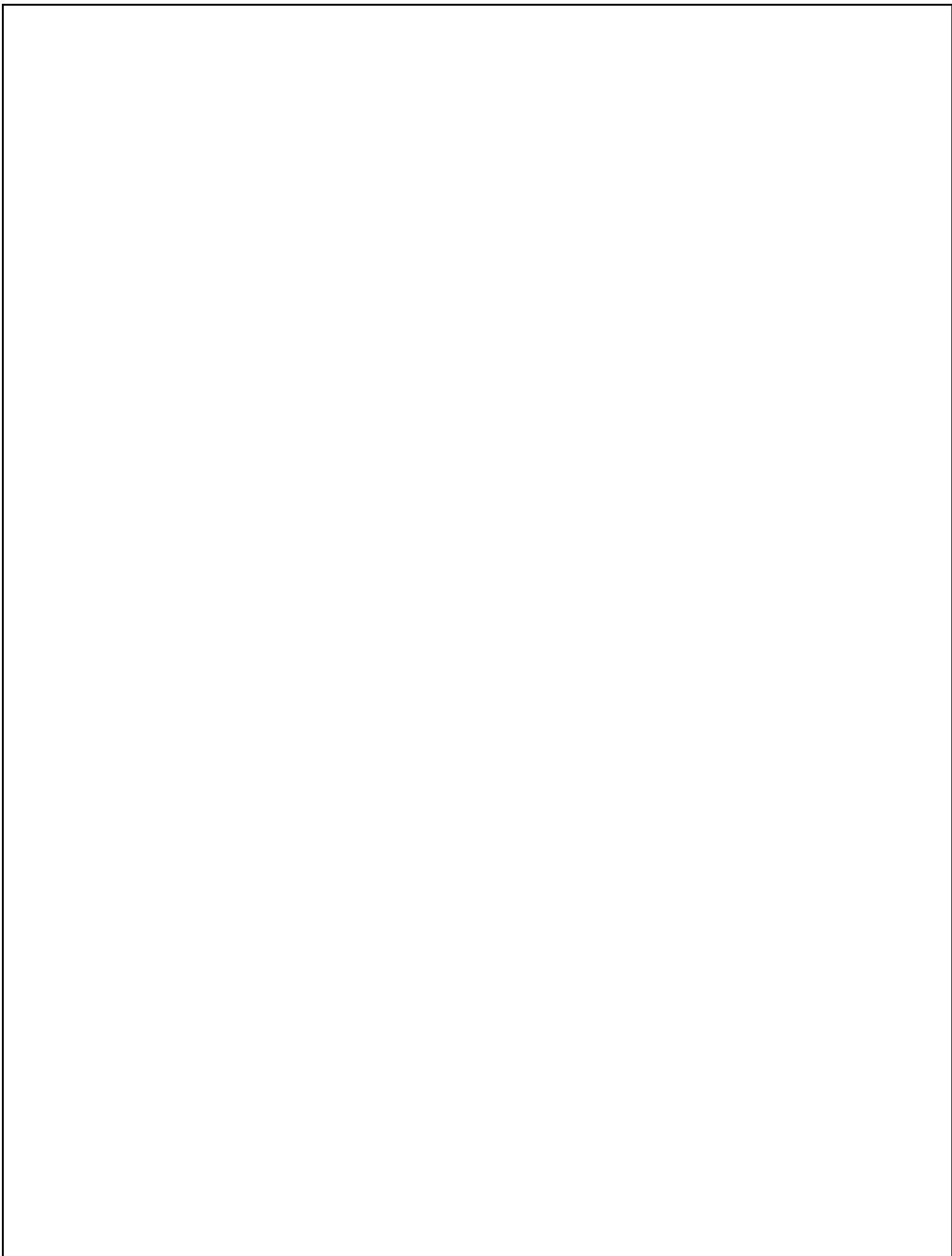




2017 TOMMY BAHAMA Travel Trailer Parts Book





2017 TOMMY BAHAMA TT

SECTION I

APPLIANCE

<u>Air Conditioners</u>	I-1
<u>Air Conditioner Drain Kit</u>	I-1
<u>Air Conditioner Deflector</u>	I-1
<u>Furnace</u>	I-1
<u>Water Heater</u>	I-2
<u>Range & Cooktop</u>	I-2
<u>Microwave</u>	I-2
<u>Refrigerator</u>	I-2

EXTERIOR SHELL

<u>Front End</u>	I-3
<u>Aft End</u>	I-5
<u>Wall, Roadside, 27FB.</u>	I-7
<u>Wall, Curbside, 27FB.</u>	I-9
<u>Roof</u>	I-9
<u>Wrap Protectors & Holdbacks</u>	I-9

INTERIOR SHELL

<u>Interior Skin</u>	I-13
<u>Wheel Well Insulator</u>	I-13
<u>Main Door Threshold</u>	I-13

CHASSIS

<u>Axles</u>	I-14
<u>Shocks</u>	I-14
<u>Tires & Wheels</u>	I-14
<u>Spare Tire & Wheel</u>	I-14
<u>Hitch Coupler</u>	I-14
<u>Bumper End Caps</u>	I-14
<u>Battery Box</u>	I-15
<u>Hose carrier</u>	I-15
<u>Underbelly</u>	I-15
<u>Bumper & Storage</u>	I-15
<u>Power Jack</u>	I-16
<u>Power Stabilizing Jacks</u>	I-16
<u>Step</u>	I-16

2017 TOMMY BAHAMA TT

SECTION II

DECALS, EXTERIOR TRIM

<u>Decals & Medallions</u>	II-1
<u>Beltline Trim</u>	II-1
<u>Rub Rail Trim</u>	II-1
<u>Reflectors</u>	II-1

DOORS, WINDOWS, AWNINGS

<u>Main Door, RH Hinge</u>	II-2
<u>Screen Door</u>	II-4
<u>Refrigerator Access Door</u>	II-6
<u>Water Heater Access</u>	II-6
<u>Furnace Access Door</u>	II-6
<u>Water Fill Access Door</u>	II-6
<u>Front Access Door, Long</u>	II-6
<u>Hatch Door</u>	II-7
<u>Hatch Door Struts</u>	II-9
<u>Screen Door, Rear</u>	II-9
<u>Windows</u>	II-10
<u>Vista View Windows</u>	II-10
<u>Window Screens</u>	II-10
<u>Window Trim Rings</u>	II-10
<u>Panoramic Window Trim</u>	II-11
<u>Window Parts Diagram</u>	II-12
<u>Window Stone guard</u>	II-14
<u>Awnings, Windows</u>	II-15
<u>Awnings, Patio</u>	II-15
<u>Power Awnings, Patio</u>	II-15

DRAPES & SHADES

<u>Drapes & Shades</u>	II-16
<u>Drapes & Shades Hardware</u>	II-17

2017 TOMMY BAHAMA TT

SECTION II

ELECTRICAL

110 Volt

<u>Shoreline Cord & Inlet</u>	II-18
<u>Power Converter</u>	II-18
<u>Breakers</u>	II-18
<u>Generator Prep</u>	II-18
<u>Inverter</u>	II-18
<u>Ice Maker</u>	II-19
<u>Junction Boxes</u>	II-19
<u>Receptacles and USB Ports</u>	II-19

ELECTRICAL

12 Volt

<u>Battery</u>	II-20
<u>7-Way Cable</u>	II-20
<u>Breakaway Switch</u>	II-20
<u>Battery Disconnect</u>	II-20
<u>Tank Monitor System</u>	II-20
<u>Wireless Backup Camera</u>	II-20
<u>Solar Charging System</u>	II-21
<u>Fuses</u>	II-21
<u>Switches</u>	II-21
<u>Breakers</u>	II-22
<u>Door Bell</u>	II-22
<u>Exterior Lights</u>	II-22
<u>Interior Lights</u>	II-22
<u>License Plate</u>	II-22
<u>Taillight Assembly</u>	II-23

ENTERTAINMENT

<u>Audio</u>	II-24
<u>Video</u>	II-24
<u>Lounge TV</u>	II-25
<u>Bedroom TV</u>	II-25
<u>Blu-Ray Player</u>	II-25

2017 TOMMY BAHAMA TT

SECTION III

FLOOR COVERING

<u>Floor Coverings</u>	III-1
<u>Furniture & Cushion Batting</u>	III-1

FURNITURE

INTERIOR DOORS

<u>Shower Door</u>	III-2
<u>Foldette Door</u>	III-2
<u>Roof Locker Doors</u>	III-2
<u>Wardrobe Door</u>	III-2
<u>Dividing Curtain</u>	III-2

MIRRORS, DRAWER BOXES, SLIDES

<u>Mirrors</u>	III-3
<u>Drawer Boxes</u>	III-3
<u>Drawer Slides</u>	III-3

BEDROOM

<u>Bed, Queen</u>	III-4
<u>Night Stands</u>	III-6
<u>Bedroom Closeout</u>	III-8
<u>Roof Locker</u>	III-9
<u>Dividing Curtain</u>	III-10

LAVATORY

<u>Bath Module</u>	III-11
<u>Lavatory Door</u>	III-13
<u>Shower Compartment</u>	III-14
<u>Lavatory Top</u>	III-15
<u>Lavatory Cabinets</u>	III-16
<u>Medicine Cabinet</u>	III-18
<u>Wardrobe</u>	III-20

2017 TOMMY BAHAMA TT

SECTION III

GALLEY

<u>Galley Top</u>	III-24
<u>Galley Cabinets</u>	III-25
<u>Flip-Up Shelf</u>	III-28
<u>Roof Locker</u>	III-29
<u>Refrigerator Cabinet</u>	III-30
<u>Pantry</u>	III-31

LOUNGE

<u>Lounge Bar</u>	III-33
<u>Dinette Table</u>	III-36
<u>Dinette Seats</u>	III-37
<u>Sofa</u>	III-39
<u>Roof Locker</u>	III-40

HARDWARE

<u>Main Door Lock</u>	III-41
<u>Exterior Latches, Locks, & Handles</u>	III-42
<u>Lock & Hinge, Hatch Door</u>	III-43
<u>Window, Opening</u>	III-44
<u>Interior Latches & Handles</u>	III-45
<u>Interior Hinges</u>	III-46
<u>Exterior Hinges</u>	III-46
<u>Bath Accessories</u>	III-46
<u>Wardrobe Cabinet</u>	III-47
<u>Clothes Line</u>	III-47
<u>Galley Cabinet</u>	III-47
<u>Keys & Key Holder</u>	III-47
<u>Tommy Bahama Product Package</u>	III-47
<u>Cooler</u>	III-47
<u>Awning Hardware</u>	III-48
<u>Rivets</u>	III-50
<u>Screws</u>	III-50

LABELS & TAGS

<u>Labels and Tags</u>	III-51
------------------------------	--------

SAFETY EQUIPMENT

<u>Detectors & Fire Extinguishers</u>	III-52
---	--------

2017 TOMMY BAHAMA TT

SECTION IV

PLUMBING

LPG SYSTEMS

<u>LPG System</u>	IV-1
<u>LP Tank & Cover</u>	IV-2
<u>Propane Port, Exterior</u>	IV-2

FRESH WATER

<u>Fresh Water Tank</u>	IV-3
<u>Fresh Water Tank Fill</u>	IV-3
<u>City Water Hook-Up</u>	IV-3
<u>Water Pump</u>	IV-3
<u>Fresh Water Fittings</u>	IV-4
<u>Faucets</u>	IV-5
<u>Fresh Water Lines</u>	IV-10

DRAIN SYSTEMS

<u>Drain Tanks & Pan</u>	IV-11
<u>Toilet Flange</u>	IV-11
<u>Sinks</u>	IV-11
<u>Shower Stall</u>	IV-11
<u>Black Tank Flush</u>	IV-11
<u>Drain, Above Floor</u>	IV-12
<u>Dump Valve</u>	IV-13
<u>Drain Fittings</u>	IV-14
<u>Toilet</u>	IV-15

SEALERS, GASKETS, PAINT

<u>Sealers</u>	IV-17
<u>Gaskets</u>	IV-17
<u>Paint</u>	IV-17
<u>Gasket Kits</u>	IV-18
<u>Tape & Microwave Insulation</u>	IV-18

2017 TOMMY BAHAMA TT

SECTION IV

BEDDING, PILLOWS

<u>Mattress & Sheet Set</u>	IV-19
<u>Pillows</u>	IV-19
<u>Tommy Bahama Bed & Bath Package</u>	IV-19

UPHOLSTERY, FOAM, ULTRALEATHER

<u>Sofa, Dinette Cushions</u>	IV-20
-------------------------------------	-------

VENTS, FANS

<u>Bathroom Vent</u>	IV-21
<u>Range exhaust</u>	IV-21
<u>Refrigerator Vent</u>	IV-21
<u>Black Tank Vent</u>	IV-21
<u>Roof Vent</u>	IV-21

SKYLIGHTS

<u>Skylight, Lounge</u>	IV-22
<u>Skylight, Bath</u>	IV-22

PANELING, EDGEBANDING, LAUAN

<u>Paneling</u>	IV-23
<u>Edgebanding</u>	IV-23
<u>Lauan</u>	IV-23
<u>Plywood</u>	IV-23

TRIM

<u>Trim</u>	IV-24
-------------------	-------

2017 TOMMY BAHAMA TT APPLIANCES

Air Conditioner

690323-48	Air conditioner, 15,000 BTU w/heat pump
690323-47	Air conditioner, 13,500 BTU w/heat pump
690323-44	Comfort control center II thermostat, White
382160	Grommet, Flexible vinyl
115635	Bracket, Short, A/C mounting
115634	Bracket, Long, A/C mounting
203788	Shoulder spacer, .75", Nylon
382276-01	Register, Adjustable direction, Brushed Stainless Steel
382341	Grill, Return air, Snap in
382342	Filter, Wire mesh

Air Conditioner Drain Kit

203724	Kit, A/C drain
203722	Gasket, A/C drain

Air Conditioner Deflector

104948	Air deflector, A/C to refrigerator vent
--------	---

Furnace

690664-01	Furnace, 25K BTU, Hydro Flame
690664-05	Furnace exterior door & bezel, Painted Aluminum
602394-03	Register, 4", Black
602394-04	2" Adapter, Black
690429	2" round louver, Black
600526	Flange, 4"
600193	2" duct, flexible hose
600247	4" hose, Heat duct
968202	Furnace stand

2017 TOMMY BAHAMA TT APPLIANCES

Water Heater

690602	Water Heater, 6 gallon, Gas/electric
690209	Water heater access cover, Brushed Aluminum
512480-01	Water heater switch, Black
967194	Water heater stand

Range & Cooktop

690672-01	Cooktop w/glass top, 3 burner, Stainless Steel
690672-02	Oven w/glass top, 3 burner, Stainless Steel
512210	Range hood, Baraldi
511017-11	Exterior vent, Gray
115175	Duct, Range exhaust transition
454590	Extension, Range vent

Microwave

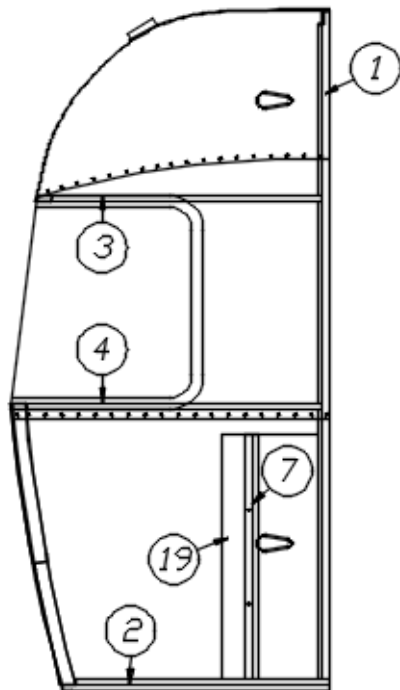
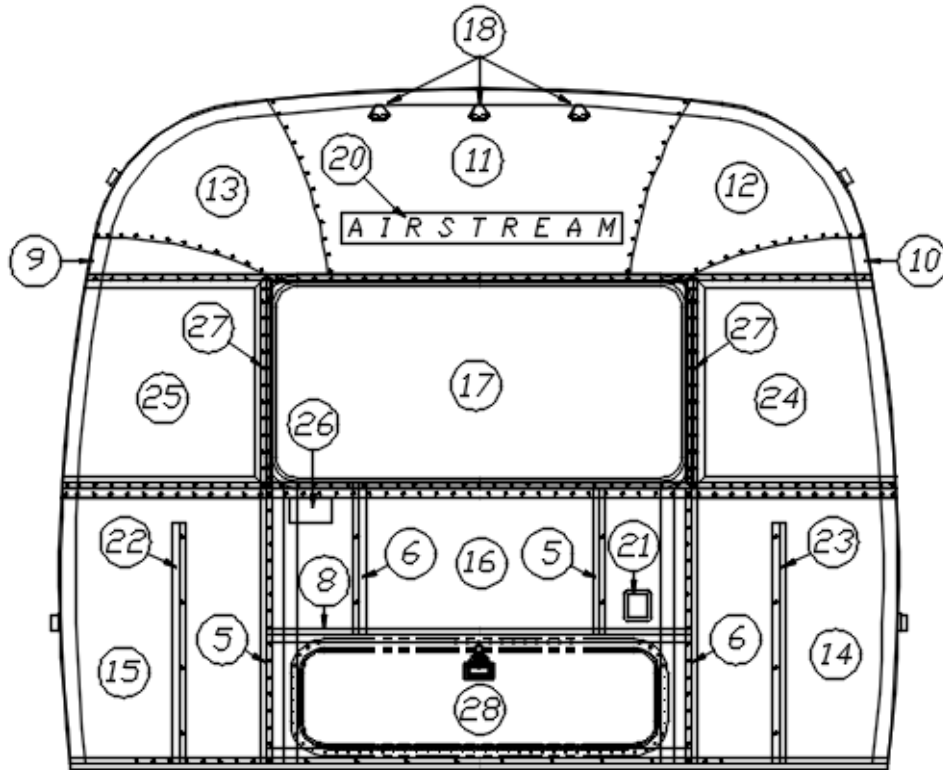
690648-02	Microwave, .7 CF, Stainless Steel, Contoure
690605-03	Microwave, Convection, Cuisinart, SS
690605-04	Trim ring, SS

Refrigerator

690574-02	Refrigerator, 7 CF, RH
101394	Cover, Refrigerator vent, Large
100341	Collar, Refrigerator vent, Large
381830	Wiper, Rubber, 1.125" x 2"
965934-05	Insert, Upper, 23.75 x 17
965934-06	Insert, Lower, 23.75 x 32.38

2017 TOMMY BAHAMA TT EXTERIOR SHELL

Front End, 27FB



Parts Listed on Next Page

2017 TOMMY BAHAMA TT

EXTERIOR SHELL

Front End, 27FB

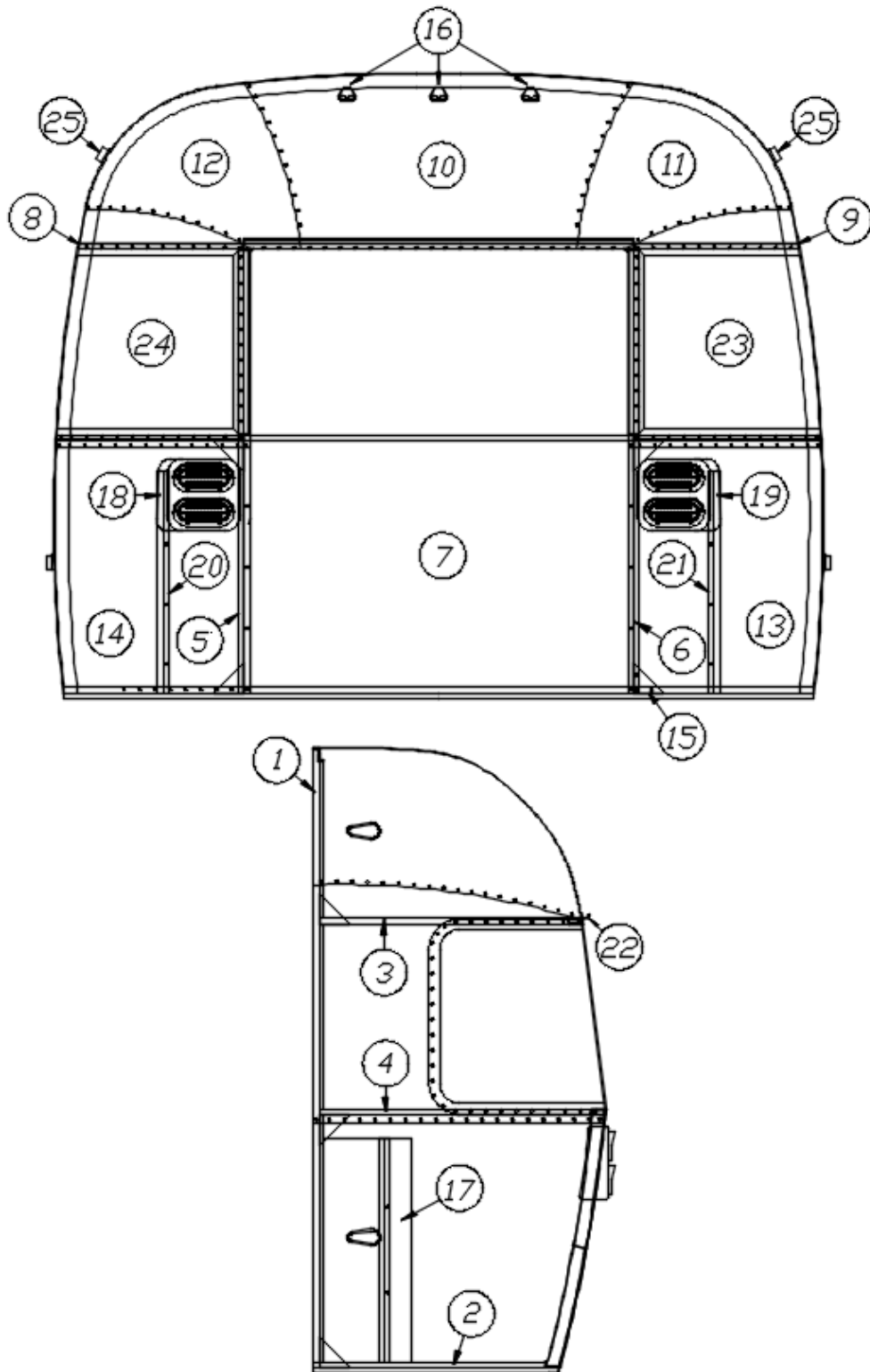
921244-01

Front Shell w/Panoramic Windows

1. 114993 Weldment, Zero bow, "WB"
2. 114676 Bow, Floor, Altered
3. 114678 Bow, Upper window, Altered
4. 114677 Bow, Lower window, Altered
5. 114505-01 Support, Lower end, LH
6. 114505-02 Support, Lower end, RH
7. 101315 Vertical brace, Rear
8. 104408 Z-rib
9. 114888 Segment, Center left
10. 114889 Segment, Center right
11. 114893 Segment, #25, WB
12. 114890 Segment, #26
13. 114891 Segment, #27
14. 114894 Segment, #28
15. 114895 Segment, #29
16. 114880-307 Aluminum sheet, .04" x 51" x 307"
17. 371346-02 Window, 49.63" x 24.19", Silver handles
18. 512859 LED clearance light, Amber
19. 114849-06 Aluminum sheet, .06" x 26" x 8', Black
20. 386272 Decal, "AIRSTREAM", Black Chrome
21. 513087-02 Gen prep power inlet, Male, 30A, 125V, Gray
22. 101315-01 Vertical brace, LH
23. 101315-02 Vertical brace, RH
24. 372088-101 Panoramic window, RS front
25. 372089-101 Panoramic window, CS front
26. 386118 Label, LP gas tri-warning
27. 454910 Support, Wrap window
28. 922288-02 Trunk door only w/round corners
- 100029 Trim, Wrap around window

2017 TOMMY BAHAMA TT EXTERIOR SHELL

Aft End, 27FB



Parts Listed on Next Page

2017 TOMMY BAHAMA TT EXTERIOR SHELL

Aft End, 27FB

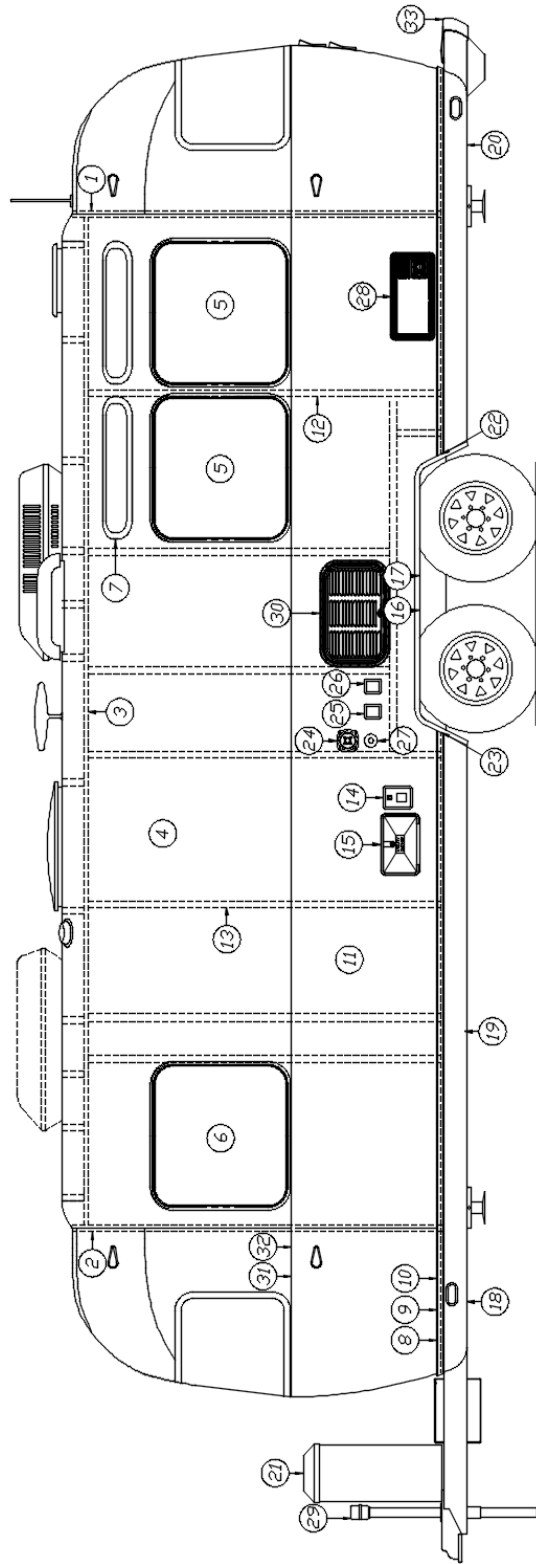
923059

Aft End Shell

1. 114993 End bow
2. 114676 Floor bow
3. 114678 Upper window bow
4. 114677 Lower window bow
5. 114505-01 Support, Lower end, LH
6. 114505-02 Support, Lower end, RH
7. 967683 Hatch door
8. 114888 Segment, Center left
9. 114889 Segment, Center right
10. 114893 Segment, #25
11. 114890 Segment, #26
12. 114891 Segment, #27
13. 114894 Segment, #28
14. 114895 Segment, #29
15. 454711 Gusset, Rear
16. 512928 Curved bezel w/gasket, Required for 3 top lights
17. 114849-06 Aluminum sheet, .06" x 26" x 8', Black
18. 952929-01 Tail light assembly, RS
19. 952929-02 Tail light assembly, CS
20. 101315-01 Vertical brace, Rear, LH
21. 101315-02 Vertical brace, Rear, RH
22. 104837 Aluminum extrusion, Drip cap
23. 372088-101 Panoramic window, CS rear
24. 372089-101 Panoramic window, RS rear
25. 512860 Red LED clearance light

2017 TOMMY BAHAMA TT EXTERIOR SHELL

Wall, Roadside, 27FB



Parts Listed on Next Page

2017 TOMMY BAHAMA TT EXTERIOR SHELL

Wall, Roadside, 27FB

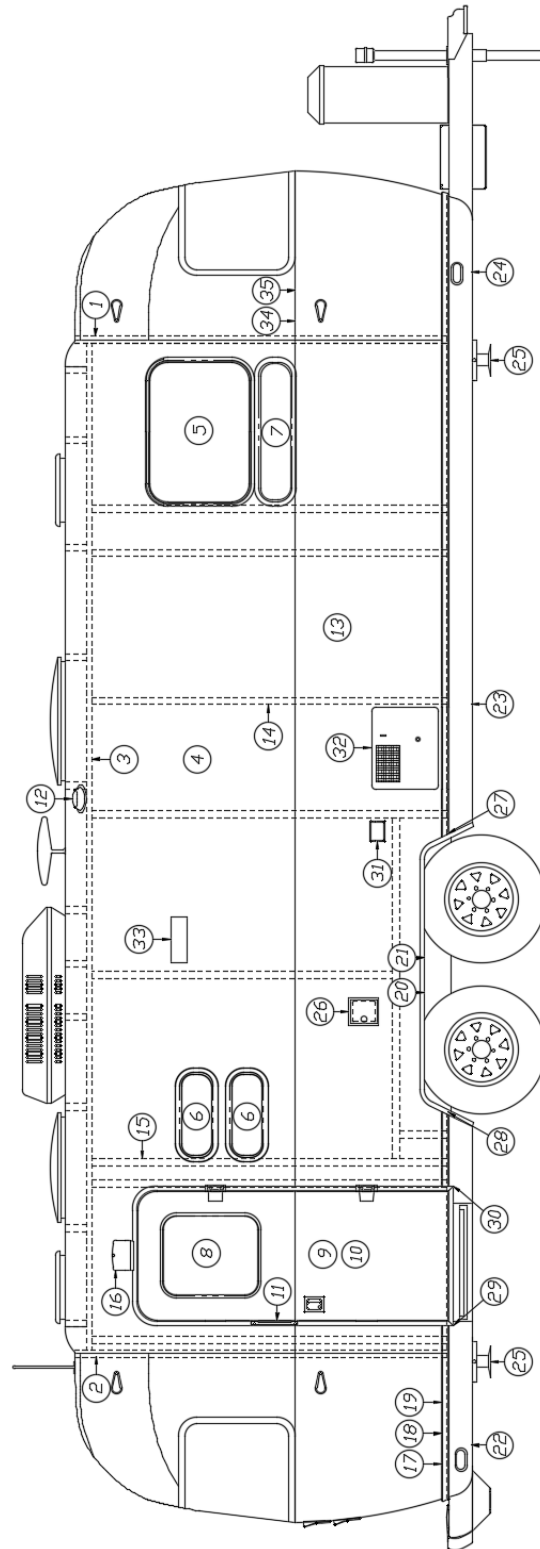
923307S

Shell Assembly

1. 114290-01 Extrusion, Awning/drip rail
2. 114993 Rib, End bow
3. 104707-01 Extrusion, "I" beam
4. 114880-238 Aluminum sheet, Upper, .04" x 51" x 238"
5. 371380 Window, 30" opening, Tall
6. 371380-01 Window, 30" egress
7. 371437-02 Vista view window, 30"
8. 115546 Extrusion, Rub rail
9. 201763-100 Insert, Rub rail, 1", Chrome
10. 100986 Floor channel
11. 114879-238 Aluminum sheet, Lower, .04" x 33" x 238"
12. 114387-01 Bow, Z-rib, RH
13. 114387-02 Bow, Z-rib, LH
14. 601194 Water fill w/lock, Gray
15. 602326-101 Exterior shower door
16. 684936 Wheel well trim, Outer, Dual axle
17. 684937 Wheel well trim, Inner, Dual axle
18. 200542-02 Banana wrap, RS front, Black
19. 101131-02 Underbelly wrap, .024" x 22.5", Black
20. 200544-02 Banana wrap, RS rear, Black
21. 921246-01 LP tank cover, Black
22. 114466-01 Casting, Rub rail, Wheel well, RH
23. 114466-02 Casting, Rub rail, Wheel well, LH
24. 601392-05 City water hook-up w/regulator, Chrome
25. 513170 Dual inlet, TV/satellite, Stainless Steel
26. 513087-02 Power inlet, Male, 30A, 125V, Gray
27. 601441-02 Black tank flush
28. 690664-05 Furnace exterior door & bezel, Painted Aluminum
29. 400961-04 Power jack, Silver
30. 923115 Refrigerator access door
31. 114328 Extrusion, Belt line molding
32. 201912-100 Molding, Belt line insert, Chrome
33. 411054 Rear bumper

2017 TOMMY BAHAMA TT EXTERIOR SHELL

Wall, Curbside, 27FB



Parts Listed on Next Page

2017 TOMMY BAHAMA TT EXTERIOR SHELL

Wall, Curbside, 27FB

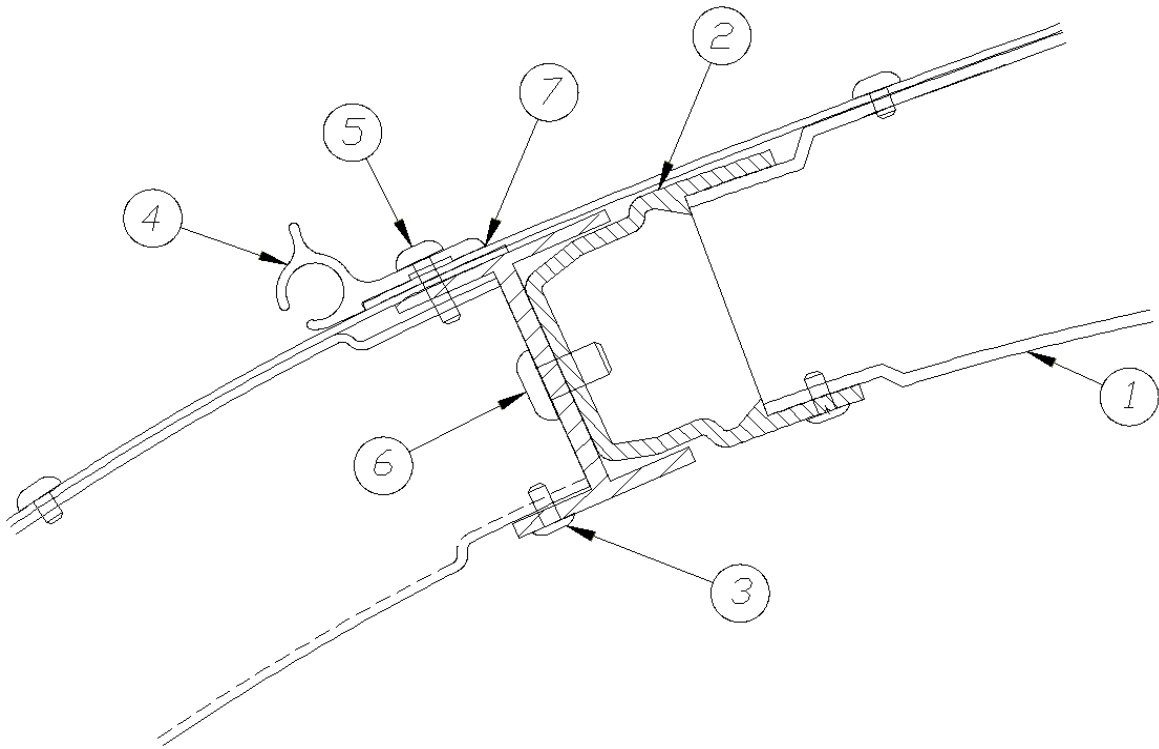
923307S

Shell Assembly

1. 114290-01 Extrusion, Awning/drip rail
2. 114993 Rib, End bow
3. 104707-01 Extrusion, "I" beam
4. 114880-238 Aluminum sheet, Upper, .04" x 51" x 238"
5. 371324-02 Window, 30" opening
6. 371436 Window, 18" stack
7. 371435 Window, 30" stack
8. 371400-01 Window, Main door
9. 114654-01 Screen door
10. 115207-05 Main door
11. 114652-01 Jamb, main door
12. 690266-06 Power roof vent w/o garnish
13. 114879-238 Aluminum sheet, Lower, .04" x 33" x 238"
14. 114387-01 Bow, Z-rib, RH
15. 114387-02 Bow, Z-rib, LH
16. 994165 Entrance light
17. 115546 Extrusion, Rub rail
18. 201763-100 Insert, Rub rail, 1", Chrome
19. 100986 Floor channel
20. 684936 Wheel well trim, Outer, Dual axle
21. 684937 Wheel well trim, Inner, Dual axle
22. 200545-02 Banana wrap, CS rear, Black
23. 101131-02 Underbelly wrap, .024" x 22.5, Black
24. 200543-02 Banana wrap, CS front, Black
25. 401014 Power stabilizing jacks w/switch
26. 115640 Stabilizer jack switch box
27. 114466-01 Casting, Rub rail, Wheel well, RH
28. 114466-02 Casting, Rub rail, Wheel well, LH
29. 114465-02 Casting, Rub rail, Door, LH
30. 114465-01 Casting, Rub rail, Door, RH
31. 512741 Water proof cover w/gasket, Gray
32. 690209 Water heater access cover, Brushed Aluminum
33. 511017-11 Exterior vent, Gray
34. 114328 Extrusion, Belt line molding
35. 201912-100 Molding, Belt line insert, Chrome

2017 TOMMY BAHAMA TT EXTERIOR SHELL

Roof



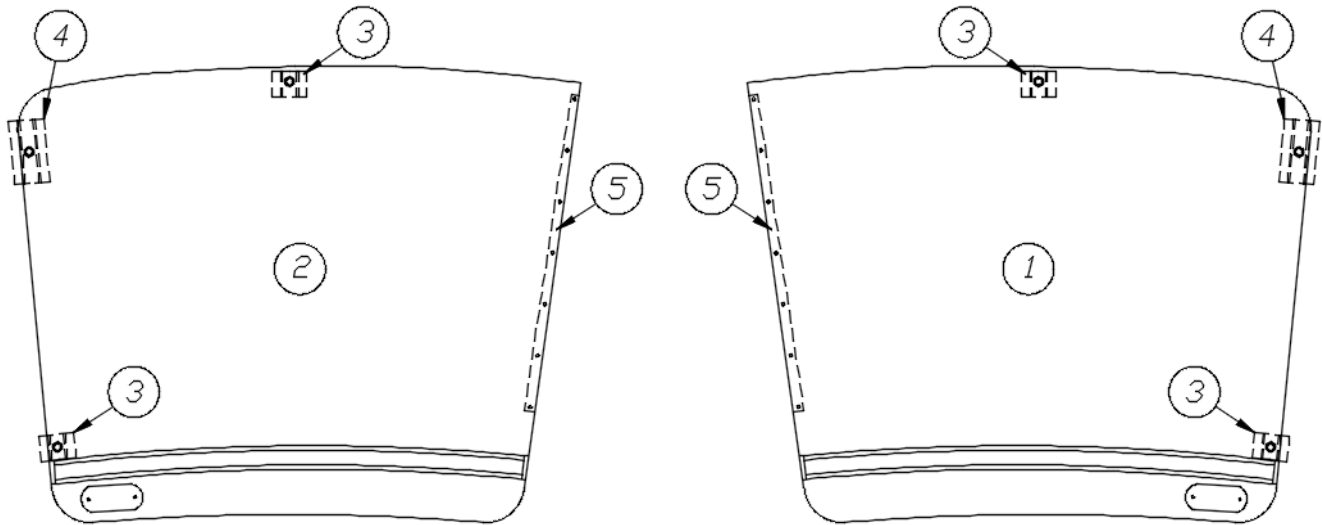
923202S

Roof Assembly

- | | |
|--------------|---|
| 1. 115586 | Roof bow, WB |
| 2. 114987-01 | Extrusion, Roof Corner |
| 3. 330127-03 | Rivet 1/8" (Mill) AD43ABS |
| 4. 114290-01 | Extrusion, Awning/Drip Rail, 197" |
| 5. 325003-03 | Rivet, 1/8 x 7/16, White |
| 6. 330139-01 | Rivet, Magnalok SS 1/4" |
| 7. 365330-05 | Adseal, Awning rail, 10.3oz tube |
| 115727-238 | Aluminum sheet, .032" x 72" x 238", White |
| 115571 | Z rib, 3" |
| 115593 | Transition cap, Stretched formed, WB |

2017 TOMMY BAHAMA TT EXTERIOR SHELL

Wrap Protectors & Holdbacks



109325-100
966276
966277

Wrap Protector, Set
Wrap Protector, CS
Wrap Protector, RS

109325-02
685365-100
685366-100

Wrap Protector, Set, CSA
Wrap Protector, CS, CSA
Wrap Protector, RS, CSA

- | | |
|--------------|--------------------------------|
| 1. 454303 | RS protector wrap cutout |
| 2. 454303-01 | CS protector wrap cutout |
| 3. 114819-02 | Wrap protector hold back, 2" |
| 4. 114819-03 | Wrap protector hold back, 5" |
| 5. 381605-03 | Piano hinge, Stainless Steel |
| 100742-01 | Extrusion, Mirror trim |
| 115546 | Extrusion, Rub rail |
| 201709-02 | Extrusion, Trim molding, Black |
| 114465-01 | Casting, Rub rail, RH |
| 114465-02 | Casting, Rub rail, LH |
| 685343 | Gusset, Corner |
| 500096 | Reflector, Amber |

2017 TOMMY BAHAMA TT

INTERIOR SHELL

Interior Skin

114880-238	Aluminum sheet, .04" x 51" x 238"
114880-262	Aluminum sheet, .04" x 51" x 262"
114879-262	Aluminum sheet, .04" x 33" x 262"
115609-238	Aluminum sheet, .04" x 45" x 238"
114890-01	Interior segment, Front CS, Rear RS
114891-01	Interior segment, Front RS, Rear CS
114893-01	Interior segment, Center wide

Wheel Well Insulator

200514	Wheel well insulator, Interior, Tandem
203740	Insulation, Fiberglass

Main Door Threshold

115565	Extrusion, Threshold
100097	Extrusion, Aluminum track
382290-01	End cap, Threshold, RH
382290-02	End cap, Threshold, LH

2017 TOMMY BAHAMA TT CHASSIS

Axles

410980-02	Axle, 3800 LBS, Nev-R-Adjust
410980-102	12" LH Nev-R Adjust Brake Assembly
410980-103	12" RH Nev-R Adjust Brake Assembly

Shocks

0220003	Shock absorber
0250173-15	Bolt, Grade 5, 5/8"-18 x 1.5", Shock mount
0130068-818	Nut, Hex head, Flanged, 5/8", 18, Shock mount

Tires & Wheels

410840-02	Tire & Wheel assembly, 15"
411052	Tire only, ST225/75R15, Goodyear Endurance
400844-01	Center cap, Stainless Steel
400923	Lug nut, .5", Acorn type

Spare Tire & Wheel

410843-02	Spare tire & wheel assembly, 15" "E"
410843-100	Wheel, 15", Steel
450414	"A" frame spare tire carrier
994073	Spare tire carrier bracket

Hitch Coupler

680343-01	Marvel coupler, 2-5/16"
680345	Repair kit

Bumper End Caps

382289-01	Bumper end cap, Right hand
382289-02	Bumper end cap, Left hand

2017 TOMMY BAHAMA TT CHASSIS

Battery Box

410551-02	Lid, Battery box
380203-01	Piano Hinge, 1/8"
330127-08	Rivet 1/8" (Mill)
325035	Chicago rivets
381430	Lock, Twist straight cam 1.75"

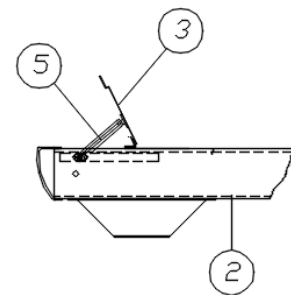
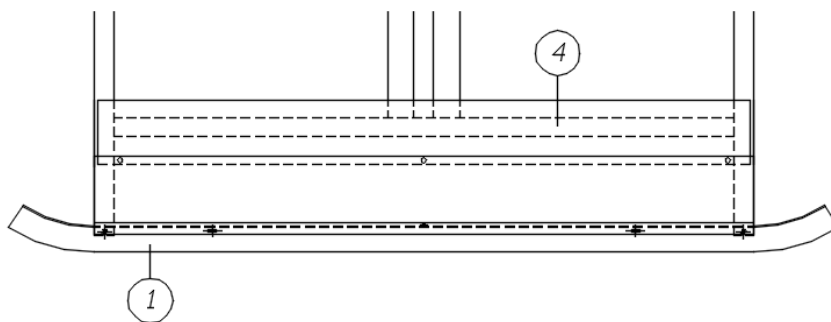
Hose carrier

602619-02	EZ hose carrier, 64", Black
104704-01	Shim, 3" x 3"

Underbelly

115684	Aluminum underbelly, .035" x 65.75", coil
101131-02	Underbelly wrap, .024" x 22.5, Black
200542-02	Banana wrap, RS front, Black
200543-02	Banana wrap, CS front, Black
200544-02	Banana wrap, RS rear, Black
200545-02	Banana wrap, CS rear, Black

Bumper & Storage



1. *411054	Rear bumper
2. 453538	Bottom, Sewer hose compartment
3. 453497-01	Lid, Rear hose carrier, Black
4. 114849-06	Aluminum sheet, .06" x 36" x 8', Black
5. 380024	Arm support, RH
380203-02	Piano Hinge
382456	Swell latch

*Replaced 410831 in December 2016

2017 TOMMY BAHAMA TT CHASSIS

Power Jack

400961-04	Atwood Power Jack
400961-03	Power jack drop foot
400961-110	Crank handle

Power Stabilizing Jacks

401014	Power stabilizing jacks w/switch
401014-100	Crank handle
401014-101	Motor
401014-102	Switch, Extend/retract
115640	Switch box, Stabilizer jacks, Lockable

Step

3440006	Double step assembly
100298	Step release
0440032	Step spring
454616	Step support strip
380069	Thread step, 8 x 18.5

2017 TOMMY BAHAMA TT DECALS, EXTERIOR TRIM

Decals & Medallions

386068	Medallion, 3", screen door
386320	Nameplate, "Tommy Bahama"
386272	Decal, "AIRSTREAM", Black Chrome
365384	Decal, Proudly made in the USA
386317	Kit, Perf film, Tommy Bahama scene
386317-01	Perf film, RS window
386317-02	Perf film, Center window
386317-03	Perf film, CS window

Beltline Trim

114328	Extrusion, Beltline molding
201912-100	Molding, Beltline insert, Chrome
114417	Casting, Beltline closeout

Rub Rail Trim

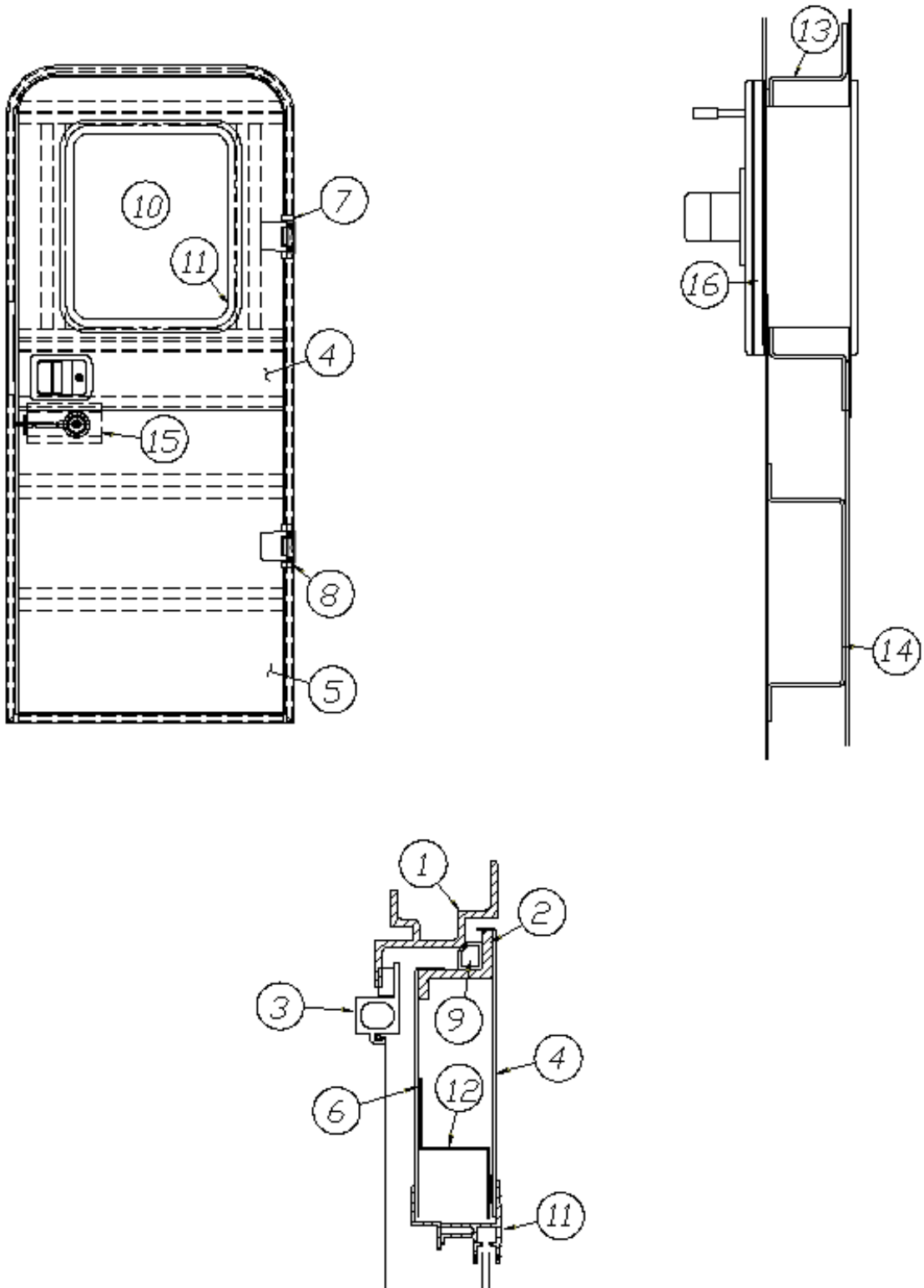
115546	Extrusion, Rub rail
201763-100	Insert, Rub rail, 1", Chrome
114466-01	Closeout, Casting, Rub rail, Angled, RH
114466-02	Closeout, Casting, Rub rail, Angled, LH
114465-01	Closeout, Casting, Rub rail, RH
114465-02	Closeout, Casting, Rub rail, LH

Reflectors

500095	Reflector, Red rectangular
500096	Reflector, Amber
510446	Reflector, Red, Stick-on

2017 TOMMY BAHAMA TT EXTERIOR DOORS

Main Door, RH Hinge



Parts Listed on Next Page

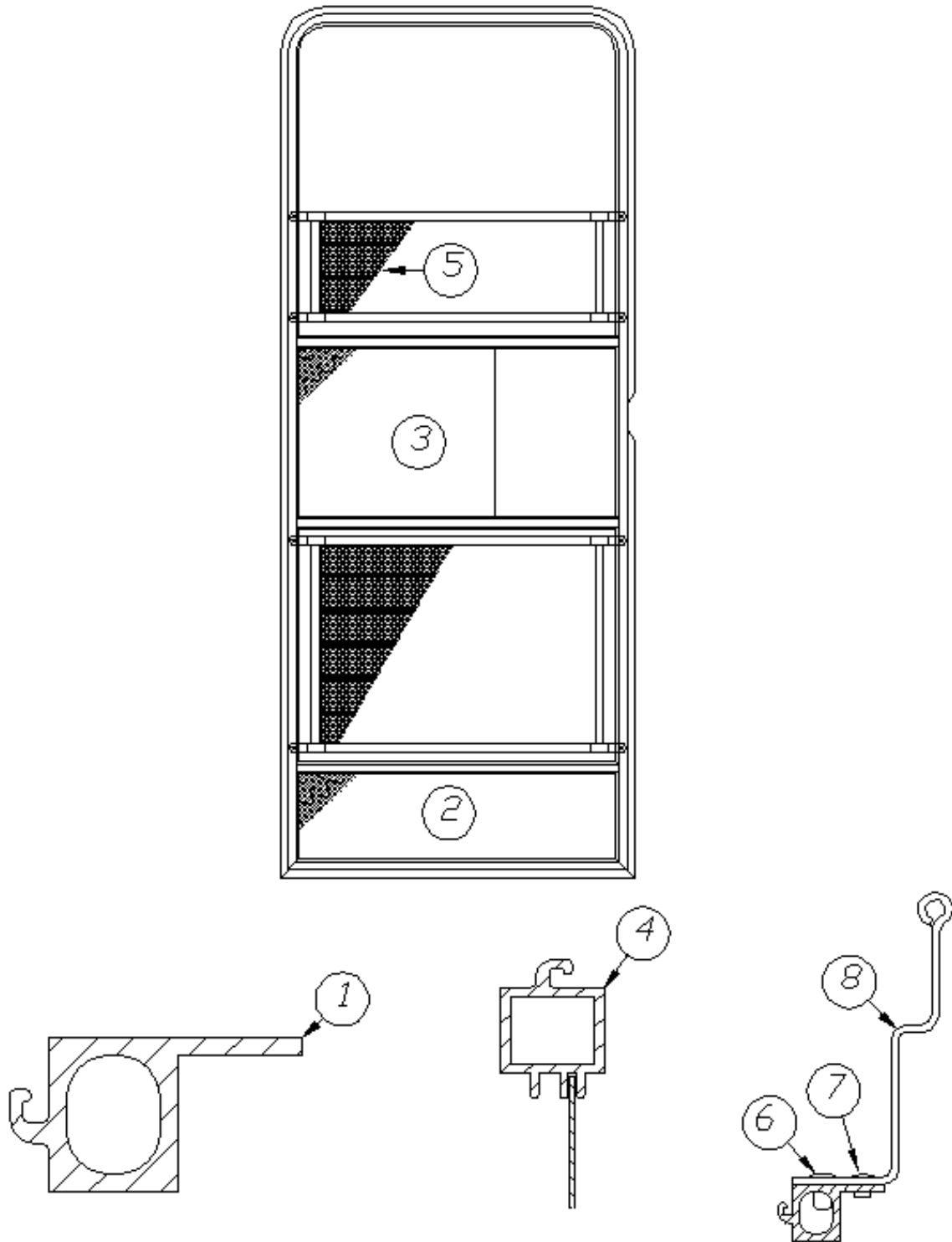
2017 TOMMY BAHAMA TT EXTERIOR DOORS

Main Door, RH Hinge

115207-05	Main Door, RH Hinge
1. 114652-01	Jamb, Main door, Pre-formed
2. 114653-01	Frame, Main door, Pre-formed
3. 114654-01	Screen door, RH Hinge
4. 114448-03	Skin, Exterior, Upper main door
5. 114449-03	Skin, Exterior, Lower main door
6. 114475	Main door skin, Inner
7. 381552-02	Hinge, Main door, Upper
8. 381552-01	Hinge, Main door Lower
9. 365232	Seal, Main door
10. 371400-01	Window, Main door
11. 115208	Trim ring, Main door window
12. 114658	Inner door, Z-bar, Upper & lower
13. 114657	Hat section, Formed, Main door
14. 115413	Door hat section
15. 382069	Deadbolt, Round, Trimark
16. 203370	Spacer, Trimark door Latch
385595	Pocket strike, Main door
381326	Striker w/ Trimark deadbolt
453851	Bolt, Trimark, deadbolt
114363	Drip cap, Main door
380290	Housing latch
380291	Latch
201056	Striker, Main door, Black plastic
114507-03	Trim, Main door
454898	Nut plate, Main door
365360	Gasket, Nut plate
203494	Base plate, Door latch
382130	P-gasket w/tape backing
511344-06	Grab handle w/White LED bulb

2017 TOMMY BAHAMA TT EXTERIOR DOORS

Screen Door



Parts Listed on Next Page

2017 TOMMY BAHAMA TT EXTERIOR DOORS

Screen Door

114654-01	Screen Door, RH Hinge
1. 104782-186	Extrusion, Frame
2. 114648-01	Kick panel
3. 114561-01	Panel, Slider
4. 104784-78	Extrusion, Screen door stiffener
5. 380079	Screen, Gray
6. 330130-02	Rivet, 5/32, Mill finish
7. 325122	Rivet, 5/32, Brazier head
8. 385577-02	Tape, Clear, 1-7/8" wide
380004	Handle with 8/32 x 1 screw
683946	Bug seal, Edge of screen door closeout
203287-02	Closeout, Plastic
115835-01	Screen door guard, Top
115835-02	Screen door guard, Bottom
0404-0001	Spline, Gray
381454	Screen door hold back latch, Bullet
386068	Medallion, 3" logo, AIRSTREAM
381531-01	Hinge, Upper
381531-02	Hinge, Lower

2017 TOMMY BAHAMA TT EXTERIOR DOORS

Refrigerator Access Door

923114	Refrigerator door w/screen
372264	Screen, Refrigerator door
923115	Refrigerator door w/frame
112024	Jamb, Refrigerator door
380988	Hinge, .5 Leaf, 16"
203714	Trim Lock Neoprene
381812	Twist latch, Chrome

Water Heater Access

690209	Water heater access cover, Brushed Aluminum
--------	---

Furnace Access Door

690664-05	Furnace exterior door & bezel, Painted Aluminum
-----------	---

Water Fill Access Door

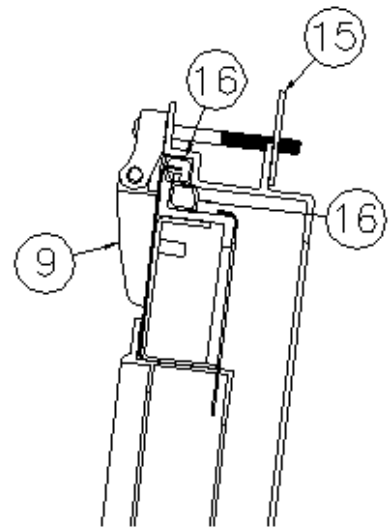
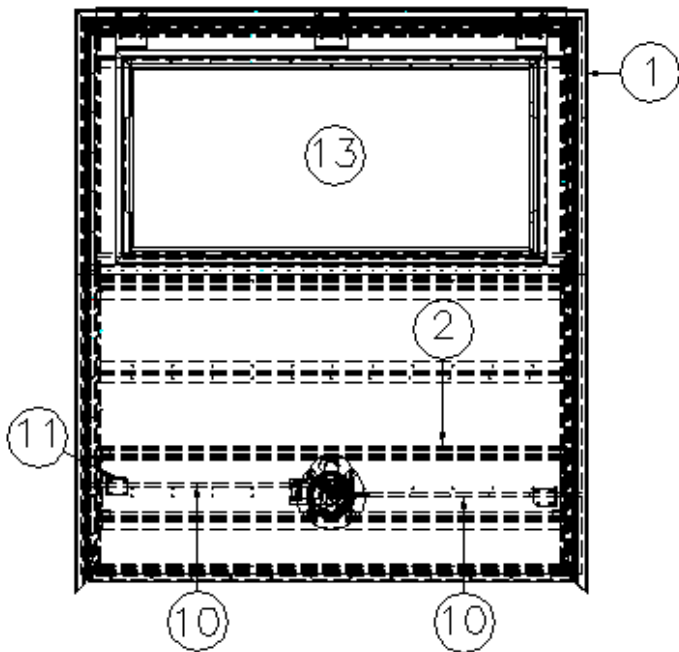
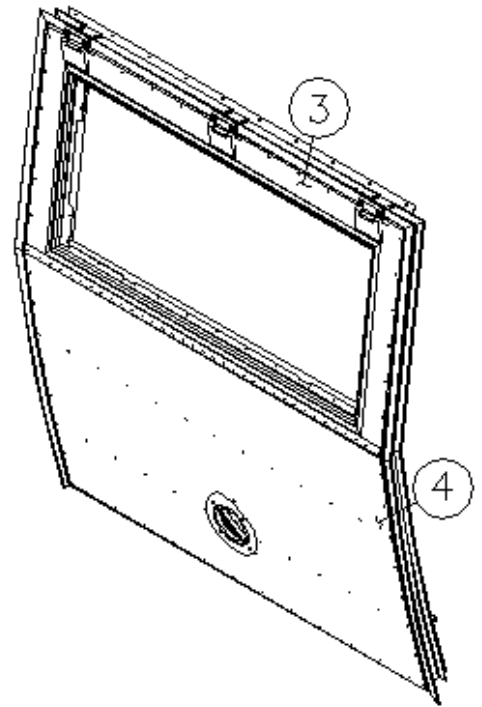
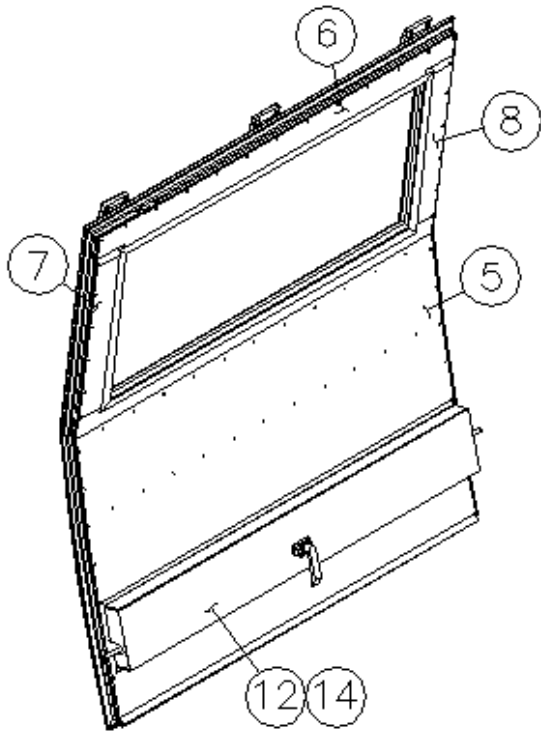
601194	Water fill door w/pocket & lock
601194-02	Cap, Cable and spout

Front Access Door, Long

922288-02	Trunk door only w/round corners
104833	Jamb, long side access door
381065-10	10" cable support
104831	Frame, Front access door
382230-02	Compression Latch w/key code
365035	Rubber seal, access door
380774-02	Hinge, Compartment door, 48.00"

2017 TOMMY BAHAMA TT EXTERIOR DOORS

Hatch Door



Parts Listed on Next Page

2017 TOMMY BAHAMA TT EXTERIOR DOORS

Hatch Door

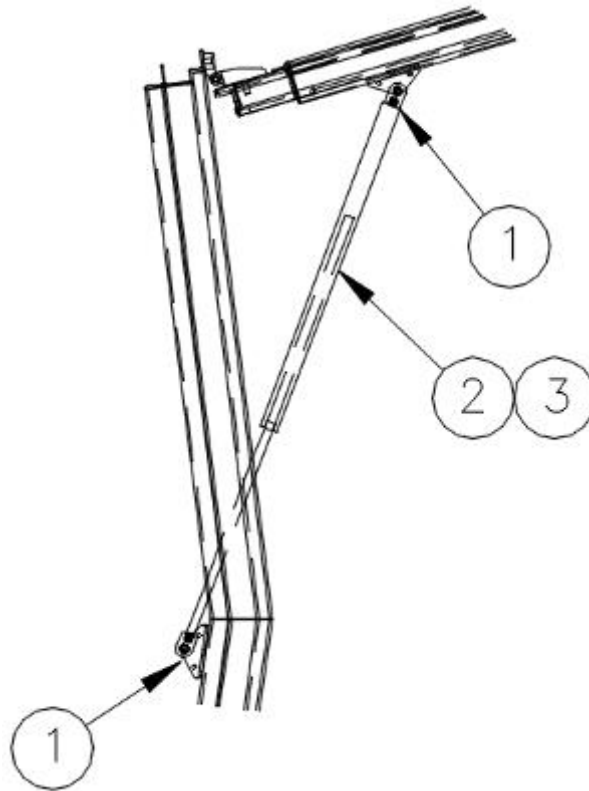
967683

Hatch Door

- | | |
|---------------|------------------------|
| 1. 115517 | Jamb, Hatch Door |
| 2. 115518 | Weldment, Frame |
| 3. 115523 | Outer skin, Upper |
| 4. 115524 | Outer skin, Lower |
| 5. 115525 | Inner skin, Lower |
| 6. 115526-01 | Inner skin, Upper |
| 7. 115526-02 | Inner skin, CS, Upper |
| 8. 115526-03 | Inner skin, RS, Upper |
| 9. 382065 | Hinge, Rear |
| 10. 382018-07 | Rods, 48" Sq. D-rings |
| 11. 382018-06 | Grommet rod guide |
| 12. 115521 | Closeout, Latch |
| 13. 371430 | Window, 40.97 |
| 14. 454862 | Cover, Finish |
| 15. 115529 | Backer, Hinge |
| 16. 365232 | Seal, Baggage door |
| 372263 | Screen, 42 x 20.5 |
| 512409 | License plate holder |
| 365355-01 | Gasket, Hinge |
| 512472 | Kit, Door jamb contact |
| 203655 | Block, Rod guide |
| 382017 | Gasket, .60" bulb seal |

2017 TOMMY BAHAMA TT EXTERIOR DOORS

Hatch Door Struts



- | | |
|--------------|------------------------------|
| 1. 382462 | Bracket, Prop w/ball |
| 2. 382084-04 | Gas spring, M8, Male thread |
| 3. 382084-02 | Socket, Gas rod |
| 330031-01 | Rivet, 3/16 x 5/8, Ssd68ssbs |

Screen Door, Rear

- | | |
|-----------|--------------------------------|
| 382150 | Screen, Pull-down retractable |
| 454859 | Closeout, Rear screen door |
| 203138-04 | Extrusion, Plastic, 1/2", Oak |
| 365232 | Seal, Baggage door |
| 382151 | Plug, Snap-in, .5" Dia., Black |

2017 TOMMY BAHAMA TT WINDOWS

Windows

371346-02	Window, 48.97" flat Front & wrap
372088-101	Panoramic window, RS front, CS rear
372089-101	Panoramic window, CS front, RS rear
371436	Window 18" stacked
371380	Window, 30" tall, Opening
371400-01	Window, Main door
371380-01	Window, 30", Egress

Vista View Windows, 30"

371437-02	Vista view window, 30"
372271-02	Glass, Vista view window
372272-02	Sash, 30" Vista View
922772-02	Backer, Vista View blind, 30"
704199-02	Shade, 31.25 x 9.5, Ash Grey

Window Screens

371349-03	Screen, Rear escape
372175-04	Screen, 30" opening window
371347-03	Screen, Square front window
372215-01	Screen, 30" tall, Opening window
372215-03	Screen, 30", Egress window

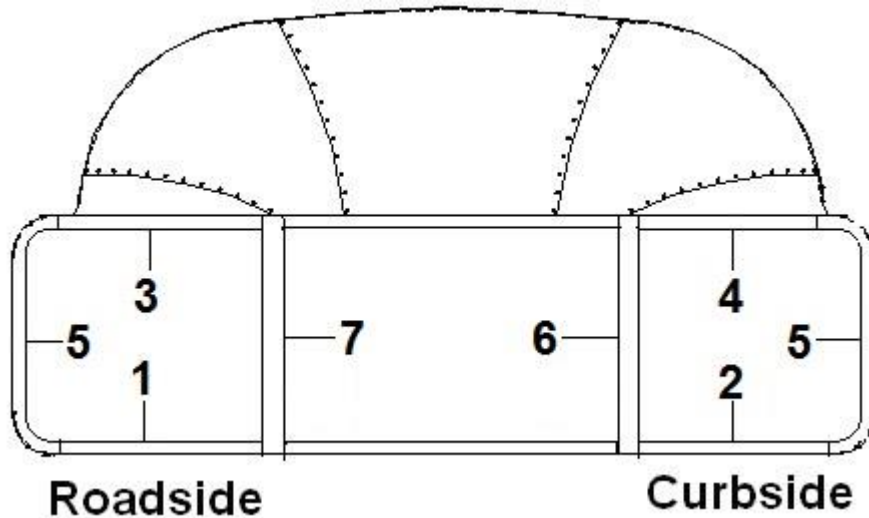
Window Trim Rings

372267	Trim ring, 30" stack window, Clear
372268	Trim ring, 18" stack window, Clear
115208	Trim ring, Main door window
*203490-04	Trim ring, 30" Vista View, Interior, silver
203961-04	Trim ring, 30" Vista View
203225-01	Trim, Gray flexible
203714	Trim lok, Neoprene

*Replaced by 203961-04 in February 2017

2017 TOMMY BAHAMA TT WINDOWS

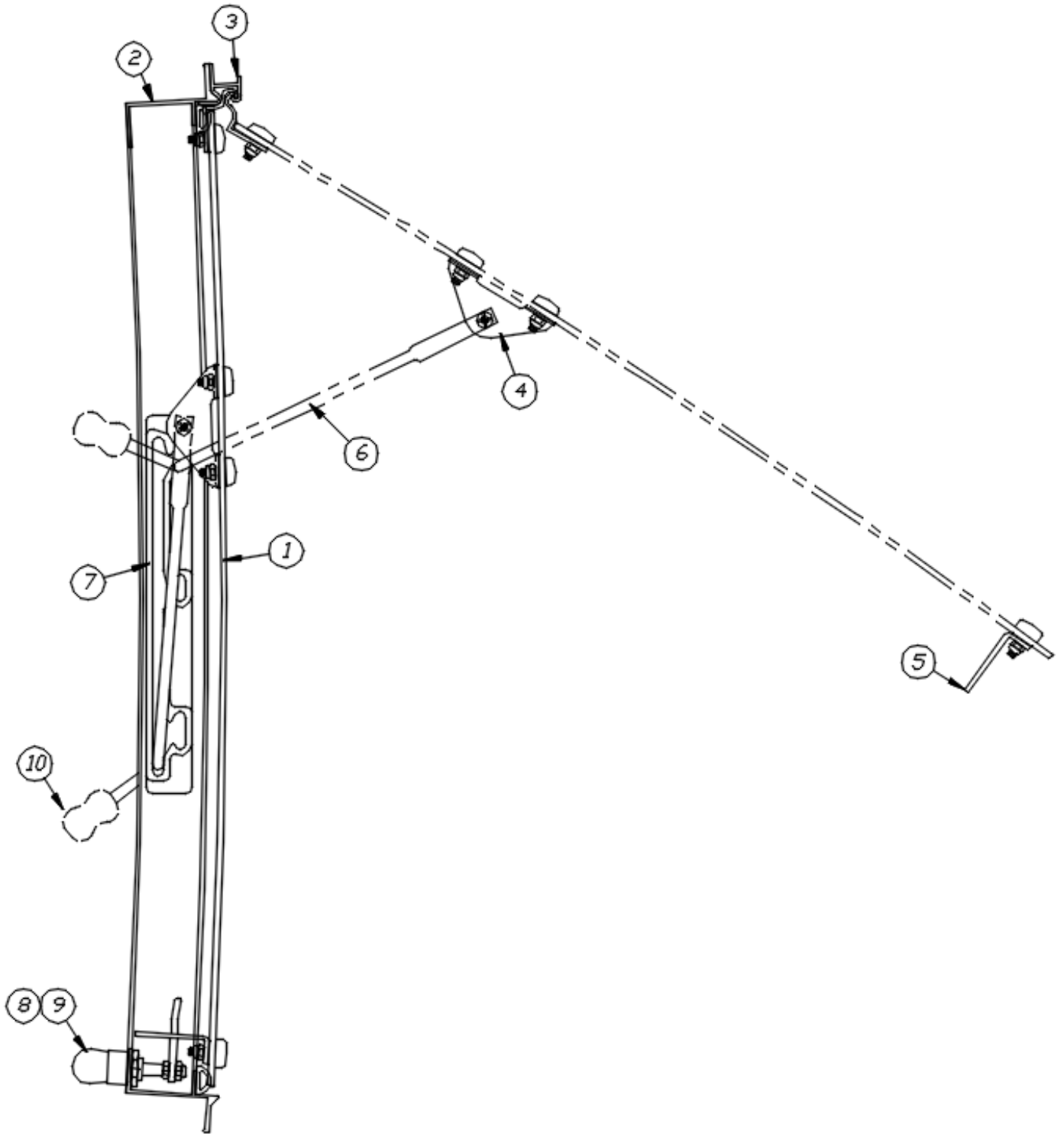
Panoramic Window Trim



- | | |
|--------------|---------------------------|
| 1. 201579-02 | Trim ring, Lower, Gray |
| 2. 201580-02 | Trim ring, Lower, Gray |
| 3. 201581-05 | Trim ring, Upper, Gray |
| 4. 201581-06 | Trim ring, Upper, Gray |
| 5. 201578-02 | End cap, Trim ring Gray |
| 6. 110900-03 | Trim formed, Aluminum, RH |
| 7. 110900-04 | Trim formed, Aluminum, LH |
| 203225-01 | Trim lok, Gray .75" |

2017 TOMMY BAHAMA TT WINDOWS

Window Parts Diagram



Parts Listed on Next Page

2017 TOMMY BAHAMA TT WINDOWS

Window Parts Diagram

371324-02	Window, 30", Opening
371380	Window, 30" tall, Opening
1. 195510-07	Glass assembly, 30" opening window
195510-93	Glass assembly, 30" tall window
2. 371447-02	Frame assembly, 30" window
371447-01	Frame assembly, 30" tall window
3. 371448-06	Extrusion, Window hinge eyebrow, Fixed, 30" window
371448-05	Extrusion, Window hinge eyebrow, Fixed, 30" window, Tall
4. 114478	Bracket, Window prop
5. 114479-01	Bracket, Window closer, RH
114479-02	Bracket, Window closer, LH
6. 382362	Opening arm, RH
382361	Opening arm, LH
7. 382360	Window guide, RH
382359	Window guide, LH
8. 382367-01	Latch assembly, Chrome
382367-02	Latch assembly, Egress, Red
9. 115780-01	Handle, Chrome
195467-05	Handle, Red
10. 380230-03	Knob, Window arm, Silver
380230-04	Knob, Window arm, Red
115776	Lock paw, Window latch
115770	Hinge stop
115778	Latch body, Zinc die cast
115779	Latch shaft
310030	Drive lock pin, 5/32 x 5/8

2017 TOMMY BAHAMA TT WINDOWS, STONE GUARDS

Window Stone Guard

110188-01	3 Piece Stone Guard
685275-101	CS wrap protector, Solar Grey, Stone guard
685275-102	RS wrap protector, Solar Grey, Stone guard
110102	Stone guard, Center piece only, Wide body
685358	Turn fast stud
685362	Retainer, Split ring
685359	Rubber receptacle
685361	Bracket for rubber receptacle
685361-01	Bracket for rubber receptacle
685363	Slip joint hinge, SS, CS per pair
683960	Arm support
683959	Arm support bracket
114749	Y-hinge
114750	J-hinge
685364	Bracket, Upper hinge, 45.375, Stoneguard
381021-01	Latch, Draw flexible
114815-01	Extrusion, Frame, Aluminum
685354	Front window key, 90° angle
685378-01	Rubber spline, 1/4"
685351	Rubber frame, Black
290812-01	Plexi-glass sheet, 1/8" x 28" x 84"
685355	Slip joint, SS hinge
101401	Extrusion, Door latch housing
381688	Bump-on

2017 TOMMY BAHAMA TT AWNINGS

Awnings, Windows

703181-61	Window awning, 52.63"
703181-62	Window awning, 18'-6.25"
385577	Wear tape, clear, 3½" wide
74041W-01	Zip Dee hook, Pull rod, 52"

Awnings, Patio

702993-53	Awning, Patio, 18'-5.25", Tommy Aloe
702993	Patio awning hardware
512918-03	LED flex light strip
115578	Doubler plate, Trailer awning

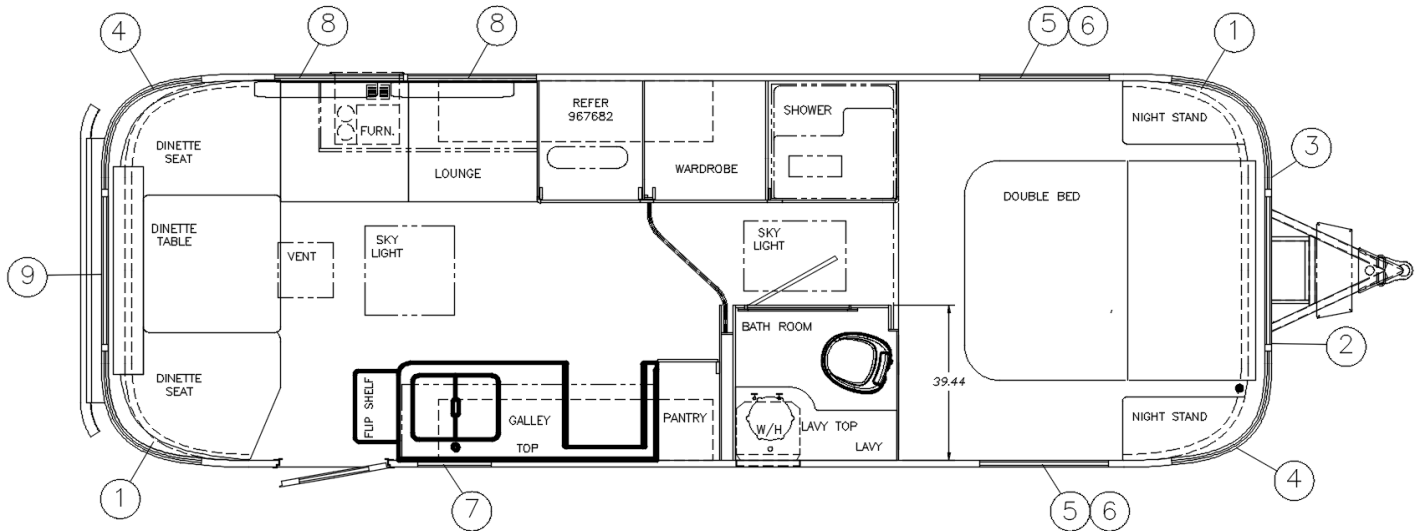
Power Awnings, Patio

704049-28	Power awning, Patio, 18'-5.25", Tommy Aloe
704049-25	Hardware kit, 65"
513049-01	Clip, Strain relief, .125"
513049-02	Clip, Strain relief, .25"
365369	Gasket, Power awning
382199	Plug, 1" hole, Nickel
382202	Grommet, Liquid Tight
512652	Power cable, Relax awning
512918-03	LED flex light strip
385577	Tape, Clear wear strip

2017 TOMMY BAHAMA TT

DRAPES, SHADES

Drapes & Shades



115843

Window Coverings Install

- | | |
|--------------|---|
| 1. 998235-03 | Drape, Side panel, 44 x 29 |
| 2. 998235-01 | Drape, Front panel, 34 x 29 |
| 3. 998235-02 | Drape, Front panel, 34 x 29 |
| 4. 998235-04 | Drape, Side panel, 44 x 29 |
| 5. 998235-06 | Drape, Left side, 19 x 34.5, Oceanair |
| 6. 998235-05 | Drape, Right side, 19 x 34.5, Oceanair |
| 7. 704353-02 | Shade, Venetians, 20 x 22.5, Wood Classic, Walnut |
| 8. 704353-01 | Shade, Venetians, 34 x 30, Wood Classic, Walnut |
| 9. 704229-03 | Shade, 40.5 x 34, Oceanaire |
| 704199-02 | Shade, 30" vista view, Ash Grey |
| 802221 | Valance spacer |

2017 TOMMY BAHAMA TT SHADES, TRACKS, BRACKETS

Drapes & Shades Hardware



①



②

- | | |
|-----------|----------------------------------|
| 1. 101225 | Bracket, curtain standoff |
| 2. 700045 | Glides w/elastic, "G" type |
| 100097 | Extrusion Aluminum Curtain Track |
| 700005 | Fastener, Cap |
| 700006 | Fastener Socket |
| 700020 | Pile Velcro |
| 700021 | Hook, Velcro, White |
| 340030 | Fastener Stud, Nickel Plated |

2017 TOMMY BAHAMA TT

ELECTRICAL, 110 VOLT

Shoreline Cord & Inlet

513087-01	Power cord w/swivel handle, 30A, 30', Gray, Marinco
513087-02	Power inlet, Male, 30A, 125V, Gray, Marinco
511149-02	Power inlet w/strain relief, 50A, Stainless Steel
511149-05	Power cord w/swivel handle, 50A, 36'

Power Converter

512845-02	Power center w/30 Amp A/C transfer switch
512818	Power center, 50 amp

Breakers

510564-01	Breaker, Bryant, 20
510564-03	Breaker, 15-15
510564-04	Breaker, 20-20, Bryant
510564-05	Breaker, 30-20
510564-06	Breaker, 20 GFI
510564-07	Breaker, 15 GFI
510564-09	Breaker, 15 Amp, Bryant
510564-1515	Breaker, Type BRD, BD 15-15
510564-20	Breaker, 20 amp, Bryant
510564-15GFI	Breaker, 15GFI, Bryant
510564-20GFI	Breaker, Type BR, 20GFI
510564-3020	Breaker, Type BRD, BD 30-20
453573	Mounting bracket, Breaker box

Generator Prep

513087-02	Power inlet, Male, 30A, 125V, Gray, Marinco
385062	Decal, 110-125 Voltage, A/C
115155-01	Gen prep remote w/o switch

Inverter

512680	Inverter, 1,000 Watt #WF-5110H-W
512680-01	Inverter, 15A time-delay fuse
512680-02	Inverter, RJ 22 4P/4C connector
512680-03	Install tool for 512680-02

2017 TOMMY BAHAMA TT

ELECTRICAL, 110 VOLT

Ice Maker

690709 Portable ice maker, Contoure

Junction Boxes

512308 Box, Shallow switch and outlet
512940 Work box, Plastic, 1-gang, Flanged
513219 Switch/outlet box, 1-gang
510014 Junction box, Octagon
511411 Junction box, 7-way cable

Receptacles and USB Ports

500563-03 Receptacle, Self-contained, White
500563-04 Wall plate w/screws for 500563-03, White
512562 Receptacle gasket, Neoprene w/adhesive
511287 Receptacle, 15 amp, Single
512481-01 Receptacle, 20 Amp, Single, White
512481-02 Receptacle, 20 Amp, Single, Brown
512481-03 Decorator cover plate w/screws, Brown
510888-05 Receptacle w/cover, GFI, White
S00417 GFI Label for Receptacle, 510888-05
510888-06 Spacer, Receptacle, GFI, White
510888-07 Receptacle cover, White
511814-01 Receptacle, Duplex, Self-contained, Gray
511814-02 Plate, Decorator, 1 gang, Gray
510015 Box, cover
511534 Dual coax plate, White
512369 Receptacle, 15A SLG, White
512370 Wall plate, 1 gang, Single receptacle
511815-01 Receptacle, Duplex, Self-contained, Black
511815-02 Receptacle decorator plate, Black
511912 Receptacle plate, Stainless Steel
512986 Receptacle, Pop-up
512096 Receptacle, GFCI, Black
512186 Extension ring, GFCI, Black
512792 USB port pigtail
513185 USB power inlet, Black
513133-01 USB dual inlet, Non-lighted, Black

2017 TOMMY BAHAMA TT ELECTRICAL, 12 VOLT

Battery

511596	Battery, Deep cycle, Interstate SRM-24
511828	Battery for solar panel, 12V deep cycle, AGM, GPL-24T Lifeline
410551-02	Battery box lid
500836-02	Positive battery cable, 72"
500837	Negative battery cable
203415	Battery tray
512049-01	Cable, Red jumper Bat. 6GA 7.75"
512049-02	Cable, Black jumper Bat. 6GA 7.75"

7-way Cable

500886-01	7-Way cable w/plug
-----------	--------------------

Breakaway Switch

0300027	Breakaway Switch, Bargman
454526	Breakaway switch bracket

Battery Disconnect

511655-01	Bezel assembly, Black & Silver
511655-02	Relay, 100 amp, 12 volt
511655-05	Cable, BDO, 30'

Tank Monitor System

512566	Monitor, Tank System Kit (Seelevel)
512566-01	Flush mount monitor panel only
512566-02	Sender pad

Wireless Backup Camera

512946-01	Digital wireless observation kit
512946-02	Voyager digital autopair camera
512946-102	Voyager 5.6" LCD monitor
365392	Gasket, Backup camera
382225	Grommet, .5", Black

2017 TOMMY BAHAMA TT

ELECTRICAL, 12 VOLT

Solar Charging System

513047-01	Solar panel, 80 watt, Zamp
513047-02	Solar panel mounting feet, Zamp
511846	Kit, Charge controller display
511846-100	Regulator for solar panel 511846
511846-101	Display only for solar panel 511846
513043	Triple port solar cap
513033	Bracket, Portable solar panel port
365409	Gasket, Solar panel bracket
340305	Solar panel wire clip
340306	C-clamp, 5/8
511851	Cable, CAT 5E, blue
511852	Connector, RJ45E
115583	Plate, Solar Battery Spacer

Fuses

500883-01	Fuse 12, CSA 1 amp
512318	Holder w/1 amp AFC fuse, In-line
511969-01	110A fuse and fuse block
964082	Fuse block, 12V
452412	Bracket, Fuse block, 12V
452412-01	Bracket, Fuse block, 12V, CSA
511313	Block, Fuse, ATC, 12V, 6 position
511345	Fuse, 30A AGU Glass Tube, Bussman

Switches

511327	Switch body w/rocker, 1 gang, white
511566-02	Switch cover, 2 gang, White
511567-01	Switch body w/rocker switches, 2 gang, Black
512709	Slide dimmer switch, 12V, Black
511999	Switch, 2 gang, Black
510658	Switch w/weather proof boot
512917	Switch, Slide dimmer, Dual
511327-100	Switch rocker on/off, Black
512480-01	Switch, Black
511665	Switch, Ceiling, White
511669	Switch, Shower, White
511958	Switch, Doorbell
511672	Switch body w/cover, 3 gang

2017 TOMMY BAHAMA TT

ELECTRICAL, 12 VOLT

Breakers

510947-20 Breaker, 12V DC, Type II
510946-04 Bracket, 4-Position, Circuit breaker, 12V

Door Bell

511966 Doorbell, Battery powered, White/Brown
511957 Doorbell bezel, Round
511958 Doorbell switch w/6" leads

Exterior Lights

512859 Amber LED clearance light
512859-01 Amber Bezel
512859-02 Chrome base
512860 Red LED clearance light
512860-01 Red Bezel
512860-02 Chrome base
512928 Curved bezel w/gasket, Required for 3 top lights
512533 Light, Auxiliary, LED
512918-03 LED flex light strip
101323 Casting, Step light, Polished Aluminum
201185 Lens, Step light
512490 Bulb, 25 Diode, Entry light

Interior Lights

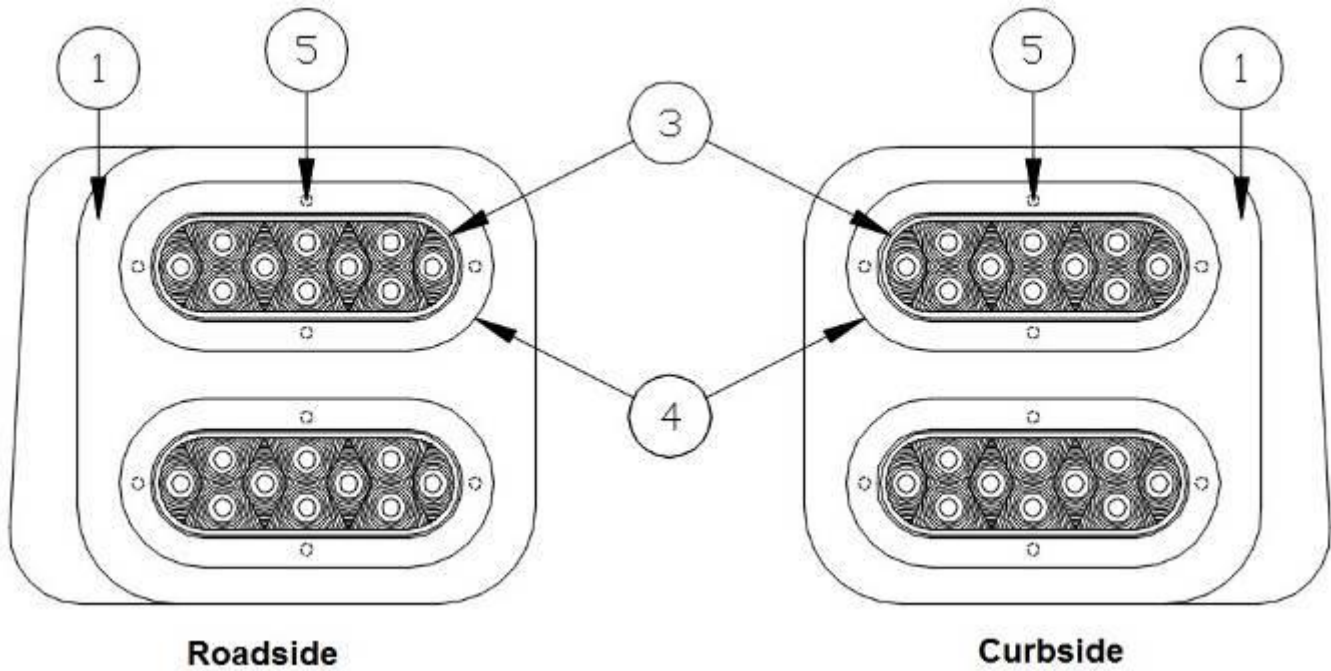
512736 Light w/switch, LED, Single
512719 Reading light, Directional, LED, Nickel
512478 Light, LED, Wet location
512462 Reading light w/frosted lens, LED
513129 LED reading light, Switched
513130 LED reading light
513132 LED spot light w/frosted lens, Surface mount
513136 LED spot light w/frosted lens
513176 LED pin light

License Plate

512409 License plate holder

2017 TOMMY BAHAMA TT ELECTRICAL, 12 VOLT

Taillight Assembly



952929-01
952929-02

LED Taillight Assembly, Roadside
LED Taillight Assembly, Curbside

- | | |
|---|---|
| <p>1. 511664-01
2. 511664-02
3. *512425
4. 512425-02
5. 345473
512425-03
115073-01
115073-02
115074</p> | <p>Taillight casting, Roadside
Taillight casting, Curbside
6" oval LED tail light kit
Trim ring
Screw, #6 x 3/4", Self-drilling
Gasket, Taillight
Bracket, Roadside taillight
Bracket, Curbside taillight
Bracket, Center taillight</p> |
|---|---|

*512425 Tail Light Kit Includes Tail Light, Trim Ring & Gasket.

2017 TOMMY BAHAMA TT ENTERTAINMENT

Audio

512835-01	Audio System w/2 head units, Polk
512835-02	Wired remote w/display
512835-03	Y-cable
512835-04	18' extension cable
512835-05	Sirius/XM tuner, no antenna
512835-06	Sirius/XM Antenna
512835-07	USB input port
512834	Speaker, Coaxial, 6.5", Polk
203934	Ring, Speaker
511807	Antenna, AM/FM, rubber, 14"
511822	Sub-woofer, powered, 6.5" wedge

Video

512657-01	Antenna, Omni-directional, White
512398-01	Power supply, Wall plate, Black
500484-04	Antenna, lead and extension, 48"
500484-05	Antenna lead & extension, 72"
500484-07	Antenna lead & extension, 144"
510623	Connector, Coax, Male-male
510616	"F" connector, Coax, 75 OHM
513170	Dual inlet, TV/satellite, Stainless Steel
104619	Mounting plate, Exterior telephone & TV jack
511827	Wall plate, Flush mount coax, White
511534	Dual coax plate, White
512406	RG6 hex compression connector, (Satellite Prewire)
512407	RG6 coax cable

2017 TOMMY BAHAMA TT ENTERTAINMENT

Lounge TV

690669	LED HDTV, 28" Samsung
512656	TV bracket, Flush
512499	Cable, Mini coax, 48"
801946	Spacer, TV bracket
382184	Sleeve, .75", Flexo braided split

Bedroom TV

690682	LED HDTV, 24", Samsung
512457	Articulating arm
512499	Cable, Mini Coax 48"
512501	Splitter, HDMI pass through
340300	Clip, Cable Holder
382184	Sleeving, Flexo Braided Split
512366-03	Cable, HDMI, Male to Male, 3'

Blu-Ray Player

513135	Blu-Ray disc player, Samsung
512499	Mini coax cable, 48"
512366-03	HDMI cable, Male-male, 3'
512366-35	HDMI cable, Male-male, 35'
512561	HDMI right angle adapter, Right side

2017 TOMMY BAHAMA TT

FLOOR COVERING

Floor Coverings

701538	Carpet, Velour-compartment liner
701538-01	Carpet, Econolier w/PSA back
203594-03	Floor trim, UN1275, Magnolia
704351	Flooring, Teak
703852	Entrance mat w/Airstream logo
703938	Rear door mat, Grey w/Black accent
203727	Foil, Single bubble flex

Furniture & Cushion Batting

701538-01	Carpet, Econolier w/PSA backing
-----------	---------------------------------

2017 TOMMY BAHAMA TT FURNITURE, INTERIOR DOORS

Door, Shower

703911-03 Shower door w/aqua glass & travel latch, Bronze

Door, Foldette

704166 Foldette door, Black, 60 x 73
382005 Formed track, Foldette door
381890-02 Straight track, Foldette door

Doors, Roof Locker

203708-01 Door, Plexiglass, 11.31 x 30
203915-01 Sliding door, Plexiglass, RH
203915-02 Sliding door, Plexiglass, LH
802166-0139 Door, Louvered, RH end locker, Macchiato
802166-0239 Door, Louvered, LH end locker, Macchiato

Door, Wardrobe

802164-0039 Door, Louvered, Macchiato

Dividing Curtain

704352 Dividing curtain w/tieback

2017 TOMMY BAHAMA TT

FURNITURE, MIRRORS, DRAWER BOXES, SLIDES

Mirrors

372203-33 Mirror, Safety glass, 14" x 40"
381220-02 Mirror clip, Nickel Plate

Drawer Boxes

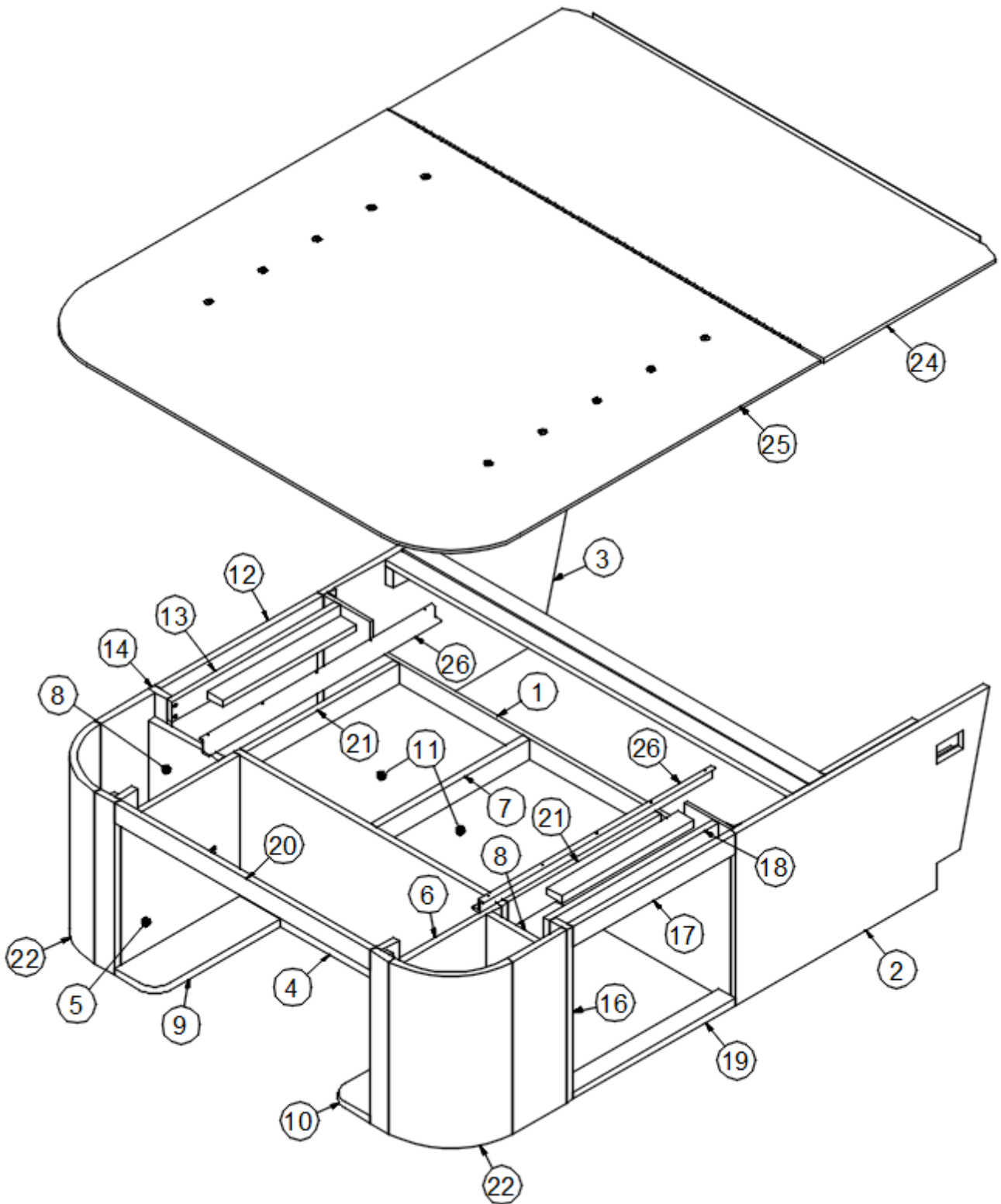
968022-09 Drawer box, 6"
968022-11 Drawer box, 6"
968224-02 Drawer box, 4"
968224-05 Drawer box, 4"

Drawer Slides

382203-03 Drawer slide, Self-close, 15"
382203-04 Drawer slide, Self-close, 18"
382203-05 Drawer slide, Self-close, 21"
381400-01 Drawer slide, 12"
381192 Drawer slide, 18"
381944-01 Slide, 18", Per set

2017 TOMMY BAHAMA TT FURNITURE, BEDROOM

Bed, Queen



Parts Listed on Next Page

2017 TOMMY BAHAMA TT FURNITURE, BEDROOM

Bed, Queen

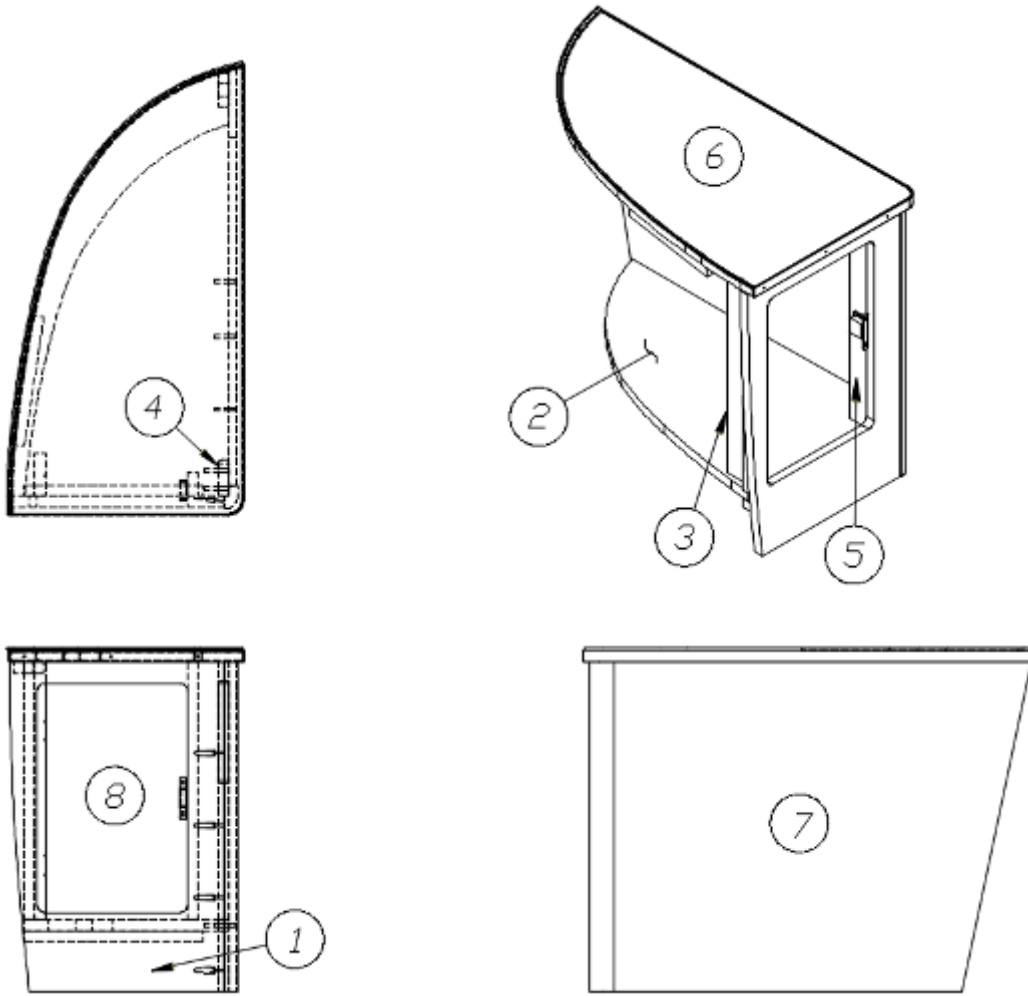
968512-39

Queen Bed

1. 968512-1 Panel, 19.25 x 52.5
2. 968512-2 Panel, 32.75 x 19.25
3. 968512-3 Panel, 32.75 x 19.25
4. 968512-4 Panel, 16.5 x 34.5
5. 968512-5 Panel, 15.5 x 19.26
6. 968512-6 Panel, 15.5 x 19.26
7. 968512-7 Panel, 19.75 x 16.5
8. 968512-8 Panel, 9 x 16.5
9. 968512-9 Panel, 5.5 x 15.5
10. 968512-10 Panel, 5.5 x 15.5
11. 968512-11 Panel, 16.13 x 19.75
12. 968512-12 Panel, 2.25 x 21
13. 968512-13 Panel, 2.25 x 21.75
14. 968512-14 Panel, 2.25 x 19.25
15. 968512-15 Panel, 2.25 x 21
16. 968512-16 Panel, 2.25 x 19.25
17. 968512-17 Panel, 2.25 x 21
18. 968512-18 Panel, 2.25 x 21.75
19. 968512-19 Panel, 2.25 x 21
20. 968512-20 Panel, 2.25 x 33
21. 968512-21 Panel, 3 x 19.75
22. 968513 Bed corner sub assembly
23. 968512-23 Panel, 31.44 x 11
24. 968512-24 Panel, 23.25 x 56
25. 968512-25 Panel, 47.75 x 56
26. 454872 Support, Pedestal table storage
- 381566 Loop, Footman, Steel
- 801947 Panel, 12V distribution
- 114812 Aluminum angle, 1 x 1
- 380203-01 Piano hinge
- 704374-01 Strap, Cooler loop
- 704132 Mattress, 60 x 75, Quilt top

2017 TOMMY BAHAMA TT FURNITURE, BEDROOM

Nightstand, LH



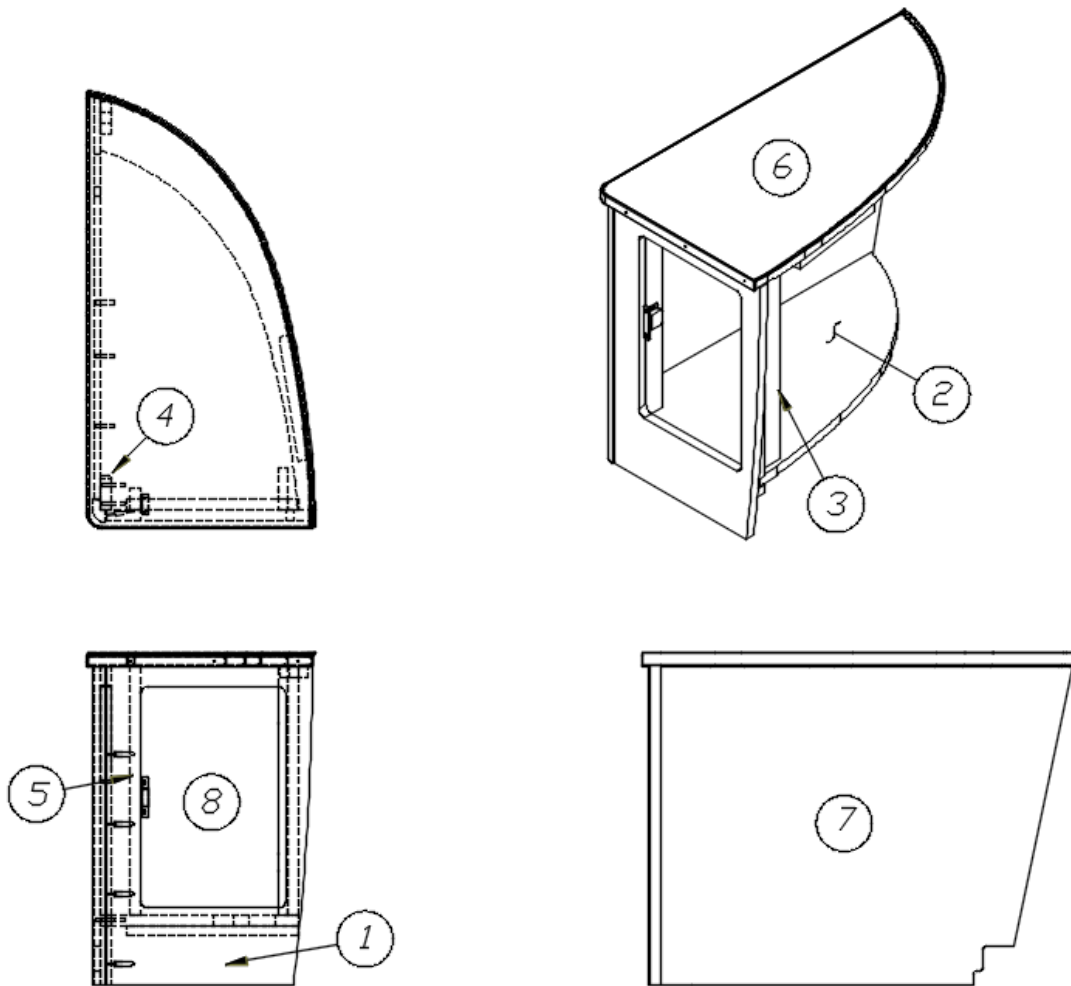
966868-39

LH Nightstand

- | | |
|---------------|---------------------------------------|
| 1. 966868-391 | Panel, 14.78 x 22.75 |
| 2. 966868-2 | Panel, 27.69 x 14.13 |
| 3. 966868-3 | Panel, 3 x 17.75 |
| 4. 966868-4 | Panel, 2.25 x 22.75 |
| 5. 966868-5 | Panel, 17.75 x 1.63 |
| 6. 966868-396 | Panel, 16.09 x 31.06 |
| 7. 966868-397 | Panel, 28.84 x 22.75 |
| 8. 966868-398 | Door, 10 x 15.44 |
| 382413-02 | Leather strap, Antique Bronze |
| 381607-11 | Hinge, Self-close |
| 381228-02 | Catch, Grabber door, (5lb Pull) |
| 801706-0039 | Corner trim, 90°, 1 radius, Macchiato |
| 201673-01 | Reverse cove molding, Oak |

2017 TOMMY BAHAMA TT FURNITURE, BEDROOM

Nightstand, RH



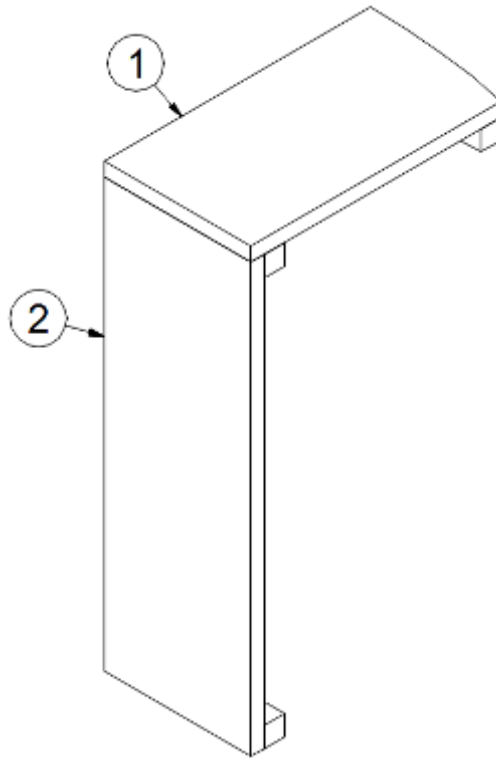
966851-39

RH Nightstand

- | | |
|---------------|---------------------------------------|
| 1. 966851-391 | Panel, 14.78 x 22.75 |
| 2. 966851-2 | Panel, 27.69 x 14.13 |
| 3. 966851-3 | Panel, 3 x 17.75 |
| 4. 966851-4 | Panel, 2.25 x 27.75 |
| 5. 966851-5 | Panel, 17.75 x 1.63, |
| 6. 966851-396 | Panel, 16.09 x 31.06 |
| 7. 966851-397 | Panel, 28.84 x 22.75 |
| 8. 966851-398 | Door, 10 x 15.44 |
| 382413-02 | Leather strap, Antique Bronze |
| 381607-11 | Hinge, Self-close |
| 381228-02 | Catch, Grabber door, (5lb Pull) |
| 801706-0039 | Corner trim, 90°, 1 radius, Macchiato |
| 201673-01 | Reverse cove molding, Oak |

2017 TOMMY BAHAMA TT FURNITURE, BEDROOM

Bedroom Closeout



968357-39

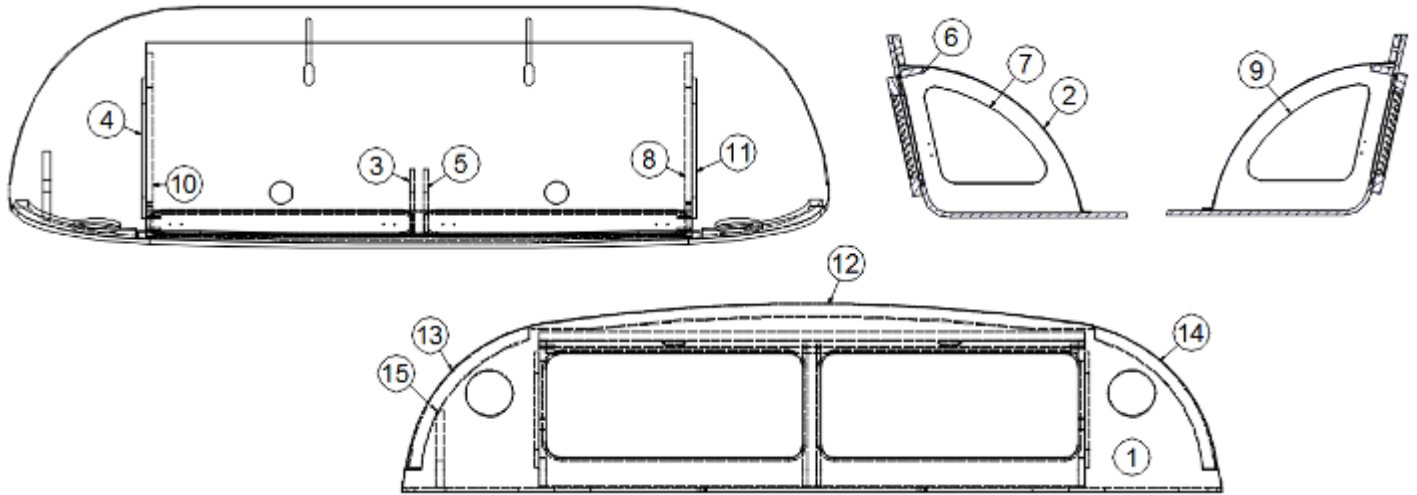
Bedroom Closeout

- 1. 968357-391
- 2. 968357-392
- 365412-02

Panel, 5.5 x 10
Panel, 5.5 x 16
Edgebanding, .94", Macchiato

2017 TOMMY BAHAMA TT FURNITURE, BEDROOM

Roof Locker, Liner Locker with Speakers



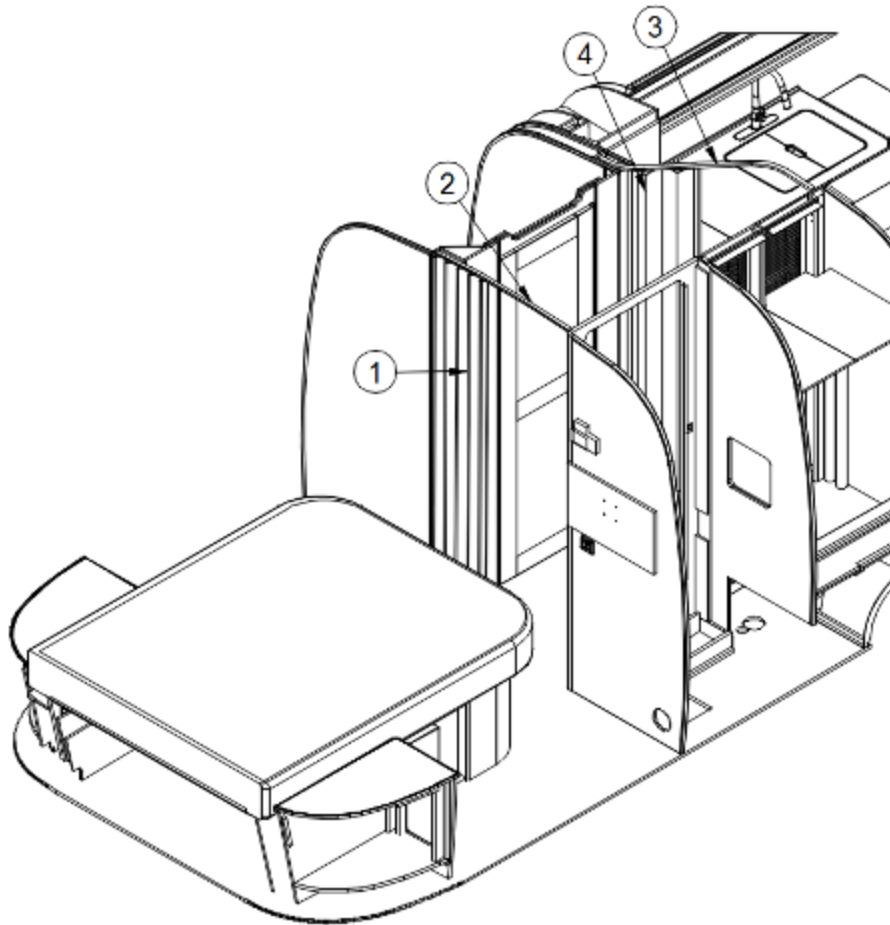
968522-39

Roof Locker w/Speakers

- | | |
|-----------------|---------------------------------|
| 1. 802170 | Face, Liner locker w/speakers |
| 2. 115834 | Pan, WB front |
| 3. 968522-393 | Panel, 7.03 x 15.74 |
| 4. 968522-394 | Panel, 12.6 x 15.37 |
| 5. 968522-395 | Panel, 7.03 x 15.75 |
| 6. 968522-396 | Panel, 2.5 x 58 |
| 7. 968522-397 | Panel, 10.78 x 14.53 |
| 8. 968522-398 | Panel, 16 x 19.94 |
| 9. 968522-399 | Panel, 10.78 x 14.53 |
| 10. 968522-3910 | Panel, 16 x 19.94 |
| 11. 968522-3911 | Panel, 12.6 x 15.37 |
| 12. 801596-01 | Backer, WB center |
| 13. 801596-02 | Backer, LH |
| 14. 801596-03 | Backer, RH |
| 15. 801710 | Support divider |
| 802166-0239 | Door, Louvered, LH |
| 802166-0139 | Door, Louvered, RH |
| 114879-238 | Aluminum sheet, .04 x 33 x 238 |
| 382242 | Stay |
| 381607-11 | Hinge, Self-close |
| 201673-01 | Reverse cove molding, .43", Oak |
| 203710 | T-molding, Almond |
| 512438 | LED reading light |

2017 TOMMY BAHAMA TT FURNITURE, BEDROOM

Dividing Curtain

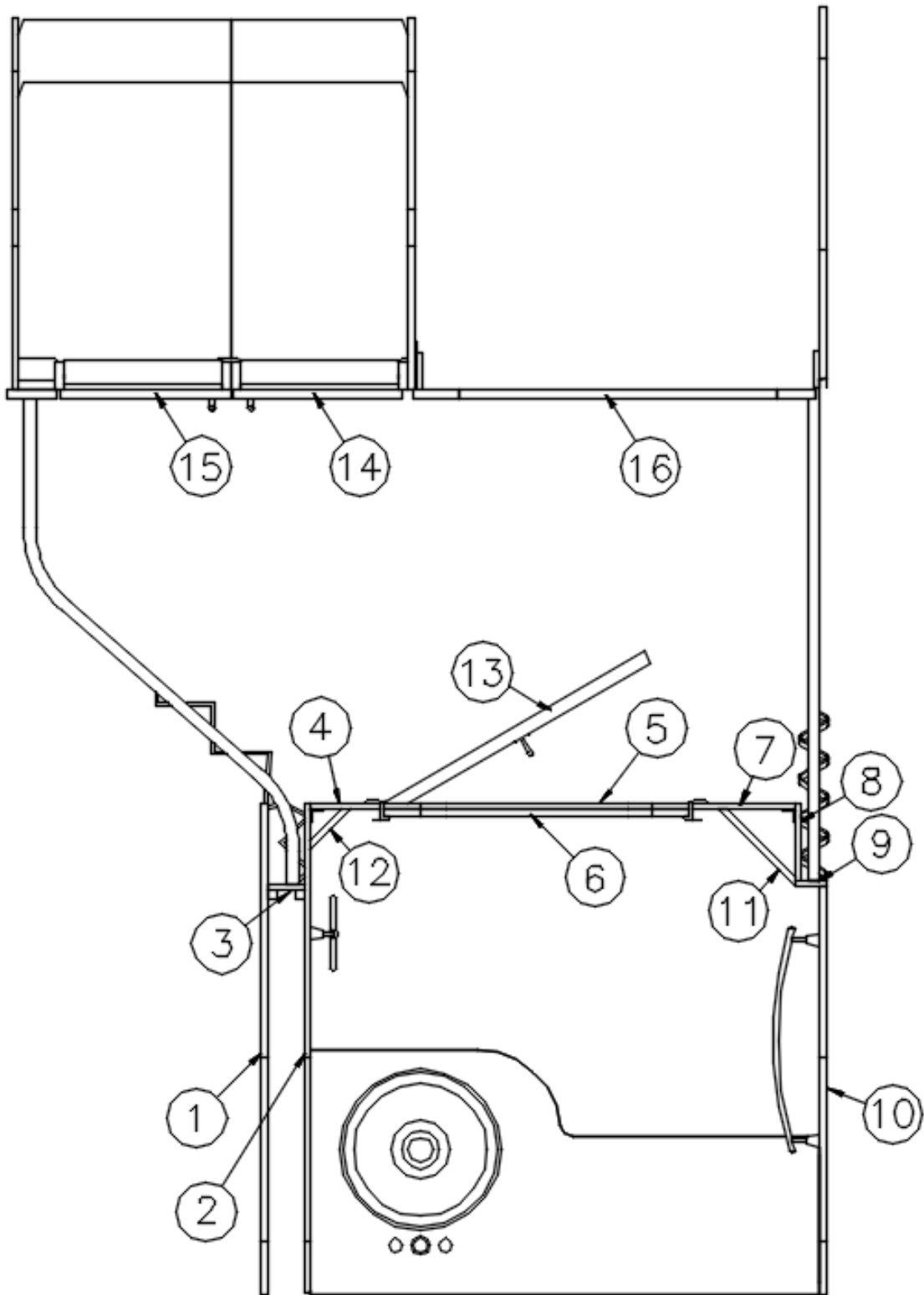


112416 Dividing Curtain Install

- | | |
|-----------|---------------------------------------|
| 1. 704352 | Dividing curtain w/tieback, 41 x 77.5 |
| 2. 382295 | Track, Plastic, Gray |
| 3. 382005 | Foldette track, Formed, 20" |
| 4. 704166 | Foldette door, Black, 60 x 73 |
| 382418 | Single prong hook, Orb |

2017 TOMMY BAHAMA TT FURNITURE, LAVATORY

Bath Module



Parts Listed on Next Page

2017 TOMMY BAHAMA TT FURNITURE, LAVATORY

Bath Module

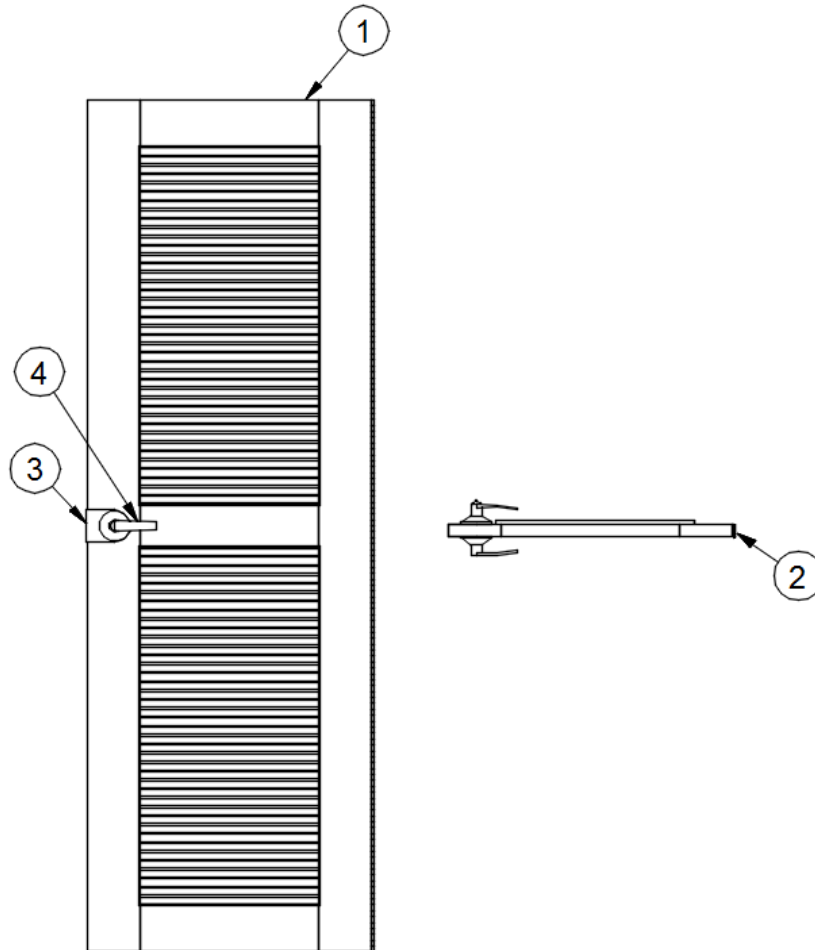
112410

Bath Module Install

1. 112410-1 Panel, 39.53 x 79.28
2. 112410-2 Panel, 39.38 x 79.29
3. 112410-3 Panel, 3 x 78.94
4. 112410-4 Panel, 5.56 x 79.37
5. 112410-5 Panel, 24.63 x 3.5
6. 112410-6 Panel, 24.63 x 3.5
7. 112410-7 Panel, 8.19 x 79.37
8. 112410-8 Panel, 6.25 x 79.38
9. 112410-9 Panel, 2.5 x 79.02
10. 112410-10 Panel, 32.76 x 78.83
11. 112410-11 Panel, 8.71 x 79.36
12. 112410-12 Panel, 4.5 x 79.36
13. 802165-0039 Bath door, Louvered
14. 968523-39 Wardrobe, Forward
15. 968525-39 Wardrobe, Aft
16. 966879-39 Shower compartment
- 966884-39 Lavatory cabinet
- 690621 Toilet
- 203138-04 Extrusion, Plastic, 1/2", Oak
- 704166 Foldette door, Black, 60 x 73
- 382005 Foldette track, Formed
- 381890-02 Foldette track, Straight
- 114812 Aluminum angle, 1 x 1
- 800573-0139 Molding, Hardwood flat door edge, Macchiato
- 801977-0039 Corner trim, Bathroom, Macchiato
- 801665-0039 L-molding, Door jamb, Macchiato

2017 TOMMY BAHAMA TT FURNITURE, LAVATORY

Bath Door, Louvered



968575

Louvered Bath Door

1. 802165-0039

Bath door, Louvered

2. 380203BR

Piano hinge, Bronze

3. 454320-01

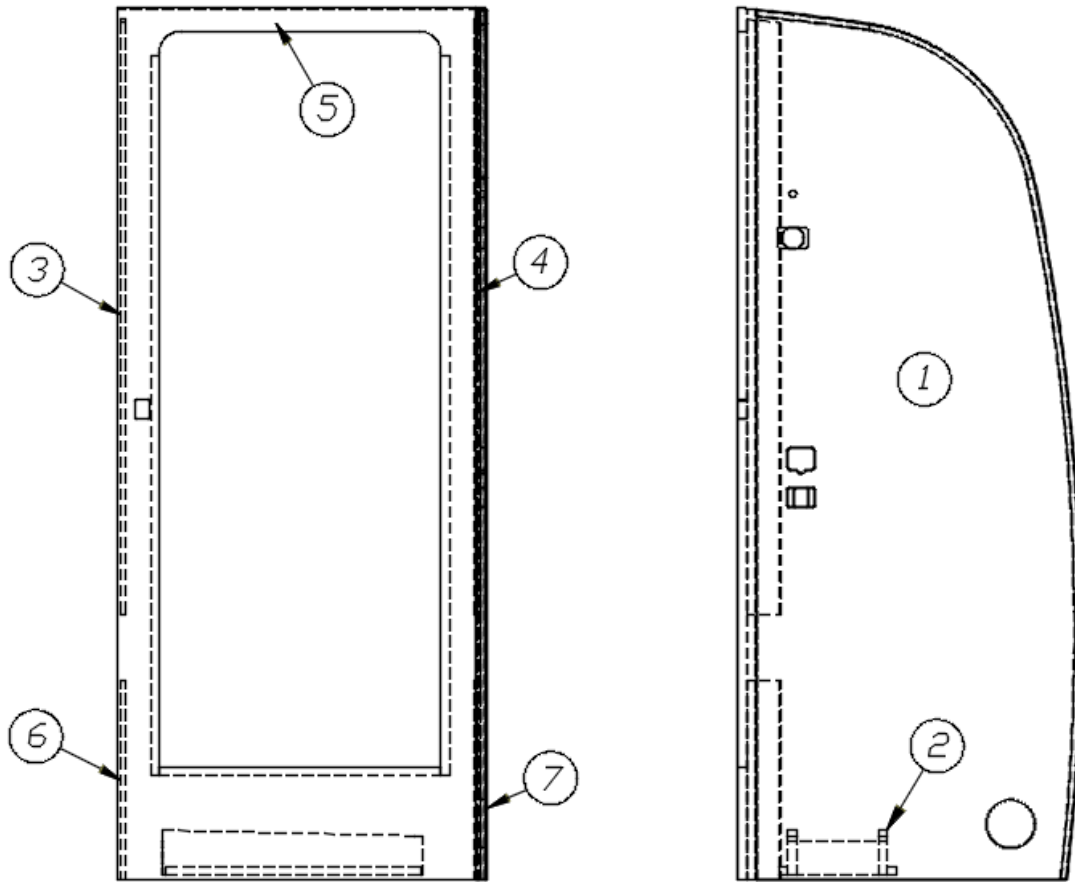
Handle cover, Brown

4. 381771-01

Latch, Lever lockset, Bronze

2017 TOMMY BAHAMA TT FURNITURE, LAVATORY

Shower Compartment



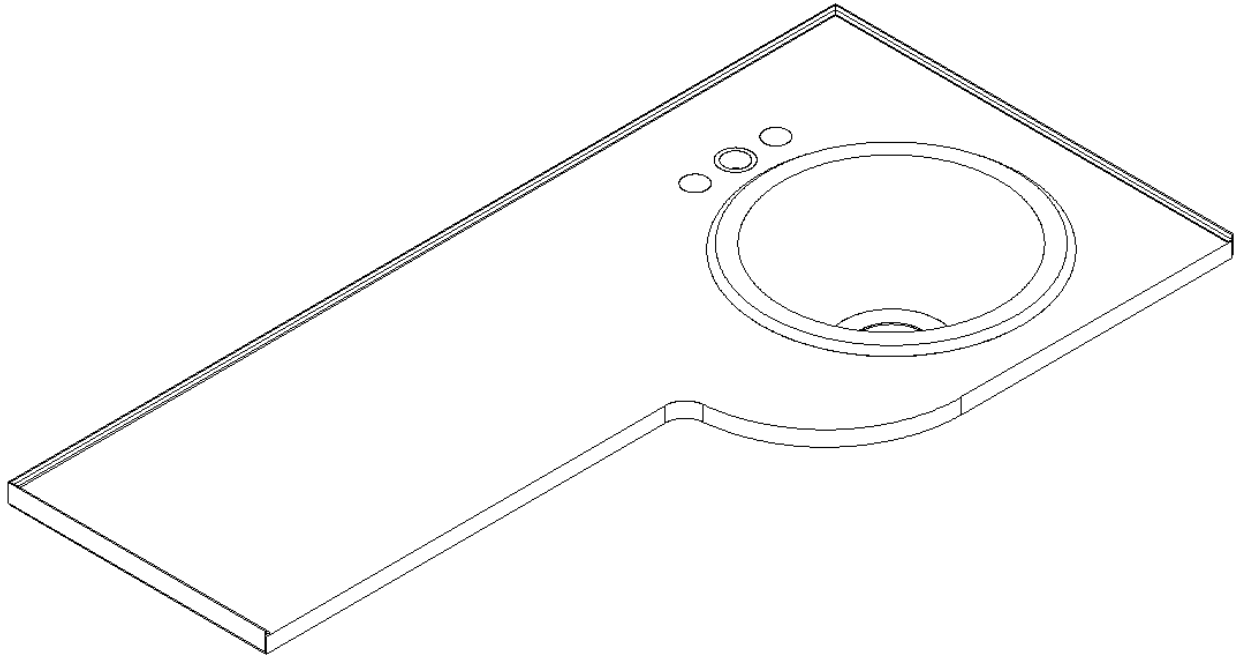
966879-39

Shower Compartment

- | | |
|----------------|---|
| 1. 966879-391 | Panel, 29.25 x 78.52 |
| 2. 961916-01 | Shower stand |
| 3. 966879-3 | Panel, 3 x 53.79 |
| 4. 966879-4 | Panel, 3 x 53.79 |
| 5. 966879-395 | Panel, 32.5 x 78.81 |
| 6. 966879-14 | Panel, 3 x 18 |
| 7. 966879-3915 | Panel, 3 x 18 |
| 203081-02 | Shower stall, 2 piece fiberglass, White |
| 703911-03 | Shower door, Bronze |
| 801706-0039 | Corner trim, 90°, 1" radius, Macchiato |
| 203138-04 | Extrusion, Plastic, Oak |
| 203647 | T-molding, Chamois Yellow |
| 454727-01 | Angle, shower frame, 27" |
| 454727-02 | Angle, shower frame, 64.75" |
| 201666-01 | J-molding, 3/16 plastic, White |
| 381081-01 | Snap cap w/ washer, Antique White |

2017 TOMMY BAHAMA TT
FURNITURE, BATH

Lavatory Top

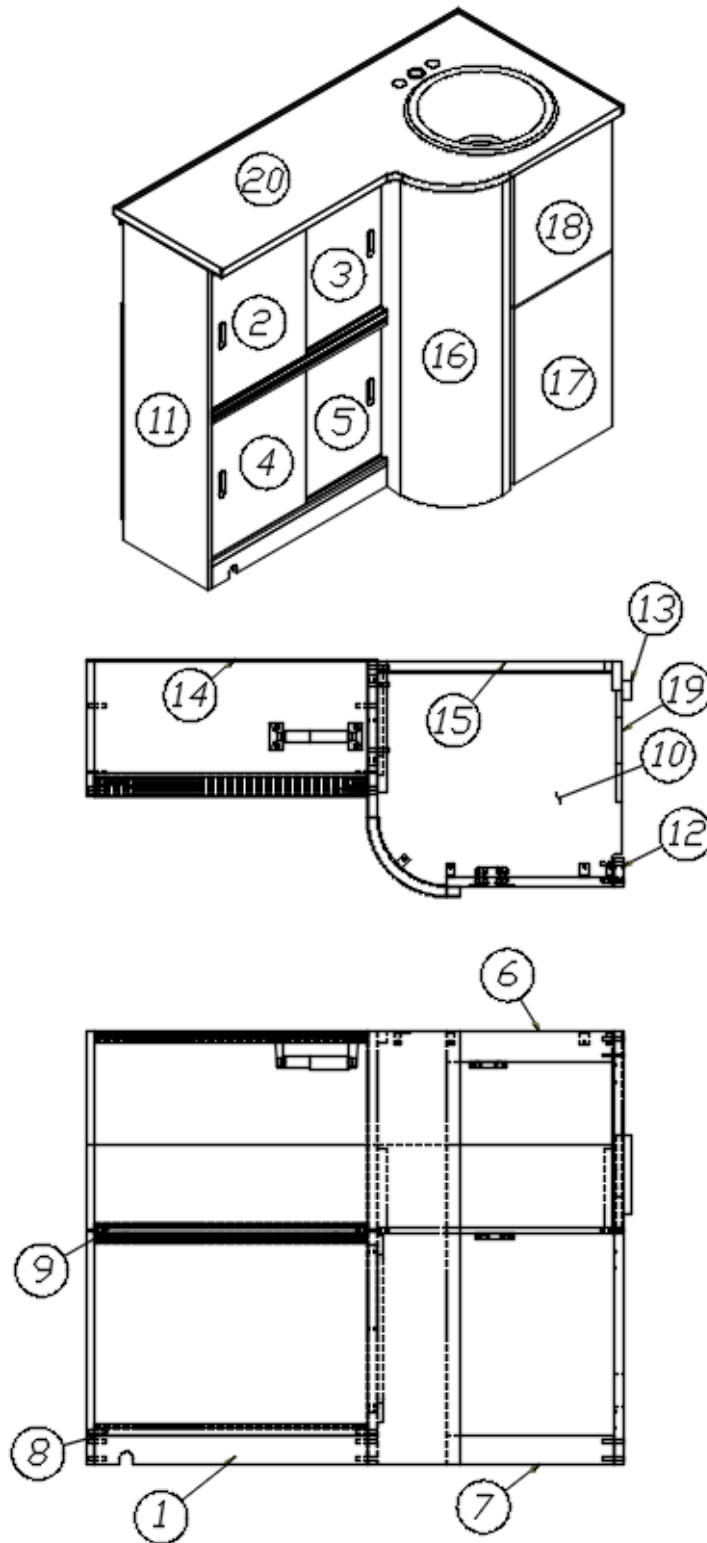


968529
602626

Lavy Top Assembly
Lavy top, Solid surface, Terni

2017 TOMMY BAHAMA TT FURNITURE, LAVATORY

Lavatory Cabinet



Parts Listed on Next Page

2017 TOMMY BAHAMA TT FURNITURE, LAVATORY

Lavatory Cabinet

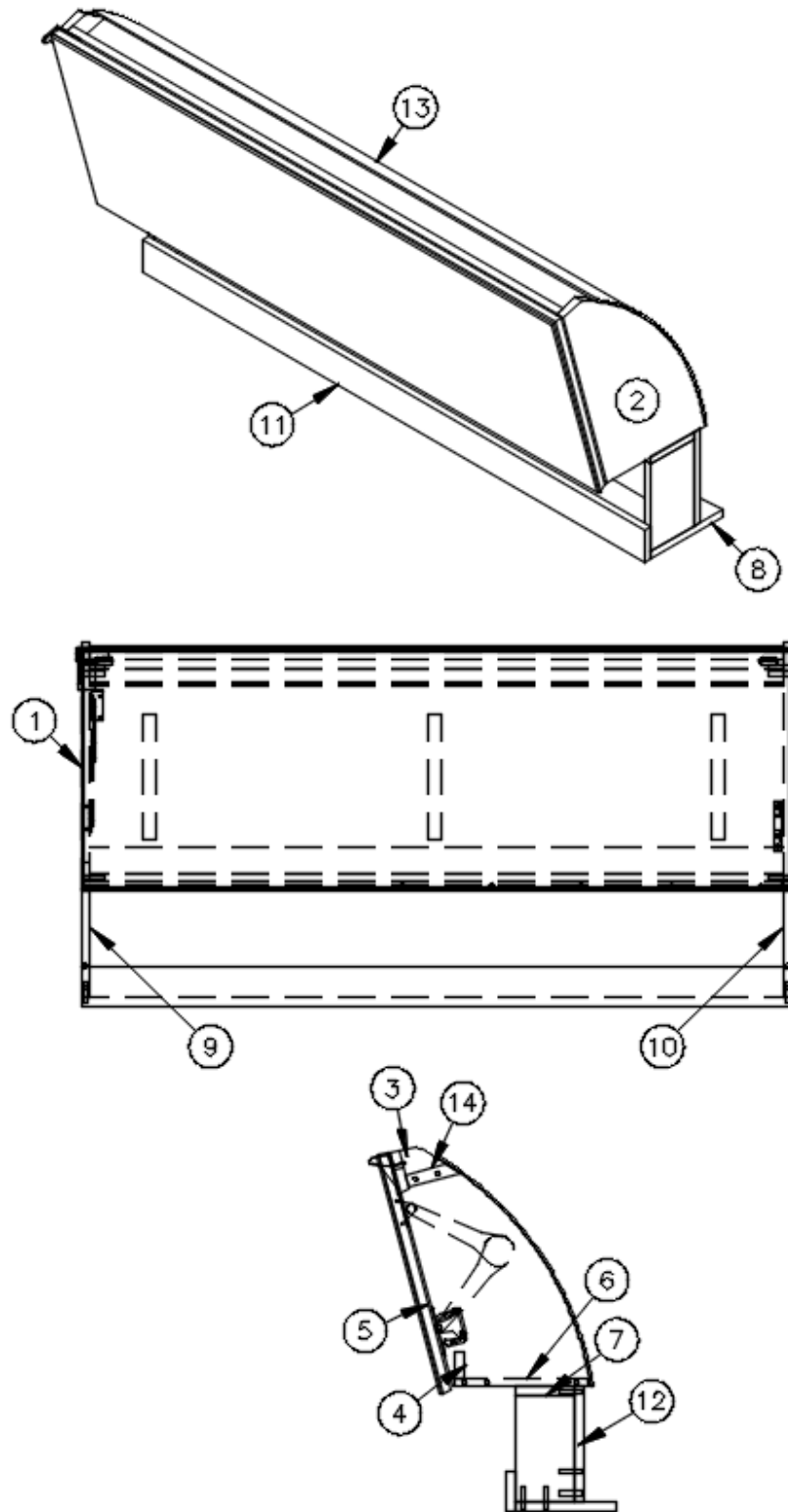
966884-39

Lavatory Cabinet

1. 966884-391 Panel, 20.85 x 2.25
2. 966884-392 Door, 11.25 x 14.5
3. 966884-393 Door, 11.25 x 14.5
4. 966884-394 Door, 11.25 x 14.25
5. 966884-395 Door, 11.25 x 14.5
6. 966884-396 Panel, 12.87 x 2.25
7. 966884-397 Panel, 12.87 x 2.25
8. 966884-398 Panel, 10.25 x 20.85
9. 966884-399 Panel, 10.25 x 20.85
10. 966884-3910 Panel, 18.68 x 17.19
11. 966884-3911 Panel, 10.25 x 33
12. 966884-3912 Panel, 2.25 x 33
13. 966884-3913 Panel, 2.25 x 14.87
14. 966884-3914 Panel, 22.13 x 22.13
15. 966884-3915 Panel, 17.94 x 6.25
16. 966893-39 Lavy radius sub assembly
17. 966884-3917 Door, 11.87 x 18.19
18. 966884-3918 Door, 11.87 x 13.5
19. 966884-3931 Panel, 8.5 x 7
20. 602626 Lavy top, Solid surface, Terni
- 381228-02 Catch, Grabber door (5lb Pull)
- 382413-02 Leather strap, Antique Bronze
- 382437 Finger pull, Matt Black
- 115374BR Extrusion, Sliding door track
- 381607-11 Hinge, Self-close

2017 TOMMY BAHAMA TT FURNITURE, LAVATORY

Medicine Cabinet



Parts Listed on Next Page

2017 TOMMY BAHAMA TT FURNITURE, LAVATORY

Medicine Cabinet

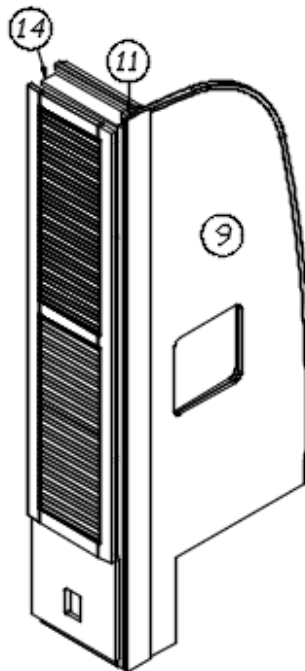
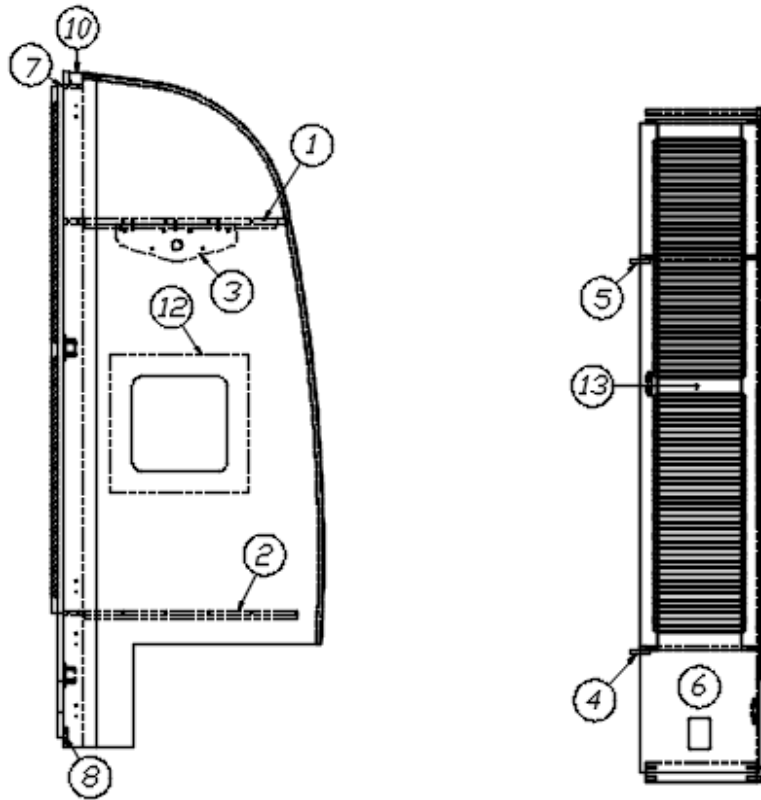
968574-39

Medicine Cabinet

- | | |
|-----------------|---------------------------------|
| 1. 968574-391 | Panel, 11.29 x 13.56 |
| 2. 968574-392 | Panel, 11.29 x 13.56 |
| 3. 968574-393 | Panel, 2.25 x 39 |
| 4. 968574-394 | Panel, 1.5 x 39 |
| 5. 968574-395 | Panel, 13.88 x 39.88 |
| 6. 968574-396 | Panel, 7.5 x 39 |
| 7. 968574-397 | Panel, 3.42 x 40 |
| 8. 968574-398 | Panel, 5.67 x 40 |
| 9. 968574-399 | Panel, 3.42 x 6 |
| 10. 968574-3910 | Panel, 3.42 x 6 |
| 11. 968574-3911 | Panel, 2.25 x 40 |
| 12. 968574-3912 | Panel, 6.5 x 40 |
| 13. 968574-3913 | Panel, 16.25 x 40 |
| 14. 968574-3922 | Panel, 3 x 39 |
| 382466-01 | Lid stay, Compartment door |
| 382466-02 | Lid stay, Side bracket |
| 382466-03 | Lid stay, Door bracket |
| 372203-33 | Mirror, Safety glass, 14" x 40" |
| 382159 | Pivot hinge, Nickel |
| 381228-02 | Catch, Grabber door (5lb Pull) |
| 365340-01 | Edgebanding, .63", Frosty White |
| 385940-02 | Mirror pull, Chrome |

2017 TOMMY BAHAMA TT FURNITURE, LAVATORY

Wardrobe, Forward



Parts Listed on Next Page

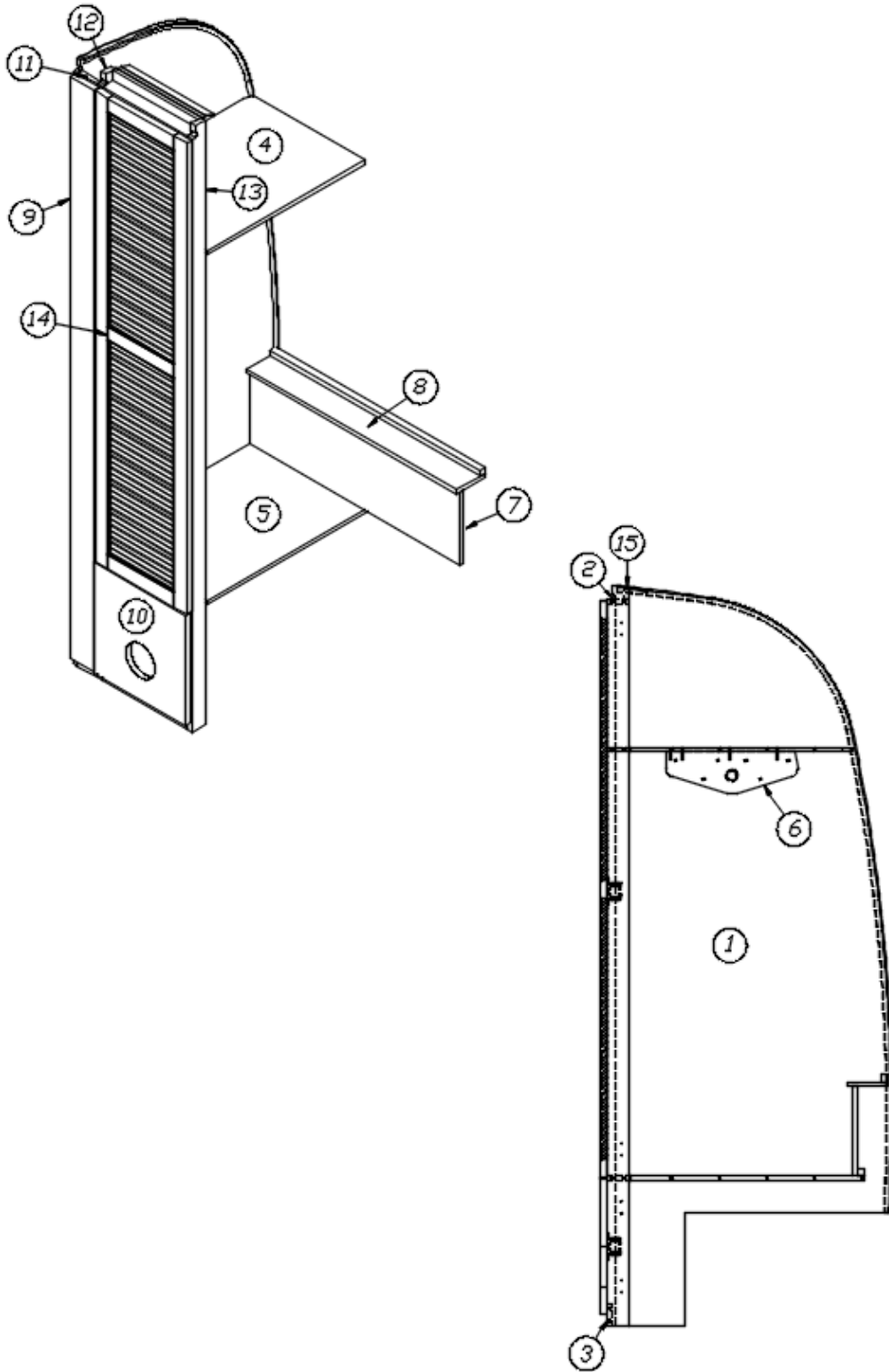
2017 TOMMY BAHAMA TT FURNITURE, LAVATORY

Wardrobe, Forward

968523-39	Forward Wardrobe
1. 968523-391	Panel, 26 x 14.25
2. 968523-392	Panel, 27.25 x 14.25
3. 968523-393	Panel, 14 x 4.49
4. 968523-394	Panel, 2.25 x 24.75
5. 968523-395	Panel, 2.25 x 22.25
6. 968523-396	Door, 13.75 x 14.38
7. 968523-397	Panel, 2.25 x 12.75
8. 968523-398	Panel, 2.25 x 12.75
9. 968523-399	Panel, 30.11 x 78.74
10. 968523-3910	Panel, 2.25 x 78.74
11. 968523-3911	Panel, 2.25 x 78.74
12. 968360	Wardrobe closeout
13. 802164-0039	Door, Louvered, Macchiato
14. 968523-3926	Panel, 1.25 x 12.75
382413-02	Leather strap, Antique Bronze
381607-11	Hinge, Self-close
381228-02	Catch, Grabber door (5lb Pull)
104821	Support, Roof locker
365340-01	Edgebanding .63", Frosty White
365412-01	Edgebanding, .63, Macchiato
365412-02	Edgebanding, .94, Macchiato

2017 TOMMY BAHAMA TT FURNITURE, LAVATORY

Wardrobe, Aft



Parts Listed on Next Page

2017 TOMMY BAHAMA TT FURNITURE, LAVATORY

Wardrobe, Aft

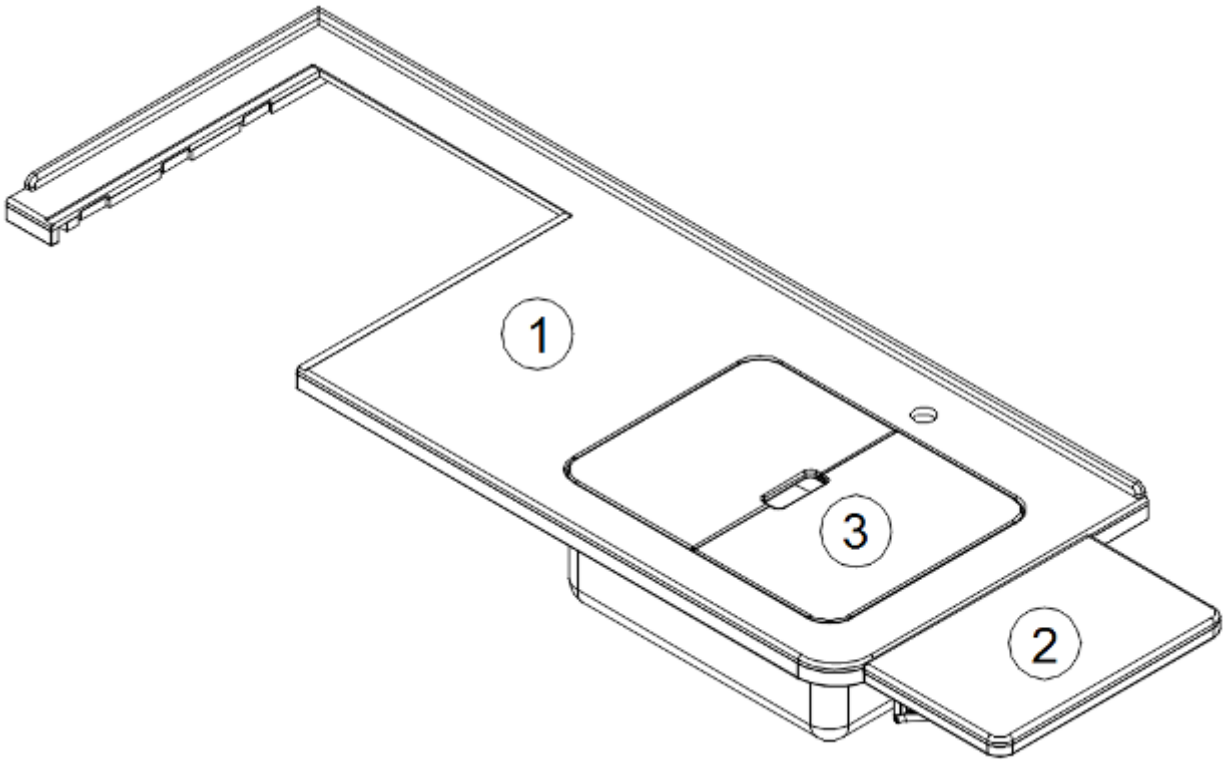
968525-39

Aft Wardrobe

- | | |
|-----------------|---------------------------------|
| 1. 968525-391 | Panel, 30.11 x 78.69 |
| 2. 968525-392 | Panel, 2.25 x 12.75 |
| 3. 968525-393 | Panel, 2.25 x 12.75 |
| 4. 968525-394 | Panel, 26 x 17.19 |
| 5. 968525-395 | Panel, 27.25 x 17.19 |
| 6. 968525-396 | Panel, 14 x 4.49 |
| 7. 968525-397 | Panel, 9.5 x 31.44 |
| 8. 968525-398 | Panel, 4.31 x 31.44 |
| 9. 968525-399 | Panel, 3.44 x 75.87 |
| 10. 968525-3910 | Panel, 13.75 x 14.38 |
| 11. 968525-3911 | Panel, 2.94 x 77.25 |
| 12. 968525-3912 | Panel, 2.25 x 78.69 |
| 13. 968525-3913 | Panel, 2.25 x 78.69 |
| 14. 802164-0039 | Door, Louvered, Macchiato |
| 15. 968525-3928 | Panel, 1.25 x 12.75 |
| 382413-02 | Leather strap, Antique Bronze |
| 381607-11 | Hinge, Self-close |
| 381228-02 | Catch, Grabber door (5lb Pull) |
| 104821 | Support, Roof locker |
| 380045 | Tubing, 3/4" |
| 200975-04 | Conduit, Flexible Black plastic |
| 365340-01 | Edgebanding .63", Frosty White |
| 365412-01 | Edgebanding, .63, Macchiato |
| 365412-02 | Edgebanding, .94, Macchiato |

2017 TOMMY BAHAMA TT FURNITURE, GALLEY

Galley Top



968528

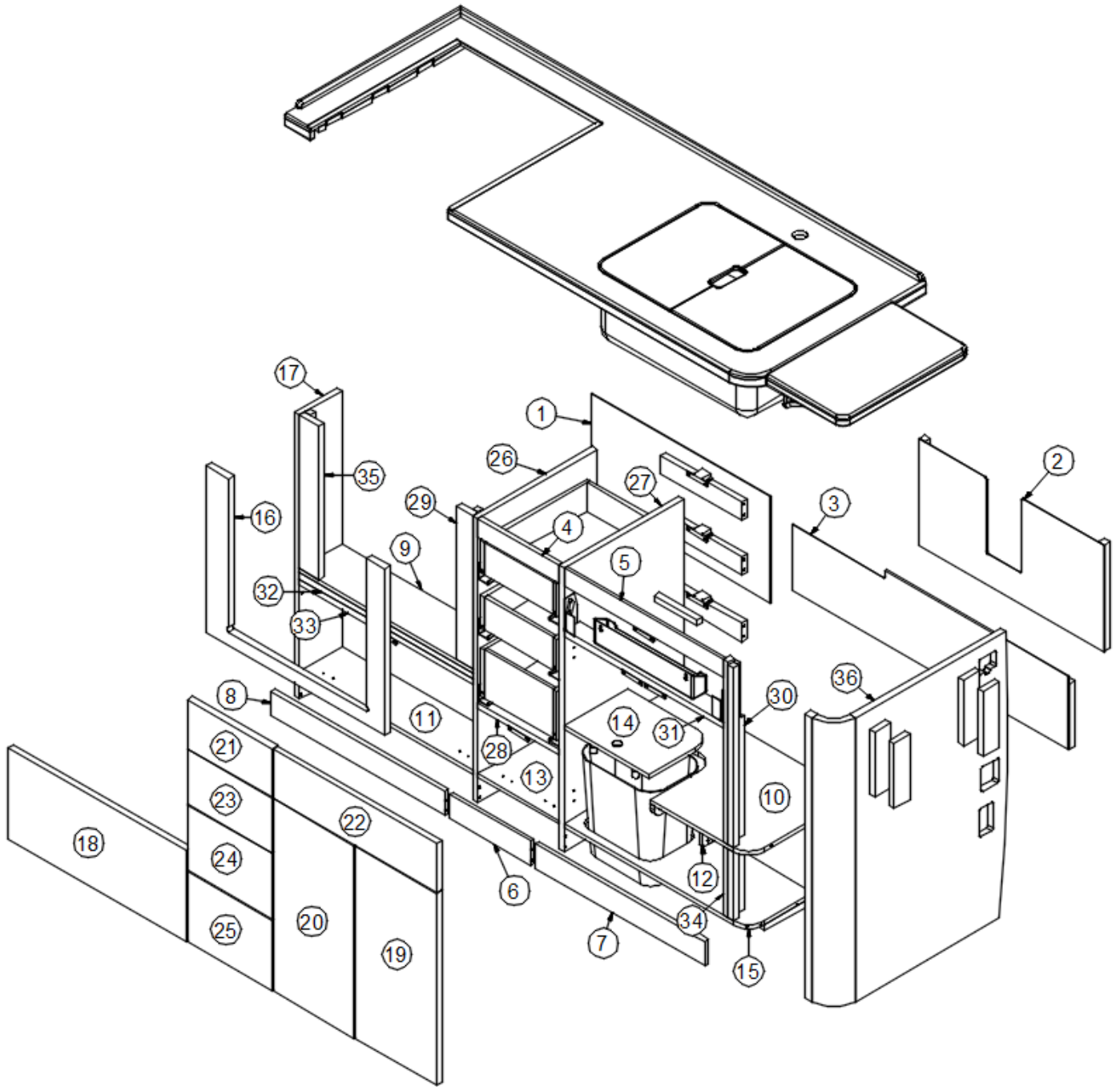
Galley Top Assembly

1. 602627
2. 967989-06
3. 602628

Galley top, Solid surface, Terni
Galley flip shelf, Terni
Sink cover, Terni

2017 TOMMY BAHAMA TT FURNITURE, GALLEY

Galley Cabinet, Standard Microwave



Parts Listed on Next Page

2017 TOMMY BAHAMA TT

FURNITURE, GALLEY

Galley Cabinet, Standard Microwave

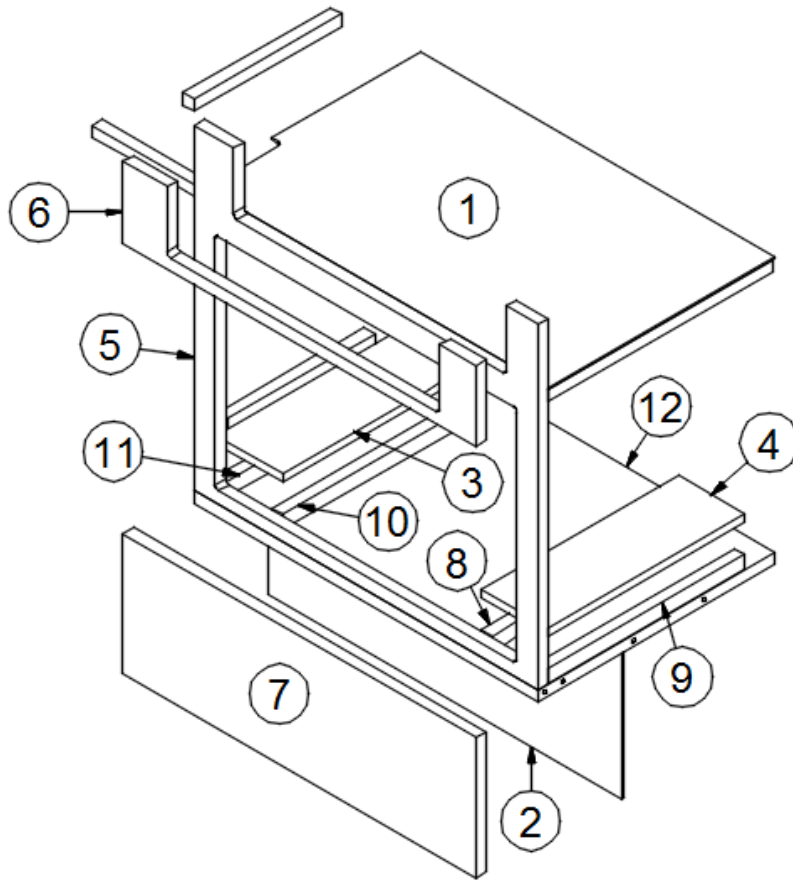
968527-39

Galley Cabinet

- | | |
|-----------------|-------------------------------|
| 1. 968527-391 | Panel, 13 x 25.25 |
| 2. 968527-392 | Panel, 13 x 26.13 |
| 3. 968527-394 | Panel, 8 x 39 |
| 4. 968527-396 | Panel, 2.25 x 11.38 |
| 5. 968527-397 | Panel, 2.25 x 22.44 |
| 6. 968527-398 | Panel, 3 x 11.375 |
| 7. 968527-399 | Panel, 3 x 23.88 |
| 8. 968527-3910 | Panel, 3 x 24.5 |
| 9. 968527-3911 | Panel, 6 x 24.5 |
| 10. 968527-3912 | Panel, 15 x 26.13 |
| 11. 968527-3915 | Panel, 6 x 24.5 |
| 12. 968527-3916 | Panel, 8.5 x 9.13 |
| 13. 968527-3917 | Panel, 9.13 x 11.38 |
| 14. 968527-3918 | Panel, 9.13 x 12.13 |
| 15. 968527-3919 | Panel, 9.13 x 26.13 |
| 16. 968527-3920 | Panel, 20.31 x 25.13 |
| 17. 968527-3923 | Panel, 6 x 34.75 |
| 18. 968527-3929 | Door, 11.13 x 25.13 |
| 19. 968527-3930 | Door, 23.5 x 11.47 |
| 20. 968527-3931 | Door, 23.5 x 11.47 |
| 21. 968527-3932 | Door, 6 x 12 |
| 22. 968527-3933 | Door, 6 x 23.06 |
| 23. 968527-3934 | Door, 6.63 x 12 |
| 24. 968527-3935 | Door, 8 x 12 |
| 25. 968527-3936 | Door, 8.63 x 12 |
| 26. 968527-3942 | Panel, 16.88 x 34.75 |
| 27. 968527-3943 | Panel, 16.88 x 34.75 |
| 28. 968527-3947 | Panel, 2.25 x 11.38 |
| 29. 968527-3948 | Panel, 2.25 x 18.75 |
| 30. 968527-3949 | Panel, 2.25 x 22.25 |
| 31. 968527-3950 | Panel, 2.25 x 22.44 |
| 32. 968527-3951 | Panel, 2.25 x 24.5 |
| 33. 968527-3952 | Panel, 2.25 x 24.5 |
| 34. 968527-3953 | Panel, 2.25 x 8.5 |
| 35. 968527-3954 | Panel, 2.81 x 18.75 |
| 36. 968276-39 | Radius sub assembly |
| 382203-03 | Drawer slide, Self-close, 15" |
| 968022-09 | Drawer box, 6" |
| 968224-02 | Drawer box, 4" |
| 381685-01 | Hinge, Scissor tray |
| 381686 | Tray, 14", Plastic |
| 382413-02 | Leather strap, Antique Bronze |
| 381607-11 | Hinge, Self-close |
| 381708 | Wastebasket, Rubbermaid |
| 968024 | Insert, Cutlery drawer |

2017 TOMMY BAHAMA TT FURNITURE, GALLEY

Galley Cabinet, Convection Microwave Section



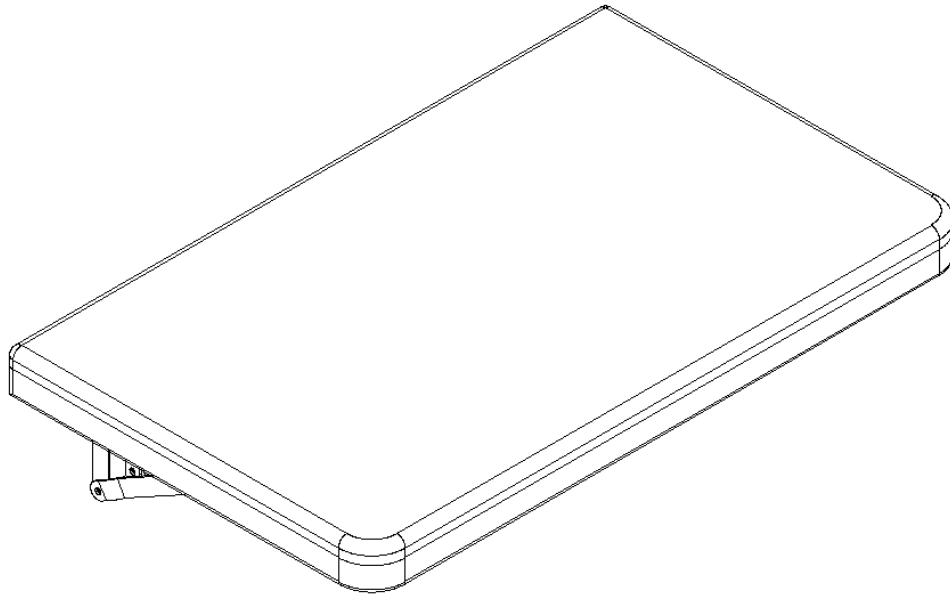
968527-3901

Galley Convection Cabinet

- | | |
|-----------------|----------------------|
| 1. 968527-393 | Panel, 16 x 25.25 |
| 2. 968527-395 | Panel, 9 x 25.25 |
| 3. 968527-3913 | Panel, 4.75 x 14 |
| 4. 968527-3914 | Panel, 4.75 x 14 |
| 5. 968527-3921 | Panel, 24.5 x 22.5 |
| 6. 968527-3922 | Panel, 5 x 25.13 |
| 7. 968527-3928 | Panel, 8.63 x 25.13 |
| 8. 968527-3937 | Panel, .94 x 14 |
| 9. 968527-3938 | Panel, .94 x 14 |
| 10. 968527-3939 | Panel, .94 x 14 |
| 11. 968527-3940 | Panel, .94 x 14 |
| 12. 968527-3941 | Panel, 16.88 x 25.25 |

2017 TOMMY BAHAMA TT
FURNITURE, GALLEY

Galley Flip-Up Shelf

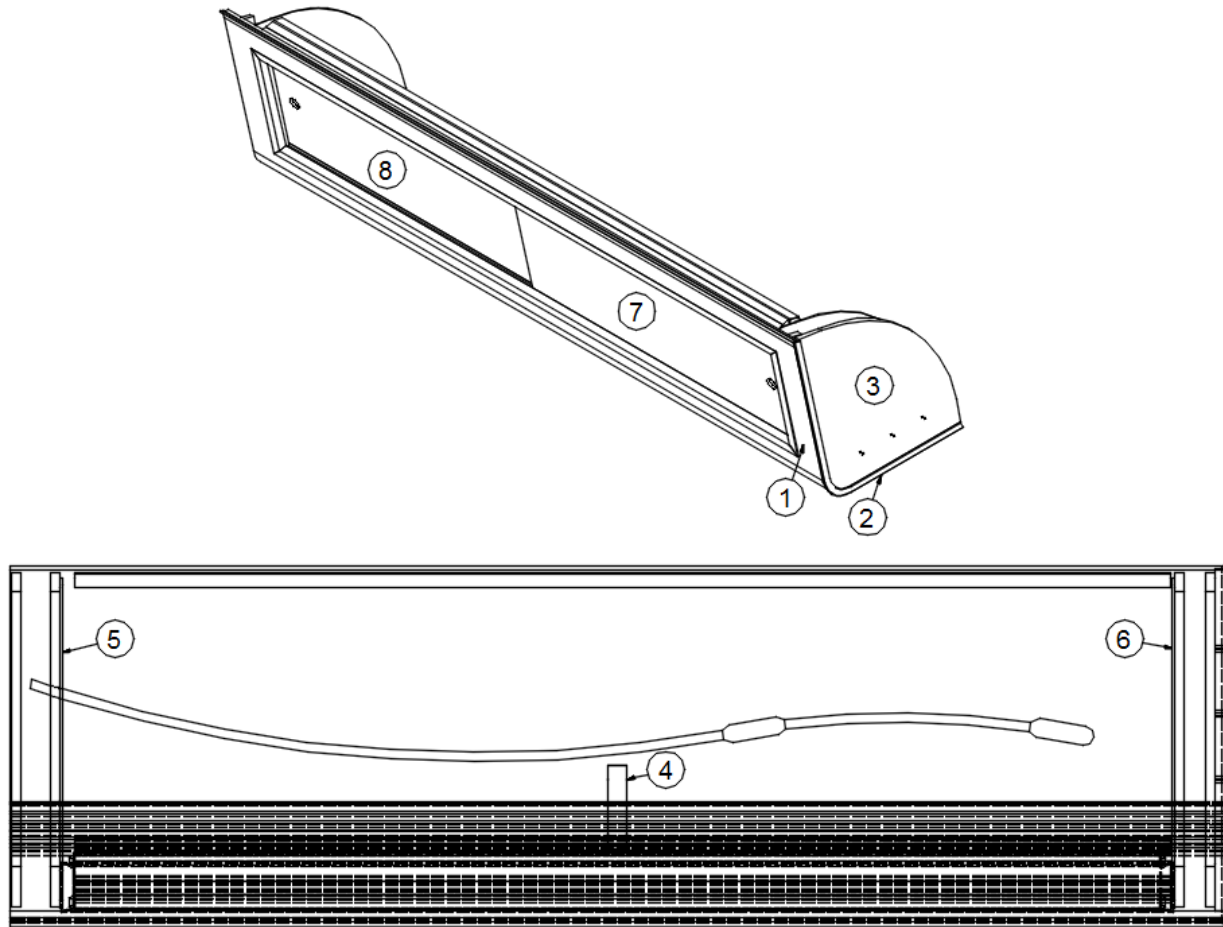


967989-06
602629
382092

Galley flip shelf
Flip shelf top, Solid surface, Terni
Bracket, Hinged spring, 88 LB

2017 TOMMY BAHAMA TT FURNITURE, GALLEY

Roof Locker, Galley



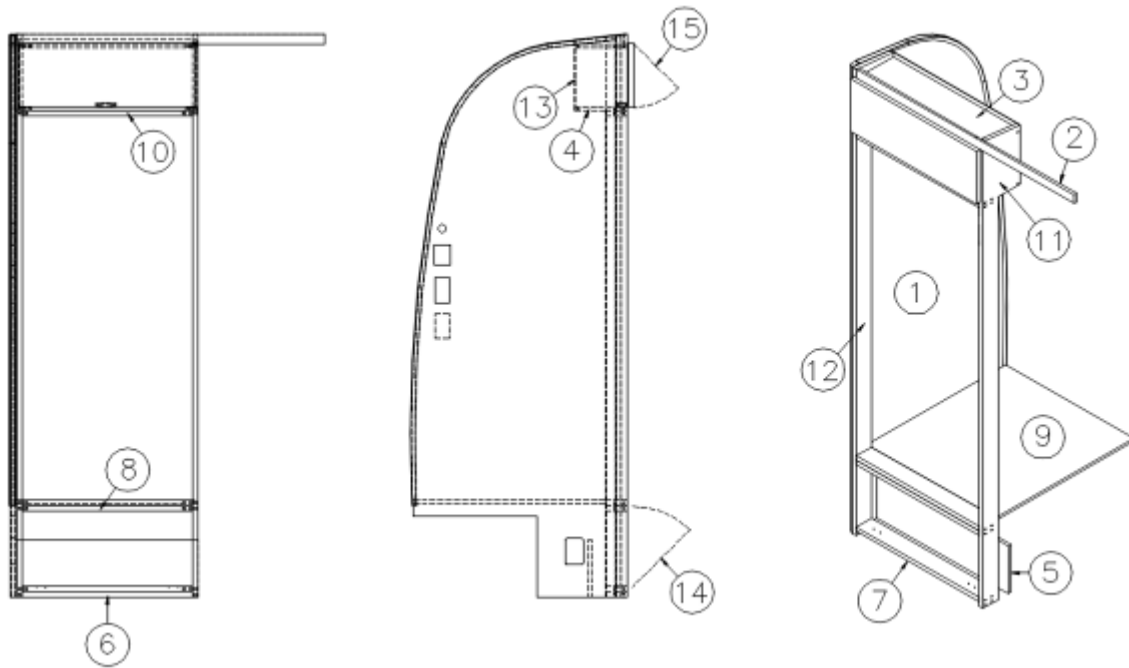
968518-39

Galley Roof Locker

- | | |
|----------------|--|
| 1. 802163 | Locker face, Galley |
| 2. 115375-02 | Formed extrusion, End cap |
| 3. 802073-0239 | End cap |
| 4. 115226 | Bracket, Formed, Locker center support |
| 5. 801539-01 | Divider, LH |
| 6. 801539-02 | Divider, RH |
| 7. 203915-01 | Door, Plexiglass w/etching, RH |
| 8. 203915-02 | Door, Plexiglass w/etching, LH |
| 203388 | Sliding door track, White |
| 201673-01 | Reverse cove molding, .43", Oak |
| 115227-01 | Angle, Formed |
| 104821 | Roof locker support |
| 115829 | Angle, .75 x .75, Aluminum Anodized |

2017 TOMMY BAHAMA TT FURNITURE, GALLEY

Refrigerator Cabinet



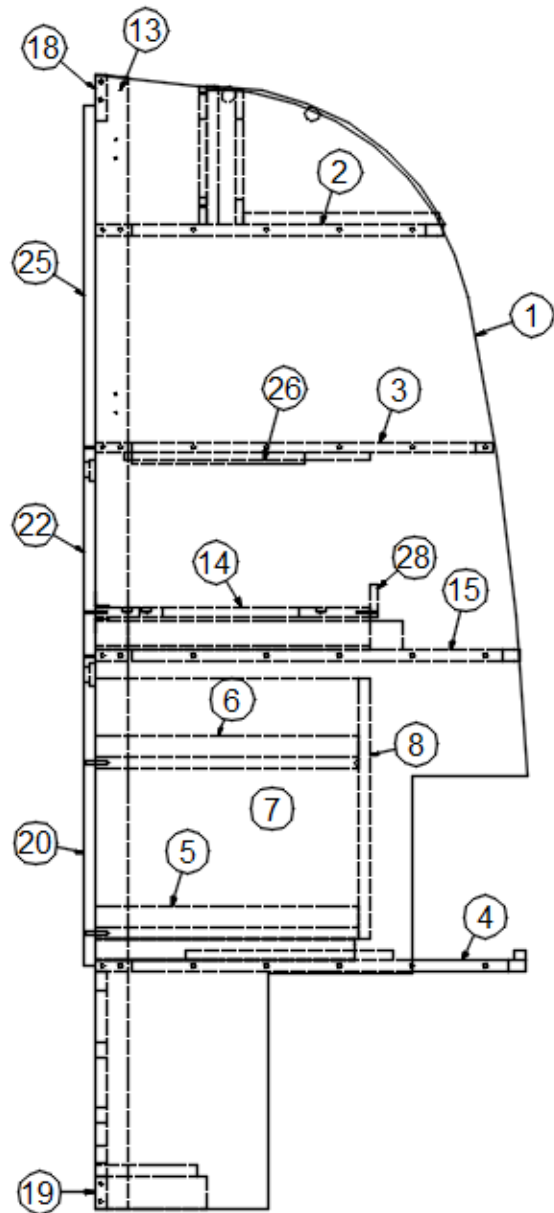
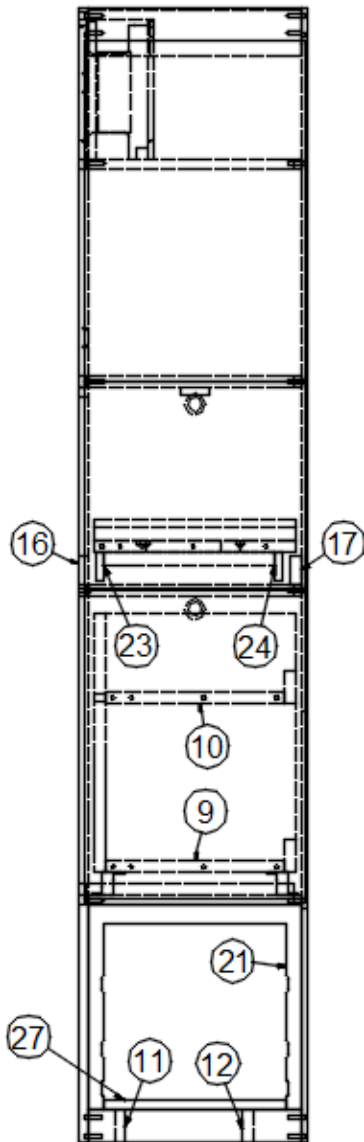
967682-39

Refrigerator Cabinet

- | | |
|-----------------|--|
| 1. 967682-391 | Panel, 28.5 x 78.45 |
| 2. 967682-3929 | Panel, 1.49 x 56.75 |
| 3. 967682-193 | Panel, 7.25 x 23.81 |
| 4. 967682-194 | Panel, 7.25 x 23.81 |
| 5. 967682-195 | Panel, 8 x 25.5 |
| 6. 967682-196 | Panel, 3 x 23.81 |
| 7. 967682-197 | Panel, 3 x 23.81 |
| 8. 967682-198 | Panel, 3 x 23.81 |
| 9. 967682-199 | Panel, 3 x 23.81 |
| 10. 967682-1910 | Panel, 3 x 23.81 |
| 11. 967682-1911 | Panel, 7.25 x 78.74 |
| 12. 967682-1912 | Panel, 7.25 x 78.74 |
| 13. 967682-3915 | Panel, 9.92 x 24.81 |
| 14. 967682-3918 | Door, 24.44 x 11.69 |
| 15. 967682-3919 | Door, 24.44 x 8.88 |
| 801706-0039 | Corner trim, 90°, 1" radius, Macchiato |
| 966812 | Refrigerator stand |
| 382413-02 | Leather strap, Antique Bronze |
| 381607-11 | Hinge, Self-close |
| 381228-02 | Catch, Grabber door (5lb Pull) |
| 365412-01 | Edgebanding, .63, Macchiato |
| 365412-02 | Edgebanding, .94, Macchiato |

2017 TOMMY BAHAMA TT FURNITURE, GALLEY

Pantry with Microwave



Parts Listed on Next Page

2017 TOMMY BAHAMA TT FURNITURE, GALLEY

Pantry with Microwave

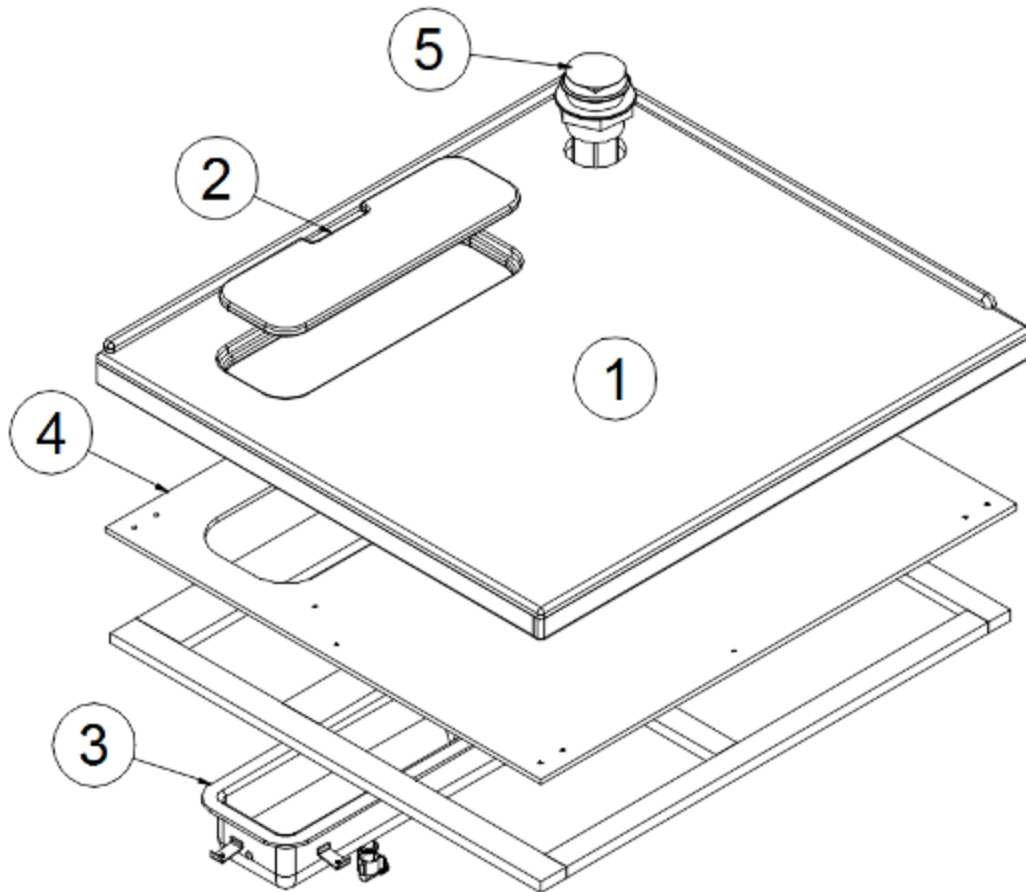
966898-39

Pantry Cabinet with Microwave

1. 966898-391	Panel, 29.87 x 78.7
2. 966898-2	Panel, 24 x 15.38
3. 966898-3	Panel, 27.5 x 15.38
4. 966898-4	Panel, 29.75 x 15.38
5. 966898-5	Panel, 2.25 x 18.25
6. 966898-6	Panel, 2.25 x 18.25
7. 966898-7	Panel, 18 x 18.25
8. 966898-8	Panel, 18 x 13.88
9. 966898-9	Panel, 12.38 x 18.25
10. 966898-10	Panel, 12.38 x 18.25
11. 966898-11	Panel, 2.25 x 7
12. 966898-12	Panel, 2.25 x 7
13. 966898-13	Panel, 2.25 x 78.63
14. 966898-14	Panel, 19 x 13.88
15. 966898-15I	Panel, 29.31 x 15.38
16. 966898-16	Panel, 2 x 19
17. 966898-17	Panel, 2 x 19
18. 966898-3918	Panel, 3.27 x 14.63
19. 966898-3919	Panel, 2.25 x 14.63
20. 966898-3920	Door, 21.38 x 15.25
21. 966898-3921	Panel, 14.63 x 14.22
22. 966898-3924	Door, 14.31 x 15.25
23. 966898-25	Panel, 2 x 19
24. 966898-26	Panel, 2 x 19
25. 966898-3927	Door, 15.25 x 23.63
26. 966898-42	Panel, 20 x 17
27. 966898-3947	Panel, 12.63 x 7
28. 966898-54	Panel, 2.25 x 13.88
381944-01	Slide, 18", Per set
381408	Lock, Push button, Black
203710	T-molding, Almond
114812	Aluminum angle, 1" x 1"
381192	Drawer slide, 18", Pair
382413-02	Leather strap, Antique Bronze
381607-11	Hinge, Self-close
381228-02	Catch, Grabber door (5lb Pull)

2017 TOMMY BAHAMA TT FURNITURE, LOUNGE

Lounge Bar Top

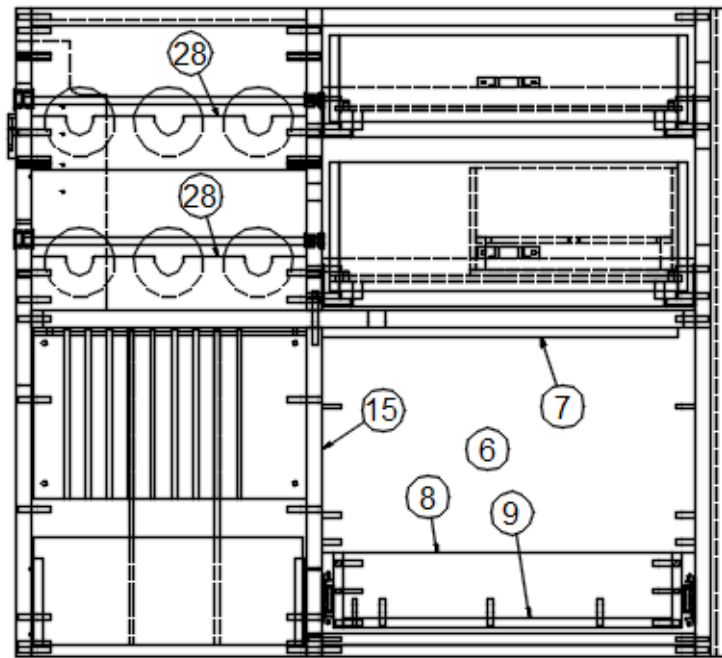
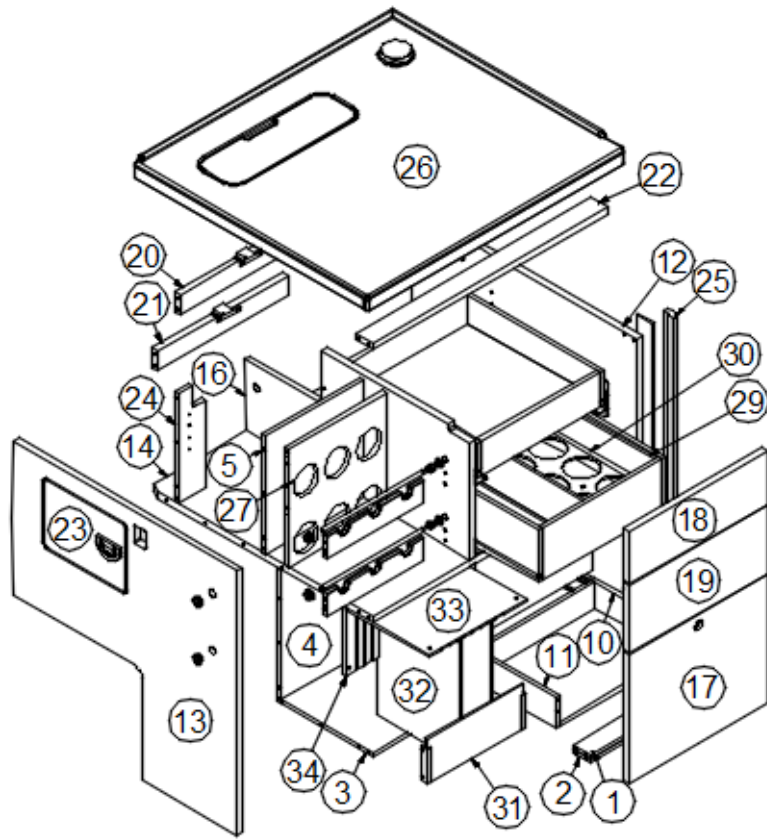


968530 Bar Top Assembly

- 1. 602625 Bar top, Corian
- 2. 602630 Ice trough cover
- 3. 203916 Ice trough
- 4. 513165 Lit panel
- 5. 512986 Receptacle, Pop-up
- 602658 Drain, Ice trough
- 453833 Clip, Sink mount
- 513176 LED pin light
- 513165-01 Controller, Preset to color
- 382457 Gasket, Bar sink

2017 TOMMY BAHAMA TT FURNITURE, LOUNGE

Lounge Bar



Parts Listed on Next Page

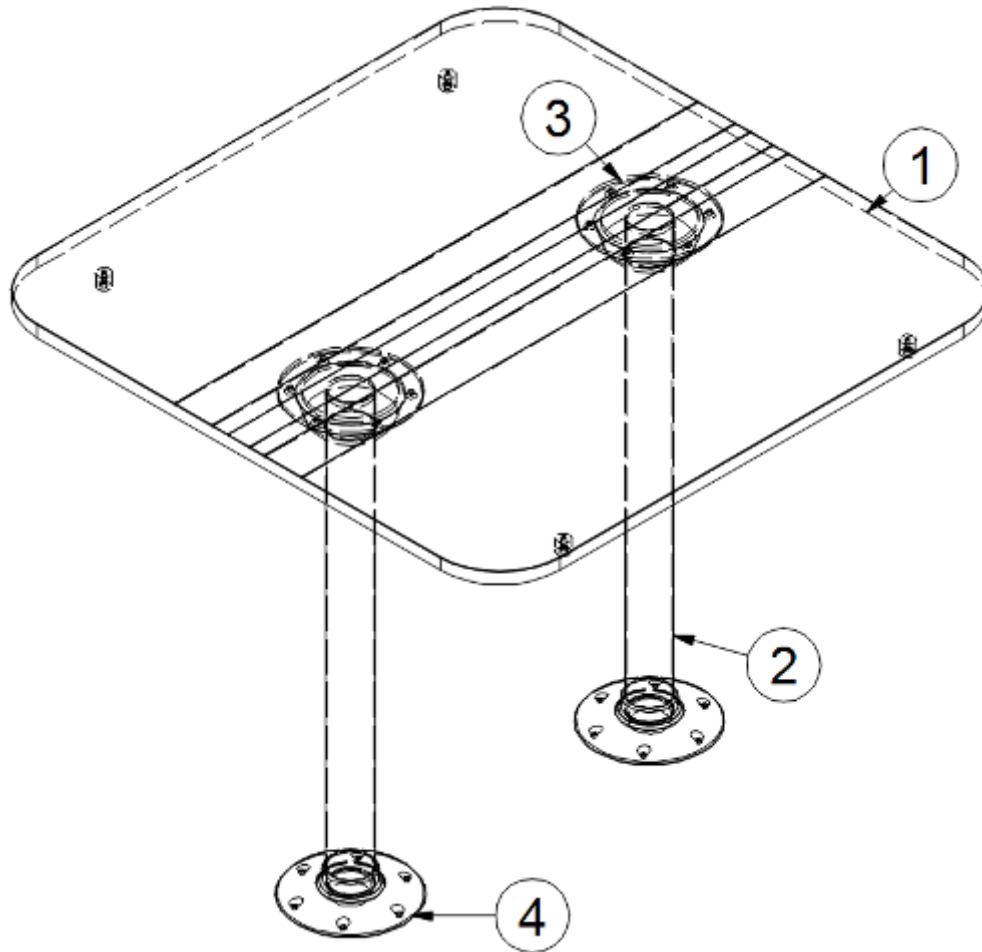
2017 TOMMY BAHAMA TT FURNITURE, LOUNGE

Lounge Bar

968511-39	Bar
1. 968511-1	Panel, 2.25 x 17.25
2. 968511-2	Panel, 2.25 x 17.25
3. 968511-393	Panel, 12.75 x 12
4. 968511-394	Panel, 12.75 x 15.25
5. 968511-395	Panel, 12.75 x 13.5
6. 968511-6	Panel, 17.25 x 10.5
7. 968511-7	Panel, 2.25 x 16.5
8. 968511-8	Panel, 3 x 15.19
9. 968511-9	Panel, 15.19 x 11
10. 968511-10	Panel, 3.5 x 11
11. 968511-11	Panel, 3.5 x 11
12. 968511-12	Panel, 29.53 x 30
13. 968511-3913	Panel, 29.53 x 30
14. 968511-3914	Panel, 30.75 x 29.31
15. 968511-3915	Panel, 12.5 x 15.25
16. 968511-3916	Panel, 29.53 x 14
17. 968511-3917	Panel, 18.13 x 14.63
18. 968511-3918	Panel, 18.13 x 6
19. 968511-3919	Panel, 18.13 x 7.75
20. 968511-3920	Panel, 2.25 x 17.25
21. 968511-3921	Panel, 2.25 x 17.25
22. 968511-3922	Panel, 2.25 x 30.75
23. 968511-3923	Panel, 10.63 x 7.63
24. 968511-55	Panel, 3.5 x 12.5
25. 801706-0039	Corner trim, 90°, 1" radius, Macchiato
26. 968530	Bar top assembly
27. 802167-0039	Wine bottle holder
28. 802168-0039	Wine bottle front support
29. 968519	Insert, Glass box
30. 203907	Insert, Drawer tumbler w/legs
31. 203908	Insert, Front divider bar
32. 203909	Insert, Divider bar
33. 203911	Insert, Slotted divider top
34. 203910	Insert, Slotted divider back
381228-02	Catch, Grabber door, 5LB
345571	Threaded rod
382425	Bushing, Pry out
382435	Bushing, Snap
381607-15	Hinge, Self-close
382413-02	Leather strap, Antique Bronze
382410	Drawer pull, Flush
381408	Lock, Push button, Black

2017 TOMMY BAHAMA TT FURNITURE, LOUNGE

Dinette table



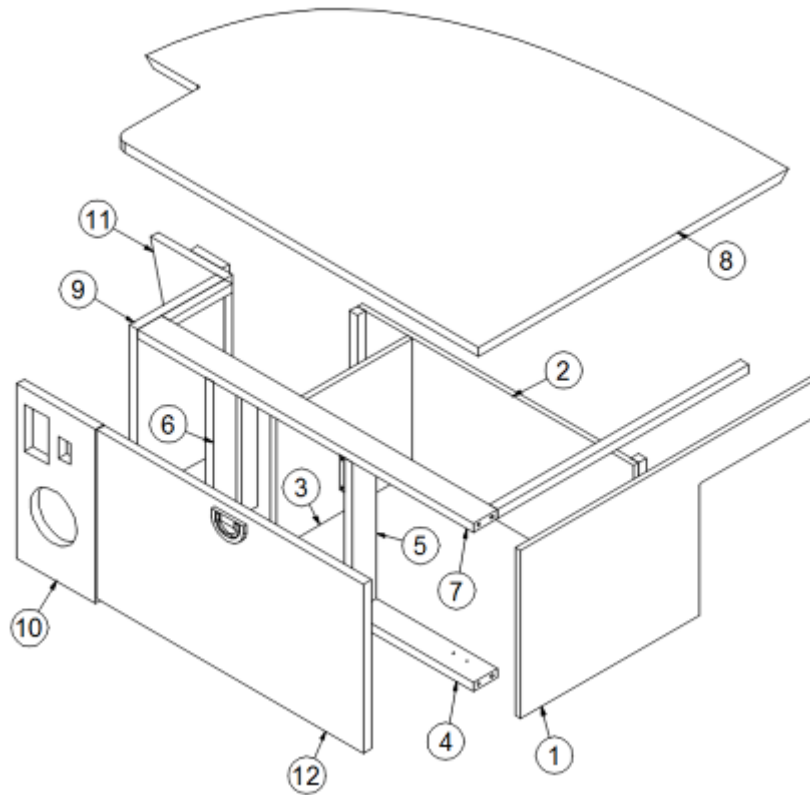
968526-39 Pedestal Table

- 1. 968526-391 Table top, 35 x 35
- 2. *381974 Pedestal leg
- 3. 381975 Socket, Table
- 4. 381976 Socket, Floor
- 381136 Rubber bumper
- 381581 Strap, Clear plastic
- 700005 Fastener, Cap
- 700006 Fastener socket
- 115472 Trim, Counter top, Aluminum

*Replaced 381974-01 in February 2017

2017 TOMMY BAHAMA TT FURNITURE, LOUNGE

Dinette Seat, RS



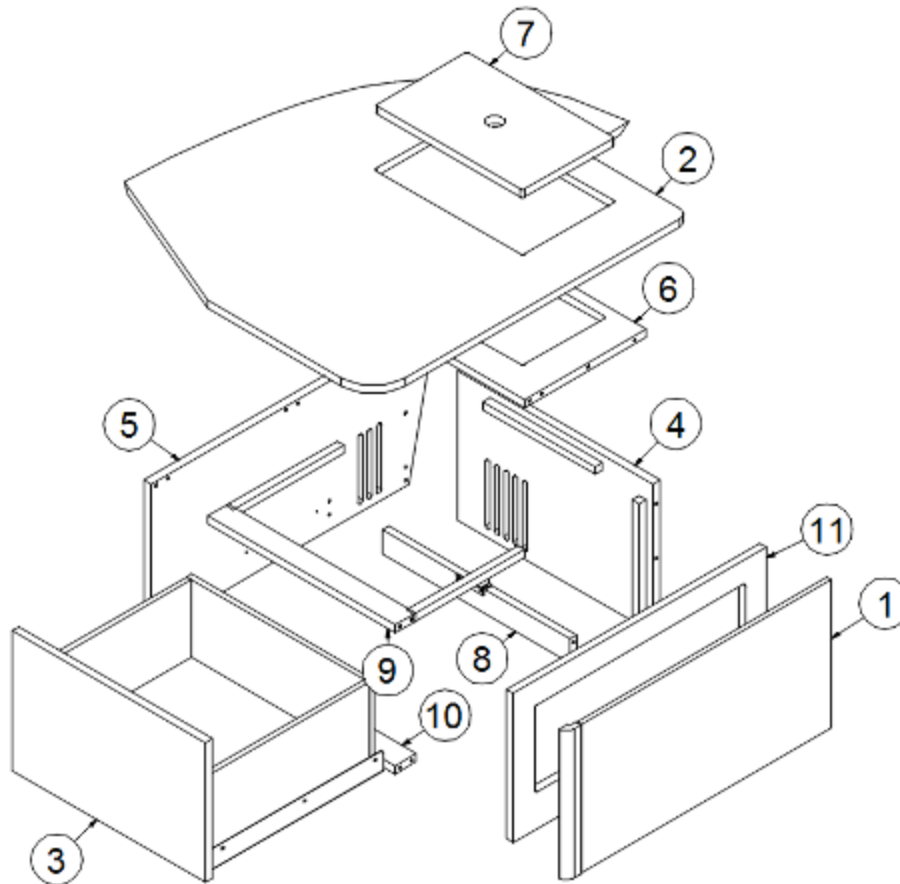
968524-39

Roadside Dinette Seat

- | | |
|-----------------|--------------------------------|
| 1. 968524-391 | Panel, 26.5 x 13.88 |
| 2. 968524-392 | Panel, 11 x 27.31 |
| 3. 968524-393 | Panel, 11 x 13 |
| 4. 968524-394 | Panel, 2.25 x 26.56 |
| 5. 968524-395 | Panel, 2.25 x 12.38 |
| 6. 968524-396 | Panel, 2.25 x 12.38 |
| 7. 968524-397 | Panel, 2.25 x 33 |
| 8. 968524-398 | Panel, 29.5 x 40.19 |
| 9. 968524-399 | Panel, 10.62 x 13.88 |
| 10. 968524-3910 | Panel, 7.5 x 14.38 |
| 11. 968524-3911 | Panel, 5.75 x 13.88 |
| 12. 968524-3912 | Door, 25.44 x 13.94 |
| 381228-02 | Catch, Grabber door (5lb Pull) |
| 381607-11 | Hinge, Self-close |
| 382410 | Drawer pull, Flush |
| 365412-01 | Edgebanding, .63, Macchiato |
| 365412-02 | Edgebanding, .94, Macchiato |

2017 TOMMY BAHAMA TT FURNITURE, LOUNGE

Dinette Seat, CS



968281-39

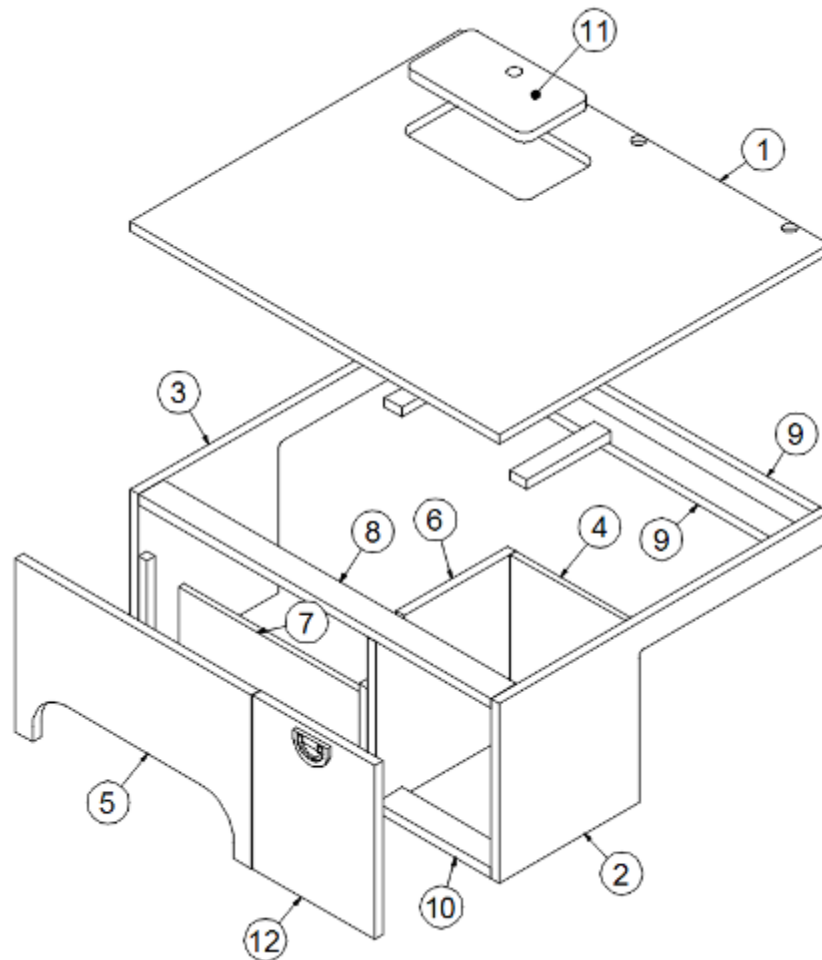
Curbside Dinette Seat

- | | |
|-----------------|--|
| 1. 968281-391 | Panel, 27.26 x 13.88 |
| 2. 968281-392 | Panel, 33.37 x 39.61 |
| 3. 968281-393 | Door, 20.88 x 13 |
| 4. 968281-394 | Panel, 21 x 13.88 |
| 5. 968281-395 | Panel, 31.2 x 13.88 |
| 6. 968281-396 | Panel, 13 x 20.25 |
| 7. 968281-397 | Panel, 9.88 x 15.88 |
| 8. 968281-398 | Panel, 2.25 x 20.25 |
| 9. 968281-399 | Panel, 2.25 x 20.25 |
| 10. 968281-3910 | Panel, 2.25 x 20.25 |
| 11. 968281-3911 | Panel, 27.75 x 13.88 |
| 381228-02 | Catch, Grabber door (5lb Pull) |
| 382203-04 | Drawer slide, Self-close, 18" |
| 968028-14 | Drawer box, 8" |
| 801706-0039 | Corner trim, 90°, 1" radius, Macchiato |
| 382410 | Drawer pull, Flush |

2017 TOMMY BAHAMA TT

FURNITURE, LOUNGE

Sofa



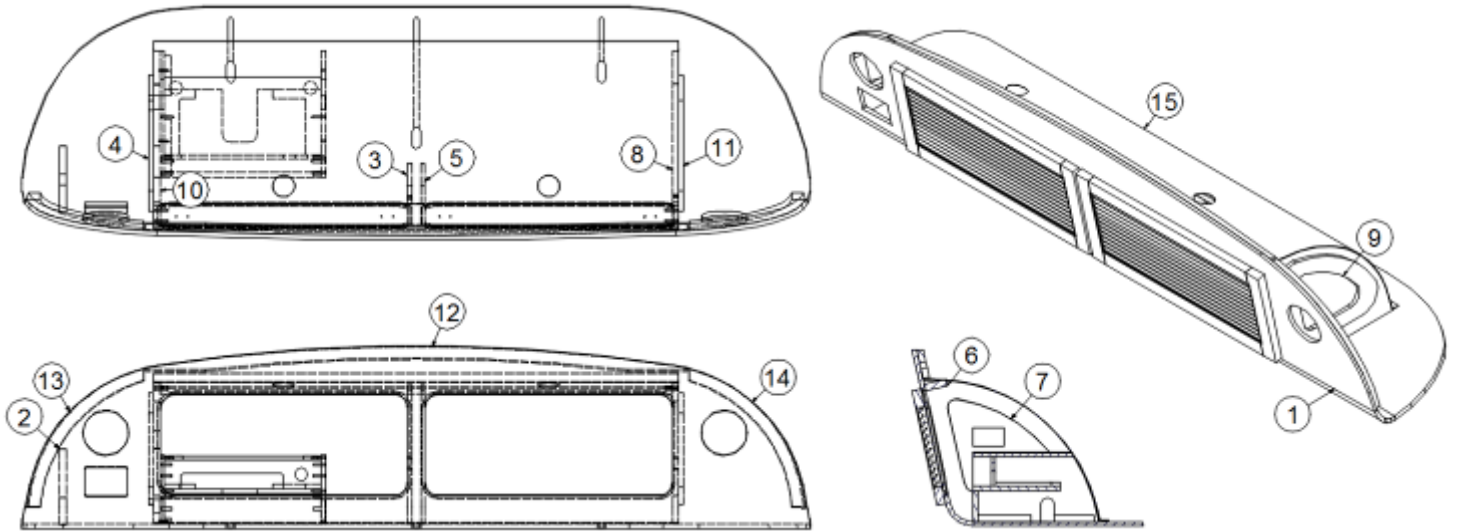
968510-39

Sofa Assembly

- | | |
|-----------------|----------------------|
| 1. 968510-391 | Panel, 33 x 29.5 |
| 2. 968510-392 | Panel, 13.88 x 29.5 |
| 3. 968510-393 | Panel, 13.88 x 29.5 |
| 4. 968510-394 | Panel, 11 x 13.88 |
| 5. 968510-395 | Panel, 21.13 x 13.94 |
| 6. 968510-396 | Panel, 11.75 x 13.88 |
| 7. 968510-397 | Panel, 5 x 20.5 |
| 8. 968510-398 | Panel, 2.25 x 31.5 |
| 9. 968510-399 | Panel, 2.25 x 31.5 |
| 10. 968510-3910 | Panel, 2.25 x 10.25 |
| 11. 968510-3911 | Panel, 10.75 x 6 |
| 12. 968510-3912 | Panel, 10.88 x 13.94 |
| 382410 | Drawer pull, Flush |
| 381607-11 | Hinge, Self-close |

2017 TOMMY BAHAMA TT FURNITURE, LOUNGE

Roof Locker with Radio & Speakers



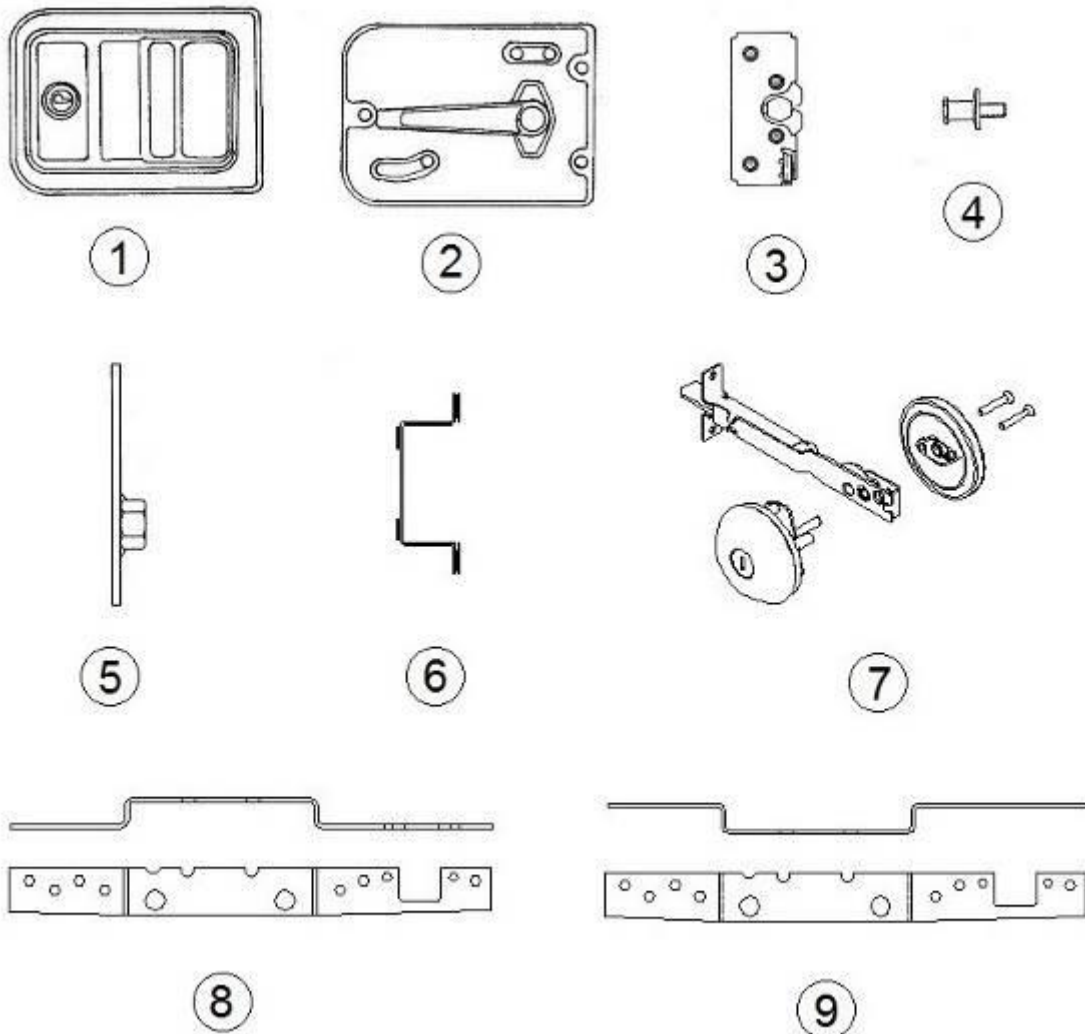
968521-39

Roof Locker with Radio & Speakers

- | | |
|-----------------|---------------------------------------|
| 1. 802169 | Face, Liner locker w/radio & speakers |
| 2. 801710 | Support Divider |
| 3. 968521-393 | Panel, 7.03 x 15.74 |
| 4. 968521-394 | Panel, 12.6 x 15.37 |
| 5. 968521-395 | Panel, 7.03 x 15.74 |
| 6. 968521-396 | Panel, 2.5 x 58 |
| 7. 968521-397 | Panel, 10.78 x 14.53 |
| 8. 968521-398 | Panel, 16 x 19.94 |
| 9. 968521-399 | Panel, 10.78 x 14.53 |
| 10. 968521-3910 | Panel, 16 x 19.94 |
| 11. 968521-3911 | Panel, 12.6 x 15.37 |
| 12. 801596-01 | Backer, Center |
| 13. 801596-02 | Backer, LH |
| 14. 801596-03 | Backer, RH |
| 15. 115834 | Pan, WB front |
| 802166-0139 | Door, Louvered, RH |
| 382242 | Stay set, Lid |
| 968343 | Blu-Ray shelf |
| 801355-01 | Laminate, Frost White |
| 203710 | T-molding, .5625", Almond |
| 201673-01 | Reverse cove molding, Oak |
| 512438 | LED reading light |
| 512462 | LED reading light w/frosted lens |
| 114879-238 | Aluminum sheet, .04 x 33 x 238 |

2017 TOMMY BAHAMA TT HARDWARE

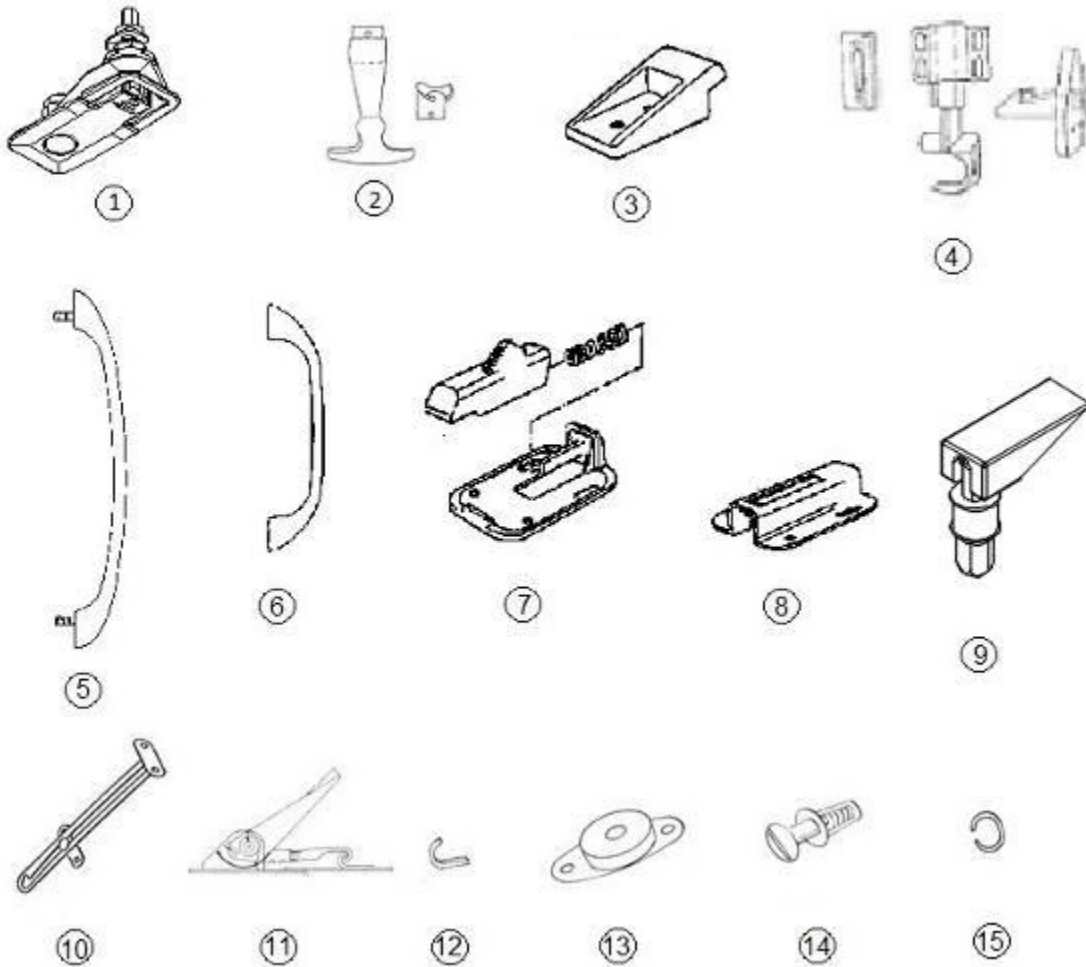
Main Door Lock, Right Hand Hinge



- | | |
|--|--|
| <ul style="list-style-type: none"> 1. 381547-09 2. 381547-11 3. 381547-10 4. 381547-04 5. 381550 6. 115413 7. 382069 8. 382067 9. 382068 382069-100 381547-102 381547-08 385595 | <ul style="list-style-type: none"> Main door lock, Outside housing Main door lock, Inside plate Double rotary latch, Main door lock Striker bolt w/washer, Main door lock Plate, Striker bolt Door hat section Deadbolt, Round, Trimark Outer reinforcement plate, RH/LH hinged door Inner reinforcement plate, RH hinged door Deadbolt key, Blank Main door key, Blank Screw package, Main door lock Pocket strike |
|--|--|

2017 TOMMY BAHAMA TT HARDWARE

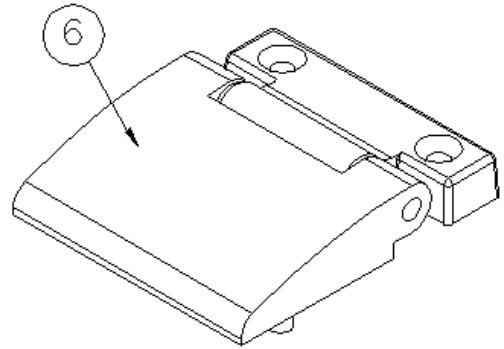
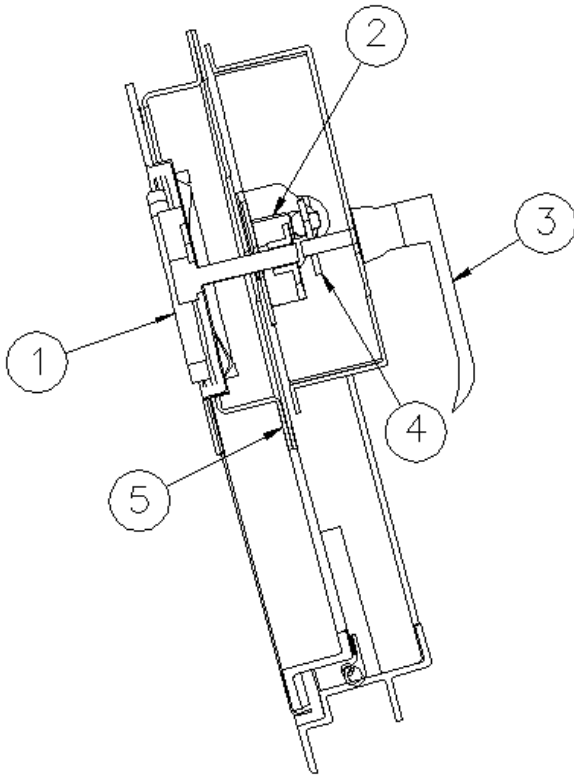
Exterior Latches, Locks, & Handles



- | | |
|---------------|--|
| 1. 382230-02 | Compression latch w/key code |
| 2. 381021-01 | Rubber T-handle |
| 3. 201056 | Catch, main door hold-back |
| 4. 381454 | Latch, Screen door, Bullet |
| 5. 511344-06 | Grab handle w/White LED bulb |
| 6. 380004 | Handle, Screen door |
| 7. 380291 | Main door hold-back |
| 8. 380290 | Latch housing |
| 9. 382456 | Swell latch |
| 10. 380024 | Support arm, Bumper lid |
| 11. 382091-01 | Tension latch, Stainless Steel |
| 12. 382091-02 | Strike, Tension latch, Stainless Steel |
| 13. 685359 | Rubber receptacle, 1/4 turn latch, Southco |
| 14. 685358 | Stud, 1/4 turn latch, Southco |
| 15. 685362 | Retaining ring, 1/4 turn stud |
| 382249 | Gasket, Main Door Grab handle |

2017 TOMMY BAHAMA TT HARDWARE

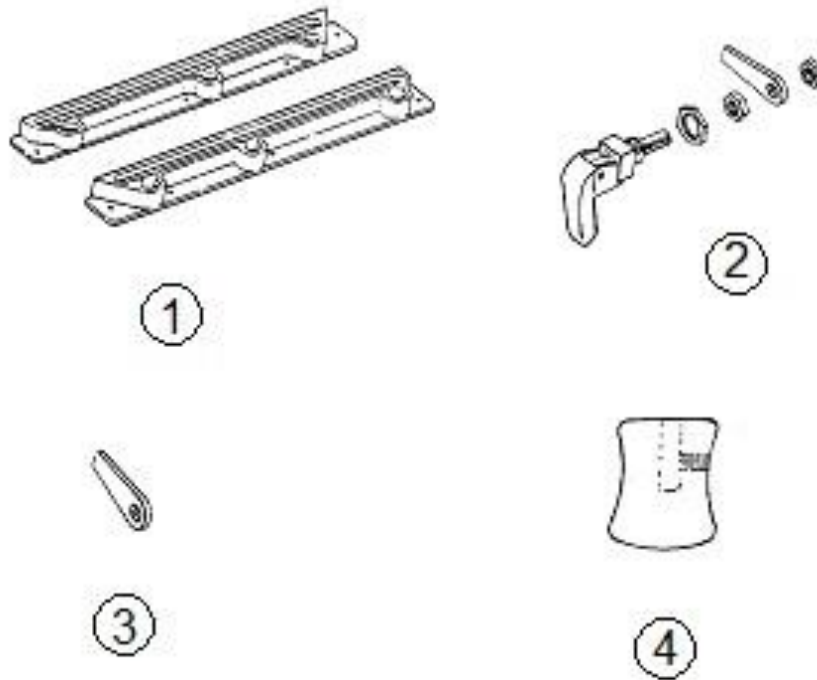
Lock & Hinge, Hatch Door



- | | |
|--------------|---------------------------|
| 1. 382018-10 | Handle, locking D-ring |
| 2. 382018-04 | Center case w/override |
| 3. 382018-08 | Handle-L, Non-locking |
| 4. 454577 | Adaptor, Latch release |
| 5. 115522 | Plate, Latch cover 45.81" |
| 6. 382065 | Hinge, Rear hatch door |

2017 TOMMY BAHAMA TT HARDWARE

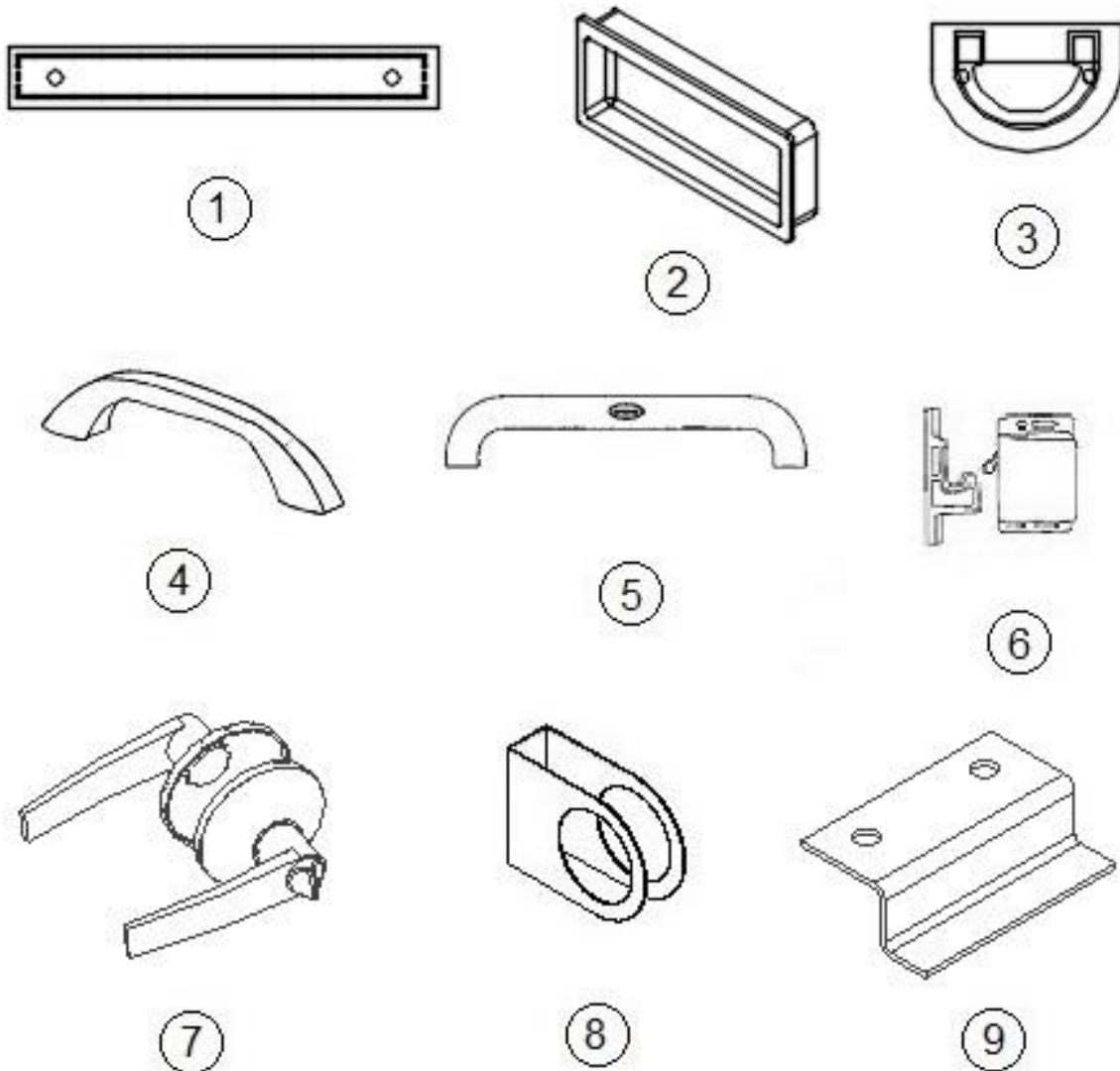
Window, Opening



- | | |
|--------------|----------------------------------|
| 1. 382360 | Window guide, RH |
| 382359 | Window guide, LH |
| 2. 010020 | Lower window latch, chrome |
| 195467-05 | Lower window latch, w/red handle |
| 3. 115776 | Lock paw, Window latch assembly |
| 4. 380230-03 | Knob window arm, silver |
| 380230-04 | Knob, window arm, red |
| 1101-0011 | Bracket, LH window striker |
| 1101-0012 | Bracket, RH window striker |

2017 TOMMY BAHAMA TT HARDWARE

Interior Latches & Handles



- | | |
|--------------|---|
| 1. 382413 | Kit, Leather strap, 2 30mm screws, 2 acorn nuts, and 2 caps |
| 382413-02 | Leather strap only, Bronze/Brown |
| 382413-03 | Screw, Acorn nut, Flat washer, and Bronze cap, (2 per handle) |
| 2. 382437 | Finger pull, Recessed, Matt Black |
| 3. 382410 | Drawer pull, Flush, Bronze |
| 4. 381737-02 | Grab bar, Interior, Black |
| 5. 382194 | Head knocker, White |
| 6. 381228-02 | Catch, grabber door, 5LB |
| 7. 381771-01 | Latch, Lever lockset, Bronze |
| 8. 454320-01 | Door handle cover, Brown |
| 9. 385940-02 | Mirror pull, Chrome |

2017 TOMMY BAHAMA TT HARDWARE

Interior Hinges

382159	Pivot hinge, Nickel
380203-01	Piano hinge
380203-02	Piano hinge, Black
380988	Hinge, Continuous
380773	Hinge, Access door
381607-11	Hinge, Self-close
381607-15	Hinge, Soft-close

Exterior Hinges

381552-02	Hinge, Main door, Upper
381552-01	Hinge, Main door, Lower
381531-01	Hinge, Screen door, Upper
381531-02	Hinge, Screen door, Lower
380773	Hinge, Exterior access door, Gas tank cover
380203-01	Piano hinge, 1/8" Pin, Battery box lid
380203-02	Piano hinge, Hose carrier lid, 72", Black
380988	Hinge, Continuous, Refrigerator access door
381605-03	Hinge, piano, wrap protectors,
380774-02	Hinge, 48.00", compartment door, trunk door
114749	Hinge, "Y" Assembly, Rockguard
114750	Hinge, "J", Rockguard

Bath Accessories

380034	Toilet paper holder, chrome
600594	Strainer with White rubber stopper
382417	Towel bar, 18", Bronze
602639	Towel ring, Alteo, Bronze
382418	Robe Hook

2017 TOMMY BAHAMA TT HARDWARE

Wardrobe Cabinet

380045	Clothes rod
200975-04	Conduit, Flexible, Black
601266	Closet flange, Chrome

Clothes Line

382063	Retractable clothes line
--------	--------------------------

Galley Cabinet

381708	Waste basket
--------	--------------

Keys & Key Holder

381647	Key, water fill CH 751
385229	Key Holder, Plastic, Airstream Blue
382069-100	Deadbolt key, Blank
381547-102	Main door key, Blank

Tommy Bahama Product Package

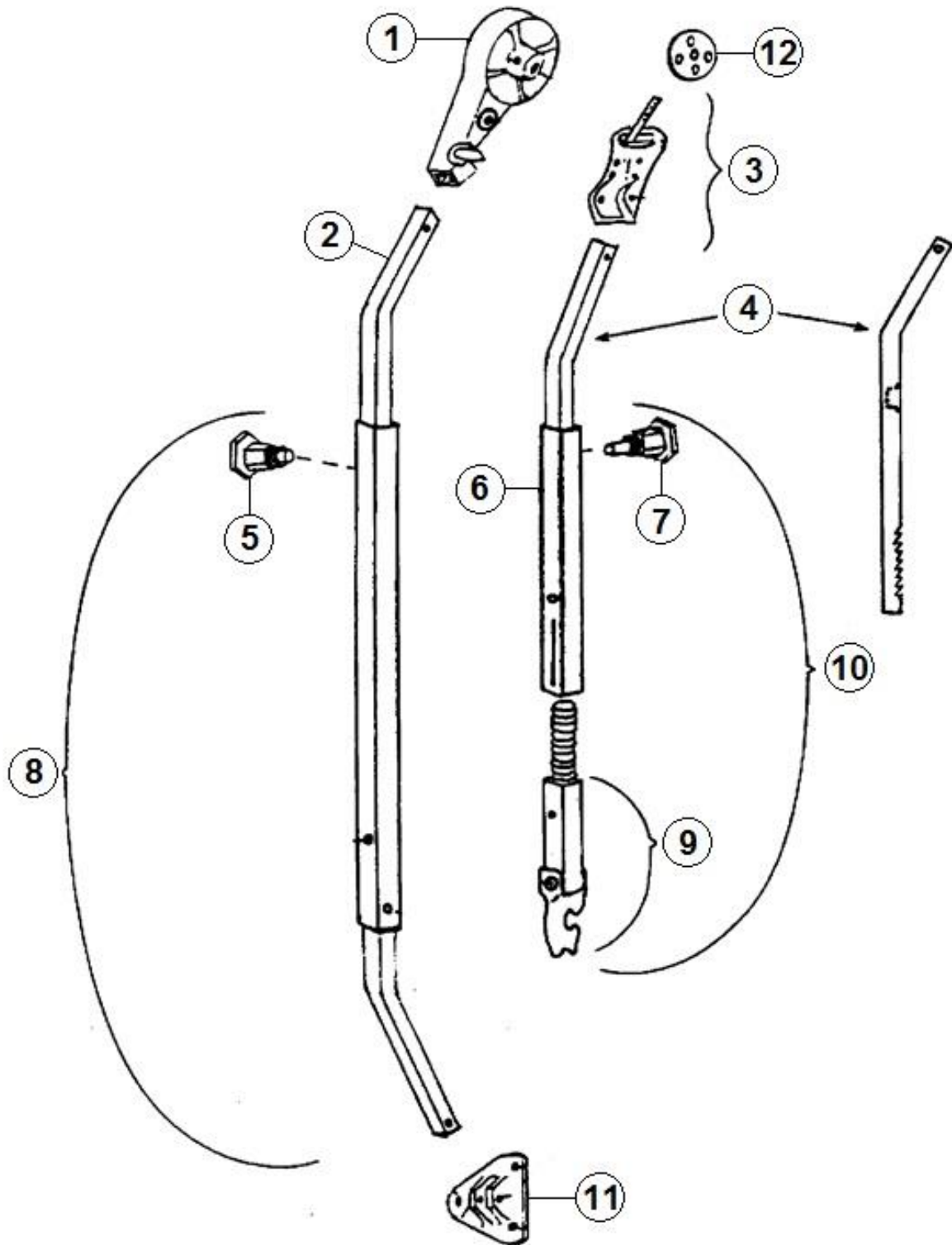
704356-01	Stainless steel cooler, 54 QT.
704356-02	Padded event chair
704356-03	Whisky Stones, Set of 6
704356-04	Marlin bottle opener
704356-05	Parrot bottle opener and corkscrew in lime
704356-06	Etched palm stem less wine glass, Set of 2
704356-07	Etched palm double old fashioned glass, Set of 2
704356-08	Marlin mug
704356-09	Island blend large jar candle
704356-10	Maui Mango hand lotion
704356-11	Maui Mango hand soap

Cooler

704356-01	Stainless steel cooler, 54 QT.
704374-01	Cooler strap

2017 TOMMY BAHAMA TT HARDWARE

Awning Hardware



Parts Listed on Next Page

2017 TOMMY BAHAMA TT HARDWARE

Awning Hardware

702993

Awning Hardware

- | | |
|----------------|-----------------------------|
| 1. 74043W-06 | Front head |
| 74043W-07 | Rear head |
| 2. 74047W-11 | Front main arm bar |
| 74047W-12 | Rear main arm bar |
| 3. 74056W | Clamp, Front, Curved |
| 74056W-01 | Clamp, Rear, Curved |
| 4. 74061WS-08 | Rafter arm bar, Satin |
| 5. 74054W | Snap stud |
| 6. 74063W-04 | Rafter arm tube, Satin |
| 7. 74072W | Ratchet stud |
| 8. 74048WS-15 | Front main arm tube |
| 74048WS-16 | Rear main arm tube |
| 9. 74068W-04 | Claw bar |
| 10. 74048WS-17 | Rafter arm |
| 11. 74055W | Base hinge, Rib mount |
| 12. 74060W | Clamp wheel |
| 74041W-01 | Zip Dee hook, Pull rod, 52" |

2017 TOMMY BAHAMA TT HARDWARE

Rivets

325000	Rivet, 1/8 x 1/4, Solid Braizer head
325000-01	Rivet, 1/8 x 1/4, Anodized Clear
325002-01	Rivet, 1/8 x 3/8, Anodized Clear
325002-03	Rivet, 1/8 x 3/8, Polar White
325003	Rivet, 1/8 x 7/16, Solid Braizer head
325003-03	Rivet, 1/8 x 7/16, Polar White
325004-01	Rivet, 1/8 x 1/2, Anodized Clear
325103-01	Rivet, Pop, 3/16, Anodized Clear
330016-08	Rivet, Pop, Closed end, Sealing
330038	Rivet, Blind, AD54ABS-LF
330152	Rivet, 1/8, Aluminum w/Steel mandrel
330155	Rivet, .125, Aluminum w/Stainless Steel mandrel
330127-03	Rivet, 1/8, AD43ABS
330127-05	Rivet, 1/8, AD45ABS
330127-08	Rivet, 1/8, AD48ABS
330126-02	Rivet, Pop, SSD43SSBS
330126-03	Rivet, Pop, SSD44SSBS
330126-04	Rivet, Pop, SSD45SSBS
330128-05	Rivet, 1/8, AD45ABS
330128-08	Rivet, 1/8, AD48ABS

Screws

345582	Screw, M4 x 14, PH, SS, TV bracket
345468-01	Screw, #12 x .625, PH, Black, TV bracket
320177	Screw, #8 x 1, Hex washer head, TV bracket
320116-06	Screw, #8 x 1, PH, Black
345558	Screw, #8-32 x .5, PH, Black, Windows
345511	Screw, M5 x 20mm, Flange HD, Vibration resistant
345473	Screw, #6 x .75, Self-drilling, Taillights
345073-08	Screw, .25-20 x 1.375, Phil, Wafer HD, Floor
320159	Screw, M6 x 45mm, Self-drilling w/wings, Floor

2017 TOMMY BAHAMA TT LABELS AND TAGS

Labels and Tags

386250	Label, LPG Service Port
386119	Label, do not store combustible
385068	Tag, cooking appliance warning
386118	Label, LP gas, tri-warning
385517	Label, kill switch warning
385521	Label, emergency egress window
386122	Label, comfort heating
386121	Label, "if you smell gas"
385465	Exit label, English
385560	Label, air-conditioner rating
385812	Label, California hazardous substance
386120	Label, smoke alarm warning
385359	Label, microwave or air-conditioner
385837	Label, refrigeration ignition
386012	Label, warning-water heater
386098	Label Fuse, 12 V.
386123	Label, potable water only
386192	Hang tag, smoke/CO detector
386193	Label, wheel torque warning
386142	Label, check wheel lug
386114	Label, RVIA, silver
385062	Decal, 110-125 voltage AC
385565	Label, holding tank flushing
386226	Label, RV master weight
385101	Tag, aux., dump valve
385099	Tag, Black tank dump
386019	Label, 1 amp. Fuse max.
385020	Sticker, self-adhering, jack placement
386257	Label, Cable & Satellite Inlet
386263	Hang Tag, Coach-Net Roadside Assistance
386284	Label, Warning-Do not use a dolly wheel

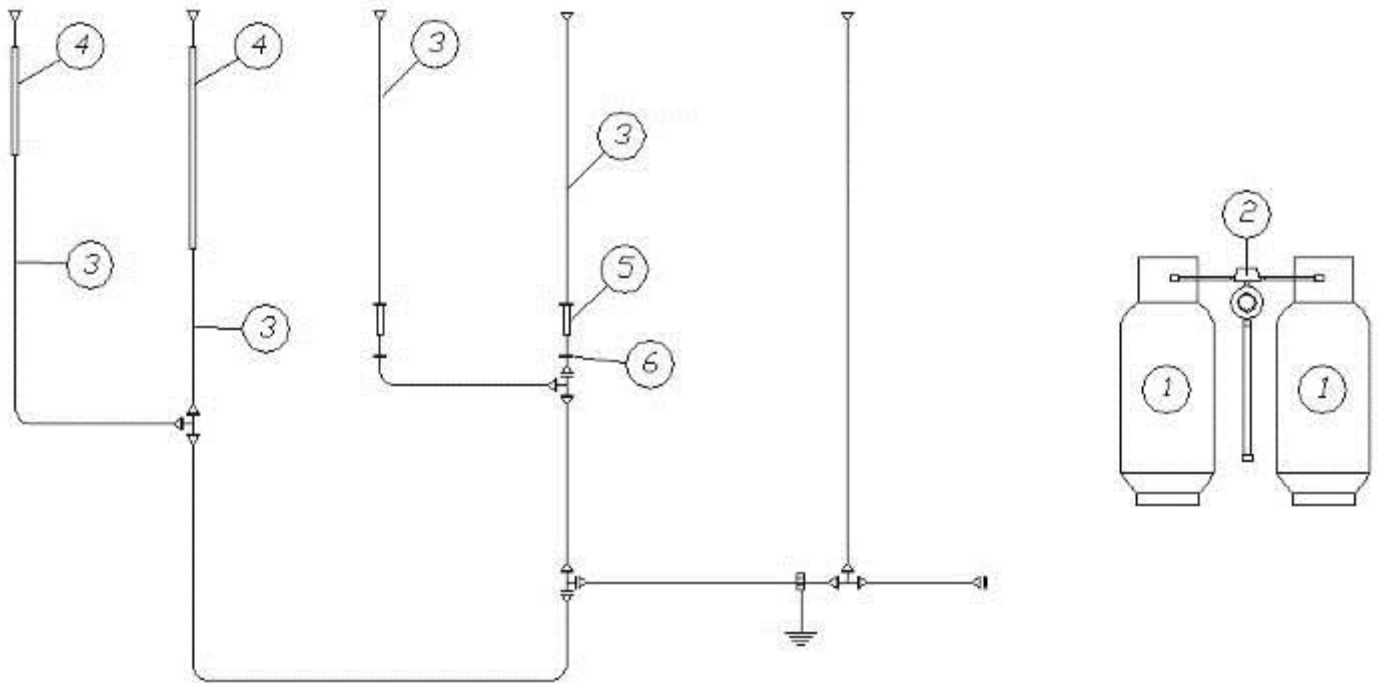
2017 TOMMY BAHAMA TT SAFETY EQUIPMENT

Detectors & Fire Extinguishers

510781	Smoke detector
510891	Smoke detector, CSA
512539-01	LP detector, Black
512783	Detector, Carbon Monoxide
600162-01	Fire extinguisher
600162-02	Fire extinguisher, CSA

2017 TOMMY BAHAMA TT PLUMBING, LPG SYSTEM

LPG System



943669

LPG System

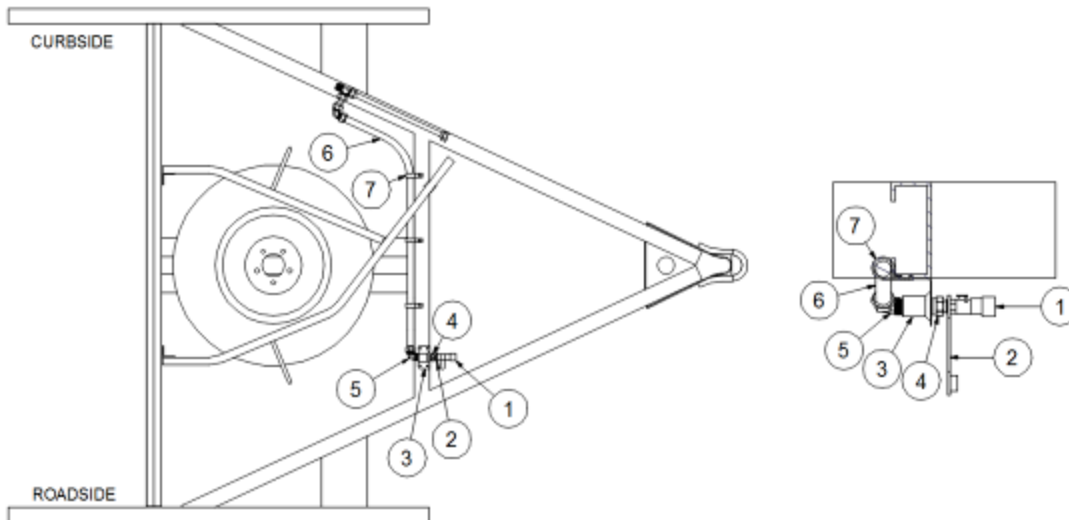
- | | |
|---|---|
| <ul style="list-style-type: none"> 1. 601710-01 2. 602332-03 3. 600008 4. 601698-01 5. 380887 6. 380886 602332-05 340085-05 600238 600435 381613 | <ul style="list-style-type: none"> LP cylinder, Steel Cavanaugh gas regulator w/two 11" pigtails Tubing, 3/8" OD, Copper E-Pex tubing, 1/2" Floor grommet Underbelly grommet 48" LP hose, 3/8" x 1/2" female flare Clamp, 5/8" Dia Flare union, 3/8" Forged flare nuts, 3/8" Plastisol cover, LP wing handle |
|---|---|

2017 TOMMY BAHAMA TT PLUMBING, LPG SYSTEM

LP Tank & Cover

601710-01	LP tank, 30#, Steel
921246-01	LP tank cover, Black
200841-02	Lid, LP tank cover, Black
602332-03	Cavanaugh gas regulator w/two 11" pigtails
602332-02	Pan kit, Black
602332-05	48" LP hose, 3/8" x 1/2" female flare
602332-06	Hold down
602332-07	Z-bracket for regulator
382091-01	Latch
382091-02	Strike
380773	Hinge, Access door
381613	Plastisol cover, LP wing handle
115289-05	Cross bar, LP bottle cover, 5.31"

Propane Port, Exterior



112008 Exterior Propane Port

1. 602109-01	Coupler, Quick disconnect
2. 602109-03	Dust plug
3. 454901	Bracket, LP quick disconnect port
4. 602286	Nipple, 1/2" MNPT, 1/4" MNPT
5. 602313	Fitting, 1/2" MPT x 1/2" FLR 90°
6. 602315	LP hose, 1/2" FLR SWV, 36"
7. 340085-07	Clamp, Loop, Steel w/rubber, 1"
201267-11	Conduit, Convolved, 1" Dia.
386250	Label, LPG service port

2017 TOMMY BAHAMA TT PLUMBING, FRESH WATER

Fresh Water Tank

601863-01	Tank, Fresh water, 39 gallon
601620	Tank pan, Fresh water
601243	Drain cock
600155	Plug, Cleanout, 1.5"
453712	Shield, Fresh water tank drain
601723	Filter screen

Fresh Water Tank Fill

601194	Water fill w/lock, Gray
601194-02	Cap, cable, and spout
601239-01	Tubing, 1.375" ID, Ribbed
601240-01	Tubing, .5" ID, 3/32" wall thickness

City Water Hook-Up

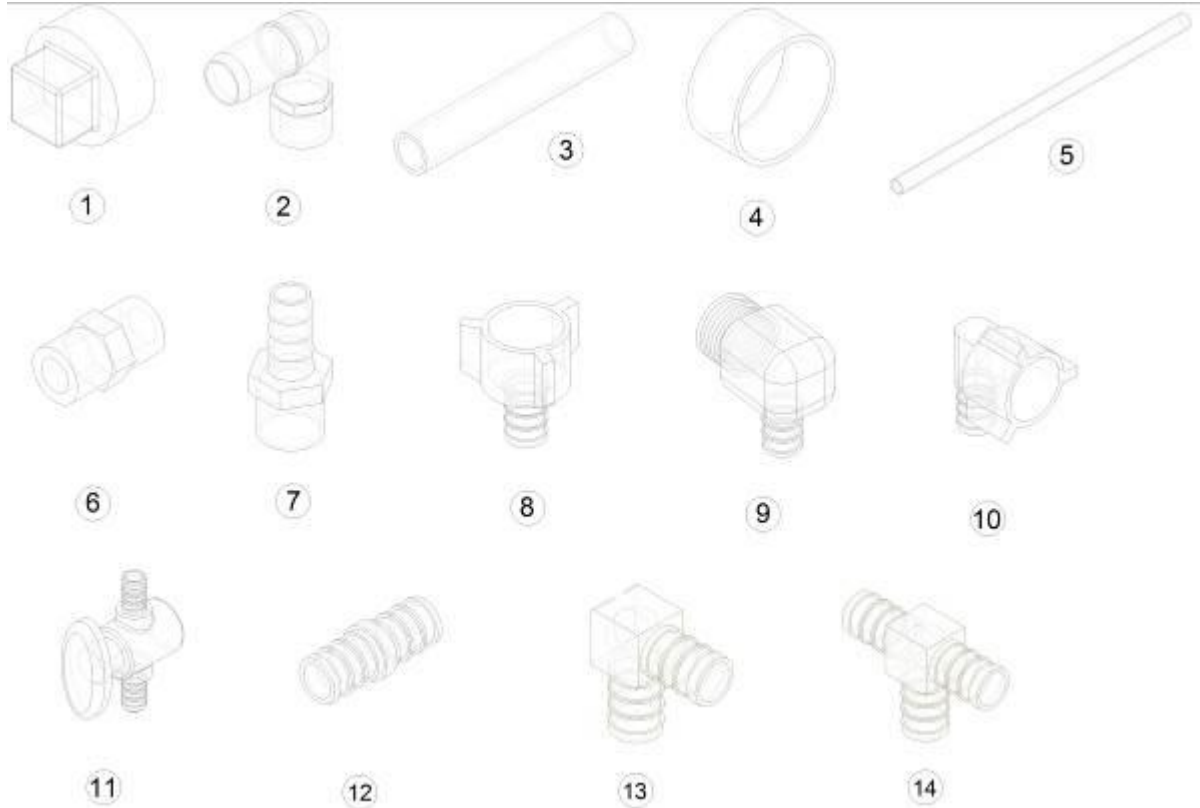
601392-05	City water hook-up w/regulator, Chrome
601392-06	City water hook-up w/regulator, CSA
601392-01	Plastic cap, Shurflow

Water Pump

602307	Shurflo water pump, 3 GPM
601668-01	Strainer, Water pump
602277	Filter, Water Inline Shurflo
602277-01	Fitting Water filter

2017 TOMMY BAHAMA TT PLUMBING, FRESH WATER

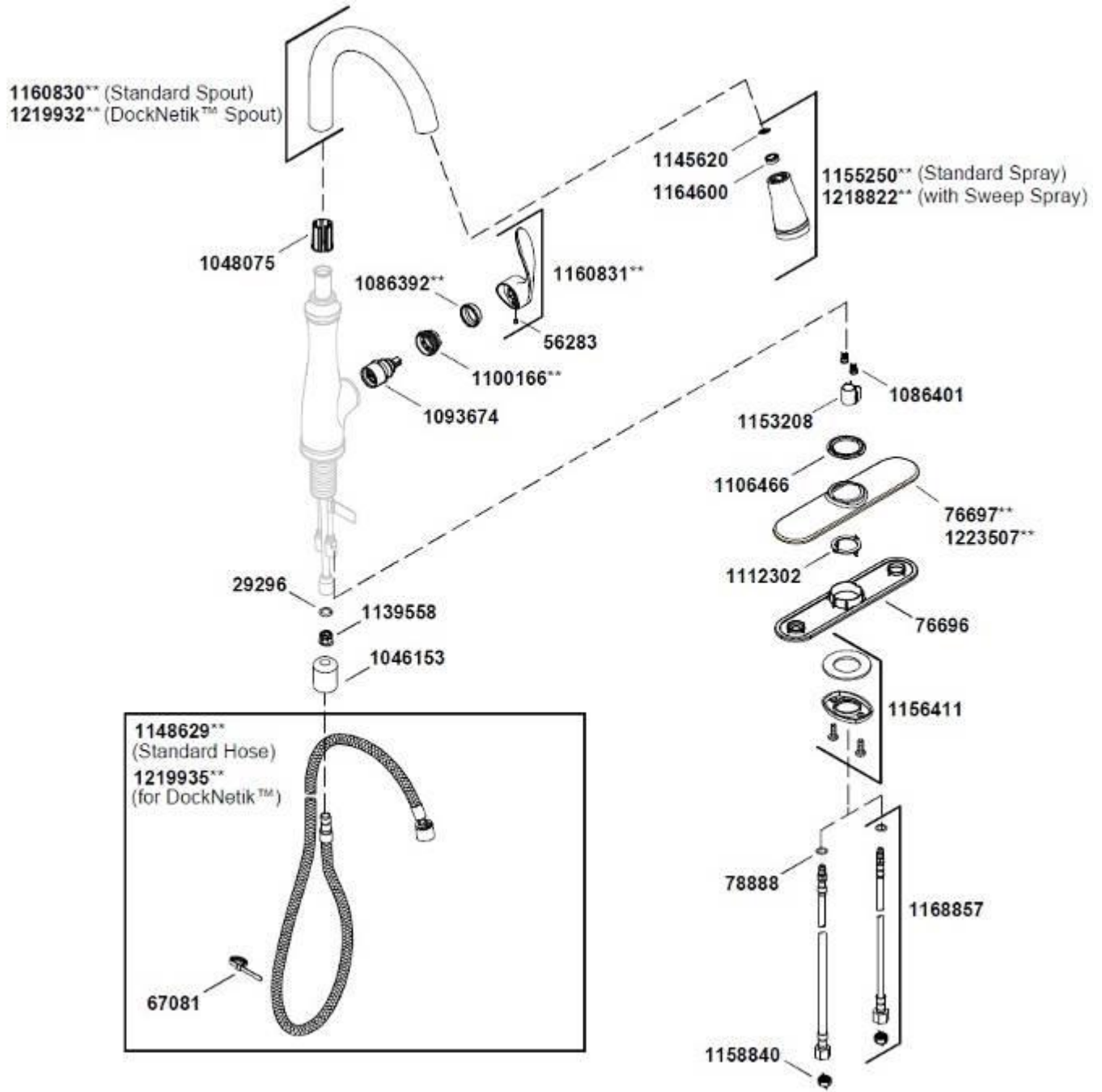
Fresh Water Fittings



- | | |
|---------------|---------------------------------------|
| 1. 600155 | Cleanout plug, 1.5" |
| 2. 601237 | Elbow, 90°, 1.25 MPT x 1.25 Bar |
| 3. 601698-01 | E-Pex tube, .5" |
| 4. 601698-15 | Crimp ring, .5" E-Pex, .5", Black |
| 5. 601698-21 | E-Pex tube, .5", Red |
| 6. 602256-01 | Nipple, Poly .5" MPT x .5" MPT |
| 7. 602256-02 | Coupler, .5" barb x .5" MPT |
| 8. 602256-03 | Coupler, .5" barb x .5" FPT |
| 9. 602256-04 | Elbow, .5" barb x .5" MPT |
| 10. 602256-05 | Elbow, .5" barb x .5" FPT |
| 11. 602256-07 | Valve, .5 barb x .5 straight |
| 12. 602256-08 | Coupler, .5" x .5" barb |
| 13. 602256-10 | Elbow, .5" barb x .5" barb |
| 14. 602256-11 | Tee, .5" x .5" x .5" |
| 602256-22 | Shut-off, .5" barb x .5" barb |
| 600836 | Elbow, 3/8" MPT x .5" barb, Copper |
| 601239-01 | Tubing, 1.375 ID, w/flats every 9" |
| 601240 | Tubing, 3/8" ID x 3/32 wall clearance |
| 602185-01 | Drain valve, 90° |
| 601659 | Riser, .5" FPT x 12" CPVC |

2017 TOMMY BAHAMA TT PLUMBING, FRESH WATER

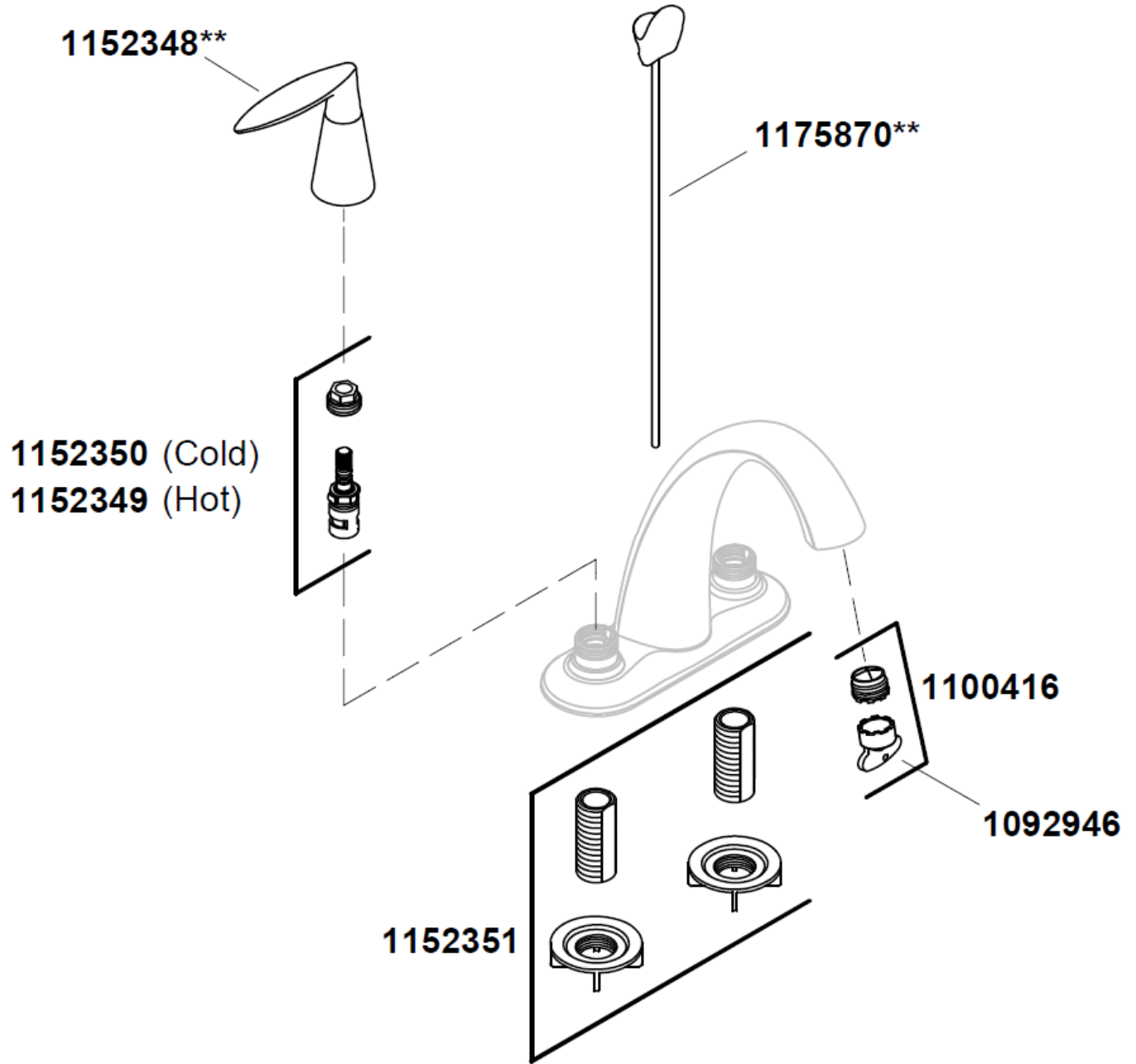
Faucet, Galley
Kohler - model #K560-2BZ



602634 Faucet, Pull down, Bronze, Kohler

2017 TOMMY BAHAMA TT PLUMBING, FRESH WATER

Faucet, Lavatory
Kohler - model #K45100-4-2BZ

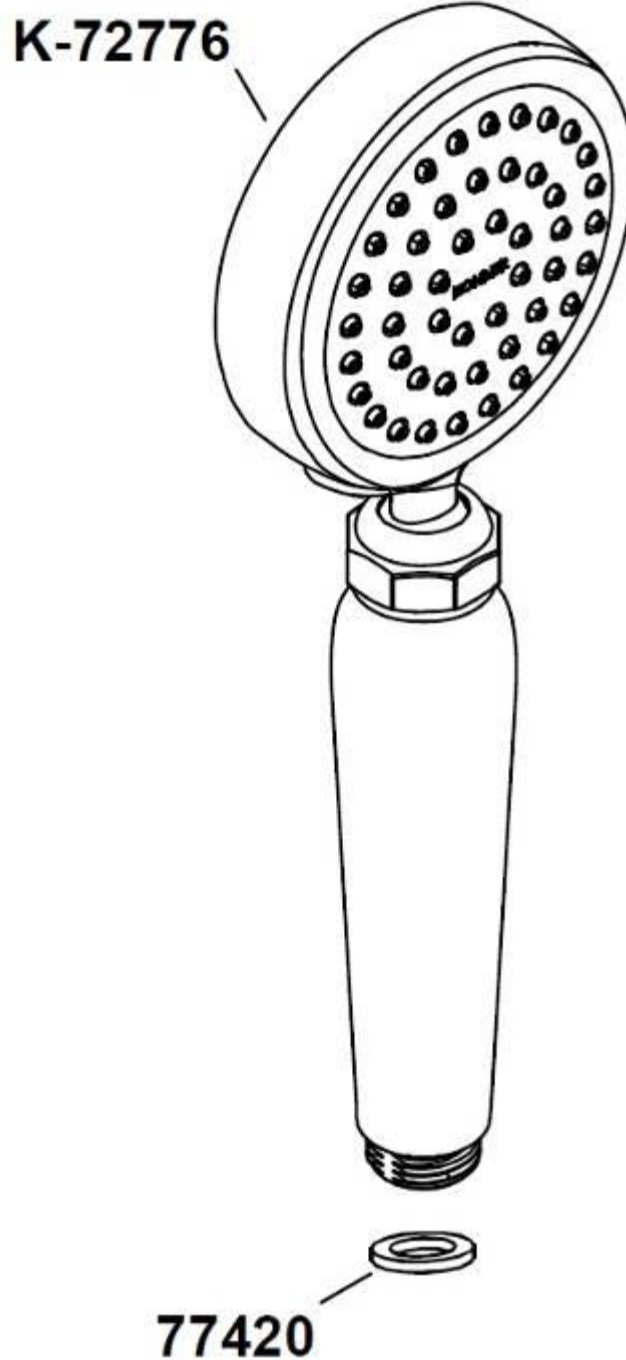


602635 Faucet, Single handle, Bronze, Kohler

2017 TOMMY BAHAMA TT
PLUMBING, FRESH WATER

Faucet, Hand shower

Kohler - model #K72776-2BZ, Hand shower



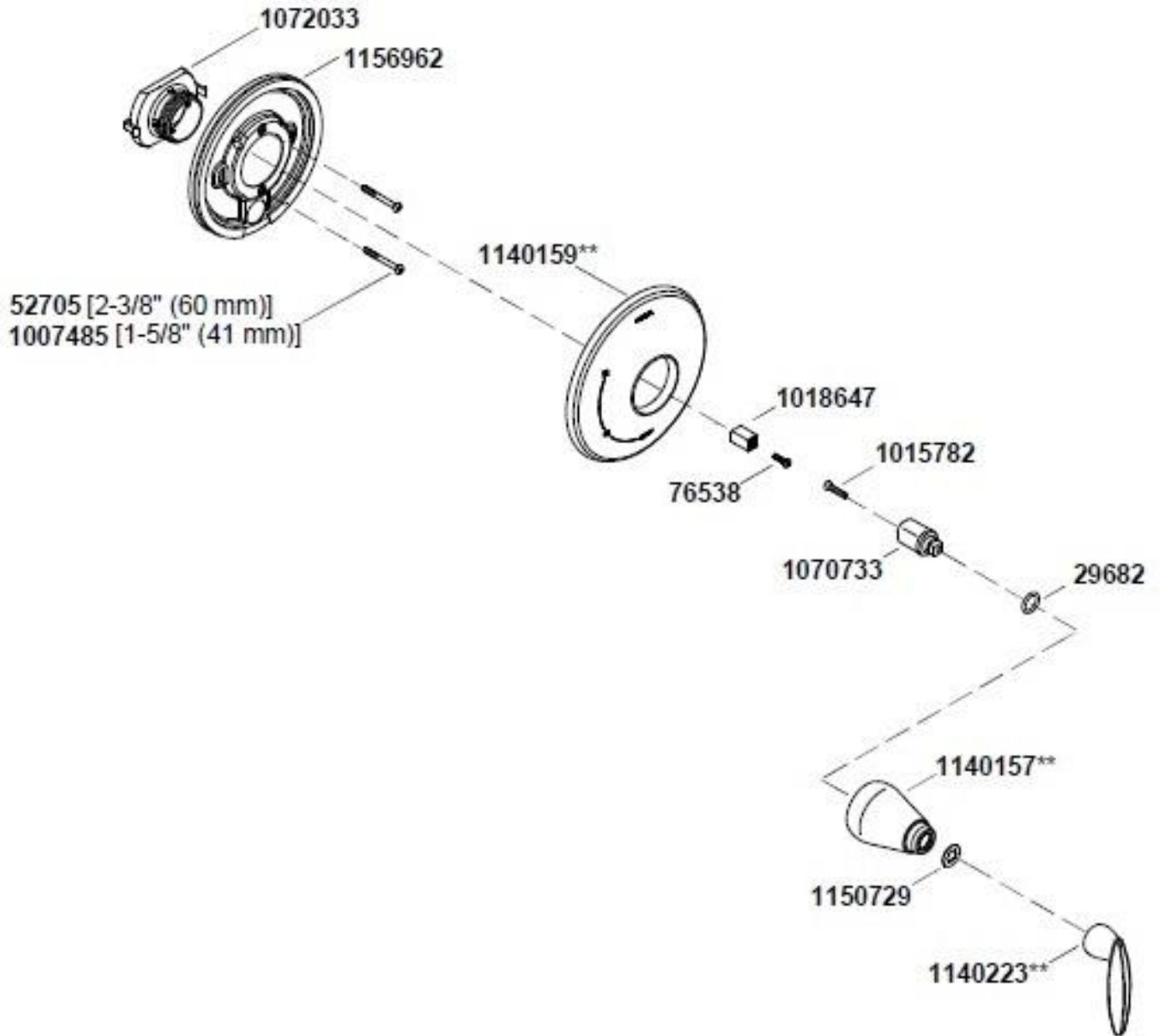
602636
602641
602638
602637

Hand shower w/water sense, Bronze, Kohler
Bracket, Wall mount, Bronze
Elbow, Wall mount supply elbow w/check valve, Bronze
Hose, 60", Bronze

2017 TOMMY BAHAMA TT PLUMBING, FRESH WATER

Faucet, Shower Handle

Kohler - model #KTS-45110-4-2BZ, Valve trim kit



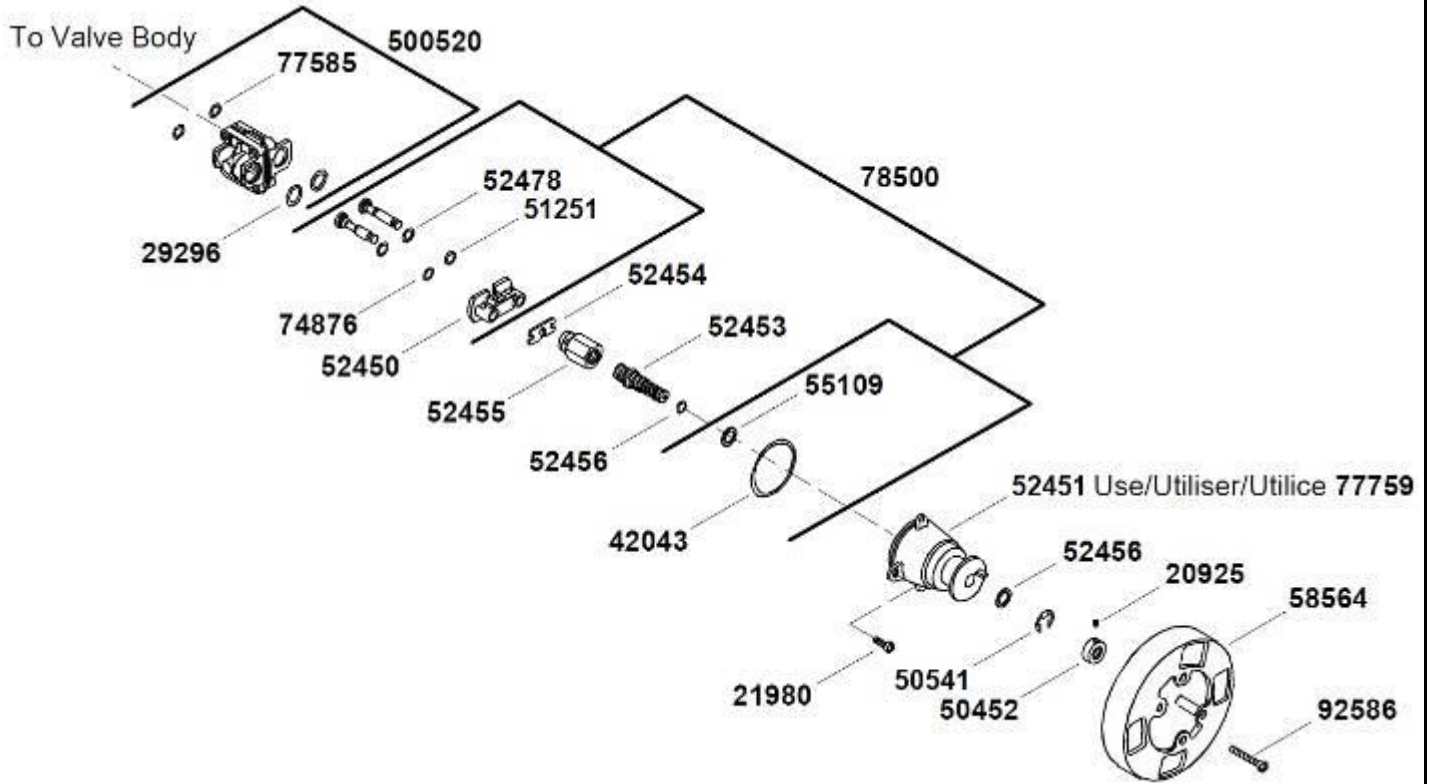
602640

Valve Trim Kit, Alteo, Bronze, Kohler

2017 TOMMY BAHAMA TT PLUMBING, FRESH WATER

Faucet, Valve

Kohler - model #K-304-PX-NA



602401

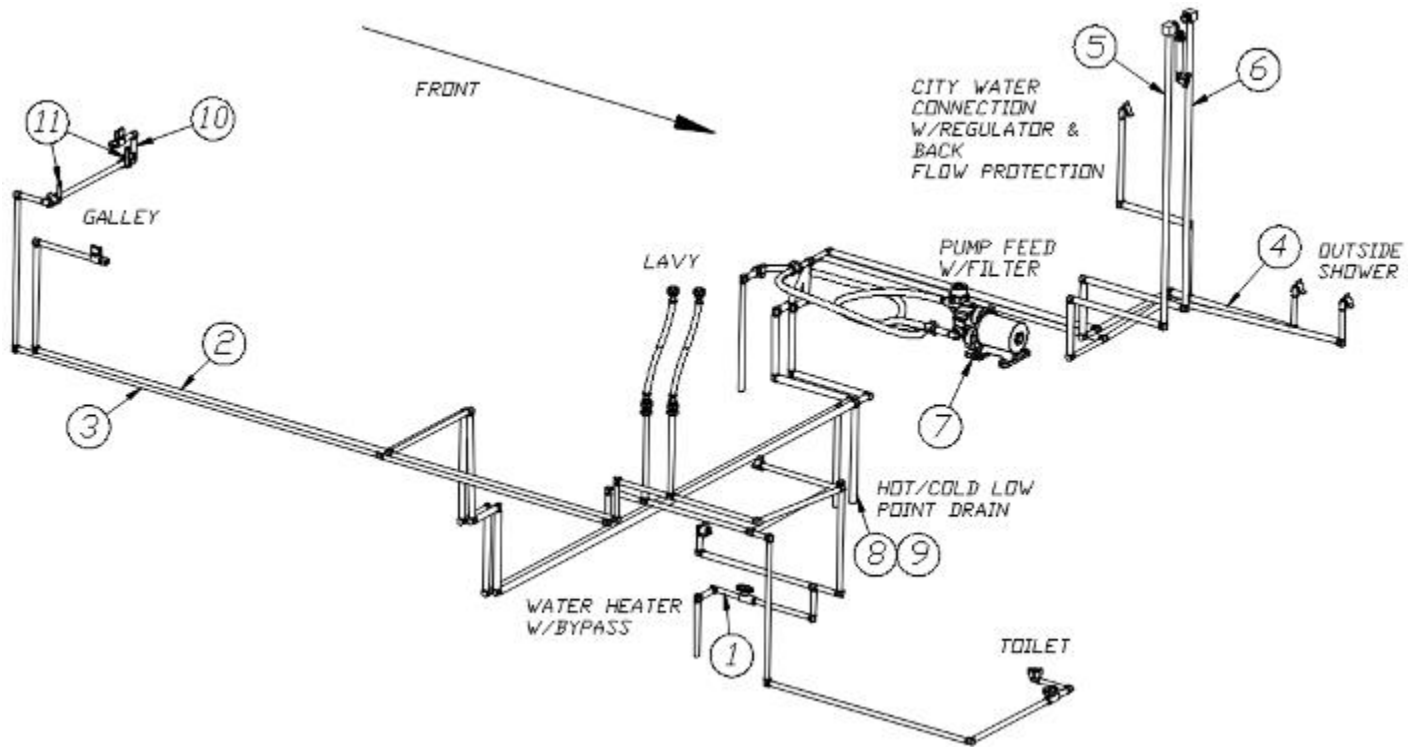
Valve, Rite-Temp, 1/2" Pressure Balance

602632-01

Flow controller with on/off switch

2017 TOMMY BAHAMA TT PLUMBING, FRESH WATER

Fresh Water Lines



943746

Fresh Water System

- | | |
|---------------|------------------------------|
| 1. 943746-01 | Water heater by-pass |
| 2. 943746-02 | CS, Hot |
| 3. 943746-03 | CS, Cold |
| 4. 943746-04 | RS, Cold |
| 5. 943746-05 | RS, Hot |
| 6. 943746-06 | Shower control valve |
| 7. 943746-07 | Water pump connect |
| 8. 943617-01 | Cold crossover line |
| 9. 943617-08 | Hot crossover line |
| 10. 943746-09 | Galley filter, Cold |
| 11. 340093-06 | "J" clip, Vinyl coated, 3/4" |

2017 TOMMY BAHAMA TT PLUMBING, DRAIN SYSTEM

Drain Tanks & Pan

601850-04	Gray holding tank, 37 gallon
601848-12	Black holding tank, 39 gallon
601626	Pan, Waste holding tank
200954	Slope pad, 22.75" x 55"
601228	Closeout, Septic pan
200152	Styrofoam, .5 x 6 x 42
200507	Styrofoam, 1 x 25 x 55

Toilet Flange

601266	Flange, 3 x 4, Slip fit
--------	-------------------------

Galley Sink

602396	Sink, Undertone, Single bowl, Kohler
602397	Sink strainer w/tailpiece, Vibrant Stainless
602628	Sink cover, Terni
602388	Sink clip

Lavatory Sink

601804-01	Lavy sink, 12" round, SS
602388	Sink clip

Shower Stall

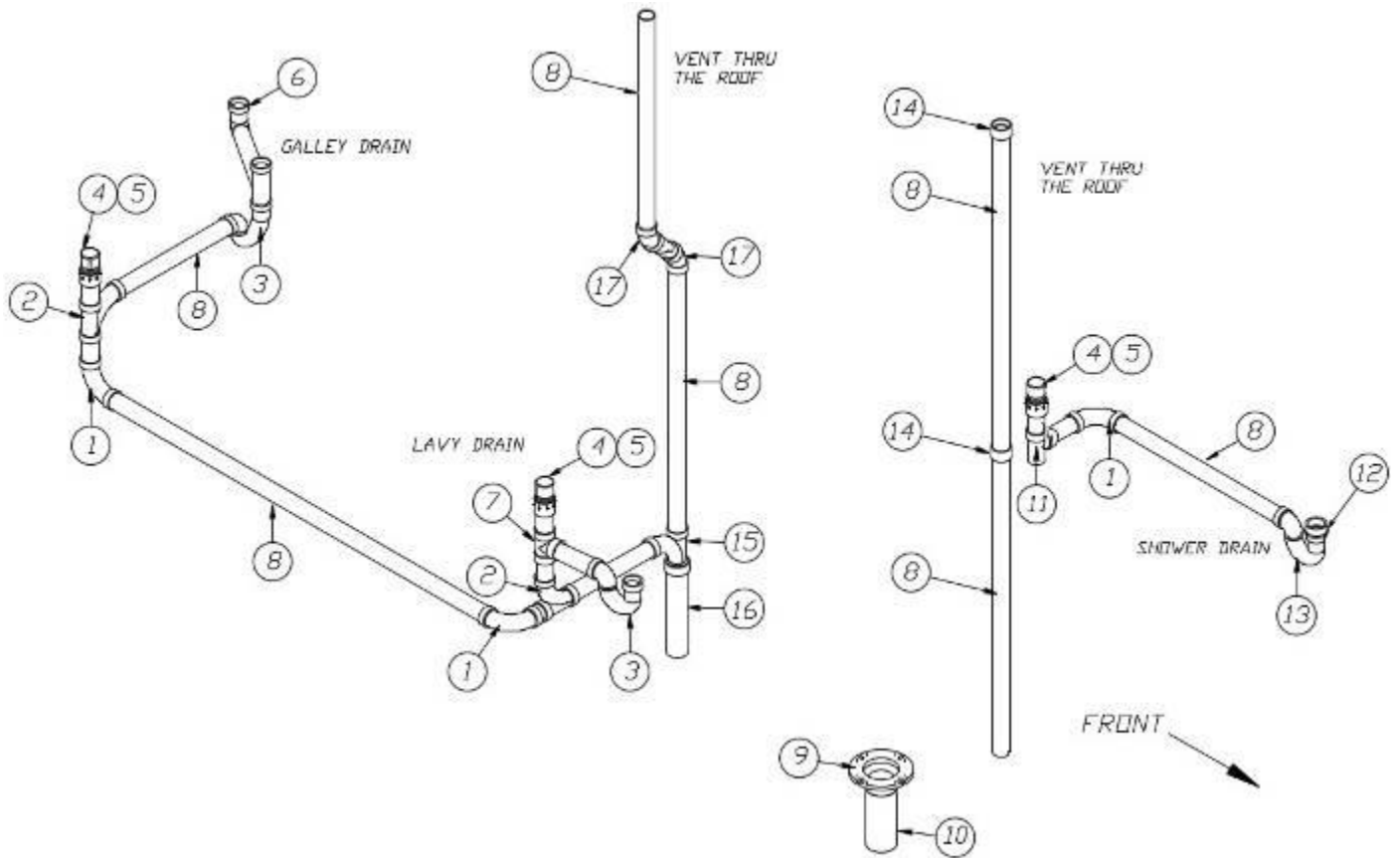
203081-02	Shower stall, 2 piece
600594	Strainer with rubber stopper
703911-03	Shower door, Bronze

Black Tank Flush

601441-02	Tank flush, No-fuss
601392-01	Plastic screw in cap

2017 TOMMY BAHAMA TT PLUMBING, DRAIN SYSTEM

Drain, Above Floor



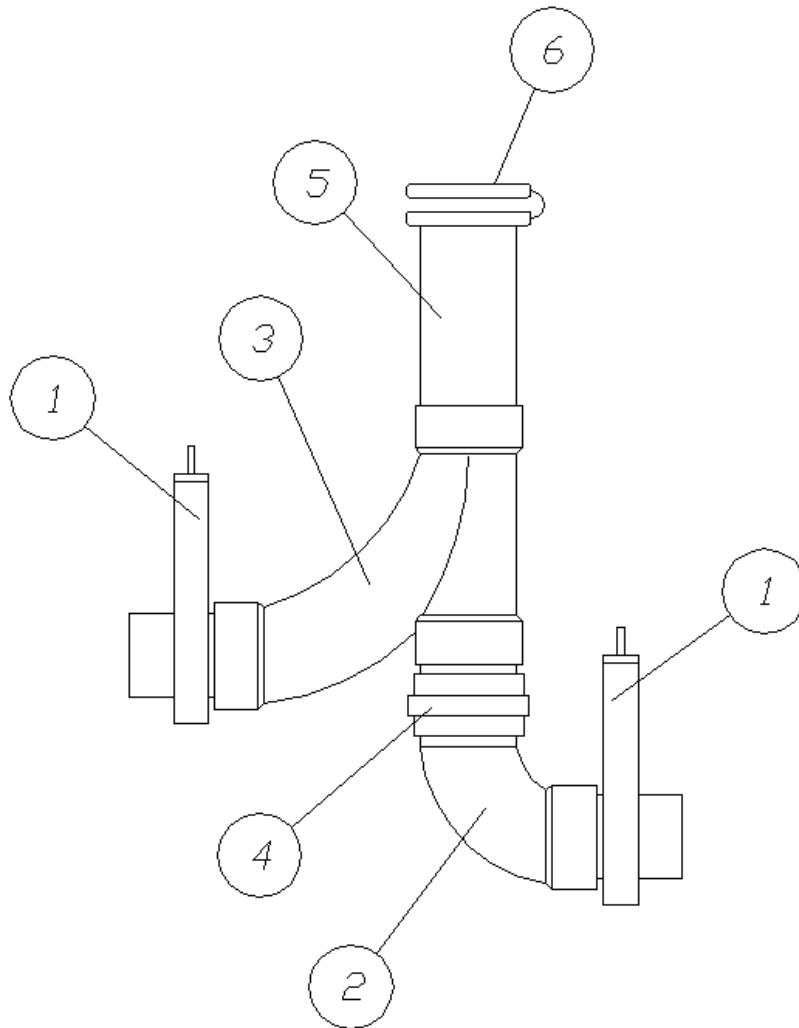
943672-01

Above Floor Drain System

- | | |
|---------------|------------------------------------|
| 1. 600035 | Ell, ABS, Long sweep, 1.5" |
| 2. 600182 | Wye |
| 3. 600622 | P-trap, 1.5" w/slip nut & washer |
| 4. 600538 | Vent, V-200 automatic |
| 5. 600308 | Adapter, ABS female |
| 6. 600156 | Tee, Sanitary |
| 7. 601160-02 | Pipe, ABS, 1.5" |
| 8. 600065 | Flange, Floor Threaded |
| 9. 601267-04 | Nipple, Threaded one end only, 10" |
| 10. 601868 | Tee, Sanitary |
| 11. 602164-02 | Tailpiece w/nuts & washers, 1.5" |
| 12. 602164-01 | P-trap w/compression nut, 1.5" |
| 13. 600227 | Plastic coupling |
| 14. 602072 | Tee, Sanitary, Reducing |
| 15. 601160-03 | Pipe, ABS, 2" |
| 16. 600030 | Ell, ABS, 45°, Long turn |

2017 TOMMY BAHAMA TT PLUMBING, DRAIN SYSTEM

Dump Valve



110191

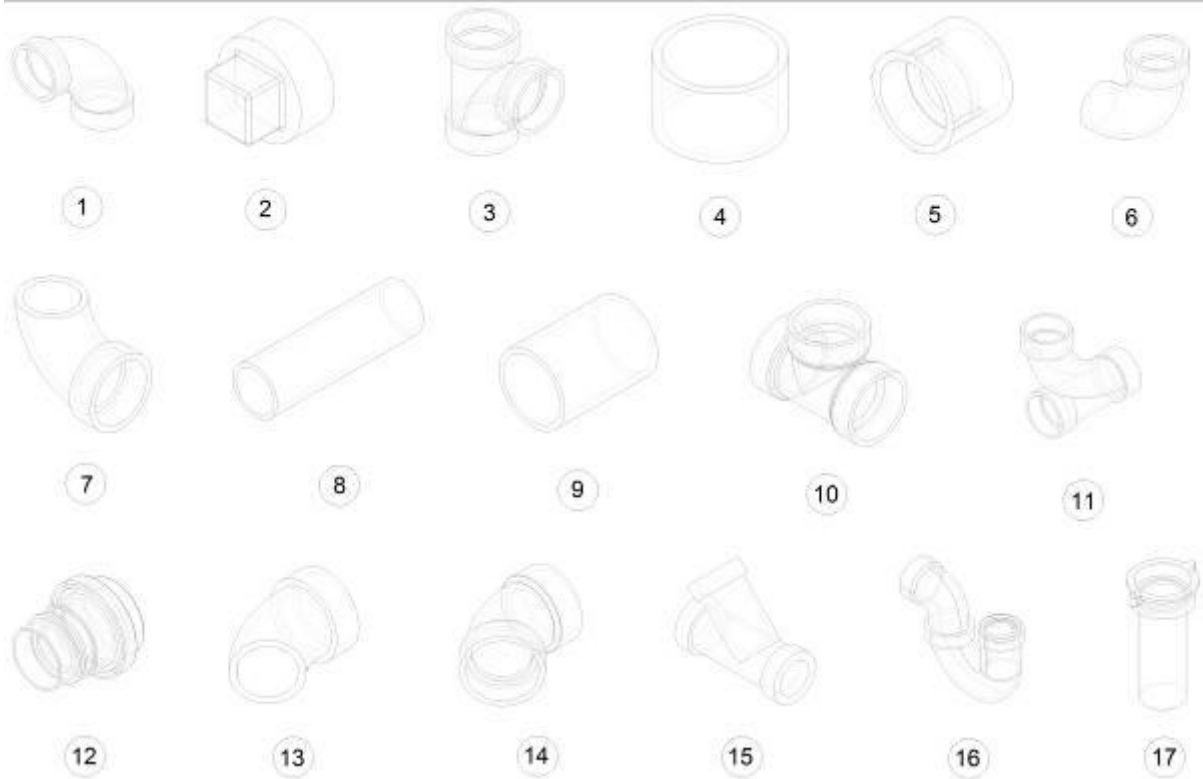
Dump Valve Install

1. 601607-11
2. 600820
3. 600187
4. 600289
5. 601160-04
6. 601607-07

- Valve assembly, 3" spigot x 3" spigot
Single socket, 3", 90°
3" Wye, combination & 1/8" bend
Calder coupler, 3"
3" ABS pipe
Termination cap

2017 TOMMY BAHAMA TT PLUMBING, DRAIN SYSTEM

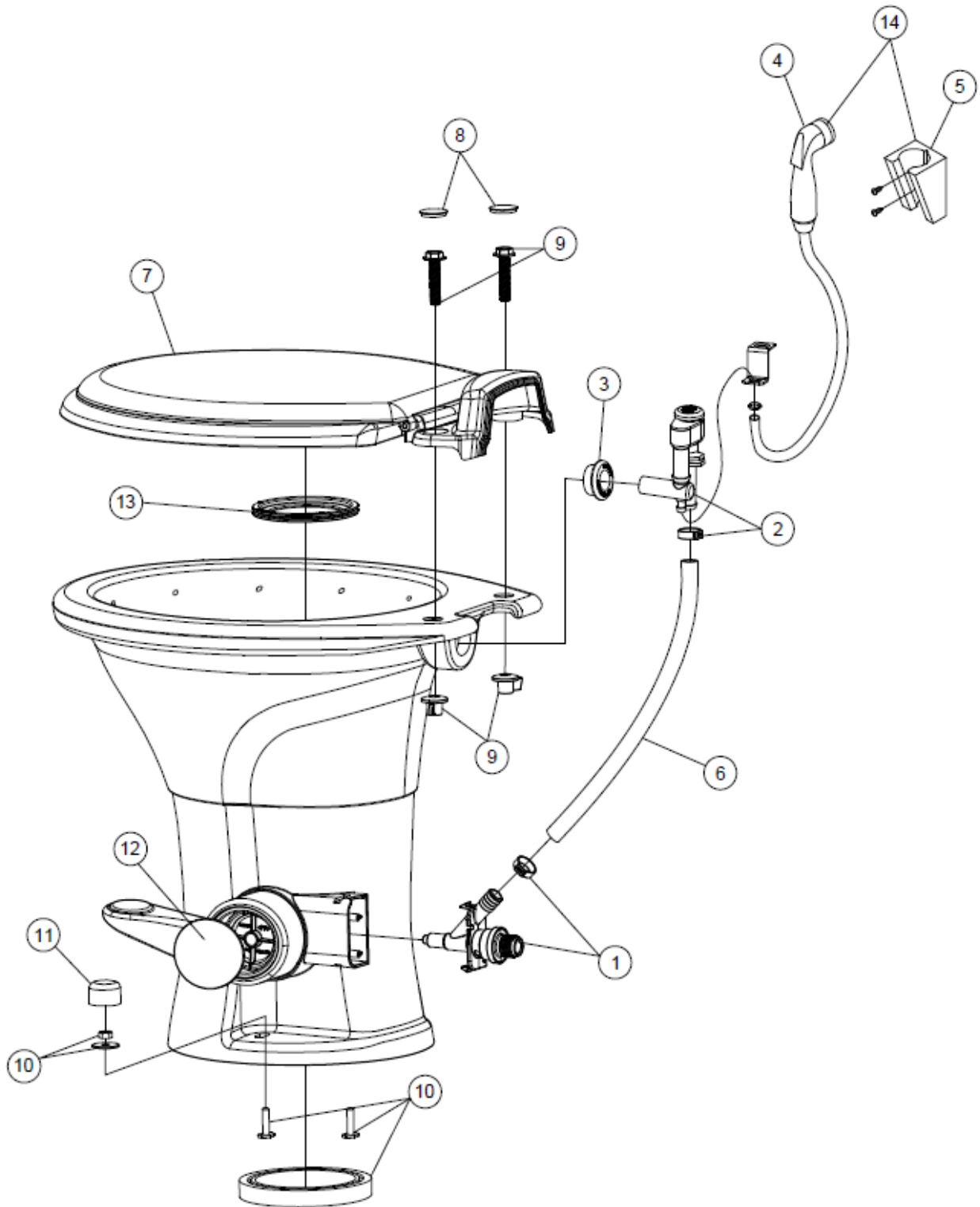
Drain Fittings



- | | |
|---------------|-------------------------------------|
| 1. 600035 | Elbow, 1.5", 90°, Long sweep |
| 2. 600155 | Plug, 1.5" |
| 3. 600156 | Tee, Sanitary |
| 4. 600227 | Coupling, 1.5" |
| 5. 600308 | Adapter, ABS |
| 6. 600431 | Elbow, 90°, long street |
| 7. 600662 | Elbow, 1.5", 90°, Short radius |
| 8. 601160-02 | Pipe, ABS DVW, 1.5" |
| 9. 601160-04 | Pipe, ABS DVW, 3" |
| 10. 601318 | Tee, Bi-directional clean out, 1.5" |
| 11. 600182 | Wye, 1.5", 1/8" bend |
| 12. 602306 | Valve, Air admittance, 2" |
| 13. 600027 | Elbow, ABS, Long St, 45° |
| 14. 600030 | Elbow, ABS, 45°, Long turn |
| 15. 600094 | Wye |
| 16. 602164-01 | P-trap w/compression nut, 1.5" |
| 17. 602164-02 | Tailpiece w/nuts & washers, 1.5" |
| 600622 | P-trap w/slip nut & washer, 1.5" |
| 600378 | Continuous waste, 1.5" |
| 601868 | Sanitary tee |
| 602185-01 | Drain valve, 90° turn, Lead free |

2017 TOMMY BAHAMA TT PLUMBING, DRAIN SYSTEM

Toilet



Parts Listed on Next Page

2017 TOMMY BAHAMA TT PLUMBING, DRAIN SYSTEM

Toilet

690621 Toilet, China, Dometic

1. 385311641 Water valve
2. 385230335 Hand Spray VB
- 385316906 Vacuum breaker
3. 385311164 Sealing grommet
4. 385319054 Vacuum break w/spray
5. 385230319 Bracket, hand spray
6. 385345377 Supply hose
7. 385311646 Seat and cover
8. 385311648 Seat bracket covers
9. 385311650 Seat mounting hardware
10. 385311652 Mounting hardware
11. 385311654 Cap
12. 385311656 Pedal cover
13. 385311658 Flush ball seal
14. 385311124 Hand spray, (optional)

*Parts listed are Dometic part numbers

2017 TOMMY BAHAMA TT

SEALER, GASKETS, PAINT

Sealers

360002	Sealant, Vulkem 11.5 oz. tube
360209	Sealant, Seam
360176	Sealant, Almond
360180	Sealant, Sika-Flex, Gray
360180-04	Sealant, Sika-Flex, Black
360301-13	Caulk, Seamfil, Macchiato
360358-11	Sealant, Colorflex II, Macchiato
365330-01	Sealant, RTV silicone, White
365330-02	Sealant, RTV silicone, Gray
365330-03	Sealant, RTV silicone, Aluminum Gray
365330-04	Sealant, RTV silicone, Black
365330-05	Sealant, RTV silicone, Self-level, White
365233-01	Sealant, 100% silicone, Clear
360255-04	Sealant, Anti-wick
28430W-01	Sealant, Acryl-R, Gray, 16 oz. can

Gaskets

365232	Gasket, Main door
382117	Gasket, Window seal
365035	Gasket, Access door jamb
381830	Gasket wiper, L-section, 1.12" x 20"
381663	Gasket, D-seal, PDM sponge, Door bell
365351	Washer, Sealing, Main door hinge
365367	Automotive foam tape
685510	Seam tape, Rubber, Black
685510-01	Seam tape, Exterior metal, Rubber, .5", Black
382074	Gasket, Main door grab handle
512477	Gasket, Neoprene, 1/8" thick, Black

Paint

360360	PPG low VOC urethane paint, Charcoal
360361	PPG low VOC urethane paint, Silver
360362	PPG low VOC urethane paint, Black

2017 TOMMY BAHAMA TT SEALER, GASKETS, PAINT

Gasket Kits

- 365336 Gasket Kit #1, not sold separately:
- Exterior shower gasket, 1 Ea.
 - City water fill gasket, 1 Ea.
 - Step light gasket, 1 Ea.
 - Awning lockdown (AS5 & AS7 Kit), 4 Ea.
 - Lower awning foot (AS7 Kit), 4 Ea.
 - Awning foot (Rear W/Pan Kit), 4 Ea.
 - Lower awning foot (AS5 Kit), 4 Ea.
- 365337 Gasket Kit #2, not sold separately:
- Small furnace exhaust/intake, 1 Ea.
 - Gravity water fill, 1 Ea.
 - Range vent gasket, 1 Ea.
 - Awning lockdown (LW7 Kit), 4 Ea.
 - Awning classic center post, 4 Ea.
 - AEU BBQ point, 1 Ea.
 - AEU upper indicator light, 2 Ea.
 - AEU city water hookup, 1 Ea.
- 365338 Gasket Kit #3, not sold separately:
- Scare light domestic units, 1 Ea.
 - Black tank flush gasket, 1 Ea.
 - Awning travel latch gasket, 4 Ea.
 - AEU fog/backup lamp housing, 2 Ea.
 - AEU fog/backup lamp bezel, 2 Ea.
 - Scare light AEU units, 1 Ea.
 - Awning hook gasket, 4 Ea.
 - Awning prop foot gasket, 4 Ea.

Tape & Microwave Insulation

- 685510 Seam Tape for between end segments, Black
365221 Tape, Double coated, 1/32 urethane
365222 Tape, Double coated, .08" x 3/4"
365016 Tape, Foam, Double face, 1/2" wide
365001 Tape, Double coated foam

2017 TOMMY BAHAMA TT BEDDING, PILLOWS

Mattress & Sheet Set

704132 Mattress, Pillow top, 60 x 75
704004-02 Sheet set, Custom fit

Pillows

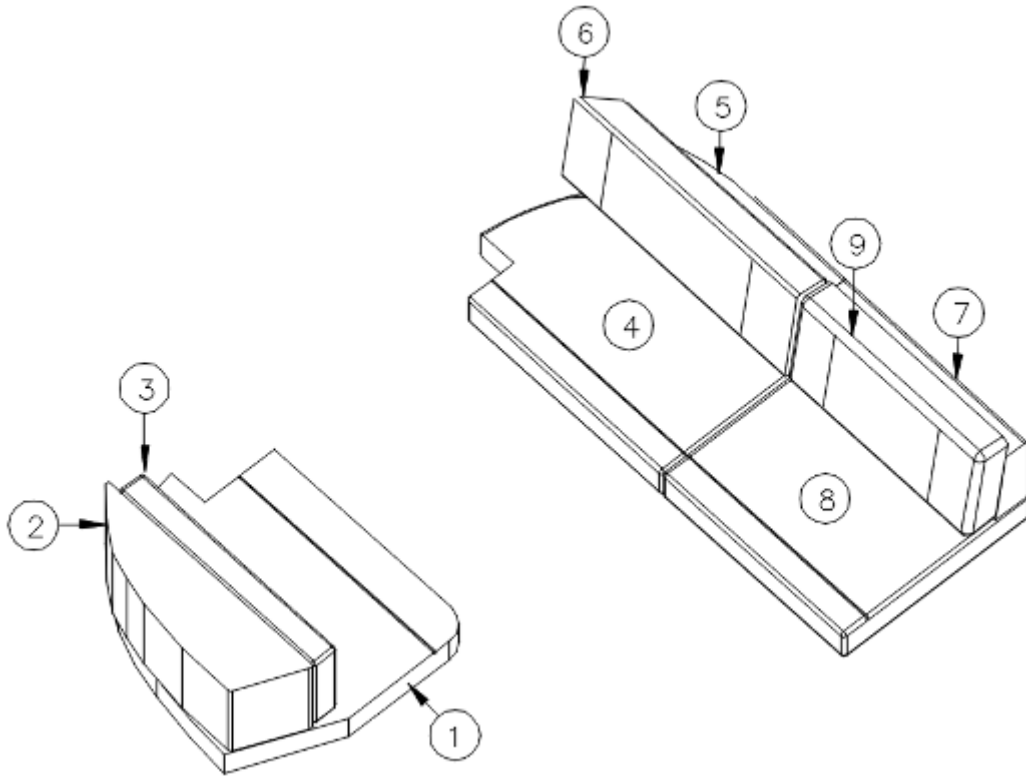
704359 Pillow kit, Tommy Bahama, Contains;
704359-01 Pillow, Kiwi
704359-02 Pillow, Aran Isle
704359-03 Pillow, Villa Fronds

Tommy Bahama Bed & Bath Package

704357-01 Cuba Cabana 4 piece comforter set
704357-02 Throw pillow, 12 x 16, Natural
704357-03 Throw pillow, 16 x 16, Floral
704357-04 Throw pillow, 18 x 18, Striped
704357-05 Cypress Bay bath towel set, Ice Turq

2017 TOMMY BAHAMA TT UPHOLSTERY, FOAM, ULTRALEATHER

Sofa, Dinette Cushions



704333
704334

Kit, Din/Lounge Cushions, UL & Fabric, Tommy Bahama
Kit, Foam

- | | |
|--------------|--------------------------------------|
| 1. 704333-01 | CS dinette seat, Ultraleather |
| 704334-01 | Foam, CS dinette seat |
| 2. 704333-02 | CS back filler, Ultraleather |
| 704334-02 | Foam, CS back filler |
| 3. 704333-03 | CS back rest, Fabric |
| 704334-03 | Foam, CS back rest |
| 4. 704333-04 | RS dinette seat, Ultraleather |
| 704334-04 | Foam, RS dinette seat |
| 5. 704333-05 | RS back filler, Ultraleather |
| 704334-05 | Foam, RS back filler |
| 6. 704333-06 | RS back rest, Fabric |
| 704334-06 | Foam, RS back rest |
| 7. 704333-07 | Lounge wedge, Ultraleather |
| 704334-07 | Foam, Lounge wedge |
| 8. 704333-08 | Lounge bottom cushions, Ultraleather |
| 704334-08 | Foam, Lounge bottom cushions |
| 9. 704333-09 | Back rest, Fabric |
| 704334-09 | Foam, Back rest |

2017 TOMMY BAHAMA TT VENTS, FANS

Bathroom Vent

690266-06	Shower roof vent w/o garnish
690266-02	Power ventilator, CSA
690266-07	Trim ring, White
690266-08	Trim ring, Silver

Range exhaust

512210	Range hood, 12V, Grey/SS, Baraldi
511017-11	Vent cover, Exterior, Gray

Refrigerator Vent

100341	Refrigerator roof vent collar, Large
101394	Cover, Refrigerator roof vent, Large
380228	Wire hardware cloth

Black Tank Vent

690700-01	Vent pipe cover, White
382337	Gasket, Corlon, Vent Cap
380228	Wire hardware cloth

Roof Vent

382240	Fantastic fan, Exhaust only
382467-01	Gasket, Exhaust fan

2017 TOMMY BAHAMA TT SKYLIGHTS

Skylight, Lounge

381318-05	Skylight, 19.5" x 19.5"
704120-02	Shade, Skylight, 19.25 x 20, Grey
203785	Trim ring, 19" x 19"
115619	Mounting frame, 19 x 19

Skylight, Bath

381318-06	Skylight, 14.5 x 22.5
704120-01	Shade, Skylight, 14.5 x 22.75, Grey
203786	Trim ring, 14 x 22, White
115620	Mounting frame, 14.5 x 22

2017 TOMMY BAHAMA TT PANELING, EDGEBANDING, LAUAN

Paneling

801368	Paneling, White liner/White liner 18MM
801392	Paneling, White liner/White liner 12MM
802160	Panel, Pre-laminated, 18mm, Striped/Liner
802161	Laminate, Striped
802176	Panel, Pre-laminated, 12mm, Macchiato leaf/Liner
802177	Panel, Pre-laminated, 12mm, Macchiato/custom colored leaf
802180	Panel, 12mm, Macchiato w/grooves
802178	Panel, Pre-laminated, 12mm, Macchiato/White Liner
802179	Panel, Pre-laminated, 18mm, Macchiato/White Liner
802181	Panel, Pre-laminated, 12mm, Macchiato/Frosty White
802182	Panel, Pre-laminated, 12mm, Macchiato/Macchiato
802171-01	Laminate, Macchiato
802172-01	Laminate, Macchiato w/leaf pattern
802173-01	Laminate, Colored leaf pattern

Edgebanding

365412-01	Edgebanding, .63, Macchiato
365412-02	Edgebanding, .94, Macchiato
365340-01	Edgebanding, .63, Frosty White

Lauan

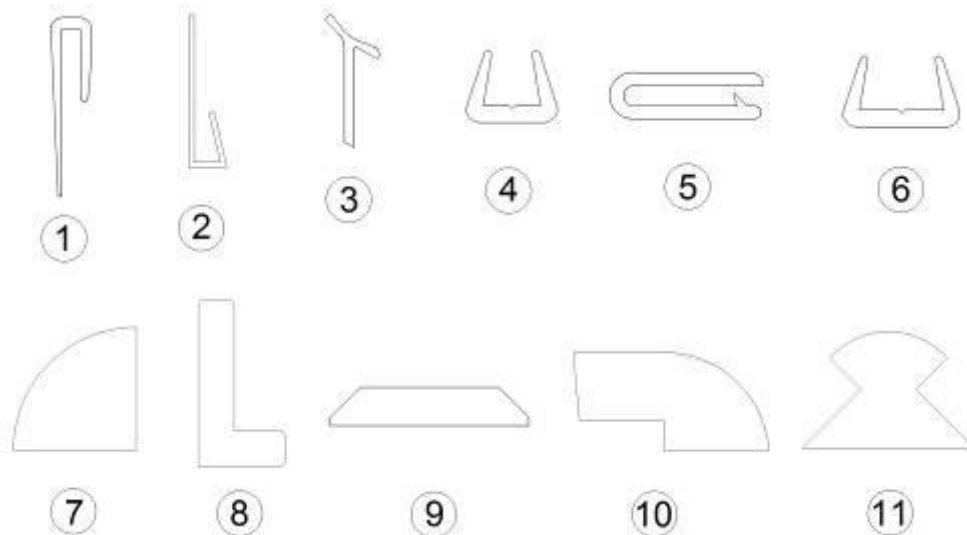
800507-01	Lauan, 1/8" x 4' x 8'
800507-02	Lauan, 1/4" x 4' x 8'
800507-03	Lauan, 3/8" x 4' x 8'

Plywood

800506-04	Plywood, 1/2" x 4' x 8'
800506-05	Plywood, 5/8" x 4' x 8'
800506-06	Plywood, 3/4" x 4' x 8'
800976-01	Plywood, tongue and groove, 19/32'
801351	Lite Ply, 18mm (.75") 4' x 8'
801345	Radius plywood, .75" x 3" x 8'
801348	Radius plywood, .75" x 8" x 6'

2017 TOMMY BAHAMA TT TRIMS

Trim



- | | |
|-----------------|---|
| 1. 114070 | J-molding, Mill Finish |
| 2. 201666-01 | J-molding, 3/16", White |
| 3. 201673 | Reverse cove molding, White |
| 201673-01 | Reverse cove molding, .43", Oak |
| 4. 203138-04 | Extrusion, Panel edging, Oak |
| 5. 203225-01 | Trim lock, .75", Gray |
| 6. 203464-01 | Extrusion, Panel, Oak |
| 7. 800638-0139 | Molding, Quarter round, .5", Macchiato |
| 8. 801665-0039 | L-molding, Door jamb, Macchiato |
| 9. 801178-07 | Molding, flat, .81", Frosty White |
| 10. 801706-0039 | Corner trim, 90°, 1" radius, Macchiato |
| 11. 801415-0039 | Corner trim, 1" radius, Macchiato |
| 801172-10 | Molding, corner Butler White |
| 115565 | Extrusion, Threshold, Main Door |
| 100097 | Extrusion, Alum. Track Curtain |
| 800571-0139 | Hardwood flat molding, .52, Macchiato |
| 800572-0139 | Hardwood flat molding, .72, Macchiato |
| 800573-0139 | Molding, Hardwood flat door edge, Macchiato |
| 801977-0039 | Corner trim, Bathroom, Macchiato |
| 115134BR | Extrusion, Laminate trim, Bronze |
| 115375-02 | Formed extrusion, RH locker end, Bronze |
| 115472BR | Trim, Aluminum counter top, Bronze |
| 115483BR | Angle, Aluminum anodized, Bronze |
| 115831BR | F-channel, Bronze |
| 115374BR | Extrusion, Sliding door track, .5" |
| 110900-03 | Trim, Formed |
| 110900-04 | Trim, Formed |

