



2018 INTERSTATE Parts Book



2018 INTERSTATE SECTION I

APPLIANCES

<u>Air Conditioner</u>	I-1
<u>Furnace</u>	I-1
<u>Water Heater</u>	I-1
<u>Generator</u>	I-2
<u>Microwave and Cooktop</u>	I-2
<u>Refrigerators</u>	I-2

EXTERIOR SHELL

<u>Wall, Roadside, Lounge</u>	I-3
<u>Wall, Curbside, Lounge</u>	I-5
<u>Wall, Roadside, Grand Tour</u>	I-7
<u>Wall, Curbside, Grand Tour</u>	I-9
<u>Medallions</u>	I-11
<u>Window Blackouts</u>	I-11
<u>Body Kits</u>	I-12
<u>Hitch Cover</u>	I-18
<u>Storage Box, Below Floor</u>	I-18
<u>Rear Bumper Protector</u>	1-18
<u>7-Way Bracket</u>	I-18

INTERIOR SHELL

<u>Windows, Pillar, and Roof Closeouts</u>	I-19
<u>Vanity Visor Mirror</u>	I-19
<u>Dash Trim Kit</u>	I-20
<u>Floor Assemblies</u>	I-21
<u>Ceiling Panels</u>	I-24
<u>Interior Panels and Window Boxes</u>	I-26

CHASSIS

<u>Spare Tire Carrier</u>	I-33
<u>Air Ride System</u>	I-33
<u>Wheels</u>	I-34
<u>Driver and Passenger Steps</u>	I-34
<u>Step</u>	I-34
<u>Step Well</u>	I-34
<u>Exhaust System</u>	I-35
<u>Skid Bar Assembly</u>	I-35
<u>Parktronic Sensor</u>	I-35
<u>Leveling Jacks</u>	I-35

2018 INTERSTATE

SECTION II

DOORS, WINDOWS, AWNINGS

<u>Exterior Doors</u>	II-1
<u>Screen Doors</u>	II-1
<u>Screen Door, Rear Power Kit</u>	II-3
<u>Windows</u>	II-4
<u>Awnings</u>	II-5

SHADES

<u>Shades</u>	II-6
<u>Cockpit Window Shades and Hardware</u>	II-8

ELECTRICAL

110 VOLT

<u>Power Converter</u>	II-9
<u>Energy Management System</u>	II-9
<u>Shoreline Hookup</u>	II-9
<u>Inverter</u>	II-9
<u>Receptacles and USB Ports</u>	II-9
<u>Breakers</u>	II-9

12 VOLT

<u>Battery</u>	II-10
<u>Fuses</u>	II-10
<u>Cable Kits, Main 12VDC</u>	II-10
<u>Switches</u>	II-10
<u>Monitor Panel</u>	II-11
<u>Interior Lights</u>	II-11
<u>Exterior Lights</u>	II-11
<u>Exterior Utility Compartment Switch Panel</u>	II-12
<u>Rearview Monitor Camera</u>	II-12
<u>Solar Panel</u>	II-12
<u>Firefly System</u>	II-13

ENTERTAINMENT

<u>Audio</u>	II-14
<u>Video</u>	II-14
<u>TV's</u>	II-15
<u>Blu-Ray Player</u>	II-15

2018 INTERSTATE SECTION III

FLOOR COVERINGS

<u>Floor Covering</u>	III-1
-----------------------------	-------

FURNITURE

INTERIOR DOORS

<u>Interior Doors</u>	III-2
<u>Roof Locker Doors</u>	III-2

BEDROOM

<u>Bed, Roadside</u>	III-3
<u>Bed, Curbside</u>	III-5
<u>Bed Extensions</u>	III-7

LAVATORY

<u>Wet Bath Module, Lounge</u>	III-9
<u>Wet Bath Module, Grand Tour</u>	III-12
<u>Shower Modules</u>	III-15
<u>Lavatory Doors</u>	III-16

GALLEY

<u>Galley Top, Lounge</u>	III-18
<u>Galley, Drawer Microwave, Lounge</u>	III-19
<u>Galley, Convection Microwave, Lounge</u>	III-21
<u>Galley Top, Grand Tour</u>	III-27
<u>Galley, Drawer Microwave, Grand Tour</u>	III-28
<u>Refrigerator Cabinet</u>	III-31
<u>Pantry/Wardrobe</u>	III-34
<u>Front Shelf Closeout</u>	III-36
<u>Cargo Net</u>	III-36

2018 INTERSTATE SECTION III

LOUNGE

<u>Dinette Seats, RS</u>	III-37
<u>Dinette Seats, CS</u>	III-39
<u>Sofa Base</u>	III-40
<u>Sofa Closeouts</u>	III-41
<u>Sofa Extensions</u>	III-42
<u>Pedestal Table</u>	III-43
<u>Flip Table</u>	III-44
<u>TV Mounting Cabinet</u>	III-47
<u>Wardrobes</u>	III-48
<u>Roof Lockers</u>	III-52

HARDWARE

<u>Seat Belts, Cup Holders, and Brackets</u>	III-73
<u>Sofa</u>	III-73
<u>Bath Accessories</u>	III-73
<u>Shower Curtain</u>	III-73
<u>Clothesline</u>	III-73
<u>Cargo Cover</u>	III-74
<u>Hinges</u>	III-74
<u>Drawer Slides</u>	III-74
<u>Golf Bag Storage</u>	III-74
<u>License Plate</u>	III-74
<u>Interior Handles, Latches, and Fasteners</u>	III-75
<u>Rivets</u>	III-75

SAFETY EQUIPMENT

<u>Detectors and Fire Extinguisher</u>	III-76
--	--------

LABELS & TAGS

<u>Labels and Tags</u>	III-77
------------------------------	--------

2018 INTERSTATE SECTION IV

PLUMBING

LPG SYSTEMS

<u>LPG Tank, Mounting Brackets, and Heat Shield</u>	IV-1
<u>LPG System, Lounge</u>	IV-2
<u>LPG System, Grand Tour</u>	IV-3

FRESH WATER SYSTEMS

<u>Faucet and Sink, Galley</u>	IV-4
<u>Faucet, Wet Bath</u>	IV-4
<u>Exterior Shower</u>	IV-4
<u>City Water Hook-Up</u>	IV-4
<u>Fresh Water Tank and Water Fill</u>	IV-4
<u>Fresh Water Lines, Lounge</u>	IV-5
<u>Fresh Water Lines, Grand Tour</u>	IV-6
<u>Fresh Water Lines, Grand Tour Twin</u>	IV-7
<u>Fresh Water Fittings</u>	IV-8

DRAIN SYSTEMS

<u>Black and Gray Tanks</u>	IV-9
<u>Black Tank Flush</u>	IV-9
<u>Black Tank Cover</u>	IV-10
<u>Macerator Pump System</u>	IV-13
<u>Drain System, Below Floor, Lounge</u>	IV-14
<u>Drain System, From Tanks to Pump, Lounge</u>	IV-15
<u>Drain System, Above Floor, Lounge</u>	IV-16
<u>Drain System, Below Floor, Grand Tour</u>	IV-18
<u>Drain System, From Tanks to Pump, Grand Tour</u>	IV-19
<u>Drain System, Above Floor, Grand Tour</u>	IV-20
<u>Drain Fittings</u>	IV-22
<u>Toilet</u>	IV-23

2018 INTERSTATE SECTION IV

SEALERS AND GASKETS

<u>Sealers</u>	IV-24
<u>Gaskets</u>	IV-24
<u>Undercoating</u>	IV-24

BEDDING, PILLOWS

<u>Mattresses</u>	IV-25
<u>Bedspreads and Sheets</u>	IV-25
<u>Pillows</u>	IV-25
<u>Bed Extension Cushions</u>	IV-25

UPHOLSTERY, ULTRALEATHER

<u>Captain's Chairs, Cabin</u>	IV-26
<u>Captain's Chairs, 2nd Row</u>	IV-26
<u>Sofa, Power</u>	IV-27
<u>Sofa, Jackknife</u>	IV-27
<u>Décor Boards</u>	IV-28

VENTS AND FANS

<u>Black Tank Vent</u>	IV-29
<u>Bath Vent</u>	IV-29
<u>Furnace Vent</u>	IV-29
<u>Refrigerator Vent</u>	IV-29
<u>Exhaust Fan</u>	IV-29

PANELING, EDGEBANDING, LAUAN

<u>Paneling</u>	IV-30
<u>Edgebanding</u>	IV-30
<u>Lauan</u>	IV-30
<u>Plywood</u>	IV-30

TRIMS

<u>Trim</u>	IV-31
-------------------	-------

2018 INTERSTATE APPLIANCES

Air Conditioner

690323-46	Air conditioner, 13,500 BTU, White
690323-57	Air conditioner, 13,500 BTU, Black
690323-481	Upper Circuit Board for 690323-47, -48, -49
690323-471	Fan Motor Only For A/C 690323-47
513196-02	Spectrum 7" color touchscreen
690699-02	Room temperature sensor
690380-10	Interior air box/shroud
690380-11	Duct adapter, use with 690380-10
601240-01	Tubing, .5"
690323-Shdsl	Shroud, A/C, Silver
690323-Shdbl	Shroud, A/C, Black
690323-Shdwh	Shroud, A/C, White
115397	Roof AC frame

Furnace

690620-02	Furnace, 16K BTU, Front discharge w/Black grille
690620-04	Replacement grille, Black
690620-05	Extension kit, 7.25"
365391	Gasket, Furnace vent
115657	Spacer, Furnace vent
454674	Vent backer plate, Furnace

Water Heater

690711-01	Water heater, On-Demand, LP only
690711-02	Vent, Water heater
690711-03	Control center, Water heater
690711-04	Vent cap, 15.5", Water heater
690711-05	Vent cap, 6.5", Water heater
670711-100	Control Board for 690711-01
203978	Tray, Water heater
203981	Gasket spacer, Water heater
203981-01	Gasket spacer, Water heater
365420-01	Gasket, Water heater vent
455344-01	Valve closeout
385963	Bracket, Mounting angle
455352	Angle, Floor trim
704075	3M dual lock fastener
365222	3M double sided foam tape

2018 INTERSTATE APPLIANCES

Generator

512585-01	Generator, LPG 2.5, Onan
512585-02	Pigtail, Remote gen
512585-03	Under floor mounting kit
512585-06	Exhaust 90° elbow and flange
914399	Tailpipe, 6.75", Generator
381509	Hanger, Tailpipe
454663-01	Bracket, Roadside
454663-02	Bracket, Curbside aft
510817-01	Single gang, Weather proof box
510817-02	Single gang, Weather proof extension ring
510562	Switch, Generator

Microwave and Cooktop

690684	Microwave drawer type, 1.3 CF, Stainless steel, Contoure
690657-08	Microwave, Convection, Contoure
690657-06	Trim kit, Contoure convection microwave
690576	Cooktop, 2-burner, Smev

Refrigerator, Lounge

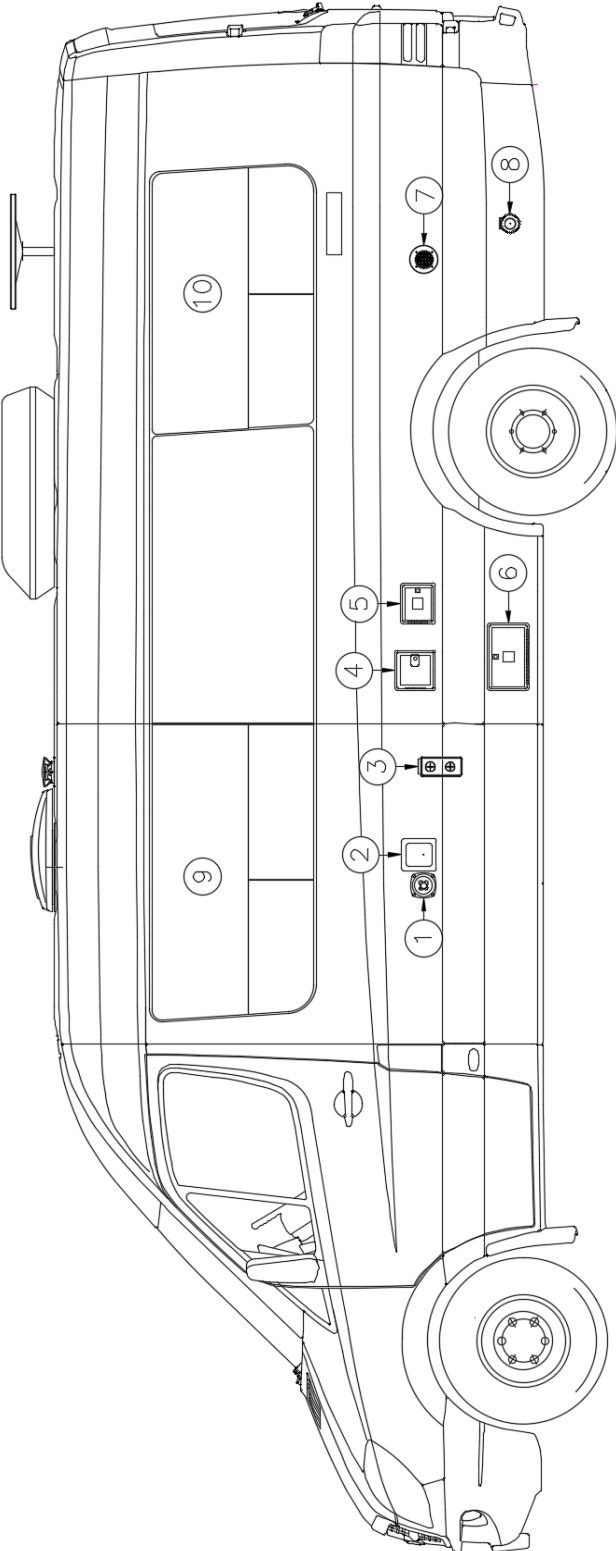
690599	Refrigerator, 3.1 CF, LH, Novakool
690599-105	Thermostat W/Knob for 690599
115166-08	Insert, Refer Panel, 16.56 x 28

Refrigerator, Grand Tour

690706	Refrigerator/freezer, Novakool
690690	Fan, 12 volt
382297	Vent, 4 x 8, Black plastic
382298-01	Return grille, 12 x 6, Black

2018 INTERSTATE EXTERIOR SHELL

Wall, Roadside, Lounge



Parts Listed on Next Page

2018 INTERSTATE EXTERIOR SHELL

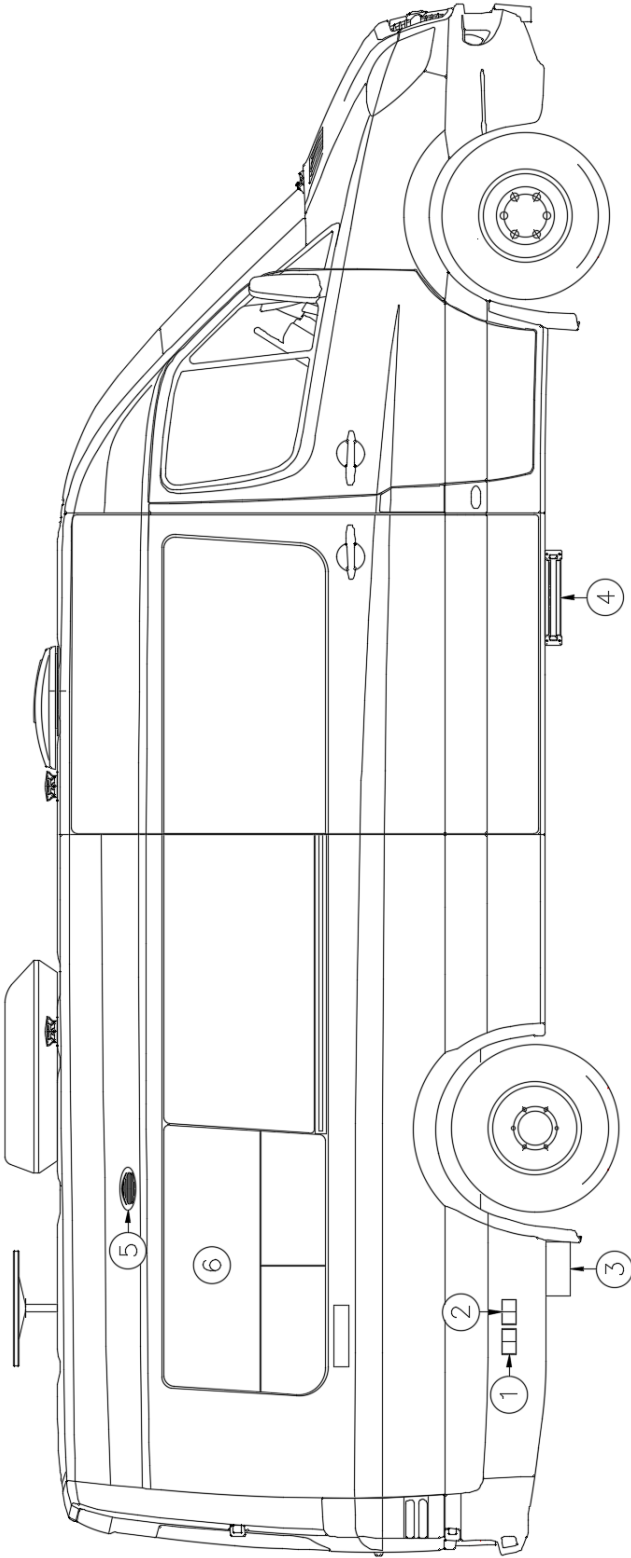
Wall, Roadside, Lounge

923334S Roadside Wall, Lounge

1. 601392-06 City water fill w/regulator, Chrome
2. 601194-03W Water fill w/lock, White
- 601194-03S Water fill w/lock, Silver
- 601194-03B Water fill w/lock, Black
3. 690620-05 Furnace extension kit, 7.25"
4. 602288-01W Exterior shower box, White
- 602288-01S Exterior shower box, Silver
- 602288-01B Exterior shower box, Black
5. 382083W Hatch, Electrical switches, White
- 382083S Hatch, Electrical switches, Silver
- 382083B Hatch, Electrical switches, Black
6. 381766W Door, Macerator compartment, White
- 381766S Door, Macerator compartment, Silver
- 381766B Door, Macerator compartment, Black
7. 690711-04 Vent cap, 15.5", Water heater
8. 513164 Power inlet, 30 amp, Stainless Steel
9. 372260-01 Window, RS front, Vented
10. 372260-04 Window, RS rear, Vented
- 411004-08 Wheel, Front, Polished outside
- 411004-09 Wheel, Rear, Polished inside
- 411004-03 Trim kit, Front
- 411004-04 Trim kit, Rear

2018 INTERSTATE EXTERIOR SHELL

Wall, Curbside, Lounge



Parts Listed on Next Page

2018 INTERSTATE EXTERIOR SHELL

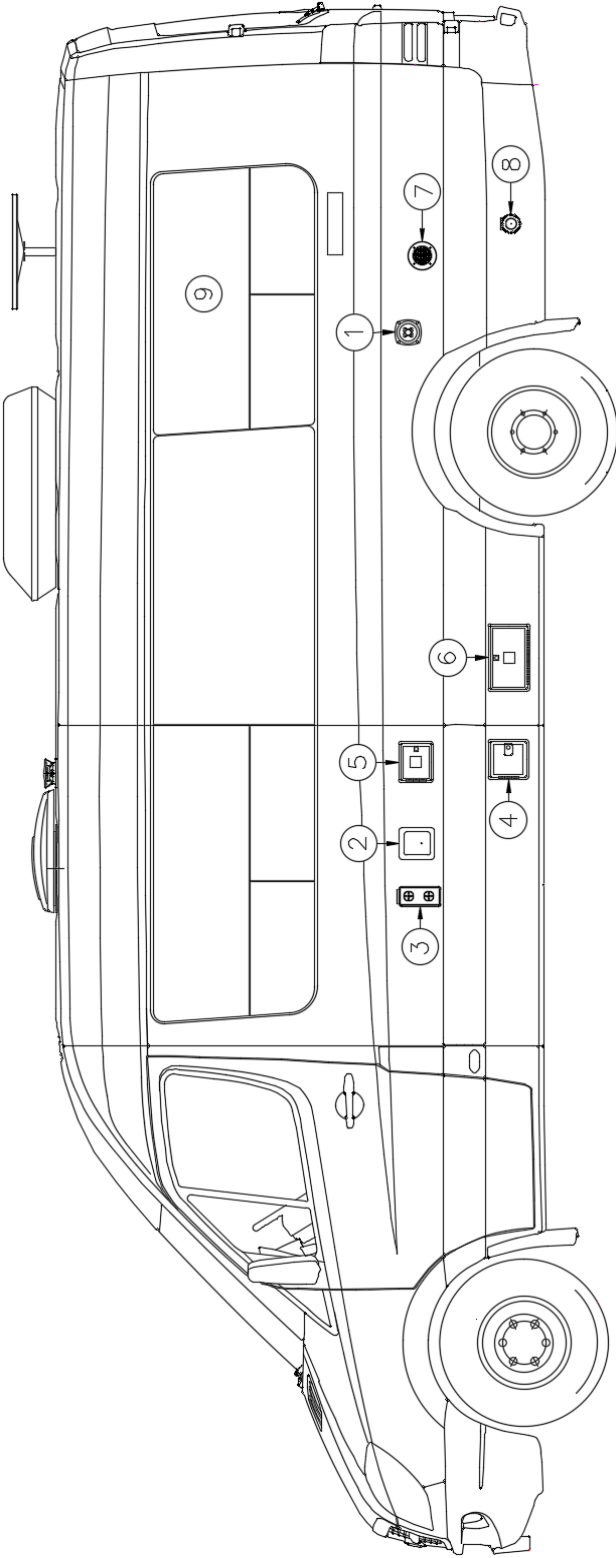
Wall, Curbside, Lounge

923334S Curbside Wall, Lounge

1. 512741W Weather proof cover w/gasket, White
- 512741S Weather proof cover w/gasket, Silver
- 512741B Weather proof cover w/gasket, Black
2. 511796W Exterior cable TV/12v Power Port, White
- 511796S Exterior cable TV/12v Power Port, Silver
- 511796B Exterior cable TV/12v Power Port, Black
3. 454680 LPG remote fill assembly
4. 512450 Power step, Project 2000
5. 512793 LED porch light, Chrome
6. 372260-05 Window w/vents, CS rear
- 386147 Decal, On/Off LPG remote fill
- 203650 Cover, Remote fill
- 512434 Switch, ON/OFF LP valve

2018 INTERSTATE EXTERIOR SHELL

Wall, Roadside, Grand Tour



Parts Listed on Next Page

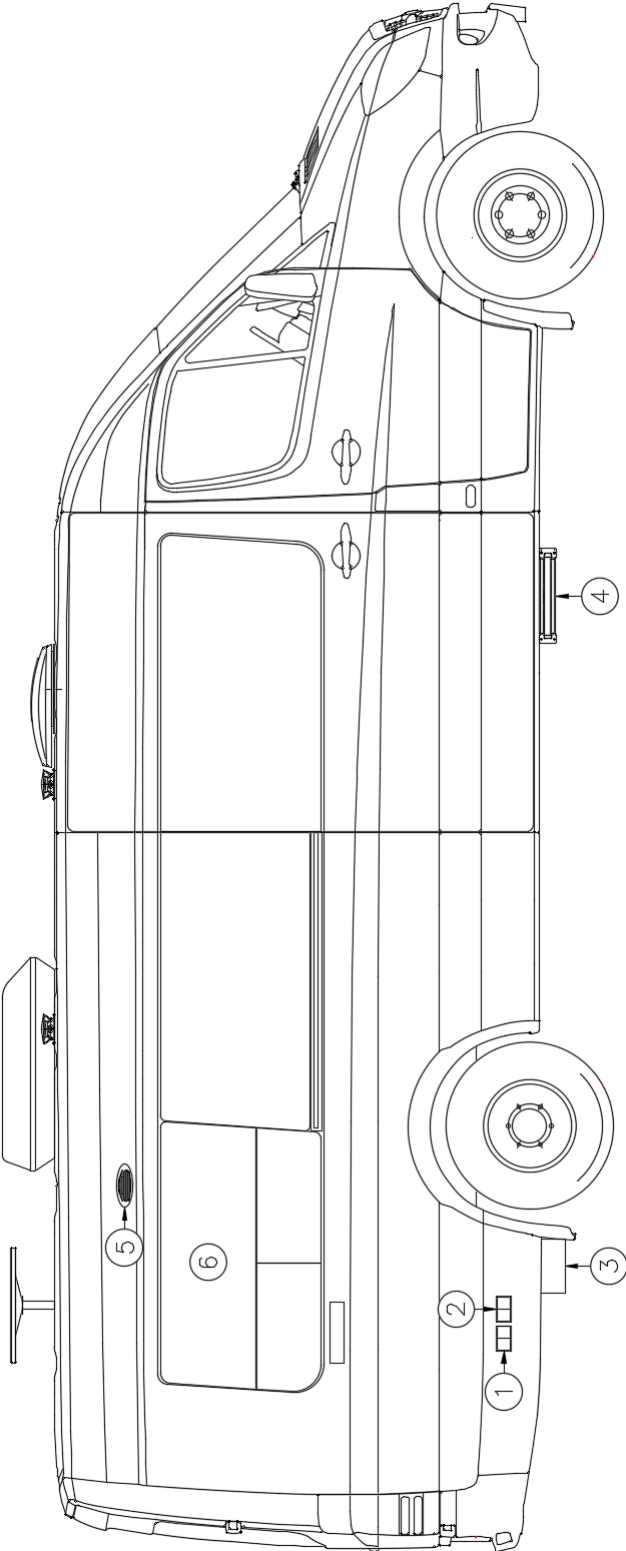
2018 INTERSTATE EXTERIOR SHELL

Wall, Roadside, Grand Tour

923336S	Roadside Wall, Grand Tour
923338S	Roadside Wall, Grand Tour Twin
1. 601392-06	City water fill w/regulator, Chrome
2. 601194-03W	Water fill w/lock, White
601194-03S	Water fill w/lock, Silver
601194-03B	Water fill w/lock, Black
3. 690620-05	Furnace extension kit, 7.25"
4. 602288-01W	Exterior shower box, White
602288-01S	Exterior shower box, Silver
602288-01B	Exterior shower box, Black
5. 382083W	Hatch, Electrical switches, White
382083S	Hatch, Electrical switches, Silver
382083B	Hatch, Electrical switches, Black
6. 381766W	Door, Macerator compartment, White
381766S	Door, Macerator compartment, Silver
381766B	Door, Macerator compartment, Black
7. 690711-04	Vent cap, 15.5", Water heater
8. 513164	Power inlet, 30 amp, Stainless Steel
9. 372260-04	Window, RS rear, Vented
411004-08	Wheel, Front, Polished outside
411004-09	Wheel, Rear, Polished inside
411004-03	Trim kit, Front
411004-04	Trim kit, Rear

2018 INTERSTATE EXTERIOR SHELL

Wall, Curbside, Grand Tour



Parts Listed on Next Page

2018 INTERSTATE EXTERIOR SHELL

Wall, Curbside, Grand Tour

923336S	Curbside Wall, Grand Tour
923338S	Roadside Wall, Grand Tour Twin
1. 512741W	Weather proof cover w/gasket, White
512741S	Weather proof cover w/gasket, Silver
512741B	Weather proof cover w/gasket, Black
2. 511796W	Exterior cable TV/12v Power Port, White
511796S	Exterior cable TV/12v Power Port, Silver
511796B	Exterior cable TV/12v Power Port, Black
3. 454680	LPG remote fill assembly
4. 512450	Power step, Project 2000
5. 512793	LED porch light, Chrome
6. 372260-05	Window w/vents, CS rear
386147	Decal, On/Off LPG remote fill
203650	Cover, Remote fill
512434	Switch, ON/OFF LP valve

2018 INTERSTATE EXTERIOR SHELL

Medallions

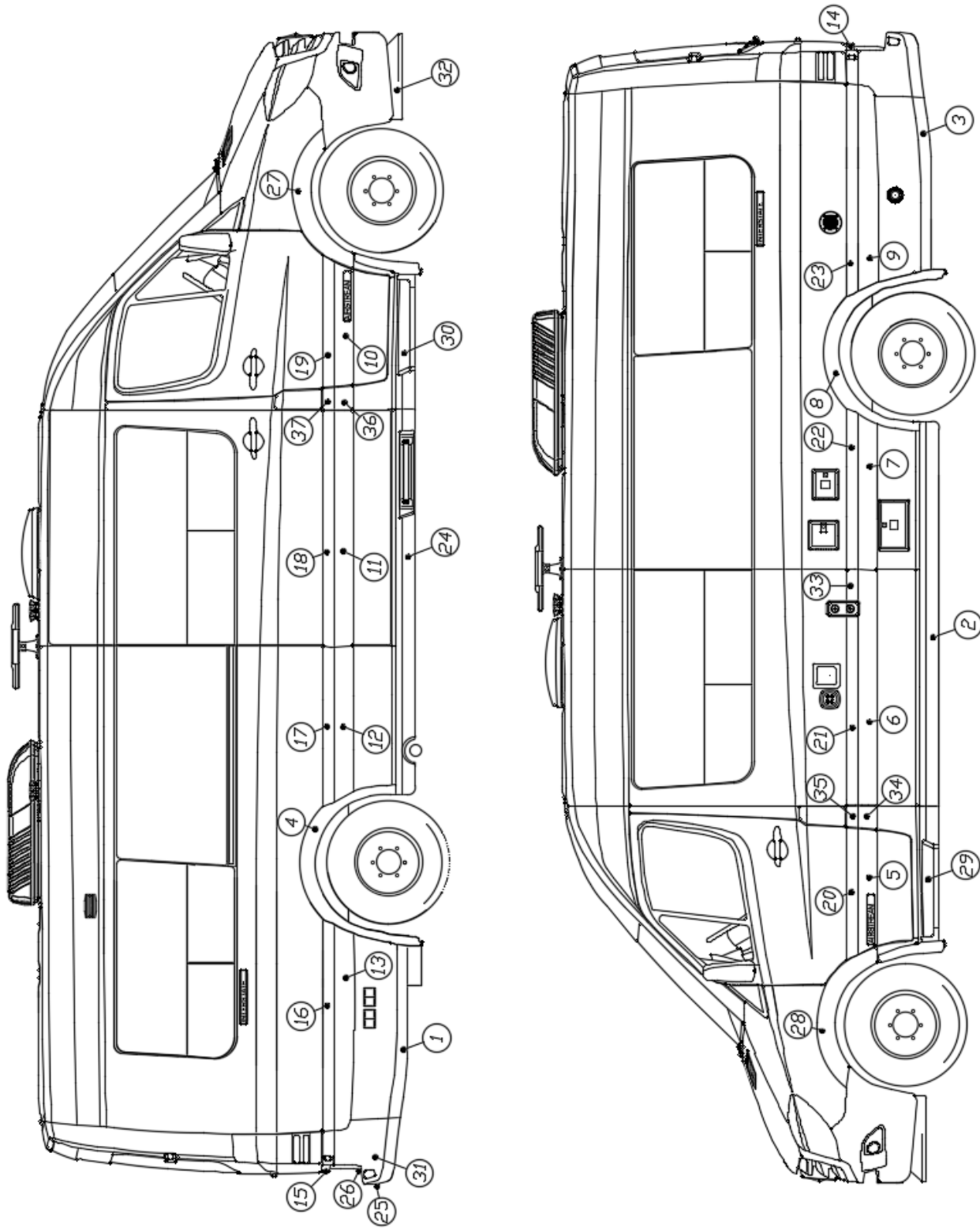
386255	Badge, "AIRSTREAM" Chrome
386256	Badge, "INTERSTATE" Chrome
386295	Badge, "4WD", Chrome

Window Blackouts

386215-06	Kit, Window blackout, GT
386215-07	Kit, Window blackout, Lounge
386215-01	Curbside rear blackout
386215-03	Roadside front blackout
386215-04	Roadside rear blackout
386215-05	Filler strip, 1.5 x 17

2018 INTERSTATE EXTERIOR SHELL

Body Kit, Silver



Parts Listed on Next Page

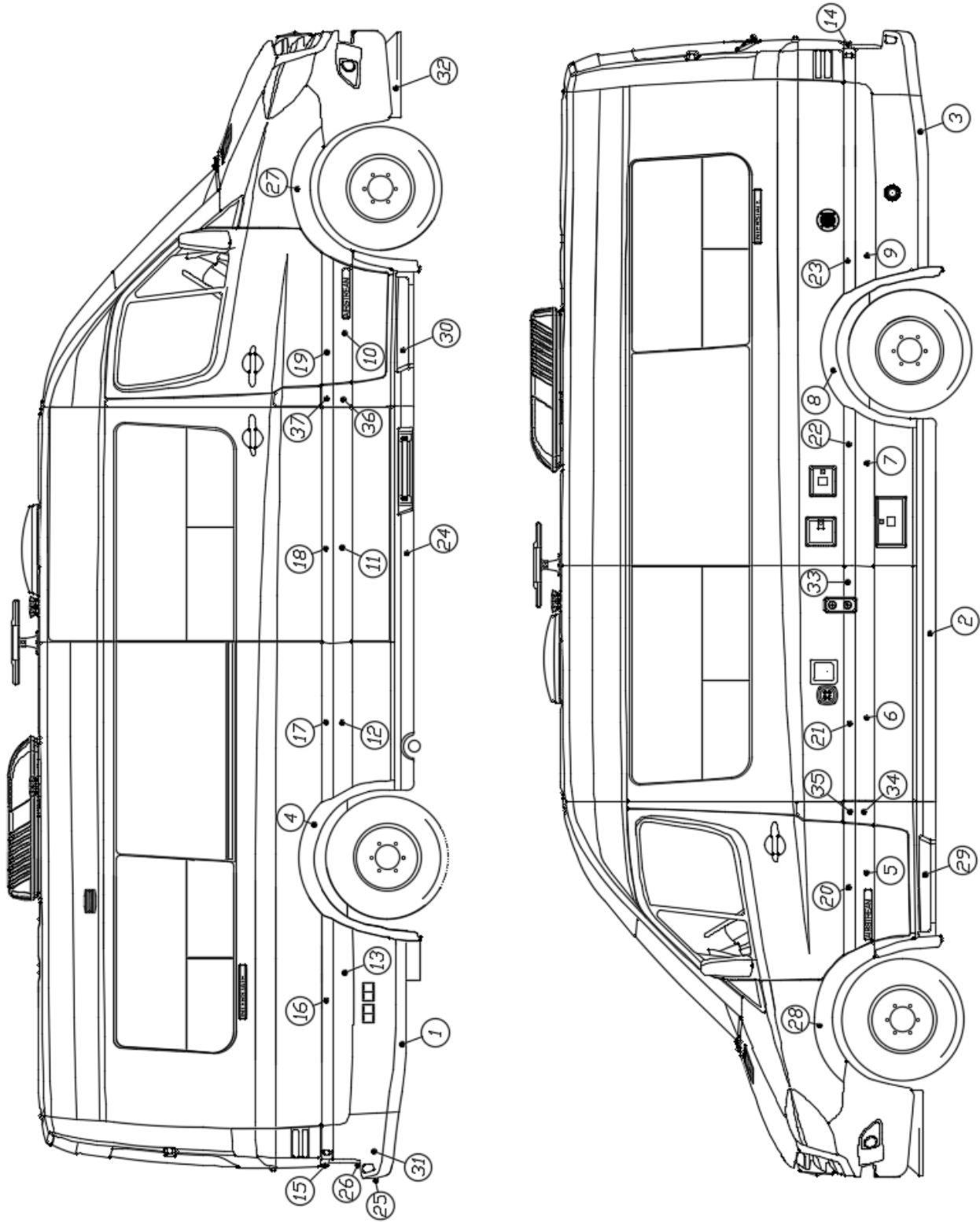
2018 INTERSTATE EXTERIOR SHELL

Body Kit, Silver

1. 203624-40 Extended passenger rear transition
2. 203624-06 Rocker, Driver side
3. 203624-41 Extended drivers side rear transition
4. 203624-08 Flare, Passenger rear
5. 203624-10 Panel, Driver front door
6. 203624-66 Panel, Driver side body w/furnace vent
7. 203624-13 Panel, Driver side middle rear
8. 203624-14 Flare, Driver rear
9. 203624-50 Extended drivers side rear quarter panel
10. 203624-16 Panel, Passenger side front door
11. 203624-18 Panel, Passenger side slider door
12. 203624-19 Panel, Passenger side middle rear
13. 203624-43 Extended passenger side rear quarter panel
14. 203624-23 Driver side top closeout, Rear bumper
15. 203624-24 Passenger side top closeout, Rear bumper
16. 203624-44 Extended passenger side quarter trim
17. 203624-26 Trim, Passenger middle rear, Chrome
18. 203624-27 Trim, Passenger slide door, Chrome
19. 203624-29 Trim, Passenger front door, Chrome
20. 203624-30 Trim, Driver side door, Chrome
21. 203624-67 Trim, Driver side body, Forward, Chrome
22. 203624-33 Trim, Driver side middle rear Chrome
23. 203624-51 Extended Drivers side rear quarter trim
24. 203624-69 Passenger side rocker w/step & exhaust notch
25. 203624-47 Hitch cover
26. 203624-48 Bracket, Rear bumper
27. 203624-55 Flare, Front passenger side
28. 203624-56 Flare, Front driver side
29. 203624-72 Step, Driver side
30. 203624-73 Step, Passenger side
31. 203624-59 Rear bumper w/sensor cutouts
32. 203624-61 Air dam, Front bumper
33. 203624-68 Trim, Driver side body, Aft, Chrome
34. 203624-11 Driver side B-pillar
35. 203624-31 Trim, Driver side B-pillar, Chrome
36. 203624-17 Passenger side B-pillar
37. 203624-28 Trim, Passenger side B-pillar, Chrome

2018 INTERSTATE EXTERIOR SHELL

Body Kit, Black



Parts Listed on Next Page

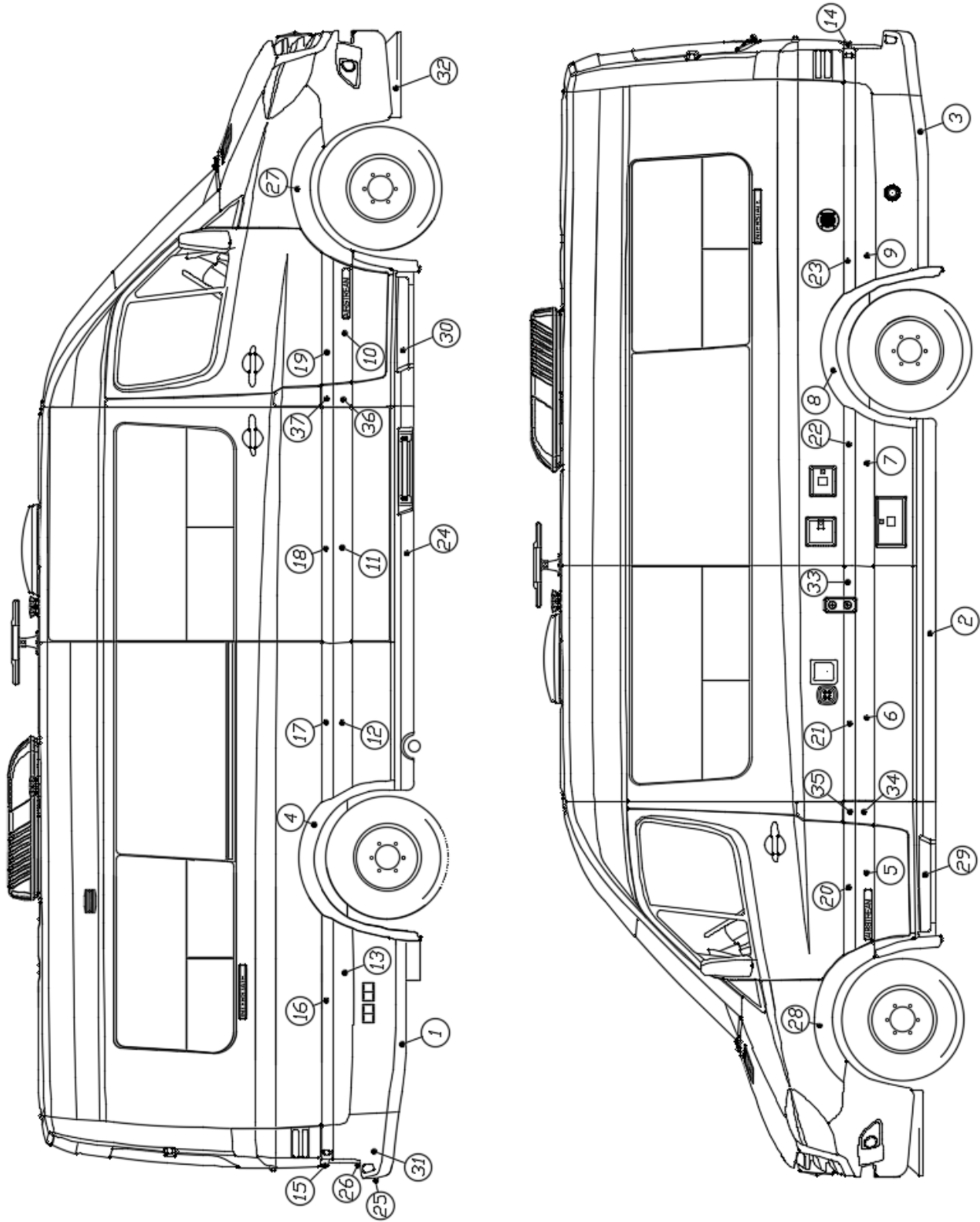
2018 INTERSTATE EXTERIOR SHELL

Body Kit, Black

1. 203624-40B Extended passenger rear transition
2. 203624-06B Rocker, Driver side
3. 203624-41B Extended drivers side rear transition
4. 203624-08B Flare, Passenger rear
5. 203624-10B Panel, Driver front door
6. 203624-66B Panel, Driver side body w/furnace vent
7. 203624-13B Panel, Driver side middle rear
8. 203624-14B Flare, Driver rear
9. 203624-50B Extended drivers side rear quarter panel
10. 203624-16B Panel, Passenger side front door
11. 203624-18B Panel, Passenger side slider door
12. 203624-19B Panel, Passenger side middle rear
13. 203624-43B Extended passenger side rear quarter panel
14. 203624-23B Driver side top closeout, Rear bumper
15. 203624-24B Passenger side top closeout, Rear bumper
16. 203624-44 Extended passenger side quarter trim
17. 203624-26 Trim, Passenger middle rear, Chrome
18. 203624-27 Trim, Passenger slide door, Chrome
19. 203624-29 Trim, Passenger front door, Chrome
20. 203624-30 Trim, Driver side door, Chrome
21. 203624-67 Trim, Driver side body, Forward, Chrome
22. 203624-33 Trim, Driver side middle rear Chrome
23. 203624-51 Extended Drivers side rear quarter trim, Chrome
24. 203624-69B Passenger side rocker w/step & exhaust notch
25. 203624-47B Hitch cover
26. 203624-48 Bracket, Rear bumper
27. 203624-55B Flare, Front passenger side
28. 203624-56B Flare, Front driver side
29. 203624-72B Step, Driver side
30. 203624-73B Step, Passenger side
31. 203624-59B Rear bumper w/sensor cutouts
32. 203624-61B Air dam, Front bumper
33. 203624-68 Trim, Driver side body, Aft, Chrome
34. 203624-11B Driver side B-pillar
35. 203624-31 Trim, Driver side B-pillar, Chrome
36. 203624-17B Passenger side B-pillar
37. 203624-28 Trim, Passenger side B-pillar, Chrome

2018 INTERSTATE EXTERIOR SHELL

Body Kit, White



Parts Listed on Next Page

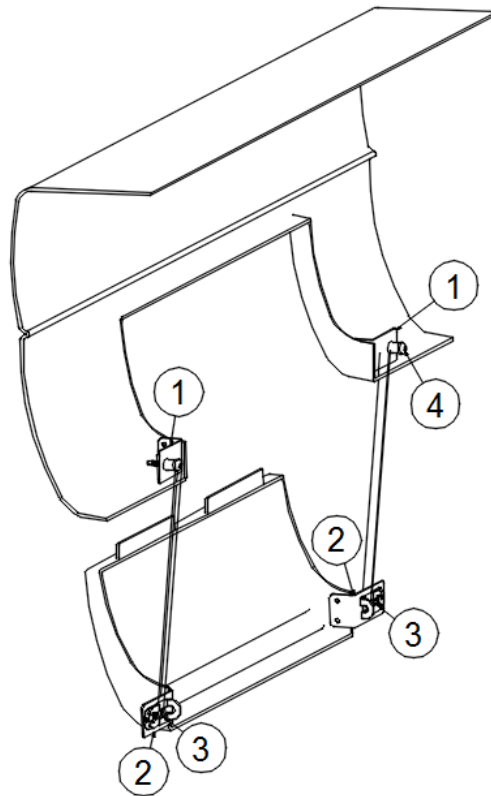
2018 INTERSTATE EXTERIOR SHELL

Body Kit, White

1. 203624-40W Extended passenger rear transition
2. 203624-06W Rocker, Driver side
3. 203624-41W Extended drivers side rear transition
4. 203624-08W Flare, Passenger rear
5. 203624-10W Panel, Driver front door
6. 203624-66W Panel, Driver side body w/furnace vent
7. 203624-13W Panel, Driver side middle rear
8. 203624-14W Flare, Driver rear
9. 203624-50W Extended drivers side rear quarter panel
10. 203624-16W Panel, Passenger side front door
11. 203624-18W Panel, Passenger side slider door
12. 203624-19W Panel, Passenger side middle rear
13. 203624-43W Extended passenger side rear quarter panel
14. 203624-23W Driver side top closeout, Rear bumper
15. 203624-24W Passenger side top closeout, Rear bumper
16. 203624-44 Extended passenger side quarter trim
17. 203624-26 Trim, Passenger middle rear, Chrome
18. 203624-27 Trim, Passenger slide door, Chrome
19. 203624-29 Trim, Passenger front door, Chrome
20. 203624-30 Trim, Driver side door, Chrome
21. 203624-67 Trim, Driver side body, Forward, Chrome
22. 203624-33 Trim, Driver side middle rear Chrome
23. 203624-51 Extended Drivers side rear quarter trim, Chrome
24. 203624-69W Passenger side rocker w/step & exhaust notch
25. 203624-47W Hitch cover
26. 203624-48 Bracket, Rear bumper
27. 203624-55W Flare, Front passenger side
28. 203624-56W Flare, Front driver side
29. 203624-72W Step, Driver side
30. 203624-73W Step, Passenger side
31. 203624-59W Rear bumper w/sensor cutouts
32. 203624-61W Air dam, Front bumper
33. 203624-68 Trim, Driver side body, Aft, Chrome
34. 203624-11W Driver side B-pillar
35. 203624-31 Trim, Driver side B-pillar, Chrome
36. 203624-17W Passenger side B-pillar
37. 203624-28 Trim, Passenger side B-pillar, Chrome

2018 INTERSTATE EXTERIOR SHELL

Hitch Cover



- | | |
|--------------|------------------------------------|
| 1. 454919 | Bumper bracket |
| 2. 454920 | Cover bracket |
| 3. 382182 | Latch, Snap slide, Stainless Steel |
| 4. 320029-02 | Screw, #8 x 1" |

Storage Box, Below Floor

- | | |
|--------|---------------------------|
| 455340 | Compartment, Rear storage |
| 203730 | Lid, Storage box, Plastic |
| 381985 | Plug, Quick nap |

Rear Bumper Protector Film

- | | |
|--------|---------------------------------|
| 203764 | Rear bumper protector, 3-M film |
|--------|---------------------------------|

7-Way Bracket

- | | |
|--------|---------------------|
| 455034 | Bracket, 7-way plug |
|--------|---------------------|

2018 INTERSTATE INTERIOR SHELL

Windows, Pillar, and Roof Closeouts

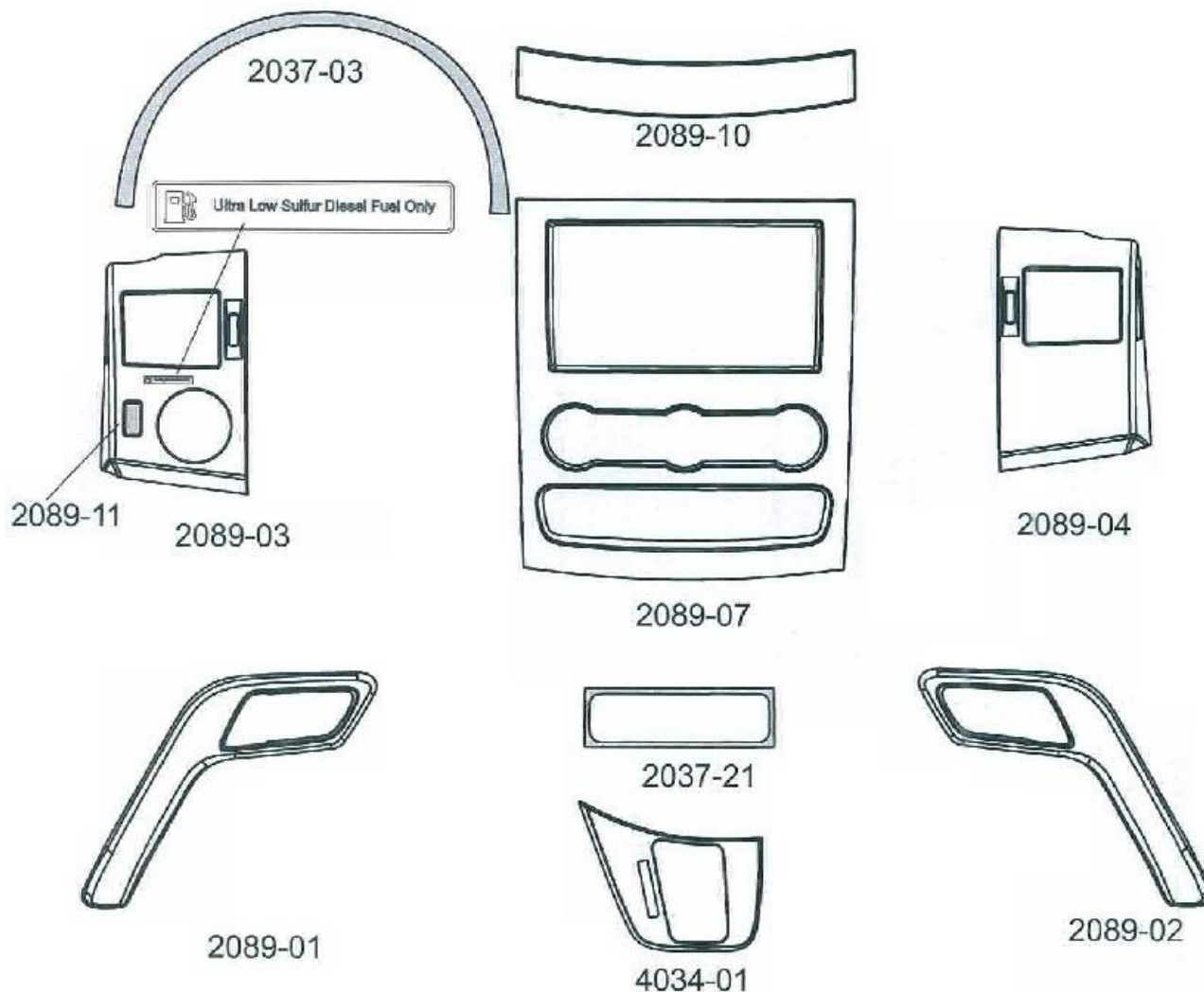
203651-01	Closeout, Curbside, "C" pillar
203651-02	Closeout, Curbside, Front window
203651-03	Closeout, Curbside, Rear window
203651-04	Closeout, Curbside, Lower pillar
203651-06	Closeout, Roadside, Front window
203651-07	Closeout, Roadside, Front window, Aft
203651-08	Closeout, Roadside, Middle window
203651-09	Closeout, Roadside, Rear window
203651-10	Closeout, Roadside, Rear lower pillar
203628	Closeout, Roadside "B" pillar, bottom
203629	Closeout, Sliding door header
203631-01	Closeout, Roadside wheel well
203631-02	Closeout, Curbside wheel well
203637	Pads, Sound dampener, Rear wheel wells

Vanity Visor Mirror

203962	Housing, Visor vanity mirror
203963	Mirror, Vanity visor
360381	Adhesive, Bostik elastic bonding
386289	Dome bumpers, Clear

2018 INTERSTATE INTERIOR SHELL

Dash Trim Kit



2089-01: DRIVER DOOR PULL

2089-04: PASS. VENT

2089-11: PLUG FOR DRIVER VENT

2089-02: PASS. DOOR PULL

2089-07: RADIO-AC CONTROL SURR

2037-03: SPEREDO

2089-03: DRIVER VENT

2089-10: ABOVE RADIO CENTER STORAGE

2037-21: BELOW MAIN DASH

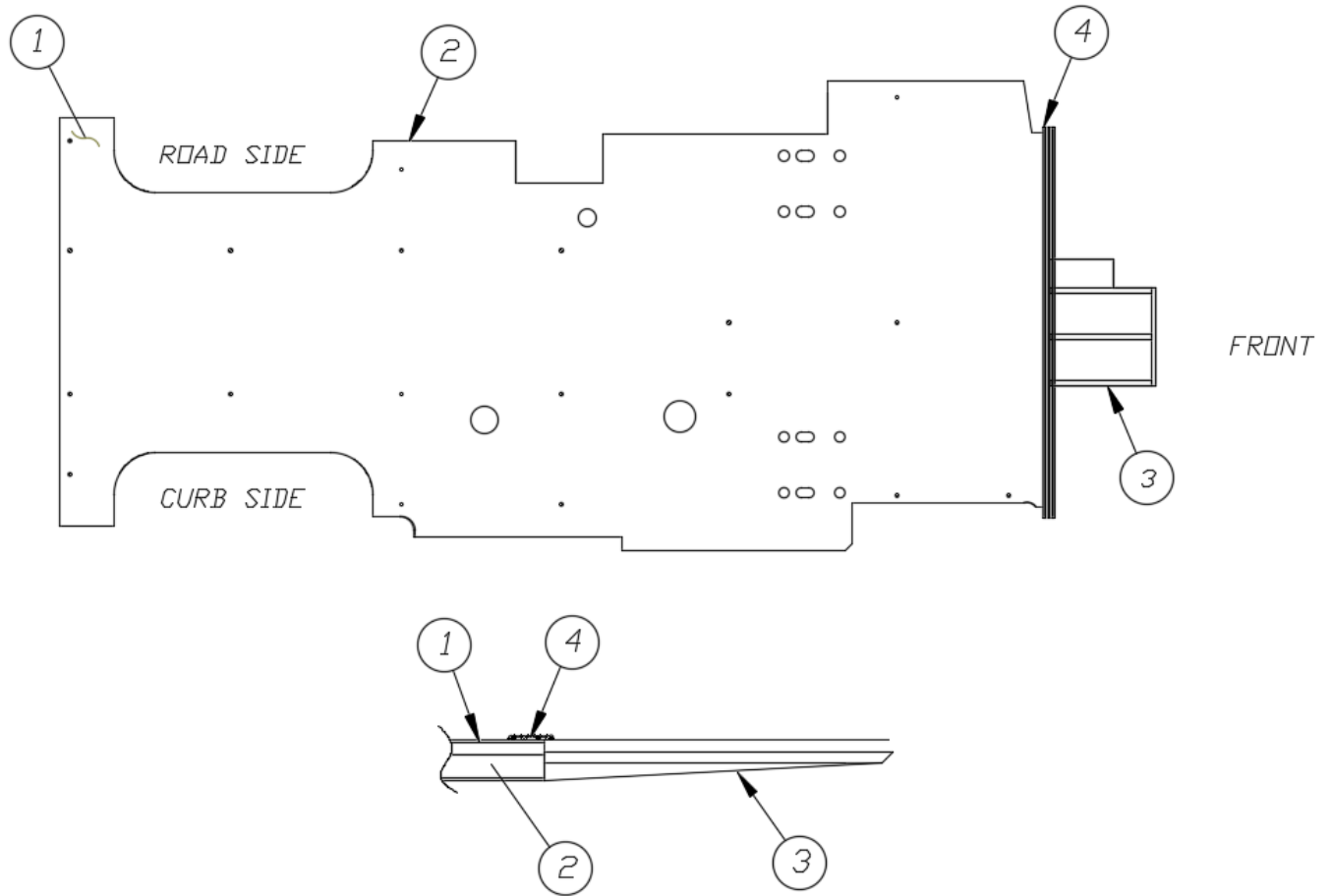
4034-01: AUTO SHIFTER SURR

365408

Kit, Dash trim combo, Greywood Black

2018 INTERSTATE INTERIOR SHELL

Floor Assembly, Lounge



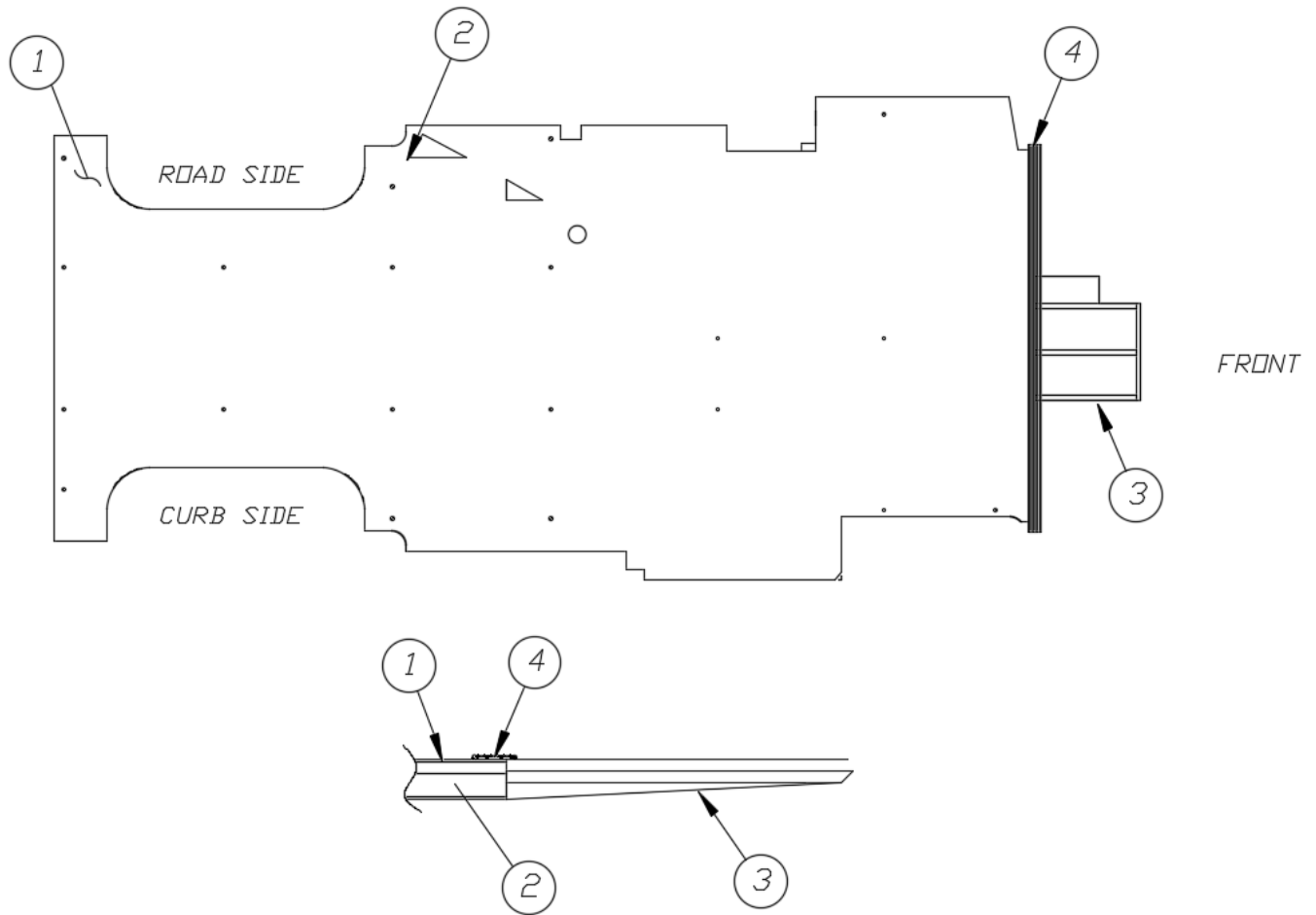
112560

Floor Install

- | | |
|--|--|
| <ul style="list-style-type: none"> 1. 704220 2. 923333 3. 923012 4. 114869 | <ul style="list-style-type: none"> Vinyl flooring, Ships deck Mahogany/Ivory Floor, Lounge Cab to main floor transition Extrusion, Threshold compartment Adhesive, AAT-272, Super premium Transition spacer, Cab to main floor, 14" Transition spacer, Cab to main floor, 18" |
|--|--|

2018 INTERSTATE INTERIOR SHELL

Floor Assembly, Grand Tour



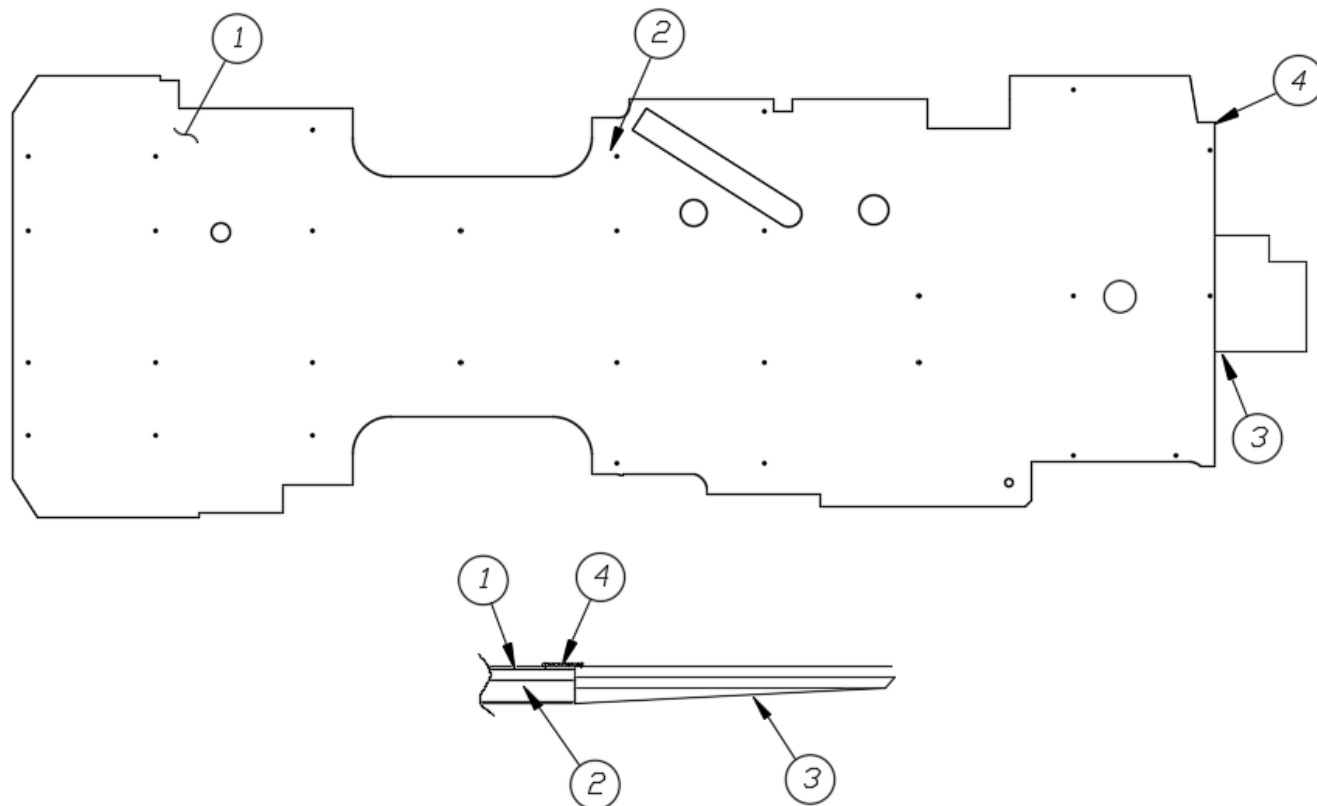
112561

Floor Install

- | | |
|-----------|---|
| 1. 704220 | Vinyl flooring, Ships deck Mahogany/Ivory |
| 2. 923339 | Floor, GT |
| 3. 923012 | Cab to main floor transition |
| 4. 114869 | Extrusion, Threshold compartment |
| 703766-01 | Adhesive, AAT-272, Super premium |
| 802075-01 | Transition spacer, Cab to main floor, 14" |
| 802075-02 | Transition spacer, Cab to main floor, 18" |

2018 INTERSTATE INTERIOR SHELL

Floor Assembly, Grand Tour Twin



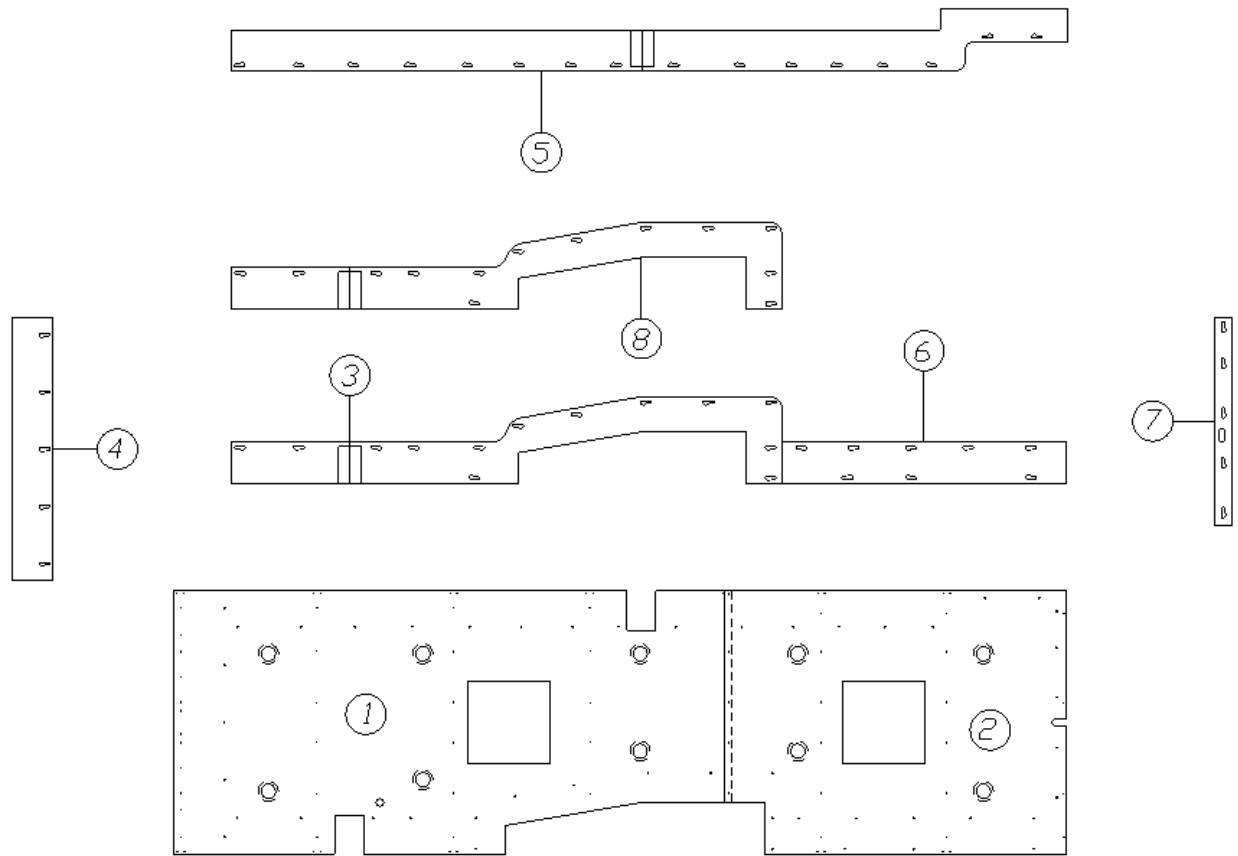
112260

Floor Install

- | | |
|-----------|---|
| 1. 704220 | Vinyl flooring, Ships deck Mahogany/Ivory |
| 2. 923246 | Floor, GT Twin |
| 3. 923012 | Cab to main floor transition |
| 4. 114869 | Extrusion, Threshold compartment |
| 967772 | Floor trim angle |
| 703766-01 | Adhesive, AAT-272, Super premium |
| 802075-01 | Transition spacer, Cab to main floor, 14" |
| 802075-02 | Transition spacer, Cab to main floor, 18" |

2018 INTERSTATE INTERIOR SHELL

Ceiling Panels, Lounge



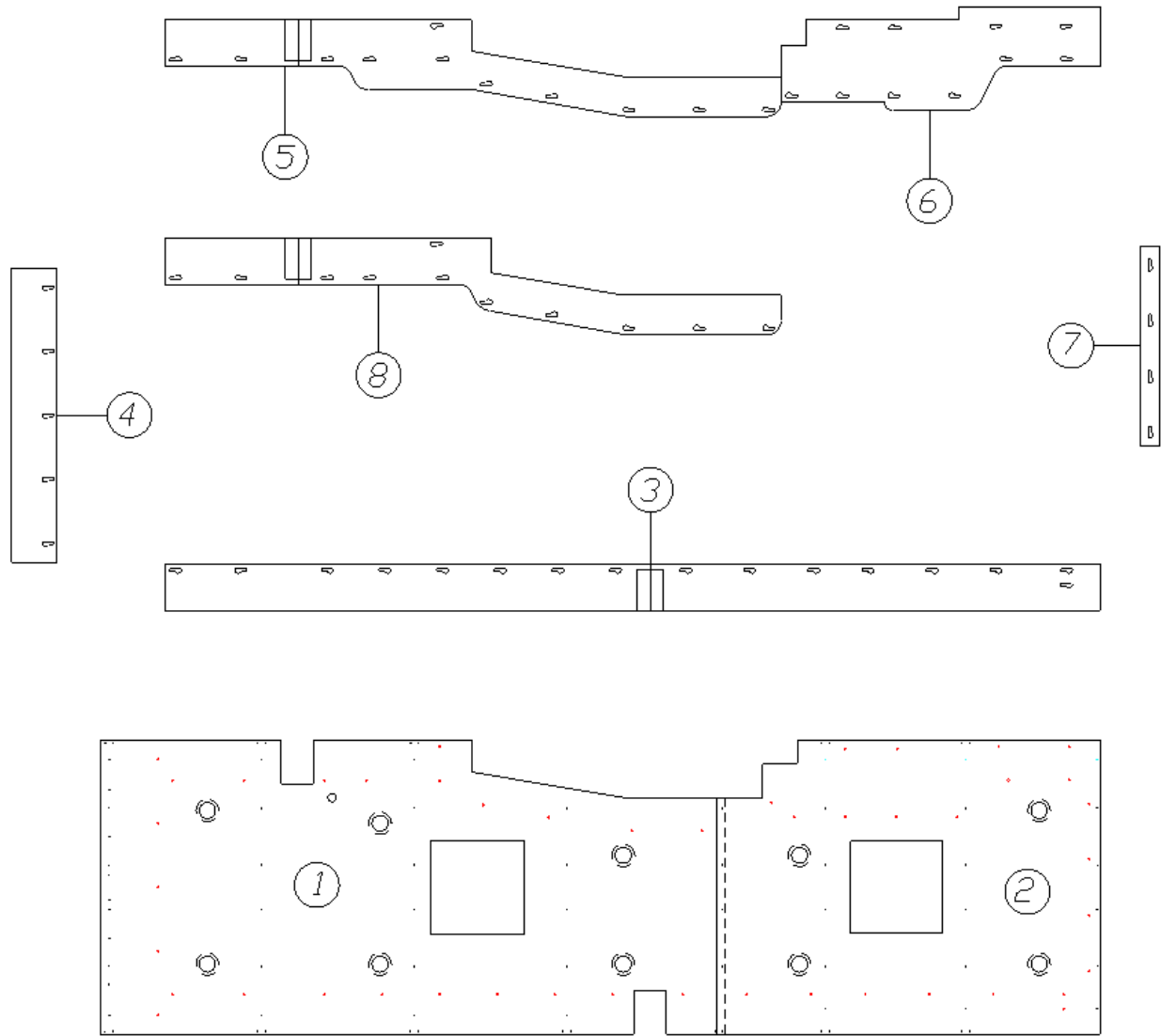
923217

Ceiling Panels Layout

- | | |
|--------------|---------------------------------------|
| 1. 923217-01 | Ceiling panel, Rear |
| 2. 923217-02 | Aluminum ceiling panel, Front |
| 3. 923217-03 | Ceiling panel, CS |
| 4. 923217-04 | Ceiling panel, Rear |
| 5. 923217-05 | Ceiling panel, RS |
| 6. 923217-06 | Ceiling panel, Door |
| 7. 923217-07 | Ceiling panel, Front |
| 8. 923217-08 | Ceiling panel, CS, 9 passenger option |
| 701764 | Foam, 1/4" |
| 704088-02 | Suede Impala |

2018 INTERSTATE INTERIOR SHELL

Ceiling Panels, Grand Tour



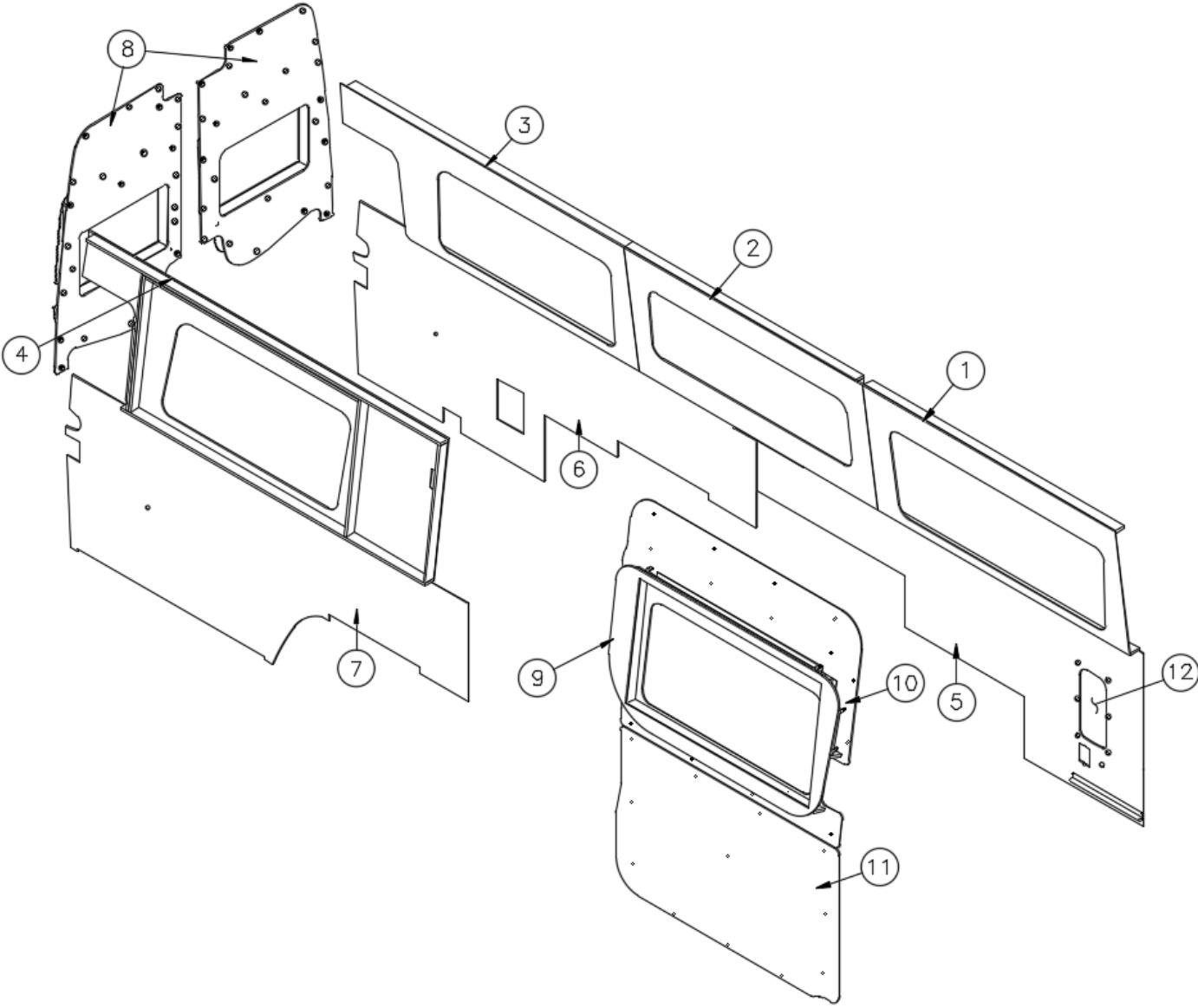
923203

Ceiling Panels Layout

- | | |
|--------------|---|
| 1. 923203-01 | Aluminum panel, Rear |
| 2. 923203-02 | Aluminum panel, Front |
| 3. 923203-03 | Ceiling panel, CS |
| 4. 923203-04 | Ceiling panel, Rear |
| 5. 923203-05 | Ceiling panel, RS rear |
| 6. 923203-06 | Ceiling panel, RS front |
| 7. 923203-07 | Ceiling panel, Front |
| 8. 923203-08 | Ceiling panel, RS rear, Extra seat option |
| 382062 | Fastener, Finned, .25" |
| 704088-02 | Fabric, Suede Sarandave Impala |

2018 INTERSTATE INTERIOR SHELL

Interior Panels and Window Boxes, Lounge



Parts Listed on Next Page

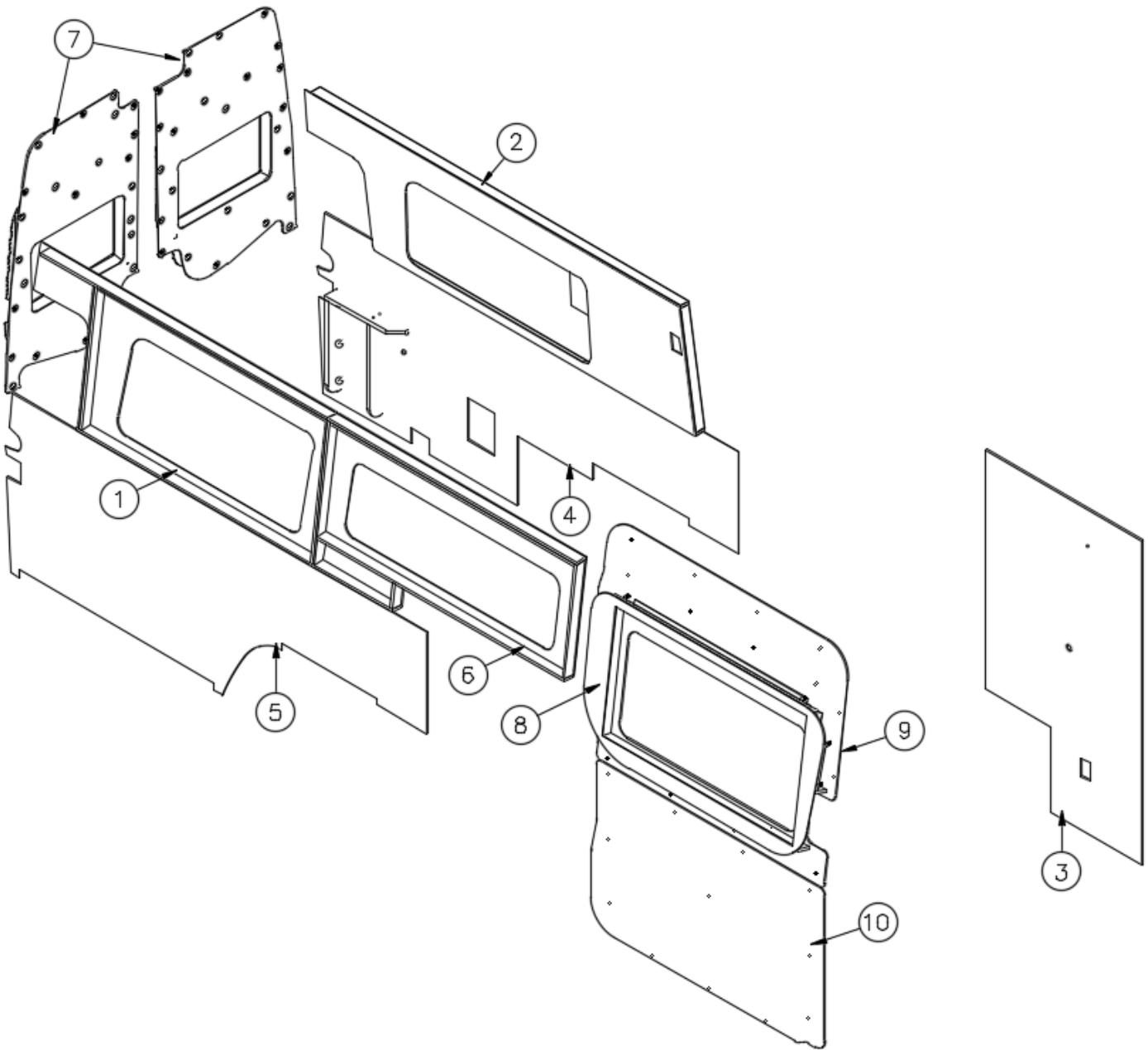
2018 INTERSTATE INTERIOR SHELL

Interior Panels and Window Boxes, Lounge

112542-18	Interior Panels and Window Boxes Install, Lt. Camel
112542-02	Interior Panels and Window Boxes Install, Walnut
112542-33	Interior Panels and Window Boxes Install, Beachwood
1. 968449-0118	Window box, RS forward, Lt Camel
968449-0102	Window box, RS forward, Walnut
968449-0133	Window box, RS forward, Beachwood
2. 968449-0218	Window box, RS mid, Lt Camel
968449-0202	Window box, RS mid, Walnut
968449-0233	Window box, RS mid, Beachwood
3. 968449-0318	Window box, RS rear, Lt Camel
968449-0302	Window box, RS rear, Walnut
968449-0333	Window box, RS rear, Beachwood
4. 968449-0918	Window box, CS rear, Lt Camel
968449-0902	Window box, CS rear, Walnut
968449-0933	Window box, CS rear, Beachwood
5. 968449-05	Panel, RS forward
6. 968449-06	Panel, RS rear
7. 968449-10	Panel, CS rear
8. 968451	Rear door panel, Right hand
968304	Rear door blind box, CS
968452	Rear door panel, Left hand
968305	Rear door blind box, RS
9. 968697	Slide door blind box
10. 968702	Slide door upper panel
11. 968454	Slide door lower panel
12. 967875	Cup holder
114849-06	060 Aluminum, Black, 25 x 36
386206	Vent, Louvered, Black

2018 INTERSTATE INTERIOR SHELL

Interior Panels and Window Boxes, Grand Tour



Parts Listed on Next Page

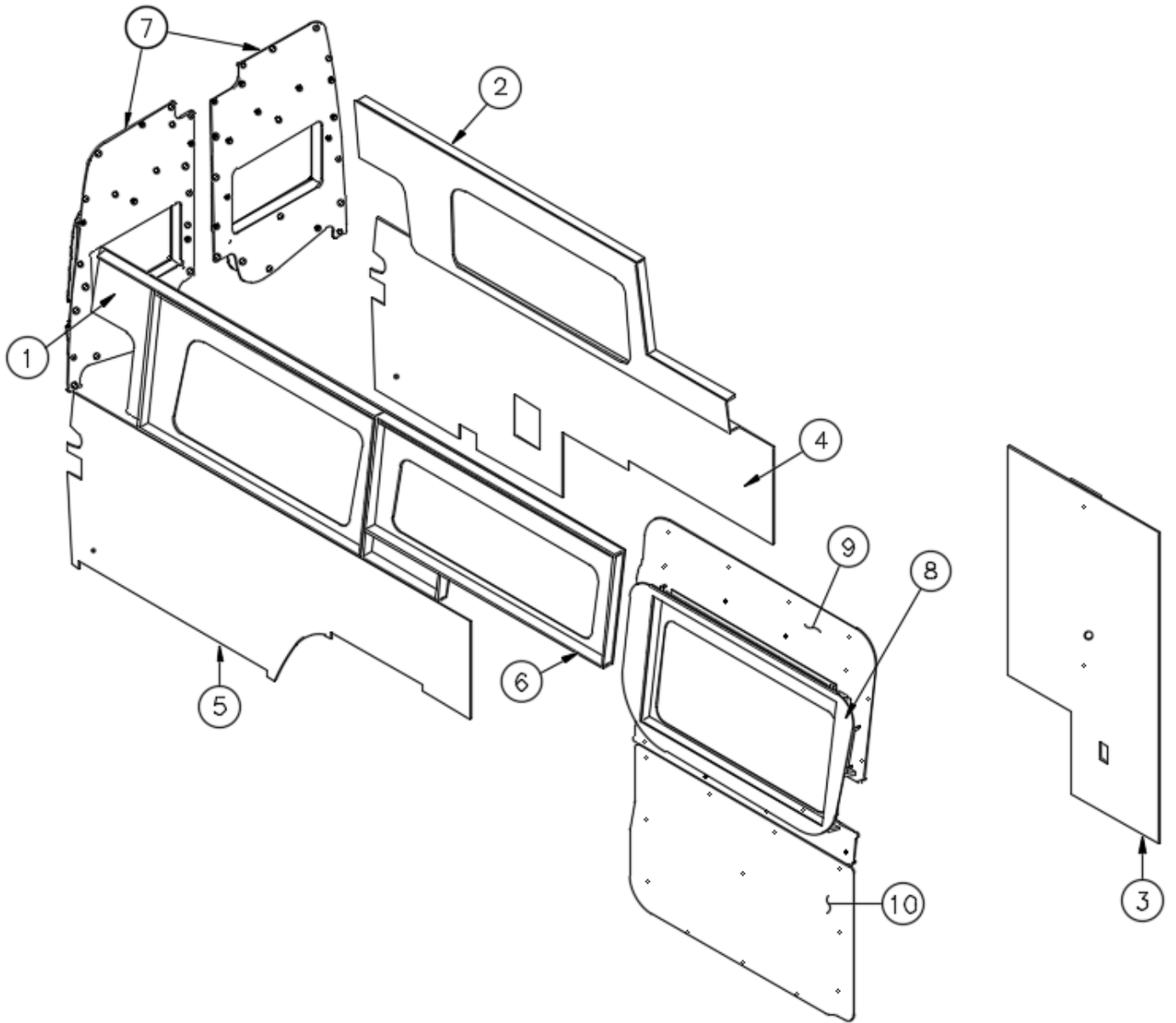
2018 INTERSTATE INTERIOR SHELL

Interior Panels and Window Boxes, Grand Tour

112541-18	Interior Panels and Window Boxes Install, Lt. Camel
112541-02	Interior Panels and Window Boxes Install, Walnut
112541-33	Interior Panels and Window Boxes Install, Beachwood
1. 968448-0118	Window box, CS rear, Lt. Camel
968448-0102	Window box, CS rear, Walnut
968448-0133	Window box, CS rear, Beachwood
2. 968448-0718	Window box, RS rear seat, Lt. Camel
968448-0702	Window box, RS rear seat, Walnut
968448-0733	Window box, RS rear seat, Beachwood
3. 968448-0318	Panel, RS forward, Lt. Camel
968448-0302	Panel, RS forward, Walnut
968448-0333	Panel, RS forward, Beachwood
4. 968448-08	Panel, Extra RS rear seat option
5. 968448-05	Panel, CS rear
6. 968448-0618	Window box, CS mid, Lt. Camel
968448-0602	Window box, CS mid, Walnut
968448-0633	Window box, CS mid, Beachwood
7. 968451	Rear door panel, Right hand
968304	Rear door blind box, CS
968452	Rear door panel, Left hand
968305	Rear door blind box, RS
8. 968697	Slide door blind box
9. 968702	Slide door upper panel
10. 968454	Slide door lower panel
114849-06	060 Aluminum, Black, 25 x 36

2018 INTERSTATE INTERIOR SHELL

Interior Panels and Window Boxes, Grand Tour Twin



Parts Listed on Next Page

2018 INTERSTATE INTERIOR SHELL

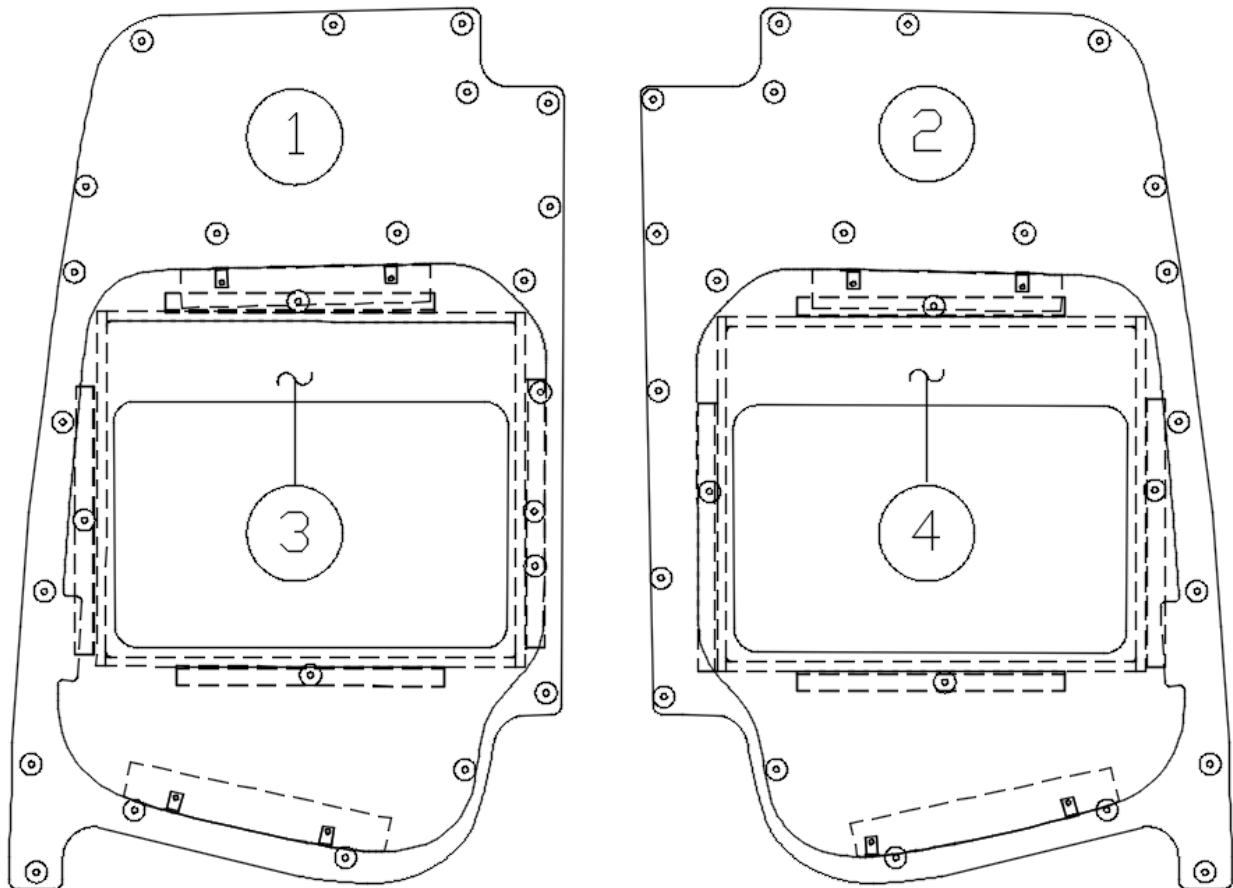
Interior Panels and Window Boxes, Grand Tour Twin

112370-18	Interior Panels and Window Boxes Install, Lt. Camel
112370-02	Interior Panels and Window Boxes Install, Walnut
112370-33	Interior Panels and Window Boxes Install, Beachwood
1. 968492-0118	Window box, CS rear, Lt. Camel
968492-0102	Window box, CS rear, Walnut
968492-0133	Window box, CS rear, Beachwood
2. 968492-0218	Window box, RS rear, Lt. Camel
968492-0202	Window box, RS rear, Walnut
968492-0233	Window box, RS rear, Beachwood
3. 968492-0318	Panel, RS forward, Lt. Camel
968492-0302	Panel, RS forward, Walnut
968492-0333	Panel, RS forward, Beachwood
4. 968492-04	Panel, RS rear
5. 968492-05	Panel, CS rear
6. 968448-0618	Window box, CS mid, Lt. Camel
968448-0602	Window box, CS mid, Walnut
968448-0633	Window box, CS mid, Beachwood
7. 968451	Rear door panel, Right hand
968304	Rear door blind box, CS
968452	Rear door panel, Left hand
968305	Rear door blind box, RS
8. 968697	Slide door blind box
9. 968702	Slide door upper panel
10. 968454	Slide door lower panel
114849-06	060 Aluminum, Black, 25 x 36

2018 INTERSTATE INTERIOR SHELL

Interior Panels and Window Boxes, Rear Doors

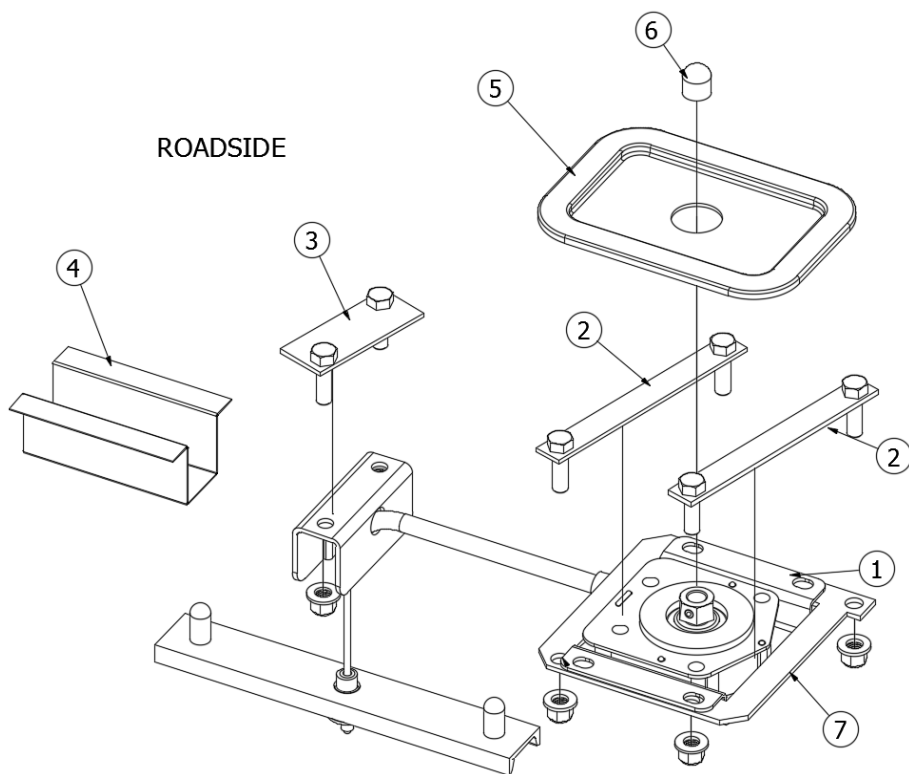
INTERIOR VIEW



- | | |
|-----------|-----------------------------|
| 1. 968451 | Rear door panel, Right hand |
| 2. 968452 | Rear door panel, Left hand |
| 3. 968304 | Blind box assembly, CS |
| 4. 968305 | Blind box assembly, RS |

2018 INTERSTATE CHASSIS

Spare Tire Carrier



112578 Spare Tire Install

- | | |
|-----------|------------------------------|
| 1. 454665 | Spare tire carrier |
| 2. 455347 | Bracket, Outboard |
| 3. 455346 | Bracket, Center |
| 4. 454713 | Hat section, Spare tire |
| 5. 203977 | Housing, Seat belt |
| 6. 382089 | Cap, Black bolt |
| 7. 455345 | Adapter, Spare tire carrier |
| 382545 | Socket, 3/8" x 19mm, Shallow |
| 381667 | Ratchet, 3/8" drive |

Air Ride System

- | | |
|-----------|-----------------------------|
| 411006-01 | Air ride kit, 4 x 2 |
| 411006-02 | Xenon height sensor bracket |
| 411006-03 | Air tank bracket |
| 411102-01 | Air ride kit, 4 x 4 |
| 411102-02 | Xenon height sensor bracket |
| 411102-03 | Air tank bracket |
| 704484 | Rear carpet w/air ride |

2018 INTERSTATE CHASSIS

Wheels

411004-08	Wheel, Front, Polished outside
411004-09	Wheel, Rear, Polished inside
411004-03	Trim kit, Front
411004-04	Trim kit, Rear
411004-06	Lug nut cover, New style
411004-10	Wheel, Inner rear, Unpolished

Driver and Passenger Steps

203624-72	Step, Driver side, Silver
203624-73	Step, Passenger side, Silver
203624-72B	Step, Driver side, Black
203624-73B	Step, Passenger side, Black
203624-72W	Step, Driver side, White
203624-73W	Step, Passenger side, White
382424	Step thread, Driver/passenger
454963	Weldment, Support frame driver/passenger

Step

512450	Power step, Project 2000
512849	Step switch
512450-101	Relay & switch
512450-102	Step control
512450-103	Step motor only
512450-104	Step insert strip, Black
512450-105	Step plastic trim, Right side, White
512450-106	Step plastic trim, Left side, White
454789	Bracket, Step mounting
454788	Bracket, Step hanger
512301	Warning buzzer, Two tone, Step & awning
203772	Film, Step area

Step Well

203806	Trim, Step well w/slide screen door
203806-01	Trim, Step well w/folding screen door
203807	Trim, Step well B-pillar w/o folding screen
203807-01	Trim, Step well B-pillar w/folding screen
203886	Base, Step well riser
512377	Courtesy light w/SS bezel, LED
513112	Light, LED flex tape light, 124", White
203358-01	Extrusion, Black plastic
203358-02	Lens diffuser

2018 INTERSTATE CHASSIS

Exhaust System

914400	Exhaust tailpipe,
914398	Resonator
914402	Generator Tailpipe, No Air Ride
914399	6.75" Generator Tail Pipe
454708	Water tank heat shield
454709	Angle, Water tank heat shield
410999	Exhaust extension, 7.25"
454696-01	Wrap, Exhaust, 34" long
454696-02	Wrap, Exhaust, 14" long
340073-02	Clamp, Muffler w/nuts & saddle
340073-10	Clamp, Muffler, 2.5"
340073-15	Clamp, Muffler, 2.75"
381509	Hanger, Tailpipe

Skid Bar Assembly

454685	Skid bar assembly
--------	-------------------

Parktronic Sensor

112014-01W	Sensor, White
112014-01S	Sensor, Silver
112014-02W	Contour ring, White
112014-02S	Contour ring, Silver
203822	Mounting socket
203823B	Mounting bezel, Black
203823S	Mounting bezel, Silver
203823W	Mounting bezel, White
203827	Silicone washer

Leveling Jacks

112654	Leveling kit, 4 x 2
112655	Leveling kit, 4 x 4
916422	Weldment, Forward bracket hydraulic leveling pump
455407	Gusset, Bracket hydraulic leveling pump
455393	Bracket, Forward hydraulic leveling pump
916423	Weldment, Bracket hydraulic leveling pump
455408	Gusset, Bracket hydraulic leveling pump
455392	Bracket, Hydraulic leveling pump
455394	Bracket, Rear Hydraulic pump
513405	Cable kit, Hydraulic lift
513405-01	Ring to ring, 2 GA, Red
513405-02	Ring to ring, 2 GA, Black

2018 INTERSTATE DOORS, WINDOWS, AWNINGS

Exterior Doors

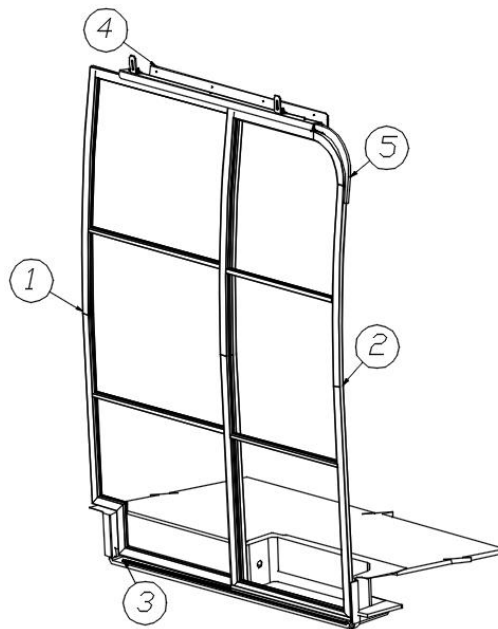
381766W	Door, Macerator compartment, White
381766S	Door, Macerator compartment, Silver
381766B	Door, Macerator compartment, Black
601194-03W	Water fill w/lock, White
601194-03S	Water fill w/lock, Silver
601194-03B	Water fill w/lock, Black
382083W	Hatch, Electrical switches, White
382083S	Hatch, Electrical switches, Silver
382083B	Hatch, Electrical switches, Black
602288-01W	Exterior shower box, White
602288-01S	Exterior shower box, Silver
602288-01B	Exterior shower box, Black
601392-06	City water fill w/regulator, Chrome

Screen Door, Lounge

112351	Folding Screen Door
704309	Folding door assembly
203865	Header, Upper trim
968549	Closeout, Screen header
455186	Bracket, Screen header
968532	Padded header, Folding screen door
455189	Bracket, Padded header
382386	Handle, Folding screen door
455243	Hanger/weldnut assembly
340307	Ring retainer, Self-lock
203866	Pillar assembly, Side trim
704367	Closeout, Folding screen door rear

2018 INTERSTATE DOORS, WINDOWS, AWNINGS

Screen Door, Grand Tour



112204

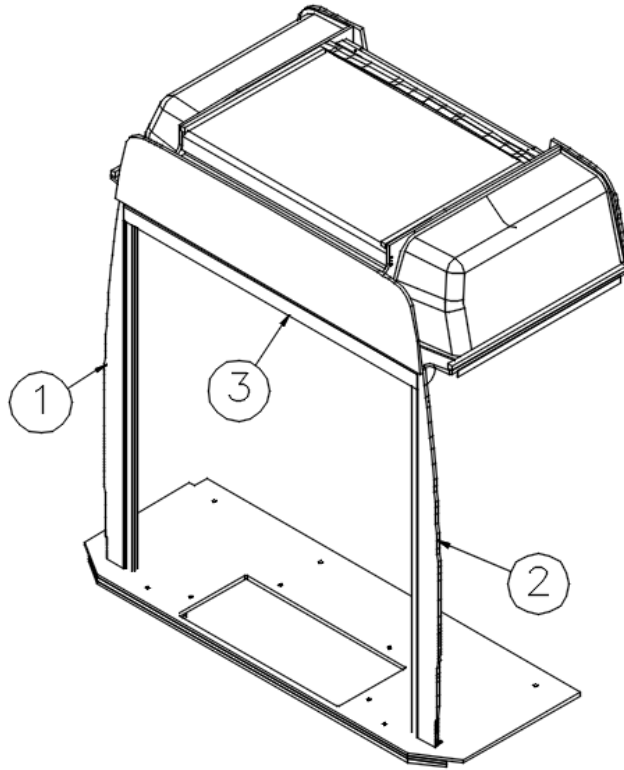
RH Sliding Screen Door

- | | |
|---|--|
| <ul style="list-style-type: none"> 1. 112208 2. 112203 3. 382277 4. 968230 5. 203809 968232 115642 115643 *382577 382267 382269 382268 203808 115637 115638 115643-01 203820 203999 203853 703991 381136 | <ul style="list-style-type: none"> Screen door, Aft Screen door, Forward Lower door track, Powder coated Slide door header Plastic radius header Sliding door header pad, Grand Tour Screen door frame only, Aft Screen door frame only, Forward Screen door roller, Steel Outer handle Interior handle Screen fabric, Black Screen retainer spline, .125", Black Extrusion, Screen door Extrusion, Screen door stiffener Powder coat, Matte Black Block, Slide door stop Spacer, Screen door Spacer, Slide door stop block Seal, Pile weather strip, Black Rubber bumper |
|---|--|

*Replaced 382265 in November 2017

2018 INTERSTATE DOORS, WINDOWS, AWNINGS

Screen Door, Rear Power Kit

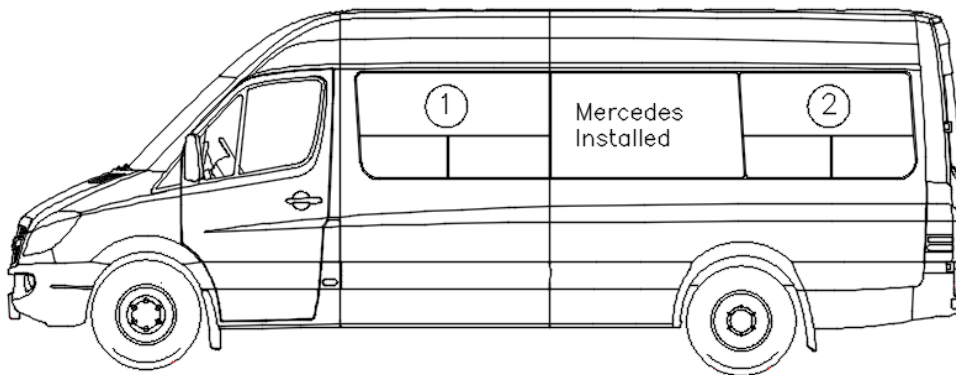
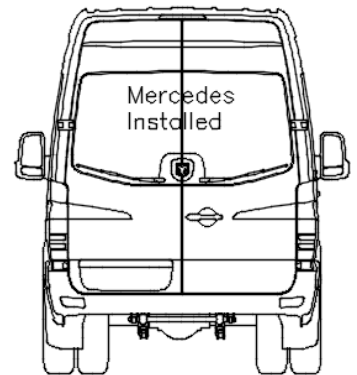
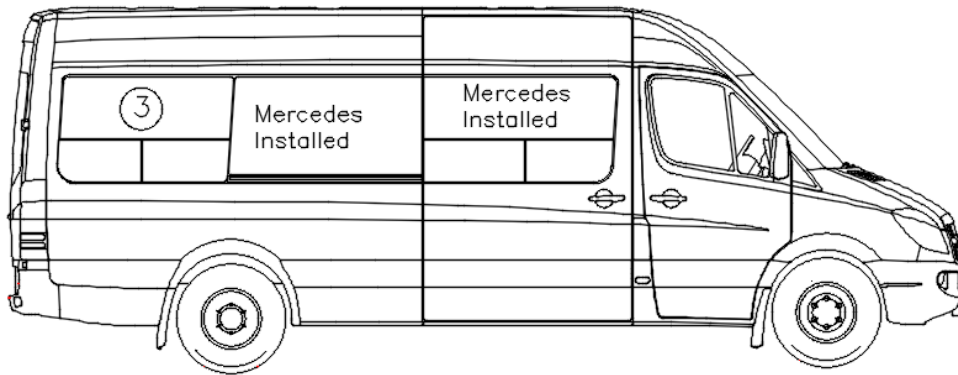


112201-18 Power Screen Door, Lt Camel
112201-02 Power Screen Door, Walnut
112201-33 Power Screen Door, Beachwood

- | | | |
|----|------------|--|
| 1. | 112201-181 | Panel, 3.07 x 59.06, Lt Camel |
| | 112201-021 | Panel, 3.07 x 59.06, Walnut |
| | 112201-331 | Panel, 3.07 x 59.06, Beachwood |
| 2. | 112201-182 | Panel, 3.07 x 59.06, Lt Camel |
| | 112201-022 | Panel, 3.07 x 59.06, Walnut |
| | 112201-332 | Panel, 3.07 x 59.06, Beachwood |
| 3. | 704391 | Power screen door kit, 54 x 61.25 |
| | 704391-100 | Motor, Power screen door |
| | 704393-01 | RF remote |
| | 704140 | Kit, Rear cargo mat |
| | 704168 | Kit, Rear cargo mat, Rear screen version |

2018 INTERSTATE DOORS, WINDOWS, AWNINGS

Windows



- | | |
|--------------|----------------------------|
| 1. 372260-01 | Window, RS front |
| 2. 372260-04 | Window, RS rear, T-venting |
| 3. 372260-05 | Window, CS rear, T-venting |
| 382117 | Gasket, Rectangle post |
| 381842 | Trim lok, 1/16", Black |
| 203225-01 | Trim lok, .75", Gray |

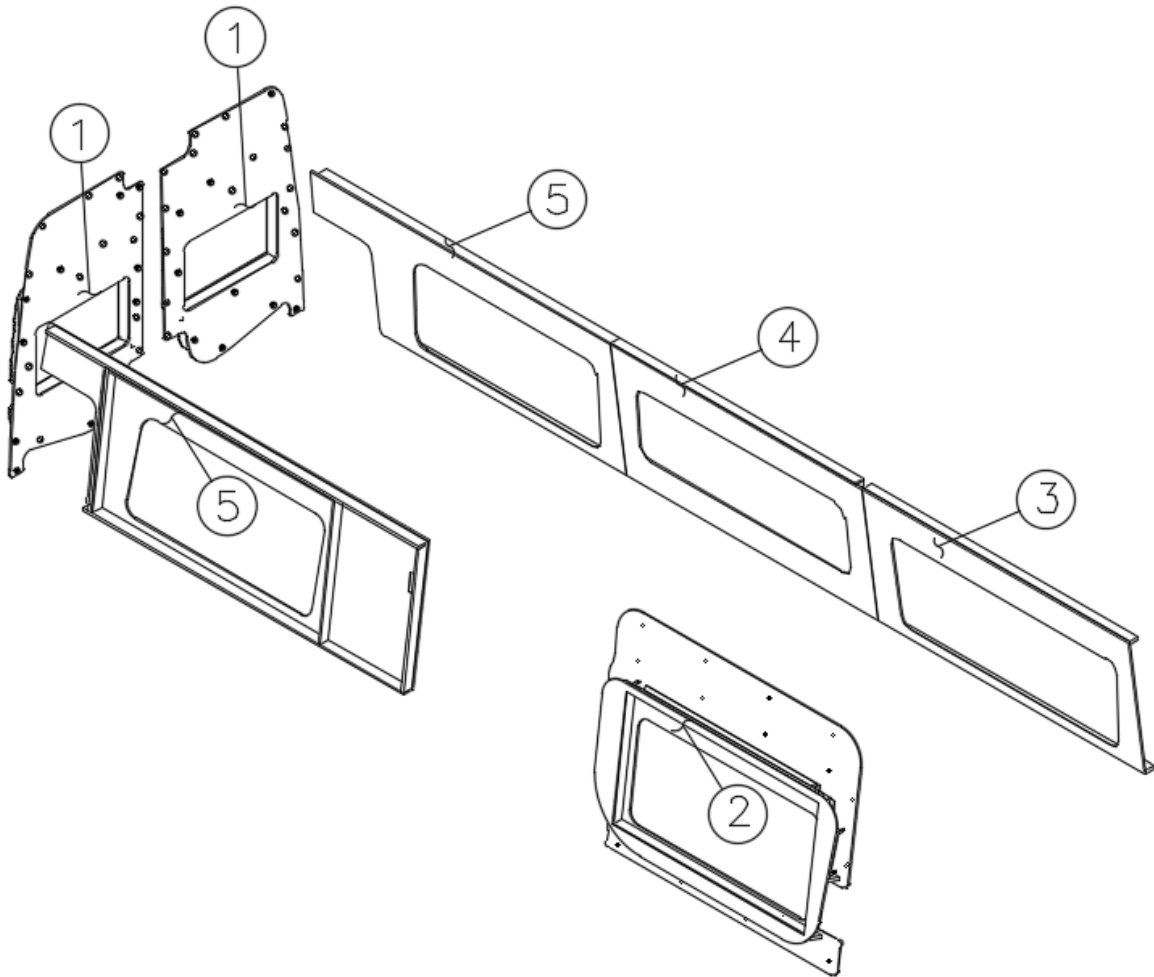
2018 INTERSTATE DOORS, WINDOWS, AWNINGS

Awnings

704499-01	Awning, Armless, 4.5m, Carefree, White
704499-02	Awning, Armless, 4.5m, Carefree, Silver
704499-03	Awning, Armless, 4.5m, Carefree, Black
203973	Base, Front awning cap
203974-01	Cover, Front awning cap, Black
203974-02	Cover, Front awning cap, White
203974-03	Cover, Front awning cap, Silver
203975	Base, Rear awning cap
203976-01	Cover, Rear awning cap, Black
203976-02	Cover, Rear awning cap, White
203976-03	Cover, Rear awning cap, Silver
704310-04	Roof mount extrusion, Full length
704310-04B	Roof mount extrusion, Full length, Black
704310-05	Mounting screw kit
704310-06	Switch, In/Out – On/Off
512740	Awning light, LED flex tape, 112" strips
382185	Well nut, Rubber
381667	Drive ratchet, 3/8"
382109	Extension, 3/8", 3" long
382545	Socket, 3/8" x 19mm, Shallow

2018 INTERSTATE SHADES

Shades, Lounge



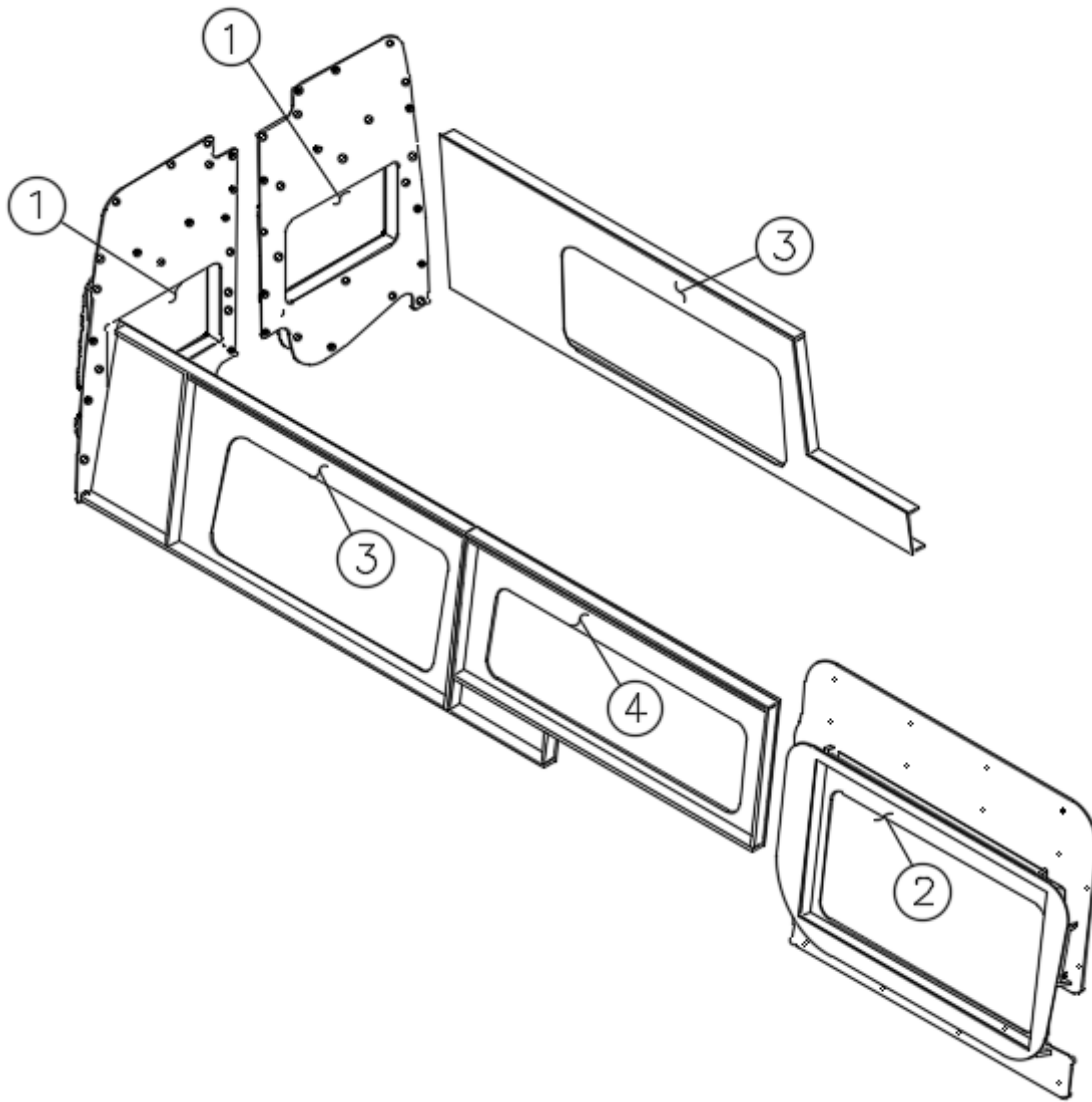
112540
112540-01

Double Roller Shades, Samba, Lt. Camel and Walnut
Double Roller Shades, Stone, Beachwood

- | | |
|--------------|-----------------------------|
| 1. 704390-01 | Shade, 21.13 x 17, Samba |
| 704390-10 | Shade, 21.13 x 17, Stone |
| 2. 704390-02 | Shade, 41.75 x 23.5, Samba |
| 704390-11 | Shade, 41.75 x 23.5, Stone |
| 3. 704390-07 | Shade, 57 x 24.88, Samba |
| 704390-16 | Shade, 57 x 24.88, Stone |
| 4. 704390-05 | Shade, 51.88 x 24.88, Samba |
| 704390-14 | Shade, 51.88 x 24.88, Stone |
| 5. 704390-03 | Shade, 49.38 x 24.88, Samba |
| 704390-12 | Shade, 49.38 x 24.88, Stone |

2018 INTERSTATE SHADES

Shades, Grand Tour



112539
112539-01

Double Roller Shades, Samba, Lt. Camel and Walnut
Double Roller Shades, Stone, Beachwood

- | | |
|--------------|-----------------------------|
| 1. 704390-01 | Shade, 21.13 x 17, Samba |
| 704390-10 | Shade, 21.13 x 17, Stone |
| 2. 704390-02 | Shade, 41.75 x 23.5, Samba |
| 704390-11 | Shade, 41.75 x 23.5, Stone |
| 3. 704390-03 | Shade, 49.38 x 24.88, Samba |
| 704390-12 | Shade, 49.38 x 24.88, Stone |
| 4. 704390-08 | Shade, 53.88 x 19.88, Samba |
| 704390-18 | Shade, 53.88 x 19.88, Stone |

2018 INTERSTATE SHADES

Cockpit Window Shades and Hardware

704406	Kit, Cockpit window shades
704406-01	Shade, Drivers door
704406-02	Shade, Windshield
704406-03	Shade, Passengers door
704406-04	Carrying bag
700021	Hook, Velcro, White
700020	Pile Velcro
100097	Curtain track extrusion, Sliding door curtain
700617-01	Velcro, 1" Black without sticky back

2018 INTERSTATE ELECTRICAL, 110 VOLT

Power Converter

512547 Distribution center, AC/DC, 30 amp, Black
512547-100 Door only, Black

Energy Management System

513324 Energy Management System
513324-01 Midi PCS
513324-02 Mini PCS
513324-03 Power share switch
513324-04 Relay module, 15 amp
513324-05 PCS control pigtail
513324-06 Pigtail harness
513324-07 Mini PCS data cable, 10'

Shoreline Hookup

513164 Power inlet, 30 amp, Stainless Steel
513127 Power cord, 30 Amp, 30', Gray

Inverter

512609 Magnum inverter/converter w/transfer switch, 1K watt
512609-01 Remote display module

Receptacles and USB Ports

511451-02 Receptacle, 20 amp, Single, Brown
512096 Receptacle w/Black cover, GFI 15 amp
511912 Wall plate, Single gang, Snap on, Chrome
511815-01 Receptacle, Duplex, Black
500785 Outlet, Duplex, Brown
511287 Receptacle, Single, 15 amp
512481-02 Receptacle, 20 amp, Single, Brown
512854 USB port, Dual w/mounting plate, Black

Breakers

510564-20GFI Breaker, Type BR, 20GFI
510564-2020 Breaker, Type BRD, BD 20-20
510564-30 Breaker, Bryant, 30AMP
510947-15 Breaker, 15A, 12V15APP
510947-30 Breaker, 30A, 12V30APP
510947-50 Breaker, 50A, 12V50APP
510948-04 Buss bar, Copper

2018 INTERSTATE ELECTRICAL, 12 VOLT

Battery

511828	Battery, 12 Volt, Deep cycle, AGM Lifeline
512360	Battery separator w/smart control and gen sense
512327-04	Cable, 2 Ga Black, 20"
512327-03	Cable, 2 Ga Red, 10"
512604	Battery disconnect w/remote operator
454982	Battery tray, AGM CL24, End mount

Fuses

512277	Fuse holder, #1 mini, CSA
512278-200	Fuse, Type BFI-32, 200 amp
512278-150	Fuse, Type BF1-32, 150 amp
500773-10	Fuse, ATC, 12 V DC, 10 amp
195466-251	Fuse holder w/cover, 30 amp
500773-07	Fuse, ATC, 12V DC, 7.5 amp
500773-15	Fuse, ATC, 12V DC, 15 amp
512318	Fuse holder w/1 amp AFC fuse, In-line
500773-05	Fuse, ATC, 12V DC, 5 Amp
512628	Fuse holder, AMI-mini fuse w/8M termination
512660-150	Terminal fuse, 150 Amp, Orange

Cable Kits, Main 12VDC

512807	Cable kit, Main 12V DC
--------	------------------------

Switches

512312	Switch, Momentary, Black
511977	Switch, 1-gang, Black
512849	Switch, Magnetic, Used on step and overhead locker

2018 INTERSTATE ELECTRICAL, 12 VOLT

Monitor Panel

513362	Monitor, Tank system kit, Seelevel
513069-01	Flush mount monitor panel only
513362-01	Sender pad, 6"
512566-02	Sender pad, 12"

Interior Lights

512659	LED flex tape w/bullet connectors, 61"
512659-01	Tape light channel, 6'
512659-02	LED flex tape w/bullet connectors, 39"
512376	LED shower light, SS trim ring
*512603	LED light, Eyeball w/switch, Satin Nickel
513406	LED reading light, Eyeball w/switch, Brushed Nickel
512936	LED spot light w/frost lens
512377	Light, Courtesy w/Stainless Steel bezel
512803	LED reading light w/frosted Lens, Brushed Nickel
512736	LED light w/switch, Single
512908	LED light, 16" linear utility light w/switch
512933	LED light, 5" domed surface mount light w/switch, White
512931	LED light, 18" Linear utility light

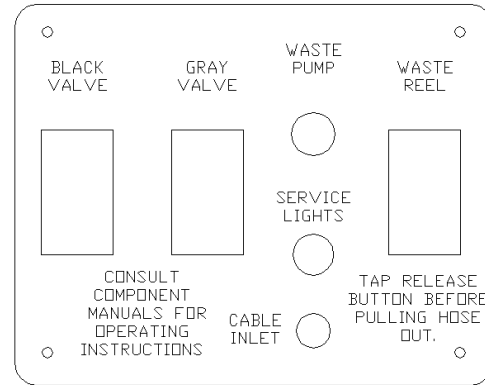
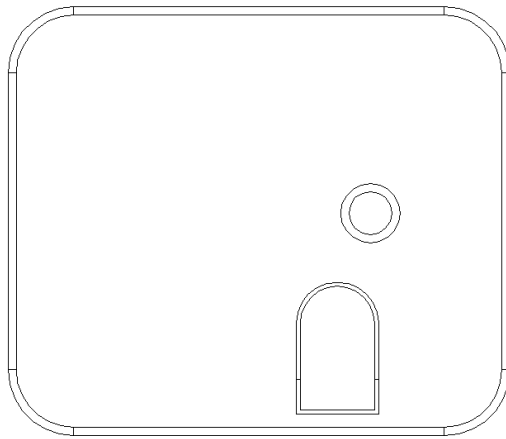
*Replaced by 513406 in November 2017. If parts department has no more stock of 512603 both lights must be replaced.

Exterior Lights

512793	LED porch light, Chrome
511294	Light, License plate
512740	Awning light, LED flex tape, 112" strips
513112	Light, LED flex tape light, 124", White
203358-01	Extrusion, Black plastic
203358-02	Lens diffuser
512909-01	LED pin light, Cool White
512909-02	Black bezel for 512909-01

2018 INTERSTATE ELECTRICAL, 12 VOLT

Exterior Utility Compartment Switch Panel



①

②

- | | |
|------------|---|
| 1. 382083W | Hatch, Electrical switches, White |
| 382083S | Hatch, Electrical switches, Silver |
| 382083B | Hatch, Electrical switches, Black |
| 2. 386283 | Control switch panel |
| 510623 | Coax connector |
| 510623-01 | Coax connector locking nut |
| 512410 | Dump valve harness w/switch |
| 512410-100 | Switch only from harness 512410 |
| 602205-01 | Switch, 20 Amp, Macerator |
| 512934-01 | Waste water hose reel switch, Spring centered |

Rearview Monitor Camera

- | | |
|--------|---|
| 513101 | Rearview monitor/mirror, 7" |
| 513105 | Camera kit, L/R mirror integrated w/controls and cables |
| 513104 | Camera, 3 rd brake light w/eyeball |
| 513197 | Cable, 5pin to RCA power cable, 10 meter |
| 512056 | Coupler, Barrel, RCS, Gold, F/F |

Solar Panel

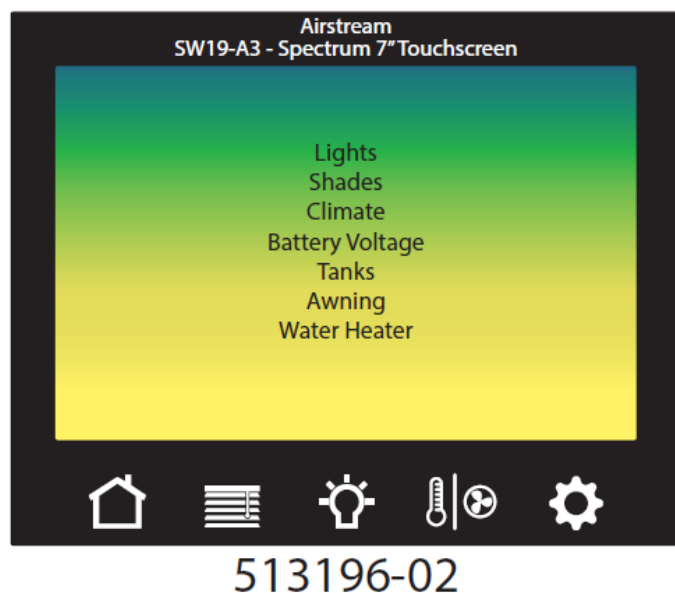
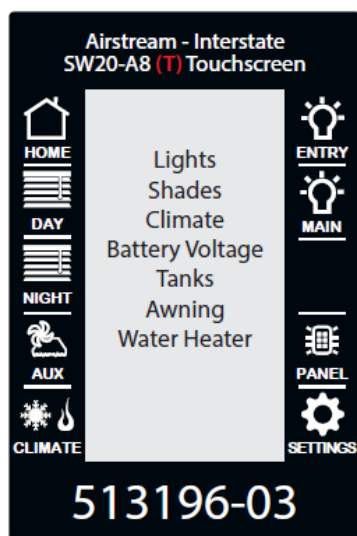
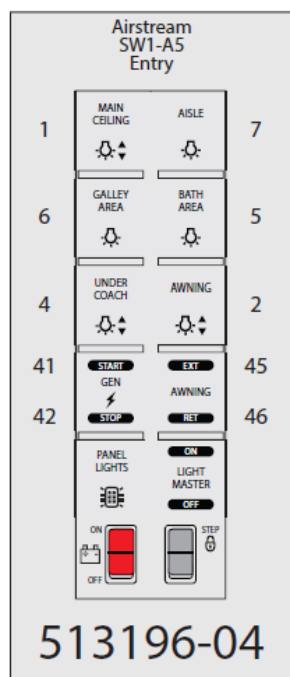
- | | |
|-----------|---------------------------------------|
| 512805 | Panel, Solar Flex, 100 watt |
| 511846 | Kit, Charge controller display |
| 511469-01 | Connector, Liquid tight, 90°, Plastic |
| 512808 | Harness, Flex solar cable |
| 511165-01 | Conduit, .5", Black |

2018 INTERSTATE ELECTRICAL, 12 VOLT

Firefly System

513196	Firefly Kit
513196-01	G7 main board
513196-02	Spectrum 7" color touchscreen
513196-03	Touchscreen, 4.3"
513196-04	Switch panel, Entry
513196-05	AirCon module
513196-06	Vent fan controller
513196-07	G5 8-channel, Shade, w/DNS4
513196-08	G5 8-channel, Shade, w/DNS4
513196-09	Mini Molex plug terminator

Firefly Control Panels



513196-02	Spectrum 7" color touchscreen
513196-03	Touchscreen, 4.3"
513196-04	Switch panel, Entry

2018 INTERSTATE ENTERTAINMENT

Audio

513013	Fusion in-dash infotainment system
512554	Tuner Sirius XM Tuner
513066	Speaker, 2-way, 6", Fusion
512492-04	Antenna w/25' Cable, Roof Mount
513096	Radio harness, Sprinter
512309	Terminal, Sprinter radio
510844-01	Relay, Bosch
510844-02	Relay socket, Bosch

Video

512657-02	TV antenna, Omni-directional, Roadstar
511635	Plate, Dual cable entry
382467-05	Gasket, Dual cable entry plate
512398	Wall plate power supply
510788-06	Antenna alarm switch
510612	Coax, 75 OHM, Standard
511534	Dual coax plate, White
510621-02	Splitter, Coax, 2-way
512405-01	Coax lead/jumper w/conn., 6"
512406	Connector, RG6 Hex compression
512407	Coax cable, RG6
512714	HDMI switcher/splitter, 2 x 4, CSA
513189	HDMI switcher/splitter, 4 x 4
512852	Wall plate, HDMI pigtail and coax

2018 INTERSTATE ENTERTAINMENT

Rear TV

690682	LED HDTV, 24" Samsung
512916-01	Articulating TV mount, Tri fold, Left hand
512916-02	Articulating TV mount, Tri fold, Right hand
513050	Cable, Mini coax 6', Blue
512561	Adapter, HDMI right angle
382184-01	Braided sleeving, .5", Black
512923	Grommet, 1.5" DIA.

Front TV

690674	LED HDTV, 28" Samsung, Modified
690682	LED HDTV, 24" Samsung, GT
968267-18	TV mounting cabinet, Lt. Camel
968267-02	TV mounting cabinet, Walnut
968267-33	TV mounting cabinet, Beachwood
455014	Backplate, 28" TV
512414	Kit, Headphone station
512414-01	Headphone panel
512414-02	Extension cable, 15'
512414-03	Extension cable, 25'
512414-04	Stereo Y-cable, 3.5mm, 6"
512366-10	HDMI cable, Male to male, 10'
512884-01	IR receiver
512884-02	IR emitter
512884-03	IR Y-cable

Blu-Ray Player

512924	Blu-Ray disc/DVD player, Samsung
512366-10	HDMI cable, Male-male, 10'

2018 INTERSTATE FLOOR COVERINGS

Floor Covering

704220	Vinyl flooring, Ships deck Mahogany/Ivory
801782-02	Matt overlay on plywood
703968	Floor guard, Underbelly material, 102" wide, Black
923012	Cab to main floor transition
704154	Floor mat, Driver and passenger
203727	Foil, Single bubble flex
701538-01	Carpet, Econolier Velour Black w/PSA back applied
704384-03	Kit, Lounge 9 seat PSA carpet
704384-08	Kit, GT extra seat PSA carpet
704384-09	Kit, GT twin PSA carpet
704484	Rear carpet w/air ride
704485	Rear carpet w/o air ride
704519	Carpet Runner, Lounge
704520	Carpet Runner, Grand Tour
704521	Carpet Runner, GT Twin

2018 INTERSTATE FURNITURE, INTERIOR DOORS

Interior Doors

203633-02	Sliding door, Glass, Smoked Gray
967218-18	Bath door, Aft, Lt. Camel
967218-02	Bath door, Aft, Walnut
967218-33	Bath door, Aft, Beachwood
968053-18	Bath door, Forward, Lt. Camel
968053-02	Bath door, Forward, Walnut
968053-33	Bath door, Forward, Beachwood

Roof Locker Doors, Lt. Camel

802223-0118	Door, 12.38 x 31.5
802223-0418	Door, 12.38 x 17.38
802223-0518	Filler, 12.38 x 2.88
802223-0718	Door, 12.38 x 20.5
802223-0818	Door, 12.38 X 22.44
802223-0918	Door, 12.38 X 24.75
802223-1018	Door, 12.38 x 28.81
802223-1118	Door, 12.38 x 18

Roof Locker Doors, Walnut

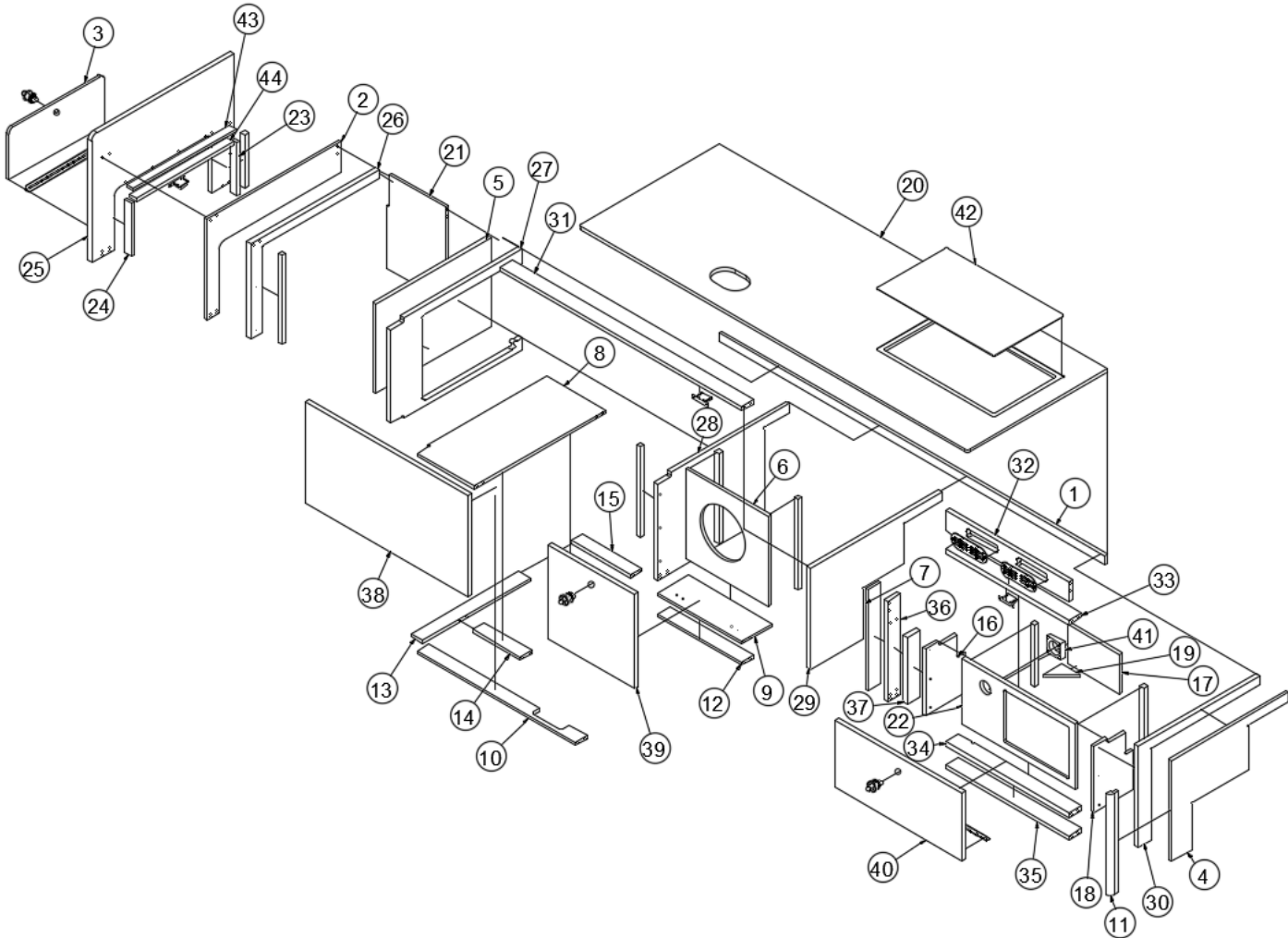
802223-012	Door, 12.38 x 31.5
802223-042	Door, 12.38 x 17.38
802223-052	Filler, 12.38 x 2.88
802223-072	Door, 12.38 x 20.5
802223-082	Door, 12.38 X 22.44
802223-092	Door, 12.38 X 24.75
802223-102	Door, 12.38 x 28.81
802223-112	Door, 12.38 x 18

Roof Locker Doors, Beachwood

802223-0133	Door, 12.38 x 31.5
802223-0433	Door, 12.38 x 17.38
802223-0533	Filler, 12.38 x 2.88
802223-0733	Door, 12.38 x 20.5
802223-0833	Door, 12.38 X 22.44
802223-0933	Door, 12.38 X 24.75
802223-1033	Door, 12.38 x 28.81
802223-1133	Door, 12.38 x 18

2018 INTERSTATE FURNITURE, BEDROOM

Bed, Roadside



Parts Listed on Next Page

2018 INTERSTATE FURNITURE, BEDROOM

Bed, Roadside

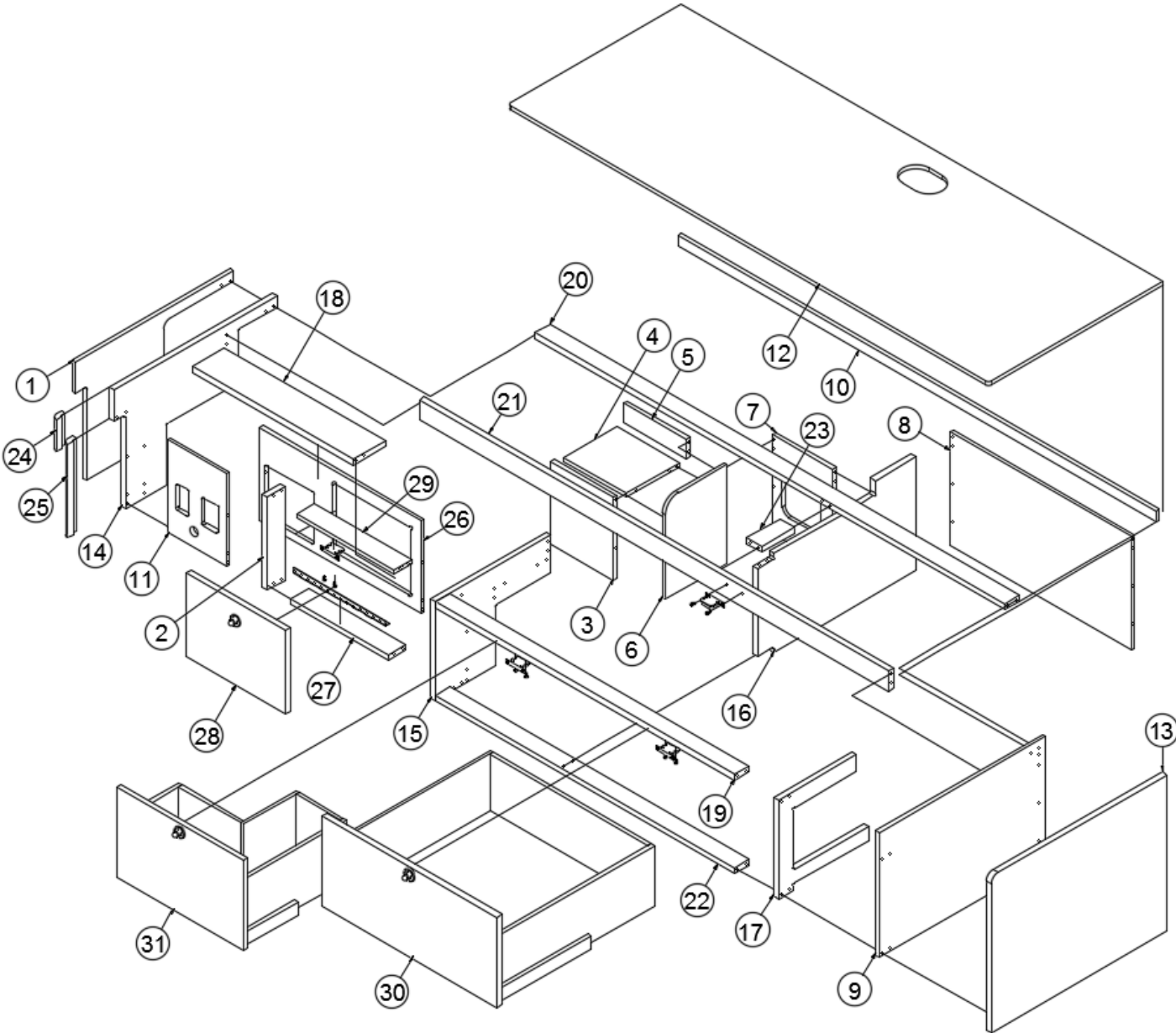
968640

RS Bed

1. 968640&000112BB	Panel, 1.5 x 73.5
2. 968640&000212BB	Panel, 25.59 x 16.63
3. 968640&000312BB	Panel, 18.12 x 8.38
4. 968640&000412BB	Panel, 22.46 x 16.63
5. 968640&000512BB	Panel, 14.75 x 22
6. 968640&000612BB	Panel, 14.88 x 15.75
7. 968640&000712BB	Panel, 2.49 x 16.63
8. 968640&000812BB	Panel, 11.25 x 25.09
9. 968640&000912BB	Panel, 5.81 x 15.88
10. 968640&001012BB	Panel, 2.25 x 30.13
11. 968640&0044T06A	Corner trim, 90°, 1" radius
12. 968640&001212BB	Panel, 2.25 x 15.88
13. 968640&001312BB	Panel, 2.25 x 20.59
14. 968640&001412BB	Panel, 2.25 x 9
15. 968640&001512BB	Panel, 2.25 x 11.25
16. 968640&001612BB	Panel, 7.5 x 10.94
17. 968640&001712BB	Panel, 10 x 6.5
18. 968640&001812BB	Panel, 7.5 x 10.94
19. 968640&001912BB	Panel, 3.5 x 3.5
20. 968640&002012BB	Panel, 26.75 x 74
21. 968640&002112BB	Panel, 15.63 x 11.25
22. 968640&002212BB	Panel, 21.56 x 10.88
23. 968640&002312BB	Panel, 1.25 x 8.75
24. 968640&002412BB	Panel, 1.25 x 8.75
25. 968640&002518BB	Panel, 27.09 x 20.88
26. 968640&002618BB	Panel, 24.59 x 15.63
27. 968640&002718BB	Panel, 25.09 x 16.63
28. 968640&002818BB	Panel, 25.09 x 16.63
29. 968640&002918BB	Panel, 25.09 x 16.63
30. 968640&003018BB	Panel, 23.21 x 16.63
31. 968640&003218BB	Panel, 2.25 x 46
32. 968640&003318BB	Panel, 23.5 x 3.38
33. 968640&003418BB	Panel, 2.5 x 23.5
34. 968640&003518BB	Panel, 2.5 x 23.5
35. 968640&003618BB	Panel, 2.5 x 23.5
36. 968640&003718BB	Panel, 2.5 x 16.63
37. 968640&003818BB	Panel, 2.5 x 10.94
38. 968640&003918BB	Panel, 30.94 x 16.63
39. 968640&004018BB	Panel, 16.53 x 15.5
40. 968640&004118BB	Panel, 24.13 x 11.1
41. 968640&004218BB	Panel, 2.69 x 2.69
42. 968640&004303CE	Panel, 22.38 x 13.38
43. 968640&005912BB	Panel, 1.25 x 19.56
44. 968640&006012BB	Panel, 1.25 x 18.56
382125	Piano hinge, Clear
381607-11	Hinge, Self-close, 110° overlay
381228-02	Catch, Grabber door, 5LB
382059-02	Knob, Push/pull, Black Nickel
382241	Locker vent, Stainless Steel

2018 INTERSTATE FURNITURE, BEDROOM

Bed, Curbside



Parts Listed on Next Page

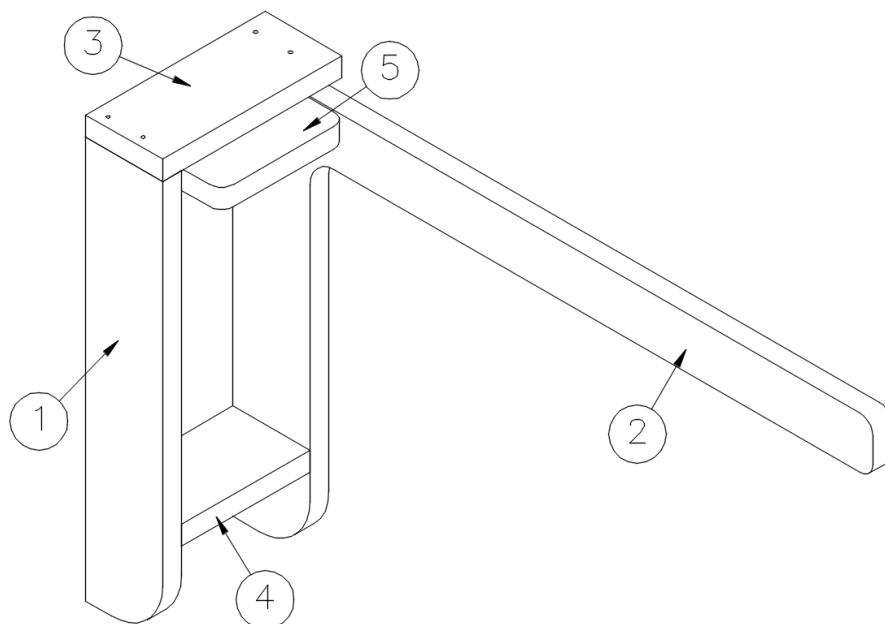
2018 INTERSTATE FURNITURE, BEDROOM

Bed, Curbside

968641	CS Bed
1. 968641&000112BB	Panel, 24.35 x 16.63
2. 968641&000218BB	Panel, 2.75 x 12.44
3. 968641&000312BB	Panel, 11.06 x 9.63
4. 968641&000412BB	Panel, 8.25 x 9.63
5. 968641&000512BB	Panel, 2.63 x 9.63
6. 968641&000612BB	Panel, 9.5 x 13.19
7. 968641&000712BB	Panel, 13.19 x 9.25
8. 968641&000812BB	Panel, 15.13 x 27.88
9. 968641&000912BB	Panel, 25.59 x 16.63
10. 968641&001012BB	Panel, 1.5 x 73.5
11. 968641&001112BB	Panel, 9.06 x 12.44
12. 968641&001212BB	Panel, 26.75 x 74
13. 968641&001318BB	Panel, 27.09 x 20.88
14. 968641&001418BB	Panel, 25.09 x 16.63
15. 968641&001518BB	Panel, 17.75 x 13.19
16. 968641&001618BB	Panel, 24.34 x 15.13
17. 968641&001718BB	Panel, 13.94 x 13.19
18. 968641&001818BB	Panel, 5 x 24.75
19. 968641&001918BB	Panel, 2.25 x 46
20. 968641&002018BB	Panel, 2.25 x 72.25
21. 968641&002118BB	Panel, 2.69 x 72.25
22. 968641&002218BB	Panel, 2.25 x 46
23. 968641&002318BB	Panel, 2.25 x 5.09
24. 968641&0024T06A	Corner trim, 90°, 1" radius
25. 968641&0025T06A	Corner trim, 90°, 1" radius
26. 968641&003112BB	Panel, 24.75 x 12.44
27. 968641&003218BB	Panel, 2.75 x 14.94
28. 968641&003318BB	Panel, 15.26 x 11.13
29. 968641&004418BB	Panel, 2.75 x 14.94
30. 968642	Drawer box
31. 968643	Drawer box
968295-18	Bed base slide-out assembly, Lt. Camel
968295-02	Bed base slide-out assembly, Walnut
968295-33	Bed base slide-out assembly, Beachwood
382059-02	Knob, Push/pull, Black Nickel
381228-02	Catch, Grabber door, 5LB
381400	Drawer slide, 14"
381400-02	Drawer slide, 8"
968641&0026B01	Edgebanding, .63"
968641&0027B02	Edgebanding, .94"

2018 INTERSTATE FURNITURE, BEDROOM

Bed Extension, RS



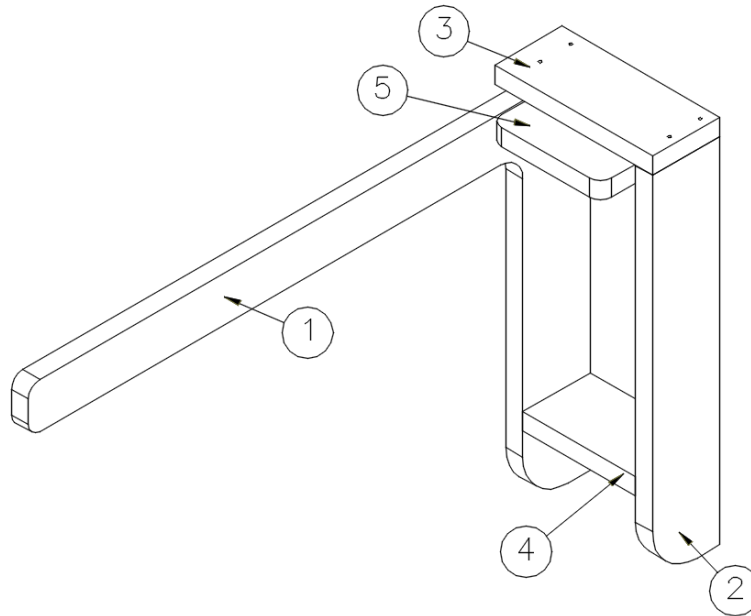
968311-18
968311-02
968311-33

Left Side Twin Bed Extension, Lt. Camel
Left Side Twin Bed Extension, Walnut
Left Side Twin Bed Extension, Beachwood

- | | |
|---------------|------------------------------|
| 1. 968311-181 | Panel, 3 x 15.75, Lt. Camel |
| 968311-021 | Panel, 3 x 15.75, Walnut |
| 968311-331 | Panel, 3 x 15.75, Beachwood |
| 2. 968311-182 | Panel, 25 x 15.75, Lt. Camel |
| 968311-022 | Panel, 25 x 15.75, Walnut |
| 968311-332 | Panel, 25 x 15.75, Beachwood |
| 3. 968311-183 | Panel, 3 x 7, Lt. Camel |
| 968311-023 | Panel, 3 x 7, Walnut |
| 968311-333 | Panel, 3 x 7, Beachwood |
| 4. 968311-186 | Panel, 3 x 5, Lt. Camel |
| 968311-026 | Panel, 3 x 5, Walnut |
| 968311-336 | Panel, 3 x 5, Beachwood |
| 5. 968311-187 | Panel, 4.5 x 4.89, Lt. Camel |
| 968311-027 | Panel, 4.5 x 4.89, Walnut |
| 968311-337 | Panel, 4.5 x 4.89, Beachwood |

2018 INTERSTATE FURNITURE, BEDROOM

Bed Extension, CS



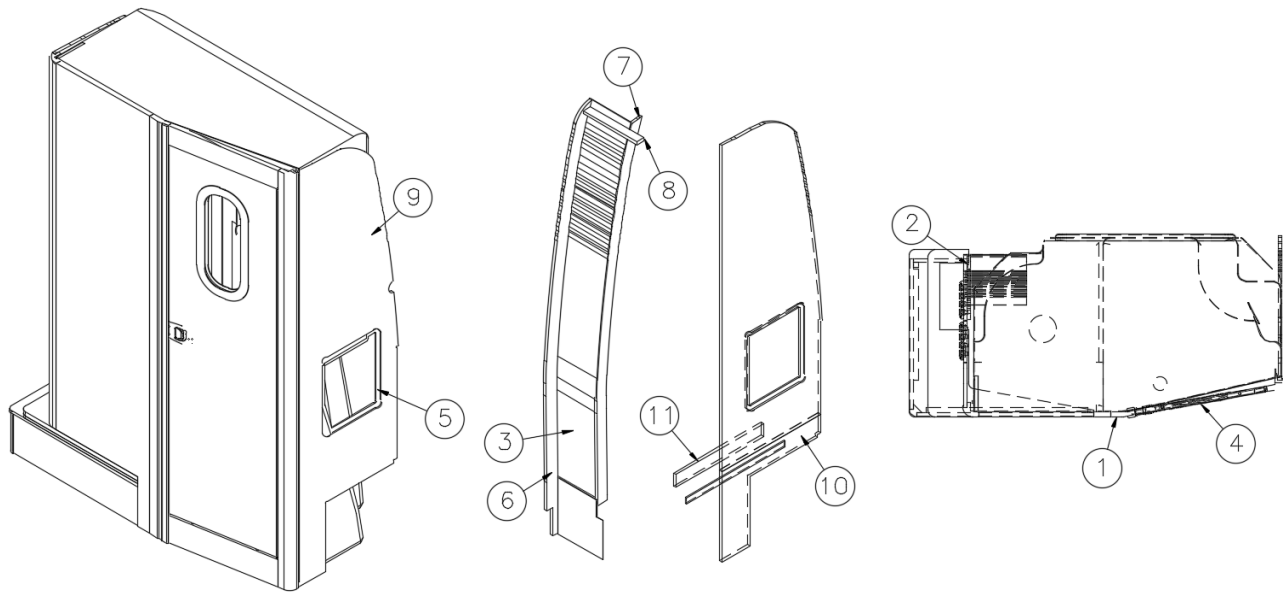
968312-18
968312-02
968312-33

Right Side Twin Bed Extension, Lt. Camel
Right Side Twin Bed Extension, Walnut
Right Side Twin Bed Extension, Beachwood

- | | |
|---------------|------------------------------|
| 1. 968312-181 | Panel, 25 x 15.75, Lt. Camel |
| 968312-021 | Panel, 25 x 15.75, Walnut |
| 968312-331 | Panel, 25 x 15.75, Beachwood |
| 2. 968312-182 | Panel, 3 x 15.75, Lt. Camel |
| 968312-022 | Panel, 3 x 15.75, Walnut |
| 968312-332 | Panel, 3 x 15.75, Beachwood |
| 3. 968312-183 | Panel, 3 x 7, Lt. Camel |
| 968312-023 | Panel, 3 x 7, Walnut |
| 968312-333 | Panel, 3 x 7, Beachwood |
| 4. 968312-186 | Panel, 3 x 5, Lt. Camel |
| 968312-026 | Panel, 3 x 5, Walnut |
| 968312-336 | Panel, 3 x 5, Beachwood |
| 5. 968312-187 | Panel, 4.5 x 4.89, Lt. Camel |
| 968312-027 | Panel, 4.5 x 4.89, Walnut |
| 968312-337 | Panel, 4.5 x 4.89, Beachwood |

2018 INTERSTATE FURNITURE, LAVATORY

Wet Bath Module, Lounge, Lt Camel



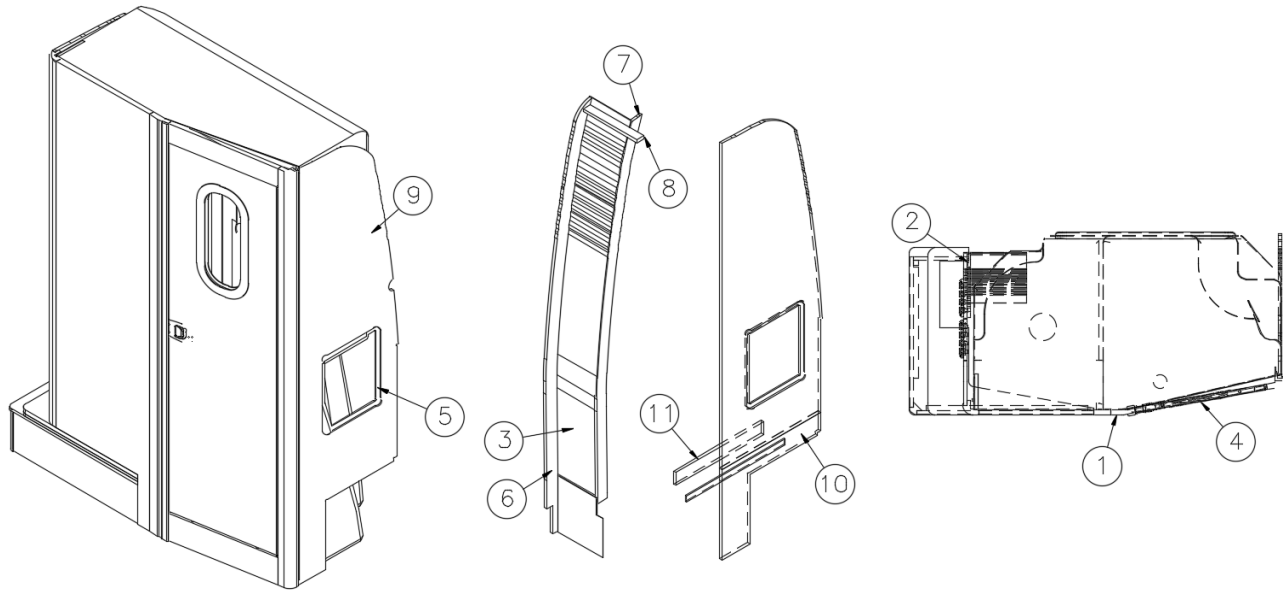
112237-18

Wet Bath Module

- | | |
|---|--|
| <ul style="list-style-type: none"> 1. 968251-0018 2. 112237-182 3. 101131-02 4. 967218-18 5. 112237-1811 6. 112237-1812 7. 112237-1813 8. 112237-1827 9. 112237-1828 10. 112237-1829 11. 112237-1830 | <ul style="list-style-type: none"> Wet bath face assembly Panel, 22.68 x 65 Underbelly aluminum, .024 x 22.5, Black Bath door assembly Panel, 11.88 x 13.88 Panel, 2.25 x 73.14 Panel, 2 x 64.4 Panel, 1.5 x 11 Panel, 20.68 x 73.9 Panel, 20.28 x 15.94 Panel, 2.25 x 18 Shower stall, Fiberglass Toilet, Dometic 301, White Faucet, Pull-out, Chrome Hanger clip, Chrome Mirror, Wall mount, Chrome Toilet paper holder Towel bar handle, 14.25", Gloss Chrome Under sink access panel Retractable clothesline Carpet, Econolier Flat molding, Asian Sand J-molding, 3/16", Plastic, White Wood plugs, 3/8", Tapered, Asian Sand |
|---|--|

2018 INTERSTATE FURNITURE, LAVATORY

Wet Bath Module, Lounge, Walnut



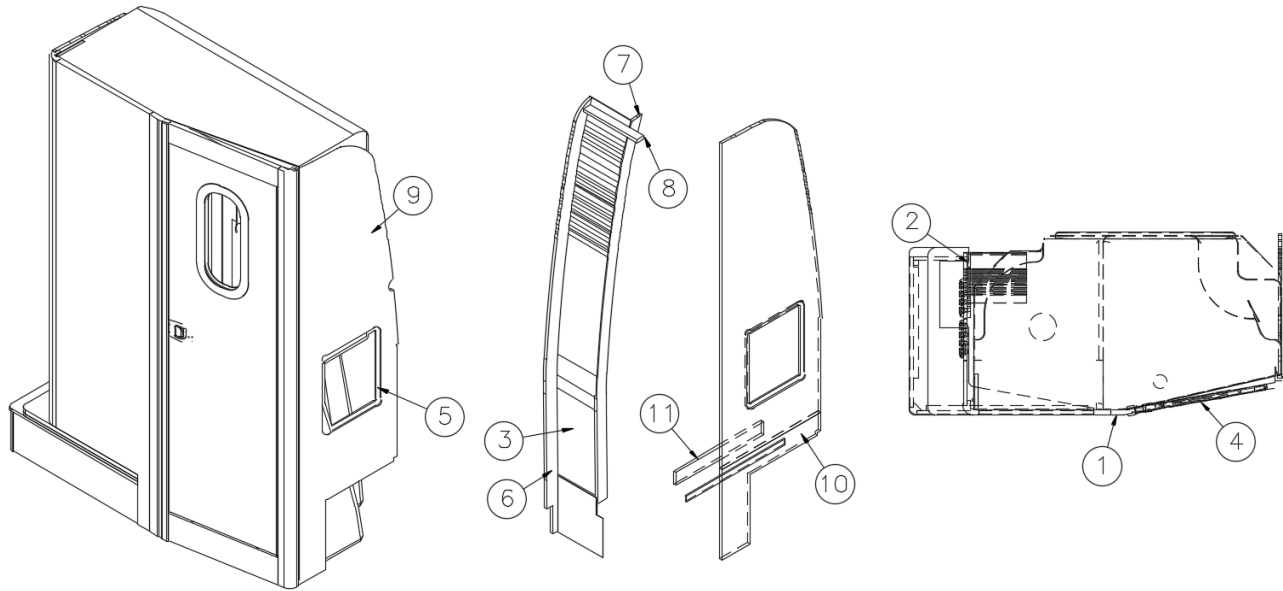
112237-02

Wet Bath Module

- | | |
|-----------------|---|
| 1. 968251-002 | Wet bath face assembly |
| 2. 112237-022 | Panel, 22.68 x 65 |
| 3. 101131-02 | Underbelly aluminum, .024 x 22.5, Black |
| 4. 967218-02 | Bath door assembly |
| 5. 112237-0211 | Panel, 11.88 x 13.88 |
| 6. 112237-0212 | Panel, 2.25 x 73.14 |
| 7. 112237-0213 | Panel, 2 x 64.4 |
| 8. 112237-0227 | Panel, 1.5 x 11 |
| 9. 112237-0228 | Panel, 20.68 x 73.9 |
| 10. 112237-0229 | Panel, 20.28 x 15.94 |
| 11. 112237-0230 | Panel, 2.25 x 18 |
| 203799 | Shower stall, Fiberglass |
| 690707 | Toilet, Dometic 301, White |
| 602251 | Faucet, Pull-out, Chrome |
| 602364-01 | Hanger clip, Chrome |
| 371423-02 | Mirror, Wall mount, Chrome |
| 602175 | Toilet paper holder |
| 382098 | Towel bar handle, 14.25", Gloss Chrome |
| 203625-02 | Under sink access panel |
| 382063 | Retractable clothesline |
| 701538-01 | Carpet, Econolier |
| 800573-012 | Flat molding, Walnut |
| 201666-01 | J-molding, 3/16", Plastic, White |
| 801818-002 | Wood plugs, 3/8", Tapered, Walnut |

2018 INTERSTATE FURNITURE, LAVATORY

Wet Bath Module, Lounge, Beachwood



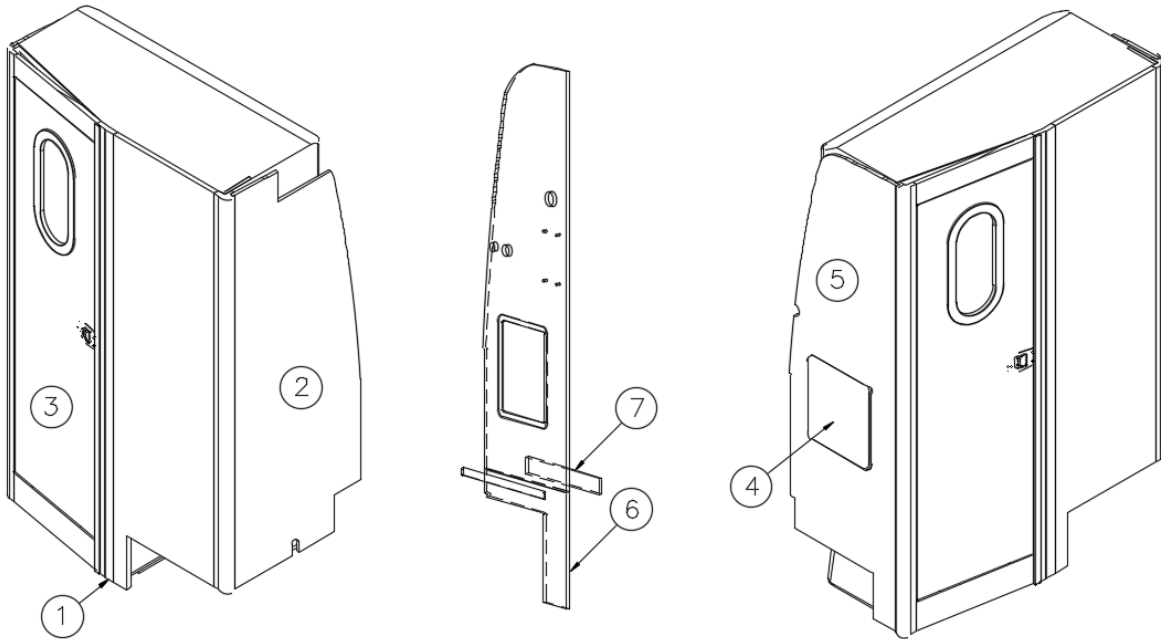
112237-33

Wet Bath Module

- | | |
|-----------------|---|
| 1. 968251-0033 | Wet bath face assembly |
| 2. 112237-332 | Panel, 22.68 x 65 |
| 3. 101131-02 | Underbelly aluminum, .024 x 22.5, Black |
| 4. 967218-33 | Bath door assembly |
| 5. 112237-3311 | Panel, 11.88 x 13.88 |
| 6. 112237-3312 | Panel, 2.25 x 73.14 |
| 7. 112237-3313 | Panel, 2 x 64.4 |
| 8. 112237-3327 | Panel, 1.5 x 11 |
| 9. 112237-3328 | Panel, 20.68 x 73.9 |
| 10. 112237-3329 | Panel, 20.28 x 15.94 |
| 11. 112237-3330 | Panel, 2.25 x 18 |
| 203799 | Shower stall, Fiberglass |
| 690707 | Toilet, Dometic 301, White |
| 602251 | Faucet, Pull-out, Chrome |
| 602364-01 | Hanger clip, Chrome |
| 371423-02 | Mirror, Wall mount, Chrome |
| 602175 | Toilet paper holder |
| 382098 | Towel bar handle, 14.25", Gloss Chrome |
| 203625-02 | Under sink access panel |
| 382063 | Retractable clothesline |
| 701538-01 | Carpet, Econolier |
| 800573-0133 | Flat molding, Beachwood |
| 201666-01 | J-molding, 3/16", Plastic, White |
| 801818-0033 | Wood plugs, 3/8", Tapered, Beachwood |

2018 INTERSTATE FURNITURE, LAVATORY

Wet Bath Module, Grand Tour, Lt Camel



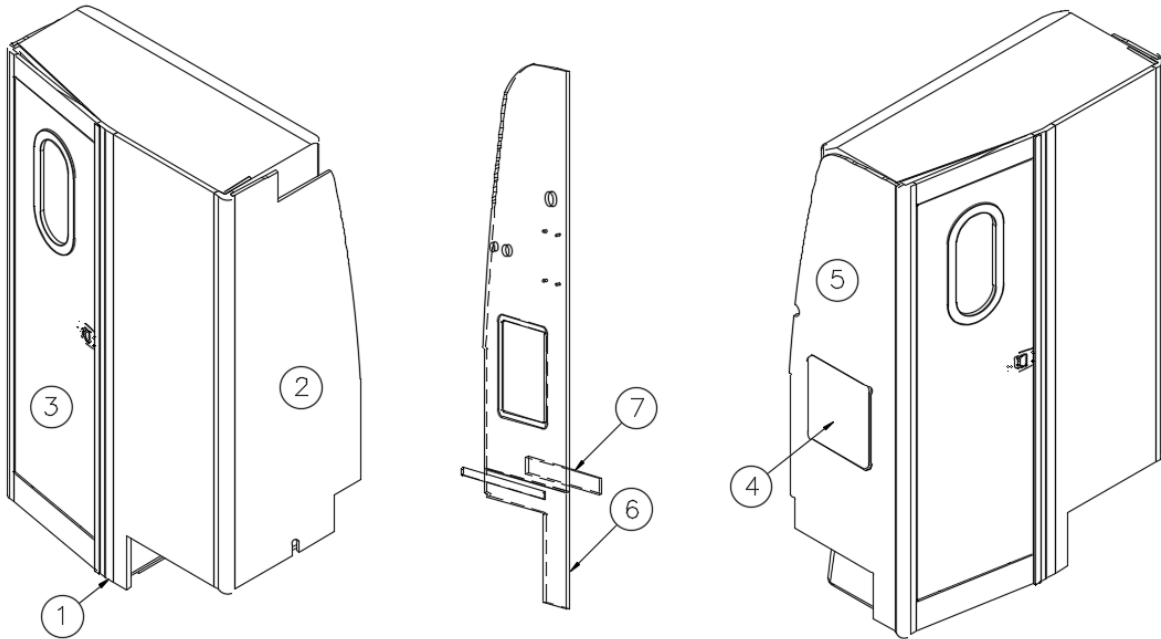
112167-18

Wet Bath Module

- | | |
|----------------|---------------------------------------|
| 1. 968128-0018 | Wet bath face assembly |
| 2. 112167-182 | Panel, 24.32 x 65.04 |
| 3. 967218-18 | Bath door, LH hinge |
| 4. 112167-188 | Panel, 11.88 x 13.88 |
| 5. 112167-1827 | Panel, 20.54 x 57.75 |
| 6. 112167-1828 | Panel, 20.28 x 15.94 |
| 7. 112167-1829 | Panel, 2.25 x 18 |
| 800573-0118 | Flat molding, Asian Sand |
| 382063 | Retractable clothesline |
| 203789 | Shower stall, Fiberglass |
| 203789-02 | Under sink access panel |
| 115427 | Backer, Outside panel |
| 115426 | Backer, Shower panel front |
| 115428 | Backer, Shower panel rear |
| 382098 | Pull handle, 14.25", SS Satin Brushed |
| 602251 | Faucet, Pull-out |
| 602364-01 | Hanger clip, Chrome |
| 371423-02 | Mirror, Wall mount, Chrome |
| 690707 | Toilet, Dometic 301, White |
| 602175 | Toilet paper holder |
| 115423 | Aluminum backer, Toilet paper holder |
| 100097 | Aluminum curtain track |
| 371423-01 | Retainer clip, Mirror |
| 203794 | Trim, Upper RS |
| 203795 | Trim, Lower RS |

2018 INTERSTATE FURNITURE, LAVATORY

Wet Bath Module, Grand Tour, Walnut



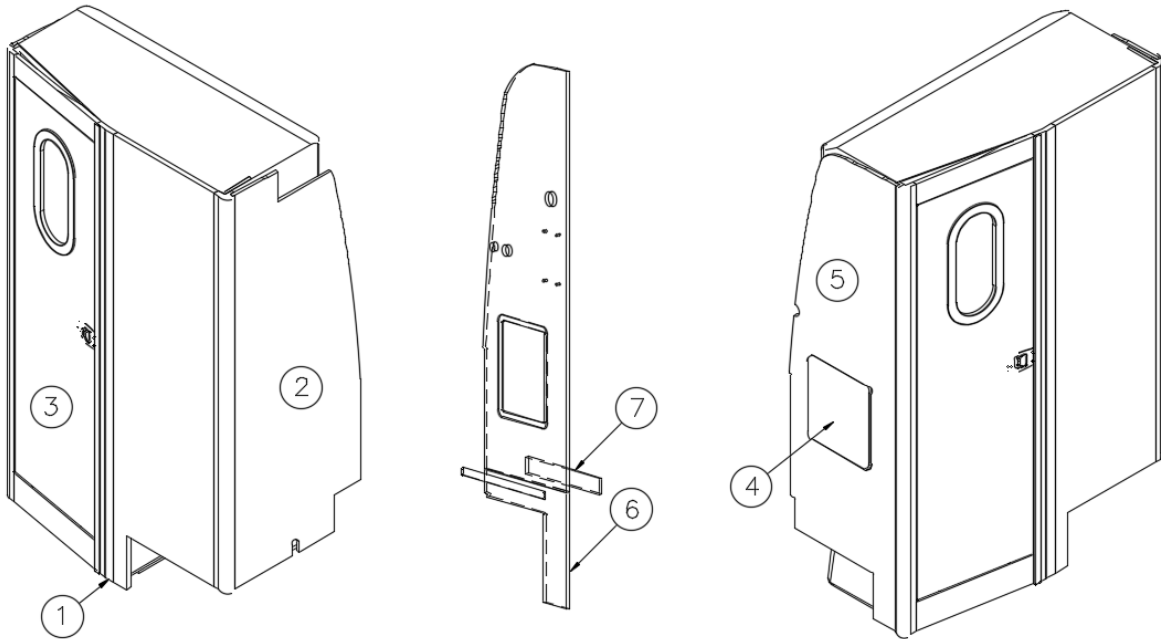
112167-02

Wet Bath Module

- | | |
|----------------|---------------------------------------|
| 1. 968128-002 | Wet bath face assembly |
| 2. 112167-022 | Panel, 24.32 x 65.04 |
| 3. 967218-02 | Bath door, LH hinge |
| 4. 112167-028 | Panel, 11.88 x 13.88 |
| 5. 112167-0227 | Panel, 20.54 x 57.75 |
| 6. 112167-0228 | Panel, 20.28 x 15.94 |
| 7. 112167-0229 | Panel, 2.25 x 18 |
| 800573-012 | Flat Molding, Walnut |
| 382063 | Retractable clothesline |
| 203789 | Shower stall, Fiberglass |
| 203789-02 | Under sink access panel |
| 115427 | Backer, Outside panel |
| 115426 | Backer, Shower panel front |
| 115428 | Backer, Shower panel rear |
| 382098 | Pull handle, 14.25", SS Satin Brushed |
| 602251 | Faucet, Pull-out |
| 602364-01 | Hanger clip, Chrome |
| 371423-02 | Mirror, Wall mount, Chrome |
| 690707 | Toilet, Dometic 301, White |
| 602175 | Toilet paper holder |
| 115423 | Aluminum backer, Toilet paper holder |
| 100097 | Aluminum curtain track |
| 371423-01 | Retainer clip, Mirror |
| 203794 | Trim, Upper RS |
| 203795 | Trim, Lower RS |

2018 INTERSTATE FURNITURE, LAVATORY

Wet Bath Module, Grand Tour, Beachwood



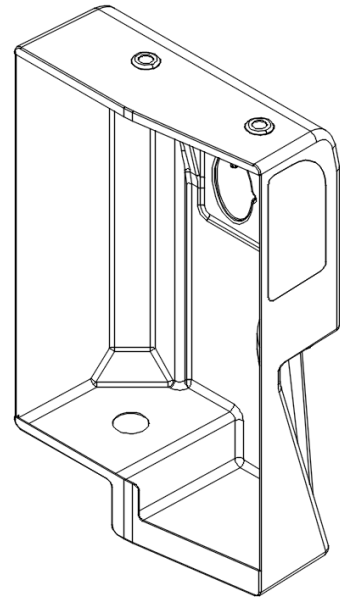
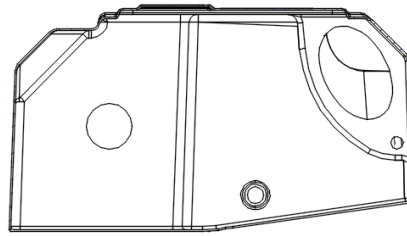
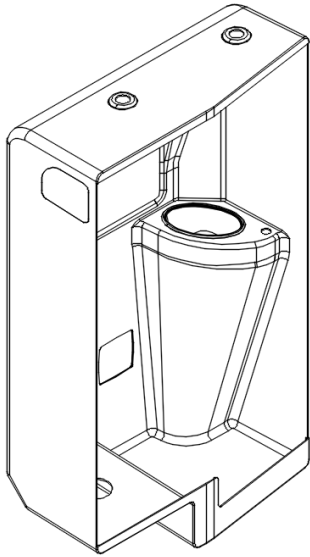
112167-33

Wet Bath Module

- | | |
|----------------|---------------------------------------|
| 1. 968128-0033 | Wet bath face assembly |
| 2. 112167-332 | Panel, 24.32 x 65.04 |
| 3. 967218-33 | Bath door, LH hinge |
| 4. 112167-338 | Panel, 11.88 x 13.88 |
| 5. 112167-3327 | Panel, 20.54 x 57.75 |
| 6. 112167-3328 | Panel, 20.28 x 15.94 |
| 7. 112167-3329 | Panel, 2.25 x 18 |
| 800573-0133 | Flat molding, Beachwood |
| 382063 | Retractable clothesline |
| 203789 | Shower stall, Fiberglass |
| 203789-02 | Under sink access panel |
| 115427 | Backer, Outside panel |
| 115426 | Backer, Shower panel front |
| 115428 | Backer, Shower panel rear |
| 382098 | Pull handle, 14.25", SS Satin Brushed |
| 602251 | Faucet, Pull-out, Chrome |
| 602364-01 | Hanger clip, Chrome |
| 371423-02 | Mirror, Wall mount, Chrome |
| 690707 | Toilet, Dometic 301, White |
| 602175 | Toilet paper holder |
| 115423 | Aluminum backer, Toilet paper holder |
| 100097 | Aluminum curtain track |
| 371423-01 | Retainer clip, Mirror |
| 203794 | Trim, Upper RS |
| 203795 | Trim, Lower RS |

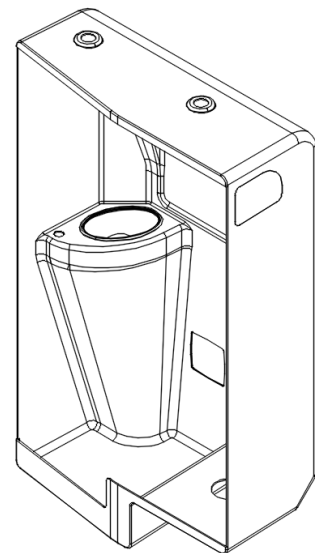
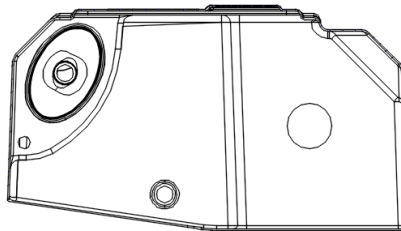
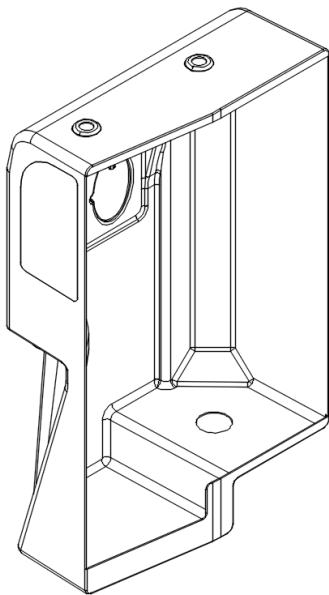
2018 INTERSTATE FURNITURE, LAVATORY

Shower Module, Lounge



203799 Shower stall, Fiberglass
203625-02 Under sink access panel
602251 Faucet, Pull-out

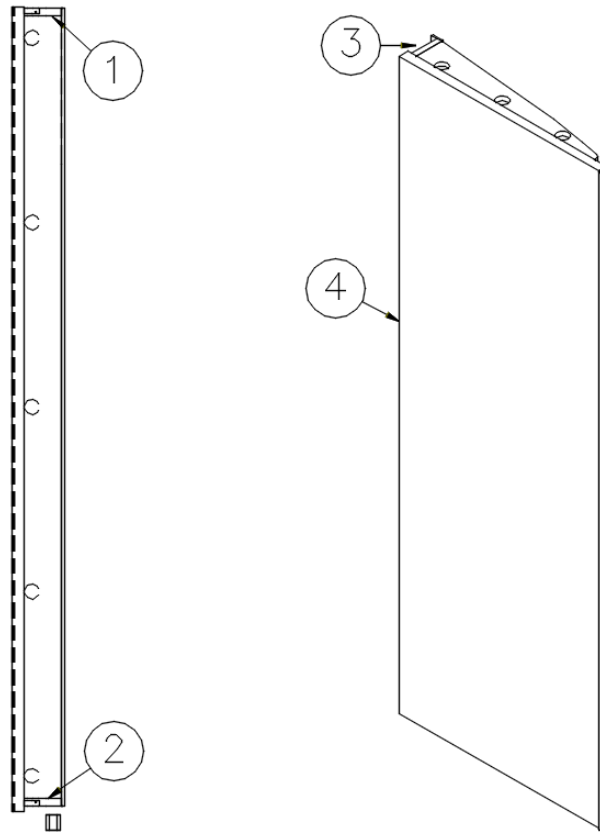
Shower Module, Grand Tour



203789 Shower stall, Fiberglass
203789-02 Under sink Access panel
602251 Faucet, Pull-out, Chrome

2018 INTERSTATE FURNITURE, LAVATORY

Lavatory Door, Forward



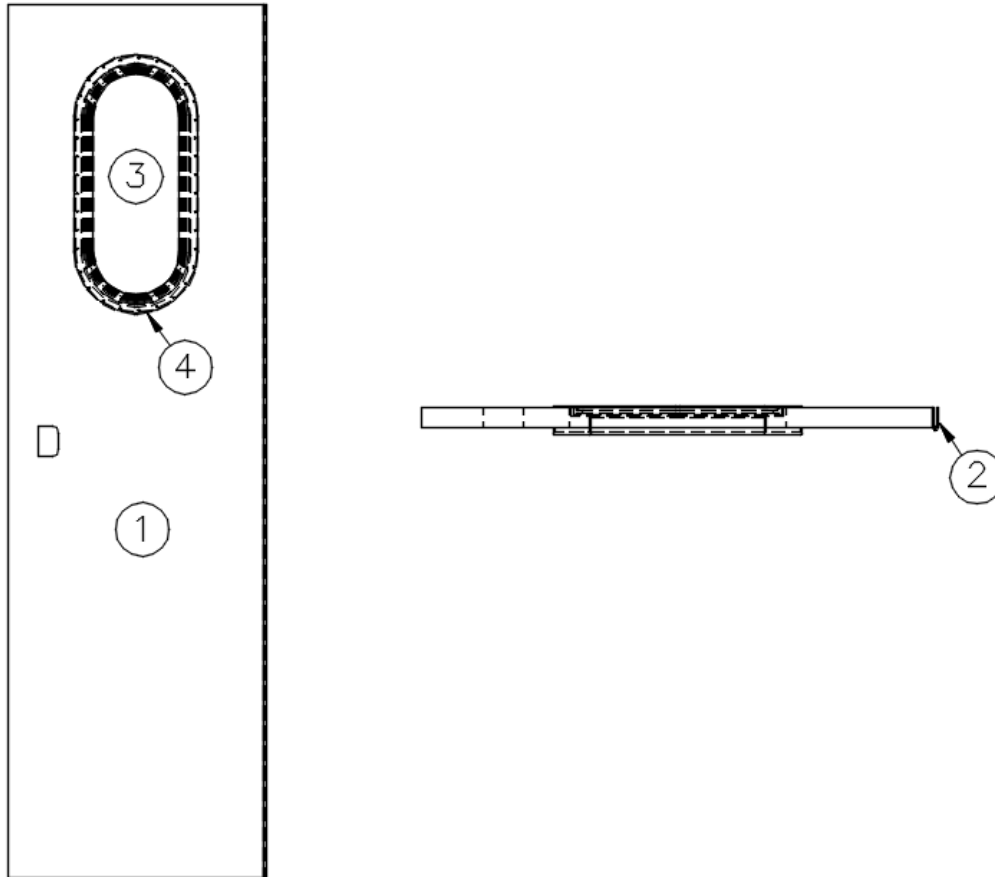
968053-18
968053-02
968053-33

Forward Bath Door, Lt Camel
Forward Bath Door, Walnut
Forward Bath Door, Beachwood

- | | | |
|----|------------|-------------------------------|
| 1. | 968053-182 | Panel, 2.5 x 17, Lt. Camel |
| | 968053-022 | Panel, 2.5 x 17, Walnut |
| | 968053-332 | Panel, 2.5 x 17, Beachwood |
| 2. | 968053-183 | Panel, 2.5 x 17, Lt. Camel |
| | 968053-023 | Panel, 2.5 x 17, Walnut |
| | 968053-333 | Panel, 2.5 x 17, Beachwood |
| 3. | 968053-184 | Panel, 2.5 x 53.63, Lt. Camel |
| | 968053-024 | Panel, 2.5 x 53.63, Walnut |
| | 968053-334 | Panel, 2.5 x 53.63, Beachwood |
| 4. | 968053-189 | Panel, 19 x 54.13, Lt Camel |
| | 968053-029 | Panel, 19 x 54.13, Walnut |
| | 968053-339 | Panel, 19 x 54.13, Beachwood |
| | 382125 | Piano hinge, Clear |

2018 INTERSTATE FURNITURE, LAVATORY

Lavatory Door, Aft

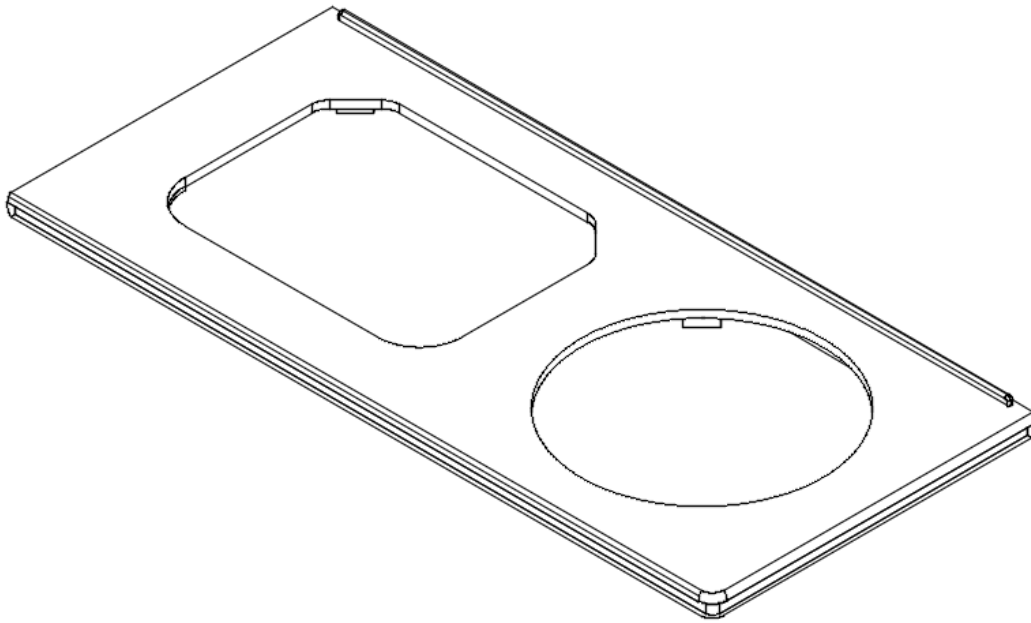


967218-18	Aft Lavatory Door, Lt Camel
967218-02	Aft Lavatory Door, Walnut
967218-33	Aft Lavatory Door, Beachwood

- | | |
|---------------|-----------------------------------|
| 1. 967218-181 | Panel, 19 x 65.13, Lt Camel |
| 967218-021 | Panel, 19 x 65.13, Walnut |
| 967218-331 | Panel, 19 x 65.13, Beachwood |
| 2. 380458 | Piano hinge, 1/8" pin |
| 3. 371438 | Window, Bath door |
| 4. 203761-01 | Window trim, 18" |
| 203333-02 | Glass, Bath door window |
| 382055 | Privacy latch, Omni |
| 801815-0018 | Wood block, Door catch, Lt. Camel |
| 801815-002 | Wood block, Door catch, Walnut |
| 801815-0033 | Wood block, Door catch, Beachwood |
| 382061 | Striker, Omni flat latch |

2018 INTERSTATE FURNITURE, GALLEY

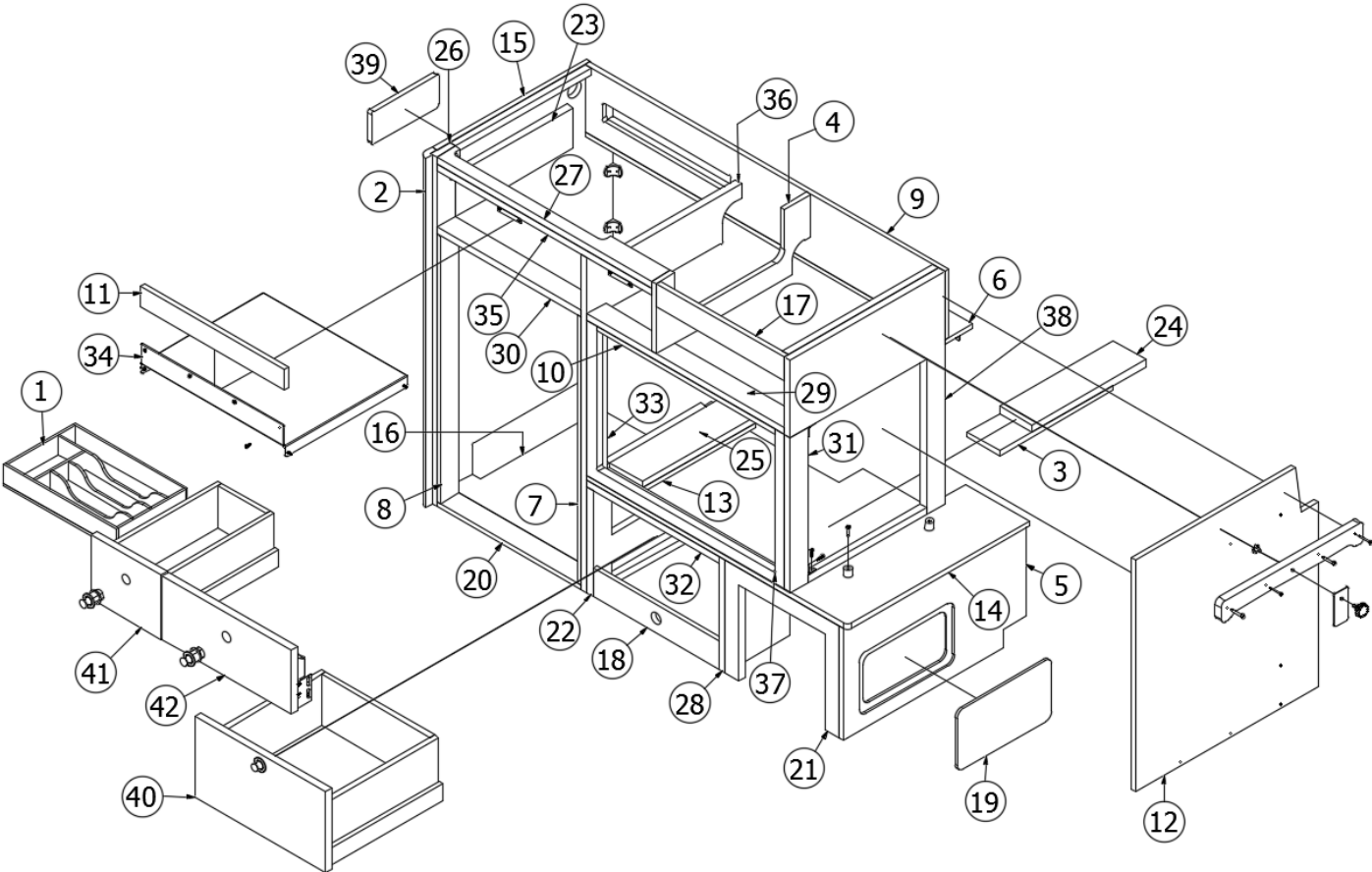
Galley Top, Lounge



602699-01	Galley top, Corian, Hazelnut
602233-05	Galley flip shelf, Hazelnut
382092	Hinged spring bracket
602197	Sink and faucet, Galley
602153	Faucet only, Stainless Steel
602149	Sink, Flush, Smev

2018 INTERSTATE FURNITURE, GALLEY

Galley, Drawer Microwave, Lounge



Parts Listed on Next Page

2018 INTERSTATE FURNITURE, GALLEY

Galley, Drawer Microwave, Lounge

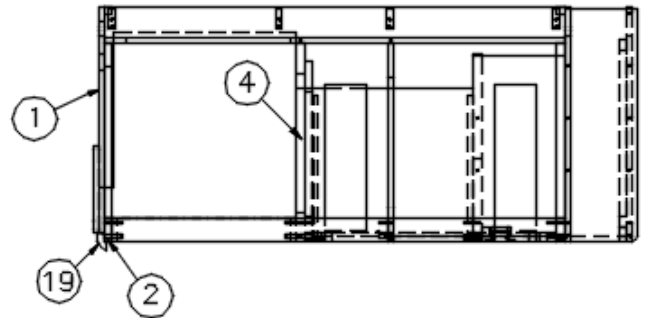
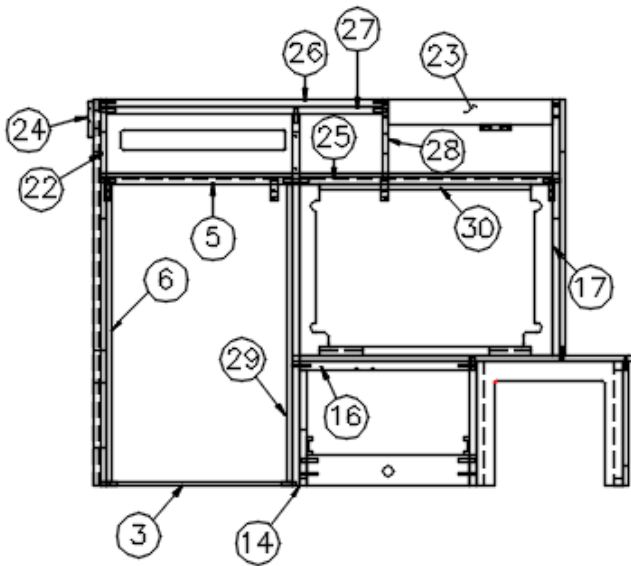
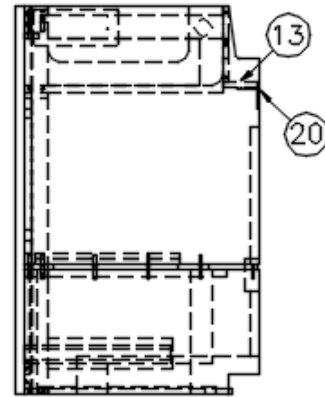
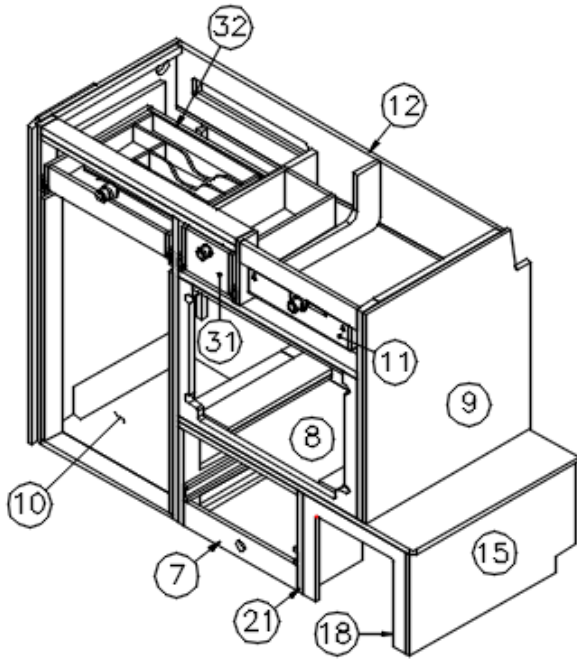
968716

Galley Cabinet w/Drawer Microwave

1. 968024	Cutlery drawer insert
2. 968716&0067T06B	Corner trim, 90°, 1" radius
3. 968716&000312BB	Panel, 4 x 14
4. 968716&000412BB	Panel, 7.5 x 19
5. 968716&000512BB	Panel, 22.47 x 12
6. 968716&000612BB	Panel, 3.37 x 44.25
7. 968716&000712BB	Panel, 2.25 x 28.5
8. 968716&000812BB	Panel, 2.25 x 28.5
9. 968716&000912BB	Panel, 7.25 x 44.25
10. 968716&001012BB	Panel, 2.25 x 22
11. 968716&001112BB	Panel, 2.25 x 17.75
12. 968716&001212BB	Panel, 22.47 x 24.75
13. 968716&001312BB	Panel, 4 x 14
14. 968716&001412BB	Panel, 22.39 x 32.75
15. 968716&001512BB	Panel, 21.72 x 37.25
16. 968716&001612BB	Panel, 18.5 x 17.75
17. 968716&001712BB	Panel, 15.75 x 2.5
18. 968716&001812BB	Panel, 15.5 x 3
19. 968716&001912BB	Panel, 11.63 x 6.5
20. 968716&002012BB	Panel, 2.25 x 17.75
21. 968716&002118BB	Panel, 14 x 12
22. 968716&002218BB	Panel, 14.25 x 11.25
23. 968716&002318BB	Panel, 14.5 x 4.38
24. 968716&002418BB	Panel, 4 x 14
25. 968716&002518BB	Panel, 4 x 14
26. 968716&002618BB	Panel, 2.25 x 37.25
27. 968716&002718BB	Panel, 2.25 x 26.5
28. 968716&002818BB	Panel, 18 x 12
29. 968716&002918BB	Panel, 2.25 x 24.25
30. 968716&003018BB	Panel, 2.25 x 17.75
31. 968716&003118BB	Panel, 2.25 x 16.5
32. 968716&003218BB	Panel, 2.25 x 16.25
33. 968716&003318BB	Panel, 1 x 16.5
34. 455253	Heat shield, Galley
35. 968716&003518BB	Panel, 2.25 x 26.5
36. 968716&003618BB	Panel, 19 x 35.75
37. 968716&003718BB	Panel, 24.25 x 16.5
38. 968716&003818BB	Panel, 19.02 x 24.75
39. 968716&006912BB	Panel, 8.25 x 3.5
40. 968719	Drawer box, Galley
41. 968721	Drawer box, Under sink
42. 968722	Galley folding drawer
968720	Drawer box, Upper
380264	Corner Bracket
380041	Corner brace, 1" Stanley
381136	Rubber bumper
382095	Knob, Knurled
454721	Bracket, Pedestal table storage
385963	Bracket, Mounting angle

2018 INTERSTATE FURNITURE, GALLEY

Galley, Convection Microwave, Lounge, Lt. Camel



Parts Listed on Next Page

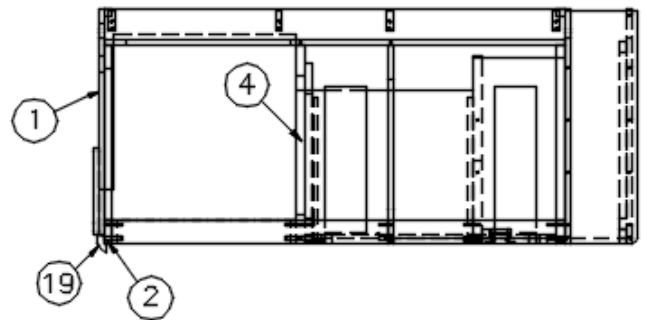
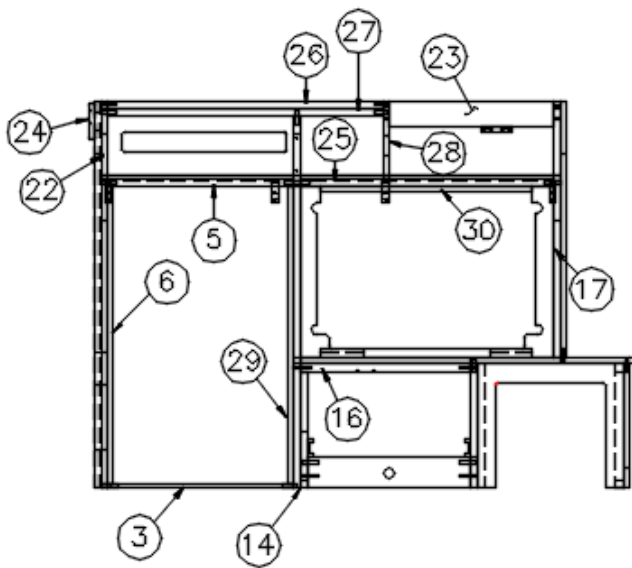
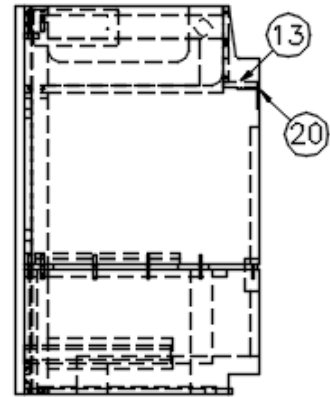
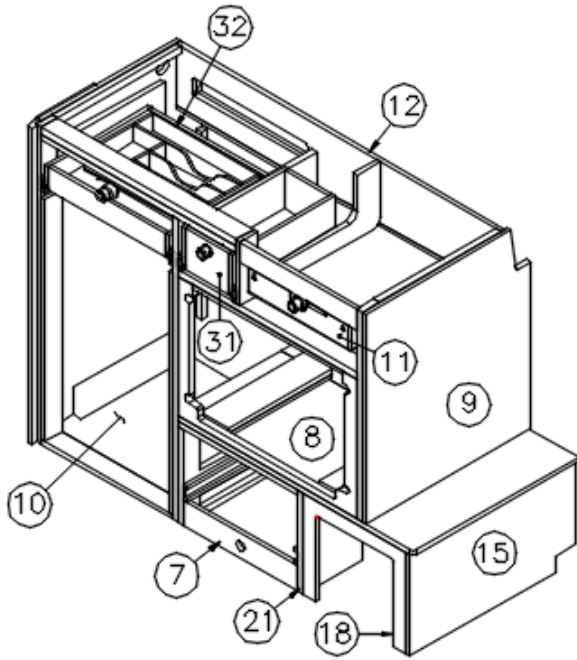
2018 INTERSTATE FURNITURE, GALLEY

Galley, Convection Microwave, Lounge, Lt. Camel

967564-18	Galley Cabinet
1. 967564-181	Panel, 21.72 x 37.25
2. 967564-182	Panel, 2.25 x 37.25
3. 967564-183	Panel, 2.25 x 17.75
4. 967564-184	Panel, 19 x 37.25
5. 967564-185	Panel, 2.25 x 17.75
6. 967564-187	Panel, 2.25 x 28.5
7. 967564-188	Panel, 15.5 x 3
8. 967564-189	Panel, 22.39 x 32.75
9. 967564-1812	Panel, 22.47 x 24.75
10. 967564-1813	Panel, 18.5 x 17.75
11. 967564-1814	Panel, 6.88 x 15.88
12. 967564-1815	Panel, 7.25 x 44.25
13. 967564-1816	Panel, 3.37 x 44.25
14. 967564-1817	Panel, 14.25 x 11.25
15. 967564-1818	Panel, 22.47 x 12
16. 967564-1819	Panel, 2.25 x 16.25
17. 967564-1820	Panel, 2.25 x 24.75
18. 967564-1821	Panel, 14 x 12
19. 801706-0018	Corner trim, 90°, 1" radius, Asian Sand
20. 380264	Corner bracket
21. 967564-1831	Panel, 18 x 12
22. 967564-1832	Panel, 14.5 x 4.38
23. 967564-1838	Panel, 2.25 x 15.75
24. 967564-1839	Panel, 8.25 x 3.5
25. 967564-1840	Panel, 2.25 x 26.5
26. 967564-1841	Panel, 2.25 x 26.5
27. 967564-1842	Panel, 2.25 x 8
28. 967564-1844	Panel, 7 x 19
29. 967564-1848	Panel, 2.25 x 28.5
30. 967564-1850	Panel, 2.25 x 20.25
31. 967485-18	Drawer box, Under sink
32. 968024	Cutlery drawer insert
967457-18	Drawer box, Upper
967229-18	Drawer box, Galley
381228-02	Catch, Grabber door, 5LB
381400	Drawer slide, 14"
386206	Vent, Louvered, 2.63 x 17.5, Black
381685-01	Hinge, Scissor tray
381686	Tray, 14", Plastic, White
382059-02	Knob, Push/pull, Black Nickel

2018 INTERSTATE FURNITURE, GALLEY

Galley, Convection Microwave, Lounge, Walnut



Parts Listed on Next Page

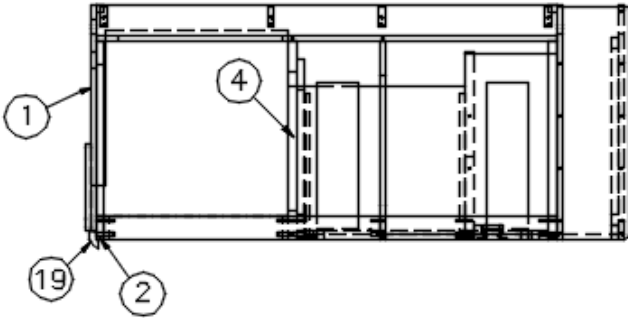
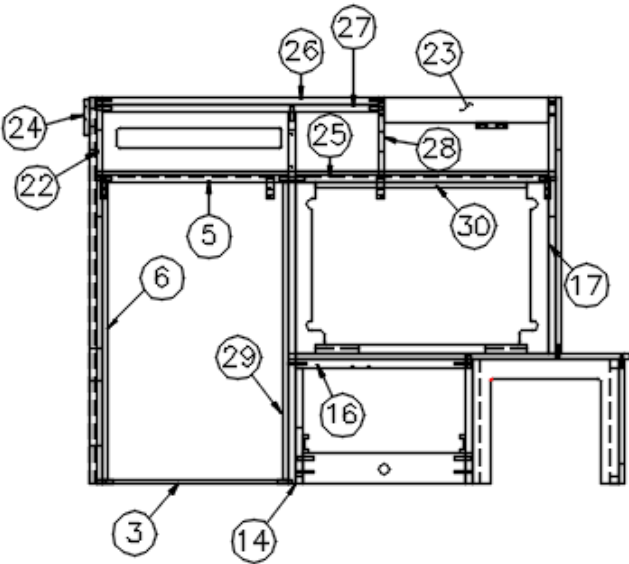
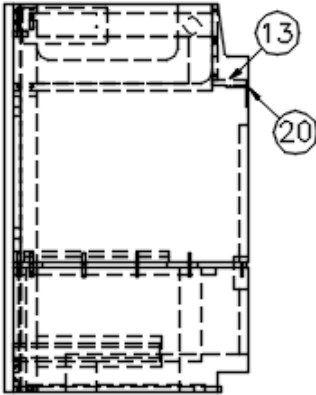
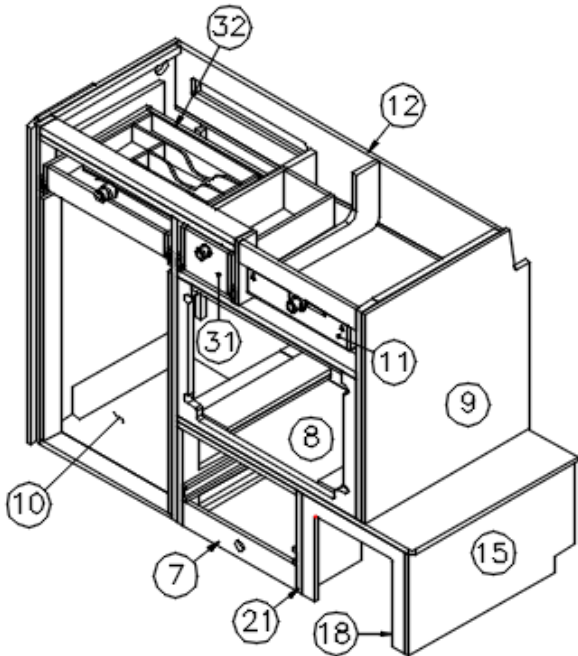
2018 INTERSTATE FURNITURE, GALLEY

Galley, Convection Microwave, Lounge, Walnut

967564-02	Galley Cabinet
1. 967564-021	Panel, 21.72 x 37.25
2. 967564-022	Panel, 2.25 x 37.25
3. 967564-023	Panel, 2.25 x 17.75
4. 967564-024	Panel, 19 x 37.25
5. 967564-025	Panel, 2.25 x 17.75
6. 967564-027	Panel, 2.25 x 28.5
7. 967564-028	Panel, 15.5 x 3
8. 967564-029	Panel, 22.39 x 32.75
9. 967564-0212	Panel, 22.47 x 24.75
10. 967564-0213	Panel, 18.5 x 17.75
11. 967564-0214	Panel, 6.88 x 15.88
12. 967564-0215	Panel, 7.25 x 44.25
13. 967564-0216	Panel, 3.37 x 44.25
14. 967564-0217	Panel, 14.25 x 11.25
15. 967564-0218	Panel, 22.47 x 12
16. 967564-0219	Panel, 2.25 x 16.25
17. 967564-0220	Panel, 2.25 x 24.75
18. 967564-0221	Panel, 14 x 12
19. 801706-002	Corner trim, 90°, 1" radius, Walnut
20. 380264	Corner bracket
21. 967564-0231	Panel, 18 x 12
22. 967564-0232	Panel, 14.5 x 4.38
23. 967564-0238	Panel, 2.25 x 15.75
24. 967564-0239	Panel, 8.25 x 3.5
25. 967564-0240	Panel, 2.25 x 26.5
26. 967564-0241	Panel, 2.25 x 26.5
27. 967564-0242	Panel, 2.25 x 8
28. 967564-0244	Panel, 7 x 19
29. 967564-0248	Panel, 2.25 x 28.5
30. 967564-0250	Panel, 2.25 x 20.25
31. 967485-02	Drawer box, Under sink
32. 968024	Cutlery drawer insert
967457-02	Drawer box, Upper
967229-02	Drawer box, Galley
381228-02	Catch, Grabber door, 5LB
381400	Drawer slide, 14"
386206	Vent, Louvered, 2.63 x 17.5, Black
381685-01	Hinge, Scissor tray
381686	Tray, 14", Plastic, White
382059-02	Knob, Push/pull, Black Nickel

2018 INTERSTATE FURNITURE, GALLEY

Galley, Convection Microwave, Lounge, Beachwood



Parts Listed on Next Page

2018 INTERSTATE FURNITURE, GALLEY

Galley, Convection Microwave, Lounge, Beachwood

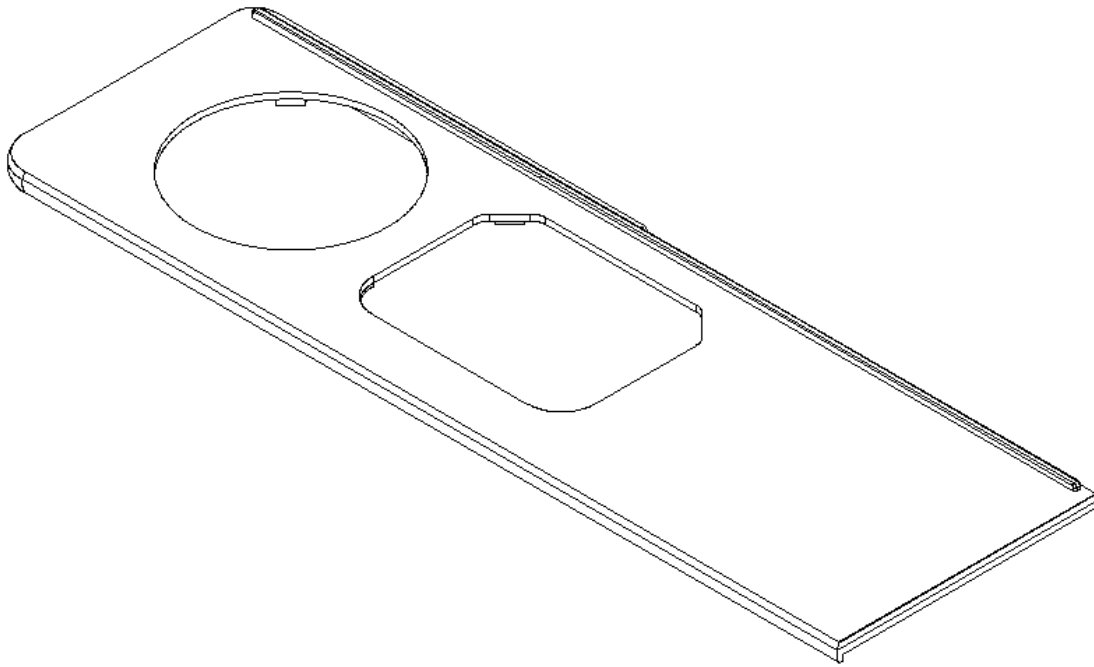
967564-33

Galley Cabinet

1. 967564-331 Panel, 21.72 x 37.25
2. 967564-332 Panel, 2.25 x 37.25
3. 967564-333 Panel, 2.25 x 17.75
4. 967564-334 Panel, 19 x 37.25
5. 967564-335 Panel, 2.25 x 17.75
6. 967564-337 Panel, 2.25 x 28.5
7. 967564-338 Panel, 15.5 x 3
8. 967564-339 Panel, 22.39 x 32.75
9. 967564-3312 Panel, 22.47 x 24.75
10. 967564-3313 Panel, 33.5 x 17.75
11. 967564-3314 Panel, 6.88 x 15.88
12. 967564-3315 Panel, 7.25 x 44.25
13. 967564-3316 Panel, 3.37 x 44.25
14. 967564-3317 Panel, 14.25 x 11.25
15. 967564-3318 Panel, 22.47 x 12
16. 967564-3319 Panel, 2.25 x 16.25
17. 967564-3320 Panel, 2.25 x 24.75
18. 967564-3321 Panel, 14 x 12
19. 801706-0033 Corner trim, 90°, 1" radius, Beachwood
20. 380264 Corner bracket
21. 967564-3331 Panel, 33 x 12
22. 967564-3332 Panel, 14.5 x 4.38
23. 967564-3338 Panel, 2.25 x 15.75
24. 967564-3339 Panel, 8.25 x 3.5
25. 967564-3340 Panel, 2.25 x 26.5
26. 967564-3341 Panel, 2.25 x 26.5
27. 967564-3342 Panel, 2.25 x 8
28. 967564-3344 Panel, 7 x 19
29. 967564-3348 Panel, 2.25 x 28.5
30. 967564-3350 Panel, 2.25 x 20.25
31. 967485-33 Drawer box, Under sink
32. 968024 Cutlery drawer insert
- 967457-33 Drawer box, Upper
- 967229-33 Drawer box, Galley
- 381228-02 Catch, Grabber door, 5LB
- 381400 Drawer slide, 14"
- 386206 Vent, Louvered, 2.63 x 17.5, Black
- 381685-01 Hinge, Scissor tray
- 381686 Tray, 14", Plastic, White
- 382059-02 Knob, Push/pull, Black Nickel

2018 INTERSTATE FURNITURE, GALLEY

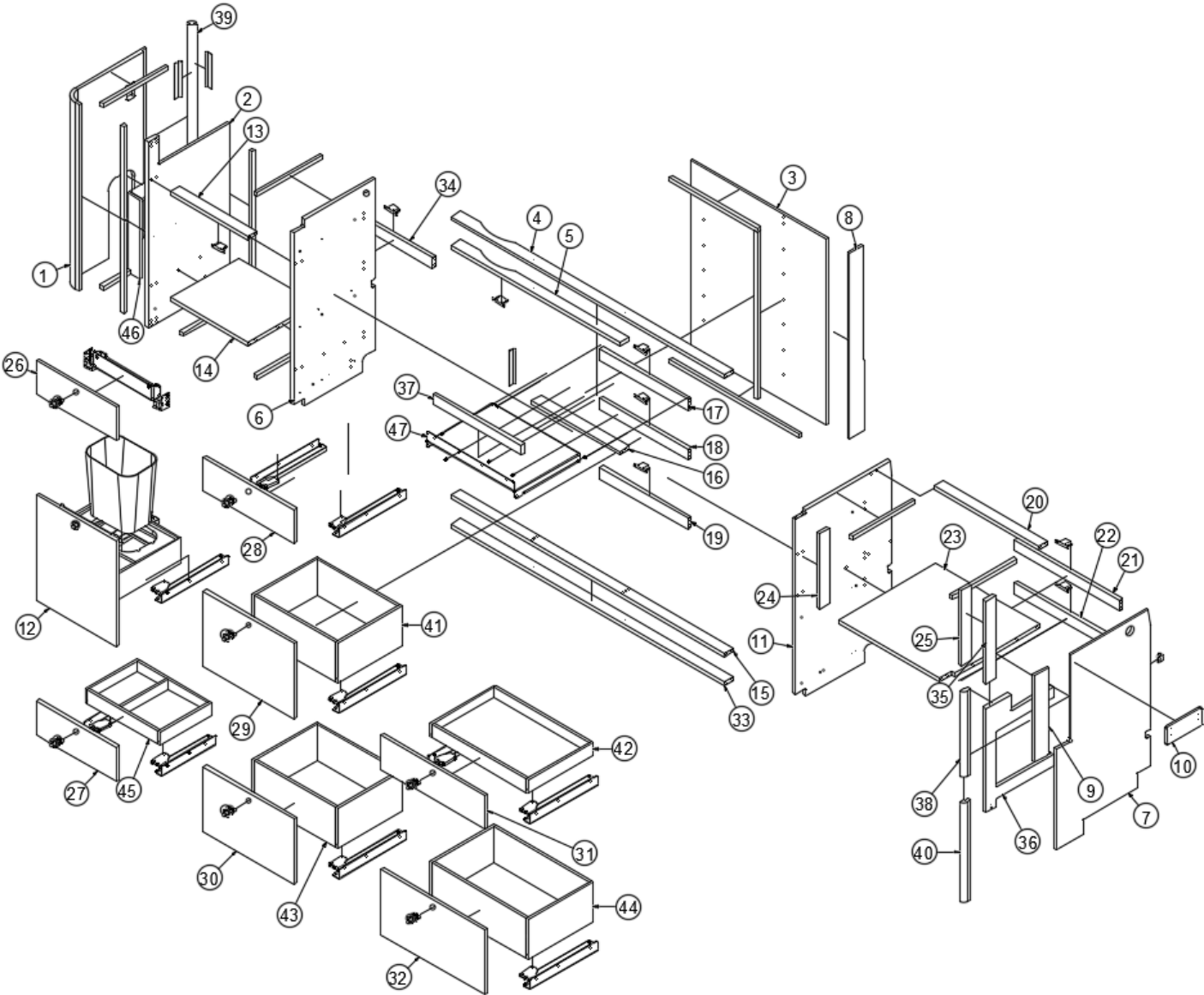
Galley Top, Grand Tour



602384-01	Galley top, Corian, Hazelnut
602389-01	Flip-shelf, Corian, Hazelnut
382092	Bracket, Hinged spring
602197	Sink and faucet, Galley
602153	Faucet only, Stainless Steel
602149	Sink, Flush, Smev

2018 INTERSTATE FURNITURE, GALLEY

Galley, Drawer Microwave, Grand Tour



Parts Listed on Next Page

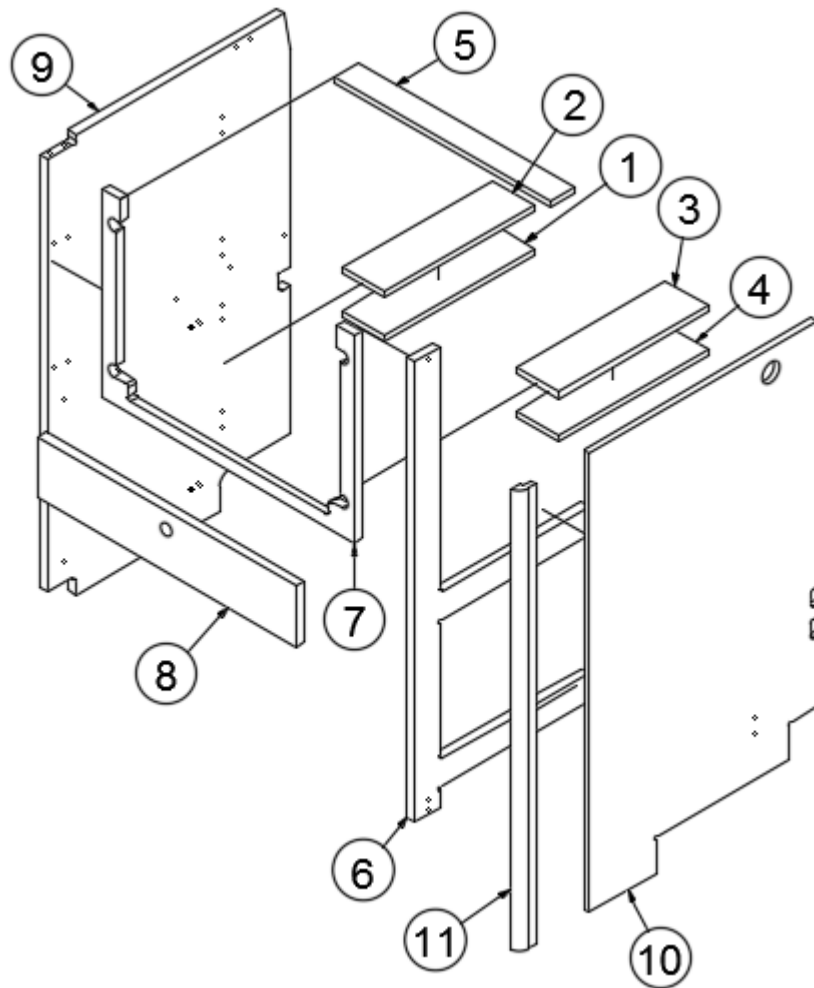
2018 INTERSTATE FURNITURE, GALLEY

Galley, Drawer Microwave, Grand Tour

968621	Galley Cabinets w/Drawer Microwave
1. 968712	Galley radius panel
2. 968621&001218BB	Panel, 18.92 x 37.25
3. 968621&000112BB	Panel, 31.33 x 37.25
4. 968621&001318BB	Panel, 2.25 x 63.28
5. 968621&001418BB	Panel, 2.25 x 39.03
6. 968621&001818BB	Panel, 18.92 x 37.25
7. 968621&000412BB	Panel, 21.72 x 37.25
8. 968621&000312BB	Panel, 3.43 x 37.25
9. 968621&000512BB	Panel, 3.38 x 17.25
10. 968621&000212BB	Panel, 8.25 x 3.5
11. 968621&003618BB	Panel, 22.47 x 37.25
12. 968622	Galley pull-out trash
13. 968621&001518BB	Panel, 2.25 x 17.91
14. 968621&001618BB	Panel, 16 x 17.91
15. 968621&001718BB	Panel, 2.25 x 63.28
16. 968621&001918BB	Panel, 2.25 x 20.38
17. 968621&002018BB	Panel, 2.25 x 20.38
18. 968621&002118BB	Panel, 2.25 x 20.38
19. 968621&002218BB	Panel, 2.25 x 20.38
20. 968621&002318BB	Panel, 2.25 x 24.25
21. 968621&002418BB	Panel, 2.25 x 24.25
22. 968621&002518BB	Panel, 2.25 x 24.25
23. 968621&002618BB	Panel, 22.38 x 24.25
24. 968621&003718BB	Panel, 2.25 x 15
25. 968621&003818BB	Panel, 2.25 x 15
26. 968621&002918BB	Panel, 18.53 x 6.63
27. 968621&003018BB	Panel, 18.53 x 6.88
28. 968621&003118BB	Panel, 21 x 6.63
29. 968621&003218BB	Panel, 21 x 15
30. 968621&003318BB	Panel, 21 x 13
31. 968621&003518BB	Panel, 24.13 x 6.75
32. 968621&003418BB	Panel, 24.13 x 13
33. 968621&002718BB	Panel, 2.25 x 63.28
34. 968621&002818BB	Panel, 2.25 x 17.91
35. 968621&003918BB	Panel, 2.25 x 16.5
36. 968621&004018BB	Panel, 15.62 x 20.75
37. 968621&008018BB	Panel, 1.94 x 20.38
38. 968621&0056T06B	Corner trim, 90°, 1" radius
39. 968621&0059T07A	Corner trim, 45°, 1" radius
40. 968621&0057T06B	Corner trim, 90°, 1" radius
41. 968021-06	Drawer box, 2.75 x 19.75 x 15
42. 968021-07	Drawer box, 2.75 x 19.75 x 15
43. 968028-10	Drawer box, 8 x 19.75 x 15
44. 968028-11	Drawer box, 8 x 22.88 x 15
45. 968192-02	Drawer box w/divider, 2.75 x 17.29 x 12
46. 968207	Galley fire extinguisher pocket
47. 455296	Heat shield, Galley
381686	Tray, 14", Plastic, White
968024	Cutlery drawer insert
382203-02	Drawer slide, Self-close, 12"
382203-03	Drawer slide, Self-close, 15"
382059-02	Knob, Push/pull, Black Nickel

2018 INTERSTATE FURNITURE, GALLEY

Galley, Convection Microwave, Grand Tour



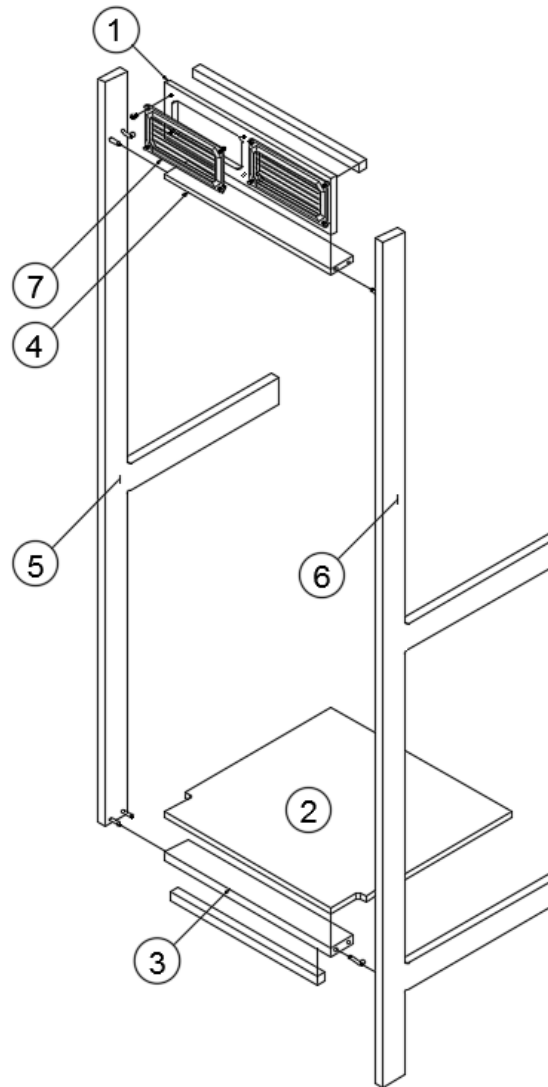
968621-01

Galley Cabinets w/Convection Microwave

- | | |
|---------------------|-----------------------------|
| 1. 968621&010612BB | Panel, 14 x 4 |
| 2. 968621&010712BB | Panel, 14 x 4 |
| 3. 968621&010812BB | Panel, 14 x 4 |
| 4. 968621&010912BB | Panel, 14 x 4 |
| 5. 968621&011012BB | Panel, 20.25 x 2.25 |
| 6. 968621&014118BB | Panel, 16.25 x 37.25 |
| 7. 968621&014218BB | Panel, 23.5 x 16.81 |
| 8. 968621&014418BB | Panel, 24.13 x 4.94 |
| 9. 968621&014318BB | Panel, 22.47 x 37.25 |
| 10. 968621&011112BB | Panel, 21.72 x 37.25 |
| 11. 968621&0158T06B | Corner trim, 90°, 1" radius |

2018 INTERSTATE FURNITURE, GALLEY

Refrigerator Cabinet, Grand Tour, Lt. Camel



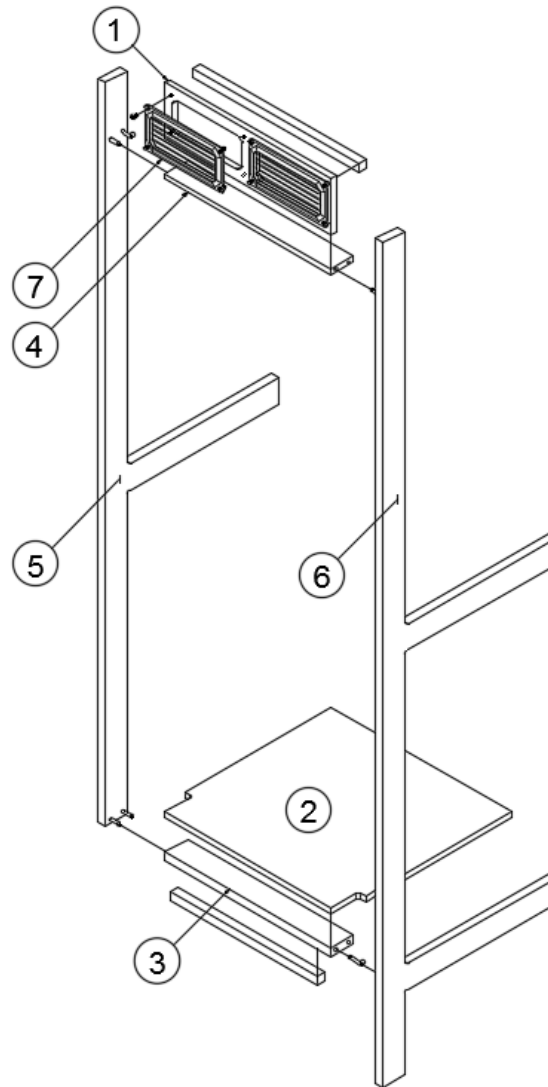
968594-18

Refrigerator Cabinet

- | | |
|---------------|---------------------------------|
| 1. 968594-181 | Panel, 4.94 x 16.75 |
| 2. 968594-182 | Panel, 18.25 x 17.5 |
| 3. 968594-183 | Panel, 2.25 x 16.75 |
| 4. 968594-184 | Panel, 2.25 x 16.75 |
| 5. 968594-185 | Panel, 17.5 x 64.94 |
| 6. 968594-186 | Panel, 17.5 x 73.75 |
| 7. 382297 | Vent, Black plastic |
| 365344-01 | Edgebanding, .63", Pearl Bisque |
| 365344-02 | Edgebanding, .94", Pearl Bisque |
| 800422 | Dowel pin |

2018 INTERSTATE FURNITURE, GALLEY

Refrigerator Cabinet, Grand Tour, Walnut



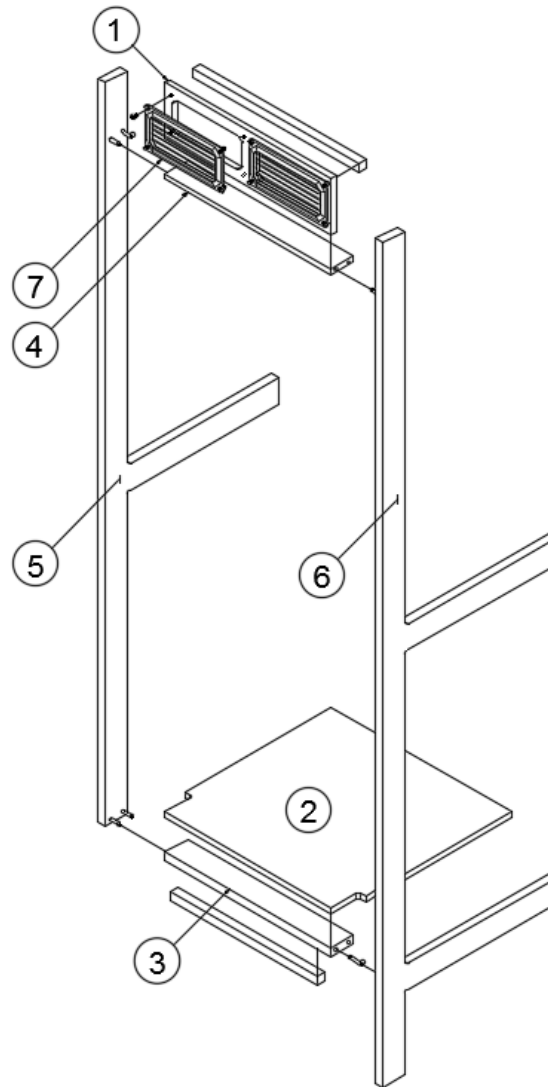
968594-02

Refrigerator Cabinet

- | | |
|---------------|---------------------------|
| 1. 968594-021 | Panel, 4.94 x 16.75 |
| 2. 968594-022 | Panel, 18.25 x 17.5 |
| 3. 968594-023 | Panel, 2.25 x 16.75 |
| 4. 968594-024 | Panel, 2.25 x 16.75 |
| 5. 968594-025 | Panel, 17.5 x 64.94 |
| 6. 968594-026 | Panel, 17.5 x 73.75 |
| 7. 382297 | Vent, Black plastic |
| 365379-01 | Edgebanding, .63", Walnut |
| 365379-02 | Edgebanding, .94", Walnut |
| 800422 | Dowel pin |

2018 INTERSTATE FURNITURE, GALLEY

Refrigerator Cabinet, Grand Tour, Beachwood



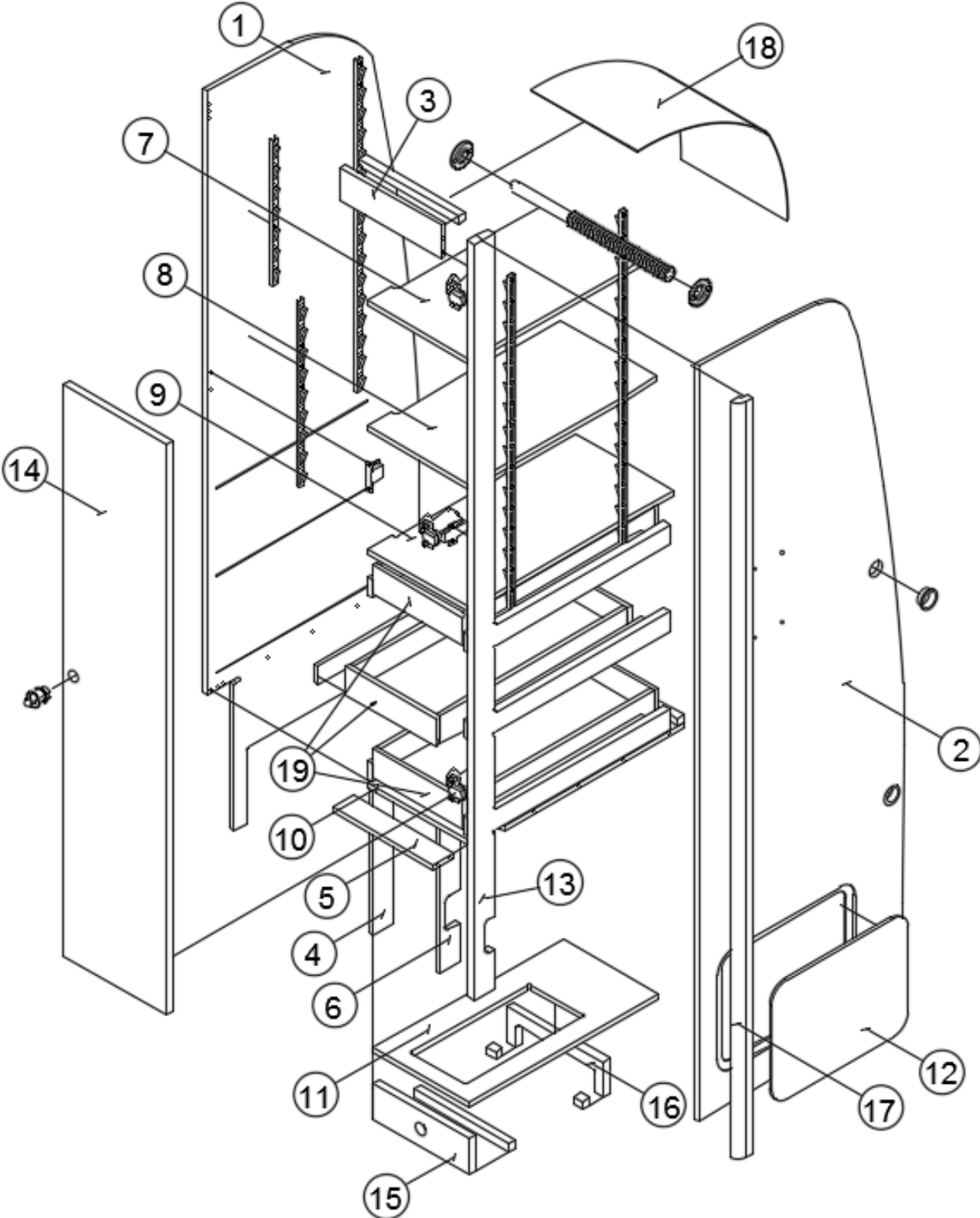
968594-33

Refrigerator Cabinet

- | | |
|---------------|---------------------------------|
| 1. 968594-331 | Panel, 4.94 x 16.75 |
| 2. 968594-332 | Panel, 18.25 x 17.5 |
| 3. 968594-333 | Panel, 2.25 x 16.75 |
| 4. 968594-334 | Panel, 2.25 x 16.75 |
| 5. 968594-335 | Panel, 17.5 x 64.94 |
| 6. 968594-336 | Panel, 17.5 x 73.75 |
| 7. 382297 | Vent, Black plastic |
| 365398-01 | Edgebanding, .63", Light Walnut |
| 365398-02 | Edgebanding, .94", Light Walnut |
| 800422 | Dowel pin |

2018 INTERSTATE FURNITURE, GALLEY

Pantry/Wardrobe, RS, Grand Tour



Parts Listed on Next Page

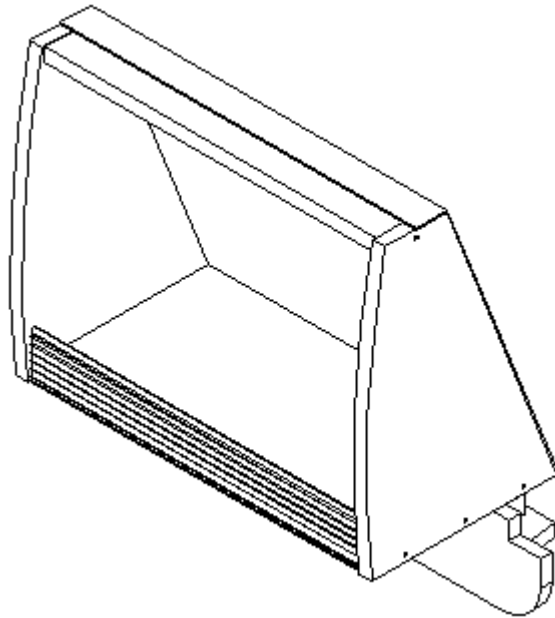
2018 INTERSTATE FURNITURE, GALLEY

Pantry/Wardrobe, RS, Grand Tour

968618	RS Pantry/Wardrobe
1. 968618&000112BB	Panel, 23.74 x 73.65
2. 968618&000212BB	Panel, 22.94 x 73.63
3. 968618&000312BB	Panel, 3.23 x 11.25
4. 968618&000412BB	Panel, 2.25 x 14.75
5. 968618&000512BB	Panel, 2.25 x 11.25
6. 968618&000612BB	Panel, 2.25 x 14.25
7. 968618&000712BB	Panel, 19.43 x 11.51
8. 968618&000812BB	Panel, 21.08 x 11.51
9. 968618&000912BB	Panel, 22.88 x 11.51
10. 968618&001012BB	Panel, 23.64 x 12
11. 968618&001112BB	Panel, 21.28 x 10.75
12. 968618&001212BB	Panel, 15.25 x 11.5
13. 968618&001318BB	Panel, 22 x 73.65
14. 968618&001418BB	Panel, 11.63 x 55.65
15. 968618&001518BB	Panel, 10.75 x 3.5
16. 968618&001618BB	Panel, 10.75 x 3.5
17. 968618&0017T06B	Corner trim, 90°, 1" radius
18. 968156	Wire cover
19. 964906-22	Drawer box, 2.75 x 21 x 10.19
381527	Shelf strips
382059-02	Knob, Push/pull, Black Nickel
381228-02	Catch, Grabber door, 5LB
968618&0025B01	Edgebanding, .63"
968618&0026B02	Edgebanding, .94"
381607-14	Hinge, Self-close, 160° overlay
380045	Tubing, ¾"
380046	Flange, Chrome
200975-04	Conduit, Flexible Black plastic
381925-02	Drawer slide, 20"
381209-02	Grommet w/cap, 1.5" hole, Black

2018 INTERSTATE FURNITURE, GALLEY

Front Shelf Closeout



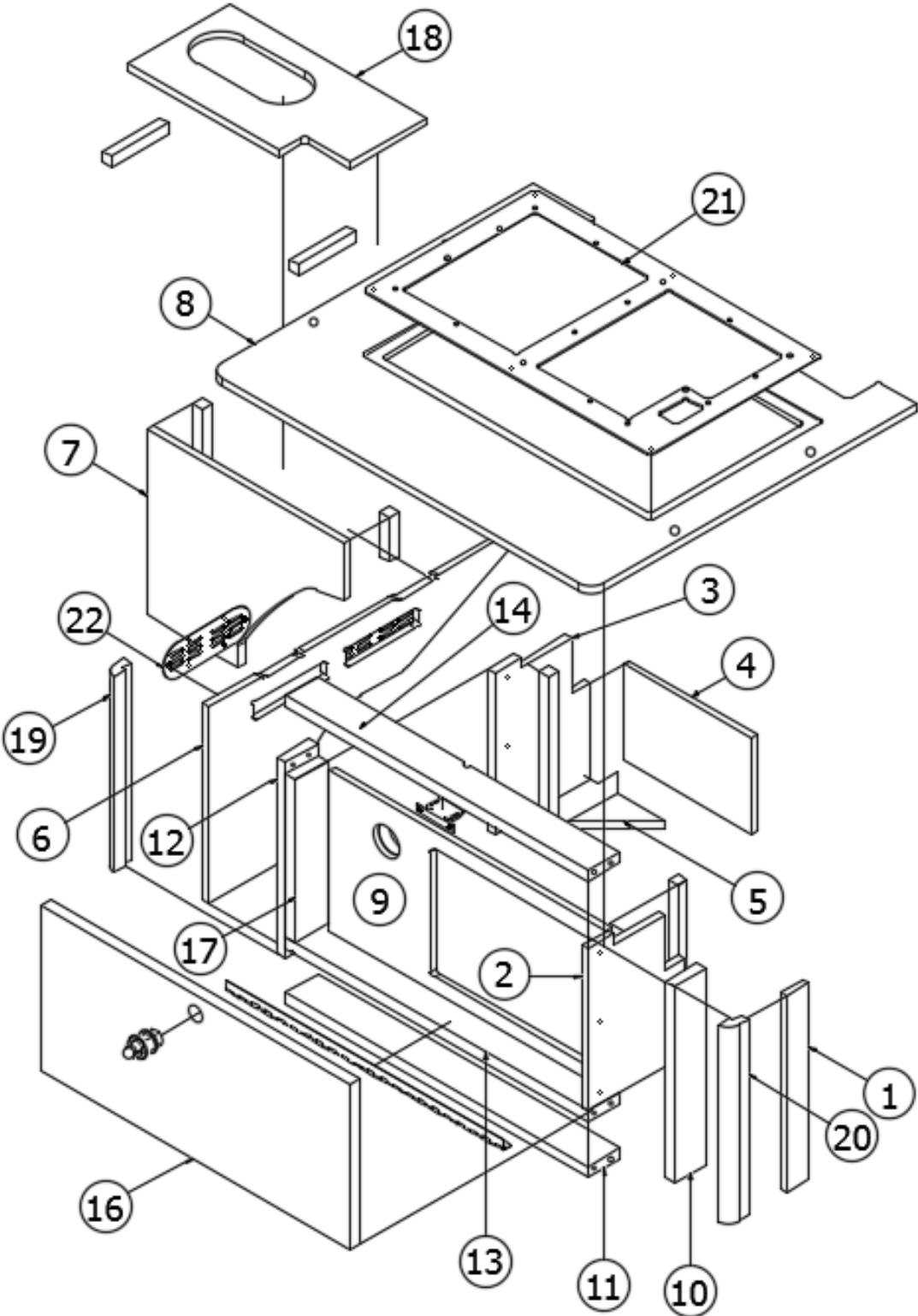
- 967505-18 Front shelf closeout, Lt. Camel
- 967505-02 Front shelf closeout, Walnut
- 967505-33 Front shelf closeout, Beachwood

Cargo Net

- 382171 Cargo net, 10" x 7'
- 320120 Screw w/washer, Upholstery

2018 INTERSTATE FURNITURE, LOUNGE

Dinette Seat, RS



Parts Listed on Next Page

2018 INTERSTATE FURNITURE, LOUNGE

Dinette Seat, RS

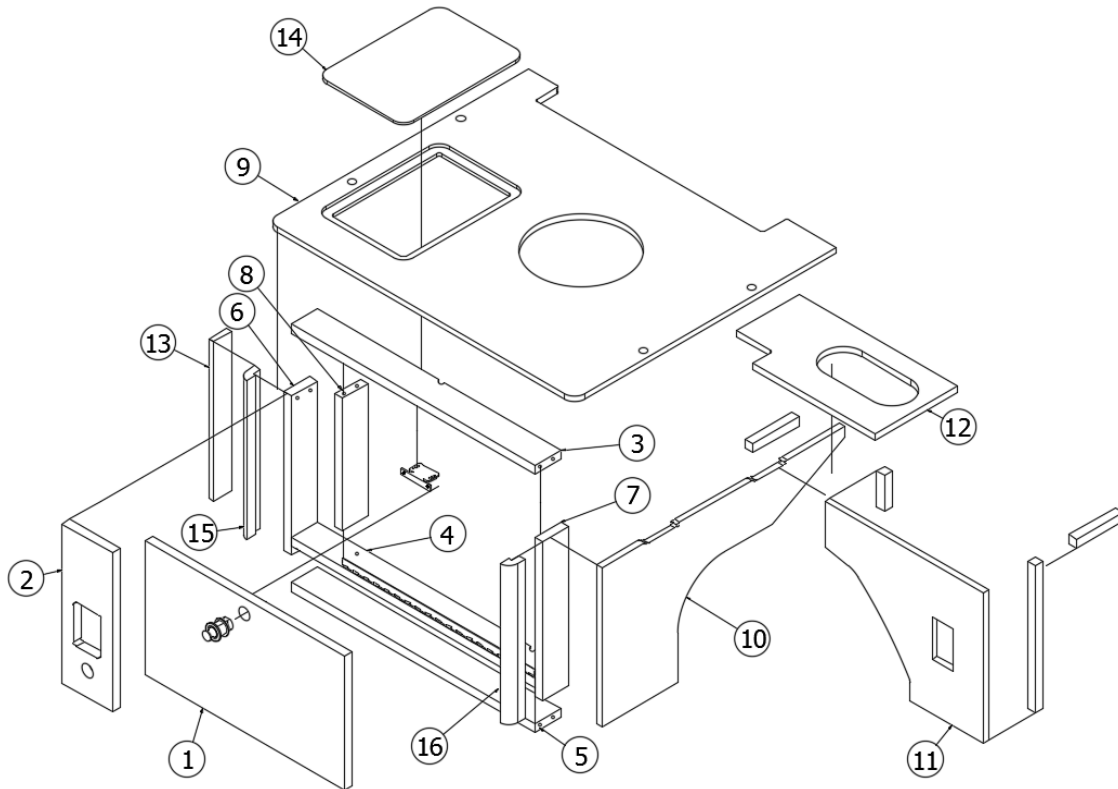
968623

RS Dinette Seat

1. 968623&000112BB	Panel, 1.75 x 13.25
2. 968623&000212BB	Panel, 7.5 x 10.94
3. 968623&000312BB	Panel, 7.5 x 10.94
4. 968623&000412BB	Panel, 10 x 6.5
5. 968623&000512BB	Panel, 3.75 x 3.75
6. 968623&000612BB	Panel, 23.5 x 13.25
7. 968623&000712BB	Panel, 15.36 x 12.5
8. 968623&000812BB	Panel, 25.31 x 41.42
9. 968623&000912BB	Panel, 21.56 x 10.88
10. 968623&001018BB	Panel, 2.5 x 13.25
11. 968623&001118BB	Panel, 2.5 x 23.5
12. 968623&001218BB	Panel, 2.5 x 13.25
13. 968623&001318BB	Panel, 2.5 x 23.5
14. 968623&001418BB	Panel, 2.5 x 23.5
15. 968623&001518BB	Panel, 2.69 x 2.69
16. 968623&001618BB	Panel, 24.13 x 11.1
17. 968623&001718BB	Panel, 2.5 x 10.94
18. 968623&002812BB	Panel, 8 x 15.36
19. 968623&0023T06B	Corner trim, 90°, 1" radius
20. 968623&0024T06B	Corner trim, 90°, 1" radius
21. 968141	Electrical cover
22. 382241	Locker vent, Stainless steel
381228-02	Catch, Grabber door, 5LB
382059-02	Knob, Push/pull, Black Nickel
382125	Piano hinge, Clear
968623&0025B01	Edgebanding, .63"
968623&0026B02	Edgebanding, .94"

2018 INTERSTATE FURNITURE, LOUNGE

Dinette Seat, CS



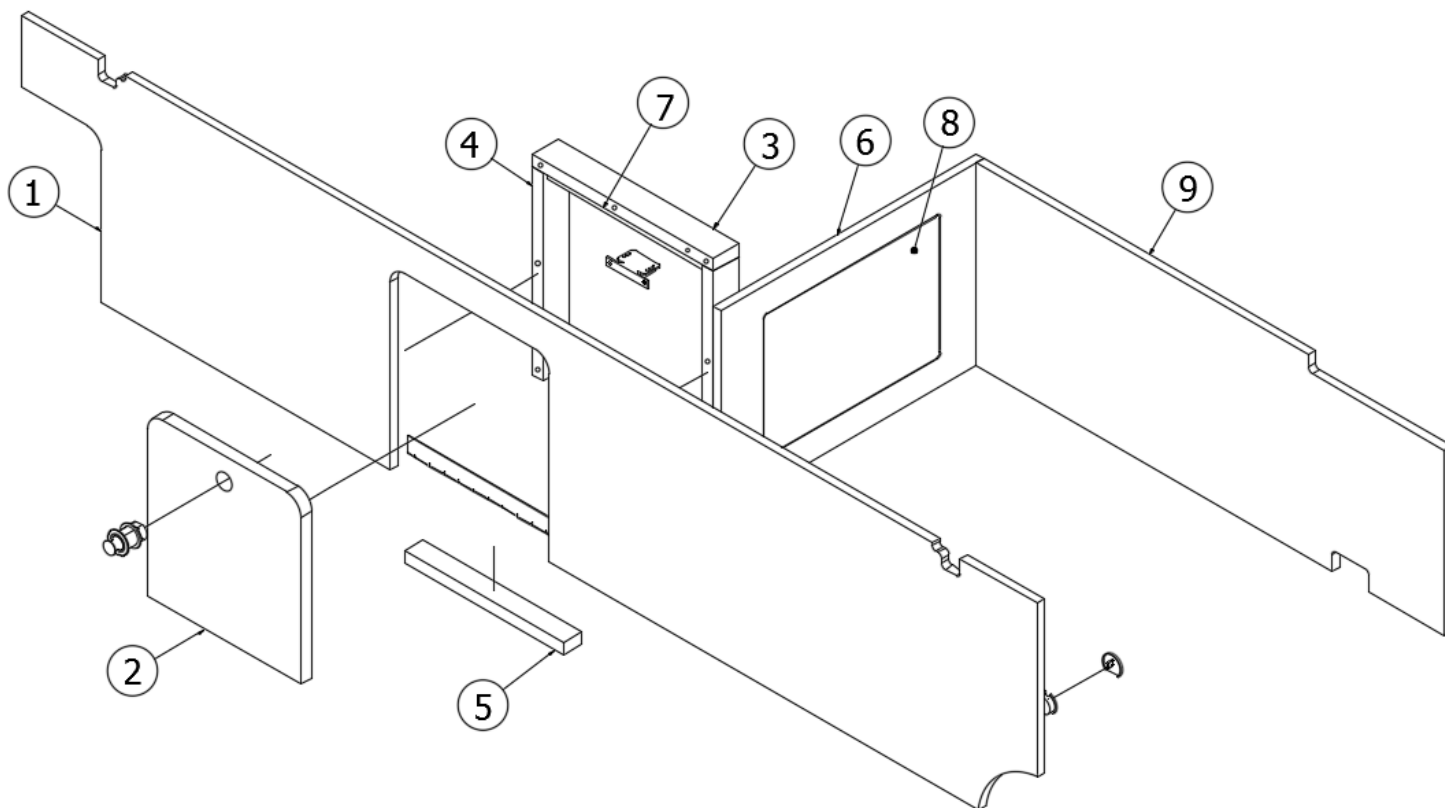
968615

CS Dinette Seat

- | | |
|---------------------|-------------------------------|
| 1. 968615&000118BB | Panel, 19.25 x 11.63 |
| 2. 968615&000218BB | Panel, 4.88 x 13.25 |
| 3. 968615&000318BB | Panel, 2.5 x 23.5 |
| 4. 968615&000418BB | Panel, 2.5 x 23.5 |
| 5. 968615&000518BB | Panel, 2.5 x 23.5 |
| 6. 968615&000618BB | Panel, 2.5 x 13.25 |
| 7. 968615&000718BB | Panel, 2.5 x 13.25 |
| 8. 968615&000818BB | Panel, 2.5 x 11 |
| 9. 968615&000912BB | Panel, 25.31 x 41.42 |
| 10. 968615&001012BB | Panel, 23.5 x 13.5 |
| 11. 968615&001112BB | Panel, 8 x 15.31 |
| 12. 968615&001212BB | Panel, 2.5 x 11 |
| 13. 968615&001312BB | Panel, 1.75 x 13.25 |
| 14. 968615&002212BB | Panel, 11.88 x 8.38 |
| 15. 968615&0014T06B | Corner trim, 90°, 1" radius |
| 16. 968615&0015T06B | Corner trim, 90°, 1" radius |
| 382125 | Piano hinge, Clear |
| 382059-02 | Knob, Push/pull, Black Nickel |
| 381228-02 | Catch, Grabber door, 5LB |
| 968615&0020B01 | Edgebanding, .63" |
| 968615&0021B02 | Edgebanding, .94" |

2018 INTERSTATE FURNITURE, LOUNGE

Sofa Base



968613

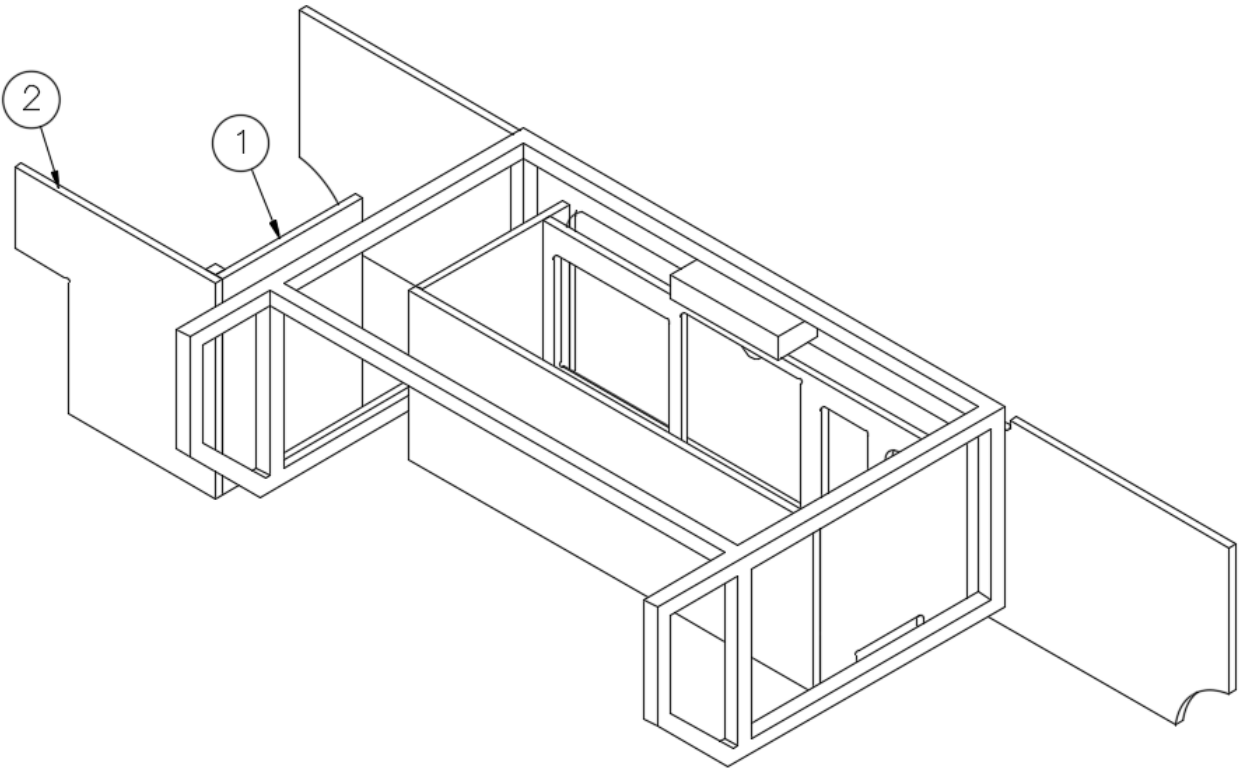
1. 968613&000112BB
 2. 968613&000218BB
 3. 968613&000318BB
 4. 968613&000418BB
 5. 968613&000518BB
 6. 968613&000712BB
 7. 968613&000812BB
 8. 968613&000912BB
 9. 968613&001012BB
- 381228
380203-01
382059-02
382057
382057-01

Rear Sofa Seat Base

- Panel, 14.25 x 69.58
Panel, 10.5 x 10.88
Panel, 1.75 x 12.38
Panel, 1.75 x 12.31
Panel, 1.25 x 10.88
Panel, 12 x 18
Panel, 1.5 x 10.88
Panel, 13.5 x 9.88
Panel, 12 x 32
Catch, Grabber door, 10LB
Piano hinge, Anodized
Knob, Push/pull, Black Nickel
Knockdown
Cap, Knockdown, Lt Brown

2018 INTERSTATE FURNITURE, LOUNGE

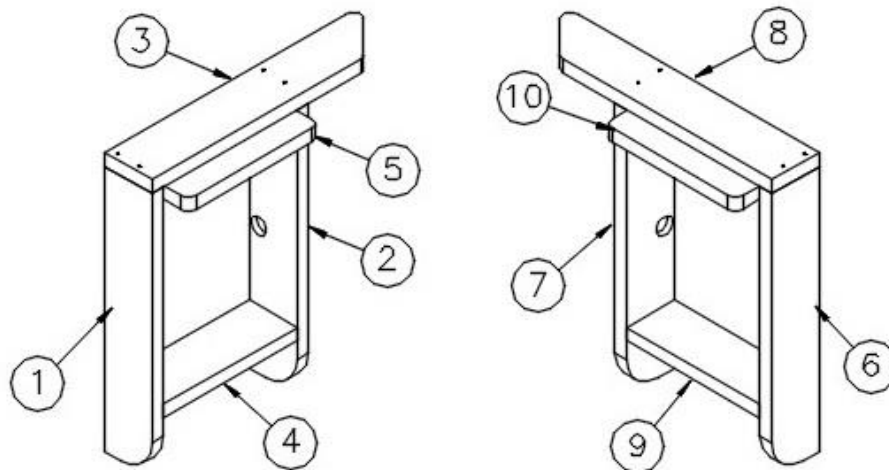
Sofa Closeouts



- | | |
|---------------|---|
| 1. 967324-183 | Sofa bed closeout, 14 x 10.5, Lt. Camel |
| 967324-023 | Sofa bed closeout, 14 x 10.5, Walnut |
| 967324-333 | Sofa bed closeout, 14 x 10.5, Beachwood |
| 2. 967324-184 | Sofa bed closeout, 14 x 15, Lt. Camel |
| 967324-024 | Sofa bed closeout, 14 x 15, Walnut |
| 967324-334 | Sofa bed closeout, 14 x 15, Beachwood |

2018 INTERSTATE FURNITURE, LOUNGE

Sofa Extensions



Roadside

Curbside

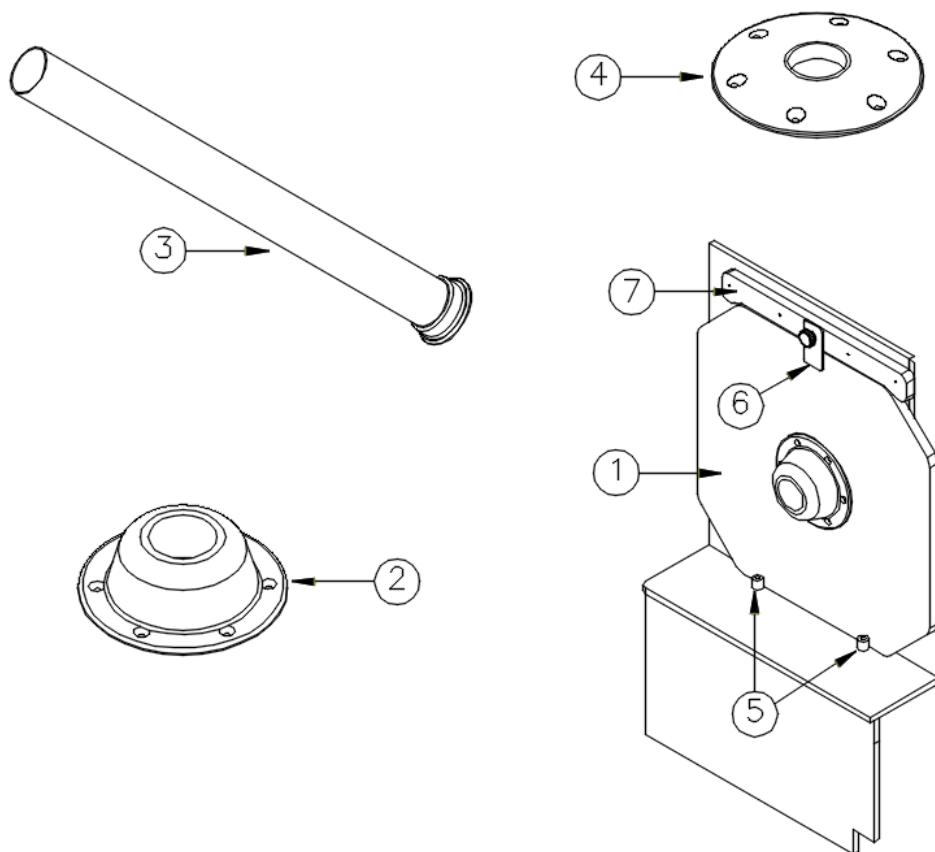
967776-18	Sofa Extension, RS, Lt. Camel
967776-02	Sofa Extension, RS, Walnut
967776-33	Sofa Extension, RS, Beachwood
967777-18	Sofa Extension, CS, Lt. Camel
967777-02	Sofa Extension, CS, Walnut
967777-33	Sofa Extension, CS, Beachwood

1. 967776-x1	Panel, 3 x 15.75, RS
2. 967776-x2	Panel, 3 x 15.75, RS
3. 967776-x3	Panel, 3 x 15.79, RS
4. 967776-x10	Panel, 3 x 8.5, RS
5. 967776-x11	Panel, 4.5 x 8.38, RS
6. 967777-x1	Panel, 3 x 18.25, CS
7. 967777-x2	Panel, 3 x 18.25, CS
8. 967777-x3	Panel, 3 x 15.79, CS
9. 967777-x10	Panel, 3 x 8.5, CS
10. 967777-x11	Panel, 4.5 x 8.38, CS
704108OY	Kit, Sofa cushions, Oyster
704108B	Kit, Sofa cushions, Black
704108MN	Kit, Sofa cushions, Moon
382172	Hinge, Narrow utility
115553	Sofa extension weldment
382293	Drawer Slide, 12"

*Replace "x" with 18, 02, or 33 when ordering

2018 INTERSTATE FURNITURE, LOUNGE

Pedestal Table



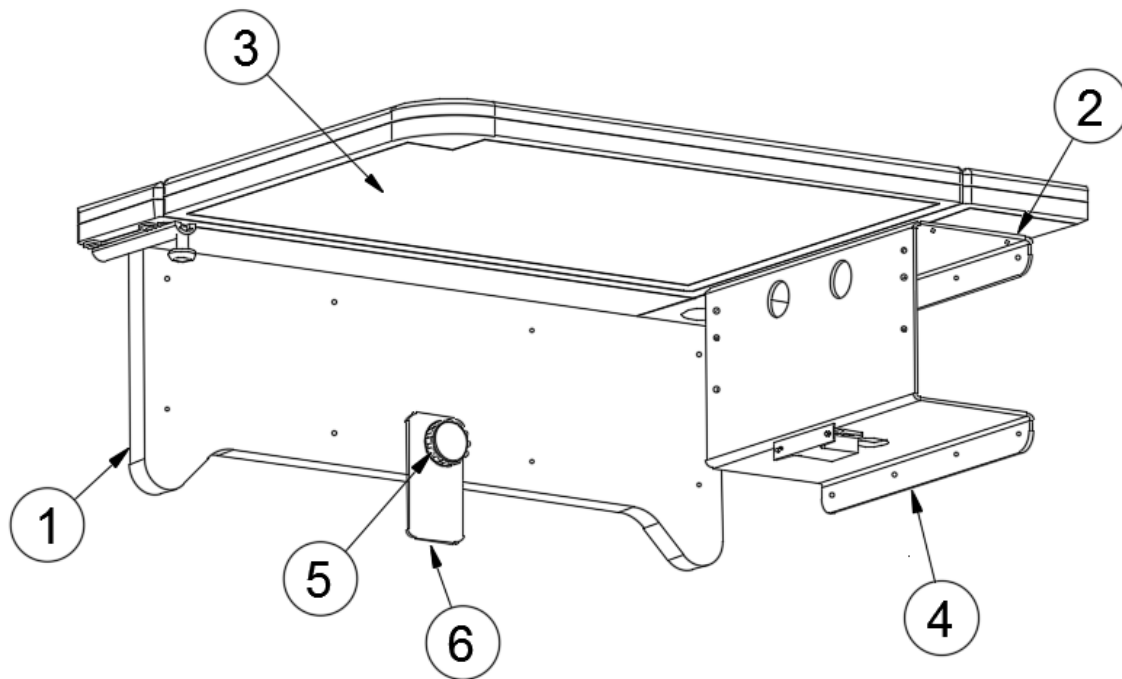
968482

Pedestal Table

- | | |
|---------------|-----------------------------------|
| 1. 602234-05 | Table top, Hazelnut |
| 2. 381975 | Pedestal socket, Table top |
| 3. 381974 | Pedestal leg, Thread lock |
| 4. 381976 | Pedestal socket, Floor |
| 5. 381136 | Rubber bumper |
| 6. 454721 | Bracket, Pedestal table storage |
| 7. 111810-181 | Panel, 17.5 x 2.25, Lt Camel |
| 111810-021 | Panel, 17.5 x 2.25, Walnut |
| 111810-331 | Panel, 17.5 x 2.25, Beachwood |
| 382095 | Knob, Knurled |
| 381610-03 | Cover cap, Plastic |
| 703967 | Storage wrap assembly |
| 703832 | Vinyl, Simplicity Black, 54" wide |
| 703703 | Zipper, Black |
| 382077 | Clip- 2.38" Post Storage |

2018 INTERSTATE FURNITURE, LOUNGE

Flip Table, Grand Tour, Lt Camel



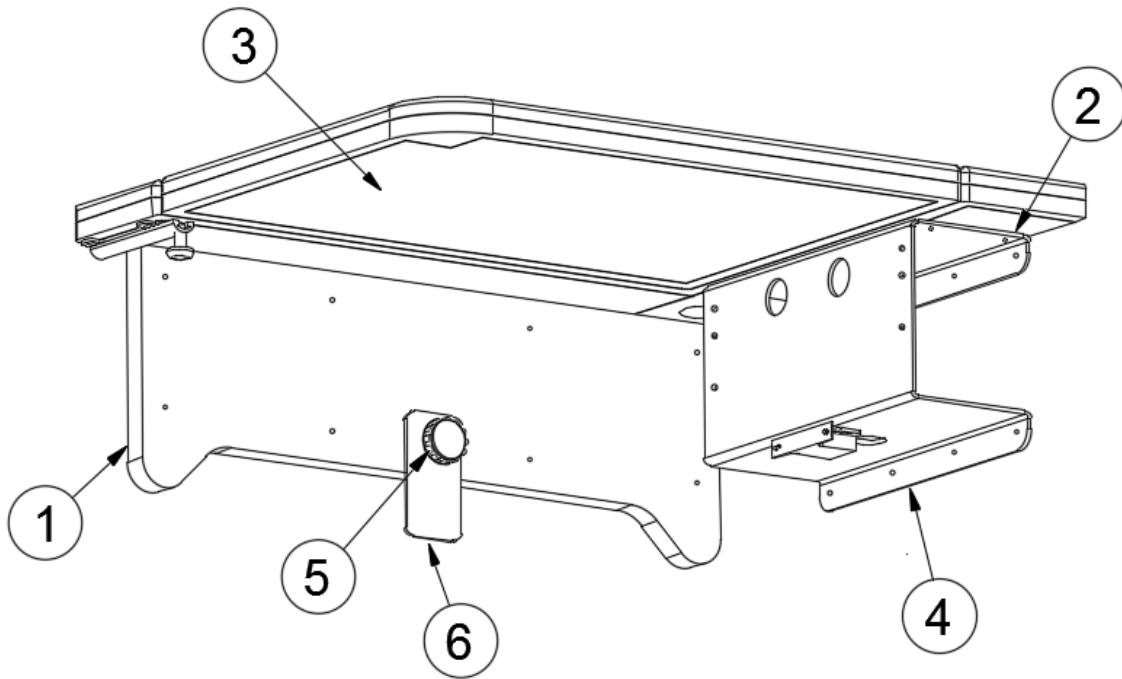
968169-18

Flip Table Area

- | | |
|---------------|---------------------------------|
| 1. 968169-181 | Panel, 6.66 x 19 |
| 2. 602387-01 | Credenza top, Corian, Hazelnut |
| 3. 602386-01 | Flip table, Corian, Hazelnut |
| 4. 454987 | Bracket, Flip table |
| 5. 382095 | Knob, Knurled |
| 6. 454721 | Bracket, Pedestal table storage |
| 381136 | Rubber bumper |
| 382092-01 | Bracket, Hinged spring |
| 454989 | Bracket, Flip table brace |
| 382260 | Slide bolt, 4" |
| 381209-01 | Grommet w/cap, Black |
| 381228-02 | Catch, Grabber door, 5LB |
| 365344-02 | Edgebanding, .94", Pearl Bisque |

2018 INTERSTATE FURNITURE, LOUNGE

Flip Table, Grand Tour, Walnut



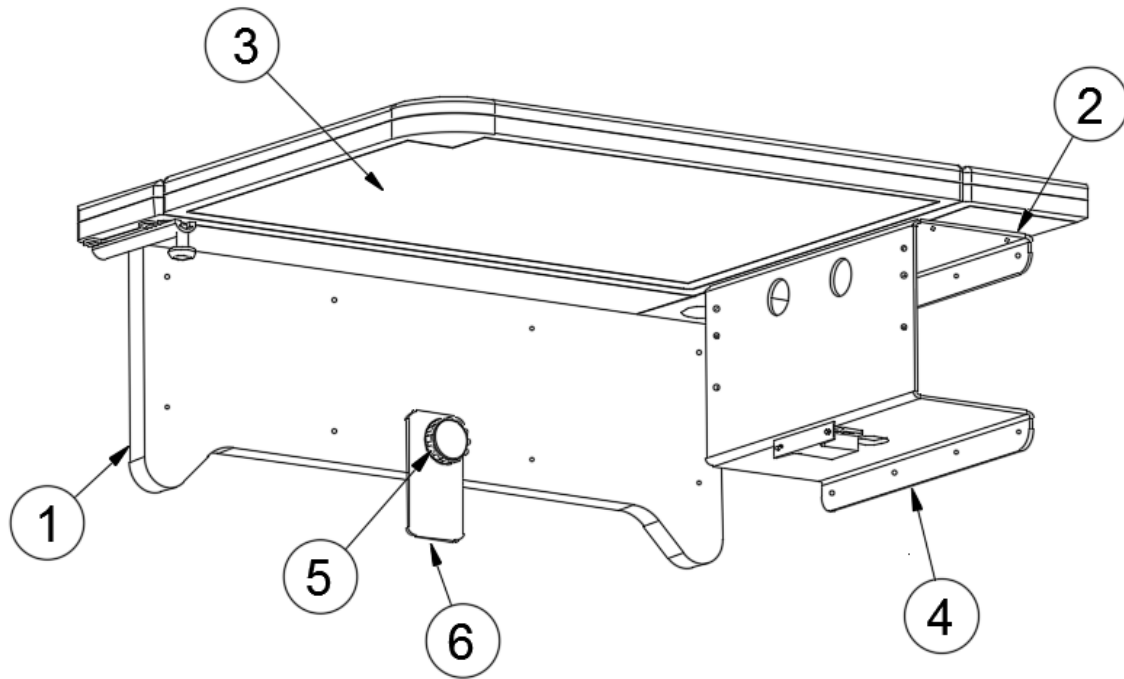
968169-02

Flip Table Area

- | | |
|---------------|---------------------------------|
| 1. 968169-021 | Panel, 6.66 x 19 |
| 2. 602387-01 | Credenza top, Corian, Hazelnut |
| 3. 602386-01 | Flip table, Corian, Hazelnut |
| 4. 454987 | Bracket, Flip table |
| 5. 382095 | Knob, Knurled |
| 6. 454721 | Bracket, Pedestal table storage |
| 381136 | Rubber bumper |
| 382092-01 | Bracket, Hinged spring |
| 454989 | Bracket, Flip table brace |
| 382260 | Slide bolt, 4" |
| 381209-01 | Grommet w/cap, Black |
| 381228-02 | Catch, Grabber door, 5LB |
| 365379-02 | Edgebanding, .94", Walnut |

2018 INTERSTATE FURNITURE, LOUNGE

Flip Table, Grand Tour, Beachwood



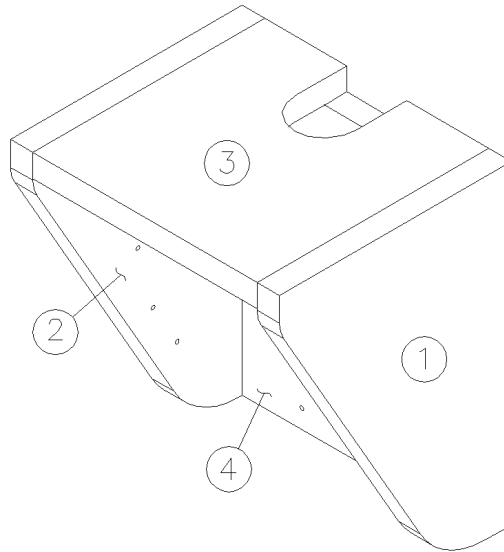
968169-33

Flip Table Area

- | | |
|---------------|---------------------------------|
| 1. 968169-331 | Panel, 6.66 x 19 |
| 2. 602387-01 | Credenza top, Corian, Hazelnut |
| 3. 602386-01 | Flip table, Corian, Hazelnut |
| 4. 454987 | Bracket, Flip table |
| 5. 382095 | Knob, Knurled |
| 6. 454721 | Bracket, Pedestal table storage |
| 381136 | Rubber bumper |
| 382092-01 | Bracket, Hinged spring |
| 454989 | Bracket, Flip table brace |
| 382260 | Slide bolt, 4" |
| 381209-01 | Grommet w/cap, Black |
| 381228-02 | Catch, Grabber door, 5LB |
| 365398-02 | Edgebanding, .94", Light Walnut |

2018 INTERSTATE FURNITURE, LOUNGE

TV Mounting Cabinet



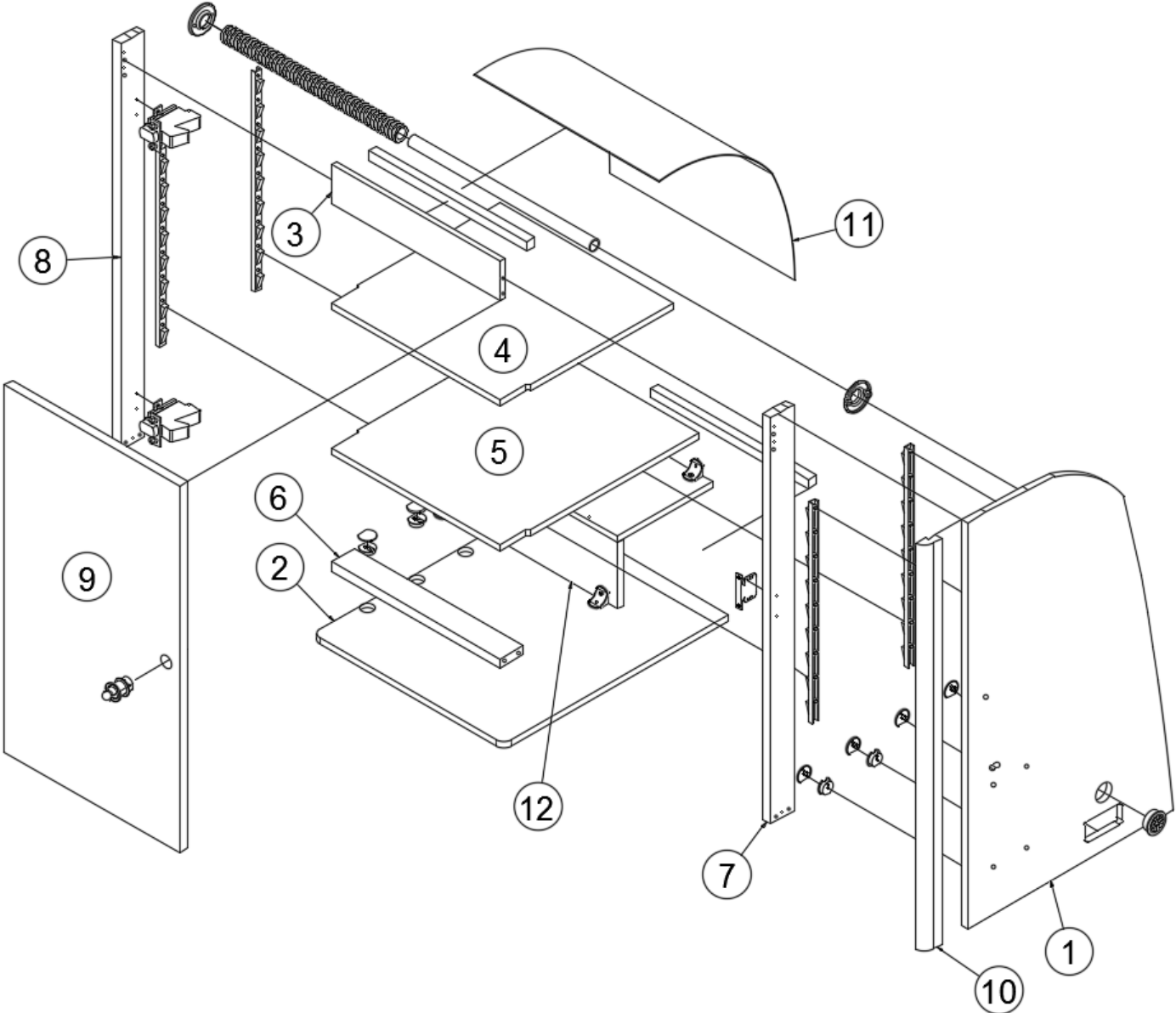
968267-18
968267-02
968267-33

28" TV Mounting Cabinet, Lt. Camel
28" TV Mounting Cabinet, Walnut
28" TV Mounting Cabinet, Beachwood

- | | | |
|----|------------|---------------------------------|
| 1. | 968267-181 | Panel, 7.75 x 10.5, Lt. Camel |
| | 968267-021 | Panel, 7.75 x 10.5, Walnut |
| | 968267-331 | Panel, 7.75 x 10.5, Beachwood |
| 2. | 968267-182 | Panel, 7.75 x 10.5, Lt. Camel |
| | 968267-022 | Panel, 7.75 x 10.5, Walnut |
| | 968267-332 | Panel, 7.75 x 10.5, Beachwood |
| 3. | 968267-183 | Panel, 7.75 x 7.5, Lt. Camel |
| | 968267-023 | Panel, 7.75 x 7.5, Walnut |
| | 968267-333 | Panel, 7.75 x 7.5, Beachwood |
| 4. | 968267-184 | Panel, 7.5 x 9.75, Lt. Camel |
| | 968267-024 | Panel, 7.5 x 9.75, Walnut |
| | 968267-334 | Panel, 7.5 x 9.75, Beachwood |
| | 365344-02 | Edgebanding, .94", Pearl Bisque |
| | 365379-02 | Edgebanding, .94", Walnut |
| | 365398-02 | Edgebanding, .94", Beachwood |
| | 382227 | Hinge, Overhead spring, Nickel |
| | 381228-02 | Catch, Grabber door |

2018 INTERSTATE FURNITURE, LOUNGE

Wardrobe, CS, Lounge Hanging Wardrobe Option



Parts Listed on Next Page

2018 INTERSTATE FURNITURE, LOUNGE

Wardrobe, CS, Lounge Hanging Wardrobe Option

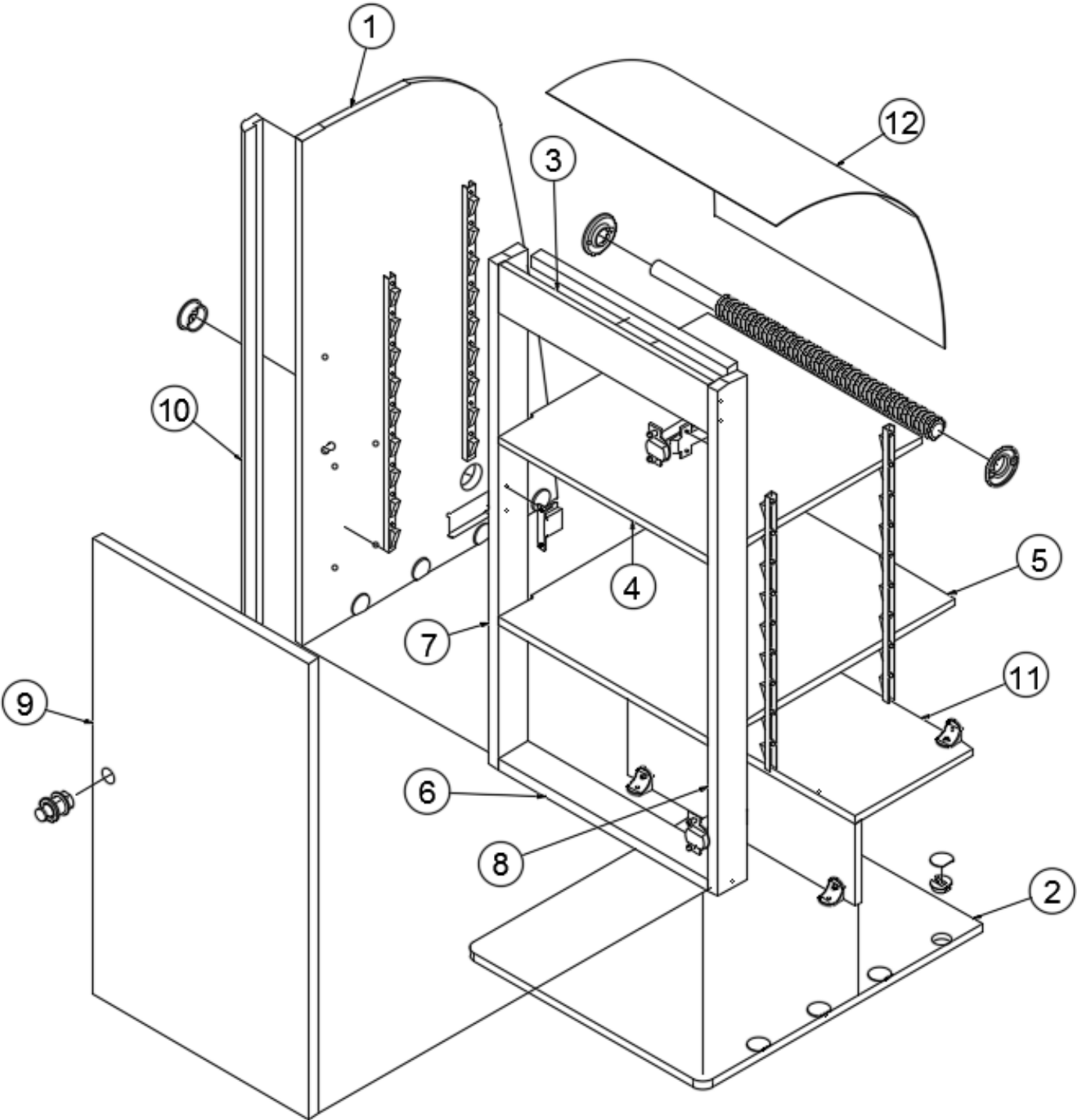
968655

Hanging Wardrobe

1. 968655&000112BB Panel, 19.57 x 33.5
2. 968655&000212BB Panel, 18.25 x 21.37
3. 968655&000312BB Panel, 16 x 3.25
4. 968655&000412BB Panel, 16.25 x 16.5
5. 968655&000512BB Panel, 18.75 x 16.5
6. 968655&000618BB Panel, 2.25 x 16
7. 968655&000718BB Panel, 2.25 x 33.5
8. 968655&000818BB Panel, 2.25 x 33.5
9. 968655&000918BB Panel, 16.63 x 30.25
10. 968655&0012T06B Corner trim, 90°, 1" radius
11. 967234 Cover, Wire
12. 968327 TV wire closeout
- 381527 Shelf strips, Speedy
- 382059-02 Knob, Push/pull, Black Nickel
- 381228-02 Catch, Grabber door, 5LB
- 382057 Knockdown
- 382057-01 Cap, Knockdown, Lt. Brown
- 512923 Grommet, 1.5" DIA.
- 381607-14 Hinge, Self-close, 160° overlay
- 380045 Tubing, .75", Elec. Metallic
- 380046 Flange, Chrome
- 200975-04 Conduit, Flexible Black plastic
- 968655&0013B01 Edgebanding, .63"
- 968655&0014B02 Edgebanding, .94"

2018 INTERSTATE FURNITURE, LOUNGE

Wardrobe, RS, Grand Tour Hanging Wardrobe Option



Parts Listed on Next Page

2018 INTERSTATE FURNITURE, LOUNGE

Wardrobe, RS, Grand Tour Hanging Wardrobe Option

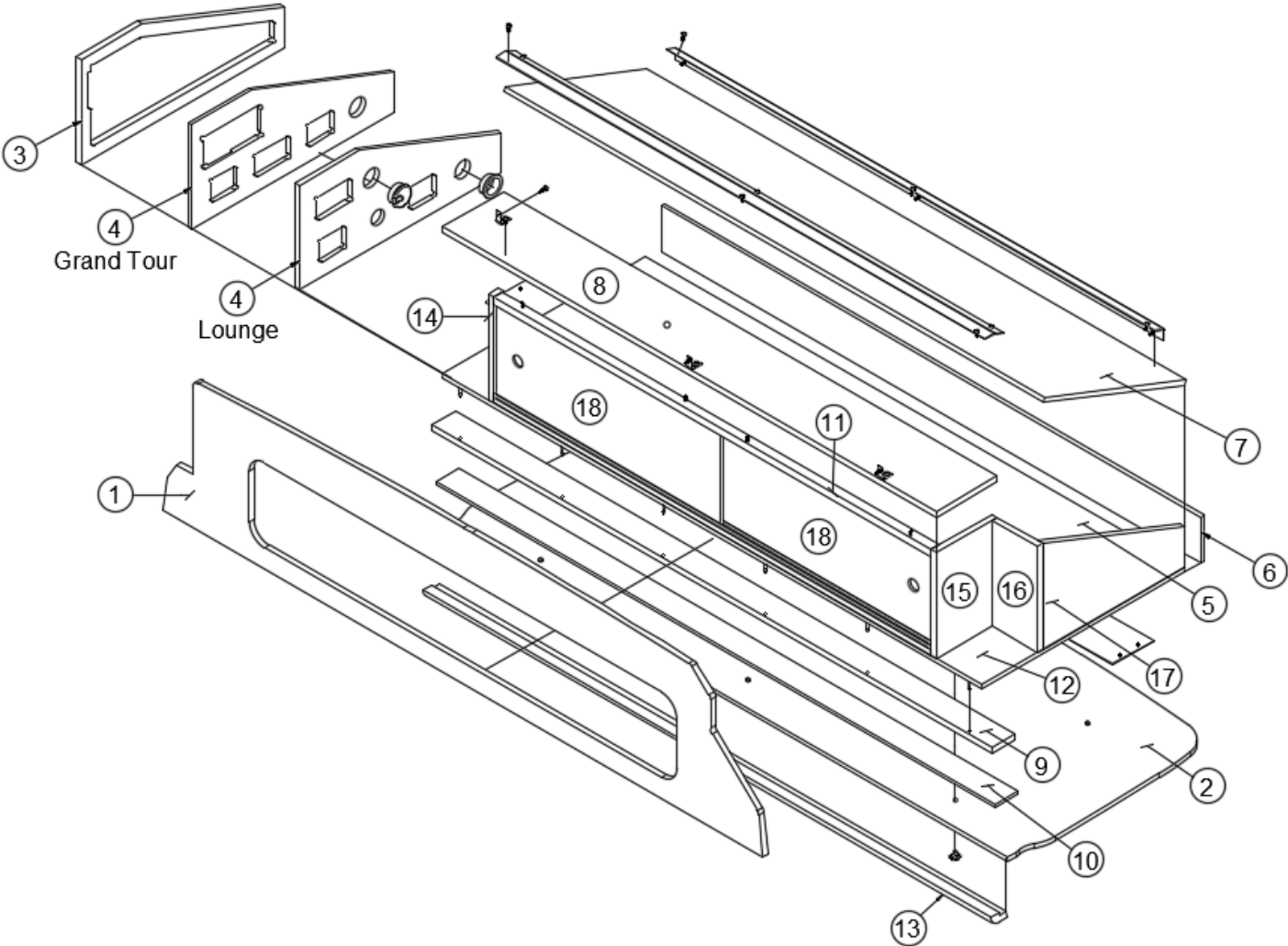
968617

Hanging Wardrobe

1. 968617&000112BB Panel, 19.56 x 33.5
2. 968617&000212BB Panel, 18.25 x 21.38
3. 968617&000312BB Panel, 16 x 3.25
4. 968617&000412BB Panel, 16.25 x 16.5
5. 968617&000512BB Panel, 18.75 x 16.5
6. 968617&000618BB Panel, 2.25 x 16
7. 968617&000718BB Panel, 2.25 x 33.5
8. 968617&000818BB Panel, 2.25 x 33.5
9. 968617&000918BB Panel, 16.63 x 30.25
10. 968617&0010T06B Corner trim, 90°, 1" radius
11. 968327 TV wire closeout
12. 967234 Wire cover
- 381527 Shelf strip, Speedy
- 381607-11 Hinge,
- 381228-02 Catch, Grabber door, 5LB
- 382059-02 Knob, Push/pull, Black Nickel
- 380045 Tubing, .75", Elec. Metallic
- 380046 Flange, Chrome
- 200975-04 Conduit, Flexible Black plastic
- 512923 Grommet, 1.5" DIA.
- 382057 Knockdown
- 382057-01 D-cover cap, Lt. Brown
- 968617&0012B01 Edgebanding, .63"
- 968617&0013B02 Edgebanding, .94"

2018 INTERSTATE FURNITURE, LOUNGE

Roof Locker, Front End, Lt Camel



Parts Listed on Next Page

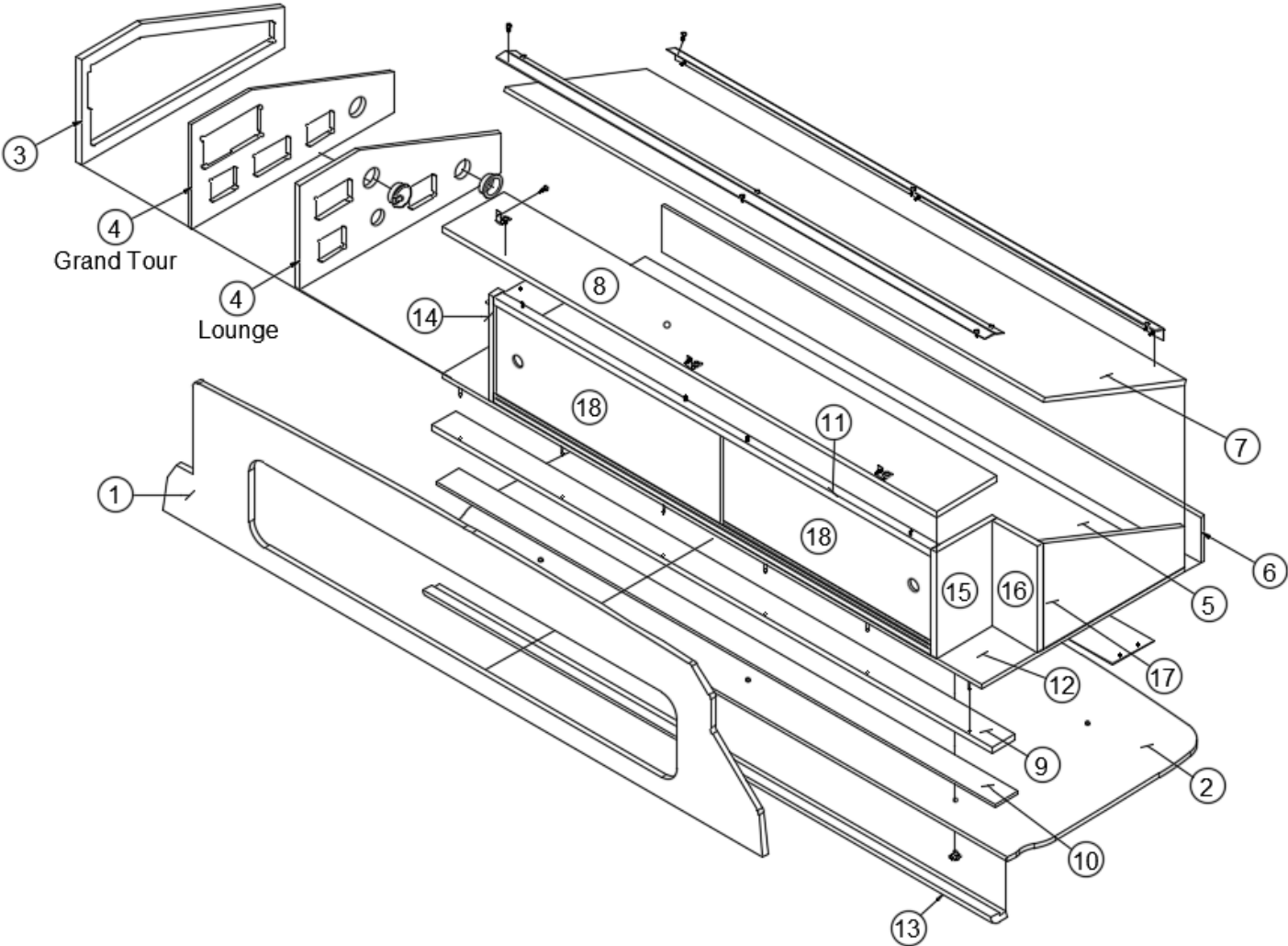
2018 INTERSTATE FURNITURE, LOUNGE

Roof Locker, Front End, Lt Camel

967503-18	Front End Roof Locker
1. 967503-181	Panel, 14.06 x 59
2. 967503-182	Panel, 21 x 57
3. 967503-183	Panel, 9 x 20
4. 967503-4	Panel, 8.88 x 19.88, Lounge
967503-37	Panel, 8.88 x 19.88, GT
5. 967503-185	Panel, 8.88 x 19.88
6. 967503-6	Panel, 3.88 x 53
7. 967503-7	Panel, 15.04 x 53
8. 967503-188	Panel, 6 x 48.5
9. 967503-189	Panel, 2.25 x 55
10. 967503-10	Panel, 2.25 x 55
11. 967503-1811	Panel, 1 x 43
12. 967503-12	Panel, 20 x 53
13. 801706-0018	Corner trim, 90°, 1" radius, Asian Sand
14. 967503-1814	Panel, 1 x 9
15. 967503-1815	Panel, 6 x 9
16. 967503-1816	Panel, 4.5 x 9
17. 115580	Support plate, Overhead
18. 203633-02	Door, Sliding glass, 8.06 x 22
203388-01	Track, Sliding door, Black
380041	Corner brace, 1" Stanley
381209-01	Grommet w/cap, 1.5", Black
500132	Grommet, 1"
115561	Aluminum angle, 25°, 1 x 1
115562	Aluminum angle, 70°, 1 x 1
203445-01	T-molding, .5625", White
703991	Seal, Pile weather strip, Black

2018 INTERSTATE FURNITURE, LOUNGE

Roof Locker, Front End, Walnut



Parts Listed on Next Page

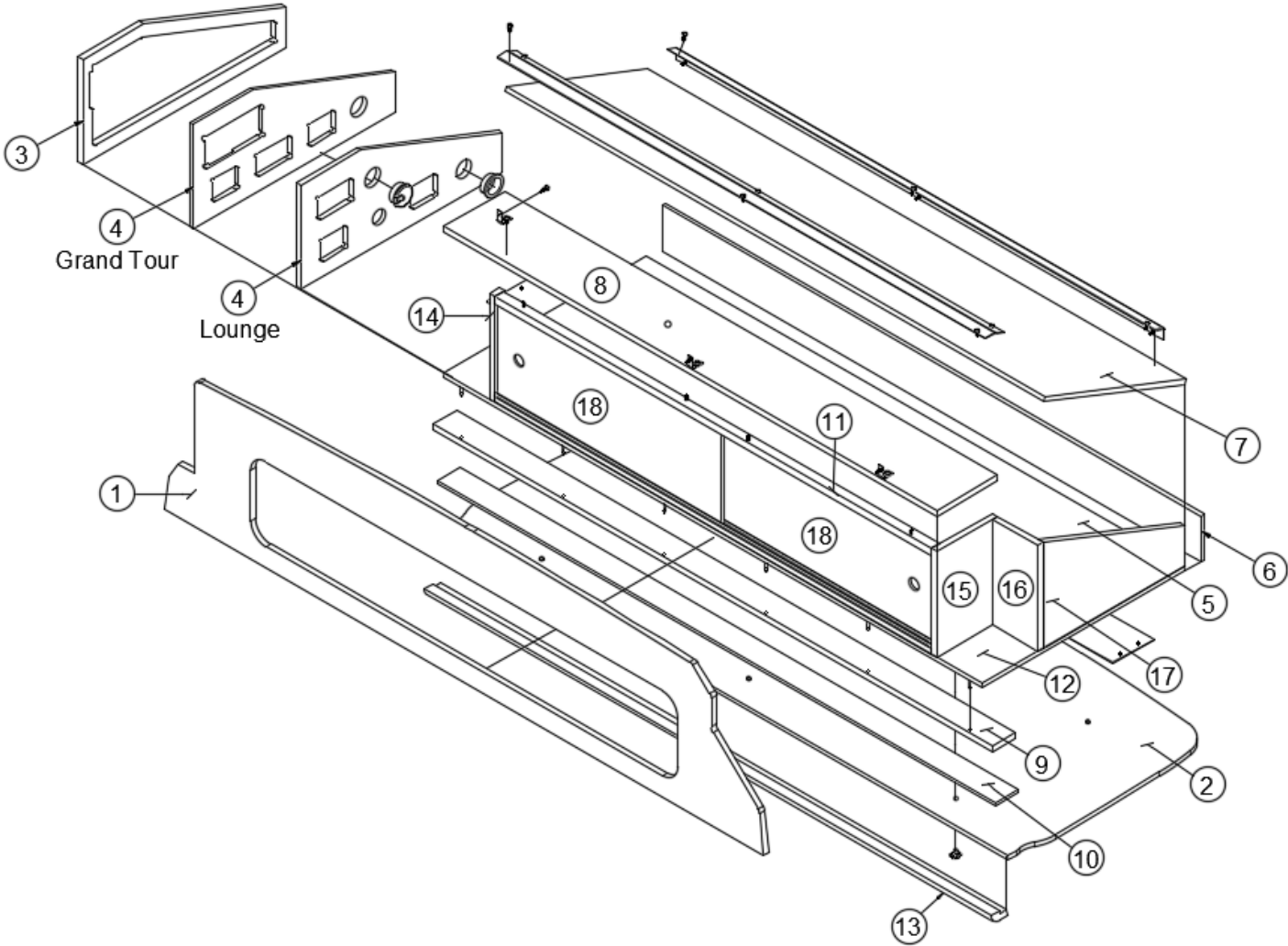
2018 INTERSTATE FURNITURE, LOUNGE

Roof Locker, Front End, Walnut

967503-02	Front End Roof Locker
1. 967503-021	Panel, 14.06 x 59
2. 967503-022	Panel, 21 x 57
3. 967503-023	Panel, 9 x 20
4. 967503-4	Panel, 8.88 x 19.88, Lounge
967503-37	Panel, 8.88 x 19.88, GT
5. 967503-025	Panel, 8.88 x 19.88
6. 967503-6	Panel, 3.88 x 53
7. 967503-7	Panel, 15.04 x 53
8. 967503-028	Panel, 6 x 48.5
9. 967503-029	Panel, 2.25 x 55
10. 967503-10	Panel, 2.25 x 55
11. 967503-0211	Panel, 1 x 43
12. 967503-12	Panel, 20 x 53
13. 801706-002	Corner trim, 90°, 1" radius, Walnut
14. 967503-0214	Panel, 1 x 9
15. 967503-0215	Panel, 6 x 9
16. 967503-0216	Panel, 4.5 x 9
17. 115580	Support plate, Overhead
18. 203633-02	Door, Sliding glass, 8.06 x 22
203388-01	Track, Sliding door, Black
380041	Corner brace, 1" Stanley
381209-01	Grommet w/cap, 1.5", Black
500132	Grommet, 1"
115561	Aluminum angle, 25°, 1 x 1
115562	Aluminum angle, 70°, 1 x 1
203845	T-molding, .5625", Tan
703991	Seal, Pile weather strip, Black

2018 INTERSTATE FURNITURE, LOUNGE

Roof Locker, Front End, Beachwood



Parts Listed on Next Page

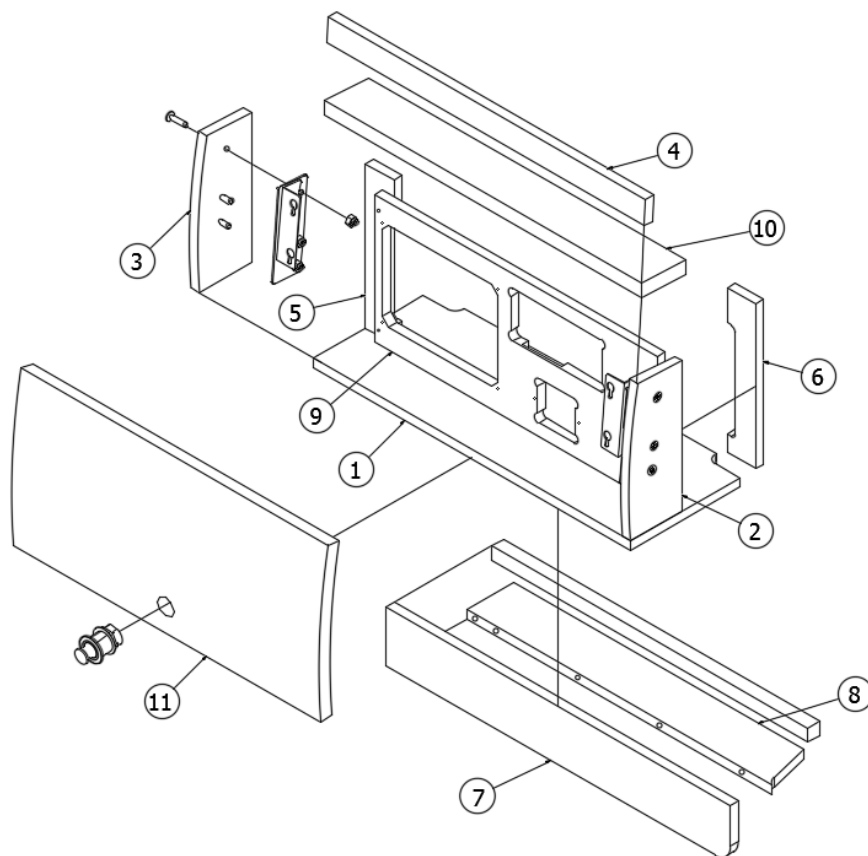
2018 INTERSTATE FURNITURE, LOUNGE

Roof Locker, Front End, Beachwood

967503-33	Front End Roof Locker
1. 967503-331	Panel, 14.06 x 59
2. 967503-332	Panel, 21 x 57
3. 967503-333	Panel, 9 x 20
4. 967503-4	Panel, 8.88 x 19.88, Lounge
967503-37	Panel, 8.88 x 19.88, GT
5. 967503-335	Panel, 8.88 x 19.88
6. 967503-6	Panel, 3.88 x 53
7. 967503-7	Panel, 15.04 x 53
8. 967503-338	Panel, 6 x 48.5
9. 967503-339	Panel, 2.25 x 55
10. 967503-10	Panel, 2.25 x 55
11. 967503-3311	Panel, 1 x 43
12. 967503-12	Panel, 20 x 53
13. 801706-0033	Corner trim, 90°, 1" radius, Beachwood
14. 967503-3314	Panel, 1 x 9
15. 967503-3315	Panel, 6 x 9
16. 967503-1816	Panel, 4.5 x 9
17. 115580	Support plate, Overhead
18. 203633-02	Door, Sliding glass, 8.06 x 22
203388-01	Track, Sliding door, Black
380041	Corner brace, 1" Stanley
381209-01	Grommet w/cap, 1.5", Black
500132	Grommet, 1"
115561	Aluminum angle, 25°, 1 x 1
115562	Aluminum angle, 70°, 1 x 1
203445-01	T-molding, .5625", White
703991	Seal, Pile weather strip, Black

2018 INTERSTATE FURNITURE, LOUNGE

Roof Locker, RS Front Transition (New)



*968780

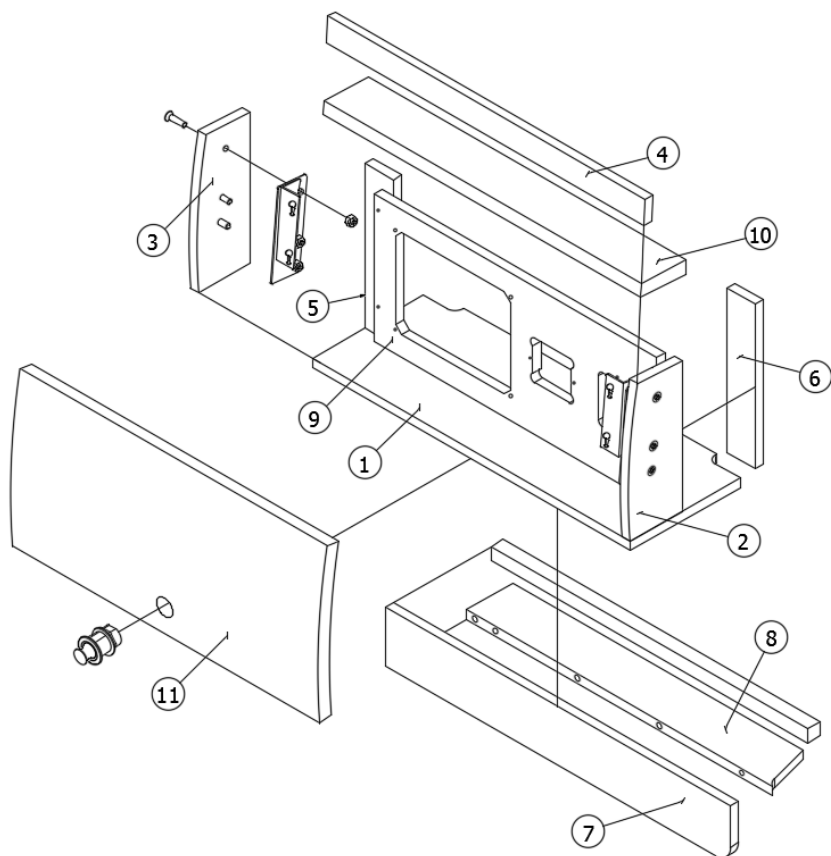
RS Front Transition Roof Locker

1. 968780&000112BB	Panel, 7.31 x 19.5
2. 968780&000212BB	Panel, 3.31 x 8.16
3. 968780&000312BB	Panel, 3.31 x 8.16
4. 968780&000412BB	Panel, 1.38 x 19.5
5. 968780&000512BB	Panel, 1.75 x 8.79
6. 968780&000612BB	Panel, 1.75 x 8.79
7. 968780&000712BB	Panel, 3.13 x 21.19
8. 968780&000812BB	Panel, 2.88 x 18.78
9. 968780&000912BB	Panel, 7.88 x 17.38
10. 968780&001018BB	Panel, 2.75 x 19.5
11. 802234-0218	Door, 9.25 x 18.88, Asian Sand
802234-022	Door, 9.25 x 18.88, Walnut
802234-0233	Door, 9.25 x 18.88, Beachwood
382059-02	Knob, Push/pull, Black Nickel
382227	Hinge, Overhead spring, Nickel
968780&0012B01	Edgebanding, .63"
968780&0013B02	Edgebanding, .94"

*Replaced 968619 in December 2017

2018 INTERSTATE FURNITURE, LOUNGE

Roof Locker, RS Front Transition (Old)



*968619

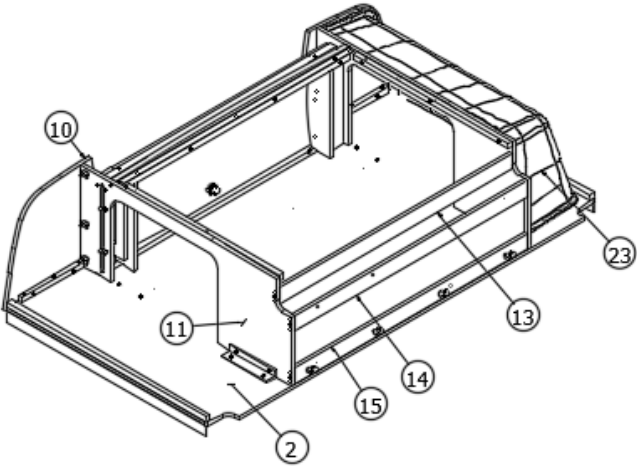
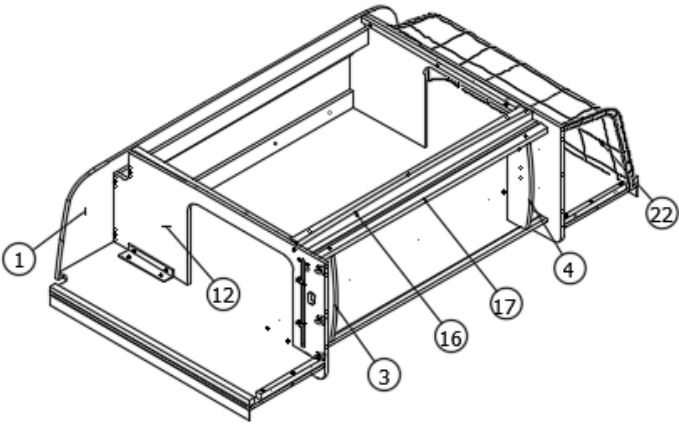
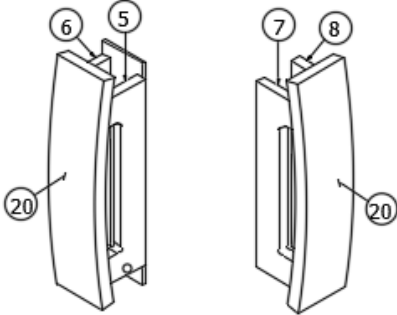
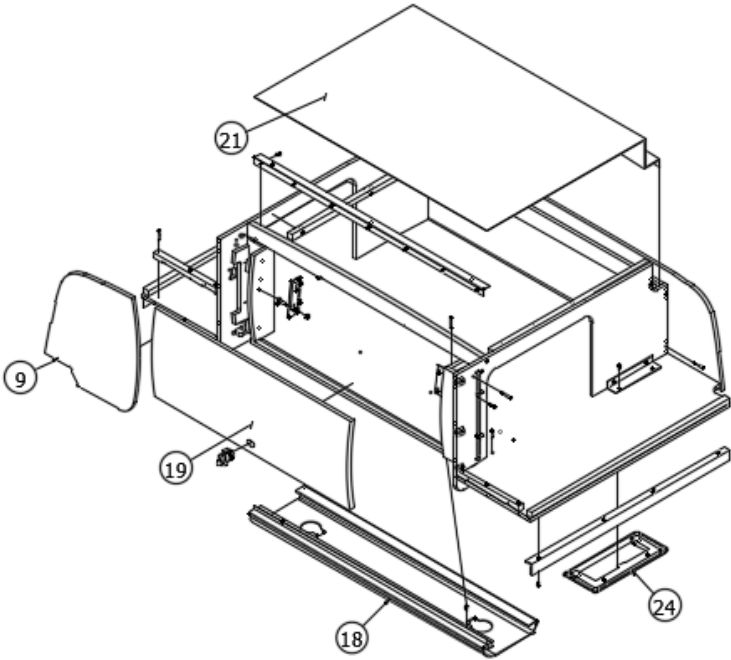
RS Front Transition Roof Locker

1. 968619&000112BB	Panel, 7.31 x 19.5
2. 968619&000212BB	Panel, 3.31 x 8.16
3. 968619&000312BB	Panel, 3.31 x 8.16
4. 968619&000412BB	Panel, 1.38 x 19.5
5. 968619&000512BB	Panel, 1.75 x 8.79
6. 968619&000612BB	Panel, 1.75 x 8.79
7. 968619&000712BB	Panel, 3.3 x 21.19
8. 968619&000812BB	Panel, 2.88 x 18.78
9. 968619&000912BB	Panel, 7.88 x 17.38
10. 968619&001018BB	Panel, 2.75 x 19.5
11. 802234-0218	Door, 9.25 x 18.88, Asian Sand
802234-022	Door, 9.25 x 18.88, Walnut
802234-0233	Door, 9.25 x 18.88, Beachwood
382059-02	Knob, Push/pull, Black Nickel
382227	Hinge, Overhead spring, Nickel
968619&0012B01	Edgebanding, .63"
968619&0013B02	Edgebanding, .94"

*Replaced by 968780 in December 2017

2018 INTERSTATE FURNITURE, LOUNGE

Roof Locker, Rear



Parts Listed on Next Page

2018 INTERSTATE FURNITURE, LOUNGE

Roof Locker, Rear

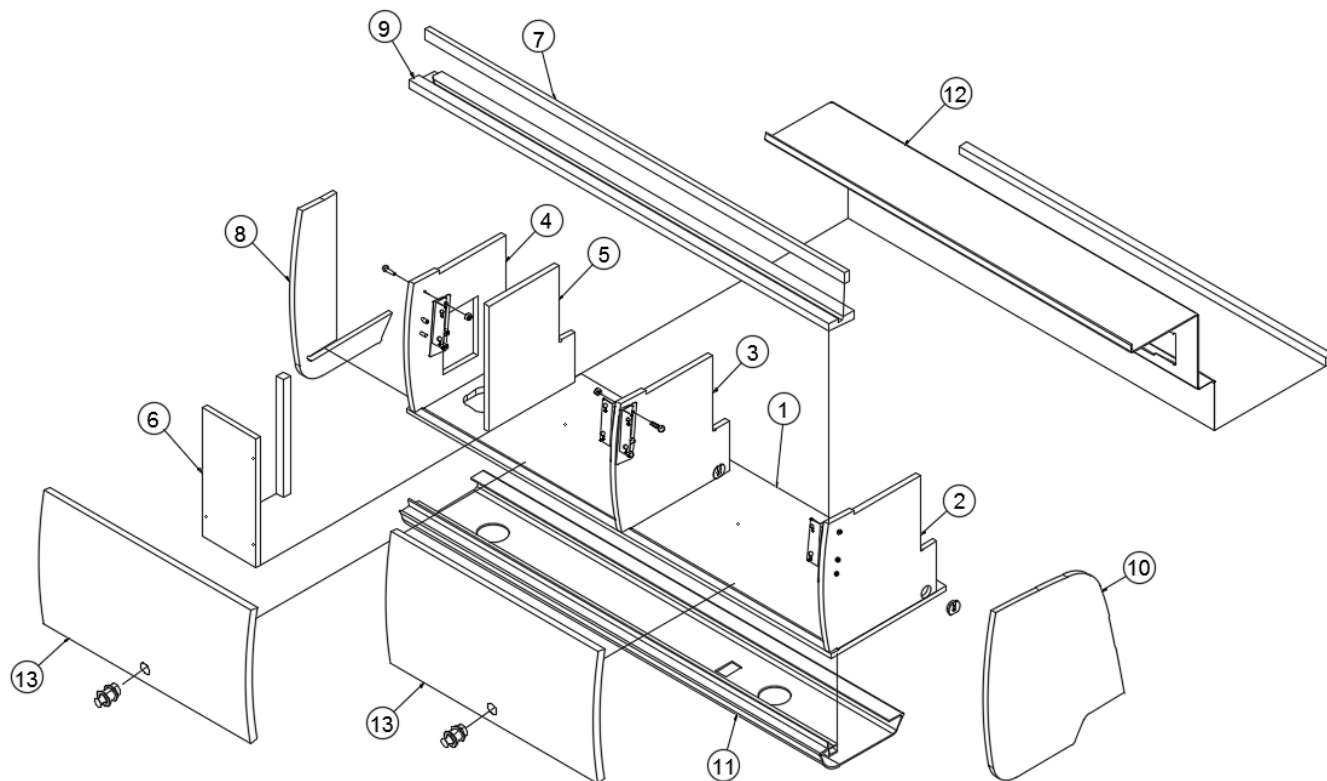
968607

Rear Roof Locker

1. 968607&000112BB	Panel, 12.56 x 56.02
2. 968607&000212BB	Panel, 34.01 x 62.63
3. 968607&000312BB	Panel, 3.7 x 12.12
4. 968607&000412BB	Panel, 3.7 x 12.12
5. 968607&000512BB	Panel, 2.41 x 10.07
6. 968607&000612BB	Panel, 2.41 x 10.07
7. 968607&000712BB	Panel, 2.41 x 10.07
8. 968607&000812BB	Panel, 2.41 x 10.07
9. 968607&000912BB	Panel, 14.75 x 16.47
10. 968607&001012BB	Panel, 14.75 x 16.47
11. 968607&001112BB	Panel, 34.01 x 16.46
12. 968607&001212BB	Panel, 34.01 x 16.46
13. 968607&001312BB	Panel, 2.25 x 37.63
14. 968607&001412BB	Panel, 2.25 x 37.63
15. 968607&001512BB	Panel, 2.25 x 37.63
16. 968607&001618BB	Panel, 2.21 x 37.63
17. 968607&001718BB	Panel, 2.25 x 37.63
18. 115406	Roof locker extrusion
19. 802223-0118	Door, 12.38 x 31.5, Asian Sand
802223-012	Door, 12.38 x 31.5, Walnut
802223-0133	Door, 12.38 x 31.5, Beachwood
20. 802223-0518	Door, 12.38 x 2.88, Asian Sand
802223-052	Door, 12.38 x 2.88, Walnut
802223-0533	Door, 12.38 x 2.88, Beachwood
21. 115552	Closeout, Aluminum
22. 203728-01	Closeout, RH
23. 203728-02	Closeout, LH
24. 203787	Collapsing clothes hanger
382059-02	Knob, Push/pull, Black Nickel
701538-01	Carpet, Econolier w/PSA back
968607&0026B01	Edgebanding, .63"
968607&0027B02	Edgebanding, .94"
382057	Knockdown
382057-01	Cap, Knockdown, Lt Brown
382227	Hinge, Overhead spring, Nickel

2018 INTERSTATE FURNITURE, LOUNGE

Roof Locker, RS Forward, Lounge



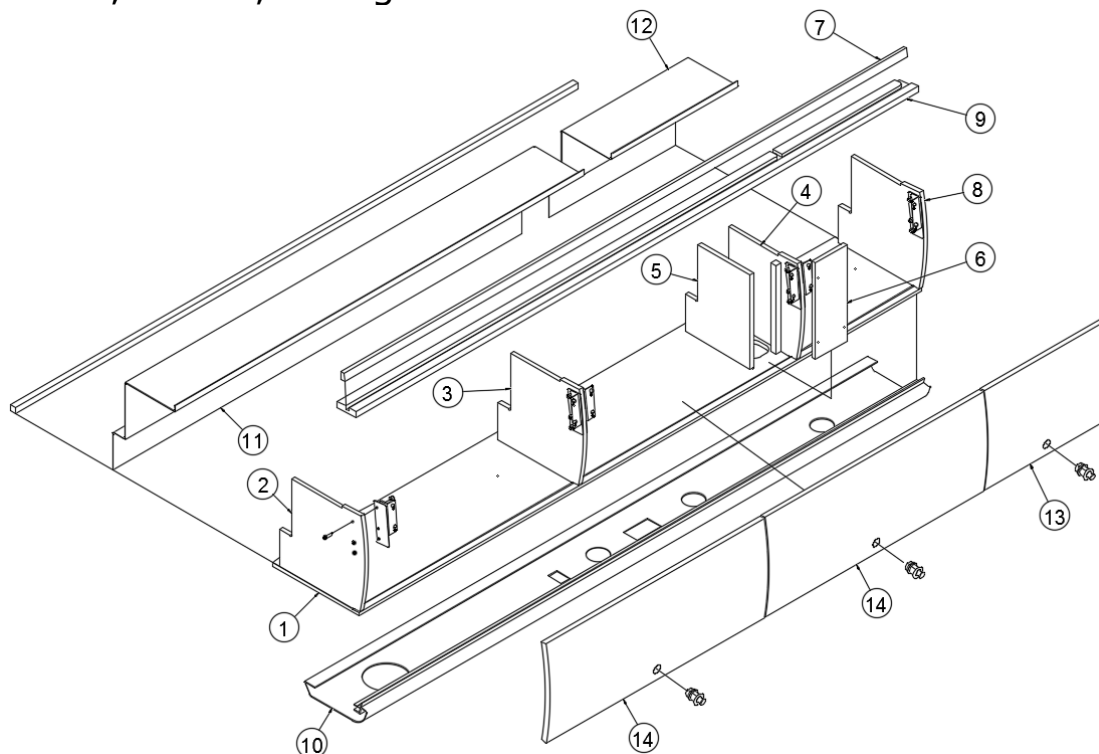
968628

RS Forward Roof Locker

- | | |
|---------------------|----------------------------------|
| 1. 968628&000112BB | Panel, 12.5 x 45.9 |
| 2. 968628&000212BB | Panel, 12.28 x 12.12 |
| 3. 968628&000312BB | Panel, 12.28 x 12.12 |
| 4. 968628&000412BB | Panel, 12.28 x 12.12 |
| 5. 968628&000512BB | Panel, 9.34 x 11.73 |
| 6. 968628&000612BB | Panel, 5.82 x 12 |
| 7. 968628&000712BB | Panel, 1 x 45.38 |
| 8. 968628&000812BB | Panel, 10.65 x 16.77 |
| 9. 968628&000918BB | Panel, 2.75 x 45.38 |
| 10. 968628&002612BB | Panel, 14.75 x 16.44 |
| 11. 115406 | Roof locker extrusion, 45.38 |
| 12. 115473-21 | Aluminum roof locker back, 39.61 |
| 13. 802223-0818 | Door, 12.38 x 22.44, Asian Sand |
| 802223-082 | Door, 12.38 x 22.44, Walnut |
| 802223-0833 | Door, 12.38 x 22.44, Beachwood |
| 382059-02 | Knob, Push/pull, Black Nickel |
| 382227 | Hinge, Overhead spring, Nickel |
| 382057 | Knockdown |
| 382057-01 | D-cover cap, Lt. Brown |

2018 INTERSTATE FURNITURE, LOUNGE

Roof Locker, RS Aft, Lounge



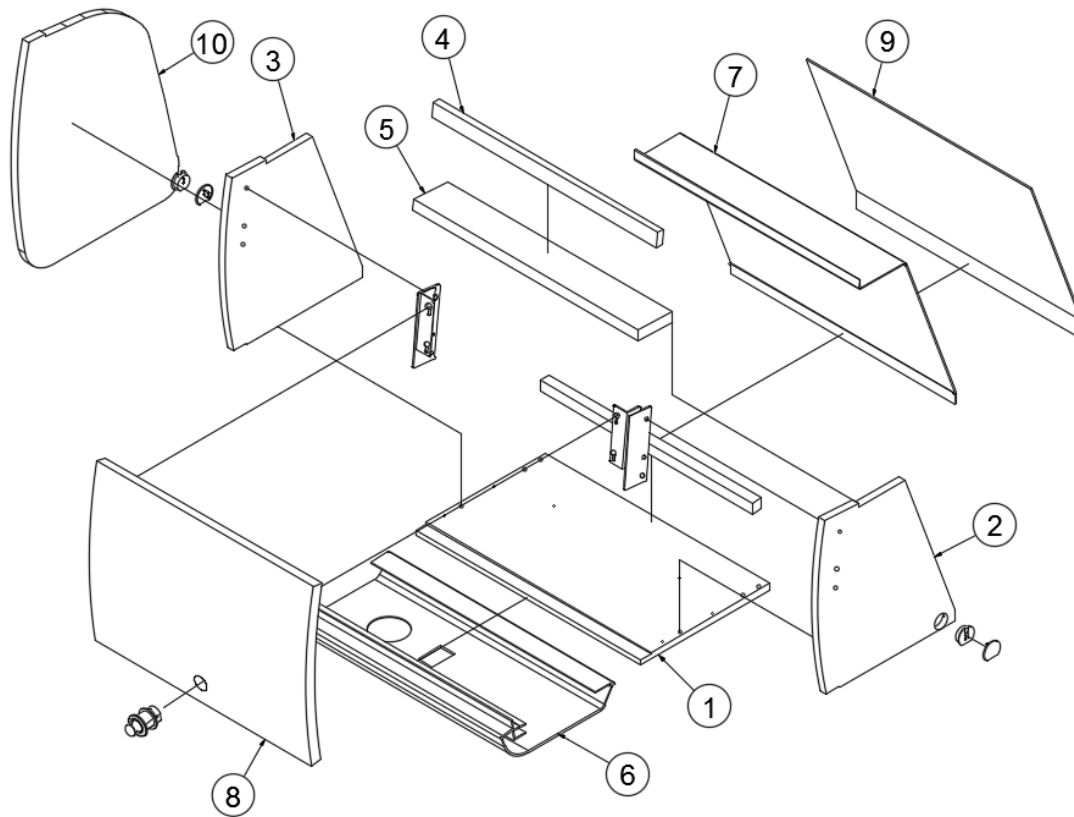
968611

Roadside Aft Roof Locker

- | | |
|--------------------|---------------------------------|
| 1. 968611&000112BB | Panel, 12.5 x 81.17 |
| 2. 968611&000212BB | Panel, 12.28 x 12.12 |
| 3. 968611&000312BB | Panel, 12.28 x 12.12 |
| 4. 968611&000412BB | Panel, 12.28 x 12.12 |
| 5. 968611&000512BB | Panel, 9.34 x 11.73 |
| 6. 968611&000612BB | Panel, 4.5 x 12 |
| 7. 968611&000712BB | Panel, 1 x 81.17 |
| 8. 968611&000812BB | Panel, 12.28 x 12.12 |
| 9. 968611&000918BB | Panel, 2.75 x 81.17 |
| 10. 115406 | Roof locker extrusion |
| 11. 115473-06 | Aluminum back, 59" |
| 12. 115473-12 | Aluminum back, 18.25" |
| 13. 802223-0418 | Door, 12.38 x 17.38, Asian Sand |
| 802223-042 | Door, 12.38 x 17.38, Walnut |
| 802223-0433 | Door, 12.38 x 17.38, Beachwood |
| 14. 802223-0118 | Door, 12.38 x 31.5, Asian Sand |
| 802223-012 | Door, 12.38 x 31.5, Walnut |
| 802223-0133 | Door, 12.38 x 31.5, Beachwood |
| 382059-02 | Knob, Push/pull, Black Nickel |
| 382057 | Knockdown |
| 382057-01 | Cap, Knockdown, Lt Brown |
| 701538-01 | Carpet, Econolier w/PSA back |
| 382227 | Hinge, Overhead spring, Nickel |

2018 INTERSTATE FURNITURE, LOUNGE

Roof Locker, CS Forward, Lounge



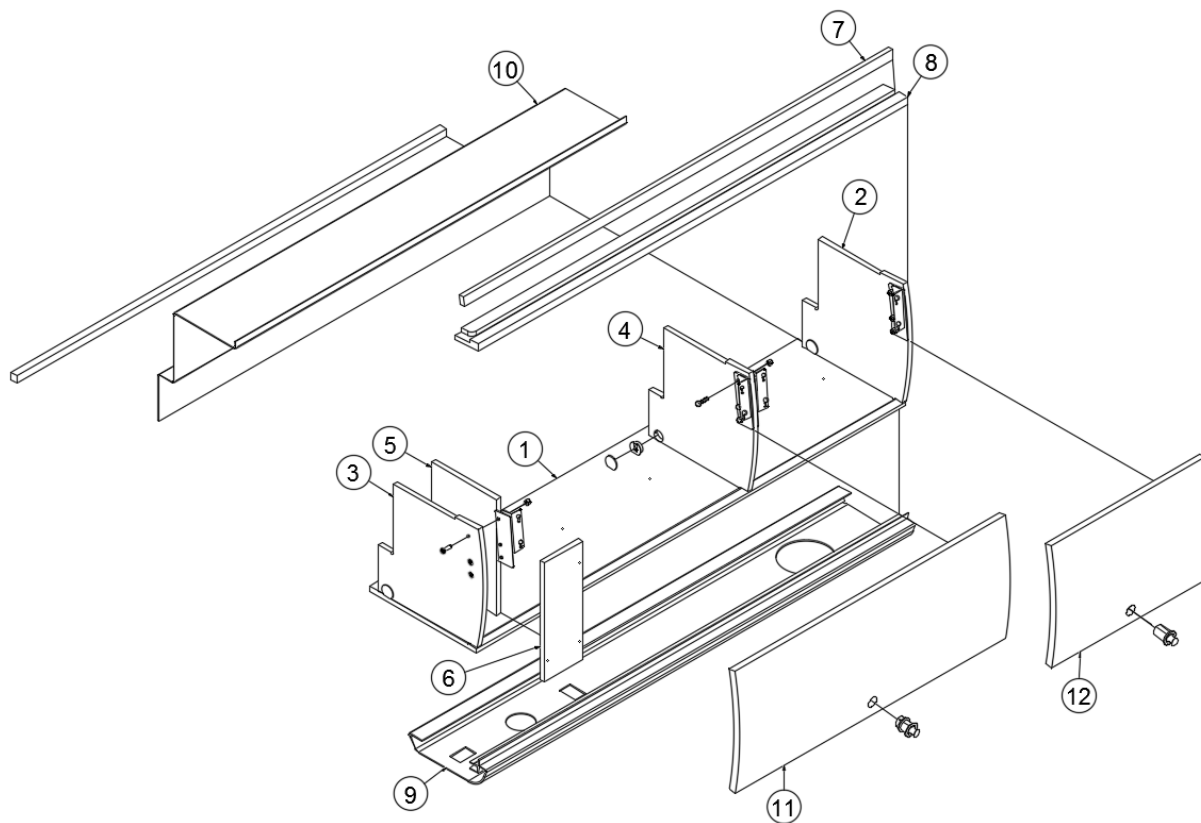
968638

CS Forward Roof Locker

- | | |
|--------------------|---------------------------------|
| 1. 968638&000112BB | Panel, 10.38 x 18 |
| 2. 968638&000212BB | Panel, 11 x 12.12 |
| 3. 968638&000312BB | Panel, 11 x 12.12 |
| 4. 968638&000412BB | Panel, 1 x 18 |
| 5. 968638&000518BB | Panel, 2.75 x 18 |
| 6. 115406 | Roof locker extrusion, 18" |
| 7. 115636-02 | Aluminum roof locker back, 18" |
| 8. 802223-0418 | Door, 12.38 x 28.13, Asian Sand |
| 802223-042 | Door, 12.38 x 28.13, Walnut |
| 802223-0433 | Door, 12.38 x 28.13, Beachwood |
| 9. 968290 | Roof locker padded back |
| 10. 968231-18 | Endcap, Roof locker, Asian Sand |
| 968231-02 | Endcap, Roof locker, Walnut |
| 968231-19 | Endcap, Roof locker, Beachwood |
| 382059-02 | Knob, Push/pull, Black Nickel |
| 382227 | Hinge, Overhead spring, Nickel |
| 382057 | Knockdown |
| 382057-01 | D-cover cap, Lt. Brown |

2018 INTERSTATE FURNITURE, LOUNGE

Roof Locker, Curbside, Lounge, Lt Camel



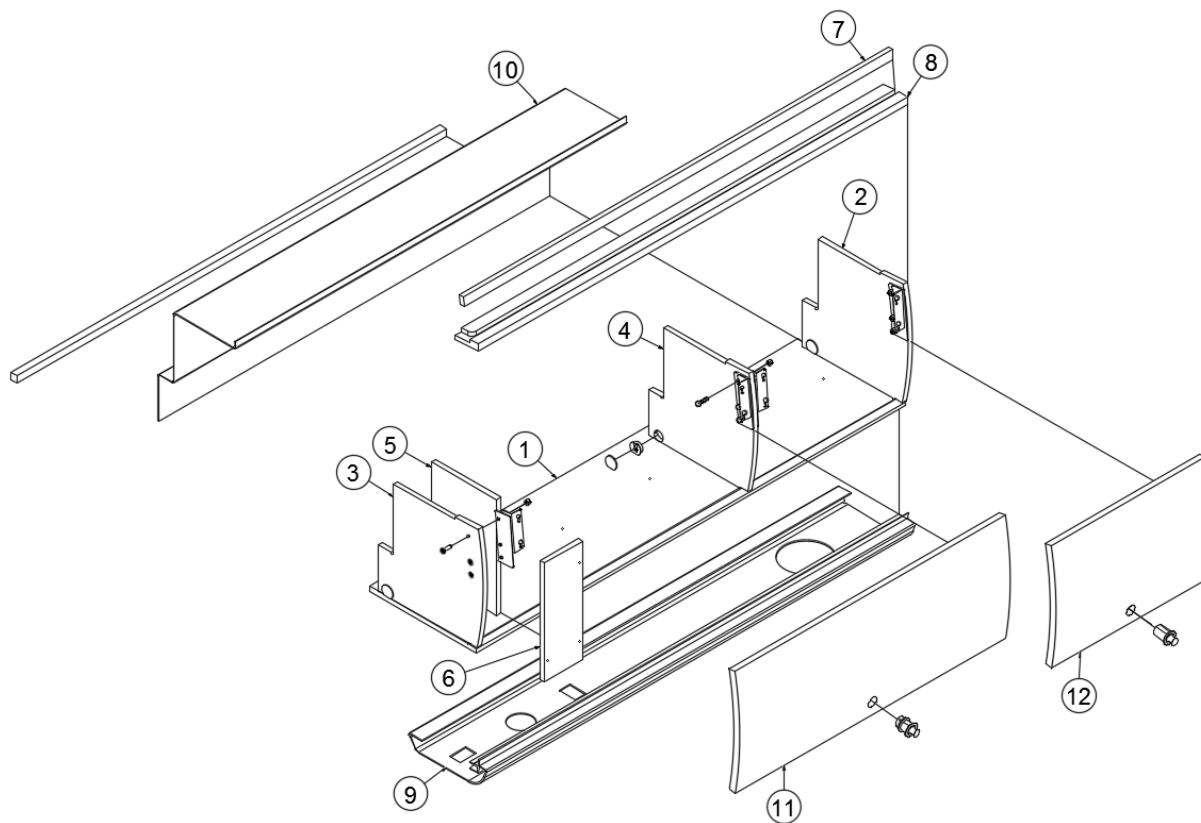
968632-18

CS Roof Locker

- | | |
|-----------------|---------------------------------|
| 1. 968632-181 | Panel, 12.5 x 50 |
| 2. 968632-182 | Panel, 12.28 x 12.12 |
| 3. 968632-183 | Panel, 12.28 x 12.12 |
| 4. 968632-184 | Panel, 12.28 x 12.12 |
| 5. 968632-185 | Panel, 9.34 x 11.73 |
| 6. 968632-186 | Panel, 4.5 x 12 |
| 7. 968632-187 | Panel, 1 x 50 |
| 8. 968632-188 | Panel, 2.75 x 50 |
| 9. 115406 | Roof locker extrusion |
| 10. 115473-18 | Aluminum back, 45.57" |
| 11. 802223-0118 | Door, 12.38 x 31.5, Asian Sand |
| 12. 802223-1118 | Door, 12.38 x 18, Asian Sand |
| 382059-02 | Knob, Push/pull, Black Nickel |
| 382227 | Hinge, Overhead spring, Nickel |
| 382057 | Knockdown |
| 382057-01 | D-cover cap, Lt. Brown |
| 365344-01 | Edgebanding, .63", Pearl Bisque |
| 365344-02 | Edgebanding, .94", Pearl Bisque |

2018 INTERSTATE FURNITURE, LOUNGE

Roof Locker, Curbside, Lounge, Walnut



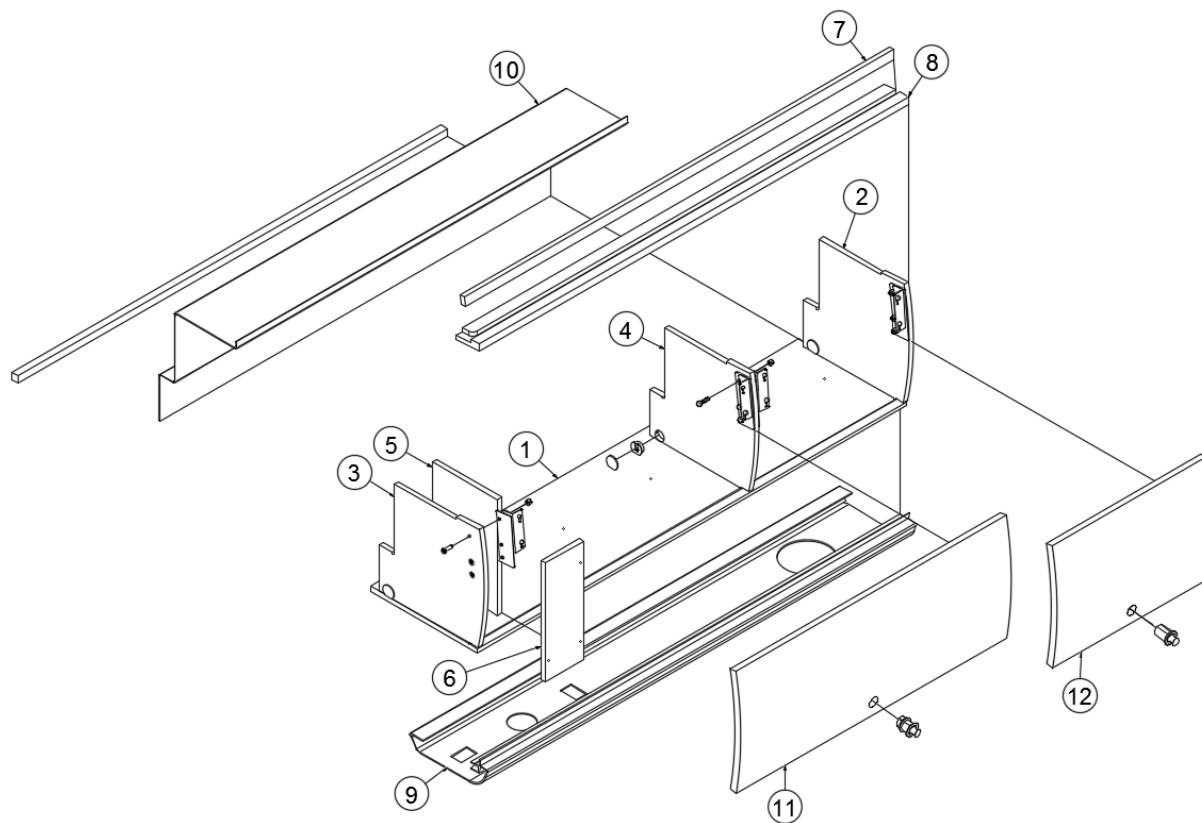
968632-02

CS Roof Locker

- | | |
|----------------|--------------------------------|
| 1. 968632-021 | Panel, 12.5 x 50 |
| 2. 968632-022 | Panel, 12.28 x 12.12 |
| 3. 968632-023 | Panel, 12.28 x 12.12 |
| 4. 968632-024 | Panel, 12.28 x 12.12 |
| 5. 968632-025 | Panel, 9.34 x 11.73 |
| 6. 968632-026 | Panel, 4.5 x 12 |
| 7. 968632-027 | Panel, 1 x 50 |
| 8. 968632-028 | Panel, 2.75 x 50 |
| 9. 115406 | Roof locker extrusion |
| 10. 115473-18 | Aluminum back, 45.57" |
| 11. 802223-012 | Door, 12.38 x 31.5, Walnut |
| 12. 802223-112 | Door, 12.38 x 18, Walnut |
| 382059-02 | Knob, Push/pull, Black Nickel |
| 382227 | Hinge, Overhead spring, Nickel |
| 382057 | Knockdown |
| 382057-01 | D-cover cap, Lt. Brown |
| 365379-01 | Edgebanding, .63", Walnut |
| 365379-02 | Edgebanding, .94", Walnut |

2018 INTERSTATE FURNITURE, LOUNGE

Roof Locker, Curbside, Lounge, Beachwood



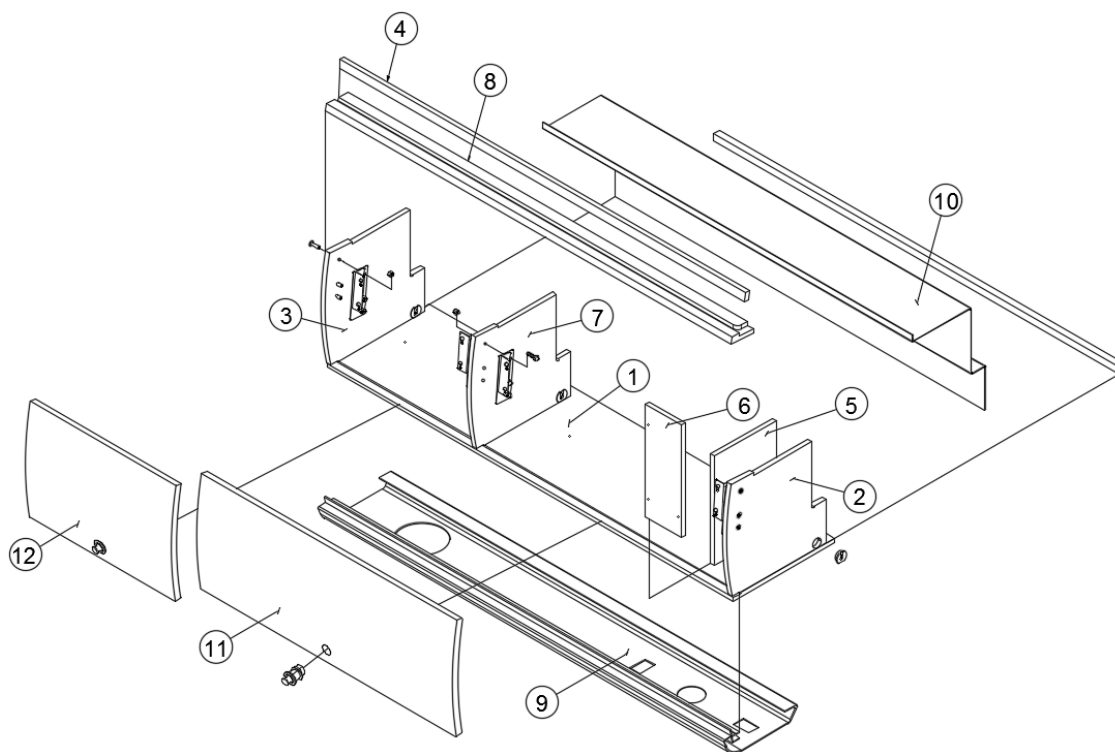
968632-33

CS Roof Locker

- | | |
|-----------------|---------------------------------|
| 1. 968632-331 | Panel, 12.5 x 50 |
| 2. 968632-332 | Panel, 12.28 x 12.12 |
| 3. 968632-333 | Panel, 12.28 x 12.12 |
| 4. 968632-334 | Panel, 12.28 x 12.12 |
| 5. 968632-335 | Panel, 9.34 x 11.73 |
| 6. 968632-336 | Panel, 4.5 x 12 |
| 7. 968632-337 | Panel, 1 x 50 |
| 8. 968632-338 | Panel, 2.75 x 50 |
| 9. 115406 | Roof locker extrusion |
| 10. 115473-18 | Aluminum back, 45.57" |
| 11. 802223-0133 | Door, 12.38 x 31.5, Beachwood |
| 12. 802223-1133 | Door, 12.38 x 18, Beachwood |
| 382059-02 | Knob, Push/pull, Black Nickel |
| 382227 | Hinge, Overhead spring, Nickel |
| 382057 | Knockdown |
| 382057-01 | D-cover cap, Lt. Brown |
| 365398-01 | Edgebanding, .63", Light Walnut |
| 365398-02 | Edgebanding, .94", Light Walnut |

2018 INTERSTATE FURNITURE, LOUNGE

Roof Locker, RS, Grand Tour



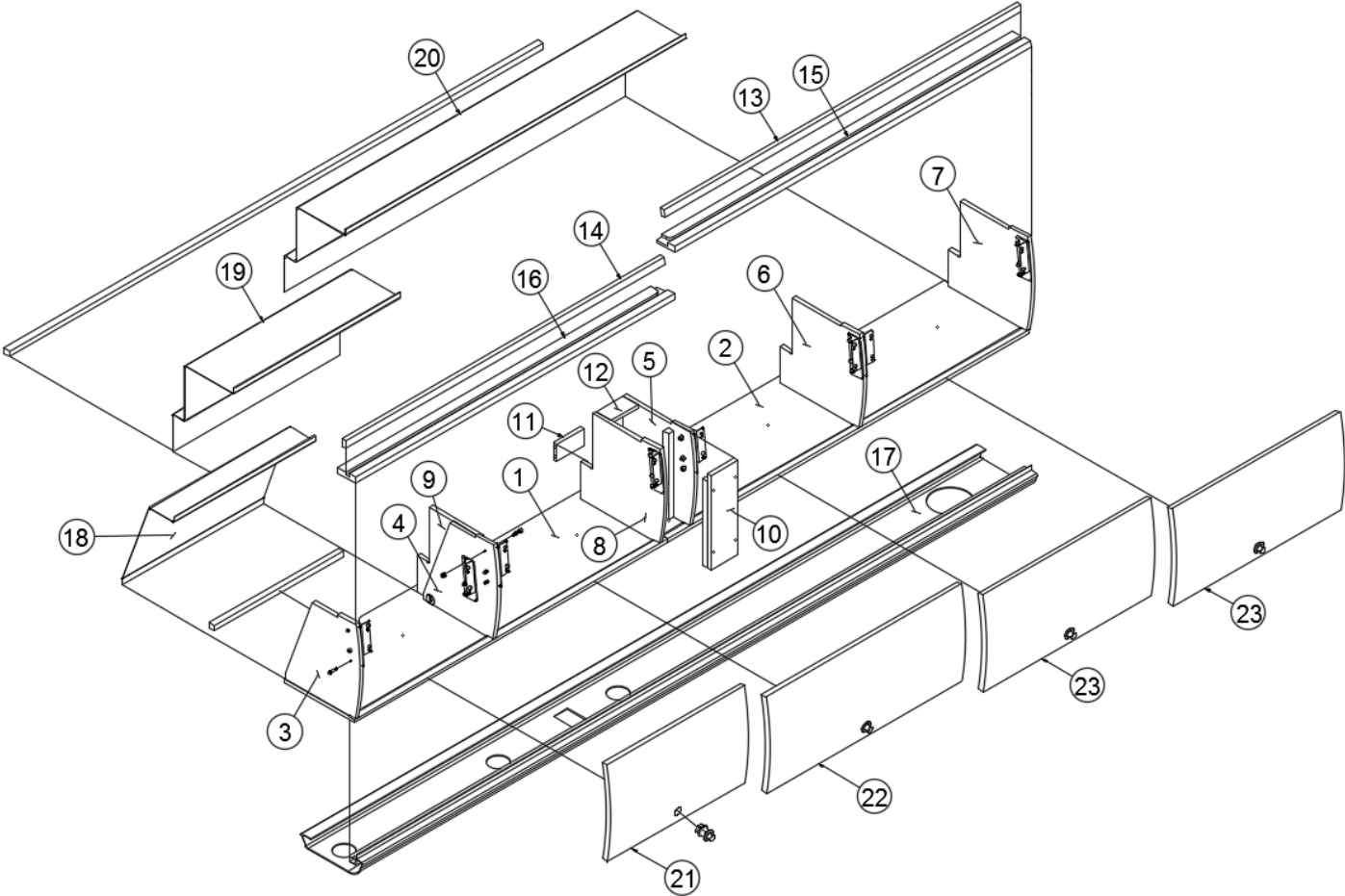
968624

RS Roof Locker

- | | |
|--------------------|--------------------------------|
| 1. 968624&000112BB | Panel, 12.5 x 50 |
| 2. 968624&000212BB | Panel, 12.28 x 12.12 |
| 3. 968624&000312BB | Panel, 12.28 x 12.12 |
| 4. 968624&000412BB | Panel, 1 x 50 |
| 5. 968624&000512BB | Panel, 9.34 x 11.73 |
| 6. 968624&000612BB | Panel, 4.5 x 12 |
| 7. 968624&000712BB | Panel, 12.28 x 12.12 |
| 8. 968624&000818BB | Panel, 2.75 x 50 |
| 9. 115406 | Roof locker extrusion |
| 10. 115473-18 | Aluminum back |
| 11. 802223-0118 | Door, 12.38 x 31.5, Asian Sand |
| 802223-012 | Door, 12.38 x 31.5, Walnut |
| 802223-0133 | Door, 12.38 x 31.5, Beachwood |
| 12. 802223-1118 | Door, 12.38 x 18, Asian Sand |
| 802223-112 | Door, 12.38 x 18, Walnut |
| 802223-1133 | Door, 12.38 x 18, Beachwood |
| 382059-02 | Knob, Push/pull, Black Nickel |
| 382227 | Hinge, Overhead spring, Nickel |
| 382057 | Knockdown |
| 382057-01 | Cap, Knockdown, Lt Brown |
| 968624&0010B01 | Edgebanding, .63" |
| 968624&0011B02 | Edgebanding, .94" |

2018 INTERSTATE FURNITURE, LOUNGE

Roof Locker, CS, Grand Tour



Parts Listed on Next Page

2018 INTERSTATE FURNITURE, LOUNGE

Roof Locker, CS, Grand Tour

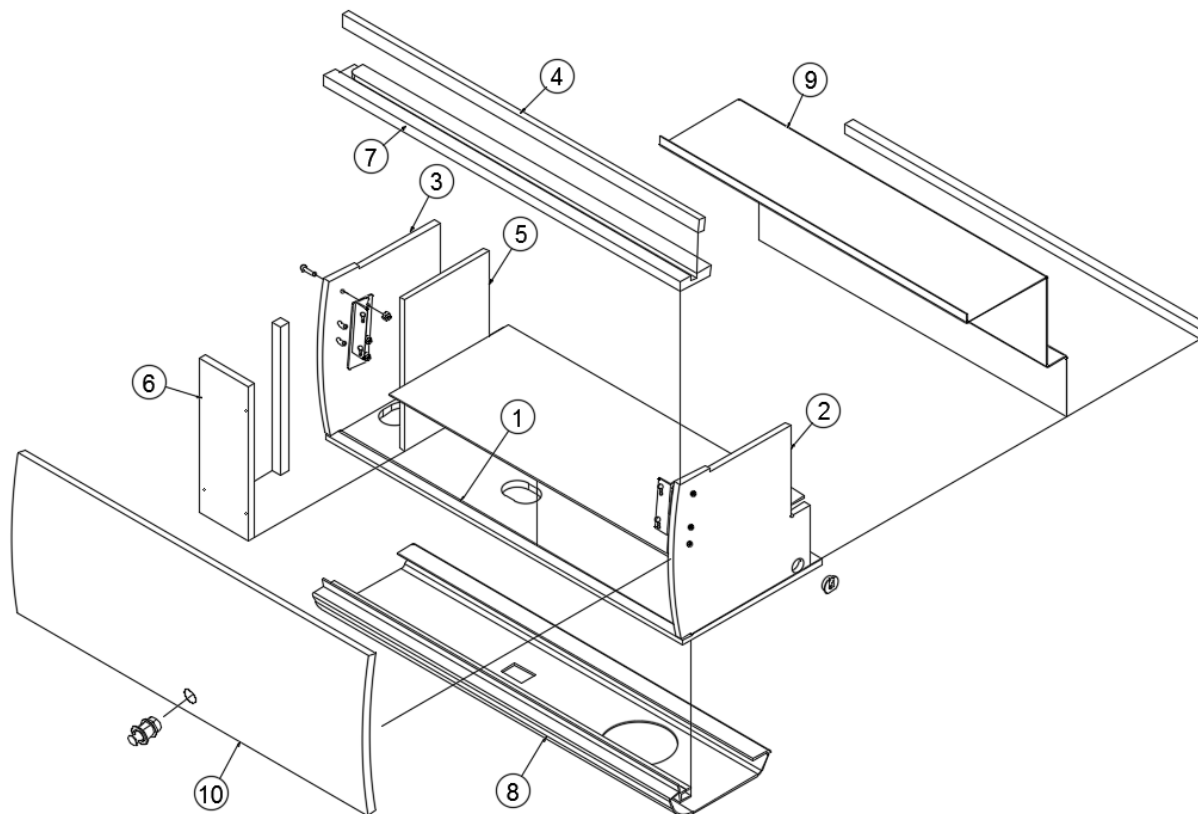
968620

CS Roof Locker

1. 968620&000112BB	Panel, 12.5 x 50.57
2. 968620&000212BB	Panel, 12.5 x 53.26
3. 968620&000312BB	Panel, 12.28 x 12.12
4. 968620&000412BB	Panel, 12.28 x 12.12
5. 968620&000512BB	Panel, 10.52 x 12.12
6. 968620&000612BB	Panel, 10.52 x 12.12
7. 968620&000712BB	Panel, 10.52 x 12.12
8. 968620&000812BB	Panel, 9.34 x 11.73
9. 968620&000912BB	Panel, 9.34 x 11.73
10. 968620&001012BB	Panel, 3.95 x 12
11. 968620&001112BB	Panel, 2.25 x 3.95
12. 968620&001212BB	Panel, 2.25 x 3.95
13. 968620&001312BB	Panel, 2.25 x 51.44
14. 968620&001412BB	Panel, 1 x 52.38
15. 968620&001518BB	Panel, 2.25 x 51.44
16. 968620&001618BB	Panel, 1 x 46.94
17. 115406	Roof locker extrusion
18. 115636-01	Aluminum back, 20.75"
19. 115473-15	Aluminum back, 24.5"
20. 115473-17	Aluminum back, 50.125"
21. 802223-0718	Door, 12.38 x 20.25, Asian Sand
802223-072	Door, 12.38 x 20.25, Walnut
802223-0733	Door, 12.38 x 20.25, Beachwood
22. 802223-1018	Door, 12.38 x 28.81, Asian Sand
802223-102	Door, 12.38 x 28.81, Walnut
802223-1033	Door, 12.38 x 28.81, Beachwood
23. 802223-0918	Door, 12.38 x 24.75, Asian Sand
802223-092	Door, 12.38 x 24.75, Walnut
802223-0933	Door, 12.38 x 24.75, Beachwood
382227	Hinge, Overhead spring, Nickle
382059-02	Knob, Push/pull, Black Nickel
701538-01	Carpet, Econolier w/PSA back
968620&0020B01	Edgebanding, .63"
968620&0021B02	Edgebanding, .94"

2018 INTERSTATE FURNITURE, LOUNGE

Roof Locker, CS Rear, Lounge Hanging Wardrobe Option



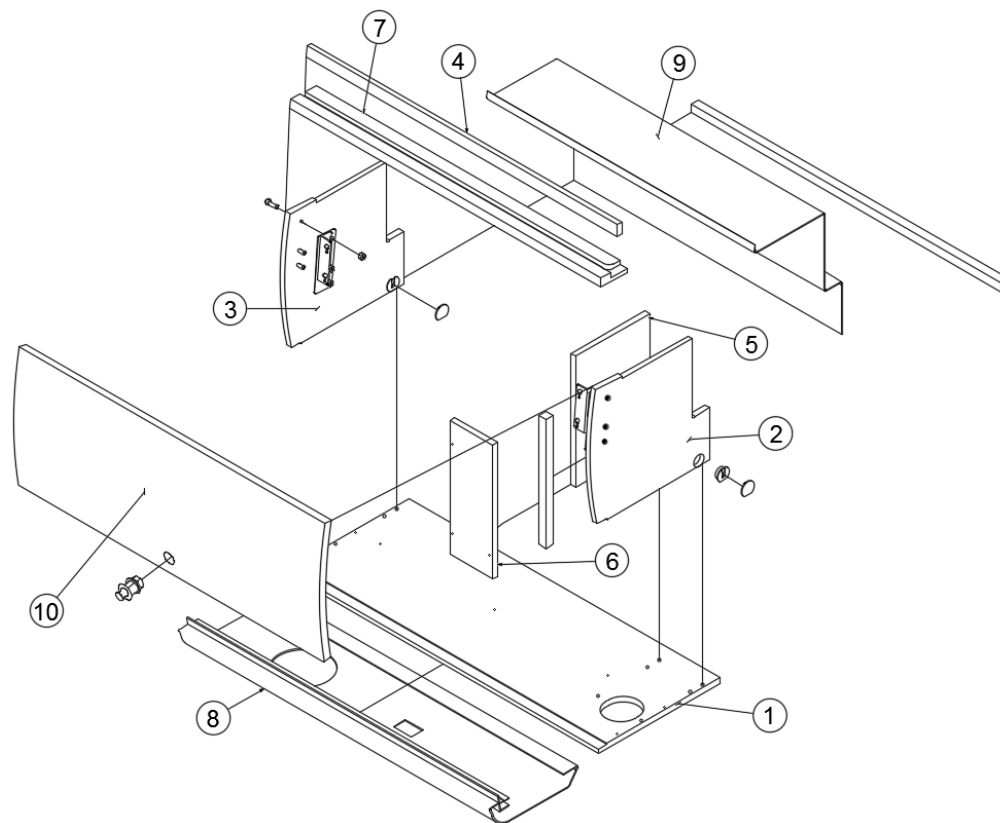
968634

CS Rear Roof Locker

- | | |
|--------------------|--------------------------------|
| 1. 968634&000112BB | Panel, 12.5 x 32 |
| 2. 968634&000212BB | Panel, 12.28 x 12.12 |
| 3. 968634&000312BB | Panel, 12.28 x 12.12 |
| 4. 968634&000412BB | Panel, 1 x 32 |
| 5. 968634&000512BB | Panel, 9.34 x 11.73 |
| 6. 968634&000612BB | Panel, 4.43 x 12 |
| 7. 968634&000718BB | Panel, 2.75 x 32 |
| 8. 115406 | Roof locker extrusion, 32" |
| 9. 115473-16 | Aluminum back, 27.57" |
| 10. 802223-0118 | Door, 12.38 x 31.5, Asian Sand |
| 802223-012 | Door, 12.38 x 31.5, Walnut |
| 802223-0133 | Door, 12.38 x 31.5, Beachwood |
| 382059-02 | Knob, Push/pull, Black Nickel |
| 382227 | Hinge, Overhead spring, Nickel |
| 968634&0011B01 | Edgebanding, .63" |
| 968634&0012B02 | Edgebanding, .94" |
| 382057 | Knockdown |
| 382057-01 | D-cover cap, Lt. Brown |

2018 INTERSTATE FURNITURE, LOUNGE

Roof Locker, RS Rear, Grand Tour Hanging Wardrobe Option



968616

RS Roof Locker

- | | |
|--------------------|--------------------------------|
| 1. 968616&000112BB | Panel, 12.5 x 32 |
| 2. 968616&000212BB | Panel, 12.28 x 12.12 |
| 3. 968616&000312BB | Panel, 12.28 x 12.12 |
| 4. 968616&000412BB | Panel, 1 x 32 |
| 5. 968616&000512BB | Panel, 9.34 x 11.73 |
| 6. 968616&000612BB | Panel, 4.43 x 12 |
| 7. 968616&000718BB | Panel, 2.75 x 32 |
| 8. 115406 | Roof locker extrusion, 32" |
| 9. 115473-16 | Aluminum back, 27.57" |
| 10. 802223-0118 | Door, 12.38 x 31.5, Asian Sand |
| 802223-012 | Door, 12.38 x 31.5, Walnut |
| 802223-0133 | Door, 12.38 x 31.5, Beachwood |
| 382227 | Hinge, Overhead spring, Nickel |
| 382059-02 | Knob, Push/pull, Black Nickel |
| 382057 | Knockdown |
| 382057-01 | Cap, Knockdown, Lt Brown |
| 968616&0011B01 | Edgebanding, .63" |
| 968616&0012B02 | Edgebanding, .94" |

2018 INTERSTATE HARDWARE

Seat Belts, Cup Holders, and Brackets

382190-01	Seat belt, Mercedes style
382190-02	End release, Lap belt
704496	Seat belt cover, Rear lounge
454675	Seat belt bracket, RS
454926	Seat belt bracket, CS
455334	Backer, Seat belt
455335	Backer, Seat belt center
203977	Housing, Seat belt
203977-01	Housing, Seat belt
916037-01	Seat pedestal, Roadside seat
916037-02	Seat pedestal, Curbside seat
203610	Cup holder, Double
454875	Bracket, Slide door half stop
455348	Bracket, Stop flange

Sofa

455342	Backer, Sofa legs, Upper
455343	Backer, Sofa legs, Lower
455348	Bracket, Stop flange
455341	Backer, Seat belts, Out board

Bath Accessories

602175	Toilet roll holder, Dryroll
382076	Soap dispenser, Chrome
382098	Handle, 14.25", Glass Chrome (Towel bar)

Shower Curtain

998202	Shower curtain
100097	Curtain track

Clothesline

382063	Retractable clothesline
--------	-------------------------

2018 INTERSTATE HARDWARE

Cargo Cover

703966	Cargo Cover
700617-01	Hook, DS-150
382123	Clip, Shock cord, Black
115042	Rod, .25", Aluminum
382124	Hook, Shock cord, Black
703832	Vinyl, Simplicity Black, 54"

Hinges

381607-11	Hinge, Self-close, 110° overlay
381607-04	Hinge screw, Grass
381607-14	Hinge, Self-close, 160° overlay
380458	Piano hinge, Copper Metallic
380203-01	Piano hinge, 10", Anodized
380203-02	Piano hinge, 72", Black Anodized
382227	Hinge, Overhead spring, Nickel
382125	Piano hinge, Clear
382172	Hinge, Narrow utility

Drawer Slides

382203-02	Drawer slide, Self-close, 12"
382203-03	Drawer slide, Self-close, 15"
381925-02	Drawer slide, Side mount, 20"
381400	Drawer slide, Pair, 14"
382293	Drawer slide, Full extension, 12"

Golf Bag Storage

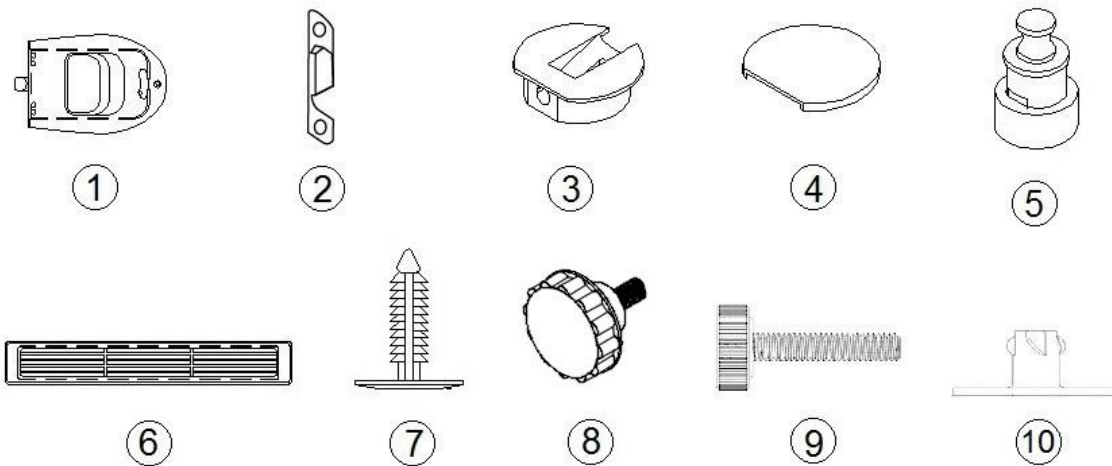
203735	EZ Go bag holder bracket
454911	Golf bag bar
454912	Bracket, Golf bag bar
454918	Bracket, Backer plate
382183	Knob, 3 arm

License Plate

382281	License plate holder, Chrome
--------	------------------------------

2018 INTERSTATE HARDWARE

Interior Handles, Latches, and Fasteners



- | | |
|--------------|---------------------------------------|
| 1. 382055 | Privacy latch, Lavatory door |
| 2. 382061 | Striker, Privacy latch, Lavatory door |
| 3. 382057 | Knockdown |
| 4. 382057-01 | Cap, Knockdown, Light Brown |
| 382057-03 | Cap, Knockdown, Dark Brown |
| 5. 382059-02 | Knob, Push/pull, Black Nickel |
| 6. 386206 | Vent, Louvered, Black |
| 7. 382062 | Fastener, Finned, .25" |
| 8. 382095 | Knob, Knurled |
| 9. 345539 | Thumb screw, Black plastic head |
| 10. 350201 | Tee nut without prongs |
| 382267 | Outer screen door handle |
| 382269 | Interior screen door handle |
| 968232 | Sliding door header pad |
| 381228-02 | Catch, Grabber door, 5LB |
| 203473 | Screw cap cover, White |
| 203473-0118 | Screw cap cover, Asian Sand |
| 203473-0112 | Screw cap cover, Walnut |

Rivets

- | | |
|-----------|--|
| 330127-03 | Pop rivet, 1/8", Dome head, Aluminum |
| 330128-05 | Pop rivet, 1/8", white |
| 330149 | Pop rivet, Aluminum |
| 325130 | Rivet nut for plastics, Zinc plated |
| 325127 | Rivet, Magna-Lok, 3/8", Protruding head, Steel |
| 325128 | Rivet, Bulb-Tite, 1/4", Steel, Dome head, Recessed crown |
| 330031-03 | Rivet, Dome head |
| 325132 | Rivet-Bulb Tite.25" Steel |

2018 INTERSTATE SAFETY EQUIPMENT

Detectors and Fire Extinguisher

510781	Smoke detector w/silencer
512783	Carbon Monoxide detector
512539-01	LPG detector
690381-02	Fire extinguisher

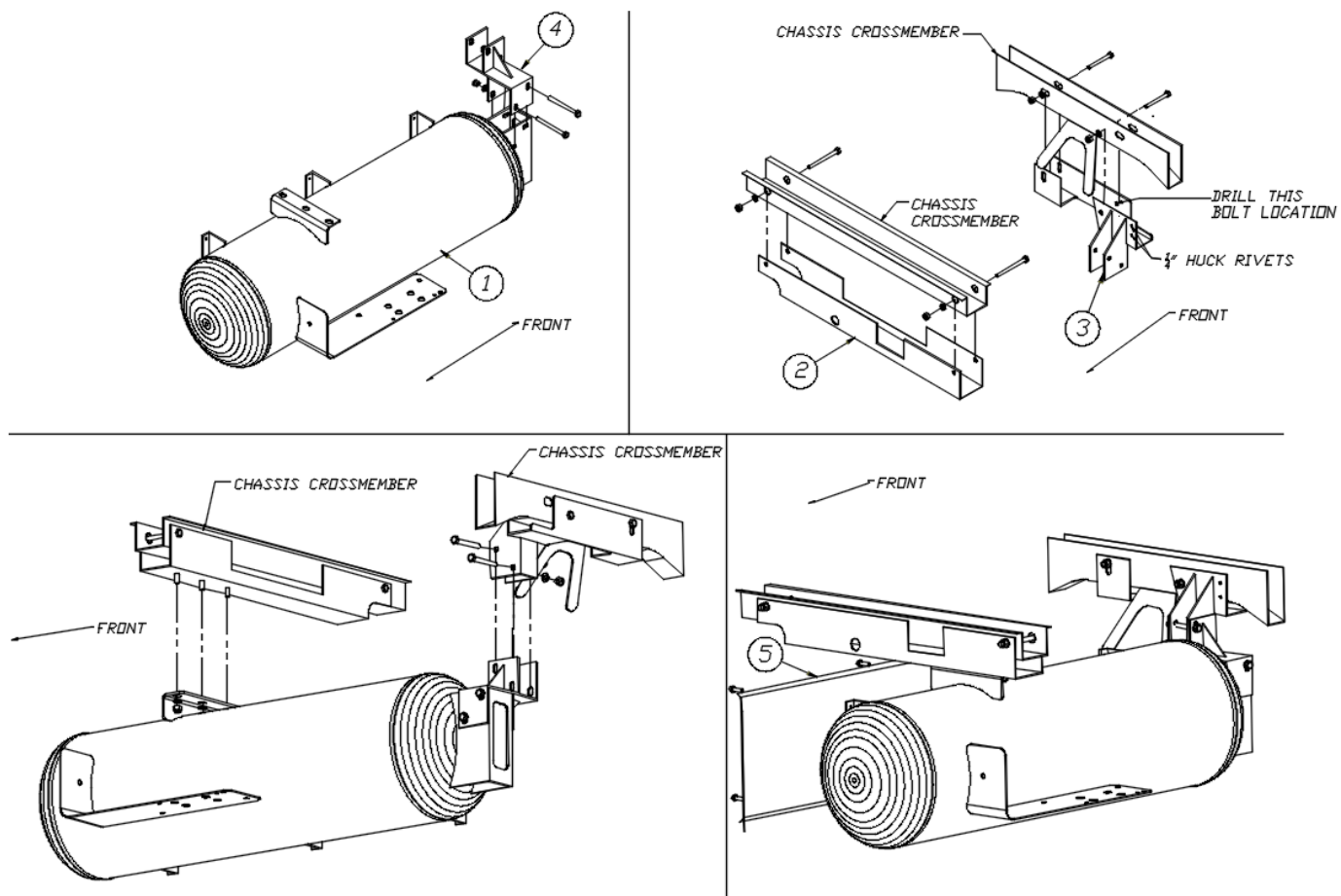
2018 INTERSTATE LABELS AND TAGS

Labels and Tags

386121	Label, LPG Gas Warning Label (Odor)
386122	Warning Label/Cooking Appliance
385261	Cleaning Instruction Label
386120	Label, Smoke Detector
385812	Label, Calif. Hazardous Substance
385465	Exit Label, English
386119	Label, "Do Not Store Combustible"
386124	Label, Refueling Warning
386207	Label, Caution, Door Step
386222	Sticker, Curbside Rear Door Handle
386113	Label, Rvia Gold
386123	Label, "Potable Water Only"
386118	Label, LPG Gas Warning/Fill
385062	Decal, 110-125 Voltage Ac
602205-12	Sticker, Instruction Macerator
386147	Decal, On/Off LPG Remote Fill
386227-03	Label, Hitch Weight Rating
386061	Label, Remove Panel For Access
386189	Label, Warning No Seatbelts
386237	Label, Lock/Unlock
386226	Label, RV Master Weight Label
386238	Label, LPG Systems
386291	Label, Warning Battery Ground
386019	Label, 1 Amp Fuse
386254	Label, PB battery assist
386252	Label, Hepvo waterless trap
386249	Label, No storage compartment
386263	Hang tag, Coach-net
386290	Label, Faucet operation
386311	Label, Folding Screen Warning

2018 INTERSTATE PLUMBING, LPG

LPG Tank, Mounting Brackets, and Heat Shield



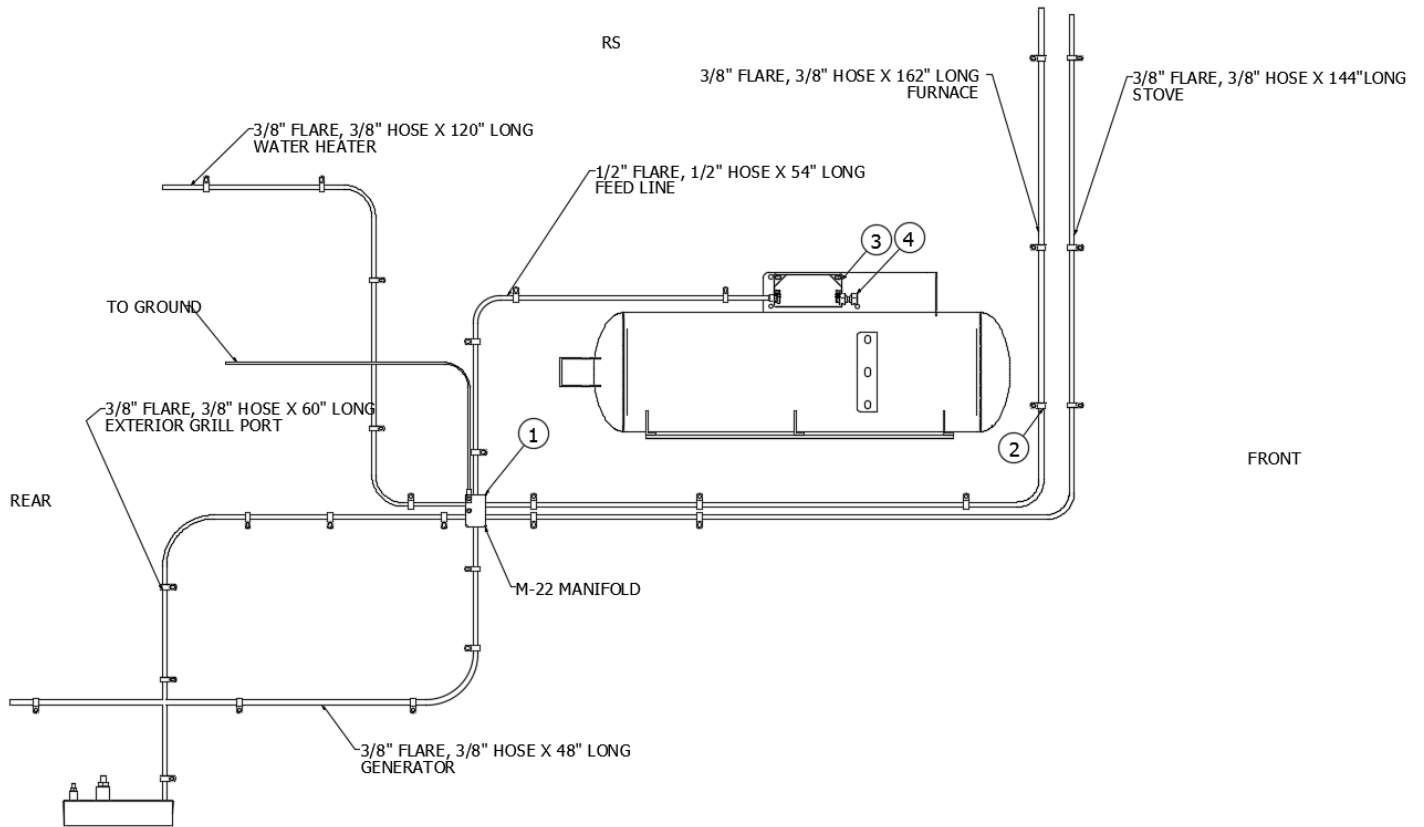
111715

LP Tank Install

- | | |
|-----------|---------------------------------------|
| 1. 602188 | LPG tank |
| 2. 454657 | Mounting bracket, Front, LPG tank |
| 3. 454967 | Mounting bracket, Rear, LPG tank |
| 4. 454659 | Mounting bracket, LPG tank to chassis |
| 5. 454662 | Heat shield, LPG tank |
| 203650 | Cover, Remote fill |

2018 INTERSTATE PLUMBING, LPG

LPG System, Lounge



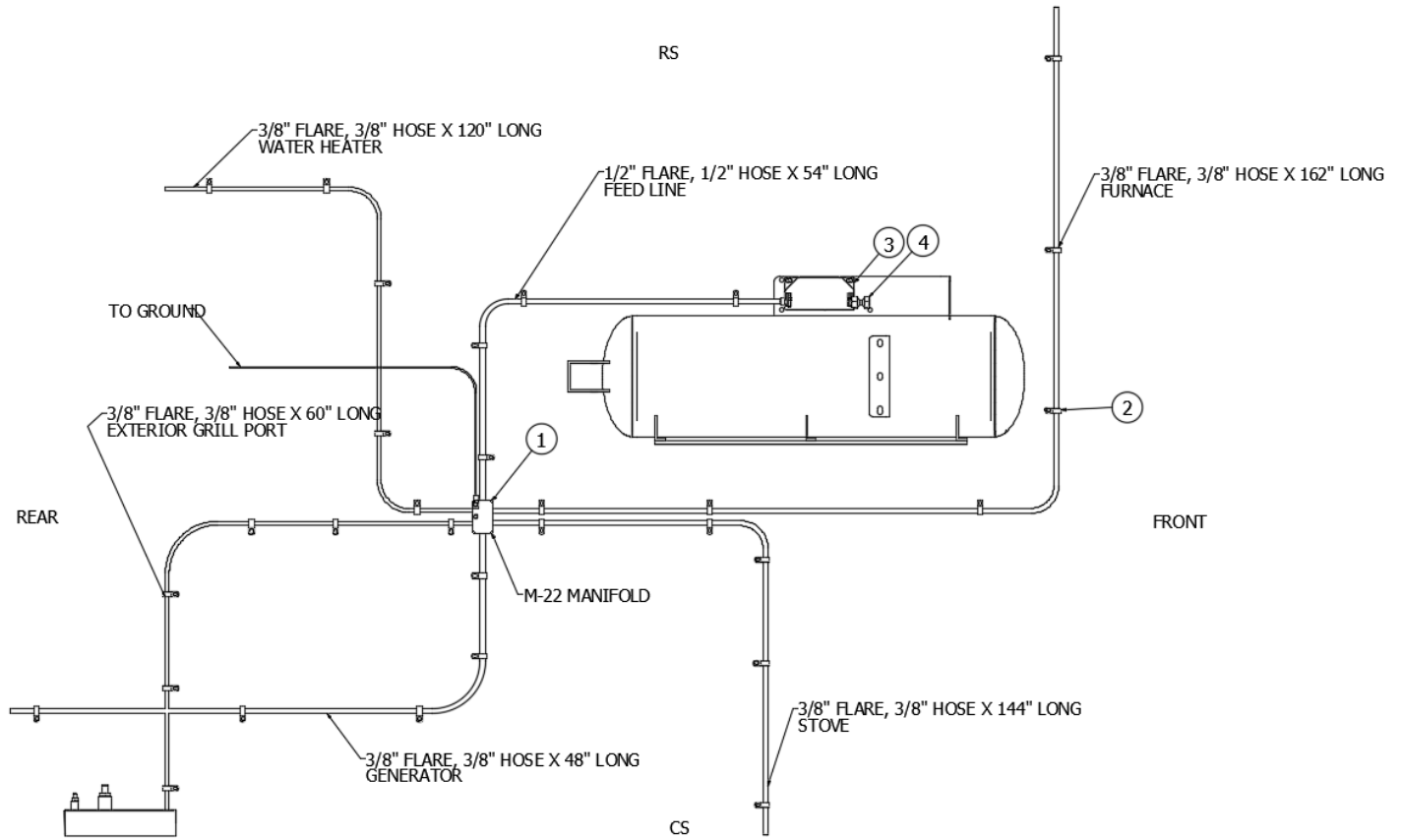
943836

LP System

- | | |
|---|---|
| <p>1. 602705</p> <p>2. 340085-06</p> <p>3. 601875-05</p> <p>4. 943833</p> <p>500038</p> <p>500839</p> | <p>Flex-Tech LP</p> <p>Clamp, 5/8" Dia</p> <p>Cover, Regulator</p> <p>LP regulator and fittings assembly</p> <p>Lug, Ground</p> <p>Wire, 8 gauge, Bare Copper</p> |
|---|---|

2018 INTERSTATE PLUMBING, LPG

LPG System, Grand Tour



943835

LP System

- | | |
|---|---|
| <p>1. 602705</p> <p>2. 340085-06</p> <p>3. 601875-05</p> <p>4. 943833</p> <p>500038</p> <p>500039</p> | <p>Flex-Tech LP</p> <p>Clamp, 5/8" Dia</p> <p>Cover, Regulator</p> <p>LP regulator and fittings assembly</p> <p>Lug, Ground</p> <p>Wire, 8 gauge, Bare Copper</p> |
|---|---|

2018 INTERSTATE PLUMBING, FRESH WATER

Faucet and Sink, Galley

602197	Sink and faucet, Galley
602153	Faucet only, Stainless Steel
602149	Sink, Flush, Smev
195362-39	Strainer, 2"

Faucet, Wet Bath

602251	Faucet, Pull-out
--------	------------------

Exterior Shower

602288-02	Hose w/sprayer, 15'
602288-01B	Exterior shower box, Black
602288-01S	Exterior shower box, Silver
602288-01W	Exterior shower box, White

City Water Hook-Up

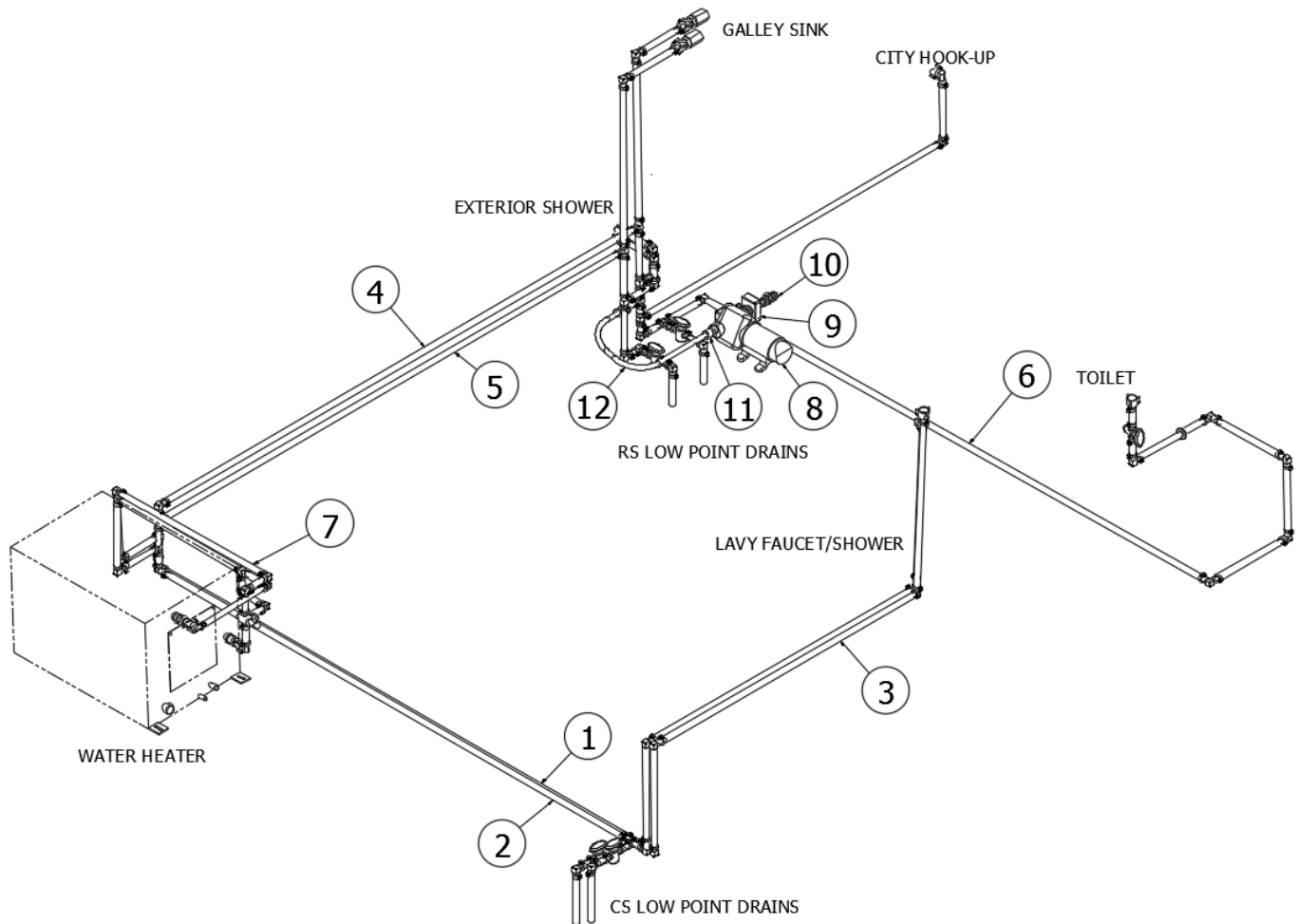
601392-06	City water fill w/regulator, Chrome
602209-04	Hose, Potable water, Clear, 3/4"

Fresh Water Tank and Water Fill

602363	Tank, Fresh water, 27 Gallon
601194-03W	Water fill w/lock, White
601194-03S	Water fill w/lock, Silver
601194-03B	Water fill w/lock, Black
454661	Fresh water tank support
602187	Water pickup tube, Elbow w/15" tube
454664-01	Rod, Fresh water tank, 14"
454664-02	Rod, Fresh water tank, 12.75"
454664-03	Rod, Fresh water tank, 13.5"
602209-04	Hose, Potable water, Clear, .75" ID
601239-01	Tubing, Ribbed w/flats every 9", 1.375"
511812	Heating pad
203648	Close off, Water tank, Plastic
203656	Spacer, Water tank
386223	Strap, Tank rubber

2018 INTERSTATE PLUMBING, FRESH WATER

Fresh Water Lines, Lounge



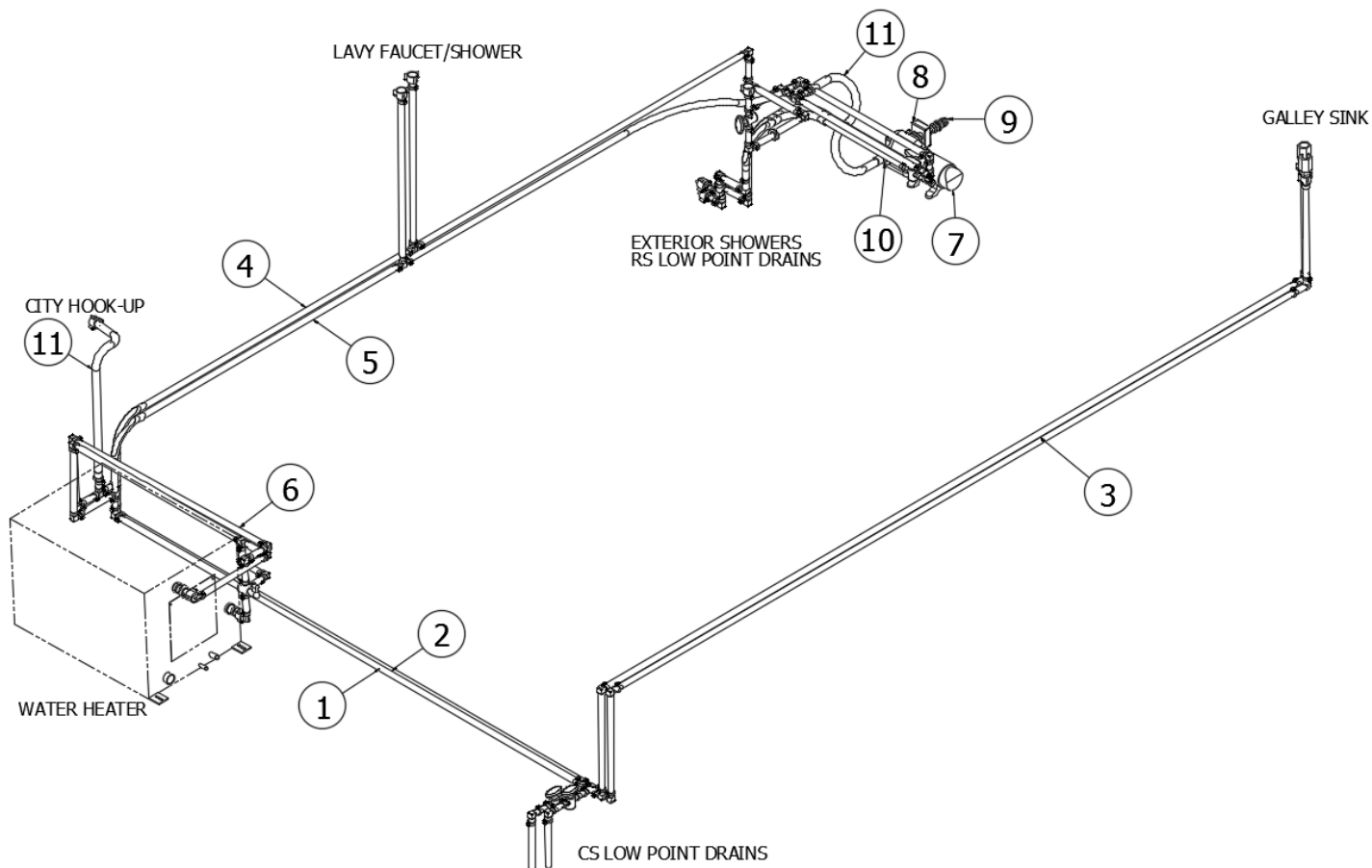
943856

Fresh Water Layout

- | | |
|---------------|--------------------------------|
| 1. 943856-03 | Cross car, Cold |
| 2. 943856-04 | Cross car, Hot |
| 3. 943856-05 | CS water lines |
| 4. 943856-06 | RS water lines, Cold |
| 5. 943856-07 | RS water lines, Hot |
| 6. 943856-08 | Cross car, Toilet |
| 7. 943856-09 | Hot water bypass |
| 8. 602177-01 | Water pump, Flojet |
| 9. 602177-02 | Strainer, Mini |
| 10. 602177-03 | Quick connect, .75" |
| 11. 602177-04 | Quick connect, .5" |
| 12. 602186 | Flex hose, 20" |
| 602217 | Rubber washer, Exterior shower |
| 382101 | Grommet, Rubber, 5/8" |

2018 INTERSTATE PLUMBING, FRESH WATER

Fresh Water Lines, Grand Tour



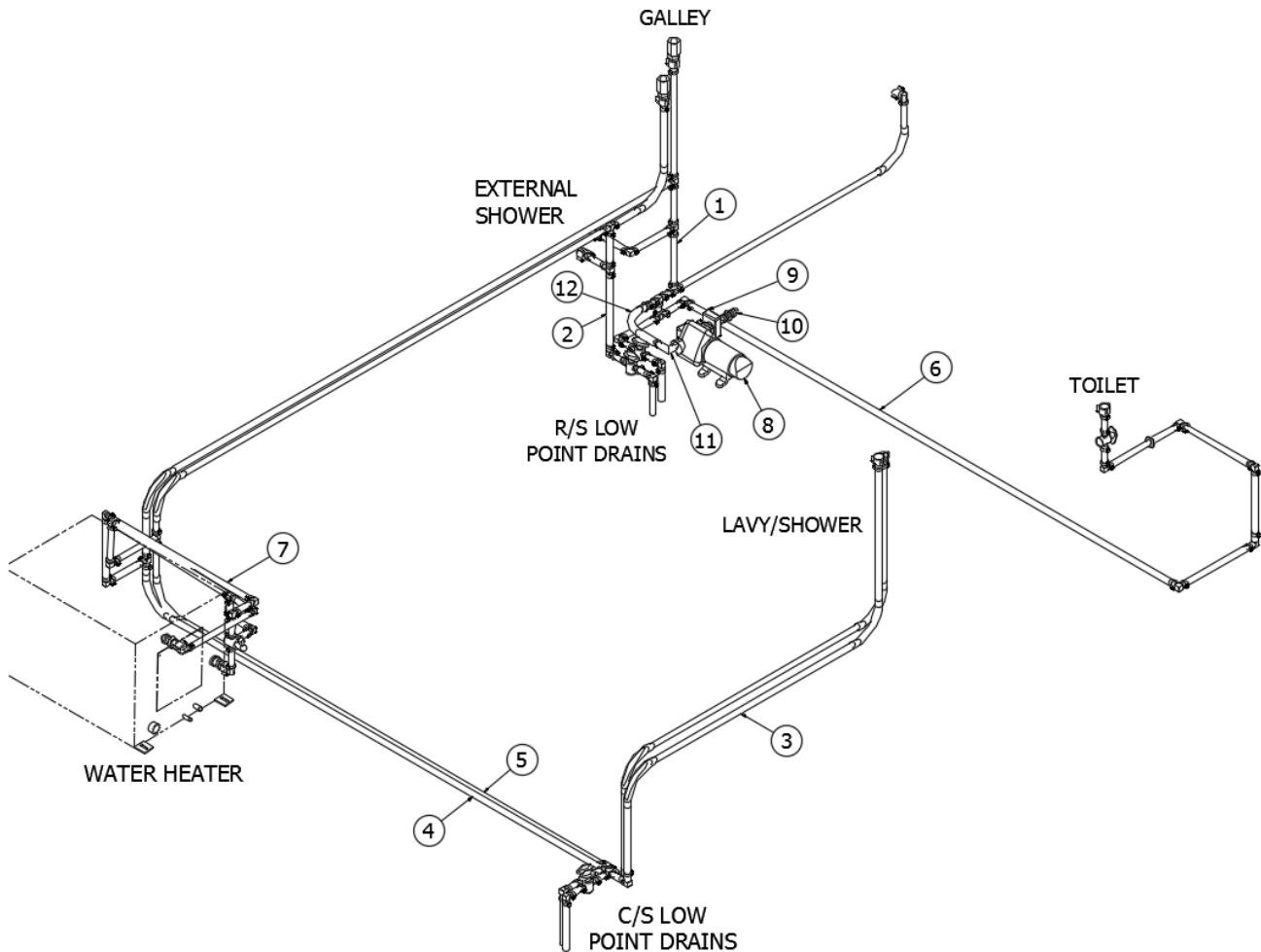
943857

Fresh Water Layout

- | | |
|---------------|-----------------------------------|
| 1. 943857-03 | Cross car, Cold |
| 2. 943857-04 | Cross car, Hot |
| 3. 943857-05 | CS water lines |
| 4. 943857-06 | RS water lines, Cold |
| 5. 943857-07 | RS water lines, Hot |
| 6. 943857-08 | Hot water bypass |
| 7. 602177-01 | Pump, Water Flojet |
| 8. 602177-02 | Strainer, Mini assembly |
| 9. 602177-03 | Quick connect, Pump, .75" |
| 10. 602177-04 | Quick connect, Pump, .5" |
| 11. 602186 | Flex hose, 20", Swivel connection |
| 602217 | Rubber washer, Exterior shower |
| 382101 | Grommet, Rubber, 5/8" |

2018 INTERSTATE PLUMBING, FRESH WATER

Fresh Water Lines, Grand Tour Twin



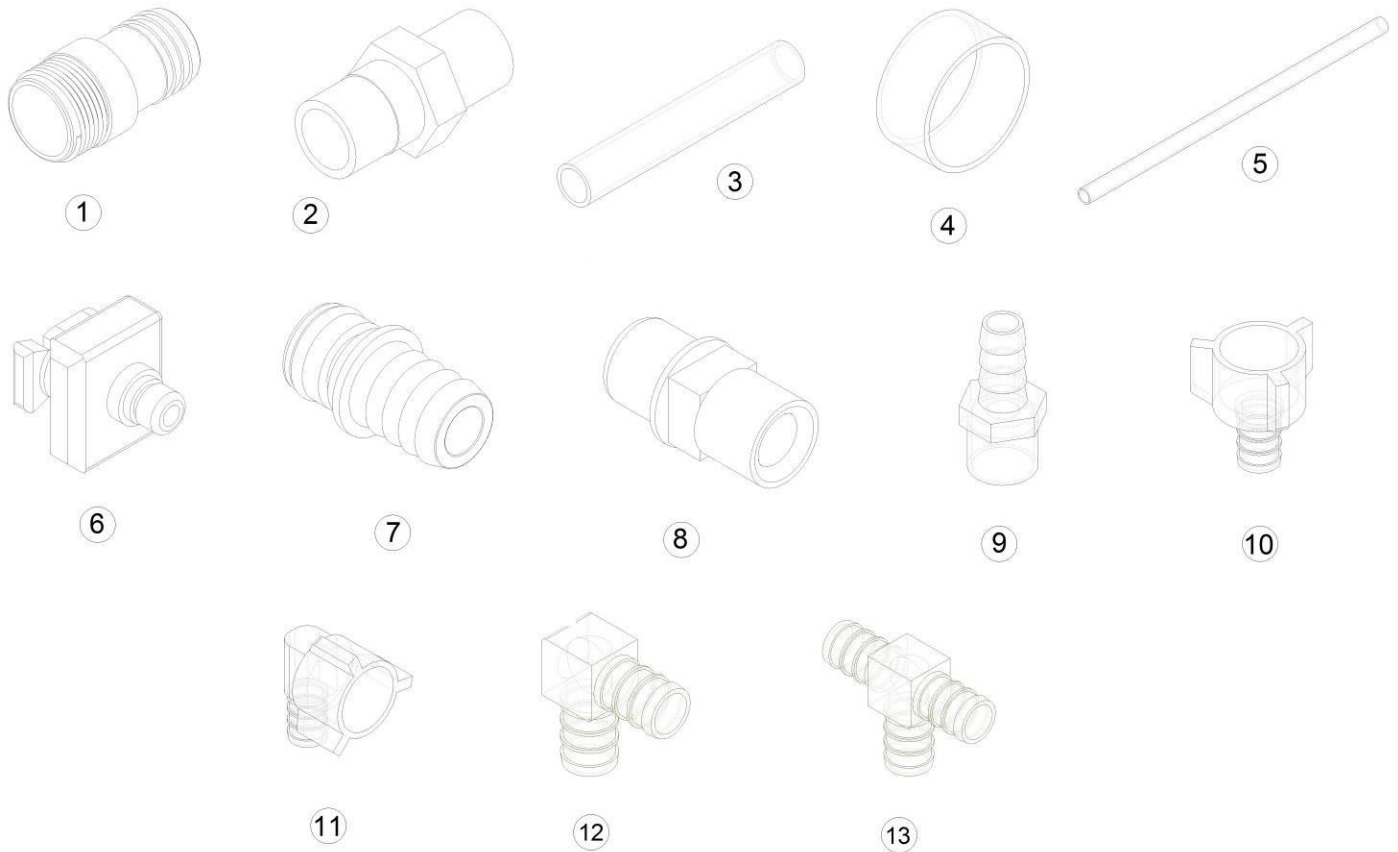
943858

Fresh Water Layout

- | | |
|---------------|--------------------------------|
| 1. 943858-01 | Roadside, Cold |
| 2. 943858-02 | Roadside, Hot |
| 3. 943858-03 | CS water lines |
| 4. 943858-04 | Crosscar, Cold |
| 5. 943858-05 | Crosscar, Hot |
| 6. 943858-06 | Crosscar, Toilet |
| 7. 943858-07 | Hot water bypass |
| 8. 602177-01 | Water pump, Flojet |
| 9. 602177-02 | Strainer, Mini |
| 10. 602177-03 | Quick connect, Pump, .75" |
| 11. 602177-05 | Quick connect, Pump port, .5" |
| 12. 602186 | Flex hose, 20" |
| 602217 | Rubber washer, Exterior shower |
| 382101 | Grommet, Rubber, 5/8" |

2018 INTERSTATE PLUMBING, FRESH WATER

Fresh Water Fittings



- | | |
|---------------|--|
| 1. 601238 | Adaptor, 1.25 MPT x 1.25 Barb |
| 2. 602308 | Check valve, .5" MPT x .5" MPT |
| 3. 601698-01 | E-Pex tube, .5" |
| 4. 601698-15 | Crimp ring, .5" E-Pex, .5", Black |
| 5. 601698-21 | E-Pex tube, .5", Red |
| 6. 602177-02 | Strainer, Mini |
| 7. 602177-03 | Pump port, Quick connect, .75" barb |
| 8. 602177-04 | Pump port, Quick connect, .5" barb |
| 9. 602256-02 | Coupler, .5" barb x .5" MPT |
| 10. 602256-03 | Coupler, .5" barb x .5" FPT |
| 11. 602256-05 | Elbow, .5" barb x .5" FPT |
| 12. 602256-10 | Elbow, .5" barb x .5" barb |
| 13. 602256-11 | Tee, .5" x .5" x .5" |
| 602256-22 | Shut-off, .5" barb x .5" barb, Plastic |
| 203085 | Plug, Water line, .5", Plastic B |
| 602186 | Flex hose, 20" w/swivel connection |
| 602217 | Rubber washer, Exterior shower |

2018 INTERSTATE PLUMBING, DRAIN

Black and Gray Tanks

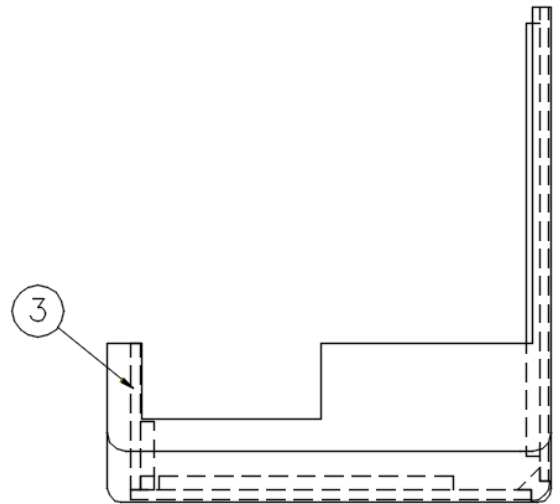
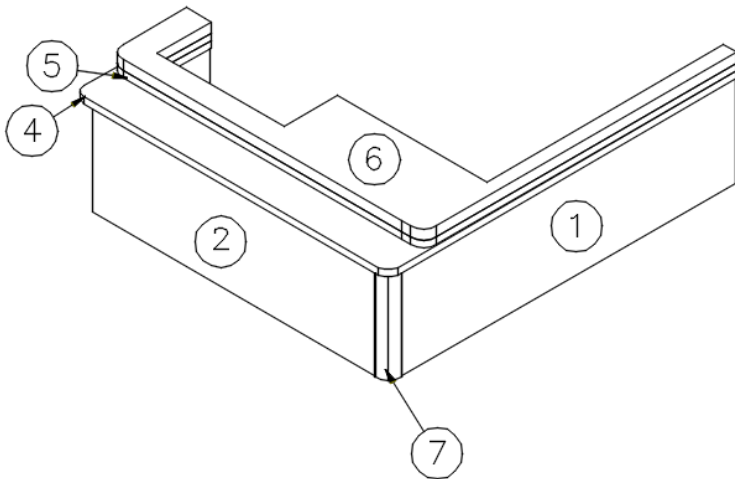
602517	Black tank, 12 gallon, Lounge
602381	Black tank, 14 gallon, Grand Tour
602257	Gray tank, Lounge
602382	Gray tank, Grand Tour
115490-01	Bracket, Black tank retainer, LH
115490-02	Bracket, Black tank retainer, RH
454688	Bracket, Grey tank
454689	Bracket, Front, Grey tank
454690	Bracket, Middle, Grey tank
454691	Bracket, Rear, Grey tank
454687	Rod, Grey tank
386223	Strap, Rubber
115491	Closeout, Black tank bracket
203634	Styrofoam, 1" x 48" x 96"
203045	Styrofoam, 1/4" x 48" x 50'
511812	Heating pad, Holding tank
512411	Waste valve, Electric
512410	Harness, Dump valve

Black Tank Flush

601441-02	Black tank flush
601441-101	Black cap w/strap
601441-102	Brass vacuum breaker and valve

2018 INTERSTATE PLUMBING, DRAIN

Black Tank Cover, Lt. Camel



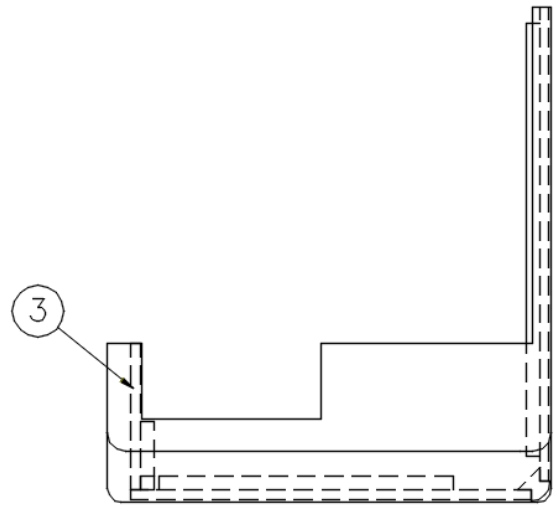
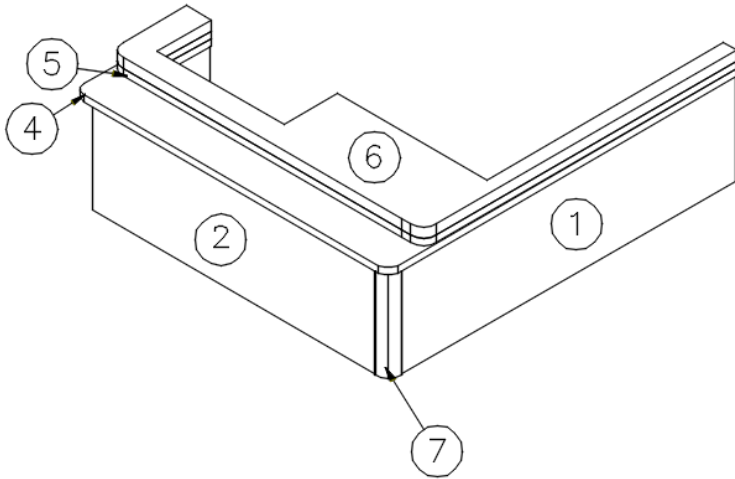
968272-18

Black Tank Cover

- | | |
|----------------|-----------------------------------|
| 1. 968272-181 | Panel, 25.75 x 7 |
| 2. 968272-182 | Panel, 21.82 x 7 |
| 3. 968272-183 | Panel, 8 x 7 |
| 4. 968272-184 | Panel, 24.19 x 26.88 |
| 5. 968272-185 | Panel, 24.19 x 24.13 |
| 6. 968272-186 | Panel, 24.19 x 24.13 |
| 7. 801415-0018 | Corner trim, 1" radius, Lt. Camel |

2018 INTERSTATE PLUMBING, DRAIN

Black Tank Cover, Walnut



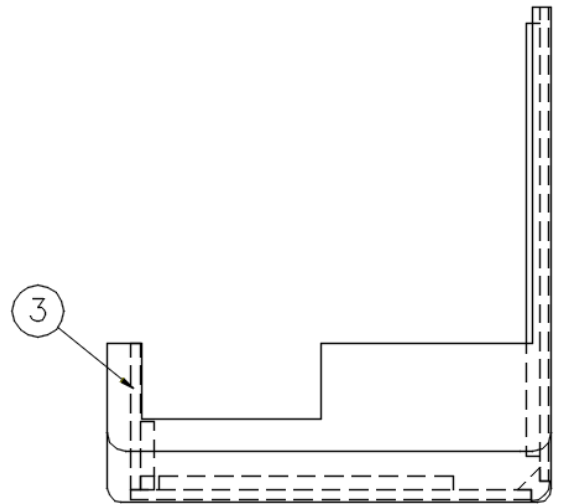
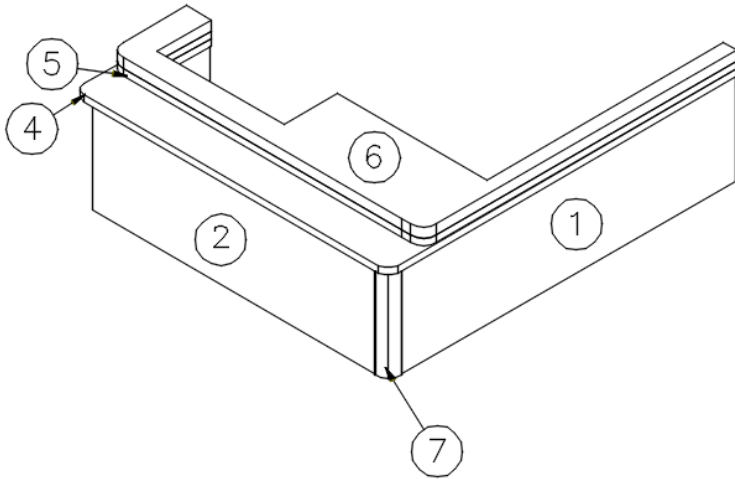
968272-02

Black Tank Cover

- | | |
|---------------|--------------------------------|
| 1. 968272-021 | Panel, 25.75 x 7 |
| 2. 968272-022 | Panel, 21.82 x 7 |
| 3. 968272-023 | Panel, 8 x 7 |
| 4. 968272-024 | Panel, 24.19 x 26.88 |
| 5. 968272-025 | Panel, 24.19 x 24.13 |
| 6. 968272-026 | Panel, 24.19 x 24.13 |
| 7. 801415-002 | Corner trim, 1" radius, Walnut |

2018 INTERSTATE PLUMBING, DRAIN

Black Tank Cover, Beachwood



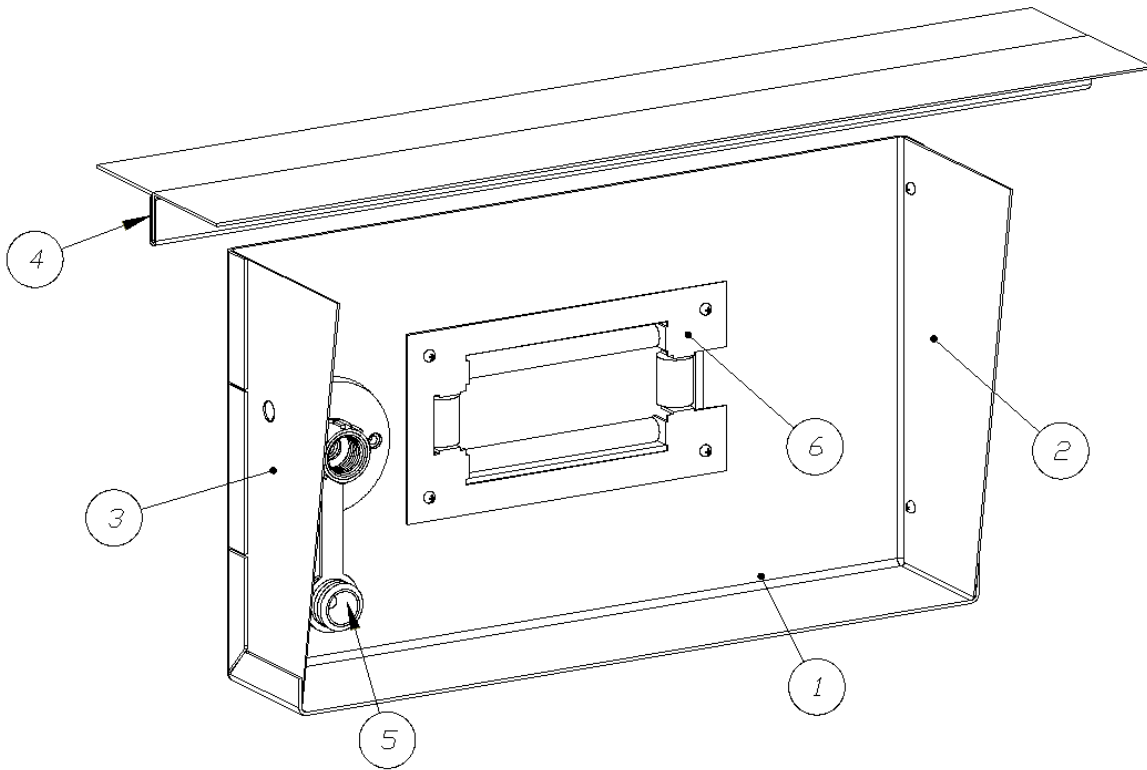
968272-33

Black Tank Cover

- | | |
|----------------|-----------------------------------|
| 1. 968272-331 | Panel, 25.75 x 7 |
| 2. 968272-332 | Panel, 21.82 x 7 |
| 3. 968272-333 | Panel, 8 x 7 |
| 4. 968272-334 | Panel, 24.19 x 26.88 |
| 5. 968272-335 | Panel, 24.19 x 24.13 |
| 6. 968272-336 | Panel, 24.19 x 24.13 |
| 7. 801415-0033 | Corner trim, 1" radius, Beachwood |

2018 INTERSTATE PLUMBING, DRAIN

Macerator Pump System



111814

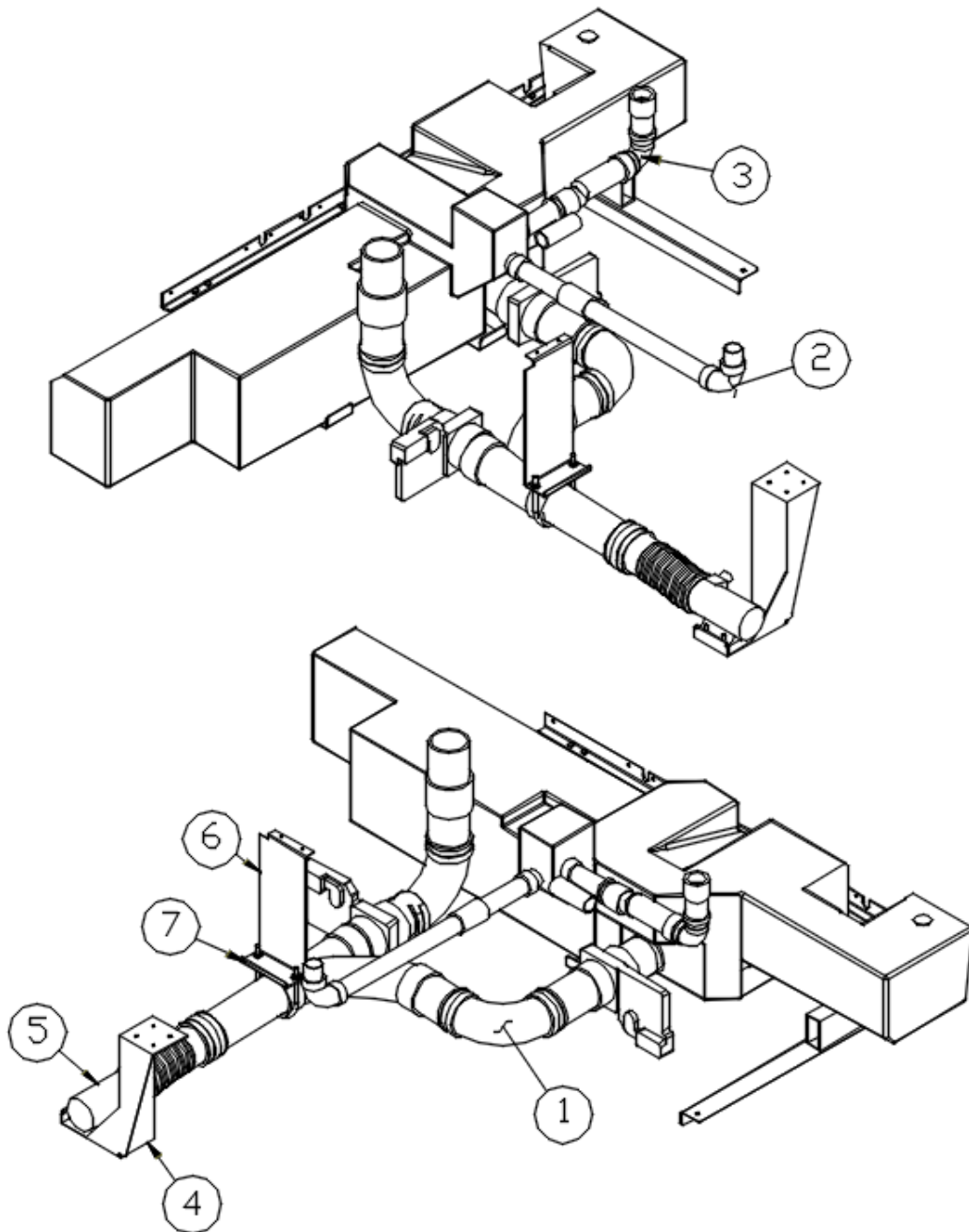
Macerator Pump Closeout

- | | |
|---|--|
| <ul style="list-style-type: none"> 1. 203666 2. 454724-01 3. 454724-02 4. 203225-01 5. 601197-02 6. 512934-02 512909-01 512909-02 513314 *512934 455039 602176 602205-10 | <ul style="list-style-type: none"> Closeout, Macerator compartment Side closeout, Macerator compartment Side closeout, Macerator compartment Trim lok, Gray, .75" Water hook-up, Chrome Roller guide Light, Pen LED Bezel for 512909-01 Black/Gray tank waste water hose reel Black/Gray tank waste water hose reel Hose reel mounting bracket Macerator pump Valve, Drip proof w/2 adaptor for reel hose |
|---|--|

*512934 replaced by 513314 starting serial #305866

2018 INTERSTATE PLUMBING, DRAIN

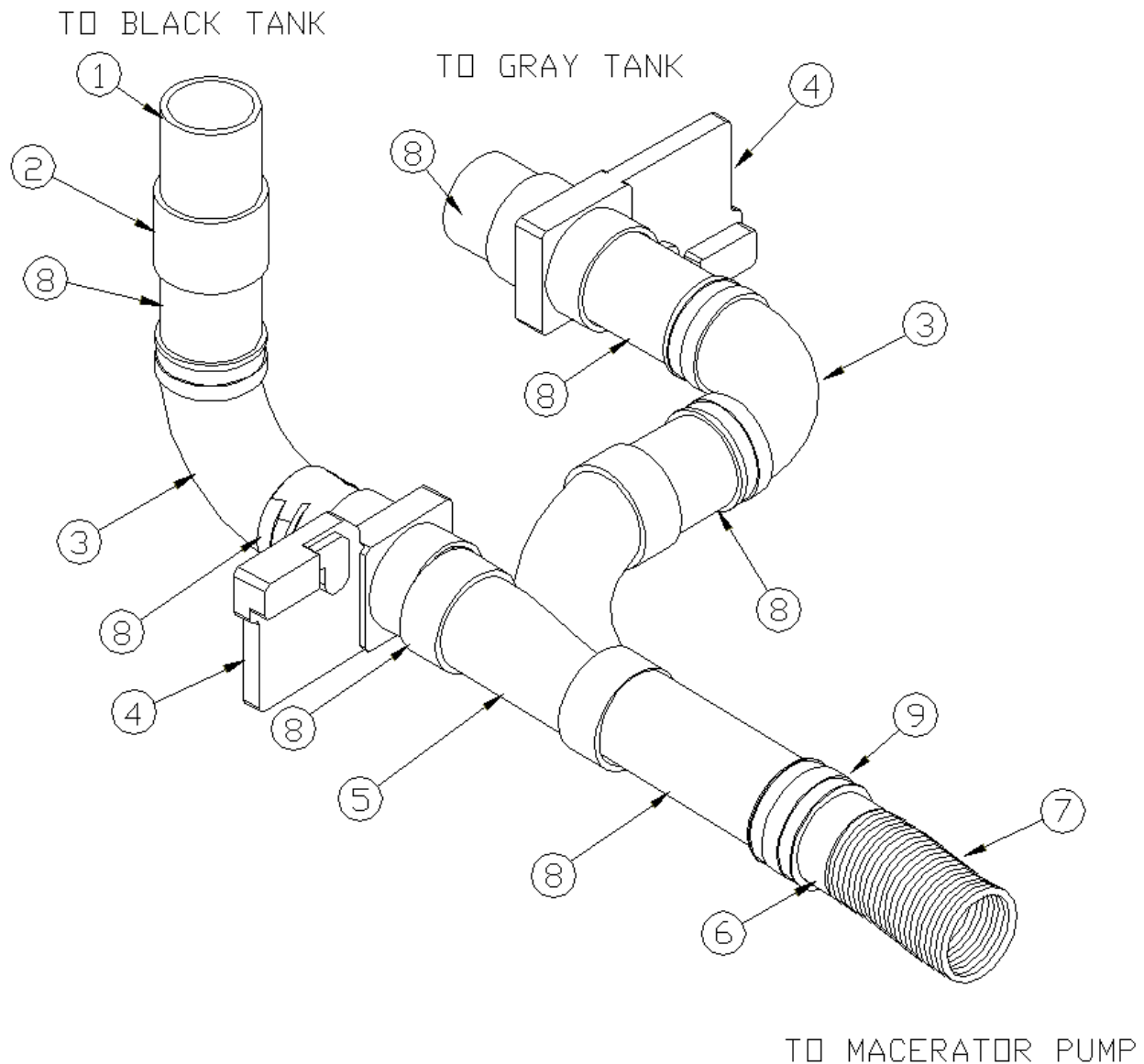
Drain System, Below Floor, Lounge



- | | |
|--------------|--------------------------------|
| 1. 943709-01 | Drains, From tanks to pump |
| 2. 943709-02 | Drain, Below floor from galley |
| 3. 943709-03 | Drain, Below floor from shower |
| 4. 602205-02 | Mounting bracket, Macerator |
| 5. 602176 | Pump, Macerator Flojet |
| 6. 454692 | Bracket, Below floor |
| 7. 340073-13 | Clamp, Muffler, 4" |

2018 INTERSTATE PLUMBING, DRAIN

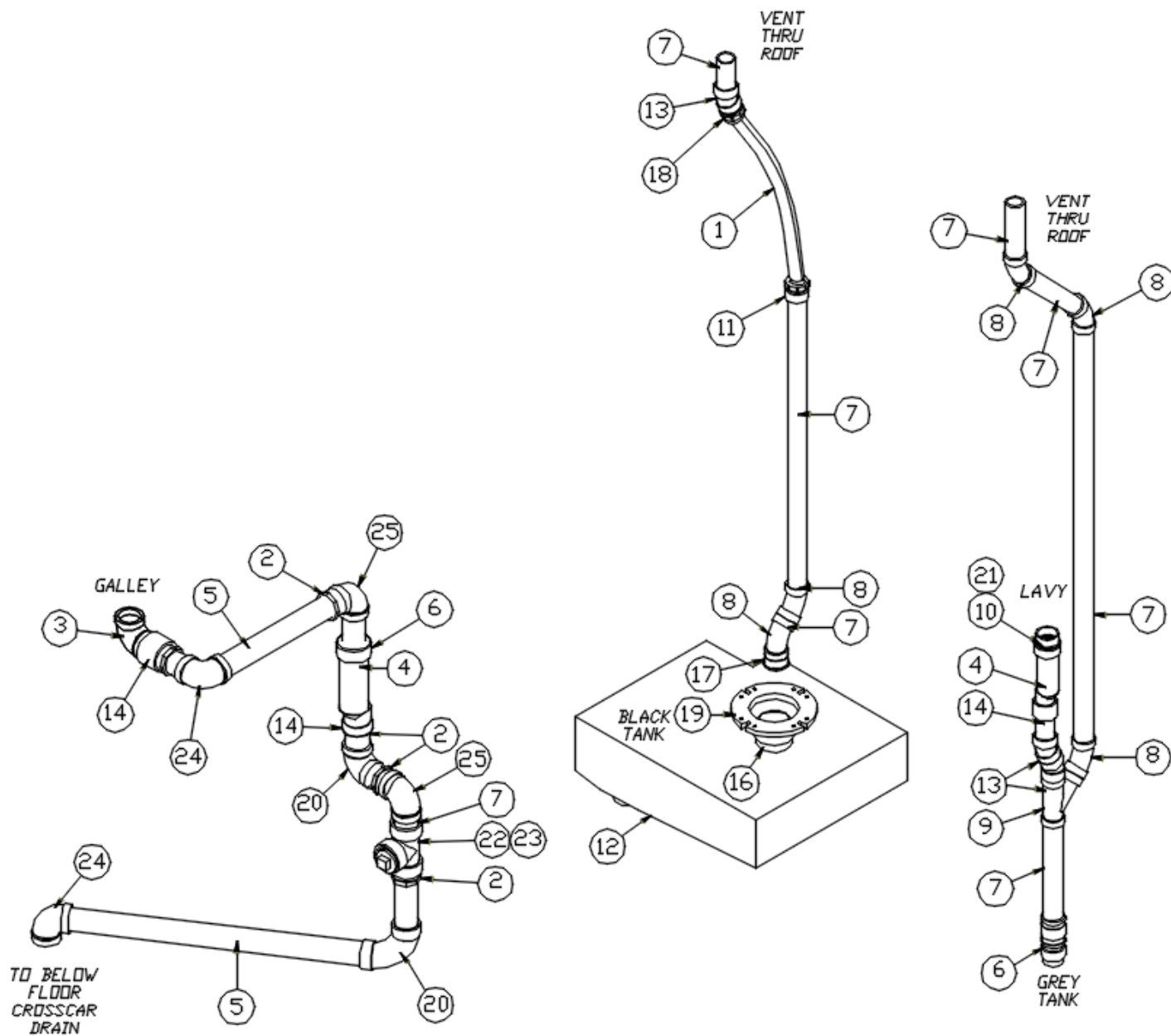
Drain System, From Tanks to Pump, Lounge



- | | |
|--------------|---|
| 1. 601267-04 | Nipple, 3" diameter, Threaded one end, 10" long |
| 2. 600253 | Coupling, 3" |
| 3. 602181 | Elbow, 3" flexible |
| 4. 512411 | Waste valve, Electric |
| 5. 600187 | 3" Wye, Comb and 1/8 bend |
| 6. 602205-04 | Adaptor for 3" connection hose |
| 7. 602205-05 | 3" flexible connection hose, 3' long w/2 clamps |
| 8. 601160-04 | Pipe, ABS DVW, 3" |
| 9. 600289 | Calder coupling, 3" (rubber) |
| 512410 | Harness, Dump valve |
| 602205-10 | Valve, drip proof, w/2 adaptor for reel hose |

2018 INTERSTATE PLUMBING, DRAIN

Drain System, Above Floor, Lounge



Parts Listed on Next Page

2018 INTERSTATE PLUMBING, DRAIN

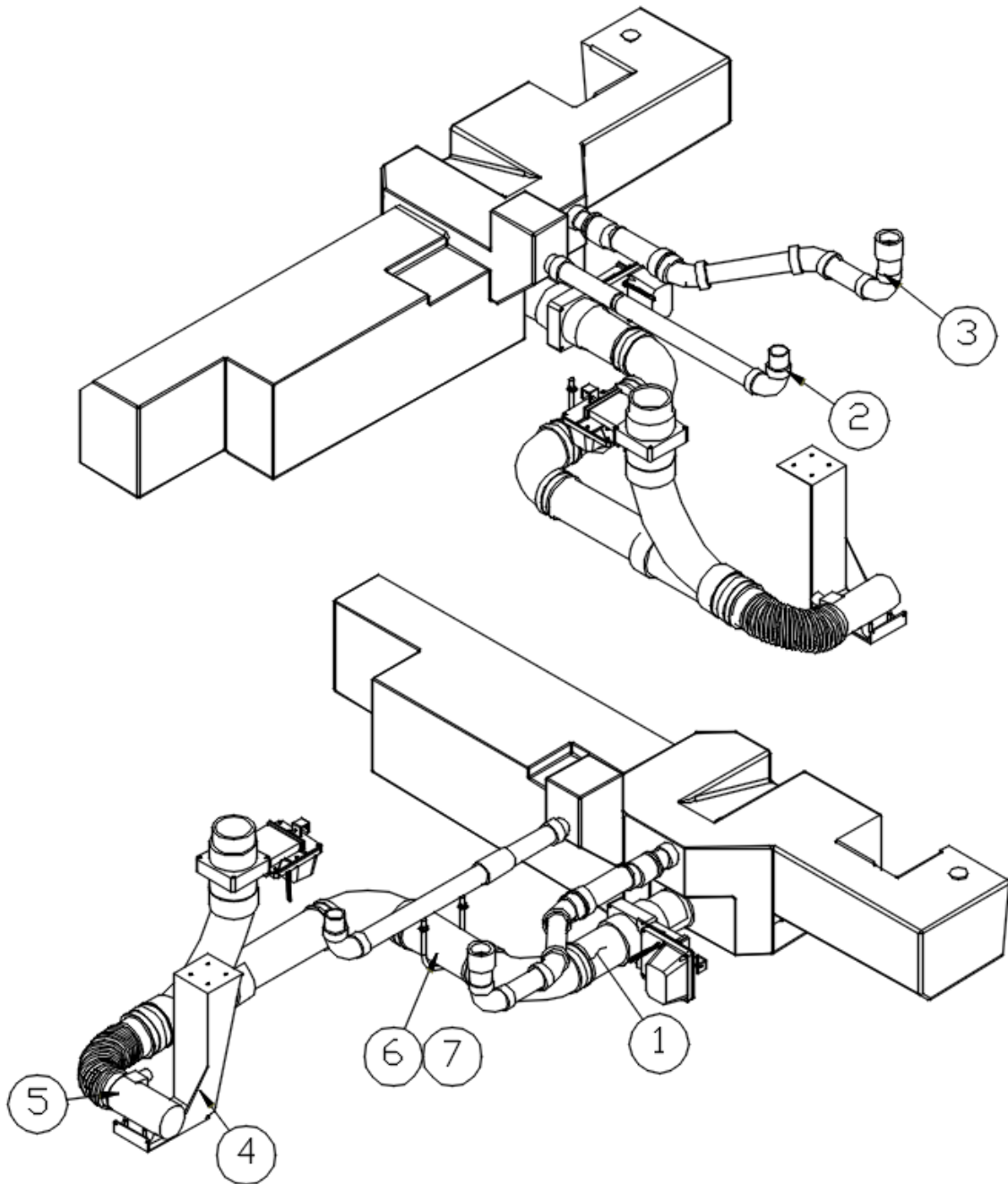
Drain System, Above Floor, Lounge

943710 Above Floor Drain System

1. 602524-29 Flexaust flexible hose
2. 602215 Bushing, 1.5" x 1.25", PVC
3. 690603-02 Adaptor, Angle
4. 690603-01 Waste valve, HEPVO
5. 601161-01 Pipe, ABS DVW, 1.25"
6. 602214 Adapter, 1.5" MPT x 1.5", Slip PVC
7. 601160-02 Pipe, ABS DVW, 1.5"
8. 600030 Elbow, ABS, 45°, Long turn
9. 600094 Wye
10. 602287-01 Adapter, Swivel 1.5" x 1.5"
11. 602523 Trap adapter, 1.5", hub x slip
12. 602517 Black water tank, 12 gallon
13. 600116 Elbow, 22° turn, 1.5 Hub
14. 602212 Adapter, 1.5" FPT x 1.5" Slip PVC
15. 602201 Flexible coupling, 1.5"
16. 601267-04 Nipple, 3", Threaded one end, 10" long
17. 601676 Adapter, Threaded, 1.5" male
18. 602522 Trap adapter, 1.5", spigot x slip
19. 601266 Toilet flange
20. 602236 90° long turn, ABS, 1.25" HXH
21. 602287-02 Rubber washer
22. 601318 Tee, Bi-directional
23. 600155 Plug, 1.5"
24. 602196 Elbow, 90°, 1.25"
25. 601636 Elbow, 90°, 1.5"

2018 INTERSTATE PLUMBING, DRAIN

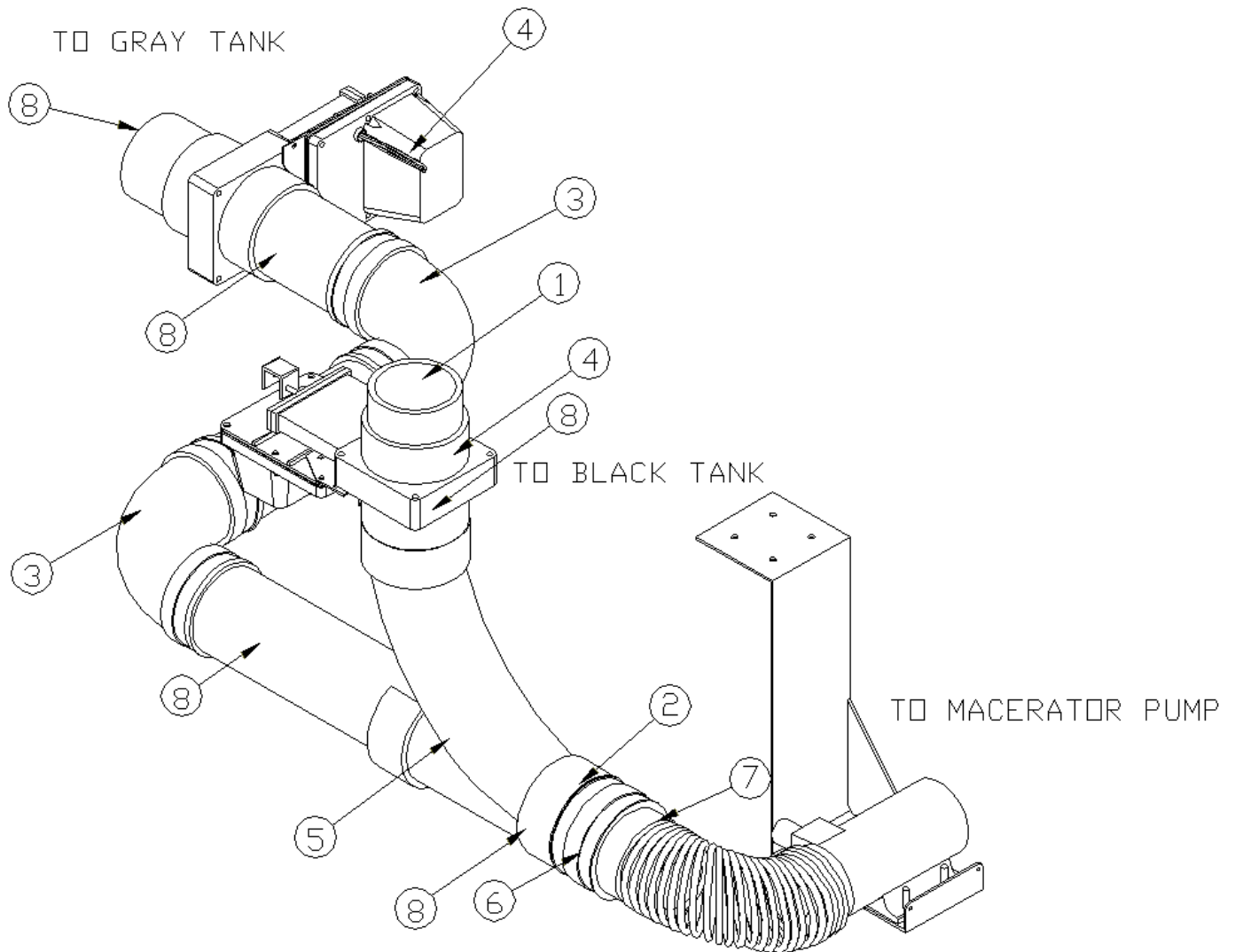
Drain System, Below Floor, Grand Tour



- | | |
|--------------|--------------------------------|
| 1. 943779-01 | Drains, From tanks to pump |
| 2. 943779-02 | Drain, Below floor from galley |
| 3. 943779-03 | Drain, Below floor from shower |
| 4. 602205-02 | Mounting bracket, Macerator |
| 5. 602176 | Pump, Macerator Flojet |
| 6. 340073-13 | Clamp, Muffler, 4" |
| 7. 381509 | Hanger, Universal swivel |

2018 INTERSTATE PLUMBING, DRAIN

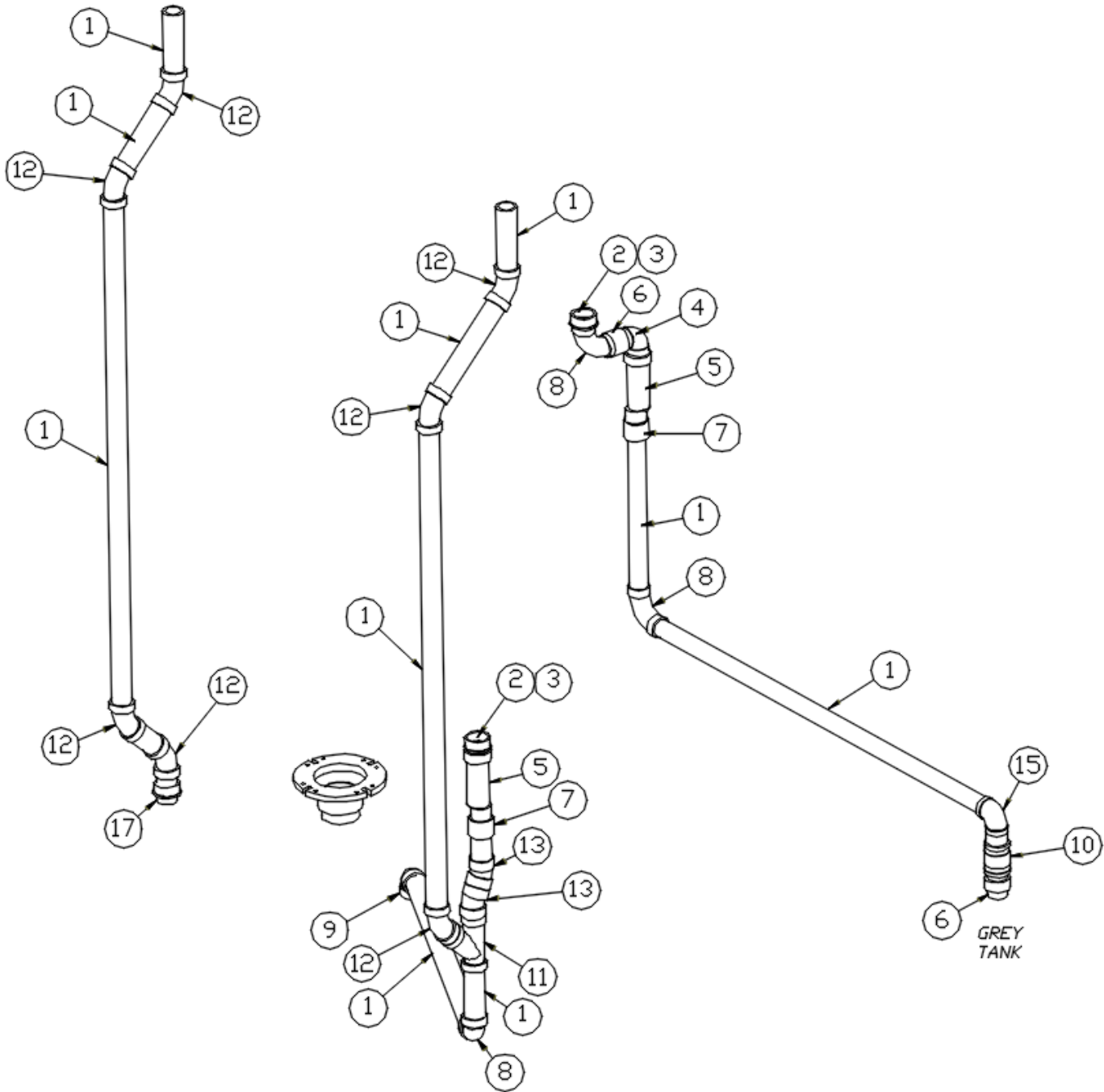
Drain System, From Tanks to Pump, Grand Tour



- | | |
|--------------|---|
| 1. 601267-04 | Nipple, 3" diameter, Threaded one end, 10" long |
| 2. 600289 | Calder coupling, 3" |
| 3. 602181 | Elbow, 3" Flexible |
| 4. 512411 | Waste valve, Electric |
| 5. 600187 | 3" Wye, Comb and 1/8 bend |
| 6. 602205-04 | Adaptor for 3" connection hose |
| 7. 602205-05 | 3" flexible connection hose, 3' long w/2 clamps |
| 8. 601160-04 | Pipe, ABS DVW, 3" |
| 512410 | Harness, Dump valve |
| 602205-10 | Valve, drip proof, w/2 adaptor for reel hose |

2018 INTERSTATE PLUMBING, DRAIN

Drain System, Above Floor, Grand Tour



Parts Listed on Next Page

2018 INTERSTATE PLUMBING, DRAIN

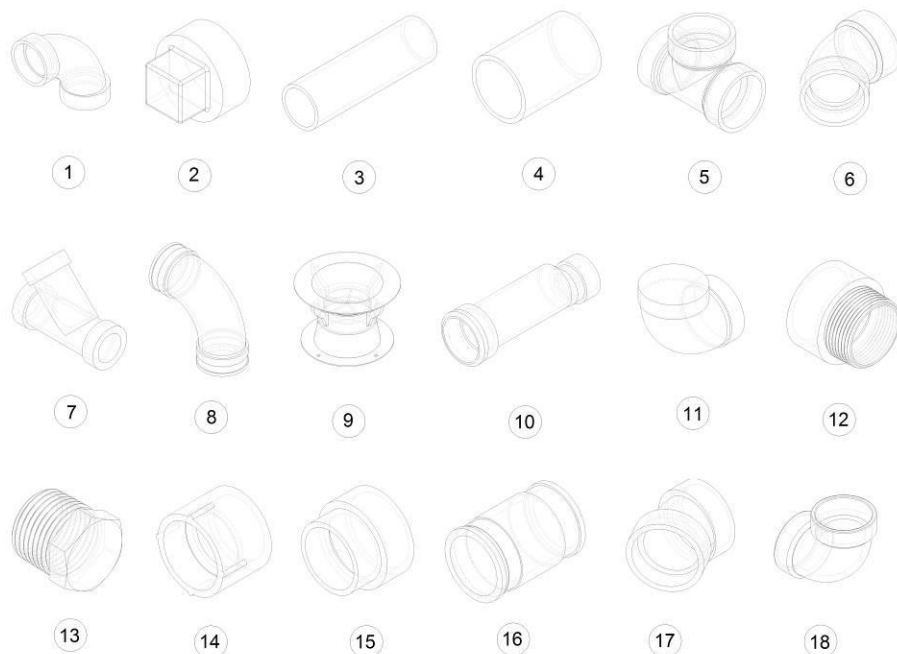
Drain System, Above Floor, Grand Tour

943780 Above Floor Drain System

1. 601160-02 Pipe, ABS DVW, 1.5"
2. 602287-01 Adapter, Swivel 1.5" x 1.5"
3. 602287-02 Rubber washer
4. 690603-02 Adaptor, Angle
5. 690603-01 Waste valve, HEPVO
6. 602214 Adapter, 1.5" MPT x 1.5", Slip PVC
7. 602212 Adapter, 1.5" FPT x 1.5" Slip PVC
8. 600035 Elbow, Long sweep, 1.5"
9. 602196 Elbow, 90°, 1.25"
10. 602201 Flexible coupling, 1.5"
11. 600094 Wye
12. 600030 Elbow, ABS, 45°, Long turn
13. 600116 Elbow, .5"
14. 601676 Adapter, Threaded, 1.5" male
15. 601636 Elbow, 90°, 1.5"
- 602381 Black tank, 14 gallon, Grand Tour
- 601267-04 Nipple, 3", Threaded one end, 10" long
- 601266 Toilet flange

2018 INTERSTATE PLUMBING, DRAIN

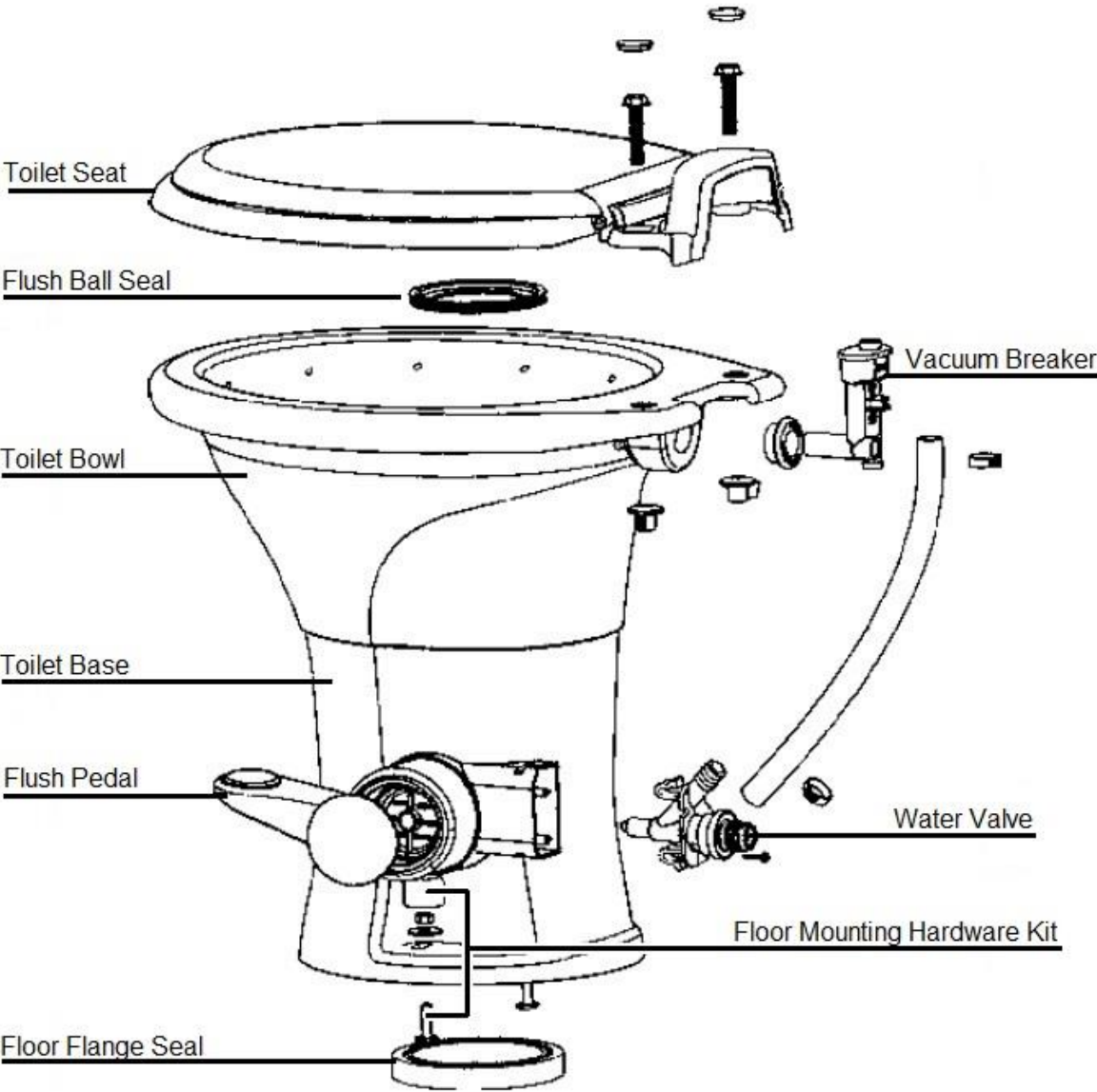
Drain Fittings



- | | |
|---------------|--|
| 1. 600035 | Elbow, 1.5", 90°, Long sweep |
| 2. 600155 | Plug, 1.5" |
| 3. 601160-02 | Pipe, ABS DVW, 1.5" |
| 4. 601160-04 | Pipe, ABS DVW, 3" |
| 5. 601318 | Tee, Bi-directional clean out, 1.5" |
| 6. 600030 | Elbow, ABS, 45°, Long turn |
| 7. 600094 | Wye |
| 8. 602181 | Elbow, 3" Flexible |
| 9. 690700-02 | Tank vent cap, Black |
| 10. 690603-01 | Waste valve, Hepvo |
| 11. 690603-02 | Adaptor, Angle |
| 12. 602194 | Adaptor, PVC, 1.125 HUB x MPT |
| 13. 602211 | Plug, .75" MPT Plastic |
| 14. 602212 | Adapter, 1.5" FPT x 1.5", Slip, PVC |
| 15. 602214 | Adapter, 1.5" MPT x 1.5", Slip PVC |
| 16. 602201 | Flexible coupling, 1.5" |
| 17. 600116 | Elbow, .5" |
| 18. 601636 | Elbow, 90°, 1.5" |
| 601267-04 | Nipple, 3", Threaded one end, 10" long |
| 602196 | Elbow, Slip x slip, 1.25", PVC |
| 602195 | Pipe, 1.25", White PVC |
| 602287-01 | Adapter, Swivel, 1.5" x 1.5" |
| 602287-02 | Rubber washer |
| 601676 | Adapter, Threaded, 1.5" male |

2018 INTERSTATE
PLUMBING, DRAIN

Toilet



690707 Toilet, Dometic 301, Short height, White

2018 INTERSTATE SEALERS AND GASKETS

Sealers

360323	Sealant, Sikaflex, White
360323-01	Sealant, Sikaflex, Black
360324	Sika Lick, Spray bottle
360180	Adhesive Seal, Sikaflex 221
365330-01	Sealant, RTV Silicone, White
360209	Sealant, Acryl-R seam sealant, Aluminum
360209-03	Sealant, Acryl-R seam sealant, Black
365285	Seamfill, Stain stick, Cherry
360074	Sealant, GE RTV 102, White
360255-04	Sealer, Anti-wick
365356-01	Sealant, White
365356-02	Sealant, Gray

Gaskets

365185-20	Gasket tape, 2", Black tank
382262	Gasket, Water heater
382337	Gasket, Corlon vent cap
365391	Gasket, Furnace vent
365388	Gasket, Rear view mirror
382467	Gasket kit
382467-01	Gasket, Exhaust fan
382467-02	Gasket, Tank vent
382467-03	Gasket, Radio antenna
382467-04	Gasket, Double solar
382467-05	Gasket, Dual cable entry
382467-06	Gasket, Bath fan
382467-07	Gasket, TV antenna
382467-08	Gasket, Single solar

Undercoating

360327	Undercoating, 17 Oz. Aerosol can
--------	----------------------------------

2018 INTERSTATE BEDDING, PILLOWS

Mattresses

704187-01 Mattress, RS, 27" x 74", Pillowtop
704187-02 Mattress, CS, 27" x 74", Pillowtop

Bedspreads and Sheets

704306 Kit, Bedspreads, 78" x 27"
704306-01 RS Bedspread
704306-02 CS Bedspread
704306-03 2 Pillow shams w/pillow insert & zipper
704192 Sheet set, 600 TC

Pillows

703987 Pillow, Bed, 21" x 31"
704443 Throw pillow w/trim, 17 x 17

Bed Extension Cushions

704193B Kit, Twin bed extension cushions, Black
704193OY Kit, Twin bed extension cushions, Oyster UL
704193MN Kit, Twin bed extension cushions, Moon UL
704190 Kit, Filler mattress piece

2018 INTERSTATE UPHOLSTERY, ULTRALEATHER

Captain's Chairs, Cabin

703806OY	Skirt, Driver's seat pedestal, Oyster
703806BT	Skirt, Driver's seat pedestal, Black Tar
703806MN	Skirt, Driver's seat pedestal, Moon
703807OY	Skirt, Passenger's seat pedestal, Oyster
703807BT	Skirt, Passenger's seat pedestal, Black Tar
703807MN	Skirt, Passenger's seat pedestal, Moon
704408OY-D	Recover, Driver seat w/map pocket, Thorax, Oyster
704408OY-P	Recover, Passenger seat w/map pocket, Thorax, Oyster
704408MN-D	Recover, Driver seat w/map pocket, Thorax, Moon
704408MN-P	Recover, Passenger seat w/map pocket, Thorax, Moon
704408BT-D	Recover, Driver seat w/map pocket, Thorax, Black Tar
704408BT-P	Recover, Passenger seat w/map pocket, Thorax, Black Tar

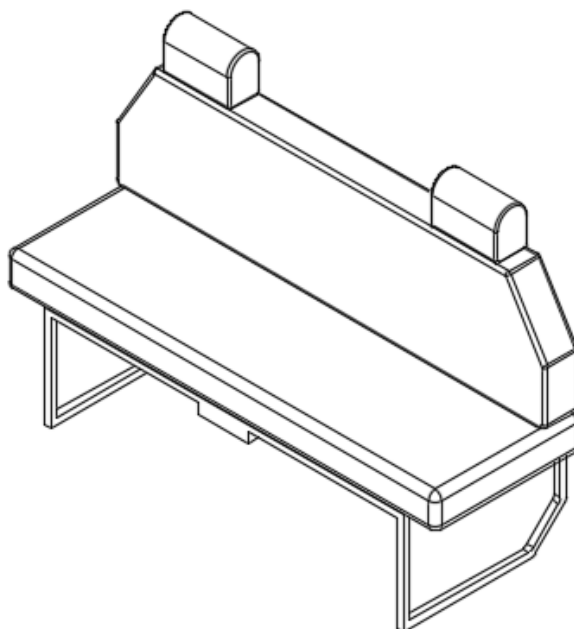
Cab captain's chairs come with the chassis. Airstream sends the chairs out to be recovered to match the motorhome color scheme.

Captain's Chairs, 2nd Row

704213OY	Chair, RS w/seat belt & self-level armrests, Septer II, Oyster
704213MN	Chair, RS w/seat belt & self-level armrests, Septer II, Moon
704213BT	Chair, RS w/seat belt & self-level armrests, Septer II, Black Tar
704214OY	Chair, CS w/seat belt & self-level armrests, Septer II, Oyster
704214MN	Chair, CS w/seat belt & self-level armrests, Septer II, Moon
704214BT	Chair, CS w/seat belt & self-level armrests, Septer II, Black Tar

2018 INTERSTATE UPHOLSTERY, ULTRALEATHER

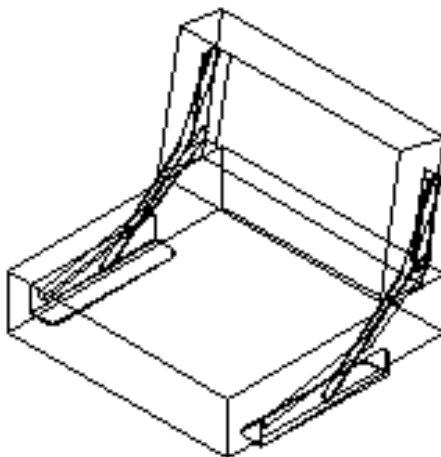
Sofa, Power



704440OY
704440MN
704440BT

Sofa, Power w/2 headrests & 2 bolsters, Septer II, Oyster
Sofa, Power w/2 headrests & 2 bolsters, Septer II, Moon
Sofa, Power w/2 headrests & 2 bolsters, Septer II, Black Tar

Sofa, Jackknife

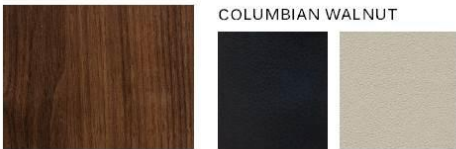


704211OY
704211MN
704211BT

Jackknife sofa, 29" w/UL & memory foam, Septer II, Oyster
Jackknife sofa, 29" w/UL & memory foam, Septer II, Moon
Jackknife sofa, 29" w/UL & memory foam, Septer II, Black Tar

2018 INTERSTATE UPHOLSTERY, ULTRALEATHER

Décor Boards



2018 INTERSTATE VENTS AND FANS

Black Tank Vent

690700-02 Tank vent cap, Black
382337 Gasket, Vent cap

Bath Vent

690266-04 Vent w/2" White garnish
203639 Ceiling spacer, Bath vent

Furnace Vent

690620-05 Extension kit, 7.25"
115657 Spacer, Furnace vent
365391 Gasket, Furnace vent

Refrigerator Vent

382297 Vent, 4 x 8, Black plastic

Exhaust Fan

513172 Fantastic fan vent, RVC
382467-01 Gasket, Exhaust fan
115403 Vent frame, Roof

2018 INTERSTATE PANELING, EDGEBANDING, LAUAN

Paneling

801438	Lauan, 2.7mm, Frost White/Raw
801392	Paneling, Pre-laminated, 12mm, White liner/White liner
801833-01	Laminate, Vertical, Asian Sand
801869-01	Paneling, Pre-laminated, 18mm, A. Sand/A. Sand
801841-01	Paneling, Pre-laminated, 12mm, A. Sand/A. Sand
801982-01	Laminate, Vertical, C. Walnut
801983-01	Paneling, Pre-laminated, 18mm, C. Walnut/C. Walnut
801984-01	Paneling, Pre-laminated, 12mm, C. Walnut/C. Walnut
802082	Laminate, Vertical, Lt Walnut
802086	Paneling, Pre-laminated, 12mm, Lt Walnut/Lt Walnut
802087	Paneling, Pre-laminated, 18mm, Lt Walnut/Lt Walnut

Edgebanding

365344-01	Edgebanding, .63", Pearl Bisque
365344-02	Edgebanding, .94", Pearl Bisque
365379-01	Edgebanding, .63", Walnut
365379-02	Edgebanding, .94", Walnut
365398-01	Edgebanding, .63", Light Walnut
365398-02	Edgebanding, .94", Light Walnut

Lauan

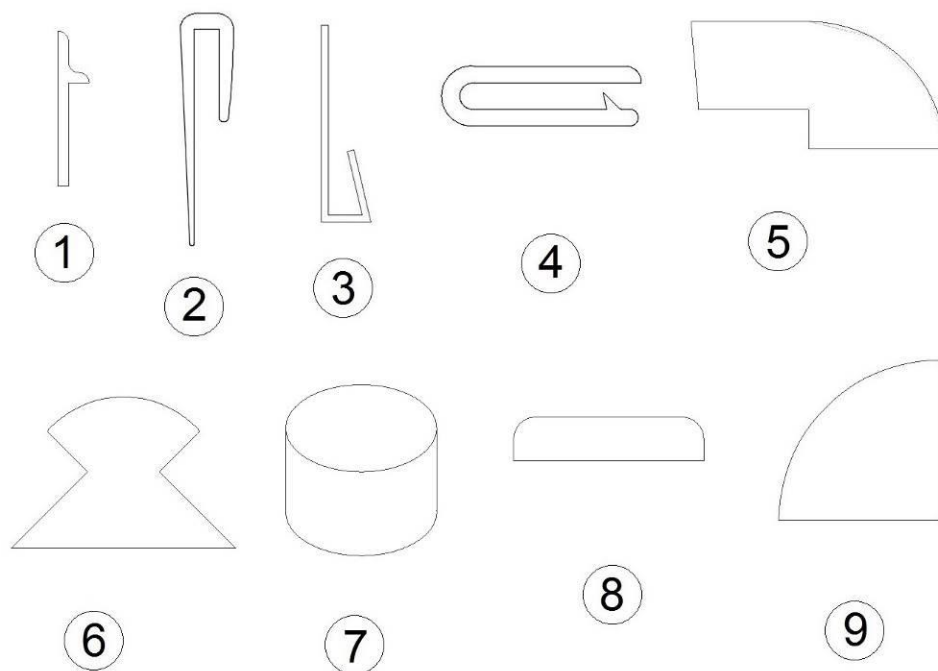
800507-01	Lauan, 1/8 x 4' x 8'
800507-02	Lauan, 1/4 x 4' x 8'
800507-03	Lauan, 3/8 x 4' x 8'

Plywood

800506-04	Plywood, .5 x 4' x 8'
801351	Plywood, Lite, .75 x 4' x 8'
801345	Radius plywood, .75 x 3" x 8'

2018 INTERSTATE TRIMS

Trim



- | | |
|----------------|---|
| 1. 115064 | Trim, Aluminum counter top |
| 2. 114070 | J-trim, Extrusion, Mill finish |
| 3. 201666-01 | J-molding, 3/16", White |
| 4. 203225-01 | Trim lock, .75", Gray |
| 5. 801706-0018 | Corner trim, 90°, 1" radius, Asian Sand |
| 801706-002 | Corner trim, 90°, 1" radius, Walnut |
| 801706-0033 | Corner trim, 90°, 1" radius, Beachwood |
| 6. 801415-0018 | Corner trim, 45°, 1" radius, Asian Sand |
| 801415-002 | Corner trim, 45°, 1" radius, Walnut |
| 801415-0033 | Corner trim, 45°, 1" radius, Beachwood |
| 7. 801818-0018 | Wood plug, 3/8", Tapered, Asian Sand |
| 801818-002 | Wood plug, 3/8", Tapered, Walnut |
| 801818-0033 | Wood plug, 3/8", Tapered, Beachwood |
| 8. 800573-0118 | Flat molding, Asian Sand |
| 800573-012 | Flat molding, Walnut |
| 800573-0133 | Flat molding, Beachwood |
| 9. 800638-0118 | Molding, Quarter round, .5", Asian Sand |
| 800638-0102 | Molding, Quarter round, .5", Walnut |
| 800638-0133 | Molding, Quarter round, .5", Beachwood |
| 203462-01 | Screw cap cover, PVC, Light Gray |
| 203462-0118 | Screw cap cover, PVC, Lt. Camel |
| 203462-012 | Screw cap cover, PVC, Walnut |
| 203462-0133 | Screw cap cover, PVC, Beachwood |
| 203462-02 | Screw cap cover, PVC, Dark Gray |
| 203440 | T-molding, 13/16", Black Embossed |
| 203445-01 | T-molding, 9/16", White |