

adventure, inspired by
 **AIRSTREAM**

2018 Atlas Parts Book



2018 ATLAS

SECTION I

APPLIANCES

<u>Air Conditioner</u>	I-1
<u>Furnace</u>	I-1
<u>Water Heater</u>	I-1
<u>Generator</u>	I-2
<u>Microwave and Cooktop</u>	I-2
<u>Refrigerator and Freezer</u>	I-2

EXTERIOR SHELL

<u>Wall, Roadside</u>	I-3
<u>Wall, Curbside</u>	I-5
<u>Rear Cap</u>	I-7
<u>Hitch Cover</u>	I-7
<u>Rear Bumper</u>	I-7
<u>7-Way Bracket</u>	I-7
<u>Slide-Out Room</u>	I-8
<u>Transition Panels</u>	I-9
<u>Supports</u>	I-9
<u>Decals and Nameplates</u>	I-9
<u>Beltline</u>	I-9
<u>Reflectors</u>	I-9

INTERIOR SHELL

<u>Slide-out Sidewall Extrusions</u>	I-10
<u>Dash Trim Kit</u>	I-11
<u>Ceiling Panels</u>	I-12
<u>Window Boxes</u>	I-12
<u>Window Valance Slide-Out</u>	I-13

CHASSIS

<u>Air Ride System</u>	I-14
<u>Aluminum Wheels</u>	I-14
<u>Fender Well</u>	I-14
<u>Mud Flaps</u>	I-14
<u>Stabilizer Jack</u>	I-14
<u>Driver and Passenger Steps</u>	I-15
<u>Step</u>	I-15
<u>Exhaust System</u>	I-15
<u>Skid Bar Assembly</u>	I-15

2018 ATLAS

SECTION II

DOORS, WINDOWS, AWNINGS

<u>Exterior Compartments</u>	II-1
<u>Exterior Compartment Doors</u>	II-6
<u>Entry Door</u>	II-7
<u>Screen Door</u>	II-9
<u>Windows</u>	II-10
<u>Awnings</u>	II-10

SHADES

<u>Power Shades</u>	II-11
<u>Cockpit Window Shades</u>	II-11

ELECTRICAL

110 VOLT

<u>Distribution Center</u>	II-12
<u>Energy Management System</u>	II-12
<u>Shoreline Hookup</u>	II-12
<u>Inverter</u>	II-12
<u>Receptacles and USB Ports</u>	II-12
<u>Breakers</u>	II-12

12 VOLT

<u>Battery</u>	II-13
<u>Firefly System</u>	II-13
<u>Switches</u>	II-14
<u>Switch Panels</u>	II-14
<u>Fuses</u>	II-15
<u>Cable Kits</u>	II-15
<u>Tank Monitor System</u>	II-15
<u>Camera, Rearview Monitor</u>	II-15
<u>Solar Panel</u>	II-15
<u>Interior Lights</u>	II-16
<u>Exterior Lights</u>	II-16
<u>Tail Light Assembly</u>	II-17

ENTERTAINMENT

<u>Audio</u>	II-18
<u>Video</u>	II-18
<u>TV and Entertainment Cabinet</u>	II-18

2018 ATLAS

SECTION III

FLOOR COVERINGS

<u>Floor Covering</u>	III-1
-----------------------------	-------

FURNITURE

INTERIOR DOORS

<u>Interior Doors</u>	III-2
<u>Roof Locker Doors</u>	III-2

LOUNGE

<u>Murphy Bed</u>	III-3
<u>Murphy Bed Frame and Wall</u>	III-4
<u>Forward RS and CS Wall</u>	III-5
<u>Entertainment Center Top</u>	III-6
<u>Entertainment Center</u>	III-7
<u>Corner Electronics Cabinet, CS Forward</u>	III-11
<u>Roof Locker, CS</u>	III-13
<u>Roof Locker, Front Overhead</u>	III-15
<u>Cubby, Front Overhead</u>	III-17
<u>Pedestal Table</u>	III-18

GALLEY

<u>Galley Top</u>	III-19
<u>Galley Cabinet</u>	III-20
<u>Galley Workstation</u>	III-24
<u>Vent Pipe Cover</u>	III-25
<u>Refrigerator Cabinet</u>	III-26
<u>Pantry/Wardrobe</u>	III-28
<u>Roof Locker, RS</u>	III-32

2018 ATLAS

SECTION III

LAVATORY

<u>Shower Module</u>	III-34
<u>Lavatory Sliding Door and Wall</u>	III-35
<u>Lavatory Door</u>	III-36
<u>Lavatory Top</u>	III-37
<u>Lavatory Cabinet</u>	III-38
<u>Medicine Cabinet</u>	III-42
<u>Storage, CS Aft</u>	III-44
<u>Wardrobe, CS with Drawers</u>	III-48
<u>Roof Locker, RS Bathroom</u>	III-50

HARDWARE

<u>Seat Belts and Brackets</u>	III-52
<u>Hinges</u>	III-52
<u>Bathroom Accessories</u>	III-52
<u>Handles, Latches, and Fasteners</u>	III-53
<u>Electronic Rotary Latch</u>	III-54
<u>Gas Struts</u>	III-54
<u>Latch and Manual Override</u>	III-55
<u>LPG Latch and Manual Override</u>	III-56
<u>Generator Latch and Lock</u>	III-57
<u>Rivets</u>	III-58
<u>Screws</u>	III-58

SAFETY EQUIPMENT

<u>Detectors and Fire Extinguisher</u>	III-59
--	--------

LABELS AND TAGS

<u>Labels and Tags</u>	III-60
------------------------------	--------

2018 ATLAS

SECTION IV

PLUMBING

LPG SYSTEMS

<u>LPG Tank Install</u>	IV-1
<u>LP Remote Fill</u>	IV-1
<u>LPG System with Gas Generator</u>	IV-2
<u>LPG System with Diesel Generator</u>	IV-3

FRESH WATER SYSTEMS

<u>Fresh Water Tank</u>	IV-4
<u>Exterior Shower</u>	IV-4
<u>City Water Hook-Ups</u>	IV-4
<u>Water Pump</u>	IV-4
<u>Faucet and Sink, Galley</u>	IV-5
<u>Faucet and Sink, Lavatory</u>	IV-5
<u>Shower Accessories</u>	IV-5
<u>Fresh Water Lines</u>	IV-6
<u>Fresh Water Fittings</u>	IV-7

DRAIN SYSTEMS

<u>Black Tank</u>	IV-8
<u>Grey Tank</u>	IV-8
<u>Black Tank Flush</u>	IV-8
<u>Macerator Pump System</u>	IV-9
<u>Drain System, Below Floor</u>	IV-10
<u>Drain System, Above Floor</u>	IV-11
<u>Drain Fittings</u>	IV-12
<u>Toilet</u>	IV-13

2018 ATLAS

SECTION IV

SEALERS AND GASKETS

<u>Sealers</u>	IV-14
<u>Gaskets</u>	IV-14
<u>Undercoating</u>	IV-14

BEDDING, PILLOWS

<u>Mattress and Sheets</u>	IV-15
<u>Bedding and Pillow Kits</u>	IV-15

UPHOLSTERY, ULTRALEATHER

<u>Cabin Seats</u>	IV-16
<u>Sofa</u>	IV-16
<u>Décor Board</u>	IV-17

VENTS AND SKYLIGHT

<u>Black Tank Vent</u>	IV-18
<u>Roof Vent</u>	IV-18
<u>Skylight</u>	IV-18

PANELING, EDGEBANDING, LAUAN

<u>Paneling</u>	IV-19
<u>Edgebanding</u>	IV-19
<u>Lauan</u>	IV-19
<u>Plywood</u>	IV-19

TRIMS

<u>Trim</u>	IV-20
-------------------	-------

2018 ATLAS APPLIANCES

Air Conditioner

690699	Air Conditioner, Mach 8, 15K BTU w/heat pump, Artic White
690699-02	Room temperature sensor
690699-03	Heat ready HP control kit
690699-05	Mounting kit, Mach 8
513318	Firefly 7" color touch screen
602708	Return air, AC Plenum
602709	Cold air, AC Plenum
382341	Grill, Return air
382342	Filter, Wire mesh
115919	Bracket, AC mount, Front
115920	Bracket, AC mount, Rear
365194	Tape, 2", Aluminum foil

Furnace

690616	Furnace w/ducted discharge, 16K BTU
690616-01	Intake tube, 5"
600247	Hose, Heat duct flex, 4"
600193	Duct, 2", Thermaflex flexible air
690429	Round louver, 2", Black
114079	Adapter 4" to 2"
365419	Gasket, Furnace vent
968565	Stand, Furnace

Water Heater

690711-01	Water heater, On-demand, LP only
690711-02	Vent cap
690711-03	Control center
365420	Gasket, Water heater vent
968567-32	Stand, Water heater

2018 ATLAS APPLIANCES

Generator

513252-01	Generator, 3.2Kw, Diesel
513252-02	Exhaust pipe, Powder coated
602721	Kit, Printer fuel return line
914398	Resonator
914399	Tailpipe, 6.75", Generator
455226	Heat shield, Gen exhaust pipe
340073-03	Clamp, Exhaust pipe, 1.5"
455280	Hanger, Exhaust pipe bracket
381509	Hanger, Tailpipe
510562	Generator switch over, Automatic
455152	Latch mounting assembly
455153	Cover, Generator latch
455325	Outrigger, Forward Diesel Generator
455326	Bracket, Outrigger rear CS gen mounting
455327	Cover, Diesel generator
602693	Flex-tech LP w/Diesel generator

Microwave and Cooktop

*690657-08	Microwave, Convection, Contoure
*690657-09	Trim kit
690576	Cook top, 2-burner, Smev
690728-01	Microwave-Convec 1.1 CF SS #RV-200s-Con
690728-02	Trim Kit- Micro SS #Tk-200S SS

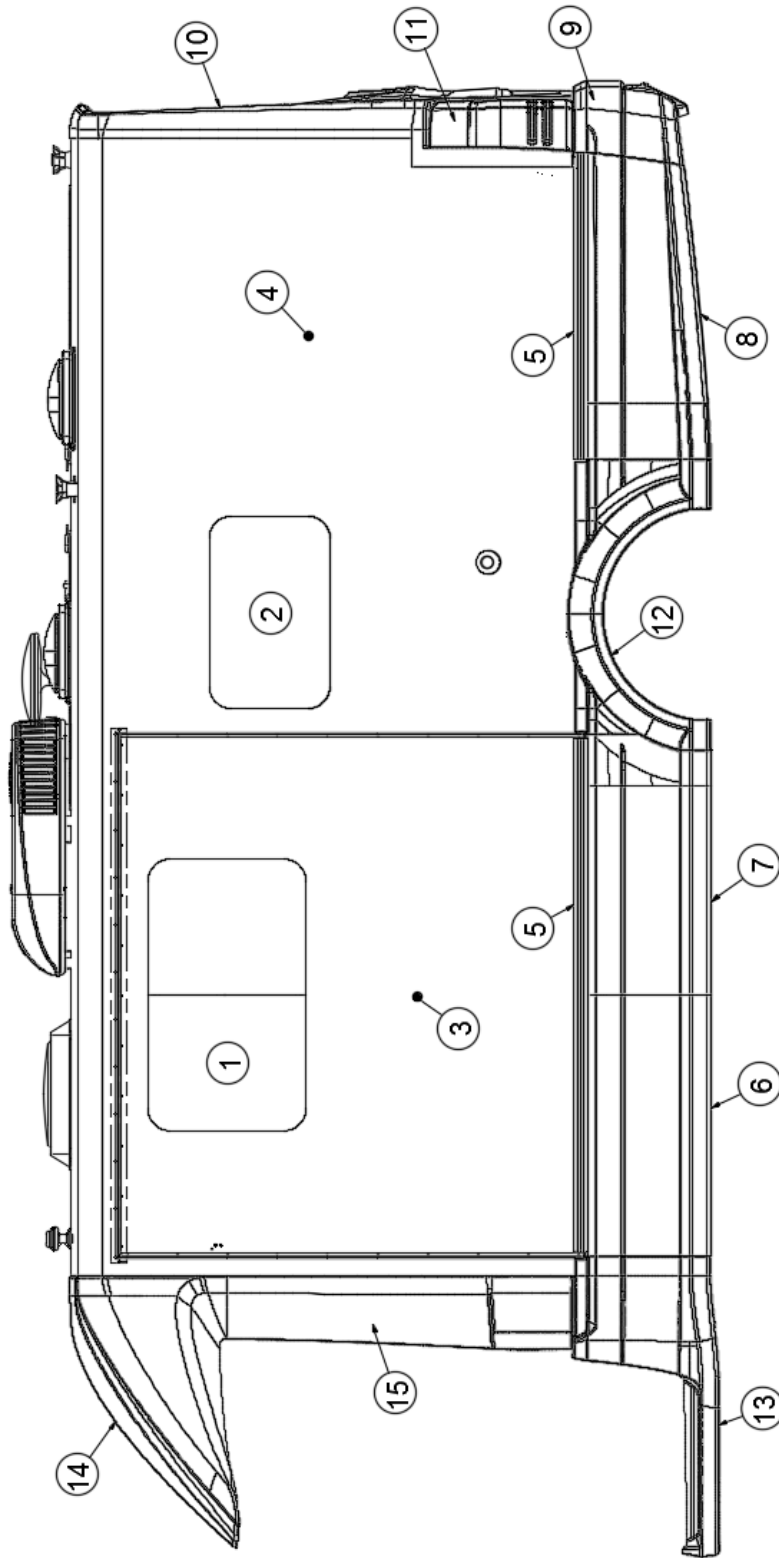
*Replaced by 690728-01 Starting with Serial #306285

Refrigerator and Freezer

690692	Refrigerator/freezer, Two doors, Novakool
923351	Refrigerator insert, 29.63 x 21.38
923352	Refrigerator insert, 13.38 x 21.38
115857-01	Aluminum refrigerator insert, 21.375 x 29.63
115857-02	Aluminum refrigerator insert, 21.5 x 13.5

2018 ATLAS EXTERIOR SHELL

Wall, Roadside



Parts Listed on Next Page

2018 ATLAS EXTERIOR SHELL

Wall, Roadside

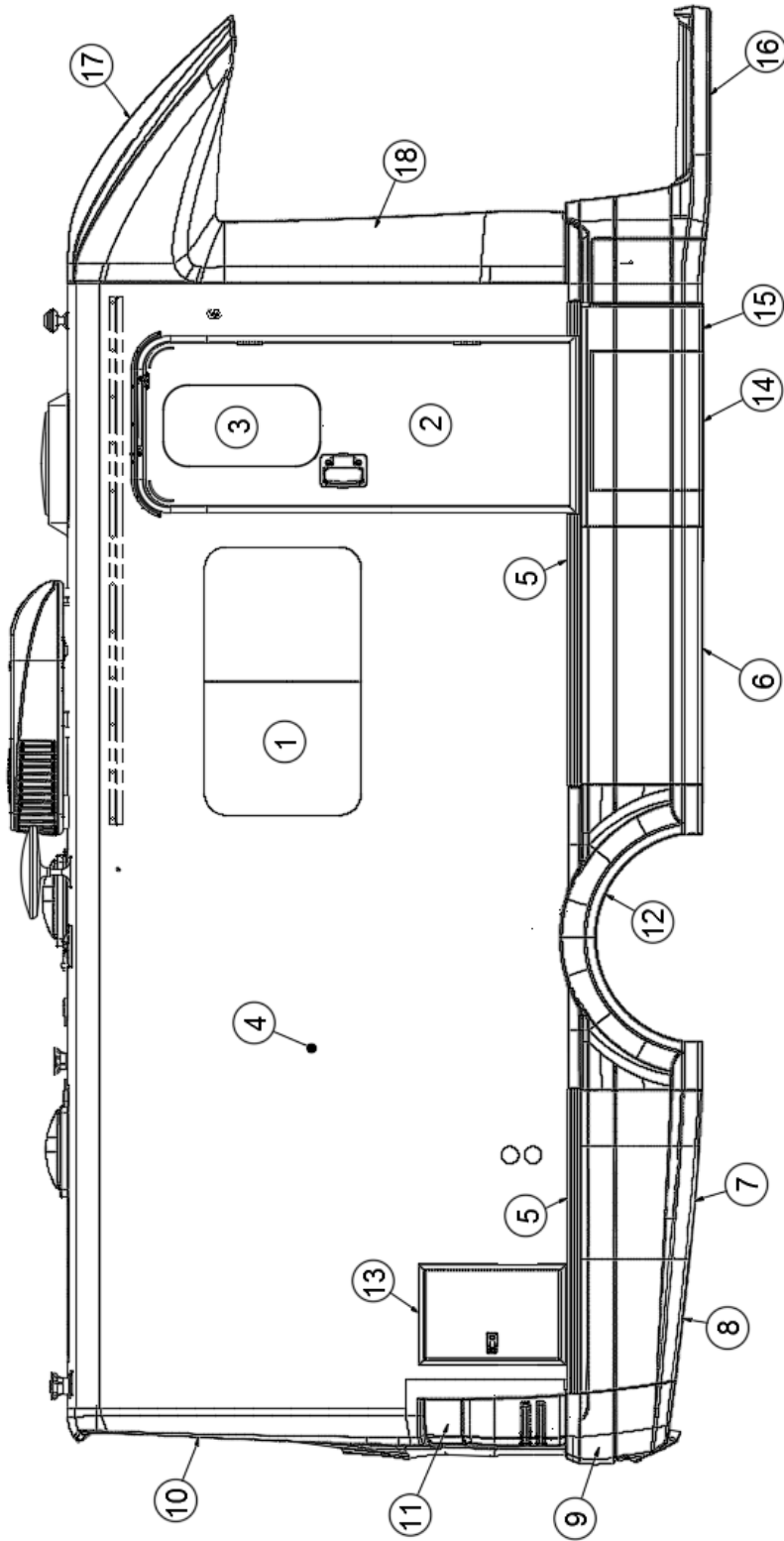
923261S

Shell Assembly

1. 372279 Window, Top Hinge, 23.63 x 41.63
 2. 372286 Window, Top hinge, 17.63 x 28.75
 3. 923268 Slide-out room assembly
 4. 923263 Roadside Wall
 5. 115692 Extrusion, Hinge body rail
 6. 923283 Compartment door
 7. 923325 Slide-out compartment door, Aft
 8. 923326 Slide-out compartment door, Aft
 9. 203858 Rear bumper
 10. 203835 Rear cap
 11. 513226 Taillight, LH
 12. 203836 Wheel well flare, RS
 13. 203833 Transition step, RS
 14. 203830 Transition panel, Center
 15. 203831 Transition panel, Driver side
- 690711-02 Vent cap
- 411004-08 Wheel, Front, Polished outside
- 411004-09 Wheel, Rear, Polished inside
- 203624-61 Air dam, Front bumper
- 382281 License plate holder, Front, Chrome
- 386293-02 Reflector, Red decal, RS rear bumper
- 455203 Bracket, Wheel Flare

2018 ATLAS EXTERIOR SHELL

Wall, Curbside



Parts Listed on Next Page

2018 ATLAS EXTERIOR SHELL

Wall, Curbside

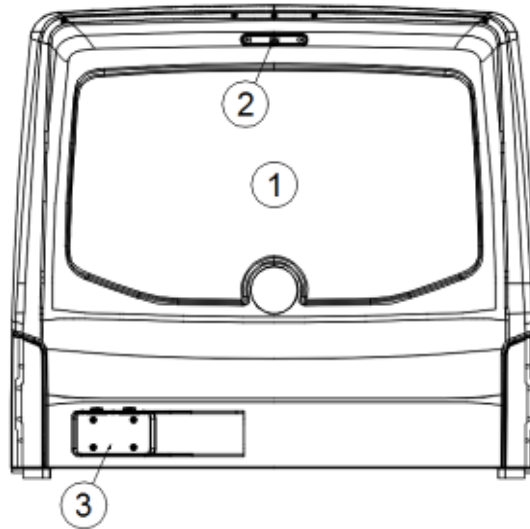
923261S

Shell Assembly

1. 372279 Window, Top Hinge, 23.63 x 41.63
2. 115889 Entry door
3. 115889-28 Window, Entry door
4. 923264 Curbside Wall
5. 115692 Extrusion, Hinge body rail
6. 923283 Compartment door
7. 923328 Compartment door, CS angled, Forward
8. 923327 Compartment door, CS angled, Aft
9. 203858 Rear bumper
10. 203835 Rear cap
11. 513227 Taillight, RH
12. 203874 Wheel well flare, CS
13. 923341 Rear compartment door w/jamb
14. 203948 Step skin
15. 203949 Body skin cut out
16. 203944 Transition step, CS
17. 203830 Transition panel, Center
18. 203832 Transition panel, Passenger side
- 382281 License plate holder, Front, Chrome
- 455127 License plate lamps
- 386293-01 Reflector, Red decal, CS rear bumper
- 513037 Grab handle w/LED lights
- 203624-61 Air dam, Front bumper
- 512434 Switch, ON/OFF LP valve
- 386147 Decal, On/Off LPG remote fill
- 455203 Bracket, Wheel Flare

2018 ATLAS EXTERIOR SHELL

Rear Cap



921252 Rear Cap Prep

- 1. 203835 Rear cap
- 2. 513031 Camera, Third brake light camera system
- 3. 455137 Bracket, License plate mounting
- 455127 Plate, License lamps
- 513034 Light, License plate
- 513026 Red sealed LED marker/clearance light
- 455193 Bracket, Support rear wall and rear cap

Hitch Cover

- 203880-S Hitch cover, Silver
- 382394-01 Retainer
- 382394-02 Receptacle
- 382394-03 Stud

Rear Bumper

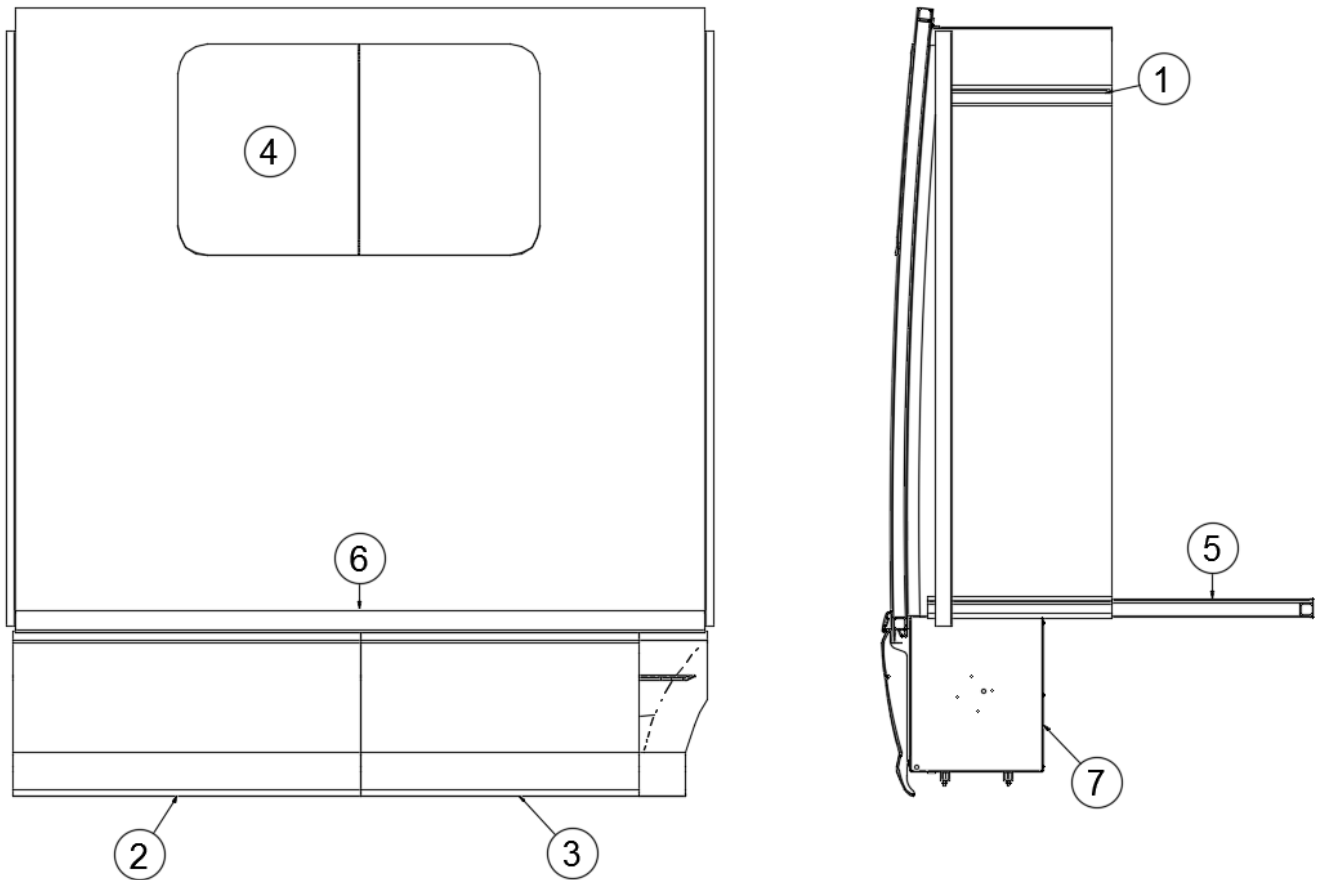
- 203858 Rear bumper
- 455315 Bracket, RS rear bumper
- 455316 Bracket, CS rear bumper
- 455073 Weldment, Rear bumper support

7-Way Bracket

- 455236 Plate, 7-way plug

2018 ATLAS EXTERIOR SHELL

Slide-Out Room



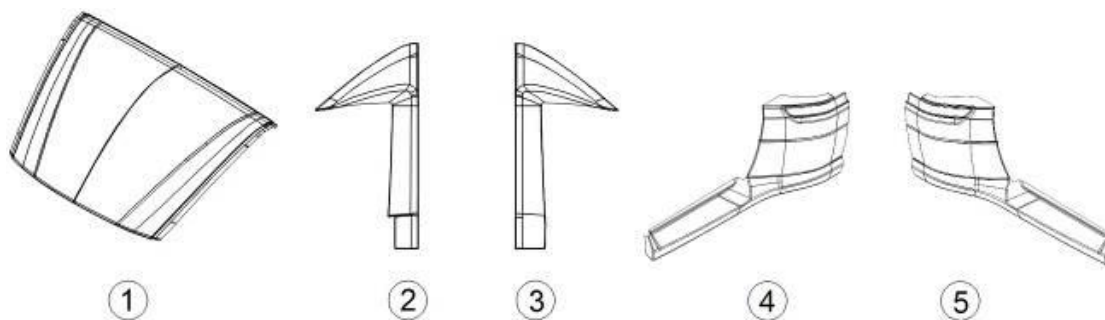
112404

Slide-Out Room

- | | |
|-----------|--|
| 1. 411041 | Slide-out system, Schwintek |
| 2. 923283 | Compartment door |
| 3. 923325 | Slide-out compartment door, Aft |
| 4. 372279 | Window, Top hinge, 23.63 x 41.63 |
| 5. 115839 | Aluminum trim, Slide-out floor |
| 6. 203952 | Trim, Slide-out RS beltline |
| 7. 455324 | Compartment, Slide out |
| 115694 | Extrusion, Door hinge |
| 115692 | Extrusion, Hinge body rail |
| 512962-01 | Electronic rotary latch, Southco |
| 203960 | Mounting bracket, Slide-out wire track |
| 513017 | Carrier, Track cable |
| 513325 | Door magnetic contact |
| 382310 | Slide out roller |

2018 ATLAS EXTERIOR SHELL

Transition Panels



- | | |
|-----------|----------------------------------|
| 1. 203830 | Center transition panel |
| 2. 203831 | Drivers side transition panel |
| 3. 203832 | Passengers side transition panel |
| 4. 203833 | Transition step, Driver side |
| 5. 203944 | Transition step, Passenger side |

Supports

- | | |
|--------|----------------------------|
| 203882 | Center support, Fiberglass |
| 203883 | CS support, Fiberglass |
| 203884 | RS support, Fiberglass |

Decals and Nameplates

- | | |
|--------|------------------------------------|
| 386297 | Mercedes Tristar medallion, Chrome |
| 386308 | Emblem, Atlas, Chrome |
| 386328 | Decal, "AIRSTREAM", Chrome |

Beltline

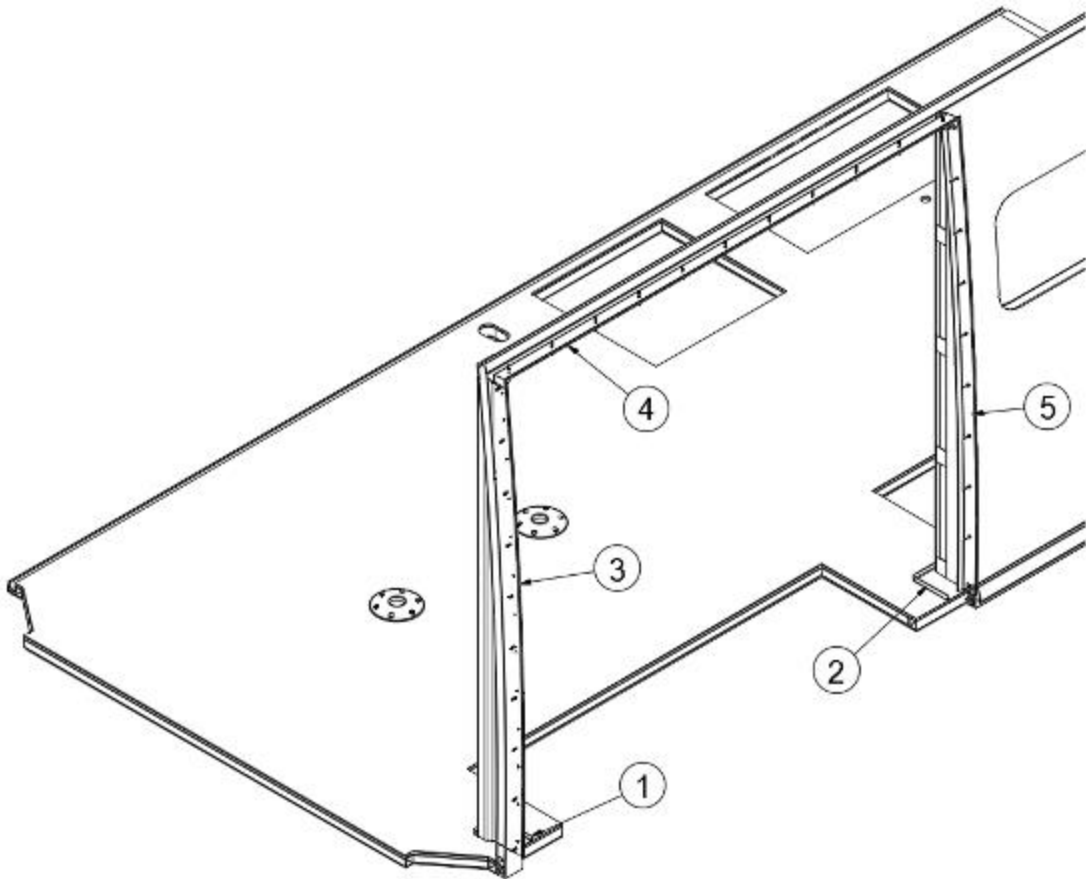
- | | |
|--------|-----------------------------|
| 203951 | Trim, RS front |
| 203952 | Trim, RS slide-out |
| 203953 | Trim, RS front fender flare |
| 203954 | Trim, RS rear |
| 203955 | Trim, CS front |
| 203956 | Trim, CS mid |
| 203957 | Trim, CS rear |
| 115692 | Extrusion, Hinge body rail |
| 115694 | Extrusion, Door hinge |

Reflectors

- | | |
|-----------|--------------------------|
| 386293-01 | Reflector, RH lower, Red |
| 386293-02 | Reflector, LH lower, Red |

2018 ATLAS INTERIOR SHELL

Slide-out Sidewall Extrusions

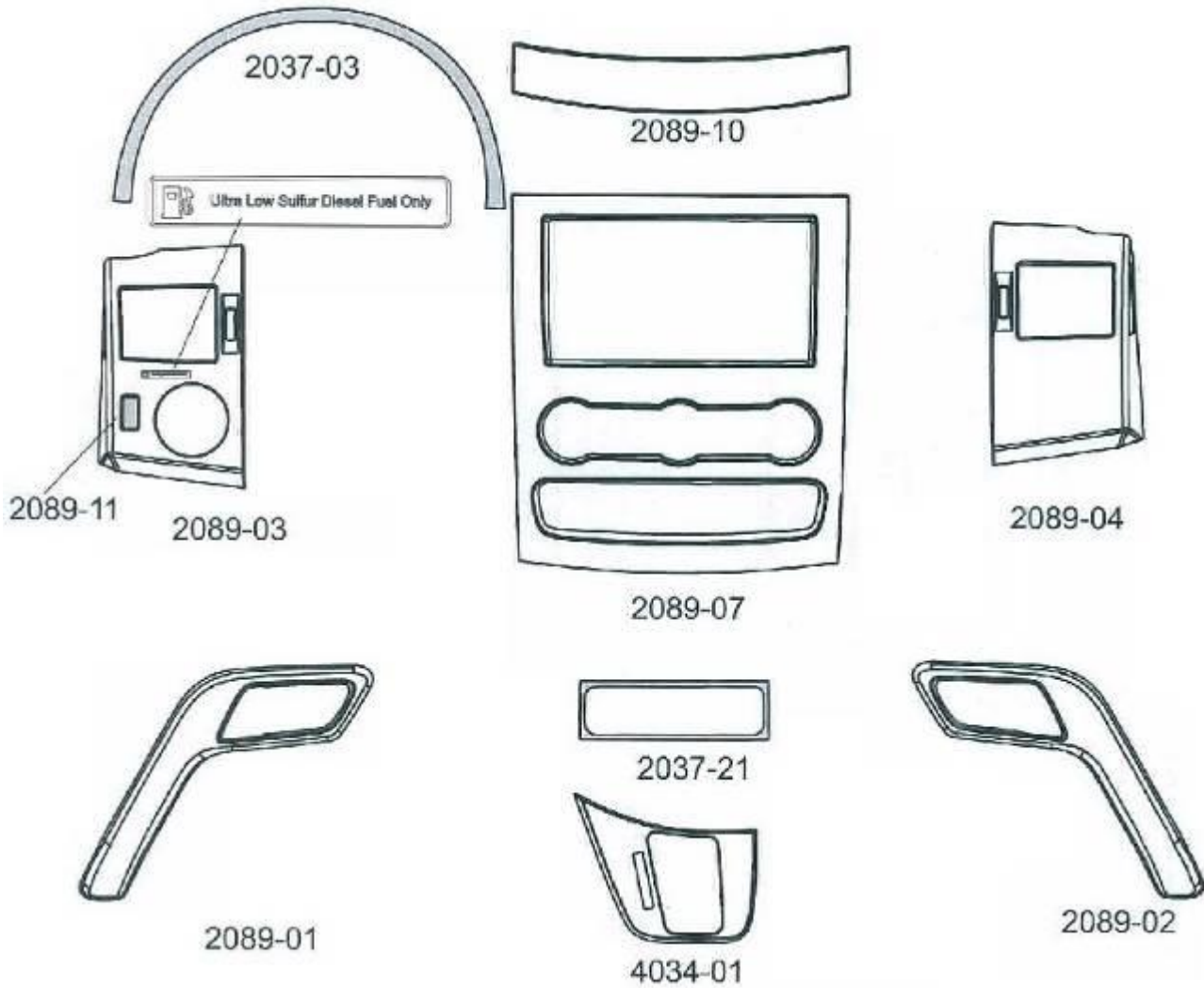


112425 Slide-out Sidewall Extrusions Install

- | | |
|--------------|--|
| 1. 455079 | Slide-out bracket, Forward |
| 2. 455080 | Slide-out bracket, Aft |
| 3. 115942-01 | Extrusion, Slide-out sidewall opening, Left |
| 4. 115845 | Extrusion, Slide-out sidewall opening |
| 5. 115942-02 | Extrusion, Slide-out sidewall opening, Right |
| 382547 | Wiper seal, Single bulb |
| 365035 | Rubber seal, Access door |
| 360339 | 3M weather strip and gasket, Black |

2018 ATLAS INTERIOR SHELL

Dash Trim Kit



2089-01: DRIVER DOOR PULL

2089-04: PASS. VENT

2089-11: PLUG FOR DRIVER VENT

2089-02: PASS. DOOR PULL

2089-07: RADIO-AC CONTROL SURR

2037-03: SPEREDO

2089-03: DRIVER VENT

2089-10: ABOVE RADIO CENTER STORAGE

2037-21: BELOW MAIN DASH

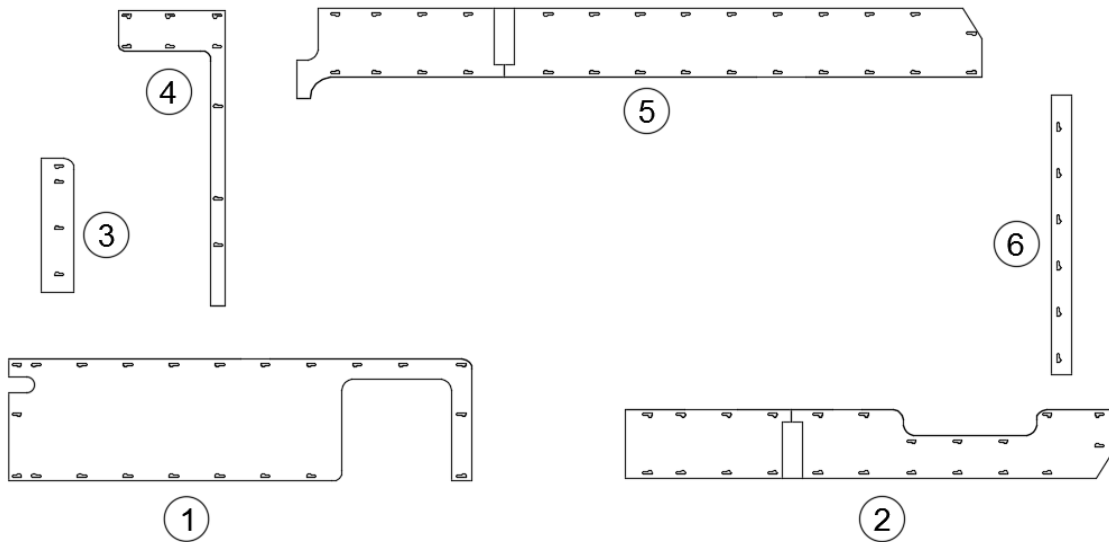
4034-01: AUTO SHIFTER SURR

365408
203963
203962

Kit, Dash trim combo, Greywood Black
Mirror, Vanity visor
Housing, Visor vanity mirror

2018 ATLAS INTERIOR SHELL

Ceiling Panels

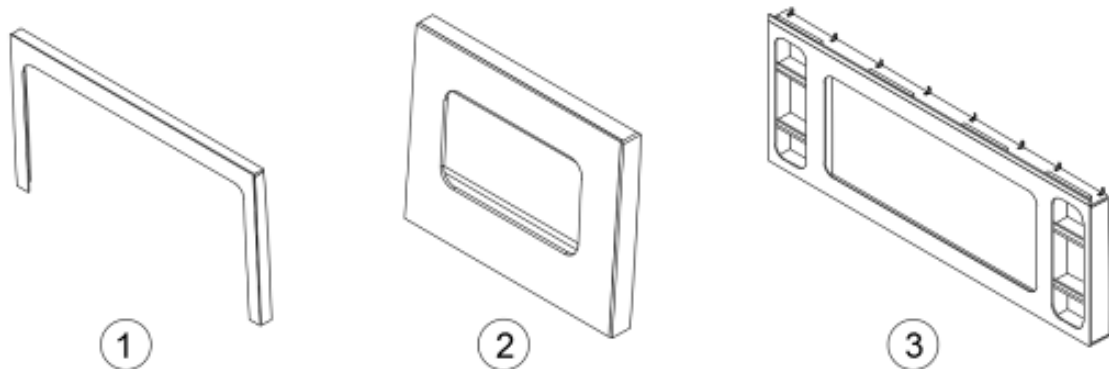


923303

Layout, Ceiling Panels

- | | |
|--------------|--------------------------------|
| 1. 923303-01 | Ceiling panel, CS rear |
| 2. 923303-02 | Ceiling panel, CS front |
| 3. 923303-03 | Ceiling panel, Rear |
| 4. 923303-04 | Ceiling panel, RS rear |
| 5. 923303-05 | Ceiling panel, RS |
| 6. 923303-06 | Ceiling panel, Front |
| 704307-02 | Fabric w/laminate backer, Grey |

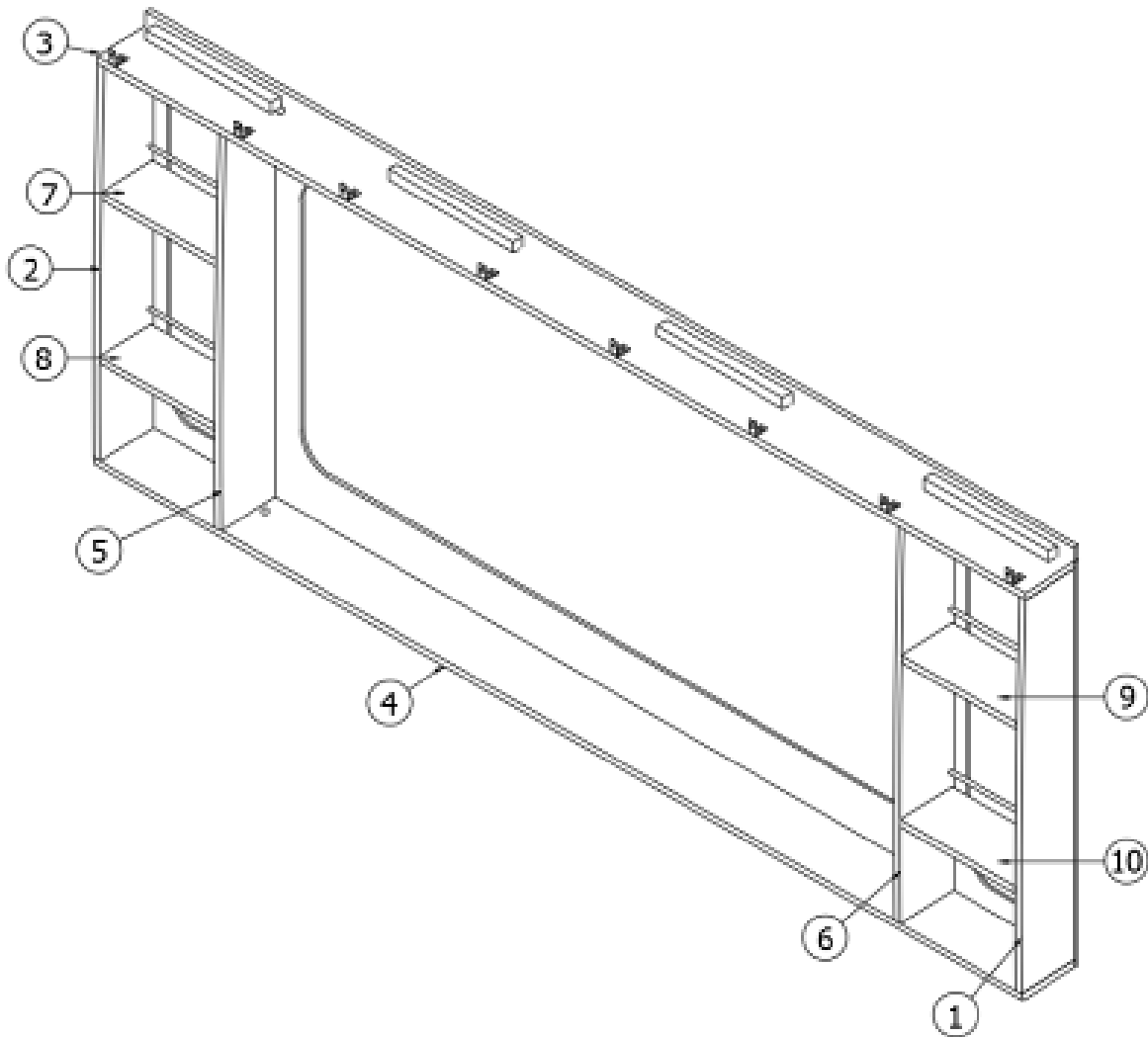
Window Boxes



- | | |
|-----------|-----------------------------------|
| 1. 968684 | Window valance, CS |
| 2. 968476 | Window box, RS galley |
| 3. 968745 | Window valance, RS slide-out room |

2018 ATLAS INTERIOR SHELL

Window Valance Slide-Out



968745

Window Valance Slide-Out

- | | |
|---------------------|---------------------|
| 1. 968745&000212BB | Panel, 4.28 x 27 |
| 2. 968745&000312BB | Panel, 4.28 x 27 |
| 3. 968745&000412BB | Panel, 4 x 74 |
| 4. 968745&000512BB | Panel, 4.25 x 74 |
| 5. 968745&000812BB | Panel, 4.28 x 27 |
| 6. 968745&000912BB | Panel, 4.28 x 27 |
| 7. 968745&001012BB | Panel, 4.15 x 9.18 |
| 8. 968745&001112BB | Panel, 4.15 x 9.18 |
| 9. 968745&001212BB | Panel, 4.15 x 9.18 |
| 10. 968745&001312BB | Panel, 4.15 x 9.18 |
| 115042 | Aluminum rod, 12.5" |
| 380041 | Bracket, 90°, 1 x 1 |

2018 ATLAS CHASSIS

Air Ride System

411047-01	Air ride kit
411006-02	Xenon height sensor bracket
411047-03	Original sway bar arm

Aluminum Wheels

411004-08	Wheel, Front, Polished outside
411004-09	Wheel, Rear, Polished inside
411004-03	Trim kit, Front
411004-04	Trim kit, Rear
411004-06	Lug nut covers
411004-10	Wheel, Inner rear, Unpolished
411066	Nut, Wheel lug, Temporary usage

Fender Well

455214	Fender well, RS inner rear
455215	Fender well, CS inner rear

Mud Flaps

203922	Mud flap, RS rear
203923	Mud flap, CS rear

Stabilizer Jack

382299	Stabilizer jack
455259	Bracket, Magnetic switch mount
455260	Bracket, Magnetic mount
455308	Bracket, Magnetic switch mount awning

2018 ATLAS CHASSIS

Driver and Passenger Steps

203833	Transition step, Driver
203831	Transition panel, Driver
203944	Transition step, Passenger
203832	Transition panel, Passenger

Step

513040	Power step, Project 2000 double
300052	Washer, Flat, 3/8"
345272-03	Bolt, Hex Head, 3/8"
455266	Outrigger, Fold-out step, RH
455263	Outrigger, Fold-out step, LH
382512	Bracket, Step skin mounting, Upper
382513	Bracket, Step skin mounting, Lower
455290-01	Support frame, Entry step, Driver
455290-02	Support frame, Entry step, Passenger
513029-08	Magnetic Door Switch

Exhaust System

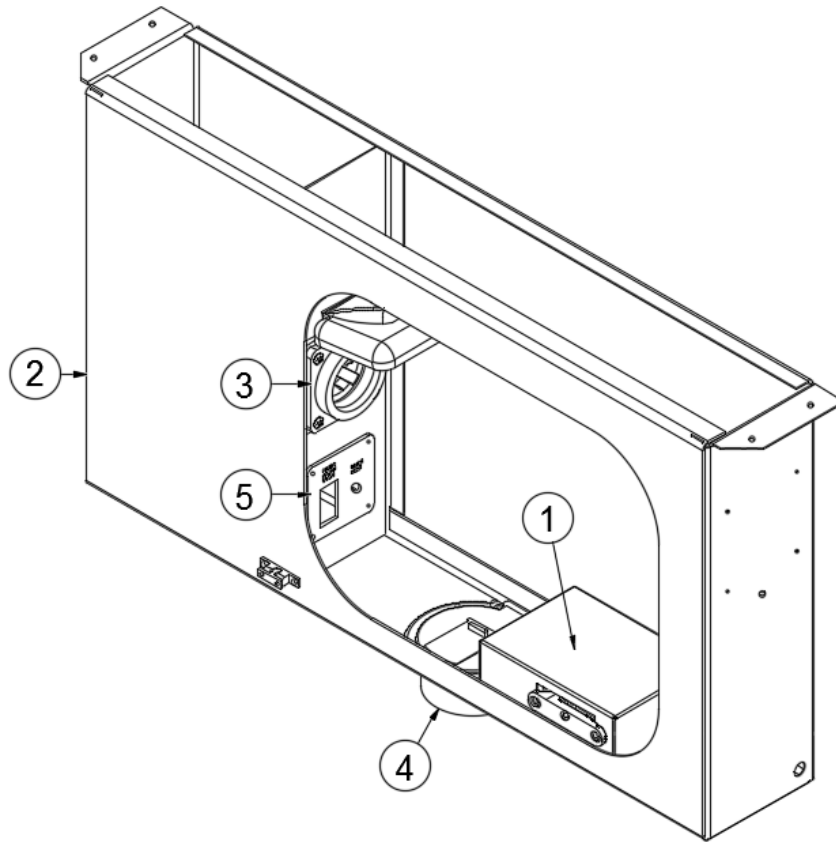
454656	Exhaust tailpipe
410999-01	Tip, Exhaust, 2.5 x 18
455226	Heat shield, Gen exhaust pipe
340073-10	Clamp, Muffler, 2.5"
340073-15	Clamp, Muffler, 2.75"
381509	Hanger, Tailpipe
455280	Hanger, Exhaust pipe bracket

Skid Bar Assembly

454685	Skid bar assembly
--------	-------------------

2018 ATLAS DOORS, WINDOWS, AWNINGS

Exterior Compartment, RS Rear



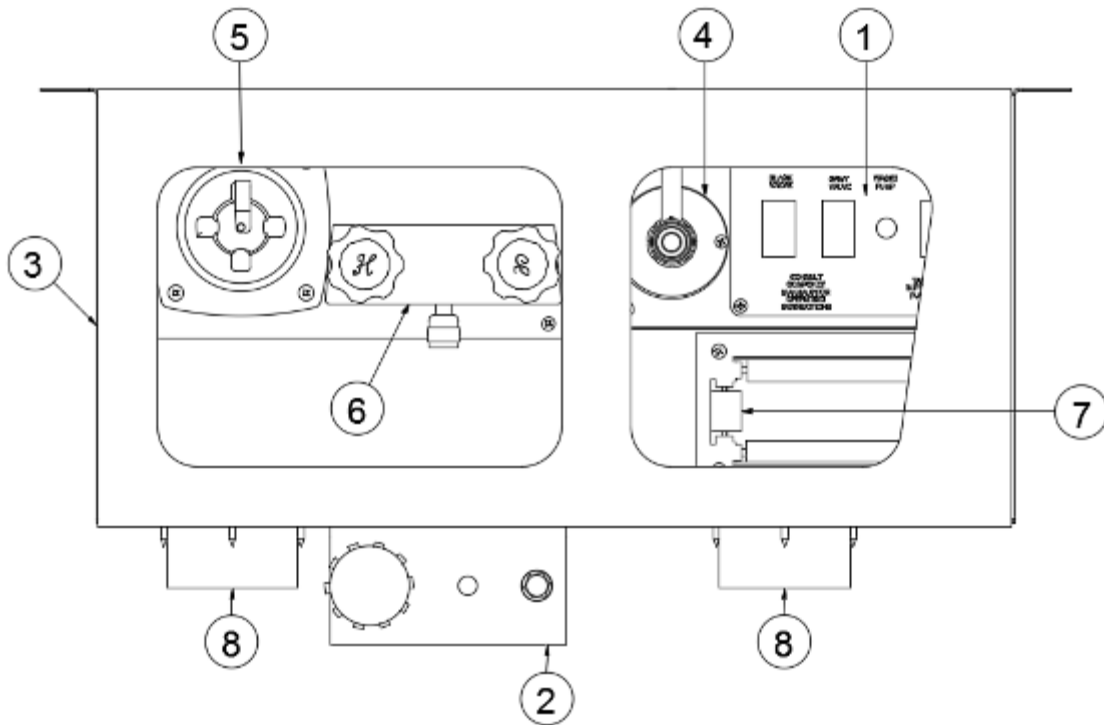
112479 Compartment, Shore cord, RS rear

- 1. 455084 Compartment latch cover
- 2. 455323 Compartment, Shore power
- 3. 513087-02 Power inlet, 30A, 125V, Gray
- 4. 382469 Hatch, Access cover
- 5. *386339 Water valve/Coax cover plate
- 513079 Switch, Momentary w/light
- 510623 Coax connector
- 510623-01 Coax connector locking nut
- 382548 Grab latch, Ball style
- 365035 Rubber seal, Access door

*386339 added to compartment starting serial #

2018 ATLAS DOORS, WINDOWS, AWNINGS

Exterior Compartment, RS Fresh Water



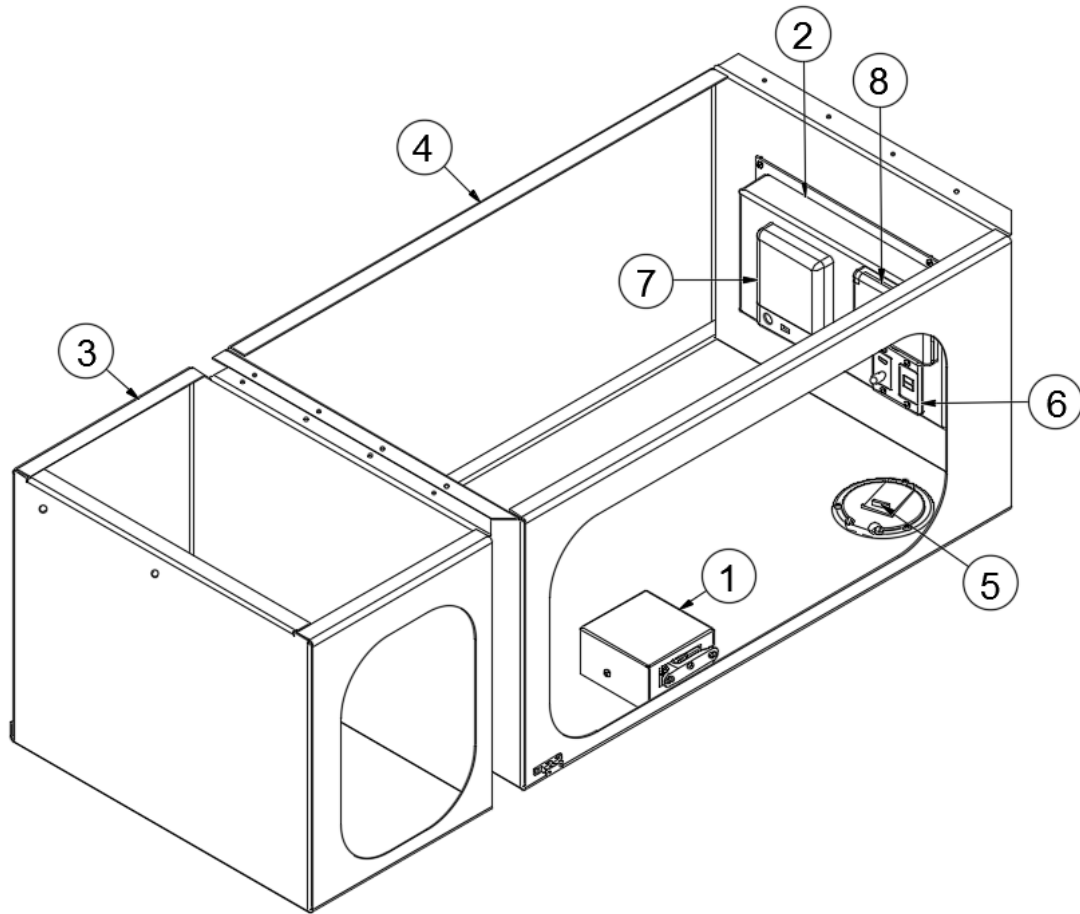
112480 Compartment, RS fresh water

- 1. *386296-02 Cover plate
- 386340 Cover plate
- 2. 455125 LP remote fill
- 3. 455319 Compartment, Shower/macerator
- 4. 601197-02 Water hookup, Chrome
- 5. 601392-06 City water fill w/regulator, 50 PSI
- 6. 602263-01 Exterior shower outlet
- 7. 512934-02 Roller guide
- 8. 382469 Hatch, Access cover
- 365035 Rubber seal, Access door
- 382468 Grommet, Wire

*Replaced by 386340 starting serial #

2018 ATLAS DOORS, WINDOWS, AWNINGS

Exterior Compartment, CS Forward

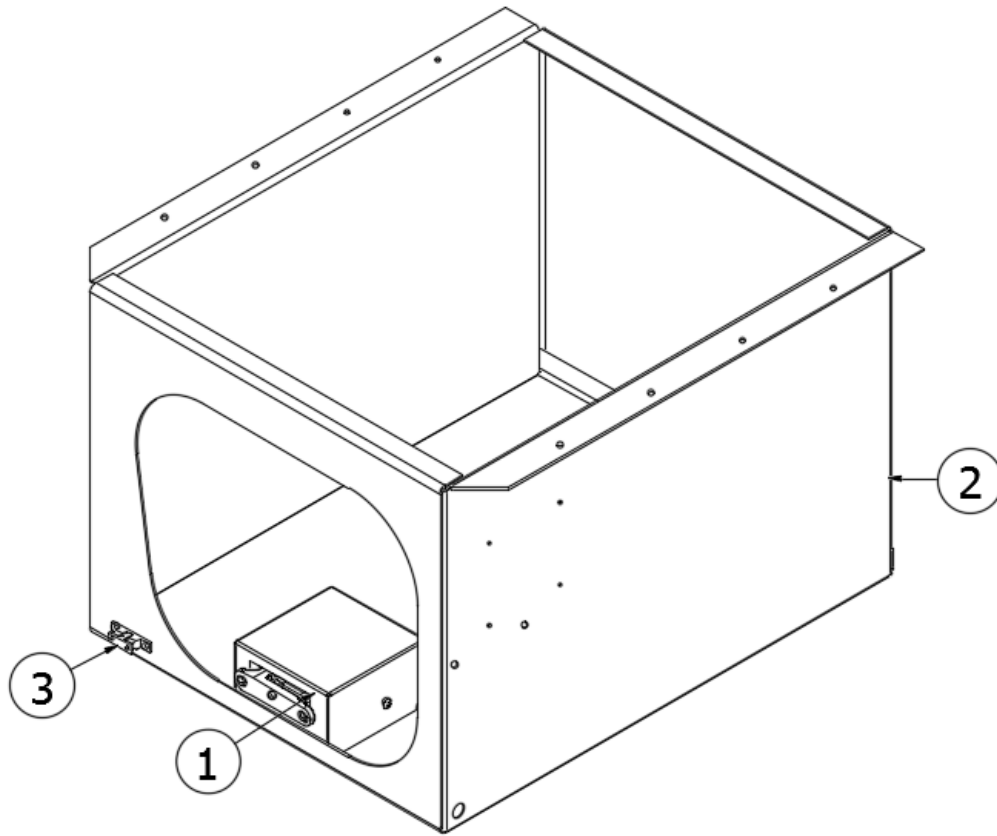


112482 CS Forward storage

- 1. 455354 Compartment latch cover
- 2. 99900P-1444 Hat, Macerator switch, RS rear
- 3. 455321 Compartment, CS mid rear
- 4. 455320 Compartment, CS Mid forward
- 5. 382469 Hatch, Access cover
- 6. 513355 USB charger/HDMI/coax, Black
- 7. 513224 Light w/motion sensor & ON/OFF/Auto switch
- 8. 512741 Weather proof cover w/gasket, Gray
- 382548 Grab latch, Ball style
- 513110 Tie, Black w/fir tree mount
- 365035 Rubber seal, Access door

2018 ATLAS DOORS, WINDOWS, AWNINGS

Exterior Compartment, CS Rear

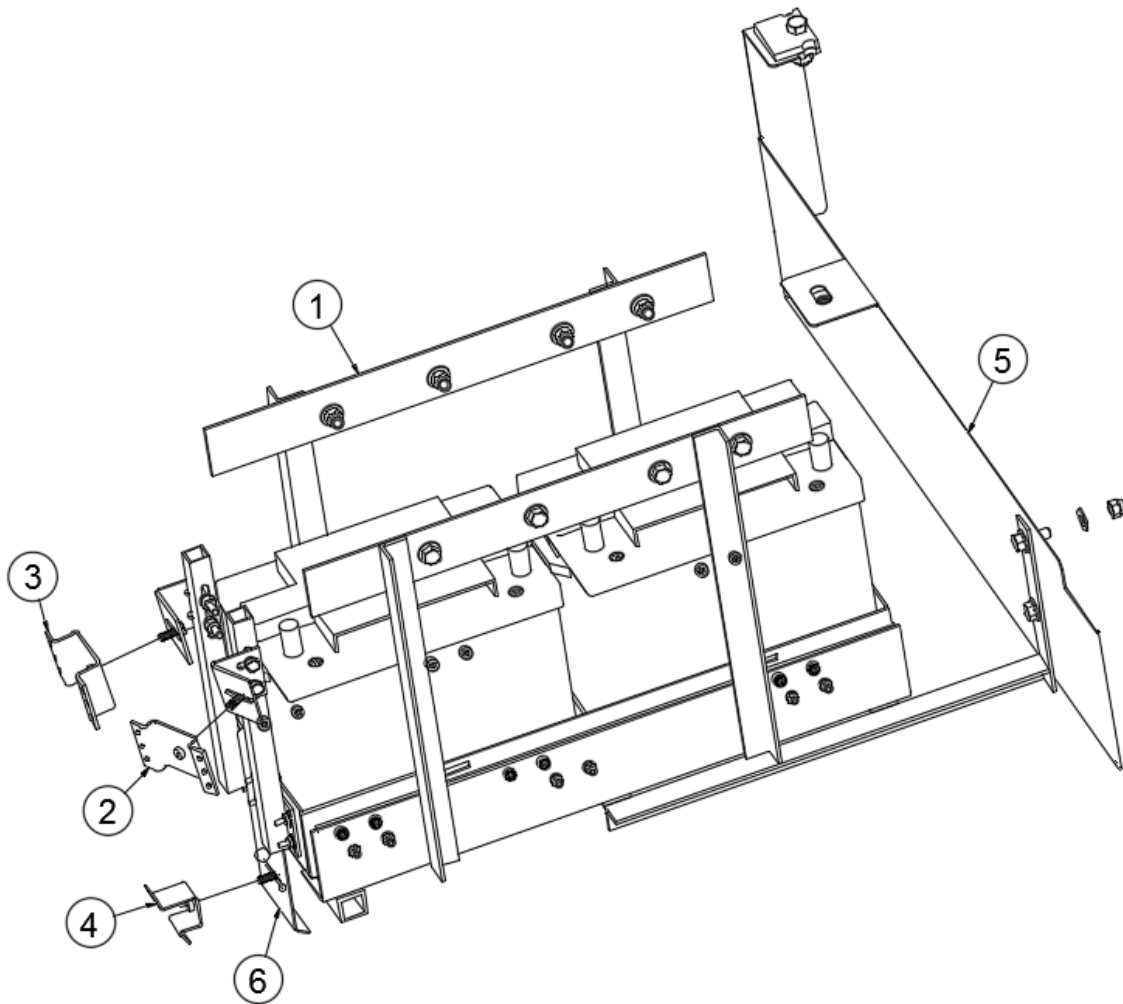


112527 Compartment, Diesel gen, CS rear

- 1. 455354 Compartment latch cover
- 2. 455328 Compartment, CS rear Diesel gen
- 3. 382548 Grab latch, Ball style
- 513110 Tie, Black w/fir tree mount
- 365035 Rubber seal, Access door

2018 ATLAS DOORS, WINDOWS, AWNINGS

Battery Access



112474 Battery Tray Slide-out

- 1. 455284 Pull-out, Battery compartment
- 2. 455337 Bracket, Front
- 3. 455338 Bracket, Back
- 4. 455339 Bracket, Bottom
- 5. 455318 Heat shield, Battery
- 6. 455284-01 Handle, Battery tray pull-out
- 203979 Door, Slide-out
- 511595-01 Strap, Battery box
- 455284-04 T-handle quick release pin
- 455270 Bracket, Outrigger, Slide-out battery

2018 ATLAS

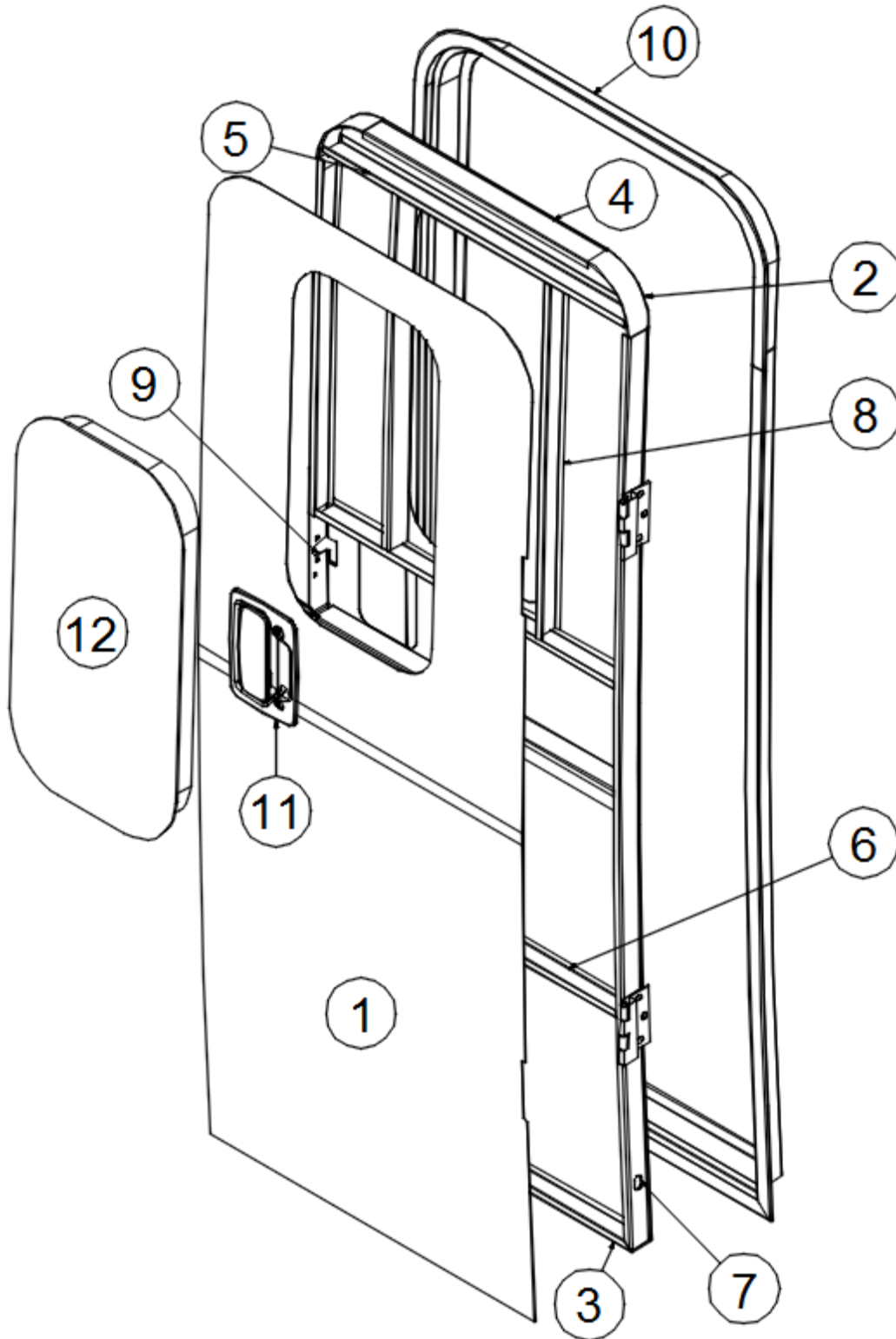
DOORS, WINDOWS, AWNINGS

Exterior Compartment Doors

923283	Compartment door assembly, Forward
203847	Compartment door, Forward
923325	Compartment door assembly, Aft
203898	Compartment door, Aft
923326	Compartment door assembly, RS angled
203899	Compartment door, RS angled
923327	Compartment door assembly, CS angled aft
203900	Compartment door, CS angled aft
923328	Compartment door assembly, CS angled forward
203901	Compartment door, CS angled forward
115694	Extrusion, Door hinge
382469	Access cover, Cable hatch

2018 ATLAS DOORS, WINDOWS, AWNINGS

Entry Door



Parts Listed on Next Page

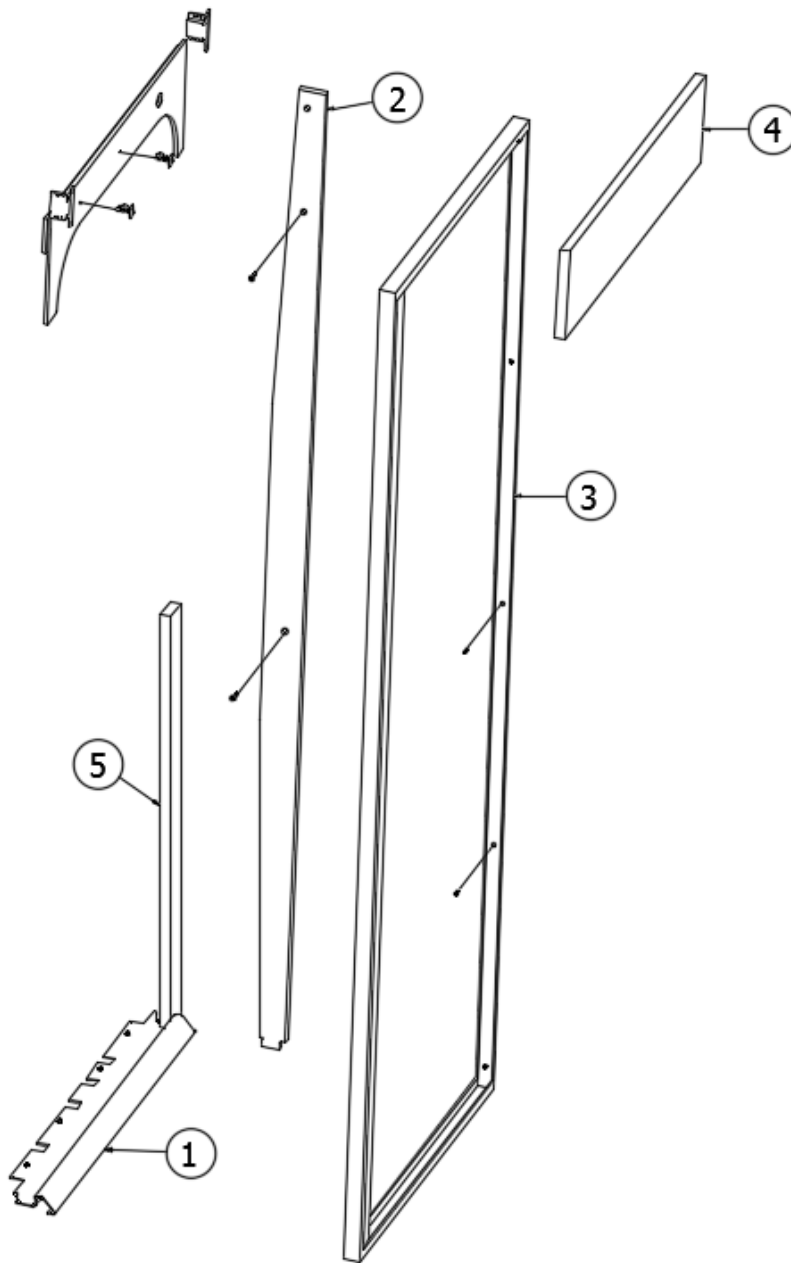
2018 ATLAS DOORS, WINDOWS, AWNINGS

Entry Door

115889	Entry Door
1. 115889-01	Skin, Outer
2. 115889-02	Skin, Inner
3. 115889-03	Frame, Inner bottom
4. 115889-04	Frame, Inner top
5. 115889-05	Reinforcement, Top
6. 115889-06	Reinforcement, Horizontal
7. 115889-07	Frame, Arched, Hinge side
8. 115889-08	Frame, Inner vertical
9. 115889-13	Protector cover, Latch
10. 115889-14	Door jamb
11. 115889-19	Latch assembly
12. 115889-28	Window
115889-09	Frame, Arched, Lower
115889-10	Radius, Outside left
115889-11	Radius, Insider
115889-12	Radius, Insider
115889-21	Top hinge
115889-24	Bottom hinge
115889-27	Radius, Outer right
115879	Extrusion, Door jamb
115880	Extrusion, Door frame
115881	Extrusion, Door structure
115894	Drip rail, Entry door
382508	Bracket, Stiffener, Drip rail
382505	Gas strut
382506	Bracket, Gas strut
382507	Ball stud, Gas strut
382507-01	Ball stud, Gas strut
382514	Bracket, Entry door blind
704427	Blind, Entry door, Oceanair
204001-1	Door shim insert, .5"
204001-2	Door shim insert, .38"
204001-3	Door shim insert, .25"
385595	Pocket strike
365439	Gasket, Inner, Main door
115902	Threshold, Main door

2018 ATLAS DOORS, WINDOWS, AWNINGS

Screen Door



112631

Sliding Screen Door Install

1. 115902

Threshold, Main door

2. 968756

Closeout, Sliding screen door

3. 372294

Sliding Screen Door

4. 968777

Upper closeout, Screen door

5. 968781

Closeout, Screen door

381228-02

Catch, Grabber door, 5LB

2018 ATLAS

DOORS, WINDOWS, AWNINGS

Windows

372279 Window, Top hinge, 23.63 x 41.63
372286 Window, Top hinge, 17.63 x 28.75

Awnings

704499-02 Awning, Armless, Silver Metallic
704368 Awning, Slide-out cover
114290-01 Extrusion, Awning/drip rail, 197.25"
115886 Non insert drip rail
513229 Switch, Awning extend/retract
513042 Switch, Magnetic reed
513042-01 Magnet flange mount for reed switch
455308 Bracket, Magnet switch mounting
115887-01 Mounting rail, Low profile awning
381667 Drive ratchet, 3/8"
382109 Extension, 3/8", 3" long
512740 Awning light, LED flex tape, 112" strips

2018 ATLAS SHADES

Power Shades

704438-01	Power shade w/track mount, 53.625 x 24.75, Starlight
704438-02	Power shade w/track mount, 53.625 x 22.75, Starlight
704315-01	Shade, 27.75 x 16.438, Starlight
704427	Blind, Entry door, Oceanair
382514	Bracket, Entry door blind

Cockpit Window Shades

704406	Kit, Cockpit window shades
704406-01	Shade, Drivers door
704406-02	Shade, Windshield
704406-03	Shade, Passengers door
704406-04	Carrying bag

2018 ATLAS

ELECTRICAL, 110 VOLT

Distribution Center

512547 Power Center, AC/DC, Black

Energy Management System

513061 Energy Management System display
512357-02 Control, Power, Energy Management System

Shoreline Hookup

513087-02 Power inlet, 30A, 125V, Gray
513127 Power cord, 30 Amp, 30', Gray

Inverter

512609 Magnum inverter/converter w/transfer switch, 1K watt
512609-01 Remote display module
512609-02 Sensor, Battery temperature

Receptacles and USB Ports

511912 Wall plate, Single gang, Snap on, Chrome
512481-02 Receptacle, 20 amp, Single, Brown
513355 USB charger/HDMI/coax, Black
513331 USB power inlet w/poly fuse
511814-01 Receptacle, Duplex, Gray
511815-01 Receptacle, Duplex, Self-contained, Black

Breakers

510564-20 Breaker, Type BR, 20 amp
510564-20GFI Breaker, Type BR, 20GFI
510564-2020 Breaker, Type BRD, BD 20-20
510564-30 Breaker, Bryant, 30AMP
512646-10 Universal circuit breaker, 10 Amps
512646-15 Universal circuit breaker, 15 Amps

2018 ATLAS ELECTRICAL, 12 VOLT

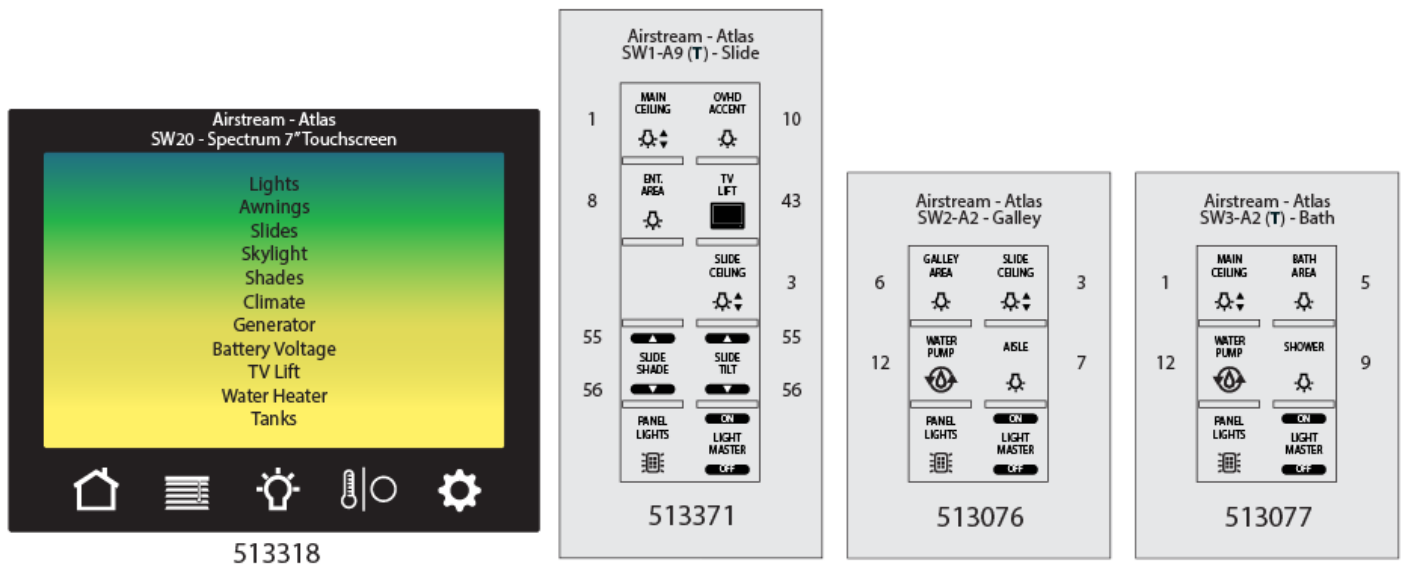
Battery

- 511828 Battery, 12 Volt, Deep cycle, AGM Lifeline
- 513208 Battery separator, Solid state
- 512995 Battery manager
- 513392 Main disconnect w/remote operator
- 513004 Battery disconnect switch
- 455284-04 T-handle quick release pin
- 511595-01 Strap, Battery box

Firefly System

- 513326 Multiplexer, Firefly G7 control board

Firefly Control Panels



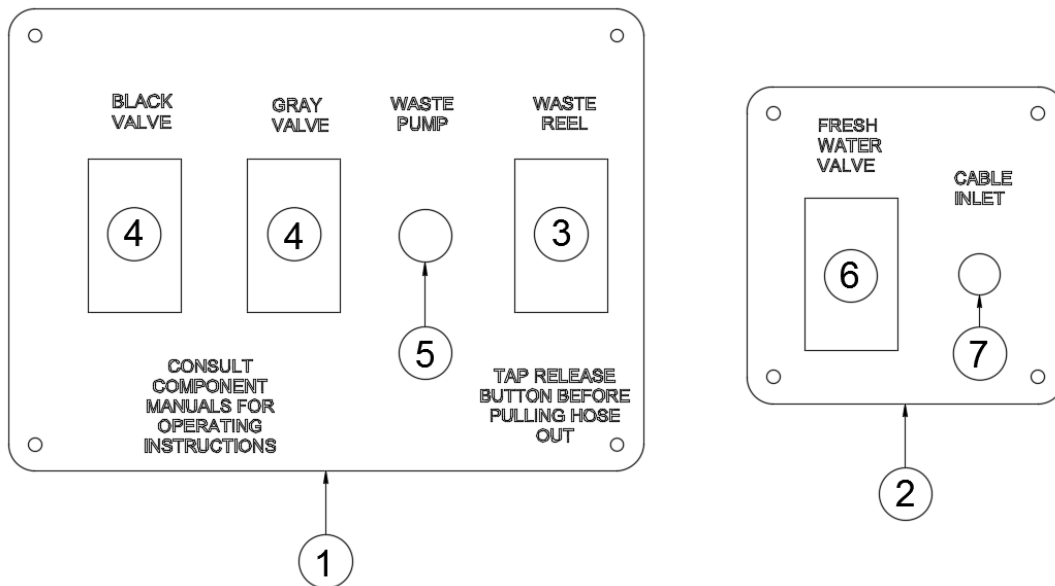
- 513318 Firefly 7" color touch screen
- 513371 Firefly keypad, Switch 1, Slide-out
- 513076 Firefly keypad, Switch 2, Galley
- 513077 Firefly keypad, Switch 3, Bath

2018 ATLAS ELECTRICAL, 12 VOLT

Switches

513004	Battery disconnect switch
513356	Switch, Step hold ON/OFF, TV lift UP/Down
513441	Controller, TV lift
513042	Switch, Magnetic reed
513042-01	Magnet flange mount
512434	Switch, ON/OFF, LP valve
513079	Switch, Momentary w/light
513128	Switch, Momentary spring center to off w/light
513116	Switch, Slide out/extend/retract
510658	Switch w/weather proof boot
512546	Switch, Momentary PB SPST, Black
513229	Switch, Awning extend/retract
513354	Switch, Overhead door magnetic contact
602205-01	Switch, 20 Amp, Macerator

Switch Panels



1. 386340	Control switch panel cover plate
*386296-02	Control switch panel cover plate w/cable inlet
2. 386339	Water valve/Coax cover plate
3. 512934-01	Switch, Spring centered, Retract/Release
4. 513128	Switch, Momentary spring center to off w/light
5. 602205-01	Switch, 20 Amp, Macerator
6. 513079	Switch, Momentary w/light
7. 510623	Coax connector
510623-01	Coax connector locking nut

*Replaced by 386340 starting serial #

2018 ATLAS

ELECTRICAL, 12 VOLT

Fuses

500773-07	Fuse, ATC, 12V DC, 7.5 amp
500773-15	Fuse, ATC, 12V DC, 15 amp
512660-150	Terminal fuse, 30-150 Amp, Orange
512660-200	Terminal fuse, 30-200 Amp
512278-40	Fuse, Type BF1-32, 40 amp
512278-50	Fuse, Type BF1-32, 50 amp
512278-150	Fuse, Type BF1-32, 150 amp
512661	Fuse block terminal, 30-300A, Single
512661-01	Fuse block terminal, 30-300A, Dual

Cable Kits

513315	Cable kit, Main 12V DC
--------	------------------------

Tank Monitor System

513069	Tank monitor display (Seelevel)
513069-01	Flush mount monitor panel only
512566-02	Sender pad

Camera, Rearview Monitor

513101	Rearview mirror/monitor
513101-100	Remote only
513105	Camera kit, L/R mirror integrated w/controller and cables
513031	Camera, Third brake light system
365388	Gasket, Rearview mirror
513197	Cable, 5pin to RCA power cable, 10 meter

Solar Panel

512805	Panel, Solar Flex, 100 watt
511846	Kit, Charge controller display
513006	Solar entry plate

2018 ATLAS

ELECTRICAL, 12 VOLT

Interior Lights

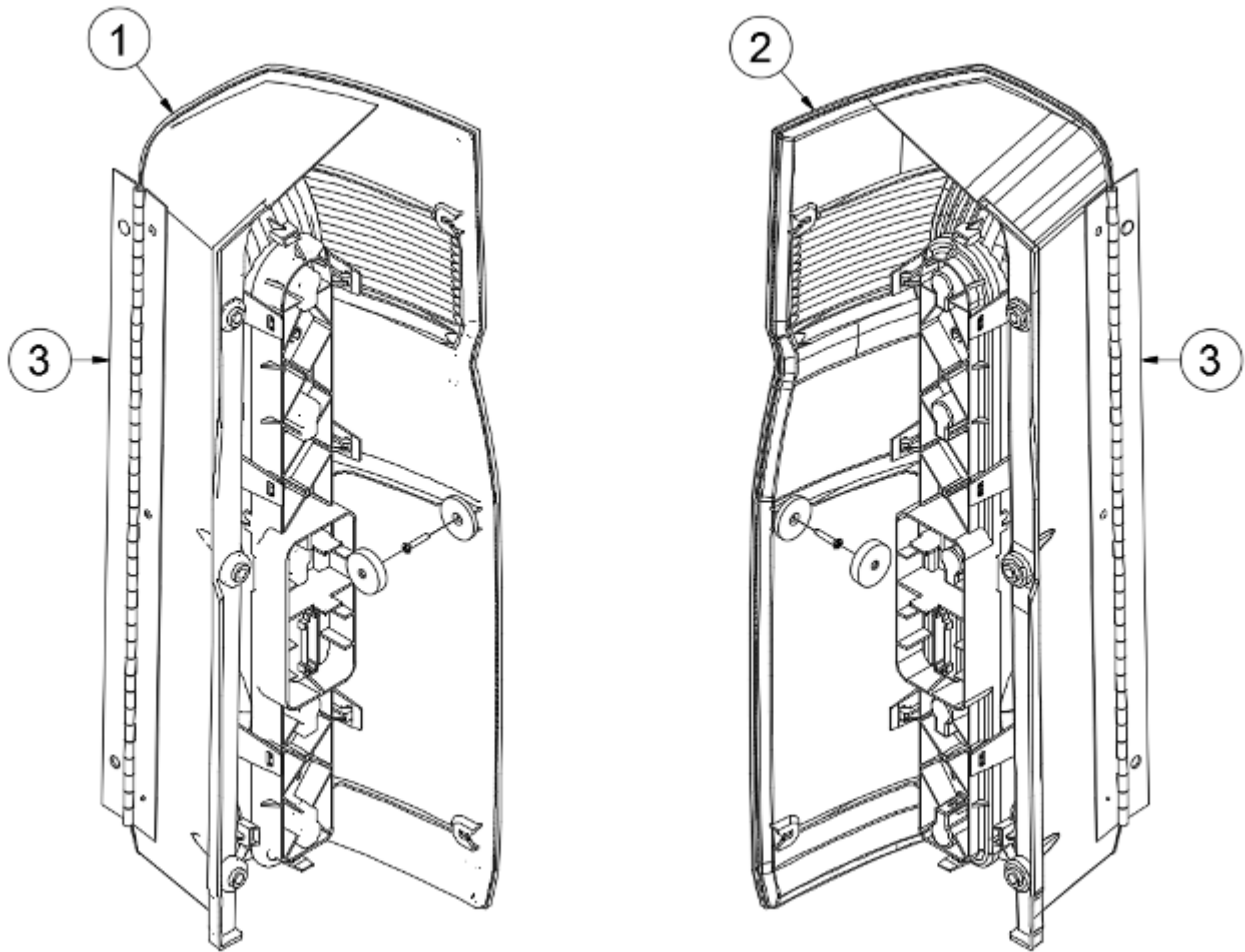
512659-01	Tape light channel, 6'
512659-03	LED flex tap w/bullet connectors, 53"
512659-04	LED flex tap w/bullet connectors, 33.5"
512936	LED spot light w/frost lens
512908	LED light, 16" linear utility light w/switch
513070	Aisle light, Motion activated, Stainless Steel
513330	LED light, Flexible w/USB charge port, Cool White
513072	LED light, Luna diffused linear, 68"
513119	Track for Luna lighting, Cut to 68"
513112	LED flex tape light, 124", White

Exterior Lights

512793	LED porch light, Chrome
513037	Grab handle w/LED lights, Exterior
203358-01	Extrusion, Black plastic
203358-02	Lens diffuser
513034	Light, License plate lamp
513078	Light, Threaded docking w/mounting clip
513025	LED marker/clearance light, Yellow
513026	LED marker/clearance light, Red
513068	Light, Round w/motion sensor and auto On/Off switch
513224	Light w/motion sensor & ON/OFF/Auto switch
512740	Awning light, LED flex tape, 112" strips

2018 ATLAS ELECTRICAL, 12 VOLT

Tail Light Assembly



513226 Mercedes Sprinter Tail Light, Driver side
513227 Mercedes Sprinter Tail Light, Passenger side

- 1. 512953 Tail light, LH
- 2. 512954 Tail light, RH
- 3. 380203-02 Piano hinge, Aluminum, 2" open width
- 203838 Tail light inside cover, CS
- 203839 Tail light inside cover, RS
- 455255 Bracket, Tail light
- 115836 Bracket, CS tail light close-off
- 115837 Bracket, RS tail light close-off
- 365417 3M extreme sealing tape
- 203998 Bracket, Brake light
- 365435 Gasket, Tail light bracket

2018 ATLAS ENTERTAINMENT

Audio

513013	Fusion in-dash infotainment system
513018	Cable tie mount, 4-way w/3M
512554	Tuner Sirius XM Tuner
513225	Speaker, 2-way, 6.75", Fusion
513225-01	Speaker grill
512492-04	Antenna w/25' cable, Roof mount
500484-04	Antenna extension, Metra, 44"
*690698	Sound bar, Samsung
513155	TV Sound System, Bose
511822	Powered subwoofer, 6.5"
513426	Cable, Antenna extension, 3'
513188	Antenna cable, Female Motorola to Euro
513201	Antenna cable, Male Motorola to Euro
513218	Antenna, Cable male-male, 1 foot
921253-1	Antenna
382467-03	Gasket, Radio antenna
	*690698 replaced by 513155 February, 2018

Video

512657-02	TV antenna, Omni-directional, Roadstar
511635	Plate, Dual cable entry
382467-05	Gasket, Dual cable entry plate
512398	Wall plate power supply
511534	Dual coax plate, White
512406	Connector, RG6 Hex compression
512407	Coax cable, RG6
512714	HDMI switcher/splitter, 2 x 4, CSA
513189	HDMI switcher/splitter, 4 x 4

TV and Entertainment Cabinet

690717	LED HDTV, 40", Samsung
*690698	Sound bar, Samsung
513155	TV Sound System, Bose
513493	TV lift assembly
455116	Bracket, Lower mounting
203855	Close-off, Cass Hudson TV lift
512366-10	HDMI cable, Male to male, 10'
512366-30	HDMI cable, Male to Male, 30'
512366-35	HDMI cable, Male to Male, 35'
968680-33	Entertainment Center, Beachwood
968680-02	Entertainment Center, Columbia Walnut
513356	Switch, Step hold ON/OFF, TV lift UP/Down
513441	Controller, TV lift
	*690698 replaced by 513155 February, 2018

2018 ATLAS FLOOR COVERINGS

Floor Covering

704160	Flooring, Raffia, Luxury Woven Vinyl
703968	Floor guard, Underbelly material, 102" wide, Black
704347	Floor mat, Front, Smoke
203727	Foil, Single bubble flex
703766-01	Adhesive, AAT-272, Super premium
365413	Tape, Moisture barrier
701538-01	Carpet, Econolier Velour Black w/PSA back applied
704358	Carpet, Grey Automotive

2018 ATLAS INTERIOR DOORS

Interior Doors

968412-33	Bath door, Beachwood
968412-02	Bath door, Columbian Walnut
371438	Window, Bath door
602616	Shower door, Curved glass

Roof Locker Doors, Beachwood

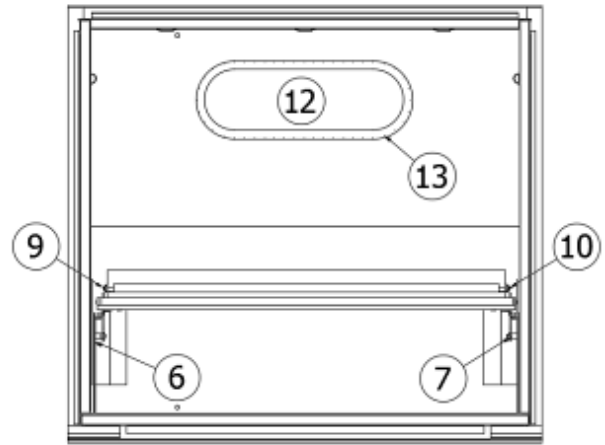
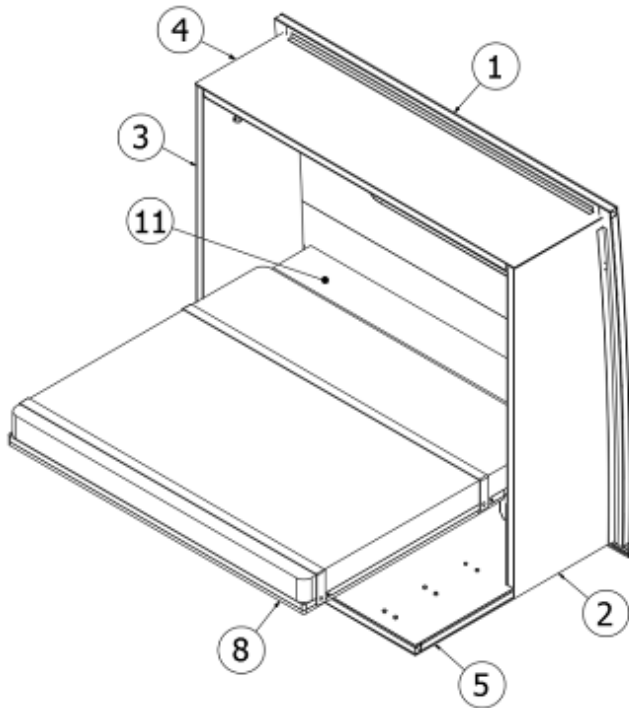
801785-0233	Door, 12.38 x 28.13
801785-0333	Door, 12.38 x 11
801785-0633	Door, 12.38 x 3.13
801785-0833	Door, 12.38 x 22.44
801785-1033	Door, 12.38 x 28.81
801785-1333	Door, 12.38 x 34.62
802223-0433	Door, 12.38 x 17.38
802223-1033	Door, 12.38 x 28.81
802223-1233	Door, 12.38 x 25.75
802223-1333	Door, 12.38 x 34.62

Roof Locker Doors, Columbian Walnut

801785-022	Door, 12.38 x 28.13
801785-032	Door, 12.38 x 11
801785-062	Door, 12.38 x 3.13
801785-082	Door, 12.38 x 22.44
801785-102	Door, 12.38 x 28.81
801785-132	Door, 12.38 x 34.62
802223-042	Door, 12.38 x 17.38
802223-102	Door, 12.38 x 28.81
802223-122	Door, 12.38 x 25.75
802223-132	Door, 12.38 x 34.62

2018 ATLAS FURNITURE, LOUNGE

Murphy Bed



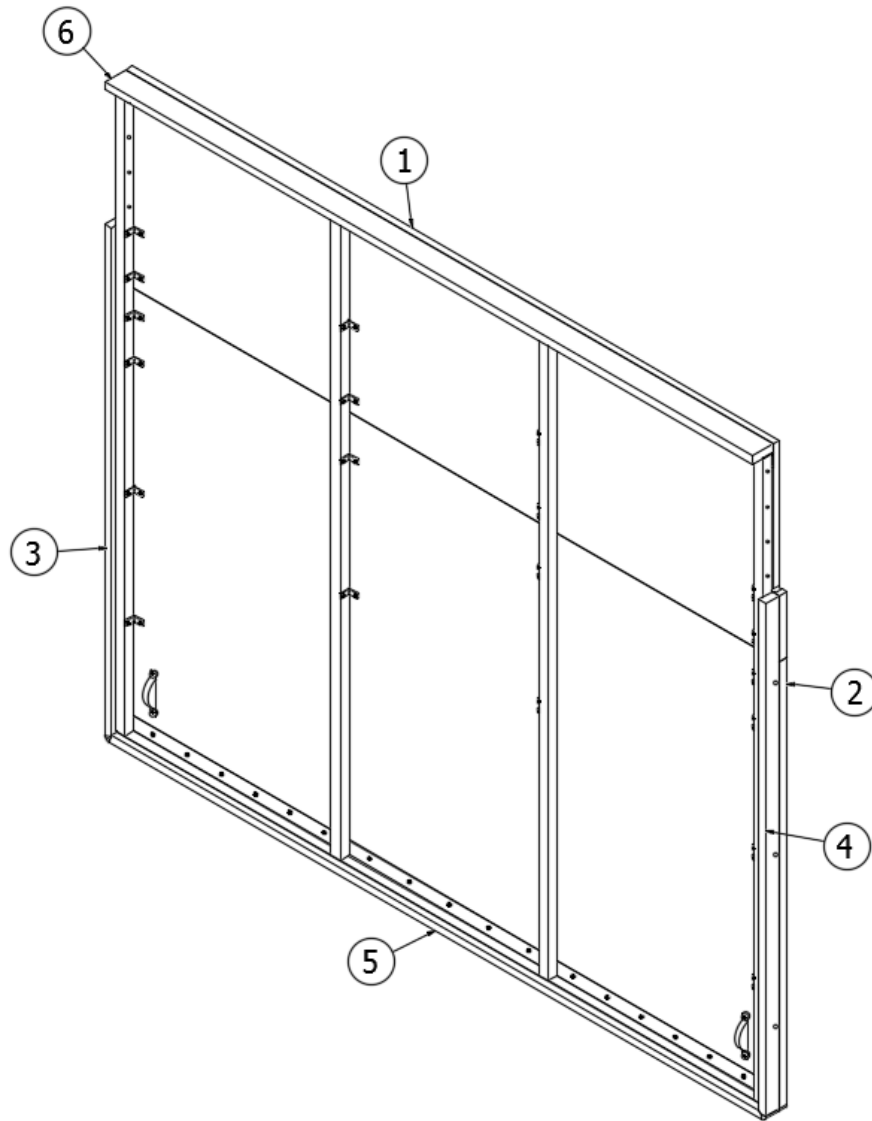
112520

Murphy Bed Install

- | | |
|---------------|---------------------------------------|
| 1. 923268 | Slide-out room assembly |
| 2. 923271 | Slide-out forward wall assembly |
| 3. 923272 | Slide-out aft wall assembly |
| 4. 923273 | Slide-out roof assembly |
| 5. 923269 | Slide-out floor assembly |
| 6. 455190-01 | Murphy bed lift, LH |
| 7. 455190-02 | Murphy bed lift, RH |
| 8. 968760 | Murphy bed frame/wall |
| 9. 455140-01 | Pillow cushion bracket, LH |
| 10. 455140-02 | Pillow cushion bracket, RH |
| 11. 968514 | Flip down pillow support cushion |
| 12. 372293 | Mirror, Oval, 12 x 36 |
| 13. 371460 | Aluminum trim, Face frame |
| 114880-201 | Aluminum sheet, .04 x 51 x 201 |
| 455234 | Angle, Top slide-out |
| 512936 | LED spotlight w/frosted lens |
| 411041 | Power slide-out system, Schwintek |
| 513098 | Slide-out room controller, Schwintek |
| 704405 | Strap, Secure Murphy bed mattress |
| 382390 | Gas spring w/fittings |
| 704307-02 | Fabric w/laminate backer, Impala Grey |
| 455350 | Murphy bed frame, Aluminum |
| 99900P-2224 | Froli sprint mat |

2018 ATLAS FURNITURE, LOUNGE

Murphy Bed Frame and Wall



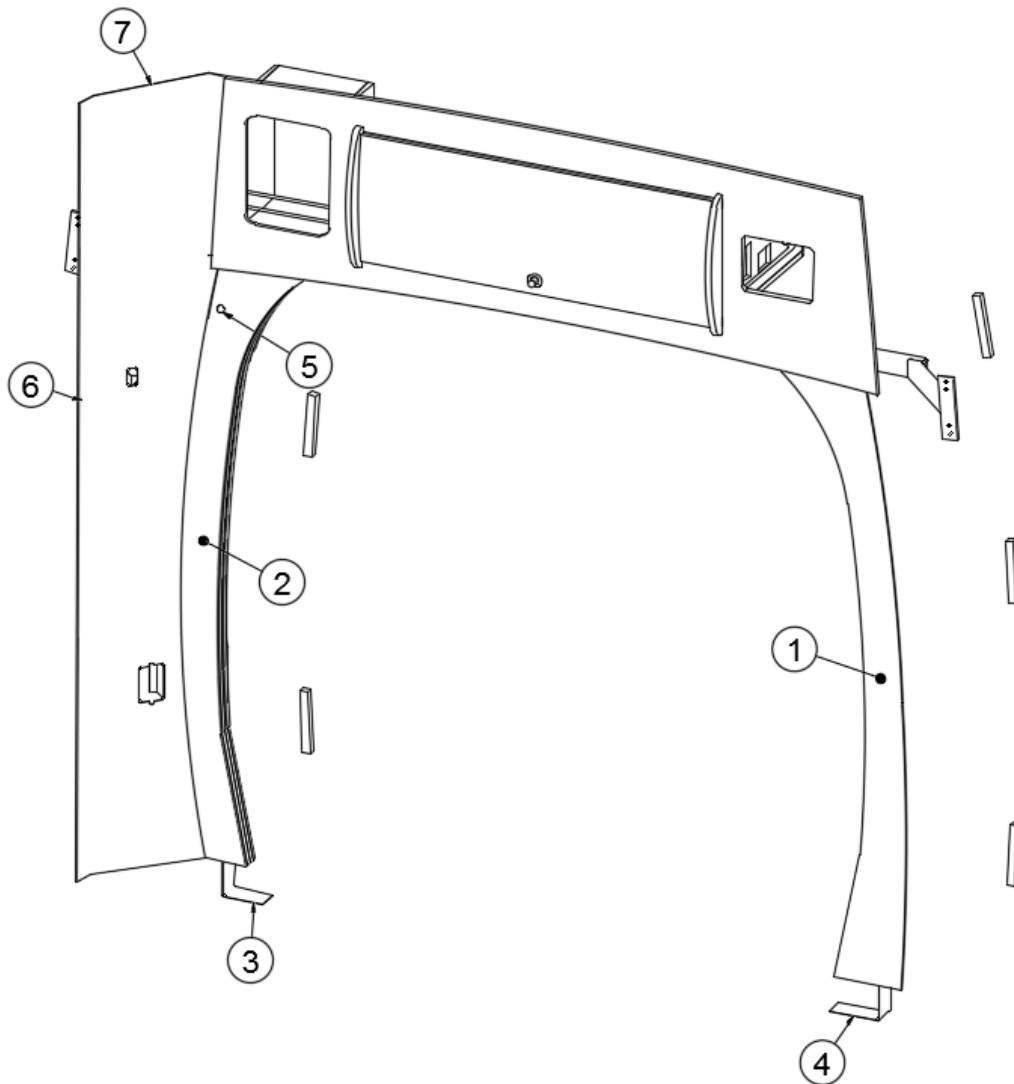
968760

Murphy bed frame/wall

- | | |
|--------------------|--|
| 1. 968760&000118LC | Panel, 20.268 x 73.25 |
| 2. 968760&000218LC | Panel, 42.88 x 73.25 |
| 3. 968760&000318BB | Panel, 1.25 x 48.64 |
| 4. 968760&000418BB | Panel, 1.25 x 48.64 |
| 5. 968760&000518BB | Panel, 1.25 x 71.5 |
| 6. 968760&000818BB | Panel, 2.25 x 70.5 |
| 382420 | Pull, Concealed |
| 800638-0133 | Molding, Quarter round, .5", Beachwood |
| 800638-0102 | Molding, Quarter round, .5", Walnut |
| 968760&0010C02A | Cover cap, Plastic |

2018 ATLAS FURNITURE, LOUNGE

Forward RS and CS Wall



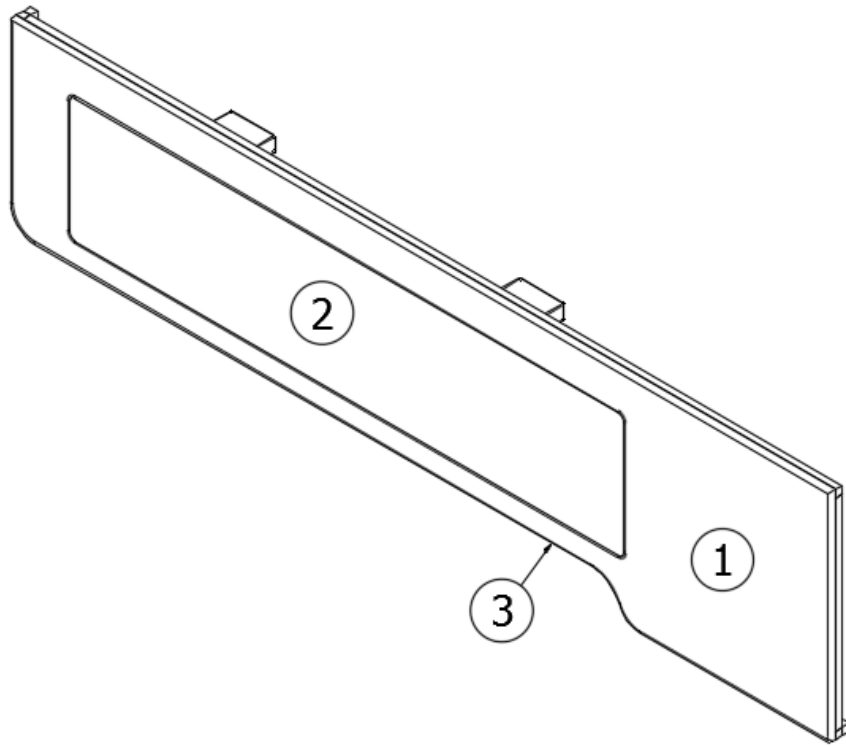
112419

RS and CS Wall Install

- | | |
|-----------|--|
| 1. 968533 | Forward corner closeout, CS |
| 2. 968535 | Forward corner closeout, RS |
| 3. 923349 | Filler strip, RS |
| 4. 923348 | Filler strip, CS |
| 5. 700811 | Button, Fabric covered |
| 6. 115849 | Back, RS forward interior corner wall |
| 7. 115833 | Front, RS forward interior corner wall |
| 104408 | Horizontal rib, 48" |
| 968536 | Crosscar cab closeout |
| 700813 | Button, Nail bottom |
| 704307-02 | Fabric w/laminate backer, Grey |

2018 ATLAS
FURNITURE, LOUNGE

Entertainment Center Top

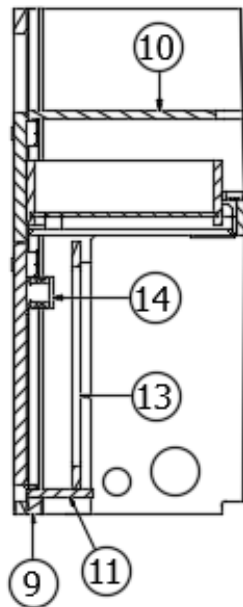
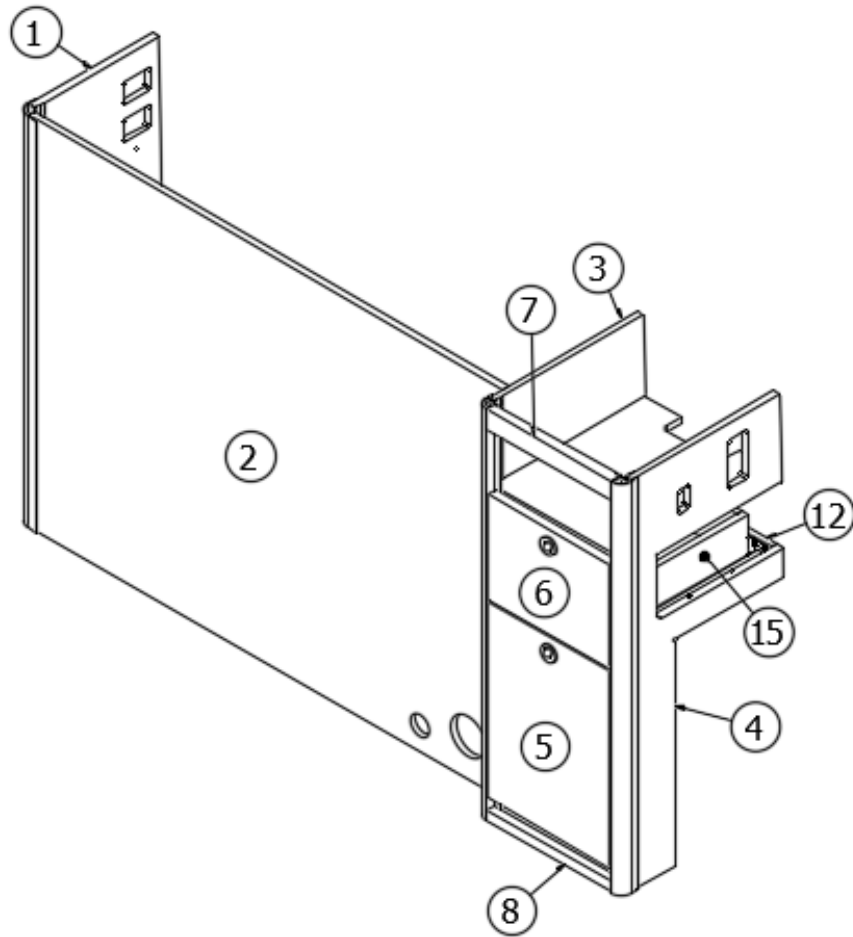


602692
382396

Entertainment Center Top, Milk White
Bungy spring

2018 ATLAS FURNITURE, LOUNGE

Entertainment Center, Beachwood



Parts Listed on Next Page

2018 ATLAS

FURNITURE, LOUNGE

Entertainment Center, Beachwood

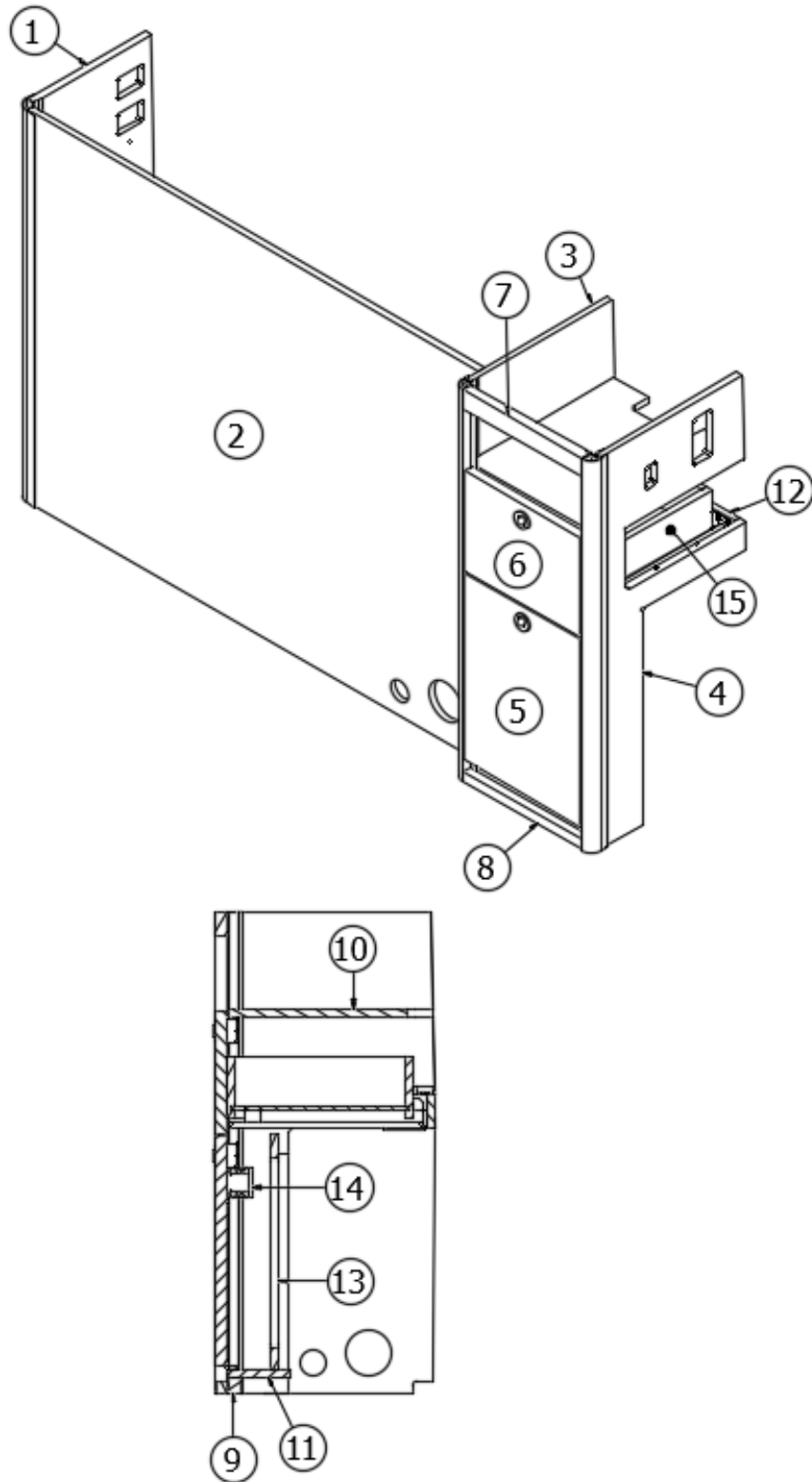
968680-33

Entertainment Center

1. 968680-331 Panel, 10.81 x 31.13
2. 968680-332 Panel, 41.25 x 31.13
3. 968680-333 Panel, 12.97 x 31.13
4. 968680-334 Panel, 12.97 x 31.03
5. 968680-335 Panel, 10.58 x 14.85
6. 968680-336 Panel, 10.58 x 7.95
7. 968680-337 Panel, 10.95 x 1.5
8. 968680-338 Panel, 10.95 x .69
9. 968680-339 Panel, 11.31 x 1
10. 968680-3310 Panel, 13.29 x 11.45
11. 968680-3311 Panel, 3.95 x 11.45
12. 968680-3312 Panel, 2.25 x 11.45
13. 968680-3313 Panel, 11.2 x 15.25
14. 968680-3314 Panel, 8 x 2
15. 968224-08 Drawer box, 4 x 12
- 602692 Entertainment center top, Milk White
- 382203-02 Drawer slide, Self-close, 12"
- 382203-08 Bracket, Rear mount drawer slides
- 115681 Extrusion, 1" radius corner, .5"
- 115679 Extrusion, Corner trim
- 382449-01 Knob, Push/pull, Chrome
- 381228-02 Catch, Grabber door, 5LB
- 382125 Piano hinge, Clear anodized
- 115871 Standoff bracket w/mount holes

2018 ATLAS FURNITURE, LOUNGE

Entertainment Center, Columbian Walnut



Parts Listed on Next Page

2018 ATLAS

FURNITURE, LOUNGE

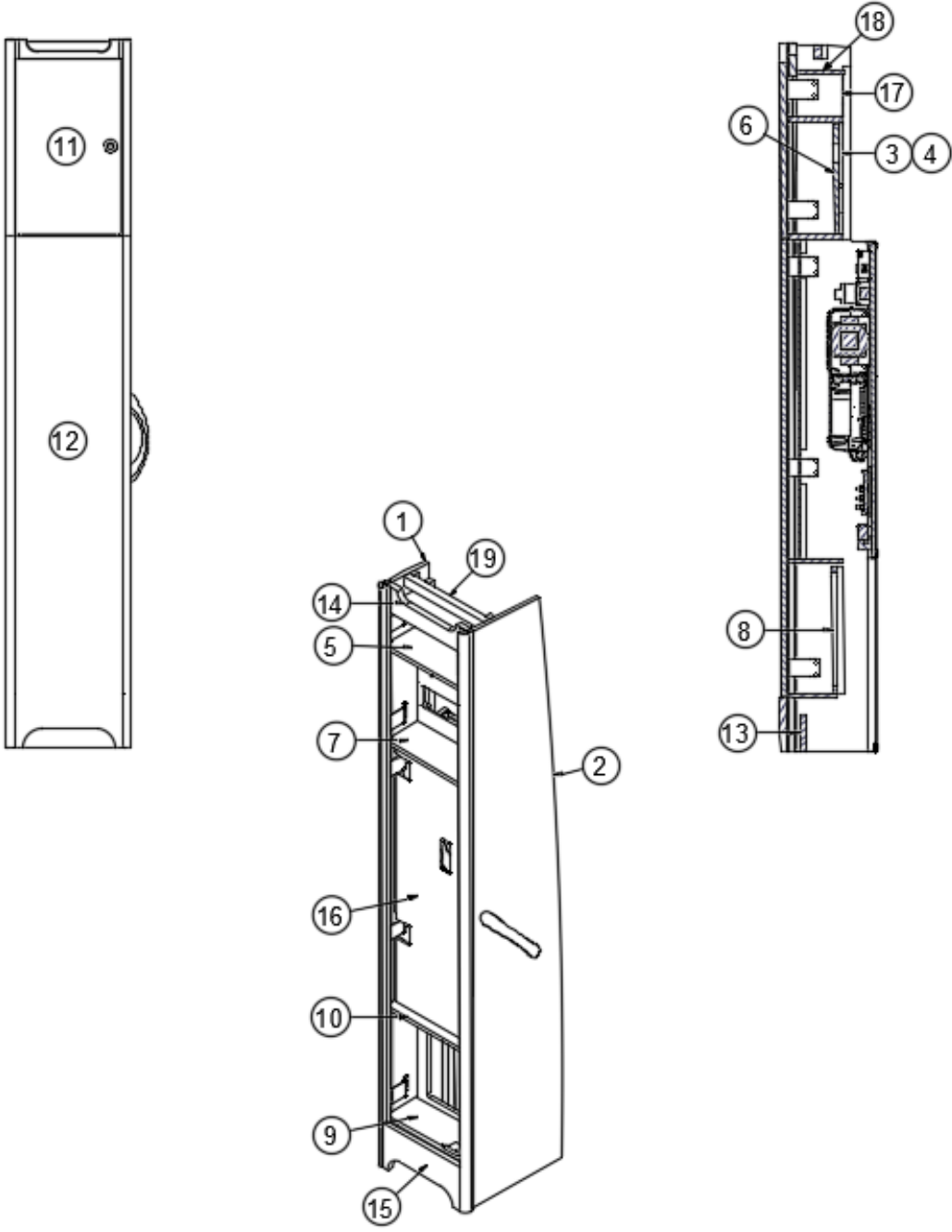
Entertainment Center, Columbian Walnut

968680-02 Entertainment Center

1. 968680-021 Panel, 10.81 x 31.13
2. 968680-022 Panel, 41.25 x 31.13
3. 968680-023 Panel, 12.97 x 31.13
4. 968680-024 Panel, 12.97 x 31.03
5. 968680-025 Panel, 10.58 x 14.85
6. 968680-026 Panel, 10.58 x 7.95
7. 968680-027 Panel, 10.95 x 1.5
8. 968680-028 Panel, 10.95 x .69
9. 968680-029 Panel, 11.31 x 1
10. 968680-0210 Panel, 13.29 x 11.45
11. 968680-0211 Panel, 3.95 x 11.45
12. 968680-0212 Panel, 2.25 x 11.45
13. 968680-0213 Panel, 11.2 x 15.25
14. 968680-0214 Panel, 8 x 2
15. 968224-08 Drawer box, 4 x 12
- 602692 Entertainment center top, Milk White
- 382203-02 Drawer slide, Self-close, 12"
- 382203-08 Bracket, Rear mount drawer slides
- 115681 Extrusion, 1" radius corner, .5"
- 115679 Extrusion, Corner trim
- 382449-01 Knob, Push/pull, Chrome
- 381228-02 Catch, Grabber door, 5LB
- 382125 Piano hinge, Clear anodized
- 115871 Standoff bracket w/mount holes

2018 ATLAS FURNITURE, LOUNGE

Corner Electronics Cabinet, CS Forward



Parts Listed on Next Page

2018 ATLAS FURNITURE, LOUNGE

Corner Electronics Cabinet, CS Forward

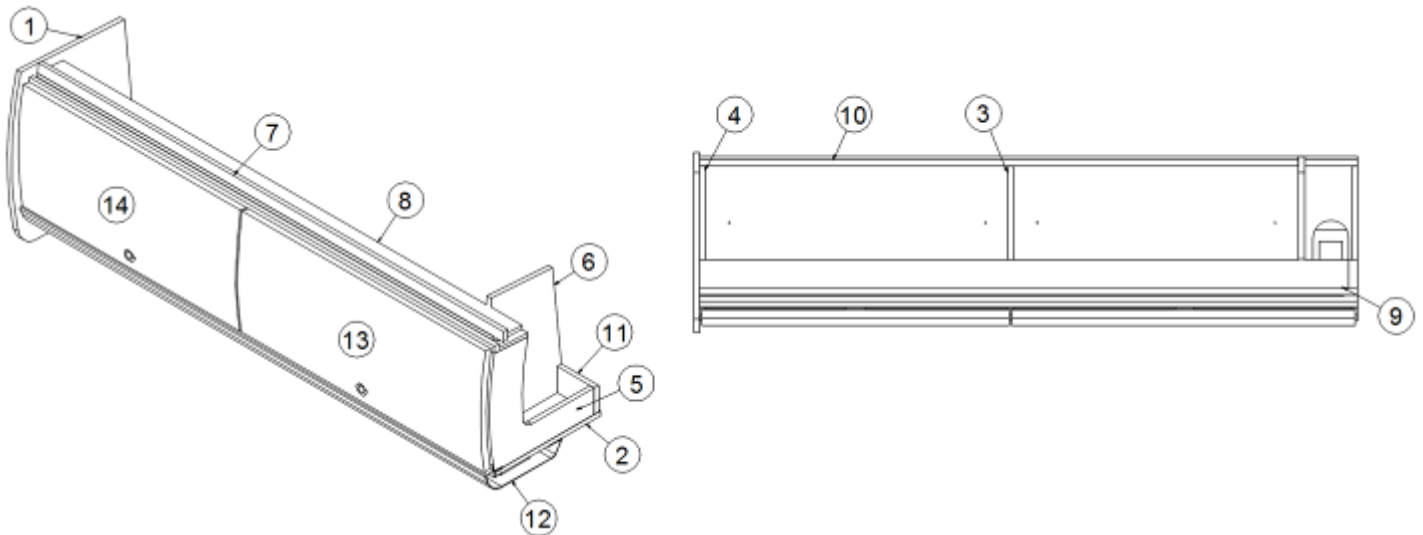
968595

Electric Cabinet

1. 968595&000112BB	Panel, 9.47 x 76.93
2. 968595&000212BB	Panel, 14.06 x 76.93
3. 968595&000312BB	Panel, 1 x 12, Left side
4. 968595&000412BB	Panel, .75 x 12, Right side
5. 968595&000512BB	Panel, 6 x 12.37
6. 968595&000612BB	Panel, 12 x 12
7. 968595&000712BB	Panel, 6 x 12.37
8. 968595&000812BB	Panel, 13.75 x 12
9. 968595&000912BB	Panel, 5.27 x 12.37
10. 968595&001012BB	Panel, 6 x 12.37
11. 968595&001118BB	Panel, 11.5 x 19.11
12. 968595&001218BB	Panel, 11.5 x 55.88
13. 968595&001318BB	Panel, 4 x 12.38
14. 968595&001418BB	Panel, 3.5 x 12.24
15. 968595&003103BE	Panel, 11.438 x 34.75
16. 968595&003203BE	Panel, 12.38 x 5.18
17. 968595&003812BB	Panel, 5.25 x 12.37
18. 968595&003918BB	Panel, 1.5 x 12.38
968595&0028B01	Edgebanding, .63"
968595&0029B02	Edgebanding, .94"
381228-02	Catch, Grabber door, 5LB
381607-15	Hinge, Soft-Close, Overlay, 110° swing
382449-01	Knob, Push/pull, Chrome
512960	Grab handle, Unlighted
381065-10	Cable support, 10"
968659	Inverter stand
115679	Corner trim, .5", Aluminum
115871	Standoff bracket w/mount holes

2018 ATLAS FURNITURE, LOUNGE

Roof Locker, CS, Beachwood



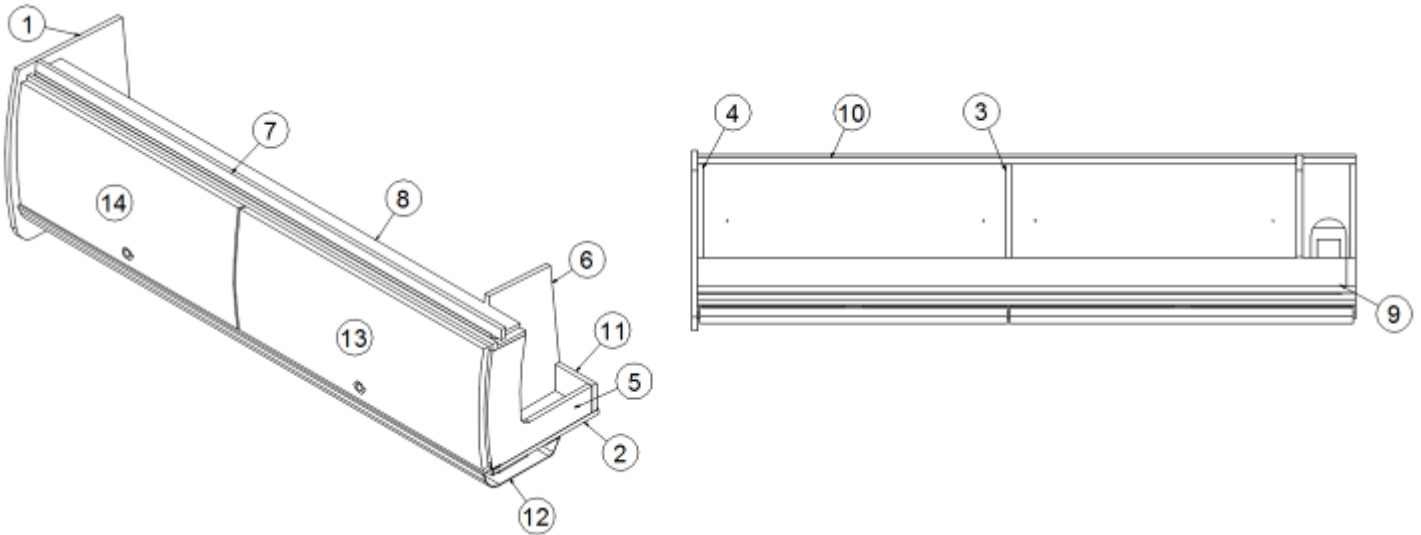
968365-33

CS Roof Locker

- | | |
|-----------------|--|
| 1. 968365-331 | Panel, 14.99 x 18.03 |
| 2. 968365-332 | Panel, 12.5 x 55.13 |
| 3. 968365-333 | Panel, 12.5 x 12.12 |
| 4. 968365-334 | Panel, 12.5 x 12.12 |
| 5. 968365-335 | Panel, 12.5 x 12.12 |
| 6. 968365-336 | Panel, 10.37 x 13.52 |
| 7. 968365-337 | Panel, 1 x 55.13 |
| 8. 968365-338 | Panel, 3.99 x 55.13 |
| 9. 968365-339 | Panel, 4.43 x 11.75 |
| 10. 968365-3310 | Panel, 2.75 x 50.19 |
| 11. 968365-3311 | Panel, 2.75 x 4.43 |
| 12. 115406-01 | Roof locker extrusion |
| 13. 802223-1033 | Door, 12.38 x 28.81, Beachwood |
| 14. 802223-1233 | Door, 12.38 x 25.75, Beachwood |
| 382449-01 | Knob, Push/pull, Chrome |
| 382301 | Lid stay, Medium duty, LH |
| 381607-15 | Hinge, Soft-Close, Overlay, 110° swing |
| 381688 | Rubber bumpon, Clear |
| 365398-01 | Edgebanding, .63", Light Walnut |
| 365398-02 | Edgebanding, .94", Light Walnut |

2018 ATLAS FURNITURE, LOUNGE

Roof Locker, CS, Columbian Walnut



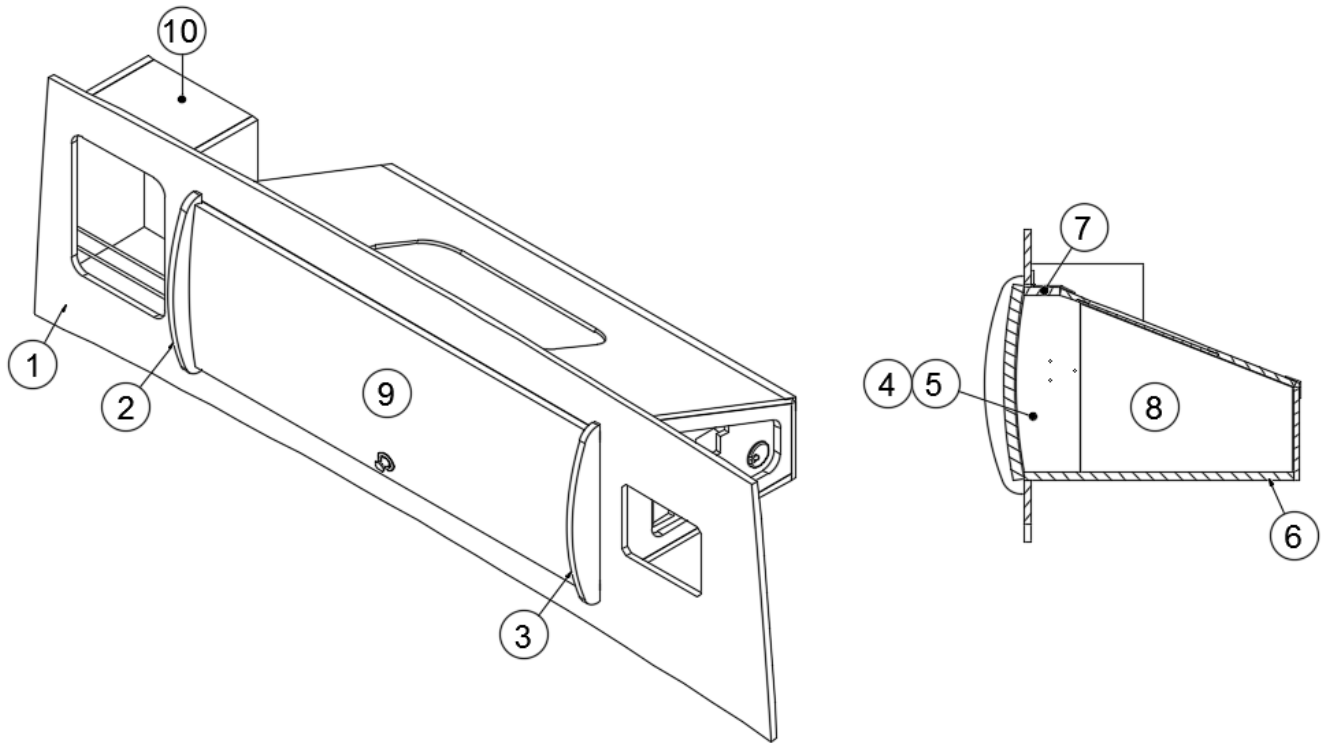
968365-02

CS Roof Locker

- | | |
|-----------------|--|
| 1. 968365-021 | Panel, 14.99 x 18.03 |
| 2. 968365-022 | Panel, 12.5 x 55.13 |
| 3. 968365-023 | Panel, 12.5 x 12.12 |
| 4. 968365-024 | Panel, 12.5 x 12.12 |
| 5. 968365-025 | Panel, 12.5 x 12.12 |
| 6. 968365-026 | Panel, 10.37 x 13.52 |
| 7. 968365-027 | Panel, 1 x 55.13 |
| 8. 968365-028 | Panel, 3.99 x 55.13 |
| 9. 968365-029 | Panel, 4.43 x 11.75 |
| 10. 968365-0210 | Panel, 2.75 x 50.19 |
| 11. 968365-0211 | Panel, 2.75 x 4.43 |
| 12. 115406-01 | Roof locker extrusion |
| 13. 802223-102 | Door, 12.38 x 28.81, Columbian Walnut |
| 14. 802223-122 | Door, 12.38 x 25.75, Columbian Walnut |
| 382449-01 | Knob, Push/pull, Chrome |
| 382301 | Lid stay, Medium duty, LH |
| 381607-15 | Hinge, Soft-Close, Overlay, 110° swing |
| 381688 | Rubber bumpon, Clear |
| 365379-01 | Edgebanding, .63", Walnut |
| 365379-02 | Edgebanding, .94", Walnut |

2018 ATLAS FURNITURE, LOUNGE

Roof Locker, Front Overhead, Beachwood



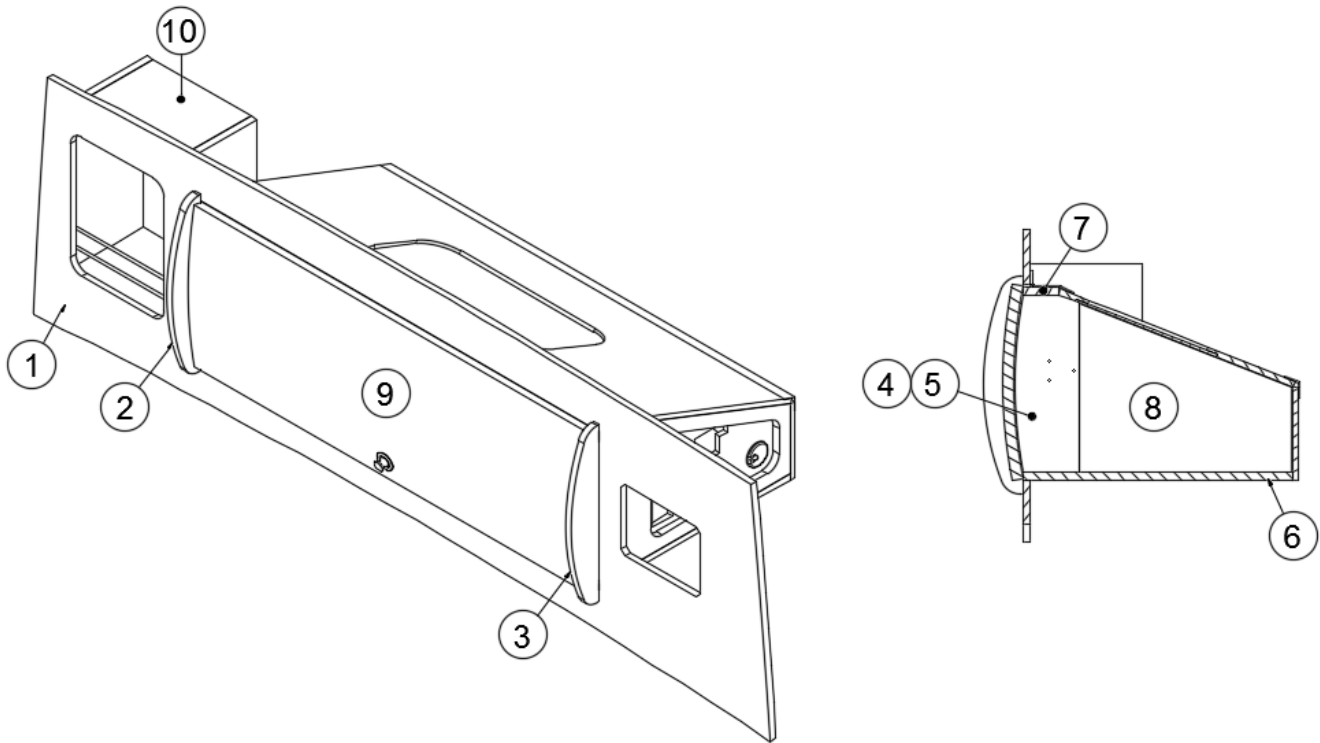
968463-33

Front Overhead Roof Locker

- | | | |
|-----|-------------|--|
| 1. | 968463-331 | Panel, 19.72 x 66.64 |
| 2. | 968463-332 | Panel, 19.5 x 13.63 |
| 3. | 968463-333 | Panel, 19.5 x 13.63 |
| 4. | 968463-334 | Panel, 2.71 x 11.14, Left |
| 5. | 968463-335 | Panel, 2.71 x 11.14, Right |
| 6. | 968463-336 | Panel, 17 x 36 |
| 7. | 968463-337 | Panel, 2.25 x 36 |
| 8. | 968463-3325 | Panel, 13.45 x 10.63 |
| 9. | 802223-1333 | Door, 12.38 x 34.63, Beachwood |
| 10. | 968516-33 | Cubby assembly |
| | 381607-15 | Hinge, Soft-Close, Overlay, 110° swing |
| | 382301 | Lid stay, Medium duty, LH |
| | 382301-01 | Lid stay, Medium duty, RH |
| | 382449-01 | Knob, Push/pull, Chrome |
| | 115561 | Aluminum angle, 25°, 1 x 1 |
| | 115562 | Aluminum angle, 70°, 1 x 1 |
| | 380041 | Brace, 1" Stanley corner |
| | 381209-01 | Grommet w/cap, 1.5", Black |
| | 203445 | T-molding, .5", Black |

2018 ATLAS FURNITURE, LOUNGE

Roof Locker, Front Overhead, Columbian Walnut



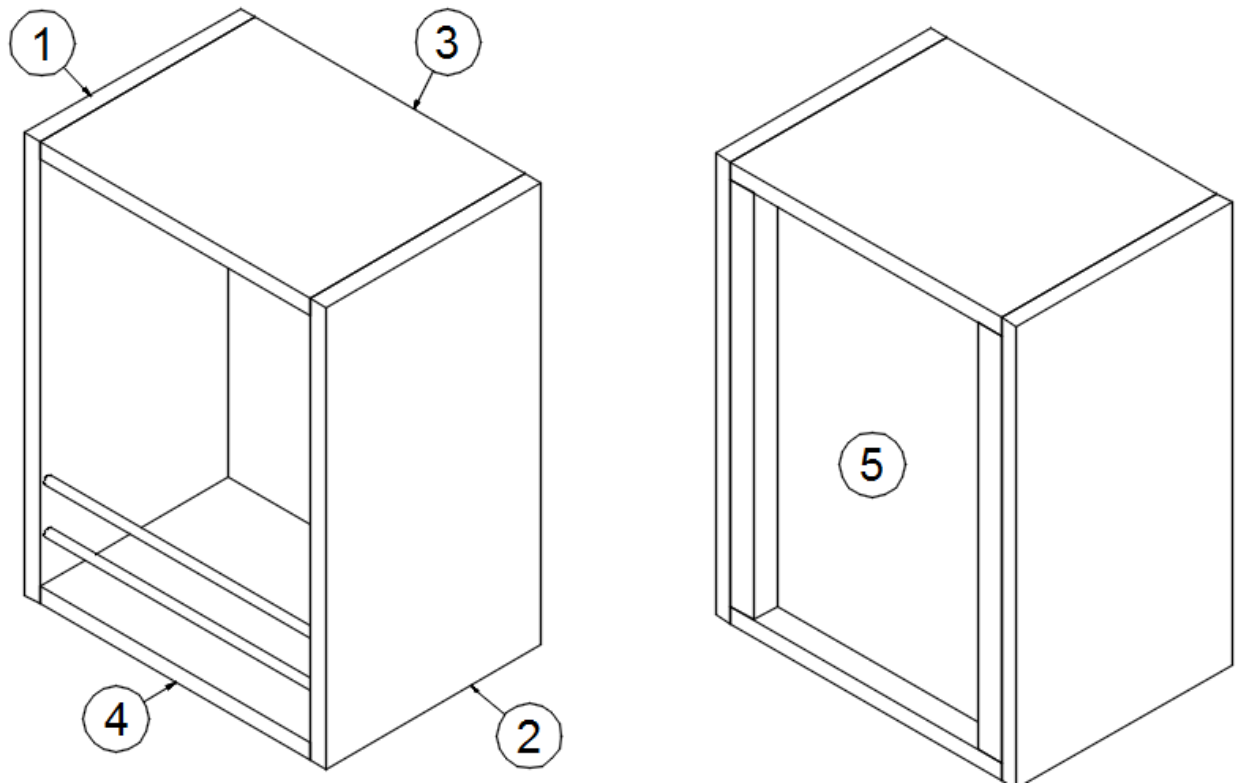
968463-02

Front Overhead Roof Locker

- | | |
|----------------|--|
| 1. 968463-021 | Panel, 19.72 x 66.64 |
| 2. 968463-022 | Panel, 19.5 x 13.63 |
| 3. 968463-023 | Panel, 19.5 x 13.63 |
| 4. 968463-024 | Panel, 2.71 x 11.14, Left |
| 5. 968463-025 | Panel, 2.71 x 11.14, Right |
| 6. 968463-026 | Panel, 17 x 36 |
| 7. 968463-027 | Panel, 2.25 x 36 |
| 8. 968463-0225 | Panel, 13.45 x 10.63 |
| 9. 802223-132 | Door, 12.38 x 34.63, Columbian Walnut |
| 10. 968516-02 | Cubby assembly |
| 381607-15 | Hinge, Soft-Close, Overlay, 110° swing |
| 382301 | Lid stay, Medium duty, LH |
| 382301-01 | Lid stay, Medium duty, RH |
| 382449-01 | Knob, Push/pull, Chrome |
| 115561 | Aluminum angle, 25°, 1 x 1 |
| 115562 | Aluminum angle, 70°, 1 x 1 |
| 380041 | Brace, 1" Stanley corner |
| 381209-01 | Grommet w/cap, 1.5", Black |
| 203445 | T-molding, .5", Black |

2018 ATLAS FURNITURE, LOUNGE

Cubby, Front Overhead



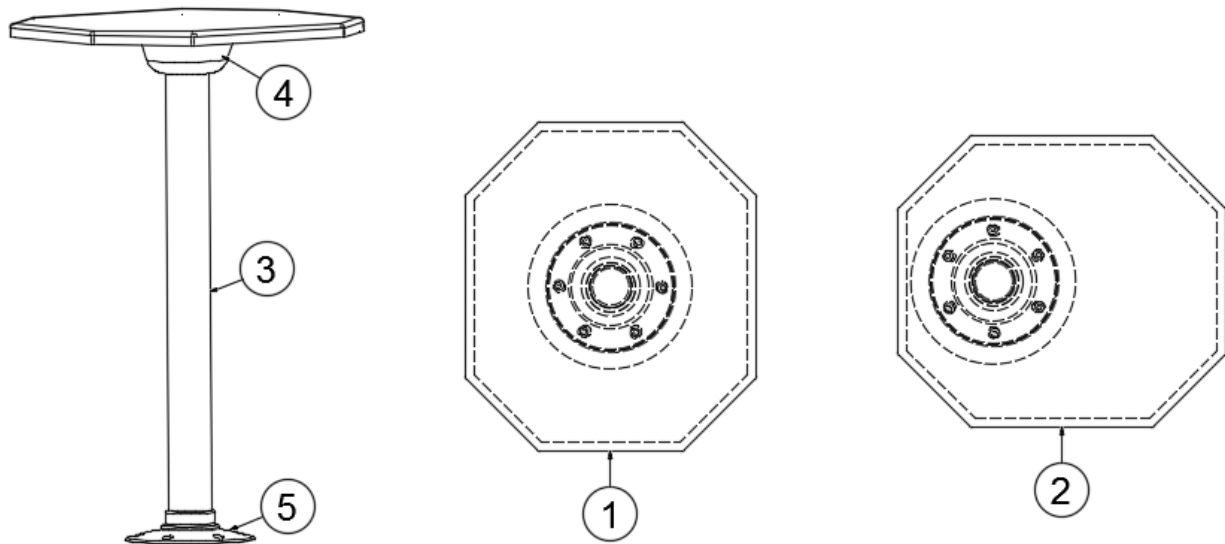
968516-33
968516-02

Cubby, Front Overhead Roof Locker, Beachwood
Cubby, Front Overhead Roof Locker, Columbian Walnut

- | | |
|---------------|------------------------------------|
| 1. 968516-331 | Panel, 7 x 13, Beachwood |
| 968516-021 | Panel, 7 x 13, Columbian Walnut |
| 2. 968516-332 | Panel, 7 x 13, Beachwood |
| 968516-022 | Panel, 7 x 13, Columbian Walnut |
| 3. 968516-333 | Panel, 7 x 8.79, Beachwood |
| 968516-023 | Panel, 7 x 8.79, Columbian Walnut |
| 4. 968516-334 | Panel, 7 x 8.79, Beachwood |
| 968516-024 | Panel, 7 x 8.79, Columbian Walnut |
| 5. 968516-335 | Panel, 8.79 x 12, Beachwood |
| 968516-025 | Panel, 8.79 x 12, Columbian Walnut |
| 115042 | Aluminum rod |

2018 ATLAS FURNITURE, LOUNGE

Pedestal Table



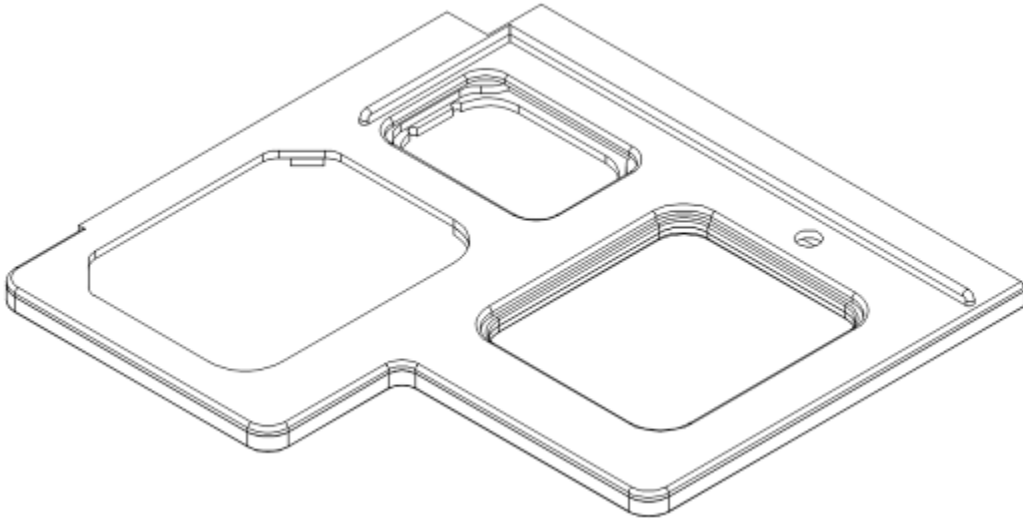
968496

Pedestal Dinette Tables

- | | |
|-----------|-----------------------------------|
| 1. 602715 | Table top, Centered, Milk White |
| 2. 602716 | Table top, Off-center, Milk White |
| 3. 381974 | Pedestal leg, Thread lock |
| 4. 381975 | Pedestal socket, Table top |
| 5. 381976 | Pedestal socket, Floor |

2018 ATLAS FURNITURE, GALLEY

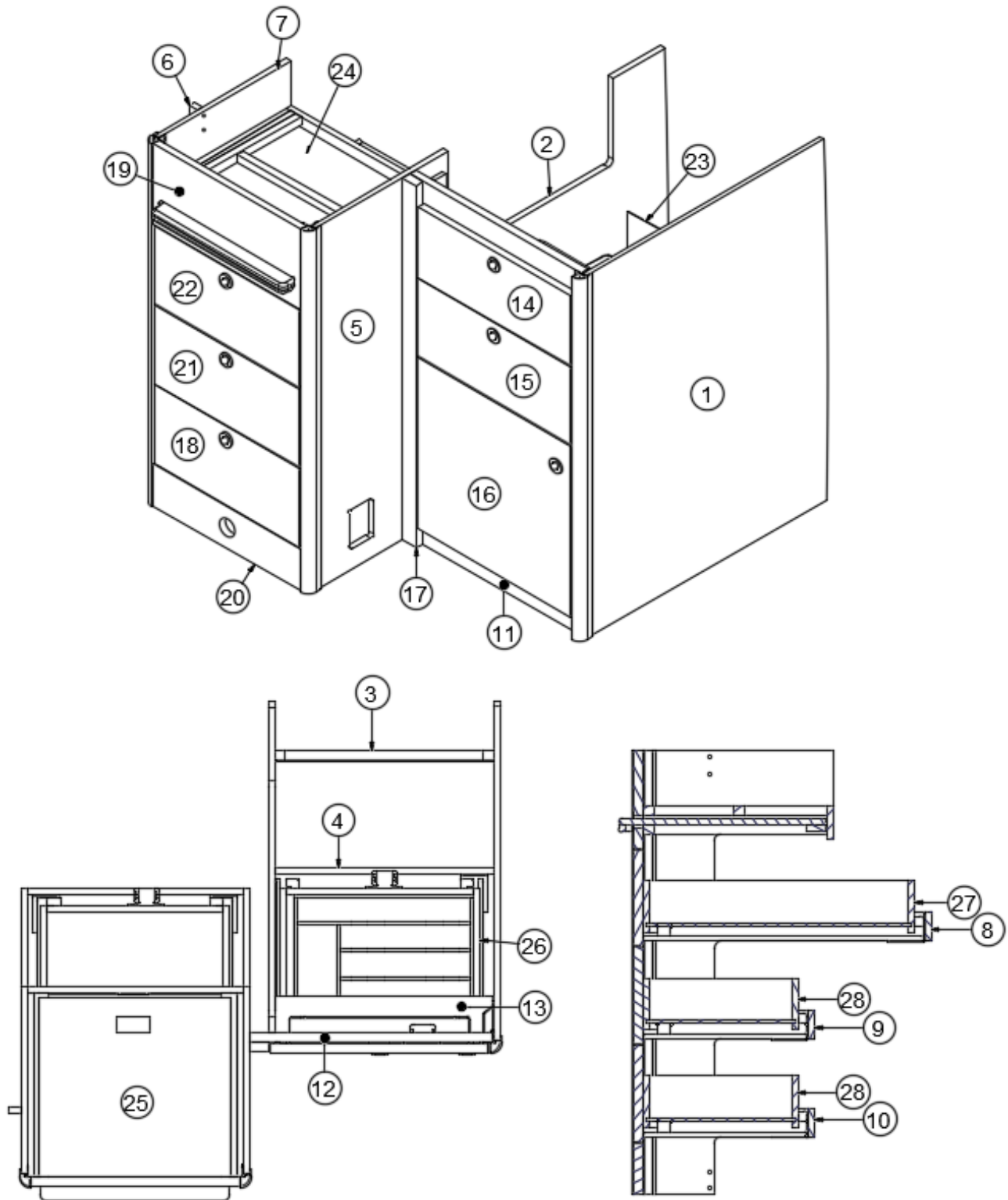
Galley Top



- | | |
|--------|---|
| 602589 | Galley top, Solid surface, Milk White |
| 602592 | Sink cover, Solid surface |
| 602591 | Cover, Waste basket, Corian, Milk White |
| 602624 | Sink rack, Stainless Steel |

2018 ATLAS FURNITURE, GALLEY

Galley Cabinet, Beachwood



Parts Listed on Next Page

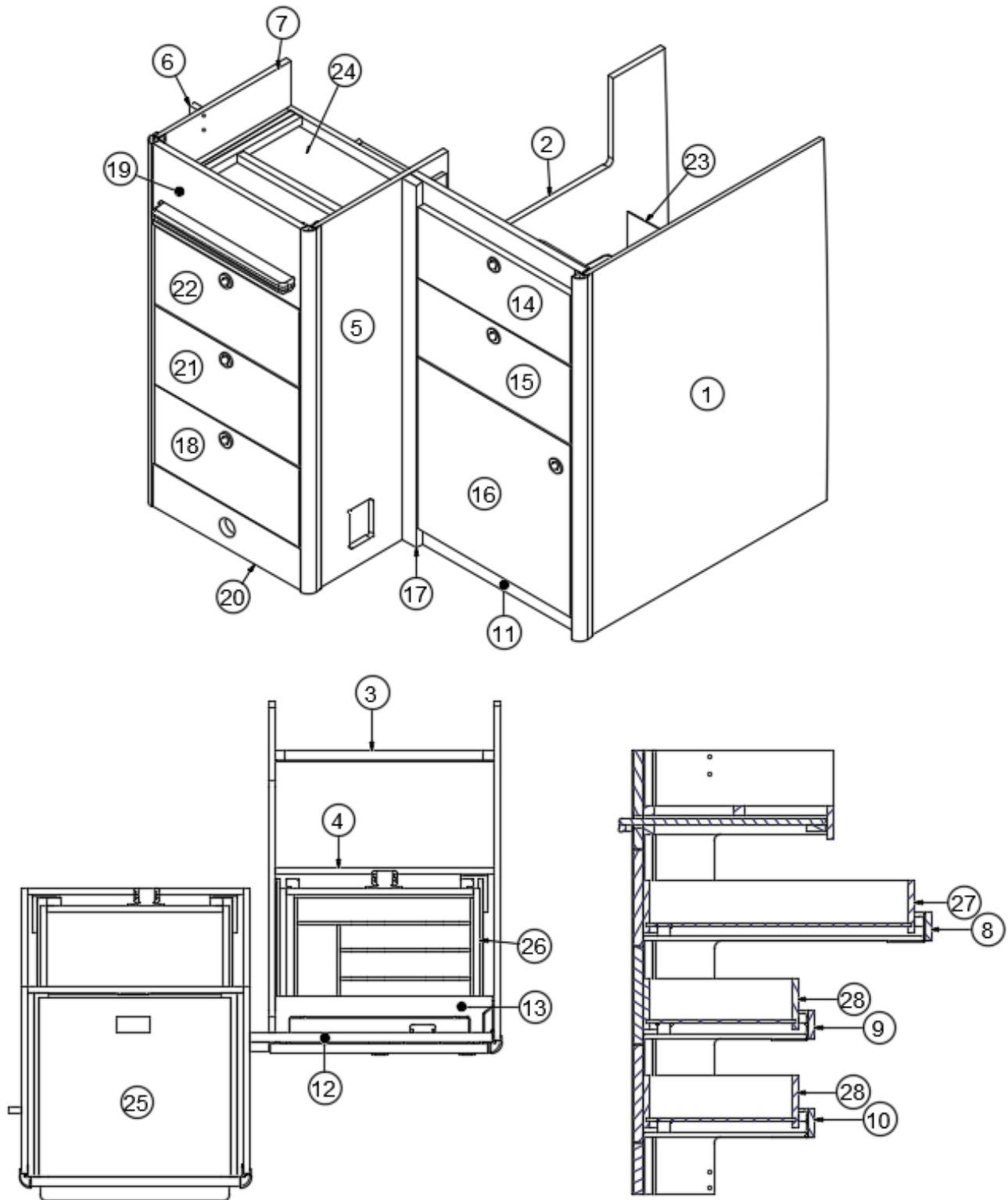
2018 ATLAS FURNITURE, GALLEY

Galley Cabinet, Beachwood

968566-33	Galley Cabinet
1. 968566-331	Panel, 26.13 x 34.37
2. 968566-332	Panel, 26.25 x 34.37
3. 968566-333	Panel, 22.64 x 16.89
4. 968566-334	Panel, 2.25 x 16.87
5. 968566-335	Panel, 11 x 34.37
6. 968566-336	Panel, .92 x 34.37
7. 968566-337	Panel, 22.11 x 34.37
8. 968566-338	Panel, 2.25 x 16.69
9. 968566-339	Panel, 2.25 x 16.69
10. 968566-3310	Panel, 2.25 x 16.69
11. 968566-3311	Panel, 4.5 x 18.82
12. 968566-3312	Panel, 2.25 x 18.82
13. 968566-3313	Panel, 3.5 x 16.87
14. 968566-3314	Panel, 16.76 x 6.62
15. 968566-3315	Panel, 16.76 x 7.37
16. 968566-3316	Door, 16.76 x 16.24
17. 968566-3317	Panel, 1.5 x 34.37
18. 968566-3318	Panel, 15.82 x 7.44
19. 968566-3319	Panel, 16.19 x 7.62
20. 968566-3320	Panel, 16.19 x 4
21. 968566-3321	Panel, 15.82 x 7.44
22. 968566-3322	Panel, 15.82 x 7.37
23. 968566-3323	Panel, 16.74 x 16
24. 968752	Workstation pull-out
25. 602660	Workstation, Solid surface
26. 968224-04	Drawer box, 4 x 12, Soft close
27. 968224-06	Drawer box, 4 x 21, Soft close
28. 968224-07	Drawer box, 4 x 12, Soft close
381228-02	Catch, Grabber door, 5LB
381607-15	Hinge, Soft-Close, Overlay, 110° swing
381686	Tray, 14" plastic
382449-01	Knob, Push/pull, Chrome
382203-02	Drawer slide, Self-close, 12"
382203-05	Drawer slide, Self-close, 21"
382203-08	Bracket, Rear mount drawer slides
115679	Extrusion, Corner trim, .5"
382203-06	Front fixing clip
381685-01	Hinge, Scissor tray
968024	Insert, Cutlery drawer
381708	Wastebasket, Rubbermaide

2018 ATLAS FURNITURE, GALLEY

Galley Cabinet, Columbian Walnut



Parts Listed on Next Page

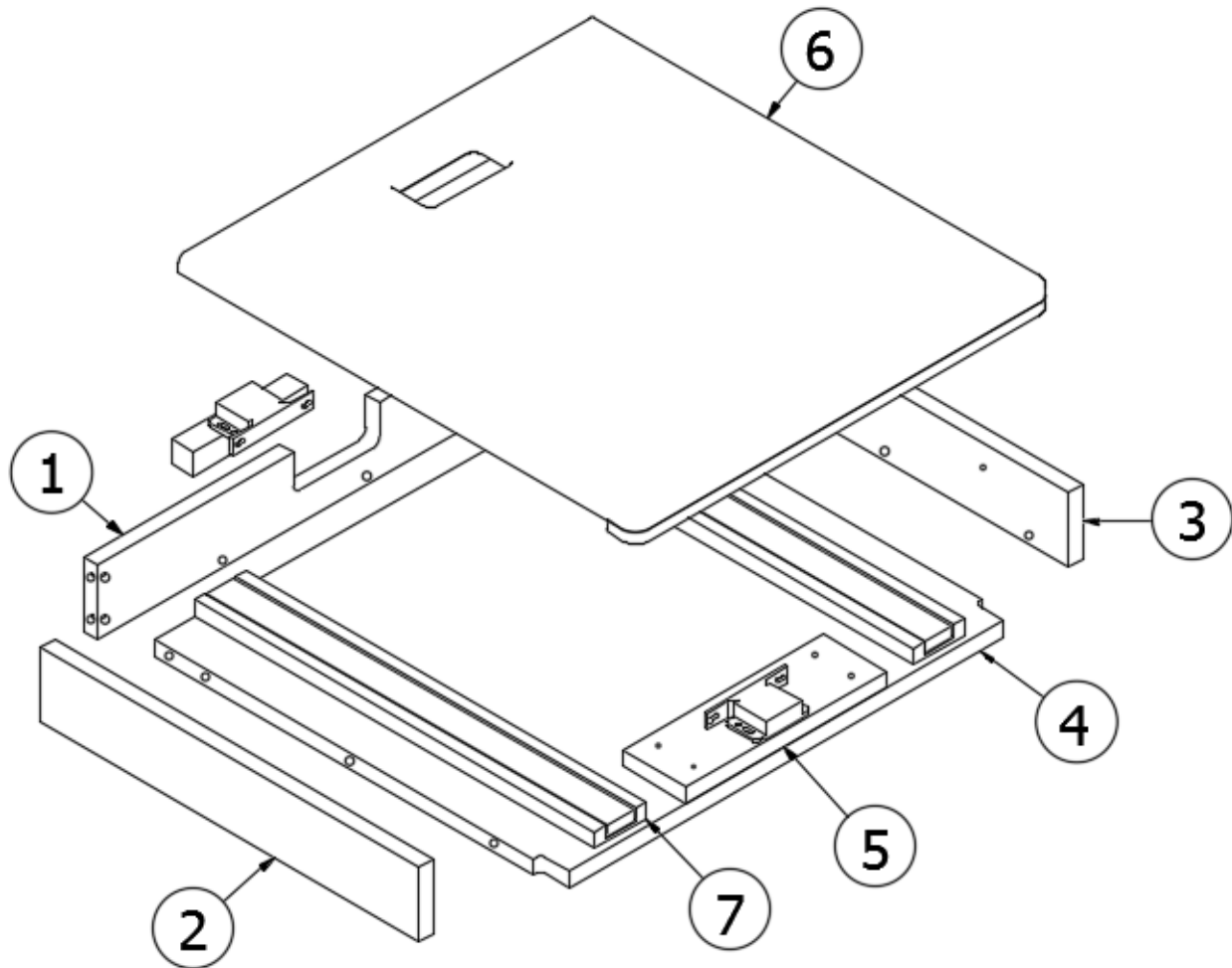
2018 ATLAS FURNITURE, GALLEY

Galley Cabinet, Columbian Walnut

968566-02	Galley Cabinet
1. 968566-021	Panel, 26.13 x 34.37
2. 968566-022	Panel, 26.25 x 34.37
3. 968566-023	Panel, 22.64 x 16.89
4. 968566-024	Panel, 2.25 x 16.87
5. 968566-025	Panel, 11 x 34.37
6. 968566-026	Panel, .92 x 34.37
7. 968566-027	Panel, 22.11 x 34.37
8. 968566-028	Panel, 2.25 x 16.69
9. 968566-029	Panel, 2.25 x 16.69
10. 968566-0210	Panel, 2.25 x 16.69
11. 968566-0211	Panel, 4.5 x 18.82
12. 968566-0212	Panel, 2.25 x 18.82
13. 968566-0213	Panel, 3.5 x 16.87
14. 968566-0214	Panel, 16.76 x 6.62
15. 968566-0215	Panel, 16.76 x 7.37
16. 968566-0216	Door, 16.76 x 16.24
17. 968566-0217	Panel, 1.5 x 34.37
18. 968566-0218	Panel, 15.82 x 7.44
19. 968566-0219	Panel, 16.19 x 7.62
20. 968566-0220	Panel, 16.19 x 4
21. 968566-0221	Panel, 15.82 x 7.44
22. 968566-0222	Panel, 15.82 x 7.37
23. 968566-0223	Panel, 16.74 x 16
24. 968752	Workstation pull-out
25. 602660	Workstation, Solid surface
26. 968224-04	Drawer box, 4 x 12, Soft close
27. 968224-06	Drawer box, 4 x 21, Soft close
28. 968224-07	Drawer box, 4 x 12, Soft close
381228-02	Catch, Grabber door, 5LB
381607-15	Hinge, Soft-Close, Overlay, 110° swing
381686	Tray, 14" plastic
382449-01	Knob, Push/pull, Chrome
382203-02	Drawer slide, Self-close, 12"
382203-05	Drawer slide, Self-close, 21"
382203-08	Bracket, Rear mount drawer slides
115679	Extrusion, Corner trim, .5"
382203-06	Front fixing clip
381685-01	Hinge, Scissor tray
968024	Insert, Cutlery drawer
381708	Wastebasket, Rubbermaide

2018 ATLAS FURNITURE, GALLEY

Galley Workstation



968752

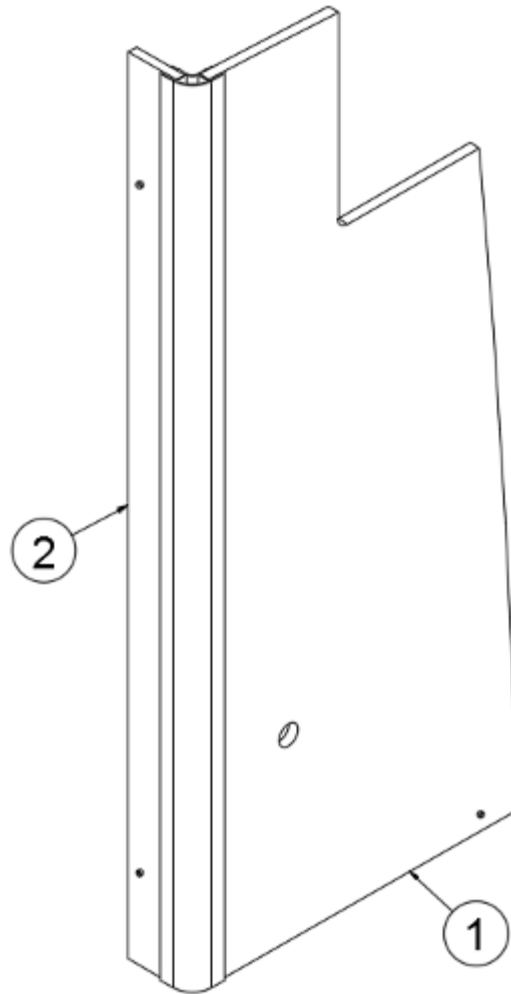
Galley Pull-Out Workstation

1. 968752&000112BB
2. 968752&000212BB
3. 968752&000312BB
4. 968752&000412BB
5. 968752&000512BB
6. 602660
7. 381400
381228-02

- Panel, 2.25 x 16.69
- Panel, 2.25 x 13.25
- Panel, 2.25 x 13.25
- Panel, 15.69 x 14.24
- Panel, 2.25 x 7
- Workstation top, Milk White
- Drawer slide, 14"
Catch, Grabber door, 5LB

2018 ATLAS
FURNITURE, GALLEY

Vent Pipe Cover



968459

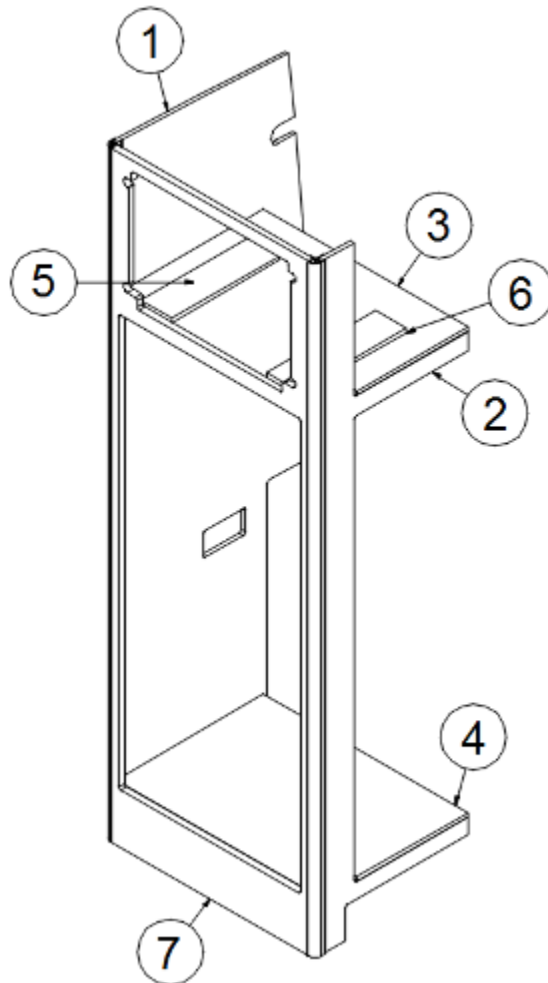
Galley vent pipe cover

- 1. 968459&000112HB
- 2. 968459&000212HB
- 381610-02
- 115681

- Panel, 13.83 x 41.84
- Panel, 2.57 x 41.84
- Cover cap, Plastic
- Extrusion, 1" radius corner, .5"

2018 ATLAS FURNITURE, GALLEY

Refrigerator Cabinet, Beachwood



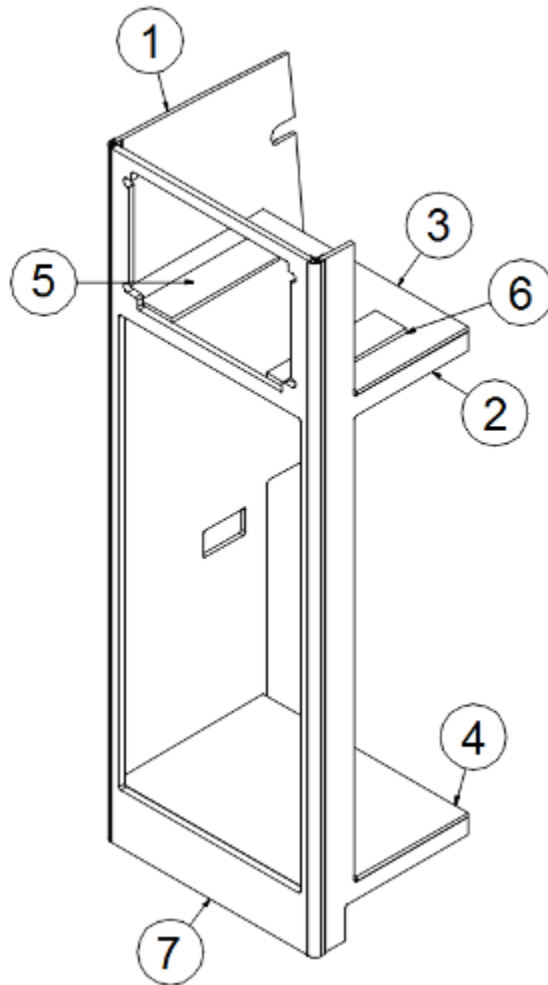
968394-33

Refrigerator Cabinet

- | | |
|---------------|---------------------------------|
| 1. 968394-331 | Panel, 26.12 x 77.41 |
| 2. 968394-332 | Panel, 19 x 77.41 |
| 3. 968394-333 | Panel, 19.12 x 26.45 |
| 4. 968394-334 | Panel, 19.12 x 26.45 |
| 5. 968394-336 | Panel, 4 x 14 |
| 6. 968394-338 | Panel, 4 x 14 |
| 7. 968394-339 | Panel, 25.45 x 77.41 |
| 115679 | Extrusion, Corner trim, .5" |
| 114812 | Aluminum angle, 1 x 1 |
| 365398-02 | Edgebanding, .94", Light Walnut |

2018 ATLAS FURNITURE, GALLEY

Refrigerator Cabinet, Columbian Walnut



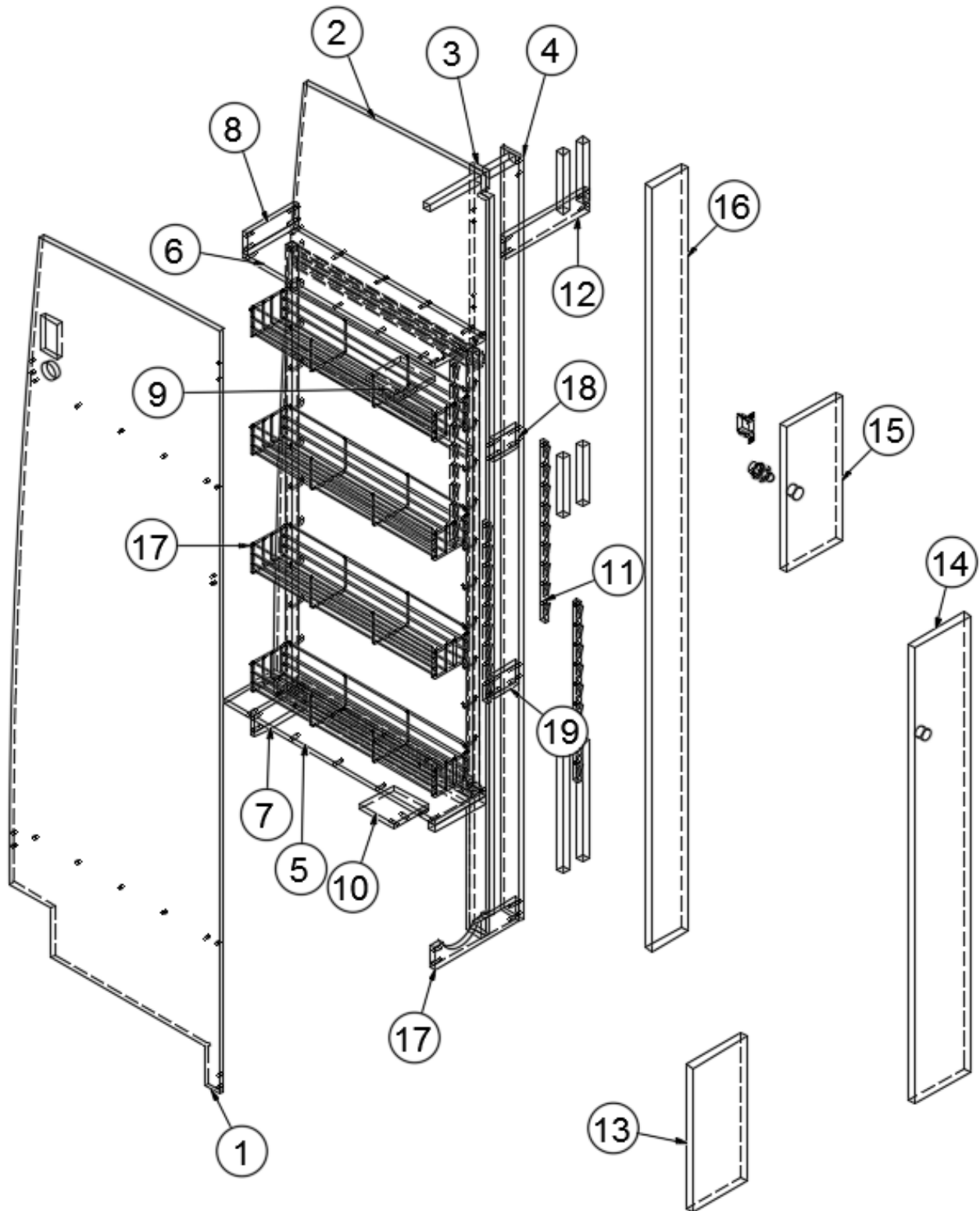
968394-02

Refrigerator Cabinet

- | | |
|---------------|-----------------------------|
| 1. 968394-021 | Panel, 26.12 x 77.41 |
| 2. 968394-022 | Panel, 19 x 77.41 |
| 3. 968394-023 | Panel, 19.12 x 26.45 |
| 4. 968394-024 | Panel, 19.12 x 26.45 |
| 5. 968394-026 | Panel, 4 x 14 |
| 6. 968394-028 | Panel, 4 x 14 |
| 7. 968394-029 | Panel, 25.45 x 77.41 |
| 115679 | Extrusion, Corner trim, .5" |
| 114812 | Aluminum angle, 1 x 1 |
| 365379-02 | Edgebanding, .94", Walnut |

2018 ATLAS FURNITURE, GALLEY

Pantry/Wardrobe, Beachwood



Parts Listed on Next Page

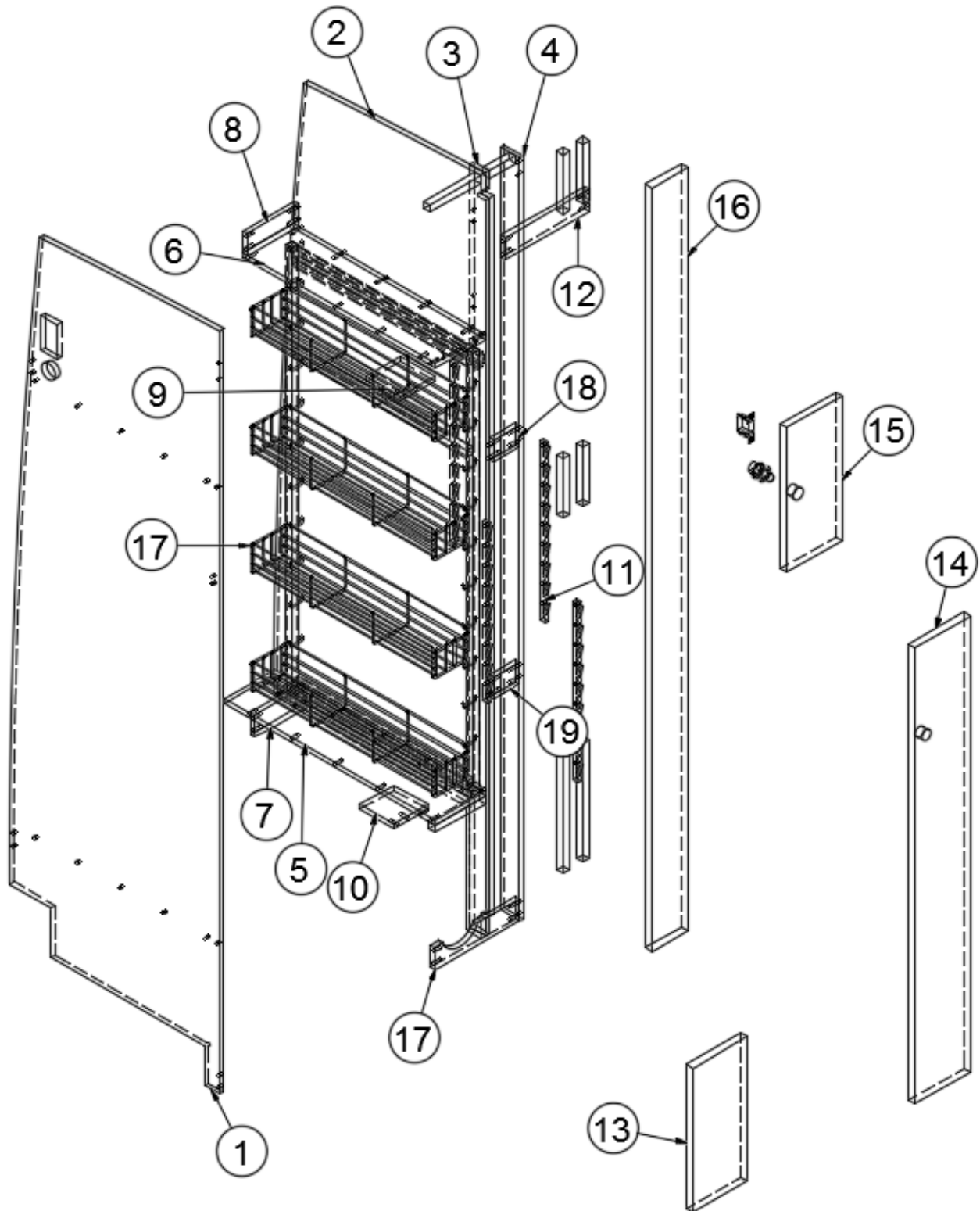
2018 ATLAS FURNITURE, GALLEY

Pantry/Wardrobe, Beachwood

968395-33	Pantry/Tall Wardrobe
1. 968395-331	Panel, 24.6 x 77.37
2. 968395-332	Panel, 24.24 x 77.35
3. 968395-333	Panel, 2.25 x 77.35
4. 968395-334	Panel, 2.25 x 77.37
5. 968395-335	Panel, 24.66 x 5.88
6. 968395-336	Panel, 22.44 x 5.88
7. 968395-337	Panel, 2.25 x 5.88
8. 968395-338	Panel, 2.25 x 5.88
9. 968395-339	Panel, 4 x 4
10. 968395-3310	Panel, 4 x 4
11. 381527	Shelf strip, 18"
12. 968395-3312	Panel, 2.25 x 9.88
13. 968395-3313	Panel, 6.5 x 14.75
14. 968395-3314	Panel, 6.5 x 46.25
15. 968395-3315	Panel, 6.5 x 14.68
16. 968395-3316	Panel, 4.25 x 77.37
17. 968395-3330	Panel, 2.25 x 9.88
18. 968395-3331	Panel, 2.25 x 3
19. 968395-3332	Panel, 2.25 x 3
20. 381551-01	Pantry pull-out
381551-02	Wire basket
382449-01	Knob, Push/pull, Chrome
381228-02	Catch, Grabber door, 5LB
381607-15	Hinge, Soft-Close, Overlay, 110° swing
382586	Knob, Push/pull, 1"
382580	Catch, Surface mount
381209-02	Grommet w/o cap, 1.5", Black
203445	T-molding, .5", Black
365398-01	Edgebanding, .63", Light Walnut
365398-02	Edgebanding, .94", Light Walnut

2018 ATLAS FURNITURE, GALLEY

Pantry/Wardrobe, Columbian Walnut



Parts Listed on Next Page

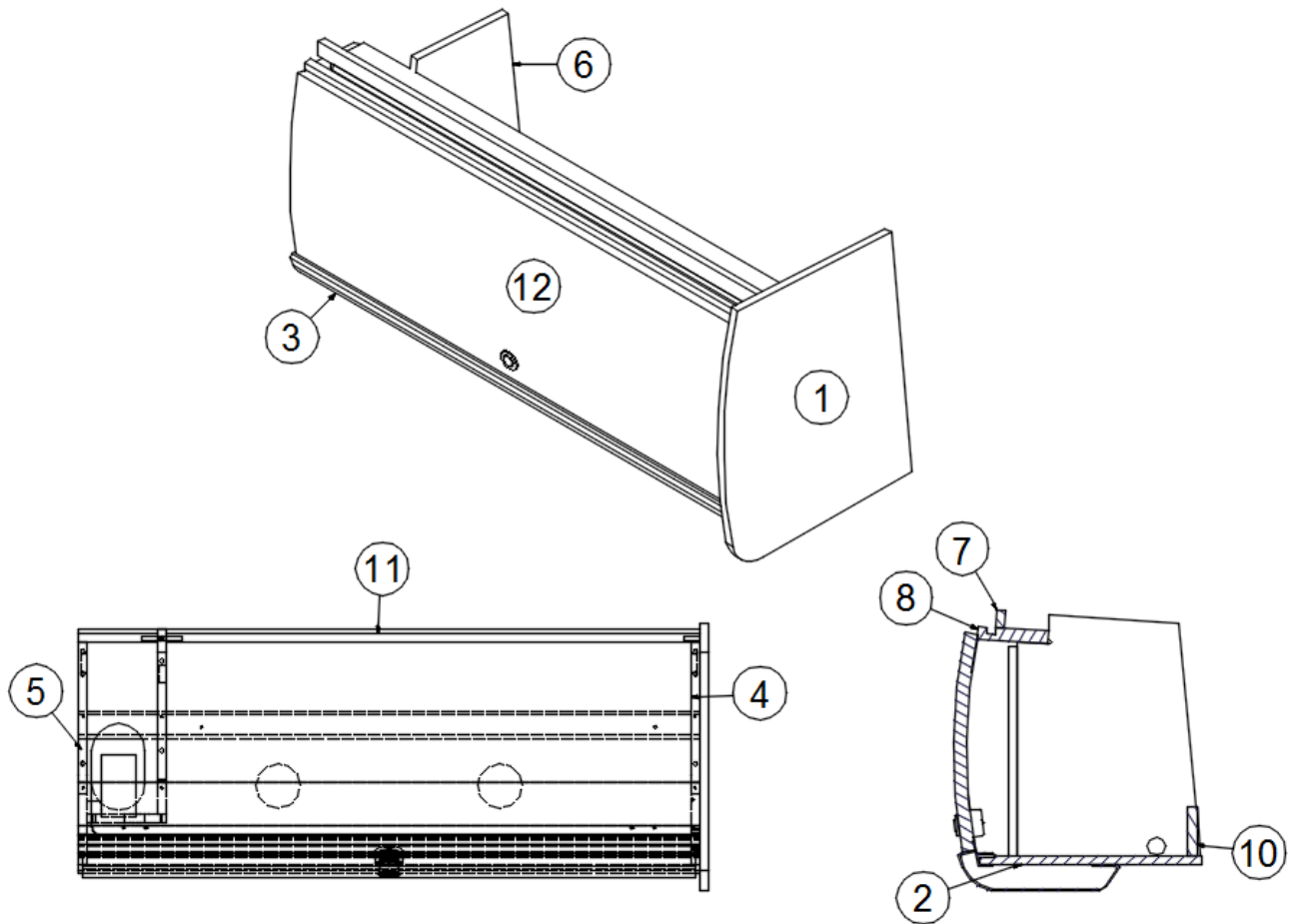
2018 ATLAS FURNITURE, GALLEY

Pantry/Wardrobe, Columbian Walnut

968395-02	Pantry/Tall Wardrobe
1. 968395-021	Panel, 24.6 x 77.37
2. 968395-022	Panel, 24.24 x 77.35
3. 968395-023	Panel, 2.25 x 77.35
4. 968395-024	Panel, 2.25 x 77.37
5. 968395-025	Panel, 24.66 x 5.88
6. 968395-026	Panel, 22.44 x 5.88
7. 968395-027	Panel, 2.25 x 5.88
8. 968395-028	Panel, 2.25 x 5.88
9. 968395-029	Panel, 4 x 4
10. 968395-0210	Panel, 4 x 4
11. 968395-0212	Panel, 2.25 x 9.88
12. 968395-0213	Panel, 6.5 x 14.75
13. 968395-0214	Panel, 6.5 x 46.25
14. 968395-0215	Panel, 6.5 x 14.68
15. 968395-0216	Panel, 4.25 x 77.37
16. 968395-0231	Panel, 2.25 x 9.88
17. 968395-0232	Panel, 2.25 x 3
18. 968395-0233	Panel, 2.25 x 3
19. 381551-01	Pantry pull-out
381551-02	Wire basket
382449-01	Knob, Push/pull, Chrome
381527	Shelf strip, 18"
381228-02	Catch, Grabber door, 5LB
381607-15	Hinge, Soft-Close, Overlay, 110° swing
382586	Knob, Push/pull, 1"
382580	Catch, Surface mount
381209-02	Grommet w/o cap, 1.5", Black
203445	T-molding, .5", Black
365379-01	Edgebanding, .63", Walnut
365379-02	Edgebanding, .94", Walnut

2018 ATLAS FURNITURE, GALLEY

Roof Locker, RS, Beachwood



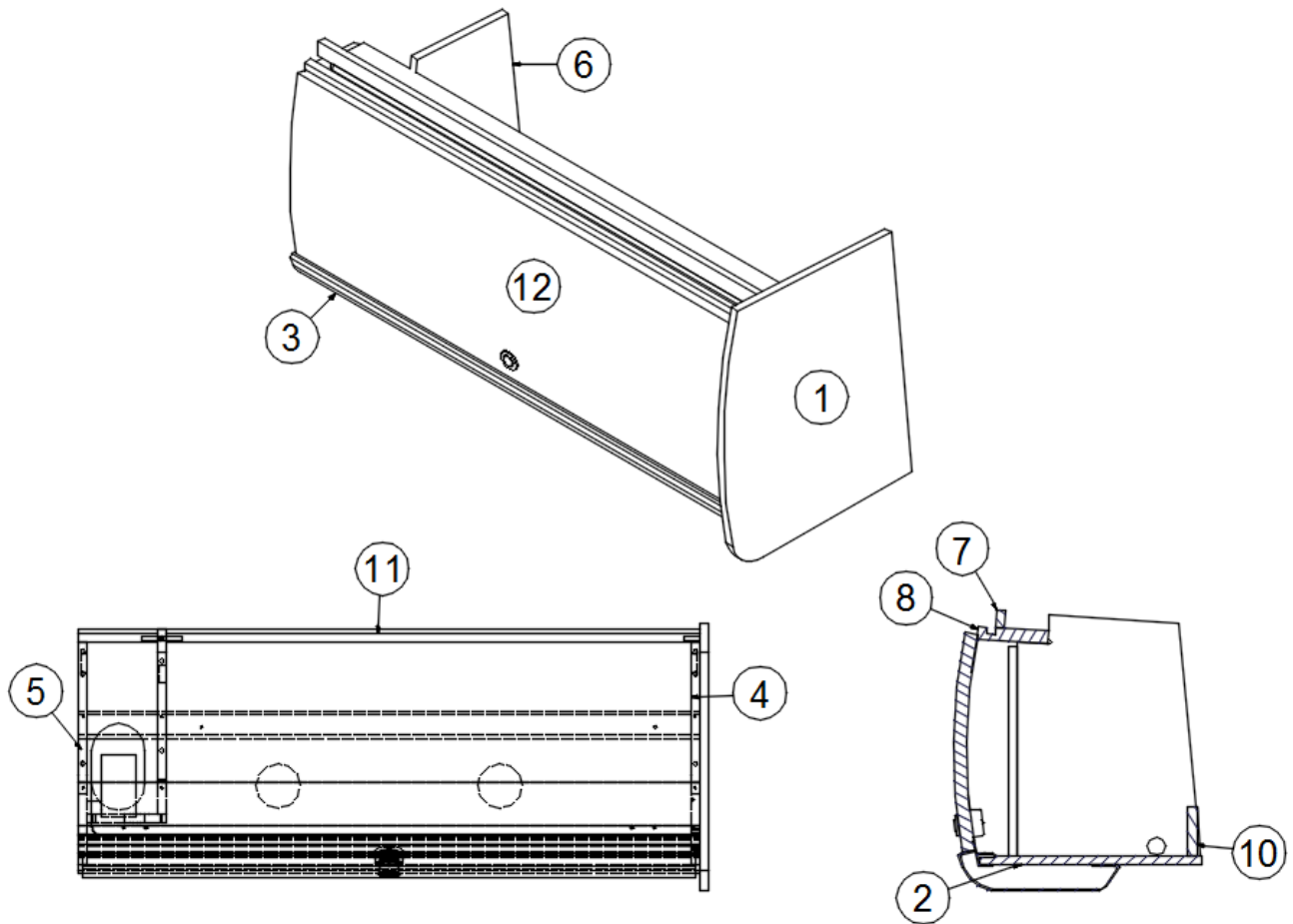
968418-33

RS Roof Locker

- | | |
|-----------------|---------------------------------|
| 1. 968418-331 | Panel, 14.99 x 18.03 |
| 2. 968418-332 | Panel, 12.5 x 35 |
| 3. 115406-02 | Roof locker extrusion |
| 4. 968418-334 | Panel, 12.5 x 12.12 |
| 5. 968418-335 | Panel, 12.5 x 12.12 |
| 6. 968418-336 | Panel, 10.37 x 13.52 |
| 7. 968418-337 | Panel, 35 x 1 |
| 8. 968418-338 | Panel, 3.99 x 35 |
| 9. 968418-339 | Panel, 4.43 x 11.75 |
| 10. 968418-3310 | Panel, 2.75 x 33.25 |
| 11. 968418-3311 | Panel, 2.75 x 4.43 |
| 12. 802223-1333 | Door, 12.38 x 34.63, Beachwood |
| 382301-01 | Lid stay, Medium duty, RH |
| 381607-11 | Hinge, Self-close, 110° overlay |
| 382449-01 | Knob, Push/pull, Chrome |

2018 ATLAS FURNITURE, GALLEY

Roof Locker, RS, Columbian Walnut



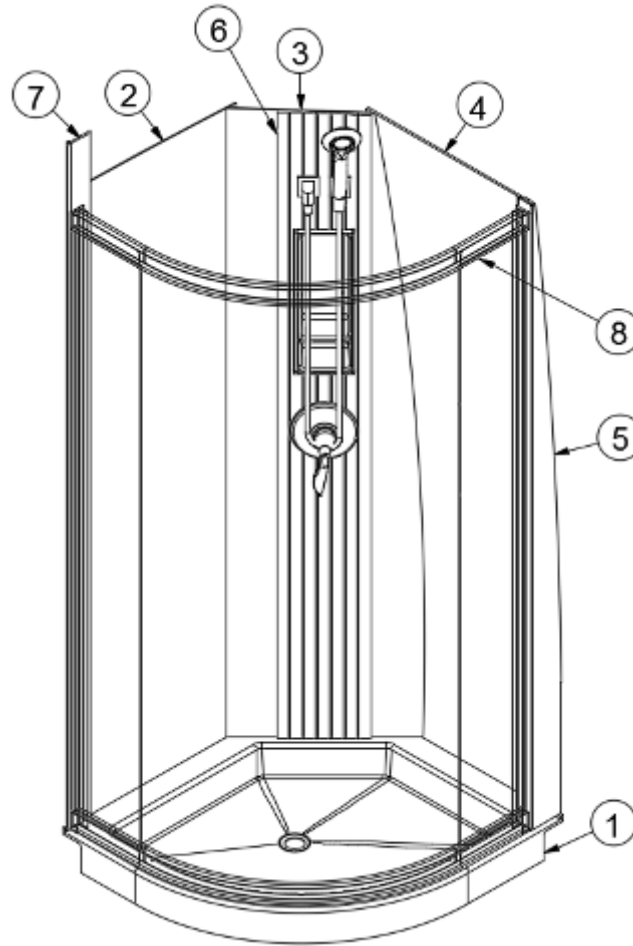
968418-02

RS Roof Locker

- | | |
|-----------------|---------------------------------------|
| 1. 968418-021 | Panel, 14.99 x 18.03 |
| 2. 968418-022 | Panel, 12.5 x 35 |
| 3. 115406-02 | Roof locker extrusion |
| 4. 968418-024 | Panel, 12.5 x 12.12 |
| 5. 968418-025 | Panel, 12.5 x 12.12 |
| 6. 968418-026 | Panel, 10.37 x 13.52 |
| 7. 968418-027 | Panel, 35 x 1 |
| 8. 968418-028 | Panel, 3.99 x 35 |
| 9. 968418-029 | Panel, 4.43 x 11.75 |
| 10. 968418-0210 | Panel, 2.75 x 33.25 |
| 11. 968418-0211 | Panel, 2.75 x 4.43 |
| 12. 802223-132 | Door, 12.38 x 34.62, Columbian Walnut |
| 382301-01 | Lid stay, Medium duty, RH |
| 381607-11 | Hinge, Self-close, 110° overlay |
| 382449-01 | Knob, Push/pull, Chrome |

2018 ATLAS FURNITURE, LAVATORY

Shower Module

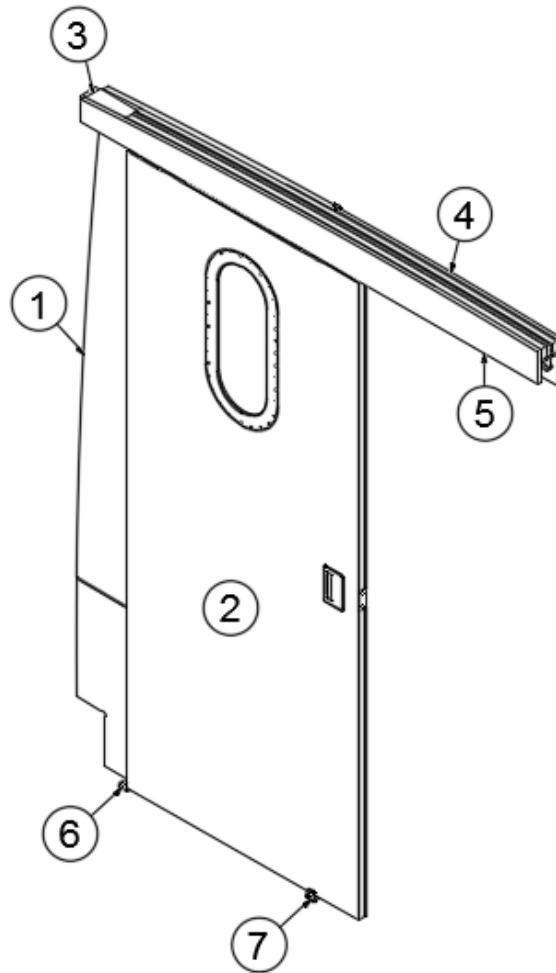


112369 Corner Shower

- | | |
|--------------|--|
| 1. 203943 | Shower pan, Fiberglass, Curved |
| 2. 203972-01 | Shower surround, Rear wall |
| 3. 203972-02 | Shower surround, Center panel |
| 4. 203972-03 | Shower surround, RS wall |
| 5. 203852 | Shower door mounting wrap |
| 6. 802127 | Trim panel, Teak w/protective oil finish |
| 7. 802151 | Panel, Shower surround trim, White |
| 8. 602616 | Shower door, Curved glass |
| 968495 | Shower door mounting |
| 203987 | Caddy, Shower inset shelf |
| 115709 | Bracket, Shower valve mounting |
| 115785 | Bracket, Lower shower wall mounting |
| 115784 | Bracket, Shower head mounting |
| 115955 | Bracket, Rear, Shower valve |
| 602724 | Supply adapter assembly |
| 602588 | Bracket, Adjustable wall mount, Brushed Nickel |

2018 ATLAS FURNITURE, LAVATORY

Lavatory Sliding Door and Wall

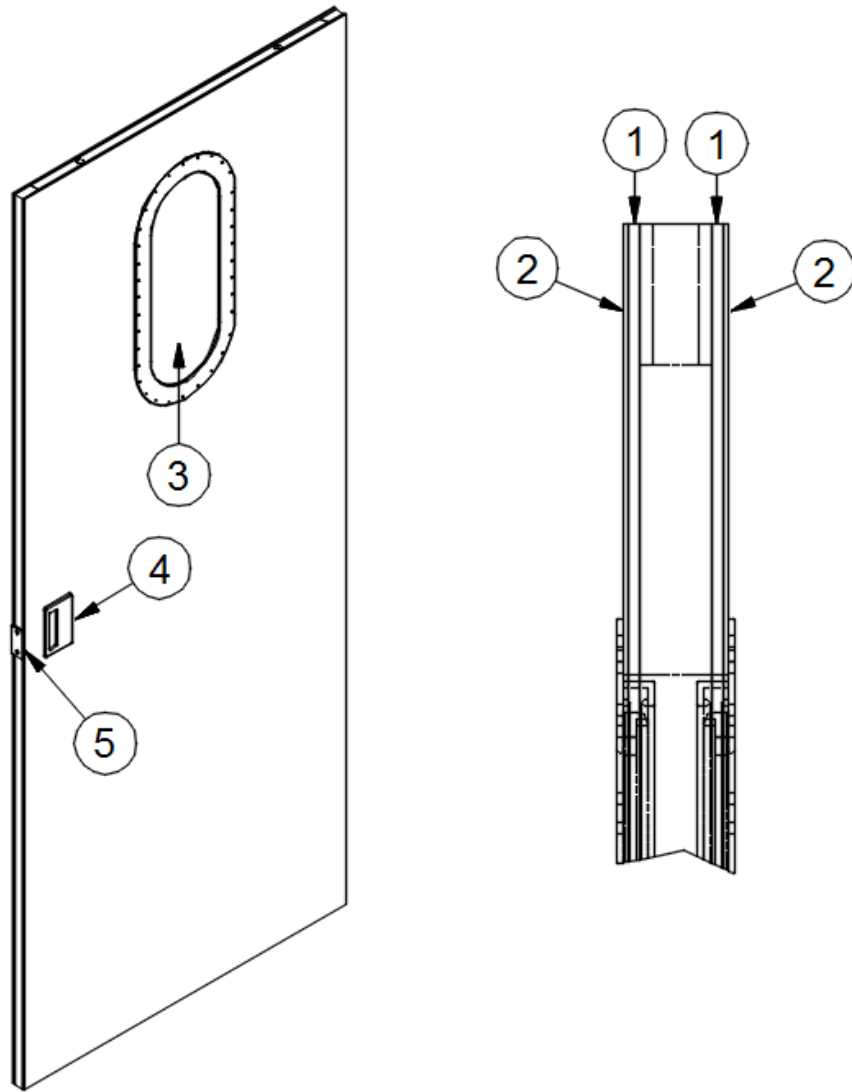


112317 Sliding Door/Wall

- | | |
|--------------|-------------------------------------|
| 1. 968414-33 | Sliding door wall, Beachwood |
| 968414-02 | Sliding door wall, Columbian Walnut |
| 2. 968412-33 | Bath door, Beachwood |
| 968412-02 | Bath door, Columbian Walnut |
| 3. 968416 | Sliding door header assembly |
| 4. 802111 | Forward header, Sliding door |
| 5. 802116 | Aft header, Sliding door |
| 6. 382408 | Angled mount magnet, 1" |
| 7. 381100 | Sliding door guide |
| 382338 | Roller sliding door set |
| 382405 | Track stop |
| 382406 | Door catch |
| 382407 | Pocket door magnet, 20LB |
| 382343 | Handle, Pocket door |

2018 ATLAS FURNITURE, LAVATORY

Lavatory Door



968412-33
968412-02

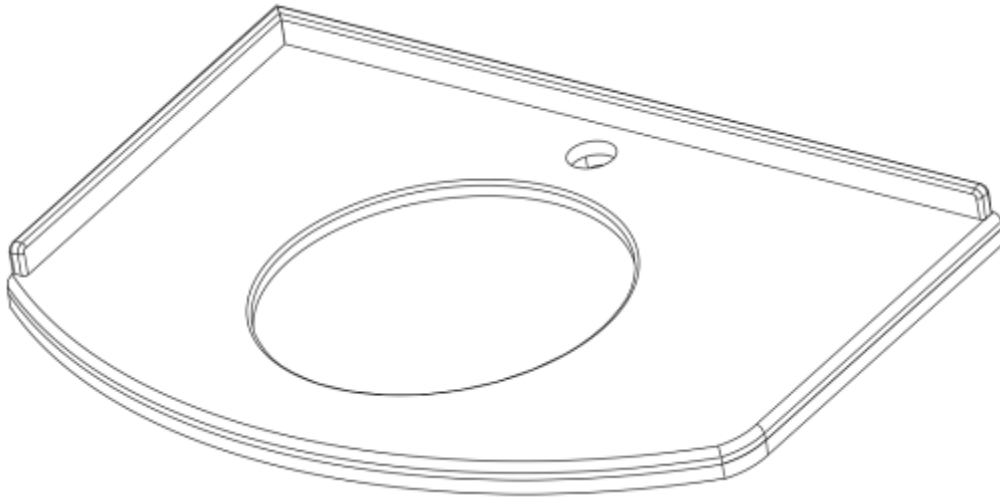
Bath door, Beachwood
Bath door, Columbian Walnut

- 1. 801917-02
- 2. 968412-332
968412-022
- 3. 371438
- 4. 382343
- 5. 382407
203440
365379-03
365398-03

MDF panel, 31 x 76
Panel, 30 x 72, Beachwood
Panel, 30 x 72, Columbian Walnut
Window bath door
Handle, Pocket door
Pocket door magnet
T-molding, 13/16", Black Embossed
Edgebanding, 1.25", Walnut
Edgebanding, 1.25", Light Walnut

2018 ATLAS
FURNITURE, LAVATORY

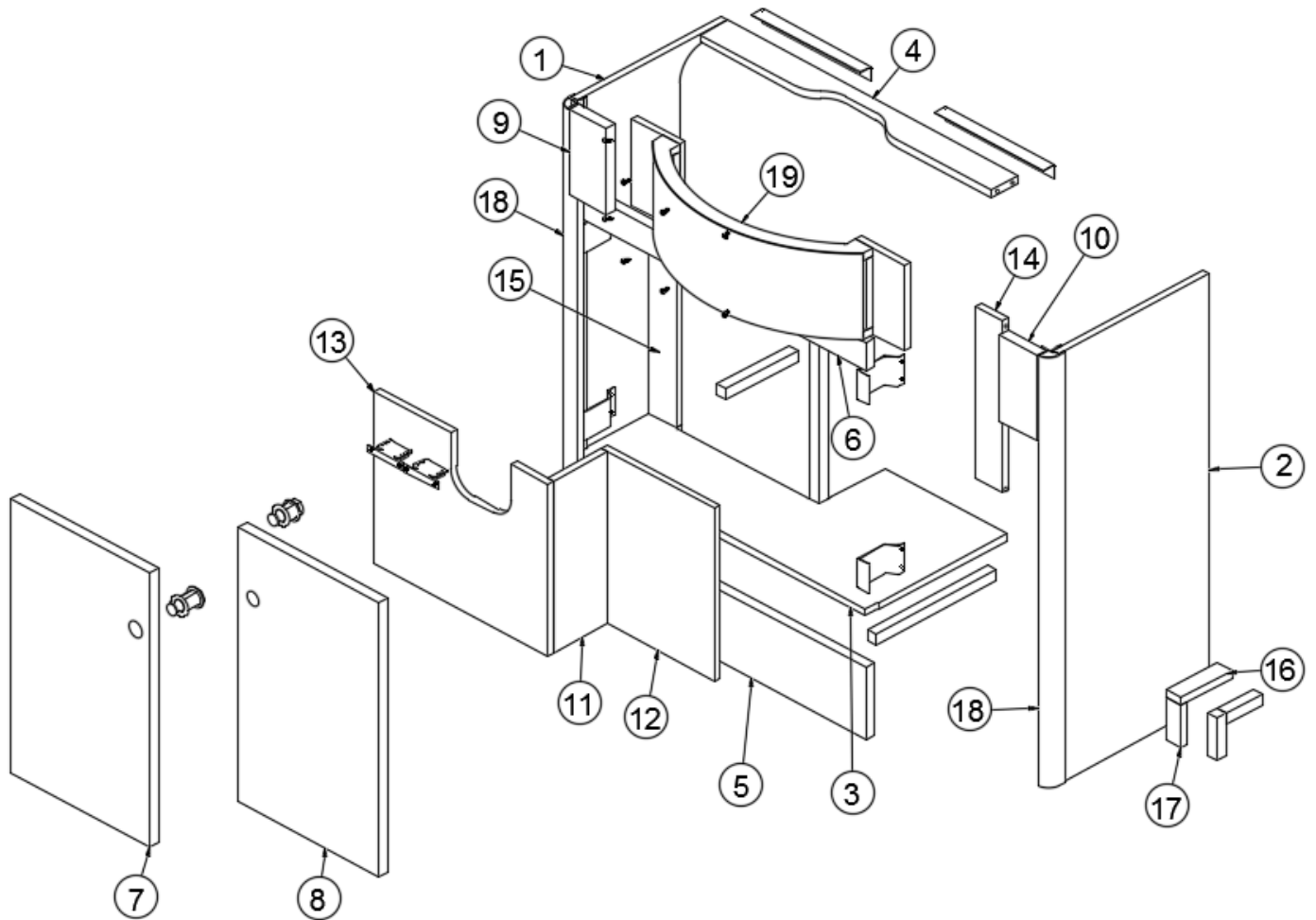
Lavatory Top



- | | |
|--------|----------------------------|
| 602564 | Lavatory top, Milk White |
| 453833 | Clip, Sink mount |
| 602571 | Sink, Undercounter, Bolero |
| 602399 | Faucet, Single handle |
| 602704 | Kit, Drain spacer gasket |

2018 ATLAS FURNITURE, LAVATORY

Lavatory Cabinet, Beachwood



Parts Listed on Next Page

2018 ATLAS FURNITURE, LAVATORY

Lavatory Cabinet, Beachwood

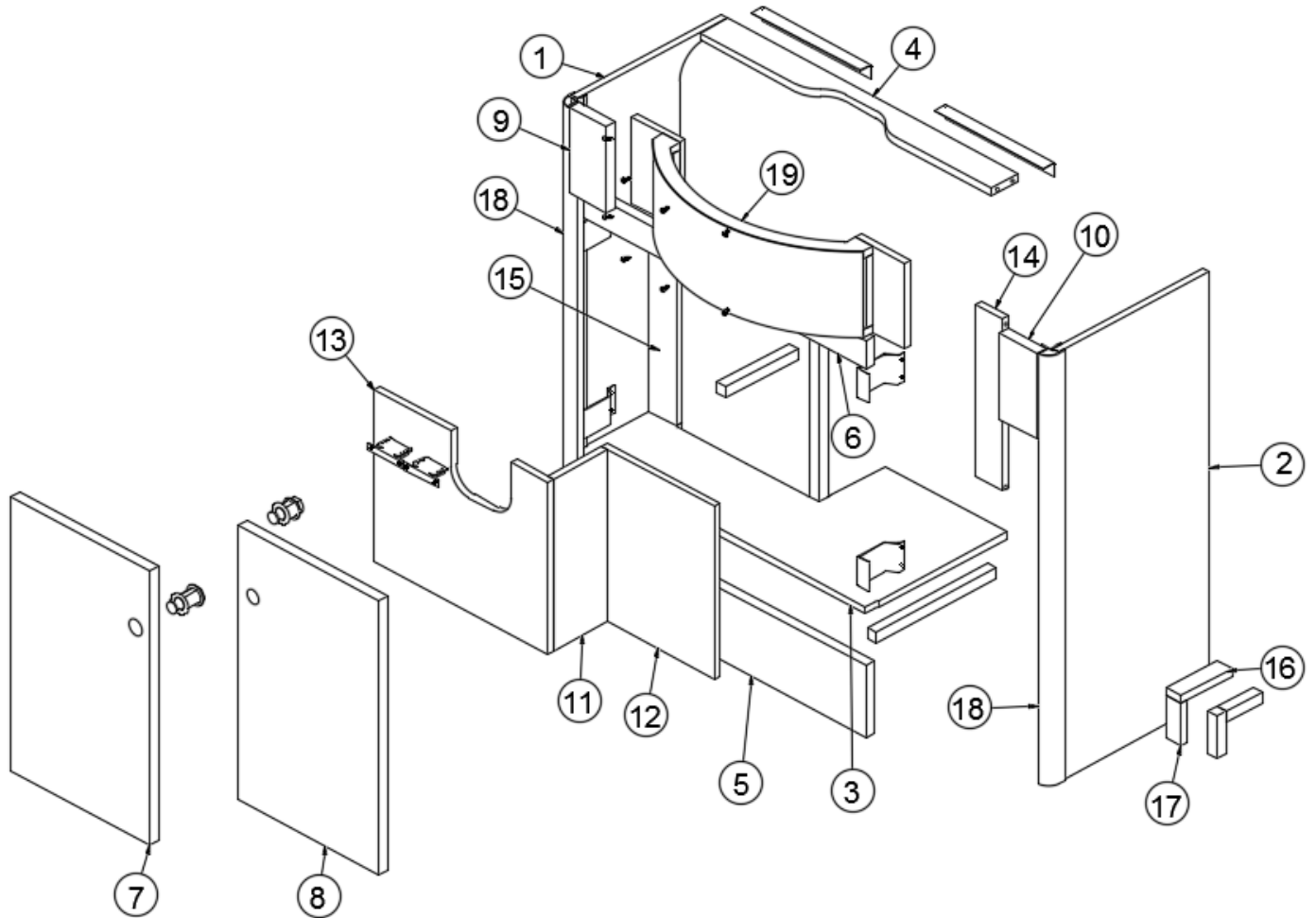
968402-33

Lavatory Cabinet

1. 968402-331 Panel, 12.5 x 30
2. 968402-332 Panel, 12.5 x 30
3. 968402-333 Panel, 11.64 x 25.19
4. 968402-334 Panel, 2.25 x 24.19
5. 968402-335 Panel, 5 x 24.05
6. 968402-336 Panel, 1.94 x 24.05
7. 968402-337 Panel, 11.59 x 19.13
8. 968402-338 Panel, 11.59 x 19.13
9. 968402-339 Panel, 3.09 x 6
10. 968402-3310 Panel, 3.09 x 6
11. 968402-3312 Panel, 9.27 x 16.22
12. 968402-3314 Panel, 8.35 x 16.22
13. 968402-3315 Panel, 6.84 x 16.22
14. 968402-3316 Panel, 2.25 x 12
15. 968402-3317 Panel, 2.25 x 12
16. 968402-3329 Panel, 1.25 x 4.25
17. 968402-3330 Panel, 1.25 x 3
18. 115679 Extrusion, Corner trim, .5"
19. 968422-33 Lavatory front, Radius, Beachwood
- 115871 Standoff bracket w/mount holes
- 382449-01 Knob, Push/pull, Chrome
- 381228-02 Catch, Grabber door, 5LB
- 381607-15 Hinge, Soft-Close, Overlay, 110° swing
- 114812 Aluminum angle, 1 x 9
- 365398-01 Edgebanding, .63", Light Walnut
- 365398-02 Edgebanding, .94", Light Walnut

2018 ATLAS FURNITURE, LAVATORY

Lavatory Cabinet, Columbian Walnut



Parts Listed on Next Page

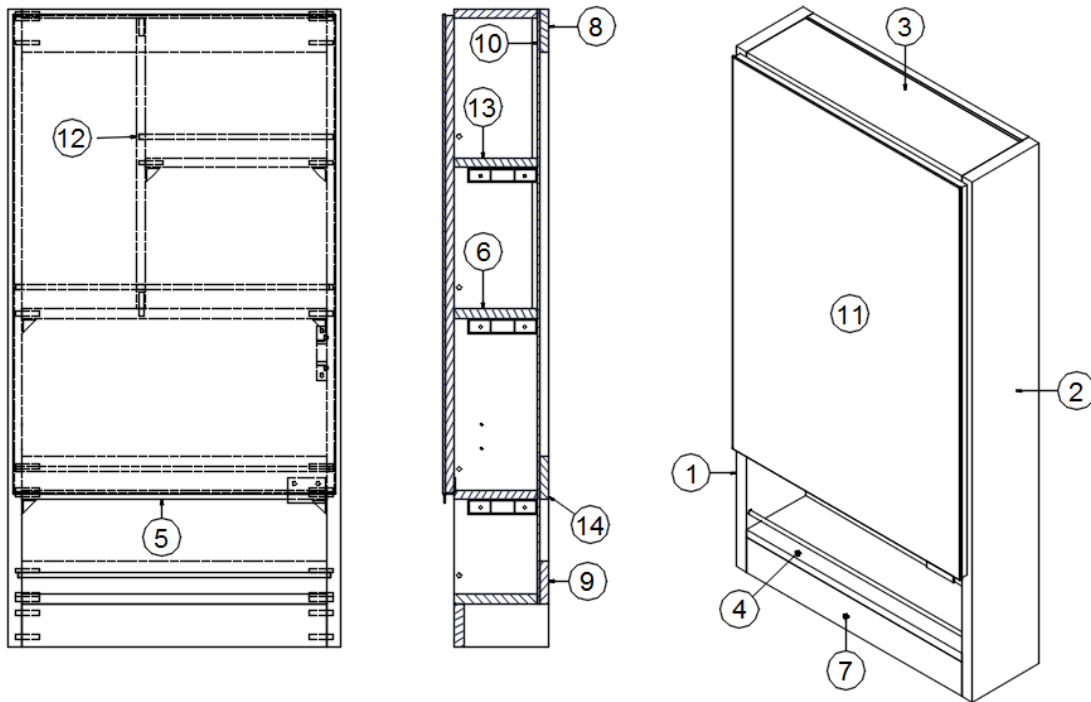
2018 ATLAS FURNITURE, LAVATORY

Lavatory Cabinet, Columbian Walnut

968402-02	Lavatory Cabinet
1. 968402-021	Panel, 12.5 x 30
2. 968402-022	Panel, 12.5 x 30
3. 968402-023	Panel, 11.64 x 25.19
4. 968402-024	Panel, 2.25 x 24.19
5. 968402-025	Panel, 5 x 24.05
6. 968402-026	Panel, 1.94 x 24.05
7. 968402-027	Panel, 11.59 x 19.13
8. 968402-028	Panel, 11.59 x 19.13
9. 968402-029	Panel, 3.09 x 6
10. 968402-0210	Panel, 3.09 x 6
11. 968402-0212	Panel, 9.27 x 16.22
12. 968402-0214	Panel, 8.35 x 16.22
13. 968402-0215	Panel, 6.84 x 16.22
14. 968402-0216	Panel, 2.25 x 12
15. 968402-0217	Panel, 2.25 x 12
16. 968402-0229	Panel, 1.25 x 4.25
17. 968402-0230	Panel, 1.25 x 3
18. 115679	Extrusion, Corner trim, .5"
19. 968422-02	Lavatory front, Radius, Columbian Walnut
115871	Standoff bracket w/mount holes
382449-01	Knob, Push/pull, Chrome
381228-02	Catch, Grabber door, 5LB
381607-15	Hinge, Soft-Close, Overlay, 110° swing
114812	Aluminum angle, 1 x 9
365379-01	Edgebanding, .63", Walnut
365379-02	Edgebanding, .94", Walnut

2018 ATLAS FURNITURE, LAVATORY

Medicine Cabinet, Beachwood



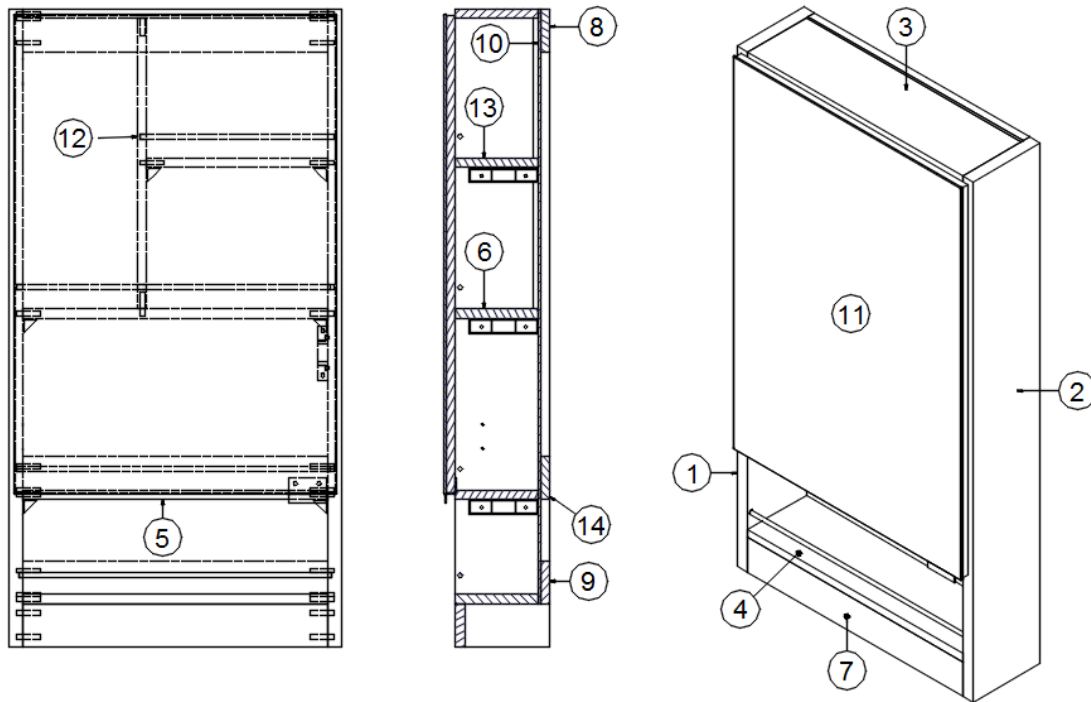
968531-33

Medicine Cabinet

- | | |
|-----------------|--|
| 1. 968531-331 | Panel, 5 x 33.5 |
| 2. 968531-332 | Panel, 5 x 33.5 |
| 3. 968531-333 | Panel, 4.38 x 16 |
| 4. 968531-334 | Panel, 4.38 x 16 |
| 5. 968531-335 | Panel, 4.38 x 16 |
| 6. 968531-336 | Panel, 4.38 x 16 |
| 7. 968531-337 | Panel, 2.25 x 16 |
| 8. 968531-338 | Panel, 2.25 x 16 |
| 9. 968531-339 | Panel, 2.25 x 16 |
| 10. 968531-3310 | Panel, 16 x 31.25 |
| 11. 968531-3311 | Door, 16.88 x 25.13 |
| 12. 968531-3312 | Panel, 4.38 x 15.25 |
| 13. 968531-3313 | Panel, 4.38 x 9.5 |
| 14. 968531-3322 | Panel, 2.25 x 16 |
| 372203-15 | Safety glass, Mirrored |
| 115042 | Aluminum rod |
| 385940-02 | Mirror pull, Chrome |
| 381228-02 | Catch, Grabber door, 5LB |
| 386279 | Corner brace |
| 381607-15 | Hinge, Soft-Close, Overlay, 110° swing |
| 381607-16 | Hinge, 85° angle reduction clip |

2018 ATLAS FURNITURE, LAVATORY

Medicine Cabinet, Columbian Walnut



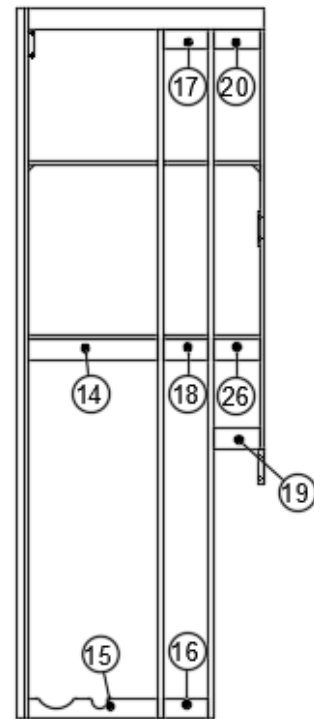
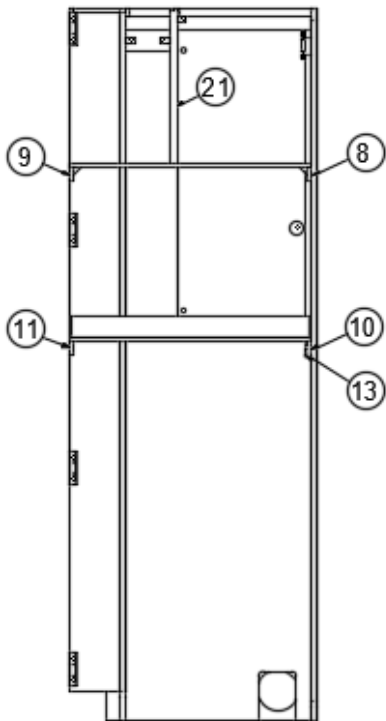
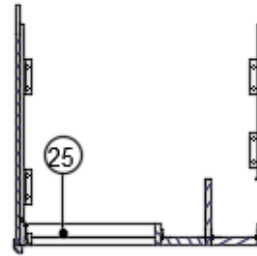
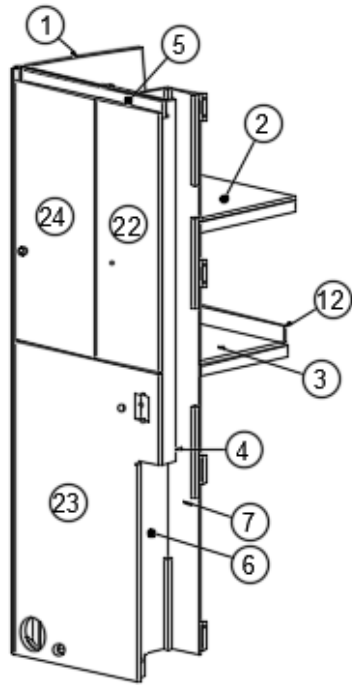
968531-02

Medicine Cabinet

- | | |
|-----------------|--|
| 1. 968531-021 | Panel, 5 x 33.5 |
| 2. 968531-022 | Panel, 5 x 33.5 |
| 3. 968531-023 | Panel, 4.38 x 16 |
| 4. 968531-024 | Panel, 4.38 x 16 |
| 5. 968531-025 | Panel, 4.38 x 16 |
| 6. 968531-026 | Panel, 4.38 x 16 |
| 7. 968531-027 | Panel, 2.25 x 16 |
| 8. 968531-028 | Panel, 2.25 x 16 |
| 9. 968531-029 | Panel, 2.25 x 16 |
| 10. 968531-0210 | Panel, 16 x 31.25 |
| 11. 968531-0211 | Door, 16.88 x 25.13 |
| 12. 968531-0212 | Panel, 4.38 x 15.25 |
| 13. 968531-0213 | Panel, 4.38 x 9.5 |
| 14. 968531-0222 | Panel, 2.25 x 16 |
| 372203-15 | Safety glass, Mirrored |
| 115042 | Aluminum rod |
| 385940-02 | Mirror pull, Chrome |
| 381228-02 | Catch, Grabber door, 5LB |
| 386279 | Corner brace |
| 381607-15 | Hinge, Soft-Close, Overlay, 110° swing |
| 381607-16 | Hinge, 85° angle reduction clip |

2018 ATLAS FURNITURE, LAVATORY

Storage, CS Aft, Beachwood



Parts Listed on Next Page

2018 ATLAS FURNITURE, LAVATORY

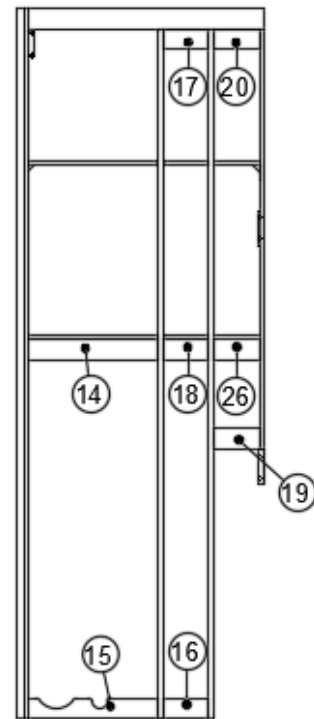
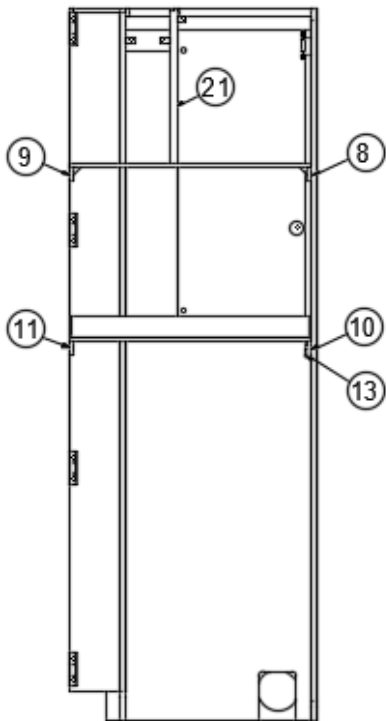
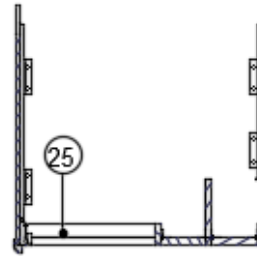
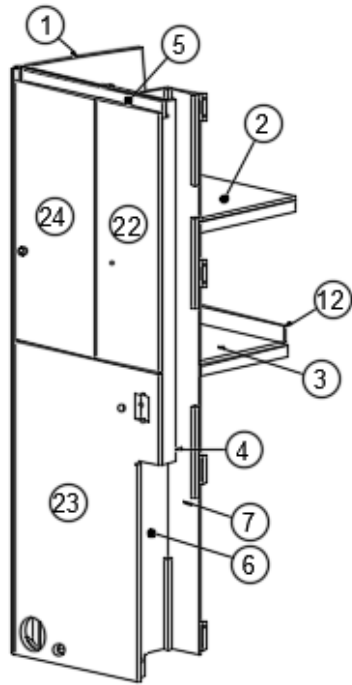
Storage, CS Aft, Beachwood

968397-33 CS Aft Full Height Storage

1. 968397-331	Panel, 26 x 77.54
2. 968397-332	Panel, 24.16 x 26.5
3. 968397-333	Panel, 22.88 x 26
4. 968397-334	Panel, 2.25 x 59.52
5. 968397-335	Panel, 2.25 x 26.58
6. 968397-336	Panel, 7.13 x 77.52
7. 968397-337	Panel, 5.63 x 74.3
8. 968397-338	Panel, 24.16 x 1.5
9. 968397-339	Panel, 17.02 x 1.5
10. 968397-3310	Panel, 20.63 x 1.5
11. 968397-3311	Panel, 15.75 x 1.5
12. 968397-3312	Panel, 26 x 2.25
13. 968397-3313	Panel, 2.25 x 41.32
14. 968397-3314	Panel, 2.25 x 14.69
15. 968397-3315	Panel, 2.25 x 14.69
16. 968397-3316	Panel, 2.25 x 4.88
17. 968397-3317	Panel, 2.25 x 4.88
18. 968397-3318	Panel, 2.25 x 4.88
19. 968397-3319	Panel, 2.25 x 5.13
20. 968397-3320	Panel, 2.25 x 5.26
21. 968397-3321	Panel, 2.25 x 77.52
22. 968397-3322	Panel, 11.25 x 34.36
23. 968397-3323	Panel, 26.08 x 41.5
24. 968397-3324	Door, 14.8175 x 34.36, Beachwood
25. 968397-3340	Panel, 1.57 x 14.19
26. 968397-3341	Panel, 2.25 x 5.13
115679	Extrusion, Corner trim, .5"
382449-01	Knob, Push/pull, Chrome
386279	Corner brace
381228-02	Catch, Grabber door, 5LB
381607-15	Hinge, Soft-Close, Overlay, 110° swing
380041	Brace, 1", Stanley corner
968571	Closeout, CS rear corner cabinet

2018 ATLAS FURNITURE, LAVATORY

Storage, CS Aft, Columbian Walnut



Parts Listed on Next Page

2018 ATLAS

FURNITURE, LAVATORY

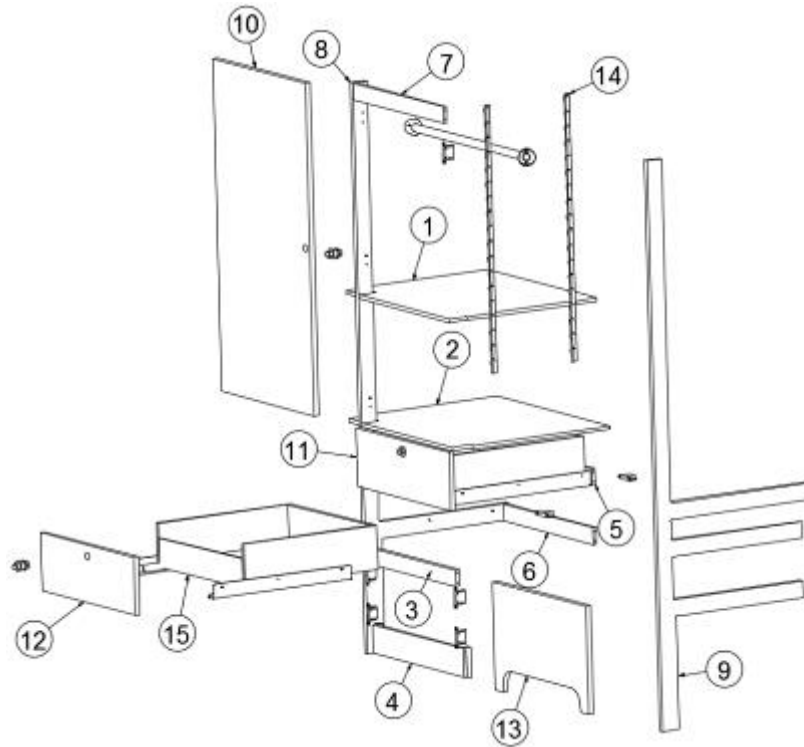
Storage, CS Aft, Columbian Walnut

968397-02 CS Aft Full Height Storage

1. 968397-021	Panel, 26 x 77.54
2. 968397-022	Panel, 24.16 x 26.5
3. 968397-023	Panel, 22.88 x 26
4. 968397-024	Panel, 2.25 x 59.52
5. 968397-025	Panel, 2.25 x 26.58
6. 968397-026	Panel, 7.13 x 77.52
7. 968397-027	Panel, 5.63 x 74.3
8. 968397-028	Panel, 24.16 x 1.5
9. 968397-029	Panel, 17.02 x 1.5
10. 968397-0210	Panel, 20.63 x 1.5
11. 968397-0211	Panel, 15.75 x 1.5
12. 968397-0212	Panel, 26 x 2.25
13. 968397-0213	Panel, 2.25 x 41.32
14. 968397-0214	Panel, 2.25 x 14.69
15. 968397-0215	Panel, 2.25 x 14.69
16. 968397-0216	Panel, 2.25 x 4.88
17. 968397-0217	Panel, 2.25 x 4.88
18. 968397-0218	Panel, 2.25 x 4.88
19. 968397-0219	Panel, 2.25 x 5.13
20. 968397-0220	Panel, 2.25 x 5.26
21. 968397-0221	Panel, 2.25 x 77.52
22. 968397-0222	Panel, 11.25 x 34.36
23. 968397-0223	Panel, 26.08 x 41.5
24. 968397-0224	Door, 14.38 x 34.36, Columbian Walnut
25. 968397-0240	Panel, 1.57 x 14.19
26. 968397-0241	Panel, 2.25 x 5.13
115679	Extrusion, Corner trim, .5"
382449-01	Knob, Push/pull, Chrome
386279	Corner brace
381228-02	Catch, Grabber door, 5LB
381607-15	Hinge, Soft-Close, Overlay, 110° swing
380041	Brace, 1", Stanley corner
968571	Closeout, CS rear corner cabinet

2018 ATLAS FURNITURE, LAVATORY

Wardrobe, CS with Drawers, Beachwood



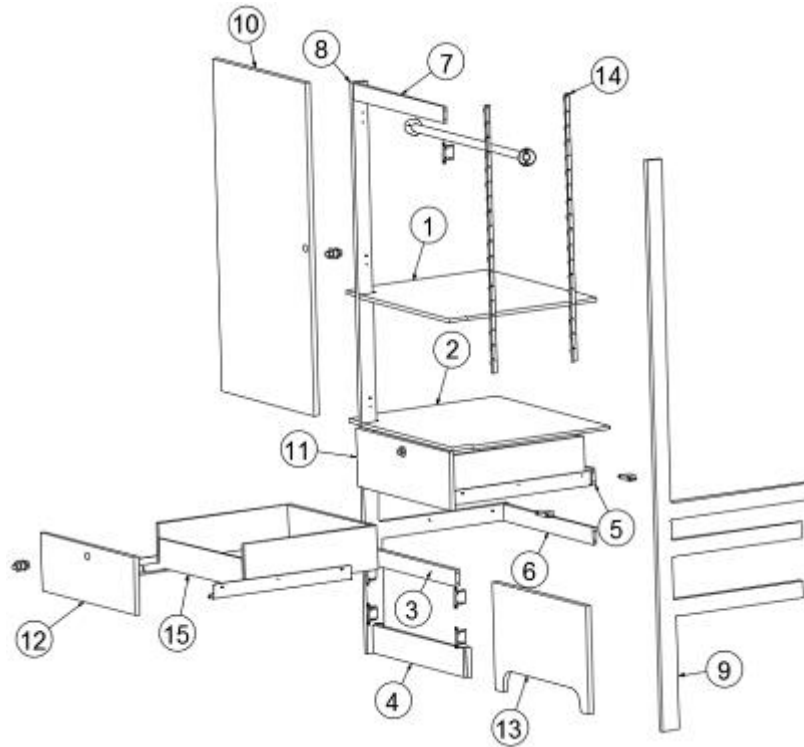
968396-33

CS Tall Wardrobe with Drawers

- | | |
|-----------------|--|
| 1. 968396-331 | Panel, 23.18 x 26.75 |
| 2. 968396-332 | Panel, 24.44 x 27.82 |
| 3. 968396-333 | Panel, 2.25 x 22.32 |
| 4. 968396-334 | Panel, 3.88 x 22.32 |
| 5. 968396-335 | Panel, 2.25 x 22.32 |
| 6. 968396-336 | Panel, 2.25 x 22.32 |
| 7. 968396-337 | Panel, 2.25 x 22.32 |
| 8. 968396-338 | Panel, 24.51 x 77.48 |
| 9. 968396-339 | Panel, 24.51 x 77.49 |
| 10. 968396-3310 | Door, 22.94 x 45.38, Beachwood |
| 11. 968396-3311 | Panel, 22.94 x 7.88 |
| 12. 968396-3312 | Panel, 22.94 x 7.88 |
| 13. 968396-3313 | Panel, 22.94 x 14.74 |
| 14. 381527 | Shelf strip, 18" |
| 15. 968757 | Drawer box, Custom |
| 382203-05 | Drawer slide, Self-close, 21" |
| 382449-01 | Knob, Push/pull, Chrome |
| 380045 | Tubing, .75", Metallic |
| 380046 | Flange, Chrome |
| 381228-02 | Catch, Grabber door, 5LB |
| 381607-15 | Hinge, Soft-Close, Overlay, 110° swing |
| 382203-06 | Front fixing clips |

2018 ATLAS FURNITURE, LAVATORY

Wardrobe, CS with Drawers, Columbian Walnut



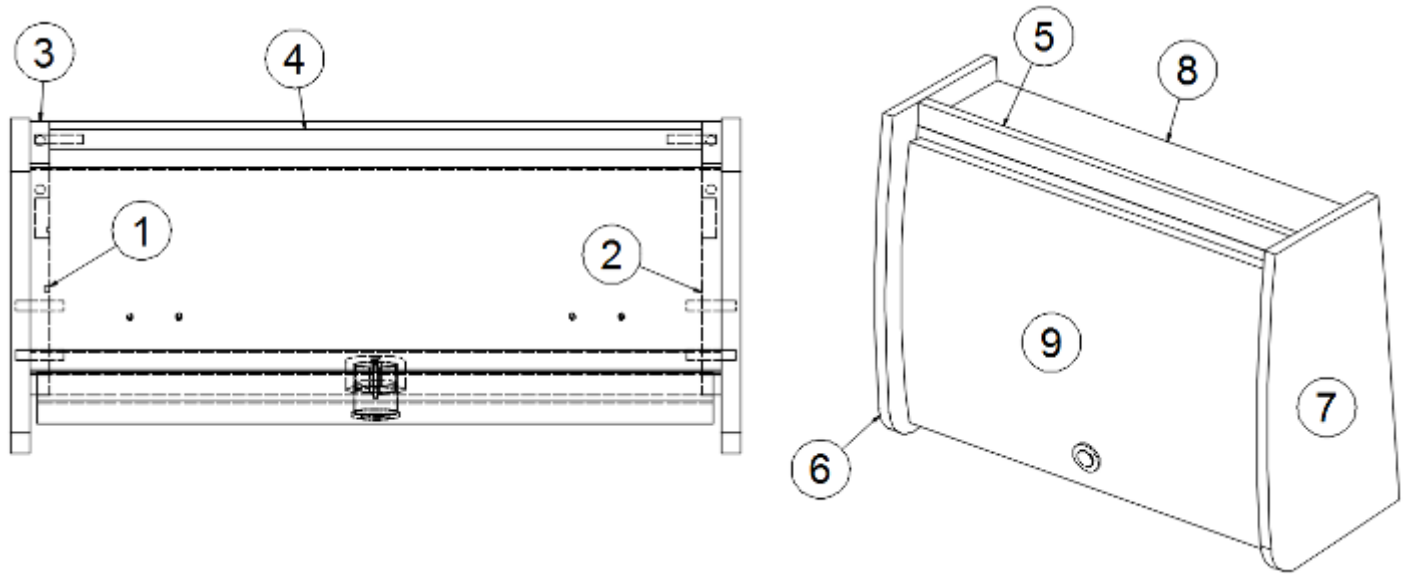
968396-02

CS Tall Wardrobe with Drawers

- | | |
|-----------------|--|
| 1. 968396-021 | Panel, 23.18 x 26.75 |
| 2. 968396-022 | Panel, 24.44 x 27.82 |
| 3. 968396-023 | Panel, 2.25 x 22.32 |
| 4. 968396-024 | Panel, 3.88 x 22.32 |
| 5. 968396-025 | Panel, 2.25 x 22.32 |
| 6. 968396-026 | Panel, 2.25 x 22.32 |
| 7. 968396-027 | Panel, 2.25 x 22.32 |
| 8. 968396-028 | Panel, 24.51 x 77.48 |
| 9. 968396-029 | Panel, 24.51 x 77.49 |
| 10. 968396-0210 | Door, 22.94 x 45.38, Columbian Walnut |
| 11. 968396-0211 | Panel, 22.94 x 7.88 |
| 12. 968396-0212 | Panel, 22.94 x 7.88 |
| 13. 968396-0213 | Panel, 22.94 x 14.74 |
| 14. 381527 | Shelf strip, 18" |
| 15. 968757 | Drawer box, Custom |
| 382203-05 | Drawer slide, Self-close, 21" |
| 382449-01 | Knob, Push/pull, Chrome |
| 380045 | Tubing, .75", Metallic |
| 380046 | Flange, Chrome |
| 381228-02 | Catch, Grabber door, 5LB |
| 381607-15 | Hinge, Soft-Close, Overlay, 110° swing |
| 382203-06 | Front fixing clips |

2018 ATLAS FURNITURE, LAVATORY

Roof Locker, RS Bathroom, Beachwood



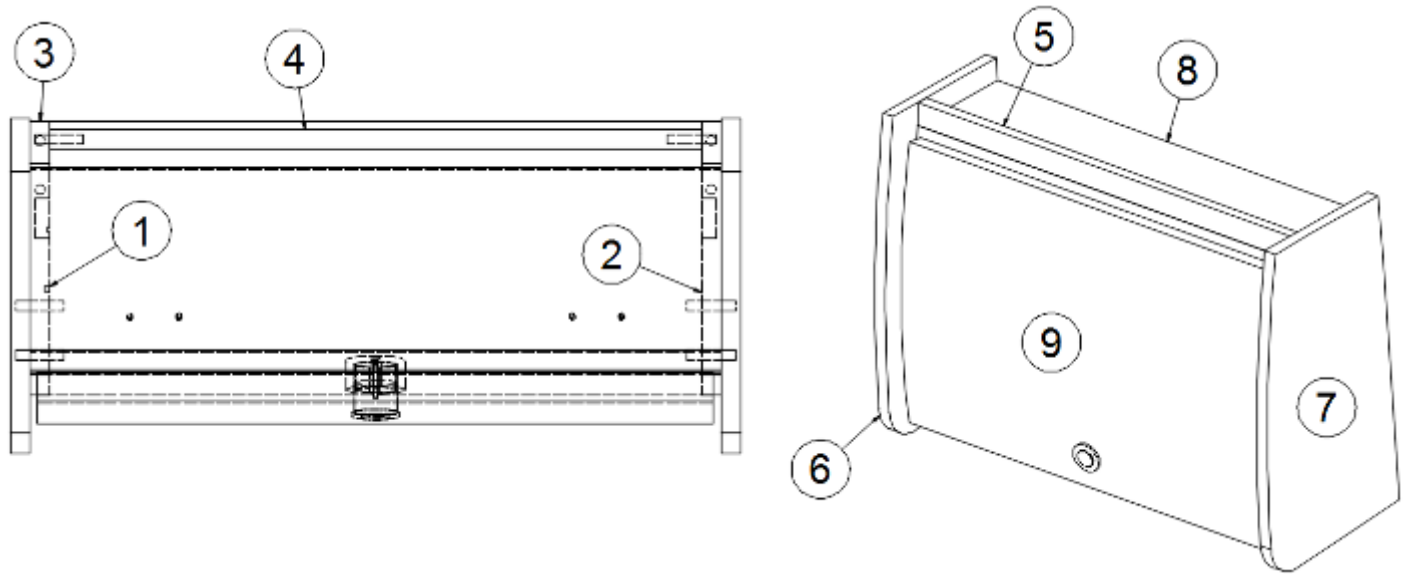
968403-33

RS Bathroom Roof Locker

- | | |
|----------------|--|
| 1. 968403-331 | Panel, 7.04 x 11.29 |
| 2. 968403-332 | Panel, 7.04 x 11.29 |
| 3. 968403-333 | Panel, 6.5 x 17.76 |
| 4. 968403-334 | Panel, 2.25 x 16.76 |
| 5. 968403-335 | Panel, 1 x 17.76 |
| 6. 968403-336 | Panel, 8.61 x 14.5 |
| 7. 968403-337 | Panel, 8.61 x 14.5 |
| 8. 968403-338 | Panel, 5.25 x 17.76 |
| 9. 802223-0433 | Door, 12.38 x 17.38, Beachwood |
| 382449-01 | Knob, Push/pull, Chrome |
| 381607-15 | Hinge, Soft-Close, Overlay, 110° swing |
| 382301 | Lid stay, Medium duty, LH |
| 381688 | Rubber bump-on, Clear |
| 365398-01 | Edgebanding, .63", Light Walnut |
| 365398-02 | Edgebanding, .94", Light Walnut |

2018 ATLAS FURNITURE, LAVATORY

Roof Locker, RS Bathroom, Columbian Walnut



968403-02

RS Bathroom Roof Locker

- | | |
|---------------|--|
| 1. 968403-021 | Panel, 7.04 x 11.29 |
| 2. 968403-022 | Panel, 7.04 x 11.29 |
| 3. 968403-023 | Panel, 6.5 x 17.76 |
| 4. 968403-024 | Panel, 2.25 x 16.76 |
| 5. 968403-025 | Panel, 1 x 17.76 |
| 6. 968403-026 | Panel, 8.61 x 14.5 |
| 7. 968403-027 | Panel, 8.61 x 14.5 |
| 8. 968403-028 | Panel, 5.25 x 17.76 |
| 9. 802223-042 | Door, 12.38 x 17.38, Columbian Walnut |
| 382449-01 | Knob, Push/pull, Chrome |
| 381607-15 | Hinge, Soft-Close, Overlay, 110° swing |
| 382301 | Lid stay, Medium duty, LH |
| 381688 | Rubber bump-on, Clear |
| 365379-01 | Edgebanding, .63", Walnut |
| 365379-02 | Edgebanding, .94", Walnut |

2018 ATLAS HARDWARE

Seat Belts and Brackets

382190-01	Seat belt, Mercedes style
382190-02	End release, Lap belt
382383	Bracket, Lid stay straight
382384	Bracket, Lid stay 90°
455237	Bracket, Sofa
382534-01	Bracket, Curved prop rod, LH
382534-02	Bracket, Curved prop rod, RH
115709	Bracket, Shower valve mounting
115785	Bracket, Lower shower wall mounting
115784	Bracket, Shower head mounting
115955	Bracket, Rear, Shower valve
602588	Bracket, Adjustable wall mount, Brushed Nickel
455128	Bracket, Forward, Fresh water tank
455129	Bracket, Aft, Fresh water tank
455130	Bracket, Lower, Fresh water tank
455267	Bracket, Lower, Grey tank, RS
455267-01	Bracket, Lower, Grey tank, CS
455267-02	Bracket, Upper, Grey tank

Hinges

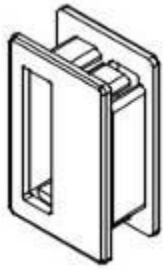
381607-11	Hinge, Self-close, 110° overlay
381607-04	Hinge screw, Grass
381607-15	Hinge, Soft-Close, Overlay, 110° swing
382125	Piano hinge, Clear
382301	Lid stay, Medium duty, LH
382301-01	Lid stay, Medium, duty, RH
380774-05	Hinge, 16.5, Rear service door
115694	Extrusion, Door hinge
381685-01	Hinge, Scissor tray

Bathroom Accessories

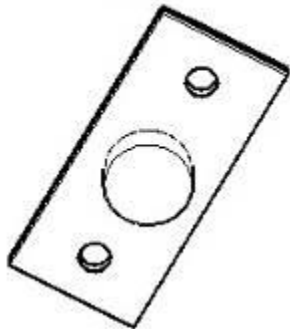
602685	Toilet paper holder, Brushed Nickel
704321-01	Towel set: Bath blanket, Hand towel, Wash cloth
382510	Towel bar, 18", Satin Nickel

2018 ATLAS HARDWARE

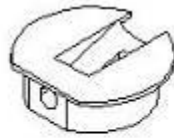
Handles, Latches, and Fasteners



①



②



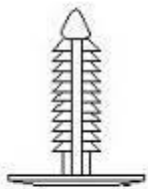
③



④



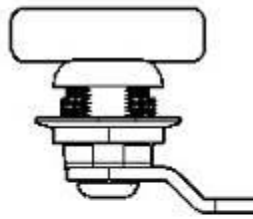
⑤



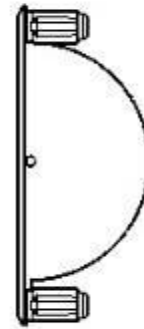
⑥



⑦



⑧



⑨

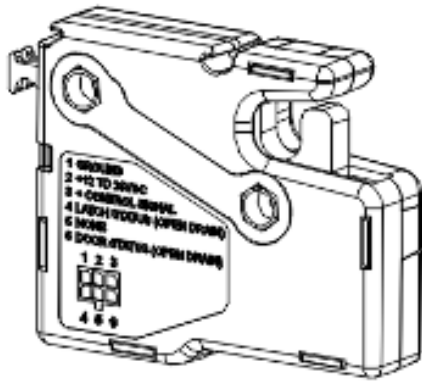


⑩

- | | |
|--------------|------------------------------------|
| 1. 382343 | Handle, Pocket door |
| 2. 382407 | Plate, Pocket door strike |
| 3. 382057 | Knockdown |
| 4. 382057-02 | Cap, Knockdown, Gray |
| 5. 382449-01 | Knob, Push/pull, Chrome |
| 6. 382062 | Fastener, Finned, .25" |
| 7. 512960 | Grab handle, Interior |
| 8. 382381 | Cam latch, Wing handle |
| 9. 382420 | Concealed pull, Murphy bed, Black |
| 10. 382586 | Knob, Push/pull, 1" |
| 381228-02 | Catch, Grabber door, 5LB |
| 513037 | Grab handle w/LED lights, Exterior |
| 382338 | Pocket door hardware set |
| 382408 | Angled mount magnet kit |

2018 ATLAS HARDWARE

Electronic Rotary Latch



①



②



③

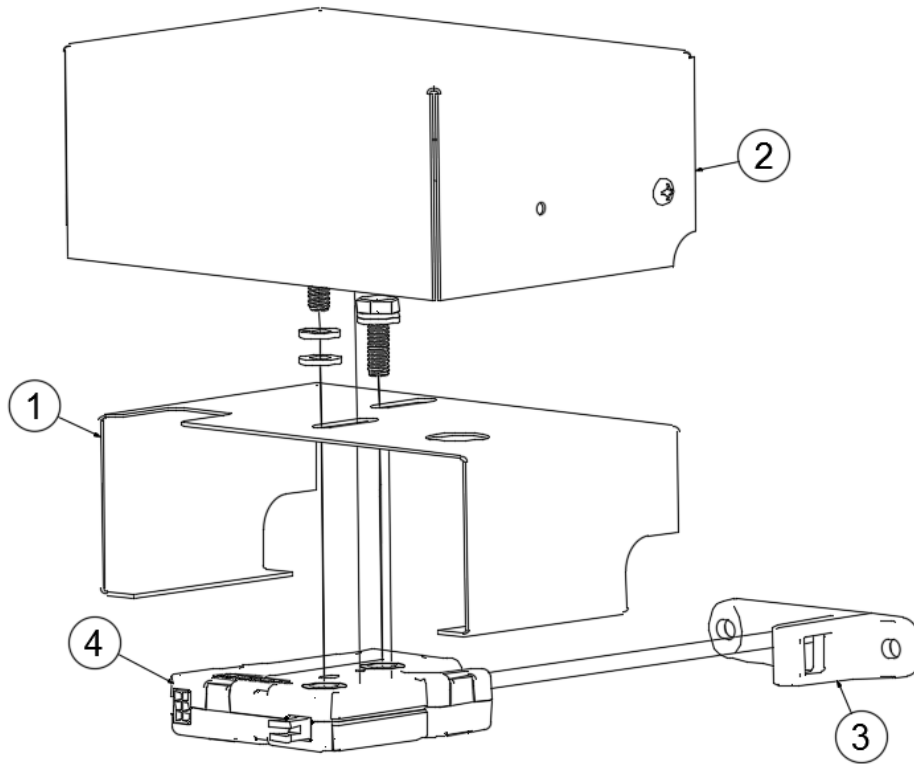
1. 512962-01 Rotary latch, Southco
2. 512962-02 Striker w/magnets
3. 512962-03 Manual override bracket
- 512962-04 wire harness

Gas Struts

- 382530 Gas strut, 40#, 15.75" extended
- 382540 Gas strut, 30#, 12" extended
- 382534-01 Curved prop bracket, Left hand
- 382534-02 Curved prop bracket, Right hand
- 382507-01 Ball stud, .54" thread
- 382549 Lid stay

2018 ATLAS HARDWARE

Latch and Manual Override



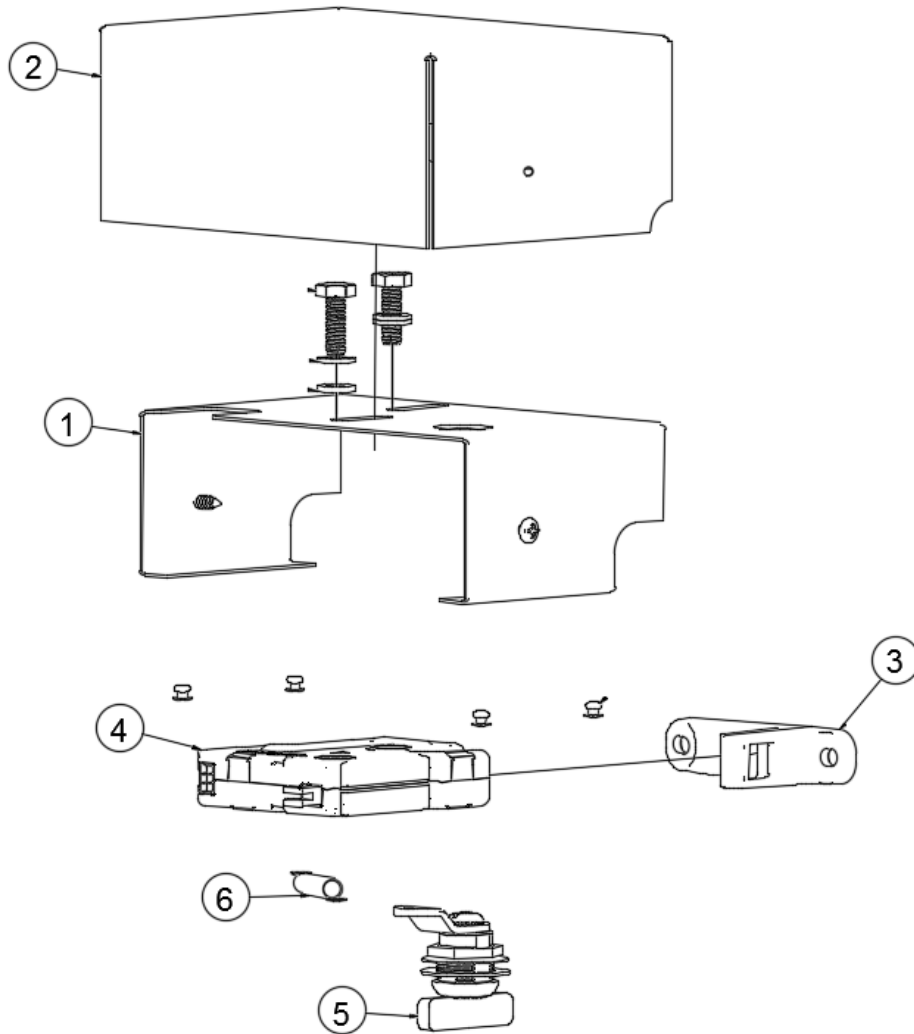
112600

Latch/Manual Override

- | | |
|--------------|-----------------------------------|
| 1. 455353 | Compartment latch stand |
| 2. 455354 | Compartment latch cover |
| 3. 512962-02 | Striker w/magnets, Southco |
| 4. 512962-01 | Electronic rotary latch, Southco |
| 300111-25 | Washer, Flat, .25" |
| 300072-04 | Washer, Lock, .25" |
| 345276-03 | Bolt, Hex head, .25-20 |
| 320116-02 | Screw, Phil head, #8 x 1/2, Black |

2018 ATLAS HARDWARE

LPG Latch and Manual Override



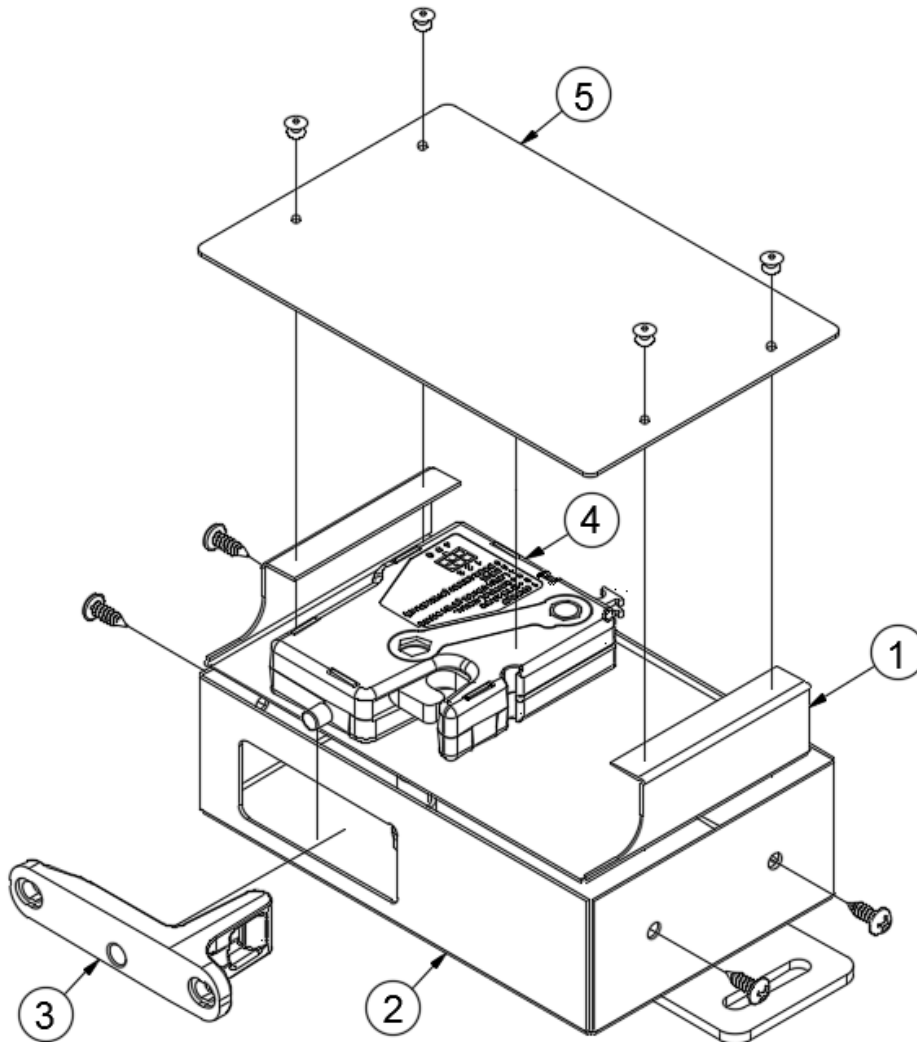
112401

LPG Latch/Manual Override

- | | |
|--------------|-----------------------------------|
| 1. 455083 | Compartment latch stand |
| 2. 455084 | Compartment latch cover |
| 3. 512962-02 | Striker w/magnets, Southco |
| 4. 512962-01 | Electronic rotary latch, Southco |
| 5. 382381 | Cam latch, Wing handle |
| 6. 345633 | Extension springs w/loop ends |
| 300111-25 | Washer, Flat, .25" |
| 300072-04 | Washer, Lock, .25" |
| 345276-03 | Bolt, Hex head, .25-20 |
| 320116-02 | Screw, Phil head, #8 x 1/2, Black |

2018 ATLAS HARDWARE

Generator Latch and Lock



112364

Generator Latch/Lock

- | | |
|--------------|-----------------------------------|
| 1. 455357 | Compartment latch stand |
| 2. 455152 | Latch mounting assembly |
| 3. 512962-02 | Striker w/magnets, Southco |
| 4. 512962-01 | Electronic rotary latch, Southco |
| 5. 455153 | Generator latch cover |
| 365440 | Gasket, Generator latch |
| 300111-25 | Washer, Flat, .25" |
| 300072-04 | Washer, Lock, .25" |
| 345276-03 | Bolt, Hex head, .25-20 |
| 320116-02 | Screw, Phil head, #8 x 1/2, Black |

2018 ATLAS HARDWARE

Rivets

330127-03	Pop rivet, 1/8", Dome head, Aluminum
330149	Pop rivet, Aluminum
325130	Rivet nut for plastics, Zinc plated
325127	Rivet, Magna-Lok, 3/8", Protruding head, Steel
330164	Rivet, Magna-lock, 3/16", SS
330165	Rivet, Huck Magna, 1/4"

Screws

320116-02	Screw, Phil head, #8 x 1/2, Black
320116-04	Screw, #8 x .75", Phil PH WS, Black, Slide out rollers
345276-04	Screw, Hex head, 1/4-20 x 1"
345654	Screw, Self-drilling, #10 x 1"
345511	Screw, Flange head, M5 x 20mm
320029	Screw, Pan head, #8 x 3/4
320029-01	Screw, Type A SMS, #8 x 1/2
320165-02	Screw, PH FH, #6 x 1.125", Black
345645	Screw, Sheet metal, Philips #4
345655	Screw, Flat head, #8 SS, 1.5"
345276-03	Bolt, Hex head, .25-20

2018 ATLAS SAFETY EQUIPMENT

Detectors and Fire Extinguisher

512539-01	LPG detector
690381-02	Fire extinguisher
512260	Smoke/Carbon Monoxide detector

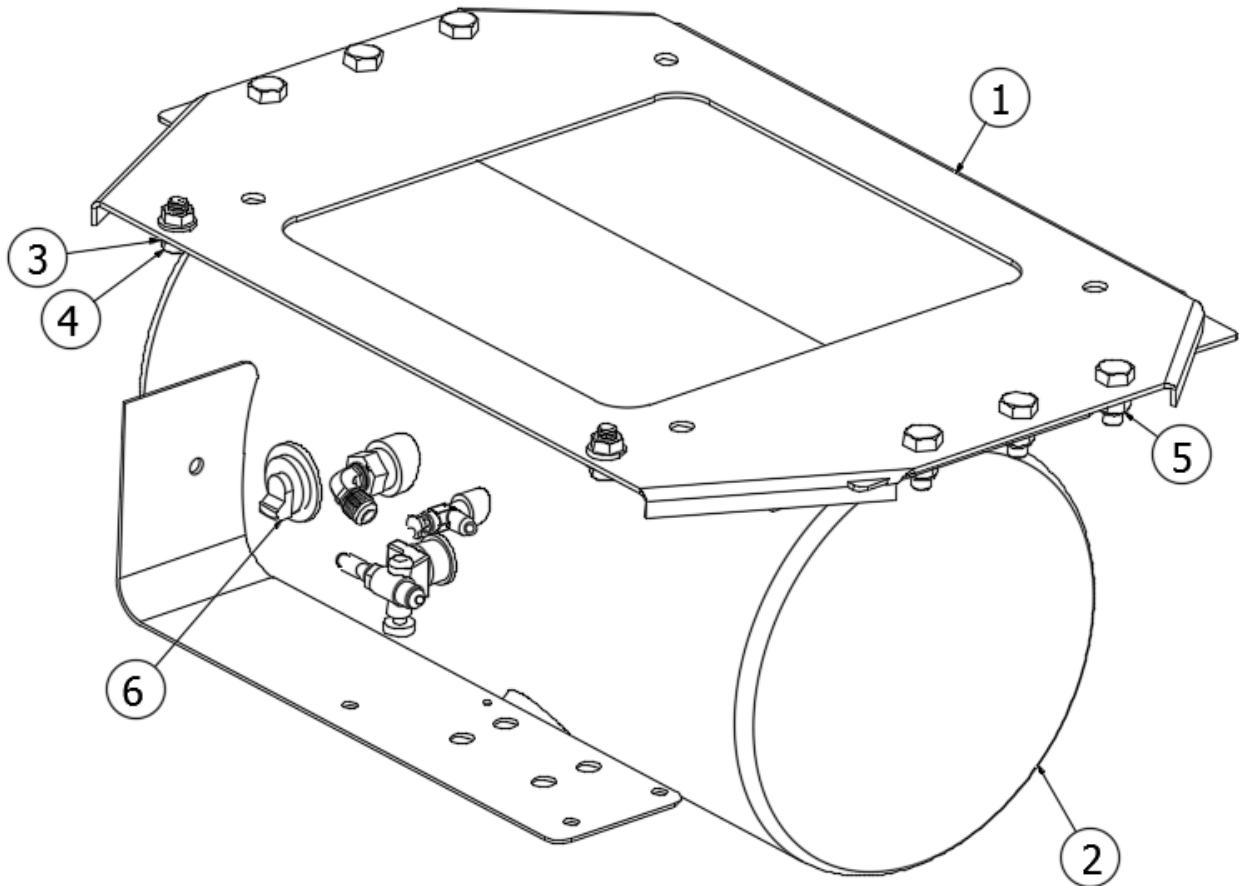
2018 ATLAS LABELS AND TAGS

Labels and Tags

386121	Label, LPG Gas Warning Label (Odor)
386122	Warning Label/Cooking Appliance
386303	Cleaning Instruction Label
386120	Label, Smoke Detector
385812	Label, Calif. Hazardous Substance
385465	Exit Label, English
386119	Label, "Do Not Store Combustible"
386124	Label, Refueling Warning
386189	Label, Warning No Seatbelts
386113	Label, Rvia Gold
386123	Label, "Potable Water Only"
386118	Label, LPG Gas Warning/Fill
385062	Decal, 110-125 Voltage AC
386147	Decal, On/Off LPG Remote Fill
602205-12	Sticker, Instruction Macerator
386227-03	Label, Hitch Weight Rating
365421	Decal, LP fill/bleeder valve
386331	Label, Caution Automatic Step
386330	Label, Auto Step w/Ext LED Hole
386291	Label, Warning Battery Ground
386335	Label, LP service port, 10K BTU
386254	Label, PB battery assist
386306	Label, Travel Warning

2018 ATLAS PLUMBING, LPG

LPG Tank Install



112535

LP Tank Install

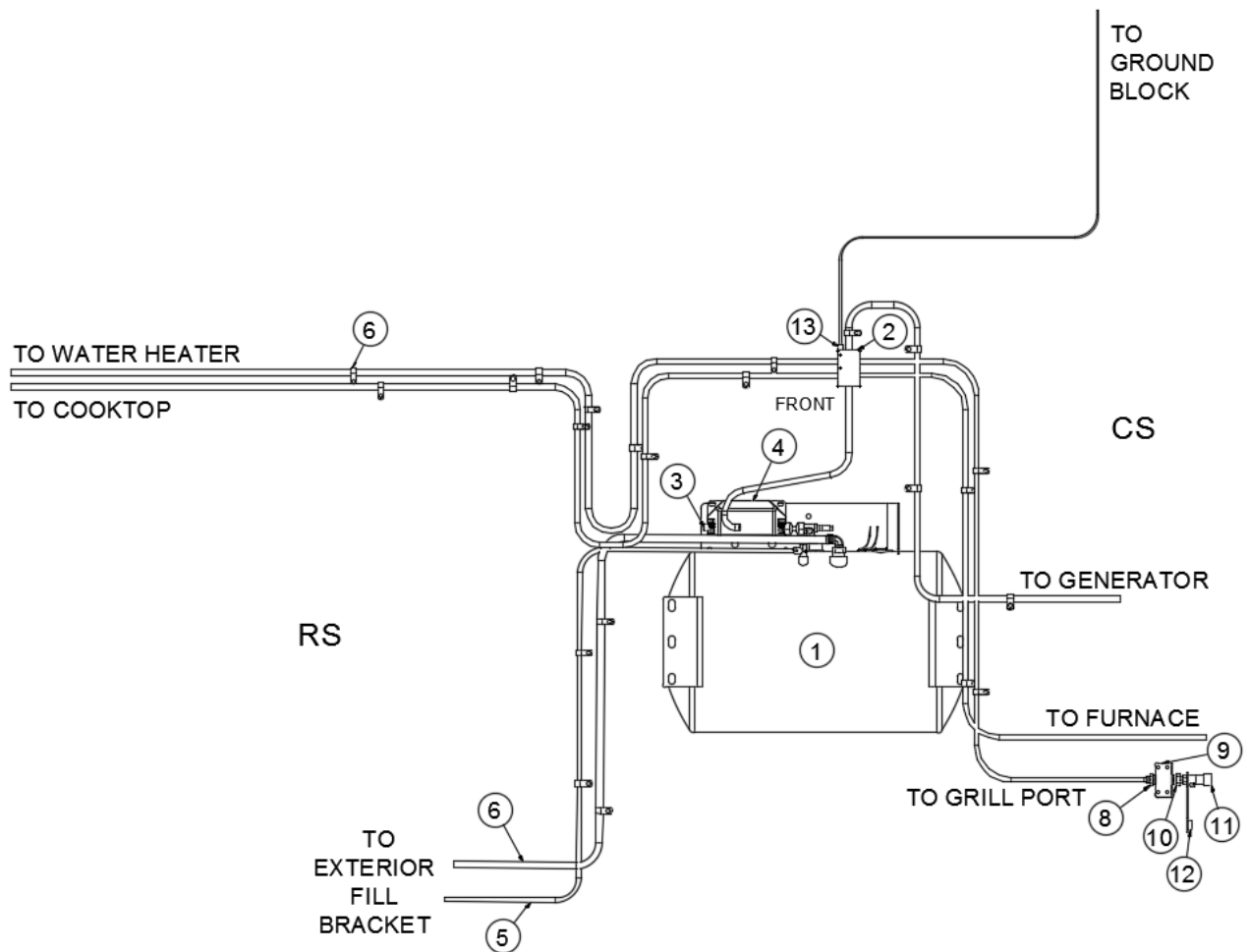
- | | |
|--------------|----------------------------------|
| 1. 455330 | Weldment, Plate LPG frame |
| 2. 602696 | LPG tank, 12.2 gallon |
| 3. 300147 | Washer, Flat ID .53" OD 1.1" |
| 4. 345269-04 | Bolt, Hex head, 1/2-13 x 1, GR 5 |
| 5. 350147-50 | Nut, Nylon lock, 1/2-13 |
| 6. 602718 | LP gauge, 90 OHM sender, Snap-on |

LP Remote Fill

- | | |
|-----------|----------------------|
| 455125 | LPG Remote fill |
| 455125-01 | Bracket, Remote fill |

2018 ATLAS PLUMBING, LPG

LPG System with Gas Generator



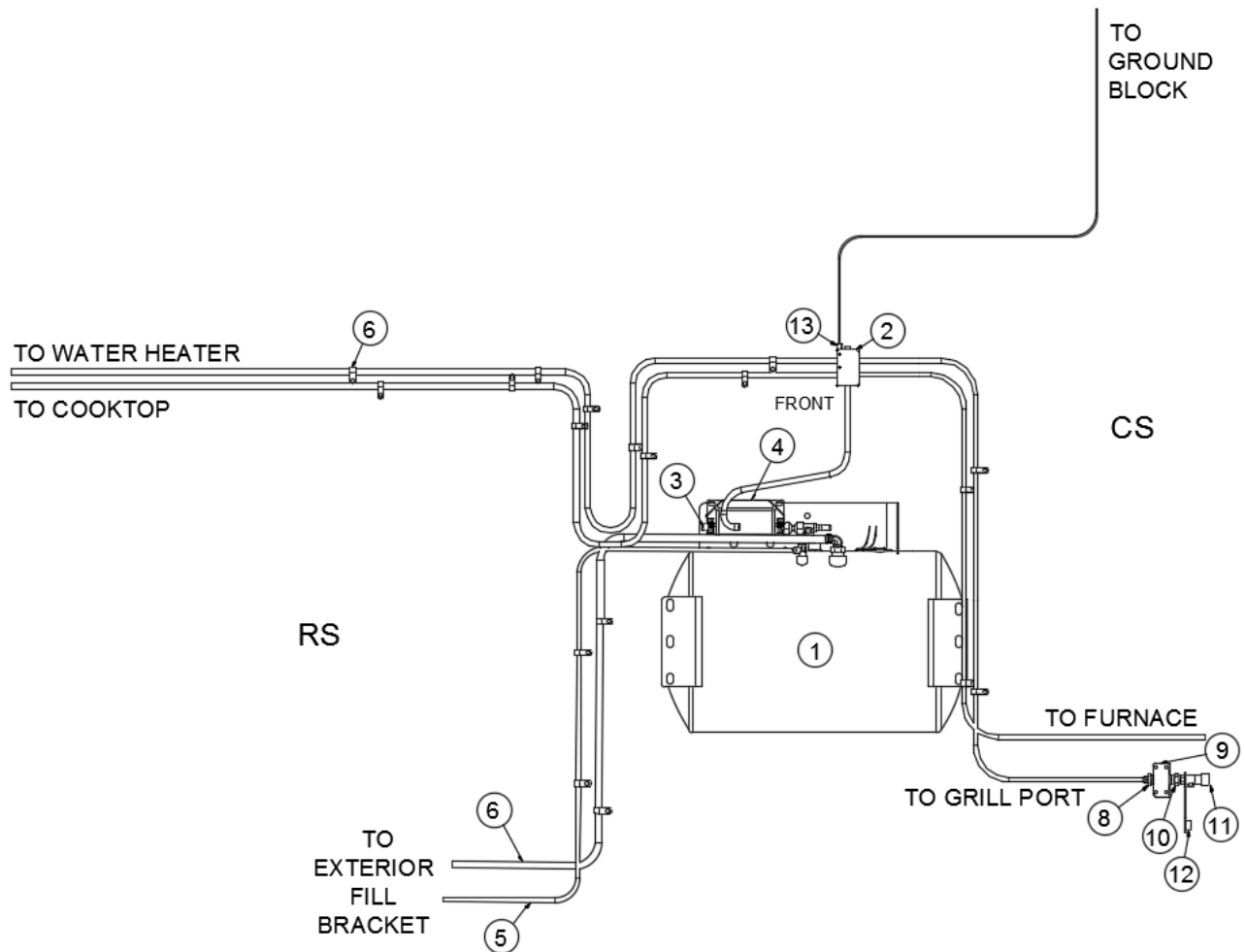
943802

LP System

- | | |
|---------------|-----------------------------------|
| 1. 602696 | LPG tank, 12.2 gallon |
| 2. 602686 | Flex-tech LP w/Gas generator |
| 3. 943833 | Kit, LP regulator |
| 4. 601875-05 | Cover, regulator |
| 5. 602603 | LP hose, Type III, .25", 60" |
| 6. 602604 | LP hose, Type III, .5", 60" |
| 7. 340085-05 | Clamp, 5/8" Dia |
| 8. 601412-08 | Adapter, .5" MNPT x 3/8" MFLR |
| 9. 454901 | Bracket, LP quick disconnect port |
| 10. 602286 | Nipple, .5" MNPT x .25" MNPT |
| 11. 602109-01 | Coupler, Quick disconnect |
| 12. 602109-03 | Dust cap |
| 13. 500038 | Lug, Ground |
| 500839-01 | Wire, 8 gauge, Bare Copper |

2018 ATLAS PLUMBING, LPG

LPG System with Diesel Generator



943834

LP System

- | | |
|---------------|-----------------------------------|
| 1. 602696 | LPG tank, 12.2 gallon |
| 2. 602693 | Flex-tech LP w/Diesel generator |
| 3. 943833 | Kit, LP regulator |
| 4. 601875-05 | Cover, regulator |
| 5. 602603 | LP hose, Type III, .25", 60" |
| 6. 602604 | LP hose, Type III, .5", 60" |
| 7. 340085-05 | Clamp, 5/8" Dia |
| 8. 601412-08 | Adapter, .5" MNPT x 3/8" MFLR |
| 9. 454901 | Bracket, LP quick disconnect port |
| 10. 602286 | Nipple, .5" MNPT x .25" MNPT |
| 11. 602109-01 | Coupler, Quick disconnect |
| 12. 602109-03 | Dust cap |
| 13. 500038 | Lug, Ground |
| 500839-01 | Wire, 8 gauge, Bare Copper |

2018 ATLAS

PLUMBING, FRESH WATER

Fresh Water Tank

602585	Tank, Fresh Water
455128	Bracket, Forward
455129	Bracket, Aft
455130	Bracket, Lower
455098	Bracket, Chassis compression
602137	Valve, Shut off, .5 Barb x 3/8 compression
601723	Filter screen
601668-01	Strainer, Fresh water pump
511812	Heating pad
513069	Tank monitor display (Seelevel)
513069-01	Flush mount monitor panel only
512566-02	Sender pad

Exterior Shower

602288-02	Hose w/sprayer, 15'
602263-01	Faucet, 4" shower w/vacuum breaker and clear handles
602263-03	Shower head and hose w/bracket, White

City Water Hook-Ups

601392-06	City water fill w/regulator, 50 PSI
513079	Switch, Momentary w/light
601197-02	Water hookup, Chrome

Water Pump

602177-01	Water pump, Flojet
602177-02	Strainer, Mini assembly
602177-04	Pump port, Quick connect, .5" barb
601668-01	Strainer, Fresh water pump

2018 ATLAS

PLUMBING, FRESH WATER

Faucet and Sink, Galley

602551	Sink, Undertone, Single bowl, Stainless Steel
602395	Faucet, Single hole, Pull down, Stainless Steel, Kohler
602397	Sink Strainer w/tailpiece, Vibrant Stainless
602624	Sink rack, Stainless Steel

Faucet and Sink, Lavatory

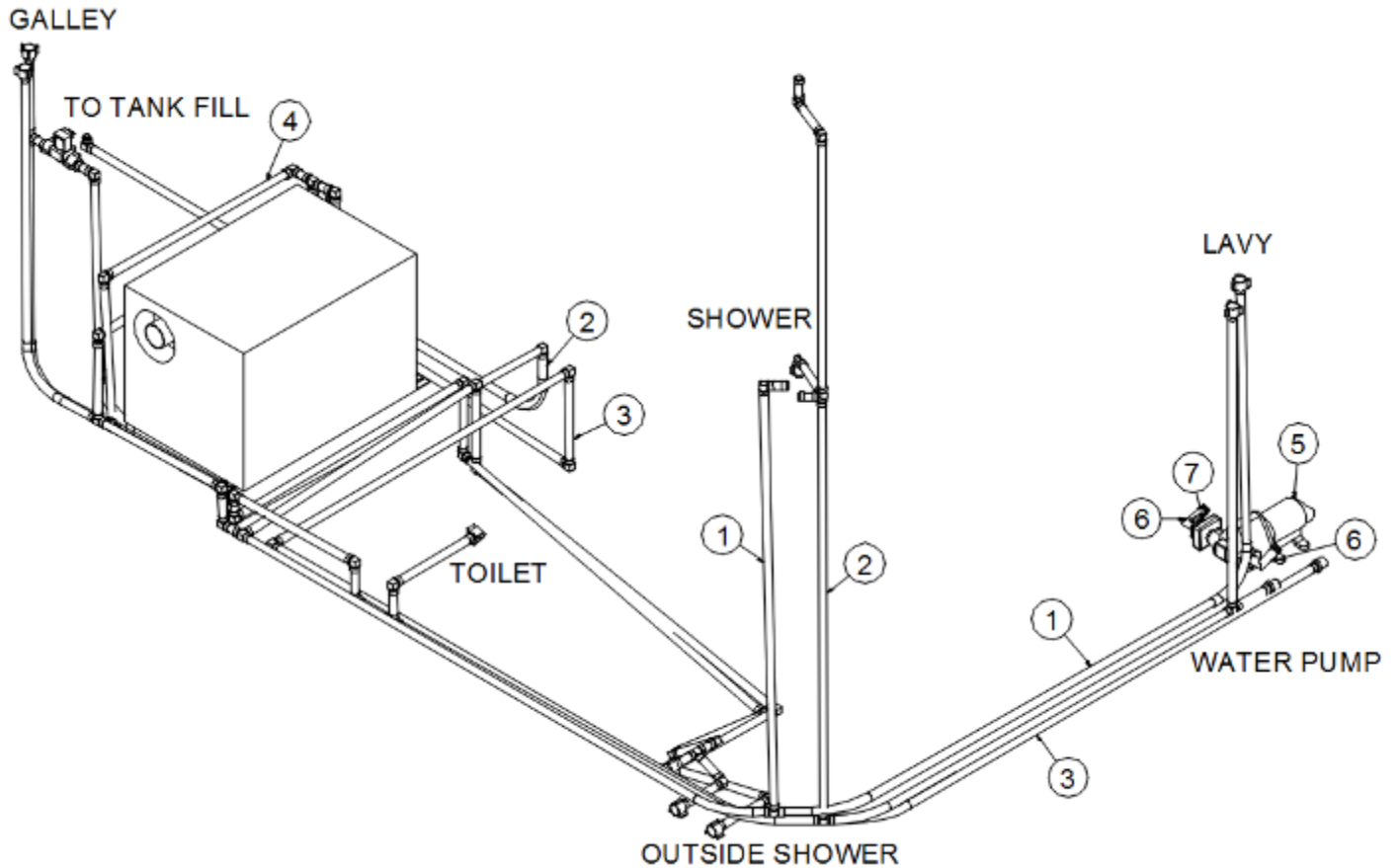
602571	Lavy sink, Undermount, Kohler
453833	Clip, Sink mount
602399	Faucet, Single handle, Kohler

Shower Accessories

602402	Hand shower, Vibrant Brushed Nickel, Kohler
602400	Valve trim kit, Refina, Vibrant Brushed Nickel, Kohler
602401	Valve, Rite-temp, 1/2" pressure balance
602403	Hose, 60", Brushed Nickel
602404	Elbow, Wall mount
602724	Supply adapter assembly
115709	Bracket, Shower valve mounting
115784	Bracket, Shower head mounting
115955	Bracket, Rear, Shower valve
602588	Bracket, Adjustable wall mount, Brushed Nickel
203987	Caddy, Shower inset shelf

2018 ATLAS PLUMBING, FRESH WATER

Fresh Water Lines



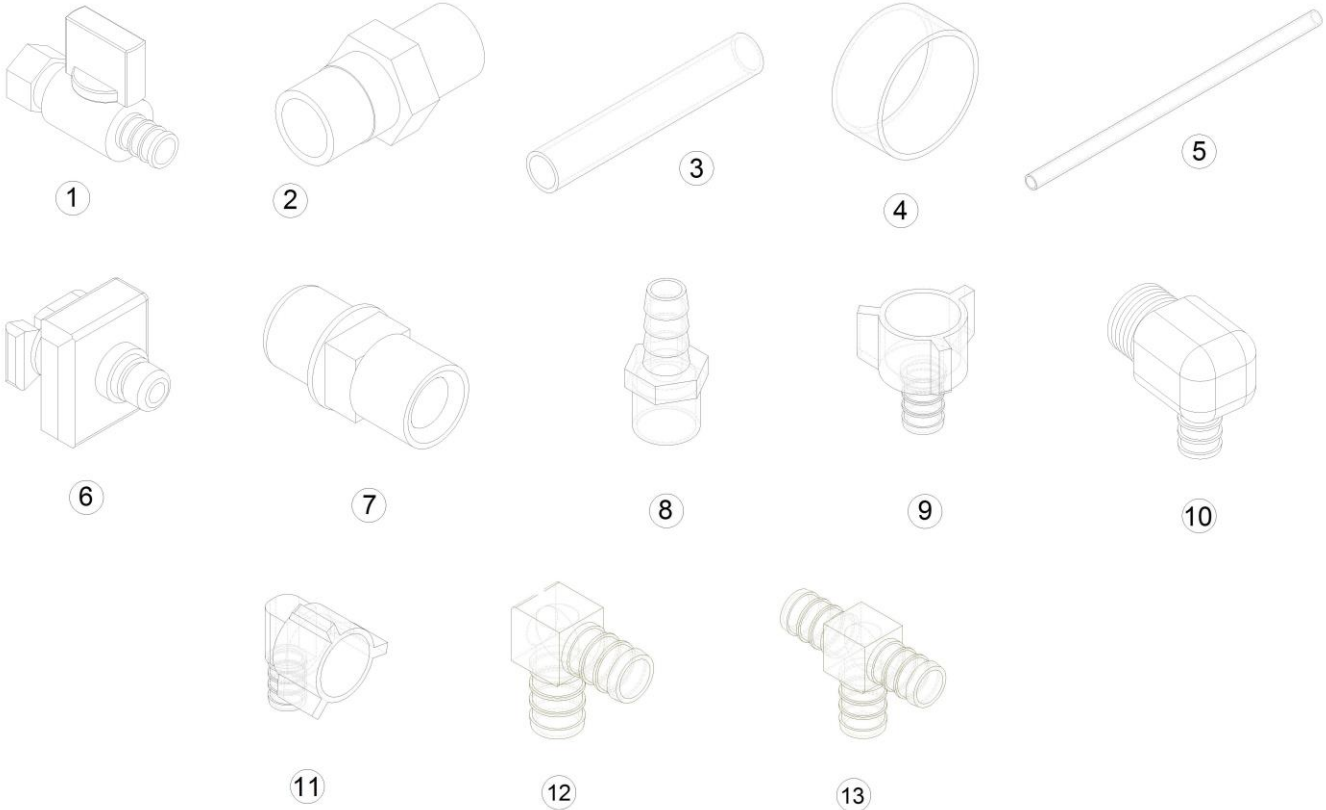
943817

Fresh Water Layout

- | | |
|--------------|-------------------------------|
| 1. 943817-01 | Fresh water, Hot |
| 2. 943817-02 | Fresh water, Cold |
| 3. 943817-03 | Forward tank to pump, Cold |
| 4. 943817-04 | Hot water bypass |
| 5. 602177-01 | Water pump, Flojet |
| 6. 602177-05 | Quick connect, Pump port, .5" |
| 7. 602177-02 | Strainer, Mini |
| 602186 | Flex hose, 20" |

2018 ATLAS PLUMBING, FRESH WATER

Fresh Water Fittings



- | | |
|---------------|--|
| 1. 602137 | Valve, Shut off, .5 Barb x 3/8 compression |
| 2. 602308 | Check valve, .5" MPT x .5" MPT |
| 3. 601698-01 | E-Pex tube, .5" |
| 4. 601698-15 | Crimp ring, .5" E-Pex, .5", Black |
| 5. 601698-21 | E-Pex tube, .5", Red |
| 6. 602177-02 | Strainer, Mini |
| 7. 602177-04 | Pump port, Quick connect, .5" barb |
| 8. 602256-02 | Coupler, .5" barb x .5" MPT |
| 9. 602256-03 | Coupler, .5" barb x .5" FPT |
| 10. 602256-04 | Elbow, .5" barb x .5" MPT |
| 11. 602256-05 | Elbow, .5" barb x .5" FPT |
| 12. 602256-10 | Elbow, .5" barb x .5" barb |
| 13. 602256-11 | Tee, .5" x .5" x .5" |
| 602186 | Flex hose, 20" w/swivel connection |

2018 ATLAS PLUMBING, DRAIN

Black Tank

602671	Black water tank, 22.1 gallons
455264	Weldment, Support, Black tank
454664-04	Rod, Black water tank, 12.75"
511812	Heating pad, Holding tank
365417	3M extreme sealing tape

Grey Tank

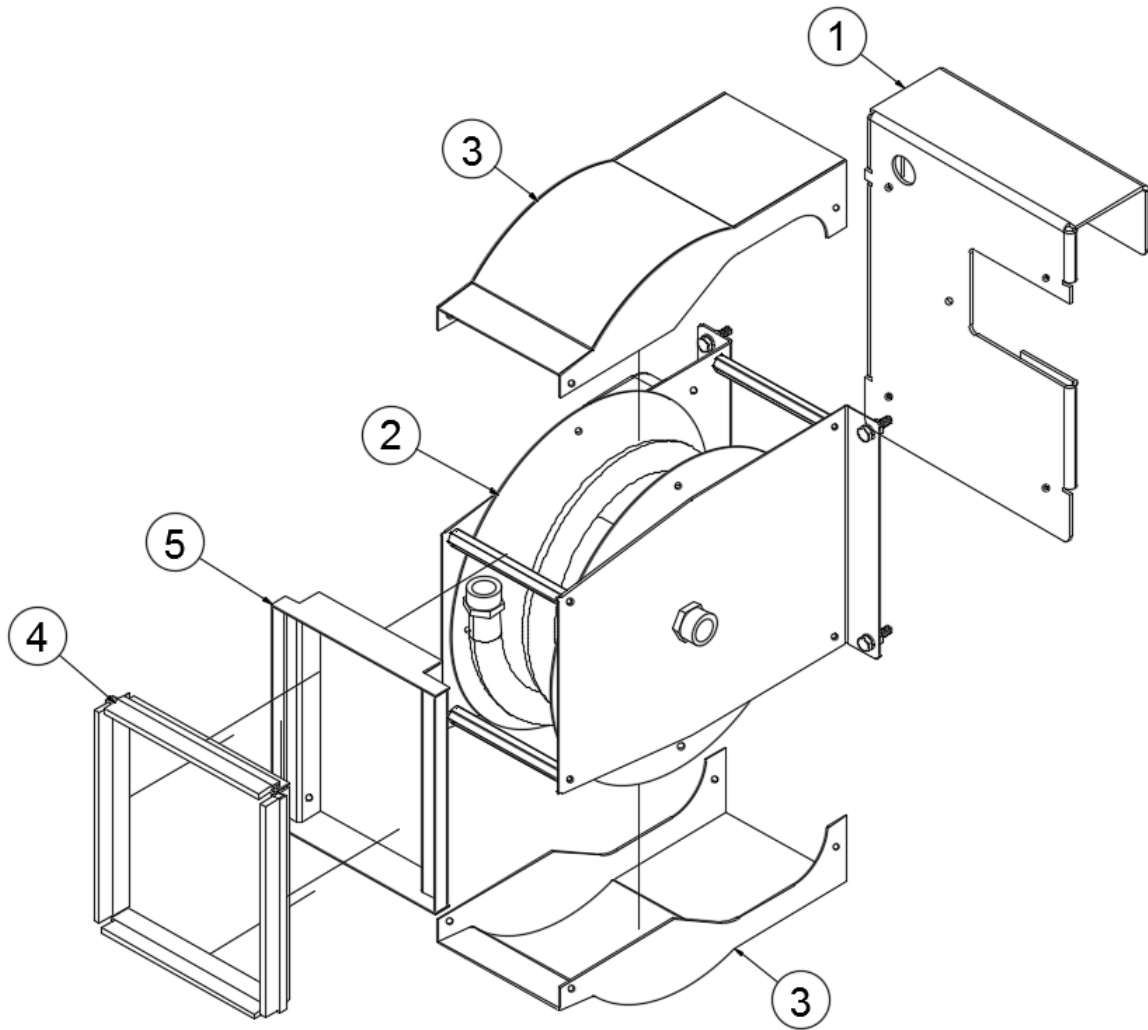
602670	Grey tank, 30.2 gallons
455267	Bracket, Lower, Grey tank, RS
455267-01	Bracket, Lower, Grey tank, CS
455267-02	Bracket, Upper, Grey tank
511812	Heating pad, Holding tank
365417	3M extreme sealing tape

Black Tank Flush

601441-02	Black tank flush kit
601197-02	Water hookup, Chrome
601441-101	Black cap w/strap
601441-102	Brass vacuum breaker and valve
601441-2	Valve check
601441-4	Vacuum breaker

2018 ATLAS PLUMBING, DRAIN

Macerator Pump System



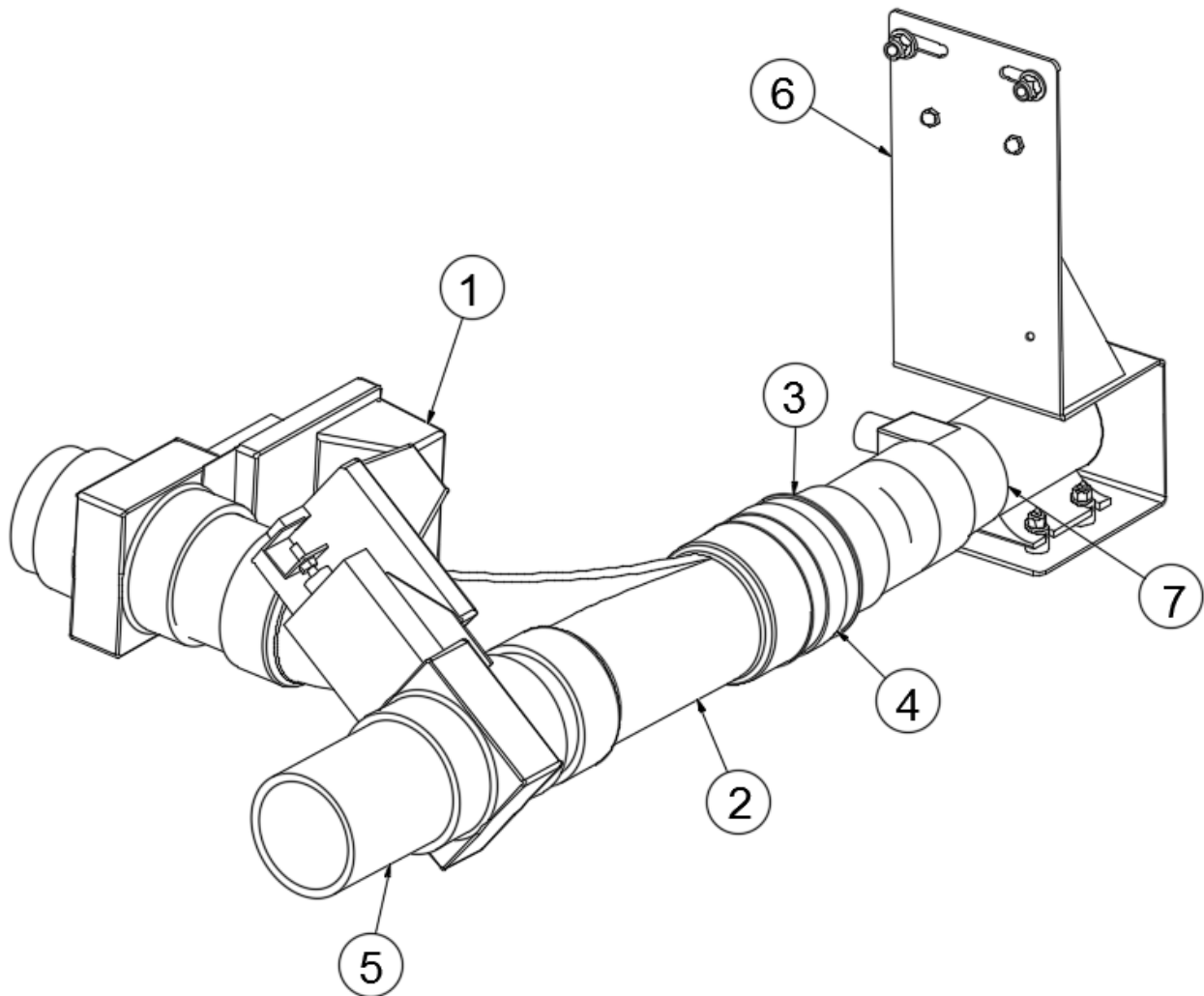
112507

Hose Reel and Bracket Install

- | | |
|--------------|---|
| 1. 455306 | Bracket, Reel macerator |
| 2. 513314 | Waste water hose reel, Right hand spool |
| 3. 455351-01 | Macerator closeout |
| 4. 704171 | Weather stripping |
| 5. 455351-03 | Front cover, Macerator closeout |
| 602176 | Macerator pump |
| 455291 | Bracket, Macerator pump |
| 602205-01 | Switch, 20 amp |
| 602205-04 | Adapter for 3" connection hose w/2 clamps |
| 602205-05 | Hose, Macerator |
| 602205-10 | Valve, Drip proof w/2 adaptor for reel hose |

2018 ATLAS PLUMBING, DRAIN

Drain System, Below Floor



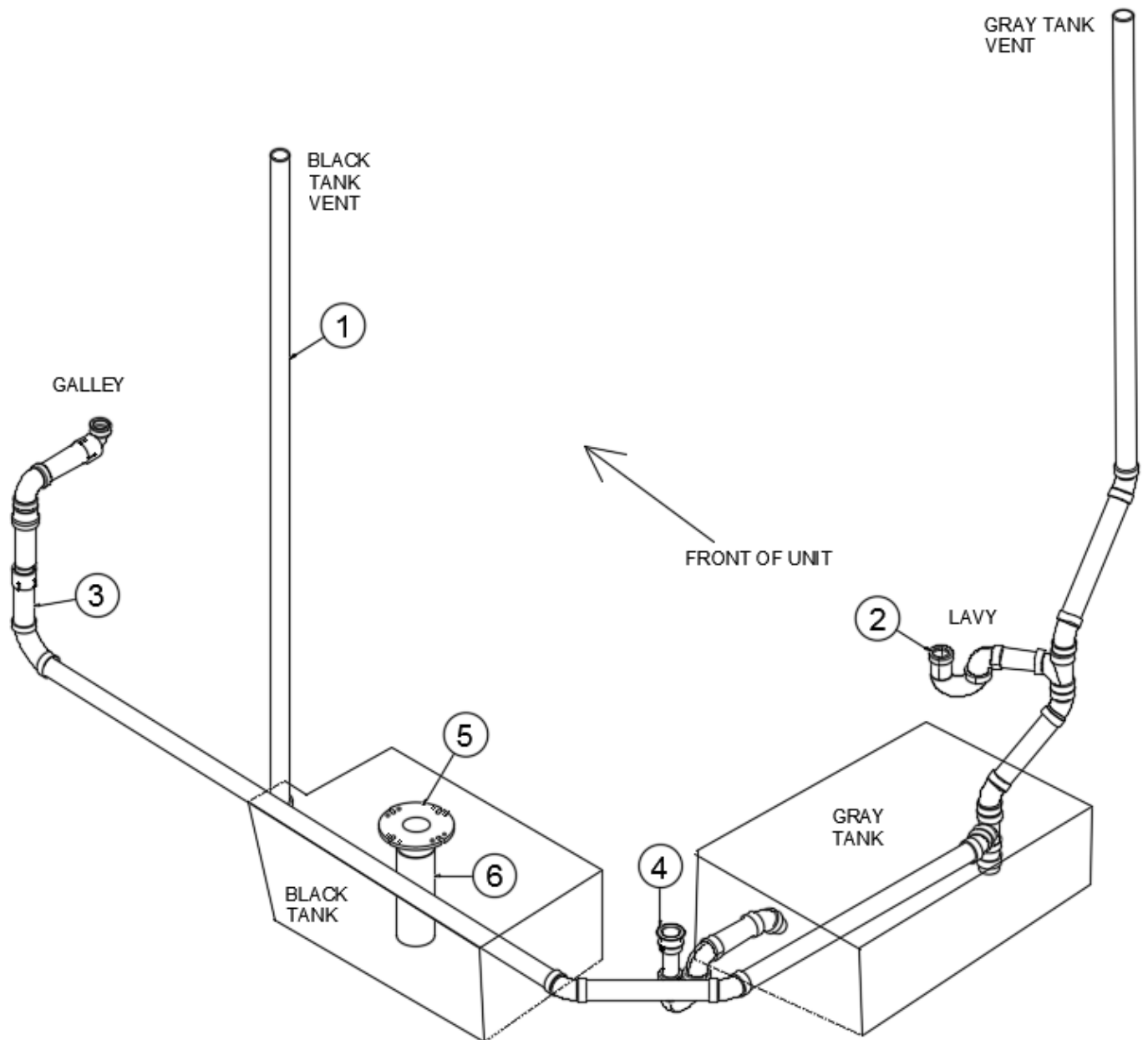
943832

Below Floor Drain

- | | |
|--------------|--------------------------------|
| 1. 512411 | Waste valve, Electric |
| 2. 600187 | 3" Wye, Comb and 1/8 bend |
| 3. 602205-04 | Adaptor for 3" connection hose |
| 4. 600289 | Calder coupling, 3" (rubber) |
| 5. 601160-04 | Pipe, ABS DWV 3" |
| 6. 455291 | Bracket, Macerator pump |
| 7. 602176 | Pump, Macerator Flojet |
| 602671 | Black water tank, 22.1 gallons |
| 602670 | Grey tank, 30.2 gallons |

2018 ATLAS PLUMBING, DRAIN

Drain System, Above Floor



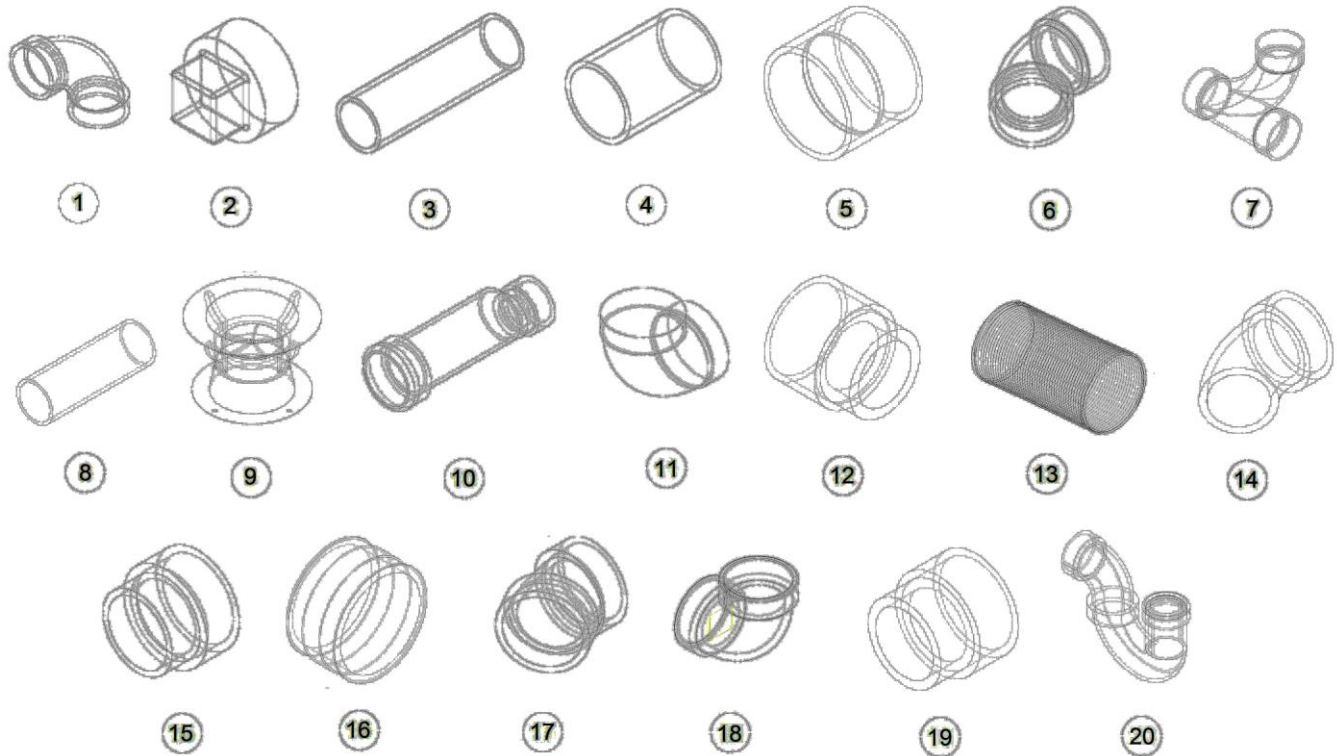
943798

Above Floor Drain System

- | | |
|--------------|-------------------------------|
| 1. 943798-01 | Black tank vent |
| 2. 943798-02 | Lavy drain |
| 3. 943798-03 | Galley drain |
| 4. 943798-04 | Shower drain |
| 5. 601266 | Flange closet, Slip fit |
| 6. 601267-04 | Nipple, Threaded one end, 10" |

2018 ATLAS PLUMBING, DRAIN

Drain Fittings

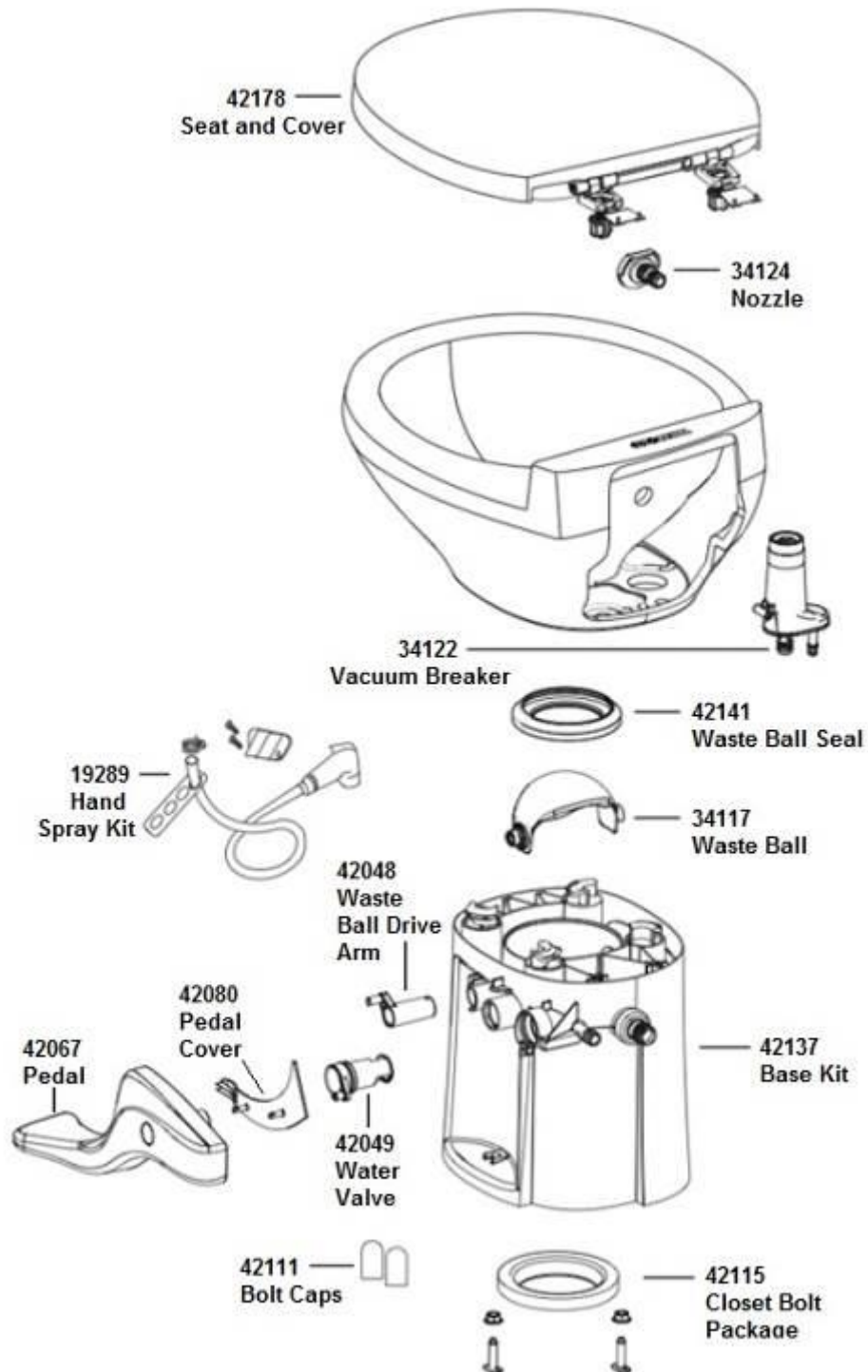


- | | |
|---------------|---|
| 1. 600035 | Elbow, 1.5", 90°, Long sweep |
| 2. 600155 | Plug, 1.5" |
| 3. 601160-02 | Pipe, ABS DVW, 1.5" |
| 4. 601160-04 | Pipe, ABS DVW, 3" |
| 5. 600253 | Coupling, 3" |
| 6. 600030 | Elbow, ABS, 45°, Long turn |
| 7. 600187 | 3" Wye, Comb and 1/8 bend |
| 8. 601267-04 | Nipple, 3" diameter, Threaded one end, 10" long |
| 9. 690700-01 | Tank vent cap, White |
| 10. 690603-01 | Waste valve, Hepvo |
| 11. 690603-02 | Adaptor, Angle |
| 12. 602205-04 | Adaptor for 3" connection hose |
| 13. 602205-05 | 3" flexible connection hose, 3' long w/2 clamps |
| 14. 600027 | Elbow, 45° |
| 15. 602214 | Adapter, 1.5" MPT x 1.5", Slip PVC |
| 16. 600289 | Calder coupling, 3" (rubber) |
| 17. 600116 | Elbow, .5" |
| 18. 601636 | Elbow, 90°, 1.5" |
| 19. 601676 | Adapter, Threaded, 1.5" male |
| 20. 602164-01 | P trap w/compression nut, 1.5" |

2018 ATLAS PLUMBING, DRAIN

Toilet

690715 Toilet, Residence w/sprayer, Thetford
 968520 Rear toilet closeout
 601266 Flange closet, Slip fit



2018 ATLAS

SEALERS AND GASKETS

Sealers

360074	Sealant, GE RTV 102, White
365424-01	Sealant, Adseal, White
365424-02	Sealant, Adseal, Grey
365424-03	Sealant, Adseal, Black
365424-05	Sealant, Adseal, Clear
360209	Sealant, Acryl-R seam sealant, Aluminum
365356-01	Sealant, White
365356-02	Sealant, Gray
360255-04	Sealer, Anti-wick
360388	Adhesive, Kitchen and bath, Dap White

Gaskets

382337	Gasket, Corlon vent cap
365388	Gasket, Rear view mirror
382539	Gasket, Grab handle
365440	Gasket, Generator latch
365420	Gasket, Water heater vent
365419	Gasket, Furnace vent
365439	Gasket, Inner, Main door
382467	Gasket kit
382467-01	Gasket, Exhaust fan
382467-02	Gasket, Tank vent
382467-03	Gasket, Radio antenna
382467-04	Gasket, Double solar
382467-05	Gasket, Dual cable entry
382467-06	Gasket, Bath fan
382467-07	Gasket, TV antenna
382467-08	Gasket, Single solar
365443	Gasket, Flap, 1 x .63

Undercoating

360389	Undercoating, 3M rubberized, 16 Oz.
360340	Undercoat, Epoxy primer
360331	Undercoat, Epoxy primer activator

2018 ATLAS

BEDDING, PILLOWS

Mattress and Sheets

704432	Mattress, Queen, 62.5 x 72.5
99900P-2224	Froli spring mat (3 x 3 springs per mat)
704320-01	Sheet set; 2 pillow cases, Flat sheet, Fitted sheet

Bedding and Pillow Kits

704318	Bedding and pillow kit, Orange
704318-01	Pillow shams
704318-02	Square accent pillows
704318-03	Lumbar pillow
704318-04	Duvet w/custom pocket, White
704319	Bedding and pillow kit, Gold/Black
704319-01	Pillow shams
704319-02	Square accent pillows
704319-03	Lumbar pillow
704319-04	Duvet w/custom pocket, Cream

2018 ATLAS

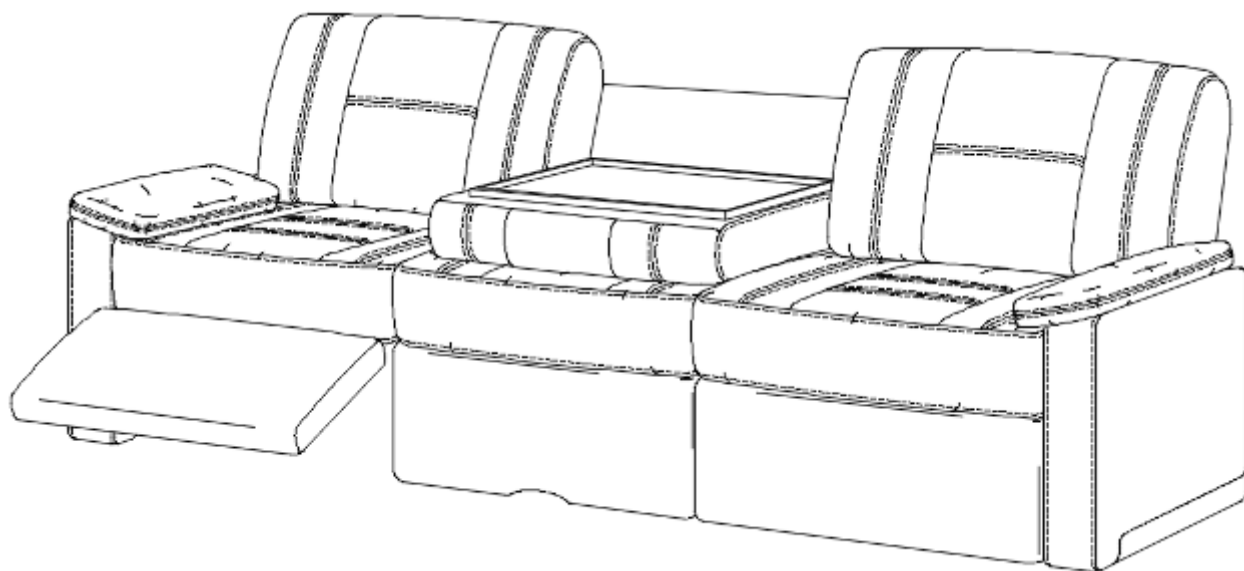
UPHOLSTERY, ULTRALEATHER

Cabin Seats

704301MN	Recover, Factory front seat w/map pocket, Brooklyn, Moon
704301BT	Recover, Factory front seat w/map pocket, Brooklyn, Tar
704348MN	Pedestal cover, RS seat, Moon
704348BT	Pedestal cover, RS seat, Tar
704349MN	Pedestal cover, CS seat, Moon
704349BT	Pedestal cover, CS seat, Tar

Cab captain's chairs come with the chassis. Airstream sends the chairs out to be recovered to match the motorhome color scheme.

Sofa



704341-01	Sofa, Murphy-Mate, Moon w/White thread
704341-02	Sofa, Murphy-Mate, Tar w/Charcoal thread
602644	Top, Sofa fold down, Solid surface

2018 ATLAS UPHOLSTERY, ULTRALEATHER

Décor Board

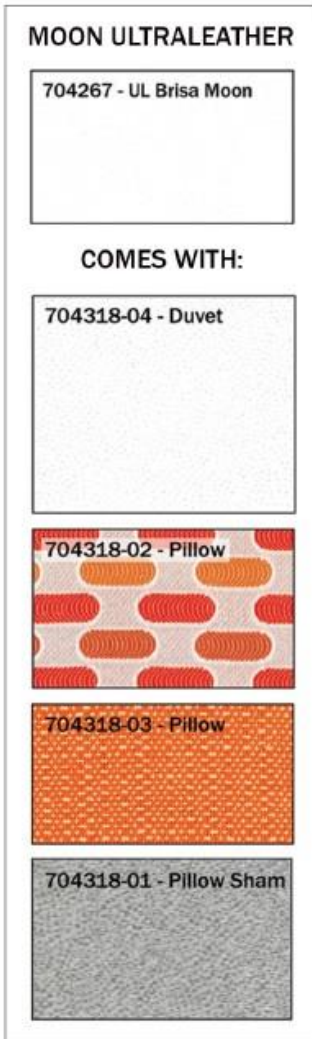
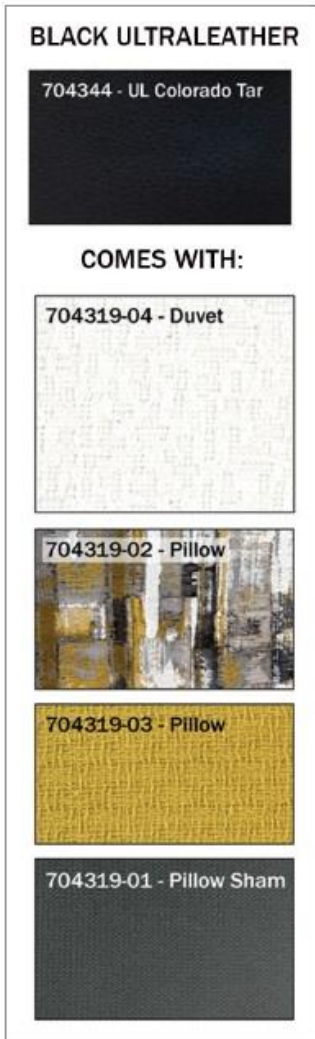
LAMINATE



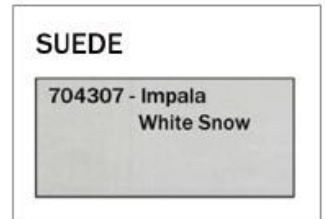
>



ULTRALEATHER



STANDARD:



2018 ATLAS VENTS AND SKYLIGHT

Black Tank Vent

690700-01 Tank vent cap, White
382337 Gasket, Vent cap

Roof Vent

382240 Vent exhaust, Fantastic fan
382467-01 Gasket, Exhaust fan

Skylight

513041 Dometic Midi Heki skylight
513041-01 Mounting blocks
203890 Trim ring, Heki sunroof

2018 ATLAS

PANELING, EDGEBANDING, LAUAN

Paneling

801438	Lauan, 2.7mm, Frost White/Raw
801392	Paneling, Pre-laminated, 12mm, White liner/White liner
801982-01	Laminate, Vertical, C. Walnut
801992	Laminate, Brushed Aluminum Mesh
802082	Laminate, Vertical, Lt Walnut
801984-01	Pre-laminated panel, 12mm, C. Walnut/C. Walnut
801983-01	Pre-laminated panel, 18mm, C. Walnut/C. Walnut
802086	Pre-laminated panel, 12mm, Walnut/Walnut
802087	Pre-laminated panel, 18mm, Lt Walnut/Lt Walnut
802112	Pre-laminated panel, 1/8", Elevated Ebony
802113	Pre-laminated panel, 1/8", Light Walnut
802115	Pre-laminated panel, .5", Light Walnut/Slate Cement
802126	Pre-laminated panel, 1/8", Aluminum Mesh/Raw
802183	Laminate, Vertical, Angel White
802185	Pre-laminated panel, 12mm, Lt Walnut/White Liner
802186	Laminate, Vertical, Ingot Gray
802193	Pre-laminated panel, 18mm, Lt Walnut/Ingot Gray
802150	Panel, Shower surround, 60 x 80, White
802233	Panel, 4' x 8', Azdel Composite

Edgebanding

365379-01	Edgebanding, 5/8", Columbian Walnut
365379-02	Edgebanding, 15/16", Columbian Walnut
365379-03	Edgebanding, 1.25", Columbian Walnut
365414-02	Edgebanding, .94", Ingot Gray
365398-01	Edgebanding, .63", Light Walnut
365398-02	Edgebanding, .94", Light Walnut
365398-03	Edgebanding, 1.25", Light Walnut

Lauan

800507-01	Lauan, 1/8 x 4' x 8'
800507-02	Lauan, 1/4 x 4' x 8'
800507-03	Lauan, 3/8 x 4' x 8'

Plywood

800506-04	Plywood, .5 x 4' x 8'
-----------	-----------------------

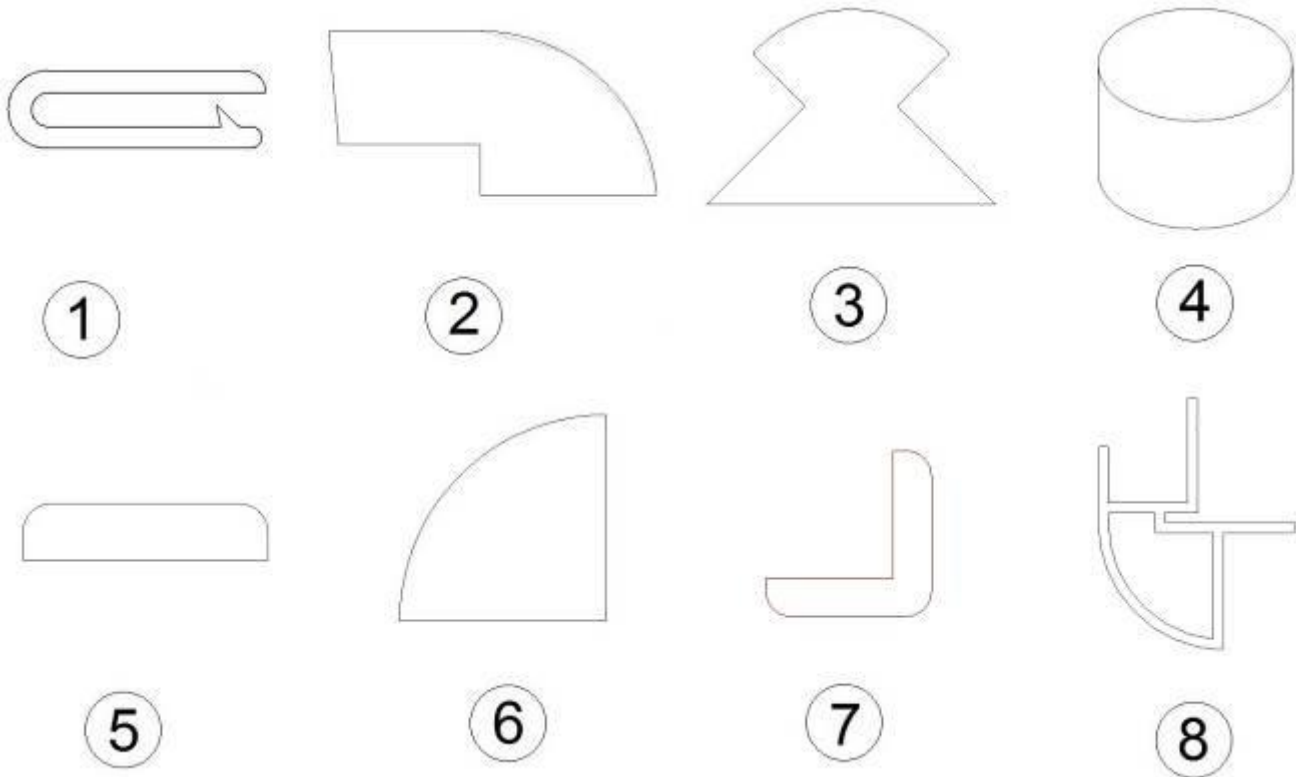
2018 ATLAS

801351

Plywood, Lite, .75 x 4' x 8'

2018 ATLAS TRIMS

Trim



- | | |
|--|--|
| 1. 203225-01 | Trim lock, .75", Gray |
| 2. 801706-002
801706-0033 | Corner trim, 90°, 1" radius, Columbian Walnut
Corner trim, 90°, 1" radius, Beachwood |
| 3. 801415-002
801415-0033 | Corner trim, 45°, 1" radius, Columbian Walnut
Corner trim, 45°, 1" radius, Beachwood |
| 4. 801818-002
801818-0033 | Wood plug, 3/8", Tapered, Columbian Walnut
Wood plug, 3/8", Tapered, Beachwood |
| 5. 800573-012
800573-0133 | Flat molding, Columbian Walnut
Flat molding, Beachwood |
| 6. 800638-0102
800638-0133 | Molding, Quarter round, .5", Columbian Walnut
Molding, Quarter round, .5", Beachwood |
| 7. 802110-002
802110-0033 | Molding, Pocket door end trim, Columbian Walnut
Molding, Pocket door end trim, Beachwood |
| 8. 115679
203462-012
203462-0133
203440
203845
203846
968686 | Extrusion, Corner trim, .5"
Screw cap cover, PVC, Walnut
Screw Cap Cover, PVC, Beachwood
T-molding, 13/16", Black Embossed
T-Molding, 13/16", Tan Embossed
T-Molding, 13/16", Brown Embossed
Slide-out room Fascia |