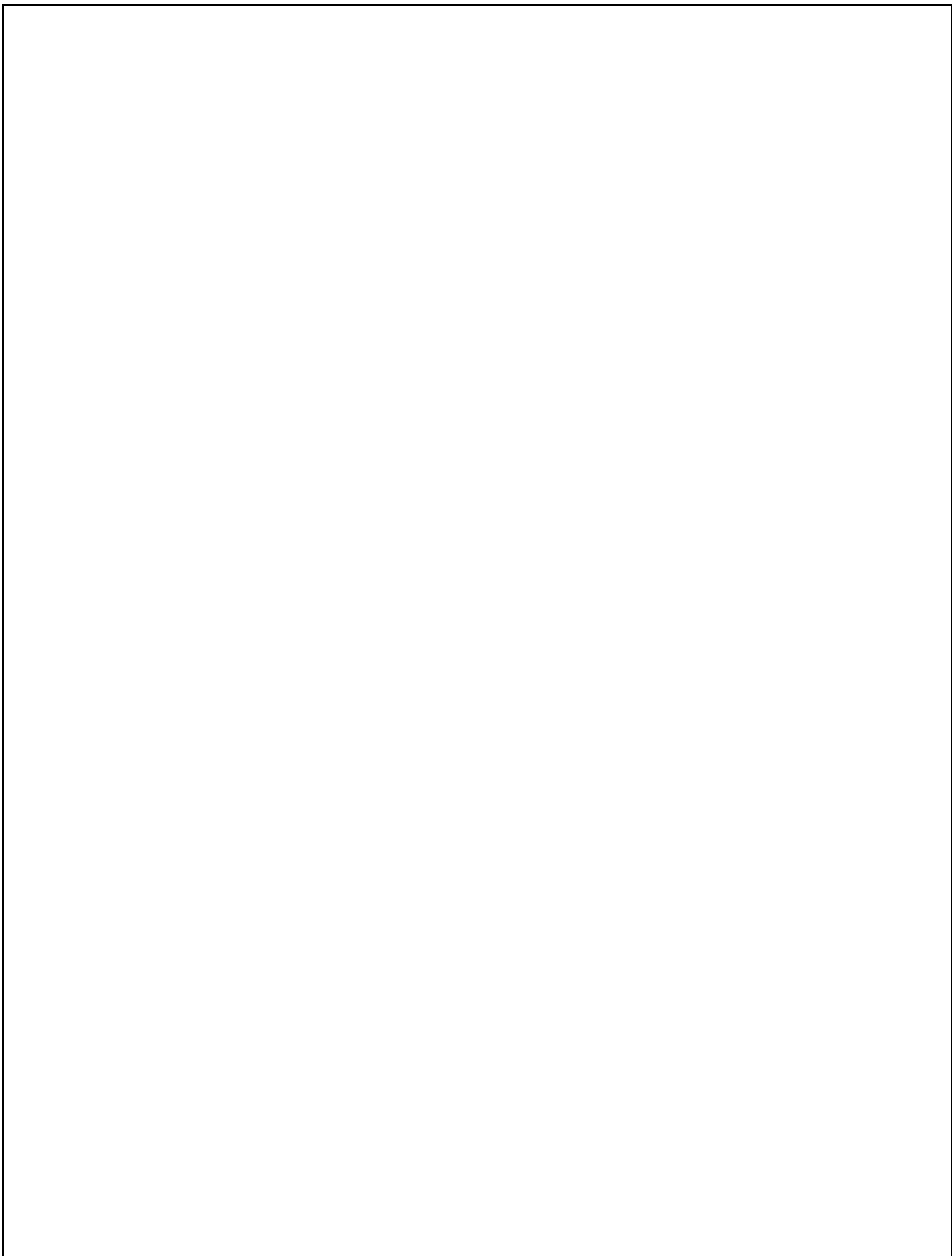




# **2017 CLASSIC**

# **Parts Book**





# 2017 CLASSIC

## SECTION I

### APPLIANCE

<u>Air Conditioner</u> .....	I-1
<u>Air Conditioner Drain Kit</u> .....	I-1
<u>Air Conditioner Deflector</u> .....	I-1
<u>Refrigerator</u> .....	I-1
<u>Furnace &amp; Water Heater</u> .....	I-2
<u>Microwave</u> .....	I-2
<u>Range &amp; Cooktop</u> .....	I-2

### EXTERIOR SHELL

<u>Front End, 30'</u> .....	I-3
<u>Front End, 33FB</u> .....	I-5
<u>Aft End, 30'</u> .....	I-7
<u>Aft End, 33FB</u> .....	I-9
<u>RS Wall, 30'</u> .....	I-11
<u>CS Wall, 30'</u> .....	I-13
<u>RS Wall, 33FB</u> .....	I-15
<u>CS Wall, 33FB</u> .....	I-17
<u>Roof</u> .....	I-19
<u>Wrap Protector</u> .....	I-20

### INTERIOR SHELL

<u>Interior Skin</u> .....	I-21
<u>Interior Shell Trim</u> .....	I-21
<u>Galley Back Splash</u> .....	I-21
<u>Interior Wheel Well Liner</u> .....	I-21

# 2017 CLASSIC

## SECTION I

### CHASSIS

<u>Axles</u> .....	I-22
<u>Shocks</u> .....	I-22
<u>Tires &amp; Wheels</u> .....	I-22
<u>Spare Tire &amp; Wheel</u> .....	I-22
<u>Stabilizing Jacks, Power</u> .....	I-22
<u>Bumper End Caps</u> .....	I-23
<u>Bumper</u> .....	I-23
<u>Battery Box Lid</u> .....	I-23
<u>Hose carrier</u> .....	I-23
<u>Utility Compartment, 30'</u> .....	I-24
<u>Utility Compartment, 33FB</u> .....	I-24
<u>Power Jack, Atwood</u> .....	I-25
<u>Step</u> .....	I-26

### DECALS, EXTERIOR TRIM

<u>Decals &amp; Medallions</u> .....	I-27
<u>Belt Line Trim</u> .....	I-27
<u>Rub Rail Trim</u> .....	I-27
<u>Reflectors</u> .....	I-27
<u>Main Door Threshold</u> .....	I-27

# 2017 CLASSIC

## SECTION II

### EXTERIOR DOORS, WINDOWS, AWNINGS

<u>Main Door, LH Hinge</u> .....	II-1
<u>Main Door, RH Hinge</u> .....	II-3
<u>Screen Door</u> .....	II-5
<u>Refrigerator Access Door</u> .....	II-7
<u>Trunk Door, Rear End, 30'</u> .....	II-7
<u>Trunk Door, Rear End, 33FB</u> .....	II-7
<u>Side Access Door, Long</u> .....	II-7
<u>Fresh Water Tank Fill</u> .....	II-8
<u>Exterior Shower</u> .....	II-8
<u>Utility &amp; Power Cord Doors</u> .....	II-8
<u>Windows, 30'</u> .....	II-9
<u>Windows, 33FB</u> .....	II-9
<u>Window Screen Assembly</u> .....	II-10
<u>Vista View Windows, 18"</u> .....	II-10
<u>Vista View Windows, 30"</u> .....	II-10
<u>Window Trim Rings</u> .....	II-11
<u>Window Trim, Panoramic</u> .....	II-11
<u>Window, Parts Diagram</u> .....	II-12
<u>Window Stone Guard</u> .....	II-14
<u>Awnings, Windows</u> .....	II-15
<u>Power Awnings, Patio</u> .....	II-15

### DRAPES, SHADES

<u>Shades &amp; Window Boxes, 30'</u> .....	II-16
<u>Shades &amp; Window Boxes, 33FB</u> .....	II-19
<u>Drapes &amp; Shades Hardware</u> .....	II-21

# 2017 CLASSIC

## SECTION II

### ELECTRICAL

#### 110 Volt

<u>Shoreline Cord &amp; Inlet</u> .....	II-22
<u>Power Converter</u> .....	II-22
<u>Breakers &amp; Breaker Box</u> .....	II-22
<u>Junction Boxes</u> .....	II-22
<u>Inverter</u> .....	II-23
<u>Receptacles</u> .....	II-23

#### 12 Volt

<u>Battery</u> .....	II-24
<u>7-way Cable</u> .....	II-24
<u>Breakaway Switch</u> .....	II-24
<u>Tank Monitor System</u> .....	II-24
<u>Wireless Backup Camera</u> .....	II-24
<u>Door Bell</u> .....	II-25
<u>USB Ports</u> .....	II-25
<u>License Plate</u> .....	II-25
<u>Firefly System</u> .....	II-25
<u>Firefly Control Panels, 30'</u> .....	II-26
<u>Firefly Control Panels, 33FB</u> .....	II-27
<u>Solar Charging System</u> .....	II-28
<u>Breakers</u> .....	II-28
<u>Fuses</u> .....	II-28
<u>Interior Lights</u> .....	II-29
<u>Exterior Lights</u> .....	II-29
<u>Tail Lights</u> .....	II-30

### ENTERTAINMENT

<u>Audio</u> .....	II-31
<u>Video</u> .....	II-31
<u>Projector and Sound System</u> .....	II-32
<u>Blu-Ray Player</u> .....	II-32
<u>Flat Screen TV, 32"</u> .....	II-32
<u>Bedroom TV, 24"</u> .....	II-32

# 2017 CLASSIC

## SECTION III

### FLOOR COVERINGS

<u>Floor Coverings</u> .....	III-1
<u>Furniture &amp; Cushion Batting</u> .....	III-1

### FURNITURE

#### INTERIOR DOORS, DRAWER BOXES, SLIDES, & MIRRORS

<u>Roof Locker Doors</u> .....	III-2
<u>Shower Door</u> .....	III-2
<u>Foldette Door</u> .....	III-2
<u>Drawer Boxes</u> .....	III-3
<u>Drawer Slides</u> .....	III-3
<u>Mirrors</u> .....	III-3

#### BEDROOM

<u>Bed, Queen</u> .....	III-4
<u>Bed, Twin, Roadside</u> .....	III-8
<u>Bed, Twin, Curbside</u> .....	III-12
<u>Headboards</u> .....	III-16
<u>Bedroom Walls</u> .....	III-18
<u>Bedroom Pocket Door, RS</u> .....	III-24
<u>Bedroom Pocket Door, CS</u> .....	III-26
<u>Nightstands</u> .....	III-28
<u>Roof Lockers</u> .....	III-34
<u>Wardrobes</u> .....	III-40
<u>Trunk Storage</u> .....	III-44
<u>Convactor Cover</u> .....	III-48

#### LAVATORY

<u>Bath Module</u> .....	III-49
<u>Lavatory Door</u> .....	III-57
<u>Shower Compartment</u> .....	III-61
<u>Shower Wall</u> .....	III-63
<u>Lavatory Cabinets</u> .....	III-65
<u>Lavatory Overhead</u> .....	III-76
<u>Credenza</u> .....	III-78
<u>Medicine Cabinet</u> .....	III-81
<u>Wardrobe</u> .....	III-83

# 2017 CLASSIC

## SECTION III

### GALLEY

<u>Galley Cabinets, 30'</u> .....	III-93
<u>Galley Cabinets, 33FB</u> .....	III-104
<u>Refrigerator Cabinets</u> .....	III-113
<u>Refrigerator TV Wall</u> .....	III-117
<u>Pantry</u> .....	III-119
<u>Magazine Rack</u> .....	III-127
<u>Fire Extinguisher Rack</u> .....	III-127
<u>Dinette table</u> .....	III-128
<u>Dinette Seat</u> .....	III-129
<u>Roof Lockers</u> .....	III-131

### LOUNGE

<u>Entertainment Desk</u> .....	III-135
<u>Desk Cabinet</u> .....	III-140
<u>Projector Overhead</u> .....	III-142
<u>Desk Overhead</u> .....	III-144

### HARDWARE

<u>Main Door Lock, Left Hand Hinge</u> .....	III-146
<u>Exterior Latches, Locks, &amp; Handles</u> .....	III-147
<u>Window Hardware</u> .....	III-148
<u>Hinges</u> .....	III-148
<u>Interior Latches &amp; Handles</u> .....	III-149
<u>Bath Accessories</u> .....	III-150
<u>Shower Accessories</u> .....	III-150
<u>Wardrobe Cabinets</u> .....	III-150
<u>Waste Basket</u> .....	III-150
<u>Alde Hardware</u> .....	III-150
<u>Awning Hardware</u> .....	III-151
<u>Rivets</u> .....	III-153
<u>Screws</u> .....	III-153

### SAFETY EQUIPMENT

<u>Detectors &amp; Fire Extinguishers</u> .....	III-154
---	---------

### LABELS & TAGS

<u>Labels and Tags</u> .....	III-155
<u>Labels and Tags, CSA</u> .....	III-156



# 2017 CLASSIC

## SECTION IV

### PLUMBING

#### ALDE SYSTEM

<u>Alde Systems, 30'</u> .....	IV-1
<u>Alde Systems, 33FB</u> .....	IV-3

#### LPG SYSTEMS

<u>LP Tank &amp; Cover</u> .....	IV-5
<u>Propane Port, Exterior</u> .....	IV-5
<u>LPG Systems</u> .....	IV-6

#### FRESH WATER

<u>Fresh Water Tank</u> .....	IV-8
<u>Fresh Water Tank Fill</u> .....	IV-8
<u>City Water Hook-up</u> .....	IV-8
<u>Water Pump</u> .....	IV-8
<u>Fresh Water Lines</u> .....	IV-9
<u>Fresh Water Fittings</u> .....	IV-11
<u>Faucets</u> .....	IV-12

#### DRAIN SYSTEMS

<u>Sinks</u> .....	IV-18
<u>Shower Stall</u> .....	IV-18
<u>Black Tank Flush</u> .....	IV-19
<u>Grey and Black Tanks</u> .....	IV-19
<u>Holding Tank Pan Closeout</u> .....	IV-19
<u>Styrofoam Insulation, Tank Pans</u> .....	IV-19
<u>Dump Valve System</u> .....	IV-20
<u>Drainage System Layouts</u> .....	IV-21
<u>Drain Fittings</u> .....	IV-23
<u>Toilets</u> .....	IV-24

### SEALERS, GASKETS, PAINT

<u>Sealers</u> .....	IV-27
<u>Gaskets &amp; Tapes</u> .....	IV-27
<u>Paint</u> .....	IV-27

# 2017 CLASSIC

## SECTION IV

### BEDDING, PILLOWS, MATTRESSES

<u>Bedding &amp; Throw Pillows, Twin Beds</u> .....	IV-28
<u>Bedding &amp; Throw Pillows, Queen Bed</u> .....	IV-28
<u>Pillow, Bed</u> .....	IV-28
<u>Mattress &amp; Sheets, Twin Beds</u> .....	IV-28
<u>Mattress &amp; Sheets, Double Bed</u> .....	IV-28

### UPHOLSTERY, FOAM, ULTRALEATHER

<u>Sofa</u> .....	IV-29
<u>Dinette Seat Kit</u> .....	IV-29
<u>Ultraleather Fabrics</u> .....	IV-29
<u>Chairs</u> .....	IV-29

### VENTS, FANS

<u>Vent, Bath</u> .....	IV-30
<u>Vent, Range</u> .....	IV-30
<u>Vent, Refrigerator</u> .....	IV-30
<u>Vent, Black Tank</u> .....	IV-30
<u>Vent, Roof</u> .....	IV-30

### SKYLIGHTS

<u>Skylight, Lounge</u> .....	IV-31
<u>Skylight, Bath</u> .....	IV-31

### PANELING, EDGEBANDING, LAUAN

<u>Paneling</u> .....	IV-32
<u>Edgebanding</u> .....	IV-32
<u>Lauan</u> .....	IV-32
<u>Plywood</u> .....	IV-32

### TRIMS

<u>Trim</u> .....	IV-33
-------------------	-------

## 2017 CLASSIC APPLIANCES

### Air Conditioner

690323-48	Air conditioner w/heat pump, 15,000 BTU, 30'
690323-47	Air conditioner w/heat pump, 13,500 BTU, 30'
690323-55	Air conditioner w/heat pump, 13,500 BTU, 33FB
690323-56	Air conditioner w/heat pump, 15,000 BTU, 33FB
690323-44	Comfort control center II thermostat, White
690323-52	Comfort control center II thermostat, Black
115635	Bracket, Short, A/C mounting
115634	Bracket, Long, A/C mounting
382276-01	Register, Adjustable direction, Brushed
382234-01	Grill, Return air, Snap-in, Brushed Stainless Steel, 30'
382236	Filter, Return air, 30'
382341	Grille, Return air, Snap-in, 33FB
382342	Filter, Wire mesh, 33FB

### Air Conditioner Drain Kit

203724	Kit, A/C drain
203722	Gasket, A/C drain

### Air Conditioner Deflector

104948	Air deflector, A/C to refrigerator vent
--------	---

### Refrigerator

690628	Refrigerator, LH, 9 CF, 30'
690628-01	Refrigerator, RH, 9CF, 33FB
381830	Wiper, Rubber

## 2017 CLASSIC APPLIANCES

### Furnace & Water Heater

943794-01	Alde system, Queen, 30'
943828-01	Alde system, Queen, 33FB
943794-02	Alde system, Twin, 30'
943828-02	Alde system, Twin, 33FB
602541-01	Alde 3010 heater w/pump
968404-01	Alde convector cover, 59.375"
968404-02	Alde convector cover, 60.5"
968404-03	Alde convector cover, 40"
968404-04	Alde convector cover, 16.5"
968404-05	Alde convector cover, 26"
602541-20	Control panel, Color touch
602541-22	Remote sensor
602541-30	Alde high temp mixing valve
602541-31	Safety drain valve
602541-32	Water connection kit
99900P-2202	Wall flue, Alde, Black
382354	Gasket, Alde flue
602394-03	Register, 4", Black
602394-04	2" adapter, Black
600247	4" duct hose, Flexible
600193	2" duct, Flexible hose
968151	Stand assembly, Furnace

### Microwave

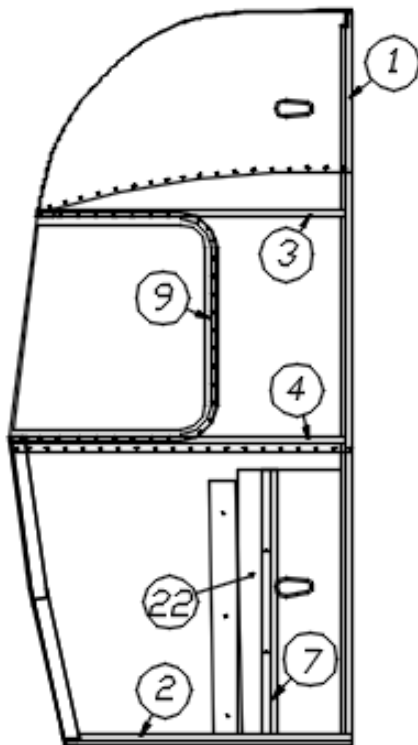
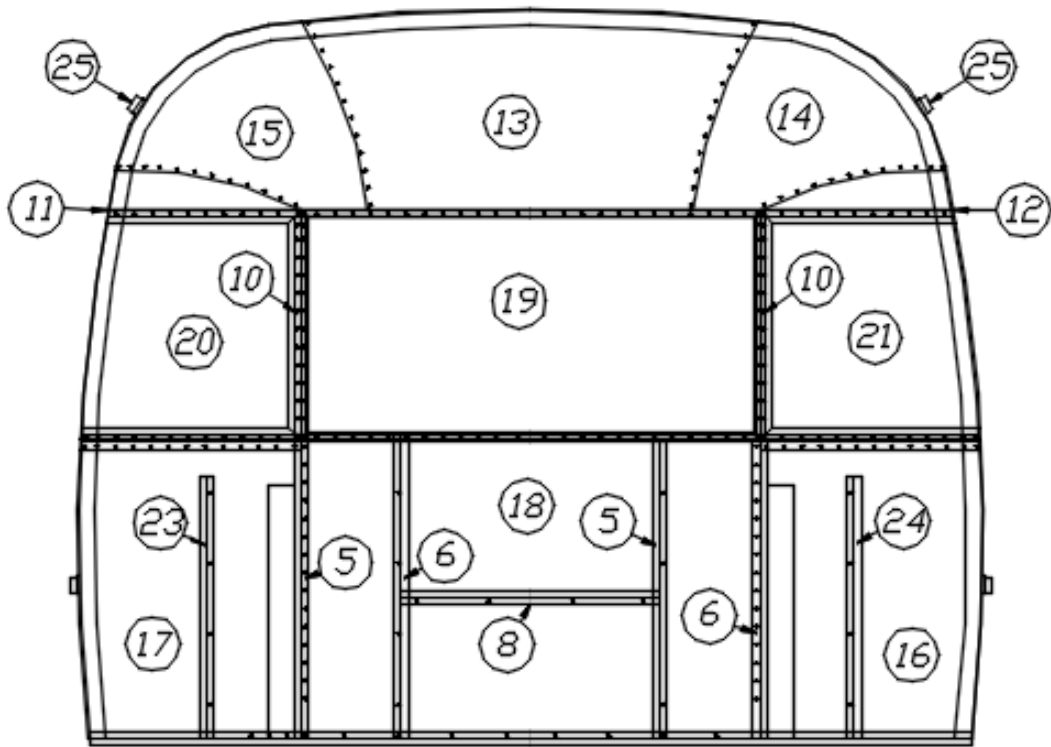
690657-05	Microwave, Convection, 1.1 CF, SS w/trim, Contoure
690605-03	Microwave, Convection, Cuisinart, SS
690605-04	Trim ring, SS

### Range & Cooktop

690672-01	Cooktop w/3 burner, Stainless w/glass top, Dometic
690672-02	Oven w/3 burner, Stainless w/glass top, Dometic
512210	Range hood, Baraldi
115573	Exterior range vent, Stainless Steel
115175	Duct, Range exhaust transition
454590	Extension, Range vent

# 2017 CLASSIC EXTERIOR SHELL

Front End, 30'



Parts Listed on Next Page

## 2017 CLASSIC EXTERIOR SHELL

### Front End, 30'

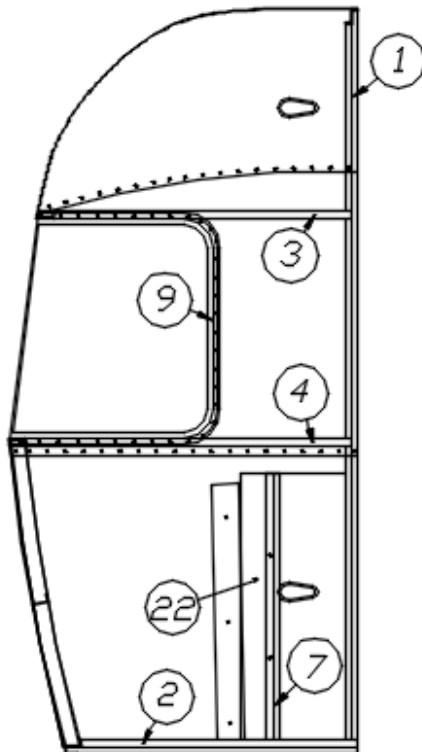
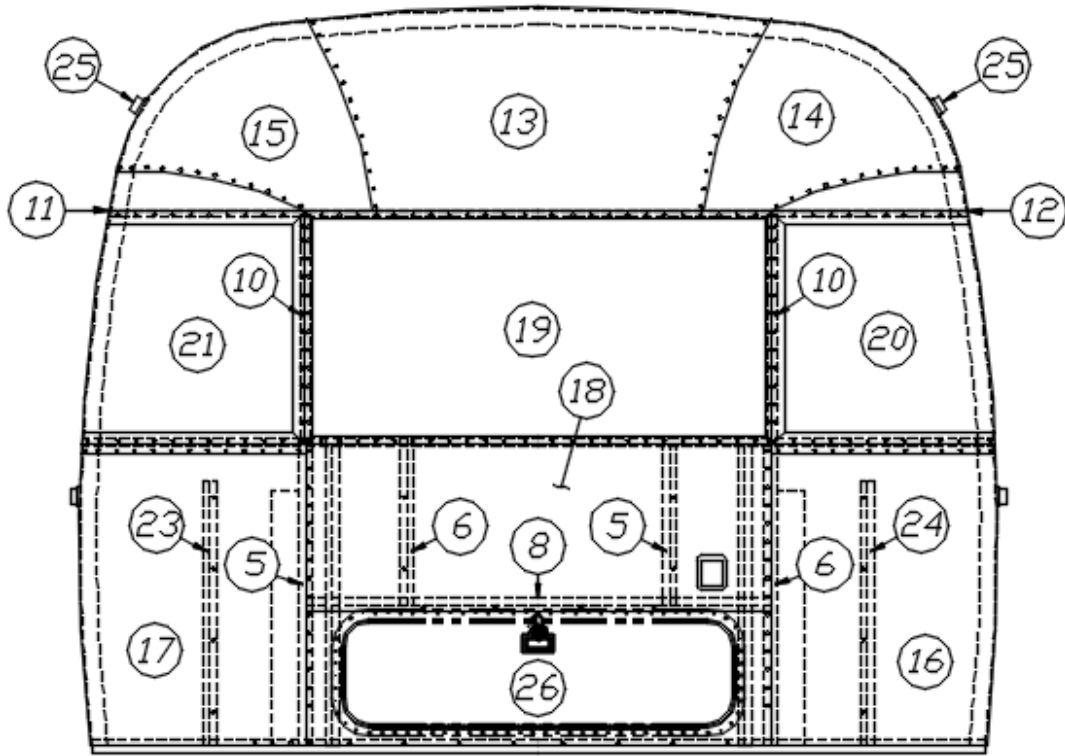
923100

Front End Shell

1. 114993 End bow
2. 114676 Floor bow
3. 114678 Upper window bow
4. 114677 Lower window bow
5. 114505-01 Support, Lower end, LH
6. 114505-02 Support, Lower end, RH
7. 101315 Brace, Vertical rear
8. 104408 Z-bar
9. 100029 Trim, Wrap around window
10. 454910 Support, Wrap window
11. 114888 Segment, Center left
12. 114889 Segment, Center right
13. 114893 Segment, #25
14. 114890 Segment, #26
15. 114891 Segment, #27
16. 114894 Segment, #28
17. 114895 Segment, #29
18. 114880-307 Aluminum sheet, .04" x 51" x 307"
19. 371346-02 Window, Front, Dark glass
20. 372089-101 Panoramic window, CS front
21. 372088-101 Panoramic window, RS front
22. 114849-06 Aluminum sheet, .06" x 36", 8', Black
23. 101315-01 Vertical brace, Rear, LH
24. 101315-02 Vertical brace, Rear, RH
25. 512859 Amber LED clearance light

# 2017 CLASSIC EXTERIOR SHELL

Front End, 33FB



Parts Listed on Next Page

## 2017 CLASSIC EXTERIOR SHELL

### Front End, 33FB

923100-01

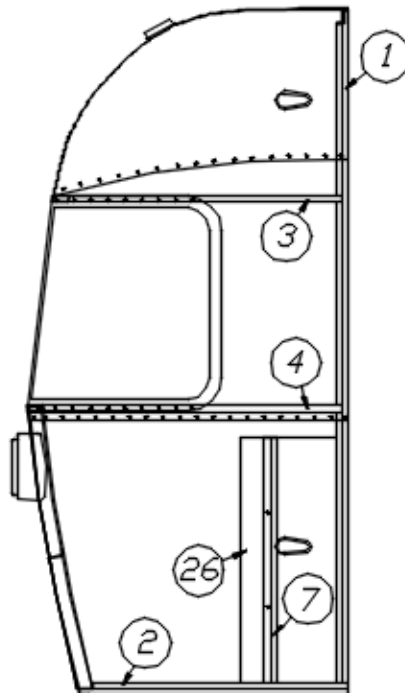
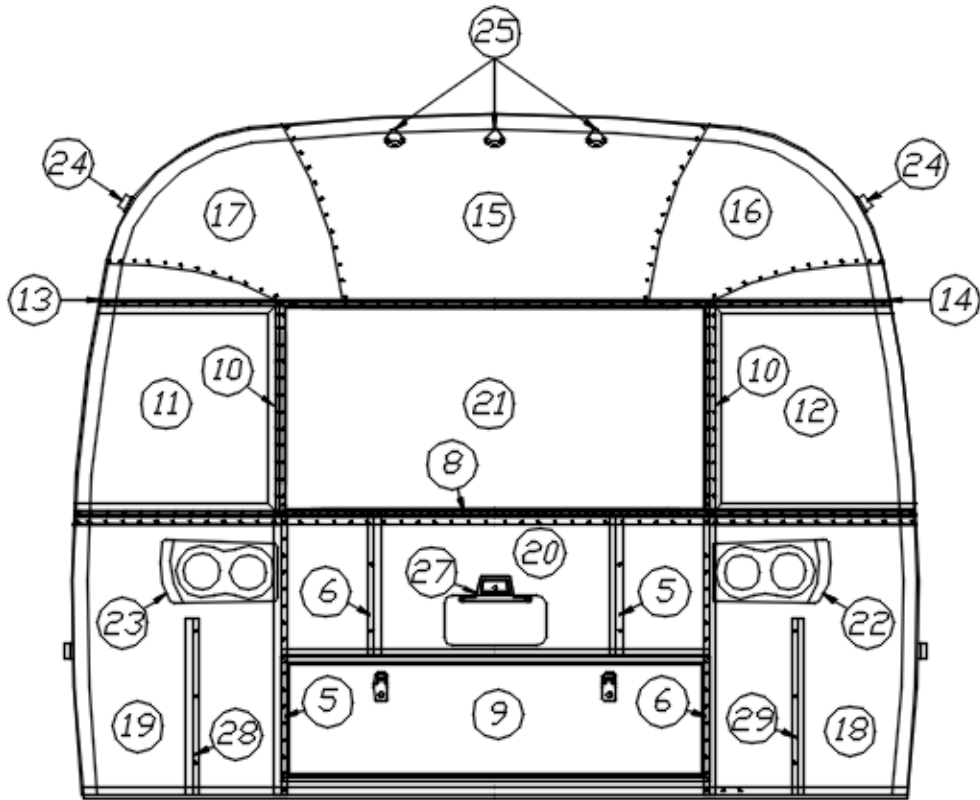
Front End Shell w/Trunk Door

- |     |            |                                       |
|-----|------------|---------------------------------------|
| 1.  | 114993     | End bow                               |
| 2.  | 114676     | Floor bow                             |
| 3.  | 114678     | Upper window bow                      |
| 4.  | 114677     | Lower window bow                      |
| 5.  | 114505-01  | Support, Lower end, LH                |
| 6.  | 114505-02  | Support, Lower end, RH                |
| 7.  | 101315     | Brace, Vertical rear                  |
| 8.  | 104408     | Z-bar                                 |
| 9.  | 100029     | Trim, Wrap around window              |
| 10. | 454910     | Support, Wrap window                  |
| 11. | 114888     | Segment, Center left                  |
| 12. | 114889     | Segment, Center right                 |
| 13. | 114893     | Segment, #25                          |
| 14. | 114890     | Segment, #26                          |
| 15. | 114891     | Segment, #27                          |
| 16. | 114894     | Segment, #28                          |
| 17. | 114895     | Segment, #29                          |
| 18. | 114880-307 | Aluminum sheet, .04" x 51" x 307"     |
| 19. | 371346-02  | Window, Front, Dark glass             |
| 20. | 372088-101 | Panoramic window, RS front            |
| 21. | 372089-101 | Panoramic window, CS front            |
| 22. | 114849-06  | Aluminum sheet, .06" x 36", 8', Black |
| 23. | 101315-01  | Vertical brace, Rear, LH              |
| 24. | 101315-02  | Vertical brace, Rear, RH              |
| 25. | 512859     | Amber LED clearance light             |
| 26. | 922288-02  | Trunk door                            |



# 2017 CLASSIC EXTERIOR SHELL

Aft End, 30'



Parts Listed on Next Page

## 2017 CLASSIC EXTERIOR SHELL

Aft End, 30'

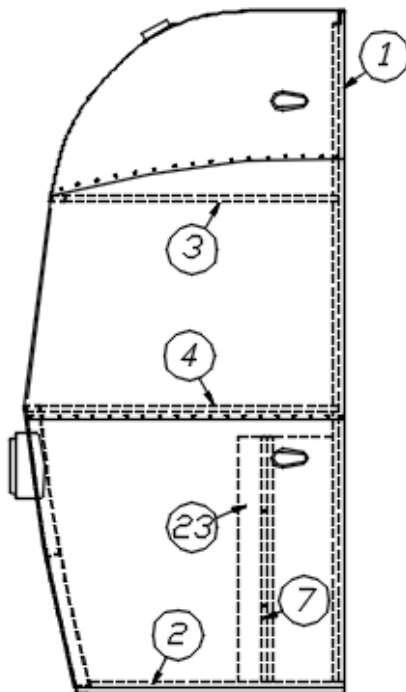
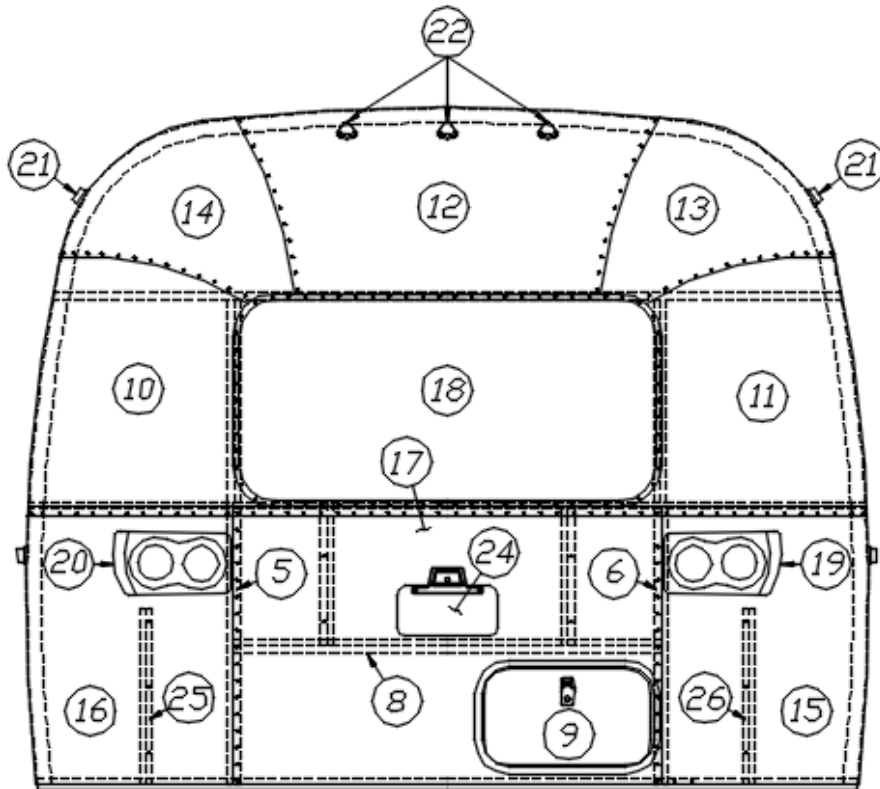
923176

Aft End Shell

1. 114993 End bow
2. 114676 Floor bow
3. 114678 Upper window bow
4. 114677 Lower window bow
5. 114505-01 Support, Lower end, LH
6. 114505-02 Support, Lower end, RH
7. 101315 Brace, Vertical rear
8. 104408 Z-bar
9. 921159 Trunk door assembly
10. 454910 Support, Wrap window
11. 372089-101 window, Rear corner wrap, RS
12. 372088-101 window, Rear corner wrap, CS
13. 114888 Segment, Center left
14. 114889 Segment, Center right
15. 114893 Segment, #25
16. 114890 Segment, #26
17. 114891 Segment, #27
18. 114894 Segment, #28
19. 114895 Segment, #29
20. 114880-307 Aluminum sheet, .04" x 51" x 307"
21. 371346-02 Window, Rear
22. 968188-01 Taillight assembly, CS
23. 968188-02 Taillight assembly, RS
24. 512860 Red LED clearance light
25. 512928 Curved bezel w/gasket, Required for 3 top lights
26. 114849-06 Aluminum sheet, .06" x 36", 8', Black
27. 512409 License plate holder
28. 101315-03 Vertical brace, Rear, LH
29. 101315-04 Vertical brace, Rear, RH
- 115563 Casting, Tear drop light, Flat
- 115564 Casting, Tear drop light, Curved

# 2017 CLASSIC EXTERIOR SHELL

Aft End, 33FB



Parts Listed on Next Page

## 2017 CLASSIC EXTERIOR SHELL

### Aft End, 33FB

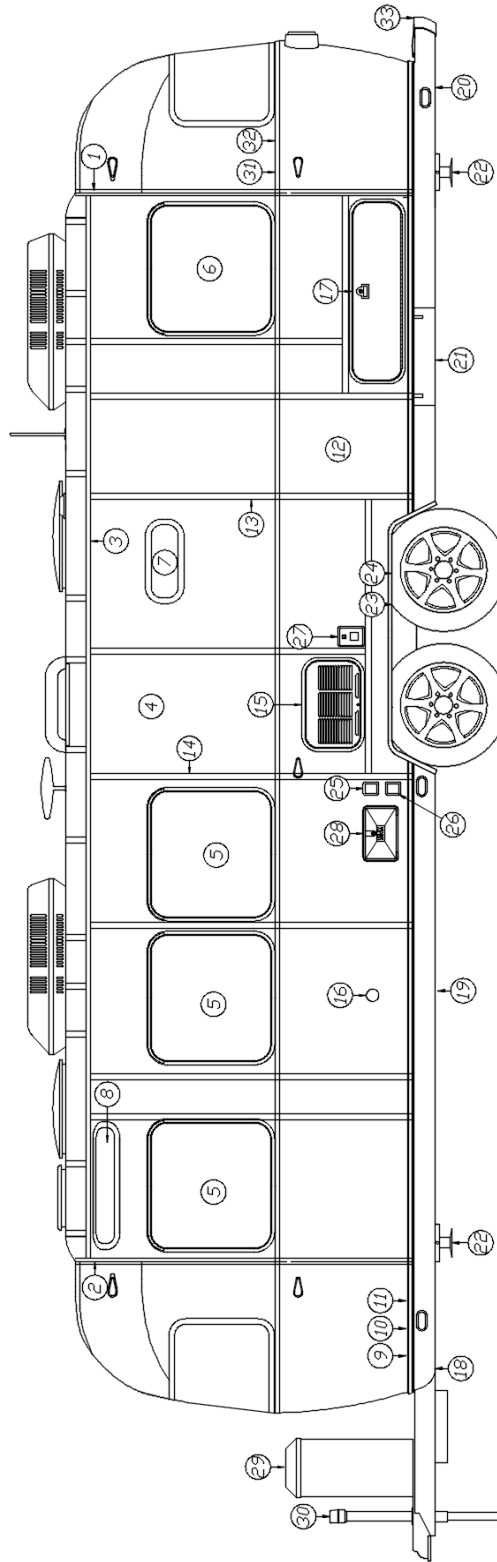
923314

#### Aft End Shell

1. 114993 End bow
2. 114676 Floor bow
3. 114678 Upper window bow
4. 114677 Lower window bow
5. 114505-01 Support, Lower end, LH
6. 114505-02 Support, Lower end, RH
7. 101315 Brace, Vertical rear
8. 104408 Z-bar
9. 100679-01 Side access door
10. 114888 Segment, Center left
11. 114889 Segment, Center right
12. 114893 Segment, #25
13. 114890 Segment, #26
14. 114891 Segment, #27
15. 114894 Segment, #28
16. 114895 Segment, #29
17. 114880-307 Aluminum sheet, .04" x 51" x 307"
18. 371348-02 Window, Rear opening
19. 968188-01 Taillight assembly, CS
20. 968188-02 Taillight assembly, RS
21. 512860 Red LED clearance light
22. 512928 Curved bezel w/gasket, Required for 3 top lights
23. 114849-06 Aluminum sheet, .06" x 36", 8', Black
24. 512409 License plate holder
25. 101315-03 Vertical brace, Rear, LH
26. 101315-04 Vertical brace, Rear, RH
- 115563 Casting, Tear drop light, Flat
- 115564 Casting, Tear drop light, Curved
- 382181 Gasket, Clearance light

# 2017 CLASSIC EXTERIOR SHELL

Wall, Roadside, 30'



Parts Listed on Next Page

## 2017 CLASSIC EXTERIOR SHELL

Wall, Roadside, 30'

923288S

Shell Assembly

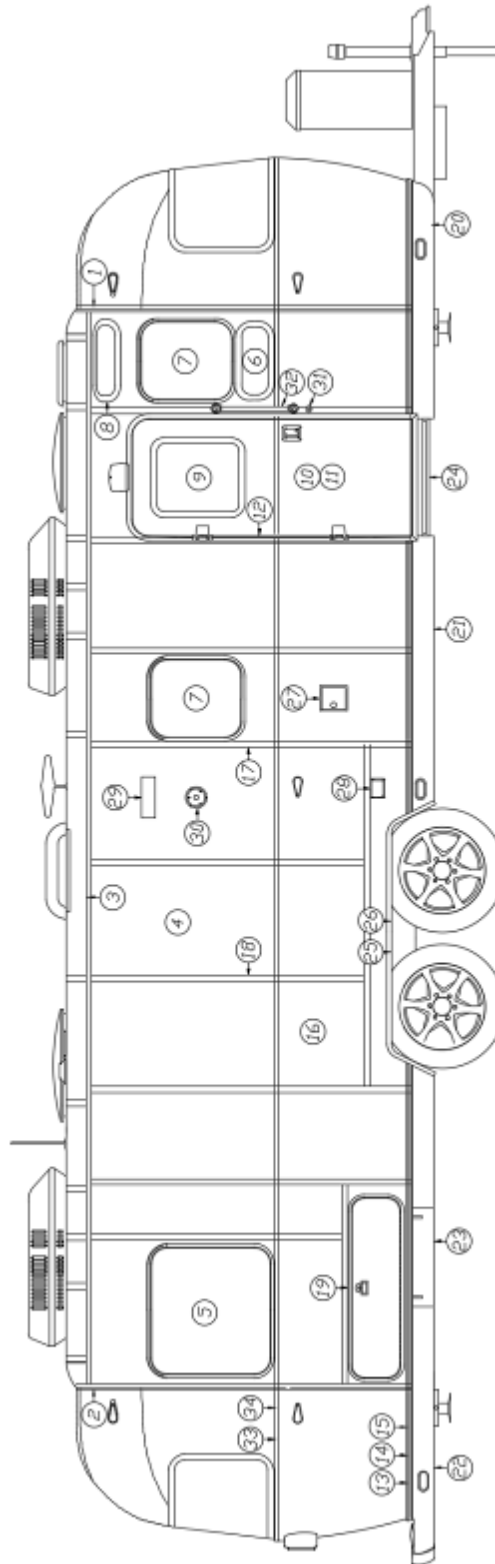
1. 114290-02 Extrusion, Awning/drip rail
2. 114993 End bow
3. 104707-06 Extrusion, "I" beam
4. 114880-262 Aluminum sheet, Upper, .04" x 51" x 262"
5. 371380 Window, 30" tall
6. 371380-01 Window, 30" tall, Egress
7. 371436 Window, 18" stacked
8. 371437-02 Vista view, 30"
9. 115546 Extrusion, Rub rail
10. 201763-100 Insert, Rub rail, 1", Chrome
11. 100986 Floor channel
12. 114879-262 Aluminum sheet, Lower, .04" x 33" x 262"
13. 114387-01 Bow, Z-rib, RH
14. 114387-02 Bow, Z-rib, LH
15. 923114 Refrigerator access door w/screen
16. 99900P-2202 Wall flue, Alde, Black
17. 922288-02 Door, Side access, Long, Twin only
18. 200542-02 Banana wrap, RS front, Black
19. 101131-02 Underbelly wrap, .024 x 22.5, Black
20. 200544-02 Wrap, Underbelly RS rear, Black
21. 114496-08 Door, Power cord compartment, Black
22. 401014 Power stabilizing jacks w/switch
23. 684936 Outer wheel well trim, Dual axle
24. 684937 Inner wheel well trim, Dual axle
25. \*513170 Dual inlet, TV/satellite, Stainless Steel
26. 511149-02 Power inlet w/strain relief
27. 115626 Water fill w/lock, Stainless Steel
28. 115627 Exterior shower, Stainless Steel
29. 921250 Gas tank cover, 40lbs
30. \*\*400961-04 Power jack, Atwood
31. 114328 Extrusion, Belt line molding
32. 201912-100 Molding, Belt line insert, Chrome
33. 411054 Rear bumper
- 453629 Hat section, Table support, 30"
- 100034 Z-bar, Horizontal frame member, Aluminum, 48"

\*Replaced 513089 in December 2016

\*\*Replaced 400961-02 in December 2016

# 2017 CLASSIC EXTERIOR SHELL

Wall, Curbside, 30'



Parts Listed on Next Page

## 2017 CLASSIC EXTERIOR SHELL

Wall, Curbside, 30'

923288S

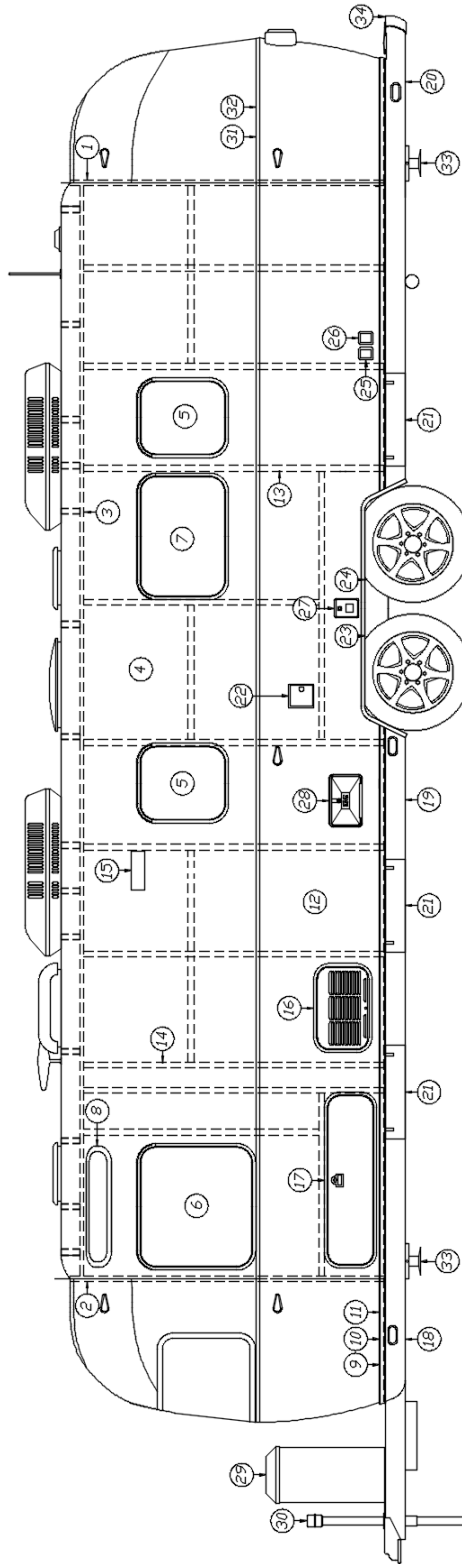
Shell Assembly

1. 114290-02 Extrusion, Awning/drip rail
  2. 114993 End bow
  3. 104707-06 Extrusion, "I" beam
  4. 114880-262 Aluminum sheet, Upper, .04" x 51" x 262"
  5. 371380 Window, 30" tall
  6. 371436 Window, 18" stack
  7. 371323-01 Window, 18" opening
  8. 371437-01 Vista view, 18"
  9. 371400-01 Window, Main door
  10. 115207 Main door assembly
  11. 114654 Screen door assembly
  12. 114652 Main door jamb, Formed
  13. 115546 Extrusion, Rub rail
  14. 201763-100 Insert, Rub rail, 1", Chrome
  15. 100986 Floor channel
  16. 114879-262 Aluminum sheet, Lower, .04" x 33" x 262"
  17. 114387-01 Bow, Z-rib, RH
  18. 114387-02 Bow, Z-rib, LH
  19. 922288-02 Door, Side access, Long, Twin only
  20. 200543-02 Banana wrap, CS front, Black
  21. 101131-02 Underbelly wrap, .024 x 22.5, Black
  22. 200545-02 Wrap, Underbelly CS rear, Black
  23. 114496-09 Door, Utility compartment, Black
  24. 3440006 Double step assembly
  25. 684936 Outer wheel well trim, Dual axle
  26. 684937 Inner wheel well trim, Dual axle
  27. 115640 Stabilizer jack switch box
  28. 512741 Water proof cover w/gasket, Gray
  29. 115573 Exterior range vent, Stainless Steel
  30. 512532 Utility light, LED
  31. 511957 Bezel, Round, Doorbell
  32. 511344-05 Grab handle, Clear swirl handle w/Blue LED bulb
  33. 114328 Extrusion, Belt line molding
  34. 201912-100 Molding, Belt line insert, Chrome
- 100034 Z-bar, Horizontal frame member, Aluminum, 48"



# 2017 CLASSIC EXTERIOR SHELL

Wall, Roadside, 33FB



Parts Listed on Next Page

## 2017 CLASSIC EXTERIOR SHELL

Wall, Roadside, 33FB

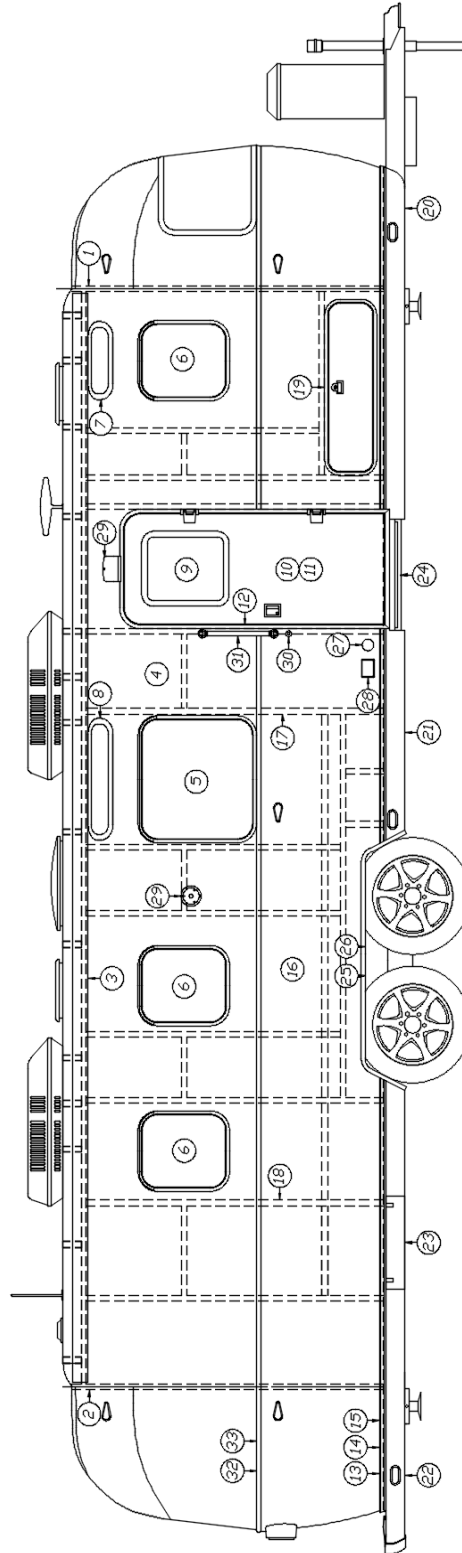
923310S

Shell Assembly

1. 114290-03 Extrusion, Awning/drip rail
2. 114993 End bow
3. 104707-06 Extrusion, "I" beam
4. 114880-307 Aluminum sheet, Upper, .04" x 51" x 307"
5. 371323-01 Window, 18", Opening
6. 371380-01 Window, 30" tall, Egress
7. 371324-02 Window, 30", Opening
8. 371437-02 Vista view, 30"
9. 115546 Extrusion, Rub rail
10. 201763-100 Insert, Rub rail, 1", Chrome
11. 100986 Floor channel
12. 114879-307 Aluminum sheet, Lower, .04" x 33" x 307"
13. 114387-01 Bow, Z-rib, RH
14. 114387-02 Bow, Z-rib, LH
15. 115573 Exterior range vent, Stainless Steel
16. 923114 Refrigerator access door w/screen
17. 922288-02 Door, Side access, Long, Twin only
18. 200542-02 Banana wrap, RS front, Black
19. 101131-02 Underbelly wrap, .024 x 22.5, Black
20. 200544-02 Wrap, Underbelly RS rear, Black
21. 114496-08 Door, Utility compartment, Black
22. 115640 Stabilizer jack switch box
23. 684936 Outer wheel well trim, Dual axle
24. 684937 Inner wheel well trim, Dual axle
25. 513170 Dual inlet, TV/satellite, Stainless Steel
26. 511149-02 Power inlet w/strain relief
27. 115626 Water fill w/lock, Stainless Steel
28. 115627 Exterior shower, Stainless Steel
29. 921250 Gas tank cover, 40lbs
30. 400961-04 Power jack, Atwood
31. 114328 Extrusion, Belt line molding
32. 201912-100 Molding, Belt line insert, Chrome
33. 401014 Power stabilizing jacks w/switch
34. 411054 Rear bumper
- 453629 Hat section, Table support, 30"
- 100034 Z-bar, Horizontal frame member, Aluminum, 48"

# 2017 CLASSIC EXTERIOR SHELL

Wall, Curbside, 33FB



Parts Listed on Next Page

## 2017 CLASSIC EXTERIOR SHELL

### Wall, Curbside, 33FB

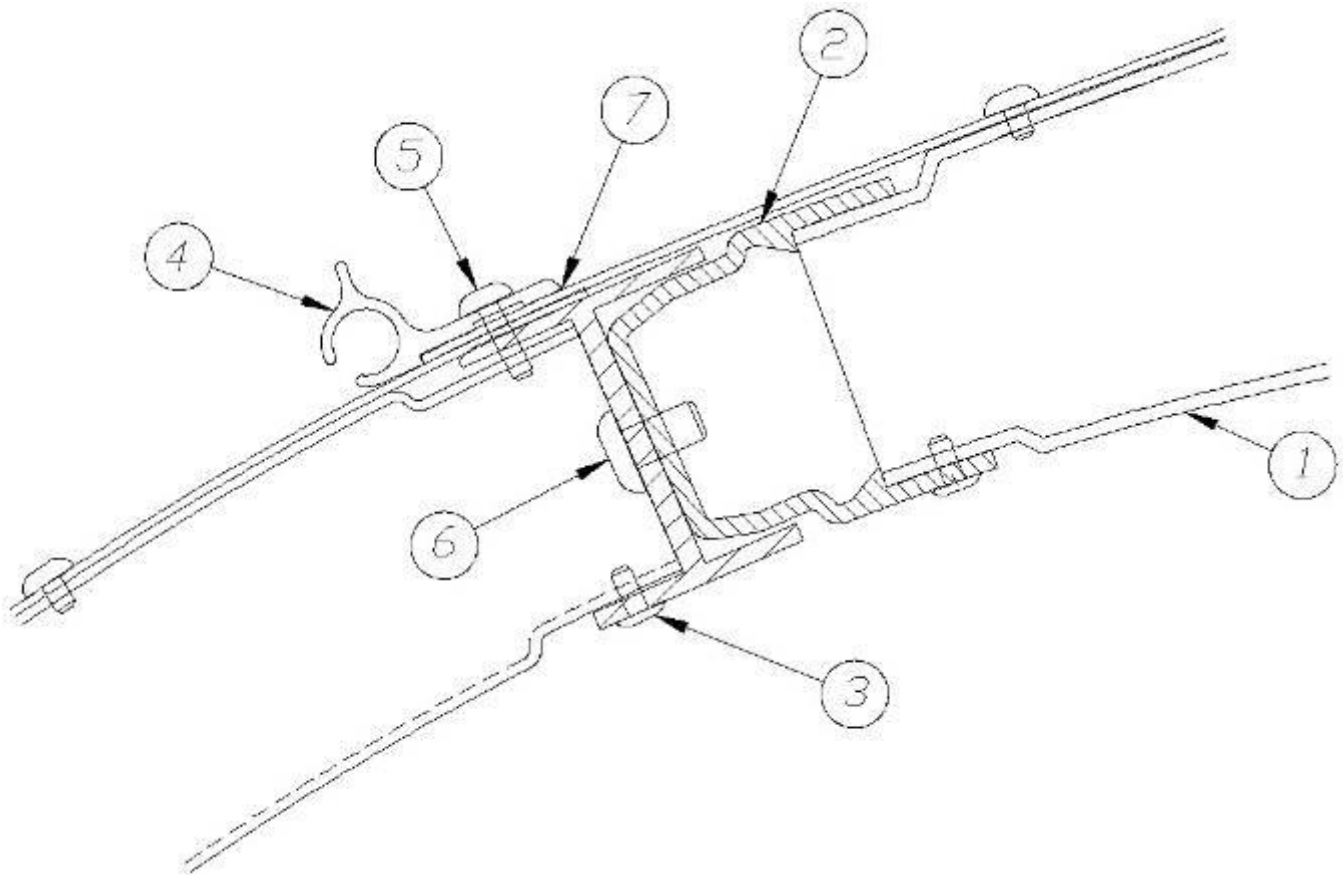
923310S

Shell Assembly

1. 114290-03 Extrusion, Awning/drip rail
  2. 114993 End bow
  3. 104707-06 Extrusion, "I" beam
  4. 114880-307 Aluminum sheet, Upper, .04" x 51" x 307"
  5. 371380 Window, 30" tall
  6. 371323-01 Window, 18" opening
  7. 371437-01 Vista view, 18"
  8. 371437-02 Vista view, 30"
  9. 371400-01 Window, Main door
  10. 115207-05 Main door assembly
  11. 114654 Screen door assembly
  12. 114652 Main door jamb, Formed
  13. 115546 Extrusion, Rub rail
  14. 201763-100 Insert, Rub rail, 1", Chrome
  15. 100986 Floor channel
  16. 114879-307 Aluminum sheet, Lower, .04" x 33" x 307"
  17. 114387-01 Bow, Z-rib, RH
  18. 114387-02 Bow, Z-rib, LH
  19. 922288-02 Door, Side access, Long, Twin only
  20. 200543-02 Banana wrap, CS front, Black
  21. 101131-02 Underbelly wrap, .024 x 22.5, Black
  22. 200545-02 Wrap, Underbelly CS rear, Black
  23. 114496-09 Door, Utility compartment, Black
  24. 3440006 Double step assembly
  25. 684936 Outer wheel well trim, Dual axle
  26. 684937 Inner wheel well trim, Dual axle
  27. 99900P-2202 Wall flue, Alde, Black
  28. 512741 Water proof cover w/gasket, Gray
  29. 512532 Utility light, LED
  30. 511957 Bezel, Round, Doorbell
  31. 511344-05 Grab handle, Clear swirl handle w/Blue LED bulb
  32. 114328 Extrusion, Belt line molding
  33. 201912-100 Molding, Belt line insert, Chrome
- 100034 Z-bar, Horizontal frame member, Aluminum, 48"

# 2017 CLASSIC EXTERIOR SHELL

## Roof



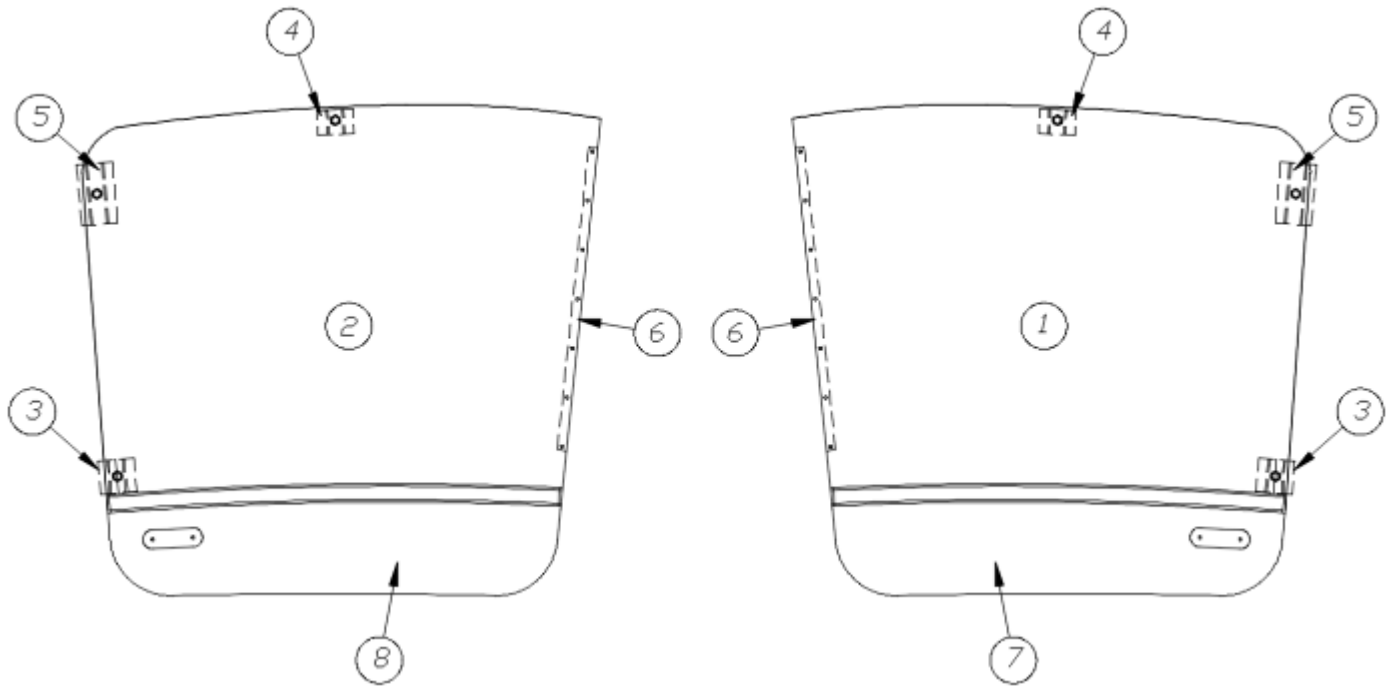
923290  
923313

Roof Assembly, 30'  
Roof Assembly, 33FB

- |              |   |
|--------------|---|
| 1. 115586    | Roof bow  |
| 2. 114987-01 | Extrusion, Roof corner                          |
| 3. 330127-03 | Rivet 1/8" (Mill) AD43ABS                       |
| 4. 114290-02 | Extrusion, Awning/drip rail, 261", 30'          |
| 114290-03    | Extrusion, Awning/drip rail, 33FB               |
| 5. 325003-03 | Rivet, 1/8 x 7/16, White                        |
| 6. 330139-01 | Rivet, Magnalok SS 1/4"                         |
| 7. 365330-05 | Adseal, Awning rail, 10.3 oz. tube              |
| 115727-262   | Aluminum sheet, .032" x 72" x 262", White, 30'  |
| 115727-307   | Aluminum sheet, .032" x 72" x 307", White, 33FB |
| 115571       | Z-rib, 3"                                       |
| 115593       | Transition cap, Stretched formed                |

# 2017 CLASSIC EXTERIOR SHELL

## Wrap Protector



966273-101

Wrap Protector, Black, Complete Set

- |              |                                  |
|--------------|----------------------------------|
| 1. 966273-01 | RS wrap protector, Black         |
| 2. 966272-01 | CS wrap protector, Black         |
| 3. 114819    | Wrap protector hold back, 2.75"  |
| 4. 114819-02 | Wrap protector hold back, 2"     |
| 5. 114819-03 | Wrap protector hold back, 5"     |
| 6. 381605-03 | Piano hinge, Stainless Steel     |
| 7. 200542-02 | Underbelly wrap, Front RS, Black |
| 8. 200543-02 | Underbelly wrap, Front CS, Black |
| 100742-01    | Extrusion, Wrap trim protector   |
| 114465-01    | Casting, Rub rail, RH            |
| 114465-02    | Casting, Rub rail, LH            |
| 500096       | Reflector, Amber                 |

## 2017 CLASSIC INTERIOR SHELL

### Interior Skin

114880-262	Aluminum sheet, .04" x 51" x 262"
114880-307	Aluminum sheet, .04" x 51" x 307"
114879-262	Aluminum sheet, .04" x 33" x 262"
114879-307	Aluminum sheet, .04" x 33" x 307"
115609-270	Aluminum sheet, .04" x 45" x 270"
115609-307	Aluminum sheet, .04" x 45" x 307"
114890-01	Interior segment, Front CS, Rear RS
114891-01	Interior segment, Front RS, Rear CS
114893-01	Interior segment, Center wide

### Interior Shell Trim

203138-03	Plastic wall extrusion, Beige
203138-05	Plastic wall extrusion, Black

### Galley Back Splash

801992	Laminate, Brushed Aluminum mesh
365001	Tape, Double coated foam

### Interior Wheel Well Liner

200844	Wheel well, Tandem, 66.5"
200514	Wheel well insulator, Tandem, Plastic

## 2017 CLASSIC CHASSIS

### Axles

410980-01	Axle, 5000#, Nev-R-Adjust
410980-102	12" LH Nev-R Adjust Brake Assembly
410980-103	12" RH Nev-R Adjust Brake Assembly

### Shocks

0220003	Shock absorber
0250173-15	Bolt, Grade 5, 5/8"-18 x 1.5", Shock mount
0130068-818	Nut, Hex head, Flanged, 5/8", 18, Shock mount

### Tires & Wheels

411005	Tire and wheel assembly, 16" Aluminum
400844-01	Center cap, Stainless Steel
400923	Lug nut, .5", Acorn type

### Spare Tire & Wheel

410994	Spare tire and wheel, Dexter 16" rim, BW, Range "E"
450414	"A" frame spare tire carrier
994073	Spare tire carrier bracket

### Stabilizing Jacks, Power

401014	Power stabilizing jacks w/switch
401021	Jack handle, Manual override
115640	Stabilizer jack switch box, Lockable



## 2017 CLASSIC CHASSIS

### Bumper End Caps

382289-01 Bumper end cap, Right hand  
382289-02 Bumper end cap, Left hand

### Bumper

\*411054 Rear bumper  
454147 Bottom, Sewer hose compartment  
921239-05 Lid assembly, Rear hose carrier, Black  
380203-02 Piano hinge  
380024 Arm support, Right hand  
\*\*382456 Swell latch  
381435 Hatch, Access cover, 4", White

\*Replaced 410831 in December 2016

\*\*Replaced 380067 cam lock in August 2016

### Battery Box Lid

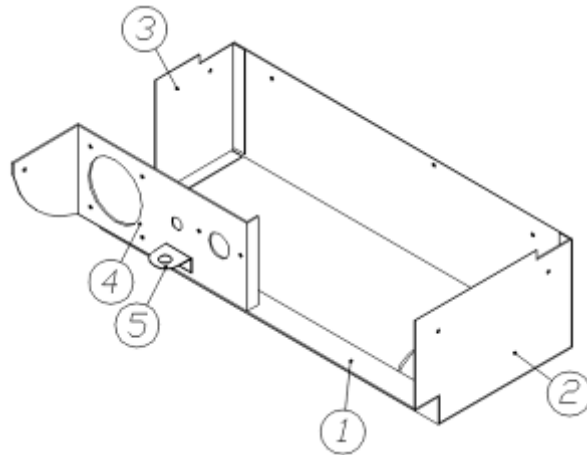
410551-07 Lid, Battery box, Black  
380203-01 Piano hinge, 1/8"  
330127-08 Rivet 1/8" (Mill) AD48ABS  
325035 Chicago rivets  
381430 Lock, Twist straight cam, 1.75"

### Hose carrier

602619-02 EZ hose carrier, 64", Black  
104704-01 Shim, 3" x 3"

# 2017 CLASSIC CHASSIS

## Utility Compartment, 30'

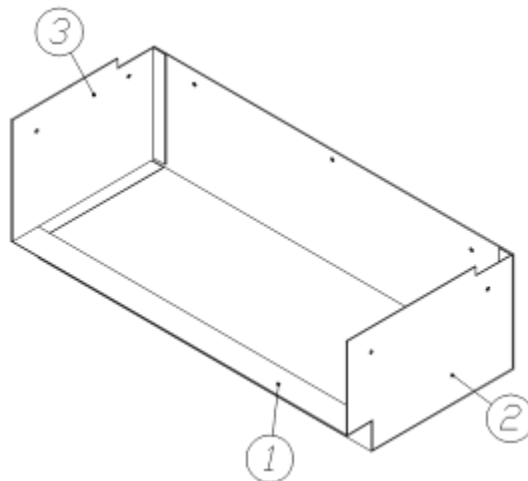


916080

Utility Compartment Assembly

- |              |                                  |
|--------------|----------------------------------|
| 1. 452350-01 | Pan                              |
| 2. 452351-01 | End, Full, LH assembly           |
| 3. 452352-01 | End, Plumbing side, LH assembly  |
| 4. 454983    | Front, LH assembly               |
| 5. 454986    | Bracket, Drain valve utility box |

## Utility Compartment, 33FB



915145-01

Utility Compartment Assembly

- |              |                        |
|--------------|------------------------|
| 1. 452350    | Pan                    |
| 2. 452351-01 | End, Full, LH assembly |
| 3. 452351-02 | End, Full, RH assembly |
| 365330-04    | Sealant, Adseal, White |

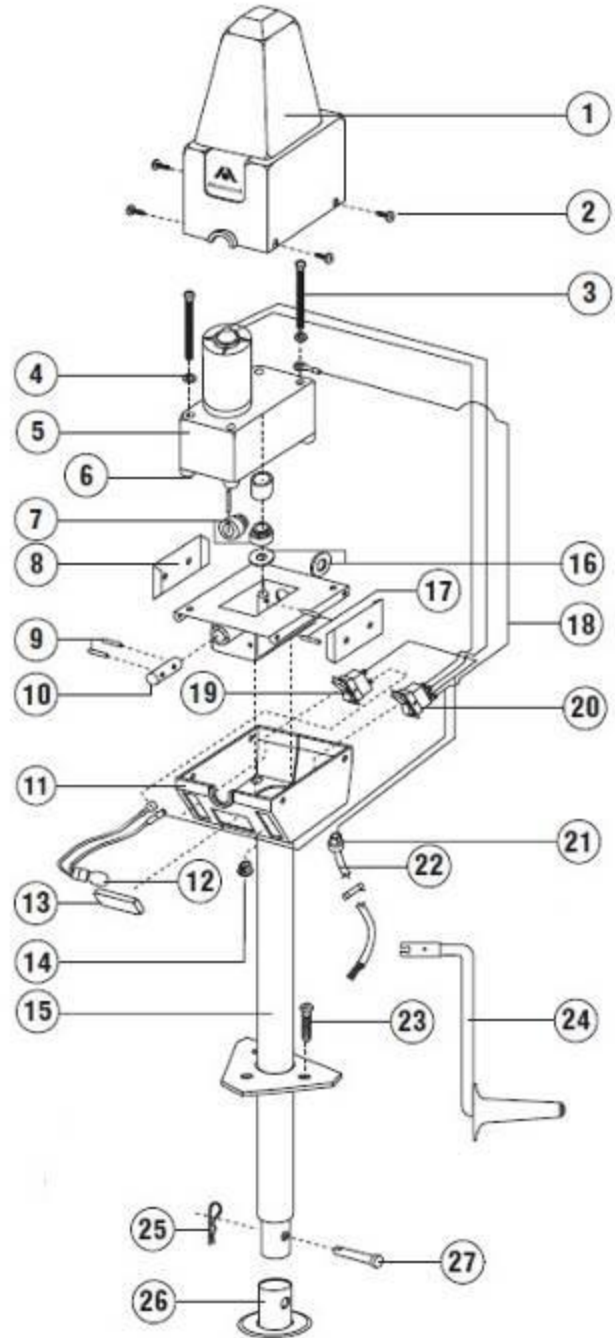
# 2017 CLASSIC CHASSIS

## Power Jack, Atwood

400961-04 Atwood Power Jack  
400961-03 Power jack drop foot

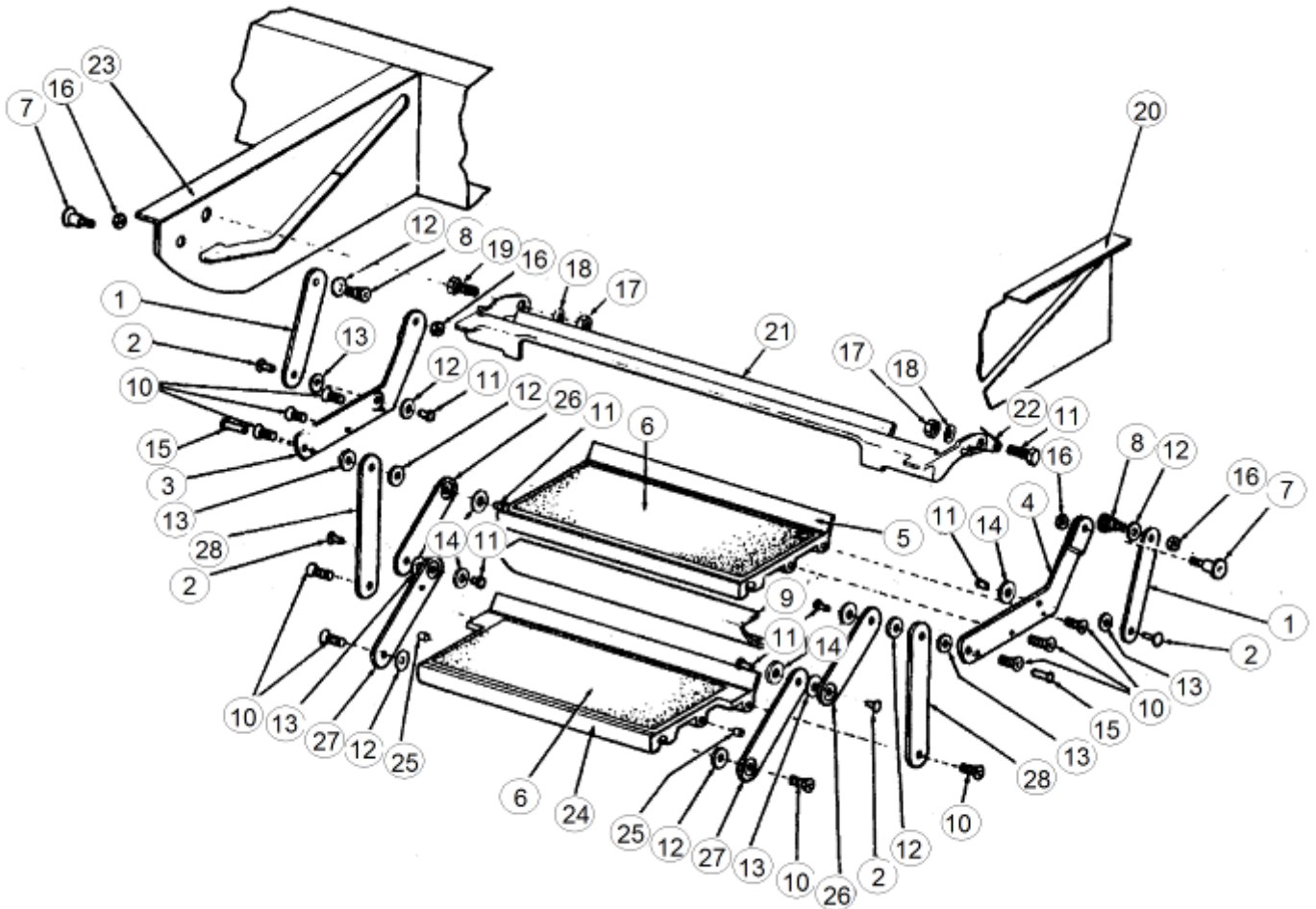
- |           |                         |
|-----------|-------------------------|
| 1. 87595  | Upper cover             |
| 2. 87057  | Cover screw             |
| 3. 87942  | Motor ground screw      |
| 4. 86111  | Lock washer             |
| 5. 75625  | Motor & terminals       |
| 6. 87916  | Cover tube              |
| 7. 87108  | Bevel gear kit          |
| 8. 88002  | Gear housing cover      |
| 9. 71132  | Drive pin               |
| 10. 87941 | Drive shaft             |
| 11. 87597 | Lower cover             |
| 12. 87585 | Wire & light bulb       |
| 13. 87591 | Lens                    |
| 14. 87035 | Hole plug               |
| 15. 87559 | Jack housing & ram ass. |
| 16. 87847 | Washer support          |
| 17. 70667 | Pin                     |
| 18. 87598 | Ground wire             |
| 19. 87586 | Light switch            |
| 20. 87570 | Motor switch            |
| 21. 87327 | Strain relief bushing   |
| 22. 87599 | Jumper wire & fuse      |
| 23. 87176 | Mounting bolt           |
| 24. 87891 | Manual drive handle     |
| 25. 70269 | Cotter pin              |
| 26. 87021 | Round foot pad          |
| 27. 70215 | Clevis pin              |

\*All parts listed are Atwood Mobile part numbers



# 2017 CLASSIC CHASSIS

Step



## 3440006 Double step assembly

1. 680213	Arm, Upper support	15. 680226	Pin, Pivot
2. 680214	Pin, Hinge	16. 350005	Nut, Hex
3. 680215	Step bracket, Left	17. 350147-25	Nut, Nylock
4. 680216	Step bracket, Right	18. 300005	Washer, Flat
5. 680217	Extrusion, Step 20.5"	19. 345016	Screw, Machine
6. 380069	Safety tread	20. 400454	Outrigger, RH
7. 001152	Bolt, Shoulder	21. 100298	Casting, Step release
8. 001145	Bolt, 3/8" thread	22. 0440032	Step spring
9. 680220	Panel	23. 400455	Outrigger, LH
10. 680221	Screw, Flat head	24. 410200	Extrusion, Step, 20.0"
11. 680222	Bolt, Socket head	25. 380075	Bullet catch
12. 680223	Washer, Bronze	26. 400004	Hinge arm, Upper
13. 680224	Washer, Wave	27. 400003	Hinge arm, Lower
14. 680225	Washer, Aluminum	28. 400005	Arm, Lower support

## 2017 CLASSIC DECALS, EXTERIOR TRIM

### Decals & Medallions

386273	Nameplate, "CLASSIC", 10" x 3"
386272	Decal, "AIRSTREAM", 2.4" x 29.19", Black Chrome
386068	Medallion, 3", Screen door

### Belt Line Trim

114328	Extrusion, Belt line molding
201912-100	Molding, Belt line insert, Chrome
114417	Casting, Belt line close out
385745	End cap, Belt line, Silver

### Rub Rail Trim

115546	Extrusion, Rub rail
201763-100	Molding, Rub rail insert, Chrome
114466-01	Casting, Close out, Rub rail, Angled, RH
114466-02	Casting, Close out, Rub rail, Angled, LH
114465-01	Casting, Close out, Rub rail, RH
114465-02	Casting, Close out, Rub rail, LH

### Reflectors

500095	Reflector, Rectangular, Red
500096	Reflector, Amber
510446	Reflector, Stick-on, Red

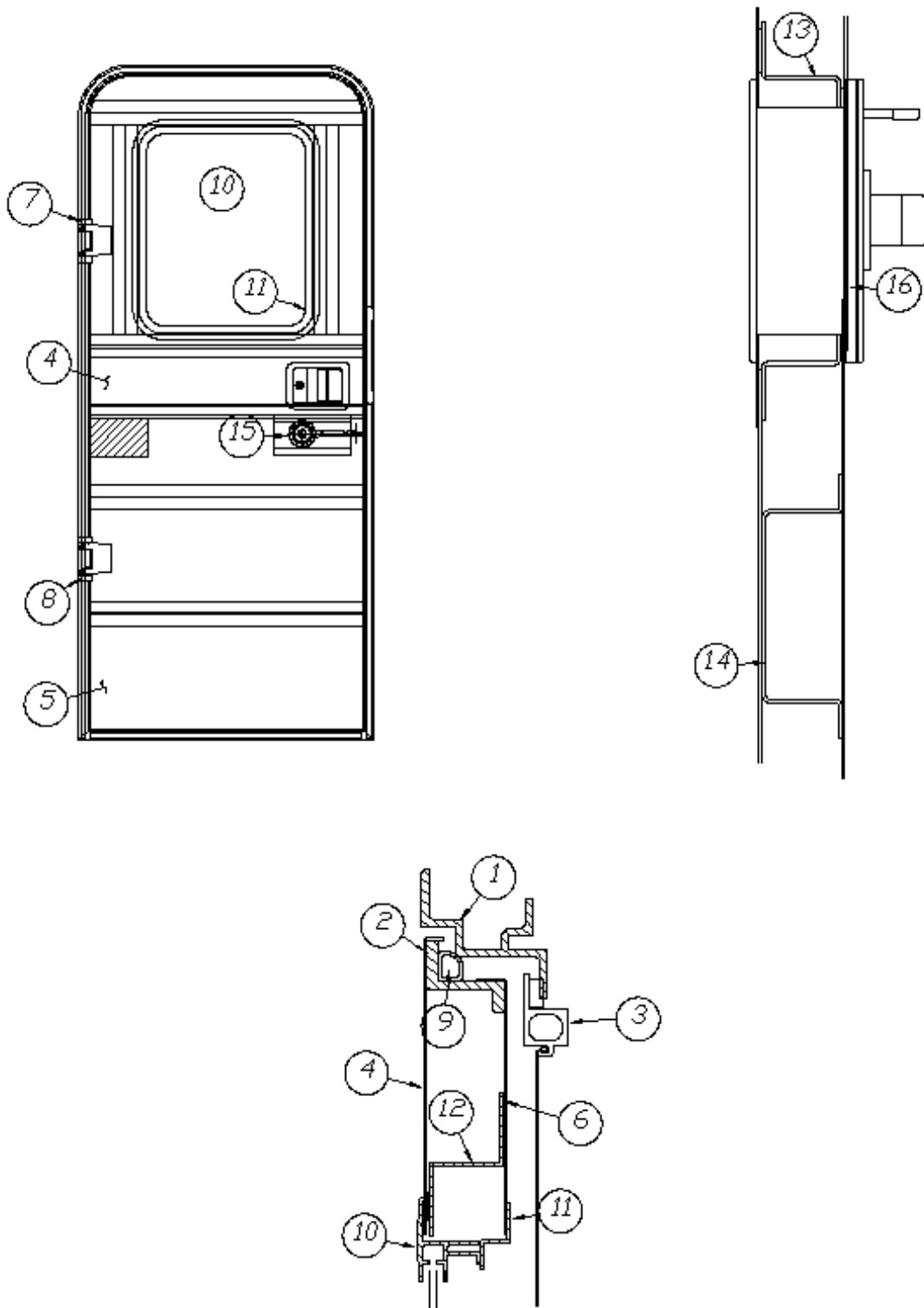
### Main Door Threshold

115710	Extrusion, Threshold
100097	Extrusion, Aluminum track
702963	Vinyl embossed threshold, 1.75"
382290-01	End cap, Threshold, RH
382290-02	End cap, Threshold, LH



# 2017 CLASSIC EXTERIOR DOORS

## Main Door, LH Hinge



Parts Listed on Next Page

## 2017 CLASSIC EXTERIOR DOORS

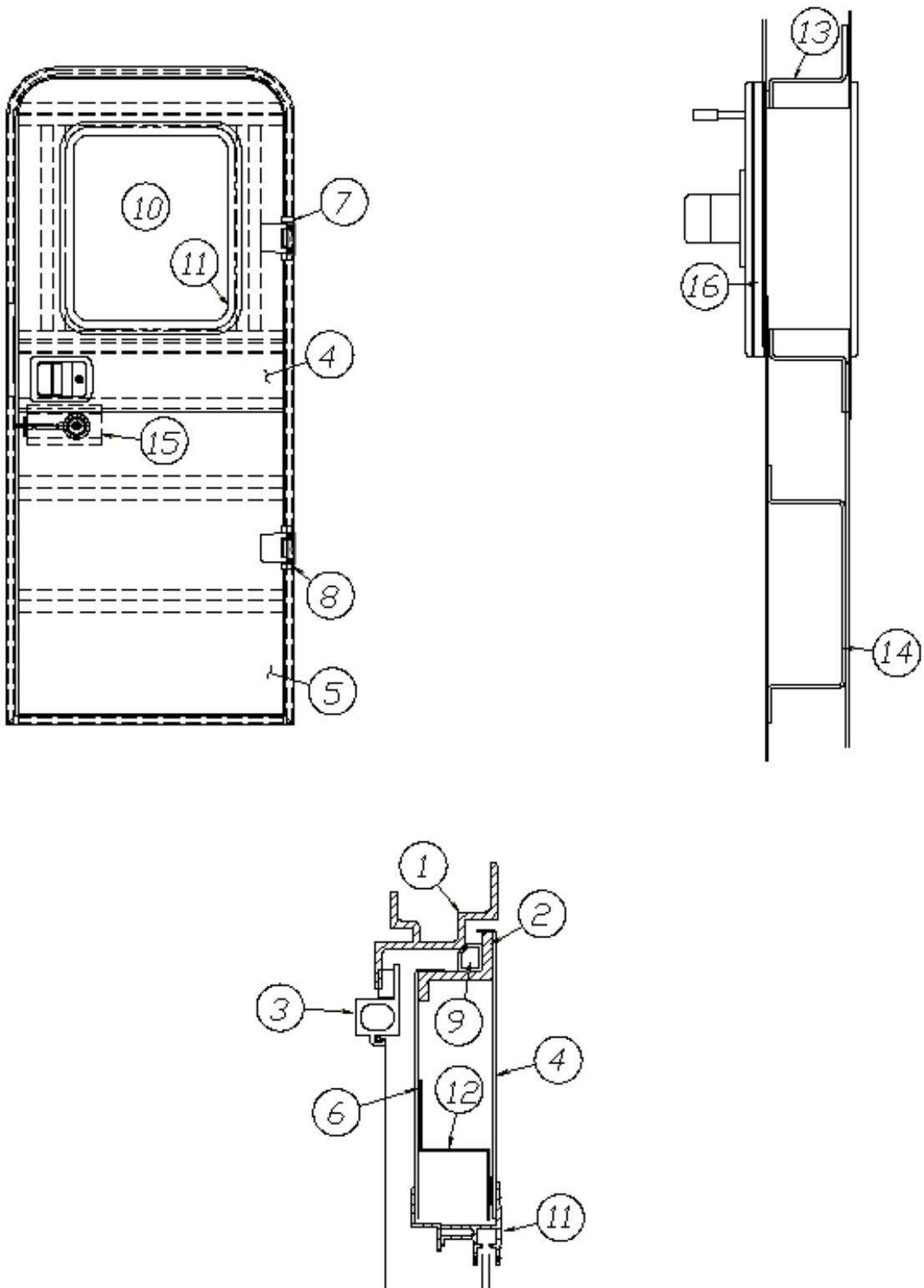
### Main Door, LH Hinge

115207	Main door, LH Hinge, 30'
1. 114652	Jamb, Main door, Pre-formed
2. 114653	Frame, Main door, Pre-formed
3. 114654	Screen door
4. 114448-03	Skin, Exterior, Upper main door
5. 114449-03	Skin, Exterior, Lower main door
6. 114475	Main door skin, Inner
7. 381552-03	Hinge, Main door, Upper
8. 381552-04	Hinge, Main door, Lower
9. 365232	Seal, Main door
10. 371400-01	Window, Main door, Etched
11. 115208	Trim ring, Main door window
12. 114658	Inner door, Z-bar, Upper & lower
13. 114657	Hat section, Formed, Main door
14. 115413	Hat section, Round dead bolt
15. 382069	Deadbolt, Round, Trimark
16. 203370	Spacer, Deadbolt
385595	Pocket strike, Main door
381326	Striker w/Trimark deadbolt
453851	Bolt, Trimark deadbolt
114363	Drip cap, Main door
380290	Housing latch
380291	Latch
201056	Striker, Main door, Black plastic
114507-03	Trim, Main door
454898	Nut plate, Main door
365360	Gasket, Nut plate
203494	Baseplate, Door latch
382130	P-gasket w/tape backing
511344-05	Grab handle, Clear swirl handle w/Blue LED bulb



# 2017 CLASSIC EXTERIOR DOORS

## Main Door, RH Hinge



Parts Listed on Next Page

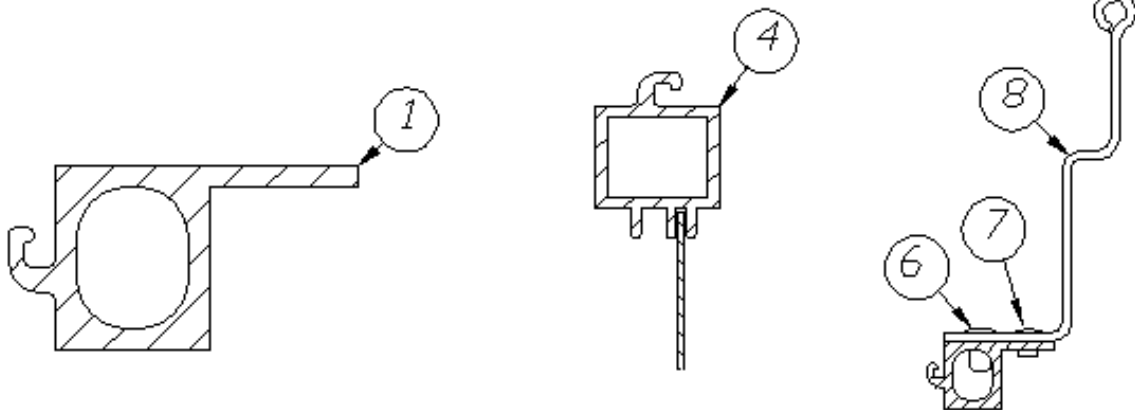
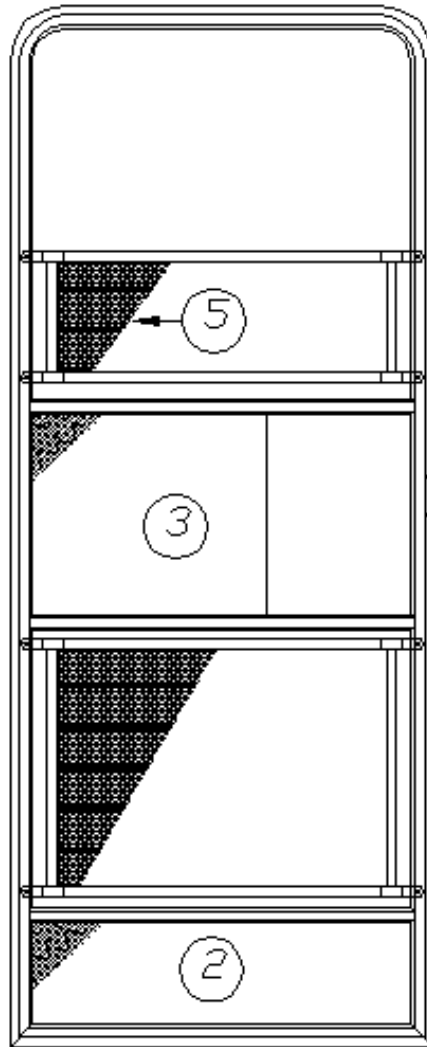
## 2017 CLASSIC EXTERIOR DOORS

### Main Door, RH Hinge

115207-05	Main Door, RH Hinge, 33FB
1. 114652-01	Jamb, Main door, Pre-formed
2. 114653-01	Frame, Main door, Pre-formed
3. 114654-01	Screen door, RH Hinge
4. 114448-03	Skin, Exterior, Upper main door
5. 114449-03	Skin, Exterior, Lower main door
6. 114475	Main door skin, Inner
7. 381552-02	Hinge, Main door, Upper
8. 381552-01	Hinge, Main door Lower
9. 365232	Seal, Main door
10. 371400-01	Window, Main door
11. 115208	Trim ring, Main door window
12. 114658	Inner door, Z-bar, Upper & lower
13. 114657	Hat section, Formed, Main door
14. 115413	Door hat section
15. 382069	Deadbolt, Round, Trimark
16. 203370	Spacer, Trimark door Latch
385595	Pocket strike, Main door
381326	Striker w/Trimark deadbolt
453851	Bolt, Trimark deadbolt
114363	Drip cap, Main door
380290	Housing latch
380291	Latch
201056	Striker, Main door, Black plastic
454898	Nut plate, Main door
365360	Gasket, Nut plate
203494	Baseplate, Door latch
382130	P-gasket w/tape backing
511344-05	Grab handle, Clear swirl handle w/Blue LED bulb

# 2017 CLASSIC EXTERIOR DOORS

## Screen Door



Parts Listed on Next Page

## 2017 CLASSIC EXTERIOR DOORS

### Screen Door

114654	Screen Door, LH Hinge
114654-01	Screen Door, RH Hinge
1. 104782-186	Extrusion, Frame
2. 114648-01	Kick panel
3. 114561-01	Panel, Slider
4. 104784-78	Extrusion, Screen door stiffener
5. 380079	Screen, Gray
6. 330130-02	Rivet, 5/32, Mill finish
7. 325122	Rivet, 5/32, Brazier head
8. 385577-02	Tape, Clear, 1-7/8" wide
380004	Handle with 8/32" x 1 screw
683946	Bug seal, Edge of screen door close out
203287-02	Close out, Plastic
115171-01	Screen door guard, Top
115171-02	Screen door guard, Bottom
0404-0001	Spline, Gray
701624	Velcro, loop 5/8" wide
701625	Velcro, hook 5/8" wide
381454	Screen door hold back latch, Bullet
386068	Medallion, 3" logo, AIRSTREAM
381531-01	Hinge, Upper
381531-02	Hinge, Lower

## 2017 CLASSIC EXTERIOR DOORS

### Refrigerator Access Door

923115-01	Refrigerator door w/frame
923114	Refrigerator door w/screen
112024-01	Jamb, Refrigerator access door
104439	Louvered panel, Refrigerator access door
372264	Screen, Refrigerator door
203714	Trim lok, Flexible, Inner door jamb
380988	Hinge, Continuous .5", Leaf
381812	Latch twist, Chrome

### Trunk Door, Rear End, 30'

921159	Trunk door w/Jamb
114675	Jamb, Rear trunk door
382230-02	Compression latch w/key code
365035	Rubber seal, Access door
380774-02	Hinge, Compartment door, 48"
381065-10	Cable support, 10"

### Trunk Door, Rear End, 33FB

100679-01	Access door w/jamb
115296	Jamb, Formed compartment door
382230-02	Compression latch w/key code
365035	Rubber seal, Access door
380773	Hinge, Access door
381065-10	Cable support, 10"
382229	Cam plate, Access door

### Side Access Door, Long

922288	Access door assembly
922288-01	Access door w/jamb
922288-02	Access door w/o jamb
104833	Jamb, Long side access door
381065-10	Cable support, 10"
104831	Frame, Access door
382230-02	Compression latch w/key code
365035	Rubber seal, Access door
380774-02	Hinge, Compartment door, 48"

## 2017 CLASSIC EXTERIOR DOORS

### Fresh Water Tank Fill

115626	Water fill w/lock, Stainless Steel
365380-03	Seal, Water fill door interior
365380-04	Seal, Water fill door body

### Exterior Shower

115627	Exterior shower, Stainless Steel
115627-100	Lock & key set
365380-01	Seal, Exterior shower door exterior
365380-02	Seal, Exterior shower door interior

### Utility & Power Cord Doors

114496-08	Door, Power cord compartment, Black
114496-09	Door, Utility compartment, Black
340023-01	Catch and strike, Zinc
380988	Hinge, Continuous, .5", Leaf
114812	Aluminum angle, 1 x 1
365030	Seal, Door hinge, 3.75" wide
114070	J-trim, Extrusion, Aluminum

## 2017 CLASSIC WINDOWS

### Windows, 30'

371346-02	Window, Flat, Dark glass
372088-101	Window, Panoramic, RS front, CS rear
372089-101	Window, Panoramic, CS front, RS rear
371323-01	Window, Curved 18" opening
371436	Window, 18" stack
371380	Window, 30" tall, Opening
371400-01	Window, Main door
371380-01	Window, 30" opening, Egress
371349-01	Screen, Rear escape
371347-01	Screen, Front window
372174-01	Screen, 18" opening window, White frame
372175-02	Screen, 30" opening window, White frame

### Windows, 33FB

371346-02	Window, Flat, Dark glass
371348-02	Window, Rear opening
372088-101	Window, Panoramic, RS front, CS rear
372089-101	Window, Panoramic, CS front, RS rear
371323-01	Window, Curved 18" opening
371324-02	Window, 30", Opening
371436	Window, 18" stack
371380	Window, 30" tall, Opening
371400-01	Window, Main door
371380-01	Window, 30" opening, Egress
371349-01	Screen, Rear escape
371347-01	Screen, Front window
372174-01	Screen, 18" opening window, White frame
372175-02	Screen, 30" opening window, White frame

## 2017 CLASSIC WINDOWS

### Window Screen Assembly

683946	Seal, Fuzz Gray (screen)
380079	Screen, Gray
0404-0001	Spline, Gray

### Vista View Window, 18"

371437-01	Vista view window, 18"
*203490-03	Trim ring, 18" vista view, Interior, Silver
203961-03	Trim ring, 18" vista view
704157-03	Shade, 9.625 x 19.38
372272-01	Sash, 18"
922772-01	Backer, Vista view blind, 18"
115222-02	Z-bar, Vista view, Formed 19.5"
365367	Foam tape, Automotive

\*Replaced by 203961-03 in February 2017

### Vista View Window, 30"

371437-02	Vista view window, 30"
*203490-04	Trim ring, 30" vista view, Interior, Silver
203961-04	Trim ring, 30" vista view
704157-04	Shade, 9.625 x 31.5
372272-02	Sash, 30"
922772-02	Backer, Vista view blind, 30"
115222-01	Z-bar, Vista view, Formed, 31.5"
365367	Foam tape, Automotive

\*Replaced by 203961-04 in February 2017

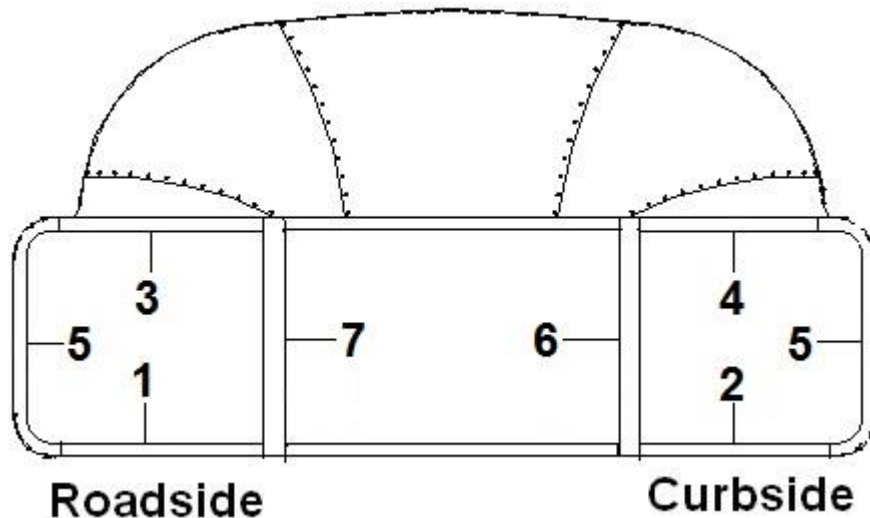


## 2017 CLASSIC WINDOWS

### Window Trim Rings

372267	Trim ring, 30", Stacked, Aluminum
372268	Trim ring, 18", Stacked, Aluminum
115208	Trim ring, Main door window
203225-01	Trim lok, Grey

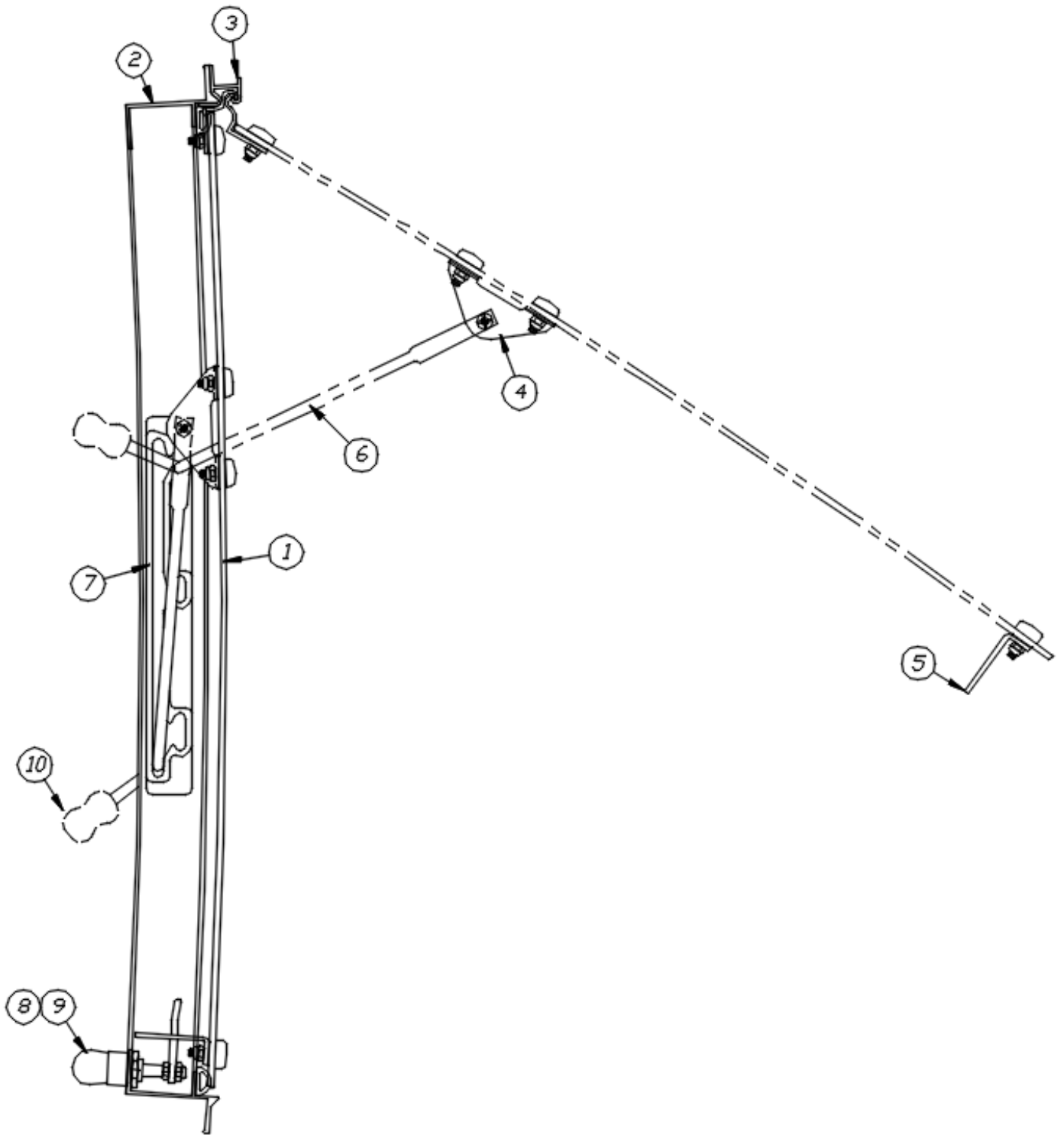
### Window Trim, Panoramic



1. 201579-02	Trim ring, Lower RS, Gray
2. 201580-02	Trim ring, Lower CS, Gray
3. 201581-05	Trim ring, Upper RS, Gray
4. 201581-06	Trim ring, Upper CS, Gray
5. 201578-02	End cap, Trim ring, Gray
6. 110900-01	Trim, Formed, RH, White
7. 110900-02	Trim, Formed, LH, White
203225-01	Trim lok, Grey

# 2017 CLASSIC WINDOWS

## Window, Parts Diagram



Parts Listed on Next Page

## 2017 CLASSIC WINDOWS

### Window, Parts Diagram

371323-01	Window, 18", Opening
371324-02	Window, 30", Opening
371380	Window, 30" tall, Opening
1. 195510-12	Glass assembly, 18" window
195510-07	Glass assembly, 30" opening window
195510-93	Glass assembly, 30" tall window
2. 371447-03	Frame assembly, 18" window
371447-02	Frame assembly, 30" window
371447-01	Frame assembly, 30" tall window
3. 371448-07	Extrusion, Window hinge eyebrow, Fixed, 18" window
371448-06	Extrusion, Window hinge eyebrow, Fixed, 30" window
371448-05	Extrusion, Window hinge eyebrow, Fixed, 30" window
4. 114478	Bracket, Window prop
5. 114479-01	Bracket, Window closer, RH
114479-02	Bracket, Window closer, LH
6. 382362	Opening arm, RH
382361	Opening arm, LH
7. 382360	Guide, Operating arm, RH
382359	Guide, Operating arm, LH
8. 382367-01	Latch assembly, Chrome
382367-02	Latch assembly, Egress, Red
9. 115780-01	Handle, Chrome
195467-05	Handle, Red
10. 380230-03	Knob, Window arm, Silver
380230-04	Knob, Window arm, Red
115776	Lock paw, Window latch
115770	Hinge stop
382117-08	Gasket, Rectangle
115778	Latch body, Zinc die cast
115779	Latch shaft
310030	Drive lock pin, 5/32 x 5/8

## 2017 CLASSIC WINDOWS

### Window Stone Guard

110188-01	3 piece stone guard
685275-101	CS wrap window solar protector, Stone guard
685275-102	RS wrap window solar protector, Stone guard
110102	Stone guard, Center piece only
685358	Turn fast stud
685362	Retainer, Split ring
685359	Rubber receptacle
685361	Bracket for rubber receptacle
685361-01	Bracket for rubber receptacle
685363	Slip joint hinge, SS
683960	Arm support
683959	Arm support bracket
114749	Y-hinge
114750	J-hinge
685364	Bracket, Upper hinge, 45.375, Stoneguard
381021-01	Latch, Draw flexible
114815-01	Extrusion, Frame, Aluminum
685354	Front window key, 90° angle
685378-01	Rubber spline, 1/4"
685351	Rubber frame, Black
290812-01	Plexi-glass sheet, 1/8" x 28" x 84"
685355	Slip joint, SS hinge
101401	Extrusion, Door latch housing
381688	Bump-on

## 2017 CLASSIC AWNINGS

### Awnings, Windows

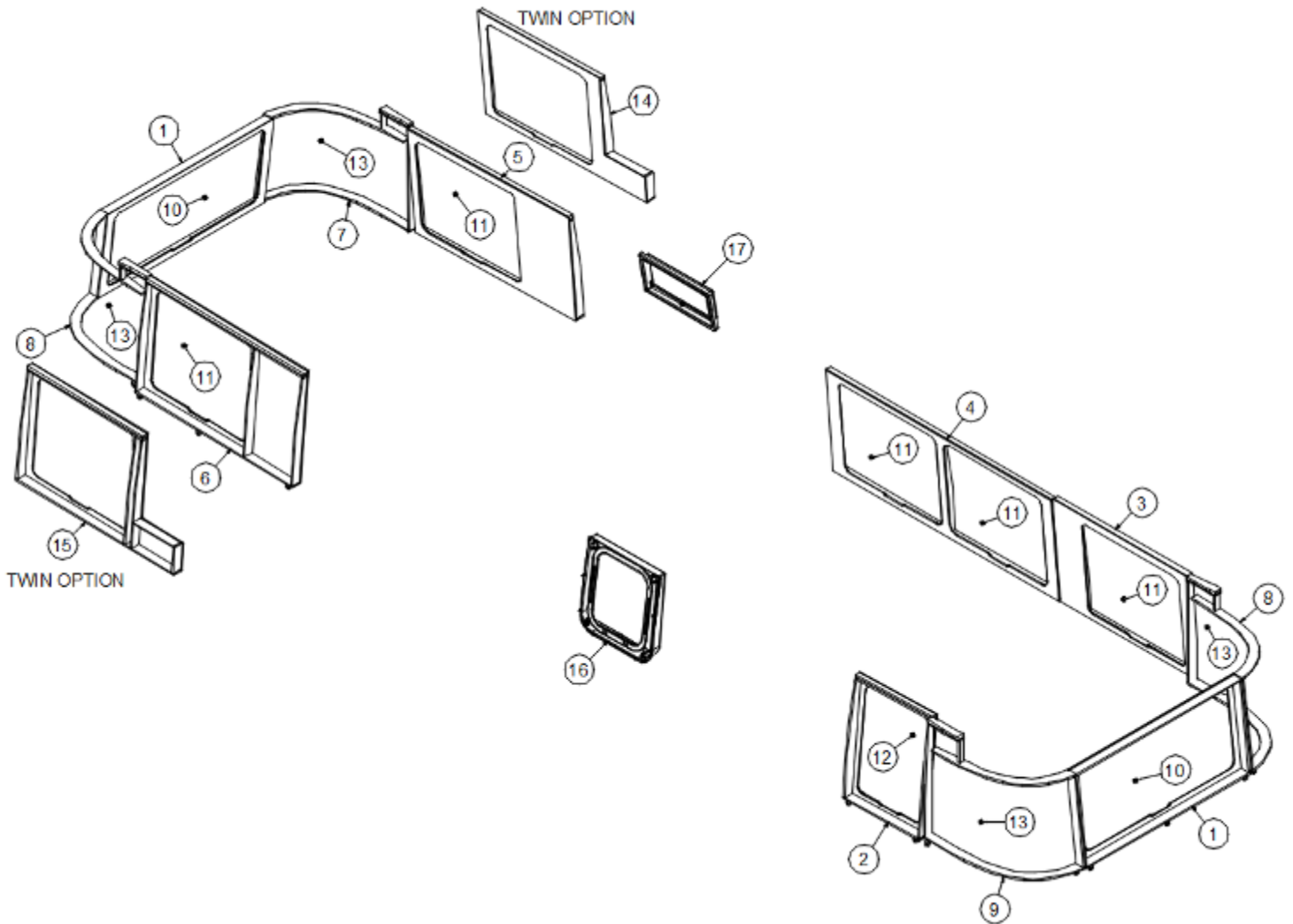
110446-04	Awning windows package
704125-01	Awning, 17'-6.5"
704125-02	Awning, 3', Satin
704125-03	Awning, 52.62", Satin
704125-04	Awning, 14'-2", Satin, 33FB
704125-05	Awning, 6'-10.5", Satin, 33FB
385577	Wear tape, 3.5" wide, Clear

### Power Awnings, Patio

704049-17	Power awning, 21'-8", 30'
704049-27	Power awning, 23'-6", 33FB
704049-01	Hardware kit, Support arm, 65"
365369	Gasket kit, Power awning
386267-01	Front label, 2.5"
386267-02	Rear label, 2.5"
382210	Plug, 1" cutout, White
382202	Grommet, Liquid tight
513049-01	Clip, Strain relief, .125"
513049-02	Clip, Strain relief, .25"
512652	Power cable, Relax awning
704049-03	Awning silkscreen, Airstream
513100	Interface board assembly, Firefly system
512918-03	LED flex light strip, 30'
512918-05	LED flex light strip, 33FB

# 2017 CLASSIC DRAPES, SHADES

## Shades & Window Boxes, 30'



Parts Listed on Next Page

## 2017 CLASSIC DRAPES, SHADES

### Shades & Window Boxes, 30'

*112490	Install Window Boxes and Blinds, Standard Build
*112490-01	Install Window Boxes and Blinds, Twin
1. 968596	Window box assembly, Front/rear
704398	Fabric assembly, Front and rear window box
2. 968605	Window box assembly, CS front
704396	Fabric assembly, CS front window box
3. 968604	Window box assembly, RS front
704397	Fabric assembly, RS front window box
4. 968603	Window box assembly, Dinette
704394	Fabric assembly, Dinette window box
5. 968601	Window box assembly, RS rear
704403	Fabric assembly, RS rear window box, Queen only
6. 968602	Window box assembly, CS rear
704395	Fabric assembly, CS rear window box, Queen only
7. 968598	Window box assembly, RH rear panoramic
704400	Fabric assembly, RH rear panoramic window box
8. 968597	Window box assembly, LH panoramic
704399	Fabric assembly, LH panoramic window box
9. 968599	Window box assembly, RH front panoramic
704401	Fabric assembly, RH front panoramic window box
10. 704254-01	Shade w/blackout, 52.25 x 25.25, Front and rear window
11. 704254-02	Shade w/blackout, 34.5 x 29.75, 30" tall window
12. 704254-03	Shade w/blackout, 22.63 x 32, 18" window
13. 704255	Shade w/blackout, 25 x 40, Panoramic
14. 968600	RS rear window box assembly, Twin
15. 968606	CS rear window box assembly, Twin
16. 203793	Galley window box, Silver
17. 203796	Trim ring, Bath window
704157-01	Shade, Skylight, 14.625 x 22.75
704157-02	Shade, Skylight, 19.75 x 19.75
704157-03	Shade, Vista view, 9.625 x 19.38
704157-04	Shade, Vista view, 9.625 x 31.5

\*Replaced 112173 & 112173-01 in December 2016

## 2017 CLASSIC DRAPES, SHADES

### Shades & Window Boxes, 30'

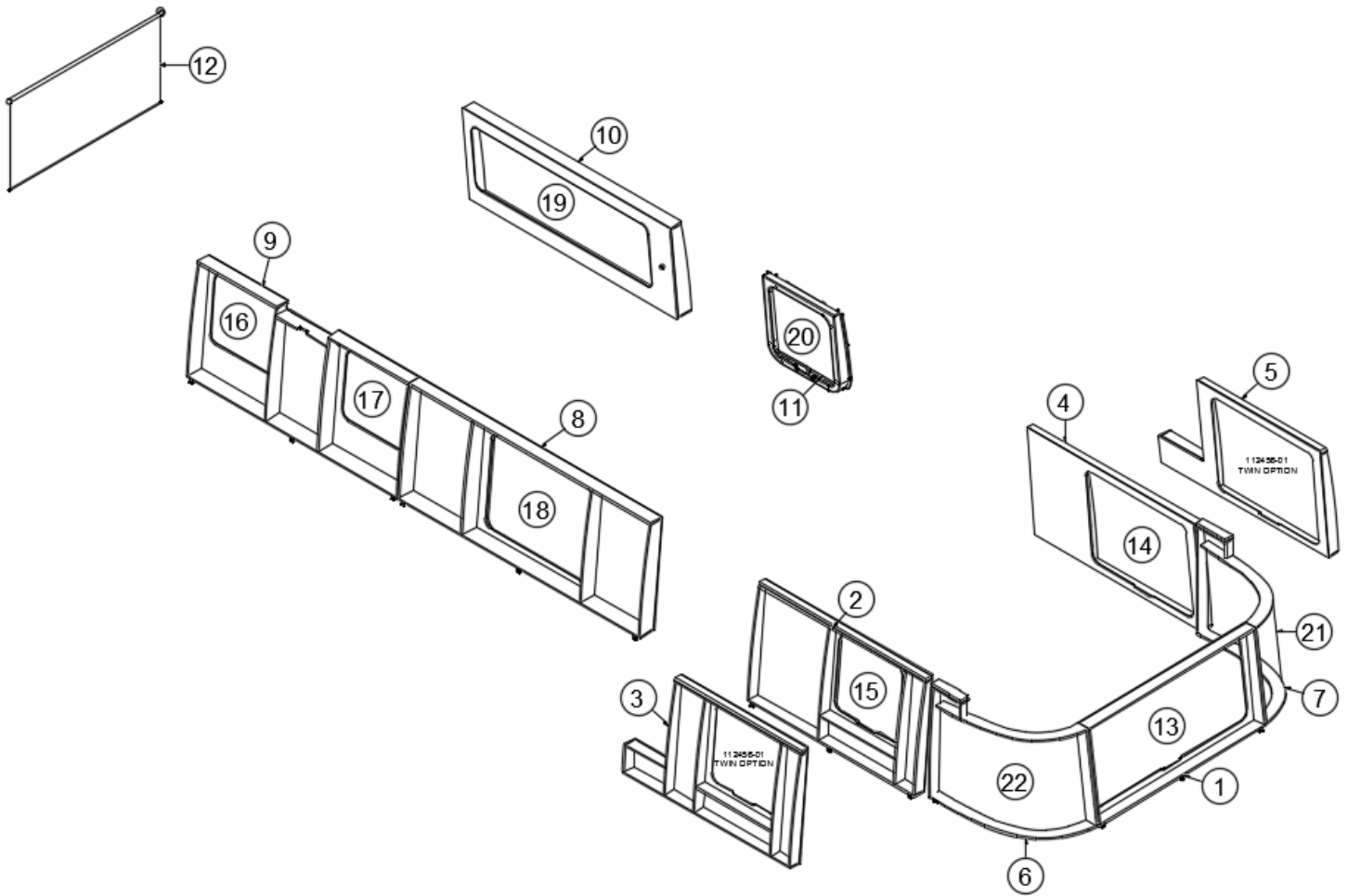
*112173	Install Window Boxes and Blinds, Standard Build
*112173-01	Install Window Boxes and Blinds, Twin
1. 968176	Window box assembly, Front/rear
704148	Fabric assembly, Front and rear window box
2. 968175	Window box assembly, CS front
704146	Fabric assembly, CS front window box
3. 968174	Window box assembly, RS front
704147	Fabric assembly, RS front window box
4. 968173	Window box assembly, Dinette
704144	Fabric assembly, Dinette window box
5. 968171	Window box assembly, RS rear
704143	Fabric assembly, RS rear window box, Queen only
6. 968172	Window box assembly, CS rear
704145	Fabric assembly, CS rear window box, Queen only
7. 968178	Window box assembly, RH rear panoramic
704150	Fabric assembly, RH rear panoramic window box
8. 968177	Window box assembly, LH panoramic
704149	Fabric assembly, LH panoramic window box
9. 968179	Window box assembly, RH front panoramic
704151	Fabric assembly, RH front panoramic window box
10. 704254-01	Shade w/blackout, 52.25 x 25.25, Front and rear window
11. 704254-02	Shade w/blackout, 34.5 x 29.75, 30" tall window
12. 704254-03	Shade w/blackout, 22.63 x 32, 18" window
13. 704255	Shade w/blackout, 25 x 40, Panoramic
14. 968265	RS rear window box assembly, Twin
15. 968266	CS rear window box assembly, Twin
16. 203793	Galley window box, Silver
17. 203796	Trim ring, Bath window
704157-03	Shade, Vista view, 9.625 x 19.38
704157-04	Shade, Vista view, 9.625 x 31.5
704157-01	Shade, Skylight, 14.625 x 22.75
704157-02	Shade, Skylight, 19.75 x 19.75

\*Replaced by 112490 & 112490-01 in December 2016



# 2017 CLASSIC DRAPES, SHADES

## Shades & Window Boxes, 33FB



Parts Listed on Next Page

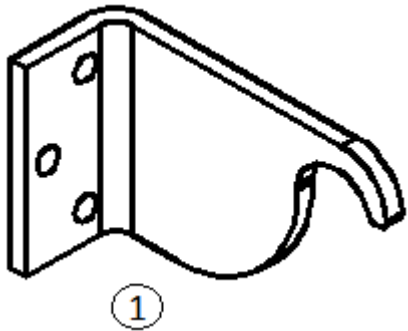
## 2017 CLASSIC DRAPES, SHADES

### Shades & Window Boxes, 33FB

112456	Install Window Boxes and Blinds, Standard Build
112456-01	Install Window Boxes and Blinds, Twin
1. 968596	Window box assembly, Front/rear
704398	Fabric assembly, Front and rear window box
2. 968577	Window box assembly, CS front, Queen
704383	Fabric assembly, CS front window box, Queen
3. 968578	Window box assembly, CS front, Twin
704383-01	Fabric assembly, CS front window box, Twin
4. 968602	Window box assembly, RS front, Queen
704395	Fabric assembly, RS front window box, Queen only
5. 968606	Window box assembly, RS front, Twin
704145-01	Fabric assembly, RS front window box, Twin
6. 968598	Window box assembly, RH panoramic
704400	Fabric assembly, RH panoramic window box
7. 968597	Window box assembly, LH panoramic
704399	Fabric assembly, LH panoramic window box
8. 968585	Power window box assembly, CS dinette
704386	Fabric assembly, CS dinette power window box
9. 968586	Power window box assembly, CS entertainment
704387	Fabric assembly, CS entertainment power window box
10. 968587	Power window box assembly, RS entertainment
704388	Fabric assembly, RS entertainment power window box
11. 203793	Galley window box, Silver
12. 703700-11	Window rail shade, 48 x 24
13. 704254-01	Shade w/blackout, 52.25 x 25.25, Front and rear window
14. 704254-02	Shade w/blackout, 34.5 x 29.75, 30" tall window
15. 704254-04	Shade w/blackout, 23.62 x 22.69, 18" window, Short
16. 704370-01	Power shade blackout, 23.86 x 28.95
704370-02	Power shade, 23.86 x 28.95
17. 704370-03	Power shade blackout, 23.86 x 28.95
704370-04	Power shade, 23.86 x 28.95
18. 704370-05	Power shade blackout, 36.89 x 28.95
704370-06	Power shade, 36.89 x 28.95
19. 704370-07	Power shade blackout, 60.35 x 24.95
704370-08	Power shade, 60.35 x 24.95
20. 703700-10	Shade, 19.5 x 34, Ocean Liner
21. 704156-03	Shade track set, RH panoramic
22. 704156-04	Shade track set, LH panoramic

# 2017 CLASSIC DRAPES, SHADES

## Drapes & Shades Hardware



- |              |                                    |
|--------------|------------------------------------|
| 1. 115623-01 | Bracket, Blind retainer, RH        |
| 115623-02    | Bracket, Blind retainer, LH        |
| 2. 101225    | Bracket, Curtain standoff          |
| 704156-03    | Track set, #1 RH, Panoramic window |
| 704156-04    | Track set, #2 LH, Panoramic window |
| 100097       | Extrusion, Aluminum curtain track  |
| 385963       | Bracket, Mounting angle            |

## 2017 CLASSIC ELECTRICAL, 110 VOLT

### Shoreline Cord & Inlet

511149-02	Power inlet w/strain relief, 50amp, Stainless Steel
511149-05	Power cord, 50A, 36', Gray

### Power Converter

513086	Power center, AC/DC, Parallax
112448-1	Panel, 3.5 x 12, Walnut
112448-2	Panel, 3.5 x 12, Walnut
112448-351	Panel, 3.5 x 12, Cognac Maple
112448-352	Panel, 3.5 x 12, Cognac Maple

### Breakers & Breaker Box

511336	Breaker box, Square D
510717	Breaker, Square D, 1515
510664	Breaker, Square D, 15GFI
510661	Breaker, 20 amp, Square D, GFI
510662	Breaker, 20 amp, Double, Square D, 2020
510663	Breaker, 30 amp
510666	Breaker, 15/20 amps double
510564-08	Breaker, 20-15
510564-20	Breaker, 20 amp
510564-1515	Breaker, 15-15 CSA
510564-2020	Breaker, Type BRD, BD 20-20
510564-3020	Breaker, Type BRD, BD 30-20
510564-15GFI	Breaker, 15GFI
510564-20GFI	Breaker, Type BR, 20GFI

### Junction Boxes

510014	Junction box, Octagon
510015	Box cover
510475	Clip, Ground
510741	Electrical box
511411	Junction box, 7 terminal

## 2017 CLASSIC ELECTRICAL, 110 VOLT

### Inverter

512680	Inverter, 1,000 watt
500039	Ground lug
511090	Stud type, Junction block, Red
511090-01	Stud type, Junction block, Black
512847	Portable Cord, SJ00W12-3

### Receptacles

512481-02	Receptacle, 20A, Single, Brown
512481-03	Plate cover w/screws, Brown
500563-03	Receptacle, Self-contained, White
500563-04	Wall plate w/screws for 500563-03, White
500903	Receptacle, Duplex, Ivory
500785	Outlet, Duplex, Brown
511287	Receptacle, Single, 15A
510888-07	Receptacle cover, White
S00417	GFI Label for Receptacle, 510888-05
511814-01	Receptacle, Duplex, Gray
511814-02	Plate, Decorator, 1 gang, Gray
512741	Water proof cover w/gasket, Gray
511815-01	Receptacle, Duplex, Black
511815-02	Decorator plate, 1 gang, Black
511912	Receptacle plate, Stainless Steel
512642-06	Receptacle, Single, Self-contained, Black
513202	Docking station, Hide-a-dock

## 2017 CLASSIC ELECTRICAL, 12 VOLT

### Battery

511132	Battery, Deep cycle, Lead acid, Interstate SRM-27
500836-02	Positive battery cable, 72"
500837	Negative battery cable

### 7-way Cable

500886-01	7-way cable w/plug
-----------	--------------------

### Breakaway Switch

0300027	Breakaway switch, Bargman
454526	Bracket, Breakaway switch
345426-04	Clamp, Rubber loop, .63"

### Tank Monitor System

513069	Monitor, Tank System Kit (Seelevel)
513069-01	Flush mount monitor panel only
513069-02	Sender pad
511780	Pad, Tank heating

### Wireless Backup Camera

512946-01	Digital wireless observation kit
512946-02	Voyager digital autopair camera
512946-102	Voyager 5.6" LCD monitor
365392	Gasket
382225	Grommet, .5", Black

## 2017 CLASSIC ELECTRICAL, 12 VOLT

### Door Bell

511966	Doorbell, Battery powered, White/Brown
511957	Bezel, Round, Doorbell
511958	Switch w/6" leads, Doorbell

### USB Ports

513185	USB power inlet w/5 amp fuse, Black
512791	USB port w/Q nut, Dual, Black
512792	USB port pigtail

### License Plate

512409	License plate holder w/LED light
--------	----------------------------------

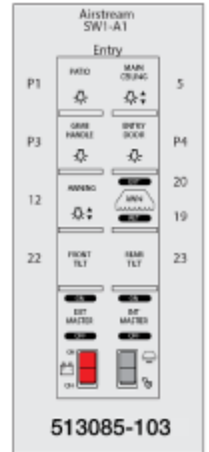
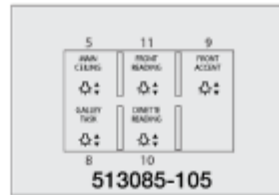
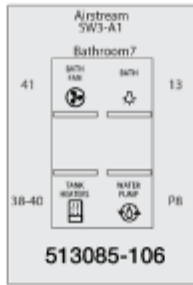
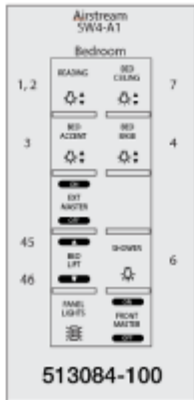
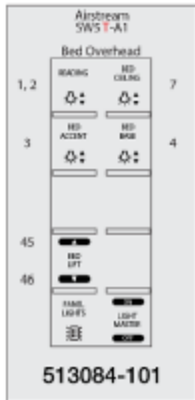
### Firefly System

513174-02	G6 main board
513174-03	Power management module, 15 amp breaker
513174-04	G3 terminator tap w/connectors
513174-05	AirCon module
513174-06	AirCon module w/terminator
513174-08	Cable, 10'
513174-09	Vent fan controller
513174-10	Vent fan controller w/terminator
513174-19	Mini Molex plug terminator
513174-20	Alde converter board
513174-21	G3 common drop tap
513174-22	Power shade module
513174-23	G4 common drop tap

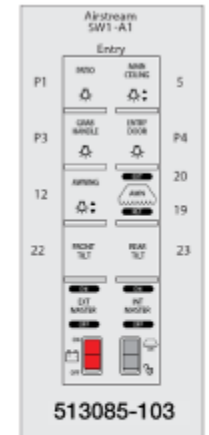
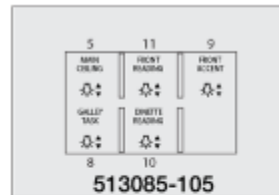
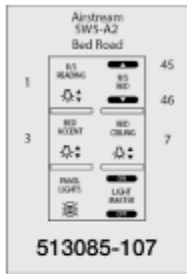
# 2017 CLASSIC ELECTRICAL, 12 VOLT

## Firefly Control Panels, 30'

513084 Firefly kit, Queen



513085 Firefly kit, Twin



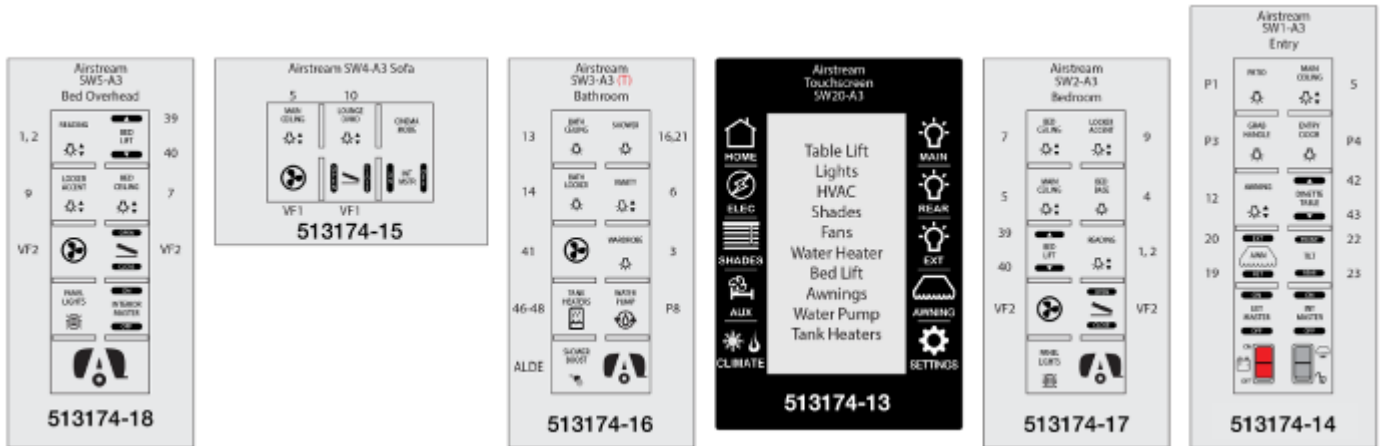
- 513084-100 Bedroom entry switch, Queen
- 513084-101 Bedroom overhead switch, Queen
- 513085-101 Touch screen, 4.3"
- 513085-103 Entry switch
- 513085-104 Bedroom entry switch, Twin
- 513085-105 Sofa switch
- 513085-106 Bathroom switch
- 513085-107 Bedroom overhead switch, Roadside
- 513085-108 Bedroom overhead switch, Curbside



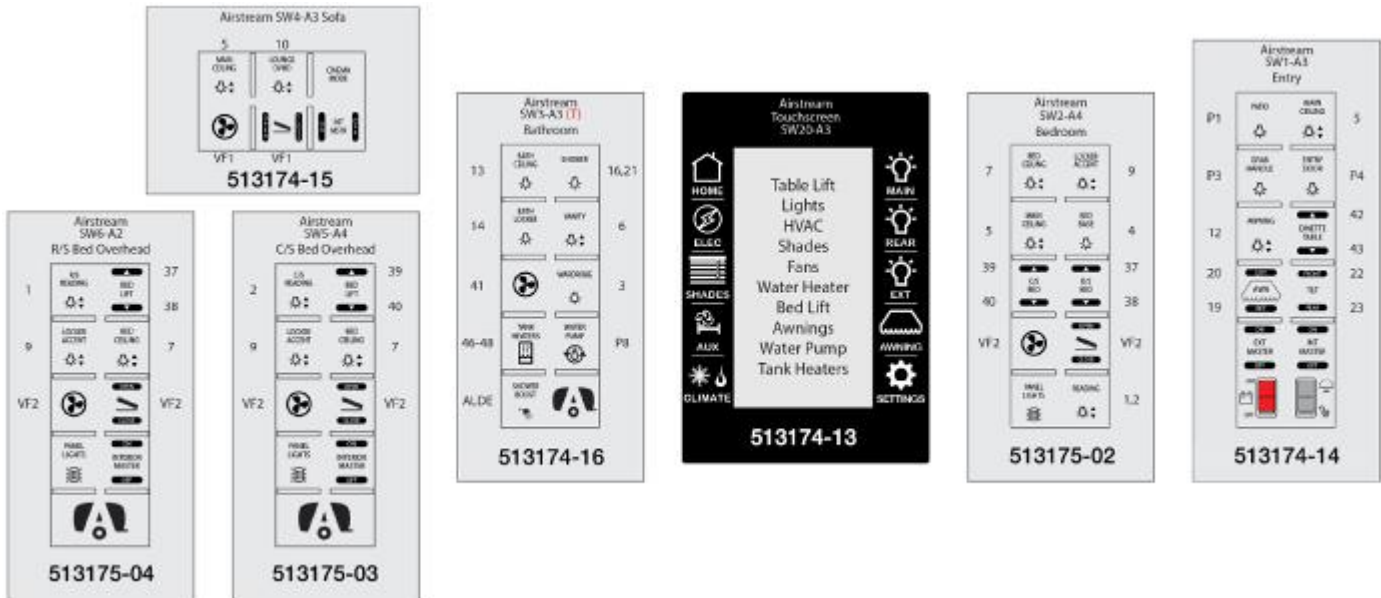
# 2017 CLASSIC ELECTRICAL, 12 VOLT

## Firefly Control Panels, 33FB

513174-01 Firefly kit, Queen



513175-01 Firefly kit, Twin



- 513174-13 Touch screen, 4.3"
- 513174-14 Entry switch
- 513174-15 Sofa switch
- 513174-16 Bathroom switch
- 513174-17 Bedroom entry switch, Queen
- 513174-18 Bedroom overhead switch, Queen
- 513175-02 Bedroom entry switch, Twin
- 513175-03 Bedroom overhead switch, Curbside
- 513175-04 Bedroom overhead switch, Roadside

## 2017 CLASSIC ELECTRICAL, 12 VOLT

### Solar Charging System

513047-01	Solar panel, 80 watt, Zamp
513047-02	Solar panel mounting feet, Zamp
511845	Battery, 12V, deep cycle, GPL-27T Lifeline
511846	Kit, Charge controller and digital display
511846-100	Regulator for solar panel charger
511846-101	Charge controller display only
513043	Triple port solar cap
513033	Bracket, Portable solar panel port
365407	Gasket, Solar box
340305	Solar panel wire clip
340306	C-clamp, 5/8
511851	Cable, CAT 5E, Blue
511852	Connector, RJ45E
115583	Plate, Solar battery spacer

### Breakers

510947-20	Breaker, 12V DC, Type II
510947-30	Breaker, 12V DC, Type II
510947-50	Breaker, 12V DC, Type II
510946-04	Bracket, 4-Position, Circuit breaker, 12V
510946-06	Bracket, 6-Position, Circuit breaker, 12V
500475-50	Breaker, 12 VDC, Ears, 50 Amp

### Fuses

510696	Fuse holder, In-line
500883-01	Fuse 12, CSA 1 amp
500883-08	Fuse 12V, 8 amp
512318	Holder w/1 amp AFC fuse, In-line
511969-01	110A fuse and fuse block
500773-15	Fuse, ATC, 12V DC, 15 amp
513161-01	Fuse, Terminal fuse block w/100a fuse
513161-02	Fuse, 100 amp
500773-25	Fuse, ATC 12V DC, 25 amp

## 2017 CLASSIC ELECTRICAL, 12 VOLT

### Interior Lights

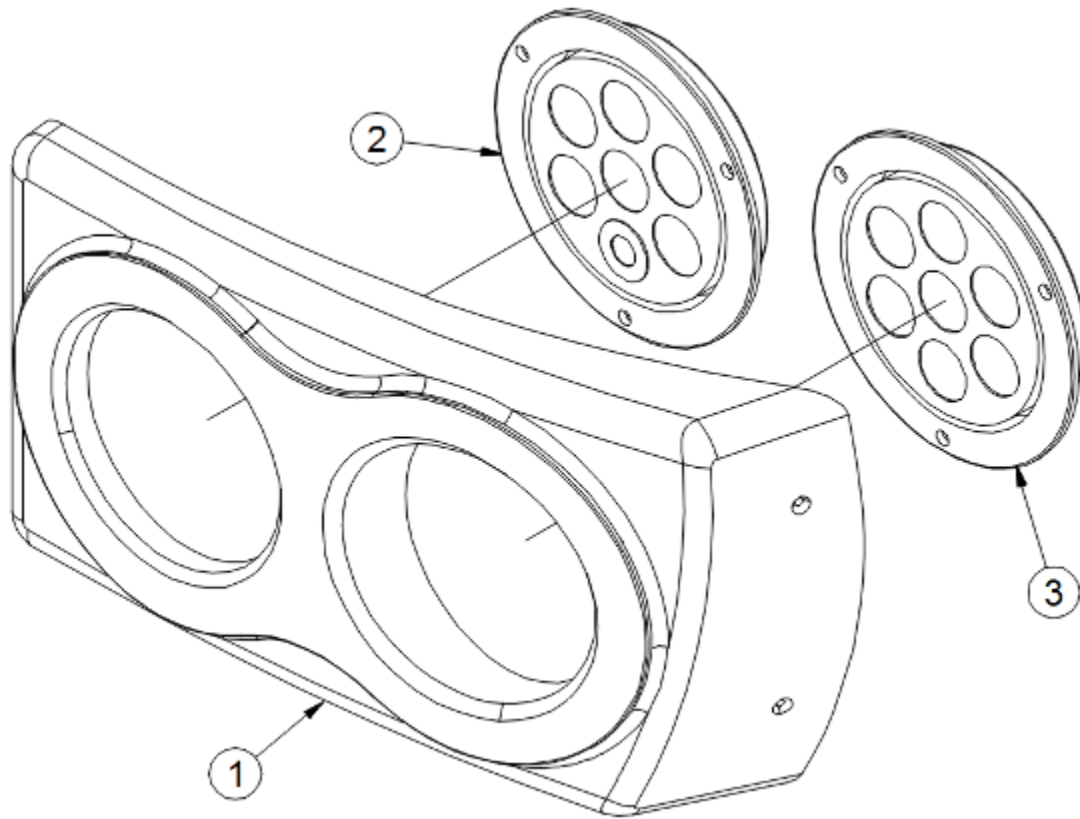
512169	Light, 3 arm, Dinette
512168	Light, Oval, Pin-up
512828	Light, 9 LED, Un-switched, Brushed Stainless Steel
512829	Courtesy light w/push lens, Brushed Stainless Steel
512830	Ceiling light, 9 LED, Un-switched, Brushed Stainless Steel
512831	Closet light w/plunger, LED, Black
512832	Diffused tape light w/48" lead wires, LED, Warm White
512736	Light w/switch, LED
512840	Courtesy light, Wall wash, Black
512478	Light, Single dome, LED, Wet location
513200	LED eyeball light, Satin Nickel
513160	LED light bar, Surface mount
513070	Aisle light, Motion activated

### Exterior Lights

512252	Step light, LED, SS
512532	Utility light, LED, 4"
512859	Amber LED clearance light
512859-01	Chrome base
512860	Red LED clearance light
512860-01	Chrome base
512928	Curved bezel w/gasket, Required for 3 top lights
512928-01	Curved bezel
382389	Clearance light gasket
512900	Amber marker/side turn light w/Chrome teardrop base, 30'
512533	Auxiliary light, LED
512857	LED bulb, Blue, used with 511344-05 grab handle
512918-03	LED flex light strip, 30'
512918-05	LED flex light strip, 33FB

# 2017 CLASSIC ELECTRICAL, 12 VOLT

## Tail Lights



968188-01	Tail Light Assembly, RS
968188-02	Tail Light Assembly, CS

1. 115758-01	Casting, Tail light, CS
115758-02	Casting, Tail light, RS
2. 512820	Tail light w/backup lens, 4"
3. 512821	Tail light, 4"
203797-02	Gasket, Tail light, RS
203797-01	Gasket, Tail light, CS
382258	Grommet, Tail light
115629	Angle, tail light
115630	Angle, tail light

## 2017 CLASSIC ENTERTAINMENT

### Audio

512835-01	Audio system w/2 head units, Polk
512835-02	Wired remote w/display
512835-03	Y-cable
512835-04	Extension cable, 18'
512835-05	Sirius/XM tuner, No antenna
512835-06	Antenna, Sirius/XM
512835-07	USB input port
512834	Speaker, Coaxial, 6.5", Polk
704308	Speaker grill cloth, Black
511807	AM/FM antenna, Rubber, 14"
513051	Subwoofer, 8", Jensen

### Video

512657-01	Antenna, Omni-directional, White
512398	Power supply, Wall plate, Amplifier w/2 TV hook-up
500484-04	Antenna lead and extension, 48"
500484-05	Antenna lead & extension, 72"
510616	F-connector, Coax
510623	Connector, Coax, Male-male
512366-03	HDMI cable, Male-male, 3'
512366-30	HDMI cable, Male-male, 30'
512366-35	HDMI cable, Male-male, 35'
*513170	Dual inlet, TV/Satellite, Stainless Steel
511534	Dual coax plate, White
512406	RG6 hex compression connector
512407	Coax cable, RG6
512405-02	Coax lead/jumper w/connectors, 12"
512405-01	Coax lead/jumper w/connectors, 6"
510621-02	Splitter, Coax
511827	TV jack plate
512501	Standard CEC protocol pass through
512552	Kit, HDMI switcher

\*Replaced 513089 in December 2016

## 2017 CLASSIC ENTERTAINMENT

### Projector and Sound System

513159	Projector, Viewsonic
513157	Projector screen, Salara
513158	Digital converter box, Mediasonic
513155	TV sound system, Solo 5, Bose
513156	Logitech Harmony remote control
513180	IR system kit
513180-1	IR receiver
513180-2	Single IR emitter
513180-3	IR repeater block
513180-4	Power adapter w/fuse
513180-5	Extension cable, 25'
513180-6	HDMI cable w/low profile connectors
513180-7	Dual IR repeater

### Blu-Ray Player

512924	Blu-Ray disc player, Samsung, 30'
513135	Blu-Ray disc player, Samsung, 33FB
512499	Mini coax cable, 48"
512499-01	Mini coax cable, 64"
512561	HDMI right angle adapter, Right side

### Flat Screen TV, 32"

690668	LED HDTV, 32" Samsung
512526-01	TV bracket, Articulating tilt
518824	Adapter for TV mount
690380-14	Sensor wire clip

### Bedroom TV, 24"

690682	LED HDTV, 24" Samsung
512457	Articulating arm
511314	Universal bushing, 1" ID, Black
512499	Mini coax cable, 48"
512501	Splitter, HDMI pass through
340300	Clip, Cable holder
382184	Sleeve, Flexo braided split

## 2017 CLASSIC FLOOR COVERINGS

### Floor Coverings

704160	Flooring, Raffia, 1520 CC, Color #2
203594-02	Floor trim, Ash Grey
703766-01	Adhesive, AAT 272 Super Premium
702665	Rug cushion, Non-slip
704137	Floor mat, "CLASSIC"
203727	Foil, Single bubble flex

### Furniture & Cushion Batting

701538	Carpet, Velour-compartment liner
701538-01	Carpet, Econolier w/PSA back

## 2017 CLASSIC FURNITURE, INTERIOR DOORS

### Doors, Roof Lockers, Hampton Walnut

802083-0130	Door, Front/rear locker
802083-0230	Door, Front/rear locker
801969-1130	Door, CS galley locker
801969-1930	Door, 9 x 24.75
801969-2030	Door, 13.25 x 32.5
801969-2230	Door, 11 x 24.25
801969-2330	Door, 24.25 x 9
801969-2430	Door, 15.38 x 9
801969-2530	Door, 9.75 x 14.5
801969-2630	Door, 22.5 x 13
801969-2730	Door, 13 x 26.38

### Doors, Roof Lockers, Cognac Maple

802083-0135	Door, Front/rear locker
802083-0235	Door, Front/rear locker
801969-1135	Door, CS galley locker
801969-1935	Door, 9 x 24.75
801969-2035	Door, 13.25 x 32.5
801969-2235	Door, 11 x 24.25
801969-2335	Door, 24.25 x 9
801969-2435	Door, 15.38 x 9
801969-2535	Door, 9.75 x 14.5
801969-2635	Door, 22.5 x 13
801969-2735	Door, 13 x 26.38

### Door, Shower

703989-01	Shower door, Reeded glass, Brushed Nickel
602633	Shower door, Curved glass

### Door, Foldette

704166	Folding door, 60 x 73, Black
382295	Track, Straight, Gray



# 2017 CLASSIC

## FURNITURE, DRAWER BOXES, SLIDES, MIRRORS

### Drawer Boxes

964908-01	Drawer box, 17.5 x 26 x 8
968021-08	Drawer box, 2.75 x 9.88 x 18
968028-05	Drawer box, 8 x 5.625 x 12
968028-07	Drawer box, 8 x 33.25 x 11
968028-08	Drawer box, 8 x 15.75 x 13
968028-09	Drawer box, 8 x 21.88 x 18
968028-12	Drawer box, 8 x 19.38 x 15
968028-13	Drawer box, 8 x 20 x 11.5

### Drawer Slides

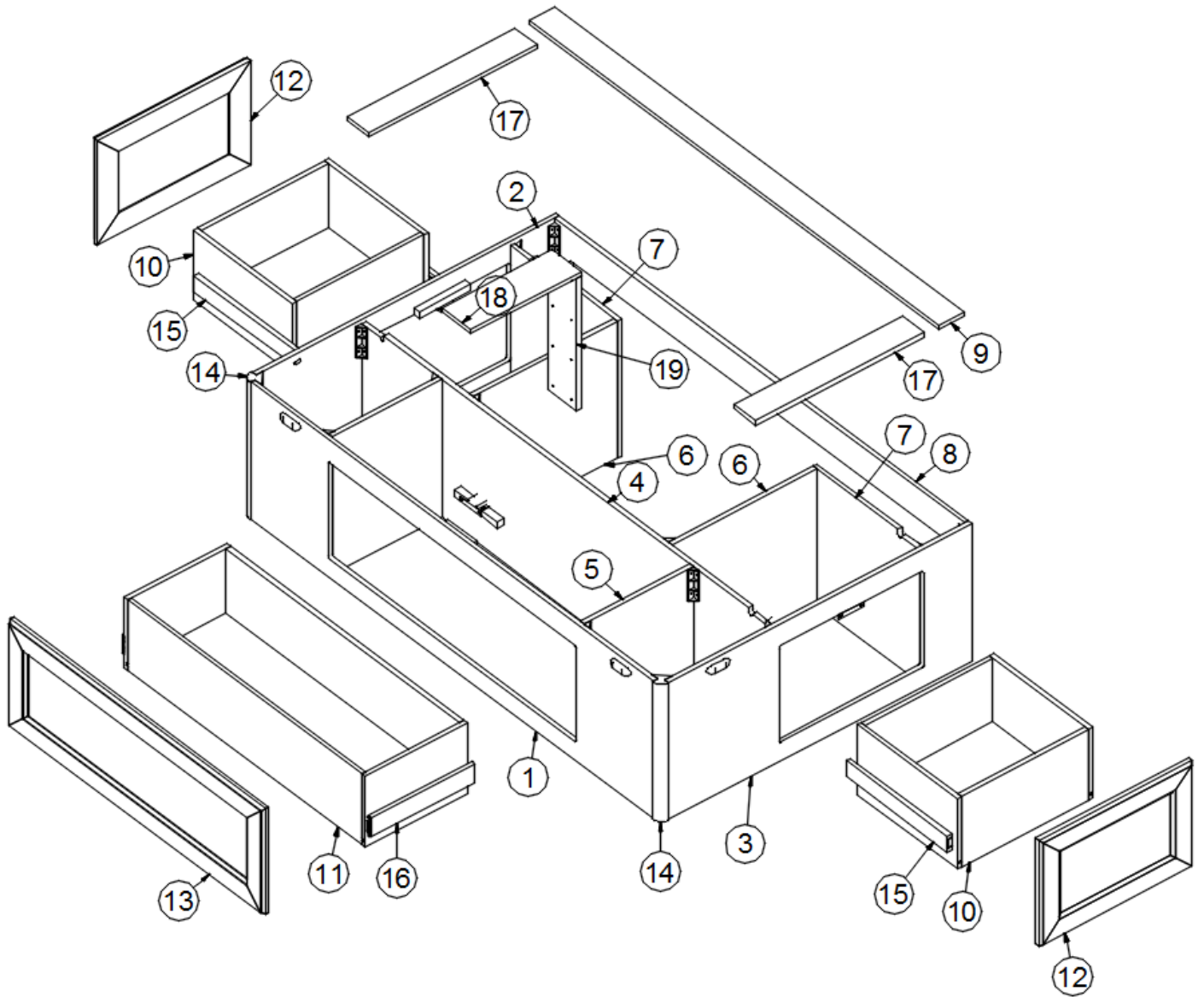
381090	Drawer slide, 22"
381400	Drawer slide, 14"
381400-01	Drawer slide, 12"
382203-02	Drawer slide, Self-close, 12"
382203-03	Drawer slide, Self-close, 15"
382203-04	Drawer slide, Self-close, 18"
382203-08	Drawer slide, Self-close, Rear mounting

### Mirrors

371443	Mirror, Bath door, 18.63" x 67.13"
371440-01	Mirror, Contoured RH, 31.11" x 38"
371440-02	Hole insert
371440-03	Hole insert cap
381754	Mirror clip

# 2017 CLASSIC FURNITURE, BEDROOM

Bed, Queen, Hampton Walnut



Parts Listed on Next Page

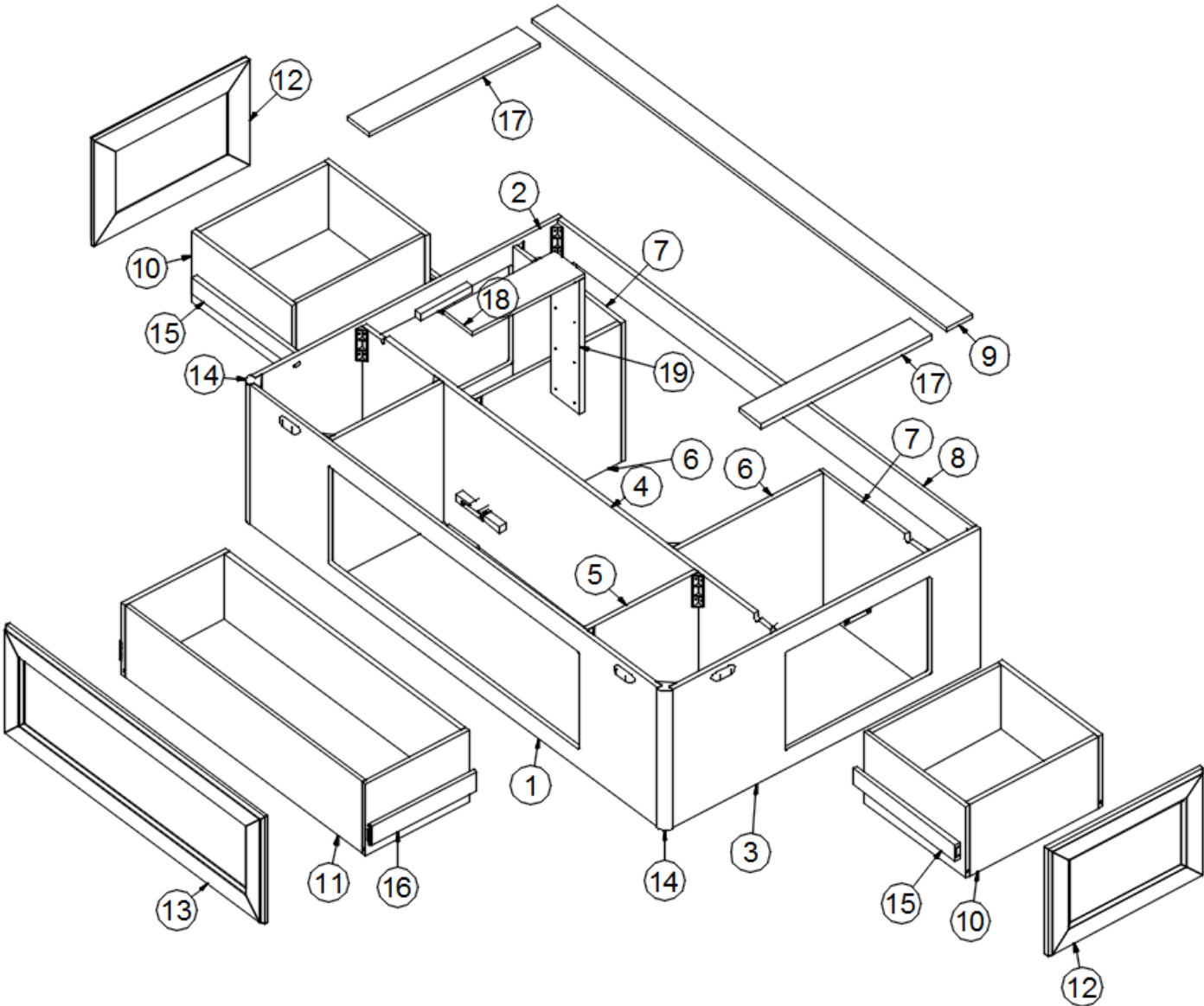
## 2017 CLASSIC FURNITURE, BEDROOM

### Bed, Queen, Hampton Walnut

968152-30	Queen Bed
1. 968152-301	Panel, 15.625 x 55.535
2. 968152-302	Panel, 15.625 x 35.768
3. 968152-303	Panel, 15.625 x 35.143
4. 968152-304	Panel, 15.625 x 56.5
5. 968152-305	Panel, 15.625 x 12.75
6. 968152-306	Panel, 15.625 x 16.75
7. 968152-307	Panel, 15.625 x 14.75
8. 968152-308	Panel, 15.625 x 56.5
9. 968152-3011	Panel, 3 x 56.5
10. 968028-08	Drawer, 8"
11. 968028-07	Drawer box, 8"
12. 802056-0630	Drawer door, Walnut
13. 802056-0530	Drawer door, Walnut
14. 801415-0030	Corner trim, 1" radius, Walnut
15. 381400	Drawer slide, 14"
16. 381400-01	Drawer slide, 12"
17. 968152-3019	Panel, 3 x 19.5
18. 968152-3021	Panel, 4 x 12.75
19. 968152-3035	Panel, 4 x 15.125
382245	Power reclining slatted bed base
386279	Corner brace, 3.5 x .75 x .75
381228-02	Catch, Grabber door, 5LB
512840	Courtesy wall light, Black
382253-02	Pull, Antique Silver, 5"

# 2017 CLASSIC FURNITURE, BEDROOM

Bed, Queen, Cognac Maple



Parts Listed on Next Page

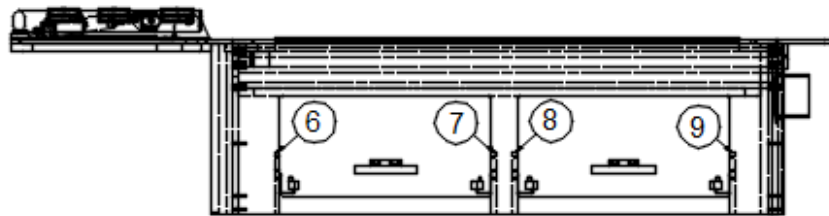
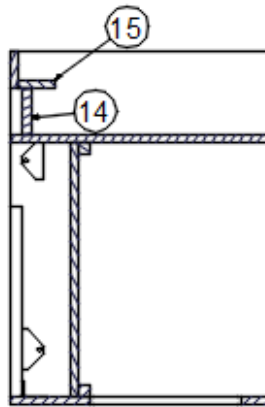
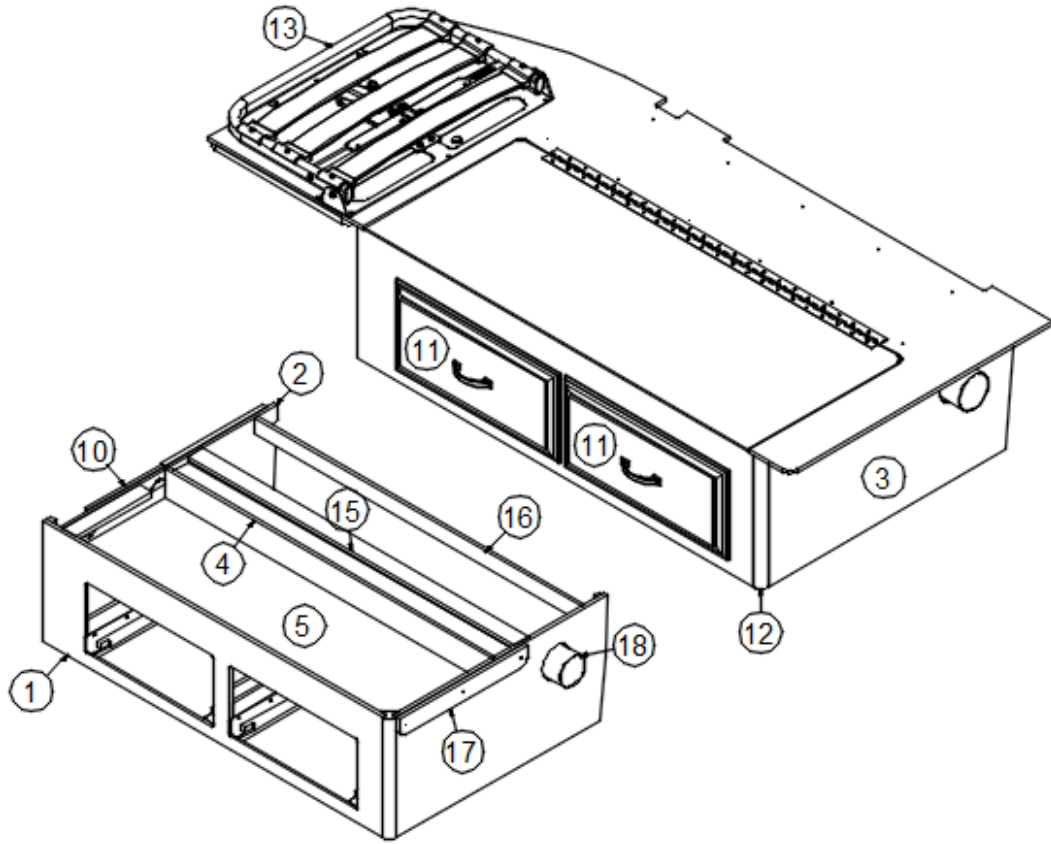
## 2017 CLASSIC FURNITURE, BEDROOM

### Bed, Queen, Cognac Maple

968152-35	Queen Bed
1. 968152-351	Panel, 15.625 x 55.535
2. 968152-352	Panel, 15.625 x 35.768
3. 968152-353	Panel, 15.625 x 35.143
4. 968152-354	Panel, 15.625 x 56.5
5. 968152-355	Panel, 15.625 x 12.75
6. 968152-356	Panel, 15.625 x 16.75
7. 968152-357	Panel, 15.625 x 14.75
8. 968152-358	Panel, 15.625 x 56.5
9. 968152-3511	Panel, 3 x 56.5
10. 968028-08	Drawer, 8"
11. 968028-07	Drawer box, 8"
12. 802056-0635	Drawer door, Maple
13. 802056-0535	Drawer door, Maple
14. 801415-0035	Corner trim, 1" radius, Maple
15. 381400	Drawer slide, 14"
16. 381400-01	Drawer slide, 12"
17. 968152-3519	Panel, 3 x 19.5
18. 968152-3521	Panel, 4 x 12.75
19. 968152-3535	Panel, 4 x 15.125
382245	Power reclining slatted bed base
386279	Corner brace, 3.5 x .75 x .75
381228-02	Catch, Grabber door, 5LB
512840	Courtesy wall light, Black
382253-02	Pull, Antique Silver, 5"

# 2017 CLASSIC FURNITURE, BEDROOM

Bed, Twin, Roadside, Hampton Walnut



Parts Listed on Next Page

## 2017 CLASSIC FURNITURE, BEDROOM

### Bed, Twin, Roadside, Hampton Walnut

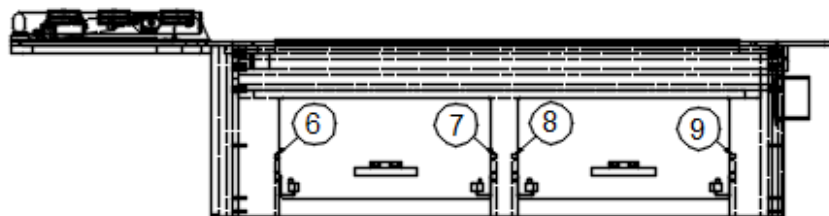
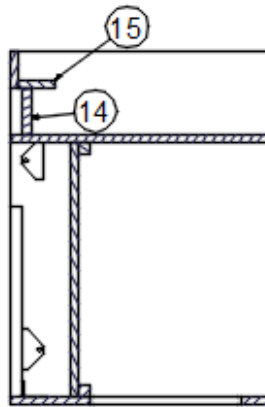
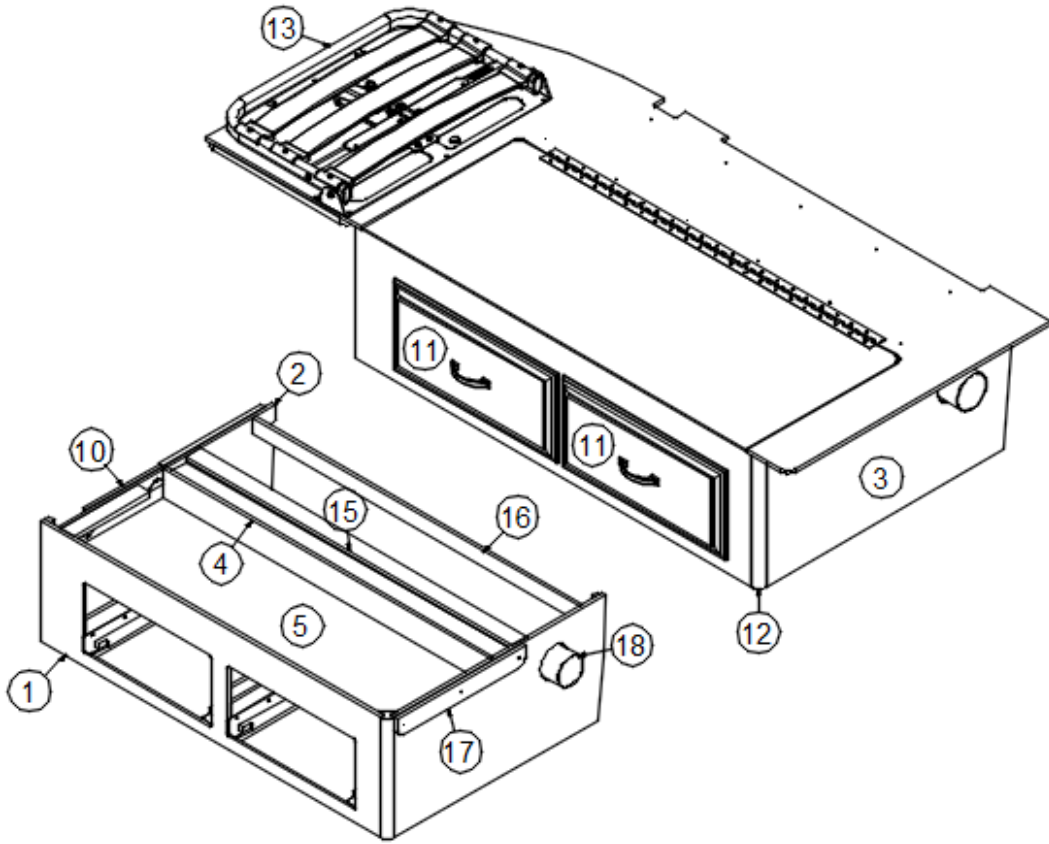
968429

RS Twin Bed

- |                 |                                   |
|-----------------|-----------------------------------|
| 1. 968429-1     | Panel, 16.25 x 53                 |
| 2. 968429-2     | Panel, 16.25 x 33.5               |
| 3. 968429-3     | Panel, 16.25 x 33                 |
| 4. 968429-4     | Panel, 15.5 x 51                  |
| 5. 968429-5     | Panel, 16 x 51                    |
| 6. 968429-6     | Panel, 16 x 6                     |
| 7. 968429-7     | Panel, 16 x 6                     |
| 8. 968429-8     | Panel, 16 x 6                     |
| 9. 968429-9     | Panel, 16 x 6                     |
| 10. 968429-10   | Panel, 12 x 16.25                 |
| 11. 802056-0930 | Drawer face, 10.5 x 22, Walnut    |
| 12. 801415-0030 | Corner trim, 1" radius, Walnut    |
| 13. 382278      | Back rest, Reclining, Electric    |
| 14. 968429-34   | Panel, 3 x 51                     |
| 15. 968429-35   | Panel, 2.25 x 51                  |
| 16. 968429-36   | Panel, 2.25 x 51                  |
| 17. 968429-41   | Panel, 2.5 x 20                   |
| 18. 602394-03   | Register, 4" directional          |
| 968431-01       | Twin bed offset, RS               |
| 968262          | Closeout, Twin bed/wall           |
| 968028-12       | Drawer box, 8"                    |
| 382203-03       | Drawer slide, Self-close, 15"     |
| 382203-06       | Drawer slide, Front facing clips  |
| 382253-03       | Pull, Antique Silver, 8"          |
| 381228-02       | Catch, Grabber door, 5LB          |
| 382172          | Hinge, Narrow utility, 1.5 x 1.38 |
| 380203-01       | Piano hinge, 44"                  |
| 115751          | Bracket, Twin bed baffle          |
| 365379-01       | Edgebanding, .63", Walnut         |
| 365379-02       | Edgebanding, .94", Walnut         |

# 2017 CLASSIC FURNITURE, BEDROOM

Bed, Twin, Roadside, Cognac Maple



Parts Listed on Next Page



## 2017 CLASSIC FURNITURE, BEDROOM

### Bed, Twin, Roadside, Cognac Maple

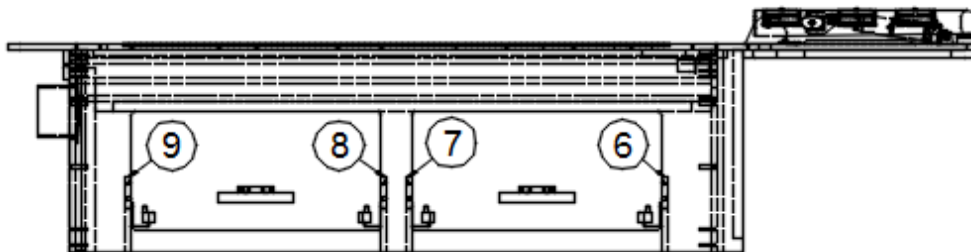
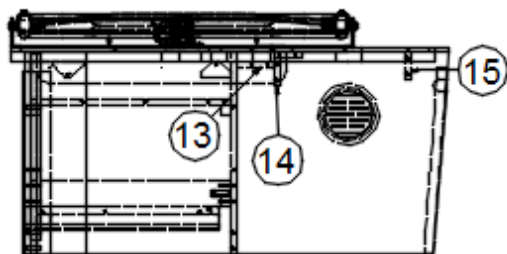
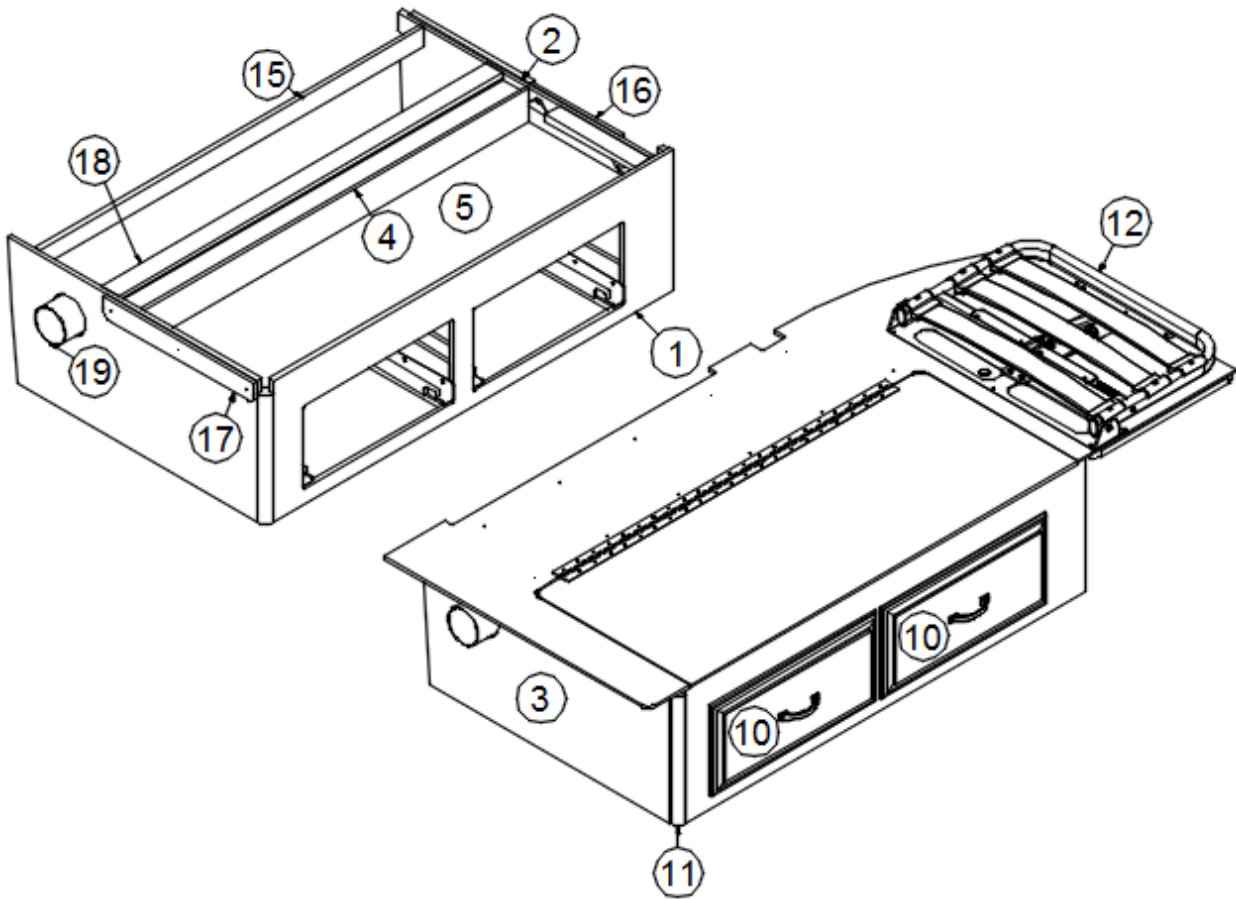
968429-35C

RS Twin Bed

- |                 |                                   |
|-----------------|-----------------------------------|
| 1. 968429-351   | Panel, 16.25 x 53                 |
| 2. 968429-352   | Panel, 16.25 x 33.5               |
| 3. 968429-353   | Panel, 16.25 x 33                 |
| 4. 968429-354   | Panel, 15.5 x 51                  |
| 5. 968429-355   | Panel, 16 x 51                    |
| 6. 968429-356   | Panel, 16 x 6                     |
| 7. 968429-357   | Panel, 16 x 6                     |
| 8. 968429-358   | Panel, 16 x 6                     |
| 9. 968429-359   | Panel, 16 x 6                     |
| 10. 968429-3510 | Panel, 12 x 16.25                 |
| 11. 802056-0935 | Drawer face, 10.5 x 22, Maple     |
| 12. 801415-0035 | Corner trim, 1" radius, Maple     |
| 13. 382278      | Back rest, Reclining, Electric    |
| 14. 968429-3534 | Panel, 3 x 51                     |
| 15. 968429-3535 | Panel, 2.25 x 51                  |
| 16. 968429-3536 | Panel, 2.25 x 51                  |
| 17. 968429-3541 | Panel, 2.5 x 20                   |
| 18. 602394-03   | Register, 4" directional          |
| 968431-01       | Twin bed offset, RS               |
| 968262          | Closeout, Twin bed/wall           |
| 968028-12       | Drawer box, 8"                    |
| 382203-03       | Drawer slide, Self-close, 15"     |
| 382203-06       | Drawer slide, Front facing clips  |
| 382253-03       | Pull, Antique Silver, 8"          |
| 381228-02       | Catch, Grabber door, 5LB          |
| 382172          | Hinge, Narrow utility, 1.5 x 1.38 |
| 380203-01       | Piano hinge, 44"                  |
| 115751          | Bracket, Twin bed baffle          |
| 365405-01       | Edgebanding, .63", Maple          |
| 365405-02       | Edgebanding, .94", Maple          |

# 2017 CLASSIC FURNITURE, BEDROOM

Bed, Twin, Curbside, Hampton Walnut



Parts Listed on Next Page

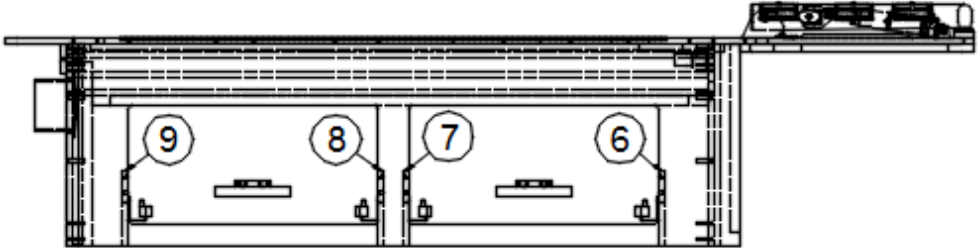
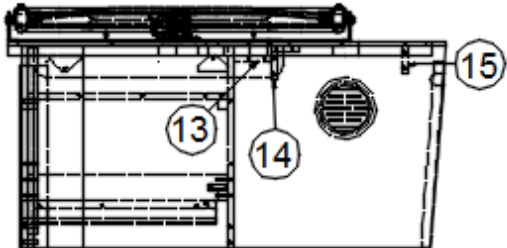
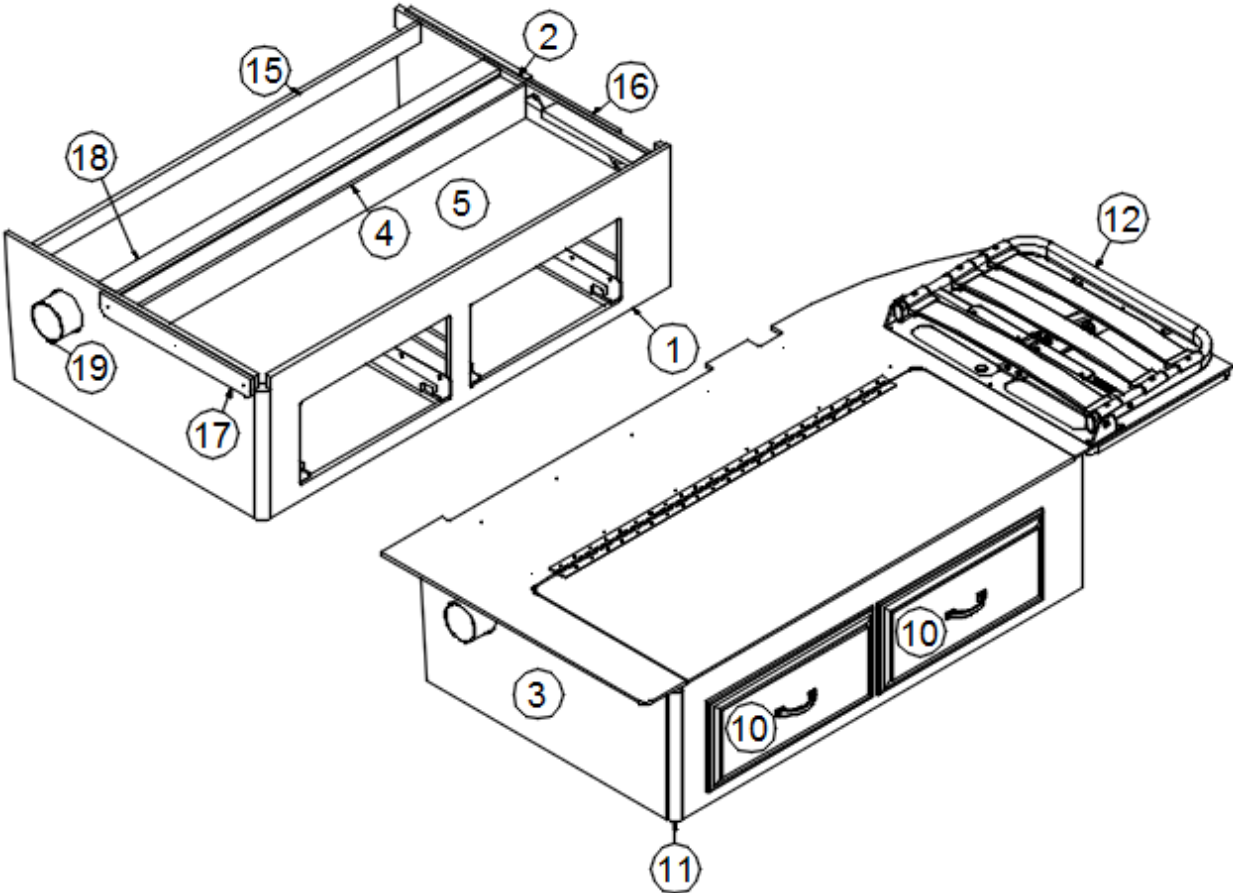
## 2017 CLASSIC FURNITURE, BEDROOM

### Bed, Twin, Curbside, Hampton Walnut

968428	CS Twin Bed
1. 968428-1	Panel, 16.25 x 53
2. 968428-2	Panel, 16.25 x 33.5
3. 968428-3	Panel, 16.25 x 33
4. 968428-4	Panel, 16.25 x 51
5. 968428-5	Panel, 16 x 51
6. 968428-6	Panel, 16 x 6
7. 968428-7	Panel, 16 x 6
8. 968428-8	Panel, 16 x 6
9. 968428-9	Panel, 16 x 6
10. 802056-0930	Drawer face, 10.5 x 22, Walnut
11. 801415-0030	Corner trim, 1" radius, Walnut
12. 382278	Back rest, Reclining, Electric
13. 968428-33	Panel, 2.25 x 51
14. 968428-34	Panel, 2.25 x 51
15. 968428-35	Panel, 2.25 x 51
16. 968428-37	Panel, 12 x 16.25
17. 968428-40	Panel, 2.5 x 20
18. 968428-41	Panel, 2.25 x 51
19. 602394-03	Register, 4" directional
968431-02	Twin bed offset, CS
968436	Closeout, Twin bed/wall, CS
968028-12	Drawer box, 8"
382203-03	Drawer slide, Self-close, 15"
382203-06	Drawer slide, Front facing clips
382253-03	Pull, Antique Silver, 8"
381228-02	Catch, Grabber door, 5LB
382172	Hinge, Narrow utility, 1.5 x 1.38
380203-01	Piano hinge, 44"
114813	Aluminum angle, 1.5 x 1.5
381067-09	Gas spring, 90LB
381262	Bracket, Prop w/ball
381310	Bracket, Gas prop, Upper
381084	Ball, Stud
115751	Bracket, Twin bed baffle
365379-01	Edgebanding, .63", Walnut
365379-02	Edgebanding, .94", Walnut

# 2017 CLASSIC FURNITURE, BEDROOM

Bed, Twin, Curbside, Cognac Maple



Parts Listed on Next Page

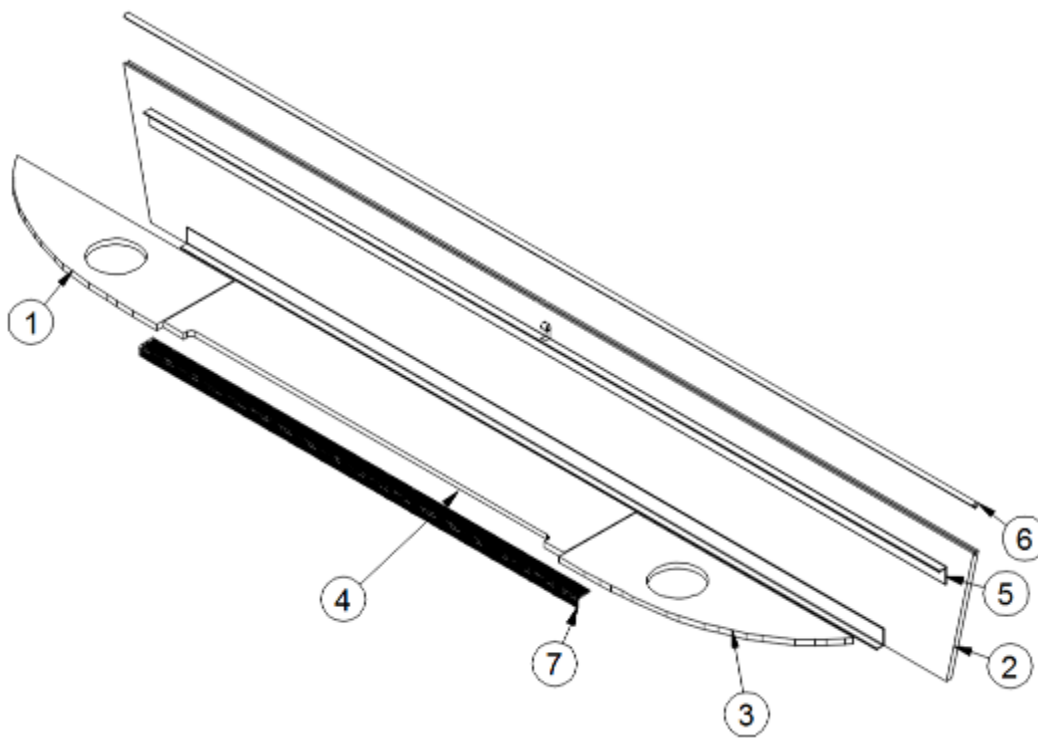
## 2017 CLASSIC FURNITURE, BEDROOM

### Bed, Twin, Curbside, Cognac Maple

968428-35C	CS Twin Bed
1. 968428-351	Panel, 16.25 x 53
2. 968428-352	Panel, 16.25 x 33.5
3. 968428-353	Panel, 16.25 x 33
4. 968428-354	Panel, 16.25 x 51
5. 968428-355	Panel, 16 x 51
6. 968428-356	Panel, 16 x 6
7. 968428-357	Panel, 16 x 6
8. 968428-358	Panel, 16 x 6
9. 968428-359	Panel, 16 x 6
10. 802056-0935	Drawer face, 10.5 x 22, Maple
11. 801415-0035	Corner trim, 1" radius, Maple
12. 382278	Back rest, Reclining, Electric
13. 968428-3533	Panel, 2.25 x 51
14. 968428-3534	Panel, 2.25 x 51
15. 968428-3535	Panel, 2.25 x 51
16. 968428-3537	Panel, 12 x 16.25
17. 968428-3540	Panel, 2.5 x 20
18. 968428-3541	Panel, 2.25 x 51
19. 602394-03	Register, 4" directional
968431-02	Twin bed offset, CS
968436	Closeout, Twin bed/wall, CS
968028-12	Drawer box, 8"
382203-03	Drawer slide, Self-close, 15"
382203-06	Drawer slide, Front facing clips
382253-03	Pull, Antique Silver, 8"
381228-02	Catch, Grabber door, 5LB
382172	Hinge, Narrow utility, 1.5 x 1.38
380203-01	Piano hinge, 44"
114813	Aluminum angle, 1.5 x 1.5
381067-09	Gas spring, 90LB
381262	Bracket, Prop w/ball
381310	Bracket, Gas prop, Upper
381084	Ball, Stud
115751	Bracket, Twin bed baffle
365405-01	Edgebanding, .63", Maple
365405-02	Edgebanding, .94", Maple

# 2017 CLASSIC FURNITURE, BEDROOM

## Headboard, Twin Bed, Hampton Walnut



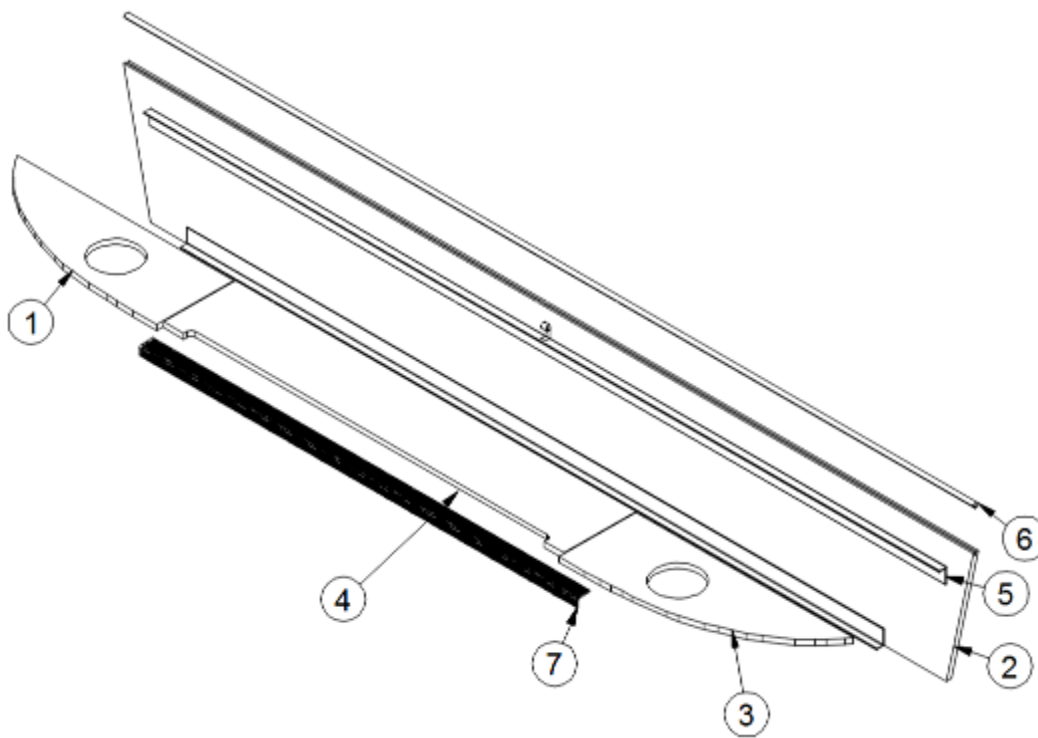
968467

Twin Bed Headboard

- |              |                               |
|--------------|-------------------------------|
| 1. 968467-1  | Panel, 22.45 x 8.25           |
| 2. 968467-2  | Panel, 12.5 x 86.25           |
| 3. 968467-3  | Panel, 22.45 x 8.25           |
| 4. 968467-4  | Panel, 7.75 x 40.25           |
| 5. 114930    | Aluminum extrusion, L-section |
| 6. 203812-01 | Bumper molding, .5"           |
| 7. 115729-01 | Bracket, Top vents            |
| 701538-01    | Carpet, Econolier w/PSA back  |
| 381581       | Strap, Clear plastic          |
| 602394-03    | Register, 4" directional      |

## 2017 CLASSIC FURNITURE, BEDROOM

### Headboard, Twin Bed, Cognac Maple



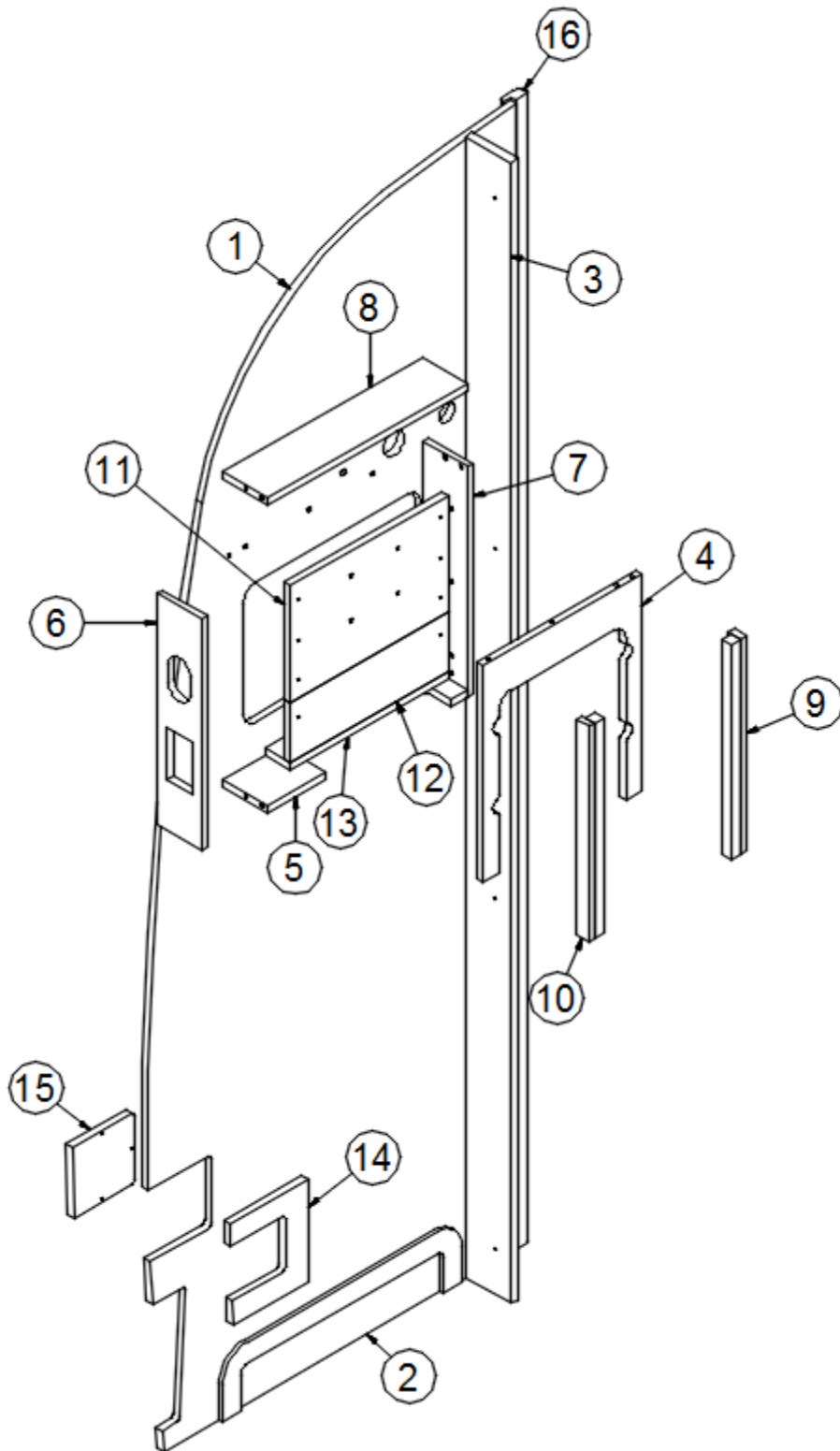
968467-35

Twin Bed Headboard

- |               |                               |
|---------------|-------------------------------|
| 1. 968467-351 | Panel, 22.45 x 8.25           |
| 2. 968467-352 | Panel, 12.5 x 86.25           |
| 3. 968467-353 | Panel, 22.45 x 8.25           |
| 4. 968467-354 | Panel, 7.75 x 40.25           |
| 5. 114930     | Aluminum extrusion, L-section |
| 6. 203812-01  | Bumper molding, .5"           |
| 7. 115729-01  | Bracket, Top vents            |
| 701538-01     | Carpet, Econolier w/PSA back  |
| 381581        | Strap, Clear plastic          |
| 602394-03     | Register, 4" directional      |

2017 CLASSIC  
FURNITURE, BEDROOM

Wall, Curbside Queen Bedroom, Hampton Walnut



Parts Listed on Next Page



## 2017 CLASSIC FURNITURE, BEDROOM

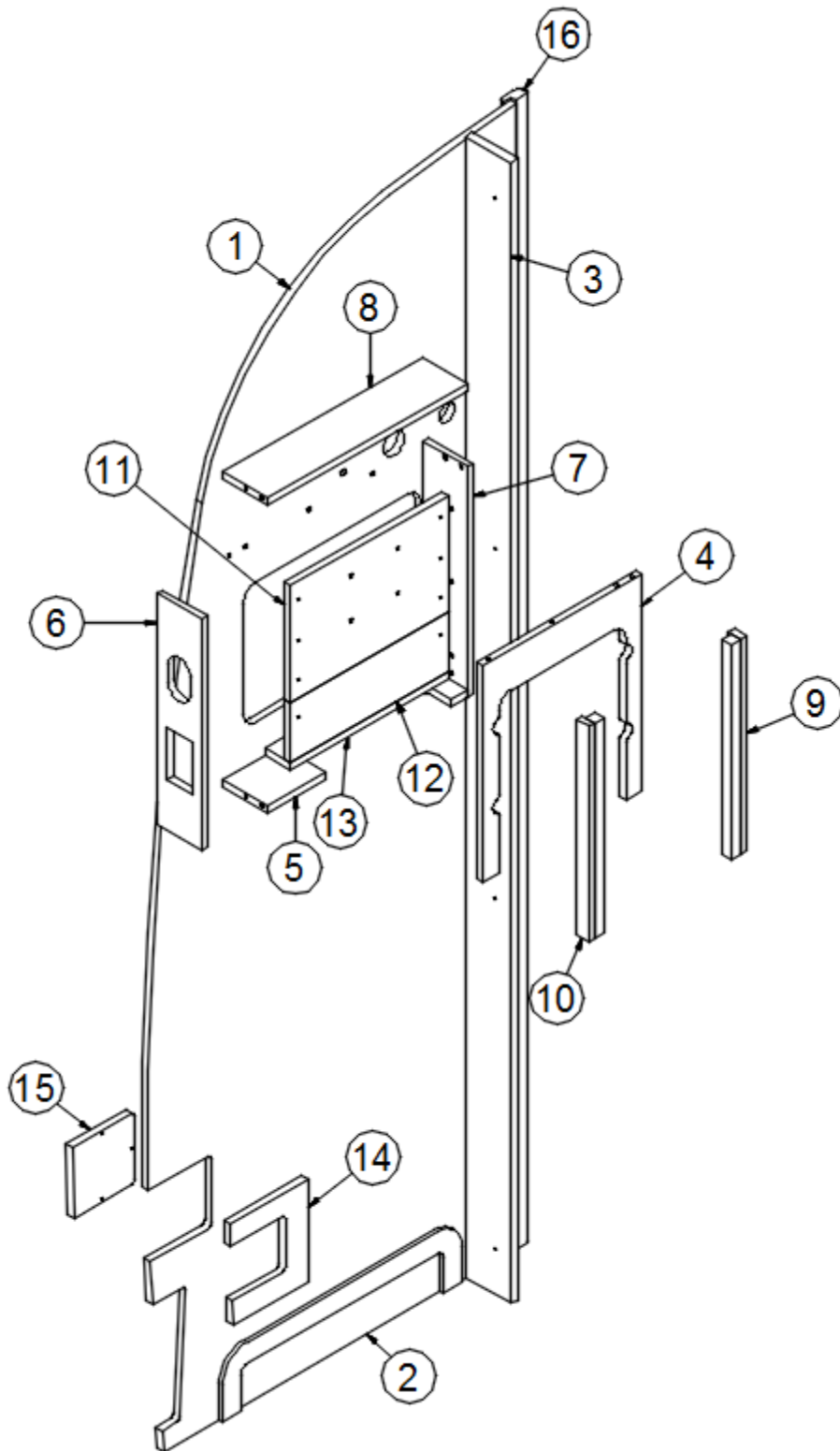
### Wall, Curbside Queen Bedroom, Hampton Walnut

968427 CS Queen Bedroom Wall

1. 968427-1 Panel, 29.11 x 78.51
2. 968427-2 Panel, 16.94 x 3.47
3. 968427-3 Panel, 3.56 x 78.28
4. 968427-4 Panel, 12.5 x 14.81
5. 968427-5 Panel, 3.56 x 15.75
6. 968427-6 Panel, 3.56 x 15.81
7. 968427-7 Panel, 3.56 x 15.81
8. 968427-8 Panel, 3.56 x 15.75
9. 968427-9 Panel, 1 x 14.81
10. 968427-10 Panel, 1 x 14.81
11. 968427-11 Panel, 12.5 x 8
12. 968427-12 Panel, 12.5 x 4.13
13. 968427-13 Panel, 2 x 12.5
14. 968427-23 Panel, 6.11 x 7
15. 968427-24 Panel, 4.91 x 4.88
16. 801972-0030 Stile, Aft bath panel radius, Walnut
- 381610-02 Cap cover, Plastic, Brown
- 203445 T-molding, 9/16", Black
- 203138-05 Plastic wall extrusion, Black
- 365379-01 Edgebanding, .63", Walnut

# 2017 CLASSIC FURNITURE, BEDROOM

Wall, Curbside Queen Bedroom, Cognac Maple



Parts Listed on Next Page

## 2017 CLASSIC FURNITURE, BEDROOM

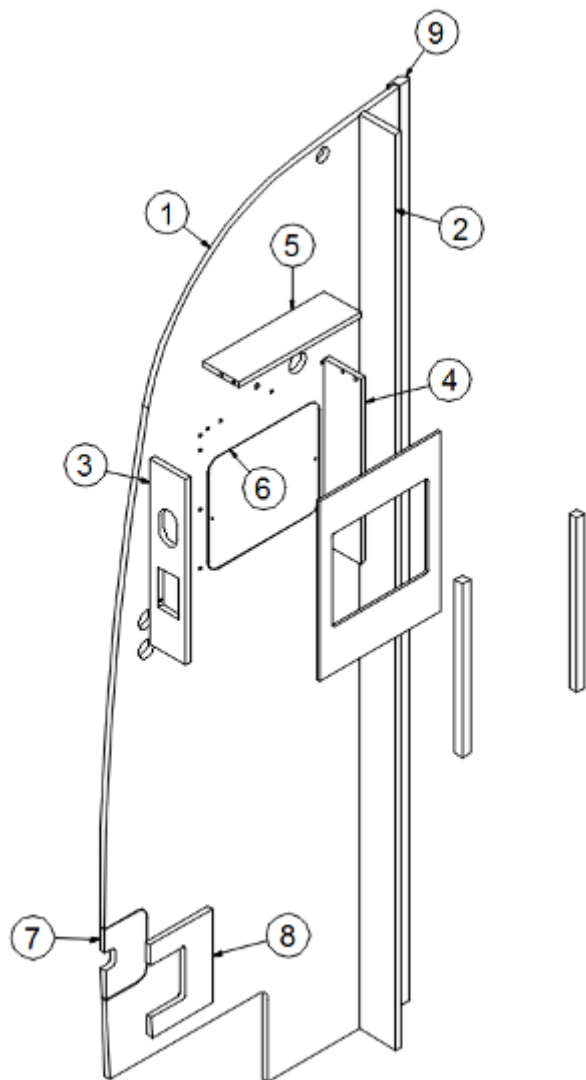
### Wall, Curbside Queen Bedroom, Cognac Maple

968427-35 CS Queen Bedroom Wall

1. 968427-351 Panel, 29.11 x 78.51
2. 968427-352 Panel, 16.94 x 3.47
3. 968427-353 Panel, 3.56 x 78.28
4. 968427-354 Panel, 12.5 x 14.81
5. 968427-355 Panel, 3.56 x 15.75
6. 968427-356 Panel, 3.56 x 15.81
7. 968427-357 Panel, 3.56 x 15.81
8. 968427-358 Panel, 3.56 x 15.75
9. 968427-359 Panel, 1 x 14.81
10. 968427-3510 Panel, 1 x 14.81
11. 968427-3511 Panel, 12.5 x 8
12. 968427-3512 Panel, 12.5 x 4.13
13. 968427-3513 Panel, 2 x 12.5
14. 968427-3523 Panel, 6.11 x 7
15. 968427-3524 Panel, 4.91 x 4.88
16. 801972-0035 Stile, Aft bath panel radius, Maple
- 381610-02 Cap cover, Plastic, Brown
- 203445 T-molding, 9/16", Black
- 203138-05 Plastic wall extrusion, Black
- 365405-01 Edgebanding, .63", Maple

# 2017 CLASSIC FURNITURE, BEDROOM

## Wall, Curbside Twin Bedroom, Hampton Walnut



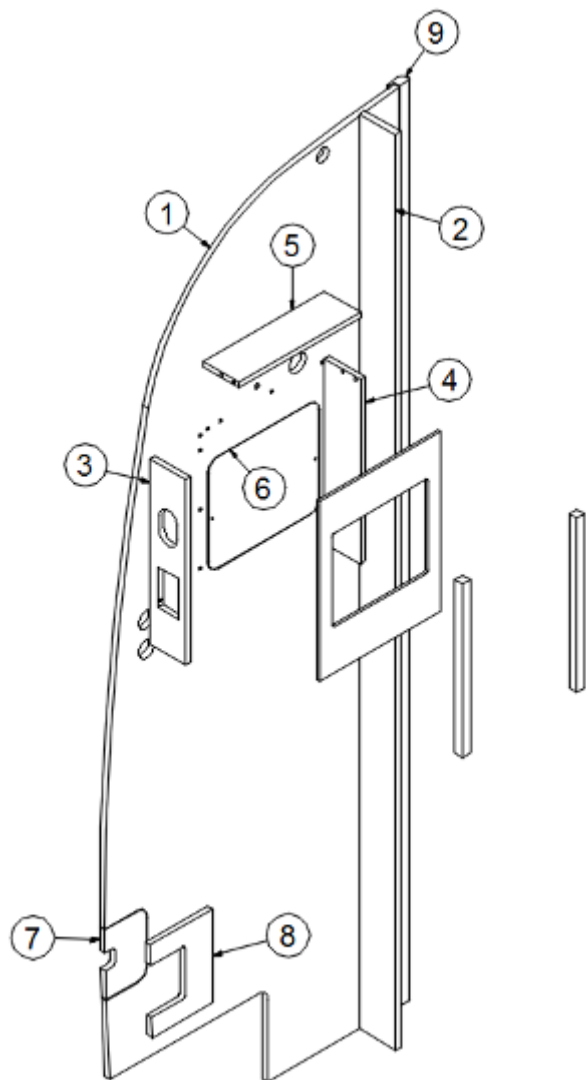
968438

CS Twin Bedroom Wall

- |                |                                |
|----------------|--------------------------------|
| 1. 968438-1    | Panel, 29.11 x 78.51           |
| 2. 968438-2    | Panel, 3.56 x 78.28            |
| 3. 968438-3    | Panel, 3.56 x 15.81            |
| 4. 968438-4    | Panel, 3.56 x 15.81            |
| 5. 968438-5    | Panel, 3.56 x 12               |
| 6. 968438-6    | Panel, 10.94 x 9.5             |
| 7. 968438-13   | Panel, 4.16 x 6                |
| 8. 968438-14   | Panel, 6.17 x 8                |
| 9. 801972-0030 | Stile, Aft bath panel, Walnut  |
| 203138-05      | Extrusion, Plastic, .5", Black |
| 381610-02      | Cap cover, Plastic, Brown      |

# 2017 CLASSIC FURNITURE, BEDROOM

## Wall, Curbside Twin Bedroom, Cognac Maple



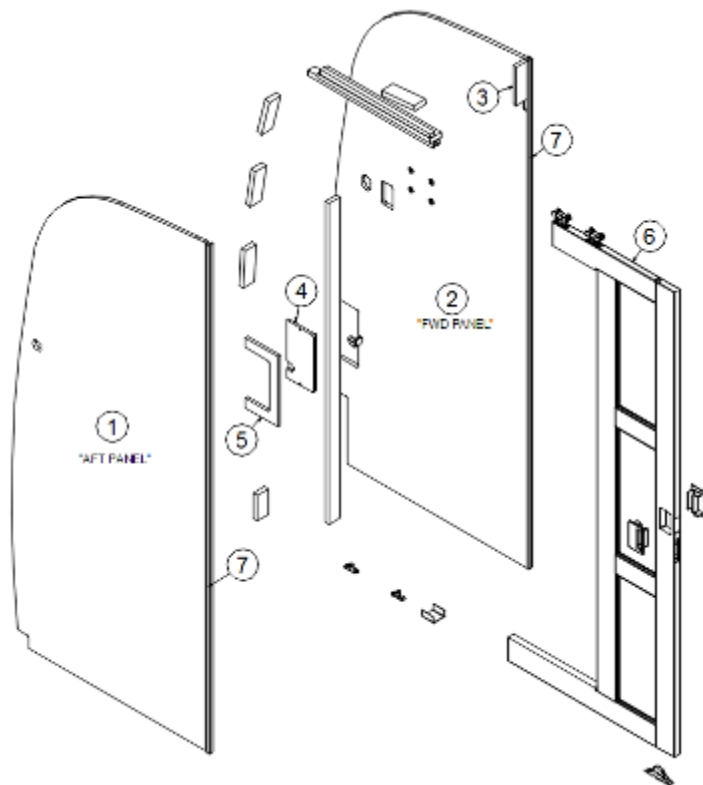
968438-35

CS Twin Bedroom Wall

- |                |                                |
|----------------|--------------------------------|
| 1. 968438-351  | Panel, 29.11 x 78.51           |
| 2. 968438-352  | Panel, 3.56 x 78.28            |
| 3. 968438-353  | Panel, 3.56 x 15.81            |
| 4. 968438-354  | Panel, 3.56 x 15.81            |
| 5. 968438-355  | Panel, 3.56 x 12               |
| 6. 968438-356  | Panel, 10.94 x 9.5             |
| 7. 968438-3513 | Panel, 4.16 x 6                |
| 8. 968438-3514 | Panel, 6.17 x 8                |
| 9. 801972-0035 | Stile, Aft bath panel, Maple   |
| 203138-05      | Extrusion, Plastic, .5", Black |
| 381610-02      | Cap cover, Plastic, Brown      |

# 2017 CLASSIC FURNITURE, BEDROOM

## Bedroom Pocket Door, RS, 33FB, Hampton Walnut



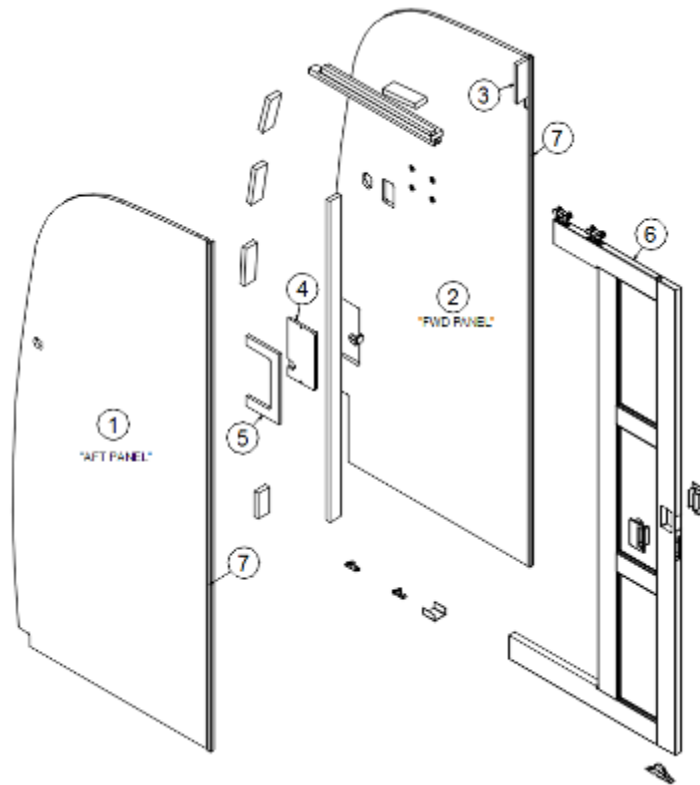
968557  
968557-01

RS Bedroom Pocket Door, Queen  
RS Bedroom Pocket Door, Twin

- |                |                                    |
|----------------|------------------------------------|
| 1. 968557-1    | Panel, 35.57 x 79.22               |
| 2. 968557-2    | Panel, 35.55 x 79.22, Queen        |
| 968557-30      | Panel, 35.55 x 79.22, Twin         |
| 3. 968557-3    | Panel, 2.25 x 6                    |
| 4. 968557-4    | Panel, 4.94 x 8.88                 |
| 5. 968557-5    | Panel, 5.94 x 10.88                |
| 6. 802208-0030 | Face frame, Bedroom door, CS       |
| 7. 801997-0030 | Trim, Outside corner, .75", Walnut |
| 382444-02      | Track, 36"                         |
| 382444-03      | Roller hardware kit                |
| 382444-04      | Track stop                         |
| 382445         | Fixed bottom door guide            |
| 115882         | Bracket, Pocket door               |
| 500132         | Grommet, 1.19", Black              |
| 382408         | Angled mount magnet, 1"            |
| 382343         | Handle, Pocket door                |
| 382428         | Pocket door wheel                  |
| 365379-01      | Edgebanding, .64", Walnut          |

## 2017 CLASSIC FURNITURE, BEDROOM

### Bedroom Pocket Door, RS, 33FB, Cognac Maple



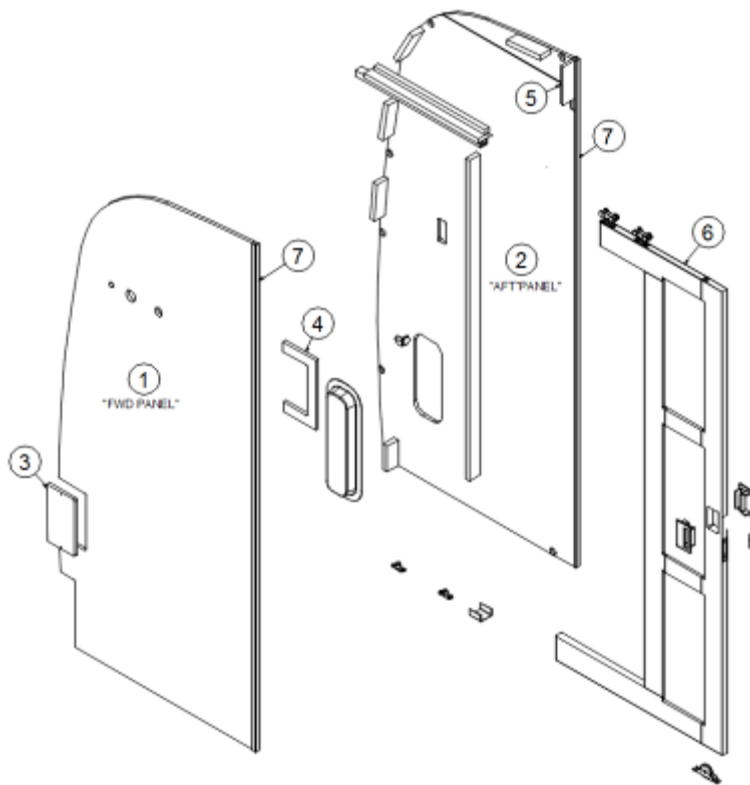
968557-35  
968557-0135

RS Bedroom Pocket Door, Queen  
RS Bedroom Pocket Door, Twin

- |                |  |
|----------------|--|
| 1. 968557-351  | Panel, 35.57 x 79.22                     |
| 2. 968557-352  | Panel, 35.55 x 79.22, Queen              |
| 968557-3530    | Panel, 35.55 x 79.22, Twin               |
| 3. 968557-353  | Panel, 2.25 x 6                          |
| 4. 968557-354  | Panel, 4.94 x 8.88                       |
| 5. 968557-355  | Panel, 5.94 x 10.88                      |
| 6. 802208-0035 | Face frame, Bedroom door, CS             |
| 7. 801997-0035 | Trim, Outside corner, .75", Cognac Maple |
| 382444-02      | Track, 36"                               |
| 382444-03      | Roller hardware kit                      |
| 382444-04      | Track stop                               |
| 382445         | Fixed bottom door guide                  |
| 115882         | Bracket, Pocket door                     |
| 500132         | Grommet, 1.19", Black                    |
| 382408         | Angled mount magnet, 1"                  |
| 382343         | Handle, Pocket door                      |
| 382428         | Pocket door wheel                        |
| 365405-01      | Edgebanding, .64", Cognac Maple          |

# 2017 CLASSIC FURNITURE, BEDROOM

## Bedroom Pocket Door, CS, 33FB, Hampton Walnut



968559  
968559-01

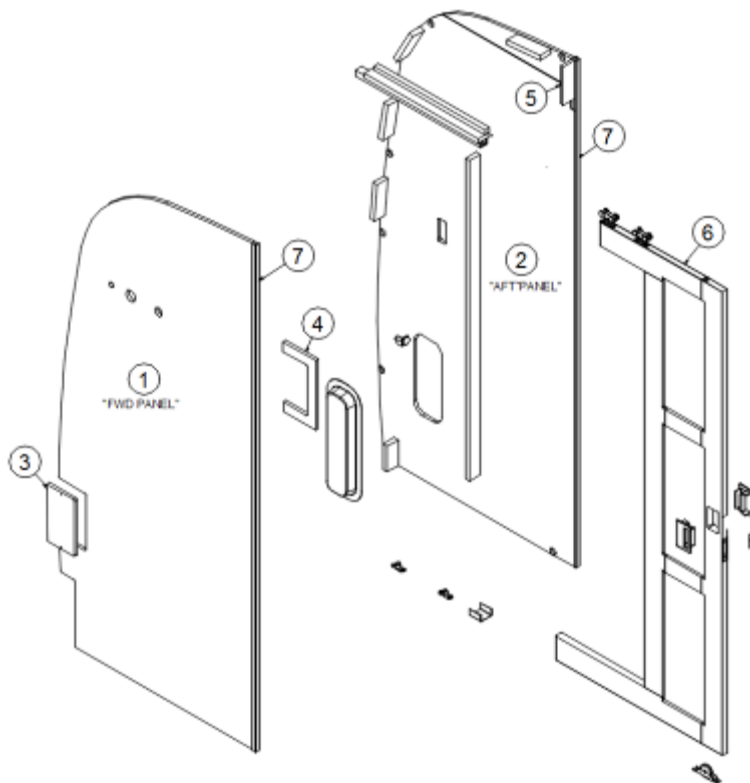
CS Bedroom Pocket Door, Queen  
CS Bedroom Pocket Door, Twin

- |                |                                    |
|----------------|------------------------------------|
| 1. 968559-1    | Panel, 35.55 x 79.22, Queen        |
| 968559-32      | Panel, 35.55 x 79.22, Twin         |
| 2. 968559-2    | Panel, 35.57 x 79.22               |
| 3. 968559-3    | Panel, 4.94 x 8.88                 |
| 4. 968559-4    | Panel, 5.94 x 10.88                |
| 5. 968559-5    | Panel, 2.25 x 6                    |
| 6. 802207-0030 | Face frame, Bedroom door, RS       |
| 7. 801997-0030 | Trim, Outside corner, .75", Walnut |
| 382444-02      | Track, 36"                         |
| 382444-03      | Roller hardware kit                |
| 382444-04      | Track stop                         |
| 382445         | Fixed bottom door guide            |
| 115882         | Bracket, Pocket door               |
| 382408         | Angled mount magnet, 1"            |
| 382343         | Handle, Pocket door                |
| 382428         | Pocket door wheel                  |
| 382407         | Pocket door magnet                 |
| 365379-01      | Edgebanding, .64", Walnut          |



## 2017 CLASSIC FURNITURE, BEDROOM

### Bedroom Pocket Door, CS, 33FB, Cognac Maple



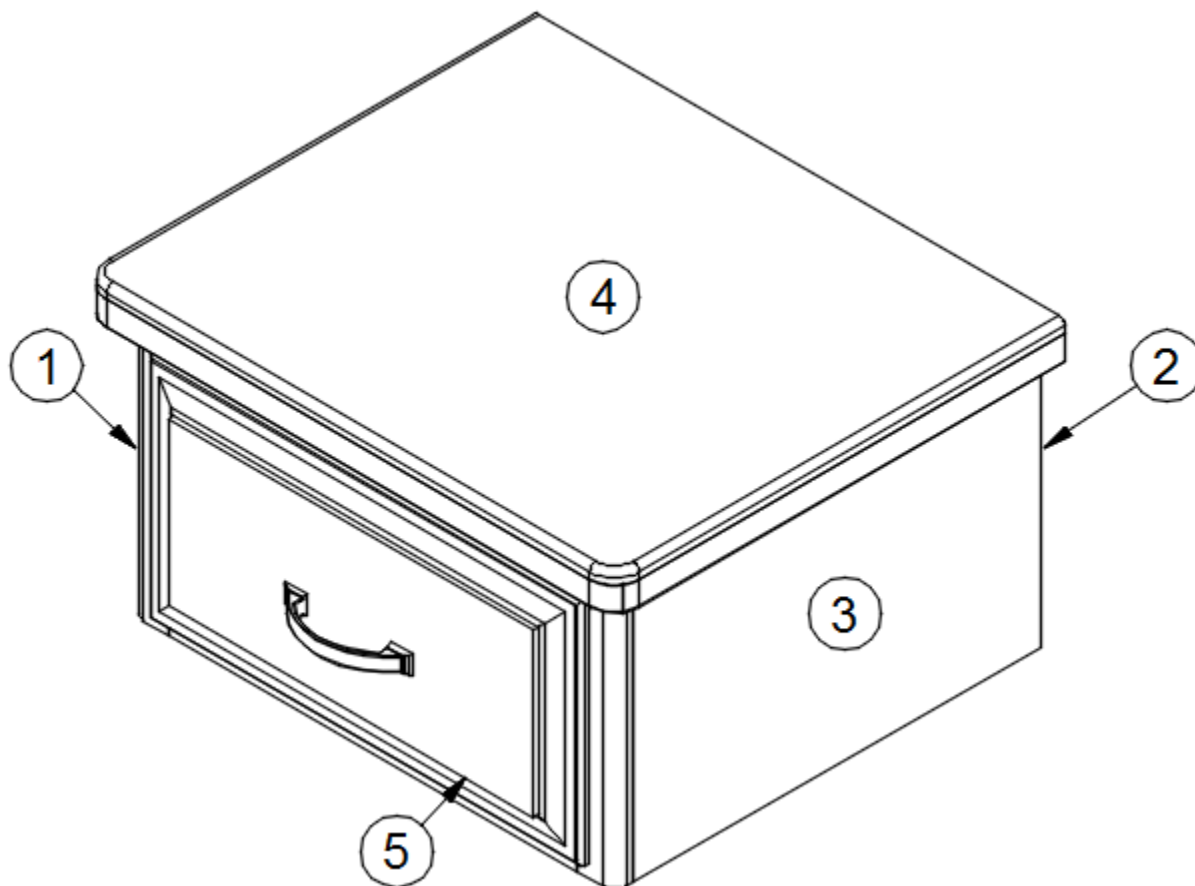
968559-35  
968559-0135

CS Bedroom Pocket Door, Queen  
CS Bedroom Pocket Door, Twin

- |                |  |
|----------------|--|
| 1. 968559-351  | Panel, 35.55 x 79.22, Queen              |
| 968559-3532    | Panel, 35.55 x 79.22, Twin               |
| 2. 968559-352  | Panel, 35.57 x 79.22                     |
| 3. 968559-353  | Panel, 4.94 x 8.88                       |
| 4. 968559-354  | Panel, 5.94 x 10.88                      |
| 5. 968559-355  | Panel, 2.25 x 6                          |
| 6. 802207-0035 | Face frame, Bedroom door, RS             |
| 7. 801997-0035 | Trim, Outside corner, .75", Cognac Maple |
| 382444-02      | Track, 36"                               |
| 382444-03      | Roller hardware kit                      |
| 382444-04      | Track stop                               |
| 382445         | Fixed bottom door guide                  |
| 115882         | Bracket, Pocket door                     |
| 382408         | Angled mount magnet, 1"                  |
| 382343         | Handle, Pocket door                      |
| 382428         | Pocket door wheel                        |
| 382407         | Pocket door magnet                       |
| 365405-01      | Edgebanding, .64", Cognac Maple          |

## 2017 CLASSIC FURNITURE, BEDROOM

### Nightstand, Center, Twin Bed, Hampton Walnut



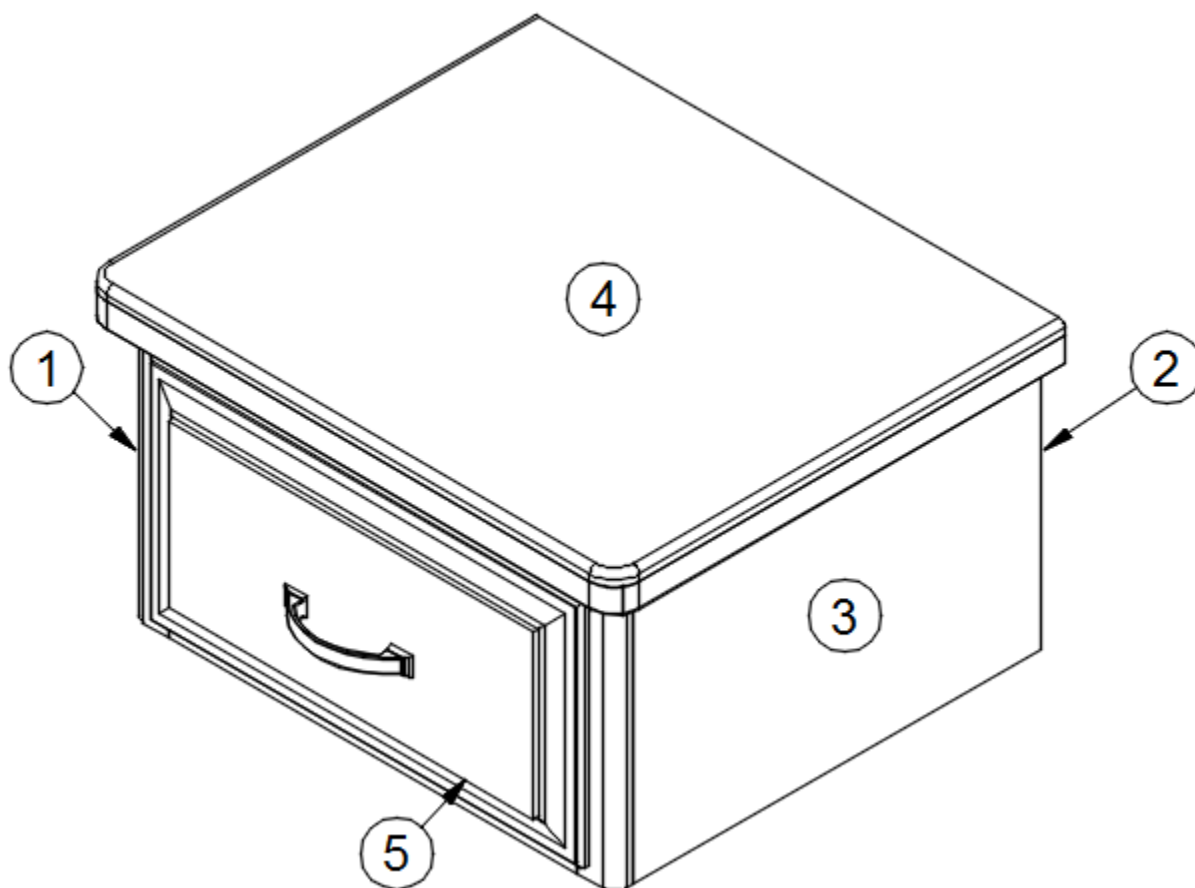
968246-30

Center Nightstand

- |                |  |
|----------------|--|
| 1. 968246-301  | Panel, 19.31 x 10.75                       |
| 2. 968246-302  | Panel, 18.38 x 10.75                       |
| 3. 968246-303  | Panel, 19.31 x 10.75                       |
| 4. 602536-01   | Top, Center nightstand, Corian, Night Sky  |
| 602536-02      | Top, Center nightstand, Corian, Sandalwood |
| 5. 802056-1030 | Drawer face, 17.38 x 9.25, Walnut          |
| 802017-0030    | Face frame, Center nightstand, Walnut      |
| 968020-16      | Drawer box assembly, 5"                    |
| 382203-03      | Drawer slide, Self-close, 15"              |
| 382203-08      | Bracket, Rear mount drawer slides          |
| 382253-03      | Pull, Antique Silver, 8"                   |
| 381228-02      | Catch, Grabber door, 5LB                   |

## 2017 CLASSIC FURNITURE, BEDROOM

### Nightstand, Center, Twin Bed, Cognac Maple



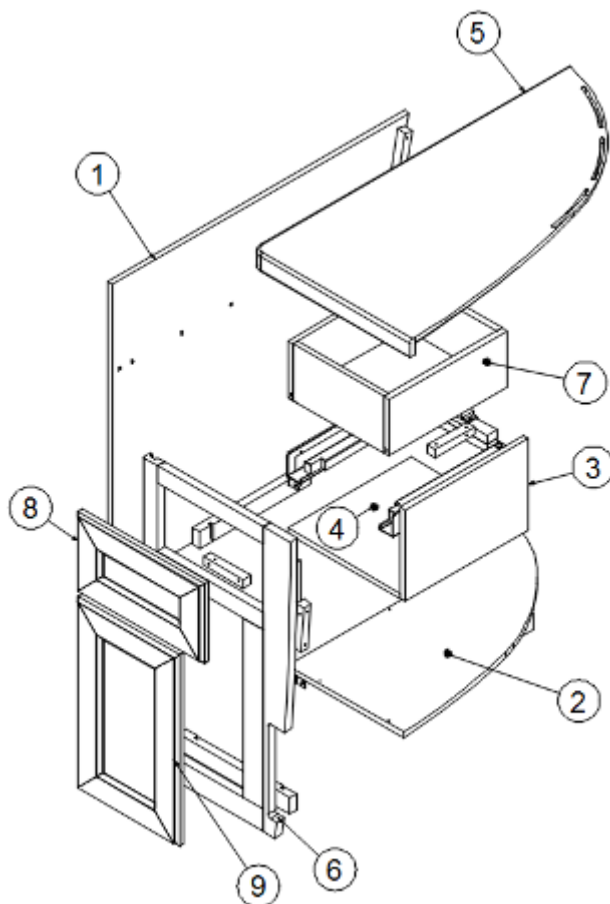
968246-35

Center Nightstand

- |                |  |
|----------------|--|
| 1. 968246-351  | Panel, 19.31 x 10.75                       |
| 2. 968246-352  | Panel, 18.38 x 10.75                       |
| 3. 968246-353  | Panel, 19.31 x 10.75                       |
| 4. 602536-01   | Top, Center nightstand, Corian, Night Sky  |
| 602536-02      | Top, Center nightstand, Corian, Sandalwood |
| 5. 802056-1035 | Drawer face, 17.38 x 9.25, Maple           |
| 802017-0035    | Face frame, Center nightstand, Maple       |
| 968020-16      | Drawer box assembly, 5"                    |
| 382203-03      | Drawer slide, Self-close, 15"              |
| 382203-08      | Bracket, Rear mount drawer slides          |
| 382253-03      | Pull, Antique Silver, 8"                   |
| 381228-02      | Catch, Grabber door, 5LB                   |

# 2017 CLASSIC FURNITURE, BEDROOM

## Nightstand, RS, Queen Bed, Hampton Walnut



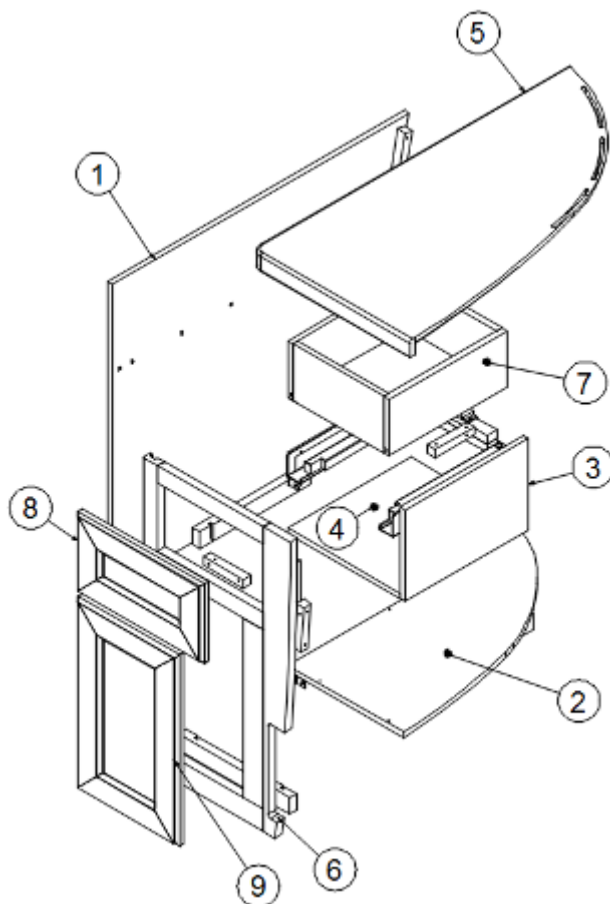
968409

RS Nightstand

- |                |  |
|----------------|--|
| 1. 968409-1    | Panel, 25.375 x 29.938                 |
| 2. 968409-2    | Panel, 11.75 x 23.654                  |
| 3. 968409-4    | Panel, 8.06 x 12.5                     |
| 4. 968409-5    | Panel, 11.44 x 12.5                    |
| 5. 602566-01   | Top, RS nightstand, Corian, Night Sky  |
| 602566-02      | Top, RS nightstand, Corian, Sandalwood |
| 6. 802105-0030 | Face frame, Walnut                     |
| 7. 968020-14   | Drawer box assembly, 5"                |
| 8. 802056-0230 | Drawer face, 7 x 12.75, Walnut         |
| 9. 801969-1830 | Door, 10.25 x 16.75, Walnut            |
| 380041         | Corner brace, 1" Stanley               |
| 382203-02      | Drawer slide, 12"                      |
| 382238         | Hinge, 1" overlay                      |
| 382253-02      | Pull, Antique Silver, 5"               |
| 382252         | Knob, Antique Silver, 1.25"            |
| 381228-02      | Catch, Grabber door, 5LB               |

## 2017 CLASSIC FURNITURE, BEDROOM

### Nightstand, RS, Queen Bed, Cognac Maple



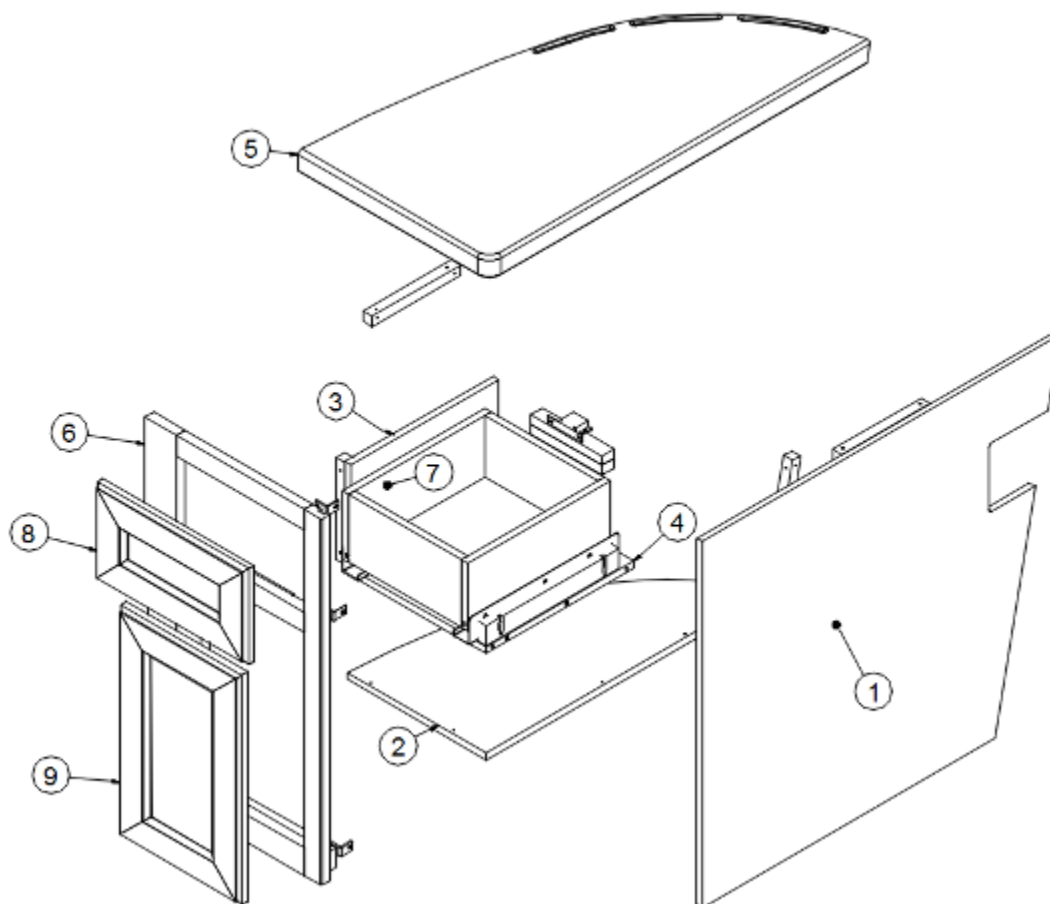
968409-35

RS Nightstand

- |                |  |
|----------------|--|
| 1. 968409-351  | Panel, 25.375 x 29.938                 |
| 2. 968409-352  | Panel, 11.75 x 23.654                  |
| 3. 968409-354  | Panel, 8.06 x 12.5                     |
| 4. 968409-355  | Panel, 11.44 x 12.5                    |
| 5. 602566-01   | Top, RS nightstand, Corian, Night Sky  |
| 602566-02      | Top, RS nightstand, Corian, Sandalwood |
| 6. 802105-0035 | Face frame, Maple                      |
| 7. 968020-14   | Drawer box assembly, 5"                |
| 8. 802056-0235 | Drawer face, 7 x 12.75, Maple          |
| 9. 801969-1835 | Door, 10.25 x 16.75, Maple             |
| 380041         | Corner brace, 1" Stanley               |
| 382203-02      | Drawer slide, 12"                      |
| 382238         | Hinge, 1" overlay                      |
| 382253-02      | Pull, Antique Silver, 5"               |
| 382252         | Knob, Antique Silver, 1.25"            |
| 381228-02      | Catch, Grabber door, 5LB               |

## 2017 CLASSIC FURNITURE, BEDROOM

Nightstand, CS, Queen Bed, Hampton Walnut



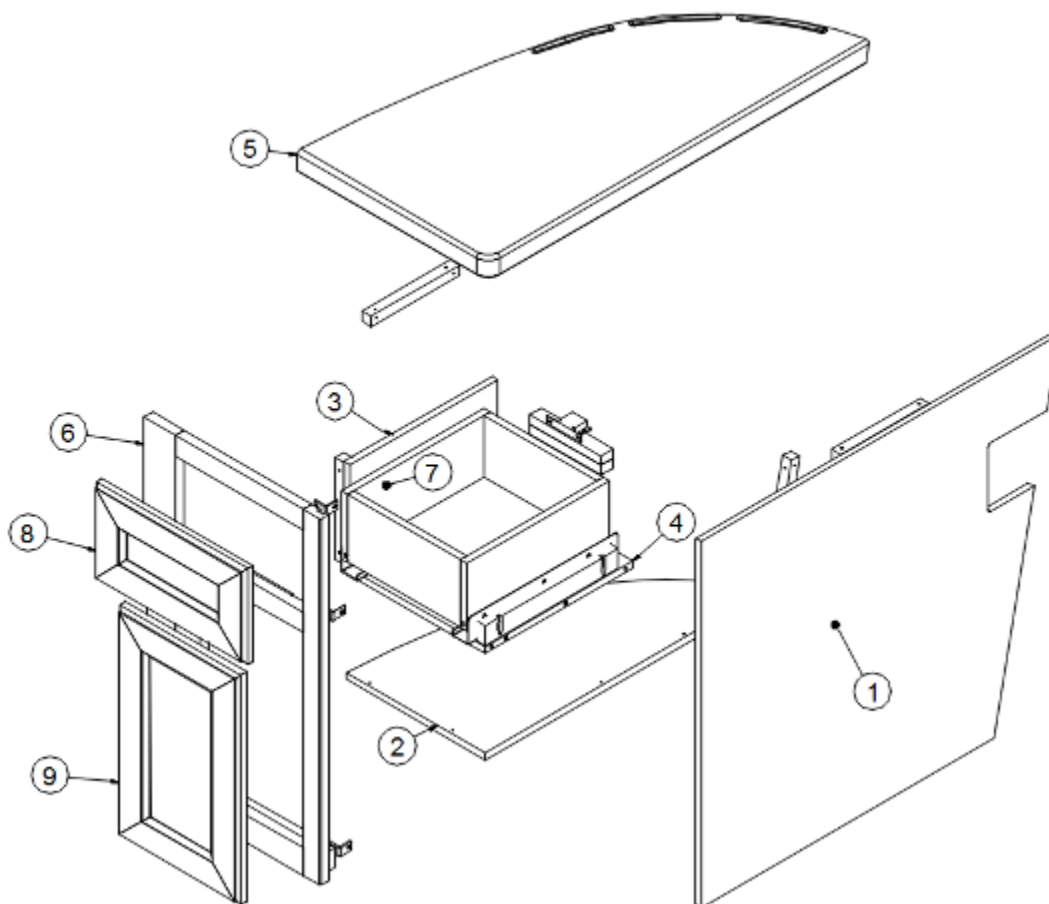
968408

CS Nightstand

- |                |  |
|----------------|--|
| 1. 968408-1    | Panel, 25.375 x 29.938                 |
| 2. 968408-2    | Panel, 11.75 x 23.654                  |
| 3. 968408-4    | Panel, 8.0625 x 12.5                   |
| 4. 968408-5    | Panel, 11.4375 x 12.5                  |
| 5. 602565-01   | Top, CS nightstand, Corian, Night Sky  |
| 602565-02      | Top, CS nightstand, Corian, Sandalwood |
| 6. 802104-0030 | Face frame, Walnut                     |
| 7. 968020-14   | Drawer box assembly, 5"                |
| 8. 802056-0230 | Drawer face, 7 x 12.75, Walnut         |
| 9. 801969-1830 | Door, 10.25 x 16.75, Walnut            |
| 380041         | Corner brace, 1" Stanley               |
| 382203-02      | Drawer slide, 12"                      |
| 382238         | Hinge, 1" overlay                      |
| 382253-02      | Pull, Antique Silver, 5"               |
| 382252         | Knob, Antique Silver, 1.25"            |
| 381228-02      | Catch, Grabber door, 5LB               |

## 2017 CLASSIC FURNITURE, BEDROOM

### Nightstand, CS, Queen Bed, Cognac Maple



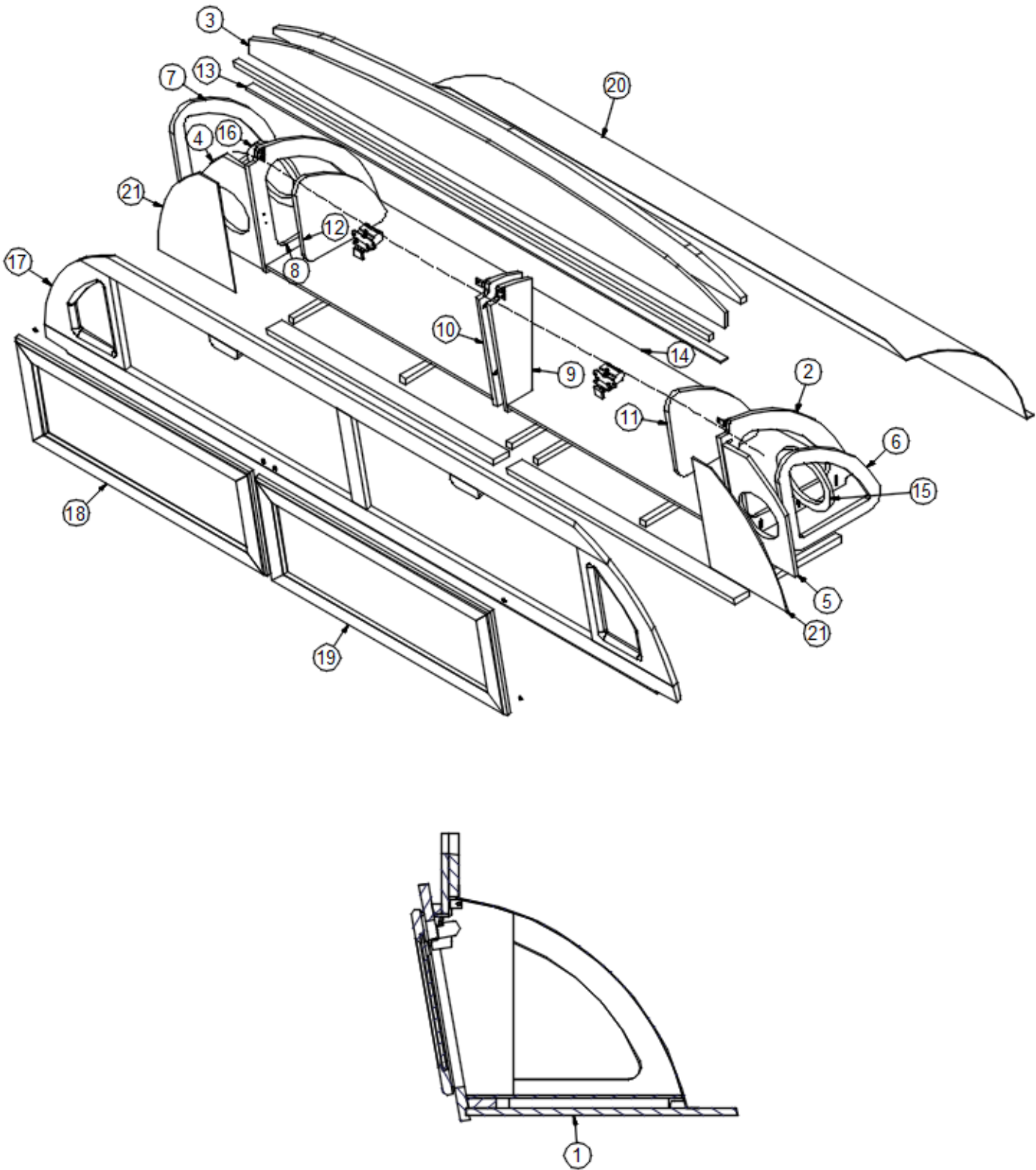
968408-35

CS Nightstand

- |                |  |
|----------------|--|
| 1. 968408-351  | Panel, 25.375 x 29.938                 |
| 2. 968408-352  | Panel, 11.75 x 23.654                  |
| 3. 968408-354  | Panel, 8.0625 x 12.5                   |
| 4. 968408-355  | Panel, 11.4375 x 12.5                  |
| 5. 602565-01   | Top, CS nightstand, Corian, Night Sky  |
| 602565-02      | Top, CS nightstand, Corian, Sandalwood |
| 6. 802104-0035 | Face frame, Maple                      |
| 7. 968020-14   | Drawer box assembly, 5"                |
| 8. 802056-0235 | Drawer Face, 7 x 12.75, Maple          |
| 9. 801969-1835 | Door, 10.25 x 16.75, Maple             |
| 380041         | Corner brace, 1" Stanley               |
| 382203-02      | Drawer slide, 12"                      |
| 382238         | Hinge, 1" overlay                      |
| 382253-02      | Pull, Antique Silver, 5"               |
| 382252         | Knob, Antique Silver, 1.25"            |
| 381228-02      | Catch, Grabber door, 5LB               |

# 2017 CLASSIC FURNITURE, BEDROOM

## Roof Locker, Front/Rear, Hampton Walnut



Parts Listed on Next Page



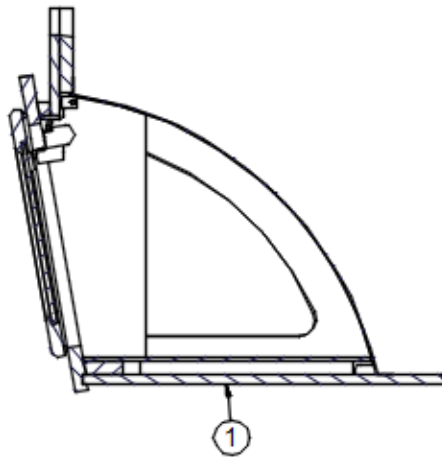
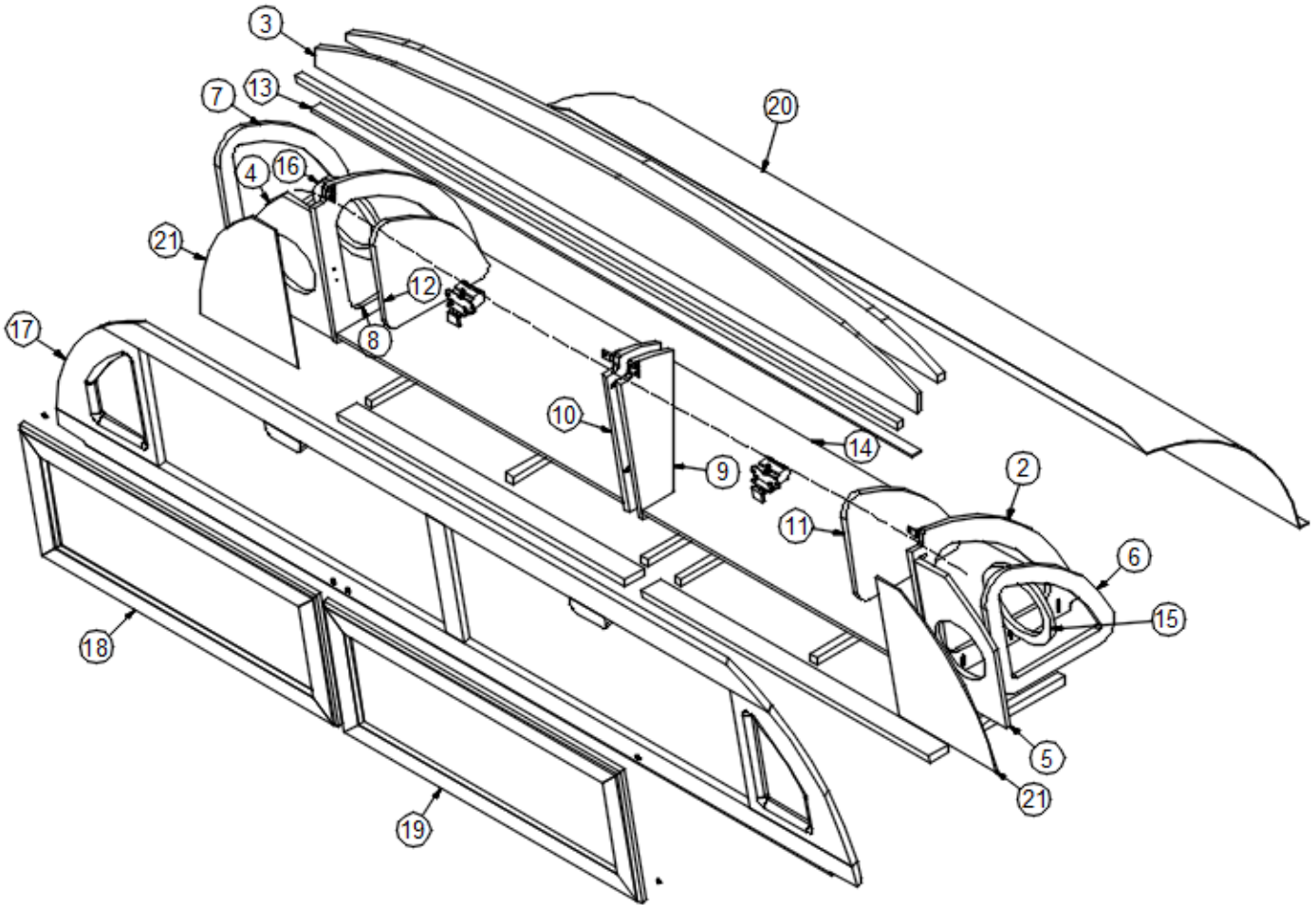
## 2017 CLASSIC FURNITURE, BEDROOM

### Roof Locker, Front/Rear, Hampton Walnut

968466-01	Roof Locker, Queen
968466-03	Roof Locker, Twin
1. 968466-013	Panel, 20.5 x 88.75, Standard
968466-032	Panel, 20.5 x 88.75, Twin
2. 968466-4	Panel, 18.95 x 15.64
3. 968466-5	Panel, 5.99 x 67.51
4. 968466-6	Panel, 8 x 13.75
5. 968466-7	Panel, 8 x 13.75
6. 968466-8	Panel, 12.38 x 12.88
7. 968466-9	Panel, 12.38 x 12.88
8. 968466-10	Panel, 18.98 x 15.64
9. 968466-11	Panel, 6.04 x 14.64
10. 968466-12	Panel, 6.02 x 14.64
11. 968466-13	Panel, 10.75 x 11.25
12. 968466-14	Panel, 10.75 x 11.25
13. 968466-15	Panel, 67.38 x 1.13
14. 968466-16	Panel, 16.25 x 66.38
15. 968466-40	Panel, 7.5 x 7.5
16. 968466-41	Panel, 7.5 x 7.5
17. 802124-0030	Face frame, Front/rear locker, Walnut
18. 802083-0130	Door, Front/rear locker, Walnut
19. 802083-0230	Door, Front/rear locker, Walnut
20. 115644	Aluminum back
21. 704308	Cloth, Speaker grill
382238	Hinge, Blum compact, 1" overlay
382242	Maxi stay lid
382253-02	Pull, Antique Silver, 5"
512832	Diffused LED tape light w/48" lead wires, Warm White
512702	Tape light channel
380041	Brace, 1" Stanley corner
381610-02	Cap cover, Brown
512831	Cabinet light

# 2017 CLASSIC FURNITURE, BEDROOM

## Roof Locker, Front/Rear, Cognac Maple



Parts Listed on Next Page

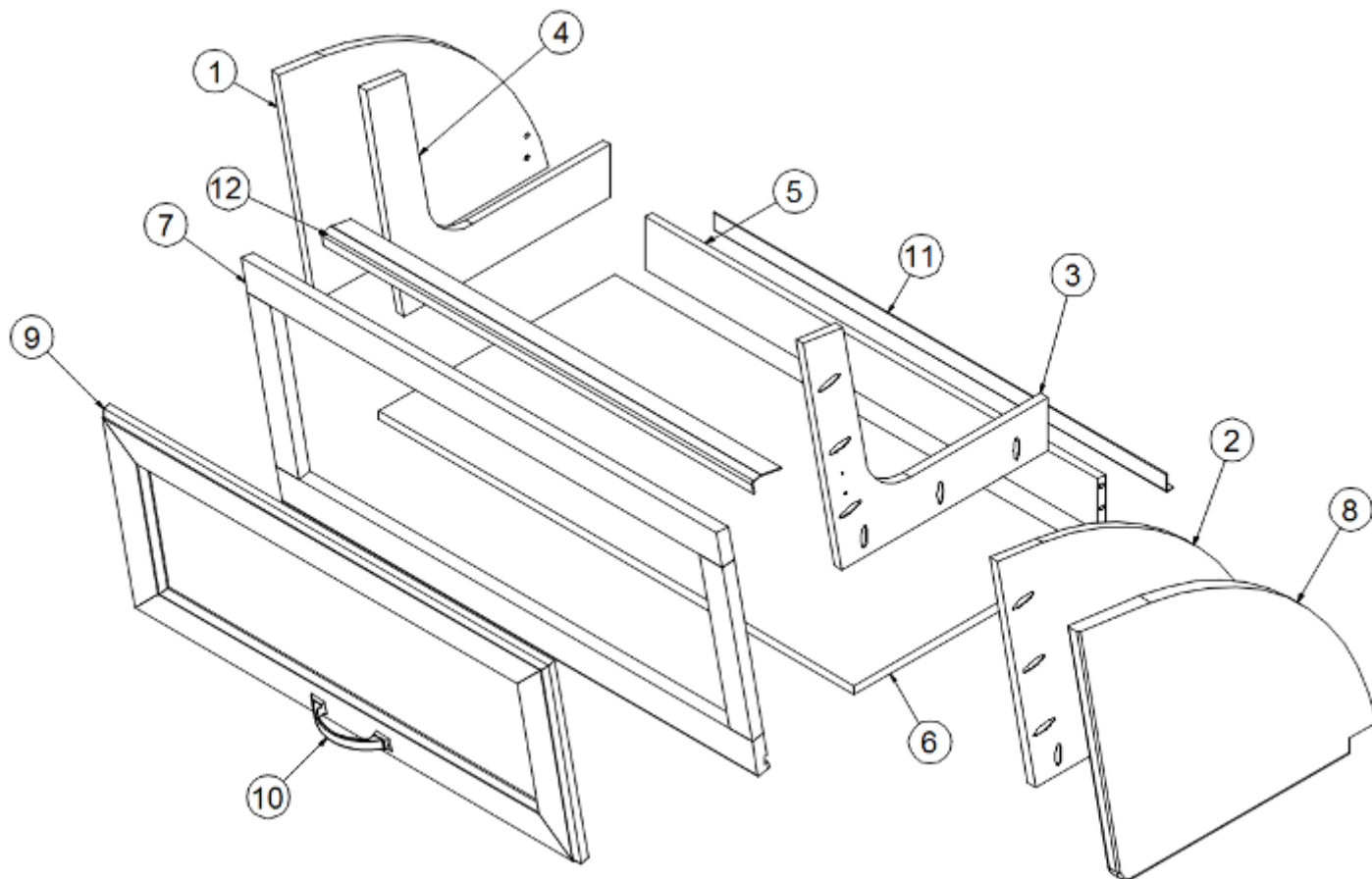
## 2017 CLASSIC FURNITURE, BEDROOM

### Roof Locker, Front/Rear, Cognac Maple

968466-0135	Roof Locker, Queen
968466-0335	Roof Locker, Twin
1. 968466-01353	Panel, 20.5 x 88.75, Standard
968466-03352	Panel, 20.5 x 88.75, Twin
2. 968466-354	Panel, 18.95 x 15.64
3. 968466-355	Panel, 5.99 x 67.51
4. 968466-356	Panel, 8 x 13.75
5. 968466-357	Panel, 8 x 13.75
6. 968466-358	Panel, 12.38 x 12.88
7. 968466-359	Panel, 12.38 x 12.88
8. 968466-3510	Panel, 18.98 x 15.64
9. 968466-3511	Panel, 6.04 x 14.64
10. 968466-3512	Panel, 6.02 x 14.64
11. 968466-3513	Panel, 10.75 x 11.25
12. 968466-3514	Panel, 10.75 x 11.25
13. 968466-3515	Panel, 67.38 x 1.13
14. 968466-3516	Panel, 16.25 x 66.38
15. 968466-3540	Panel, 7.5 x 7.5
16. 968466-3541	Panel, 7.5 x 7.5
17. 802124-0035	Face frame, Front/rear locker, Maple
18. 802083-0135	Door, Front/rear locker, Maple
19. 802083-0235	Door, Front/rear locker, Maple
20. 115644	Aluminum back
21. 704308	Cloth, Speaker grill
382238	Hinge, Blum compact, 1" overlay
382242	Maxi stay lid
382253-02	Pull, Antique Silver, 5"
512832	Diffused LED tape light w/48" lead wires, Warm White
512702	Tape light channel
380041	Brace, 1" Stanley corner
381610-02	Cap cover, Brown
512831	Cabinet light

## 2017 CLASSIC FURNITURE, BEDROOM

Roof Locker, RS/CS Rear Twin, 30', Hampton Walnut



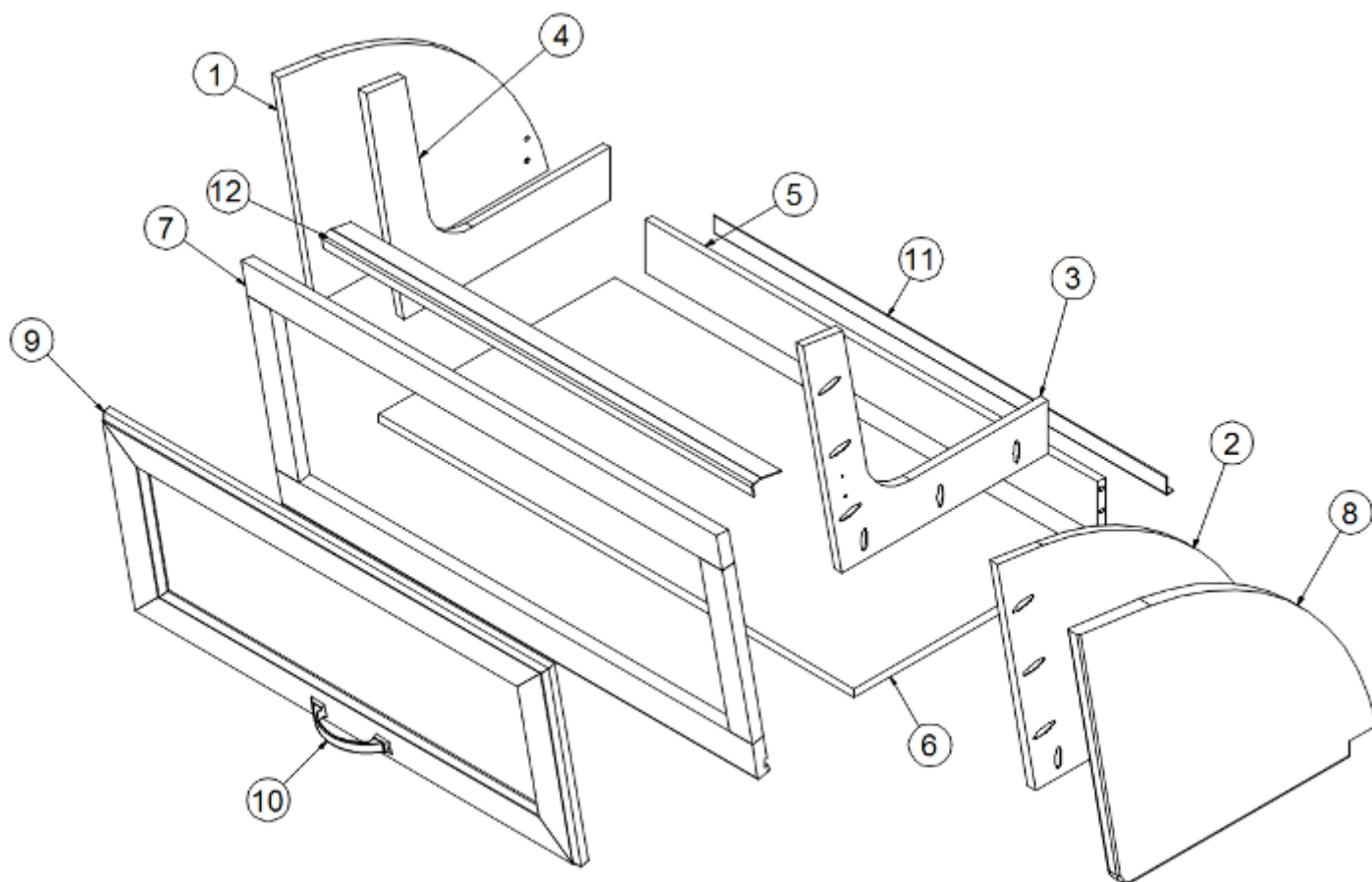
968249-0130  
968249-0230

Curbside Rear Twin Roof Locker  
Roadside Rear Twin Roof Locker

- |                |                                      |
|----------------|--------------------------------------|
| 1. 968249-301  | Panel, 17.74 x 14.09                 |
| 2. 968249-302  | Panel, 17.74 x 14.09                 |
| 3. 968249-303  | Panel, 16.07 x 14.09                 |
| 4. 968249-304  | Panel, 16.07 x 14.09                 |
| 5. 968249-305  | Panel, 3 x 29.75                     |
| 6. 968249-306  | Panel, 15.5 x 13.25                  |
| 7. 802020-0030 | Face frame, Rear roof locker, Walnut |
| 8. 802023-0030 | End cap, Walnut                      |
| 9. 801969-1530 | Door, 29.25 x 12.5, Walnut           |
| 10. 382253-02  | Pull, Antique Silver, 5"             |
| 11. 114810     | Aluminum angle, .5 x 1"              |
| 12. 104821     | Support, 74"                         |
| 382238         | Hinge, 1" overlay                    |

## 2017 CLASSIC FURNITURE, BEDROOM

Roof Locker, RS/CS Rear Twin, 30', Cognac Maple



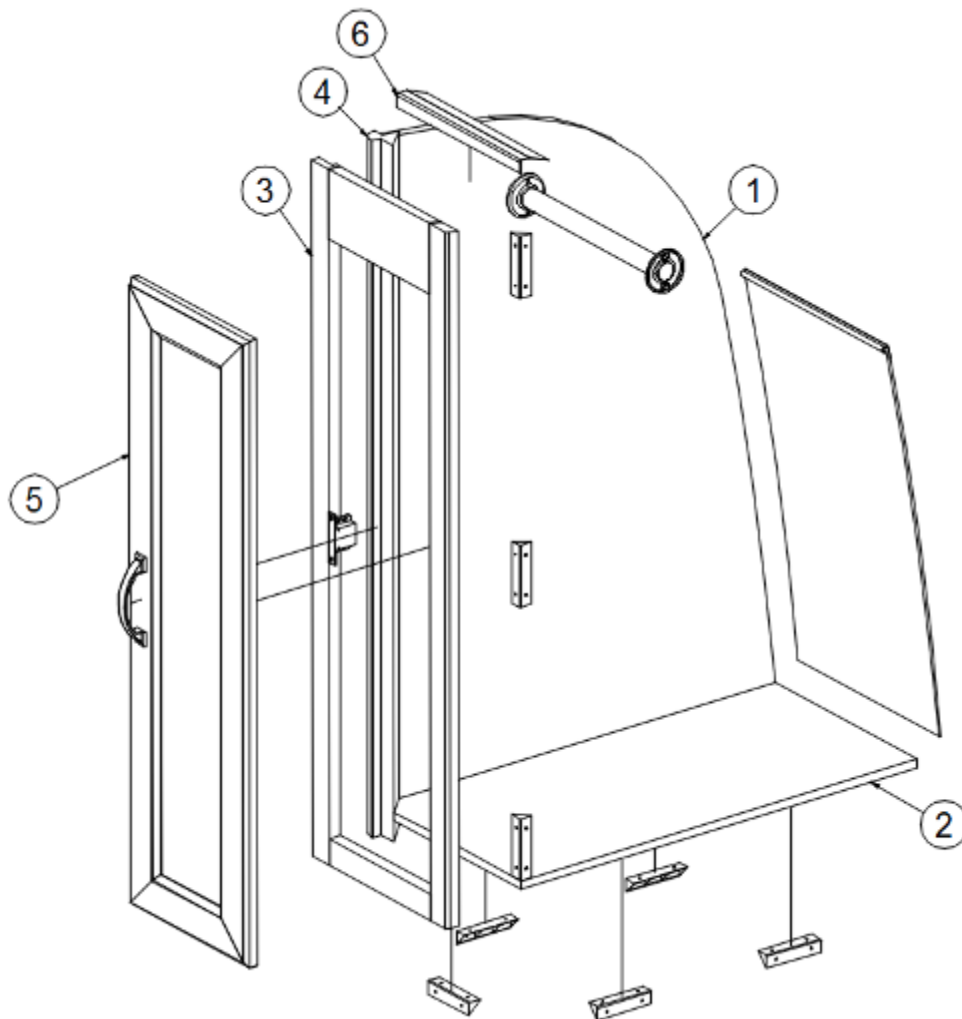
968249-0135  
968249-0235

Curbside Rear Twin Roof Locker  
Roadside Rear Twin Roof Locker

- |                |                                     |
|----------------|-------------------------------------|
| 1. 968249-351  | Panel, 17.74 x 14.09                |
| 2. 968249-352  | Panel, 17.74 x 14.09                |
| 3. 968249-353  | Panel, 16.07 x 14.09                |
| 4. 968249-354  | Panel, 16.07 x 14.09                |
| 5. 968249-355  | Panel, 3 x 29.75                    |
| 6. 968249-356  | Panel, 15.5 x 13.25                 |
| 7. 802020-0035 | Face frame, Rear roof locker, Maple |
| 8. 802023-0035 | End cap, Maple                      |
| 9. 801969-1535 | Door, 29.25 x 12.5, Maple           |
| 10. 382253-02  | Pull, Antique Silver, 5"            |
| 11. 114810     | Aluminum angle, .5 x 1"             |
| 12. 104821     | Support, 74"                        |
| 382238         | Hinge, 1" overlay                   |

## 2017 CLASSIC FURNITURE, BEDROOM

Wardrobe, RS Hanging, Twin Bed, Hampton Walnut



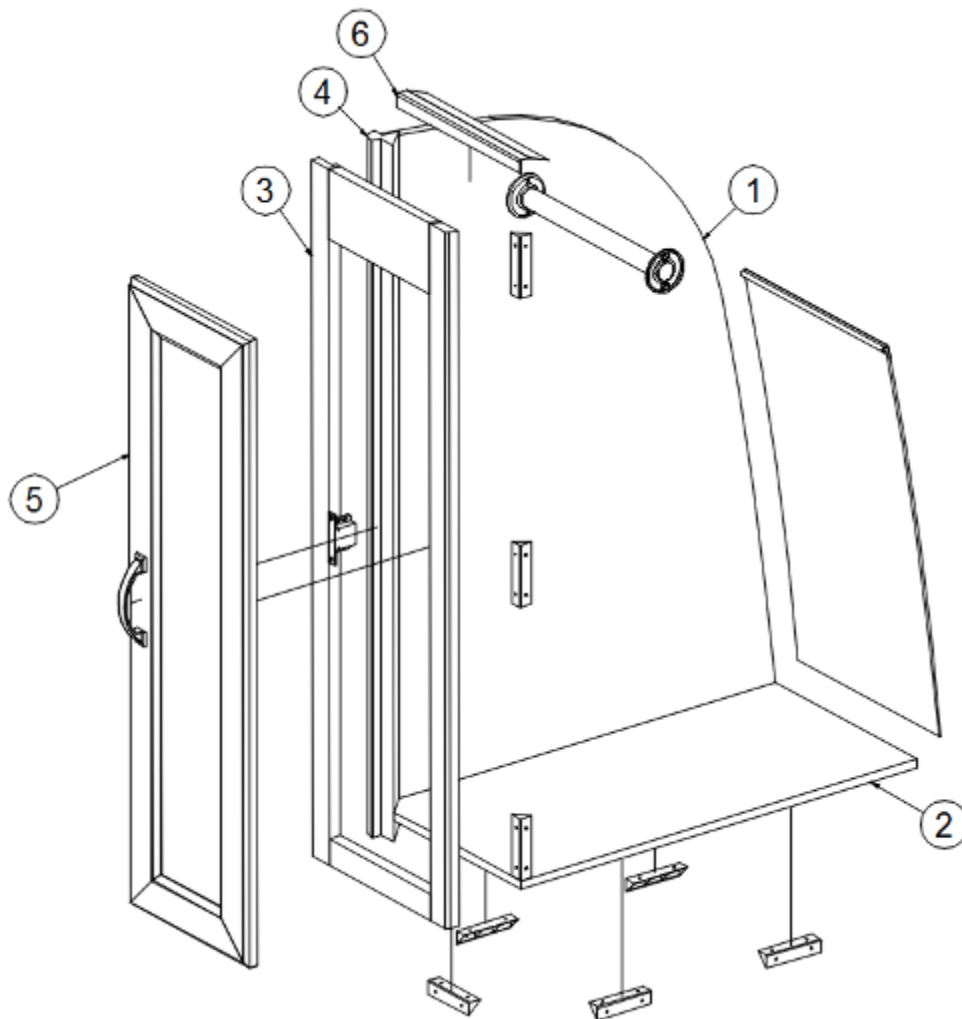
968248-30

RS Hanging Wardrobe

- |                |                                |
|----------------|--------------------------------|
| 1. 968248-301  | Panel, 25.5 x 39.25            |
| 2. 968248-302  | Panel, 12.25 x 25.78           |
| 3. 802018-0030 | Face frame, RS, Walnut         |
| 4. 801415-0030 | Corner trim, 1" radius, Walnut |
| 5. 801969-1730 | Door, 10.25 x 35.5, Walnut     |
| 6. 104821      | Support, 74"                   |
| 382253-02      | Pull, Antique Silver, 5"       |
| 381228-02      | Catch, Grabber door, 5LB       |
| 380045         | Tubing, 3/4"                   |
| 380046         | Flange, Chrome                 |
| 386279         | Corner brace, 3.5 x .75 x .75  |
| 114750         | J-hinge                        |
| 382238         | Hinge, 1" overlay              |

## 2017 CLASSIC FURNITURE, BEDROOM

Wardrobe, RS Hanging, Twin Bed, Cognac Maple



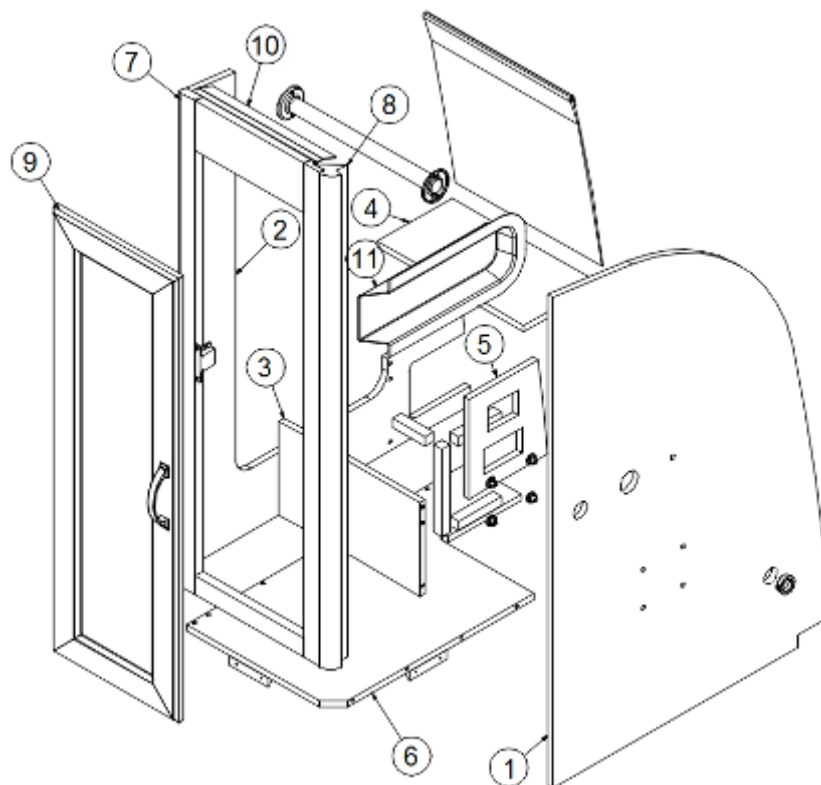
968248-35

RS Hanging Wardrobe

- |    |             |                               |
|----|-------------|-------------------------------|
| 1. | 968248-351  | Panel, 25.5 x 39.25           |
| 2. | 968248-352  | Panel, 12.25 x 25.78          |
| 3. | 802018-0035 | Face frame, RS, Maple         |
| 4. | 801415-0035 | Corner trim, 1" radius, Maple |
| 5. | 801969-1735 | Door, 10.25 x 35.5, Maple     |
| 6. | 104821      | Support, 74"                  |
|    | 382253-02   | Pull, Antique Silver, 5"      |
|    | 381228-02   | Catch, Grabber door, 5LB      |
|    | 380045      | Tubing, 3/4"                  |
|    | 380046      | Flange, Chrome                |
|    | 386279      | Corner brace, 3.5 x .75 x .75 |
|    | 114750      | J-hinge                       |
|    | 382238      | Hinge, 1" overlay             |

## 2017 CLASSIC FURNITURE, BEDROOM

Wardrobe, CS Hanging, Twin Bed, Hampton Walnut



968247-30

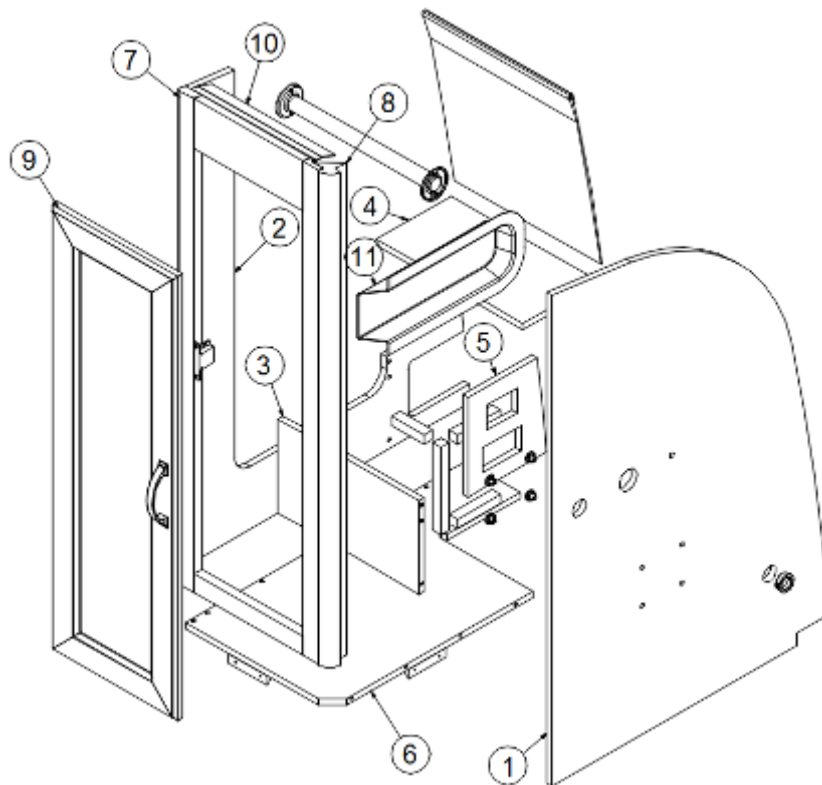
CS Hanging Wardrobe

- |                |                                |
|----------------|--------------------------------|
| 1. 968247-301  | Panel, 25.5 x 39.25            |
| 2. 968247-302  | Panel, 25.77 x 37.92           |
| 3. 968247-303  | Panel, 13 x 7.5                |
| 4. 968247-304  | Panel, 13.5 x 6.88             |
| 5. 968247-305  | Panel, 7.23 x 8                |
| 6. 968247-306  | Panel, 13.5 x 25.78            |
| 7. 802019-0030 | Face frame, CS, Walnut         |
| 8. 801415-0030 | Corner trim, 1" radius, Walnut |
| 9. 801969-1630 | Door, 11.5 x 35.5, Walnut      |
| 10. 104821     | Support, 74"                   |
| 11. 200773     | Closeout, Reading light        |
| 382253-02      | Pull, Antique Silver, 5"       |
| 381228-02      | Catch, Grabber door, 5LB       |
| 380046         | Flange, Chrome                 |
| 380045         | Tubing, 3/4"                   |
| 500132         | Grommet, Black, 1.19 OD        |
| 386279         | Corner brace, 3.5 x .75 x .75  |
| 114750         | J-hinge                        |
| 382238         | Hinge, 1" overlay              |



## 2017 CLASSIC FURNITURE, BEDROOM

Wardrobe, CS Hanging, Twin Bed, Cognac Maple



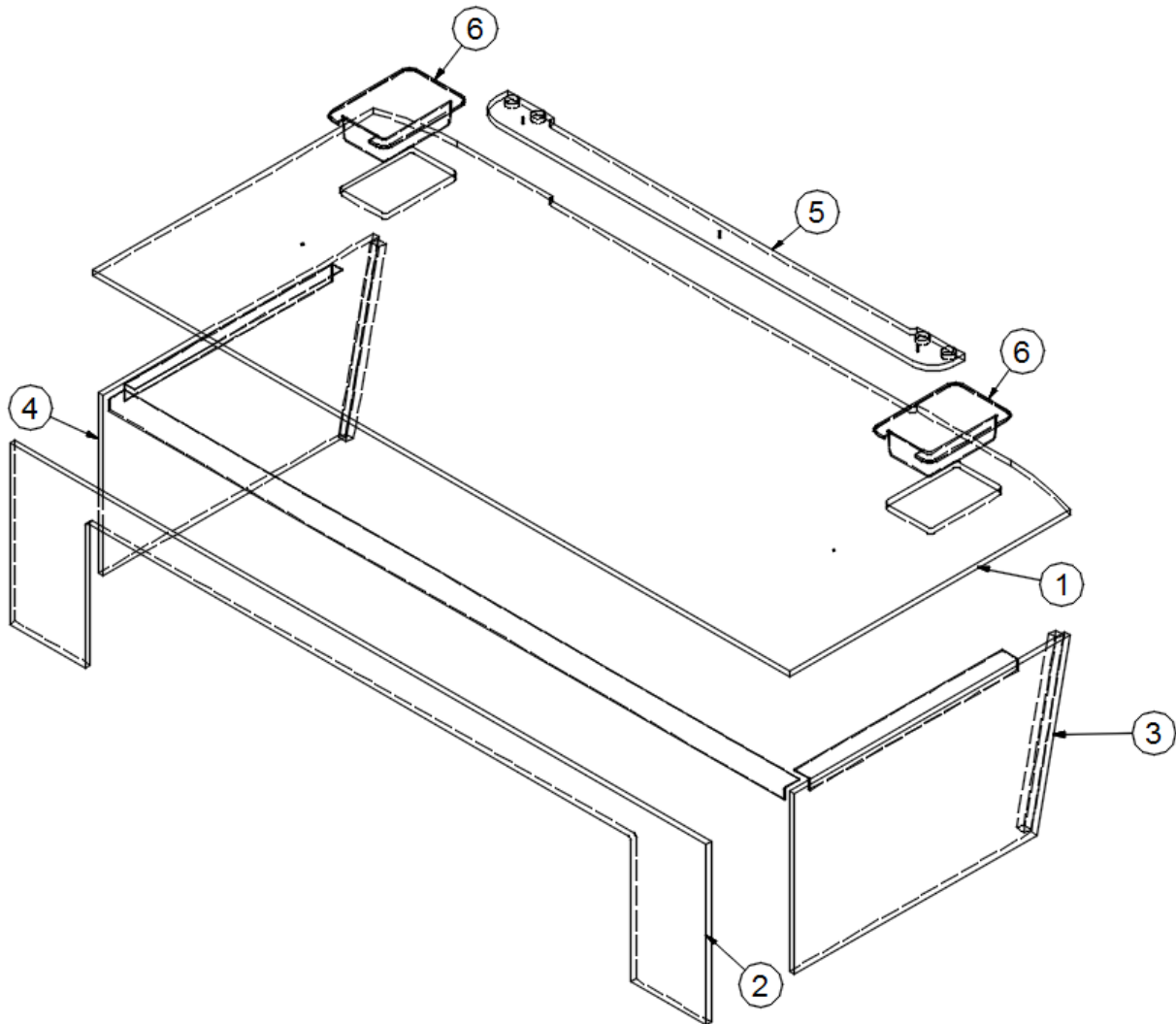
968247-35

CS Hanging Wardrobe

- |                |                               |
|----------------|-------------------------------|
| 1. 968247-351  | Panel, 25.5 x 39.25           |
| 2. 968247-352  | Panel, 25.77 x 37.92          |
| 3. 968247-353  | Panel, 13 x 7.5               |
| 4. 968247-354  | Panel, 13.5 x 6.88            |
| 5. 968247-355  | Panel, 7.23 x 8               |
| 6. 968247-356  | Panel, 13.5 x 25.78           |
| 7. 802019-0035 | Face frame, CS, Maple         |
| 8. 801415-0035 | Corner trim, 1" radius, Maple |
| 9. 801969-1635 | Door, 11.5 x 35.5, Maple      |
| 10. 104821     | Support, 74"                  |
| 11. 200773     | Closeout, Reading light       |
| 382253-02      | Pull, Antique Silver, 5"      |
| 381228-02      | Catch, Grabber door, 5LB      |
| 380046         | Flange, Chrome                |
| 380045         | Tubing, 3/4"                  |
| 500132         | Grommet, Black, 1.19 OD       |
| 386279         | Corner brace, 3.5 x .75 x .75 |
| 114750         | J-hinge                       |
| 382238         | Hinge, 1" overlay             |

# 2017 CLASSIC FURNITURE, BEDROOM

## Trunk Storage, Queen, Hampton Walnut



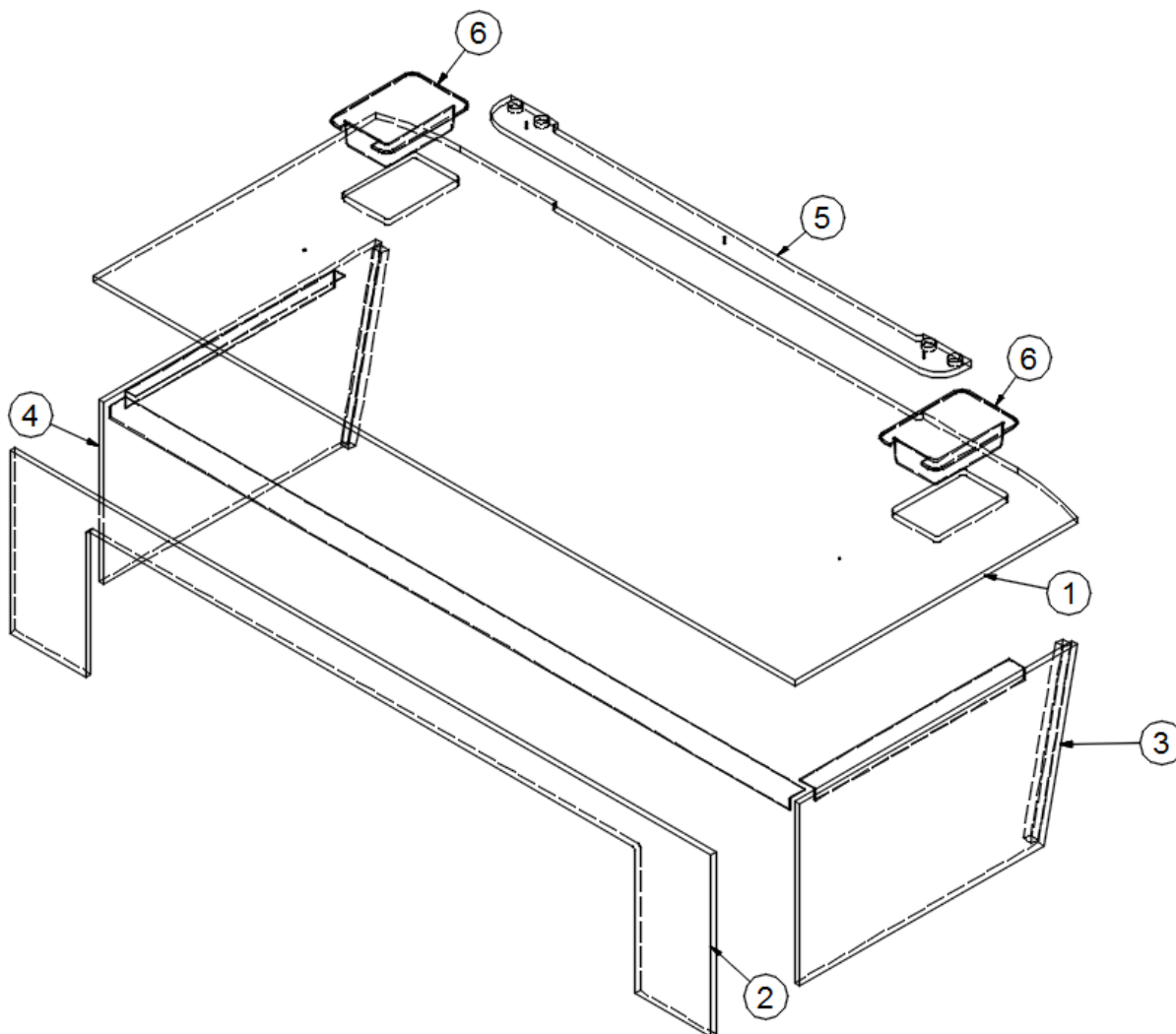
968480

Trunk Storage

- |             |                               |
|-------------|-------------------------------|
| 1. 968480-1 | Panel, 28.7 x 67              |
| 2. 968480-2 | Panel, 15.13 x 67, 30'        |
| 968480-19   | Panel, 67 x 15.13, 33FB       |
| 3. 968480-3 | Panel, 15.13 x 26.75          |
| 4. 968480-4 | Panel, 15.13 x 26.75          |
| 5. 968480-5 | Panel, 3 x 43.63              |
| 6. 203798   | Hinge cover, Project 2000 bed |
| 101134      | Aluminum angle, 1 x 1.5       |
| 382057      | Knockdown, 8mm                |
| 701538      | Carpet, Econoliner, Gray      |
| 382057-03   | Cap cover, Dark Brown         |
| 365379-01   | Edgebanding, .63", Walnut     |

# 2017 CLASSIC FURNITURE, BEDROOM

## Trunk Storage, Queen, Cognac Maple



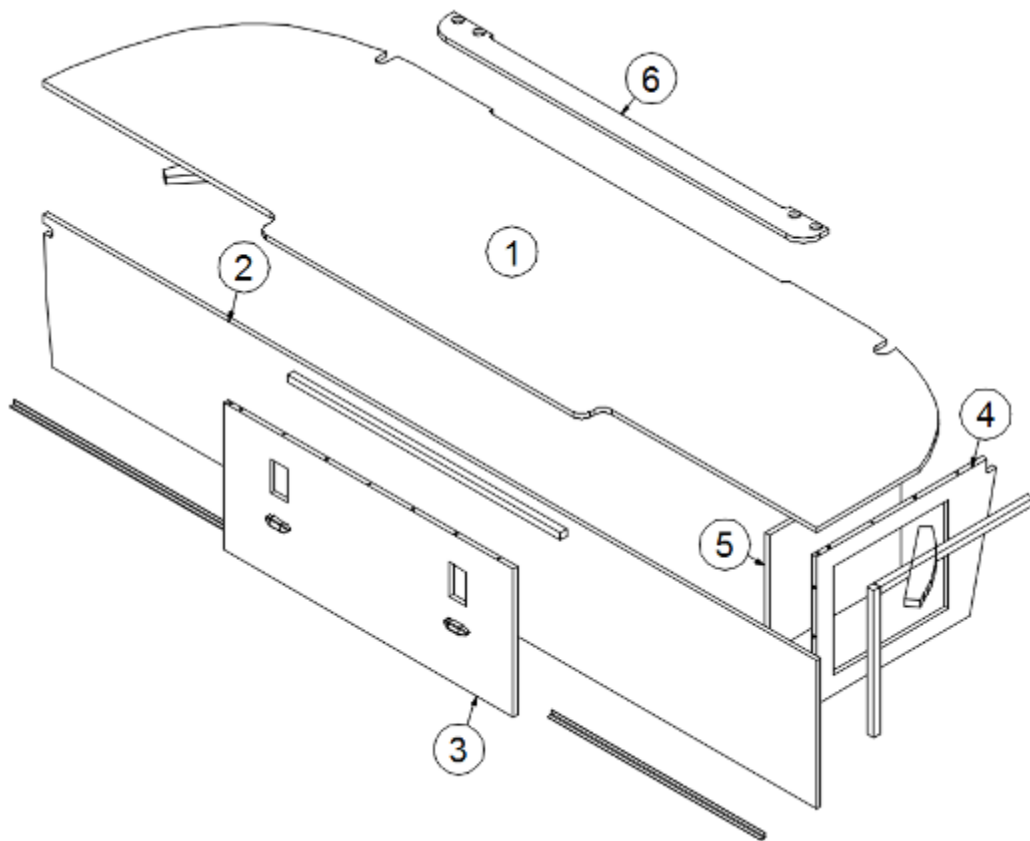
968480-35

Trunk Storage

- |               |                               |
|---------------|-------------------------------|
| 1. 968480-351 | Panel, 28.7 x 67              |
| 2. 968480-352 | Panel, 15.13 x 67, 30'        |
| 968480-3519   | Panel, 67 x 15.13, 33FB       |
| 3. 968480-353 | Panel, 15.13 x 26.75          |
| 4. 968480-354 | Panel, 15.13 x 26.75          |
| 5. 968480-355 | Panel, 3 x 43.63              |
| 6. 203798     | Hinge cover, Project 2000 bed |
| 101134        | Aluminum angle, 1 x 1.5       |
| 382057        | Knockdown, 8mm                |
| 701538        | Carpet, Econoliner, Gray      |
| 382057-03     | Cap cover, Dark Brown         |
| 365405-01     | Edgebanding, .63", Maple      |

## 2017 CLASSIC FURNITURE, BEDROOM

### Trunk Storage, Twin, Hampton Walnut



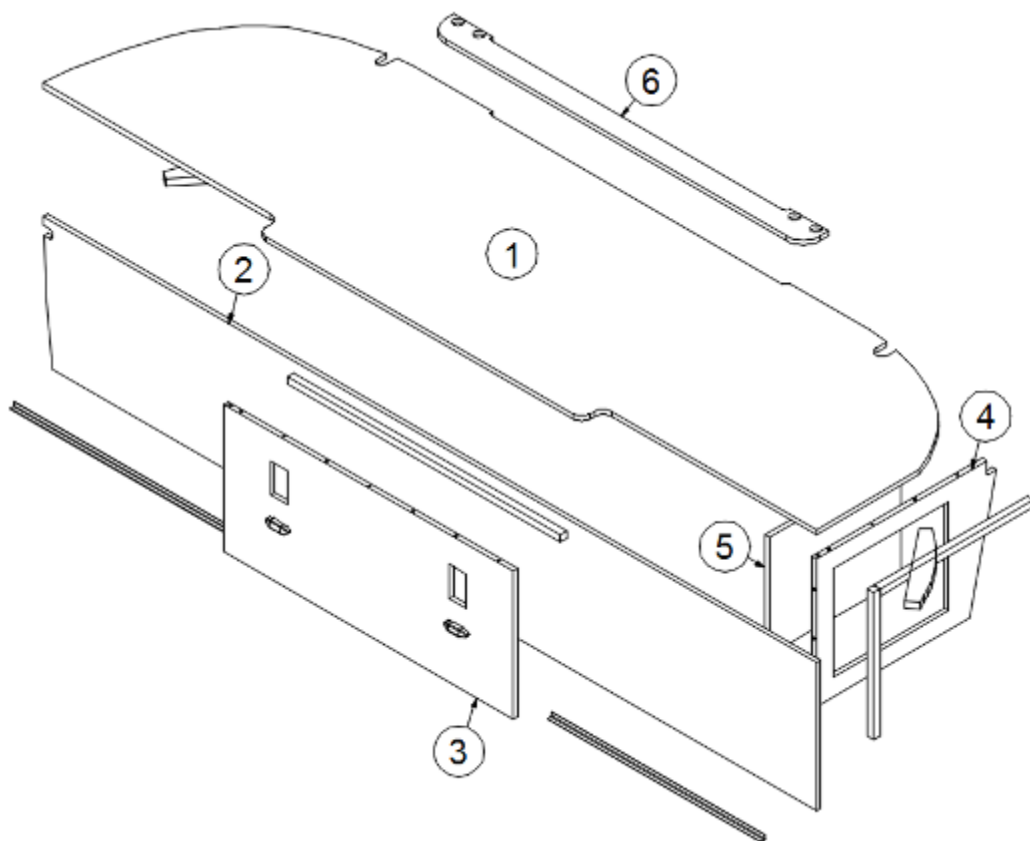
968430  
968430-01

Trunk Storage Box, 30'  
Trunk Storage Box, 33FB

- |              |                           |
|--------------|---------------------------|
| 1. 968430-1  | Panel, 26 x 90.63         |
| 2. 968430-2  | Panel, 15 x 90.63         |
| 3. 968430-3  | Panel, 15 x 37.96         |
| 4. 968430-4  | Panel, 15 x 21.5          |
| 5. 968430-5  | Panel, 12 x 15.5          |
| 6. 968430-15 | Panel, 3 x 44             |
| 512840       | Courtesy light, Black     |
| 114811       | Aluminum angle, .5 x .5   |
| 382057-03    | Cap cover, Dark Brown     |
| 365379-01    | Edgebanding, .63", Walnut |

## 2017 CLASSIC FURNITURE, BEDROOM

### Trunk Storage, Twin, Cognac Maple



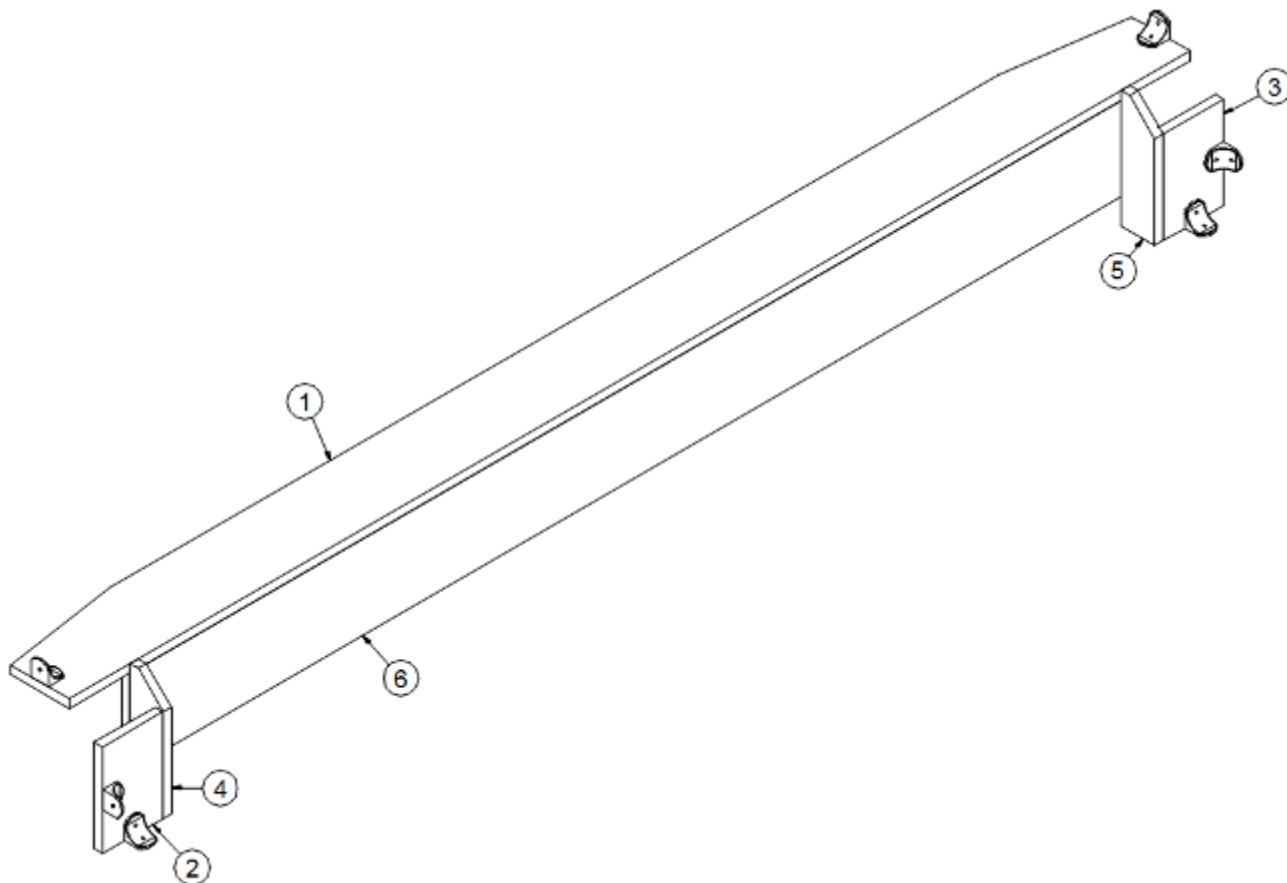
968430-35  
968430-0135

Trunk Storage Box, 30'  
Trunk Storage Box, 33FB

- |                |                          |
|----------------|--------------------------|
| 1. 968430-351  | Panel, 26 x 90.63        |
| 2. 968430-352  | Panel, 15 x 90.63        |
| 3. 968430-353  | Panel, 15 x 37.96        |
| 4. 968430-354  | Panel, 15 x 21.5         |
| 5. 968430-355  | Panel, 12 x 15.5         |
| 6. 968430-3515 | Panel, 3 x 44            |
| 512840         | Courtesy light, Black    |
| 114811         | Aluminum angle, .5 x .5  |
| 382057-03      | Cap cover, Dark Brown    |
| 365405-01      | Edgebanding, .63", Maple |

# 2017 CLASSIC FURNITURE, BEDROOM

## Convector Cover, Bedroom



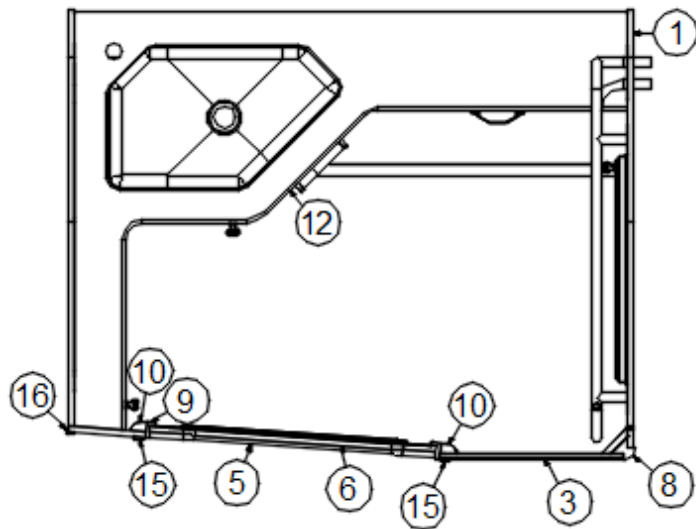
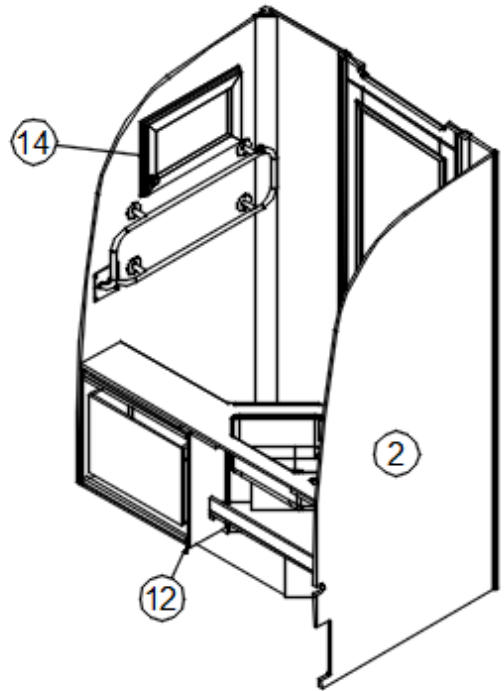
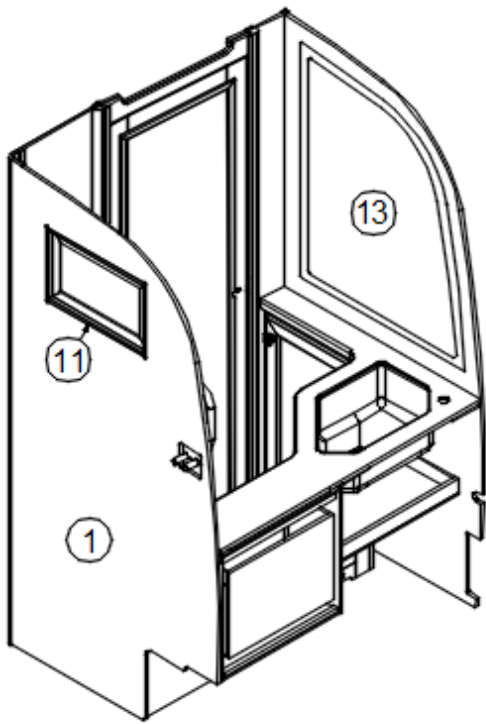
968415

Bedroom Convector Cover

- |             |                         |
|-------------|-------------------------|
| 1. 968415-1 | Panel, 4.5 x 67         |
| 2. 968415-2 | Panel, 5.5 x 3.63       |
| 3. 968415-3 | Panel, 5.5 x 3.63       |
| 4. 968415-4 | Panel, 7 x 2            |
| 5. 968415-5 | Panel, 7 x 2            |
| 6. 968415-6 | Panel, 5 x 59.75        |
| 385963      | Bracket, Mounting angle |
| 701764      | Foam                    |
| 704088      | Suede, Sarandave Impala |

# 2017 CLASSIC FURNITURE, LAVATORY

Bath Module, 30', Hampton Walnut



Parts Listed on Next Page

## 2017 CLASSIC FURNITURE, LAVATORY

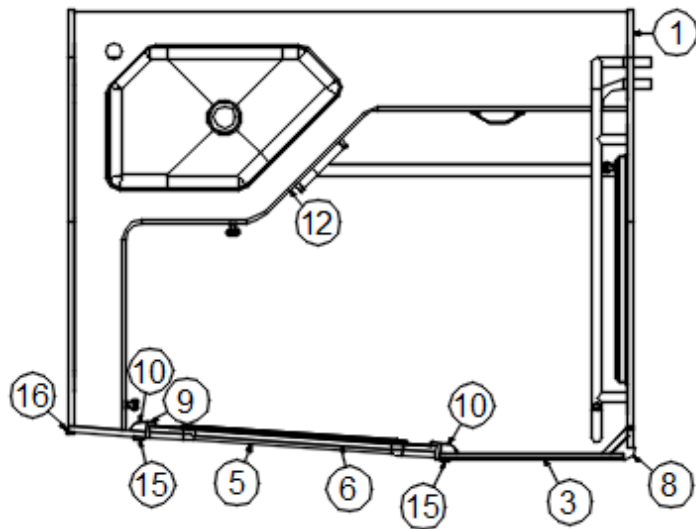
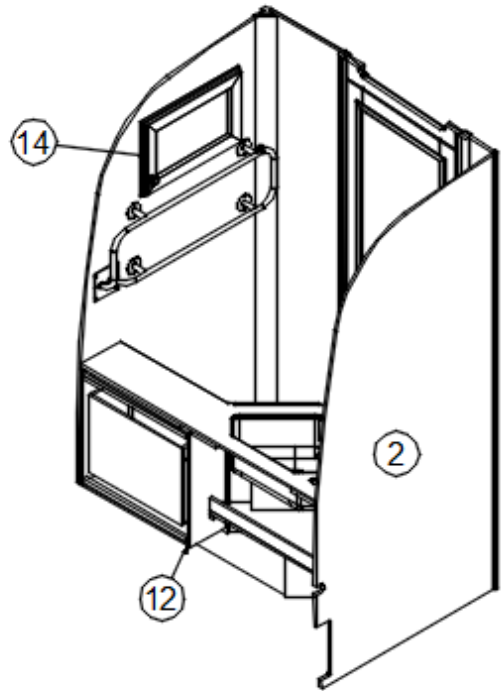
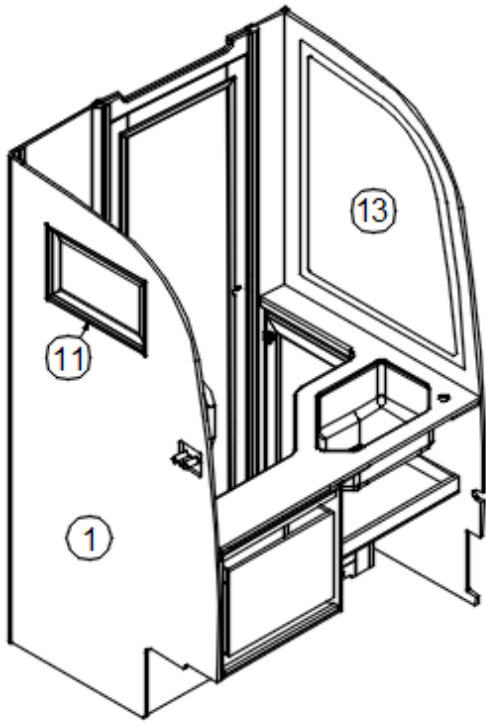
### Bath Module, 30', Hampton Walnut

112318	Bathroom Module Install
1. 112318-1	Panel, 39.08 x 79.37
2. 112318-2	Panel, 37.17 x 79.13
3. 112318-3	Panel, 16.5 x 79.41
4. 112318-4	Panel, 6.89 x 79.32
5. 112318-5	Panel, 25.38 x 3.4
6. 112318-6	Panel, 25.38 x 3.38
7. 112318-7	Panel, 3.25 x 79.39
8. 801415-0030	Corner trim, 1" radius, Walnut
9. 801665-0030	L-molding, Door jamb, Walnut
10. 801977-0030	Corner trim, Bathroom, Walnut
11. 801978-0030	Door frame, Forward bath wall, Walnut
12. 968420	Lavy cabinet, Walnut
13. 371440-01	Mirror, Contoured
14. 801969-0630	Door, 20 x 13, Walnut
15. 800573-0130	Hardwood flat molding, Door edge, Walnut
16. 801997-0030	Trim, Outside corner, .75", Walnut
382238	Hinge, Compact
381228-02	Catch, Grabber door, 5LB
382252	Knob, Antique Silver, 1 1/4"
704166	Folding door, Black
382273	Robe hook, Double prong
382274	Robe hook, Clarendon
382275	Towel bar, Clarendon
968165	Bath door assembly



# 2017 CLASSIC FURNITURE, LAVATORY

Bath Module, 30', Cognac Maple



Parts Listed on Next Page

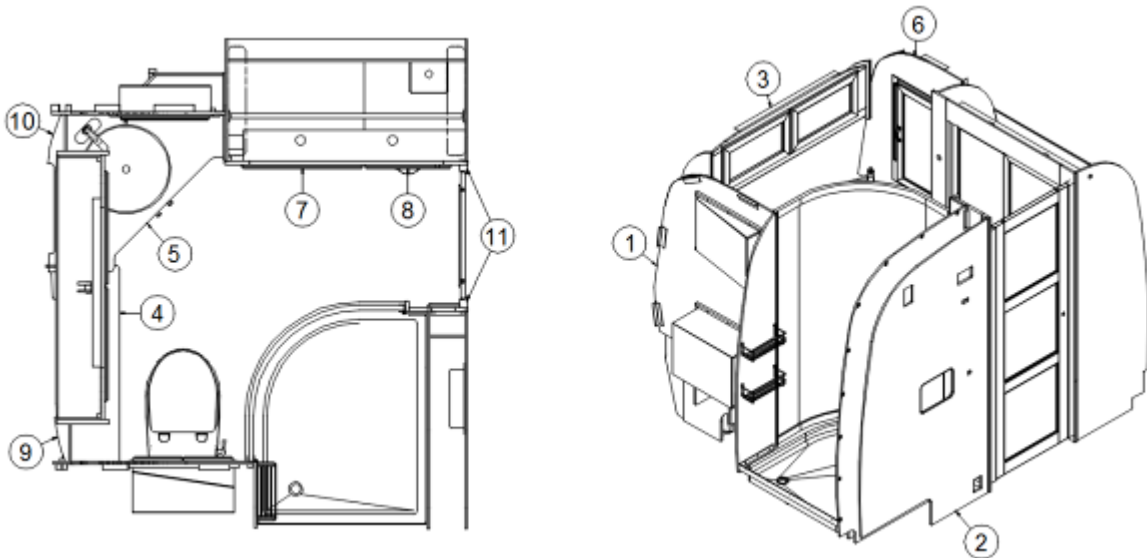
## 2017 CLASSIC FURNITURE, LAVATORY

### Bath Module, 30', Cognac Maple

112318-35	Bathroom Module Install
1. 112318-351	Panel, 39.08 x 79.37
2. 112318-352	Panel, 37.17 x 79.13
3. 112318-353	Panel, 16.5 x 79.41
4. 112318-354	Panel, 6.89 x 79.32
5. 112318-355	Panel, 25.38 x 3.4
6. 112318-356	Panel, 25.38 x 3.38
7. 112318-357	Panel, 3.25 x 79.39
8. 801415-0035	Corner trim, 1" radius, Maple
9. 801665-0035	L-molding, Door jamb, Maple
10. 801977-0035	Corner trim, Bathroom, Maple
11. 801978-0035	Door frame, Forward bath wall, Maple
12. 968420-35	Lavy cabinet, Maple
13. 371440-01	Mirror, Contoured
14. 801969-0635	Door, 20 x 13, Maple
15. 800573-0135	Hardwood flat molding, Door edge, Maple
16. 801997-0035	Trim, Outside corner, .75", Maple
382238	Hinge, Compact
381228-02	Catch, Grabber door, 5LB
382252	Knob, Antique Silver, 1 1/4"
704166	Folding door, Black
382273	Robe hook, Double prong
382274	Robe hook, Clarendon
382275	Towel bar, Clarendon
968165	Bath door assembly

## 2017 CLASSIC FURNITURE, LAVATORY

### Bath Module, 33FB, Hampton Walnut

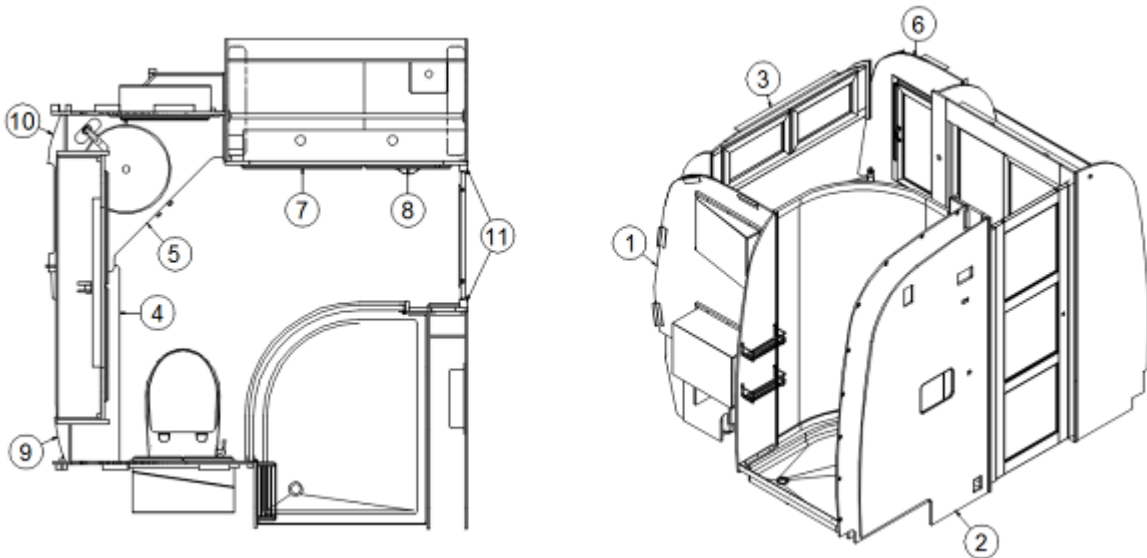


112450 Bath Module

- |                 |  |
|-----------------|--|
| 1. 968540       | CS Bath wall Storage                   |
| 2. 968546       | Shower wall                            |
| 3. 968545       | Lavatory overhead                      |
| 4. 968550       | Lavatory Credenza                      |
| 5. 968544       | Lavatory cabinet                       |
| 6. 968541       | Medicine cabinet                       |
| 7. 968555       | Wardrobe, Left                         |
| 8. 968556       | Wardrobe, Right                        |
| 9. 112450-27    | Panel, 4.38 x 38.42                    |
| 10. 112450-28   | Panel, 4.25 x 29.72                    |
| 11. 802227-0030 | Molding, Bath door, Walnut             |
| 968573          | Shower stand                           |
| 203919          | Shower pan, Curved fiberglass          |
| 602633          | Curved glass shower door               |
| 968563          | Mirrored bath door                     |
| 802249-0030     | Bath door header, Walnut               |
| 802260-0030     | Hardwood mushroom button, 3/8", Walnut |
| 602682-01       | Credenza top, Corian, Deep Night Sky   |
| 602682-02       | Credenza top, Corian, Sandalwood       |
| 968543-01       | Lavatory top, Deep Night Sky           |
| 968543-02       | Lavatory top, Sandalwood               |
| 454614          | Strike plate                           |
| 203945          | Latch, Curved shower door              |
| 382043          | Rack, Multi-purpose, Chrome            |
| 602659          | Toilet, Macerator                      |
| 602632          | Flow controller w/Off switch           |

# 2017 CLASSIC FURNITURE, LAVATORY

## Bath Module, 33FB, Cognac Maple



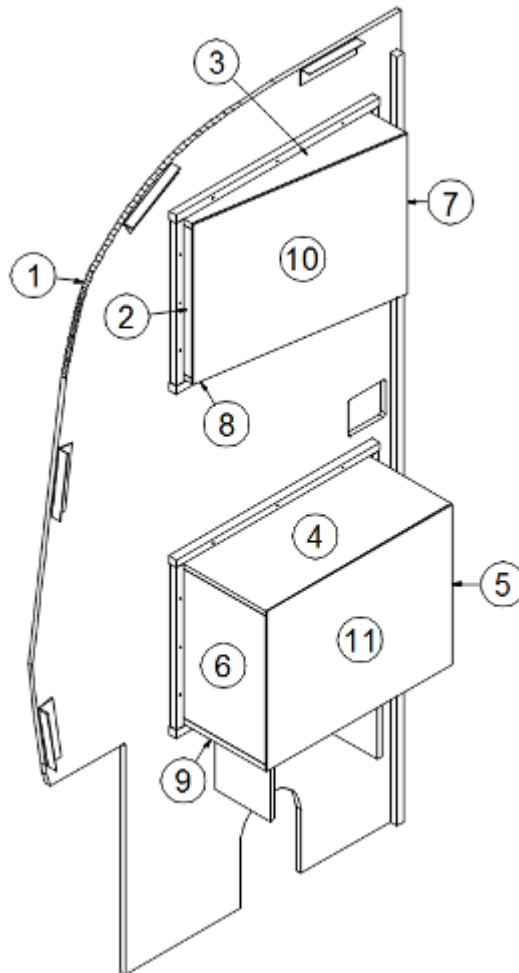
112450-35

Bath Module

- |                 |                                       |
|-----------------|---------------------------------------|
| 1. 968540-35    | CS Bath wall Storage                  |
| 2. 968546-35    | Shower wall                           |
| 3. 968545-35    | Lavatory overhead                     |
| 4. 968550-35    | Lavatory Credenza                     |
| 5. 968544-35    | Lavatory cabinet                      |
| 6. 968541-35    | Medicine cabinet                      |
| 7. 968555-35    | Wardrobe, Left                        |
| 8. 968556-35    | Wardrobe, Right                       |
| 9. 112450-3527  | Panel, 3.38 x 38.42                   |
| 10. 112450-3528 | Panel, 3.25 x 29.72                   |
| 11. 802227-0035 | Molding, Bath door, Maple             |
| 968573          | Shower stand                          |
| 203919          | Shower pan, Curved fiberglass         |
| 602633          | Curved glass shower door              |
| 968563-35       | Mirrored bath door                    |
| 802249-0035     | Bath door header, Maple               |
| 802260-0035     | Hardwood mushroom button, 3/8", Maple |
| 602682-01       | Credenza top, Corian, Deep Night Sky  |
| 602682-02       | Credenza top, Corian, Sandalwood      |
| 968543-01       | Lavatory top, Deep Night Sky          |
| 968543-02       | Lavatory top, Sandalwood              |
| 454614          | Strike plate                          |
| 203945          | Latch, Curved shower door             |
| 382043          | Rack, Multi-purpose, Chrome           |
| 602659          | Toilet, Macerator                     |
| 602632          | Flow controller w/Off switch          |

## 2017 CLASSIC FURNITURE, LAVATORY

Bath Wall Storage, CS, 33FB, Hampton Walnut



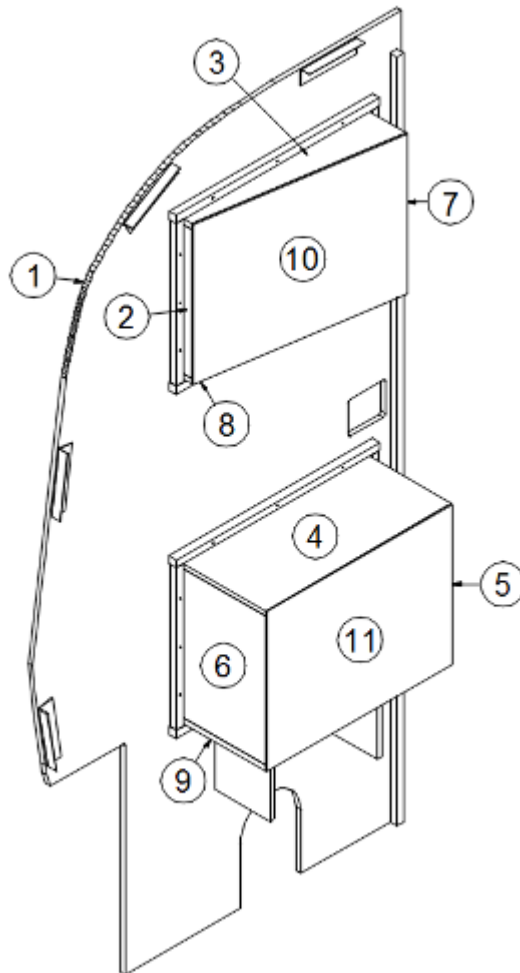
968540

CS Bath Wall Storage

- |               |                             |
|---------------|-----------------------------|
| 1. 968540-1   | Panel, 48 x 96              |
| 2. 968540-2   | Panel, 5 x 14               |
| 3. 968540-3   | Panel, 5 x 20.13            |
| 4. 968540-4   | Panel, 10 x 20.13           |
| 5. 968540-5   | Panel, 10 x 14              |
| 6. 968540-6   | Panel, 10 x 14              |
| 7. 968540-7   | Panel, 5 x 14               |
| 8. 968540-8   | Panel, 5 x 20.13            |
| 9. 968540-9   | Panel, 10 x 20.13           |
| 10. 968540-10 | Panel, 15 x 20.38           |
| 11. 968540-11 | Panel, 15 x 20.13           |
| 12. 968540-22 | Panel, 8.5 x 6              |
| 802201-0030   | Door frame, CS bath cabinet |
| 801969-2530   | Door, 9.75 x 14.5           |

## 2017 CLASSIC FURNITURE, LAVATORY

Bath Wall Storage, CS, 33FB, Cognac Maple



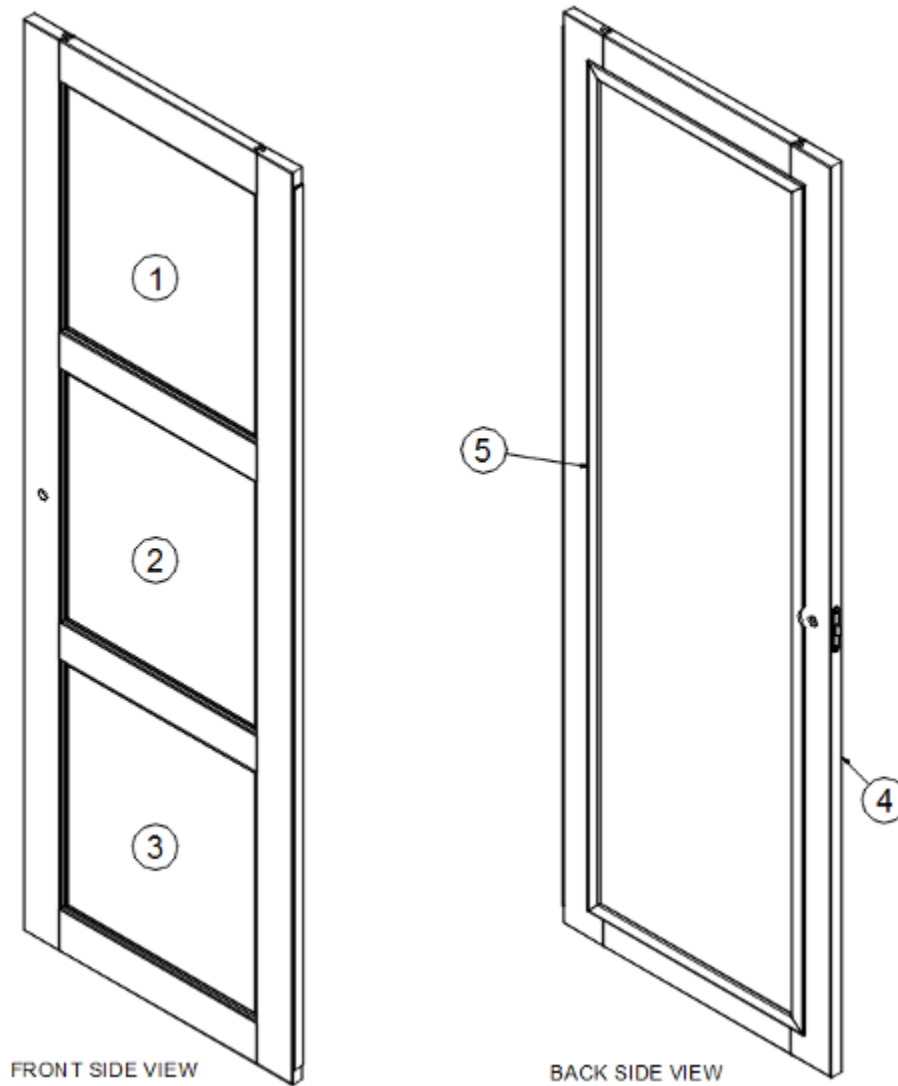
968540-35

CS Bath Wall Storage

1. 968540-351	Panel, 48 x 96
2. 968540-352	Panel, 5 x 14
3. 968540-353	Panel, 5 x 20.13
4. 968540-354	Panel, 10 x 20.13
5. 968540-355	Panel, 10 x 14
6. 968540-356	Panel, 10 x 14
7. 968540-357	Panel, 5 x 14
8. 968540-358	Panel, 5 x 20.13
9. 968540-359	Panel, 10 x 20.13
10. 968540-3510	Panel, 15 x 20.38
11. 968540-3511	Panel, 15 x 20.13
12. 968540-3522	Panel, 8.5 x 6
802201-0035	Door frame, CS bath cabinet
801969-2535	Door, 9.75 x 14.5

## 2017 CLASSIC FURNITURE, LAVATORY

Door, Lavatory, 30', Hampton Walnut



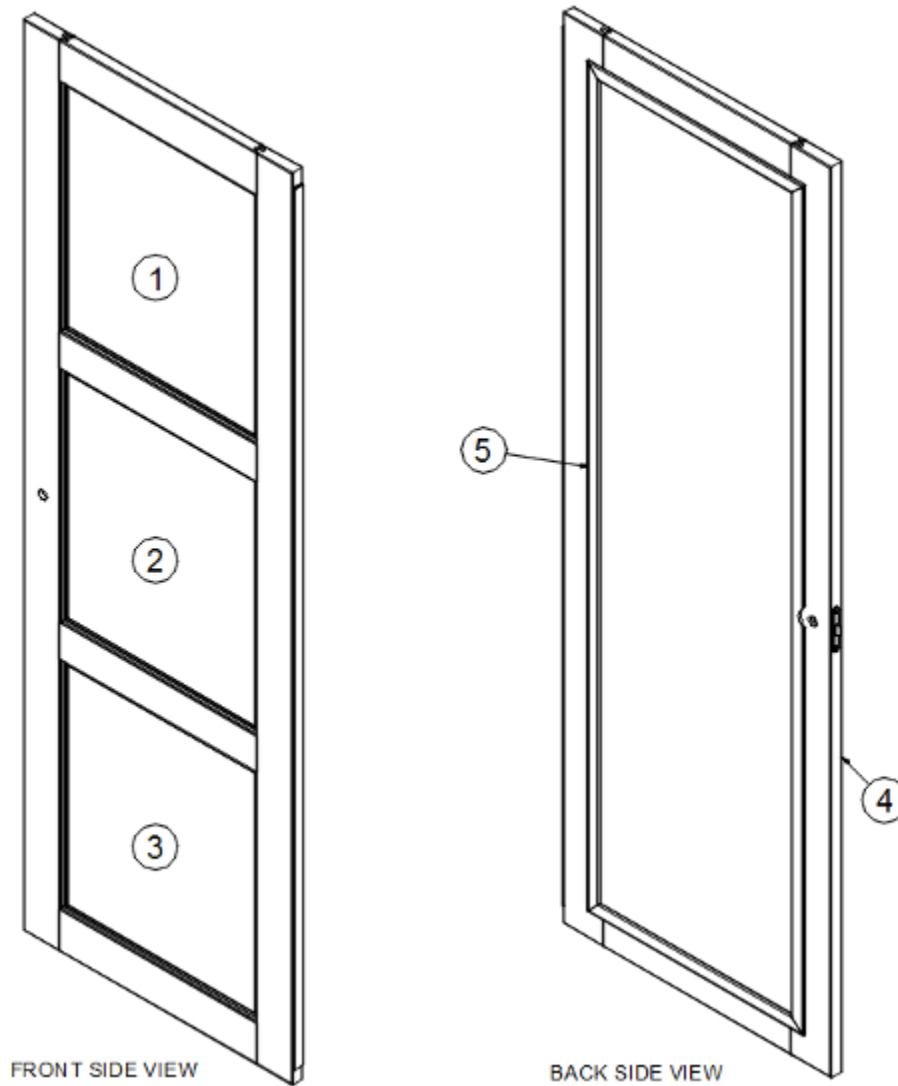
968165-30

Lavatory Door

- |                |  |
|----------------|--|
| 1. 968165-301  | Panel, 18.5 x 20.63                      |
| 2. 968165-302  | Panel, 18.5 x 20.63                      |
| 3. 968165-303  | Panel, 18.5 x 20.63                      |
| 4. 801995-0030 | Door frame, Walnut                       |
| 5. 800573-0130 | Hardwood flat molding, Door edge, Walnut |
| 801438         | Panel, Pre laminate, White               |
| 371443         | Mirror, 21.5 x 67.5                      |
| 380458         | Piano hinge, Copper Metallic             |
| 382244         | Door latch                               |

## 2017 CLASSIC FURNITURE, LAVATORY

Door, Lavatory, 30', Cognac Maple



968165-35

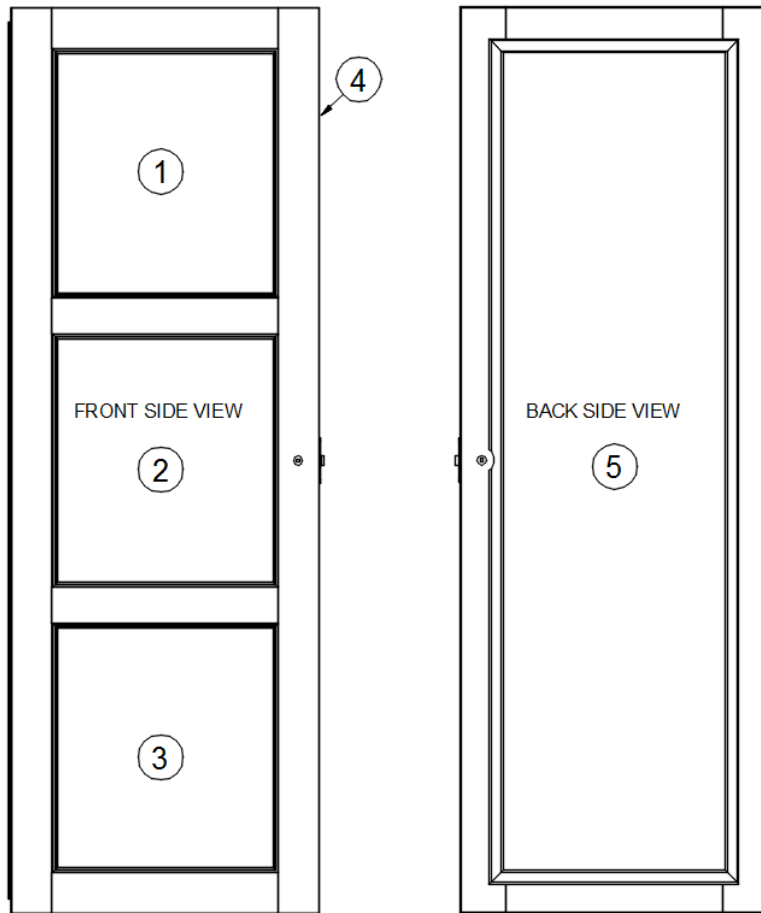
Lavatory Door

- |                |   |
|----------------|---|
| 1. 968165-351  | Panel, 18.5 x 20.63                     |
| 2. 968165-352  | Panel, 18.5 x 20.63                     |
| 3. 968165-353  | Panel, 18.5 x 20.63                     |
| 4. 801995-0035 | Door frame, Maple                       |
| 5. 800573-0135 | Hardwood flat molding, Door edge, Maple |
| 801438         | Panel, Pre laminate, White              |
| 371443         | Mirror, 21.5 x 67.5                     |
| 380458         | Piano hinge, Copper Metallic            |
| 382244         | Door latch                              |



## 2017 CLASSIC FURNITURE, LAVATORY

Door, Lavatory, 33FB, Hampton Walnut



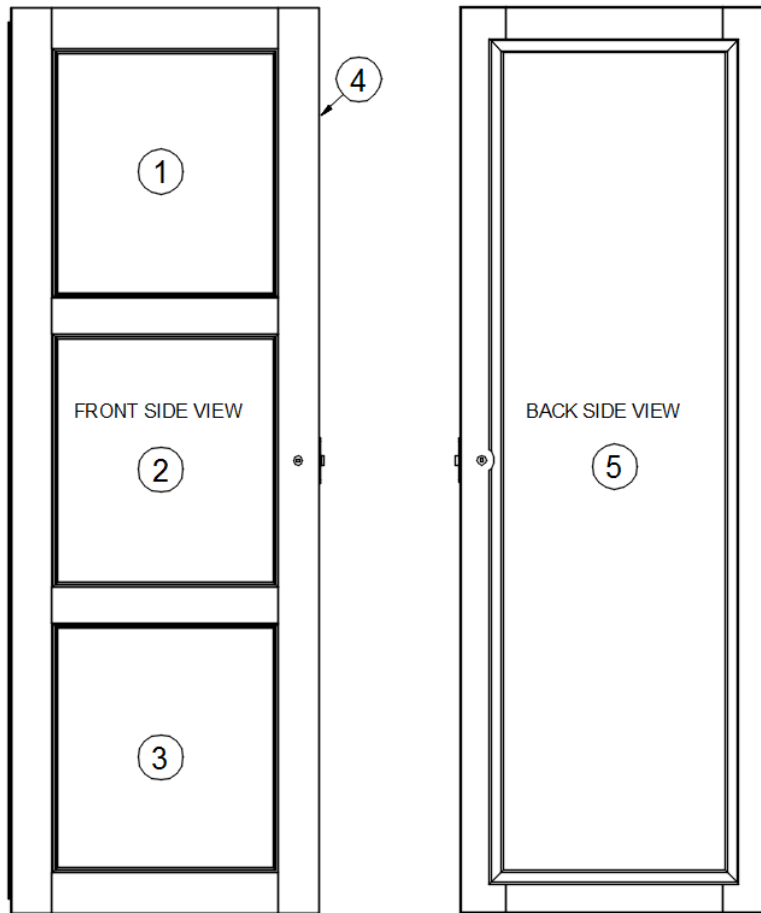
968563

Mirrored Bath Door

- |                |  |
|----------------|--|
| 1. 968563-1    | Panel, 18.5 x 20.63                      |
| 2. 968563-2    | Panel, 18.5 x 20.63                      |
| 3. 968563-3    | Panel, 18.5 x 20.63                      |
| 4. 802210-0030 | Door frame, Bathroom                     |
| 5. 371443      | Mirror, 21.5 x 67.5                      |
| 801438         | Pre-laminated panel, White Liner/Raw     |
| 380458         | Piano hinge, Copper Metallic             |
| 382244         | Door latch, Bathroom                     |
| 800573-0130    | Hardwood flat molding, Door edge, Walnut |

# 2017 CLASSIC FURNITURE, LAVATORY

## Door, Lavatory, 33FB, Cognac Maple



968563-35

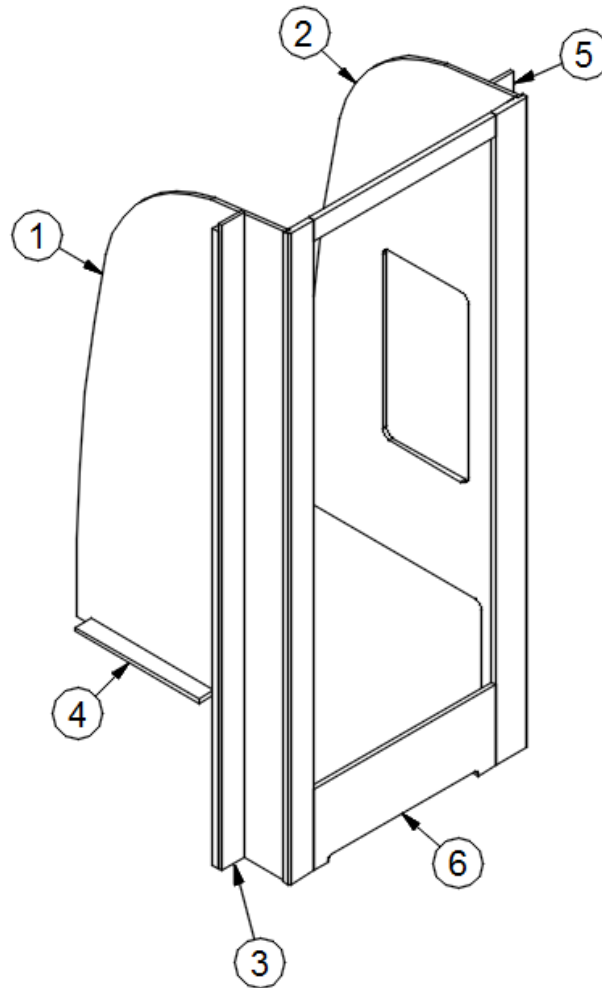
Mirrored Bath Door

- 1. 968563-351
- 2. 968563-352
- 3. 968563-353
- 4. 802210-0035
- 5. 371443
- 801438
- 380458
- 382244
- 800573-0135

- Panel, 18.5 x 20.63
- Panel, 18.5 x 20.63
- Panel, 18.5 x 20.63
- Door frame, Bathroom
- Mirror, 21.5 x 67.5
- Pre-laminated panel, White Liner/Raw
- Piano hinge, Copper Metallic
- Door latch, Bathroom
- Hardwood flat molding, Door edge, Maple

# 2017 CLASSIC FURNITURE, LAVATORY

## Shower Compartment, Hampton Walnut



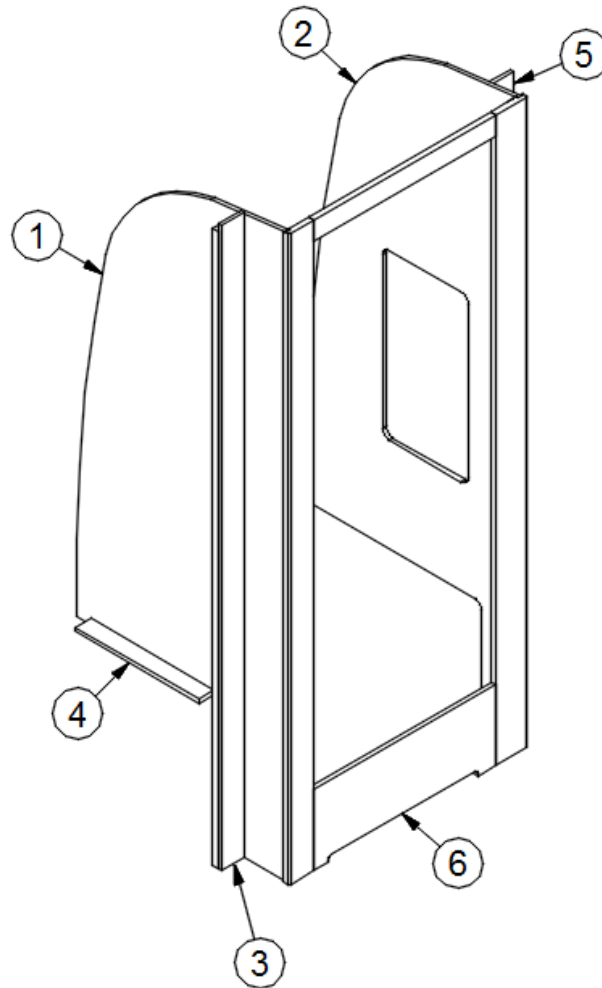
968148

Shower Compartment

- |                |   |
|----------------|---|
| 1. 968148-301  | Panel, 29.55 x 78.55                                    |
| 2. 968148-302  | Panel, 29.55 x 78.55                                    |
| 3. 968148-303  | Panel, 3.19 x 78.03                                     |
| 4. 968148-304  | Panel, 2.25 x 17.5                                      |
| 5. 968148-305  | Panel, 3.5 x 77.5                                       |
| 6. 801970-0030 | Face frame, Shower, Walnut                              |
| 203081-02      | Shower Stall-2 piece Fiberglass                         |
| 703989-01      | Shower Door, Adjustable, Continuous hinge, Reeded glass |
| 381610-02      | Cover cap, Plastic, Brown                               |
| 454727-01      | Angle, Shower frame, 27"                                |
| 454727-02      | Angle, Shower frame, 64.75"                             |
| 201666-01      | J-molding, 3/16, Plastic, White                         |
| 381081-01      | Snap cap w/washer, Antique White                        |

# 2017 CLASSIC FURNITURE, LAVATORY

## Shower Compartment, Cognac Maple



968148-35

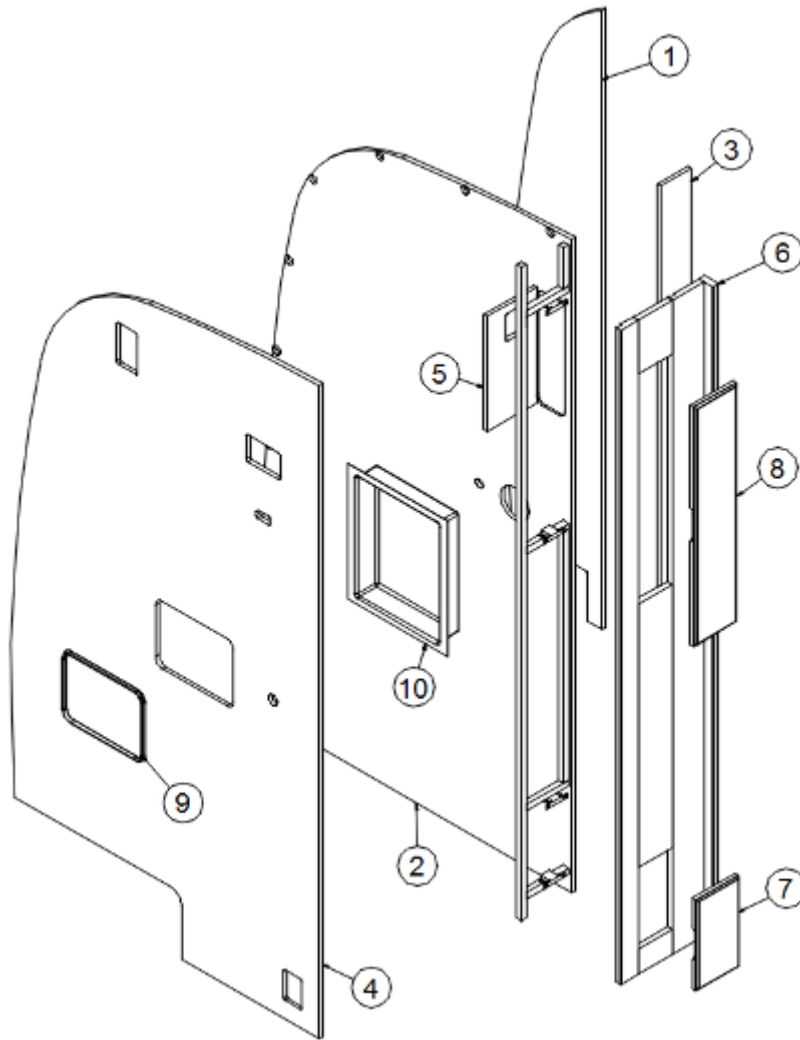
Shower Compartment

- 1. 968148-351
- 2. 968148-352
- 3. 968148-353
- 4. 968148-354
- 5. 968148-355
- 6. 801970-0035
- 203081-02
- 703989-01
- 381610-02
- 454727-01
- 454727-02
- 201666-01
- 381081-01

- Panel, 29.55 x 78.55
- Panel, 29.55 x 78.55
- Panel, 3.19 x 78.03
- Panel, 2.25 x 17.5
- Panel, 3.5 x 77.5
- Face frame, Shower, Maple
- Shower Stall-2 piece Fiberglass
- Shower Door, Adjustable, Continuous hinge, Reeded glass
- Cover cap, Plastic, Brown
- Angle, Shower frame, 27"
- Angle, Shower frame, 64.75"
- J-molding, 3/16, Plastic, White
- Snap cap w/washer, Antique White

# 2017 CLASSIC FURNITURE, LAVATORY

## Shower Wall, 33FB, Hampton Walnut

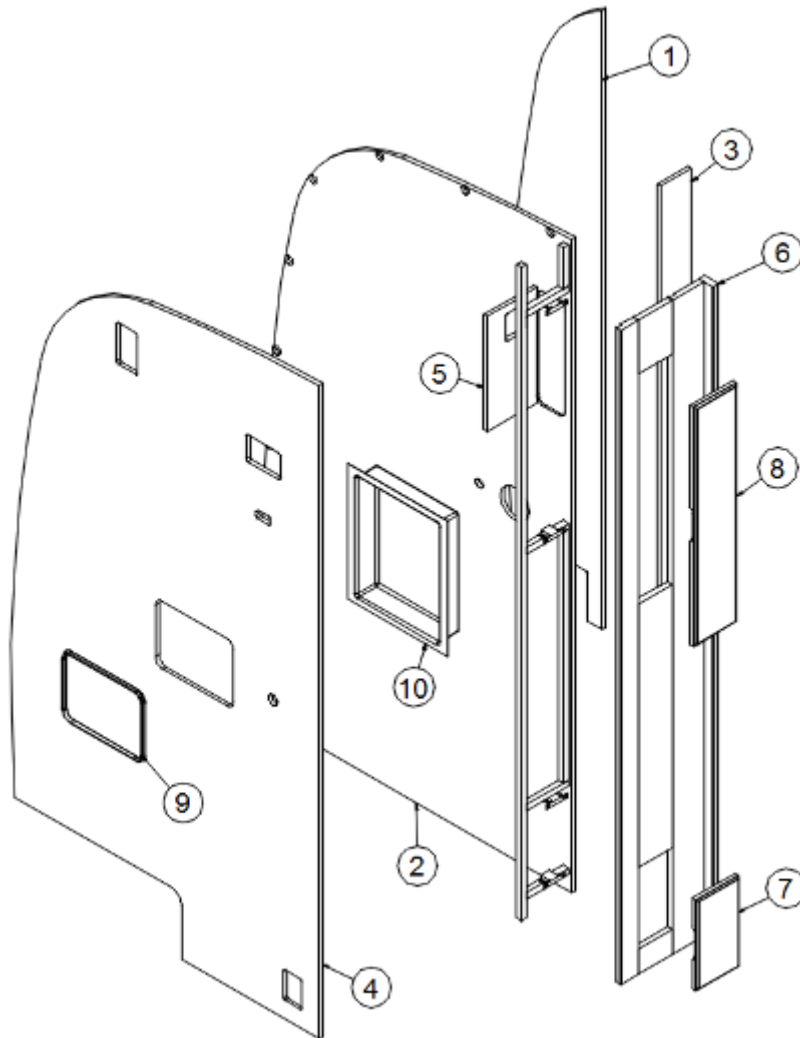


### 968546 Shower Wall

- |                |                          |
|----------------|--------------------------|
| 1. 968546-1    | Panel, 13.2 x 75.4       |
| 2. 968546-2    | Panel, 43.31 x 79.58     |
| 3. 968546-3    | Panel, 4.4 x 79.57       |
| 4. 968546-4    | Panel, 43.31 x 79.58     |
| 5. 968546-5    | Panel, 7 x 14            |
| 6. 802200-0030 | Face frame, Hallway      |
| 7. 802056-1530 | Drawer face, 6 x 11      |
| 8. 802056-1430 | Drawer face, 6 x 29.13   |
| 9. 203445      | T-molding, Black         |
| 10. 203383     | Magazine rack            |
| 381228-02      | Catch, Grabber door, 5LB |
| 382057         | Knockdown fasteners      |

# 2017 CLASSIC FURNITURE, LAVATORY

## Shower Wall, 33FB, Cognac Maple



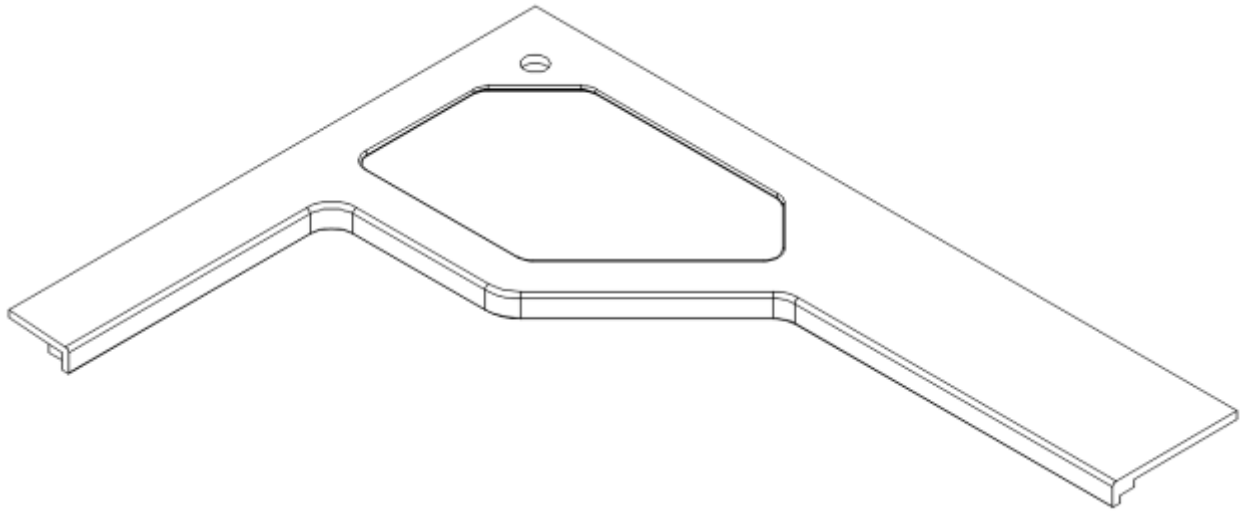
968546-35

Shower Wall

- |     |             |                          |
|-----|-------------|--------------------------|
| 1.  | 968546-351  | Panel, 13.2 x 75.4       |
| 2.  | 968546-352  | Panel, 43.31 x 79.58     |
| 3.  | 968546-353  | Panel, 4.4 x 79.57       |
| 4.  | 968546-354  | Panel, 43.31 x 79.58     |
| 5.  | 968546-355  | Panel, 7 x 14            |
| 6.  | 802200-0035 | Face frame, Hallway      |
| 7.  | 802056-1535 | Drawer face, 6 x 11      |
| 8.  | 802056-1435 | Drawer face, 6 x 29.13   |
| 9.  | 203445      | T-molding, Black         |
| 10. | 203383      | Magazine rack            |
|     | 381228-02   | Catch, Grabber door, 5LB |
|     | 382057      | Knockdown fasteners      |

2017 CLASSIC  
FURNITURE, LAVATORY

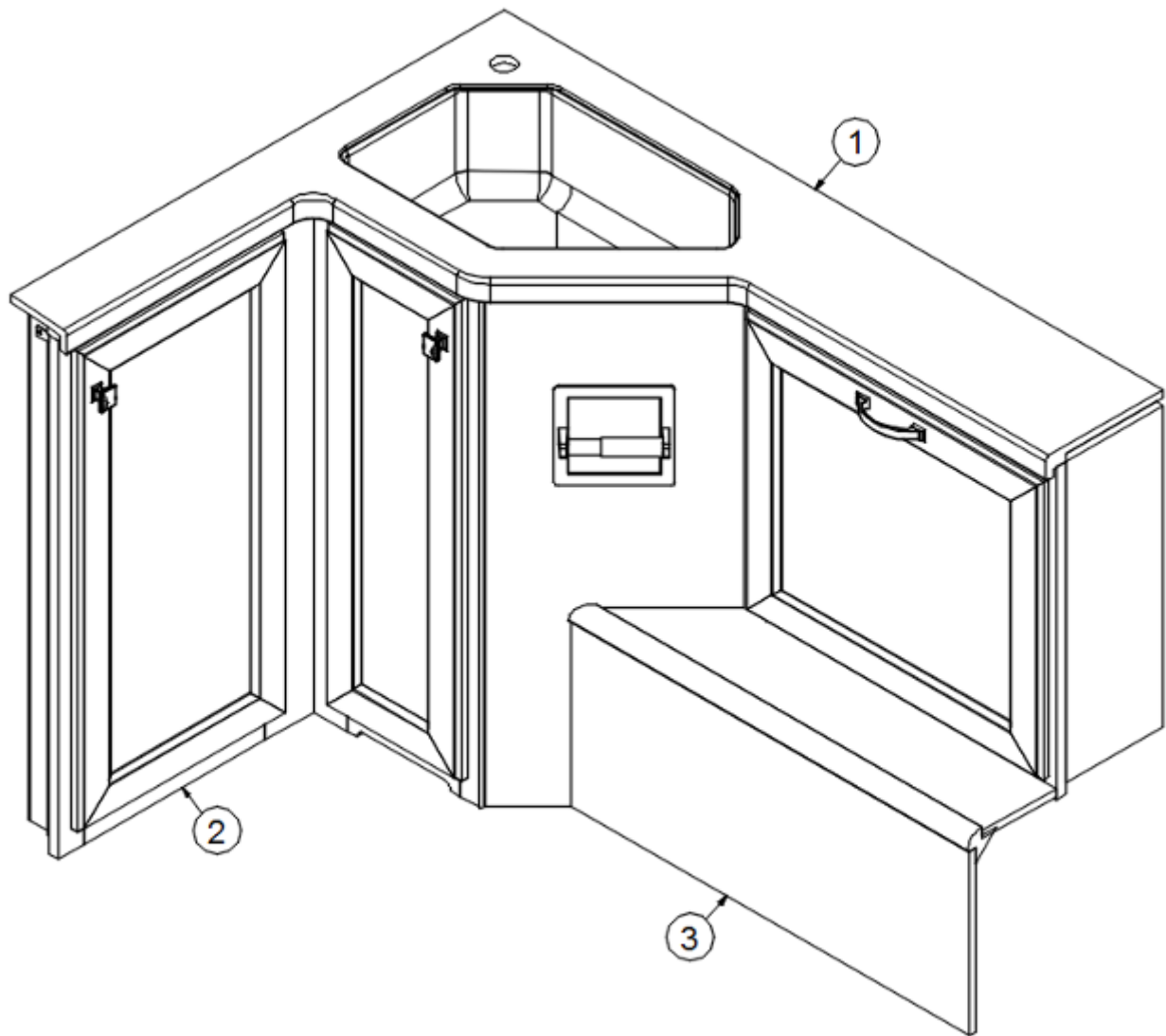
Lavatory Top, 30'



602385-01 Lavy top, Corian, Night Sky  
602385-02 Lavy top, Corian, Sandalwood

# 2017 CLASSIC FURNITURE, LAVATORY

Lavatory Cabinet, 30'



968420  
968420-35

Lavy Cabinet, Hampton Walnut  
Lavy Cabinet, Cognac Maple

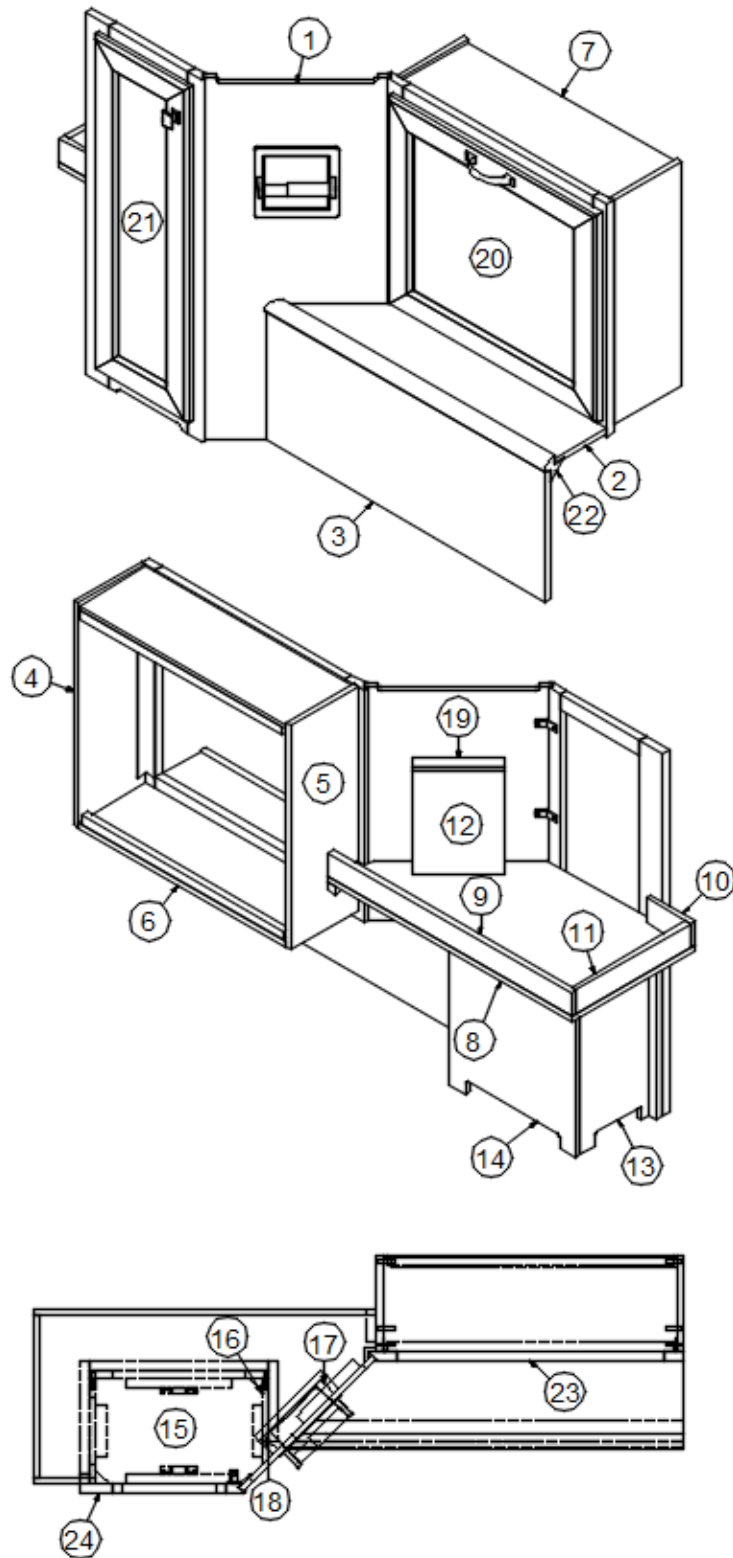
1. 968158  
2. 968159-30  
968159-35  
3. 968464  
968464-35

Lavy top  
Lavy cabinet, Aft, Walnut  
Lavy cabinet, Aft, Maple  
Lavy cabinet, Forward, Walnut  
Lavy cabinet, Forward, Maple



# 2017 CLASSIC FURNITURE, LAVATORY

Lavatory Cabinet, Forward Section, 30', Hampton Walnut



Parts Listed on Next Page

## 2017 CLASSIC FURNITURE, LAVATORY

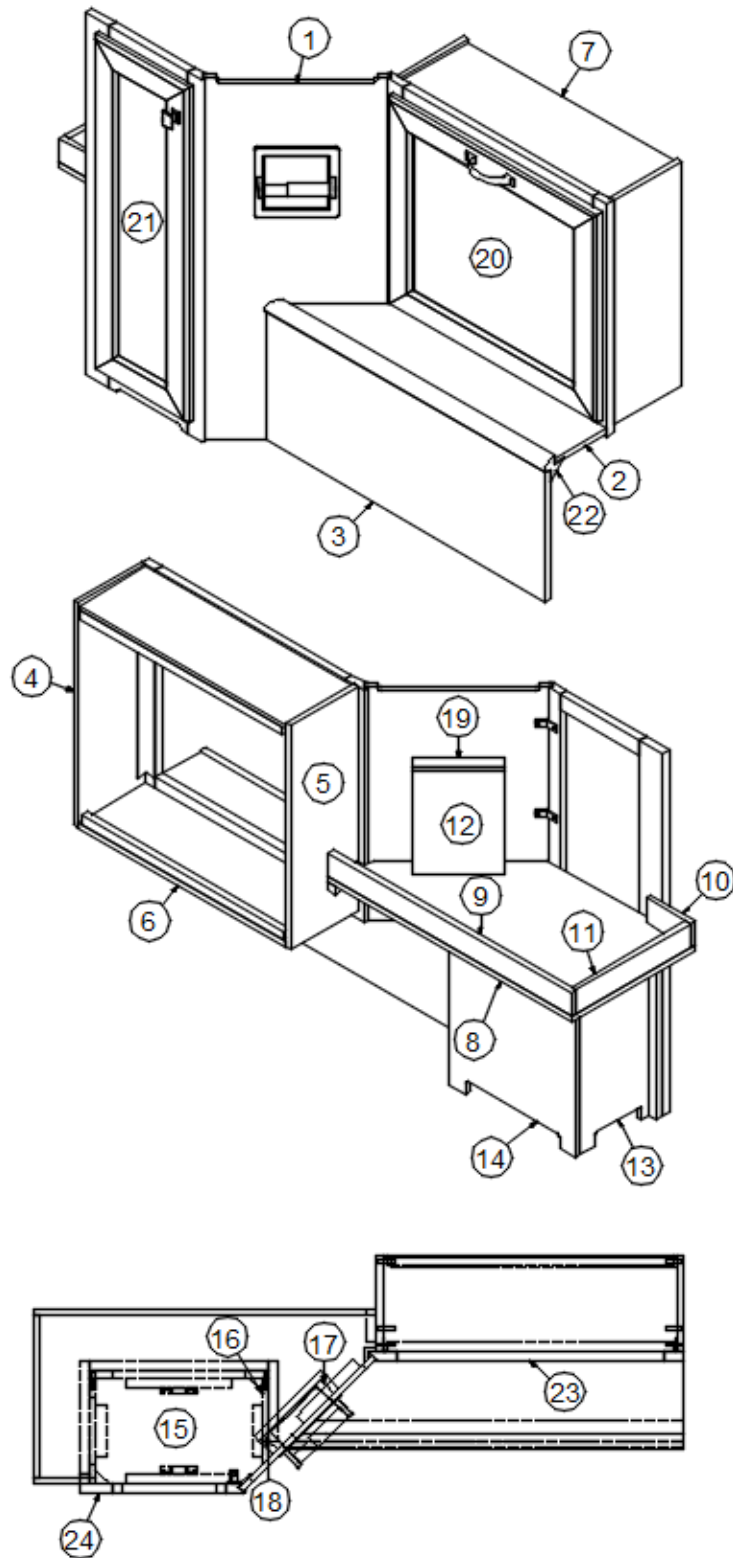
### Lavatory Cabinet, Forward Section, 30', Hampton Walnut

968464 Forward Lavy Cabinet

1. 968464-1	Panel, 14.13 x 33.5
2. 968464-2	Panel, 28.82 x 5.5
3. 968464-3	Panel, 29.81 x 11.89
4. 968464-4	Panel, 7.25 x 20.75
5. 968464-5	Panel, 7.25 x 20.75
6. 968464-6	Panel, 7.25 x 22.13
7. 968464-7	Panel, 7.25 x 22.13
8. 968464-8	Panel, 26.13 x 13.25
9. 968464-9	Panel, 26.13 x 2.25
10. 968464-10	Panel, 5 x 2.25
11. 968464-11	Panel, 12.25 x 2.25
12. 968464-12	Panel, 7 x 9.5
13. 968464-13	Panel, 8 x 17
14. 968464-14	Panel, 13.5 x 17
15. 968464-15	Panel, 8 x 12.5
16. 968464-16	Panel, 6.48 x 15.75
17. 968464-17	Panel, 1.38 x 9
18. 968464-18	Panel, 1.38 x 9
19. 968464-20	Panel, 7 x 1.38
20. 801969-0930	Door, 22.13 x 19.25, Walnut
21. 801969-0830	Door, 10 x 31, Walnut
22. 801415-0030	Corner trim, 1" radius, Walnut
23. 801980-0030	Face frame, Lavy forward, Walnut
24. 802122-0030	Face frame, Lavy mid, Walnut
968163	Lavy storage box assembly
382259	Recessed toilet paper dispenser, Satin
114812	Aluminum angle, 1 x 1
382252	Knob, Antique Silver, 1 1/4"
382253-02	Pull, Antique Silver, 5"
381228-02	Catch, Grabber door, 5LB
382238	Hinge
380041	Stanley corner brace, 1"

# 2017 CLASSIC FURNITURE, LAVATORY

Lavatory Cabinet, Forward Section, 30', Cognac Maple



Parts Listed on Next Page

## 2017 CLASSIC FURNITURE, LAVATORY

### Lavatory Cabinet, Forward Section, 30', Cognac Maple

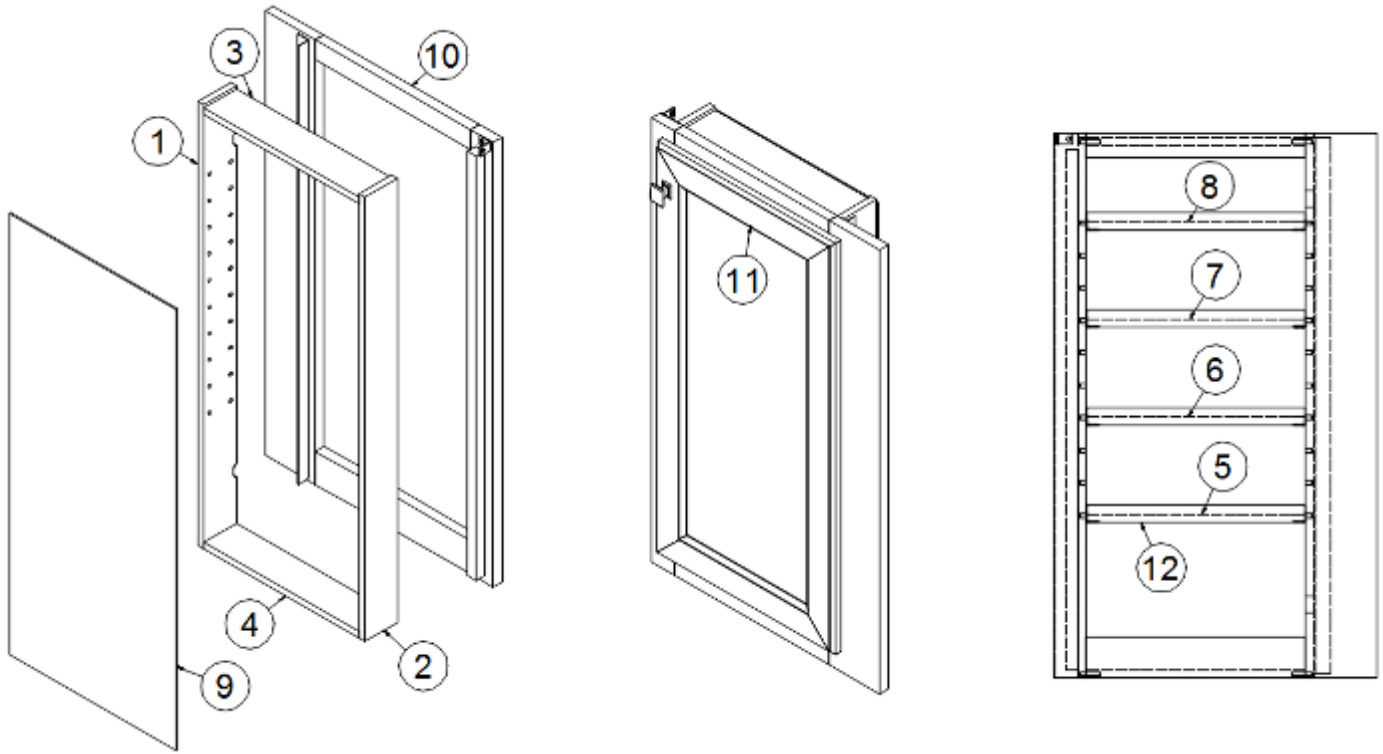
968464-35

Forward Lavy Cabinet

1. 968464-351	Panel, 14.13 x 33.5
2. 968464-352	Panel, 28.82 x 5.5
3. 968464-353	Panel, 29.81 x 11.89
4. 968464-354	Panel, 7.25 x 20.75
5. 968464-355	Panel, 7.25 x 20.75
6. 968464-356	Panel, 7.25 x 22.13
7. 968464-357	Panel, 7.25 x 22.13
8. 968464-358	Panel, 26.13 x 13.25
9. 968464-359	Panel, 26.13 x 2.25
10. 968464-3510	Panel, 5 x 2.25
11. 968464-3511	Panel, 12.25 x 2.25
12. 968464-3512	Panel, 7 x 9.5
13. 968464-3513	Panel, 8 x 17
14. 968464-3514	Panel, 13.5 x 17
15. 968464-3515	Panel, 8 x 12.5
16. 968464-3516	Panel, 6.48 x 15.75
17. 968464-3517	Panel, 1.38 x 9
18. 968464-3518	Panel, 1.38 x 9
19. 968464-3520	Panel, 7 x 1.38
20. 801969-0935	Door, 22.13 x 19.25, Maple
21. 801969-0835	Door, 10 x 31, Maple
22. 801415-0035	Corner trim, 1" radius, Maple
23. 801980-0035	Face frame, Lavy forward, Maple
24. 802122-0035	Face frame, Lavy mid, Maple
968163	Lavy storage box assembly
382259	Recessed toilet paper dispenser, Satin
114812	Aluminum angle, 1 x 1
382252	Knob, Antique Silver, 1 1/4"
382253-02	Pull, Antique Silver, 5"
381228-02	Catch, Grabber door, 5LB
382238	Hinge
380041	Stanley corner brace, 1"

## 2017 CLASSIC FURNITURE, LAVATORY

### Lavatory Cabinet, Aft Section, 30', Hampton Walnut



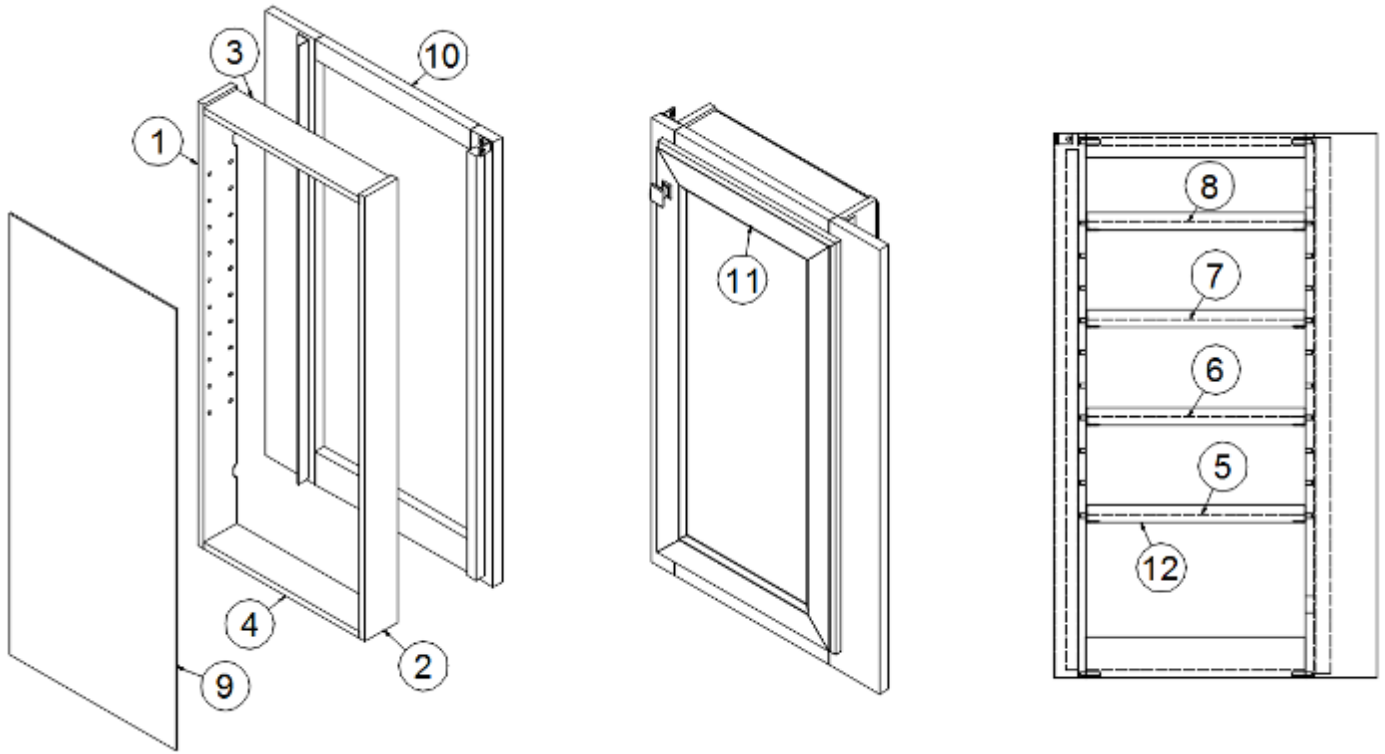
968159-30

Aft Lavy Cabinet

- |                 |  |
|-----------------|--|
| 1. 968159-301   | Panel, 2.88 x 33.5                       |
| 2. 968159-302   | Panel, 2.88 x 33.5                       |
| 3. 968159-303   | Panel, 2.88 x 13.5                       |
| 4. 968159-304   | Panel, 2.88 x 13.5                       |
| 5. 968159-305   | Panel, 2.88 x 13.38                      |
| 6. 968159-306   | Panel, 2.88 x 13.38                      |
| 7. 968159-307   | Panel, 2.88 x 13.38                      |
| 8. 968159-308   | Panel, 2.88 x 13.38                      |
| 9. 801438       | panel, 15.5 x 33.25, Frost White         |
| 10. 801981-0030 | Face frame, Aft, Walnut                  |
| 11. 801969-0730 | Door, 15.5 x 31, Walnut                  |
| 12. 800573-0130 | Hardwood flat molding, Door edge, Walnut |
| 382237          | Shelf support, Single slotted, SS        |
| 382238          | Hinge, Compact                           |
| 381228-02       | Catch, Grabber door, 5LB                 |
| 382252          | Knob, Antique Silver                     |

# 2017 CLASSIC FURNITURE, LAVATORY

## Lavatory Cabinet, Aft Section, 30', Cognac Maple



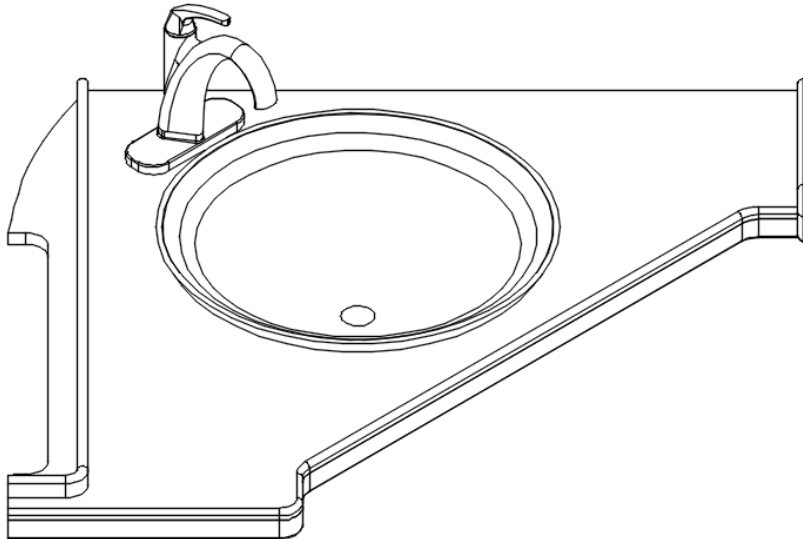
968159-35

Aft Lavy Cabinet

- |                 |   |
|-----------------|---|
| 1. 968159-351   | Panel, 2.88 x 33.5                      |
| 2. 968159-352   | Panel, 2.88 x 33.5                      |
| 3. 968159-353   | Panel, 2.88 x 13.5                      |
| 4. 968159-354   | Panel, 2.88 x 13.5                      |
| 5. 968159-355   | Panel, 2.88 x 13.38                     |
| 6. 968159-356   | Panel, 2.88 x 13.38                     |
| 7. 968159-357   | Panel, 2.88 x 13.38                     |
| 8. 968159-358   | Panel, 2.88 x 13.38                     |
| 9. 801438       | panel, 15.5 x 33.25, Frost White        |
| 10. 801981-0035 | Face frame, Aft, Maple                  |
| 11. 801969-0735 | Door, 15.5 x 31, Maple                  |
| 12. 800573-0135 | Hardwood flat molding, Door edge, Maple |
| 382237          | Shelf support, Single slotted, SS       |
| 382238          | Hinge, Compact                          |
| 381228-02       | Catch, Grabber door, 5LB                |
| 382252          | Knob, Antique Silver                    |

## 2017 CLASSIC FURNITURE, LAVATORY

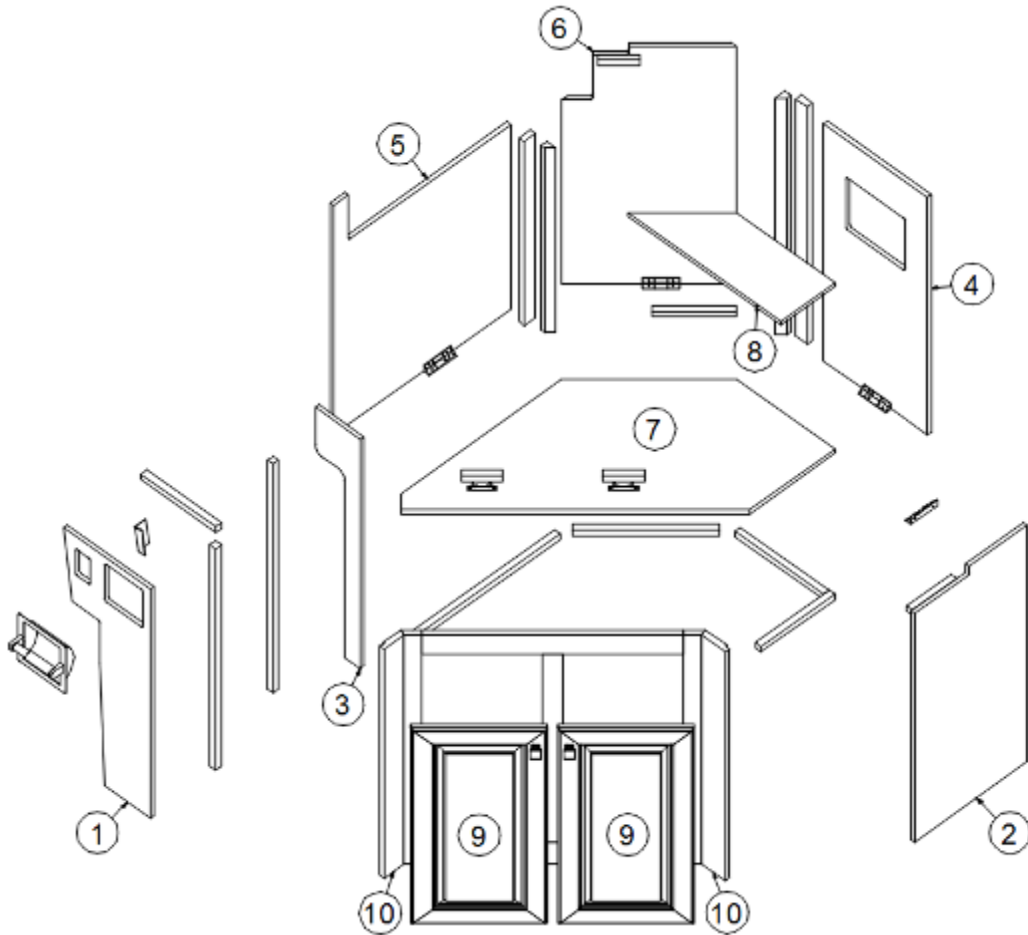
### Lavatory Top, 33FB



- |             |  |
|-------------|--|
| 968543-01   | Lavatory Top Assembly, Deep Night Sky        |
| 968543-02   | Lavatory Top Assembly, Sandalwood            |
| 602683-01   | Lavatory top, Corian, Deep Night Sky         |
| 602683-02   | Lavatory top, Corian, Sandalwood             |
| 602656      | Sink, Wading pool, Kohler                    |
| 602674      | Faucet, Single hole, Swing sprout, Kohler    |
| 112450-28   | Panel, 4.25 x 29.72, Wood trim piece, Walnut |
| 112450-3528 | Panel, 3.25 x 29.72, Wood trim piece, Maple  |

# 2017 CLASSIC FURNITURE, LAVATORY

## Lavatory Cabinet, 33FB, Hampton Walnut



968544

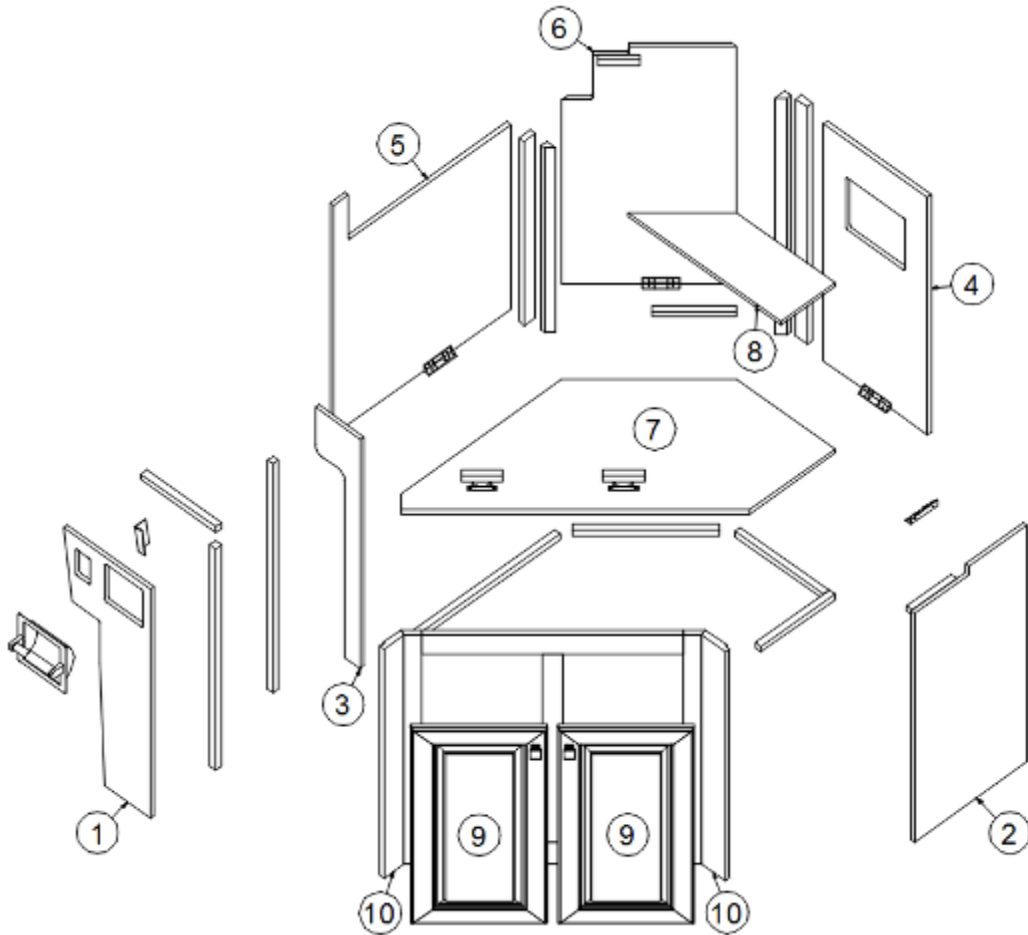
Lavatory Cabinet

- |                 |  |
|-----------------|--|
| 1. 968544-1     | Panel, 11.75 x 30.88                             |
| 2. 968544-2     | Panel, 15.25 x 32                                |
| 3. 968544-3     | Panel, 6.06 x 30.88                              |
| 4. 968544-4     | Panel, 13.99 x 32                                |
| 5. 968544-5     | Panel, 24 x 30.88                                |
| 6. 968544-6     | Panel, 16.65 x 32                                |
| 7. 968544-7     | Panel, 17.57 x 41.42                             |
| 8. 968544-8     | Panel, 7.31 x 20.6                               |
| 9. 801969-2730  | Door, 13 x 26.88                                 |
| 10. 802205-0030 | Face frame, Lavatory cabinet                     |
| 114813          | Aluminum angle, 1 x 1.5                          |
| 381228-02       | Catch, Grabber door, 5LB                         |
| 382259          | Recessed toilet paper dispenser, Stainless Steel |
| 386279          | Corner brace                                     |
| 382252          | Knob, Antique Silver                             |



# 2017 CLASSIC FURNITURE, LAVATORY

## Lavatory Cabinet, 33FB, Cognac Maple



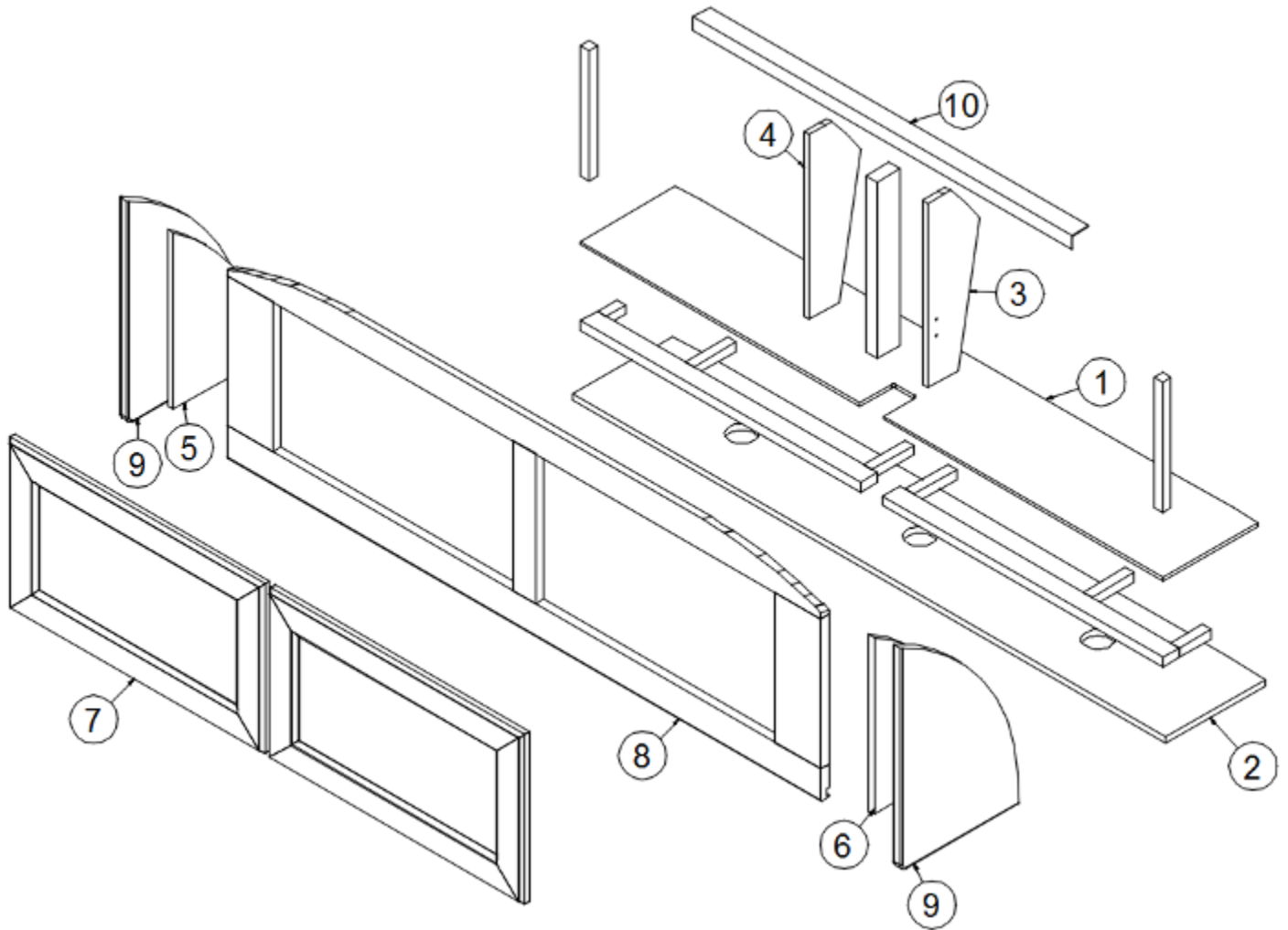
968544-35

Lavatory Cabinet

- |                 |  |
|-----------------|--|
| 1. 968544-351   | Panel, 11.75 x 30.88                             |
| 2. 968544-352   | Panel, 15.25 x 32                                |
| 3. 968544-353   | Panel, 6.06 x 30.88                              |
| 4. 968544-354   | Panel, 13.99 x 32                                |
| 5. 968544-355   | Panel, 24 x 30.88                                |
| 6. 968544-356   | Panel, 16.65 x 32                                |
| 7. 968544-357   | Panel, 17.57 x 41.42                             |
| 8. 968544-358   | Panel, 7.31 x 20.6                               |
| 9. 801969-2735  | Door, 13 x 26.88                                 |
| 10. 802205-0035 | Face frame, Lavatory cabinet                     |
| 114813          | Aluminum angle, 1 x 1.5                          |
| 381228-02       | Catch, Grabber door, 5LB                         |
| 382259          | Recessed toilet paper dispenser, Stainless Steel |
| 386279          | Corner brace                                     |
| 382252          | Knob, Antique Silver                             |

# 2017 CLASSIC FURNITURE, LAVATORY

## Lavatory Overhead, 33FB, Hampton Walnut



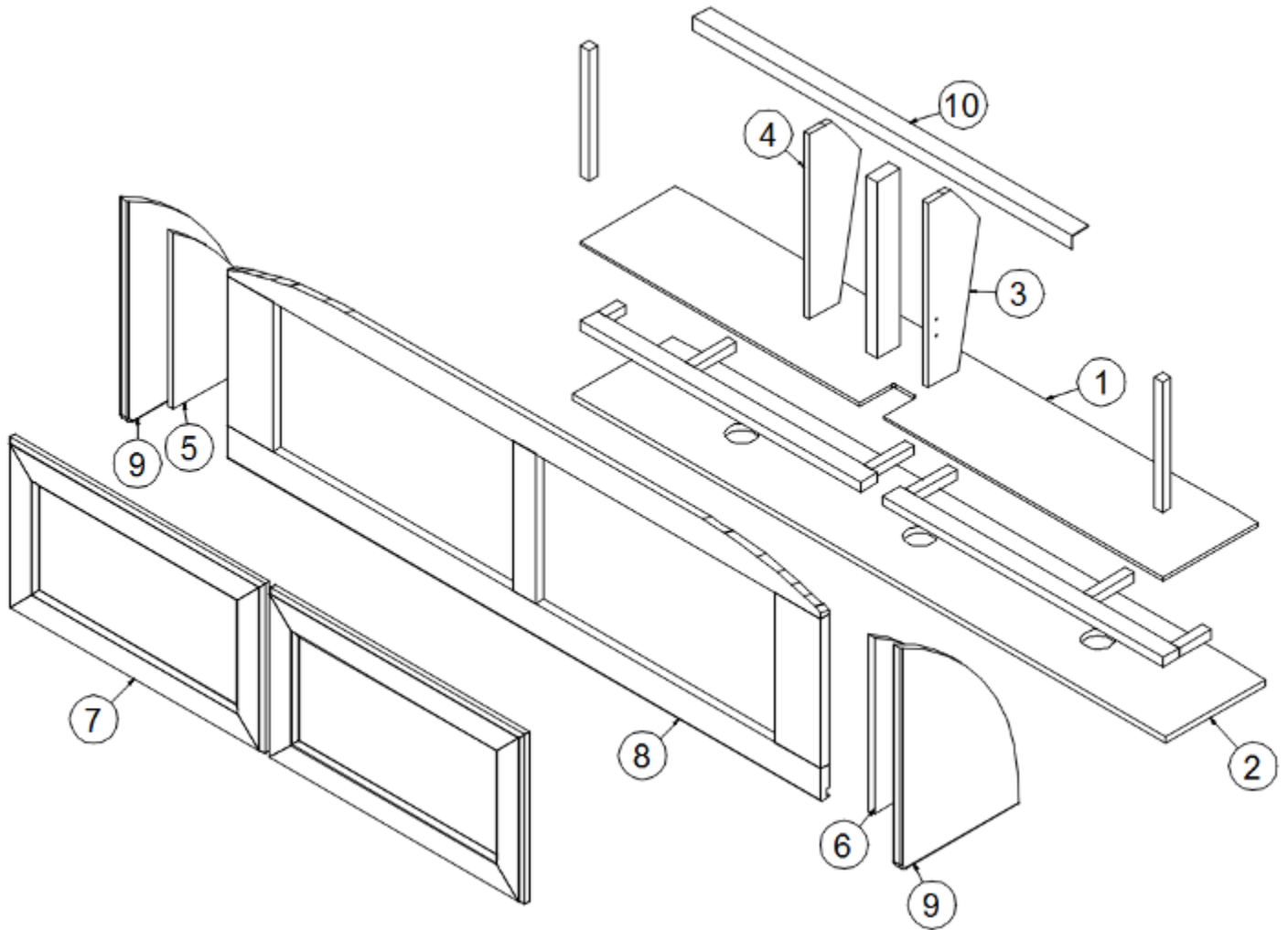
968545

Lavatory Overhead

- |                |                               |
|----------------|-------------------------------|
| 1. 968545-1    | Panel, 16.25 x 66.38          |
| 2. 968545-2    | Panel, 8.93 x 52.5            |
| 3. 968545-3    | Panel, 4.522 x 14.125         |
| 4. 968545-4    | Panel, 4.522 x 14.125         |
| 5. 968545-5    | Panel, 18.95 x 15.64          |
| 6. 968545-6    | Panel, 18.95 x 15.64          |
| 7. 801969-2630 | Door, 22.5 x 13               |
| 8. 802202-0030 | Face frame, Lavatory overhead |
| 9. 802226-0030 | End cap, Walnut               |
| 10. 114813     | Aluminum angle, 1 x 1.5       |

# 2017 CLASSIC FURNITURE, LAVATORY

## Lavatory Overhead, 33FB, Cognac Maple



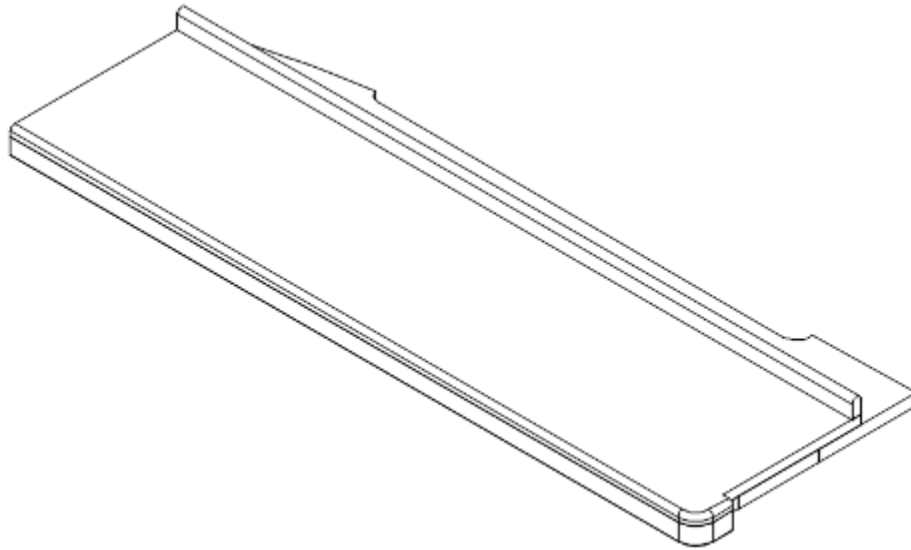
968545-35

Lavatory Overhead

- |                |                               |
|----------------|-------------------------------|
| 1. 968545-351  | Panel, 16.25 x 66.38          |
| 2. 968545-352  | Panel, 8.93 x 52.5            |
| 3. 968545-353  | Panel, 4.522 x 14.125         |
| 4. 968545-354  | Panel, 4.522 x 14.125         |
| 5. 968545-355  | Panel, 18.95 x 15.64          |
| 6. 968545-356  | Panel, 18.95 x 15.64          |
| 7. 801969-2635 | Door, 22.5 x 13               |
| 8. 802202-0035 | Face frame, Lavatory overhead |
| 9. 802226-0035 | End cap, Maple                |
| 10. 114813     | Aluminum angle, 1 x 1.5       |

2017 CLASSIC  
FURNITURE, LAVATORY

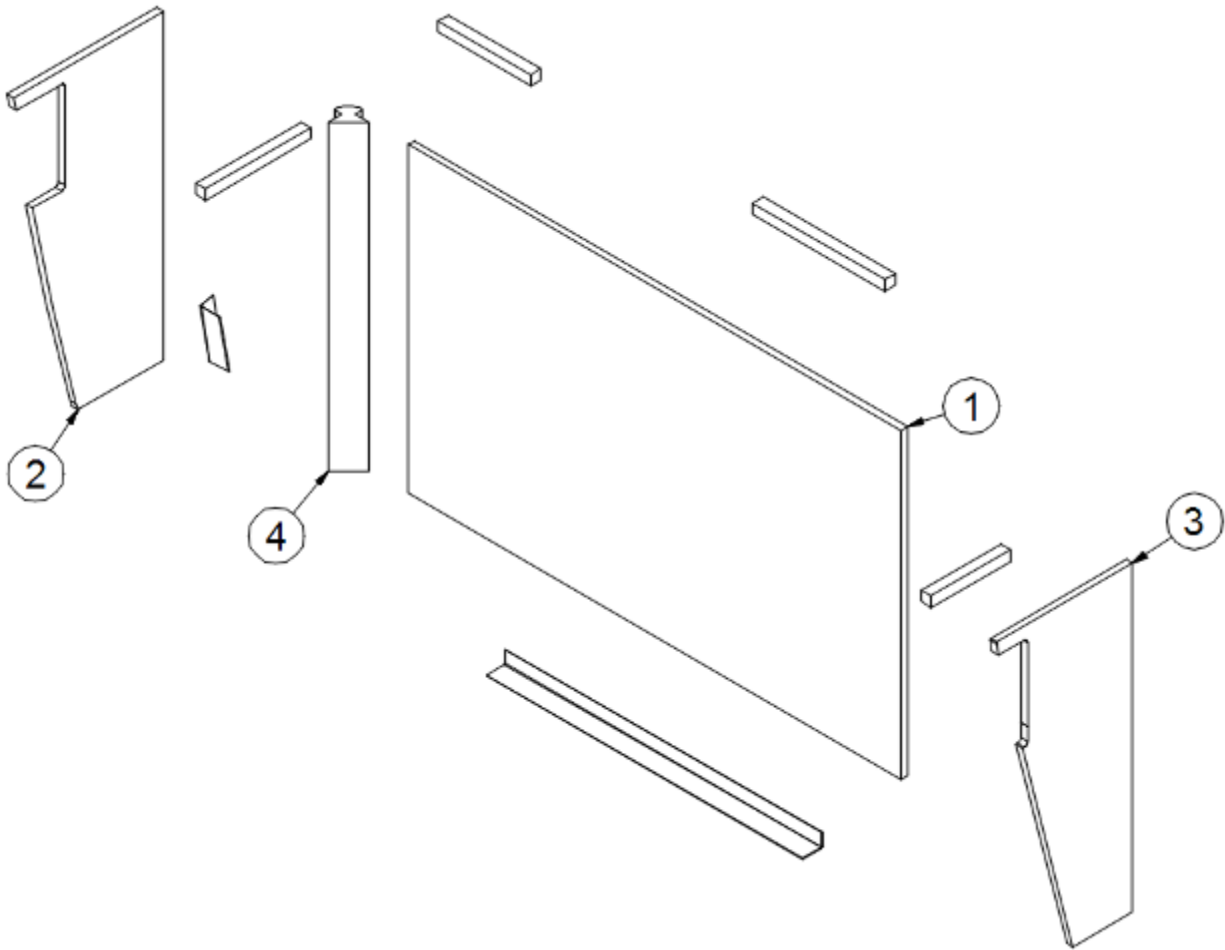
Credenza Top, 33FB



- |             |  |
|-------------|--|
| 602682-01   | Credenza top, Corian, Deep Night Sky         |
| 602682-02   | Credenza top, Corian, Sandalwood             |
| 112450-27   | Panel, 4.38 x 38.42, Wood trim piece, Walnut |
| 112450-3527 | Panel, 3.38 x 38.42, Wood trim piece, Maple  |

# 2017 CLASSIC FURNITURE, LAVATORY

## Credenza, 33FB, Hampton Walnut



968550

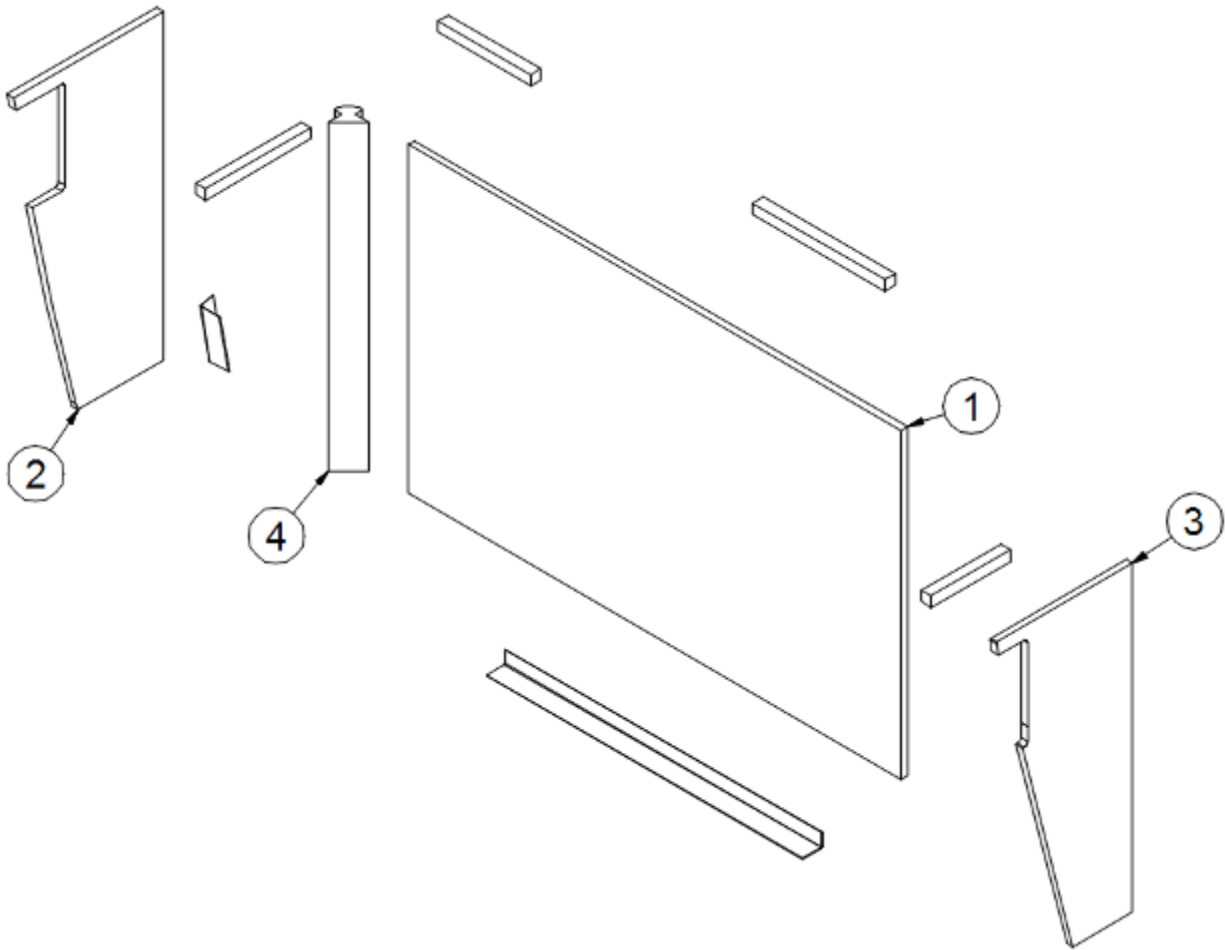
Lavatory Credenza

- 1. 968550-1
- 2. 968550-2
- 3. 968550-3
- 4. 801415-0030  
114813

Panel, 22.88 x 37.43  
Panel, 22.88 x 12.5  
Panel, 11 x 22.88  
Corner trim, 1" radius, Walnut  
Aluminum angle, 1 x 1.5

# 2017 CLASSIC FURNITURE, LAVATORY

## Credenza, 33FB, Cognac Maple



968550-35

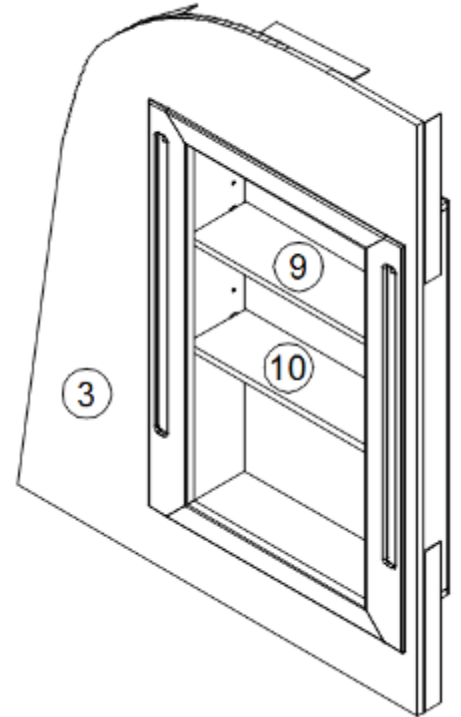
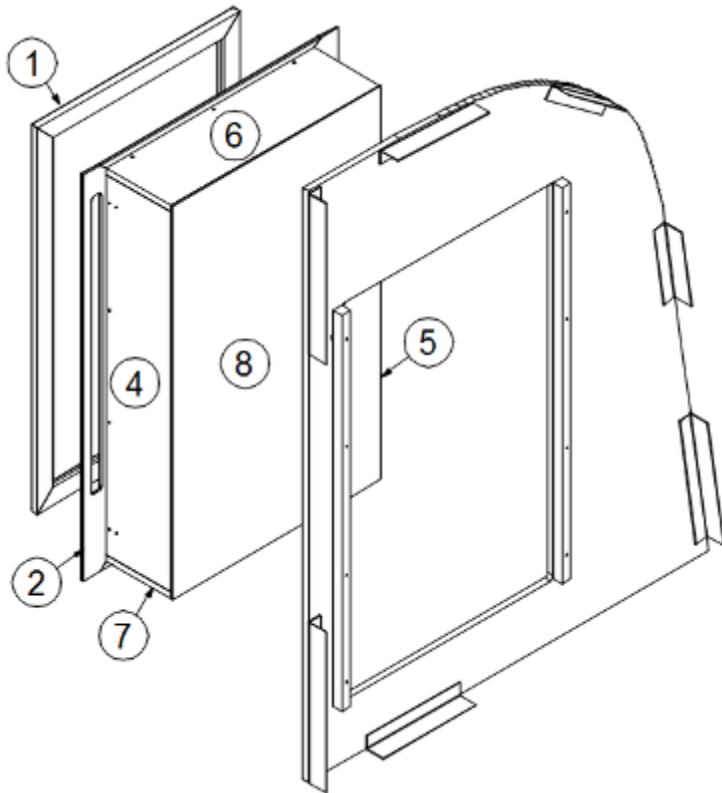
Lavatory Credenza

- 1. 968550-351
- 2. 968550-352
- 3. 968550-353
- 4. 801415-0035  
114813

Panel, 22.88 x 37.43  
Panel, 22.88 x 12.5  
Panel, 11 x 22.88  
Corner trim, 1" radius, Cognac Maple  
Aluminum angle, 1 x 1.5

# 2017 CLASSIC FURNITURE, LAVATORY

## Medicine Cabinet, 33FB, Hampton Walnut



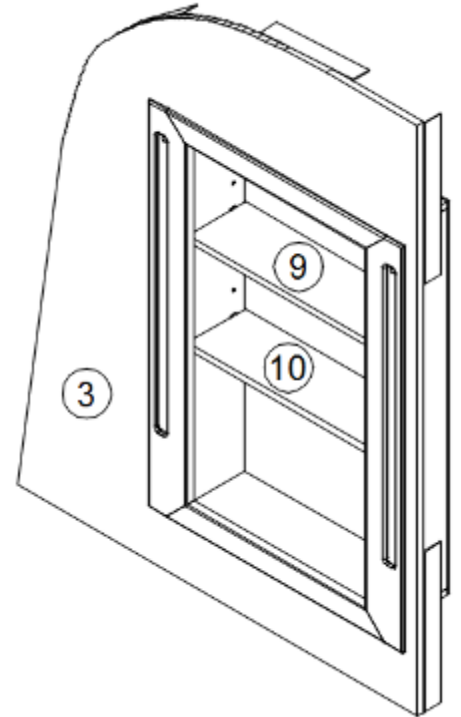
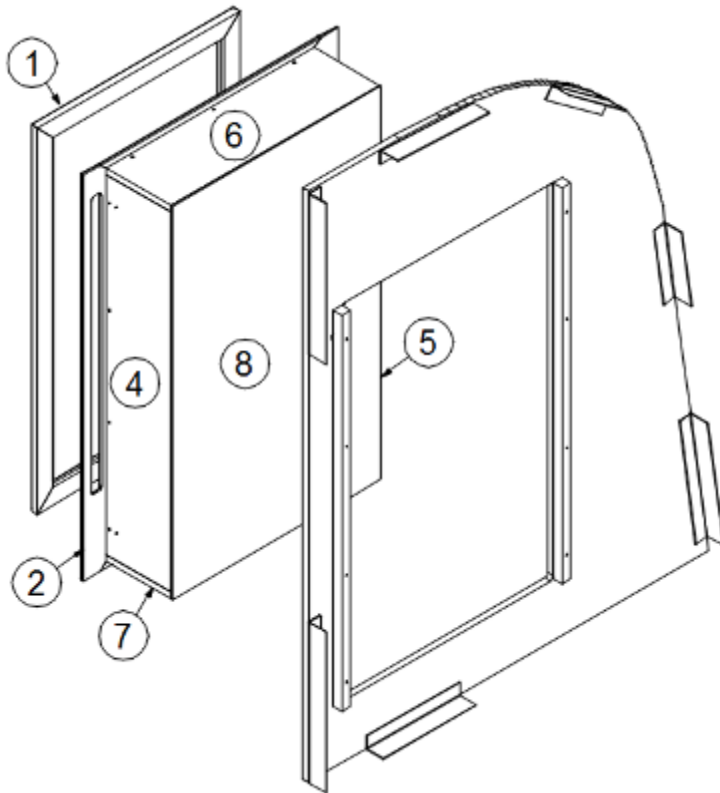
968541

Medicine Cabinet

- |                |                                |
|----------------|--------------------------------|
| 1. 968542      | Door, Mirrored                 |
| 2. 802204-0130 | Door frame, Medicine cabinet   |
| 3. 968541-3    | Panel, 36 x 44.42              |
| 4. 968541-4    | Panel, 5.63 x 28.38            |
| 5. 968541-5    | Panel, 5.63 x 28.38            |
| 6. 968541-6    | Panel, 5.63 x 18               |
| 7. 968541-7    | Panel, 5.63 x 18               |
| 8. 968541-8    | Panel, 18 x 29.38              |
| 9. 968541-9    | Panel, 5 x 16.75               |
| 10. 968541-10  | Panel, 5 x 16.75               |
| 114813         | Aluminum angle, 1 x 1.5        |
| 382237         | Shelf support, Stainless Steel |

# 2017 CLASSIC FURNITURE, LAVATORY

## Medicine Cabinet, 33FB, Cognac Maple



968541-35

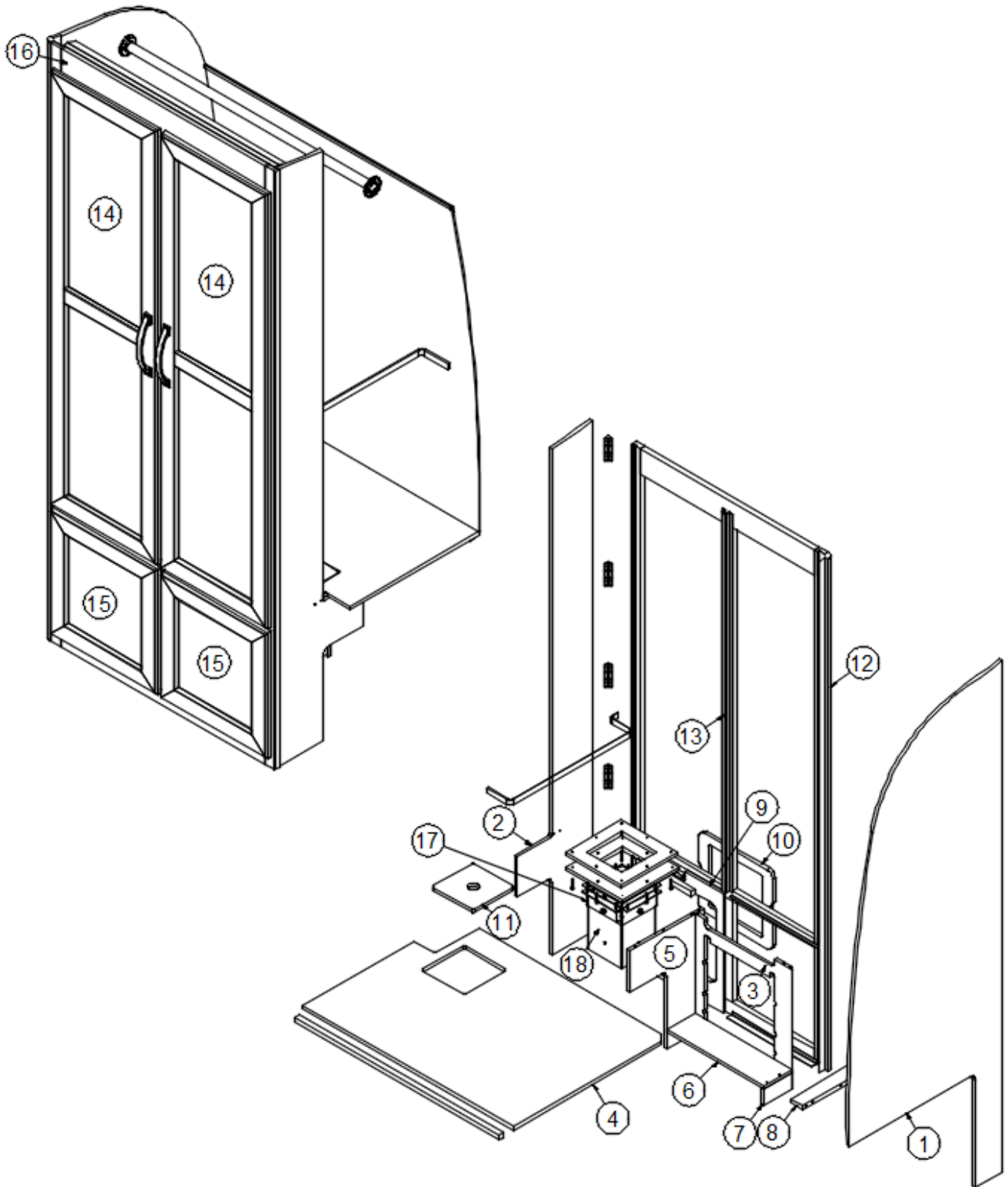
Medicine Cabinet

- |                 |                                |
|-----------------|--------------------------------|
| 1. 968542-35    | Door, Mirrored                 |
| 2. 802204-0135  | Door frame, Medicine cabinet   |
| 3. 968541-353   | Panel, 36 x 44.42              |
| 4. 968541-354   | Panel, 5.63 x 28.38            |
| 5. 968541-355   | Panel, 5.63 x 28.38            |
| 6. 968541-356   | Panel, 5.63 x 18               |
| 7. 968541-357   | Panel, 5.63 x 18               |
| 8. 968541-358   | Panel, 18 x 29.38              |
| 9. 968541-359   | Panel, 5 x 16.75               |
| 10. 968541-3510 | Panel, 5 x 16.75               |
| 114813          | Aluminum angle, 1 x 1.5        |
| 382237          | Shelf support, Stainless Steel |



# 2017 CLASSIC FURNITURE, LAVATORY

Wardrobe, Bath, 30', Hampton Walnut



Parts Listed on Next Page

## 2017 CLASSIC FURNITURE, LAVATORY

### Wardrobe, Bath, 30', Hampton Walnut

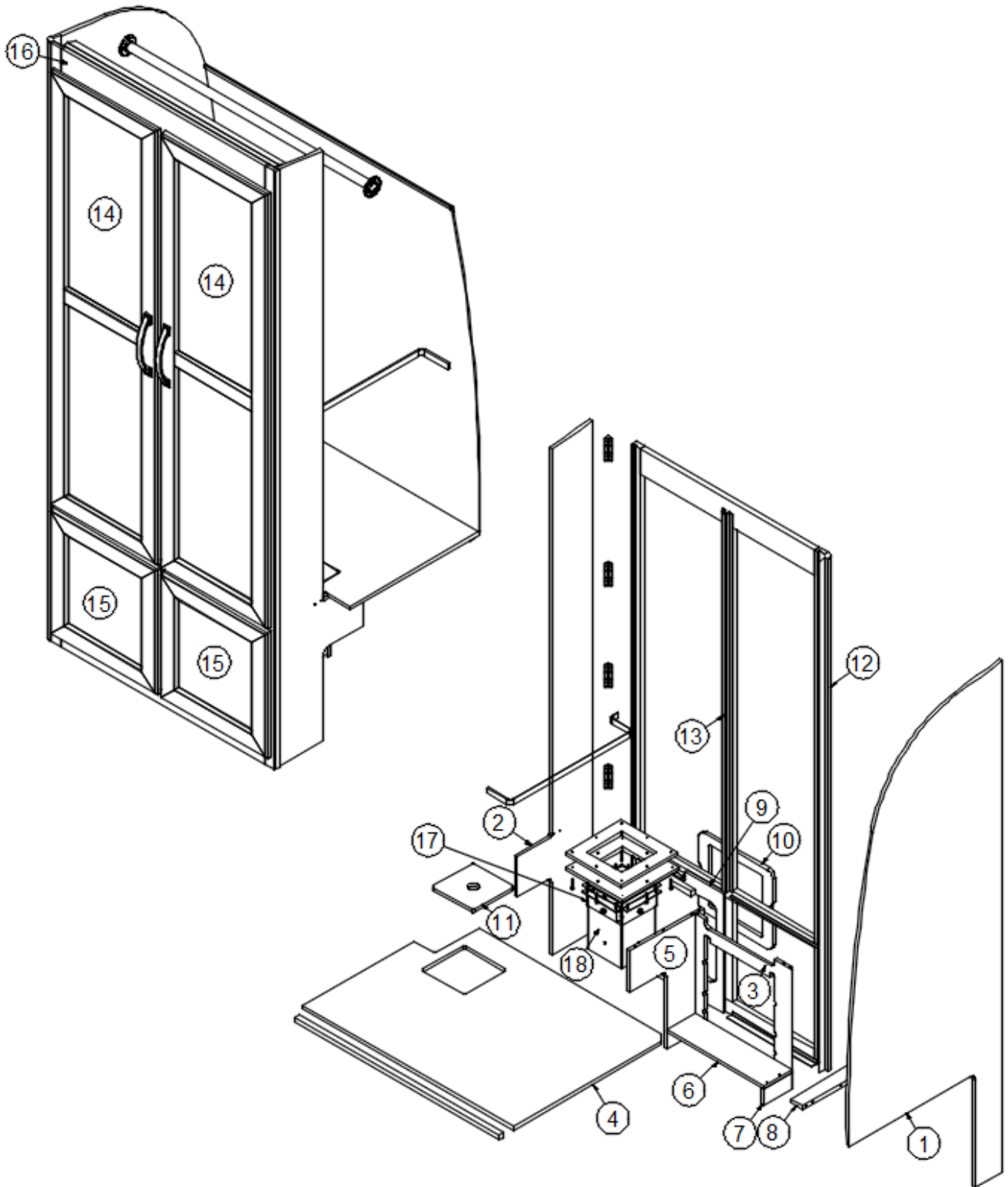
968475

Wardrobe

1. 968475-1 Panel, 27.12 x 78.31
2. 968475-2 Panel, 13.19 x 78.35
3. 968475-3 Panel, 17.13 x 18.25
4. 968475-4 Panel, 37.31 x 27.38
5. 968475-5 Panel, 13 x 18.25
6. 968475-6 Panel, 17.13 x 5
7. 968475-7 Panel, 5 x 2.5
8. 968475-8 Panel, 18 x 2.25
9. 968475-9 Panel, 18.25 x 16
10. 968475-10 Panel, 12.13 x 13
11. 968475-11 Panel, 10 x 10.13
12. 801415-0030 Corner trim, 1" radius, Walnut
13. 801964-0030 Face frame, Wardrobe cabinet, Walnut
14. 801969-0130 Door, 16.13 x 59.13, Walnut
15. 801969-0230 Door, 16.13 x 16.5, Walnut
16. 104821 Support, Roof locker, 74"
17. 115656 Collar, Safe
18. 382292 Safe, 6 x 6 x 10
- 114811 Aluminum angle, .5 x .5 x 16
- 114810 Aluminum angle, .5 x 1 x 16
- 386279 Corner brace, 3.5 x .75 x .75
- 382253-03 Pull, Antique Silver, 8"
- 380045 Tubing, 3/4"
- 380046 Flange, Chrome

# 2017 CLASSIC FURNITURE, LAVATORY

Wardrobe, Bath, 30', Cognac Maple



Parts Listed on Next Page

## 2017 CLASSIC FURNITURE, LAVATORY

### Wardrobe, Bath, 30', Cognac Maple

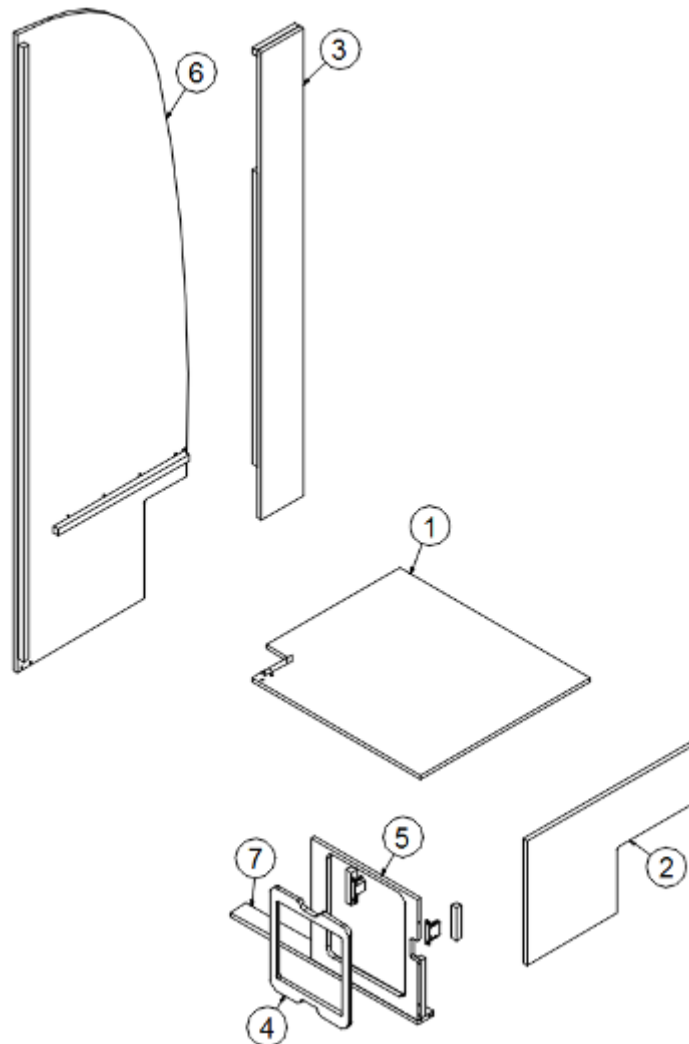
968475-35

Wardrobe

1. 968475-351 Panel, 27.12 x 78.31
2. 968475-352 Panel, 13.19 x 78.35
3. 968475-353 Panel, 17.13 x 18.25
4. 968475-354 Panel, 37.31 x 27.38
5. 968475-355 Panel, 13 x 18.25
6. 968475-356 Panel, 17.13 x 5
7. 968475-357 Panel, 5 x 2.5
8. 968475-358 Panel, 18 x 2.25
9. 968475-359 Panel, 18.25 x 16
10. 968475-3510 Panel, 12.13 x 13
11. 968475-3511 Panel, 10 x 10.13
12. 801415-0035 Corner trim, 1" radius, Maple
13. 801964-0035 Face frame, Wardrobe cabinet, Maple
14. 801969-0135 Door, 16.13 x 59.13, Maple
15. 801969-0235 Door, 16.13 x 16.5, Maple
16. 104821 Support, Roof locker, 74"
17. 115656 Collar, Safe
18. 382292 Safe, 6 x 6 x 10
- 114811 Aluminum angle, .5 x .5 x 16
- 114810 Aluminum angle, .5 x 1 x 16
- 386279 Corner brace, 3.5 x .75 x .75
- 382253-03 Pull, Antique Silver, 8"
- 380045 Tubing, 3/4"
- 380046 Flange, Chrome

# 2017 CLASSIC FURNITURE, LAVATORY

## Wardrobe, Left, 33FB, Hampton Walnut



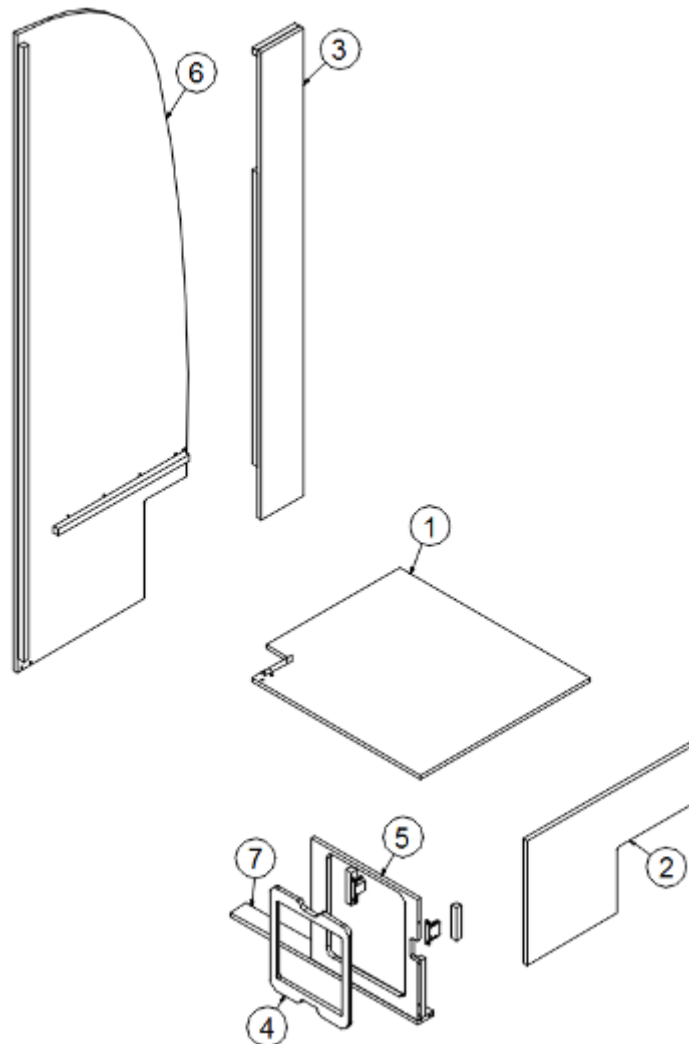
968555

Left Wardrobe

- |             |                            |
|-------------|----------------------------|
| 1. 968555-1 | Panel, 26.93 x 23.95       |
| 2. 968555-2 | Panel, 23.93 x 15.25       |
| 3. 968555-3 | Panel, 6 x 57.2            |
| 4. 968555-4 | Panel, 12.13 x 13          |
| 5. 968555-5 | Panel, 15.06 x 15.25       |
| 6. 968555-6 | Panel, 24.25 x 78.16       |
| 7. 968555-7 | Panel, 2.25 x 26.43        |
| 968554      | Wardrobe door w/mirror     |
| 382439-01   | Plastic guide track, Brown |
| 386279      | Corner brace, .75 x .75    |
| 381228-02   | Catch, Grabber door, 5LB   |
| 701538-01   | Carpet, Charcoal Gray      |

# 2017 CLASSIC FURNITURE, LAVATORY

## Wardrobe, Left, 33FB, Cognac Maple



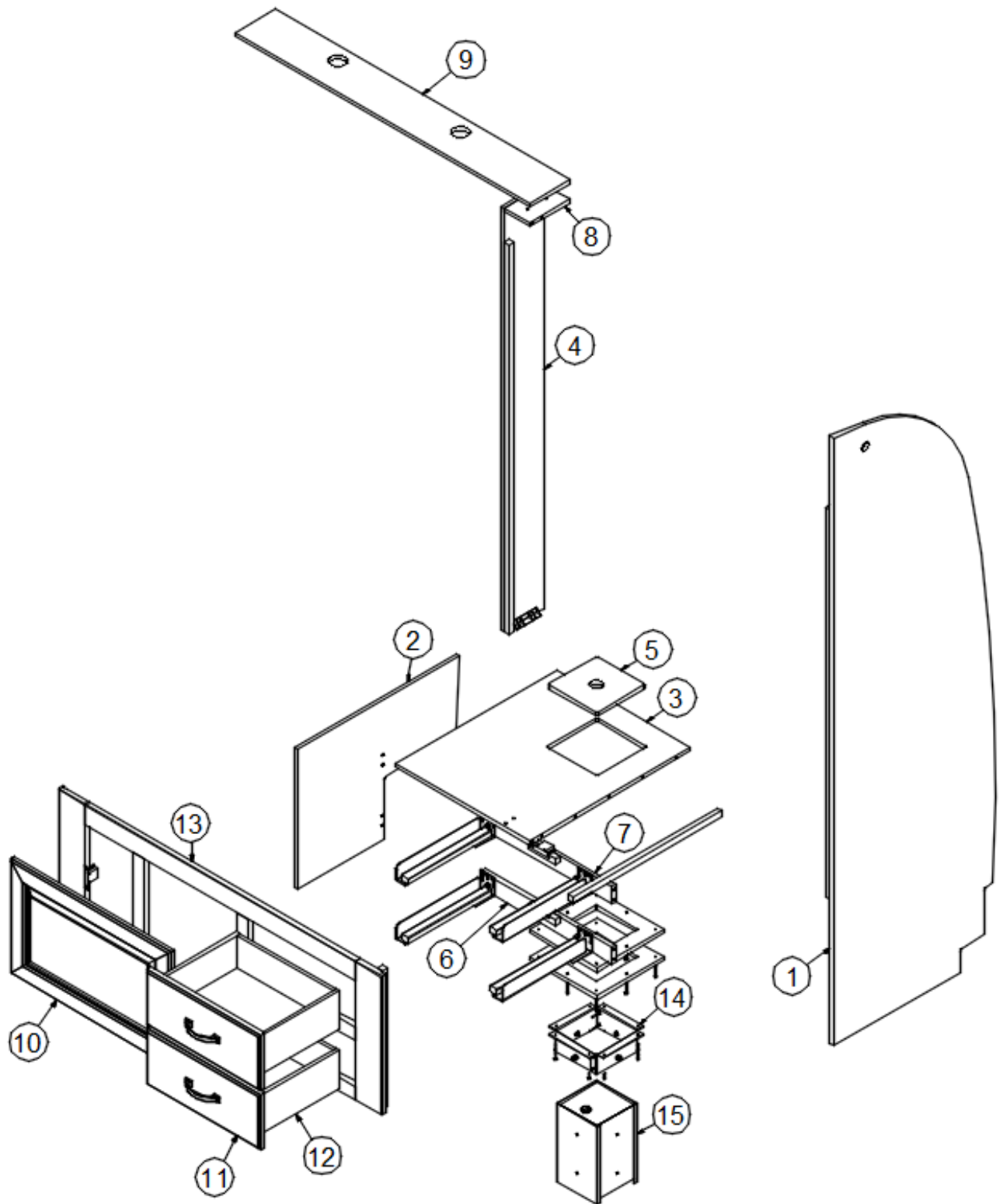
968555-35

Left Wardrobe

- |               |                            |
|---------------|----------------------------|
| 1. 968555-351 | Panel, 26.93 x 24.75       |
| 2. 968555-352 | Panel, 24.93 x 15.25       |
| 3. 968555-353 | Panel, 6 x 57.2            |
| 4. 968555-354 | Panel, 12.13 x 13          |
| 5. 968555-355 | Panel, 15.06 x 15.25       |
| 6. 968555-356 | Panel, 3 x 26.43           |
| 7. 968555-357 | Panel, 25.25 x 78.28       |
| 968554        | Wardrobe door w/mirror     |
| 382439-01     | Plastic guide track, Brown |
| 386279        | Corner brace, .75 x .75    |
| 381228-02     | Catch, Grabber door, 5LB   |
| 701538-01     | Carpet, Charcoal Gray      |

# 2017 CLASSIC FURNITURE, LAVATORY

Wardrobe, Right, 33FB, Hampton Walnut



Parts Listed on Next Page

## 2017 CLASSIC FURNITURE, LAVATORY

### Wardrobe, Right, 33FB, Hampton Walnut

968556

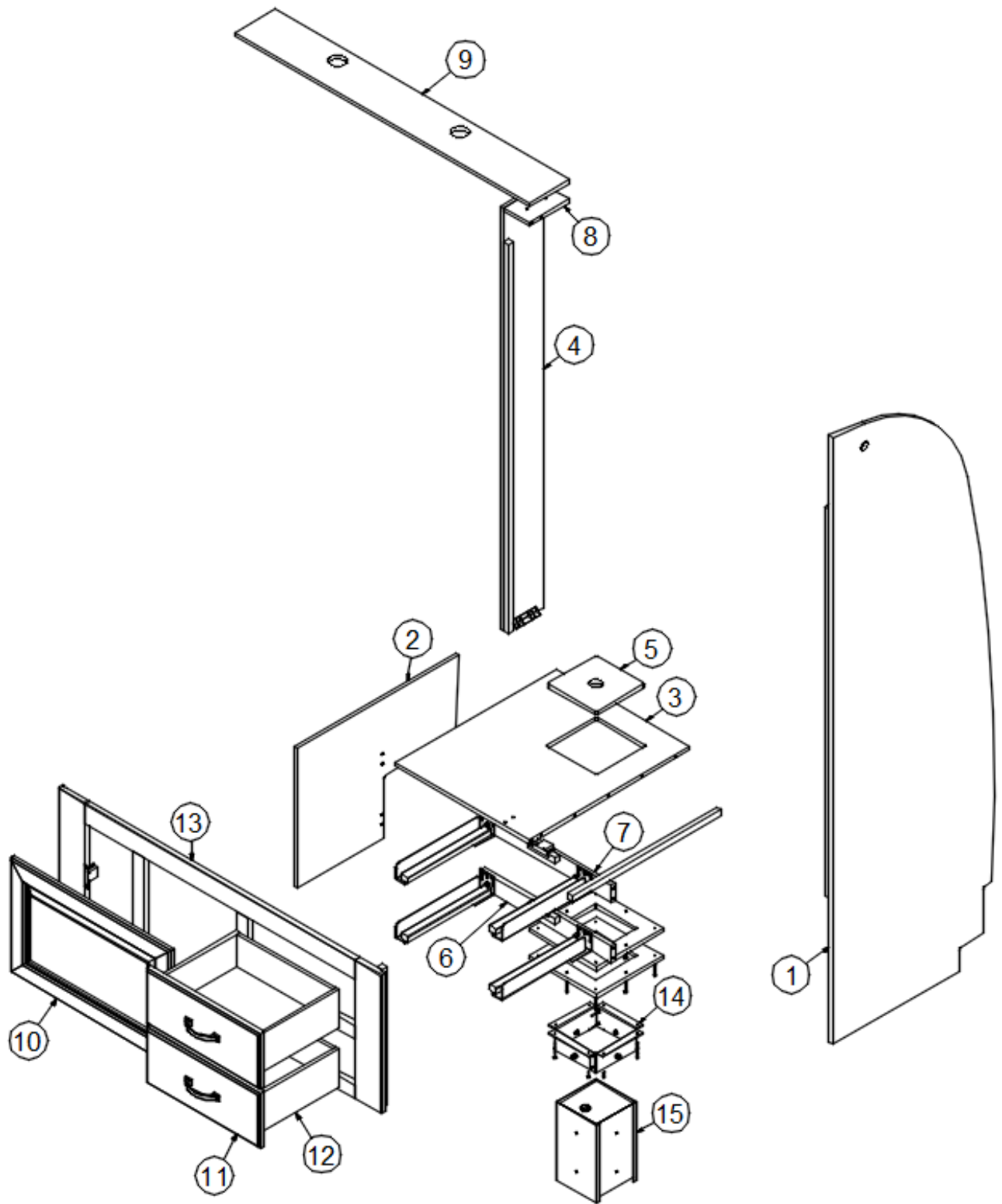
Right Wardrobe

1. 968556-1 Panel, 24.25 x 78.16
  2. 968556-2 Panel, 24.02 x 18
  3. 968556-3 Panel, 20 x 24.02
  4. 968556-4 Panel, 6 x 54.45
  5. 968556-5 Panel, 7.25 x 7.25
  6. 968556-6 Panel, 2.25 x 19.5
  7. 968556-7 Panel, 2.25 x 19.5
  8. 968556-8 Panel, 6 x 3.81
  9. 968556-9 Panel, 6 x 43.87
  10. 801969-2130 Door, 14.75 x 23.93
  11. 802056-1330 Drawer, 7.13 x 17
  12. 968020-21 Drawer box, 5 x 15.25 x 12
  13. 802199-0030 Face frame, Wardrobe bottom
  14. 115656 Collar, Safe
  15. 382292 Safe, 6 x 6 x 10
- 968554 Wardrobe door w/mirror
- 382203-02 Drawer slide, Soft-close, 12"
- 382203-08 Bracket, Rear mount drawer slides
- 386279 Corner brace, .75 x .75
- 381228 Catch, Grabber door, 10LB
- 381228-02 Catch, Grabber door, 5LB
- 382252 Knob, Antique Silver
- 701538-01 Carpet, Charcoal Gray



# 2017 CLASSIC FURNITURE, LAVATORY

Wardrobe, Right, 33FB, Cognac Maple



Parts Listed on Next Page

## 2017 CLASSIC FURNITURE, LAVATORY

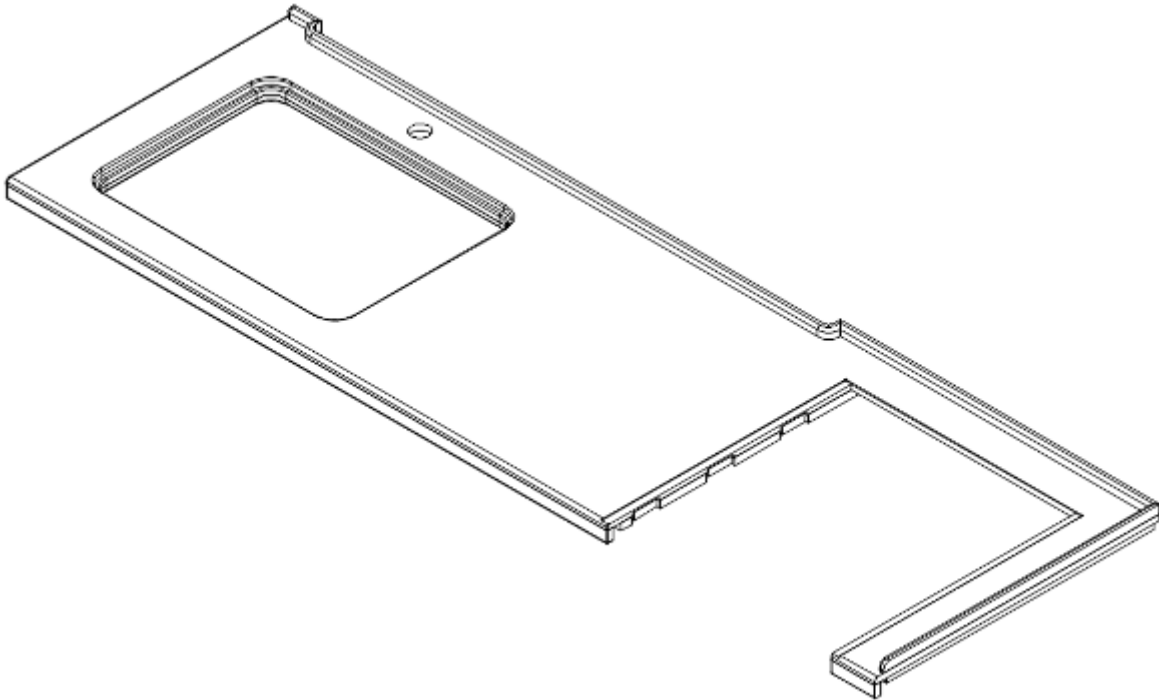
### Wardrobe, Right, 33FB, Cognac Maple

968556-35 Right Wardrobe

1. 968556-351 Panel, 24.25 x 78.16
2. 968556-352 Panel, 24.02 x 18
3. 968556-353 Panel, 20 x 24.02
4. 968556-354 Panel, 6 x 54.45
5. 968556-355 Panel, 7.25 x 7.25
6. 968556-356 Panel, 2.25 x 19.5
7. 968556-357 Panel, 2.25 x 19.5
8. 968556-358 Panel, 6 x 3.81
9. 968556-359 Panel, 6 x 43.87
10. 801969-2135 Door, 14.75 x 23.93
11. 802056-1335 Drawer, 7.13 x 17
12. 968020-21 Drawer box, 5 x 15.25 x 12
13. 802199-0035 Face frame, Wardrobe bottom
14. 115656 Collar, Safe
15. 382292 Safe, 6 x 6 x 10
- 968554 Wardrobe door w/mirror
- 382203-02 Drawer slide, Soft-close, 12"
- 382203-08 Bracket, Rear mount drawer slides
- 386279 Corner brace, .75 x .75
- 381228 Catch, Grabber door, 10LB
- 381228-02 Catch, Grabber door, 5LB
- 382252 Knob, Antique Silver
- 701538-01 Carpet, Charcoal Gray

# 2017 CLASSIC FURNITURE, GALLEY

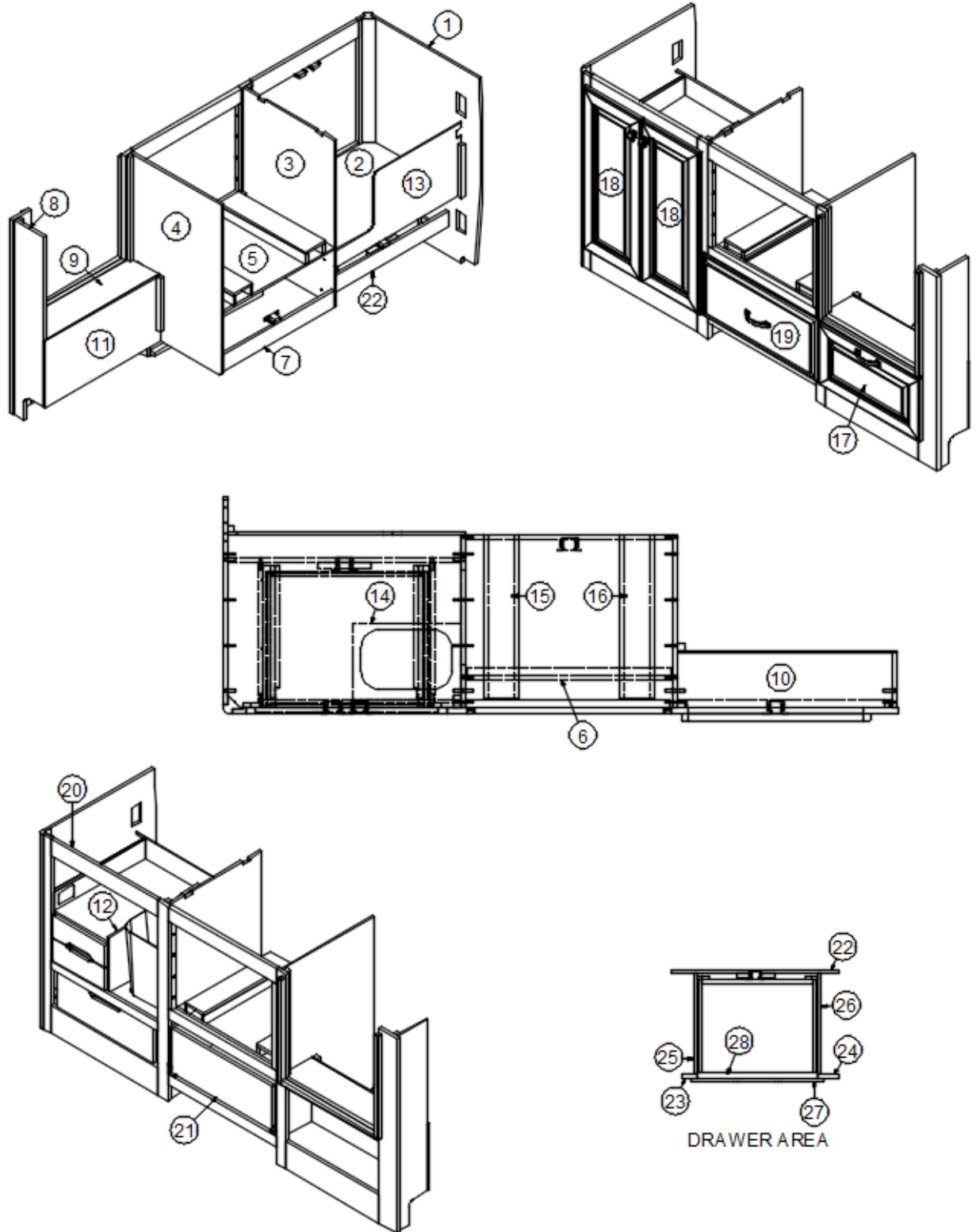
## Galley Top, 30'



968421	Galley Top Assembly
602568-01	Top, Corian, Deep Night Sky
602568-02	Top, Corian, Sandalwood
602396	Sink, Undertone, Single bowl, Mirror finish, Kohler
602393-01	Sink cover, Corian, Night Sky
602393-02	Sink cover, Corian, Sandalwood
602392-01	Galley flip shelf assembly, Deep Night Sky
602392-02	Galley flip shelf assembly, Sandalwood
382092	Bracket, Hinged spring

# 2017 CLASSIC FURNITURE, GALLEY

Galley Cabinet with Oven, 30', Hampton Walnut



Parts Listed on Next Page

## 2017 CLASSIC FURNITURE, GALLEY

### Galley Cabinet with Oven, 30', Hampton Walnut

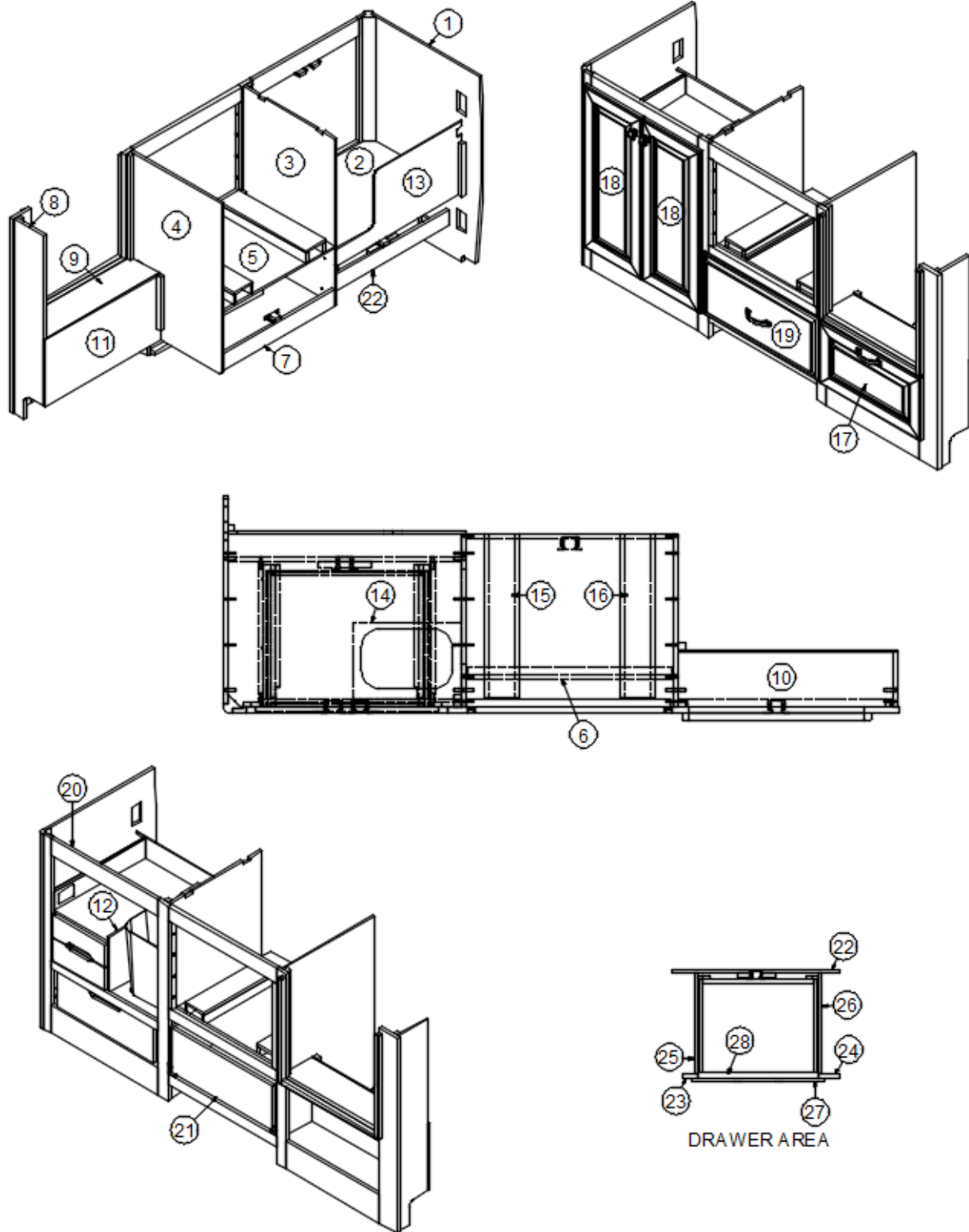
968425

Galley Cabinet with Oven

1. 968425-1 Panel, 22.91 x 35
2. 968425-2 Panel, 25.75 x 19
3. 968425-3 Panel, 19 x 35
4. 968425-4 Panel, 19 x 35
5. 968425-5 Panel, 23 x 19
6. 968425-6 Panel, 23 x 3
7. 968425-7 Panel, 23 x 3
8. 968425-8 Panel, 6 x 35
9. 968425-9 Panel, 23.88 x 6
10. 968425-10 Panel, 23.88 x 6
11. 968425-11 Panel, 24.38 x 11.94
12. 968190-01 Drawer section assembly, Walnut
13. 968425-13 Panel, 26.25 x 13
14. 968425-14 Panel, 12 x 8.5
15. 968425-15 Panel, 18 x 4
16. 968425-16 Panel, 18 x 4
17. 801969-1230 Door, 20.75 x 11.25, Walnut
18. 801969-1330 Door, 12 x 29, Walnut
19. 802056-0730 Drawer face, 11.25 x 24, Walnut
20. 801991-0030 Face frame, Walnut
21. 968028-09 Drawer box assembly, 8"
22. 968425-45 Panel, 3 x 25.75
23. 968425-47 Panel, 2.25 x 12.25
24. 968425-48 Panel, 3.38 x 12.25
25. 968425-49 Panel, 3 x 15.5
26. 968425-50 Panel, 3 x 15.5
27. 968425-52 Panel, 6.25 x 20.25
28. 968020-19 Drawer box, 17.88 x 15 x 5
- 801415-0030 Corner trim, 1" radius, Walnut
- 382203-03 Drawer slide, Self-close, 15"
- 382203-04 Drawer slide, Self-close, 18"
- 382203-08 Bracket, Rear mount drawer slides
- 382203-06 Front fixing clip
- 381708 Wastebasket, Rubbermaid
- 381228-02 Catch, Grabber door, 5LB
- 382253-03 Pull, Antique Silver, 8"
- 382252 Knob, Antique Silver, 1.25"
- 382238 Hinge, Compact

# 2017 CLASSIC FURNITURE, GALLEY

Galley Cabinet with Oven, 30', Cognac Maple



Parts Listed on Next Page

## 2017 CLASSIC FURNITURE, GALLEY

### Galley Cabinet with Oven, 30', Cognac Maple

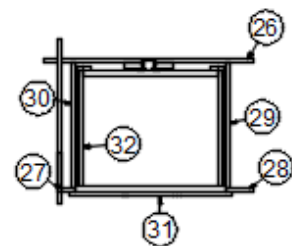
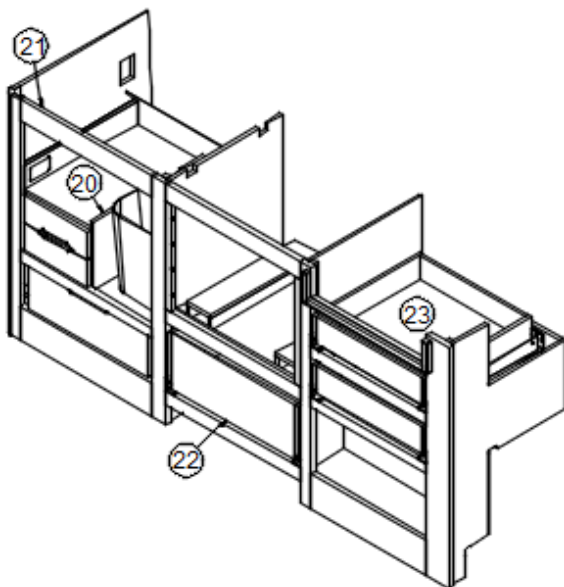
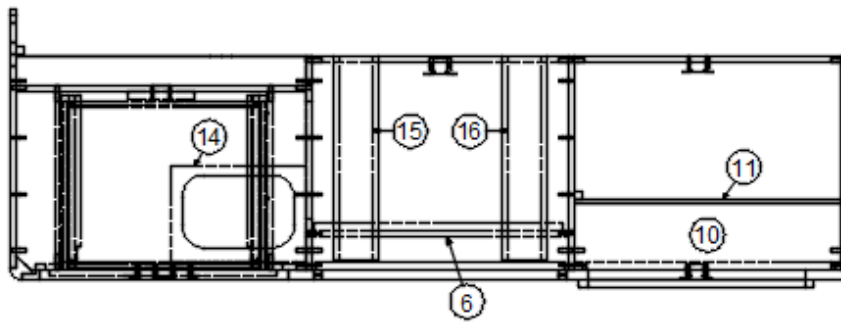
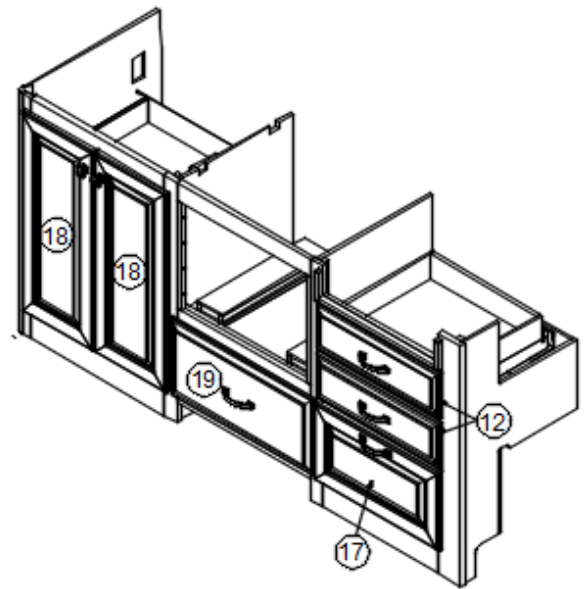
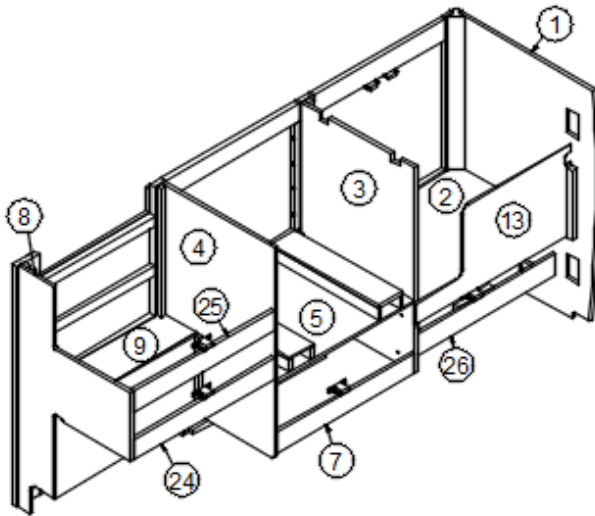
968425-35

Galley Cabinet with Oven

1. 968425-351	Panel, 22.91 x 35
2. 968425-352	Panel, 25.75 x 19
3. 968425-353	Panel, 19 x 35
4. 968425-354	Panel, 19 x 35
5. 968425-355	Panel, 23 x 19
6. 968425-356	Panel, 23 x 3
7. 968425-357	Panel, 23 x 3
8. 968425-358	Panel, 6 x 35
9. 968425-359	Panel, 23.88 x 6
10. 968425-3510	Panel, 23.88 x 6
11. 968425-3511	Panel, 24.38 x 11.94
12. 968190-0135	Drawer section assembly, Maple
13. 968425-3513	Panel, 26.25 x 13
14. 968425-3514	Panel, 12 x 8.5
15. 968425-3515	Panel, 18 x 4
16. 968425-3516	Panel, 18 x 4
17. 801969-1235	Door, 20.75 x 11.25, Maple
18. 801969-1335	Door, 12 x 29, Maple
19. 802056-0735	Drawer face, 11.25 x 24, Maple
20. 801991-0035	Face frame, Maple
21. 968028-09	Drawer box assembly, 8"
22. 968425-3545	Panel, 3 x 25.75
23. 968425-3547	Panel, 2.25 x 12.25
24. 968425-3548	Panel, 3.38 x 12.25
25. 968425-3549	Panel, 3 x 15.5
26. 968425-3550	Panel, 3 x 15.5
27. 968425-3552	Panel, 6.25 x 20.25
28. 968020-19	Drawer box, 17.88 x 15 x 5
801415-0035	Corner trim, 1" radius, Maple
382203-03	Drawer slide, Self-close, 15"
382203-04	Drawer slide, Self-close, 18"
382203-08	Bracket, Rear mount drawer slides
382203-06	Front fixing clip
381708	Wastebasket, Rubbermaid
381228-02	Catch, Grabber door, 5LB
382253-03	Pull, Antique Silver, 8"
382252	Knob, Antique Silver, 1.25"
382238	Hinge, Compact

# 2017 CLASSIC FURNITURE, GALLEY

Galley Cabinet with Cooktop, 30', Hampton Walnut



DRAWER AREA

Parts Listed on Next Page



## 2017 CLASSIC FURNITURE, GALLEY

### Galley Cabinet with Cooktop, 30', Hampton Walnut

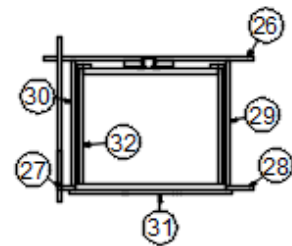
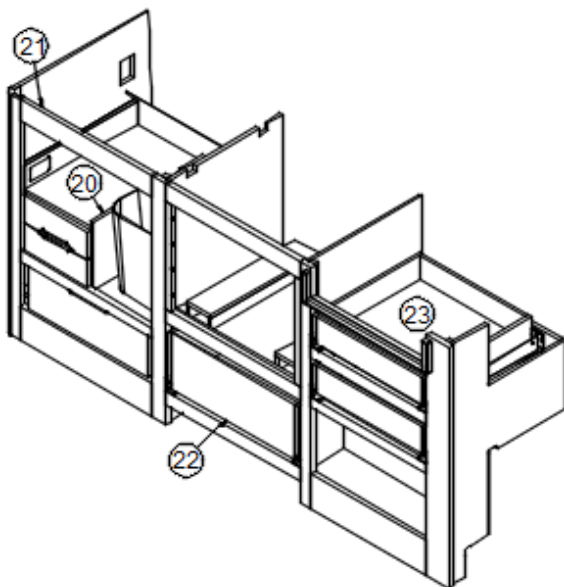
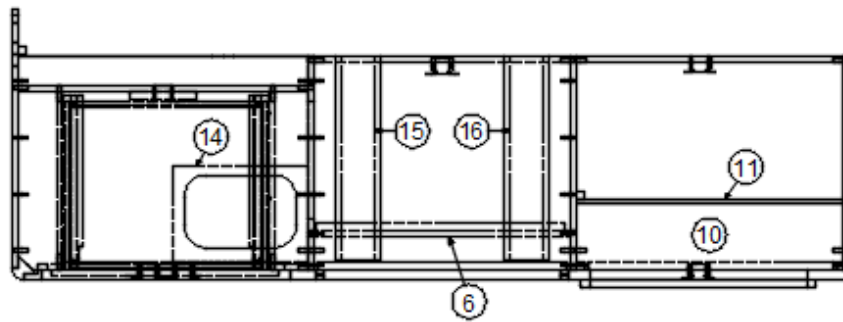
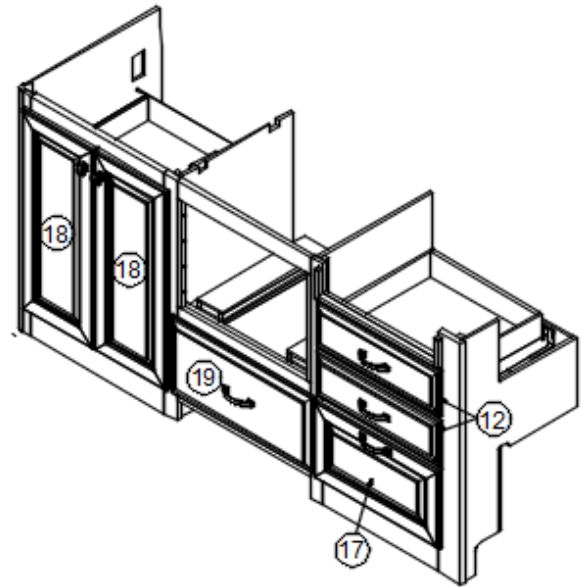
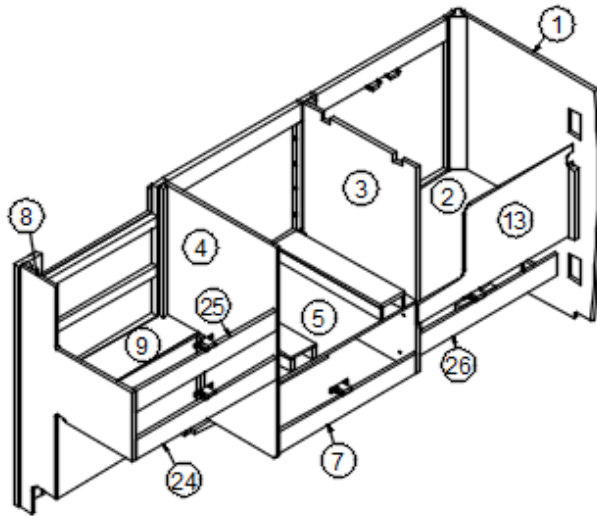
968426

Galley Cabinet with Cooktop

1. 968426-1	Panel, 22.91 x 35
2. 968426-2	Panel, 25.75 x 19
3. 968426-3	Panel, 19 x 35
4. 968426-4	Panel, 19 x 35
5. 968426-5	Panel, 23 x 19
6. 968426-6	Panel, 23 x 3
7. 968426-7	Panel, 23 x 3
8. 968426-8	Panel, 19 x 35
9. 968426-9	Panel, 23.63 x 6
10. 968426-10	Panel, 23.63 x 6
11. 968426-11	Panel, 24.13 x 11.94
12. 802056-0830	Drawer face, 6.75 x 21, Walnut
13. 968426-13	Panel, 26.25 x 13
14. 968426-14	Panel, 12 x 8.5
15. 968426-15	Panel, 18 x 4
16. 968426-16	Panel, 18 x 4
17. 801969-1230	Door, 20.75 x 11.25, Walnut
18. 801969-1330	Door, 12 x 29, Walnut
19. 802056-0730	Drawer face, 11.25 x 24, Walnut
20. 968190-01	Drawer section assembly, Walnut
21. 801999-0030	Galley face frame, Walnut
22. 968028-09	Drawer box assembly, 8"
23. 968224-01	Drawer box assembly, 4"
24. 968426-41	Panel, 23.63 x 3
25. 968426-42	Panel, 23.63 x 3
26. 968426-49	Panel, 3 x 25.75
27. 968426-50	Panel, 2.25 x 12.25
28. 968426-51	Panel, 3.38 x 12.25
29. 968426-52	Panel, 3 x 15.5
30. 968426-53	Panel, 3 x 15.5
31. 968426-54	Panel, 6.25 x 20.25
32. 968020-19	Drawer box, 17.88 x 15 x 5
382203-03	Drawer slide, Self-close, 15"
382203-04	Drawer slide, Self-close, 18"
382203-08	Bracket, Rear mount drawer slides
801415-0030	Corner trim, 1" radius, Walnut
381708	Wastebasket, Rubbermaid
382253-03	Pull, Antique Silver, 8"
382252	Knob, Antique Silver, 1 ¼"
382238	Hinge, Compact

# 2017 CLASSIC FURNITURE, GALLEY

Galley Cabinet with Cooktop, 30', Cognac Maple



DRAWER AREA

Parts Listed on Next Page

## 2017 CLASSIC FURNITURE, GALLEY

### Galley Cabinet with Cooktop, 30', Cognac Maple

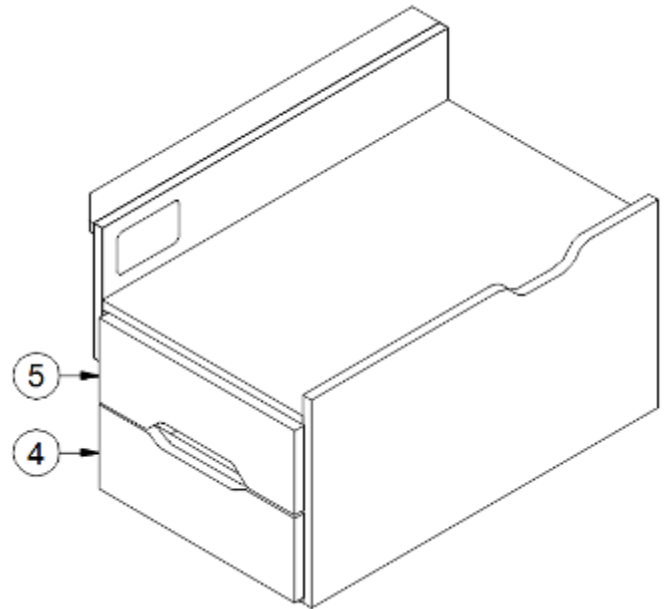
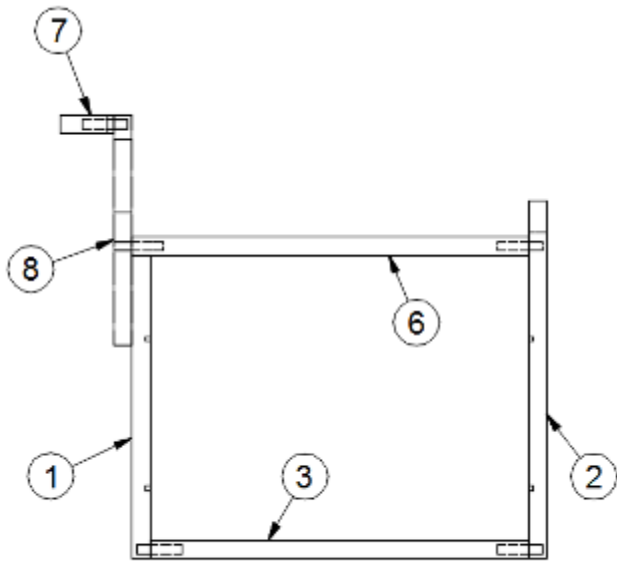
968426-35

Galley Cabinet with Cooktop

1. 968426-351	Panel, 22.91 x 35
2. 968426-352	Panel, 25.75 x 19
3. 968426-353	Panel, 19 x 35
4. 968426-354	Panel, 19 x 35
5. 968426-355	Panel, 23 x 19
6. 968426-356	Panel, 23 x 3
7. 968426-357	Panel, 23 x 3
8. 968426-358	Panel, 19 x 35
9. 968426-359	Panel, 23.63 x 6
10. 968426-3510	Panel, 23.63 x 6
11. 968426-3511	Panel, 24.13 x 11.94
12. 802056-0835	Drawer face, 6.75 x 21, Maple
13. 968426-3513	Panel, 26.25 x 13
14. 968426-3514	Panel, 12 x 8.5
15. 968426-3515	Panel, 18 x 4
16. 968426-3516	Panel, 18 x 4
17. 801969-1235	Door, 20.75 x 11.25, Maple
18. 801969-1335	Door, 12 x 29, Maple
19. 802056-0735	Drawer face, 11.25 x 24, Maple
20. 968190-0135	Drawer section assembly, Maple
21. 801999-0035	Galley face frame, Maple
22. 968028-09	Drawer box assembly, 8"
23. 968224-01	Drawer box assembly, 4"
24. 968426-3541	Panel, 23.63 x 3
25. 968426-3542	Panel, 23.63 x 3
26. 968426-3549	Panel, 3 x 25.75
27. 968426-3550	Panel, 2.25 x 12.25
28. 968426-3551	Panel, 3.38 x 12.25
29. 968426-3552	Panel, 3 x 15.5
30. 968426-3553	Panel, 3 x 15.5
31. 968426-3554	Panel, 6.25 x 20.25
32. 968020-19	Drawer box, 17.88 x 15 x 5
382203-03	Drawer slide, Self-close, 15"
382203-04	Drawer slide, Self-close, 18"
382203-08	Bracket, Rear mount drawer slides
801415-0035	Corner trim, 1" radius, Maple
381708	Wastebasket, Rubbermaid
382253-03	Pull, Antique Silver, 8"
382252	Knob, Antique Silver, 1 ¼"
382238	Hinge, Compact

# 2017 CLASSIC FURNITURE, GALLEY

## Galley, Drawer Section, 30', Hampton Walnut



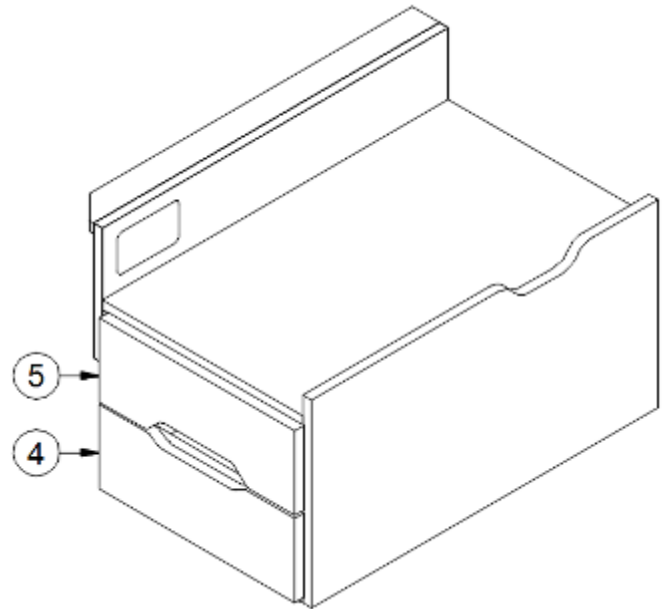
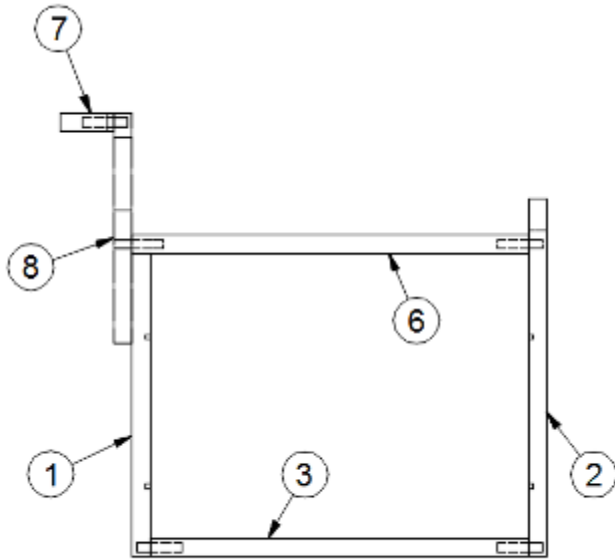
968190-01

Galley Drawer Section

- |               |                               |
|---------------|-------------------------------|
| 1. 968190-011 | Panel, 19 x 8.38              |
| 2. 968190-012 | Panel, 19 x 9.88              |
| 3. 968190-013 | Panel, 19 x 10.5              |
| 4. 968190-014 | Panel, 10.75 x 4              |
| 5. 968190-015 | Panel, 10.75 x 4              |
| 6. 968190-016 | Panel, 19 x 11                |
| 7. 968190-018 | Panel, 19 x 1.5               |
| 8. 968190-019 | Panel, 19 x 4                 |
| 968021-08     | Drawer box, 2.75 x 9.88 x 18  |
| 382203-04     | Drawer slide, Self-close, 18" |
| 968024        | Insert, Cutlery drawer        |
| 382203-06     | Front fixing clips            |

# 2017 CLASSIC FURNITURE, GALLEY

## Galley, Drawer Section, 30', Cognac Maple



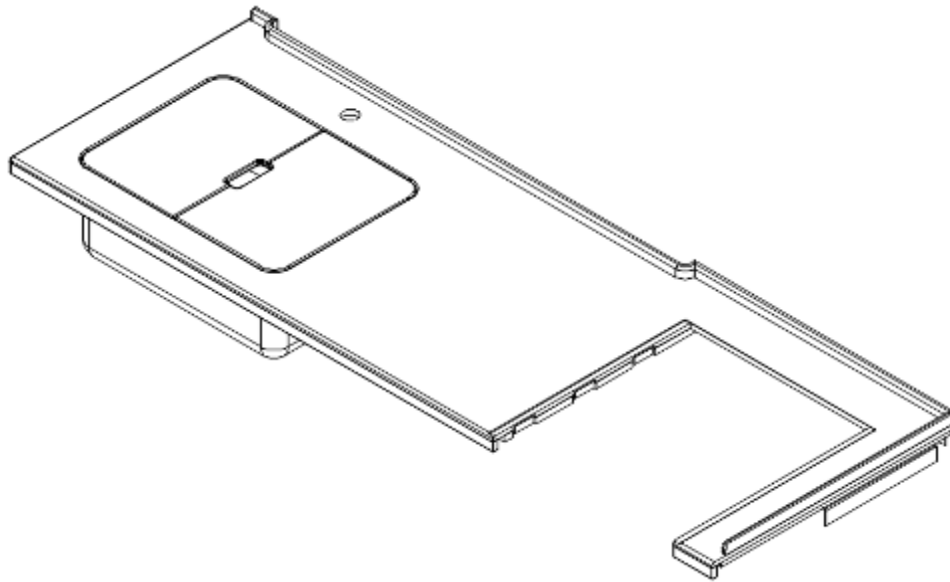
968190-0135

Galley Drawer Section

- |                 |                               |
|-----------------|-------------------------------|
| 1. 968190-01351 | Panel, 19 x 8.38              |
| 2. 968190-01352 | Panel, 19 x 9.88              |
| 3. 968190-01353 | Panel, 19 x 10.5              |
| 4. 968190-01354 | Panel, 10.75 x 4              |
| 5. 968190-01355 | Panel, 10.75 x 4              |
| 6. 968190-01356 | Panel, 19 x 11                |
| 7. 968190-01358 | Panel, 19 x 1.5               |
| 8. 968190-01359 | Panel, 19 x 4                 |
| 968021-08       | Drawer box, 2.75 x 9.88 x 18  |
| 382203-04       | Drawer slide, Self-close, 18" |
| 968024          | Insert, Cutlery drawer        |
| 382203-06       | Front fixing clips            |

## 2017 CLASSIC FURNITURE, GALLEY

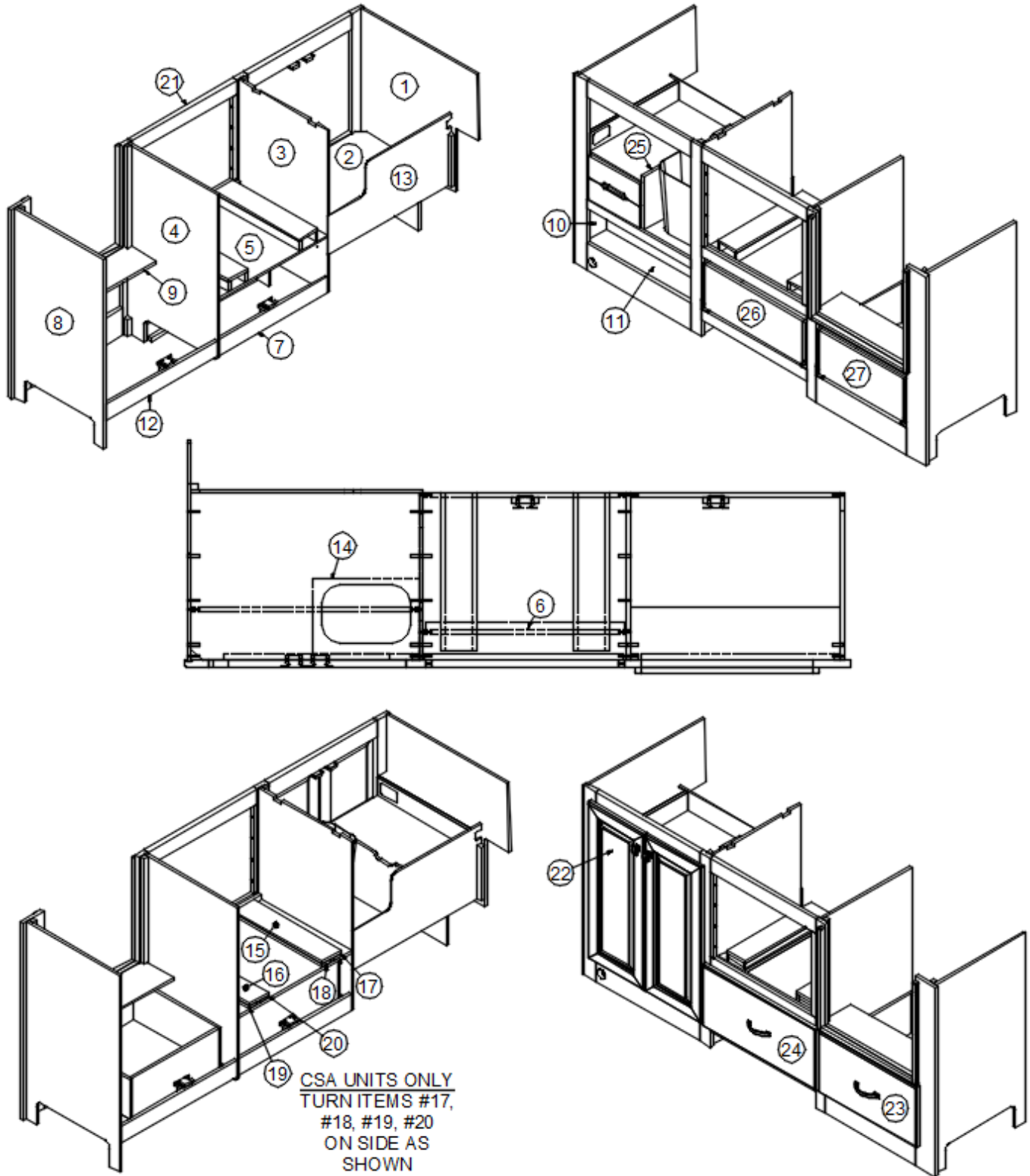
### Galley Top, 33FB



968539-01	Galley Top Assembly, Deep Night Sky
968539-02	Galley Top Assembly, Sandalwood
602653-01	Galley top, Corian, Deep Night Sky
602653-02	Galley top, Corian, Sandalwood
602393-01	Sink cover, Deep Night Sky
602393-02	Sink cover, Sandalwood
602396	Sink, Single bowl, Stainless Steel
602388	Sink clip
115729-02	Bracket, Top vents
602397	Sink strainer
602395	Faucet, Single hole, Kohler
602277	Filter, Water inline Shurflo
602277-01	Fitting, Water filter

# 2017 CLASSIC FURNITURE, GALLEY

## Galley Cabinet with Oven, 33FB, Hampton Walnut



Parts Listed on Next Page

## 2017 CLASSIC FURNITURE, GALLEY

### Galley Cabinet with Oven, 33FB, Hampton Walnut

968551

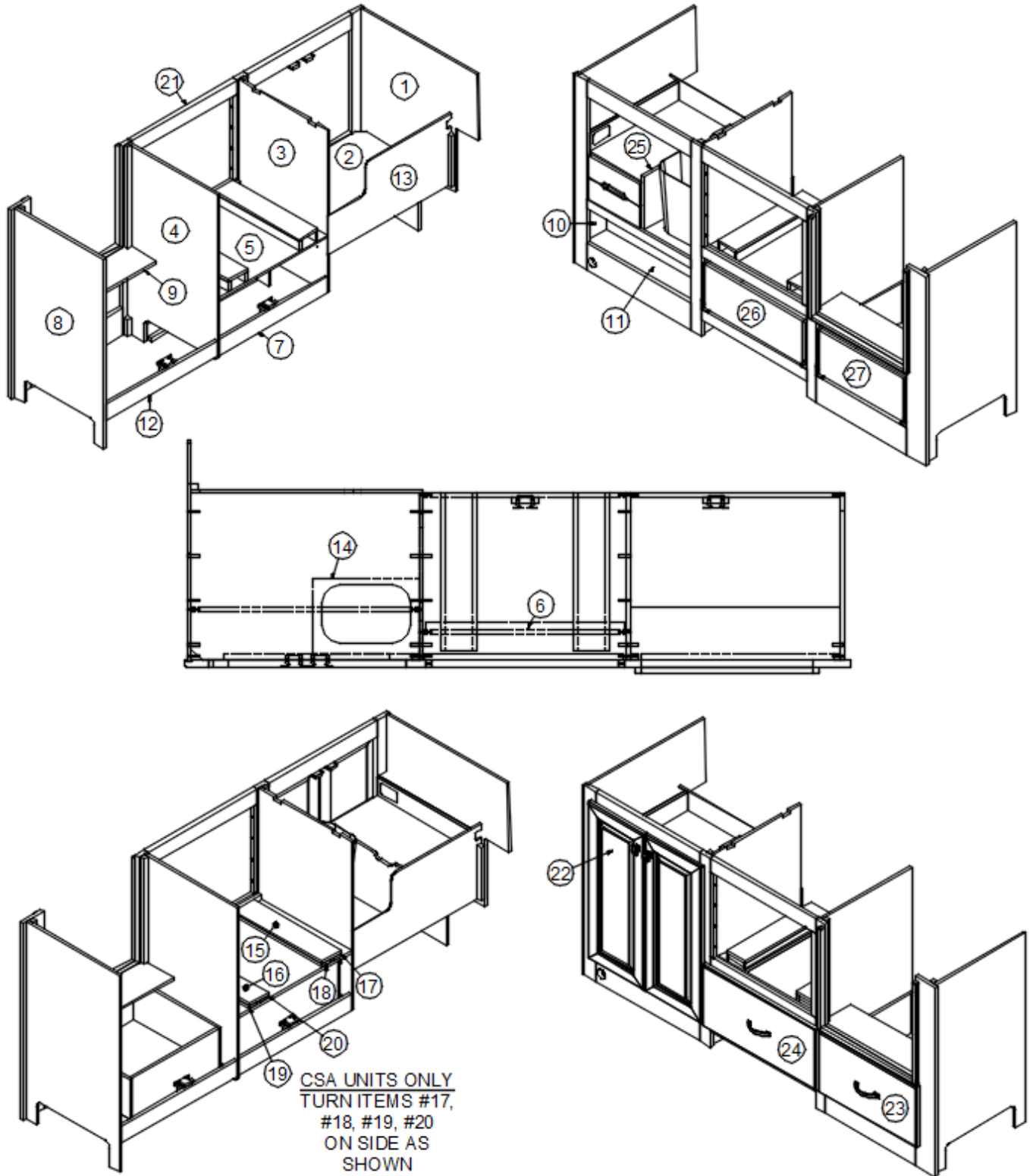
Galley Cabinet w/Oven

1. 968551-1 Panel, 25.15 x 35
2. 968551-2 Panel, 25.75 x 19
3. 968551-3 Panel, 19 x 35
4. 968551-4 Panel, 19 x 35
5. 968551-5 Panel, 23 x 19
6. 968551-6 Panel, 23 x 3
7. 968551-7 Panel, 23 x 3
8. 968551-8 Panel, 19 x 35
9. 968551-9 Panel, 23.63 x 6
10. 968551-10 Panel, 6 x 25.75
11. 968551-11 Panel, 8 x 25.75
12. 968551-12 Panel, 3 x 23.63
13. 968551-13 Panel, 26.25 x 13
14. 968551-14 Panel, 12 x 8.5
15. 968551-15 Panel, 18 x 4
16. 968551-16 Panel, 18 x 4
17. 968551-17 Panel, 18 x 1.69
18. 968551-18 Panel, 18 x 1.69
19. 968551-19 Panel, 18 x 1.69
20. 968551-20 Panel, 18 x 1.69
21. 802195-0030 Face frame, Galley w/oven
22. 801969-1330 Door, 12 x 29
23. 802056-1130 Drawer face, 11.25 x 21
24. 801968-0730 Drawer face, 11.25 x 24
25. 968190-01 Drawer section, Galley
26. 968028-09 Drawer box, 21.88 x 18 x 8
27. 968028-16 Drawer box, 18.81 x 18 x 8
- 382203-04 Drawer slide, Self-close, 18"
- 382203-08 Bracket, Rear mount drawer slides
- 382203-06 Front fixing clip
- 382252 Knob, Antique Silver
- 382253-02 Pull, Antique Silver, 5"
- 382238 Hinge, Compact
- 381228-02 Catch, Grabber door, 5LB
- 381708 Wastebasket, Rubbermaide



# 2017 CLASSIC FURNITURE, GALLEY

## Galley Cabinet with Oven, 33FB, Cognac Maple



Parts Listed on Next Page

## 2017 CLASSIC FURNITURE, GALLEY

### Galley Cabinet with Oven, 33FB, Cognac Maple

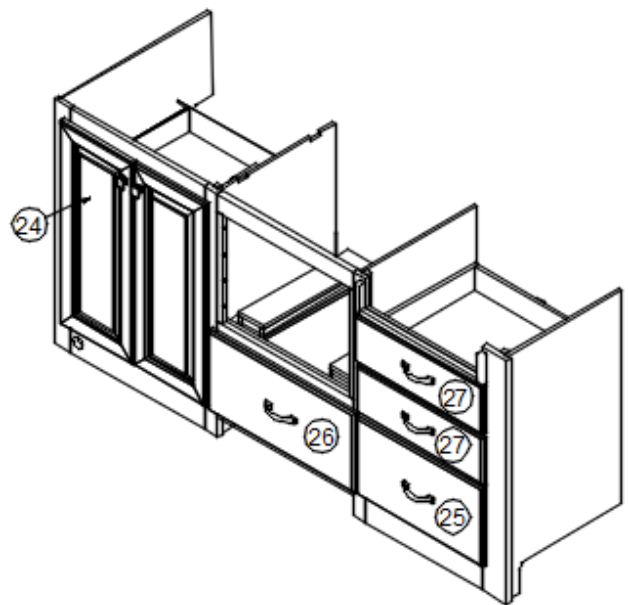
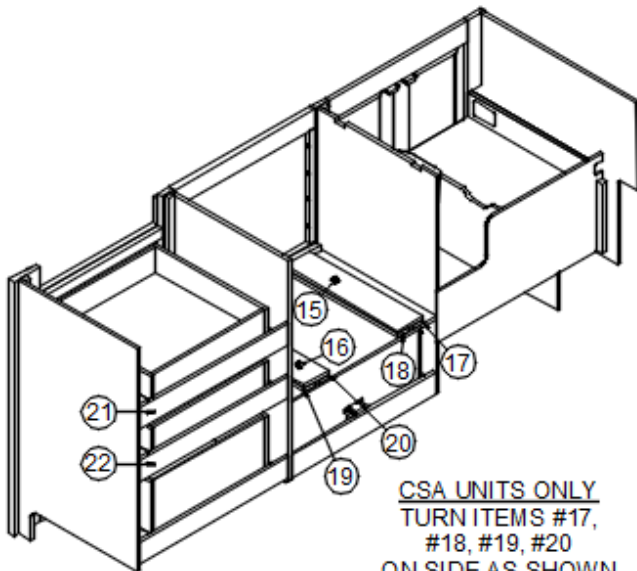
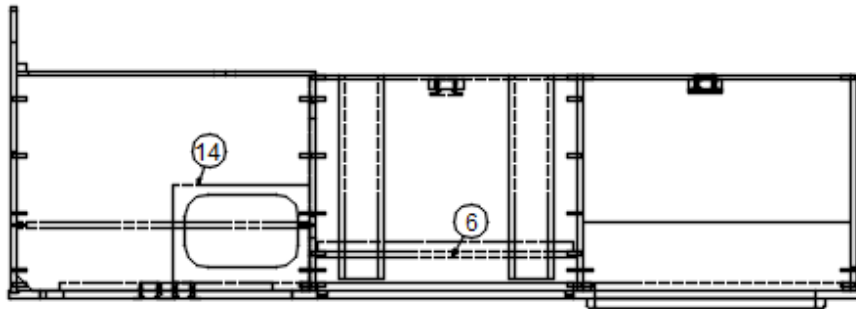
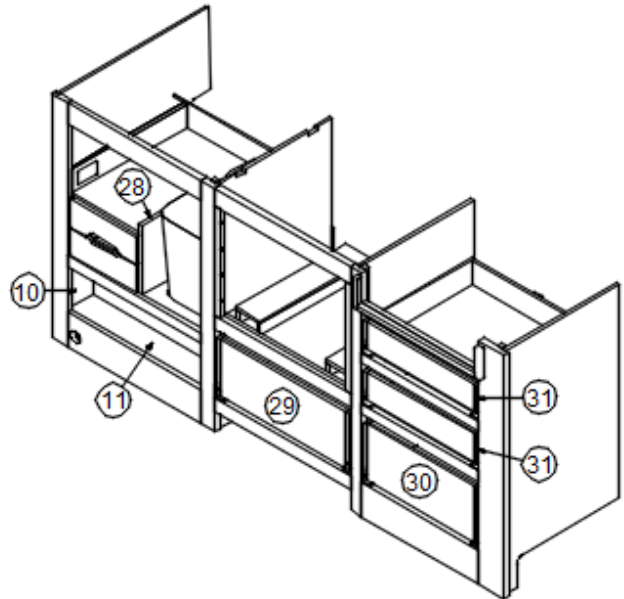
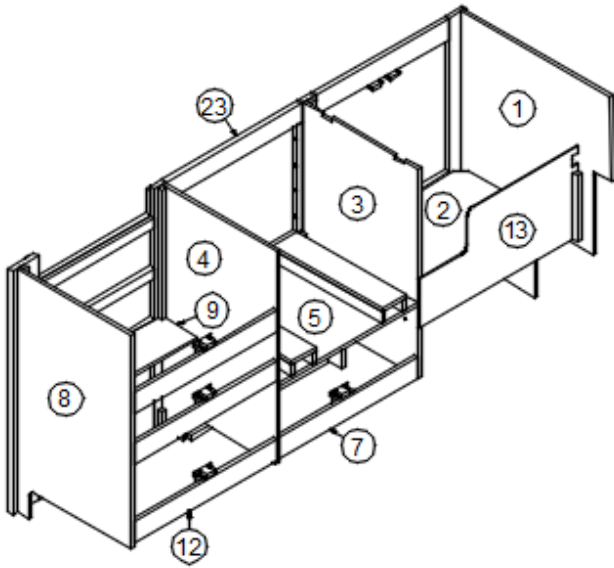
968551-35

Galley Cabinet w/Oven

1. 968551-351	Panel, 25.15 x 35
2. 968551-352	Panel, 25.75 x 19
3. 968551-353	Panel, 19 x 35
4. 968551-354	Panel, 19 x 35
5. 968551-355	Panel, 23 x 19
6. 968551-356	Panel, 23 x 3
7. 968551-357	Panel, 23 x 3
8. 968551-358	Panel, 19 x 35
9. 968551-359	Panel, 23.63 x 6
10. 968551-3510	Panel, 6 x 25.75
11. 968551-3511	Panel, 8 x 25.75
12. 968551-3512	Panel, 3 x 23.63
13. 968551-3513	Panel, 26.25 x 13
14. 968551-3514	Panel, 12 x 8.5
15. 968551-3515	Panel, 18 x 4
16. 968551-3516	Panel, 18 x 4
17. 968551-3517	Panel, 18 x 1.69
18. 968551-3518	Panel, 18 x 1.69
19. 968551-3519	Panel, 18 x 1.69
20. 968551-3520	Panel, 18 x 1.69
21. 802195-0035	Face frame, Galley w/oven
22. 801969-1335	Door, 12 x 29
23. 802056-1135	Drawer face, 11.25 x 21
24. 801968-0735	Drawer face, 11.25 x 24
25. 968190-0135	Drawer section, Galley
26. 968028-09	Drawer box, 21.88 x 18 x 8
27. 968028-16	Drawer box, 18.81 x 18 x 8
382203-04	Drawer slide, Self-close, 18"
382203-08	Bracket, Rear mount drawer slides
382203-06	Front fixing clip
382252	Knob, Antique Silver
382253-02	Pull, Antique Silver, 5"
382238	Hinge, Compact
381228-02	Catch, Grabber door, 5LB
381708	Wastebasket, Rubbermaide

# 2017 CLASSIC FURNITURE, GALLEY

## Galley Cabinet with Cooktop, 33FB, Hampton Walnut



CSA UNITS ONLY  
TURN ITEMS #17,  
#18, #19, #20  
ON SIDE AS SHOWN

Parts Listed on Next Page

## 2017 CLASSIC FURNITURE, GALLEY

### Galley Cabinet with Cooktop, 33FB, Hampton Walnut

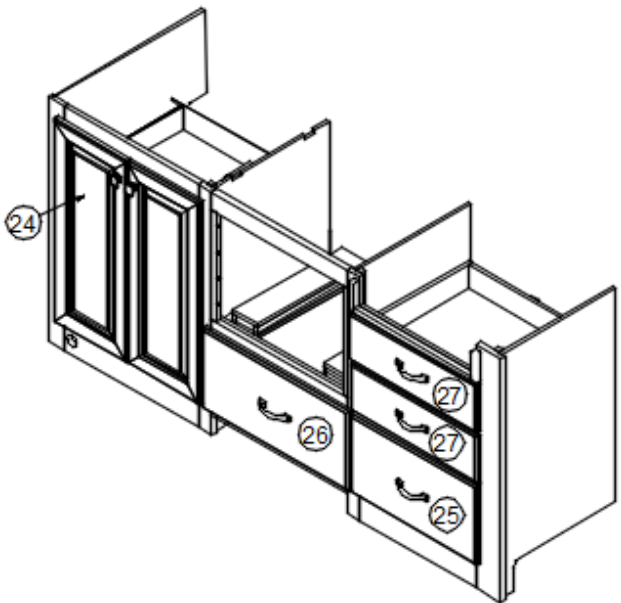
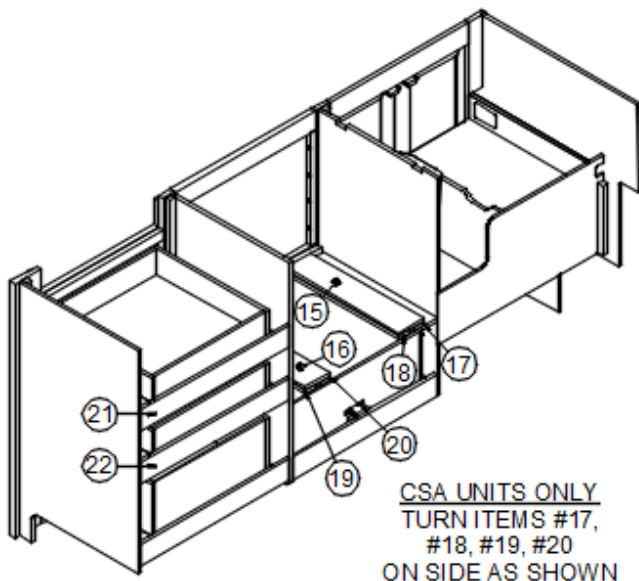
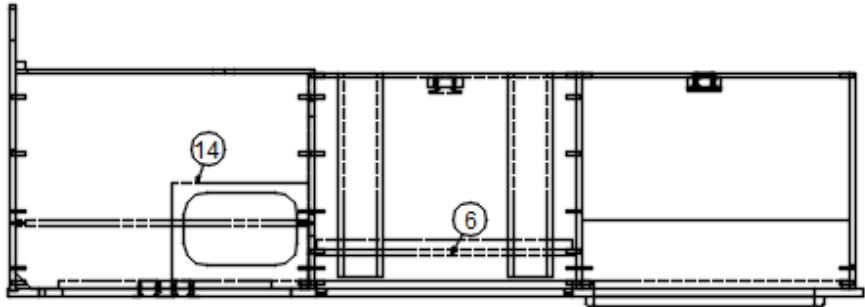
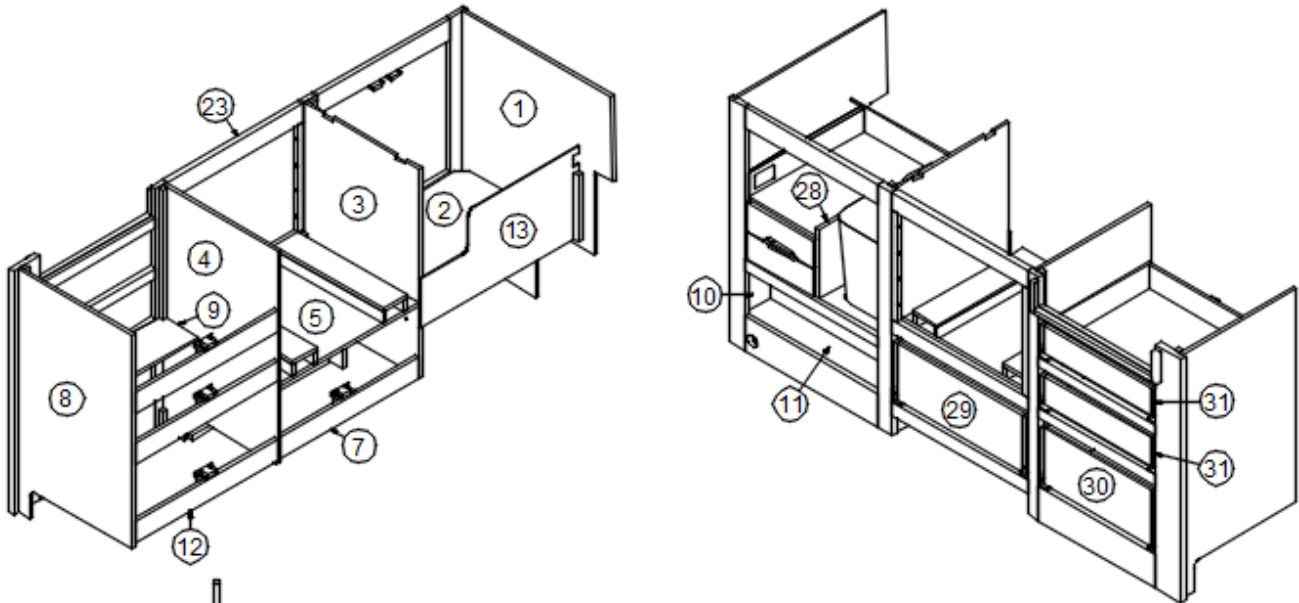
968572

Galley Cabinet w/Cooktop

1. 968572-1	Panel, 25.15 x 35
2. 968572-2	Panel, 25.75 x 19
3. 968572-3	Panel, 19 x 35
4. 968572-4	Panel, 19 x 35
5. 968572-5	Panel, 23 x 19
6. 968572-6	Panel, 23 x 3
7. 968572-7	Panel, 23 x 3
8. 968572-8	Panel, 19 x 35
9. 968572-9	Panel, 23.63 x 6
10. 968572-10	Panel, 6 x 25.75
11. 968572-11	Panel, 8 x 25.75
12. 968572-12	Panel, 3 x 23.63
13. 968572-13	Panel, 26.25 x 13
14. 968572-14	Panel, 12 x 8.5
15. 968572-15	Panel, 18 x 4
16. 968572-16	Panel, 18 x 4
17. 968572-17	Panel, 18 x 1.69
18. 968572-18	Panel, 18 x 1.69
19. 968572-19	Panel, 18 x 1.69
20. 968572-20	Panel, 18 x 1.69
21. 968572-42	Panel, 3 x 23.63
22. 968572-43	Panel, 3 x 23.63
23. 802214-0030	Face frame, Galley w/cooktop
24. 801969-1330	Door, 12 x 29
25. 802056-1130	Drawer face, 11.25 x 21
26. 801968-0730	Drawer face, 11.25 x 24
27. 801968-0830	Drawer face, 6.75 x 21
28. 968190-0130	Drawer section, Galley
29. 968028-09	Drawer box, 21.88 x 18 x 8
30. 968028-16	Drawer box, 18.81 x 18 x 8
31. 968224-01	Drawer box, 18.81 x 18 x 4
382203-04	Drawer slide, Self-close, 18"
382203-08	Bracket, Rear mount drawer slides
382203-06	Front fixing clip
382252	Knob, Antique Silver
382253-02	Pull, Antique Silver, 5"
382238	Hinge, Compact
381228-02	Catch, Grabber door, 5LB
381708	Wastebasket, Rubbermaid

# 2017 CLASSIC FURNITURE, GALLEY

Galley Cabinet with Cooktop, 33FB, Cognac Maple



CSA UNITS ONLY  
TURN ITEMS #17,  
#18, #19, #20  
ON SIDE AS SHOWN

Parts Listed on Next Page

## 2017 CLASSIC FURNITURE, GALLEY

### Galley Cabinet with Cooktop, 33FB, Cognac Maple

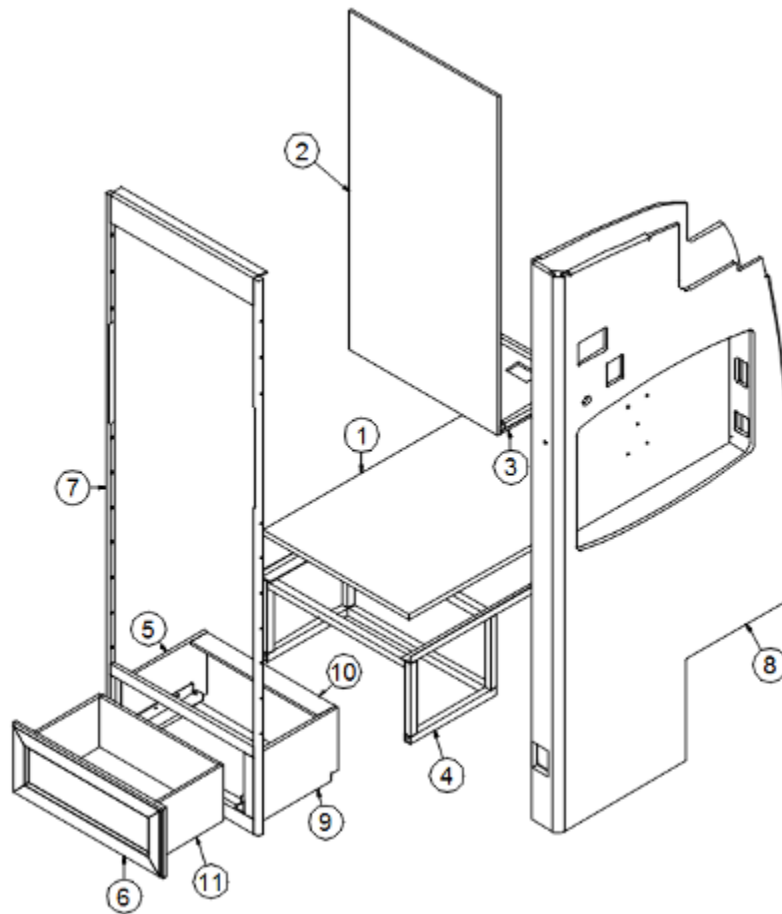
968572-35

Galley Cabinet w/Cooktop

1. 968572-351	Panel, 25.15 x 35
2. 968572-352	Panel, 25.75 x 19
3. 968572-353	Panel, 19 x 35
4. 968572-354	Panel, 19 x 35
5. 968572-355	Panel, 23 x 19
6. 968572-356	Panel, 23 x 3
7. 968572-357	Panel, 23 x 3
8. 968572-358	Panel, 19 x 35
9. 968572-359	Panel, 23.63 x 6
10. 968572-3510	Panel, 6 x 25.75
11. 968572-3511	Panel, 8 x 25.75
12. 968572-3512	Panel, 3 x 23.63
13. 968572-3513	Panel, 26.25 x 13
14. 968572-3514	Panel, 12 x 8.5
15. 968572-3515	Panel, 18 x 4
16. 968572-3516	Panel, 18 x 4
17. 968572-3517	Panel, 18 x 1.69
18. 968572-3518	Panel, 18 x 1.69
19. 968572-3519	Panel, 18 x 1.69
20. 968572-3520	Panel, 18 x 1.69
21. 968572-3542	Panel, 3 x 23.63
22. 968572-3543	Panel, 3 x 23.63
23. 802214-0035	Face frame, Galley w/cooktop
24. 801969-1335	Door, 12 x 29
25. 802056-1135	Drawer face, 11.25 x 21
26. 801968-0735	Drawer face, 11.25 x 24
27. 801968-0835	Drawer face, 6.75 x 21
28. 968190-0135	Drawer section, Galley
29. 968028-09	Drawer box, 21.88 x 18 x 8
30. 968028-16	Drawer box, 18.81 x 18 x 8
31. 968224-01	Drawer box, 18.81 x 18 x 4
382203-04	Drawer slide, Self-close, 18"
382203-08	Bracket, Rear mount drawer slides
382203-06	Front fixing clip
382252	Knob, Antique Silver
382253-02	Pull, Antique Silver, 5"
382238	Hinge, Compact
381228-02	Catch, Grabber door, 5LB
381708	Wastebasket, Rubbermaid

# 2017 CLASSIC FURNITURE, GALLEY

## Refrigerator Cabinet, 30', Hampton Walnut

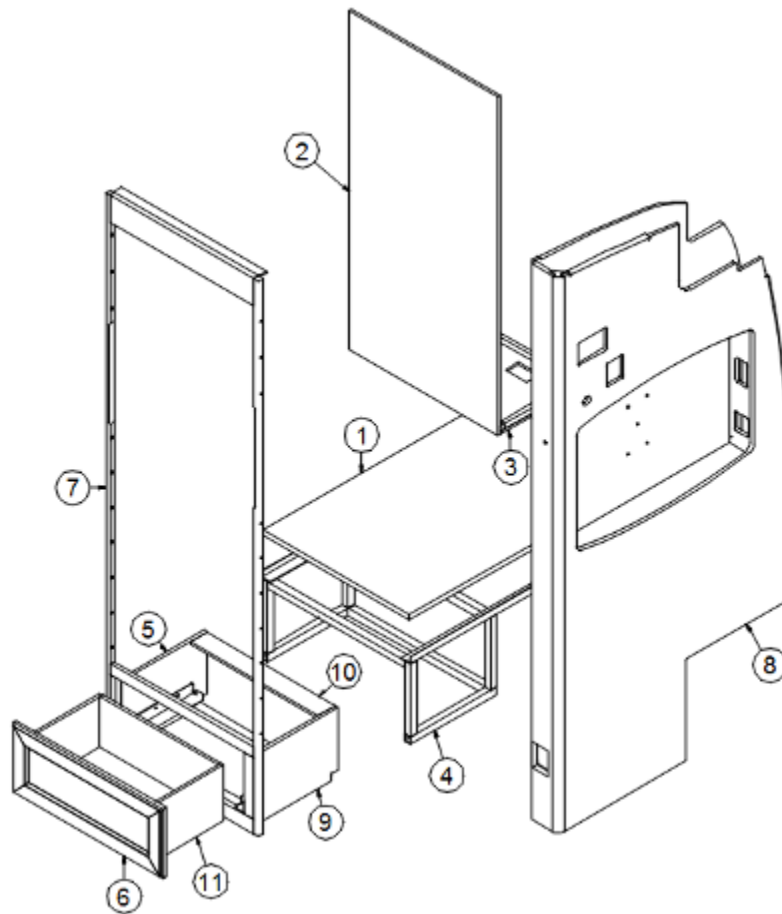


### 968270-30 Refrigerator Cabinet

- |                 |                                      |
|-----------------|--------------------------------------|
| 1. 968270-301   | Panel, 24.25 x 38.25                 |
| 2. 968270-302   | Panel, 24.625 x 48.385               |
| 3. 968270-303   | Panel, 13.425 x 24.625               |
| 4. 968140       | Refrigerator stand                   |
| 5. 968270-307   | Panel, 10 x 14.25                    |
| 6. 802056-0430  | Refrigerator drawer face, Walnut     |
| 7. 802024-0030  | Face frame, Walnut                   |
| 8. 968433       | Forward refrigerator TV wall, Walnut |
| 9. 968270-3013  | Panel, 10 x 14.25                    |
| 10. 968270-3014 | Panel, 2.75 x 21.125                 |
| 11. 968028-13   | Drawer box assembly, 8"              |
| 382203-02       | Drawer slide, 12"                    |
| 381228-02       | Catch, Grabber door, 5LB             |
| 382253-02       | Pull, Antique Silver, 5"             |
| 115085          | Aluminum angle, 24"                  |

# 2017 CLASSIC FURNITURE, GALLEY

## Refrigerator Cabinet, 30', Cognac Maple



968270-35

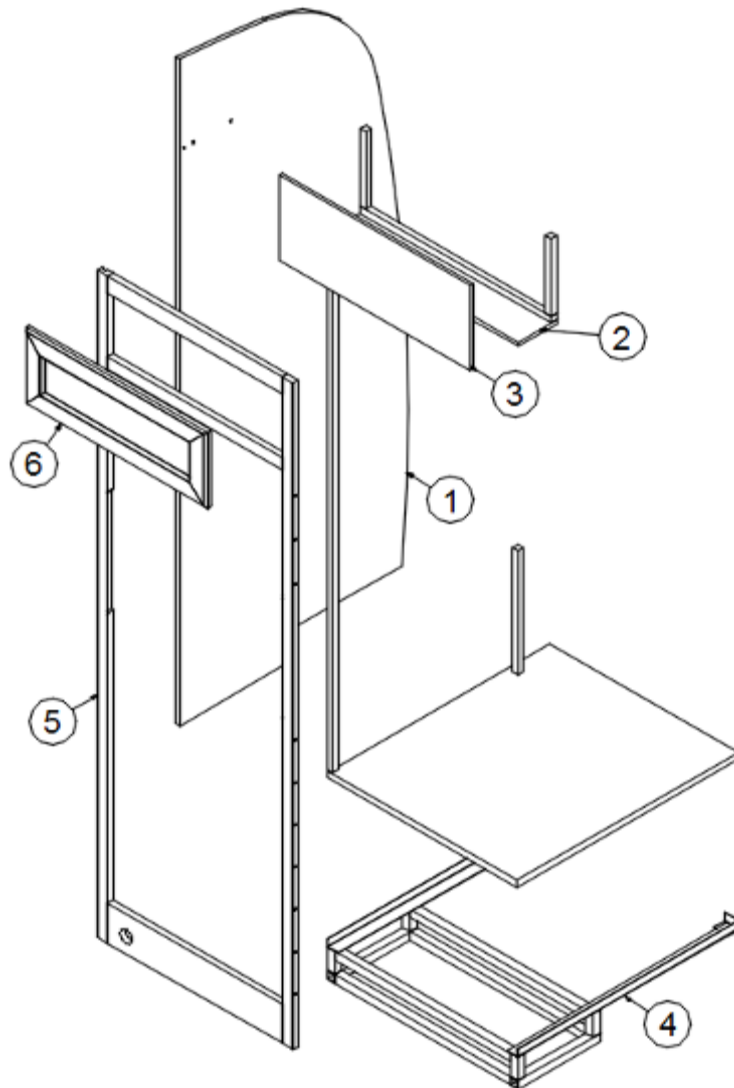
Refrigerator Cabinet

- |                 |                                     |
|-----------------|-------------------------------------|
| 1. 968270-351   | Panel, 24.25 x 38.25                |
| 2. 968270-352   | Panel, 24.625 x 48.385              |
| 3. 968270-353   | Panel, 13.425 x 24.625              |
| 4. 968140       | Refrigerator stand                  |
| 5. 968270-357   | Panel, 10 x 14.25                   |
| 6. 802056-0435  | Refrigerator drawer face, Maple     |
| 7. 802024-0035  | Face frame, Maple                   |
| 8. 968433-35    | Forward refrigerator TV wall, Maple |
| 9. 968270-3513  | Panel, 10 x 14.25                   |
| 10. 968270-3514 | Panel, 2.75 x 21.125                |
| 11. 968028-13   | Drawer box assembly, 8"             |
| 382203-02       | Drawer slide, 12"                   |
| 381228-02       | Catch, Grabber door, 5LB            |
| 382253-02       | Pull, Antique Silver, 5"            |
| 115085          | Aluminum angle, 24"                 |



# 2017 CLASSIC FURNITURE, GALLEY

## Refrigerator Cabinet, 33FB, Hampton Walnut



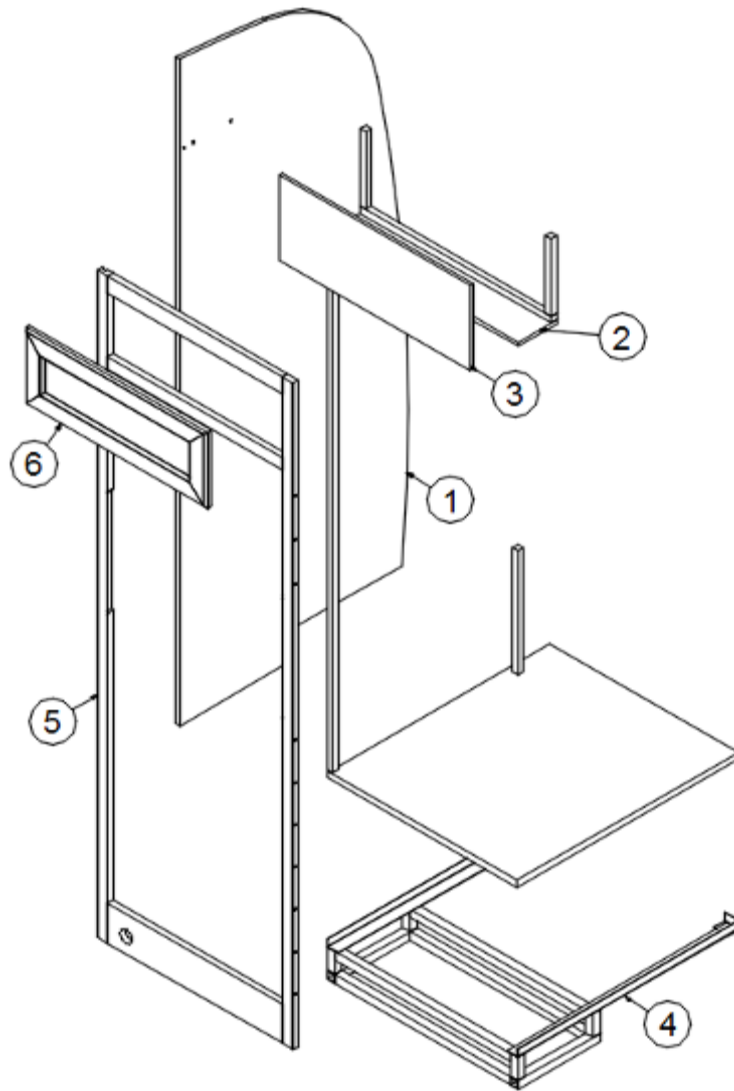
968562

Refrigerator Cabinet

- |                |                                  |
|----------------|----------------------------------|
| 1. 968562-1    | Panel, 31.27 x 78.9              |
| 2. 968562-2    | Panel, 26.03 x 5.25              |
| 3. 968562-3    | Panel, 10 x 26.03                |
| 4. 968570      | Refrigerator stand               |
| 5. 802189-0030 | Face frame, Refrigerator cabinet |
| 6. 801969-1930 | Door, 9 x 24.75                  |

# 2017 CLASSIC FURNITURE, GALLEY

## Refrigerator Cabinet, 33FB, Cognac Maple



968562-35

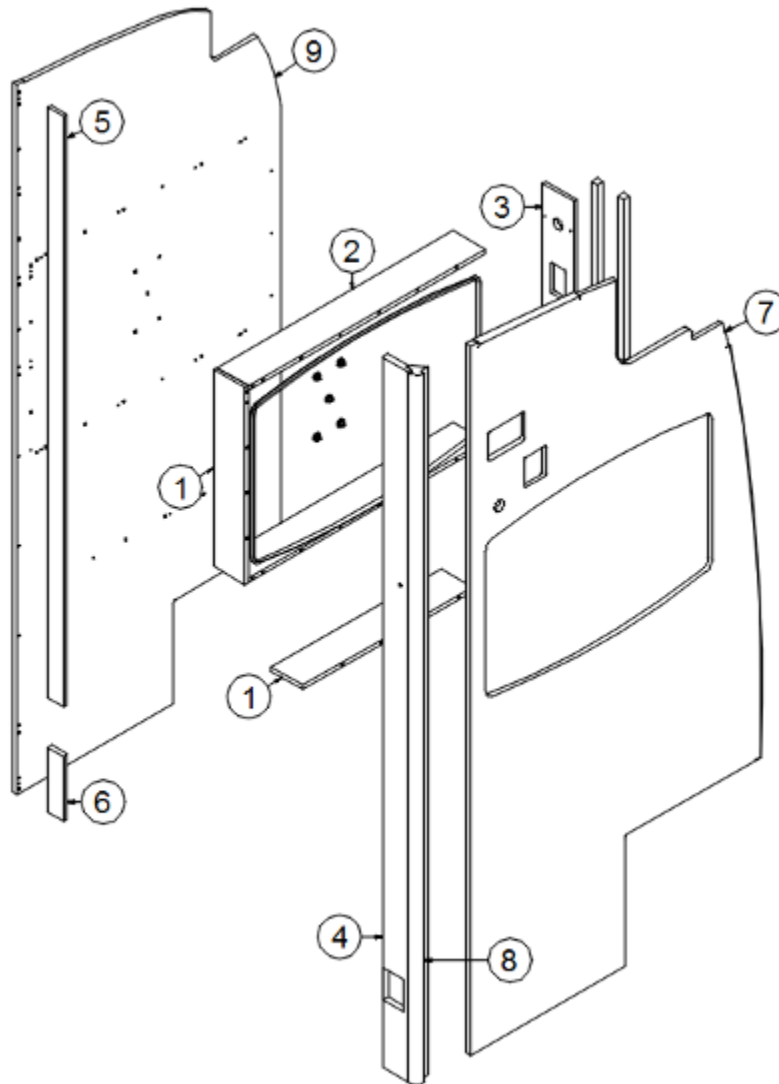
Refrigerator Cabinet

- 1. 968562-351
- 2. 968562-352
- 3. 968562-353
- 4. 968570
- 5. 802189-0035
- 6. 801969-1935

- Panel, 31.27 x 78.9
- Panel, 26.03 x 20
- Panel, 10 x 26.03
- Refrigerator stand
- Face frame, Refrigerator cabinet
- Door, 9 x 24.75

# 2017 CLASSIC FURNITURE, GALLEY

## Refrigerator TV Wall, Forward, 30', Hampton Walnut



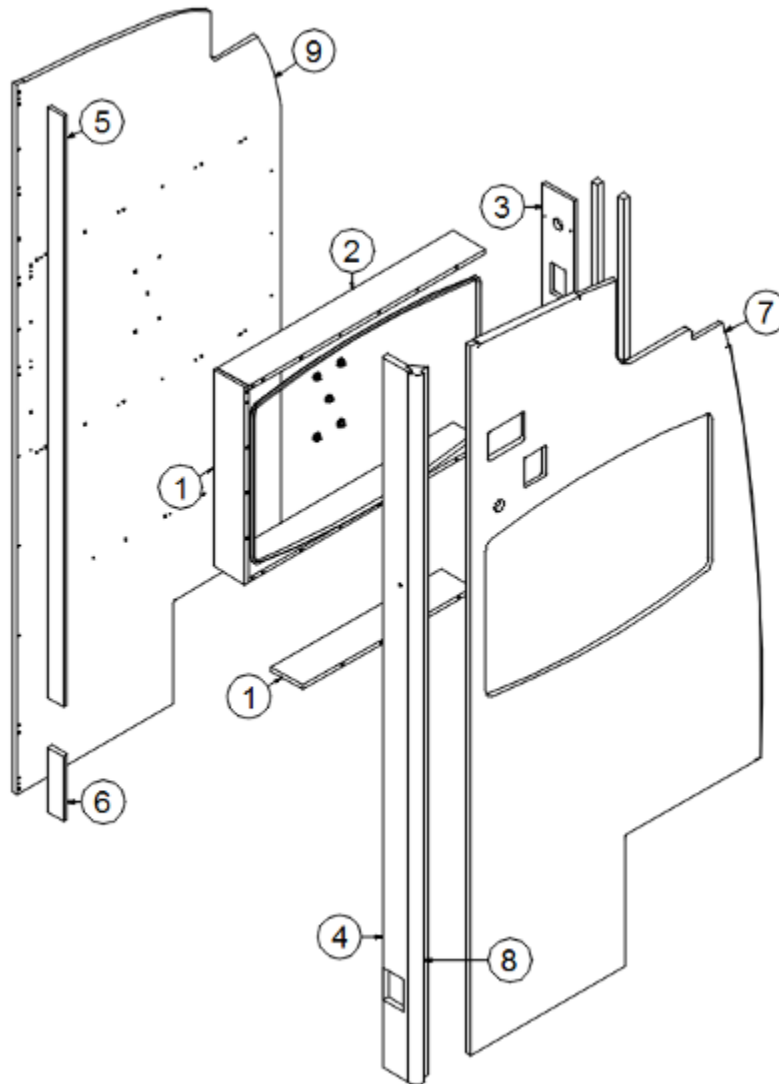
968433

Forward Refrigerator TV Wall

- |                |                                |
|----------------|--------------------------------|
| 1. 968433-1    | Panel, 4.06 x 22               |
| 2. 968433-2    | Panel, 4.06 x 30.13            |
| 3. 968433-4    | Panel, 4.06 x 22               |
| 4. 802025-0030 | Stile, Walnut                  |
| 5. 968433-9    | Panel, 2 x 66                  |
| 6. 968433-10   | Panel, 2 x 7.25                |
| 7. 968433-11   | Panel, 37.58 x 79.29           |
| 8. 801415-0030 | Corner trim, 1" radius, Walnut |
| 9. 968433-13   | Panel, 34.26 x 79.3            |
| 203445         | T-molding, Embossed, Black     |
| 203138-05      | Extrusion, .5", Plastic, Black |

# 2017 CLASSIC FURNITURE, GALLEY

## Refrigerator TV Wall, Forward, 30', Cognac Maple



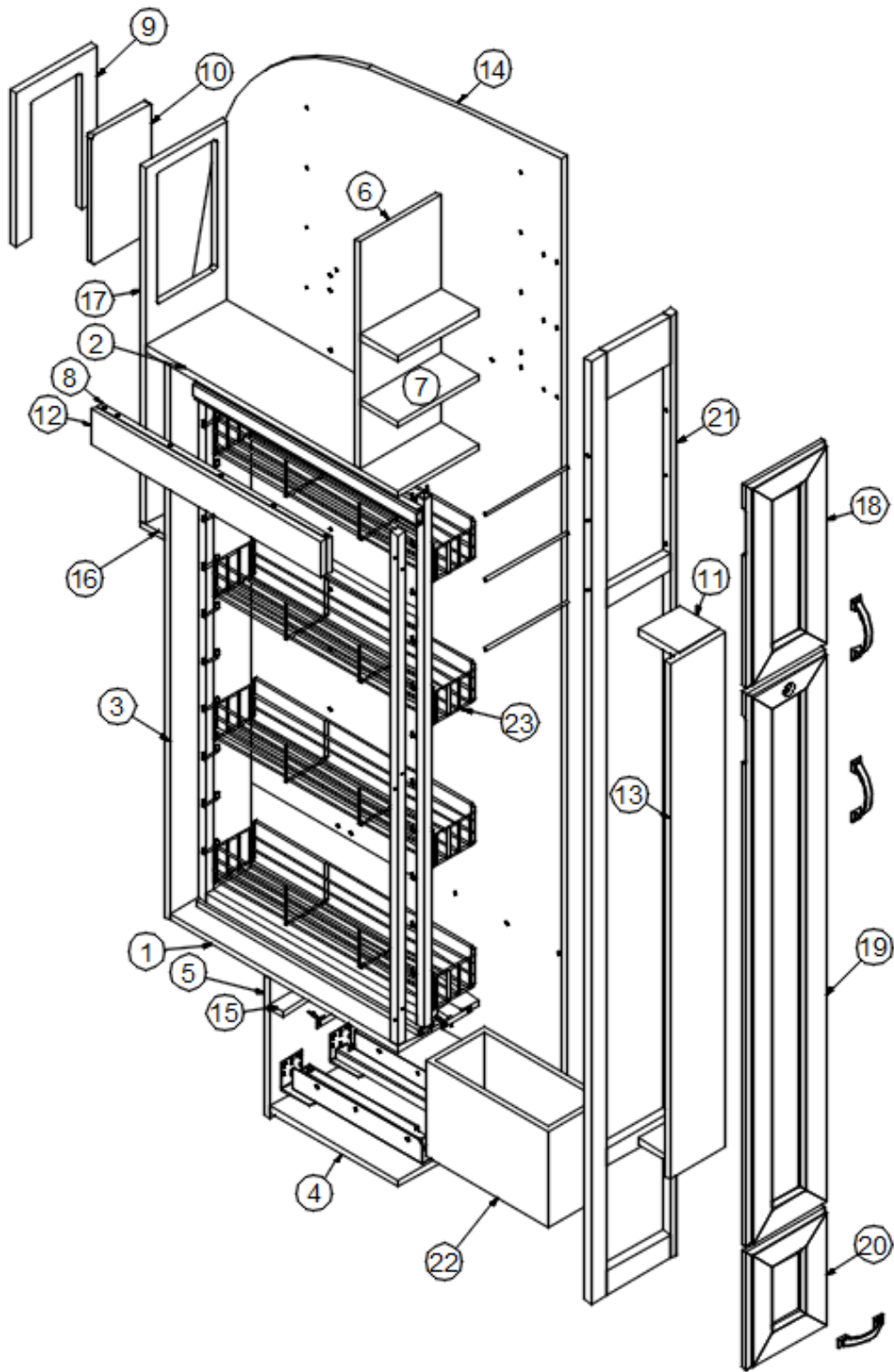
968433-35

Forward Refrigerator TV Wall

- |                |                                |
|----------------|--------------------------------|
| 1. 968433-351  | Panel, 4.06 x 22               |
| 2. 968433-352  | Panel, 4.06 x 30.13            |
| 3. 968433-354  | Panel, 4.06 x 22               |
| 4. 802025-0035 | Stile, Maple                   |
| 5. 968433-359  | Panel, 2 x 66                  |
| 6. 968433-3510 | Panel, 2 x 7.25                |
| 7. 968433-3511 | Panel, 37.58 x 79.29           |
| 8. 801415-0035 | Corner trim, 1" radius, Maple  |
| 9. 968433-3513 | Panel, 34.26 x 79.3            |
| 203445         | T-molding, Embossed, Black     |
| 203138-05      | Extrusion, .5", Plastic, Black |

# 2017 CLASSIC FURNITURE, GALLEY

Pantry, 30', Hampton Walnut



Parts Listed on Next Page

## 2017 CLASSIC FURNITURE, GALLEY

### Pantry, 30', Hampton Walnut

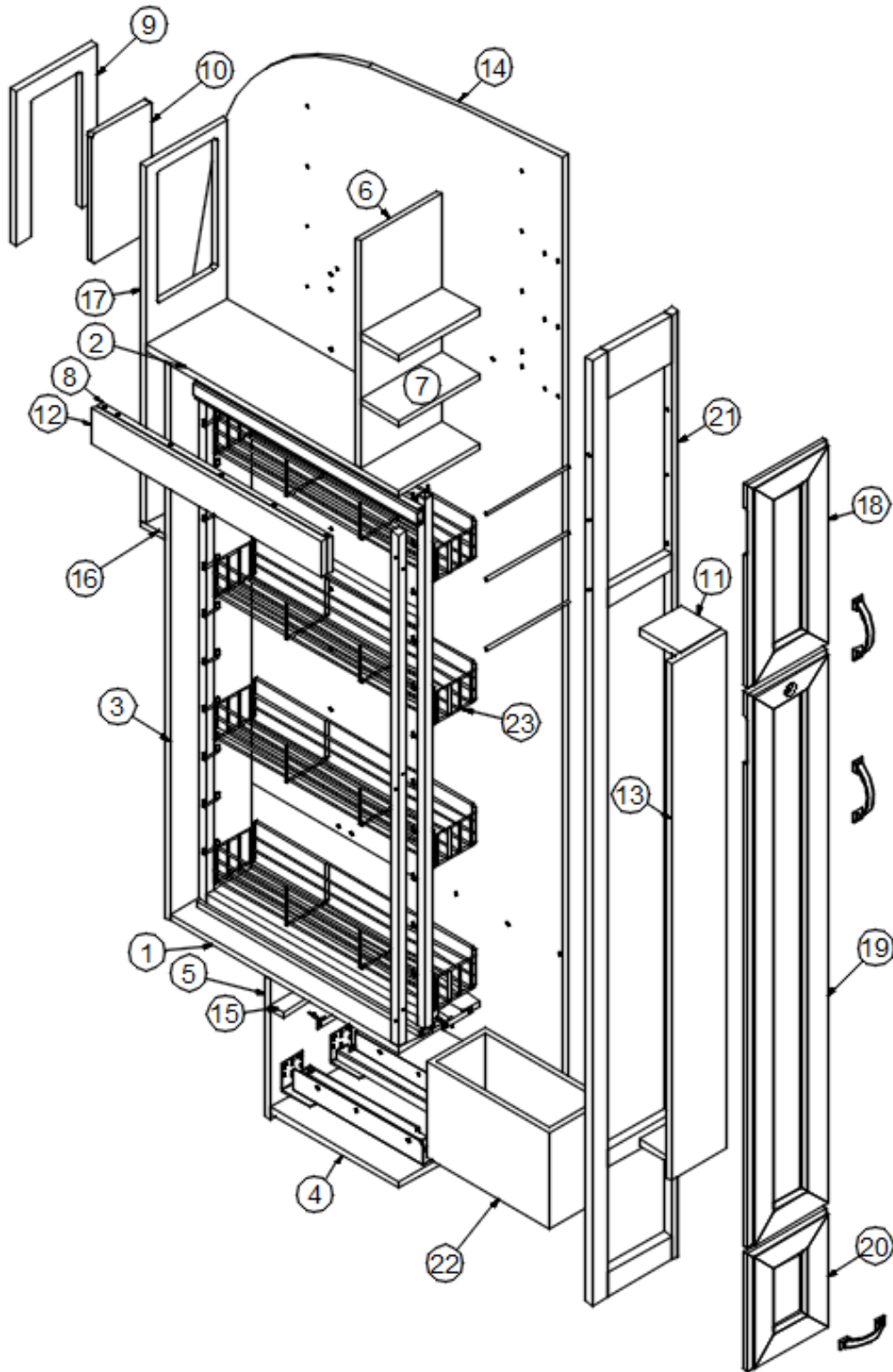
968434

Pantry Cabinet

1. 968434-1 Panel, 7.88 x 22.25
2. 968434-2 Panel, 7.88 x 24.5
3. 968434-3 Panel, 7.88 x 46.75
4. 968434-4 Panel, 7.88 x 12.5
5. 968434-5 Panel, 7.88 x 11.81
6. 968434-6 Panel, 7.88 x 19.12
7. 968434-7 Panel, 3.75 x 7.88
8. 968434-8 Panel, 3 x 22.25
9. 968434-9 Panel, 7.88 x 9.5
10. 968434-10 Panel, 5.75 x 10.88
11. 968434-11 Panel, 4 x 4
12. 968434-12 Panel, 3 x 22.25
13. 968434-13 Panel, 43.38 x 5.38
14. 968434-14 Panel, 37.92 x 79.17
15. 968434-15 Panel, 1.25 x 7.88
16. 968434-16 Panel, 7.88 x 2.25
17. 968434-17 Panel, 7.88 x 30
18. 801969-0530 Door, Upper, Walnut
19. 801969-0430 Door, Middle, Walnut
20. 801968-0330 Drawer face, Bottom, Walnut
21. 801963-0030 Pantry face frame, Walnut
22. 968028-05 Drawer box, 12.4375 x 5.625
23. 381551-01 Pantry rack
- 382203-02 Drawer slide, Self-close, 12"
- 382203-08 Bracket, Rear mount drawer slides
- 115042 Aluminum rod, 8"
- 382238 Compact hinge, 1" overlay
- 381408 Lock, Push button, Black
- 381228-02 Catch, Grabber door, 5LB
- 382252 Knob, Antique Silver
- 382253-01 Pull, 4", Antique Silver
- 382253-02 Pull, 5", Antique Silver
- 365379-01 Edgebanding, .63", Walnut

# 2017 CLASSIC FURNITURE, GALLEY

Pantry, 30', Cognac Maple



Parts Listed on Next Page

## 2017 CLASSIC FURNITURE, GALLEY

### Pantry, 30', Cognac Maple

968434-35

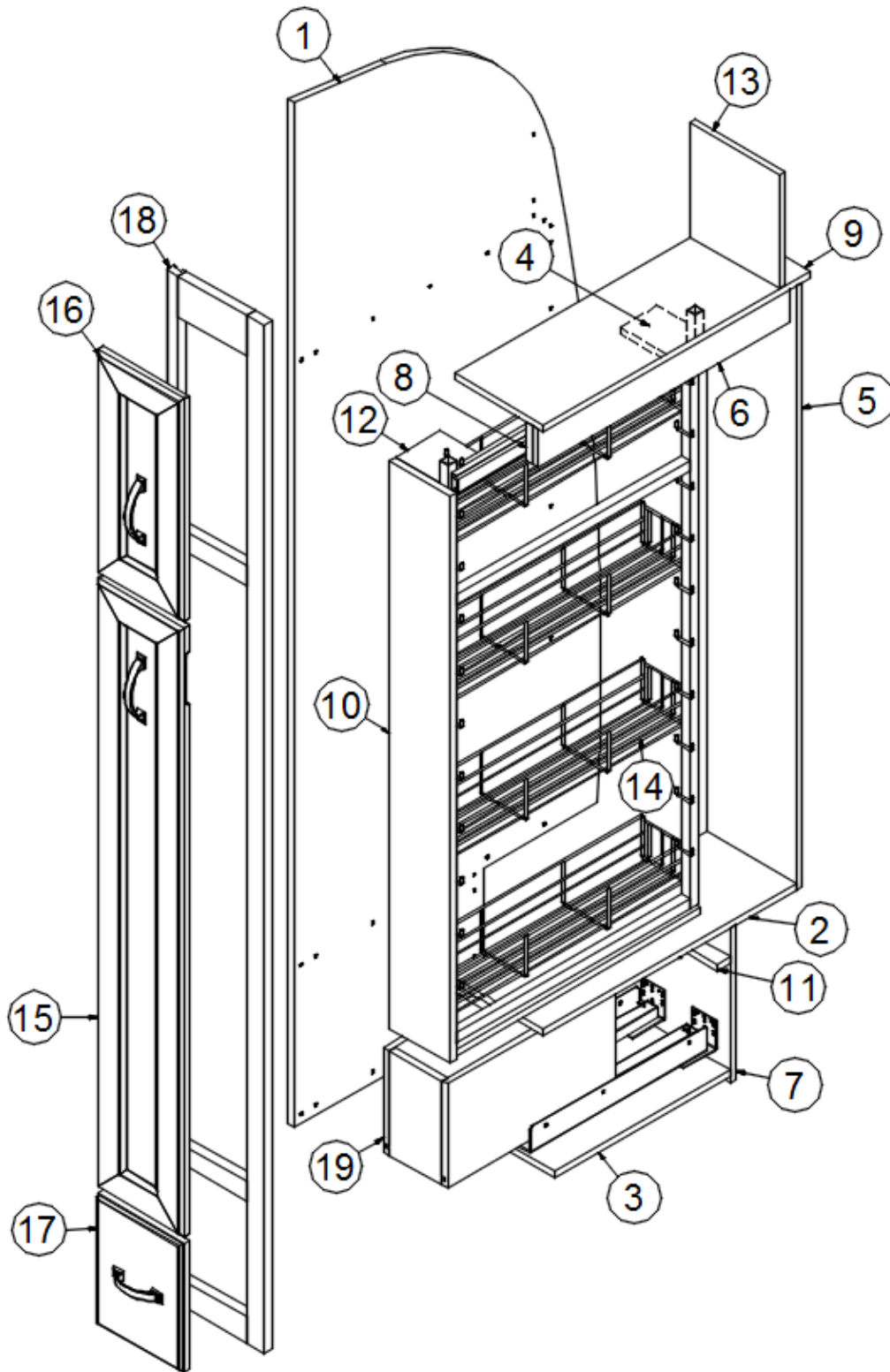
Pantry Cabinet

1. 968434-351 Panel, 7.88 x 22.25
2. 968434-352 Panel, 7.88 x 24.5
3. 968434-353 Panel, 7.88 x 46.75
4. 968434-354 Panel, 7.88 x 12.5
5. 968434-355 Panel, 7.88 x 11.81
6. 968434-356 Panel, 7.88 x 19.12
7. 968434-357 Panel, 3.75 x 7.88
8. 968434-358 Panel, 3 x 22.25
9. 968434-359 Panel, 7.88 x 9.5
10. 968434-3510 Panel, 5.75 x 10.88
11. 968434-3511 Panel, 4 x 4
12. 968434-3512 Panel, 3 x 22.25
13. 968434-3513 Panel, 43.38 x 5.38
14. 968434-3514 Panel, 37.92 x 79.17
15. 968434-3515 Panel, 1.25 x 7.88
16. 968434-3516 Panel, 7.88 x 2.25
17. 968434-3517 Panel, 7.88 x 30
18. 801969-0535 Door, Upper, Maple
19. 801969-0435 Door, Middle, Maple
20. 801968-0335 Drawer face, Bottom, Maple
21. 801963-0035 Pantry face frame, Maple
22. 968028-05 Drawer box, 12.4375 x 5.625
23. 381551-01 Pantry rack
- 382203-02 Drawer slide, Self-close, 12"
- 382203-08 Bracket, Rear mount drawer slides
- 115042 Aluminum rod, 8"
- 382238 Compact hinge, 1" overlay
- 381408 Lock, Push button, Black
- 381228-02 Catch, Grabber door, 5LB
- 382252 Knob, Antique Silver
- 382253-01 Pull, 4", Antique Silver
- 382253-02 Pull, 5", Antique Silver
- 365405-01 Edgebanding, .63", Maple



# 2017 CLASSIC FURNITURE, GALLEY

Pantry, 33FB, Hampton Walnut



Parts Listed on Next Page

## 2017 CLASSIC FURNITURE, GALLEY

### Pantry, 33FB, Hampton Walnut

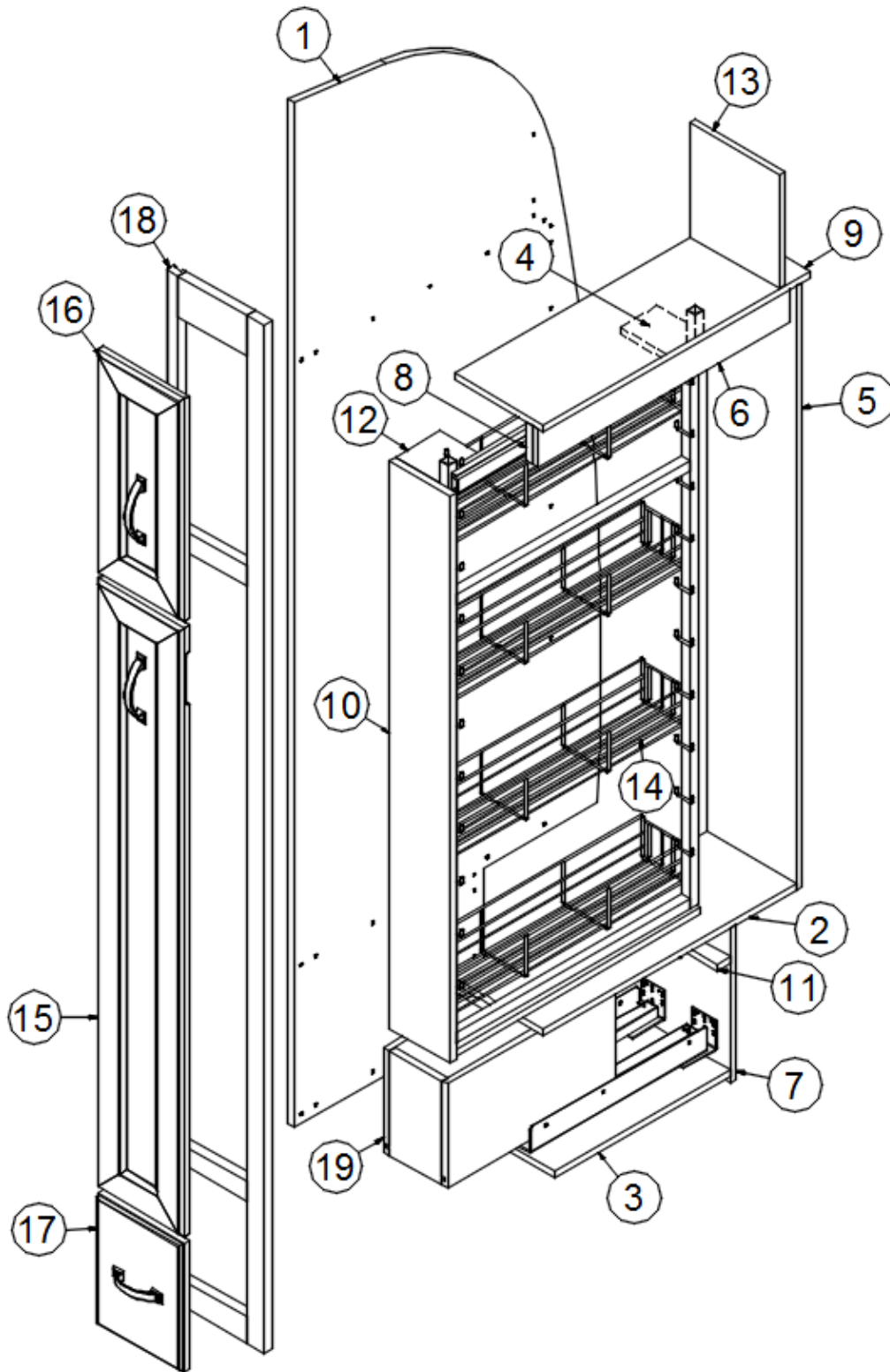
968561

Pantry Cabinet

1. 968561-1 Panel, 37.92 x 79.17
2. 968561-2 Panel, 7.88 x 22.25
3. 968561-3 Panel, 7.88 x 15.5
4. 968561-4 Panel, 4 x 4
5. 968561-5 Panel, 7.88 x 46.18
6. 968561-6 Panel, 3 x 22.25
7. 968561-7 Panel, 7.88 x 11.88
8. 968561-8 Panel, 3 x 22.25
9. 968561-9 Panel, 7.88 x 23.5
10. 968561-10 Panel, 5.38 x 43.38
11. 968561-11 Panel, 7.88 x 1.25
12. 968561-12 Panel, 4 x 4
13. 968561-25 Panel, 7.88 x 8.75
14. 381551-01 Pantry pull-out
15. 801969-0430 Pantry middle door
16. 801969-0530 Pantry upper door
17. 802056-0330 Drawer face, 9.88 x 7.63
18. 802190-0030 Pantry face frame
19. 968028-17 Drawer box, 5.625 x 14.88 x 8
- 382203-03 Drawer slide, Self-close, 15"
- 382203-08 Bracket, Rear mount drawer slides
- 381228-02 Catch, Grabber door, 5LB
- 382252 Knob, Antique Silver
- 382253-02 Pull, 5", Antique Silver

# 2017 CLASSIC FURNITURE, GALLEY

Pantry, 33FB, Cognac Maple



Parts Listed on Next Page

## 2017 CLASSIC FURNITURE, GALLEY

### Pantry, 33FB, Cognac Maple

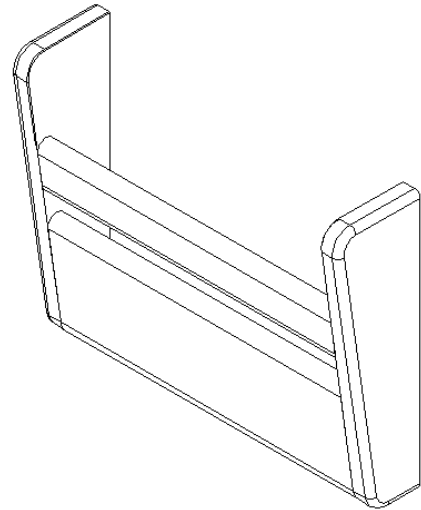
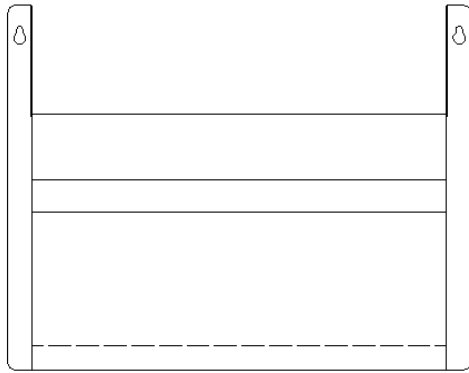
968561-35

Pantry Cabinet

1. 968561-351 Panel, 37.92 x 79.17
2. 968561-352 Panel, 7.88 x 22.25
3. 968561-353 Panel, 7.88 x 15.5
4. 968561-354 Panel, 4 x 4
5. 968561-355 Panel, 7.88 x 46.18
6. 968561-356 Panel, 3 x 22.25
7. 968561-357 Panel, 7.88 x 11.88
8. 968561-358 Panel, 3 x 22.25
9. 968561-359 Panel, 7.88 x 23.5
10. 968561-3510 Panel, 5.38 x 43.38
11. 968561-3511 Panel, 7.88 x 1.25
12. 968561-3512 Panel, 4 x 4
13. 968561-3525 Panel, 7.88 x 8.75
14. 381551-01 Pantry pull-out
15. 801969-0435 Pantry middle door
16. 801969-0535 Pantry upper door
17. 802056-0335 Drawer face, 9.88 x 7.63
18. 802190-0035 Pantry face frame
19. 968028-17 Drawer box, 5.625 x 14.88 x 8
- 382203-03 Drawer slide, Self-close, 15"
- 382203-08 Bracket, Rear mount drawer slides
- 381228-02 Catch, Grabber door, 5LB
- 382252 Knob, Antique Silver
- 382253-02 Pull, 5", Antique Silver

2017 CLASSIC  
FURNITURE, GALLEY

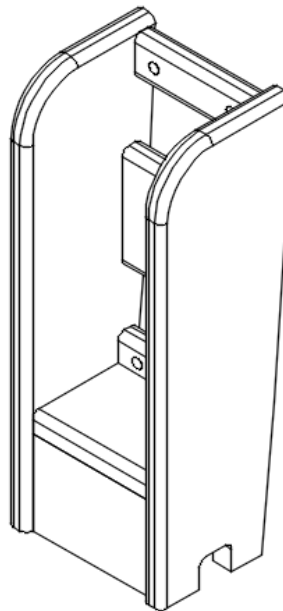
Magazine Rack



968162-0030  
968162-0035

Magazine rack, Walnut  
Magazine rack, Maple

Fire Extinguisher Rack

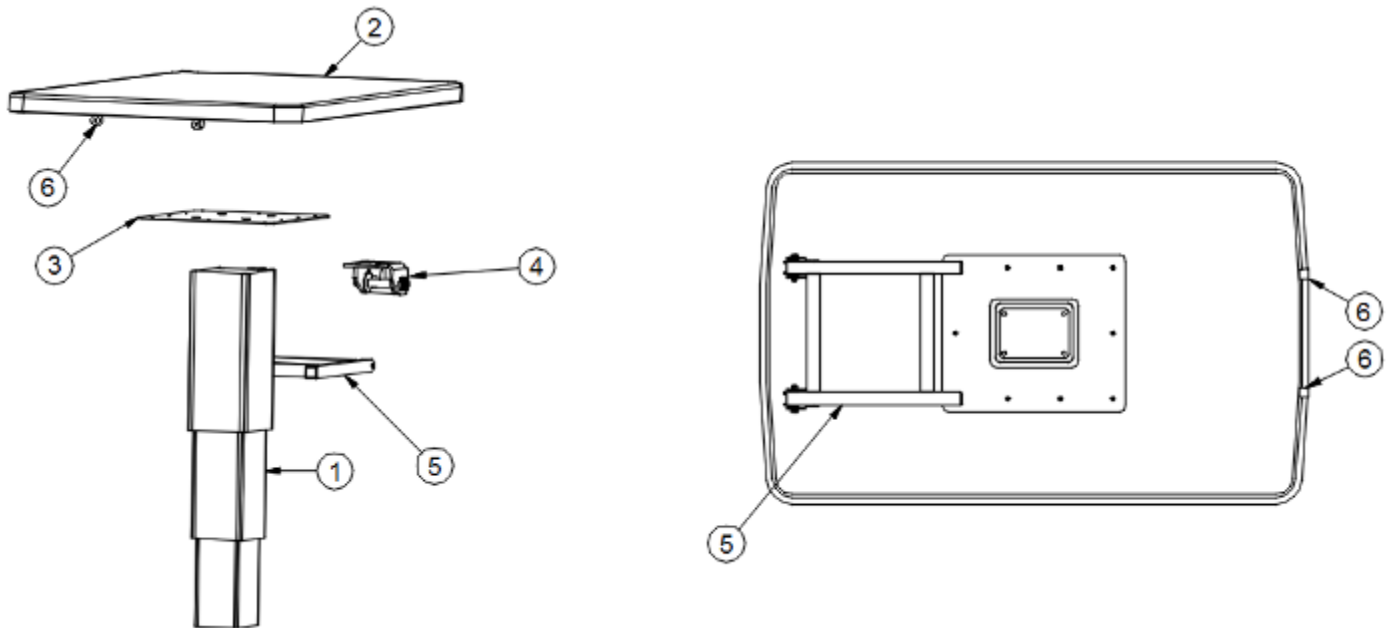


968417-0030  
968417-0035

Fire extinguisher rack, Walnut  
Fire extinguisher rack, Maple

# 2017 CLASSIC FURNITURE, GALLEY

## Dinette table

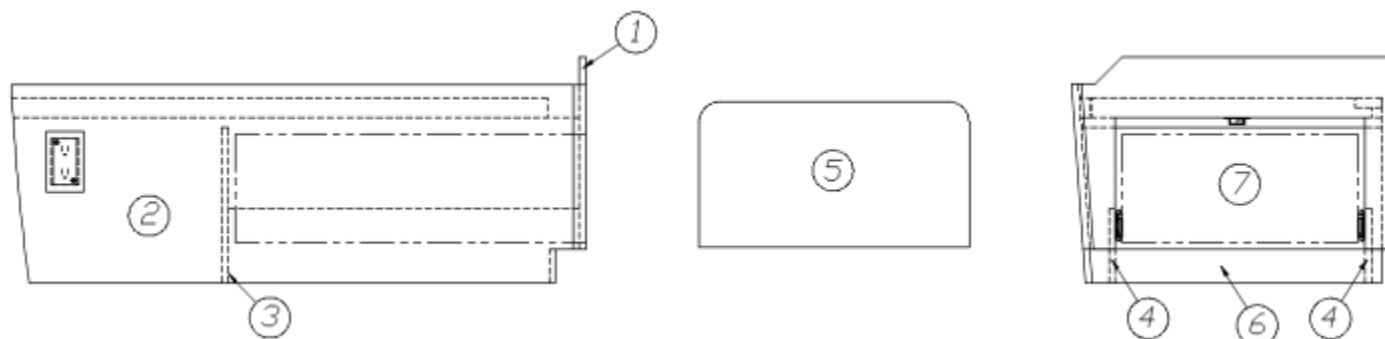


112283 Pedestal Table

- |              |                                  |
|--------------|----------------------------------|
| 1. 512930    | Pedestal, Electronic             |
| 2. 602527-01 | Corian table top, Deep Night Sky |
| 602527-02    | Corian table top, Sandalwood     |
| 3. 454944    | Bracket                          |
| 4. 454870    | Bracket, LH leg hinge            |
| 454871       | Bracket, RH leg hinge            |
| 5. 455035    | Leg, Bed support                 |
| 6. 381136    | Rubber bumper                    |
| 381228-02    | Catch, Grabber door, 5LB         |

# 2017 CLASSIC FURNITURE, GALLEY

## Dinette Seat, Hampton Walnut



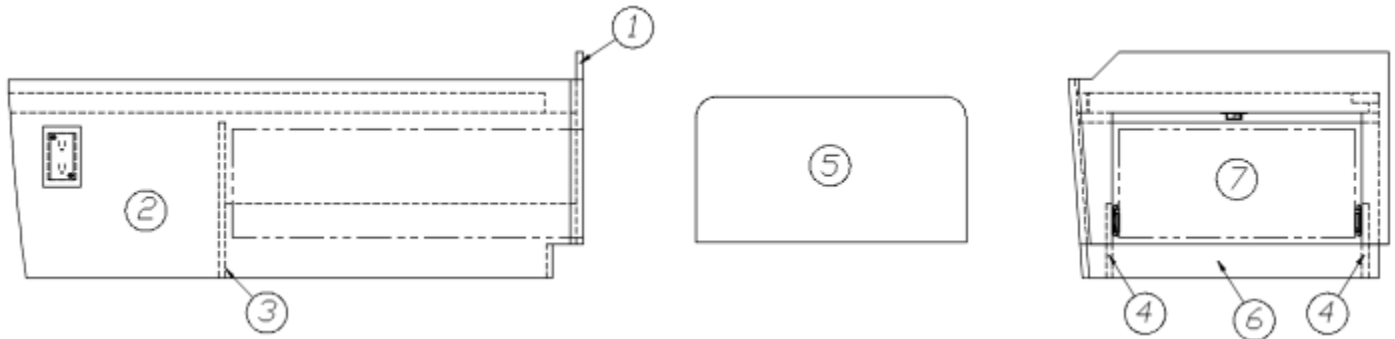
964949-0430  
964949-0530

LH Dinette Seat Sub-Assembly  
RH Dinette Seat Sub-Assembly

- |                |  |
|----------------|--|
| 1. 964949-1A30 | Panel, 23 x 14.25                        |
| 2. 964949-1B30 | Panel, 14.75 x 41.62                     |
| 3. 964949-1C30 | Panel, 22.63 x 11.5                      |
| 4. 964949-1D30 | Panel, 5.5 x 26                          |
| 5. 964949-1E30 | Panel, 10.75 x 20                        |
| 6. 801415-0030 | Corner trim, Hardwood, 1" radius, Walnut |
| 7. 964908-01   | Drawer box, 9 x 17.5 x 26                |
| 381090         | Drawer slide, 22"                        |
| 381228-02      | Catch, Grabber door, 5LB                 |

# 2017 CLASSIC FURNITURE, GALLEY

## Dinette Seat, Cognac Maple



964949-0435  
964949-0535

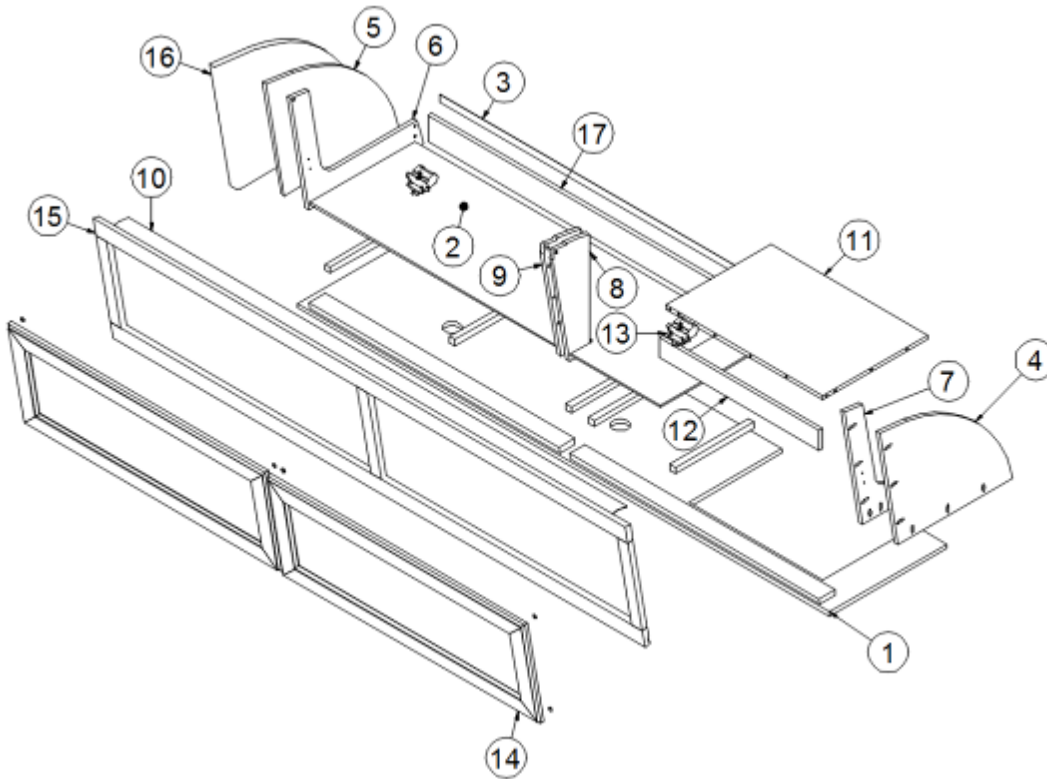
LH Dinette Seat Sub-Assembly  
RH Dinette Seat Sub-Assembly

- |                |   |
|----------------|---|
| 1. 964949-1A35 | Panel, 23 x 14.25                       |
| 2. 964949-1B35 | Panel, 14.75 x 41.62                    |
| 3. 964949-1C35 | Panel, 22.63 x 11.5                     |
| 4. 964949-1D35 | Panel, 5.5 x 26                         |
| 5. 964949-1E35 | Panel, 10.75 x 20                       |
| 6. 801415-0035 | Corner trim, Hardwood, 1" radius, Maple |
| 7. 964908-01   | Drawer box, 9 x 17.5 x 26               |
| 381090         | Drawer slide, 22"                       |
| 381228-02      | Catch, Grabber door, 5LB                |



# 2017 CLASSIC FURNITURE, GALLEY

## Roof Locker, Galley, Hampton Walnut



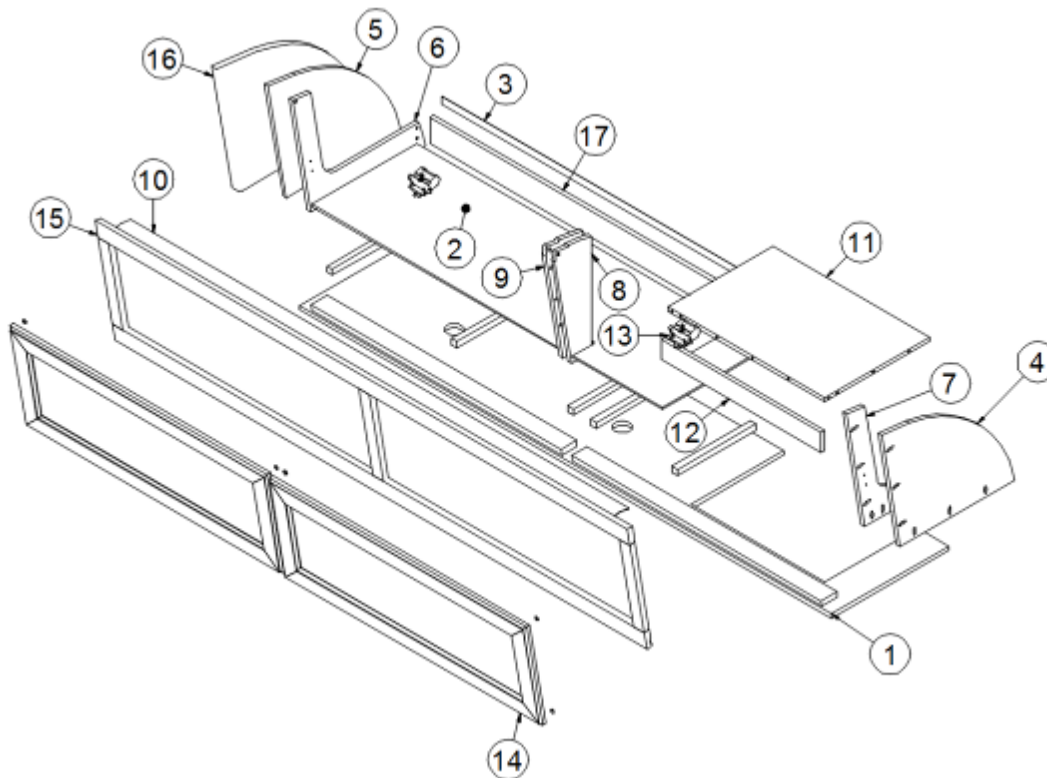
968166-30

Galley Roof Locker

- |                 |                          |
|-----------------|--------------------------|
| 1. 968166-301   | Panel, 16.53 x 74.75     |
| 2. 968166-302   | Panel, 16.02 x 35.06     |
| 3. 114810       | Aluminum angle, .5 x 1"  |
| 4. 968166-304   | Panel, 18.74 x 14.85     |
| 5. 968166-305   | Panel, 18.739 x 14.85    |
| 6. 968166-306   | Panel, 18.74 x 14.85     |
| 7. 968166-307   | Panel, 18.74 x 14.85     |
| 8. 968166-308   | Panel, 5.27 x 14.85      |
| 9. 968166-309   | Panel, 5.27 x 14.85      |
| 10. 104821      | Support, Aluminum, 120"  |
| 11. 968166-3011 | Panel, 14.78 x 22        |
| 12. 968166-3012 | Panel, 2.5 x 22.5        |
| 13. 968166-3013 | Panel, 3.25 x 14.78      |
| 14. 801969-1130 | Door, Walnut             |
| 15. 801988-0030 | Face frame, Walnut       |
| 16. 801989-0030 | End cap, Walnut          |
| 17. 968166-3028 | Panel, 3.25 x 49.25      |
| 512831          | Cabinet light            |
| 382253-02       | Pull, Antique Silver, 5" |
| 382238          | Hinge, 1" overlay        |
| 511227-01       | Raceway, Type L, Gray    |

# 2017 CLASSIC FURNITURE, GALLEY

## Roof Locker, Galley, Cognac Maple



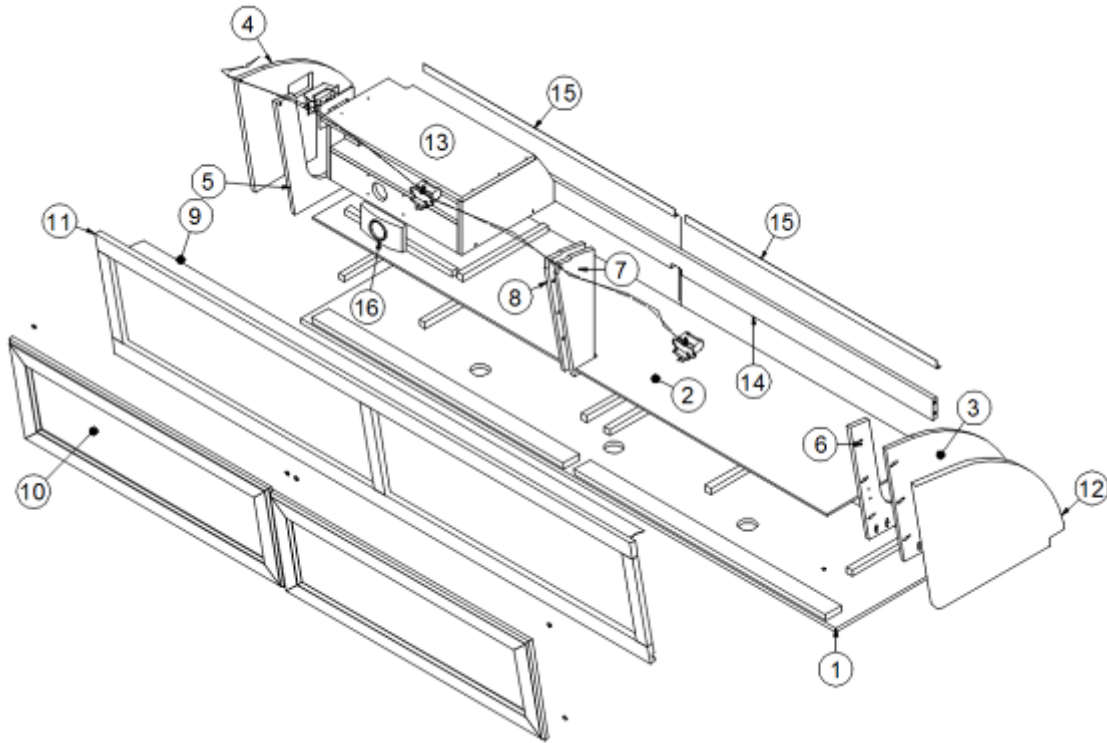
968166-35

Galley Roof Locker

- |                 |                          |
|-----------------|--------------------------|
| 1. 968166-351   | Panel, 16.53 x 74.75     |
| 2. 968166-352   | Panel, 16.02 x 35.06     |
| 3. 114810       | Aluminum angle, .5 x 1"  |
| 4. 968166-354   | Panel, 18.74 x 14.85     |
| 5. 968166-355   | Panel, 18.739 x 14.85    |
| 6. 968166-356   | Panel, 18.74 x 14.85     |
| 7. 968166-357   | Panel, 18.74 x 14.85     |
| 8. 968166-358   | Panel, 5.27 x 14.85      |
| 9. 968166-359   | Panel, 5.27 x 14.85      |
| 10. 104821      | Support, Aluminum, 120"  |
| 11. 968166-3511 | Panel, 14.78 x 22        |
| 12. 968166-3512 | Panel, 2.5 x 22.5        |
| 13. 968166-3513 | Panel, 3.25 x 14.78      |
| 14. 801969-1135 | Door, Maple              |
| 15. 801988-0035 | Face frame, Maple        |
| 16. 801989-0035 | End cap, Maple           |
| 17. 968166-3528 | Panel, 3.25 x 49.25      |
| 512831          | Cabinet light            |
| 382253-02       | Pull, Antique Silver, 5" |
| 382238          | Hinge, 1" overlay        |
| 511227-01       | Raceway, Type L, Gray    |

## 2017 CLASSIC FURNITURE, GALLEY

### Roof Locker, Dinette, 30', Hampton Walnut



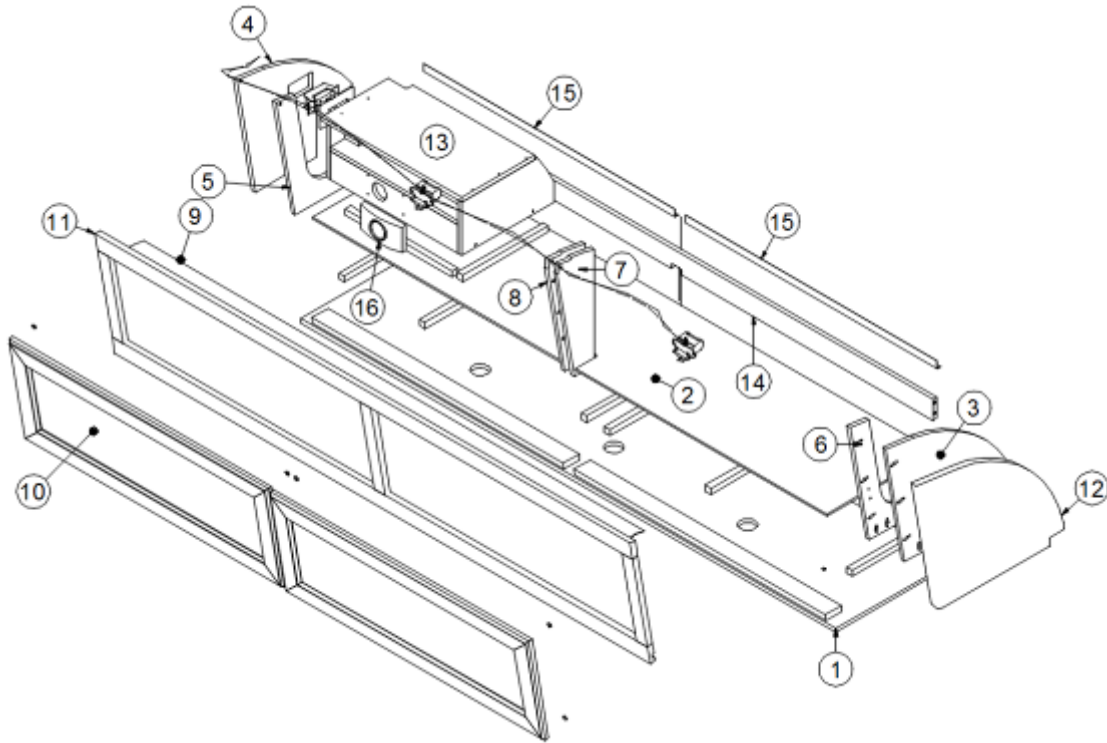
968167-30

Dinette Roof Locker

- |                 |                                 |
|-----------------|---------------------------------|
| 1. 968167-301   | Panel, 16.53 x 74.75            |
| 2. 968167-302   | Panel, 16.02 x 35.06            |
| 3. 968167-304   | Panel, 18.74 x 14.85            |
| 4. 968167-305   | Panel, 18.739 x 14.85           |
| 5. 968167-306   | Panel, 18.74 x 14.85            |
| 6. 968167-307   | Panel, 18.74 x 14.85            |
| 7. 968167-308   | Panel, 5.27 x 14.85             |
| 8. 968167-309   | Panel, 5.27 x 14.85             |
| 9. 104821       | Support, Aluminum, 70"          |
| 10. 801969-1130 | Door, Walnut                    |
| 11. 801988-0030 | Face frame, Walnut              |
| 12. 801990-0030 | End cap, Walnut                 |
| 13. 968346-30   | Blu-Ray shelf assembly, Walnut  |
| 14. 968167-3025 | Panel, 2.5 x 71.75              |
| 15. 114810      | Aluminum angle, .5 x 1"         |
| 16. 690323-52   | Thermostat                      |
| 511815-01       | Receptacle, Duplex, Black       |
| 511815-02       | Plate, Decorator, 1 gang, Black |
| 512831          | Cabinet light                   |
| 382253-02       | Pull, Antique Silver, 5"        |
| 382238          | Hinge, 1" overlay               |
| 511227-01       | Raceway, Type L, Gray           |

# 2017 CLASSIC FURNITURE, GALLEY

## Roof Locker, Dinette, 30', Cognac Maple



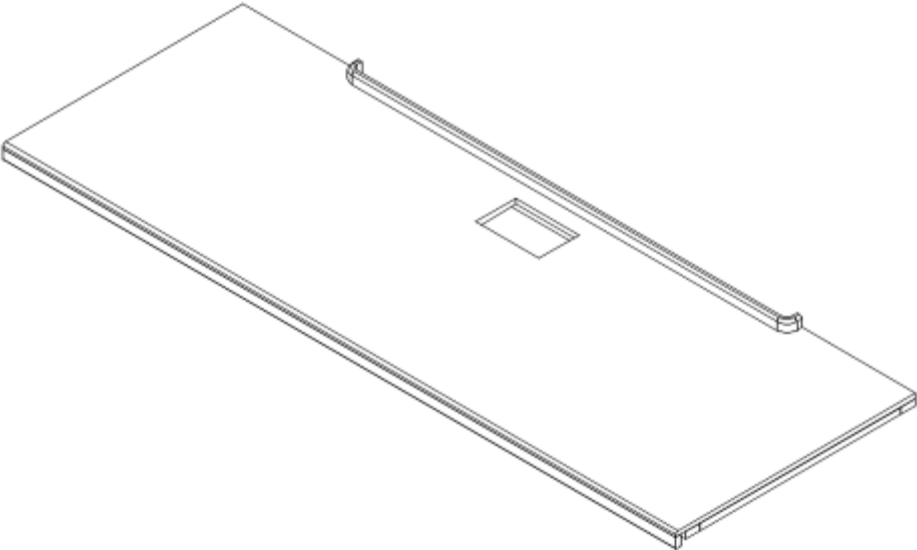
968167-35

Dinette Roof Locker

- |                 |                                 |
|-----------------|---------------------------------|
| 1. 968167-351   | Panel, 16.53 x 74.75            |
| 2. 968167-352   | Panel, 16.02 x 35.06            |
| 3. 968167-354   | Panel, 18.74 x 14.85            |
| 4. 968167-355   | Panel, 18.739 x 14.85           |
| 5. 968167-356   | Panel, 18.74 x 14.85            |
| 6. 968167-357   | Panel, 18.74 x 14.85            |
| 7. 968167-358   | Panel, 5.27 x 14.85             |
| 8. 968167-359   | Panel, 5.27 x 14.85             |
| 9. 104821       | Support, Aluminum, 70"          |
| 10. 801969-1135 | Door, Maple                     |
| 11. 801988-0035 | Face frame, Maple               |
| 12. 801990-0035 | End cap, Maple                  |
| 13. 968346-35   | Blu-Ray shelf assembly, Maple   |
| 14. 968167-3525 | Panel, 2.5 x 71.75              |
| 15. 114810      | Aluminum angle, .5 x 1"         |
| 16. 690323-52   | Thermostat                      |
| 511815-01       | Receptacle, Duplex, Black       |
| 511815-02       | Plate, Decorator, 1 gang, Black |
| 512831          | Cabinet light                   |
| 382253-02       | Pull, Antique Silver, 5"        |
| 382238          | Hinge, 1" overlay               |
| 511227-01       | Raceway, Type L, Gray           |

2017 CLASSIC  
FURNITURE, LOUNGE

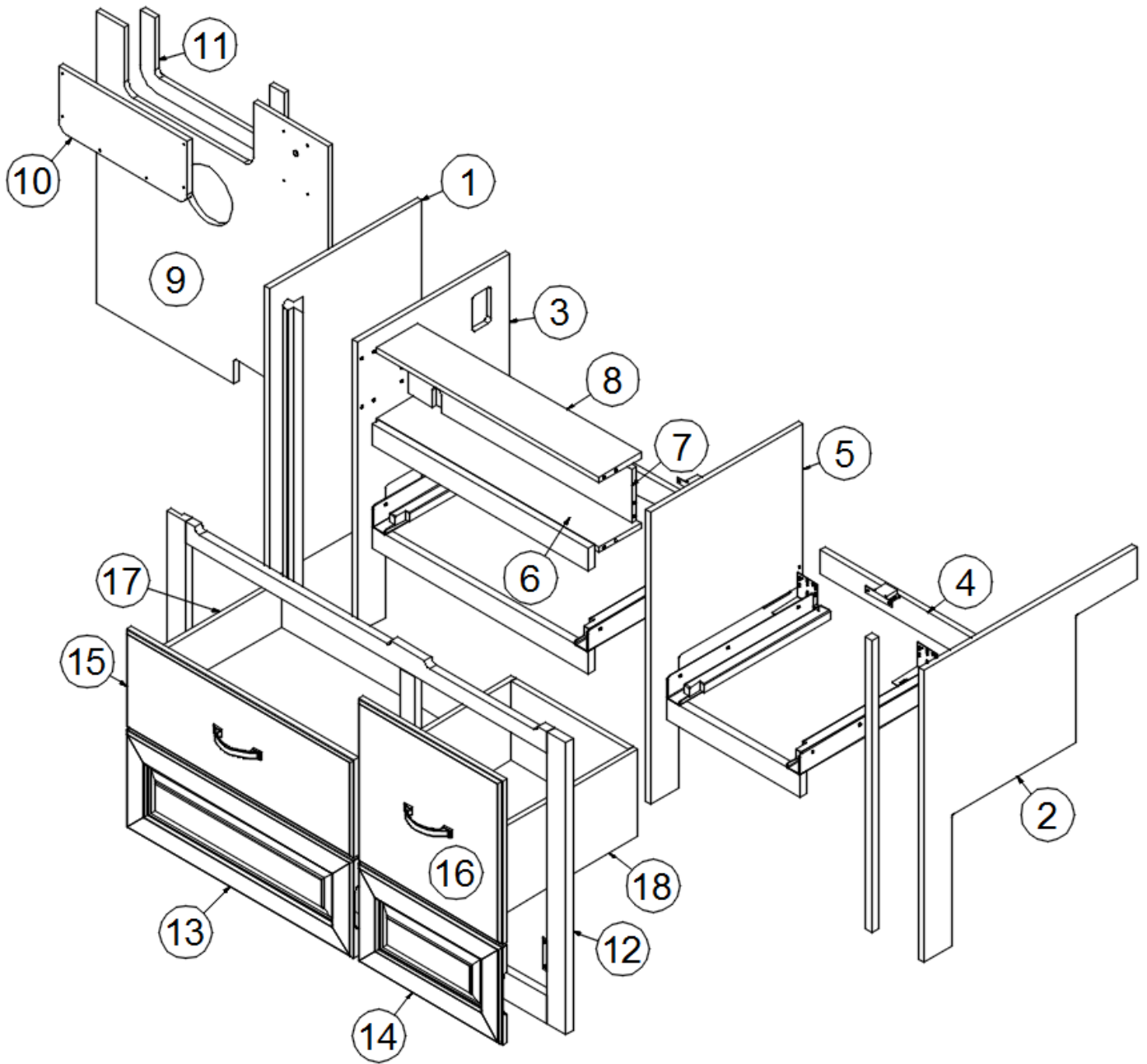
Entertainment Top, 33FB



- 602652-01 Entertainment top, Corian, Deep Night Sky
- 602652-02 Entertainment top, Corian, Sandalwood

# 2017 CLASSIC FURNITURE, LOUNGE

Entertainment Desk, 33FB, Hampton Walnut



Parts Listed on Next Page

## 2017 CLASSIC FURNITURE, LOUNGE

### Entertainment Desk, 33FB, Hampton Walnut

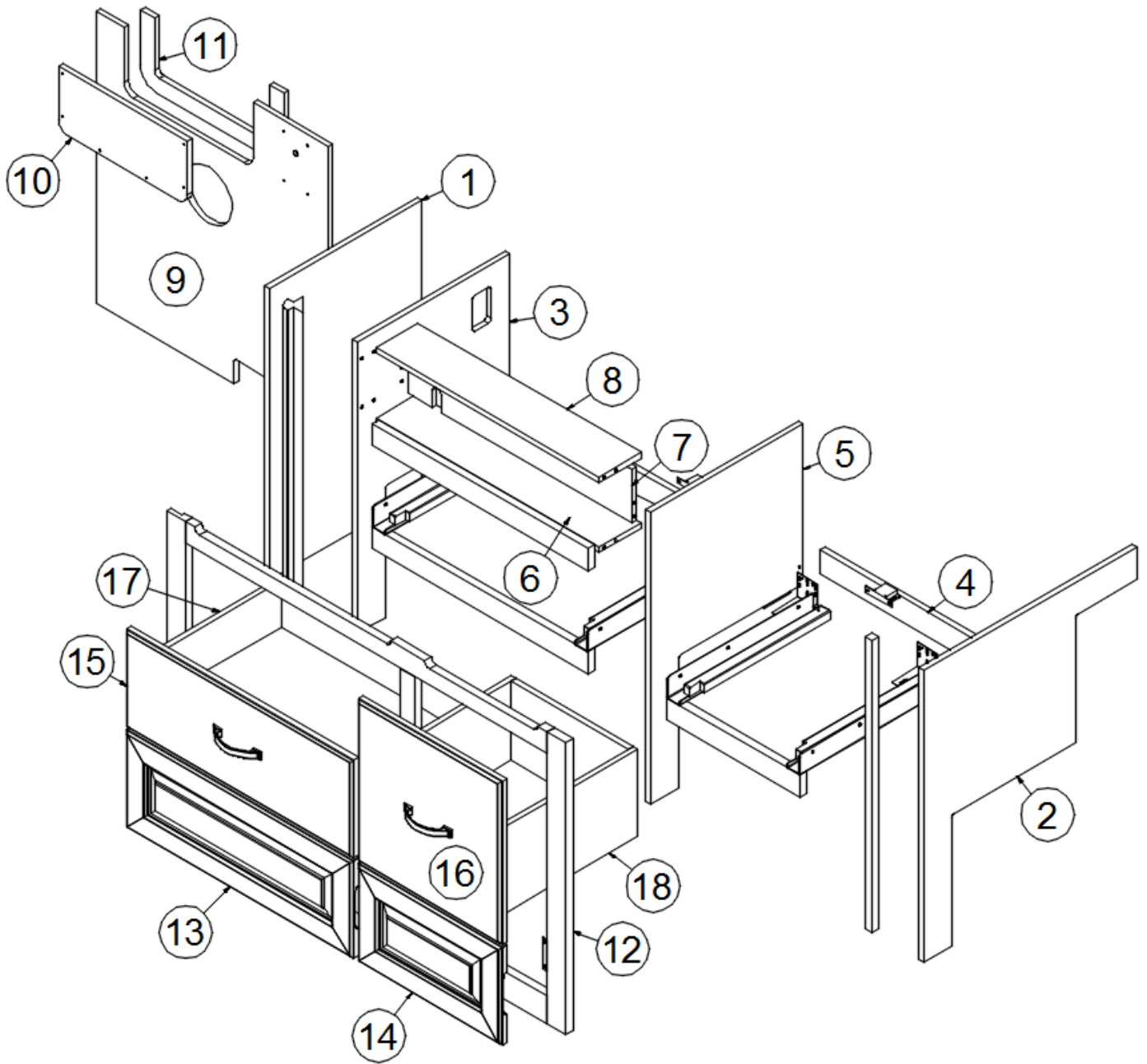
968547

Entertainment Desk

1. 968547-1 Panel, 16.25 x 26.88
2. 968547-2 Panel, 22.8 x 26.88
3. 968547-3 Panel, 16.31 x 26.88
4. 968547-4 Panel, 2.25 x 16.19
5. 968547-5 Panel, 16.31 x 26.88
6. 968547-6 Panel, 4.5 x 23.88
7. 968547-7 Panel, 5 x 23.88
8. 968547-8 Panel, 4.5 x 23.88
9. 968547-23 Panel, 24.82 x 26.85
10. 968547-24 Panel, 5.97 x 13.75
11. 968547-25 Panel, 6.75 x 15.32
12. 802197-0030 Face frame, Entertainment desk
13. 801969-2330 Door, 24.25 x 9
14. 801969-2430 Door, 15.38 x 9
15. 802056-1230 Door, 9 x 24.25
16. 802056-1330 Door, 15 x 15.38
17. 968020-19 Drawer box, 17.88 x 15 x 5
18. 968020-02 Drawer box, 9.88 x 15 x 5
- 382253-02 Pull, Antique Silver, 5"
- 381228-02 Catch, Grabber door, 5LB
- 382203-03 Drawer slide, Self-close, 15"
- 382203-08 Bracket, Rear mount drawer slides
- 704404-01 Desk chair, Macadamia
- 801415-0030 Corner trim, 1" radius, Walnut

# 2017 CLASSIC FURNITURE, LOUNGE

Entertainment Desk, 33FB, Cognac Maple



Parts Listed on Next Page



## 2017 CLASSIC FURNITURE, LOUNGE

### Entertainment Desk, 33FB, Cognac Maple

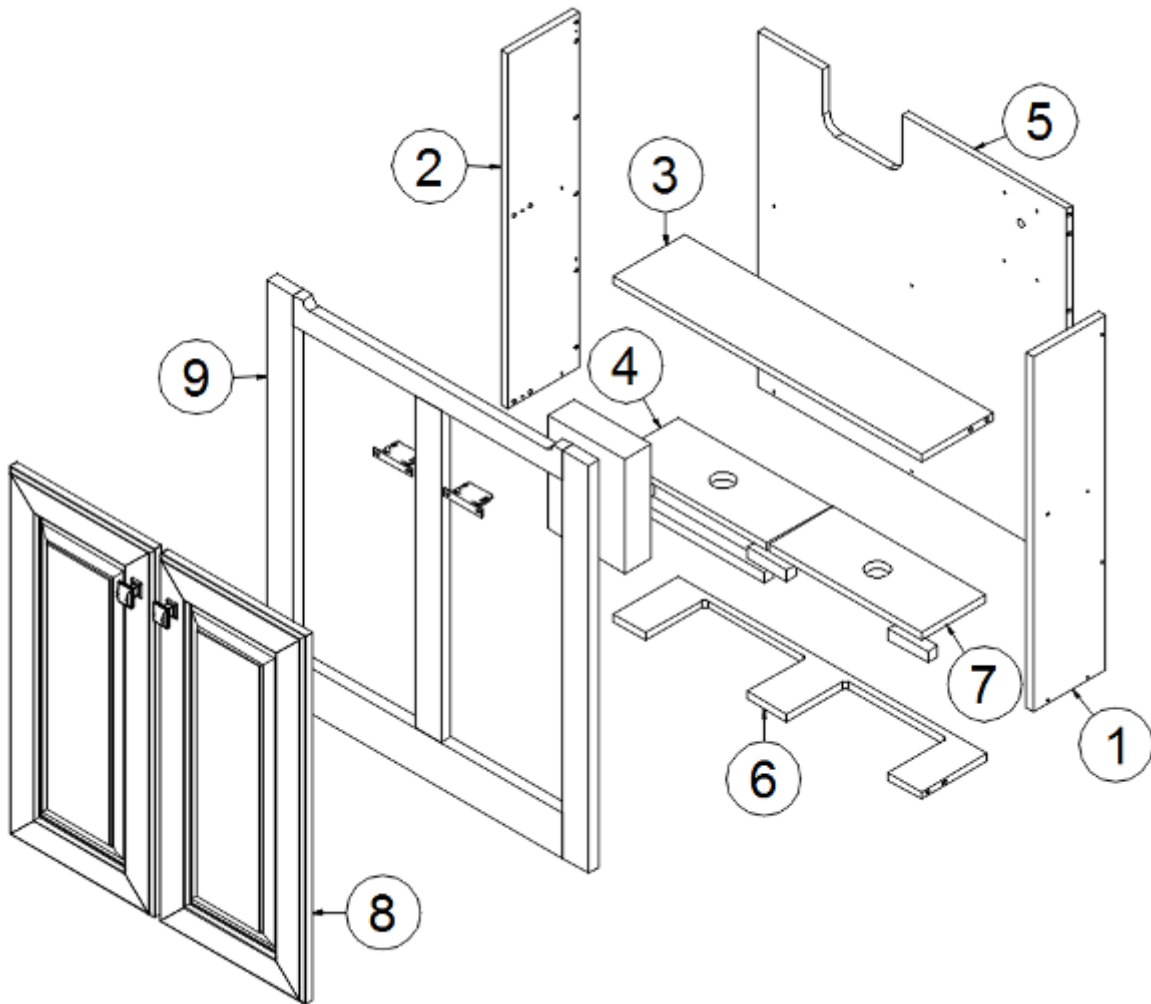
968547-35

Entertainment Desk

1. 968547-351 Panel, 16.25 x 26.88
2. 968547-352 Panel, 22.8 x 26.88
3. 968547-353 Panel, 16.31 x 26.88
4. 968547-354 Panel, 2.25 x 16.19
5. 968547-355 Panel, 16.31 x 26.88
6. 968547-356 Panel, 4.5 x 23.88
7. 968547-357 Panel, 5 x 23.88
8. 968547-358 Panel, 4.5 x 23.88
9. 968547-3523 Panel, 24.82 x 26.85
10. 968547-3524 Panel, 5.97 x 13.75
11. 968547-3525 Panel, 6.75 x 15.32
12. 802197-0035 Face frame, Entertainment desk
13. 801969-2335 Door, 24.25 x 9
14. 801969-2435 Door, 15.38 x 9
15. 802056-1235 Door, 9 x 24.25
16. 802056-1335 Door, 15 x 15.38
17. 968020-19 Drawer box, 17.88 x 15 x 5
18. 968020-02 Drawer box, 9.88 x 15 x 5
- 382253-02 Pull, Antique Silver, 5"
- 381228-02 Catch, Grabber door, 5LB
- 382203-03 Drawer slide, Self-close, 15"
- 382203-08 Bracket, Rear mount drawer slides
- 704404-02 Desk chair, Chestnut
- 801415-0035 Corner trim, 1" radius,

# 2017 CLASSIC FURNITURE, LOUNGE

## Desk Cabinet, 33FB, Hampton Walnut



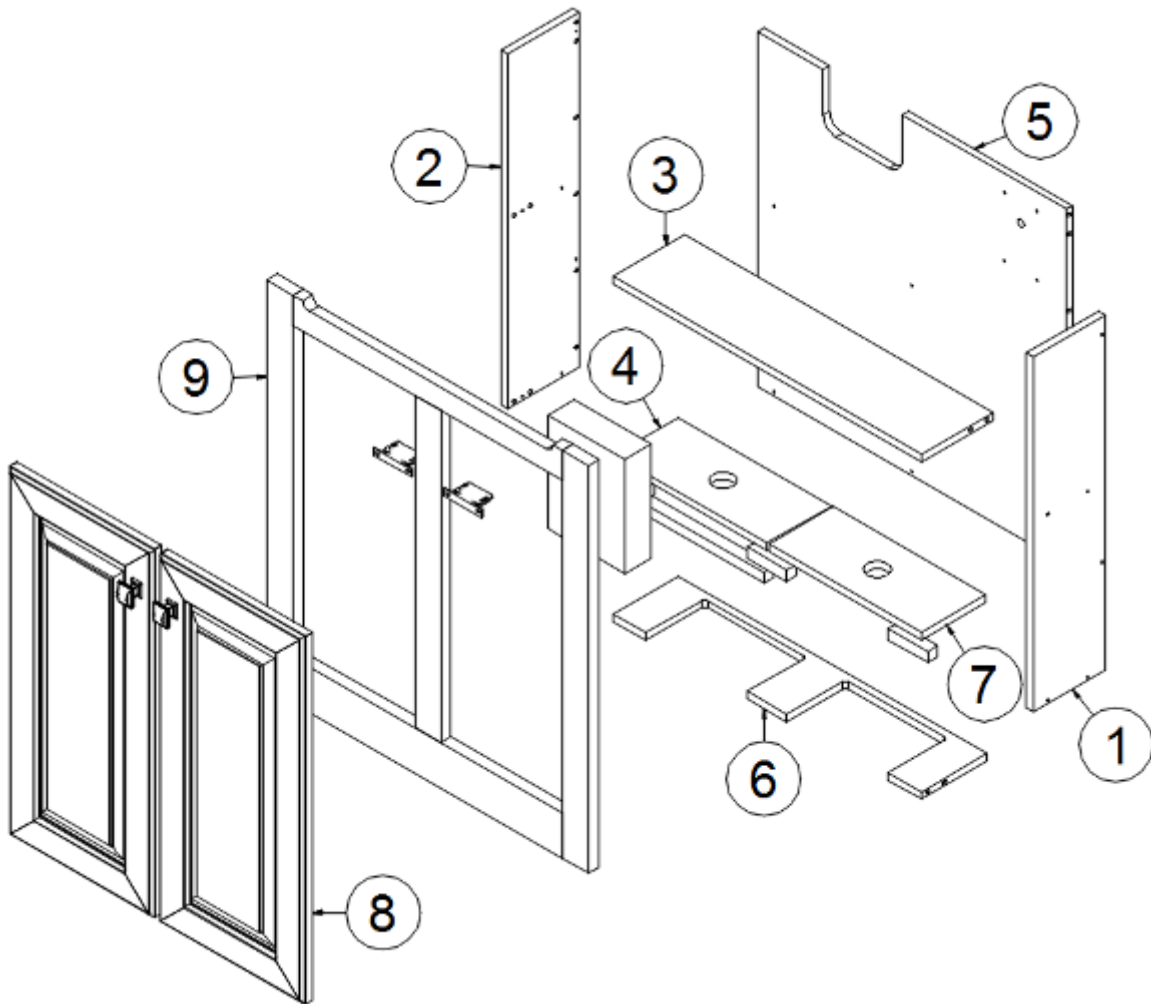
968548

Desk Cabinet

- |                |                                |
|----------------|--------------------------------|
| 1. 968548-1    | Panel, 5.5 x 23.38             |
| 2. 968548-2    | Panel, 5.5 x 23.38             |
| 3. 968548-3    | Panel, 5.5 x 23.44             |
| 4. 968548-4    | Panel, 4.88 x 11.63            |
| 5. 968548-5    | Panel, 23.44 x 23.38           |
| 6. 968548-6    | Panel, 23.44 x 5               |
| 7. 968548-7    | Panel, 4.88 x 11.63            |
| 8. 801969-2230 | Door, 11 x 24.25               |
| 9. 802196-0030 | Face frame, Entertainment desk |
| 381209-01      | Grommet w/cap                  |
| 381228-02      | Catch, Grabber door, 5LB       |
| 382238         | Hinge, Compact                 |
| 382252         | Knob, Antique Silver           |

# 2017 CLASSIC FURNITURE, LOUNGE

## Desk Cabinet, 33FB, Cognac Maple



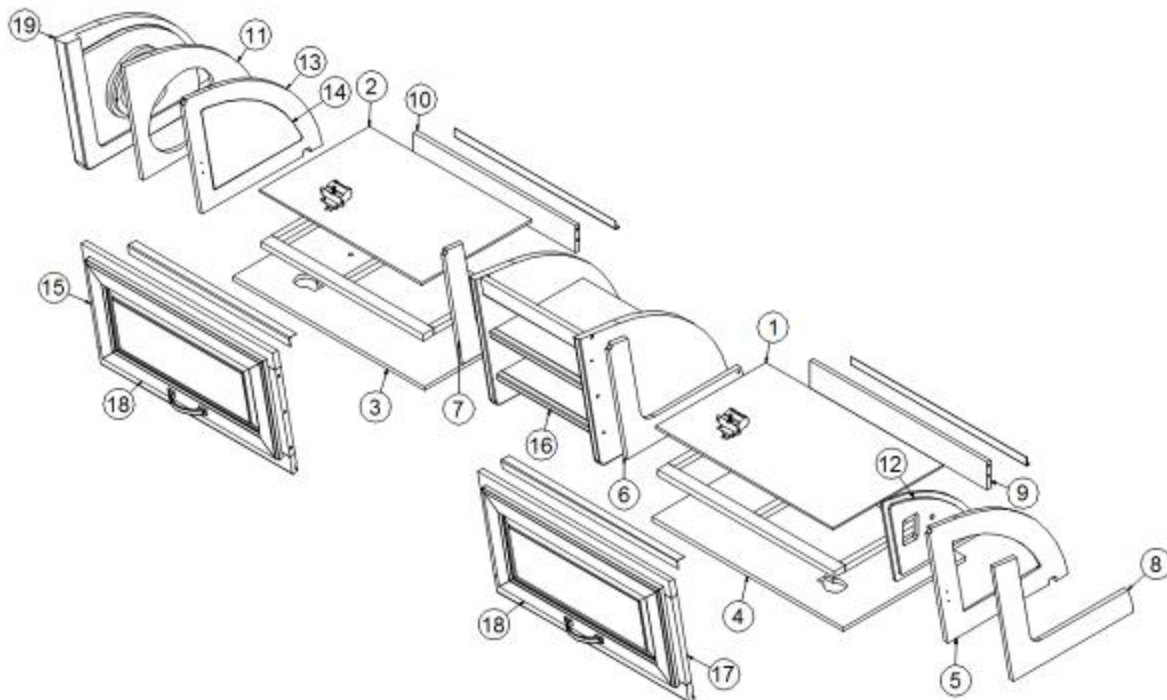
968548-35

Desk Cabinet

- |                |                                |
|----------------|--------------------------------|
| 1. 968548-351  | Panel, 5.5 x 23.38             |
| 2. 968548-352  | Panel, 5.5 x 23.38             |
| 3. 968548-353  | Panel, 5.5 x 23.44             |
| 4. 968548-354  | Panel, 4.88 x 11.63            |
| 5. 968548-355  | Panel, 23.44 x 23.38           |
| 6. 968548-356  | Panel, 23.44 x 5               |
| 7. 968548-357  | Panel, 4.88 x 11.63            |
| 8. 801969-2235 | Door, 11 x 24.25               |
| 9. 802196-0035 | Face frame, Entertainment desk |
| 381209-01      | Grommet w/cap                  |
| 381228-02      | Catch, Grabber door, 5LB       |
| 382238         | Hinge, Compact                 |
| 382252         | Knob, Antique Silver           |

## 2017 CLASSIC FURNITURE, LOUNGE

### Projector Overhead, 33FB, Hampton Walnut



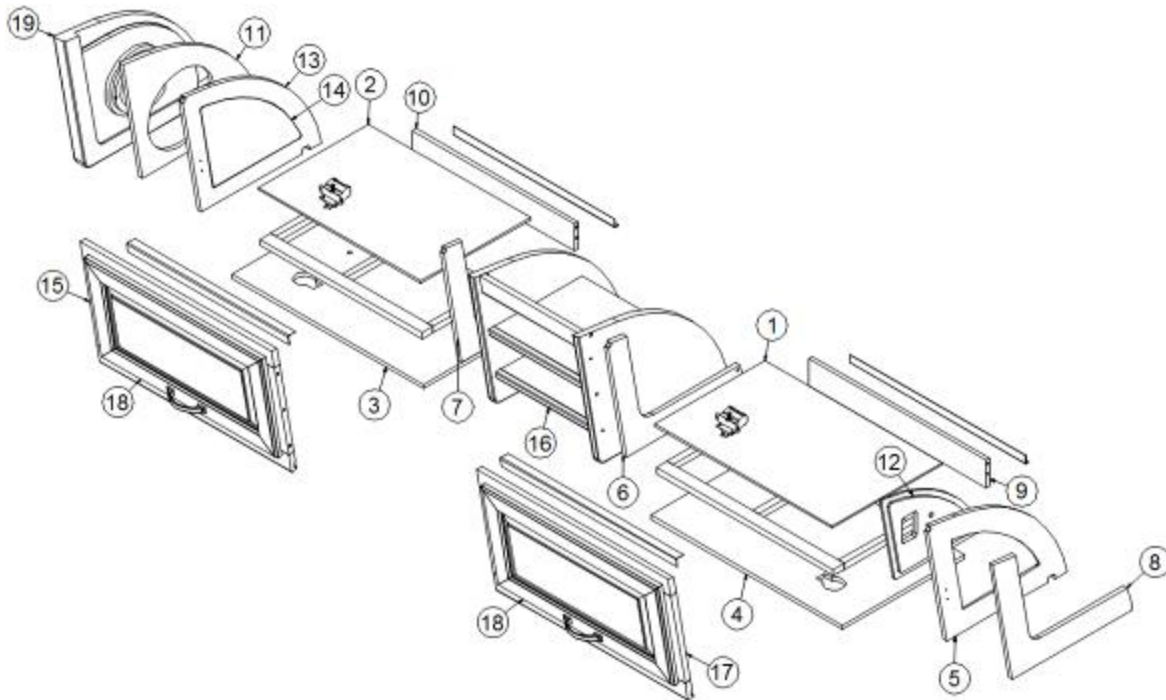
968553-30

Projector Overhead

- |                 |   |
|-----------------|---|
| 1. 968553-301   | Panel, 15 x 24.17                       |
| 2. 968553-302   | Panel, 15 x 22.17                       |
| 3. 968553-303   | Panel, 26.17 x 16.75                    |
| 4. 968553-304   | Panel, 26.17 x 16.75                    |
| 5. 968553-305   | Panel, 19 x 14.75                       |
| 6. 968553-306   | Panel, 19 x 14.75                       |
| 7. 968553-307   | Panel, 19 x 14.75                       |
| 8. 968553-308   | Panel, 9.15 x 14.85                     |
| 9. 968553-309   | Panel, 3.25 x 24.17                     |
| 10. 968553-3010 | Panel, 3.25 x 22.17                     |
| 11. 968553-3011 | Panel, 19.15 x 14.85                    |
| 12. 968553-3027 | Panel, 13.75 x 10.35                    |
| 13. 968553-3031 | Panel, 19 x 14.75                       |
| 14. 968553-3032 | Panel, 13.75 x 10.35                    |
| 15. 802194-0030 | Face frame, Left projector roof locker  |
| 16. 802212-0030 | Face frame, Mid projector roof locker   |
| 17. 802213-0030 | Face frame, Right projector roof locker |
| 18. 801969-2730 | Door, 13 x 26.88                        |
| 19. 968591      | End cap w/speaker                       |
| 512831          | Cabinet light                           |
| 382253-02       | Pull, Antique Silver, 5"                |

## 2017 CLASSIC FURNITURE, LOUNGE

### Projector Overhead, 33FB, Cognac Maple



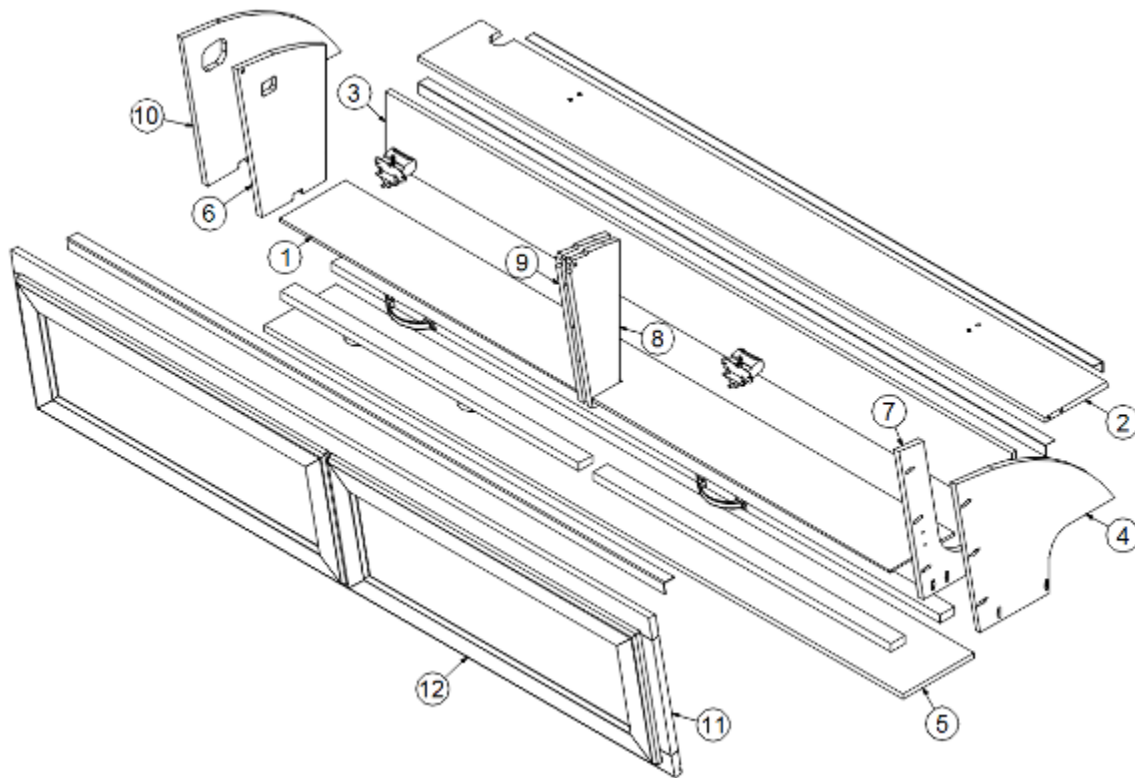
968553-35

Projector Overhead

- |                 |   |
|-----------------|---|
| 1. 968553-351   | Panel, 15 x 24.17                       |
| 2. 968553-352   | Panel, 15 x 22.17                       |
| 3. 968553-353   | Panel, 26.17 x 16.75                    |
| 4. 968553-354   | Panel, 26.17 x 16.75                    |
| 5. 968553-355   | Panel, 19 x 14.75                       |
| 6. 968553-356   | Panel, 19 x 14.75                       |
| 7. 968553-357   | Panel, 19 x 14.75                       |
| 8. 968553-358   | Panel, 9.15 x 14.85                     |
| 9. 968553-359   | Panel, 3.25 x 24.17                     |
| 10. 968553-3510 | Panel, 3.25 x 22.17                     |
| 11. 968553-3511 | Panel, 19.15 x 14.85                    |
| 12. 968553-3527 | Panel, 13.75 x 10.35                    |
| 13. 968553-3531 | Panel, 19 x 14.75                       |
| 14. 968553-3532 | Panel, 13.75 x 10.35                    |
| 15. 802194-0035 | Face frame, Left projector roof locker  |
| 16. 802212-0035 | Face frame, Mid projector roof locker   |
| 17. 802213-0035 | Face frame, Right projector roof locker |
| 18. 801969-2735 | Door, 13 x 26.88                        |
| 19. 968591      | End cap w/speaker                       |
| 512831          | Cabinet light                           |
| 382253-02       | Pull, Antique Silver, 5"                |

# 2017 CLASSIC FURNITURE, LOUNGE

## Desk Overhead, 33FB, Hampton Walnut



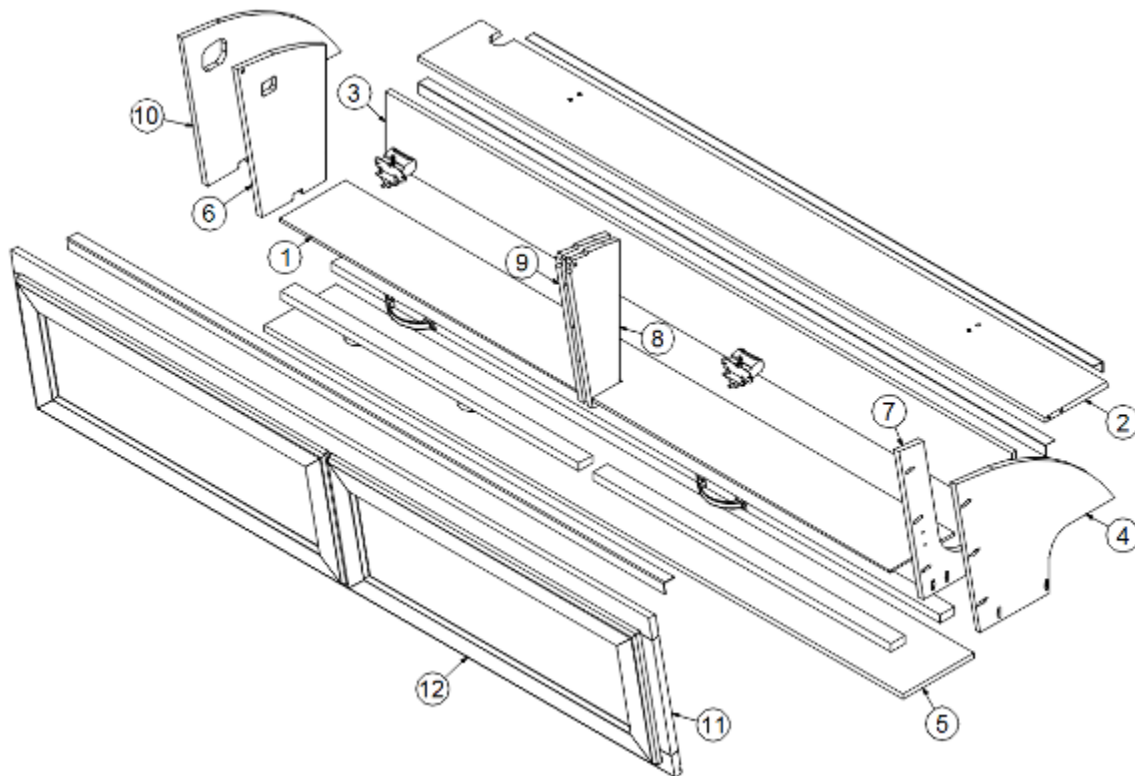
968552

Desk Overhead

- |                 |                           |
|-----------------|---------------------------|
| 1. 968552-1     | Panel, 6.875 x 64.35      |
| 2. 968552-2     | Panel, 6.75 x 66.1        |
| 3. 968552-3     | Panel, 6.25 x 66.1        |
| 4. 968552-4     | Panel, 14.85 x 16.8       |
| 5. 968552-5     | Panel, 7.5 x 67.35        |
| 6. 968552-6     | Panel, 14.85 x 9.41       |
| 7. 968552-7     | Panel, 14.85 x 9.45       |
| 8. 968552-8     | Panel, 5.27 x 14.85       |
| 9. 968552-9     | Panel, 5.27 x 14.85       |
| 10. 968552-10   | Panel, 14.85 x 16.8       |
| 11. 802191-0030 | Face frame, Desk overhead |
| 12. 801969-2030 | Door, 13.25 x 32.5        |
| 114812          | Aluminum angle, 1 x 1     |
| 512831          | Cabinet light             |
| 382253-02       | Pull, Antique Silver, 5"  |
| 382238          | Hinge, Compact            |
| 382242          | Maxi lid stay             |
| 381688          | Bump-on                   |
| 365379-01       | Edgebanding, .64", Walnut |

# 2017 CLASSIC FURNITURE, LOUNGE

## Desk Overhead, 33FB, Cognac Maple



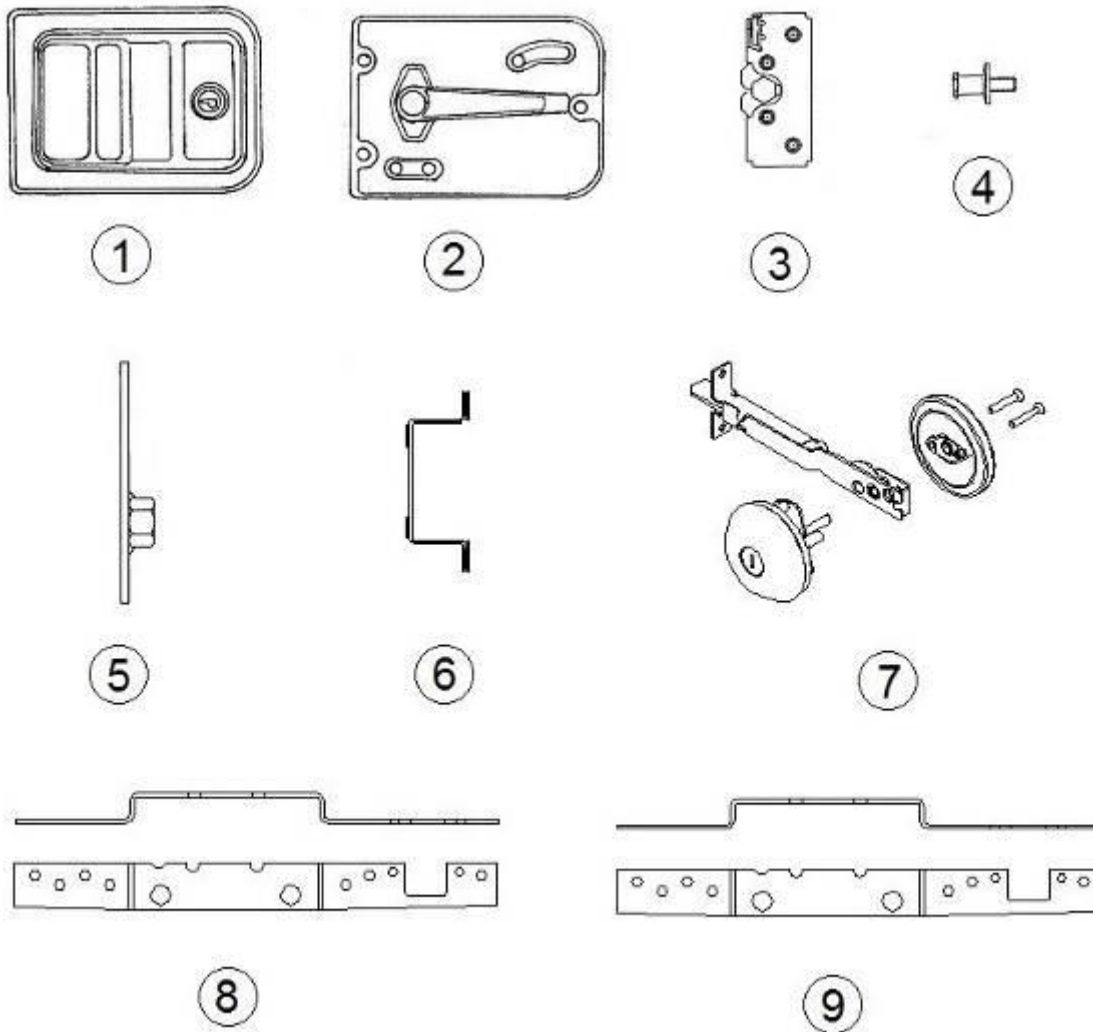
968552-35

Desk Overhead

- |                 |                                 |
|-----------------|---------------------------------|
| 1. 968552-351   | Panel, 6.875 x 64.35            |
| 2. 968552-352   | Panel, 6.75 x 66.1              |
| 3. 968552-353   | Panel, 6.25 x 66.1              |
| 4. 968552-354   | Panel, 14.85 x 16.8             |
| 5. 968552-355   | Panel, 7.5 x 67.35              |
| 6. 968552-356   | Panel, 14.85 x 9.41             |
| 7. 968552-357   | Panel, 14.85 x 9.45             |
| 8. 968552-358   | Panel, 5.27 x 14.85             |
| 9. 968552-359   | Panel, 5.27 x 14.85             |
| 10. 968552-3510 | Panel, 14.85 x 16.8             |
| 11. 802191-0035 | Face frame, Desk overhead       |
| 12. 801969-2035 | Door, 13.25 x 32.5              |
| 114812          | Aluminum angle, 1 x 1           |
| 512831          | Cabinet light                   |
| 382253-02       | Pull, Antique Silver, 5"        |
| 382238          | Hinge, Compact                  |
| 382242          | Maxi lid stay                   |
| 381688          | Bump-on                         |
| 365405-01       | Edgeworking, .64", Cognac Maple |

# 2017 CLASSIC HARDWARE

## Main Door Lock, Left Hand Hinge

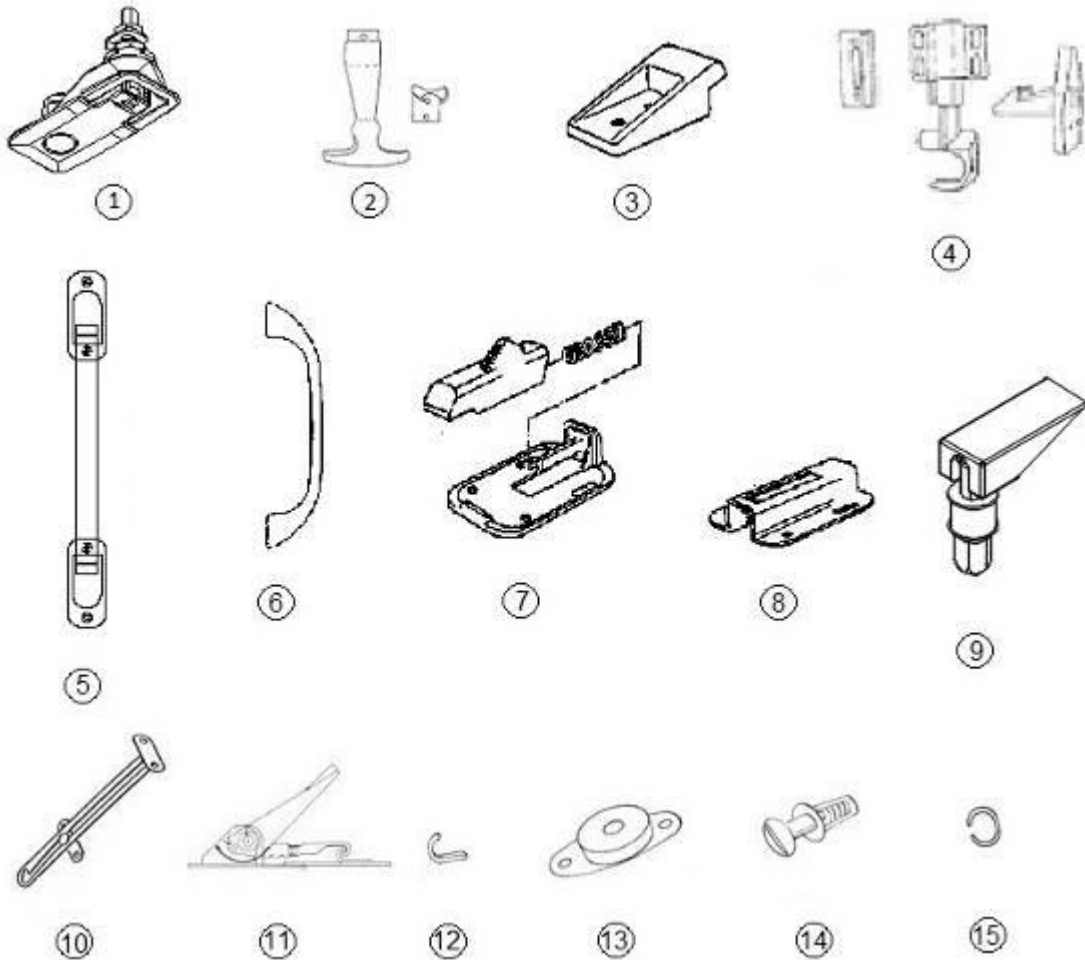


- |              |  |
|--------------|--|
| 1. 381547-01 | Main door lock, Outside housing              |
| 2. 381547-07 | Main door lock, Inside plate                 |
| 3. 381547-03 | Double rotary latch, Main door               |
| 4. 381547-04 | Striker bolt w/washer, Main door lock        |
| 5. 381550    | Plate, Striker bolt mounting                 |
| 6. 115413    | Door hat section                             |
| 7. 382069    | Deadbolt assembly, Round, Trimark            |
| 8. 382067    | Outer reinforcement plate, RH/LH hinged door |
| 9. 382066    | Inner reinforcement plate, LH hinged door    |
| 382069-100   | Deadbolt key, Blank                          |
| 381547-102   | Main door key, Blank                         |
| 381547-08    | Screw package, Main door lock                |
| 385595       | Pocket strike                                |
| 382122       | Keychain, Airstream logo                     |



# 2017 CLASSIC HARDWARE

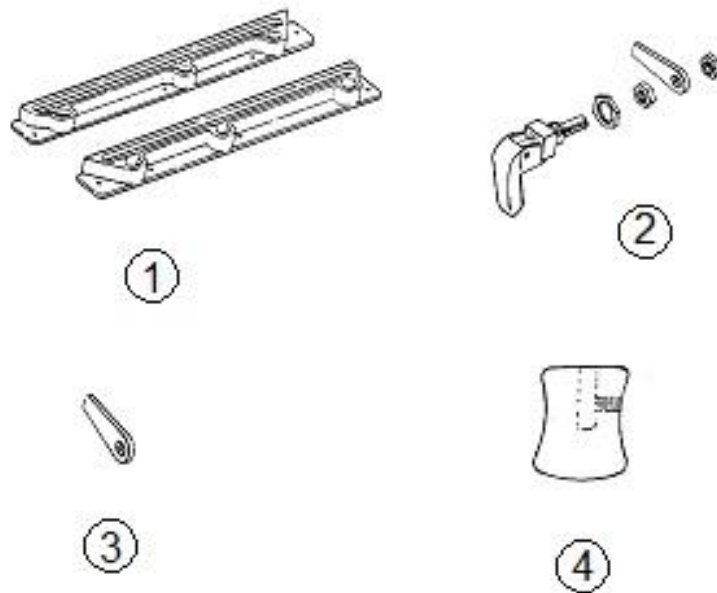
## Exterior Latches, Locks, & Handles



- |               |   |
|---------------|---|
| 1. 382230-02  | Compression latch w/key code                    |
| 2. 381021-01  | T handle, Rubber                                |
| 3. 201056     | Catch, Main door holdback                       |
| 4. 381454     | Latch, Screen door, Bullet                      |
| 5. 511344-05  | Grab handle, Clear swirl handle w/Blue LED bulb |
| 6. 380004     | Handle, Screen door                             |
| 7. 380291     | Main door holdback                              |
| 8. 380290     | Latch housing, Main door holdback               |
| 9. 382456     | Swell latch                                     |
| 10. 380024    | Support arm                                     |
| 11. 382091-01 | Tension latch, Stainless Steel                  |
| 12. 382091-02 | Strike, Tension latch, Stainless Steel          |
| 13. 685359    | Rubber receptacle, 1/4 turn latch, Southco      |
| 14. 685358    | Stud, 1/4 turn latch, Southco                   |
| 15. 685362    | Retaining ring, 1/4 turn stud                   |
| 382249        | Gasket, Main door grab handle                   |

# 2017 CLASSIC HARDWARE

## Window Hardware



- |              |                                 |
|--------------|---------------------------------|
| 1. 382360    | Window guide, RH                |
| 382359       | Window guide, LH                |
| 2. 010020    | Lower window latch, Chrome      |
| 195467-05    | Lower window latch w/Red handle |
| 3. 115776    | Lock paw, Window latch assembly |
| 4. 380230-03 | Knob, Window arm, Silver        |
| 380230-04    | Knob, Window arm, Red           |
| 1101-0011    | Bracket, LH window striker      |
| 1101-0012    | Bracket, RH window striker      |

## Hinges

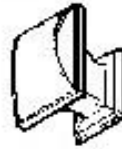
- |           |                                     |
|-----------|-------------------------------------|
| 381552-03 | Hinge, Main door, Upper             |
| 381552-04 | Hinge, Main door, Lower             |
| 381531-01 | Hinge, Screen door, Upper           |
| 381531-02 | Hinge, Screen door, Lower           |
| 380988    | Hinge, Continuous                   |
| 380203-01 | Piano hinge, 1/8", Clear Anodized   |
| 380203-02 | Piano hinge, 72", Black Anodized    |
| 381605-03 | Piano hinge, Wrap protectors        |
| 380773    | Hinge, Access door                  |
| 380774-02 | Hinge, 48", Compartment door        |
| 382238    | Hinge, Compact, Steel Nickel Plated |
| 114749    | Y-hinge, Rockguard                  |
| 114750    | J-hinge, Rockguard                  |

# 2017 CLASSIC HARDWARE

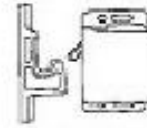
## Interior Latches & Handles



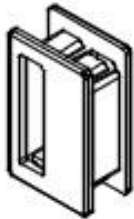
①



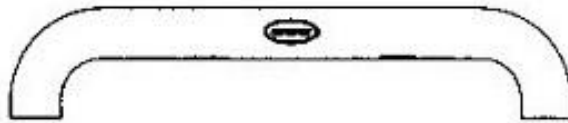
②



③



④



⑤



⑥

- |              |   |
|--------------|---|
| 1. 382253-02 | Pull, Antique Silver, 5"                |
| 382253-03    | Pull, Antique Silver, 8"                |
| 2. 382252    | Knob, Antique Silver, 5-3/16"           |
| 3. 381228    | Catch, Grabber door, 10LB               |
| 381228-02    | Catch, Grabber door, 5LB                |
| 4. 382343    | Recessed door handle kit                |
| 5. 382194    | Head knocker, White, Interior door jamb |
| 6. 381737-02 | Handle assist, Molded, Black            |
| 381754       | Mirror clip, Retainer, Metal            |
| 381408       | Push lock, Button style, Black          |
| 382444-01    | Pocket door edge pull                   |
| 382444-02    | Track, 36"                              |
| 382444-03    | Roller hardware kit                     |
| 382444-04    | Track stop                              |
| 382244       | Bath door latch kit                     |
| 382244-01    | Door handle, Right, Never Nickel        |
| 382244-02    | Door handle, Left, Never Nickel         |
| 382244-03    | Rosette, Never Nickel                   |
| 382244-04    | Spindle                                 |
| 382244-05    | Cover, Never Nickel                     |
| 382244-06    | Door latch, Nickel Matt                 |
| 382244-07    | Striker plate, Nickel Matt              |
| 382300       | Robe hook, Single prong, Front entry    |

# 2017 CLASSIC HARDWARE

## Bath Accessories

382259	Recessed toilet paper holder
600594	Strainer w/White rubber stopper
382275	Towel bar, 18", Antique Silver
602541-14	Towel bar, Alde
455092	Cover plate, Towel bar, Stainless Steel
382274	Robe hook, Antique Silver
382273	Robe hook, Double prong, Antique Silver

## Shower Accessories

602401	Valve, Rite-temp, 1/2" pressure balance
602675	Hand shower, Brushed Nickel, Oxygenics
602404	Elbow, Wall mount, Brushed Nickel
602400	Valve trim kit, Refina, Vibrant Brushed Nickel, Kohler
602403	Hose, 60", Brushed Nickel
602405	Shower slide bar, 24"
602632	Flow controller w/Off switch

## Wardrobe Cabinets

380045	Clothes rod
200975-04	Conduit, Flexible, Black
380046	Bracket, Clothes rod end, Chrome flange

## Waste Basket

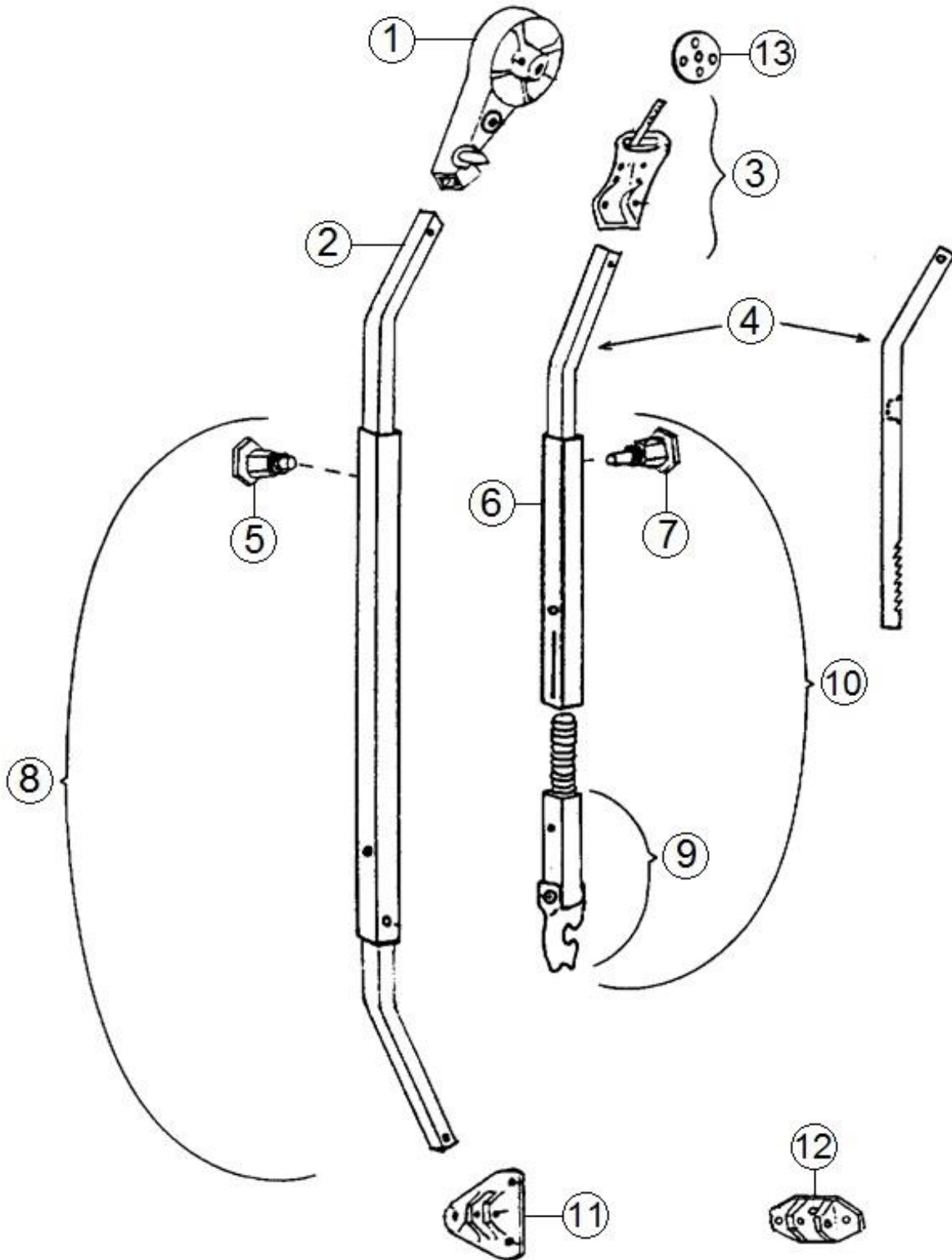
381708	Waste basket, 11.38 x 8.25 x 12
--------	---------------------------------

## Alde Hardware

115722-01	Bracket, Wall mount expansion tank
115722-02	Bracket, Expansion tank
115723-01	Bracket, Alde convector cover, Top, 61.25"
115723-02	Bracket, Alde convector cover, Top, 62.25"
115723-03	Bracket, Alde convector cover, Top, 41.75"
115723-04	Bracket, Alde convector cover, Top, 17.75"
115723-05	Bracket, Alde convector cover, Top, 26"
115724-01	Bracket, Alde convector cover, Bottom, 61.25"
115724-02	Bracket, Alde convector cover, Bottom, 62.25"
115724-03	Bracket, Alde convector cover, Bottom, 41.75"
115724-04	Bracket, Alde convector cover, Bottom, 17.75"
115724-05	Bracket, Alde convector cover, Bottom, 26"
115782	Bracket, Convector cover, Headboard
115792	Bracket, Convector cover, Galley
115793	Bracket, Convector cover, Sofa

# 2017 CLASSIC HARDWARE

## Awning Hardware



Parts Listed on Next Page

## 2017 CLASSIC HARDWARE

### Awning Hardware

704049-01      Awning Hardware Kit

1. 74043W-04      Head assembly, front
- 74043W-05      Head assembly, Rear
2. 74047W-09      Main arm bar, front
- 74047W-10      Main arm bar, rear
3. 74056W          Clamp assembly, front, curved
- 74056W-01      Clamp assembly, rear, curved
4. 74061WS-07      Rafter arm bar, satin
5. 74054W          Snap stud assembly
6. 74063W-04      Rafter arm tube, satin
7. 74072W          Ratchet stud
8. 74048WS-12      Main arm tube assembly, front
- 74048WS-13      Main arm tube assembly, rear
9. 74068W-03      Claw bar assembly
10. 74048WS-14      Rafter arm assembly
11. 74055W          Base hinge, rib mount
12. 74055W-01      Base hinge, floor mount
13. 74060W          Clamp wheel
- 74041W-01      Awning hook rod

## 2017 CLASSIC HARDWARE

### Rivets

325000	Rivet, 1/8" x 1/4", Solid Braizer head
325000-01	Rivet, 1/8" x 1/4", Anodized Clear
325001-01	Rivet, 1/8" x 5/16", Anodized Clear
325002-01	Rivet, 1/8" x 3/8", Anodized Clear
325003	Rivet, 1/8 x 7/16, Solid Braizer head
325003-03	Rivet, 1/8 x 7/16, Polar White
325004-01	Rivet, 1/8" x 1/2", Anodized Clear
325043	Rivet, 1/8" x 1/4"
325103-01	Rivet, Pop, 3/16", Anodized Clear
330038	Rivet, Blind, AD54ABS-LF
330152	Rivet, 1/8", Aluminum w/Steel mandrel
330155	Rivet, .125", Aluminum w/Stainless Steel mandrel
330127-03	Rivet, 1/8", AD43ABS
330127-05	Rivet, 1/8", AD45ABS
330127-08	Rivet, 1/8", AD48ABS
330126-02	Rivet, Pop, SSD43SSBS
330126-03	Rivet, Pop, SSD44SSBS
330126-04	Rivet, Pop, SSD45SSBS
330128-05	Rivet, 1/8", AD45ABS
330128-08	Rivet, 1/8", AD48ABS

### Screws

345582	Screw, M4 x 14, PH, SS, TV bracket
345468-01	Screw, #12 x .625, PH, Black, TV bracket
320177	Screw, #8 x 1, Hex washer head, TV bracket
320116-06	Screw, #8 x 1, PH, Black
345558	Screw, #8-32 x .5, PH, Black, Windows
345511	Screw, M5 x 20mm, Flange HD, Vibration resistant
345473	Screw, #6 x .75, Self-drilling, Taillights
345073-08	Screw, .25-20 x 1.375, Phil, Wafer HD, Floor
320159	Screw, M6 x 45mm, Self-drilling w/wings, Floor

# 2017 CLASSIC SAFETY EQUIPMENT

## Detectors & Fire Extinguishers

510781	Smoke detector
510891	Smoke detector, CSA
512539-01	LP detector, Black
512783	Carbon Monoxide detector
600162-01	Fire extinguisher
600162-02	Fire extinguisher, CSA



## 2017 CLASSIC LABELS AND TAGS

### Labels and Tags

386250	Label, LPG Service Port
386119	Label, do not store combustible
385068	Tag, cooking appliance warning
386118	Label, LP gas, tri-warning
385517	Label, kill switch warning
385521	Label, emergency egress window
386122	Label, comfort heating
386121	Label, "if you smell gas"
385465	Exit label, English
385560	Label, air-conditioner rating
385812	Label, California hazardous substance
386120	Label, smoke alarm warning
385359	Label, microwave or air-conditioner
385837	Label, refrigeration ignition
386012	Label, warning-water heater
386098	Label Fuse, 12 V.
386123	Label, potable water only
386192	Hang tag, smoke/CO detector
386193	Label, wheel torque warning
386142	Label, check wheel lug
386114	Label, RVIA, silver
385062	Decal, 110-125 voltage AC
385565	Label, holding tank flushing
386226	Label, RV master weight
386060	Label Satellite Receiver Jack
386038	Label, CSA, Holding tank fresh water
385966	Label, inverter circuit
386160	Label, inverter switch
385101	Tag, aux., dump valve
385099	Tag, Black tank dump
386019	Label, 1 amp. Fuse max.
385020	Sticker, self-adhering, jack placement
386257	Label, Cable & Satellite Inlet
386263	Hang Tag, Coach-Net Roadside Assistance
386284	Label, Warning-Do not use a dolly wheel
386301	Warning label, Window Glass
386302	Label, Cooktop
386303	Warning label, Surface Cleaning
386305	Warning label, Heated Towel Bar

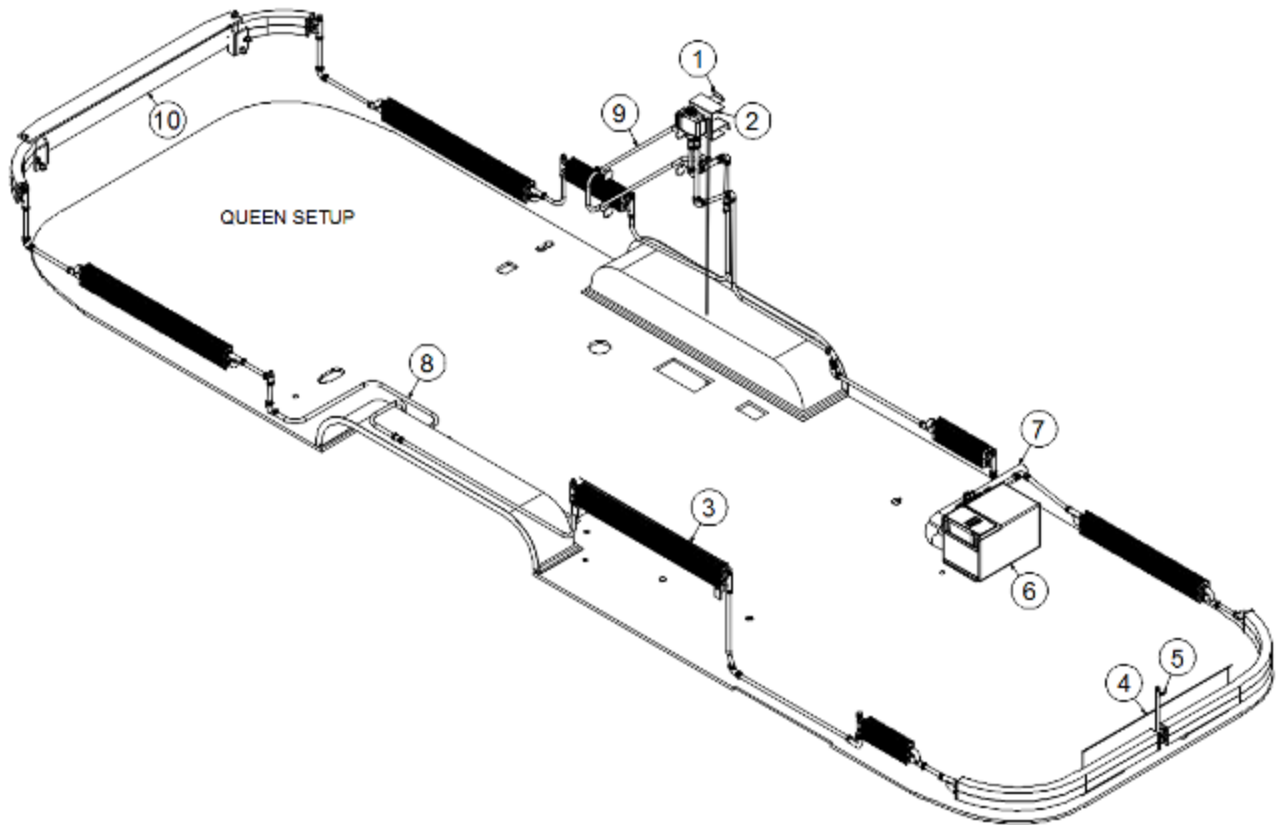
## 2017 CLASSIC LABELS AND TAGS

### Labels and Tags, CSA

385949	Label, potable water
385950	Label, smoke detector
385951	Label, range fresh air
385952	Label, LP warning
385953	Label, if you smell gas
385954	Label, range warning
385466	Label, exit, (French)
386105	Label, TV/VCR Receptacle
385971	Label, fuse, exterior light
385973	Label, fuse 12 volt

# 2017 CLASSIC PLUMBING, ALDE SYSTEM

## Alde System, Queen, 30'

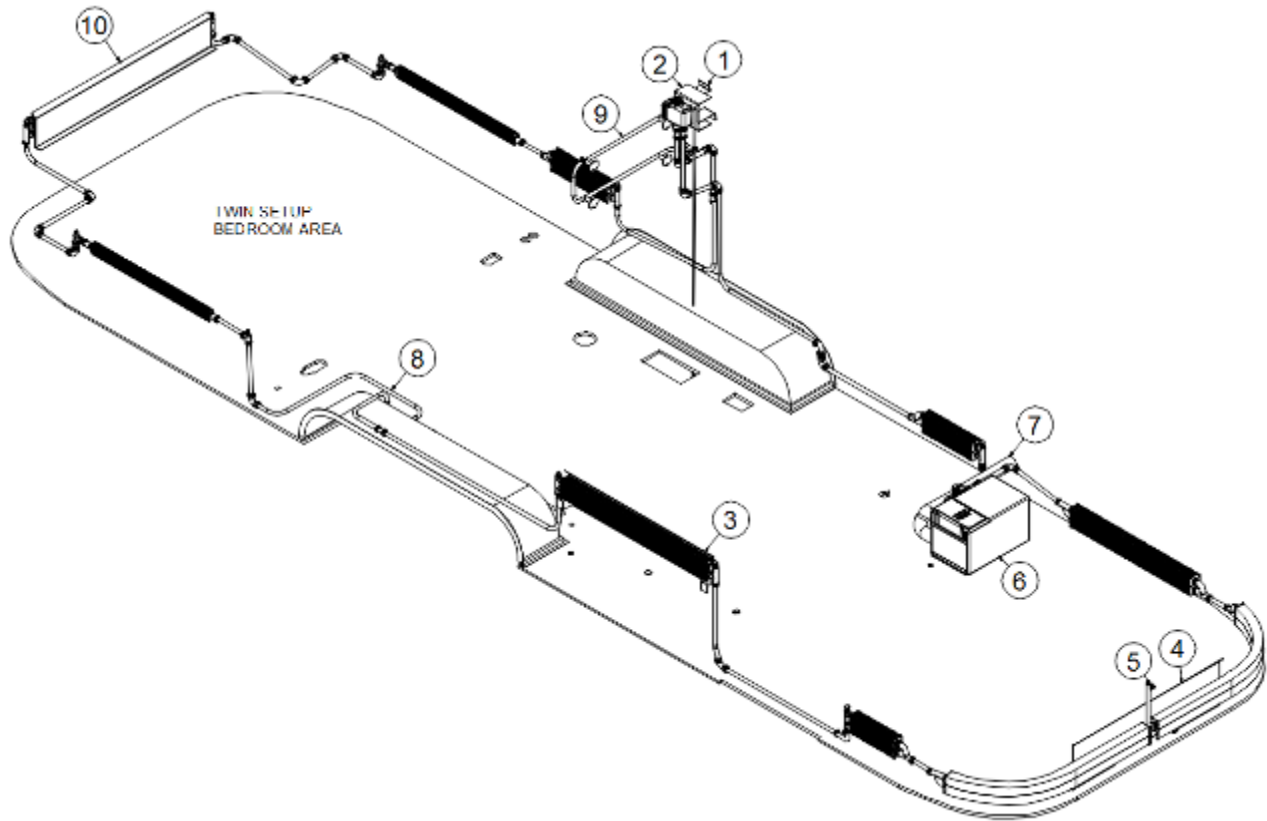


### 112361-01 Alde System Install, Queen

- |     |           |                                    |
|-----|-----------|------------------------------------|
| 1.  | 115722-01 | Bracket, Wall mount expansion tank |
| 2.  | 115722-02 | Bracket, Expansion tank            |
| 3.  | 115792    | Bracket, Convector cover galley    |
| 4.  | 115793    | Bracket, Convector cover           |
| 5.  | 340085-06 | Loop clamp, Steel w/rubber         |
| 6.  | 602541-01 | Alde 3010 heater w/pump            |
| 7.  | 602541-15 | Alde insulation hose               |
| 8.  | 602562-01 | Alde pipe, Shower floor warmer     |
| 9.  | 602541-14 | Alde towel bar                     |
| 10. | 968415    | Convector cover, Bedroom           |
|     | 602541-20 | Alde control panel                 |
|     | 602541-22 | Remote sensor                      |
|     | 602541-23 | flue cap, Medium Grey              |
|     | 602541-29 | Wall flue                          |
|     | 602541-30 | Alde high temp mixing valve        |
|     | 602541-31 | Safety drain valve                 |
|     | 602541-32 | Water connection kit               |
|     | 360371    | Alde Glycol fluid, USA only        |

# 2017 CLASSIC PLUMBING, ALDE SYSTEM

## Alde System, Twin, 30'



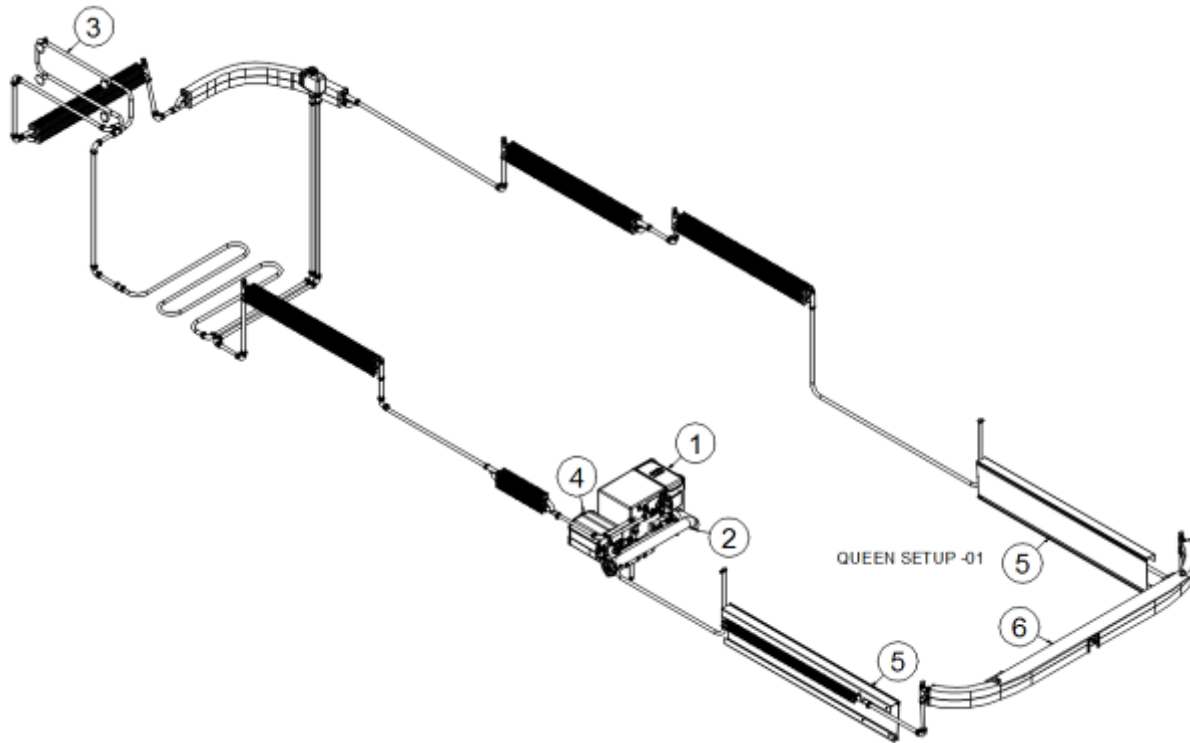
112361-02

Alde System Install, Twin

- |     |           |                                     |
|-----|-----------|-------------------------------------|
| 1.  | 115722-01 | Bracket, Wall mount expansion tank  |
| 2.  | 115722-02 | Bracket, Expansion tank             |
| 3.  | 115792    | Bracket, Convector cover galley     |
| 4.  | 115793    | Bracket, Convector cover            |
| 5.  | 340085-06 | Loop clamp, Steel w/rubber          |
| 6.  | 602541-01 | Alde 3010 heater w/pump             |
| 7.  | 602541-15 | Alde insulation hose                |
| 8.  | 602562-01 | Alde pipe, Shower floor warmer      |
| 9.  | 602541-14 | Alde towel bar                      |
| 10. | 115782    | Bracket, Convector cover, Headboard |
|     | 602541-20 | Alde control panel                  |
|     | 602541-22 | Remote sensor                       |
|     | 602541-23 | flue cap, Medium Grey               |
|     | 602541-29 | Wall flue                           |
|     | 602541-30 | Alde high temp mixing valve         |
|     | 602541-31 | Safety drain valve                  |
|     | 602541-32 | Water connection kit                |
|     | 360371    | Alde Glycol fluid, USA only         |

# 2017 CLASSIC PLUMBING, ALDE SYSTEM

## Alde System, Queen, 33FB

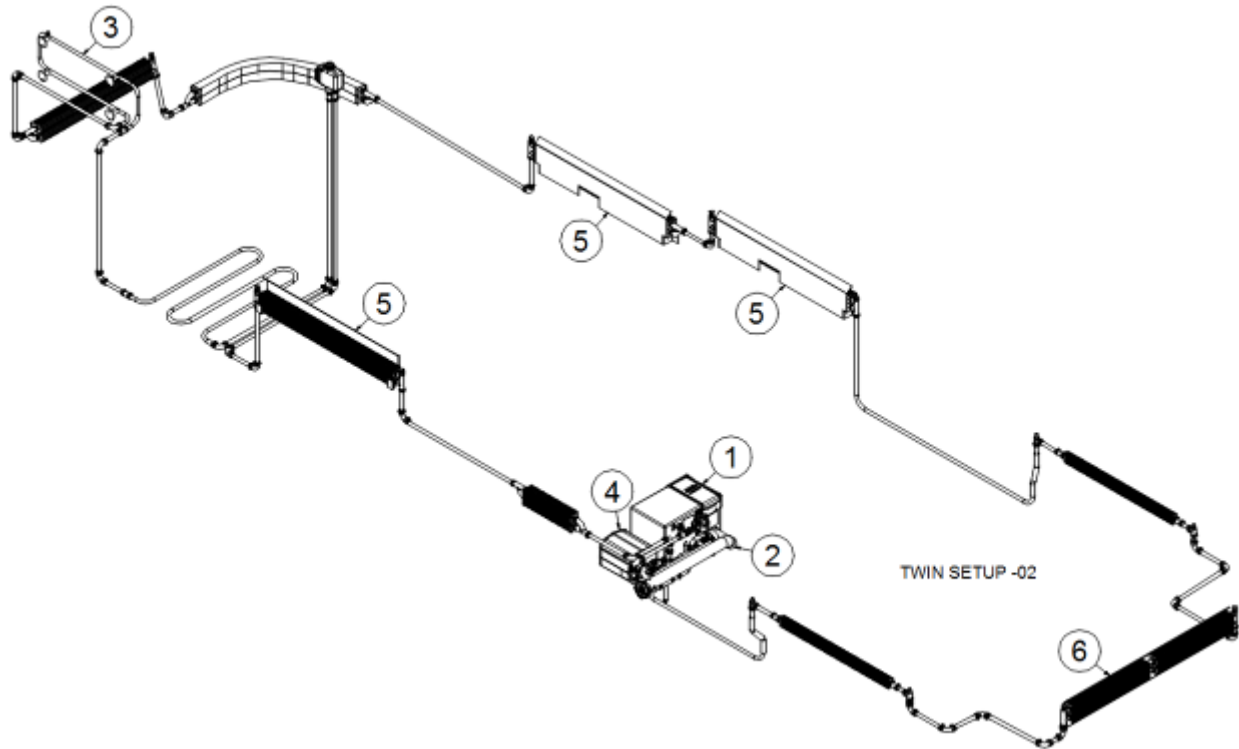


### 112435-01 Alde System Install, Queen

- |  |  |
|--|--|
| <ul style="list-style-type: none"> <li>1. 602541-01</li> <li>2. 602541-15</li> <li>3. 602541-14</li> <li>4. 602541-35</li> <li>5. 968404-02</li> <li>6. 968415</li> <li>115792</li> <li>115793</li> <li>115722-01</li> <li>115722-02</li> <li>602541-20</li> <li>602541-21</li> <li>602541-22</li> <li>602541-23</li> <li>602541-27</li> <li>602541-29</li> <li>602541-30</li> <li>602541-31</li> <li>602541-32</li> <li>360371</li> </ul> | <ul style="list-style-type: none"> <li>Alde 3010 heater w/pump</li> <li>Alde insulation hose</li> <li>Alde towel bar</li> <li>Alde flow system</li> <li>Alde convector cover</li> <li>Convector cover, Bedroom</li> <li>Bracket, Convector cover galley</li> <li>Bracket, Convector cover</li> <li>Bracket, Wall mount expansion tank</li> <li>Bracket, Expansion tank</li> <li>Alde control panel</li> <li>Control panel cable</li> <li>Remote sensor</li> <li>flue cap, Medium Grey</li> <li>Floor inlet</li> <li>Wall flue</li> <li>Alde high temp mixing valve</li> <li>Safety drain valve</li> <li>Water connection kit</li> <li>Alde Glycol fluid, USA only</li> </ul> |
|--|--|

# 2017 CLASSIC PLUMBING, ALDE SYSTEM

## Alde System, Twin, 33FB



112435-02

Alde System Install, Twin

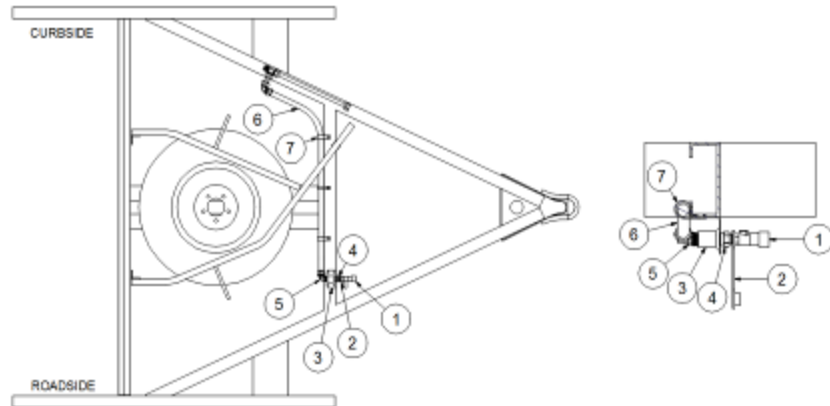
- |  |  |
|--|--|
| <ul style="list-style-type: none"> <li>1. 602541-01</li> <li>2. 602541-15</li> <li>3. 602541-14</li> <li>4. 602541-35</li> <li>5. 115792</li> <li>6. 115782</li> <li>115722-01</li> <li>115722-02</li> <li>115793</li> <li>340085-06</li> <li>602562-01</li> <li>602541-20</li> <li>602541-22</li> <li>602541-23</li> <li>602541-27</li> <li>602541-29</li> <li>602541-30</li> <li>602541-31</li> <li>602541-32</li> <li>360371</li> </ul> | <ul style="list-style-type: none"> <li>Alde 3010 heater w/pump</li> <li>Alde insulation hose</li> <li>Alde towel bar</li> <li>Alde flow system</li> <li>Bracket, Convector cover galley</li> <li>Bracket, Convector cover, Headboard</li> <li>Bracket, Wall mount expansion tank</li> <li>Bracket, Expansion tank</li> <li>Bracket, Convector cover</li> <li>Loop clamp, Steel w/rubber</li> <li>Alde pipe, Shower floor warmer</li> <li>Alde control panel</li> <li>Remote sensor</li> <li>flue cap, Medium Grey</li> <li>Floor inlet</li> <li>Wall flue</li> <li>Alde high temp mixing valve</li> <li>Safety drain valve</li> <li>Water connection kit</li> <li>Alde Glycol fluid, USA only</li> </ul> |
|--|--|

## 2017 CLASSIC PLUMBING, LPG SYSTEM

### LP Tank & Cover

601712	LP tank, 40# Aluminum
601500-100	Sender dial, Screw-in, 90 OHM
921250	LP tank cover, 40lbs
115764	Wrapper, LP tank cover
115765	Cross bar, LP tank cover
200845-02	Lid, LP tank cover
410238	Handle, Tank rack
100949	Gas tank bracket
104648	Bracket, Steel cover
410410	Threaded rod
410504	LP tank ring
410566	Plate, Support, LP tank
602332-03	Cavanaugh gas regulator w/two 11" pigtails
602332-05	48" LP hose, 3/8" x 1/2" female flare
602332-07	LP regulator mounting bracket
382091-01	Tension latch, Stainless Steel
382091-02	Strike, Tension latch, Stainless Steel

### Propane Port, Exterior

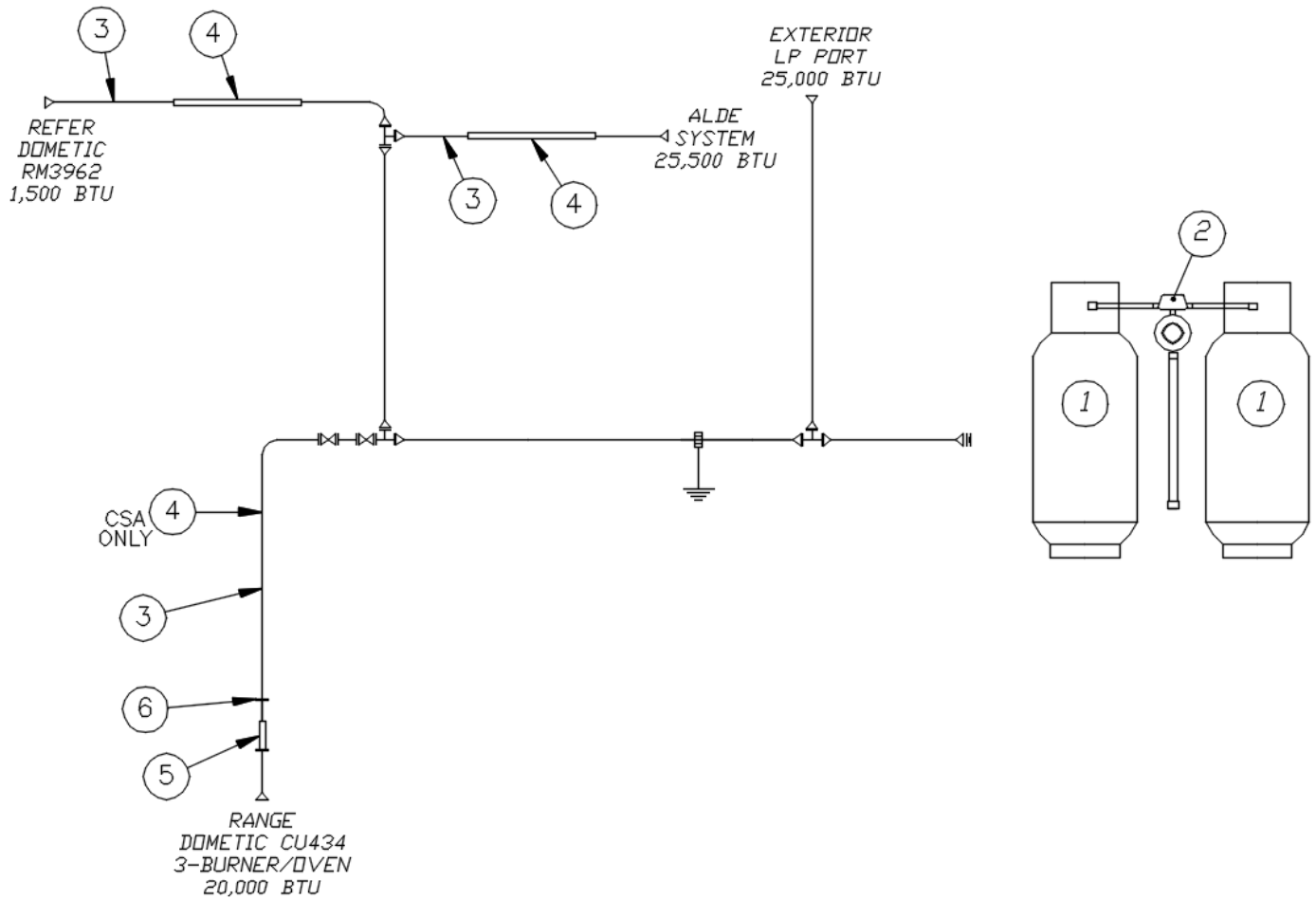


#### 112008 Exterior Propane Port

1. 602109-01	Coupler, Quick disconnect
2. 602109-03	Dust plug
3. 454901	Bracket, LP quick disconnect port
4. 602286	Nipple, 1/2" MNPT, 1/4" MNPT
5. 602313	Fitting, 1/2" MPT x 1/2" FLR, 90°
6. 602315	LP hose, 1/2" FLR SWV, 36"
7. 340085-07	Clamp, Loop, Steel w/rubber, 1"
201267-11	Conduit, Convolute, 1" Dia.
386250	Label, LPG service port

# 2017 CLASSIC PLUMBING, LPG SYSTEM

## LPG System, 30'



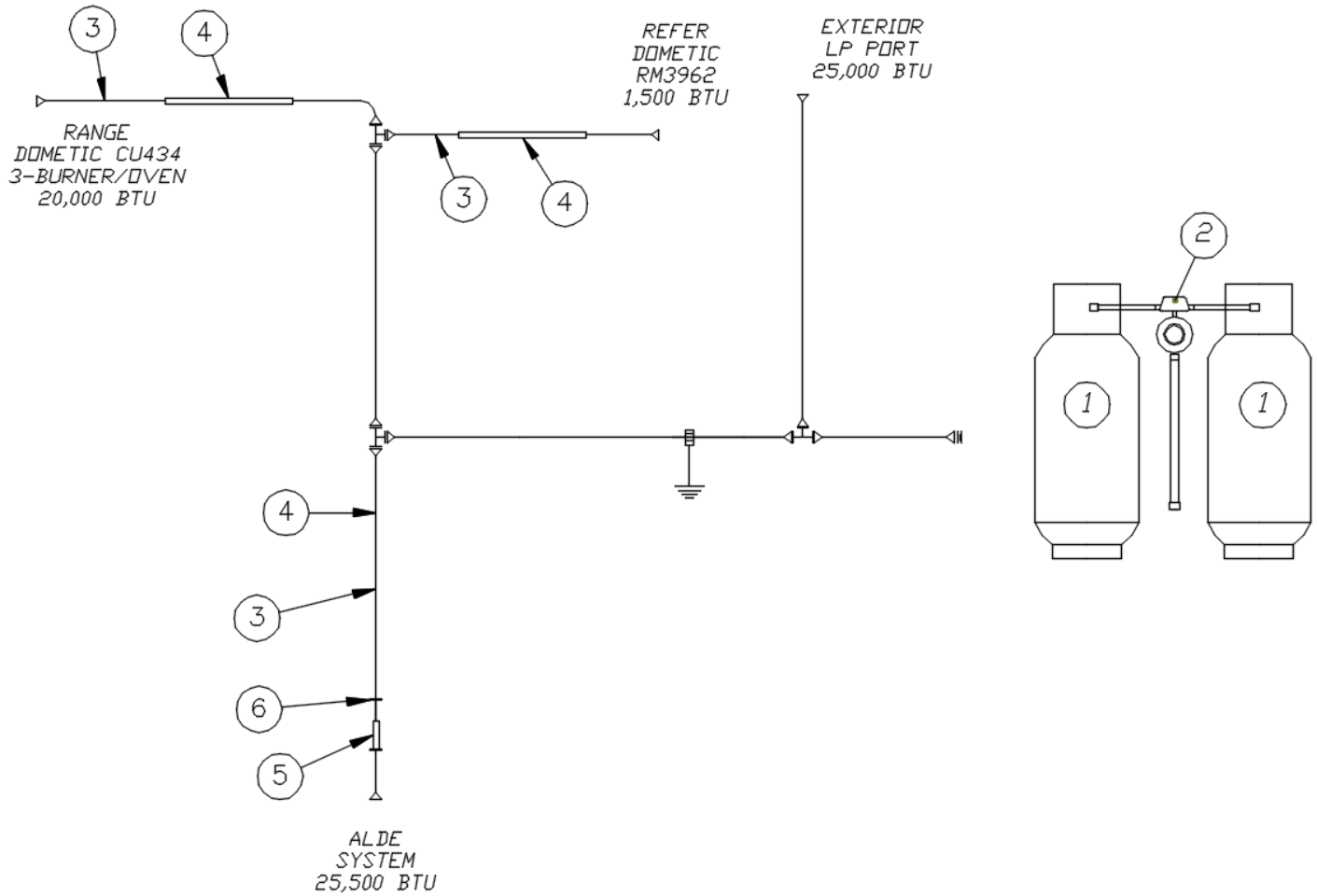
### 943800                      LPG System

- |   |  |
|---|--|
| <ul style="list-style-type: none"> <li>1. 601712</li> <li>2. 602332-03</li> <li>3. 600008</li> <li>4. 601698-01</li> <li>5. 380887</li> <li>6. 380886</li> <li>600435</li> <li>340085-05</li> </ul> | <ul style="list-style-type: none"> <li>LP cylinder, 40# Aluminum</li> <li>Cavanaugh gas regulator w/two 11" pigtails</li> <li>Tubing, Copper, 3/8 OD</li> <li>E-Pex tubing, .5"</li> <li>Floor grommet</li> <li>Underbelly grommet</li> <li>Forged flare nuts, 3/8"</li> <li>Clamp, 5/8" Dia.</li> </ul> |
|---|--|



# 2017 CLASSIC PLUMBING, LPG SYSTEM

## LPG System, 33FB



943831

LPG System

- |   |   |
|---|---|
| <ul style="list-style-type: none"> <li>1. 601712</li> <li>2. 602332-03</li> <li>3. 600008</li> <li>4. 601698-12</li> <li>5. 380887</li> <li>6. 380886</li> <li>340085-05</li> <li>600435</li> </ul> | <ul style="list-style-type: none"> <li>LP cylinder, 40# Aluminum</li> <li>Cavanaugh gas regulator w/two 11" pigtails</li> <li>Tubing, Copper, 3/8 OD</li> <li>E-Pex tubing, .75"</li> <li>Floor grommet</li> <li>Underbelly grommet</li> <li>Clamp, 5/8" Dia.</li> <li>Forged flare nuts, 3/8"</li> </ul> |
|---|---|

## 2017 CLASSIC PLUMBING, FRESH WATER

### Fresh Water Tank

601864-01	Fresh water tank, 54.5 gallon
601620	Pan, Fresh water tank
601243	Drain cock, Fresh water tank
602185-01	Drain valve, 90°, Lead free
601723	Filter screen, Water
453712	Shield, Fresh water tank drain
600155	Clean-out plug, 1.5"

### Fresh Water Tank Fill

115626	Water fill w/lock, Stainless Steel
601239-01	Tubing, 1.375" ID, Ribbed
601240-01	Tubing, .5" ID, 3/32" wall thickness

### City Water Hook-up

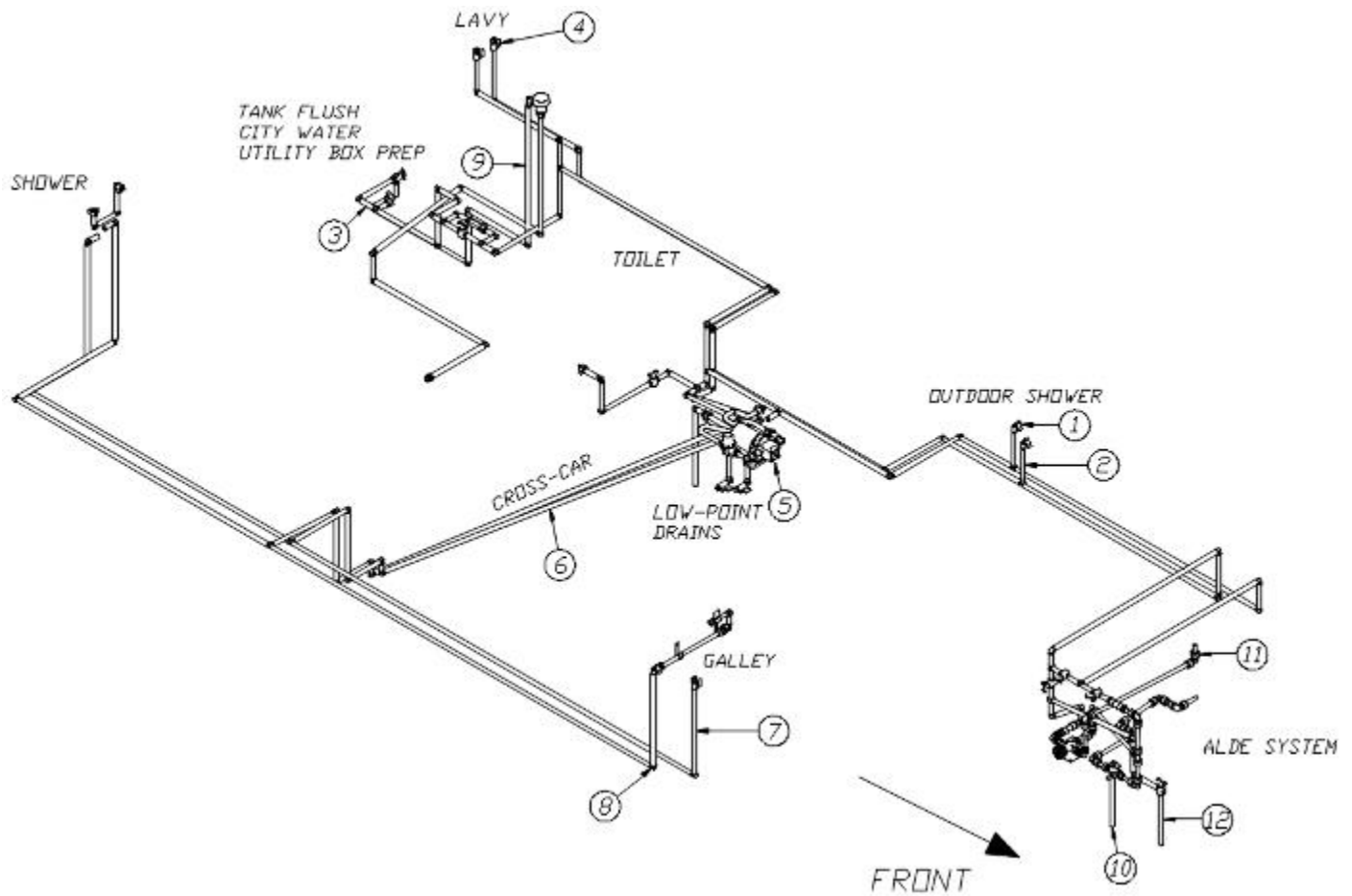
601392-05	City water fill w/regulator, 65 PSI, Chrome
601392-06	City water fill w/regulator, 50 PSI, Chrome
601392-01	Plastic screw-in cap
601392-02	Strap

### Water Pump

602307	Water pump, Shurflo automatic demand
601668-01	Strainer, Fresh water pump
602277	Shurflo in-line water filter
602277-01	Fitting, Water filter

# 2017 CLASSIC PLUMBING, FRESH WATER

## Fresh Water Lines, 30'

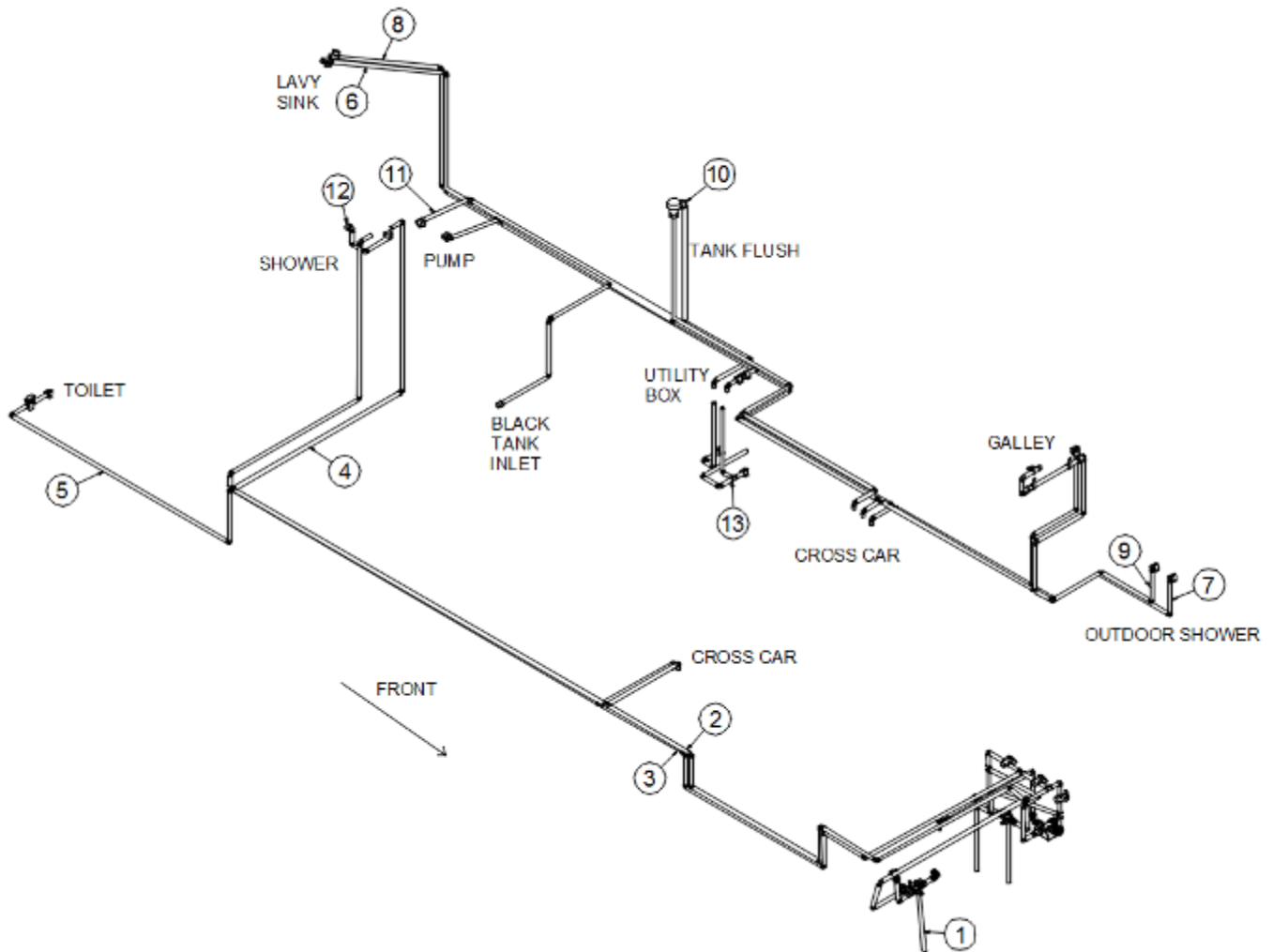


### 943801 Fresh Water system

- |               |                             |
|---------------|-----------------------------|
| 1. 943801-01  | RS front cold water line    |
| 2. 943801-02  | RS front hot water line     |
| 3. 943801-03  | RS rear cold water line     |
| 4. 943801-04  | RS rear hot water line      |
| 5. 943801-05  | Fresh water tank pick-up    |
| 6. 943801-06  | Cross-car water lines       |
| 7. 943801-07  | CS hot water line           |
| 8. 943801-08  | CS cold water line          |
| 9. 943801-09  | Tank flush water lines      |
| 10. 943801-11 | Bypass and Alde temp valve  |
| 11. 943801-12 | Hot line from Alde system   |
| 12. 943801-13 | Hot line out from mix valve |

# 2017 CLASSIC PLUMBING, FRESH WATER

## Fresh Water Lines, 33FB



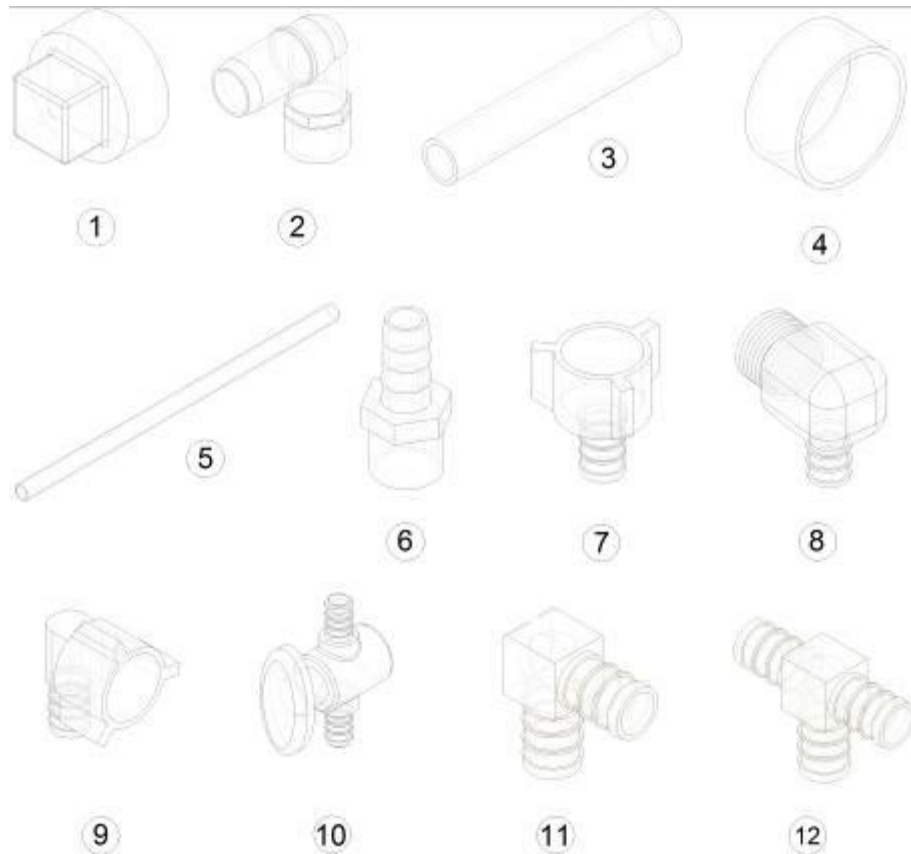
943830

Fresh Water system

- |               |                     |
|---------------|---------------------|
| 1. 943830-01  | Alde/flow-Overflow  |
| 2. 943830-02  | Alde hot            |
| 3. 943830-03  | Alde cold           |
| 4. 943830-04  | CS rear hot         |
| 5. 943830-05  | CS rear cold        |
| 6. 943830-06  | RS rear hot         |
| 7. 943830-07  | RS forward hot      |
| 8. 943830-08  | RS rear cold        |
| 9. 943830-09  | RS forward cold     |
| 10. 943830-10 | Tank flush          |
| 11. 943830-11 | Pump feed           |
| 12. 943830-12 | Utility compartment |
| 13. 943830-13 | Shower faucet       |

# 2017 CLASSIC PLUMBING, FRESH WATER

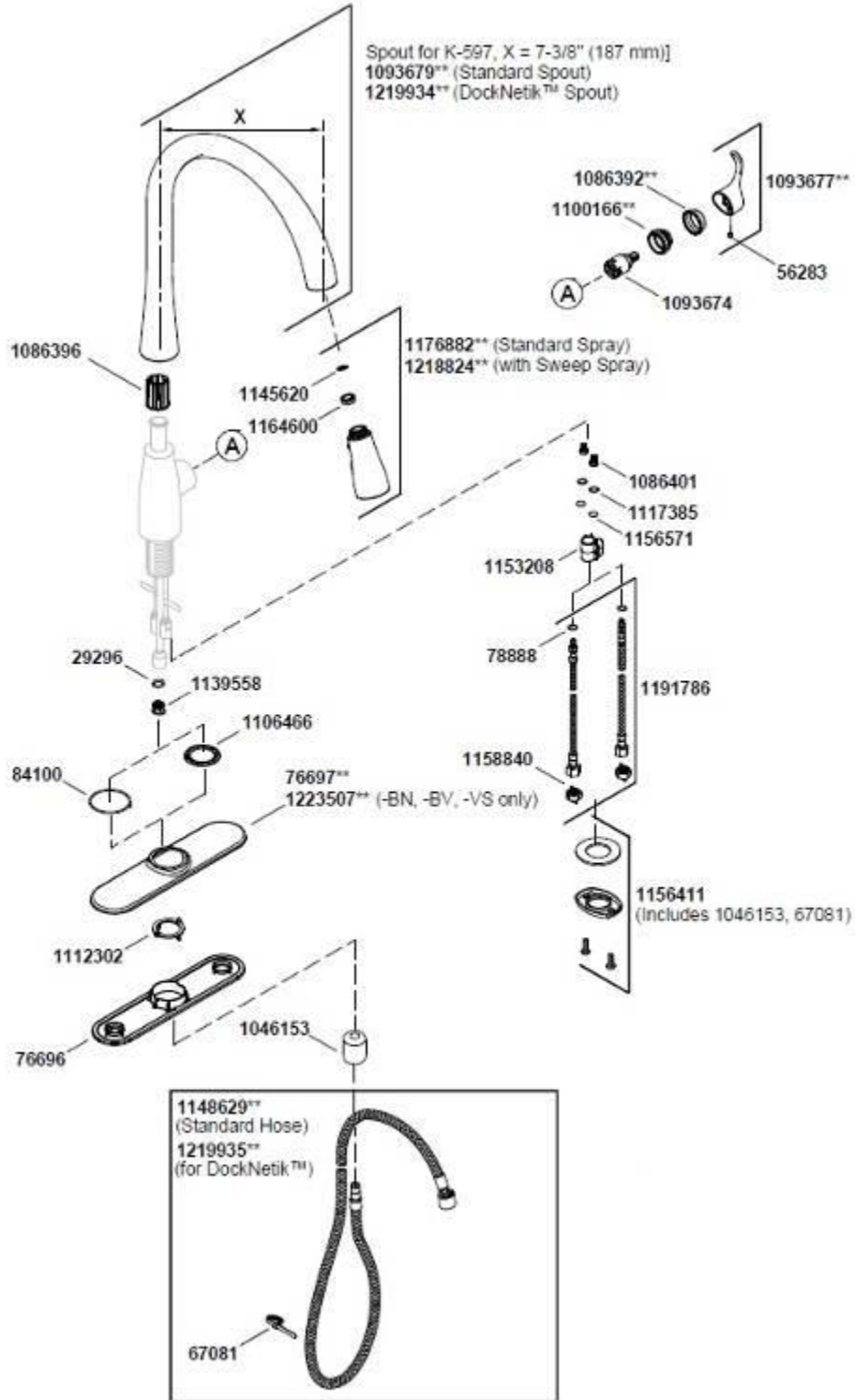
## Fresh Water Fittings



- |               |                                       |
|---------------|---------------------------------------|
| 1. 600155     | Cleanout plug, 1.5"                   |
| 2. 601237     | Elbow, 90°, 1.25 MPT x 1.25 Bar       |
| 3. 601698-01  | E-Pex tube, .5"                       |
| 4. 601698-15  | Crimp ring, .5" E-Pex, .5", Black     |
| 5. 601698-21  | E-Pex tube, .5", Red                  |
| 6. 602256-02  | Coupler, .5" barb x .5" MPT           |
| 7. 602256-03  | Coupler, .5" barb x .5" FPT           |
| 8. 602256-04  | Elbow, .5" barb x .5" MPT             |
| 9. 602256-05  | Elbow, .5" barb x .5" FPT             |
| 10. 602256-07 | Valve, .5 barb x .5 straight          |
| 11. 602256-10 | Elbow, .5" barb x .5" barb            |
| 12. 602256-11 | Tee, .5" x .5" x .5"                  |
| 600836        | Elbow, 3/8 MPT x .5" barb, copper     |
| 601237        | Elbow, 90°, 1.25 MPT x 1.25 barb      |
| 600836        | Elbow, 3/8" MPT x .5" barb, Copper    |
| 601239-01     | Tubing, 1.375 ID, w/flats every 9"    |
| 601698-01     | E-Pex, .5" tubing                     |
| 601240        | Tubing, 3/8" ID x 3/32 wall clearance |
| 602185-01     | Drain valve, 90°                      |

# 2017 CLASSIC PLUMBING, FRESH WATER

Faucet, Galley  
Model #K-597-VS



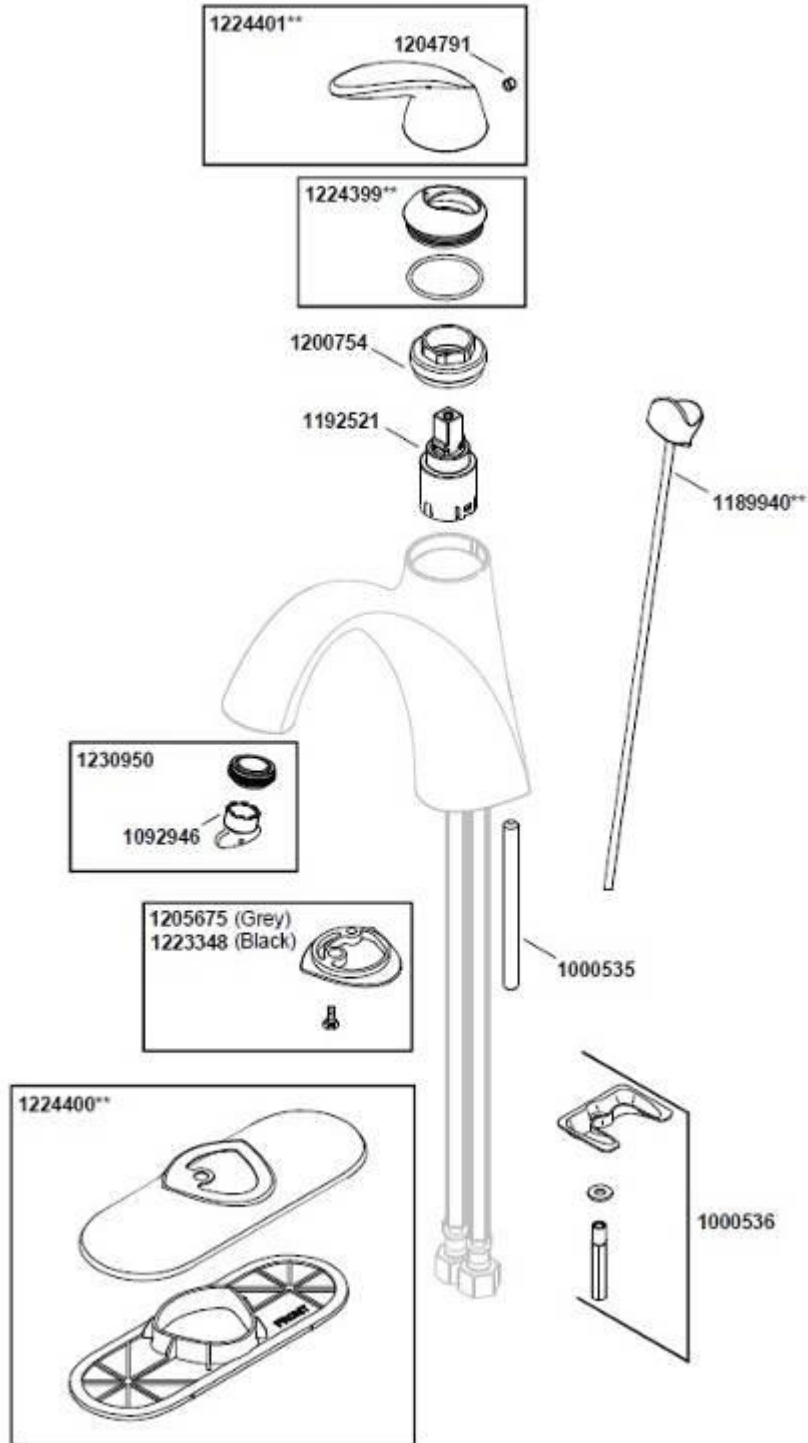
602395

Faucet, Single hole, Pull down, Stainless Steel, Kohler

IV-12

# 2017 CLASSIC PLUMBING, FRESH WATER

Faucet, Lavatory, 30'  
Model #K45800-4-BN

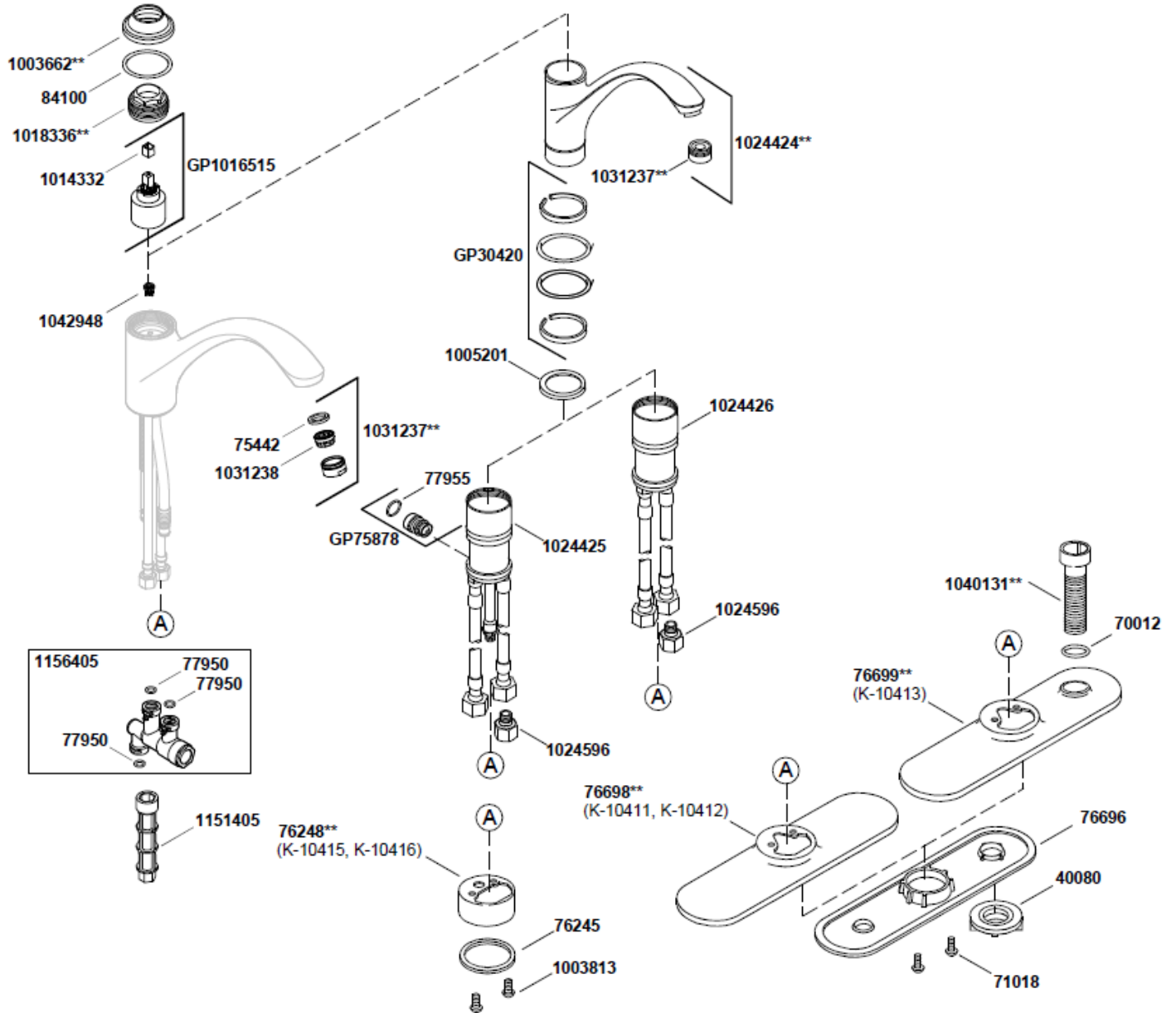
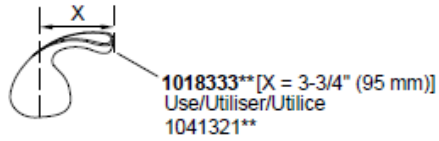
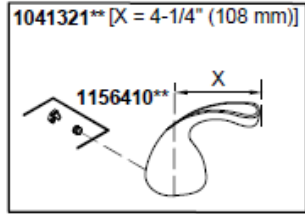


602399

Faucet, Single handle, Vibrant Brushed Nickel, Kohler

# 2017 CLASSIC PLUMBING, FRESH WATER

Faucet, Lavatory, 33FB  
Model #K-10415-BN



602674

Faucet, Single hole, Swing sprout, Kholer

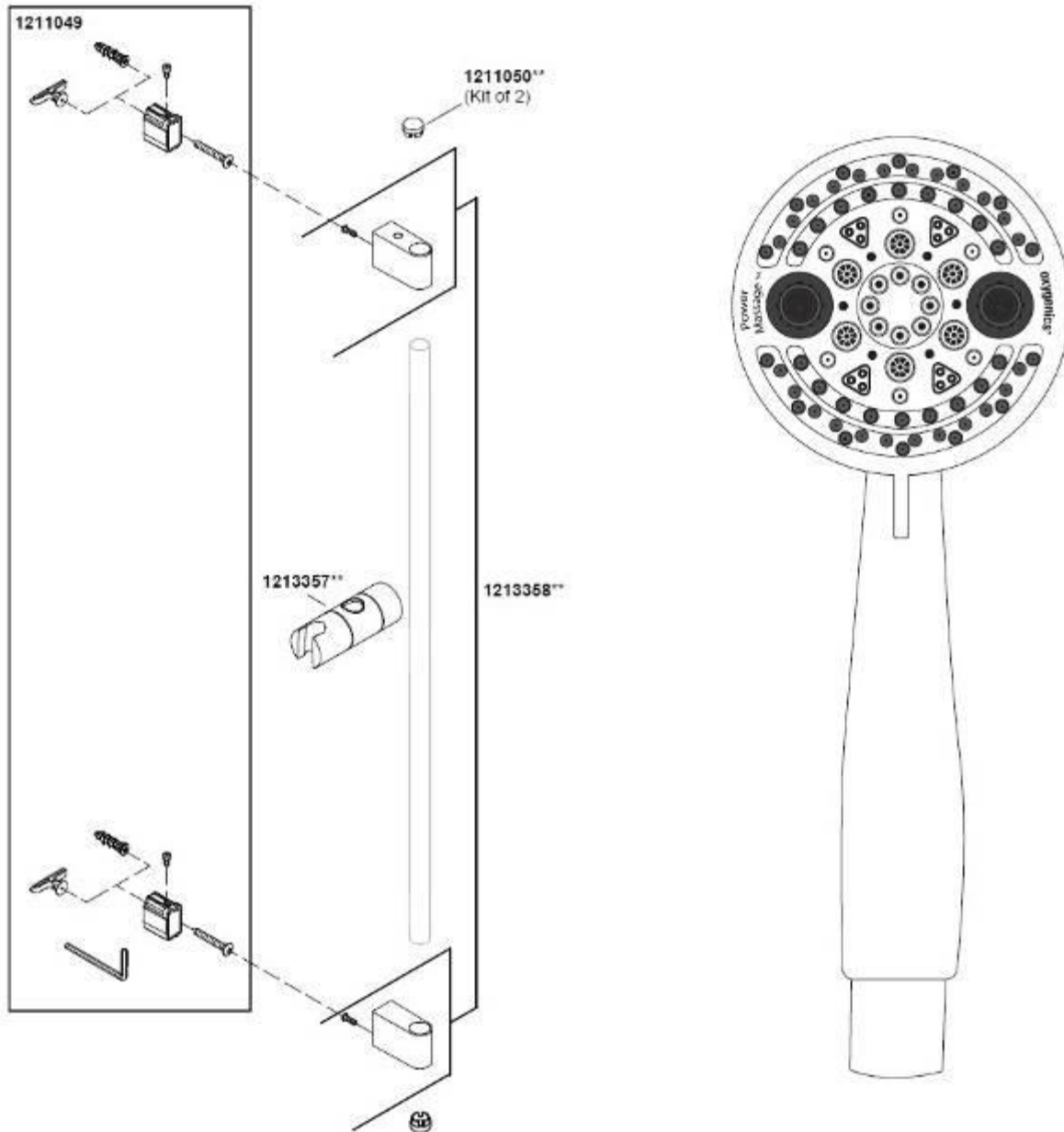


# 2017 CLASSIC PLUMBING, FRESH WATER

## Faucet, Hand Shower

Model #88446, Hand shower

Model #K-98341-BN, Slide bar

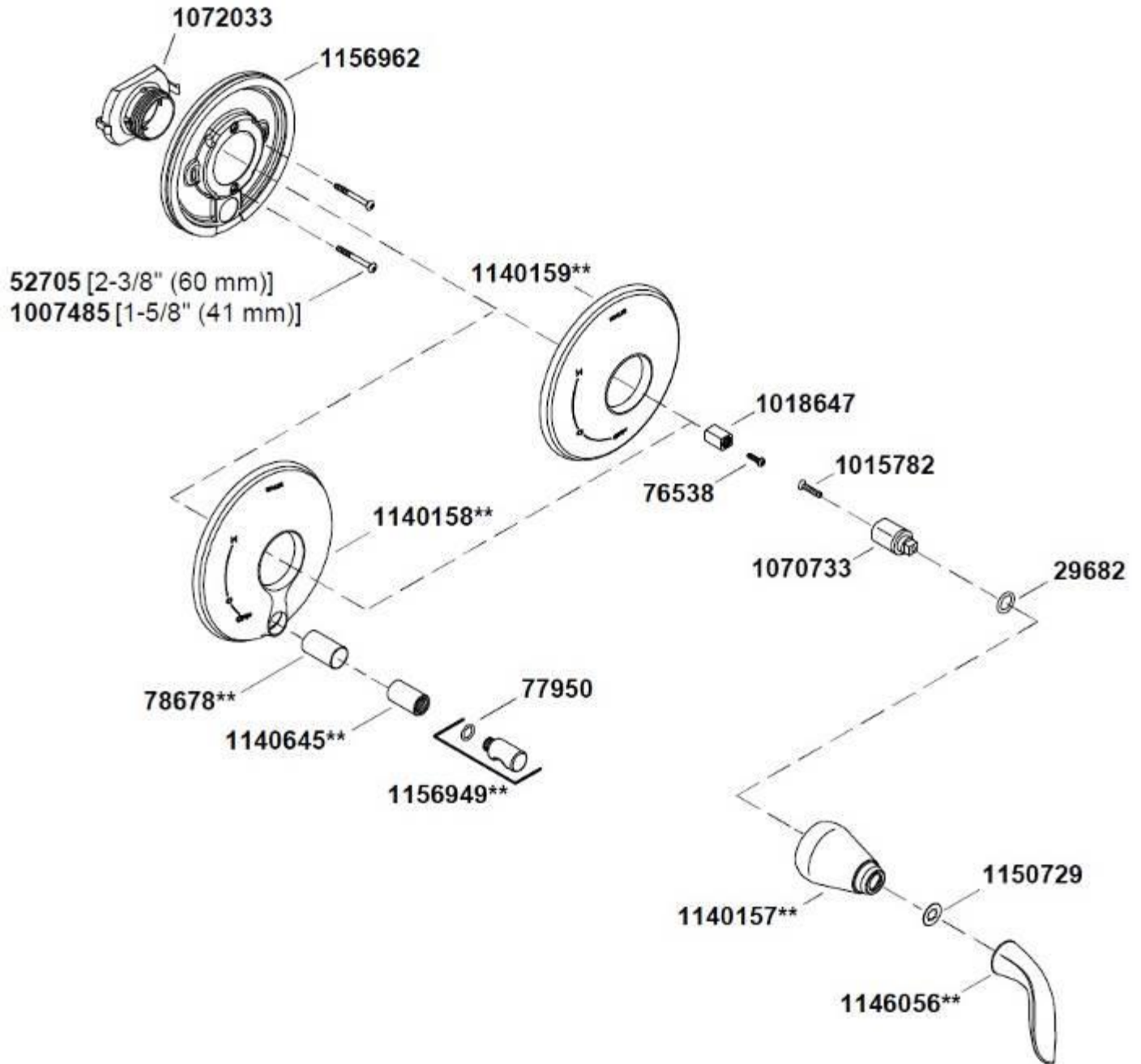


- |           |   |
|-----------|---|
| 602402    | Hand shower, Vibrant Brushed Nickel, Kohler |
| *602675   | Hand shower, Brushed Nickel, Oxygenics      |
| 602405    | Shower slide bar, 24"                       |
| 602403    | Hose, 60", Brushed Nickel                   |
| 601592-04 | Hose guide ring, Clear, CSA                 |

\*Replaced 602402 in November 2016

# 2017 CLASSIC PLUMBING, FRESH WATER

Faucet, Shower Handle  
Model #K-T5322-4-BN, Valve trim kit



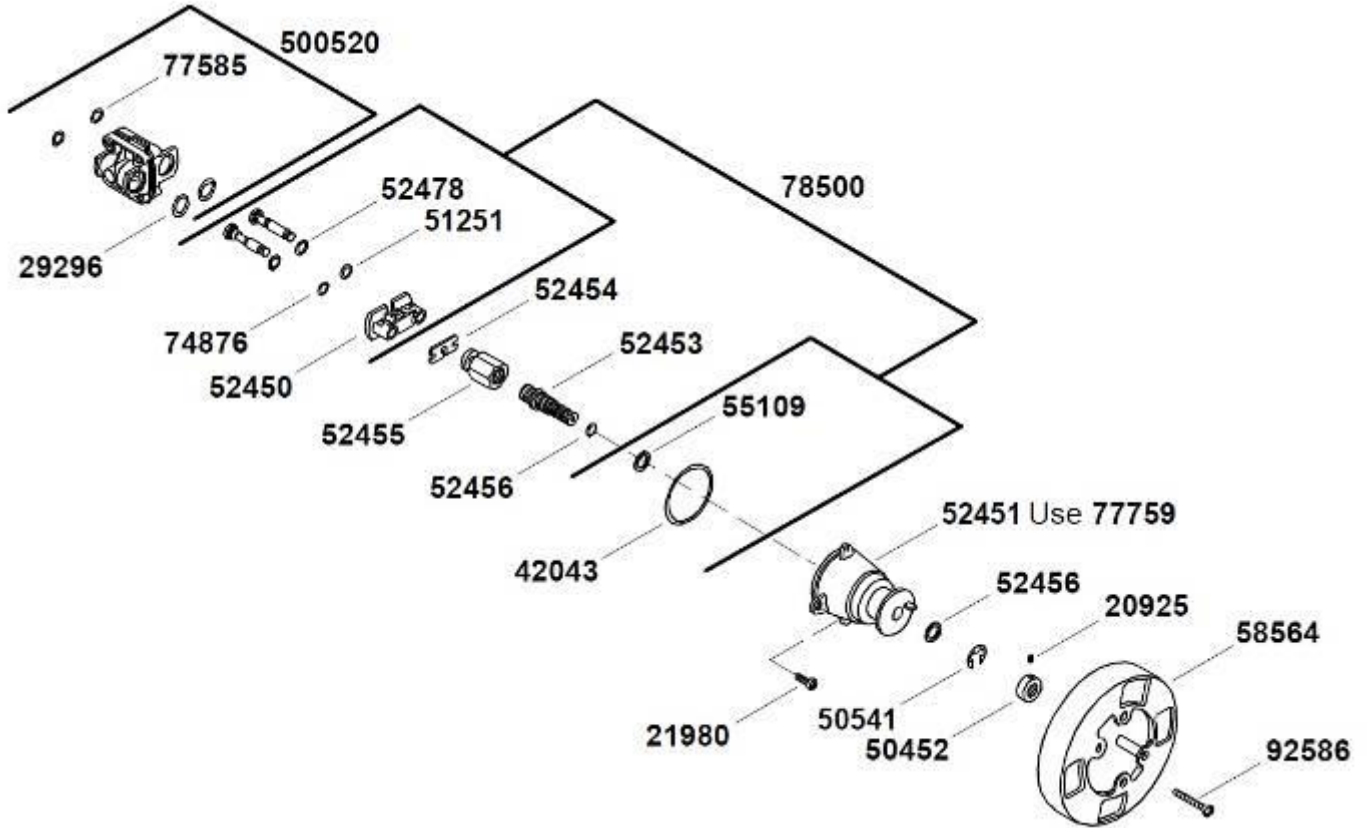
602400

Valve trim kit, Refina, Vibrant Brushed Nickel, Kohler

IV-16

# 2017 CLASSIC PLUMBING, FRESH WATER

Faucet, Valve  
Model #K-304-PX-NA, Valve



602401  
602632

Valve, Rite-temp, 1/2" pressure balance  
Flow controller w/Off switch

## 2017 CLASSIC PLUMBING, DRAIN SYSTEM

### Sink, Galley

602396	Sink, Undertone, Single bowl, Mirror finish, Kohler
602397	Sink strainer w/tailpiece, Vibrant Stainless
602393-02	Sink cover, Corian, Sandalwood
602393-01	Sink cover, Corian, Night Sky
602388	Sink clip
602398	Sink rack, Stainless Steel

### Sink, Lavatory, 30'

203790	Sink, Undermount, Fiberglass
381635	Sink clip, Undermount
601813	Tail piece, Lift and turn drain

### Sink, Lavatory, 33FB

602656	Bathroom sink, Wading pool, Kohler
381635	Sink clip, Undermount
602676	Drain, Pop-up, Brushed Nickel

### Shower Stall, 30'

203081-02	Shower stall, 2 piece
600594	Strainer with rubber stopper
703989-01	Shower door, Brushed Nickel, Reeded Glass

### Shower Stall, 33FB

968573	Shower stand
203919	Shower pan, Curved fiberglass
602633	Shower door, Curved glass
600594	Strainer with rubber stopper

## 2017 CLASSIC PLUMBING, DRAIN SYSTEM

### Black Tank Flush

601441-02 Tank flush, No-fuss  
601441-101 Cap w/strap, Black

### Grey and Black Tanks

601850-09 Gray tank, 37 gallon, 30'  
601848-14 Black tank, 39 gallon, 30'  
601850-11 Grey tank, 37 gallon, 33FB  
601848-16 Black tank, 39 gallon, 33FB  
601619 Pan, Waste tank  
200954 Slope pad, 22.75" x 55"

### Holding Tank Pan Closeout

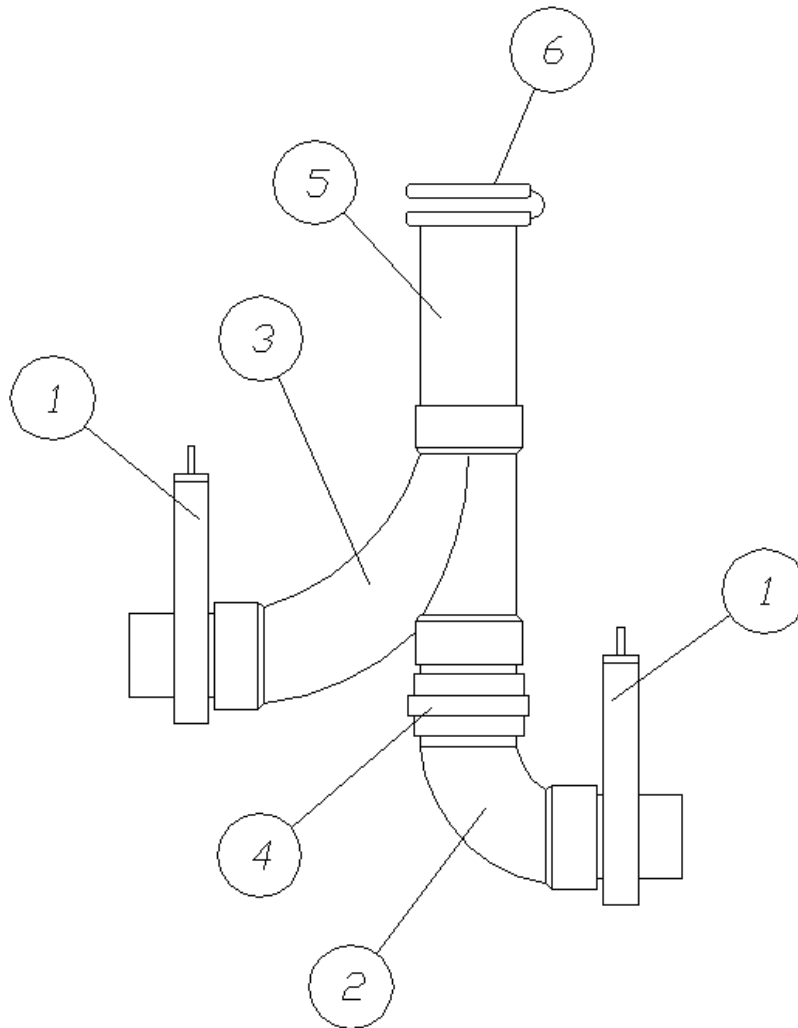
601228 Closeout, Septic pan

### Styrofoam Insulation, Tank Pans

200152 Styrofoam, .5" x 6" x 42"  
200507 Styrofoam, 1 x 25 x 55"

# 2017 CLASSIC PLUMBING, DRAIN SYSTEM

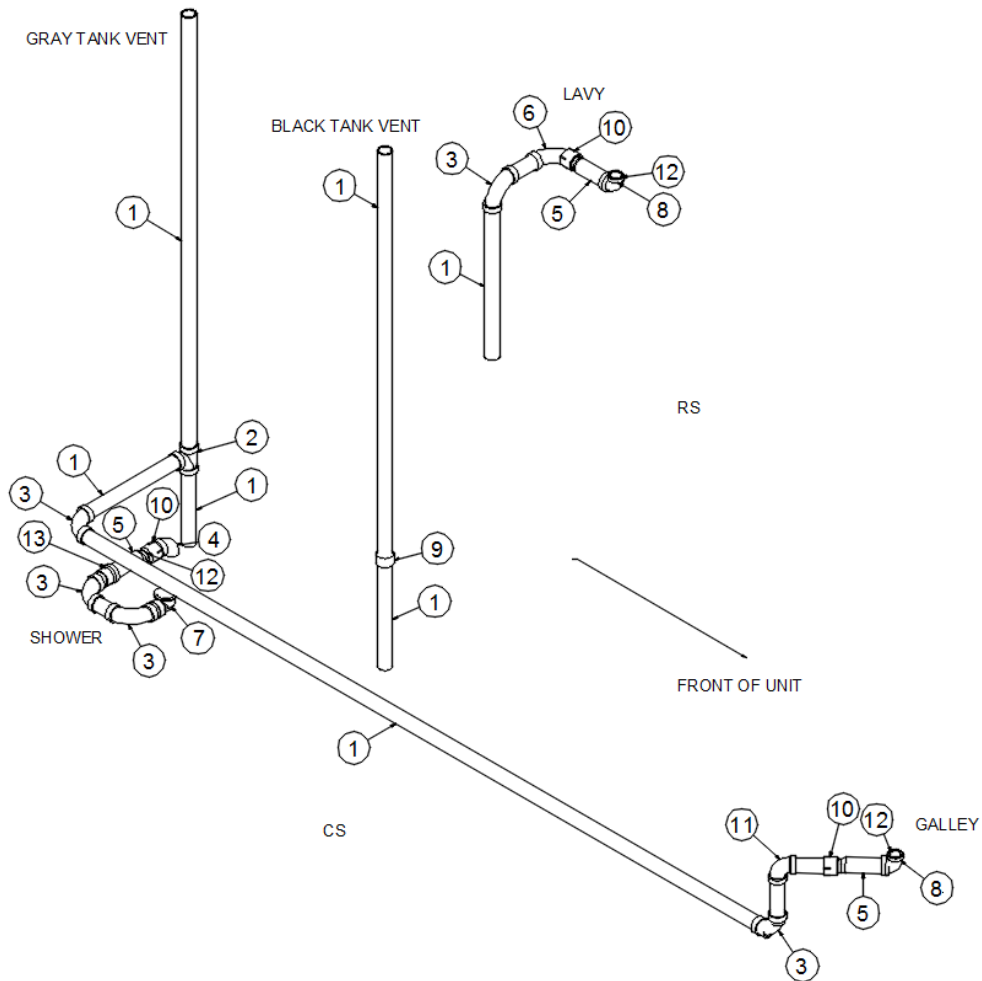
## Dump Valve System



- |              |                                       |
|--------------|---------------------------------------|
| 1. 601607-11 | Valve assembly, 3" spigot x 3" spigot |
| 2. 600820    | 3" single socket, 90°                 |
| 3. 600187    | 3" wye, Combination & 1/8" bend       |
| 4. 600289    | Calder coupler, 3", Rubber            |
| 5. 601160-04 | Pipe, ABS, 3"                         |
| 6. 601607-07 | Termination cap                       |
| 601531       | Fitting, 90°, 3" H x ST               |
| 601607-06    | Termination adaptor, 3" HUB x 3" BA   |
| 04190        | Dump valve handle, 19 Ext. Thetford   |
| 385101       | Tag, Aux tank dump valve handle       |
| 385099       | Tag, Main tank dump valve handle      |
| 114086       | Bracket, Dump valve handle            |

# 2017 CLASSIC PLUMBING, DRAIN SYSTEM

## Drainage System Layout, 30'



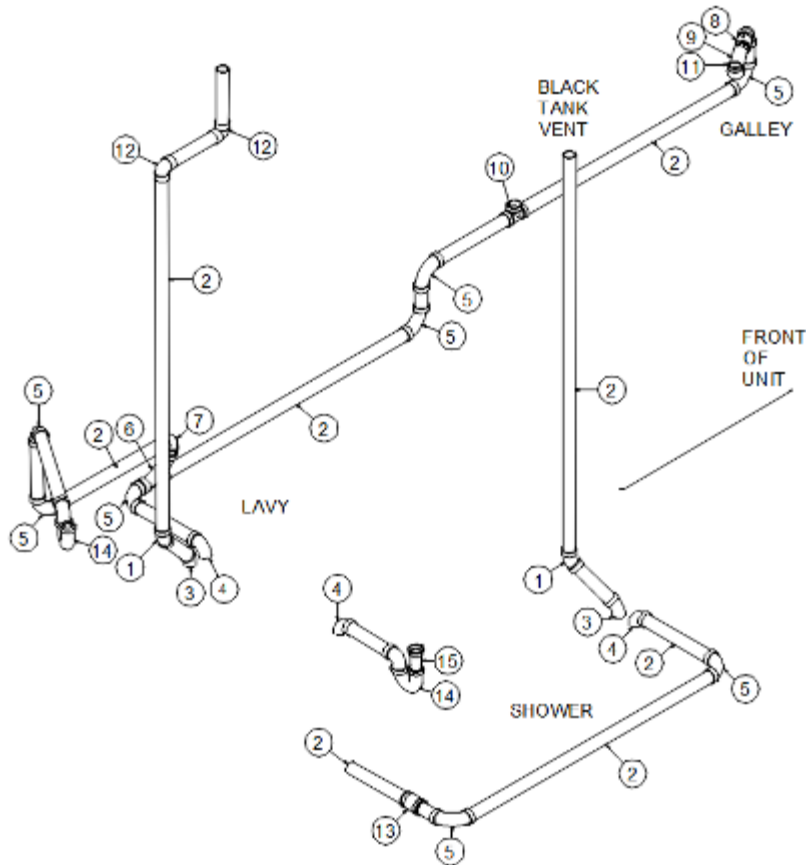
943784

### Drainage System Layout

- |               |  |
|---------------|--|
| 1. 601160-02  | Pipe, ABS DVW, 1.5"                    |
| 2. 600156     | Tee, Sanitary                          |
| 3. 600035     | Elbow, 1.5", 90°, Long sweep           |
| 4. 600662     | Elbow, 1.5", 90°, Short radius         |
| 5. 690603-01  | Waste valve, Hepvo, Hygienic self-seal |
| 6. 600431     | Elbow, 90 degree, long street          |
| 7. 602265     | Elbow, 1.5" tub shoe, ABS              |
| 8. 690603-02  | Adapter, Angle, Hepvo                  |
| 9. 600227     | Coupling, 1.5"                         |
| 10. 600308    | Adapter, ABS                           |
| 11. 601636    | Elbow, 90°, Short sweep                |
| 12. 602287-02 | Rubber washer, .5", Black              |
| 13. 601676    | Adapter, 1.5" Spigot x 1.5" MPT        |
| 690700-01     | Vent pipe cover, White                 |

# 2017 CLASSIC PLUMBING, DRAIN SYSTEM

## Drainage System Layout, 33FB



943826

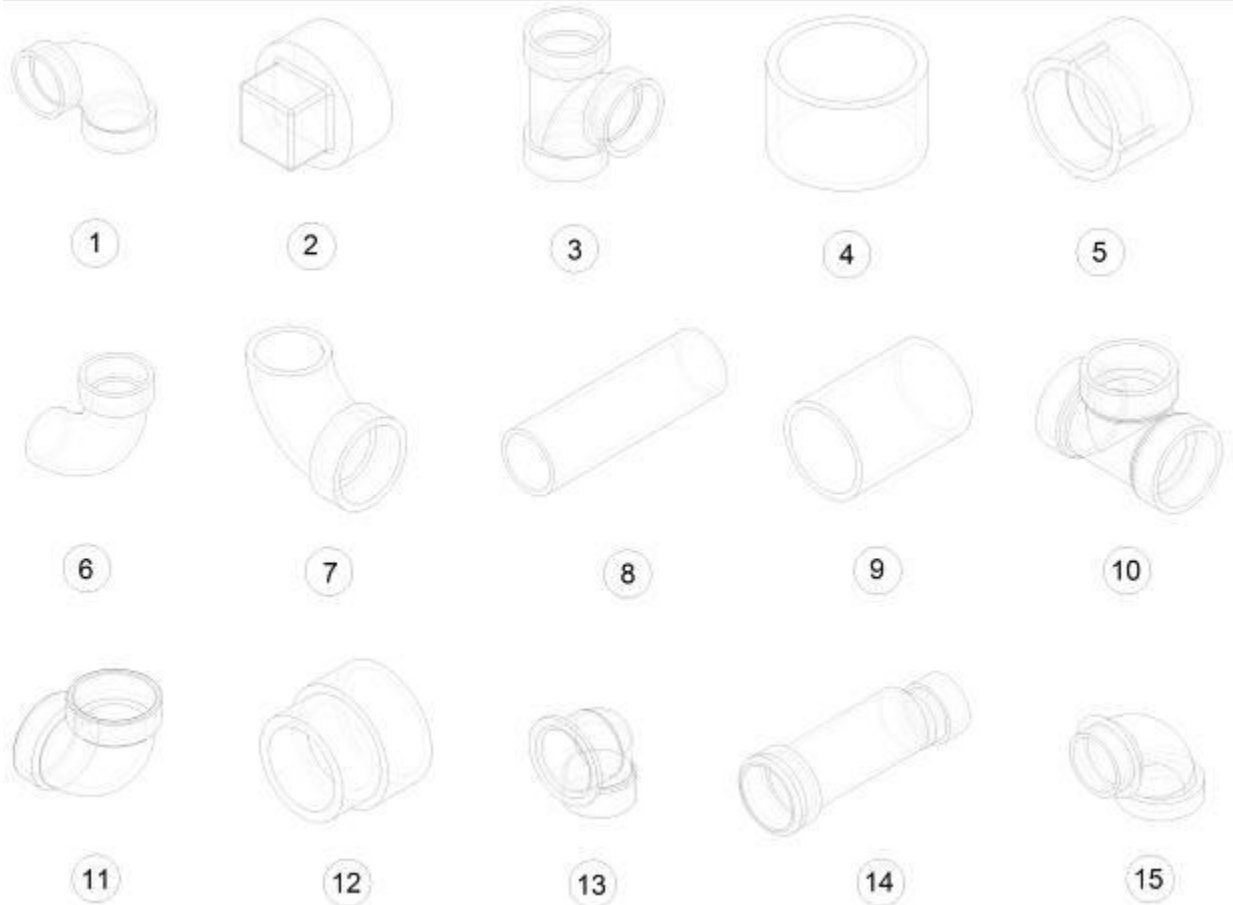
### Drainage System Layout

- |               |  |
|---------------|--|
| 1. 600030     | Elbow, 45°, ABS                        |
| 2. 601160-02  | Pipe, ABS DVW, 1.5"                    |
| 3. 600027     | Elbow, ABS long ST, 45°                |
| 4. 600662     | Elbow, 1.5", 90°, Short radius         |
| 5. 600035     | Elbow, 1.5", 90°, Long sweep           |
| 6. 600182     | Wye, 1.5, ABS                          |
| 7. 601636     | Elbow, 90°, Short sweep                |
| 8. 600308     | Adapter, ABS                           |
| 9. 690603-01  | Waste valve, Hepvo, Hygienic self-seal |
| 10. 601318    | Tee cleanout, 1.5                      |
| 11. 690603-02 | Adapter, Angle, Hepvo                  |
| 12. 600033    | Elbow vent, 90°                        |
| 13. 602201    | Coupling, Flexible, 1.5                |
| 14. 602164-01 | P-trap w/compression nut               |
| 15. 602164-02 | Tailpiece w/nuts and washer            |
| 690700-01     | Vent pipe cover, White                 |
| 602287-02     | Rubber washer, .5", Black              |



# 2017 CLASSIC PLUMBING, DRAIN SYSTEM

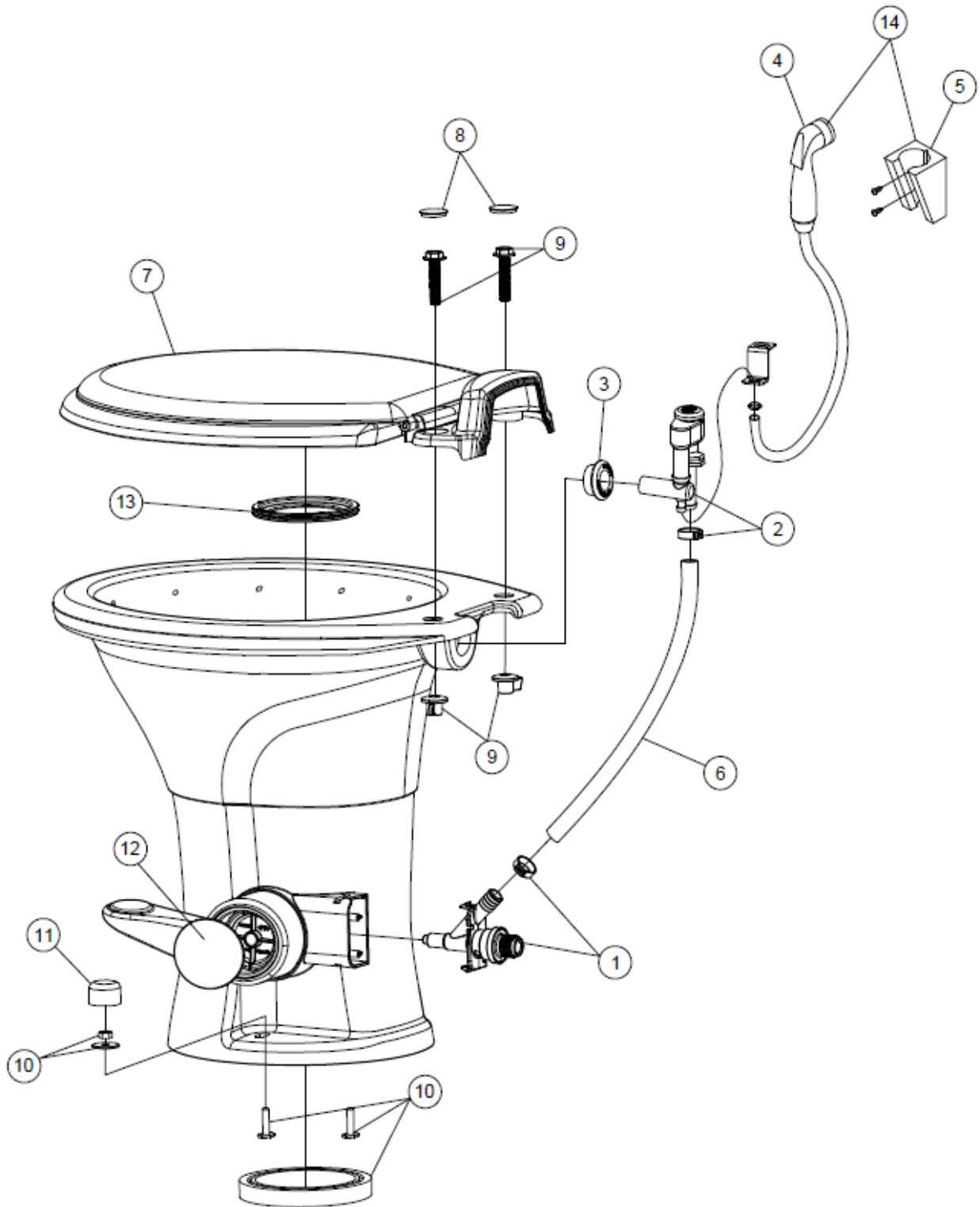
## Drain Fittings



- |               |  |
|---------------|--|
| 1. 600035     | Elbow, 1.5", 90°, Long sweep           |
| 2. 600155     | Plug, 1.5"                             |
| 3. 600156     | Tee, Sanitary                          |
| 4. 600227     | Coupling, 1.5"                         |
| 5. 600308     | Adapter, ABS                           |
| 6. 600431     | Elbow, 90°, long street                |
| 7. 600662     | Elbow, 1.5", 90°, Short radius         |
| 8. 601160-02  | Pipe, ABS DVW, 1.5"                    |
| 9. 601160-04  | Pipe, ABS DVW, 3"                      |
| 10. 601318    | Tee, Bi-directional clean out, 1.5"    |
| 11. 601636    | Elbow, 90°, Short sweep                |
| 12. 601676    | Adapter, 1.5" Spigot x 1.5" MPT        |
| 13. 602265    | Elbow, 1.5" tub shoe, ABS              |
| 14. 690603-01 | Waste valve, Hepvo, Hygienic self-seal |
| 15. 690603-02 | Adapter, Angle, Hepvo                  |
| 601677        | Cap, 1.5"                              |
| 602185-01     | Drain valve, 90° turn, Lead free       |

# 2017 CLASSIC PLUMBING, DRAIN SYSTEM

Toilet, 30'



Parts Listed on Next Page

## 2017 CLASSIC PLUMBING, DRAIN SYSTEM

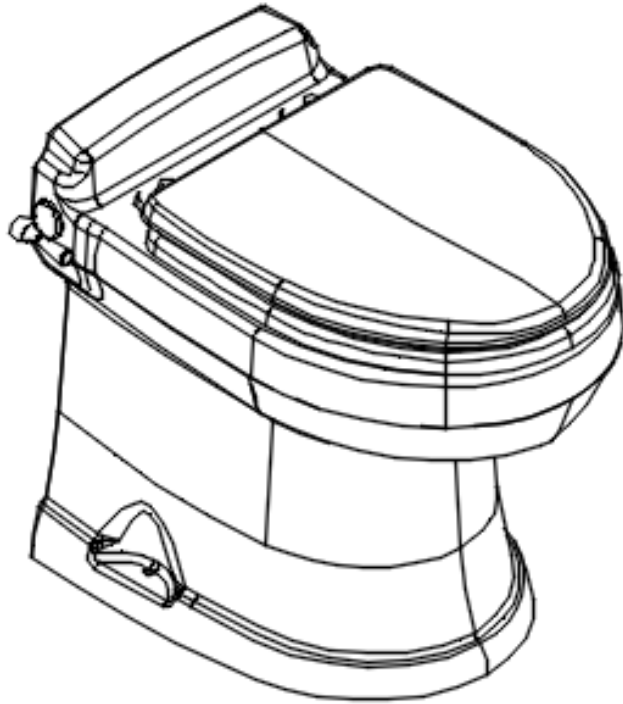
### Toilet, 30'

690621	Toilet, China, Dometic
600065	Floor flange, Threaded
602137	Valve, Shut off
1. 385311641	Water valve
2. 385230335	Hand Spray VB
385316906	Vacuum breaker
3. 385311164	Sealing grommet
4. 385319054	Vacuum break w/spray
5. 385230319	Bracket, Hand spray
6. 385345377	Supply hose
7. 385311646	Seat and cover
8. 385311648	Seat bracket covers
9. 385311650	Seat mounting hardware
10. 385311652	Mounting hardware
11. 385311654	Cap
12. 385311656	Pedal cover
13. 385311658	Flush ball seal
14. 385311124	Hand spray, (optional)

\*Parts listed are Dometic part numbers

2017 CLASSIC  
PLUMBING, DRAIN SYSTEM

Toilet, 33FB



602659

Toilet, Macerator, Dometic

## 2017 CLASSIC SEALER, GASKETS, PAINT

### Sealers

360001	Sealant, Butyl
360002	Sealant, Vulkem, 11.5 oz. tube
360074	Sealant, GE RTV, 3 oz. tube, White
360209	Sealant, Seam
360176	Sealant, Almond, kitchen and bath
360180	Sealant, Sikaflex
360255-04	Sealant, Anti-wick
365233-01	Sealant, 100% Silicone, Clear
365330-01	Sealant, RTV Silicone, White
365330-02	Sealant, RTV Silicone, Grey
365330-03	Sealant, Aluminum Grey
365330-04	Sealant, Adseal
365330-05	Sealant, Adseal, White
28430W-01	Sealant, Acryl-R, Gray, 16 oz. can

### Gaskets & Tapes

365232	Gasket, Main/baggage door
382117	Gasket, Window frame to glass
365035	Gasket, Access door jamb
381830	Wiper gasket, Refrigerator baffle, 1.12" x 2"
365030	Seal, Door hinge
381663	Gasket, D-seal, PDM sponge, Door bell
365351	Washer, Sealing, Main door hinge
365336	Gasket kit pad, #1
365337	Gasket kit pad, #2
365338	Gasket kit pad, #3
365367	Automotive foam tape
685510	Seam tape, Black
365221	Tape, Double coated, 1/32 urethane
365222	Tape, Double coated, .08" x .75"
365016	Tape, Double face foam, .5" wide
365001	Tape, Double coated foam

### Paint

360360	PPG low VOC urethane paint, Charcoal
360361	PPG low VOC urethane paint, Silver
360362	PPG low VOC urethane paint, Black

## 2017 CLASSIC BEDDING, PILLOWS, MATTRESSES

### Bedding & Throw Pillows, Twin Bed

704183	Kit, Bedding & throw pillows
704183-01	Duvet w/insert, RS
704183-02	Duvet w/insert, CS
704183-03	Shams w/Knife Edge, 20 x 27
704183-04	Neck Roll, 7 x 20, Self-welt
704183-05	Lounge Pillow, 14 x 24, Self-welt
704183-06	Lounge Pillow, 10 x 18, Self-welt

### Bedding & Throw Pillows, Queen Bed

704158	Kit, Bedding & throw pillows
704158-01	Duvet w/insert
704158-02	Shams
704158-03	Neck roll
704158-04	Lounge pillow
704158-05	Lounge pillow

### Pillow, Bed

703987	Pillow, Bed plump poly, 20" x 30"
--------	-----------------------------------

### Mattress & Sheets, Twin Beds

704294-01	Mattress, Split twin, CS, 30'
704294-02	Mattress, Split twin, RS, 30'
704426-01	Mattress, Split twin, CS, 33FB
704426-02	Mattress, Split twin, RS, 33FB
704184	Sheet set, 1 RS fitted, 1 CS fitted, 2 flat, 2 cases, White

### Mattress & Sheets, Queen Bed

704138	Mattress, Split queen, 60 x 75
704159	Sheet set, 1 fitted, 1 flat, 2 cases, White

## 2017 CLASSIC UPHOLSTERY, FOAM, ULTRALEATHER

### Sofa, 30'

704252-01	Sofa, 96", Dual electric incliner, Macadamia, UL
704252-02	Sofa, 96", Dual electric incliner, Chestnut, UL
968489-01	Sofa fold-down top assembly, Deep Sky Night
968489-02	Sofa fold-down top assembly, Sandalwood
602613-01	Sofa fold-down top, Corian, Deep Sky Night
602613-02	Sofa fold-down top, Corian, Sandalwood

### Sofa, 33FB

704361-01	Entertainment sofa, 70" dual electric incliner, Macadamia
704361-02	Entertainment sofa, 70" dual electric incliner, Chestnut

### Dinette Seat Kit, 30'

704253-01	Dinette kit, Face to face, Ultraleather, Macadamia
704253-02	Dinette kit, Face to face, Ultraleather, Chestnut
704253-03	Filler cushion, Ultraleather, Macadamia
704253-04	Filler cushion, Ultraleather, Chestnut

### Dinette Seat Kit, 33FB

704362-01	Dinette, Booth w/convactor cover, Macadamia
704362-02	Dinette, Booth w/convactor cover, Chestnut
704362-03	Filler cushion, Macadamia
704362-04	Filler cushion, Chestnut

### Ultraleather Fabrics

704164	Ultra leather, Brisa Fesco, Patina
704163	Ultra leather, Brisa Fesco, Whey

### Chairs

382004-04	Folding chair w/logo, Zip Dee, Gray/Black/White
382004-05	Silkscreen for Zip Dee chair
704404-01	Desk chair, Macadamia
704404-02	Desk chair, Chestnut

## 2017 CLASSIC VENTS, FANS

### Vent, Bath

690266-02	Power ventilator
690266-06	Power ventilator w/o garnish
690266-07	Trim ring, White
690266-08	Trim ring, Silver
203801-01	Trim ring, Bath exhaust, Silver
203801-02	Trim ring, Bath exhaust, White

### Vent, Range

512210	Range hood, Baraldi, Stainless Steel
115573	Vent, Range exhaust, Stainless Steel
115175	Duct, Range exhaust transition
454590	Extension, Range vent

### Vent, Refrigerator

100341	Refrigerator, Vent collar, Large
101394	Cover, Refrigerator vent, Large
380228	Galvanized mesh, .017" x 36"

### Vent, Black Tank

690700-01	Vent pipe cover, White
382337	Gasket, Corlon, Vent cap
380228	Wire hardware cloth

### Vent, Roof

382240	Fantastic fan, 30'
513172	Fantastic fan, 33FB
382467-01	Gasket, Exhaust fan



## 2017 CLASSIC SKYLIGHTS

### Skylight, Lounge

381318-05	Skylight, 19.5 x 19.5
115619	Frame, 19 x 19
203785	Trim ring, 19 x 19, Silver
704157-02	Shad, Pleated, 19.75 x 19.75

### Skylight, Bath

381318-06	Skylight, 14.5 x 22.5
115620	Frame, 14 x 22
203786	Trim ring, 14 x 22, Silver
704157-01	Shade, Pleated, 14.625 x 22.75

# 2017 CLASSIC

## PANELING, EDGEBANDING, LAUAN

### Paneling

801368	Paneling, 18mm, White liner/White liner
801392	Paneling, 12mm, White liner/White liner
801438	Paneling, 2.7mm, Vinyl/raw, Frosted White
801904	Pre-laminated panel, liner/backer, White
802031	Pre-laminated panel, .25", Hampton Walnut/backer
802032	Pre-laminated panel, .5", Hampton Walnut/backer
802033	Pre-laminated panel, .5", Walnut/Walnut
802034	Pre-laminated panel, .5", Walnut/Brushed Alum Mesh
802132	Pre-laminated panel, .5", Maple/Maple
802133	Pre-laminated panel, .5", Maple/backer
802134	Pre-laminated panel, .5", Maple/Brushed Alum Mesh
802135	Pre-laminated panel, .25", Maple/backer
801809	Laminate, White liner, Vertical
801868-01	Laminate, Backer, Vertical
802055-01	Laminate, Hampton Walnut, Vertical
802131-01	Laminate, Cognac Maple, Vertical
802219	Pre-laminated panel, 12mm, Gloss Brick Tile/Backer
802215	Pre-laminated panel, 3mm, Hampton Walnut/Hampton Walnut

### Edgebanding

365379-01	Edgebanding, .63, Walnut
365379-02	Edgebanding, .94, Walnut
365405-01	Edgebanding, .63, Maple
365405-02	Edgebanding, .94, Maple

### Lauan

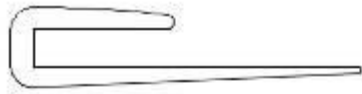
800507-01	Lauan, 1/8" x 4' x 8'
800507-02	Lauan, .25" x 4' x 8'
800507-03	Lauan, 3/8" x 4' x 8'
800397-01	Cedar, Planked, 5/32" x 4' x 8'

### Plywood

800976-01	Plywood, Tongue & groove, 19/32
801262-08	Plywood, .5", Baltic Birch
800506-03	Plywood, 3/8"
800506-04	Plywood, .5"
800506-06	Plywood, .75"

## 2017 CLASSIC TRIMS

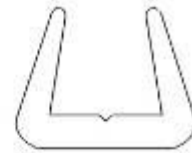
Trim



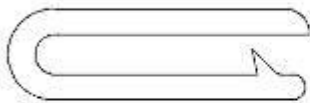
①



②



③



④



⑤



⑥



⑦

- |                |  |
|----------------|--|
| 1. 114070      | J-molding, Mill finish                   |
| 2. 201666-01   | J-molding, 3/16", Plastic, White         |
| 3. 203138-03   | Plastic wall extrusion, Beige            |
| 203138-04      | Plastic wall extrusion, Oak              |
| 203138-05      | Plastic wall extrusion, Black            |
| 203138-06      | Extrusion, Panel edging, Ash Grey        |
| 4. 203225-01   | Trim lock, .75", Gray                    |
| 5. 800573-0130 | Molding, Hardwood, Walnut                |
| 800573-0135    | Molding, Hardwood, Maple                 |
| 6. 801665-0030 | L-molding, Door jamb, Walnut             |
| 801665-0035    | L-molding, Door jamb, Maple              |
| 7. 801994-0030 | Molding, Galley flip shelf, Walnut       |
| 801994-0035    | Molding, Galley flip shelf, Maple        |
| 203445         | T-molding, 9/16", Black                  |
| 801997-0030    | Trim, Outside corner, .75", Walnut       |
| 801997-0035    | Trim, Outside corner, .75", Cognac Maple |



