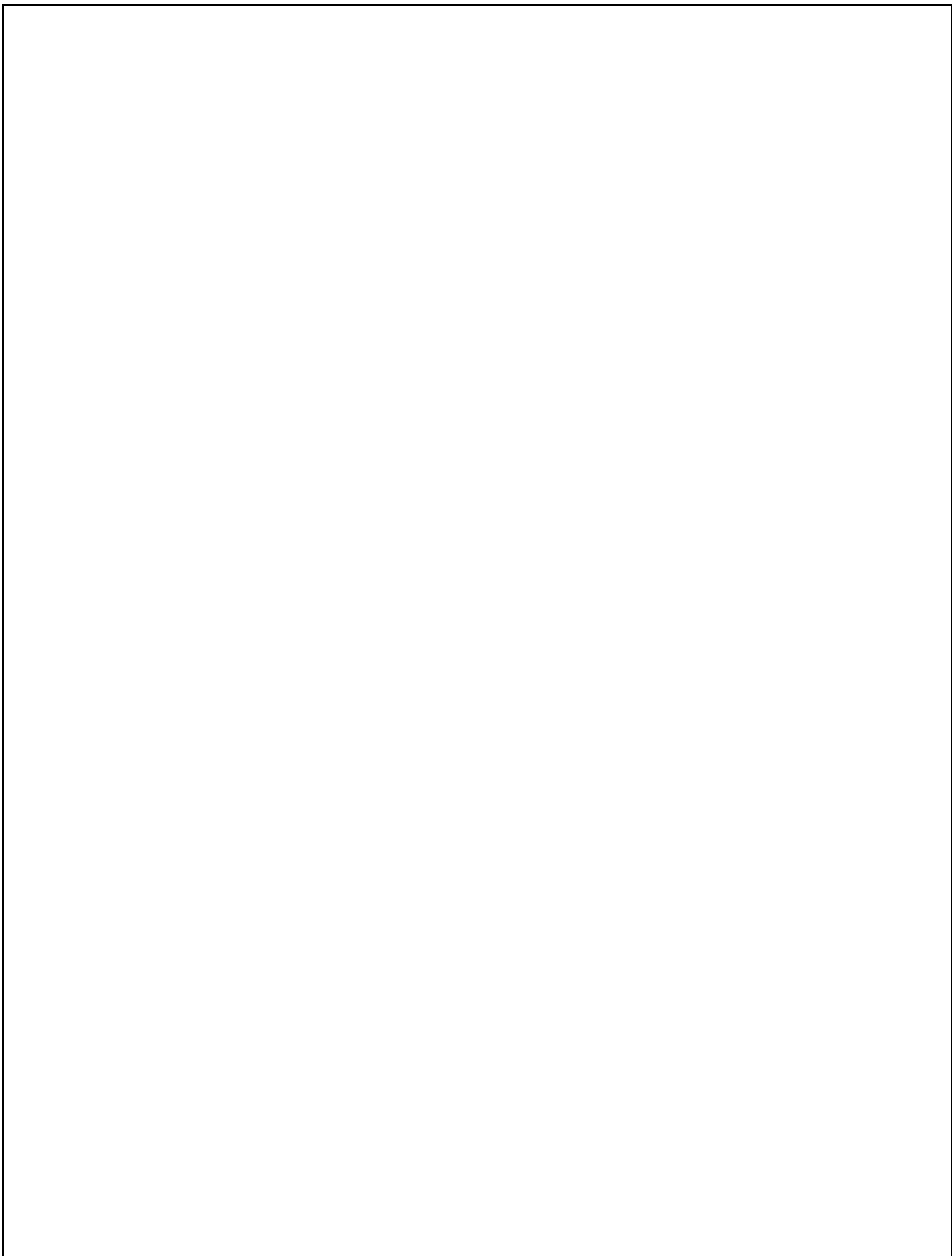




2017 TOMMY BAHAMA Touring Coach Parts Book





2017 TOMMY BAHAMA TC

SECTION I

APPLIANCES

<u>Air Conditioner</u>	I-1
<u>Roof Air Conditioner Frame</u>	I-1
<u>Furnace</u>	I-1
<u>Microwave & Cook Top</u>	I-1
<u>Refrigerators</u>	I-2
<u>Water Heater</u>	I-2
<u>Generator</u>	I-2

EXTERIOR SHELL

<u>Wall, Roadside, Lounge</u>	I-3
<u>Wall, Curbside, Lounge</u>	I-5
<u>Wall, Roadside, Grand Tour</u>	I-7
<u>Wall, Curbside, Grand Tour</u>	I-9
<u>Medallions</u>	I-11
<u>Window Blackouts</u>	I-11
<u>Body Kits</u>	I-12
<u>Hitch Cover</u>	I-18
<u>Storage Box, Below Floor</u>	I-18
<u>Rear Bumper Protector</u>	I-18
<u>7-Way Bracket</u>	I-18

INTERIOR SHELL

<u>Closeouts: Windows, Pillar, & Roof</u>	I-19
<u>Backsplash</u>	I-19
<u>Dash Trim Kit</u>	I-20
<u>Floor Assemblies</u>	I-21
<u>Ceiling Panels</u>	I-23
<u>Interior Panels & Window Boxes</u>	I-25

CHASSIS

<u>Spare Tire Carrier</u>	I-30
<u>Air Ride System</u>	I-30
<u>Wheels</u>	I-31
<u>Driver & Passenger Steps</u>	I-31
<u>Step</u>	I-31
<u>Step Well</u>	I-31
<u>Exhaust System</u>	I-32
<u>Skid Bar Assembly</u>	I-32
<u>Parktronic Sensor</u>	I-32

2017 TOMMY BAHAMA TC

SECTION II

DOORS, WINDOWS, AWNINGS

<u>Exterior Doors</u>	II-1
<u>Power Rear Screen Door Kit</u>	II-1
<u>Folding Screen Door</u>	II-2
<u>Sliding Screen Door</u>	II-2
<u>Windows</u>	II-3
<u>Awnings</u>	II-3

SHADES

<u>Power Shades</u>	II-4
<u>Cockpit Window Shades & Hardware</u>	II-4

ELECTRICAL

110 VOLT

<u>Distribution Center</u>	II-5
<u>Energy Management System</u>	II-5
<u>Shoreline Hookup</u>	II-5
<u>Inverter</u>	II-5
<u>Receptacles & USB Ports</u>	II-5
<u>Breakers</u>	II-5

12 VOLT

<u>Battery</u>	II-6
<u>Fuses</u>	II-6
<u>Cable Kits, Main 12VDC</u>	II-6
<u>Switches</u>	II-6
<u>Monitor Panel</u>	II-7
<u>Interior Lights</u>	II-7
<u>Exterior Lights</u>	II-7
<u>Switch Panel, Exterior Utility Compartment</u>	II-8
<u>Rearview Monitor Camera</u>	II-8
<u>Solar Panel</u>	II-8

ENTERTAINMENT

<u>Audio</u>	II-9
<u>Video</u>	II-9
<u>Rear TV</u>	II-10
<u>Front TV</u>	II-10
<u>Blu-Ray Player</u>	II-10

2017 TOMMY BAHAMA TC

SECTION III

FLOOR COVERINGS

<u>Floor Covering</u>	III-1
-----------------------------	-------

FURNITURE

INTERIOR DOORS

<u>Interior Doors</u>	III-2
<u>Roof Locker Doors</u>	III-2

LAVATORY

<u>Wet Bath Module, Lounge</u>	III-3
<u>Wet Bath Module, Grand Tour</u>	III-5
<u>Shower Module, Lounge</u>	III-7
<u>Shower Module, Grand Tour</u>	III-8
<u>Lavatory Door</u>	III-9

GALLEY

<u>Galley Top, Lounge</u>	III-10
<u>Galley, Drawer Microwave, Lounge</u>	III-11
<u>Galley Top, Grand Tour</u>	III-13
<u>Galley, Drawer Microwave, Grand Tour</u>	III-14
<u>Galley Bar</u>	III-16
<u>Refrigerator Cabinet</u>	III-17
<u>Pantry/Wardrobe</u>	III-18
<u>Front Shelf Closeout</u>	III-20
<u>Cargo Net</u>	III-20

2017 TOMMY BAHAMA TC

SECTION III

LOUNGE

<u>Dinette Seats, RS</u>	III-21
<u>Dinette Seats, CS</u>	III-25
<u>Pedestal Table</u>	III-27
<u>Flip Table Area</u>	III-28
<u>Sofa</u>	III-29
<u>Sofa Base</u>	III-30
<u>Sofa Closeouts</u>	III-31
<u>Sofa Extensions</u>	III-32
<u>Wardrobes</u>	III-34
<u>Roof Lockers</u>	III-37
<u>TV Mounting Cabinet</u>	III-50

HARDWARE

<u>Seat Belts, Cup Holders, & Brackets</u>	III-51
<u>Bath Accessories</u>	III-51
<u>Shower Curtain</u>	III-51
<u>Clothesline</u>	III-51
<u>License Plate</u>	III-51
<u>Cargo Cover</u>	III-52
<u>Hinges</u>	III-52
<u>Drawer Slides</u>	III-52
<u>Tommy Bahama Product Package</u>	III-52
<u>Interior Handles, Latches, & Fasteners</u>	III-53
<u>Rivets</u>	III-53

SAFETY EQUIPMENT

<u>Detector & Fire Extinguisher</u>	III-54
---	--------

LABELS & TAGS

<u>Labels & Tags</u>	III-55
--------------------------------	--------

2017 TOMMY BAHAMA TC

SECTION IV

PLUMBING

LPG SYSTEMS

<u>LPG Tank, Mounting Brackets, & Heat Shield</u>	IV-1
<u>LPG System, Lounge</u>	IV-2
<u>LPG System, Grand Tour</u>	IV-4

FRESH WATER SYSTEMS

<u>Faucet & Sink, Galley</u>	IV-6
<u>Faucet, Wet Bath</u>	IV-6
<u>Exterior Shower</u>	IV-6
<u>City Water Hook-Up</u>	IV-6
<u>Fresh Water Tank & Water Fill</u>	IV-6
<u>Fresh Water Lines, Lounge</u>	IV-7
<u>Fresh Water Lines, Grand Tour</u>	IV-8
<u>Fresh Water Fittings</u>	IV-9

DRAIN SYSTEMS

<u>Black & Grey Tanks</u>	IV-10
<u>Black Tank Flush</u>	IV-10
<u>Black Tank Cover</u>	IV-11
<u>Macerator Pump System</u>	IV-12
<u>Drain System, Below Floor, Lounge</u>	IV-13
<u>Drain System, From Tanks to Pump, Lounge</u>	IV-14
<u>Drain System, Above Floor, Lounge</u>	IV-15
<u>Drain System, Below Floor, Grand Tour</u>	IV-17
<u>Drain System, From Tanks to Pump, Grand Tour</u>	IV-18
<u>Drain System, Above Floor, Grand Tour</u>	IV-19
<u>Drain Fittings</u>	IV-21
<u>Toilet</u>	IV-22

2017 TOMMY BAHAMA TC

SECTION IV

SEALERS, GASKETS, PAINTS

<u>Sealers</u>	IV-23
<u>Gaskets</u>	IV-23
<u>Undercoating</u>	IV-23

BEDDING, PILLOWS

<u>Bedspreads & Sheets</u>	IV-24
<u>Pillows</u>	IV-24

UPHOLSTERY, ULTRALEATHER

<u>Captain's Chairs, Cabin</u>	IV-25
<u>Captain's Chairs, 2nd Row</u>	IV-25
<u>Sofa, Power</u>	IV-25
<u>Sofa, Jackknife</u>	IV-25

VENTS

<u>Black Tank Vent</u>	IV-26
<u>Bath Vent</u>	IV-26
<u>Roof Vent</u>	IV-26

PANELING, EDGEBANDING, LAUAN

<u>Paneling</u>	IV-27
<u>Edgebanding</u>	IV-27
<u>Lauan</u>	IV-27
<u>Plywood</u>	IV-27

TRIMS

<u>Trim</u>	IV-28
-------------------	-------

2017 TOMMY BAHAMA TC APPLIANCES

Air Conditioner

690323-49	Air conditioner, 13,500 BTU w/load shed, White
690323-54	Air conditioner, 13,500 BTU w/load shed, Black
690323-44	Comfort control center
690380-10	Interior air box/shroud
690380-11	Duct adapter
601240-01	Tubing, .5"
690323-SHDSL	Shroud, A/C, Silver
690323-SHDBLK	Shroud, A/C, Black
690323-SHDWH	Shroud, A/C, White

Roof Air Conditioner Frame

115397	Roof AC frame
--------	---------------

Furnace

690620-02	Furnace, 16K BTU, Front discharge w/Black grille
690620-04	Replacement grille, Black
690620-05	Extension kit, 7.25"
365391	Gasket, Furnace vent
115657	Spacer, Furnace vent
454674	Vent backer plate, Furnace

Microwave & Cook Top

690684	Microwave drawer type, 1.3 CF, Stainless steel, Contoure
690657-05	Microwave & trim, Convection, Contoure, CSA only
690576	Cook top, 2-burner, Smev

2017 TOMMY BAHAMA TC APPLIANCES

Refrigerator, Lounge

690599 Refrigerator, 3.1 CF, LH, Novakool
382297 Vent, 4 x 8, Black plastic

Refrigerator, Grand Tour

690706 Refrigerator/freezer, RH, Novakool
382297 Vent, 4 x 8, Black plastic
382298-01 Return grille, 12 x 6, Black

Water Heater

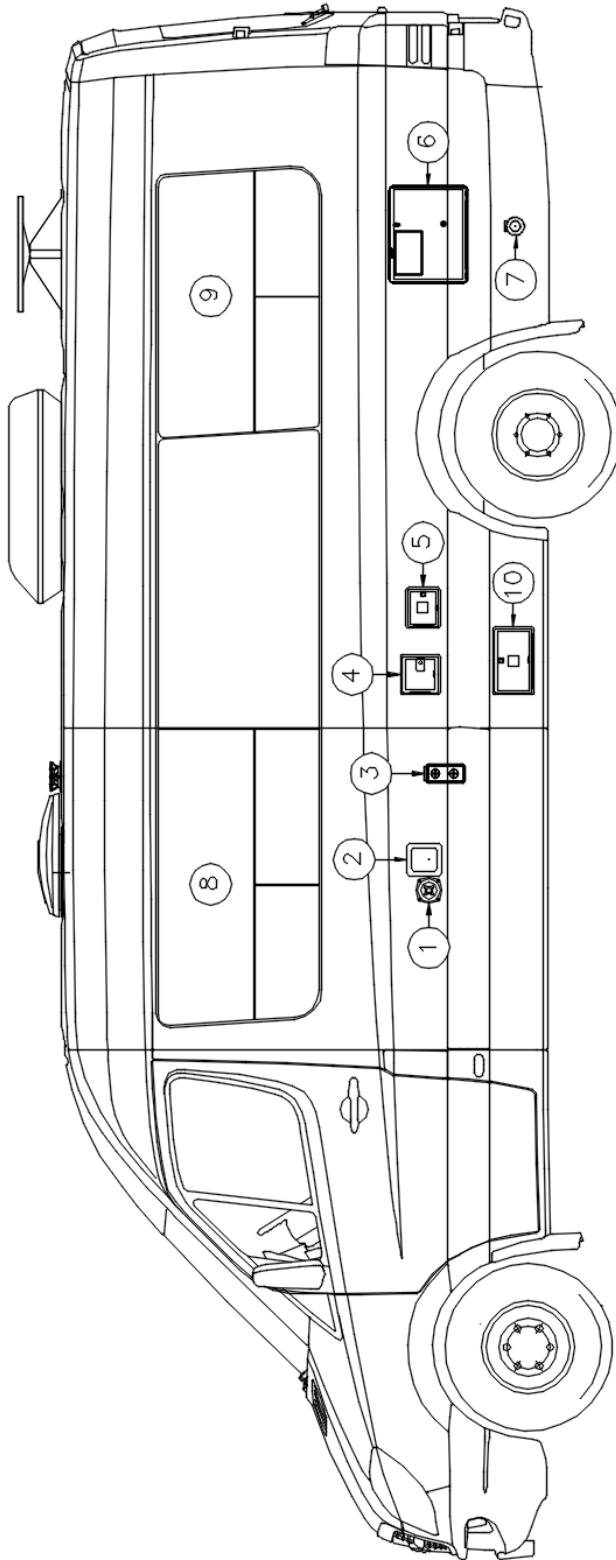
690602 Water heater, 6 gallon
690209W Water heater door, White
690209S Water heater door, Silver
690209B Water heater door, Black
454652 Frame, Water heater
690417-05 Switch, Dual, Water heater
967295 Stand, Water heater
454653 Closeout, Lower, Water heater
454654 Closeout, Upper, Water heater
382262 Gasket, Water heater

Generator

512585-01 Generator, LPG 2.5, Onan
512585-02 Pigtail, Remote gen
512585-03 Under floor mounting kit
512585-04 Switch, Remote start
512585-05 Tailpipe, Generator
381509 Hanger, Tailpipe
454663-01 Bracket, Roadside
454663-02 Bracket, Curbside aft
454670 Support, Generator switchover box
510817-01 Single gang, Weather proof box
510817-02 Single gang, Weather proof extension ring
510562 Switch, Generator

2017 TOMMY BAHAMA TC EXTERIOR SHELL

Wall, Roadside, Lounge



Parts Listed on Next Page

2017 TOMMY BAHAMA TC EXTERIOR SHELL

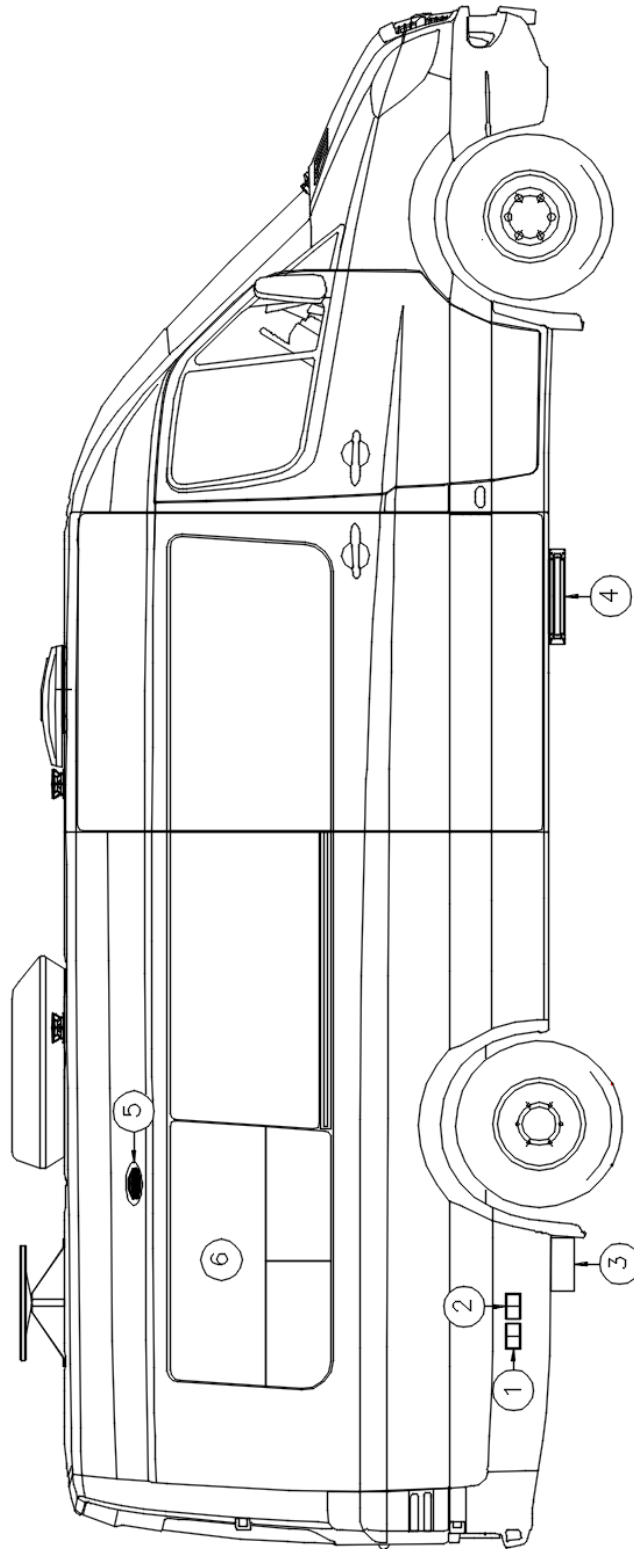
Wall, Roadside, Lounge

923318S Roadside Wall, Lounge

1. 601392-05 City water fill w/regulator, Chrome
2. 601194-03W Water fill w/lock, White
- 601194-03S Water fill w/lock, Silver
- 601194-03B Water fill w/lock, Black
3. 690620-04 Furnace grille, Black
4. 602288-01W Exterior shower box, White
- 602288-01S Exterior shower box, Silver
- 602288-01B Exterior shower box, Black
5. 382083W Hatch, Electrical switches, White
- 382083S Hatch, Electrical switches, Silver
- 382083B Hatch, Electrical switches, Black
6. 690209W Water heater door, White
- 690209S Water heater door, Silver
- 690209B Water heater door, Black
7. 513164 Power inlet, 30 amp, Stainless Steel
8. 372260-01 Window, RS front, Vented
9. 372260-04 Window, RS rear, Vented
10. 381766W Door, Macerator compartment, White
- 381766S Door, Macerator compartment, Silver
- 381766B Door, Macerator compartment, Black
- 411004-01 Wheel, 16 x 5.5, Front
- 411004-02 Wheel, 16 x 5.5, Rear
- 203624 Body kit

2017 TOMMY BAHAMA TC EXTERIOR SHELL

Wall, Curbside, Lounge



Parts Listed on Next Page

2017 TOMMY BAHAMA TC EXTERIOR SHELL

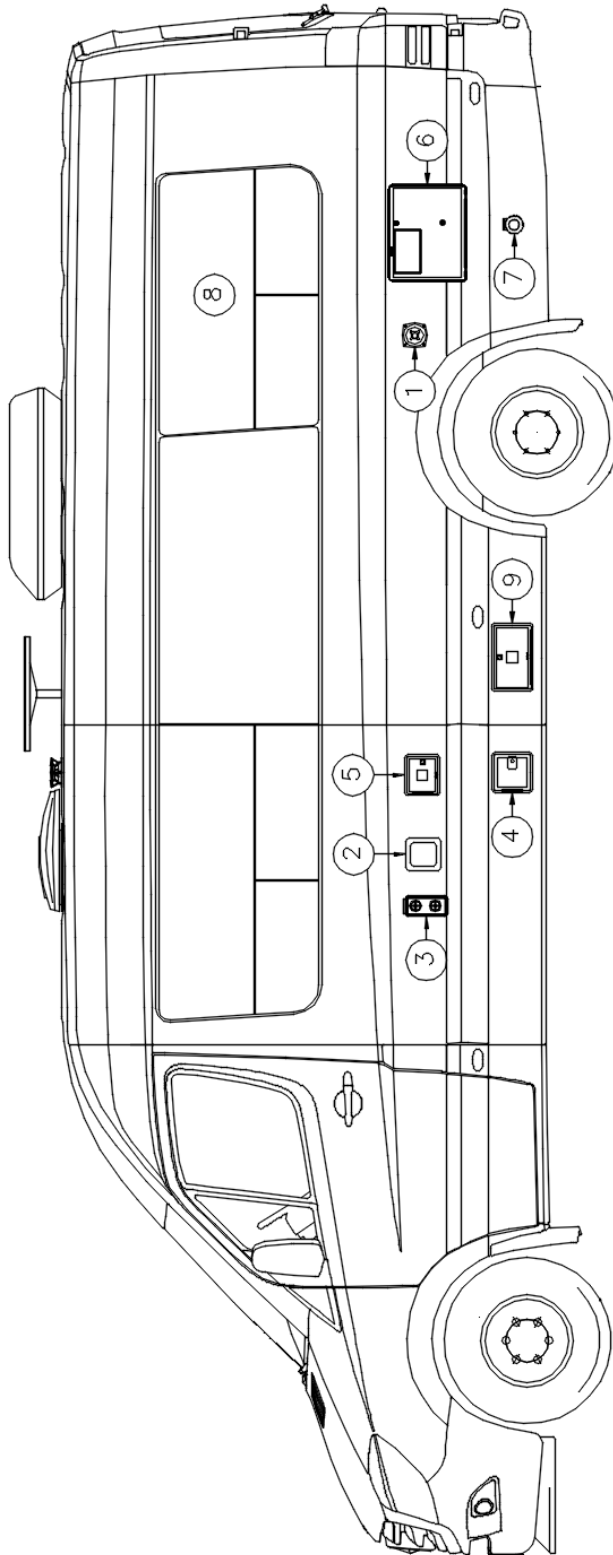
Wall, Curbside, Lounge

923318S Curbside Wall, Lounge

1. 512741W Weather proof cover w/gasket, White
- 512741S Weather proof cover w/gasket, Silver
- 512741B Weather proof cover w/gasket, Black
2. 511796W Exterior cable TV/12v Power Port, White
- 511796S Exterior cable TV/12v Power Port, Silver
- 511796B Exterior cable TV/12v Power Port, Black
3. 454680 LPG remote fill assembly
4. 512450 Power step, Project 2000
5. 512793 LED porch light, Chrome
6. 372260-05 Window w/vents, CS rear
- 386147 Decal, On/Off LPG remote fill
- 203650 Cover, Remote fill
- 512434 Switch, ON/OFF LP valve

2017 TOMMY BAHAMA TC EXTERIOR SHELL

Wall, Roadside, Grand Tour



Parts Listed on Next Page

2017 TOMMY BAHAMA TC EXTERIOR SHELL

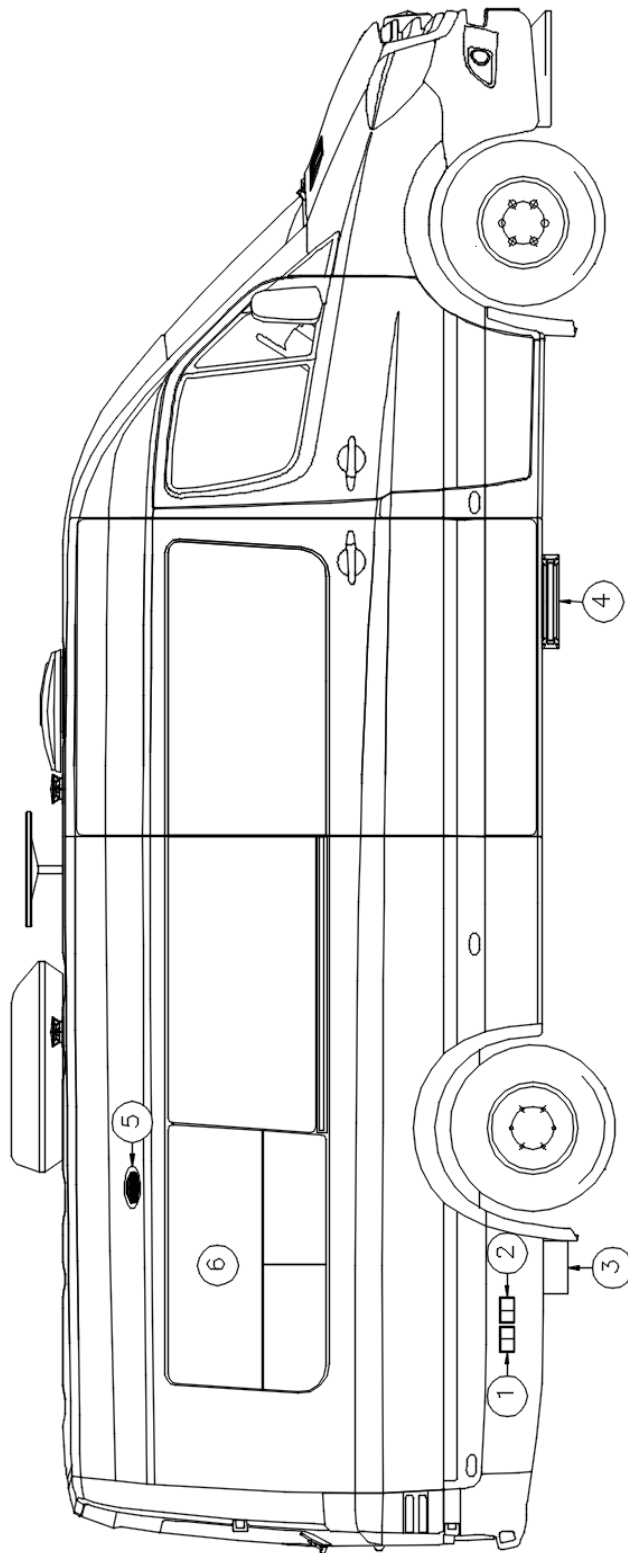
Wall, Roadside, Grand Tour

923319S Roadside Wall, Grand Tour

1. 601392-05 City water fill w/regulator, Chrome
2. 601194-03W Water fill w/lock, White
- 601194-03S Water fill w/lock, Silver
- 601194-03B Water fill w/lock, Black
3. 690620-04 Furnace grille, Black
4. 602288-01W Exterior shower box, White
- 602288-01S Exterior shower box, Silver
- 602288-01B Exterior shower box, Black
5. 382083W Hatch, Electrical switches, White
- 382083S Hatch, Electrical switches, Silver
- 382083B Hatch, Electrical switches, Black
6. 690209W Water heater door, White
- 690209S Water heater door, Silver
- 690209B Water heater door, Black
7. 513164 Power inlet, 30 amp, Stainless Steel
8. 372260-04 Window, RS rear, Vented
9. 381766W Door, Macerator compartment, White
- 381766S Door, Macerator compartment, Silver
- 381766B Door, Macerator compartment, Black
- 411004-01 Wheel, 16 x 5.5, Front
- 411004-02 Wheel, 16 x 5.5, Rear
- 411004-03 Trim kit, Front
- 411004-04 Trim kit, Rear
- 203624 Body kit

2017 TOMMY BAHAMA TC EXTERIOR SHELL

Wall, Curbside, Grand Tour



Parts Listed on Next Page

2017 TOMMY BAHAMA TC EXTERIOR SHELL

Wall, Curbside, Grand Tour

923319S	Curbside Wall, Grand Tour
1. 512741W	Weather proof cover w/gasket, White
512741S	Weather proof cover w/gasket, Silver
512741B	Weather proof cover w/gasket, Black
2. 511796W	Exterior cable TV/12v Power Port, White
511796S	Exterior cable TV/12v Power Port, Silver
511796B	Exterior cable TV/12v Power Port, Black
3. 454680	LPG remote fill assembly
4. 512450	Power step, Project 2000
5. 512793	LED porch light, Chrome
6. 372260-05	Window w/vents, CS rear
386147	Decal, On/Off LPG remote fill
203650	Cover, Remote fill
512434	Switch, ON/OFF LP valve

2017 TOMMY BAHAMA TC

EXTERIOR SHELL

Medallions

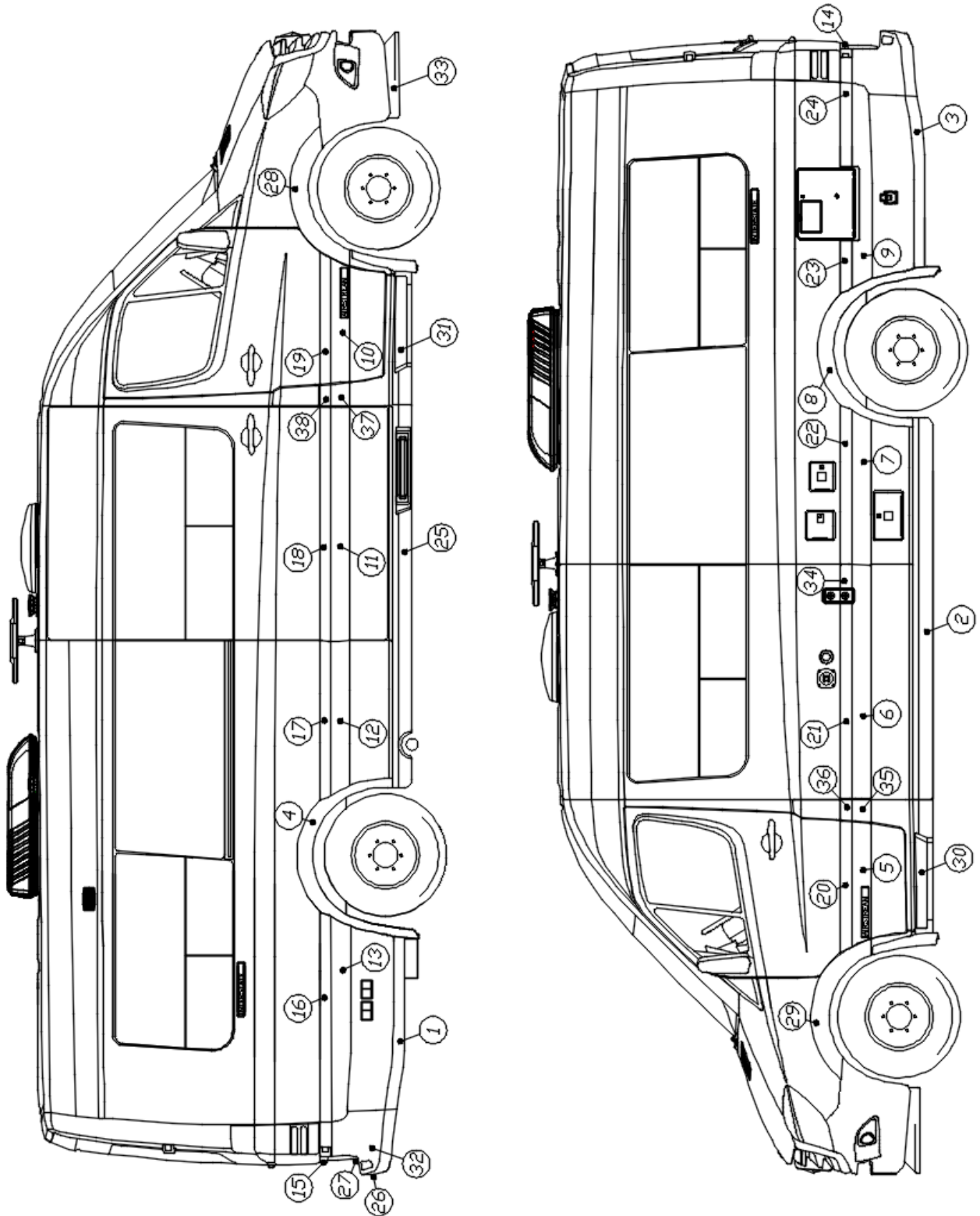
386255	Badge, "AIRSTREAM" Chrome
386295	Badge, "4WD", Chrome
386324	Marlin graphic, Rear window
386325	Tommy graphic, Side windows
386326	Tommy exterior badge

Window Blackouts

386215-06	Kit, Window blackout, GT
386215-07	Kit, Window blackout, Lounge
386215-01	Curbside rear blackout
386215-03	Roadside front blackout
386215-04	Roadside rear blackout
386215-05	Filler strip, 1.5 x 17

2017 TOMMY BAHAMA TC EXTERIOR SHELL

Body Kit, Silver



Parts Listed on Next Page

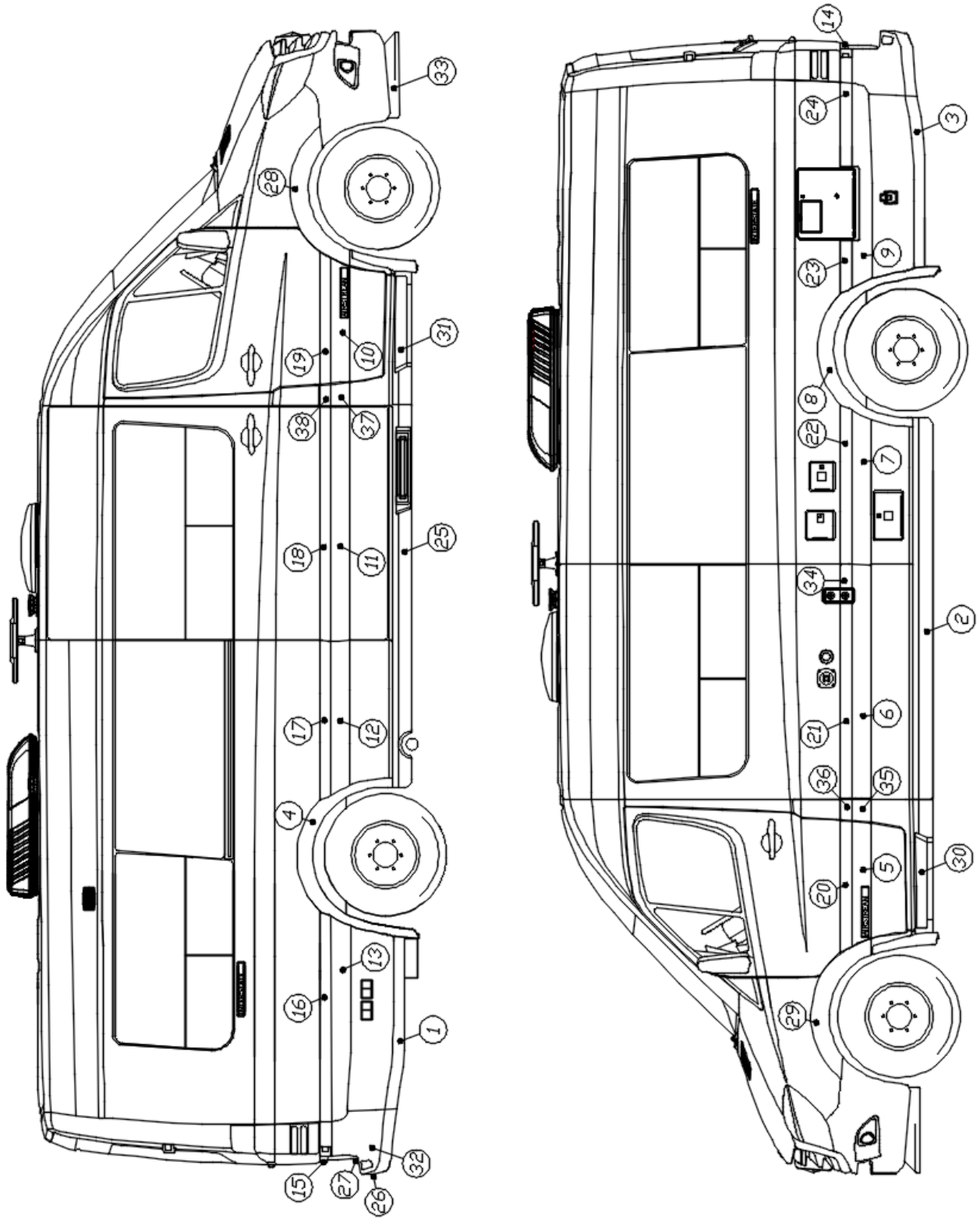
2017 TOMMY BAHAMA TC EXTERIOR SHELL

Body Kit, Silver

1. 203624-40 Extended passenger rear transition
2. 203624-06 Rocker, Driver side
3. 203624-41 Extended drivers side rear transition
4. 203624-08 Flare, Passenger rear
5. 203624-10 Panel, Driver front door
6. 203624-66 Panel, Driver side body w/furnace vent
7. 203624-13 Panel, Driver side middle rear
8. 203624-14 Flare, Driver rear
9. 203624-42 Extended drivers side rear quarter panel
10. 203624-16 Panel, Passenger side front door
11. 203624-18 Panel, Passenger side slider door
12. 203624-19 Panel, Passenger side middle rear
13. 203624-43 Extended passenger side rear quarter panel
14. 203624-23 Driver side top closeout, Rear bumper
15. 203624-24 Passenger side top closeout, Rear bumper
16. 203624-44 Extended passenger side quarter trim
17. 203624-26 Trim, Passenger middle rear, Chrome
18. 203624-27 Trim, Passenger slide door, Chrome
19. 203624-29 Trim, Passenger front door, Chrome
20. 203624-30 Trim, Driver side door, Chrome
21. 203624-67 Trim, Driver side body, Forward, Chrome
22. 203624-33 Trim, Driver side middle rear Chrome
23. 203624-34 Trim, Driver side rear quarter, Front, Chrome
24. 203624-45 Extended Drivers side rear quarter trim
25. 203624-69 Passenger side rocker w/step & exhaust notch
26. 203624-47 Hitch cover
27. 203624-48 Bracket, Rear bumper
28. 203624-55 Flare, Front passenger side
29. 203624-56 Flare, Front driver side
30. 203624-72 Step, Driver side
31. 203624-73 Step, Passenger side
32. 203624-59 Rear bumper w/sensor cutouts
33. 203624-61 Air dam, Front bumper
34. 203624-68 Trim, Driver side body, Aft, Chrome
35. 203624-11 Driver side B-pillar
36. 203624-31 Trim, Driver side B-pillar, Chrome
37. 203624-17 Passenger side B-pillar
38. 203624-28 Trim, Passenger side B-pillar, Chrome

2017 TOMMY BAHAMA TC EXTERIOR SHELL

Body Kit, Black



Parts Listed on Next Page

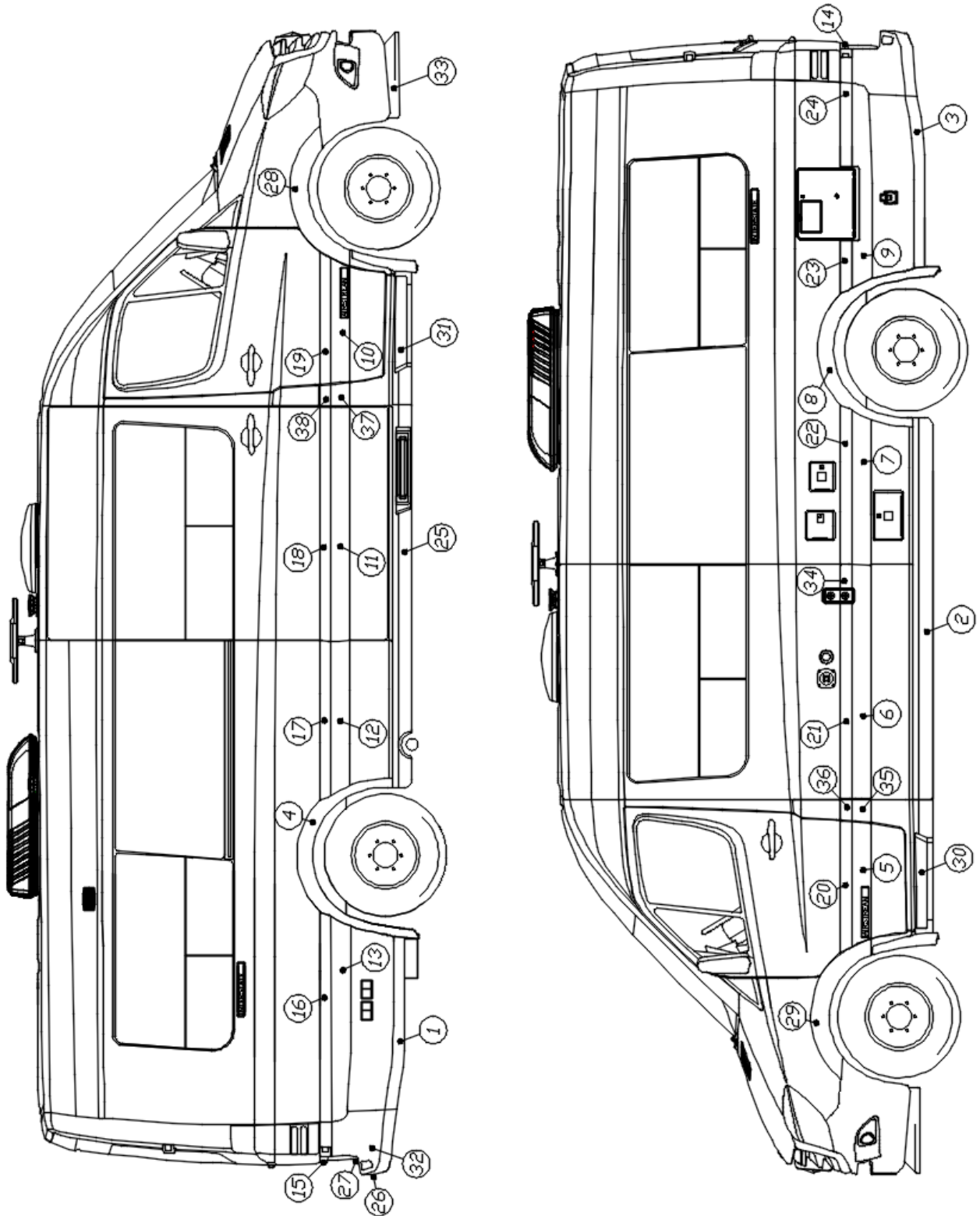
2017 TOMMY BAHAMA TC EXTERIOR SHELL

Body Kit, Black

1. 203624-40B Extended passenger rear transition
2. 203624-06B Rocker, Driver side
3. 203624-41B Extended drivers side rear transition
4. 203624-08B Flare, Passenger rear
5. 203624-10B Panel, Driver front door
6. 203624-66B Panel, Driver side body w/furnace vent
7. 203624-13B Panel, Driver side middle rear
8. 203624-14B Flare, Driver rear
9. 203624-42B Extended drivers side rear quarter panel
10. 203624-16B Panel, Passenger side front door
11. 203624-18B Panel, Passenger side slider door
12. 203624-19B Panel, Passenger side middle rear
13. 203624-43B Extended passenger side rear quarter panel
14. 203624-23B Driver side top closeout, Rear bumper
15. 203624-24B Passenger side top closeout, Rear bumper
16. 203624-44 Extended passenger side quarter trim
17. 203624-26 Trim, Passenger middle rear, Chrome
18. 203624-27 Trim, Passenger slide door, Chrome
19. 203624-29 Trim, Passenger front door, Chrome
20. 203624-30 Trim, Driver side door, Chrome
21. 203624-67 Trim, Driver side body, Forward, Chrome
22. 203624-33 Trim, Driver side middle rear Chrome
23. 203624-34 Trim, Driver side rear quarter, Front, Chrome
24. 203624-45 Extended Drivers side rear quarter trim
25. 203624-69B Passenger side rocker w/step & exhaust notch
26. 203624-47B Hitch cover
27. 203624-48 Bracket, Rear bumper
28. 203624-55B Flare, Front passenger side
29. 203624-56B Flare, Front driver side
30. 203624-72B Step, Driver side
31. 203624-73B Step, Passenger side
32. 203624-59B Rear bumper w/sensor cutouts
33. 203624-61B Air dam, Front bumper
34. 203624-68 Trim, Driver side body, Aft, Chrome
35. 203624-11B Driver side B-pillar
36. 203624-31 Trim, Driver side B-pillar, Chrome
37. 203624-17B Passenger side B-pillar
38. 203624-28 Trim, Passenger side B-pillar, Chrome

2017 TOMMY BAHAMA TC EXTERIOR SHELL

Body Kit, White



Parts Listed on Next Page

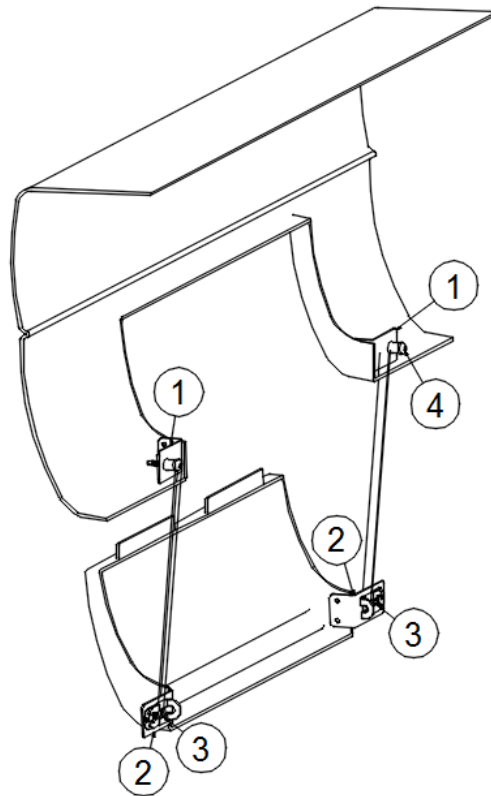
2017 TOMMY BAHAMA TC EXTERIOR SHELL

Body Kit, White

1. 203624-40W Extended passenger rear transition
2. 203624-06W Rocker, Driver side
3. 203624-41W Extended drivers side rear transition
4. 203624-08W Flare, Passenger rear
5. 203624-10W Panel, Driver front door
6. 203624-66W Panel, Driver side body w/furnace vent
7. 203624-13W Panel, Driver side middle rear
8. 203624-14W Flare, Driver rear
9. 203624-42W Extended drivers side rear quarter panel
10. 203624-16W Panel, Passenger side front door
11. 203624-18W Panel, Passenger side slider door
12. 203624-19W Panel, Passenger side middle rear
13. 203624-43W Extended passenger side rear quarter panel
14. 203624-23W Driver side top closeout, Rear bumper
15. 203624-24W Passenger side top closeout, Rear bumper
16. 203624-44 Extended passenger side quarter trim
17. 203624-26 Trim, Passenger middle rear, Chrome
18. 203624-27 Trim, Passenger slide door, Chrome
19. 203624-29 Trim, Passenger front door, Chrome
20. 203624-30 Trim, Driver side door, Chrome
21. 203624-67 Trim, Driver side body, Forward, Chrome
22. 203624-33 Trim, Driver side middle rear Chrome
23. 203624-34 Trim, Driver side rear quarter, Front, Chrome
24. 203624-45 Extended Drivers side rear quarter trim
25. 203624-69W Passenger side rocker w/step & exhaust notch
26. 203624-47W Hitch cover
27. 203624-48 Bracket, Rear bumper
28. 203624-55W Flare, Front passenger side
29. 203624-56W Flare, Front driver side
30. 203624-72W Step, Driver side
31. 203624-73W Step, Passenger side
32. 203624-59W Rear bumper w/sensor cutouts
33. 203624-61W Air dam, Front bumper
34. 203624-68 Trim, Driver side body, Aft, Chrome
35. 203624-11W Driver side B-pillar
36. 203624-31 Trim, Driver side B-pillar, Chrome
37. 203624-17W Passenger side B-pillar
38. 203624-28 Trim, Passenger side B-pillar, Chrome

2017 TOMMY BAHAMA TC EXTERIOR SHELL

Hitch Cover



- | | |
|-----------|------------------------------------|
| 1. 454919 | Bumper bracket |
| 2. 454920 | Cover bracket |
| 3. 382182 | Latch, Snap slide, Stainless Steel |
| 4. 320111 | Screw, #8 x .75" |

Storage Box, Below Floor

- | | |
|--------|---------------------------|
| 454903 | Compartment, Rear storage |
| 203730 | Lid, Storage box, Plastic |
| 381985 | Plug, Quick nap |

Rear Bumper Protector Film

- | | |
|--------|---------------------------------|
| 203764 | Rear bumper protector, 3-M film |
|--------|---------------------------------|

7-Way Bracket

- | | |
|--------|---------------------|
| 455034 | Bracket, 7-way plug |
|--------|---------------------|

2017 TOMMY BAHAMA TC INTERIOR SHELL

Closeouts: Windows, Pillar, & Roof

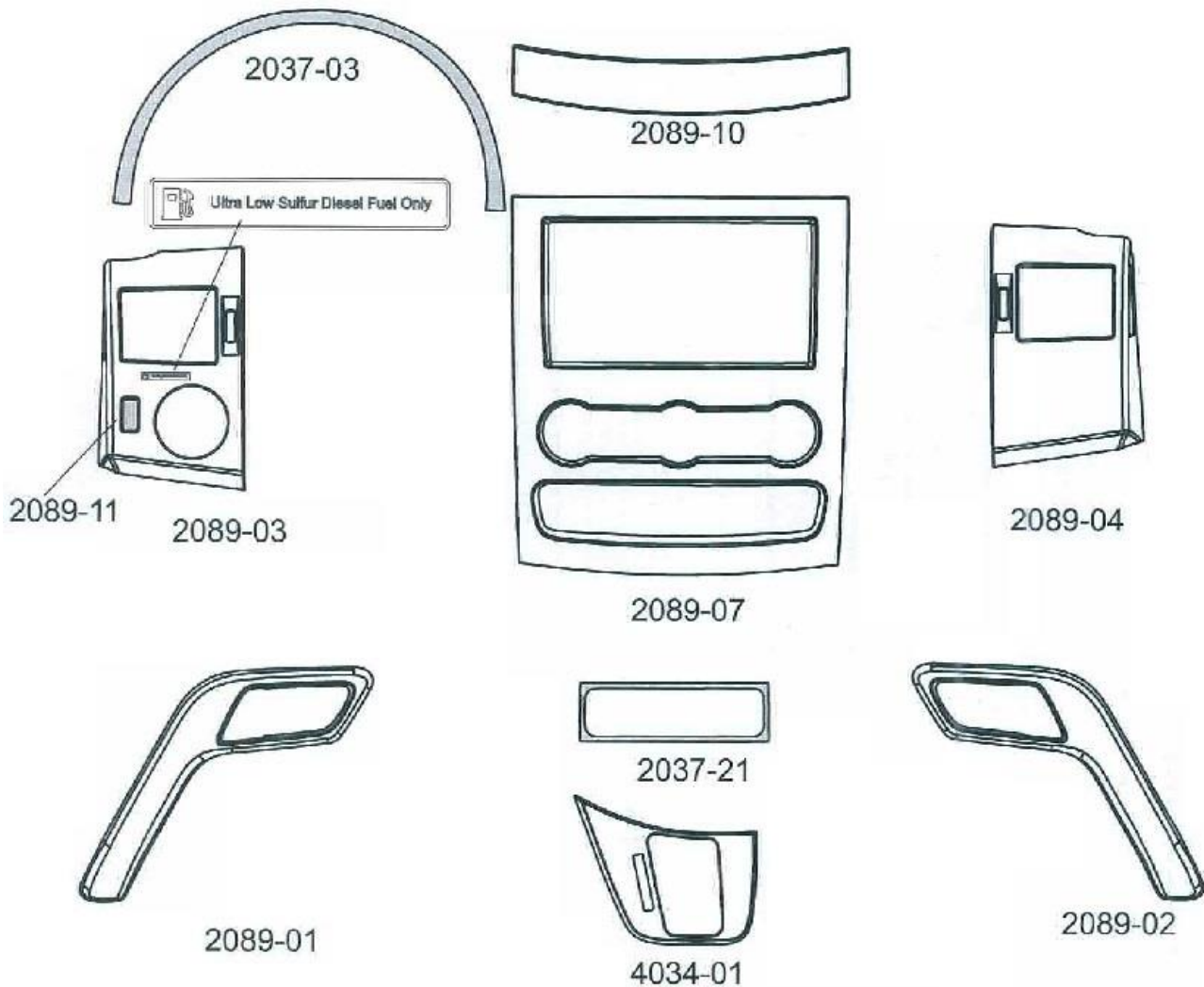
203651-01	Closeout, Curbside, "C" pillar
203651-02	Closeout, Curbside, Front window
203651-03	Closeout, Curbside, Rear window
203651-04	Closeout, Curbside, Lower pillar
203651-06	Closeout, Roadside, Front window
203651-07	Closeout, Roadside, Front window, Aft
203651-08	Closeout, Roadside, Middle window
203651-09	Closeout, Roadside, Rear window
203651-10	Closeout, Roadside, Rear lower pillar
203628	Closeout, Roadside "B" pillar, bottom
203629	Closeout, Sliding door header
203947-01	Closeout, Roadside wheel well
203947-02	Closeout, Curbside wheel well
203637	Pads, Sound dampener, Rear wheel wells

Backsplash

455249	Backsplash, .04 x 20.5 x 44.37, Lounge
455279	Backsplash, .04 x 20.75 x 36.63, GT
114070	J-trim, Aluminum

2017 TOMMY BAHAMA TC INTERIOR SHELL

Dash Trim Kit



2089-01: DRIVER DOOR PULL

2089-04: PASS. VENT

2089-11: PLUG FOR DRIVER VENT

2089-02: PASS. DOOR PULL

2089-07: RADIO-AC CONTROL SURR

2037-03: SPEREDO

2089-03: DRIVER VENT

2089-10: ABOVE RADIO CENTER STORAGE

2037-21: BELOW MAIN DASH

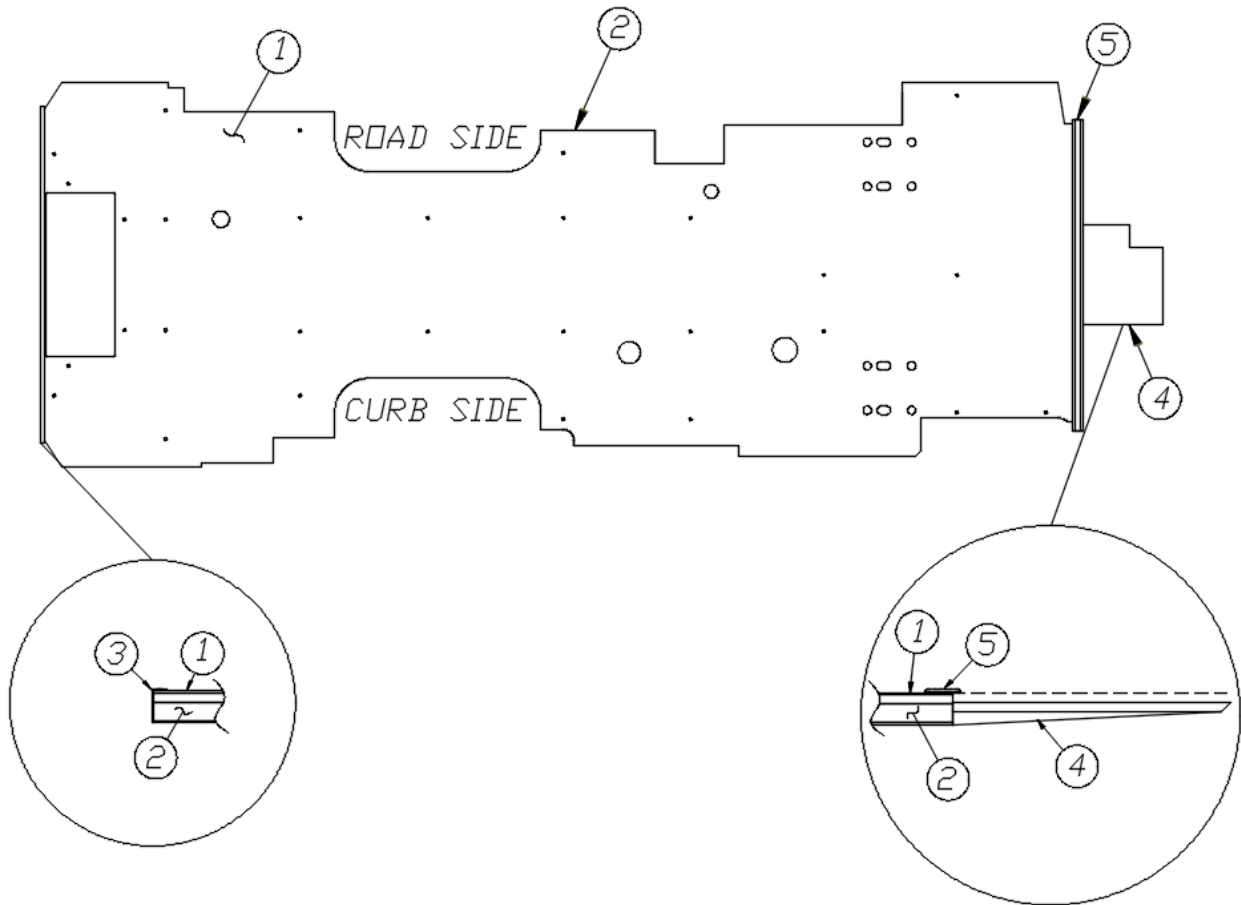
4034-01: AUTO SHIFTER SURR

365408

Kit, Dash trim combo, Greywood Black

2017 TOMMY BAHAMA TC INTERIOR SHELL

Floor Assembly, Lounge



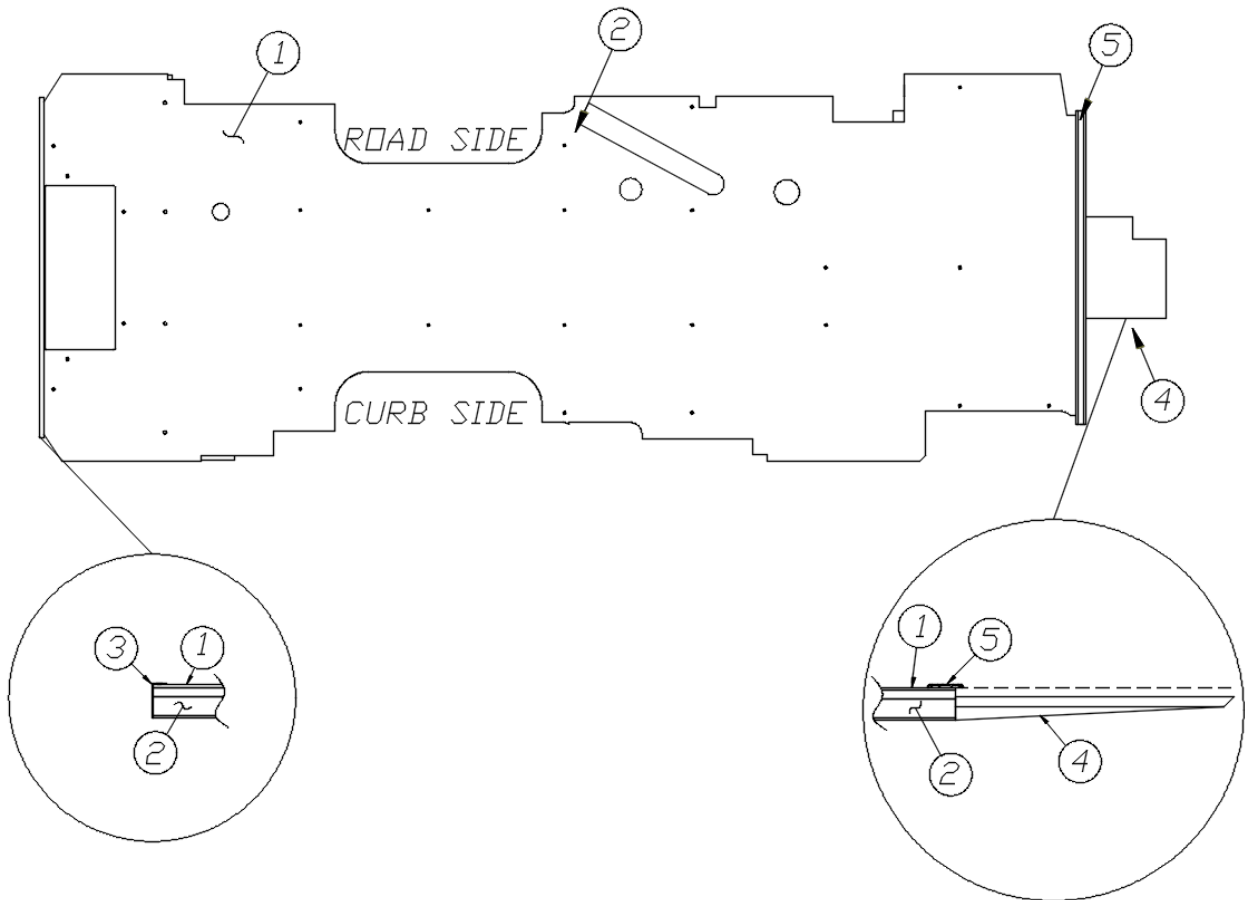
112438
112438-01

Floor Install, Lounge
Floor Install, Lounge with Air Ride

- | | |
|--|---|
| <ul style="list-style-type: none"> 1. 704351 2. 923221 923221-01 3. 967772 4. 923012 5. 114869 703968 703766-01 802075-01 802075-02 | <ul style="list-style-type: none"> Flooring, Luxury Woven Vinyl, Teak Floor, Lounge Floor, Lounge w/air ride option Floor trim angle Cab to main floor transition Extrusion, Threshold compartment Floor guard, Underbelly Adhesive, AAT-272, Super premium Transition spacer, Cab to main floor, 14" Transition spacer, Cab to main floor, 18" |
|--|---|

2017 TOMMY BAHAMA TC INTERIOR SHELL

Floor Assembly, Grand Tour

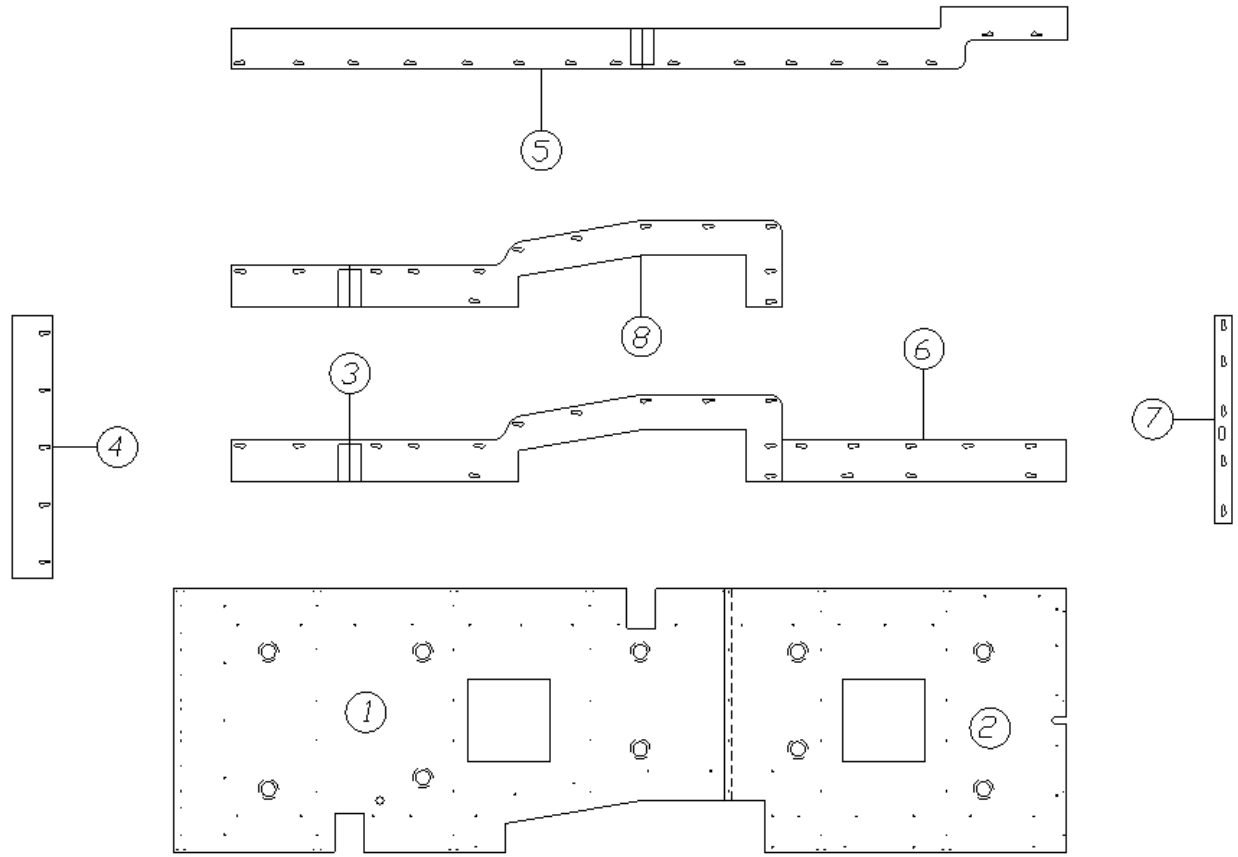


112439 Floor Install, GT
112439-01 Floor Install, GT with Air Ride

- | | |
|-----------|---|
| 1. 704351 | Flooring, Luxury Woven Vinyl, Teak |
| 2. 923171 | Floor, GT |
| 923171-01 | Floor, GT w/air ride |
| 3. 967772 | Floor trim angle |
| 4. 923012 | Cab to main floor transition |
| 5. 114869 | Extrusion, Threshold compartment |
| 703968 | Floor guard, Underbelly |
| 703766-01 | Adhesive, AAT-272, Super premium |
| 802075-01 | Transition spacer, Cab to main floor, 14" |
| 802075-02 | Transition spacer, Cab to main floor, 18" |

2017 TOMMY BAHAMA TC INTERIOR SHELL

Ceiling Panels, Lounge



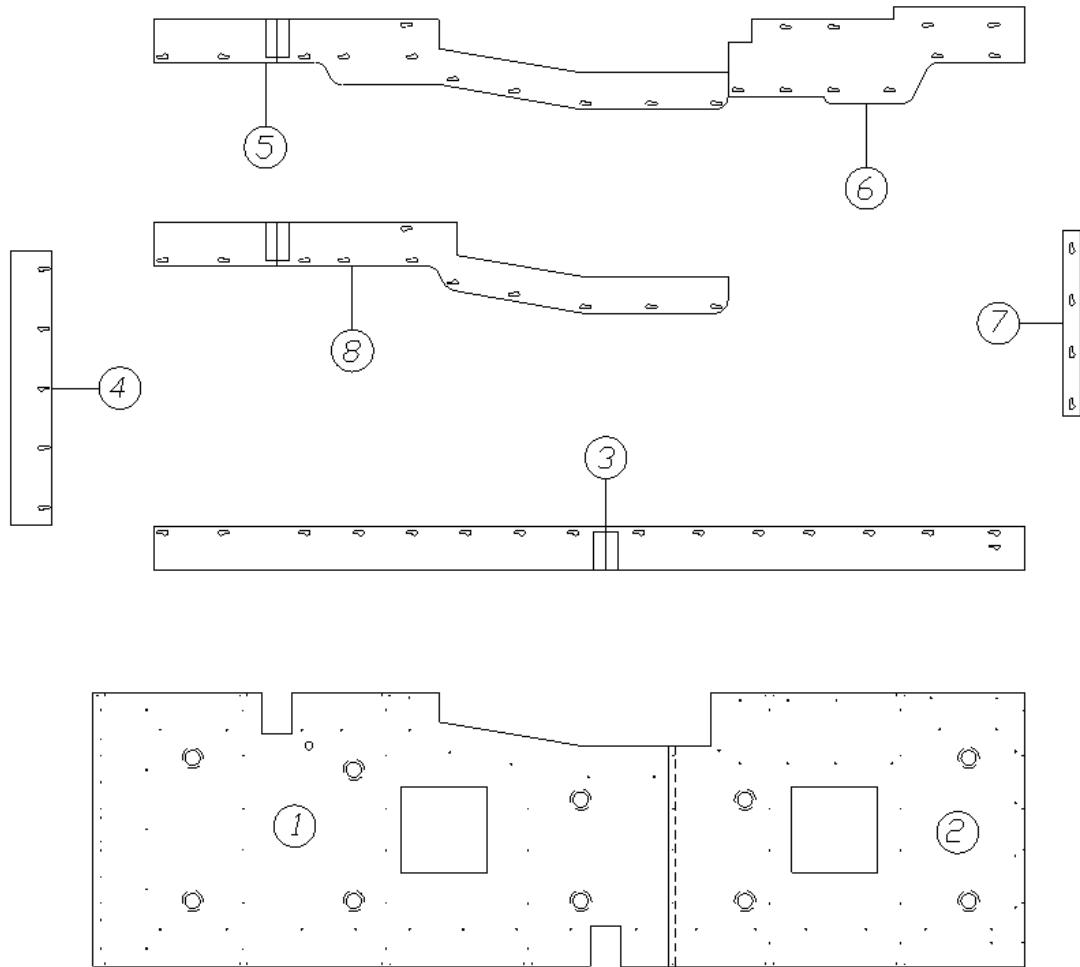
923217

Ceiling Panels Layout

- | | |
|--|---|
| <ul style="list-style-type: none"> 1. 923217-01 2. 923217-02 3. 923217-03 4. 923217-04 5. 923217-05 6. 923217-06 7. 923217-07 8. 923217-08 | <ul style="list-style-type: none"> Ceiling panel, Rear Aluminum ceiling panel, Front Ceiling panel, CS Ceiling panel, Rear Ceiling panel, RS Ceiling panel, Door Ceiling panel, Front Ceiling panel, CS, 9 passenger option Foam, 1/4" Suede Impala |
|--|---|

2017 TOMMY BAHAMA TC INTERIOR SHELL

Ceiling Panels, Grand Tour



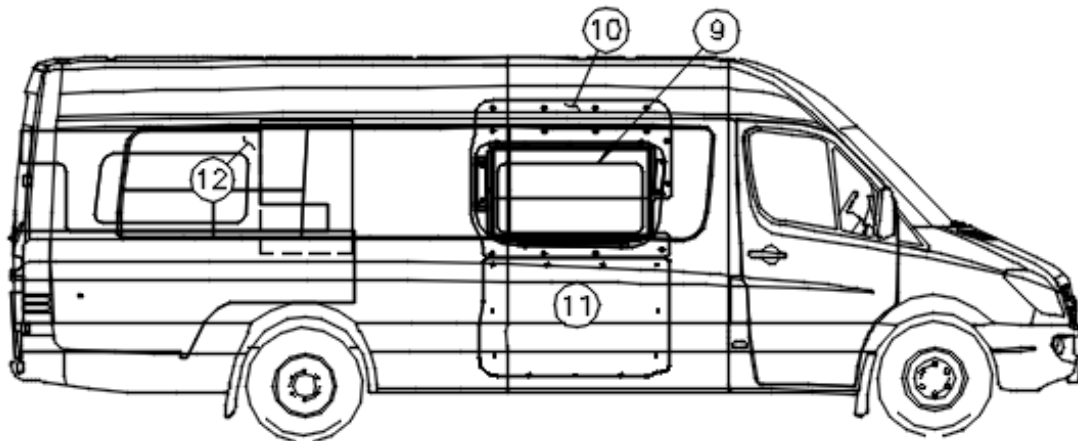
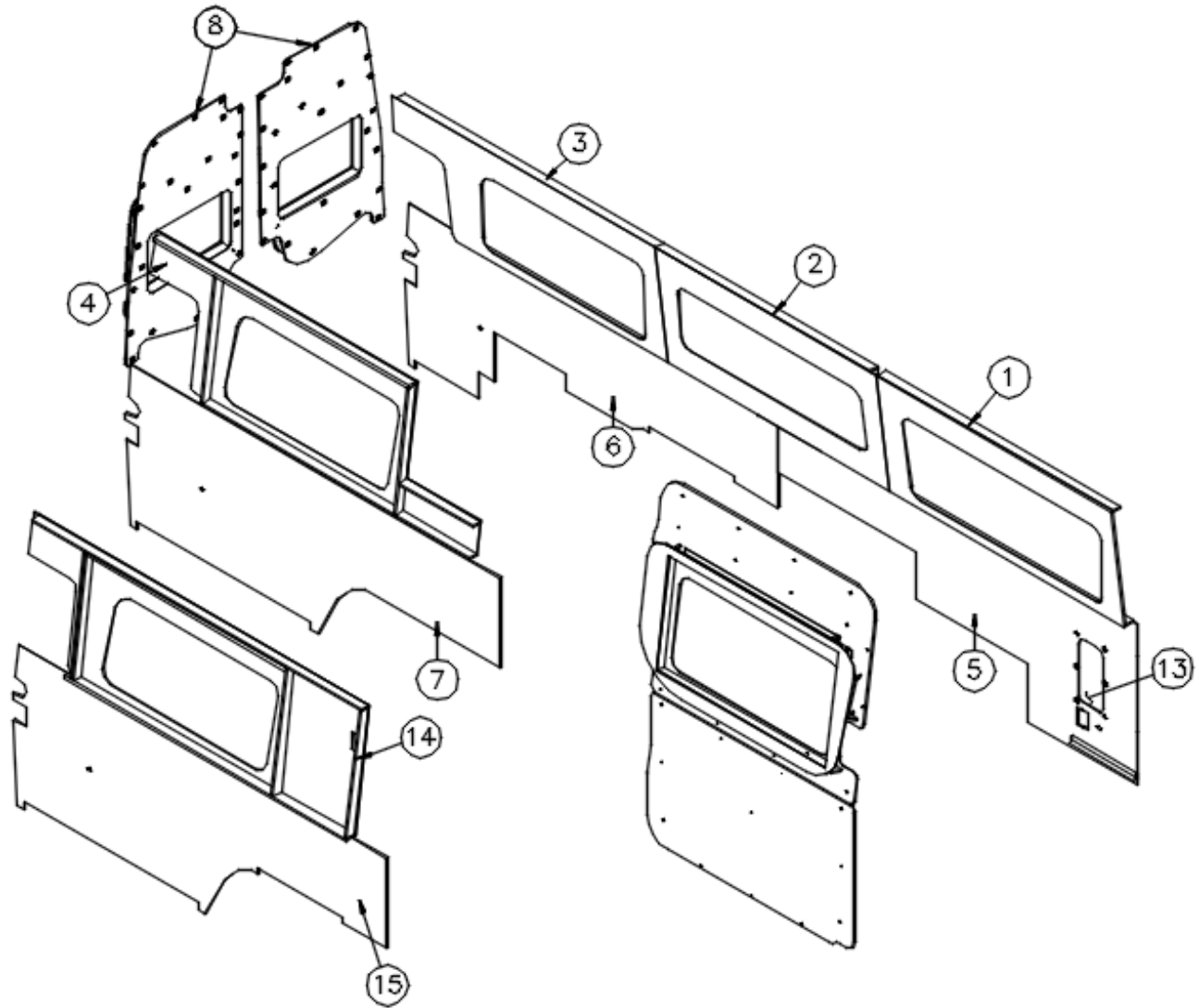
923203

Ceiling Panels Layout

- | | |
|--------------|---|
| 1. 923203-01 | Aluminum panel, Rear |
| 2. 923203-02 | Aluminum panel, Front |
| 3. 923203-03 | Ceiling panel, CS |
| 4. 923203-04 | Ceiling panel, Rear |
| 5. 923203-05 | Ceiling panel, RS rear |
| 6. 923203-06 | Ceiling panel, RS front |
| 7. 923203-07 | Ceiling panel, Front |
| 8. 923203-08 | Ceiling panel, RS rear, Extra seat option |
| 382062 | Fastener, Finned, .25" |
| 704088-02 | Fabric, Suede Sarandave Impala |

2017 TOMMY BAHAMA TC INTERIOR SHELL

Interior Panels & Window Boxes, Lounge



Parts Listed on Next Page

2017 TOMMY BAHAMA TC

INTERIOR SHELL

Interior Panels & Window Boxes, Lounge

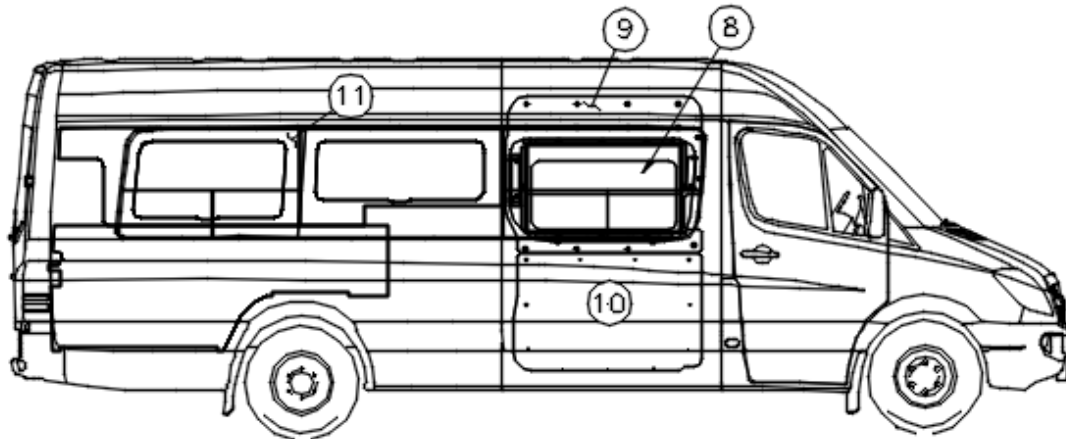
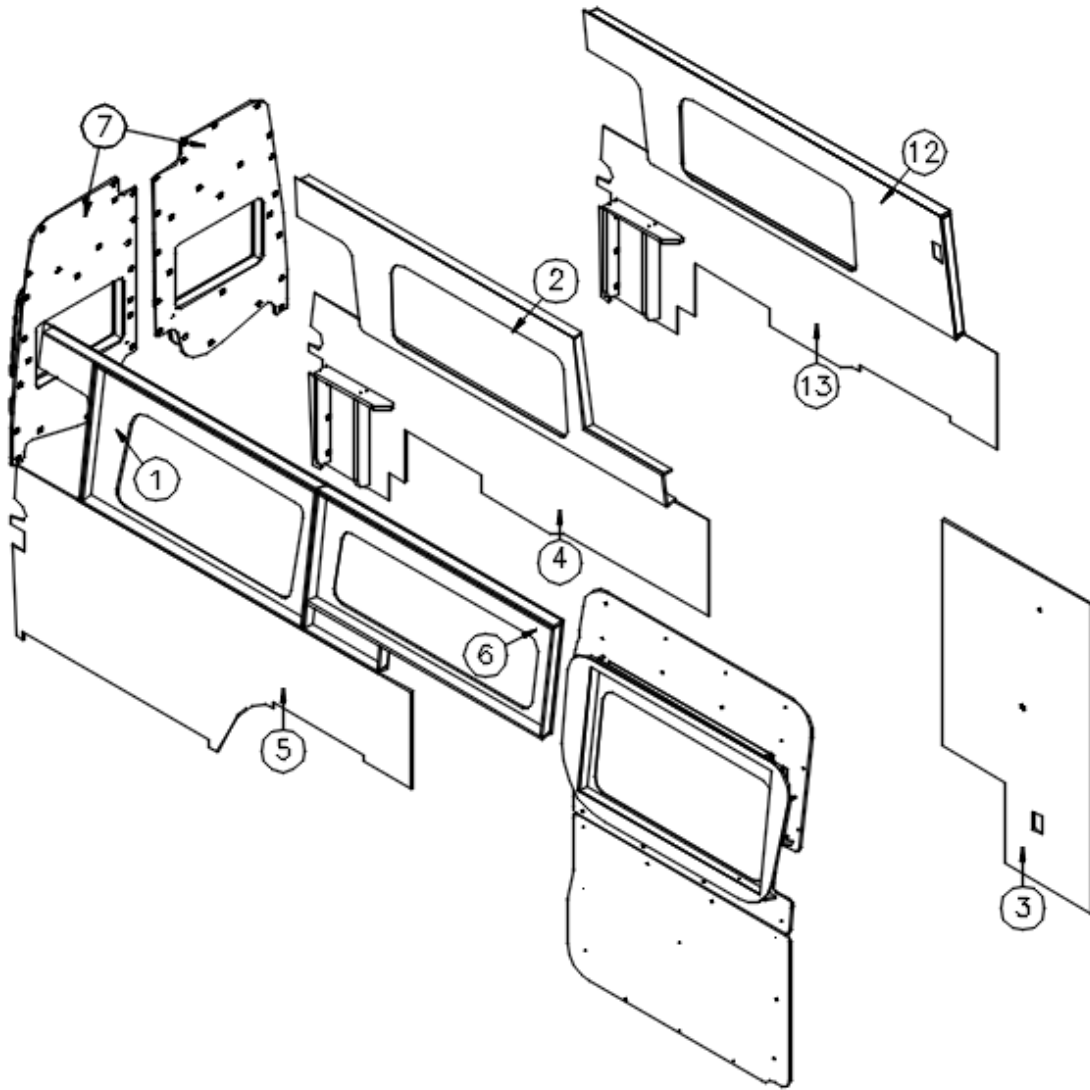
112335-39 Interior Panels & Window Boxes Install, Tommy Bahama

1. 968449-11 Window box, RS forward
2. 968449-12 Window box, RS mid
3. 968449-13 Window box, RS rear
4. 968449-0439 Window box, CS rear
5. 968449-05 Panel, RS forward
6. 968449-06 Panel, RS rear
7. 968449-07 Panel, CS rear
8. 968451 Rear door panel, Right hand
- 968304 Rear door blind box, CS
- 968452 Rear door panel, Left hand
- 968305 Rear door blind box, RS
9. 967940 Slide door blind box
10. 968453 Slide door upper panel
11. 968454 Slide door lower panel
12. 114849-03 060 Aluminum Platinum Gray, 25 x 36
13. 967875 Cup holder
14. 968449-0939 Window box, CS rear, 9 Pass
15. 968449-10 Panel, CS rear, 9 Pass

*Replace items 4 & 7 with 14 & 15 on 9 passenger units

2017 TOMMY BAHAMA TC INTERIOR SHELL

Interior Panels & Window Boxes, Grand Tour



Parts Listed on Next Page

2017 TOMMY BAHAMA TC

INTERIOR SHELL

Interior Panels & Window Boxes, Grand Tour

112334-39 Interior Panels & Window Boxes Install, Tommy Bahama

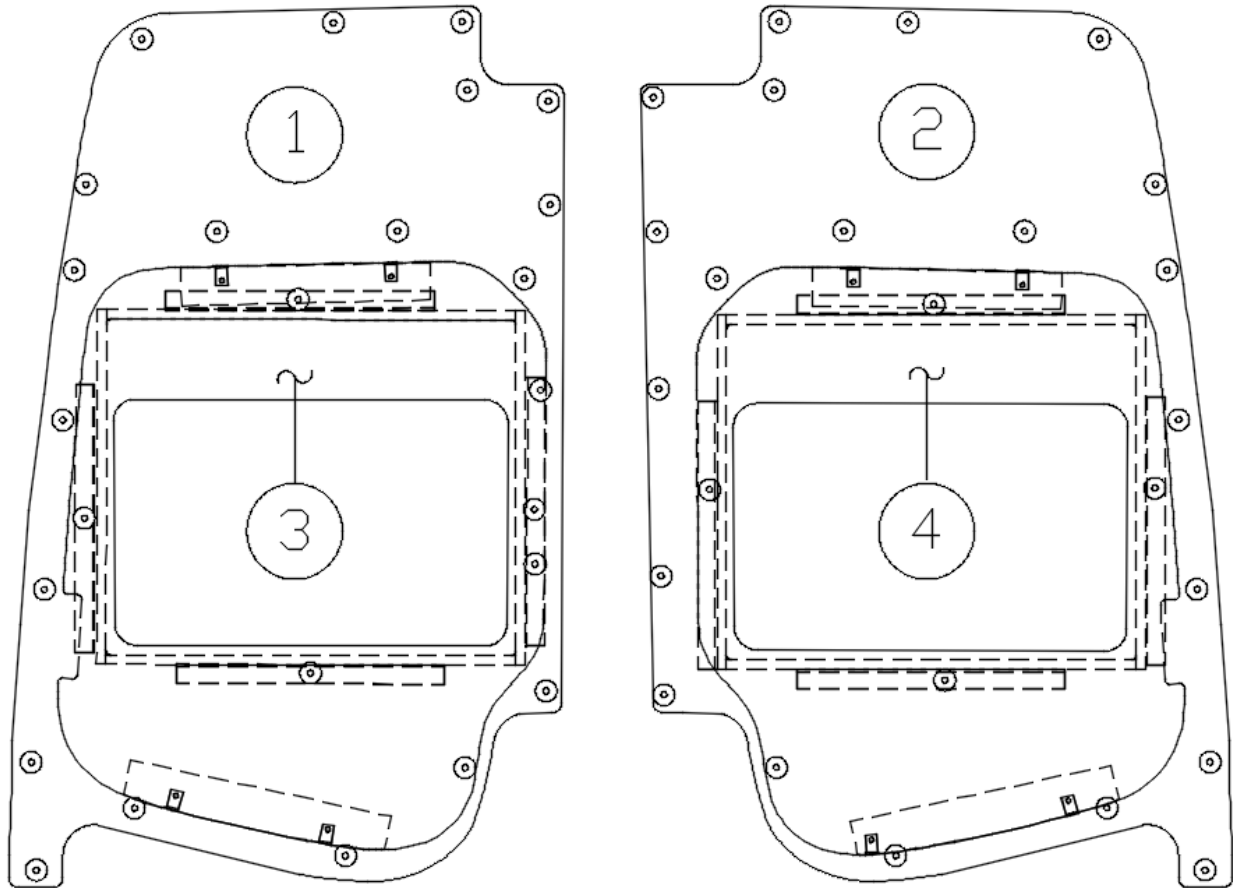
1. 968448-09 Window box, CS rear
2. 968448-0239 Window box, RS rear
3. 968448-0339 Panel, RS forward
4. 968448-04 Panel, RS rear
5. 968448-05 Panel, CS rear
6. 968448-10 Window box, CS mid
7. 968451 Rear door panel, Right hand
- 968304 Rear door blind box, CS
- 968452 Rear door panel, Left hand
- 968305 Rear door blind box, RS
8. 967940 Slide door blind box
9. 968453 Slide door upper panel
10. 968454 Slide door lower panel
11. 114849-03 060 Aluminum Platinum Gray, 25 x 36
12. 968448-0739 Window box, Extra RS rear seat option
13. 968448-08 Panel, Extra RS rear seat option

*Replace items 2 & 4 with 12 & 13 on extra RS seat Option

2017 TOMMY BAHAMA TC INTERIOR SHELL

Interior Panels & Window Boxes, Rear Doors

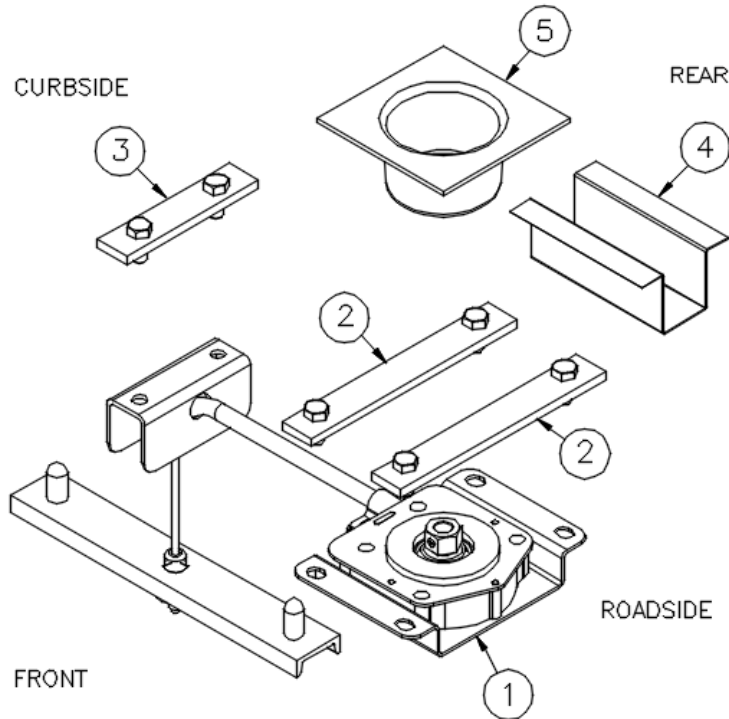
INTERIOR VIEW



- | | |
|-----------|-----------------------------|
| 1. 968451 | Rear door panel, Right hand |
| 2. 968452 | Rear door panel, Left hand |
| 3. 968304 | Blind box assembly, CS |
| 4. 968305 | Blind box assembly, RS |

2017 TOMMY BAHAMA TC CHASSIS

Spare Tire Carrier



- | | |
|-----------|-----------------------------|
| 1. 454665 | Spare tire carrier |
| 2. 454669 | Bracket, Spare tire carrier |
| 3. 454667 | Bracket, Spare tire carrier |
| 4. 454713 | Hat section, Spare tire |
| 5. 203646 | Closeout, Spare tire winch |
| 382099 | Socket, 3/4" deep well |
| 381667 | Ratchet, 3/8" drive |

Air Ride System

- | | |
|-----------|--|
| 411006-01 | Air ride kit |
| 411006-02 | Xenon height sensor bracket |
| 411006-03 | Air tank bracket |
| 704188 | Kit, rear cargo mat (rear screen w/air ride) |

2017 TOMMY BAHAMA TC CHASSIS

Wheels

411004-01	Front wheel, Polished outside
411004-02	Rear wheel, Polished inside
411004-03	Trim kit, Front
411004-04	Trim kit, Rear
411004-06	Lug nut covers

Driver & Passenger Steps

203624-72	Step, Driver
203624-73	Step, Passenger
382424	Step thread, Driver/passenger
454963	Weldment, Support frame driver/passenger

Step

512450	Power step, Project 2000
512450-101	Relay & switch
512450-102	Step control
512450-103	Step motor only
512450-104	Step insert strip, Black
512450-105	Step plastic trim, Right side, White
512450-106	Step plastic trim, Left side, White
512849	Step switch
454789	Bracket, Step mounting
454788	Bracket, Step hanger
512301	Warning buzzer, Two tone, Step & awning
203772	Film, Step area

Step Well

203806	Step well, Screen door
203807	Step well, Forward screen door
512377	Courtesy light w/SS bezel, LED
701538-01	Carpet, Econolier w/PSA back
512915	Step light, LED flex tape light, 131", White
512915-100	RF receiver & wireless wall switch
512915-101	Strip light only w/flex tape
203358-01	Extrusion, Black plastic
203358-02	Lens diffuser

2017 TOMMY BAHAMA TC CHASSIS

Exhaust System

454656	Exhaust tailpipe
454708	Water tank heat shield
454709	Angle, Water tank heat shield
410999	Exhaust extension, 7.25"
454696-01	Wrap, Exhaust, 34" long
454696-02	Wrap, Exhaust, 14" long
340073-02	Clamp, Muffler w/nuts & saddle
340073-10	Clamp, Muffler, 2.5"
340073-15	Clamp, Muffler, 2.75"
381509	Hanger, Tailpipe

Skid Bar Assembly

454685	Skid bar assembly
--------	-------------------

Parktronic Sensor

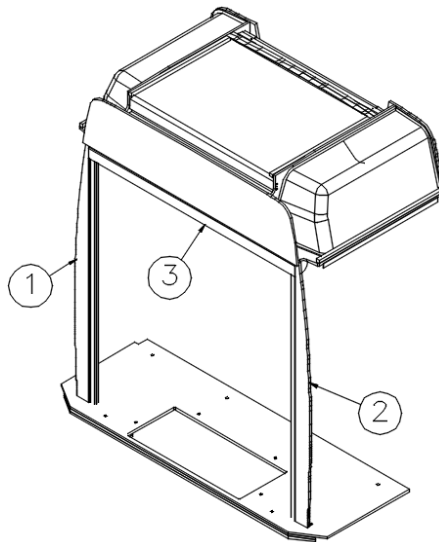
112014-01W	Sensor, White
112014-01S	Sensor, Silver
112014-02W	Contour ring, White
112014-02S	Contour ring, Silver
203822	Mounting socket
203823B	Mounting bezel, Black
203823S	Mounting bezel, Silver
203823W	Mounting bezel, White
203827	Silicone washer

2017 TOMMY BAHAMA TC DOORS, WINDOWS, AWNINGS

Exterior Doors

381766W	Door, Macerator compartment, White
381766S	Door, Macerator compartment, Silver
381766B	Door, Macerator compartment, Black
601392-05	City water fill w/regulator, Chrome
601194-03W	Water fill w/lock, White
601194-03S	Water fill w/lock, Silver
601194-03B	Water fill w/lock, Black
382083W	Hatch, Electrical switches, White
382083S	Hatch, Electrical switches, Silver
382083B	Hatch, Electrical switches, Black
602288-01W	Exterior shower box, White
602288-01S	Exterior shower box, Silver
602288-01B	Exterior shower box, Black
690209W	Water heater door, White
690209S	Water heater door, Silver
690209B	Water heater door, Black

Power Rear Screen Door Kit



112201-39

Power Screen Door

1. 112201-391
2. 112201-392
3. 704393
- 704393-01
- 704140
- 704168

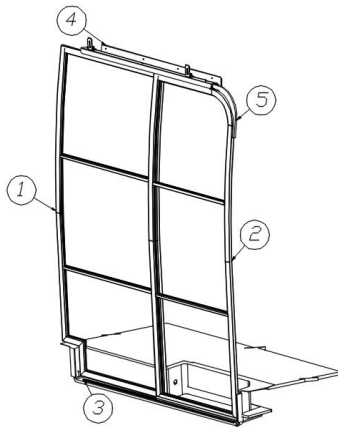
- | |
|--|
| Panel, 3.07 x 59.06 |
| Panel, 3.07 x 59.06 |
| Power screen door kit |
| RF remote |
| Kit, Rear cargo mat |
| Kit, Rear cargo mat, Rear screen version |

2017 TOMMY BAHAMA TC DOORS, WINDOWS, AWNINGS

Folding Screen Door, Lounge

704309	Folding door assembly
382386	Handle, Folding screen door
455134	Bracket, Screen track mount
455135	Bracket, Screen tracking
455136	Hanger, Header mount bracket
203865	Header assembly, Upper trim
203866	Pillar assembly, Side trim

Sliding Screen Door, Grand Tour

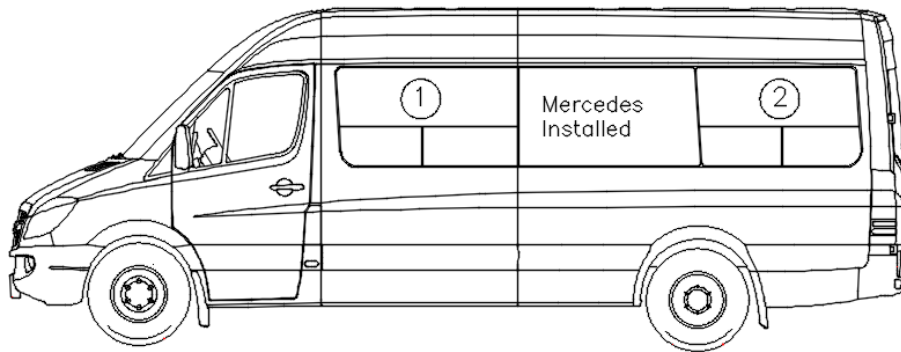
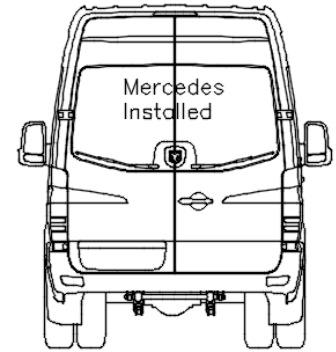
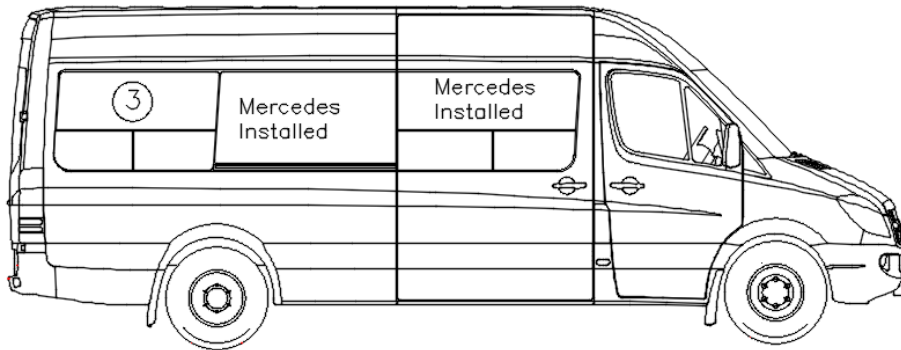


112204 RH Sliding Screen Door

1. 112208	Screen door, Aft
2. 112203	Screen door, Forward
3. 382277	Lower door track, Powder coated
4. 968230	Slide door header
5. 203809	Plastic radius header
968232	Sliding door header pad, Grand Tour
115642	Screen door frame only, Aft
115643	Screen door frame only, Forward
382265	Screen door roller
382267	Outer handle
382269	Interior handle
382268	Screen fabric, Black
203808	Screen retainer spline, .125", Black
115637	Extrusion, Screen door
115638	Extrusion, Screen door stiffener
115643-01	Powder coat, Matte Black
203820	Block, Slide door stop
203853	Spacer, Slide door stop block

2017 TOMMY BAHAMA TC DOORS, WINDOWS, AWNINGS

Windows



- | | |
|--------------|----------------------------|
| 1. 372260-01 | Window, RS front |
| 2. 372260-04 | Window, RS rear, T-venting |
| 3. 372260-05 | Window, CS rear, T-venting |
| 382117 | Gasket, Rectangle post |
| 381842 | Trim lok, 1/16", Black |
| 203225-01 | Trim lok, .75", Gray |

Awnings

- | | |
|------------|--|
| 704369-01 | Awning, Armless, 14'9", Carefree, White |
| 704369-02 | Awning, Armless, 14'9", Carefree, Silver |
| 704369-03 | Awning, Armless, 14'9", Carefree, Black |
| 704310-04 | Roof mount extrusion, Full length |
| 704310-04B | Roof mount extrusion, Full length, Black |
| 704310-05 | Mounting screw kit |
| 704310-06 | Switch, In/Out – On/Off |
| 382185 | Well nut, Rubber |
| 512914 | LED flex tape light switch, RF remote/CTL dimmer |
| 381667 | Drive ratchet, 3/8" |
| 382109 | Extension, 3/8", 3" long |
| 382099 | Socket, 3/8" |

2017 TOMMY BAHAMA TC SHADES

Power Shades

704371-15	Kit, Power Venetian Shades, Lounge
704371-16	Kit, Power Venetian Shades, GT
704371-01	Power blind, 21.25 x 17.5, Rear doors
704371-02	Power blind, 41.75 x 22.75, Sliding door
704371-03	Power blind, 49.63 x 25.13, RS/CS rear
704371-04	Power blind, 57 x 25, RS front (lounge only)
704371-05	Remote control

Cockpit Window Shades & Hardware

704406	Kit, Cockpit window shades
704406-01	Shade, Drivers door
704406-02	Shade, Windshield
704406-03	Shade, Passengers door
704406-04	Carrying bag
700021	Hook, Velcro, White
700020	Pile Velcro
100097	Curtain track extrusion, Sliding door curtain
700617-01	Velcro, 1" Black without sticky back

2017 TOMMY BAHAMA TC

ELECTRICAL, 110 VOLT

Distribution Center

512547 Distribution center, AC/DC, 30 amp, Black

Energy Management System

512357-01 Display, Energy Management System
512357-02 Power control, Energy Management System
512357-04 Display, Energy Management System, CSA

Shoreline Hookup

513164 Power inlet, 30 amp, Stainless Steel
513127 Power cord, 30 Amp, 30', Gray

Inverter

512609 Magnum inverter/converter w/transfer switch, 1K watt
512609-01 Remote display module

Receptacles & USB Ports

511451-02 Receptacle, 20 amp, Single, Brown
512096 Receptacle w/Black cover, GFI 15 amp
511912 Wall plate, Single gang, Snap on, Chrome
512186 Extension ring, GFCI
511815-01 Receptacle, Duplex, Black
500563-03 Receptacle, White
500563-04 Plate, 1-gang, White
500785 Outlet, Duplex, Brown
511287 Receptacle, Single, 15 amp
512481-02 Receptacle, 20 amp, Single, Brown
512854 USB port, Dual w/mounting plate, Black

Breakers

510564-20GFI Breaker, Type BR, 20GFI
510564-2020 Breaker, Type BRD, BD 20-20
510564-30 Breaker, Bryant, 30AMP
510947-15 Breaker, 15A, 12V15APP
510947-30 Breaker, 30A, 12V30APP
510947-50 Breaker, 50A, 12V50APP
510948-04 Buss bar, Copper

2017 TOMMY BAHAMA TC ELECTRICAL, 12 VOLT

Battery

511828	Battery, 12 Volt, Deep cycle, AGM Lifeline
512360	Battery separator w/smart control and gen sense
512327-04	Cable, 2 Ga Black, 20"
512327-03	Cable, 2 Ga Red, 10"
512604	Battery disconnect w/remote operator
454679	Strap, Battery hold-down, Twin bed
454982	Battery tray, AGM CL24, End mount

Fuses

512278-200	Fuse, Type BFI-32, 200 amp
512278-150	Fuse, Type BF1-32, 150 amp
500773-10	Fuse, ATC, 12 V DC, 10 amp
195466-251	Fuse holder w/cover, 30 amp
500773-07	Fuse, ATC, 12V DC, 7.5 amp
500773-15	Fuse, ATC, 12V DC, 15 amp
512318	Fuse holder w/1 amp AFC fuse, In-line
500773-05	Fuse, ATC, 12V DC, 5 Amp
512628	Fuse holder, AMI-mini fuse w/8M termination
512660-150	Terminal fuse, 150 Amp, Orange

Cable Kits, Main 12VDC

512807	Cable kit, Main 12V DC
--------	------------------------

Switches

512312	Switch, Momentary, Black
690417-05	Switch, Water heater
511977	Switch, 1-gang, Black
512721	Switch, Dimmer control module
512794	Switch, Main disc, Main disc. light, Tank heaters, Step
512795	Switch, Patio, Aisle, Dimmer, Ceiling
512796	Switch, Galley, Accent, Water pump, Bath
512914	Awning switch, RF remote/dimmer
513190	Switch, Bar lights, Black
512849	Switch, Magnetic, Used on step and overhead locker

2017 TOMMY BAHAMA TC

ELECTRICAL, 12 VOLT

Monitor Panel

512284-01	Display, Tank, Battery, & LPG levels
512284-02	Tank sensor (extended hoods)
512284-03	Tank sensor (no hoods)

Interior Lights

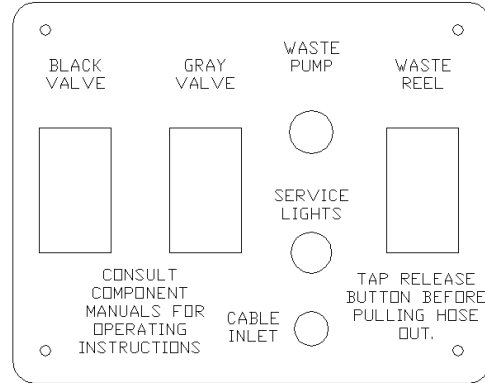
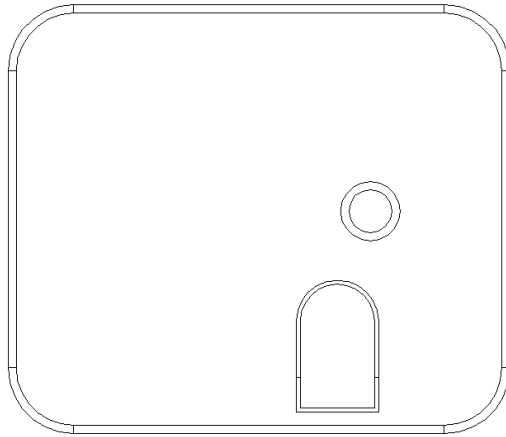
512659	LED flex tape w/bullet connectors, 61"
512659-01	Tape light channel, 6'
512659-02	LED flex tape w/bullet connectors, 39"
512376	LED shower light, SS trim ring
512603	LED light, Eyeball w/switch, Satin Nickel
512936	LED spot light w/frost lens
512377	Light, Courtesy w/Stainless Steel bezel
512803	LED reading light w/frosted Lens, Brushed Nickel
512908	LED light, 16" linear utility light w/switch
512933	LED light, 5" domed surface mount light w/switch, White
512931	LED light, 18" Linear utility light
512909-01	LED pin light, Cool White
512909-02	Black bezel for 512909-01
513183	LED light tape w/1.5" jumpers, Cool White
512829	Courtesy light, Push lens, Brushed Stainless Steel

Exterior Lights

512793	LED porch light, Chrome
511294	Light, License plate
512740	Awning light, LED flex tape, 112" strips
512915	Step light, LED flex tape light, 131", White
512915-100	RF receiver & wireless wall switch, Step light
512915-101	Strip light only w/flex tape
203358-01	Extrusion, Black plastic
203358-02	Lens diffuser

2017 TOMMY BAHAMA TC ELECTRICAL, 12 VOLT

Switch Panel, Exterior Utility Compartment



①

②

- | | | |
|----|---|--|
| 1. | 382083W
382083S
382083B | Hatch, Electrical switches, White
Hatch, Electrical switches, Silver
Hatch, Electrical switches, Black |
| 2. | 386283
510623
510623-01
512410
512410-100
602205-01
512934-01 | Control switch panel
Coax connector
Coax connector locking nut
Dump valve harness w/switch
Switch only from harness 512410
Switch, 20 Amp, Macerator
Waste water hose reel switch, Spring centered |

Rearview Monitor Camera

- | | |
|--------|---|
| 513101 | Rearview monitor/mirror, 7" |
| 513105 | Camera kit, L/R mirror integrated w/controls and cables |
| 513104 | Camera, 3 rd brake light w/eyeball |
| 513197 | Cable, 5pin to RCA power cable, 10 meter |
| 512056 | Coupler, Barrel, RCS, Gold, F/F |

Solar Panel

- | | |
|-----------|---------------------------------------|
| 512805 | Panel, Solar Flex, 100 watt |
| 511846 | Kit, Charge controller display |
| 511469-01 | Connector, Liquid tight, 90°, Plastic |
| 512808 | Harness, Flex solar cable |
| 511165-01 | Conduit, .5", Black |

2017 TOMMY BAHAMA TC ENTERTAINMENT

Audio

513013	Fusion in-dash infotainment system
512554	Tuner Sirius XM Tuner
513066	Speaker, 2-way, 6", Fusion
512492-04	Antenna w/25' Cable, Roof Mount
513096	Radio harness, Sprinter
512309	Terminal, Sprinter radio
510844-01	Relay, Bosch
510844-02	Relay socket, Bosch

Video

512657-02	TV antenna, Omni-directional, Roadstar
511635	Plate, Dual cable entry
382467-05	Gasket, Dual cable entry plate
512398	Wall plate power supply
510788-06	Antenna alarm switch
510612	Coax, 75 OHM, Standard
511534	Dual coax plate, White
510621-02	Splitter, Coax, 2-way
512405-01	Coax lead/jumper w/conn., 6"
512406	Connector, RG6 Hex compression
512407	Coax cable, RG6
512625	HDMI switcher/splitter, 4 x 4
512852	Wall plate, HDMI pigtail and coax

2017 TOMMY BAHAMA TC ENTERTAINMENT

Rear TV

690682	LED HDTV, 24" Samsung
512916-01	Articulating TV mount, Tri fold, Left hand
512916-02	Articulating TV mount, Tri fold, Right hand
513050	Cable, Mini coax 6', Blue
512561	Adapter, HDMI right angle
382184-01	Braided sleeving, .5", Black
512923	Grommet, 1.5" DIA.

Front TV

690674	LED HDTV, 28" Samsung, Modified
690682	LED HDTV, 24" Samsung, GT
968267-39	TV mounting cabinet, Macchiato
455014	Backplate, 28" TV
512414	Kit, Headphone station
512414-01	Headphone panel
512414-02	Extension cable, 15'
512414-03	Extension cable, 25'
512414-04	Stereo Y-cable, 3.5mm, 6"
512366-10	HDMI cable, Male to male, 10'
512884-01	IR receiver
512884-02	IR emitter
512884-03	IR Y-cable

Blu-Ray Player

512924	Blu-Ray disc/DVD player, Samsung
512366-10	HDMI cable, Male-male, 10'

2017 TOMMY BAHAMA TC FLOOR COVERINGS

Floor Covering

704351	Flooring, Luxury Woven Vinyl, Teak
801782-01	Matt overlay on plywood
703968	Floor guard, Underbelly material, 102" wide, Black
923012	Cab to main floor transition
704154-01	Floor mat, Driver and passenger w/Marlin logo
203727	Foil, Single bubble flex
701538-01	Carpet, Econolier Velour Black w/PSA back applied
704384-10	Kit, Lounge PSA carpet
704384-11	Kit, GT PSA carpet

2017 TOMMY BAHAMA TC

FURNITURE, INTERIOR DOORS

Interior Doors

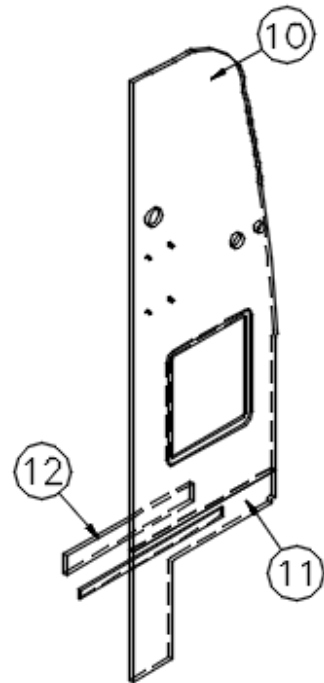
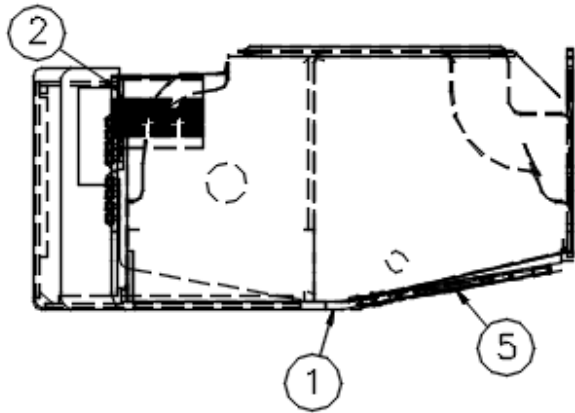
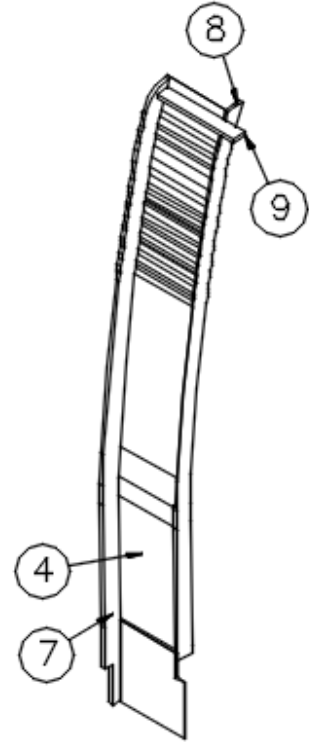
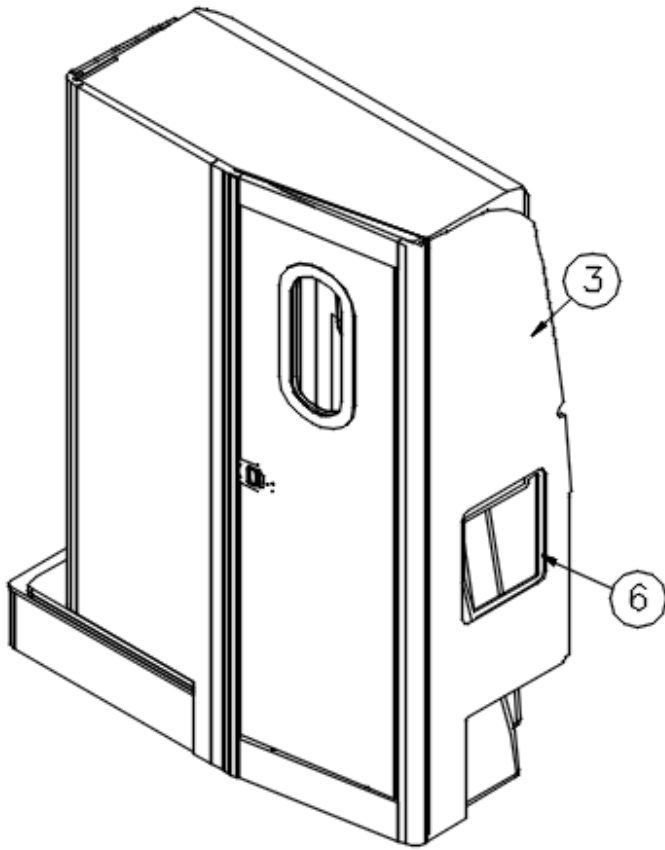
968579-39	Bath door, Aft, Macchiato
802225	Bath door louver assembly
802225-01	Wood trim ring
802225-02	Wood louver assembly
802225-03	Frosted White lexan

Roof Locker Doors

203940-01	Door, Frosted w/Tommy logo, CS
203940-02	Door, Frosted w/Tommy logo, RS
801785-0139	Door, 12.38 x 31.5
801785-0439	Door, 12.38 x 17.38
801785-0539	Door, 12.38 x 25
801785-0739	Door, 12.38 x 20.5
801785-0839	Door, 12.38 X 28.13
801785-0939	Door, 12.38 X 24.75
801785-1039	Door, 12.38 x 28.81
801785-1139	Door, 12.38 x 18

2017 TOMMY BAHAMA TC FURNITURE, LAVATORY

Wet Bath Module, Lounge



Parts Listed on Next Page

2017 TOMMY BAHAMA TC

FURNITURE, LAVATORY

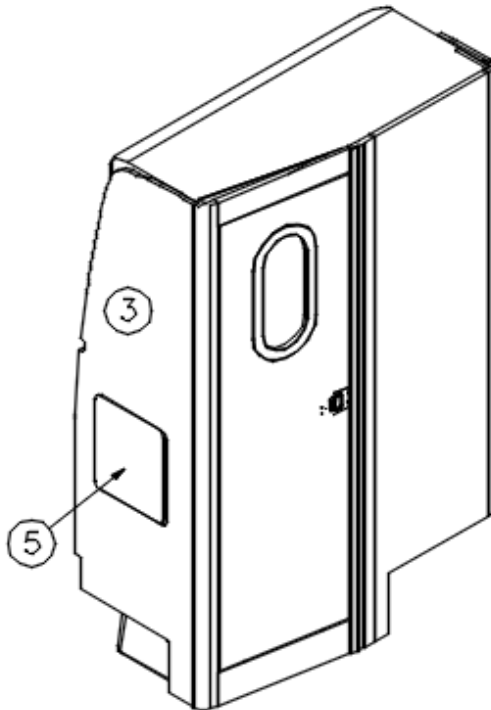
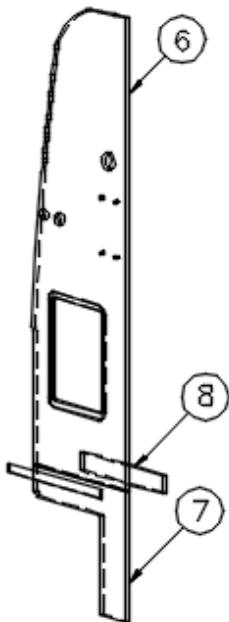
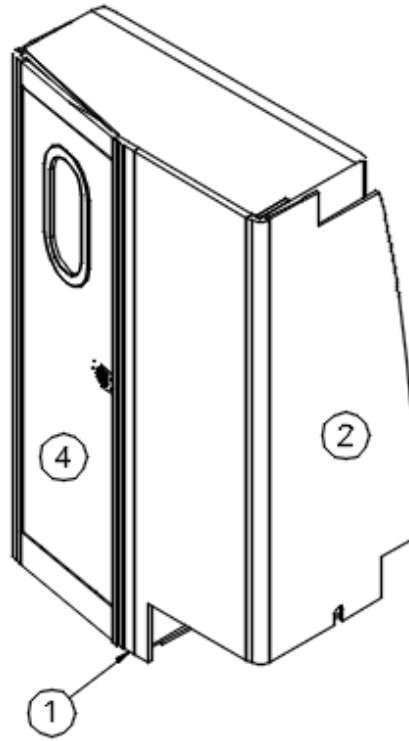
Wet Bath Module, Lounge

112237-01	Wet Bath Module
1. 968251-0039	Wet bath face assembly
2. 112237-012	Panel, 22.68 x 65
3. 112237-013	Panel, 20.68 x 73.9
4. 101131-02	Underbelly aluminum, .024 x 22.5, Black
5. 968579-39	Aft bath door
6. 112237-0111	Panel, 11.88 x 13.88
7. 112237-0112	Panel, 2.25 x 73.14
8. 112237-0113	Panel, 2 x 64.4
9. 112237-0127	Panel, 1.5 x 11
10. 112237-0128	Panel, 20.68 x 73.9
11. 112237-0129	Panel, 20.28 x 15.94
12. 112237-0130	Panel, 2.25 x 18
203799	Shower stall, Fiberglass
690707	Toilet, Dometic 301, White
602251	Faucet, Pull-out, Chrome
602364-01	Hanger clip, Chrome
371423-02	Mirror, Wall mount, Chrome
602175	Toilet paper holder
382098	Towel bar handle, 14.25", Gloss Chrome
203625-02	Under sink access panel
382063	Retractable clothesline
701538-01	Carpet, Econolier
800573-0139	Flat molding, Macchiato
201666-01	J-molding, 3/16", Plastic, White
801818-0039	Wood plugs, 3/8", Tapered, Macchiato

*Replace item #3 with #10, 11, & 12 for 9 passenger models

2017 TOMMY BAHAMA TC FURNITURE, LAVATORY

Wet Bath Module, Grand Tour



Parts Listed on Next Page

2017 TOMMY BAHAMA TC FURNITURE, LAVATORY

Wet Bath Module, Grand Tour

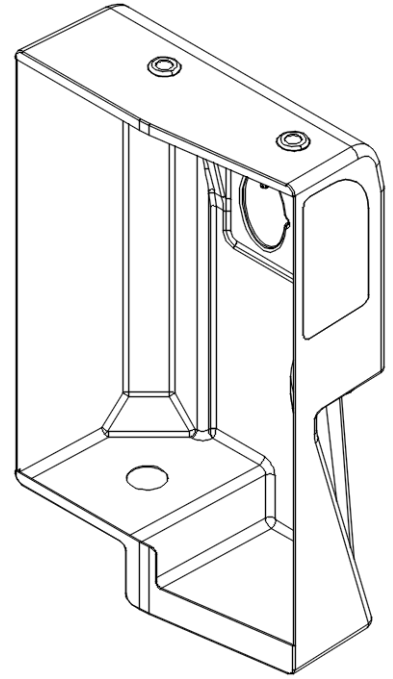
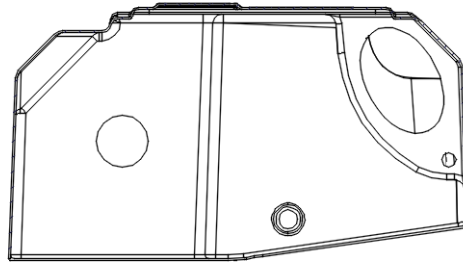
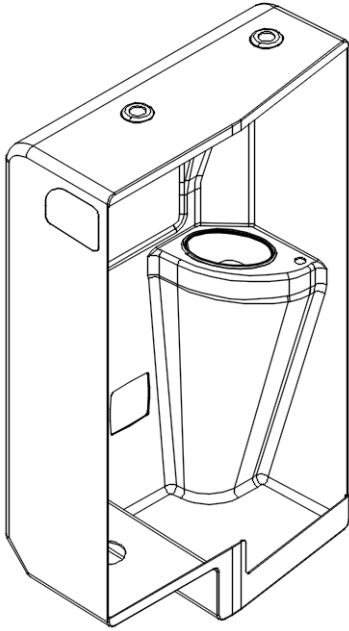
112167-01 Wet Bath Module

1. 968128-0039 Wet bath face assembly
2. 112167-012 Panel, 24.32 x 65.04
3. 112167-013 Panel, 21.06 x 73.66
4. 968579-01 Aft bath door, LH hinge
5. 112167-018 Panel, 11.88 x 13.88
6. 112167-0127 Panel, 20.54 x 57.75
7. 112167-0128 Panel, 20.28 x 15.94
8. 112167-0129 Panel, 2.25 x 18
- 800573-0139 Flat molding, Macchiato
- 382063 Retractable clothesline
- 203789 Shower stall, Fiberglass
- 203789-02 Under sink access panel
- 115427 Backer, Outside panel
- 115426 Backer, Shower panel front
- 115428 Backer, Shower panel rear
- 382098 Pull handle, 14.25", SS Satin Brushed
- 602251 Faucet, Pull-out, Chrome
- 602364-01 Hanger clip, Chrome
- 371423-02 Mirror, Wall mount, Chrome
- 690707 Toilet, Dometic 301, White
- 602175 Toilet paper holder
- 115423 Aluminum backer, Toilet paper holder
- 100097 Aluminum curtain track
- 371423-01 Retainer clip, Mirror
- 203794 Trim, Upper RS
- 203795 Trim, Lower RS

*Replace item #3 with #6, 7, & 8 on 9 passenger models

2017 TOMMY BAHAMA TC FURNITURE, LAVATORY

Shower Module, Lounge

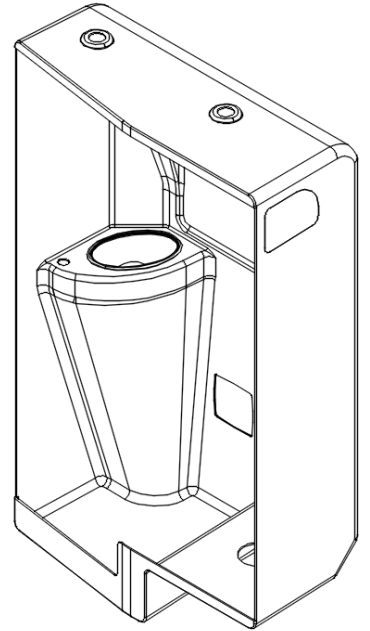
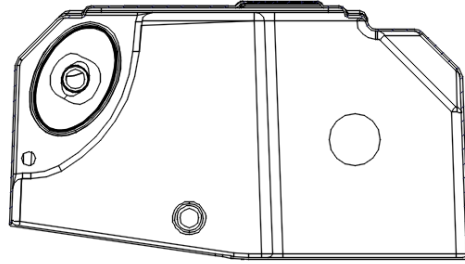
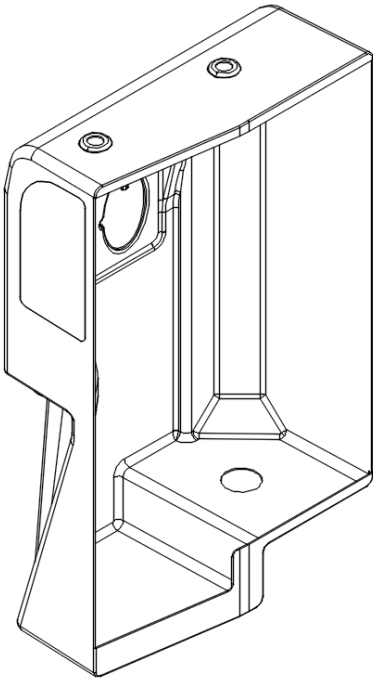


203799
203625-02
602251

Shower stall, Fiberglass
Under sink access panel
Faucet, Pull-out

2017 TOMMY BAHAMA TC FURNITURE, LAVATORY

Shower Module, Grand Tour

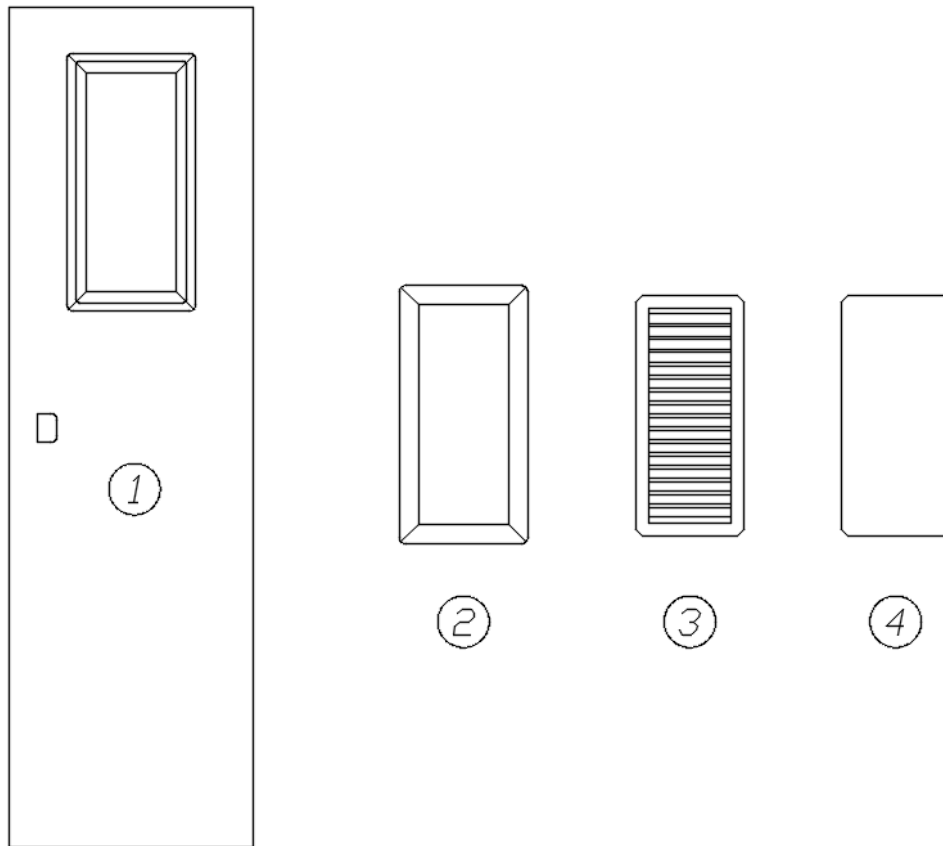


203789
203789-02
602251

Shower stall, Fiberglass
Under sink Access panel
Faucet, Pull-out, Chrome

2017 TOMMY BAHAMA TC FURNITURE, LAVATORY

Lavatory Door, Aft



968579-39
968579-01
802225

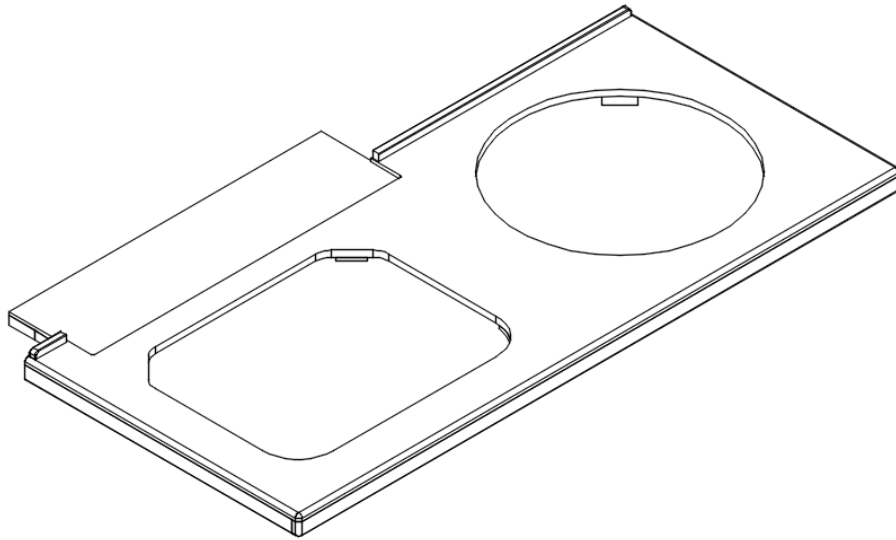
Aft Lavatory Door, RH hinge, Lounge
Aft Lavatory Door, LH hinge, GT
Louvered Bath Door Kit

1. 968579-391
- 968579-011
2. 802225-01
3. 802225-02
4. 802225-03
- 382125
- 382055
- 382061

Panel, 19 x 65.13, Lounge
Panel, 19 x 65.13, GT
Wood trim ring
Wood louver assembly
Frosted White lexan
Piano hinge, Clear Anodized
Privacy latch, Omni
Striker, Omni flat latch

2017 TOMMY BAHAMA TC
FURNITURE, GALLEY

Galley Top, Lounge

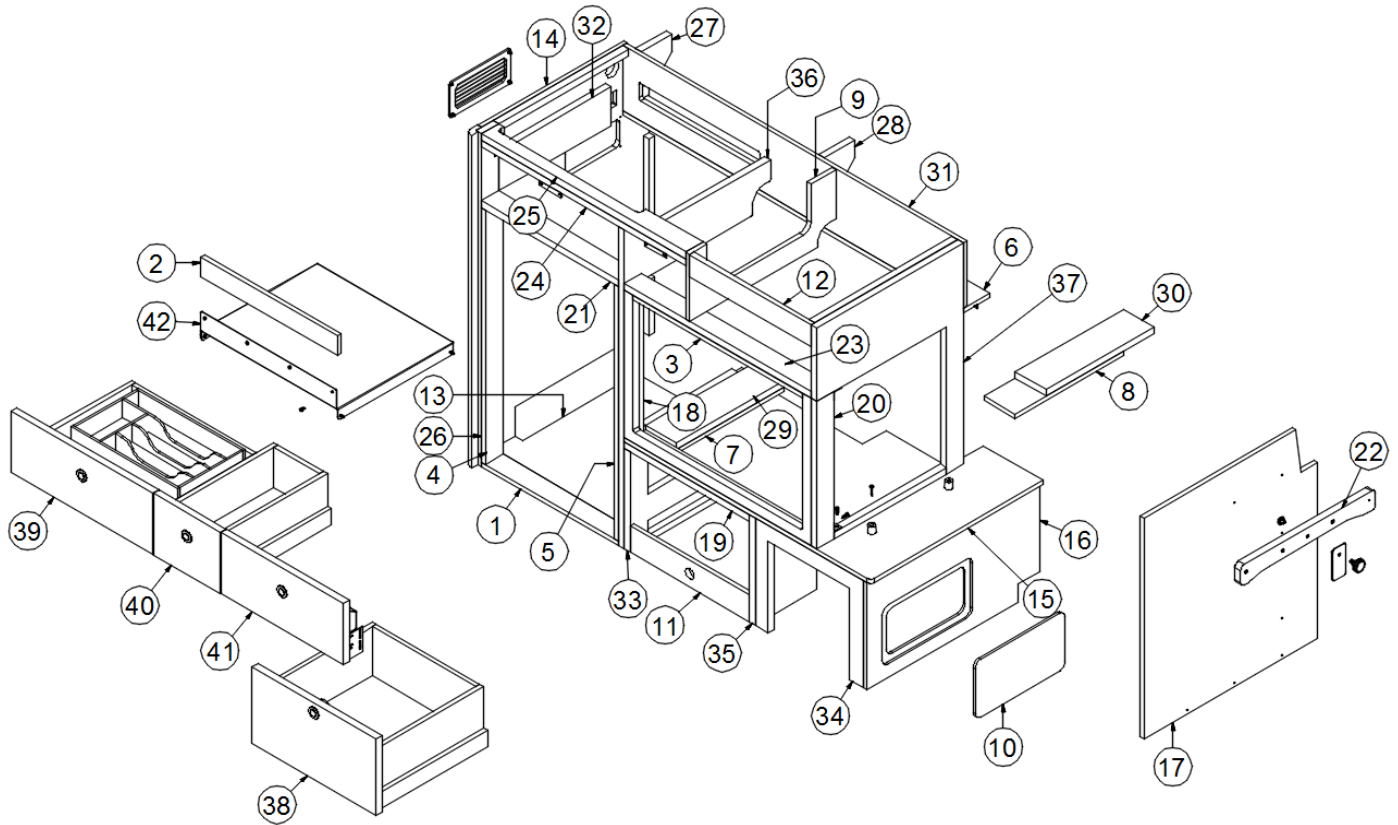


602661
512659-01
513183

Galley Bar top, Corian, Glacier Ice
Tape light channel, 6'
LED light tape w/1.5" jumpers, Cool White

2017 TOMMY BAHAMA TC FURNITURE, GALLEY

Galley, Drawer Microwave, Lounge



Parts Listed on Next Page

2017 TOMMY BAHAMA TC

FURNITURE, GALLEY

Galley, Drawer Microwave, Lounge

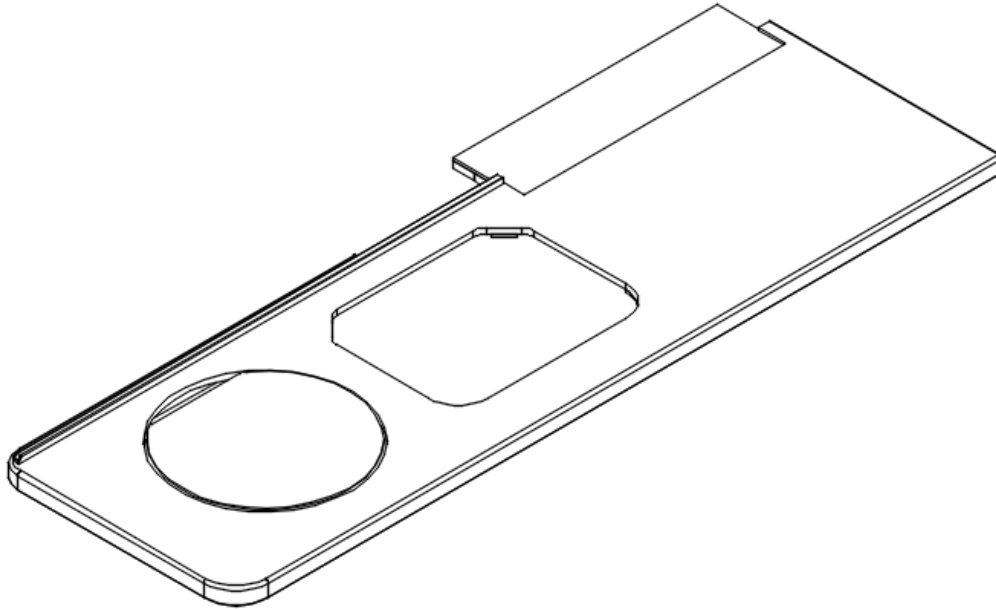
968569-39

Galley Cabinet w/Drawer Microwave

1. 968569-391	Panel, 2.25 x 17.75
2. 968569-392	Panel, 2.25 x 17.75
3. 968569-393	Panel, 2.25 x 22
4. 968569-394	Panel, 2.25 x 28.5
5. 968569-395	Panel, 2.25 x 28.5
6. 968569-396	Panel, 3.37 x 44.25
7. 968569-397	Panel, 4 x 14
8. 968569-398	Panel, 4 x 14
9. 968569-399	Panel, 7.5 x 19
10. 968569-3910	Panel, 11.63 x 6.5
11. 968569-3911	Panel, 15.5 x 3
12. 968569-3912	Panel, 15.75 x 2.5
13. 968569-3913	Panel, 18.5 x 17.75
14. 968569-3914	Panel, 21.72 x 37.25
15. 968569-3915	Panel, 22.39 x 32.75
16. 968569-3916	Panel, 22.47 x 12
17. 968569-3917	Panel, 22.47 x 24.75
18. 968569-3918	Panel, 1 x 16.5
19. 968569-3919	Panel, 2.25 x 16.25
20. 968569-3920	Panel, 2.25 x 16.5
21. 968569-3921	Panel, 2.25 x 17.75
22. 968569-3922	Panel, 2.25 x 17.5
23. 968569-3923	Panel, 2.25 x 24.25
24. 968569-3924	Panel, 2.25 x 26.5
25. 968569-3925	Panel, 2.25 x 26.5
26. 968569-3926	Panel, 2.25 x 37.25
27. 968569-3927	Panel, 4 x 4
28. 968569-3928	Panel, 4 x 4
29. 968569-3929	Panel, 4 x 14
30. 968569-3930	Panel, 4 x 14
31. 968569-3931	Panel, 7.25 x 44.25
32. 968569-3932	Panel, 14.5 x 4.38
33. 968569-3933	Panel, 14.25 x 11.25
34. 968569-3934	Panel, 14 x 12
35. 968569-3935	Panel, 18 x 12
36. 968569-3936	Panel, 19 x 35.75
37. 968569-3937	Panel, 19.02 x 24.75
38. 968580-39	Drawer box
39. 968581-39	Drawer box, Upper
40. 968582-39	Drawer box, Under sink
41. 968583-39	Folding drawer
42. 455253	Heat shield, Galley
380264	Corner Bracket
801706-0039	Corner trim, 90°, 1" radius, Macchiato
454721	Bracket, Pedestal table storage
382095	Knob, Knurled
382297	Vent, 4 x 8, Black plastic

2017 TOMMY BAHAMA TC
FURNITURE, GALLEY

Galley Top, Grand Tour



602668

512659-01

513192

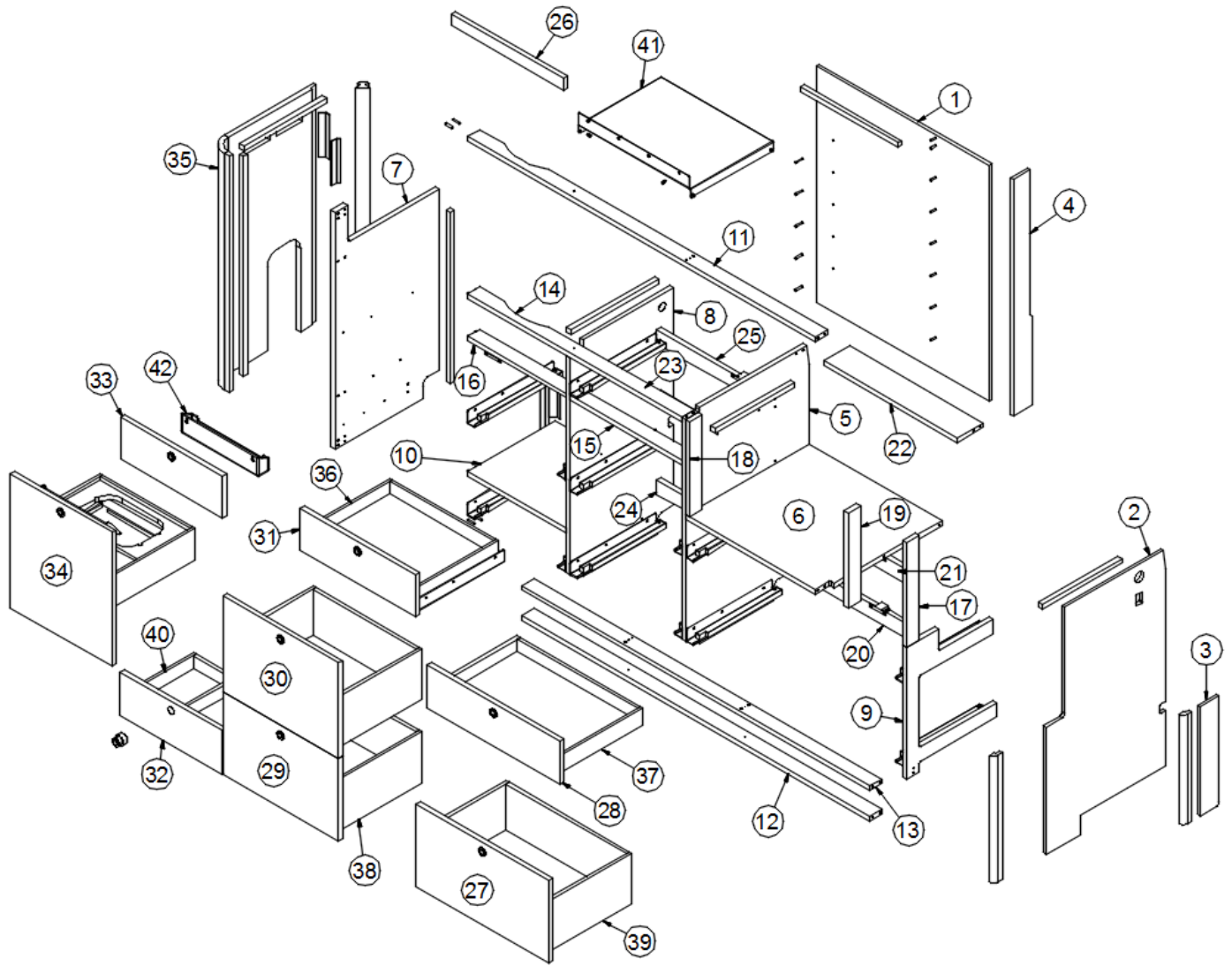
Galley bar top, Corian

Tape light channel, 6'

Illustra light w/1.5" jumpers, Cool White

2017 TOMMY BAHAMA TC FURNITURE, GALLEY

Galley, Drawer Microwave, Grand Tour



Parts Listed on Next Page

2017 TOMMY BAHAMA TC FURNITURE, GALLEY

Galley, Drawer Microwave, Grand Tour

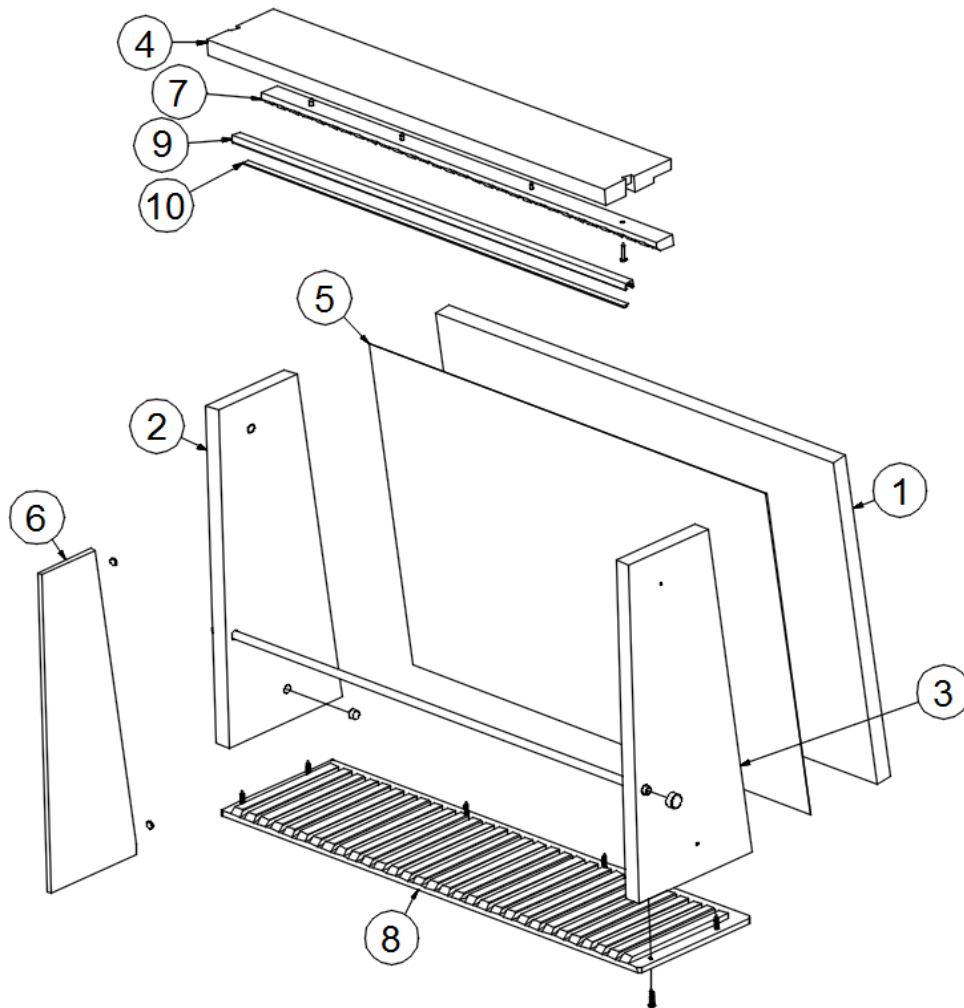
968592-39

Galley Cabinet

- | | |
|-----------------|---|
| 1. 968592-391 | Panel, 31.33 x 37.25 |
| 2. 968592-392 | Panel, 21.72 x 37.25 |
| 3. 968592-393 | Panel, 3.38 x 17.25 |
| 4. 968592-394 | Panel, 3.43 x 37.25 |
| 5. 968592-395 | Panel, 22.47 x 37.25 |
| 6. 968592-396 | Panel, 22.38 x 24.25 |
| 7. 968592-397 | Panel, 18.92 x 37.25 |
| 8. 968592-398 | Panel, 18.92 x 37.25 |
| 9. 968592-399 | Panel, 16.25 x 20.75 |
| 10. 968592-3910 | Panel, 16 x 17.91 |
| 11. 968592-3911 | Panel, 2.25 x 63.28 |
| 12. 968592-3912 | Panel, 2.25 x 63.28 |
| 13. 968592-3913 | Panel, 2.25 x 63.28 |
| 14. 968592-3914 | Panel, 2.25 x 39.03 |
| 15. 968592-3915 | Panel, 2.25 x 20.37 |
| 16. 968592-3916 | Panel, 2.25 x 17.91 |
| 17. 968592-3917 | Panel, 2.25 x 16.5 |
| 18. 968592-3918 | Panel, 2.25 x 15 |
| 19. 968592-3919 | Panel, 2.25 x 15 |
| 20. 968592-3920 | Panel, 2.25 x 24.25 |
| 21. 968592-3921 | Panel, 2.25 x 24.25 |
| 22. 968592-3922 | Panel, 2.25 x 24.25 |
| 23. 968592-3923 | Panel, 2.25 x 20.37 |
| 24. 968592-3924 | Panel, 2.25 x 20.37 |
| 25. 968592-3925 | Panel, 2.25 x 20.37 |
| 26. 968592-3927 | Panel, 1.94 x 20.38 |
| 27. 968592-3937 | Panel, 24.13 x 13 |
| 28. 968592-3938 | Panel, 24.13 x 6.75 |
| 29. 968592-3939 | Panel, 21 x 13 |
| 30. 968592-3940 | Panel, 21 x 15 |
| 31. 968592-3941 | Panel, 21 x 6.63 |
| 32. 968592-3942 | Panel, 18.53 x 6.88 |
| 33. 968592-3943 | Panel, 18.53 x 6.63 |
| 34. 968204-39 | Galley pull-out trash |
| 35. 968189-39 | Galley radius panel |
| 36. 968021-06 | Drawer box, 2.75 x 19.75 x 15 |
| 37. 968021-07 | Drawer box, 2.75 x 19.75 x 15 |
| 38. 968028-10 | Drawer box, 8 x 19.75 x 15 |
| 39. 968028-11 | Drawer box, 8 x 22.88 x 15 |
| 40. 968192-02 | Drawer box w/divider, 2.75 x 17.29 x 12 |
| 41. 455296 | Heat shield, Galley |
| 42. 381686 | Tray, Plastic, 14" |
| 382059-02 | Knob, Push/pull, Black |

2017 TOMMY BAHAMA TC FURNITURE, GALLEY

Galley Bar



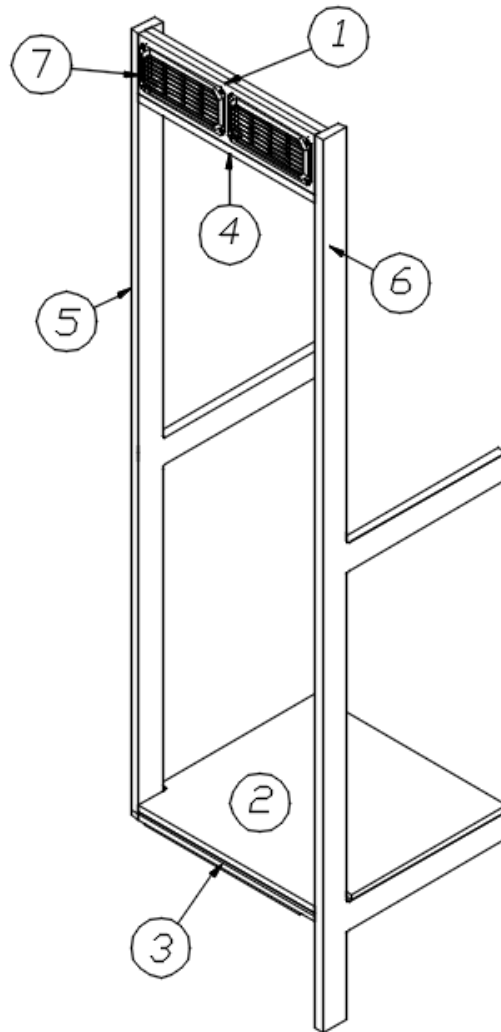
968534

Galley Bar

- | | |
|---------------|--|
| 1. 968534-1 | Panel, 23 x 15.56 |
| 2. 968534-2 | Panel, 6.75 x 15.5 |
| 3. 968534-3 | Panel, 6.75 x 15.5 |
| 4. 968534-4 | Panel, 3.94 x 23 |
| 5. 115860 | Back plate |
| 6. 203936 | Insert, Divider bar |
| 7. 203937 | Insert, Top slotted divider holder |
| 8. 203938 | Insert, Bottom slotted divider holder |
| 9. 512659-01 | Tape light channel, Black |
| 10. 512659-02 | LED flex tape w/bullet connectors, 39" |
| 345605 | Rod |
| 345606 | Cap |
| 801818-0039 | Wood plug, Tapered, Macchiato |

2017 TOMMY BAHAMA TC FURNITURE, GALLEY

Refrigerator Cabinet, Grand Tour



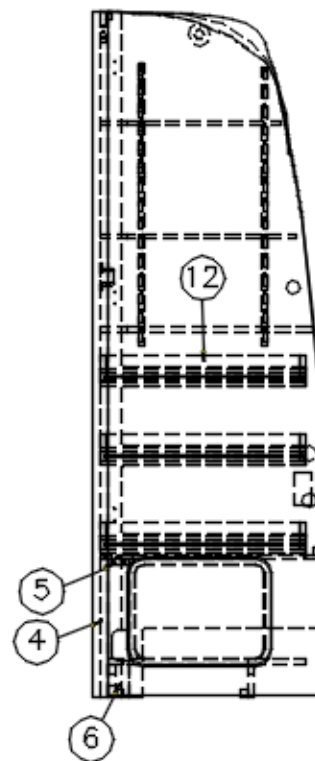
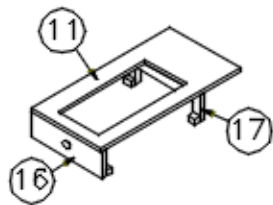
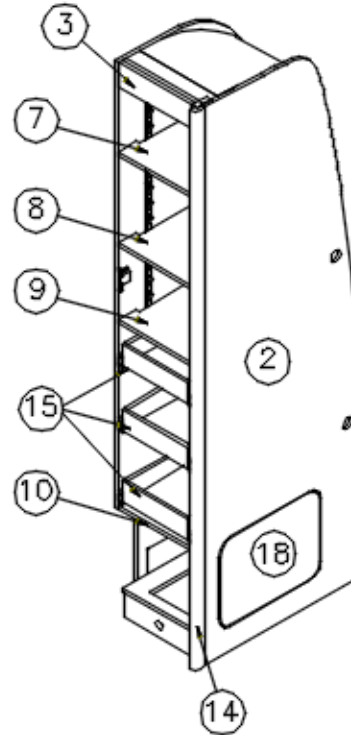
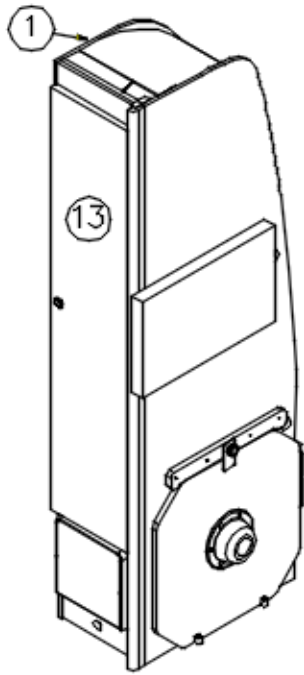
968594-39

Refrigerator Cabinet

- | | |
|---------------|-----------------------------|
| 1. 968594-391 | Panel, 4.94 x 16.75 |
| 2. 968594-392 | Panel, 18.25 x 17.5 |
| 3. 968594-393 | Panel, 2.25 x 16.75 |
| 4. 968594-394 | Panel, 2.25 x 16.75 |
| 5. 968594-395 | Panel, 17.5 x 64.94 |
| 6. 968594-396 | Panel, 17.5 x 73.75 |
| 7. 382297 | Vent, Black plastic |
| 365412-01 | Edgebanding, .63", Midnight |
| 365412-02 | Edgebanding, .94", Midnight |
| 800422 | Dowel pin |

2017 TOMMY BAHAMA TC FURNITURE, GALLEY

Pantry/Wardrobe, RS, Grand Tour



Parts Listed on Next Page

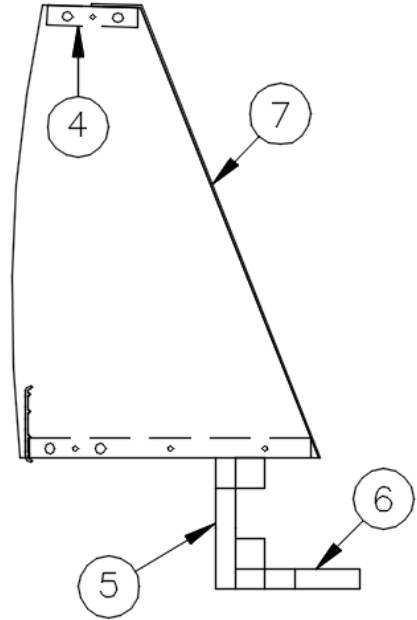
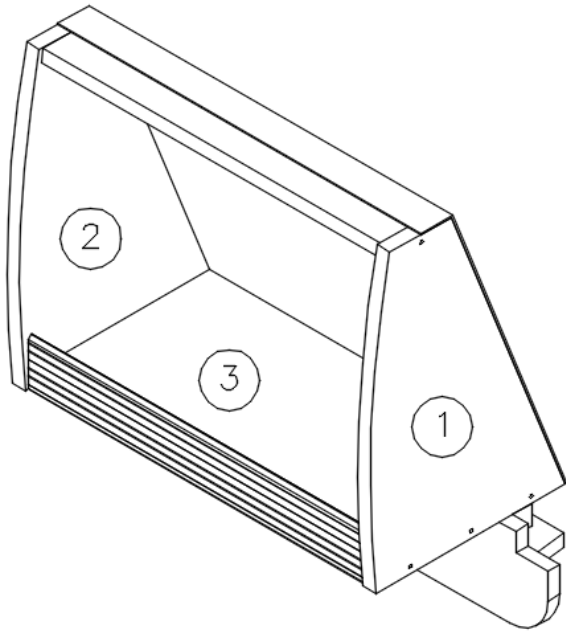
2017 TOMMY BAHAMA TC FURNITURE, GALLEY

Pantry/Wardrobe, RS, Grand Tour

968146-39	RS Pantry/Wardrobe
1. 968146-391	Panel, 23.74 x 73.75
2. 968146-392	Panel, 22.94 x 73.75
3. 968146-393	Panel, 3.25 x 11.25
4. 968146-394	Panel, 2.25 x 14.75
5. 968146-395	Panel, 2.25 x 11.25
6. 968146-396	Panel, 2.25 x 14.25
7. 968146-397	Panel, 19.43 x 11.51
8. 968146-398	Panel, 21.08 x 11.51
9. 968146-399	Panel, 22.88 x 11.51
10. 968146-3910	Panel, 23.64 x 12
11. 968146-3911	Panel, 21.28 x 10.75
12. 968146-3912	Panel, 22 x 73.75
13. 968146-3913	Panel, 11.63 x 56.65
14. 801706-0039	Corner trim, 90°, 1" radius, Macchiato
15. 964906-22	Drawer box, 2.75 x 21 x 10.19
16. 968146-3929	Panel, 10.75 x 3.5
17. 968146-3930	Panel, 10.75 x 3.5
18. 968146-3931	Panel, 15.25 x 11.5
381527	Shelf strips
382059-02	Knob, Push/pull, Black
381228-02	Catch, Grabber door, 5LB
365412-01	Edgebanding, .63", Macchiato
365412-02	Edgebanding, .94", Macchiato
381607-14	Hinge, Self-close
380045	Tubing, ¾"
380046	Flange, Chrome
200975-04	Conduit, Flexible Black plastic
968156	Wire cover
381925-02	Drawer slide, 20"
381209-02	Grommet w/cap, 1.5" hole, Black

2017 TOMMY BAHAMA TC FURNITURE, GALLEY

Front Shelf Closeout



967505-39

Front shelf closeout

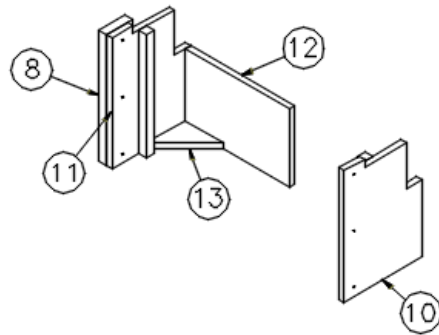
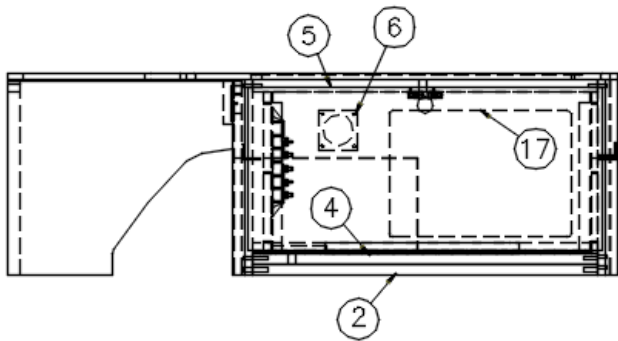
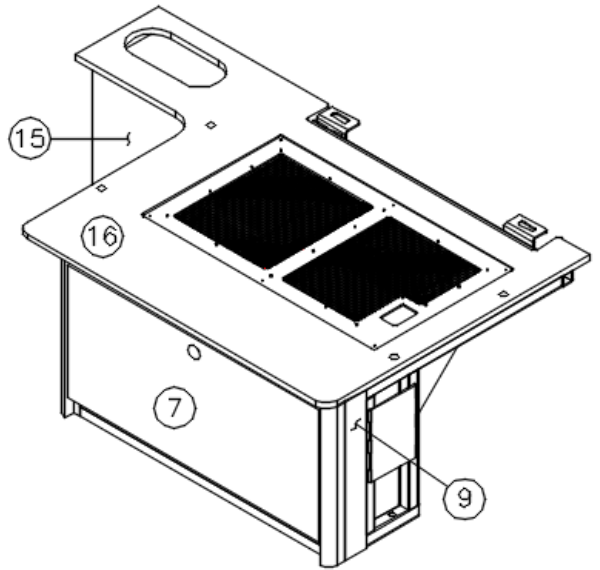
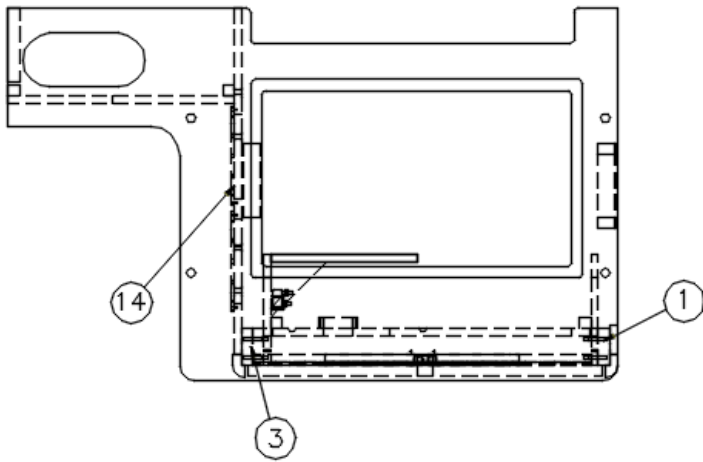
- | | |
|---------------|---------------------|
| 1. 967505-391 | Panel, 7.44 x 11.31 |
| 2. 967505-392 | Panel, 7.44 x 11.31 |
| 3. 967505-393 | Panel, 7 x 13.25 |
| 4. 967505-394 | Panel, 2.25 x 13.25 |
| 5. 967505-395 | Panel, 3.25 x 16.13 |
| 6. 967505-396 | Panel, 3.13 x 14 |
| 7. 115486 | Aluminum back |

Cargo Net

- | | |
|--------|----------------------------|
| 382171 | Cargo net, 10" x 7' |
| 320120 | Screw w/washer, Upholstery |

2017 TOMMY BAHAMA TC FURNITURE, LOUNGE

Dinette Seat, RS, Lounge & Grand Tour Extra Seat Option



Parts Listed on Next Page

2017 TOMMY BAHAMA TC FURNITURE, LOUNGE

Dinette Seat, RS, Lounge & Grand Tour Extra Seat Option

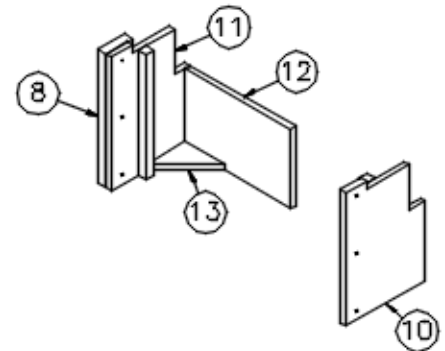
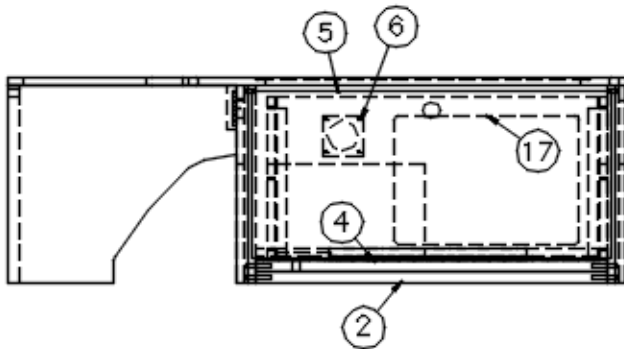
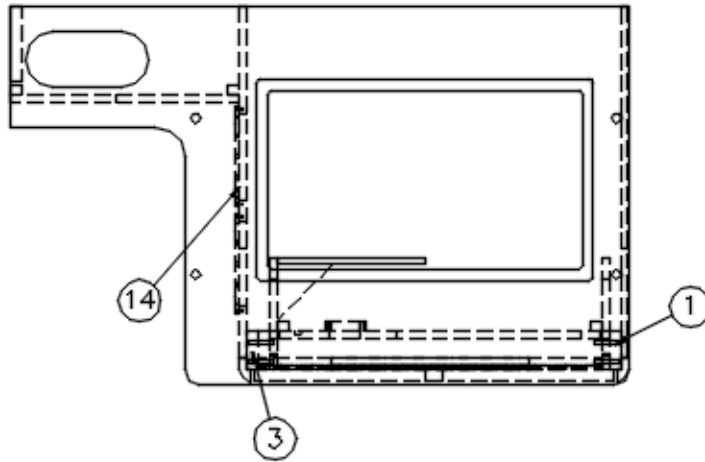
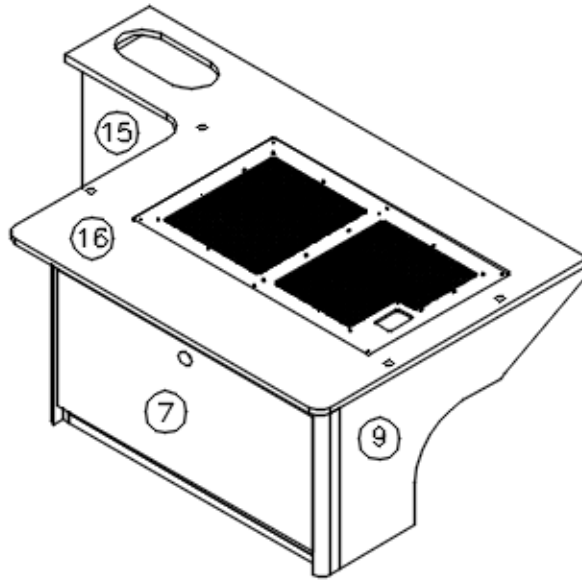
968208-39

RS Dinette Seat

1. 968208-391	Panel, 2.5 x 13.25
2. 968208-392	Panel, 2.5 x 23.5
3. 968208-393	Panel, 2.5 x 13.25
4. 968208-394	Panel, 2.5 x 23.5
5. 968208-395	Panel, 2.5 x 23.5
6. 968208-396	Panel, 2.69 x 2.69
7. 968208-397	Panel, 24.13 x 11.1
8. 968208-398	Panel, 2.5 x 10.9
9. 968208-399	Panel, 2 x 13.25
10. 968208-3910	Panel, 7.5 x 10.94
11. 968208-3911	Panel, 7.5 x 10.94
12. 968208-3912	Panel, 10 x 8.5
13. 968208-3913	Panel, 3.75 x 3.75
14. 968208-3914	Panel, 23.5 x 13.25
15. 968208-3915	Panel, 15.36 x 13.25
16. 968208-3916	Panel, 25.31 x 41.42
17. 968208-3917	Panel, 21.56 x 10.88
801706-0039	Corner trim, 90°, 1" radius, Macchiato
381228-02	Catch, Grabber door, 5LB
382059-02	Knob, Push/pull, Black
382125	Piano hinge, Clear
968141	Electrical cover
365412-01	Edgebanding, .63", Macchiato
365412-02	Edgebanding, .94", Macchiato

2017 TOMMY BAHAMA TC FURNITURE, LOUNGE

Dinette Seat, RS, Grand Tour



Parts Listed on Next Page

2017 TOMMY BAHAMA TC

FURNITURE, LOUNGE

Dinette Seat, RS, Grand Tour

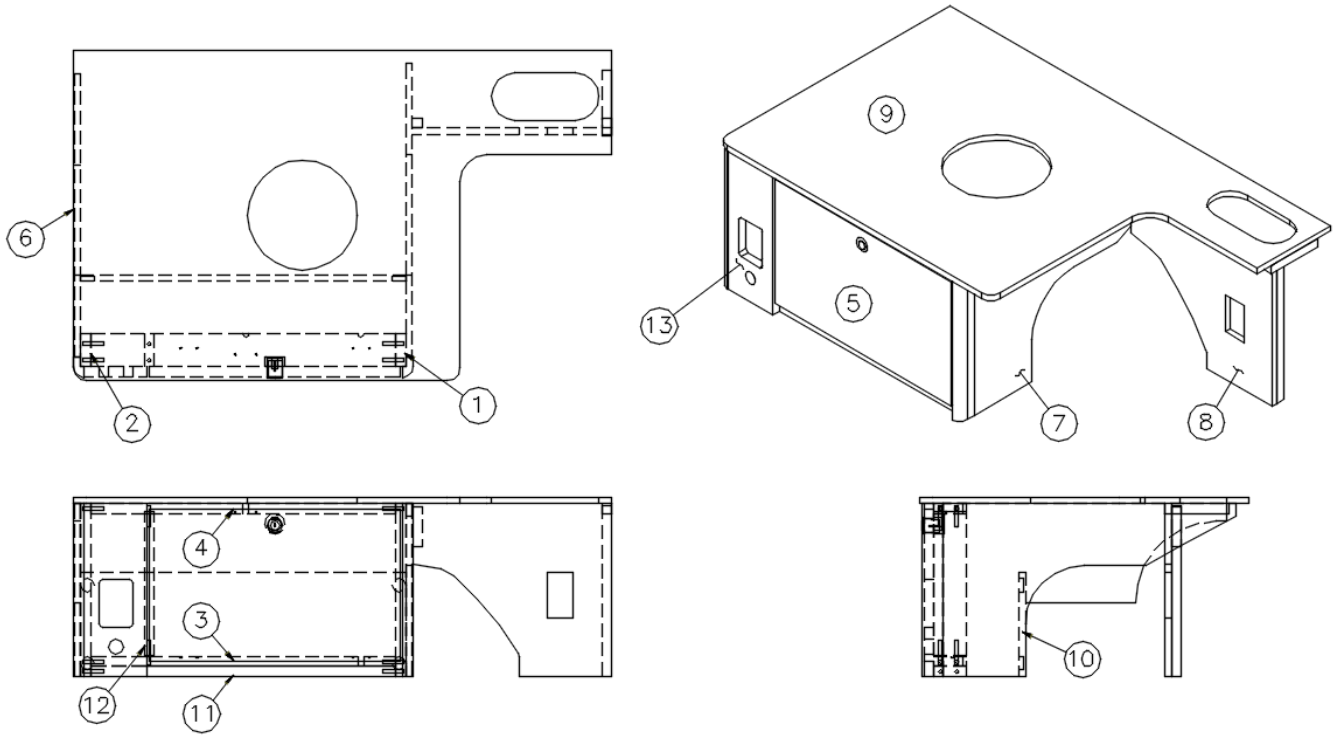
968135-39

Roadside Dinette Seat

1. 968135-391 Panel, 2.5 x 13.25
 2. 968135-392 Panel, 2.5 x 23.5
 3. 968135-393 Panel, 2.5 x 13.25
 4. 968135-394 Panel, 2.5 x 23.5
 5. 968135-395 Panel, 2.5 x 23.5
 6. 968135-396 Panel, 2.69 x 2.69
 7. 968135-397 Panel, 24.13 x 11.1
 8. 968135-398 Panel, 2.5 x 10.9
 9. 968135-399 Panel, 23.5 x 13.25
 10. 968135-3910 Panel, 7.5 x 10.94
 11. 968135-3911 Panel, 7.5 x 10.94
 12. 968135-3912 Panel, 10 x 8.5
 13. 968135-3913 Panel, 3.75 x 3.75
 14. 968135-3914 Panel, 23.5 x 13.25
 15. 968135-3915 Panel, 15.36 x 13.25
 16. 968135-3916 Panel, 25.31 x 41.42
 17. 968135-3917 Panel, 21.56 x 10.88
- 801706-0039 Corner trim, 90°, 1" radius, Macchiato
- 968141 Electrical cover
- 382241 Locker vent, Stainless steel
- 382059-02 Knob, Push/pull, Black
- 382125 Piano hinge
- 365412-01 Edgebanding, .63", Macchiato
- 365412-02 Edgebanding, .94", Macchiato

2017 TOMMY BAHAMA TC FURNITURE, LOUNGE

Dinette Seat, CS, Lounge



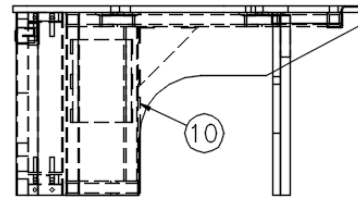
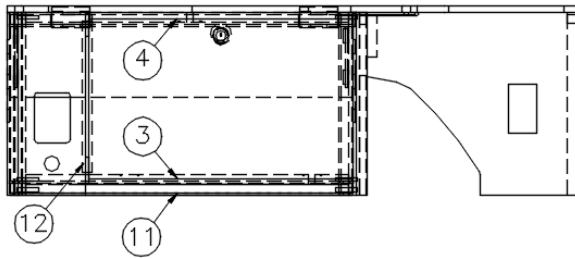
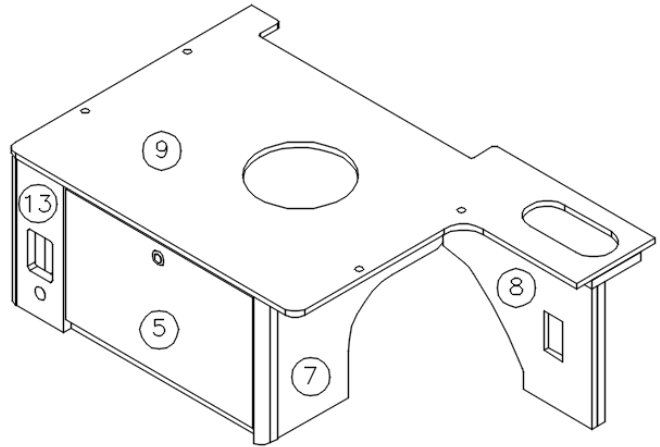
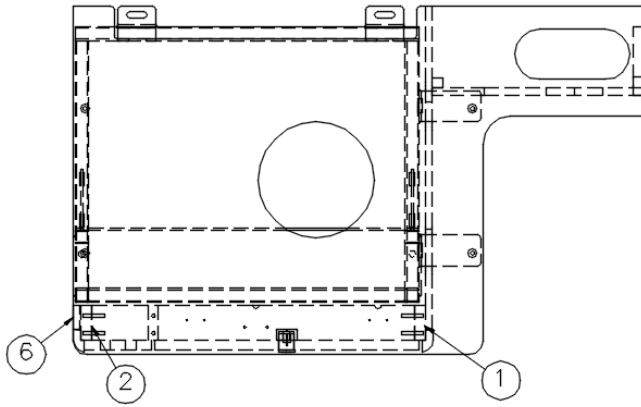
968257-39

CS Dinette Seat

- | | |
|-----------------|--|
| 1. 968257-391 | Panel, 2.5 x 13.25 |
| 2. 968257-392 | Panel, 2.5 x 13.25 |
| 3. 968257-393 | Panel, 2.5 x 23.5 |
| 4. 968257-394 | Panel, 2.5 x 23.5 |
| 5. 968257-395 | Panel, 19.25 x 11.62 |
| 6. 968257-396 | Panel, 21.75 x 13.25 |
| 7. 968257-397 | Panel, 22.5 x 13.25 |
| 8. 968257-398 | Panel, 15.36 x 13.25 |
| 9. 968257-399 | Panel, 25.31 x 41.42 |
| 10. 968257-3918 | Panel, 8 x 25 |
| 11. 968257-3919 | Panel, 2.5 x 23.5 |
| 12. 968257-3920 | Panel, 2.5 x 11 |
| 13. 968257-3921 | Panel, 4.88 x 13.24 |
| 801706-0039 | Corner trim, 90°, 1" radius, Macchiato |
| 381607-11 | Hinge, Self-close |
| 382059-02 | Knob, Push/pull, Black |
| 381228-02 | Catch, Grabber door, 5LB |
| 365412-01 | Edgebanding, .63", Macchiato |
| 365412-02 | Edgebanding, .94", Macchiato |

2017 TOMMY BAHAMA TC FURNITURE, LOUNGE

Dinette Seat, CS, Grand Tour & Lounge Extra Seat Option



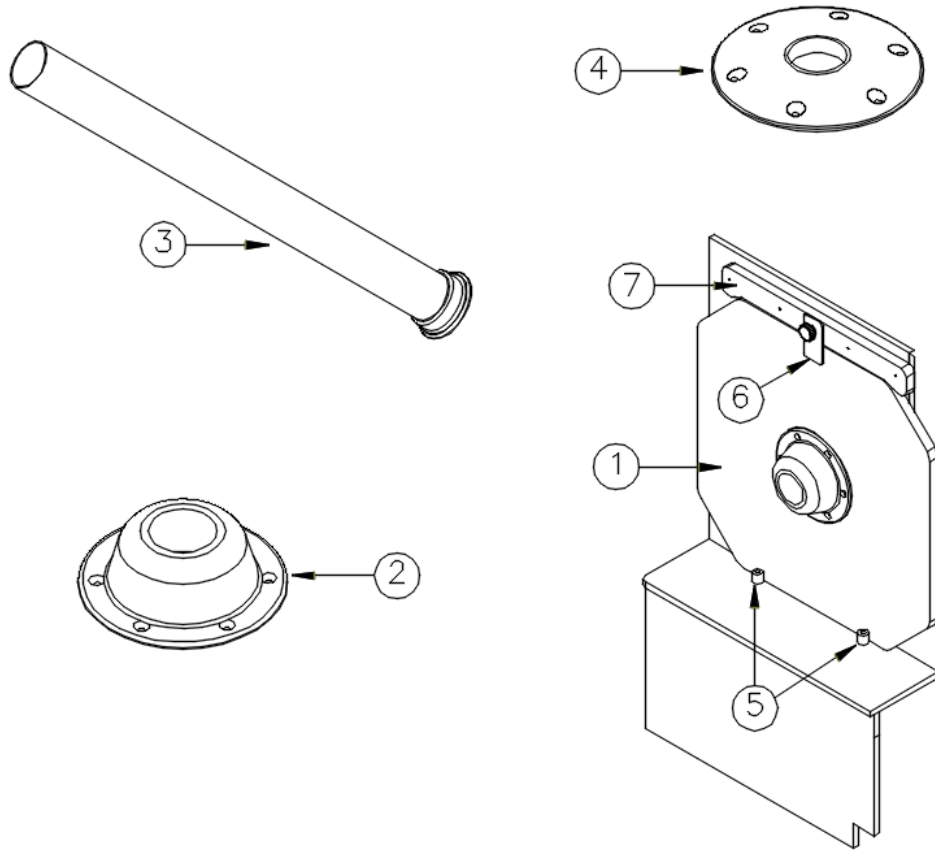
968136-39

CS Dinette Seat

- | | |
|-----------------|--|
| 1. 968136-391 | Panel, 2.5 x 13.25 |
| 2. 968136-392 | Panel, 2.5 x 13.25 |
| 3. 968136-393 | Panel, 2.5 x 23.5 |
| 4. 968136-394 | Panel, 2.5 x 23.5 |
| 5. 968136-395 | Panel, 19.25 x 11.62 |
| 6. 968136-396 | Panel, 1.76 x 13.25 |
| 7. 968136-397 | Panel, 23.5 x 13.25 |
| 8. 968136-398 | Panel, 15.36 x 13.25 |
| 9. 968136-399 | Panel, 25.31 x 41.42 |
| 10. 968136-3918 | Panel, 7 x 25 |
| 11. 968136-3919 | Panel, 2.5 x 23.5 |
| 12. 968136-3920 | Panel, 2.5 x 11 |
| 13. 968136-3921 | Panel, 4.88 x 13.24 |
| 801706-0039 | Corner trim, 90°, 1" radius, Macchiato |
| 382059-02 | Knob, Push/pull, Black |
| 381607-11 | Hinge, Self-close |
| 365412-01 | Edgebanding, .63", Macchiato |
| 365412-02 | Edgebanding, .94", Macchiato |

2017 TOMMY BAHAMA TC FURNITURE, LOUNGE

Pedestal Table



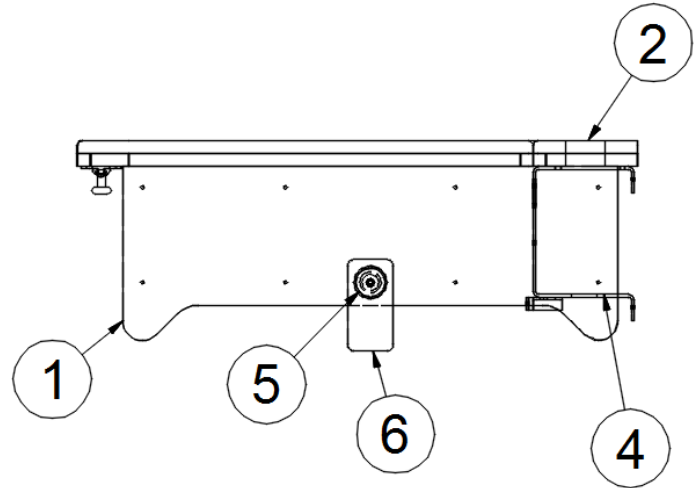
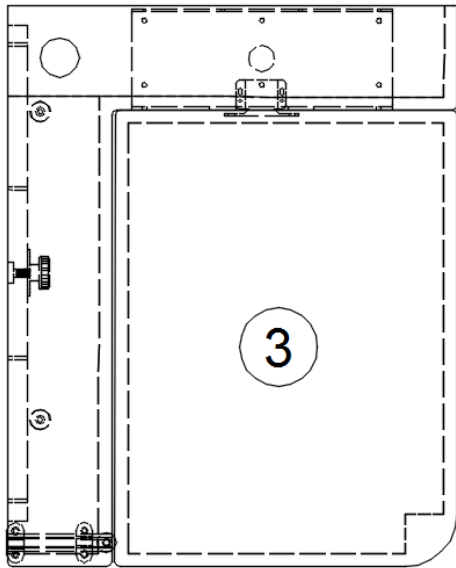
968482-02

Pedestal Table

- | | |
|----------------|--|
| 1. 602662 | Table top, Glacier Ice Illumination series |
| 2. 381975 | Pedestal socket, Table top |
| 3. 381974 | Pedestal leg, Thread lock |
| 4. 381976 | Pedestal socket, Floor |
| 5. 381136 | Rubber bumper |
| 6. 454721 | Bracket, Pedestal table storage |
| 7. 968569-3922 | Panel, 2.25 x 17.5 |
| 382095 | Knob, Knurled |
| 381610-03 | Cover cap, Plastic |
| 703967 | Storage wrap assembly |
| 703832 | Vinyl, Simplicity Black, 54" wide |
| 703703 | Zipper, Black |

2017 TOMMY BAHAMA TC FURNITURE, LOUNGE

Flip Table Area, Grand Tour



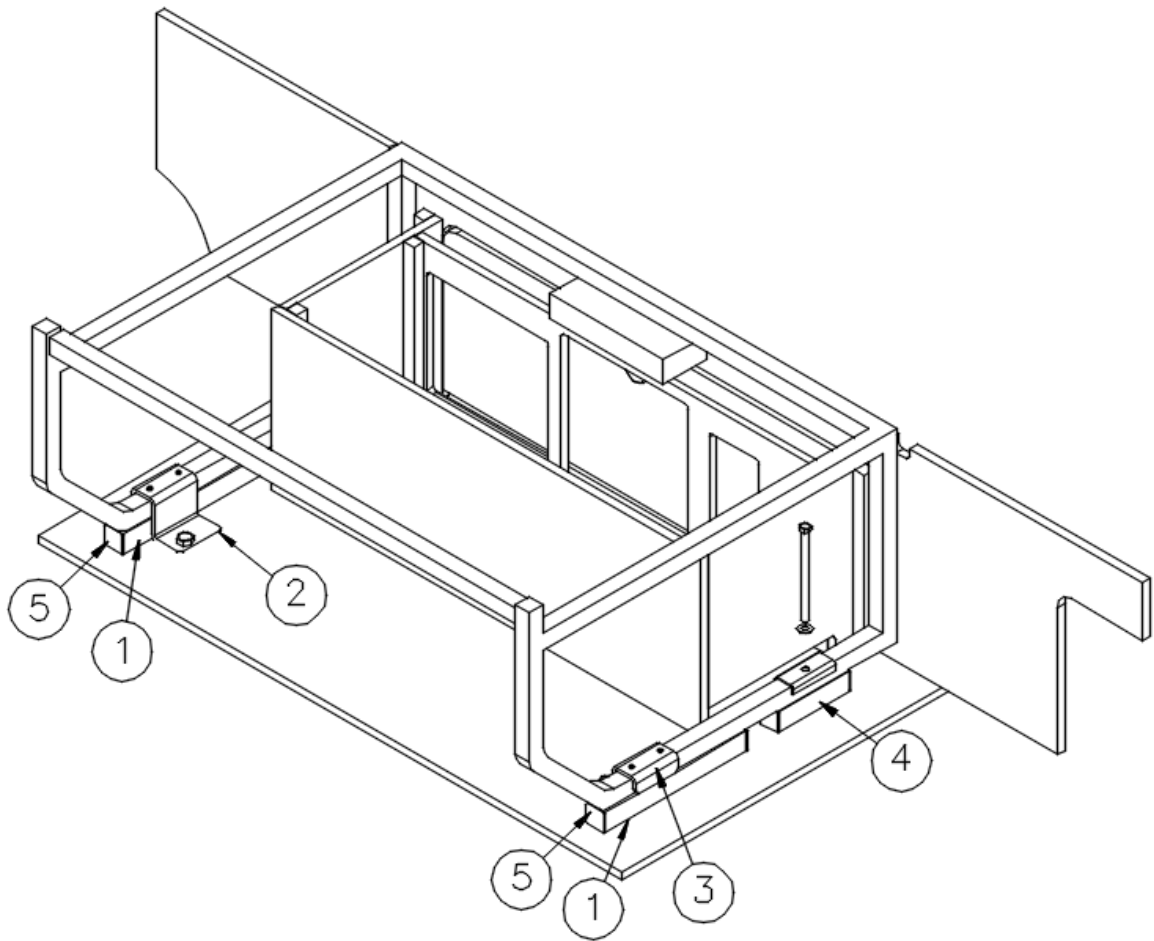
968593

Flip Table Area

- | | |
|--------------|-----------------------------------|
| 1. 968593-1 | Panel, 6.66 x 19 |
| 2. 602387-02 | Credenza top, Corian, Glacier Ice |
| 3. 602386-02 | Flip table, Corian, Glacier Ice |
| 4. 454987 | Bracket, Flip table |
| 5. 382095 | Knob, Knurled |
| 6. 454721 | Bracket, Pedestal table storage |
| 381136 | Rubber bumper |
| 382092-01 | Bracket, Hinged spring |
| 454989 | Bracket, Flip table brace |
| 382260 | Slide bolt, 4" |
| 381209-01 | Grommet w/cap, Black |
| 381228-02 | Catch, Grabber door, 5LB |
| 365412-02 | Edgebanding, .94", Macchiato |

2017 TOMMY BAHAMA TC FURNITURE, LOUNGE

Sofa



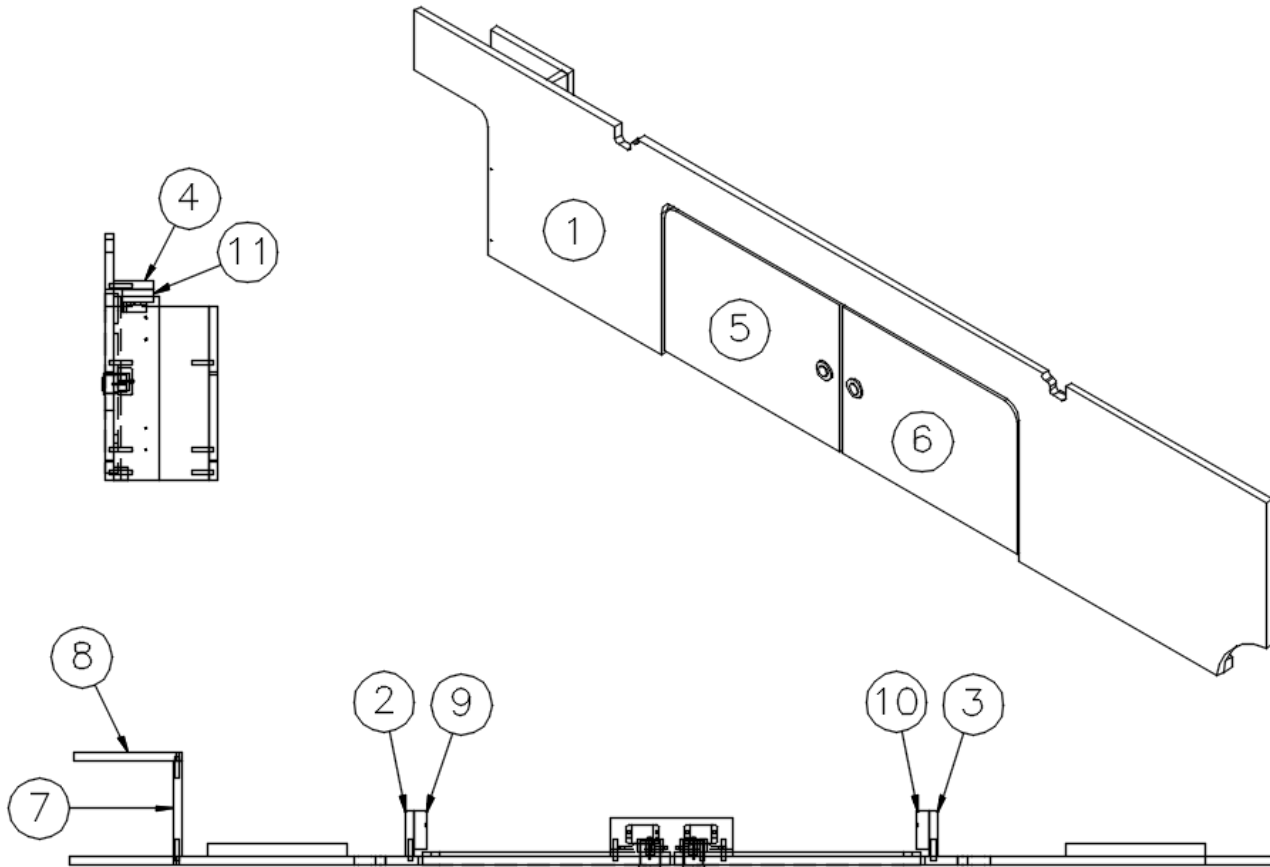
111744

Rear Sofa Install

- | | |
|--------------|-----------------------------------|
| 1. 454924-01 | Pre-cut steel tubing, 10" long |
| 2. 454682-01 | Bracket, LH |
| 3. 454682-02 | Bracket, RH |
| 4. 454924-02 | Pre-Cut Steel Tubing 5" Long |
| 5. 203757 | Plug, 1.25" Square Finishing Plug |

2017 TOMMY BAHAMA TC FURNITURE, LOUNGE

Sofa Base



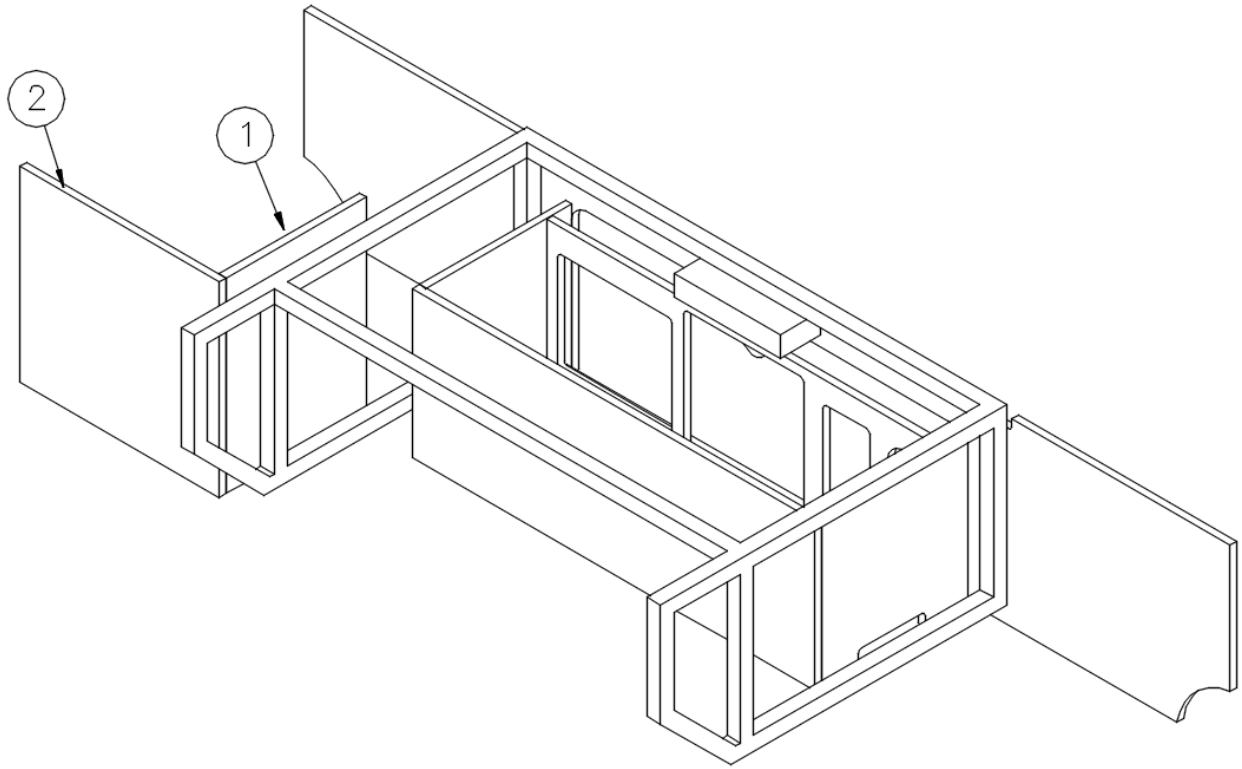
968134-39

Rear Sofa Seat Base

- | | |
|-----------------|------------------------------|
| 1. 968134-391 | Panel, 14.25 x 69.58 |
| 2. 968134-392 | Panel, 2.63 x 10.63 |
| 3. 968134-393 | Panel, 2.63 x 10.63 |
| 4. 968134-394 | Panel, 2.25 x 7 |
| 5. 968134-395 | Panel, 10.38 x 14.28 |
| 6. 968134-396 | Panel, 10.38 x 14.28 |
| 7. 968134-397 | Panel, 5.5 x 10 |
| 8. 968134-398 | Panel, 6.25 x 10 |
| 9. 968134-399 | Panel, 2.25 x 10.63 |
| 10. 968134-3910 | Panel, 2.25 x 10.63 |
| 11. 968134-3911 | Panel, 1.81 x 7 |
| 381228-02 | Catch, Grabber door, 5LB |
| 381607-11 | Hinge, Self-close |
| 382059-02 | Knob, Push/pull, Black |
| 365412-01 | Edgebanding, .63", Macchiato |
| 365412-02 | Edgebanding, .94", Macchiato |

2017 TOMMY BAHAMA TC FURNITURE, LOUNGE

Sofa Closeouts

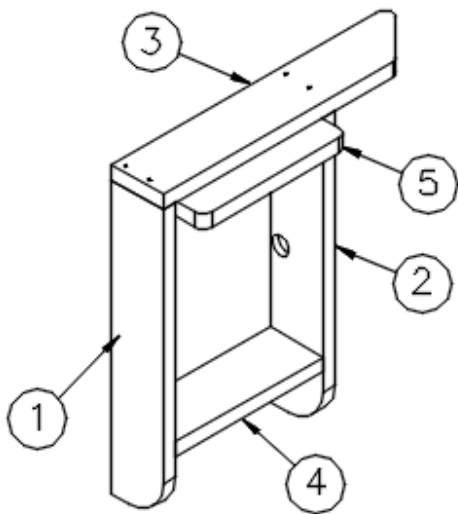
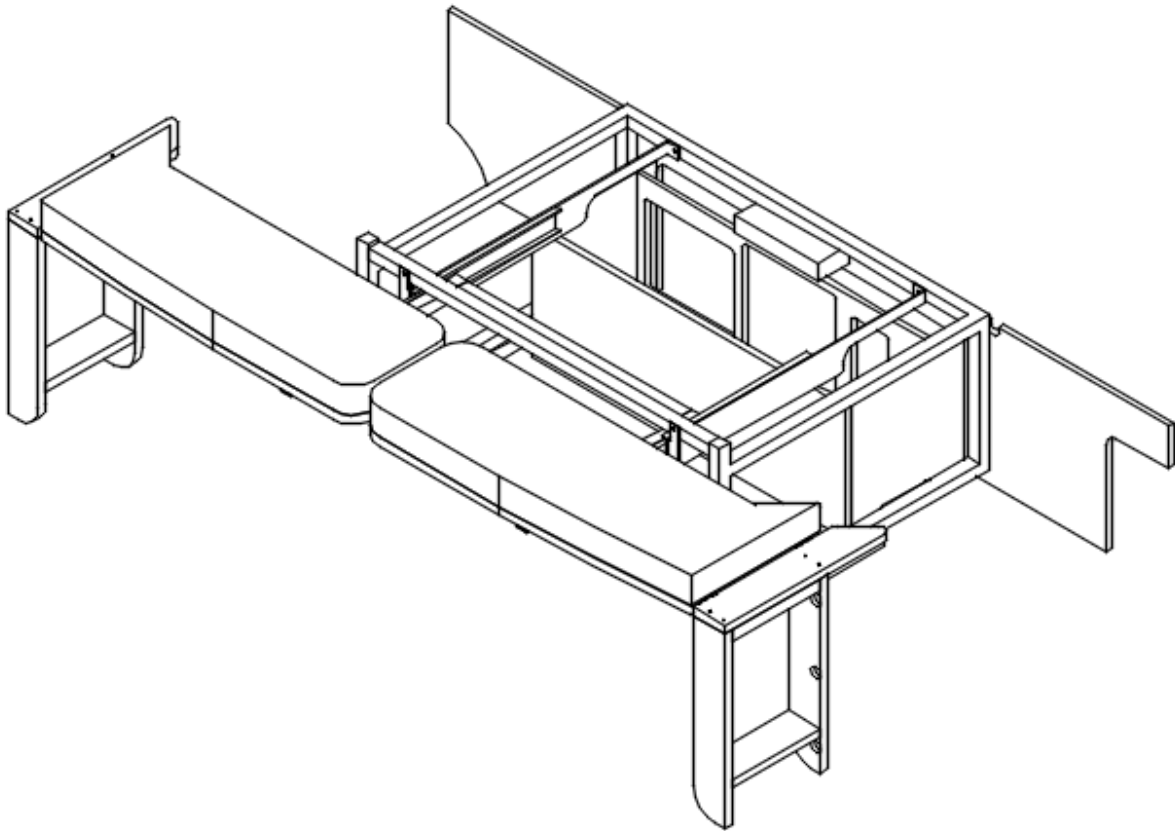


- 1. 967324-393
- 2. 967324-394

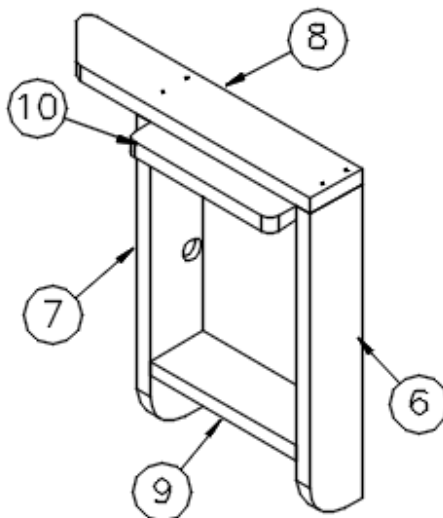
- Sofa bed closeout, 14 x 10.5
- Sofa bed closeout, 14 x 15

2017 TOMMY BAHAMA TC FURNITURE, LOUNGE

Sofa Extensions



Roadside



Curbside

Parts Listed on Next Page

2017 TOMMY BAHAMA TC

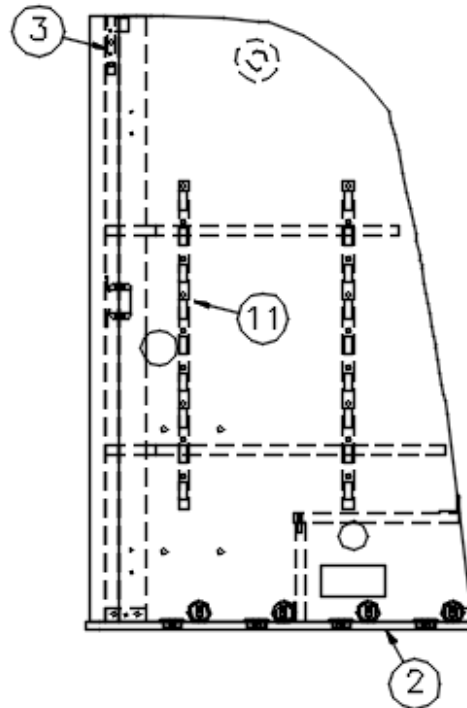
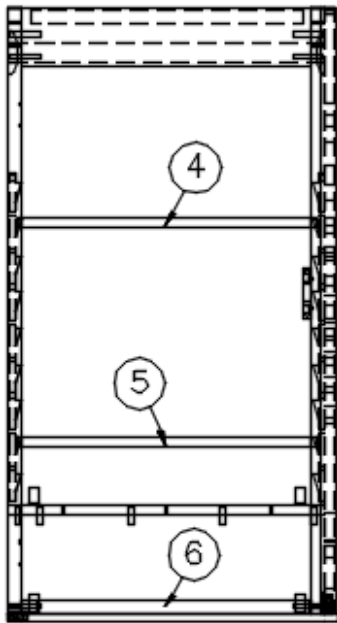
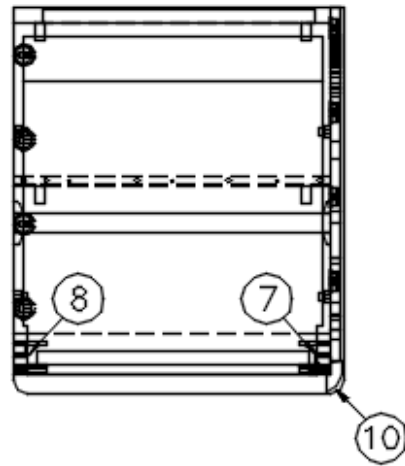
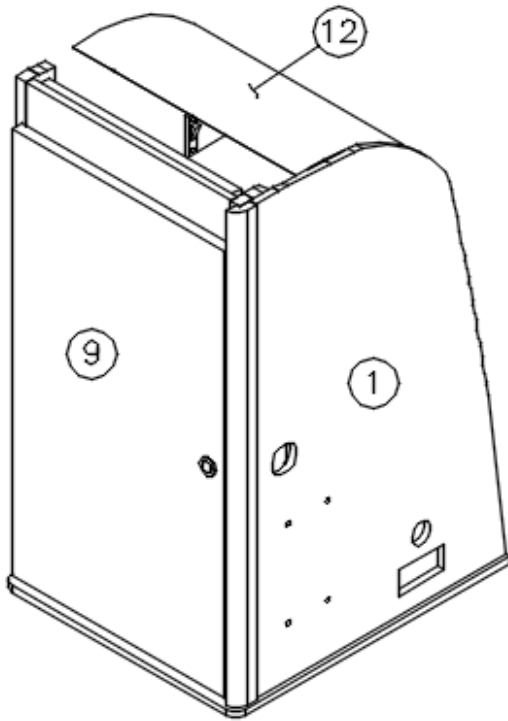
FURNITURE, LOUNGE

Sofa Extensions

967776-39	Sofa Extension, RS
967777-39	Sofa Extension, CS
1. 967776-391	Panel, 3 x 15.75, RS
2. 967776-392	Panel, 3 x 15.75, RS
3. 967776-393	Panel, 3 x 15.79, RS
4. 967776-3910	Panel, 3 x 8.5, RS
5. 967776-3911	Panel, 4.5 x 8.38, RS
6. 967777-391	Panel, 3 x 18.25, CS
7. 967777-392	Panel, 3 x 18.25, CS
8. 967777-393	Panel, 3 x 15.79, CS
9. 967777-3910	Panel, 3 x 8.5, CS
10. 967777-3911	Panel, 4.5 x 8.38, CS
704108DT	Kit, Sofa cushions, Desert Tan
382172	Hinge, Narrow utility
115553	Sofa extension weldment
382293	Drawer Slide, 12"

2017 TOMMY BAHAMA TC FURNITURE, LOUNGE

Wardrobe, CS Hanging, Lounge



Parts Listed on Next Page

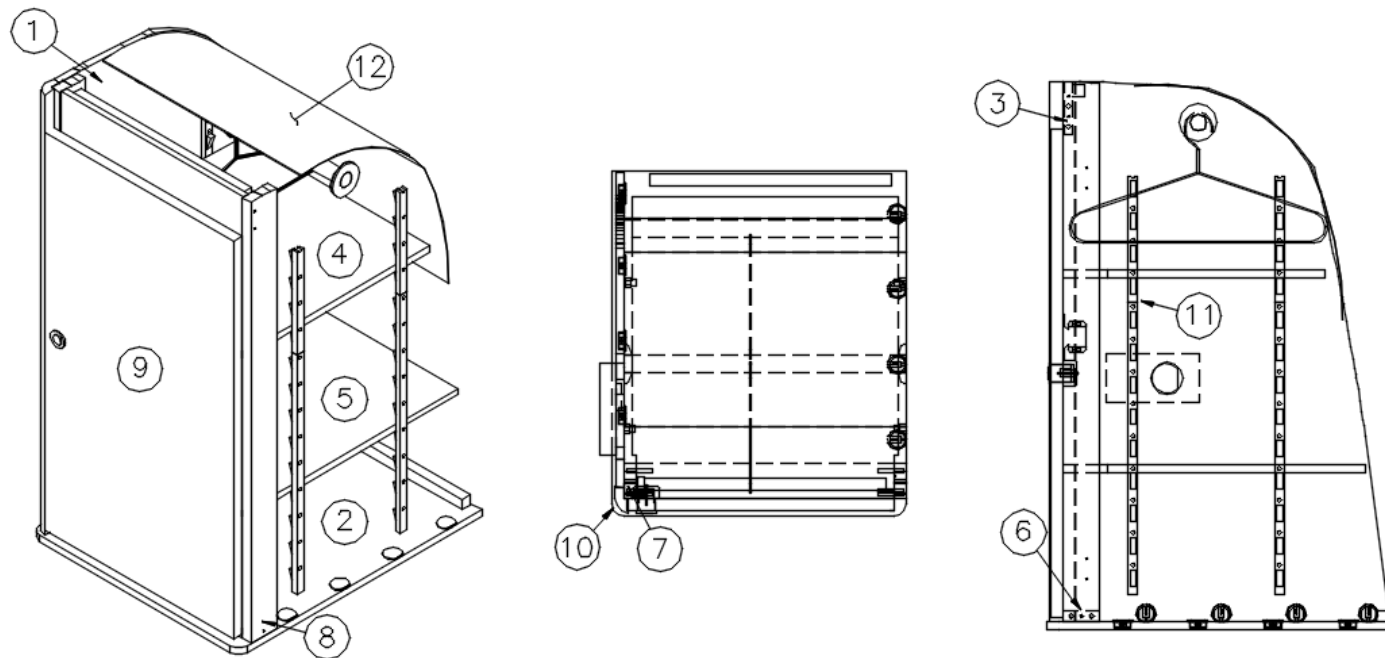
2017 TOMMY BAHAMA TC FURNITURE, LOUNGE

Wardrobe, CS Hanging, Lounge

967518-39	CS Hanging Wardrobe
1. 967518-391	Panel, 19.56 x 33.5
2. 967518-392	Panel, 18.25 x 21.38
3. 967518-393	Panel, 16 x 3.25
4. 967518-394	Panel, 16.25 x 16.5
5. 967518-395	Panel, 18.75 x 16.5
6. 967518-396	Panel, 2.25 x 16
7. 967518-397	Panel, 2.25 x 33.5
8. 967518-398	Panel, 2.25 x 33.5
9. 967518-399	Panel, 16.63 x 30.25
10. 801706-0039	Corner trim, 90°, 1" radius, Macchiato
11. 381527	Shelf strips, Speedy
12. 967234	Cover, Wire
382059-02	Knob, Push/pull, Black
381228-02	Catch, Grabber door, 5LB
382057	Knockdown
382057-03	Cap, Knockdown, Lt. Brown
381607-11	Hinge, Self-close
380045	Tubing, .75", Elec. Metallic
380046	Flange, Chrome
200975-04	Conduit, Flexible Black plastic

2017 TOMMY BAHAMA TC FURNITURE, LOUNGE

Wardrobe, RS Hanging, Grand Tour



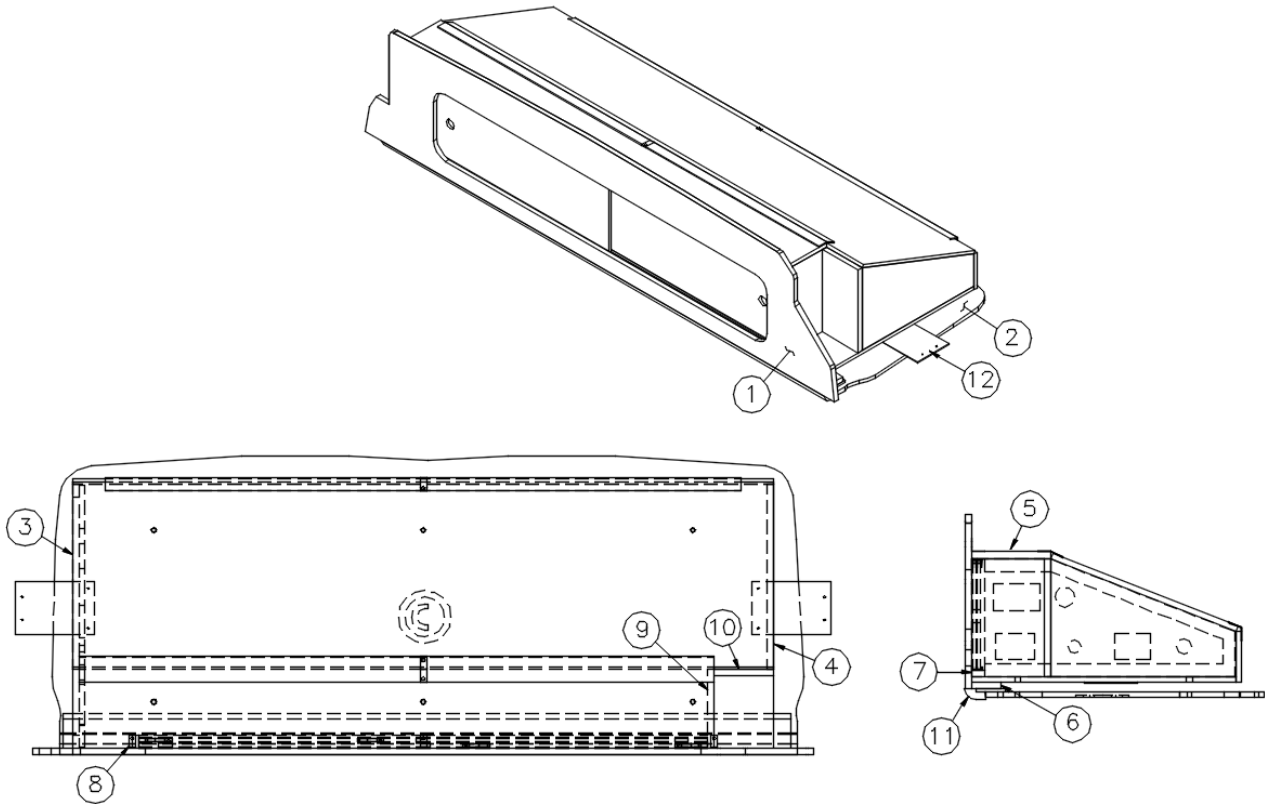
968143-39

RS Hanging Wardrobe

- | | |
|-----------------|--|
| 1. 968143-391 | Panel, 19.56 x 33.5 |
| 2. 968143-392 | Panel, 18.25 x 21.38 |
| 3. 968143-393 | Panel, 16 x 3.25 |
| 4. 968143-394 | Panel, 16.25 x 16.5 |
| 5. 968143-395 | Panel, 18.75 x 16.5 |
| 6. 968143-396 | Panel, 2.25 x 16 |
| 7. 968143-397 | Panel, 2.25 x 33.5 |
| 8. 968143-398 | Panel, 2.25 x 33.5 |
| 9. 968143-399 | Panel, 16.63 x 30.25 |
| 10. 801706-0039 | Corner trim, 90°, 1" radius, Macchiato |
| 11. 381527 | Shelf strips, Speedy |
| 12. 967234 | Cover, Wire |
| 382059-02 | Knob, Push/pull, Black |
| 365412-01 | Edgebanding, .63", Macchiato |
| 365412-02 | Edgebanding, .94", Macchiato |
| 381228-02 | Catch, Grabber door, 5LB |
| 382057 | Knockdown |
| 382057-01 | Cap, Knockdown, Lt Brown |
| 381607-11 | Hinge, Self-close |
| 380046 | Flange, Chrome |
| 200975-04 | Conduit, Flexible Black plastic |

2017 TOMMY BAHAMA TC FURNITURE, LOUNGE

Roof Locker, Front End



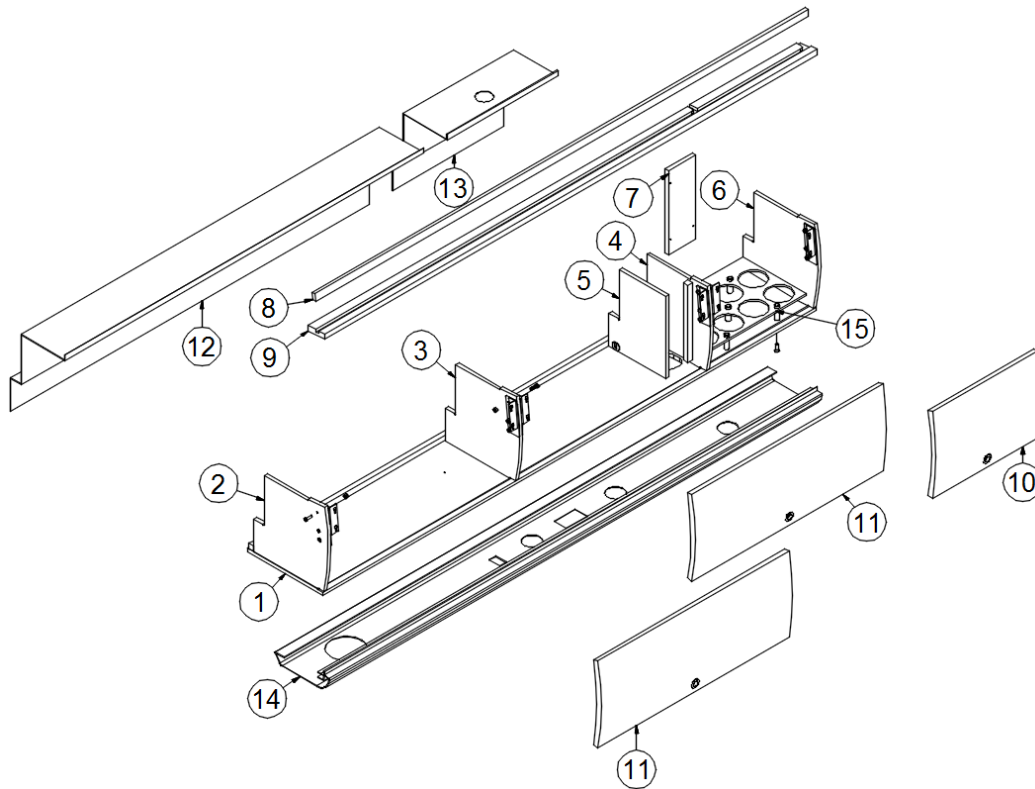
967503-39

Front End Roof Locker

- | | |
|-----------------|--|
| 1. 967503-391 | Panel, 14.06 x 59 |
| 2. 967503-393 | Panel, 9 x 20 |
| 3. 967503-395 | Panel, 8.88 x 19.88 |
| 4. 967503-398 | Panel, 6 x 48.5 |
| 5. 967503-399 | Panel, 2.25 x 55 |
| 6. 967503-3911 | Panel, 1 x 43 |
| 7. 967503-3914 | Panel, 1 x 9 |
| 8. 967503-3915 | Panel, 6 x 9 |
| 9. 967503-3916 | Panel, 4.5 x 9 |
| 10. 801706-0039 | Corner trim, 90°, 1" radius, Macchiato |
| 11. 115580 | Support plate, Overhead |
| 203940-01 | Door, Frosted w/Tommy logo, CS |
| 203940-02 | Door, Frosted w/Tommy logo, RS |
| 203388-01 | Track, Sliding door, Black |
| 380041 | Corner brace, 1" Stanley |
| 381209-01 | Grommet w/cap, 1.5", Black |
| 500132 | Grommet, 1" |
| 115561 | Aluminum angle, 25°, 1 x 1 |
| 115562 | Aluminum angle, 70°, 1 x 1 |
| 203710 | T-molding, Almond |

2017 TOMMY BAHAMA TC FURNITURE, LOUNGE

Roof Locker, RS Aft, Lounge



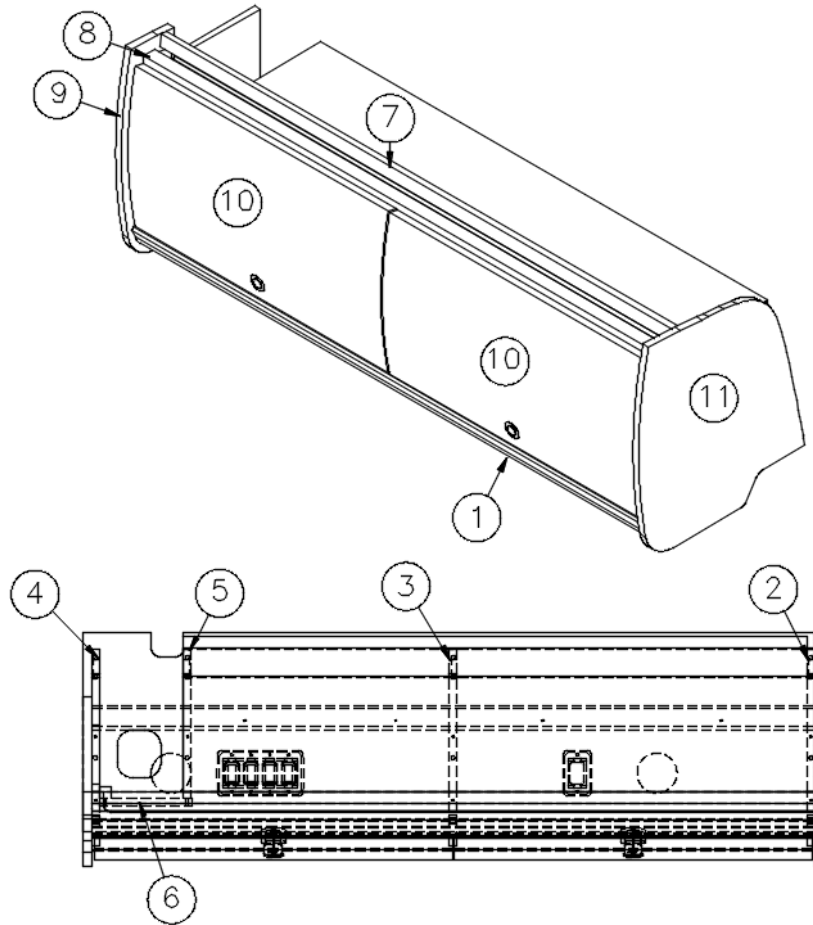
968538-39

Roadside Aft Roof Locker

- | | |
|-----------------|--------------------------------|
| 1. 968538-391 | Panel, 12.5 x 81.17 |
| 2. 968538-392 | Panel, 12.28 x 12.12 |
| 3. 968538-393 | Panel, 12.28 x 12.12 |
| 4. 968538-394 | Panel, 12.28 x 12.12 |
| 5. 968538-395 | Panel, 9.34 x 11.73 |
| 6. 968538-396 | Panel, 12.28 x 12.12 |
| 7. 968538-397 | Panel, 4.5 x 12 |
| 8. 968538-398 | Panel, 1 x 81.17 |
| 9. 968538-399 | Panel, 2.75 x 81.17 |
| 10. 801785-0439 | Door, 12.38 x 17.38, Macchiato |
| 11. 801785-0139 | Door, 12.38 x 31.5, Macchiato |
| 12. 115473-06 | Aluminum back, 59.06" |
| 13. 115473-12 | Aluminum back, 18.25" |
| 14. 115406 | Roof locker extrusion |
| 15. 203927 | Insert, Glass holder |
| 382059-02 | Knob, Push/pull, Black |
| 701538-01 | Carpet, Econolier, w/PSA back |
| 382227 | Hinge, Overhead spring, Nickel |
| 382057 | Knockdown |

2017 TOMMY BAHAMA TC FURNITURE, LOUNGE

Roof Locker, RS Forward, Lounge



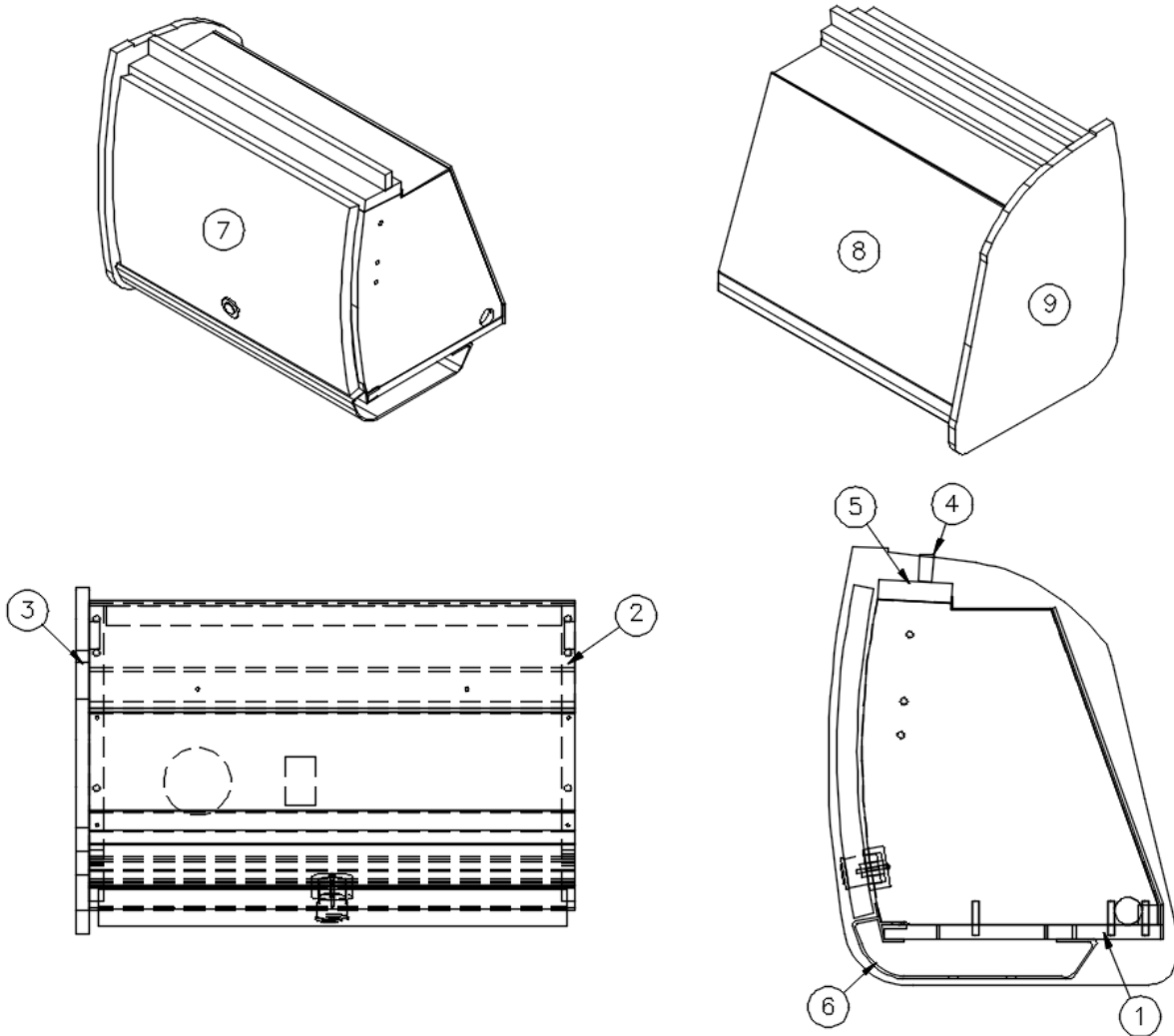
968228-39

RS Forward Roof Locker

- | | |
|-----------------|----------------------------------|
| 1. 968228-391 | Panel, 12.5 x 45.9 |
| 2. 968228-392 | Panel, 12.28 x 12.12 |
| 3. 968228-393 | Panel, 12.28 x 12.12 |
| 4. 968228-394 | Panel, 12.28 x 12.12 |
| 5. 968228-395 | Panel, 9.34 x 11.73 |
| 6. 968228-396 | Panel, 5.82 x 12 |
| 7. 968228-397 | Panel, 1 x 45.38 |
| 8. 968228-398 | Panel, 2.75 x 45.38 |
| 9. 968228-3910 | Panel, 10.64 x 16.46 |
| 10. 801785-0839 | Door, 12.38 x 22.44, Macchiato |
| 11. 967463-39 | Endcap, Macchiato |
| 115406 | Roof locker extrusion, 45.38 |
| 115473-21 | Aluminum roof locker back, 39.61 |
| 382059-02 | Knob, Push/pull, Black |
| 382227 | Hinge, Overhead spring, Nickel |

2017 TOMMY BAHAMA TC FURNITURE, LOUNGE

Roof Locker, CS Forward, Lounge



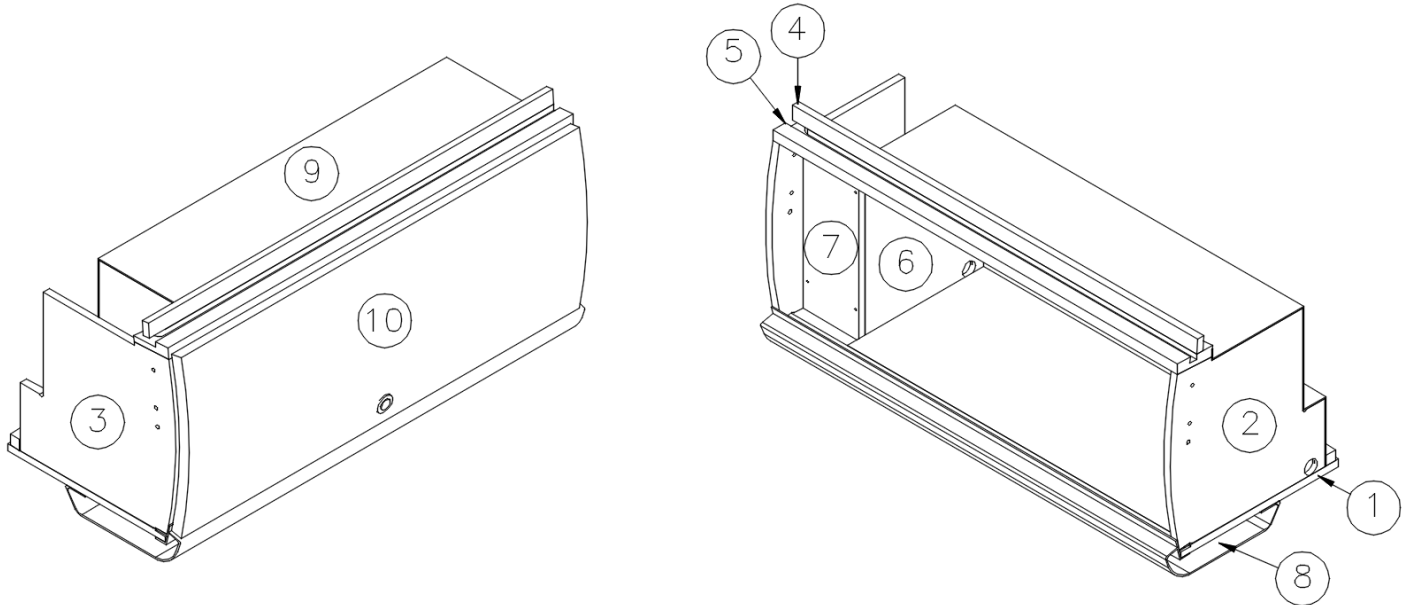
968278-39

RS Forward Roof Locker

- | | |
|----------------|--------------------------------|
| 1. 968278-391 | Panel, 12.5 x 45.9 |
| 2. 968278-392 | Panel, 12.28 x 12.12 |
| 3. 968278-393 | Panel, 12.28 x 12.12 |
| 4. 968278-394 | Panel, 12.28 x 12.12 |
| 5. 968278-395 | Panel, 9.34 x 11.73 |
| 6. 115406 | Roof locker extrusion, 45.38 |
| 7. 801785-0439 | Door, 12.38 x 17.38, Macchiato |
| 8. 968290 | Roof locker padded back |
| 9. 968231-39 | Endcap, Macchiato |
| 115636-02 | Aluminum roof locker back, 18" |
| 382059-02 | Knob, Push/pull, Black |
| 382227 | Hinge, Overhead spring, Nickel |

2017 TOMMY BAHAMA TC FURNITURE, LOUNGE

Roof Locker, CS Rear, Lounge



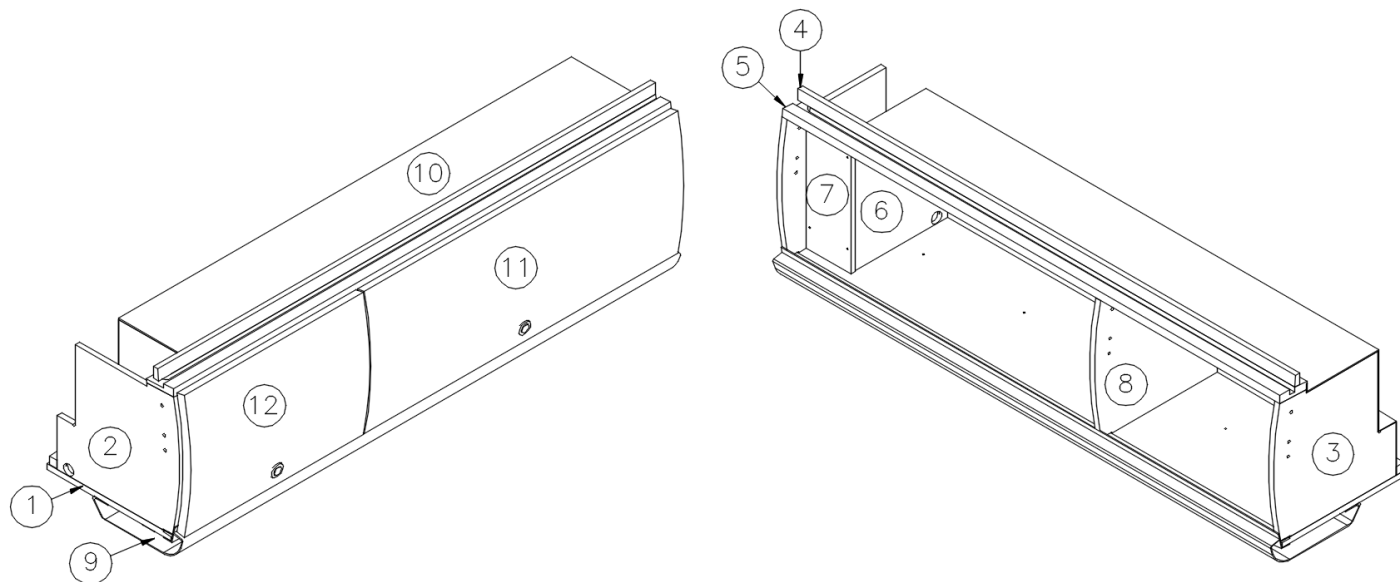
968258-39

CS Rear Roof Locker

- | | |
|-----------------|--------------------------------|
| 1. 968258-391 | Panel, 12.5 x 32 |
| 2. 968258-392 | Panel, 12.28 x 12.12 |
| 3. 968258-393 | Panel, 12.28 x 12.12 |
| 4. 968258-394 | Panel, 1 x 32 |
| 5. 968258-395 | Panel, 2.75 x 32 |
| 6. 968258-397 | Panel, 9.34 x 11.73 |
| 7. 968258-3918 | Panel, 4.43 x 12 |
| 8. 115406 | Roof locker extrusion |
| 9. 115473-16 | Aluminum back, 27.57" |
| 10. 801785-0139 | Door, 12.38 x 31.5, Macchiato |
| 382059-02 | Knob, Push/pull, Black |
| 382227 | Hinge, Overhead spring, Nickel |
| 365412-01 | Edgebanding, .63", Macchiato |
| 365412-02 | Edgebanding, .94", Macchiato |

2017 TOMMY BAHAMA TC FURNITURE, LOUNGE

Roof Locker, Curbside, Lounge Extra Seat Option



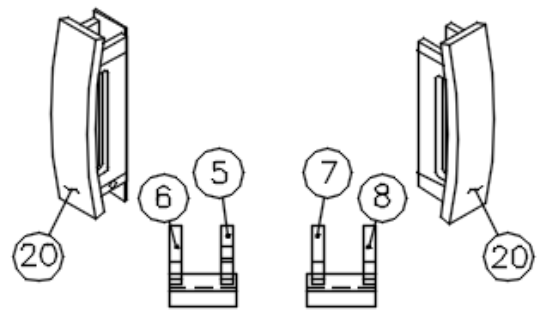
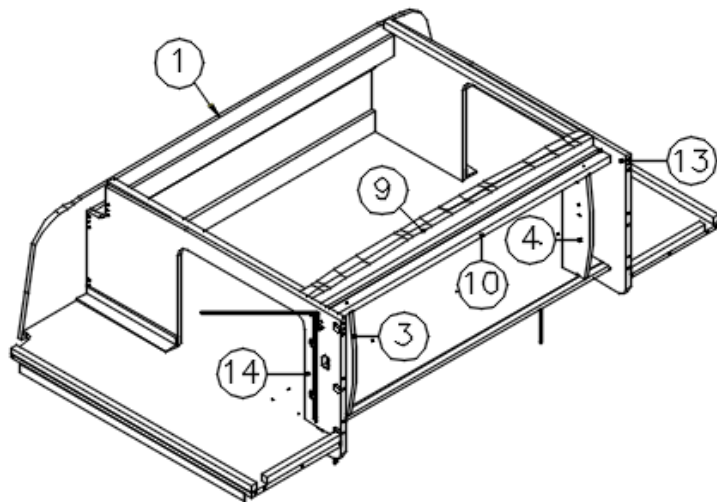
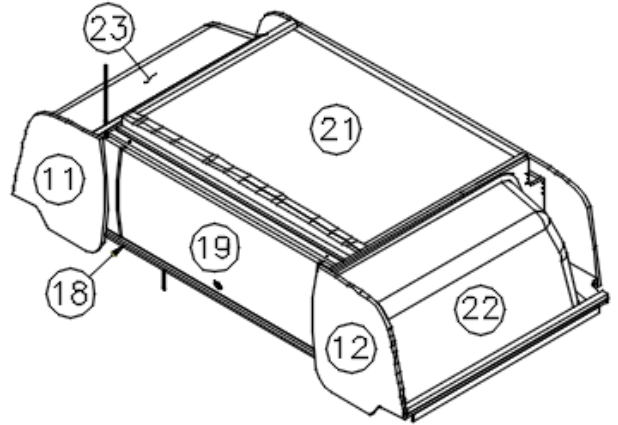
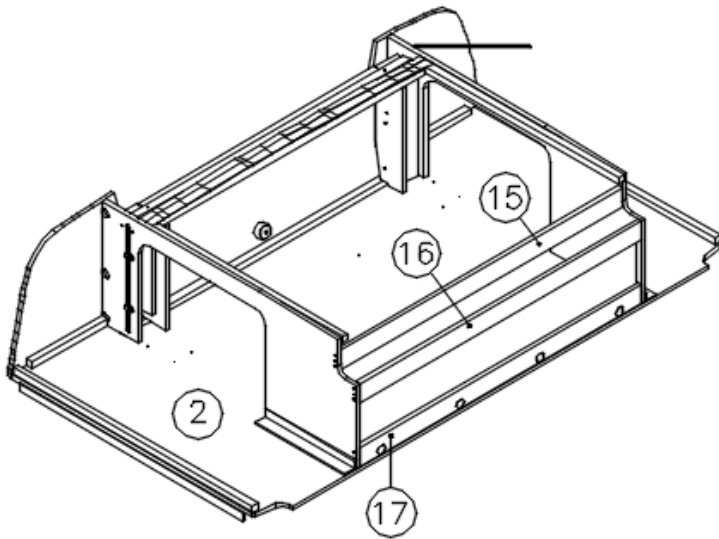
968252-39

CS Roof Locker

- | | |
|-----------------|--------------------------------|
| 1. 968252-391 | Panel, 12.5 x 50 |
| 2. 968252-392 | Panel, 12.28 x 12.12 |
| 3. 968252-393 | Panel, 12.28 x 12.12 |
| 4. 968252-394 | Panel, 1 x 50 |
| 5. 968252-395 | Panel, 2.75 x 50 |
| 6. 968252-397 | Panel, 9.34 x 11.73 |
| 7. 968252-398 | Panel, 4.5 x 12 |
| 8. 968252-3917 | Panel, 12.28 x 12.12 |
| 9. 115406 | Roof locker extrusion |
| 10. 115473-18 | Aluminum back, 45.57" |
| 11. 801785-0139 | Door, 12.38 x 31.5, Macchiato |
| 12. 801785-1139 | Door, 12.38 x 18, Macchiato |
| 382059-02 | Knob, Push/pull, Black |
| 365412-01 | Edgebanding, .63", Macchiato |
| 365412-02 | Edgebanding, .94", Macchiato |
| 382227 | Hinge, Overhead spring, Nickel |

2017 TOMMY BAHAMA TC FURNITURE, LOUNGE

Roof Locker, Rear



Parts Listed on Next Page

2017 TOMMY BAHAMA TC FURNITURE, LOUNGE

Roof Locker, Rear

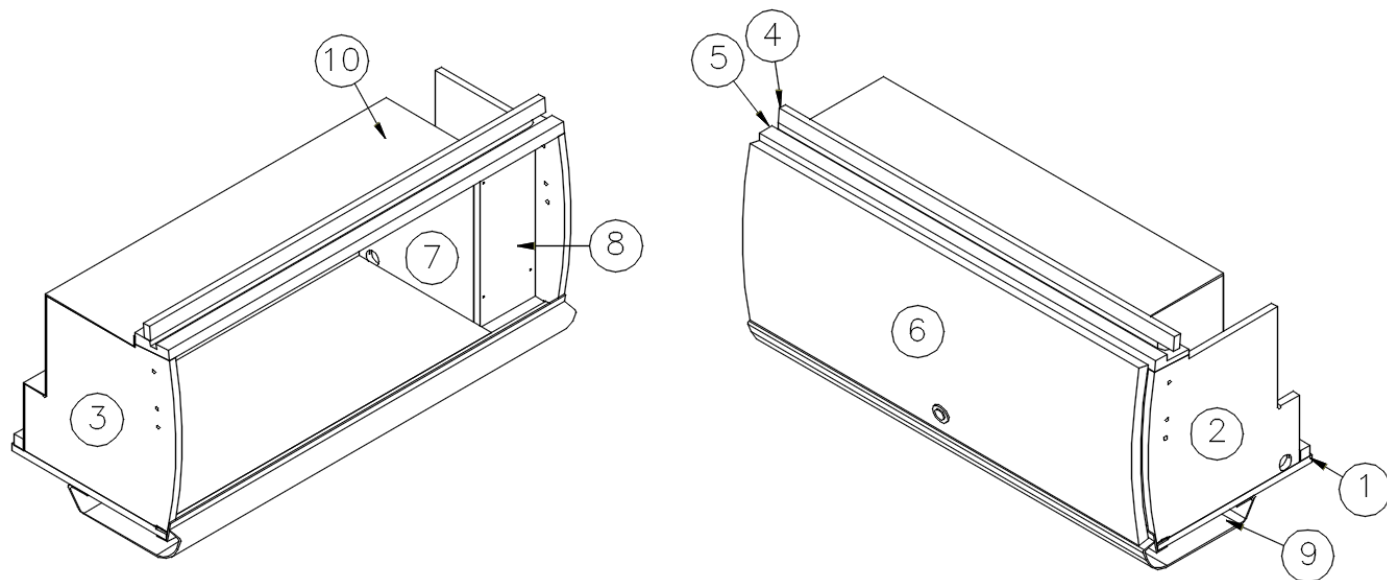
967771-39

Rear Roof Locker

1. 967771-391	Panel, 12.56 x 56.02
2. 967771-392	Panel, 34 x 62.63
3. 967771-393	Panel, 3.7 x 12.12
4. 967771-394	Panel, 3.7 x 12.12
5. 967771-395	Panel, 2.41 x 10.07
6. 967771-396	Panel, 2.41 x 10.07
7. 967771-397	Panel, 2.41 x 10.07
8. 967771-398	Panel, 2.41 x 10.07
9. 967771-399	Panel, 2.21 x 37.63
10. 967771-3910	Panel, 2.25 x 37.63
11. 967771-3911	Panel, 14.75 x 16.47
12. 967771-3912	Panel, 14.75 x 16.47
13. 967771-3913	Panel, 34 x 16.46
14. 967771-3914	Panel, 34 x 16.46
15. 967771-3915	Panel, 2.25 x 37.63
16. 967771-3916	Panel, 2.25 x 37.63
17. 967771-3917	Panel, 2.25 x 37.63
18. 115406	Roof locker extrusion
19. 801785-0139	Door, 12.38 x 31.5, Macchiato
20. 801785-0539	Door, 12.38 x 2.88, Macchiato
21. 115552	Closeout, Aluminum
22. 203728-01	Closeout, RH
23. 203728-02	Closeout, LH
382059-02	Knob, Push/pull, Black
701538-01	Carpet, Econolier w/PSA back
365412-01	Edgebanding, .63" Macchiato
365412-02	Edgebanding, .94" Macchiato
114813	Aluminum angle, 1 x 1.5
114812	Aluminum angle, 1 x 1
382057	Knockdown
382057-01	Cap, Knockdown, Lt Brown
203710	T-molding, Almond
381754	Mirror clip
382227	Hinge, Overhead spring, Nickel

2017 TOMMY BAHAMA TC FURNITURE, LOUNGE

Roof Locker, RS, Grand Tour



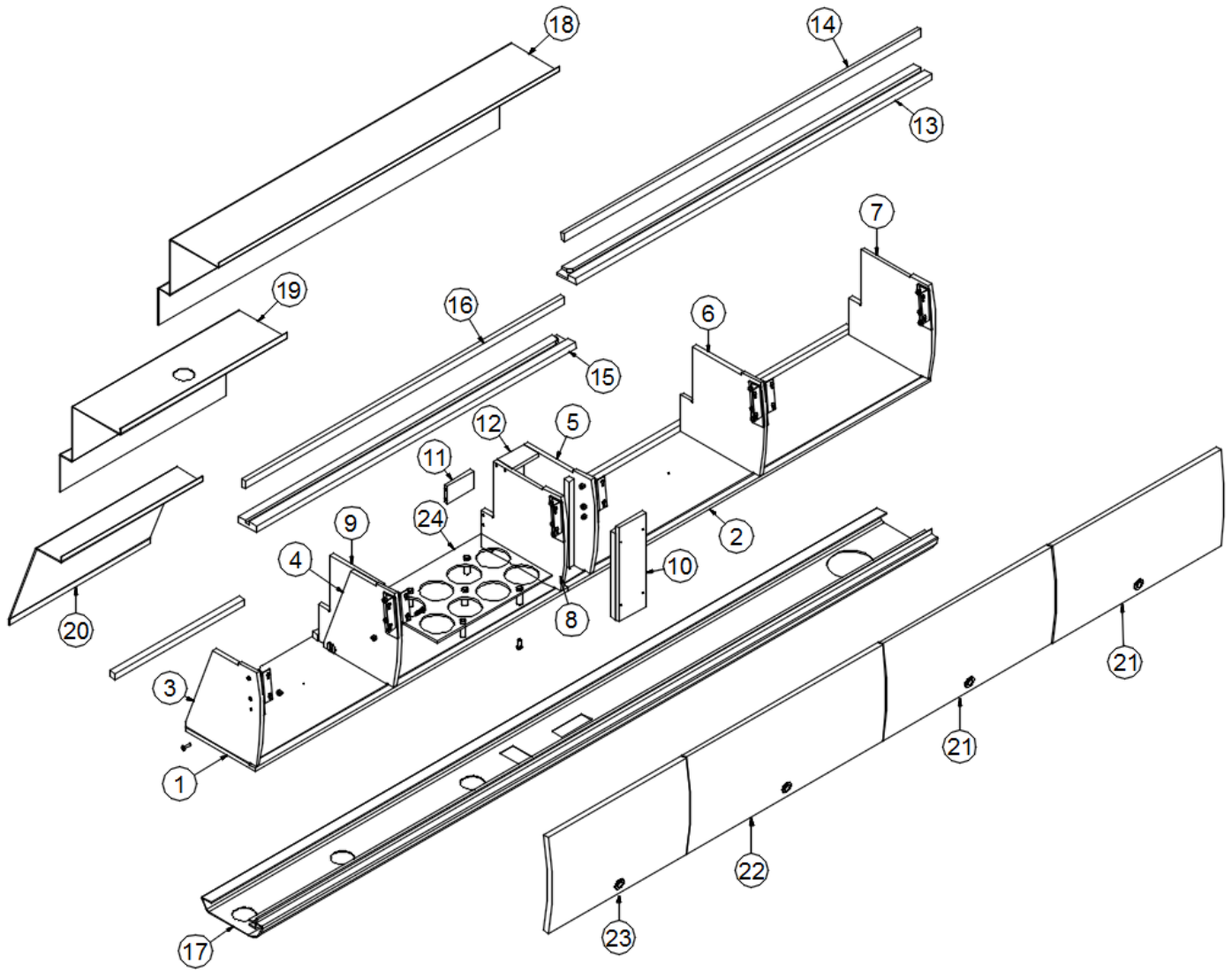
968142-39

RS Roof Locker

- | | |
|-----------------|--------------------------------|
| 1. 968142-391 | Panel, 12.5 x 32 |
| 2. 968142-392 | Panel, 12.28 x 12.12 |
| 3. 968142-393 | Panel, 12.28 x 12.12 |
| 4. 968142-394 | Panel, 1 x 32 |
| 5. 968142-395 | Panel, 2.75 x 32 |
| 6. 968142-397 | Panel, 9.34 x 11.73 |
| 7. 968142-398 | Panel, 4.43 x 12 |
| 8. 115406 | Roof locker extrusion |
| 9. 115473-16 | Aluminum back |
| 10. 801785-0139 | Door, 12.38 x 31.5, Macchiato |
| 382059-02 | Knob, Push/pull, Black |
| 382227 | Hinge, Overhead spring, Nickel |
| 365412-01 | Edgebanding, .63", Macchiato |
| 365412-02 | Edgebanding, .94", Macchiato |

2017 TOMMY BAHAMA TC FURNITURE, LOUNGE

Roof Locker, CS, Grand Tour



Parts Listed on Next Page

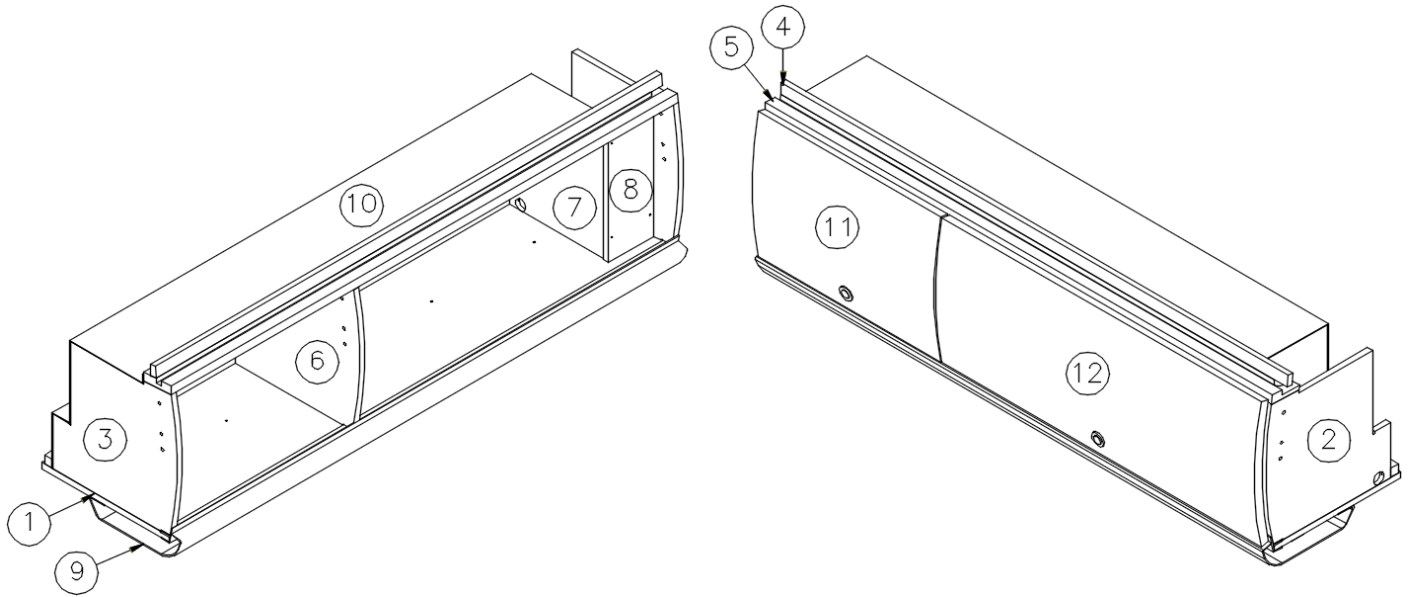
2017 TOMMY BAHAMA TC FURNITURE, LOUNGE

Roof Locker, CS, Grand Tour

968590-39	CS Roof Locker
1. 968590-391	Panel, 12.5 x 46.07
2. 968590-392	Panel, 12.5 x 53.26
3. 968590-393	Panel, 11 x 12.12
4. 968590-394	Panel, 11 x 12.12
5. 968590-395	Panel, 11.73 x 12.28
6. 968590-396	Panel, 11.73 x 12.28
7. 968590-397	Panel, 11.73 x 12.28
8. 968590-398	Panel, 12.12 x 12.28
9. 968590-399	Panel, 9.34 x 11.73
10. 968590-3910	Panel, 3.95 x 12
11. 968590-3911	Panel, 3.95 x 12
12. 968590-3912	Panel, 2.25 x 3.95
13. 968590-3913	Panel, 2.75 x 52.38
14. 968590-3914	Panel, 1 x 52.38
15. 968590-3915	Panel, 2.75 x 46.94
16. 968590-3916	Panel, 1 x 46.94
17. 115406	Roof locker extrusion
18. 115473-17	Aluminum back, 50.125"
19. 115473-15	Aluminum back, 24.5"
20. 115636-01	Aluminum back, 20.75"
21. 801785-0939	Door, 12.38 x 24.75, Macchiato
22. 801785-1039	Door, 12.38 x 28.81, Macchiato
23. 801785-0739	Door, 12.38 x 20.25, Macchiato
24. 203927	Insert, Glass holder
382227	Hinge, Overhead spring, Nickle
382059-02	Knob, Push/pull, Black
701538-01	Carpet, Econolier w/PSA back
365412-01	Edgebanding, .63", Macchiato
365412-02	Edgebanding, .94", Macchiato

2017 TOMMY BAHAMA TC FURNITURE, LOUNGE

Roof Locker, RS, Grand Tour Extra Seat Option



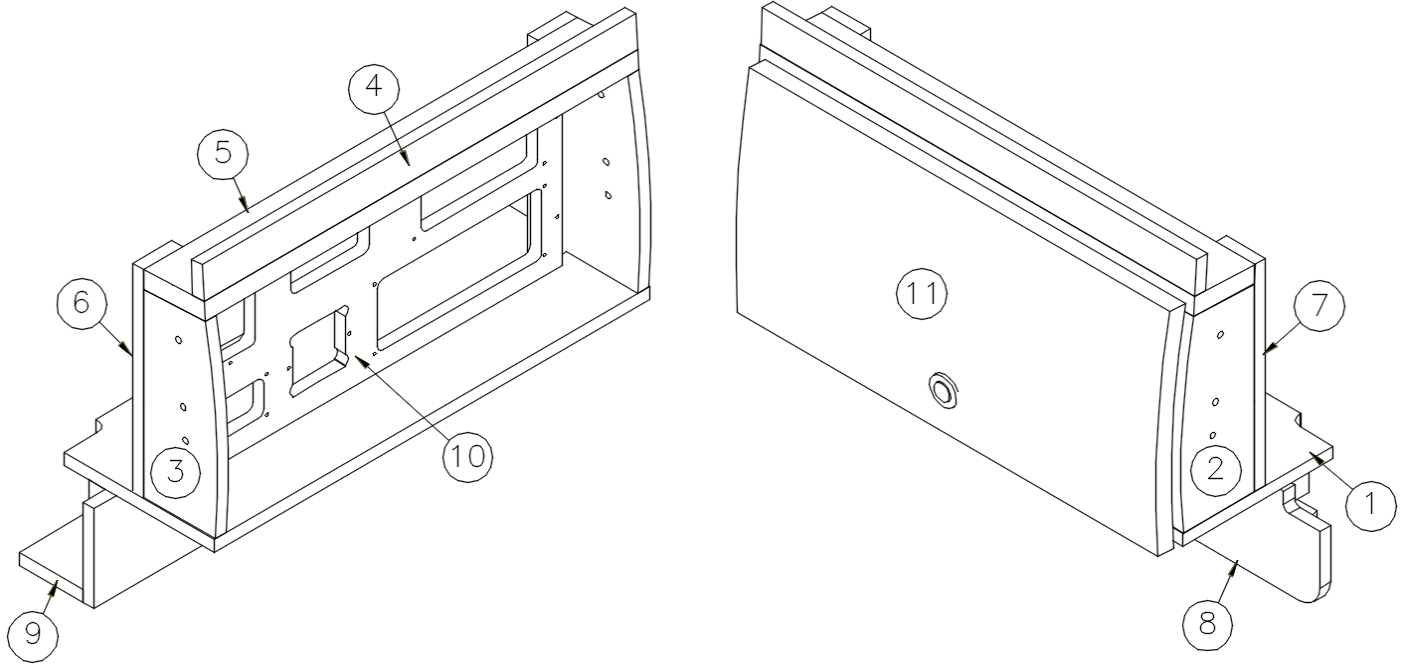
968210-39

RS Roof Locker Add On Seat Option

- | | |
|-----------------|--------------------------------|
| 1. 968210-391 | Panel, 12.5 x 50 |
| 2. 968210-392 | Panel, 12.28 x 12.12 |
| 3. 968210-393 | Panel, 12.28 x 12.12 |
| 4. 968210-394 | Panel, 1 x 50 |
| 5. 968210-395 | Panel, 2.75 x 50 |
| 6. 968210-3917 | Panel, 12.28 x 12.12 |
| 7. 968210-397 | Panel, 9.34 x 11.73 |
| 8. 968210-398 | Panel, 4.5 x 12 |
| 9. 115406 | Roof locker extrusion |
| 10. 115473-18 | Aluminum back |
| 11. 801785-1139 | Door, 12.38 x 18, Macchiato |
| 12. 801785-0139 | Door, 12.38 x 31.5, Macchiato |
| 382059-02 | Knob, Push/pull, Black |
| 382227 | Hinge, Overhead spring, Nickel |
| 365412-01 | Edgebanding, .63", Macchiato |
| 365412-02 | Edgebanding, .94", Macchiato |

2017 TOMMY BAHAMA TC FURNITURE, LOUNGE

Roof Locker, RS Front Transition



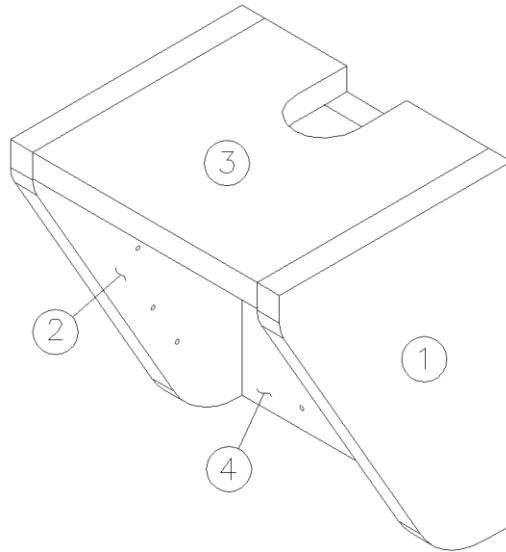
968147-39

RS Front Transition Roof Locker

- | | |
|-----------------|--------------------------------|
| 1. 968147-391 | Panel, 7.31 x 19.56 |
| 2. 968147-392 | Panel, 3.31 x 8.16 |
| 3. 968147-393 | Panel, 3.31 x 8.16 |
| 4. 968147-394 | Panel, 1.38 x 19.5 |
| 5. 968147-395 | Panel, 2.75 x 19.5 |
| 6. 968147-396 | Panel, 1.75 x 8.79 |
| 7. 968147-397 | Panel, 1.75 x 8.79 |
| 8. 968147-398 | Panel, 3.88 x 22.19 |
| 9. 968147-399 | Panel, 2.88 x 19.67 |
| 10. 968147-3910 | Panel, 7.88 x 17.38 |
| 11. 801790-0239 | Door, 9.25 x 18.88, Macchiato |
| 382059-02 | Knob, Push/pull, Black |
| 382227 | Hinge, Overhead spring, Nickel |
| 365412-01 | Edgebanding, .63", Macchiato |
| 365412-02 | Edgebanding, .94", Macchiato |

2017 TOMMY BAHAMA TC FURNITURE, LOUNGE

TV Mounting Cabinet



968267-39

TV Mounting Cabinet

- 1. 968267-391
- 2. 968267-392
- 3. 968267-393
- 4. 968267-394
- 365412-02
- 382227
- 381228-02

Panel, 7.75 x 10.5
Panel, 7.75 x 10.5
Panel, 7.75 x 7.5
Panel, 7.5 x 9.75
Edgebanding, .94", Macchiato
Hinge, Overhead spring, Nickel
Catch, Grabber door

2017 TOMMY BAHAMA TC HARDWARE

Seat Belts, Cup Holders, & Brackets

382190-01	Seat belt, Mercedes style
382190-02	End release, Lap belt
454675	Seat belt bracket
454682-01	Sofa bracket, LH
454682-02	Sofa bracket, RH
916037-01	Seat pedestal, Roadside seat
916037-02	Seat pedestal, Curbside seat
203610	Cup holder, Double
454875	Bracket, Slide door half stop

Bath Accessories

602175	Toilet roll holder, Dryroll
382076	Soap dispenser, Chrome
382098	Handle, 14.25", Glass Chrome (Towel bar)
704357-05	Cypress Bay bath towel set, Ice Turq

Shower Curtain

998202	Shower curtain
100097	Curtain track

Clothesline

382063	Retractable clothesline
--------	-------------------------

License Plate

382281	License plate holder, Chrome
--------	------------------------------

2017 TOMMY BAHAMA TC HARDWARE

Cargo Cover

703966	Cargo Cover
700617-01	Hook, DS-150
382123	Clip, Shock cord, Black
115042	Rod, .25", Aluminum
382124	Hook, Shock cord, Black
703832	Vinyl, Simplicity Black, 54"

Hinges

381607-11	Hinge, Self-close, 110° overlay
381607-04	Hinge screw, Grass
381607-14	Hinge, Self-close, 160° overlay
380458	Piano hinge, Copper Metallic
380203-02	Piano hinge, 72", Black Anodized
382227	Hinge, Overhead spring, Nickel
382125	Piano hinge, Clear
382172	Hinge, Narrow utility

Drawer Slides

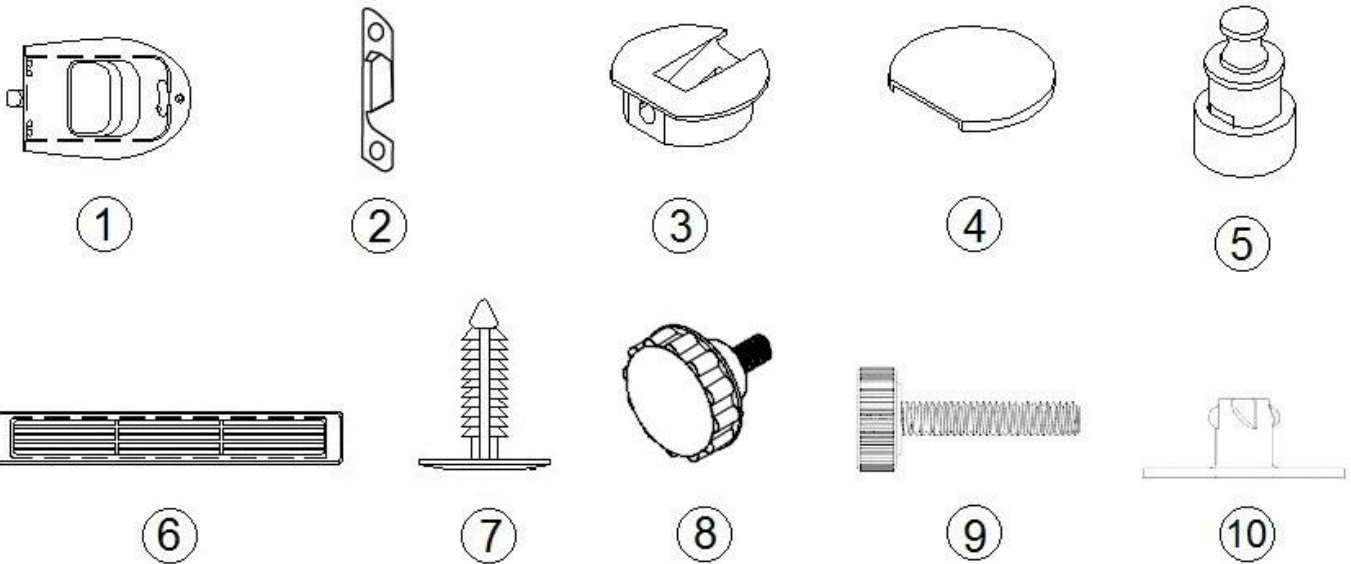
382203-02	Drawer slide, Self-close, 12"
382203-03	Drawer slide, Self-close, 15"
381925-02	Drawer slide, Side mount, 20"
381400	Drawer slide, Pair, 14"
382293	Drawer slide, Full extension, 12"

Tommy Bahama Product Package

704356-01	Stainless steel cooler, 54 QT.
704356-02	Padded event chair
704356-03	Whisky Stones, Set of 6
704356-04	Marlin bottle opener
704356-05	Parrot bottle opener and corkscrew in lime
704356-06	Etched palm stem less wine glass, Set of 2
704356-07	Etched palm double old fashioned glass, Set of 2
704356-08	Marlin mug
704356-09	Island blend large jar candle
704356-10	Maui Mango hand lotion
704356-11	Maui Mango hand soap

2017 TOMMY BAHAMA TC HARDWARE

Interior Handles, Latches, & Fasteners



- | | |
|--------------|---------------------------------------|
| 1. 382055 | Privacy latch, Lavatory door |
| 2. 382061 | Striker, Privacy latch, Lavatory door |
| 3. 382057 | Knockdown |
| 4. 382057-01 | Cap, Knockdown, Light Brown |
| 382057-03 | Cap, Knockdown, Dark Brown |
| 5. 382059-02 | Knob, Push/pull, Black |
| 6. 386206 | Vent, Louvered, Black |
| 7. 382062 | Fastener, Finned, .25" |
| 8. 382095 | Knob, Knurled |
| 9. 345539 | Thumb screw, Black plastic head |
| 10. 350201 | Tee nut without prongs |
| 382267 | Outer screen door handle |
| 382269 | Interior screen door handle |
| 968232 | Sliding door header pad |
| 381228-02 | Catch, Grabber door, 5LB |
| 203473-0139 | Screw cap cover, Macchiato |

Rivets

- | | |
|-----------|--|
| 330127-03 | Pop rivet, 1/8", Dome head, Aluminum |
| 330128-05 | Pop rivet, 1/8", white |
| 330149 | Pop rivet, Aluminum |
| 325130 | Rivet nut for plastics, Zinc plated |
| 325127 | Rivet, Magna-Lok, 3/8", Protruding head, Steel |
| 325128 | Rivet, Bulb-Tite, 1/4", Steel, Dome head, Recessed crown |
| 330031-03 | Rivet, Dome head |

2017 TOMMY BAHAMA TC SAFETY EQUIPMENT

Detectors & Fire Extinguisher

510781	Smoke detector w/silencer
512783	Carbon Monoxide detector
512539-01	LPG detector
690381-02	Fire extinguisher

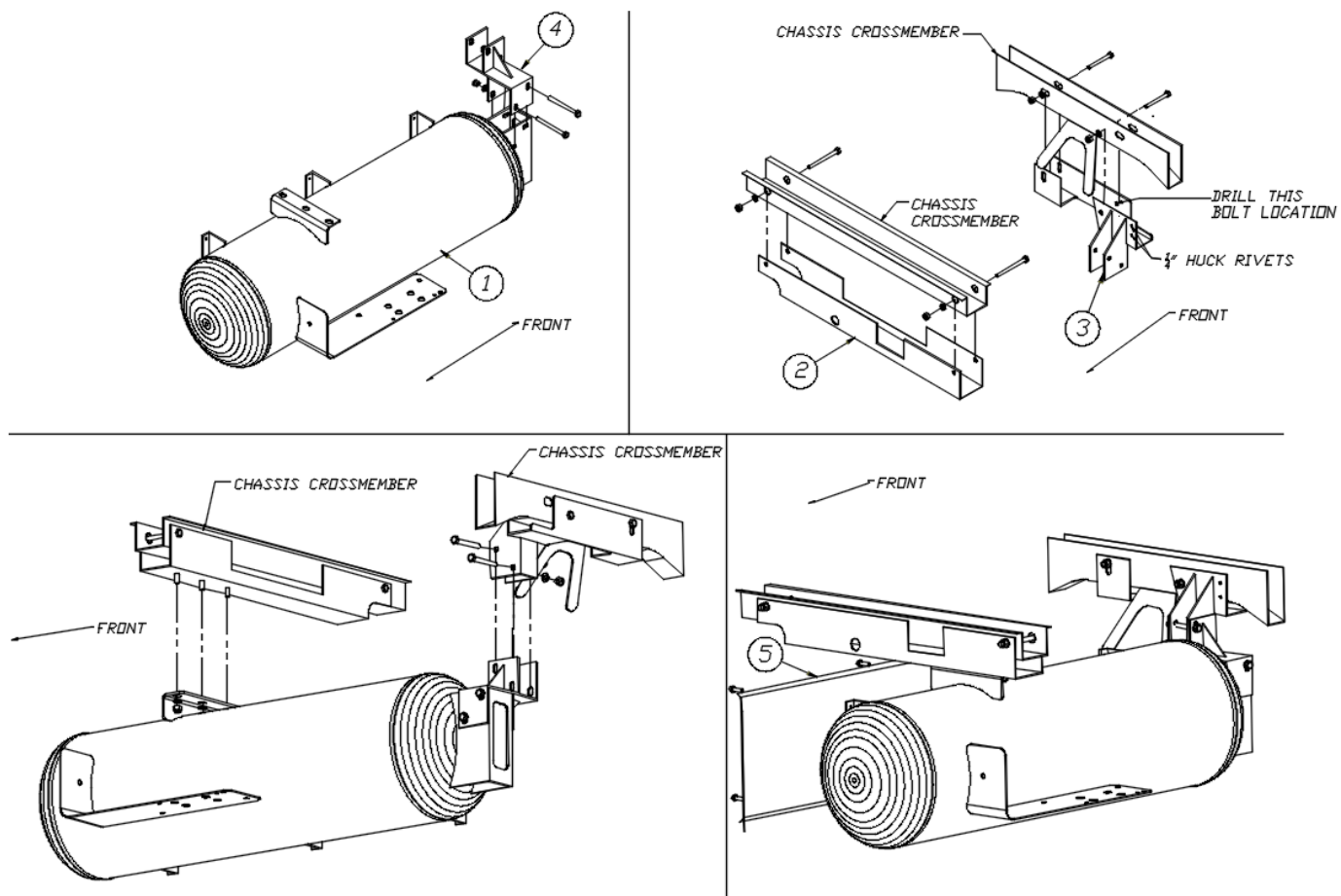
2017 TOMMY BAHAMA TC LABELS AND TAGS

Labels and Tags

386121	Label, LPG Gas Warning Label (Odor)
386122	Warning Label/Cooking Appliance
385261	Cleaning Instruction Label
386120	Label, Smoke Detector
385812	Label, Calif. Hazardous Substance
385465	Exit Label, English
386119	Label, "Do Not Store Combustible"
386124	Label, Refueling Warning
386207	Label, Caution, Door Step
386222	Sticker, Curbside Rear Door Handle
386113	Label, Rvia Gold
386123	Label, "Potable Water Only"
386118	Label, LPG Gas Warning/Fill
385062	Decal, 110-125 Voltage Ac
602205-12	Sticker, Instruction Macerator
386147	Decal, On/Off LPG Remote Fill
386227-03	Label, Hitch Weight Rating
386061	Label, Remove Panel For Access
386189	Label, Warning No Seatbelts
386237	Label, Lock/Unlock
386226	Label, RV Master Weight Label
386238	Label, LPG Systems
386291	Label, Warning Battery Ground
386019	Label, 1 Amp Fuse
386254	Label, PB battery assist
386252	Label, Hepvo waterless trap
386249	Label, No storage compartment
386263	Hang tag, Coach-net
386311	Label, Folding Screen Warning

2017 TOMMY BAHAMA TC PLUMBING, LPG

LPG Tank, Mounting Brackets, & Heat Shield



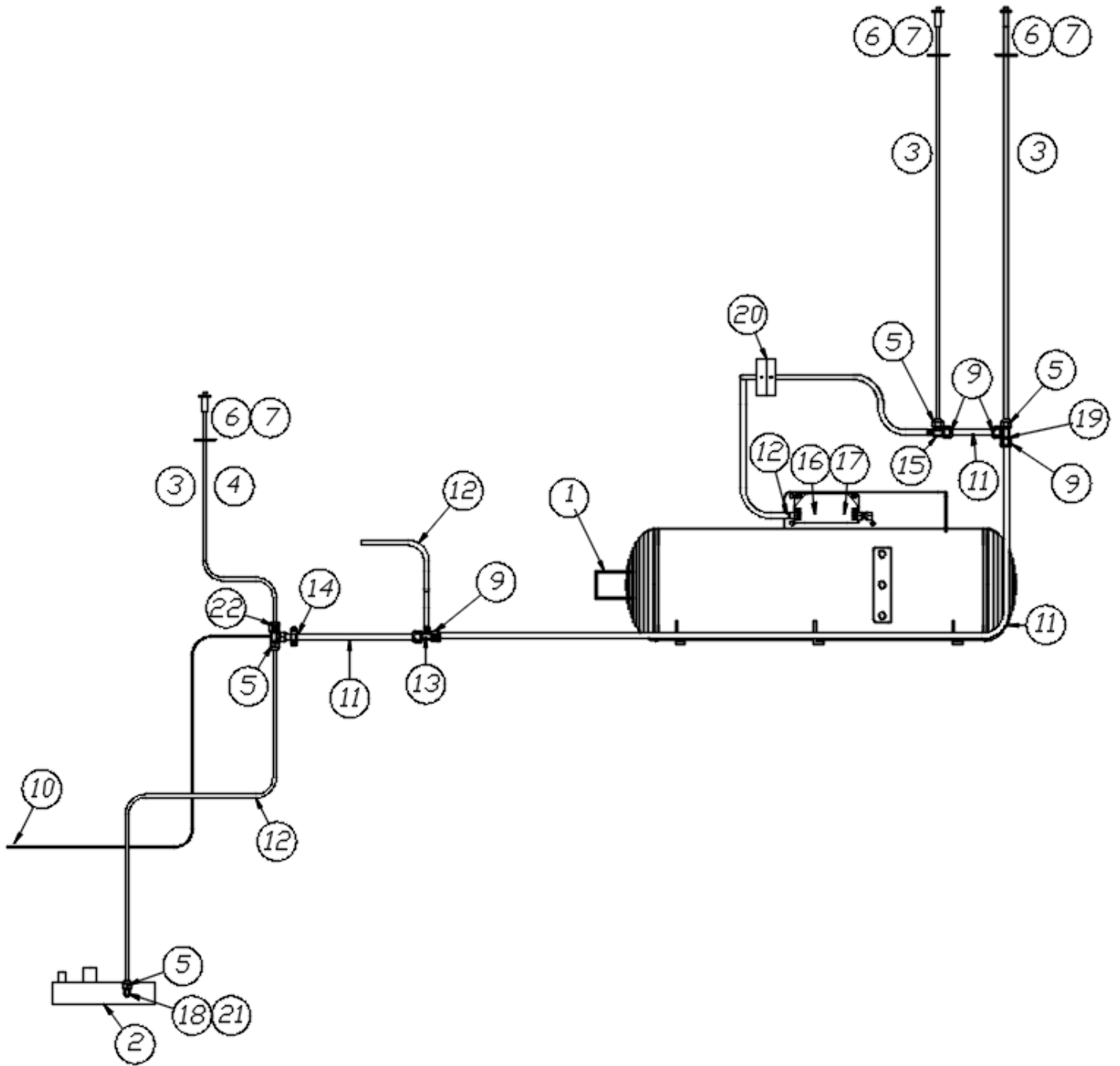
111715

LP Tank Install

- | | |
|-----------|---------------------------------------|
| 1. 602188 | LPG tank |
| 2. 454657 | Mounting bracket, Front, LPG tank |
| 3. 454967 | Mounting bracket, Rear, LPG tank |
| 4. 454659 | Mounting bracket, LPG tank to chassis |
| 5. 454662 | Heat shield, LPG tank |
| 203650 | Cover, Remote fill |

2017 TOMMY BAHAMA TC PLUMBING, LPG

LPG System, Lounge



Parts Listed on Next Page

2017 TOMMY BAHAMA TC

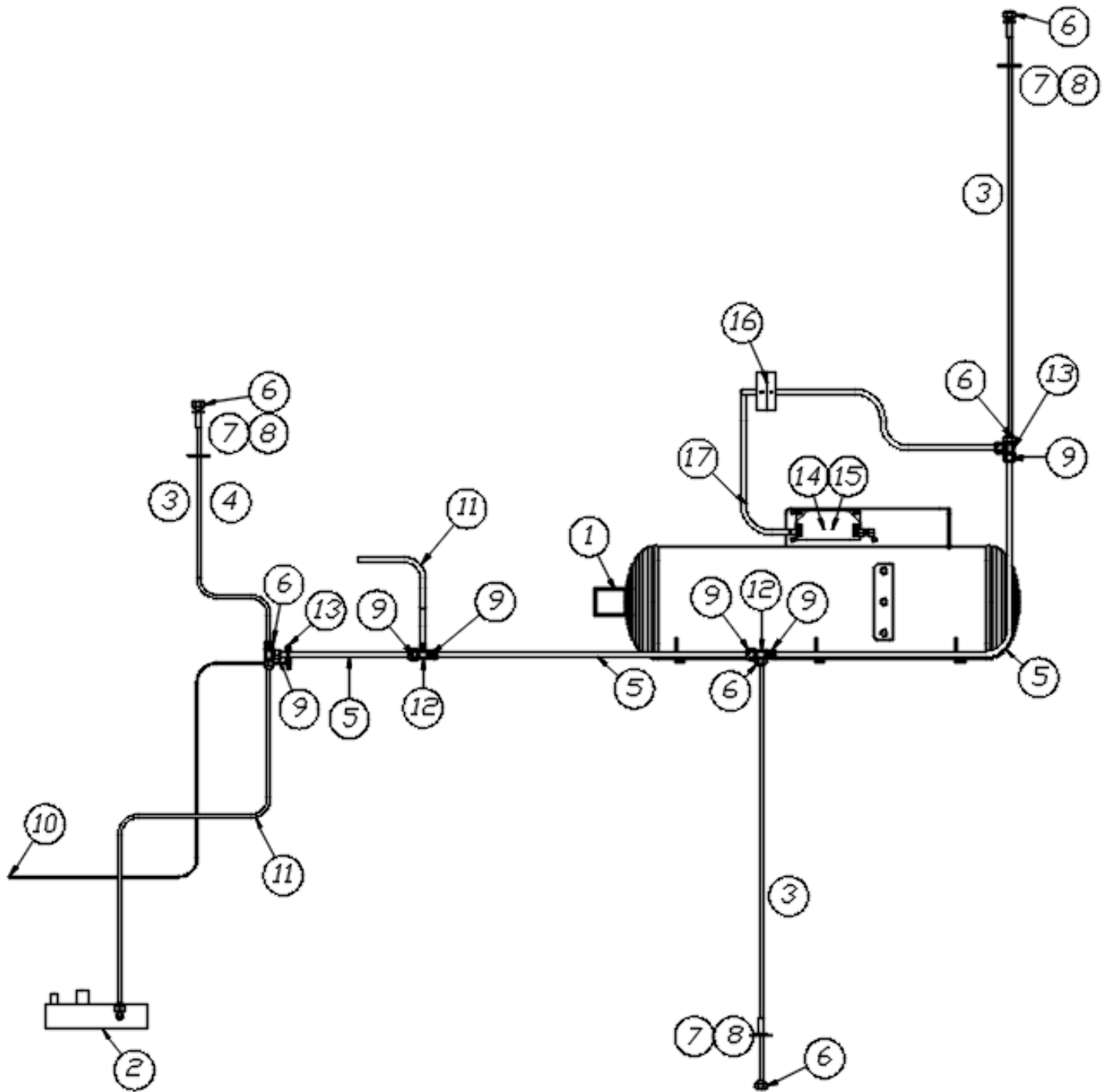
PLUMBING, LPG

LPG System, Lounge

943703	LP System
1. 602188	LPG tank
2. 454680	LPG remote fill assembly
3. 600008	Tubing, 3/8 OD, Copper
4. 601698-01	Tubing, .5" E-Pex
5. 600435	Forged flare nuts, 3/8"
6. 380887	Floor grommet
7. 380886	Floor grommet
8. 340085-05	Clamp, 5/8" Dia
9. 600436	Forged flare nuts, 5/8"
10. 500839	Wire, 8 gauge, Bare Copper
11. 600004	Tubing, 5/8, Copper
12. 602104	Hose, .38" x 48"
13. 600000	Tee, Brass, 5/8 x 5/8 x 3/8
14. 600661	Ground fittings
15. 600003	Tee, 5/8 x 3/8 x 3/8
16. 601875-05	Cover, Regulator
17. 943796	LP regulator and fittings assembly
18. 602109-03	Dust cap
19. 601472	Tee, 5/8 x 3/8 x 3/8
20. 454686	LPG regulator hose stand-off bracket
21. 601882	Elbow, 90°, 3/8" x FLR x 1/4" MPT R
22. 602221	Tee, Brass, 3/8" x 3/8" x 5/8"
602207	LPG hose, .5" x 120" long
386147	Decal, "On/Off", LPG remote fill
602206	LPG hose, 1/4" x 120" long
602109-02	Hose quick disconnect
382158-01	Knob, Round

2017 TOMMY BAHAMA TC PLUMBING, LPG

LPG System, Grand Tour



Parts Listed on Next Page

2017 TOMMY BAHAMA TC

PLUMBING, LPG

LPG System, Grand Tour

943777 LP System

1. 602188 LPG tank
2. 454680 LPG remote fill assembly
3. 600008 Tubing, 3/8 OD, Copper
4. 601698-01 Tubing, .5" E-Pex
5. 600004 Tubing, 5/8 OD, Copper
6. 600435 Forged flare nuts, 3/8"
7. 380887 Floor grommet
8. 380886 Floor grommet
9. 600436 Forged flare nuts, 5/8"
10. 500839 Wire, 8 gauge, Bare Copper
11. 602104 Hose, .38" x 48"
12. 600000 Tee, Brass, 5/8 x 5/8 x 3/8
13. 600003 Tee, 5/8 x 3/8 x 3/8
14. 601875-05 Cover, Regulator
15. 943796 LP regulator and fittings assembly
16. 454686 LPG regulator hose stand-off bracket
17. 602104-02 Hose, 3/8" x 60"
 - 602221 Tee, Brass, 3/8" x 3/8" x 5/8"
 - 600661 Ground fittings
 - 340085-05 Clamp, 5/8" Dia
 - 602109-02 Hose quick disconnect

2017 TOMMY BAHAMA TC PLUMBING, FRESH WATER

Faucet & Sink, Galley

602197	Sink & faucet, Galley
602153	Faucet only, Stainless Steel
195362-39	Strainer, 2"

Faucet, Wet Bath

602251	Faucet, Pull-out
--------	------------------

Exterior Shower

602288-02	Hose w/sprayer, 15'
602288-01B	Exterior shower box, Black
602288-01S	Exterior shower box, Silver
602288-01W	Exterior shower box, White

City Water Hook-Up

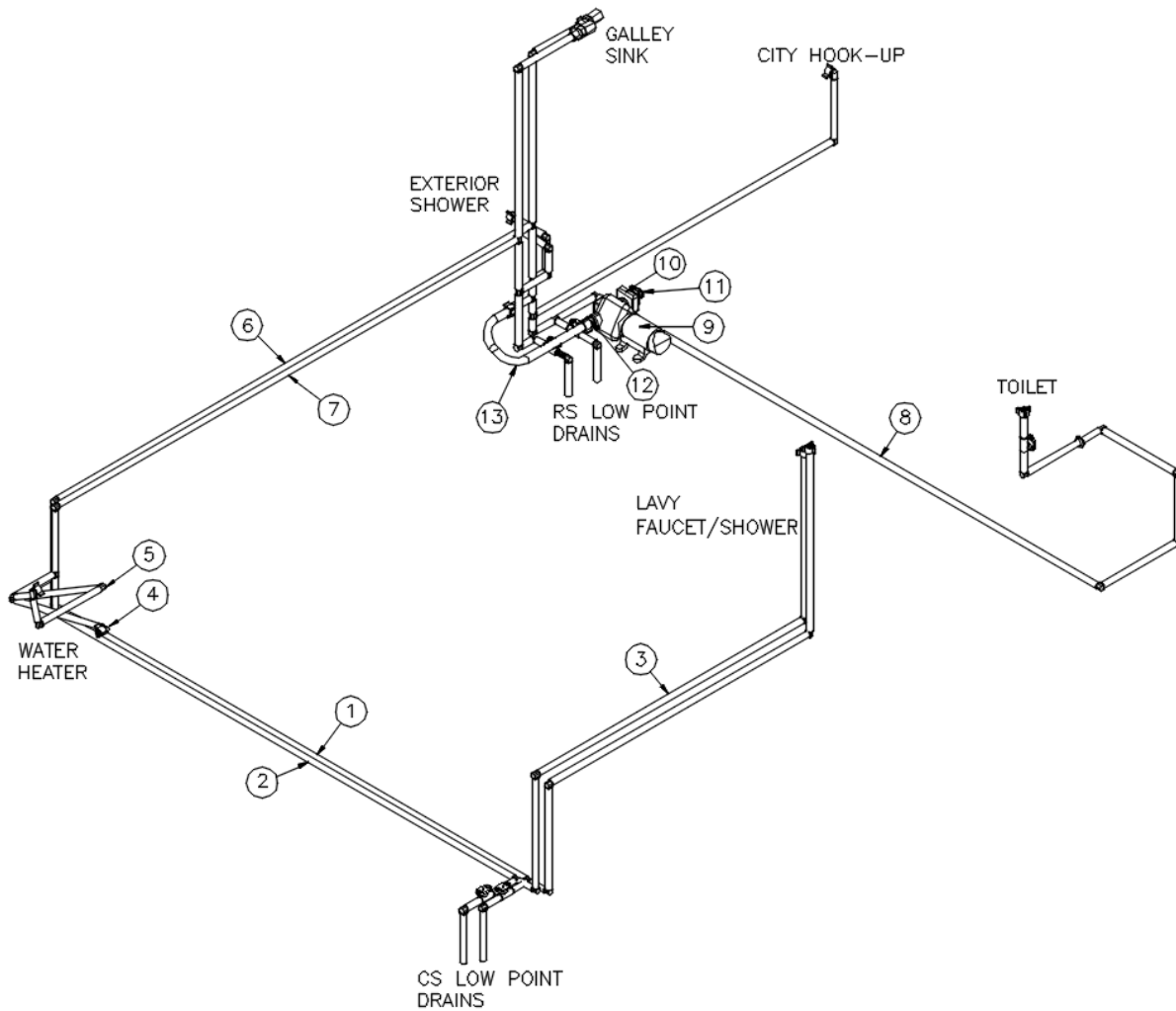
601392-05	City water hookup w/regulator
602209-04	Hose, Potable water, Clear, 3/4"

Fresh Water Tank & Water Fill

602363	Tank, Fresh water, 27 Gallon
454661	Fresh water tank support
602187	Water pickup tube, Elbow w/15" tube
454664-01	Rod, Fresh water tank, 14"
454664-02	Rod, Fresh water tank, 12.75"
454664-03	Rod, Fresh water tank, 13.5"
602209-04	Hose, Potable water, Clear, .75" ID
601239-01	Tubing, Ribbed w/flats every 9", 1.375"
511812	Heating pad
203634	Styrofoam, 1" x 48" x 96"
601194-03W	Water fill w/lock, White
601194-03S	Water fill w/lock, Silver
601194-03B	Water fill w/lock, Black
203648	Close off, Water tank, Plastic
203656	Spacer, Water tank
386223	Strap, Tank rubber

2017 TOMMY BAHAMA TC PLUMBING, FRESH WATER

Fresh Water Lines, Lounge



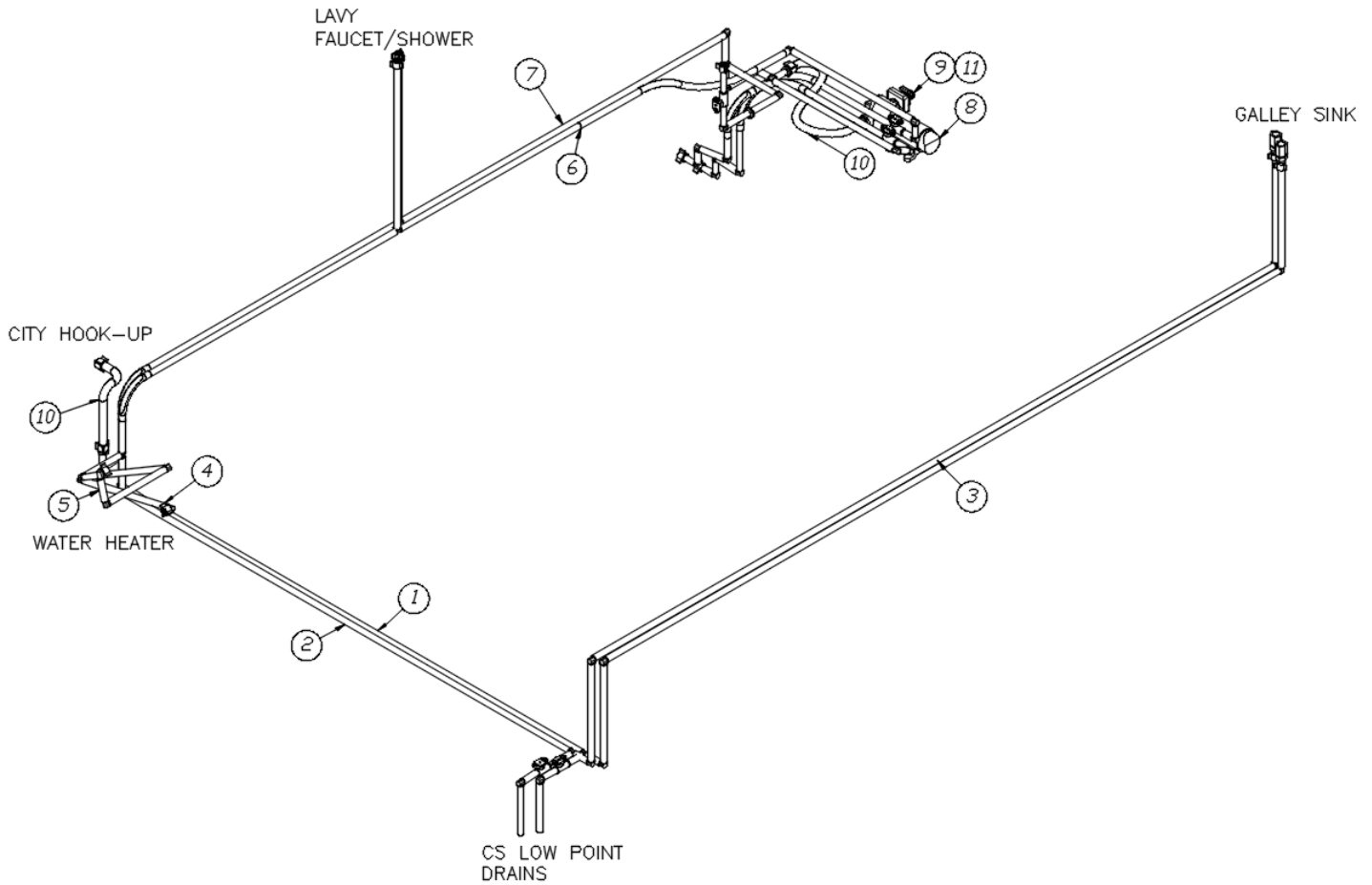
943704

Fresh Water Layout

- | | |
|---------------|-------------------------|
| 1. 943704-01 | Cross car, Cold |
| 2. 943704-02 | Cross car, Hot |
| 3. 943704-03 | CS water lines |
| 4. 943704-04 | Water heater cold lines |
| 5. 943704-05 | Water heater hot lines |
| 6. 943704-06 | RS water lines, Cold |
| 7. 943704-07 | RS water lines, Hot |
| 8. 943704-08 | Cross car, Toilet |
| 9. 602177-01 | Water pump, Flojet |
| 10. 602177-02 | Strainer, Mini |
| 11. 602177-03 | Quick connect, .75" |
| 12. 602177-04 | Quick connect, .5" |
| 13. 602186 | Flex hose, 20" |

2017 TOMMY BAHAMA TC PLUMBING, FRESH WATER

Fresh Water Lines, Grand Tour



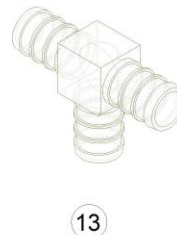
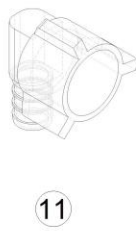
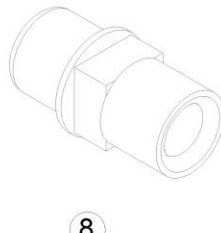
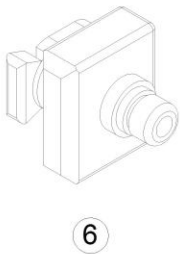
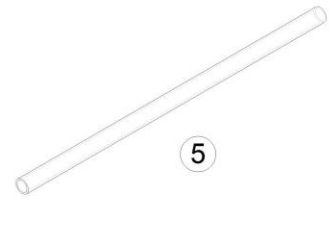
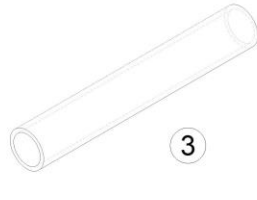
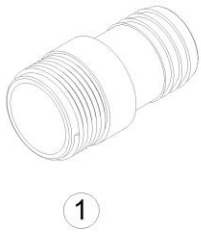
943778

Fresh Water Layout

- | | |
|---------------|-----------------------------------|
| 1. 943778-01 | Cross car, Cold |
| 2. 943778-02 | Cross car, Hot |
| 3. 943778-03 | CS water lines |
| 4. 943778-04 | Water heater cold lines |
| 5. 943778-05 | Water heater hot lines |
| 6. 943778-06 | RS water lines, Cold |
| 7. 943778-07 | RS water lines, Hot |
| 8. 602177-01 | Pump, Water Flojet |
| 9. 602177-02 | Strainer, Mini assembly |
| 10. 602186 | Flex hose, 20", Swivel connection |
| 11. 602177-05 | Quick connect, Pump, .5", 90° |

2017 TOMMY BAHAMA TC PLUMBING, FRESH WATER

Fresh Water Fittings



- | | |
|---------------|--|
| 1. 601238 | Adaptor, 1.25 MPT x 1.25 Barb |
| 2. 602308 | Check valve, .5" MPT x .5" MPT |
| 3. 601698-01 | E-Pex tube, .5" |
| 4. 601698-15 | Crimp ring, .5" E-Pex, .5", Black |
| 5. 601698-21 | E-Pex tube, .5", Red |
| 6. 602177-02 | Strainer, Mini |
| 7. 602177-03 | Pump port, Quick connect, .75" barb |
| 8. 602177-04 | Pump port, Quick connect, .5" barb |
| 9. 602256-02 | Coupler, .5" barb x .5" MPT |
| 10. 602256-03 | Coupler, .5" barb x .5" FPT |
| 11. 602256-05 | Elbow, .5" barb x .5" FPT |
| 12. 602256-10 | Elbow, .5" barb x .5" barb |
| 13. 602256-11 | Tee, .5" x .5" x .5" |
| 602256-22 | Shut-off, .5" barb x .5" barb, Plastic |
| 602199 | Adaptor, 3/8" barb x .5" MIP |
| 203085 | Plug, Water line, .5", Plastic B |
| 602186 | Flex hose, 20" w/swivel connection |
| 602217 | Rubber washer, Exterior shower |

2017 TOMMY BAHAMA TC

PLUMBING, DRAIN

Black & Grey Tanks

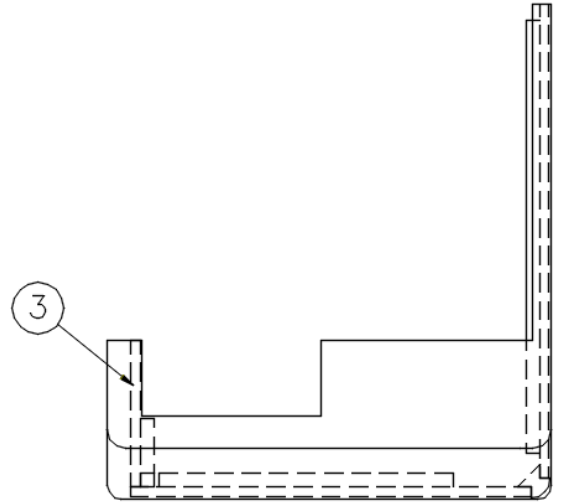
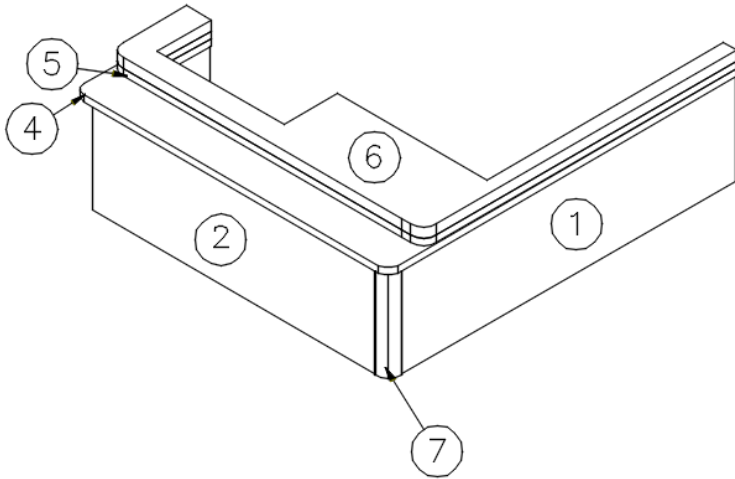
602517	Black tank, 12 gallon, Lounge
602381	Black tank, 14 gallon, Grand Tour
602257	Grey tank, Lounge
602382	Grey tank, Grand Tour
115490-01	Bracket, Black tank retainer, LH
115490-02	Bracket, Black tank retainer, RH
454688	Bracket, Grey tank
454689	Bracket, Front, Grey tank
454690	Bracket, Middle, Grey tank
454691	Bracket, Rear, Grey tank
454687	Rod, Grey tank
386223	Strap, Rubber
115491	Closeout, Black tank bracket
203634	Styrofoam, 1" x 48" x 96"
203045	Styrofoam, 1/4" x 48" x 50'
511812	Heating pad, Holding tank
512411	Waste valve, Electric
512410	Harness, Dump valve

Black Tank Flush

601441-02	Black tank flush
601441-101	Black cap w/strap
601441-102	Brass vacuum breaker and valve

2017 TOMMY BAHAMA TC PLUMBING, DRAIN

Black Tank Cover



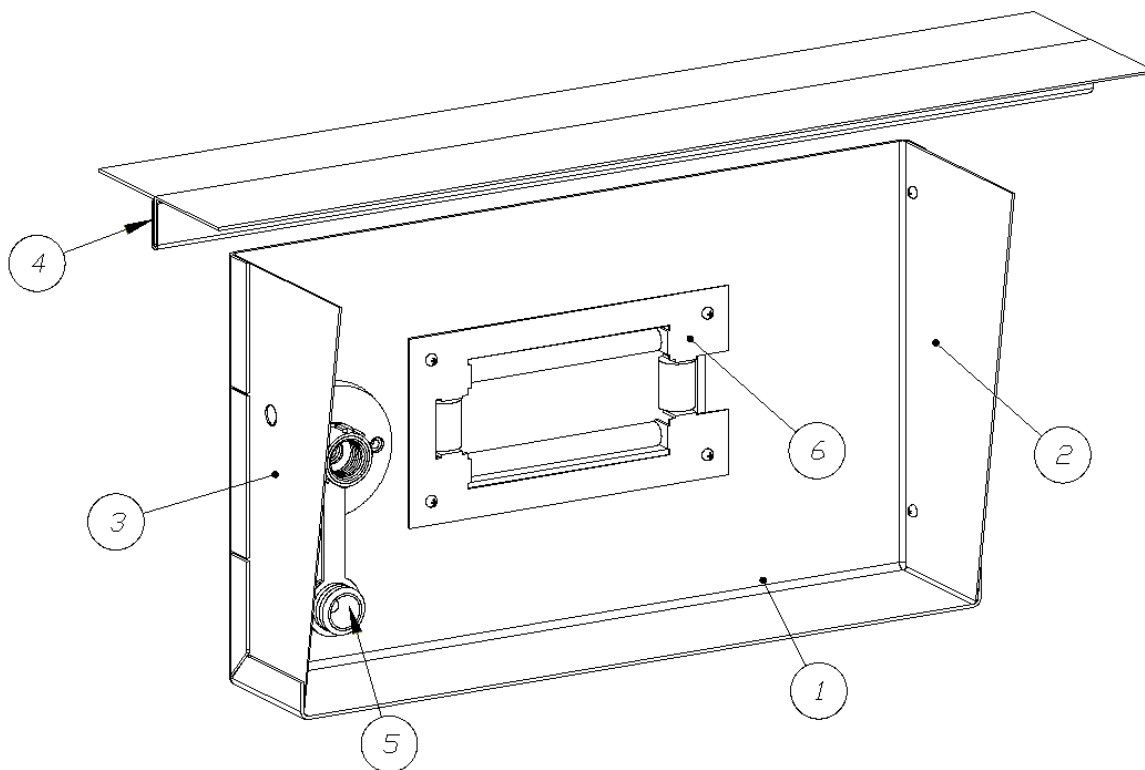
968272-39

Black Tank Cover

- | | |
|----------------|-----------------------------------|
| 1. 968272-391 | Panel, 25.75 x 7 |
| 2. 968272-392 | Panel, 21.82 x 7 |
| 3. 968272-393 | Panel, 8 x 7 |
| 4. 968272-394 | Panel, 24.19 x 26.88 |
| 5. 968272-395 | Panel, 24.19 x 24.13 |
| 6. 968272-396 | Panel, 24.19 x 24.13 |
| 7. 801415-0039 | Corner trim, 1" radius, Macchiato |

2017 TOMMY BAHAMA TC PLUMBING, DRAIN

Macerator Pump System



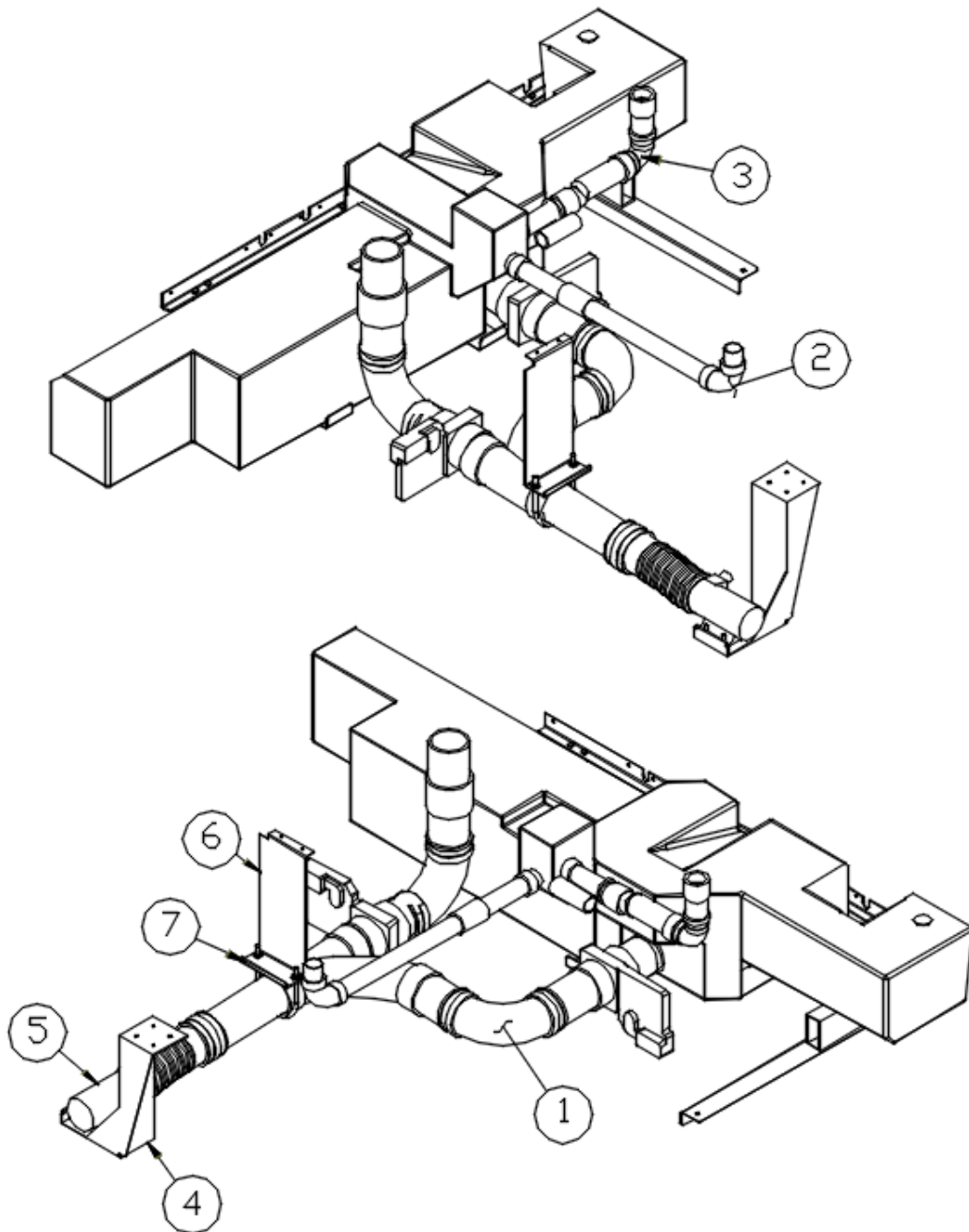
111814

Macerator Pump Closeout

- | | |
|--------------|---|
| 1. 203666 | Closeout, Macerator compartment |
| 2. 454724-01 | Side closeout, Macerator compartment |
| 3. 454724-02 | Side closeout, Macerator compartment |
| 4. 203225-01 | Trim lok, Gray, .75" |
| 5. 601197-02 | Water hook-up, Chrome |
| 6. 512934-02 | Roller guide |
| 512909-01 | Light, Pen LED |
| 512909-02 | Bezel for 512909-01 |
| 512934 | Black/Gray tank waste water hose reel |
| 455039 | Hose reel mounting bracket |
| 602176 | Macerator pump |
| 602205-10 | Valve, Drip proof w/2 adaptor for reel hose |

2017 TOMMY BAHAMA TC PLUMBING, DRAIN

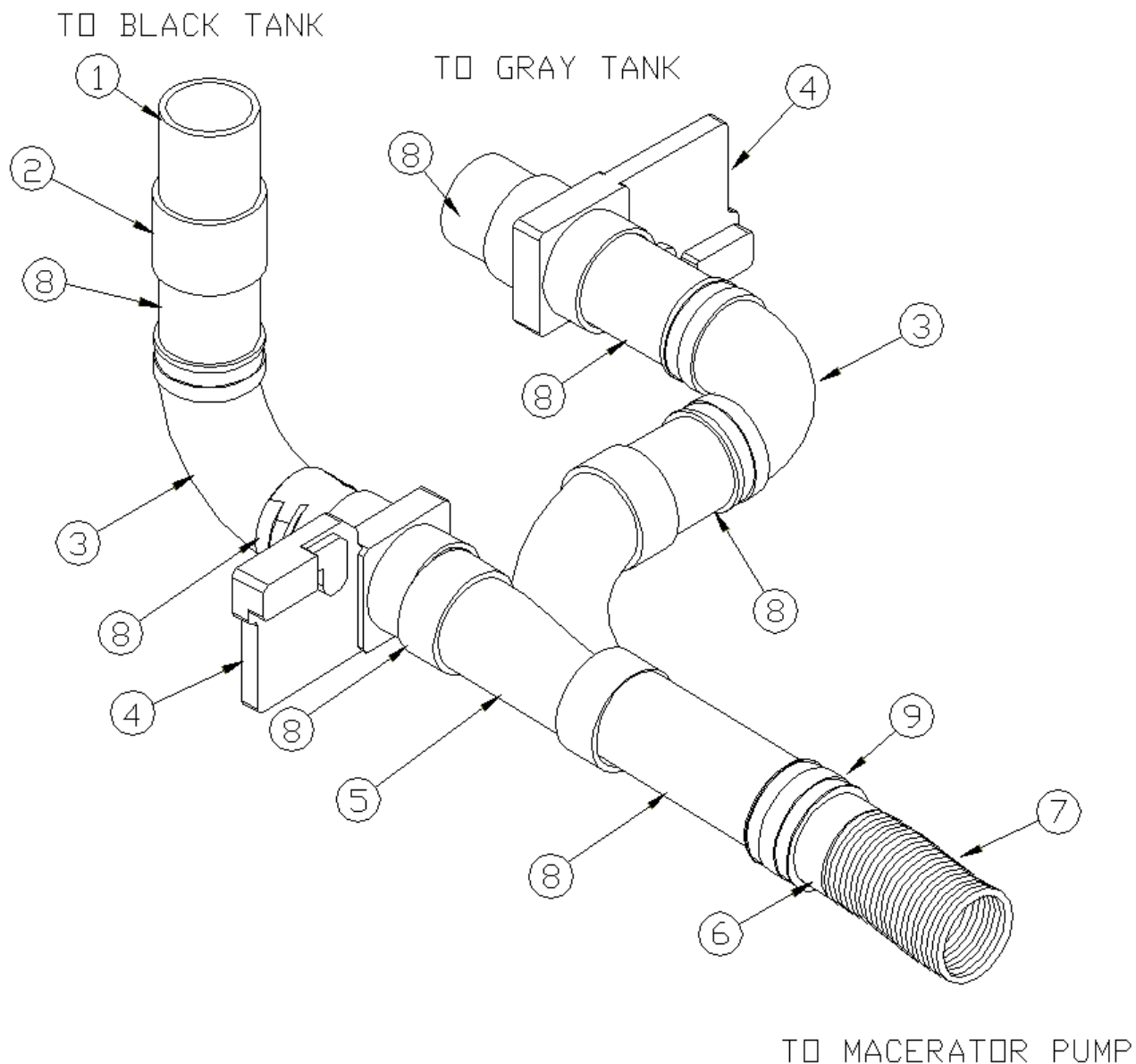
Drain System, Below Floor, Lounge



- | | |
|--------------|--------------------------------|
| 1. 943709-01 | Drains, From tanks to pump |
| 2. 943709-02 | Drain, Below floor from galley |
| 3. 943709-03 | Drain, Below floor from shower |
| 4. 602205-02 | Mounting bracket, Macerator |
| 5. 602176 | Pump, Macerator Flojet |
| 6. 454692 | Bracket, Below floor |
| 7. 340073-13 | Clamp, Muffler, 4" |

2017 TOMMY BAHAMA TC PLUMBING, DRAIN

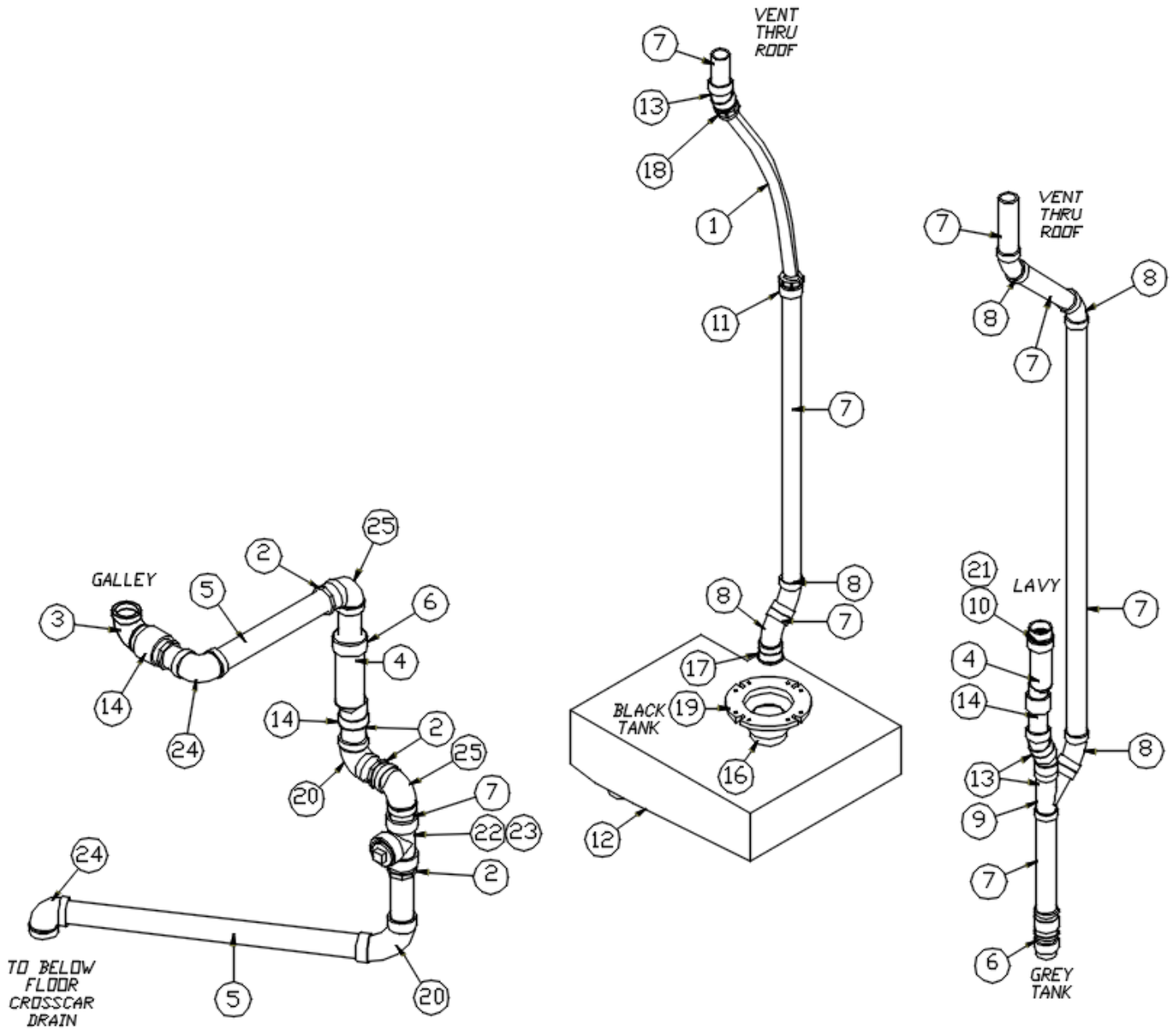
Drain System, From Tanks to Pump, Lounge



- | | |
|--------------|---|
| 1. 601267-04 | Nipple, 3" diameter, Threaded one end, 10" long |
| 2. 600253 | Coupling, 3" |
| 3. 602181 | Elbow, 3" flexible |
| 4. 512411 | Waste valve, Electric |
| 5. 600187 | 3" Wye, Comb and 1/8 bend |
| 6. 602205-04 | Adaptor for 3" connection hose |
| 7. 602205-05 | 3" flexible connection hose, 3' long w/2 clamps |
| 8. 601160-04 | Pipe, ABS DVW, 3" |
| 9. 600289 | Calder coupling, 3" (rubber) |
| 512410 | Harness, Dump valve |

2017 TOMMY BAHAMA TC PLUMBING, DRAIN

Drain System, Above Floor, Lounge



Parts Listed on Next Page

2017 TOMMY BAHAMA TC

PLUMBING, DRAIN

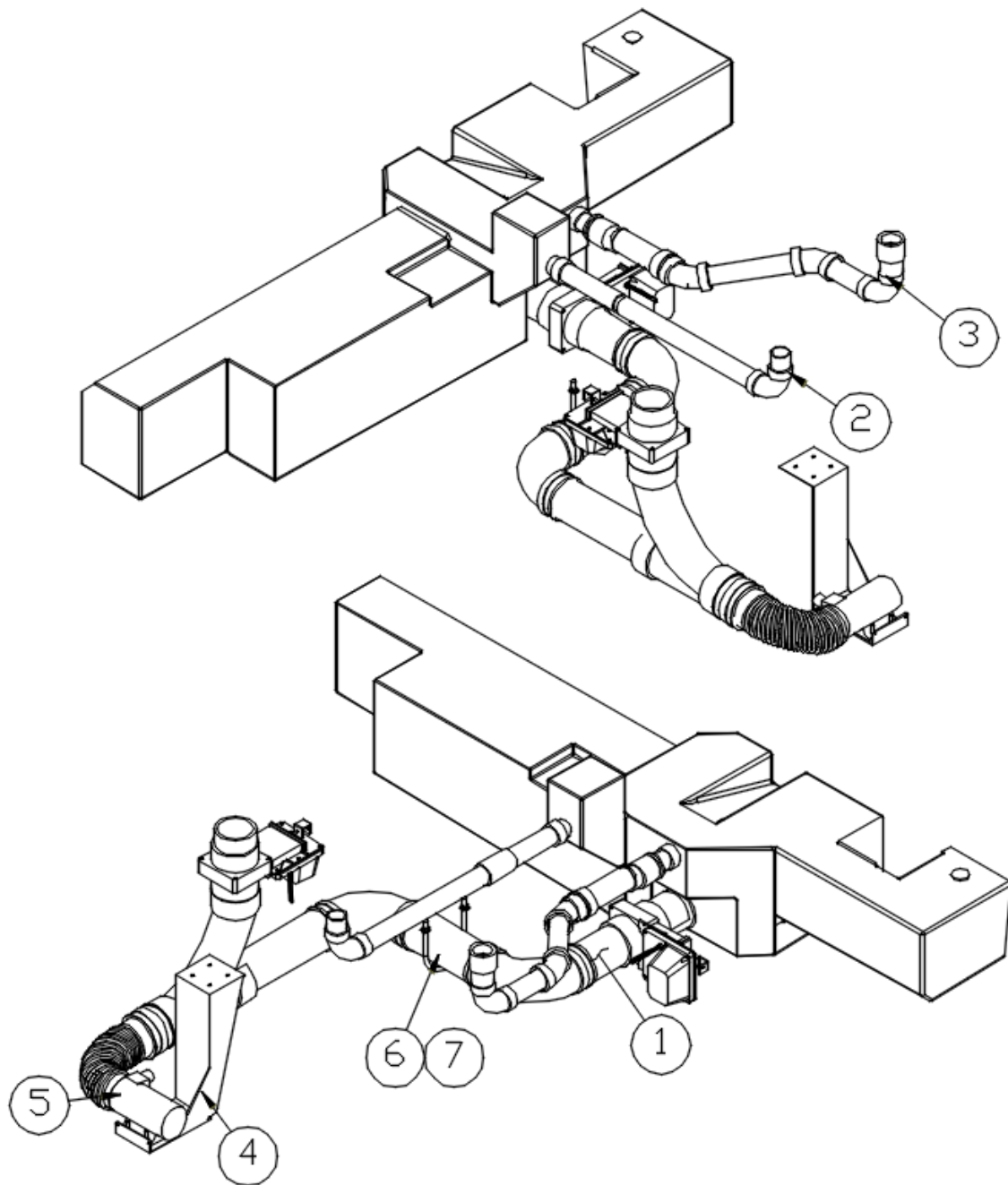
Drain System, Above Floor, Lounge

943710 Above Floor Drain System

1. 602524-29 Flexaust flexible hose
2. 602215 Bushing, 1.5" x 1.25", PVC
3. 690603-02 Adaptor, Angle
4. 690603-01 Waste valve, HEPVO
5. 601161-01 Pipe, ABS DVW, 1.25"
6. 602214 Adapter, 1.5" MPT x 1.5", Slip PVC
7. 601160-02 Pipe, ABS DVW, 1.5"
8. 600030 Elbow, ABS, 45°, Long turn
9. 600094 Wye
10. 602287-01 Adapter, Swivel 1.5" x 1.5"
11. 602523 Trap adapter, 1.5", hub x slip
12. 602517 Black water tank, 12 gallon
13. 600116 Elbow, 22° turn, 1.5 Hub
14. 602212 Adapter, 1.5" FPT x 1.5" Slip PVC
15. 602201 Flexible coupling, 1.5"
16. 601267-04 Nipple, 3", Threaded one end, 10" long
17. 601676 Adapter, Threaded, 1.5" male
18. 602522 Trap adapter, 1.5", spigot x slip
19. 601266 Toilet flange
20. 602236 90° long turn, ABS, 1.25" HXH
21. 602287-02 Rubber washer
22. 601318 Tee, Bi-directional
23. 600155 Plug, 1.5"
24. 602196 Elbow, 90°, 1.25"
25. 601636 Elbow, 90°, 1.5"

2017 TOMMY BAHAMA TC PLUMBING, DRAIN

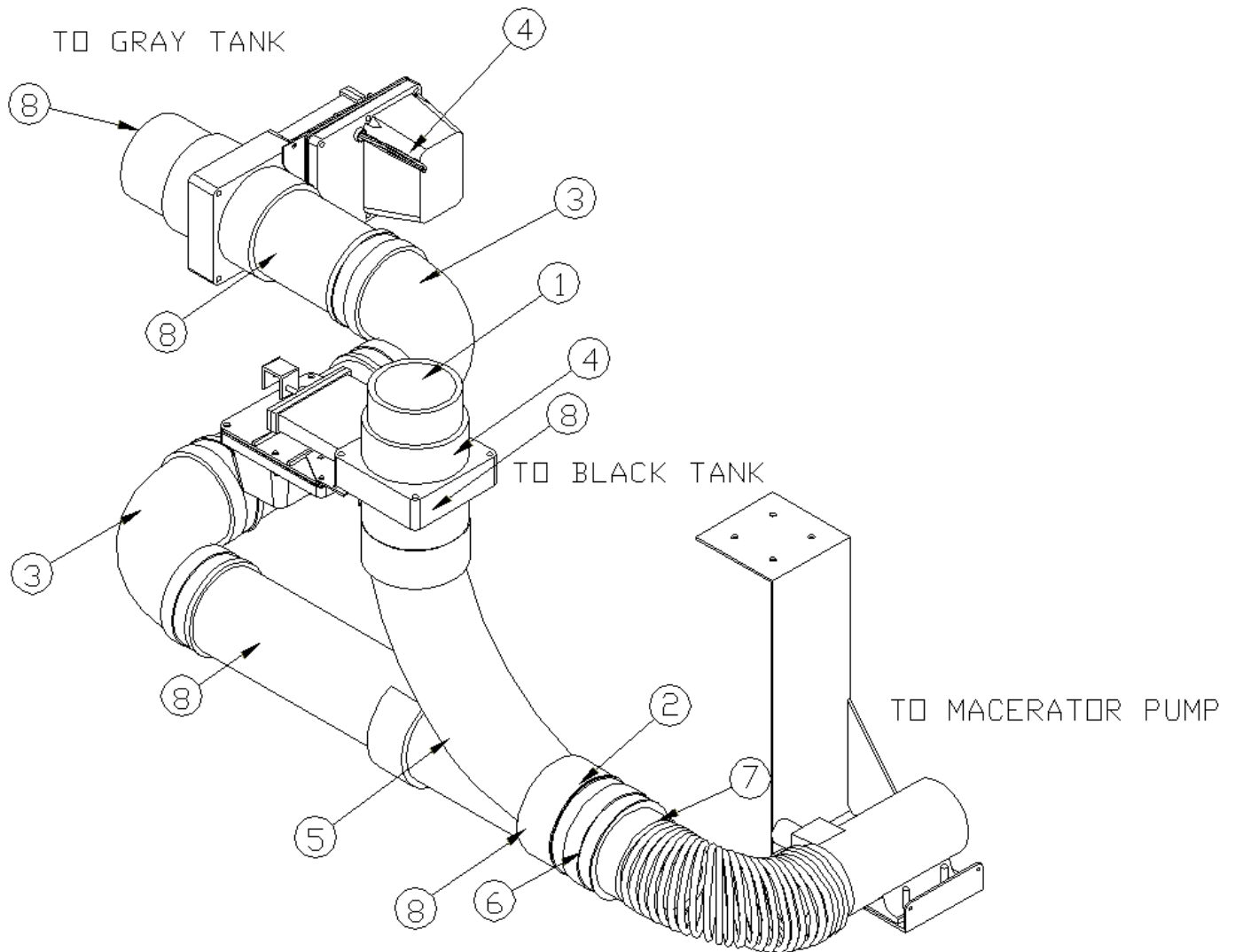
Drain System, Below Floor, Grand Tour



- | | |
|--------------|--------------------------------|
| 1. 943779-01 | Drains, From tanks to pump |
| 2. 943779-02 | Drain, Below floor from galley |
| 3. 943779-03 | Drain, Below floor from shower |
| 4. 602205-02 | Mounting bracket, Macerator |
| 5. 602176 | Pump, Macerator Flojet |
| 6. 340073-13 | Clamp, Muffler, 4" |
| 7. 381509 | Hanger, Universal swivel |

2017 TOMMY BAHAMA TC PLUMBING, DRAIN

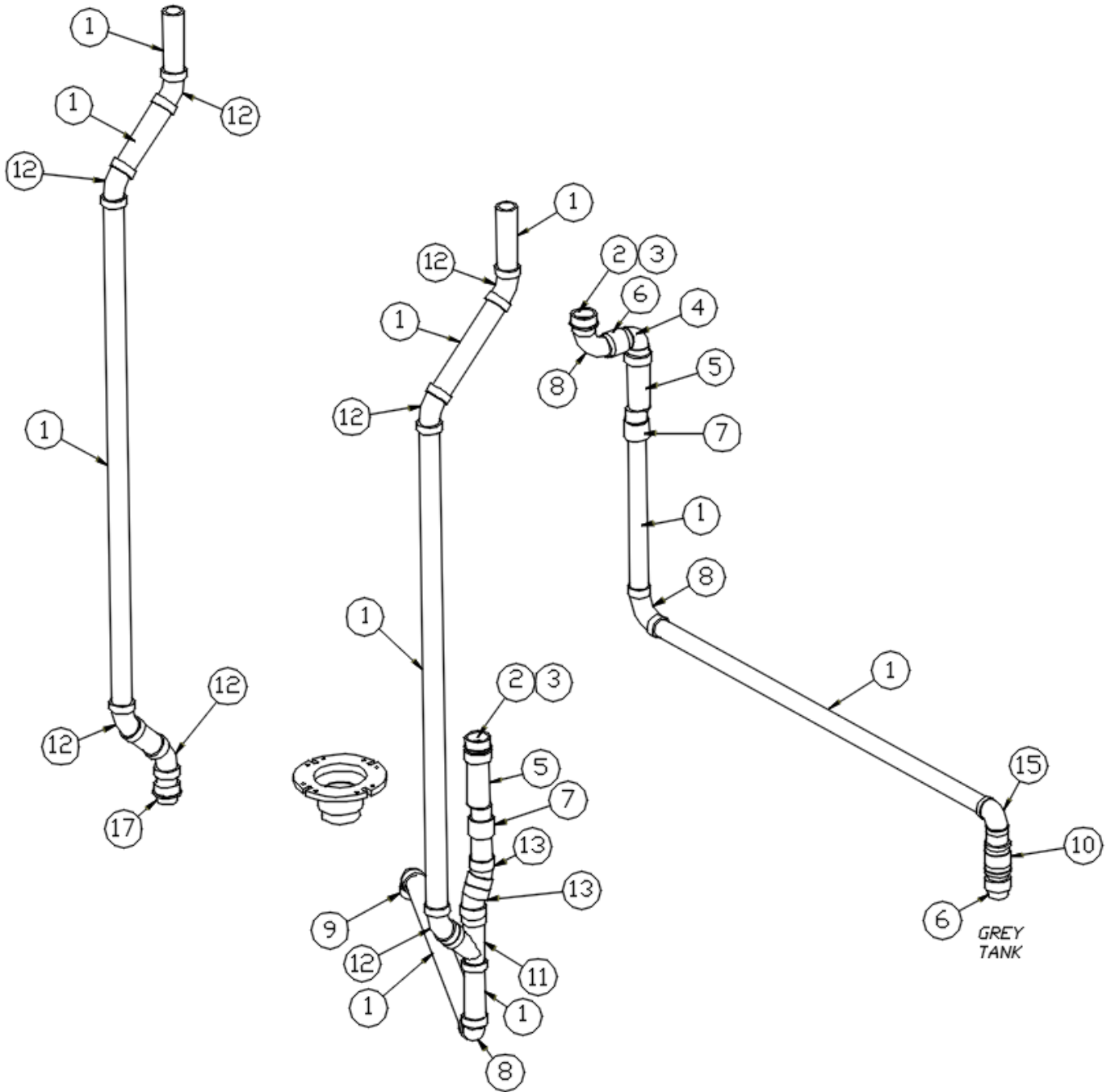
Drain System, From Tanks to Pump, Grand Tour



- | | |
|--------------|---|
| 1. 601267-04 | Nipple, 3" diameter, Threaded one end, 10" long |
| 2. 600289 | Calder coupling, 3" |
| 3. 602181 | Elbow, 3" Flexible |
| 4. 512411 | Waste valve, Electric |
| 5. 600187 | 3" Wye, Comb and 1/8 bend |
| 6. 602205-04 | Adaptor for 3" connection hose |
| 7. 602205-05 | 3" flexible connection hose, 3' long w/2 clamps |
| 8. 601160-04 | Pipe, ABS DVW, 3" |
| 512410 | Harness, Dump valve |

2017 TOMMY BAHAMA TC PLUMBING, DRAIN

Drain System, Above Floor, Grand Tour



Parts Listed on Next Page

2017 TOMMY BAHAMA TC

PLUMBING, DRAIN

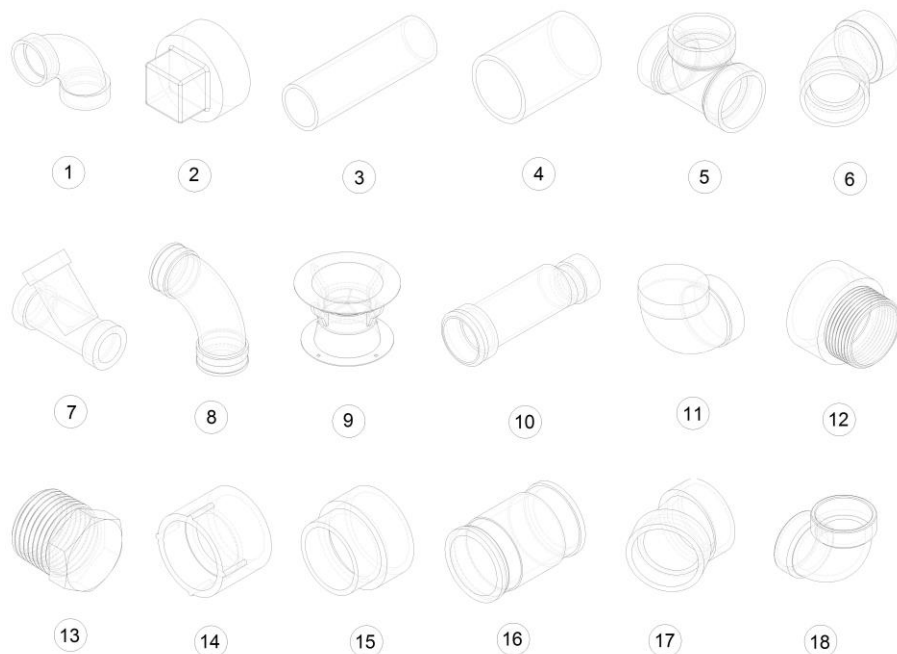
Drain System, Above Floor, Grand Tour

943780 Above Floor Drain System

1. 601160-02 Pipe, ABS DVW, 1.5"
2. 602287-01 Adapter, Swivel 1.5" x 1.5"
3. 602287-02 Rubber washer
4. 690603-02 Adaptor, Angle
5. 690603-01 Waste valve, HEPVO
6. 602214 Adapter, 1.5" MPT x 1.5", Slip PVC
7. 602212 Adapter, 1.5" FPT x 1.5" Slip PVC
8. 600035 Elbow, Long sweep, 1.5"
9. 602196 Elbow, 90°, 1.25"
10. 602201 Flexible coupling, 1.5"
11. 600094 Wye
12. 600030 Elbow, ABS, 45°, Long turn
13. 600116 Elbow, .5"
14. 601676 Adapter, Threaded, 1.5" male
15. 601636 Elbow, 90°, 1.5"
- 602381 Black tank, 14 gallon, Grand Tour
- 601267-04 Nipple, 3", Threaded one end, 10" long
- 601266 Toilet flange

2017 TOMMY BAHAMA TC PLUMBING, DRAIN

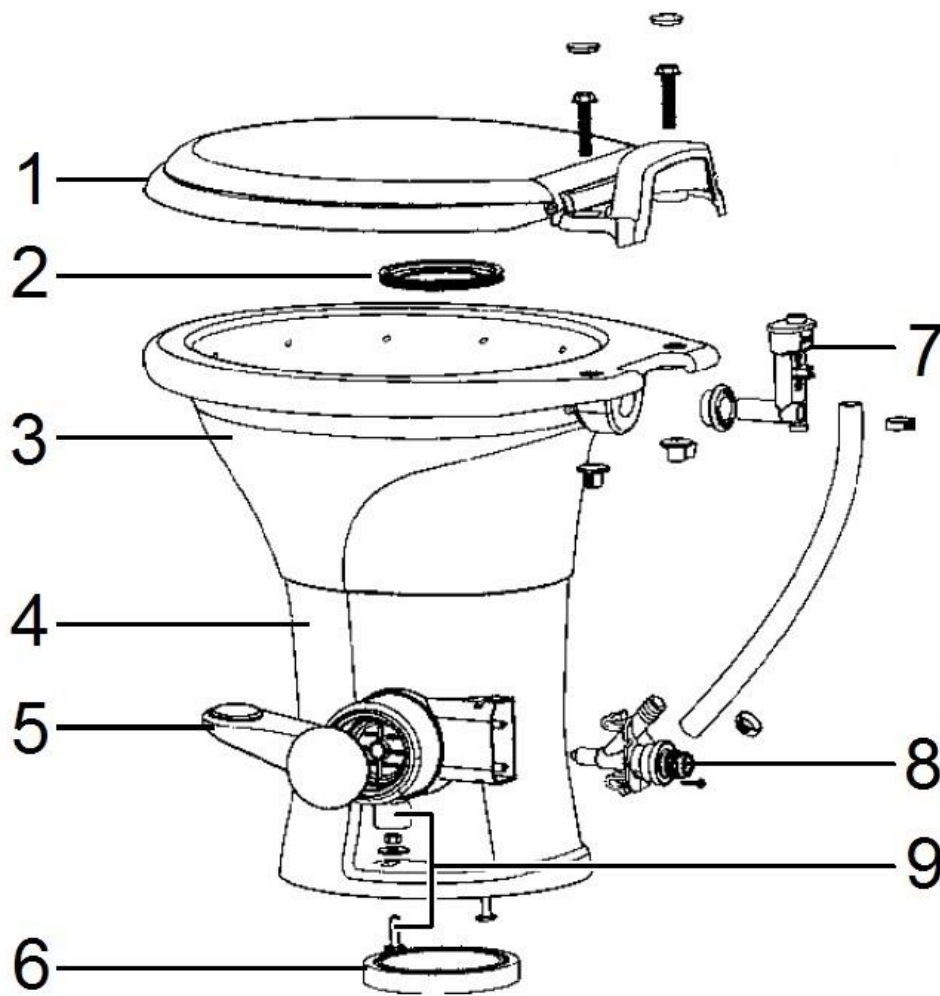
Drain Fittings



- | | |
|---------------|--|
| 1. 600035 | Elbow, 1.5", 90°, Long sweep |
| 2. 600155 | Plug, 1.5" |
| 3. 601160-02 | Pipe, ABS DVW, 1.5" |
| 4. 601160-04 | Pipe, ABS DVW, 3" |
| 5. 601318 | Tee, Bi-directional clean out, 1.5" |
| 6. 600030 | Elbow, ABS, 45°, Long turn |
| 7. 600094 | Wye |
| 8. 602181 | Elbow, 3" Flexible |
| 9. 690700-02 | Tank vent cap, Black |
| 10. 690603-01 | Waste valve, Hepvo |
| 11. 690603-02 | Adaptor, Angle |
| 12. 602194 | Adaptor, PVC, 1.125 HUB x MPT |
| 13. 602211 | Plug, .75" MPT Plastic |
| 14. 602212 | Adapter, 1.5" FPT x 1.5", Slip, PVC |
| 15. 602214 | Adapter, 1.5" MPT x 1.5", Slip PVC |
| 16. 602201 | Flexible coupling, 1.5" |
| 17. 600116 | Elbow, .5" |
| 18. 601636 | Elbow, 90°, 1.5" |
| 601267-04 | Nipple, 3", Threaded one end, 10" long |
| 602196 | Elbow, Slip x slip, 1.25", PVC |
| 602195 | Pipe, 1.25", White PVC |
| 602287-01 | Adapter, Swivel, 1.5" x 1.5" |
| 602287-02 | Rubber washer |
| 601676 | Adapter, Threaded, 1.5" male |

2017 TOMMY BAHAMA TC PLUMBING, DRAIN

Toilet



690707 Toilet, Dometic 301, Short height, White

1. Toilet seat
2. Flush ball seal
3. Toilet bowl
4. Toilet base
5. Flush pedal
6. Floor flange seal
7. Vacuum breaker
8. Water valve
9. Floor mounting hardware kit

2017 TOMMY BAHAMA TC SEALERS, GASKETS, PAINTS

Sealers

360323	Sealant, Sikaflex, White
360323-01	Sealant, Sikaflex, Black
360324	Sika Lick, Spray bottle
360180	Adhesive Seal, Sikaflex 221
365330-01	Sealant, RTV Silicone, White
360209	Sealant, Acryl-R seam sealant, Aluminum
360209-03	Sealant, Acryl-R seam sealant, Black
365285	Seamfill, Stain stick, Cherry
360074	Sealant, GE RTV 102, White
360255-04	Sealer, Anti-wick
365330-03	Sealant, Aluminum Grey
365356-01	Sealant, White
365356-02	Sealant, Gray

Gaskets

365185-20	Gasket tape, 2", Black tank
382262	Gasket, Water heater
382337	Gasket, Corlon vent cap
365391	Gasket, Furnace vent
365388	Gasket, Rear view mirror
382467	Gasket kit
382467-01	Gasket, Exhaust fan
382467-02	Gasket, Tank vent
382467-03	Gasket, Radio antenna
382467-04	Gasket, Double solar
382467-05	Gasket, Dual cable entry
382467-06	Gasket, Bath fan
382467-07	Gasket, TV antenna
382467-08	Gasket, Single solar

Undercoating

360327	Undercoating, 17 Oz. Aerosol can
--------	----------------------------------

2017 TOMMY BAHAMA TC

BEDDING, PILLOWS

Bedspreads & Sheets

704357-01 Comforter set, 4 piece (comforter, bed skirt, 2 shams)
704004-02 Sheet set, 400 TC

Pillows

704357-02 Throw pillow, 12 x 16, Natural
704357-03 Throw pillow, 16 x 16, Floral
704357-04 Throw pillow, 18 x 18, Striped
704372 Pillow kit, Tommy Bahama
704372-01 Pillow, Kiwi
704372-02 Pillow, Aran Isle
704372-03 Pillow, Villa Fronds
704372-04 Pillow, Lumbar

2017 TOMMY BAHAMA TC UPHOLSTERY, ULTRALEATHER

Captain's Chairs, Cabin

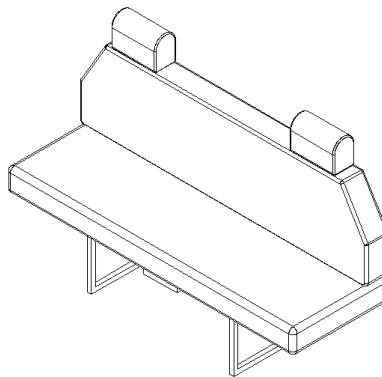
703806DT	Skirt, Driver's seat pedestal, Desert Tan
703807DT	Skirt, Passenger's seat pedestal, Desert Tan
704428DT	Recover, Factory front seats w/map pocket, Thorax, Desert Tan
704428DT-D	Recover, Driver seat w/map pocket, Thorax, Desert Tan
704428DT-P	Recover, Passenger seat w/map pocket, Thorax, Desert Tan

Cab captain's chairs come with the chassis. Airstream sends the chairs out to be recovered to match the motorhome color scheme.

Captain's Chairs, 2nd Row

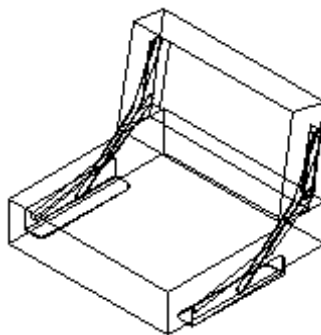
704377DT	Chair, RS w/seat belt & self-level armrests, Septer II, Desert Tan
704378DT	Chair, CS w/seat belt & self-level armrests, Septer II, Desert Tan

Sofa, Power



704376DT	Sofa, Power w/2 headrests & 2 bolsters, Septer II, Desert Tan
----------	---

Sofa, Jackknife



704211DT	Jackknife sofa, 29" w/UL & memory foam, Septer II, Desert Tan
----------	---

2017 TOMMY BAHAMA TC VENTS

Black Tank Vent

690700-02 Tank vent cap, Black
382337 Gasket, Vent cap

Bath Vent

690266-01 Vent w/2" White garnish
690266-04 Vent w/2" White garnish
203639 Ceiling spacer, Bath vent

Roof Vent

382288-01 Fantastic fan vent, Exhaust only
382467-01 Gasket, Exhaust fan
115403 Vent frame, Roof

2017 TOMMY BAHAMA TC PANELING, EDGEBANDING, LAUAN

Paneling

801438	Lauan, 2.7mm, Frost White/Raw
801392	Paneling, Pre-laminated, 12mm, White liner/White liner
802171-01	Laminate, Macchiato
802172-01	Laminate, Macchiato w/leaf pattern
802182	Paneling, Pre-laminated, 12mm, Macchiato/Macchiato
802222	Paneling, Pre-laminated, 18mm, Macchiato/Macchiato

Edgebanding

365412-01	Edgebanding, .63", Macchiato
365412-02	Edgebanding, .94", Macchiato

Lauan

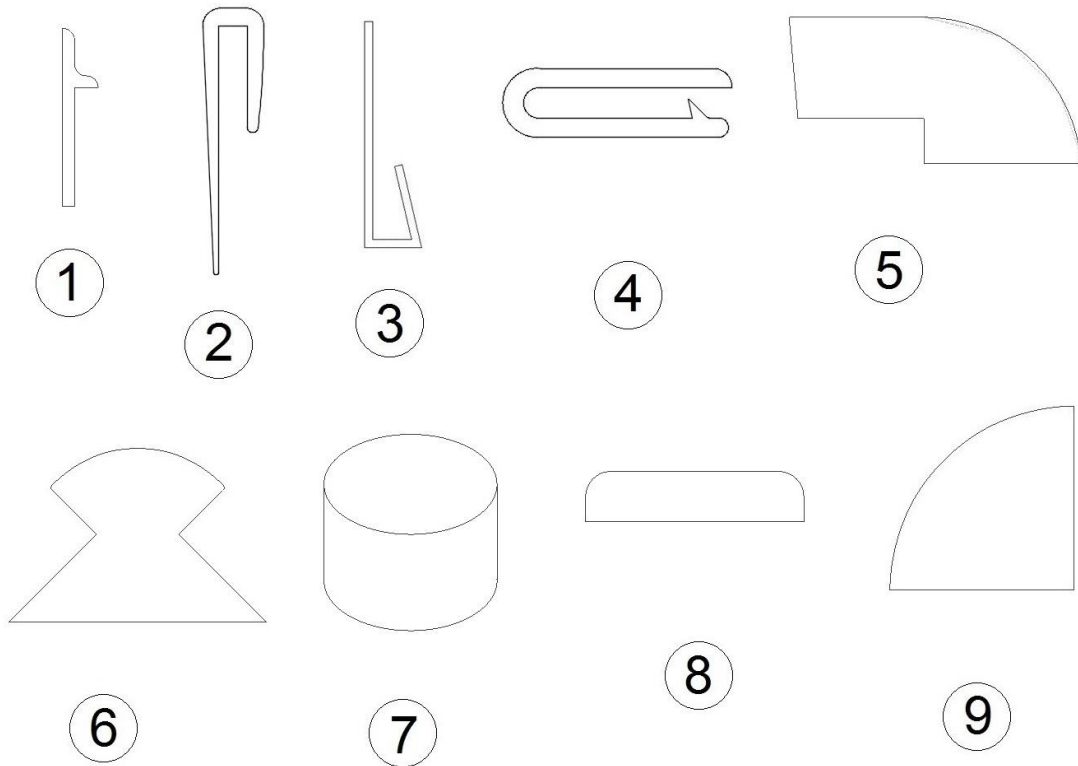
800507-01	Lauan, 1/8 x 4' x 8'
800507-02	Lauan, 1/4 x 4' x 8'
800507-03	Lauan, 3/8 x 4' x 8'

Plywood

800506-04	Plywood, .5 x 4' x 8'
801351	Plywood, Lite, .75 x 4' x 8'
801262-08	Plywood, Baltic Birch, 5" x 96"

2017 TOMMY BAHAMA TC TRIMS

Trim



- | | |
|----------------|--|
| 1. 115064 | Trim, Aluminum counter top |
| 2. 114070 | J-trim, Extrusion, Mill finish |
| 3. 201666-01 | J-molding, 3/16", White |
| 4. 203225-01 | Trim lock, .75", Gray |
| 5. 801706-0039 | Corner trim, 90°, 1" radius, Macchiato |
| 6. 801415-0039 | Corner trim, 45°, 1" radius, Macchiato |
| 7. 801818-0039 | Wood plug, 3/8", Tapered, Macchiato |
| 8. 800573-0139 | Flat molding, Macchiato |
| 9. 800638-0139 | Molding, Quarter round, .5", Macchiato |
| 203462-01 | Screw cap cover, PVC, Gray |
| 203710 | T-molding, Almond |

