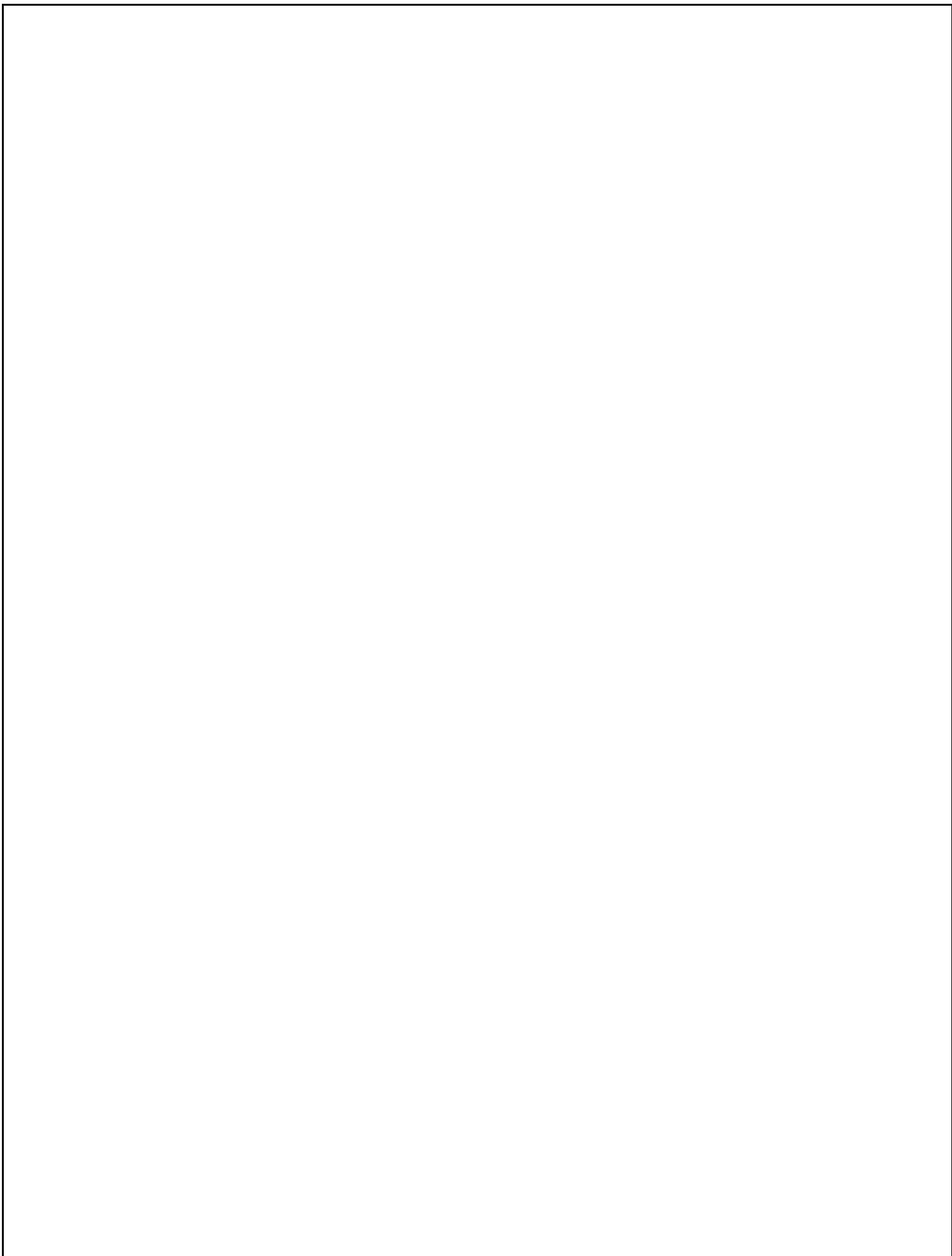




2016 PENDLETON

Parts Book





2016 PENDLETON

SECTION I

APPLIANCE

<u>Air Conditioners</u> ,	I-1
<u>Air Conditioner Drain Kit</u> ,.....	I-1
<u>Furnace</u>	I-1
<u>Water Heater</u>	I-2
<u>Range & Cooktop</u>	I-2
<u>Microwave</u>	I-2
<u>Refrigerator</u>	I-2

EXTERIOR SHELL

<u>Front End</u>	I-3
<u>Aft End</u>	I-5
<u>Wall, Roadside, 27FB.</u>	I-7
<u>Wall, Curbside, 27FB.</u>	I-9
<u>Roof</u>	I-11
<u>Air Conditioner Deflector</u>	I-11
<u>Wheel Well Cover</u>	I-11

INTERIOR SHELL

<u>Interior Skin</u>	I-12
<u>Interior Trim</u>	I-12

CHASSIS

<u>Hitch Coupler</u>	I-13
<u>Breakaway Switch</u>	I-13
<u>Power Jack</u>	I-14
<u>Step</u>	I-16
<u>Battery Box</u>	I-19
<u>Hose carrier</u>	I-19
<u>Tire Carrier</u>	I-19
<u>Chassis Covering</u>	I-19
<u>Bumper & Hose Storage</u>	I-20
<u>Bumper End Caps</u>	I-20
<u>Stabilizing Jacks</u>	I-20
<u>Axles</u>	I-20
<u>Shocks</u>	I-20
<u>Tires & Wheels</u>	I-20
<u>Spare Tire & Wheel</u>	I-20

2016 PENDLETON

SECTION II

DECALS, EXTERIOR TRIM

<u>Decals & Medallions</u>	II-1
<u>Belt Line</u>	II-1
<u>Rub Rail</u>	II-1
<u>Main Door Threshold</u>	II-1

DOORS, WINDOWS, AWNINGS

<u>Main Door, RH Hinge</u>	II-2
<u>Screen Door</u>	II-4
<u>Access Doors</u>	II-6
<u>Hatch Door</u>	II-7
<u>Hatch Door Struts</u>	II-9
<u>Screen Door, Rear</u>	II-9
<u>Window Parts Diagram</u>	II-10
<u>Windows</u>	II-12
<u>Awnings</u>	II-14
<u>Window Stone guard</u>	II-15

DRAPES & SHADES

<u>Drapes & Shades, 27FB</u>	II-16
<u>Drapes & Shades Hardware</u>	II-17

ELECTRICAL

110 Volt

<u>Power Cord, 50 Amp Exterior Hookup</u>	II-18
<u>Breaker Boxes</u>	II-18
<u>Inverter</u>	II-18
<u>Receptacles & Covers</u>	II-19
<u>Exterior Outlet</u>	II-19

2016 PENDLETON

SECTION II

ELECTRICAL

12 Volt

<u>Battery</u>	II-20
<u>7-Way Cable</u>	II-20
<u>Breakaway Switch</u>	II-20
<u>Battery Disconnect Switch</u>	II-20
<u>Monitor Panel</u>	II-20
<u>Wireless Backup Camera</u>	II-20
<u>Power Center</u>	II-20
<u>Solar Charging System</u>	II-21
<u>Door Bell</u>	II-21
<u>Fuses</u>	II-21
<u>Exterior Lights & Switches</u>	II-21
<u>Switches and USB Ports</u>	II-22
<u>Interior Lights</u>	II-22
<u>Licenses Plate</u>	II-22
<u>Tail Lights</u>	II-23

ENTERTAINMENT

<u>Radio</u>	II-24
<u>TV Antenna</u>	II-24
<u>TV Jacks</u>	II-24
<u>Lounge TV</u>	II-25
<u>Bedroom TV</u>	II-25
<u>Blu-Ray Player</u>	II-25

2016 PENDLETON

SECTION III

FLOOR COVERING

Carpet, Flooring, Floor Mats, & Linoleum III-1

FURNITURE

INTERIOR DOORS & MIRRORS

Mirrors III-2

Shower Door III-2

Foldette Door III-2

Roof Locker Doors III-2

BEDROOM

Bed III-3

Night Stands III-5

Roof Locker III-7

Bedroom Closeout III-8

LAVATORY

Bath Module III-9

Lavatory Door III-11

Shower Compartment III-12

Lavatory Top III-14

Lavatory Cabinets III-15

Medicine Cabinet III-17

Wardrobe III-19

GALLEY

Galley Top III-23

Galley Cabinets III-24

Flip-Up Shelf III-28

Roof Locker III-29

Refrigerator Cabinet III-30

Pantry III-32

Dinette Table III-36

Dinette Seats III-37

2016 PENDLETON

SECTION III

FURNITURE

LOUNGE

<u>Roof Locker</u>	III-39
<u>Sofa</u>	III-40

HARDWARE

<u>Main Door Lock</u>	III-41
<u>Exterior Latches, Locks, & Handles</u>	III-42
<u>Exterior Latches & Locks</u>	III-43
<u>Exterior Hinges</u>	III-43
<u>Lock & Hinge, Hatch Door</u>	III-44
<u>Window, Opening</u>	III-45
<u>Interior Latches & Handles</u>	III-46
<u>Interior Hinges</u>	III-46
<u>Drawer Slides</u>	III-47
<u>Bath Accessories</u>	III-47
<u>Wardrobe Cabinet</u>	III-47
<u>Galley Cabinet</u>	III-47
<u>Sewer Hose Parts, Keys, & Key Holder</u>	III-47
<u>Reflectors</u>	III-47
<u>Bedroom Safe</u>	III-47
<u>Awning Hardware</u>	III-48
<u>Rivets</u>	III-50
<u>Wrap Protectors & Holdbacks</u>	III-52

LABELS & TAGS

<u>Labels and Tags</u>	III-53
------------------------------	--------

SAFETY EQUIPMENT

<u>Detectors</u>	III-54
<u>Fire Extinguisher</u>	III-54

2016 PENDLETON SECTION IV

PLUMBING

LPG SYSTEMS

<u>LPG System</u>	IV-1
<u>LP Tanks & Fittings</u>	IV-2
<u>Propane Port, Exterior</u>	IV-3

FRESH WATER

<u>Fresh Water Tank System</u>	IV-4
<u>Fresh Water Tank Fill</u>	IV-4
<u>City Water Hook-Up</u>	IV-4
<u>Water Pump System</u>	IV-4
<u>Fresh Water Fittings</u>	IV-5
<u>Faucets</u>	IV-7
<u>Fresh Water Lines</u>	IV-12

DRAIN SYSTEMS

<u>Drain Tanks & Pan</u>	IV-13
<u>Holding Tank Pan Closeout</u>	IV-13
<u>Toilet Flange</u>	IV-13
<u>Sinks</u>	IV-13
<u>Shower Stall</u>	IV-13
<u>Black Tank Flush</u>	IV-13
<u>Drain, Above Floor</u>	IV-14
<u>Dump Valve</u>	IV-15
<u>Drain Line Fittings</u>	IV-16
<u>Toilet</u>	IV-20

SEALERS, GASKETS, PAINT

<u>Sealers</u>	IV-22
<u>Gaskets</u>	IV-22
<u>Paint</u>	IV-22
<u>Tape & Microwave Insulation</u>	IV-22

2016 PENDLETON

SECTION IV

PILLOWS, MATTRESSES, BEDSPREADS

<u>Mattress & Sheet Set, Double Bed</u>	IV-21
<u>Pillows</u>	IV-22
<u>Pet Bed</u>	IV-22
<u>Pendleton Product Package</u>	IV-23

UPHOLSTERY, FOAM, ULTRALEATHER

<u>Sofa, Dinette Cushions</u>	IV-24
-------------------------------------	-------

VENTS, FANS

<u>Bathroom Vent</u>	IV-25
<u>Range exhaust</u>	IV-25
<u>Refrigerator Roof Vent</u>	IV-25
<u>Holding Tank Vent</u>	IV-25
<u>Power Roof Vents</u>	IV-25

SKYLIGHTS

<u>Skylight, Lounge</u>	IV-26
<u>Skylight, Bath</u>	IV-26

PANELING, EDGEBANDING, LAUAN

<u>Paneling</u>	IV-27
<u>Edgebanding</u>	IV-27
<u>Lauan</u>	IV-27

TRIM

<u>Trim, Wood</u>	IV-28
<u>Trim, Plastic</u>	IV-29

2016 PENDLETON APPLIANCES

Air Conditioner

690323-48	Air conditioner, 15,000 BTU w/heat pump
690323-44	Comfort Control Center II thermostat, White
601240-01	Tubing, 1/2" ID x 5/8" OD, Black plastic
385560	Label, air conditioning rating
382160	Grommet, Flexible Vinyl #635
115635	Bracket, short, A/C mounting
115634	Bracket, long, A/C mounting
203788	Shoulder spacer, 3/4", Nylon
382276-01	Register, Adjustable direction, Brushed
382234-01	Grill, Return air, Snap in, Stainless Steel, Brushed
382236	Filter, Return air

2nd Air Conditioner

690323-47	Air conditioner, 13,500 BTU w/heat pump
510564-20gfi	Breaker, Type BR, 20gfi
510564-20	Breaker, 20 amp, Bryant
511149-02	Power inlet w/strain relief
511149-03	Power cord, 50 amp, 36 Ft.
365330-03	Sealant, Alum Grey
382160	Grommet, Flexible vinyl
512818	Power center, AC/DC, 50 amp

Air Conditioner Drain Kit

203724	Kit, A/C drain
203722	Gasket, A/C drain

Furnace

690664-01	Furnace, 25K BTU, Hydro Flame
690664-04	Aluminum Painted Exterior Door and Bezel
*690664-05	Furnace exterior door & bezel, Painted Aluminum
115659	Cover, Furnace door, 8.38 x 17.87, Aluminum
602394-03	Register, 4", Black
602394-04	2" Adapter, Black
600526	Flange, 4"
600247	4" duct hose, flexible
600193	2" duct, flexible hose
300172	Nylon Spacer
365365-08	Pre-cut PVC Foam Strip
968151	Furnace stand

*Replaced 690664-04 in July 2015

2016 PENDLETON APPLIANCES

Water Heater

690602	Water heater, Electric ignition, 110 volt/gas, Atwood
690671	Water heater access cover, Painted
512480-01	Water heater switch, Black
510888-05	Receptacle w/ cover, GFI, White
510888-06	Receptacle spacer, GFI, White
510888-07	Receptacle cover, White
512308	Box, Shallow Switch & Outlet
967194	Water heater stand

Range & Cooktop

690672-01	Dometic Cooktop, 3 Burner, stainless w/glass top
690672-02	Dometic oven, 3 burner, Stainless Steel w/glass top
512210	Range Hood, Baraldi
511017-11	Exterior vent, Gray
115175	Duct, Range exhaust transition
454590	Extension, Range vent

Microwave

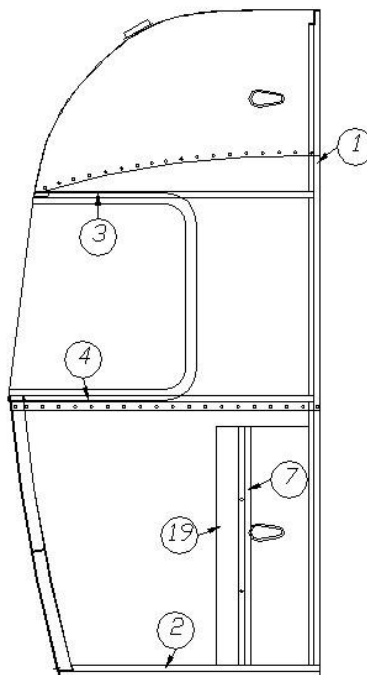
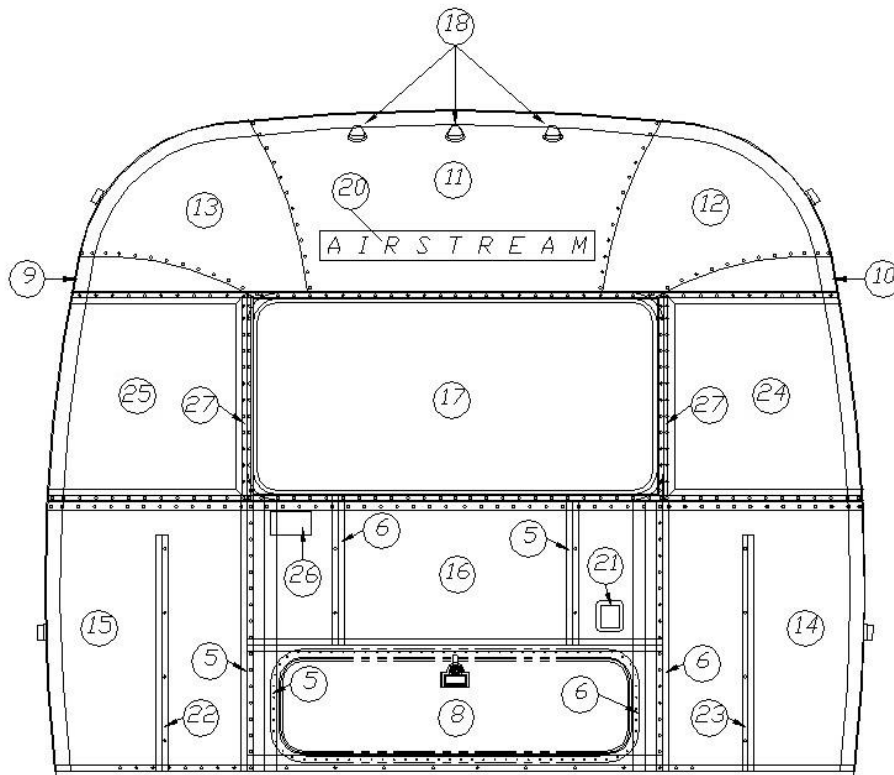
690648-02	Microwave, .7 CF, Stainless Steel, Contoure
690605-03	Microwave, convection, Cuisinart, SS
690605-04	Trim ring, SS

Refrigerator

690574-02	Refrigerator, 7 CF, RH
101394	Cover, Refrigerator vent, Large
100341	Collar, Refrigerator vent, Large
381830	Wiper, Rubber, 1.125" x 2"
512477	110 Receptacle Gasket, Neoprene
601239-01	Tubing, 1.375"ID, Ribbed W/Flats

2016 PENDLETON EXTERIOR SHELL

Front End, 27FB



Parts Listed on Next Page

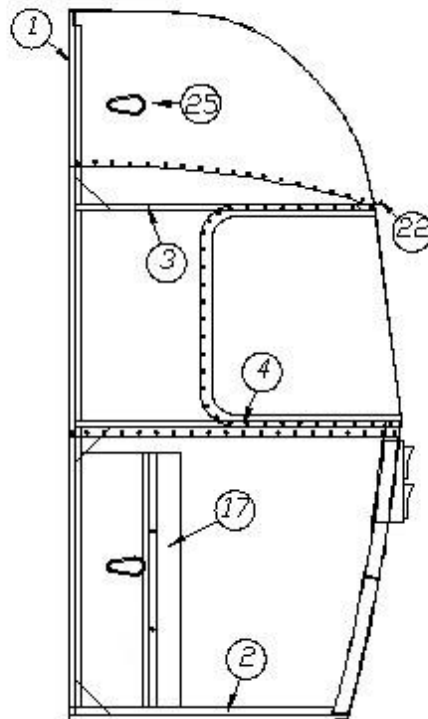
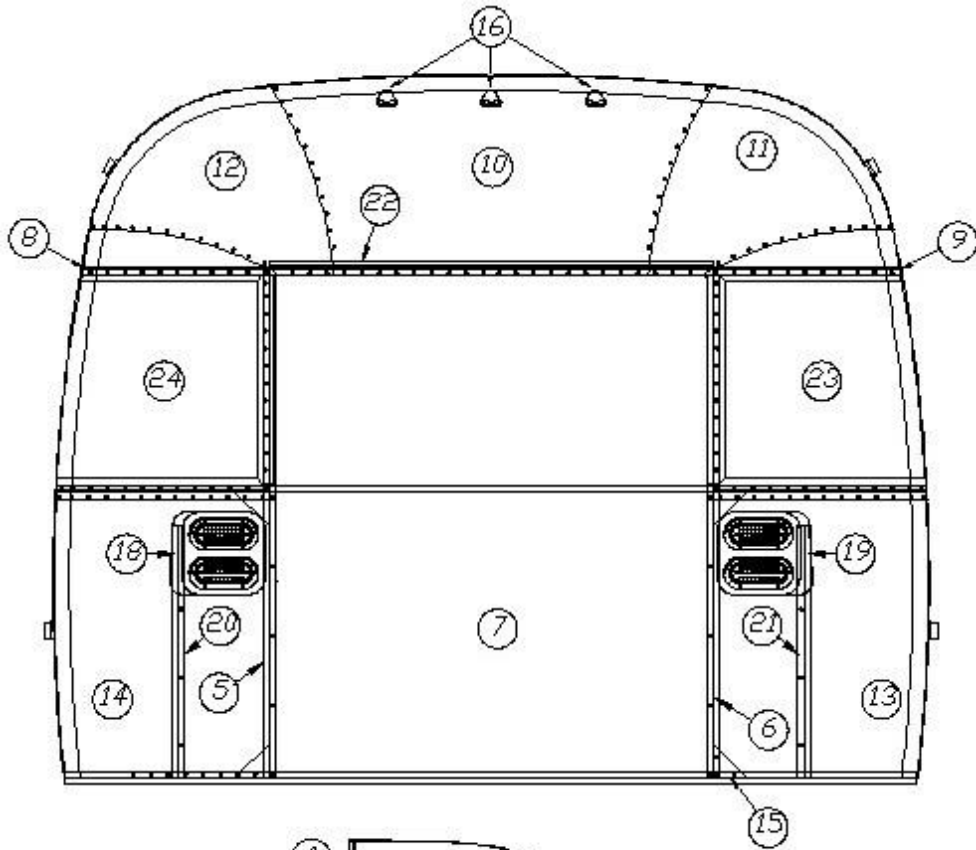
2016 PENDLETON EXTERIOR SHELL

Front End, 27FB

921244-01	End shell, front w/Panoramic Windows
1. 114993	Weldment, Zero bow, "WB"
2. 114676	Bow, Floor, Altered
3. 114678	Bow, Upper window, Altered
4. 114677	Bow, Lower window, Altered
5. 114505-01	Support, Lower end, LH
6. 114505-02	Support, Lower end, RH
7. 101315	Vertical brace, Rear
8. 922288-02	Trunk door only w/round corners
9. 114888	Segment, Center left
10. 114889	Segment, Center right
11. 114893	Segment, #25, WB
12. 114890	Segment, #26
13. 114891	Segment, #27
14. 114894	Segment, #28
15. 114895	Segment, #29
16. 114880-307	Aluminum sheet, .04" x 51" x 307"
17. 371346-02	Window, 49.63" x 24.19", Silver handles
18. 512859	Clearance light, LED, Amber
19. 114849-03	Aluminum sheet, .06" x 26" x 8', Gray
20. 386272	Decal, "AIRSTREAM", Black Chrome
21. 512401-02	Power inlet, Generator prep
22. 101315-01	Vertical brace, LH
23. 101315-02	Vertical brace, RH
24. 372088-101	Panoramic window, RS front
25. 372089-101	Panoramic window, CS front
26. 386118	Label, LP Gas Tri-Warning
27. 454910	Support, Wrap window

2016 PENDLETON EXTERIOR SHELL

Aft End, 27FB



Parts Listed on Next Page

2016 PENDLETON EXTERIOR SHELL

Aft End, 27FB

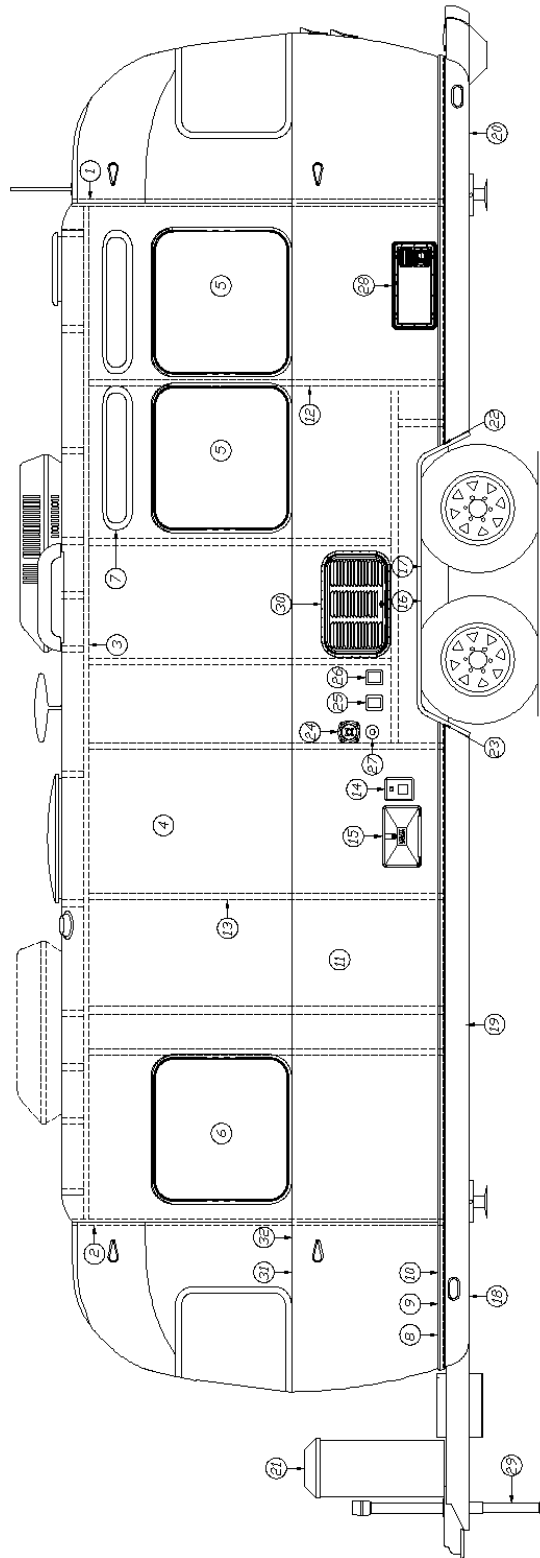
923059

Aft End Shell

1. 114993 Weldment, Zero bow, "WB"
2. 114676 Floor bow
3. 114678 Upper window bow
4. 114677 Lower window bow
5. 114505-01 Support, Lower end, LH
6. 114505-02 Support, Lower end, RH
7. 967683 Hatch door
8. 114888 Segment, Center left
9. 114889 Segment, Center right
10. 114893 Segment, #25, WB
11. 114890 Segment, #26
12. 114891 Segment, #27
13. 114894 Segment, #28
14. 114895 Segment, #29
15. 454711 Gusset, Rear
16. 512928 Curved bezel w/gasket, Required for 3 top lights
17. 114849-03 Aluminum sheet, 120" x 29", Pewter
18. 952929-01 Tail light assembly, RS
19. 952929-02 Tail light assembly, CS
20. 101315-01 Vertical brace, Rear, LH
21. 101315-02 Vertical brace, Rear, RH
22. 104837 Aluminum extrusion, Drip cap
23. 372088-101 Panoramic window, CS rear
24. 372089-101 Panoramic window, RS rear
25. 512860 Red LED clearance light

2016 PENDLETON EXTERIOR SHELL

Wall, Roadside, 27FB



Parts Listed on Next Page

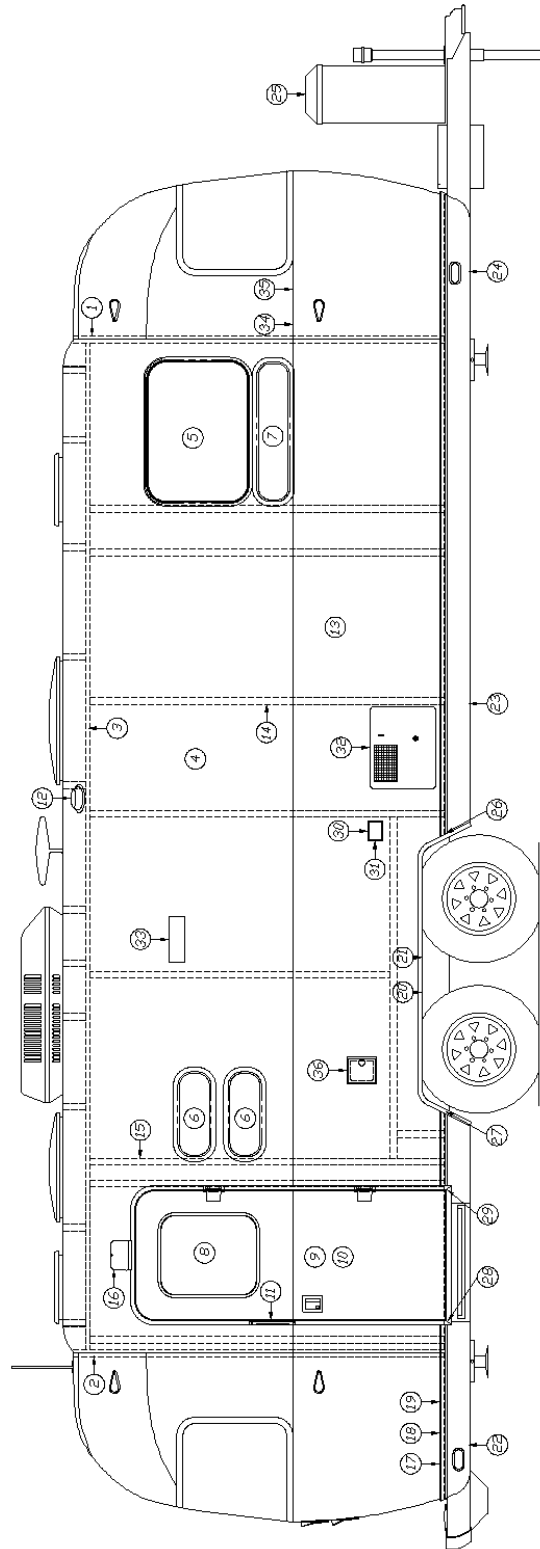
2016 PENDLETON EXTERIOR SHELL

Wall, Roadside, 27FB

1. 114290-01 Extrusion, Awning/drip rail
2. 114993 Rib, End bow
3. 104707-01 Extrusion, "I" beam
4. 114880-238 Aluminum sheet, Upper, .04" x 51" x 238"
5. 371380 Window, 30" opening, Tall
6. 371380-01 Window, 30" egress
7. 371437-02 Vista view window, 30"
8. 115546 Extrusion, Rub rail
9. 201763-100 Insert, Rub rail, 1", Chrome
10. 100986 Floor channel
11. 114879-238 Aluminum sheet, Lower, .04" x 33" x 238"
12. 114387-01 Bow, Z-rib, RH
13. 114387-02 Bow, Z-rib, LH
14. 601194 Water fill w/lock, Gray
15. 602326-101 Exterior shower door
16. 684936 Wheel well trim, Outer, Dual Axle
17. 684937 Wheel well trim, Inner, Dual Axle
18. 200542-01 Banana wrap, RS front
19. 101131-01 Underbelly wrap, .024" x 22.5", Pewter
20. 200544-01 Banana wrap, RS rear
21. 921231 LPG tank cover
22. 114466-01 Casting, Rub rail, Wheel well, RH
23. 114466-02 Casting, Rub rail, Wheel well, LH
24. 601392-05 City water hook-up
25. 512568 Inlet, TV/satellite
26. 512401-02 Power inlet, 30A, 125V, Male, Gray
27. 601441-02 Black tank flush
28. 690664-05 Furnace exterior door & bezel, Painted Aluminum
29. 400961-02 Power jack, Silver
30. 923115 Refrigerator access door
31. 114328 Extrusion, Belt line molding
32. 201912-100 Molding, Belt line insert, Chrome
- 203711 Fender flare

2016 PENDLETON EXTERIOR SHELL

Wall, Curbside, 27FB



Parts Listed on Next Page

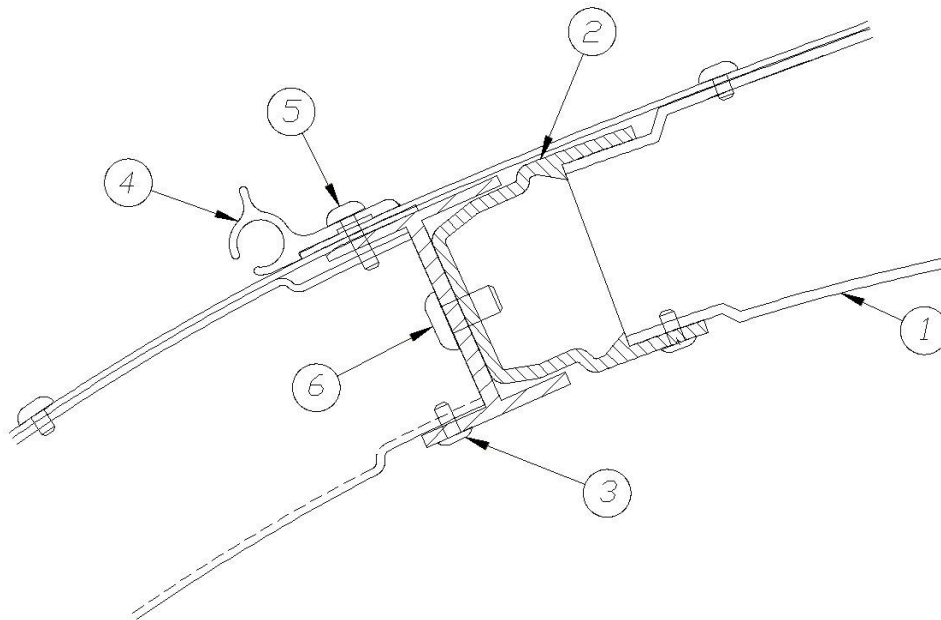
2016 PENDLETON EXTERIOR SHELL

Wall, Curbside, 27FB

1. 114290-01	Extrusion, Awning/drip rail
2. 114993	Rib, End bow
3. 104707-01	Extrusion, "I" beam
4. 114880-238	Aluminum sheet, Upper, .04" x 51" x 238"
5. 371324-02	Window, 30" opening
6. 371436	Window, 18" stack
7. 371435	Window, 30" stack
8. 371400-01	Window, Main door
9. 114654-01	Screen door
10. 115207-06	Main door
11. 114652-01	Jamb, main door
12. 690266-06	Power roof vent w/o garnish
13. 114879-238	Aluminum sheet, Lower, .04" x 33" x 238"
14. 114387-01	Bow, Z-rib, RH
15. 114387-02	Bow, Z-rib, LH
16. 101323	Casting, Step light
17. 115546	Extrusion, Rub rail
18. 201763-100	Insert, Rub rail, 1", Chrome
19. 100986	Floor channel
20. 684936	Wheel well trim, Outer, Dual Axle
21. 684937	Wheel well trim, Inner, Dual Axle
22. 200545-01	Banana wrap, CS rear
23. 101131-01	Underbelly wrap, .024" x 22.5, Pewter
24. 200543-01	Banana wrap, CS front
25. 921231	LPG tank cover
26. 114466-01	Casting, Rub rail, Wheel well, RH
27. 114466-02	Casting, Rub rail, Wheel well, LH
28. 114465-02	Casting, Rub rail, LH
29. 114465-01	Casting, Rub rail, RH
30. 500563-03	Receptacle, 15 Amp, White
31. 512741	W.P. cover w/gasket, Gray
32. 690209	Water heater access cover, Brushed Aluminum
33. 511017-11	Exterior vent, Gray
34. 114328	Extrusion, Belt line molding
35. 201912-100	Molding, Belt line insert, Chrome
36. 115640	Stabilizer jack switch box
203711	Fender flare

2016 PENDLETON EXTERIOR SHELL

Roof



1. 115586	Roof bow, WB
2. 114987-01	Extrusion, Roof Corner
3. 330127-03	Rivet 1/8" (Mill) AD43ABS
4. 114290-01	Extrusion, Awning/Drip Rail, 197"
5. 325003-03	Rivet, 1/8 x 7/16, White
6. 330139-01	Rivet, Magnalok SS 1/4"
**365334	Tape, Sealfoam w/PSA one side
114489-198	Alum. Sheet, White, .032" x 60" x 198"
114489-238	Alum. Sheet, White, .032" x 60" x 238"
114489-262	Alum. Sheet, White, .032" x 60" x 262"
*115727-238	Aluminum sheet, .032" x 66.75" x 238", White
115571	Z rib, 3"
115593	Transition cap, Stretched formed, WB

*115727 replaced 114489 in January of 2016, change from seamed roof to 1 piece roof sheets.

**Sealfoam tape also obsoleted in January 2016.

Air Conditioner Deflector

104948 Air deflector, A/C to refrigerator vent

Wheel Well Cover

200514 Wheel well cover, Interior, Tandem

2016 PENDLETON INTERIOR SHELL

Interior Skin

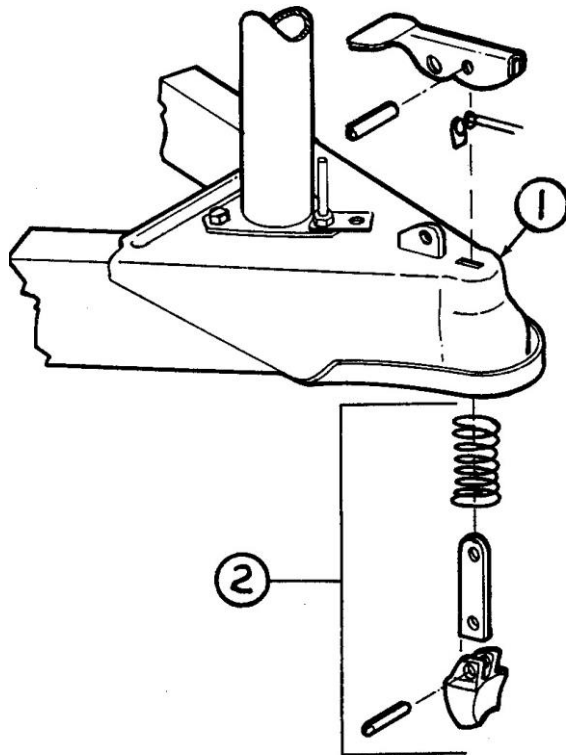
114880-238	Aluminum sheet, .04" x 51" x 238"
114880-262	Aluminum sheet, .04" x 51" x 262"
114879-262	Aluminum sheet, .04" x 33" x 262"
115609-238	Aluminum sheet, .04" x 45" x 238"
114890-01	Interior segment, Front CS, Rear RS
114891-01	Interior segment, Front RS, Rear CS
114893-01	Interior segment, Center wide

Interior Trim

203138-04	Extrusion, Plastic, .5", Oak
203138-05	Extrusion, plastic, interior wall, Black
201666-01	J-molding, 3/16" White Plastic
110900-03	Trim, Formed
110900-04	Trim, Formed

2016 PENDLETON CHASSIS

Hitch Coupler



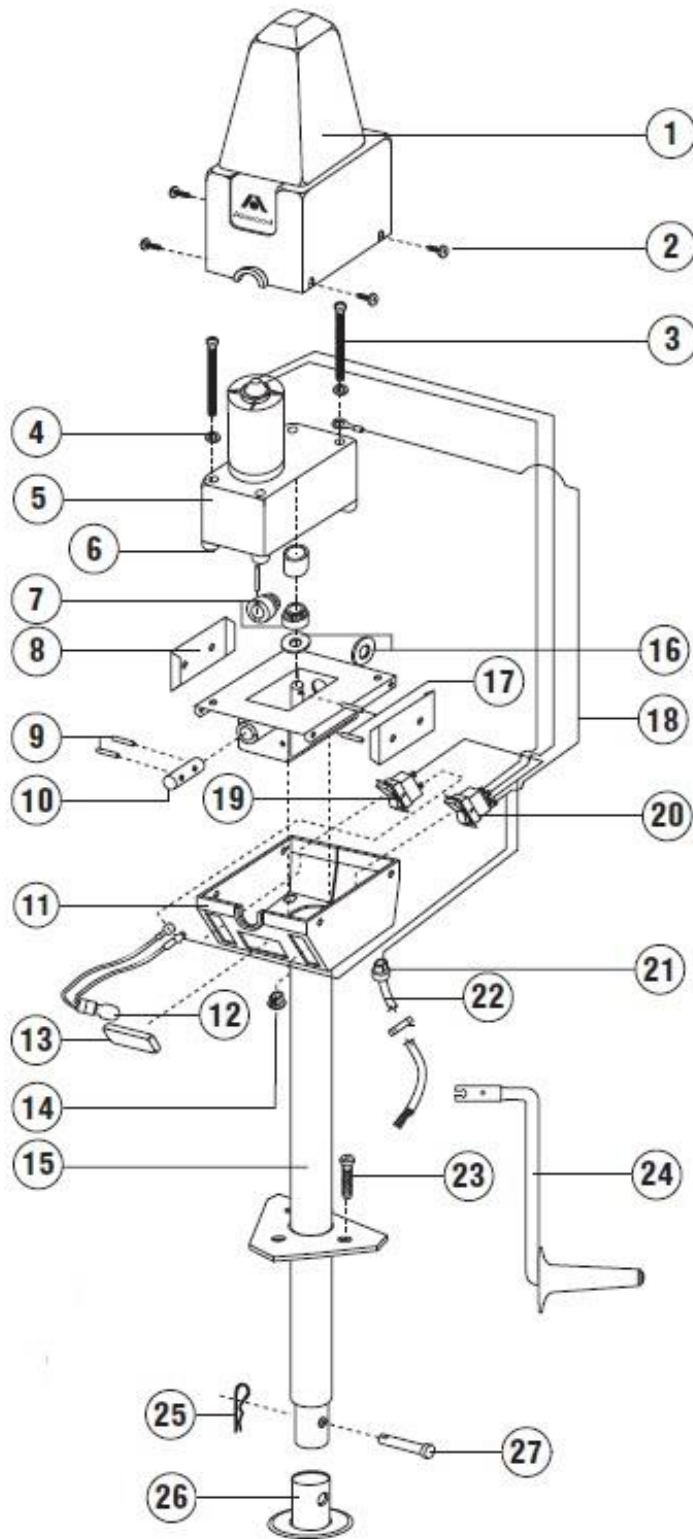
- 1. 680343-01 Marvel coupler, 2-5/16"
- 2. 680345 Repair kit

Breakaway Switch

- 0300027 Breakaway Switch, Bargman
- 454526 Bracket, breakaway switch

2016 PENDLETON CHASSIS

Power Jack, Atwood



Parts Listed on Next Page

2016 PENDLETON CHASSIS

Power Jack, Atwood

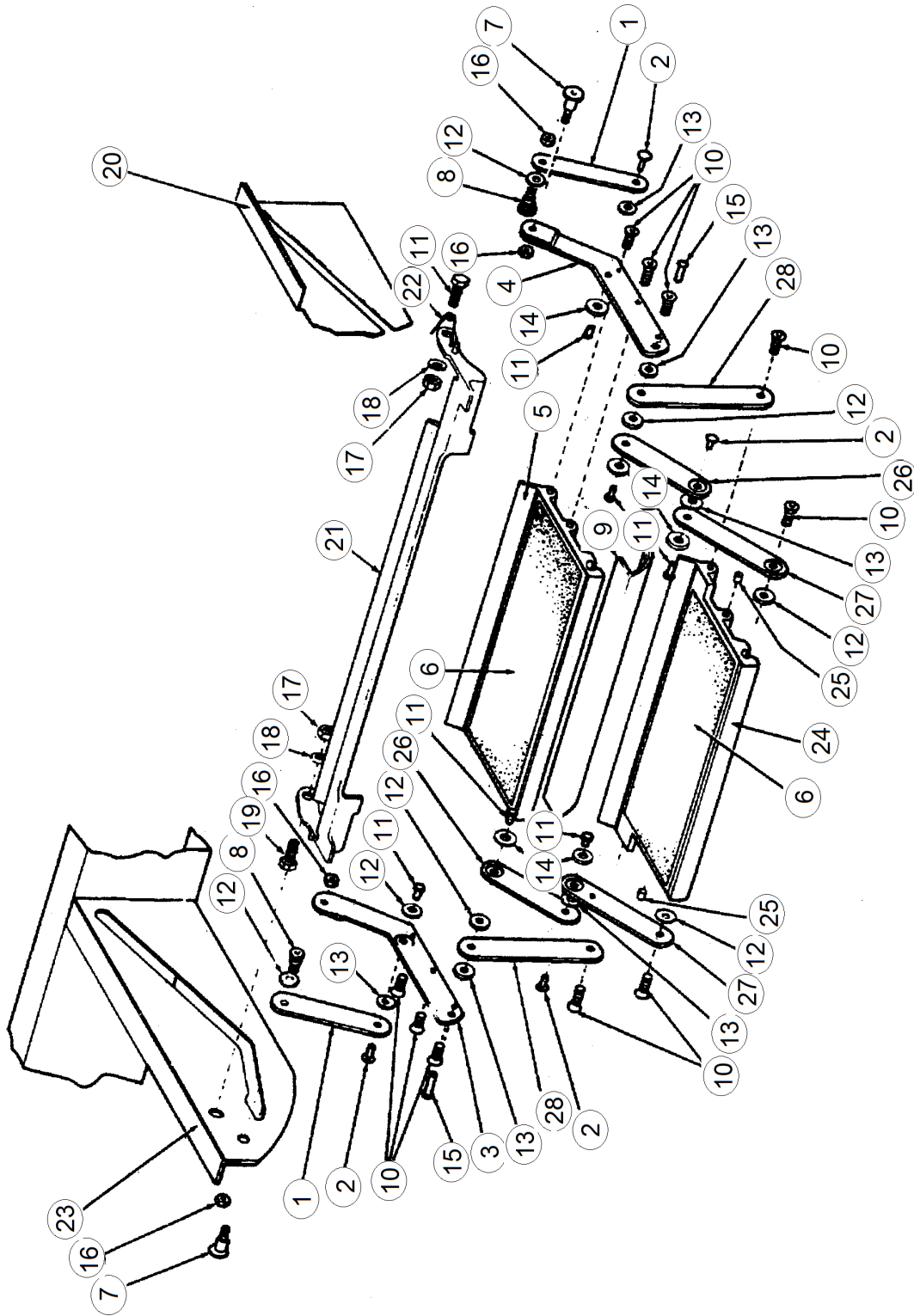
400961-02 Atwood Power Jack
400961-03 Power jack drop foot

1. 87595 Upper cover
2. 87057 Cover screw
3. 87942 Motor ground screw
4. 86111 Lock washer
5. 75625 Motor & terminals
6. 87916 Cover tube
7. 87108 Bevel gear kit
8. 88002 Gear housing cover
9. 71132 Drive pin
10. 87941 Drive shaft
11. 87597 Lower cover
12. 87585 Wire & light bulb
13. 87591 Lens
14. 87035 Hole plug
15. 87559 Jack housing & ram assembly
16. 87847 Washer support
17. 70667 Pin
18. 87598 Ground wire
19. 87586 Light switch
20. 87570 Motor switch
21. 87327 Strain relief bushing
22. 87599 Jumper wire & fuse
23. 87176 Mounting bolt
24. 87891 Manual drive handle
25. 70269 Cotter pin
26. 87021 Round foot pad
27. 70215 Clevis pin

*All parts listed are Atwood Mobile part numbers

2016 PENDLETON CHASSIS

Step



Parts Listed on Next Page

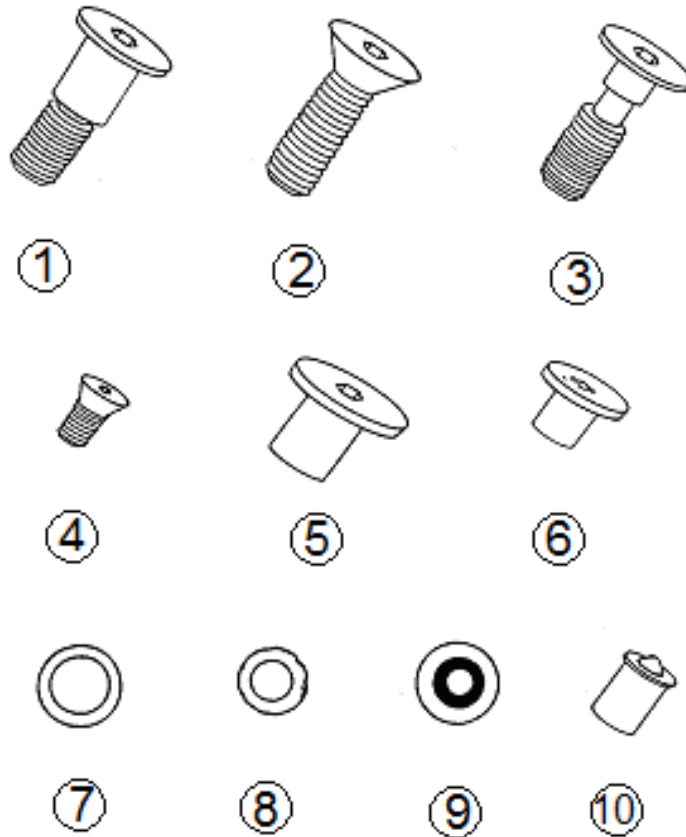
2016 PENDLETON CHASSIS

Step

3440006	Double step assembly
1. 680213	Arm, upper support
2. 680214	Pin, hinge
3. 680215	Step bracket, left
4. 680216	Step bracket, right
5. 680217	Extrusion, step 20.5"
6. 380069	Safety tread
7. 001152	Bolt, shoulder
8. 001145	Bolt, shoulder, 3/8" thread
9. 680220	Panel
10. 680221	Screw, flat head
11. 680222	Bolt, socket head
12. 680223	Washer, bronze
13. 680224	Washer, wave
14. 680225	Washer, aluminum
15. 680226	Pin, pivot
16. 350005	Nut, hex
17. 350147-25	Nut, Nylock
18. 300005	Washer, flat
19. 345016	Screw, machine
20. 400454	Outrigger, RH (Not included with step assembly.)
21. 100298	Casting, step release
22. 0440032	Step spring
23. 400455	Outrigger, LH (Not included with step assembly.)
24. 410200	Extrusion, step, 20.0"
25. 380075	Bullet catch
26. 400004	Hinge arm, upper
27. 400003	Hinge arm, lower
28. 400005	Arm, lower support

2016 PENDLETON CHASSIS

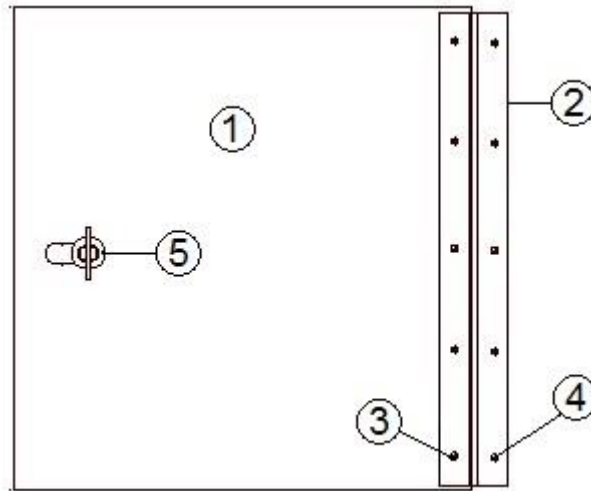
Step Bolts, Washers, Screws, & Catches



- | | |
|------------|------------------------------------|
| 1. 001152 | 1/2" Shoulder w/3/8" shoulder bolt |
| 2. 680221 | 3/8-16 x 1, flat head Allen, screw |
| 3. 001145 | 3/8-16 thread, shoulder bolt |
| 4. 680222 | Flat head Allen socket screw |
| 5. 680226 | Pivot pin |
| 6. 680214 | Hinge pin |
| 7. 680223 | Brass washer |
| 8. 680224 | Wave washer |
| 9. 680225 | Aluminum Washer |
| 10. 380075 | Bullet catch |

2016 PENDLETON CHASSIS

Battery Box



- | | |
|--------------|--------------------------------|
| 1. 410551-02 | Lid, Battery box |
| 2. 380203-01 | Piano Hinge, 1/8" |
| 3. 330127-08 | Rivet 1/8" (Mill) |
| 4. 325035 | Chicago rivets |
| 5. 381430 | Lock, Twist straight cam 1.75" |

Hose carrier

- | | |
|-----------|----------------------------|
| 601544-02 | EZ hose carrier, black 45" |
| 104704-01 | Shim, 3" x 3" |

Tire Carrier

- | | |
|--------|------------------------|
| 450414 | "A" frame tire carrier |
|--------|------------------------|

Chassis Covering

- | | |
|-----------|---|
| 115684 | Aluminum underbelly, .035" x 65.75", coil |
| 101131-01 | Underbelly wrap, .024" x 22.5, Pewter |
| 200543-01 | Banana wrap, CS front |
| 200542-01 | Banana wrap, RS front |
| 200545-01 | Banana wrap, CS rear |
| 200544-01 | Banana wrap, RS rear |

2016 PENDLETON CHASSIS

Bumper & Hose Storage

410831	Bumper, Polished
453538	Bottom, Sewer hose compartment
453497	Lid, Rear hose carrier
380203-02	Piano Hinge
380024	Arm support, RH
092609	Cam Lock
381435	Hatch, Access cover, 4", White

Bumper End Caps

382289-01	Bumper end cap, Right hand
382289-02	Bumper end cap, Left hand

Stabilizing Jacks, Power

401014	Power stabilizing jacks w/switch
401014-100	Crank handle
401014-101	Motor
401014-102	Switch, Extend/retract
115640	Switch box, Stabilizer jacks, Lockable

Axles

410980-02	Axle, 3800#
-----------	-------------

Shocks

0220003	Shock absorber
---------	----------------

Tires & Wheels

410991-01	Tire & wheel, 16" Aluminum
400844-01	Cap, Center, Stainless Steel
400923	Lug nut, Acorn type

Spare Tire & Wheel

410994	Spare tire & wheel, Dexter 16" rim, BW, Range "E", 16"
--------	--

2016 PENDLETON DECALS, EXTERIOR TRIM

Decals & Medallions

386272	Decal, "AIRSTREAM", 2.4" x 29.19", Black Chrome
386068	Medallion, 3", screen door
386287	Nameplate, "Pendleton"
365384	Decal, Proudly made in the USA
386286	Kit, Perf film, Pendleton scene
386286-01	Perf film, RS window
386286-02	Perf film, Center window
386286-03	Perf film, CS window

Belt Line

114328	Extrusion, belt line molding
201912-100	Molding, belt line insert, chrome
114417	Casting, belt line close out

Rub Rail

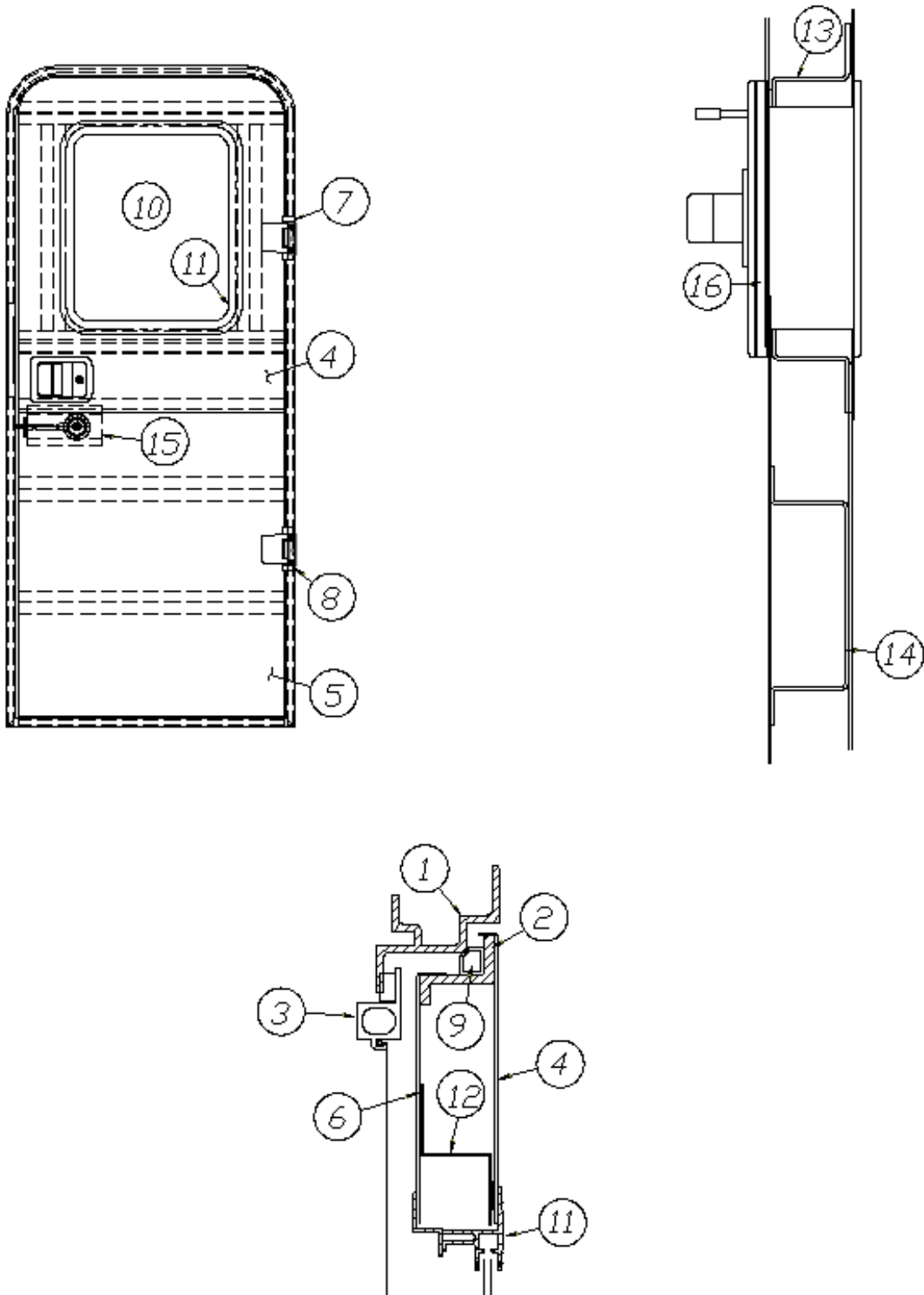
115546	Extrusion, Rub rail
201763-100	Molding, Rub rail insert, Chrome
114466-01	Casting, Rub rail, Angled, RH
114466-02	Casting, Rub rail, Angled, LH
114465-01	Casting, Rub rail, RH
114465-02	Casting, Rub rail, LH

Main Door Threshold

115565	Extrusion, Threshold
100097	Extrusion, Aluminum track
702963	Vinyl embossed threshold, 1.75"

2016 PENDLETON EXTERIOR DOORS

Main Door, RH Hinge



Parts Listed on Next Page

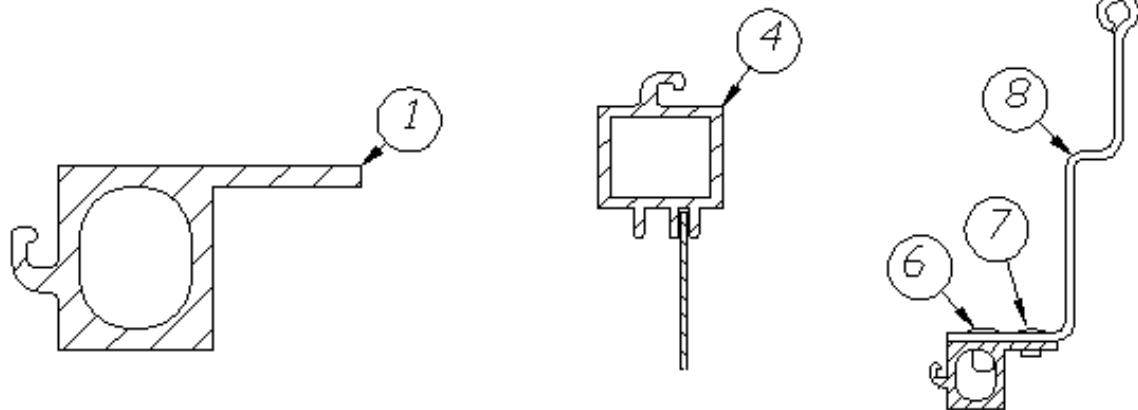
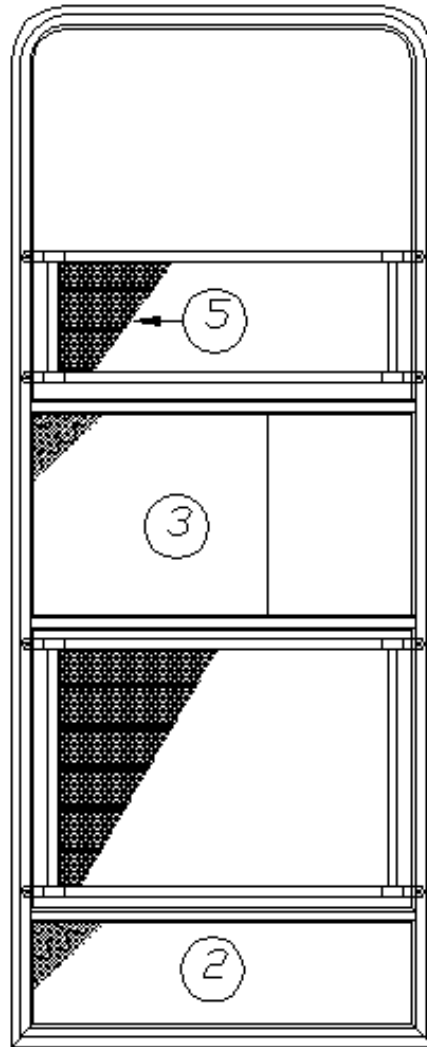
2016 PENDLETON EXTERIOR DOORS

Main Door, RH Hinge

115207-06	Main door, RH Hinge
1. 114652-01	Jamb, Main door, Pre-formed
2. 114653-01	Frame, Main door, Pre-formed
3. 114654-01	Screen door, RH Hinge
4. 114448-03	Skin, exterior, upper main door
5. 114449-03	Skin, exterior, lower main door
6. 114475	Main door skin, inner
7. 381552-02	Hinge, Main door, Upper
8. 381552-01	Hinge, Main door Lower
9. 365232	Seal, main door
10. 371400-01	Window, main door, etched
11. 115208	Trim ring, main door window
12. 114658	Inner door, "Z" bar, upper & lower
13. 114657	Hat section, formed, main door
14. 115413	Hat section assembly, round dead bolt
15. 382069	Deadbolt assembly, round, Trimark
16. 203370	Spacer, deadbolt assembly
385595	Pocket strike, main door
381326	Striker w/ Trimark deadbolt
453851	Bolt, Trimark, deadbolt
114363	Drip cap, main door
380290	Housing. Latch, mounted on side sheet
380291	Latch assembly, mounted on side sheet
201056	Striker, main door, black plastic
114507-03	Trim, main door
454898	Nut plate, Main door
365360	Gasket, Nut plate
203494	Baseplate, door latch
511344-04	Grab handle, Clear swirl handle w/Amber LED bulb

2016 PENDLETON EXTERIOR DOORS

Screen Door



Parts Listed on Next Page

2016 PENDLETON EXTERIOR DOORS

Screen Door

114654-01	Screen Door, RH Hinge
1. 104782-186	Extrusion, Frame, Screen door
2. 114648-01	Kick panel, Screen door
3. 114561-01	Panel, Screen door slider
4. 104784-78	Extrusion, Screen door stiffener
5. 380079	Screen, Gray
6. 330126-03	Rivet, Pop
7. 325002-01	Rivet, 1/8 x 3/8, Anodized Clear
8. 385577	Tape, Clear, 3.5" wide
380004	Handle with 8/32 x 1 screw
365013-01	Gasket, Screen door, Foam tape
683946	Bug seal, Edge of screen door close out
203287-02	Closeout, Plastic, Screen door
115663-01	Screen door guard, Top
115663-02	Screen door guard, Bottom
200518	Spline, Gray, Screen insert
381454	Screen door hold back latch, Bullet
386068	Medallion, 3" logo, AIRSTREAM
381531-01	Hinge, Screen door, Upper
381531-02	Hinge, Screen door, Lower

2016 PENDLETON EXTERIOR DOORS

Refrigerator Access Door

923114	refrigerator door with screen
923115	refrigerator door access w/jamb
112024	Jamb, Refrigerator access door
372264	Screen, Refrigerator door
203714	Trim Lok, flexible, inner doorjamb
380988	Hinge, Continuous .5 in, leaf 16IN
381812	Latch, Twist, Chrome

Front Access Door, Long

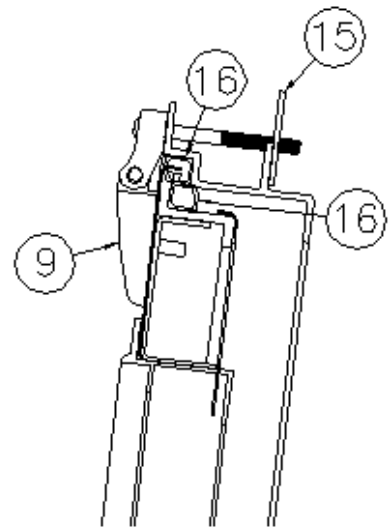
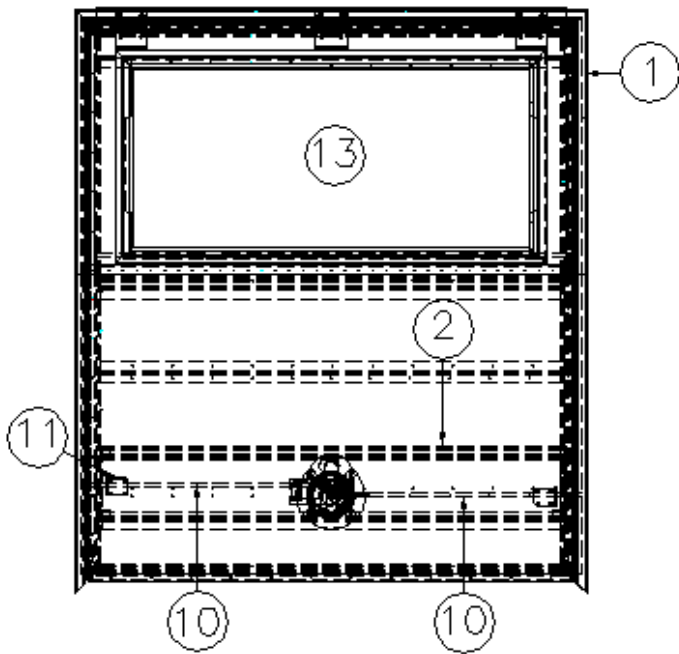
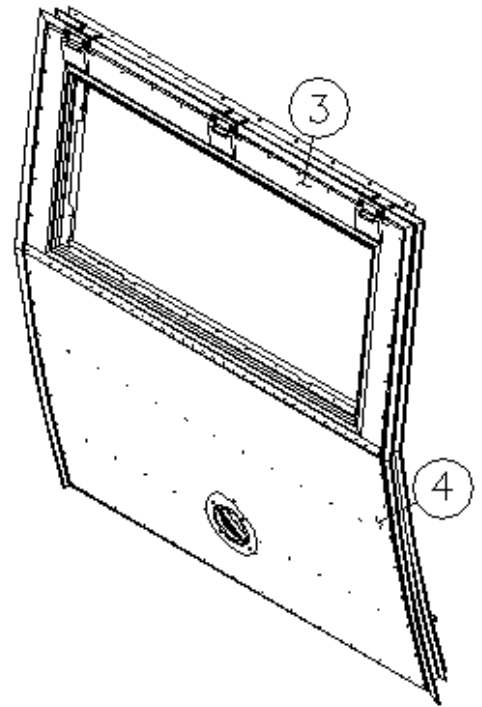
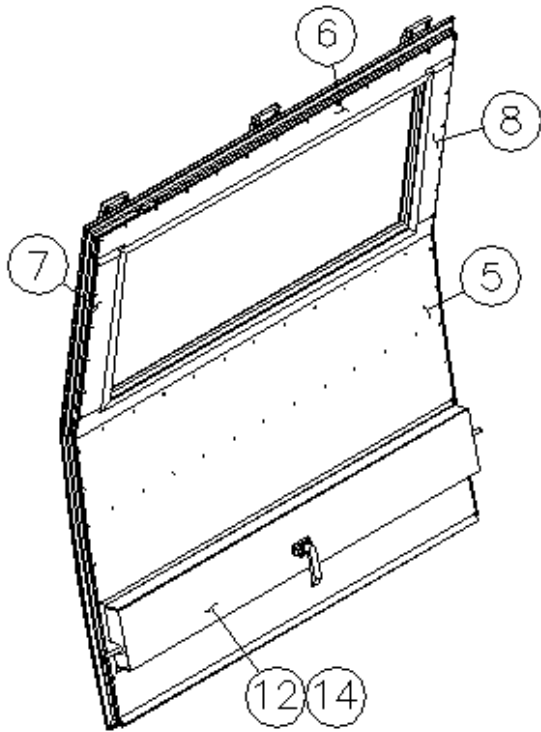
922288-02	Trunk door only w/round corners
104833	Jamb, long side access door
381065-10	10" cable support
104831	Frame, Front access door
382230-02	Compression Latch w/key code
365035	Rubber seal, access door
380774-02	Hinge, Compartment door, 48.00"

Water Heater, Water Fill, & Furnace Doors

690671	Access Cover, Water Heater, Painted
690664-05	Furnace exterior door & bezel, Painted Aluminum
601194	Water fill door w/pocket & lock

2016 PENDLETON EXTERIOR DOORS

Hatch Door



Parts Listed on Next Page

2016 PENDLETON EXTERIOR DOORS

Hatch Door

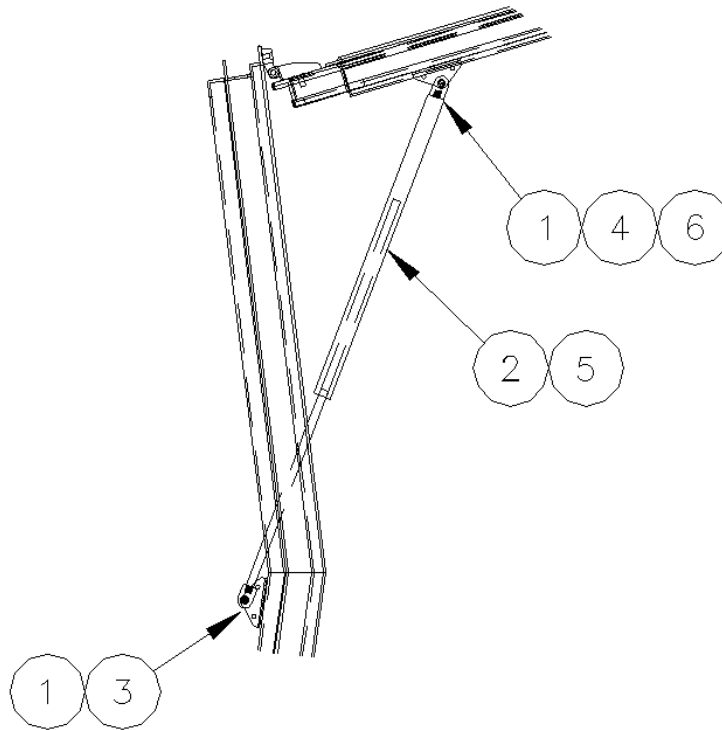
967683

Hatch Door

- | | |
|---------------|------------------------|
| 1. 115517 | Jamb, Hatch Door |
| 2. 115518 | Weldment, Frame |
| 3. 115523 | Outer skin, Upper |
| 4. 115524 | Outer skin, Lower |
| 5. 115525 | Inner skin, Lower |
| 6. 115526-01 | Inner skin, Upper |
| 7. 115526-02 | Inner skin, CS, Upper |
| 8. 115526-03 | Inner skin, RS, Upper |
| 9. 382065 | Hinge, Rear |
| 10. 382018-07 | Rods, 48" Sq. D-rings |
| 11. 382018-06 | Grommet rod guide |
| 12. 115521 | Closeout, Latch |
| 13. 371430 | Window, 40.97 |
| 14. 454862 | Cover, Finish |
| 15. 115529 | Backer, Hinge |
| 16. 365232 | Seal, Baggage door |
| 372263 | Screen, 42 x 20.5 |
| 512409 | License plate holder |
| 365355-01 | Gasket, Hinge |
| 512472 | Kit, Door jamb contact |
| 203655 | Block, Rod guide |
| 382017 | Gasket, .60" bulb seal |

2016 PENDLETON EXTERIOR DOORS

Hatch Door Struts



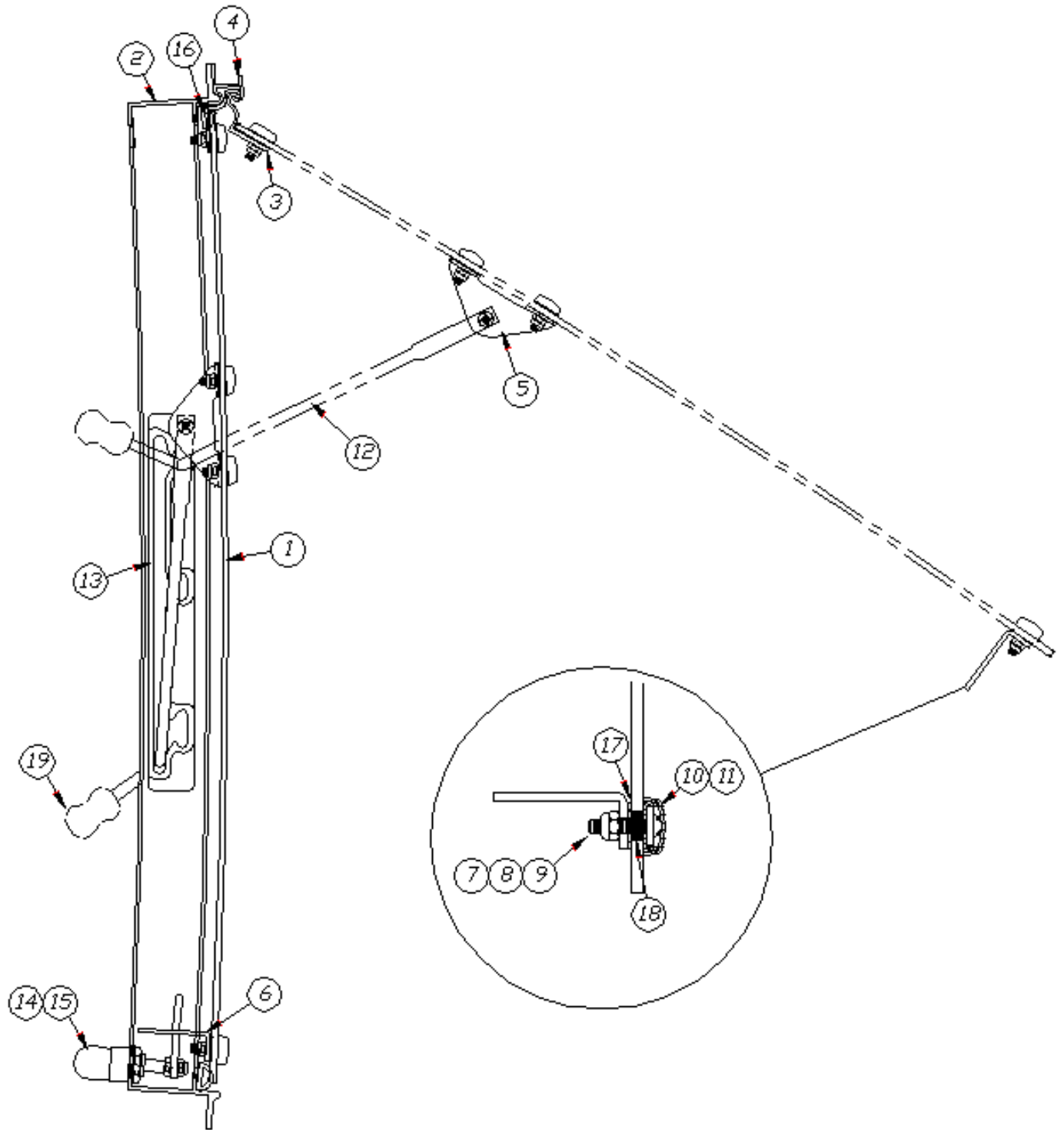
- | | |
|--------------|------------------------------|
| 1. 381262 | Bracket, Prop w/ball |
| 2. 382084-04 | Gas spring, M8, Male thread |
| 3. 330031-03 | Rivet, Dome head, Ssd64ssbs |
| 4. 330031-01 | Rivet, 3/16 x 5/8, Ssd68ssbs |
| 5. 382084-02 | Socket, Gas rod |
| 6. 300012 | Washer, Aluminum, 3/16 ID |

Screen Door, Rear

- | | |
|-----------|--------------------------------|
| 382150 | Screen, Pull-down retractable |
| 454859 | Closeout, Rear screen door |
| 203138-04 | Extrusion, Plastic, 1/2", Oak |
| 365232 | Seal, Baggage door |
| 382151 | Plug, Snap-in, .5" Dia., Black |

2016 PENDLETON WINDOWS

Window Parts Diagram



Parts Listed on Next Page

2016 PENDLETON WINDOWS

Window Parts Diagram

371324-02	Window, 30" Opening
1. 371324-100	Glass w/hardware, 30" window
2. 195510-93	Glass assembly for 30" tall window
195510-01	Frame assembly, 30" window
195510-15	Frame assembly, 30" tall window
3. 0101-0017	Extrusion, Window hinge, Glass side
4. 115557	Extrusion, Window hinge, Fixed side
5. 1101-0010	Bracket, Window prop
6. 1101-0011	Bracket, Window closer
1101-0012	Bracket, Window closer
7. 0706-0001	Flat washer
8. 0703-0001	Screw, #8-32 x .625", Black, SS
9. 0702-0010	Nut, #8-32, Black, SS
10. 0802-0004	Screw cover, Black
11. 0802-0005	Washer, 12-12 screw cover
12. 195510-04	Operating arm, RH
195510-05	Operating arm, LH
13. 0802-0001	Guide, Operating arm, RH
0802-0002	Guide, Operating arm, LH
14. 010020	Latch assembly
15. 1101-0005	Handle, Chrome
195467-05	Handle, Red
16. 381665	Gasket seal
17. 365225-01	Tape, Double coated foam, 25 mil, .5"
18. 381498	Bushing, Acrylic
19. 380230-03	Knob, Window arm, Silver
380230-04	Knob, Window arm, Red

2016 PENDLETON WINDOWS

Windows

371346-02	Window, Flat, Front center
372088-101	Panoramic window, RS front, CS rear
372089-101	Panoramic window, CS front, RS rear
371436	18" Stack Window
371380	Window, opening, 30" tall
371400-01	Window, main door
371380-01	30" x 30", opening egress window
371437-02	Window, Vista view, 30"

Window Screens

371349-03	Screen, rear escape
371347-03	Screen, front window
372175-04	Screen, 30" opening window, Clear anodized frame

Window Trim Rings

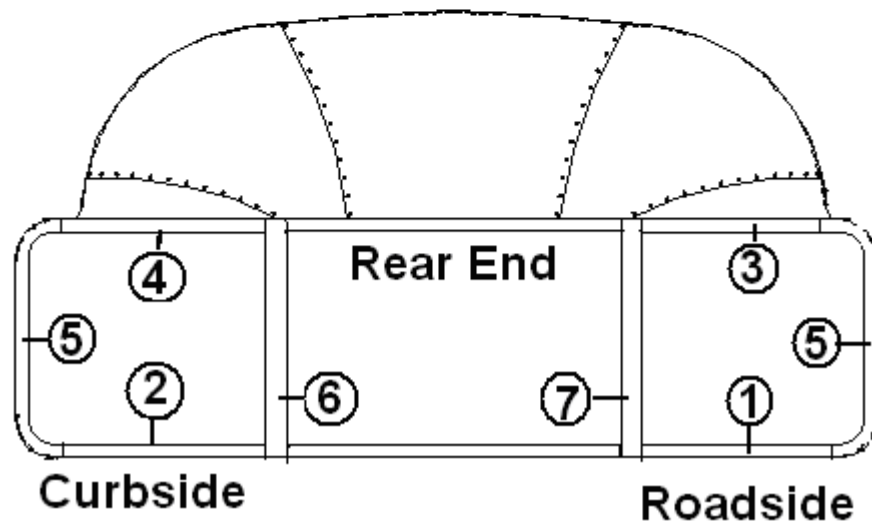
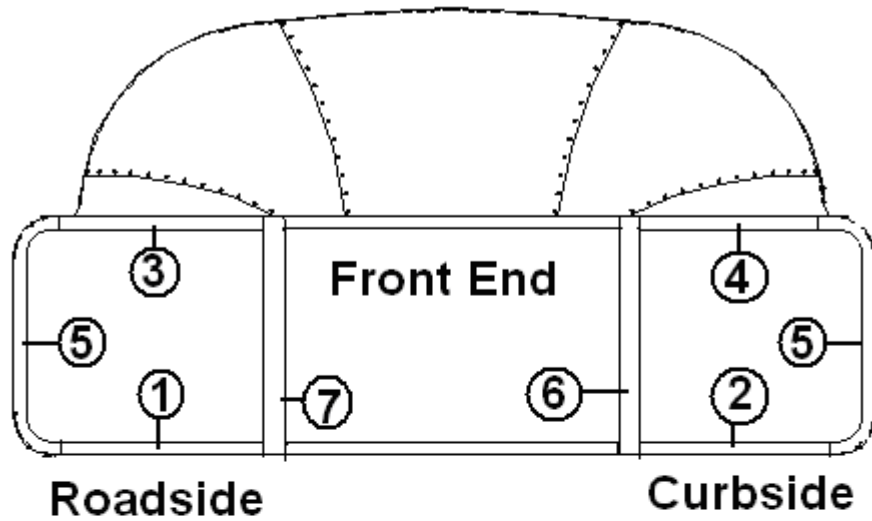
372267	Trim Ring, 30", Stacked, aluminum
372268	Trim ring, 18", stacked, aluminum
115208	Trim ring, window, Main door
203225-01	Trim lok for fixed window close outs, Gray
203714	Trim lok, Neoprene

Vista View Windows, 30"

203490-04	Trim ring, 30" Vista View, Interior, silver
371437-02	Window, Vista View, 30"
372271-02	Glass, Vista view window
372272-02	Sash, 30" Vista View
922772-02	Backer, Vista View blind, 30"

2016 PENDLETON WINDOWS

Window Trim, Panoramic



- | | |
|--------------|----------------------------|
| 1. 201579-02 | Trim ring, Lower RS, Gray |
| 2. 201580-02 | Trim ring, Lower CS, Gray |
| 3. 201581-05 | Trim ring, Upper RS, Gray |
| 4. 201581-06 | Trim ring, Upper CS, Gray |
| 5. 201578-02 | End cap, Trim ring, Gray |
| 6. 110900-03 | Trim, formed, RH, Aluminum |
| 7. 110900-04 | Trim, formed, LH, Aluminum |
| 203225-01 | Trim lok, Gray |

2016 PENDLETON AWNINGS

Awnings, Windows

111550-04	Awning window package
703181-59	Window awning, 52.63"
703181-60	Window awning, 18'-6.25"
385577	Wear tape, clear, 3½" wide

Awnings, Patio

702993-48	Awning, Patio, 18'-5.25", Alpine
702993-49	Awning, Patio, 18'-5.25", Badland Canyon
702993	Patio awning hardware
704049-23	Awning silkscreen, Pendleton
512918-03	LED flex light strip
115578	Doubler plate, Trailer awning

Awning will need to be ordered along with 704049-23 for the silkscreen.

Power Awnings, Patio, Optional

704049-22	Power awning, 18'-5.25", Alpine
704049-24	Power awning, 18'-5.25", Badlands Canyon
704049-23	Awning silkscreen, Pendleton
704049-01	Hardware Kit, 65" Support Arm
365369	Gasket, Power awning
382199	Plug, 1" hole, Nickel
382202	Grommet, Liquid Tight
512652	Power cable, Relax awning
512918-03	LED flex light strip
385577	Tape, Clear wear strip

Awning will need to be ordered along with 704049-23 for the silkscreen.

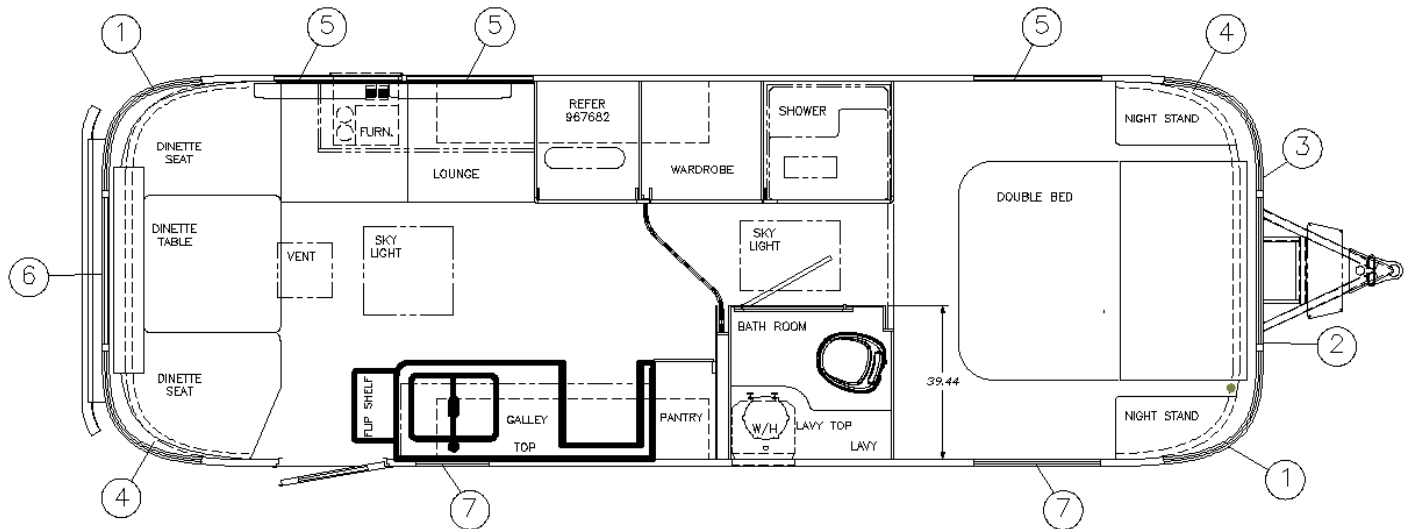
2016 PENDLETON WINDOWS, STONE GUARDS

Window Stone Guard

110188-01	3 Piece Stone Guard
685275-101	CS wrap window solar protector, stone guard
685275-102	RS wrap window solar protector, stone guard
110102	Stone Guard, Center Piece, w/Panoramic windows
685358	Turn fast stud
685362	Retainer, split ring
685359	Rubber receptacle
685361	Bracket, rubber receptacle
685363	Slip joint hinge, SS, CS per pair
683960	Arm support
683959	Arm support bracket
114749	Hinge, "Y" assembly. (Rockguard Assy.)
114750	Hinge, "J" (Rockguard Assy.)
685364	Bracket, upper hinge-45.375-Stoneguard
381021-01	Latch, draw flexible
381688	Bumper, rubber, .44" wide, hemisphere, clear
114815-01	Extrusion, frame aluminum
685354	Front Win key, 90-Deg, riveted to inside corner of metal frame
685378-01	1/4" rubber spline
685351	Rubber frame, black
290812-01	Plexi-glass, 28" x 84 ", sheet
101401	Extrusion, door latch housing
685355	Slip joint, SS. hinge

2016 PENDLETON DRAPES, SHADES

Draperies & Shades, 27FB



115688

Window Coverings Install

- | | |
|--------------|-----------------------------------|
| 1. 998230-04 | Drape, Side panel, 44 x 29 |
| 2. 998230-01 | Drape, Front panel, 34 x 29 |
| 3. 998230-02 | Drape, Front panel, 34 x 29 |
| 4. 998230-03 | Drape, Side panel, 44 x 29 |
| 5. 704229-02 | Shade, 29.75 x 34, Oceanair |
| 6. 704229-03 | Shade, 40.5 x 34, Oceanair |
| 7. 704229-01 | Shade, 19 x 34, Oceanair |
| 704120-01 | Shade, Skylight, 14.5 x 22, Grey |
| 704120-02 | Shade, Skylight, 19.25 x 20, Grey |

2016 PENDLETON SHADES, TRACKS, BRACKETS

Drapes & Shades Hardware



①



②

- | | |
|-----------|--|
| 1. 101225 | Bracket, curtain standoff |
| 2. 700045 | Glides w/elastic, "G" type |
| 100097 | Extrusion Aluminum Curtain Track |
| 703903 | Fabric, Drapery, Wyeth off White, A2GO |
| 700005 | Fastener, Cap |
| 700006 | Fastener Socket |
| 700020 | Pile Velcro |
| 700021 | Hook, Velcro, White |
| 340030 | Fastener Stud, Nickel Plated |

2016 PENDLETON ELECTRICAL, 110 VOLT

Power Cord, 50 Amp Exterior Hook Up

511149-02 Power inlet w/ strain relief
511149-03 Power cord, 50A, 36'

Breaker Box, 50 Amp

510564-20GFI Breaker, Type BR, 20GFI
510564-20 Breaker, 20 amp, Bryant
510564-01 Breaker, Bryant, 20
510564-03 Breaker, 15-15
510564-07 Breaker, 15 GFI
510564-09 Breaker, 15 Amp, Bryant
510564-3020 Breaker, Type BRD, BD 30-20
453573 Mounting bracket, Breaker box
510014 Junction box, Octagon

Inverter

512680 Inverter, 1,000 Watt #WF-5110H-W
512680-01 Inverter, 15A time-delay fuse
512680-02 Inverter, RJ 22 4P/4C connector
512680-03 Install tool for 512680-02
511969-01 110A fuse and block, CLASS T
512847 Portable Cord, SJ00W12-3

2016 PENDLETON ELECTRICAL, 110 VOLT

Receptacles & Covers

512481-01	Receptacle, 20 Amp, Single, White
512481-02	Receptacle, 20A, Single, Brown
512481-03	Plate, Brown Cover W/Screws
500563-03	Receptacle, White, Self-contained
500563-04	Wall plate, White w/screws for 500563-03
511287	Receptacle, single, 15A
510888-05	Receptacle w/Cover, GFI, White
510888-06	Spacer, Receptacle, GFI, White
510888-07	Receptacle cover, white
511814-01	Receptacle, duplex, gray
511814-02	Plate, decorator, 1 gang, gray
510015	Box, cover
512562	Receptacle gasket, Neoprene w/adhesive
511534	Dual coax plate, White
512369	Receptacle, 15A SLG, White
512370	Wall plate, 1 gang, Single receptacle

Exterior 110 Volt Outlet

500563-03	Duplex receptacle, White
512741	W.P. cover w/ gasket

2016 PENDLETON ELECTRICAL, 12 VOLT

Battery

511596 Battery, Deep cycle, Interstate SRM-24
500836-02 Positive battery cable, 72"
500837 Negative battery cable

7-way Cable

500886-01 7-Way cable w/plug
511411 Junction box, 7-way cable

Breakaway Switch

0300027 Breakaway Switch, Bargman
454526 Breakaway switch bracket
345426-04 Clamp, rubber loop .63"

Battery Disconnect Switch

511655-01 Bezel assembly, Black & Silver
511655-02 Relay, 100 amp, 12 volt
511655-05 Cable, BDO, 30'

Monitor Panel

512833 Monitor, Tank System Kit (Seelevel)
512833-01 Flush mount monitor panel only
512833-02 Sender pad

Wireless Backup Camera, Optional

512946-01 Digital wireless observation kit
512946-02 Voyager digital autopair camera
512946-03 Voyager 5.6" LCD monitor

Power Center

512818 Power center, AC/DC, 50 amp, Parallax

2016 PENDLETON ELECTRICAL, 12 VOLT

Solar Charging System

511828	Battery, 12V deep cycle, AGM, GPL-24T Lifeline
511142-01	Panel, solar, 53 watt
511142-02	Bracket, mounting kit, solar panel
510696	Holder Fuse, In-Line, #24-139-0
510328	AGC 10 fuse, fuse panel
385947	Label 10 AMP fuse, max.
511846	Kit, charge controller display
511846-100	#PVC25D Regulator for solar panel 511846
511846-101	Display only, #PVDM4-LC FOR P/N 511846
511851	Cable, CAT 5E, blue
511852	Connector, RJ45E
115583	Plate, Solar Battery Spacer

Door Bell

511957	Bezel, round, doorbell
511958	Switch, doorbell w/ 6" leads
511966	Doorbell, battery powered, white/brown

Fuses

500883-01	Fuse, CSA, 1 AMP
512318	Holder w/1 amp AFC fuse, In-line
511969-01	110A fuse and fuse block

Exterior Lights & Switches

510658	Switch w/weather proof boot
512859	Amber LED clearance light
512859-01	Amber Bezel
512859-02	Chrome base
512860	Red LED clearance light
512860-01	Red Bezel
512860-02	Chrome base
512928	Curved bezel w/gasket, Required for 3 top lights
512533	Light, Auxiliary, LED
511344-04	Grab handle, Clear swirl handle w/Amber LED bulb
512918-03	LED flex light strip
101323	Casting, Step light, Polished Aluminum
201185	Lens, Step light
512490	Bulb, 25 Diode, Entry light

2016 PENDLETON ELECTRICAL, 12 VOLT

Switches and USB Ports

511327	Switch body w/rocker, 1 gang, white
511566-01	Cover, switch, 2 gang
511566-02	Switch cover, 2 gang, White
511567-01	Switch body w/rocker switches, 2 gang, Black
511567-02	Switch body w/switches, 2-gang, White
512709	Switch, Slide Dimmer Black #AH-SL
500933	Switch, Water heater
511100	Switch body w/switches
511658	Switch body w/cover, 3 gang
511673	Switch cover, 2 gang, Black
511674	Switch cover, 1 gang, Black
511763	Switch w/cover & indicator, Lounge & patio
511784	Switch body w/cover, 4 gang, Black
511785	Switch cover, SPDT, Indirect, Black
511809	Switch body w/cover, 4 gang
511980	Switch, 4 gang, Black
511999	Switch, 2 gang, Black
510658	Switch w/weather proof boot
512917	Switch, Slide dimmer, Dual
512792	USB port pigtail
512791	USB port w/Q nut, Dual, Black
512945	USB power inlet w/fuse, Black

Interior Lights

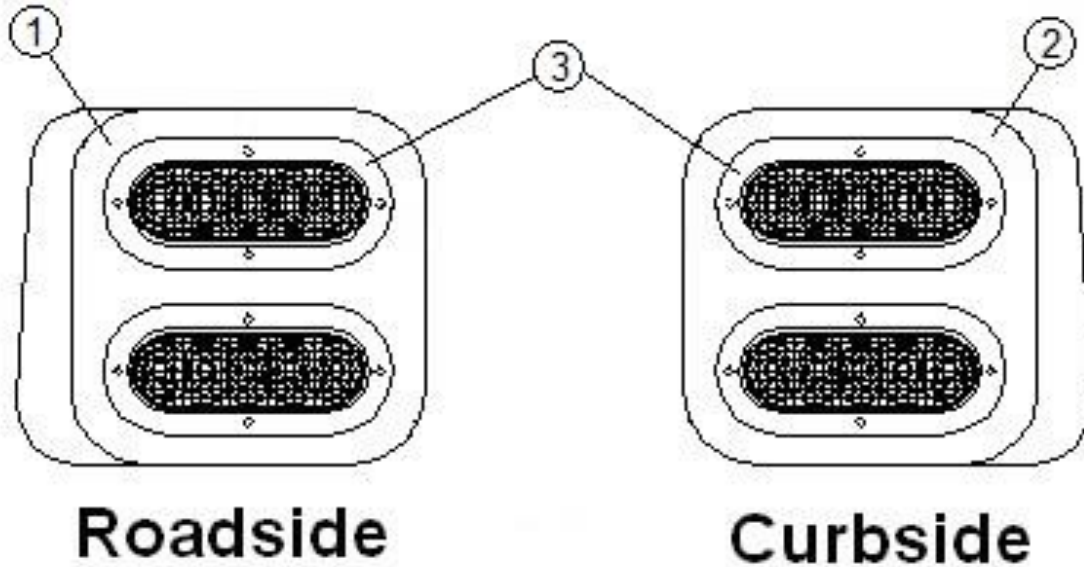
512736	Light, 12V w/Switch, LED
512478	Light, LED, Wet Location
512719	Reading light, Directional, LED, Nickel
512720	Spotlight, Surface mount, LED
512462	LED reading light w/frosted lens
512936	Spotlight, LED w/frosted lens

License Plate

512409	License plate holder
--------	----------------------

2016 PENDLETON ELECTRICAL, 12 VOLT

Taillight Assembly



952929-01
952929-02

Taillight, LED, Roadside
Taillight, LED, Curbside

- 1. 511664-01 Taillight casting, Roadside
- 2. 511664-02 Taillight casting, Curbside
- 3. *512425 6" oval LED tail light kit
 - 512425-02 Trim ring
 - 345473 Screw, #6 X 3/4", Self-drilling
 - 512425-03 Gasket, Taillight
- 115073-01 Bracket, Roadside taillight
- 115073-02 Bracket, Curbside taillight
- 115074 Bracket, Center taillight

*512425 Tail Light Kit Includes Tail Light, Trim Ring & Gasket.

2016 PENDLETON ENTERTAINMENT

Radio

512835-01	Audio System w/2 head units, Polk
512835-02	Wired remote w/display
512835-03	Y Cable
512835-04	18' extension cable
512835-05	Sirius/XM tuner, no antenna
512835-06	Sirius/XM Antenna
512835-07	USB input port
512834	Speaker, Coaxial, 6.5", Polk
511807	Antenna, AM/FM, rubber, 14"
511822	Sub-woofer, powered, 6.5" wedge

TV Antenna

512657-01	Antenna, Omni-directional, White
512398-01	Power supply, Wall plate, Black
500484-04	Antenna, lead and extension, 48"
510616	Connector, "F", coax
510623	Connector, male-to-male, coax

Exterior TV Jack

512568	Inlet, Dual TV/SAT, Titanium
104619	Mounting plate, Exterior telephone & TV jack

Interior TV Jack

510614-01	TV jack, 12V, White
511827	TV jack Plate

2016 PENDLETON ENTERTAINMENT

Lounge TV

690669	LED HDTV, 28" Samsung
512656	TV bracket, Flush
512499	Cable, Mini coax, 48"
801946	Spacer, TV bracket
382184	Sleeve, .75", Flexo braided split

Bedroom TV

690682	LED HDTV, 24", Samsung
512457	Articulating arm
512499	Cable, Mini Coax 48"
512501	Splitter, HDMI Pass through 1X2
340300	Clip, Cable Holder
382184	Sleeving, Flexo Braided Split
512366-03	Cable, HDMI, Male to Male, 3'

Blu-Ray Player

512924	Blu-Ray disc player, Samsung
512499	Mini coax cable, 48"
512366-03	HDMI cable, Male-male, 3'
512366-35	HDMI cable, Male-male, 35'
512561	HDMI right angle adapter, Right side

2016 PENDLETON FLOOR COVERING

Carpet, Flooring, Floor Mats, & Linoleum

701538	Carpet, Velour-compartment liner
701538-01	Carpet, Econolier w/PSA back
203594-02	Floor trim, UN7021, Ash Grey
704223	Flooring, Vinyl, Duality Rustic Loft
703766-01	Adhesive
703852	Entrance mat w/Airstream logo
703938	Rear door mat, Grey w/Black accent
203727	Foil, Single bubble flex

2016 PENDLETON

FURNITURE, INTERIOR DOORS & MIRRORS

Mirrors

372203-33 Mirror, Safety glass, 14" x 40"
381220-02 Mirror clip, Nickel Plate

Door, Shower

703911-01 Shower Door, 25.5 x 65, Brushed Nickel

Door, Foldette

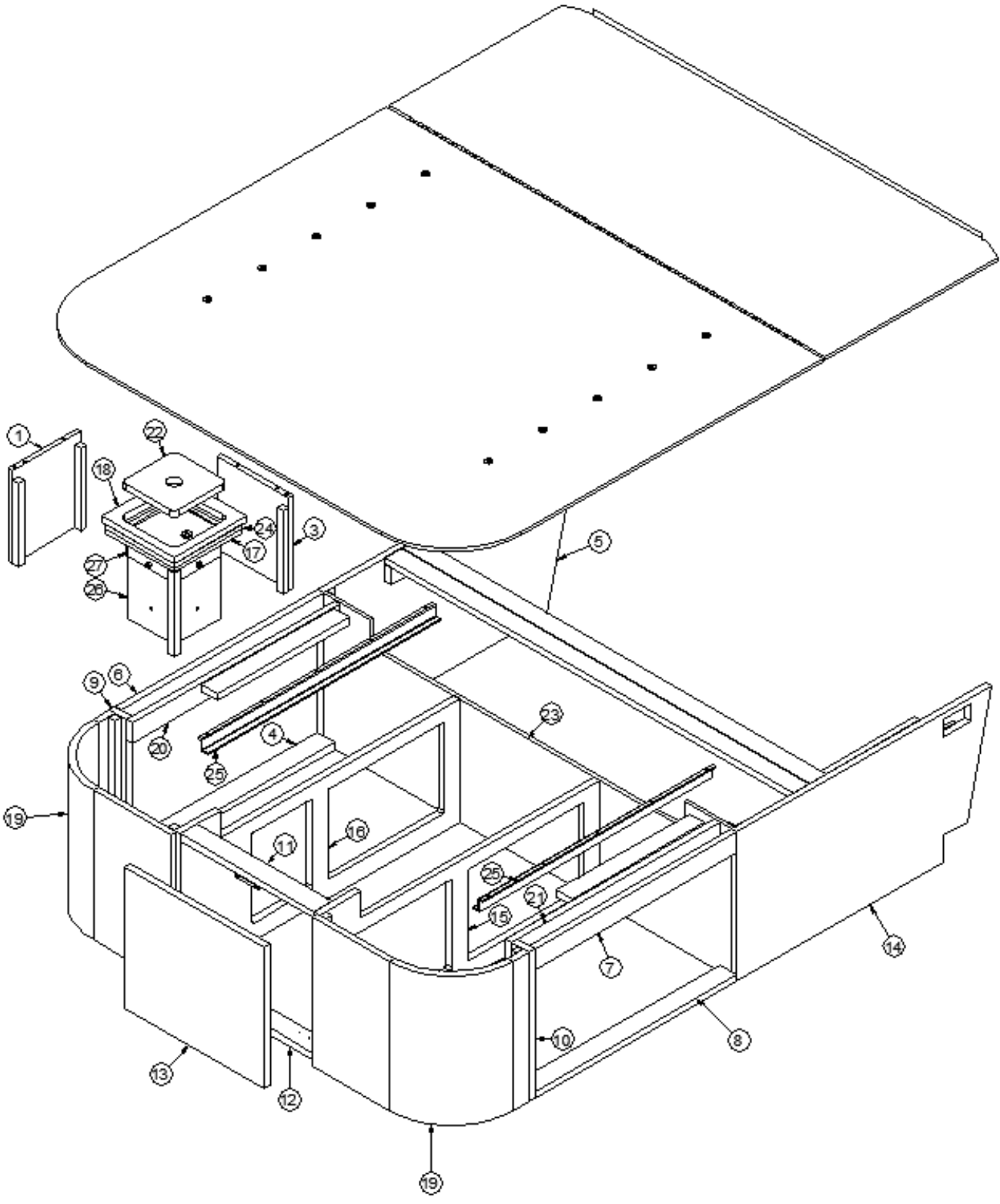
704166 Foldette door, Black, 60 x 73
382005 Formed track, Foldette door
381890-02 Straight track, Foldette door

Doors, Roof Locker

203708-01 Door, Plexiglass, 11.31 x 30
203824-01 Door, Plexiglass w/etching, LH slide
203824-02 Door, Plexiglass w/etching, RH slide

2016 PENDLETON
FURNITURE, BEDROOM

Bed, Double



Parts Listed on Next Page

2016 PENDLETON FURNITURE, BEDROOM

Bed, Double

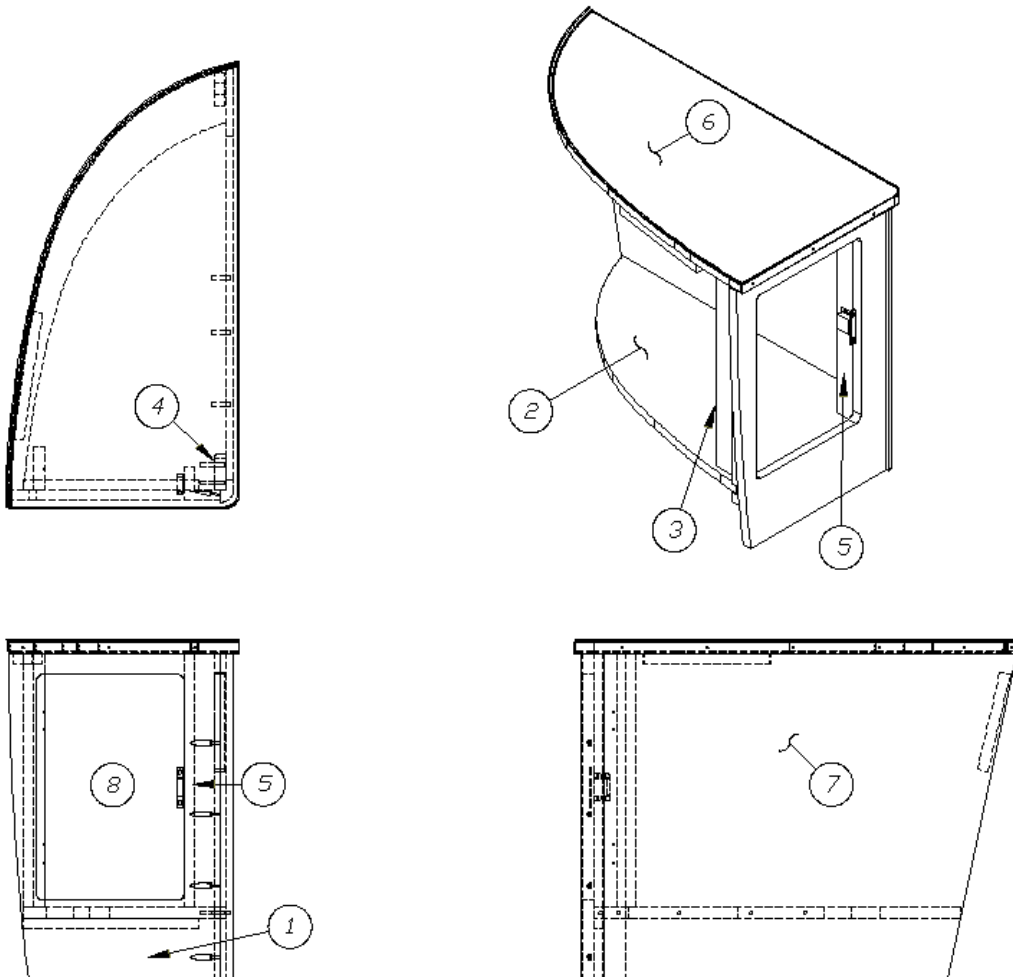
968355

Queen Bed

1. 968355-1	Panel, 8.75 x 10.38
2. 968355-2	Panel, 31.44 x 11
3. 968355-3	Panel, 9.25 x 10.38
4. 968355-4	Panel, 2.25 x 26
5. 968355-5	Panel, 32.75 x 16.63
6. 968355-6	Panel, 2.25 x 26
7. 968355-7	Panel, 2.25 x 26
8. 968355-8	Panel, 2.25 x 26
9. 968355-9	Panel, 2.25 x 16.63
10. 968355-10	Panel, 2.25 x 16.63
11. 968355-11	Panel, 2.25 x 17.25
12. 968355-12	Panel, 2.25 x 17.25
13. 968355-13	Panel, 17.88 x 15.75
14. 968355-14	Panel, 32.75 x 16.63
15. 968355-15	Panel, 16.63 x 36
16. 968355-16	Panel, 16.63 x 36
17. 968355-17	Panel, 8.75 x 8.75
18. 968355-18	Panel, 9.25 x 16.88
19. 966864	Bed corner sub assembly
20. 968355-20	Panel, 2.25 x 26.75
21. 968355-21	Panel, 2.25 x 26.75
22. 968355-22	Panel, 6.81 x 6.81
23. 968355-23	Panel, 16.63 x 52.5
24. 968355-51	Panel, 8.75 x 8.75
25. 454872	Support, Pedestal table storage
26. 382292	Safe
27. 115656	Safe collar
114812	Aluminum angle, 1 x 1
381228-02	Catch grabber door, 5LB
380203-01	Piano hinge

2016 PENDLETON FURNITURE, BEDROOM

Nightstand, LH



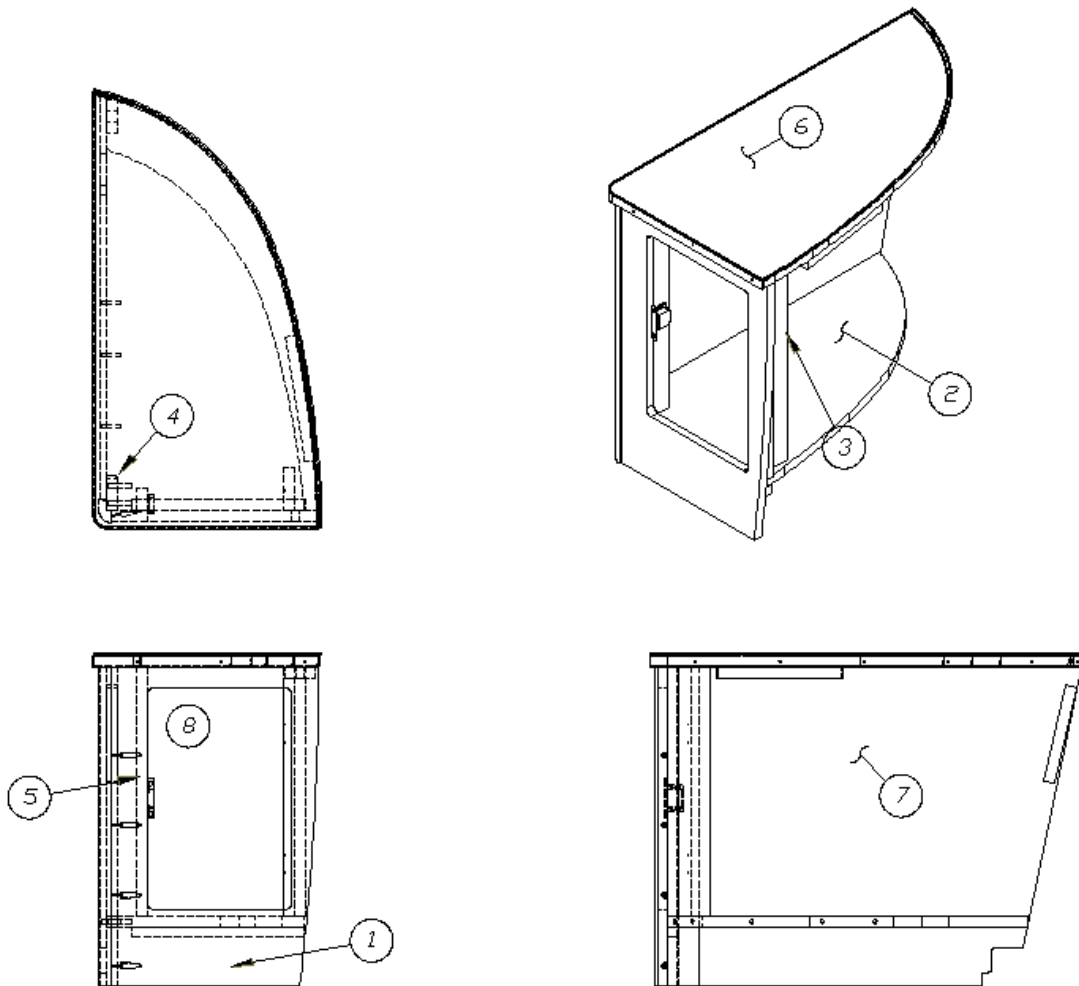
966868-31

Nightstand, LH

- | | |
|---------------|--|
| 1. 966868-311 | Panel, 14.78 x 22.75 |
| 2. 966868-2 | Panel, 27.69 x 14.13 |
| 3. 966868-3 | Panel, 3 x 17.75 |
| 4. 966868-4 | Panel, 2.25 x 22.75 |
| 5. 966868-5 | Panel, 17.75 x 1.63 |
| 6. 966868-316 | Panel, 16.09 x 31.06 |
| 7. 966868-317 | Panel, 28.84 x 22.75 |
| 8. 966868-318 | Door, 10 x 15.44 |
| 382253-02 | Pull, Antique Silver |
| 381607-11 | Hinge, Self-close |
| 381228-02 | Catch, Grabber door, (5lb Pull) |
| 801706-0031 | Corner trim, 90°, 1 radius, Rustic Hickory |
| 201673-01 | Reverse cove molding, Oak |

2016 PENDLETON FURNITURE, BEDROOM

Nightstand, RH



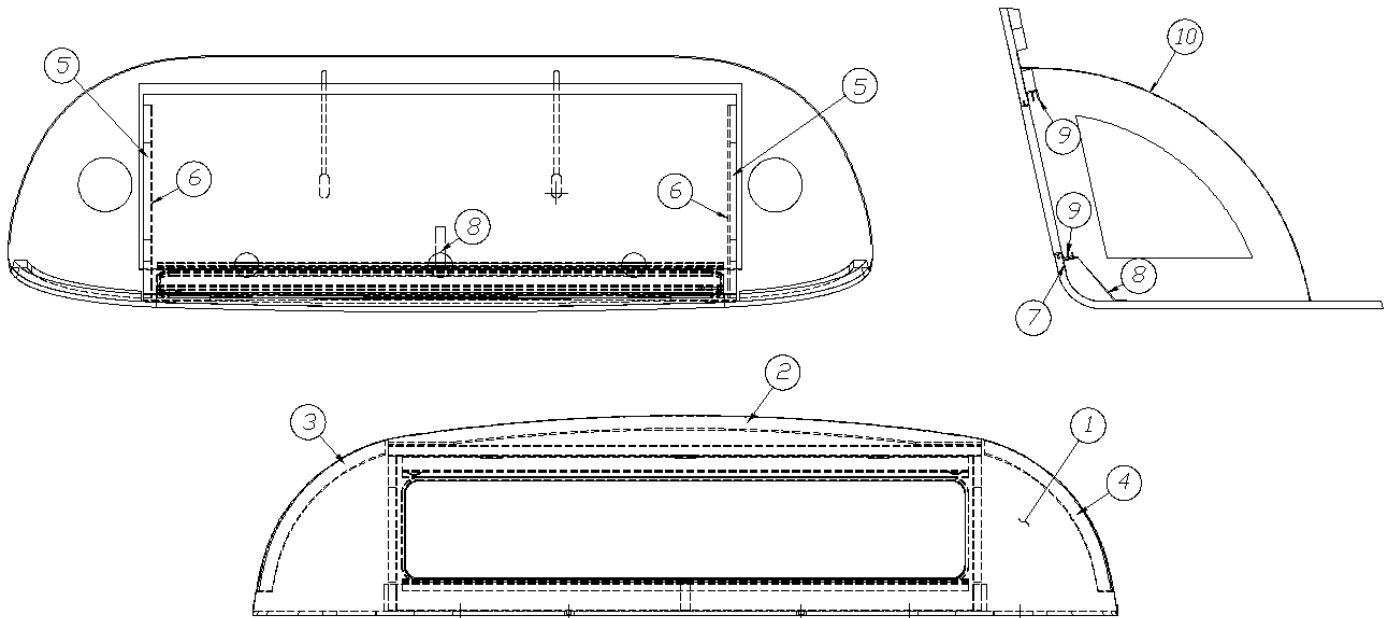
966851-31

Nightstand, RH

- | | |
|---------------|--|
| 1. 966851-311 | Panel, 14.78 x 22.75 |
| 2. 966851-2 | Panel, 27.69 x 14.13 |
| 3. 966851-3 | Panel, 3 x 17.75 |
| 4. 966851-4 | Panel, 2.25 x 27.75 |
| 5. 966851-5 | Panel, 17.75 x 1.63, |
| 6. 966851-316 | Panel, 16.09 x 31.06 |
| 7. 966851-317 | Panel, 28.84 x 22.75 |
| 8. 966851-318 | Door, 10 x 15.44 |
| 9. 382253-02 | Pull, Antique Silver |
| 381607-11 | Hinge, Self-close |
| 381228-02 | Catch, Grabber door, (5lb Pull) |
| 801706-0031 | Corner trim, 90°, 1 radius, Rustic Hickory |
| 201673-01 | Reverse cove molding, Oak |

2016 PENDLETON FURNITURE, BEDROOM

Roof Locker, Front Endliner



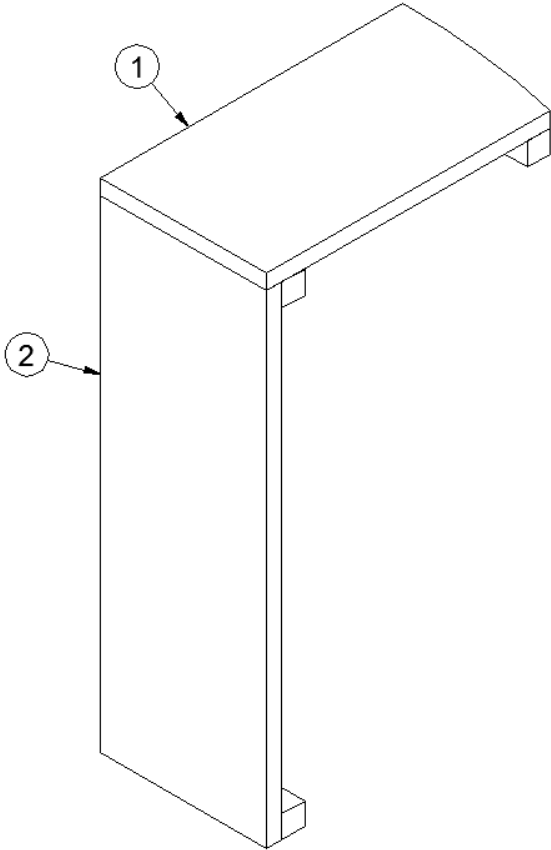
967681-31

Roof Locker, Front

- | | | |
|-----|-----------|--|
| 1. | 801960 | Face, Liner locker |
| 2. | 801596-01 | Backer, WB center |
| 3. | 801596-02 | Backer, LH |
| 4. | 801596-03 | Backer, RH |
| 5. | 801594 | Divider, Liner locker |
| 6. | 801595 | Divider w/laminate |
| 7. | 115261-01 | Angle, Formed |
| 8. | 115226-01 | Bracket, Formed, Locker center support |
| 9. | 203388 | Track, Sliding door |
| 10. | 115264-01 | Pan, WB front |
| | 203824-01 | Door, Plexiglass w/etching, LH slide |
| | 203824-02 | Door, Plexiglass w/etching, RH slide |
| | 703991 | Pile seal weather strip |
| | 382149 | Finger pull, Satin Nickel |
| | 201673-01 | Reverse cove molding, .43", Oak |
| | 203710 | T-molding, Almond |
| | 512720 | Spot light w/frosted lens, LED, Surfaced mount |

2016 PENDLETON
FURNITURE, BEDROOM

Bedroom Closeout



968357

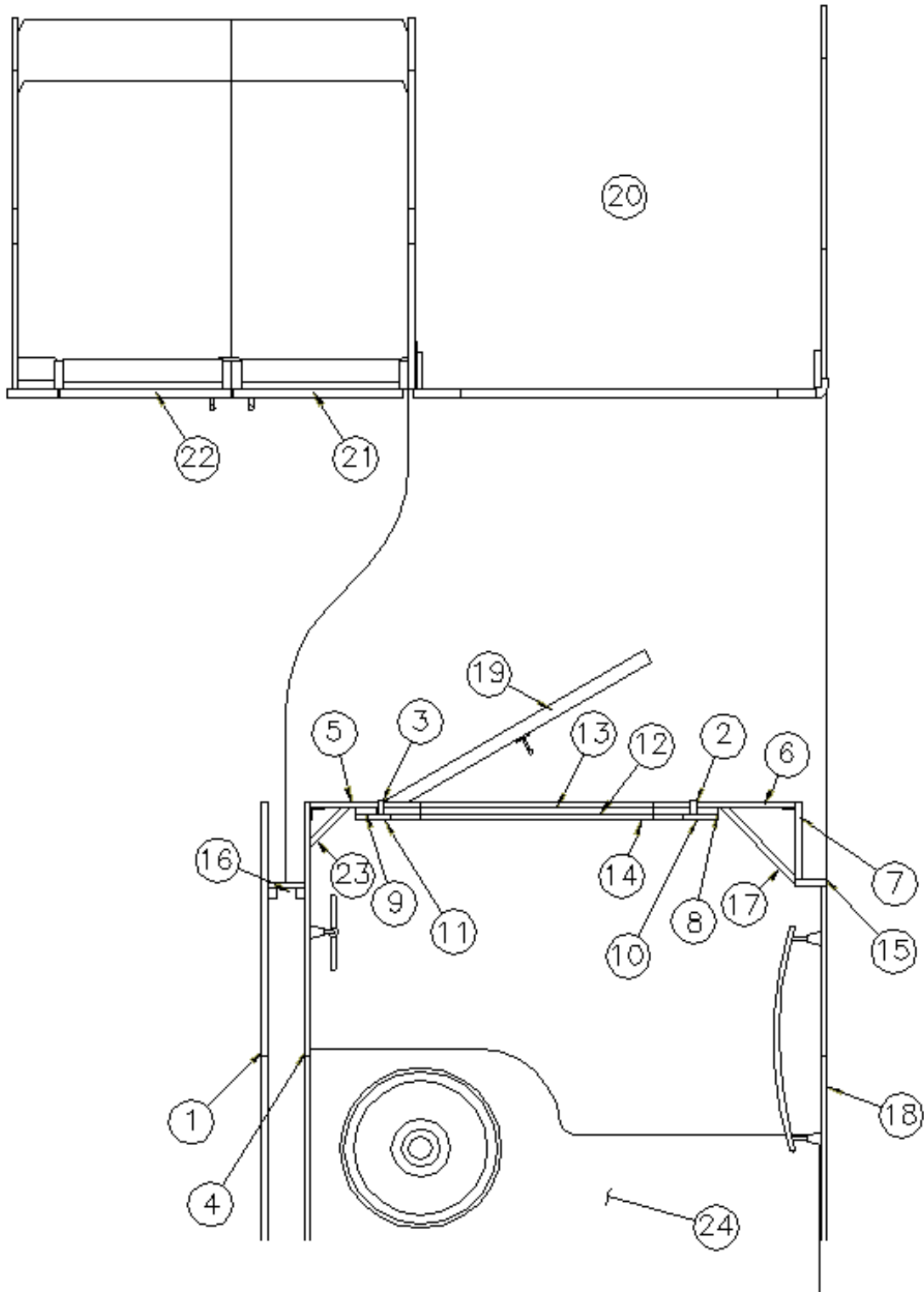
Bedroom Closeout

- 1. 968357-1
- 2. 968357-2
- 365389-02

Panel, 5.5 x 10
Panel, 5.5 x 16
Edgebanding, .94", Sheeshamo

2016 PENDLETON FURNITURE, LAVATORY

Bath Module



Parts Listed on Next Page

2016 PENDLETON FURNITURE, LAVATORY

Bath Module

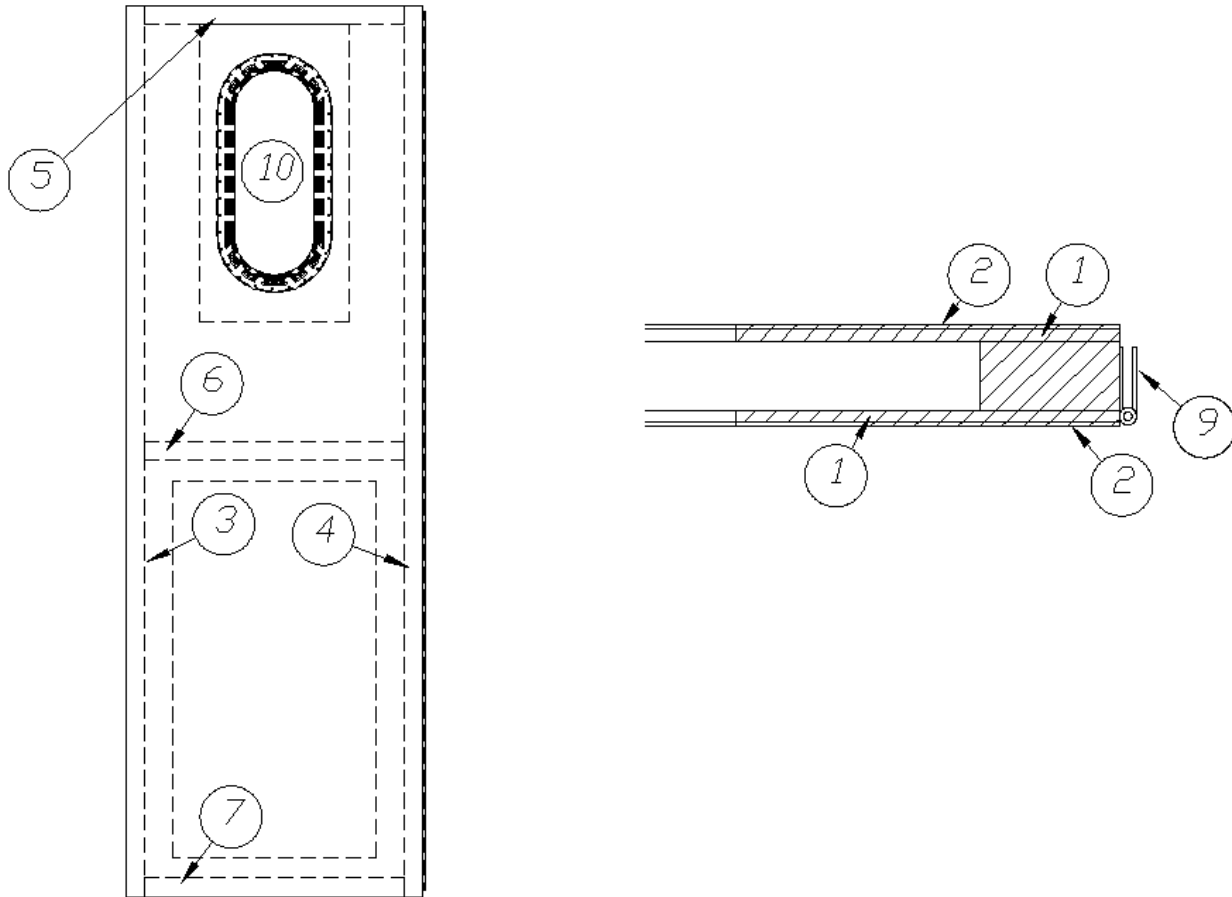
111533-31

Bath Module Install

1. 111533-311	Panel, 79.25 x 39.5
2. 111533-312	Panel, 1.13 x 79.38
3. 111533-313	Panel, 1.13 x 79.38
4. 111533-314	Panel, 79.25 x 39.5
5. 111533-315	Panel, 5.375 x 79.38
6. 111533-316	Panel, 8 x 79.38
7. 111533-317	Panel, 6 x 79.38
8. 111533-318	Panel, 1.69 x 79.36
9. 111533-319	Panel, 1.69 x 79.36
10. 111533-3110	Panel, 2.75 x 79.33
11. 111533-3111	Panel, 2.75 x 79.33
12. 111533-3112	Panel, 24.625 x 3.5
13. 111533-3113	Panel, 24.625 x 3.5
14. 111533-3114	Panel, 23.625 x 3.75
15. 111533-3115	Panel, 2.5 x 79.02
16. 111533-3116	Panel, 3 x 78.94
17. 111533-3117	Panel, 8 x 79.36
18. 111533-3118	Panel, 78.85 x 33
19. 966895-31	Bath door w/porthole
20. 966879-31	Shower compartment
21. 966880-31	Wardrobe, Forward
22. 966881-31	Wardrobe, Aft
23. 111533-3132	Panel, 4.5 x 79.36
24. 966884-31	Lavatory cabinet
703911-01	Shower door, Brushed Nickel
203138-04	Extrusion, Plastic, 1/2", Oak
704166	Foldette door, Black, 60 x 73
381890-01	Foldette track, Formed
381890-02	Foldette track, Straight
114812	Aluminum angle, 1 x 1

2016 PENDLETON FURNITURE, LAVATORY

Bath Door, w/Porthole

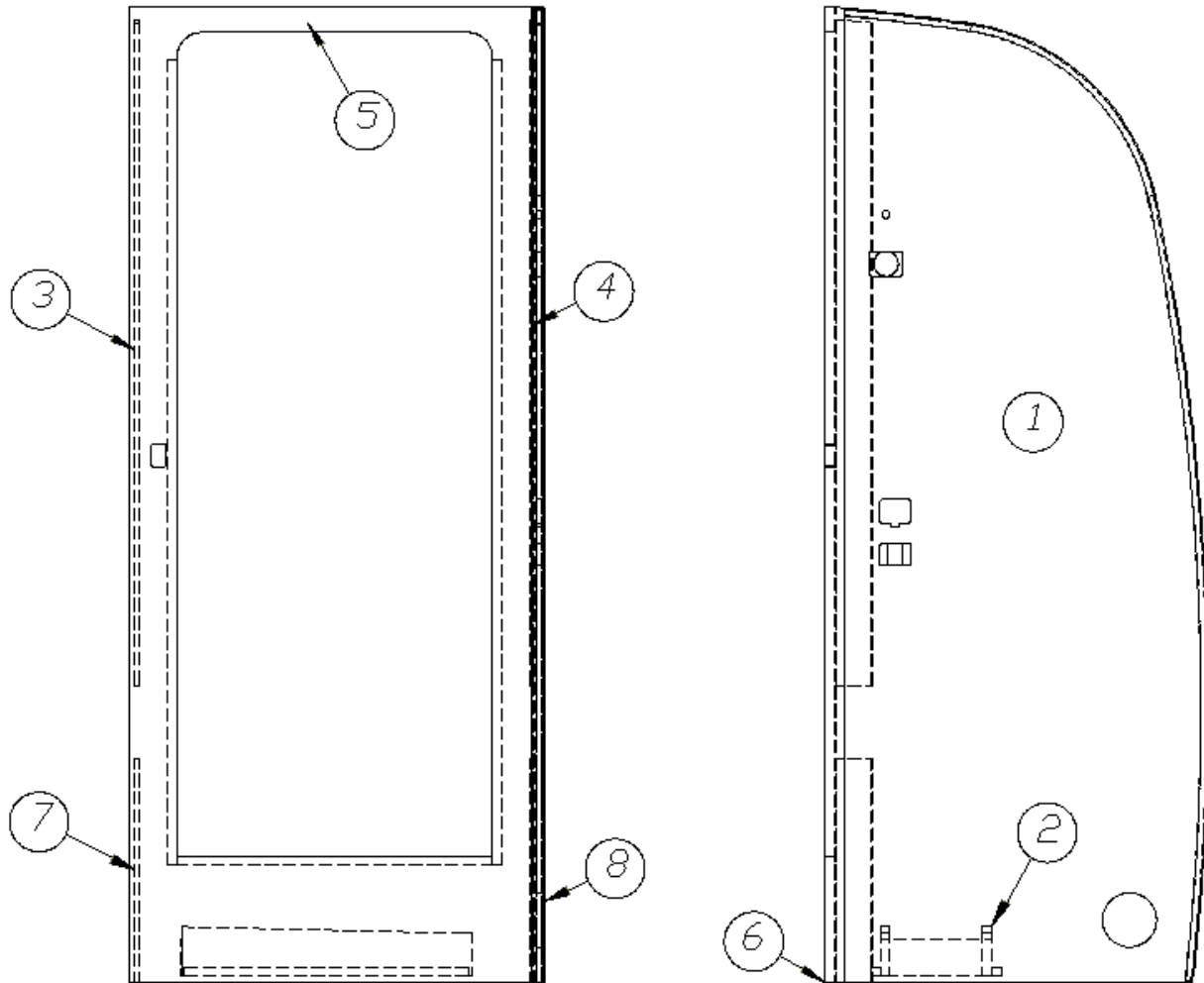


966895-31 Bath Door w/Porthole

- | | | |
|-----|-----------|-------------------------------|
| 1. | 801917-01 | Panel, MDF, 26" x 76" |
| 2. | 802058-01 | Laminate, Sheeshamo |
| 3. | 966895-4 | Panel, 1.5 x 72.5 |
| 4. | 966895-5 | Panel, 1.5 x 72.5 |
| 5. | 966895-6 | Panel, 1.5 x 21.75 |
| 6. | 966895-7 | Panel, 1.5 x 21.75 |
| 7. | 966895-9 | Panel, 1.5 x 21.75 |
| 8. | 966895-10 | Panel, 12 x 24 |
| 9. | 380203-01 | Piano hinge |
| 10. | 371438 | Bath door window |
| | 365389-03 | Edgebanding, 1.25", Sheeshamo |
| | 381771 | Latch-Lever lockset |
| | 203761-02 | Trim, Bath door window |
| | 454320 | Handle cover |

2016 PENDLETON FURNITURE, LAVATORY

Shower Compartment

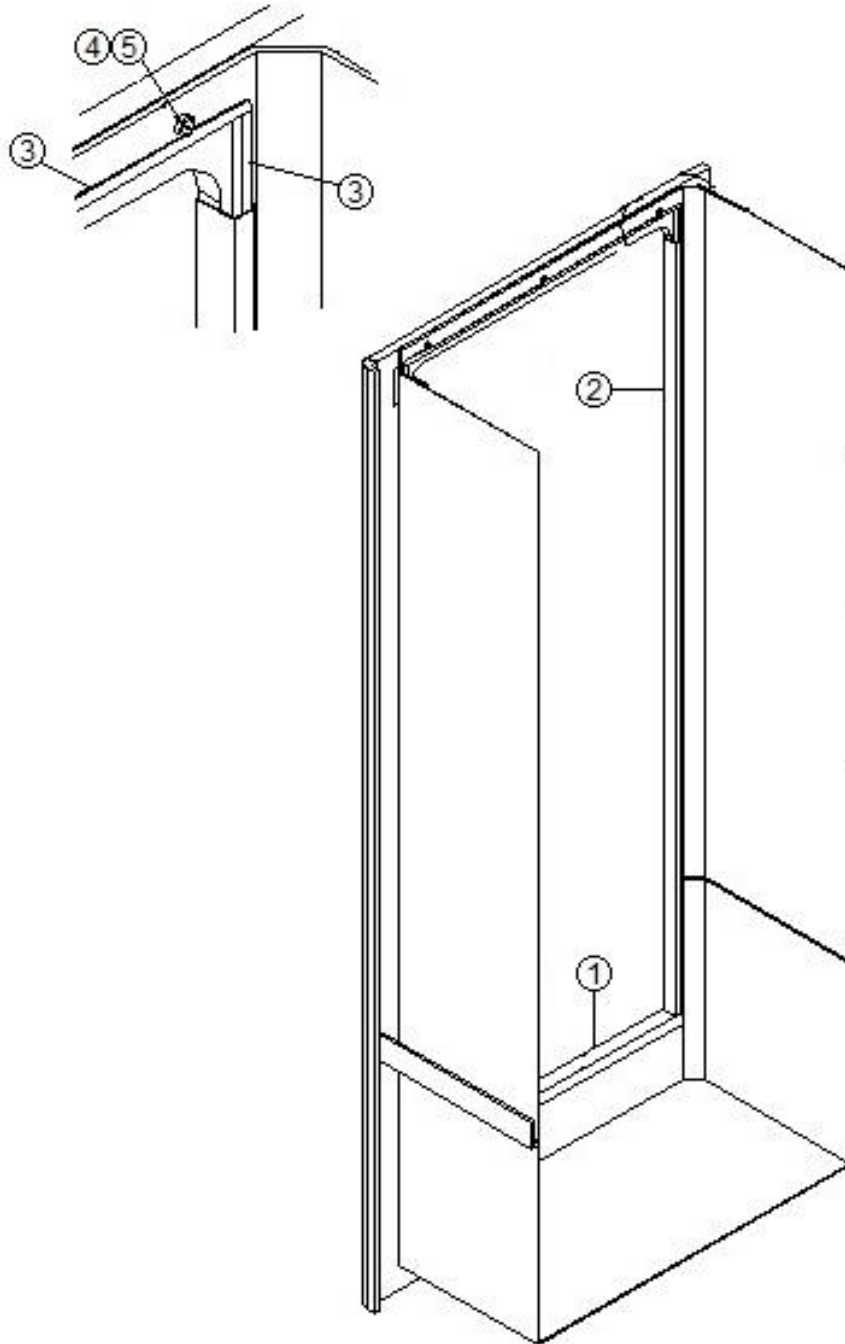


966879-31 Shower Compartment

- | | |
|----------------|---|
| 1. 966879-311 | Panel, 29.24 x 78.52 |
| 2. 961916-01 | Shower stand |
| 3. 966879-3 | Panel, 3 x 54 |
| 4. 966879-4 | Panel, 3 x 54 |
| 5. 966879-315 | Panel, 32.5 x 79 |
| 6. 801706-0031 | Corner trim, 90°, 1" radius, Rustic Hickory |
| 7. 966879-14 | Panel, 3 x 18 |
| 8. 966879-15I | Panel, 3 x 18 |
| 203081-02 | Shower stall, 2 piece fiberglass, White |
| 703911-01 | Shower door, Brushed Nickel |
| 203138-04 | Extrusion, Plastic, Oak |
| 203647 | T-molding, Chamois Yellow |

2016 PENDLETON FURNITURE, LAVATORY

Shower Trim & Door Install

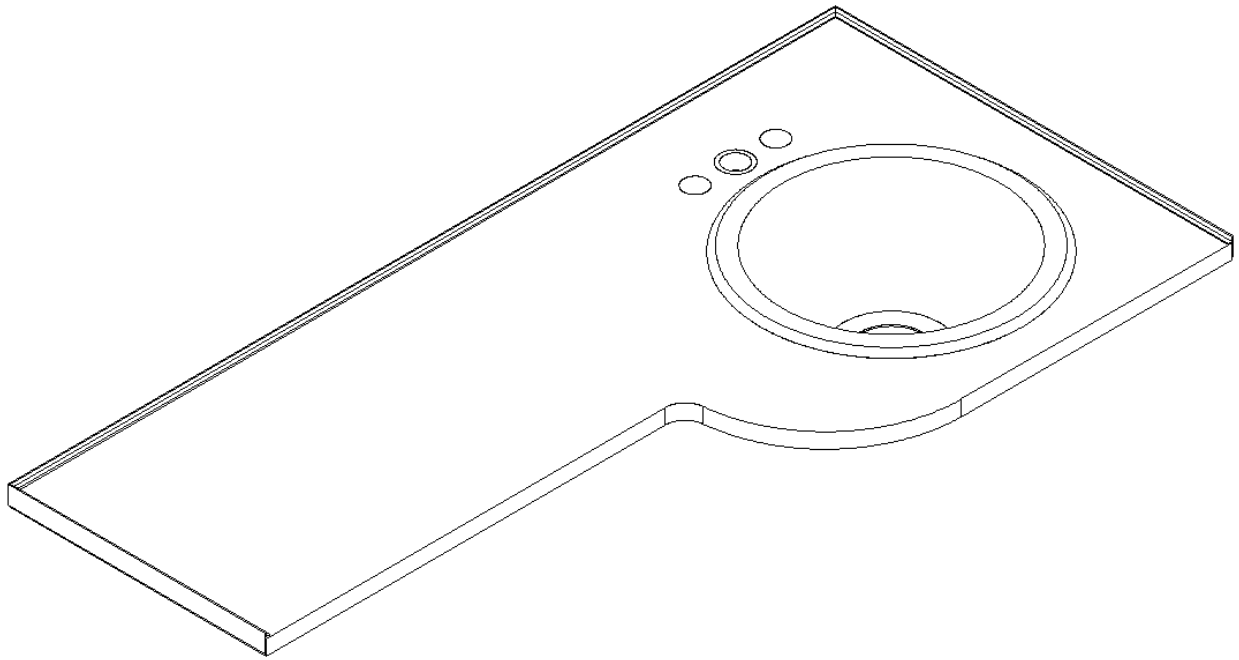


1. 454727-01
2. 454727-02
3. 201666-01
4. 381081-01
5. 320006

Angle, shower frame, 27"
Angle, shower frame, 64.75"
J-molding, 3/16 plastic, White
Snap cap w/ washer, Antique White
Screw, Sheet metal, 8 x 3/4 BH philip

2016 PENDLETON
FURNITURE, BATH

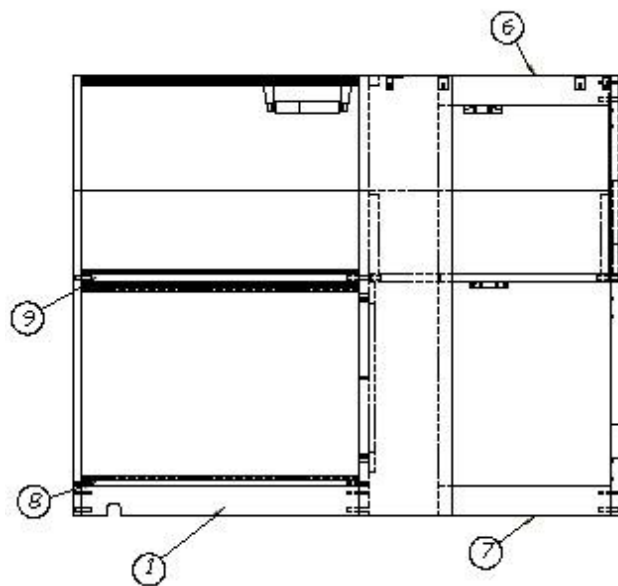
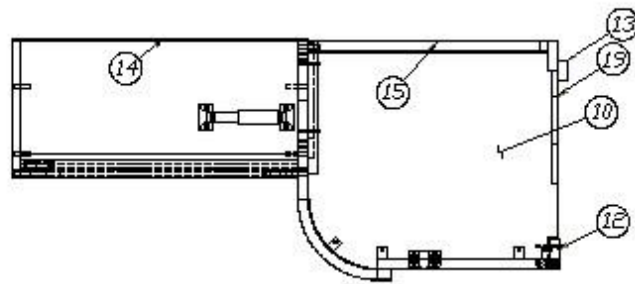
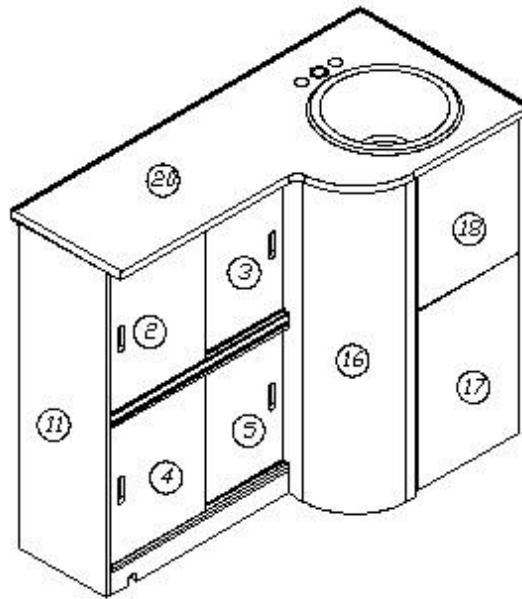
Lavatory Top



966885-31 Lavy top

2016 PENDLETON FURNITURE, LAVATORY

Lavatory Cabinet



Parts Listed on Next Page

2016 PENDLETON FURNITURE, LAVATORY

Lavatory Cabinet

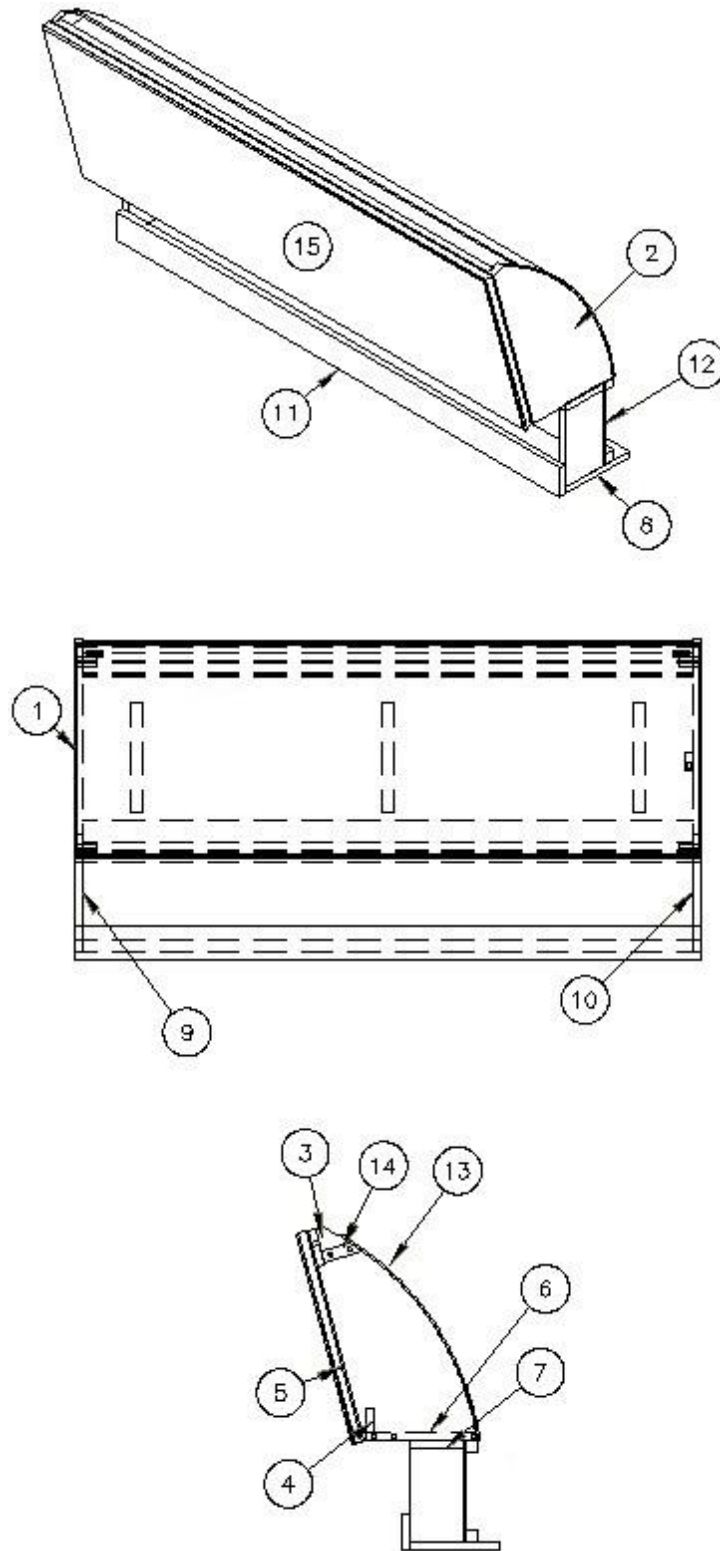
966884-31

Lavatory Cabinet

1. 966884-311 Panel, 20.85 x 2.25
2. 966884-312 Door, 11.25 x 14.5
3. 966884-313 Door, 11.25 x 14.5
4. 966884-314 Door, 11.25 x 14.25
5. 966884-315 Door, 11.25 x 14.5
6. 966884-316 Panel, 12.87 x 2.25
7. 966884-317 Panel, 12.87 x 2.25
8. 966884-8 Panel, 10.25 x 20.85
9. 966884-9 Panel, 10.25 x 20.85
10. 966884-10 Panel, 18.87 x 16.19
11. 966884-11 Panel, 10.25 x 33
12. 966884-12 Panel, 2.25 x 33
13. 966884-13 Panel, 2.25 x 14.87
14. 966884-14 Panel, 22.13 x 22.13
15. 966884-3115 Panel, 18.12 x 6.25
16. 966893-31 Lavy radius sub assembly
17. 966884-3117 Door, 11.87 x 16.69
18. 966884-3118 Door, 11.87 x 12.31
19. 966884-31I Panel, 7 x 8.5
20. 966885-31 Lavy top
- 381228-02 Catch, Grabber door (5lb Pull)
- 382253-02 Pull, Antique Silver
- 382149 Finger pull, Satin Nickel
- 115374 Extrusion, Sliding door track
- 381607-11 Hinge, Self-close

2016 PENDLETON FURNITURE, LAVATORY

Medicine Cabinet



Parts Listed on Next Page

2016 PENDLETON FURNITURE, LAVATORY

Medicine Cabinet

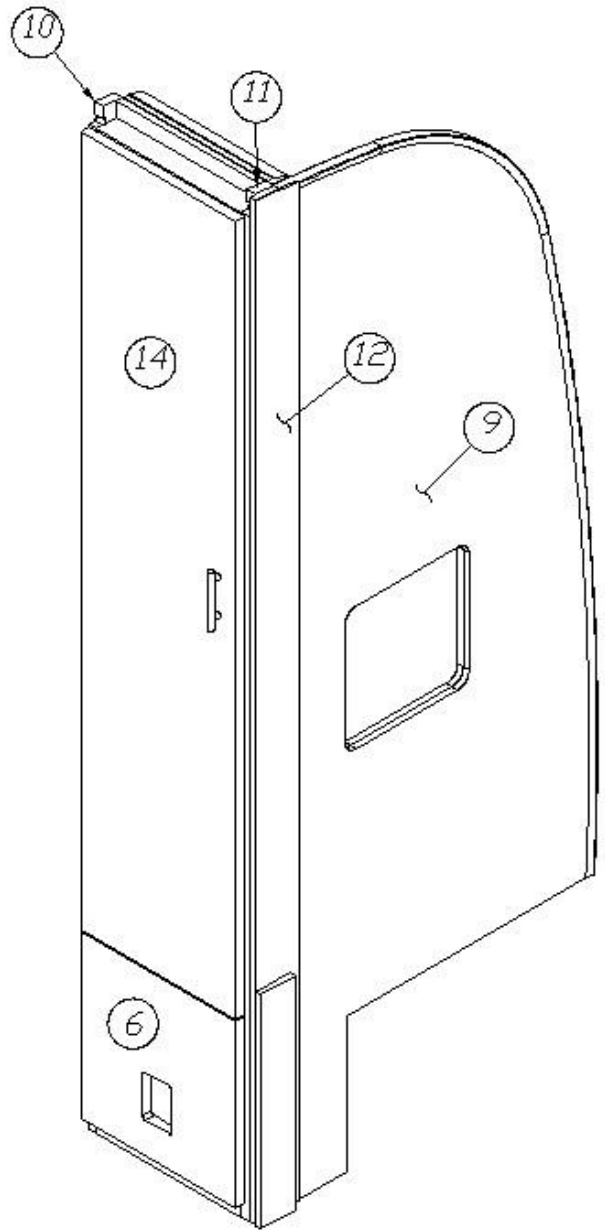
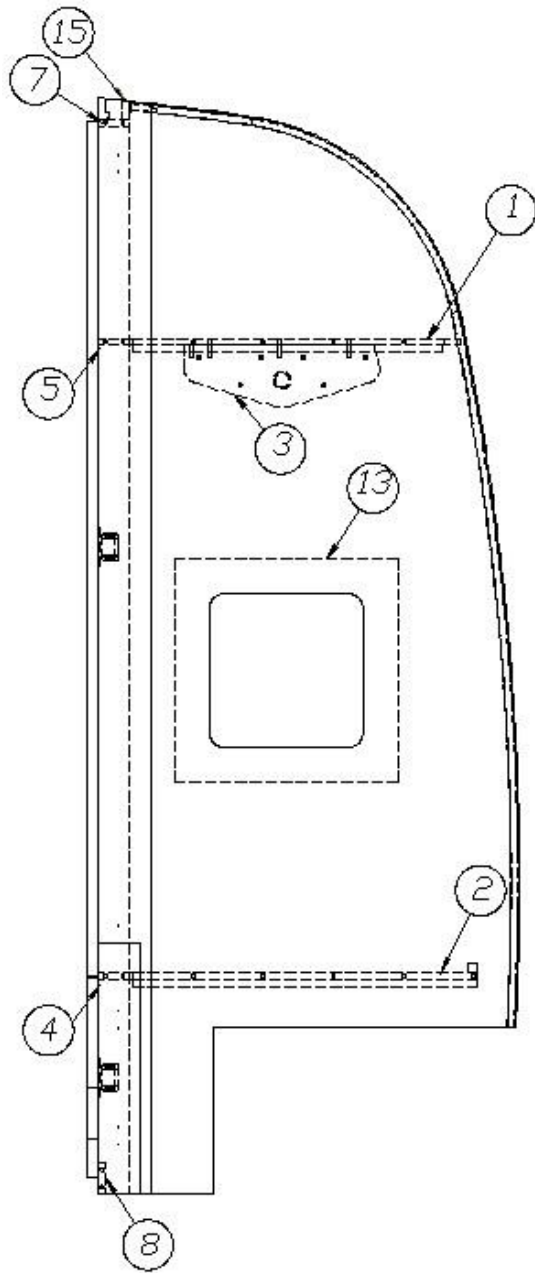
966896

Medicine Cabinet

1. 966896-1	Panel, 10.81 x 13.56
2. 966896-2	Panel, 10.81 x 13.56
3. 966896-3	Panel, 2.25 x 39
4. 966896-4	Panel, 1.5 x 39
5. 966896-5	Panel, 13.88 x 39.88
6. 966896-6	Panel, 7 x 39
7. 966896-7	Panel, 3.42 x 40
8. 966896-8	Panel, 5.67 x 40
9. 966896-9	Panel, 3.42 x 6
10. 966896-10	Panel, 3.42 x 6
11. 966896-11	Panel, 2.25 x 40
12. 966896-12	Panel, 6.5 x 40
13. 966896-13	Panel, 16.25 x 40
14. 966896-23	Panel, 2.5 x 19
15. 372203-33	Mirror, Safety glass, 14" x 40"
382159	Pivot hinge, Nickel
381228-02	Catch, Grabber door (5lb Pull)
365340-01	Edgebanding, .63", Frosty White
365001	Tape, Double coated foam
360180	Adhesive seal, Sikaflex 221, Gray
385940-02	Mirror pull, Chrome

2016 PENDLETON FURNITURE, LAVATORY

Wardrobe, Forward



Parts Listed on Next Page

2016 PENDLETON FURNITURE, LAVATORY

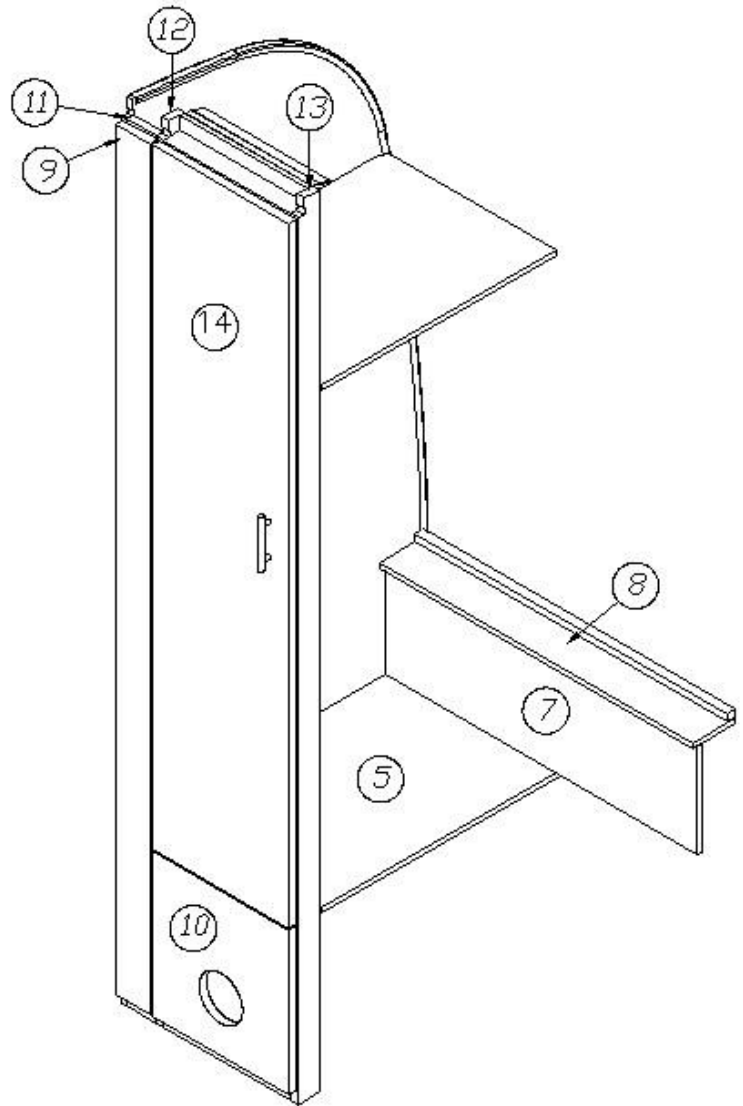
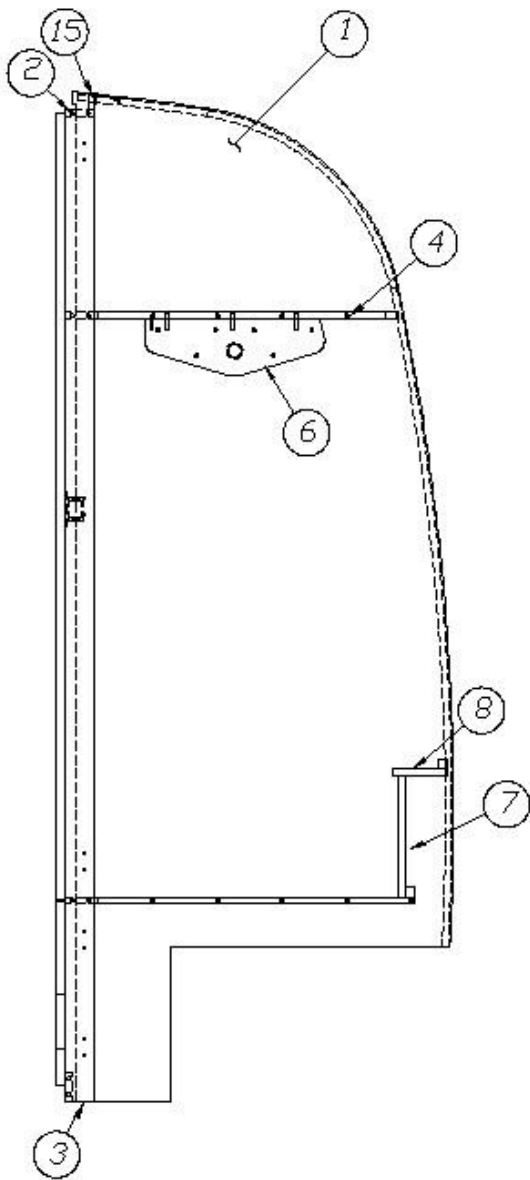
Wardrobe, Forward

966880-31 Forward Wardrobe

1. 966880-1 Panel, 26 x 14.25
2. 966880-2 Panel, 27.25 x 14.25
3. 966880-3 Panel, 14 x 7
4. 966880-4 Panel, 2.25 x 24.75
5. 966880-5 Panel, 2.25 x 22.25
6. 966880-316 Door, 13.75 x 14.38
7. 966880-317 Panel, 12.75 x 2.25
8. 966880-318 Panel, 12.75 x 2.25
9. 966880-9 Panel, 30.11 x 78.54
10. 966880-10 Panel, 78.74 x 2.25
11. 966880-11 Panel, 78.74 x 2.25
12. 966880-12 Panel, 78.54 x 3.81
13. 968360 Wardrobe closeout
14. 966880-3114 Door, 13.75 x 61.38
15. 966880-26 Panel, 1.25 x 12.75
- 382253-02 Pull, Antique Silver
- 381607-11 Hinge, Self-close
- 381228-02 Catch, Grabber door (5lb Pull)
- 104821 Support, Roof locker
- 203138-05 Extrusion, Plastic, Black
- 365340-01 Edgebanding .63", Frosty White
- 365389-01 Edgebanding, .63", Sheeshamo
- 365389-02 Edgebanding, .94", Sheeshamo

2016 PENDLETON FURNITURE, LAVATORY

Wardrobe, Aft



Parts Listed on Next Page

2016 PENDLETON FURNITURE, LAVATORY

Wardrobe, Aft

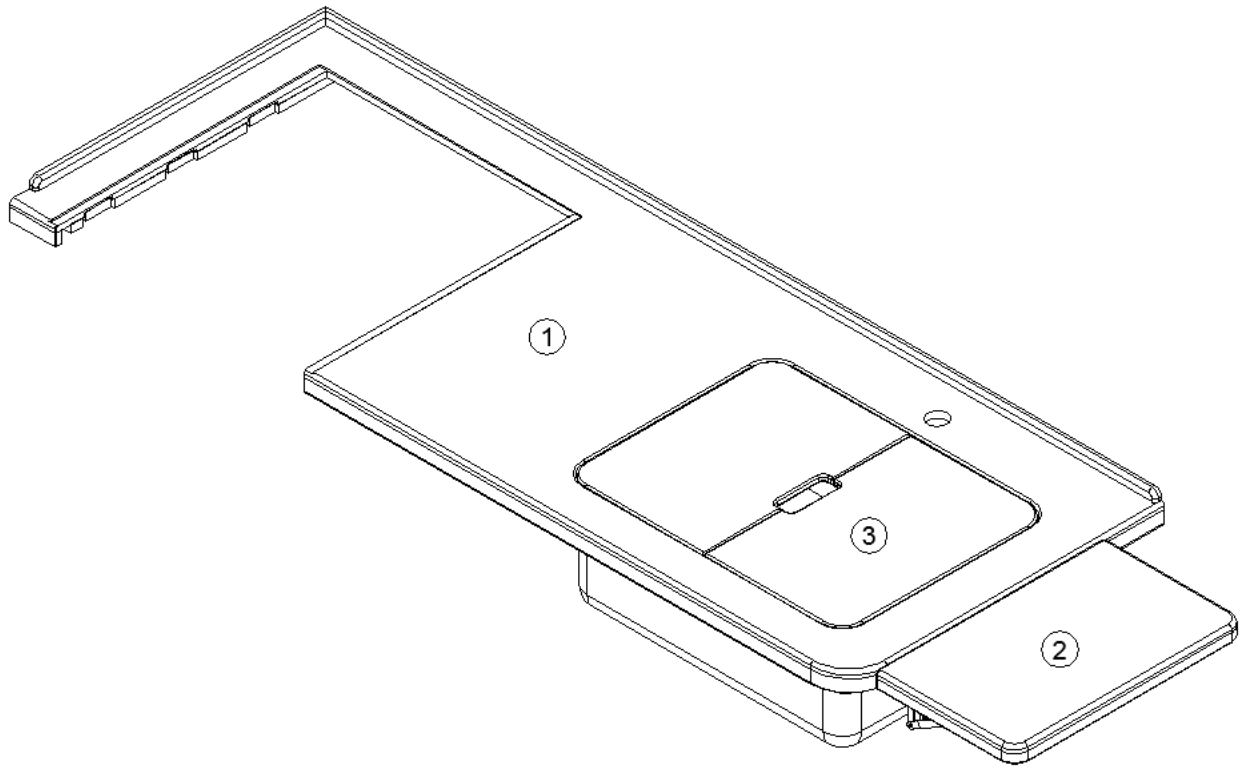
966881-31

Aft Wardrobe

1. 966881-1	Panel, 78.69 x 30.11
2. 966881-312	Panel, 12.75 x 2.25
3. 966881-313	Panel, 12.75 x 2.25
4. 966881-4	Panel, 26 x 17.19
5. 966881-5	Panel, 27.25 x 17.19
6. 966881-6	Panel, 14 x 7
7. 966881-7	Panel, 9.5 x 31.44
8. 966881-8	Panel, 4.31 x 31.44
9. 966881-319	Panel, 3.44 x 75.87
10. 966881-3110	Panel, 13.75 x 14.38
11. 966881-3111	Panel, 2.94 x 77.25
12. 966881-12	Panel, 78.69 x 2.25
13. 966881-13	Panel, 78.69 x 2.25
14. 966881-3114	Door, 13.75 x 61.38
15. 966881-3128	Panel, 1.25 x 12.75
382253-02	Pull, Antique Silver
381607-11	Hinge, Self-close
381228-02	Catch, Grabber door (5lb Pull)
104821	Support, Roof locker
203138-05	Extrusion, Plastic, Black
380045	Tubing, 3/4"
200975-04	Conduit, Flexible Black plastic
365340-01	Edgebanding .63", Frosty White
365389-01	Edgebanding, .63", Sheeshamo
365389-02	Edgebanding, .94", Sheeshamo

2016 PENDLETON FURNITURE, GALLEY

Galley Top, Corian



968277

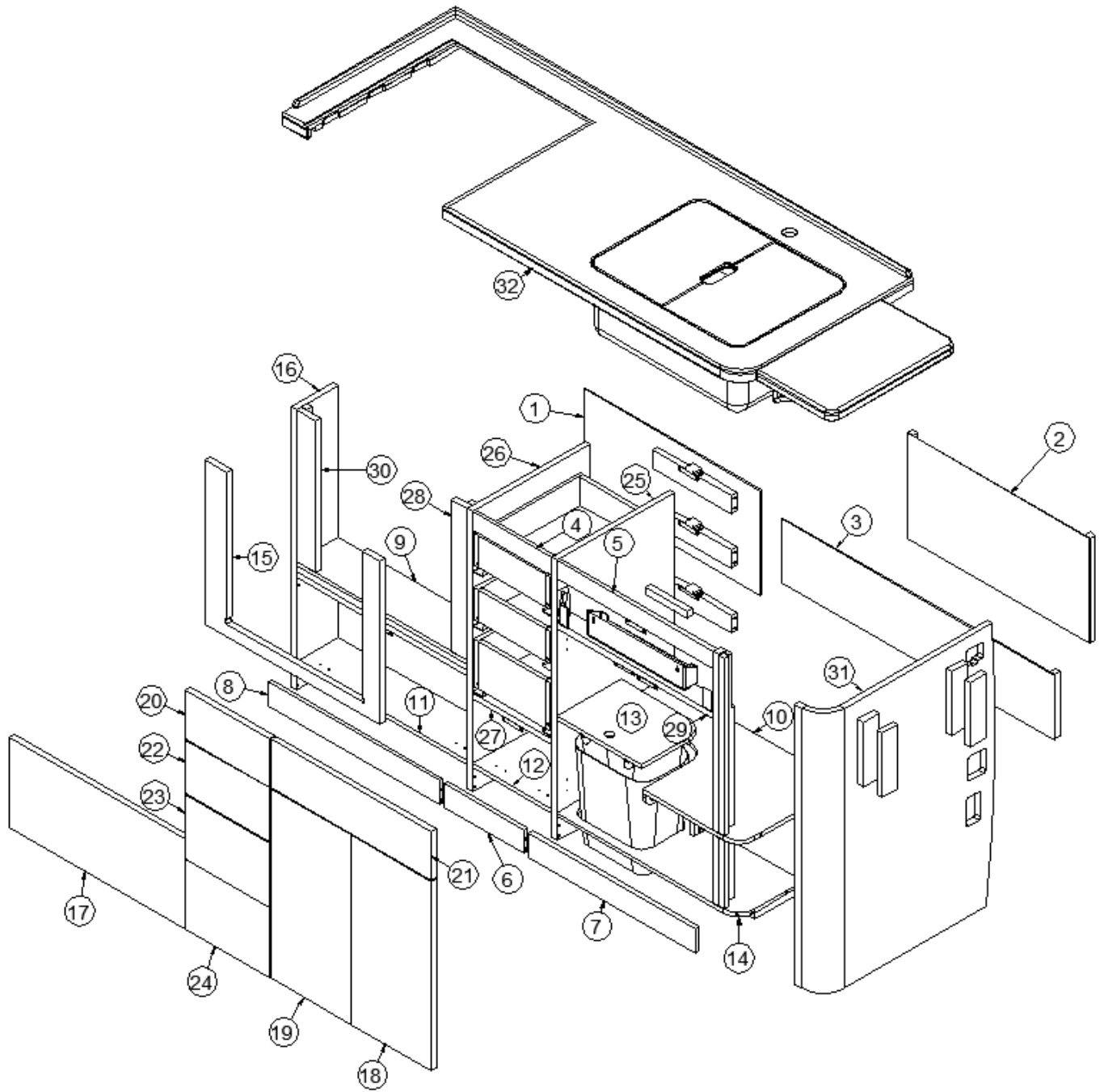
Galley Top Assembly

1. 602530-06
2. 967989-05
3. 602532-06

Galley top, Corian, Sorrel
Galley flip shelf
Sink cover, Corian, Sorrel

2016 PENDLETON FURNITURE, GALLEY

Galley Cabinet, Standard Microwave



Parts Listed on Next Page

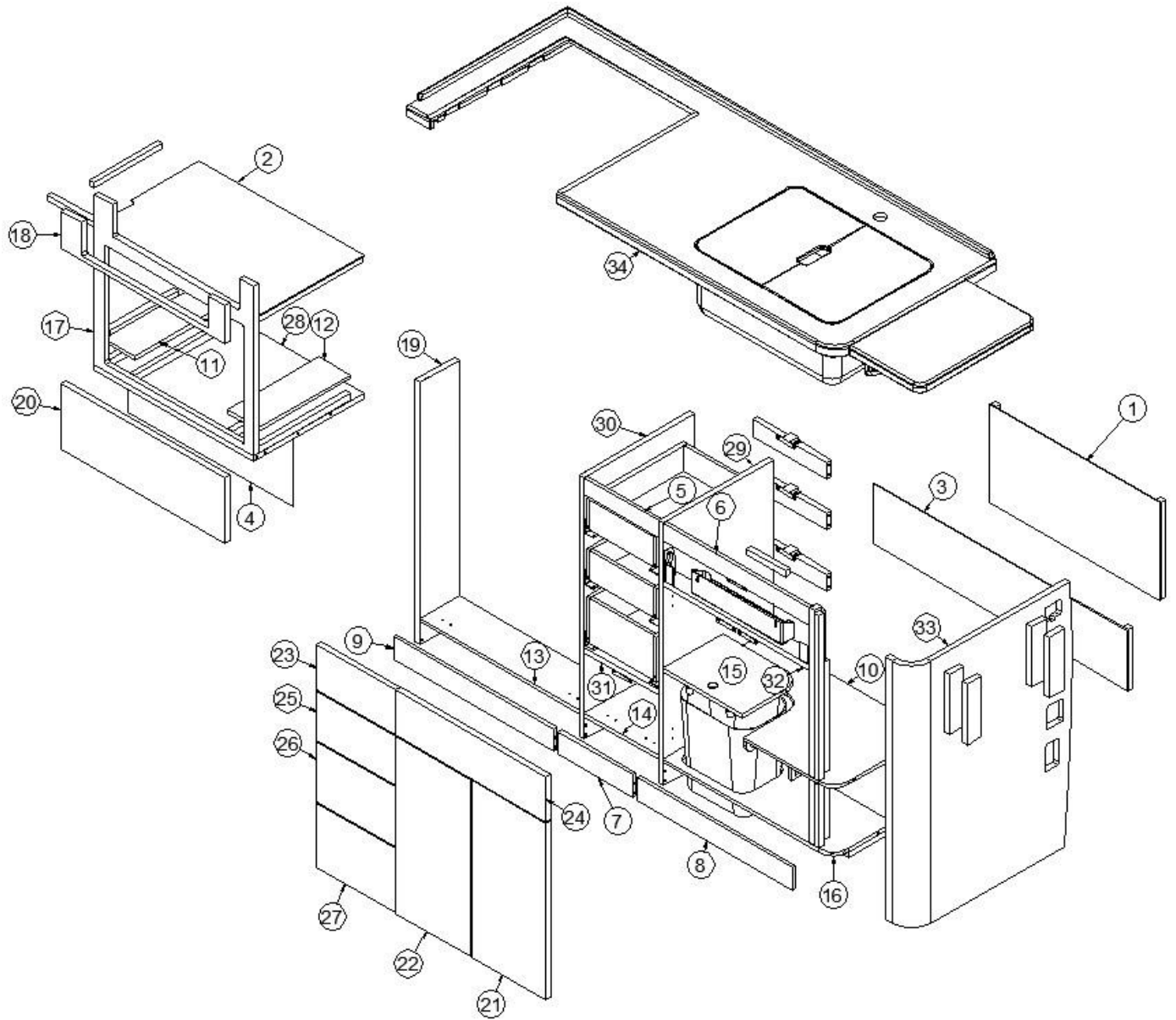
2016 PENDLETON FURNITURE, GALLEY

Galley Cabinet, Standard Microwave

968275	Galley Cabinet
1. 968275-1	Panel, 13 x 25.25
2. 968275-2	Panel, 13 x 26.13
3. 968275-4	Panel, 8 x 39
4. 968275-6	Panel, 2.25 x 11.38
5. 968275-7	Panel, 2.25 x 22.44
6. 968275-8	Panel, 3 x 11.375
7. 968275-9	Panel, 3 x 23.88
8. 968275-10	Panel, 3 x 24.5
9. 968275-11	Panel, 6 x 24.5
10. 968275-12	Panel, 15 x 26.13
11. 968275-15	Panel, 6 x 24.5
12. 968275-17	Panel, 9.13 x 11.38
13. 968275-18	Panel, 9.13 x 12.13
14. 968275-19	Panel, 9.13 x 26.13
15. 968275-20	Panel, 20.31 x 25.13
16. 968275-23	Panel, 6 x 34.75
17. 968275-29	Door, 11.13 x 25.13
18. 968275-30	Door, 23.5 x 11.47
19. 968275-31	Door, 23.5 x 11.47
20. 968275-32	Door, 6 x 12
21. 968275-33	Door, 6 x 23.06
22. 968275-34	Door, 6.63 x 12
23. 968275-35	Door, 8 x 12
24. 968275-36	Door, 8.63 x 12
25. 968275-42	Panel, 16.88 x 34.75
26. 968275-43	Panel, 16.88 x 34.75
27. 968275-47	Panel, 2.25 x 11.38
28. 968275-48	Panel, 2.25 x 18.75
29. 968275-50	Panel, 2.25 x 22.44
30. 968275-54	Panel, 2.81 x 18.75
31. 968276	Radius sub assembly
32. 602530-06	Galley top, Corian, Sorrel
382203-03	Drawer slide, Self-close, 15"
968022-09	Drawer box, 6"
968224-02	Drawer box, 4"
381228-02	Catch, Grabber door (5lb Pull)
381685-01	Hinge, Scissor tray
381686	Tray, 14", Plastic
382253-02	Pull, Antique Silver
381607-11	Hinge, Self-close
381136	Rubber bumper
381708	Wastebasket, Rubbermaid

2016 PENDLETON FURNITURE, GALLEY

Galley Cabinet, Convection Microwave



Parts Listed on Next Page

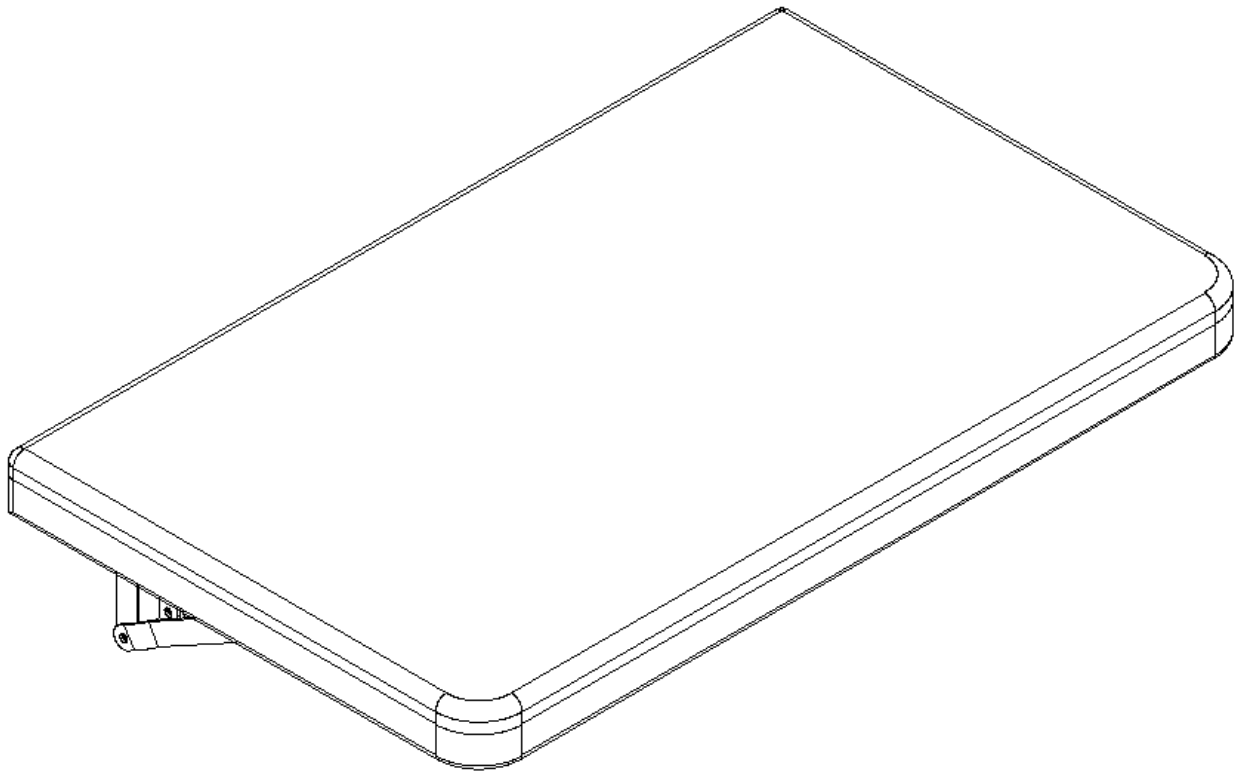
2016 PENDLETON FURNITURE, GALLEY

Galley Cabinet, Convection Microwave

968275-01	Galley Cabinet
1. 968275-2	Panel, 13 x 26.13
2. 968275-3	Panel, 16 x 25.25
3. 968275-4	Panel, 8 x 39
4. 968275-5	Panel, 9 x 25.25
5. 968275-6	Panel, 2.25 x 11.38
6. 968275-7	Panel, 2.25 x 22.44
7. 968275-8	Panel, 3 x 11.375
8. 968275-9	Panel, 3 x 23.88
9. 968275-10	Panel, 3 x 24.5
10. 968275-12	Panel, 15 x 26.13
11. 968275-13	Panel, 4.75 x 14
12. 968275-14	Panel, 4.75 x 14
13. 968275-15	Panel, 6 x 24.5
14. 968275-17	Panel, 9.13 x 11.38
15. 968275-18	Panel, 9.13 x 12.13
16. 968275-19	Panel, 9.13 x 26.13
17. 968275-21	Panel, 24.5 x 22.5
18. 968275-22	Panel, 5 x 25.13
19. 968275-23	Panel, 6 x 34.75
20. 968275-28	Panel, 8.63 x 25.13
21. 968275-30	Door, 23.5 x 11.47
22. 968275-31	Door, 23.5 x 11.47
23. 968275-32	Door, 6 x 12
24. 968275-33	Door, 6 x 23.06
25. 968275-34	Door, 6.63 x 12
26. 968275-35	Door, 8 x 12
27. 968275-36	Door, 8.63 x 12
28. 968275-41	Panel, 16.88 x 25.25
29. 968275-42	Panel, 16.88 x 34.75
30. 968275-43	Panel, 16.88 x 34.75
31. 968275-47	Panel, 2.25 x 11.38
32. 968275-50	Panel, 2.25 x 22.44
33. 968276	Radius sub assembly
34. 602530-06	Galley top, Corian, Sorrel
382203-03	Drawer slide, Self-close, 15"
968022-09	Drawer box, 6"
968224-02	Drawer box, 4"
381228-02	Catch, Grabber door (5lb Pull)
381685-01	Hinge, Scissor tray
381686	Tray, 14", Plastic
382253-02	Pull, Antique Silver
381607-11	Hinge, Self-close
381136	Rubber bumper
381708	Wastebasket, Rubbermaid

2016 PENDLETON
FURNITURE, GALLEY

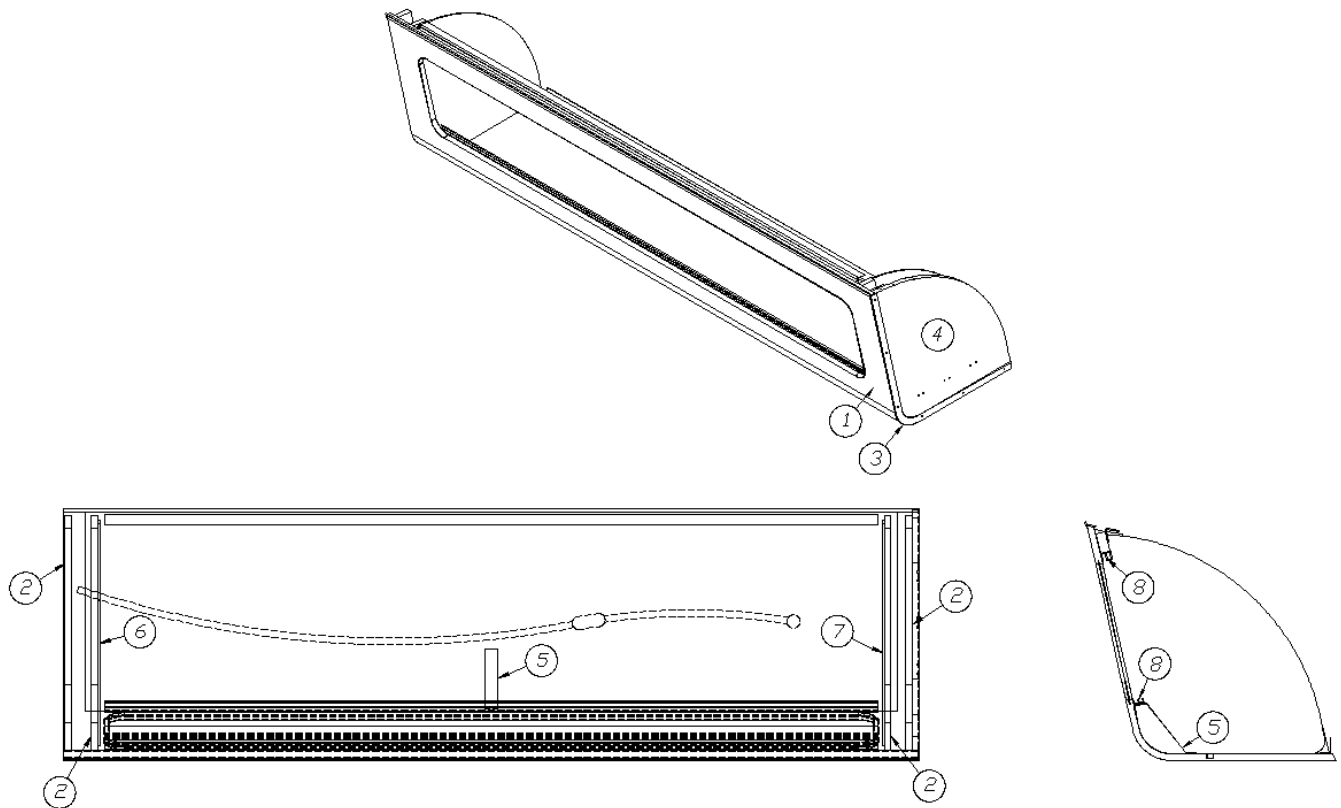
Galley Flip-Up Shelf, Corian



967989-05	Galley flip shelf
602351-06	Flip shelf top, Corian, Sorrel
382092	Bracket, Hinged spring, 88 LB

2016 PENDLETON FURNITURE, GALLEY

Roof Locker, Galley



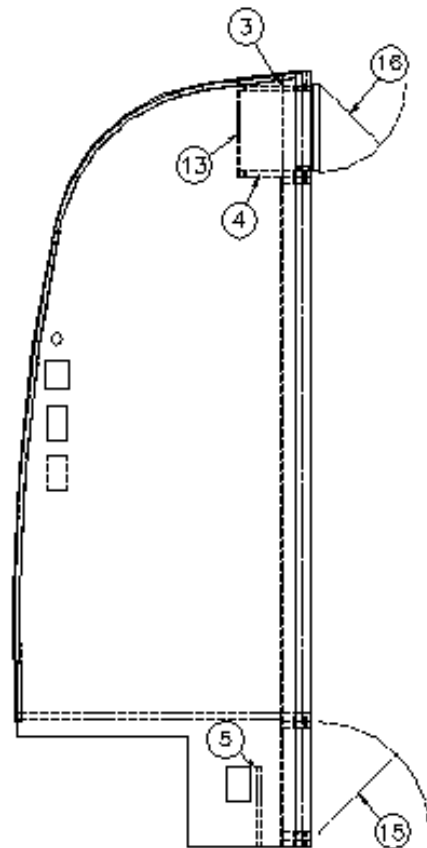
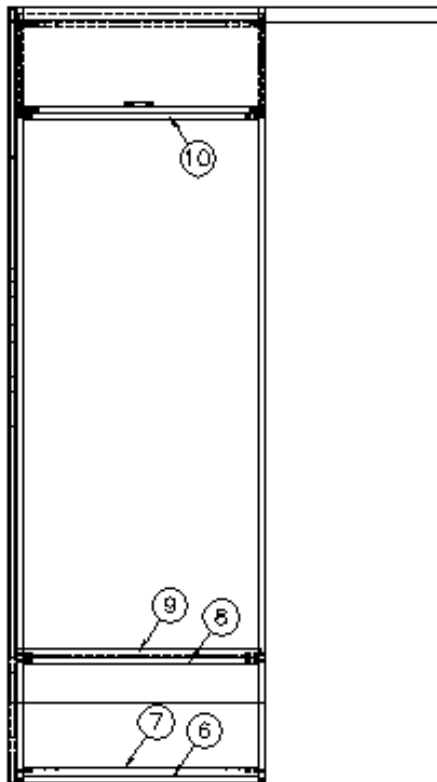
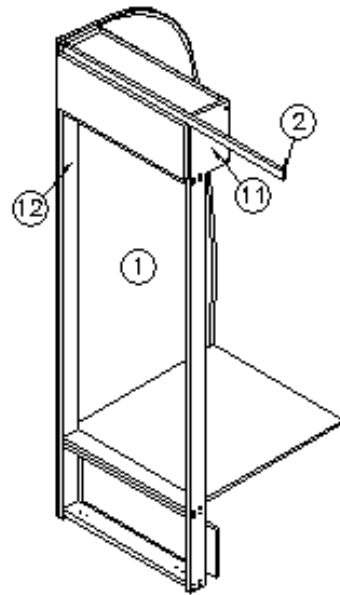
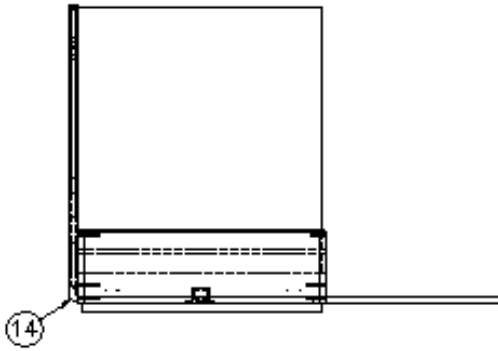
967796-01

Galley Roof Locker

- | | |
|--|---|
| <ul style="list-style-type: none"> 1. 801914 2. 801914-02 3. 115375 4. 802073-3101 5. 115226 6. 801539-01 7. 801539-02 8. 203388 203824-01 203824-02 201673-01 115227-01 104821 203710 703991 382149 | <ul style="list-style-type: none"> Locker face Divider, Partial Formed extrusion, End cap End cap Bracket, Formed, Locker center support Divider, LH Divider, RH Sliding door track Door, Plexiglass w/etching, LH slide Door, Plexiglass w/etching, RH slide Reverse cove molding, .43", Oak Angle, Formed Roof locker support T-molding, .56", Almond Pile seal weather strip Finger pull, Satin Nickel |
|--|---|

2016 PENDLETON FURNITURE, GALLEY

Refrigerator Cabinet



Parts Listed on Next Page

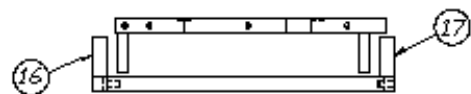
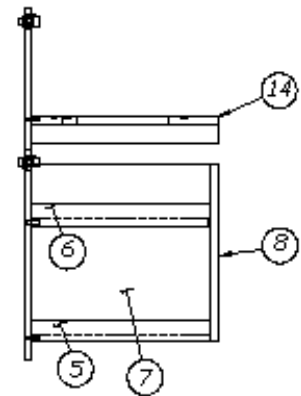
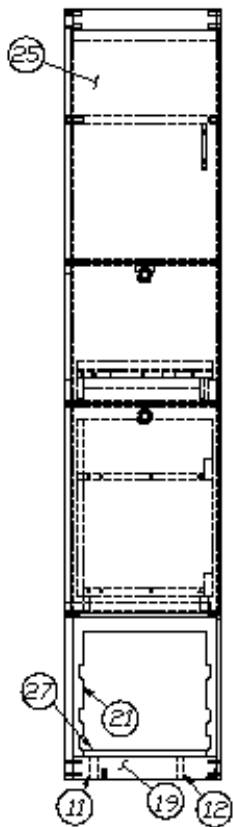
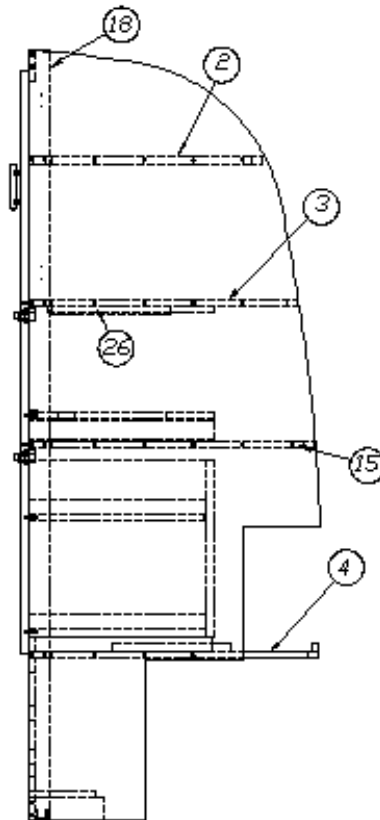
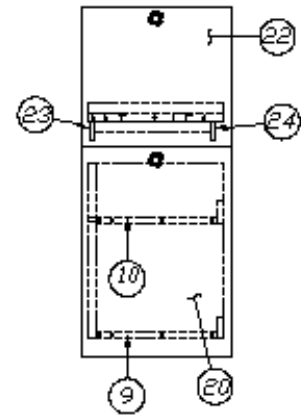
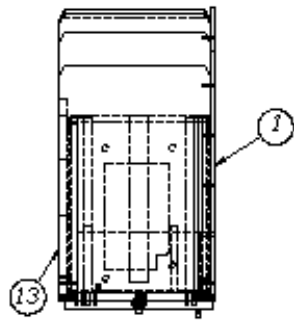
2016 PENDLETON FURNITURE, GALLEY

Refrigerator Cabinet

967682-02	Refrigerator Cabinet
1. 967682-021	Panel, 28.5 x 78.45
2. 967682-0229	Panel, 1.49 x 56.75
3. 967682-193	Panel, 7.25 x 23.81
4. 967682-194	Panel, 7.25 x 23.81
5. 967682-195	Panel, 8 x 25.5
6. 967682-196	Panel, 3 x 23.81
7. 967682-197	Panel, 3 x 23.81
8. 967682-198	Panel, 3 x 23.81
9. 967682-199	Panel, 3 x 23.81
10. 967682-1910	Panel, 3 x 23.81
11. 967682-1911	Panel, 7.25 x 78.74
12. 967682-1912	Panel, 7.25 x 78.74
13. 967682-0215	Panel, 9.92 x 24.81
14. 801706-0031	Corner trim, 90°, 1" radius, Rustic Hickory
15. 967682-0218	Door, 24.44 x 11.69
16. 967682-0219	Door, 24.44 x 8.88
966812	Refrigerator stand
382253-02	Pull, Antique Silver
381607-11	Hinge, Self-close
381228-02	Catch, Grabber door (5lb Pull)
365389-01	Edgebanding, .63", Sheeshamo
365389-02	Edgebanding, .94", Sheeshamo

2016 PENDLETON FURNITURE, GALLEY

Pantry, with Microwave



Parts Listed on Next Page

2016 PENDLETON FURNITURE, GALLEY

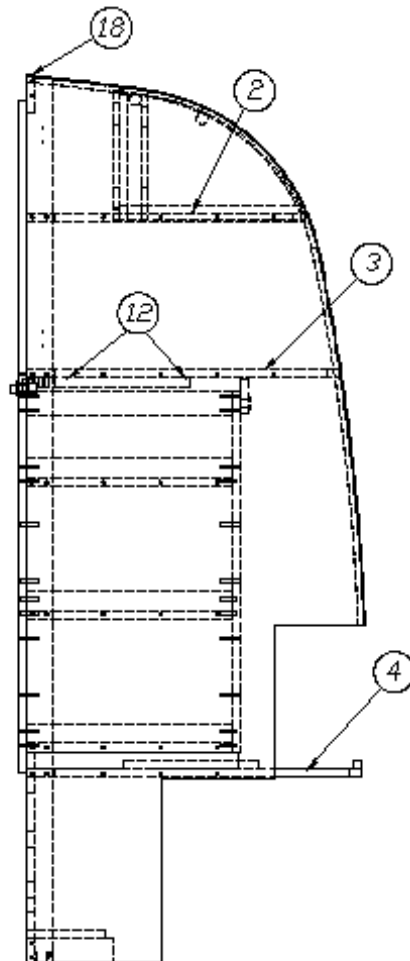
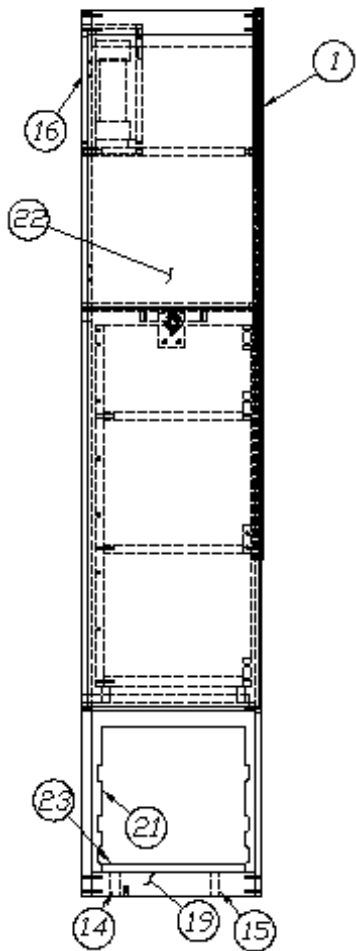
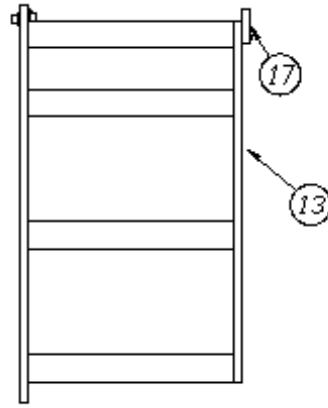
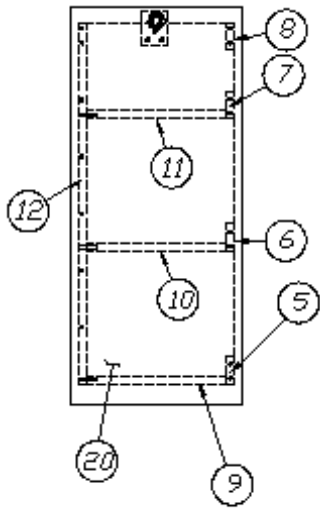
Pantry, with Microwave

966898-31 Pantry Cabinet with Microwave

1. 966898-311	Panel, 29.87 x 78.7, Map wal
2. 966898-2	Panel, 24 x 15.38
3. 966898-3	Panel, 27.5 x 15.38
4. 966898-4	Panel, 29.75 x 15.38
5. 966898-5	Panel, 2.25 x 18.25
6. 966898-6	Panel, 2.25 x 18.25
7. 966898-7	Panel, 18 x 18.25
8. 966898-318	Panel, 18 x 13.88
9. 966898-9	Panel, 12.38 x 18.25
10. 966898-10	Panel, 12.38 x 18.25
11. 966898-11	Panel, 2.25 x 7
12. 966898-12	Panel, 2.25 x 7
13. 966898-13	Panel, 2.25 x 78.63
14. 966898-14	Panel, 19 x 13.88
15. 966898-15I	Panel, 29.31 x 15.38
16. 966898-16	Panel, 2 x 19
17. 966898-17	Panel, 2 x 19
18. 966898-3118	Panel, 3.27 x 14.63
19. 966898-3119	Panel, 2.25 x 14.63
20. 966898-3120	Door, 21.38 x 15.25
21. 966898-3121	Panel, 14.63 x 14.22
22. 966898-3124	Door, 14.31 x 15.25
23. 966898-25	Panel, 2 x 19
24. 966898-26	Panel, 2 x 19
25. 966898-3127	Door, 15.25 x 23.63
26. 966898-42	Panel, 20 x 17
27. 966898-3147	Panel, 12.63 x 7
381944-01	Slide, 18", Per set
381408	Lock, Push button, Black
203710	T-molding, Almond
114812	Aluminum angle, 1" x 1"
381192	Drawer slide, 18", Pair
382253-02	Pull, Antique Silver
381607-11	Hinge, Self-close
381228-02	Catch, Grabber door (5lb Pull)

2016 PENDLETON FURNITURE, GALLEY

Pantry, Without Microwave



Parts Listed on Next Page

2016 PENDLETON FURNITURE, GALLEY

Pantry, Without Microwave

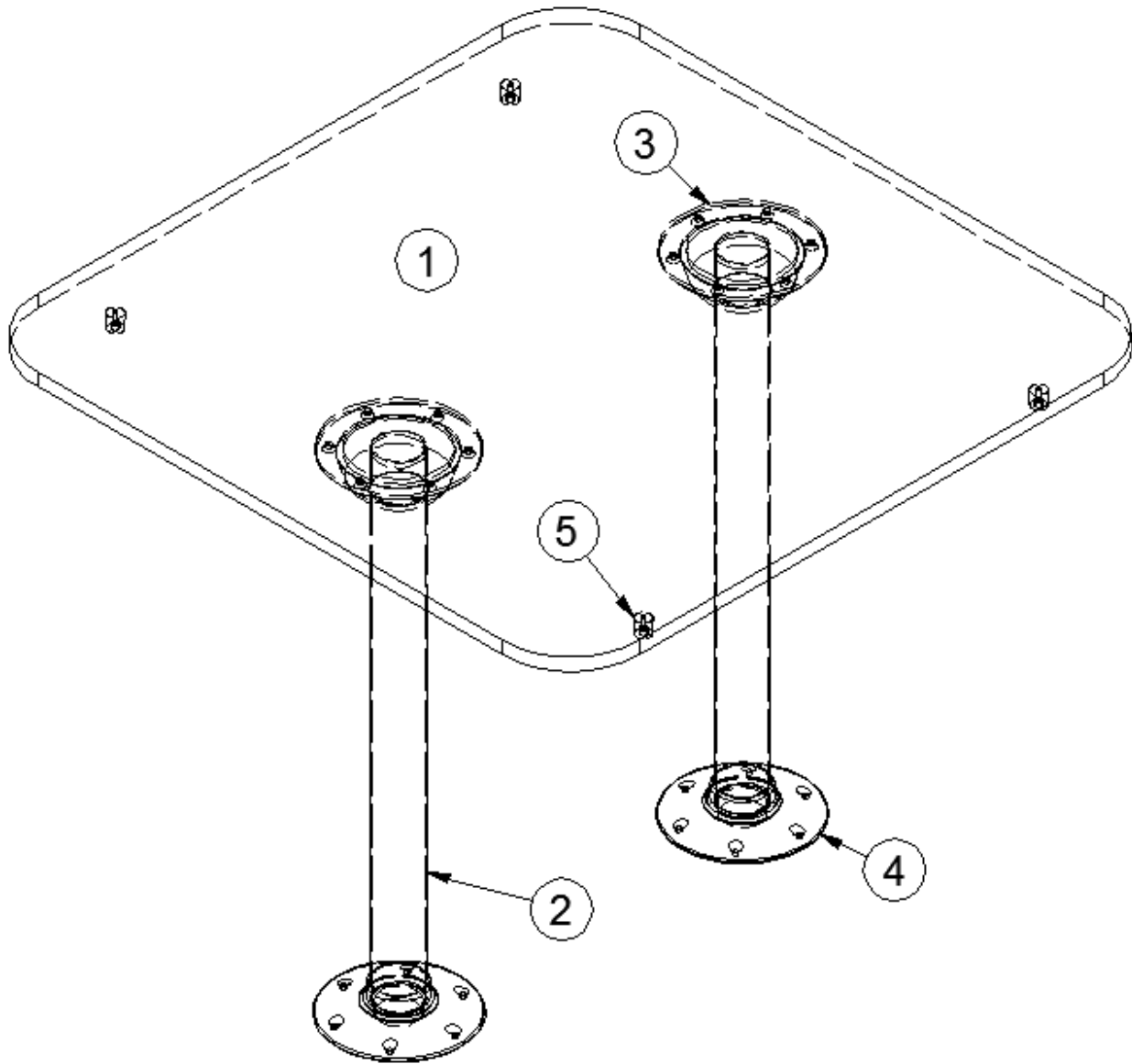
966886-31

Pantry Cabinet Without Microwave

1. 966886-311 Panel, 29.87 x 78.42, Map wall
 2. 966886-2 Panel, 24.75 x 15.38
 3. 966886-3 Panel, 27.75 x 15.38
 4. 966886-4 Panel, 29.75 x 15.38
 5. 966886-5 Panel, 2.50 x 18.25
 6. 966886-6 Panel, 2.50 x 18.25
 7. 966886-7 Panel, 2.50 x 18.25
 8. 966886-8 Panel, 2.50 x 18.25
 9. 966886-9 Panel, 18.25 x 12.38
 10. 966886-10 Panel, 18.25 x 12.38
 11. 966886-11 Panel, 18.25 x 12.38
 12. 966886-12 Panel, 18.25 x 32
 13. 966886-13 Panel, 13.88 x 32
 14. 966886-14 Panel, 2.25 x 7
 15. 966886-15 Panel, 2.25 x 7
 16. 966886-16 Panel, 2.25 x 78.72
 17. 966886-17 Panel, 2.25 x 3
 18. 966886-3118 Panel, 3.129 x 14.63
 19. 966886-3119 Panel, 2.25 x 14.63
 20. 966886-3120 Door, 15.25 x 35.31
 21. 966886-3121 Panel, 14.63 x 14.22
 22. 966886-3124 Door, 15.25 x 24.13
 23. 966886-3136 Panel, 12.63 x 7
- 381944-01 Slide, 18", Per set
- 381408 Lock, Push button, Black
- 203710 T-molding, Almond
- 382253-02 Pull, Antique Silver
- 381607-11 Hinge, Self-close
- 381228-02 Catch, Grabber door (5lb Pull)

2016 PENDLETON FURNITURE, LOUNGE

Dinette table

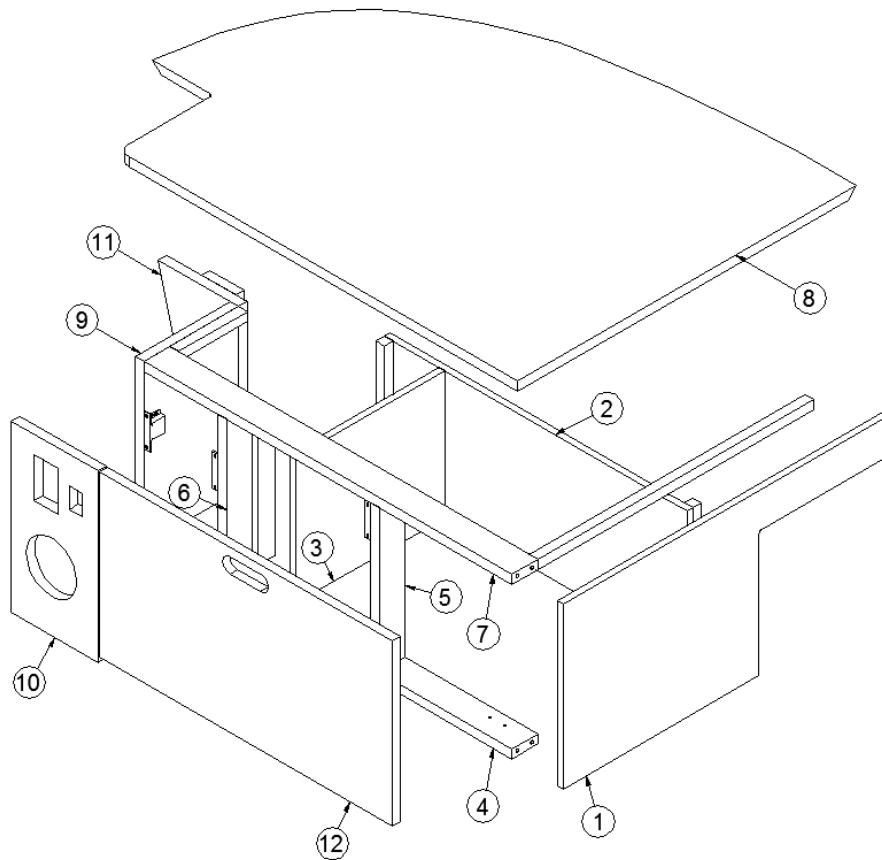


968354 Pedestal Table

- 1. 968354-1 Table top, 35 x 35
- 2. 381974 Pedestal leg
- 3. 381975 Socket, Table
- 4. 381976 Socket, Floor
- 5. 381136 Rubber bumper
- 381581 Strap, Clear plastic
- 700005 Fastener, Cap
- 700006 Fastener socket
- 115472 Trim, Counter top, Aluminum

2016 PENDLETON FURNITURE, LOUNGE

Dinette Seat, RS



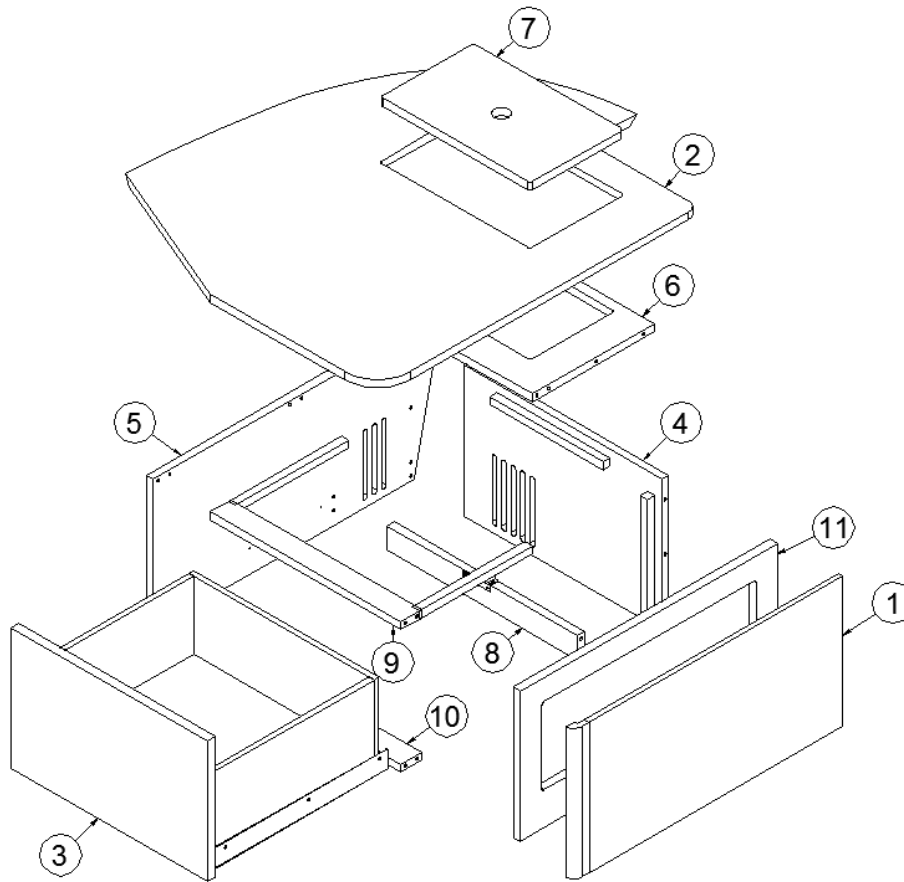
968280

Roadside Dinette Seat

- | | |
|---------------|------------------------------|
| 1. 968280-1 | Panel, 26.5 x 13.88 |
| 2. 968280-2 | Panel, 11 x 27.31 |
| 3. 968280-3 | Panel, 11 x 13 |
| 4. 968280-4 | Panel, 2.25 x 26.56 |
| 5. 968280-5 | Panel, 2.25 x 12.38 |
| 6. 968280-6 | Panel, 2.25 x 12.38 |
| 7. 968280-7 | Panel, 2.25 x 33 |
| 8. 968280-8 | Panel, 29.5 x 40.19 |
| 9. 968280-9 | Panel, 10.62 x 13.88 |
| 10. 968280-10 | Panel, 7.5 x 14.38 |
| 11. 968280-11 | Panel, 5.75 x 13.88 |
| 12. 968280-12 | Door, 25.44 x 13.94 |
| 381228-02 | Catch grabber, 5LB |
| 381607-11 | Hinge, Self-close |
| 382149 | Finger pull, Satin Nickel |
| 365389-01 | Edgebanding, .63", Sheeshamo |
| 365389-02 | Edgebanding, .94", Sheeshamo |

2016 PENDLETON FURNITURE, LOUNGE

Dinette Seat, CS



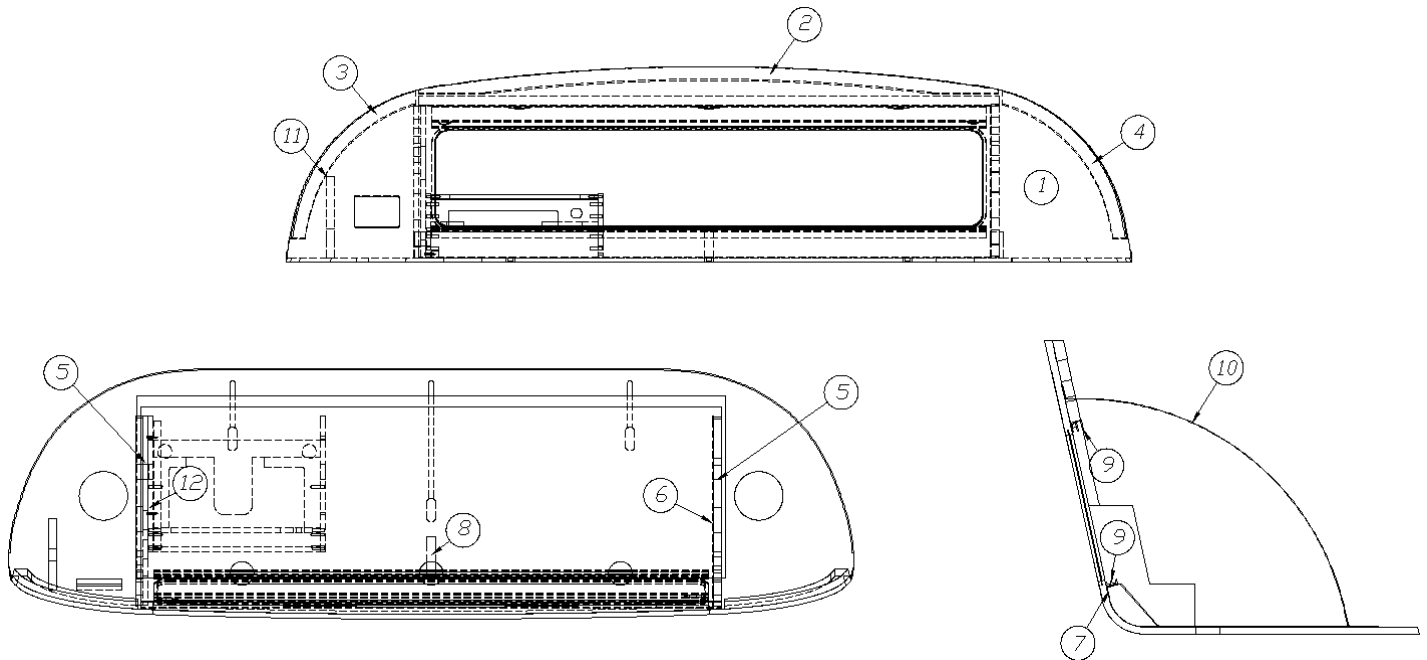
968281

Curbside Dinette Seat

- | | |
|---------------|---|
| 1. 968281-1 | Panel, 27.26 x 13.88 |
| 2. 968281-2 | Panel, 33.37 x 39.61 |
| 3. 968281-3 | Door, 20.88 x 13 |
| 4. 968281-4 | Panel, 21 x 13.88 |
| 5. 968281-5 | Panel, 31.2 x 13.88 |
| 6. 968281-6 | Panel, 13 x 20.25 |
| 7. 968281-7 | Panel, 9.88 x 15.88 |
| 8. 968281-8 | Panel, 2.25 x 20.25 |
| 9. 968281-9 | Panel, 2.25 x 20.25 |
| 10. 968281-10 | Panel, 2.25 x 20.25 |
| 11. 968281-11 | Panel, 26.81 x 13.88 |
| 381228-02 | Catch grabber, 5LB |
| 382203-04 | Drawer slide, Self-close, 18" |
| 968028-14 | Drawer box, 8" |
| 801706-0031 | Corner trim, 90°, 1" radius, Rustic Hickory |
| 382253-02 | Pull, Antique Silver |

2016 PENDLETON FURNITURE, LOUNGE

Roof Locker, with Radio & Speakers



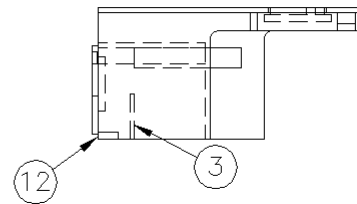
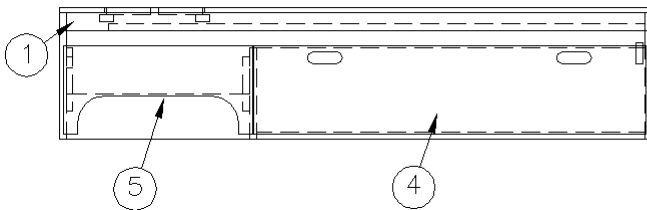
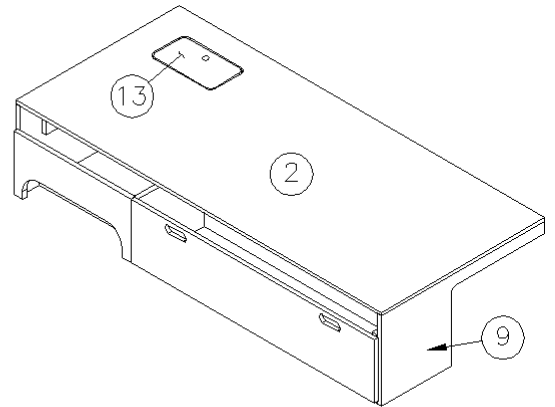
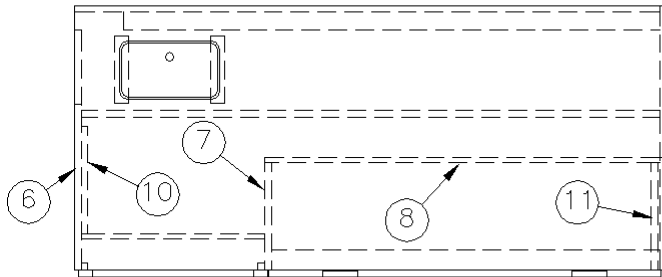
968351

Roof Locker with Radio & Speakers

- | | |
|---------------|---------------------------------------|
| 1. 802057 | Face, Liner locker w/radio & speakers |
| 2. 801596-01 | Backer, Center |
| 3. 801596-02 | Backer, LH |
| 4. 801596-03 | Backer, RH |
| 5. 801594 | Divider |
| 6. 801595 | Divider w/laminate |
| 7. 115261-01 | Angle, Formed, Locker track support |
| 8. 115226-01 | Bracket, Formed, Center support |
| 9. 203388 | Track, Sliding door |
| 10. 115264-01 | Pan, WB front |
| 11. 801710 | Support Divider |
| 12. 801911-02 | Divider w/Blu-Ray |
| 203824-01 | Door, Plexiglass w/etching, LH slide |
| 203824-02 | Door, Plexiglass w/etching, RH slide |
| 968366-31 | Blu-Ray shelf |
| 801355-01 | Laminate, Frost White |
| 203710 | T-molding, .5625", Almond |
| 201673-01 | Reverse cove molding, Oak |
| 382149 | Finger pull, Satin Nickel |
| 703991 | Pile Seal Weather Strip |
| 512719 | LED reading light, Brushed Nickel |
| 512462 | LED reading light w/frosted lens |

2016 PENDLETON FURNITURE, LOUNGE

Sofa



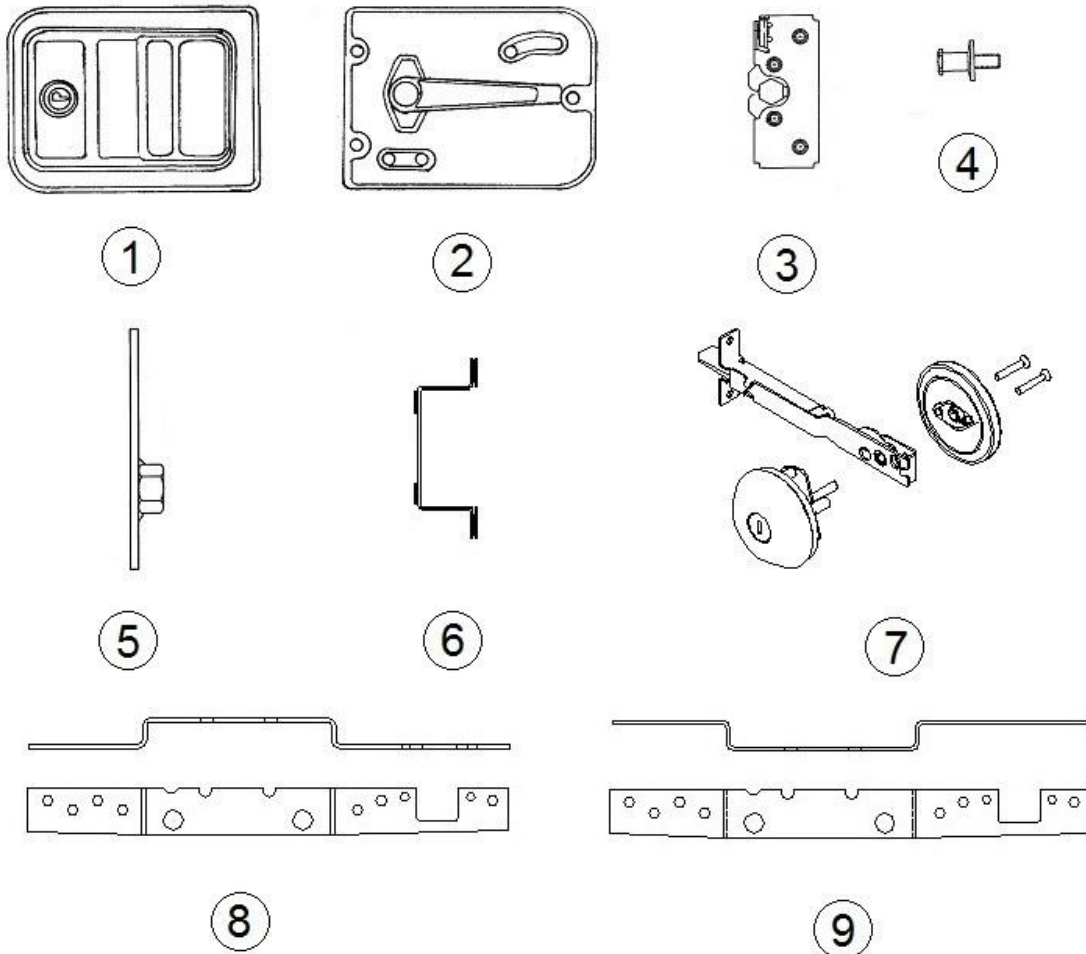
966887-31

Sofa Assembly

- | | |
|----------------|--------------------------------|
| 1. 966888 | Sofa Bed |
| 2. 966887-2 | Panel, 29.5 x 66.19 |
| 3. 966887-313 | Panel, 20.5 x 5 |
| 4. 966887-314 | Panel, 9.88 x 43.88 |
| 5. 966887-315 | Panel, 9.88 x 21.13 |
| 6. 966887-316 | Panel, 14.13 x 29.5 |
| 7. 966887-317 | Panel, 10.13 x 12 |
| 8. 966887-8 | Panel, 10.13 x 44.19 |
| 9. 966887-9 | Panel, 14.13 x 29.5 |
| 10. 966887-10 | Panel, 2.25 x 12 |
| 11. 966887-11 | Panel, 2.25 x 12 |
| 12. 966887-15I | Panel, 2.25 x 43.44 |
| 13. 966887-25 | Panel, 10.75 x 6 |
| 381775 | Drawer pull, Flush Satin |
| 381072-01 | Hinge, 3" x 2", Fixed pin |
| 381228-02 | Catch, Grabber door (5lb Pull) |
| 365009 | Foam tape, 1 x 1 |

2016 PENDLETON HARDWARE

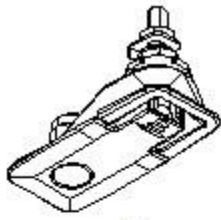
Main Door Lock, Right Hand Hinge



- | | |
|--------------|--|
| 1. 381547-09 | Main door lock, outside, housing |
| 2. 381547-11 | Main door lock, inside plate |
| 3. 381547-10 | Double rotary latch, main door lock |
| 4. 381547-04 | Striker bolt w/washer, main door lock |
| 5. 381550 | Plate, Striker Bolt Mounting |
| 6. 115413 | Door hat section |
| 7. 382069 | Deadbolt assembly, round, Trimark |
| 8. 382067 | Outer Reinforcement Plate, RH/LH Hinged Door |
| 9. 382068 | Inner reinforcement plate, RH hinged door |
| 382069-100 | Deadbolt Key, Blank |
| 381547-102 | Main door key, Blank |
| 381547-08 | Screw package, main door lock |
| 385595 | Pocket strike, #10-10-810 |

2016 PENDLETON HARDWARE

Exterior Latches, Locks, & Handles



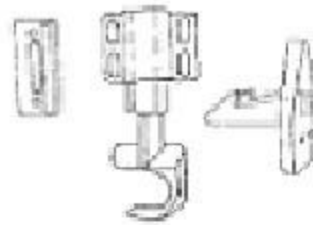
①



②



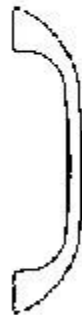
③



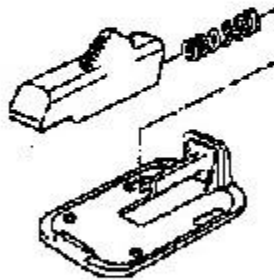
④



⑤



⑥



⑦



⑧



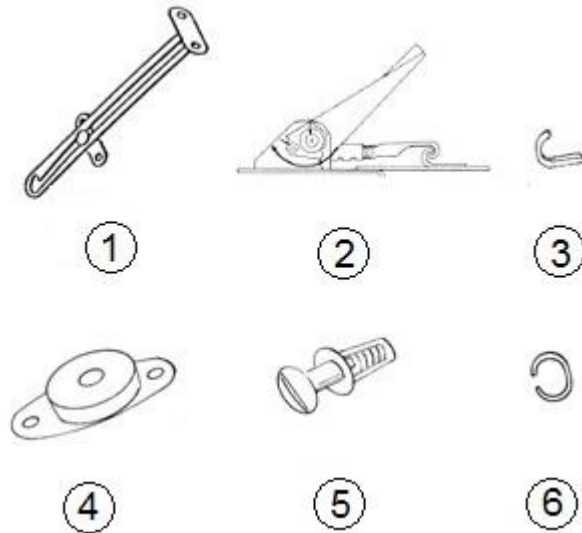
⑨



- | | |
|--------------|--|
| 1. 382230-02 | Compression Latch w/key code |
| 2. 381021-01 | Rubber T handle |
| 3. 201056 | Catch, main door hold-back |
| 4. 381454 | Latch, screen door, Bullet |
| 5. 511344-04 | Grab handle, Clear swirl handle w/Amber LED bulb |
| 6. 380004 | Handle, screen door |
| 7. 380291 | Main door hold-back |
| 8. 380290 | Latch housing |
| 9. 092609 | Lock cam |
| 382249 | Gasket, Main Door Grab handle |

2016 PENDLETON HARDWARE

Exterior Latches & Locks



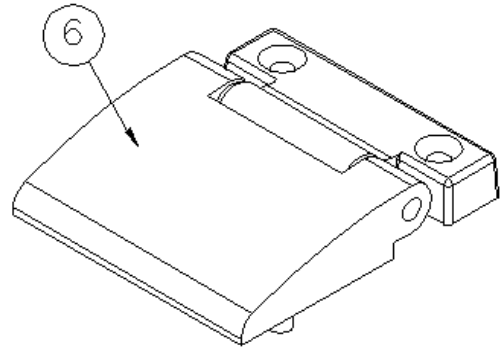
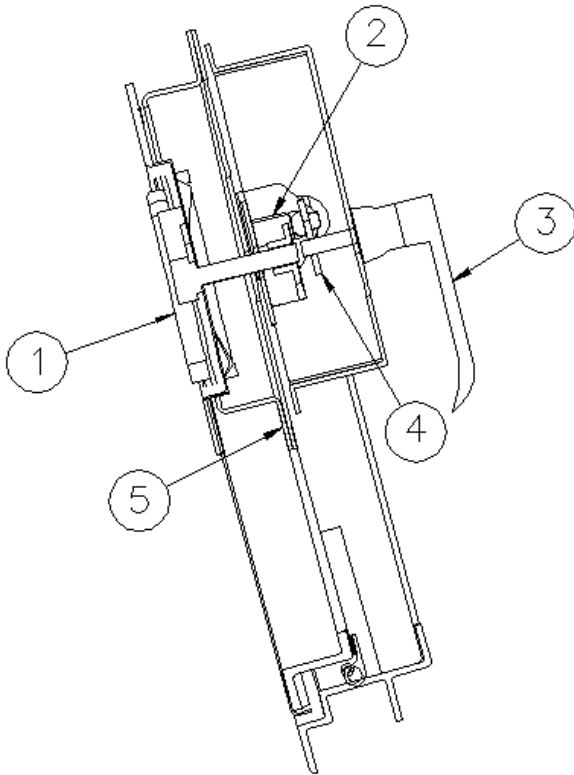
- | | |
|--|---|
| <ul style="list-style-type: none"> 1. 380024 2. 382091-01 3. 382091-02 4. 685359 5. 685358 6. 685362 | <ul style="list-style-type: none"> Support arm, Bumper lid Tension latch, Stainless Steel Strike, Tension latch, Stainless Steel Rubber receptacle, 1/4 turn latch, Southco Stud, 1/4 turn latch, Southco Retaining ring, 1/4 turn stud |
|--|---|

Exterior Hinges

- | | |
|--|---|
| <ul style="list-style-type: none"> 381552-03 381552-04 381531-01 381531-02 380773 380203-01 380203-02 380988 381605-03 380774-02 114749 114750 | <ul style="list-style-type: none"> Hinge, Main door, Upper Hinge, Main door, Lower Hinge, Screen door, Upper Hinge, Screen door, Lower Hinge, Exterior access door, Gas tank cover Piano hinge, 1/8" Pin, Battery box lid Piano hinge, Hose carrier lid, 72", Black Hinge, Continuous, Refrigerator access door Hinge, piano, wrap protectors, Hinge, 48.00", compartment door, trunk door Hinge, "Y" Assembly, Rockguard Hinge, "J", Rockguard |
|--|---|

2016 PENDLETON HARDWARE

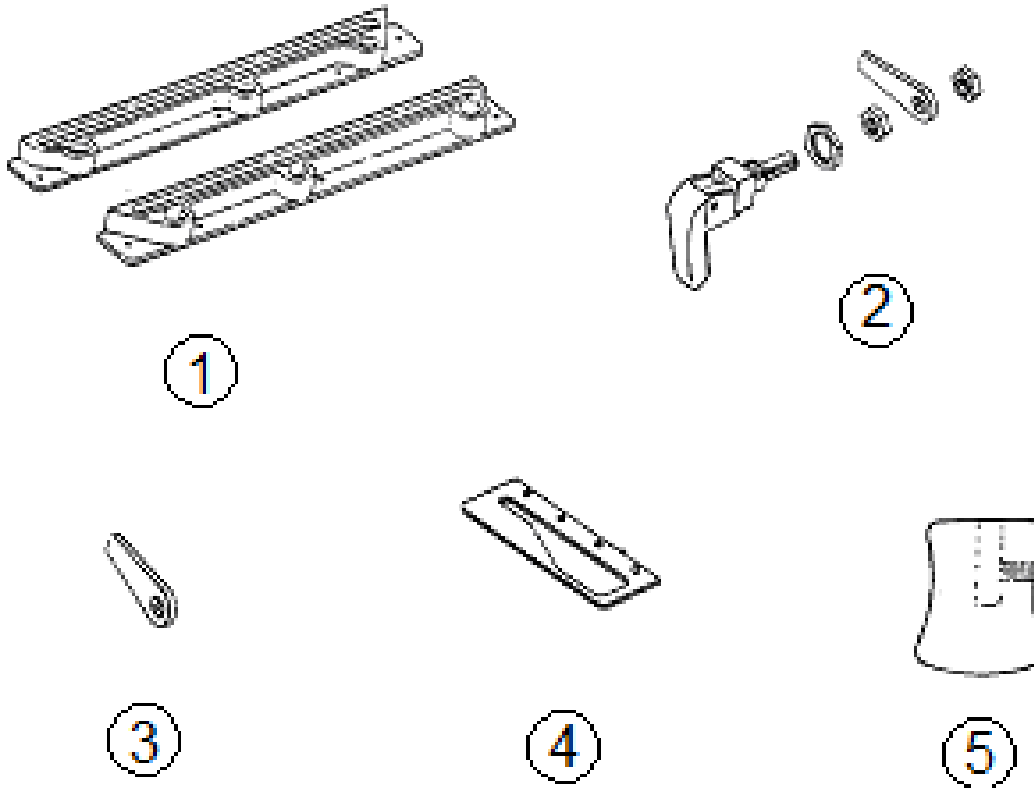
Lock & Hinge, Hatch Door



- | | |
|--------------|---------------------------|
| 1. 382018-10 | Handle, locking D-ring |
| 2. 382018-04 | Center case w/override |
| 3. 382018-08 | Handle-L, Non-locking |
| 4. 454577 | Adaptor, Latch release |
| 5. 115522 | Plate, Latch cover 45.81" |
| 6. 382065 | Hinge, Rear hatch door |

2016 PENDLETON HARDWARE

Window, Opening



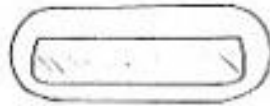
- | | |
|--------------|----------------------------------|
| 1. 0802-0001 | Window guide, RH |
| 0802-0002 | Window guide, LH |
| 2. 010020 | Lower window latch, chrome |
| 195467-05 | Lower window latch, w/red handle |
| 3. 685123 | Pawl, window latch, straight |
| 4. 685124 | Striker plate, window latch |
| 5. 380230-03 | Knob window arm, silver |
| 6. 380230-04 | Knob, window arm, red |

2016 PENDLETON HARDWARE

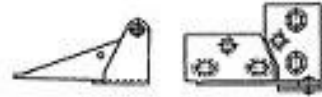
Interior Latches & Handles



①



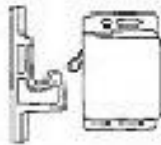
②



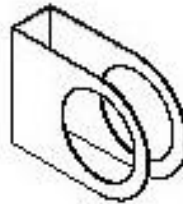
③



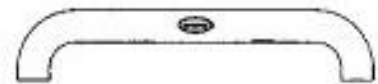
④



⑤



⑥



⑦

- | | |
|--|--|
| <ul style="list-style-type: none"> 1. 382253-02 2. 381775 3. 382159 4. 381737-02 5. 381228-02 6. 454320 7. 382194 381771 382149 385940-02 | <ul style="list-style-type: none"> Pull, Antique Silver, 5" Pull handle, Chrome Pivot hinge, Nickel Grab bar, Interior, Black Catch, grabber door, 5LB Door handle cover Head knocker, White Latch, Lever lockset, Privacy Finger pull, Satin Nickel Mirror pull, Chrome |
|--|--|

Interior Hinges

- | | |
|---|---|
| <ul style="list-style-type: none"> 382159 380203-01 380203-02 380988 380773 381607-11 | <ul style="list-style-type: none"> Pivot hinge, Nickel Piano hinge Piano hinge, Black Hinge, Continuous Hinge, Access door Hinge, Self-close, 110D half overlay |
|---|---|

2016 PENDLETON HARDWARE

Drawer Slides

381944-01	Slide, 18", Per set
381192	Drawer slide, 18"
382203-03	Drawer slide, self-close, 15"
382203-04	Drawer slide, self-close, 18'

Bath Accessories

380034	Toilet paper holder, chrome
602405	Shower, Slide Bar, 24"
600594	Strainer with White Rubber Stopper
602399	Faucet, Single Handle, Brushed Nickel
382275	Towel Bar, 18", Antique Silver
382273	Robe Hook, Antique Silver

Wardrobe Cabinet

380045	Clothes rod
200975-04	Conduit, flexible, black (covers clothes rod)
601266	Closet flange, Chrome
114750	"J" Hinge

Galley Cabinet

381708	Waste basket
--------	--------------

Sewer Hose Parts, Keys, & Key Holder

381647	Key, water fill CH 751
195329-240	Sewer hose adaptor
340084-52	Clamp, hose SAE #52
385229	Key Holder, Plastic, Airstream Blue

Reflectors

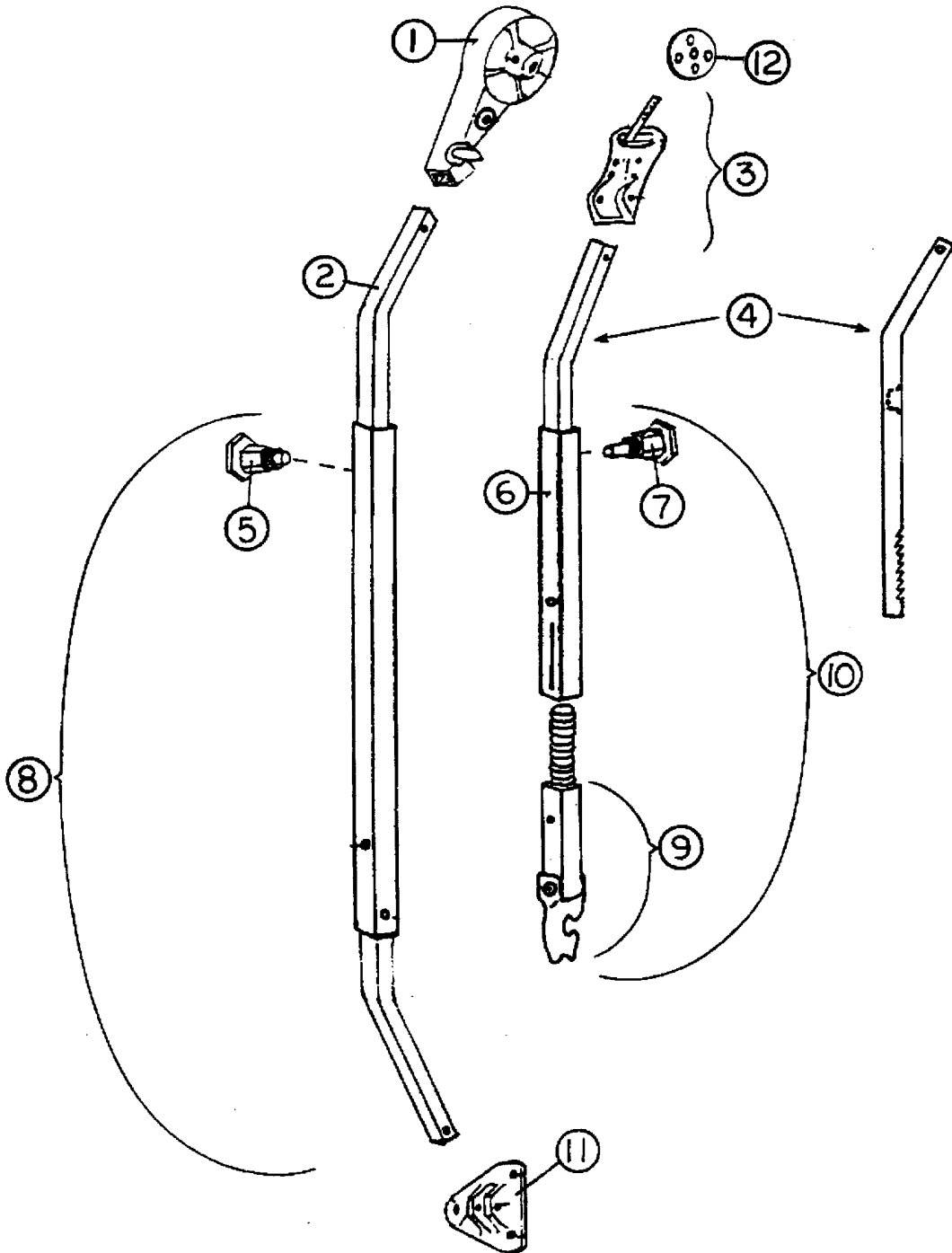
500095	Reflector, red, oval
500096	Reflector, Amber, Oval
510446	Reflector, red, stick-on

Bedroom Safe

382292	Safe
115656	Safe collar

2016 PENDLETON HARDWARE

Awning Hardware



Parts Listed on Next Page

2016 PENDLETON HARDWARE

Awning Hardware

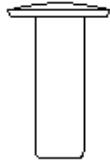
702993

Awning Hardware

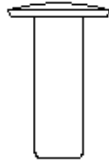
- | | |
|----------------|-----------------------------|
| 1. 74043W-06 | Front head |
| 74043W-07 | Rear head |
| 2. 74047W-11 | Front main arm bar |
| 74047W-12 | Rear main arm bar |
| 3. 74056W | Clamp, Front, Curved |
| 74056W-01 | Clamp, Rear, Curved |
| 4. 74061WS-08 | Rafter arm bar, Satin |
| 5. 74054W | Snap stud |
| 6. 74063W-04 | Rafter arm tube, Satin |
| 7. 74072W | Ratchet stud |
| 8. 74048WS-15 | Front main arm tube |
| 74048WS-16 | Rear main arm tube |
| 9. 74068W-04 | Claw bar |
| 10. 74048WS-17 | Rafter arm |
| 11. 74055W | Base hinge, Rib mount |
| 12. 74060W | Clamp wheel |
| 74041W-01 | Zip Dee hook, Pull rod, 52" |

2016 PENDLETON HARDWARE

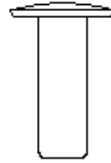
Rivets, Buck



1



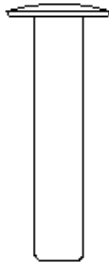
2



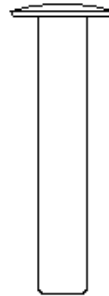
3



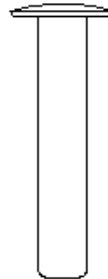
4



5



6



7

1. 325043

Rivet, 1/8", 1/4" length (hard)

2. 325000

Rivet, 1/8", length 1/4", Solid brazier head

3. 325000-01

Rivet, 1/8", 1/4" length anodized Clear

4. 325001-03

Rivet, 1/8", length 5/16", Polar White

5. 325002-01

Rivet, 1/8", length 3/8", anodized Clear

6. 325004-01

Rivet, 1/8", length 1/2", anodized Clear

7. 325003-01

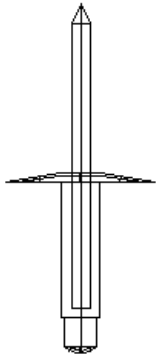
Rivet, anodized clear, 1/8 X 7/16

300101

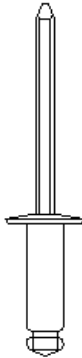
1/8" I.D., Washer, Aluminum

2016 PENDLETON HARDWARE

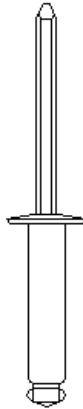
Rivets, Pop



①



②



③



④

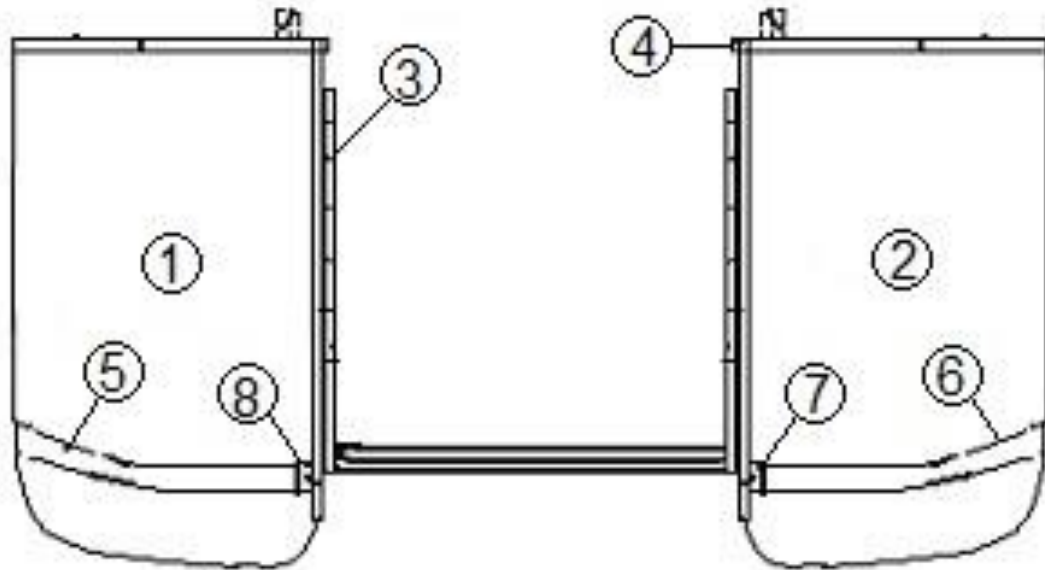


⑤

- | | |
|--|--|
| <ul style="list-style-type: none"> 1. 330155 2. 330127-030 3. 330126-02 4. 330126-03 5. 330128-05 | <ul style="list-style-type: none"> Rivet, 1/8", Aluminum Body w/steel Mandrel Pop Rivet, grip range .063-.125, alum body & mandrel Pop Rivet, dia. 1/8" grip range .126-.187, S.S. Pop Rivet, dia., 1/8" grip range .126-.250, S.S. Pop Rivet, dia., 1/8" .251"-.312" White Pop Rivet, dia .150". (#20 bit) grip range Pop rivet, closed end, sealing Pop rivet, 3/16 x 1/2, anodized Clear Pop rivet, dome head, SSD45 |
|--|--|

2016 PENDLETON HARDWARE

Wrap Protectors & Holdbacks



109325-100

Wrap Protector, Complete Set

- | | |
|---|---|
| <ul style="list-style-type: none"> 1. 966276 2. 966277 3. 381605-03 4. 100742-01 5. 115546 6. 201763-100 7. 114465-01 8. 114465-02 114819-02 114819-03 101401 345417 345376 345336-07 | <ul style="list-style-type: none"> Wrap protector, CS Wrap protector, RS Hinge, Stainless, 25" Extrusion, Wrap trim protector Extrusion, Rub rail Insert, Rub rail, Chrome Casting, Rub rail, RH Casting, Rub rail, LH Wrap protector hold back, 2.50" Wrap protector hold back, 5" Extrusion, Door latch housing/stone Nut acorn, Hex, Locking SS 1/4- Nut, Hex HD 1/4-20 SS Cap Screw, Hex HD 1/4-20 Hex .75" |
|---|---|

2016 PENDLETON LABELS AND TAGS

Labels and Tags

386250	Label, LPG Service Port
386119	Label, do not store combustible
385068	Tag, cooking appliance warning
386118	Label, LP gas, tri-warning
385517	Label, kill switch warning
385521	Label, emergency egress window
386122	Label, comfort heating
386121	Label, "if you smell gas"
385465	Exit label, English
385560	Label, air-conditioner rating
385812	Label, California hazardous substance
386120	Label, smoke alarm warning
385359	Label, microwave or air-conditioner
385837	Label, refrigeration ignition
386012	Label, warning-water heater
386098	Label Fuse, 12 V.
386123	Label, potable water only
386192	Hang tag, smoke/CO detector
386193	Label, wheel torque warning
386142	Label, check wheel lug
386114	Label, RVIA, silver
385062	Decal, 110-125 voltage AC
385565	Label, holding tank flushing
386226	Label, RV master weight
385101	Tag, aux., dump valve
385099	Tag, Black tank dump
386019	Label, 1 amp. Fuse max.
385020	Sticker, self-adhering, jack placement
386257	Label, Cable & Satellite Inlet
386263	Hang Tag, Coach-Net Roadside Assistance
386284	Label, Warning-Do not use a dolly wheel
386285	Label, 50 Amp electrical supply warning

2016 PENDLETON SAFETY EQUIPMENT

Detectors

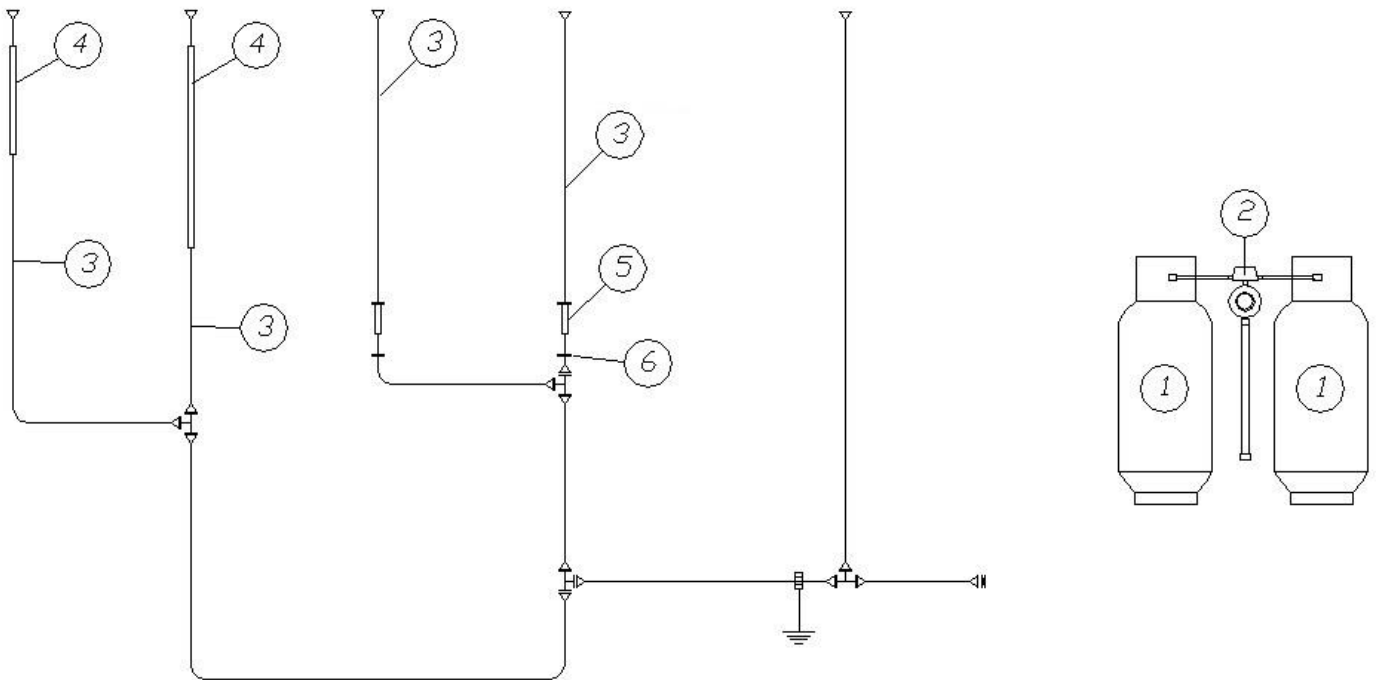
510781	Smoke detector
512539-01	LP detector, Black
512783	Detector, Carbon Monoxide

Fire Extinguisher

600162-01	Fire extinguisher
-----------	-------------------

2016 PENDLETON PLUMBING, LPG SYSTEM

LPG System



- | | |
|--------------|--|
| 1. 601710-01 | LP cylinder, Steel |
| 2. 602531-01 | Sturgis gas regulator w/two 11" pigtails & 48" LP hose |
| 3. 600008 | Tubing, Copper, 3/8" OD |
| 4. 601698-01 | E-Pex tubing, 1/2" |
| 5. 380887 | Floor grommet |
| 6. 380886 | Underbelly grommet |
| 602332-04 | Threaded rod w/wing nut & hold down |
| 602531-02 | 48" LP hose, 3/8" x 1/2" female flare |
| 340085-05 | Clamp, 5/8" Dia |
| 600238 | Flare union, 3/8" |
| 600435 | Forged flare nuts, 3/8" |
| 381613 | Plastisol cover, LP wing handle |

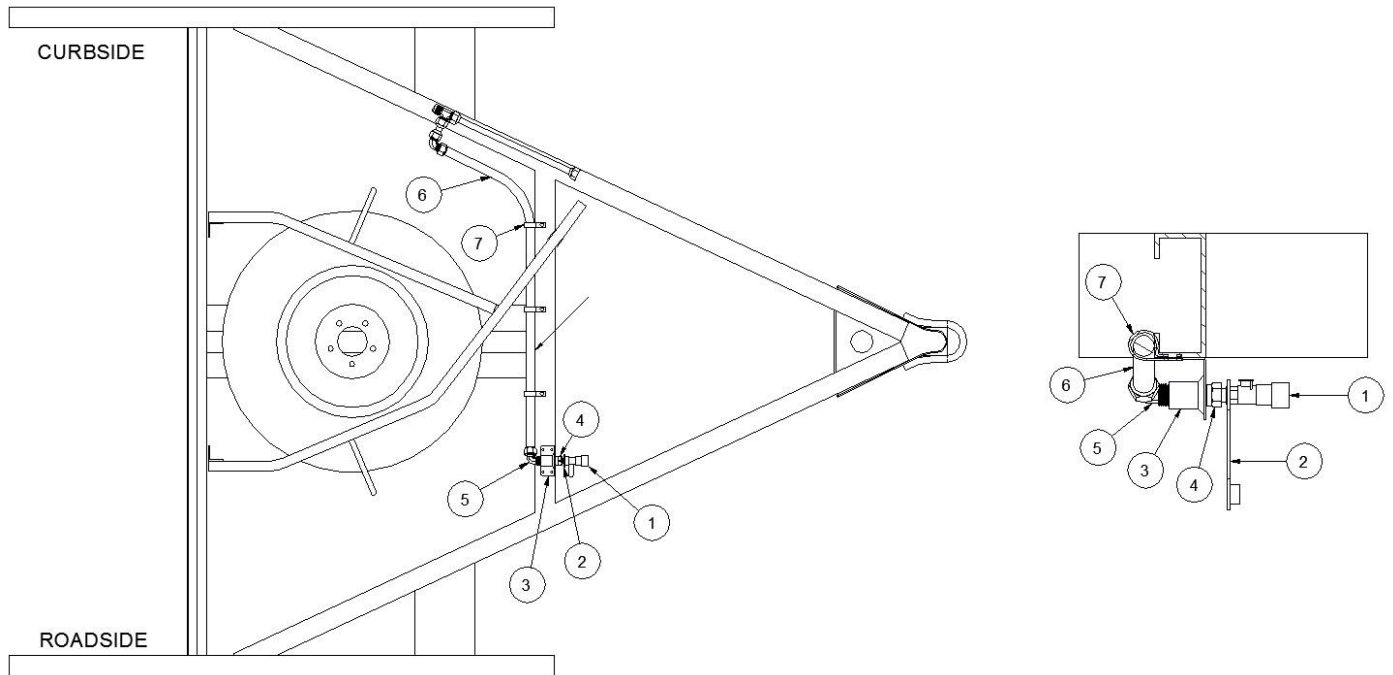
2016 PENDLETON PLUMBING, LPG SYSTEM

LP Tanks & Fittings

601711	LP tank, 30# aluminum
921231	LP tank cover
602531-01	Sturgis gas regulator w/two 11" pigtails & 48" LP hose
602531-02	48" LP hose, 3/8" x 1/2" female flare
602332-01	Wing Nut
602332-02	Black Pan
602332-04	Threaded rod, 1/2" THD, 4" each end x 23.5" long
602332-06	Hold down VTD0046
382091-01	Tension latch, stainless steel
382091-02	Strike, tension latch, stainless steel
200841	Lid, LP tank cover
380773	Hinge, access door
114070	J-trim, extrusion, aluminum

2016 PENDLETON PLUMBING, LPG SYSTEM

Propane Port, Exterior



112008

Exterior Propane Port

- | | |
|--------------|-----------------------------------|
| 1. 602109-01 | Coupler, Quick disconnect |
| 2. 602109-03 | Dust plug |
| 3. 454901 | Bracket, LP quick disconnect port |
| 4. 602286 | Nipple, 1/2" MNPT, 1/4" MNPT |
| 5. 602313 | Fitting, 1/2" MPT x 1/2" FLR 90° |
| 6. 602315 | LP hose, 1/2" FLR SWV, 36" |
| 7. 340085-07 | Clamp, Loop, Steel w/rubber, 1" |
| 201267-11 | Conduit, Convoluted, 1" Dia. |
| 386250 | Label, LPG service port |

2016 PENDLETON PLUMBING, FRESH WATER

Fresh Water Tank System

601863-01	Tank, Fresh water, 39 gallon
601620	Pan, fresh water tank
601243	Drain cock, fresh water tank
602185-01	Drain Valve, 90 degree lead free
453712	Shield, Fresh water tank drain

Fresh Water Tank Fill

601194	Water fill w/lock, gray
601239-01	Tubing, 1.375" ID, ribbed w/flats
601240-01	Tubing, 1/2" I.D. X 3/32" wall thickness

City Water Hook-Up

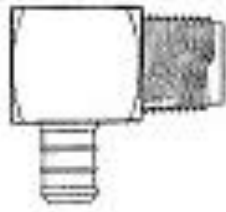
601392-05	City water fill w/regulator
601392-01	Plastic cap, Shurflow
601659	Riser 1/2" FPT X 12" CPVC
602185-01	Drain Valve 90 deg. Lead free
600227	Plastic couplings

Water Pump System

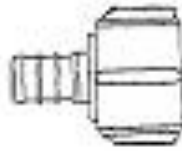
602307	Shurflo automatic demand water pump
601668-01	Strainer, fresh water pump
602277	Filter, Water Inline Shurflo
602277-01	Fitting Water filter

2016 PENDLETON PLUMBING, FRESH WATER

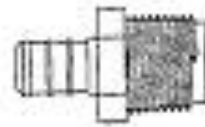
Fresh Water Fittings



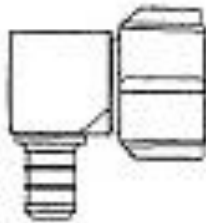
①



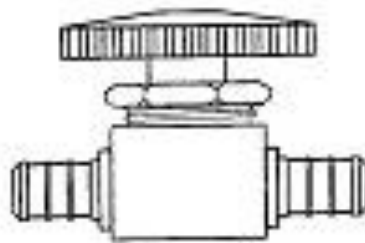
②



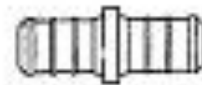
③



④



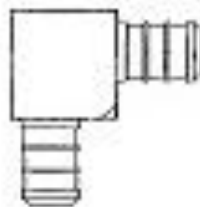
⑤



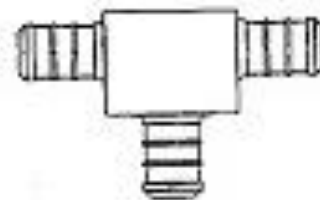
⑥



⑦



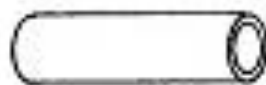
⑧



⑨



⑩



⑪

Parts Listed on Next Page

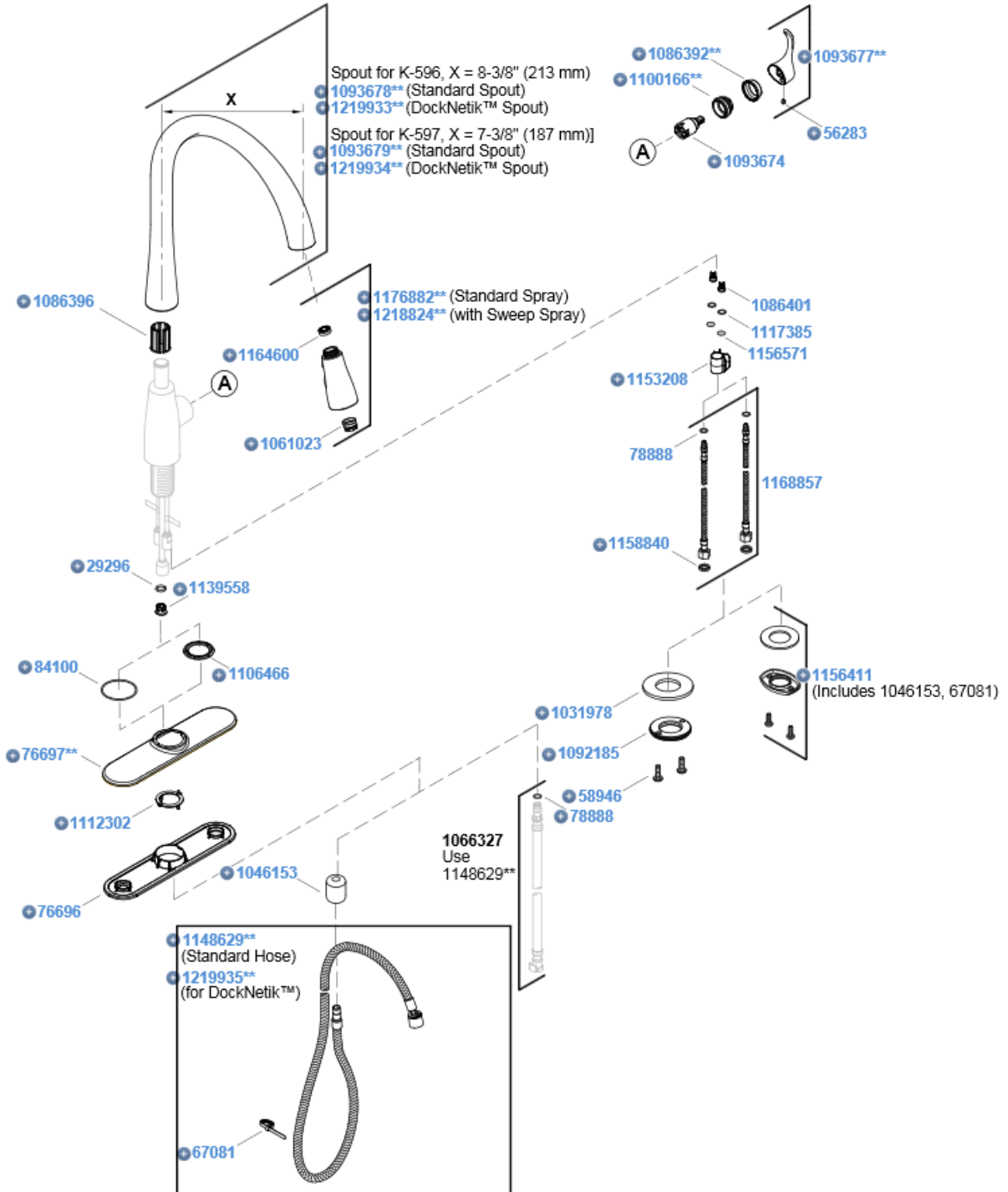
2016 PENDLETON PLUMBING, FRESH WATER

Fresh Water Fittings

1. 602256-04 Elbow, 1/2" barb x 1/2" MPT
2. 602256-03 Coupler, 1/2" barb x 1/2" FPT
3. 602256-02 Coupler, 1/2" barb x 1/2" MPT
4. 602256-05 Elbow, 1/2" barb x 1/2" FPT
5. 602256-22 Shut-off, 1/2" barb x 1/2" barb
6. 602256-08 Coupler, 1/2" x 1/2" barb
7. 602256-09 Plug, 1/2" barb
8. 602256-10 Elbow, 1/2" barb x 1/2" barb
9. 602256-11 Tee, 1/2" x 1/2" x 1/2"
10. 601698-15 Crimp ring, 1/2" E-Pex, black
11. 601698-01 E-Pex tube, 1/2"
- 601698-21 E-Pex tube, 1/2", red
- 600836 Elbow, 3/8" MPT x 1/2" barb, copper
- 601237 Elbow, 90 Degree, 1.25 MPT x 1.25 barb
- 602185-01 Drain Valve, 90 Degree

2016 PENDLETON PLUMBING, FRESH WATER

Faucet, Galley, Kohler
Model #K-597-VS

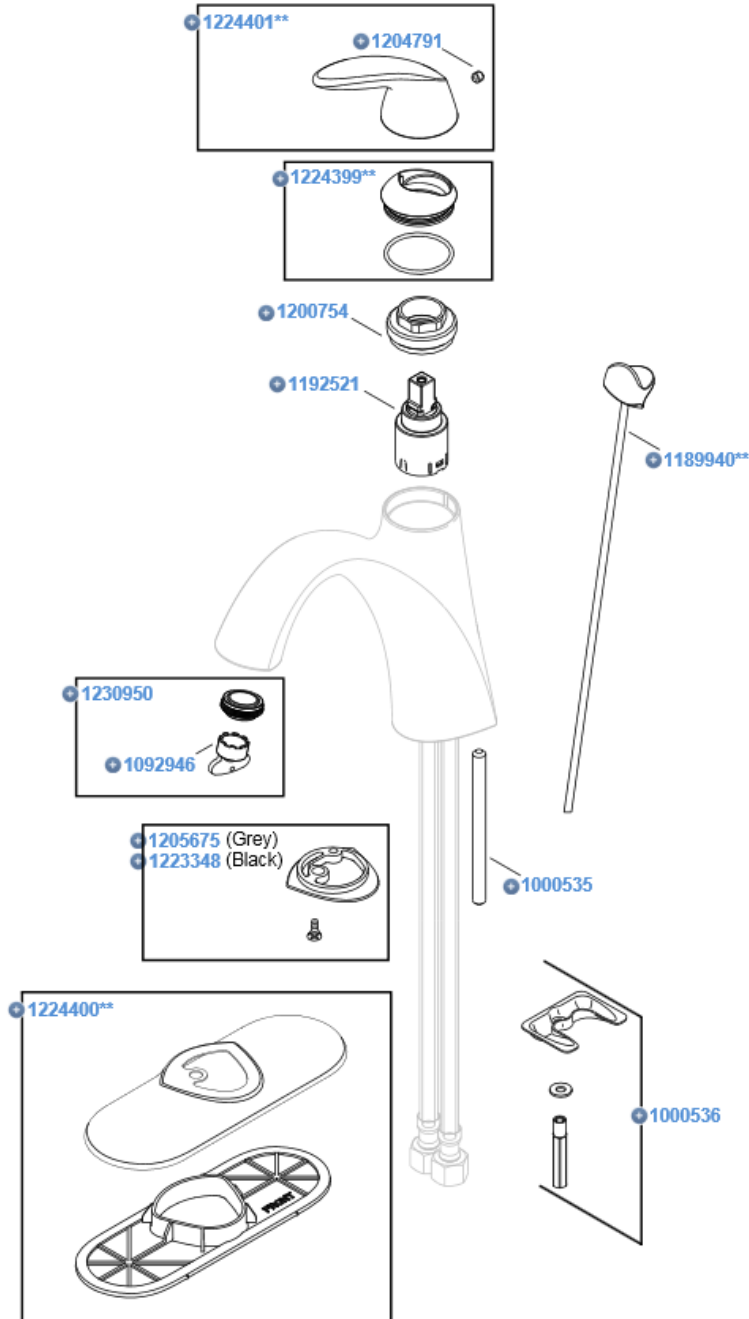


602395
602137

Faucet, single hole, pull down, Stainless Steel, Kohler
Valve, shut off

2016 PENDLETON PLUMBING, FRESH WATER

Faucet, Lavatory, Kohler
Model #K45800-4-BN

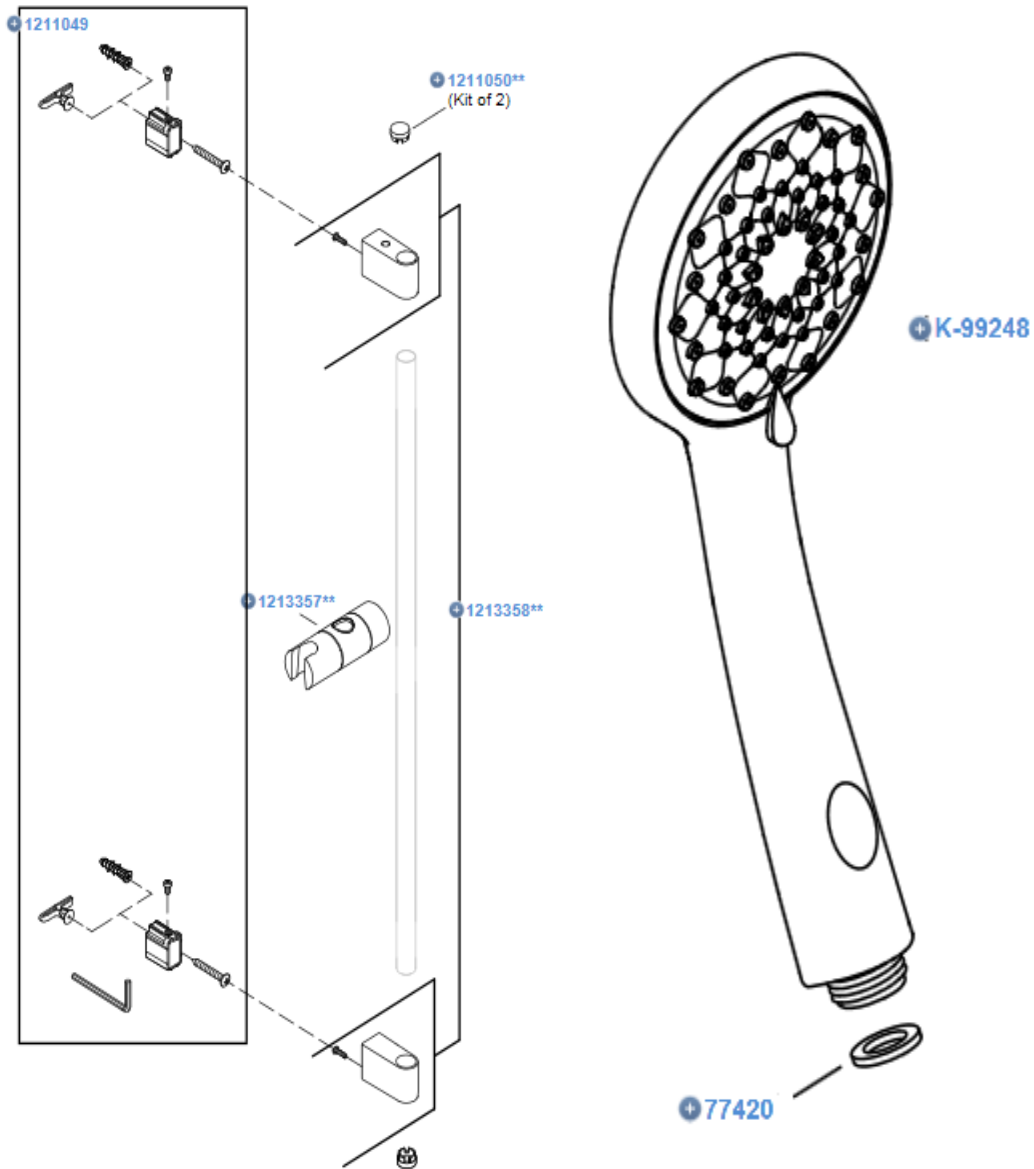


602399
602137

Faucet, Single Handle, Vibrant Brushed Nickel, Kohler
Valve, shut off

2016 PENDLETON PLUMBING, FRESH WATER

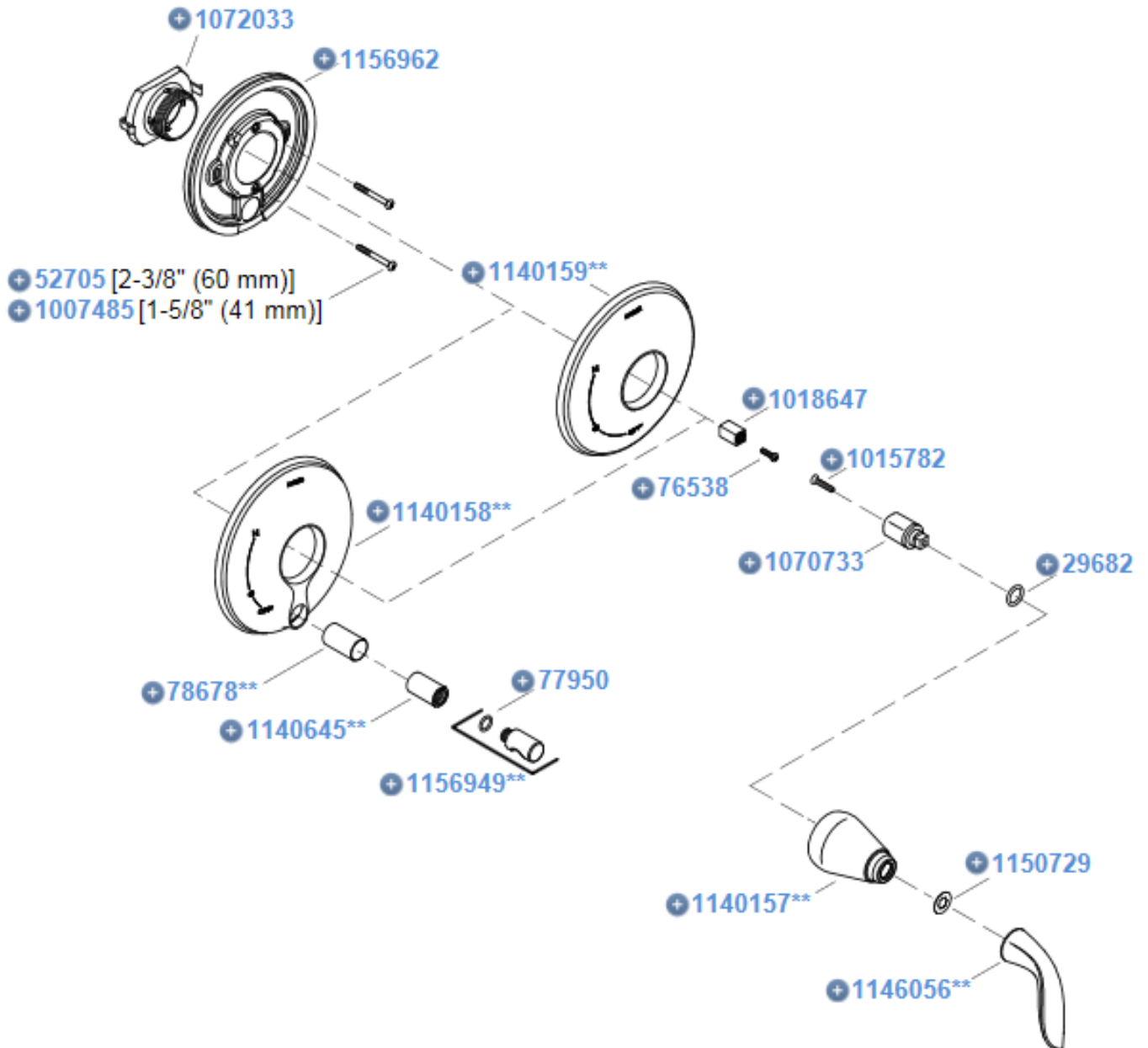
Faucet, Hand shower w/Eco-Boost Tech-Awaken, Kohler
Model #K-99248-BN, Hand shower
Model #K-98341-BN, Slide bar



602402 Hand shower, Vibrant Brushed Nickel, Kohler
602405 Shower slide bar, 24"
602403 Hose, 60", Brushed Nickel

2016 PENDLETON PLUMBING, FRESH WATER

Faucet, Shower Handle, Kohler
Model #K-T5322-4-BN, Valve trim kit

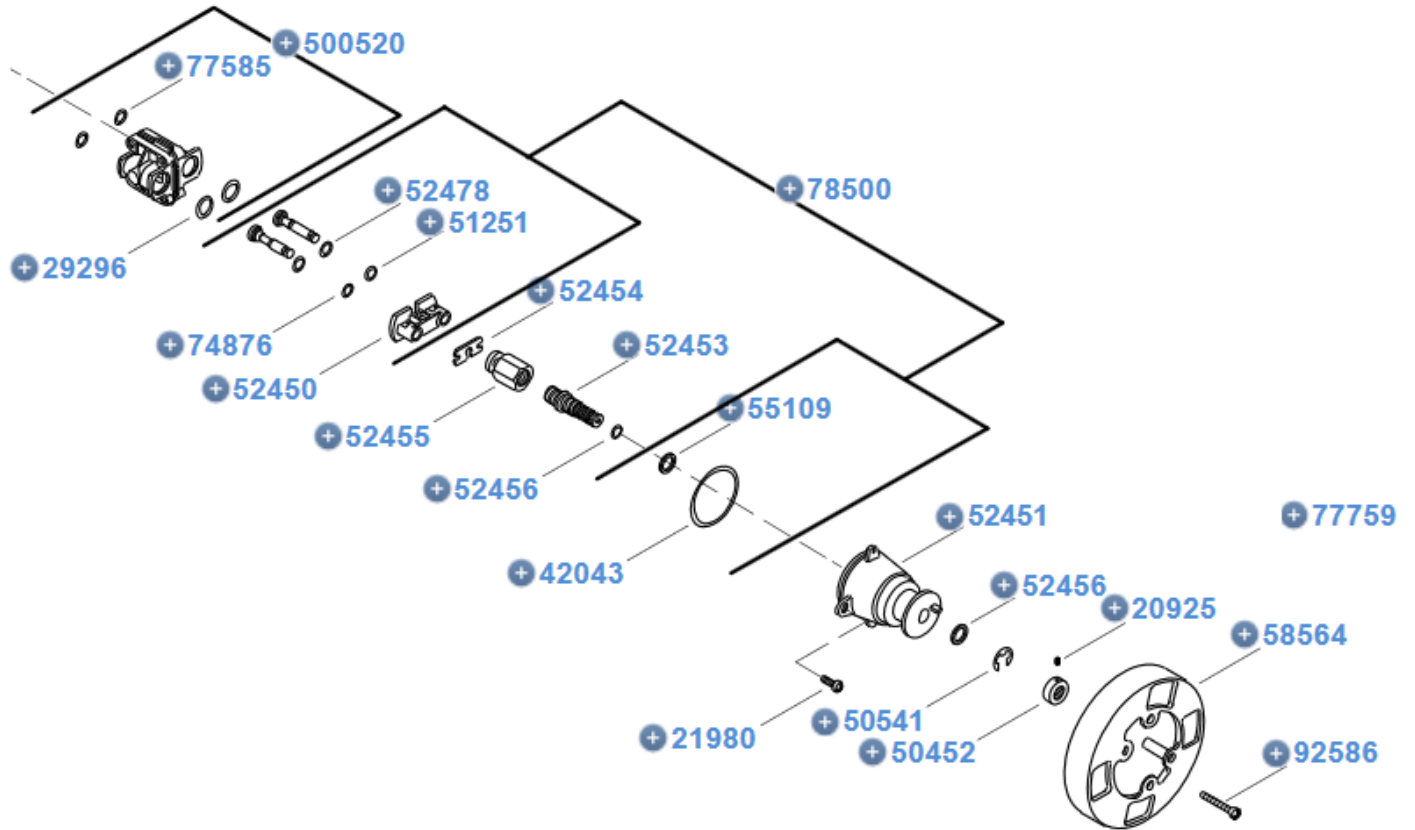


602400

Valve Trim Kit, Refina, Vibrant Brushed Nickel, Kohler

2016 PENDLETON PLUMBING, FRESH WATER

Faucet, Valve, Kohler
Model #K-304-PX-NA, Valve

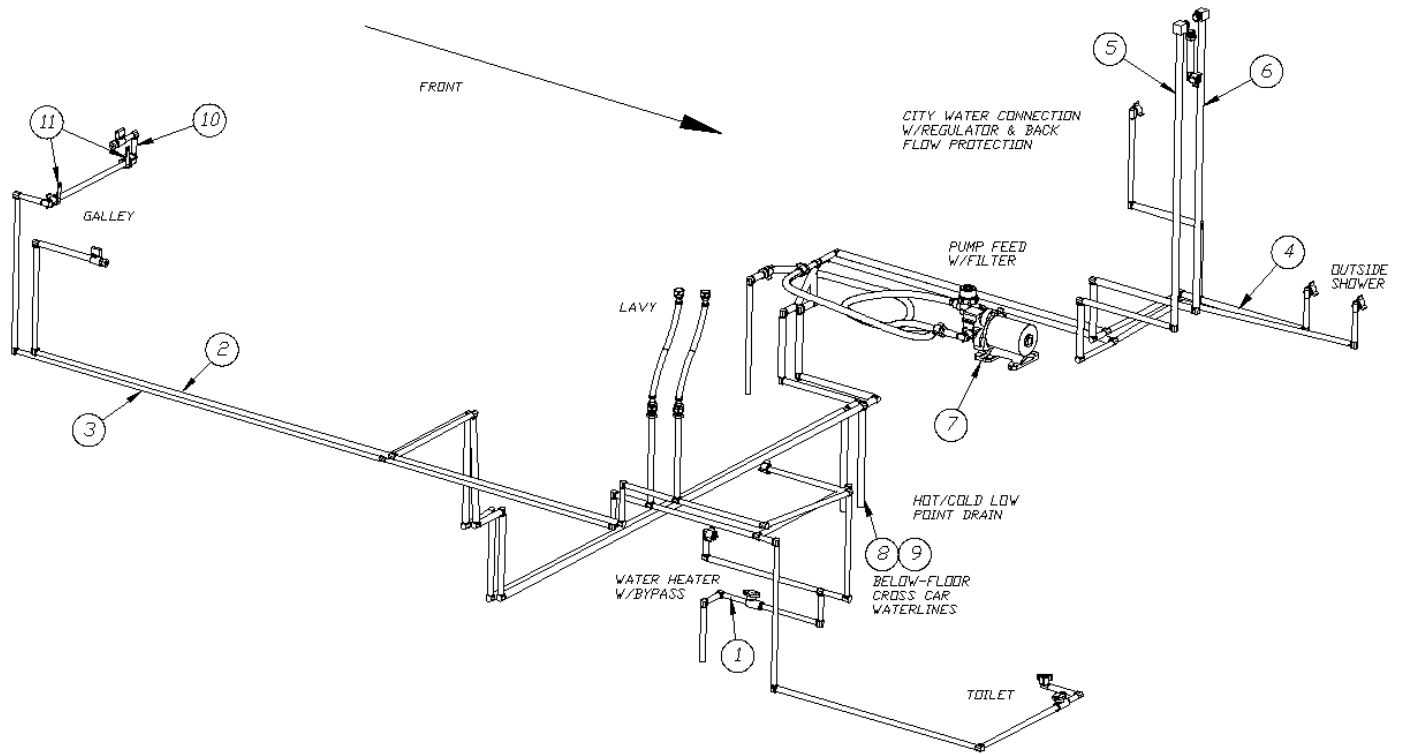


602401

Valve, Rite-Temp, 1/2" Pressure Balance

2016 PENDLETON PLUMBING, FRESH WATER

Fresh Water Lines



943746

Fresh Water System

- | | |
|---------------|------------------------------|
| 1. 943746-01 | Water heater by-pass |
| 2. 943746-02 | CS, Hot |
| 3. 943746-03 | CS, Cold |
| 4. 943746-04 | RS, Cold |
| 5. 943746-05 | RS, Hot |
| 6. 943746-06 | Shower control valve |
| 7. 943746-07 | Water pump connect |
| 8. 943617-01 | Cold crossover line |
| 9. 943617-08 | Hot crossover line |
| 10. 943746-09 | Galley filter, Cold |
| 11. 340093-06 | "J" clip, Vinyl coated, 3/4" |

2016 PENDLETON PLUMBING, DRAIN SYSTEM

Drain Tanks & Pan

601850-04	Gray holding tank, 37 gallon
601848-12	Black holding tank, 39 gallon
601626	Pan, Waste holding tank
200954	Slope pad, 22.75" x 55"

Holding Tank Pan Closeout

601228	Closeout, Septic pan
--------	----------------------

Styrofoam Insulation, Tank Pans

200152	Styrofoam, .5 x 6 x 42
200507	Styrofoam, 1 x 25 x 55

Toilet Flange

601266	Flange, Closet, 3 x 4, Slip fit
--------	---------------------------------

Galley Sink

602396	Sink, Undertone, Single bowl, Kohler
602397	Sink strainer w/tailpiece, Vibrant Stainless
602532-06	Sink Cover, Corian, Sorrel
602388	Sink clip

Lavatory Sink

601804-01	Lavy sink, 12" round, SS
602388	Sink clip

Shower Stall

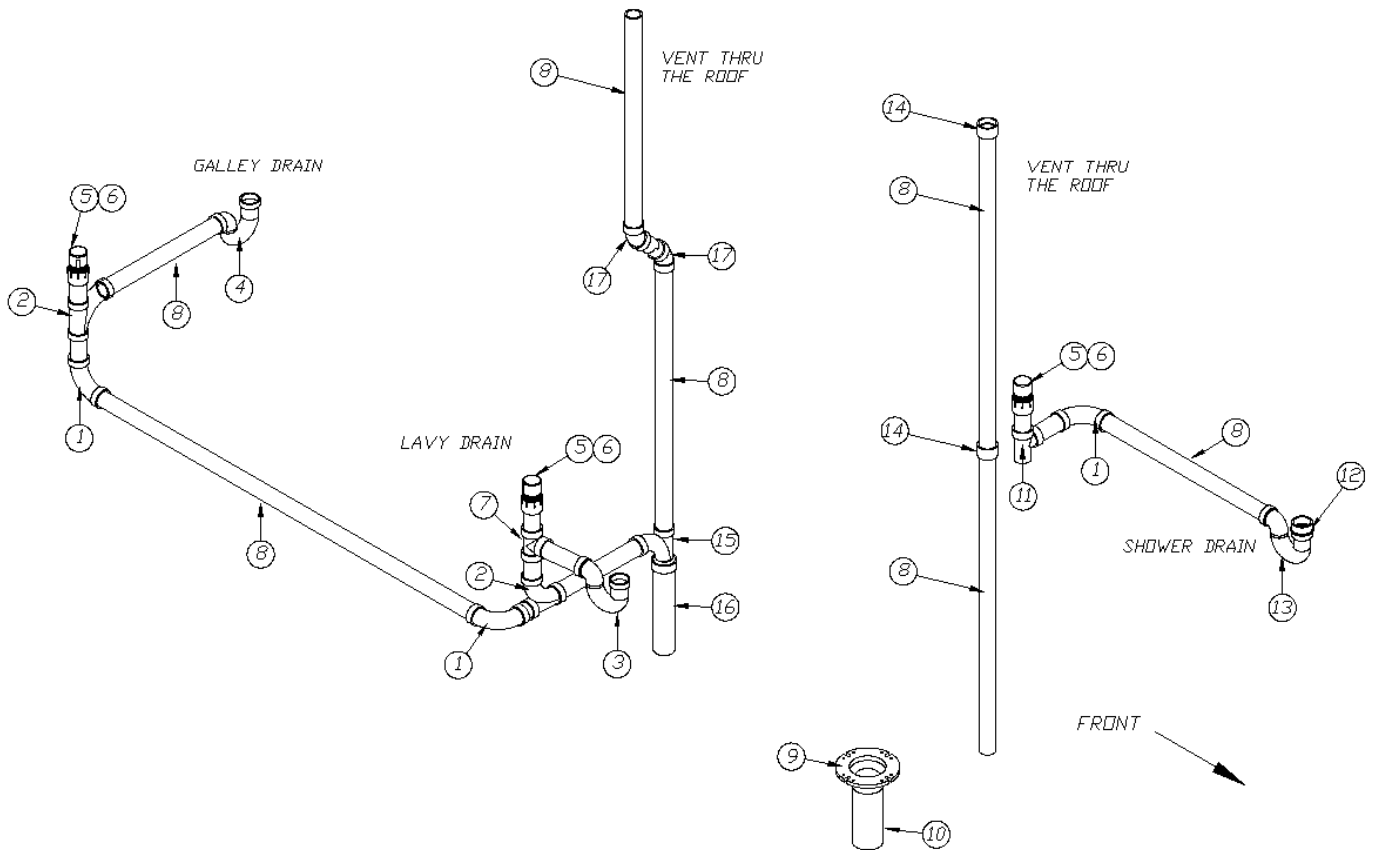
203081-02	Shower stall, 2 piece
600594	Strainer with rubber stopper
703911-01	Shower Door, Brushed Nickel

Black Tank Flush

601441-02	Tank flush, No-fuss
601392-01	Plastic screw in cap

2016 PENDLETON PLUMBING, DRAIN SYSTEM

Drain, Above Floor



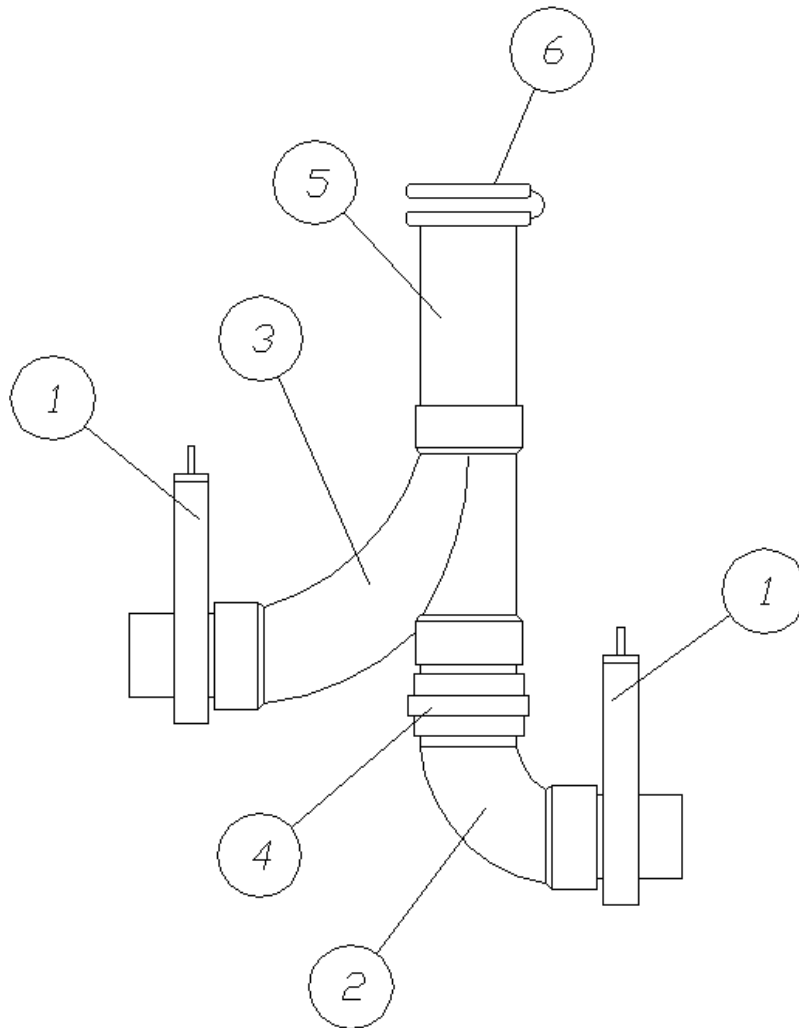
943672-01

Above Floor Drain System

- | | |
|---------------|------------------------------------|
| 1. 600035 | Ell, ABS, Long sweep, 1.5" |
| 2. 600182 | Wye |
| 3. 600144 | P-trap, ABS, 1.5" |
| 4. 600622 | P-trap, 1.5" w/slip nut & washer |
| 5. 600538 | Vent, V-200 automatic |
| 6. 600308 | Adapter, ABS female |
| 7. 600156 | Tee, Sanitary |
| 8. 601160-02 | Pipe, ABS, 1.5" |
| 9. 600065 | Flange, Floor Threaded |
| 10. 601267-04 | Nipple, Threaded one end only, 10" |
| 11. 601868 | Tee, Sanitary |
| 12. 602164-02 | Tailpiece w/nuts & washers, 1.5" |
| 13. 602164-01 | P-trap w/compression nut, 1.5" |
| 14. 600227 | Plastic coupling |
| 15. 602072 | Tee, Sanitary, Reducing |
| 16. 601160-03 | Pipe, ABS, 2" |
| 17. 600030 | Ell, ABS, 45°, Long turn |

2016 PENDLETON PLUMBING, DRAIN SYSTEM

Dump Valve



110191

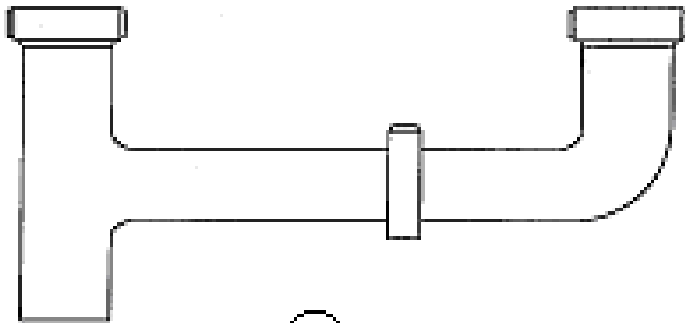
Dump Valve Install

1. 601607-11
2. 600820
3. 600187
4. 600289
5. 601160-04
6. 601607-07

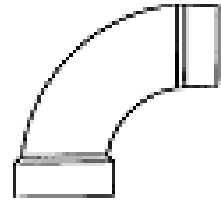
- Valve assembly, 3" spigot x 3" spigot
Single socket, 3", 90°
3" Wye, combination & 1/8" bend
Calder coupler, 3"
3" ABS pipe
Termination cap

2016 PENDLETON PLUMBING, DRAIN SYSTEM

Drain Line Fittings



1



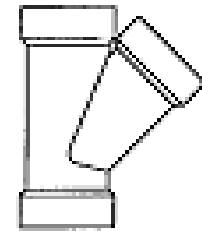
2



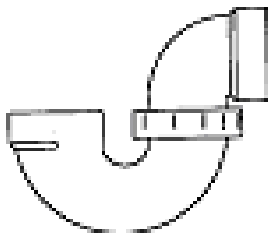
3



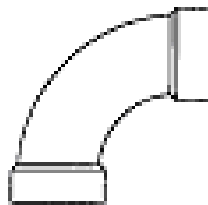
4



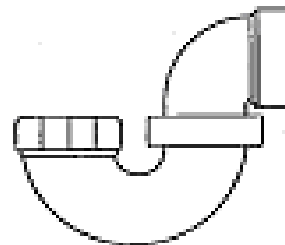
5



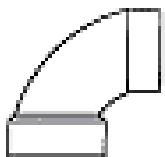
6



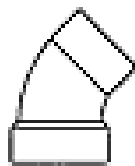
7



8



9



10



11

Parts Listed on Next Page

2016 PENDLETON PLUMBING, DRAIN SYSTEM

Drain Line Fittings

1. 600378 Continuous waste
2. 600431 Elbow, 90 degree, long street
3. 600625-01 Plug, trap, 1-1/2" adapter, female
4. 600822 Swivel adaptor
5. 600094 Wye, #2301
6. 600144 P-trap, 1.5" w/o slip nut
7. 600035 Elbow, 90 degree, long turn
8. 600622 P-trap, 1.5" with slip nut
9. 600662 Elbow, 90 degree, short street
10. 600027 Elbow, 45 degree, long street
- 600050 Elbow, 45 degree, long turn
11. 601868 Sanitary tee-SPIG X HUB X HUB

2016 PENDLETON PLUMBING, DRAIN SYSTEM

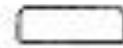
Drain Line Fittings



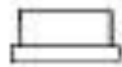
12



13



14



15



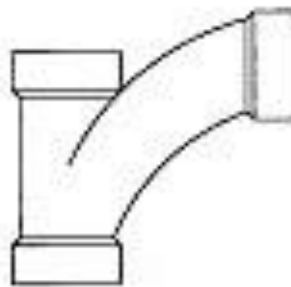
16



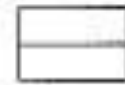
17



18



19



20



21

Parts Listed on Next Page

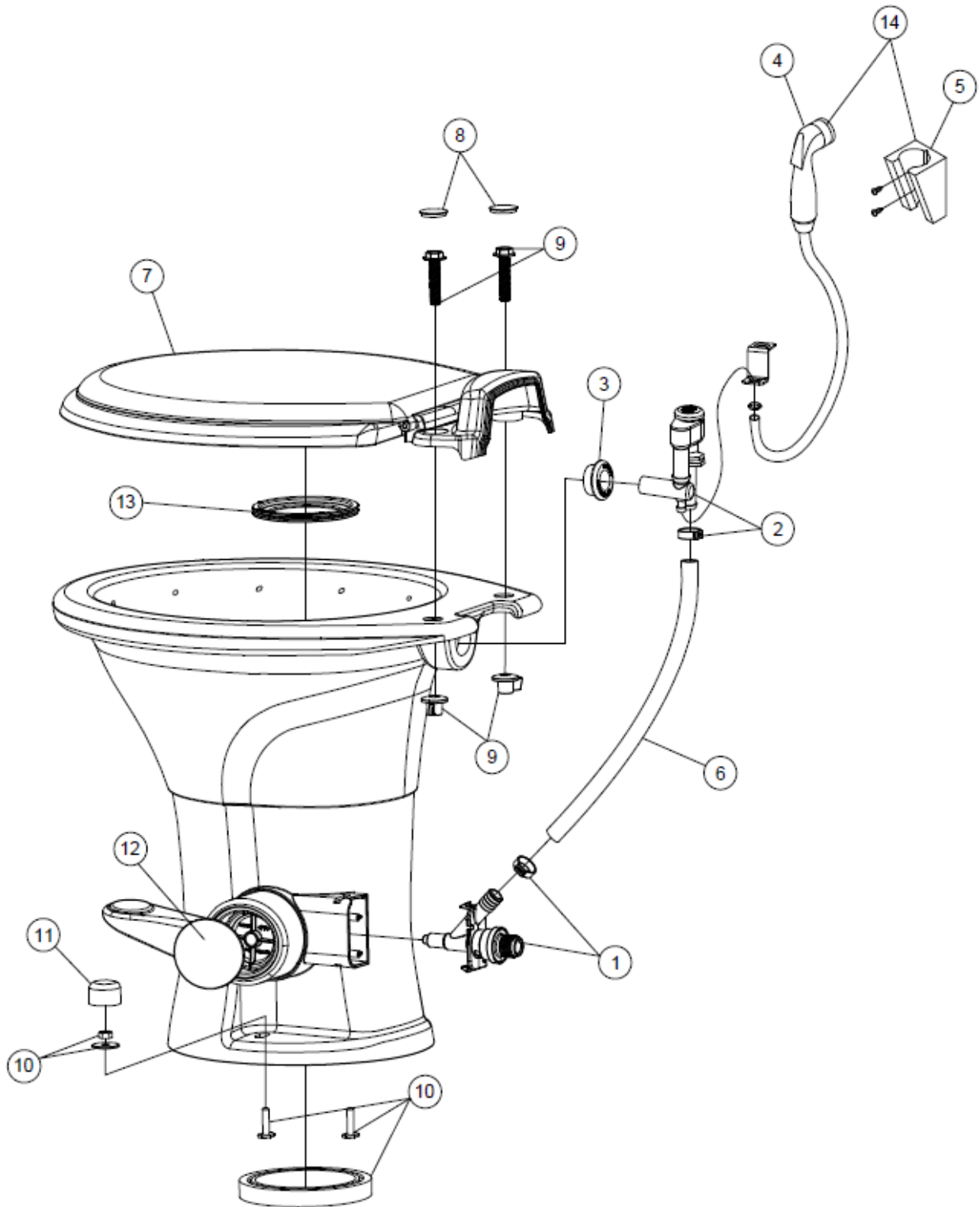
2016 PENDLETON PLUMBING, DRAIN SYSTEM

Drain Line Fittings

12. 600155	Plug, 1.5"
13. 602306	Valve, 2" Air Admittance Ayrlet
14. 601677	Cap, 1.5"
15. 601263	Reducer, 1.5" to 1.25"
16. 601676	Adapter
17. 600308	Adapter, w/female threads
18. 600156	Tee, sanitary, 1.5"
19. 600182	Wye, 1.5", 1/8" bend
20. 600227	Coupling, 1.5"
21. 600030	Elbow, 45 degrees, long turn
601318	Tee, bi-directional clean out, 1.5"

2016 PENDLETON PLUMBING, DRAIN SYSTEM

Toilet



Parts Listed on Next Page

2016 PENDLETON PLUMBING, DRAIN SYSTEM

Toilet

690621 Toilet, China #302310041 Dometic
600065 Floor Flange, Threaded

1. 385311641 Water valve
2. 385230335 Hand Spray VB
- 385316906 Vacuum breaker
3. 385311164 Sealing grommet
4. 385319054 Vacuum break w/spray
5. 385230319 Bracket, hand spray
6. 385345377 Supply hose
7. 385311646 Seat and cover
8. 385311648 Seat bracket covers
9. 385311650 Seat mounting hardware
10. 385311652 Mounting hardware
11. 385311654 Cap
12. 385311656 Pedal cover
13. 385311658 Flush ball seal
14. 385311124 Hand spray, (optional)

*Parts listed are Dometic part numbers

2016 PENDLETON SEALER, GASKETS, PAINT

Sealers

360001	Sealant, #884058
360002	Sealant, Vulkem 11.5 oz. tube
360209	Sealant, seam
360176	Sealant, Almond, kitchen and bath
360180	Sealant, Sikaflex #221
365330-04	Sealant, Adseal (Used on compartment boxes)
28430W-01	Sealant, Acryl-R, Gray, 16 oz. can

Gaskets

365232	Gasket, Main/baggage door
382117	Gasket, Window frame to glass
365035	Gasket, Access door jamb
381830	Wiper gasket, Refrigerator baffle, 1.12" x 2"
381663	Gasket, D-seal, PDM sponge, Door bell
365351	Washer, Sealing, Main door hinge
365336	Gasket kit pad, #1
365337	Gasket kit pad, #2
365338	Gasket kit pad, #3
365367	Automotive foam tape

Paint

360213	Paint, Metallic Aluminum, Centari #65751
360260	Paint, Pewter
360151	Paint, Gray

Tape & Microwave Insulation

685510	Seam Tape for between end segments, Black
365221	Tape, Double coated, 1/32 urethane
365222	Tape, Double coated, .08" x 3/4"
365016	Tape, Foam, Double face, 1/2" wide
365001	Tape, Double coated foam

2016 PENDLETON PILLOWS, MATTRESSES, BEDSPREADS

Mattress & Sheet Set, Double Bed

704132	Mattress, Pillow top, 60 x 75
704232	Mattress pad, 600TC Primal Loft
704004-02	Sheet set, Custom fit

Pillows

704227	Classic pillow, Pendleton, Wool down blend
--------	--

Pet Bed

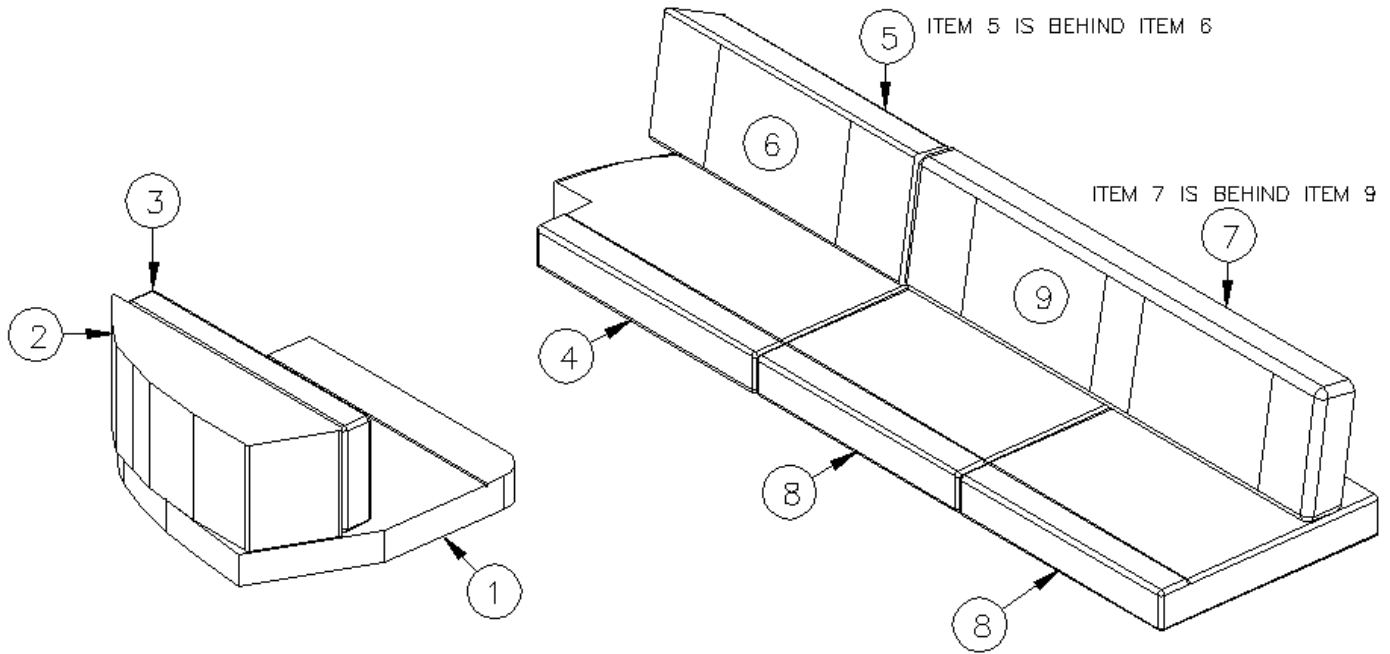
704230	Pet bed, Medium, Badlands National Park
--------	---

Pendleton Product Package

704231	Kit, Consists of blankets, towels, pillows, etc..
--------	---

2016 PENDLETON UPHOLSTERY, FOAM, ULTRALEATHER

Sofa, Dinette Cushions



704228
704224

Kit, Sofa/Dinette Cushions, Ultraleather, Pendleton Brown
Kit, Foam

- | | |
|--------------|------------------------------|
| 1. 704228-01 | CS dinette seat |
| 704224-01 | Foam, CS dinette seat |
| 2. 704228-02 | CS back filler |
| 704224-02 | Foam, CS back filler |
| 3. 704228-03 | CS back rest |
| 704224-03 | Foam, CS back rest |
| 4. 704228-04 | RS dinette seat |
| 704224-04 | Foam, RS dinette seat |
| 5. 704228-05 | RS back filler |
| 704224-05 | Foam, RS back filler |
| 6. 704228-06 | RS back rest |
| 704224-06 | Foam, RS back rest |
| 7. 704228-07 | Lounge wedge |
| 704224-07 | Foam, Lounge wedge |
| 8. 704228-08 | Lounge bottom cushions |
| 704224-08 | Foam, Lounge bottom cushions |
| 9. 704228-09 | Lounge back rest |
| 704224-09 | Foam, Lounge back rest |

2016 PENDLETON VENTS, FANS

Bathroom Vent

690266-06 Shower roof vent w/o garnish

Range exhaust

512210 Range hood, 12V, Grey/SS, Baraldi
115175 Duct, Range exhaust transition
511017-11 Vent cover, Exterior, Gray

Refrigerator Roof Vent

100341 Refrigerator, Vent collar, Large
101394 Cover, Refrigerator vent, Large
380228 Mesh, Galvanized, .017" x 36"

Holding Tank Vent

*690700-01 Vent pipe cover, White
*382337 Gasket, Corlon, Vent Cap
380228 Wire hardware cloth

*Replaced 690601-01 vent cover and 382165 gasket in January 2016

Power Roof Vents

382240 Vent, Fantastic Fan, Exhaust only

2016 PENDLETON SKYLIGHTS

Skylight, Lounge

381318-05	Skylight, 19.5" x 19.5"
115619	Frame, 19 x 19
203785	Trim Ring, 19 x 19, Silver
704120-02	Shade, Skylight, 19.25 x 20, Grey

Skylight, Bath

381318-06	Skylight, 14.5" x 22.5"
115620	Frame, 14 x 22
203786	Trim Ring, 14 x 22, Silver
704120-01	Shade, Skylight, 14.5 x 22.75, Grey

2016 PENDLETON PANELING, EDGEBANDING, LAUAN

Paneling

801368 Paneling, White liner/White liner 18MM
801392 Paneling, White liner/White liner 12MM

Edgebanding

365389-01 Edgebanding, .63, Sheeshamo
365389-02 Edgebanding, .94, Sheeshamo
365389-03 Edgebanding, 1.25, Sheeshamo
365340-01 Edgebanding, .63, Frosty White
365267 Edgebanding, 1.13, PVC

Lauan

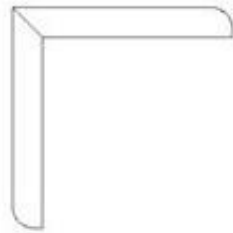
800507-01 Lauan, 1/8" x 4' x 8'
800507-02 Lauan, 1/4" x 4' x 8'
800507-03 Lauan, 3/8" x 4' x 8'

2016 PENDLETON WOOD TRIM

Trim, Wood



①



②



③



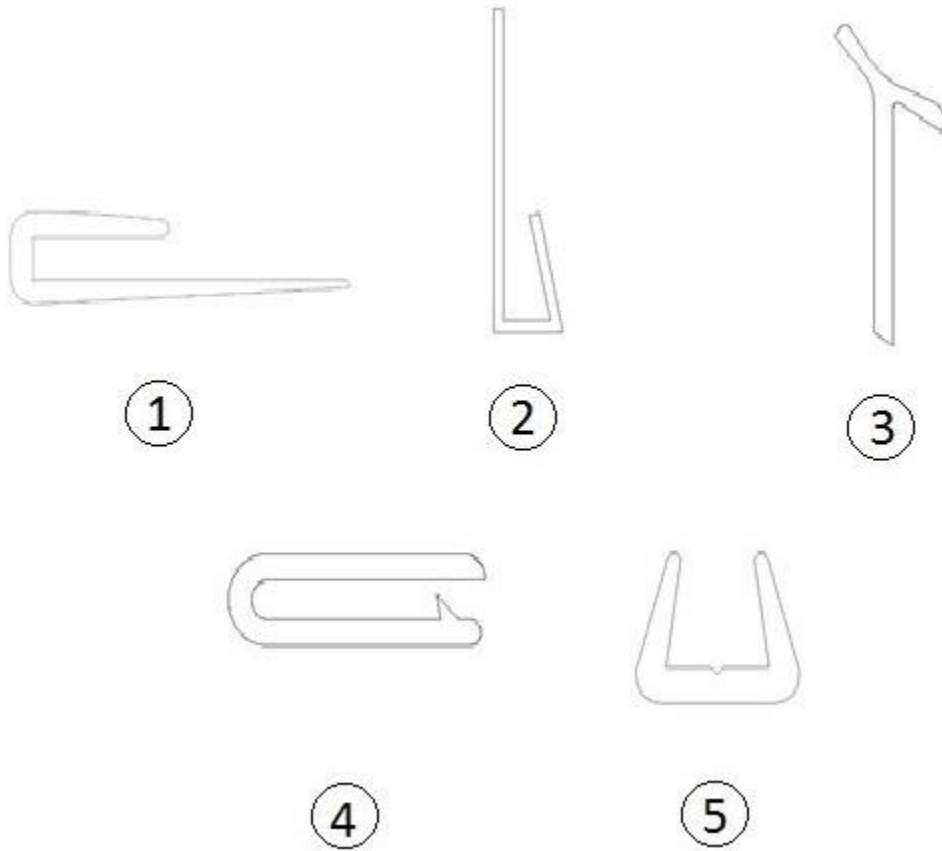
④

1. 115064
2. 801172-10
3. 801178-07
4. 801706-0031
115565
100097

Trim, aluminum counter top
Molding, corner Butler White
Molding, flat, .81", Frosty White
Corner trim, 90°, 1" radius, Rustic Hickory
Extrusion, Threshold, Main Door
Extrusion, Alum. Track Curtain

2016 PENDLETON TRIM, PLASTIC

Trim, Plastic



- | | |
|--------------|---------------------------------|
| 1. 114070 | J-molding, Mill Finish |
| 2. 201666-01 | J-molding, 3/16", White |
| 3. 201673 | Reverse cove molding, White |
| 201673-01 | Reverse cove molding, .43", Oak |
| 4. 203225-01 | Trim lock, .75", Gray |
| 5. 203138-04 | Extrusion, Panel edging, Oak |
| 203138-05 | Extrusion, Panel edging, Black |

