



# **2016 International Parts Book**





# 2016 INTERNATIONAL TRAVEL TRAILER

## SECTION I

### APPLIANCES

<u>Air Conditioner</u> .....	I-1
<u>Air Conditioner Drain Kit</u> .....	I-1
<u>Water Heater</u> .....	I-1
<u>Furnace</u> .....	I-2
<u>Microwave</u> .....	I-2
<u>Range &amp; Cooktop</u> .....	I-3
<u>Refrigerator</u> .....	I-3

### EXTERIOR SHELL

<u>Front End Shell</u> .....	I-4
<u>Aft End Shell</u> .....	I-12
<u>Aft End Shell, Twin</u> .....	I-24
<u>19' RS Wall</u> .....	I-26
<u>19' CS Wall</u> .....	I-28
<u>23D RS Wall</u> .....	I-30
<u>23D CS Wall</u> .....	I-32
<u>23FB RS Wall</u> .....	I-34
<u>23FB CS Wall</u> .....	I-36
<u>25' RS Wall</u> .....	I-38
<u>25' CS Wall</u> .....	I-40
<u>25FB RS Wall</u> .....	I-42
<u>25FB CS Wall</u> .....	I-44
<u>27FB RS Wall</u> .....	I-46
<u>27FB CS Wall</u> .....	I-48
<u>28' RS Wall</u> .....	I-50
<u>28' CS Wall</u> .....	I-52
<u>30' RS Wall</u> .....	I-54
<u>30' CS Wall</u> .....	I-56
<u>25FB RS Wall, Eddie Bauer</u> .....	I-58
<u>25FB CS Wall, Eddie Bauer</u> .....	I-60
<u>27FB RS Wall, Eddie Bauer</u> .....	I-62
<u>27FB CS Wall, Eddie Bauer</u> .....	I-64
<u>Roof</u> .....	I-66
<u>Wrap Protectors &amp; Holdbacks</u> .....	I-67

# 2016 INTERNATIONAL TRAVEL TRAILER

## SECTION I

### INTERIOR SHELL

<u>Interior Skin</u> .....	I-68
<u>Interior Shell Trim</u> .....	I-68
<u>Interior Wheel Well Liner</u> .....	I-68

### CHASSIS

<u>Axle's</u> .....	I-69
<u>Shocks</u> .....	I-69
<u>Tires &amp; Wheels, 14", 23D, 23FB</u> .....	I-69
<u>Tires &amp; Wheels 15", 19', 25', 25FB, 27FB, 28', 30'</u> .....	I-69
<u>Tires &amp; Wheels 16", Eddie Bauer</u> .....	I-69
<u>Spare Tire Carrier</u> .....	1-70
<u>Step Assembly</u> .....	1-70
<u>Hitch</u> .....	1-70
<u>Bumper &amp; Storage</u> .....	I-70
<u>Stabilizing Jacks</u> .....	I-72
<u>Power Jack</u> .....	I-72
<u>Hose Carrier</u> .....	I-72
<u>Underbelly</u> .....	I-72
<u>Bumper End Caps</u> .....	I-72
<u>Compartment Bottom</u> .....	I-73
<u>Cross Car Electrical Raceway</u> .....	I-73
<u>Hitch Coupler</u> .....	I-73

### DECALS, EXTERIOR TRIM

<u>Decals &amp; Medallions</u> .....	I-74
<u>Beltline Trim</u> .....	I-74
<u>Rub Rail Trim</u> .....	I-74
<u>Reflectors</u> .....	I-74
<u>Main Door Threshold</u> .....	I-74



# 2016 INTERNATIONAL TRAVEL TRAILER

## SECTION II

### DOORS, WINDOWS, AWNINGS

<u>Main Door, LH Hinge</u> .....	II-1
<u>Main Door, RH Hinge</u> .....	II-3
<u>Screen Door</u> .....	II-5
<u>Access Doors</u> .....	II-7
<u>Hatch Door, Eddie Bauer</u> .....	II-9
<u>Hatch Door Struts, Eddie Bauer</u> .....	II-11
<u>Screen Door, Rear, Eddie Bauer</u> .....	II-11
<u>Windows &amp; Screens</u> .....	II-12
<u>Vista View Windows</u> .....	II-16
<u>Windows Trims</u> .....	II-17
<u>Window Parts Diagram</u> .....	II-18
<u>Window Stone Guards</u> .....	II-20
<u>Patio Awnings</u> .....	II-21
<u>Power Awnings</u> .....	II-22
<u>Window Awnings</u> .....	II-23

### DRAPES & SHADES

<u>19' Signature</u> .....	II-24
<u>19' Serenity</u> .....	II-25
<u>23D Signature</u> .....	II-26
<u>23D Serenity</u> .....	II-27
<u>23FB Signature</u> .....	II-28
<u>23FB Serenity</u> .....	II-29
<u>25' Signature</u> .....	II-30
<u>25' Serenity</u> .....	II-31
<u>25FB Signature</u> .....	II-32
<u>25FB Serenity</u> .....	II-33
<u>27FB Signature</u> .....	II-34
<u>27FB Serenity</u> .....	II-35
<u>28' Signature</u> .....	II-36
<u>28' Serenity</u> .....	II-37
<u>30' Signature</u> .....	II-38
<u>30' Serenity</u> .....	II-39
<u>25FB Eddie Bauer</u> .....	II-40
<u>27FB Eddie Bauer</u> .....	II-41
<u>Drapes &amp; Shades Hardware</u> .....	II-42
<u>Drape Parts &amp; Material</u> .....	II-42

# 2016 INTERNATIONAL TRAVEL TRAILER

## SECTION II

### ELECTRICAL

#### 110 Volt

<u>Shoreline Cord &amp; Converter</u> .....	II-43
<u>Breakers &amp; Breaker Box</u> .....	II-43
<u>Generator Prep</u> .....	II-43
<u>Inverter</u> .....	II-43
<u>Junction Boxes</u> .....	II-44
<u>50 Amp Service, 2nd A/C</u> .....	II-44
<u>Microwave Switch, 27FB</u> .....	II-44
<u>Receptacles</u> .....	II-44

#### 12 Volt

<u>Battery</u> .....	II-45
<u>Battery Disconnect</u> .....	II-45
<u>Interior Lights</u> .....	II-45
<u>Monitor System</u> .....	II-46
<u>Solar Panel System</u> .....	II-46
<u>Breakers</u> .....	II-46
<u>Switches &amp; USB Ports</u> .....	II-47
<u>Power Awning Cables</u> .....	II-47
<u>Wireless Backup Camera</u> .....	II-47
<u>Exterior Lights</u> .....	II-48
<u>Fuses</u> .....	II-48
<u>Taillight Assembly</u> .....	II-49

### ENTERTAINMENT

<u>TV Antenna &amp; Jacks</u> .....	II-50
<u>Audio &amp; Video</u> .....	II-50
<u>Blu-Ray Player</u> .....	II-51
<u>Flat Screen TV</u> .....	II-51

# 2016 INTERNATIONAL TRAVEL TRAILER

## SECTION III

### FLOOR COVERINGS

<u>Floor Covering</u> .....	III-1
<u>Furniture &amp; Cushion Batting</u> .....	III-1

### FURNITURE

#### INTERIOR DOORS, MIRRORS, & DRAWER BOXES

<u>Roof Locker Doors</u> .....	III-2
<u>Foldette Doors</u> .....	III-2
<u>Drawer Boxes</u> .....	III-4
<u>Drawer Slides</u> .....	III-4
<u>Mirrors</u> .....	III-5

#### BEDROOM

<u>Beds</u> .....	III-6
<u>Beds, Twin</u> .....	III-30
<u>Nightstands</u> .....	III-42
<u>Nightstands, Twin Beds</u> .....	III-44
<u>Closets</u> .....	III-53
<u>Roof Lockers</u> .....	III-61
<u>Wardrobes</u> .....	III-72
<u>Wardrobes, Hanging</u> .....	III-110
<u>Storage Box, Twin</u> .....	III-116

#### LAVATORY

<u>Bath Module</u> .....	III-118
<u>Shower Compartment</u> .....	III-142
<u>Latrine</u> .....	III-148
<u>Lavatory Doors, Signature</u> .....	III-152
<u>Lavatory Doors, Serenity</u> .....	III-157
<u>Lavatory Medicine Cabinets</u> .....	III-161
<u>Lavatory Cabinets</u> .....	III-167
<u>Wardrobes</u> .....	III-201

# 2016 INTERNATIONAL TRAVEL TRAILER

## SECTION III

### FURNITURE

#### GALLEY

<u>Galley, 19'</u> .....	III-233
<u>Galley, 23D</u> .....	III-238
<u>Galley, 23FB</u> .....	III-245
<u>Galley, 25'</u> .....	III-252
<u>Galley, 25FB</u> .....	III-261
<u>Galley, 27FB</u> .....	III-270
<u>Galley, 28'</u> .....	III-279
<u>Galley, 30'</u> .....	III-288
<u>Galley, 25FB Eddie Bauer</u> .....	III-299
<u>Galley, 27FB Eddie Bauer</u> .....	III-304
<u>Refrigerator Cabinets</u> .....	III-309
<u>Pantry Cabinets</u> .....	III-331
<u>Flip Shelves</u> .....	III-365
<u>Spice Rack</u> .....	III-366
<u>Roof Lockers</u> .....	III-368
<u>Dinette Seats</u> .....	III-388
<u>Dinette Tables</u> .....	III-395
<u>Water Heater Cover</u> .....	III-397

#### LOUNGE

<u>Dinette Seats</u> .....	III-399
<u>Dinette Tables</u> .....	III-413
<u>Roof Lockers</u> .....	III-420
<u>Sofa Assemblies</u> .....	III-427
<u>Sofa Beds</u> .....	III-444
<u>Magazine Rack</u> .....	III-446
<u>Camp Chair, 23FB A2GO</u> .....	III-446

# 2016 INTERNATIONAL TRAVEL TRAILER

## SECTION III

### HARDWARE

<u>Main Door Lock, Left Hand Hinge</u> .....	III-447
<u>Main Door Lock, Right Hand Hinge</u> .....	III-448
<u>Lock &amp; Hinge, Hatch Door, Eddie Bauer</u> .....	III-449
<u>Windows</u> .....	III-450
<u>Exterior Latches, Locks, &amp; Handles</u> .....	III-451
<u>Exterior Hinges</u> .....	III-452
<u>Interior Latches &amp; Handles</u> .....	III-453
<u>Interior Hinges</u> .....	III-453
<u>Head knocker, Drawer Finger Pulls, &amp; Rubber Bumpers</u> ....	III-454
<u>Bathroom Accessories</u> .....	III-455
<u>Clothes Line</u> .....	III-455
<u>Dinette Table Hardware</u> .....	III-455
<u>Bed Gas Springs</u> .....	III-455
<u>Awning Hardware</u> .....	III-456
<u>Rivets</u> .....	III-458

### SAFETY EQUIPMENT

<u>Detectors &amp; Fire Extinguishers</u> .....	III-460
---	---------

### LABELS & TAGS

<u>Labels &amp; Tags, USA</u> .....	III-461
<u>Labels &amp; Tags, CSA</u> .....	III-462

# 2016 INTERNATIONAL TRAVEL TRAILER

## SECTION IV

### PLUMBING

#### LPG SYSTEMS

<u>LPG System, 19'</u> .....	IV-1
<u>LPG System, 23D</u> .....	IV-2
<u>LPG System, 23FB</u> .....	IV-3
<u>LPG System, 25', 25FB, 25FB EB</u> .....	IV-4
<u>LPG System, 27FB, 27FB EB</u> .....	IV-5
<u>LPG System, 28'</u> .....	IV-6
<u>LPG System, 30'</u> .....	IV-7
<u>LPG Tank &amp; Cover</u> .....	IV-8
<u>Propane Port, Exterior</u> .....	IV-9

#### FRESH WATER

<u>Faucet, Galley</u> .....	IV-10
<u>Faucet, Lavatory</u> .....	IV-12
<u>Faucet, Galley, Eddie Bauer</u> .....	IV-14
<u>Faucet, Lavatory, Eddie Bauer</u> .....	IV-15
<u>Faucet, Shower</u> .....	IV-16
<u>City Water Hook-Up</u> .....	IV-17
<u>Fresh Water Tank Fill</u> .....	IV-17
<u>Water Pump</u> .....	IV-17
<u>Fresh water Tanks</u> .....	IV-18
<u>Fresh Water Fittings</u> .....	IV-19
<u>Fresh Water Lines</u> .....	IV-21

#### DRAINS

<u>Drains, Above Floor</u> .....	IV-31
<u>Tank Drains</u> .....	IV-45
<u>Dump Valves</u> .....	IV-48
<u>Toilet Flange</u> .....	IV-52
<u>Sinks &amp; Showers</u> .....	IV-52
<u>Black Tank Flush</u> .....	IV-53
<u>Drain Fittings</u> .....	IV-54
<u>Toilet, 19', 23D, 23FB</u> .....	IV-58
<u>Toilet, 25', 25FB, 27FB, 28', 30', Eddie Bauer</u> .....	IV-60

# 2016 INTERNATIONAL TRAVEL TRAILER

## SECTION IV

### SEALERS, GASKETS, PAINT

<u>Sealers</u> .....	IV-62
<u>Gaskets</u> .....	IV-62
<u>Paint</u> .....	IV-62
<u>Gasket Kits</u> .....	IV-63

### PILLOWS, MATTRESSES, BEDSPREADS

<u>Pillow Kits</u> .....	IV-64
<u>Sheet Set &amp; Mattress Pad, A2GO</u> .....	IV-64
<u>Mattress &amp; Bedspreads</u> .....	IV-65
<u>Accessories, Eddie Bauer</u> .....	IV-65

### UPHOLSTERY, CUSHIONS, MATTRESS

<u>Dinette Cushions, 19'</u> .....	IV-66
<u>Sofa, Dinette Cushions, 23D</u> .....	IV-67
<u>U-Dinette Cushions, 23FB</u> .....	IV-68
<u>Sofa, Dinette Cushions, 25'</u> .....	IV-69
<u>Sofa, Dinette Cushions, 25FB, 27FB</u> .....	IV-70
<u>Sofa, L-Lounge Cushions, 28'</u> .....	IV-71
<u>Dinette Cushions, 28', 30'</u> .....	IV-73
<u>Sofa, L-Lounge Cushions, 30'</u> .....	IV-74
<u>Sofa, Dinette Cushions, Eddie Bauer</u> .....	IV-75

### VENTS, FANS

<u>Vents &amp; Fans</u> .....	IV-76
-------------------------------	-------

### SKYLIGHTS

<u>Skylights</u> .....	IV-77
------------------------	-------

### PANELING, EDGEBANDING, LAUAN

<u>Paneling</u> .....	IV-78
<u>Lauan</u> .....	IV-79
<u>Edgebanding</u> .....	IV-79

### TRIMS

<u>Wood</u> .....	IV-80
<u>Plastic</u> .....	IV-81





## 2016 INTERNATIONAL TRAVEL TRAILER APPLIANCES

### Air Conditioner

690323-44	Comfort control center II
690323-47	Air conditioner, 13,500 BTU w/heat pump
690323-48	Air conditioner 15,000 BTU w/heat pump
382276-01	AC register, Adjustable, Brushed Stainless Steel
382234-01	Grill, Return air, Snap in, Brushed Stainless Steel
382236	Filter, Return air
511724	Harness, Ambient temperature sensor
690380-08	Sensor cable, 20'
690323-10	Heat pump, Electric, Penguin, 13,500
690380-10	Intake air box and ceiling shroud, White
690380-11	Dust adaptor, Use with 690380-10
690380-03	Air box, Penguin heat pump

### Air Conditioner Drain Kit

203724	Kit, A/C drain
203722	Gasket, A/C drain

### Water Heater

690602	Water Heater, 6 gallon, Gas/electric
690209	Water heater access cover, Brushed Aluminum
690417-05	Switch, Dual, 30'
512480-01	Switch, Black
500933	Switch, Electronic
511731-01	Switch, Black
967194	Water heater stand
454652	Frame, Water heater
454670	Support, Transfer switch

## 2016 INTERNATIONAL TRAVEL TRAILER APPLIANCES

### Furnace

690663-02	Furnace, 16K BTU, 19'
690663-03	Furnace, 18K BTU, 23FB
690663-05	Furnace exterior door and bezel, Painted Aluminum
*690663-06	Furnace exterior door & bezel, Painted Aluminum
115658	Cover, 16K & 18K furnace door, Aluminum
690664-01	Furnace, 25K BTU, 23D, 25', 25FB, 27FB, EB
690664-02	Furnace, 30K BTU, 28', 30'
690664-04	Furnace exterior door and bezel, Painted Aluminum
**690664-05	Furnace exterior door & bezel, Painted Aluminum
690664-0100	Exhaust pipe with end vent for 690664-01
690664-0200	Exhaust pipe with end vent for 690664-02
115659	Cover, 25K & 30K furnace door, Aluminum
511228	Thermostat, Off White
602394-01	Register, 4", Polar White
602394-02	2" adaptor, Polar White
602394-03	Register, 4", Black
602394-04	2" adaptor, Black
203070	Register, Plastic, Brown
690429	Round louver, 2", Black
600526	Flange, 4"
600193	2" duct, Thermaflex flexible
600247	4" hose, Heat duct flex

\*Replaced 690663-05 in July 2015

\*\*Replaced 690664-04 in July 2015

### Microwave

690345-06	Convection microwave, SS, Sharp
690345-07	Trim kit, SS
*690657-07	Convection microwave, SS, Contoure
**690657-08	Convection microwave, SS, Contoure
*690657-06	Trim kit, SS
690683-01	Microwave w/trim kit, Black, 23D, 23FB, 25', 30'
690648-02	Microwave .7CF, Stainless Steel, Contoure, 25FB, 27FB

\*Replaced 690345 on 6-08-2015

\*\*690657-08 replaced 690657-07 in April 2016

# 2016 INTERNATIONAL TRAVEL TRAILER APPLIANCES

## Range & Cooktop

690631-01	Range, 21", Black top, Stainless Steel door
690631-02	Cooktop, 21" w/3 burners, Black
690631-03	Bi-fold burner cover, Stainless Steel
512210	Range hood, Baraldi
454590	Extension, Range vent
511017-11	Exterior vent, Gray
115175	Duct, Range exhaust transition

## Refrigerator

*690393-09	Refrigerator, RH, 4 CF, 19'
**690540-02	Refrigerator, LH, 5 CF, 23D
***690540-03	Refrigerator, RH, 5 CF, 23FB
690574-01	Refrigerator, LH, 7 CF, 25', 28'
690574-02	Refrigerator, RH, 7 CF, 25FB, 27FB
690609-01	Refrigerator, LH, 8 CF, 30'
965934-03	Insert, 20.62 x 38.62, 23FB
965934-05	Insert, Upper, 23.75 x 17, 25FB, EB
965934-06	Insert, Lower, 23.75 x 32.38, 25FB, EB
801728-01	Insert, Upper, 23.75 x 17, 25', 27FB, 28'
801728-02	Insert, Lower, 23.75 x 32.38, 25', 27FB, 28'
801728-03	Insert, 20.62 x 32.62, 19'
801728-05	Insert, 20.62 x 38.62, 23D
801728-06	Insert, Upper, 20.62 x 15.81, 30'
801728-07	Insert, Lower, 20.62 x 38.69, 30'
690394	Power ventilator
511997	Refrigerator fan switch, LED, Red, 19'
965630	Refrigerator stand, 19'
966811	Refrigerator stand, 23D
968352	Refrigerator stand, 23FB
968353	Refrigerator stand, 25'
966812	Refrigerator stand, 25FB, 27FB, Eddie Bauer
966808	Refrigerator stand, 28'
967519	Refrigerator stand, 30'

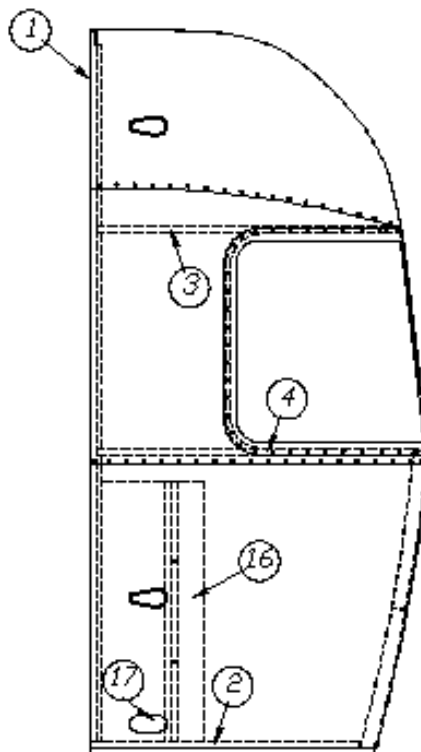
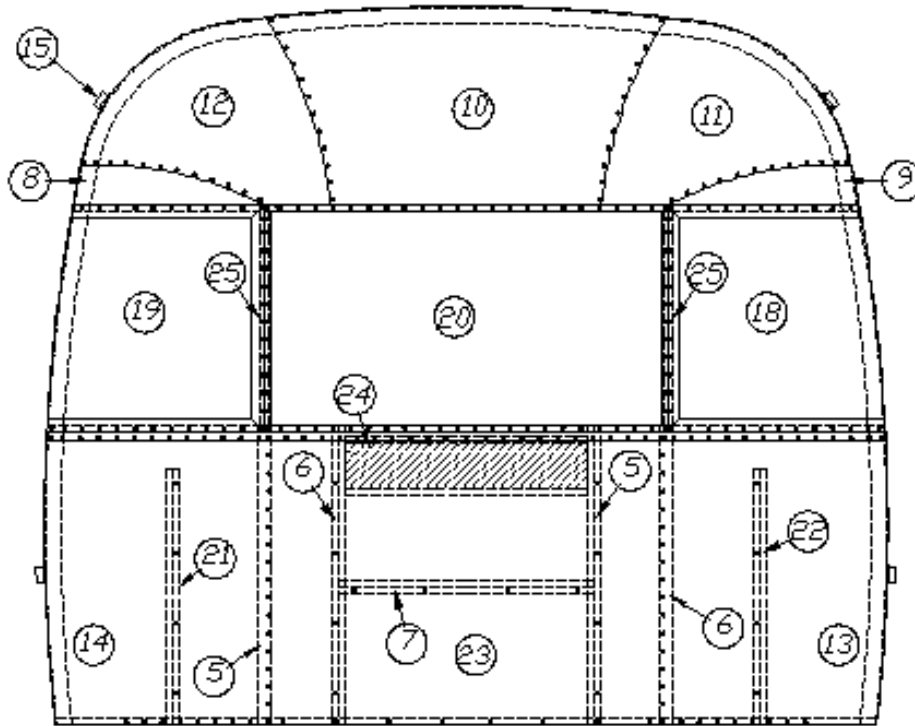
\*replaced 690393-07 in November 2015

\*\*replaced 690540 in November 2015

\*\*\*replaced 690540-01 in November 2015

# 2016 INTERNATIONAL TRAVEL TRAILER EXTERIOR SHELL

Front End, 19', 23D, 23FB



Parts Listed on Next Page

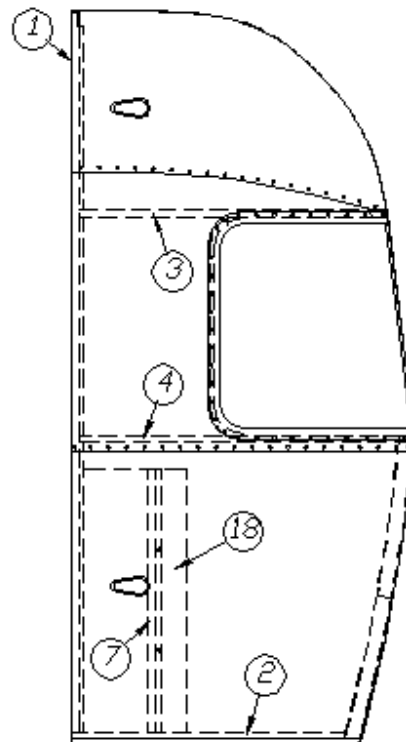
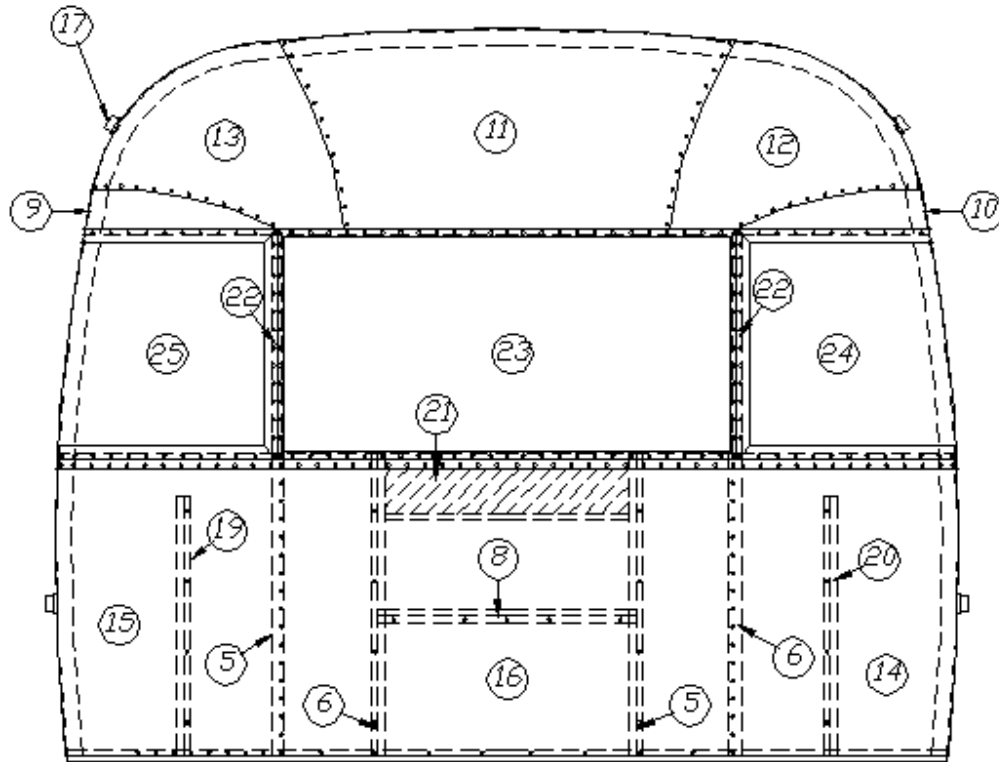
# 2016 INTERNATIONAL TRAVEL TRAILER EXTERIOR SHELL

## Front End, 19', 23D, 23FB

922626	Front End Shell
1. 114994	Weldment, End bow, NB
2. 104463	Floor bow, Captive extrusion
3. 115480	Upper, Window bow
4. 104343	Lower, Window bow
5. 114505-01	Support, Lower end, LH
6. 114505-02	Support, Lower end, RH
7. 104408	Z-rib
8. 114888	Segment, Center left
9. 114889	Segment, Center right
10. 114892	Segment, #25, NB
11. 114890	Segment, #26
12. 114891	Segment, #27
13. 114894	Segment, #28
14. 114895	Segment, #29
15. 512859	Clearance light, LED, Amber
16. 114849-03	Aluminum sheet, .06" x 120" x 29"
17. 500096	Reflector, Amber
18. 372088-101	Panoramic window, RS front
19. 372089-101	Panoramic window, CS front
20. 371328	Front window, Complete assembly
21. 101315-01	Vertical brace, Rear, LH
22. 101315-02	Vertical brace, Rear, RH
23. 114880-307	Aluminum sheet, .04" x 51" x 307"
24. 453629	Hat section, 27.25" long, Front dinette models only
25. 454910	Support, Wrap window
371328-100	Front window glass w/hardware, No frame

# 2016 INTERNATIONAL TRAVEL TRAILER EXTERIOR SHELL

Front End, 25', 28', 30'



Parts Listed on Next Page

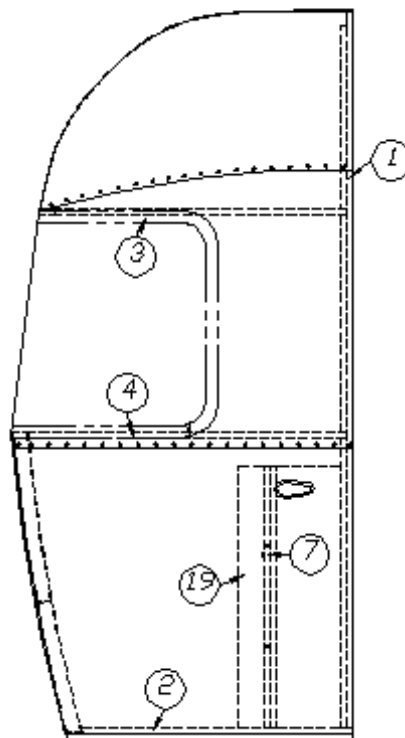
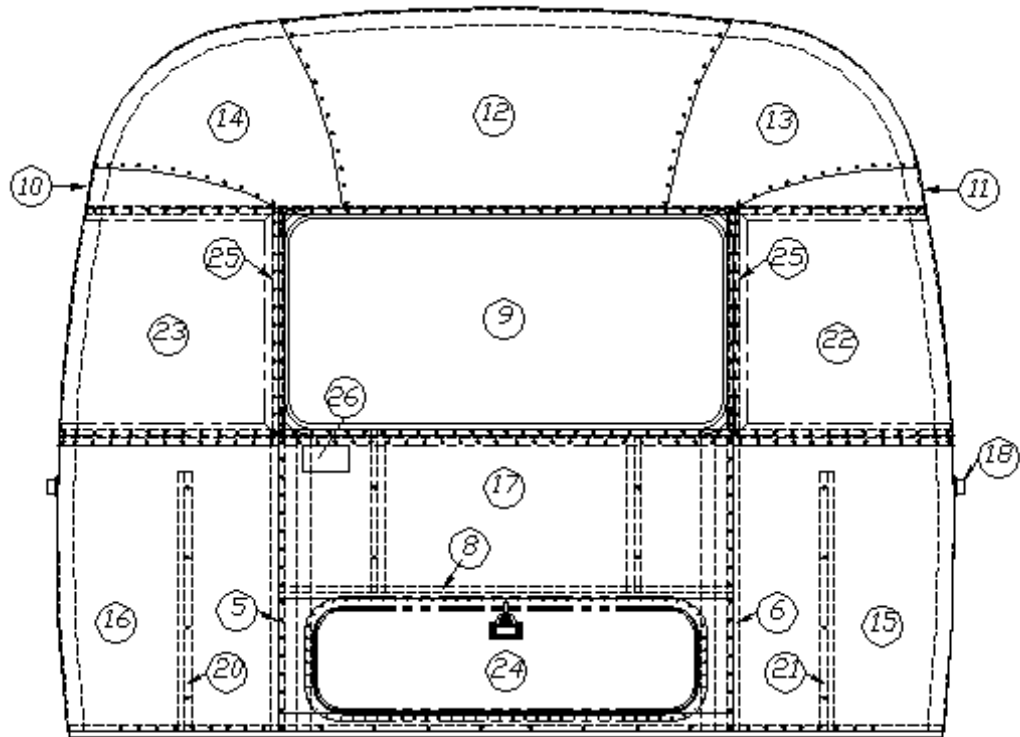
# 2016 INTERNATIONAL TRAVEL TRAILER EXTERIOR SHELL

## Front End, 25', 28', 30'

922676-01	Front End Shell, 25'
922676	Front End Shell, 28', 30'
1. 114993	Weldment, Zero bow
2. 114676	Floor bow, Altered
3. 114678	Bow, Upper window, Altered
4. 114677	Bow, Lower window Altered
5. 114505-01	Support, Lower end shell, LH
6. 114505-02	Support, Lower end shell, RH
7. 101315	Brace, Vertical rear
8. 104408	Z-rib
9. 114888	Segment, Center left
10. 114889	Segment, Center right
11. 114893	Segment, #25
12. 114890	Segment, #26
13. 114891	Segment, #27
14. 114894	Segment, #28
15. 114895	Segment, #29
16. 114880-307	Aluminum sheet, .04" x 51" x 307"
17. 512859	Clearance light, LED, Amber
18. 114849-03	Aluminum Sheet, .06" x 26" x 8', Pewter
19. 101315-01	Vertical brace, Rear, LH
20. 101315-02	Vertical brace, Rear, RH
21. 453629	Hat section, Dinette table support
22. 454910	Support, Wrap window
23. 371346-02	Window, 48.97"
24. 372088-101	Panoramic window, RS front
25. 372089-101	Panoramic window, CS front

# 2016 INTERNATIONAL TRAVEL TRAILER EXTERIOR SHELL

Front End, 25FB, 25FB Eddie Bauer



Parts Listed on Next Page



# 2016 INTERNATIONAL TRAVEL TRAILER

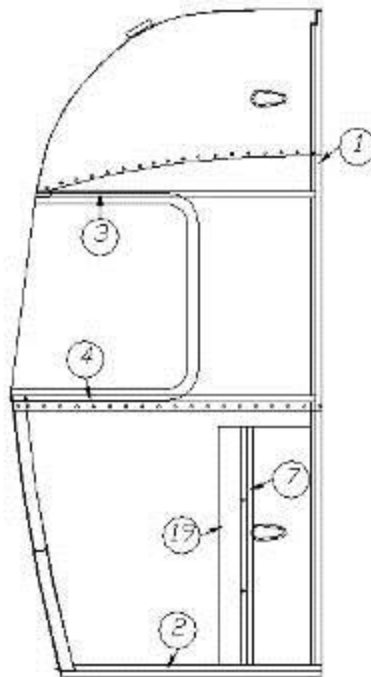
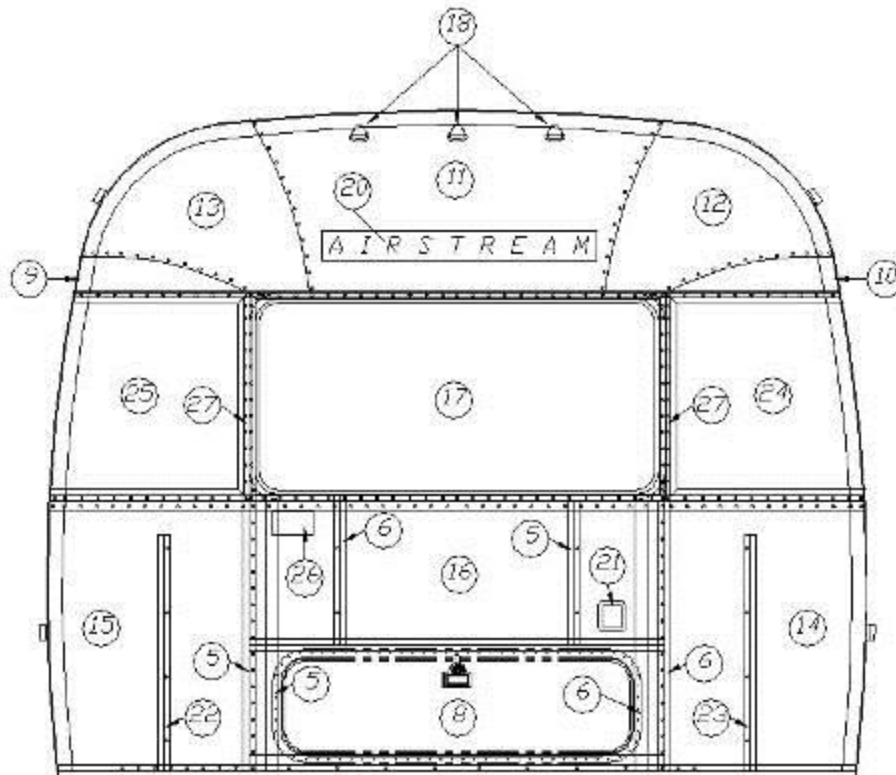
## EXTERIOR SHELL

### Front End, 25FB, 25FB Eddie Bauer

921240-01	Front End Shell, 25FB Eddie Bauer
921240	Front End Shell, 25FB
1. 114993	End bow
2. 114676	Floor bow
3. 114678	Upper window bow
4. 114677	Lower window bow
5. 114505-01	Support, Lower end, LH
6. 114505-02	Support, Lower end, RH
7. 101315	Brace, vertical rear
8. 104408	Z-rib
9. 371346-02	Front window
10. 114888	Segment, Center left
11. 114889	Segment, Center right
12. 114893	Segment #25
13. 114890	Segment #26
14. 114891	Segment #27
15. 114894	Segment #28
16. 114895	Segment #29
17. 101115	Aluminum sheet, .06" x 41" x 51"
18. 512859	Clearance light, LED, Amber
19. 114849-03	Aluminum sheet, Pewter, 26" x 8"
20. 101315-01	Vertical brace, Rear, LH
21. 101315-02	Vertical brace, Rear, RH
22. 372088-101	Panoramic window, RS front
23. 372089-101	Panoramic window, CS front
24. 922288-02	Trunk door, Eddie Bauer only
25. 454910	Support, Wrap window
26. 386118	Label, LP Gas Tri-Warning

# 2016 INTERNATIONAL TRAVEL TRAILER EXTERIOR SHELL

Front End, 27FB, 27FB Eddie Bauer



Parts Listed on Next Page

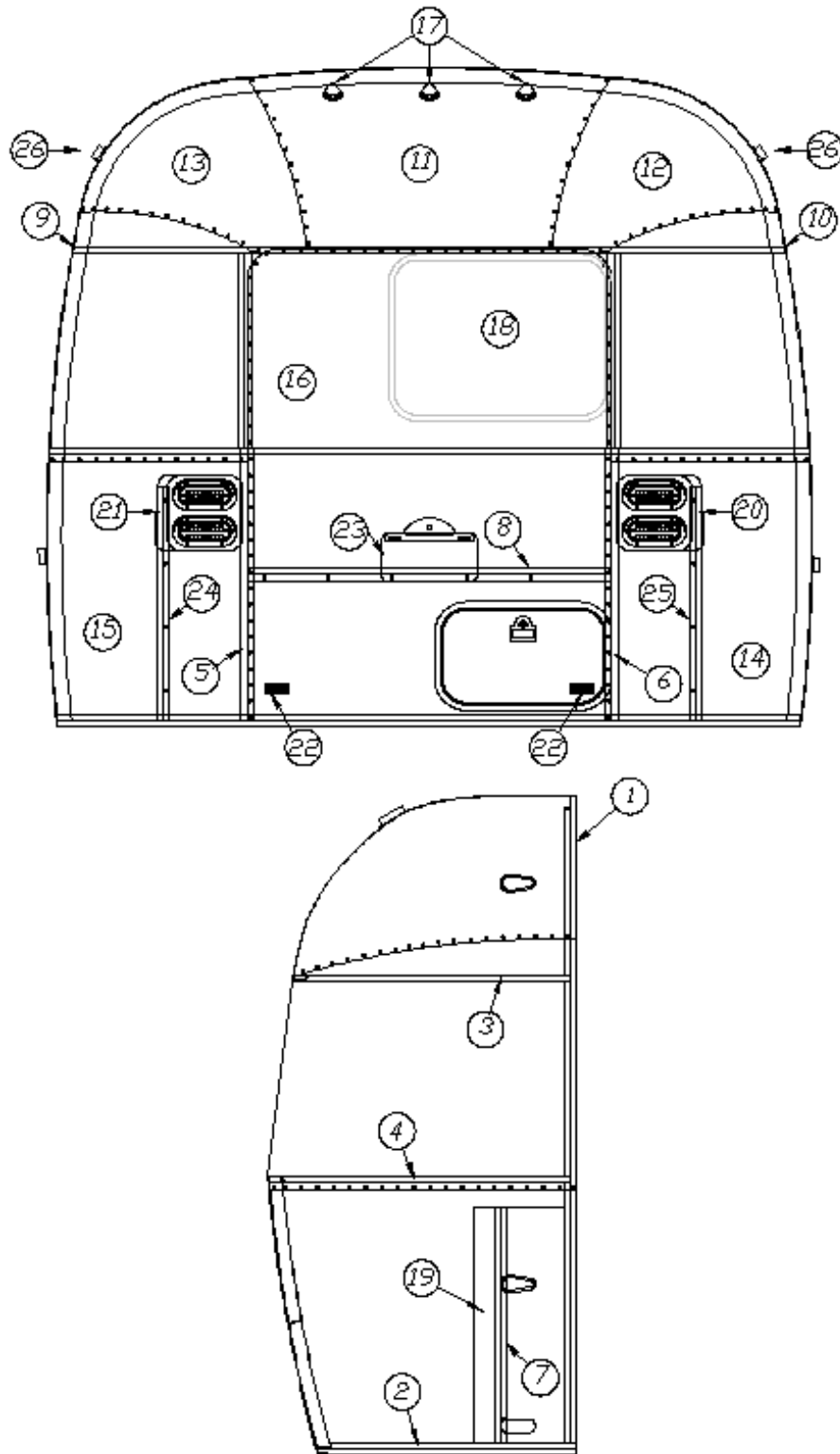
# 2016 INTERNATIONAL TRAVEL TRAILER EXTERIOR SHELL

## Front End, 27FB, 27FB Eddie Bauer

921244-01	End shell, front w/Panoramic Windows
1. 114993	Weldment, Zero bow, "WB"
2. 114676	Bow, Floor, Altered
3. 114678	Bow, Upper window, Altered
4. 114677	Bow, Lower window, Altered
5. 114505-01	Support, Lower end, LH
6. 114505-02	Support, Lower end, RH
7. 101315	Vertical brace, Rear
8. 922288-02	Trunk door only w/round corners
9. 114888	Segment, Center left
10. 114889	Segment, Center right
11. 114893	Segment, #25, WB
12. 114890	Segment, #26
13. 114891	Segment, #27
14. 114894	Segment, #28
15. 114895	Segment, #29
16. 114880-307	Aluminum sheet, .04" x 51" x 307"
17. 371346-02	Window, 49.63" x 24.19", Silver handles
18. 512859	Clearance light, LED, Amber
19. 114849-03	Aluminum sheet, .06" x 26" x 8', Gray
20. 386272	Decal, "AIRSTREAM", Black Chrome
21. 512401-02	Power inlet, Generator prep
22. 101315-01	Vertical brace, LH
23. 101315-02	Vertical brace, RH
24. 372088-101	Panoramic window, RS front
25. 372089-101	Panoramic window, CS front
26. 386118	Label, LP Gas Tri-Warning
27. 454910	Support, Wrap window

# 2016 INTERNATIONAL TRAVEL TRAILER EXTERIOR SHELL

Aft End 19', 23D



Parts Listed on Next Page

# 2016 INTERNATIONAL TRAVEL TRAILER EXTERIOR SHELL

Aft End 19', 23D

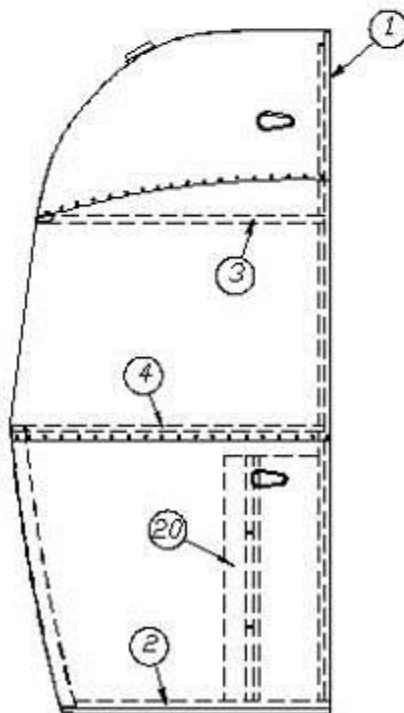
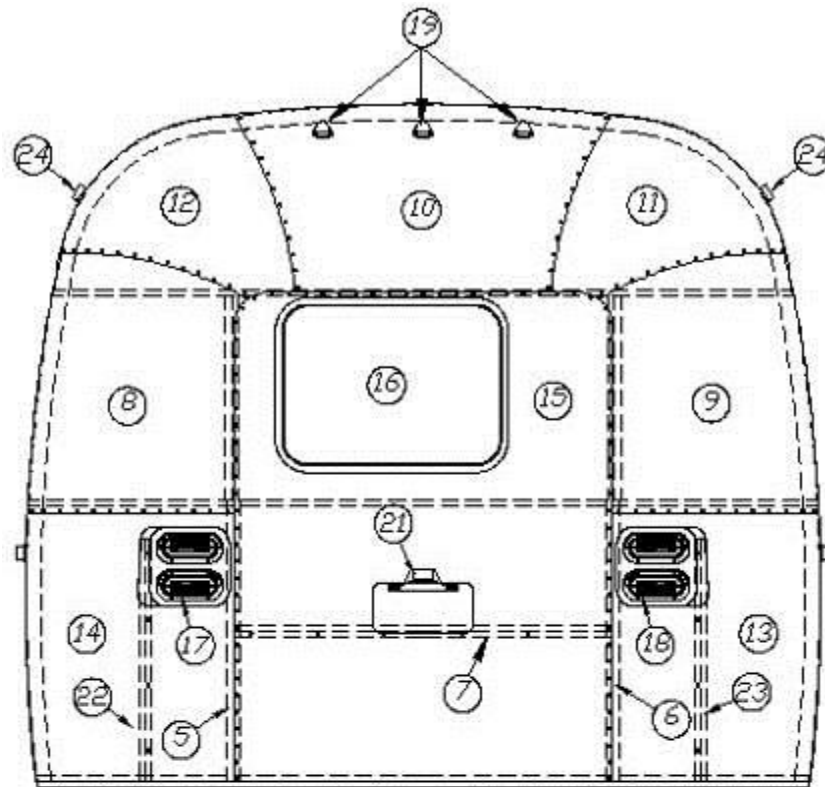
964513-08

Aft End Shell

1. 114994 End bow
2. 104463 Floor bow
3. 115480 Upper window bow
4. 104343 Lower window bow
5. 114505-01 Support, Lower end, LH
6. 114505-02 Support, Lower end, RH
7. 101315 Vertical brace, rear
8. 104408 Z-rib
9. 114888 Segment, Center left
10. 114889 Segment, Center right
11. 114892 Segment, #25
12. 114890 Segment, #26
13. 114891 Segment, #27
14. 114894 Segment, #28
15. 114895 Segment, #29
16. 114880-201 Aluminum sheet, .04" x 19" x 51"
17. 512928 Curved bezel w/gasket, Required for 3 top lights
18. 372229 Window, No arms
19. 114849-03 Aluminum sheet, Gray
20. 952929-02 Tail light assembly, CS
21. 952929-01 Tail light assembly, RS
22. 500095 Red reflector, Rectangular
23. 512409 License plate holder
24. 101315-01 Support, Lower end shell, LH
25. 101315-02 Support, Lower end shell, RH
26. 512860 Red LED clearance light
- 100679-01 Door, Side access

# 2016 INTERNATIONAL TRAVEL TRAILER EXTERIOR SHELL

Aft End, 23FB



Parts Listed on Next Page

# 2016 INTERNATIONAL TRAVEL TRAILER EXTERIOR SHELL

## Aft End, 23FB

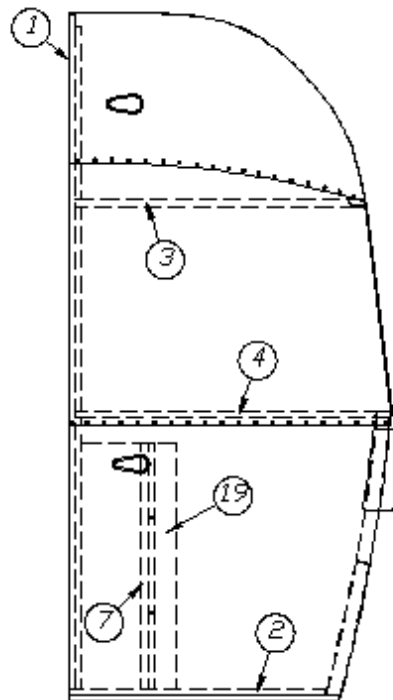
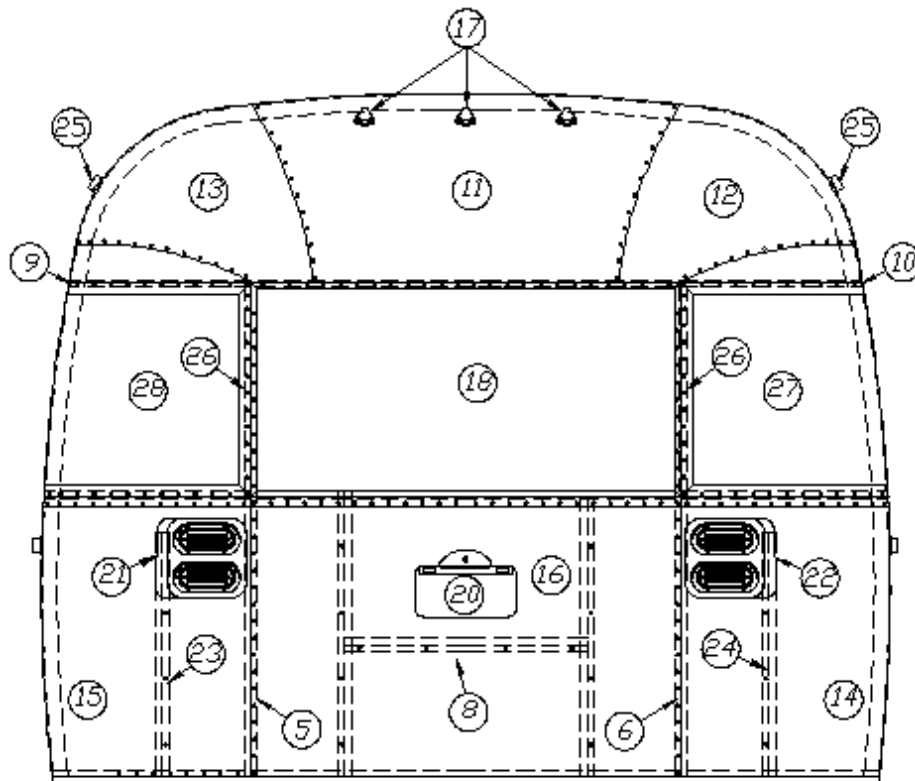
967149-01

Aft End Shell

1. 114994 End bow
2. 104463 Floor bow
3. 115480 Upper window bow
4. 104343 Lower window bow
5. 114505-01 Support, Lower end, LH
6. 114505-02 Support, Lower end, RH
7. 104408 Z-rib
8. 114888 Segment, Center left
9. 114889 Segment, Center right
10. 114892 Segment, #25, NB
11. 114890 Segment, #26
12. 114891 Segment, #27
13. 114894 Segment, #28
14. 114895 Segment, #29
15. 114880-201 Aluminum sheet, 41" x 51"
16. 372218-01 Window, 21" x 28" opening, Emergency egress
17. 952929-01 Tail light assembly, RS
18. 952929-02 Tail light assembly, CS
19. 512928 Curved bezel w/gasket, Required for 3 top lights
20. 114849-03 Aluminum sheet, 04" x 12" x 29"
21. 512409 License plate holder
22. 101315-01 Support, Lower end shell, LH
23. 101315-02 Support, Lower end shell, RH
24. 512860 Red LED clearance light
- 510446 Reflector, Stick-on, Red

# 2016 INTERNATIONAL TRAVEL TRAILER EXTERIOR SHELL

Aft End, 25'



Parts Listed on Next Page



# 2016 INTERNATIONAL TRAVEL TRAILER EXTERIOR SHELL

Aft End, 25'

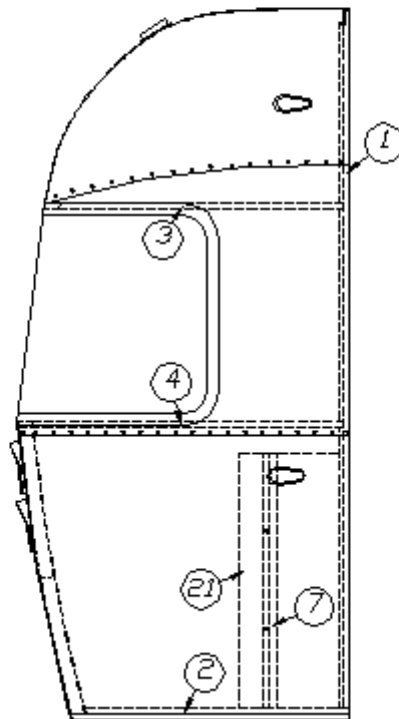
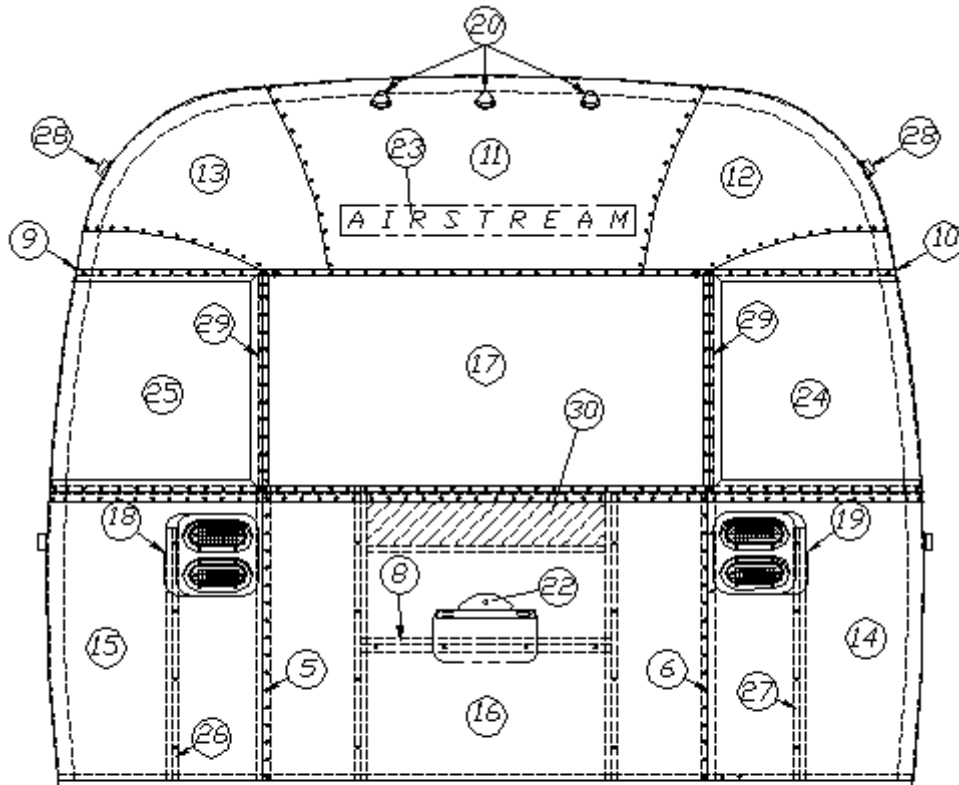
922677-01

Aft End Shell

- |                |  |
|----------------|--|
| 1. 114993      | End bow  |
| 2. 114676      | Floor bow  |
| 3. 114678      | Upper window bow                                 |
| 4. 114677      | Lower window bow                                 |
| 5. 114505-01   | Support, Lower end, LH                           |
| 6. 114505-02   | Support, Lower end, RH                           |
| 7. 101315      | Brace, Vertical rear                             |
| 8. 104408      | Z-rib  |
| 9. 114888      | Segment, Center left                             |
| 10. 114889     | Segment, Center right                            |
| 11. 114893     | Segment #25                                      |
| 12. 114890     | Segment #26                                      |
| 13. 114891     | Segment #27                                      |
| 14. 114894     | Segment #28                                      |
| 15. 114895     | Segment #29                                      |
| 16. 114880-307 | Aluminum sheet, .06 x 19" x 51"                  |
| 17. 512928     | Curved bezel w/gasket, Required for 3 top lights |
| 18. 371346-01  | Window, 48.97" flat, Rear egress                 |
| 19. 114849-03  | Aluminum sheet, 04" x 12" x 29"                  |
| 20. 512409     | License plate holder                             |
| 21. 952929-01  | Tail light assembly, RS                          |
| 22. 952929-02  | Tail light assembly, CS                          |
| 23. 101315-01  | Vertical brace, Rear, LH                         |
| 24. 101315-02  | Vertical brace, Rear, RH                         |
| 25. 512860     | Red LED clearance light                          |
| 26. 454910     | Support, Wrap window                             |
| 27. 372088-101 | Panoramic window, CS rear                        |
| 28. 372089-101 | Panoramic window, RS rear                        |
| 100029         | Trim, Wrap-around window                         |

# 2016 INTERNATIONAL TRAVEL TRAILER EXTERIOR SHELL

Aft End, 25FB, 27FB



Parts Listed on Next Page

# 2016 INTERNATIONAL TRAVEL TRAILER

## EXTERIOR SHELL

Aft End, 25FB, 27FB

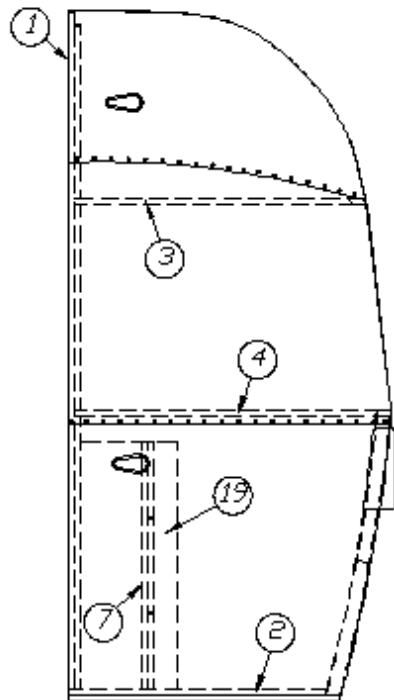
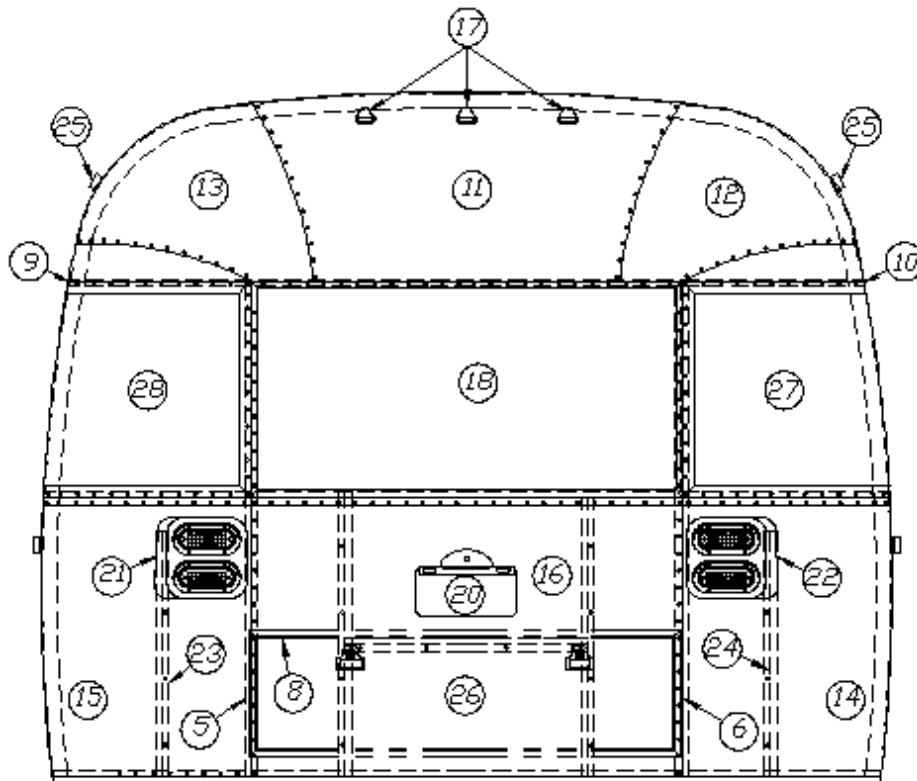
921227-02

Aft End Shell

1. 114993 End bow
2. 114676 Floor bow
3. 114678 Upper window bow
4. 114677 Lower window bow
5. 114505-01 Support, Lower end, LH
6. 114505-02 Support, Lower end, RH
7. 101315 Brace, Vertical rear
8. 104408 Extrusion rib
9. 114888 Segment, Center left
10. 114889 Segment, Center right
11. 114893 Segment, #25
12. 114890 Segment, #26
13. 114891 Segment, #27
14. 114894 Segment, #28
15. 114895 Segment, #29
16. 114880-307 Aluminum sheet, .04" x 40.75" x 51"
17. 371346-02 Window, 48.97" flat front
18. 952929-01 Tail light assembly, Roadside
19. 952929-02 Tail light assembly, Curbside
20. 512928 Curved bezel w/gasket, Required for 3 top lights
21. 114849-03 Aluminum sheet, 04" x 12" x 29"
22. 512409 License plate holder
23. 386272 Decal, "AIRSTREAM", Black Chrome
24. 372088-101 Panoramic window, CS rear
25. 372089-101 Panoramic window, RS rear
26. 101315-01 Support, Lower end shell, LH
27. 101315-02 Support, Lower end shell, RH
28. 512860 Red LED clearance light
29. 454910 Support, Wrap window
30. 453629 Hat section, Table support

# 2016 INTERNATIONAL TRAVEL TRAILER EXTERIOR SHELL

Aft End, 28', 30'



Parts Listed on Next Page

# 2016 INTERNATIONAL TRAVEL TRAILER EXTERIOR SHELL

Aft End, 28', 30'

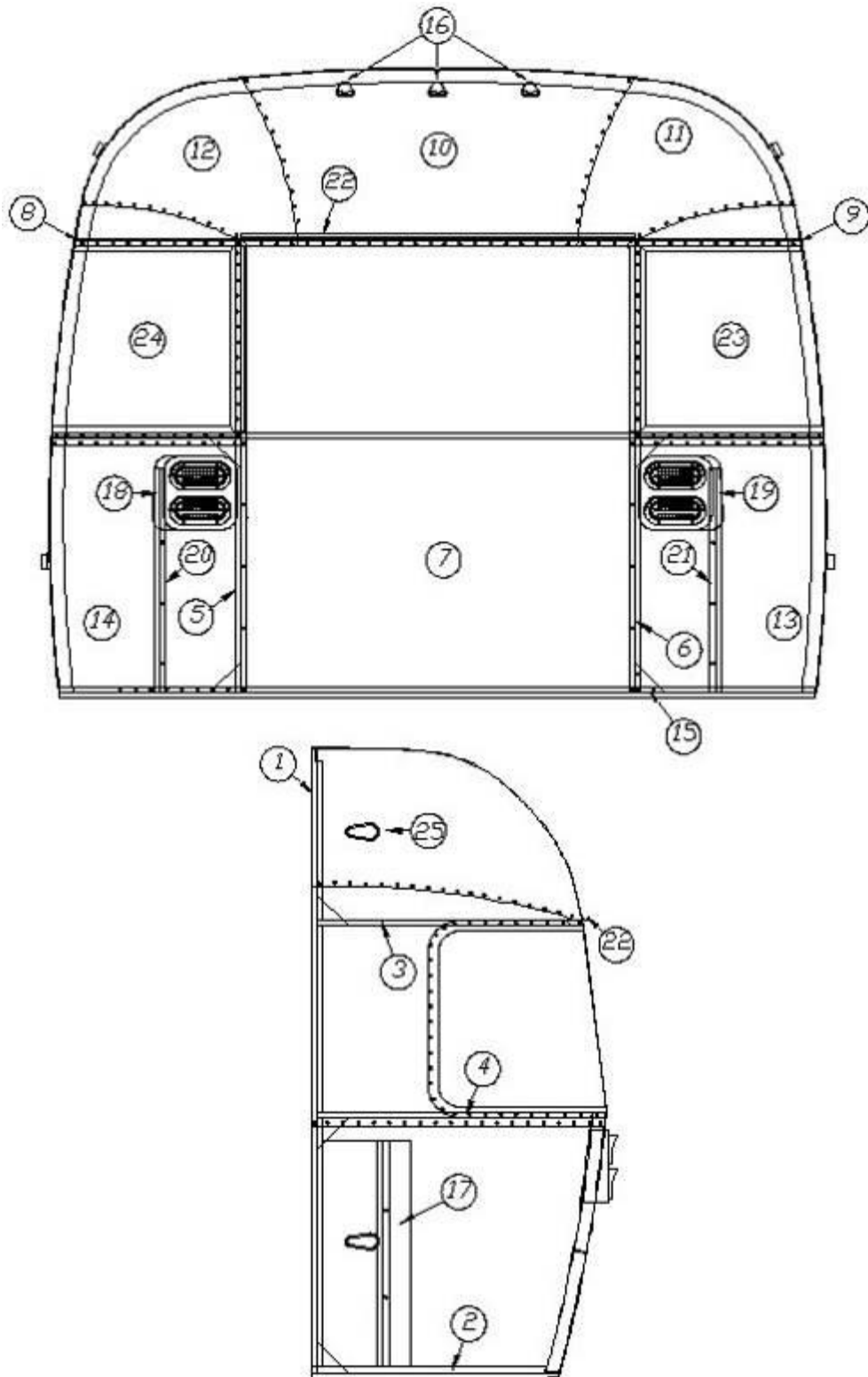
922677

Aft End Shell

1. 114993 End bow
2. 114676 Floor bow
3. 114678 Upper window bow
4. 114677 Lower window bow
5. 114505-01 Support, Lower end, LH
6. 114505-02 Support, Lower end, RH
7. 101315 Brace, Vertical rear
8. 104408 Z-rib
9. 114888 Segment, Center left
10. 114889 Segment, Center right
11. 114893 Segment #25
12. 114890 Segment #26
13. 114891 Segment #27
14. 114894 Segment #28
15. 114895 Segment #29
16. 114880-307 Aluminum sheet, .06" x 19" x 51"
17. 512928 Curved bezel w/gasket, Required for 3 top lights
18. 371348-02 Window, Rear w/ red handles
19. 114849-03 Aluminum sheet, 04" x 12" x 29"
20. 512409 License plate holder
21. 952929-01 Tail light assembly, Roadside
22. 952929-02 Tail light assembly, Curbside
23. 101315-01 Vertical brace, Rear, LH
24. 101315-02 Vertical brace, Rear, RH
25. 512860 Red LED clearance light
26. 921159 Trunk door assembly
27. 372088-101 Panoramic window, CS rear
28. 372089-101 Panoramic window, RS rear

# 2016 INTERNATIONAL TRAVEL TRAILER EXTERIOR SHELL

Aft End, Eddie Bauer



Parts Listed on Next Page

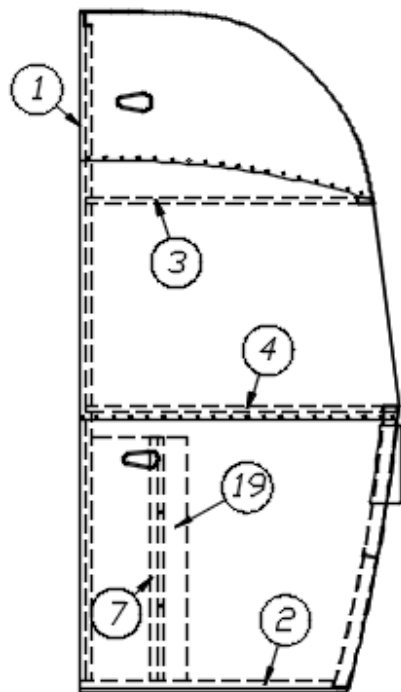
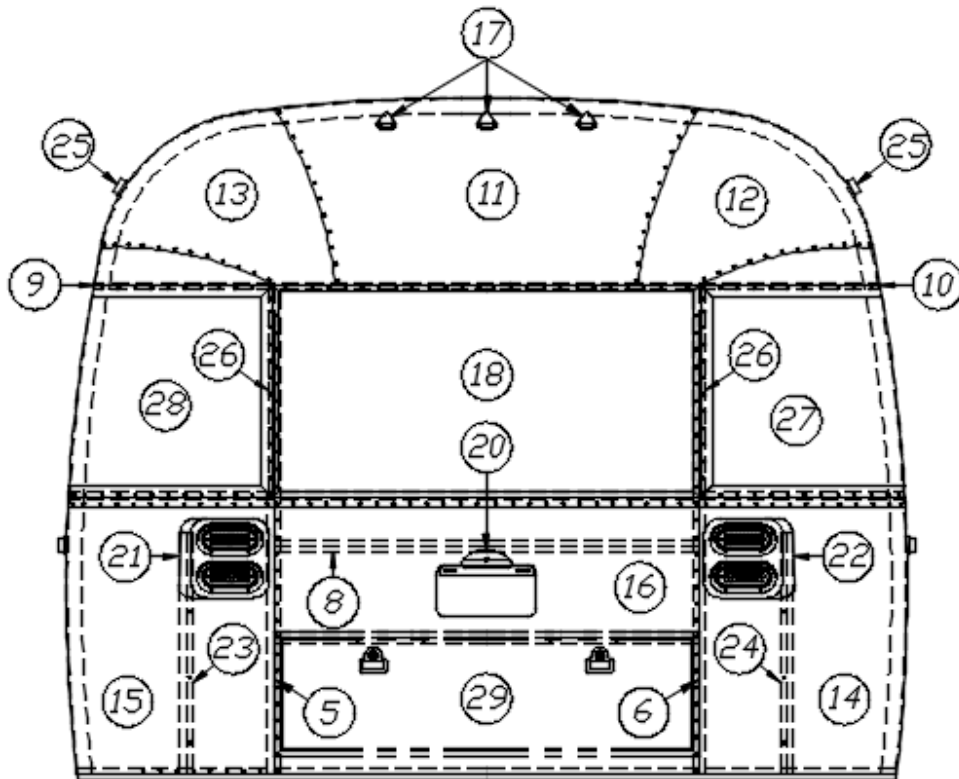
# 2016 INTERNATIONAL TRAVEL TRAILER EXTERIOR SHELL

## Aft End, Eddie Bauer

923059	Aft End Shell
1. 114993	Weldment, Zero bow, "WB"
2. 114676	Floor bow
3. 114678	Upper window bow
4. 114677	Lower window bow
5. 114505-01	Support, Lower end, LH
6. 114505-02	Support, Lower end, RH
7. 967683	Hatch door
8. 114888	Segment, Center left
9. 114889	Segment, Center right
10. 114893	Segment, #25, WB
11. 114890	Segment, #26
12. 114891	Segment, #27
13. 114894	Segment, #28
14. 114895	Segment, #29
15. 454711	Gusset, Rear
16. 512928	Curved bezel w/gasket, Required for 3 top lights
17. 114849-03	Aluminum sheet, 120" x 29", Pewter
18. 952929-01	Tail light assembly, RS
19. 952929-02	Tail light assembly, CS
20. 101315-01	Vertical brace, Rear, LH
21. 101315-02	Vertical brace, Rear, RH
22. 104837	Aluminum extrusion, Drip cap
23. 372088-101	Panoramic window, CS rear
24. 372089-101	Panoramic window, RS rear
25. 512860	Red LED clearance light

# 2016 INTERNATIONAL TRAVEL TRAILER EXTERIOR SHELL

Aft End, Twin Bedroom, 25', 25FB, 28', 30'



Parts Listed on Next Page



# 2016 INTERNATIONAL TRAVEL TRAILER

## EXTERIOR SHELL

Aft End, Twin Bedroom, 25', 25FB, 28', 30'

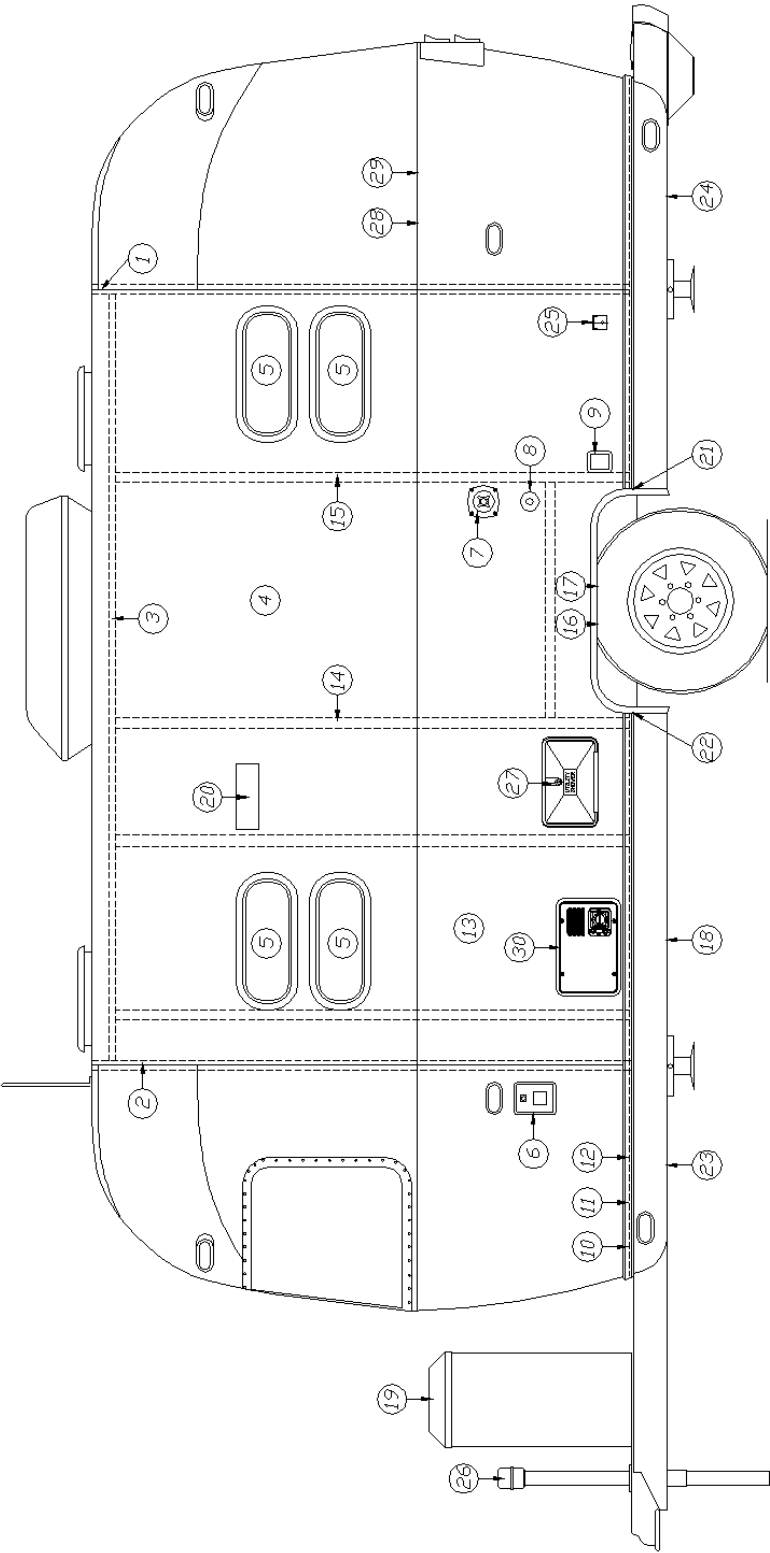
922677-02

Aft End Shell

1. 114993 End bow
2. 114676 Floor bow
3. 114678 Upper window bow
4. 114677 Lower window bow
5. 114505-01 Support, Lower end, LH
6. 114505-02 Support, Lower end, RH
7. 101315 Brace, Vertical rear
8. 104408 Z-rib
9. 114888 Segment, Center left
10. 114889 Segment, Center right
11. 114893 Segment, #25
12. 114890 Segment, #26
13. 114891 Segment, #27
14. 114894 Segment, #28
15. 114895 Segment, #29
16. 114880-307 Aluminum sheet, .04" x 51" x 307"
17. 512928 Curved bezel w/gasket, Required for 3 top lights
18. 371346-01 Window, 48.97" flat, Rear egress
19. 114849-06 Aluminum sheet, .06" x 36" x 8', Black
20. 512409 License plate holder
21. 952929-01 Tail light, RS
22. 952929-02 Tail light, CS
23. 101315-01 Vertical brace, Rear, LH
24. 101315-02 Vertical brace, Rear, RH
25. 512860 LED clearance light, Red
26. 454910 Support, Wrap window
27. 372088-101 Panoramic window, CS rear
28. 372089-101 Panoramic window, RS rear
29. 921159 Trunk door assembly
- 100029 Trim, Wrap around window

# 2016 INTERNATIONAL TRAVEL TRAILER EXTERIOR SHELL

Wall, Roadside, 19'



Parts Listed on Next Page

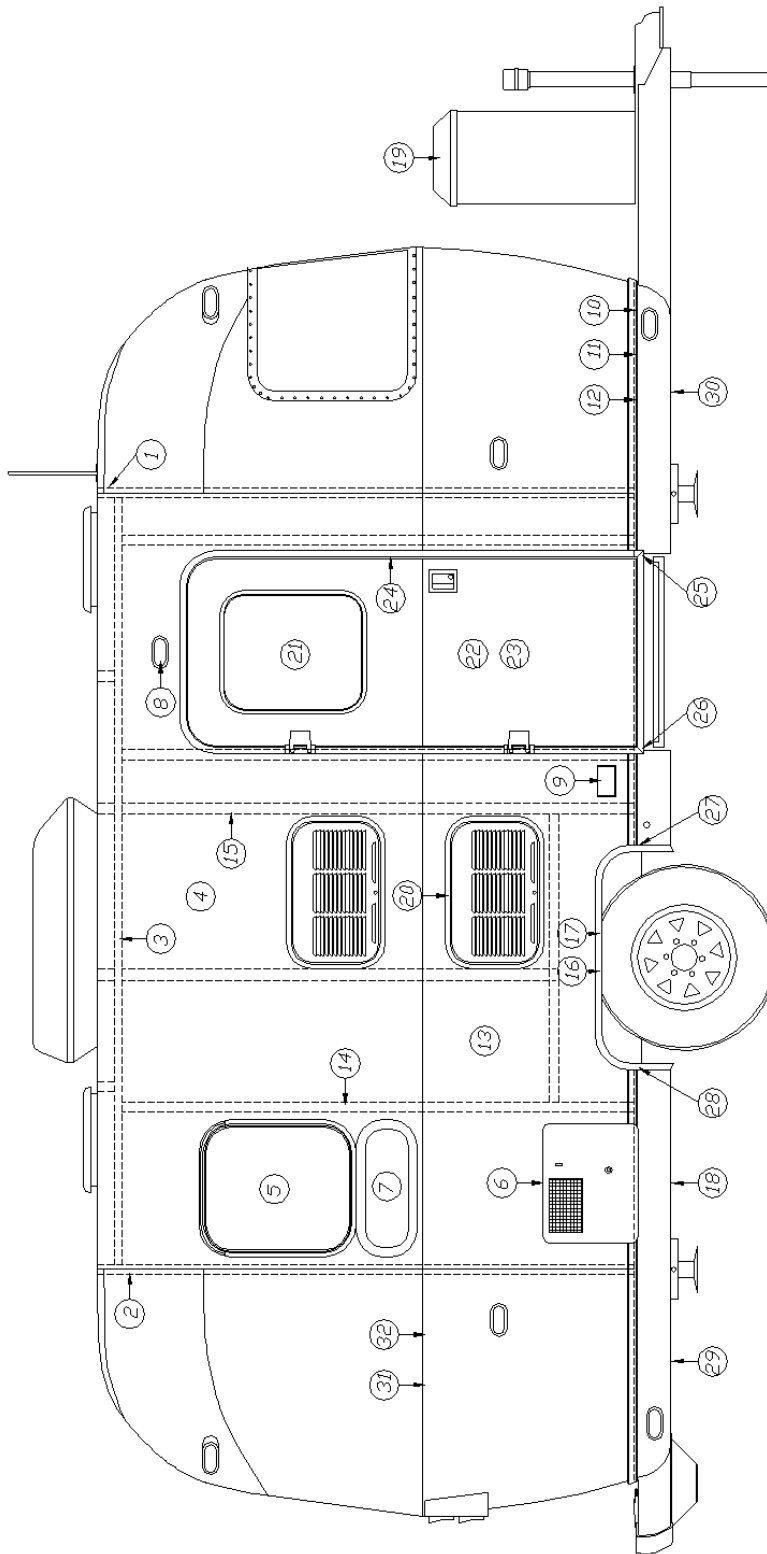
# 2016 INTERNATIONAL TRAVEL TRAILER EXTERIOR SHELL

## Wall, Roadside, 19'

1. 114290-02	Extrusion, Awning/drip rail
2. 114994	Rib, End bow
3. 104707-05	Extrusion, "I" beam
4. 114880-238	Aluminum sheet, Upper, .04" x 51" x 238"
5. 371436	Window, 18" stacked
6. 601194	Water fill w/lock, Gray
7. 601392-05	City water hook-up
8. 601441-02	Black tank flush
9. 512401-02	Power inlet, 30 amp
10. 115546	Extrusion, Rub rail
11. 201763-100	Insert, Rub rail, 1", Chrome
12. 100986	Floor channel
13. 114879-238	Aluminum sheet, Lower, .04" x 33" x 238"
14. 114387-02	Bow, Z-rib, LH
15. 114387-01	Bow, Z-rib, RH
16. 114003-04	Wheel well trim, Inner, Single axle
17. 114004-04	Wheel well trim, Outer, Single axle
18. 101131-01	Underbelly wrap, .024 x 22.5, Pewter
19. 921246	LPG tank cover
20. 511017-11	Vent cover, Range exhaust
21. 114466-01	Casting, Rub rail end, Wheel well, RH
22. 114466-02	Casting, Rub rail end, Wheel well, LH
23. 203251-05	Banana wrap, RS front, Haircell
24. 203251-07	Banana wrap RS rear, Haircell
25. 512568	Inlet, TV/satellite
26. 400961-02	Power jack, Silver
27. 602326-101	Exterior shower door
28. 114328	Extrusion, belt line molding
29. 201912-100	Molding, Belt line insert, Chrome
30. 690663-06	Furnace exterior door & bezel, Painted Aluminum

# 2016 INTERNATIONAL TRAVEL TRAILER EXTERIOR SHELL

Wall, Curbside, 19'



Parts Listed on Next Page

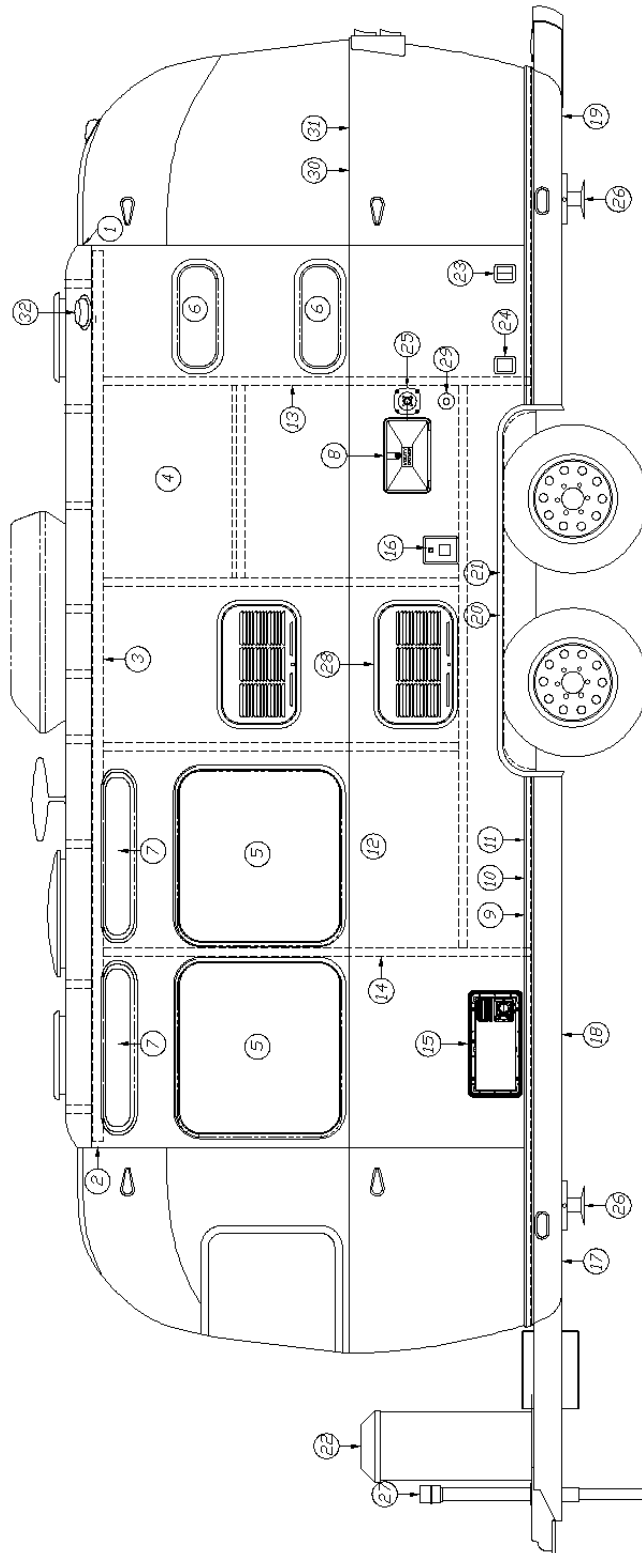
## 2016 INTERNATIONAL TRAVEL TRAILER EXTERIOR SHELL

### Wall, Curbside, 19'

1. 114290-02	Extrusion, Awning/drip rail
2. 114994	Rib, End bow
3. 104707-05	Extrusion, "I" beam
4. 114880-238	Aluminum sheet, Upper, .04" x 51" x 238"
5. 371323-01	Window, 18" opening
6. 690209	Water heater access cover, Brushed Aluminum
7. 371436	Window, 18" stacked
8. 101323	Casting, Step light, Polished
9. 500563-03	Exterior outlet, 120V, White
10. 115546	Extrusion, Rub rail
11. 201763-100	Insert, Rub rail, 1", Chrome
12. 100986	Floor channel
13. 114879-238	Aluminum sheet, Lower, .04" x 33" x 238"
14. 114387-02	Bow, Z-rib, LH
15. 114387-01	Bow, Z-rib, RH
16. 114003-04	Wheel well trim, Inner, Single axle
17. 114004-04	Wheel well trim, Outer, Single axle
18. 101131-01	Underbelly wrap, .024 x 22.5, Pewter
19. 921246	LPG tank cover
20. 923115	Door, Refrigerator access
21. 371400-01	Window, Main door
22. 115207	Main door
23. 114654	Screen door
24. 114652	Jamb, Main door, Pre-formed
25. 114465-01	Casting, Rub rail end, Door, RH
26. 114465-02	Casting, Rub rail end, Door, LH
27. 114466-01	Casting, Rub rail end, Wheel well, RH
28. 114466-02	Casting, Rub rail end, Wheel well, LH
29. 203251-08	Banana wrap, CS rear, Haircell
30. 203251-06	Banana wrap, CS front, Haircell
31. 114328	Extrusion, belt line molding
32. 201912-100	Molding, Belt line insert, Chrome
201185	Lens, Step light

# 2016 INTERNATIONAL TRAVEL TRAILER EXTERIOR SHELL

Wall, Roadside, 23D



Parts Listed on Next Page

# 2016 INTERNATIONAL TRAVEL TRAILER

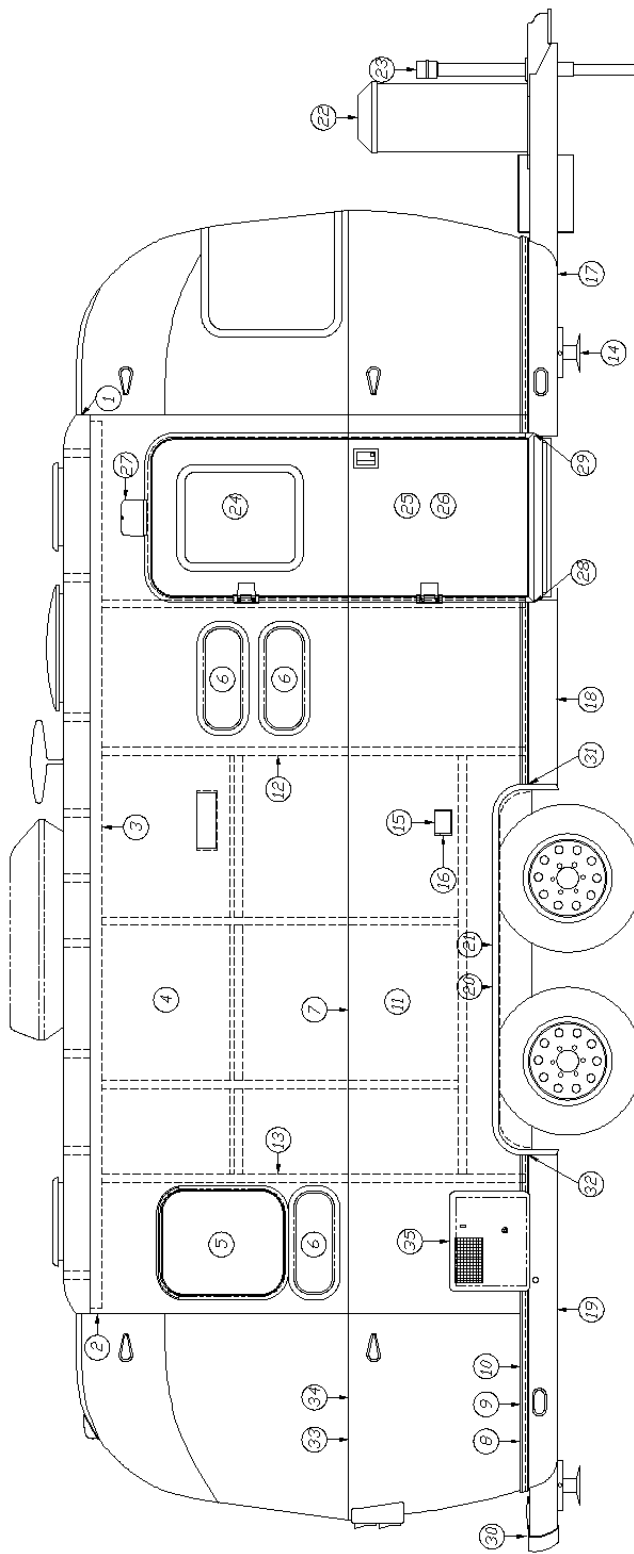
## EXTERIOR SHELL

### Wall, Roadside, 23D

1. 114290-01 Extrusion, Awning/drip rail
2. 114994 Rib, End bow
3. 104707-01 Extrusion, "I" beam
4. 114880-201 Aluminum sheet, Upper, .04" x 51" x 201"
5. 371380 Window, 30" tall
6. 371436 Window, 18" fixed window
7. 371437-02 Vista view window, 30"
8. 602326-101 Exterior shower door
9. 115546 Extrusion, Rub rail
10. 201763-100 Insert, Rub rail, 1", Chrome
11. 100986 Floor channel
12. 114879-201 Aluminum sheet, Lower, .04" x 33" x 201"
13. 114387-01 Bow, Z-rib, RH
14. 114387-02 Bow, Z-rib, LH
15. 690664-05 Furnace exterior door & bezel, Painted Aluminum
16. 601194 Water fill, Exterior
17. 200542-01 Banana wrap, RS front
18. 203304 Roll, Underbelly, Black plastic
19. 200544-01 Banana wrap, RS rear
20. 684936 Wheel well trim, Outer, Dual Axle
21. 684937 Wheel well trim, Inner, Dual Axle
22. 921246 LP tank cover
23. 512568 Inlet, TV/satellite
24. 512401-02 Power inlet, 30-amp, Male
25. 601392-05 City water hook-up w/regulator, Chrome
26. 400093 Stabilizer jack
27. 400961-02 Power jack, Silver
28. 923115 Refrigerator access door
29. 601441-02 Black tank flush system
30. 114328 Extrusion, Belt line molding
31. 201912-100 Molding, Belt line insert, Chrome
32. 690266-01 Power ventilator

# 2016 INTERNATIONAL TRAVEL TRAILER EXTERIOR SHELL

Wall, Curbside, 23D



Parts Listed on Next Page



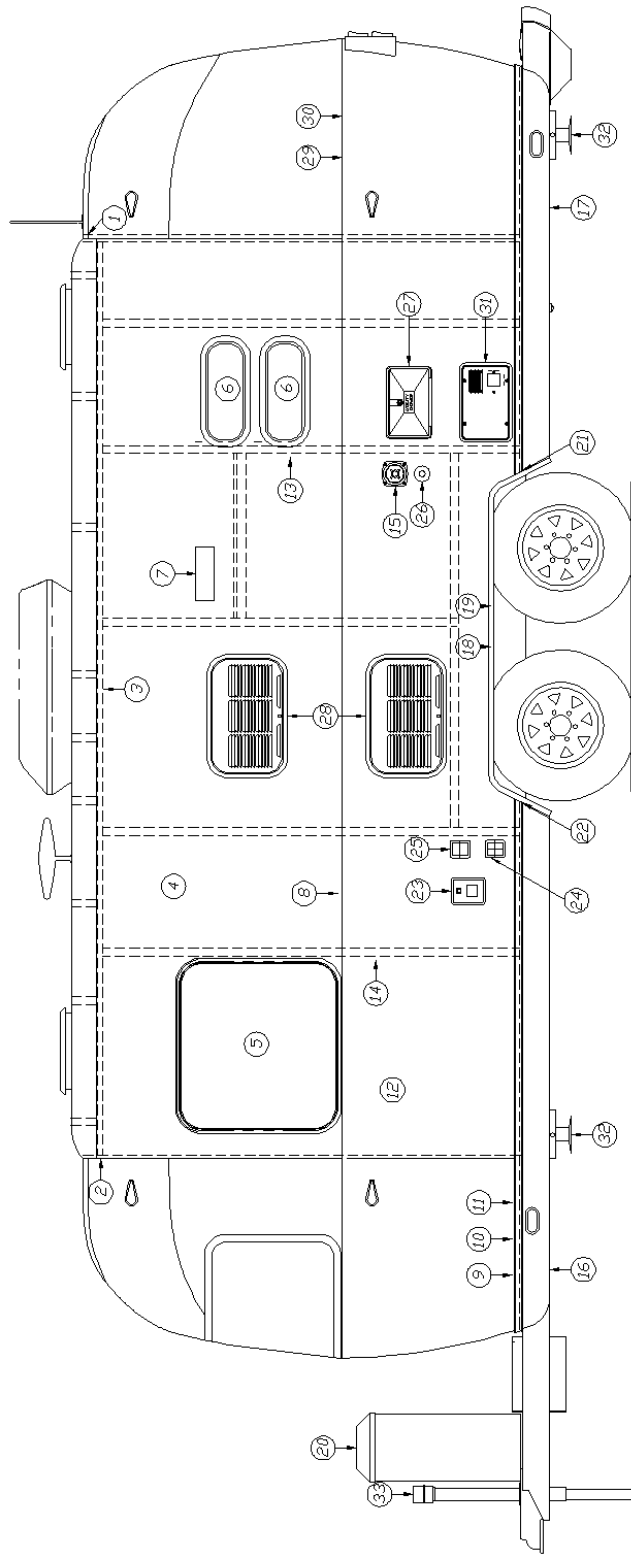
## 2016 INTERNATIONAL TRAVEL TRAILER EXTERIOR SHELL

### Wall, Curbside, 23D

1. 114290-01	Extrusion, Awning/drip rail
2. 114994	Rib, End bow
3. 104707-01	Extrusion, "I" beam
4. 114880-201	Aluminum sheet, .04" x 51" x 201"
5. 371323-01	Window, 18", Opening window
6. 371436	Window, 18" stacked
7. 100034	"Z" bar 48"
8. 115546	Extrusion, Rub rail
9. 201763-100	Insert, Rub rail, 1", Chrome
10. 100986	Floor channel
11. 114879-201	Side sheet, .04" x 33" x 201"
12. 114387-01	Bow, Z-rib, RH
13. 114387-02	Bow, Z-rib, LH
14. 400093	Stabilizer jack, 20"
15. 500563-03	Exterior outlet, 120V, Gray
16. 512741	W.P. cover w/gasket, Gray
17. 200543-01	Banana wrap, CS front
18. 203304	Roll, Underbelly, Black plastic
19. 200545-01	Banana wrap, CS rear
20. 684936	Wheel well trim, Outer, Dual Axle
21. 684937	Wheel well trim, Inner, Dual Axle
22. 921246	LP tank cover
23. 400961-02	Power jack, Silver
24. 371400-01	Window, Main door
25. 115207	Main door
26. 114654	Screen door
27. 101323	Casting, Main door light
28. 114465-02	Casting, Rub rail, Door, LH
29. 114465-01	Casting, Rub rail, Door, RH
30. 410932	Bumper, Polished
31. 114466-01	Casting, Rub rail end, Wheel well, RH
32. 114466-02	Casting, Rub rail end, Wheel well, LH
33. 114328	Extrusion, belt line molding
34. 201912-100	Molding, Belt line insert, Chrome
35. 690209	Water heater access cover, Brushed Aluminum
201185	Lens, Main door light

# 2016 INTERNATIONAL TRAVEL TRAILER EXTERIOR SHELL

Wall, Roadside, 23FB



Parts Listed on Next Page

# 2016 INTERNATIONAL TRAVEL TRAILER

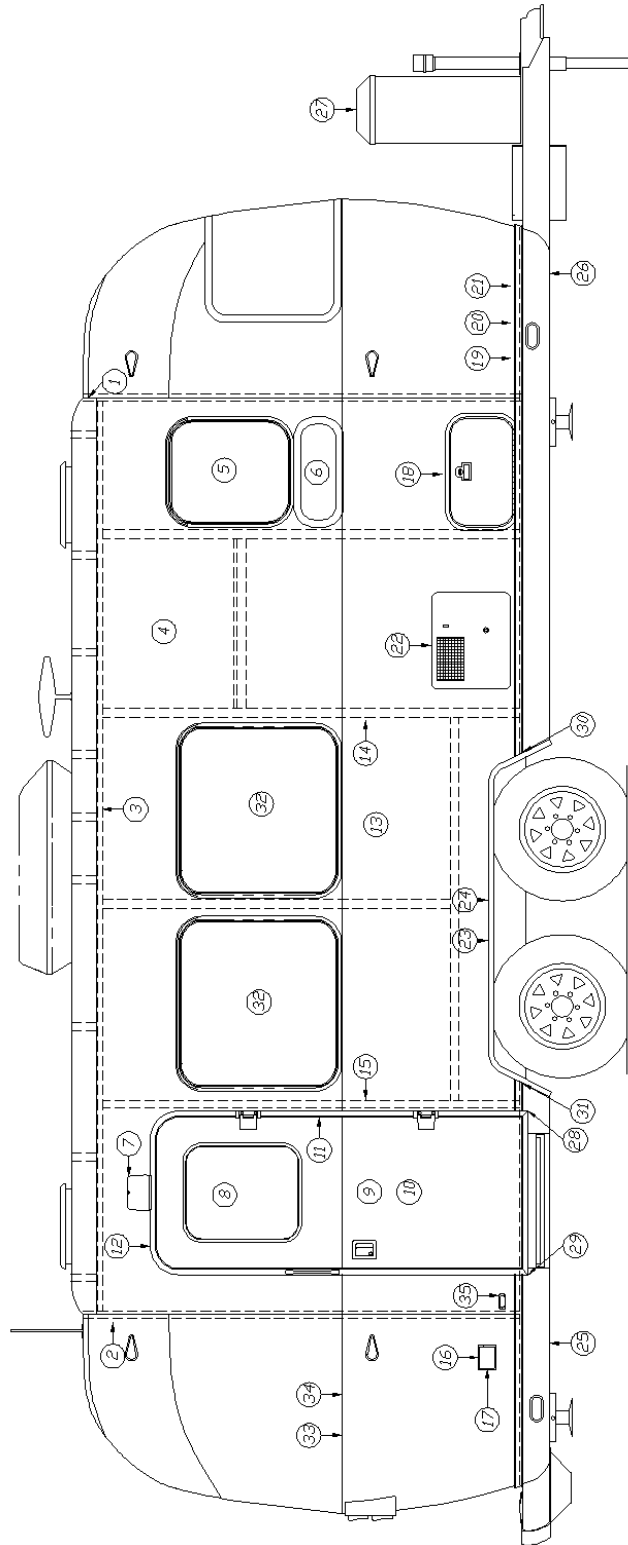
## EXTERIOR SHELL

### Wall, Roadside, 23FB

1. 114290-01 Extrusion, Awning/drip rail
2. 114994 Rib, End bow
3. 104707-01 Extrusion, "I" beam
4. 114880-201 Aluminum sheet, Upper, .04" x 51" x 201"
5. 371380-01 Window, 30" opening egress
6. 371436 Window, 18" stack
7. 511017-11 Vent cover, Range exhaust
8. 100034 "Z" bar, 48"
9. 115546 Extrusion, Rub rail
10. 201763-100 Insert, Rub rail, 1", Chrome
11. 100986 Floor channel
12. 114879-201 Aluminum sheet, Lower, .04" x 33" x 201"
13. 114387-01 Bow, Z-rib, RH
14. 114387-02 Bow, Z-rib, LH
15. 601392-05 City water hook up
16. 200542-01 Wrap, Underbelly, RS front, Haircell
17. 200544-01 Wrap, Underbelly, RS rear, Haircell
18. 684936 Wheel well trim, Outer, Dual Axle
19. 684937 Wheel well trim, Inner, Dual Axle
20. 921246 LPG tank cover
21. 114466-01 Casting, Rub rail end, Wheel well, RH
22. 114466-02 Casting, Rub rail end, Wheel well, LH
23. 601194 Water fill w/lock
24. 512401-02 Power inlet, 30A, 125V
25. 512568 Inlet, TV/satellite
26. 601441-02 Black tank flush
27. 602326-101 Exterior shower door
28. 923115 Refrigerator access door
29. 201912-100 Molding, Belt line insert, Chrome
30. 114328 Extrusion, Belt line molding
31. 690663-06 Furnace exterior door & bezel, Painted Aluminum
32. 400093 Stabilizer jack
33. 400961-02 Power jack, Silver

# 2016 INTERNATIONAL TRAVEL TRAILER EXTERIOR SHELL

Wall, Curbside, 23FB



Parts Listed on Next Page

# 2016 INTERNATIONAL TRAVEL TRAILER

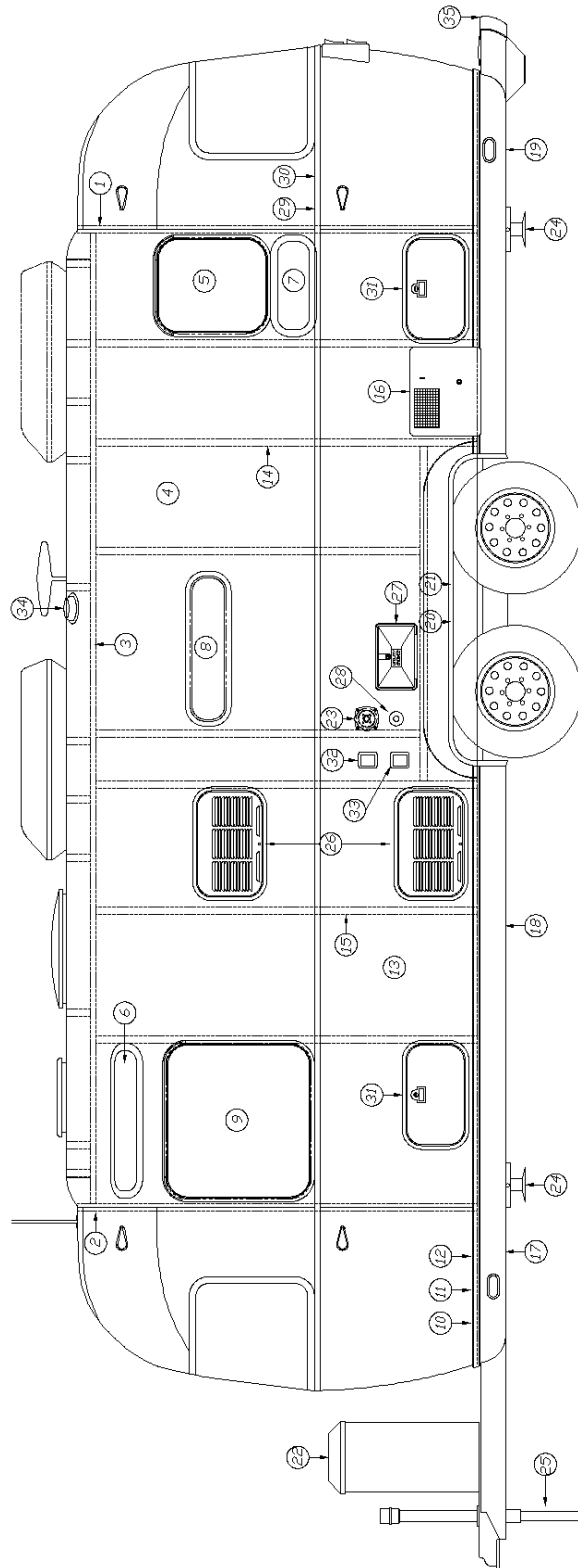
## EXTERIOR SHELL

### Wall, Curbside, 23FB

1. 114290-01	Extrusion, Awning/drip rail
2. 114994	Rib, end bow
3. 104707-01	Extrusion, "I" beam
4. 114880-201	Sheet, upper, .04" x 51" x 201"
5. 371323-01	Window, 18" opening
6. 371436	Window 18" stack
7. 101323	Casting, Main door light
8. 371400-01	Window, Main door, Etched
9. 115207-05	Main door
10. 114654-01	Screen door
11. 114652-01	Jamb, Main door
12. 114363	Drip cap, Main door
13. 114879-201	Aluminum sheet, Lower, .04" x 33" x 201"
14. 114387-01	Bow, Z-rib, RH
15. 114387-02	Bow, Z-rib, LH
16. 500563-03	Receptacle, 15 Amp, White
17. 512741	W.P. cover w/gasket, Gray
18. 100679-01	Side access door
19. 115546	Extrusion, Rub rail
20. 201763-100	Insert, Rub rail, 1", Chrome
21. 100986	Floor channel
22. 690209	Water heater access cover, Brushed Aluminum
23. 684936	Wheel well trim, Outer, Dual Axle
24. 684937	Wheel well trim, Inner, Dual Axle
25. 200545-01	Wrap, Underbelly, CS rear, Haircell
26. 200543-01	Wrap, Underbelly, CS front, Haircell
27. 921246	LPG tank cover
28. 114465-01	Casting, Rub rail end, Door, RH
29. 114465-02	Casting, Rub rail end, Door, LH
30. 114466-01	Casting, Rub rail end, Wheel well, RH
31. 114466-02	Casting, Rub rail end, Wheel well, LH
32. 371380	Window, 30" tall, Opening
33. 201912-100	Molding, Belt line insert, Chrome
34. 114328	Extrusion, Belt line molding
35. 512252	Step light, LED

# 2016 INTERNATIONAL TRAVEL TRAILER EXTERIOR SHELL

Wall, Roadside, 25'



Parts Listed on Next Page

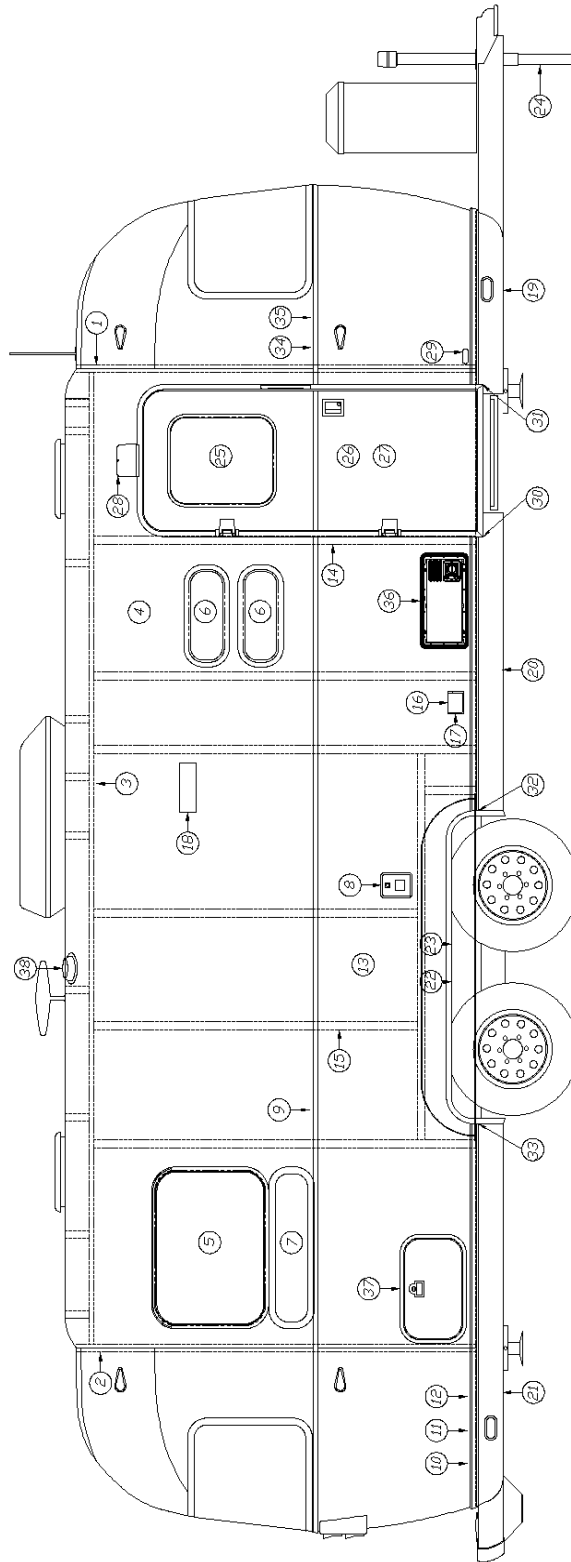
## 2016 INTERNATIONAL TRAVEL TRAILER EXTERIOR SHELL

### Wall, Roadside, 25'

1. 114290-01 Extrusion, Awning/drip rail
2. 114993 Rib, end bow
3. 104707-01 Extrusion, "I" beam
4. 114880-201 Aluminum sheet, Upper, .04" x 51" x 201"
5. 371323-01 Window, 18", Opening window
6. 371437-02 Vista view window, 30"
7. 371436 Window, 18" stacked
8. 371435 Window, 30" stacked
9. 371380 Window, 30" opening, Tall
10. 115546 Extrusion, Rub rail
11. 201763-100 Insert, Rub rail, 1", Chrome
12. 100986 Floor channel
13. 114879-201 Aluminum Sheet, Lower, .04" x 33" x 201"
14. 114387-01 Bow, Z-rib, RH
15. 114387-02 Bow, Z-rib, LH
16. 690209 Water heater access cover, Brushed Aluminum
17. 200542-01 Banana wrap, RS front, Haircell
18. 101131-01 Underbelly wrap, .024" x 22.5", Pewter
19. 200544-01 Banana wrap, RS rear, Haircell
20. 684936 Wheel well trim, Outer, Dual Axle
21. 684937 Wheel well trim, Inner, Dual Axle
22. 921246 LP tank cover
23. 601392-05 City water hook-up w/regulator, Chrome
24. 400093-01 Stabilizer jack, each
25. 400961-02 Power jack, Silver
26. 923115 Refrigerator access door
27. 602326-101 Exterior shower door
28. 601441-02 Black tank flush
29. 114328 Extrusion, belt line molding
30. 201912-100 Molding, Belt line insert, Chrome
31. 100679-01 Side access door
32. 512568 Inlet, TV/satellite
33. 512401-02 Power Inlet, 30a, 125v, Male, Gray
34. 690266-01 Power ventilator
35. 410831 Bumper

# 2016 INTERNATIONAL TRAVEL TRAILER EXTERIOR SHELL

Wall, Curbside, 25'



Parts Listed on Next Page



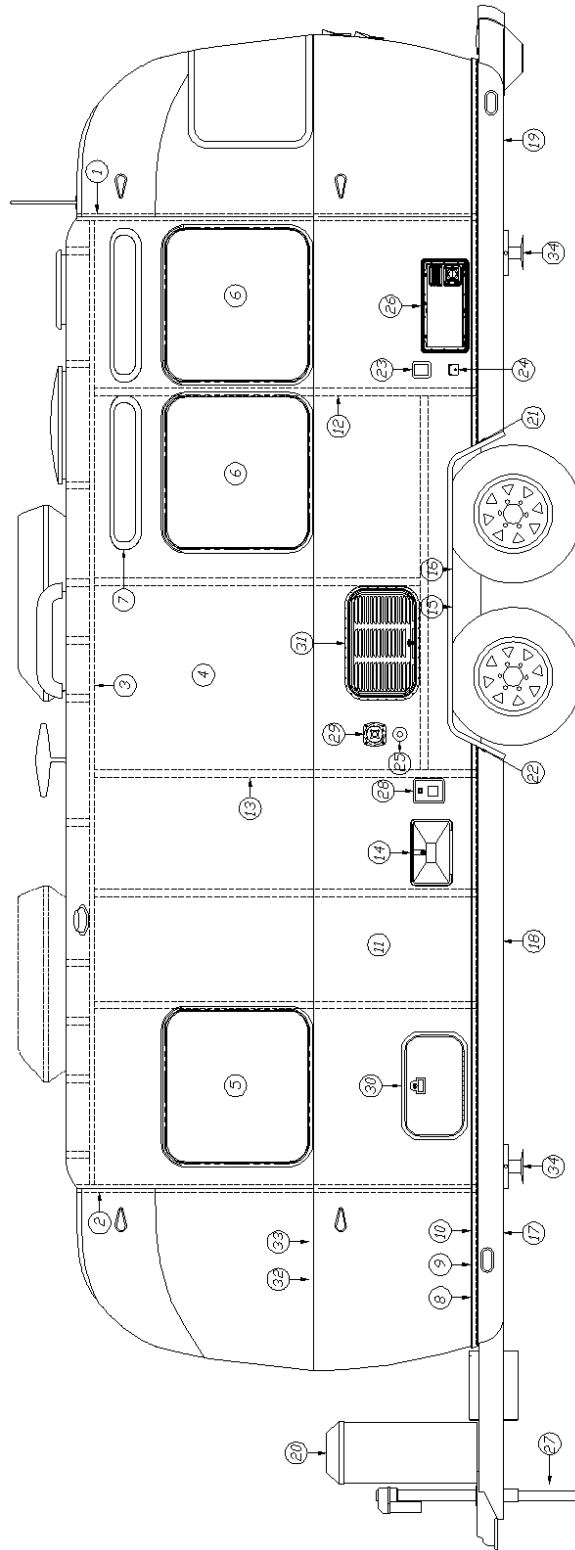
## 2016 INTERNATIONAL TRAVEL TRAILER EXTERIOR SHELL

### Wall, Curbside, 25'

1. 114290-01	Extrusion, Awning/drip rail
2. 114993	Rib, end bow
3. 104707-01	Extrusion "I" beam
4. 114880-201	Aluminum sheet, .04" x 51" x 201"
5. 371324-02	Window, 30", Opening window
6. 371436	Window, 18" stacked
7. 371435	Window, 30" stacked
8. 601194	Water fill w/lock
9. 100034	"Z" bar 48"
10. 115546	Extrusion, Rub rail
11. 201763-100	Insert, Rub rail, 1", Chrome
12. 100986	Floor channel
13. 114879-201	Aluminum Sheet, Lower, .04" x 33" x 201"
14. 114387-01	Bow, Z-rib, RH
15. 114387-02	Bow, Z-rib, LH
16. 500563-03	Exterior outlet, 120V, Gray
17. 512741	W.P. Cover w/gasket, Gray
18. 511017-11	Exterior vent, Gray
19. 200543-01	Banana wrap, CS front
20. 101131-01	Underbelly, 22.5"wide, Pewter
21. 200545-01	Banana wrap, CS rear
22. 684936	Wheel well trim, Outer, Dual Axle
23. 684937	Wheel well trim, Inner, Dual Axle
24. 400961-02	Power jack, Silver
25. 371400-01	Window, main door
26. 115207-04	Main door
27. 114654	Screen door
28. 101323	Casting, Main door light
29. 512252	Step Light
30. 114465-02	Casting, Rub rail, Door, LH
31. 114465-01	Casting, Rub rail, Door, RH
32. 114466-01	Casting, Rub rail, wheel well, RH
33. 114466-02	Casting, Rub rail, wheel well, LH
34. 114328	Extrusion, belt line molding
35. 201912-100	Molding, Belt line insert, Chrome
36. 690664-05	Furnace exterior door & bezel, Painted Aluminum
37. 100679-01	Side access Door
38. 690266-01	Power ventilator
201185	Lens, Main door light

# 2016 INTERNATIONAL TRAVEL TRAILER EXTERIOR SHELL

Wall, Roadside, 25FB



Parts Listed on Next Page

# 2016 INTERNATIONAL TRAVEL TRAILER

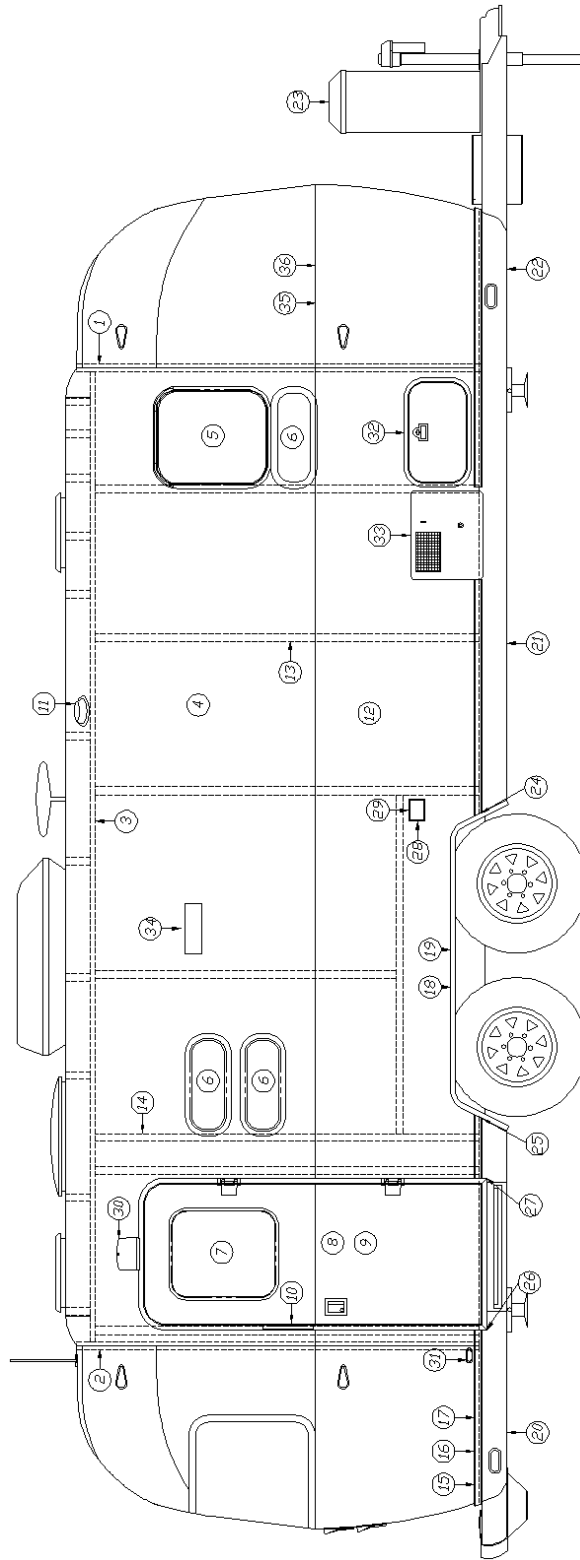
## EXTERIOR SHELL

### Wall, Roadside, 25FB

1. 114290-01 Extrusion, Awning/drip rail
2. 114993 Rib, End bow
3. 104707-01 Extrusion, "I" beam
4. 114880-201 Aluminum sheet, Upper, .04" x 51" x 201"
5. 371380-01 Window, 30" egress
6. 371380 Window, 30" opening, Tall
7. 371437-02 Vista view window, 30"
8. 115546 Extrusion, Rub rail
9. 201763-100 Insert, Rub rail, 1", Chrome
10. 100986 Floor channel
11. 114879-201 Aluminum Sheet, Lower, .04" x 33" x 201"
12. 114387-01 Bow, Z-rib, RH
13. 114387-02 Bow, Z-rib, LH
14. 602326-101 Exterior shower door
15. 684936 Wheel well trim, Outer, Dual Axle
16. 684937 Wheel well trim, Inner, Dual Axle
17. 200542-01 Banana wrap, RS front
18. 101131-01 Underbelly wrap, .024" x 22.5", Pewter
19. 200544-01 Banana wrap, RS rear
20. 921246 LPG tank cover
21. 114466-01 Casting, Rub rail, Wheel well, RH
22. 114466-02 Casting, Rub rail, Wheel well, LH
23. 512568 Inlet, TV/satellite
24. 512401-02 Power Inlet, 30a, 125v, Male, Gray
25. 601441-02 Black tank flush
26. 690664-05 Furnace exterior door & bezel, Painted Aluminum
27. 400961-02 Power jack, Silver
28. 601194 Water fill w/lock, Gray
29. 601392-05 City water hook-up
30. 100679-01 Side access door
31. 923115 Refrigerator access door
32. 114328 Extrusion, Belt line molding
33. 201912-100 Molding, Belt line insert, Chrome
34. 400093-01 Stabilizer jack, each

# 2016 INTERNATIONAL TRAVEL TRAILER EXTERIOR SHELL

Wall, Curbside, 25FB



Parts Listed on Next Page

# 2016 INTERNATIONAL TRAVEL TRAILER

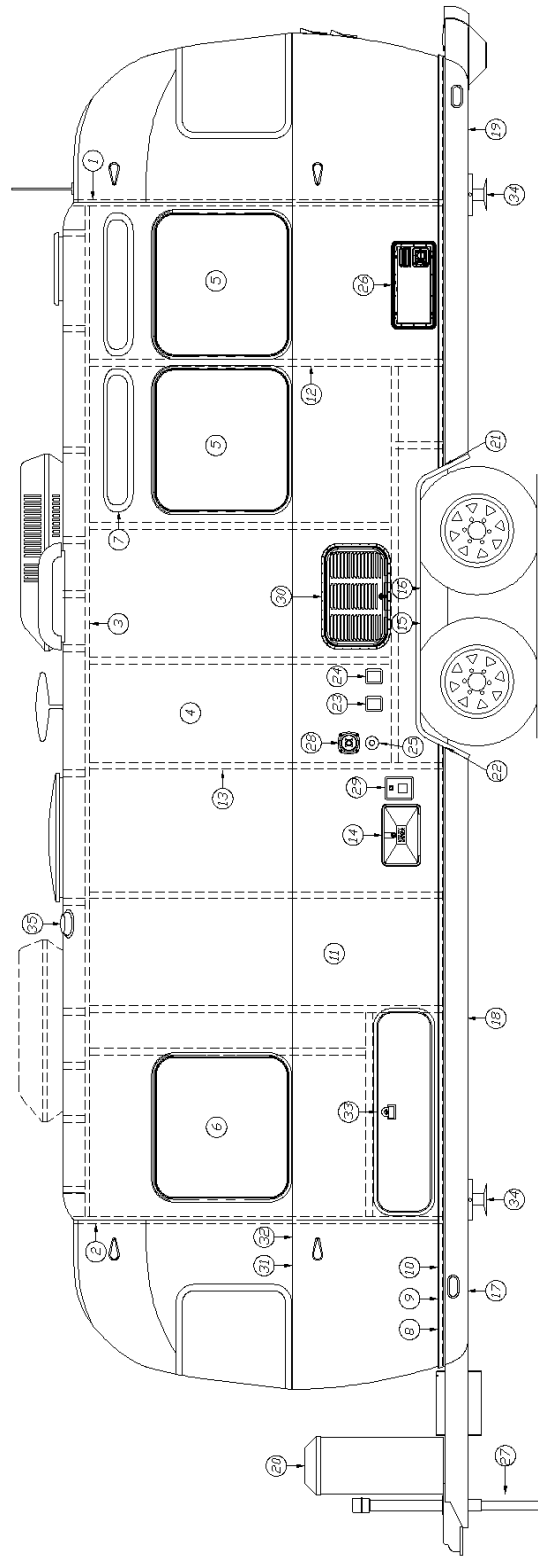
## EXTERIOR SHELL

### Wall, Curbside, 25FB

1. 114290-01	Extrusion, Awning/drip rail
2. 114993	Rib, End bow
3. 104707-01	Extrusion, "I" beam
4. 114880-201	Aluminum sheet, Upper, .04" x 51" x 201"
5. 371323-01	Window, 18" opening
6. 371436	Window, 18" stack
7. 371400-01	Window, Main door, Etched
8. 114654-01	Screen door
9. 115207-06	Main door
10. 114652-01	Jamb, Main door
11. 690266-06	Power roof vent w/o garnish
12. 114879-201	Aluminum Sheet, Lower, .04" x 33" x 201"
13. 114387-01	Bow, Z-rib, RH
14. 114387-02	Bow, Z-rib, LH
15. 115546	Extrusion, Rub rail
16. 201763-100	Insert, Rub rail, 1", Chrome
17. 100986	Floor channel
18. 684936	Wheel well trim, Outer, Dual Axle
19. 684937	Wheel well trim, Inner, Dual Axle
20. 200545-01	Banana wrap, CS rear
21. 101131-01	Underbelly wrap, .024" x 22.5, Pewter
22. 200543-01	Banana wrap, CS front
23. 921246	LPG tank cover
24. 114466-01	Casting, Rub rail, Wheel well, RH
25. 114466-02	Casting, Rub rail, Wheel well, LH
26. 114465-02	Casting, Rub rail, LH
27. 114465-01	Casting, Rub rail, RH
28. 500563-03	Receptacle, 15 Amp, White
29. 512741	W.P. cover w/gasket, Gray
30. 101323	Casting, Main door light
31. 512252	Step Light
32. 100679-01	Side Access Door
33. 690209	Water heater access cover, Brushed Aluminum
34. 511017-11	Exterior vent, Gray
35. 114328	Extrusion, Belt line molding
36. 201912-100	Molding, Belt line, Chrome

# 2016 INTERNATIONAL TRAVEL TRAILER EXTERIOR SHELL

Wall, Roadside, 27FB



Parts Listed on Next Page

# 2016 INTERNATIONAL TRAVEL TRAILER

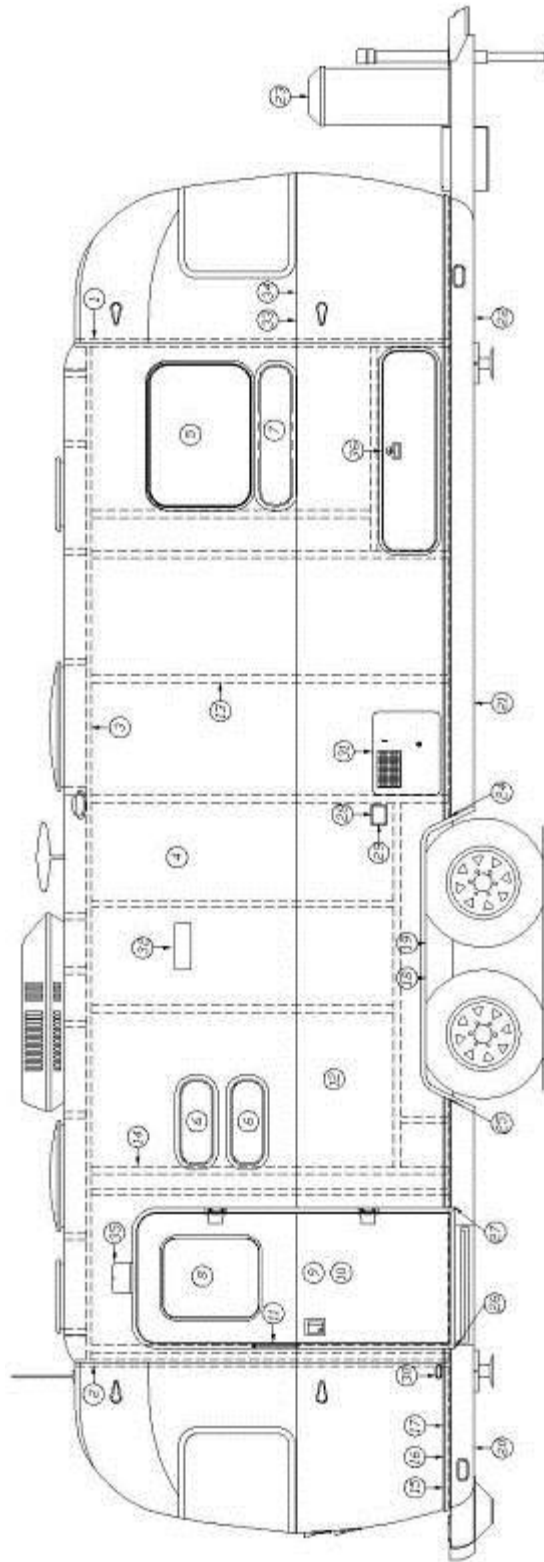
## EXTERIOR SHELL

### Wall, Roadside, 27FB

1. 114290-01 Extrusion, Awning/drip rail
2. 114993 Rib, End bow
3. 104707-01 Extrusion, "I" beam
4. 114880-238 Aluminum sheet, Upper, .04" x 51" x 238"
5. 371380 Window, 30" opening, Tall
6. 371380-01 Window, 30" egress
7. 371437-02 Vista view window, 30"
8. 115546 Extrusion, Rub rail
9. 201763-100 Insert, Rub rail, 1", Chrome
10. 100986 Floor channel
11. 114879-238 Aluminum Sheet, Lower, .04" x 33" x 238"
12. 114387-01 Bow, Z-rib, RH
13. 114387-02 Bow, Z-rib, LH
14. 602326-101 Exterior shower door
15. 684936 Wheel well trim, Outer, Dual Axle
16. 684937 Wheel well trim, Inner, Dual Axle
17. 200542-01 Banana wrap, RS front
18. 101131-01 Underbelly wrap, .024" x 22.5", Pewter
19. 200544-01 Banana wrap, RS rear
20. 921246 LPG tank cover
21. 114466-01 Casting, Rub rail end, Wheel well, RH
22. 114466-02 Casting, Rub rail end, Wheel well, LH
23. 512568 Inlet, TV/satellite
24. 512401-02 Power Inlet, 30a, 125v, Male, Gray
25. 601441-02 Black tank flush
26. 690664-05 Furnace exterior door & bezel, Painted Aluminum
27. 400961-02 Power jack, Silver
28. 601392-05 City water hook-up
29. 601194 Water fill w/lock, Gray
30. 923115 Refrigerator Access door
31. 114328 Extrusion, Belt line molding
32. 201912-100 Molding, Belt line insert, Chrome
33. 922288 Access door
34. 400093-01 Stabilizer jack, each
35. 690266-06 Power roof vent w/o garnish

# 2016 INTERNATIONAL TRAVEL TRAILER EXTERIOR SHELL

Wall, Curbside, 27FB



Parts Listed on Next Page



# 2016 INTERNATIONAL TRAVEL TRAILER

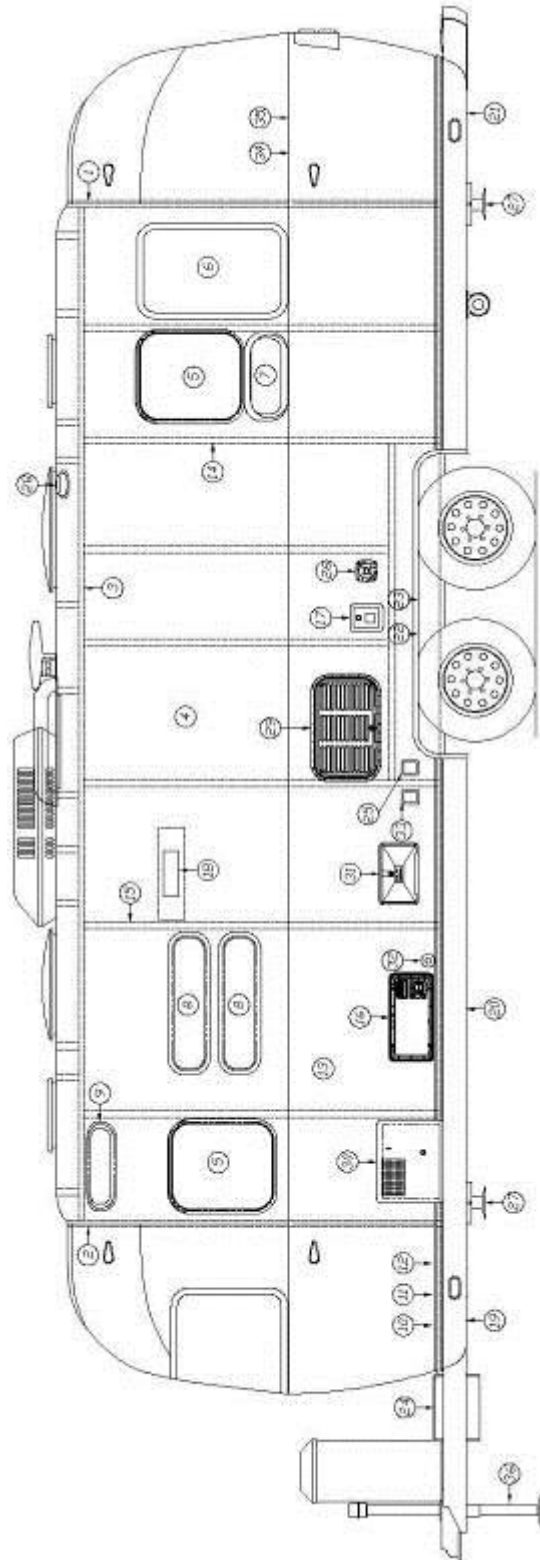
## EXTERIOR SHELL

### Wall, Curbside, 27FB

1. 114290-01	Extrusion, Awning/drip rail
2. 114993	Rib, End bow
3. 104707-01	Extrusion, "I" beam
4. 114880-238	Aluminum sheet, Upper, .04" x 51" x 238"
5. 371324-02	Window, 30" opening
6. 371436	Window, 18" stack
7. 371435	Window, 30" stack
8. 371400-01	Window, Main door
9. 114654-01	Screen door
10. 115207-06	Main door
11. 114652-01	Jamb, Main door
12. 114879-238	Aluminum Sheet, Lower, .04" x 33" x 238"
13. 114387-01	Bow, Z-rib, RH
14. 114387-02	Bow, Z-rib, LH
15. 115546	Extrusion, Rub rail
16. 201763-100	Insert, Rub rail, 1", Chrome
17. 100986	Floor channel
18. 684936	Wheel well trim, Outer, Dual Axle
19. 684937	Wheel well trim, Inner, Dual Axle
20. 200545-01	Banana wrap, CS rear
21. 101131-01	Underbelly wrap, .024" x 22.5, Pewter
22. 200543-01	Banana wrap, CS front
23. 921246	LPG tank cover
24. 114466-01	Casting, Rub rail, Wheel well, RH
25. 114466-02	Casting, Rub rail, Wheel well, LH
26. 114465-02	Casting, Rub rail, Door, LH
27. 114465-01	Casting, Rub rail, Door, RH
28. 500563-03	Receptacle, 15 Amp, White
29. 512741	W.P. Cover w/gasket, Gray
30. 512252	Step light, LED
31. 690209	Water heater access cover, Brushed Aluminum
32. 511017-11	Exterior vent, Gray
33. 114328	Extrusion, Belt line molding
34. 201912-100	Molding, Belt line insert, Chrome
35. 101323	Casting, Main door light
36. 922288	Access door

# 2016 INTERNATIONAL TRAVEL TRAILER EXTERIOR SHELL

Wall, Roadside, 28'



Parts Listed on Next Page

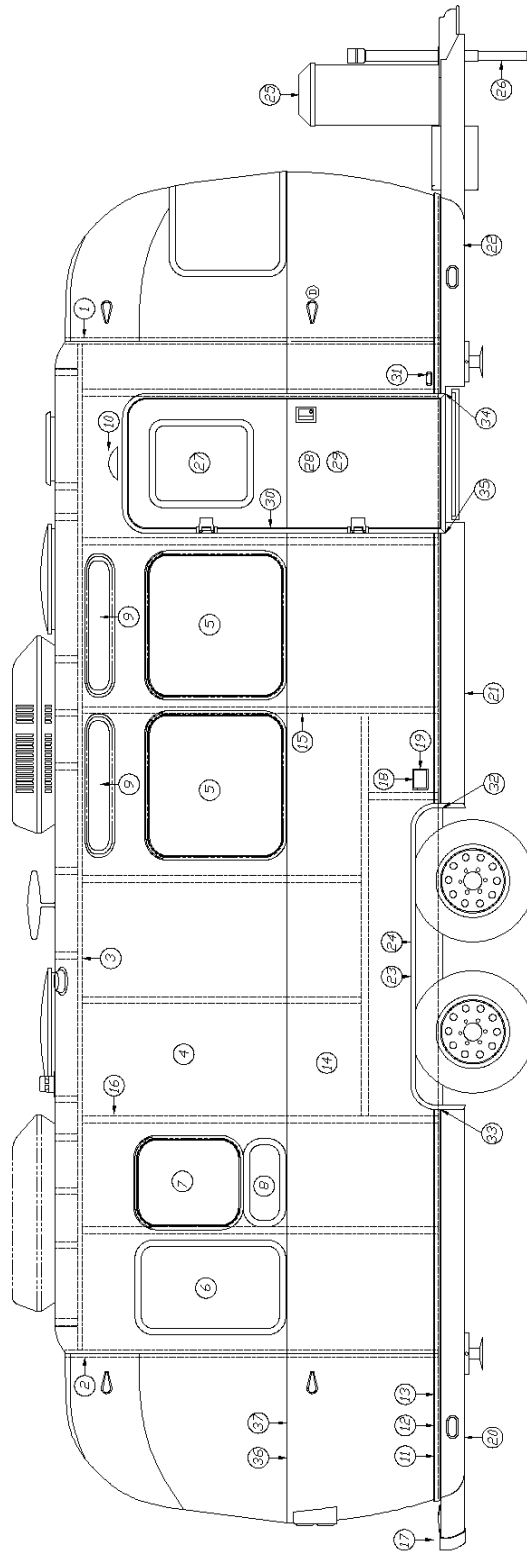
## 2016 INTERNATIONAL TRAVEL TRAILER EXTERIOR SHELL

### Wall, Roadside, 28'

1. 114290-01	Extrusion, Awning/drip rail
2. 114993	Rib, End bow
3. 104707-01	Extrusion, "I" beam
4. 114880-238	Aluminum sheet, Upper, .04" x 51" x 238"
5. 371323-01	Window, 18" opening
6. 371286-01	Window, 18" curved, Fixed
7. 371436	Window, 18" stacked
8. 371435	Window, 30" stacked
9. 371437-01	Vista view window, 18"
10. 115546	Extrusion, Rub rail
11. 201763-100	Insert, Rub rail, 1", Chrome
12. 100986	Floor channel
13. 114879-238	Aluminum Sheet, Lower, .04" x 33" x 238"
14. 114387-01	Bow, Z-rib, RH
15. 114387-02	Bow, Z-rib, LH
16. 690664-05	Furnace exterior door & bezel, Painted Aluminum
17. 601194	Water fill w/lock
18. 511017-11	Vent cover, Exterior range exhaust
19. 200542-01	Banana wrap, RS front
20. 101131-01	Underbelly wrap, .024" x 22.5", Pewter
21. 200544-01	Banana wrap, RS rear
22. 684936	Wheel well trim, Outer, Dual Axle
23. 684937	Wheel well trim, Inner, Dual Axle
24. 410551-02	Lid, Battery box
25. 512401-02	Power inlet, 30a, 125v, Male, Gray
26. 601392-05	City water hook-up w/regulator, Chrome
27. 400093-01	Stabilizer jack, Each
28. 690266-06	Power roof vent w/o garnish
29. 923115	Refrigerator access door
30. 690209	Water heater access cover, Brushed Aluminum
31. 602326-101	Exterior shower door
32. 601441-02	Black tank flush
33. 512568	Inlet, TV/satellite
34. 114328	Extrusion, Belt line molding
35. 201912-100	Molding, Belt line insert, Chrome
36. 400961-02	Power jack, Silver

# 2016 INTERNATIONAL TRAVEL TRAILER EXTERIOR SHELL

Wall, Curbside, 28'



Parts Listed on Next Page

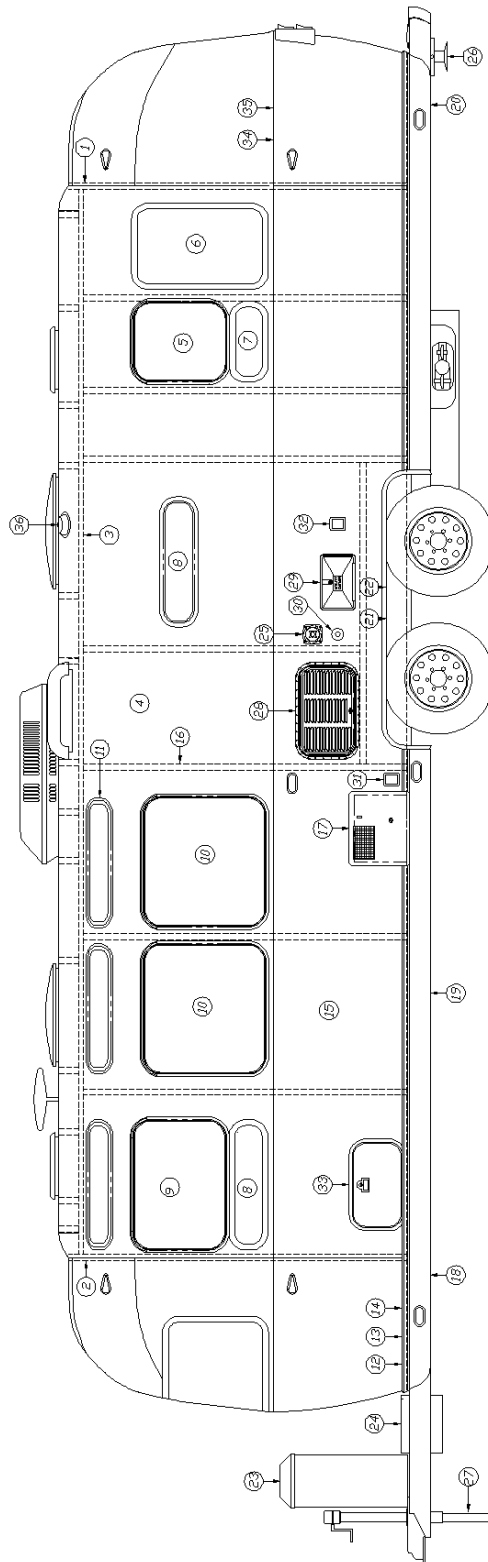
## 2016 INTERNATIONAL TRAVEL TRAILER EXTERIOR SHELL

### Wall, Curbside, 28'

1. 114290-01	Extrusion, Awning/drip rail
2. 114993	End bow
3. 104707-01	Extrusion, "I" beam
4. 114880-238	Aluminum sheet, Upper, .04" x 51" x 238"
5. 371380	Window, Tall, 30" opening
6. 371286-01	Window, 18" curved, Fixed
7. 371323-01	Window, 18" opening
8. 371436	Window, 18" stacked
9. 371437-02	Vista view window, 30"
10. 101323	Casting, Main door light
11. 115546	Extrusion, Rub rail
12. 201763-100	Insert, Rub rail, 1", Chrome
13. 100986	Floor channel
14. 114879-238	Aluminum Sheet, Lower, .04" x 33" x 238"
15. 114387-01	Bow, Z-rib, RH
16. 114387-02	Bow, Z-rib, LH
17. 410831	Bumper, Polished
18. 500563-03	Receptacle, 15 Amp, White
19. 512741	W.P. cover w/gasket, Gray
20. 200543-01	Banana wrap, CS front
21. 101131-01	Underbelly wrap, .024 x 22.5, Pewter
22. 200545-01	Banana wrap, CS rear
23. 684936	Wheel well trim, Outer, Dual Axle
24. 684937	Wheel well trim, Inner, Dual Axle
25. 921246	LPG tank cover
26. 400961-02	Power jack, Silver
27. 371400-01	Window, Main door
28. 115207	Main door
29. 114654	Screen door
30. 114652	Main door jamb, Formed
31. 512252	Step light, LED
32. 114466-01	Casting, Rub rail, Wheel well, RH
33. 114466-02	Casting, Rub rail, Wheel well, LH
34. 114465-01	Casting, Rub rail, RH
35. 114465-02	Casting, Rub rail, LH
36. 201912-100	Molding, Belt line insert, Chrome
37. 114328	Extrusion, Belt line molding
400093-02	Handle, Stabilizer jack
201185	Lens, Main door light

# 2016 INTERNATIONAL TRAVEL TRAILER EXTERIOR SHELL

Wall, Roadside, 30'



Parts Listed on Next Page

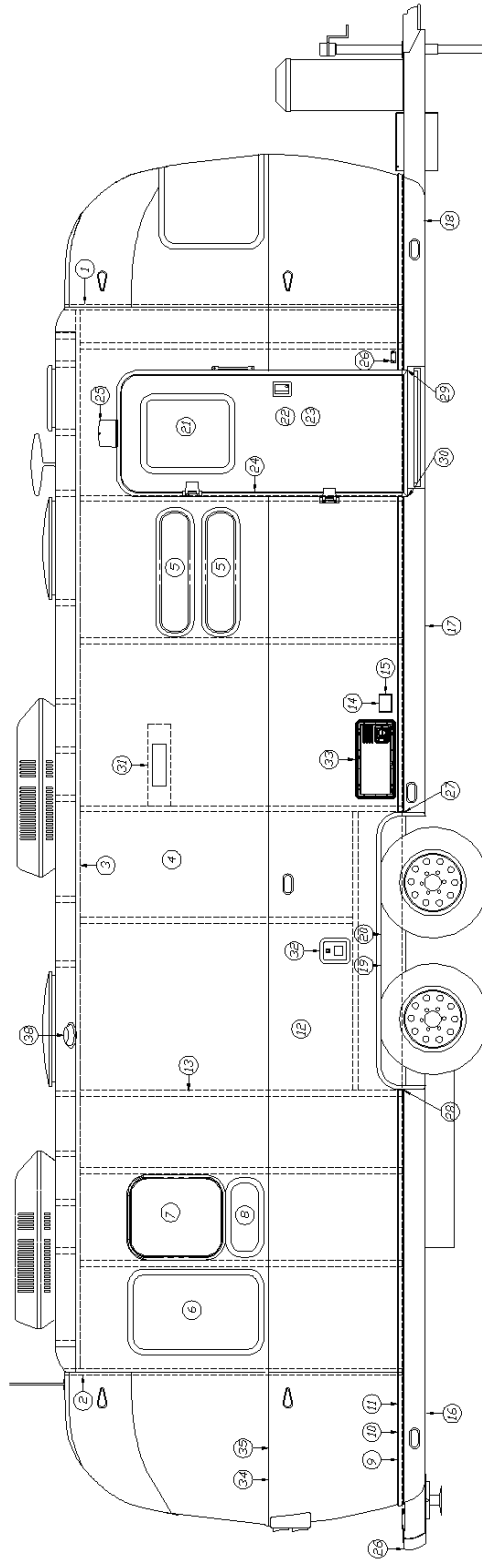
## 2016 INTERNATIONAL TRAVEL TRAILER EXTERIOR SHELL

### Wall, Roadside, 30'

1. 114290-01 Extrusion, Awning/drip rail
2. 114993 Rib, End bow
3. 104707-01 Extrusion, "I" beam
4. 114880-262 Aluminum sheet, Upper, .04" x 51" x 262"
5. 371323-01 Window, 18" opening
6. 371286-01 Window, 18" curved, Fixed
7. 371436 Window, 18" stacked
8. 371435 Window, 30" stacked
9. 371324-02 Window 30" opening
10. 371380 Window 30" opening, Tall
11. 371437-02 Vista view window, 30"
12. 115546 Extrusion, Rub rail
13. 201763-100 Insert, Rub rail, 1", Chrome
14. 100986 Floor channel
15. 114879-262 Aluminum Sheet, Lower, .04" x 33" x 262"
16. 114387-02 Bow, Z-rib, LH
17. 690209 Water heater access cover, Brushed Aluminum
18. 200542-01 Banana wrap, RS front, Haircell
19. 101131-01 Underbelly wrap, .024" x 22.5", Pewter
20. 200544-01 Banana wrap, RS rear, Haircell
21. 684936 Wheel well trim, Outer, Dual Axle
22. 684937 Wheel well trim, Inner, Dual Axle
23. 921246 LP tank cover
24. 410551-02 Lid, Battery box
25. 601392-05 City water hook-up w/regulator, Chrome
26. 400093-01 Stabilizer jack, Each
27. 400961-02 Power jack, Silver
28. 923115 Refrigerator access door
29. 602326-101 Exterior shower door
30. 601441-02 Black tank flush
31. 512568 Inlet, TV/satellite
32. 512401-02 Power inlet, 30a, 125v, Male, Gray
33. 100679-01 Side access door
34. 201912-100 Molding, Belt line insert, Chrome
35. 114328 Extrusion, Belt line molding
36. 690266-06 Power roof vent w/o garnish

# 2016 INTERNATIONAL TRAVEL TRAILER EXTERIOR SHELL

Wall, Curbside, 30'



Parts Listed on Next Page



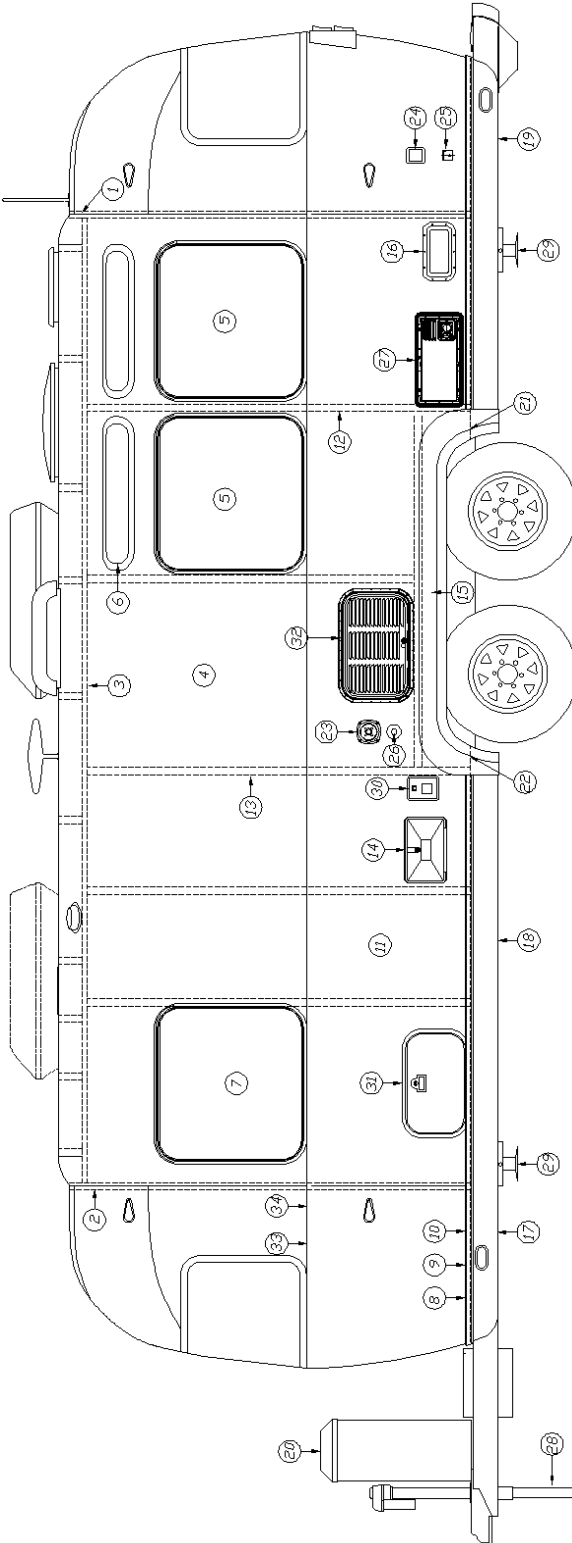
## 2016 INTERNATIONAL TRAVEL TRAILER EXTERIOR SHELL

### Wall, Curbside, 30'

1. 114290-01	Extrusion, Awning/drip rail
2. 114993	End bow
3. 104707-01	Extrusion, "I" beam
4. 114880-262	Aluminum sheet, Upper, .04" x 51" x 262"
5. 371435	Window, 30" stack
6. 371286-01	Window, 18" curved, Fixed
7. 371323-01	Window, 18" opening
8. 371436	Window, 18" stacked
9. 115546	Extrusion, Rub rail
10. 201763-100	Insert, Rub rail, 1", Chrome
11. 100986	Floor channel
12. 114879-262	Aluminum Sheet, Lower, .04" x 33" x 262"
13. 114387-02	Bow, Z-rib, LH
14. 500563-03	Receptacle, 15 Amp, White
15. 512741	W.P. cover w/gasket, Gray
16. 200543-01	Banana wrap, CS front
17. 101131-01	Underbelly wrap, .024 x 22.5, Pewter
18. 200545-01	Banana wrap, CS rear
19. 684936	Wheel well trim, Outer, Dual Axle
20. 684937	Wheel well trim, Inner, Dual Axle
21. 371400-01	Window, Main door
22. 115207-04	Main door
23. 114654	Screen door
24. 114652	Main door jamb, Formed
25. 101323	Casting, Main door light
26. 410831	Bumper, Polished
27. 114466-01	Casting, Rub rail end, Wheel well, RH
28. 114466-02	Casting, Rub rail end, Wheel well, LH
29. 114465-01	Casting, Rub rail, Door, RH
30. 114465-02	Casting, Rub rail, Door, LH
31. 511017-11	Vent cover, Exterior range exhaust
32. 601194	Water fill w/lock
33. 690664-05	Furnace exterior door & bezel, Painted Aluminum
34. 201912-100	Molding, Belt line insert, Chrome
35. 114328	Extrusion, Belt line molding
36. 690266-06	Power roof vent w/o garnish
201185	Lens, main door light
400093-02	Handle, Stabilizer jack

# 2016 INTERNATIONAL TRAVEL TRAILER EXTERIOR SHELL

Wall, Roadside, 25FB Eddie Bauer



Parts Listed on Next Page

# 2016 INTERNATIONAL TRAVEL TRAILER

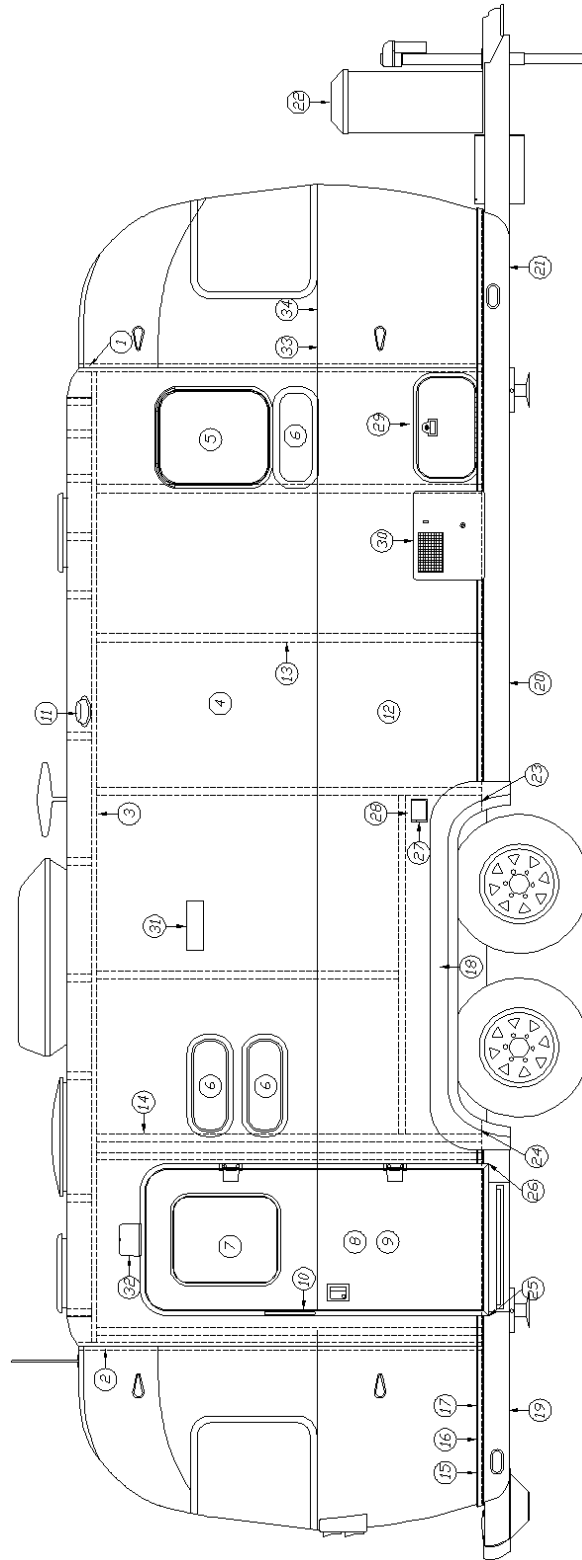
## EXTERIOR SHELL

### Wall, Roadside, 25FB Eddie Bauer

1. 114290-01 Extrusion, Awning/drip rail
2. 114993 Rib, end bow
3. 104707-01 Extrusion, "I" beam
4. 114880-201 Aluminum sheet, Upper, .04" x 51" x 201"
5. 371380 Window, 30" opening, Tall
6. 371437-02 Vista View Window, 30"
7. 371380-01 Window 30" egress
8. 115546 Extrusion, Rub rail
9. 201763-100 Insert, Rub rail, 1", Chrome
10. 100986 Floor channel
11. 114879-201 Aluminum Sheet, Lower, .04" x 33" x 201"
12. 114387-01 Bow, Z-rib, RH
13. 114387-02 Bow, Z-rib, LH
14. 602326-101 Exterior shower door
15. 203711 Fender flare
16. 382020 Vent, Low profile, Aluminum
17. 200542-01 Banana wrap, RS front
18. 101131-01 Underbelly wrap, .024" x 22.5", Pewter
19. 200544-01 Banana wrap, RS rear
20. 921246 LPG tank cover
21. 114466-01 Casting, Rub rail, Wheel well, RH
22. 114466-02 Casting, Rub rail, Wheel well, LH
23. 601392-05 City water hook-up
24. 512568 Inlet, TV/satellite
25. 512401-02 Power inlet, 30a, 125v, Male, Gray
26. 601441-02 Black tank flush
27. 690664-05 Furnace exterior door & bezel, Painted Aluminum
28. 400961-02 Power jack, Silver
29. 400093-01 Stabilizer jack, Each
30. 601194 Water fill w/lock, Gray
31. 100679-01 Side access door
32. 923115 Refrigerator access door
33. 114328 Extrusion, Belt line molding
34. 203713 Beltline molding, Moss

# 2016 INTERNATIONAL TRAVEL TRAILER EXTERIOR SHELL

Wall, Curbside, 25FB Eddie Bauer



Parts Listed on Next Page

# 2016 INTERNATIONAL TRAVEL TRAILER

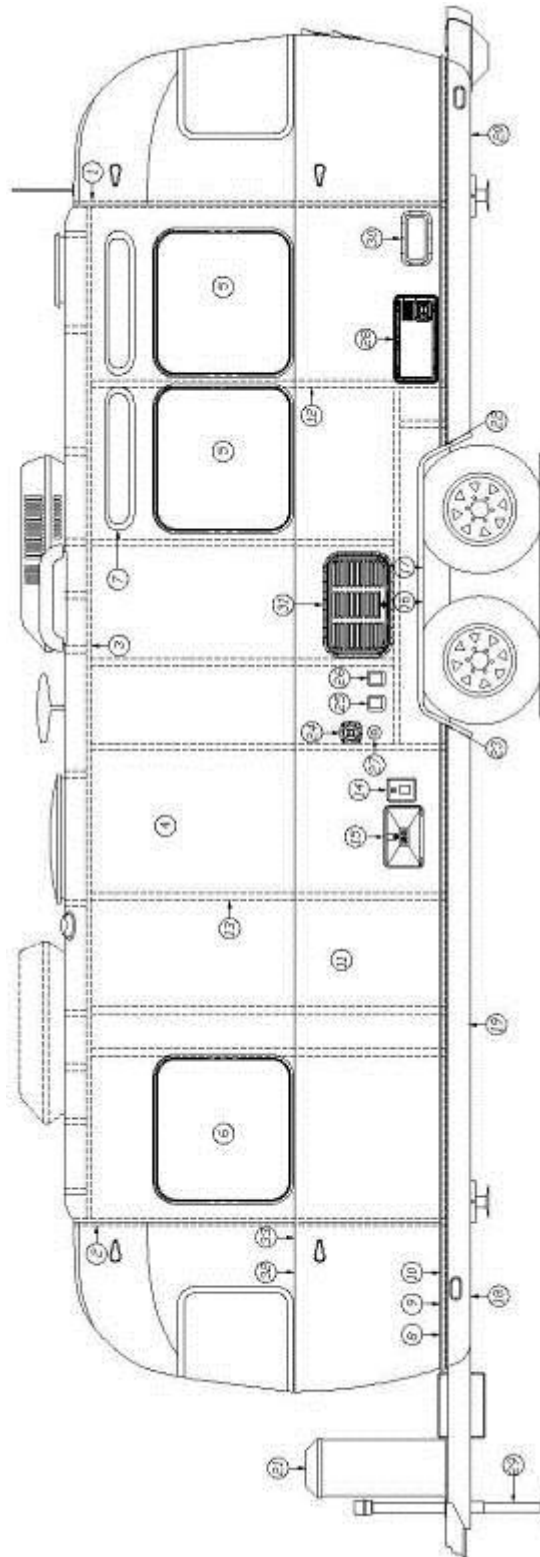
## EXTERIOR SHELL

### Wall, Curbside, 25FB Eddie Bauer

1. 114290-01	Extrusion, Awning/drip rail
2. 114993	Rib, End bow
3. 104707-01	Extrusion, "I" beam
4. 114880-201	Aluminum sheet, Upper, .04" x 51" x 201"
5. 371323-01	Window, 18" opening
6. 371436	Window, 18" stack
7. 371400-01	Window, Main door, Etched
8. 114654-01	Screen door
9. 115207-06	Main door
10. 114652-01	Jamb, Main door
11. 690266-06	Power roof vent w/o garnish
12. 114879-201	Aluminum Sheet, Lower, .04" x 33" x 201"
13. 114387-01	Bow, Z-rib, RH
14. 114387-02	Bow, Z-rib, LH
15. 115546	Extrusion, Rub rail
16. 201763-100	Insert, Rub rail, 1", Chrome
17. 100986	Floor channel
18. 203711	Fender flare
19. 200545-01	Banana wrap, CS rear
20. 101131-01	Underbelly wrap, .024" x 22.5, Pewter
21. 200543-01	Banana wrap, CS front
22. 921246	LPG tank cover
23. 114466-01	Casting, Rub rail, Wheel well, RH
24. 114466-02	Casting, Rub rail, Wheel well, LH
25. 114465-02	Casting, Rub rail, Door, LH
26. 114465-01	Casting, Rub rail, Door, RH
27. 500563-03	Receptacle, 15 Amp, White
28. 512741	W.P. Cover w/gasket, Gray
29. 100679-01	Side access door
30. 690209	Water heater access cover, Brushed Aluminum
31. 511017-11	Exterior vent, Gray
32. 101323	Casting, Step light
33. 114328	Extrusion, belt line molding
34. 203713	Molding, beltline, Moss

# 2016 INTERNATIONAL TRAVEL TRAILER EXTERIOR SHELL

Wall, Roadside, 27FB Eddie Bauer



Parts Listed on Next Page

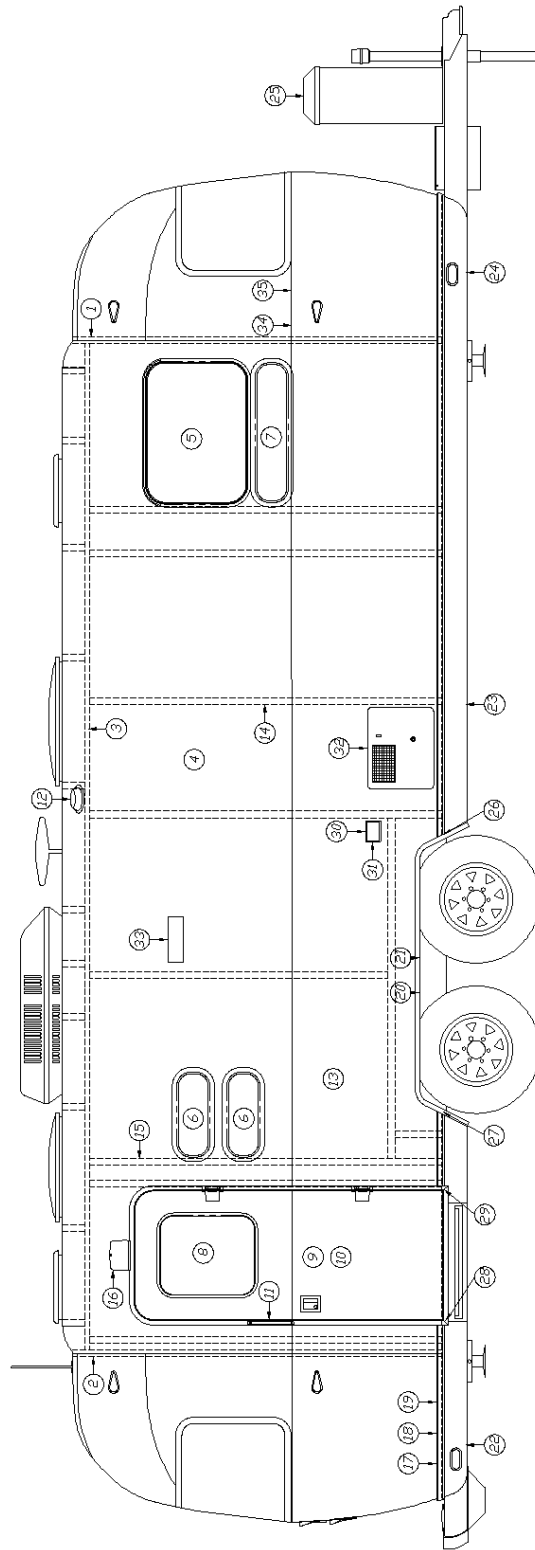
# 2016 INTERNATIONAL TRAVEL TRAILER EXTERIOR SHELL

Wall, Roadside, 27FB Eddie Bauer

1. 114290-01	Extrusion, Awning/drip rail
2. 114993	Rib, End bow
3. 104707-01	Extrusion, "I" beam
4. 114880-238	Aluminum sheet, Upper, .04" x 51" x 238"
5. 371380	Window, 30" opening, Tall
6. 371380-01	Window, 30" egress
7. 371437-02	Vista view window, 30"
8. 115546	Extrusion, Rub rail
9. 201763-100	Insert, Rub rail, 1", Chrome
10. 100986	Floor channel
11. 114879-238	Aluminum Sheet, Lower, .04" x 33" x 238"
12. 114387-01	Bow, Z-rib, RH
13. 114387-02	Bow, Z-rib, LH
14. 601194	Water fill w/lock, Gray
15. 602326-101	Exterior shower door
16. 684936	Wheel well trim, Outer, Dual Axle
17. 684937	Wheel well trim, Inner, Dual Axle
18. 200542-01	Banana wrap, RS front
19. 101131-01	Underbelly wrap, .024" x 22.5", Pewter
20. 200544-01	Banana wrap, RS rear
21. 921246	LPG tank cover
22. 114466-01	Casting, Rub rail, Wheel well, RH
23. 114466-02	Casting, Rub rail, Wheel well, LH
24. 601392-05	City water hook-up
25. 512568	Inlet, TV/satellite
26. 512401-02	Power inlet, 30A, 125V, Male, Gray
27. 601441-02	Black tank flush
28. 690664-05	Furnace exterior door & bezel, Painted Aluminum
29. 400961-02	Power jack, Silver
30. 382020	Ram air vent
31. 923115	Refrigerator access door
32. 114328	Extrusion, Belt line molding
33. 203713	Molding, Belt line, Moss
203711	Fender flare

# 2016 INTERNATIONAL TRAVEL TRAILER EXTERIOR SHELL

Wall, Curbside, 27FB Eddie Bauer



Parts Listed on Next Page



# 2016 INTERNATIONAL TRAVEL TRAILER

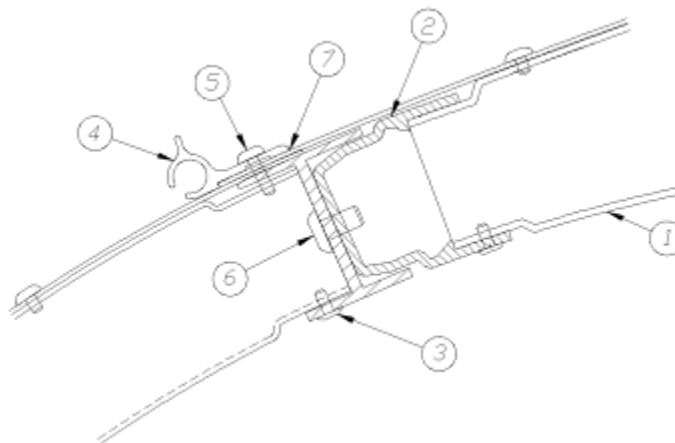
## EXTERIOR SHELL

### Wall, Curbside, 27FB Eddie Bauer

1. 114290-01	Extrusion, Awning/drip rail
2. 114993	Rib, End bow
3. 104707-01	Extrusion, "I" beam
4. 114880-238	Aluminum sheet, Upper, .04" x 51" x 238"
5. 371324-02	Window, 30" opening
6. 371436	Window, 18" stack
7. 371435	Window, 30" stack
8. 371400-01	Window, Main door
9. 114654-01	Screen door
10. 115207-06	Main door
11. 114652-01	Jamb, main door
12. 690266-06	Power roof vent w/o garnish
13. 114879-238	Aluminum Sheet, Lower, .04" x 33" x 238"
14. 114387-01	Bow, Z-rib, RH
15. 114387-02	Bow, Z-rib, LH
16. 101323	Casting, Step light
17. 115546	Extrusion, Rub rail
18. 201763-100	Insert, Rub rail, 1", Chrome
19. 100986	Floor channel
20. 684936	Wheel well trim, Outer, Dual Axle
21. 684937	Wheel well trim, Inner, Dual Axle
22. 200545-01	Banana wrap, CS rear
23. 101131-01	Underbelly wrap, .024" x 22.5, Pewter
24. 200543-01	Banana wrap, CS front
25. 921246	LPG tank cover
26. 114466-01	Casting, Rub rail, Wheel well, RH
27. 114466-02	Casting, Rub rail, Wheel well, LH
28. 114465-02	Casting, Rub rail, LH
29. 114465-01	Casting, Rub rail, RH
30. 500563-03	Receptacle, 15 Amp, White
31. 512741	W.P. cover w/gasket, Gray
32. 690209	Water heater access cover, Brushed Aluminum
33. 511017-11	Exterior vent, Gray
34. 114328	Extrusion, Belt line molding
35. 203713	Molding, Belt line, Moss
203711	Fender flare

# 2016 INTERNATIONAL TRAVEL TRAILER EXTERIOR SHELL

## Roof



1. 115651	Roof bow, NB
115586	Roof bow, WB
2. 114987	Extrusion, Roof Corner
114987-01	Extrusion, Roof Corner
114987-02	Extrusion, Roof Corner
3. 330127-03	Rivet 1/8" (Mill) AD43ABS
4. 114290-01	Extrusion, Awning/Drip Rail, 197"
114290-02	Extrusion, Awning/Drip Rail, 261"
5. 325003-03	Rivet, 1/8 x 7/16, White
6. 330139-01	Rivet, Magnalok SS 1/4"
7. **365334	Tape, Sealfoam w/PSA one side
114489-198	Alum. Sheet, White, .032" x 60" x 198"
114489-238	Alum. Sheet, White, .032 x 60" x 238"
114489-262	Alum. Sheet, White, .032" x 60" x 262"
*115727-198	Aluminum sheet, .032" x 66.75" x 198", White, 25', 25FB
*115727-238	Aluminum sheet, .032" x 66.75" x 238", White, 27FB, 28'
*115727-262	Aluminum sheet, .032" x 66.75" x 262", White, 30'
*115728-198	Aluminum sheet, .032" x 66.75" x 198", White, 23D, 23FB
*115728-262	Aluminum sheet, .032" x 66.75" x 262", White, 19'
115645-180	Alum, Sheet, White, .032" x 7" x 180"
115652	Z bar, Formed
115571	Z rib, 3"
115593	Transition cap, Stretched formed, WB
115654	Transition cap, Stretched formed, NB

\*115727 & 115728 replaced 114489 in January of 2016, change from seamed roof to 1 piece roof sheets.

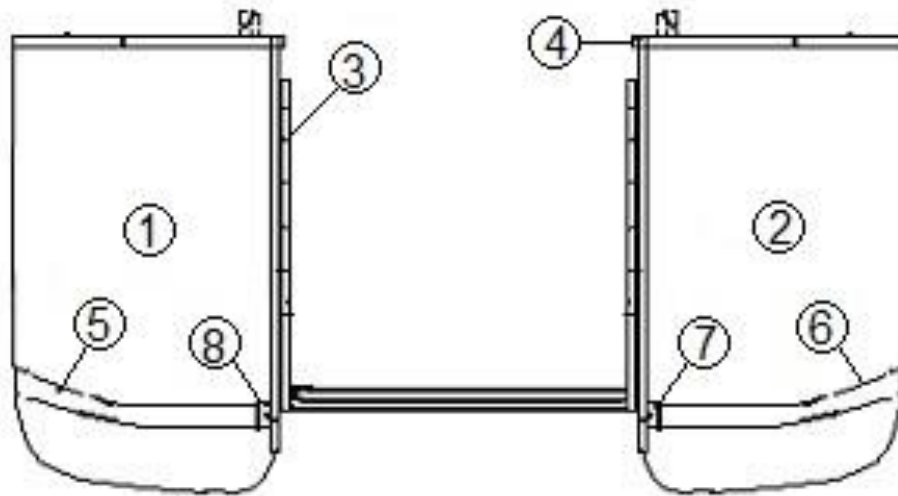
\*\*Sealfoam tape, item #7, also obsoleted in January 2016.

## Air Conditioner Deflector

104948                      Air deflector, A/C to refrigerator vent

# 2016 INTERNATIONAL TRAVEL TRAILER EXTERIOR SHELL

## Wrap Protectors & Holdbacks



109325-02  
109325-100

Wrap Protector, Complete Set, 19', CSA Units  
Wrap Protector, Complete Set, 23D, 23FB, All WB

- |  |   |
|--|---|
| <p>1. 966276<br/>685365-100</p> <p>2. 966277<br/>685366-100</p> <p>3. 381605-03</p> <p>4. 100742-01</p> <p>5. 115546</p> <p>6. 201763-100</p> <p>7. 114465-01</p> <p>8. 114465-02<br/>114819-01<br/>114819-02<br/>114819-03<br/>101401<br/>345417<br/>345376<br/>345336-07</p> | <p>Wrap protector, CS, 23D, 23FB, All WB<br/>Wrap protector, CS, 19'</p> <p>Wrap protector, RS, 23D, 23FB, All WB<br/>Wrap protector, RS, 19'</p> <p>Hinge, Stainless, 25"</p> <p>Extrusion, Wrap trim protector</p> <p>Extrusion, Rub rail</p> <p>Insert, Rub rail, Chrome</p> <p>Casting, Rub rail, RH</p> <p>Casting, Rub rail, LH</p> <p>Wrap protector hold back, 1.62"</p> <p>Wrap protector hold back, 2.50"</p> <p>Wrap protector hold back, 5"</p> <p>Extrusion, Door latch housing/stone</p> <p>Nut acorn, Hex, Locking SS 1/4-</p> <p>Nut, Hex HD 1/4-20 SS</p> <p>Cap Screw, Hex HD 1/4-20 Hex .75"</p> |
|--|---|

# 2016 INTERNATIONAL TRAVEL TRAILER INTERIOR SHELL

## Interior Skin

114879-201	Aluminum Sheet, .04" x 33"W x 201"
114879-238	Aluminum Sheet, .04" x 33" x 238"
114879-262	Aluminum Sheet .04" x 33" x 262"
115609-201	Aluminum Sheet, .04" x 45" x 201"
115609-238	Aluminum Sheet, .04" x 45" x 238"
115609-270	Aluminum Sheet, .04" x 45" x 270"
114880-201	Aluminum Sheet, .04" x 51"W x 201"
114880-238	Aluminum Sheet, .04" x 51" x 238"
114880-262	Aluminum Sheet, .04" x 51" x 262"
114880-307	Aluminum Sheet, .04" x 51" x 307"
114890-01	Interior segment, Front CS, Rear RS
114891-01	Interior segment, Front RS, Rear CS
114892-01	Interior segment, Center narrow
114893-01	Interior segment, Center wide

## Interior Shell Trim

114507-03	Trim, Main door
201666-01	J-molding, 3/16" White Plastic
110900-03	Trim, Formed
110900-04	Trim, Formed
371319-06	Trim ring, Main door window
203138-01	Extrusion, Plastic wall, White
203138-03	Extrusion, Plastic wall, Beige
203138-04	Extrusion, Plastic, 1/2", Oak
203138-05	Extrusion, Plastic, 1/2", Black

## Interior Wheel Well Liner

200844	Wheel well, Tandem, 66.5", A.B.S, 25 Fb, 28', 30'
200514	Wheel well Insulator, Plastic, Tandem

## 2016 INTERNATIONAL TRAVEL TRAILER CHASSIS

### Axles

410980-11	Axle, 4500 Lbs., 30'
410980-02	Axle, 3800 Lbs., 25', 25FB, 27FB, 28', Eddie Bauer
410980-09	Axle, 3000 Lbs., 23D, 23FB, 23FB A2GO
410980-06	Axle, 4300 Lbs., 19'
410980-07	Axle, 5000 Lbs., 19', CSA
411000-01	Axle, 3800# 12" brakes, Dexter, 28' A2GO

### Shocks

0220003	Shock assembly
0250173-15	Bolt, Grade 5, 5/8"-18 x 1.5", Shock mount
0130068-818	Nut, Hex head, Flanged, 5/8", 18, Shock mount

### Tires & Wheels, 14", 23D, 23FB

400996	Tire & wheel assembly, 14", 10 hole pattern
400996-100	Wheel, 14"
400985	Cover, Dust, 4", Stainless Steel
400923	Lug nut, .5", Acorn type

### Tires & Wheels 15", 19', 25', 25FB, 27FB, 28', 30'

410840-01	Tire & Wheel assembly, "D" range
400844-01	Cap, Center, Stainless Steel, 25'
400923	Lug nut, .5", Acorn type

### Tires & Wheels 16", Eddie Bauer

410991-01	Tire & wheel assembly, 16" Aluminum
400844-01	Cap, Center, Stainless Steel
400923	Lug Nut, .5", Acorn type

# 2016 INTERNATIONAL TRAVEL TRAILER CHASSIS

## Spare Tire & Carrier

410848-01	Tire & wheel assembly, 14" Steel
410848-100	Wheel, 14" Steel
410843-01	Spare Tire & wheel assembly, 15" "D"
410843-100	Wheel, 15" Steel
450414	"A" frame spare tire carrier
994073	Spare tire carrier bracket
410994	Spare Tire & wheel assembly, 16", Eddie Bauer

## Step Assembly, 19'

400962	Step, Main door, Steel, 24"
0250175-03	Screw, HHCS GR5 3/8-16 X 3/4"
0260100	U-type cage nut, 3/8-16

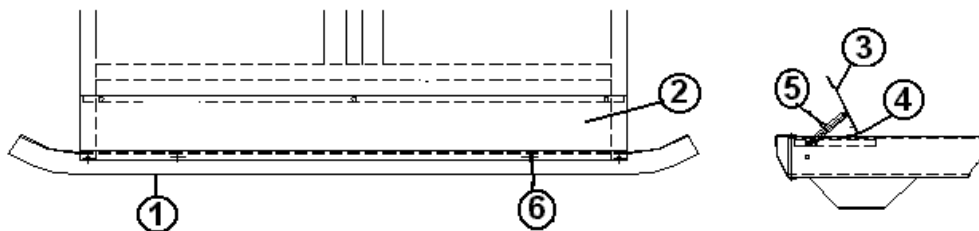
## Step Assembly, 23D, 23FB, 25', 25FB, 27FB, 28', 30', Eddie Bauer

381863-01	Double step w/double tread
0250175-03	Screw, HHCS GR5 3/8-16 X 3/4"
0260100	U-type cage nut, 3/8-16

## Hitch

66022W	Adjustable hitch deluxe
24114W	Hitch ball, 2-5/16 x 1-1/4 x 2-1/2

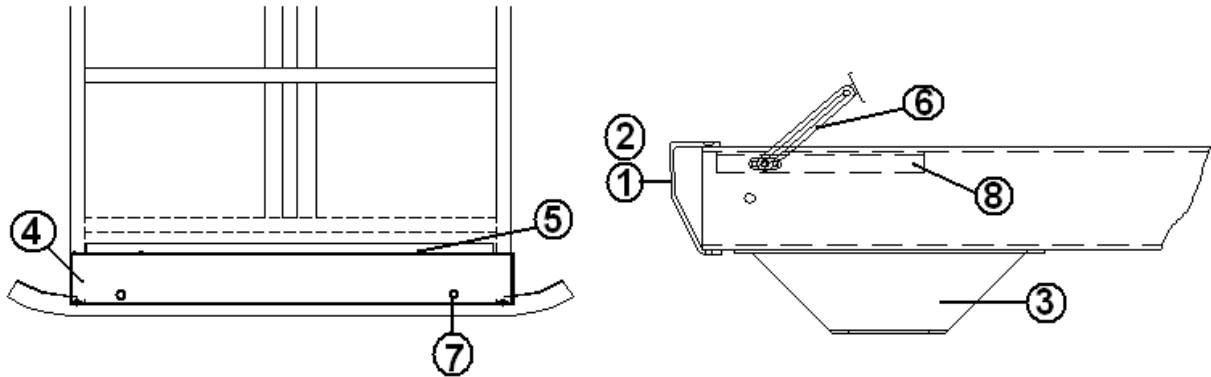
## Bumper & Storage, 19'



1. 410932	Rear bumper
2. 453627	Bottom, Storage compartment
3. 454214	Lid, Rear bumper compartment
4. 380203-02	Piano hinge
5. 380024	Arms support, RH
6. 092609	Lock cam

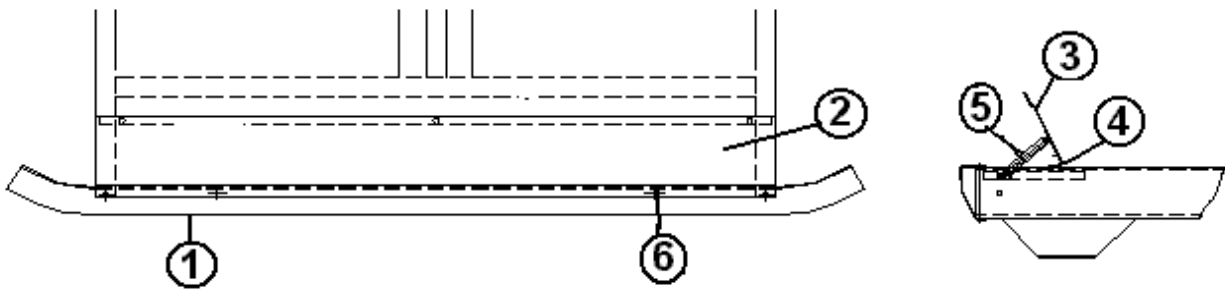
# 2016 INTERNATIONAL TRAVEL TRAILER CHASSIS

## Bumper & Storage, 23D, 23FB



- |              |                                |
|--------------|--------------------------------|
| 1. 410932    | Rear bumper                    |
| 2. 345073-08 | Screw, 1/4-20 x 1 3/8 Wafer HD |
| 3. 454314    | Bottom, Sewer hose compartment |
| 4. 454315    | Lid, Rear hose carrier         |
| 5. 380203-02 | Piano hinge                    |
| 6. 380024    | Arms support, RH               |
| 7. 092609    | Lock cam                       |
| 8. 114812    | Aluminum angle, 1 x 1          |
| 381435       | Access cover, 4", White        |

## Bumper & Storage, 25', 25FB, 27FB, 28', 30', EB



- |              |                                |
|--------------|--------------------------------|
| 1. 410831    | Rear bumper                    |
| 2. 453538    | Bottom, Sewer hose compartment |
| 3. 453497    | Lid, Rear bumper compartment   |
| 4. 380203-02 | Piano hinge                    |
| 5. 380024    | Arms support, RH               |
| 6. 092609    | Lock cam                       |
| 381435       | Access cover, 4", White        |

## 2016 INTERNATIONAL TRAVEL TRAILER CHASSIS

### Stabilizing Jacks, 19'

400914-03	Stabilizer jack, 20"
400914-02	Handle, 15"
400914-04	Stabilizer jack footpad, Set of 4
385020	Sticker Self-adhering
454425	Spacer, Stabilizer jack

### Stabilizing Jacks, 23D, 23FB, 25', 25FB, 27FB, 28', 30', Eddie Bauer

400093	Stabilizing jacks, BAL w/handle, Set of 4
400093-01	BAL jack, Each
400093-02	Crank, Stabilizer jack (BAL)
400093-04	Footpad, BAL jack
400093-05	BAL jack w/footpad & crank, Black
385020	Sticker, Self-adhering

### Power Jack

400961-02	Power jack, Silver, Atwood
400961-03	Power jack drop foot

### Hose Carrier

601544-02	EZ hose carrier, Black
104704-01	Shim, 3 x 3

### Underbelly

101131-01	Underbelly wrap, Aluminum, .024 x 22.5, Gray
114679	Underbelly, Aluminum, .019 x 65.75
200093	Fiberglass insulation

### Bumper End Caps

382289-01	Bumper end cap, Right hand
382289-02	Bumper end cap, Left hand



# 2016 INTERNATIONAL TRAVEL TRAILER CHASSIS

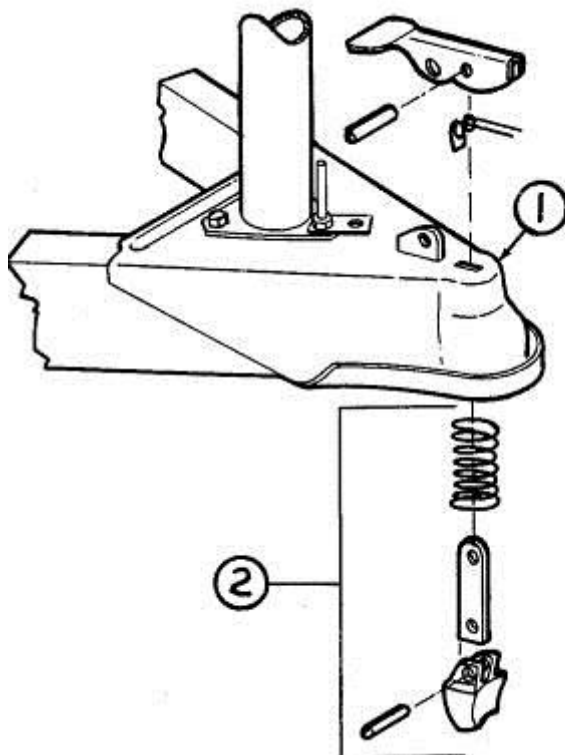
## Compartment Bottom

115209-01	Diamond Plate, .025" x 4' x 90", 19', 23D, 23FB, 25', 25FB, 28'
115209-02	Diamond Plate, .025" x 30" x 74", All units
115212-01	Tread plate install, 27FB, 28', 30'
115212-12	Tread plate install, 23FB, 25FB, 28'
115212-04	Tread panel install, 19', 23D
115601-01	Insert, Bumper storage, Tread 66.5", WB trailers
115601-02	Insert, Bumper storage, Tread 60.82", 23D, 23FB
115601-03	Insert, Bumper storage, Tread 58.13", 19'

## Cross Car Electrical Raceway, 25', 25FB, 27FB, 28', 30'

453296	Crosscar electrical raceway
--------	-----------------------------

## Hitch Coupler



1. 680343-01 Marvel coupler, 2-5/16"
2. 680345 Repair kit

# 2016 INTERNATIONAL TRAVEL TRAILER DECALS, EXTERIOR TRIM

## Decals & Medallions

386068	Medallion, 3" Logo, Airstream, Main door
386125	Nameplate, Bambi, Red-White-Blue, 19'
386130-01	Nameplate, CCD, Black, Chris Deam
386108	Nameplate, International
386272	Decal, "AIRSTREAM", Black Chrome
386239	Badge, 3" Dia., Serenity
386248	Nameplate, Eddie Bauer, 3" x 10"
386196	Decal, Signature Series
365354	Decal, Reflect 2" x 8", White & Silver

## Beltline Trim

114328	Extrusion, Belt line molding
201912-100	Molding, Belt line insert, Chrome
114417	Casting, Belt line closeout
203713	Molding, Belt line insert, Moss, Eddie Bauer

## Rub Rail Trim

115546	Extrusion, Rub rail
201763-100	Insert, Rub rail, 1", Chrome
114466-01	Closeout, Casting, Rub rail, Angled, RH
114466-02	Closeout, Casting, Rub rail, Angled, LH
114465-01	Closeout, Casting, Rub rail, RH
114465-02	Closeout, Casting, Rub rail, LH

## Reflectors

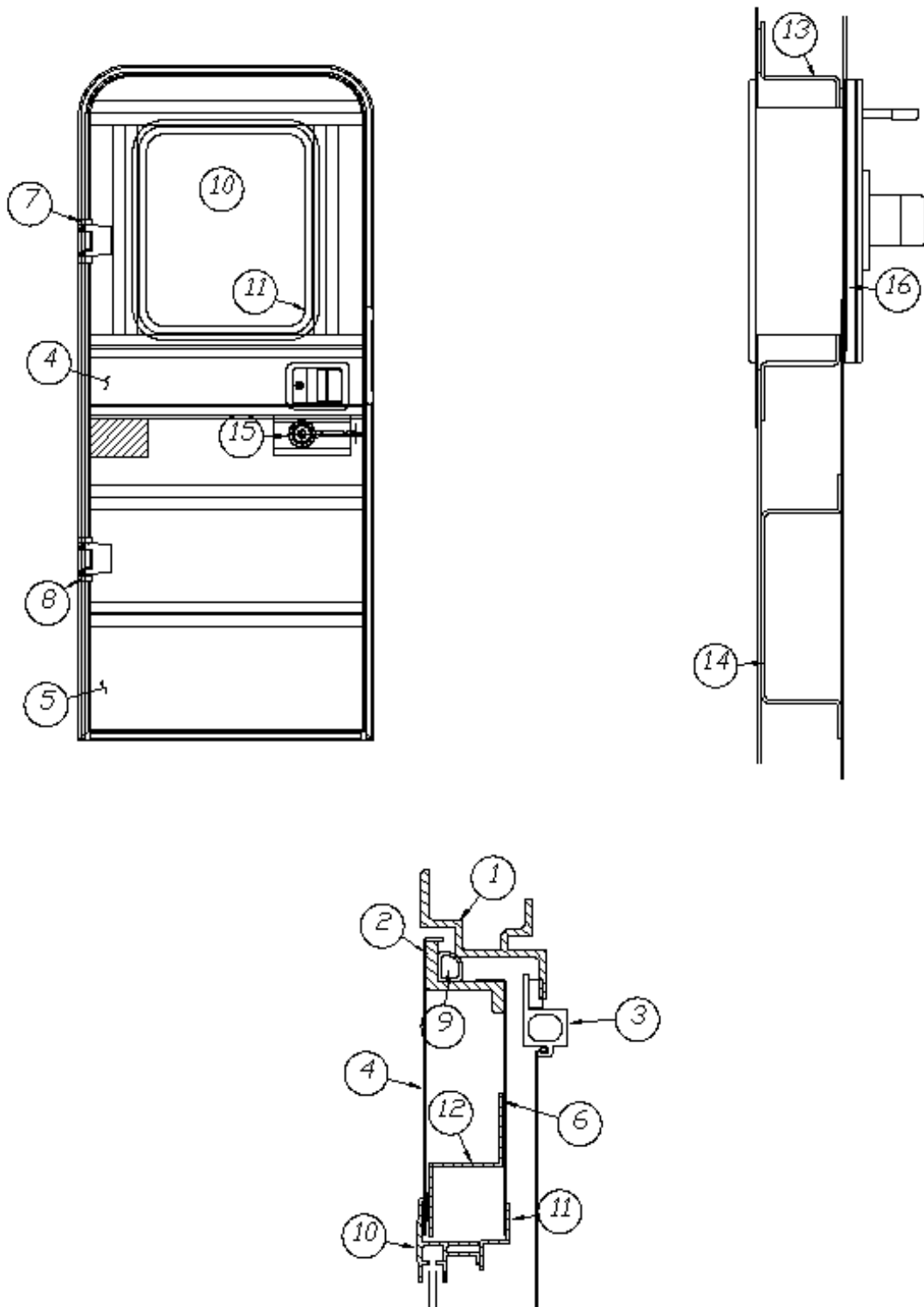
500095	Reflector Red rectangular
500096	Reflector, Amber
510446	Reflector, Red, Stick-on

## Main Door Threshold

115565	Extrusion, Main door threshold
100097	Extrusion, Aluminum track

# 2016 INTERNATIONAL TRAVEL TRAILER DOORS, EXTERIOR

## Main Door, LH Hinge



Parts Listed on Next Page

# 2016 INTERNATIONAL TRAVEL TRAILER

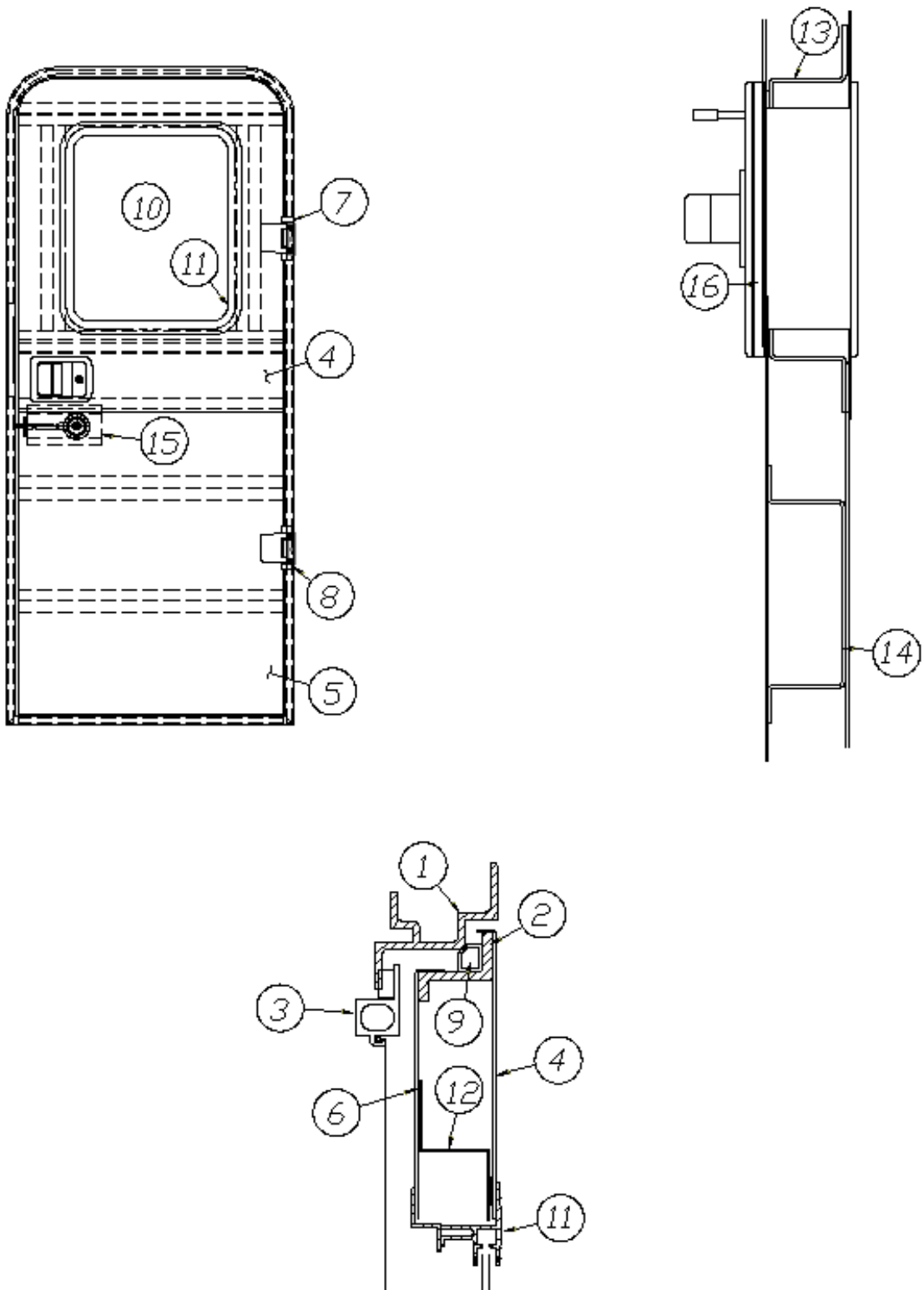
## DOORS, EXTERIOR

### Main Door, LH Hinge

115207	Main door, LH hinge, 19', 23D, 28'
115207-04	Main door, LH hinge, 25', 30'
1. 114652	Jamb, Main door, Pre-formed
2. 114653	Frame, Main door, Pre-formed
3. 114654	Screen door
4. 114448-03	Skin, Exterior, Upper main door
5. 114449-03	Skin, Exterior, Lower main door
6. 114475	Main door skin, Inner
7. 381552-03	Hinge, Main door, Upper
8. 381552-04	Hinge, Main door, Lower
9. 365232	Seal, Main door
10. 371400-01	Window, Main door, Etched
11. 115208	Trim ring, Main door window
12. 114658	Inner door, "Z" bar, Upper & lower
13. 114657	Hat section, Formed, Main door
14. 115413	Hat section, Round dead bolt
15. 382069	Deadbolt, Round, Trimark
16. 203370	Spacer, Deadbolt
385595	Pocket strike, Main door
381326	Striker w/Trimark deadbolt
453851	Bolt, Trimark deadbolt
114363	Drip cap, Main door
380290	Housing latch
380291	Latch
201056	Striker, Main door, Black plastic
454898	Nut plate, Main door
365360	Gasket, Nut plate
114507-03	Trim, Main door
203494	Baseplate, Door latch
101171	Grab handle, Cast Aluminum

# 2016 INTERNATIONAL TRAVEL TRAILER DOORS, EXTERIOR

## Main Door, RH Hinge



Parts Listed on Next Page

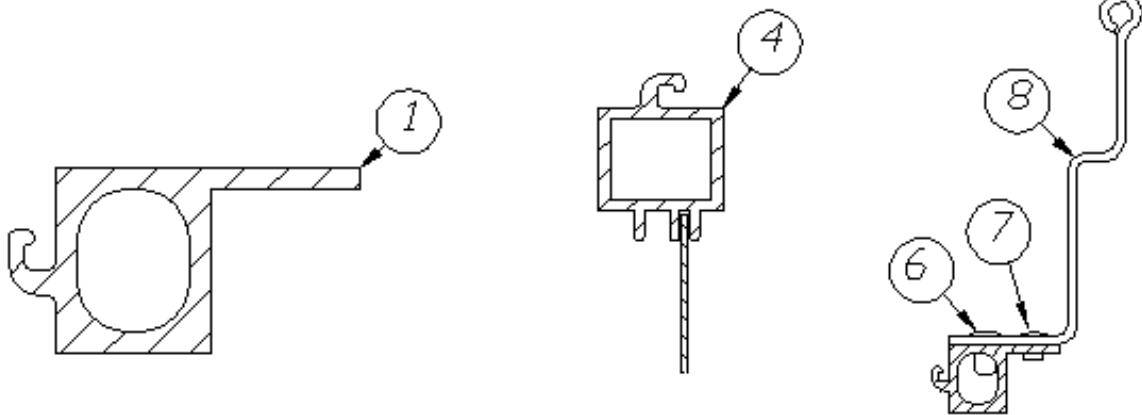
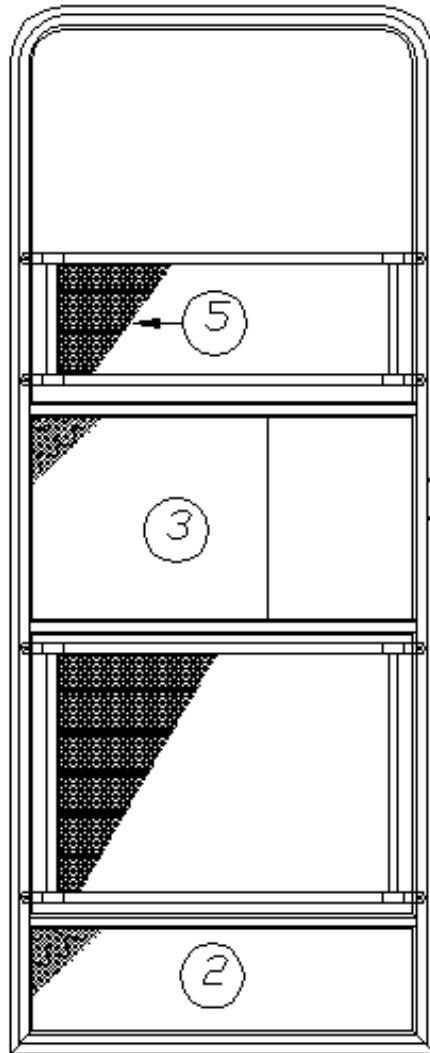
# 2016 INTERNATIONAL TRAVEL TRAILER DOORS, EXTERIOR

## Main Door, RH Hinge

115207-05	Main Door, RH Hinge, 23FB
115207-06	Main Door, RH Hinge, 25FB, 27FB, Eddie Bauer
1. 114652-01	Jamb, Main door, Pre-formed
2. 114653-01	Frame, Main door, Pre-formed
3. 114654-01	Screen door, RH Hinge
4. 114448-03	Skin, Exterior, Upper main door
5. 114449-03	Skin, Exterior, Lower main door
6. 114475	Main door skin, Inner
7. 381552-02	Hinge, Main door, Upper
8. 381552-01	Hinge, Main door Lower
9. 365232	Seal, Main door
10. 371400-01	Window, Main door, Etched
11. 115208	Trim ring, Main door window
12. 114658	Inner door, "Z" bar, Upper & lower
13. 114657	Hat section, Formed, Main door
14. 115413	Door hat section
15. 382069	Deadbolt, Round, Trimark
16. 203370	Spacer, Trimark door Latch
385595	Pocket strike, Main door
381326	Striker w/ Trimark deadbolt
345321-12	Screw, Flat head, Black
453851	Bolt, Trimark, Deadbolt
380290	Housing latch
380291	Latch
201056	Striker, Main door, Black plastic
203494	Base plate, Door latch
382074	Gasket, Grab handle, Main door
114363	Drip cap, Main door
114507-03	Trim, Main door
454898	Nut plate, Main door
365360	Gasket, Nut plate
101171	Grab handle, Cast Aluminum

# 2016 INTERNATIONAL TRAVEL TRAILER DOORS, EXTERIOR

## Screen Door



Parts Listed on Next Page

# 2016 INTERNATIONAL TRAVEL TRAILER DOORS, EXTERIOR

## Screen Door

114654	Screen door, LH hinge
114654-01	Screen door, RH hinge
1. 104782-186	Extrusion, Frame
2. 114648-01	Kick panel
3. 114561-01	Panel, Slider
4. 104784-78	Extrusion, Screen door stiffener
5. 380079	Screen, Gray
6. 330130-02	Rivet, 5/32, Mill finish
7. 325122	Rivet, 5/32, Brazier head
8. 385577-02	Tape, Clear, 1-7/8" wide
380004	Handle with 8/32" x 1 screw
683946	Bug seal, Edge of screen door close out
203287-02	Close out, Plastic
115171-01	Screen door guard, Top
115171-02	Screen door guard, Bottom
200518	Spline, Gray, Screen insert
701624	Velcro, loop 5/8" wide
701625	Velcro, hook 5/8" wide
381454	Screen door hold back latch, Bullet
381531-01	Hinge, upper
381531-02	Hinge, lower



## 2016 INTERNATIONAL TRAVEL TRAILER DOORS, EXTERIOR

### Access Door, Refrigerator

923114	Refrigerator Door w/screen
104439	Louvered panel
372264	Screen, Refrigerator door
923115	Refrigerator Door w/frame
112024	Jamb, Refrigerator Door
380988	Hinge, .5 Leaf 16 in
203714	Trim Lock Neoprene
365334	Tape, Sealfoam 7# w/PSA One Side
381812	Latch, Twist, Chrome
365330-03	Sealant, Alum Grey #455-38

### Access Door, Small, Side & Rear End

100679-01	Small access Door, Rear or Side, (not on 28')
365035	Seal, Side access door
380773	Hinge, Access door
382230-02	Compression latch w/key code
115295	Spacer, Formed compartment door, (not on 28')
115296	Jamb, Formed compartment door, (not on 28')

### Access Door, Battery

410551-02	Lid, Battery box
381430	Lock, Twist, Straight cam
380203-01	Piano Hinge, 1/8", Battery box lid
381814	Wing nut, 5/16, 28', 30'
381613	Plastisol cover, LP wing handle

### Access Door, Furnace

690664-05	Furnace exterior door & bezel, Painted Aluminum
690663-06	Furnace exterior door & bezel, Painted Aluminum

## 2016 INTERNATIONAL TRAVEL TRAILER DOORS, EXTERIOR

### Access Door, Trunk, 25', 25FB, 28', 30'

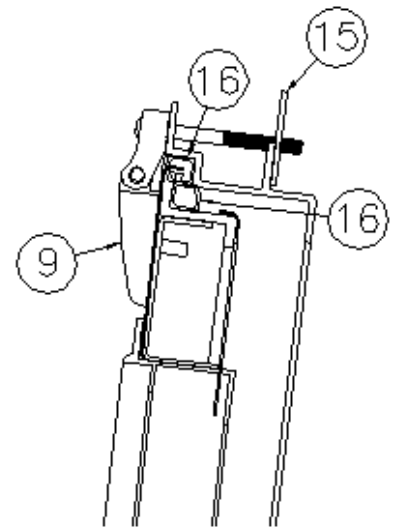
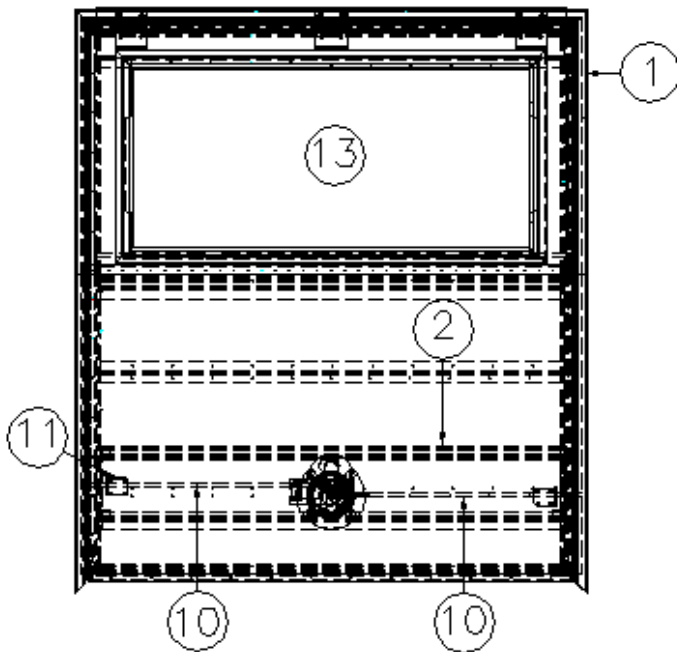
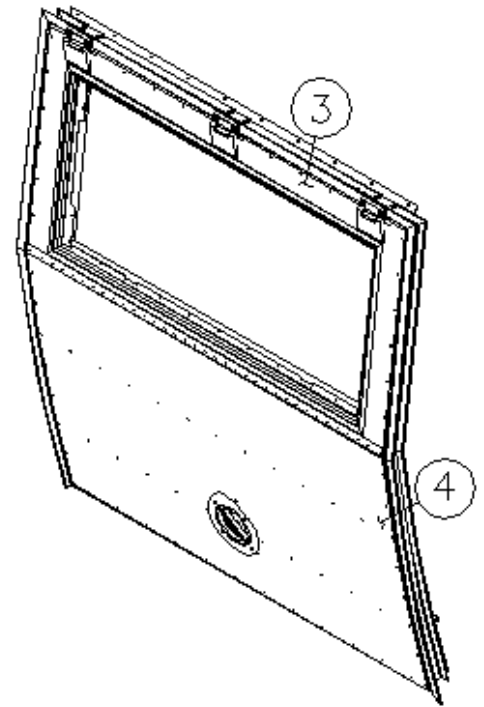
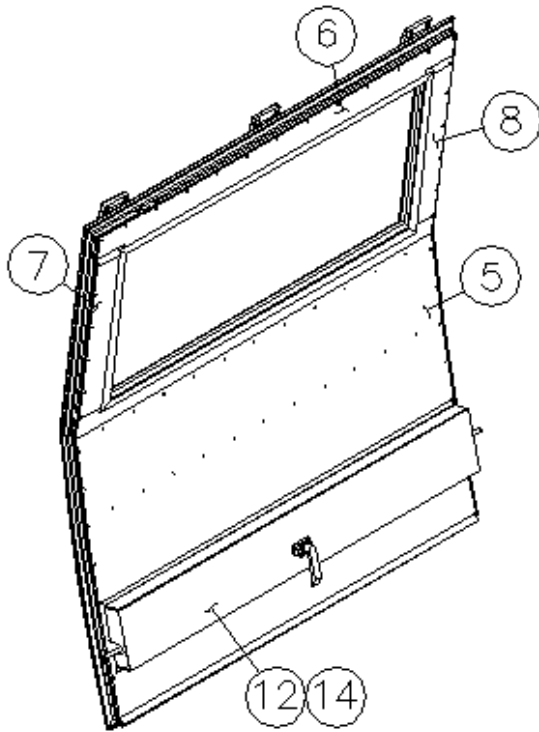
921159	Door, Trunk
114673	Panel, Outer trunk door
114674	Panel, Inner trunk door
114675	Jamb, Trunk door
382230-02	Compression latch w/key code
360016	Bump-on rubber
365035	Rubber seal, Access door
381065-10	Cable support, 10"

### Access Door, Front & Rear End Shell, 27FB, Eddie Bauer

922288-02	Door, Round corners
104831	Jamb, Front access door
380774-02	Hinge, Compartment door, 48"
382230-02	Compression latch w/key code
360016	Bump-on rubber, 25FB, 28', 30', EB
365035	Rubber seal, Access door
381065-10	Cable support, 10"

# 2016 INTERNATIONAL TRAVEL TRAILER DOORS, EXTERIOR

## Hatch Door, Eddie Bauer



Parts Listed on Next Page

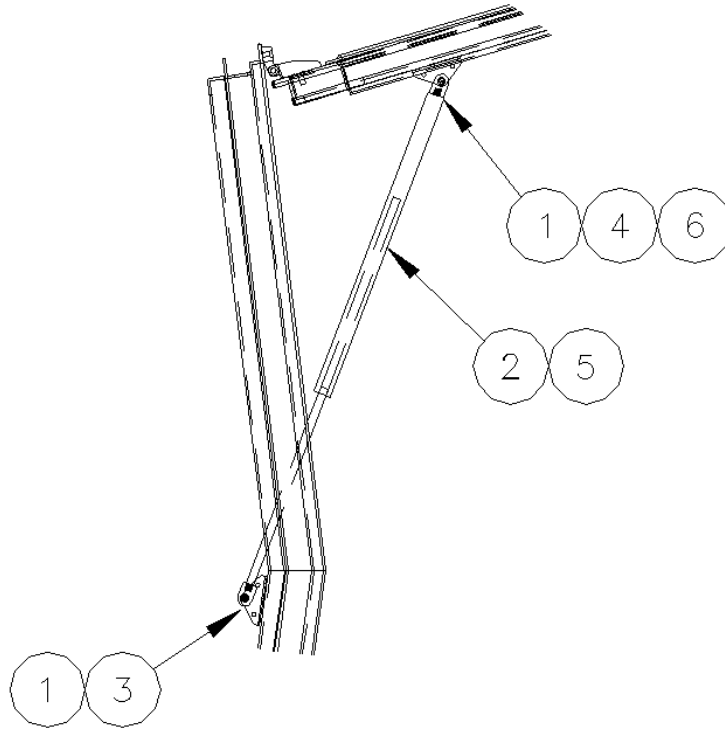
# 2016 INTERNATIONAL TRAVEL TRAILER DOORS, EXTERIOR

## Hatch Door, Eddie Bauer

967683	Hatch Door, Eddie Bauer
1. 115517	Jamb, Hatch Door
2. 115518	Weldment, Frame
3. 115523	Outer skin, Upper
4. 115524	Outer skin, Lower
5. 115525	Inner skin, Lower
6. 115526-01	Inner skin, Upper
7. 115526-02	Inner skin, CS, Upper
8. 115526-03	Inner skin, RS, Upper
9. 382065	Hinge, Rear
10. 382018-07	Rods, 48" Sq. D-rings
11. 382018-06	Grommet rod guide
12. 115521	Closeout, Latch
13. 371430	Window, 40.97
14. 454862	Cover, Finish
15. 115529	Backer, Hinge
16. 365232	Seal, Baggage door
372263	Screen, 42 x 20.5
512409	License plate holder
365355-01	Gasket, Hinge
512472	Kit, Door jamb contact
203655	Block, Rod guide
382017	Gasket, .60" bulb seal

# 2016 INTERNATIONAL TRAVEL TRAILER DOORS, EXTERIOR

## Hatch Door Struts, Eddie Bauer



- |              |                              |
|--------------|------------------------------|
| 1. 381262    | Bracket, Prop w/ball         |
| 2. 382084-04 | Gas spring, M8, Male thread  |
| 3. 330031-03 | Rivet, Dome head, Ssd64ssbs  |
| 4. 330031-01 | Rivet, 3/16 x 5/8, Ssd68ssbs |
| 5. 382084-02 | Socket, Gas rod              |
| 6. 300012    | Washer, Aluminum, 3/16 ID    |

## Screen Door, Rear, Eddie Bauer

- |           |                                |
|-----------|--------------------------------|
| 382150    | Screen, Pull-down retractable  |
| 454859    | Closeout, Rear screen door     |
| 203138-04 | Extrusion, Plastic, 1/2", Oak  |
| 365232    | Seal, Baggage door             |
| 382151    | Plug, Snap-in, .5" Dia., Black |

## 2016 INTERNATIONAL TRAVEL TRAILER WINDOWS, SCREENS

### Windows & Screens, 19'

371436	Window, 18" stacked
371400-01	Window, Main door, Etched
371323-01	Window, 18" opening
371328	Window, Front end, Dark glass
372088-101	Panoramic window, RS front, CS rear
372089-101	Panoramic window, CS front, RS rear
372229	Window, 21 x 28 opening
372174-03	Screen, 18 opening window
372173-02	screen, Front window
372230-01	Screen, 21 x 28 egress, No arms

### Windows & Screens, 23D

371323-01	Window, 18" opening
372174-03	Screen, 18" opening window
371436	Window, 18" stack
371380	Window, 30" tall, Opening
372215-01	Screen, 30" tall, Opening window
371328	Window, 43" flat, Front end
372173-02	screen, Front window
372088-101	Panoramic window, RS front, CS rear
372089-101	Panoramic window, CS front, RS rear
371400-01	Window, Main door
371437-02	Vista view, 30"
372229	Window, No arms, Rear end

### Windows & Screens, 23FB

371436	Window, 18" stack, Gray
371380	Window, 30" tall, Slide-out
371400-01	Window, Main door
371438	Window, Bath door
372174-03	Screen, 18" window
372215-01	Screen, 30" tall window
372215-03	Screen, 30", Egress window
372218-01	Rear window, 21 x 28
372220-02	Screen, 21 x 28, Clear frame
372088-101	Panoramic window, RS front, CS rear
372089-101	Panoramic window, CS front, RS rear
372173-02	screen, Front window

## 2016 INTERNATIONAL TRAVEL TRAILER WINDOWS, SCREENS

### Windows & Screens, 25'

371323-01	Window, 18" opening
371324-02	Window, 30" opening
371380	Window, 30" Tall, Opening
371436	Window 18" stack
371435	Window 30" stack
371437-02	Vista view window, 30"
372088-101	Panoramic window, RS front, CS rear
372089-101	Panoramic window, CS front, RS rear
371346-02	Window, 48.97" flat, Rear
371400-01	Window, Main door, Etched
371438	Window, Bath door
372174-03	Screen, 18" opening window
371347-03	Screen, Square front window
372215-01	Screen, 30" tall, Opening window

### Windows & Screens, 25FB

371323-01	Window, 18" opening
371380	Window, 30" tall, Opening
371380-01	Window, 30" tall, Egress
371436	Window 18" stack
371437-02	Vista view window, 30"
372088-101	Panoramic window, RS front, CS rear
372089-101	Panoramic window, CS front, RS rear
371346-02	Window, 48.97" flat, Rear
371400-01	Window, Main door, Etched
372174-03	Screen, 18" opening window
371347-03	Screen, Square front window
372215-01	Screen, 30" tall, Opening window
372215-03	Screen, 30", Egress window
371348-03	Window, Front w/silver handles

## 2016 INTERNATIONAL TRAVEL TRAILER WINDOWS, SCREENS

### Windows & Screens, 27FB

371324-02	Window, 30" opening
371380	Window, 30" tall, Opening
371380-01	Window, 30" tall, Egress
371435	Window, 30" stack
371437-02	Vista view, 30"
371436	Window 18" stack
372088-101	Panoramic window, RS front, CS rear
372089-101	Panoramic window, CS front, RS rear
371346-02	Window, 48.97" flat Front & wrap
372175-04	Screen, 30" opening window
372176-02	Screen, Front w/round corners
372234	Screen, Rear w/sq. corners
372215-03	Screen, 30", Egress window
372215-01	Screen, 30" tall, Opening window

### Windows & Screens, 28'

371436	Window, 18" stack
371435	Window, 30" stack
371286-01	Window, 18" curved, Fixed
371400-01	Window, Main door
371323-01	Window, 18" opening
371346-02	Window, Front, Dark glass
371348-02	Window, Rear w/red handles
371380	Window, 30" tall, Opening
371437-02	Vista view, 30"
371437-01	Vista view, 18"
195510-19	Glass and hardware for 371380 window
372088-101	Panoramic window, RS front, CS rear
372089-101	Panoramic window, CS front, RS rear
372174-03	Screen, 18" opening window
371347-03	Screen, Square front window
371349-03	Screen, Rear escape
372215-01	Screen, 30" tall, Opening window



## 2016 INTERNATIONAL TRAVEL TRAILER WINDOWS, SCREENS

### Windows & Screens, 30'

371323-01	Window, 18" opening
371286-01	Window, 18 curved, Fixed
371436	Window, 18" stack
371435	Window, 30" stack
371324-02	Window, 30" opening
371380	Window, 30" tall, Opening
371437-02	Vista view, 30"
371347-03	Screen, Square front window
372215-01	Screen, 30" tall
372175-04	Screen, 30" opening window
372088-101	Panoramic window, RS front, CS rear
372089-101	Panoramic window, CS front, RS rear

### Windows & Screens, 25FB Eddie Bauer

371400-01	Window, Main door
371323-01	Window, 18" opening
371346-02	Window, Front, Dark glass
371323-01	Window, 18" opening
371436	Window, 18" stack
371380	Window, 30" tall, Opening
371380-01	Window, 30" tall, Egress
371437-02	Vista view, 30"
372215-01	Screen, 30" tall
372215-03	Screen, 30", Egress window
372088-101	Panoramic window, RS front, CS rear
372089-101	Panoramic window, CS front, RS rear
372174-03	Screen, 18" opening window

# 2016 INTERNATIONAL TRAVEL TRAILER WINDOWS, SCREENS

## Windows & Screens, 27FB Eddie Bauer

371324-02	Window, 30" opening
371380	Window, 30" tall, Opening
371380-01	Window, 30" tall, Egress
371435	Window, 30" stack
371437-02	Vista view, 30"
371436	Window, 18" stack
372088-101	Panoramic window, RS front, CS rear
372089-101	Panoramic window, CS front, RS rear
371346-02	Window, 48.97" flat Front & wrap
372175-04	Screen, 30" opening window
372215-03	Screen, 30", Egress window
372215-01	Screen, 30" tall, Opening window

## Window Screen Assembly

683946	Seal, Fuzz gray (screen)
380079	Screen, Gray
200518	Spline, Gray, Screen insert

## Vista View Window, 18"

371437-01	Vista view, 18"
203490-03	Trim ring, 18" vista view
704199-01	Shade, 19.25 x 9.5, 1" rail, Ash Grey
922772-01	Backer, Vista view blind, 18"

## Vista View Window, 30"

371437-02	Vista view, 30"
203490-04	Trim ring, 30" vista view
704199-02	Shade, 31.25 x 9.5, 1" rail, Ash Grey
922772-02	Backer, Vista view blind 30"

# 2016 INTERNATIONAL TRAVEL TRAILER WINDOWS, SCREENS

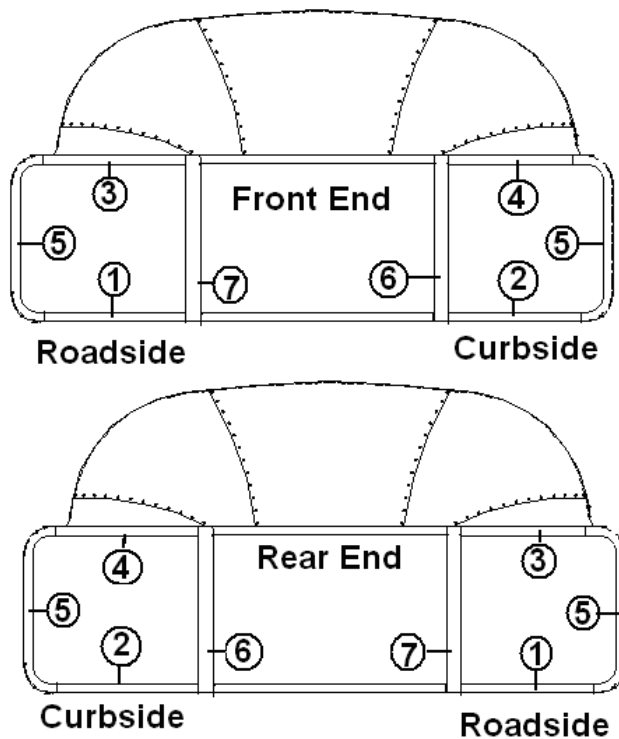
## Main Door Window Trim Ring

371319-06 Trim Ring, Main Door Window

## Window Trim

372269 Trim ring, Inner support, 30"  
 372270 Trim ring, Inner support, 18"  
 372228 Trim ring, 18 x 30 window  
 372227 Trim ring, Inner spacer 18 x 30  
 372267 Trim ring, 30" stack window, Clear  
 372268 Trim ring, 18" stack window, Clear  
 203225-01 Trim, Gray flexible

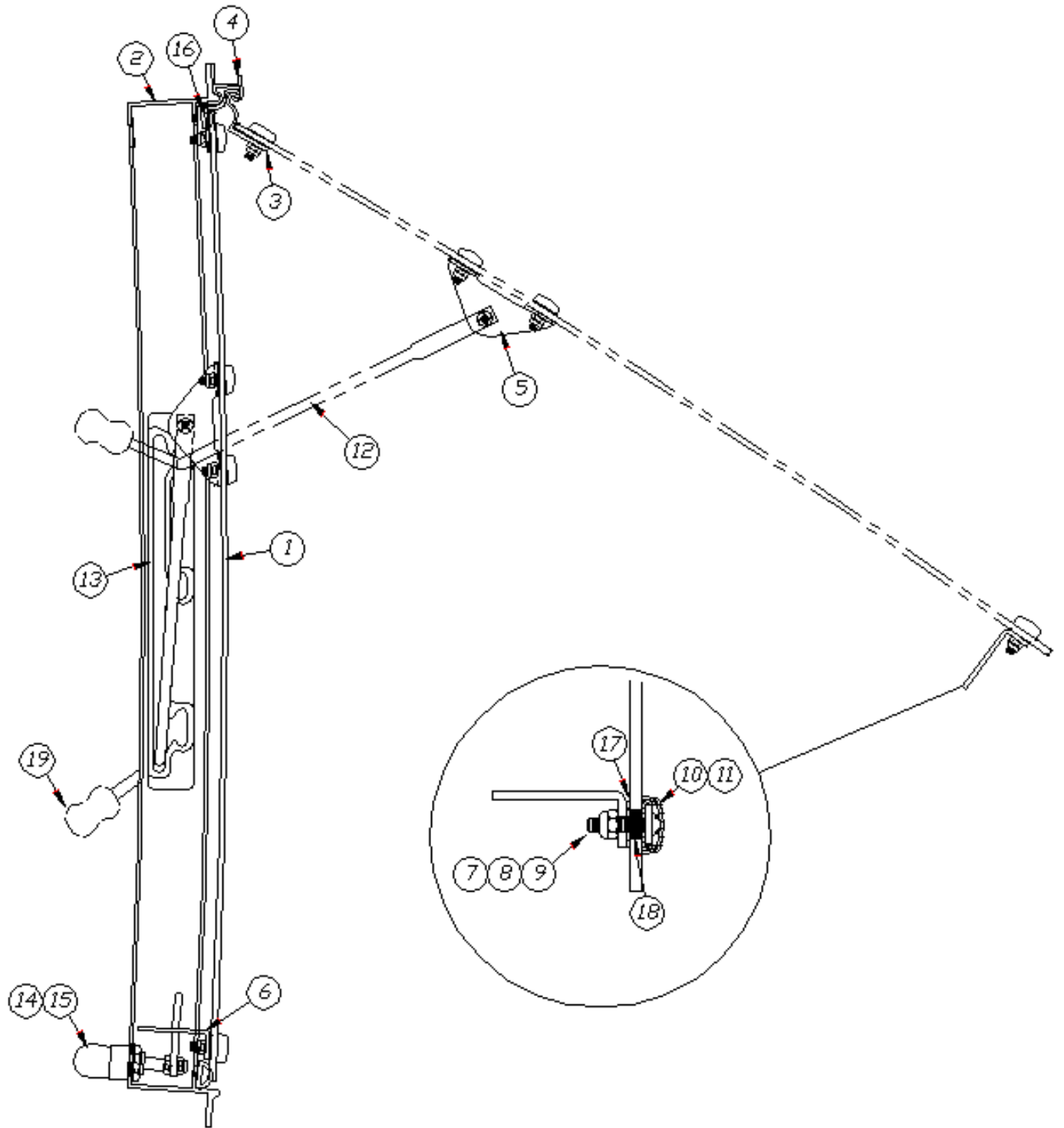
## Panoramic Window Trim



- |              |                           |
|--------------|---------------------------|
| 1. 201579-02 | Trim ring, Lower, Gray    |
| 2. 201580-02 | Trim ring, Lower, Gray    |
| 3. 201581-05 | Trim ring, Upper, Gray    |
| 4. 201581-06 | Trim ring, Upper, Gray    |
| 5. 201578-02 | End cap, Trim ring Gray   |
| 6. 110900-03 | Trim formed, Aluminum, RH |
| 7. 110900-04 | Trim formed, Aluminum, LH |
| 203225-01    | Trim lok, Gray .75"       |

# 2016 INTERNATIONAL TRAVEL TRAILER WINDOWS, SCREENS

## Window Parts Diagram



Parts Listed on Next Page

# 2016 INTERNATIONAL TRAVEL TRAILER WINDOWS, SCREENS

## Window Parts Diagram

371323-01	Window, 18" Opening
371324-02	Window, 30" Opening
1. 195510-12	Glass assembly, 18" window
195510-07	Glass assembly, 30" opening window
195510-93	Glass assembly, 30" tall window
2. 195510-08	Frame assembly, 18" window
195510-01	Frame assembly, 30" window
195510-15	Frame assembly, 30" tall window
3. 0101-0017	Extrusion, Window hinge, Glass side
4. 115557	Extrusion, Window hinge, Fixed side
5. 1101-0010	Bracket, Window prop
6. 1101-0011	Bracket, Window closer
1101-0012	Bracket, Window closer
7. 0706-0001	Flat washer
8. 0703-0001	Screw, #8-32 x .625", Black, SS
9. 0702-0010	Nut, #8-32, Black, SS
10. 0802-0004	Screw cover, Black
11. 0802-0005	Washer, 12-12 screw cover
12. 195510-04	Operating arm, RH
195510-05	Operating arm, LH
13. 0802-0001	Guide, Operating arm, RH
0802-0002	Guide, Operating arm, LH
14. 010020	Latch assembly
15. 1101-0005	Handle, Chrome
195467-05	Handle, Red
16. 381665	Gasket seal
17. 365225-01	Tape, Double coated foam, 25 mil, .5"
18. 381498	Bushing, Acrylic
19. 380230-03	Knob, Window arm, Silver
380230-04	Knob, Window arm, Red

## 2016 INTERNATIONAL TRAVEL TRAILER WINDOWS, ROCK GUARDS

### Window Stone Guards

110102	Stone guard, Center piece only
685275-100	3-piece stone, Panoramic windows, Narrow body
685275-101	CS wrap window solar protector, Stone guard
685275-102	RS wrap window solar protector, Stone guard
685275-103	Stone guard, Center piece only
110188-01	3-piece stone, Panoramic windows, Wide body
685358	Turn fast stud
685362	Retainer, Split ring
685359	Rubber receptacle
685361	Bracket, Rubber receptacle
685363	Slip joint hinge, SS, CS per pair
683960	Arm support
683959	Arm support bracket
114749	Y-hinge
114750	J-hinge
685364	Bracket, Upper hinge, 45.375, Stoneguard
381021-01	Latch, Draw flexible
114815-01	Extrusion, Frame, Aluminum
685354	Front window key, 90-degree angle
685378-01	Rubber spline, 1/4"
685351	Rubber frame, Black
290812-01	Plexi-glass sheet, 1/8" x 28" x 84"
685355	Slip joint, SS hinge
101401	Extrusion, Door latch housing
381688	Bump-on

## 2016 INTERNATIONAL TRAVEL TRAILER AWNINGS

### Patio Awnings, Signature

702993-09	Patio awning, 9'-8", 19'
702993-15	Patio awning, 13'-5", 23D
702993-27	Patio awning, 14'-2", 23FB
702993-06	Patio awning, 16'-4.25", 25', 25FB
702993-17	Patio awning, 18'-5.25", 27FB
702993-08	Patio awning, 18'-4.5", 28'
702993-28	Patio awning, 21'-4.25", 30'

### Patio Awnings, Serenity

702993-32	Patio awning, 9'-8", 19'
702993-31	Patio awning, 13'-5", 23D
702993-39	Patio awning, 14'-2", 23FB
702993-30	Patio awning, 16'-4.25", 25', 25FB
702993-33	Patio awning, Pa18'-5.25", 27FB
702993-35	Patio awning, 18'-4.25", 28'
702993-38	Patio awning, 21'-4.25", 30'

### Patio Awnings, Eddie Bauer

702993-40	Patio awning, 16'-4.25", 25FB
702993-41	Awning w/EB silkscreen, 18'-5.25", 27FB

### Patio Awnings Hardware

702993-37	Center support, Satin, 30'
702993	Mounting hardware, Zip Dee
385577	Tape, Clear, Wear strip, 3.5" wide
345326-06	Screw, Tapping, #10 SST. PPH. 1.25"
512918-01	LED flex light strip, 19'
512918-02	LED flex light strip, 23D, 23FB, 25', 25FB
512918-03	LED flex light strip, 27FB, 28', 30'

# 2016 INTERNATIONAL TRAVEL TRAILER AWNINGS

## Power Awnings, Signature

704049-18	Power awning, 13'-5", 23D
704049-19	Power awning, 14'-2", 23FB
704049-04	Power awning, 16' 4.25", 25', 25FB
704049-07	Power awning, 18' 4.25", 28'
704049-09	Power awning, 18' 5.25", 27FB
704049-14	Power awning, 21' 4.25", 30'

## Power Awnings, Serenity

704049-05	Power awning, 16' 4.25", 25', 25FB
704049-08	Power awning, 18' 4.25", 28'
704049-10	Power awning, 18' 5.25", 27FB
704049-15	Power awning, 21' 4.25", 30'

## Power Awnings Hardware

704049-01	Hardware kit, 65" support arm, 23D, 23FB, 25', 25FB, 27FB, 30'
704049-02	Hardware kit, 79.63" support arm, 28'
365369	Gasket, Power awning
365369-01	Gasket, Power awning bracket
365369-02	Gasket, Power awning main support
330134	Rivet, Counter sunk, Olympic RV6
382202	Grommet, Liquid tight
382199	Plug, 1" ID hole, Nickel
454931	Backer, 34.50", 27FB, 28', A2GO
454931-01	Backer, 24" 27FB, 28', 28' A2GO
454931-02	Backer, 12.50", 23D, 23FB, 25', 30'
454931-03	Backer, 29.50", 25FB
454931-04	Backer, 32.50", 27FB, 30'
115578-01	Doubler plate, 6" x 2.75", 28'
385577	Tape, Clear, Wear strip, 3.5" wide
386257	Front & rear label, Power awning cable
512652	Power cable, Relax awning

## Power Awnings, A2GO

704034-01	Patio Awning with A2GO Logo, 14'-2", 23FB A2GO
704034-02	Patio with A2GO Logo, 18'-4.25", 28' A2GO
704034-03	Relax awning hardware
704034-04	Silkscreen for logo

\*Silkscreen must be ordered when ordering the awning with A2GO Logo.



## 2016 INTERNATIONAL TRAVEL TRAILER AWNINGS

### Window Awnings, Signature

703181-13	Window awning, 9'-8", 19'
703181-01	Window awning, 47", 19', 23D, 23FB
703181-16	Window awning, 13'-5.25", 23D,
703181-29	Window awning, 14'-2.25", 23FB
703181-05	Window awning, 16'-4.5", 25', 25FB
703181-20	Window awning, w/V hardware, 52.63", 25', 25FB, 27FB
703181-21	Window awning, 18'-6.25", 27FB
703181-12	Window awning, 18'-4.5", 28'
703181-15	Window awning, 52.63", 28', 30'
703181-42	Window awning, 15'-11.5, 30'
703181-43	Window awning, 49", 30'

### Window Awnings, Serenity

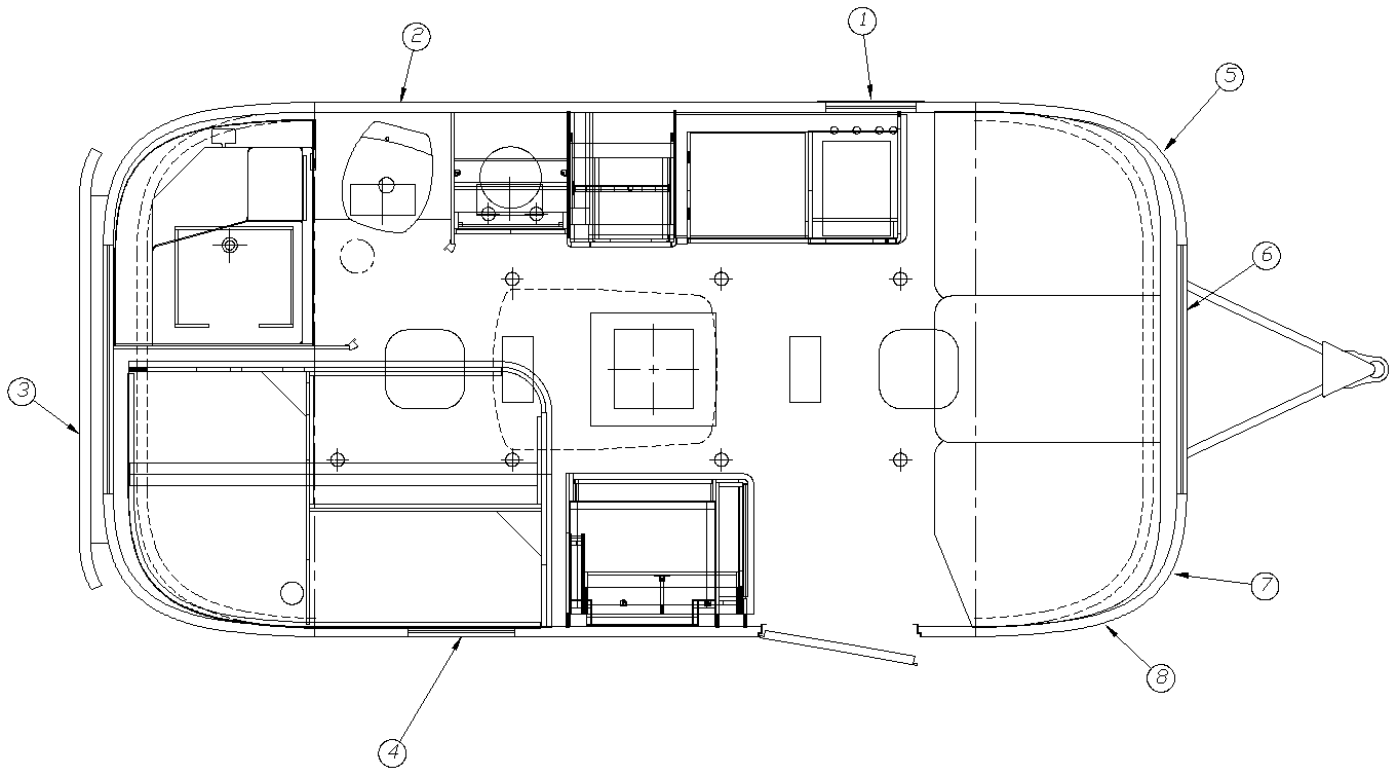
703181-39	Window awning, 9'-8", 19'
703181-36	Window awning, 47", 19', 23D, 23FB
703181-38	Window awning, 13'-5.25", 23D
703181-47	Window awning, 14'-2¼", 23FB
703181-37	Window awning, 16'-4.5", 25', 25FB
703181-35	Window awning, w/V hardware, 52.63", 25', 25FB, 27FB
703181-40	Window awning, 18'-6.25", 27FB
703181-41	Window awning, 18'-4.5", 28'
703181-34	Window awning, 52.63", 28', 30'
703181-44	Window awning, 15'-11.5", 30'
703181-45	Window awning, 49", 30'

### Window Awnings, Eddie Bauer

703181-48	Window awning, 52.63", 25FB, 27FB
703181-49	Window awning, 16'-4.5", 25FB
703181-50	Window awning, 18'-6.25", 27FB

# 2016 INTERNATIONAL TRAVEL TRAILER DRAPES, SHADES

## Drapes & Shades, 19' Signature



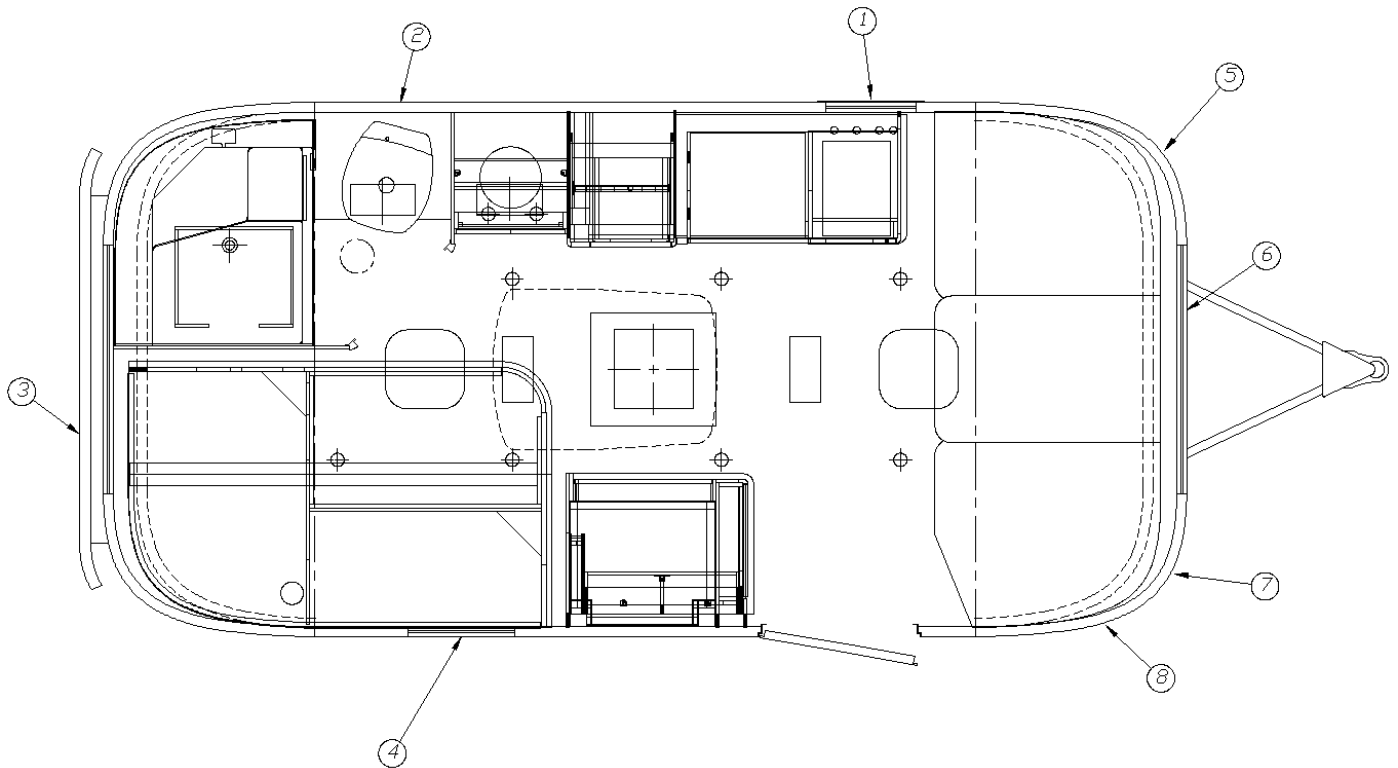
111041

### Window Coverings Install

- |              |                                  |
|--------------|----------------------------------|
| 1. 703700-01 | Shade, 19 x 24, Oceanair         |
| 2. 703700-07 | Shade, 17.75 x 34, Oceanair      |
| 3. 703700-03 | Shade, 25.25 x 34, Oceanair      |
| 4. 703700-05 | Shade, 19 x 34, Oceanair         |
| 5. 998144-11 | Drape, RS side panel, 37 x 25.5  |
| 6. 998144-12 | Drape, RS front panel, 23 x 25.5 |
| 7. 998144-10 | Drape, CS front panel, 23 x 25.5 |
| 8. 998144-09 | Drape, CS side panel, 37 x 25.5  |

# 2016 INTERNATIONAL TRAVEL TRAILER DRAPES, SHADES

## Drapes & Shades, 19' Serenity



111845

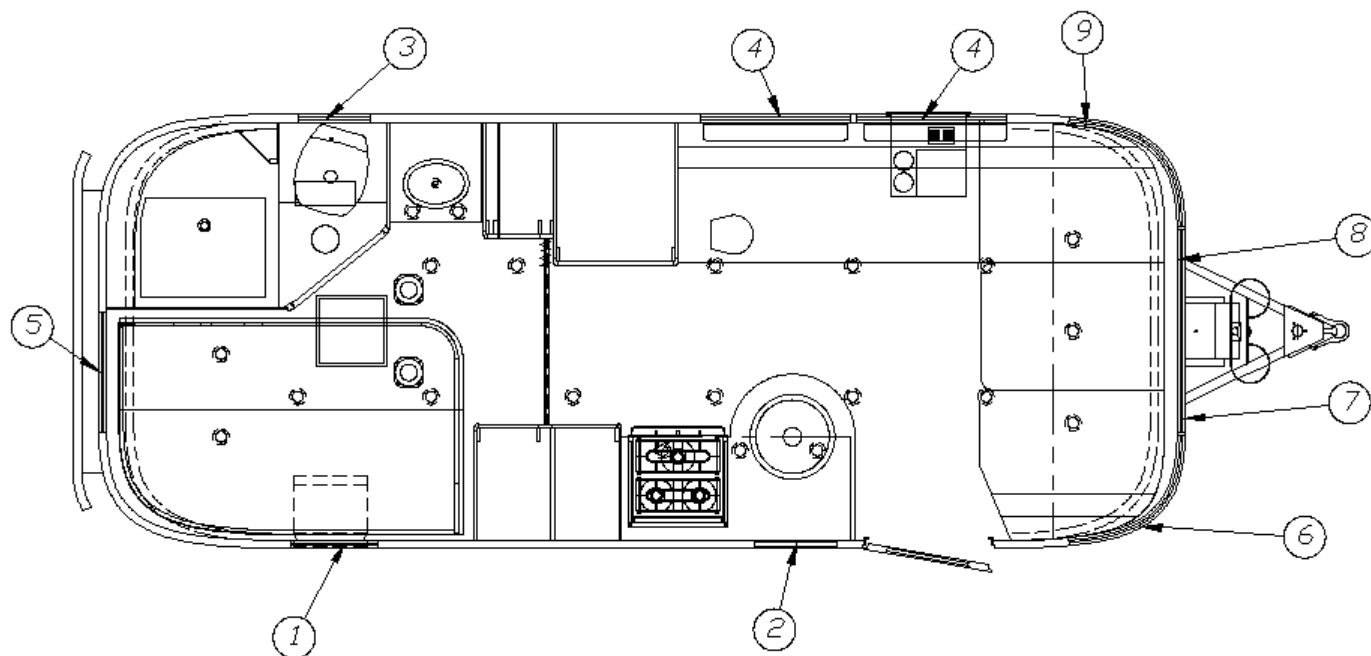
### Window Coverings Install

- |              |                                  |
|--------------|----------------------------------|
| 1. 703700-01 | Shade, 19 x 24, Oceanair         |
| 2. 703700-07 | Shade, 17.75 x 34, Oceanair      |
| 3. 998171-17 | Drape, Rear, 16.5 x 22           |
| 4. 998171-18 | Drape, CS, 14 x 34.5             |
| 5. 998144-11 | Drape, RS side panel, 37 x 25.5  |
| 6. 998144-12 | Drape, CS front panel, 23 x 25.5 |
| 7. 998144-10 | Drape, CS front panel, 23 x 25.5 |
| 8. 998144-09 | Drape, CS side panel, 37 x 25.5  |

# 2016 INTERNATIONAL TRAVEL TRAILER

## DRAPES, SHADES

### Drapes & Shades, 23D Signature



111558

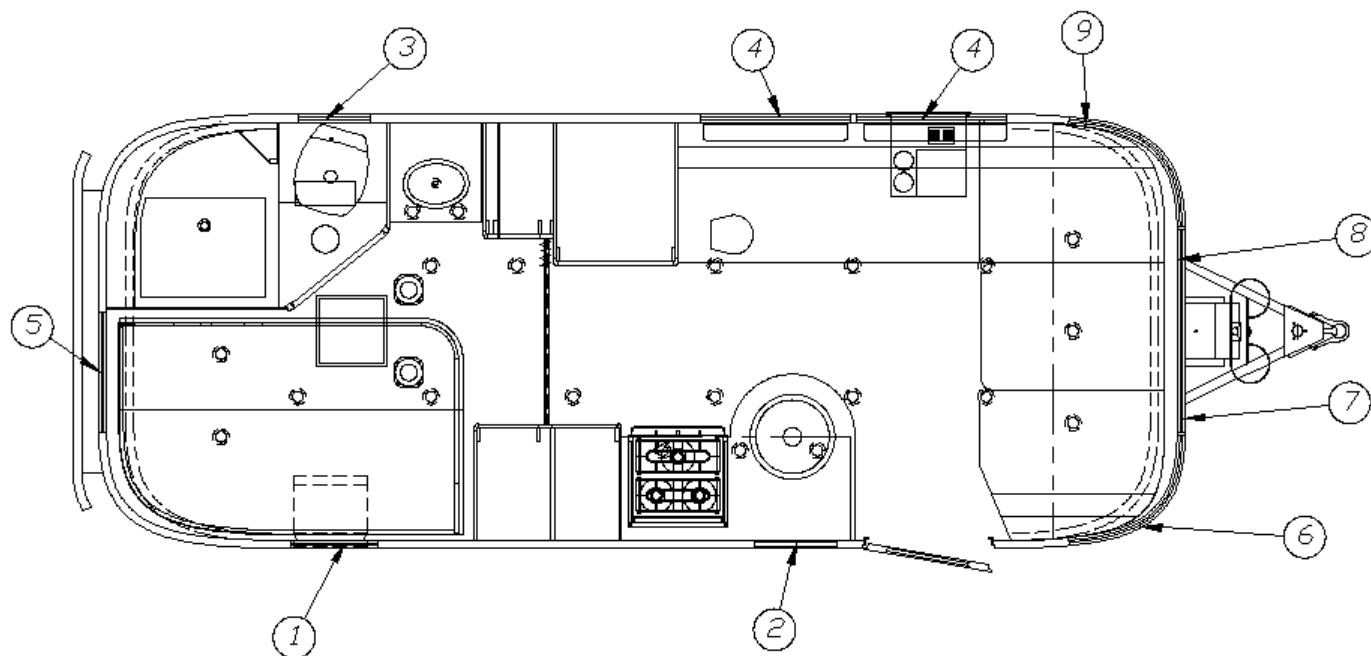
#### Window Coverings Install

- |              |                                       |
|--------------|---------------------------------------|
| 1. 703700-05 | Shade, 19 x 34, Oceanair              |
| 2. 703700-01 | Shade, 19 x 24, Oceanair              |
| 3. 703700-07 | Shade, 17.75 x 34, Oceanair           |
| 4. 703700-04 | Shade, 29.75 x 34, Oceanair           |
| 5. 703700-03 | Shade, 25.25 x 34, Oceanair           |
| 6. 998144-09 | Drape, CS side panel, 37 x 25.5       |
| 7. 998144-10 | Drape, CS front panel, 23 x 25.5      |
| 8. 998144-12 | Drape, RS front panel, 23 x 25.5      |
| 9. 998144-11 | Drape, RS side panel, 37 x 25.5       |
| 704199-02    | Shade, 31.25 x 9.5, 1" rail, Ash Grey |
| 702804-03    | Shade, skylight, pleated, 19.25 x 20  |

# 2016 INTERNATIONAL TRAVEL TRAILER

## DRAPES, SHADES

### Drapes & Shades, 23D Serenity



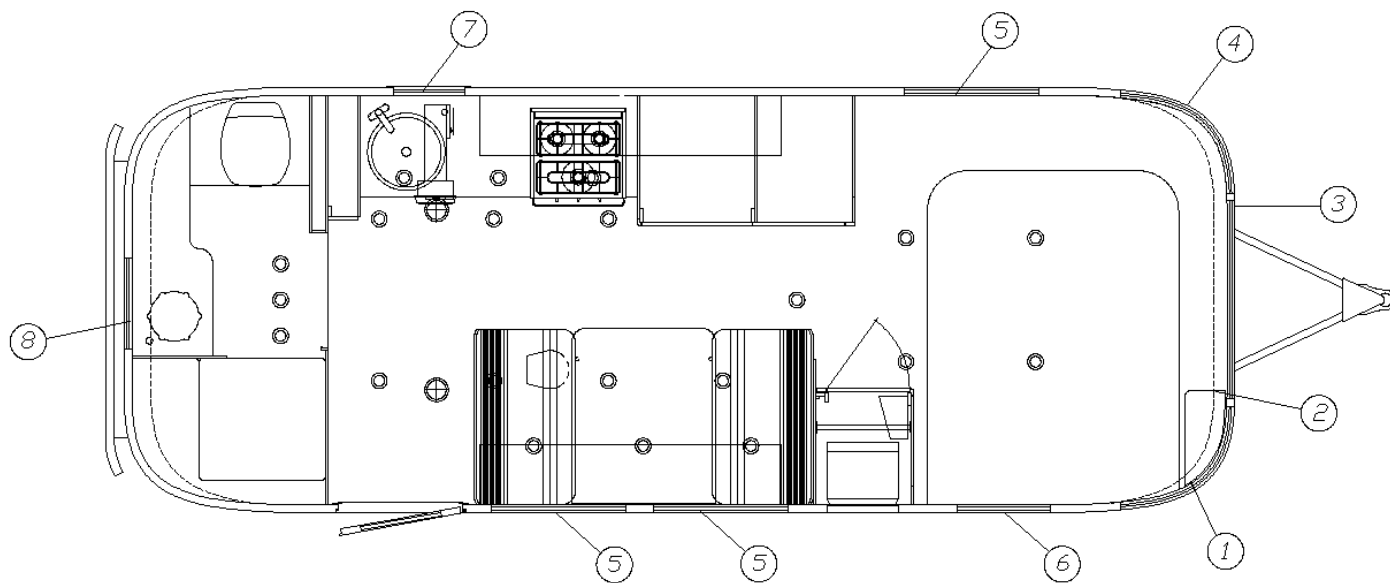
111846

#### Window Coverings Install

- |              |                                      |
|--------------|--------------------------------------|
| 1. 998171-18 | Drape, CS, 14 x 34.5                 |
| 2. 703700-01 | Shade, 19 x 24                       |
| 3. 703700-07 | Shade, 17.75 x 34                    |
| 4. 703700-04 | Shade, 29.75 x 34                    |
| 5. 998171-17 | Drape, Rear, 16.5 x 22               |
| 6. 998144-09 | Drape, CS side panel, 37 x 25.5      |
| 7. 998144-10 | Drape, CS front panel, 23 x 25.5     |
| 8. 998144-12 | Drape, RS front panel, 23 x 25.5     |
| 9. 998144-11 | Drape, RS side panel, 37 x 25.5      |
| 704199-02    | Shade, 31.25 x 9.5, 1 rail, Ash Grey |
| 702804-03    | Shade, Skylight, Pleated, 19.25 x 20 |

# 2016 INTERNATIONAL TRAVEL TRAILER DRAPES, SHADES

## Drapes & Shades, 23FB Signature



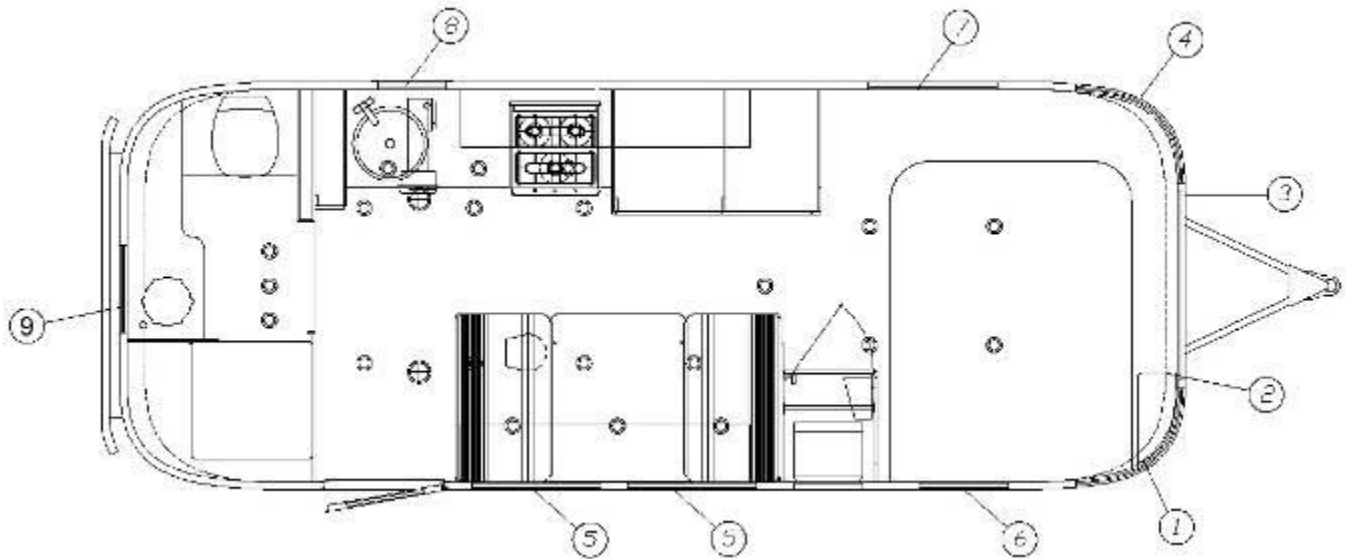
111911

### Window Coverings Install

- |              |                                      |
|--------------|--------------------------------------|
| 1. 998144-09 | Drape, CS side panel, 37 x 25.5      |
| 2. 998144-10 | Drape, CS front panel, 23 x 25.5     |
| 3. 998144-12 | Drape, RS front panel, 23 x 25.5     |
| 4. 998144-11 | Drape, RS side panel, 37 x 25.5      |
| 5. 703700-04 | Shade, 29.75 x 34, Oceanair          |
| 6. 703700-07 | Shade, 17.75 x 34, Oceanair          |
| 7. 703700-01 | Shade, 19 x 24, Oceanair             |
| 8. 703700-03 | Shade, 25.25 x 34, Oceanair          |
| 702804-03    | Shade, Skylight, Pleated, 19.25 x 20 |

# 2016 INTERNATIONAL TRAVEL TRAILER DRAPES, SHADES

## Drapes & Shades, 23FB Serenity



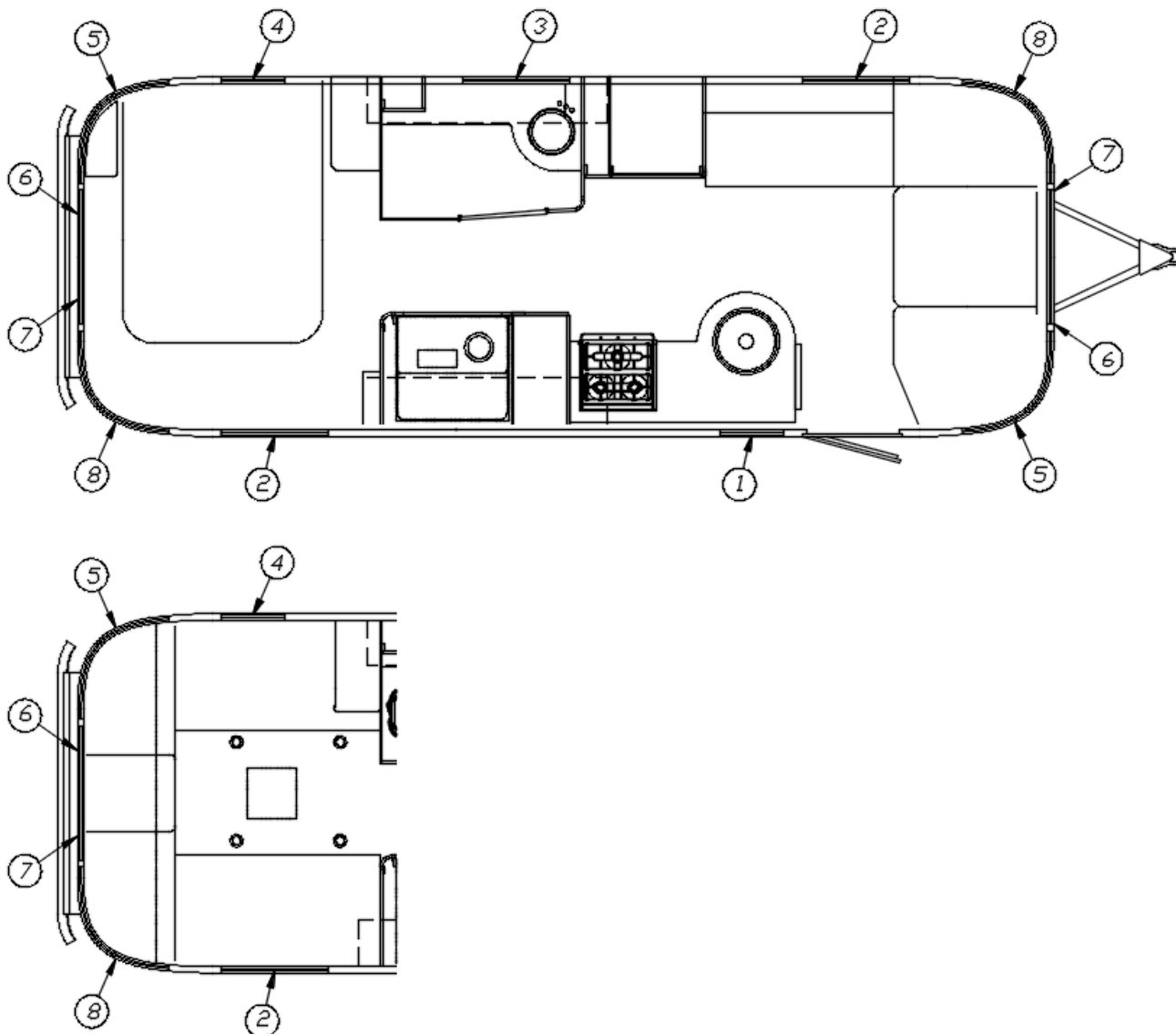
111912

### Window Coverings Install

- |              |                                  |
|--------------|----------------------------------|
| 1. 998144-09 | Drape, CS side panel, 37 x 25.5  |
| 2. 998144-10 | Drape, CS front panel, 23 x 25.5 |
| 3. 998144-12 | Drape, RS front panel, 23 x 25.5 |
| 4. 998144-11 | Drape, RS side panel, 37 x 25.5  |
| 5. 703700-04 | Shade, 29.75 x 34, Oceanair      |
| 6. 998171-18 | Drape, CS, 14 x 34.5             |
| 7. 998171-20 | Drape, 19 x 34.5                 |
| 8. 703700-01 | Shade, 19 x 24, Oceanair         |
| 9. 703700-03 | Shade, 25.25 x 34, Oceanair      |

# 2016 INTERNATIONAL TRAVEL TRAILER DRAPES, SHADES

## Drapes & Shades, 25' Signature



111964

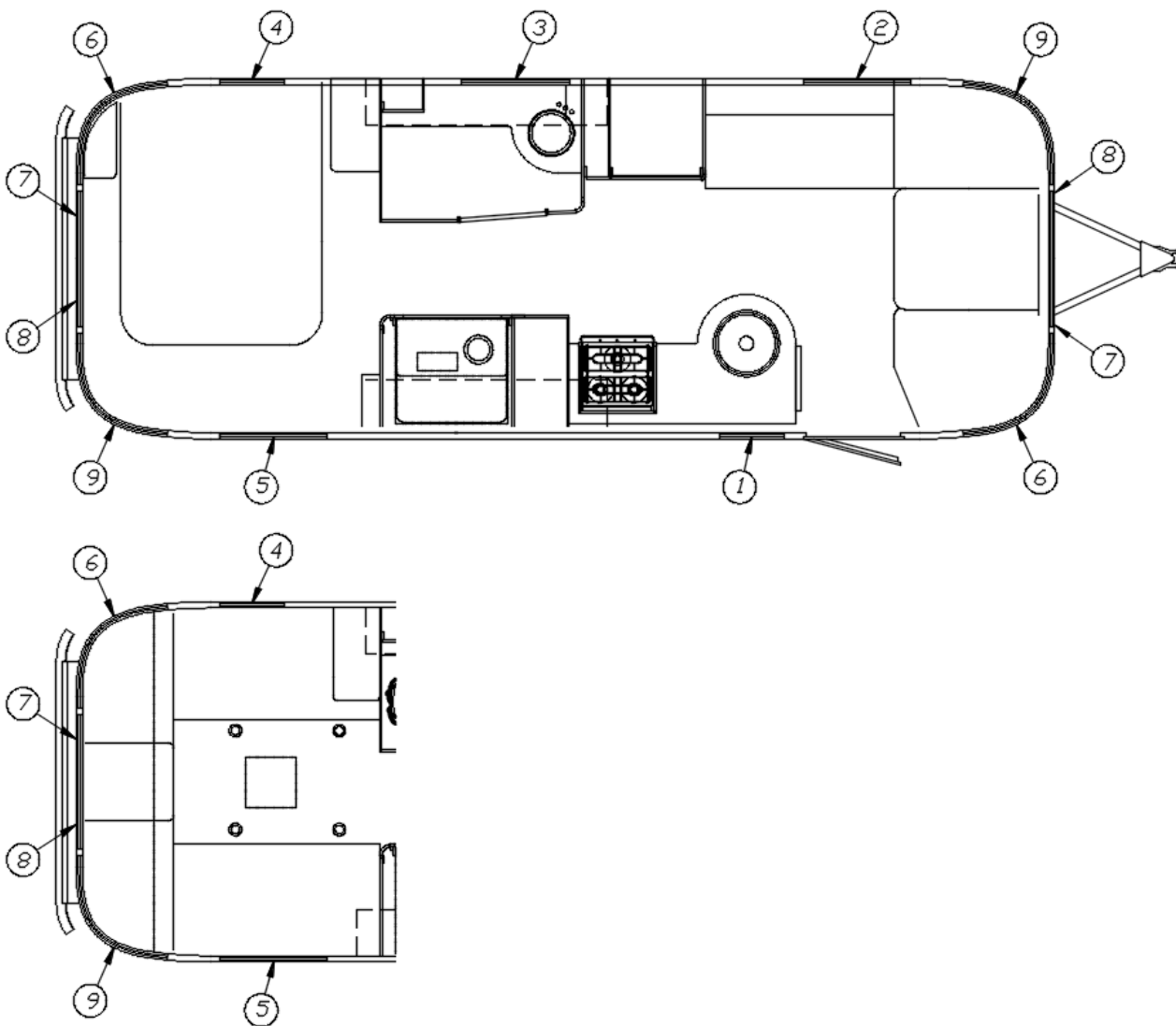
### Window Coverings Install

- |              |                                       |
|--------------|---------------------------------------|
| 1. 703700-05 | Shade, 19 x 34, Oceanair              |
| 2. 703700-04 | Shade, 29.75 x 34, Oceanair           |
| 3. 703700-02 | Shade, 32.5 x 24, Oceanair            |
| 4. 703700-07 | Shade, 17.75 x 34, Oceanair           |
| 5. 998144-09 | Drape, CS side panel, 37 x 25.5       |
| 6. 998144-05 | Drape, CS front panel, 27 x 25.5      |
| 7. 998144-07 | Drape, RS front panel, 27 x 25.5      |
| 8. 998144-11 | Drape, RS side panel, 37 x 25.5       |
| 704199-02    | Shade, 31.25 x 9.5, 1" rail, Ash Grey |
| 704120-02    | Shade, skylight, 19.25 x 20, Grey     |



# 2016 INTERNATIONAL TRAVEL TRAILER DRAPES, SHADES

## Drapes & Shades, 25' Serenity



111965

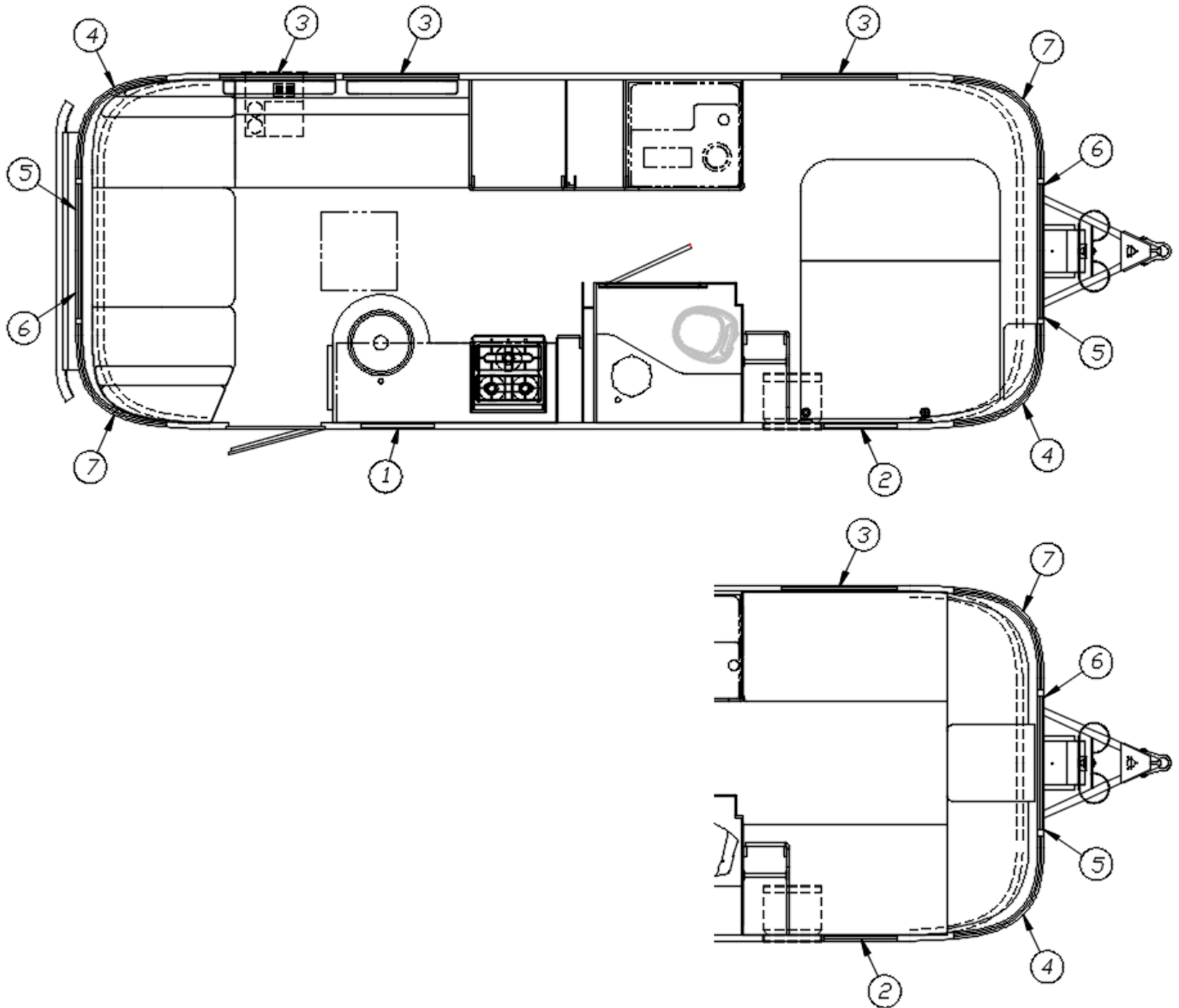
### Window Coverings Install

- |              |                                       |
|--------------|---------------------------------------|
| 1. 703700-05 | Shade, 19 x 34, Oceanair              |
| 2. 703700-04 | Shade, 29.25 x 34, Oceanair           |
| 3. 703700-02 | Shade, 32.5 x 24                      |
| 4. 998171-18 | Drape, CS, 14 x 34.5                  |
| 5. 998171-20 | Drape, 19 x 34.5                      |
| 6. 998144-09 | Drape, CS side panel, 37 x 25.5       |
| 7. 998144-05 | Drape, CS front panel, 27 x 25.5      |
| 8. 998144-07 | Drape, RS front panel, 27 x 25.5      |
| 9. 998144-11 | Drape, RS side panel, 37 x 25.5       |
| 704199-02    | Shade, 31.25 x 9.5, 1" rail, Ash Grey |
| 704120-02    | Shade, skylight, 19.25 x 20, Grey     |

# 2016 INTERNATIONAL TRAVEL TRAILER

## DRAPES, SHADES

### Drapes & Shades, 25FB Signature



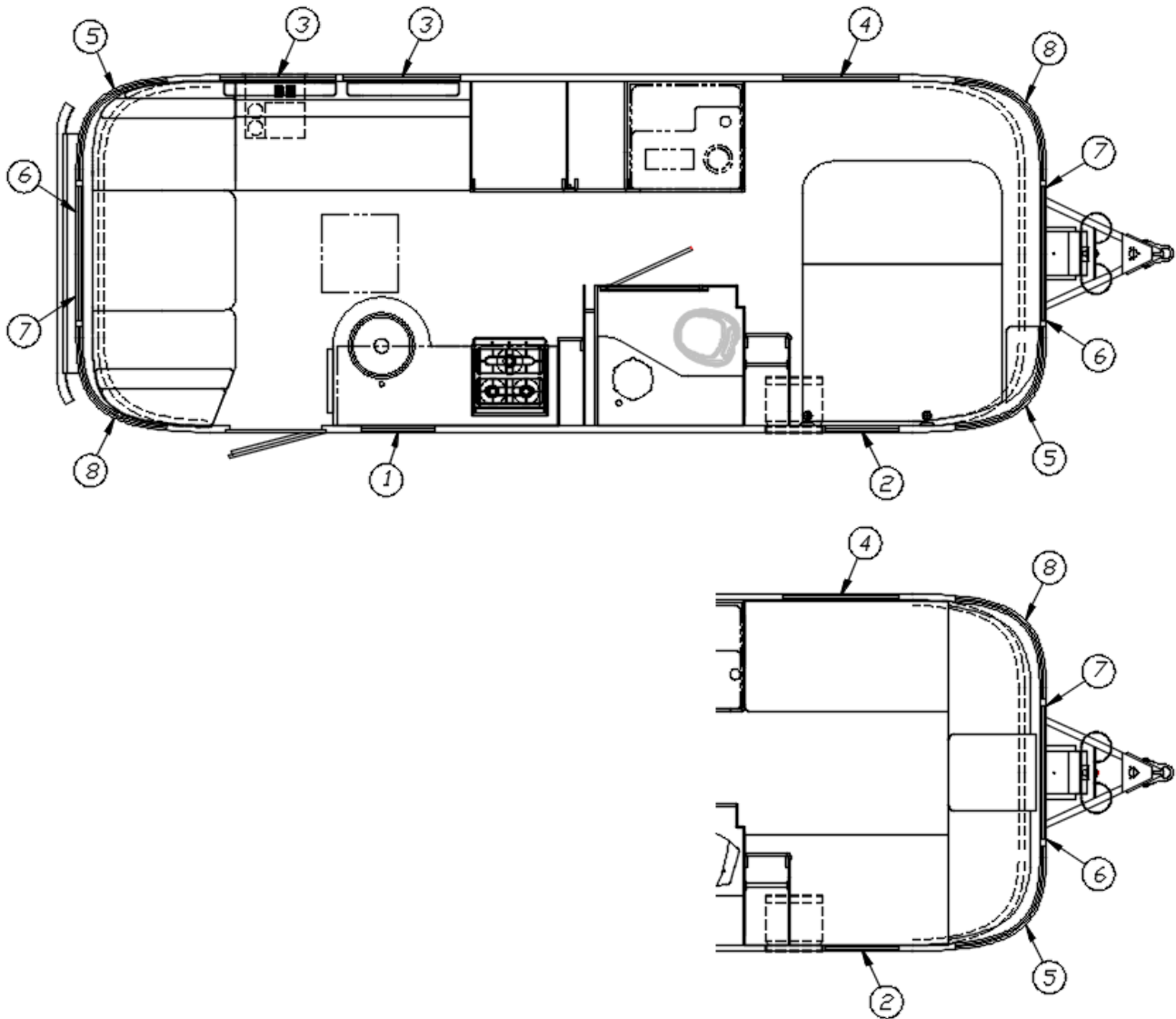
111455-01

Window Coverings Install

- |              |                                       |
|--------------|---------------------------------------|
| 1. 703700-05 | Shade, 19 x 34, Oceanair              |
| 2. 703700-07 | Shade, 17.75 x 34, Oceanair           |
| 3. 703700-04 | Shade, 29.75 x 34, Oceanair           |
| 4. 998144-11 | Drape, CS side panel, 37 x 25.5       |
| 5. 998144-05 | Drape, CS front panel, 27 x 25.5      |
| 6. 998144-07 | Drape, RS front panel, 27 x 25.5      |
| 7. 998144-09 | Drape, CS side panel, 37 x 25.5       |
| 704199-02    | Shade, 31.25 x 9.5, 1" rail, Ash Grey |
| 704120-02    | Shade, skylight, 19.25 x 20, Grey     |

# 2016 INTERNATIONAL TRAVEL TRAILER DRAPES, SHADES

## Drapes & Shades, 25FB Serenity



111847

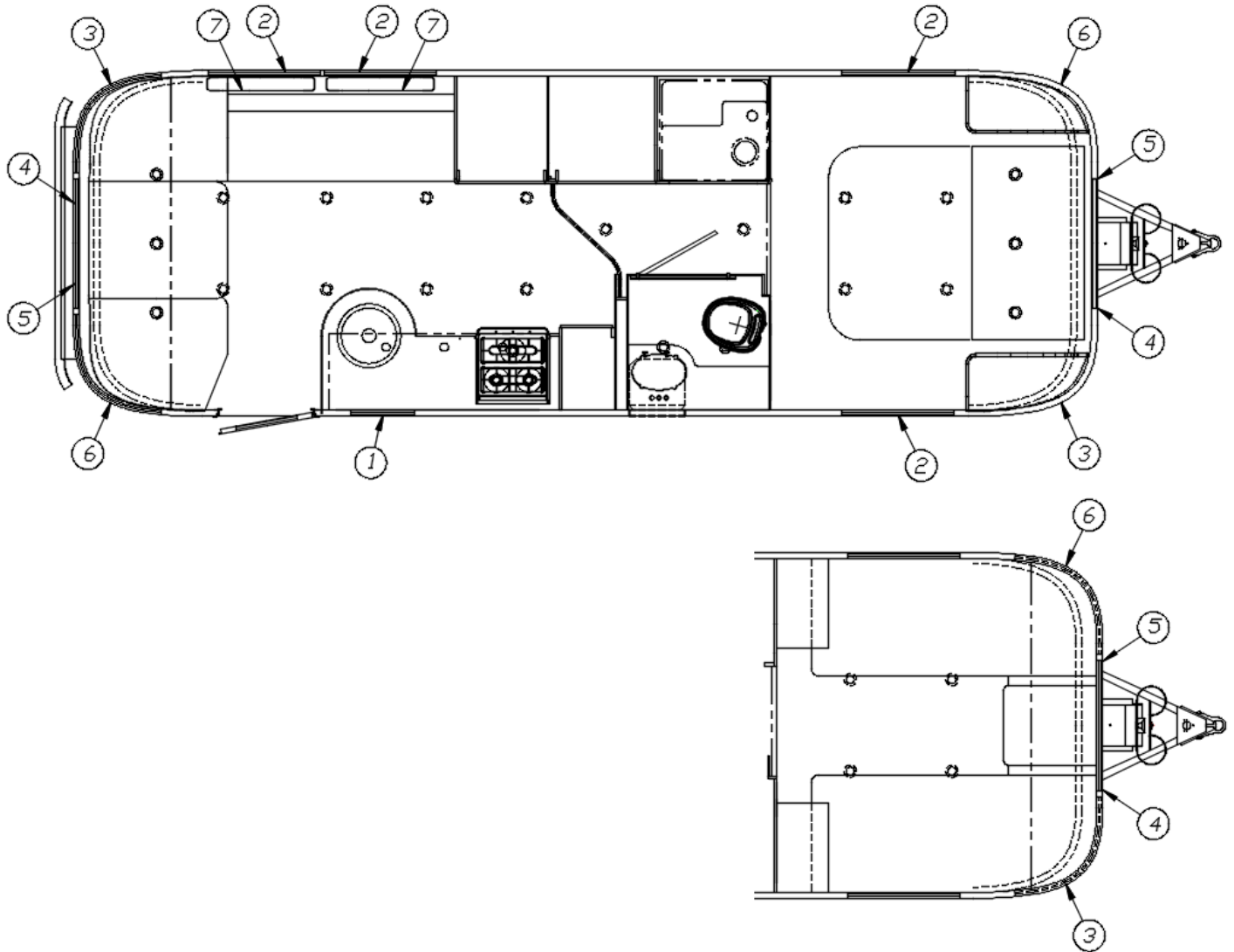
### Window Coverings Install

- |              |                                       |
|--------------|---------------------------------------|
| 1. 703700-05 | Shade, 19 x 34, Oceanair              |
| 2. 998171-18 | Drape, 14 x 34.5                      |
| 3. 703700-04 | Shade, 29.75 x 34, Oceanair           |
| 4. 998171-20 | Drape, 18 x 34.5                      |
| 5. 998144-11 | Drape, RS side panel, 37 x 25.5       |
| 6. 998144-05 | Drape, CS front panel, 27 x 29        |
| 7. 998144-07 | Drape, RS front panel, 27 x 25.5      |
| 8. 998144-09 | Drape, CS side panel, 37 x 25.5       |
| 704199-02    | Shade, 31.25 x 9.5, 1" rail, Ash Grey |
| 704120-02    | Shade, skylight, 19.25 x 20, Grey     |

# 2016 INTERNATIONAL TRAVEL TRAILER

## DRAPES, SHADES

### Drapes & Shades, 27FB Signature



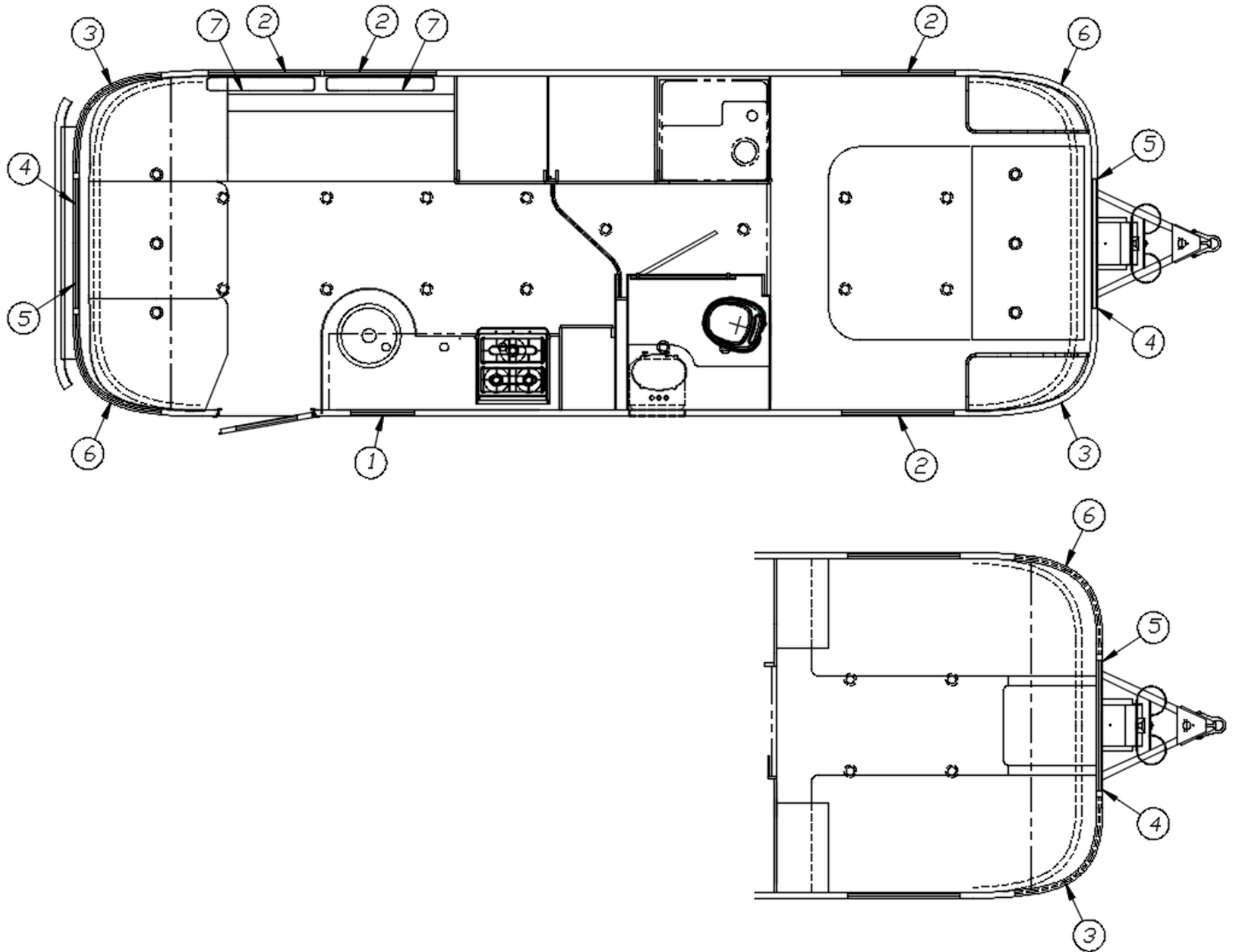
111541-01

#### Window Coverings Install

- |              |                                       |
|--------------|---------------------------------------|
| 1. 703700-05 | Shade, 19 x 34, Oceanair              |
| 2. 703700-04 | Shade, 29.75 x 34, Oceanair           |
| 3. 998144-09 | Drape, CS side panel, 37 x 25.5       |
| 4. 998144-05 | Drape, CS front panel, 27 x 25.5      |
| 5. 998144-07 | Drape, RS front panel, 27 x 25.5      |
| 6. 998144-11 | Drape, RS side panel, 37 x 25.5       |
| 7. 704199-02 | Shade, 31.25 x 9.5, 1" rail, Ash Grey |
| 704120-01    | Shade, skylight, 14.5 x 22, Grey      |
| 704120-02    | Shade, skylight, 19.25 x 20, Grey     |

# 2016 INTERNATIONAL TRAVEL TRAILER DRAPES, SHADES

## Drapes & Shades, 27FB Serenity



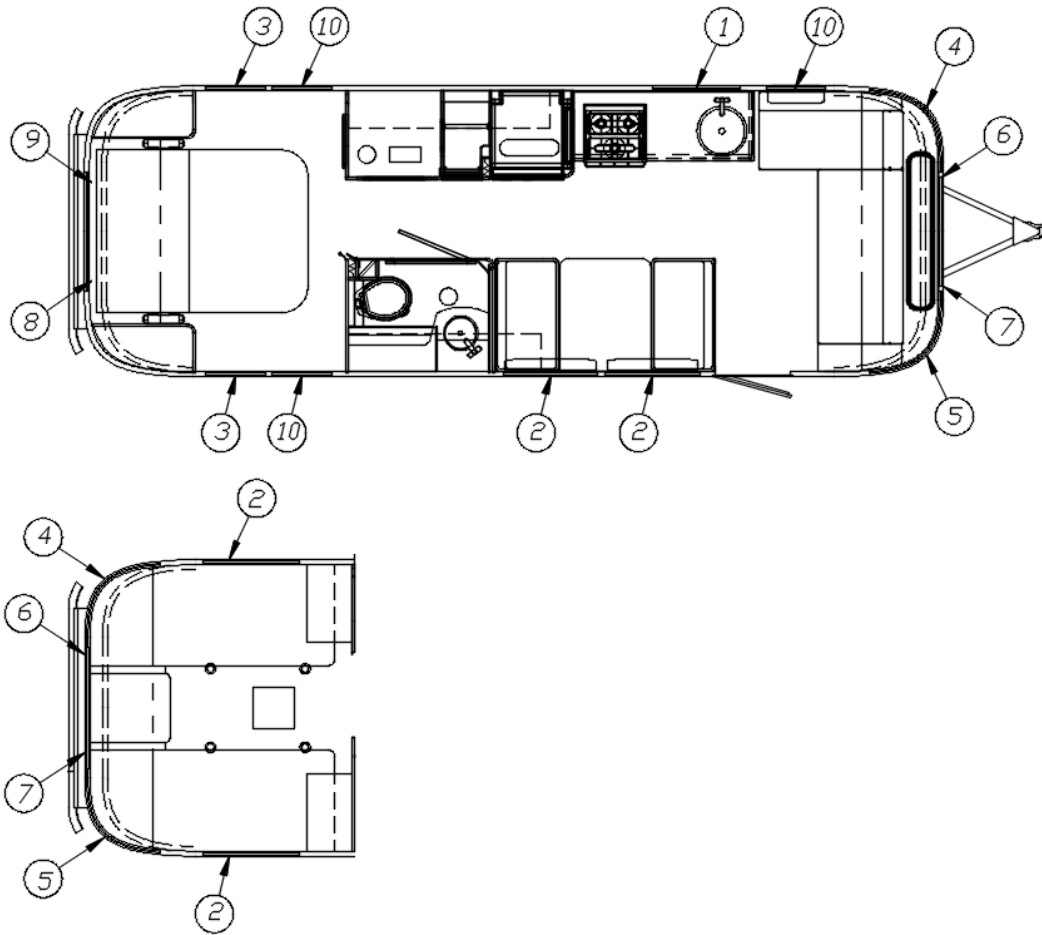
111848

### Window Coverings Install

- |              |                                       |
|--------------|---------------------------------------|
| 1. 703700-01 | Shade, 19 x 24, Oceanair              |
| 2. 703700-04 | Shade, 29.75 x 34, Oceanair           |
| 3. 998144-09 | Drape, CS side panel, 37 x 25.5       |
| 4. 998144-05 | Drape, CS front panel, 27x 29         |
| 5. 998144-07 | Drape, RS front panel, 27x 29         |
| 6. 998144-11 | Drape, RS side panel, 37 x 25.5       |
| 7. 998171-20 | Drape, CS rear panel, 19 x 35.5       |
| 8. 704199-02 | Shade, 31.25 x 9.5, 1" rail, Ash Grey |
| 704120-01    | Shade, skylight, 14.5 x 22, Grey      |
| 704120-02    | Shade, skylight, 19.25 x 20, Grey     |

# 2016 INTERNATIONAL TRAVEL TRAILER DRAPES, SHADES

## Drapes & Shades, 28' Signature



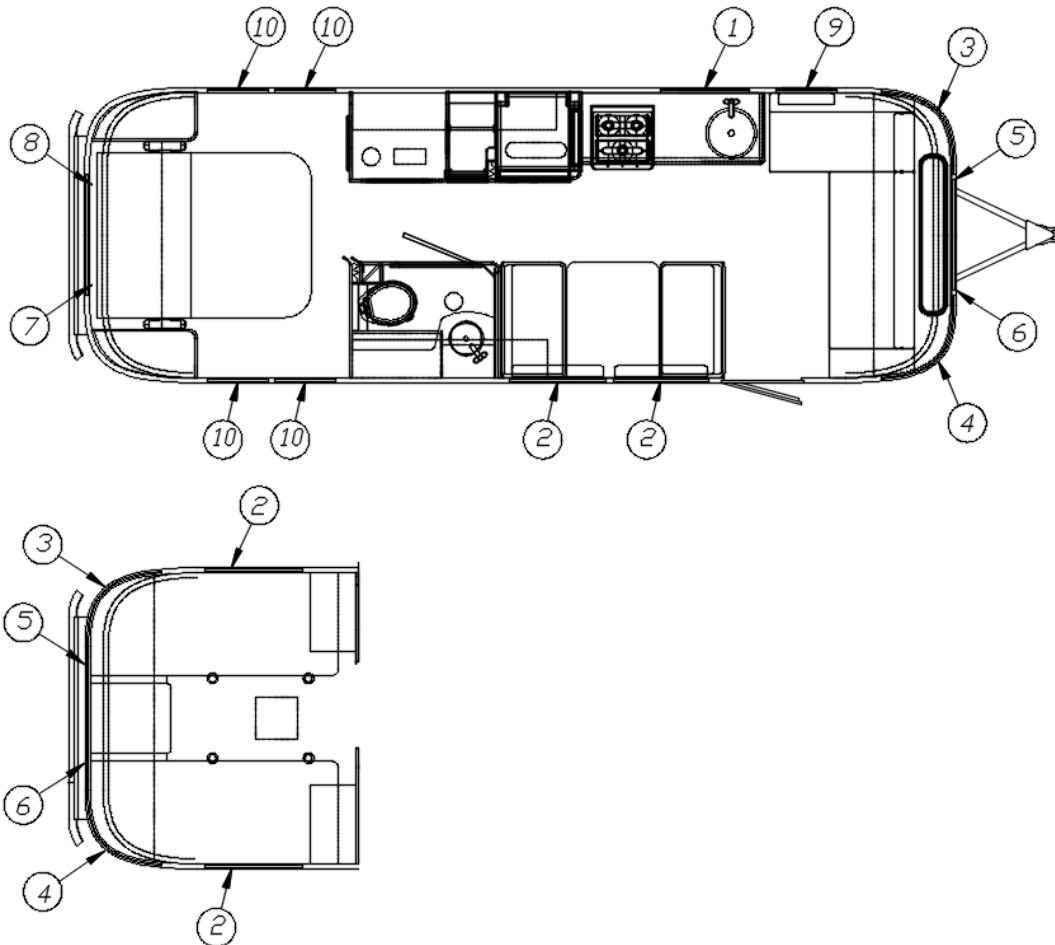
110993  
110993-02

Window Coverings Install  
Window Coverings Install, Twin

- |               |                                       |
|---------------|---------------------------------------|
| 1. 703700-02  | Shade, 32.5 x 24, Oceanair            |
| 2. 703700-04  | Shade, 29.75 x 34, Oceanair           |
| 3. 703700-05  | Shade, 19 x 34, Oceanair              |
| 4. 998144-11  | Drape, RS side panel, 37 x 25.5       |
| 5. 998144-09  | Drape, CS side panel, 37 x 25.5       |
| 6. 998144-07  | Drape, RS front panel, 27x 29         |
| 7. 998144-05  | Drape, CS front panel, 27x 29         |
| 8. 998144-06  | Drape, CS Rear panel, 30 x 29         |
| 9. 998144-08  | Drape, RS Rear panel, 30 x 29         |
| 10. 703700-07 | Shade, 17.75 x 34, Oceanair           |
| 704199-01     | Shade, 19.25 x 9.5, 1" rail, Ash Grey |
| 704199-02     | Shade, 31.25 x 9.5, 1" rail, Ash Grey |
| 704120-01     | Shade, skylight, 14.5 x 22, Grey      |
| 704120-02     | Shade, skylight, 19.25 x 20, Grey     |

# 2016 INTERNATIONAL TRAVEL TRAILER DRAPES, SHADES

## Drapes & Shades, 28' Serenity



111849  
110993-02

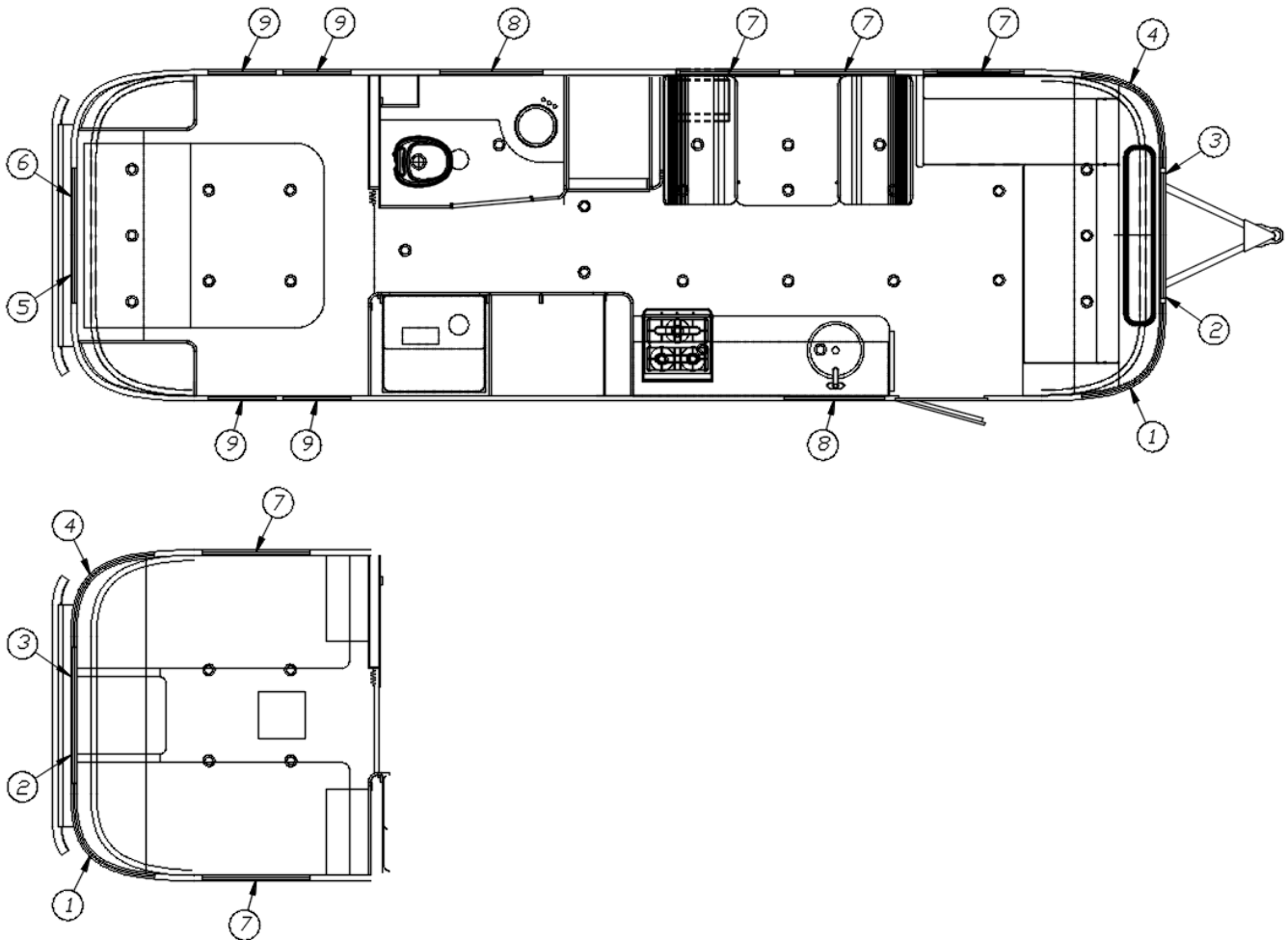
Window Coverings Install  
Window Coverings Install, Twin

- |               |                                       |
|---------------|---------------------------------------|
| 1. 703700-02  | Shade, 32.5 x 24, Oceanair            |
| 2. 703700-04  | Shade, 29.75 x 34, Oceanair           |
| 3. 998144-11  | Drape, RS side panel, 37 x 25.5       |
| 4. 998144-09  | Drape, CS side panel, 37 x 25.5       |
| 5. 998144-07  | Drape, RS front panel, 27 x 29        |
| 6. 998144-05  | Drape, CS front panel, 27 x 29        |
| 7. 998144-06  | Drape, CS rear panel, 30 x 29         |
| 8. 998144-08  | Drape, RS rear panel, 30 x 29         |
| 9. 703700-07  | Shade, 17.75 x 34, Oceanair           |
| 10. 998171-24 | Drape, 27 x 34.5                      |
| 704199-01     | Shade, 19.25 x 9.5, 1" rail, Ash Grey |
| 704199-02     | Shade, 31.25 x 9.5, 1" rail, Ash Grey |
| 704120-01     | Shade, skylight, 14.5 x 22, Grey      |
| 704120-02     | Shade, skylight, 19.25 x 20, Grey     |

# 2016 INTERNATIONAL TRAVEL TRAILER

## DRAPES, SHADES

### Drapes & Shades, 30' Signature



111907  
111907-02

Window Coverings Install  
Window Coverings Install, Twin

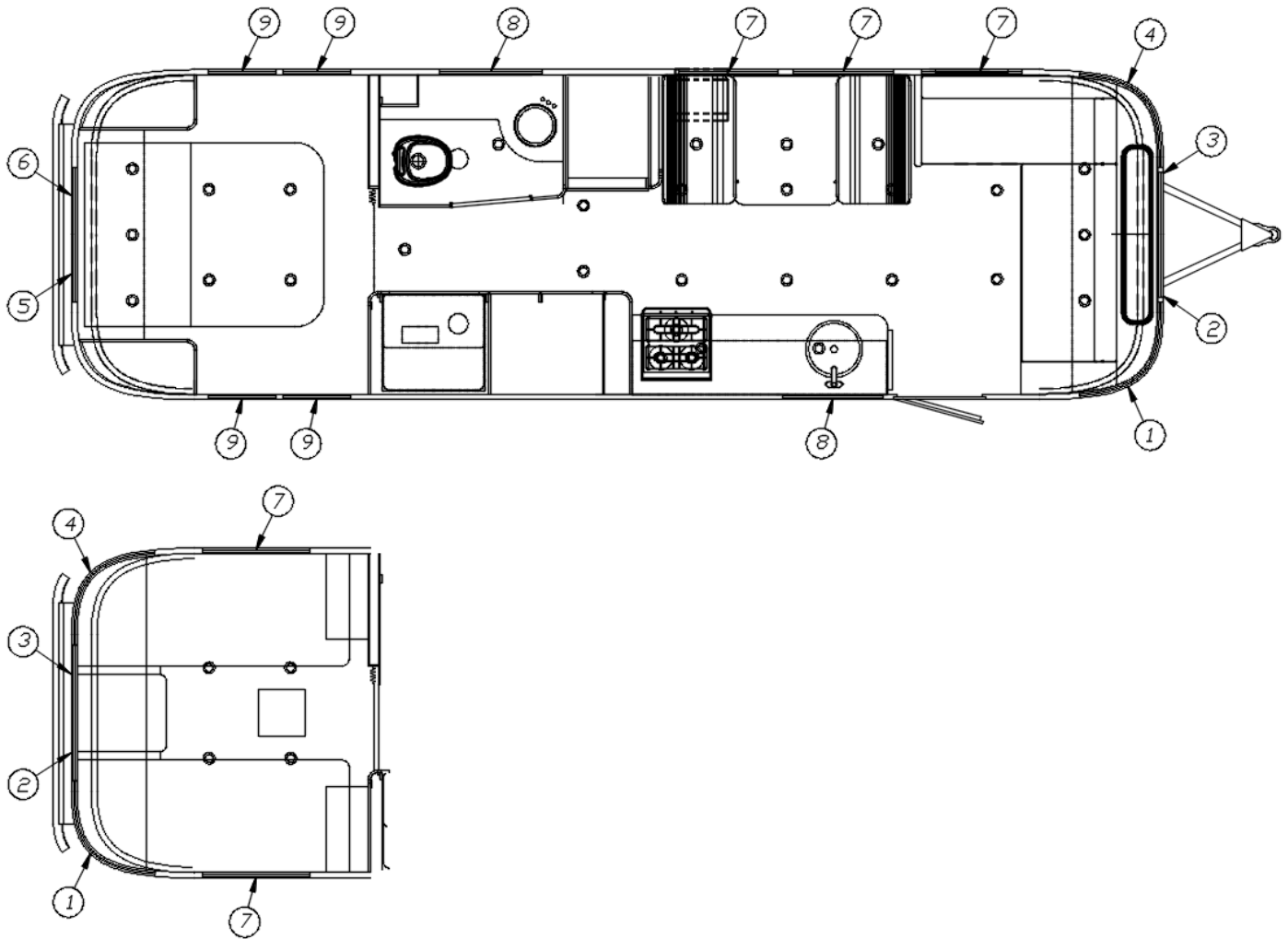
- |              |                                       |
|--------------|---------------------------------------|
| 1. 998144-09 | Drape, CS side panel, 37 x 25.5       |
| 2. 998144-05 | Drape, CS front panel, 27 x 25.5      |
| 3. 998144-07 | Drape, RS front panel, 27 x 25.5      |
| 4. 998144-11 | Drape, RS side panel, 37 x 25.5       |
| 5. 998144-06 | Drape, CS rear panel, 30 x 29         |
| 6. 998144-08 | Drape, RS rear panel, 30 x 29         |
| 7. 703700-04 | Shade, 29.75 x 34, Oceanair           |
| 8. 703700-02 | Shade, 32.5 x 24, Oceanair            |
| 9. 703700-05 | Shade, 19 x 34, Oceanair              |
| 703700-07    | Shade, 17.75 x 34, Oceanair           |
| 704199-02    | Shade, 31.25 x 9.5, 1" rail, Ash Grey |
| 704120-01    | Shade, skylight, 14.5 x 22, Grey      |
| 704120-02    | Shade, skylight, 19.25 x 20, Grey     |



# 2016 INTERNATIONAL TRAVEL TRAILER

## DRAPES, SHADES

### Drapes & Shades, 30' Serenity



111913  
111907-02

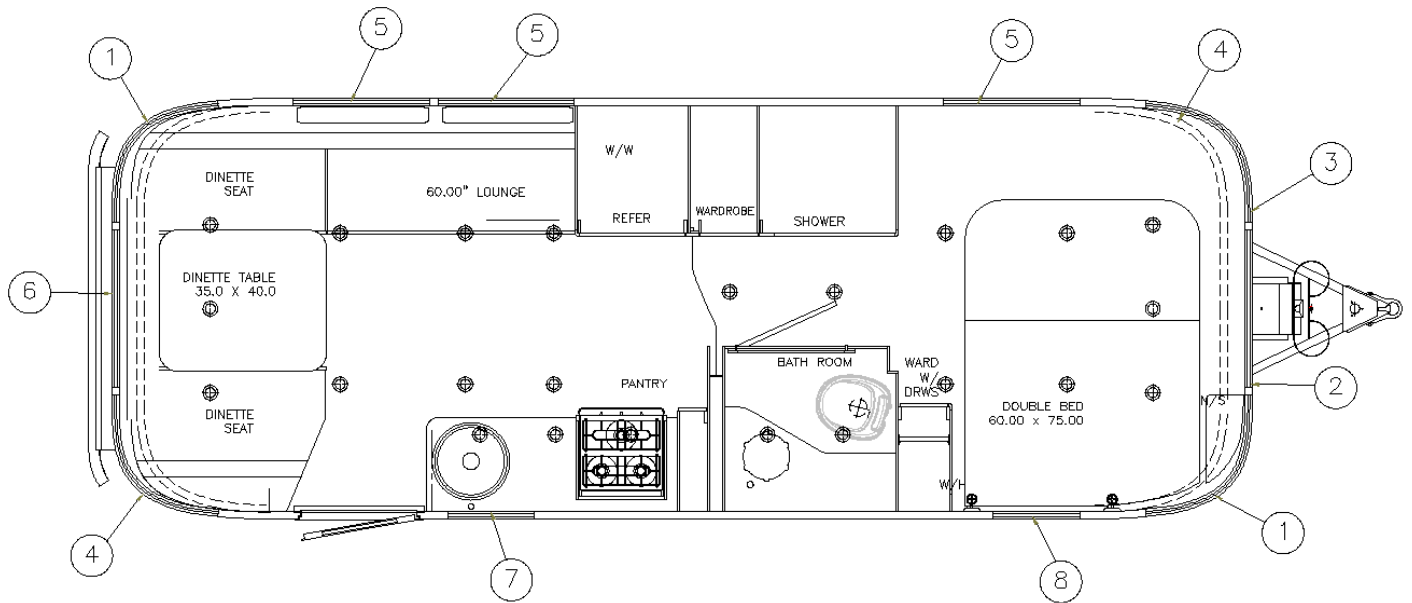
Window Coverings Install  
Window Coverings Install, Twin

- |              |                                       |
|--------------|---------------------------------------|
| 1. 998144-09 | Drape, CS side panel, 37 x 25.5       |
| 2. 998144-05 | Drape, CS front panel, 27x 29         |
| 3. 998144-07 | Drape, RS front panel, 27x 29         |
| 4. 998144-11 | Drape, RS side panel, 37 x 25.5       |
| 5. 998144-06 | Drape, CS rear panel, 30x 29          |
| 6. 998144-08 | Drape, RS rear panel, 30x 29          |
| 7. 703700-04 | Shade, 29.75 x 34, Ocean Air          |
| 8. 703700-02 | Shade, 32.5 x 24, Ocean Air           |
| 9. 998171-24 | Drape, 27 x 34                        |
| 704199-02    | Shade, 31.25 x 9.5, 1" rail, Ash Grey |
| 704120-01    | Shade, skylight, 14.5 x 22, Grey      |
| 704120-02    | Shade, skylight, 19.25 x 20, Grey     |

# 2016 INTERNATIONAL TRAVEL TRAILER

## DRAPES, SHADES

### Drapes & Shades, 25FB Eddie Bauer



115527

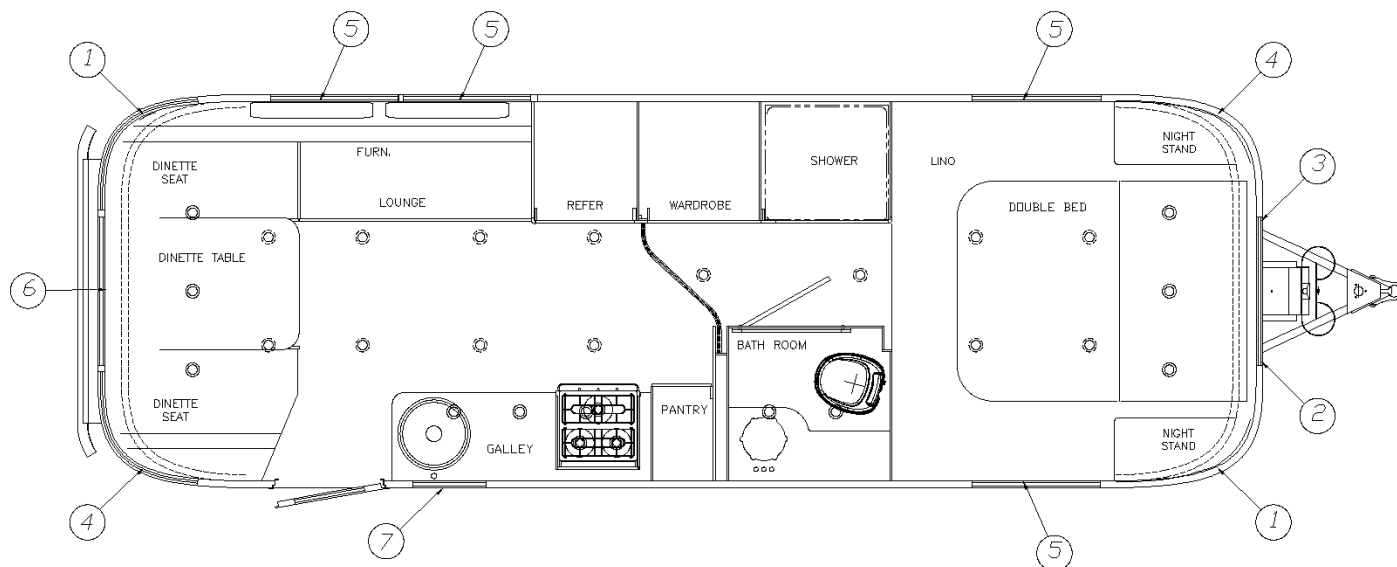
#### Window Coverings Install

- |              |                                       |
|--------------|---------------------------------------|
| 1. 998144-11 | Drape, RS side panel, 37 x 25.5       |
| 2. 998144-05 | Drape, CS front panel, 27 x 29        |
| 3. 998144-07 | Drape, RS front panel, 27 x 29        |
| 4. 998144-09 | Drape, CS side panel, 37 x 25.5       |
| 5. 703700-04 | Shade, 29.75 x 34, Oceanair           |
| 6. 703700-08 | Shade, 41.5 x 34, Oceanair            |
| 7. 703700-05 | Shade, 19 x 34, Oceanair              |
| 8. 703700-07 | Shade, 17.75 x 34, Oceanair           |
| 704199-02    | Shade, 31.25 x 9.5, 1" rail, Ash Grey |
| 704120-01    | Shade, skylight, 14.5 x 22, Grey      |
| 704120-02    | Shade, skylight, 19.25 x 20, Grey     |

# 2016 INTERNATIONAL TRAVEL TRAILER

## DRAPES, SHADES

### Drapes & Shades, 27FB Eddie Bauer



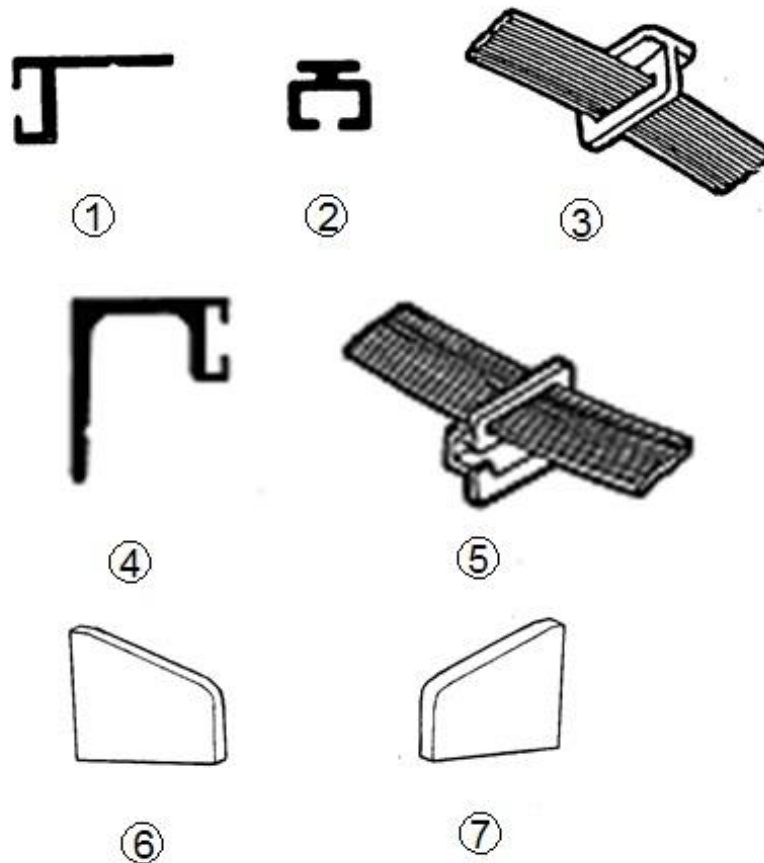
112005

#### Window Coverings Install

- |              |                                       |
|--------------|---------------------------------------|
| 1. 998144-11 | Drape, RS side panel, 37 x 25.5       |
| 2. 998144-05 | Drape, CS front panel, 27 x 29        |
| 3. 998144-07 | Drape, RS front panel, 27 x 29        |
| 4. 998144-09 | Drape, CS side panel, 37 x 25.5       |
| 5. 703700-04 | Shade, 29.75 x 34, Oceanair           |
| 6. 703700-08 | Shade, 40.5, x 34, Oceanair           |
| 7. 703700-05 | Shade, 19 x 34, Oceanair              |
| 704199-02    | Shade, 31.25 x 9.5, 1" rail, Ash Grey |
| 704120-01    | Shade, skylight, 14.5 x 22, Grey      |
| 704120-02    | Shade, skylight, 19.25 x 20, Grey     |

# 2016 INTERNATIONAL TRAVEL TRAILER DRAPES, SHADES

## Draperies & Shades Hardware



- |           |   |
|-----------|---|
| 1. 101220 | Bracket, curtain stand off              |
| 2. 101217 | Track, curtain                          |
| 3. 700044 | Glides, w/elastic "T" type              |
| 4. 101225 | Bracket, curtain stand off              |
| 5. 700045 | Glides, w/elastic "G" type              |
| 6. 200785 | End, curtain track, LH                  |
| 7. 200784 | End, curtain track, RH                  |
| 100099    | Extrusion, aluminum, curtain track, top |

## Draperies Parts & Material

- |        |   |
|--------|---|
| 703903 | Fabric, Drapery, Wyeth off White, A2GO            |
| 704054 | Drapery Lining, Thermal Suede Fr (Dry Clean Only) |
| 700005 | Fastener, Cap                                     |
| 700006 | Fastener Socket                                   |
| 700020 | Pile Velcro                                       |
| 700021 | Hook, Velcro, White                               |
| 340030 | Fastener Stud, Nickel Plated                      |

# 2016 INTERNATIONAL TRAVEL TRAILER

## ELECTRICAL, 110 VOLT

### Shoreline Cord & Converter

512401-02	Inlet, Male 30 Amp, 125v Titanium
512401-01	Power Cord, 30 Amp, 30', Titanium
512845-01	Power Center, 110V/12V, 30 Amp, Black
512845-02	Power Center w/30 Amp A/C transfer switch

### Breakers & Breaker Box

510564-01	Breaker, Bryant, 20
510564-04	Breaker, 20-20, Siemans, CSA
510564-06	Breaker, 20 GFI, Bryant, CSA
510564-09	Breaker, 15 Amp, Bryant
510564-11	Breaker, 10-10, Bryant
510564-12	Breaker, 10 Amp, Bryant
510564-1515	Breaker, Type BRD, BD 15-15
510564-2020	Breaker, Type BRD, BD 20-20
510564-3020	Breaker, Type BRD, BD 30-20
510564-20GFI	Breaker, Type BR, 20GFI
510663	Breaker, 30 Amp
510664	Breaker, Square D
510678	Breaker, Square D
511336	Breaker box
511041	Breaker box
453573	Mounting bracket, Breaker box

### Generator Prep

512401-02	Inlet, Male, 125V, 30A
385062	Decal, 110-125 Voltage, A/C
115155-01	Gen prep remote w/o switch

### Inverter

512680	Inverter w/remote, 1000W
512680-01	Inverter, 15A time-delay fuse
512680-02	Inverter, RJ 22 4P/4C connector
512680-03	Install tool for 512680-02
511969-01	110A fuse & block
500039	Ground lug
511286-03	Wire, Tele. 26 gauge, Flat Red
512052	Power connector, 2 wires
512053	Power connector, 3 wires
511023	Tester, Circuit Analyzer, 3 Wire

# 2016 INTERNATIONAL TRAVEL TRAILER

## ELECTRICAL, 110 VOLT

### Junction Box

510014	Box Junction Octagon
510015	Box Cover
510475	Clip, Ground
510741	Electrical box
511411	Junction box, 7 terminal

### 50 Amp Service, 2<sup>nd</sup> A/C

511149-03	Power cord, 50 Amp, 36 Ft.
511149-02	Power inlet w/strain relief
690380-10	Intake air box and ceiling shroud, White
690380-11	Adapter duct, Use w/690380-10
511260	Weatherproof cover, Single
512818	Power center, AC/DC, Parallax
512408	Cable connector, 1"

### Microwave Switch, 27FB

512221	Switch, 300V, 10A
386230	Label, Microwave 120VAC 60HZ 70

### Receptacles

500563-03	Receptacle, Self-contained, White
500563-04	Wall plate w/screws for 500563-03, White
512562	Receptacle gasket, Neoprene w/adhesive
511287	Receptacle, 15 amp, Single
512741	W.P. cover w/gasket, Gray
512481-01	Receptacle, 20 Amp, Single, White
512481-02	Receptacle, 20 Amp, Single, Brown
512481-03	Decorator cover plate w/screws, Brown
511534	Dual coax plate, White
512369	Receptacle, 15A SLG, White
512370	Wall plate, 1 gang, Single receptacle
511375	Jack, Modular telephone
512398	Power supply, Wall plate, White
511814-01	Receptacle, Duplex, Self-contained, Gray
511814-02	Plate, Decorator, 1 gang, Gray
510888-05	Receptacle w/cover, GFI, White
510888-06	Spacer, Receptacle, GFI, White
510888-07	Receptacle cover, White

# 2016 INTERNATIONAL TRAVEL TRAILER

## ELECTRICAL, 12 VOLT

### Battery

511596	Battery, Deep cycle, Interstate SRM-24
410551-02	Battery box lid
500836-02	Positive battery cable, 72"
500837	Negative battery cable
203415	Battery tray
512049-01	Cable, Red jumper Bat. 6GA 7.75"
512049-02	Cable, Black jumper Bat. 6GA 7.75"

### Battery Disconnect

511655-01	Bezel assembly, Black & Silver
511655-02	Relay, 100 amp, 12 volt
511655-03	Cable, 20'
511655-05	Cable, BDO, 30'

### 7-Way Cable & Breakaway Switch

500886-01	7-Way cable w/plug, 12'
512401-01	Power cord, 30A, 30'
512401-02	Male inlet, 125V, 30A
510743	Ground bar, 3.5" long
0300027	Breakaway switch, Bargman
454526	Bracket, Breakaway switch
512537-01	Raceway w/latch, Electrical, Ivory

### Interior Lights

512736	Light w/switch, LED, Single
512719	Reading light, Directional, LED, Nickel
512720	Spotlight, Surface mount, LED
512718	Spot light w/frosted lens, LED, Brushed Nickel
*512936	LED spot light w/frost lens
512478	Light, LED, Wet location
512403	Sconce w/black, Satin Nickel, Serenity
512403-01	Sconce bulb, LED, Serenity
512462	Reading light w/frosted lens, LED
512533	Auxiliary light, LED

\*512936 replaces 512718

# 2016 INTERNATIONAL TRAVEL TRAILER

## ELECTRICAL, 12 VOLT

### Monitor System

512566	Monitor, Tank system kit, Seelevel
512566-01	Flush mount monitor panel only
512566-02	Sender pad
511252	Phone plug, 4 conductor
511393	Coupler, Modular extension, 4 conductor
511286	Wire, Telephone 26GA flat, Gray
511286-02	Wire, Telephone 26GA flat, Ivory
602211	Plug, ¾", MPT plastic, Eddie Bauer
511789-01	Boot, Sensor

### Solar Panel System

511828	Battery, 12V deep cycle, AGM
510696	Fuse holder, In-line
510328	Fuse, AGC 10
385947	Label, 10 amp fuse max
511846	Kit, Charge controller display
511851	Cable, Cat 5E blue
511852	Connector, RJ45E
510539-02	Wire, 10 gauge, Yellow
510539-08	Wire, 10 gauge, 19 Strand, Green
512049-03	Jumper cable, Battery, w/.38 ends
115583	Plate, Solar battery spacer
511142-01	Panel, Solar 50 watt
511142-02	Bracket, Mounting kit solar panel

### Breakers

510947-20	Breaker, 12V DC, Type II
510947-30	Breaker, 12V DC, Type II
510947-50	Breaker, 12V DC, Type II
510946-04	Bracket, 4-Position, Circuit Breaker, 12V
500475-20	Breaker, 12 VDC, Ears, 20 Amp
500475-30	Breaker, 12 VDC, Ears, 30 Amp
500475-50	Breaker, 12 VDC, Ears, 50 Amp



# 2016 INTERNATIONAL TRAVEL TRAILER

## ELECTRICAL, 12 VOLT

### Switches & USB Ports

512709	Slide dimmer switch, 12V, Black
500933	Switch, Water heater
502056	Mounting plate, 12V
511100	Switch body w/switches
511327-100	Switch rocker, Black
511658	Switch body w/cover, 3 gang
511566-01	Switch cover, 2 gang, Black
511567-01	Switch body w/rocker switches, 2 gang, Black
511673	Switch cover, 2 gang, Black
511674	Switch cover, 1 gang, Black
511731-01	Switch, Water heater, Black
511763	Switch w/cover & indicator, Lounge & patio
511784	Switch body w/cover, 4 gang, Black
511785	Switch cover, SPDT, Indirect, Black
511799	Switch w/cover, Vanity & indirect
511809	Switch body w/cover, 4 gang
511975	Switch, 4 gang, Black
511977	Switch, SPDT, Black
511979	Switch, 3 gang, Black
511980	Switch, 4 gang, Black
511999	Switch, 2 gang, Black
510658	Switch w/weather proof boot
512792	USB port pigtail
512791	USB port w/Q nut, Dual, Black

### Power Awning Cables

512649-01	Cable w/RG45 connectors, CAT5E, 23FB & 28' A2GO
512649-02	Cable w/RG45 connectors, CAT5E, 28' A2GO

### Wireless Backup Camera, Optional

512946-01	Digital wireless observation kit
512946-02	Voyager digital autopair camera
512946-03	Voyager 5.6" LCD monitor

# 2016 INTERNATIONAL TRAVEL TRAILER

## ELECTRICAL, 12 VOLT

### Exterior Lights

512532	Patio light, 4" round, LED
510732-02	Utility light (by main door)
512409	License plate holder
512860	Clearance light, LED, Red
512860-01	Clearance light, Flat Chrome base
512928	Curved bezel w/gasket, Required for 3 top lights
382181	Clearance light, Gasket
512859	Clearance light, LED, Amber
512859-01	Clearance light, Flat Chrome base
512859-02	Clearance light, Gasket
510112	Amber clearance light, Double bulb, CSA
511294	Light, License plate
512533	Auxiliary light, LED, Surface mount
994165	Entrance light above main door
101323	Casting, Step light, Polished Aluminum
201185	Lens, Step light
512490	Bulb, 25 Diode, Entry light
512918-01	LED flex light strip, 19'
512918-02	LED flex light strip, 23D, 23FB, 25', 25FB
512918-03	LED flex light strip, 27FB, 28', 30'

### Fuse Block, CSA

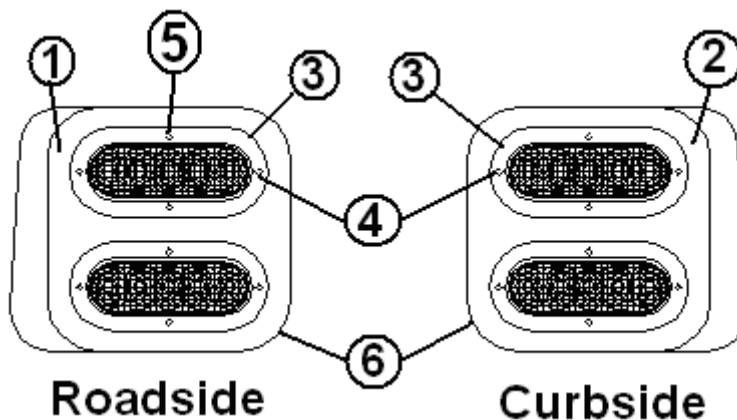
964082	Fuse block, 12V
452412-01	Bracket, Fuse block, 12V
511313	Block, Fuse, ATC, 12V, 6 position
511314	Universal bushing, 1" ID, Black
511345	Fuse, 30A AGU Glass Tube, Bussman
500773-10	Fuse, ATC, 12V DC, 10 Amp

### Fuses

500773-10	Fuse, ATC 12V DC, 10 Amp
500883-01	Fuse 12, CSA 1 amp
500883-05	Fuse 12V, AGC 5 amp
511345	Fuse 30A AGU, glass tube BUSS
511313	Block fuse, ATC 12V, 6 position
512318	Holder w/1 amp AFC fuse, In-line
510696	Holder, fuse, inline
385947	Label, 10 amp fuse max.
385987	Label, 5 Amp Fuse Max.
510328	AGC 10 fuse, fuse panel
511969-01	110A fuse and fuse block

# 2016 INTERNATIONAL TRAVEL TRAILER ELECTRICAL, 12 VOLT

## Taillight Assembly



952929-01  
952929-02

Taillight Assembly, LED, Roadside  
Taillight Assembly, LED, Curbside

1. 511664-01  
2. 511664-02  
3. \*512425  
4. 512425-02  
5. 345473  
6. 512425-03  
115073-01  
115073-02  
115074

Taillight casting, Roadside  
Taillight casting, Curbside  
6" oval LED tail light kit  
Trim ring  
Screw, #6 X 3/4", Self-drilling  
Gasket, Taillight  
Bracket, Roadside taillight  
Bracket, Curbside taillight  
Bracket, Center taillight

\*512425 Tail Light Kit Includes Tail Light, Trim Ring & Gasket.

## 2016 INTERNATIONAL TRAVEL TRAILER ENTERTAINMENT

### TV Antenna & Jacks

512657-01	Antenna, Omni-directional, White
500484-05	Antenna lead & extension, 72"
500484-04	Antenna lead & extension, 48"
500484-07	Antenna lead & extension, 144"
512398	Power supply, Wall plate, Amplifier w/2 TV hook-up
510788-04	Hardware package, Interior, Wineguard
510612	Coax, 75 OHM, Standard
510623	Connector, Coax, Male-male
510616	"F" connector, Coax, 75 OHM
511827	Wall plate, Flush mount coax, White
510614	TV jack, 12 volt, Coax
510614-01	TV jack, 12 volt, Coax, White
512568	Exterior TV/SAT inlet, Titanium
510654-01	TV jack, 12 volt w/splitter, White
511534	Dual coax plate, White
690266-03	Extension garnish, 4", Roof
512406	RG6 hex compression connector, (Satellite Prewire)
512407	RG6 Coax Cable

### Audio & Video

512929	Radio, AM/FM/CD, Clarion
511807	Antenna, AM/FM, Rubber, 13"
511834	Patch cord, Male-male, 2-Way, 30'
511703	Patch cord, Male-male, 2-Way, 20'
512811	Speaker, 2-Way, 6.5", Clarion
203599	Speaker spacer, 5/8"
511856	Wiring kit, 4 way flat, Ext. speaker
690681	LED HDTV, 24" Samsung
512024	Jack, Audio prep
511822	Powered sub-woofer, 6.5", Wedge
511645	"Y" adapter, Male-female
511829	"F" Connector, Male-male adapter

## 2016 INTERNATIONAL TRAVEL TRAILER ENTERTAINMENT

### Blu-Ray Player

512924	Blu-Ray disc player, Samsung
512499	Mini coax cable, 48"
512366-20	HDMI cable, Male-male, 20'
512366-35	HDMI cable, Male-male, 35'
512561	HDMI right angle adapter, Right side

### Flat Screen TV, 24" TV, 19, 23D, 23FB

690681	LED HDTV, 24" Samsung
512526-01	Articulating arm
512499	Cable, Mini coax, 48" TRL
381136	Spacer bumpers, TV bracket
340300	Clip, Cable holder
382184	Sleeve, Flexo braided split

### Flat Screen TV, 28" TV, Wide Body Trailers

690669	LED HDTV, 28" Samsung
512656	TV bracket, Flush
512499	Cable, Mini coax, 48"
801946	Spacer, TV bracket
801946-15	Spacer, TV bracket, Serenity
382184	Sleeve, .75", Flexo braided split

### Bedroom TV, 24" TV, Wide Body Trailers

690682	LED HDTV, 24" Samsung
512457	Articulating Arm
511314	Universal bushing, 1" ID, Black
512499	Cable, Mini coax, 48"
512501	Splitter, HDMI pass through
340300	Clip, Cable holder
382184	Sleeve, Flexo braided split



# 2016 INTERNATIONAL TRAVEL TRAILER FLOOR COVERINGS

## Floor Covering

703944	Flooring, Vinyl Beau White Oiled Ash
704121	Flooring, Vinyl Tarkett, Fresh Start, Serenity
703835	Flooring, Vinyl Yasmine, Eddie Bauer
703766-01	Adhesive, AAT 272 Super Premium
702665	Rug cushion, Non-slip
703852	Entrance mat w/Airstream logo
203594-02	Floor trim, Ash Grey
703938	Mat, Airstream, Rear door, Eddie Bauer
203727	Foil, Single bubble flex

## Furniture & Cushion Batting

701538-01	Carpet, Econolier w/PSA backing
-----------	---------------------------------

# 2016 INTERNATIONAL TRAVEL TRAILER FURNITURE, INTERIOR DOORS

## Doors, Roof Lockers, Signature

203749-01	Door, Plexiglass, 17.5"
203749-05	Door, Plexiglass, 11.75"
203749-08	Door, Plexiglass, 30"
203749-09	Door, Plexiglass, 26.25"

## Doors, Roof Lockers, Serenity

203677-01	Door, 11.31 x 17.5
203677-02	Door, 11.31 x 26.25
203677-03	Door, 11.31 x 30
203677-05	Door, 11.31 x 11.75

## Doors, Roof Lockers, Eddie Bauer

203708-01	Door, Plexiglass, 11.31 x 30
203708-02	Door, Plexiglass, 11.31 x 24.75

## Door, Foldette, 19'

704166	Foldette door, 60 x 73, Black
381581	Strap, Clear plastic

## Door, Foldette, 23D

704166	Foldette door, 60 x 73, Black
381890-02	Track, Straight
452258	Mounting bracket
381581	Strap, Clear plastic
703142-01	Strap, Bedroom door holdback



## 2016 INTERNATIONAL TRAVEL TRAILER FURNITURE, INTERIOR DOORS

### Door, Foldette, 23FB

704166	Foldette door, 60 x 73, Black
381890-01	Track, Formed
381890-02	Track, Straight
703911-02	Track, Formed
382056	Track
452258	Mounting bracket
381581	Strap, Clear plastic
703142-01	Strap, Bedroom door holdback

### Door, Foldette, 25'

704166	Foldette door, 60 x 73, Black
381890-01	Track, Formed
381890-02	Track, Straight

### Door, Foldette, 25FB, 27FB

704166	Foldette door, 60 x 73, Black
381890-01	Track, Formed
381890-02	Track, Straight
452258	Mounting bracket
381581	Strap, Clear plastic
703142-01	Strap, Bedroom door holdback

### Door, Foldette, 28', 30'

704166	Foldette door, 60 x 73, Black
382112	Track, Formed
381581	Strap, Clear plastic

### Door, Foldette, Eddie Bauer

702681-08	Foldette door, 60 x 73, Beige
381890-01	Track, Formed
381890-02	Track, Straight
381581	Strap, Clear plastic

# 2016 INTERNATIONAL TRAVEL TRAILER

## FURNITURE, DRAWER BOXES & SLIDES

### Drawer Boxes

964909-11	Drawer Box, 10" x 14" x 19"
965584-01	Drawer Box, 3.38" x 13.75" x 11", Eddie Bauer
968020-01	Drawer box, 5 x 20.38 x 15
968020-02	Drawer box, 5 x 9.88 x 15
968020-04	Drawer box, 5 x 15.13 x 15
968020-06	Drawer box, 5 x 11.38 x 15
968020-07	Drawer box, 5 x 23.88 x 15
968021-01	Drawer box, 2.75 x 20.38 x 15
968021-03	Drawer box, 2.75 x 15.63 x 15
968021-04	Drawer box, 2.75 x 23.88 x 15
968021-05	Drawer box, 2.75 x 11.63 x 15
968022-05	Drawer box, 6 x 23.88 x 15
968028-02	Drawer box, 8 x 15.81 x 21
968028-03	Drawer box, 8 x 10.13 x 21
968028-04	Drawer box, 8 x 10.13 x 18

### Drawer Slides

381192	Drawer slide, 18"
381833-01	Drawer slide, Under-shelf, 18" (Pair)
381773-03	Drawer slide, 15.75"
381773-25	Drawer slide, 8.38 x 21.63
381944-01	Slide, 18", Per set
381925	Drawer slide, 24"
381833-01	Slide, 18", Under-shelf
382203-03	Slide, Self-close, 15"
382203-04	Slide, Self-close, 18"
382203-05	Slide, Self-close, 21"
382203-06	Front fixing clips (Pr.)

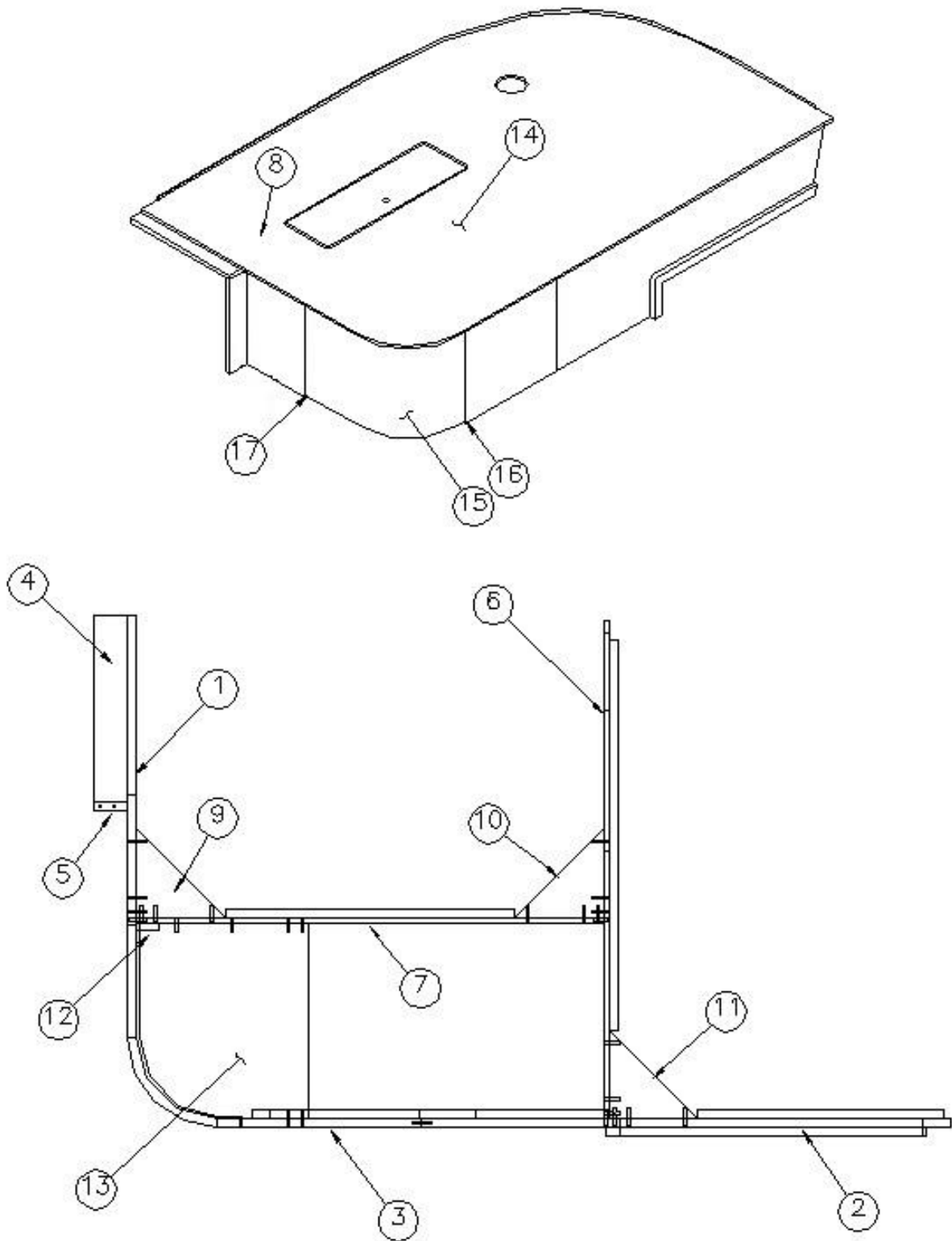
# 2016 INTERNATIONAL TRAVEL TRAILER FURNITURE, MIRRORS

## Mirrors

372203-05	Mirror, Polished edges, 19 x 14
372203-15	Mirror, Polished edges, 17 x 25.25
372203-24	Mirror, Polished edges, 9.50 x 20
372203-26	Mirror, Polished edges, 13.62 x 58
372203-30	Mirror, Safety glass, 14 x 30
372203-33	Mirror, Safety glass, 14 x 40
371423-02	Mirror, Wall mount, Nickel
371423-01	Mirror retainer clip
381220-01	Mirror clip, Nickel Plate
381220-02	Mirror clip, Nickel Plate

# 2016 INTERNATIONAL TRAVEL TRAILER FURNITURE, BEDROOM

Bed, 19', 23D Signature



Parts Listed on Next Page

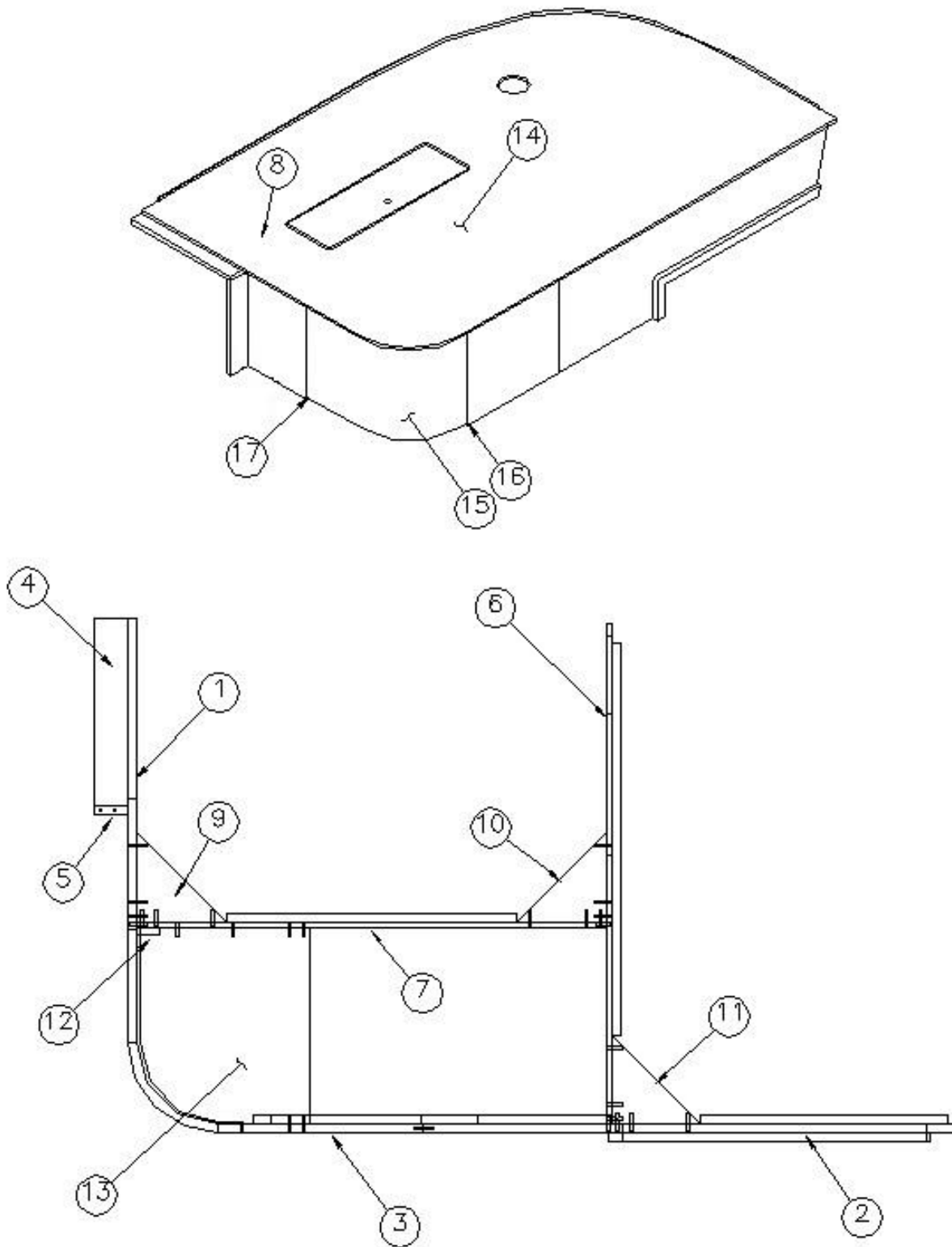
# 2016 INTERNATIONAL TRAVEL TRAILER FURNITURE, BEDROOM

## Bed, 19', 23D Signature

966926	Corner Bed
1. 966926-1	Panel, 27.75 x 15.125
2. 966926-2	Panel, 47.63 x 15.125
3. 966926-3	Panel, 16.19 x 15.125
4. 966926-4	Panel, 17.5 x 3
5. 966926-5	Panel, 3 x 14.36
6. 966926-6	Panel, 44.75 x 15.125
7. 966926-7	Panel, 42 x 15.125
8. 966926-8	Panel, 8 x 8
9. 966926-9	Panel, 8 x 8
10. 966926-10	Panel, 8 x 8
11. 966926-11	Panel, 8 x 8
12. 966926-12	Panel, 2 x 13.5
13. 966926-13	Panel, 15.19 x 17.625
14. 966926-14	Panel, 47.14 x 75.12
15. 966925	Door, Radius, Bed
16. 381853	Piano hinge
17. 203587	Wedge, Radius bed base door
381948	K-catch
382029-00	Handle bar, 7.48"
203667	Storage bin, 23 x 16.75 x 12.38
203439	Storage box, 17 x 11.13 x 6.38
701538-01	Carpet, Econolier W/PSA back
968115	Closeout, Bed plumbing

# 2016 INTERNATIONAL TRAVEL TRAILER FURNITURE, BEDROOM

Bed, 19', 23D Serenity



Parts Listed on Next Page

# 2016 INTERNATIONAL TRAVEL TRAILER

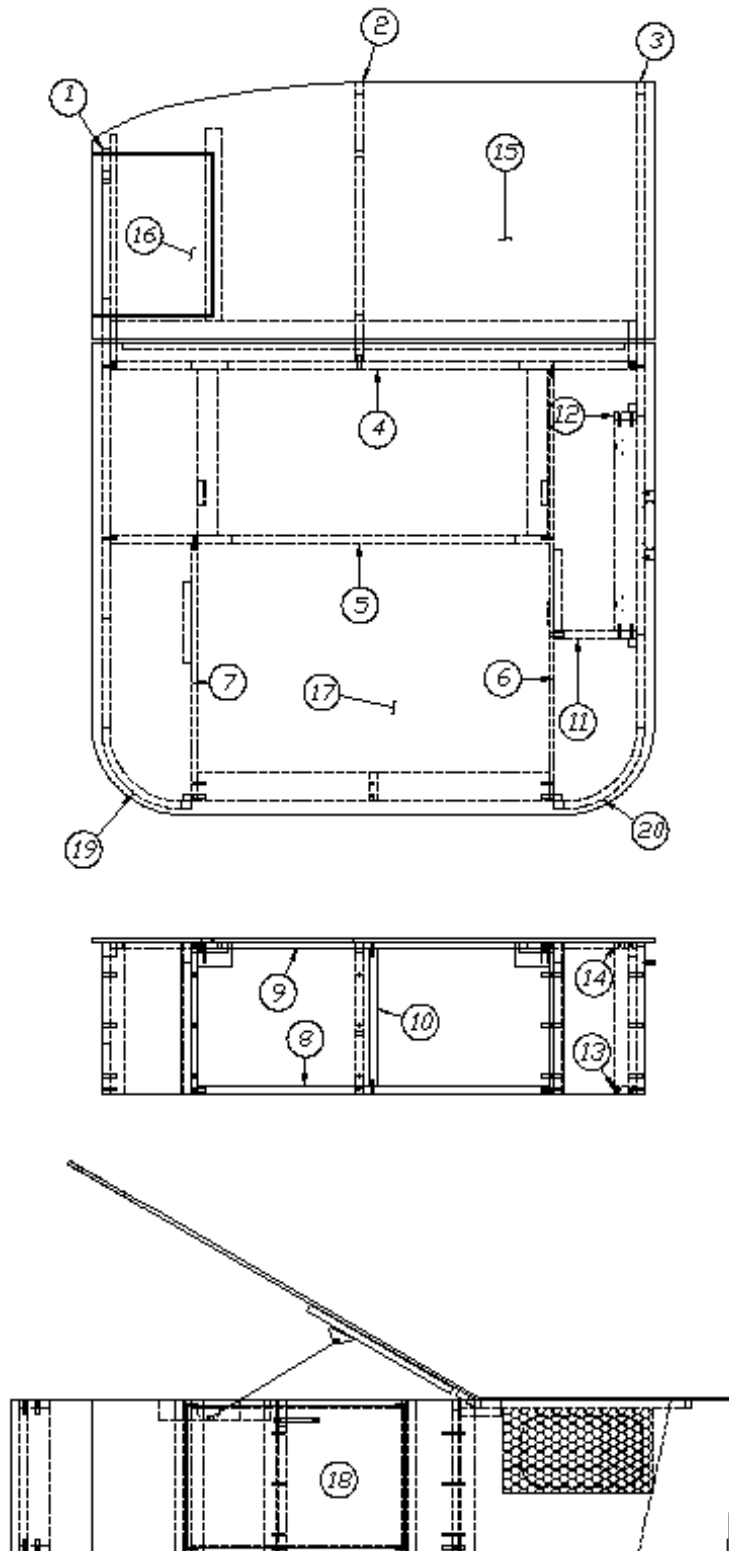
## FURNITURE, BEDROOM

### Bed, 19', 23D Serenity

966926-15	Corner Bed
1. 966926-151	Panel, 27.75 x 15.125
2. 966926-152	Panel, 47.63 x 15.125
3. 966926-153	Panel, 16.19 x 15.125
4. 966926-154	Panel, 17.5 x 3
5. 966926-155	Panel, 3 x 14.36
6. 966926-6	Panel, 44.75 x 15.125
7. 966926-7	Panel, 42 x 15.125
8. 966926-8	Panel, 8 x 8
9. 966926-9	Panel, 8 x 8
10. 966926-10	Panel, 8 x 8
11. 966926-11	Panel, 8 x 8
12. 966926-12	Panel, 2 x 13.5
13. 966926-13	Panel, 15.19 x 17.625
14. 966926-14	Panel, 47.14 x 75.12
15. 966925-15	Door, Radius, Bed
16. 381853	Piano hinge
17. 203587	Wedge, Radius bed base door
381948	K-catch
382115	Pull, Flat, Black
203667	Storage bin, 23 x 16.75 x 12.38
203439	Storage box, 17 x 11.13 x 6.38
701538-01	Carpet, Econolier w/PSA back
968115-15	Closeout, Bed plumbing

# 2016 INTERNATIONAL TRAVEL TRAILER FURNITURE, BEDROOM

Bed, 23FB Signature



Parts Listed on Next Page



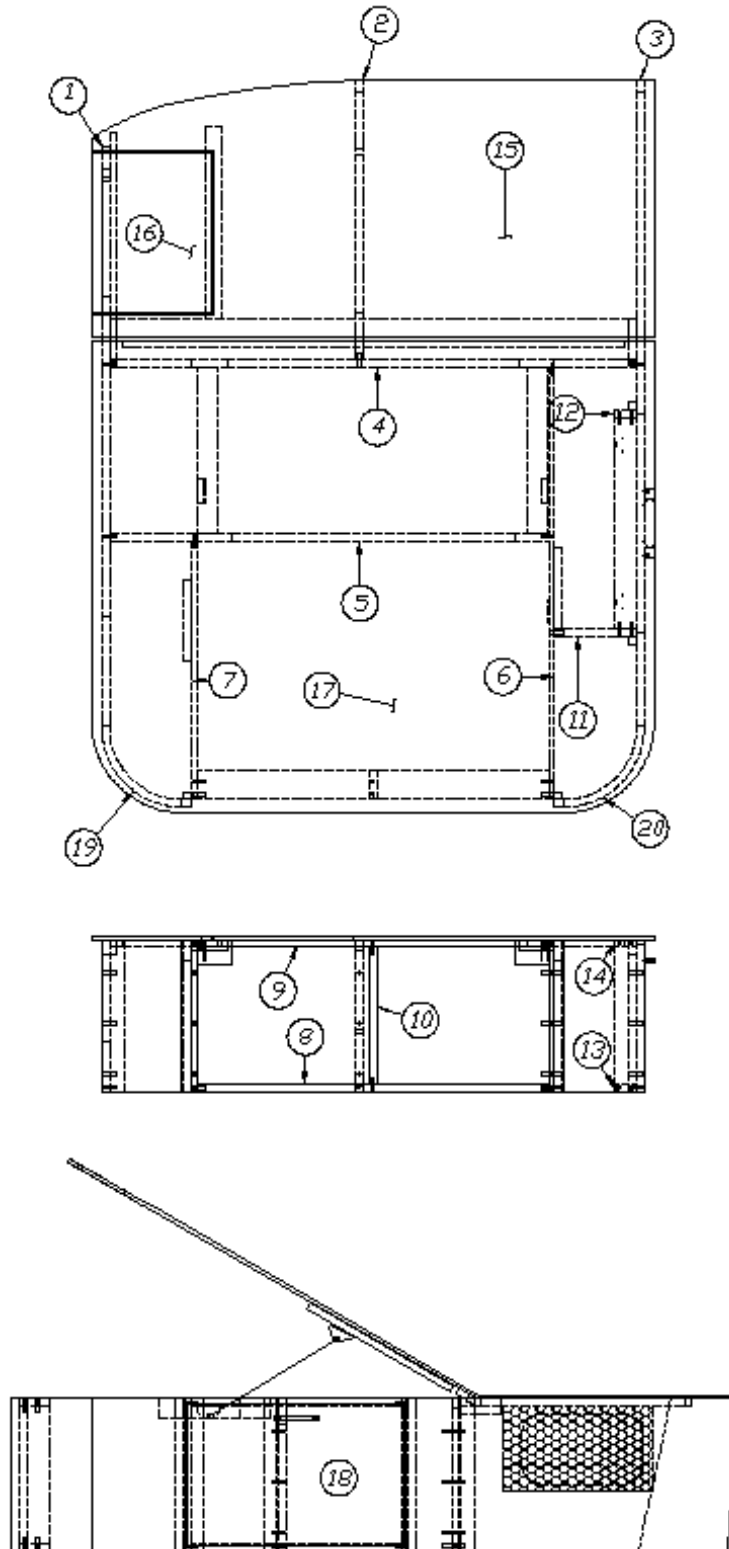
## 2016 INTERNATIONAL TRAVEL TRAILER FURNITURE, BEDROOM

### Bed, 23FB Signature

967264	Bed
1. 967264-1	Panel, 15.13 x 46.62
2. 967264-2	Panel, 15.13 x 33.11
3. 967264-3	Panel, 15.13 x 33.11
4. 967264-4	Panel, 15.13 x 52.50
5. 967264-5	Panel, 15.13 x 43.81
6. 967264-6	Panel, 15.13 x 43
7. 967264-7	Panel, 15.13 x 25.75
8. 967264-8	Panel, 3 x 35.13
9. 967264-9	Panel, 3 x 35.13
10. 967264-10	Panel, 3 x 13.63
11. 967264-11	Panel, 8.19 x 15.13
12. 967264-12	Panel, 2.25 x 15.13
13. 967264-13	Panel, 21 x 2.25
14. 967264-14	Panel, 21 x 2.25
15. 967264-15I	Panel, 56 x 25.63
16. 967264-16	Panel, 16 x 120
17. 967264-17	Panel, 56 x 47
18. 967264-18	Door, 14.25" x 21.63"
19. 967200	Sub assembly, Bed corner
20. 967265	Sub assembly, Bed corner
382029-03	Handle, 11.25"
381607-11	Hinge, Self-close
381228-02	Catch, Grabber door, (5lb Pull)
380203-01	Piano hinge
114812	Aluminum angle, 1" x 1"
203664-01	Grille screen, Plastic
115151	Angle, Bed support
704131	Mattress, Pillowtop, 60" x 75", Queen B
203667	Storage bin, 23" x 16.75" x 12.38"
381067-09	Gas spring, 90 LBS.
381262	Bracket, Prop w/ball
381310	Gas prop bracket, Upper
381084	Ball, Stud

# 2016 INTERNATIONAL TRAVEL TRAILER FURNITURE, BEDROOM

Bed, 23FB Serenity



Parts Listed on Next Page

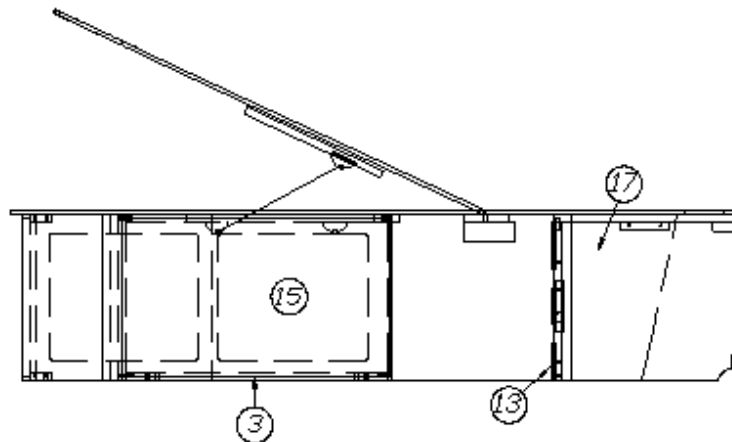
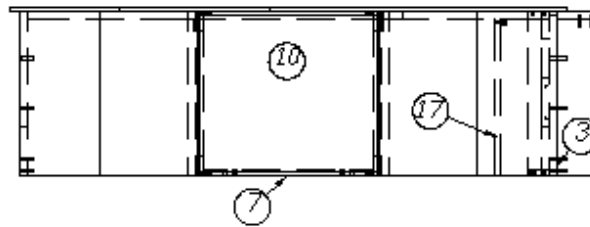
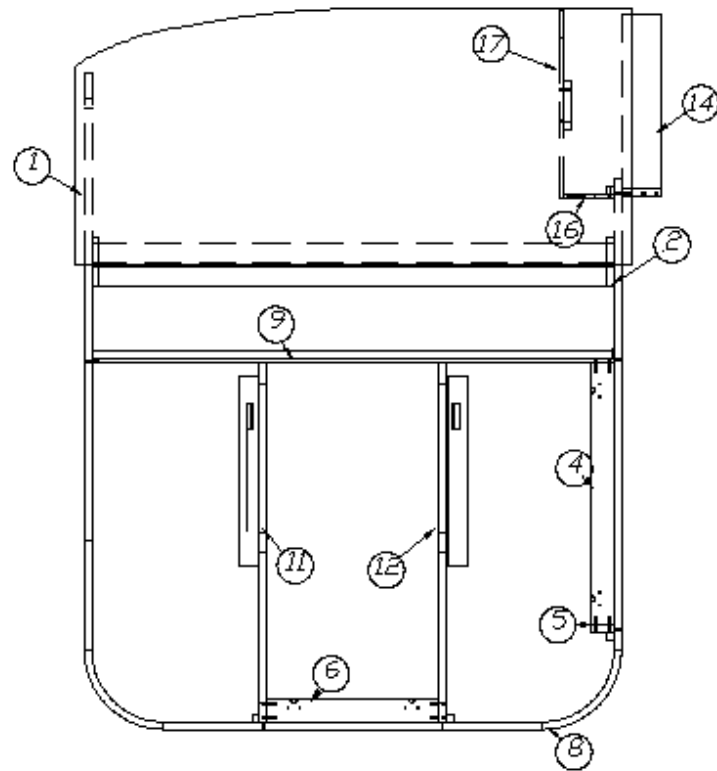
## 2016 INTERNATIONAL TRAVEL TRAILER FURNITURE, BEDROOM

### Bed, 23FB Serenity

967264-15	Bed
1. 967264-151	Panel, 15.13 x 46.62
2. 967264-2	Panel, 15.13 x 33.11
3. 967264-153	Panel, 15.13 x 33.11
4. 967264-4	Panel, 15.13 x 52.50
5. 967264-5	Panel, 15.13 x 43.81
6. 967264-6	Panel, 15.13 x 43
7. 967264-7	Panel, 15.13 x 25.75
8. 967264-8	Panel, 3 x 35.13
9. 967264-9	Panel, 3 x 35.13
10. 967264-10	Panel, 3 x 13.63
11. 967264-11	Panel, 8.19 x 15.13
12. 967264-12	Panel, 2.25 x 15.13
13. 967264-13	Panel, 21 x 2.25
14. 967264-14	Panel, 21 x 2.25
15. 967264-15I	Panel, 56 x 25.63
16. 967264-16	Panel, 16 x 120
17. 967264-17	Panel, 56 x 47
18. 967264-1518	Door, 14.25" x 21.63"
19. 967200-15	Sub assembly, Bed corner
20. 967265-15	Sub assembly, Bed corner
382115	Pull, Flat, Black
381607-11	Hinge, Self-close
381228-02	Catch, Grabber door, (5lb Pull)
380203-01	Piano hinge
114812	Aluminum angle, 1" x 1"
203664-01	Grille screen, Plastic
115151	Angle, Bed support
704131	Mattress, Pillowtop, 60" x 75", Queen B
203667	Bin, Storage, 23" x 16.75" x 12.38"
381067-09	Gas spring, 90 LBS.
381262	Bracket, Prop w/ball
381310	Gas prop bracket, Upper
381084	Ball, Stud

# 2016 INTERNATIONAL TRAVEL TRAILER FURNITURE, BEDROOM

Bed, 25' Signature



Parts Listed on Next Page

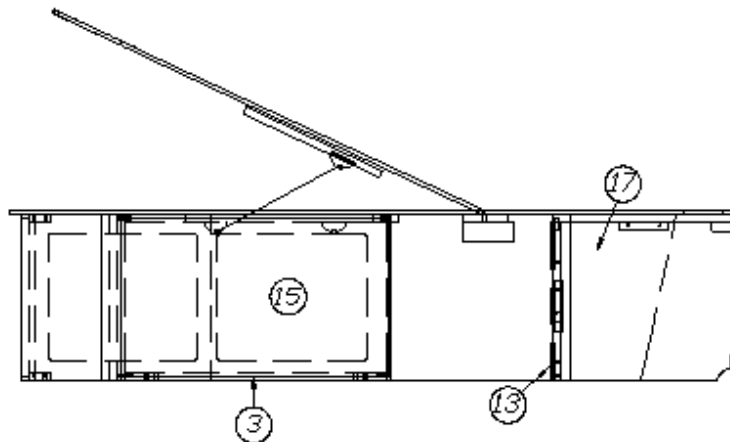
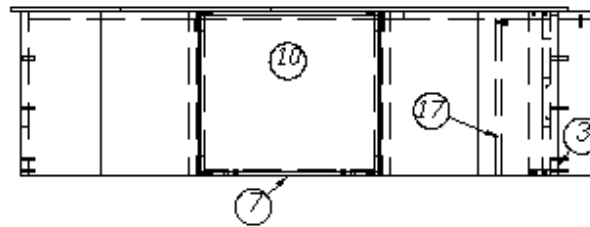
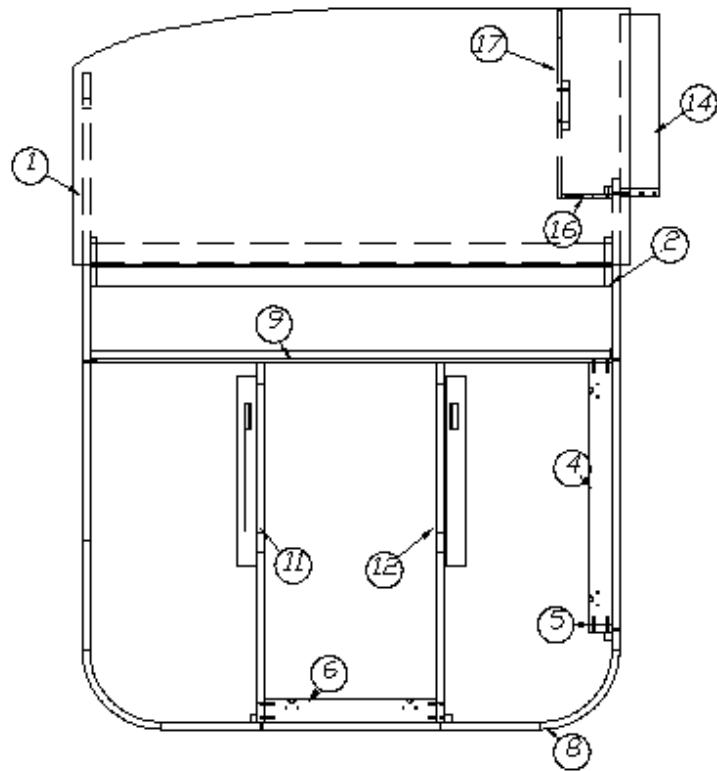
## 2016 INTERNATIONAL TRAVEL TRAILER FURNITURE, BEDROOM

### Bed, 25' Signature

967740	Bed
1. 967740-1	Panel, 46.94 x 16.63
2. 967740-2	Panel, 18.06 x 16.63
3. 967740-4	Panel, 2.25 x 26.31
4. 967740-5	Panel, 2.25 x 26.31
5. 967740-6	Panel, 16.63 x 2.25
6. 967740-7	Panel, 2.25 x 17.25
7. 967740-8	Panel, 2.25 x 17.25
8. 966864	Corner sub assembly
9. 967740-11	Panel, 16.63 x 52.5
10. 967740-19	Door, 17.88 x 15.75
11. 967740-31	Panel, 36 x 16.63
12. 967740-32	Panel, 36 x 16.63
13. 967740-38	Panel, 4 x 15.88
14. 967740-39	Panel, 4 x 18.25
15. 967740-40	Door, 26.63 x 15.75, Bed Base
16. 967740-42	Extension, 15.88 x 5
17. 967740-41	Closeout 19.04 X 15.83
114812	Aluminum angle, 1 x 1
380203-01	Piano hinge
382029-05	Handle bar, 21.33"
381607-11	Hinge, Self-close
381228-02	Catch, Grabber door, (5lb Pull)
704131	Mattress, Pillowtop, 60" x 75", Queen B
203419	box Storage, 23" x 16.75" x 11.88"
203439	Storage box, 17" x 11.13" x 6.38"
381067-09	spring, Gas 90 Lbs.
381262	Bracket, Prop w/ball
381310	Gas prop bracket, Upper
381084	Ball, Stud

# 2016 INTERNATIONAL TRAVEL TRAILER FURNITURE, BEDROOM

Bed, 25' Serenity



Parts Listed on Next Page

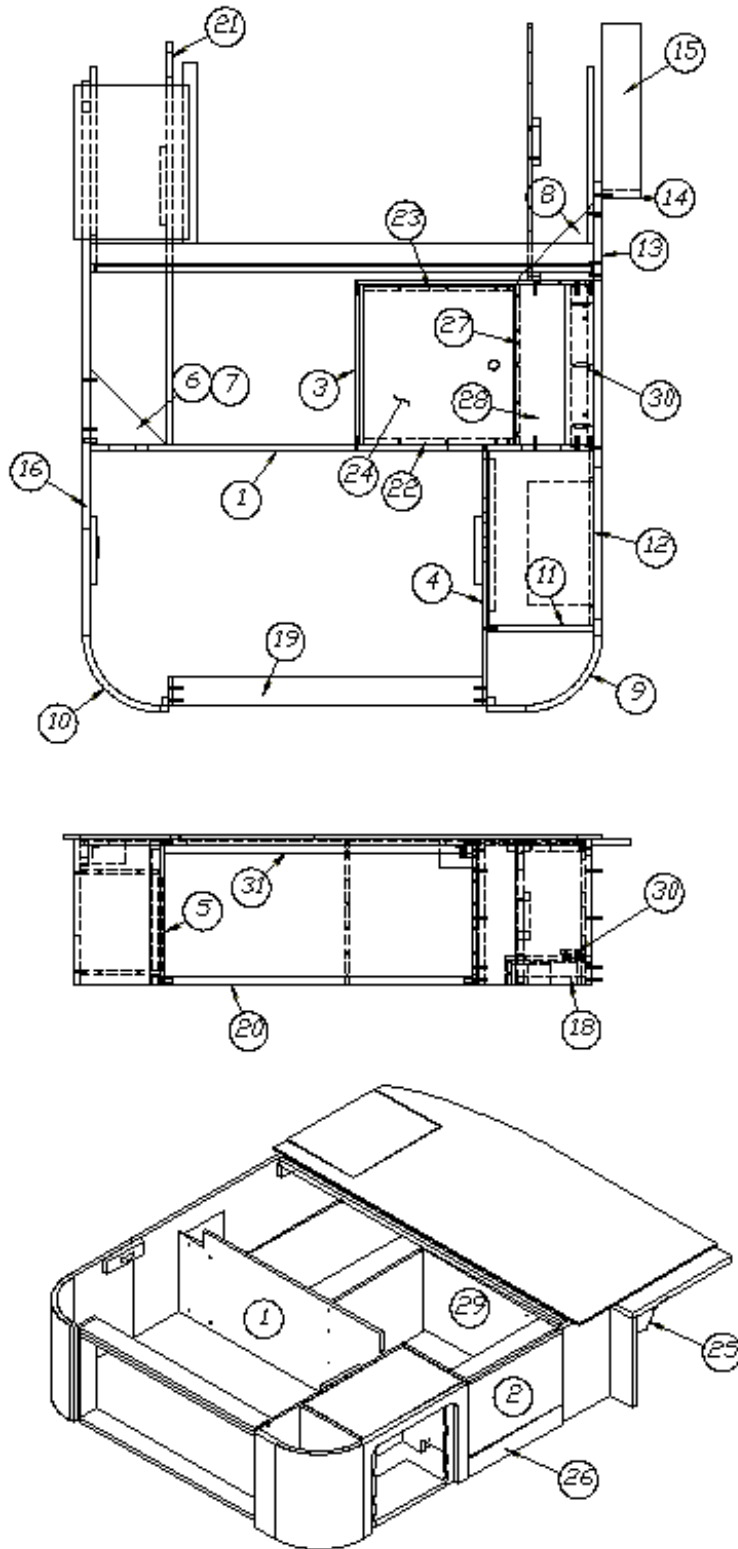
## 2016 INTERNATIONAL TRAVEL TRAILER FURNITURE, BEDROOM

### Bed, 25 Serenity

967740-15	Bed
1. 967740-151	Panel, 43.94 x 16.63
2. 967740-152	Panel, 18.5 x 16.63
3. 967740-154	Panel, 2.25 x 26
4. 967740-5	Panel, 2.25 x 26
5. 967740-6	Panel, 16.63 x 2.25
6. 967740-7	Panel, 2.25 x 17.25
7. 967740-8	Panel, 2.25 x 17.25
8. 966864-15	Corner sub assembly
9. 967740-11	Panel, 16.63 x 52.5
10. 967740-19	Door, 17.88 x 15.75
11. 967740-31	Panel, 36 x 16.63
12. 967740-32	Panel, 36 x 16.63
13. 967740-1538	Panel, 4 x 15.88
14. 967740-1539	Panel, 4 x 18.25
15. 967740-1540	Door, 26.63 x 15.75
16. 967740-42	Extension, 15.88 x 5
17. 967740-41	Closeout 19.04 x 15.83
382115	Pull, Flat, Black
381607-11	Hinge, Self-close
381228-02	Catch, Grabber door, (5lb Pull)
380203-01	Piano dinge
114812	Aluminum angle 1 x 1
704131	Mattress, Pillowtop, 60" x 75", Queen B
203419	Box Storage, 23" x 16.75" x 11.88"
203439	Storage Box, 17" x 11.13" x 6.38"
381067-09	Gas spring, 90 Lbs.
381262	Bracket, Prop w/ball
381310	Gas prop bracket, Upper
381084	Ball, Stud

# 2016 INTERNATIONAL TRAVEL TRAILER FURNITURE, BEDROOM

Bed, 25FB Signature



Parts Listed on Next Page



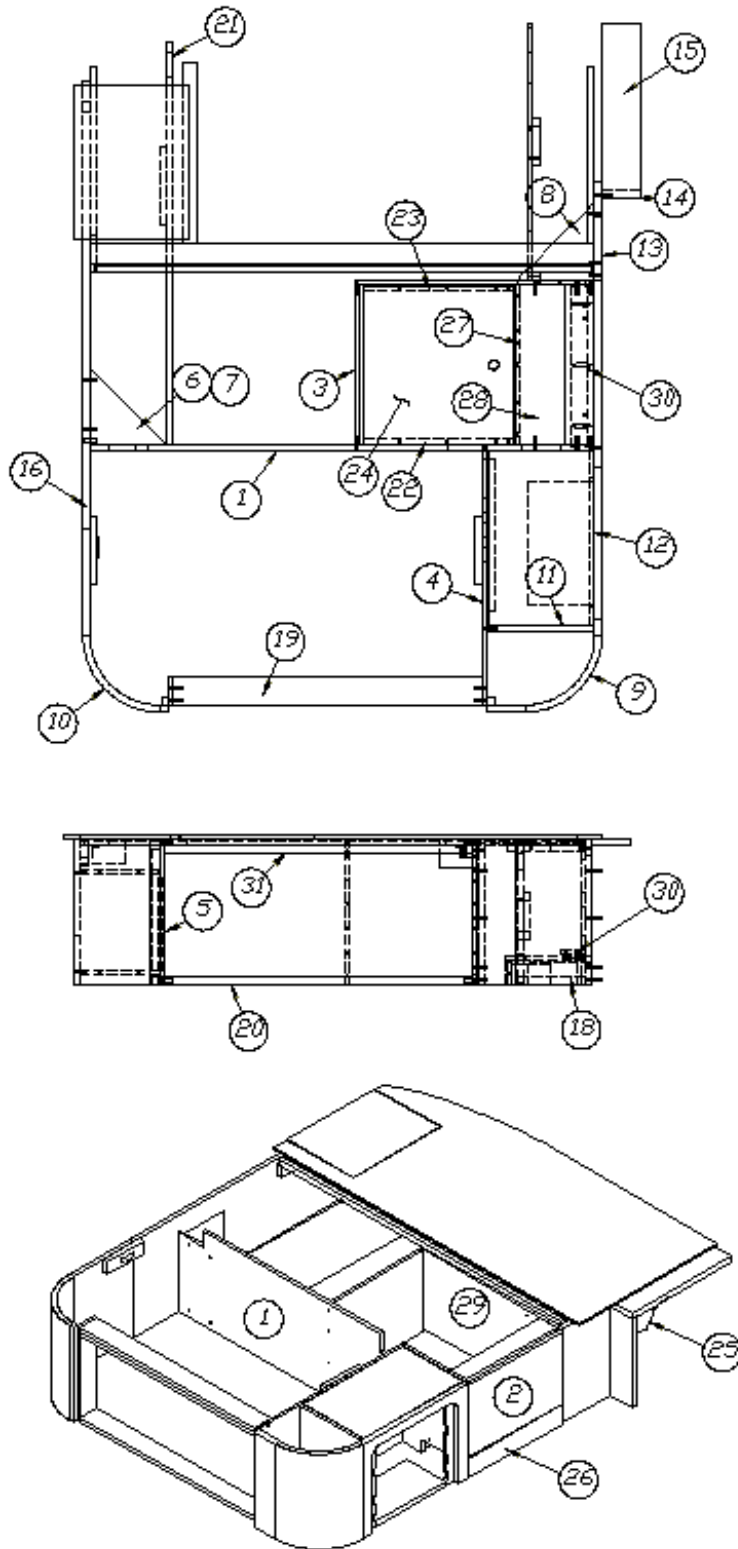
## 2016 INTERNATIONAL TRAVEL TRAILER FURNITURE, BEDROOM

### Bed, 25FB Signature

967072	Bed
1. 967072-1	Panel, 15.13 x 52.5
2. 967072-51	Panel, 17.375 x 11.5
3. 967072-3	Panel, 16.75 x 15.13
4. 967072-4	Panel, 26.5 x 15.13
5. 967072-5	Panel, 3 x 15.13
6. 967072-6	Panel, 8 x 8, Triangle
7. 967072-7	Panel, 8 x 8, Triangle
8. 967072-8	Panel, 8 x 8, Triangle
9. 967069	Radius assembly, Aft
10. 967070	Radius assembly, Forward
11. 967072-11	Panel, 11.19 x 15.13
12. 967072-12	Panel, 11 x 18.25
13. 967072-13	Panel, 10.31 x 15.13
14. 967072-14	Panel, 4 x 14.38
15. 967072-15I	Panel, 4 x 18.25
16. 967072-16	Panel, 46.62 x 15.13
17. 967072-17	Panel, 3 x 16.75 (Not Shown)
18. 967072-18	Panel, 2.5 x 16.75
19. 967072-19I	Panel, 3 x 32.13
20. 967072-20	Panel, 3 x 32.13
21. 967071	Wiring closeout
22. 967072-43	Panel, 2.25 x 15.5
23. 967072-44	Panel, 2.25 x 15.5
24. 967072-45	Panel, 16.5 x 15.5
25. 967072-46	Panel, 25.625 x 15
26. 967072-48	Panel, 17.5 x 3
27. 967072-49	Panel, 16.75 x 2.53
28. 967072-50	Panel, 16.75 x 7.776
29. 967072-52	Panel, 25 x 15.125
30. 967072-54	Panel, 16.75 x 2.5
31. 967072-56	Panel, 3 x 32.13
986715	Gas Spring
380203-01	Piano hinge
115151	Angle, Bed support, 43"
381607-11	Hinge, Self-close
382029-04	Handle bar, 15"
381228-02	Catch, Grabber Door, (5lb Pull)
201016	Drawer, 16 x 22
203439	Storage box, 17" x 11.13" x 6.38"

# 2016 INTERNATIONAL TRAVEL TRAILER FURNITURE, BEDROOM

## Bed, 25FB Serenity



Parts Listed on Next Page

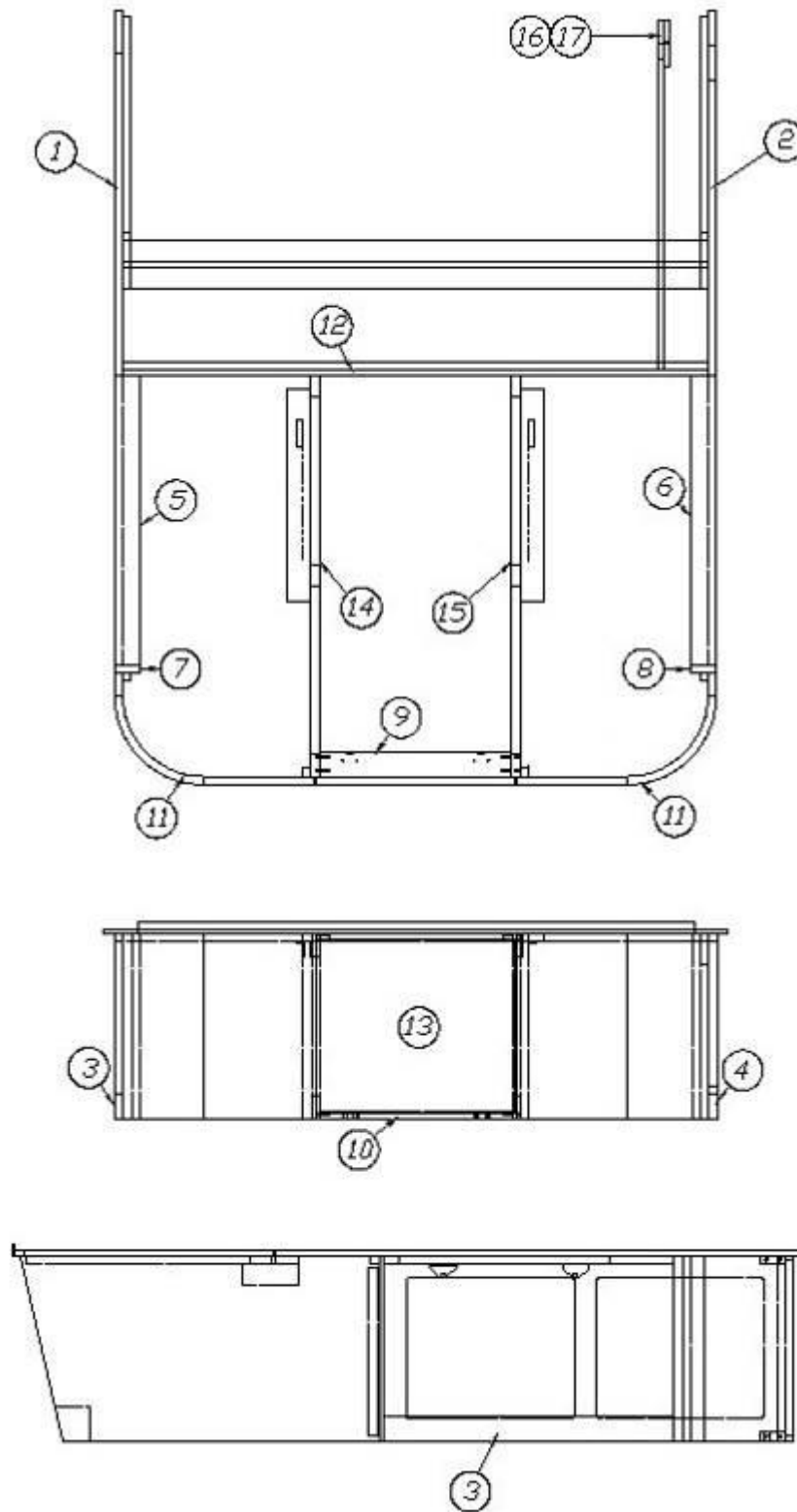
## 2016 INTERNATIONAL TRAVEL TRAILER FURNITURE, BEDROOM

### Bed, 25FB Serenity

967072-15	Bed
1. 967072-1	Panel, 15.13 x 52.5
2. 967072-1551	Panel, 17.375 x 11.5
3. 967072-3	Panel, 16.75 x 15.13
4. 967072-4	Panel, 26.5 x 15.13
5. 967072-5	Panel, 3 x 15.13
6. 967072-6	Panel, 8 x 8, Triangle
7. 967072-7	Panel, 8 x 8, Triangle
8. 967072-8	Panel, 8 x 8, Triangle
9. 967069-15	Radius assembly, Aft
10. 967070-15	Radius assembly, Forward
11. 967072-11	Panel, 11.19 x 15.13
12. 967072-12	Panel, 11 x 18.25
13. 967072-1513	Panel, 10.31 x 15.13
14. 967072-1514	Panel, 4 x 14.38
15. 967072-1515	Panel, 4 x 18.25
16. 967072-1516	Panel, 46.62 x 15.13
17. 967072-17	Panel, 3 x 16.75 (Not Shown)
18. 967072-18	Panel, 2.5 x 16.75
19. 967072-1519	Panel, 3 x 32.13
20. 967072-20	Panel, 3 x 32.13
21. 967071	Wiring closeout
22. 967072-1543	Panel, 2.25 x 15.5
23. 967072-1544	Panel, 2.25 x 15.5
24. 967072-1545	Panel, 16.5 x 15.5
25. 967072-46	Panel, 25.625 x 15
26. 967072-1548	Panel, 17.5 x 3
27. 967072-49	Panel, 16.75 x 2.53
28. 967072-1550	Panel, 16.75 x 7.776
29. 967072-52	Panel, 25 x 15.125
30. 967072-1554	Panel, 16.75 x 2.5
31. 967072-56	Panel, 3 x 32.13
986715	Gas Spring
380203-01	Piano hinge
115151	Angle, Bed support, 43"
381607-11	Hinge, Self-close
382115	Pull, Flat, Black
381228-02	Catch, Grabber door, (5lb Pull)
201016	Drawer, 16 x 22
203439	Storage box, 17" x 11.13" x 6.38"

# 2016 INTERNATIONAL TRAVEL TRAILER FURNITURE, BEDROOM

Bed, Queen, 27FB, 28', 30', Signature



Parts Listed on Next Page

# 2016 INTERNATIONAL TRAVEL TRAILER

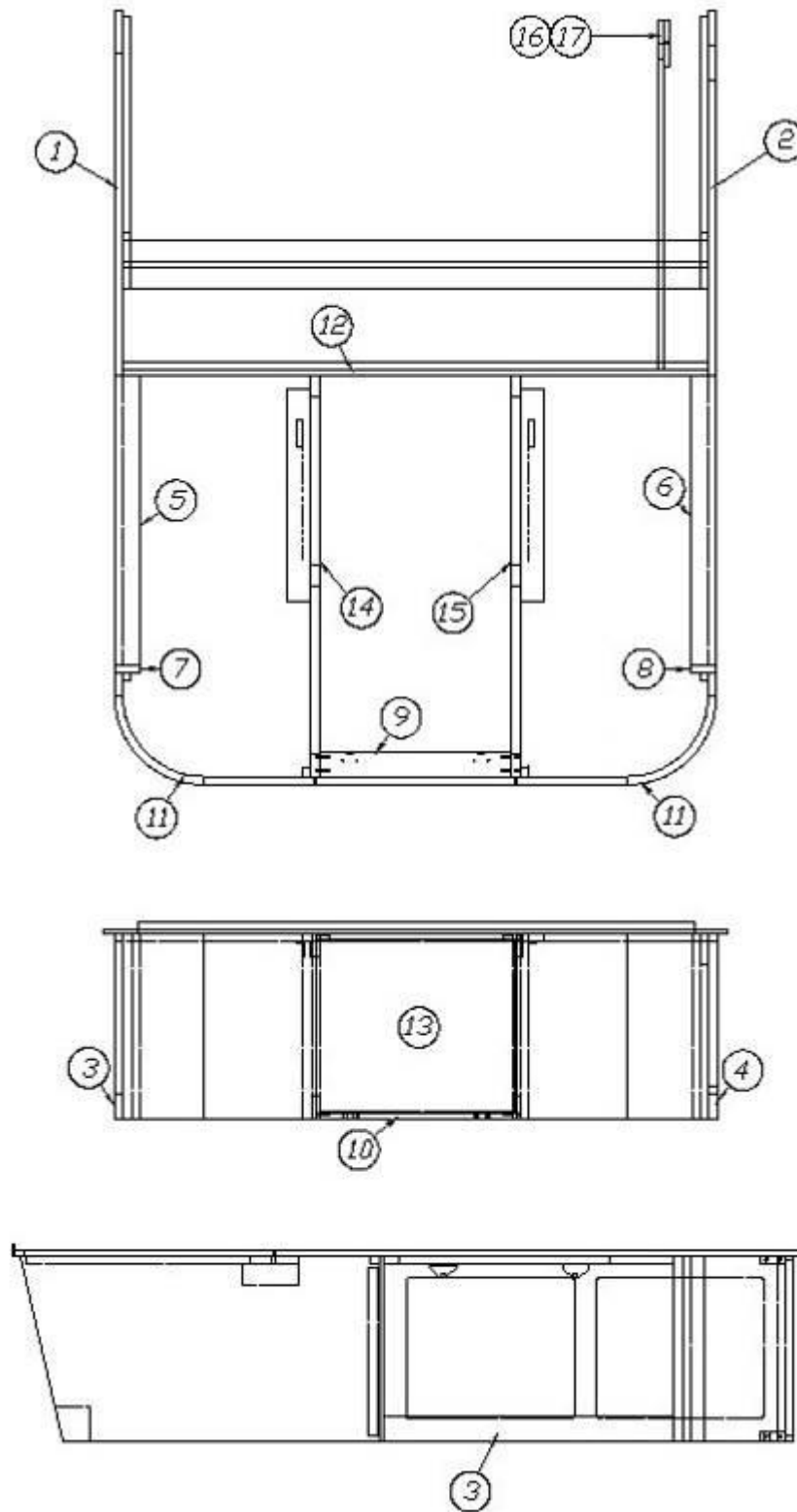
## FURNITURE, BEDROOM

Bed, Queen, 27FB, 28', 30', Signature

966863	Bed
1. 966863-1	Panel, 32.75 x 16.63
2. 966863-2	Panel, 32.75 x 16.63
3. 966863-3	Panel, 2.25 x 26
4. 966863-4	Panel, 2.25 x 26
5. 966863-5	Panel, 2.25 x 26
6. 966863-6	Panel, 2.25 x 26
7. 966863-7	Panel, 16.63 x 2.25
8. 966863-8	Panel, 16.63 x 2.25
9. 966863-9	Panel, 2.25 x 17.25
10. 966863-10	Panel, 2.25 x 17.25
11. 966864	Sub assembly, Bed corner
12. 966863-13	Panel, 16.63 x 52.5
13. 966863-21	Door, 17.88 x 15.75
14. 966863-33	Panel, 36 x 16.63
15. 966863-34	Panel, 36 x 16.63
16. 966863-37	Panel, 11 x 31.44
17. 966863-39	Panel, 9.75 x 2
382029-04	Handle bar, 15
381607-11	Hinge, Self-close
381228-02	Catch, Grabber door, (5lb Pull)
381067-09	Gas spring, 90 LBS
365364-02	Edgebanding, .024 x 1.125, Ebony Woods
380203-01	Hinge Piano
201016	Drawer, 16 x 22
114812	Aluminum angle, 1 x 1
203667	Storage bin, 23 x 16.75 x 12.38
203439	Storage box, 17 x 11.13 x 6.38

# 2016 INTERNATIONAL TRAVEL TRAILER FURNITURE, BEDROOM

Bed, Queen, 27FB, 28', 30', Serenity



Parts Listed on Next Page

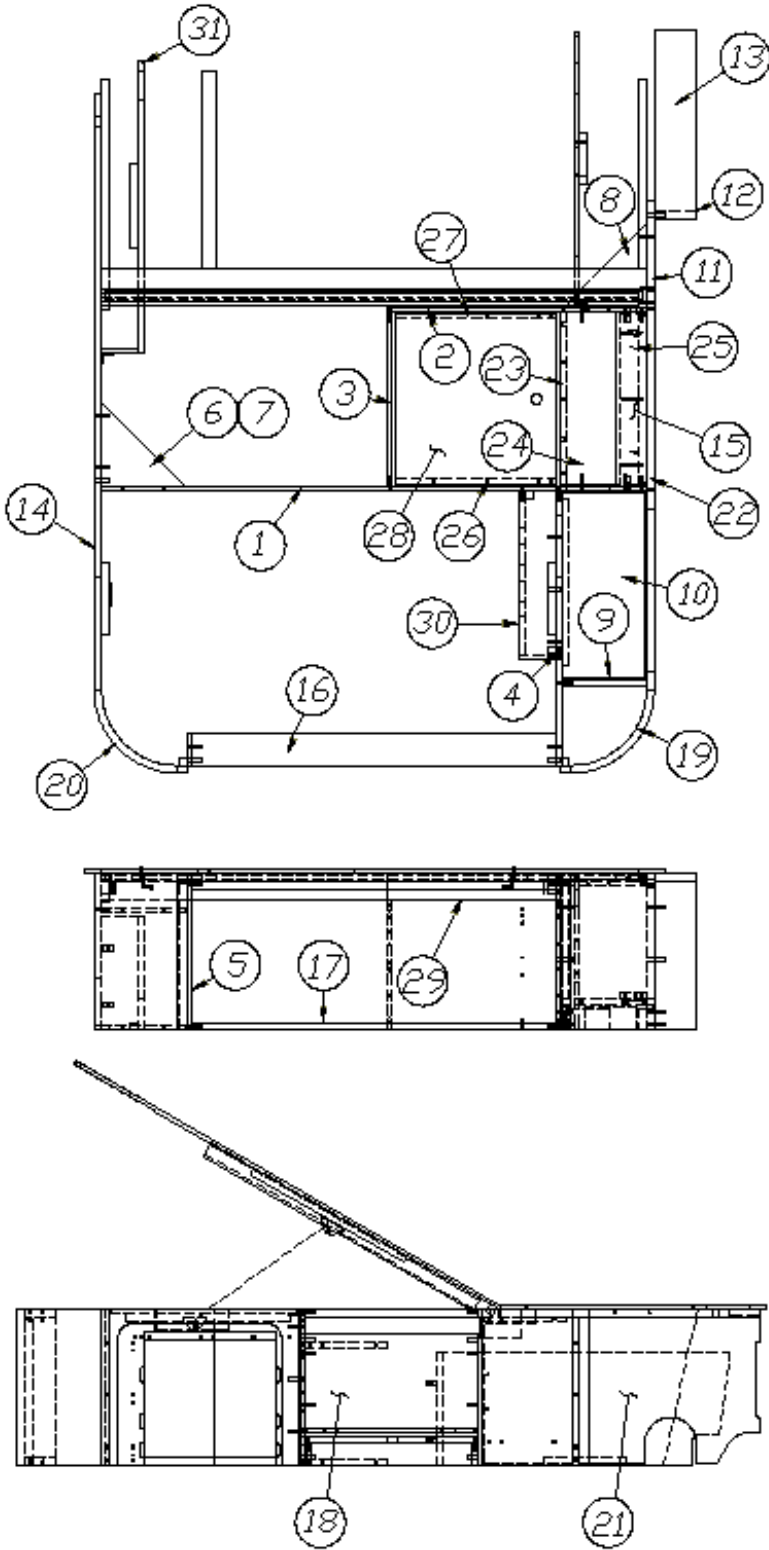
## 2016 INTERNATIONAL TRAVEL TRAILER FURNITURE, BEDROOM

### Bed, Queen, 27FB, 28', 30', Serenity

966863-15	Bed
1. 966863-151	Panel, 32.75 x 16.63
2. 966863-152	Panel, 32.75 x 16.63
3. 966863-153	Panel, 2.25 x 26
4. 966863-154	Panel, 2.25 x 26
5. 966863-5	Panel, 2.25 x 26
6. 966863-6	Panel, 2.25 x 26
7. 966863-7	Panel, 16.63 x 2.25
8. 966863-8	Panel, 16.63 x 2.25
9. 966863-9	Panel, 2.25 x 17.25
10. 966863-10	Panel, 2.25 x 17.25
11. 966864-15	Sub assembly, Bed corner
12. 966863-13	Panel, 16.63 x 52.5
13. 966863-1521	Door, 17.88 x 15.75
14. 966863-33	Panel, 36 x 16.63
15. 966863-34	Panel, 36 x 16.63
16. 966863-37	Panel, 11 x 31.44
17. 966863-39	Panel, 9.75 x 2
365344-02	Edgebanding, .94, Pearl Bisque
381607-11	Hinge, Self-close
382115	Pull, Flat, Black
381228-02	Catch, Grabber door, (5lb Pull)
114812	Aluminum angle, 1 x 1
381067-09	Gas spring, 90 LBS
380203-01	Piano hinge
201016	Drawer, 16 x 22
203667	Storage bin, 23 x 16.75 x 12.38
203439	Storage box, 17 x 11.13 x 6.38

# 2016 INTERNATIONAL TRAVEL TRAILER FURNITURE, BEDROOM

Bed, 25FB Eddie Bauer



Parts Listed on Next Page



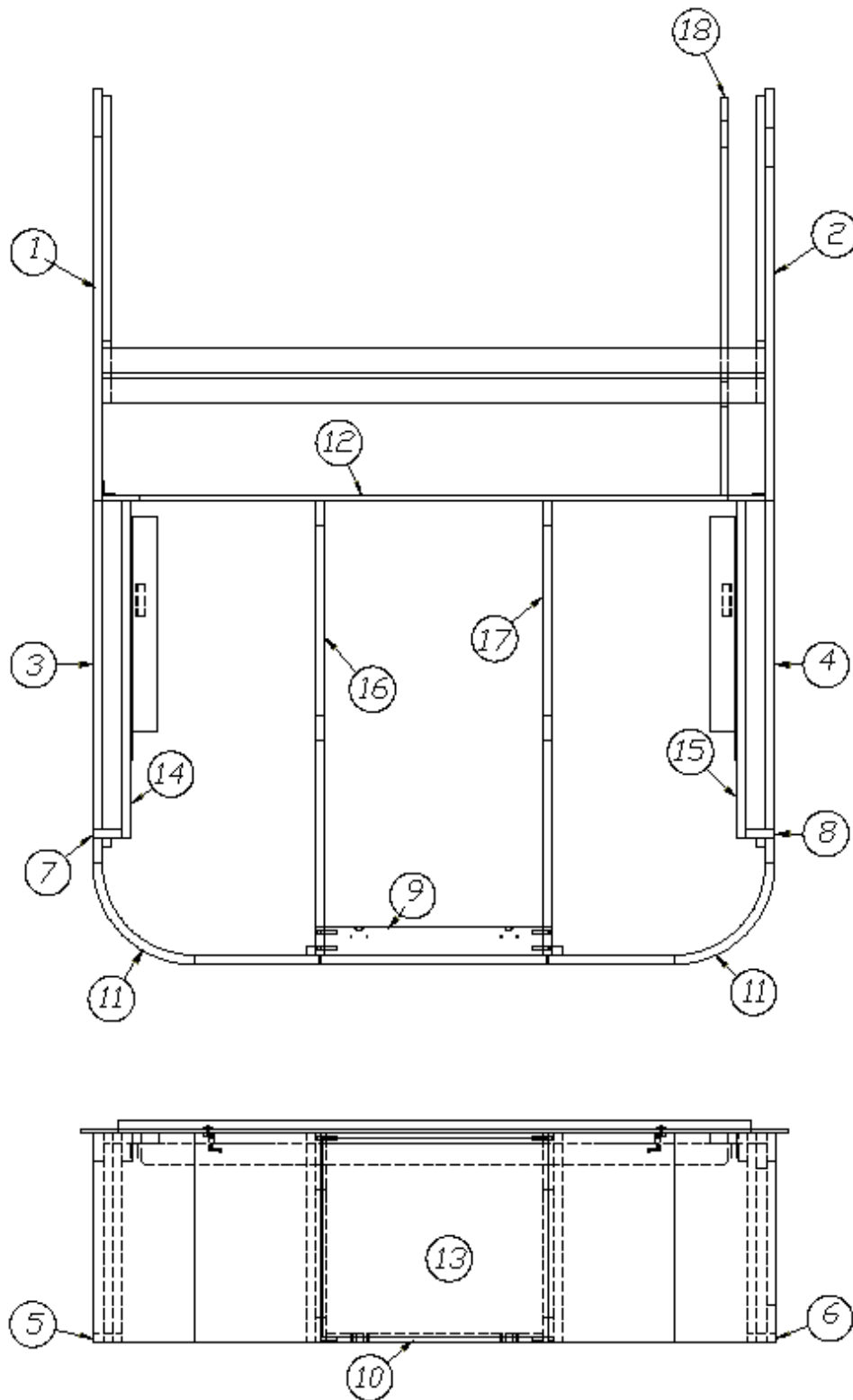
## 2016 INTERNATIONAL TRAVEL TRAILER FURNITURE, BEDROOM

### Bed, 25FB Eddie Bauer

967694-19	Bed
1. 967694-1	Panel, 15.13 x 52.5
2. 967694-2	Panel, 25 x 15.13
3. 967694-3	Panel, 16.75 x 12.63
4. 967694-4	Panel, 26.5 x 15.13
5. 967694-5	Panel, 3 x 15.13
6. 967694-6	Panel, 8 x 8
7. 967694-7	Panel, 8 x 8
8. 967694-8	Panel, 8 x 8
9. 967694-11	Panel, 8.19 x 15.13
10. 967694-12	Panel, 86 x 17.81
11. 967694-1913	Panel, 10.31 x 15.13
12. 967694-1914	Panel, 4 x 14.38
13. 967694-1915	Panel, 4 x 18.25
14. 967694-1916	Panel, 46.62 x 15.13
15. 967694-17	Panel, 3 x 16.75
16. 967694-1919	Panel, 3 x 35.13
17. 967694-20	Panel, 3 x 35.13
18. 967694-1922	Panel, 17.38 x 14.25
19. 967069-19	Sub assembly, Aft radius
20. 967070-19	Sub assembly, Forward radius
21. 967694-47	Panel, 25.625 x 15
22. 967694-48	Panel, 17.5 x 3
23. 967694-49	Panel, 16.75 x 2.53
24. 967694-50	Panel, 16.75 x 7.776
25. 967072-54	Panel, 16.75 x 2.5
26. 967694-56	Panel, 2.25 x 15.5
27. 967694-57	Panel, 2.25 x 15.5
28. 967694-58	Panel, 16.5 x 15.5
29. 967694-60	Panel, 3 x 35.13
30. 968217	Assy Closeout Power Center
31. 967071	Closeout, Bed base wires
115151	Angle, Bed support 43"
381067-09	Gas spring, 90#
381607-11	Hinge, Self-close
382029-00	Handle bar, 7.48"
381228-02	Catch, Grabber door, (5lb Pull)
380203-01	Piano hinge
365352-02	Edgebanding, .94", Maple
365352-01	Edgebanding, .63", Maple
704131	Mattress, Pillowtop, 60" x 75", Queen B

# 2016 INTERNATIONAL TRAVEL TRAILER FURNITURE, BEDROOM

Bed, 27FB Eddie Bauer



Parts Listed on Next Page

## 2016 INTERNATIONAL TRAVEL TRAILER FURNITURE, BEDROOM

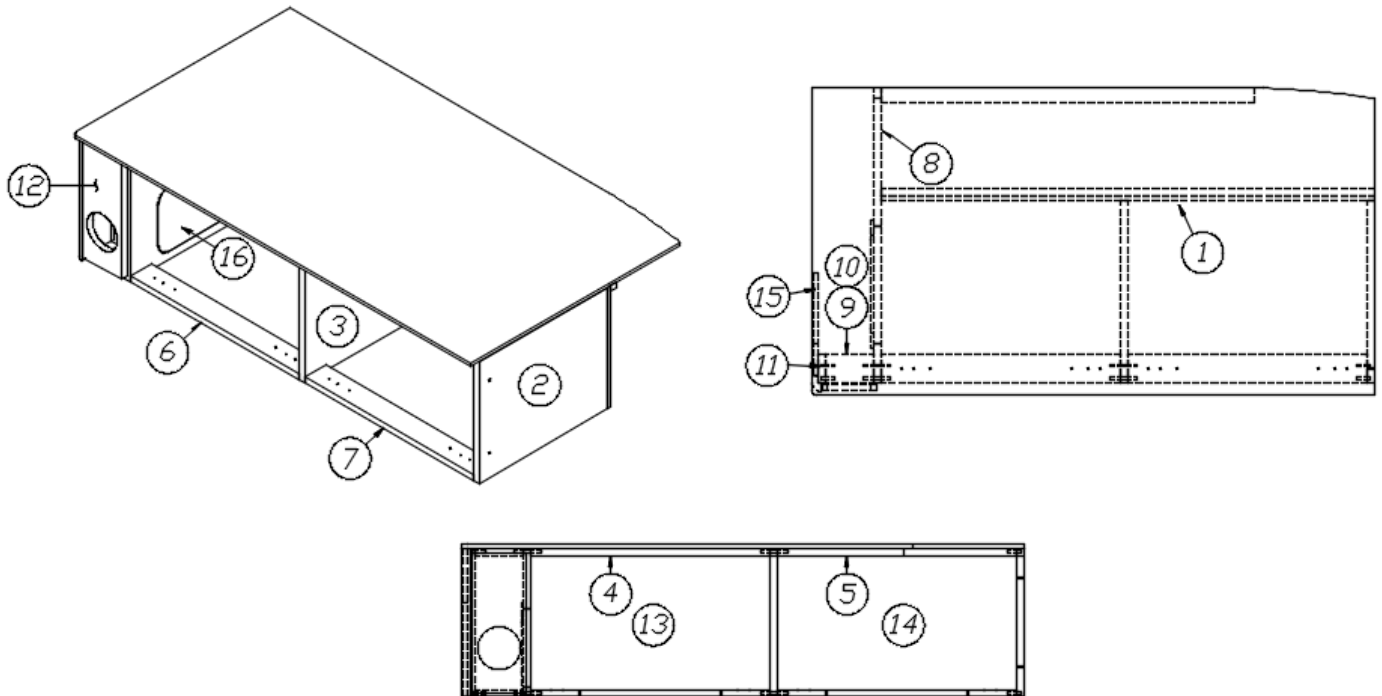
### Bed, 27FB Eddie Bauer

967797-19	Bed
1. 967797-191	Panel, 32.75 x 16.63
2. 967797-192	Panel, 32.75 x 16.63
3. 967797-193	Panel, 2.25 x 26
4. 967797-194	Panel, 2.25 x 26
5. 967797-5	Panel, 2.25 x 26
6. 967797-6	Panel, 2.25 x 26
7. 967797-7	Panel, 16.63 x 2.25
8. 967797-8	Panel, 16.63 x 2.25
9. 967797-9	Panel, 2.25 x 17.25
10. 967797-10	Panel, 2.25 x 17.25
11. 966864	Sub assembly, Bed corner
12. 967797-13	Panel, 14.13 x 52.5
13. 967797-1921	Door, 17.88 x 15.75
14. 967797-25	Panel, 2.25 x 26.75
15. 967797-26	Panel, 2.25 x 26.75
16. 967797-33	Panel, 36 x 16.63
17. 967797-34	Panel, 16.63
18. 967797-37	Panel, 11 x 31.44
381865	Pull Bar, Brushed Nickel
381607-11	Hinge, Self-close
381228-02	Catch, Grabber door, (5lb Pull)
114812	Aluminum angle 1 x 1
365352-02	Edgebanding, .94", Maple
381067-09	Gas spring, 90 LBS
381262	Bracket, Prop w/ball
381310	Gas prop bracket, Upper
381084	Ball, Stud
203667	Storage bin, 23" x 16.75" x 12.38"
704132	Mattress, Pillowtop, 60" x 75", Queen J
380203-01	Piano hinge

# 2016 INTERNATIONAL TRAVEL TRAILER

## FURNITURE, BEDROOM

Bed, Twin, CS 25', RS 25FB, Signature



966913

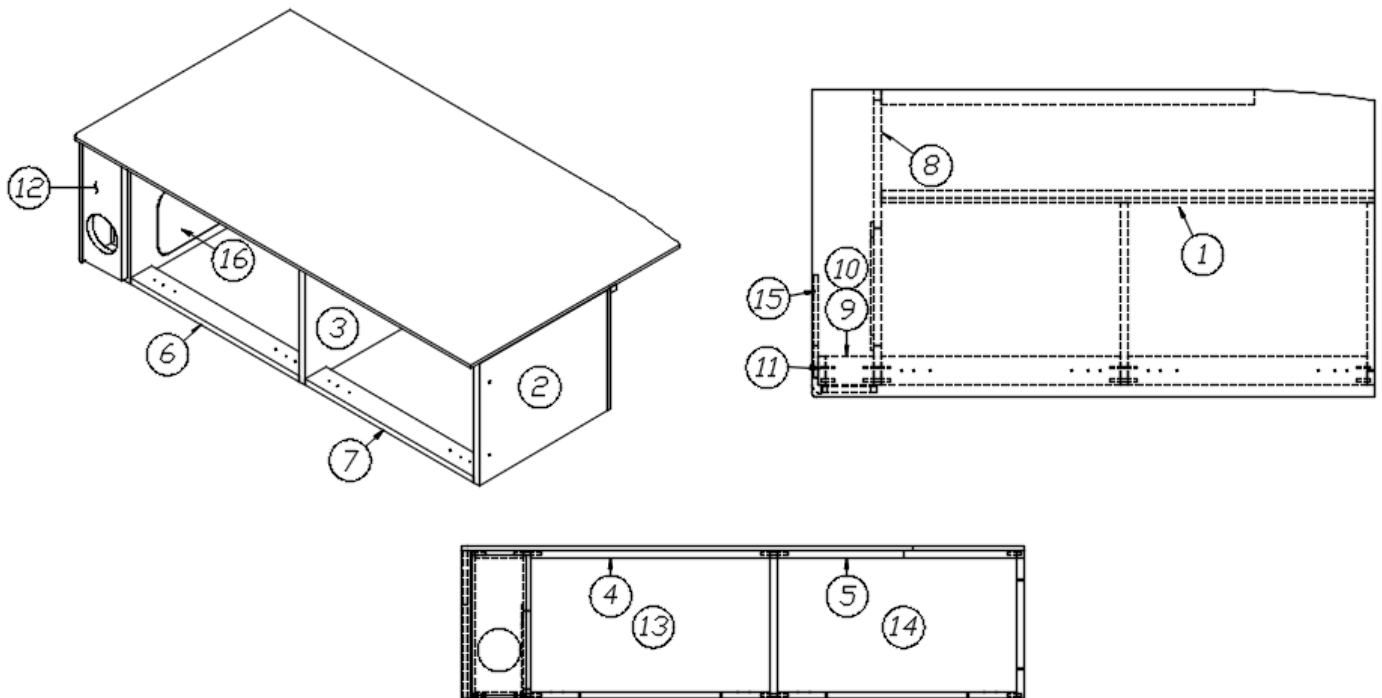
Twin Bed

- |                |  |
|----------------|--|
| 1. 966913-1    | Panel, 15.13 x 50.25                     |
| 2. 966913-2    | Panel, 18.5 x 15.13                      |
| 3. 966913-3    | Panel, 18.5 x 15.13                      |
| 4. 966913-4    | Panel, 3 x 24.38                         |
| 5. 966913-5    | Panel, 3 x 24.38                         |
| 6. 966913-6    | Panel, 3 x 24.38                         |
| 7. 966913-7    | Panel, 3 x 24.38                         |
| 8. 966913-8    | Panel, 30 x 15.13                        |
| 9. 966913-9    | Panel, 3 x 4.94                          |
| 10. 966913-10  | Panel, 3 x 4.94                          |
| 11. 966913-11  | Panel, 3 x 15.13                         |
| 12. 966913-12  | Panel, 5.56 x 14.25                      |
| 13. 966913-13  | Door, 25 x 14.25                         |
| 14. 966913-14  | Door, 25 x 14.25                         |
| 15. 966913-15I | Panel, 10.5 x 15.13                      |
| 16. 966913-25  | Panel, 7.94 x 11.94                      |
| 381607-11      | Hinge, Self-close                        |
| 382029-05      | Handle bar, 21.33"                       |
| 381228-02      | Catch, Grabber door                      |
| 801706-0024    | Corner trim, 90°, 1" radius, Ebony Woods |

# 2016 INTERNATIONAL TRAVEL TRAILER

## FURNITURE, BEDROOM

Bed, Twin, CS 25', RS 25FB, Serenity



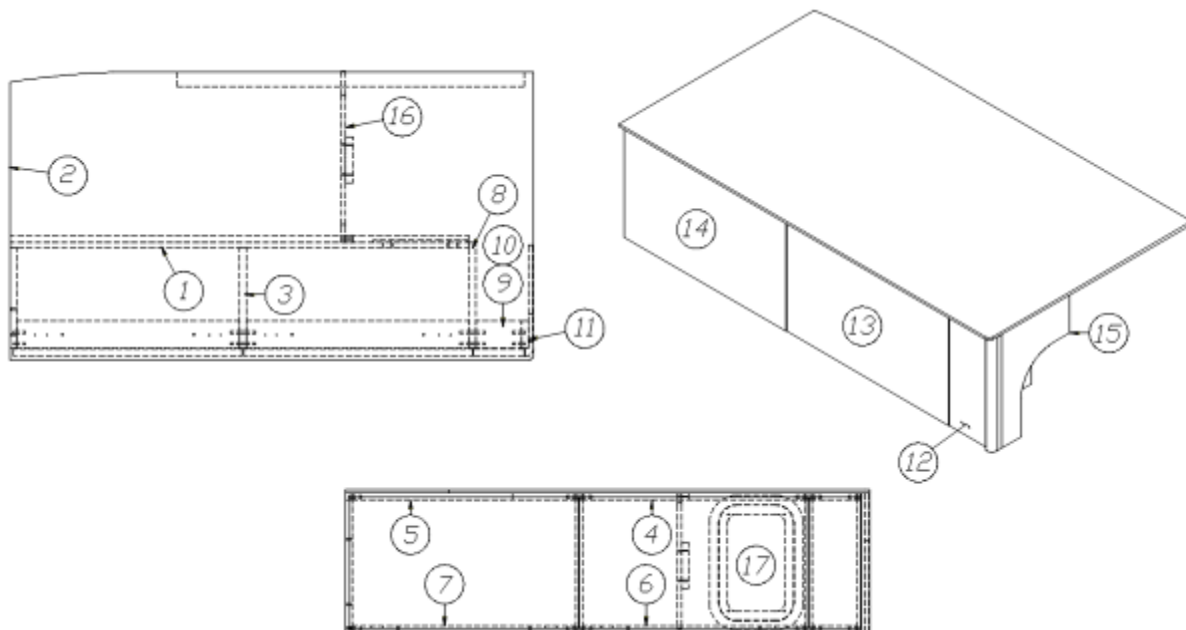
966913-15

Twin Bed

- |                 |   |
|-----------------|---|
| 1. 966913-1     | Panel, 15.13 x 50.25                    |
| 2. 966913-2     | Panel, 18.5 x 15.13                     |
| 3. 966913-3     | Panel, 18.5 x 15.13                     |
| 4. 966913-4     | Panel, 3 x 24.38                        |
| 5. 966913-5     | Panel, 3 x 24.38                        |
| 6. 966913-6     | Panel, 3 x 24.38                        |
| 7. 966913-7     | Panel, 3 x 24.38                        |
| 8. 966913-8     | Panel, 30 x 15.13                       |
| 9. 966913-9     | Panel, 3 x 4.94                         |
| 10. 966913-10   | Panel, 3 x 4.94                         |
| 11. 966913-11   | Panel, 3 x 15.13                        |
| 12. 966913-1512 | Panel, 5.56 x 14.25                     |
| 13. 966913-1513 | Door, 25 x 14.25                        |
| 14. 966913-1514 | Door, 25 x 14.25                        |
| 15. 966913-1515 | Panel, 10.5 x 15.13                     |
| 16. 966913-25   | Panel, 7.94 x 11.94                     |
| 381607-11       | Hinge, Self-close                       |
| 382115          | Pull, Flat Black                        |
| 381228-02       | Catch, Grabber door                     |
| 801706-0018     | Corner trim, 90°, 1" radius, Asian Sand |

# 2016 INTERNATIONAL TRAVEL TRAILER FURNITURE, BEDROOM

## Bed, Twin, Roadside, 25', Signature



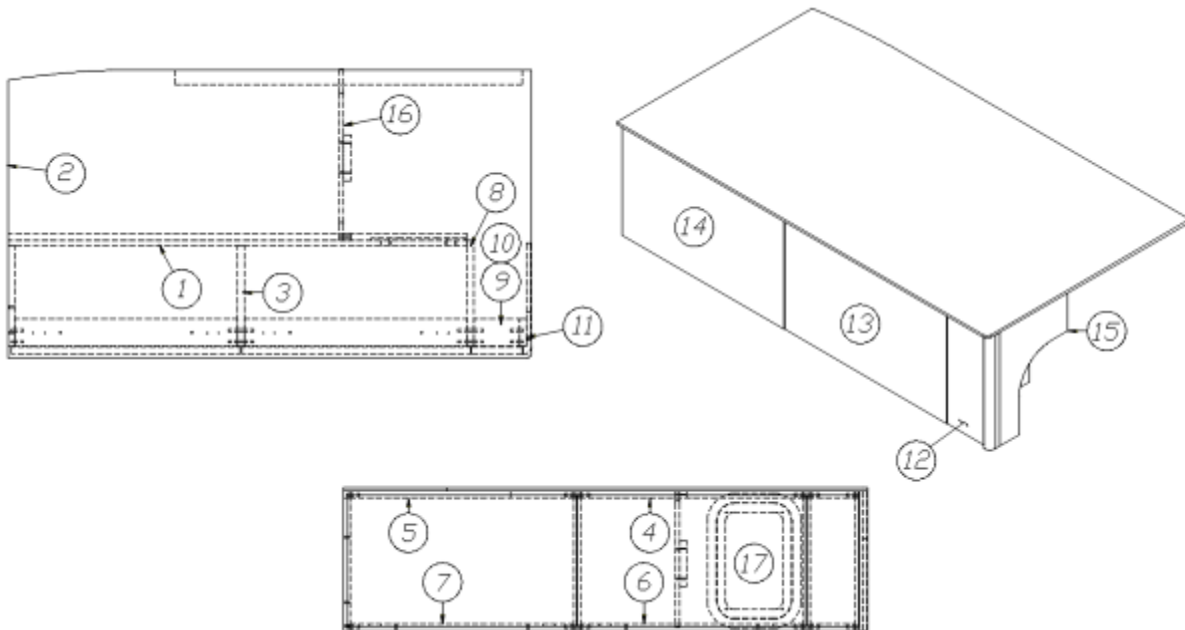
967770

RS Twin Bed

- |                |  |
|----------------|--|
| 1. 967770-1    | Panel, 15.13 x 50.25                     |
| 2. 967770-2    | Panel, 11 x 15.13                        |
| 3. 967770-3    | Panel, 11 x 15.13                        |
| 4. 967770-4    | Panel, 3 x 24.38                         |
| 5. 967770-5    | Panel, 3 x 24.38                         |
| 6. 967770-6    | Panel, 3 x 24.38                         |
| 7. 967770-7    | Panel, 3 x 24.38                         |
| 8. 967770-8    | Panel, 11.5 x 15.13                      |
| 9. 967770-9    | Panel, 3 x 4.94                          |
| 10. 967770-10  | Panel, 3 x 4.94                          |
| 11. 967770-11  | Panel, 3 x 15.13                         |
| 12. 967770-12  | Panel, 5.56 x 14.25                      |
| 13. 967770-13  | Door, 25 x 14.25                         |
| 14. 967770-14  | Door, 25 x 14.25                         |
| 15. 967770-15I | Panel, 10.5 x 15.13                      |
| 16. 967770-26  | Panel, 18.6 x 14.75                      |
| 17. 967770-31  | Panel, 12.5 x 8.125                      |
| 381607-11      | Hinge, Self-close                        |
| 382029-04      | Handle bar, 15"                          |
| 381228-02      | Catch, Grabber door                      |
| 801706-0024    | Corner trim, 90°, 1" radius, Ebony Woods |
| 365364-02      | Edgebanding, .94", Ebony Woods           |
| 381463-03      | Cover access hatch, White                |

# 2016 INTERNATIONAL TRAVEL TRAILER FURNITURE, BEDROOM

## Bed, Twin, Roadside, 25', Serenity



967770-15

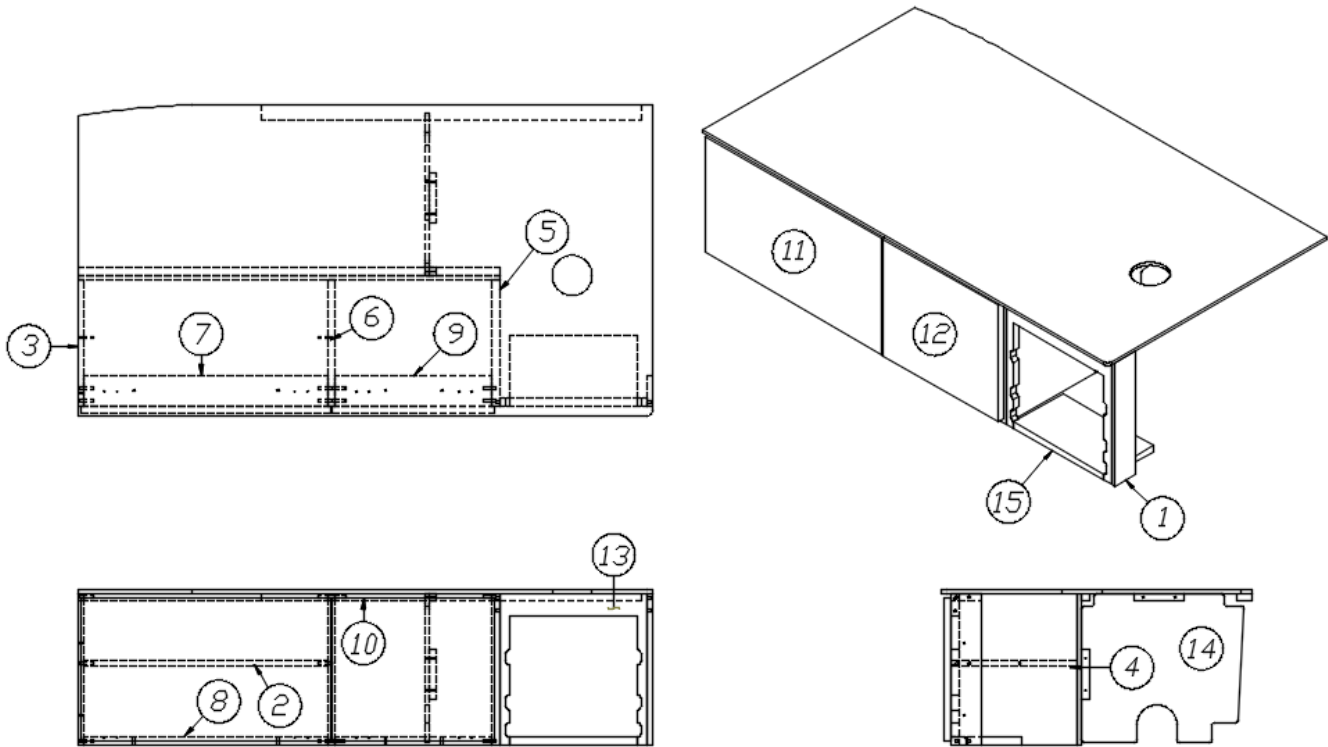
RS Twin Bed

1. 967770-1	Panel, 15.13 x 50.25
2. 967770-2	Panel, 11 x 15.13
3. 967770-3	Panel, 11 x 15.13
4. 967770-4	Panel, 3 x 24.38
5. 967770-5	Panel, 3 x 24.38
6. 967770-6	Panel, 3 x 24.38
7. 967770-7	Panel, 3 x 24.38
8. 967770-8	Panel, 11.5 x 15.13
9. 967770-9	Panel, 3 x 4.94
10. 967770-10	Panel, 3 x 4.94
11. 967770-11	Panel, 3 x 15.13
12. 967770-1512	Panel, 5.56 x 14.25
13. 967770-1513	Door, 25 x 14.25
14. 967770-1514	Door, 25 x 14.25
15. 967770-1515	Panel, 10.5 x 15.13
16. 967770-26	Panel, 18.6 x 14.75
17. 967770-31	Panel, 12.5 x 8.125
381607-11	Hinge, Self-close
382115	Pull, Flat Black
381228-02	Catch, Grabber door
801706-0018	Corner trim, 90°, 1" radius, Asian Sand
365344-02	Edgebanding, .94", Pearl Bisque
381463-03	Cover access hatch, White

# 2016 INTERNATIONAL TRAVEL TRAILER

## FURNITURE, BEDROOM

Bed, Twin, Curbside, 25FB, Signature



966912

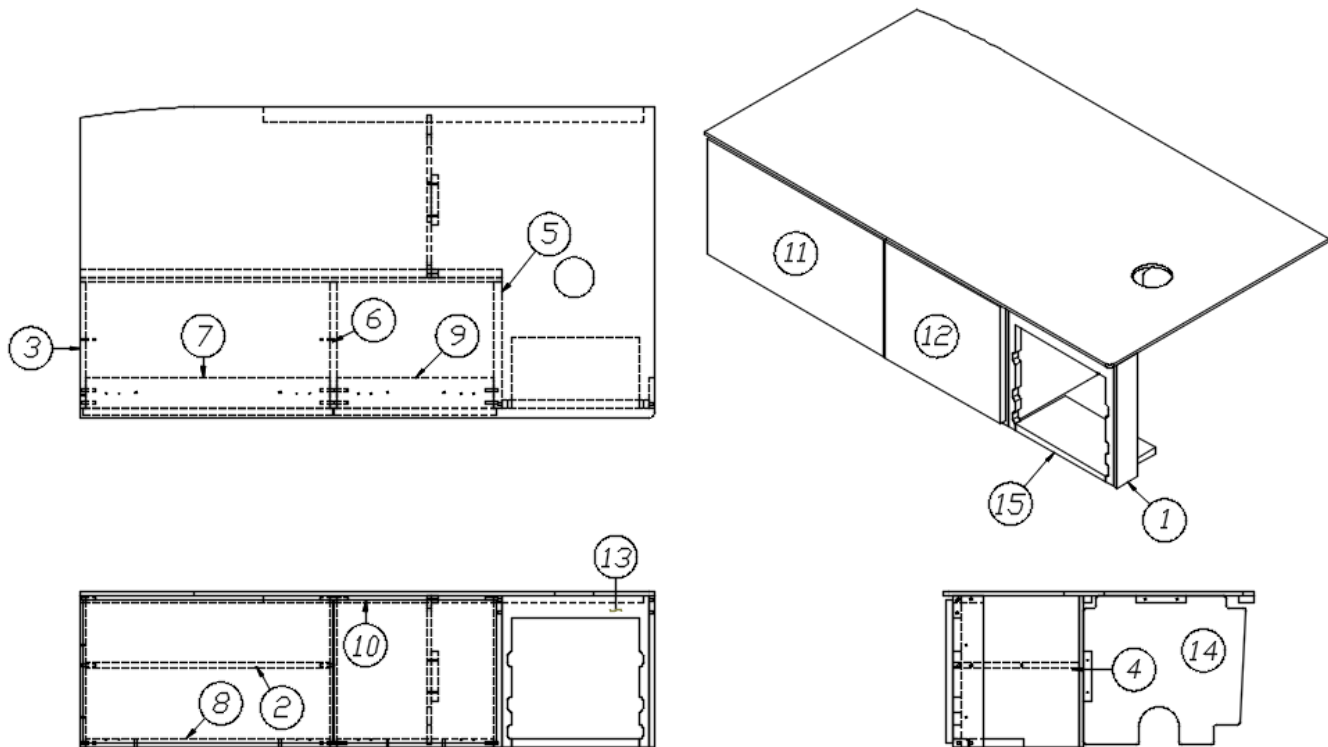
CS Twin Bed

- |               |                        |
|---------------|------------------------|
| 1. 966912-1   | Panel, 3 x 15.13       |
| 2. 966912-2   | Panel, 12.5 x 24.38    |
| 3. 966912-3   | Panel, 12.5 x 15.13    |
| 4. 966912-4   | Panel, 42 x 15.13      |
| 5. 966912-5   | Panel, 12.5 x 15.13    |
| 6. 966912-6   | Panel, 12.5 x 15.13    |
| 7. 966912-7   | Panel, 3 x 24.38       |
| 8. 966912-8   | Panel, 3 x 24.38       |
| 9. 966912-9   | Panel, 3 x 15.63       |
| 10. 966912-10 | Panel, 3 x 15.63       |
| 11. 966912-11 | Door, 25 x 14.25       |
| 12. 966912-12 | Door, 16.25 x 14.25    |
| 13. 966912-13 | Panel, 14.75 x 15.13   |
| 14. 966912-25 | Panel, 16.174 x 14.875 |
| 15. 966912-27 | Panel, 12.75 x 7       |
| 381607-11     | Hinge, Self-close      |
| 382029-05     | Handle Bar, 21.33"     |
| 201051        | Drawer, 10 x 22        |
| 381228-02     | Catch, Grabber door    |



# 2016 INTERNATIONAL TRAVEL TRAILER FURNITURE, BEDROOM

## Bed, Twin, Curbside, 25FB, Serenity



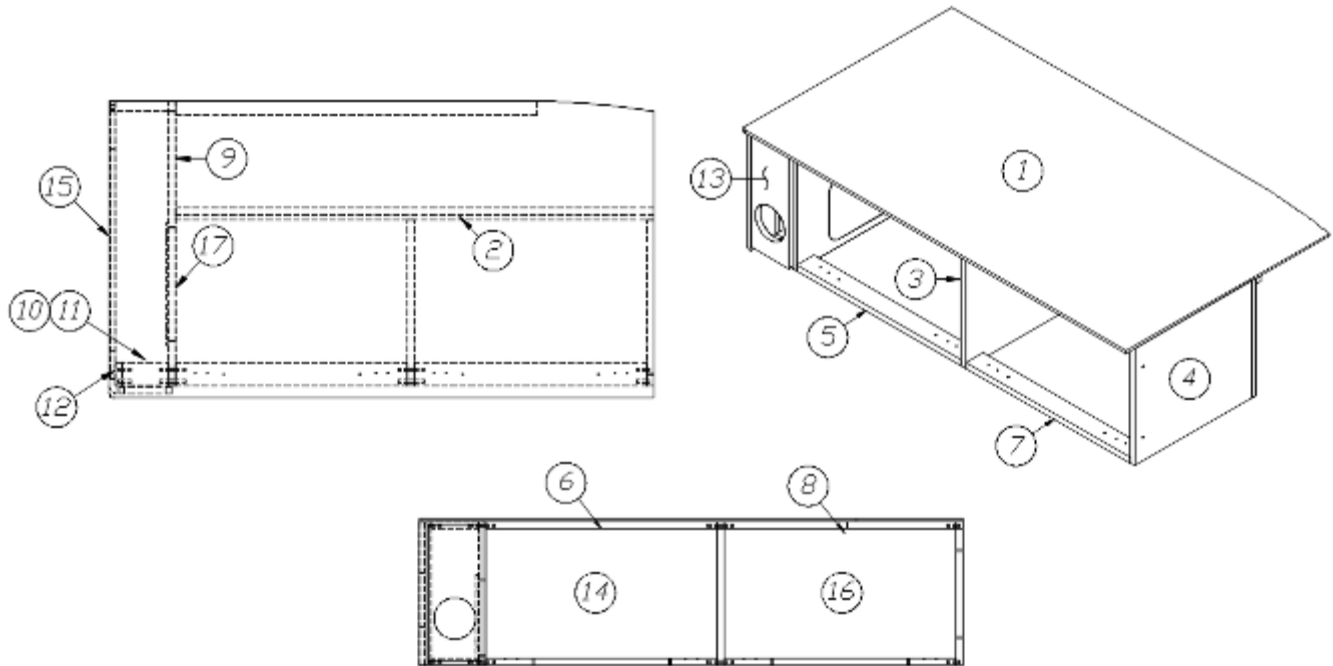
966912-15

CS Twin Bed

- |                 |                        |
|-----------------|------------------------|
| 1. 966912-1     | Panel, 3 x 15.13       |
| 2. 966912-2     | Panel, 12.5 x 24.38    |
| 3. 966912-3     | Panel, 12.5 x 15.13    |
| 4. 966912-4     | Panel, 42 x 15.13      |
| 5. 966912-5     | Panel, 12.5 x 15.13    |
| 6. 966912-6     | Panel, 12.5 x 15.13    |
| 7. 966912-7     | Panel, 3 x 24.38       |
| 8. 966912-8     | Panel, 3 x 24.38       |
| 9. 966912-9     | Panel, 3 x 15.63       |
| 10. 966912-10   | Panel, 3 x 15.63       |
| 11. 966912-1511 | Door, 25 x 14.25       |
| 12. 966912-1512 | Door, 16.25 x 14.25    |
| 13. 966912-1513 | Panel, 14.75 x 15.13   |
| 14. 966912-25   | Panel, 16.174 x 14.875 |
| 15. 966912-27   | Panel, 12.75 x 7       |
| 381607-11       | Hinge, Self-close      |
| 382115          | Pull, Flat Black       |
| 201051          | Drawer, 10 x 22        |
| 381228-02       | Catch, Grabber door    |

# 2016 INTERNATIONAL TRAVEL TRAILER FURNITURE, BEDROOM

Bed, Twin, RS 27FB, CS 30', Signature



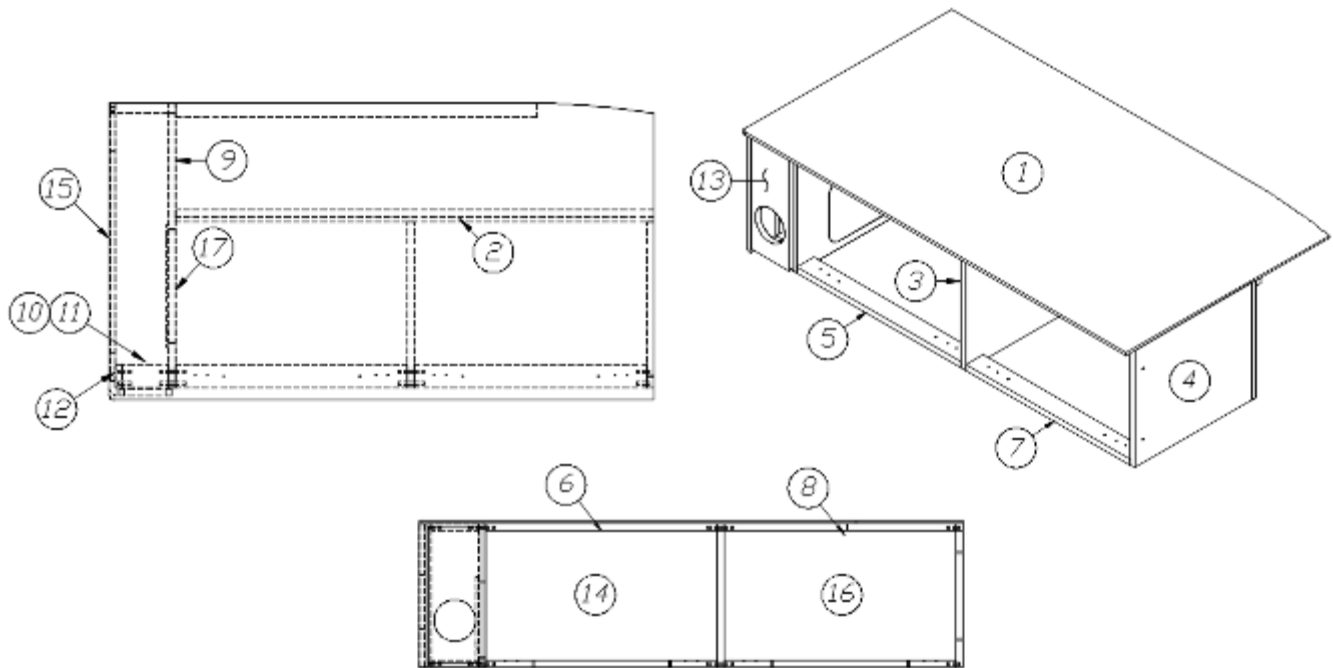
966857

Twin Bed

- |               |  |
|---------------|--|
| 1. 966857-1   | Top, 31 x 57.25                          |
| 2. 966857-2   | Panel, 50.25 x 15.13                     |
| 3. 966857-3   | Panel, 17.5 x 15.13                      |
| 4. 966857-4   | Panel, 17.5 x 15.13                      |
| 5. 966857-5   | Panel, 2.5 x 24.38                       |
| 6. 966857-6   | Panel, 2.5 x 24.38                       |
| 7. 966857-7   | Panel, 2.5 x 24.38                       |
| 8. 966857-8   | Panel, 2.5 x 24.38                       |
| 9. 966857-9   | Panel, 30 x 15.13                        |
| 10. 966857-10 | Panel, 2.5 x 4.94                        |
| 11. 966857-11 | Panel, 2.5 x 4.94                        |
| 12. 966857-12 | Panel, 2.5 x 15.13                       |
| 13. 966857-13 | Panel, 5.56 x 14.25                      |
| 14. 966857-17 | Door, 25 x 14.25                         |
| 15. 966857-22 | Panel, 29.5 x 15.13                      |
| 16. 966857-26 | Door, 25 x 14.25                         |
| 17. 966857-28 | Panel, 7.94 x 11.94                      |
| 382029-05     | Handle bar, 21.33"                       |
| 381607-11     | Hinge, Self-close                        |
| 381228-02     | Catch, Grabber door                      |
| 801706-0024   | Corner trim, 90°, 1" radius, Ebony Woods |

# 2016 INTERNATIONAL TRAVEL TRAILER FURNITURE, BEDROOM

Bed, Twin, RS 27FB, CS 30', Serenity



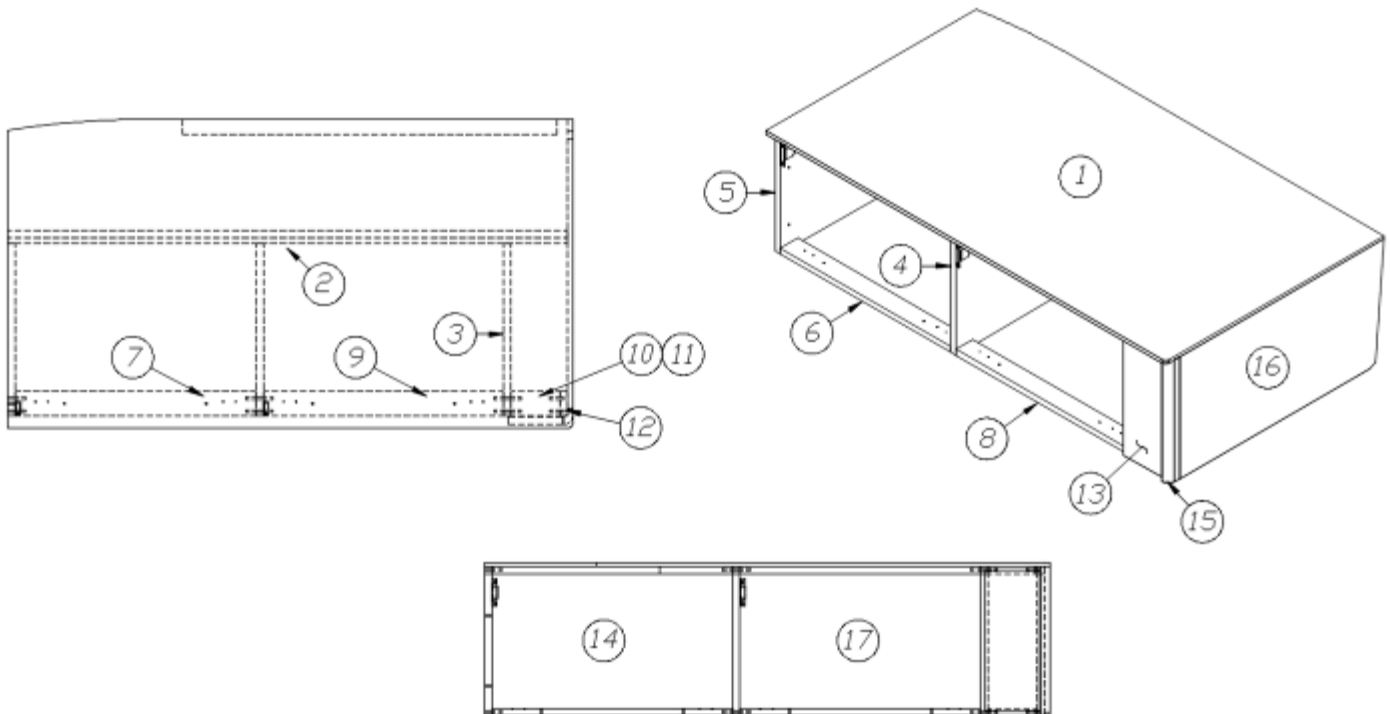
966857-15

Twin Bed

- |                 |   |
|-----------------|---|
| 1. 966857-1     | Top, 31 x 57.25                         |
| 2. 966857-2     | Panel, 50.25 x 15.13                    |
| 3. 966857-3     | Panel, 17.5 x 15.13                     |
| 4. 966857-4     | Panel, 17.5 x 15.13                     |
| 5. 966857-5     | Panel, 2.5 x 24.38                      |
| 6. 966857-6     | Panel, 2.5 x 24.38                      |
| 7. 966857-7     | Panel, 2.5 x 24.38                      |
| 8. 966857-8     | Panel, 2.5 x 24.38                      |
| 9. 966857-9     | Panel, 30 x 15.13                       |
| 10. 966857-10   | Panel, 2.5 x 4.94                       |
| 11. 966857-11   | Panel, 2.5 x 4.94                       |
| 12. 966857-12   | Panel, 2.5 x 15.13                      |
| 13. 966857-1513 | Panel, 5.56 x 14.25                     |
| 14. 966857-1517 | Door, 25 x 14.25                        |
| 15. 966857-1522 | Panel, 29.5 x 15.13                     |
| 16. 966857-1526 | Door, 25 x 14.25                        |
| 17. 966857-28   | Panel, 7.94 x 11.94                     |
| 382115          | Pull, Flat Black                        |
| 381607-11       | Hinge, Self-close                       |
| 381228-02       | Catch, Grabber door                     |
| 801706-0018     | Corner trim, 90°, 1" radius, Asian Sand |

# 2016 INTERNATIONAL TRAVEL TRAILER FURNITURE, BEDROOM

Bed, Twin, CS 27FB, RS 28' & 30', Signature



966856

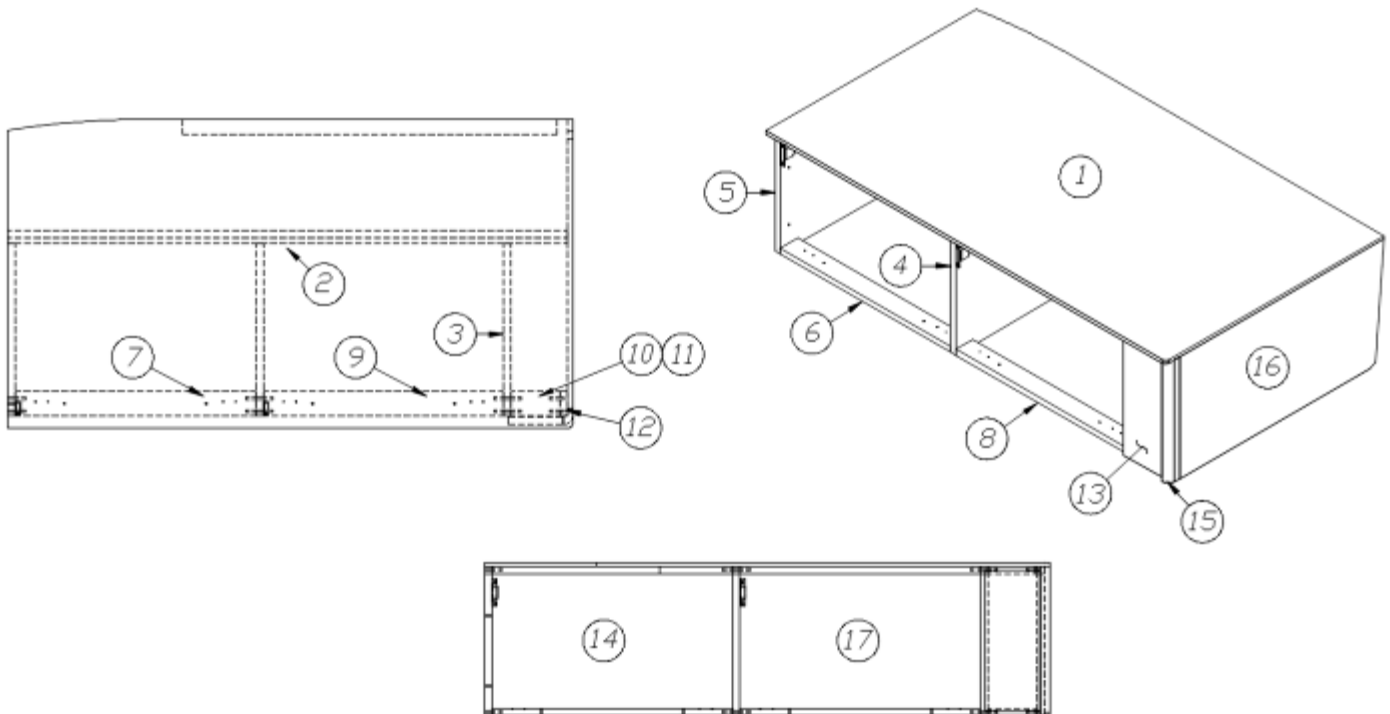
Twin Bed

- |                 |  |
|-----------------|--|
| 1. 966856-1     | Top, 31 x 57.25                          |
| 2. 966856-2     | Panel, 56.69 x 15.13                     |
| 3. 966856-3     | Panel, 17.5 x 15.13                      |
| 4. 966856-4     | Panel, 17.5 x 15.13                      |
| 5. 966856-5     | Panel, 17.5 x 15.13                      |
| 6. 966856-6     | Panel, 2.5 x 24.38                       |
| 7. 966856-7     | Panel, 2.5 x 24.38                       |
| 8. 966856-8     | Panel, 2.5 x 24.38                       |
| 9. 966856-9     | Panel, 2.5 x 24.38                       |
| 10. 966856-10   | Panel, 2.5 x 4.94                        |
| 11. 966856-11   | Panel, 2.5 x 4.94                        |
| 12. 966856-12   | Panel, 2.5 x 15.13                       |
| 13. 966856-13   | Panel, 5.56 x 14.25                      |
| 14. 966856-17   | Door, 25 x 14.25                         |
| 15. 801706-0024 | Corner trim, 90°, 1" radius, Ebony Woods |
| 16. 966856-22   | Panel, 29.13 x 15.13                     |
| 17. 966856-25   | Door, 25 x 14.25                         |
| 381607-11       | Hinge, Self-close                        |
| 382029-05       | Handle bar, 21.33"                       |
| 381228-02       | Catch, Grabber door                      |

# 2016 INTERNATIONAL TRAVEL TRAILER

## FURNITURE, BEDROOM

Bed, Twin, CS 27FB, RS 28' & 30', Serenity



966856-15

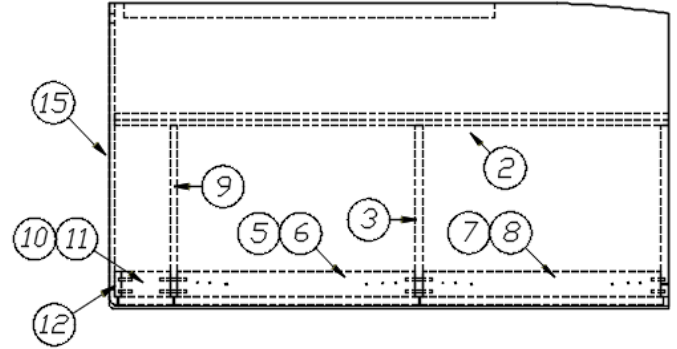
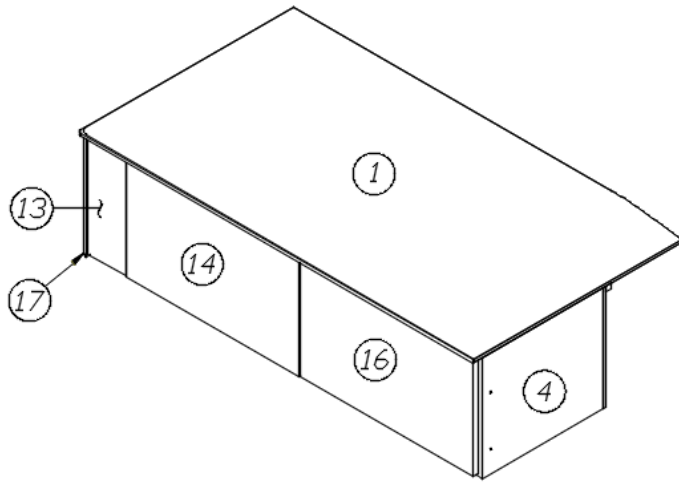
Twin Bed

- |                 |   |
|-----------------|---|
| 1. 966856-1     | Top, 31 x 57.25                         |
| 2. 966856-2     | Panel, 56.69 x 15.13                    |
| 3. 966856-3     | Panel, 17.5 x 15.13                     |
| 4. 966856-4     | Panel, 17.5 x 15.13                     |
| 5. 966856-5     | Panel, 17.5 x 15.13                     |
| 6. 966856-6     | Panel, 2.5 x 24.38                      |
| 7. 966856-7     | Panel, 2.5 x 24.38                      |
| 8. 966856-8     | Panel, 2.5 x 24.38                      |
| 9. 966856-9     | Panel, 2.5 x 24.38                      |
| 10. 966856-10   | Panel, 2.5 x 4.94                       |
| 11. 966856-11   | Panel, 2.5 x 4.94                       |
| 12. 966856-12   | Panel, 2.5 x 15.13                      |
| 13. 966856-1513 | Panel, 5.56 x 14.25                     |
| 14. 966856-1517 | Door, 25 x 14.25                        |
| 15. 801706-0018 | Corner trim, 90°, 1" radius, Asian Sand |
| 16. 966856-1522 | Panel, 29.13 x 15.13                    |
| 17. 966856-1525 | Door, 25 x 14.25                        |
| 381607-11       | Hinge, Self-close                       |
| 382115          | Pull, Flat Black                        |
| 381228-02       | Catch, Grabber door                     |

# 2016 INTERNATIONAL TRAVEL TRAILER

## FURNITURE, BEDROOM

### Bed, Twin, Curbside, 28', Signature



967925-01

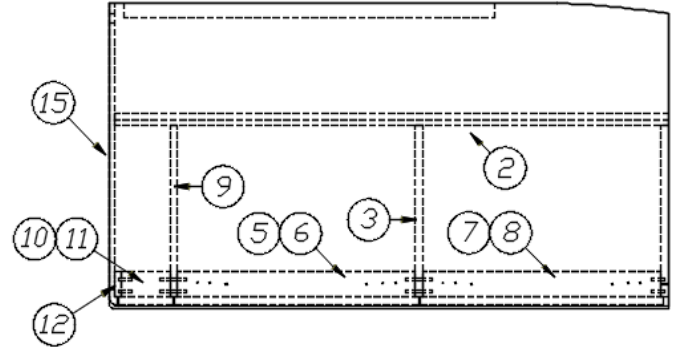
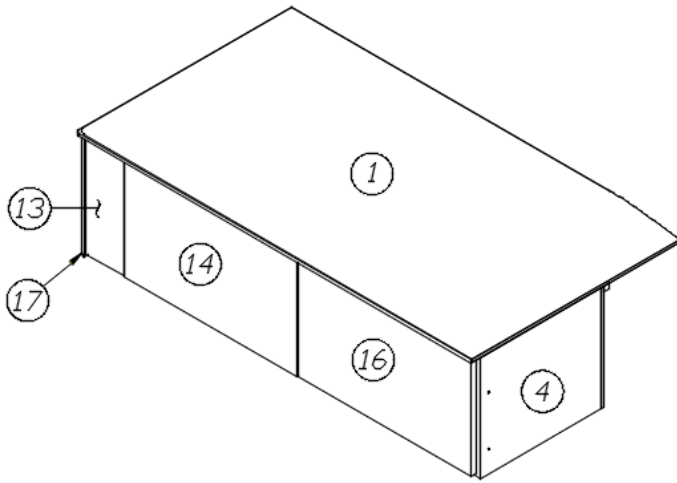
CS Twin Bed

- |                 |  |
|-----------------|--|
| 1. 967925-1     | Panel, 31 x 57.25                        |
| 2. 967925-2     | Panel, 15.13 x 56.69                     |
| 3. 967925-3     | Panel, 17.5 x 15.13                      |
| 4. 967925-4     | Panel, 17.5 x 15.13                      |
| 5. 967925-5     | Panel, 2.5 x 24.38                       |
| 6. 967925-6     | Panel, 2.5 x 24.38                       |
| 7. 967925-7     | Panel, 2.5 x 24.38                       |
| 8. 967925-8     | Panel, 2.5 x 24.38                       |
| 9. 967925-9     | Panel, 17.5 x 15.13                      |
| 10. 967925-10   | Panel, 2.5 x 4.94                        |
| 11. 967925-11   | Panel, 2.5 x 4.94                        |
| 12. 967925-12   | Panel, 2.5 x 15.13                       |
| 13. 967925-0113 | Panel, 5.56 x 14.25                      |
| 14. 967925-0117 | Door, 25 x 14.25                         |
| 15. 967925-0122 | Panel, 29.5 x 15.13                      |
| 16. 967925-0126 | Door, 25 x 14.25                         |
| 17. 801706-0024 | Corner trim, 90°, 1" radius, Ebony Woods |
| 114879-201      | Aluminum sheet, 33" x 198"               |
| 382029-04       | Handle bar, 15"                          |
| 381607-11       | Hinge, Self-close                        |
| 381228-02       | Catch, Grabber door, 5LB                 |
| 365364-02       | Edgebanding .94", Ebony Woods            |

# 2016 INTERNATIONAL TRAVEL TRAILER

## FURNITURE, BEDROOM

### Bed, Twin, Curbside, 28', Serenity



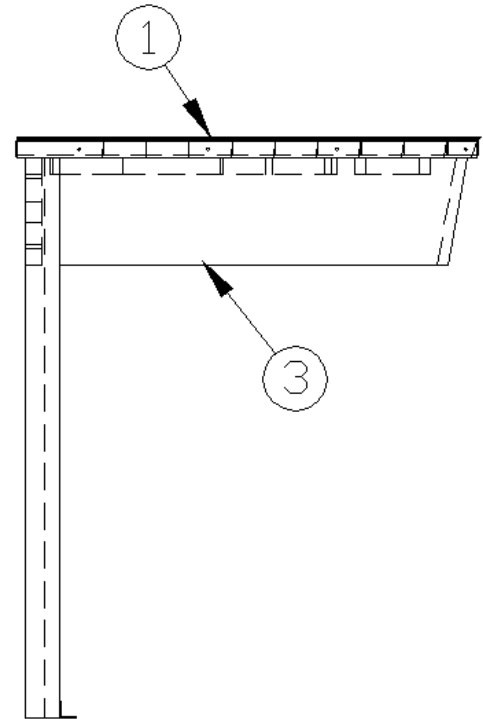
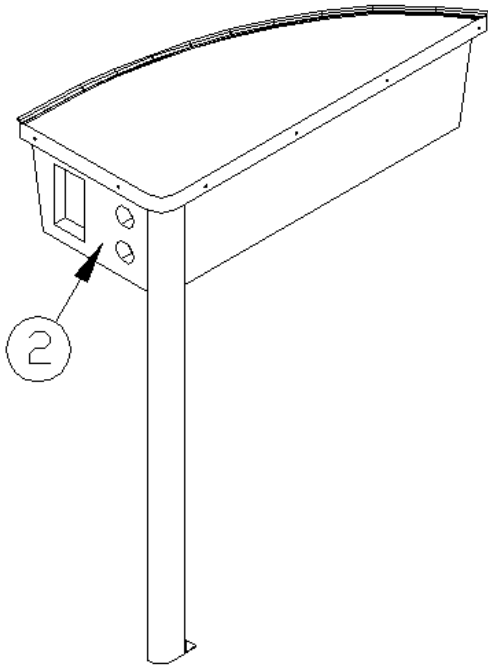
967925-15

CS Twin Bed

- |                 |   |
|-----------------|---|
| 1. 967925-1     | Panel, 31 x 57.25                       |
| 2. 967925-2     | Panel, 15.13 x 56.69                    |
| 3. 967925-3     | Panel, 17.5 x 15.13                     |
| 4. 967925-4     | Panel, 17.5 x 15.13                     |
| 5. 967925-5     | Panel, 2.5 x 24.38                      |
| 6. 967925-6     | Panel, 2.5 x 24.38                      |
| 7. 967925-7     | Panel, 2.5 x 24.38                      |
| 8. 967925-8     | Panel, 2.5 x 24.38                      |
| 9. 967925-9     | Panel, 17.5 x 15.13                     |
| 10. 967925-10   | Panel, 2.5 x 4.94                       |
| 11. 967925-11   | Panel, 2.5 x 4.94                       |
| 12. 967925-12   | Panel, 2.5 x 15.13                      |
| 13. 967925-1513 | Panel, 5.56 x 14.25                     |
| 14. 967925-1517 | Door, 25 x 14.25                        |
| 15. 967925-1522 | Panel, 29.5 x 15.13                     |
| 16. 967925-1526 | Door, 25 x 14.25                        |
| 17. 801706-0018 | Corner trim, 90°, 1" radius, Asian Sand |
| 114879-201      | Aluminum sheet, 33" x 198"              |
| 382115          | Pull, Flat Black                        |
| 381607-11       | Hinge, Self-close                       |
| 381228-02       | Catch, Grabber door, 5LB                |
| 365344-02       | Edgebanding .94", Pearl Bisque          |

# 2016 INTERNATIONAL TRAVEL TRAILER FURNITURE, BEDROOM

Nightstand, 23FB, 25', 25FB Signature



966899

Nightstand

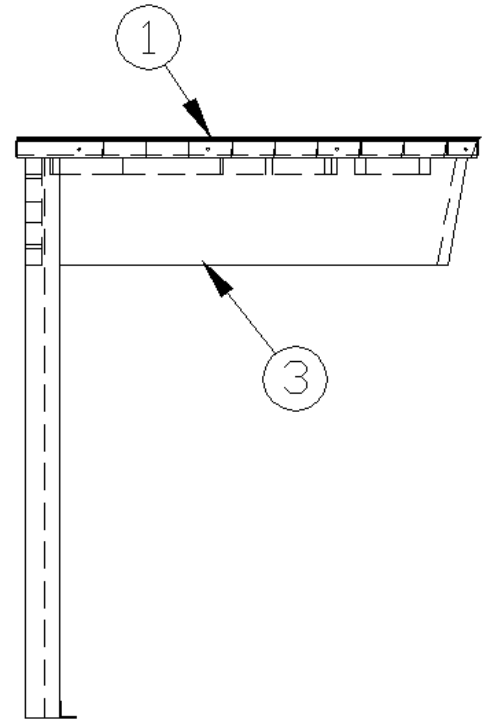
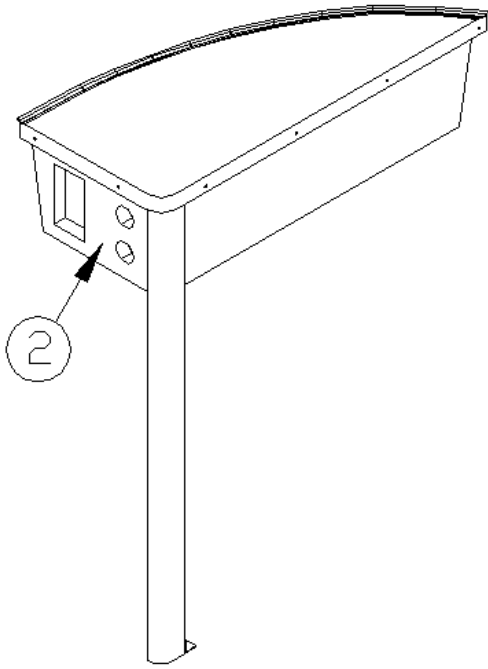
- 1. 966899-1
  - 2. 966899-2
  - 3. 966899-3
- 801706-0024  
380041

Top, 9.25 x 21.39  
Panel, 7.63 x 5  
Panel, 18.95 x 5  
Corner trim, 90°, 1" radius, Ebony Woods  
Brace, 1", Stanley corner



# 2016 INTERNATIONAL TRAVEL TRAILER FURNITURE, BEDROOM

Nightstand, 23FB, 25', 25FB Serenity



966899-15

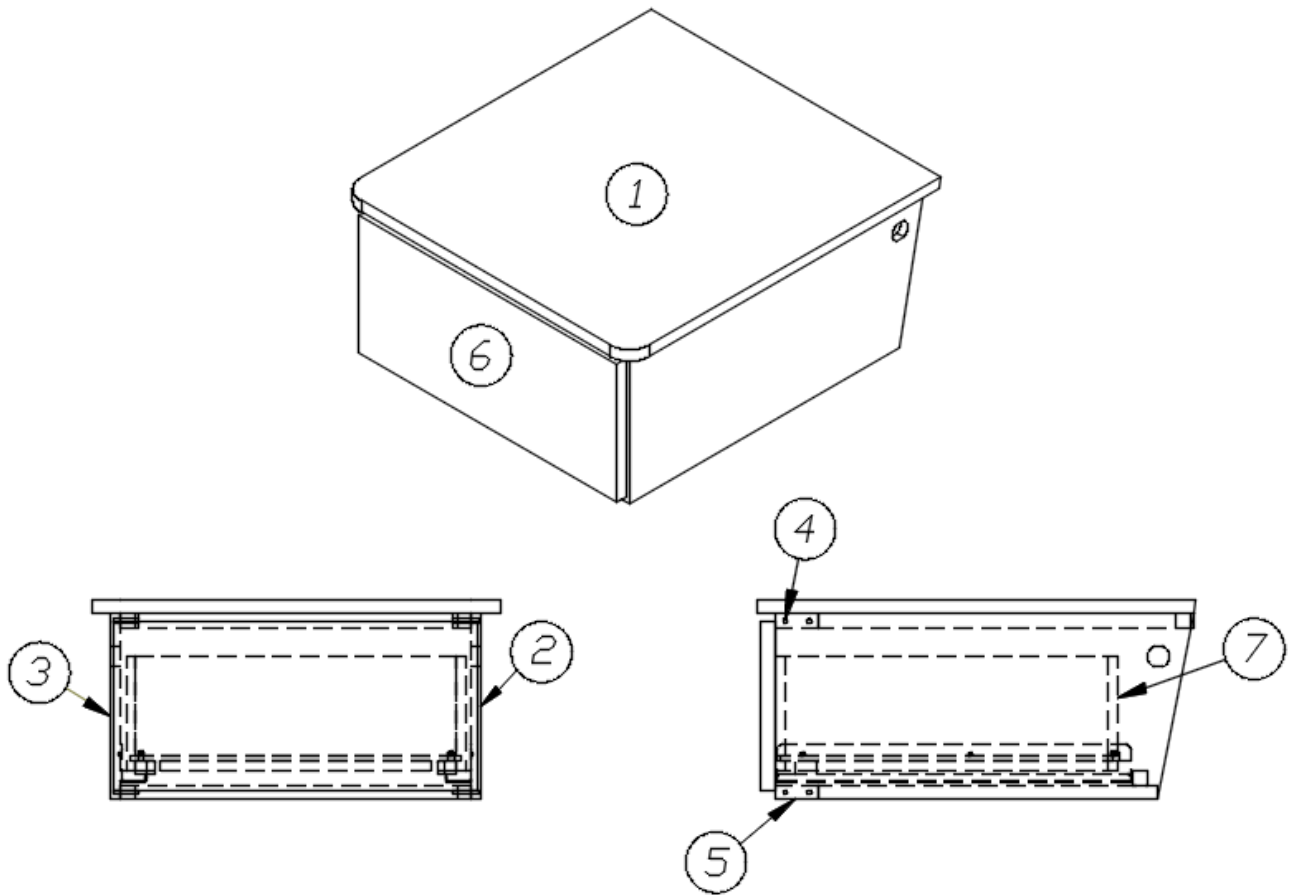
Nightstand

- 1. 966899-151
  - 2. 966899-152
  - 3. 966899-153
- 801706-0018  
380041

Top, 9.25 x 21.39  
Panel, 7.63 x 5"  
Panel, 18.95 x 5  
Corner trim, 90°, 1" radius, Asian Sand  
Brace, 1", Stanley corner

# 2016 INTERNATIONAL TRAVEL TRAILER FURNITURE, BEDROOM

Nightstand, Twin, 25', 25FB, 27FB, 28', 30', Signature



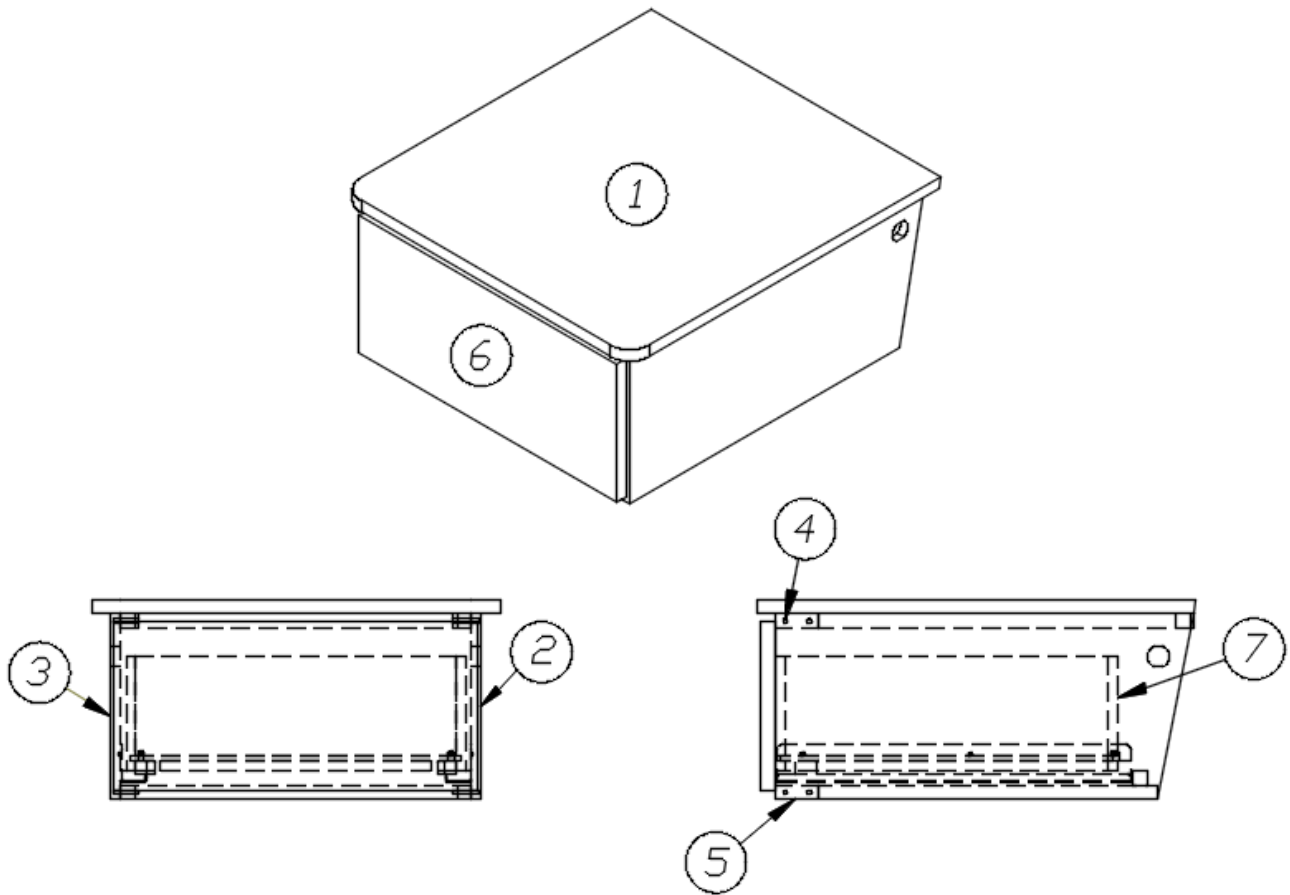
968030

Center Nightstand

- |               |                                |
|---------------|--------------------------------|
| 1. 966860     | Top, Twin nightstand           |
| 2. 968030-2   | Panel, 22 x 9.75               |
| 3. 968030-3   | Panel, 22 x 9.75               |
| 4. 968030-094 | Panel, 18.5 x 2.5              |
| 5. 968030-095 | Panel, 18.5 x 2.5              |
| 6. 968030-7   | Door, 19.13 x 8.88             |
| 7. 968022-03  | Drawer box, 6" x 17.88" x 18"  |
| 382029-04     | Handle bar, 15"                |
| 381228-02     | Catch, Grabber door (5lb Pull) |
| 365364-01     | Edgebanding, .63", Ebony Woods |
| 382203-04     | Drawer slide, Self-close, 18"  |
| 382203-06     | Clips, Front fixing            |

# 2016 INTERNATIONAL TRAVEL TRAILER FURNITURE, BEDROOM

Nightstand, Twin, 25', 25FB, 27FB, 28', 30', Serenity



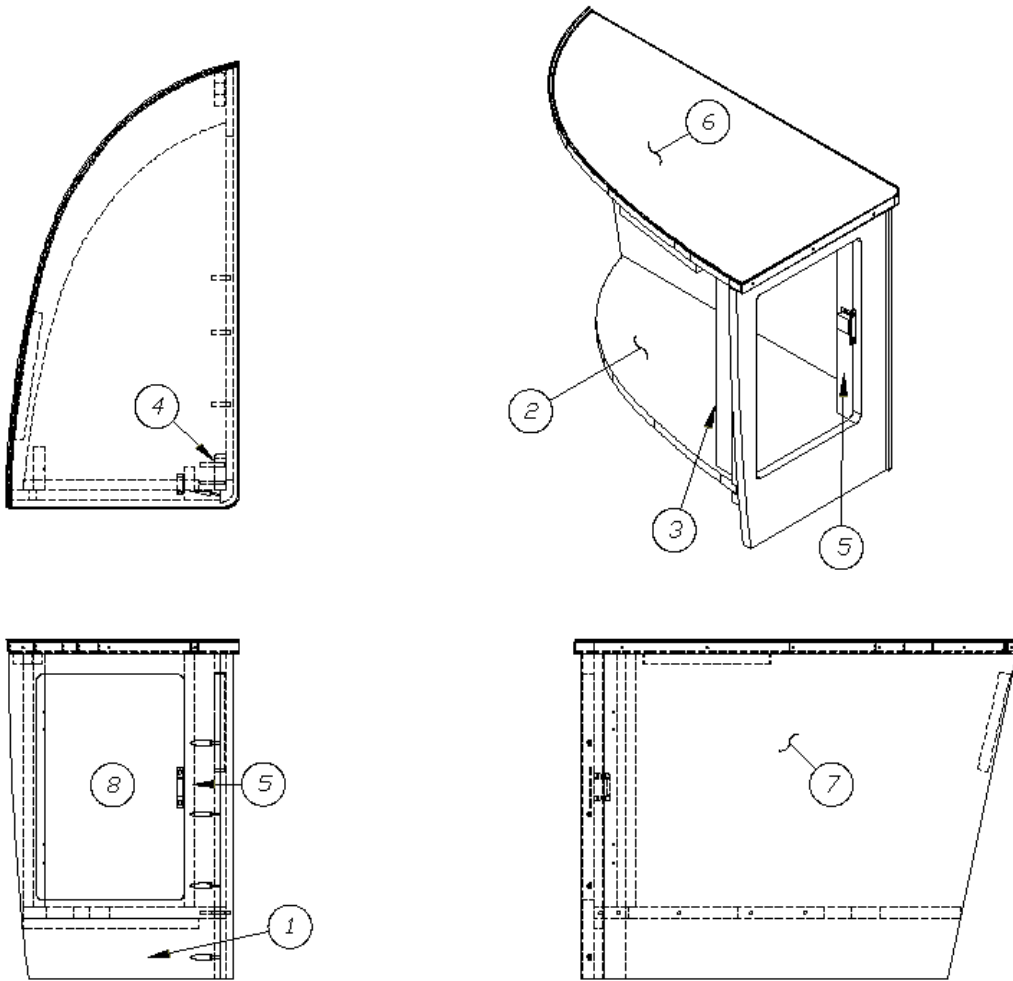
968030-15

Center Nightstand

- |               |                                 |
|---------------|---------------------------------|
| 1. 966860-15  | Top, Twin nightstand            |
| 2. 968030-152 | Panel, 22 x 9.75                |
| 3. 968030-153 | Panel, 22 x 9.75                |
| 4. 968030-094 | Panel, 18.5 x 2.5               |
| 5. 968030-095 | Panel, 18.5 x 2.5               |
| 6. 968030-157 | Door, 19.13 x 8.88              |
| 7. 968022-03  | Drawer box, 6" x 17.88" x 18"   |
| 382115        | Pull, Flat Black                |
| 381228-02     | Catch, Grabber door (5lb Pull)  |
| 365344-01     | Edgebanding, .63", Pearl Bisque |
| 382203-04     | Drawer slide, Self-close, 18"   |
| 382203-06     | Clips, Front fixing             |

# 2016 INTERNATIONAL TRAVEL TRAILER FURNITURE, BEDROOM

## Nightstand, LH, 27FB Signature



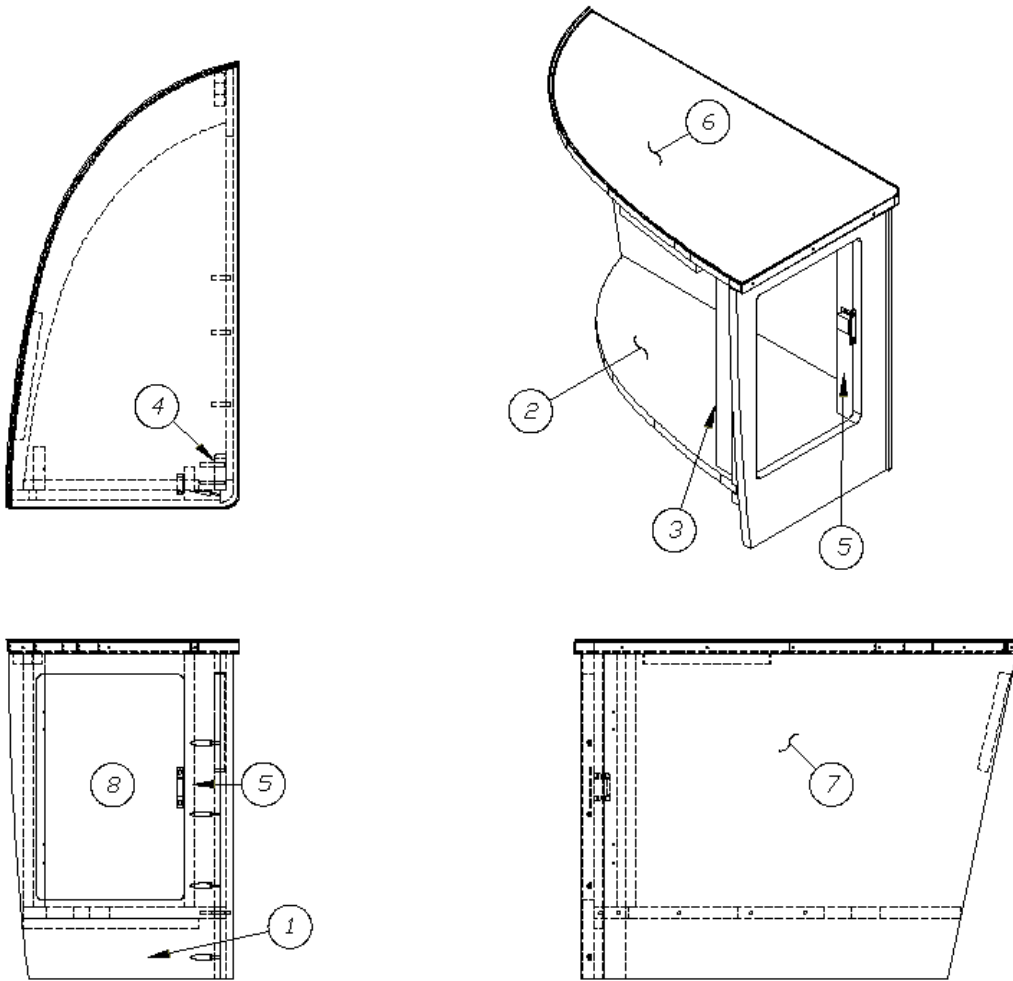
966868

Nightstand, LH

- |             |                                   |
|-------------|-----------------------------------|
| 1. 966868-1 | Panel, 14.78 x 22.75              |
| 2. 966868-2 | Panel, 27.69 x 14.13              |
| 3. 966868-3 | Panel, 3 x 17.75                  |
| 4. 966868-4 | Panel, 2.25 x 22.75               |
| 5. 966868-5 | Panel, 17.75 x 1.63               |
| 6. 966868-6 | Panel, 16.09 x 31.06              |
| 7. 966868-7 | Panel, 28.84 x 22.75              |
| 8. 966868-8 | Door, 10 x 15.44                  |
| 382029-00   | Handle bar, 7.48                  |
| 381607-11   | Hinge, Self-close                 |
| 381228-02   | Catch, Grabber door, (5lb Pull)   |
| 801706-0024 | Corner trim, 90°, 1 radius, Ebony |
| 201673      | Reverse cove molding, White       |

# 2016 INTERNATIONAL TRAVEL TRAILER FURNITURE, BEDROOM

## Nightstand, LH, 27FB Serenity



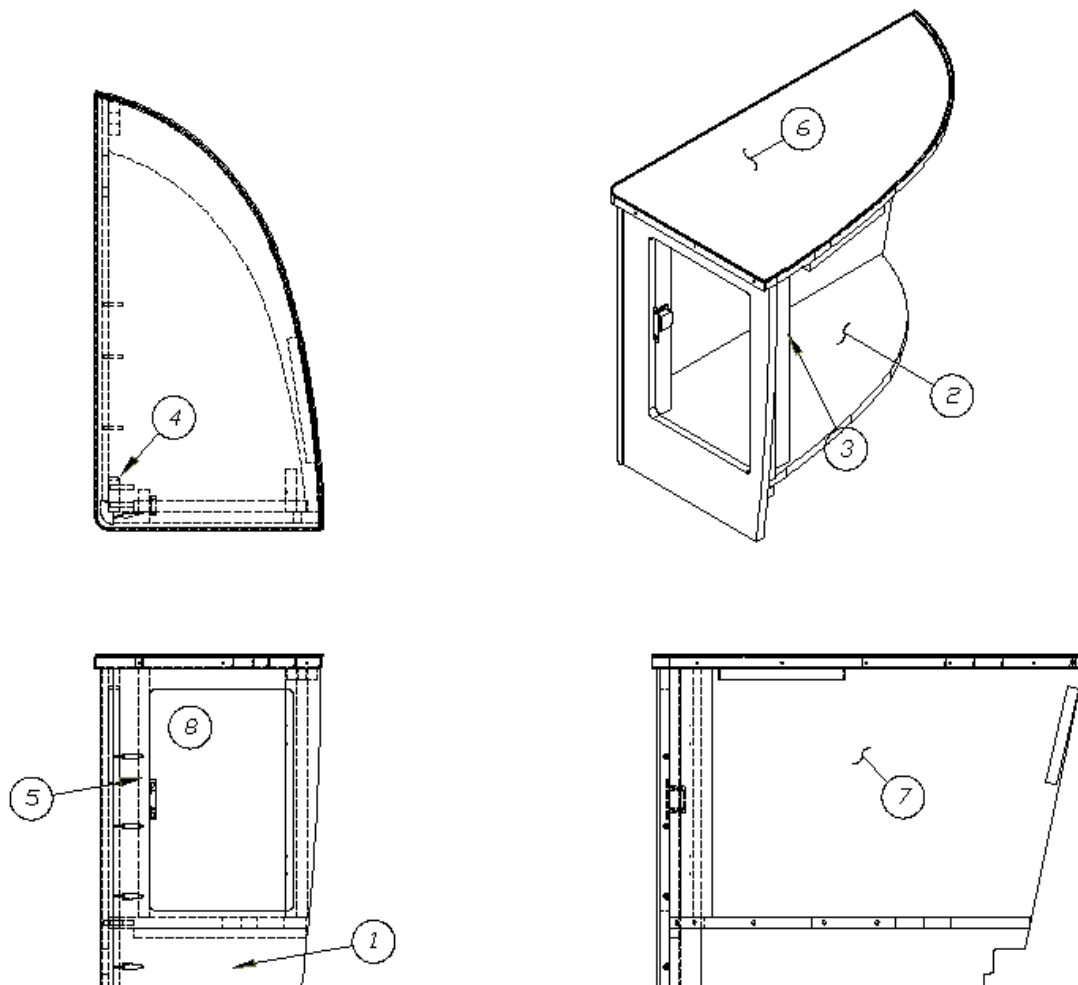
966868-15

Nightstand, LH

- |               |  |
|---------------|--|
| 1. 966868-151 | Panel, 14.78 x 22.75                   |
| 2. 966868-2   | Panel, 27.69 x 14.13                   |
| 3. 966868-3   | Panel, 3 x 17.75                       |
| 4. 966868-4   | Panel, 2.25 x 27.75                    |
| 5. 966868-5   | Panel, 17.75 x 1.63                    |
| 6. 966868-156 | Panel, 16.09 x 31.06                   |
| 7. 966868-157 | Panel, 28.84 x 22.75                   |
| 8. 966868-158 | Door, 10 x 15.44                       |
| 382115        | Pull, Flat Black                       |
| 381607-11     | Hinge, Self-close                      |
| 381228-02     | Catch, Grabber door, (5lb Pull)        |
| 801706-0018   | Corner trim, 90°, 1 radius, Asian Sand |
| 201673        | Reverse cove molding, White            |

# 2016 INTERNATIONAL TRAVEL TRAILER FURNITURE, BEDROOM

## Nightstand, RH, 27FB Signature



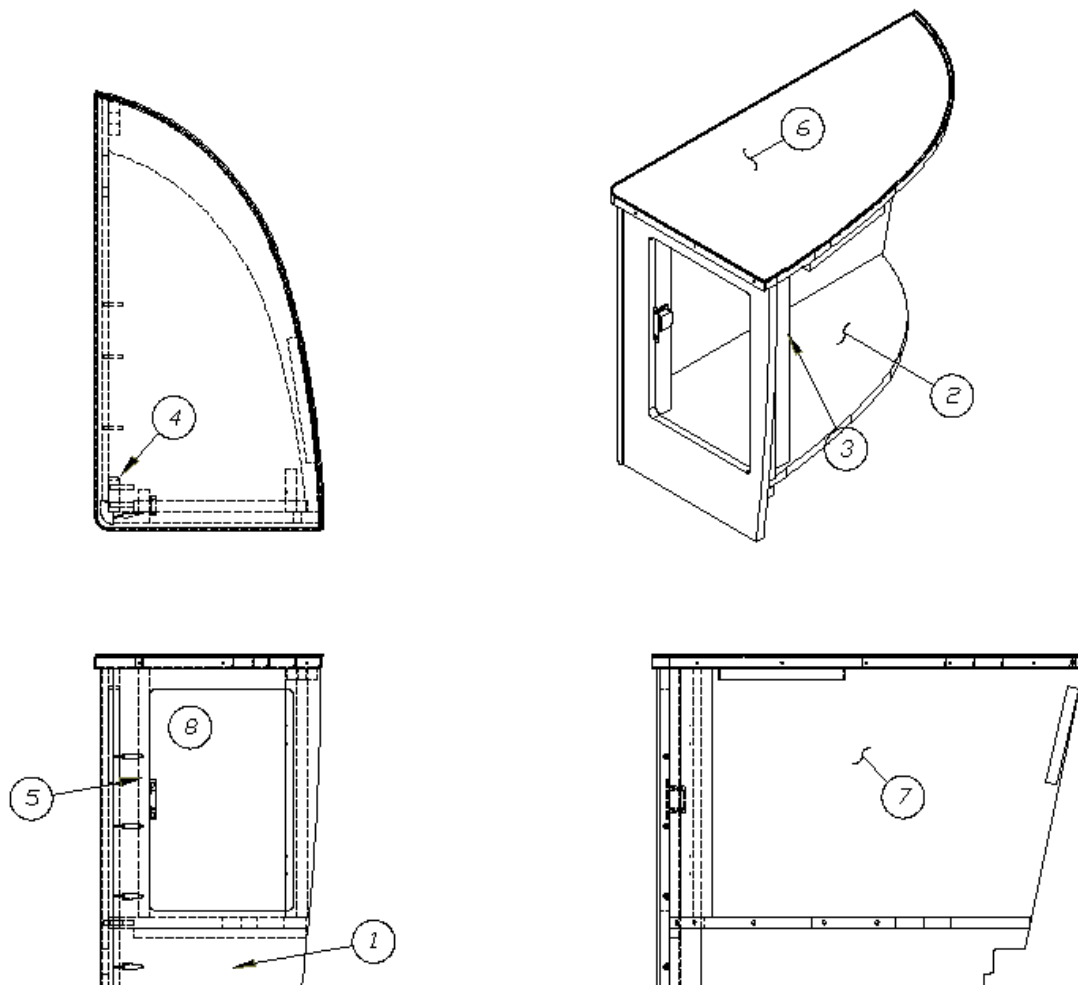
966851

Nightstand, RH

- |             |                                    |
|-------------|------------------------------------|
| 1. 966851-1 | Panel, 14.78 X 22.75               |
| 2. 966851-2 | Panel, 27.69 X 14.13               |
| 3. 966851-3 | Panel, 3 X 17.75                   |
| 4. 966851-4 | Panel, 2.25 X 27.75                |
| 5. 966851-5 | Panel, 17.75 X 1.63,               |
| 6. 966851-6 | Panel, 16.09 X 31.06               |
| 7. 966851-7 | Panel, 28.84 X 22.75               |
| 8. 966851-8 | Door, 10 X 15.44                   |
| 382029-00   | Handle bar, 7.48                   |
| 381607-11   | Hinge, Self-close                  |
| 381228-02   | Catch, Grabber door, (5lb Pull)    |
| 801706-0024 | Corner Trim, 90°, 1" radius, Ebony |
| 201673      | Reverse cove molding, White        |

# 2016 INTERNATIONAL TRAVEL TRAILER FURNITURE, BEDROOM

## Nightstand, RH, 27FB Serenity



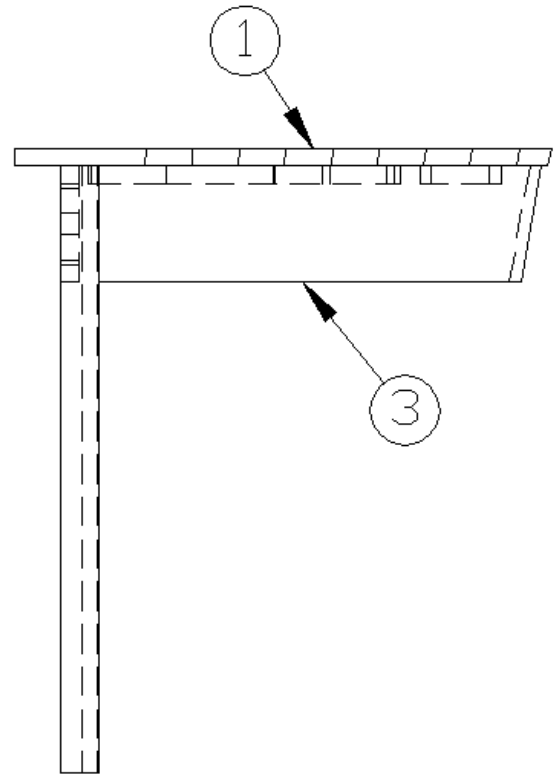
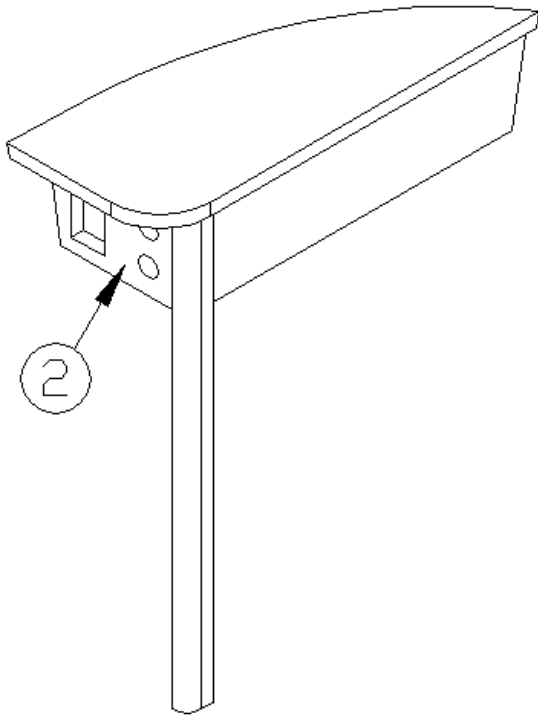
966851-15

Nightstand, RH

- |               |   |
|---------------|---|
| 1. 966851-151 | Panel, 14.78 x 2275                     |
| 2. 966851-2   | Panel, 27.69 x 22.75                    |
| 3. 966851-3   | Panel, 3 x 17.75                        |
| 4. 966851-4   | Panel, 2.25 x 22.75                     |
| 5. 966851-5   | Panel, 17.75 x 1.63                     |
| 6. 966851-156 | Panel, 16.09 x 31.09                    |
| 7. 966851-157 | Panel, 28.84 x 22.75                    |
| 8. 966851-158 | Door, 9.88 x 15.31                      |
| 382115        | Pull, Flat Black                        |
| 381607-11     | Hinge, Self-close                       |
| 381228-02     | Catch, Grabber door, (5lb Pull)         |
| 801706-0018   | Corner trim, 90°, 1" radius, Asian Sand |
| 201673        | Reverse cove molding, White             |

# 2016 INTERNATIONAL TRAVEL TRAILER FURNITURE, BEDROOM

## Nightstand, 25FB Eddie Bauer



967679-19

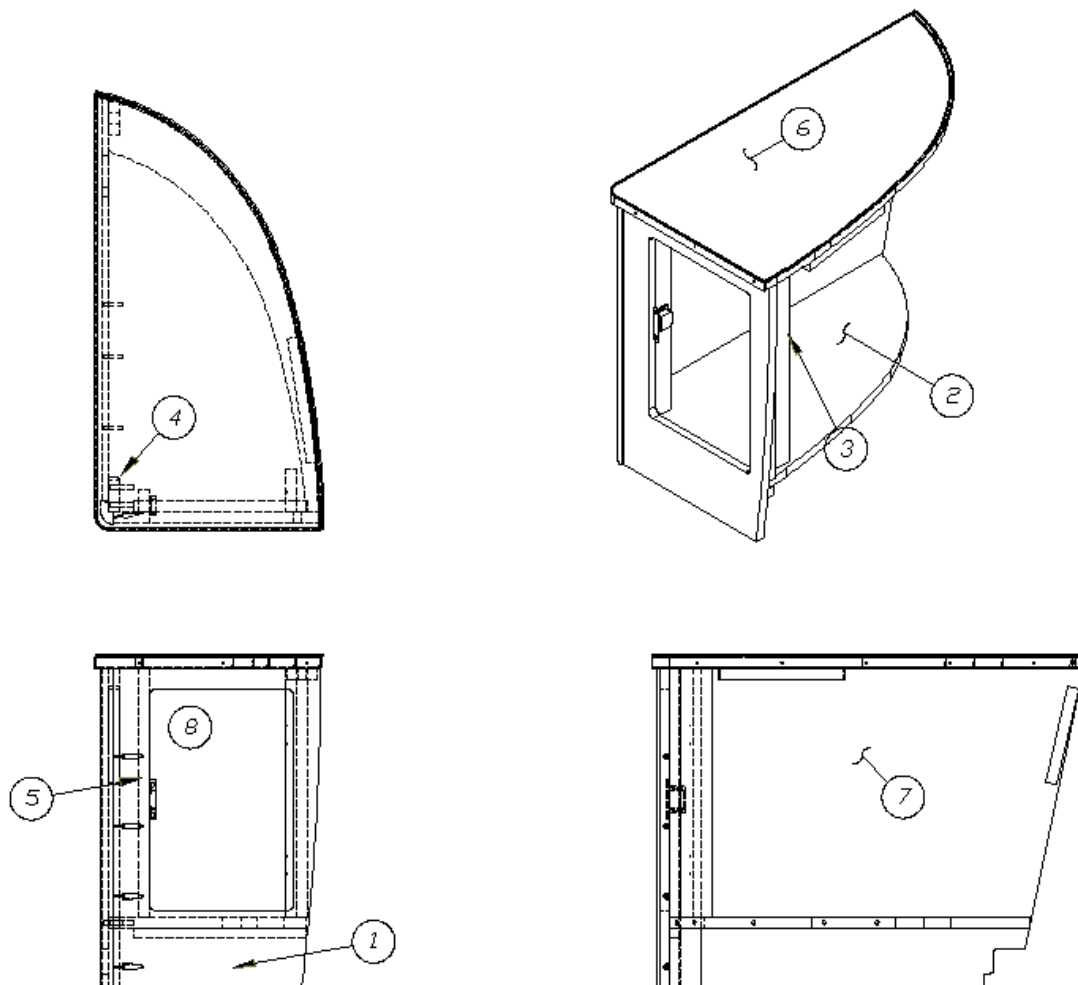
Nightstand

- |               |                                    |
|---------------|------------------------------------|
| 1. 967679-191 | Panel, 9.3 x 23.01                 |
| 2. 967679-192 | Panel, 7.63 x 5                    |
| 3. 967679-193 | Panel, 18.95 x 5                   |
| 801706-0023   | Corner trim, 90°, 1" radius, Maple |
| 380041        | Brace, 1" Stanley corner           |
| 365352-02     | Edgebanding, .94", Maple           |
| 115472        | Trim, Counter top, Aluminum        |



# 2016 INTERNATIONAL TRAVEL TRAILER FURNITURE, BEDROOM

## Nightstand, RH, 27FB Eddie Bauer



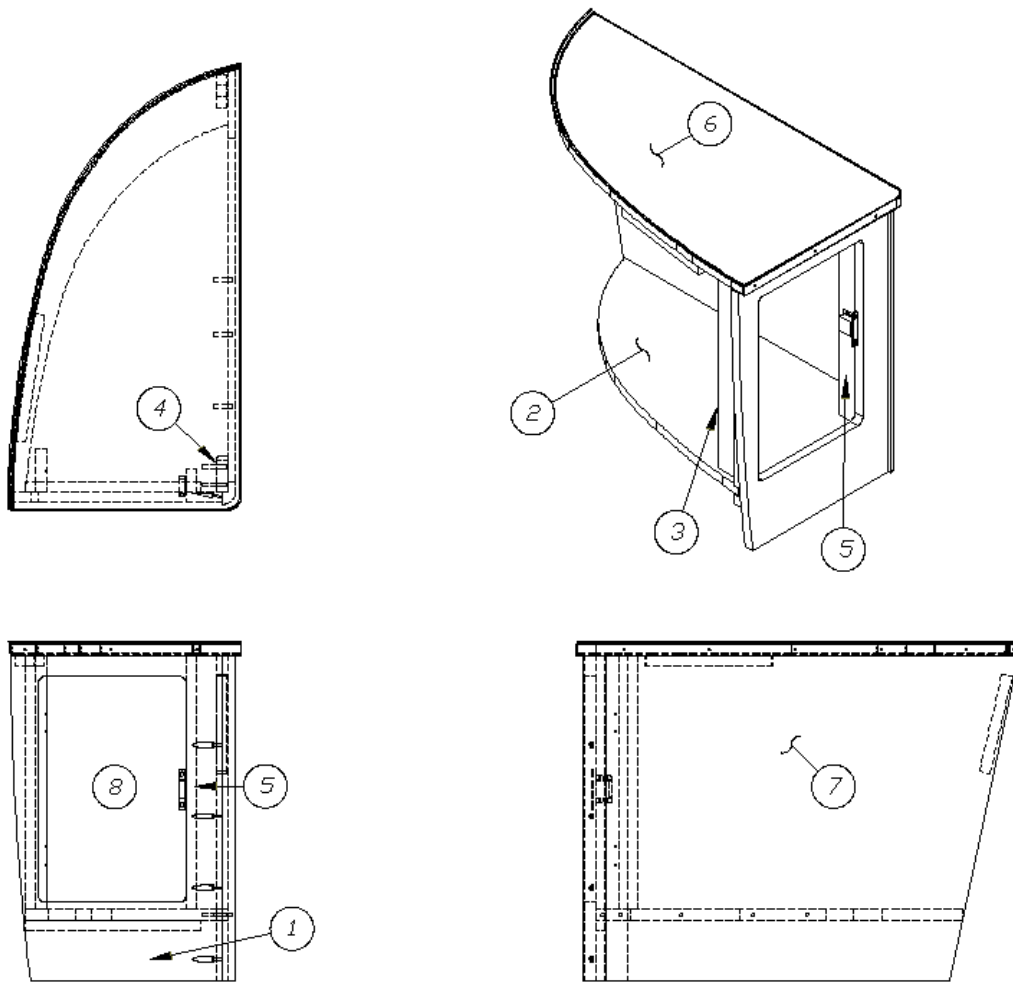
966851-19

Nightstand, RH

- |               |                                    |
|---------------|------------------------------------|
| 1. 966851-191 | Panel, 14.78 x 2275                |
| 2. 966851-2   | Panel, 27.69 x 22.75               |
| 3. 966851-3   | Panel, 3 x 17.75                   |
| 4. 966851-4   | Panel, 2.25 x 22.75                |
| 5. 966851-5   | Panel, 17.75 x 1.63                |
| 6. 966851-196 | Panel, 16.09 x 31.09               |
| 7. 966851-197 | Panel, 28.84 x 22.75               |
| 8. 966851-198 | Door, 9.88 x 15.31                 |
| 381865        | Pull bar, Brushed Nickel           |
| 381607-11     | Hinge, Self-close                  |
| 381228-02     | Catch, Grabber door, (5lb Pull)    |
| 801706-0023   | Corner trim, 90°, 1" radius, Maple |
| 201673-01     | Reverse cove molding, Oak          |

# 2016 INTERNATIONAL TRAVEL TRAILER FURNITURE, BEDROOM

## Nightstand, LH, 27FB Eddie Bauer



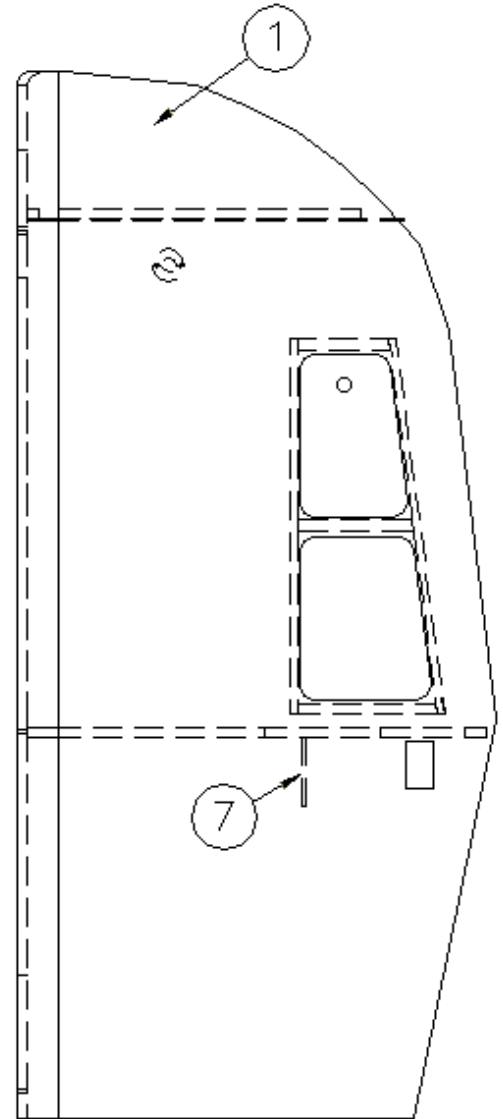
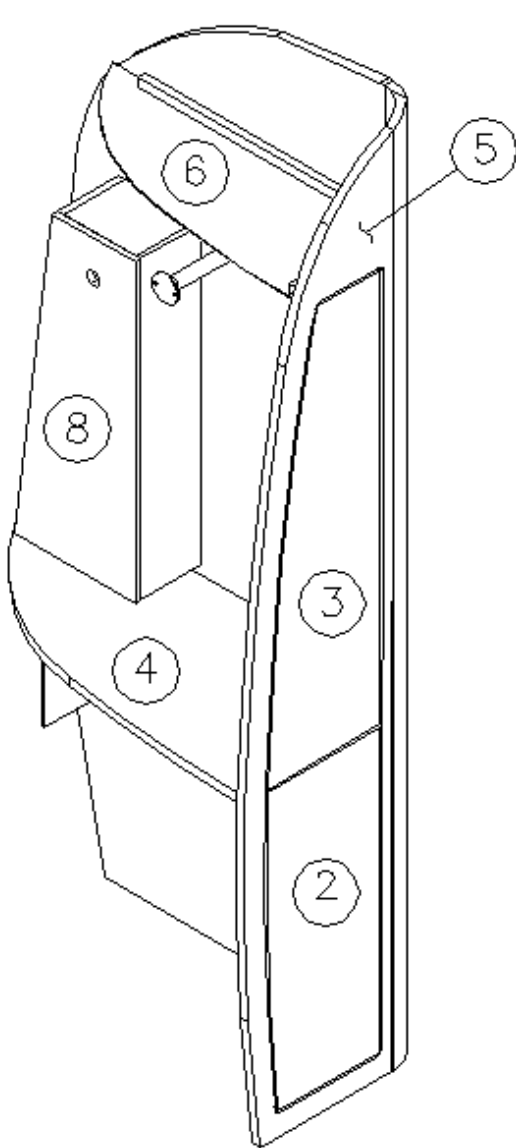
966868-19

Nightstand, LH

- |               |                                    |
|---------------|------------------------------------|
| 1. 966868-191 | Panel, 14.78 x 22.75               |
| 2. 966868-2   | Panel, 27.69 x 14.13               |
| 3. 966868-3   | Panel, 3 x 17.75                   |
| 4. 966868-4   | Panel, 2.25 x 27.75                |
| 5. 966868-5   | Panel, 17.75 x 1.63                |
| 6. 966868-196 | Panel, 16.09 x 31.06               |
| 7. 966868-197 | Panel, 28.84 x 22.75               |
| 8. 966868-198 | Door, 9.88 x 15.31                 |
| 381865        | Pull bar, Brushed Nickel           |
| 381607-11     | Hinge, Self-close                  |
| 381228-02     | Catch, Grabber door, (5lb Pull)    |
| 801706-0023   | Corner trim, 90°, 1" radius, Maple |
| 201673-01     | Reverse cove molding, Oak          |

# 2016 INTERNATIONAL TRAVEL TRAILER FURNITURE, BEDROOM

Closet, Left Rear, 28', 30' Signature



Parts Listed on Next Page

# 2016 INTERNATIONAL TRAVEL TRAILER FURNITURE, BEDROOM

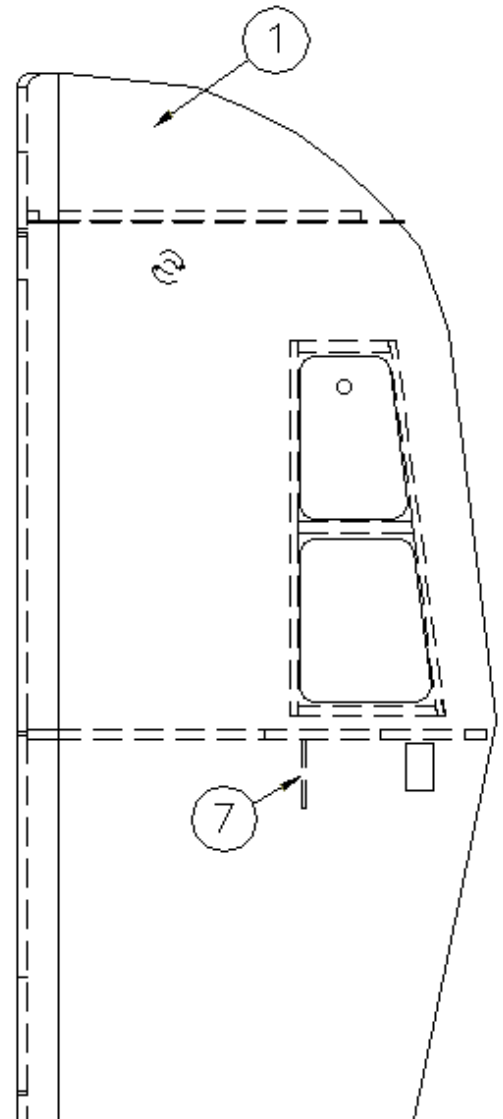
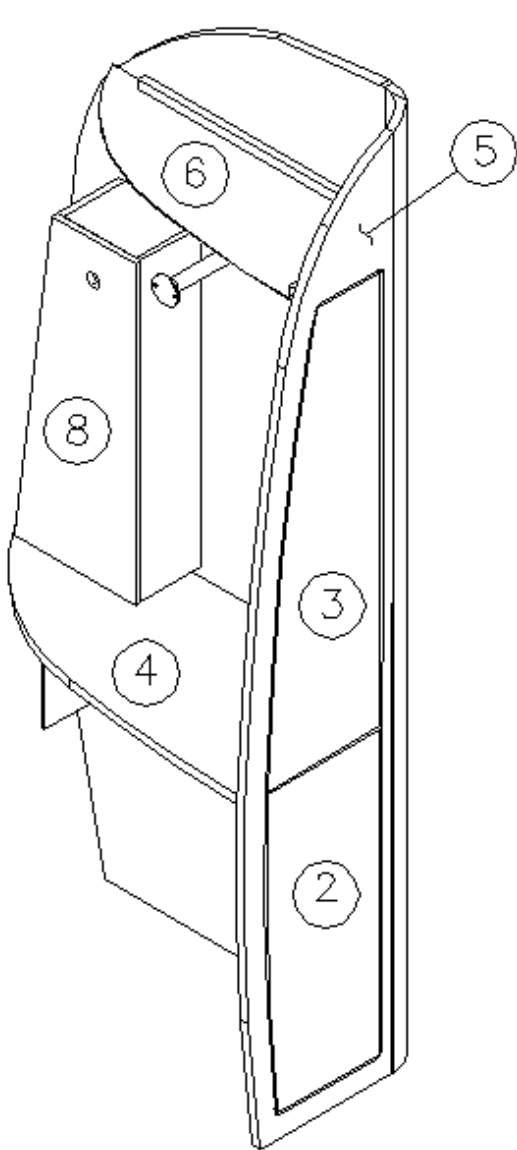
## Closet, Left Rear, 28', 30' Signature

966871 Closet, Left Rear  
966871-23 Closet, Left Rear, 28' A2GO

1. 966871-1 Panel, 32.25 x 76.61
2. 966871-02 Door, 10.49 x 25.88
3. 966871-03 Door, 10.41 x 36.31
4. 966871-4 Panel, 34.35 x 15.75
5. 966871-5 Panel, 13.69 x 75.12
6. 966871-6 Panel, 27.38 x 10.5
7. 966871-19 Panel, 5 x 13.78
8. 966875 Bookshelf assembly, CS
- 382029-00 Handle bar, 7.48
- 381607-11 Hinge, Self-close
- 381228-02 Catch, Grabber door, (5lb Pull)
- 380046 Flange, Chrome
- 380045 Tubing, .75"
- 200975-04 Conduit, Flexible Black plastic
- 386106-01 Magazine rack, White
- 386107 Rod, Magazine rack
- 203440 T-molding, .8125, Black Embossed

# 2016 INTERNATIONAL TRAVEL TRAILER FURNITURE, BEDROOM

Closet, Left Rear, 28', 30' Serenity



Parts Listed on Next Page

# 2016 INTERNATIONAL TRAVEL TRAILER

## FURNITURE, BEDROOM

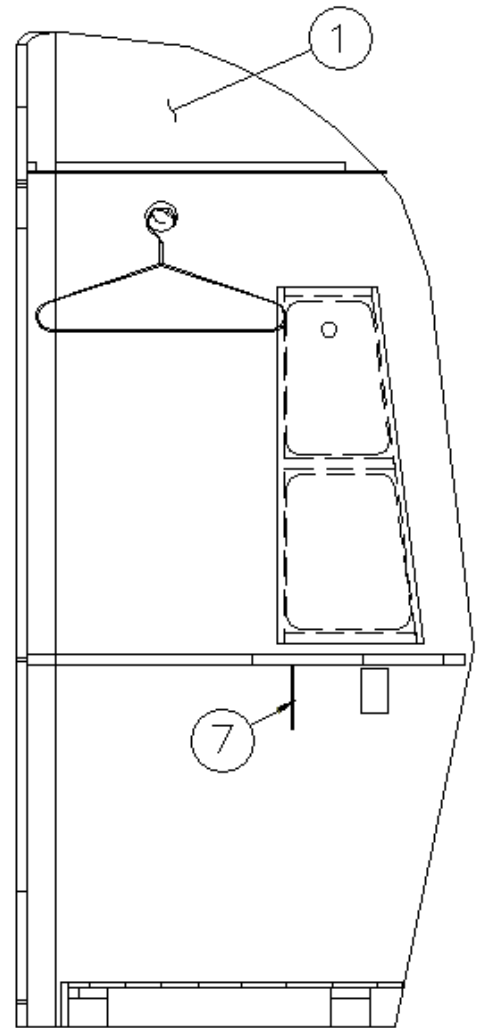
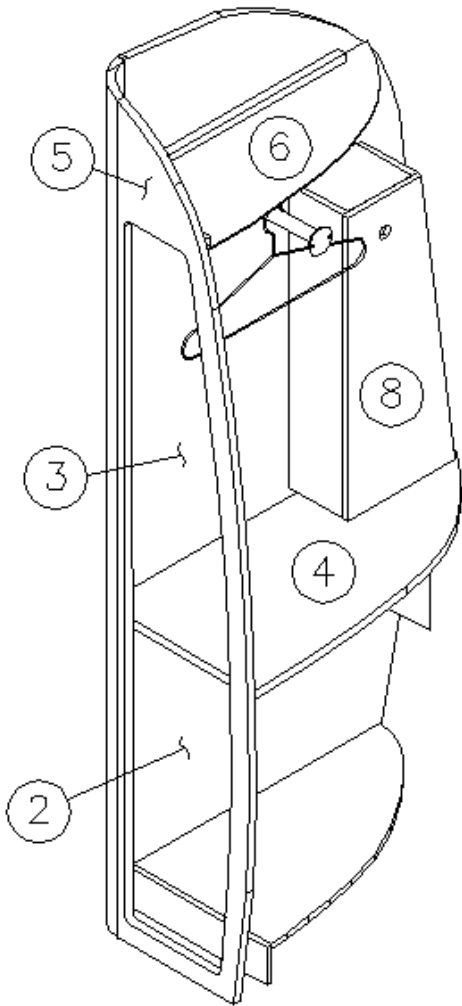
### Closet, Left Rear, 28', 30' Serenity

966871-15 Closet, Left Rear

1. 966871-151 Panel, 32.25 x 76.61
  2. 966871-152 Door, 10.49 x 25.88
  3. 966871-153 Door, 10.41 x 36.31
  4. 966871-4 Panel, 34.35 x 15.92
  5. 966871-155 Panel, 13.69 x 75.7
  6. 966871-156 Panel, 29 x 10.81
  7. 966871-1519 Panel, 5 x 13.78
  8. 966875-15 Bookshelf assembly, CS
- 382115 Pull, Flat Black
- 381607-11 Hinge, Self-close
- 381228-02 Catch, Grabber Door, (5lb Pull)
- 386106-01 Magazine rack, White
- 386107 Rod, Magazine rack
- 203693 T-molding, .8125, Beige Embossed
- 380046 Flange, chrome
- 380045 Tubing, 3/4"
- 200975-04 Conduit, Flexible Black plastic

# 2016 INTERNATIONAL TRAVEL TRAILER FURNITURE, BEDROOM

Closet, Right Rear, 28', 30' Signature



Parts Listed on Next Page

# 2016 INTERNATIONAL TRAVEL TRAILER FURNITURE, BEDROOM

## Closet, Right Rear, 28', 30' Signature

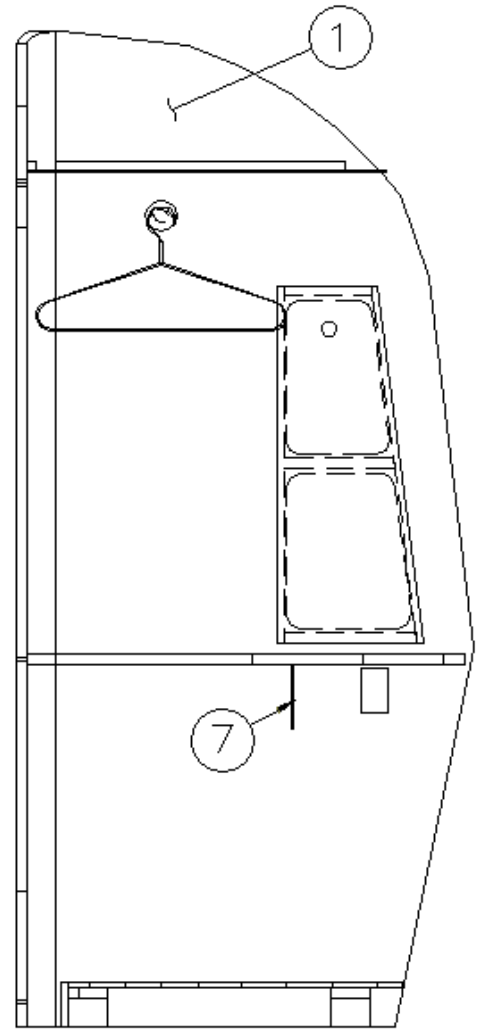
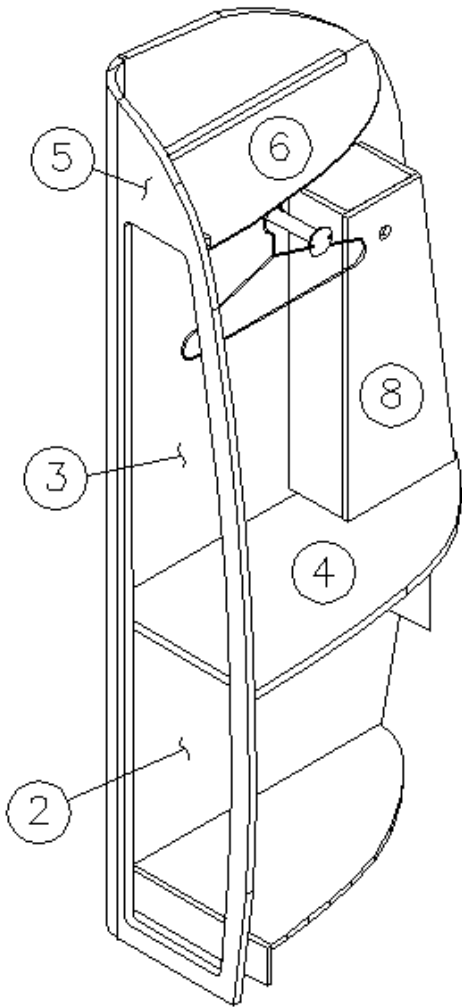
966872 Closet, Right Rear  
966872-23 Closet, Right Rear, 28' A2GO

1. 966872-1 Panel, 32.25 x 76.61
2. 966872-02 Door, 10.06 x 26.06
3. 966872-03 Door, 10.06 x 36.5
4. 966872-4 Panel, 34.35 x 15.92
5. 966872-5 Panel, 13.69 x 75.7
6. 966872-6 Panel, 29 x 10.81
7. 966872-19 Panel, 5 x 13.78
8. 966874 Bookshelf assembly, CS
- 382029-00 Handle bar, 7.48
- 381607-11 Hinge, Self-close
- 381228-02 Catch, Grabber door, (5lb Pull)
- 386106-01 Magazine rack, White
- 386107 Rod, Magazine rack
- 203440 T-molding, .8125, Black Embossed
- 380046 Flange, Chrome
- 380045 Tubing, 3/4"
- 200975-04 Conduit, Flexible Black plastic



# 2016 INTERNATIONAL TRAVEL TRAILER FURNITURE, BEDROOM

Closet, Right Rear, 28', 30' Serenity



Parts Listed on Next Page

# 2016 INTERNATIONAL TRAVEL TRAILER

## FURNITURE, BEDROOM

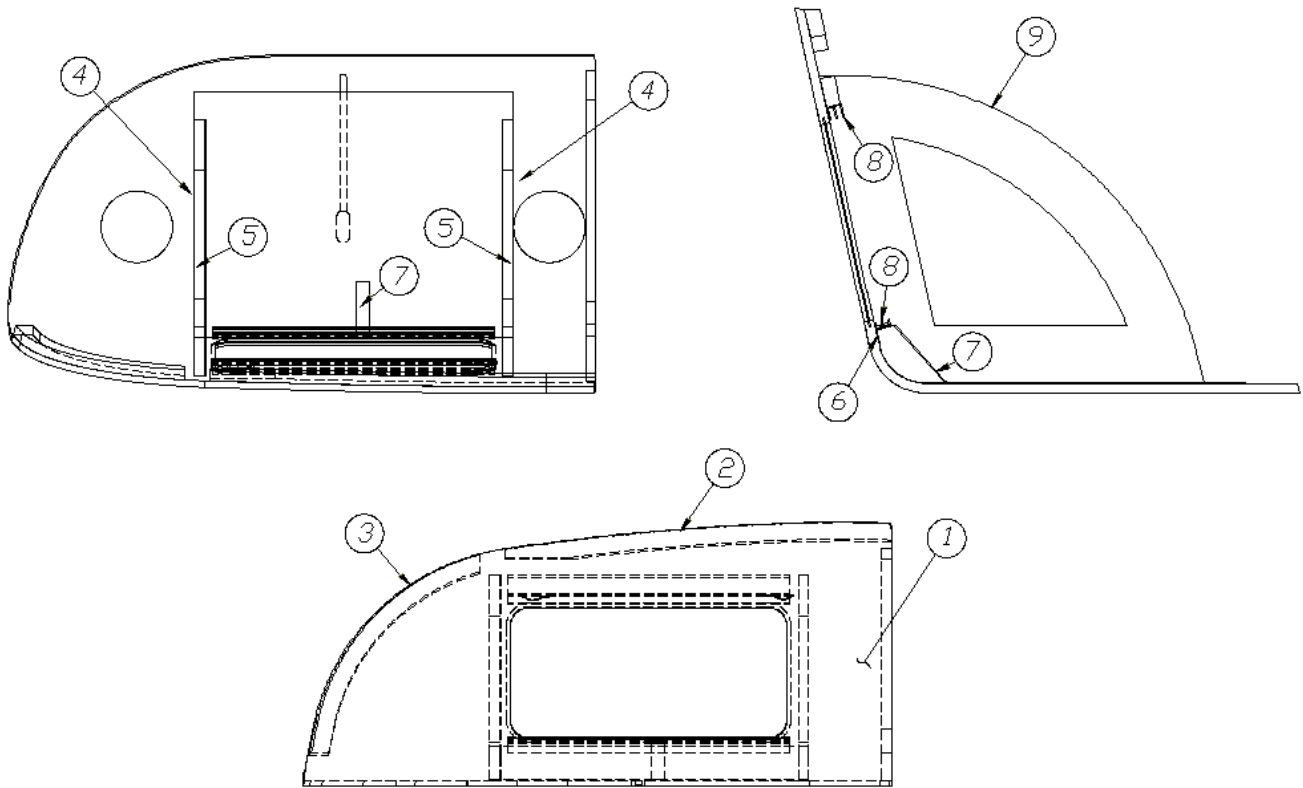
### Closet, Right Rear, 28', 30' Serenity

966872-15 Closet, Right Rear

1. 966872-151 Panel, 32.25 x 76.61
2. 966872-152 Door, 10.49 x 25.88
3. 966872-153 Door, 10.41 x 36.31
4. 966872-4 Panel, 34.35 x 15.92
5. 966872-155 Panel, 13.69 x 75.65
6. 966872-156 Panel, 29 x 10.81
7. 966872-1519 Panel, 5 x 13.78
8. 966874-15 Bookshelf assembly, RS
- 382115 Pull, Flat Black
- 381607-11 Hinge, Self-close
- 381228-02 Catch, Grabber door, (5lb Pull)
- 386106-01 Magazine rack, White
- 386107 Rod, Magazine Rack
- 203693 T-molding, .8125, Beige Embossed
- 380046 Flange, Chrome
- 380045 Tubing, 3/4"
- 200975-04 Conduit, Flexible Black plastic

# 2016 INTERNATIONAL TRAVEL TRAILER FURNITURE, BEDROOM

## Roof Locker, Rear Corner, 19', 23D Signature



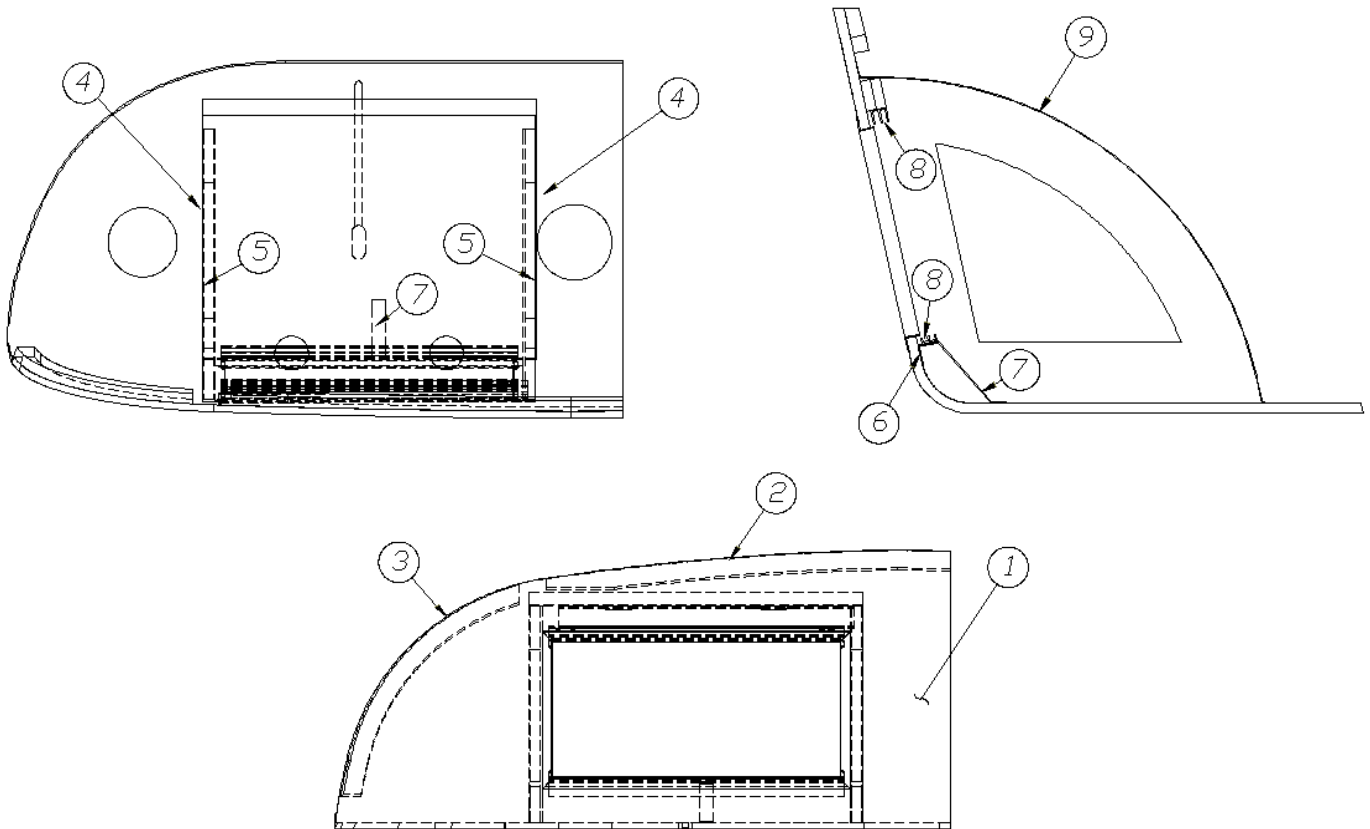
966933  
966933-02

Liner Locker, NB Rear Corner, 19'  
Liner Locker, NB Rear Corner, 23D

- |              |  |
|--------------|--|
| 1. 801730    | Face, Rear corner                              |
| 2. 801596-01 | Backer, Center                                 |
| 3. 801596-02 | Backer, LH                                     |
| 4. 801594    | Divider  |
| 5. 801595    | Divider w/laminate                             |
| 801595-12    | Divider w/USB ports (23D)                      |
| 6. 115261-04 | Angle, Formed locker track support             |
| 7. 115226-01 | Bracket, Formed, Center support                |
| 8. 203388    | Sliding door track, 22"                        |
| 9. 115264-04 | Pan, Rear                                      |
| 801998       | L-support                                      |
| 203749-05    | Door, 11.31 x 11.75                            |
| 203445       | T-molding, Flexible Black poly                 |
| 201673       | Reverse cove molding, White                    |
| 703991       | Pile seal weather strip                        |
| 382149       | Pull, Finger, Satin Nickel                     |
| 512720       | Spot light w/frosted lens, LED, Surfaced mount |

# 2016 INTERNATIONAL TRAVEL TRAILER FURNITURE, BEDROOM

## Roof Locker, Rear Corner, 19', 23D Serenity



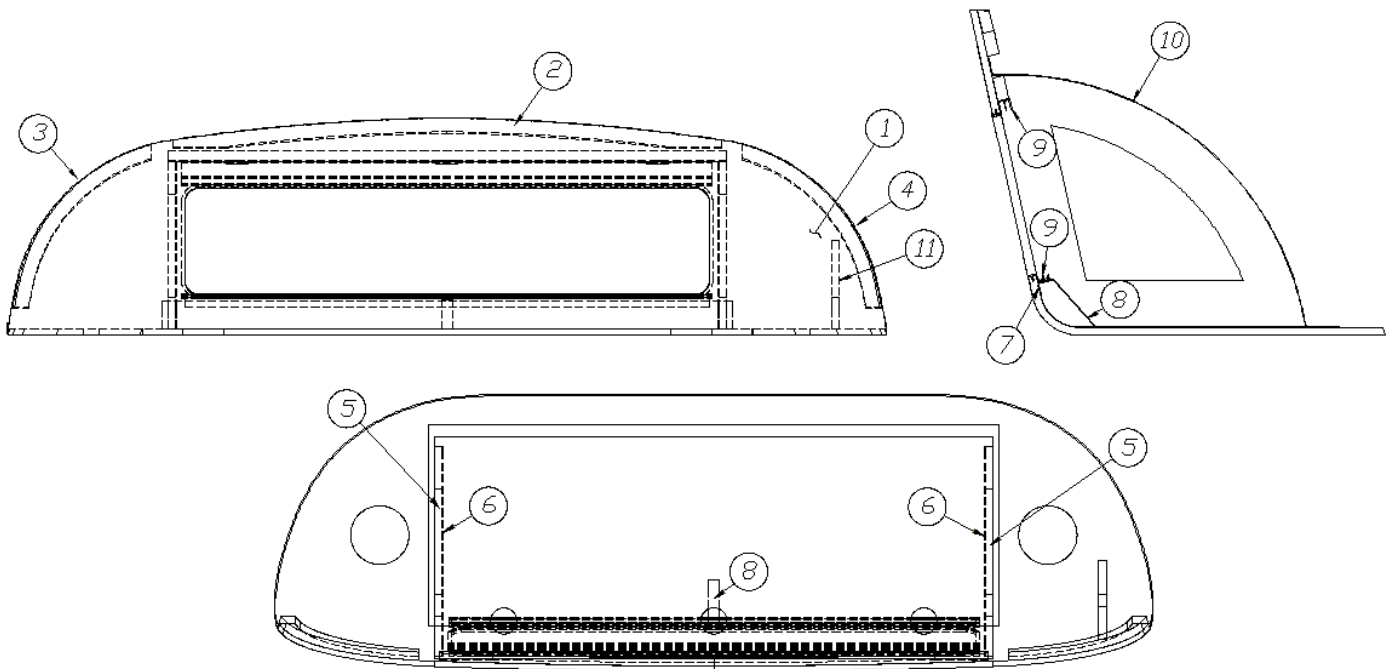
967550-15

Roof Locker, NB Rear Corner 19', 23D

- |              |  |
|--------------|--|
| 1. 801825    | Face, Rear                                     |
| 2. 801596-01 | Backer, Center                                 |
| 3. 801596-02 | Backer, LH                                     |
| 4. 801594    | Divider  |
| 5. 801595    | Divider w/laminate                             |
| 801595-12    | Divider w/USB ports (23D)                      |
| 6. 114812    | Angle, Formed, 22"                             |
| 7. 115226-01 | Bracket, Formed, Center support                |
| 8. 381245    | Sliding door track, 22"                        |
| 9. 115264-04 | Pan, NB rear corner                            |
| 203677-05    | Door, 11.31 x 11.75                            |
| 382114       | Knob, Brushed Satin Nickel                     |
| 512720       | Spot light w/frosted lens, LED, Surfaced mount |
| 703991       | Pile Seal Weather Strip                        |
| 201673       | Reverse cove molding, White                    |

# 2016 INTERNATIONAL TRAVEL TRAILER FURNITURE, BEDROOM

## Roof Locker, Front End, 23FB Signature



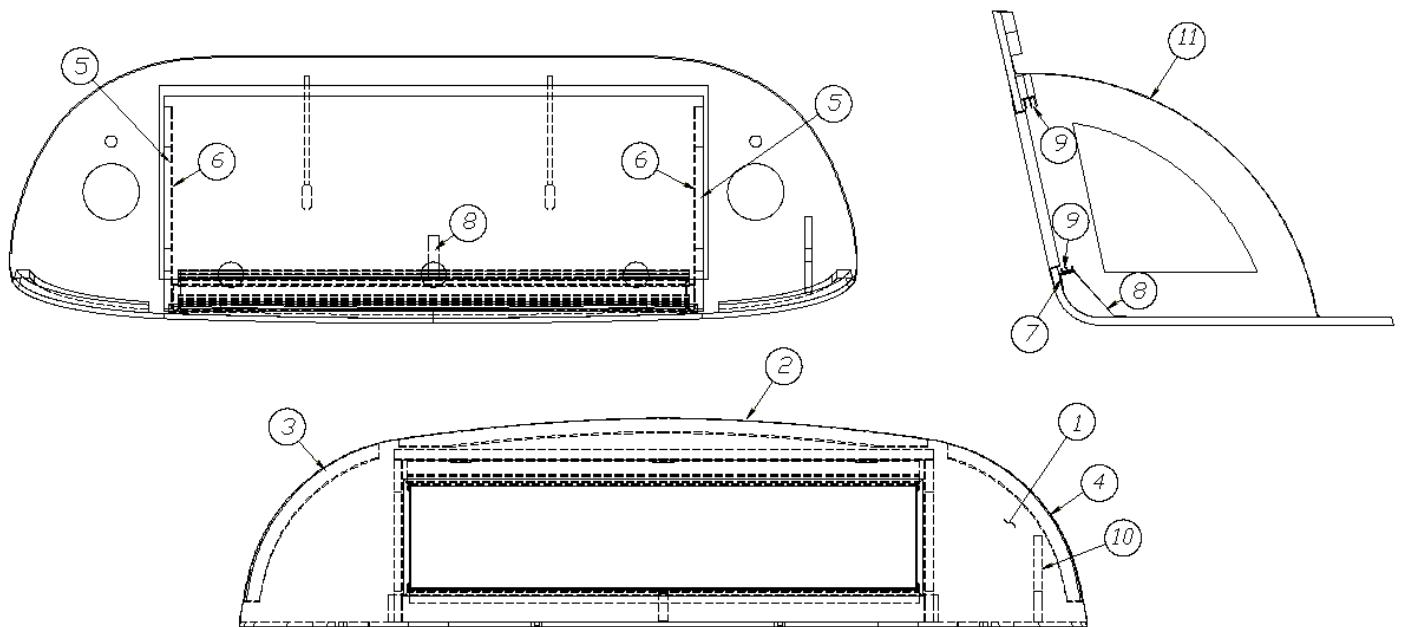
967645

Roof Locker, Front, 23FB

- |     |            |  |
|-----|------------|--|
| 1.  | 801887     | Face, NB                                       |
| 2.  | 801596-01  | Backer, Center                                 |
| 3.  | 801596-02  | Backer, LH                                     |
| 4.  | 801596-03  | Backer, RH                                     |
| 5.  | 801594     | Divider  |
| 6.  | 801595     | Divider w/laminate                             |
| 7.  | 115261-02  | Angle, Formed, Locker track support            |
| 8.  | 115226-01  | Bracket, Formed, Center support                |
| 9.  | 203388     | Track, Sliding door                            |
| 10. | 115264-02  | Pan, NB front                                  |
| 11. | 801710     | Support Divider                                |
|     | 203749-08  | Door, 11.31 x 30                               |
|     | 801928     | Laminate, Ebony Woods                          |
|     | 114879-238 | Aluminum sheet, .04" x 33" x 238"              |
|     | 203445     | T-molding, .5625", Black                       |
|     | 201673     | Reverse cove molding, White                    |
|     | 382149     | Finger pull, Satin Nickel                      |
|     | 703991     | Pile Seal Weather Strip                        |
|     | 512720     | Spot light w/frosted lens, LED, Surfaced mount |

# 2016 INTERNATIONAL TRAVEL TRAILER FURNITURE, BEDROOM

## Roof Locker, Front End, 23FB Serenity



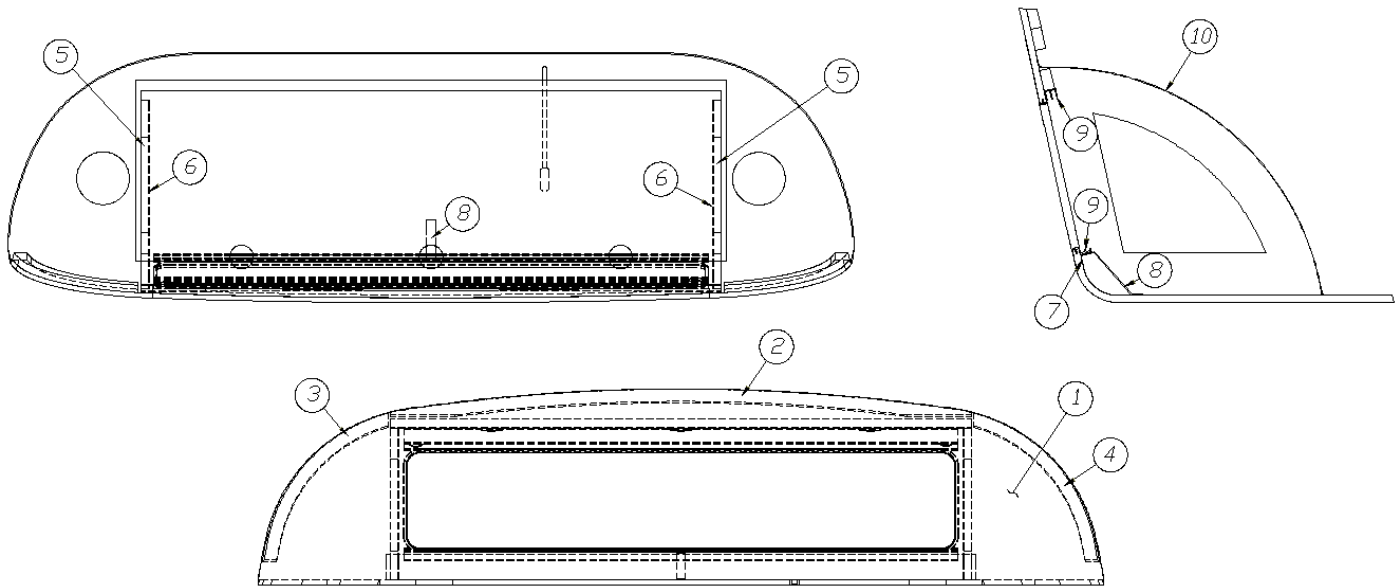
967646

Roof Locker, Front End

- |               |  |
|---------------|--|
| 1. 801888     | Face, Front                                    |
| 2. 801596-01  | Backer, Center                                 |
| 3. 801596-02  | Backer, LH                                     |
| 4. 801596-03  | Backer, RH                                     |
| 5. 801594     | Divider  |
| 6. 801595     | Divider w/laminate                             |
| 7. 114812     | Aluminum angle, 1 x 1                          |
| 8. 115226-01  | Bracket, Formed, Center support                |
| 9. 203388     | Track, Sliding Door                            |
| 10. 801710    | Support Divider                                |
| 11. 115264-02 | Pan, NB front                                  |
| 203677-03     | Door, 11.31 x 30                               |
| 382114        | Knob, Brushed Satin Nickel                     |
| 201673        | Reverse Cove Molding, White,                   |
| 801355-01     | Laminate, Vertical, Frosty White               |
| 703991        | Pile Seal Weather Strip                        |
| 512720        | Spot light w/frosted lens, LED, Surfaced mount |

# 2016 INTERNATIONAL TRAVEL TRAILER FURNITURE, BEDROOM

## Roof Locker, Rear Endliner, 25' Signature



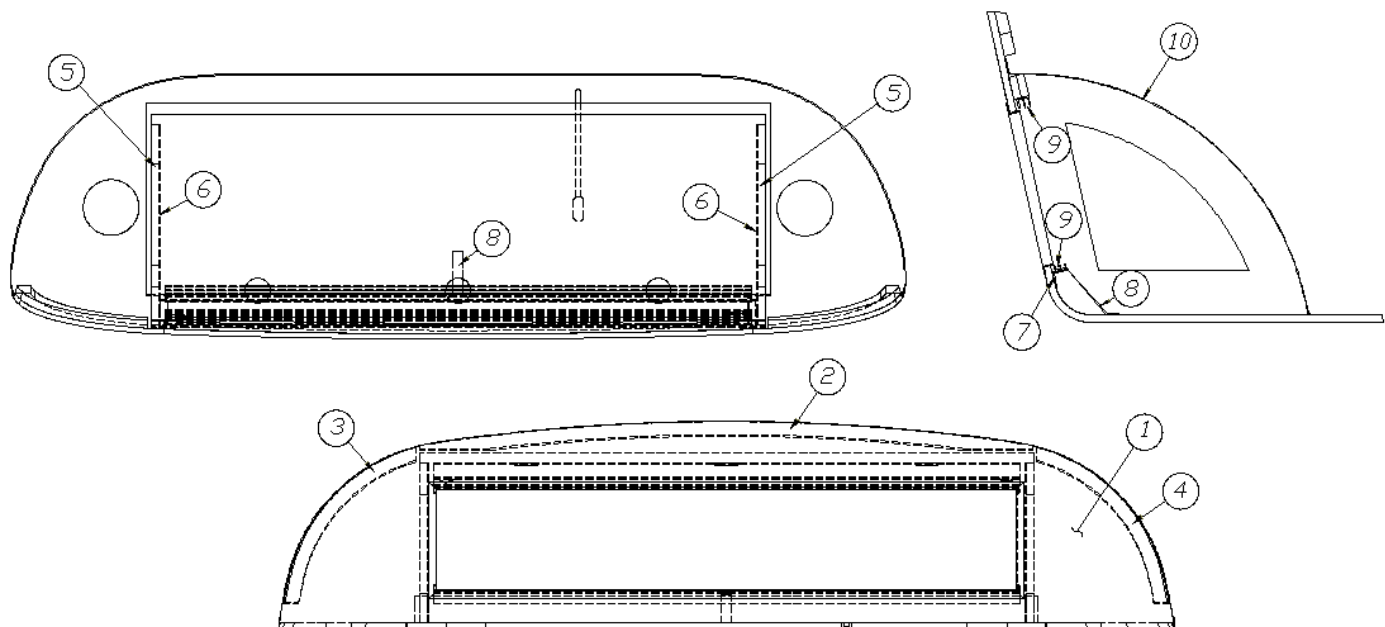
967765

Roof Locker, Rear Endliner

- |     |           |  |
|-----|-----------|--|
| 1.  | 801910    | Face, Liner Locker                             |
| 2.  | 801596-01 | Backer, Center                                 |
| 3.  | 801596-02 | Backer, LH                                     |
| 4.  | 801596-03 | Backer, RH                                     |
| 5.  | 801594    | Divider  |
| 6.  | 801595    | Divider w/laminate                             |
| 7.  | 115261-01 | Angle, Formed                                  |
| 8.  | 115226-01 | Bracket, Formed, Locker center support         |
| 9.  | 203388    | Track, Sliding door                            |
| 10. | 115264-01 | Pan, WB front                                  |
|     | 203749-08 | Door, 11.31 x 30                               |
|     | 203445    | T-molding, Flexible Black poly                 |
|     | 203445-01 | T-molding, .5625", White                       |
|     | 801355-01 | Laminate, Vertical, Frosty White               |
|     | 703991    | Pile Seal Weather Strip                        |
|     | 512720    | Spot light w/frosted lens, LED, Surfaced mount |

# 2016 INTERNATIONAL TRAVEL TRAILER FURNITURE, BEDROOM

## Roof Locker, Rear Endliner, 25' Serenity



967780-15

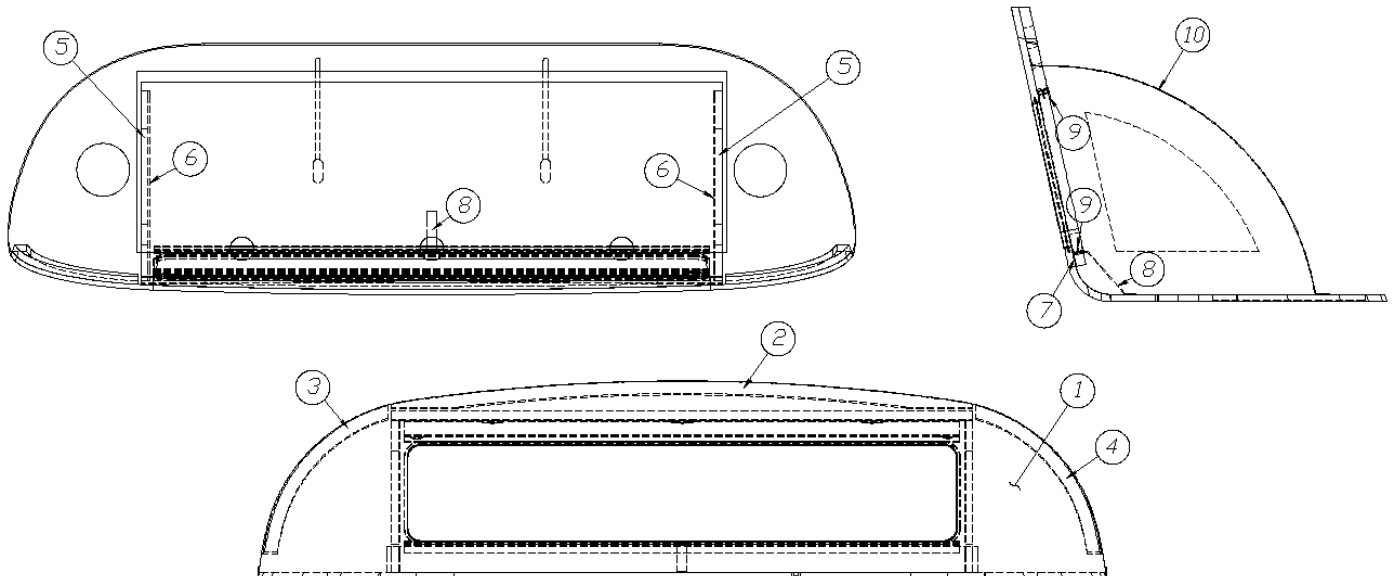
Roof Locker, Rear Endliner

- |     |           |  |
|-----|-----------|--|
| 1.  | 801913-15 | Face, Liner locker                             |
| 2.  | 801596-01 | Backer, WB center                              |
| 3.  | 801596-02 | Backer, LH                                     |
| 4.  | 801596-03 | Backer, RH                                     |
| 5.  | 801594    | Divider, Liner Locker                          |
| 6.  | 801595    | Divider w/laminate                             |
| 7.  | 114812    | Aluminum angle, 1 x 1                          |
| 8.  | 115226-01 | Bracket, Formed, Locker center support         |
| 9.  | 203388    | Track, Sliding Door                            |
| 10. | 115264-01 | Pan, WB front                                  |
|     | 203677-03 | Door, 11.31 x 30                               |
|     | 115483    | Aluminum angle, .75"                           |
|     | 382114    | Knob, Brushed Satin Nickel                     |
|     | 201673    | Reverse cove molding, White                    |
|     | 801355-01 | Laminate, Vertical, Frosty White               |
|     | 512720    | Spot light w/frosted lens, LED, Surfaced mount |
|     | 703991    | Pile Seal Weather Strip                        |



# 2016 INTERNATIONAL TRAVEL TRAILER FURNITURE, BEDROOM

## Roof Locker, Front Endliner, 25FB, 27FB Signature

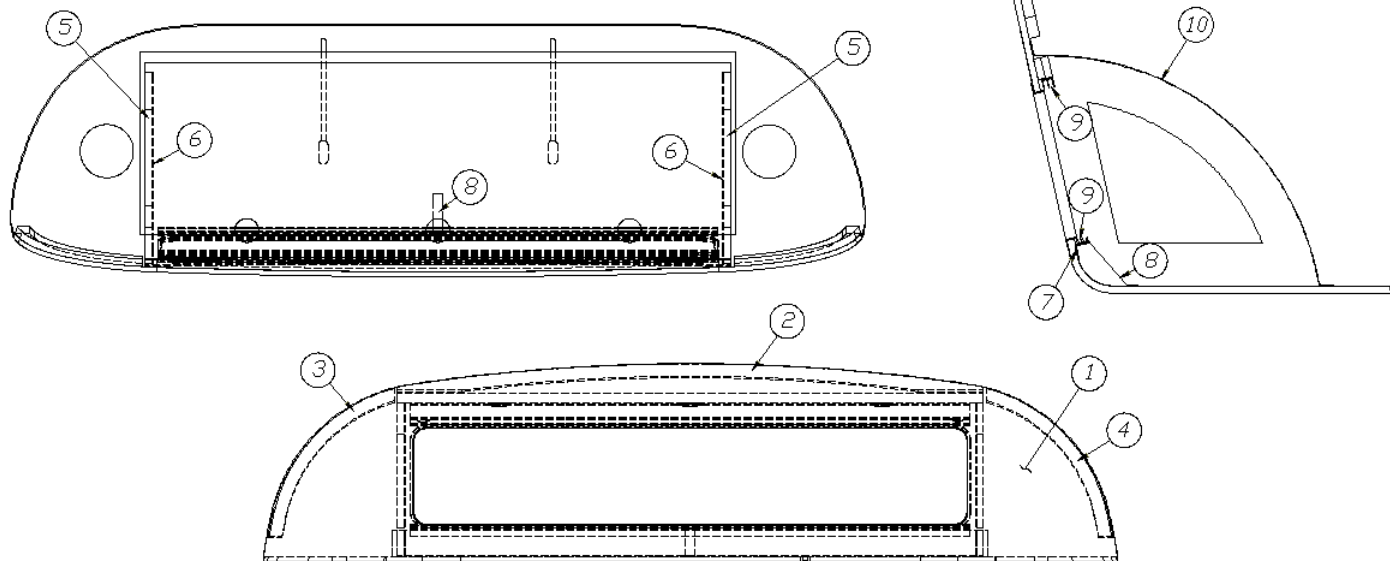


966870 Roof Locker, Front End, 25FB  
966870-02 Roof Locker, Front End, 27FB

- |               |  |
|---------------|--|
| 1. 801723     | Face, Liner locker, 25FB                       |
| 801958        | Face, Liner locker w/USB, 27FB                 |
| 2. 801596-01  | Backer, WB center                              |
| 3. 801596-02  | Backer, LH                                     |
| 4. 801596-03  | Backer, RH                                     |
| 5. 801594     | Divider, Liner locker                          |
| 6. 801595     | Divider w/laminate                             |
| 7. 115261-01  | Angle, Formed                                  |
| 8. 115226-01  | Bracket, Formed, Locker center support         |
| 9. 203388     | Track, Sliding Door                            |
| 10. 115264-01 | Pan, WB front                                  |
| 203749-08     | Door, Sliding, 11.31 x 30                      |
| 801355-01     | Laminate, Frosty White                         |
| 203445        | T-molding, Flexible Black poly                 |
| 201673        | Reverse cove molding, White                    |
| 703991        | Pile seal weather strip                        |
| 512720        | Spot light w/frosted lens, LED, Surfaced mount |

# 2016 INTERNATIONAL TRAVEL TRAILER FURNITURE, BEDROOM

## Roof Locker, Front Endliner, 25FB, 27FB Serenity



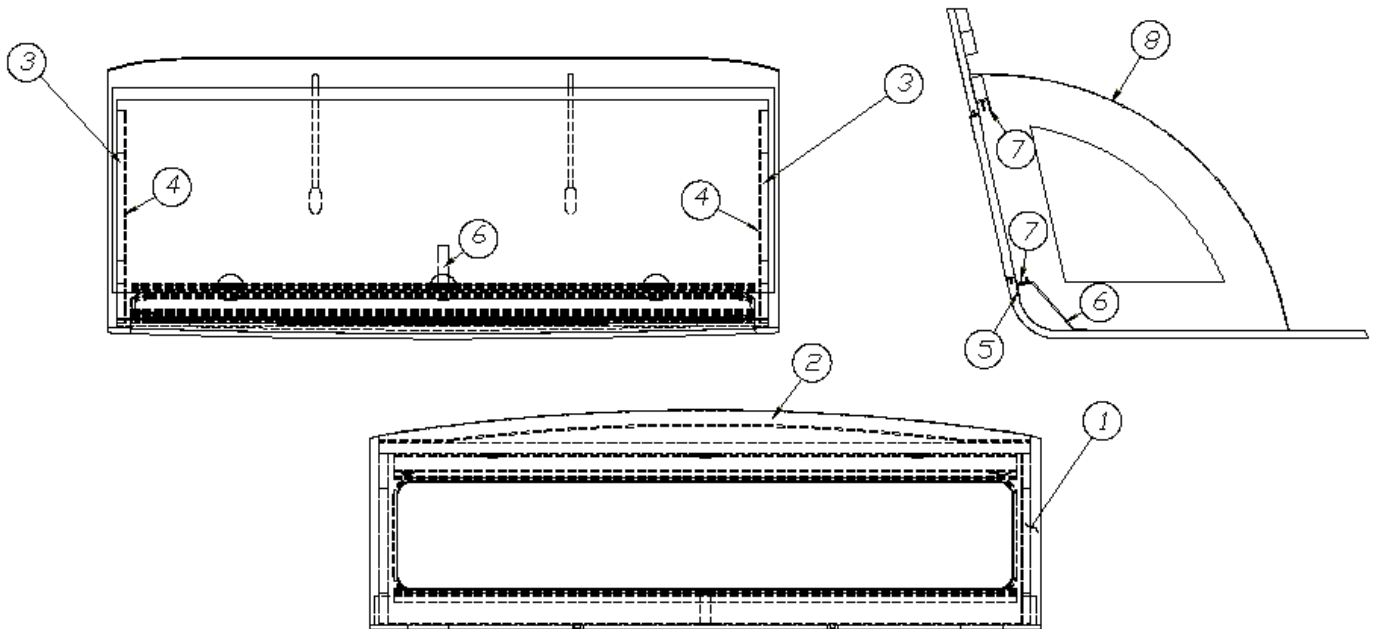
967555-15  
967555-01

Roof Locker, Front Endliner, 25FB  
Roof Locker, Front Endliner, 27FB

- |     |   |   |
|-----|---|---|
| 1.  | 801848<br>801959  | Face, Liner locker, 25FB<br>Face, Liner locker, 27FB  |
| 2.  | 801596-01   | Backer, WB center   |
| 3.  | 801596-02   | Backer, LH  |
| 4.  | 801596-03   | Backer, RH  |
| 5.  | 801594  | Divider, Liner locker   |
| 6.  | 801595  | Divider w/laminate  |
| 7.  | 114812  | Angle, Formed, 1 x 1  |
| 8.  | 115226-01   | Bracket, Formed, Locker center support  |
| 9.  | 203388  | Track, Sliding Door   |
| 10. | 115264-01<br>203677-03<br>382114<br>801355-01<br>201673<br>703991<br>512720 | Pan, Liner Locker w/B Front<br>Door, Mari, 11.31 x 30<br>Knob, Brushed Satin Nickel<br>Laminate, Frosty White<br>Reverse cove molding, White<br>Pile Seal Weather Strip<br>Spot light w/frosted lens, LED, Surfaced mount |

# 2016 INTERNATIONAL TRAVEL TRAILER FURNITURE, BEDROOM

## Roof Locker, Center, 28', 30' Signature



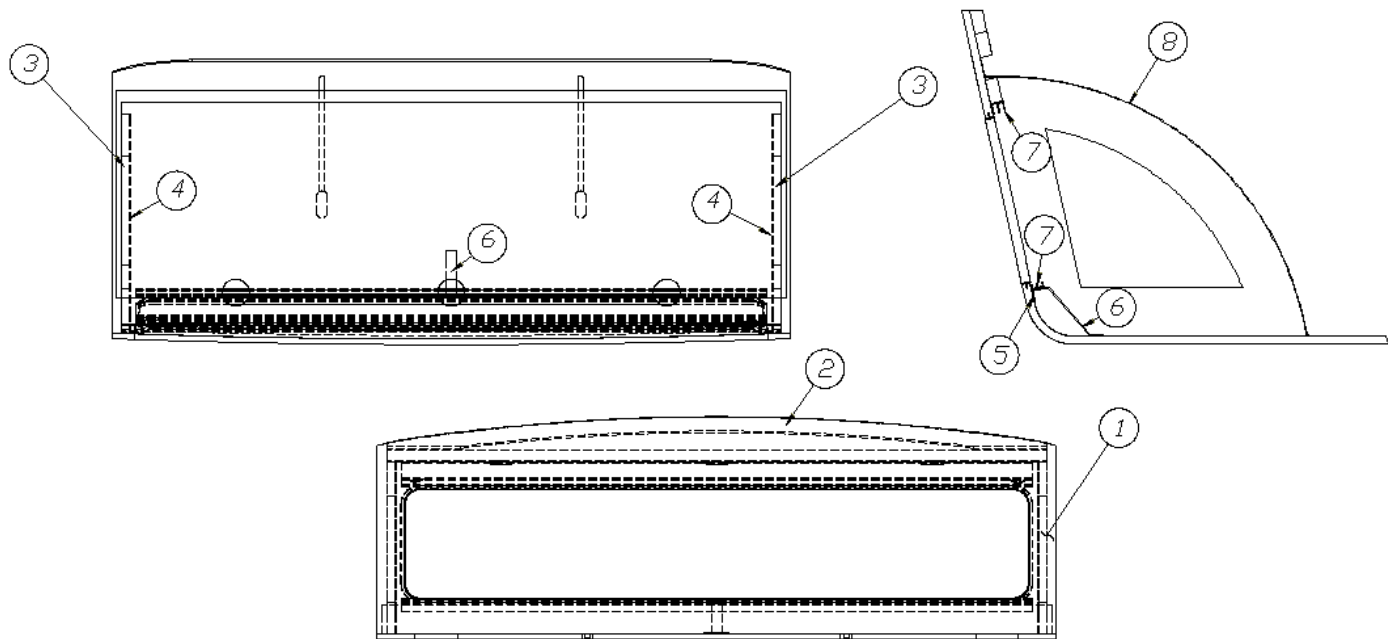
966862

Roof Locker, Center

- |              |  |
|--------------|--|
| 1. 801720    | Face, WB rear                                  |
| 2. 801596-01 | Backer WB center                               |
| 3. 801594    | Divider, Liner locker                          |
| 4. 801721    | Divider, Liner locker                          |
| 5. 115261-01 | Angle, Formed                                  |
| 6. 115226-01 | Bracket, Formed, Locker center support         |
| 7. 203388    | Track, Sliding Door                            |
| 8. 115264-01 | Pan, WB front                                  |
| 203749-08    | Door, Sliding, 11.31 x 30                      |
| 801355-01    | Laminate, Frosty White                         |
| 201673       | Reverse cove molding, White                    |
| 203445       | T-molding, .5625", Black                       |
| 382149       | Finger pull, Satin Nickel                      |
| 703991       | Pile Seal Weather Strip                        |
| 512720       | Spot light w/frosted lens, LED, Surfaced mount |

# 2016 INTERNATIONAL TRAVEL TRAILER FURNITURE, BEDROOM

## Roof Locker, Center, 28', 30' Serenity



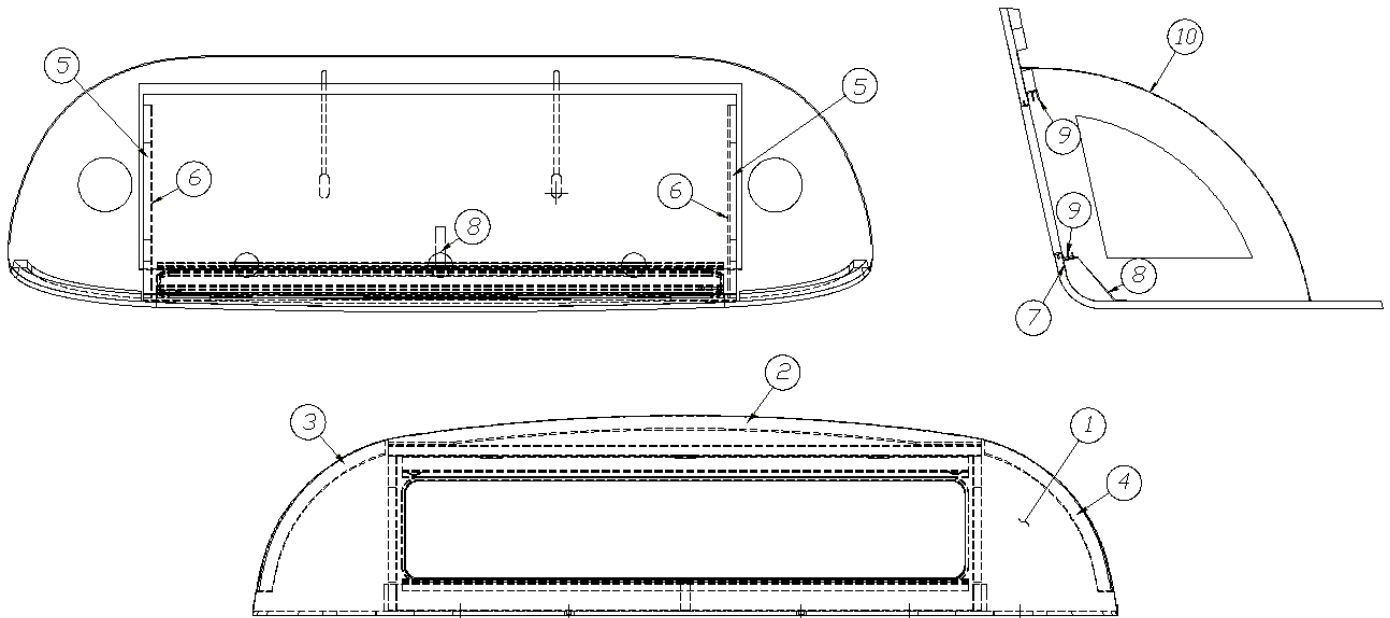
967557-15

Roof Locker, Center

- |              |  |
|--------------|--|
| 1. 801850    | Face, WB rear                                  |
| 2. 801596-01 | Backer WB center                               |
| 3. 801594    | Divider, Liner Locker                          |
| 4. 801721    | Divider, Liner Locker                          |
| 5. 114812    | Angle, Formed, 1 x 1                           |
| 6. 115226-01 | Bracket, Formed, Locker center support         |
| 7. 203388    | Track, Sliding Door                            |
| 8. 115264-01 | Pan, WB front                                  |
| 203677-03    | Door, Sliding, 11.31 x 30                      |
| 201673       | Reverse cove molding, White                    |
| 111586       | Install, Leaf Spring                           |
| 801355-01    | Laminate, Frosty White                         |
| 703991       | Seal, Pile weather strip                       |
| 382114       | Knob, Brushed Satin Nickel                     |
| 512720       | Spot light w/frosted lens, LED, Surfaced mount |

# 2016 INTERNATIONAL TRAVEL TRAILER FURNITURE, BEDROOM

## Roof Locker, Front Endliner, 25FB, 27FB Eddie Bauer



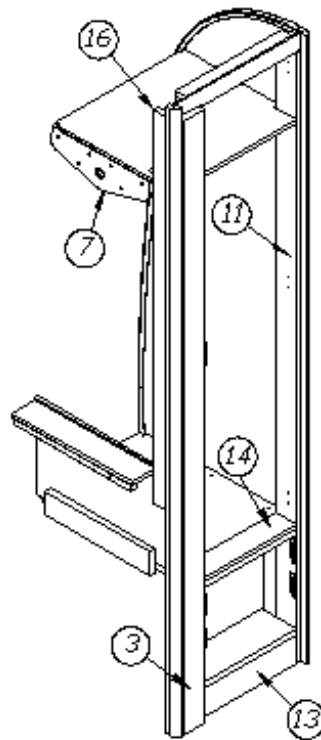
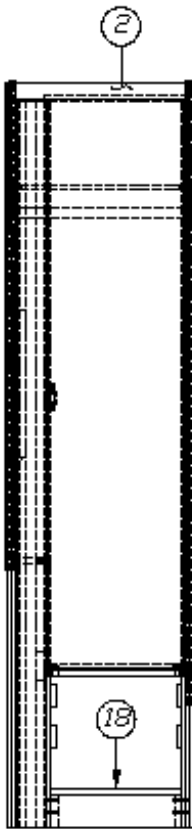
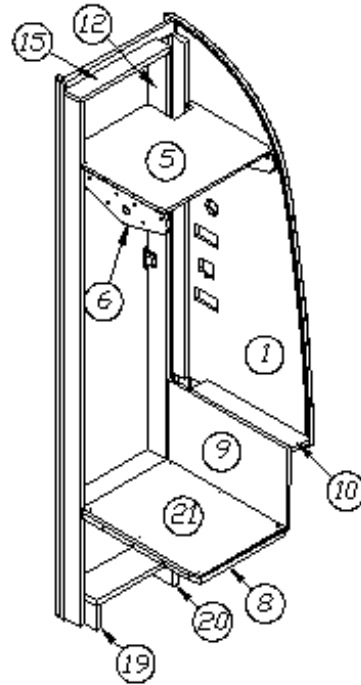
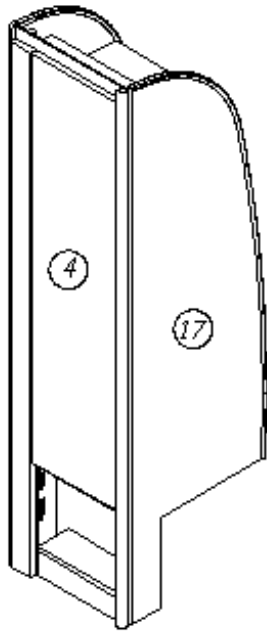
967681-19  
967681-01

Roof Locker, Front, 25FB  
Roof Locker, Front, 27FB

- |     |   |   |
|-----|---|---|
| 1.  | 801902<br>801960  | Face, Liner locker, 25FB<br>Face, Liner locker, 27FB  |
| 2.  | 801596-01   | Backer, WB center   |
| 3.  | 801596-02   | Backer, LH  |
| 4.  | 801596-03   | Backer, RH  |
| 5.  | 801594  | Divider, Liner locker   |
| 6.  | 801595  | Divider w/laminate  |
| 7.  | 115261-01   | Angle, Formed   |
| 8.  | 115226-01   | Bracket, Formed, Locker center support  |
| 9.  | 203388  | Track, Sliding door   |
| 10. | 115264-01<br>203708-01<br>703991<br>382149<br>201673-01<br>203710<br>512720 | Pan, WB front<br>Door, 11.31 x 30<br>Pile seal weather strip<br>Finger pull, Satin Nickel<br>Reverse cove molding, .43", Oak<br>T-molding, Almond<br>Spot light w/frosted lens, LED, Surfaced mount |

# 2016 INTERNATIONAL TRAVEL TRAILER FURNITURE, BEDROOM

## Wardrobe, Roadside, 19' Signature



Parts Listed on Next Page

# 2016 INTERNATIONAL TRAVEL TRAILER

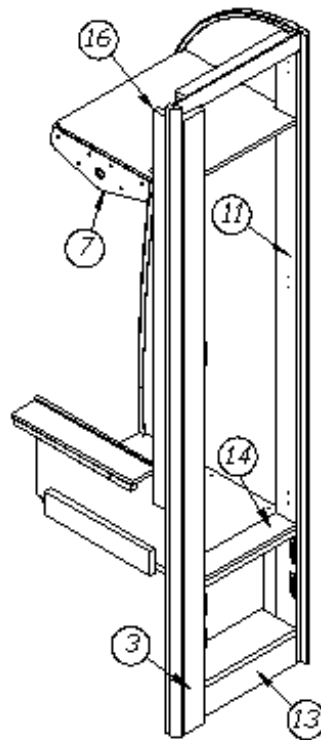
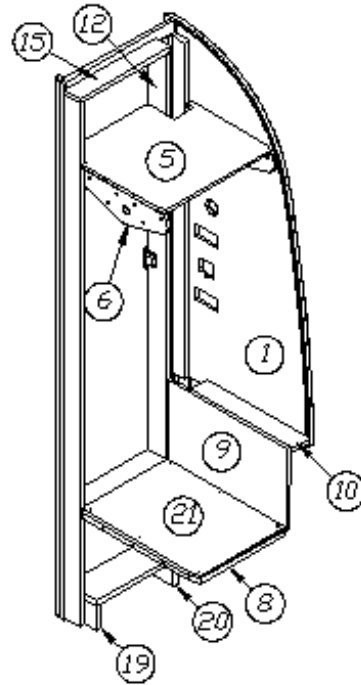
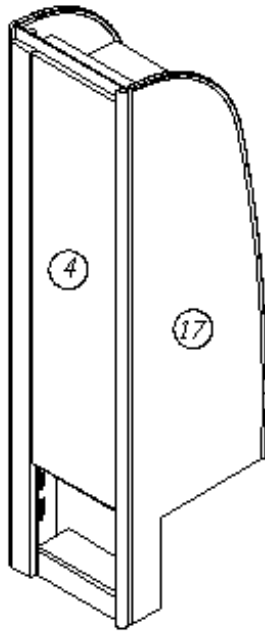
## FURNITURE, BEDROOM

### Wardrobe, Roadside, 19' Signature

968223	Wardrobe, RS
1. 968223-1	Panel, 22.38 x 77.75
2. 968223-2	Panel, 2.06 x 18.38
3. 968223-3	Panel, 3.13 x 76.19
4. 968223-4	Door, 14.25 x 59.38
5. 968223-5	Panel, 16.88 x 18.38
6. 968223-6	Panel, 14 x 4.5
7. 968223-7	Panel, 14 x 4.5
8. 968223-8	Panel, 15.12 x 22.88
9. 968223-9	Panel, 11.84 x 20.17
10. 968223-10	Panel, 3.25 x 17.13
11. 968223-11	Panel, 3 x 75.88
12. 968223-12	Panel, 3 x 75.88
13. 968223-13	Panel, 3.5 x 13.63
14. 968223-14	Panel, 3 x 13.63
15. 968223-15I	Panel, 2.5 x 15.13
16. 968223-16	Panel, 3 x 77.75
17. 968223-30	Panel, 77.75 x 22.5
18. 968223-35	Panel, 13.63 x 5
19. 968223-36	Panel, 3.5 x 4.25
20. 968223-37	Panel, 3.5 x 4.25
21. 968223-38	Panel, 14.56 x 19.88
114811	Aluminum angle .5 x .5
801706-0024	Corner Trim, 90°, 1" radius, Ebony
380045	Tubing, 3/4", Metallic
200975-04	Conduit, Flexible Black plastic
381607-11	Hinge, Self-close
382029-05	Handle bar, 21.33"
381228-02	Catch, Grabber door (5lb Pull)

# 2016 INTERNATIONAL TRAVEL TRAILER FURNITURE, BEDROOM

## Wardrobe, Roadside, 19' Serenity



Parts Listed on Next Page



# 2016 INTERNATIONAL TRAVEL TRAILER

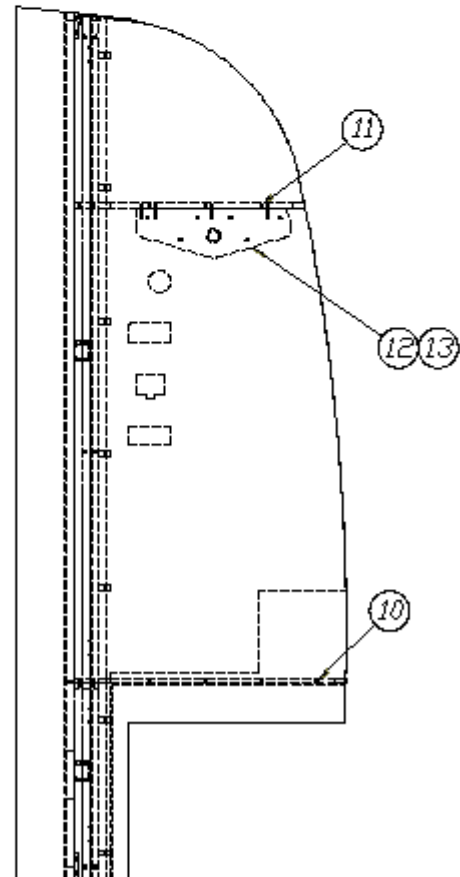
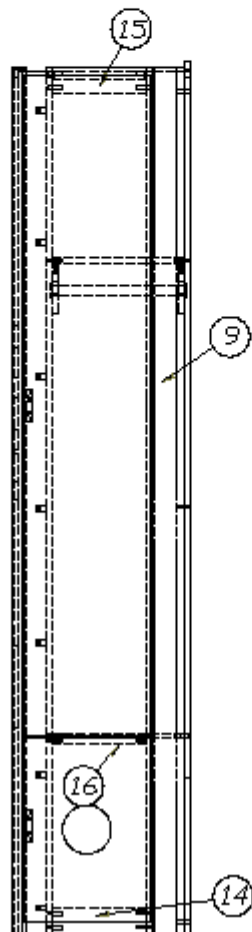
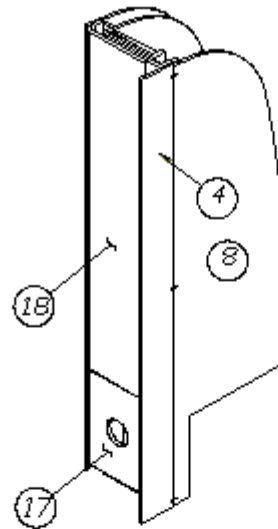
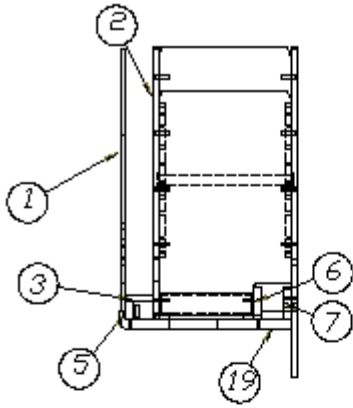
## FURNITURE, BEDROOM

### Wardrobe, Roadside, 19' Serenity

968223-15	Wardrobe, RS
1. 968223-151	Panel, 22.38 x 77.75
2. 968223-152	Panel, 2.06 X 18.38
3. 968223-153	Panel, 3.13 x 76.19
4. 968223-154	Door, 14.25 x 59.38
5. 968223-5	Panel, 16.88 x 18.38
6. 968223-6	Panel, 14 x 4.5
7. 968223-7	Panel, 14 x 4.5
8. 968223-8	Panel, 15.12 x 22.88
9. 968223-9	Panel, 11.84 x 20.17
10. 968223-10	Panel, 3.25 x 17.13
11. 968223-11	Panel, 3 x 75.88
12. 968223-12	Panel, 3 x 75.88
13. 968223-13	Panel, 3.5 x 13.63
14. 968223-14	Panel, 3 x 13.63
15. 968223-15I	Panel, 2.5 x 15.13
16. 968223-16	Panel, 3 x 77.75
17. 968223-1530	Panel, 77.75 x 22.5
18. 968223-35	Panel, 13.63 x 5
19. 968223-36	Panel, 3.5 x 4.25
20. 968223-37	Panel, 3.5 x 4.25
21. 968223-38	Panel, 14.56 x 19.88
114811	Aluminum angle .5 x .5
801706-0018	Corner trim, 90°, Asian Sand
380045	Tubing, 3/4", Metallic
200975-04	Conduit, Black plastic
381607-11	Hinge, Self-close
382115	Pull, Flat Black
381228-02	Catch, Grabber door (5lb Pull)

# 2016 INTERNATIONAL TRAVEL TRAILER FURNITURE, BEDROOM

Wardrobe, Roadside, 23D Signature



Parts Listed on Next Page

## 2016 INTERNATIONAL TRAVEL TRAILER FURNITURE, BEDROOM

### Wardrobe, Roadside, 23D Signature

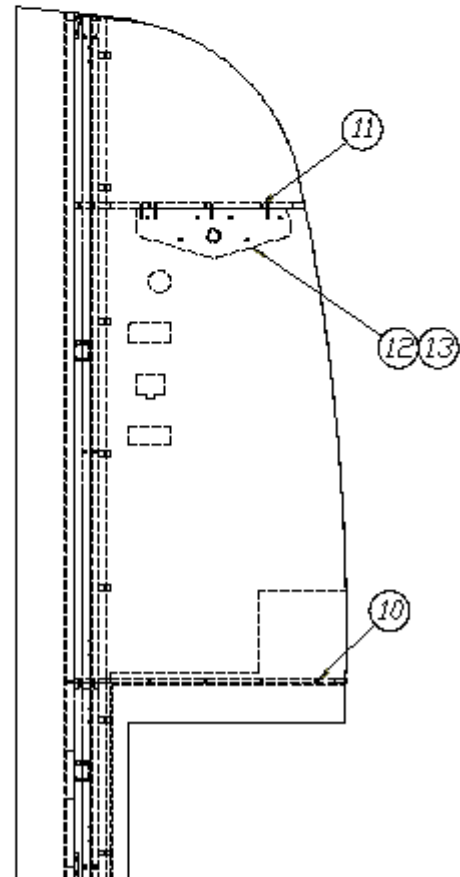
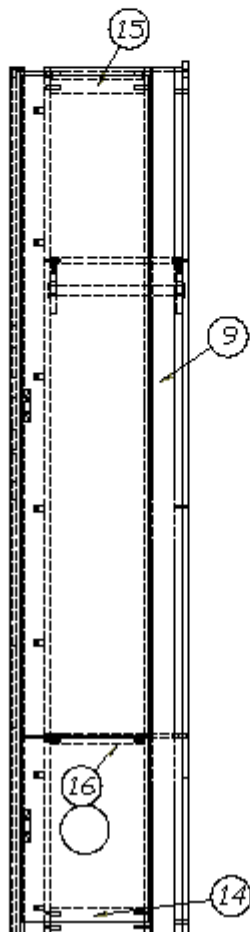
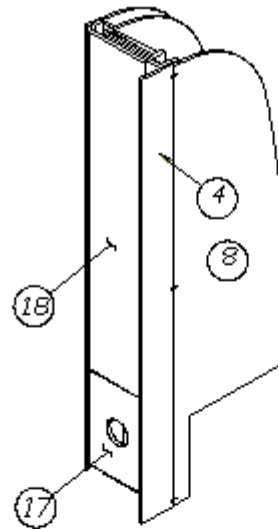
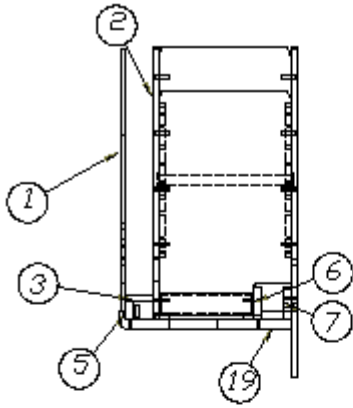
966949

Wardrobe, RS

1. 966949-1	Panel, 23.78 x 77.82
2. 966949-2	Panel, 24.56 x 786
3. 966949-3	Panel, 2.5 x 77.8
4. 966949-4	Panel, 6.6 x 78.53
5. 966949-5	Panel, 2.25 x 786
6. 966949-6	Panel, 3 x 78.06
7. 966949-7	Panel, 3 x 78.06
8. 966949-8	Panel, 23.05 x 77.83
9. 966949-9	Panel, 1.87 x 12
10. 966949-11	Panel, 11.89 x 24.59
11. 966949-12	Panel, 11.89 x 20.74
12. 966949-13	Panel, 14 x 4.49
13. 966949-14	Panel, 14 x 4.49
14. 966949-15I	Panel, 8.51 x 2.25
15. 966949-16	Panel, 8.51 x 2.25
16. 966949-17	Panel, 2.25 x 8.51
17. 966949-18	Door, 11.38 x 16.68
18. 966949-19	Door, 11.38 x 59.5
19. 966949-35	Panel, 2.94 x 78
801706-0024	Corner trim, 90°, 1" radius, Ebony
382029-03	Handle bar, 11.25"
381607-11	Hinge, Self-close
381228	Catch, Grabber door
380045	Tubing, 3/4", Metal
200975-04	Conduit, Flexible Black plastic
203138-05	Extrusion, Plastic, .5", Black
203138-01	Extrusion, Plastic, White
115085	Aluminum angle

# 2016 INTERNATIONAL TRAVEL TRAILER FURNITURE, BEDROOM

Wardrobe, Roadside, 23D Serenity



Parts Listed on Next Page

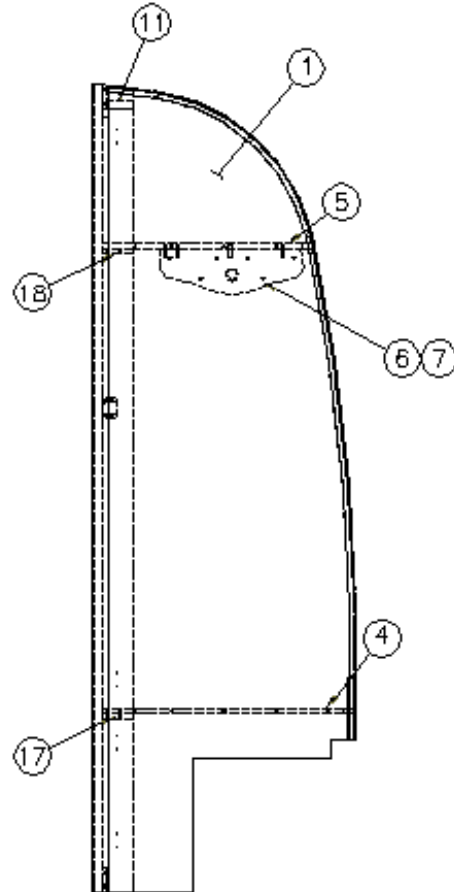
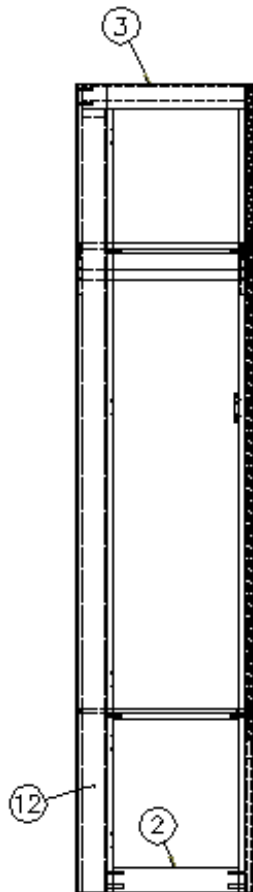
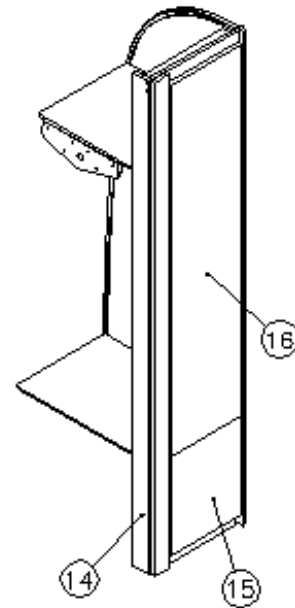
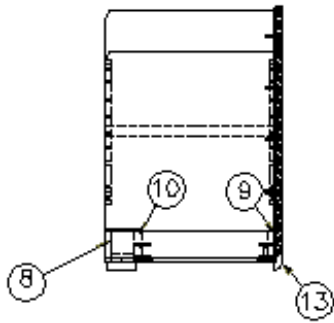
## 2016 INTERNATIONAL TRAVEL TRAILER FURNITURE, BEDROOM

### Wardrobe, Roadside, 23D Serenity

966949-15	Wardrobe, RS
1. 966949-151	Panel, 23.78 x 77.82
2. 966949-152	Panel, 24.56 x 786
3. 966949-153	Panel, 2.5 x 77.8
4. 966949-154	Panel, 6.6 x 78.53
5. 966949-5	Panel, 1.75x 786
6. 966949-6	Panel, 3 x 78.06
7. 966949-7	Panel, 3 x 78.06
8. 966949-8	Panel, 23.05 x 77.83
9. 966949-9	Panel, 1.87 x 77.69
10. 966949-11	Panel, 11.89 x 24.59
11. 966949-12	Panel, 11.89 x 20.74
12. 966949-13	Panel, 14 x 4.49
13. 966949-14	Panel, 14 x 4.49
14. 966949-1515	Panel, 8.51 x 2.25
15. 966949-1516	Panel, 8.51 x 2.25
16. 966949-17	Panel, 2.25 x 8.51
17. 966949-1518	Door, 11.38 x 16.68
18. 966949-1519	Door, 11.38 x 59.5
19. 966949-1535	Panel, 2.94 x 78
801706-0018	Corner trim, 90°, 1" radius, Asian Sand
382115	Pull, Flat Black
381607-11	Hinge, Self-close
381228	Catch, Grabber door
380045	Tubing, 3/4", Metal
200975-04	Conduit, Black plastic
203138-03	Extrusion, Plastic wall, Beige
115085	Aluminum angle

# 2016 INTERNATIONAL TRAVEL TRAILER FURNITURE, BEDROOM

## Wardrobe, Curbside, 23D Signature



Parts Listed on Next Page

# 2016 INTERNATIONAL TRAVEL TRAILER

## FURNITURE, BEDROOM

### Wardrobe, Curbside, 23D Signature

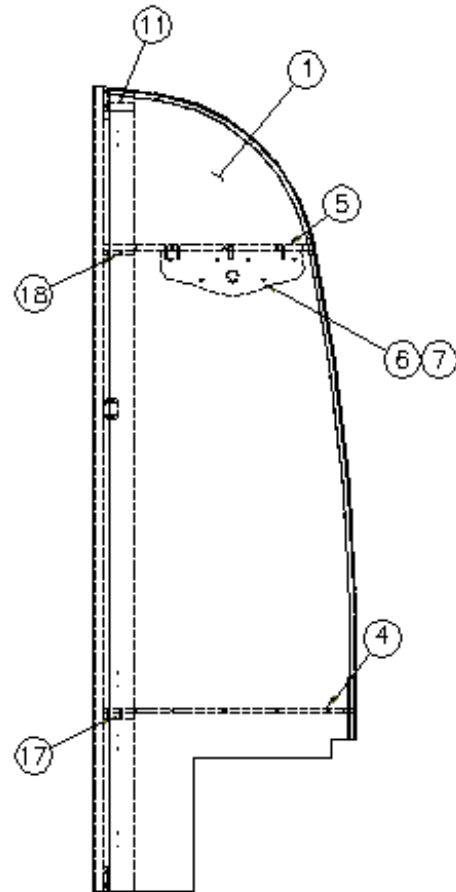
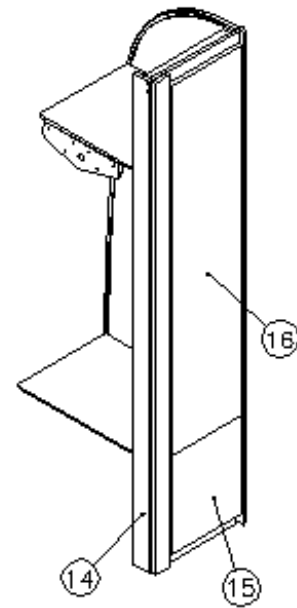
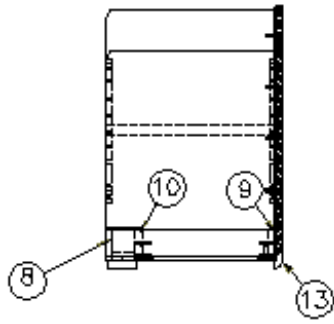
966934

Wardrobe, CS

1. 966934-1 Panel, 23.8 x 77.9
2. 966934-2 Panel, 12.315 x 2.25
3. 966934-3 Panel, 16 x 2.25
4. 966934-4 Panel, 16.5 x 24.47
5. 966934-5 Panel, 16.5 x 20.47
6. 966934-6 Panel, 4.48 x 14
7. 966934-7 Panel, 4.48 x 14
8. 966934-8 Panel, 3 x 78.14
9. 966934-9 Panel, 3 x 75.88
10. 966934-10 Panel, 3 x 75.88
11. 966934-11 Panel, 2.5 x 16
12. 966934-12 Panel, 2.18 x 12
13. 801706-0024 Corner trim, 90°, 1 radius, Ebony
14. 966934-15I Panel, 2.88 x 78.14
15. 966934-16 Door, 12.94 x 15.5
16. 966934-17 Door, 12.94 x 58.63
17. 966934-30 Panel, 3 x 12.31
18. 966934-31 Panel, 3 x 12.31
- 382029-03 Handle bar, 11.25"
- 381607-11 Hinge, Self-close
- 381228 Catch, Grabber door
- 380045 Tubing, 3/4", Metallic
- 200975-04 Conduit, Flexible Black plastic
- 203138-05 Extrusion, Plastic, .5", Black

# 2016 INTERNATIONAL TRAVEL TRAILER FURNITURE, BEDROOM

## Wardrobe, Curbside, 23D Serenity



Parts Listed on Next Page



# 2016 INTERNATIONAL TRAVEL TRAILER

## FURNITURE, BEDROOM

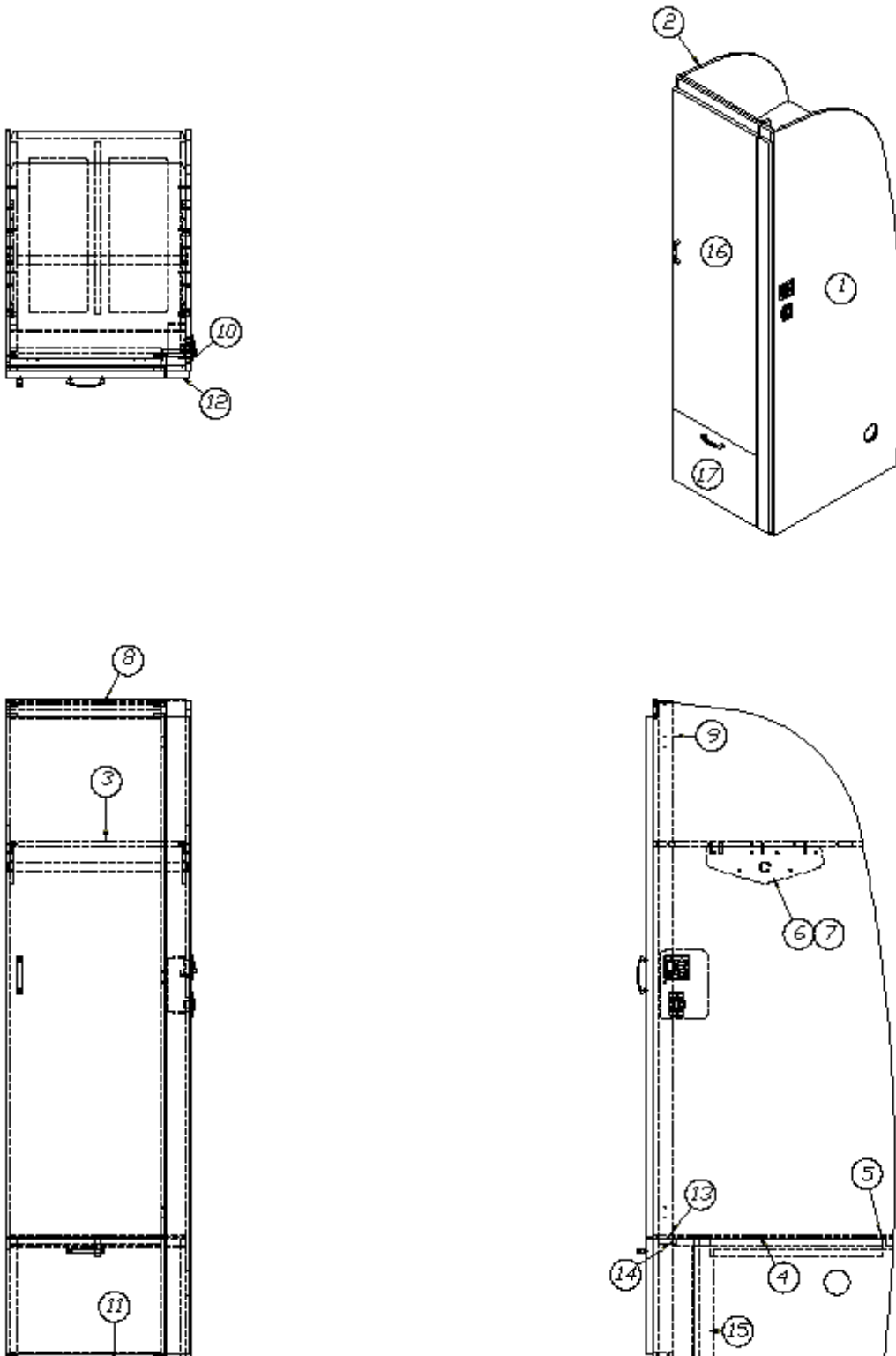
### Wardrobe, Curbside, 23D Serenity

966934-15                      Wardrobe, CS

1. 966934-151                      Panel, 23.8 x 77.9
2. 966934-152                      Panel, 12.315 x 2.25
3. 966934-153                      Panel, 16 x 2.25
4. 966934-4                        Panel, 16.5 x 24.47
5. 966934-5                        Panel, 16.5 x 20.47
6. 966934-6                        Panel, 4.48 x 14
7. 966934-7                        Panel, 4.48 x 14
8. 966934-158                      Panel, 3 x 78.14
9. 966934-9                        Panel, 3 x 75.88
10. 966934-10                      Panel, 3 x 75.88
11. 966934-11                      Panel, 2.5 x 16
12. 966934-12                      Panel, 2.18 x 75
13. 801706-0018                    Corner trim, 90°, 1" radius, Asian Sand
14. 966934-1515                    Panel, 2.88 x 78.14
15. 966934-1516                    Door, 12.94 x 15.5
16. 966934-1517                    Door, 12.94 x 58.63
17. 966934-30                      Panel, 3 x 12.31
18. 966934-31                      Panel, 3 x 12.31
- 382115                          Pull, Flat Black
- 381607-11                        Hinge, Self-close
- 381228                          Catch, Grabber door
- 380045                          Tubing, 3/4", Metallic
- 200975-04                        Conduit, Black plastic
- 203138-03                        Extrusion, Plastic, 1/2", Beige

# 2016 INTERNATIONAL TRAVEL TRAILER FURNITURE, BEDROOM

Wardrobe, Roadside, 23FB Signature



Parts Listed on Next Page

# 2016 INTERNATIONAL TRAVEL TRAILER

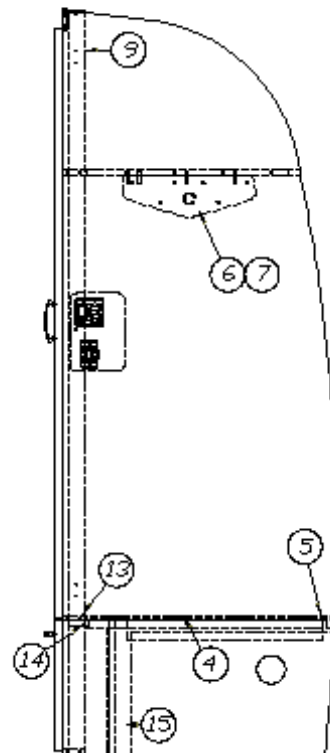
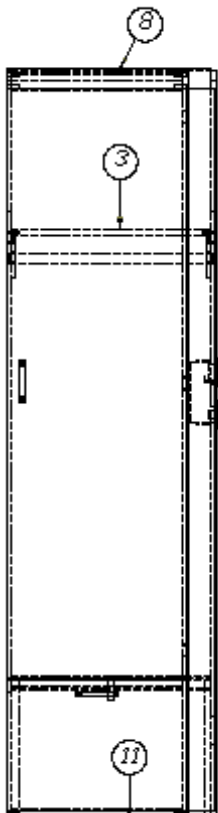
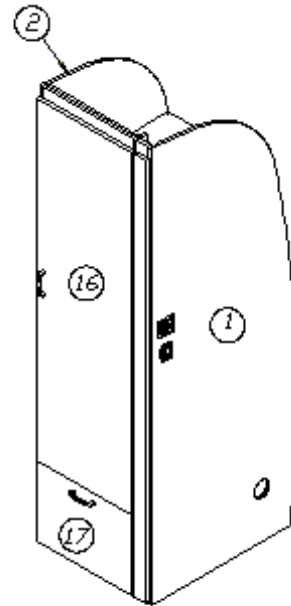
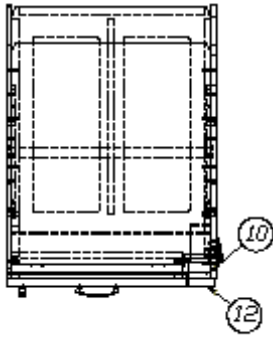
## FURNITURE, BEDROOM

### Wardrobe, Roadside, 23FB Signature

967308	Wardrobe, RS
1. 967308-1	Panel, 28.79 x 78.24
2. 967308-2	Panel, 28.79 x 78.24
3. 967308-3	Panel, 24.88 x 21
4. 967308-4	Panel, 21 x 26.25
5. 967308-5	Panel, 21 x 26.25
6. 967308-6	Panel, 14 x 4.5
7. 967308-7	Panel, 14 x 4.5
8. 967308-8	Panel, 2.25 x 18.06
9. 967308-9	Panel, 2.25 x 78.38
10. 967308-10	Panel, 2.44 x 78.38
11. 967308-11	Panel, 2.25 x 18.06
12. 967308-12	Panel, 2.69 x 76.44
13. 967308-13	Panel, 2.25 x 18.06
14. 967308-14	Panel, 2.25 x 18.06
15. 967308-29	Panel, 14.13 x 21
16. 967308-21	Door, 18.69 x 62.13
17. 967308-22	Door, 18.69 x 13.75"
380045	Tubing, 3/4"
200975-04	Conduit, Flexible Black plastic
381228	Catch, Grabber door
701538-01	Carpet, Econolier, Velour Black
381607-11	Hinge, Self-close
382029-04	Handle, 15"
203138-05	Extrusion, Plastic, 1/2"
104821	Roof locker support

# 2016 INTERNATIONAL TRAVEL TRAILER FURNITURE, BEDROOM

## Wardrobe, Roadside, 23FB Serenity



Parts Listed on Next Page

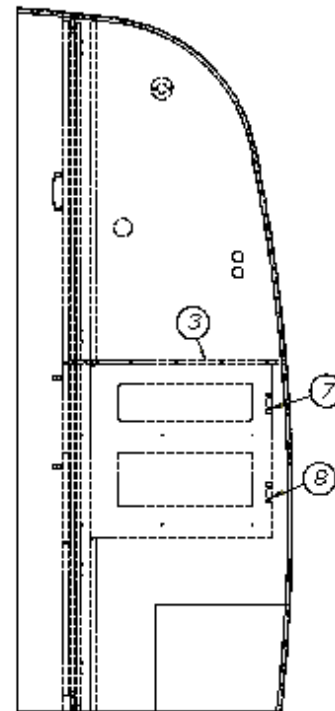
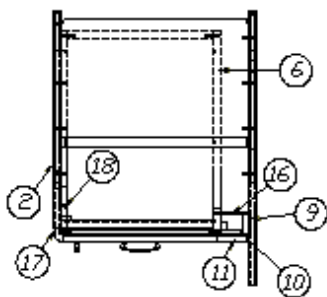
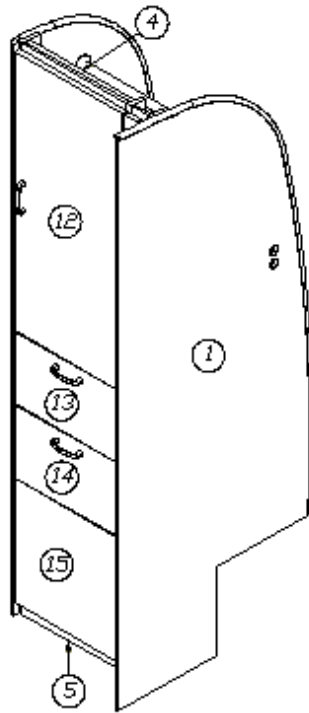
## 2016 INTERNATIONAL TRAVEL TRAILER FURNITURE, BEDROOM

### Wardrobe, Roadside, 23FB Serenity

967308-15	Wardrobe assembly
1. 967308-151	Panel, 28.79 x 78.24
2. 967308-152	Panel, 28.79 x 78.24
3. 967308-3	Panel, 24.88 x 21
4. 967308-4	Panel, 21 x 26.25
5. 967308-5	Panel, 21 x 26.25
6. 967308-6	Panel, 14 x 4.5
7. 967308-7	Panel, 14 x 4.5
8. 967308-158	Panel, 2.25 x 18.06
9. 967308-9	Panel, 2.25 x 78.38
10. 967308-1510	Panel, 2.44 x 78.38
11. 967308-11	Panel, 2.25 x 18.06
12. 967308-1512	Panel, 2.69 x 76.44
13. 967308-13	Panel, 2.25 x 18.06
14. 967308-14	Panel, 2.25 x 18.06
15. 967308-29	Panel, 13.13 x 21
16. 967308-1521	Door, 18.69 x 62.13
17. 967308-1522	Door, 18.69 x 13.75"
380045	Tubing, 3/4"
200975-04	Conduit, Flexible Black plastic
381228	Catch, Grabber door
701538-01	Carpet, Econolier, Velour Black
381607-11	Hinge, Self-close
382115	Pull, Flat Black
203138-03	Extrusion, Plastic 1/2", Beige
104821	Roof locker support

# 2016 INTERNATIONAL TRAVEL TRAILER FURNITURE, BEDROOM

Wardrobe, with Drawers, 23FB A2GO, 23FB Signature



Parts Listed on Next Page

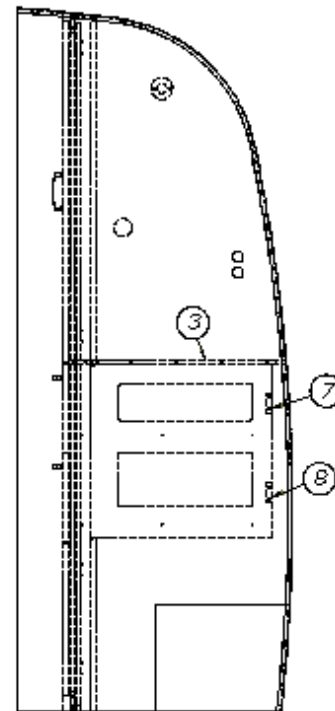
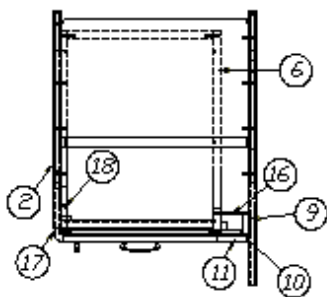
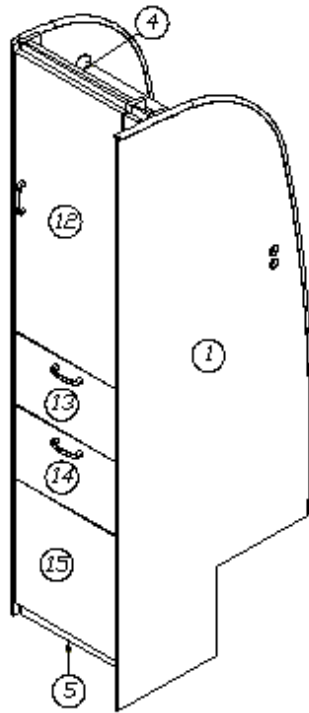
## 2016 INTERNATIONAL TRAVEL TRAILER FURNITURE, BEDROOM

### Wardrobe, with Drawers, 23FB A2GO, 23FB Signature

968031	Wardrobe w/Drawers, 23FB
968031-01	Wardrobe w/Drawers, A2GO
1. 968031-1	Panel, 32.47 x 78.51, 23FB
968031-34	Panel, 32.47 x 78.51, A2GO
2. 968031-2	Panel, 23.98 x 77.77
3. 968031-3	Panel, 24 x 21.75
4. 968031-4	Panel, 2.25 x 16.44
5. 968031-5	Panel, 2.25 x 16.44
6. 968031-6	Panel, 22.25 x 77.96
7. 968031-7	Panel, 17.94 x 2.25
8. 968031-8	Panel, 17.94 x 2.25
9. 968031-9	Panel, 2.25 x 77.96
10. 968031-10	Panel, 36 x 77.96
11. 968031-11	Panel, 3.19 x 75.25
12. 968031-12	Door, 17.06 x 38.13
13. 968031-13	Door, 17.06 x 9.88
14. 968031-14	Door, 17.06 x 9.88
15. 968031-15I	Door, 17.06 x 17
16. 968031-16	Panel, 4 x 4.56
17. 801706-0024	Corner trim, 90°, 1" radius, Ebony Woods
18. 968031-30	Panel, 3 x 77.96
380045	Tubing, ¾"
200975-04	Conduit, Flexible Black plastic
380046	Flange, Chrome
382203-05	Drawer slide, Self-close, 21" (PR)
381228-02	Catch, Grabber door, (5lb pull), 23FB
381228	Catch, Grabber door, (10lb pull), A2GO
382029-04	Handle bar, 15"
381607-11	Hinge, Self-close
203138-05	Extrusion, Plastic, ½", Black
968028-02	Drawer box, 8" x 15.81" x 21"
104821	Roof locker support
382203-06	Front fixing clips (Pr.)

# 2016 INTERNATIONAL TRAVEL TRAILER FURNITURE, BEDROOM

## Wardrobe, with Drawers, 23FB Serenity



Parts Listed on Next Page



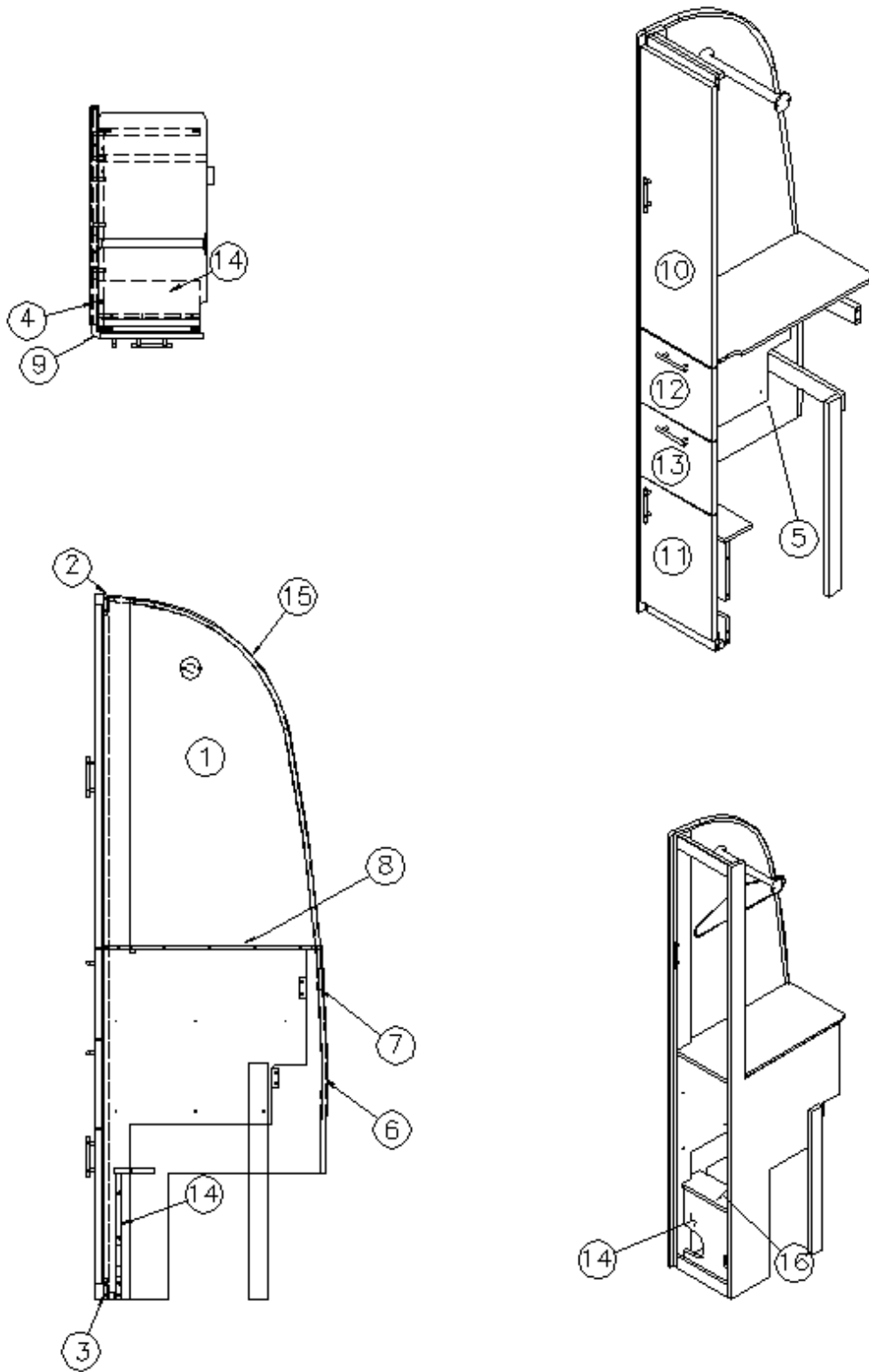
## 2016 INTERNATIONAL TRAVEL TRAILER FURNITURE, BEDROOM

### Wardrobe, with Drawers, 23FB Serenity

968031-15	Wardrobe w/Drawers
1. 968031-151	Panel, 32.47 x 78.51
2. 968031-152	Panel, 23.98 x 77.77
3. 968031-3	Panel, 24 x 21.75
4. 968031-154	Panel, 2.25 x 16.44
5. 968031-155	Panel, 2.25 x 16.44
6. 968031-6	Panel, 22.25 x 77.96
7. 968031-7	Panel, 17.94 x 2.25
8. 968031-8	Panel, 17.94 x 2.25
9. 968031-9	Panel, 2.25 x 77.96
10. 968031-1510	Panel, 36 x 77.96
11. 968031-1511	Panel, 3.19 x 75.25
12. 968031-1512	Door, 17.06 x 38.13
13. 968031-1513	Door, 17.06 x 9.88
14. 968031-1514	Door, 17.06 x 9.88
15. 968031-1515	Door, 17.06 x 17
16. 968031-16	Panel, 4 x 4.56
17. 801706-0018	Corner trim, 90°, 1" radius, Asian Sand
18. 968031-30	Panel, 3 x 77.96
380045	Tubing, ¾"
200975-04	Conduit, Flexible Black plastic
380046	Flange, Chrome
382203-05	Drawer slide, Self-close, 21" (PR)
381228-02	Catch, Grabber door (5lb pull)
382115	Pull, Flat Black
381607-11	Hinge, Self-close
203138-03	Extrusion, Plastic, ½", Beige
968028-02	Drawer box, 8" x 15.81" x 21"
104821	Roof locker support
382203-06	Front fixing clips (PR)

# 2016 INTERNATIONAL TRAVEL TRAILER FURNITURE, BEDROOM

Wardrobe, RS with Drawers, 25' Signature



Parts Listed on Next Page

## 2016 INTERNATIONAL TRAVEL TRAILER FURNITURE, BEDROOM

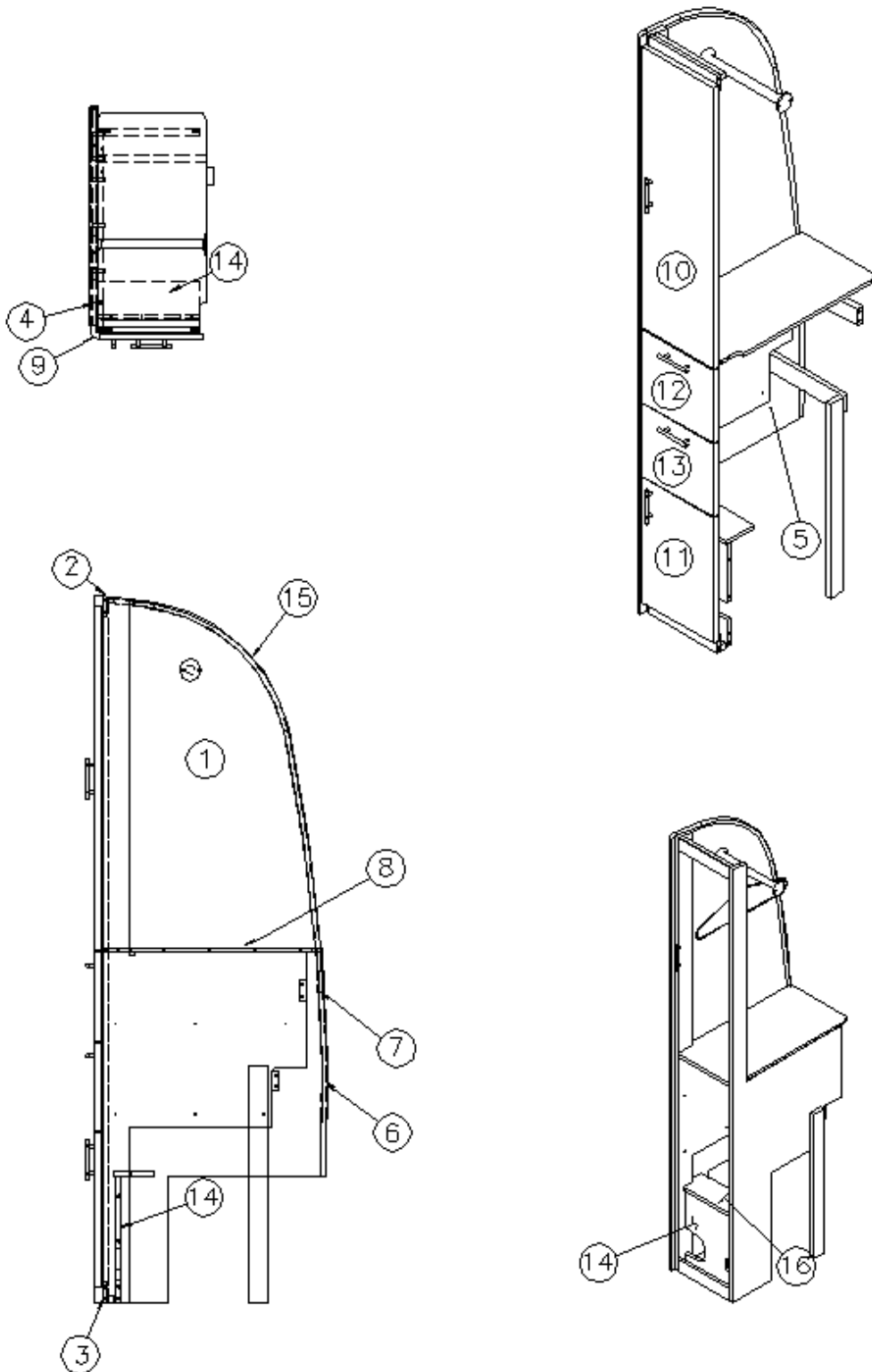
### Wardrobe, RS with Drawers, 25' Signature

968033                      Wardrobe w/Drawers, RS

- |                |                                    |
|----------------|------------------------------------|
| 1. 968033-1    | Panel, 24.09 x 77.95               |
| 2. 968033-2    | Panel, 2.25 x 10.75                |
| 3. 968033-3    | Panel, 2.25 x 10.75                |
| 4. 968033-4    | Panel, 3 x 78.18                   |
| 5. 968033-5    | Panel, 22.25 x 78.18               |
| 6. 968033-6    | Panel, 2.25 x 12.25                |
| 7. 968033-7    | Panel, 2.25 x 12.25                |
| 8. 968033-8    | Panel, 24.31 x 12.25               |
| 9. 801706-0024 | Corner trim, 90°, 1" radius, Ebony |
| 10. 968033-15I | Door, 11.38 x 38.13                |
| 11. 968033-16  | Door, 11.38 x 17                   |
| 12. 968033-17  | Drawer Face, 11.38 x 9.88          |
| 13. 968033-18  | Drawer Face, 11.38 x 9.88          |
| 14. 968033-26  | Panel, 11.5 x 14                   |
| 15. 203138-05  | Extrusion, Plastic, .5", Black     |
| 16. 968033-29  | Panel, 11.5 x 4.38                 |
| 381228-02      | Catch, Grabber door (5lb Pull)     |
| 381607-11      | Hinge, Self-close                  |
| 968028-03      | Drawer box, 8" x 10.13" x 21"      |
| 968028-04      | Drawer box, 8" x 0.13" x 18"       |
| 382203-04      | Drawer slide, Self-close, 18"      |
| 382203-05      | Drawer slide, Self-close, 21"      |
| 382203-06      | Front fixing clips (Pr)            |
| 380046         | Flange, Chrome                     |
| 380045         | Tubing, .75", Elec. Metallic       |
| 200975-04      | Conduit, Flexible Black plastic    |

# 2016 INTERNATIONAL TRAVEL TRAILER FURNITURE, BEDROOM

Wardrobe, RS with Drawers, 25' Serenity



Parts Listed on Next Page

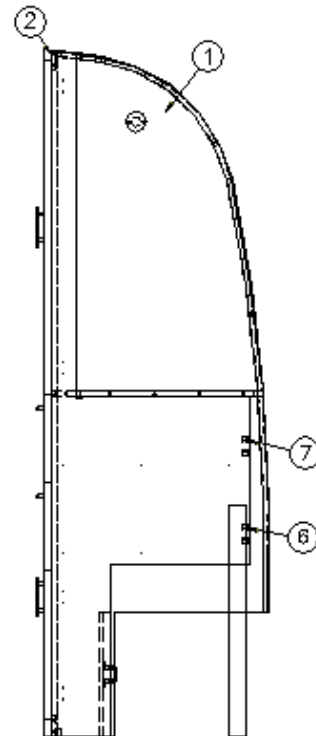
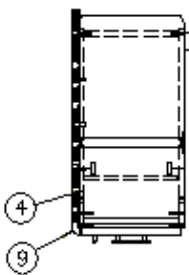
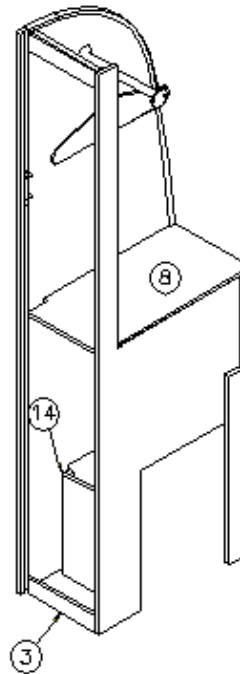
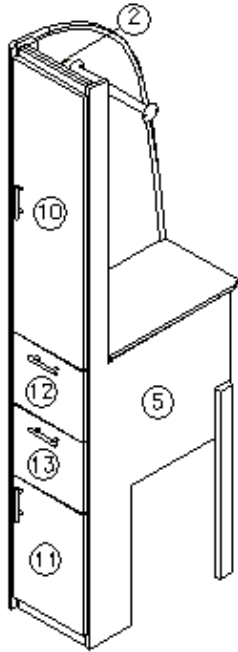
## 2016 INTERNATIONAL TRAVEL TRAILER FURNITURE, BEDROOM

### Wardrobe, RS with Drawers, 25' Serenity

968033-15	Wardrobe w/Drawers, RS
1. 968033-151	Panel, 24.09 x 77.95
2. 968033-152	Panel, 2.25 x 10.75
3. 968033-153	Panel, 2.25 x 10.75
4. 968033-4	Panel, 3 x 78.18
5. 968033-5	Panel, 22.25 x 78.18
6. 968033-6	Panel, 2.25 x 12.25
7. 968033-7	Panel, 2.25 x 12.25
8. 968033-8	Panel, 24.31 x 12.25
9. 801706-0018	Corner trim, 90°, 1" radius, Asian Sand
10. 968033-1515	Door, 11.38 x 38.13
11. 968033-1516	Door, 11.38 x 17
12. 968033-1517	Drawer face, 11.38 x 9.88
13. 968033-1518	Drawer face, 11.38 x 9.88
14. 968033-26	Panel, 11.5 x 14
15. 203138-03	Extrusion, Plastic, ½", Beige
16. 968033-29	Panel, 11.5 x 4.38
381228-02	Catch, Grabber door (5lb Pull)
381607-11	Hinge, Self-close
968028-03	Drawer box, 8" x 10.13" x 21"
968028-04	Drawer box, 8" x 0.13" x 18"
382203-04	Drawer slide, Self-close, 18"
382203-05	Drawer slide, Self-close, 21"
382203-06	Front fixing clips (Pr)
382115	Pull, Flat Black
380046	Flange, Chrome
380045	Tubing, 3/4", Elec. Metallic
200975-04	Conduit, Flexible Black plastic

# 2016 INTERNATIONAL TRAVEL TRAILER FURNITURE, BEDROOM

## Wardrobe, with Drawers, 25FB Signature



Parts Listed on Next Page

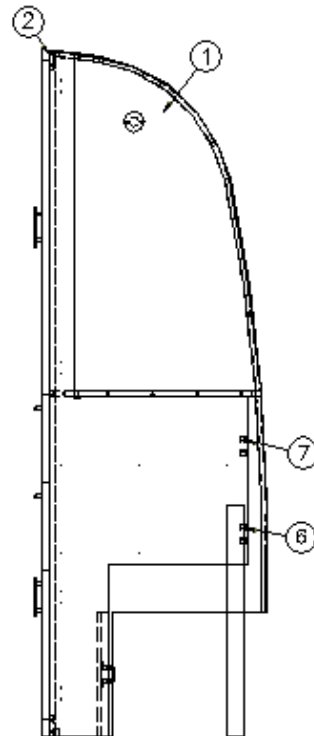
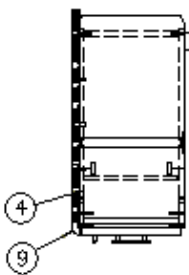
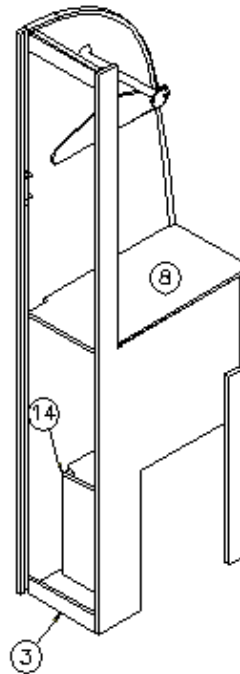
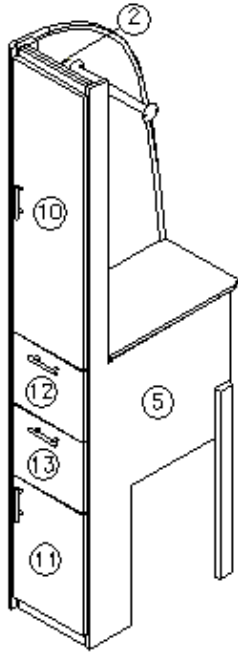
## 2016 INTERNATIONAL TRAVEL TRAILER FURNITURE, BEDROOM

### Wardrobe, with Drawers, 25FB Signature

968037	Wardrobe w/Drawers
1. 968037-1	Panel, 24.09 x 77.95
2. 968037-2	Panel, 10.75 x 2.25
3. 968037-3	Panel, 10.75 x 2.25
4. 968037-4	Panel, 22.63 x 78.18
5. 968037-5	Panel, 22.63 x 78.18
6. 968037-6	Panel, 2.25 x 10.75
7. 968037-7	Panel, 2.25 x 10.75
8. 968037-8	Panel, 24.31 x 12.25
9. 801706-0024	Corner trim, 90°, 1" radius, Ebony
10. 968037-15I	Door, 11.38 x 38.13
11. 968037-16	Door, 11.38 x 17
12. 968037-17	Door, 11.38 x 9.88
13. 968037-18	Door, 11.38 x 9.88
14. 968037-26	Panel, 11.38 x 14
968028-03	Drawer Box, 8" x 10.13" x 21"
382203-05	Drawer slide, Self-close, 21"
382203-06	Front fixing clips (Pr)
380046	Flange, Chrome
380045	Tubing, .75", Metallic
200975-04	Conduit, Flexible Black plastic
382029-00	Handle bar, 7.48"
381228-02	Catch, Grabber door (5lb Pull)
381607-11	Hinge, Self-close
203138-05	Extrusion, Plastic, 1/2", Black

# 2016 INTERNATIONAL TRAVEL TRAILER FURNITURE, BEDROOM

## Wardrobe, with Drawers, 25FB Serenity



Parts Listed on Next Page



## 2016 INTERNATIONAL TRAVEL TRAILER FURNITURE, BEDROOM

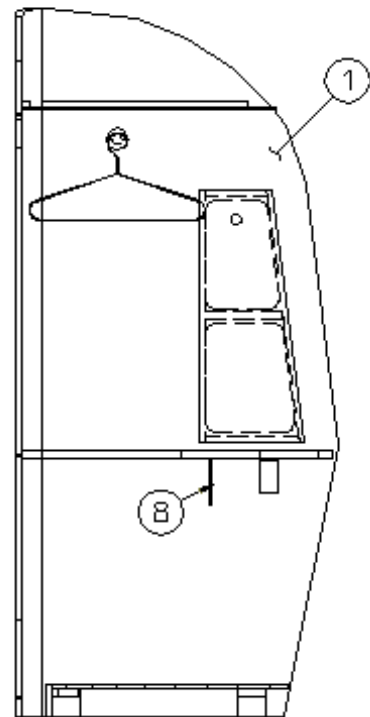
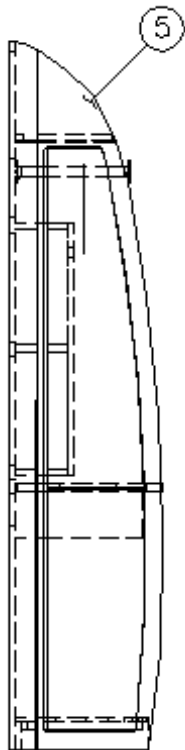
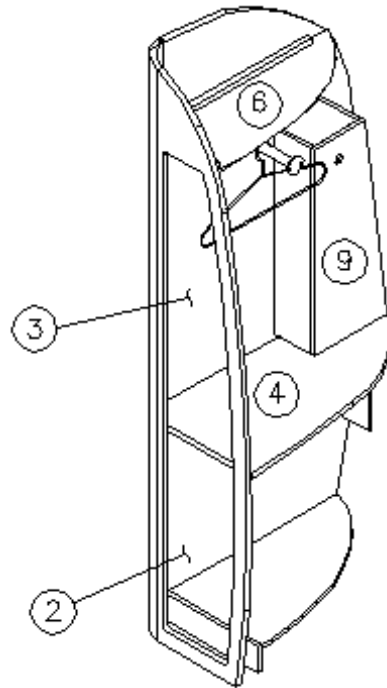
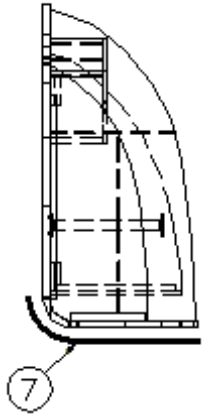
### Wardrobe, with Drawers, 25FB Serenity

968037-15      Wardrobe, Bedroom

1. 968037-151      Panel, 24.09 5 x 77.95
2. 968037-152      Panel, 10.75 x 2.25
3. 968037-153      Panel, 10.75 x 2.25
4. 968037-4      Panel, 22.63 x 78.18
5. 968037-5      Panel, 22.63 x 78.18
6. 968037-6      Panel, 2.25 x 10.75
7. 968037-7      Panel, 2 x 10.75
8. 968037-8      Panel, 24.31 x 12.25
9. 801706-0018      Corner trim, 90°, 1" radius, Asian Sand
10. 968037-1515      Door, 11.38 x 38.13
11. 968037-1516      Door, 11.38 x 17
12. 968037-1517      Door, 11.38 x 9.88
13. 968037-1518      Door, 11.38 x 9.88
14. 968037-26      Panel, 12.125 x 14
- 968028-03      Drawer box, 8" x 10.13" x 21"
- 382203-05      Drawer slide, Self-close, 21"
- 382203-06      Front fixing clips (Pr)
- 380046      Flange, Chrome
- 380045      Tubing, 3/4", Metallic
- 200975-04      Conduit, Flexible Black plastic
- 382115      Pull, Flat Black
- 381228-02      Catch, Grabber door (5lb Pull)
- 381607-11      Hinge, Self-close
- 203138-03      Extrusion, Plastic 1/2", Beige

# 2016 INTERNATIONAL TRAVEL TRAILER FURNITURE, BEDROOM

Wardrobe, RS Rear, 28' A2GO, 28' Signature



Parts Listed on Next Page

# 2016 INTERNATIONAL TRAVEL TRAILER FURNITURE, BEDROOM

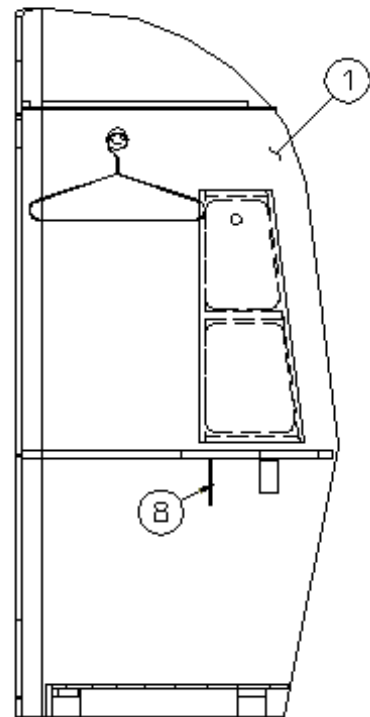
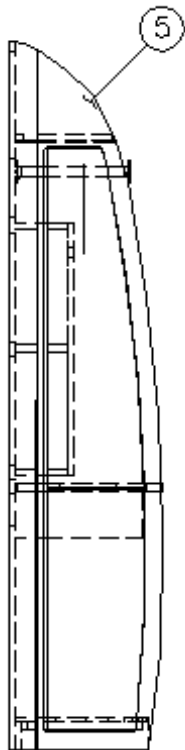
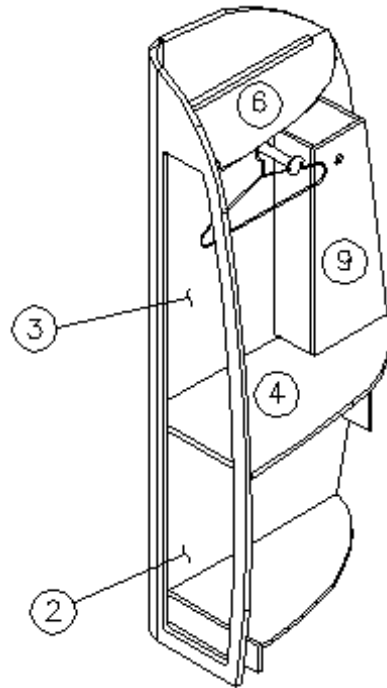
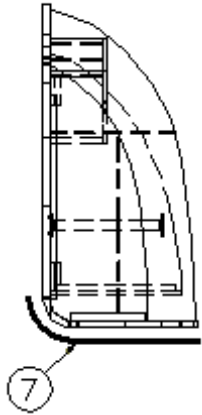
## Wardrobe, RS Rear, 28' A2GO, 28' Signature

966872                      Wardrobe, Roadside Rear, 28'  
966872-23                 Wardrobe, Roadside Rear, A2GO

1. 966872-1                 Panel, 31.79 x 76.13
2. 966872-2                 Door, 10.49 x 25.88
3. 966872-3                 Door, 10.41 x 36.31
4. 966872-4                 Panel, 34.35 x 15.75
5. 966872-5                 Panel, 13.69 x 75.13
6. 966872-6                 Panel, 27.38 x 10.5
7. 966872-13                Panel, 18.5 x 76
8. 966872-19                Panel, 5 x 13.56
9. 966874                    Bookshelf assembly
- 381228-02                 Catch, Grabber door (5lb Pull)
- 381607-11                 Hinge, Self-close
- 382029-00                 Handle bar, 7.48"
- 380046                     Flange, Chrome
- 380045                     Tubing, 3/4", Metallic
- 200975-04                 Conduit, Flexible Black plastic
- 203440                     T-molding, .8125, Black Embossed
- 386106-01                 Magazine rack, White, 28' only
- 386107                     Rod, Magazine rack

# 2016 INTERNATIONAL TRAVEL TRAILER FURNITURE, BEDROOM

Wardrobe, RS Rear, 28' Serenity



Parts Listed on Next Page

# 2016 INTERNATIONAL TRAVEL TRAILER

## FURNITURE, BEDROOM

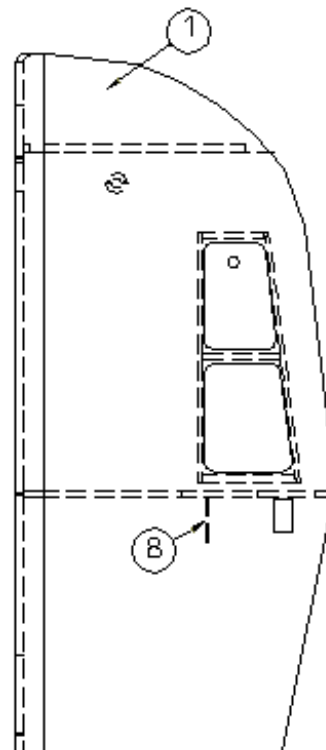
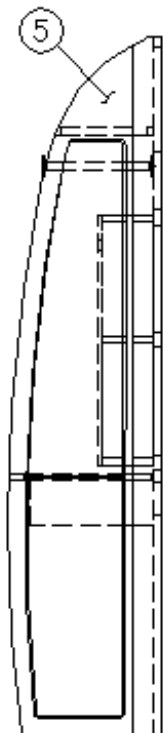
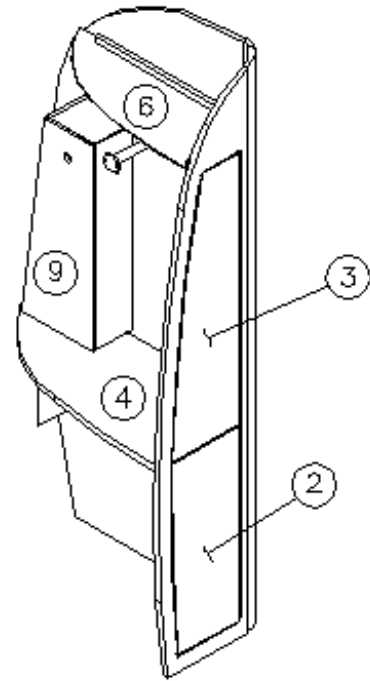
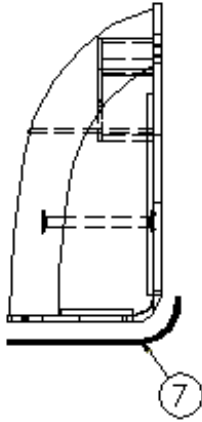
### Wardrobe, RS Rear, 28' Serenity

966872-15                      Wardrobe, Roadside Rear, 28'

1. 966872-151                      Panel, 31.79 x 76.13
2. 966872-152                      Door, 10.49 x 25.88
3. 966872-153                      Door, 10.41 x 36.31
4. 966872-4                        Panel, 34.35 x 15.75
5. 966872-155                      Panel, 13.69 x 75.13
6. 966872-156                      Panel, 27.38 x 10.5
7. 966872-1513                     Panel, 18.5 x 76
8. 966872-1519                     Panel, 5 x 13.56
9. 966874-15                        Bookshelf assembly
- 381228-02                        Catch, Grabber door (5lb Pull)
- 381607-11                        Hinge, Self-close
- 382115                            Pull, Flat Black
- 380046                            Flange, Chrome
- 380045                            Tubing, ¾", Metallic
- 200975-04                        Conduit, Flexible Black plastic
- 203693                            T-molding, .8125, Beige Embossed
- 386106-01                        Magazine rack, White
- 386107                            Rod, Magazine rack

# 2016 INTERNATIONAL TRAVEL TRAILER FURNITURE, BEDROOM

Wardrobe, CS Rear, 28' A2GO, 28' Signature



Parts Listed on Next Page

# 2016 INTERNATIONAL TRAVEL TRAILER FURNITURE, BEDROOM

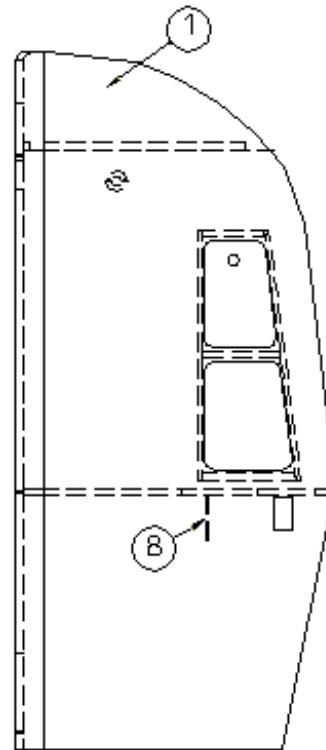
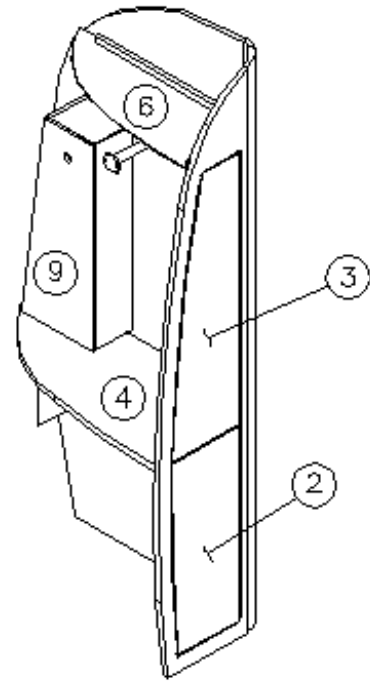
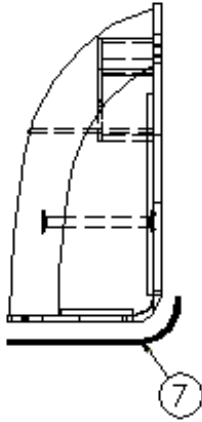
## Wardrobe, CS Rear, 28' A2GO, 28' Signature

966871 Wardrobe, Curbside Rear, 28'  
966871-23 Wardrobe, Curbside Rear, A2GO

1. 966871-1 Panel, 31.79 x 76.13
2. 966871-2 Door, 10.49 x 25.88
3. 966871-3 Door, 10.41 x 36.31
4. 966871-4 Panel, 34.35 x 15.75
5. 966871-5 Panel, 13.69 x 75.12
6. 966871-6 Panel, 27.38 x 10.5
7. 966871-13 Panel, 18.5 x 76
8. 966871-19 Panel, 5 x 13.78
9. 966875 Bookshelf assembly
- 381228-02 Catch, Grabber door (5lb Pull)
- 381607-11 Hinge, Self-close
- 382029-00 Handle bar, 7.48"
- 380046 Flange, Chrome
- 380045 Tubing, 3/4", Metallic
- 200975-04 Conduit, Flexible Black plastic
- 203440 T-molding, .8125, Black Embossed
- 386106-01 Magazine rack, White, 28' only
- 386107 Rod, Magazine rack

# 2016 INTERNATIONAL TRAVEL TRAILER FURNITURE, BEDROOM

Wardrobe, CS Rear, 28' Serenity



Parts Listed on Next Page



# 2016 INTERNATIONAL TRAVEL TRAILER

## FURNITURE, BEDROOM

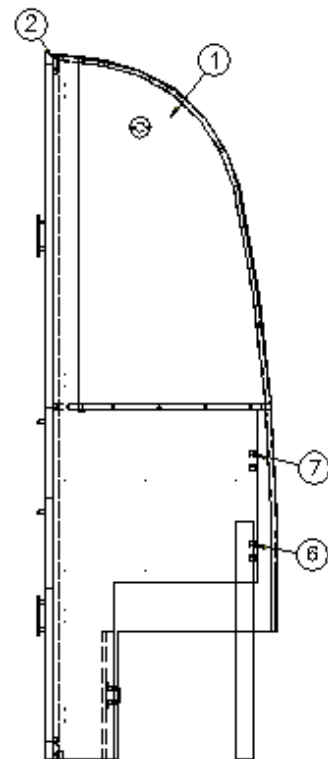
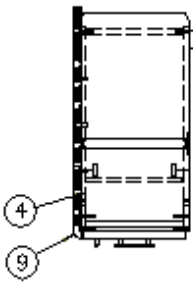
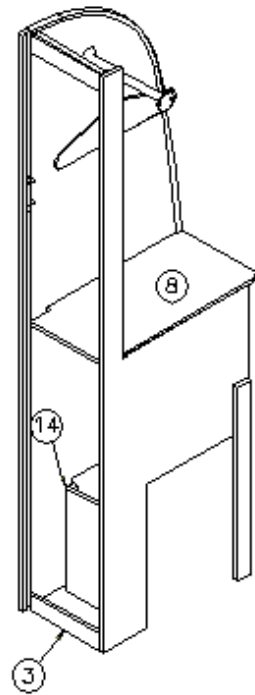
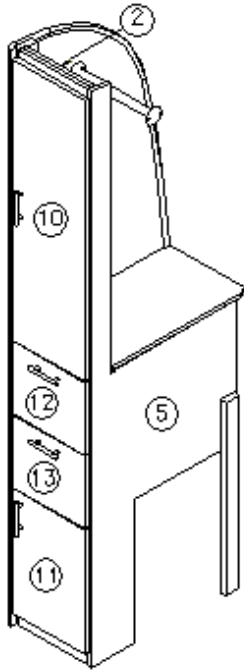
### Wardrobe, CS Rear, 28' Serenity

966871-15                      Wardrobe, Curbside Rear

1. 966871-151                      Panel, 31.79 x 76.13
2. 966871-152                      Door, 10.49 x 25.88
3. 966871-153                      Door, 10.41 x 36.31
4. 966871-4                        Panel, 34.35 x 15.75
5. 966871-155                      Panel, 13.69 x 75.12
6. 966871-156                      Panel, 27.38 x 10.5
7. 966871-1513                     Panel, 18.5 x 76
8. 966871-1519                     Panel, 5 x 13.78
9. 966875-15                        Bookshelf assembly
- 381228-02                        Catch, Grabber door (5lb Pull)
- 381607-11                        Hinge, Self-close
- 382115                            Pull, Flat Black
- 380046                            Flange, Chrome
- 380045                            Tubing, ¾", Metallic
- 200975-04                        Conduit, Flexible Black plastic
- 203693                            T-molding, .8125, Beige Embossed
- 386106-01                        Magazine rack, White
- 386107                            Rod, Magazine rack

# 2016 INTERNATIONAL TRAVEL TRAILER FURNITURE, BEDROOM

Wardrobe, with Drawers, 25FB Eddie Bauer



Parts Listed on Next Page

## 2016 INTERNATIONAL TRAVEL TRAILER FURNITURE, BEDROOM

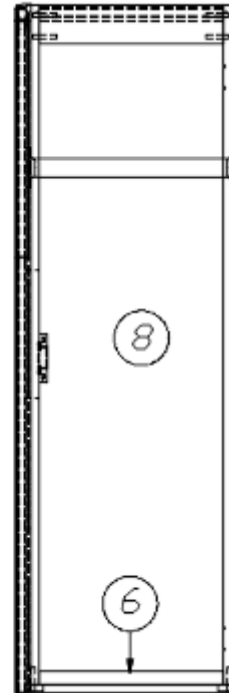
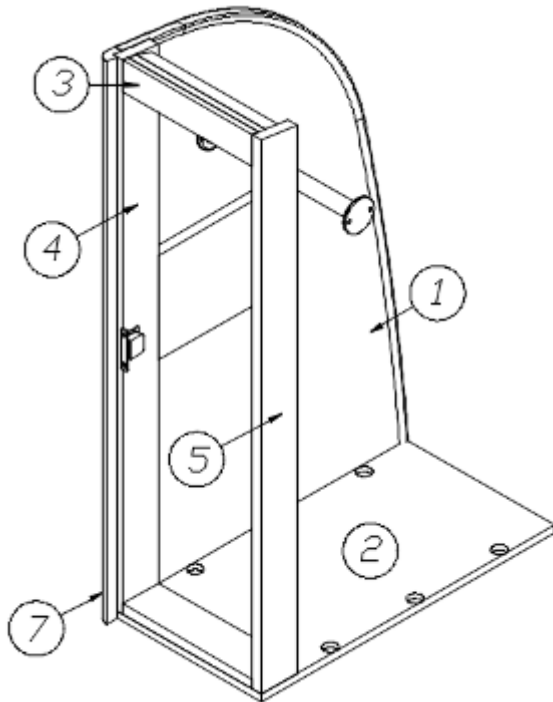
### Wardrobe, with Drawers, 25FB Eddie Bauer

968037-19	Wardrobe, Bedroom
1. 968037-191	Panel, 24.09 x 77.95
2. 968037-192	Panel, 10.75 x 2.25
3. 968037-193	Panel, 10.75 x 2.25
4. 968037-194	Panel, 22.63 x 78.18
5. 968037-195	Panel, 22.63 x 78.18
6. 968037-196	Panel, 2.25 x 10.75
7. 968037-197	Panel, 2.25 x 10.75
8. 968037-198	Panel, 24.31 x 12.25
9. 801706-0023	Corner trim, 90°, 1" radius, Maple
10. 968037-1915	Door, 11.38 x 38.13
11. 968037-1916	Door, 11.38 x 17
12. 968037-1917	Door, 11.38 x 9.88
13. 968037-1918	Door, 11.38 x 9.88
14. 968037-1926	Panel, 11.38 x 14
968028-03	Drawer Box, 8" x 10.13" x 21"
382203-05	Drawer slide, Self-close, 21"
382203-06	Front fixing clips (Pr)
380046	Flange, Chrome
380045	Tubing, .75", Metallic
200975-04	Conduit, Flexible Black plastic
382029-00	Handle bar, 7.48"
381228-02	Catch, Grabber door (5lb Pull)
381607-11	Hinge, Self-close

# 2016 INTERNATIONAL TRAVEL TRAILER

## FURNITURE, BEDROOM

Wardrobe, Twin, Hanging, RS 25' & 28', CS 25FB & 27FB, Signature



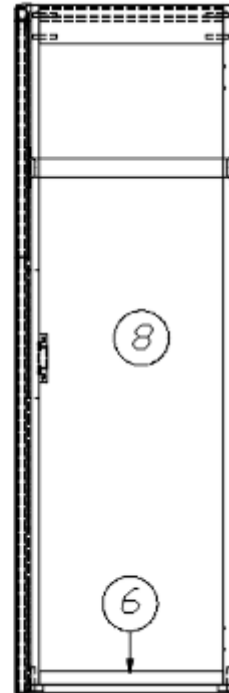
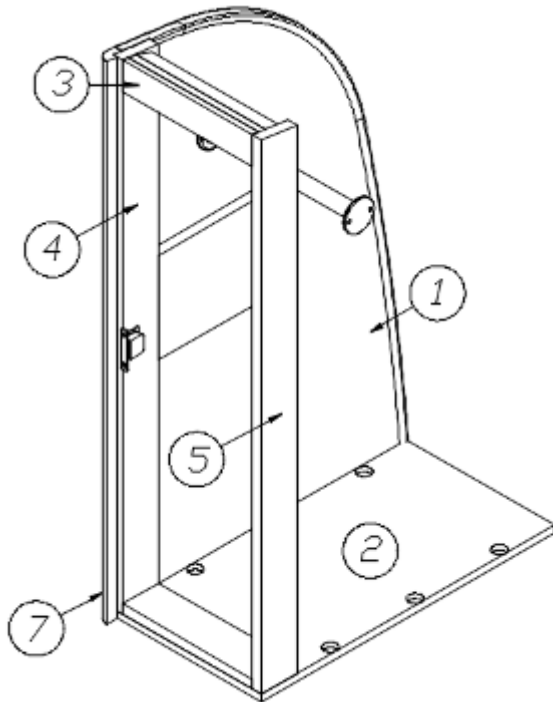
966852                      Hanging Wardrobe

- |    |             |   |
|----|-------------|---|
| 1. | 966852-1    | Panel, 23.45 x 40                         |
| 2. | 966852-2    | Panel, 24.31 x 12.25                      |
| 3. | 966852-3    | Panel, 2.25 x 10.75                       |
| 4. | 966852-4    | Panel, 3 x 39.75                          |
| 5. | 966852-5    | Panel, 3 x 39.75                          |
| 6. | 966852-6    | Panel, 3 x 10.75                          |
| 7. | 801706-0014 | Corner trim, 90°, 1" radius, Gold Alchemy |
| 8. | 966852-9    | Door, 11.38 x 38.88                       |
|    | 380046      | Flange, Chrome                            |
|    | 380045      | Tubing, .75"                              |
|    | 200975-04   | Conduit, Flexible Black plastic           |
|    | 115085      | Aluminum angle                            |
|    | 203138-04   | Extrusion, Plastic, .5", Oak              |
|    | 365340-02   | Edgebanding, .94", Frosty White           |
|    | 365364-02   | Edgebanding, .94", Ebony Woods            |
|    | 382029-03   | Handle bar, 11.25"                        |
|    | 381607-11   | Hinge, Self-close                         |
|    | 382057      | Knockdown                                 |
|    | 382057-04   | Cap, Knockdown, White                     |

# 2016 INTERNATIONAL TRAVEL TRAILER

## FURNITURE, BEDROOM

Wardrobe, Twin, Hanging, RS 25' & 28', CS 25FB & 27FB, Serenity



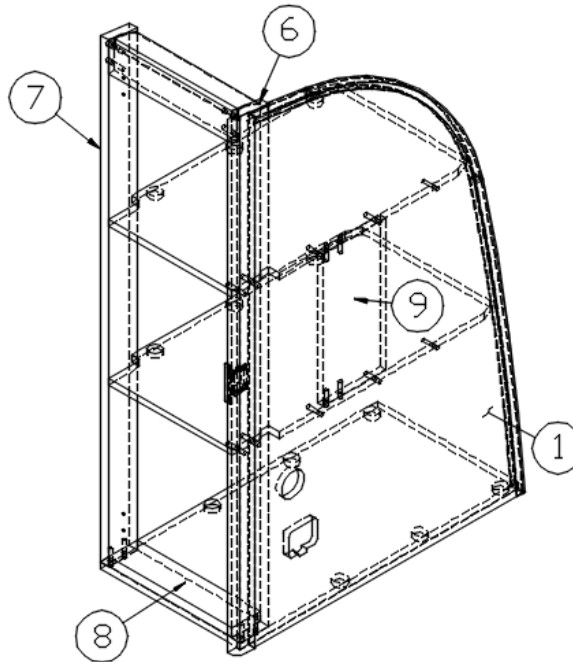
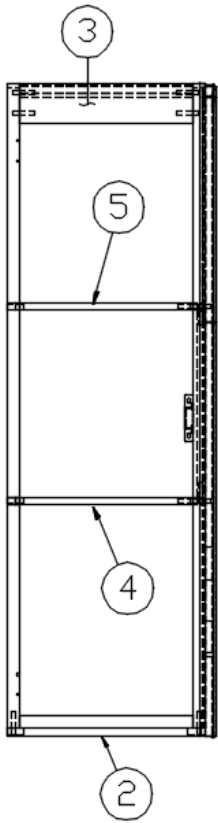
966852-15

Hanging Wardrobe

- |                |   |
|----------------|---|
| 1. 966852-151  | Panel, 23.45 x 40                       |
| 2. 966852-152  | Panel, 24.31 x 12.25                    |
| 3. 966852-153  | Panel, 2.25 x 10.75                     |
| 4. 966852-4    | Panel, 3 x 39.75                        |
| 5. 966852-5    | Panel, 3 x 39.75                        |
| 6. 966852-6    | Panel, 3 x 10.75                        |
| 7. 801706-0018 | Corner trim, 90°, 1" radius, Asian Sand |
| 8. 966852-159  | Door, 11.38 x 38.88                     |
| 380046         | Flange, Chrome                          |
| 380045         | Tubing, .75"                            |
| 200975-04      | Conduit, Flexible Black plastic         |
| 115085         | Aluminum angle                          |
| 203138-04      | Extrusion, Plastic, .5", Oak            |
| 365340-02      | Edgebanding, .94", Frosty White         |
| 365344-02      | Edgebanding, .94", Pearl Bisque         |
| 382115         | Pull, Flat Black                        |
| 381607-11      | Hinge, Self-close                       |
| 382057         | Knockdown                               |
| 382057-04      | Cap, Knockdown, White                   |

# 2016 INTERNATIONAL TRAVEL TRAILER FURNITURE, BEDROOM

Wardrobe, Twin, Hanging, RS 27FB, CS 28' & 30', Signature



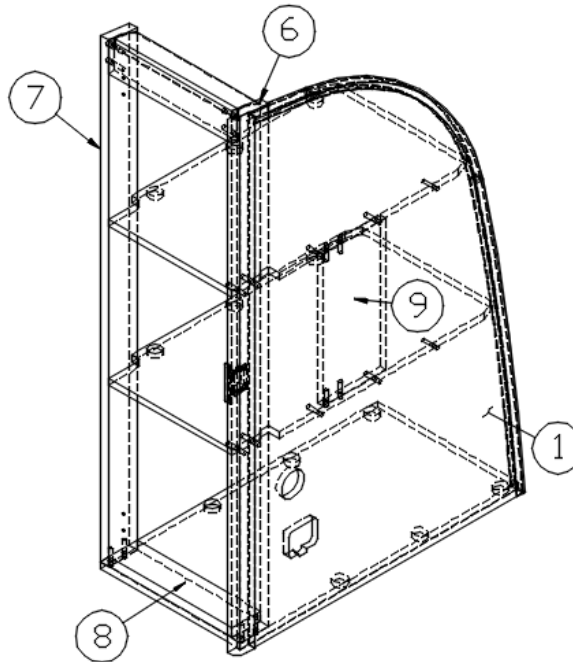
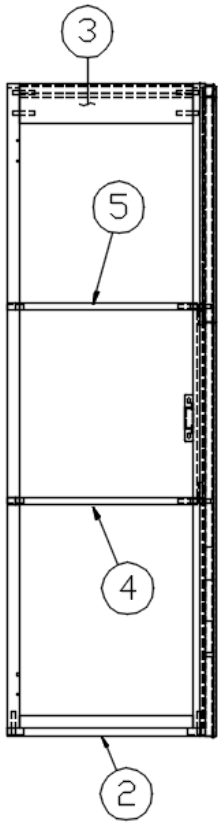
966855

Hanging Linen Cabinet

- |              |   |
|--------------|---|
| 1. 966855-1  | Panel, 23.59 x 40.19                    |
| 2. 966855-2  | Panel, 24.25 x 12.25                    |
| 3. 966855-3  | Panel, 2.5 x 10.75                      |
| 4. 966855-4  | Panel, 22.5 x 12.25                     |
| 5. 966855-5  | Panel, 20.25 x 12.25                    |
| 6. 966855-6  | Panel, 2.5 x 39.75                      |
| 7. 966855-7  | Panel, 2.5 x 39.75                      |
| 8. 966855-8  | Panel, 2.5 x 10.75                      |
| 9. 966855-20 | Panel, 5.5 x 11.44                      |
| 966855-9     | Door, 11.38 x 38.88                     |
| 382057       | Knockdown                               |
| 382057-04    | Cap, Knockdown, White                   |
| 801706-0024  | Corner trim, 90°, 1"radius, Ebony Woods |
| 203138-04    | Extrusion, Plastic, .5", Oak            |
| 382029-03    | Handle bar, 11.25"                      |
| 381228-02    | Catch, Grabber door                     |
| 381607-11    | Hinge, Self-close                       |
| 115085       | Angle aluminum                          |

# 2016 INTERNATIONAL TRAVEL TRAILER FURNITURE, BEDROOM

Wardrobe, Twin, Hanging, RS 27FB, CS 28' & 30', Serenity



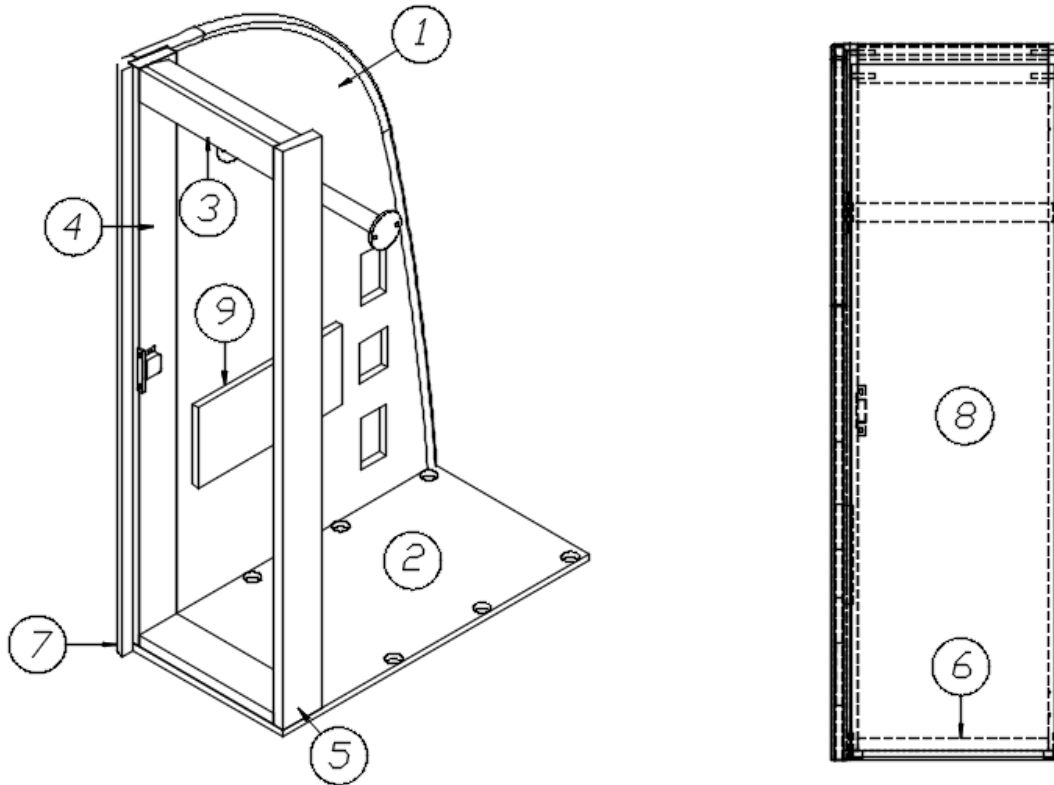
966855-15

Hanging Linen Cabinet

- |               |  |
|---------------|--|
| 1. 966855-151 | Panel, 23.59 x 40.19                   |
| 2. 966855-152 | Panel, 24.25 x 12.25                   |
| 3. 966855-153 | Panel, 2.5 x 10.75                     |
| 4. 966855-4   | Panel, 22.5 x 12.25                    |
| 5. 966855-5   | Panel, 20.25 x 12.25                   |
| 6. 966855-6   | Panel, 2.5 x 39.75                     |
| 7. 966855-7   | Panel, 2.5 x 39.75                     |
| 8. 966855-8   | Panel, 2.5 x 10.75                     |
| 9. 966855-20  | Panel, 5.5 x 11.44                     |
| 966855-159    | Door, 11.38 x 38.88                    |
| 382057        | Knockdown                              |
| 382057-04     | Cap, Knockdown, White                  |
| 801706-0018   | Corner trim, 90°, 1"radius, Asian Sand |
| 203138-04     | Extrusion, Plastic, .5", Oak           |
| 382115        | Pull, Flat Black                       |
| 381228-02     | Catch, Grabber door                    |
| 381607-11     | Hinge, Self-close                      |
| 115085        | Angle aluminum                         |

# 2016 INTERNATIONAL TRAVEL TRAILER FURNITURE, BEDROOM

Wardrobe, Twin, RS Hanging, 30', Signature



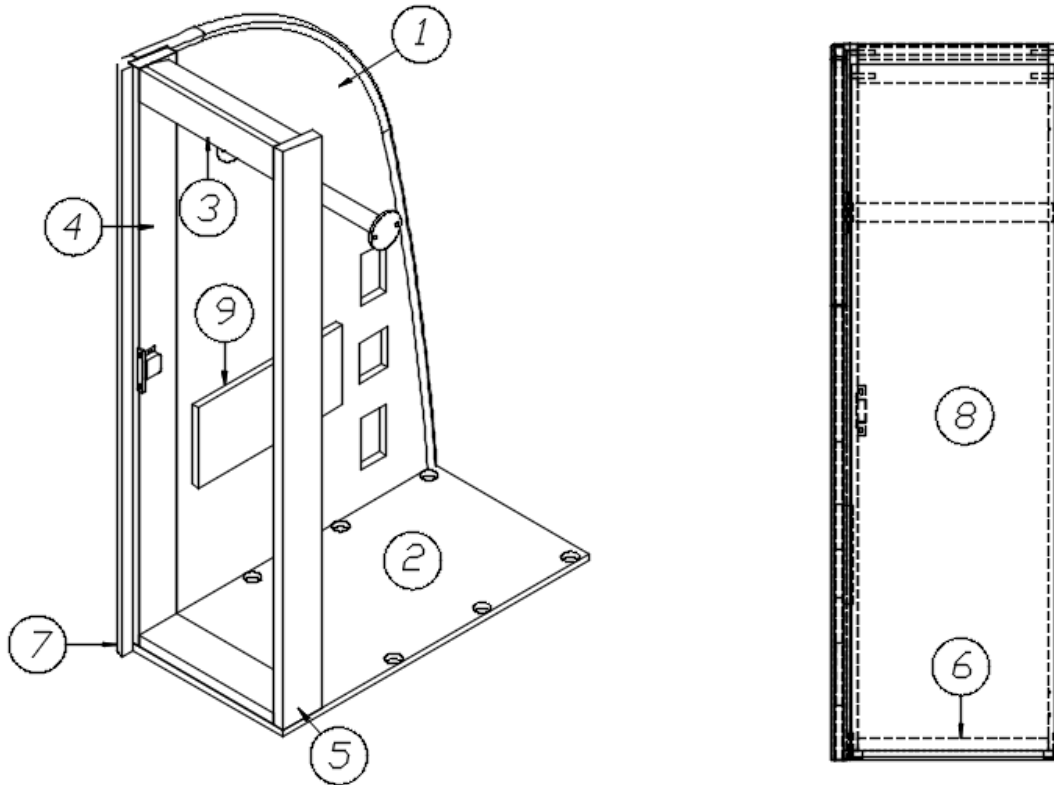
967863-01 RS Hanging Wardrobe

- |                |  |
|----------------|--|
| 1. 967863-011  | Panel, 23.45 x 40.04                     |
| 2. 967863-012  | Panel, 24.31 x 12.25                     |
| 3. 967863-013  | Panel, 2.25 x 10.75                      |
| 4. 967863-014  | Panel, 3 x 39.75                         |
| 5. 967863-015  | Panel, 3 x 39.75                         |
| 6. 967863-016  | Panel, 3 x 10.75                         |
| 7. 801706-0024 | Corner trim, 90°, 1" radius, Ebony Woods |
| 8. 967863-019  | Door, 11.38 x 38.88                      |
| 9. 967863-22   | Panel, 5.50 x 11.44                      |
| 382029-03      | Handle bar, 11.25"                       |
| 381228-02      | Catch, Grabber door                      |
| 381607-11      | Hinge, Self-close                        |
| 380046         | Flange, Chrome                           |
| 380045         | Tubing, .75", Electric Metallic          |
| 200975-04      | Conduit, Flexible Black plastic          |
| 365340-02      | Edgebanding, .94", Frosty White          |
| 365364-02      | Edgebanding, .94", Ebony Woods           |
| 203138-04      | Extrusion, Plastic, .5", Oak             |



# 2016 INTERNATIONAL TRAVEL TRAILER FURNITURE, BEDROOM

Wardrobe, Twin, RS Hanging, 30', Serenity



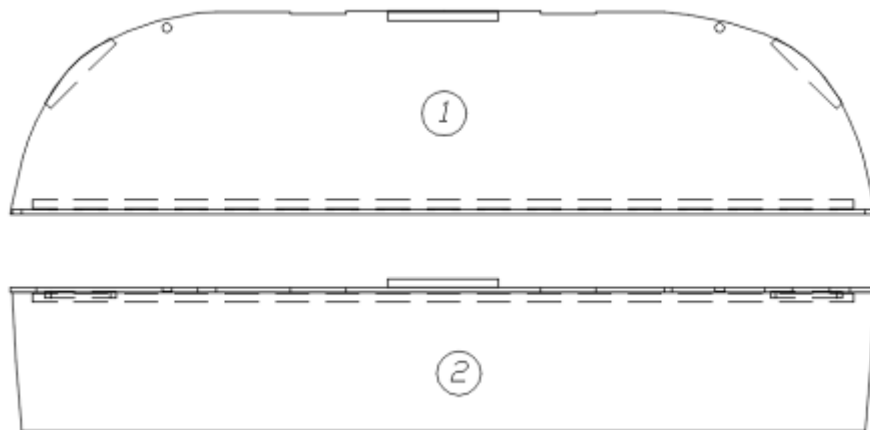
967863-15

RS Hanging Wardrobe

- |                |   |
|----------------|---|
| 1. 967863-151  | Panel, 23.45 x 40.04                    |
| 2. 967863-152  | Panel, 24.31 x 12.25                    |
| 3. 967863-153  | Panel, 2.25 x 10.75                     |
| 4. 967863-4    | Panel, 3 x 39.75                        |
| 5. 967863-5    | Panel, 3 x 39.75                        |
| 6. 967863-6    | Panel, 3 x 10.75                        |
| 7. 801706-0018 | Corner trim, 90°, 1" radius, Asian Sand |
| 8. 967863-159  | Door, 11.38 x 38.88                     |
| 9. 967863-22   | Panel, 5.50 x 11.44                     |
| 382115         | Pull, Flat Black                        |
| 381228-02      | Catch, Grabber door                     |
| 381607-11      | Hinge, Self-close                       |
| 380046         | Flange, Chrome                          |
| 380045         | Tubing, .75", Electric Metallic         |
| 200975-04      | Conduit, Flexible Black plastic         |
| 365340-02      | Edgebanding, .94", Frosty White         |
| 365344-02      | Edgebanding, .94", Pearl Bisque         |
| 203138-04      | Extrusion, Plastic, .5", Oak            |

# 2016 INTERNATIONAL TRAVEL TRAILER FURNITURE, BEDROOM

## Storage Box, Twin, 25', 28', Signature

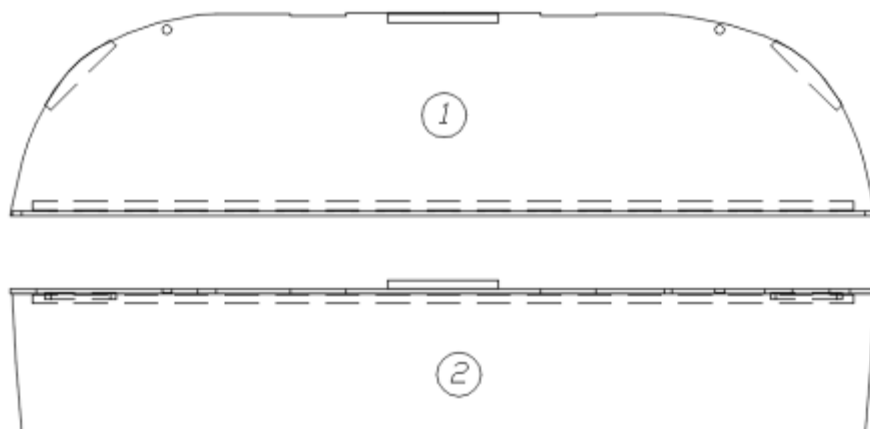


967769

Storage Box

- |             |                                |
|-------------|--------------------------------|
| 1. 967769-1 | Panel, 21.5 x 93.5             |
| 2. 967769-2 | Panel, 15 x 93.5               |
| 114812      | Aluminum angle                 |
| 701538      | Carpet, Econolier Velour Black |
| 382057      | Knockdown                      |

## Storage Box, Twin, 25', 28', Serenity



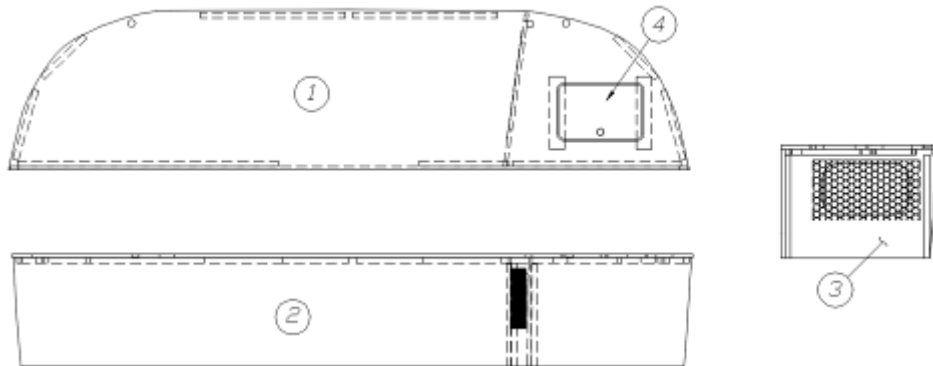
967769-15

Storage Box

- |               |                                |
|---------------|--------------------------------|
| 1. 967769-151 | Panel, 21.5 x 93.5             |
| 2. 967769-152 | Panel, 15 x 93.5               |
| 114812        | Aluminum angle                 |
| 701538        | Carpet, Econolier Velour Black |
| 382057        | Knockdown                      |

# 2016 INTERNATIONAL TRAVEL TRAILER FURNITURE, BEDROOM

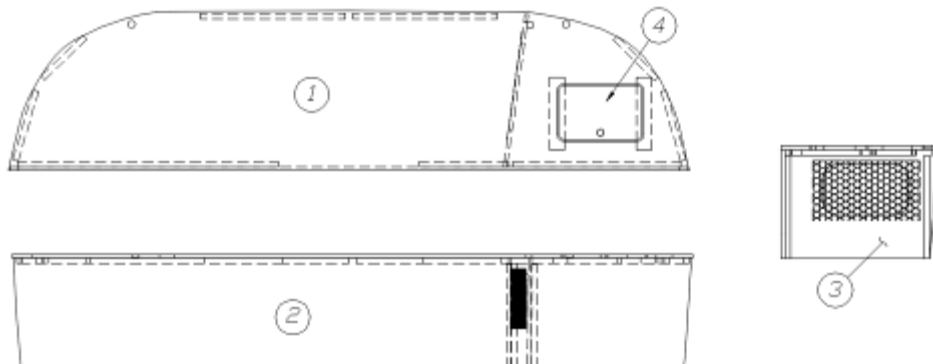
## Storage Box, Twin, 25FB, 27FB, 30', Signature



### 966858 Storage Box

- |              |                                     |
|--------------|-------------------------------------|
| 1. 966858-1  | Panel, 21.5 x 93.5                  |
| 2. 966858-2  | Panel, 15 x 93.5                    |
| 3. 966858-8  | Panel, 15 x 21.25                   |
| 4. 966858-10 | Panel, 7.5 x 11.5                   |
| 382057       | Knockdown                           |
| 203664-01    | Grill screen, Dinette, 9.25 x 14.88 |
| 701538-01    | Carpet, Econolier w/PSA back        |

## Storage Box, Twin, 25FB, 27FB, 30', Serenity

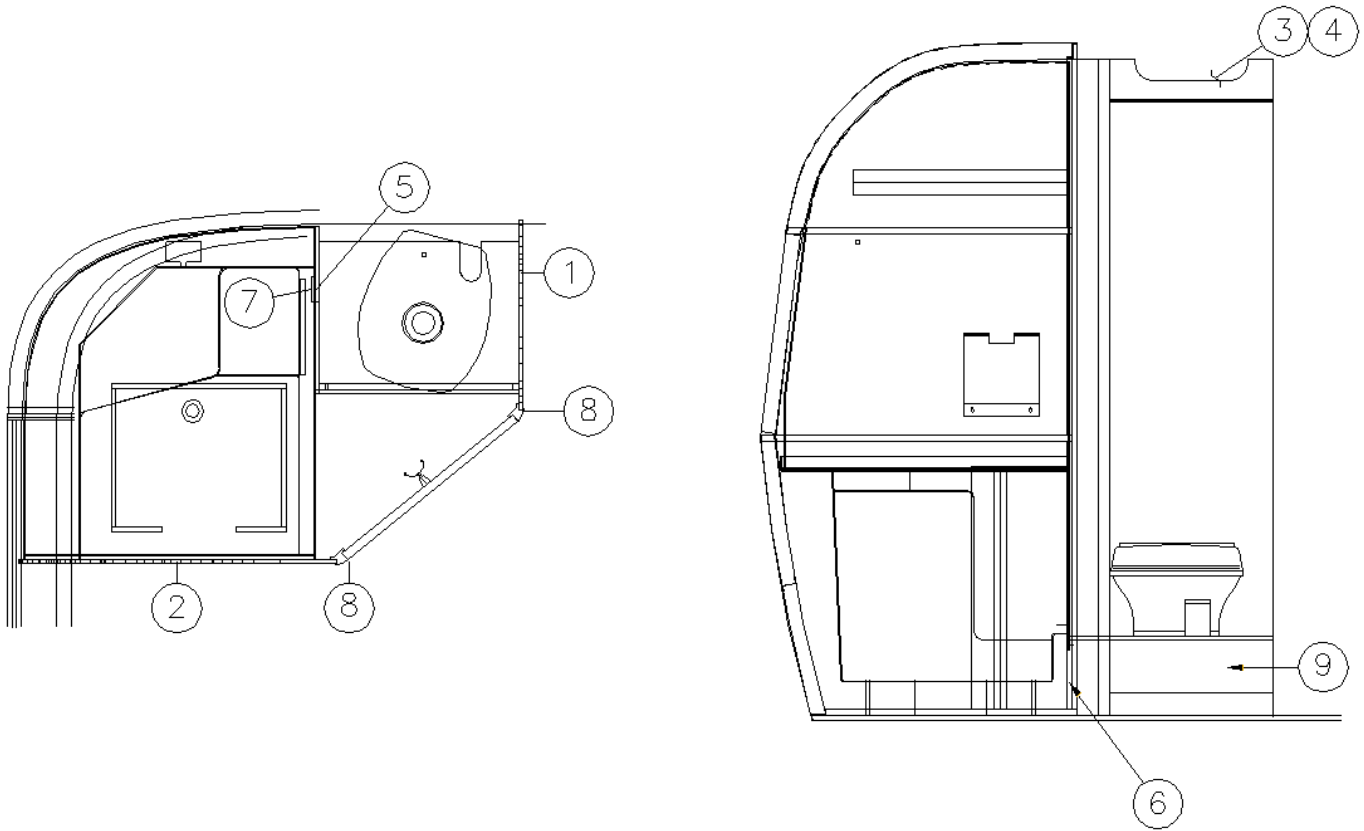


### 966858-15 Front Storage Box

- |                |                                     |
|----------------|-------------------------------------|
| 1. 966858-151  | Panel, 21.5 x 93.5                  |
| 2. 966858-152  | Panel, 15 x 93.5                    |
| 3. 966858-8    | Panel, 15 x 21.25                   |
| 4. 966858-1510 | Panel, 7.5 x 11.5                   |
| 382057         | Knockdown                           |
| 203664-01      | Grill screen, Dinette, 9.25 x 14.88 |
| 701538-01      | Carpet, Econolier w/PSA back        |

# 2016 INTERNATIONAL TRAVEL TRAILER FURNITURE, LAVATORY

## Bath Module, 19' Signature



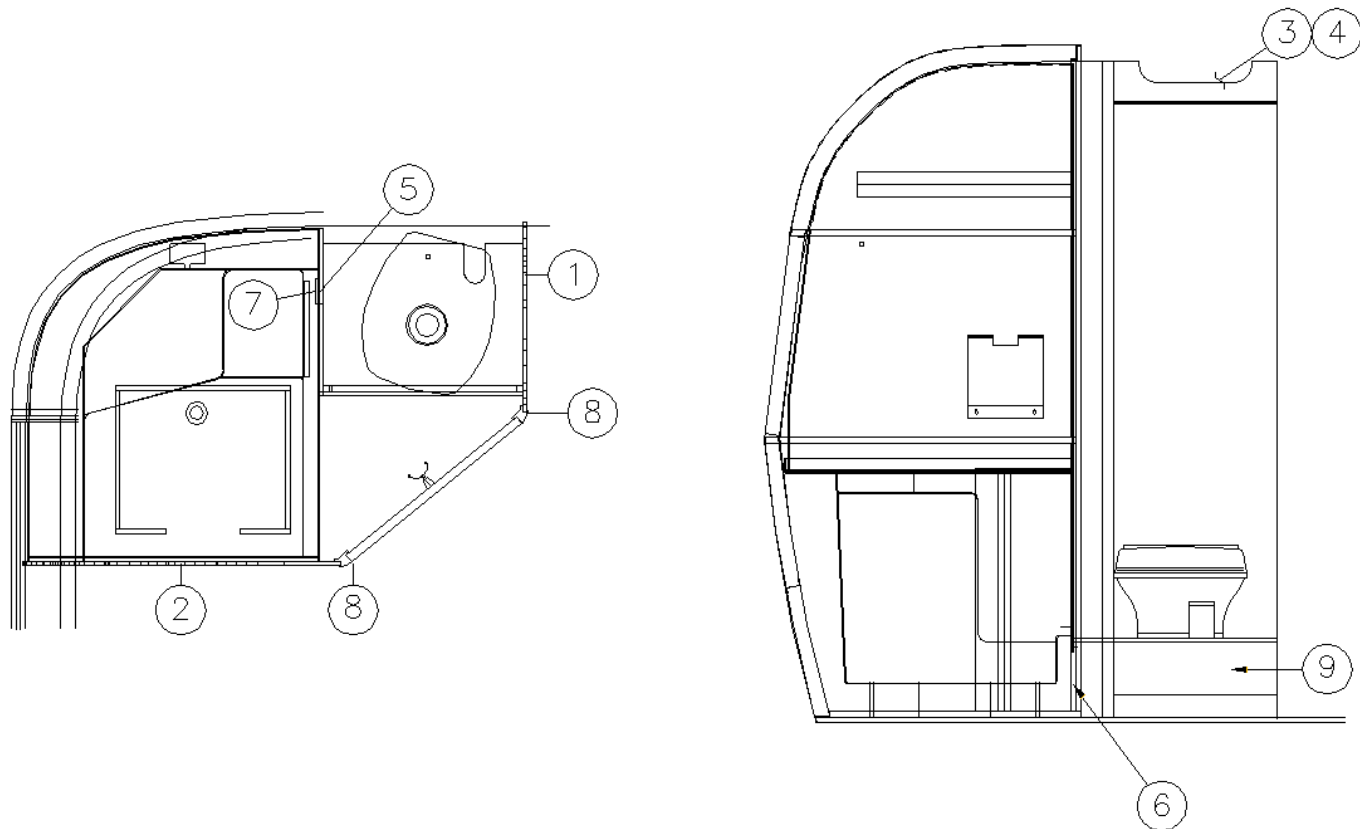
### 111563

### Shower Module Install

- |              |                                    |
|--------------|------------------------------------|
| 1. 111563-1  | Panel, 23 x 77.84                  |
| 2. 111563-2  | Panel, 38.34 x 79.48               |
| 3. 111563-3  | Panel, 26.13 x 4.75                |
| 4. 111563-4  | Panel, 26.13 x 4.75                |
| 5. 111563-5  | Panel, 12 x 66.63                  |
| 6. 111563-6  | Panel, 9.5 x 23                    |
| 7. 111563-7  | Panel, 63 x 3                      |
| 8. 801394-OB | Corner trim, 45°, 2" radius, White |
| 9. 966941    | Toilet stand                       |
| 702937-06    | Shower door, Rollaway              |
| 203114-02    | Shower, 2 piece fiberglass, White  |
| 966940       | Bath door w/porthole               |
| 386106-01    | Magazine rack, White               |
| 386107       | Rod, Magazine rack                 |
| 381778       | Robe hook, Chrome                  |
| 967110       | Closeout, Toilet paper holder      |

# 2016 INTERNATIONAL TRAVEL TRAILER FURNITURE, LAVATORY

## Bath Module, 19' Serenity



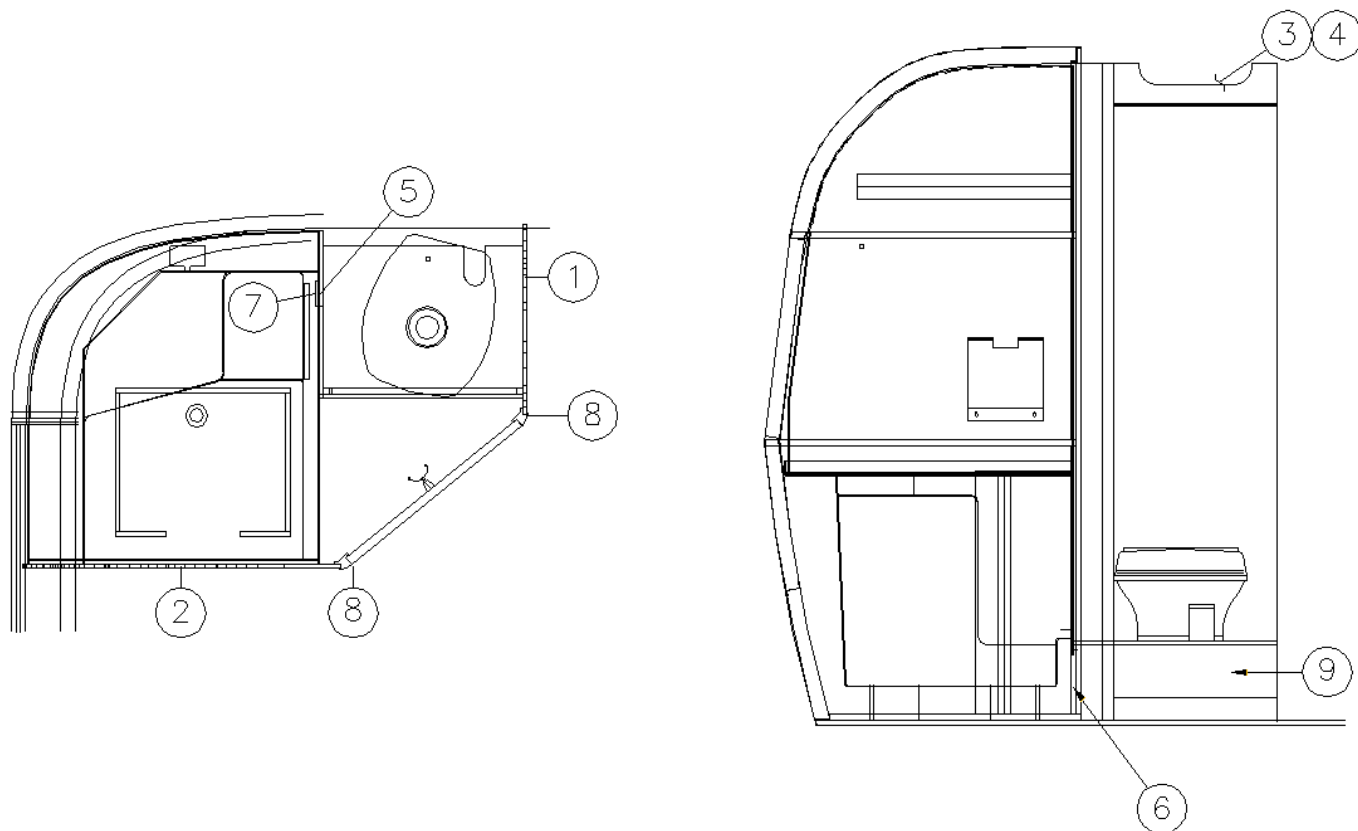
### 111563-15

### Shower Module Install

- |                |   |
|----------------|---|
| 1. 111563-151  | Panel, 23 x 77.84                       |
| 2. 111563-152  | Panel, 38.34 x 79.48                    |
| 3. 111563-153  | Panel, 26.13 x 4.75                     |
| 4. 111563-154  | Panel, 26.13 x 4.75                     |
| 5. 111563-5    | Panel, 12 x 66.63                       |
| 6. 111563-6    | Panel, 9.5 x 23                         |
| 7. 111563-7    | Panel, 63 x 3                           |
| 8. 801394-0018 | Corner trim, 45°, 2" radius, Asian Sand |
| 9. 966941      | Toilet stand                            |
| 702937-06      | Shower door, Rollaway, White            |
| 203114-02      | Shower, 2 piece fiberglass, White       |
| 967544-15      | Bath door w/window                      |
| 381778         | Robe hook, Chrome                       |
| 967110         | Closeout, Toilet paper holder           |

# 2016 INTERNATIONAL TRAVEL TRAILER FURNITURE, LAVATORY

## Bath Module, 23D Signature



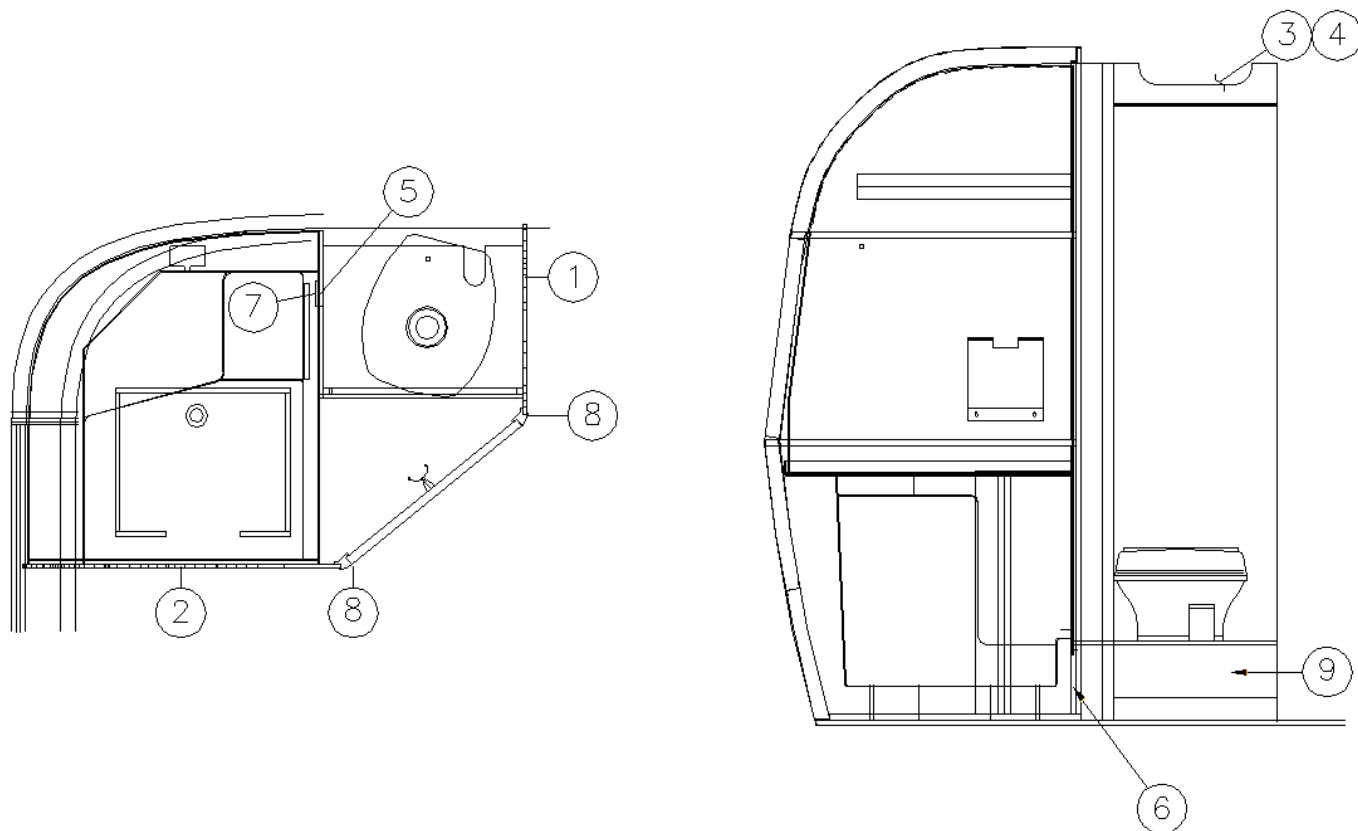
111557

Shower Module Install, Ducted

- |                |                                    |
|----------------|------------------------------------|
| 1. 111557-1    | Panel, 23 x 77.84                  |
| 2. 111557-2    | Panel, 38.34 x 79.48               |
| 3. 111557-3    | Panel, 26.13 x 4.75                |
| 4. 111557-4    | Panel, 26.13 x 4.75                |
| 5. 111557-5    | Panel, 12 x 66.63                  |
| 6. 111557-6    | Panel, 9.5 x 23                    |
| 7. 111557-7    | Panel, 63 x 3                      |
| 8. 801394-0016 | Corner trim, 45°, 2" radius, Wenge |
| 9. 966941      | Toilet stand                       |
| 702937-06      | Shower door, Rollaway, White       |
| 203114-02      | Shower, 2 piece fiberglass, White  |
| 966940         | Bath door w/porthole               |
| 386106-01      | Magazine rack, White               |
| 386107         | Rod, Magazine rack                 |
| 381778         | Rob hook, Chrome                   |

# 2016 INTERNATIONAL TRAVEL TRAILER FURNITURE, LAVATORY

## Bath Module, 23D Serenity



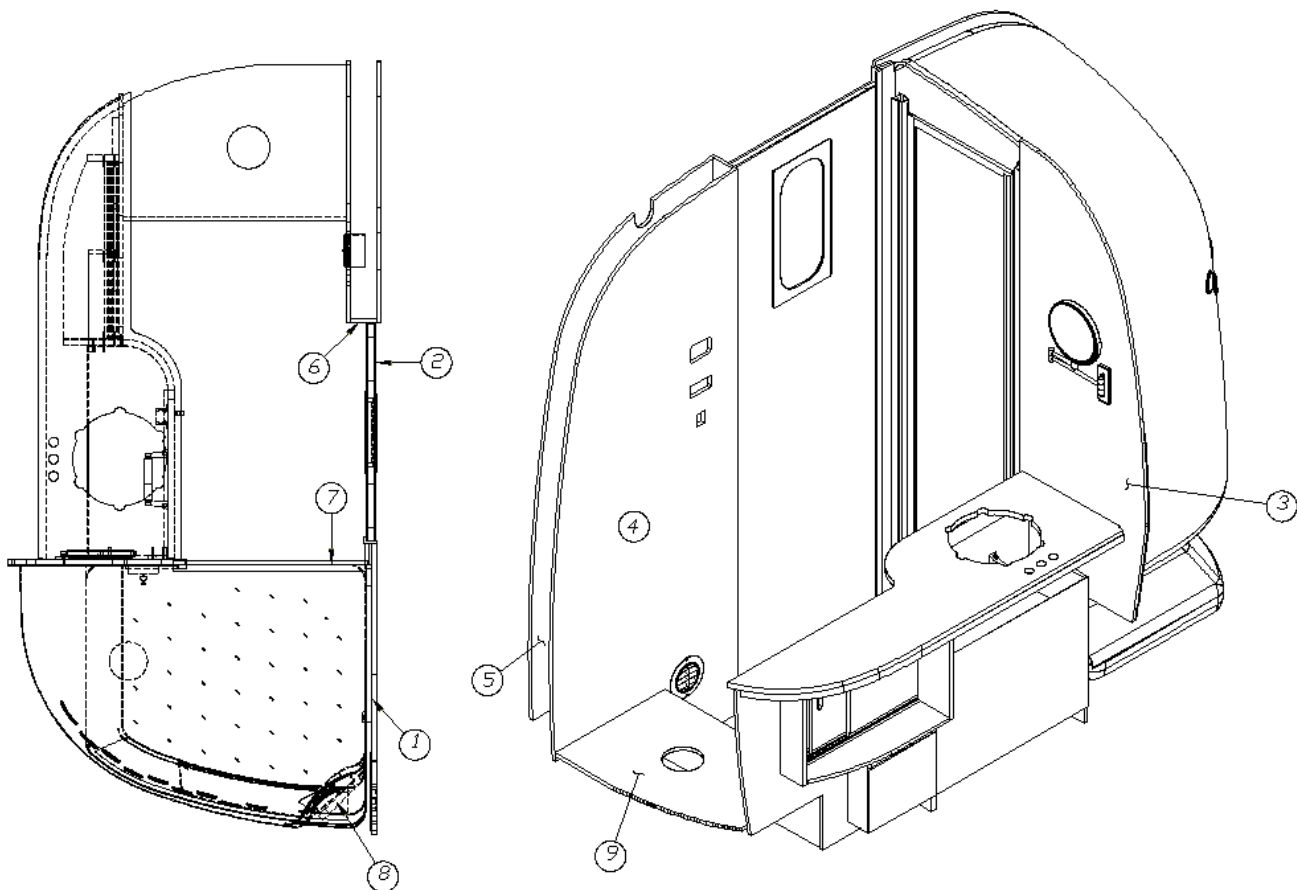
### 111557-15

### Shower Module Install, Ducted

- |                |   |
|----------------|---|
| 1. 111557-151  | Panel, 23 x 77.84                       |
| 2. 111557-152  | Panel, 38.34 x 79.48                    |
| 3. 111557-153  | Panel, 26.13 x 4.75                     |
| 4. 111557-154  | Panel, 26.13 x 4.75                     |
| 5. 111557-5    | Panel, 12 x 66.63                       |
| 6. 111557-6    | Panel, 9.5 x 23                         |
| 7. 111557-7    | Panel, 63 x 3                           |
| 8. 801394-0018 | Corner trim, 45°, 2" radius, Asian Sand |
| 9. 966941      | Toilet stand                            |
| 702937-06      | Shower door, Rollaway                   |
| 203114-02      | Shower, 2 piece fiberglass, White       |
| 967544-15      | Bath door w/window                      |
| 386106-01      | Magazine rack, White                    |
| 386107         | Rod, Magazine rack                      |
| 381778         | Robe hook, Chrome                       |

# 2016 INTERNATIONAL TRAVEL TRAILER FURNITURE, LAVATORY

## Bath Module, 23FB Signature



111730

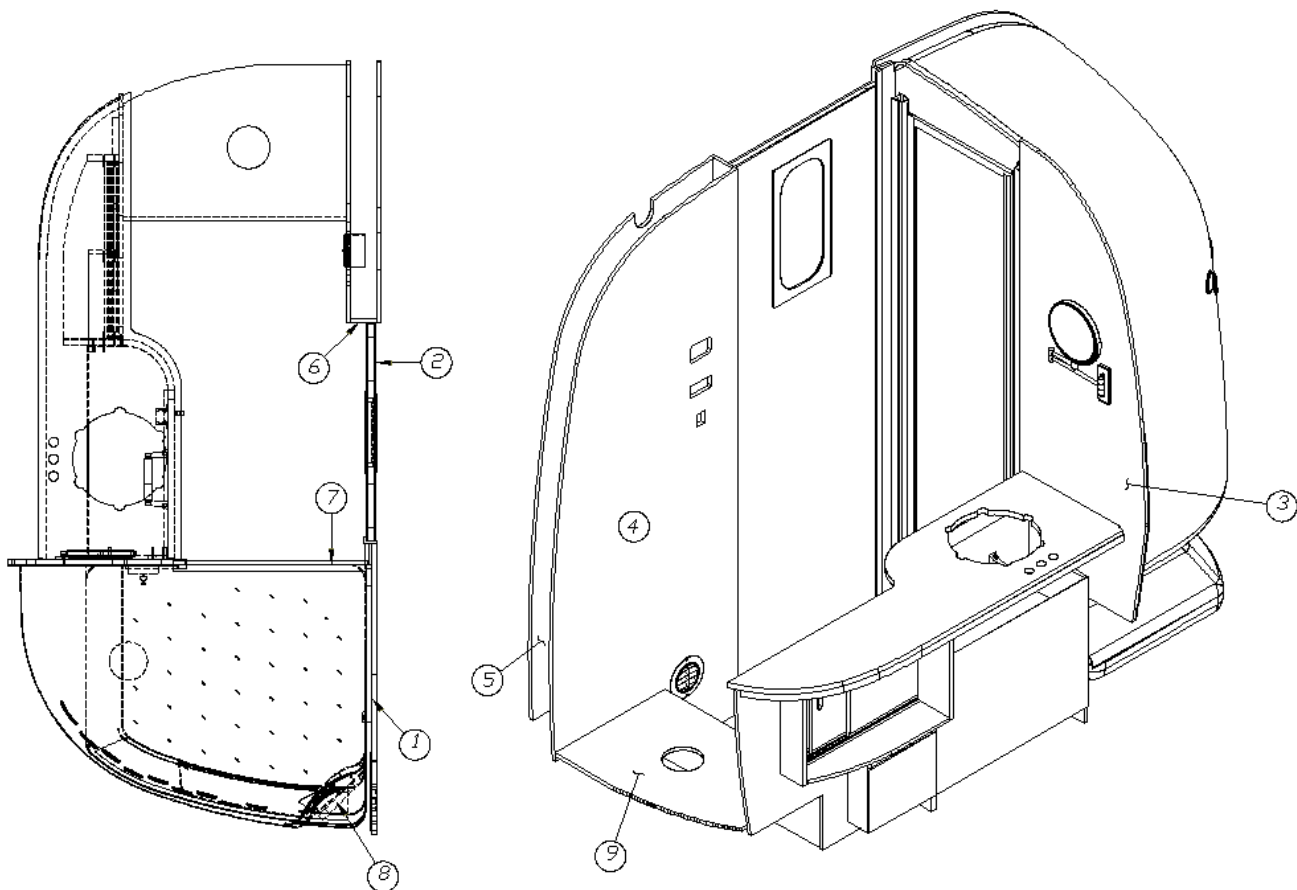
### Shower Module Install

- |              |                             |
|--------------|-----------------------------|
| 1. 967325    | Sub assembly, Forward panel |
| 2. 967637    | Bath door w/porthole        |
| 3. 111730-3  | Panel, 20.92 x 78.08        |
| 4. 111730-4  | Panel, 30.76 x 78.39        |
| 5. 111730-5  | Panel, 30.76 x 78.39        |
| 6. 111730-6  | Panel, 3 x 78.55            |
| 7. 111730-7  | Panel, 20.5 x 7.25          |
| 8. 111730-13 | Panel, 5.5 x 5.5            |
| 9. 967455    | Toilet stand                |
| 203138-05    | Wall extrusion, Black       |
| 602394-03    | 4" register, Round, Black   |
| 203615       | Shower                      |
| 203692       | Shower base, Fiberglass     |
| 967321       | Lavatory assembly           |
| 703911-02    | Shower door, Brushed Nickel |
| 382063       | Retractable Clothes Line    |



# 2016 INTERNATIONAL TRAVEL TRAILER FURNITURE, LAVATORY

## Bath Module, 23FB Serenity



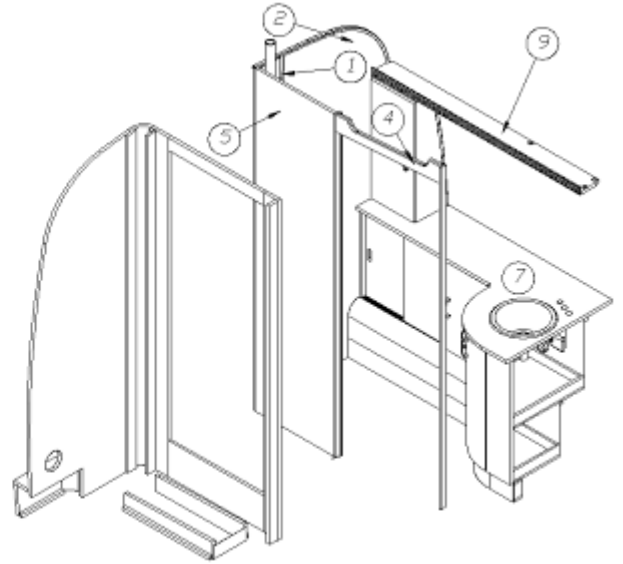
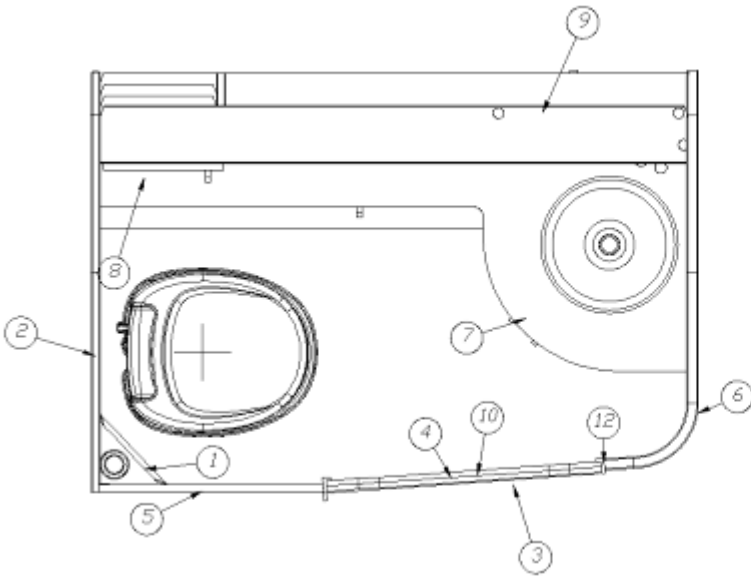
111730-15

### Shower Module Install

- |                |                             |
|----------------|-----------------------------|
| 1. 967325-15   | Sub assembly, Forward panel |
| 2. 967647      | Bath door w/window          |
| 3. 111730-153  | Panel, 20.92 x 788          |
| 4. 111730-154  | Panel, 30.76 x 78.39        |
| 5. 111730-155  | Panel, 30.76 x 78.39        |
| 6. 111730-156  | Panel, 3 x 78.55            |
| 7. 111730-157  | Panel, 20.5 x 7.25          |
| 8. 111730-1513 | Panel, 5.5 x 5.5            |
| 9. 967455-15   | Toilet stand                |
| 203138-03      | Wall Extrusion, Beige       |
| 602394-03      | 4" register, Round, Black   |
| 203615         | Shower                      |
| 203692         | Shower base, Fiberglass     |
| 967321-15      | Lavatory Assembly           |
| 703911-02      | Shower door, Brushed Nickel |
| 382063         | Retractable Clothes Line    |

# 2016 INTERNATIONAL TRAVEL TRAILER FURNITURE, LAVATORY

## Bath Module, 25' Signature



111950

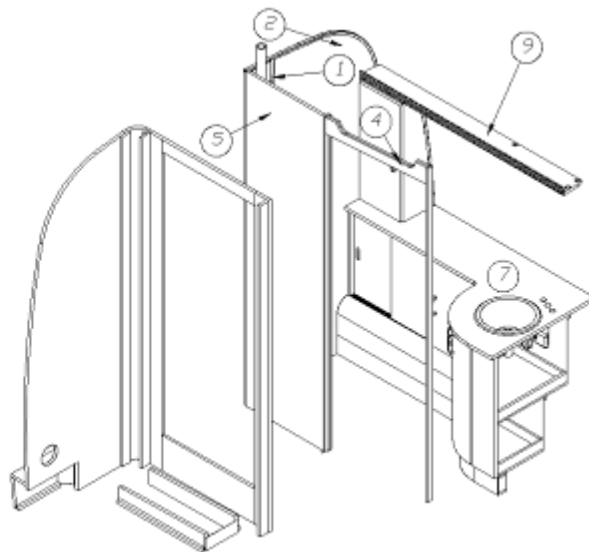
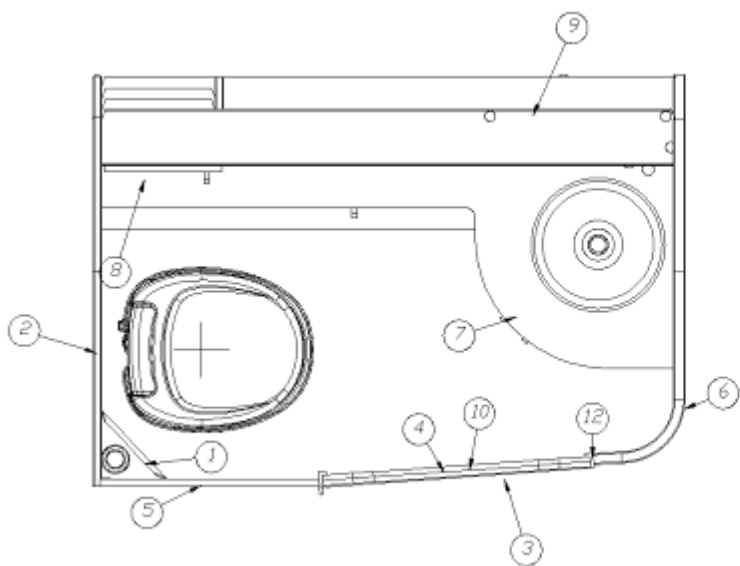
Bath Module Install

- |                 |                                 |
|-----------------|---------------------------------|
| 1. 111950-1     | Panel, 9.13 x 79.369            |
| 2. 111950-2     | Panel. 39.58 x 79.32            |
| 3. 111950-3     | Panel, 4.01 x 26                |
| 4. 111950-4     | Panel. 4.01 x 26                |
| 5. 111950-5     | Panel. 21.25 x 79.32            |
| 6. 967896       | Sub assembly, Radius bath panel |
| 7. 967521       | Lavy cabinet                    |
| 8. 967525       | Upper lavy cabinet              |
| 9. 967526       | Upper lavy shelf                |
| 10. *968405-02  | Bath door w/porthole            |
| 11. 967527      | Shower compartment              |
| 12. 801665-0024 | Molding, Door jamb, Ebony Woods |
| 703911-01       | Shower door, Brushed Nickel     |

\*Replaced 966940 starting serial number 535338

# 2016 INTERNATIONAL TRAVEL TRAILER FURNITURE, LAVATORY

## Bath Module, 25' Serenity



111950-15

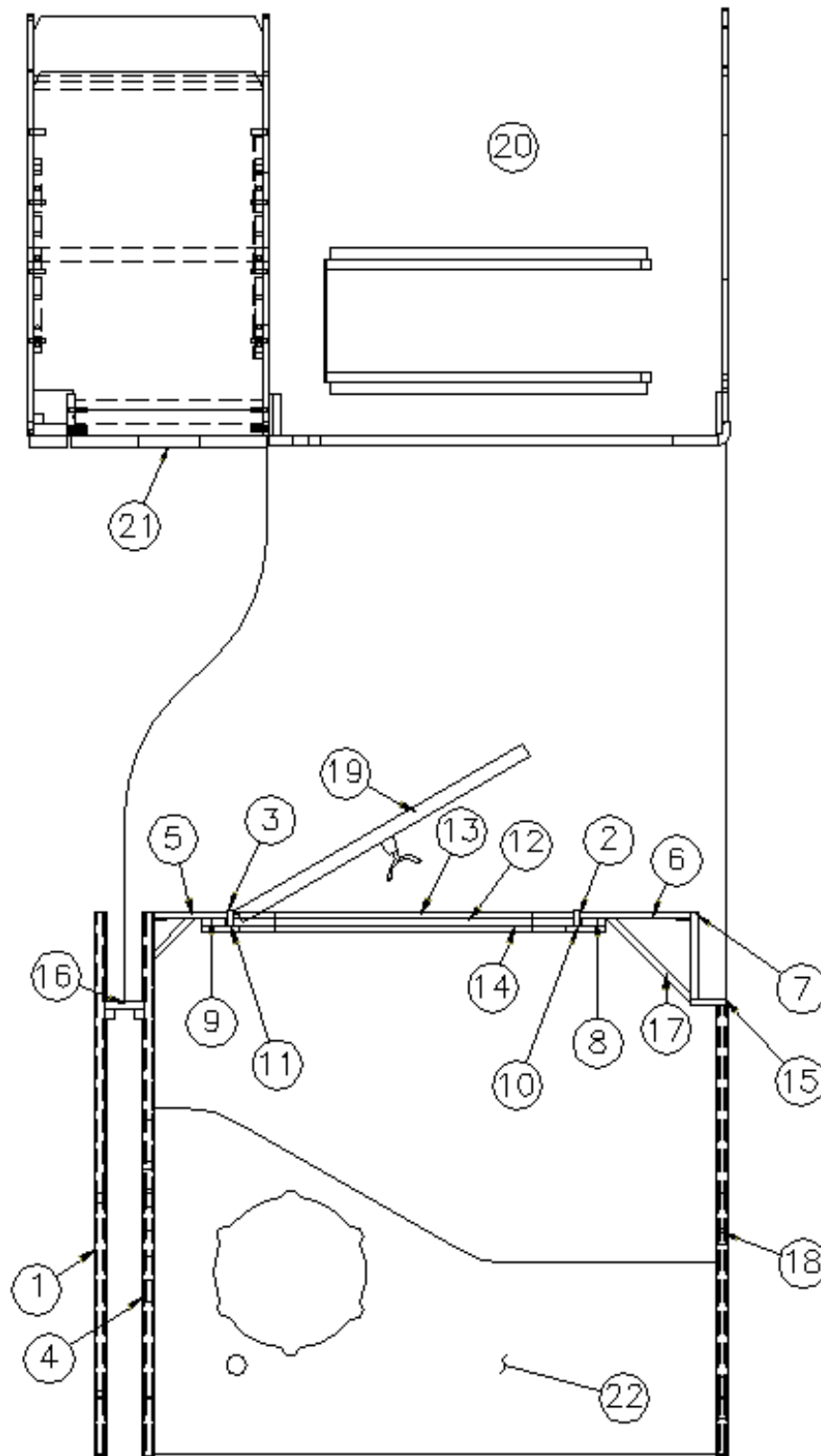
Bath Module Install

- |                 |                                 |
|-----------------|---------------------------------|
| 1. 111950-151   | Panel, 9.13 x 79.369            |
| 2. 111950-152   | Panel. 39.58 x 79*.32           |
| 3. 111950-153   | Panel, 4.01 x 26                |
| 4. 111950-154   | Panel. 4.01 x 26                |
| 5. 111950-155   | Panel. 21.25 x 79.32            |
| 6. 967896-15    | Sub assembly, Radius bath panel |
| 7. 967521-15    | Lavy cabinet                    |
| 8. 967525-15    | Upper lavy cabinet              |
| 9. 967526       | Upper lavy shelf                |
| 10. *968405-03  | Bath door w/window              |
| 11. 967527-15   | Shower compartment              |
| 12. 801665-0018 | Molding, Door jamb, Asian Sand  |
| 703911-01       | Shower door, Brushed Nickel     |

\*Replaced 967545-15 starting serial number 535338

# 2016 INTERNATIONAL TRAVEL TRAILER FURNITURE, LAVATORY

## Bath Module, 25FB Signature



Parts Listed on Next Page

# 2016 INTERNATIONAL TRAVEL TRAILER FURNITURE, LAVATORY

## Bath Module, 25FB Signature

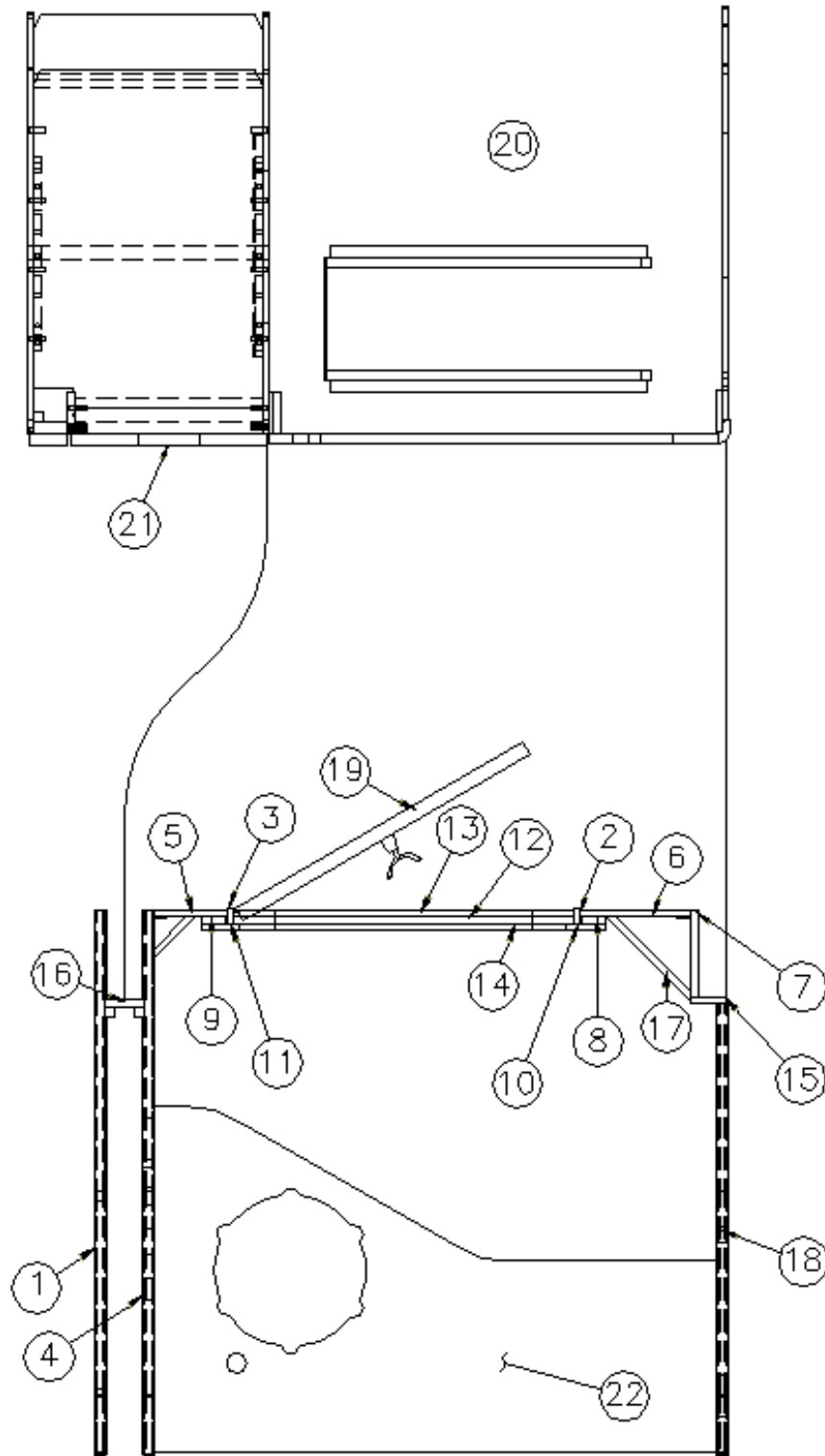
111565

Bath Module Install

1. 111565-1 Panel, 39.5 x 79.24
2. 111565-2 Panel, 1.13 x 79.38
3. 111565-3 Panel, 1.13 x 79.38
4. 111565-4 Panel, 39.35 x 79.24
5. 111565-5 Panel, 5.375 x 79.38
6. 111565-6 Panel, 8 x 79.38
7. 111565-7 Panel, 6.25 x 79.38
8. 111565-8 Panel, 1.69 x 79.36
9. 111565-9 Panel, 1.69 x 79.36
10. 111565-10 Panel, 2.75 x 79.33
11. 111565-11 Panel, 2.75 x 79.33
12. 111565-12 Panel, 24.625 x 3.5
13. 111565-13 Panel, 24.625 x 3.5
14. 111565-14 Panel, 23.625 x 3.75
15. 111565-15I Panel, 2.5 x 79.02
16. 111565-16 Panel, 3 x 78.98
17. 111565-17 Panel, 8.71 x 79.36
18. 111565-18 Panel, 32.61 x 78.83
19. 966895 Bath door w/porthole
20. 966879 Shower compartment
21. 966905 Wardrobe, Roadside
22. 966902 Lavatory cabinet
- 703911-01 Shower door, Brushed Nickel
- 704166 Foldette door, Black
- 381890-01 Foldette track, Formed
- 381890-02 Foldette track, Straight

# 2016 INTERNATIONAL TRAVEL TRAILER FURNITURE, LAVATORY

Bath Module, 25FB Serenity



Parts Listed on Next Page

# 2016 INTERNATIONAL TRAVEL TRAILER FURNITURE, LAVATORY

## Bath Module, 25FB Serenity

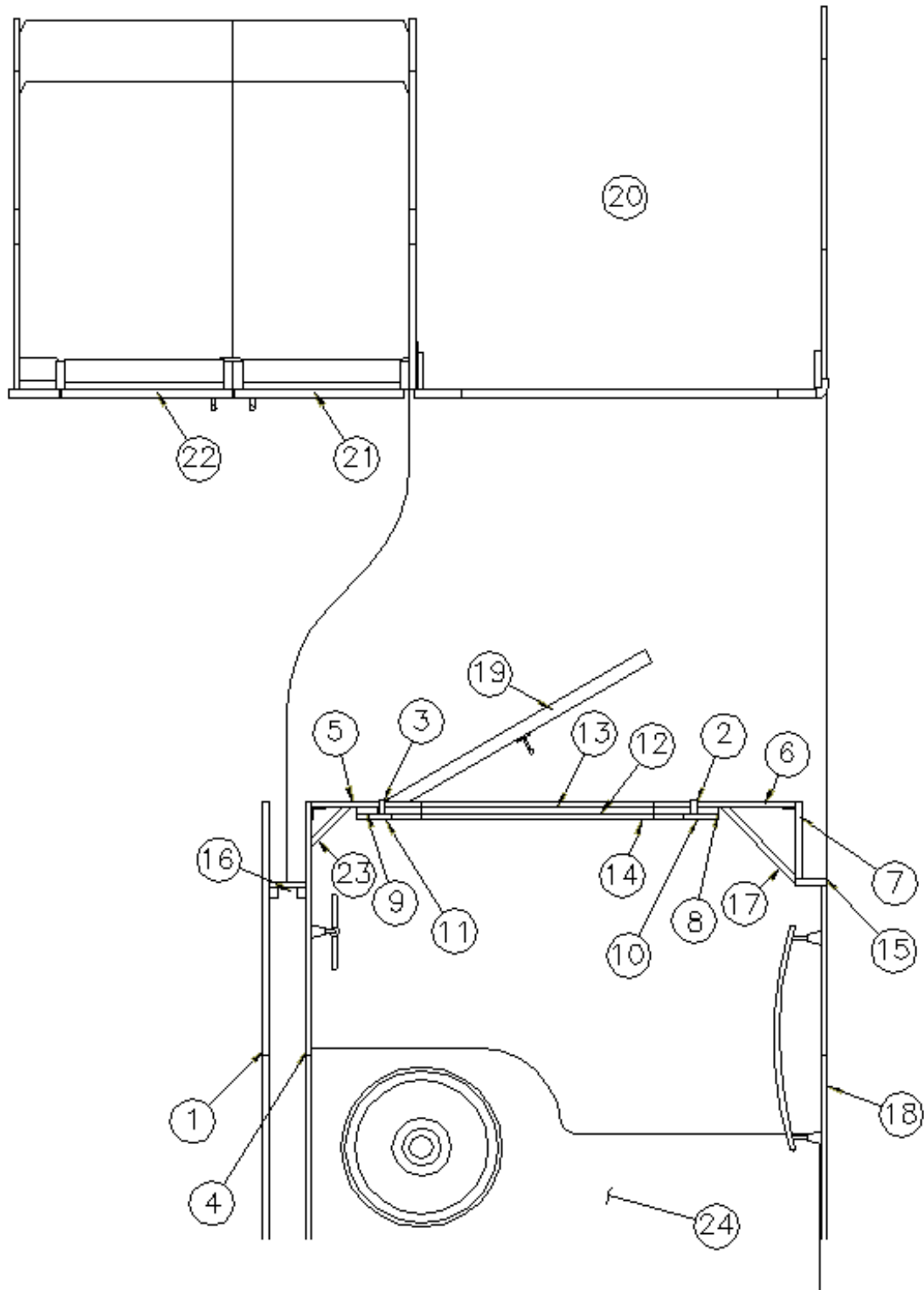
111565-15

Bath Module Install

1. 111565-151 Panel, 39.5 x 79.25
2. 111565-152 Panel, 1.13 x 79.38
3. 111565-153 Panel, 1.13 x 79.38
4. 111565-154 Panel, 39.35 x 79.24
5. 111565-155 Panel, 5.375 x 79.38
6. 111565-156 Panel, 8 x 79.38
7. 111565-157 Panel, 6.25 x 79.38
8. 111565-158 Panel, 1.69 x 79.36
9. 111565-159 Panel, 1.69 x 79.36
10. 111565-1510 Panel, 2.75 x 79.33
11. 111565-1511 Panel, 2.75 x 79.33
12. 111565-1512 Panel, 24.625 x 3.5
13. 111565-1513 Panel, 24.625 x 3.5
14. 111565-1514 Panel, 23.625 x 3.75
15. 111565-1515 Panel, 2.5 x 79.02
16. 111565-16 Panel, 3 x 78.98
17. 111565-17 Panel, 8.71 x 79.36
18. 111565-1518 Panel, 32.61 x 78.83
19. 967546-15 Bath door w/window
20. 966879-15 Shower compartment
21. 966905-15 Wardrobe, Roadside
22. 966902-15 Lavatory cabinet
- 703911-01 Shower door, Brushed Nickel
- 704166 Foldette door, Black
- 381890-01 Foldette track, Formed
- 381890-02 Foldette track, Straight

# 2016 INTERNATIONAL TRAVEL TRAILER FURNITURE, LAVATORY

Bath Module, 27FB Signature



Parts Listed on Next Page



## 2016 INTERNATIONAL TRAVEL TRAILER FURNITURE, LAVATORY

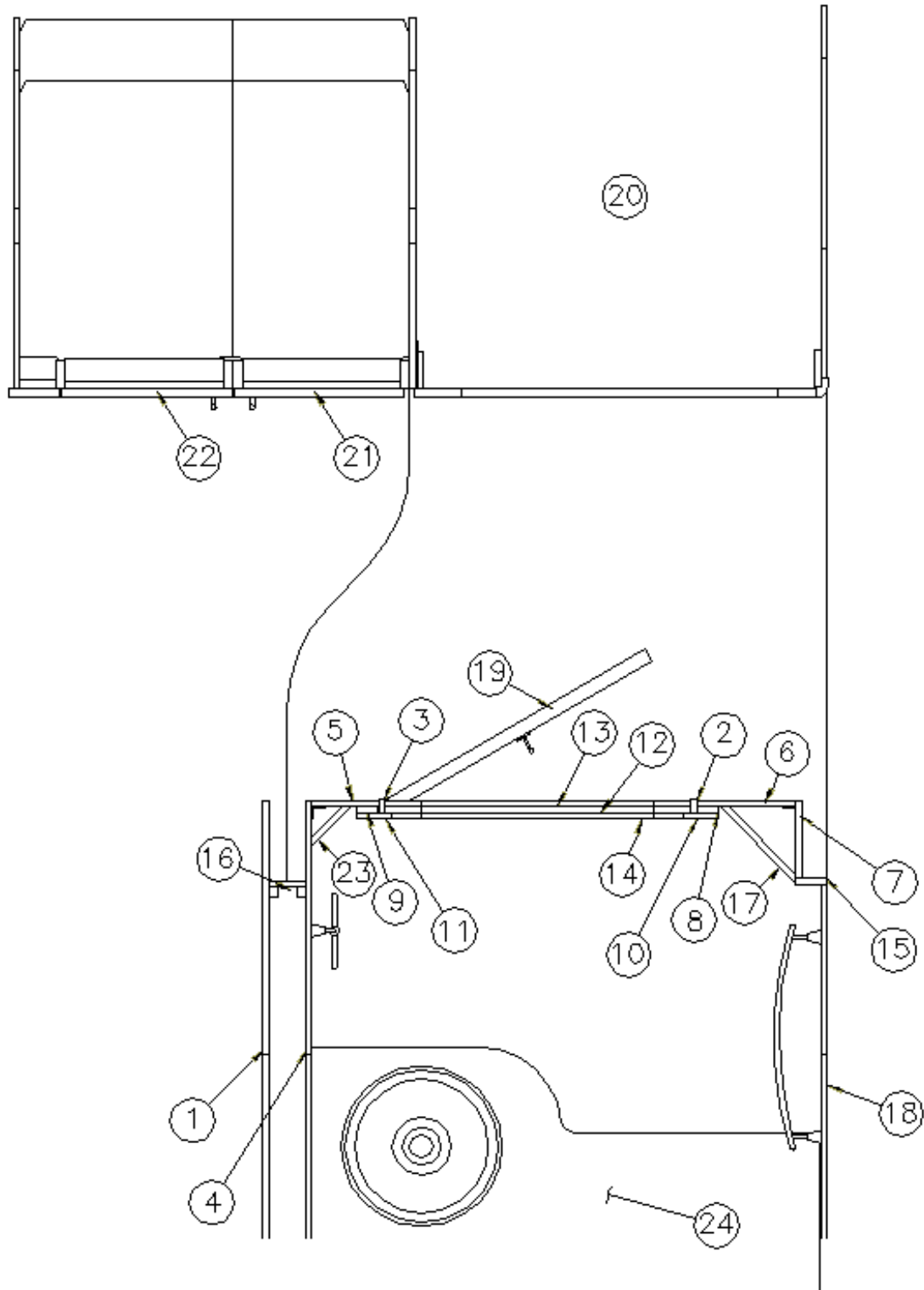
### Bath Module, 27FB Signature

111533                      Bath Module Install

- |     |            |                                 |
|-----|------------|---------------------------------|
| 1.  | 111533-1   | Panel, 79.25 x 39.5             |
| 2.  | 111533-2   | Panel, 1.13 x 79.38             |
| 3.  | 111533-3   | Panel, 1.13 x 79.38             |
| 4.  | 111533-4   | Panel, 79.25 x 39.5             |
| 5.  | 111533-5   | Panel, 5.375 x 79.38            |
| 6.  | 111533-6   | Panel, 8 x 79.38                |
| 7.  | 111533-7   | Panel, 6.25 x 79.38             |
| 8.  | 111533-8   | Panel, 1.69 x 79.36             |
| 9.  | 111533-9   | Panel, 1.69 x 79.36             |
| 10. | 111533-10  | Panel, 2.75 x 79.33             |
| 11. | 111533-11  | Panel, 2.75 x 79.33             |
| 12. | 111533-12  | Panel, 24.625 x 3.5             |
| 13. | 111533-13  | Panel, 24.625 x 3.5             |
| 14. | 111533-14  | Panel, 23.625 x 3.75            |
| 15. | 111533-15I | Panel, 2.5 x 79.02              |
| 16. | 111533-16  | Panel, 3 x 78.94                |
| 17. | 111533-17  | Panel, 8.71 x 79.36             |
| 18. | 111533-18  | Panel, 78.85 x 32.76            |
| 19. | 966895     | Bath door w/porthole            |
| 20. | 966879     | Shower compartment              |
| 21. | 966880     | Wardrobe, Forward               |
| 22. | 966881     | Wardrobe, Aft                   |
| 23. | 111533-32  | Panel, 4.5 x 79.36              |
| 24. | 966884     | Lavatory cabinet                |
|     | 703911-01  | Shower door, Brushed Nickel     |
|     | 203138-05  | Extrusion, Plastic, 1/2", Black |
|     | 704166     | Foldette door, Black            |
|     | 381890-01  | Foldette track, Formed          |
|     | 381890-02  | Foldette track, Straight        |
|     | 114812     | Aluminum angle, 1 x 1           |

# 2016 INTERNATIONAL TRAVEL TRAILER FURNITURE, LAVATORY

## Bath Module, 27FB Serenity



Parts Listed on Next Page

# 2016 INTERNATIONAL TRAVEL TRAILER FURNITURE, LAVATORY

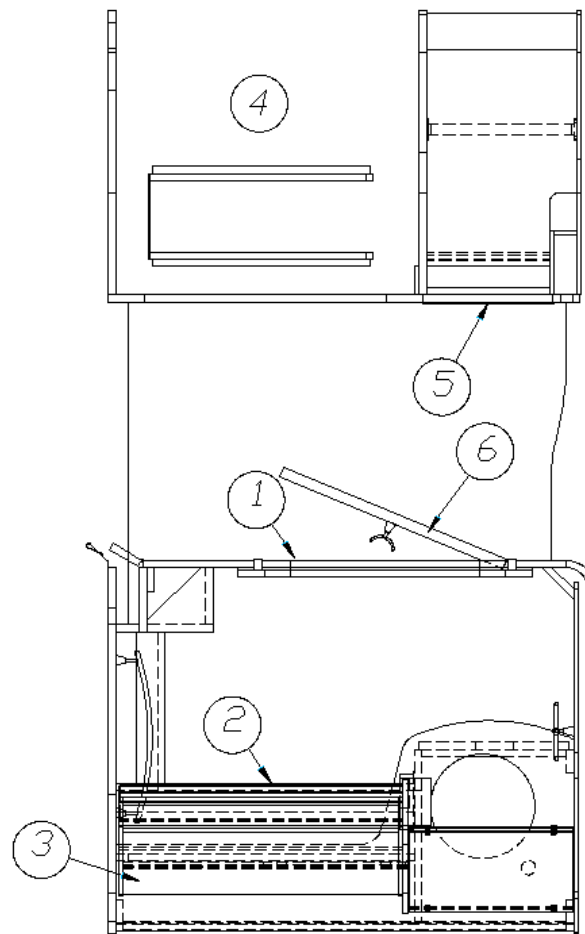
## Bath Module, 27FB Serenity

111533-15 Bath Module Install

1. 111533-151	Panel, 79.25 x 39.5
2. 111533-152	Panel, 1.13 x 79.38
3. 111533-153	Panel, 1.13 x 79.38
4. 111533-154	Panel, 79.25 x 39.5
5. 111533-155	Panel, 5.375 x 79.38
6. 111533-156	Panel, 8 x 79.38
7. 111533-157	Panel, 6.25 x 79.38
8. 111533-158	Panel, 1.69 x 79.36
9. 111533-159	Panel, 1.69 x 79.36
10. 111533-1510	Panel, 2.75 x 79.33
11. 111533-1511	Panel, 2.75 x 79.33
12. 111533-1512	Panel, 24.625 x 3.5
13. 111533-1513	Panel, 24.625 x 3.5
14. 111533-1514	Panel, 23.625 x 3.75
15. 111533-1515	Panel, 2.5 x 79.02
16. 111533-1516	Panel, 3 x 78.94
17. 111533-1517	Panel, 8.71 x 79.36
18. 111533-1518	Panel, 78.86 x 32.76
19. 967546-15	Bath door w/window
20. 966879-15	Shower compartment
21. 966880-15	Wardrobe, Forward
22. 966881-15	Wardrobe, Aft
23. 111533-1532	Panel, 4.5 x 79.36
24. 966884-15	Lavatory cabinet
703911-01	Shower door, Brushed Nickel
203138-03	Extrusion, Plastic, 1/2", Beige
704166	Foldette door, Black
381890-01	Foldette track, Formed
381890-02	Foldette track, Straight
114812	Aluminum angle, 1 x 1

# 2016 INTERNATIONAL TRAVEL TRAILER FURNITURE, LAVATORY

## Bath Module, 28' Signature



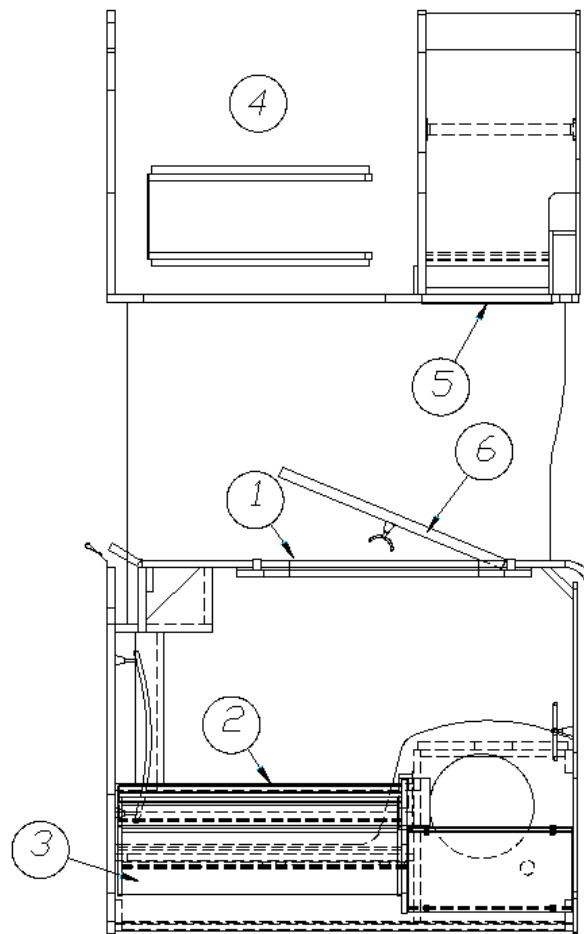
111582

### Bath Module Install

- |           |                             |
|-----------|-----------------------------|
| 1. 966990 | Latrine, Front wall         |
| 2. 967394 | Lavatory cabinet            |
| 3. 967003 | Medicine cabinet, Upper     |
| 4. 966967 | Shower compartment          |
| 5. 966969 | Wardrobe, Roadside          |
| 6. 966995 | Bath door w/porthole        |
| 703911-01 | Shower door, Brushed Nickel |
| 690621    | Toilet, Dometic, White      |
| 382175    | Towel bar, Chrome           |
| 382176    | Towel ring, Chrome          |
| 381778    | Robe hook, Chrome           |
| 372203-26 | Mirror, 17 x 25.25          |
| 381220-01 | Mirror clip                 |
| 381220-02 | Mirror clip                 |

# 2016 INTERNATIONAL TRAVEL TRAILER FURNITURE, LAVATORY

## Bath Module, 28' Serenity



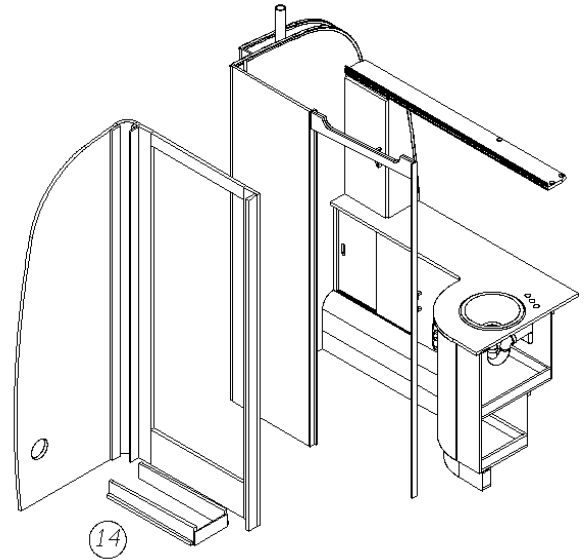
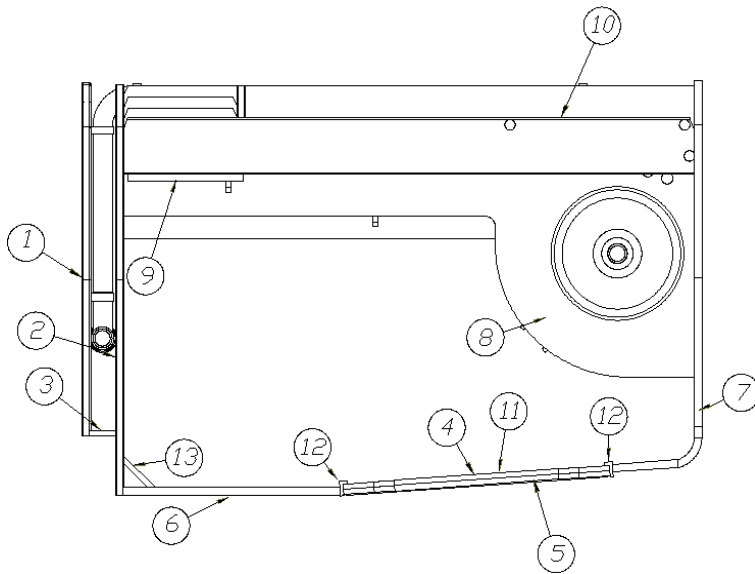
111582-15

Bath Module Install

- |              |                             |
|--------------|-----------------------------|
| 1. 966990-15 | Latrine, Front wall         |
| 2. 967394-15 | Lavy cabinet                |
| 3. 967003    | Medicine cabinet, Upper     |
| 4. 966967-15 | Shower compartment          |
| 5. 966969-15 | Wardrobe, Roadside          |
| 6. 967545    | Bath door w/window          |
| 703911-01    | Shower door, Brushed Nickel |
| 690621       | Toilet, Dometic, White      |
| 382175       | Towel bar, Chrome           |
| 382176       | Towel ring, Chrome          |
| 381778       | Robe hook, Chrome           |
| 372203-26    | Mirror, 13.62 x 58          |
| 381220-01    | Mirror clip                 |
| 381220-02    | Mirror clip                 |

# 2016 INTERNATIONAL TRAVEL TRAILER FURNITURE, LAVATORY

## Bath Module, 30' Signature



### 111838

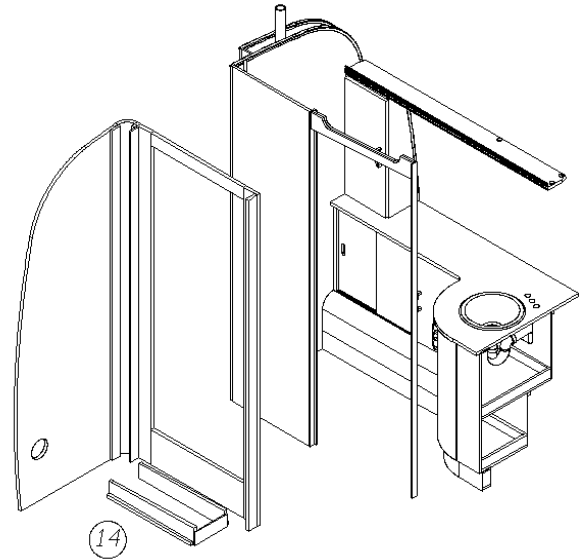
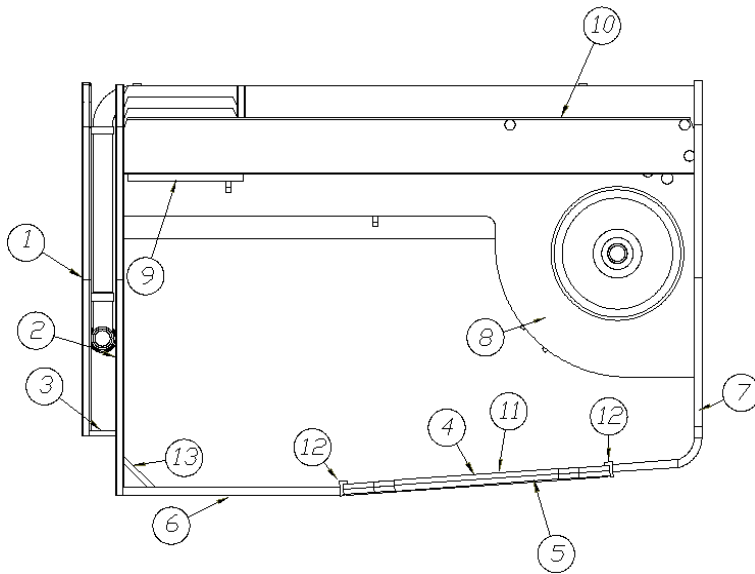
### Bath Module Install

- |                 |                                 |
|-----------------|---------------------------------|
| 1. 111838-1     | Panel, 34.06 x 78.99            |
| 2. 111838-2     | Panel, 39.58 x 79.32            |
| 3. 111838-3     | Panel, 2.75 x 78.99             |
| 4. 111838-4     | Panel, 4.01 x 26                |
| 5. 111838-5     | Panel, 4.01 x 26                |
| 6. 111838-6     | Panel, 21.15 x 79.32            |
| 7. 967524       | Sub assembly, Radius bath panel |
| 8. 967521       | Lavy cabinet                    |
| 9. 967525       | Lavy cabinet, Upper             |
| 10. 967526      | Shelf, Upper lavy               |
| 11. *968405-02  | Bath door w/porthole            |
| 12. 801665-0024 | Molding, Door jamb, Ebony Woods |
| 13. 111838-17   | Panel, Bath 4.5 x 79.36         |
| 14. 967527      | Shower compartment              |
| 703911-01       | Shower door, Brushed Nickel     |
| 203138-05       | Extrusion, Plastic, .5", Black  |
| 365364-01       | Edgebanding, .63", Ebony Woods  |
| 114812          | Aluminum angle, 1 x 1           |

\*Replaced 966940 starting serial number 535338

# 2016 INTERNATIONAL TRAVEL TRAILER FURNITURE, LAVATORY

## Bath Module, 30' Serenity



111838-15

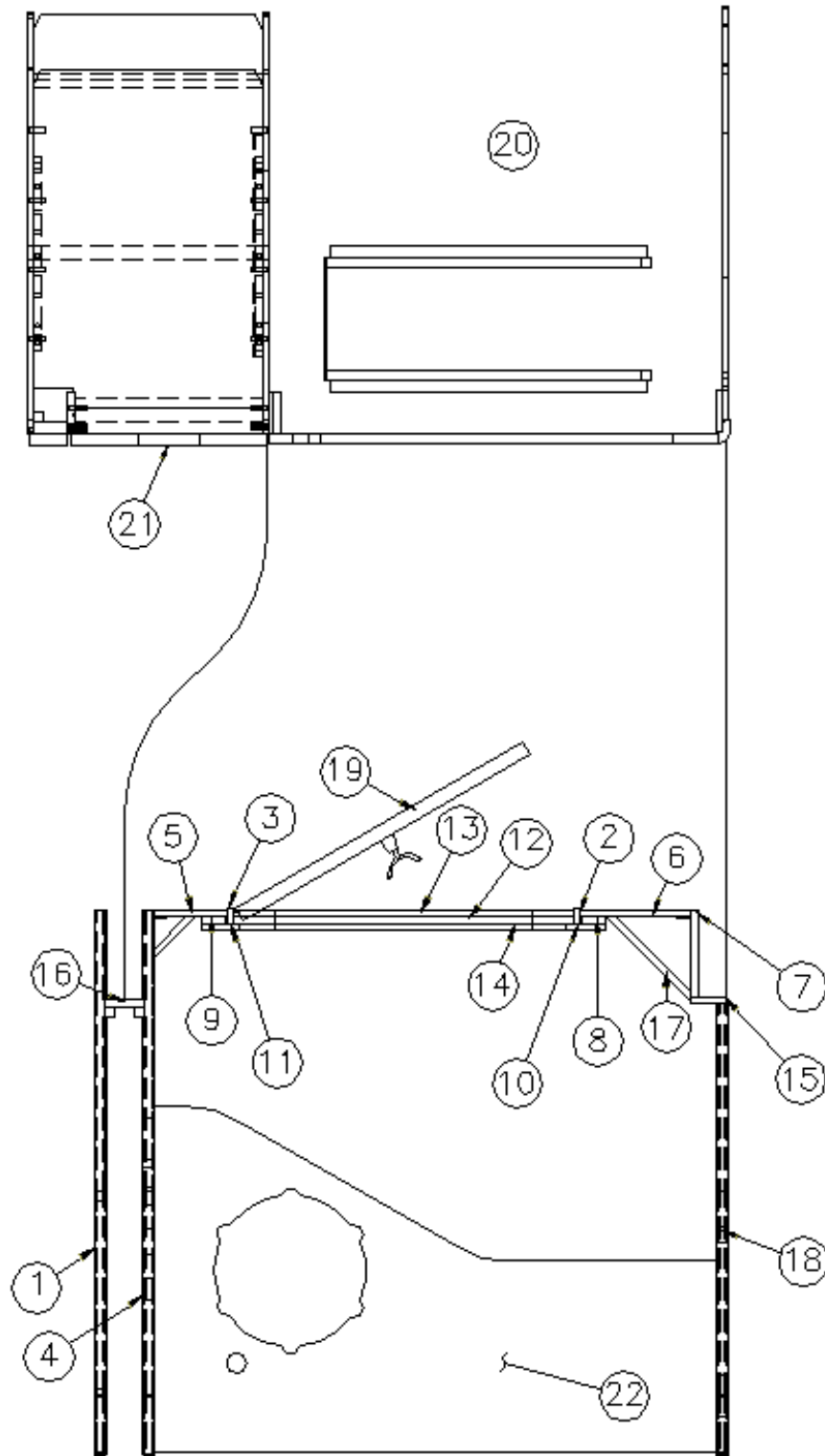
Bath Module Install

- |                 |                                 |
|-----------------|---------------------------------|
| 1. 111838-151   | Panel, 34.06 x 79               |
| 2. 111838-152   | Panel, 39.58 x 79.32            |
| 3. 111838-153   | Panel, 2.75 x 79                |
| 4. 111838-154   | Panel, 4.01 x 26                |
| 5. 111838-155   | Panel, 4.01 x 26                |
| 6. 111838-156   | Panel, 21.15 x 79.32            |
| 7. 967524-15    | Sub assembly, Radius bath panel |
| 8. 967521-15    | Lavy cabinet                    |
| 9. 967525-15    | Lavy cabinet, Upper             |
| 10. 967526      | Shelf, Upper lavy               |
| 11. *968405-03  | Bath door w/window              |
| 12. 801665-0018 | Molding, Door jamb, Asian Sand  |
| 13. 111838-1517 | Panel, 4.5 x 79.36              |
| 14. 967527-15   | Shower compartment              |
| 703911-01       | Shower door, Brushed Nickel     |
| 203138-03       | Extrusion, Plastic, .5", Beige  |
| 365344-01       | Edgebanding, .63", Pearl Bisque |
| 114812          | Aluminum angle, 1 x 1           |

\*Replaced 967545-15 starting serial number 535338

# 2016 INTERNATIONAL TRAVEL TRAILER FURNITURE, LAVATORY

Bath Module, 25FB Eddie Bauer



Parts Listed on Next Page



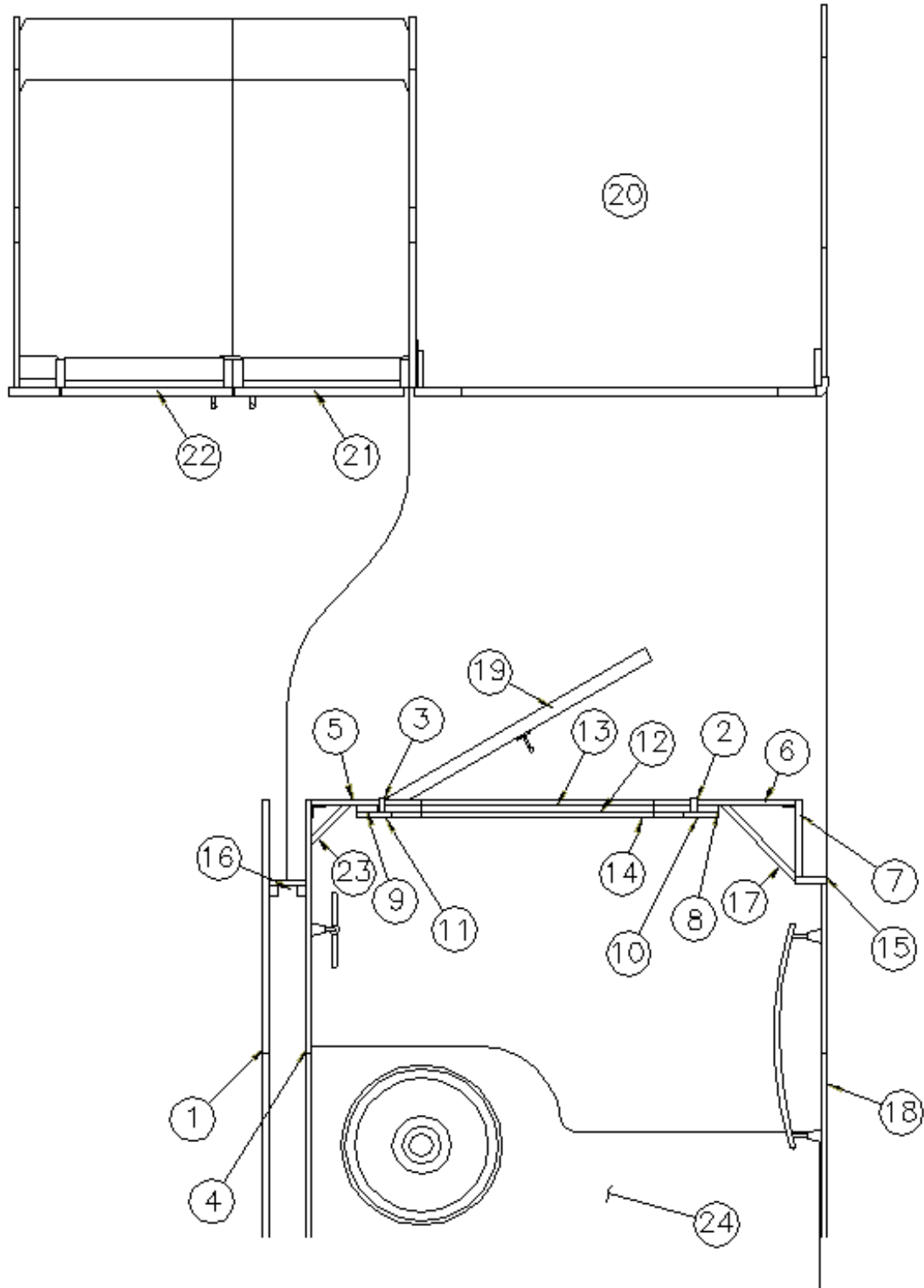
# 2016 INTERNATIONAL TRAVEL TRAILER FURNITURE, LAVATORY

## Bath Module, 25FB Eddie Bauer

111565-19	Bath Module Install
1. 111565-191	Panel, 39.5 x 79.24
2. 111565-192	Panel, 1.13 x 79.38
3. 111565-193	Panel, 1.13x 79.38
4. 111565-194	Panel, 39.35 x 79.24
5. 111565-195	Panel, 5.375 x 79.38
6. 111565-196	Panel, 8 x 79.38
7. 111565-197	Panel, 6.25 x 79.38
8. 111565-198	Panel, 1.69 x 79.36
9. 111565-199	Panel, 1.69 x 79.36
10. 111565-1910	Panel, 2.75 x 79.33
11. 111565-1911	Panel, 2.75 x 79.33
12. 111565-1912	Panel, 24.625 x 3.5
13. 111565-1913	Panel, 24.625 x 3.5
14. 111565-1914	Panel, 23.625 x 3.75
15. 111565-1915	Panel, 2.5 x 79.02
16. 111565-1916	Panel, 3 x 78.98
17. 111565-1917	Panel, 8.71 x 79.36
18. 111565-1918	Panel, 32.61 x 78.83
19. 966895-19	Bath door w/porthole
20. 966879-19	Shower compartment
21. 966905-19	Wardrobe, Roadside
22. 966902-19	Lavatory cabinet
703911-01	Shower door, Brushed Nickel
702681-08	Foldette door, Beige
381890-01	Foldette track, Formed
381890-02	Foldette track, Straight

# 2016 INTERNATIONAL TRAVEL TRAILER FURNITURE, LAVATORY

Bath Module, 27FB Eddie Bauer



Parts Listed on Next Page

# 2016 INTERNATIONAL TRAVEL TRAILER FURNITURE, LAVATORY

## Bath Module, 27FB Eddie Bauer

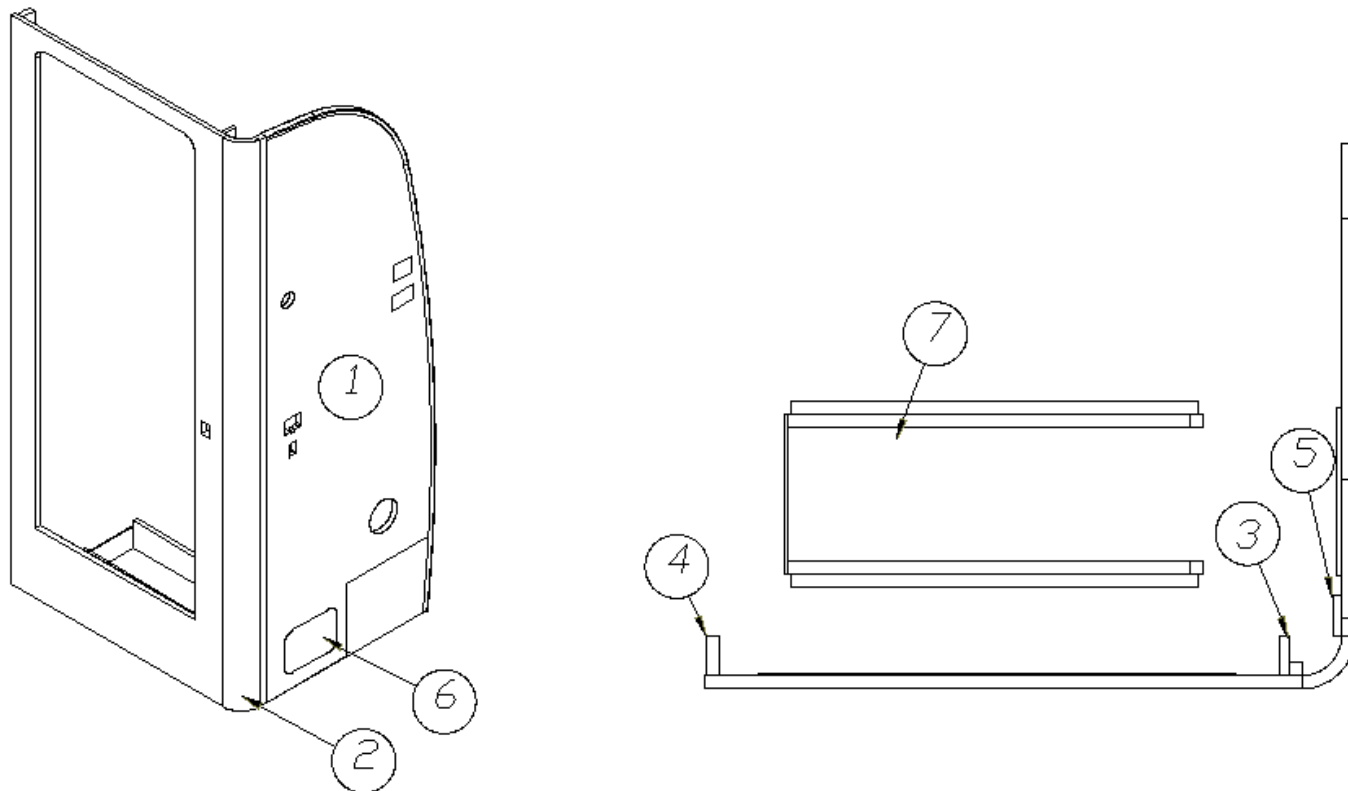
111533-19

Bath Module Install

1. 111533-191 Panel, 79.25 x 39.5
2. 111533-192 Panel, 1.13 x 79.38
3. 111533-193 Panel, 1.13 x 79.38
4. 111533-194 Panel, 79.25 x 39.5
5. 111533-195 Panel, 5.375 x 79.38
6. 111533-196 Panel, 8 x 79.38
7. 111533-197 Panel, 6 x 79.38
8. 111533-198 Panel, 1.69 x 79.36
9. 111533-199 Panel, 1.69 x 79.36
10. 111533-1910 Panel, 2.75 x 79.33
11. 111533-1911 Panel, 2.75 x 79.33
12. 111533-1912 Panel, 24.625 x 3.5
13. 111533-1913 Panel, 24.625 x 3.5
14. 111533-1914 Panel, 23.625 x 3.75
15. 111533-1915 Panel, 2.5 x 79.02
16. 111533-1916 Panel, 3 x 78.94
17. 111533-1917 Panel, 8 x 79.36
18. 111533-1918 Panel, 78.85 x 33
19. 967678-19 Bath door w/porthole
20. 966879-19 Shower compartment
21. 966880-19 Wardrobe, Forward
22. 966881-19 Wardrobe, Aft
23. 111533-1932 Panel, 4.5 x 79.36
24. 966884-19 Lavatory cabinet
- 703911-01 Shower door, Brushed Nickel
- 203138-04 Extrusion, Plastic, 1/2", Oak
- 702681-08 Foldette door, Beige
- 381890-01 Foldette track, Formed
- 381890-02 Foldette track, Straight
- 114812 Aluminum angle, 1 x 1

# 2016 INTERNATIONAL TRAVEL TRAILER FURNITURE, LAVATORY

## Shower Compartment, 25', 30' Signature



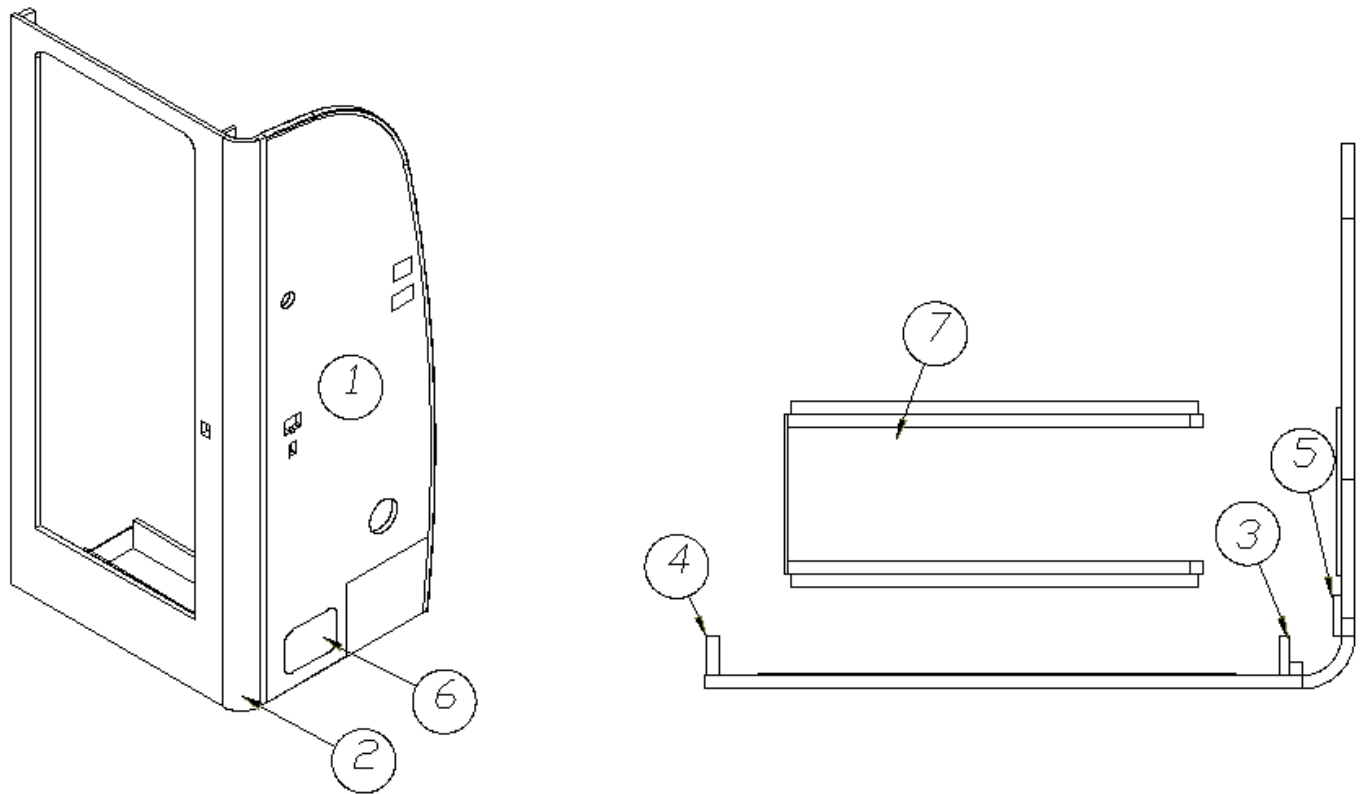
967527

Shower Compartment

- |             |                                  |
|-------------|----------------------------------|
| 1. 967527-1 | Panel, 26.84 x 78.27             |
| 2. 967528   | Sub assembly, Shower compartment |
| 3. 967527-3 | Panel, 2.25 x 53.91              |
| 4. 967527-4 | Panel, 2.25 x 53.91              |
| 5. 967527-5 | Panel, 2.25 x 77.5               |
| 6. 967527-6 | Panel, 8.44 x 5.94               |
| 7. 965816   | Shower stand                     |
| 203081-01   | Shower stall, 2 piece fiberglass |
| 703911-01   | Shower door, Brushed Nickel      |

# 2016 INTERNATIONAL TRAVEL TRAILER FURNITURE, LAVATORY

## Shower Compartment, 25', 30' Serenity



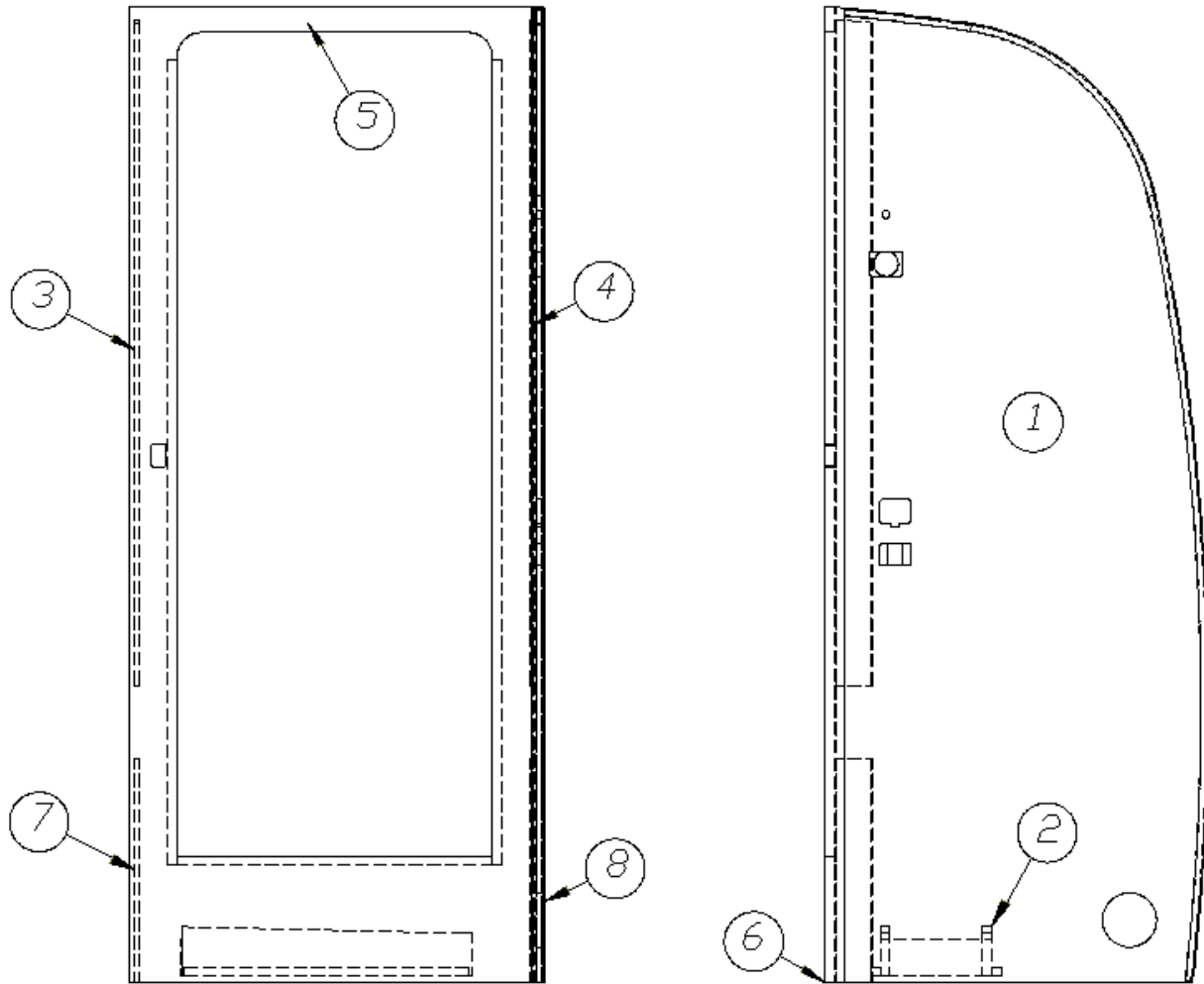
967527-15

Shower Compartment

- |               |                                  |
|---------------|----------------------------------|
| 1. 967527-151 | Panel, 26.84 x 78.27             |
| 2. 967528-15  | Sub assembly, Shower compartment |
| 3. 967527-3   | Panel, 2.25 x 53.91              |
| 4. 967527-4   | Panel, 2.25 x 53.91              |
| 5. 967527-5   | Panel, 2.25 x 77.5               |
| 6. 967527-156 | Panel, 8.44 x 5.94               |
| 7. 965816     | Shower stand                     |
| 203081-01     | Shower stall, 2 piece fiberglass |
| 703911-01     | Shower door, Brushed Nickel      |

# 2016 INTERNATIONAL TRAVEL TRAILER FURNITURE, LAVATORY

## Shower Compartment, 25FB, 27FB Signature

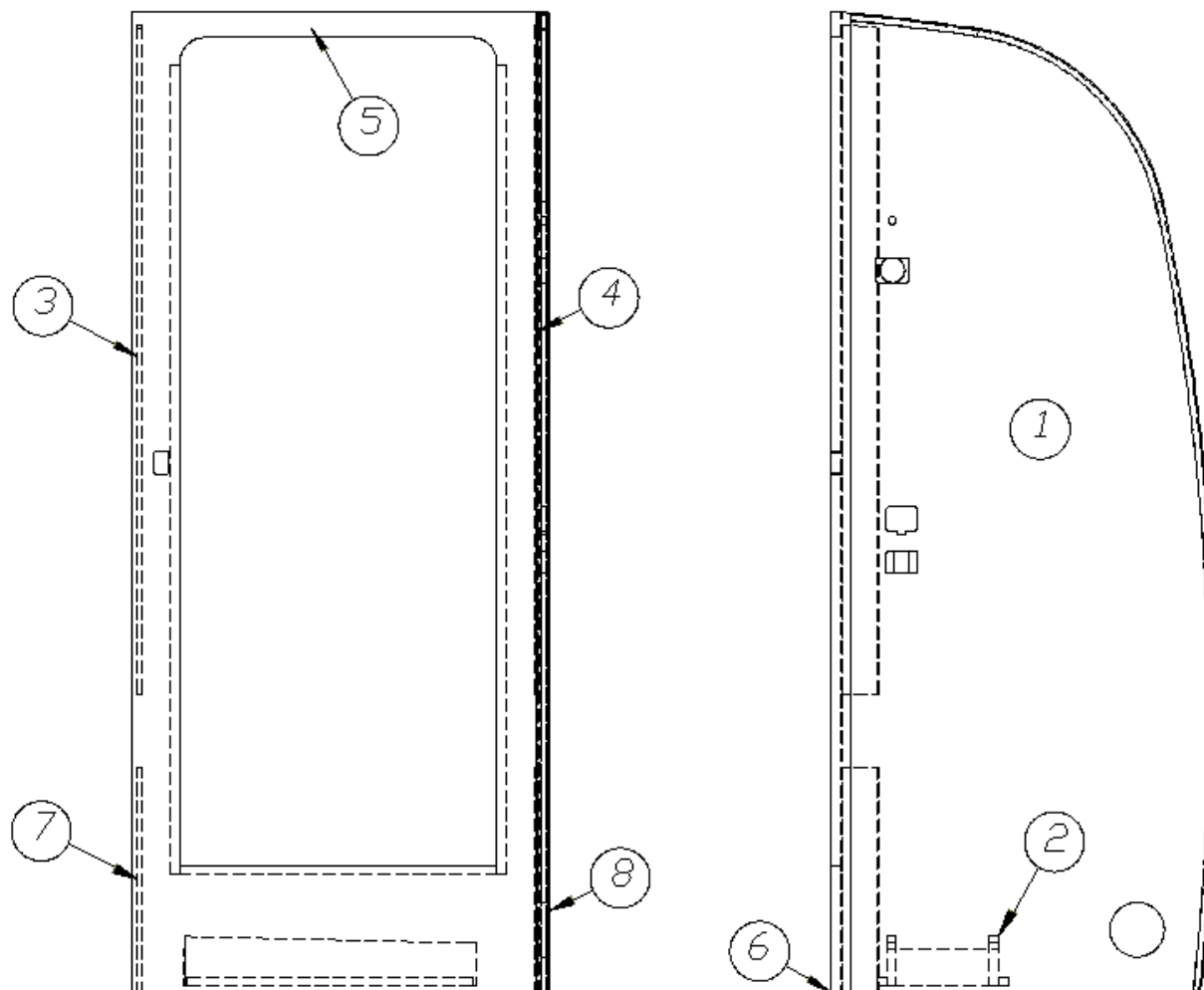


### 966879 Shower Compartment

- |                |   |
|----------------|---|
| 1. 966879-1    | Panel, 29.24 x 78.52                    |
| 2. 961916-01   | Shower stand                            |
| 3. 966879-3    | Panel, 3 x 54                           |
| 4. 966879-4    | Panel, 3 x 54                           |
| 5. 966879-5    | Panel, 32.5 x 79                        |
| 6. 801706-0024 | Corner rim, 90°, 1" radius, Ebony       |
| 7. 966879-14   | Panel, 3 x 18                           |
| 8. 966879-15I  | Panel, 3 x 18                           |
| 203081-02      | Shower stall, 2 piece fiberglass, White |
| 703911-01      | Shower door, Brushed Nickel             |
| 203138-05      | Extrusion, Plastic, .5", Black          |
| 203445         | T-molding, Black flexible Poly          |

# 2016 INTERNATIONAL TRAVEL TRAILER FURNITURE, LAVATORY

## Shower Compartment, 25FB, 27FB Serenity

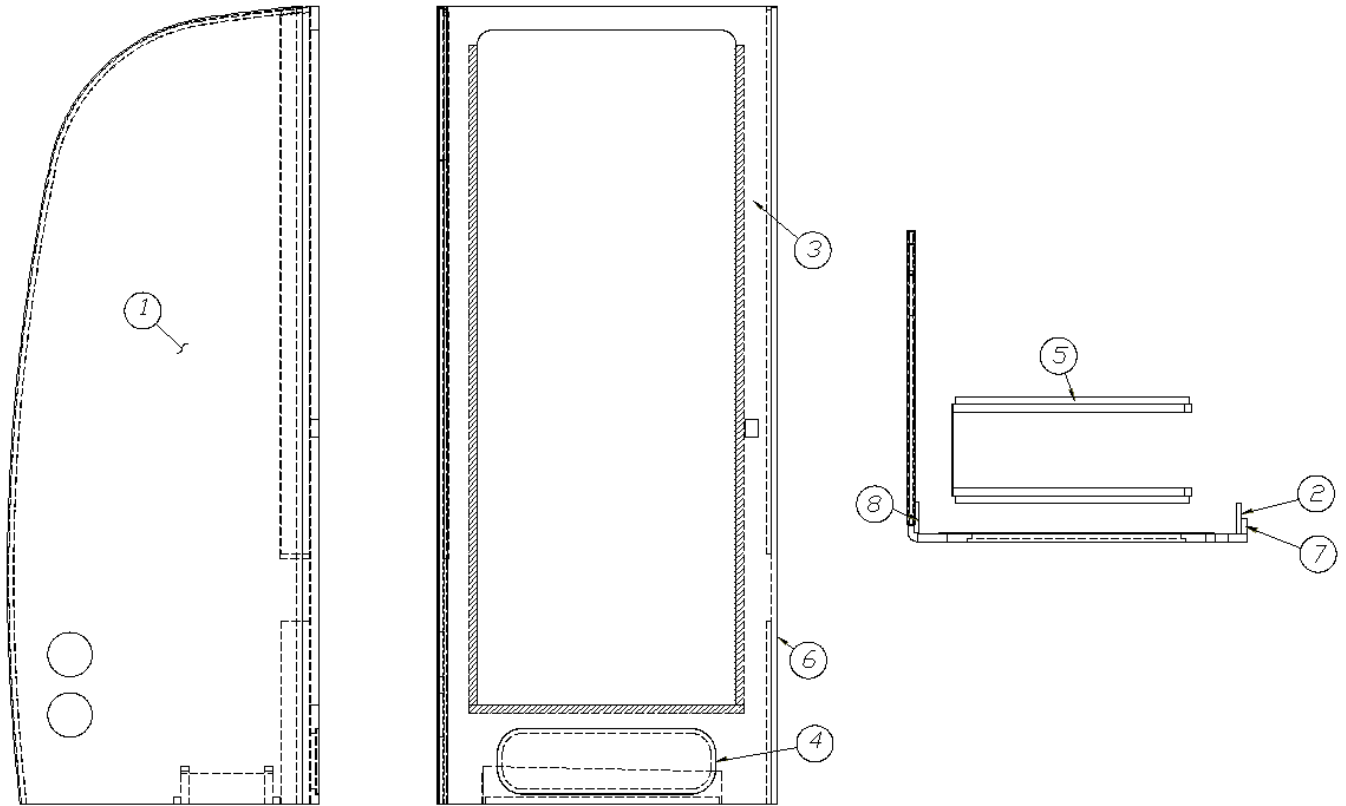


### 966879-15 Shower Compartment

- |                |   |
|----------------|---|
| 1. 966879-151  | Panel, 29.24 x 78.52                    |
| 2. 961916-01   | Shower stand                            |
| 3. 966879-3    | Panel, 3 x 54                           |
| 4. 966879-4    | Panel, 3 x 54                           |
| 5. 966879-155  | Panel, 32.5 x 79                        |
| 6. 801706-0018 | Corner trim, 90°, 1" radius, Asian Sand |
| 7. 966879-14   | Panel, 3 x 18                           |
| 8. 966879-15I  | Panel, 3 x 18                           |
| 203081-02      | Shower stall, 2 piece fiberglass, White |
| 703911-01      | Shower door, Brushed Nickel             |
| 203138-03      | Extrusion, Plastic, Beige               |
| 203693         | T-molding, Beige Embossed               |

# 2016 INTERNATIONAL TRAVEL TRAILER FURNITURE, LAVATORY

## Shower Compartment, 28' Signature



966967

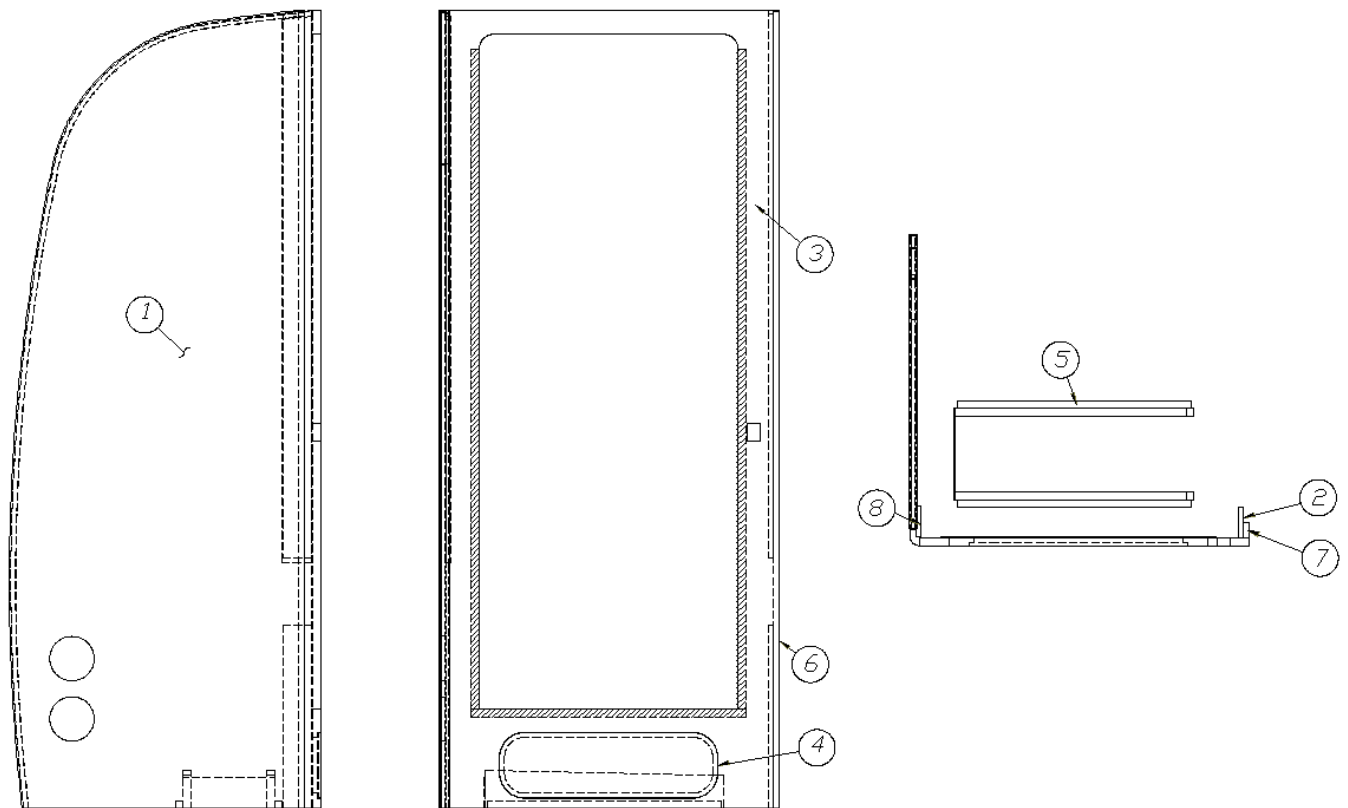
Shower Compartment

- |              |                                  |
|--------------|----------------------------------|
| 1. 966967-1  | Panel, 28.89 x 78.37             |
| 2. 966967-2  | Panel, 3 x 54                    |
| 3. 966967-3  | Panel, 33.31 x 78.71             |
| 4. 966967-4  | Panel, 21.44 x 6.44              |
| 5. 965816    | Shower stand                     |
| 6. 966967-12 | Panel, 3 x 18                    |
| 7. 966967-13 | Panel, 1.5 x 54                  |
| 8. 966967-14 | Panel, 1.5 x 54                  |
| 203081-01    | Shower stall, 2 piece fiberglass |
| 703911-01    | Shower door, Brushed Nickel      |
| 203440       | T-molding, .8125, Black Embossed |



# 2016 INTERNATIONAL TRAVEL TRAILER FURNITURE, LAVATORY

## Shower Compartment, 28' Serenity



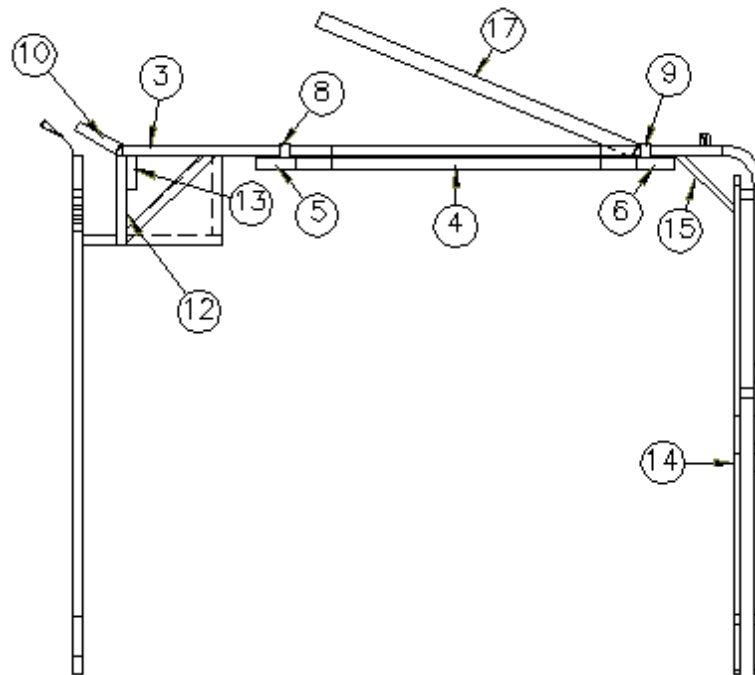
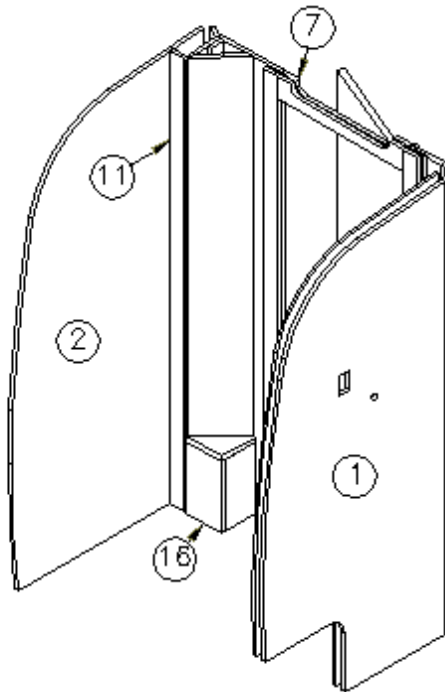
966967-15

Shower Compartment

- |               |                                  |
|---------------|----------------------------------|
| 1. 966967-151 | Panel, 28.89 x 78.37             |
| 2. 966967-2   | Panel, 3 x 54                    |
| 3. 966967-153 | Panel, 33.31 x 78.71             |
| 4. 966967-154 | Panel, 21.44 x 6.44              |
| 5. 965816     | Shower stand                     |
| 6. 966967-12  | Panel, 3 x 18                    |
| 7. 966967-13  | Panel, 1.5 x 54                  |
| 8. 966967-14  | Panel, 1.5 x 54                  |
| 203081-01     | Shower stall, 2 piece fiberglass |
| 703911-01     | Shower door, Brushed Nickel      |
| 203693        | T-molding, .8125, Biege Embossed |

# 2016 INTERNATIONAL TRAVEL TRAILER FURNITURE, LAVATORY

Latrine, Front Wall, 28' Signature



Parts Listed on Next Page

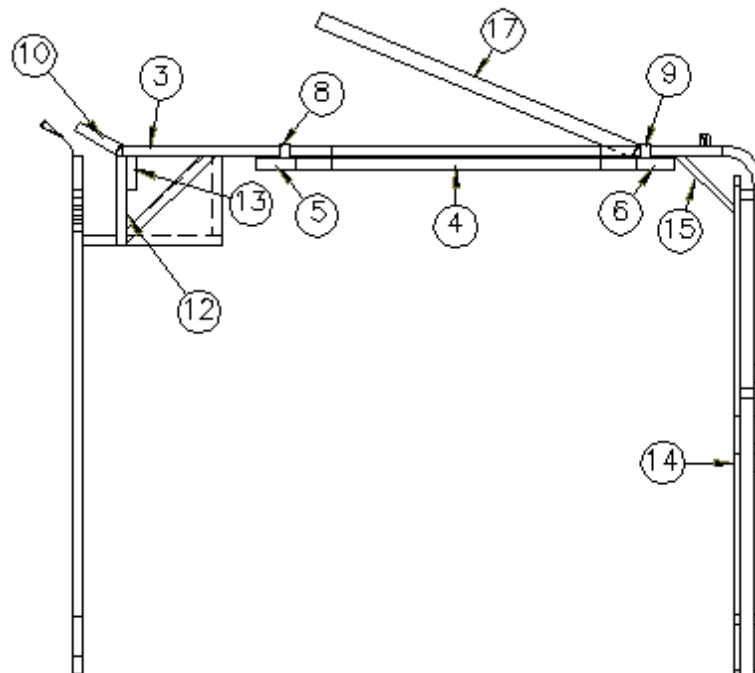
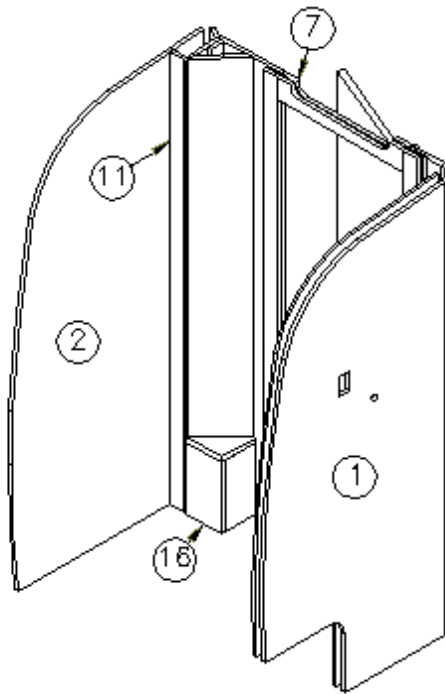
# 2016 INTERNATIONAL TRAVEL TRAILER FURNITURE, LAVATORY

## Latrine, Front Wall, 28' Signature

966990	Latrine, Front Wall
1. 966991	Forward latrine wall
2. 966990-2	Panel, 38.58 x 79.22
3. 966990-3	Panel, 11.69 x 79.5
4. 966990-4	Panel, 25.25 x 3.75
5. 966990-5	Panel, 2.88 x 79.32
6. 966990-6	Panel, 2.88 x 79.32
7. 966990-7	Panel, 26 x 3.41
8. 966990-8	Panel, 1.06 x 79.42
9. 966990-9	Panel, 1.06 x 79.42
10. 966990-10	Door, 3.44 x 77.4
11. 966990-11	Panel, 2.5 x 78.82
12. 966990-12	Panel, 6.75 x 79.34
13. 966990-13	Panel, 2.5 x 79.38
14. 966990-14	Panel, 37.08 x 79.15
15. 966990-22	Panel, 6.18 x 79.34
16. 966996	Closeout, Black tank vent
17. 966995	Bath door w/porthole
704166	Foldette door, Black
381802-01	Tap cap, #2, White
381581	Strap, Clear plastic
700811	Button cap, Handy
700812	Button bottom, Oak
380203-01	Piano hinge

# 2016 INTERNATIONAL TRAVEL TRAILER FURNITURE, LAVATORY

Latrine, Front Wall, 28' Serenity



Parts Listed on Next Page

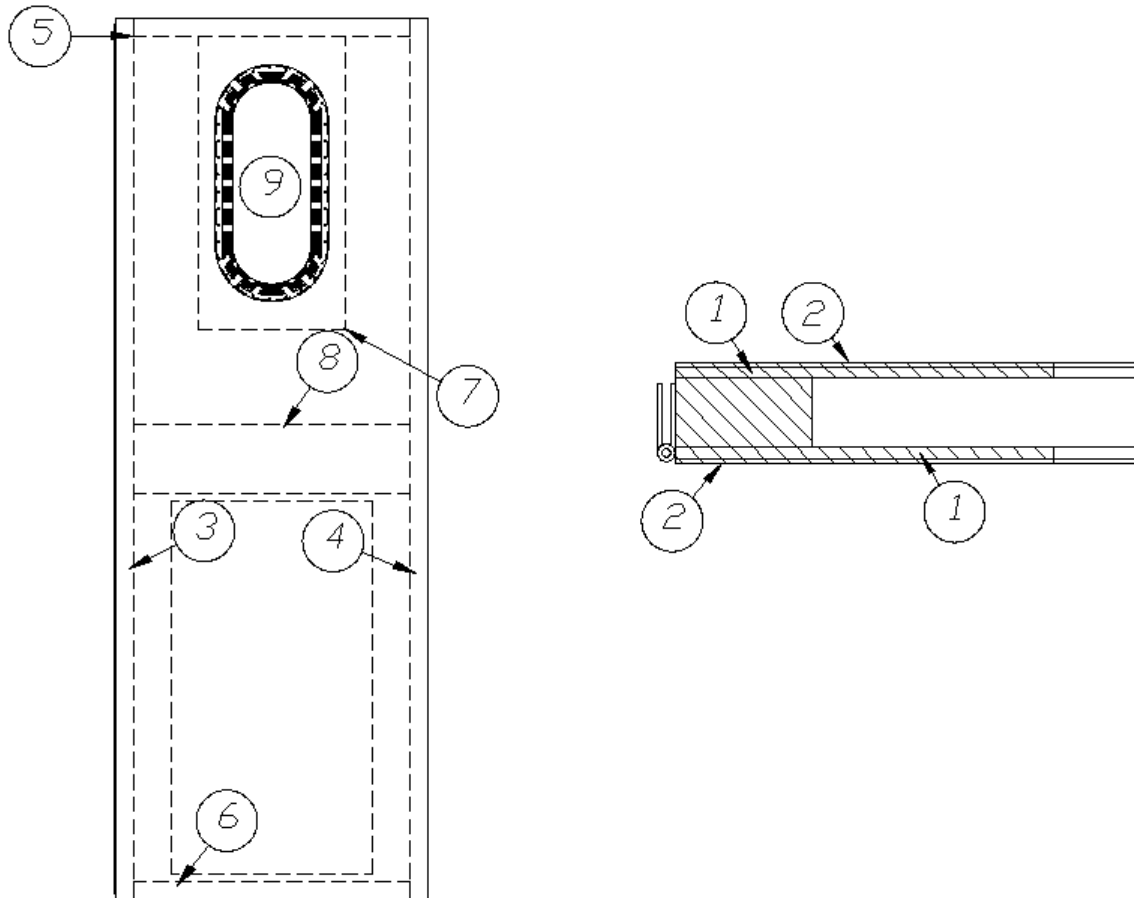
# 2016 INTERNATIONAL TRAVEL TRAILER FURNITURE, LAVATORY

## Latrine, Front Wall, 28' Serenity

966990-15	Latrine, Front Wall
1. 966991-15	Forward latrine wall
2. 966990-152	Panel, 38.58 x 79.22
3. 966990-153	Panel, 11.69 x 79.5
4. 966990-154	Panel, 25.25 x 3.75
5. 966990-155	Panel, 2.88 x 79.32
6. 966990-156	Panel, 2.88 x 79.32
7. 966990-157	Panel, 26 x 3.41
8. 966990-158	Panel, 1.06 x 79.42
9. 966990-159	Panel, 1.06 x 79.42
10. 966990-1510	Door, 3.44 x 77.4
11. 966990-1511	Panel, 2.5 x 78.82
12. 966990-1512	Panel, 6.75 x 79.34
13. 966990-1513	Panel, 2.5 x 79.38
14. 966990-1514	Panel, 37.08 x 79.195
15. 966990-22	Panel, 6.18 x 79.34
16. 966996	Closeout, Black tank vent
17. 967545-15	Bath door w/window
704166	Foldette door, Black
381581	Strap, Clear plastic
700811	Button cap, Handy
700812	Button bottom, Oak
381802-01	Tap cap, #2, White
380203-01	Piano hinge

# 2016 INTERNATIONAL TRAVEL TRAILER FURNITURE, LAVATORY

Bath Door, w/Porthole, 19', 23D, 25', 30' Signature



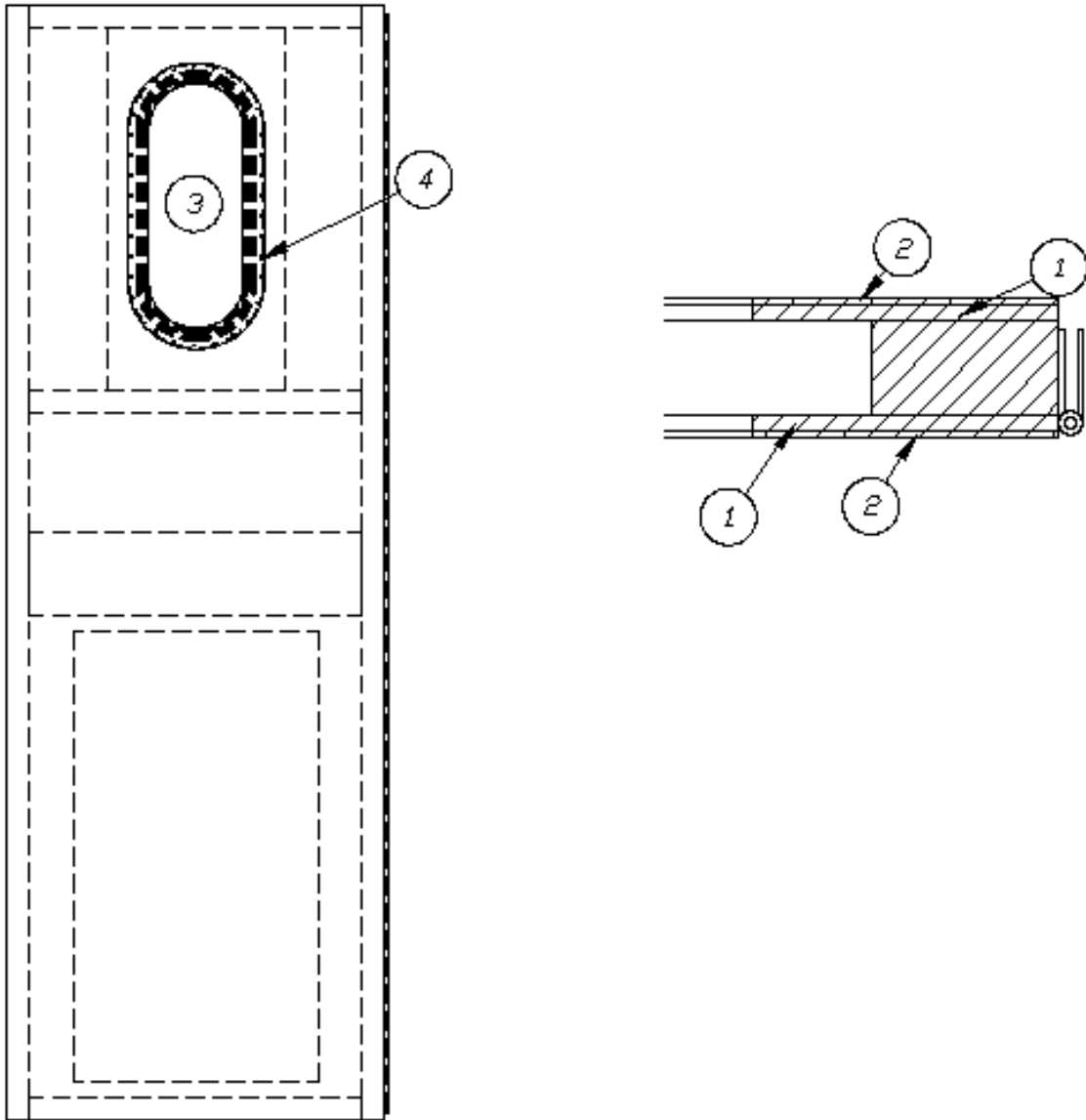
966940 *968405-02	Bath Door w/Porthole Bath Door w/Porthole
----------------------	--

- |              |                        |
|--------------|------------------------|
| 1. 801917-01 | Panel, MDF, 26" x 76"  |
| 2. 801355-01 | Laminate, Frosty White |
| 3. 966940-4  | Panel, 1.5 x 72.5      |
| 4. 966940-5  | Panel, 1.5 x 72.5      |
| 5. 966940-6  | Panel, 1.5 x 23.25     |
| 6. 966940-8  | Panel, 1.5 x 23.25     |
| 7. 966940-9  | Panel, 12 x 24         |
| 8. 966940-10 | Panel, 5.69 x 23.25    |
| 9. 371438    | Bath door window, 18"  |
| 203761-02    | Trim, Bath door window |
| 380203-01    | Piano hinge            |
| 382034       | Latch, Flush mount     |

\*Replaced 966940 on 25' & 30' models starting serial #535338

# 2016 INTERNATIONAL TRAVEL TRAILER FURNITURE, LAVATORY

## Bath Door, w/Porthole, 23FB Signature



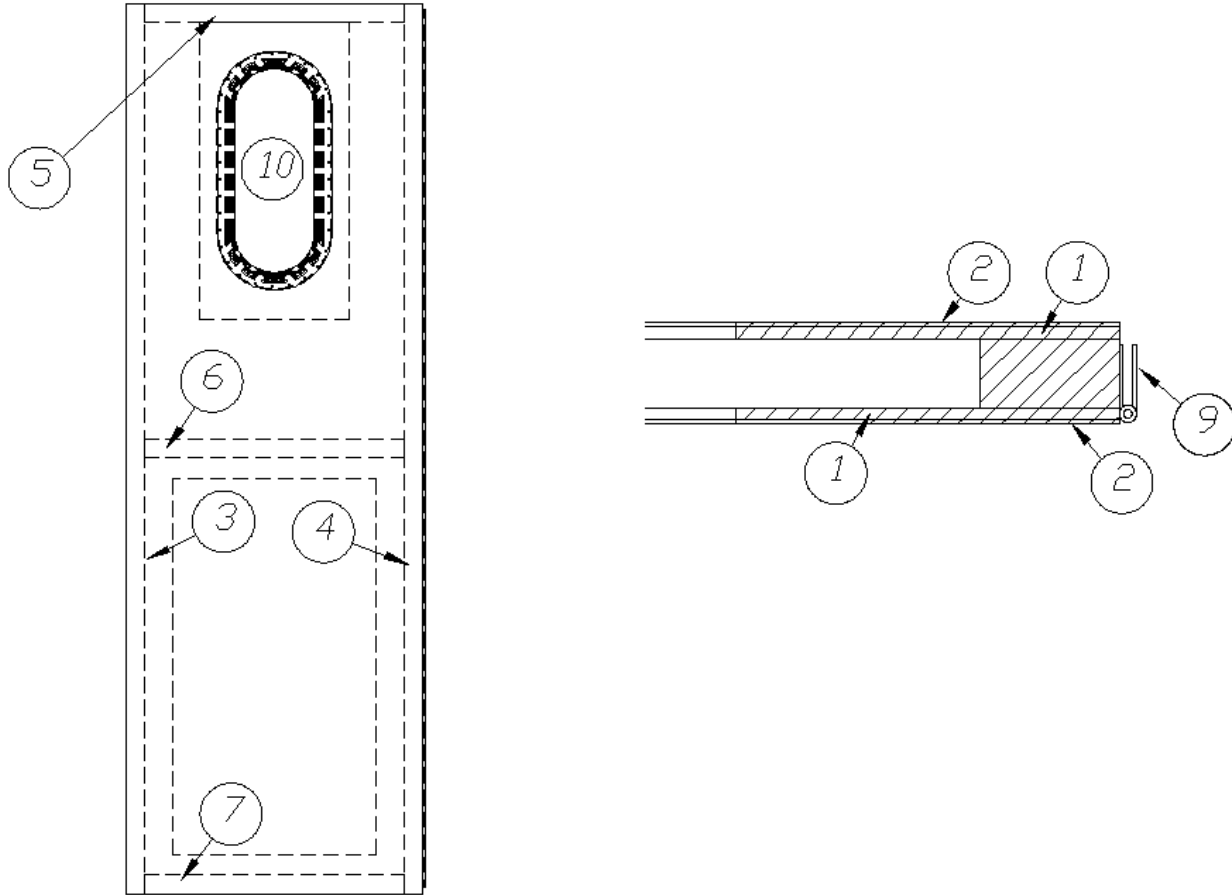
967637

Bath Door w/Porthole

- |              |                                |
|--------------|--------------------------------|
| 1. 801917-01 | Panel, MDF, 26" x 76"          |
| 2. 801355-01 | Laminate, Frost White          |
| 3. 371438    | Bath Window, 18"               |
| 4. 203761-02 | Trim, Bath door window         |
| 381771       | Latch, Lever lockset           |
| 380203-01    | Piano Hinge                    |
| 454320       | Door handle cover              |
| 365364-02    | Edgebanding, .94", Ebony Woods |

# 2016 INTERNATIONAL TRAVEL TRAILER FURNITURE, LAVATORY

## Bath Door, w/Porthole, 25FB, 27FB Signature



966895

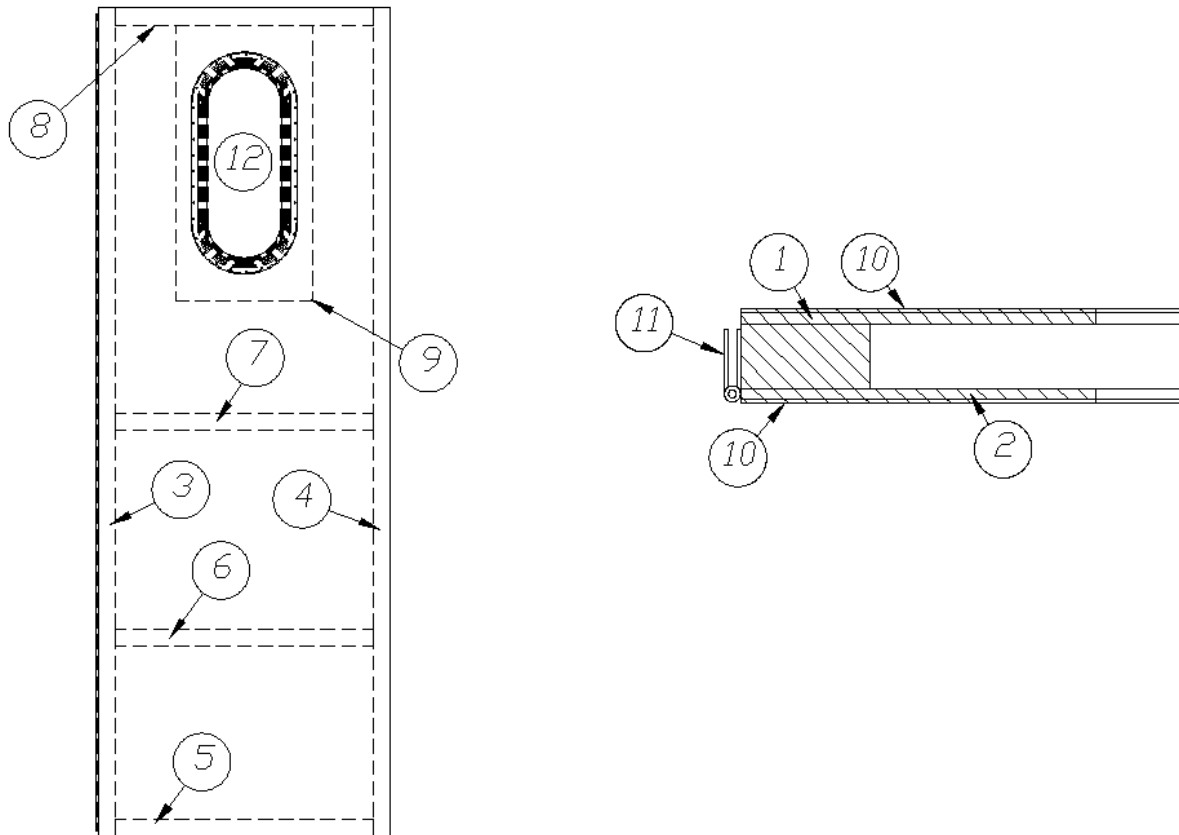
Bath Door w/Porthole

- |     |           |                                 |
|-----|-----------|---------------------------------|
| 1.  | 801917-01 | Panel, MDF, 26" x 76"           |
| 2.  | 801355-01 | Laminate, Frosty White          |
| 3.  | 966895-4  | Panel, 1.5 x 72.5               |
| 4.  | 966895-5  | Panel, 1.5 x 72.5               |
| 5.  | 966895-6  | Panel, 1.5 x 21.75              |
| 6.  | 966895-7  | Panel, 1.5 x 21.75              |
| 7.  | 966895-9  | Panel, 1.5 x 21.75              |
| 8.  | 966895-10 | Panel, 12 x 24                  |
| 9.  | 380203-01 | Piano hinge                     |
| 10. | 371438    | Bath door window                |
|     | 365364-03 | Edgebanding, 1.25", Ebony Woods |
|     | 381771    | Latch-Lever lockset             |
|     | 203761-02 | Trim, Bath door window          |
|     | 454320    | Handle cover                    |



# 2016 INTERNATIONAL TRAVEL TRAILER FURNITURE, LAVATORY

## Bath Door, w/Porthole, 28' Signature



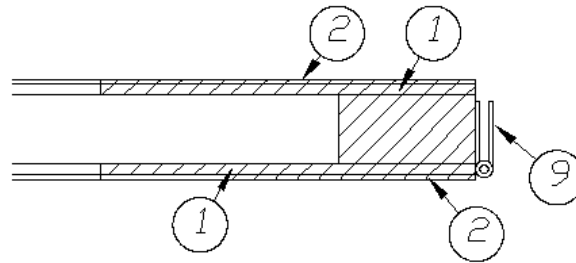
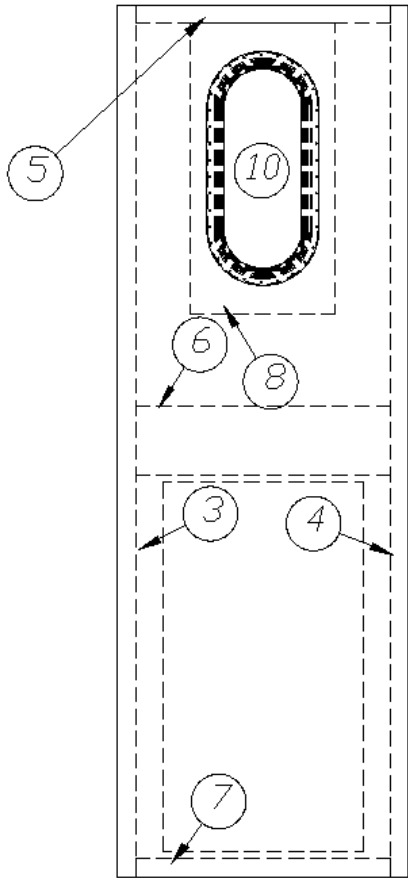
966995

Bath Door w/Porthole

- |               |                        |
|---------------|------------------------|
| 1. 966995-1   | Panel, 27.5 x 74       |
| 2. 966995-2   | Panel, 27.5 x 74       |
| 3. 966995-3   | Panel, 1.5 x 72.5      |
| 4. 966995-4   | Panel, 1.5 x 72.5      |
| 5. 966995-5   | Panel, 1.5 x 22.5      |
| 6. 966995-6   | Panel, 1.5 x 22.5      |
| 7. 966995-7   | Panel, 1.5 x 22.5      |
| 8. 966995-8   | Panel, 1.5 x 22.5      |
| 9. 966995-9   | Panel, 12 x 14         |
| 10. 801355-01 | Laminate, Frosty White |
| 11. 380203-01 | Piano hinge            |
| 12. 371438    | Bath door window       |
| 381771        | Latch-Lever lockset    |
| 203761-02     | Trim, Bath door window |
| 365267        | Edgebanding, 1.13"     |
| 454320        | Handle cover           |

# 2016 INTERNATIONAL TRAVEL TRAILER FURNITURE, LAVATORY

## Bath Door, w/Porthole, Eddie Bauer



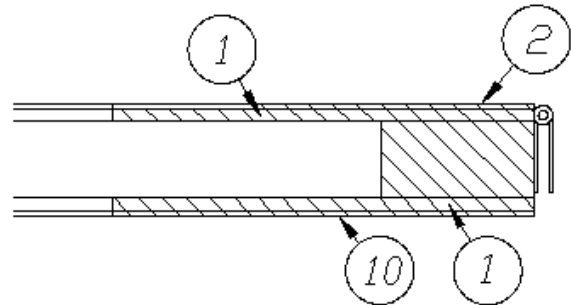
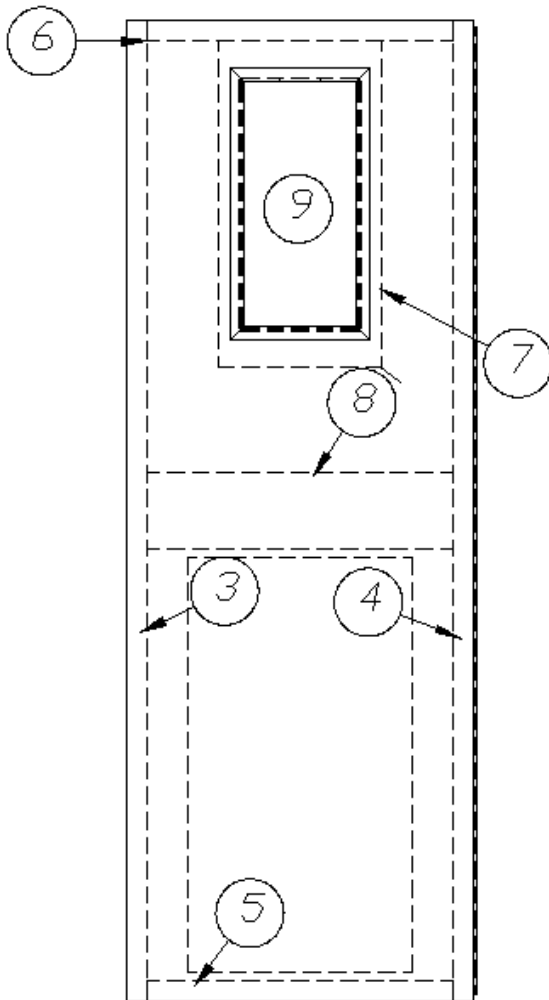
967678-19

Bath Door w/Porthole

- |     |             |                           |
|-----|-------------|---------------------------|
| 1.  | 801917-01   | Panel, MDF, 26 x 76       |
| 2.  | 801891-01   | Laminate, Limber Maple    |
| 3.  | 967678-194  | Panel, 1.5 x 72.5         |
| 4.  | 967678-195  | Panel, 1.5 x 72.5         |
| 5.  | 967678-196  | Panel, 1.5 x 21.75        |
| 6.  | 967678-197  | Panel, 5.69 x 21.75       |
| 7.  | 967678-199  | Panel, 1.5 x 21.75        |
| 8.  | 967678-1910 | Panel, 12 x 24            |
| 9.  | 380203-01   | Piano hinge               |
| 10. | 371438      | Bath door window          |
|     | 382034      | Latch, Flush mount        |
|     | 365352-03   | Edgebanding, 1.25", Maple |
|     | 203761-02   | Trim, Bath door window    |

# 2016 INTERNATIONAL TRAVEL TRAILER FURNITURE, LAVATORY

Bath Door, w/Window, 19', 23D Serenity

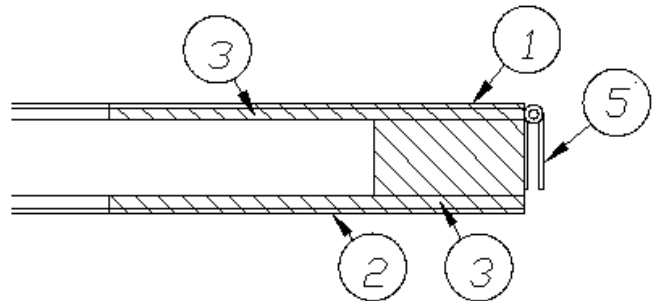
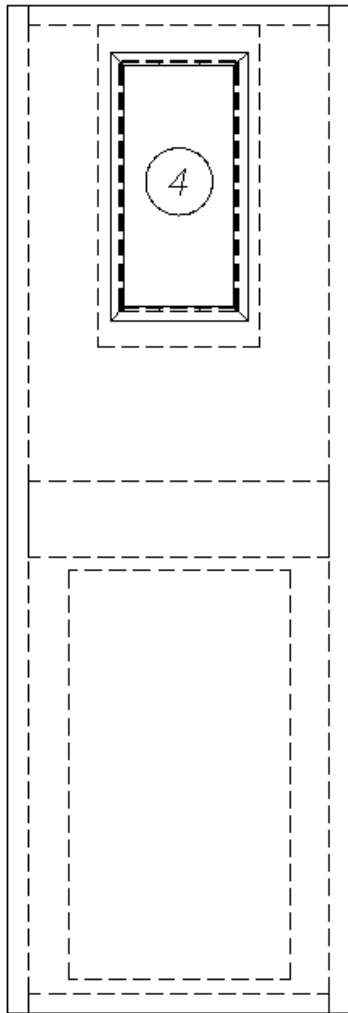


967544-15 Door, Bath w/Window

- |               |                                 |
|---------------|---------------------------------|
| 1. 801917-01  | Panel, MDF, 26 x 76             |
| 2. 801833-01  | Laminate, Asian Sand            |
| 3. 967544-5   | Panel, 1.5 x 72.5               |
| 4. 967544-6   | Panel, 1.5 x 72.5               |
| 5. 967544-7   | Panel, 1.5 x 23.25              |
| 6. 967544-9   | Panel, 1.5 x 23.25              |
| 7. 967544-10  | Panel, 12 x 24                  |
| 8. 967544-11  | Panel, 5.69 x 23.25             |
| 9. 203676     | Bath door window, Gingko Thatch |
| 10. 801355-01 | Laminate, Frosty White          |
| 380203-01     | Piano hinge                     |
| 382034        | Latch, Flush mount              |

# 2016 INTERNATIONAL TRAVEL TRAILER FURNITURE, LAVATORY

## Bath Door, w/Window, 23FB Serenity



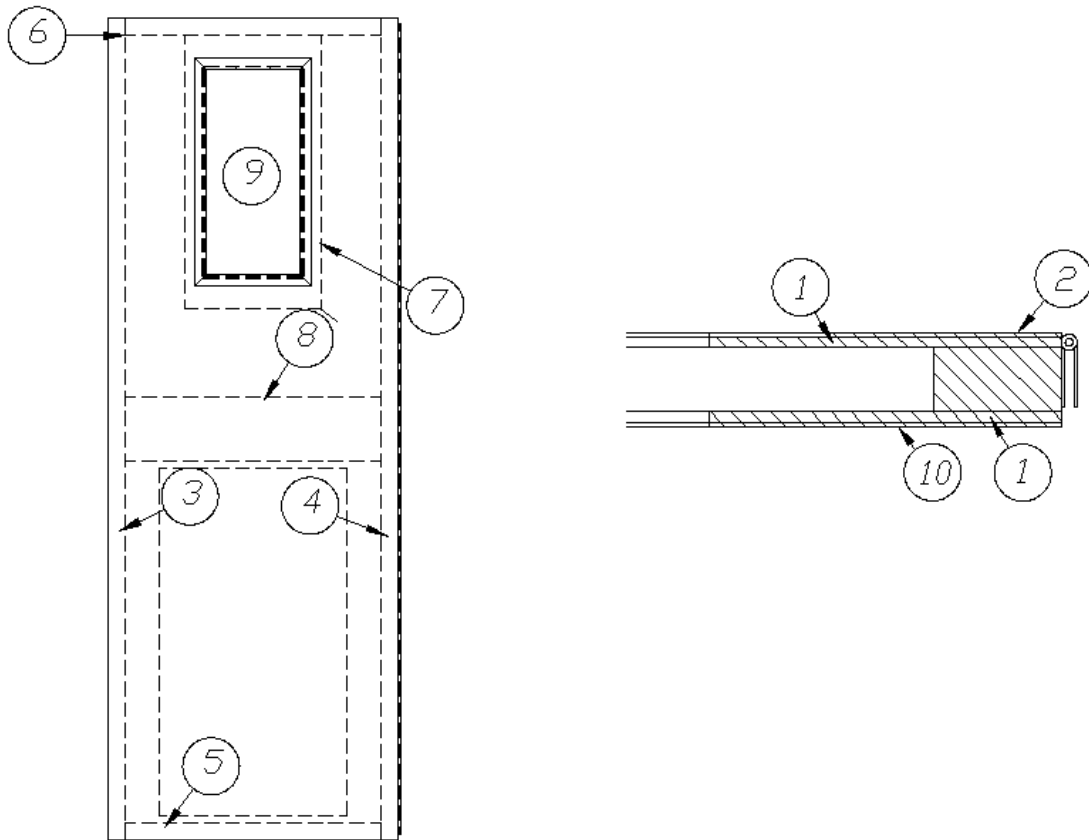
967647

Bath Door w/Window

- |              |                                  |
|--------------|----------------------------------|
| 1. 967647-1  | Panel, 25.5 x 75.13              |
| 2. 967647-2  | Panel, 25.5 x 75.13              |
| 3. 801917-01 | Panel, MDF, 26" x 76"            |
| 4. 203676    | Bath Door Window                 |
| 5. 380203-01 | Piano Hinge                      |
| 801833-01    | Laminate, Asian Sand             |
| 801355-01    | Laminate, Frosty White           |
| 365344-03    | Edgebanding, 1.25", Pearl Bisque |
| 381771       | Latch-Lever lockset              |
| 454320       | Door handle cover                |

# 2016 INTERNATIONAL TRAVEL TRAILER FURNITURE, LAVATORY

## Bath Door, w/Window, 25', 28', 30' Serenity



967545-15  
\*968405-03

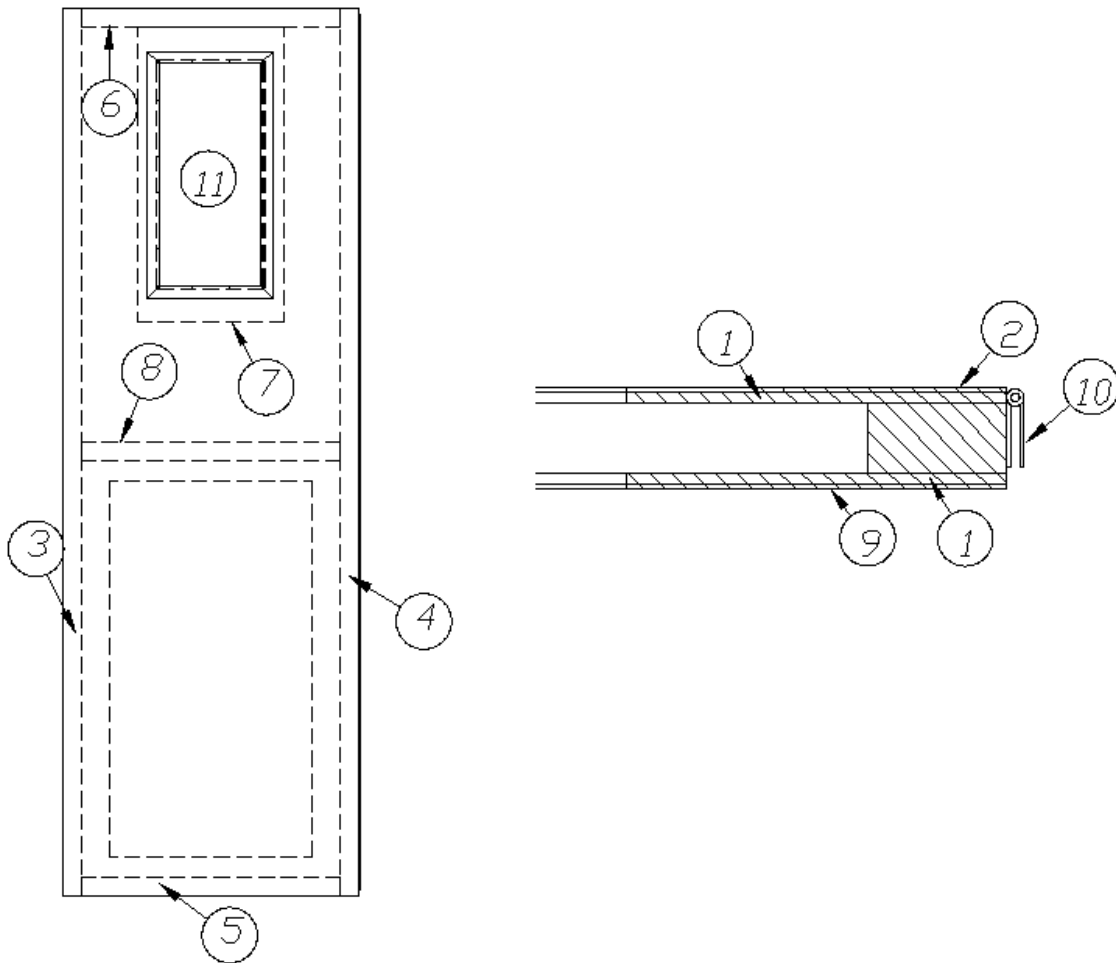
Bath Door w/Window  
Bath Door w/Window

- |     |           |                                  |
|-----|-----------|----------------------------------|
| 1.  | 801917-01 | Panel, MDF, 26" x 76"            |
| 2.  | 801833-01 | Laminate, 4' x 8', Asian Sand    |
| 3.  | 967545-5  | Panel, 1.5 x 72.5                |
| 4.  | 967545-6  | Panel, 1.5 x 72.5                |
| 5.  | 967545-7  | Panel, 1.5 x 23.25               |
| 6.  | 967545-9  | Panel, 1.5 x 23.25               |
| 7.  | 967545-10 | Panel, 12 x 24                   |
| 8.  | 967545-11 | Panel, 5.69 x 23.25              |
| 9.  | 203676    | Bath Door Window                 |
| 10. | 801355-01 | Laminate, 4' x 8', Frosty White  |
|     | 380203-01 | Piano Hinge                      |
|     | 365344-03 | Edgebanding, 1.25", Pearl Bisque |
|     | 381771    | Latch-lever lockset, Privacy     |
|     | 454320    | Door handle cover                |

\*Replaced 967545-15 on 25' & 30' models starting serial number 535338

# 2016 INTERNATIONAL TRAVEL TRAILER FURNITURE, LAVATORY

## Bath Door, w/Window, 25FB, 27FB Serenity

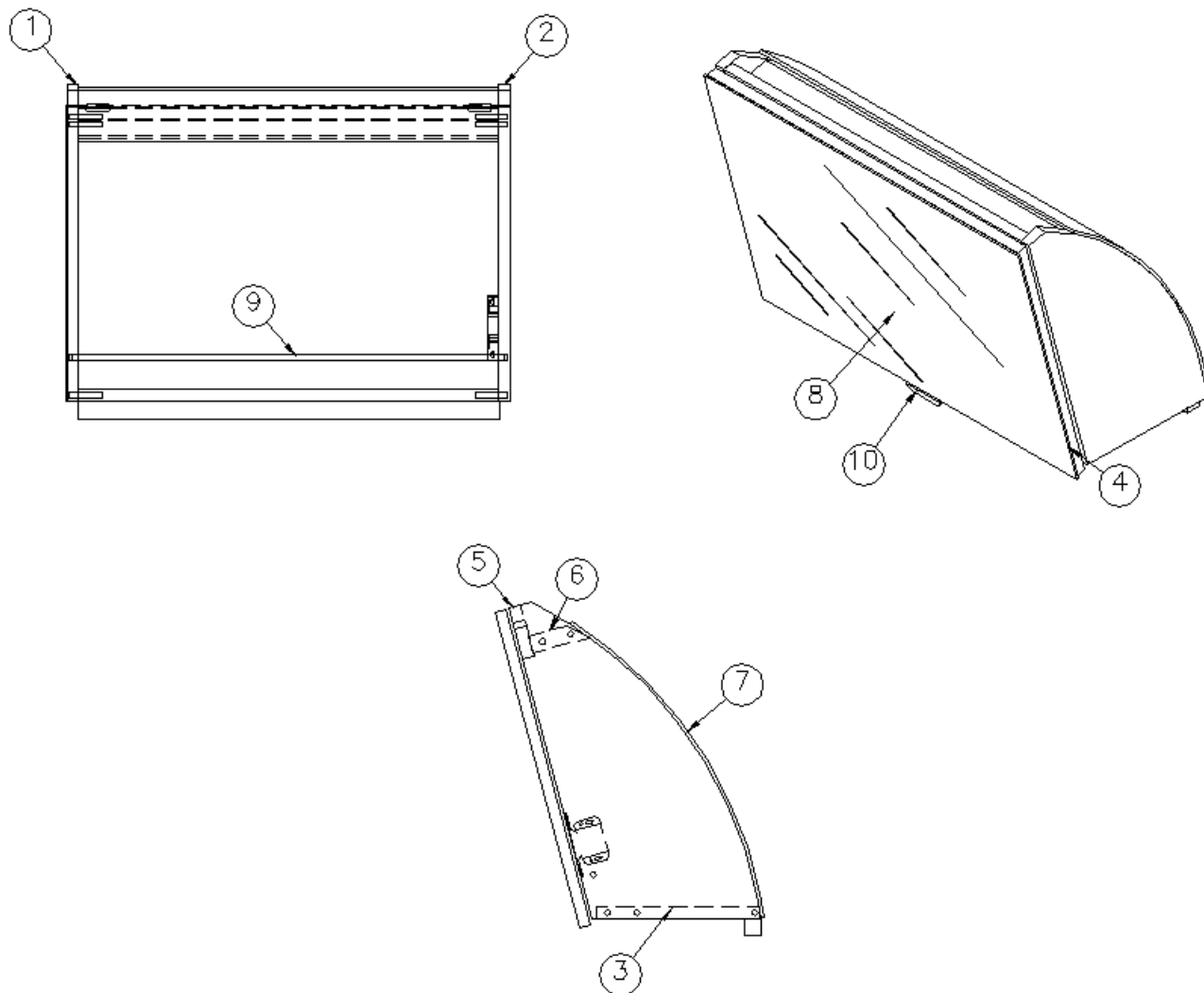


967546-15 Bath Door w/Window

- |     |           |                                  |
|-----|-----------|----------------------------------|
| 1.  | 801917-01 | Panel, MDF, 26" x 76"            |
| 2.  | 801833-01 | Laminate, Asian Sand             |
| 3.  | 967546-5  | Panel, 1.5 x 72.5                |
| 4.  | 967546-6  | Panel, 1.5 x 72.5                |
| 5.  | 967546-7  | Panel, 1.5 x 21.75               |
| 6.  | 967546-9  | Panel, 1.5 x 21.75               |
| 7.  | 967546-10 | Panel, 12 x 24                   |
| 8.  | 967546-11 | Panel, 1.5 x 21.75               |
| 9.  | 801355-01 | Laminate, Frosty White           |
| 10. | 380203-01 | Piano hinge                      |
| 11. | 203676    | Bath door window                 |
|     | 365344-03 | Edgebanding, 1.25", Pearl Bisque |
|     | 381771    | Latch-lever lockset              |
|     | 454320    | Door handle cover                |

# 2016 INTERNATIONAL TRAVEL TRAILER FURNITURE, LAVATORY

## Medicine Cabinet, Upper, 19', 23D



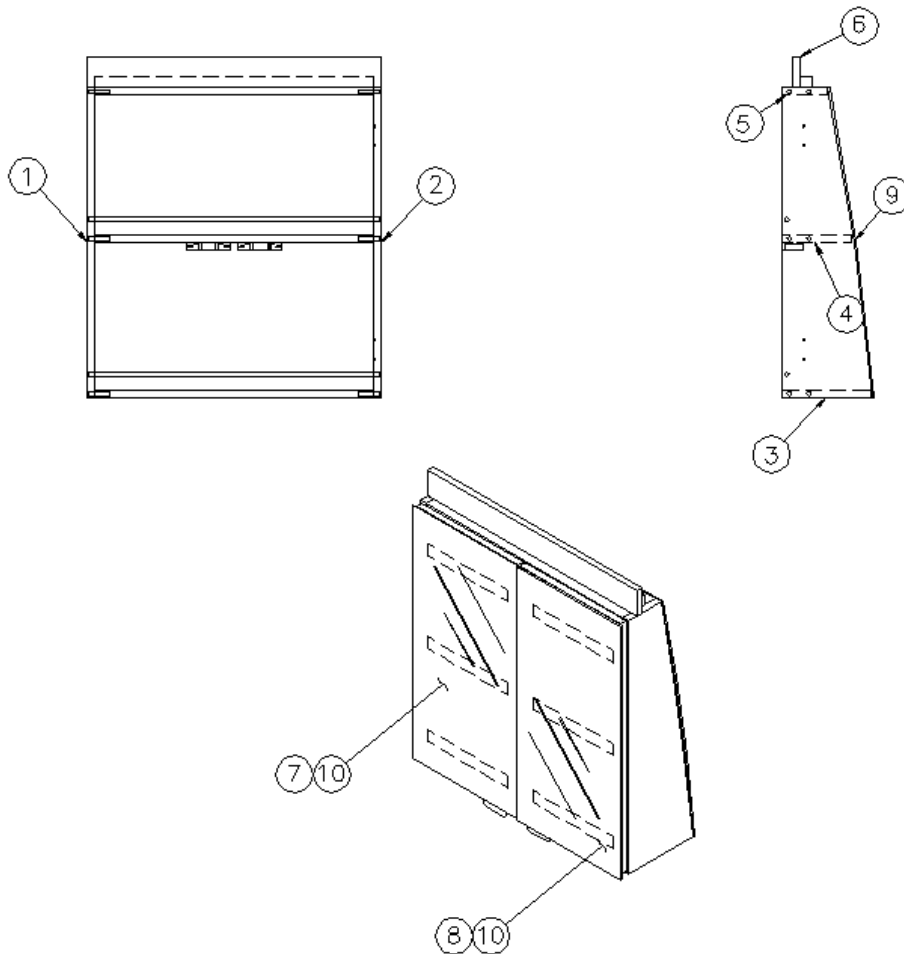
966921

Upper Medicine Cabinet

- |               |                                 |
|---------------|---------------------------------|
| 1. 966921-1   | Panel, 10.44 x 13.5             |
| 2. 966921-2   | Panel, 10.44 x 13.5             |
| 3. 966921-3   | Panel, 7 x 17.97                |
| 4. 966921-4   | Panel, 13.88 x 18.88            |
| 5. 966921-5   | Panel, 2.25 x 17.97             |
| 6. 966921-6   | Panel, 2.5 x 17.97              |
| 7. 966921-7   | Panel, 16.25 x 19               |
| 8. 372203-05  | Mirror, Polished edges, 19 x 14 |
| 9. 115042     | Aluminum rod, 6'                |
| 10. 385940-02 | Mirror pull, Chrome             |
| 382159        | Pivot hinge, Nickel             |
| 381228-02     | Catch, Grabber door (5lb Pull)  |

# 2016 INTERNATIONAL TRAVEL TRAILER FURNITURE, LAVATORY

## Medicine Cabinet, Lower, 19', 23D



966922

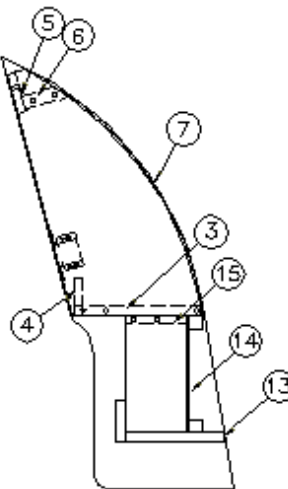
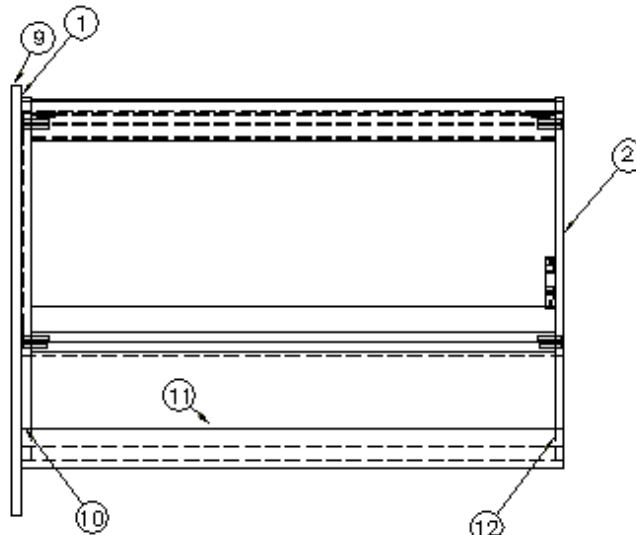
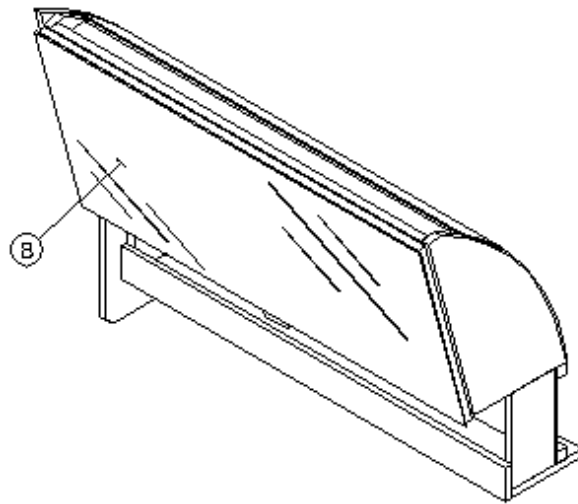
Lower Medicine Cabinet

- |               |                                |
|---------------|--------------------------------|
| 1. 966922-1   | Panel, 5.89 x 20               |
| 2. 966922-2   | Panel, 5.89 x 20               |
| 3. 966922-3   | Panel, 5.75 x 17.97            |
| 4. 966922-4   | Panel, 4.56 x 17.97            |
| 5. 966922-5   | Panel, 3 x 17.97               |
| 6. 966922-6   | Panel, 20 x 19                 |
| 7. 966922-7   | Panel, 9.25 x 19.75            |
| 8. 966922-8   | Panel, 9.25 x 19.75            |
| 9. 966922-9   | Panel, 20.25 x 19              |
| 10. 372203-24 | Mirror, Safety glass, 9.5 x 20 |
| 115042        | Aluminum rod, 6' Length        |
| 382159        | Pivot hinge, Nickel            |
| 381228-02     | Catch, Grabber door (5lb Pull) |
| 385940-02     | Mirror pull, Chrome            |



# 2016 INTERNATIONAL TRAVEL TRAILER FURNITURE, LAVATORY

## Medicine Cabinet, 28'



Parts Listed on Next Page

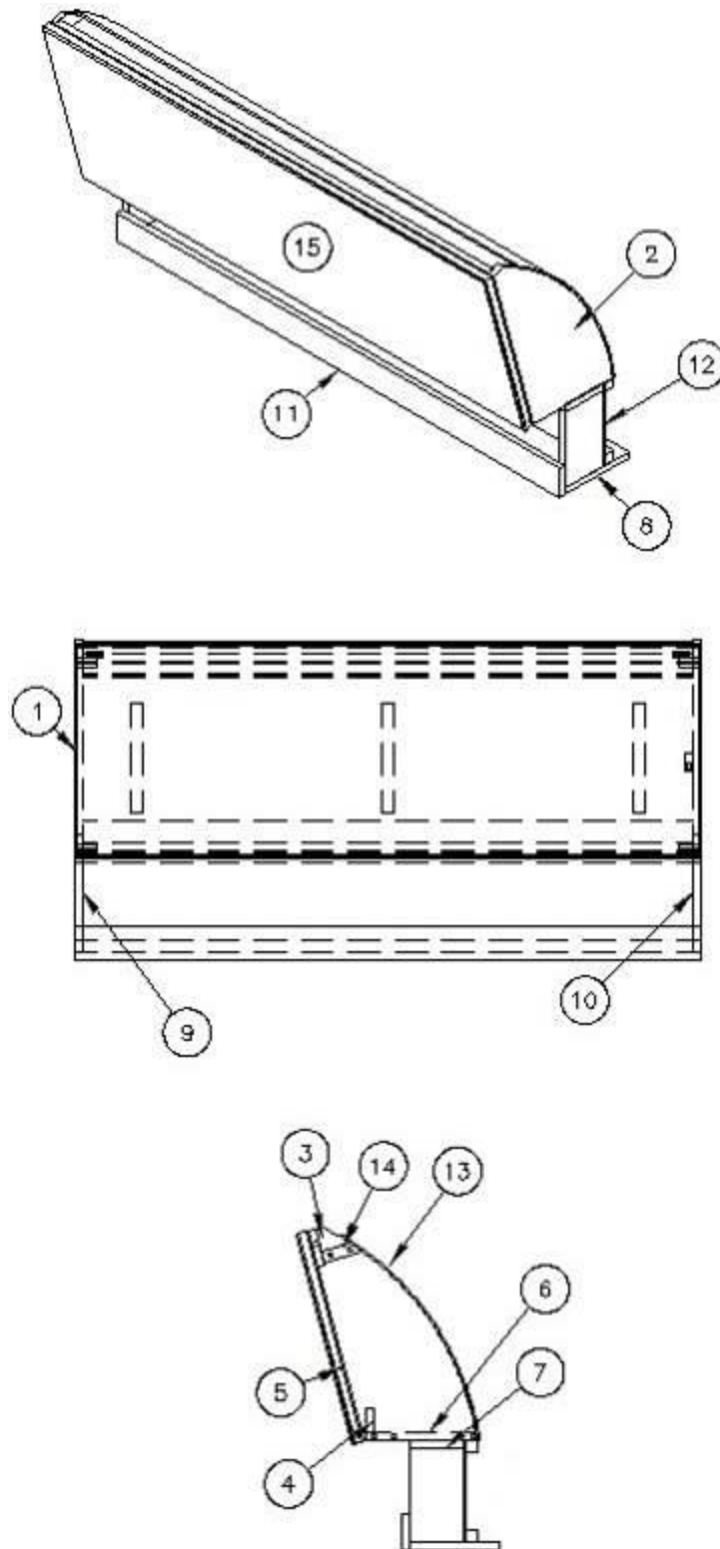
# 2016 INTERNATIONAL TRAVEL TRAILER FURNITURE, LAVATORY

## Medicine Cabinet, 28'

967003	Medicine Cabinet
1. 967003-1	Panel, 10.81 x 13.56
2. 967003-2	Panel, 10.81 x 13.56
3. 967003-3	Panel, 7 x 28.97
4. 967003-4	Panel, 1.5 x 28.97
5. 967003-5	Panel, 2.25 x 28.97
6. 967003-6	Panel, 2.5 x 28.97
7. 967003-7	Panel, 16.125 x 30
8. 967004	Door, Medicine cabinet, 30"
9. 967005	Closeout, Medicine cabinet
10. 967003-15	Panel, 3.42 x 6.5
11. 967003-16	Panel, 2.25 x 29.97
12. 967003-17	Panel, 3.42 x 6.5
13. 967003-18	Panel, 5.5 x 29.97
14. 967003-20	Panel, 6.5 x 29.97
15. 967003-21	Panel, 3.42 x 28.97
382159	Pivot hinge, Nickel
381228	Catch, Grabber door, C3-810
372203-30	Mirror, Safety glass, 14" x 30"
385940-02	Mirror pull, Chrome
195329-202	Hemisphere, Clear, Bump-On

# 2016 INTERNATIONAL TRAVEL TRAILER FURNITURE, LAVATORY

Medicine Cabinet, 25FB, 27FB, Eddie Bauer



Parts Listed on Next Page

# 2016 INTERNATIONAL TRAVEL TRAILER FURNITURE, LAVATORY

## Medicine Cabinet, 25FB, 27FB, Eddie Bauer

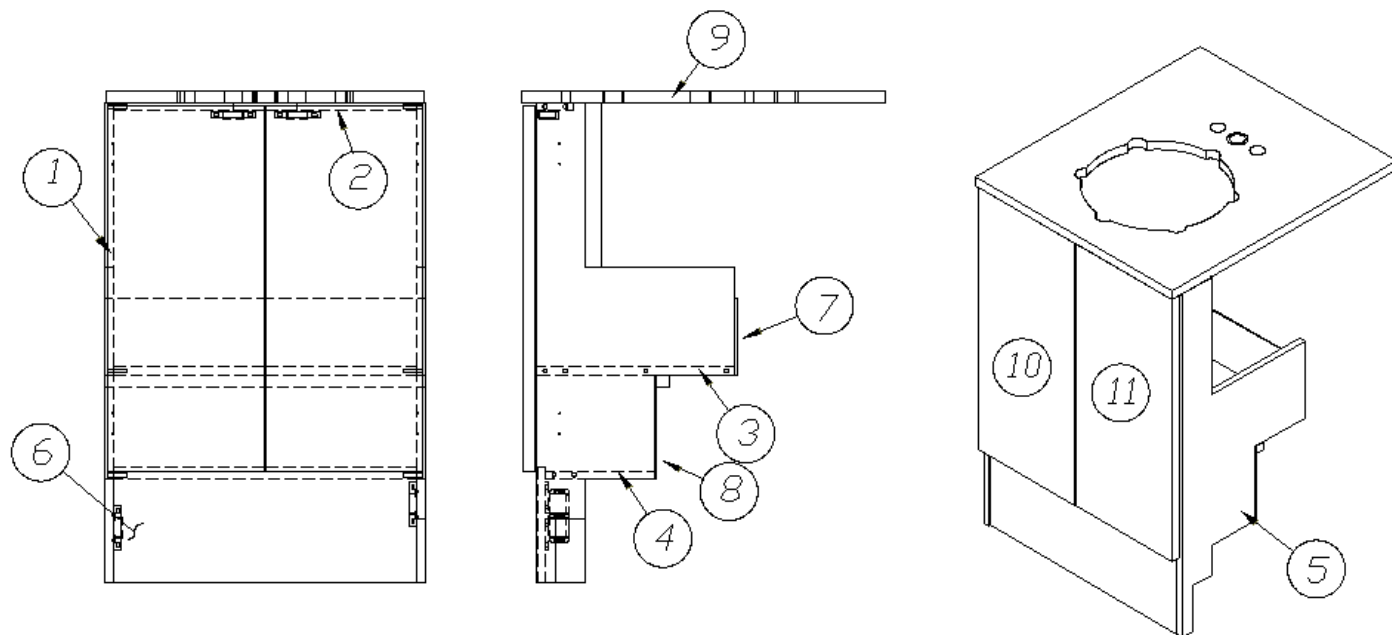
966896

Medicine Cabinet

- |               |                                   |
|---------------|-----------------------------------|
| 1. 966896-1   | Panel, 10.81 x 13.56              |
| 2. 966896-2   | Panel, 10.81 x 13.56              |
| 3. 966896-3   | Panel, 2.25 x 39                  |
| 4. 966896-4   | Panel, 1.5 x 39                   |
| 5. 966896-5   | Panel, 13.88 x 39.88              |
| 6. 966896-6   | Panel, 7 x 39                     |
| 7. 966896-7   | Panel, 3.42 x 40                  |
| 8. 966896-8   | Panel, 5.67 x 40                  |
| 9. 966896-9   | Panel, 3.42 x 6                   |
| 10. 966896-10 | Panel, 3.42 x 6                   |
| 11. 966896-11 | Panel, 2.25 x 40                  |
| 12. 966896-12 | Panel, 6.5 x 40                   |
| 13. 966896-13 | Panel, 16.25 x 40                 |
| 14. 966896-23 | Panel, 2.5 x 19                   |
| 15. 372203-33 | Mirror, Safety glass, 14" x 40"   |
| 382159        | Pivot hinge, Nickel               |
| 381228-02     | Catch, Grabber door (5lb Pull)    |
| 365340-01     | Edgebanding, .63", Frosty White   |
| 365001        | Tape, Double coated foam          |
| 360180        | Adhesive seal, Sikaflex 221, Gray |
| 385940-02     | Mirror pull, Chrome               |

# 2016 INTERNATIONAL TRAVEL TRAILER FURNITURE, LAVATORY

## Lavatory Cabinet, 19', 23D Signature



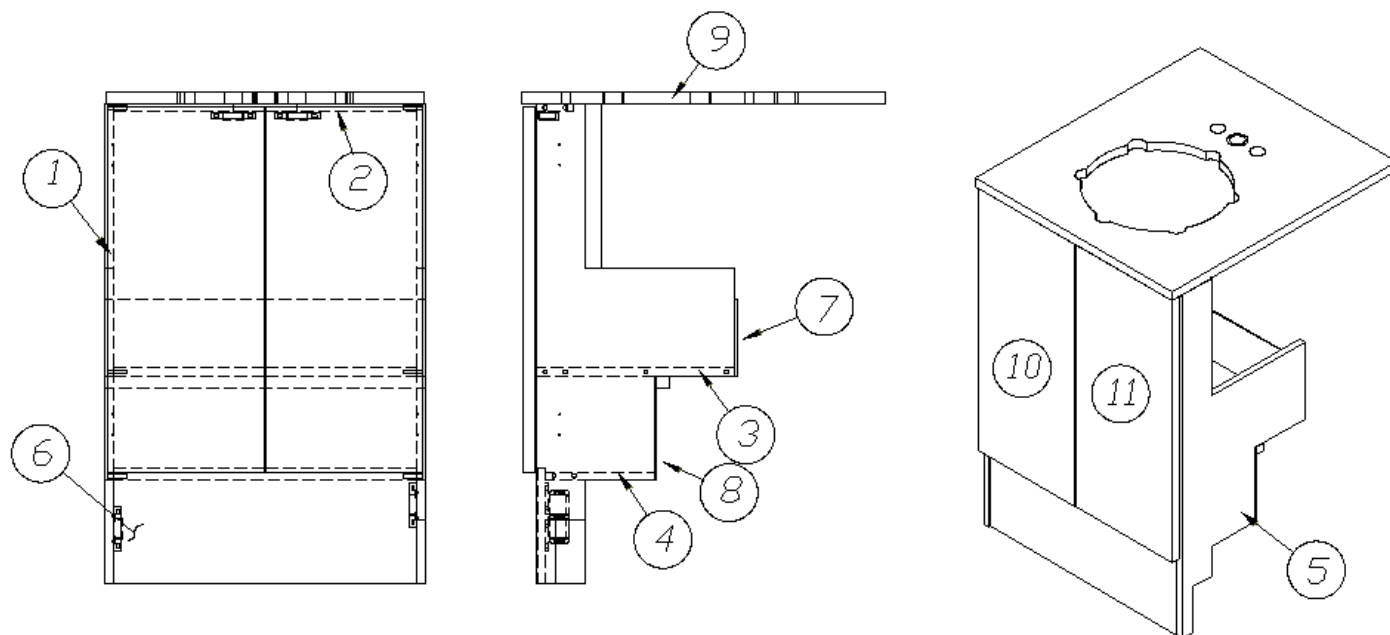
966919

Lavatory Cabinet

- |               |                                |
|---------------|--------------------------------|
| 1. 966919-1   | Panel, 12.38 x 30              |
| 2. 966919-2   | Panel, 2.25 x 19               |
| 3. 966919-3   | Panel, 12.38 x 19              |
| 4. 966919-4   | Panel, 6.81 x 19               |
| 5. 966919-5   | Panel, 12.38 x 30              |
| 6. 966919-6   | Panel, 19 x 7.25               |
| 7. 966919-7   | Panel, 4.75 x 20               |
| 8. 966919-8   | Panel, 6.5 x 20                |
| 9. 966920     | Lavy Top                       |
| 10. 966919-13 | Door, 9.75 x 22.88             |
| 11. 966919-14 | Door, 9.75 x 22.88             |
| 381607-11     | Hinge, Self-close              |
| 382029-00     | Handle bar, 7.48"              |
| 381228-02     | Catch, Grabber door (5lb Pull) |
| 800422        | Dowel pin                      |

# 2016 INTERNATIONAL TRAVEL TRAILER FURNITURE, LAVATORY

## Lavatory Cabinet, 19', 23D Serenity



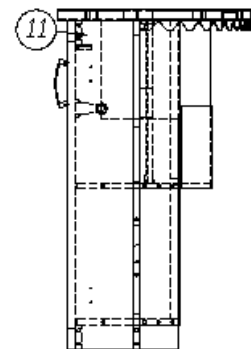
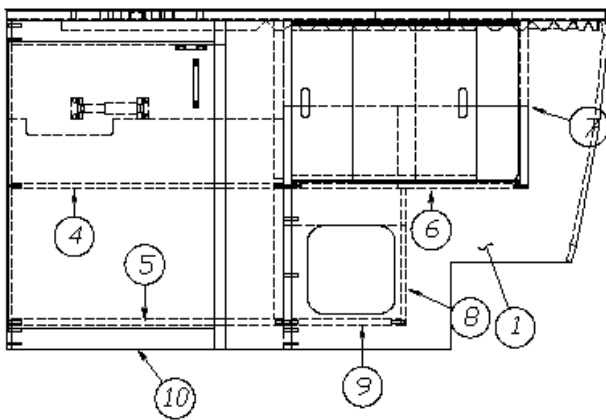
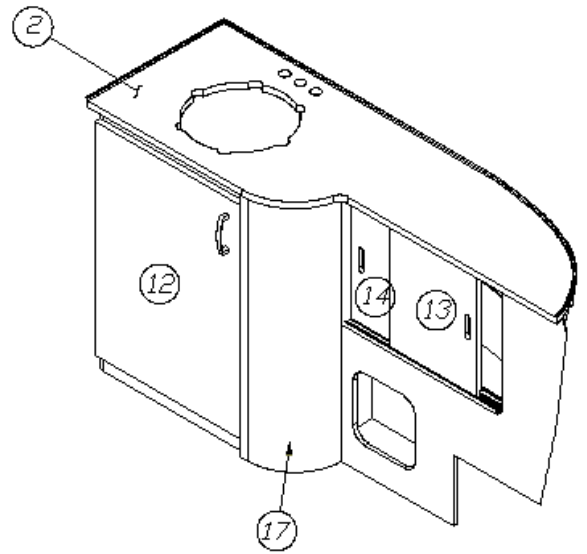
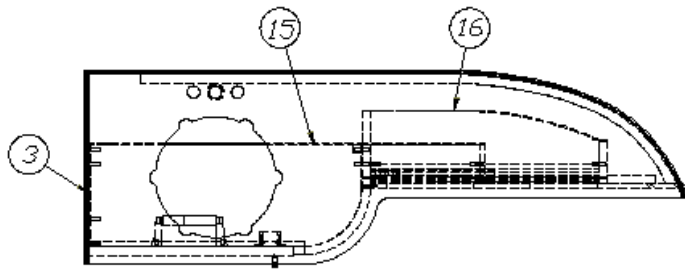
966919-15

Lavatory Cabinet

- |                 |                                 |
|-----------------|---------------------------------|
| 1. 966919-1     | Panel, 12.38 x 30               |
| 2. 966919-2     | Panel, 2.25 x 19                |
| 3. 966919-3     | Panel, 12.38 x 19               |
| 4. 966919-4     | Panel, 6.81 x 19                |
| 5. 966919-5     | Panel, 12.38 x 30               |
| 6. 966919-156   | Panel, 19 x 7.25                |
| 7. 966919-7     | Panel, 4.715 x 20               |
| 8. 966919-8     | Panel, 6.5 x 20                 |
| 9. 966920-15    | Lavy top                        |
| 10. 966919-1513 | Door, 9.75 x 22.88              |
| 11. 966919-1514 | Door, 9.75 x 22.88              |
| 381607-11       | Hinge, Self-close               |
| 382115          | Pull, Flat Black                |
| 381228-02       | Catch, Grabber door, (5lb Pull) |
| 800422          | Dowel pin                       |

# 2016 INTERNATIONAL TRAVEL TRAILER FURNITURE, LAVATORY

## Lavatory Cabinet, 23FB Signature



Parts Listed on Next Page

# 2016 INTERNATIONAL TRAVEL TRAILER FURNITURE, LAVATORY

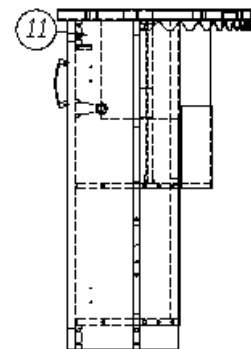
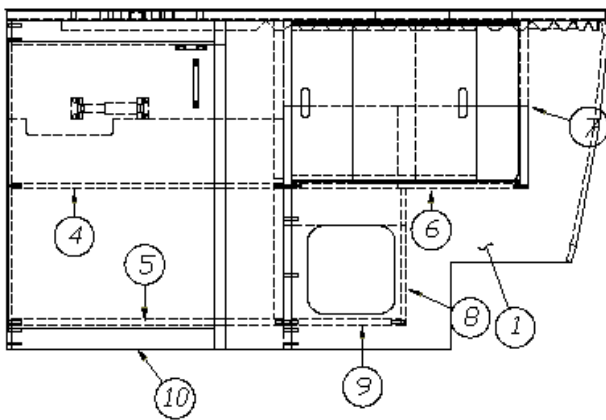
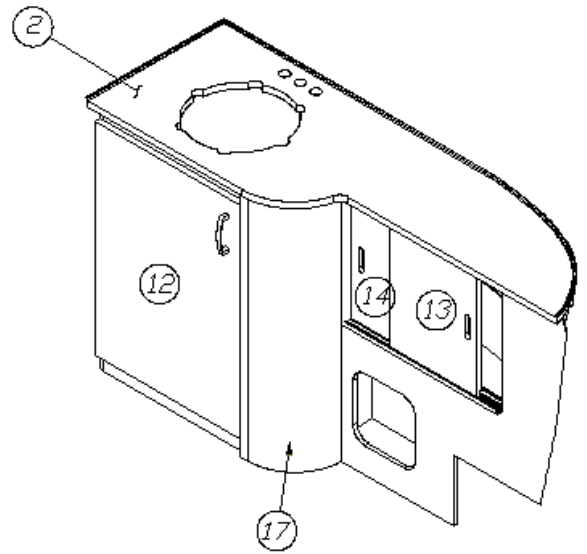
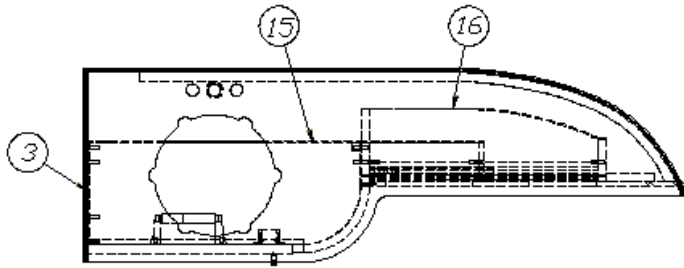
## Lavatory Cabinet, 23FB Signature

967321	Lavatory Cabinet
1. 967321-1	Panel, 28.89 x 30
2. 967321-2	Panel, 54.48 x 17.5
3. 967321-3	Panel, 9.27 x 30
4. 967321-4	Panel, 9.27 x 24.64
5. 967321-5	Panel, 9.27 x 24.64
6. 967321-6	Panel, 7.02 x 20.85
7. 967321-7	Panel, 3.75 x 15.38
8. 967321-8	Panel, 3.5 x 12.88
9. 967321-9	Panel, 3.5 x 10
10. 967321-10	Panel, 2.25 x 19.42
11. 967321-11	Panel, 2.25 x 19.42
12. 967321-12	Door, 18.67 x 26.13
13. 967321-13	Door, 11.25 x 14.5
14. 967321-14	Door, 11.25 x 14.5
15. 967321-15I	Panel, 36.42 x 18.75
16. 967321-17	Panel, 22.38 x 7.5
17. 967198	Lavy sub assembly, Radius
381607	Hinge
382029-04	Handle bar, 15"
382030	Pull, Recessed finger
381228-02	Catch, Grabber door, (5lb pull)
380034	Toilet paper holder, chrome
203445	T-molding, Flexible Black poly
201673	Reverse cove molding, white
114812	Aluminum angle, 1 x 1
115374	Extrusion, Sliding door track, .5"
111921	Leaf spring, Lavy door
704041	Pile seal weather strip
365364-01	Edgebanding, .63", Ebony Woods
365364-02	Edgebanding, .94", Ebony Woods



# 2016 INTERNATIONAL TRAVEL TRAILER FURNITURE, LAVATORY

## Lavatory Cabinet, 23FB Serenity



Parts Listed on Next Page

## 2016 INTERNATIONAL TRAVEL TRAILER FURNITURE, LAVATORY

### Lavatory Cabinet, 23FB Serenity

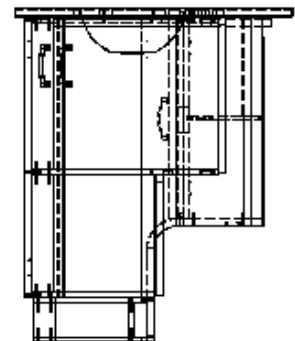
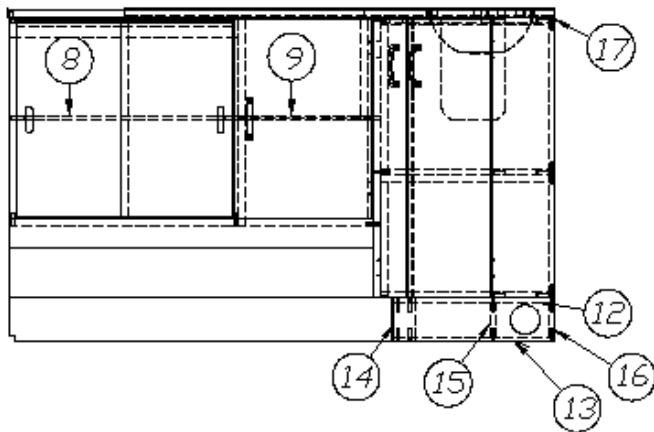
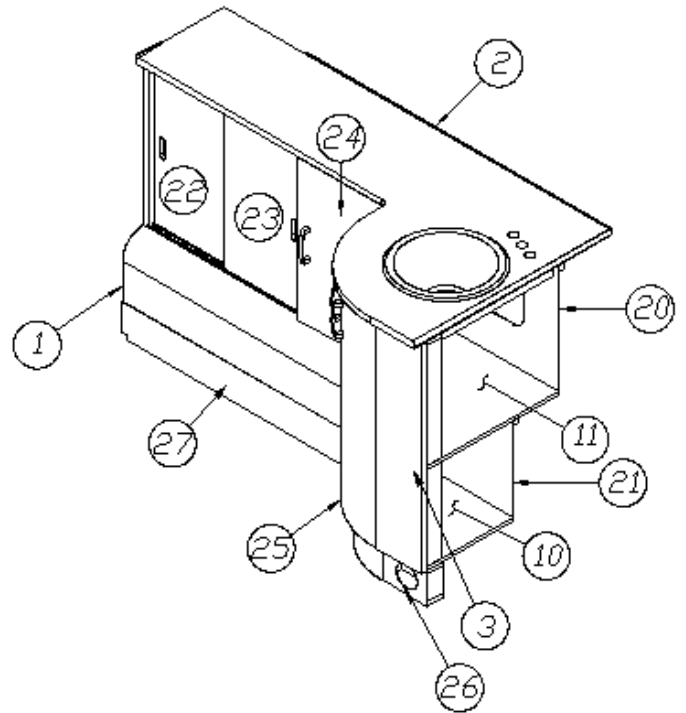
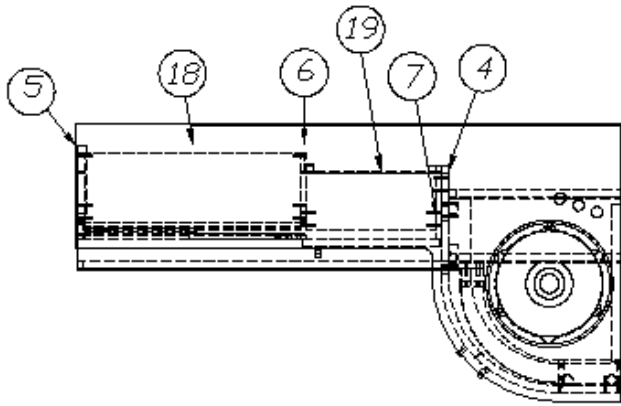
967321-15

Lavatory Cabinet

1. 967321-151	Panel, 28.89 x 30
2. 967321-152	Panel, 54.48 x 17.5
3. 967321-3	Panel, 9.27 x 30
4. 967321-4	Panel, 9.27 x 24.64
5. 967321-5	Panel, 9.27 x 24.64
6. 967321-6	Panel, 7.02 x 20.85
7. 967321-7	Panel, 3.75 x 15.38
8. 967321-8	Panel, 3.5 x 12.88
9. 967321-9	Panel, 3.5 x 10
10. 967321-1510	Panel, 2.25 x 19.42
11. 967321-1511	Panel, 2.25 x 19.42
12. 967321-1512	Door, 18.67 x 26.13
13. 967321-1513	Door, 11.25 x 14.5
14. 967321-1514	Door, 11.25 x 14.5
15. 967321-15I	Panel, 36.42 x 18.75
16. 967321-1517	Panel, 22.38 x 7.5
17. 967198-15	Lavy sub assembly, Radius
381607-11	Hinge, Self-close
382115	Pull, Flat Black
382030	Pull, Recessed finger
381228-02	Catch, Grabber door (5lb pull)
380034	Toilet paper holder, Chrome
203445	T-molding, Flexible Black poly
201673	Reverse cove molding, White
115374	Extrusion, Sliding door track
114812	Aluminum angle, 1 x 1
111921	Leaf spring, Lavy door
704041	Pile seal weather strip
365344-01	Edgebanding, .63", Pearl Bisque
365344-02	Edgebanding, .94", Pearl Bisque

# 2016 INTERNATIONAL TRAVEL TRAILER FURNITURE, LAVATORY

## Lavatory Cabinet, 25' Signature



Parts Listed on Next Page

# 2016 INTERNATIONAL TRAVEL TRAILER FURNITURE, LAVATORY

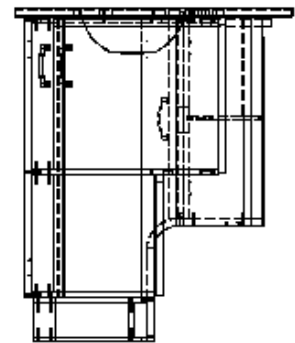
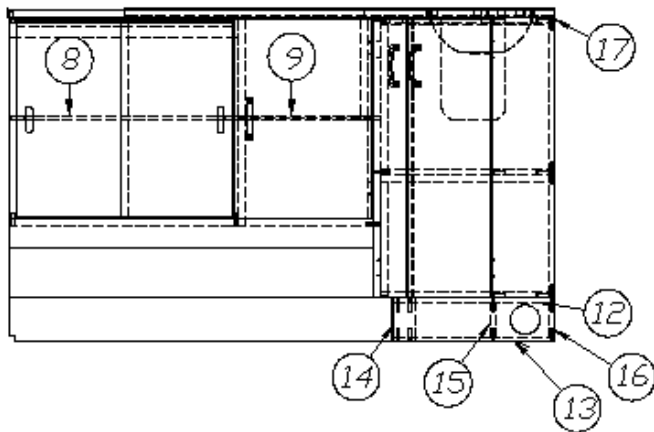
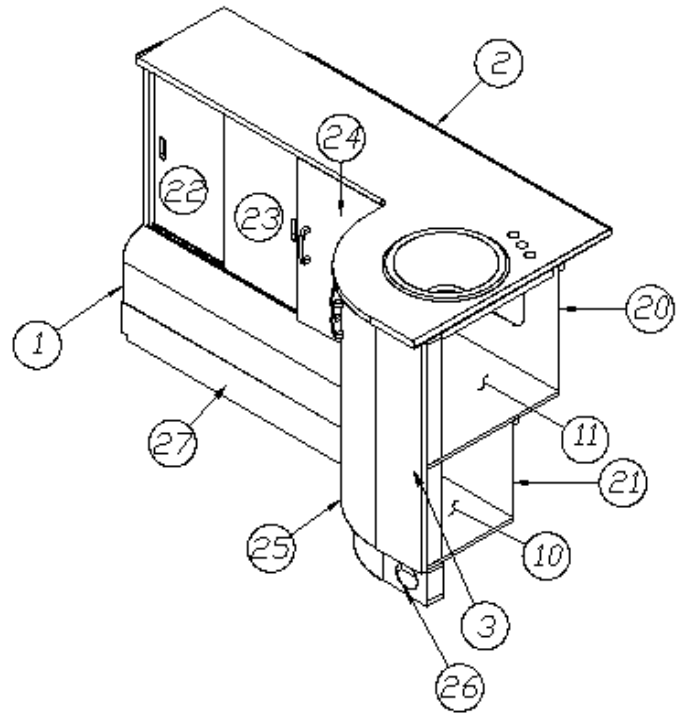
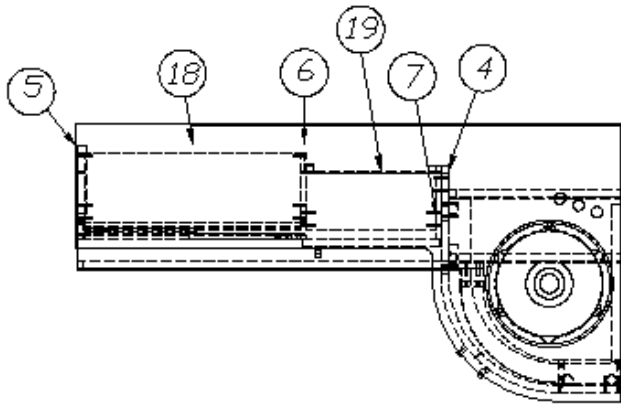
## Lavatory Cabinet, 25' Signature

967521 Lavatory Cabinet

1. 967522 Sub assembly, Lavy base
2. 967618 Lavy top
3. 967521-3 Panel, 6.44 x 28.5
4. 967521-4 Panel, 10.3 x 28.5
5. 967521-5 Panel, 8.75 x 20.2
6. 967521-6 Panel, 8.75 x 20.5
7. 967521-7 Panel, 7.55 x 20.5
8. 967521-8 Panel, 7.05 x 22
9. 967521-9 Panel, 5.8 x 13.25
10. 967521-10 Panel, 12.5 X 17.75
11. 967521-11 Panel, 19 x 17.75
12. 967521-12 Panel, 11.56 x 16.5
13. 967521-13 Panel, 11.56 x 16.5
14. 967521-14 Panel, 2.25 x 3.5
15. 967521-15I Panel, 2.25 x 3.5
16. 967521-16 Panel, 2.25 x 3.5
17. 967521-21 Panel, 19 x 17.75
18. 967521-22 Panel, 23.25 x 19.25
19. 967521-23 Panel, 13.75 x 11
20. 967521-24 Panel, 16 x 17.75
21. 967521-25 Panel, 17.63 x 12
22. 967521-26 Door, 11.34 X 20.13
23. 967521-27 Door, 11.34 X 20.13
24. 967521-28 Door, 13.88 x 20.25
25. 801788-0124 Door, 9.18 x 28.25, Ebony
26. 115438-03 Toe Kick, 23.75"
27. 115438-04 Toe Kick, 39.13"
- 381607-08 Hinge
- 382044 Handle, Brushed Nickel
- 382030 Pull, Recessed finger
- 381228-02 Catch, Grabber door (5lb Pull)
- 115374 Extrusion, Sliding door track
- 111921 Leaf spring, Lavy door
- 704041 Pile seal weather strip

# 2016 INTERNATIONAL TRAVEL TRAILER FURNITURE, LAVATORY

## Lavatory Cabinet, 25' Serenity



Parts Listed on Next Page

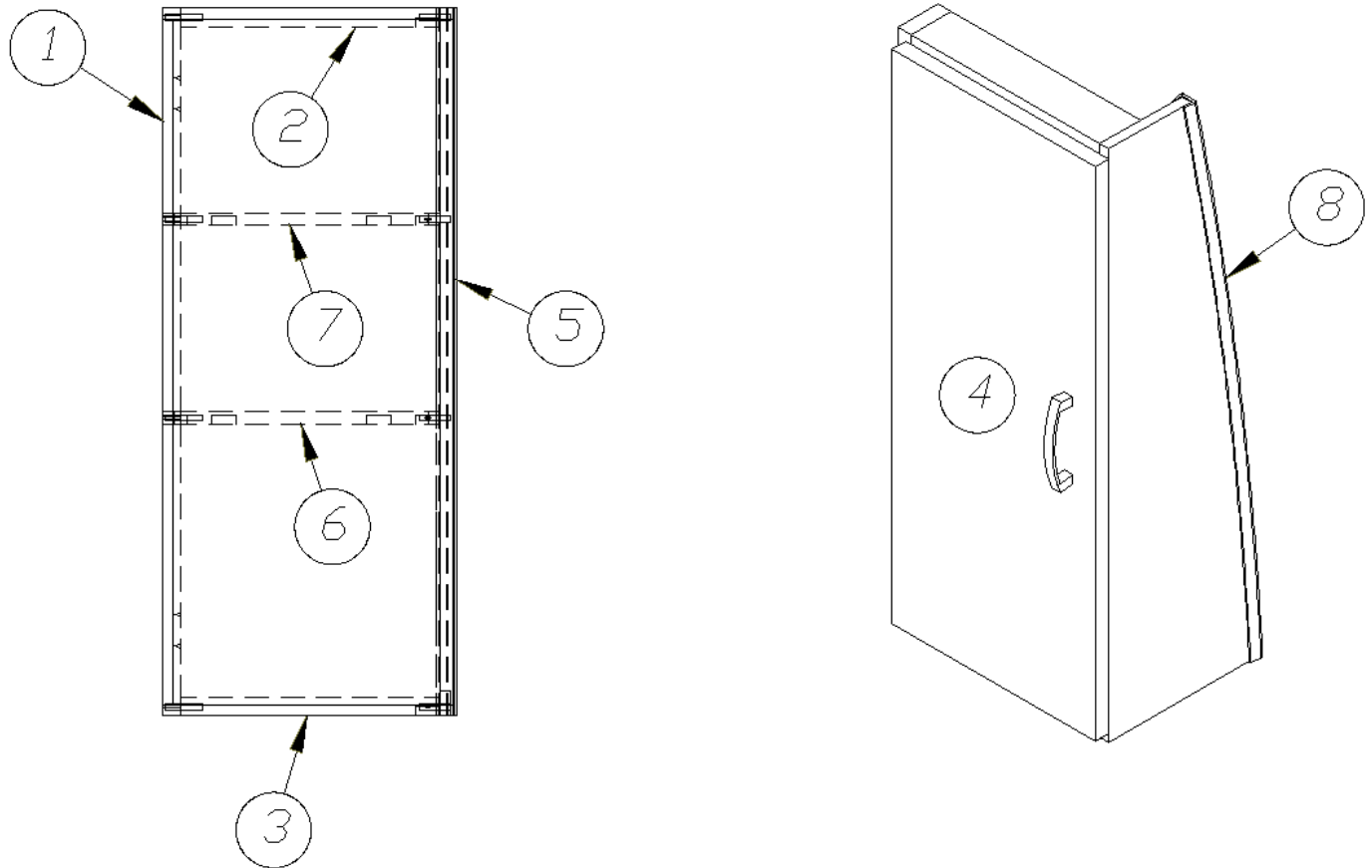
## 2016 INTERNATIONAL TRAVEL TRAILER FURNITURE, LAVATORY

### Lavatory Cabinet, 25' Serenity

967521-15	Lavatory Cabinet
1. 967522-15	Sub assembly, Lavy base
2. 967618-15	Lavy top
3. 967521-153	Panel, 6.44 x 28.5
4. 967521-154	Panel, 10.3 x 28.5
5. 967521-155	Panel, 9.5 x 20.5
6. 967521-156	Panel, 9.5 x 20.5
7. 967521-7	Panel, 7.55 x 20.5
8. 967521-8	Panel, 7.5 x 22.19
9. 967521-9	Panel, 4.49 x 13.25
10. 967521-10	Panel, 12.5 x 17.75
11. 967521-11	Panel, 19 x 17.75
12. 967521-12	Panel, 11.56 x 16.5
13. 967521-13	Panel, 11.56 x 16.5
14. 967521-14	Panel, 2.25 x 3.5
15. 967521-15I	Panel, 2.25 X 3.5
16. 967521-16	Panel, 2.25 x 3.5
17. 967521-21	Panel, 19 x 17.75
18. 967521-22	Panel, 23.44 X 19.25
19. 967521-23	Panel, 13.75 X 11
20. 967521-24	Panel, 16 X 17.75
21. 967521-25	Panel, 17.75 X 12.5
22. 967521-1526	Door, 11.34 X 20.13
23. 967521-1527	Door, 11.34 X 20.13
24. 967521-1528	Door, 13.88 X 20.25
25. 801788-0118	Door, 9.18 X 28.25, Asian Sand
26. 115438-03	Toe kick, 23.75"
27. 115438-04	Toe kick, 39.13"
381607-08	Hinge
382115	Pull, Flat Black
382030	Pull, Recessed finger
381228-02	Catch, Grabber door (5lb Pull)
115374	Extrusion, Sliding door track
382057	Knockdown
382057-04	Cap, Knockdown, White
111921	Leaf spring, Lavy door
704041	Pile seal weather strip

# 2016 INTERNATIONAL TRAVEL TRAILER FURNITURE, LAVATORY

## Lavatory Cabinet, Upper, 25' Signature



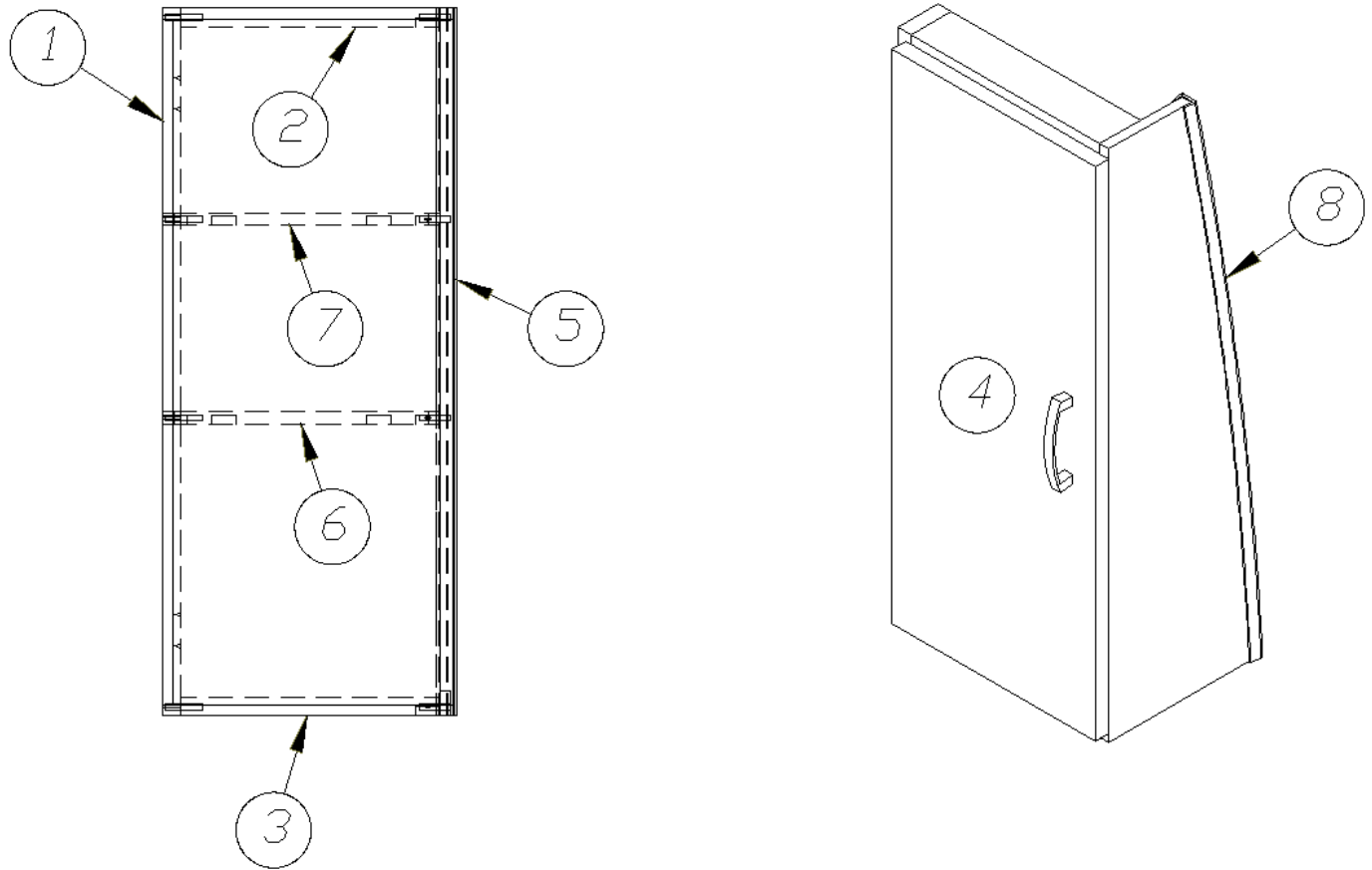
967525

Upper Lavy Cabinet

- |              |                                |
|--------------|--------------------------------|
| 1. 967525-1  | Panel, 2.25 x 28.5             |
| 2. 967525-2  | Panel, 2.25 x 10.5             |
| 3. 967525-3  | Panel, 2.25 x 10.5             |
| 4. 967525-4  | Panel, 11.31 x 27.63           |
| 5. 967525-5  | Panel, 8.29 x 28.5             |
| 6. 967525-6  | Panel, 11.25 x 7.13            |
| 7. 967525-7  | Panel, 11.25 x 6               |
| 8. 203138-05 | Extrusion, Plastic .5", Black  |
| 967526       | Upper shelf assembly           |
| 382029-00    | Handle Bar                     |
| 381607-11    | Hinge, Self-close              |
| 381228-02    | Catch, Grabber door (5lb Pull) |
| 382057-04    | Cap, Knockdown, White          |

# 2016 INTERNATIONAL TRAVEL TRAILER FURNITURE, LAVATORY

## Lavatory Cabinet, Upper, 25' Serenity



967525-15

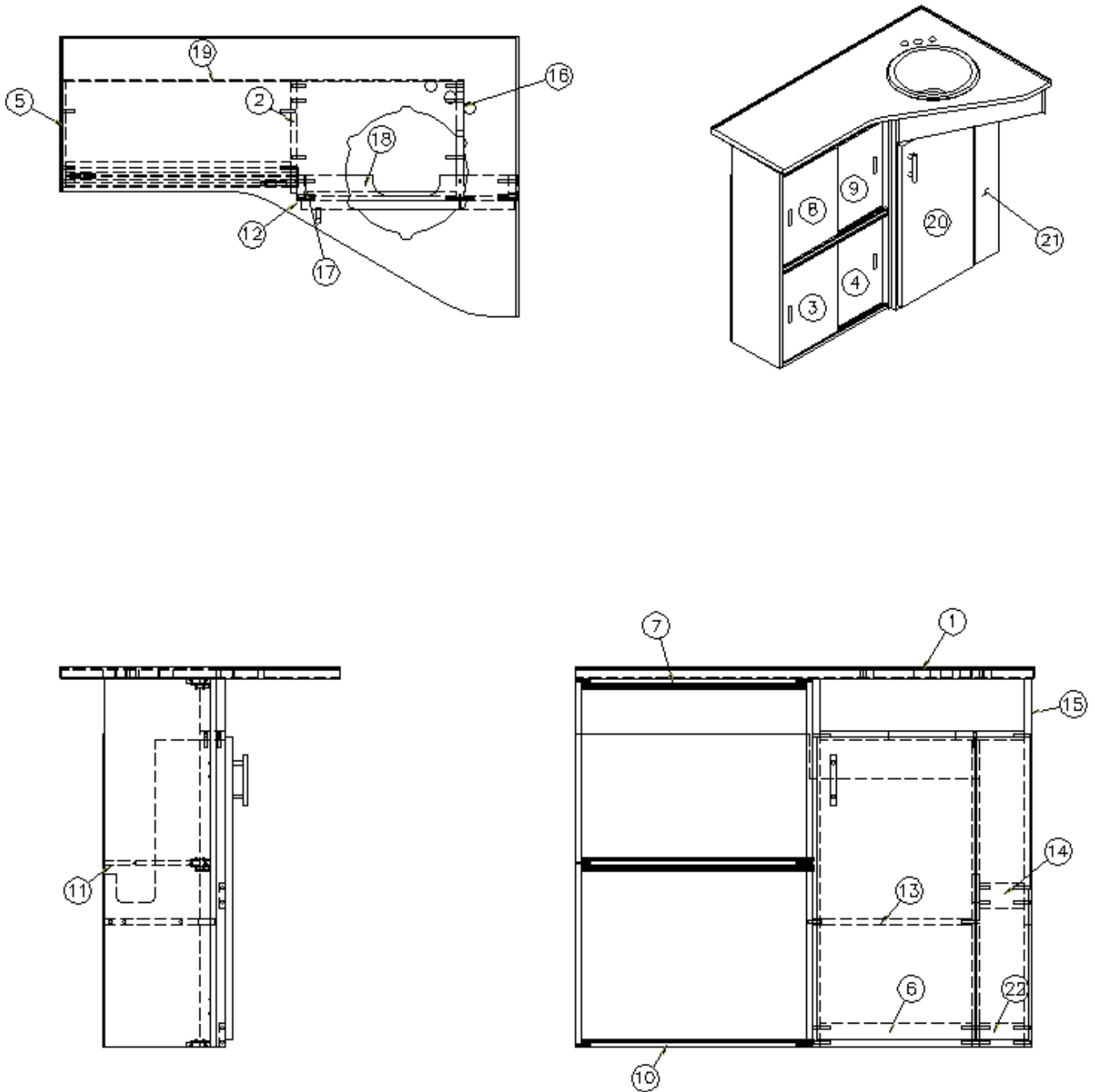
Upper Lavy Cabinet

- |               |                                |
|---------------|--------------------------------|
| 1. 967525-1   | Panel, 2.25 x 28.5             |
| 2. 967525-2   | Panel, 2.25 x 10.5             |
| 3. 967525-3   | Panel, 2.25 x 10.5             |
| 4. 967525-154 | Panel, 11.31 x 27.63           |
| 5. 967525-155 | Panel, 8.29 x 28.5             |
| 6. 967525-6   | Panel, 11.25 x 7.13            |
| 7. 967525-7   | Panel, 11.25 x 6               |
| 8. 203138-03  | Extrusion, Plastic .5", Beige  |
| 967526        | Upper shelf assembly           |
| 382115        | Pull, Flat Black               |
| 381607-11     | Hinge, Self-close              |
| 381228-02     | Catch, Grabber door (5lb Pull) |
| 382057-04     | Cap, Knockdown, White          |



# 2016 INTERNATIONAL TRAVEL TRAILER FURNITURE, LAVATORY

## Lavatory Cabinet, 25FB Signature



Parts Listed on Next Page

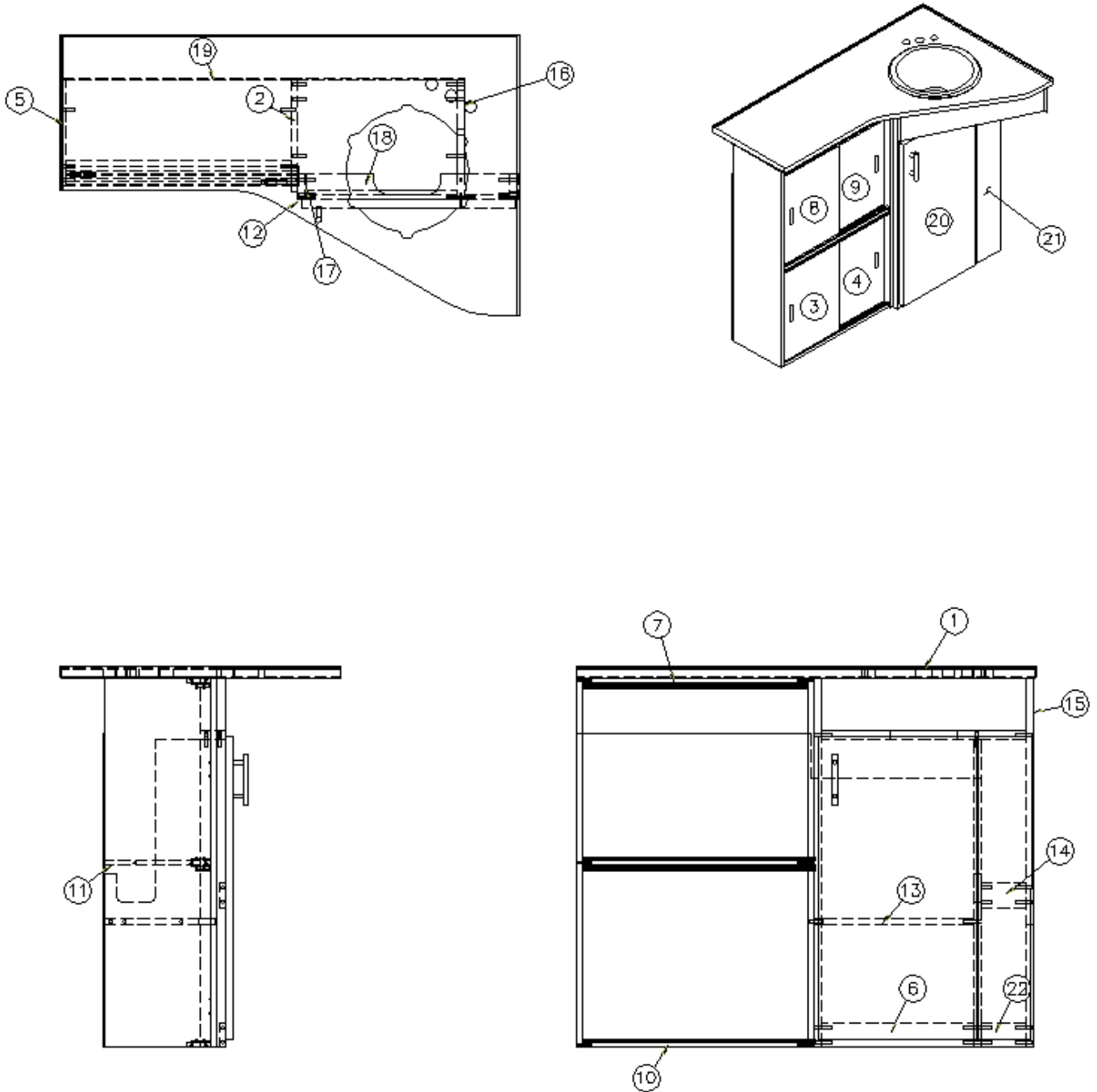
# 2016 INTERNATIONAL TRAVEL TRAILER FURNITURE, LAVATORY

## Lavatory Cabinet, 25FB Signature

966902	Lavatory Cabinet
1. 966903	Lavatory Top
2. 966902-2	Panel, 10 x 33
3. 966902-3	Panel, 10.81 x 15.38
4. 966902-4	Panel, 10.81 x 15.38
5. 966902-5	Panel, 9.5 x 33
6. 966902-6	Panel, 2.25 x 13.5
7. 966902-7	Panel, 2.25 x 20.12
8. 966902-8	Panel, 10.81 x 15.38
9. 966902-9	Panel, 10.81 x 15.38
10. 966902-10	Panel, 2.25 x 20.12
11. 966902-11	Panel, 9.5 x 20.13
12. 801706-0024	Corner trim, 90°, 1" radius, Ebony
13. 966902-13	Panel, 7.5 x 14.25
14. 966902-14	Panel, 2.25 x 4.12
15. 966902-15I	Panel, 2.25 x 33
16. 966902-16	Panel, 10.75 x 27.5
17. 966902-17	Panel, 2.25 x 33
18. 966902-18	Panel, 2.25 x 18.38
19. 966902-19	Panel, 28 x 36.12
20. 966902-23	Door, 14.13 x 27.13
21. 966902-31	Panel, 4.75 x 27.12
22. 966902-32	Panel, 2.25 x 3.94
382030	Pull, Recessed finger
382029-03	Handle bar
381228-02	Catch, Grabber door (5lb Pull)
115374	Extrusion, Sliding door track
381607-11	Hinge, Self-close
114070	Extrusion, J-trim, Aluminum

# 2016 INTERNATIONAL TRAVEL TRAILER FURNITURE, LAVATORY

## Lavatory Cabinet, 25FB Serenity



Parts Listed on Next Page

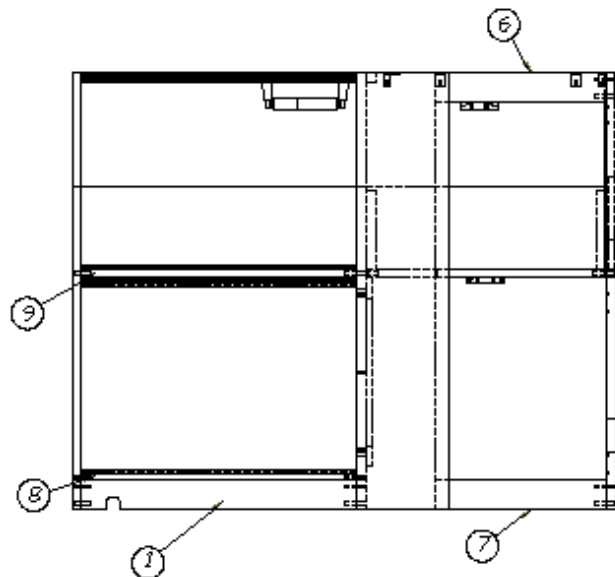
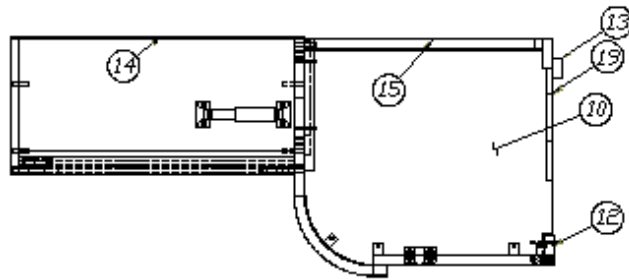
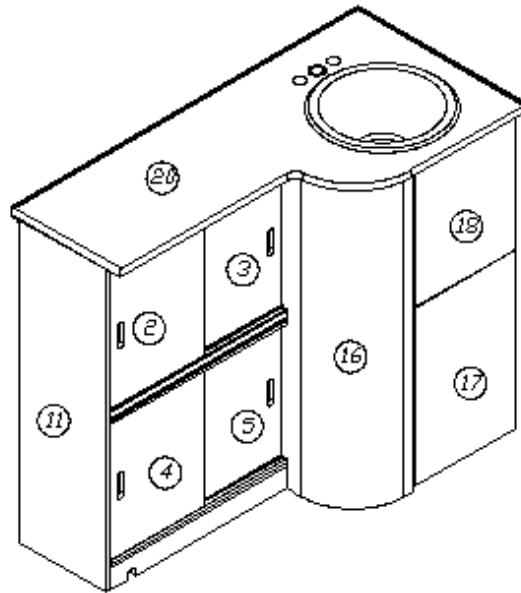
# 2016 INTERNATIONAL TRAVEL TRAILER FURNITURE, LAVATORY

## Lavatory Cabinet, 25FB Serenity

966902-15	Lavatory Cabinet
1. 966903-15	Lavatory Top
2. 966902-152	Panel, 10 x 33
3. 966902-153	Panel, 10.81 x 15.38
4. 966902-154	Panel, 10.81 x 15.38
5. 966902-155	Panel, 9.5 x 33
6. 966902-156	Panel, 2.25 x 13.5
7. 966902-7	Panel, 2.25 x 20.12
8. 966902-158	Panel, 10.81 x 15.38
9. 966902-159	Panel, 10.81 x 15.38
10. 966902-10	Panel, 2.25 x 20.12
11. 966902-11	Panel, 9.5 x 20.13
12. 801706-0018	Corner Trim, 90°, 1" Radius, Asian Sand
13. 966902-13	Panel, 7.5 x 14.25
14. 966902-14	Panel, 2.25 x 4.12
15. 966902-1515	Panel, 2.25 x 33
16. 966902-16	Panel, 10.75 x 27.5
17. 966902-17	Panel, 2.25 x 33
18. 966902-18	Panel, 2.25 x 18.38
19. 966902-1519	Panel, 28 x 36.12
20. 966902-1523	Door, 14.13 x 27.13
21. 966902-1531	Panel, 4.75 x 27.12
22. 966902-32	Panel, 2.25 x 3.94
382030	Pull, Recessed Finger
382115	Pull, Flat Black
381228-02	Catch, Grabber Door (5lb Pull)
115374	Sliding door track
381607-11	Hinge, Self-close

# 2016 INTERNATIONAL TRAVEL TRAILER FURNITURE, LAVATORY

## Lavatory Cabinet, 27FB Signature



Parts Listed on Next Page

# 2016 INTERNATIONAL TRAVEL TRAILER FURNITURE, LAVATORY

## Lavatory Cabinet, 27FB Signature

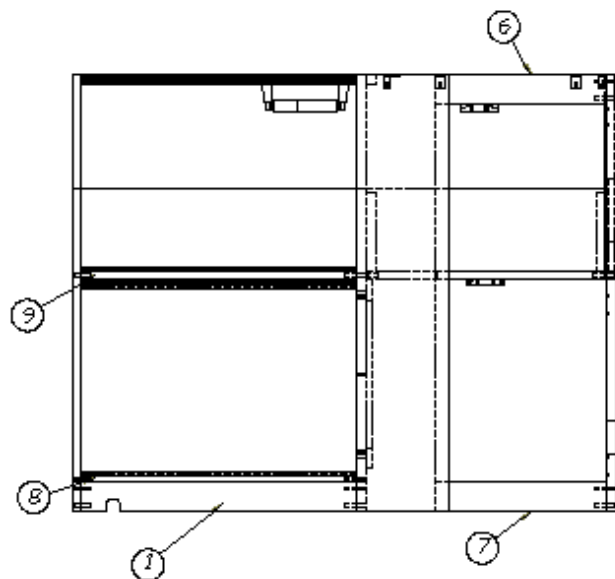
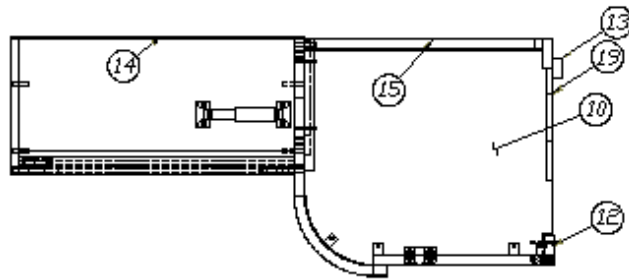
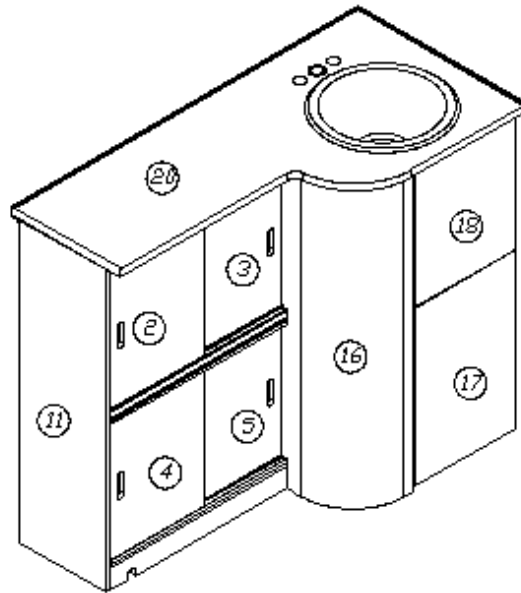
966884

Lavatory Cabinet

1. 966884-1 Panel, 20.85 x 2.25
2. 966884-02 Door, 11.25 x 14
3. 966884-03 Door, 11.25 x 14
4. 966884-04 Door, 11.25 x 14
5. 966884-05 Door, 11.25 x 14
6. 966884-6 Panel, 12.87 x 2.25
7. 966884-7 Panel, 12.87 x 2.25
8. 966884-8 Panel, 10.25 x 20.85
9. 966884-9 Panel, 10.25 x 20.85
10. 966884-10 Panel, 18.87 x 16.19
11. 966884-11 Panel, 10.25 x 33
12. 966884-12 Panel, 2.25 x 33
13. 966884-13 Panel, 2.25 x 14.87
14. 966884-14 Panel, 22.13 x 22.13
15. 966884-15I Panel, 18.12 x 6.25
16. 966893 Radius sub assembly
17. 966884-17 Door, 11.87 x 16.69
18. 966884-18 Door, 11.87 x 12.31
19. 966884-31I Panel, 7 x 8.5
20. 966885 Lavy top
- 381228-02 Catch, Grabber door (5lb Pull)
- 382029-00 Handle bar
- 382030 Pull, Recessed finger
- 115374 Sliding door track
- 381607-11 Hinge, Self-close

# 2016 INTERNATIONAL TRAVEL TRAILER FURNITURE, LAVATORY

## Lavatory Cabinet, 27FB Serenity



Parts Listed on Next Page

# 2016 INTERNATIONAL TRAVEL TRAILER FURNITURE, LAVATORY

## Lavatory Cabinet, 27FB Serenity

966884-15

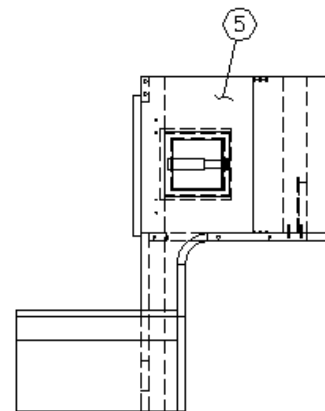
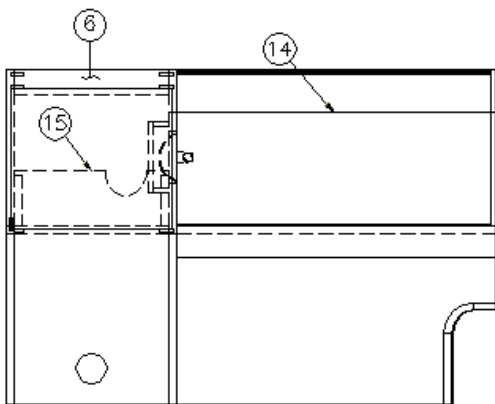
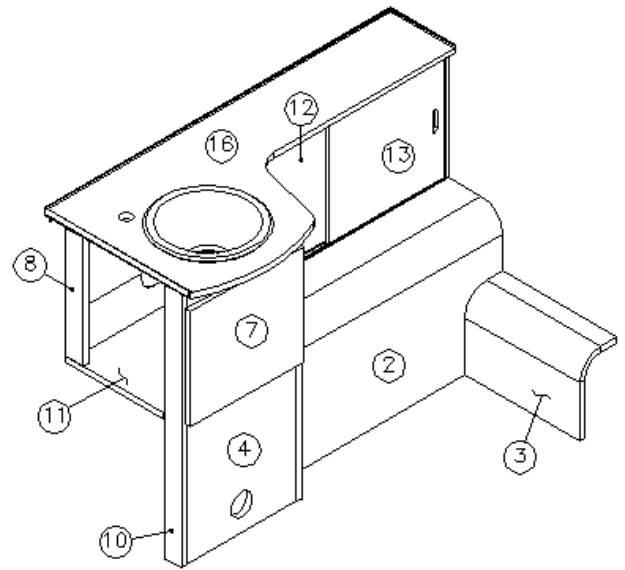
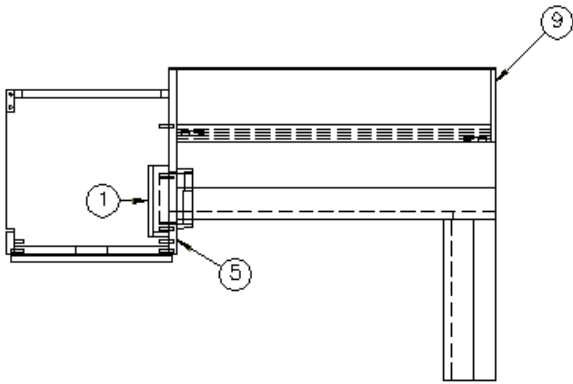
Lavatory Cabinet

1. 966884-151 Panel, 20.85 x 2.25
2. 966884-152 Door, 11.25 x 14.5
3. 966884-153 Door, 11.25 x 14.5
4. 966884-154 Door, 11.25 x 14.25
5. 966884-155 Door, 11.25 x 14.5
6. 966884-156 Panel, 12.87 x 2.25
7. 966884-157 Panel, 12.87 x 2.25
8. 966884-8 Panel, 10.25 x 20.85
9. 966884-9 Panel, 10.25 x 20.85
10. 966884-10 Panel, 18.87 x 16.19
11. 966884-11 Panel, 10.25 x 33
12. 966884-12 Panel, 2.25 x 33
13. 966884-13 Panel, 2.25 x 14.87
14. 966884-14 Panel, 22.13 x 22.13
15. 966884-1515 Panel, 18.12 x 6.25,
16. 966893-15 Radius sub assembly
17. 966884-1517 Door, 11.87 x 16.69
18. 966884-1518 Door, 11.87 x 12.31
19. 966884-31I Panel, 7 x 8.5
20. 966885-15 Lavy top
- 381228-02 Catch, Grabber door (5lb Pull)
- 382115 Pull, Flat Black
- 382030 Pull, Recessed finger
- 115374 Extrusion, Sliding door track
- 381607-11 Hinge, Self-close



# 2016 INTERNATIONAL TRAVEL TRAILER FURNITURE, LAVATORY

## Lavatory Cabinet, 28' A2GO, 28' Signature



Parts Listed on Next Page

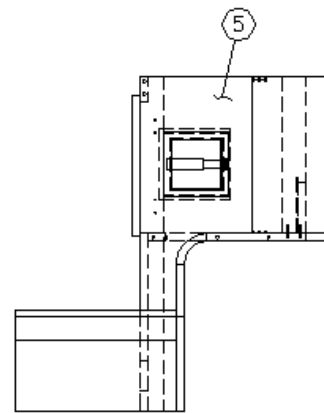
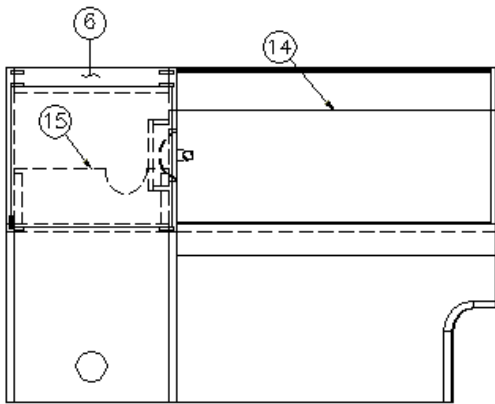
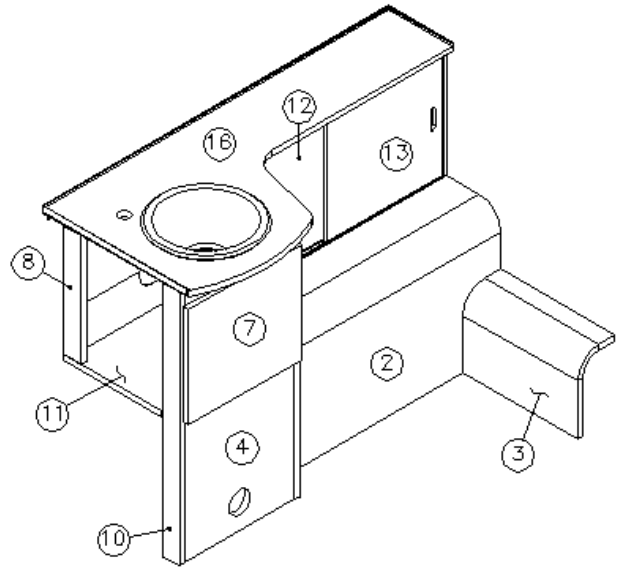
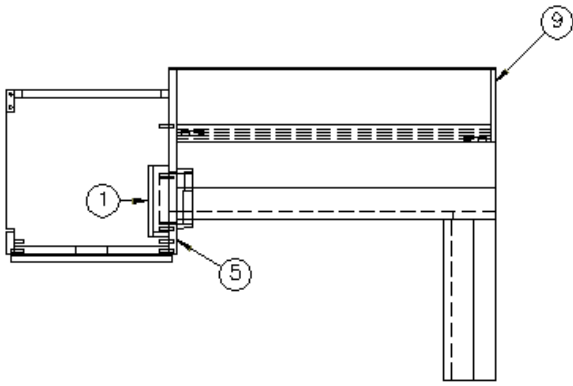
# 2016 INTERNATIONAL TRAVEL TRAILER FURNITURE, LAVATORY

## Lavatory Cabinet, 28' A2GO, 28' Signature

967394	Lavatory Cabinet
967394-23	Lavatory Cabinet, A2GO
1. 967006	Closeout, Paper holder
2. 966999	Lavy base closeout
3. 967002	Plumbing closeout
4. 967394-4	Panel, 15.25 x 17.5
5. 967394-5	Panel, 18.25 x 33
6. 967394-6	Panel, 2.25 x 15.25
7. 967394-7	Door, 15 x 13
8. 967394-8	Panel, 2.25 x 15.5
9. 967394-9	Panel, 7.25 x 15.5
10. 967394-10	Panel, 2.25 x 33
11. 967394-11	Panel, 16 x 15.5
12. 967394-12	Door, 16 x 15.13
13. 967394-13	Door, 16 x 15.13
14. 967394-14	Panel, 12 x 32.13
15. 967394-15I	Panel, 15.25 x 15.5
16. 966998	Lavy top
115374	Extrusion, Sliding door track
382030	Pull, Recessed finger
381607-11	Hinge, Self-close
381228-02	Catch, Grabber door (5lb Pull)
381299	Holder recessed toilet paper
382029-00	Handle bar
114812	Aluminum angle, 1 x 1

# 2016 INTERNATIONAL TRAVEL TRAILER FURNITURE, LAVATORY

## Lavatory Cabinet, 28' Serenity



Parts Listed on Next Page

# 2016 INTERNATIONAL TRAVEL TRAILER FURNITURE, LAVATORY

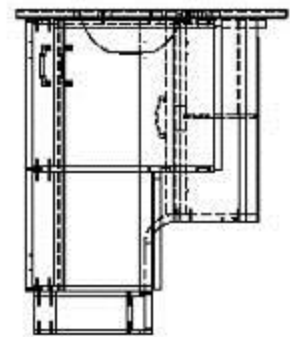
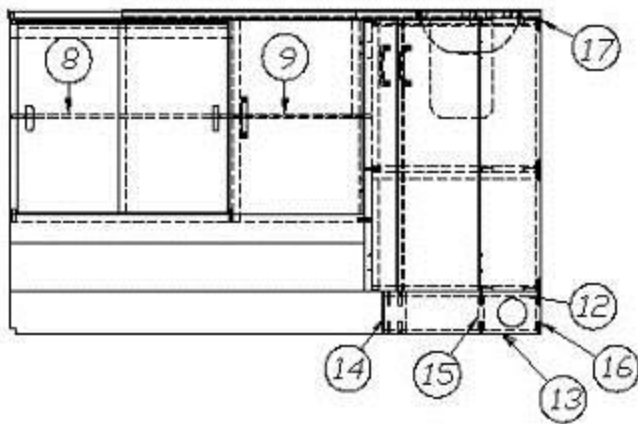
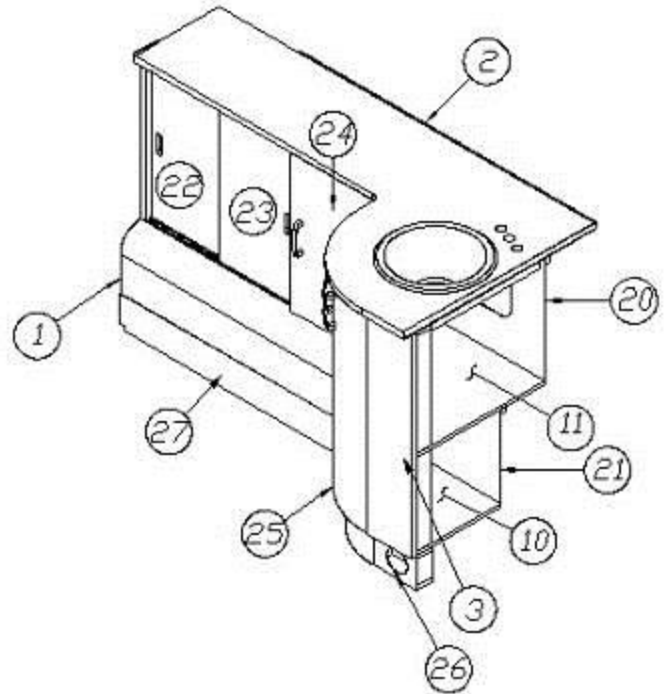
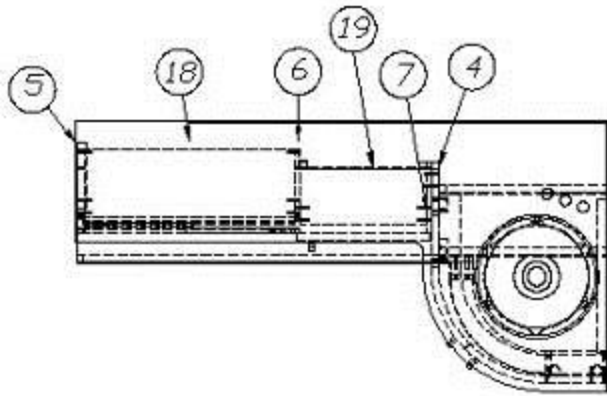
## Lavatory Cabinet, 28' Serenity

967394-15 Lavatory Cabinet

1. 967006 Closeout, Paper holder
2. 966999-15 Lavy base closeout
3. 967002-15 Plumbing closeout
4. 967394-154 Panel, 15.25 x 17.5
5. 967394-155 Panel, 18.25 x 33
6. 967394-156 Panel, 2.5 x 15.25
7. 967394-157 Door, 15.88 x 13.63
8. 967394-8 Panel, 2.5 x 15.5
9. 967394-159 Panel, 2.5 x 15.5
10. 967394-10 Panel, 2.5 x 33
11. 967394-11 Panel, 16 x 15.5
12. 967394-1512 Panel, 15.5 x 31.5
13. 967394-1513 Door, 15.88 x 13.88
14. 967394-1514 Panel, 15.25 x 5.5
15. 967394-1515 Panel, 15.25 x 15.5
16. 966998-15 Lavy top
- 115374 Extrusion, Sliding door track
- 382030 Pull, Recessed finger
- 381607-11 Hinge, Self-close
- 381228-02 Catch, Grabber door (5lb Pull)
- 381299 Holder recessed toilet paper
- 382115 Pull, Flat Black
- 114812 Aluminum angle, 1 x 1

# 2016 INTERNATIONAL TRAVEL TRAILER FURNITURE, LAVATORY

## Lavatory Cabinet, 30' Signature



Parts Listed on Next Page

# 2016 INTERNATIONAL TRAVEL TRAILER FURNITURE, LAVATORY

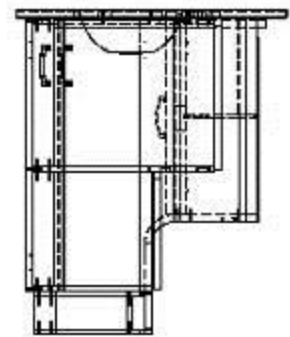
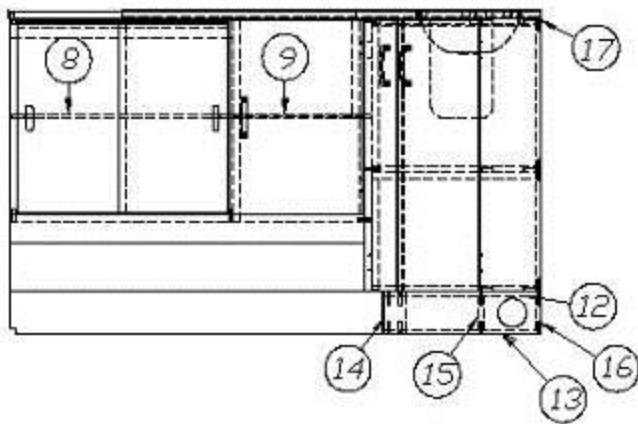
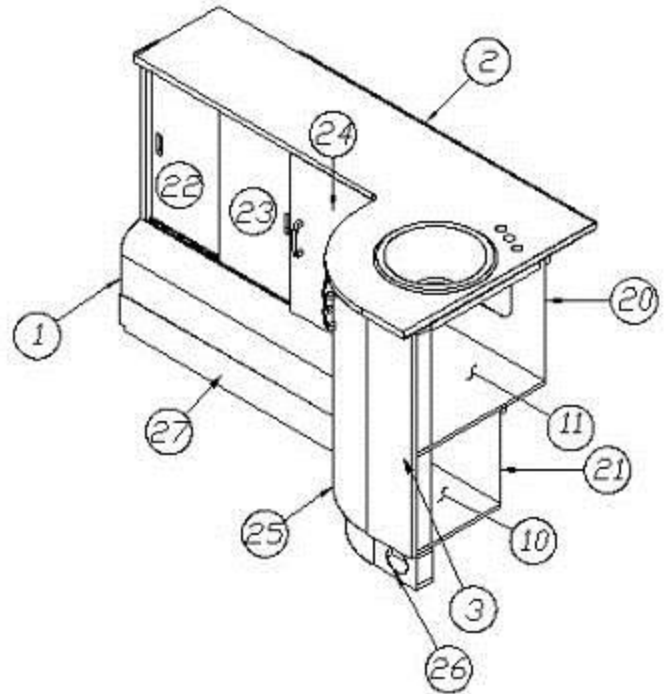
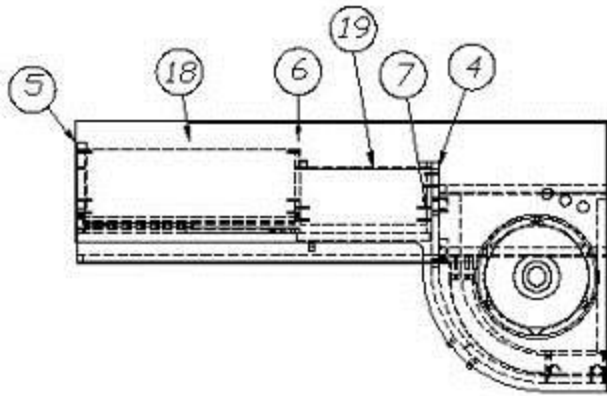
## Lavatory Cabinet, 30' Signature

967521 Lavatory Cabinet

1. 967522 Lavy base sub assembly
2. 967618 Lavy top
3. 967521-3 Panel, 6.44 x 28.5
4. 967521-4 Panel, 10.3 x 28.5
5. 967521-5 Panel, 8.75 x 20.2
6. 967521-6 Panel, 8.75 x 20.5
7. 967521-7 Panel, 7.55 x 20.5
8. 967521-8 Panel, 7.05 x 22
9. 967521-9 Panel, 5.8 x 13.25
10. 967521-10 Panel, 12.5 x 17.75
11. 967521-11 Panel, 19 x 17.75
12. 967521-12 Panel, 11.56 x 16.5
13. 967521-13 Panel, 11.56 x 16.5
14. 967521-14 Panel, 2.25 x 3.5
15. 967521-15I Panel, 2.25 x 3.5
16. 967521-16 Panel, 2.25 x 3.5
17. 967521-21 Panel, 19 x 17.75
18. 967521-22 Panel, 23.25 x 19.25
19. 967521-23 Panel, 13.75 x 11
20. 967521-24 Panel, 16 x 17.75
21. 967521-25 Panel, 17.63 x 12
22. 967521-26 Door, 11.34 x 20.13
23. 967521-27 Door, 11.34 x 20.13
24. 967521-28 Door, 13.88 x 20.25
25. 801788-0124 Door, 9.18 x 28.25, Ebony
26. 115438-03 Toe kick, 23.75"
27. 115438-04 Toe kick, 39.13"
- 381607-08 Hinge
- 382030 Pull, Recessed finger
- 382044 Handle, Brushed Nickel
- 381228-02 Catch, Grabber door, (5lb Pull)
- 115374 Extrusion, Sliding door track
- 111921 Leaf spring, Lavy door
- 704041 Pile seal weather strip

# 2016 INTERNATIONAL TRAVEL TRAILER FURNITURE, LAVATORY

## Lavatory Cabinet, 30' Serenity



Parts Listed on Next Page

## 2016 INTERNATIONAL TRAVEL TRAILER FURNITURE, LAVATORY

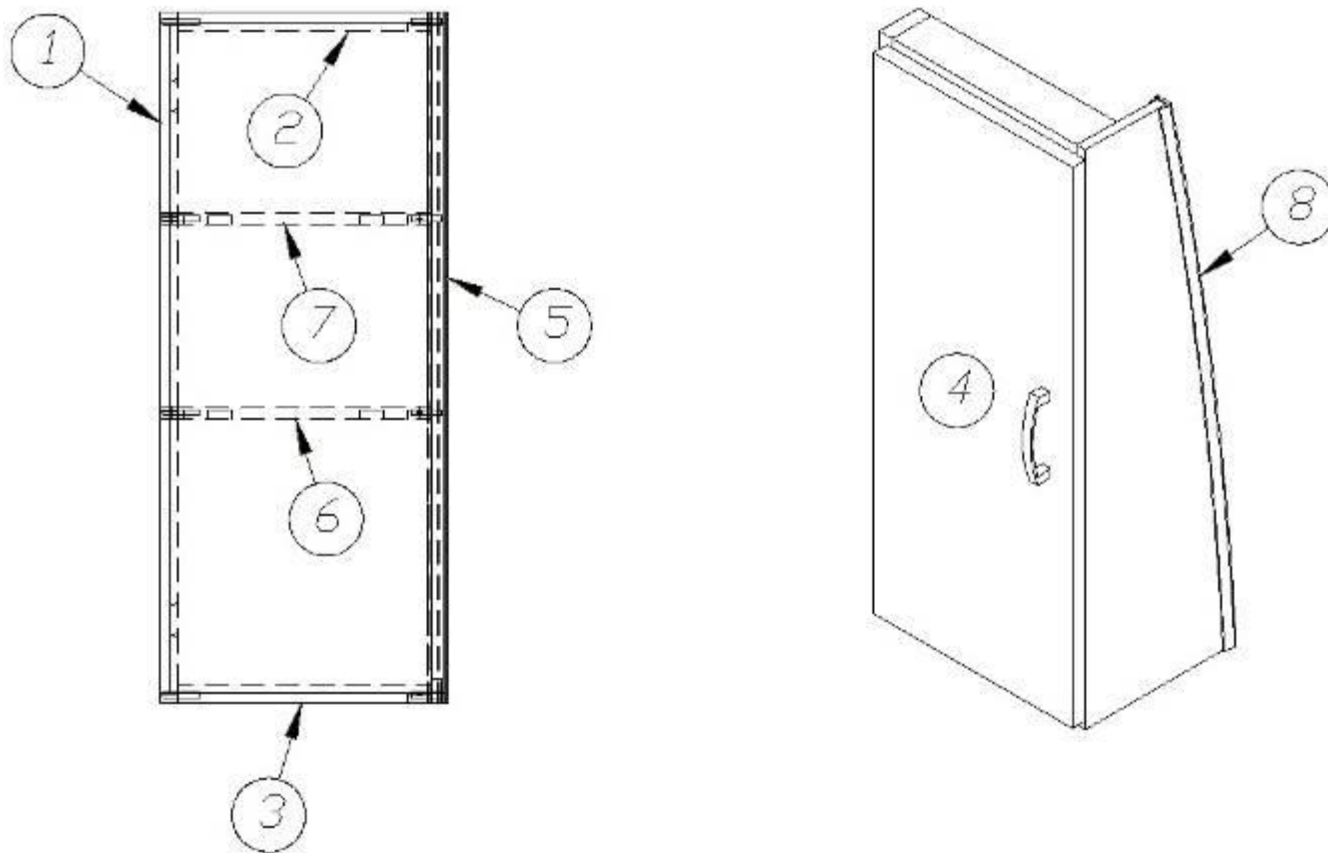
### Lavatory Cabinet, 30' Serenity

967521-15	Lavatory Cabinet
1. 967522-15	Lavy base sub assembly
2. 967618-15	Lavy top
3. 967521-153	Panel, 6.44 x 28.5
4. 967521-154	Panel, 10.3 x 28.5
5. 967521-155	Panel, 9.5 x 20.5
6. 967521-156	Panel, 9.5 x 20.5
7. 967521-7	Panel, 7.55 x 20.5
8. 967521-8	Panel, 7.5 x 22.19
9. 967521-9	Panel, 4.49 x 13.25
10. 967521-10	Panel, 12.5 x 17.75
11. 967521-11	Panel, 19 x 17.75
12. 967521-12	Panel, 11.56 x 16.5
13. 967521-13	Panel, 11.56 x 16.5
14. 967521-14	Panel, 2.25 x 3.5
15. 967521-15I	Panel, 2.25 x 3.5
16. 967521-16	Panel, 2.25 x 3.5
17. 967521-21	Panel, 19 x 17.75
18. 967521-22	Panel, 23.44 x 19.25
19. 967521-23	Panel, 13.75 x 11
20. 967521-24	Panel, 16 x 17.75
21. 967521-25	Panel, 17.75 x 12.5
22. 967521-1526	Door, 11.34 x 20.13
23. 967521-1527	Door, 11.34 x 20.13
24. 967521-1528	Door, 13.88 x 20.25
25. 801788-0118	Door, 9.18 x 28.25, Asian Sand
26. 115438-03	Toe kick, 23.75"
27. 115438-04	Toe kick, 39.13"
381607-08	Hinge
382115	Pull, Flat Black
382030	Pull, Recessed finger
381228-02	Catch, Grabber door (5lb Pull)
115374	Extrusion, Sliding door track
382057	Knockdown
382057-04	Cap, Knockdown, White
111921	Leaf spring, Lavy door
704041	Pile seal weather strip



# 2016 INTERNATIONAL TRAVEL TRAILER FURNITURE, LAVATORY

## Lavatory Cabinet, Upper, 30' Signature



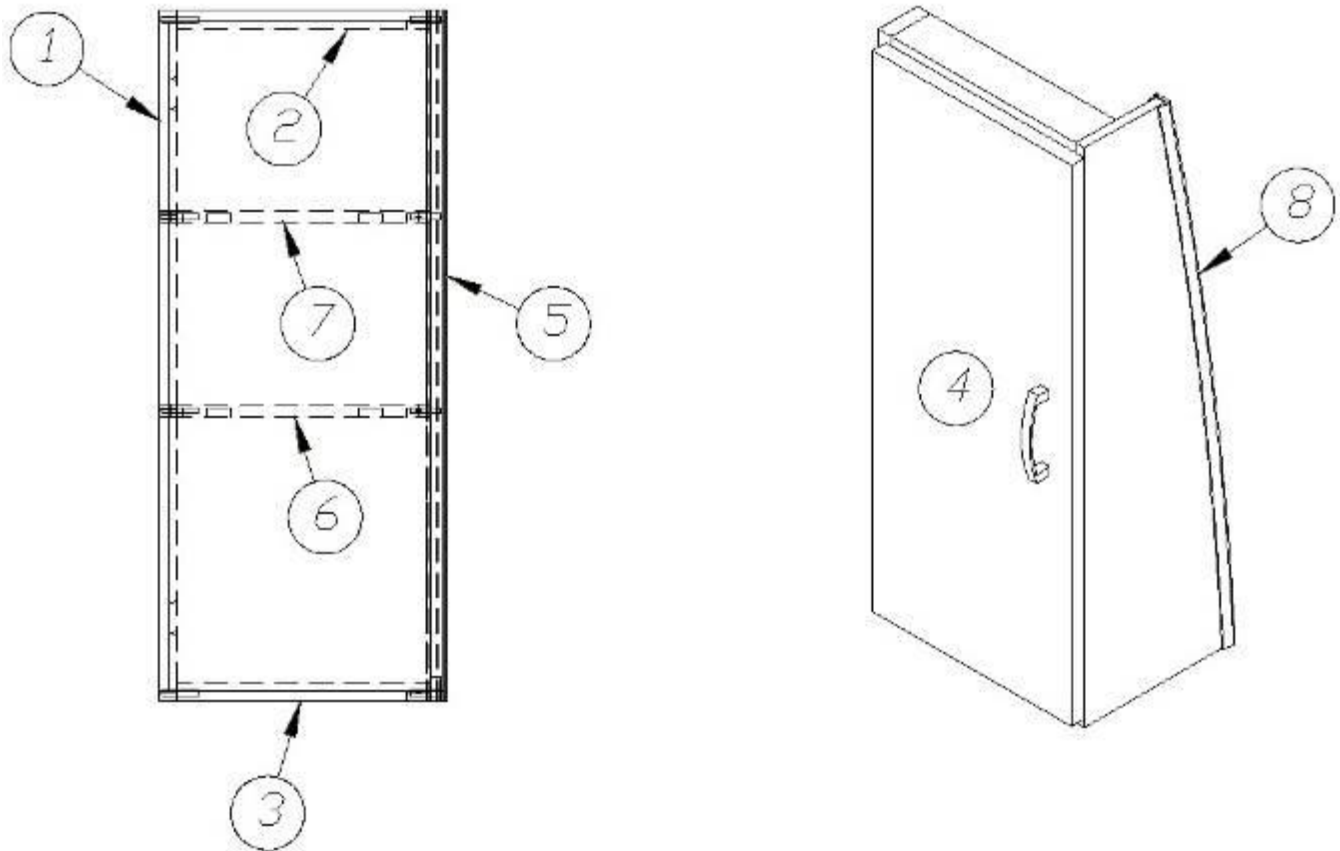
967525

Upper Lavatory Cabinet

- |              |                                |
|--------------|--------------------------------|
| 1. 967525-1  | Panel, 2.25 x 28.5             |
| 2. 967525-2  | Panel, 2.25 x 10.5             |
| 3. 967525-3  | Panel, 2.25 x 10.5             |
| 4. 967525-4  | Panel, 11.31 x 27.63           |
| 5. 967525-5  | Panel, 8.29 x 28.5             |
| 6. 967525-6  | Panel, 11.25 x 7.13            |
| 7. 967525-7  | Panel, 11.25 x 6               |
| 8. 203138-05 | Extrusion, Plastic .5", Black  |
| 967526       | Upper lavy shelf assembly      |
| 382029-00    | Handle bar                     |
| 381607-11    | Hinge, Self-close              |
| 381228-02    | Catch, Grabber door (5lb Pull) |
| 382057-04    | Cap, Knockdown, White          |

# 2016 INTERNATIONAL TRAVEL TRAILER FURNITURE, LAVATORY

## Lavatory Cabinet, Upper, 30' Serenity



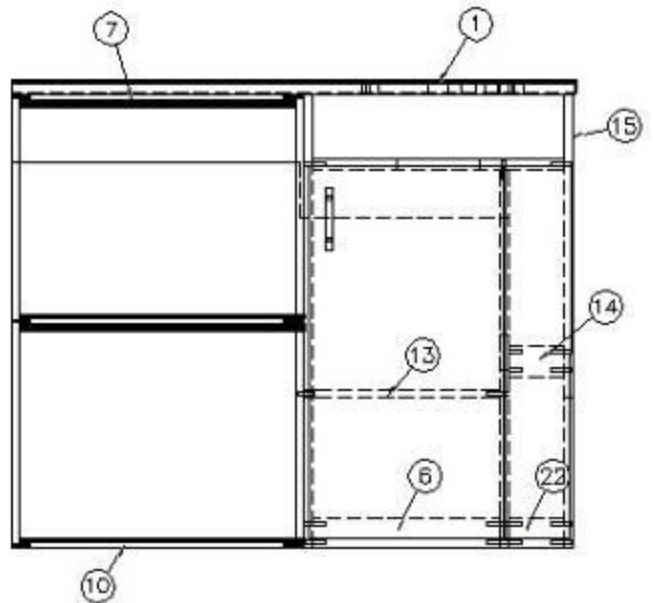
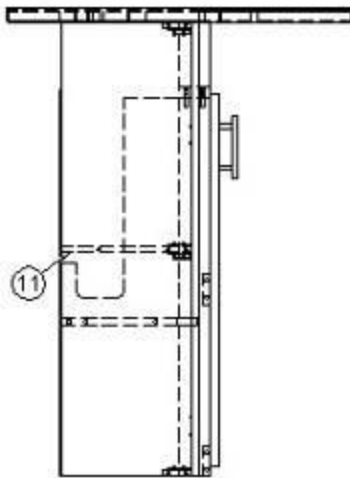
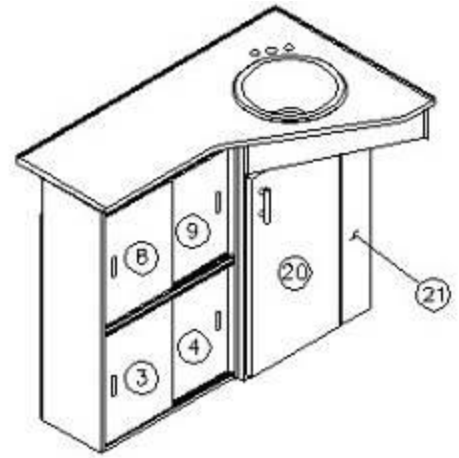
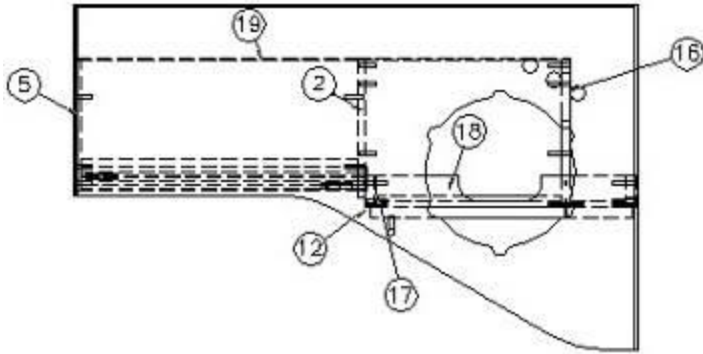
967525-15

Upper Lavatory Cabinet

- |               |                                |
|---------------|--------------------------------|
| 1. 967525-1   | Panel, 2.25 x 28.5             |
| 2. 967525-2   | Panel, 2.25 x 10.5             |
| 3. 967525-3   | Panel, 2.25 x 10.5             |
| 4. 967525-154 | Panel, 11.31 x 27.63           |
| 5. 967525-155 | Panel, 8.29 x 28.5             |
| 6. 967525-6   | Panel, 11.25 x 7.13            |
| 7. 967525-7   | Panel, 11.25 x 6               |
| 8. 203138-03  | Extrusion, Plastic .5", Beige  |
| 967526        | Upper lavy shelf assembly      |
| 382115        | Pull, Flat Black               |
| 381607-11     | Hinge, Self-close              |
| 381228-02     | Catch, Grabber door (5lb Pull) |
| 382057-04     | Cap, Knockdown, White          |

# 2016 INTERNATIONAL TRAVEL TRAILER FURNITURE, LAVATORY

## Lavatory Cabinet, 25FB Eddie Bauer



Parts Listed on Next Page

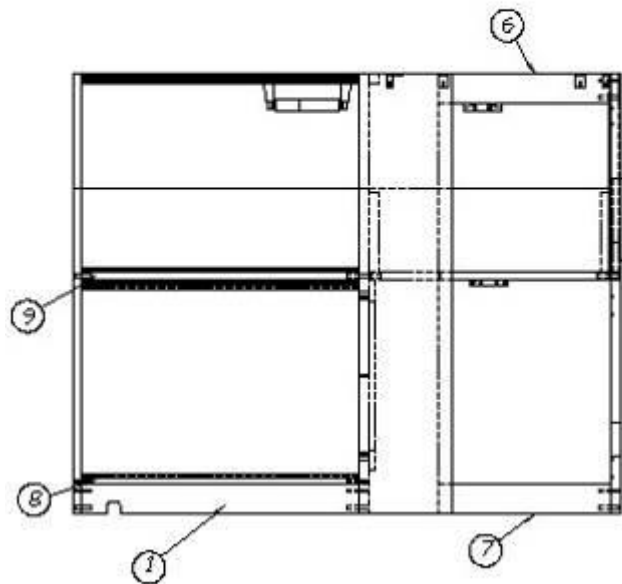
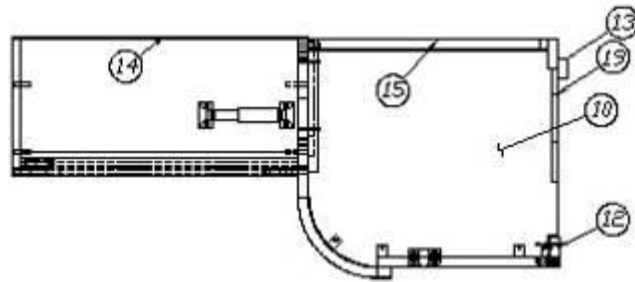
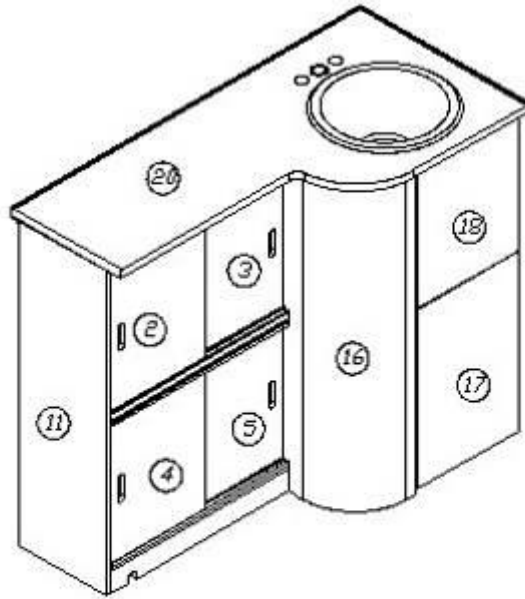
# 2016 INTERNATIONAL TRAVEL TRAILER FURNITURE, LAVATORY

## Lavatory Cabinet, 25FB Eddie Bauer

966902-19	Lavatory Cabinet
1. 966903-191	Lavatory top
2. 966902-192	Panel, 10 x 33
3. 966902-193	Panel, 10.81 x 15.38
4. 966902-194	Panel, 10.81 x 15.38
5. 966902-195	Panel, 9.5 x 33
6. 966902-196	Panel, 2.25 x 13.5
7. 966902-197	Panel, 2.25 x 20.12
8. 966902-198	Panel, 10.81 x 15.38
9. 966902-199	Panel, 10.81 x 15.38
10. 966902-1910	Panel, 2.25 x 20.12
11. 966902-1911	Panel, 9.5 x 20.13
12. 801706-0023	Corner trim, 90°, 1" radius, Maple
13. 966902-1913	Panel, 7.5 x 14.25
14. 966902-1914	Panel, 2.25 x 4.12
15. 966902-1915	Panel, 2.25 x 33
16. 966902-1916	Panel, 10.75 x 27.5
17. 966902-1917	Panel, 2.25 x 33
18. 966902-1918	Panel, 2.25 x 18.38
19. 966902-1919	Panel, 28 x 36.12
20. 966902-1923	Door, 14.13 x 27.13
21. 966902-1931	Panel, 4.75 x 27.12
22. 966902-1932	Panel, 2.25 x 3.94
382030	Pull, Recessed finger
382029-00	Handle bar
381228-02	Catch, Grabber door (5lb Pull)
115374	Sliding door track
381607-11	Hinge, Self-close

# 2016 INTERNATIONAL TRAVEL TRAILER FURNITURE, LAVATORY

## Lavatory Cabinet, 27FB Eddie Bauer



Parts Listed on Next Page

# 2016 INTERNATIONAL TRAVEL TRAILER FURNITURE, LAVATORY

## Lavatory Cabinet, 27FB Eddie Bauer

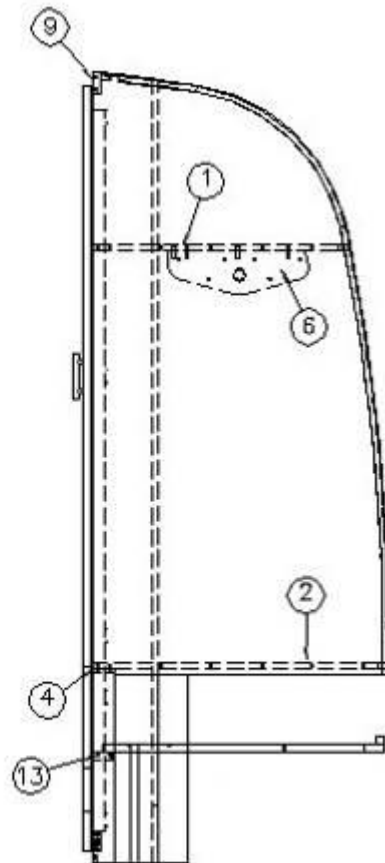
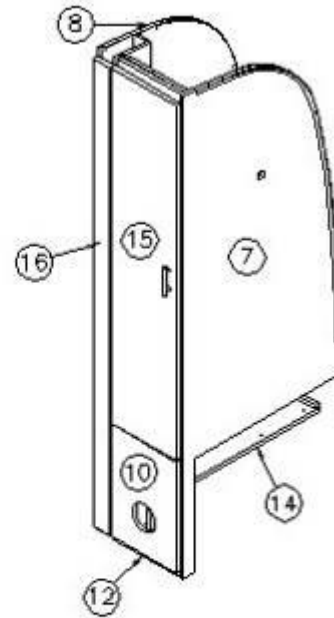
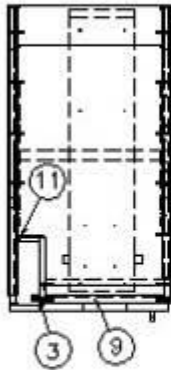
966884-19

Lavatory Cabinet

1. 966884-191 Panel, 20.85 x 2.25
2. 966884-192 Door, 11.25 x 14.5
3. 966884-193 Door, 11.25 x 14.5
4. 966884-194 Door, 11.25 x 14.25
5. 966884-195 Door, 11.25 x 14.5
6. 966884-196 Panel, 12.87 x 2.25
7. 966884-197 Panel, 12.87 x 2.25
8. 966884-8 Panel, 10.25 x 20.85
9. 966884-9 Panel, 10.25 x 20.85
10. 966884-10 Panel, 18.87 x 16.19
11. 966884-11 Panel, 10.25 x 33
12. 966884-12 Panel, 2.25 x 33
13. 966884-13 Panel, 2.25 x 14.87
14. 966884-1914 Panel, 22.13 x 22.13
15. 966884-1915 Panel, 18.12 x 6.25
16. 966893-19 Lavy radius sub assembly
17. 966884-1917 Door, 11.87 x 16.69
18. 966884-1918 Door, 11.87 x 12.31
19. 966884-1931 Panel, 7 x 8.5
20. 966885-19 Lavy top
- 381228-02 Catch, Grabber door (5lb Pull)
- 381865 Pull, Brush Nickel
- 382030 Pull, Recessed finger
- 115374 Extrusion, Sliding door track
- 381607-11 Hinge, Self-close

# 2016 INTERNATIONAL TRAVEL TRAILER FURNITURE, LAVATORY

## Wardrobe, 25' Signature



Parts Listed on Next Page

# 2016 INTERNATIONAL TRAVEL TRAILER FURNITURE, LAVATORY

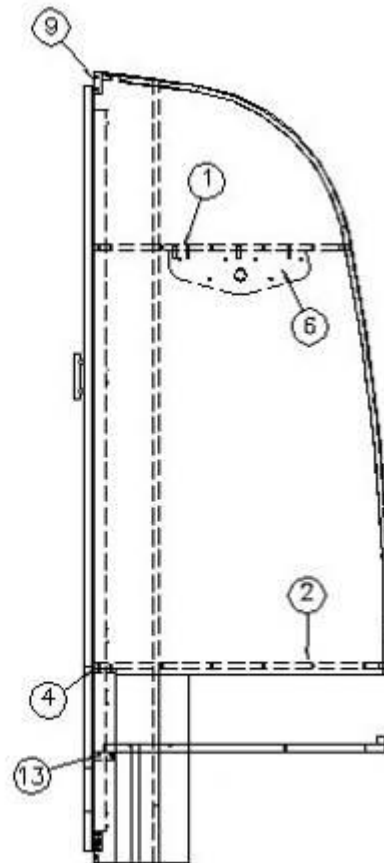
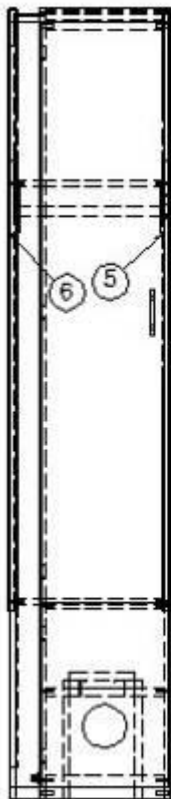
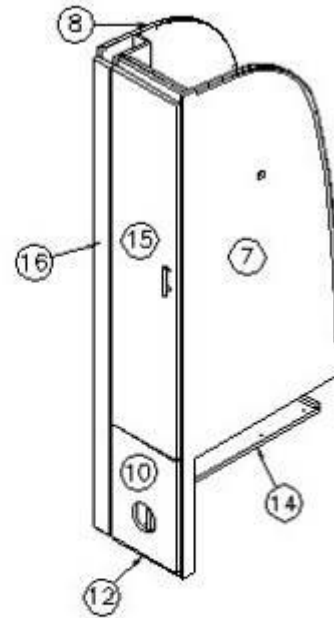
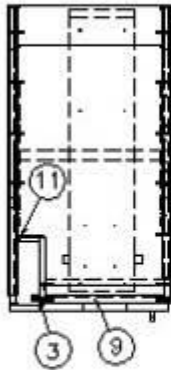
## Wardrobe, 25' Signature

967738	Wardrobe
1. 967738-1	Panel, 14.88 x 25.72
2. 967738-2	Panel, 14.88 x 29.56
3. 967738-3	Panel, 6.5 x 78.74
4. 967738-4	Panel, 2.25 x 11.94
5. 967738-5	Panel, 4.49 x 14
6. 967738-6	Panel, 4.49 x 14
7. 967738-7	Panel, 29.44 x 78.74
8. 967738-8	Panel, 29.44 x 78.74
9. 967738-9	Panel, 2.25 x 11.94
10. 967738-10	Panel, 12.56 x 18.25
11. 967738-11	Panel, 2.44 x 788
12. 967738-12	Panel, 2.25 x 11.94
13. 967738-13	Panel, 2.25 x 11.94
14. 967738-14	Panel, 6.44 x 27
15. 967738-15I	Door, 12.56 x 57.81
16. 967738-16	Door, 36 x 76.19
382029-05	Handle bar
381607-11	Hinge, Self-close
203445	Extrusion, Plastic, .5", Black
104821	Support, Roof locker
381847	Piano hinge, Angle
381074	Bulldog latch
381228-02	Catch, Grabber door (5lb Pull)
380045	Tubing, .75", Elec. Metallic
200975-04	Conduit, Flexible Black plastic



# 2016 INTERNATIONAL TRAVEL TRAILER FURNITURE, LAVATORY

## Wardrobe, 25' Serenity



Parts Listed on Next Page

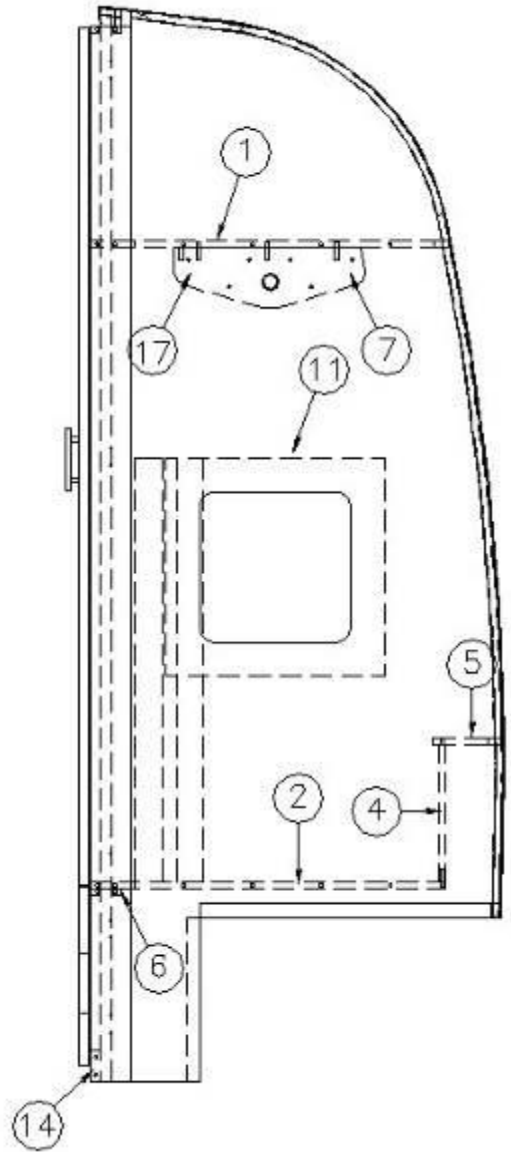
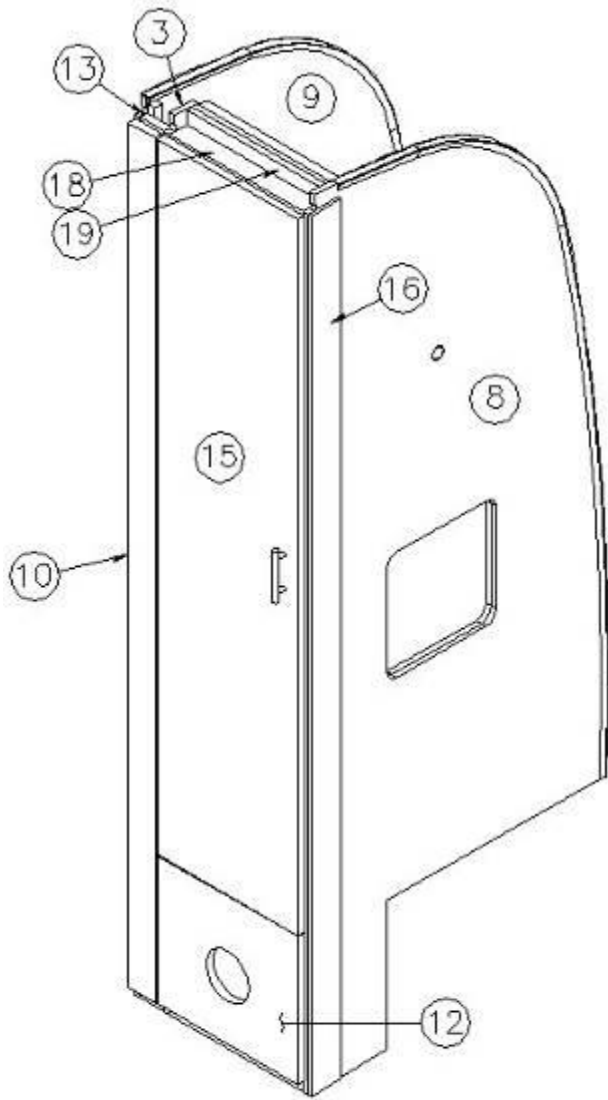
# 2016 INTERNATIONAL TRAVEL TRAILER FURNITURE, LAVATORY

## Wardrobe, 25' Serenity

967738-15	Wardrobe
1. 967738-1	Panel, 14.88 x 25.72
2. 967738-2	Panel, 14.88 x 29.56
3. 967738-3	Panel, 6.5 x 78.74
4. 967738-4	Panel, 2.25 x 11.94
5. 967738-5	Panel, 4.49 x 14
6. 967738-6	Panel, 4.49 x 14
7. 967738-7	Panel, 29.44 x 78.74
8. 967738-158	Panel, 29.44 x 78.74
9. 967738-159	Panel, 2.25 x 11.94
10. 967738-1510	Panel, 12.56 x 18.25
11. 967738-11	Panel, 2.44 x 788
12. 967738-1512	Panel, 2.25 x 11.94
13. 967738-13	Panel, 2.25 x 11.94
14. 967738-14	Panel, 6.44 x 27
15. 967738-1515	Panel, 12.56 x 57.81
16. 967738-1516	Panel, 36 x 76.19
382029-05	Handle Bar
381607-11	Hinge, Self-close
381228-02	Catch, Grabber door (5lb Pull)
203138-03	Extrusion, Plastic, Beige
104821	Support, Roof locker
381847	Piano hinge, Angle
381074	Bulldog latch
380045	Tubing, .75", Elec. Metallic
200975-04	Conduit, Flexible Black plastic
966883-15	Closeout Wardrobe

# 2016 INTERNATIONAL TRAVEL TRAILER FURNITURE, LAVATORY

## Wardrobe, 25FB Signature



Parts Listed on Next Page

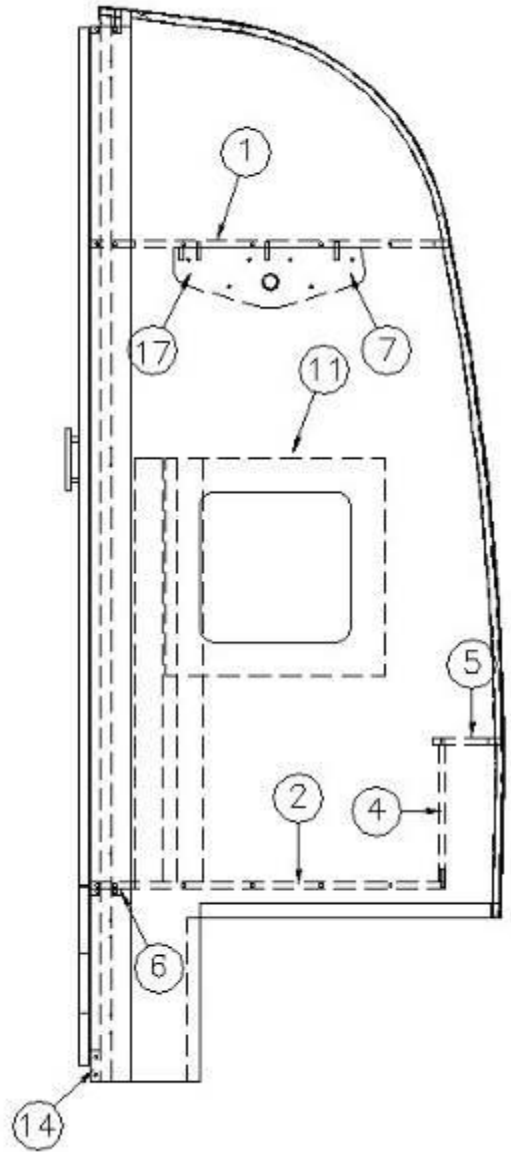
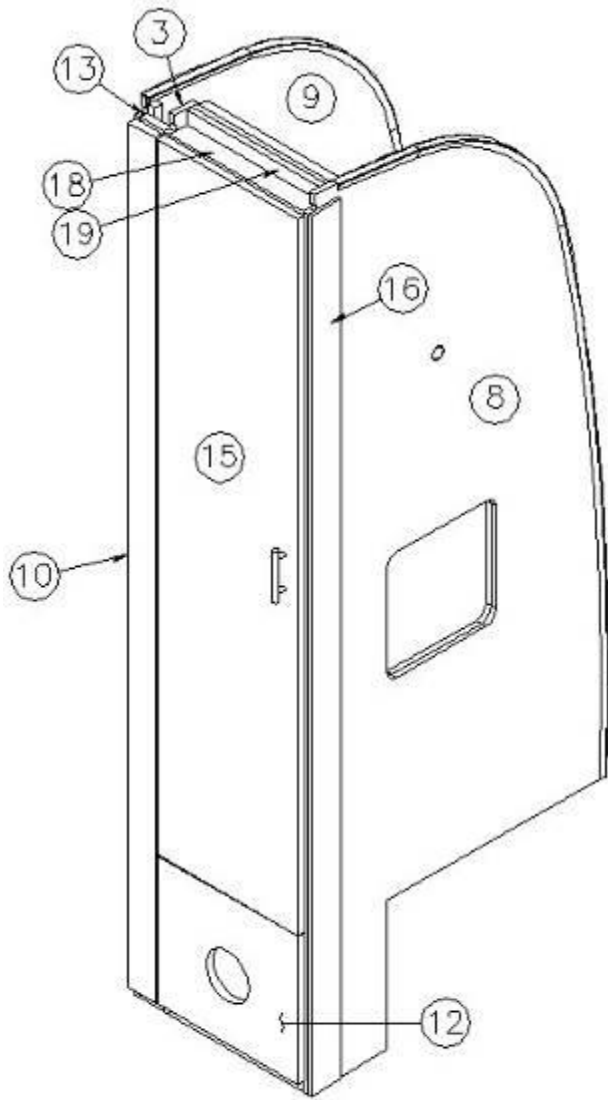
# 2016 INTERNATIONAL TRAVEL TRAILER FURNITURE, LAVATORY

## Wardrobe, 25FB Signature

966905	Wardrobe
1. 966905-1	Panel, 16.56 x 26.5
2. 966905-2	Panel, 16.56 x 26
3. 966905-3	Panel, 3 x 78.88
4. 966905-4	Panel, 10 x 16.56
5. 966905-5	Panel, 5.25 x 16.56
6. 966905-6	Panel, 2.5 x 13.63
7. 966905-7	Panel, 4.5 x 14
8. 966905-8	Panel, 30.09 x 78.88
9. 966905-9	Panel 30.09 x 78.88
10. 966905-10	Panel, 2.69 x 75.88
11. 966883	Wardrobe closeout
12. 966905-12	Panel, 14.25 x 13
13. 966905-13	Panel, 2.44 x 78.88
14. 966905-14	Panel, 2.5 x 13.63
15. 966905-15I	Door, 14.25 x 62.75
16. 966905-16	Panel, 3 x 77.25
17. 966905-30	Panel, 4.5 x 14
18. 966905-31	Panel, 13.625 x 2.25
19. 966905-32	Panel, 13.625 x 1.25
203138-05	Extrusion, Plastic ½", Black
382029-03	Handle bar
381228-02	Catch, Grabber door (5lb Pull)
381607-11	Hinge, Self-close
380045	Tubing, .75", Metal
200975-04	Conduit, Flexible Black plastic
380046	Flange, Chrome
104821	Support, Roof locker

# 2016 INTERNATIONAL TRAVEL TRAILER FURNITURE, LAVATORY

## Wardrobe, 25FB Serenity



Parts Listed on Next Page

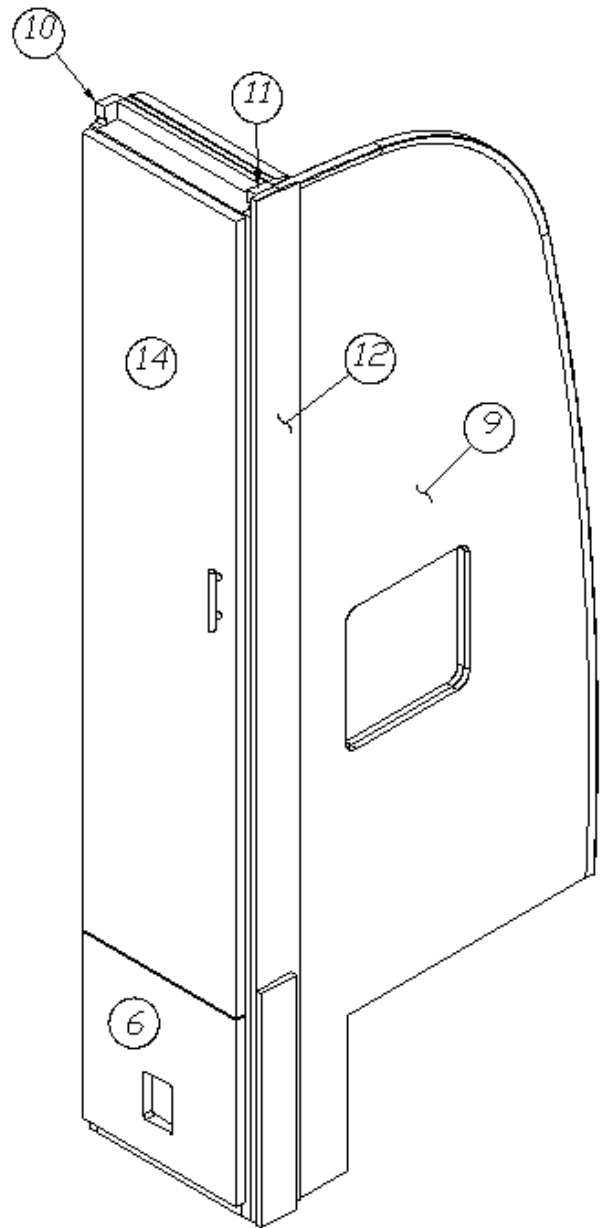
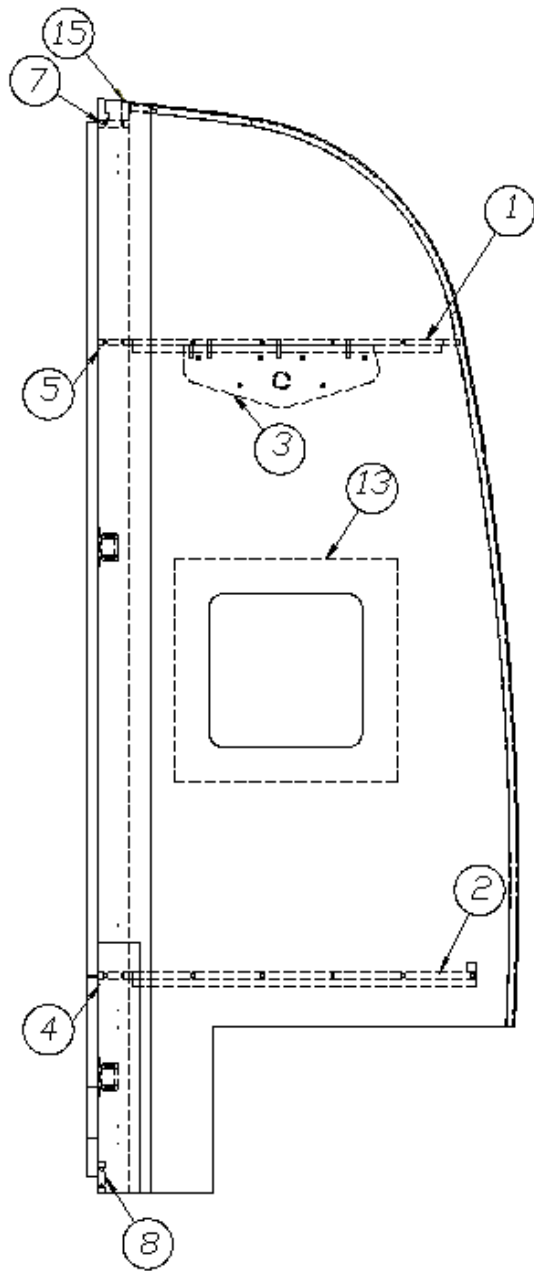
# 2016 INTERNATIONAL TRAVEL TRAILER FURNITURE, LAVATORY

## Wardrobe, 25FB Serenity

966905-15	Wardrobe
1. 966905-1	Panel, 16.56 x 26.5
2. 966905-2	Panel, 16.56 x 26
3. 966905-3	Panel, 3 x 78.88
4. 966905-4	Panel, 10 x 16.56
5. 966905-5	Panel, 5.25 x 16.56
6. 966905-6	Panel, 2.25 x 13.63
7. 966905-7	Panel, 4.5 x 14
8. 966905-8	Panel, 30.09 x 78.88
9. 966905-9	Panel 30.09 x 78.88
10. 966905-1510	Panel, 2.69 x 76.19
11. 966883	Wardrobe closeout
12. 966905-1512	Panel, 14.25 x 13
13. 966905-1513	Panel, 2.44 x 78.88
14. 966905-1514	Panel, 2.5 x 13.63
15. 966905-1515	Door, 14.25 x 636
16. 966905-1516	Panel, 3 x 77.25
17. 966905-30	Panel, 4.5 x 14
18. 966905-1531	Panel, 13.625 x 2.25
19. 966905-1532	Panel, 13.625 x 1.25
382115	Pull, Flat Black
381228-02	Catch, Grabber door (5lb Pull)
381607-11	Hinge, Self-close
203138-03	Extrusion, Plastic, Beige
380045	Tubing, .75", Metal
200975-04	Conduit, Black plastic
380046	Flange, Chrome
104821	Support, Roof locker

# 2016 INTERNATIONAL TRAVEL TRAILER FURNITURE, LAVATORY

## Wardrobe, Forward, 27FB Signature



Parts Listed on Next Page

# 2016 INTERNATIONAL TRAVEL TRAILER FURNITURE, LAVATORY

## Wardrobe, Forward, 27FB Signature

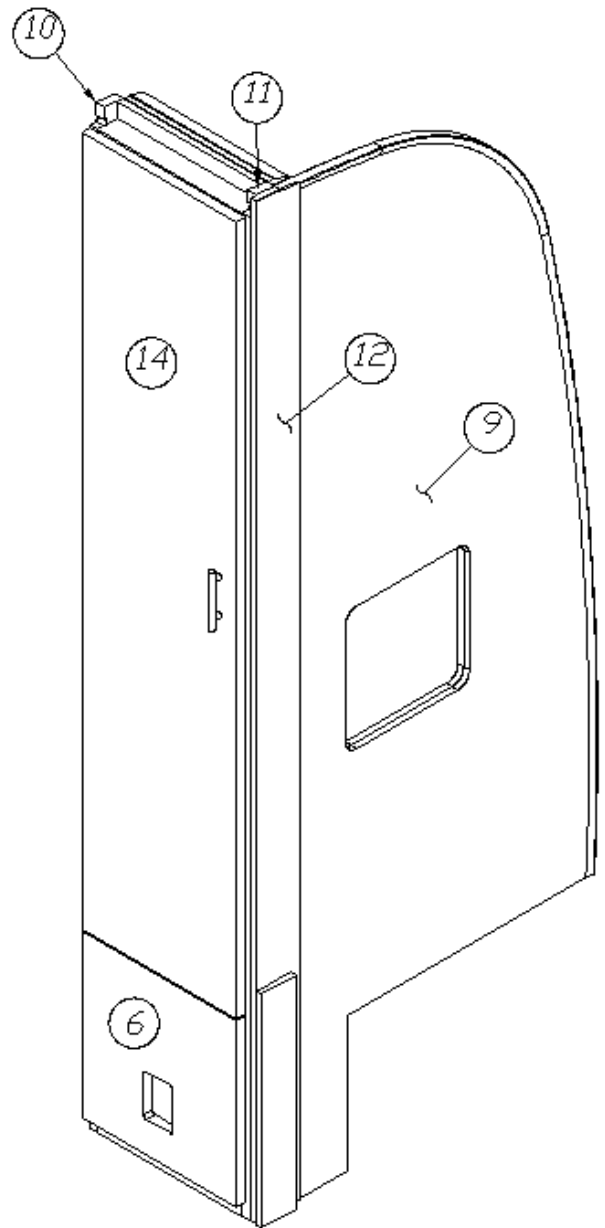
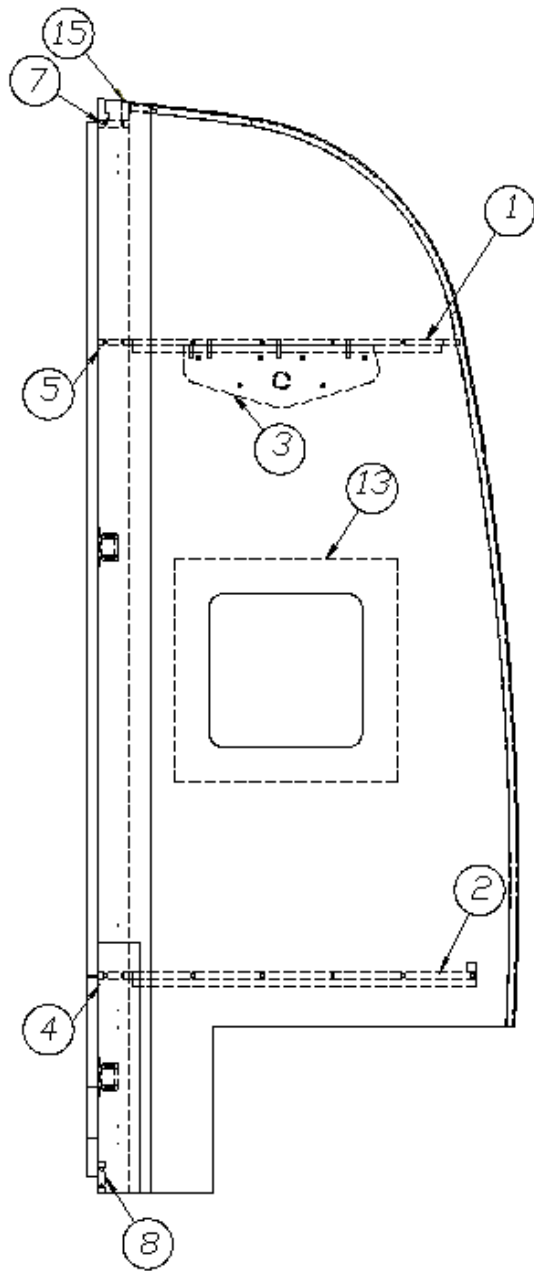
966880 Forward Wardrobe

1. 966880-1 Panel, 26 x 14.25
  2. 966880-2 Panel, 27.25 x 14.25
  3. 966880-3 Panel, 14 x 7
  4. 966880-4 Panel, 2.25 x 24.75
  5. 966880-5 Panel, 2.25 x 22.25
  6. 966880-6 Door, 13.75 x 14.38
  7. 966880-7 Panel, 12.75 x 2.25
  8. 966880-8 Panel, 12.75 x 2.25
  9. 966880-9 Panel, 30.11 x 78.74
  10. 966880-10 Panel, 78.74 x 2.25
  11. 966880-11 Panel, 78.74 x 2.25
  12. 966880-12 Panel, 78.54 x 3.81
  13. 966883 Wardrobe closeout
  14. 966880-14 Door, 13.75 x 61.38
  15. 966880-26 Panel, 1.25 x 12.75
- 382029-03 Handle bar
- 381228-02 Catch, Grabber door (5lb Pull)
- 104821 Support, Roof locker
- 203138-05 Extrusion, Plastic .5", Black
- 381607-11 Hinge, Self-close
- 365364-01 Edgebanding, .63", Ebony
- 365364-02 Edgebanding, .94", Ebony



# 2016 INTERNATIONAL TRAVEL TRAILER FURNITURE, LAVATORY

## Wardrobe, Forward, 27FB Serenity



Parts Listed on Next Page

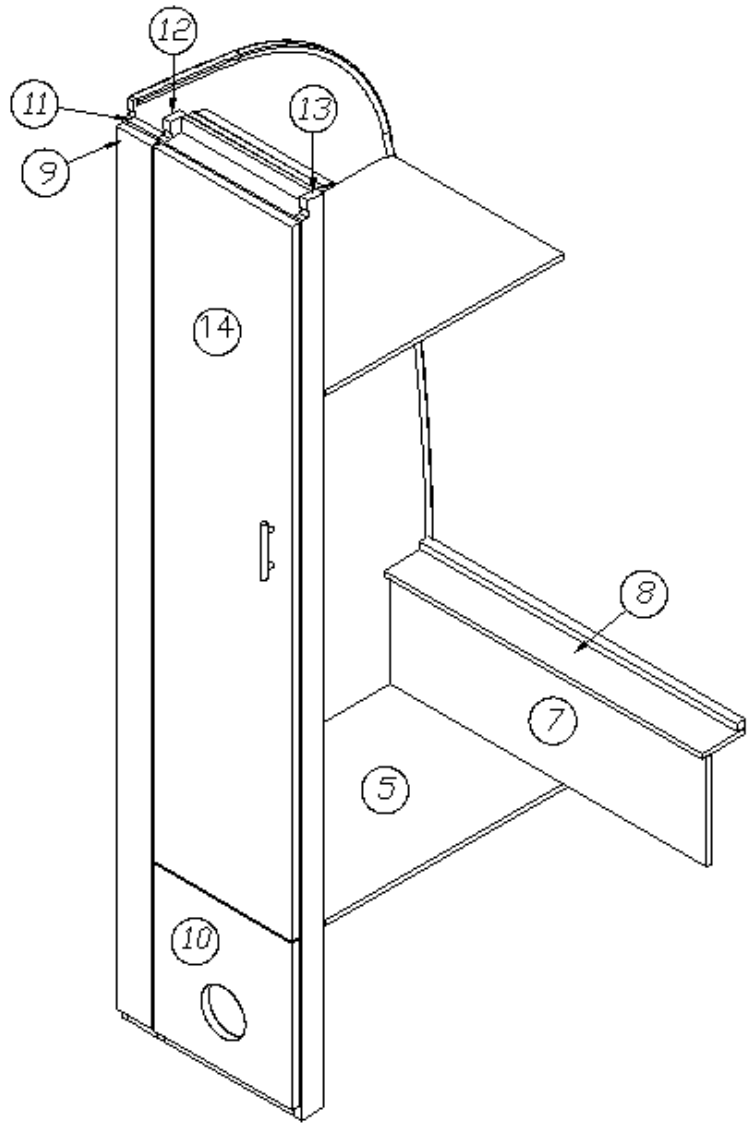
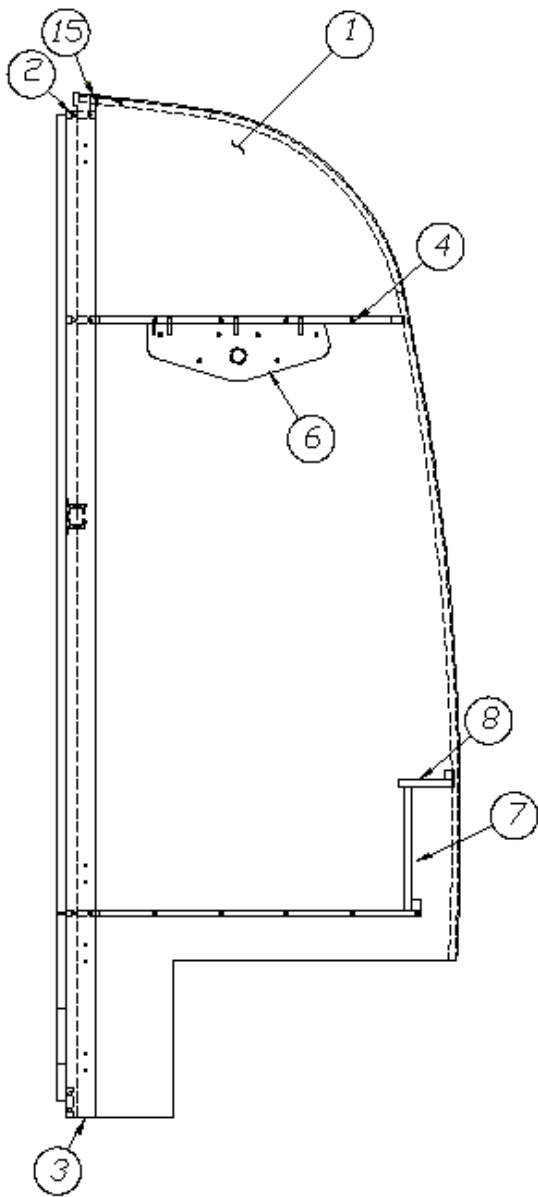
# 2016 INTERNATIONAL TRAVEL TRAILER FURNITURE, LAVATORY

## Wardrobe, Forward, 27FB Serenity

966880-15	Forward Wardrobe
1. 966880-1	Panel, 26 x 14.25
2. 966880-2	Panel, 27.25 x 14.25
3. 966880-3	Panel, 14 x 7
4. 966880-4	Panel, 2.25 x 24.75
5. 966880-5	Panel, 2.25 x 22.25
6. 966880-156	Door, 13.75 x 14.38
7. 966880-157	Panel, 12.75 x 2.25
8. 966880-158	Panel, 12.75 x 2.25
9. 966880-9	Panel, 30.11 x 78.74
10. 966880-10	Panel, 78.74 x 2.25
11. 966880-11	Panel, 78.74 x 2.25
12. 966880-1512	Panel, 78.54 x 3.81
13. 966883-15	Wardrobe closeout
14. 966880-1514	Door, 13.75 x 61.38
15. 966880-26	Panel, 1.25 x 12.75
382115	Pull, Flat Black
381228-02	Catch, Grabber door (5lb Pull)
104821	Support, Roof locker
203138-03	Extrusion, Plastic, Beige
365340-01	Edgebanding .63", Frosty White
365344-01	Edgebanding, .63", Pearl Bisque
365344-02	Edgebanding, .94", Pearl Bisque
381607-11	Hinge, Self-close

# 2016 INTERNATIONAL TRAVEL TRAILER FURNITURE, LAVATORY

## Wardrobe, Aft, 27FB Signature



Parts Listed on Next Page

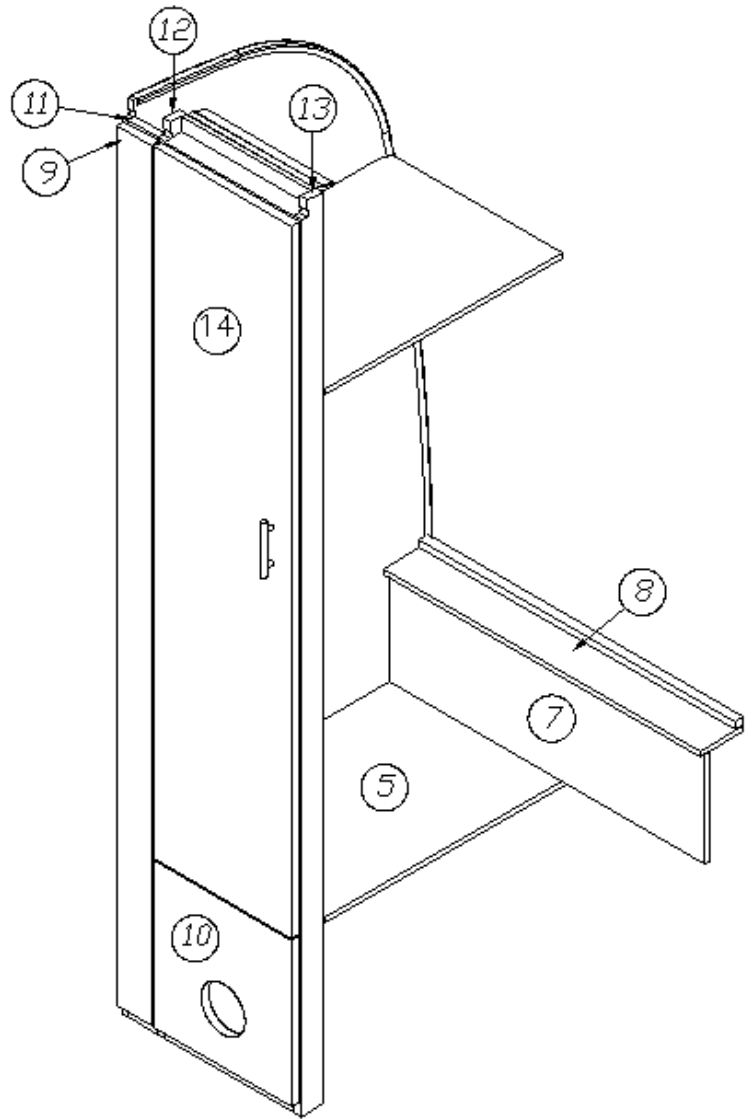
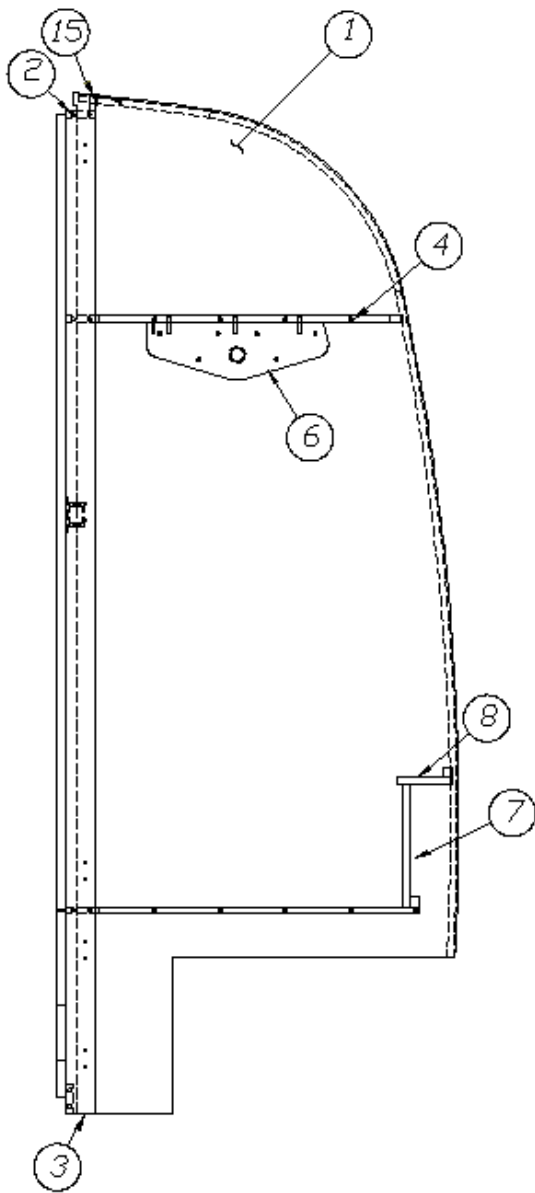
# 2016 INTERNATIONAL TRAVEL TRAILER FURNITURE, LAVATORY

## Wardrobe, Aft, 27FB Signature

966881	Aft Wardrobe
1. 966881-1	Panel, 30.11 x 78.69
2. 966881-2	Panel, 12.75 x 2.25
3. 966881-3	Panel, 12.75 x 2.25
4. 966881-4	Panel, 26 x 17.19
5. 966881-5	Panel, 27.25 x 17.19
6. 966881-6	Panel, 14 x 7
7. 966881-7	Panel, 9.5 x 31.44
8. 966881-8	Panel, 4.31 x 31.44
9. 966881-9	Panel, 3.44 x 75.87
10. 966881-10	Panel, 13.75 x 14.38
11. 966881-11	Panel, 2.94 x 77.25
12. 966881-12	Panel, 78.69 x 2.25
13. 966881-13	Panel, 78.69 x 2.25
14. 966881-14	Door, 13.75 x 61.38
15. 966881-28	Panel, 1.25 x 12.75
382029-03	Handle bar
381228-02	Catch, Grabber door (5lb Pull)
104821	Support, Roof locker
203138-05	Extrusion, Plastic .5", Black
381607-11	Hinge, Self-close
380045	Tubing, 3/4"
200975-04	Conduit, Flexible Black plastic
365364-01	Edgebanding, .63", Ebony
365364-02	Edgebanding, .94", Ebony

# 2016 INTERNATIONAL TRAVEL TRAILER FURNITURE, LAVATORY

## Wardrobe, Aft, 27FB Serenity



Parts Listed on Next Page

# 2016 INTERNATIONAL TRAVEL TRAILER FURNITURE, LAVATORY

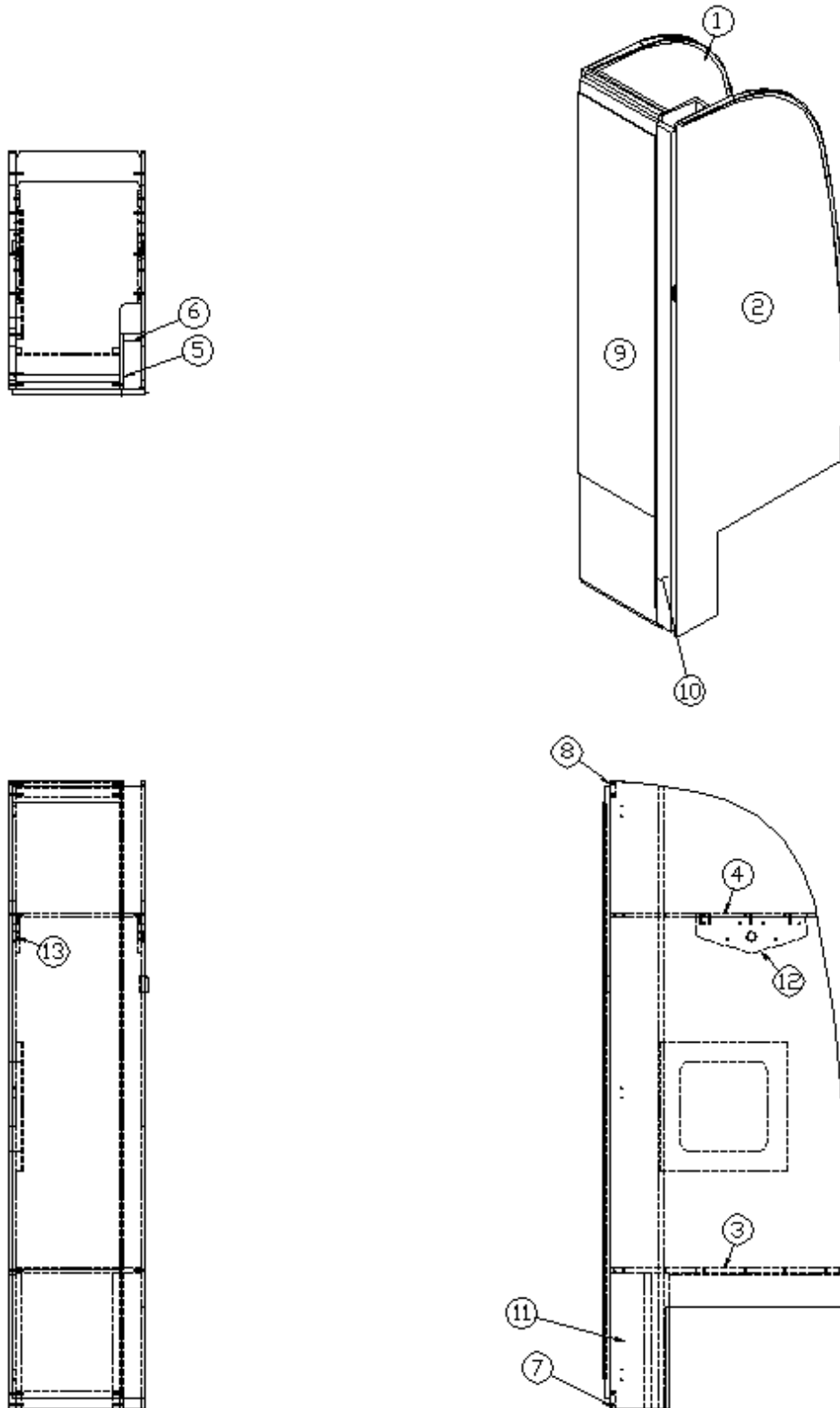
## Wardrobe, Aft, 27FB Serenity

966881-15                      Aft Wardrobe

1. 966881-1	Panel, 78.69 x 30.11
2. 966881-152	Panel, 12.75 x 2.25
3. 966881-153	Panel, 12.75 x 2.25
4. 966881-4	Panel, 26 x 17.19
5. 966881-5	Panel, 27.25 x 17.19
6. 966881-6	Panel, 14 x 7
7. 966881-7	Panel, 9.5 x 31.44
8. 966881-8	Panel, 4.31 x 31.44
9. 966881-159	Panel, 3.44 x 75.87
10. 966881-1510	Panel, 13.75 x 14.38
11. 966881-1511	Panel, 2.94 x 77.25
12. 966881-12	Panel, 78.69 x 2.25
13. 966881-13	Panel, 78.69 x 2.25
14. 966881-1514	Door, 13.75 x 61.38
15. 966881-1528	Panel, 1.25 x 12.75
382115	Pull, Flat Black
381228-02	Catch, Grabber door (5lb Pull)
104821	Support, Roof locker
203138-03	Extrusion, Plastic, Beige
381607-11	Hinge, Self-close
380045	Tubing, 3/4"
200975-04	Conduit, Flexible Black plastic
365344-02	Edgebanding, .94", Pearl Bisque
365344-01	Edgebanding, .63", Pearl Bisque

# 2016 INTERNATIONAL TRAVEL TRAILER FURNITURE, LAVATORY

Wardrobe, Roadside, 28' Signature



Parts Listed on Next Page

# 2016 INTERNATIONAL TRAVEL TRAILER FURNITURE, LAVATORY

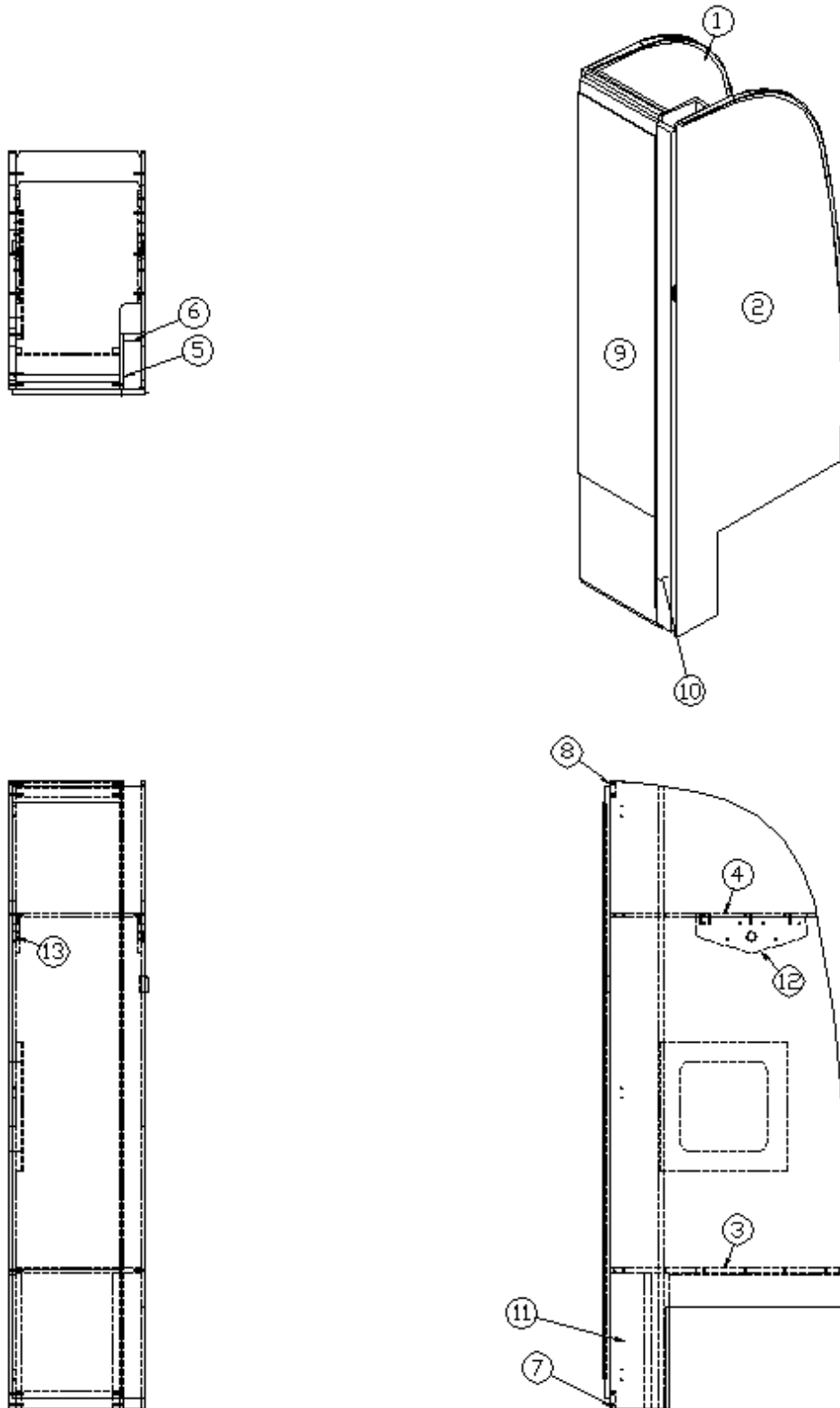
## Wardrobe, Roadside, 28' Signature

966969	Roadside Wardrobe
1. 966969-1	Panel, 29.85 x 78.59
2. 966969-2	Panel, 29.58 x 78.59
3. 966969-3	Panel, 29.63 x 15.81
4. 966969-4	Panel, 25.79 x 15.81
5. 966969-5	Panel, 6.75 x 78.55
6. 966969-6	Panel, 2.31 x 77.89
7. 966969-7	Panel, 2.25 x 13
8. 966969-8	Panel, 2.25 x 13
9. 966969-9	Door, 13.62 x 76.56
10. 966969-10	Door, 2.77 x 76.56
11. 966969-11	Panel, 17 x 13
12. 966969-27	Panel, 14 x 4.5
13. 966969-28	Panel, 14 x 4.5
372203-26	Mirror, 13.62 x 58.5
380203-01	Piano Hinge, 1/8" Pin
381228-02	Catch, Grabber door (5lb Pull)
380046	Flange, Chrome
380045	Tubing, 3/4", Metallic
200975-04	Conduit, Flexible Black plastic
381607-11	Hinge, Self-close
966883	Wardrobe closeout
104821	Support, Roof locker
203464	Trim panel, Black, 3/4"
203138-05	Extrusion, 1/2", Black
381220-01	Mirror clip
381220-02	Mirror clip



# 2016 INTERNATIONAL TRAVEL TRAILER FURNITURE, LAVATORY

Wardrobe, Roadside, 28' Serenity



Parts Listed on Next Page

# 2016 INTERNATIONAL TRAVEL TRAILER

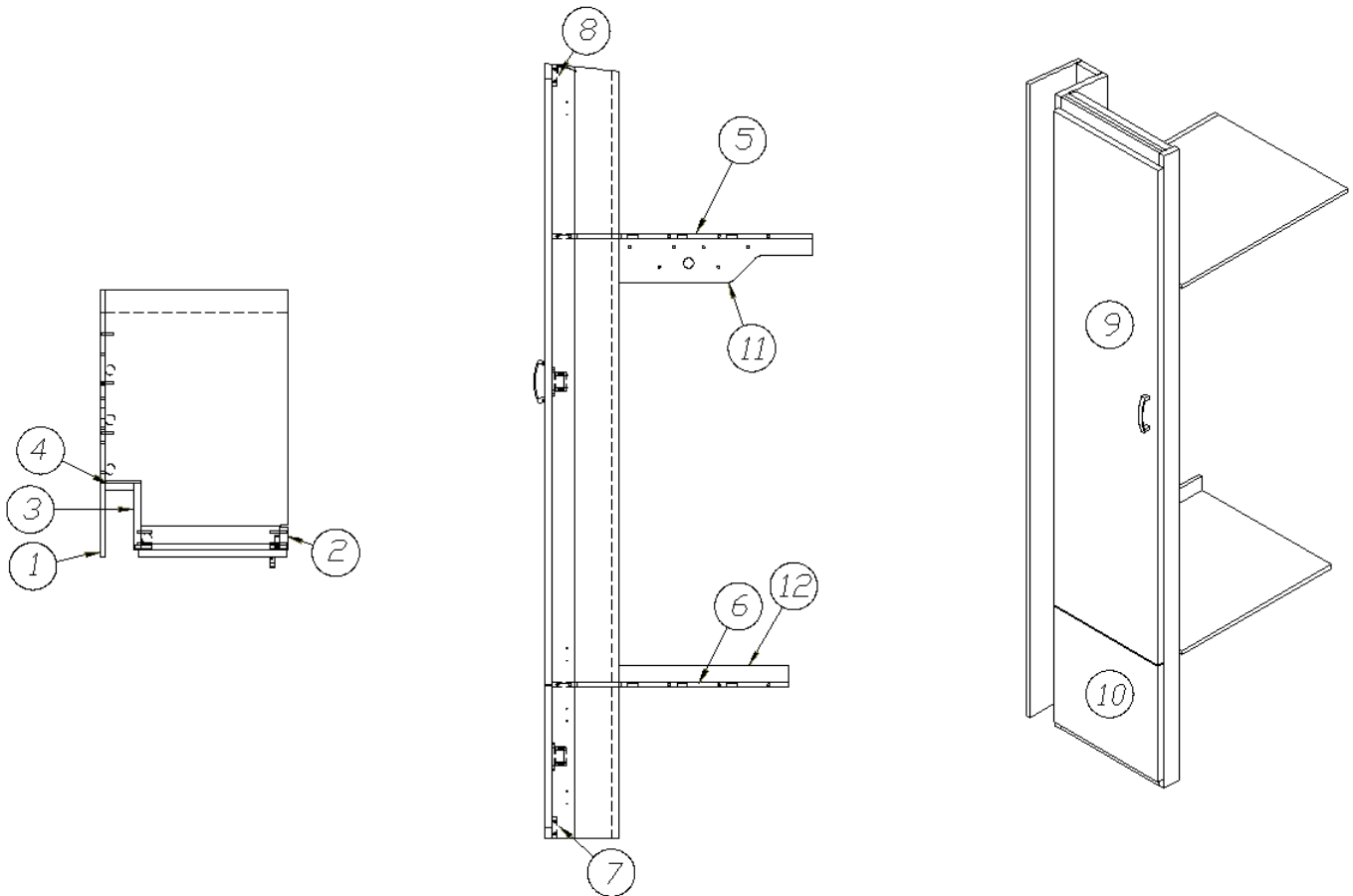
## FURNITURE, LAVATORY

### Wardrobe, Roadside, 28' Serenity

966969-15	Roadside Wardrobe
1. 966969-1	Panel, 29.85 x 78.59
2. 966969-2	Panel, 29.58 x 78.59
3. 966969-3	Panel, 29.63 x 15.81
4. 966969-4	Panel, 25.79 x 15.81
5. 966969-5	Panel, 6.75 x 78.55
6. 966969-6	Panel, 2.31 x 77.89
7. 966969-157	Panel, 2.25 x 13
8. 966969-158	Panel, 2.25 x 13
9. 966969-159	Door, 13.62 x 76.56
10. 966969-1510	Door, 2.77 x 76.56
11. 966969-1511	Panel, 17 x 13
12. 966969-27	Panel, 14 x 4.5
13. 966969-28	Panel, 14 x 4.5
372203-26	Mirror, 13.62 x 58.5
380203-01	Piano Hinge, 1/8" Pin
381228-02	Catch, Grabber door (5lb Pull)
380046	Flange, Chrome
380045	Tubing, 3/4", Metallic
200975-04	Conduit, Flexible Black plastic
381607-11	Hinge, Self-close
966883	Wardrobe closeout
104821	Support, Roof locker
203464-02	Trim panel, Beige, 3/4"
203138-03	Extrusion, 1/2", Beige
382115	Pull, Flat Black
381220-01	Mirror clip
381220-02	Mirror clip

# 2016 INTERNATIONAL TRAVEL TRAILER FURNITURE, LAVATORY

## Wardrobe, Forward, 30' Signature



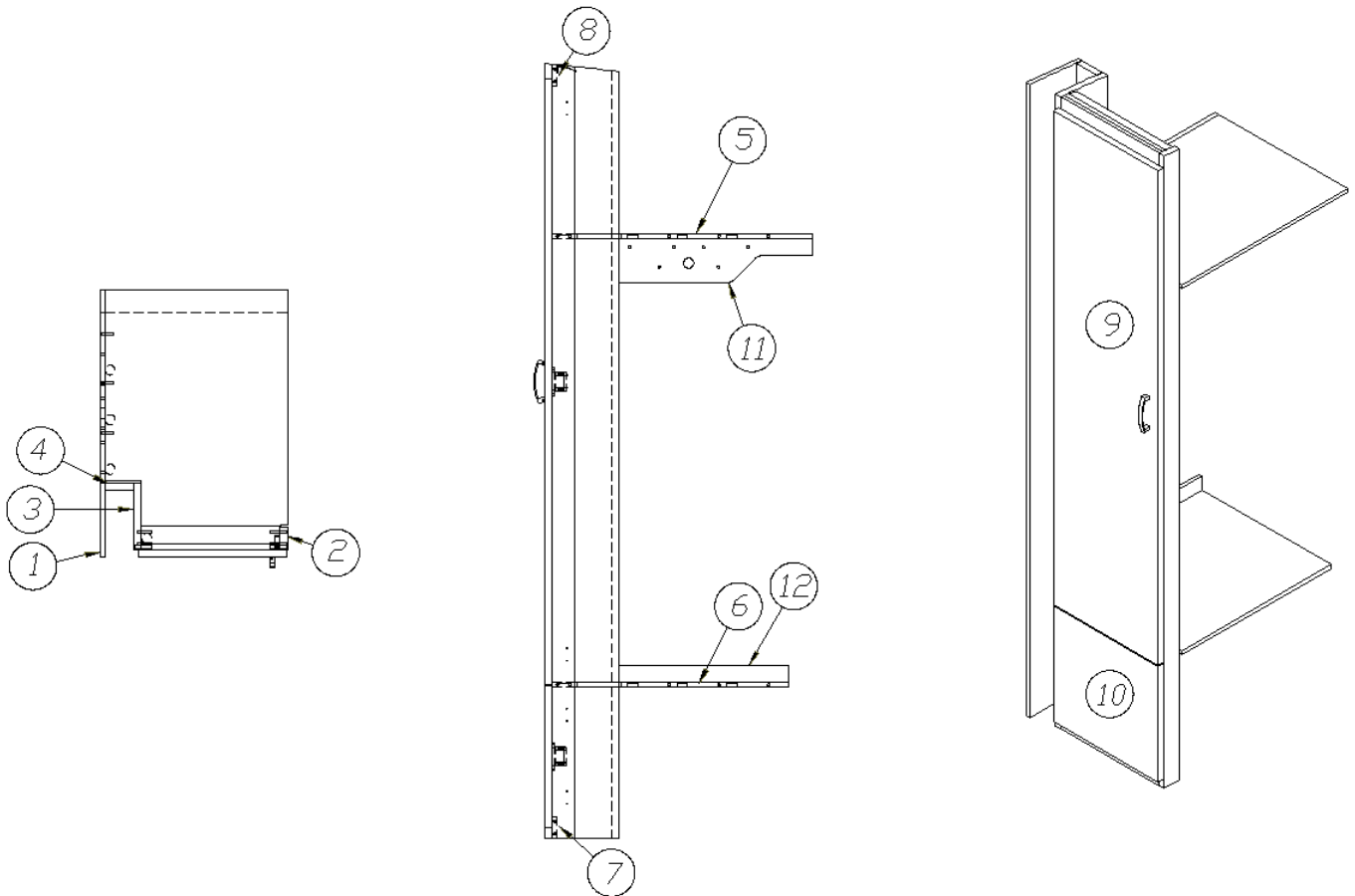
967533

Forward Wardrobe

- |               |                           |
|---------------|---------------------------|
| 1. 967533-1   | Panel, 78.77 x 7.5        |
| 2. 967533-2   | Panel, 78.7 x 2.25        |
| 3. 967533-3   | Panel, 78.7 x 6.75        |
| 4. 967533-4   | Panel, 786 x 2.94         |
| 5. 967533-5   | Panel, 18.5 x 26.38       |
| 6. 967533-6   | Panel, 18.5 x 24          |
| 7. 967533-7   | Panel, 2.25 x 14.06       |
| 8. 967533-8   | Panel, 2.25 x 14.06       |
| 9. 967533-9   | Door, 15.06 x 61.5        |
| 10. 967533-10 | Door, 15.06 x 14.41       |
| 11. 967533-17 | Panel, 5 x 19.63          |
| 12. 967533-18 | Panel, 2.25 x 17.25       |
| 104821        | Support, Roof locker      |
| 382029-03     | Handle bar                |
| 381607-11     | Hinge, Self-close         |
| 381228        | Catch Grabber door C3-810 |

# 2016 INTERNATIONAL TRAVEL TRAILER FURNITURE, LAVATORY

## Wardrobe, Forward, 30' Serenity



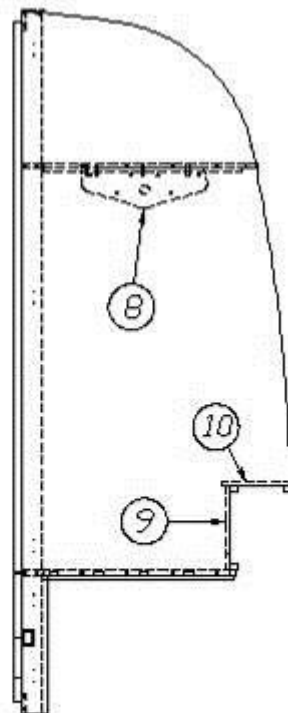
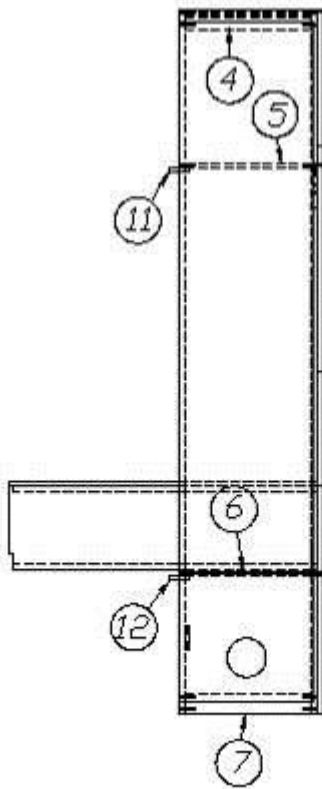
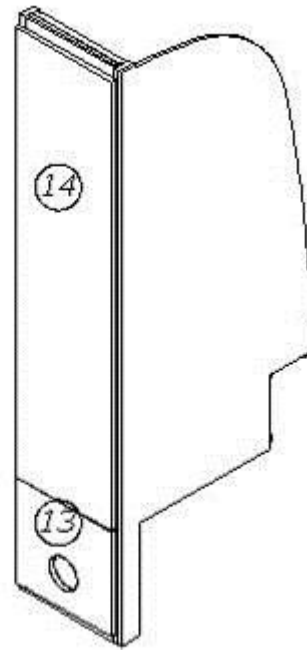
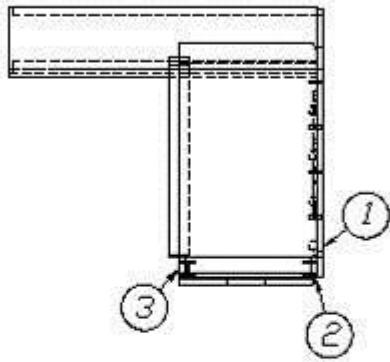
967533-15

Forward Wardrobe

- |                 |                           |
|-----------------|---------------------------|
| 1. 967533-151   | Panel, 78.72 x 7.5        |
| 2. 967533-2     | Panel, 78.64 x 2.25       |
| 3. 967533-153   | Panel, 78.64 x 6.75       |
| 4. 967533-154   | Panel, 77.96 x 2.94       |
| 5. 967533-5     | Panel, 18.5 x 26.38       |
| 6. 967533-6     | Panel, 18.5 x 24          |
| 7. 967533-157   | Panel, 2.25 x 14.06       |
| 8. 967533-158   | Panel, 2.25 x 14.06       |
| 9. 967533-159   | Door, 15.06 x 61.5        |
| 10. 967533-1510 | Door, 15.06 x 14.41       |
| 11. 967533-17   | Panel, 5 x 19.63          |
| 12. 967533-18   | Panel, 2.25 x 17.25       |
| 382115          | Pull, Flat Black          |
| 104821          | Support, Roof locker      |
| 381607-11       | Hinge, Self-close         |
| 381228          | Catch Grabber door C3-810 |

# 2016 INTERNATIONAL TRAVEL TRAILER FURNITURE, LAVATORY

## Wardrobe, Rear, 30' Signature



Parts Listed on Next Page

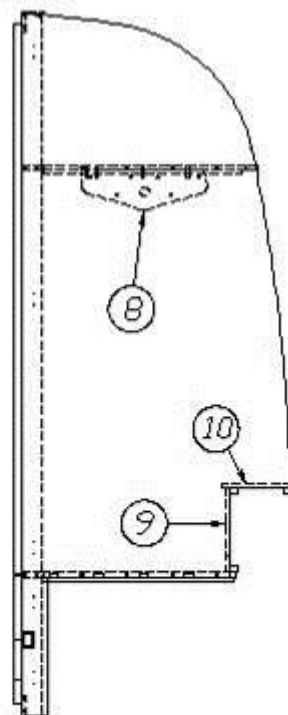
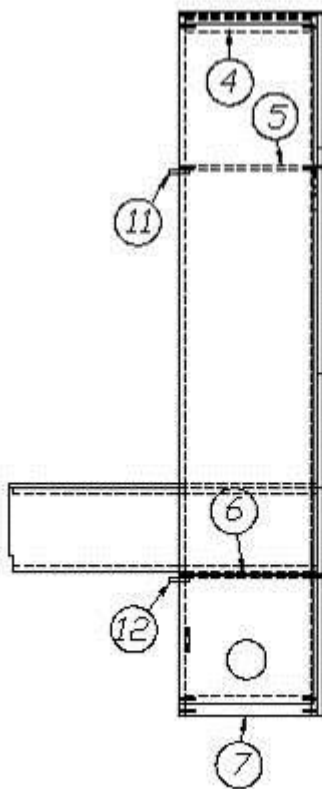
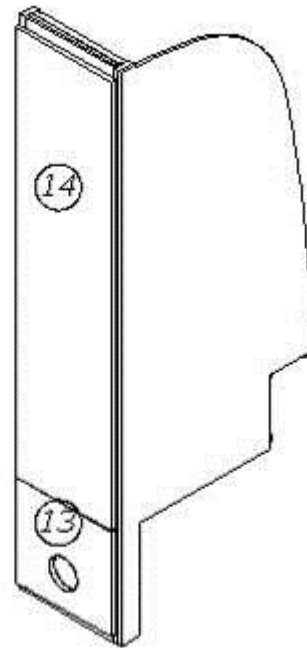
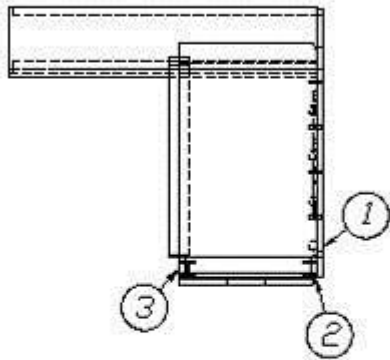
# 2016 INTERNATIONAL TRAVEL TRAILER FURNITURE, LAVATORY

## Wardrobe, Rear, 30' Signature

967534	Rear Wardrobe
1. 967534-1	Panel, 78.64 x 30.07
2. 967534-2	Panel, 78.64 x 2.25
3. 967534-3	Panel, 78.64 x 2.25
4. 967534-4	Panel, 2.25 x 14.06
5. 967534-5	Panel, 15.56 x 26.38
6. 967534-6	Panel, 15.56 x 24
7. 967534-7	Panel, 2.25 x 14.06
8. 967534-8	Panel, 14 x 4.5
9. 967534-9	Panel, 9.5 x 34.56
10. 967534-10	Panel, 7.75 x 34.56
11. 967534-11	Panel, 2.25 x 22.25
12. 967534-12	Panel, 2.25 x 21.5
13. 967534-13	Door, 15.06 x 14.41
14. 967534-14	Door, 15.06 x 61.5
104821	Support, Roof locker
203138-01	Extrusion, Plastic, White
365364-01	Edgebanding, .63", Ebony Woods
365364-02	Edgebanding, .94", Ebony Woods
365340-01	Edgebanding, .63", Frosty White
382029-03	Handle bar
381607-11	Hinge, Self-close
381228	Catch Grabber door C3-810
380045	Tubing, .75", Elec. Metallic
200975-04	Conduit, Flexible Black plastic

# 2016 INTERNATIONAL TRAVEL TRAILER FURNITURE, LAVATORY

## Wardrobe, Rear, 30' Serenity



Parts Listed on Next Page

# 2016 INTERNATIONAL TRAVEL TRAILER FURNITURE, LAVATORY

## Wardrobe, Rear, 30' Serenity

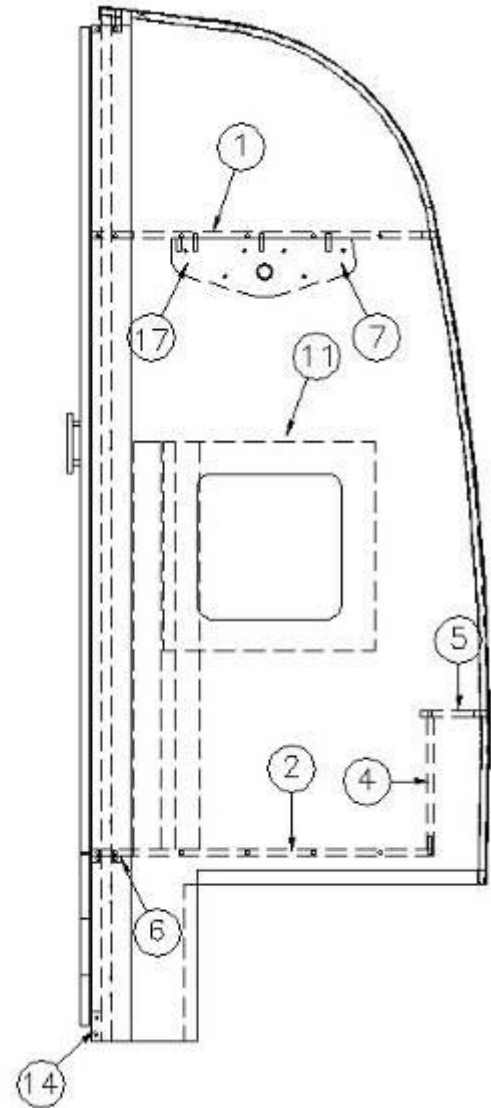
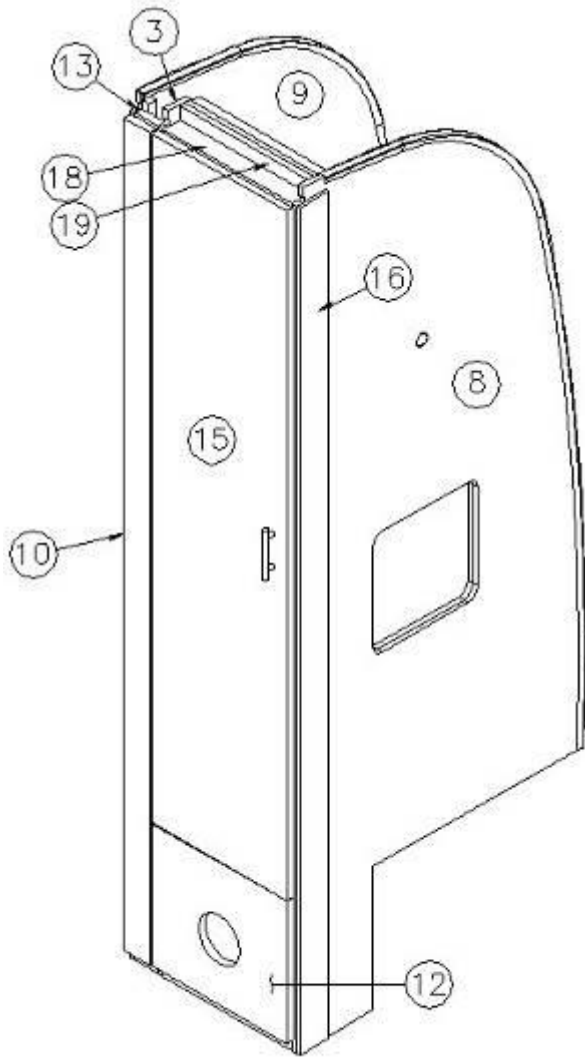
967534-15                  Rear Wardrobe

1. 967534-1	Panel, 78.64 x 30.07
2. 967534-2	Panel, 78.64 x 2.25
3. 967534-3	Panel, 78.64 x 2.25
4. 967534-154	Panel, 2.25 x 14.06
5. 967534-5	Panel, 15.56 x 26.38
6. 967534-6	Panel, 15.56 x 24
7. 967534-157	Panel, 2.25 x 14.06
8. 967534-8	Panel, 14 x 4.5
9. 967534-9	Panel, 9.5 x 34.56
10. 967534-10	Panel, 7.75 x 34.56
11. 967534-11	Panel, 2.25 x 22.25
12. 967534-12	Panel, 2.25 x 21.5
13. 967534-1513	Door, 15.06 x 14.41
14. 967534-1514	Door, 15.06 x 61.5
104821	Support, Roof locker
203138-03	Extrusion, Plastic, Beige
365344-01	Edgebanding, .63", Pearl Bisque
365344-02	Edgebanding, .94", Pearl Bisque
365340-01	Edgebanding, .63", Frosty White
382115	Pull, Flat Black
381607-11	Hinge, Self-close
381228	Catch Grabber door C3-810
380045	Tubing, .75", Elec. Metallic
200975-04	Conduit, Flexible Black plastic



# 2016 INTERNATIONAL TRAVEL TRAILER FURNITURE, LAVATORY

## Wardrobe, 25FB Eddie Bauer



Parts Listed on Next Page

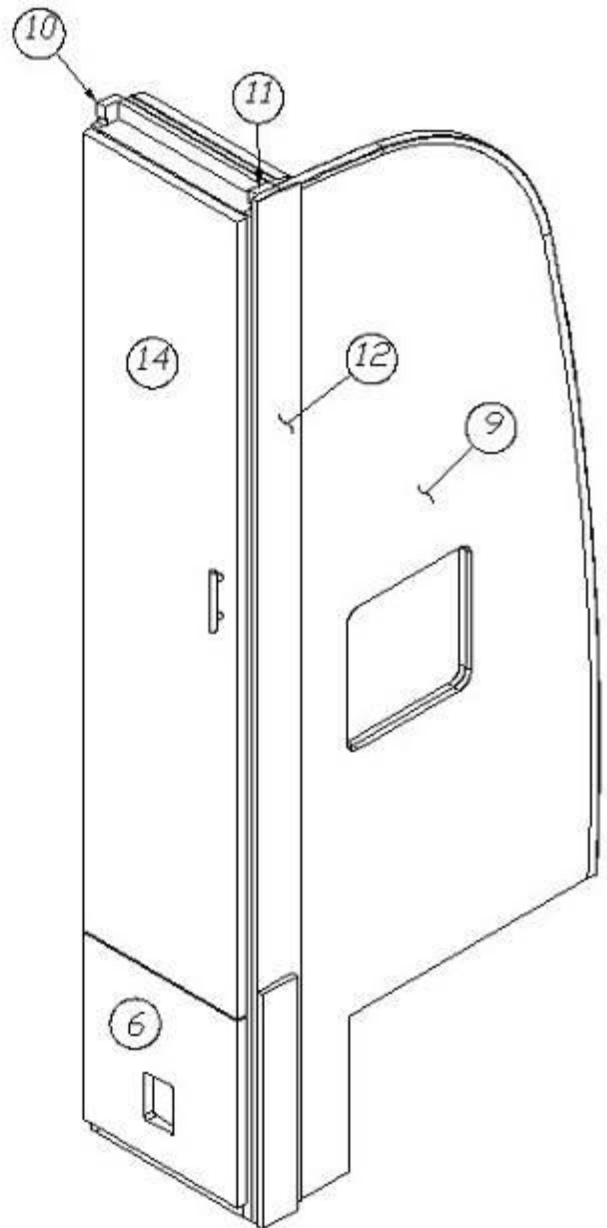
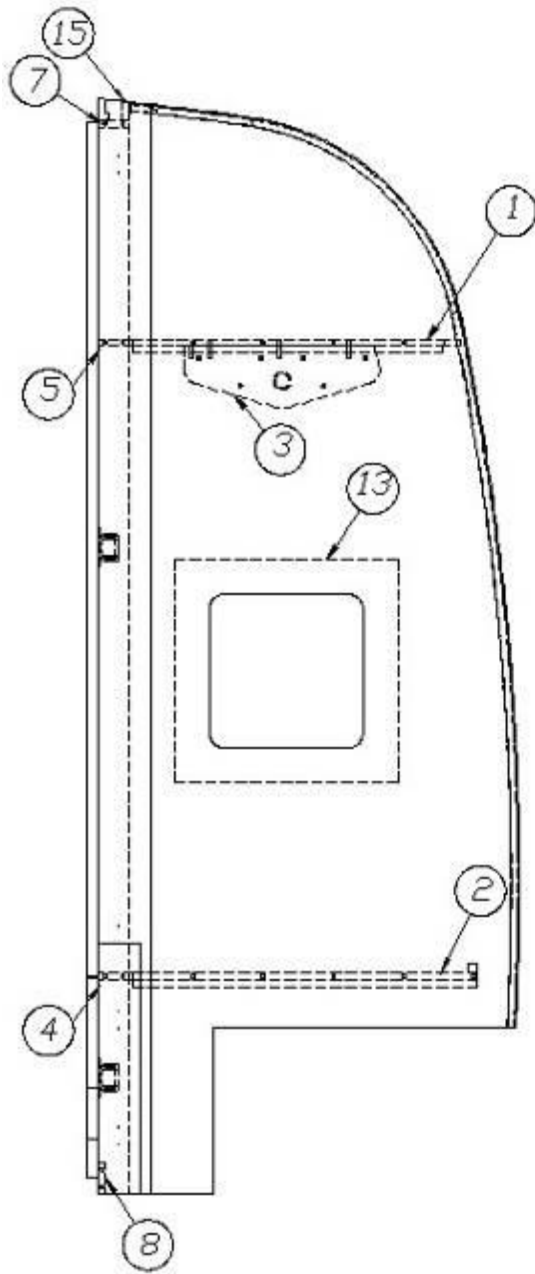
# 2016 INTERNATIONAL TRAVEL TRAILER FURNITURE, LAVATORY

## Wardrobe, 25FB Eddie Bauer

966905-19	Wardrobe
1. 966905-191	Panel, 16.56 x 26.5
2. 966905-192	Panel, 16.56 x 26
3. 966905-193	Panel, 3 x 78.88
4. 966905-194	Panel, 10 x 16.56
5. 966905-195	Panel, 5.25 x 16.56
6. 966905-196	Panel, 2.25 x 13.63
7. 966905-197	Panel, 4.5 x 14
8. 966905-198	Panel, 30.09 x 78.88
9. 966905-199	Panel, 30.09 x 78.88
10. 966905-1910	Panel, 2.69 x 76.19
11. 966883	Wardrobe closeout
12. 966905-1912	Panel, 14.25 x 13
13. 966905-1913	Panel, 2.44 x 78.88
14. 966905-1914	Panel, 2.5 x 13.63
15. 966905-1915	Door, 14.25 x 636
16. 966905-1916	Panel, 3 x 77.25
17. 966905-1930	Panel, 4.5 x 14
18. 966905-1931	Panel, 13.625 x 2.25
19. 966905-1932	Panel, 13.625 x 1.25
382029-00	Handle Bar
203138-04	Extrusion, Plastic ½" Oak
104821	Support, Roof locker
381228-02	Catch, Grabber door (5lb Pull)
381607-11	Hinge, Self-close
380045	Tubing, .75", Metal
200975-04	Conduit, Black Plastic
380046	Flange, Chrome

# 2016 INTERNATIONAL TRAVEL TRAILER FURNITURE, LAVATORY

Wardrobe, Forward, 27FB Eddie Bauer



Parts Listed on Next Page

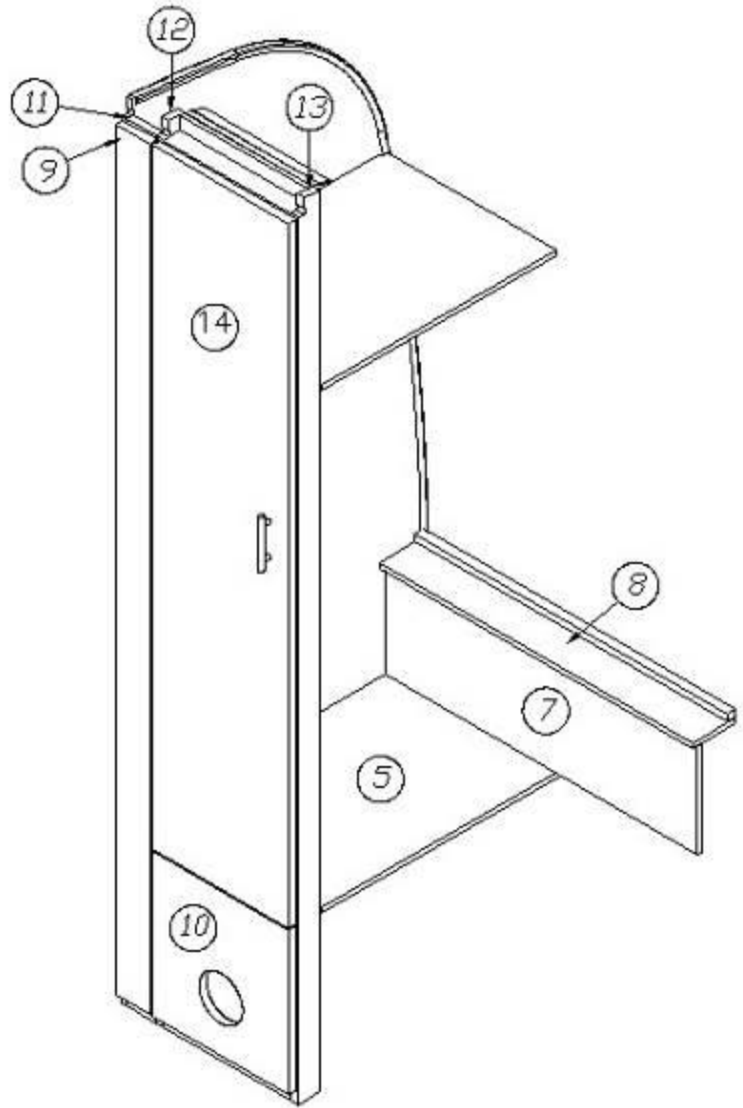
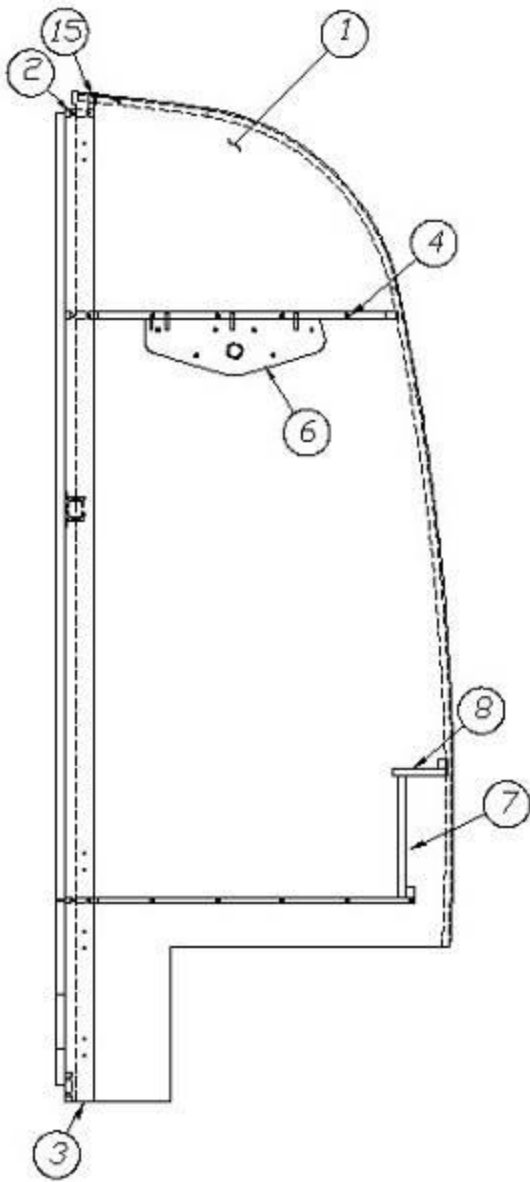
# 2016 INTERNATIONAL TRAVEL TRAILER FURNITURE, LAVATORY

## Wardrobe, Forward, 27FB Eddie Bauer

966880-19	Forward Wardrobe
1. 966880-191	Panel, 26 x 14.25
2. 966880-192	Panel, 27.25 x 14.25
3. 966880-193	Panel, 14 x 7
4. 966880-194	Panel, 2.25 x 24.75
5. 966880-195	Panel, 2.25 x 22.25
6. 966880-196	Door, 13.75 x 14.38
7. 966880-197	Panel, 12.75 x 2.25
8. 966880-198	Panel, 12.75 x 2.25
9. 966880-199	Panel, 30.11 x 78.54
10. 966880-1910	Panel, 78.74 x 2.25
11. 966880-1911	Panel, 78.74 x 2.25
12. 966880-1912	Panel, 78.54 x 3.81
13. 966883-19	Wardrobe closeout
14. 966880-1914	Door, 13.75 x 61.38
15. 966880-1926	Panel, 1.25 x 12.75
381865	Pull, Brush Nickel
381228-02	Catch, Grabber door (5lb Pull)
104821	Support, Roof locker
203138-04	Extrusion, Plastic, Oak
381607-11	Hinge, Self-close
365352-02	Edgebanding, .94", Maple
365352-01	Edgebanding, .63", Maple
365340-01	Edgebanding .63", Frosty White

# 2016 INTERNATIONAL TRAVEL TRAILER FURNITURE, LAVATORY

Wardrobe, Aft, 27FB Eddie Bauer



Parts Listed on Next Page

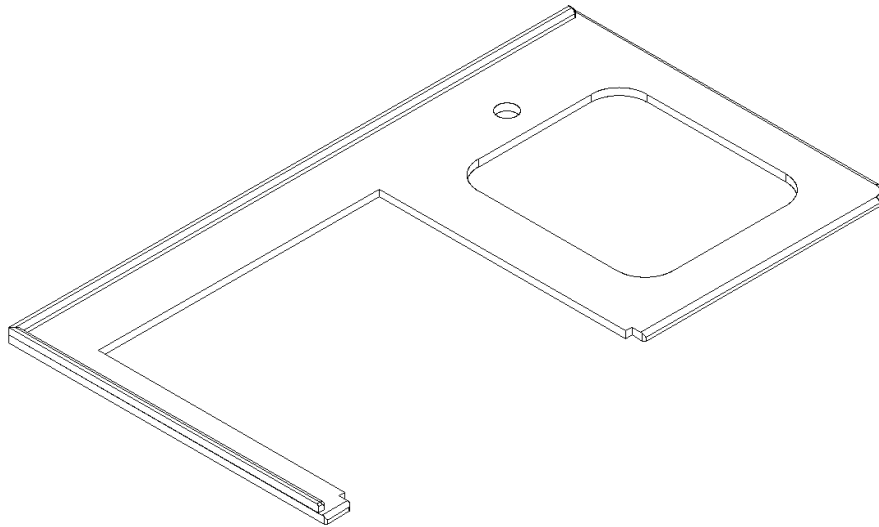
## 2016 INTERNATIONAL TRAVEL TRAILER FURNITURE, LAVATORY

### Wardrobe, Aft, 27FB Eddie Bauer

966881-19	Aft Wardrobe
1. 966881-1	Panel, 78.69 x 30.11
2. 966881-192	Panel, 12.75 x 2.25
3. 966881-193	Panel, 12.75 x 2.25
4. 966881-4	Panel, 26 x 17.19
5. 966881-5	Panel, 27.25 x 17.19
6. 966881-6	Panel, 14 x 7
7. 966881-7	Panel, 9.5 x 31.44
8. 966881-8	Panel, 4.31 x 31.44
9. 966881-199	Panel, 3.44 x 75.87
10. 966881-1910	Panel, 13.75 x 14.38
11. 966881-1911	Panel, 2.94 x 77.25
12. 966881-12	Panel, 78.69 x 2.25
13. 966881-13	Panel, 78.69 x 2.25
14. 966881-1914	Door, 13.75 x 61.38
15. 966881-1913	Panel, 1.25 x 12.75
381865	Pull, Brush Nickel
381228-02	Catch, Grabber door (5lb Pull)
104821	Support, Roof locker
203138-04	Extrusion, Plastic, Oak
381607-11	Hinge, Self-close
380045	Tubing, 3/4"
200975-04	Conduit, Flexible Black plastic
365352-02	Edgebanding, .94", Maple
365352-01	Edgebanding, .63", Maple
365340-01	Edgebanding, .63", Frosty White

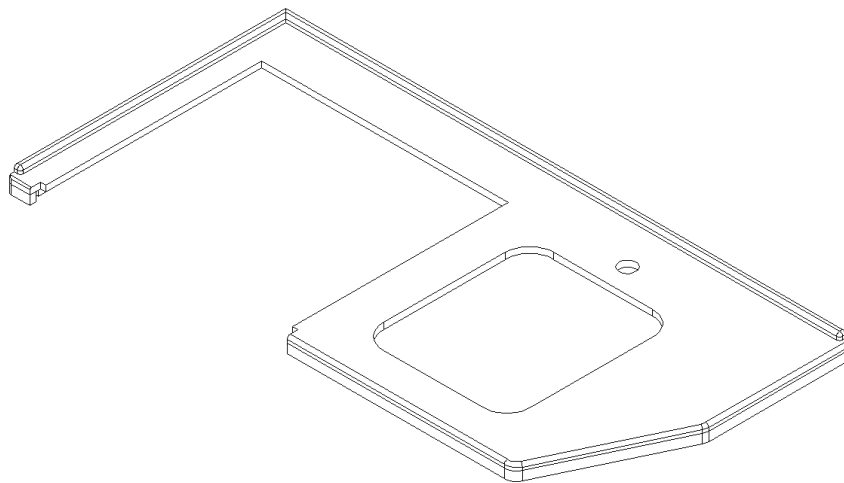
# 2016 INTERNATIONAL TRAVEL TRAILER FURNITURE, GALLEY

## Galley Top, 19'



967967-01 Galley Top, Signature  
967967-02 Galley Top, Serenity

602347-01 Corian Top, Ecrú, Signature  
602347-06 Corian Top, Sorrel, Serenity



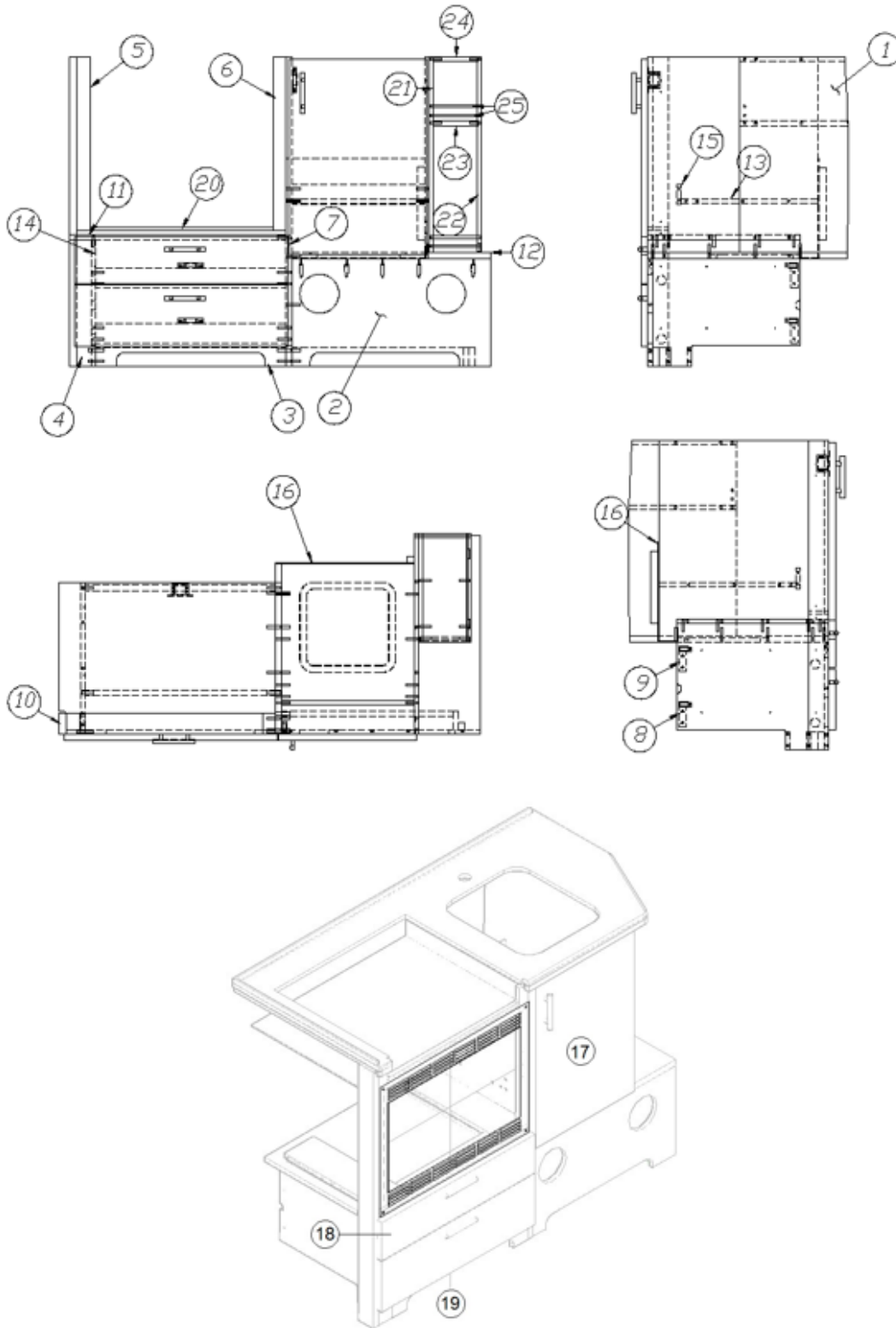
967967-01 Galley Top, Signature  
967967-02 Galley Top, Serenity

602537-01 Corian Top, Ecrú, Signature  
602537-06 Corian Top, Sorrel, Serenity

\*602537 replaced 602347 in September of 2015

# 2016 INTERNATIONAL TRAVEL TRAILER FURNITURE, GALLEY

Galley, with Oven, 19' Signature



Parts Listed on Next Page



# 2016 INTERNATIONAL TRAVEL TRAILER FURNITURE, GALLEY

## Galley, with Oven, 19' Signature

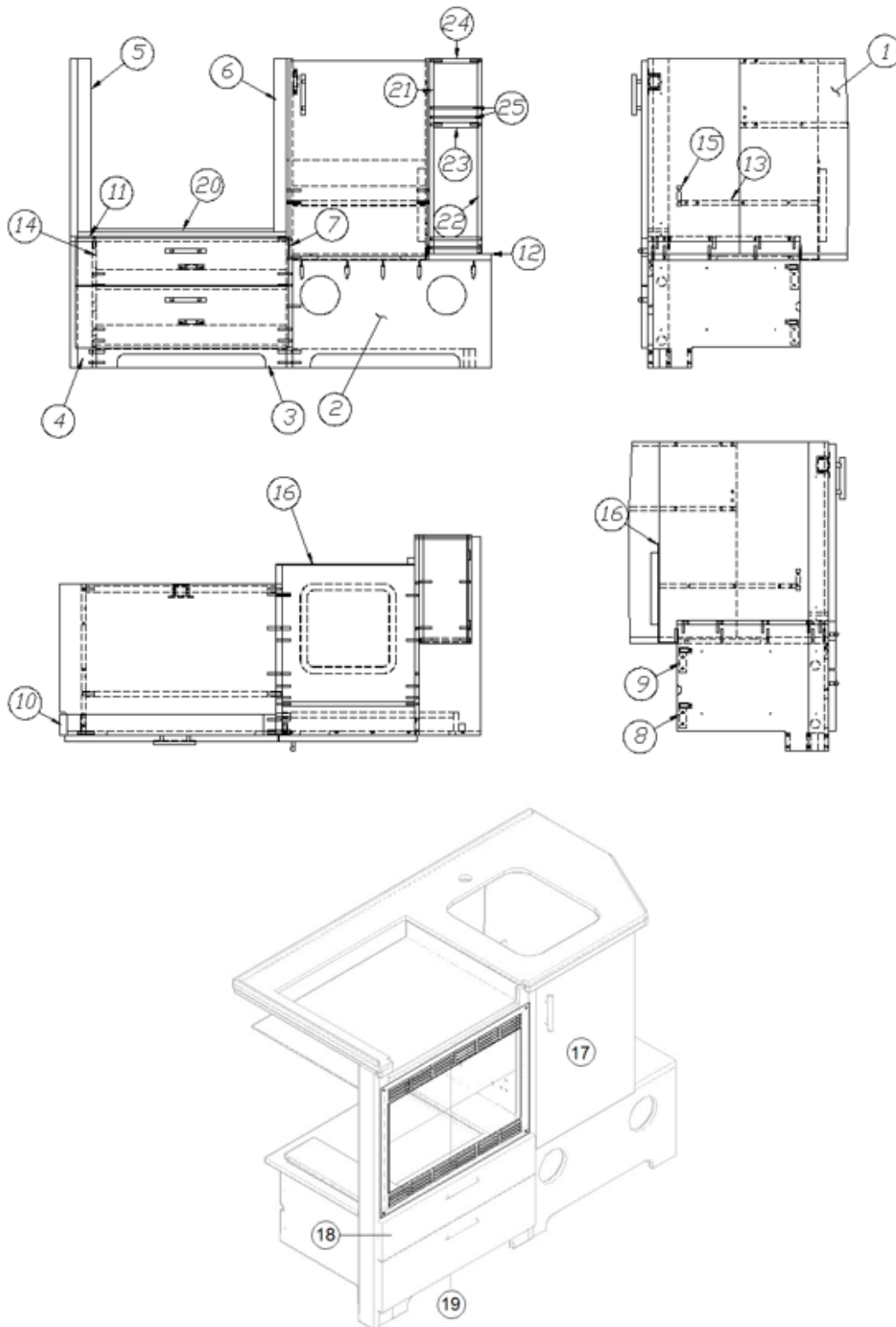
968194 Galley Cabinet

1. 968194-1	Panel, 22.18 x 21.63
2. 968194-2	Panel, 22 x 11.88
3. 968194-3	Panel, 2.5 x 21
4. 968194-4	Panel, 2.13 x 14
5. 968194-5	Panel, 1.5 x 19.25
6. 968194-6	Panel, 1.37 x 19.25
7. 968194-9	Panel, 18.81 x 34.25
8. 968194-10	Panel, 2.25 x 21
9. 968194-11	Panel, 2.25 x 21
10. 968194-12	Panel, 2.25 x 34.25
11. 968194-13	Panel, 16.81 x 23.88
12. 968194-14	Panel, 22 x 22
13. 968194-15I	Panel, 15.12 x 14.62
14. 968194-16	Panel, 16.31 x 14
15. 968194-17	Panel, 2.25 x 14.62
16. 968194-22	Panel, 11 x 15.38
17. 968194-25	Door, 15.25 x 21.5
18. 968194-26	Drawer Face, 23.63 x 5.25
19. 968194-27	Drawer Face, 23.63 x 6.75
20. 968194-36	Panel, 23.13 x 2.25
21. *968194-50	Panel, 9.94 x 10.56
22. *968194-51	Panel, 9.94 x 10.56
23. *968194-52	Panel, 9.94 x 10.56
24. *968194-53	Panel, 9.94 x 10.56
25. *115042	Rod, Aluminum
382029-05	Pull
381228-02	Catch, Grabber door (5lb Pull)
801706-0024	Corner trim, 90°, 1" radius, Ebony Woods
968021-01	Drawer box, Self-close, 2.75"
968020-01	Drawer box, Self-close, 5"
382203-03	Drawer slide, Self-close, 15"
382203-06	Front fixing clips
967967-01	Galley top
602347-01	Corian top, Ecru
968024	Cutlery insert
365364-01	Edgebanding, .63", Ebony Woods
365364-02	Edgebanding, .94", Ebony Woods

\*Added parts for Cubby in September of 2015

# 2016 INTERNATIONAL TRAVEL TRAILER FURNITURE, GALLEY

Galley, with Oven, 19' Serenity



Parts Listed on Next Page

## 2016 INTERNATIONAL TRAVEL TRAILER FURNITURE, GALLEY

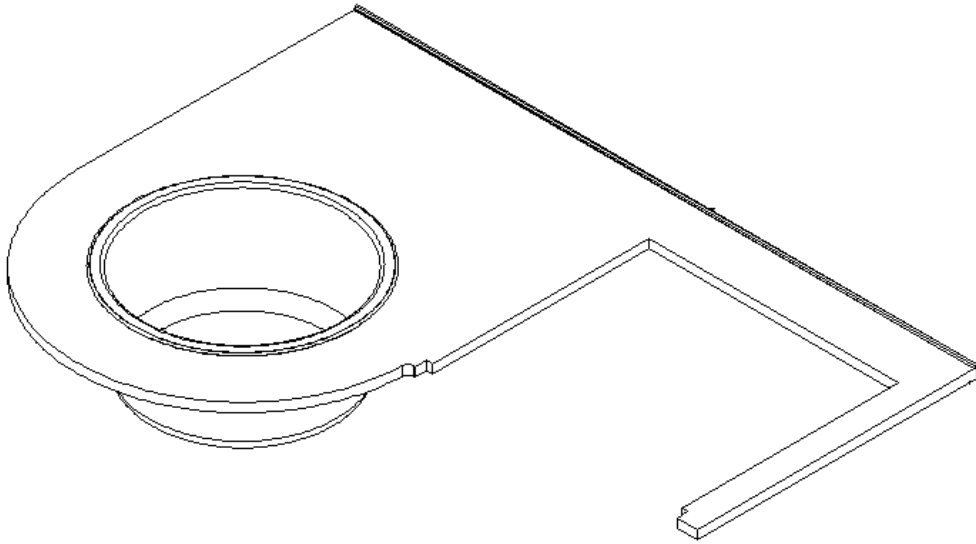
### Galley, with Oven, 19' Serenity

968194-15	Galley Cabinet
1. 968194-151	Panel, 22.18 x 21.63
2. 968194-152	Panel, 22 x 11.88
3. 968194-153	Panel, 2.5 x 21
4. 968194-154	Panel, 2.13 x 14
5. 968194-155	Panel, 1.5 x 19.25
6. 968194-156	Panel, 1.37 x 19.25
7. 968194-159	Panel, 18.81 x 34.25
8. 968194-1510	Panel, 2.25 x 21
9. 968194-1511	Panel, 2.25 x 21
10. 968194-1512	Panel, 2.25 x 34.25
11. 968194-1513	Panel, 16.81 x 23.88
12. 968194-1514	Panel, 22 x 22
13. 968194-1515	Panel, 15.12 x 14.62
14. 968194-1516	Panel, 16.31 x 14
15. 968194-1517	Panel, 2.25 x 14.62
16. 968194-1522	Panel, 11 x 15.38
17. 968194-1525	Door, 15.25 x 21.5
18. 968194-1526	Drawer Face, 23.63 x 5.25
19. 968194-1527	Drawer Face, 23.63 x 6.75
20. 968194-1536	Panel, 23.13 x 2.25
21. *968194-1550	Panel, 9.94 x 10.56
22. *968194-1551	Panel, 9.94 x 10.56
23. *968194-1552	Panel, 9.94 x 10.56
24. *968194-1553	Panel, 9.94 x 10.56
25. *115042	Rod, Aluminum
382115	Pull, Flat Black
381228-02	Catch, Grabber door (5lb Pull)
968020-01	Drawer box, Self-close, 5"
968021-01	Drawer box, Self-close, 2.75"
382203-03	Drawer Slide, Self-close, 15"
801706-0018	Corner trim, 90°, 1" radius, Asian Sand
382203-06	Front fixing clips
967967-02	Galley top
602347-06	Corian top, Sorrel
968024	Cutlery insert
365358-02	Edgebanding, .94", Girona Envy
365344-01	Edgebanding, .63", Pearl Bisque

\*Added parts for Cubby in September of 2015

# 2016 INTERNATIONAL TRAVEL TRAILER FURNITURE, GALLEY

## Galley Top, 23D

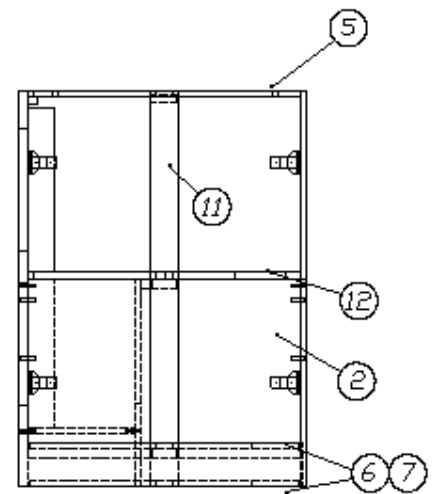
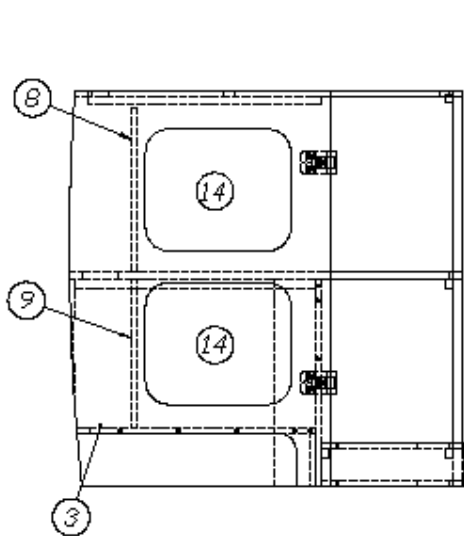
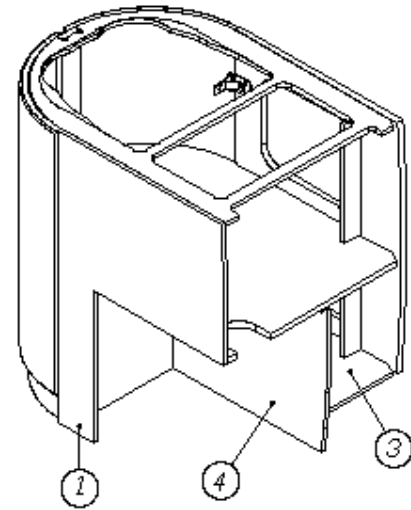
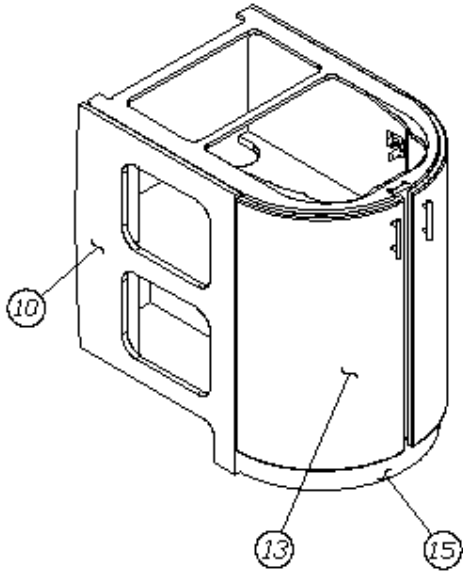


967973-01 Galley Top, Signature  
967973-02 Galley Top, Serenity

602348-01 Corian Top, Ecrú, Signature  
602348-06 Corian Top, Sorrel, Serenity

# 2016 INTERNATIONAL TRAVEL TRAILER FURNITURE, GALLEY

## Galley, Forward Section, 23D Signature



Parts Listed on Next Page

# 2016 INTERNATIONAL TRAVEL TRAILER

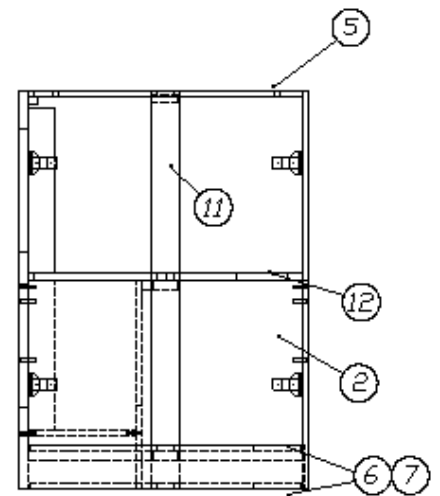
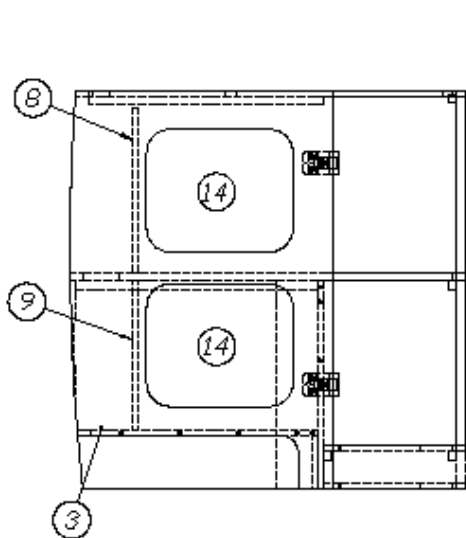
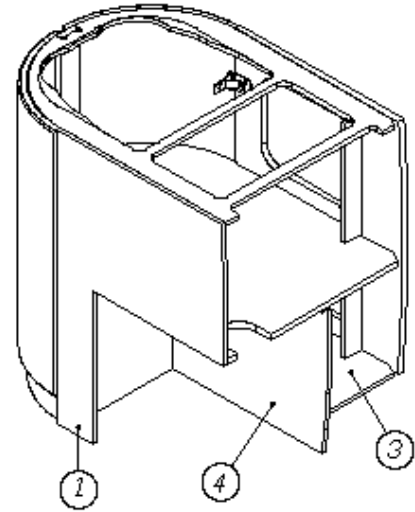
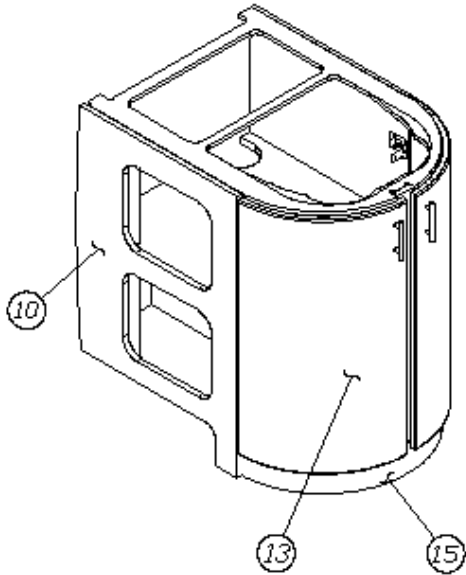
## FURNITURE, GALLEY

### Galley, Forward Section, 23D Signature

967974	Galley Forward Section
1. 967974-1	Panel, 22.58 x 34.25
2. 967974-2	Panel, 23.54 x 17.88
3. 967974-3	Panel, 20.6 x 9.25
4. 967974-4	Panel, 17.88 x 20.82
5. 967974-5	Panel, 24.91 x 33.87
6. 967974-6	Panel, 23.27 x 12.19
7. 967974-7	Panel, 23.27 x 12.19
8. 967974-8	Panel, 2.25 x 14.13
9. 967974-9	Panel, 2.25 x 12.75
10. 967974-10	Panel, 22.57 x 34.25
11. 967974-11	Panel, 2.4 x 34.25
12. 967974-12	Panel, 24.91 x 33.87
13. 801787-0124	Door, 16.81 x 31, Ebony
14. 371432	Door, 11.56 x 13.06
15. 115309	Toe kick, Aluminum
203445	T-molding, Flexible Black poly
365364-02	Edgebanding, .94", Ebony Woods
365364-01	Edgebanding, .63", Ebony Woods
365340-01	Edgebanding, .63", Frosty White
382029-00	Handle bar
381607-11	Hinge, Self-close
381808-01	Bracket, Face mount hinge
381856	Catch, Tension 2-ball, Chrome
381654	Hinge, Black
381707	Strike w/pull, Black

# 2016 INTERNATIONAL TRAVEL TRAILER FURNITURE, GALLEY

## Galley, Forward Section, 23D Serenity



Parts Listed on Next Page

# 2016 INTERNATIONAL TRAVEL TRAILER FURNITURE, GALLEY

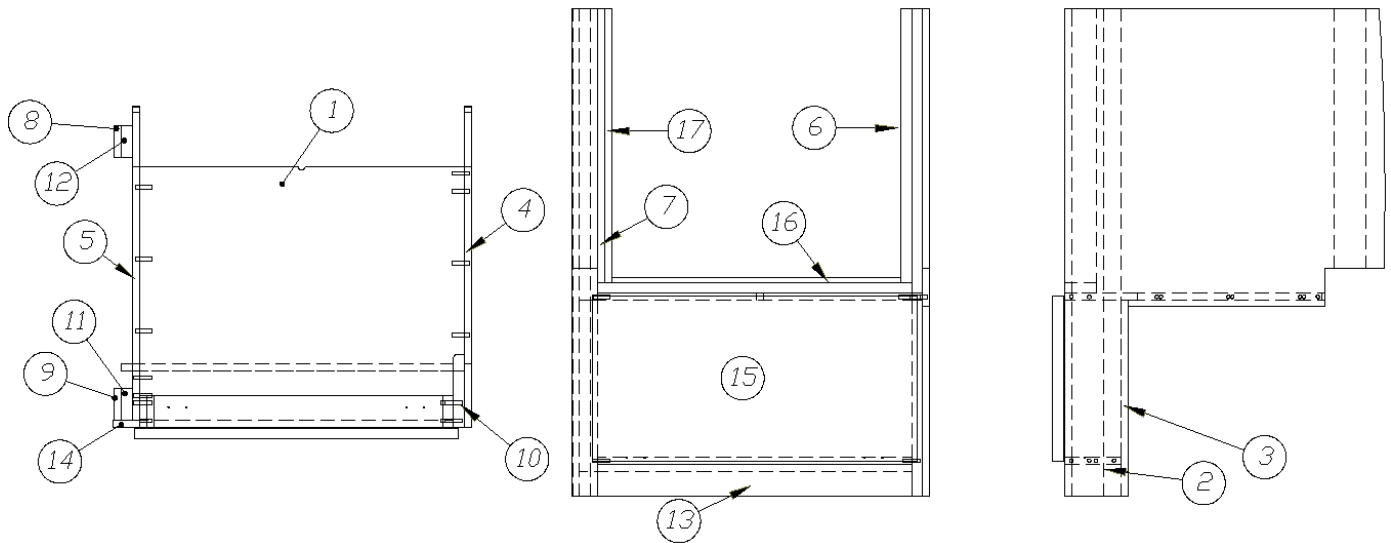
## Galley, Forward Section, 23D Serenity

967974-15	Galley Forward Section
1. 967974-1	Panel, 22.58 x 34.25
2. 967974-2	Panel, 23.54 x 17.88
3. 967974-3	Panel, 20.6 x 9.25
4. 967974-4	Panel, 17.88 x 20.82
5. 967974-5	Panel, 24.91 x 33.87
6. 967974-6	Panel, 23.27 x 12.19
7. 967974-7	Panel, 23.27 x 12.19
8. 967974-8	Panel, 2.25 x 14.13
9. 967974-9	Panel, 2.25 x 12.75
10. 967974-1510	Panel, 22.57 x 34.25
11. 967974-1511	Panel, 2.4 x 34.25
12. 967974-12	Panel, 24.91 x 33.87
13. 801787-0118	Door, 16.81 x 31, Asian Sand
14. 371432	Door, 11.56 x 13.06
15. 115309	Toe kick, Aluminum
203445	T-molding, Flexible Black Poly
365344-02	Edgebanding, .94", Pearl Bisque
365344-01	Edgebanding, .63", Pearl Bisque
365340-01	Edgebanding, .63", Frosty White
382029-00	Handle bar, 7.48"
381607-11	Hinge, Self-close
381808-01	Bracket, Face mount hinge
381856	Catch, Tension 2-ball, Chrome
381654	Hinge, Black
381707	Strike w/pull, Black



# 2016 INTERNATIONAL TRAVEL TRAILER FURNITURE, GALLEY

## Galley, Aft Section, 23D Signature



967980

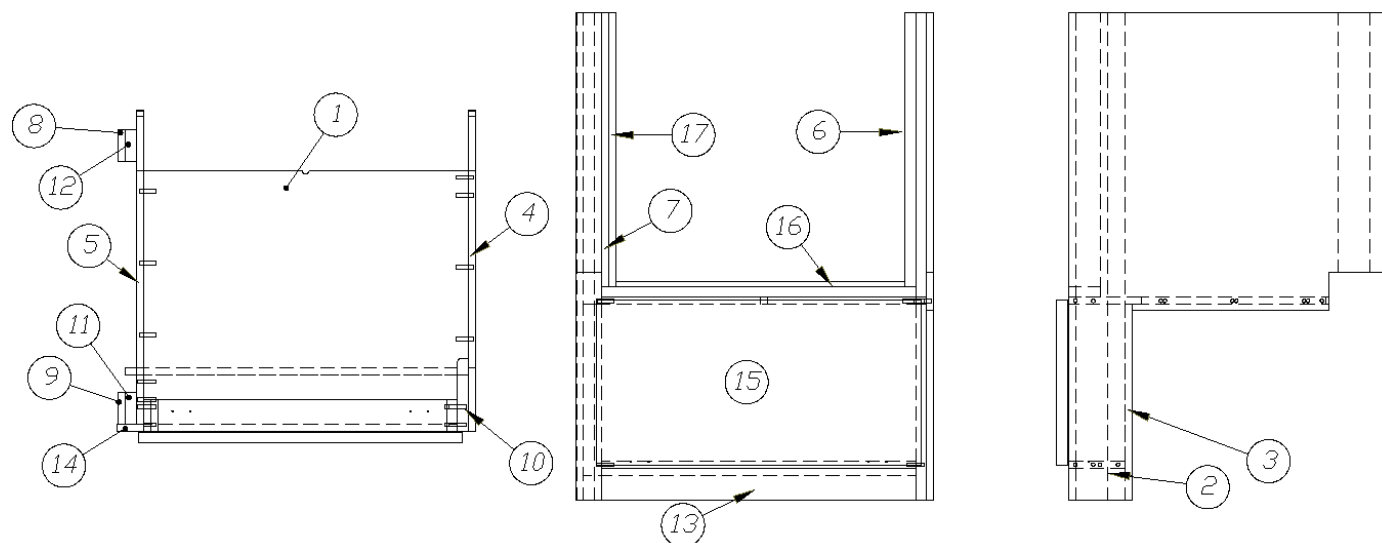
Galley Aft Section

- |                |                                |
|----------------|--------------------------------|
| 1. 967980-1    | Panel, 18.36 x 22.87           |
| 2. 967980-2    | Panel, 4 x 22.13               |
| 3. 967980-3    | Panel, 23.38 x 15              |
| 4. 967980-4    | Panel, 22.58 x 34.25           |
| 5. 967980-5    | Panel, 228 x 34.25             |
| 6. 967980-6    | Panel, 2.25 x 19.25            |
| 7. 967980-7    | Panel, 2.25 x 19.25            |
| 8. 967980-8    | Panel, 2.25 x 18.25            |
| 9. 967980-9    | Panel, 2.25 x 34.25            |
| 10. 967980-10  | Panel, 4 x 34.25               |
| 11. 967980-11  | Panel, 2.25 x 34.75            |
| 12. 967980-12  | Panel, 2.25 x 18.25            |
| 13. 967980-13  | Panel, 2.25 x 22.13            |
| 14. 967980-14  | Panel, 1.75 x 34.25            |
| 15. 967980-15I | Door, 22.81 x 11.63            |
| 16. 967980-21  | Panel, 2.25 x 22.13            |
| 17. 967980-22  | Panel, 2.25 x 19.25            |
| 381607-11      | Hinge, Self-close              |
| 381228-02      | Catch, Grabber door (5lb Pull) |
| 382029-05      | Handle bar                     |

# 2016 INTERNATIONAL TRAVEL TRAILER

## FURNITURE, GALLEY

### Galley, Aft Section, 23D Serenity



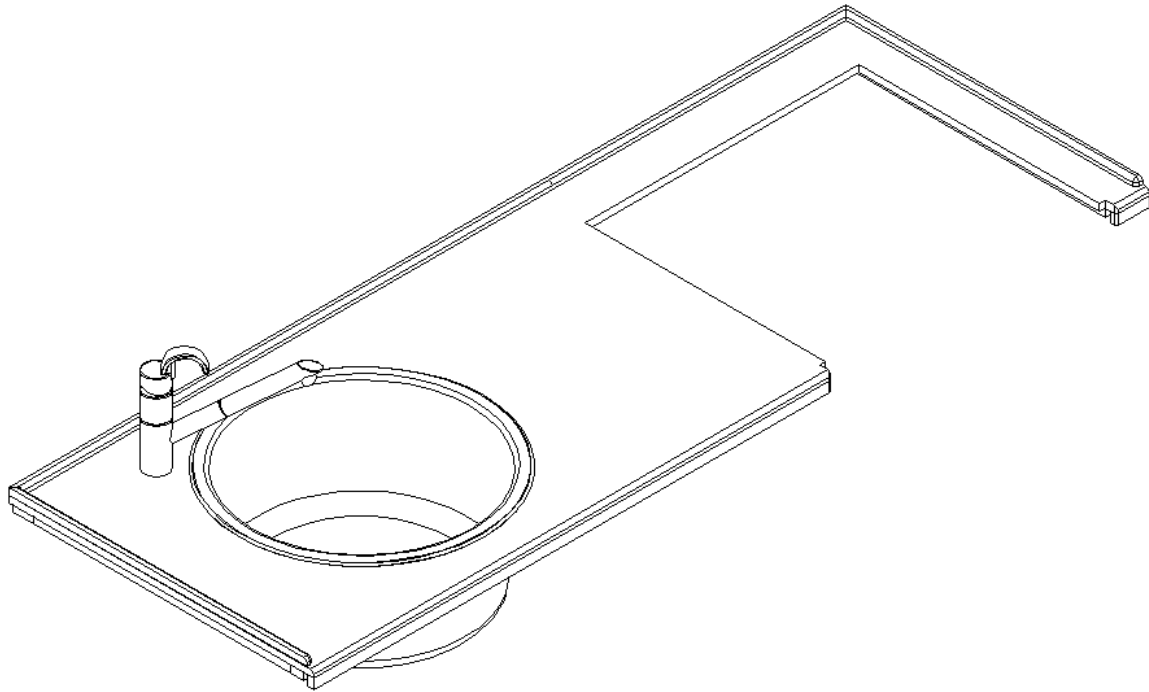
967980-15

Galley Aft Section

- |                 |                                |
|-----------------|--------------------------------|
| 1. 967980-1     | Panel, 18.36 x 22.87           |
| 2. 967980-2     | Panel, 4 x 22.13               |
| 3. 967980-3     | Panel, 23.38 x 15              |
| 4. 967980-4     | Panel, 22.58 x 34.25           |
| 5. 967980-5     | Panel, 228 x 34.25             |
| 6. 967980-6     | Panel, 2.25 x 19.25            |
| 7. 967980-7     | Panel, 2.25 x 19.25            |
| 8. 967980-8     | Panel, 2.25 x 18.25            |
| 9. 967980-9     | Panel, 2.25 x 34.25            |
| 10. 967980-10   | Panel, 4 x 34.25               |
| 11. 967980-11   | Panel, 2.25 x 34.25            |
| 12. 967980-12   | Panel, 2.25 x 18.25            |
| 13. 967980-1513 | Panel, 2.25 x 22.13            |
| 14. 967980-1514 | Panel, 1.75 x 34.75            |
| 15. 967980-1515 | Door, 22.81 x 11.63            |
| 16. 967980-1521 | Panel, 2.25 x 22.13            |
| 17. 967980-22   | Panel, 2.25 x 19.25            |
| 381607-11       | Hinge, Self-close              |
| 381228-02       | Catch, Grabber door (5lb pull) |
| 382029-05       | Handle bar                     |

# 2016 INTERNATIONAL TRAVEL TRAILER FURNITURE, GALLEY

Galley Top, 23FB

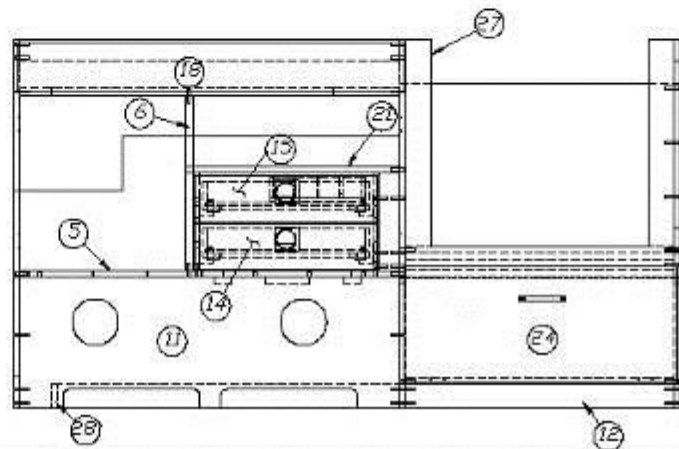
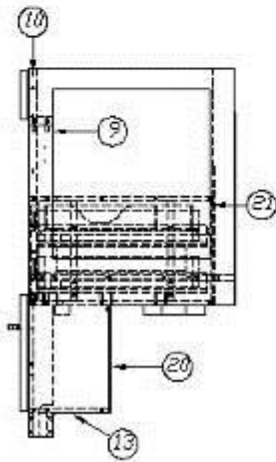
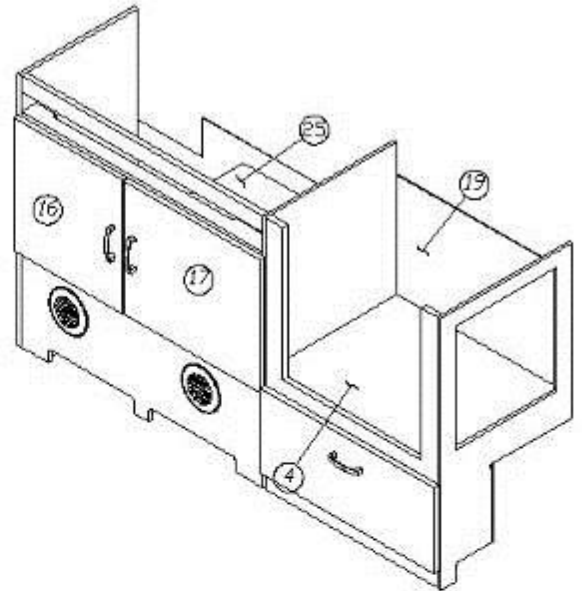
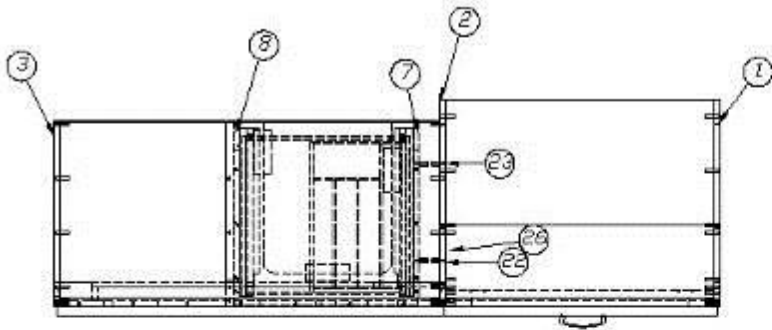


967981-01 Galley Top, Signature  
967981-02 Galley Top, Serenity

602349-01 Corian Top, Ecrú, Signature  
602349-06 Corian Top, Sorrel, Serenity

# 2016 INTERNATIONAL TRAVEL TRAILER FURNITURE, GALLEY

## Galley, 23FB Signature



Parts Listed on Next Page

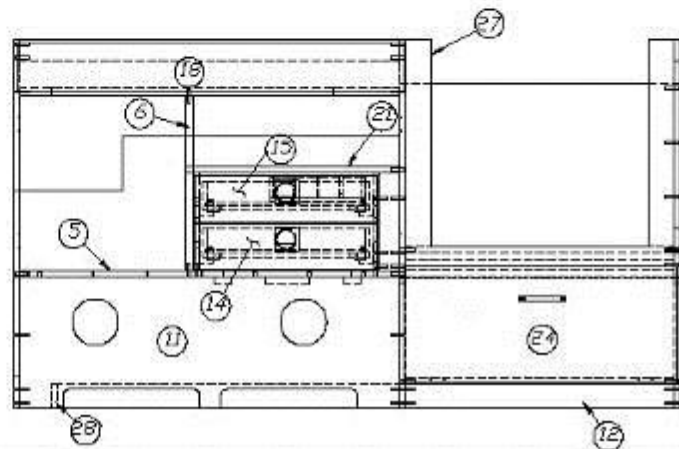
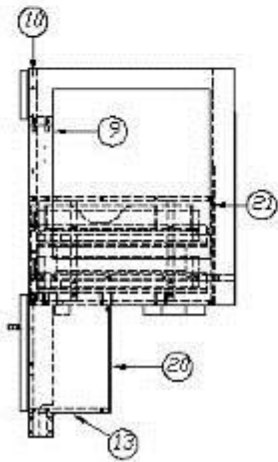
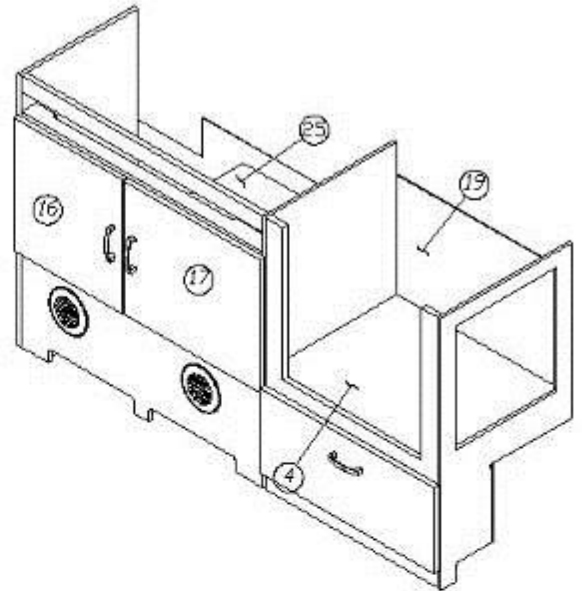
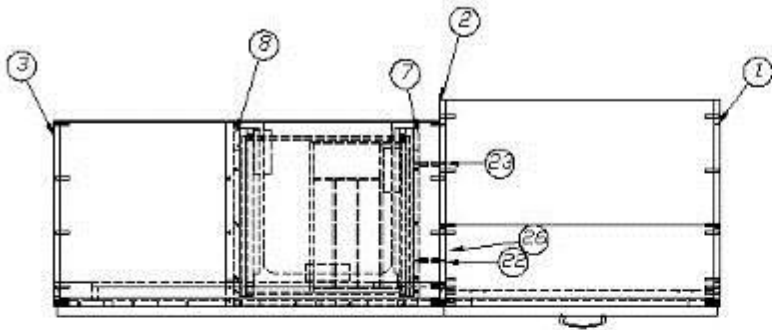
## 2016 INTERNATIONAL TRAVEL TRAILER FURNITURE, GALLEY

### Galley, 23FB Signature

968199	Galley
1. 968199-1	Panel, 19.13 x 34.25
2. 968199-2	Panel, 19.13 x 34.25
3. 968199-3	Panel, 17.13 x 34.25
4. 968199-4	Panel, 18.38 x 25
5. 968199-5	Panel, 17.13 x 35.38
6. 968199-6	Panel, 17.13 x 16.31
7. 968199-7	Panel, 16.13 x 9.22
8. 968199-8	Panel, 16.13 x 9.22
9. 968199-9	Panel, 2.25 x 35.38
10. 968199-10	Panel, 2 x 35.38
11. 968199-11	Panel, 35.38 x 12.19
12. 968199-12	Panel, 25 x 2.25
13. 968199-13	Panel, 7.5 x 25
14. 968199-16	Panel, 16.88 x 4.25
15. 968199-17	Panel, 16.88 x 4.25
16. 968199-18	Door, 16 x 16.81
17. 968199-19	Door, 19.88 x 16.81
18. 968199-20	Panel, 36 x 4.5
19. 968199-21	Panel, 17.63 x 26
20. 968199-22	Panel, 9.88 x 26
21. 968199-23	Panel, 17.13 x 20
22. 968199-24	Panel, 2 x 9.22
23. 968199-25	Panel, 2 x 9.22
24. 968199-26	Door, 25.38 x 10.75
25. 968199-34	Panel, 35.88 x 12.98
26. 968199-38	Panel, 32.38 x 2.25
27. 968199-40	Panel, 25 x 21.38
28. 968199-46	Panel, 1.25 x 2.25
382029-05	Handle bar, 21"
382029-04	Pull handle, 15"
968021-03	Drawer box, Self-close, 2.75 x 15
382203-03	Slide drawer, Self-close
968024	Cutlery insert
381228-02	Catch, Grabber door
365364-01	Edgebanding, .63", Ebony Woods
365364-02	Edgebanding, .94", Ebony Woods
381708	Waste basket
114811	Aluminum angle, .5 x .5
382203-06	Front fixing clips
382026	Finger pull, Flush, S.S.

# 2016 INTERNATIONAL TRAVEL TRAILER FURNITURE, GALLEY

## Galley, 23FB Serenity



Parts Listed on Next Page

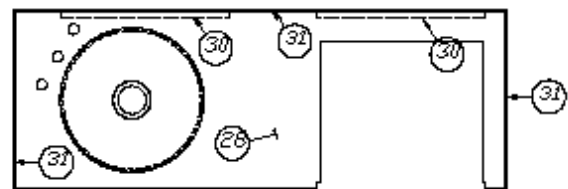
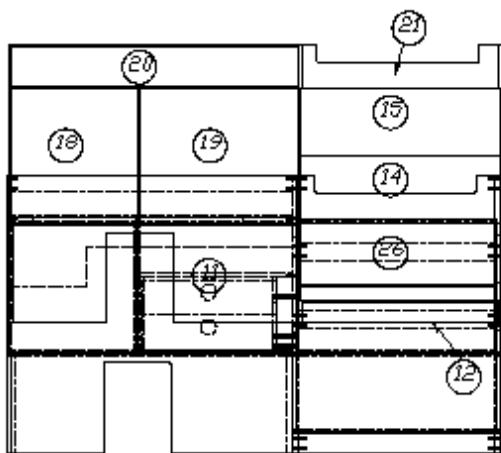
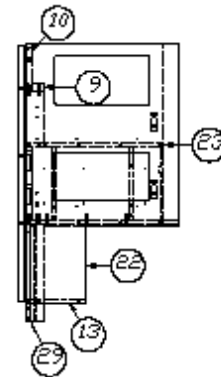
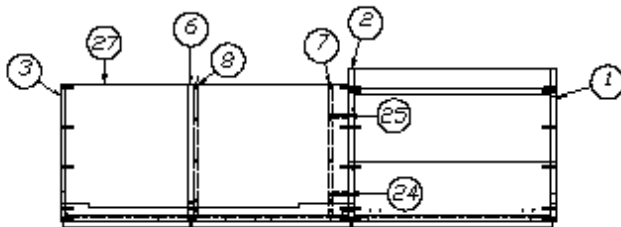
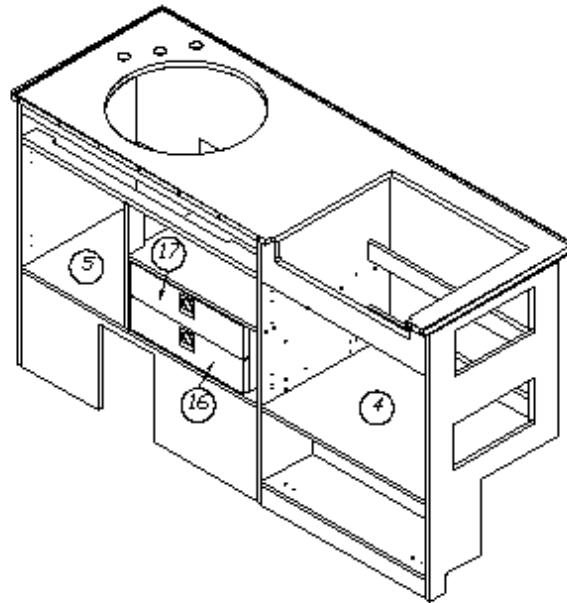
## 2016 INTERNATIONAL TRAVEL TRAILER FURNITURE, GALLEY

### Galley, 23FB Serenity

968199-15	Galley
1. 968199-1	Panel, 19.13 x 34.25
2. 968199-2	Panel, 19.13 x 34.25
3. 968199-3	Panel, 17.13 x 34.25
4. 968199-4	Panel, 18.38 x 25
5. 968199-5	Panel, 17.13 x 35.38
6. 968199-6	Panel, 17.13 x 16.31
7. 968199-7	Panel, 16.13 x 9.22
8. 968199-8	Panel, 16.13 x 9.22
9. 968199-9	Panel, 2.25 x 35.38
10. 968199-1510	Panel, 2 x 35.38
11. 968199-1511	Panel, 35.38 x 12.19
12. 968199-1512	Panel, 25 x 2.25
13. 968199-13	Panel, 7.5 x 25
14. 968199-1516	Panel, 16.88 x 4.25
15. 968199-1517	Panel, 16.88 x 4.25
16. 968199-1518	Door, 16 x 16.81
17. 968199-1519	Door, 19.88 x 16.81
18. 968199-1520	Panel, 36 x 4.5
19. 968199-21	Panel, 17.63 x 26
20. 968199-22	Panel, 9.88 x 26
21. 968199-23	Panel, 17.13 x 20
22. 968199-24	Panel, 2 x 9.22
23. 968199-25	Panel, 2 x 9.22
24. 968199-1526	Door, 25.38 x 10.75
25. 968199-34	Panel, 35.88 x 12.98
26. 968199-1538	Panel, 32.38 x 2.25
27. 968199-1540	Panel, 25 x 21.38
28. 968199-1546	Panel, 1.25 x 2.25
382029-05	Handle bar, 21"
382115	Pull, Flat Black
968021-03	Drawer box, Self-close, 2.75 x 15
382203-03	Slide drawer, Self-close
968024	Cutlery insert
381228-02	Catch, Grabber door
365344-01	Edgebanding, .63", Pearl Bisque
365344-02	Edgebanding, .94", Pearl Bisque
381708	Waste basket
114811	Aluminum angle, .5 x .5
382203-06	Front fixing clips
382026	Finger pull, Flush, S.S.

# 2016 INTERNATIONAL TRAVEL TRAILER FURNITURE, GALLEY

Galley, 23FB A2GO



Parts Listed on Next Page



# 2016 INTERNATIONAL TRAVEL TRAILER

## FURNITURE, GALLEY

### Galley, 23FB A2GO

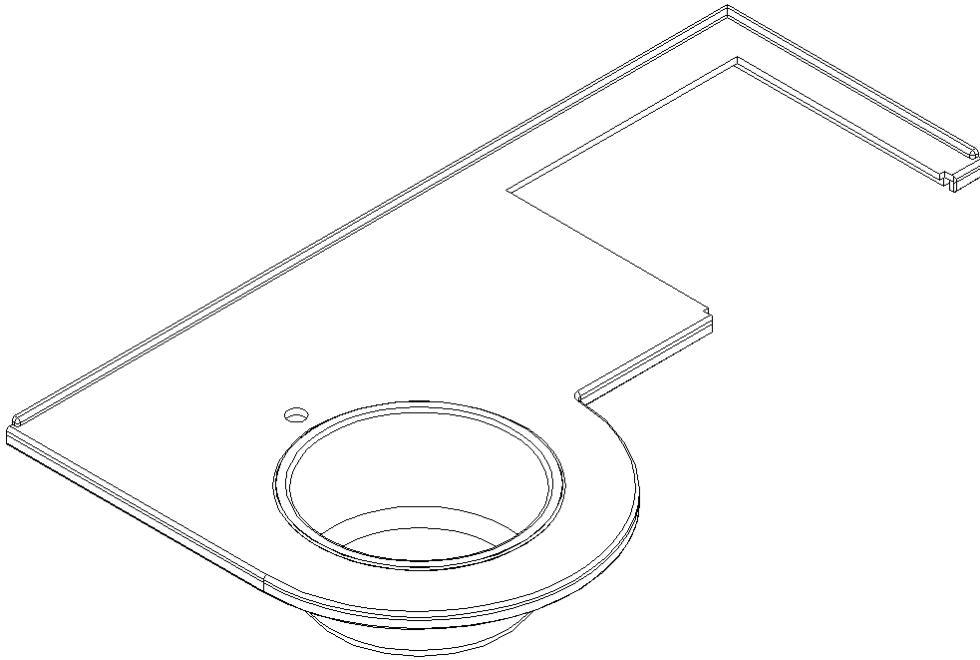
968044

Galley, 23FB A2GO

1. 968044-1	Panel, 19.13 x 34.75
2. 968044-2	Panel, 19.13 x 34.75
3. 968044-3	Panel, 17.13 x 34.75
4. 968044-4	Panel, 19.13 x 24.5
5. 968044-5	Panel, 17.13 x 35.38
6. 968044-6	Panel, 17.13 x 16.18
7. 968044-7	Panel, 16.13 x 9.22
8. 968044-8	Panel, 16.13 x 9.22
9. 968044-9	Panel, 2.25 x 35.38
10. 968044-10	Panel, 20 x 35.38
11. 968044-11	Panel, 35.38 x 12.19
12. 968044-12	Panel, 24.5 x 2.44
13. 968044-13	Panel, 7.5 x 24.5
14. 968044-14	Panel, 25.13 x 8.31
15. 968044-15	Panel, 25.13 x 8.31
16. 968044-16	Panel, 16.88 x 4.25
17. 968044-17	Panel, 16.88 x 4.25
18. 968044-18	Door, 16 x 16.81
19. 968044-19	Door, 19.88 x 16.81
20. 968044-20	Panel, 36 x 5.13
21. 968044-21	Panel, 24.5 x 5.75
22. 968044-22	Panel, 9.62 x 26
23. 968044-23	Panel, 17.13 x 20
24. 968044-24	Panel, 20 x 9.09
25. 968044-25	Panel, 20 x 9.09
26. 968044-26	Door, 25.13 x 9.75
27. 968044-34	Panel, 35.88 x 13.63
28. 968044-40	Top, 22.50 x 61.75
29. 114811	Aluminum angle .5 x .5
30. 114812	Aluminum angle, 1 x 1
31. 115064	Trim, Aluminum counter top
968021-03	Drawer box, 2.75"
968022-05	Drawer box, 6"
382029-04	Handle bar, 15"
382029-05	Handle bar, 21.33"
382203-03	Drawer slide, 15", Tandem
381607-11	Hinge, Self-close
381228-02	Catch, Grabber door (5lb pull)
382203-06	Front fixing clips (Pr.)
968024	Insert, Cutlery drawer

# 2016 INTERNATIONAL TRAVEL TRAILER FURNITURE, GALLEY

Galley Top, 25'



967985-01  
967985-02

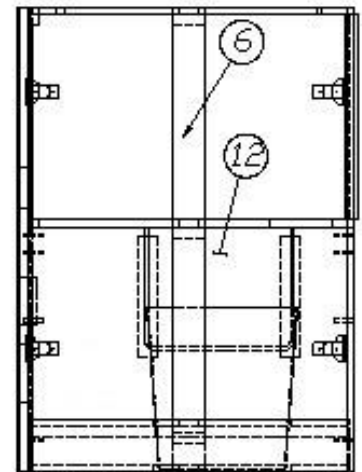
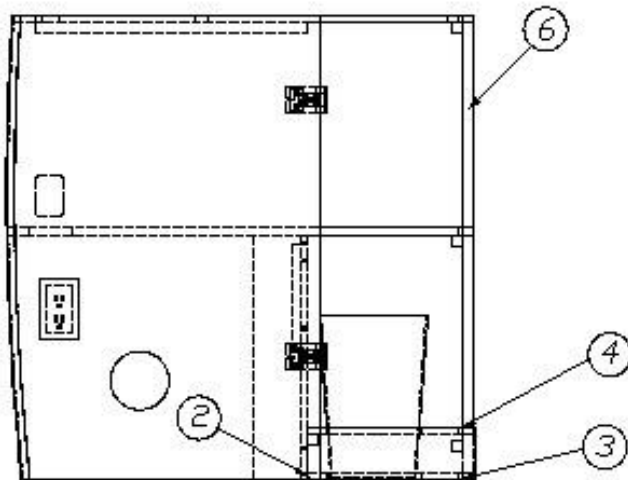
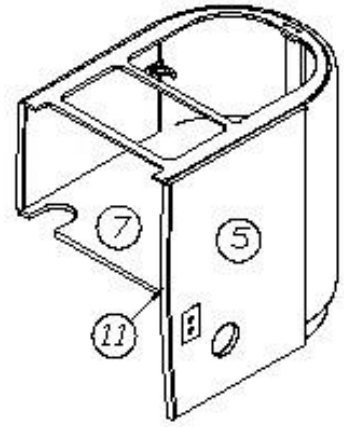
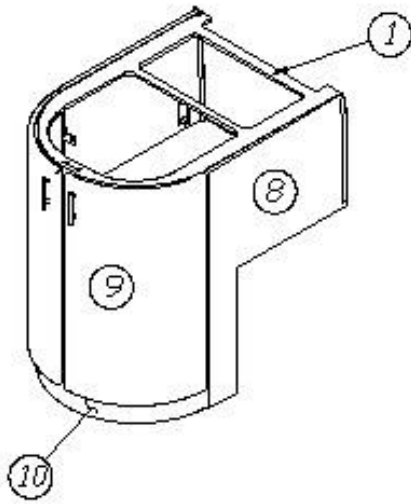
Galley Top, Signature  
Galley Top, Serenity

602350-01  
602350-06

Corian Top, Ecrú, Signature  
Corian Top, Sorrel, Serenity

# 2016 INTERNATIONAL TRAVEL TRAILER FURNITURE, GALLEY

## Galley, Forward Section, 25' Signature



Parts Listed on Next Page

# 2016 INTERNATIONAL TRAVEL TRAILER FURNITURE, GALLEY

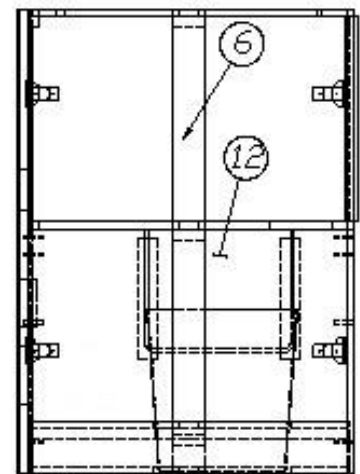
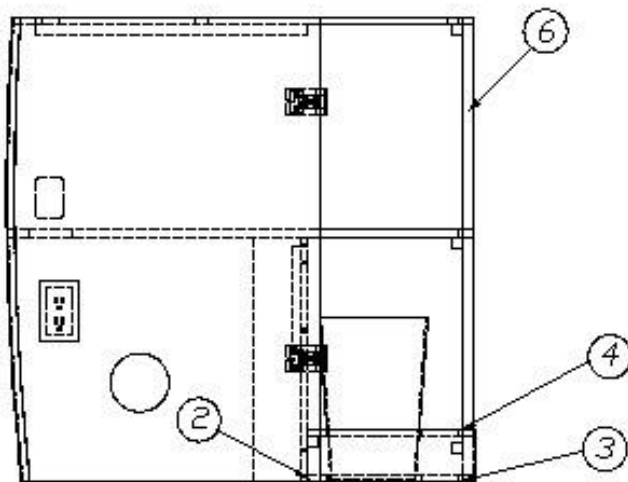
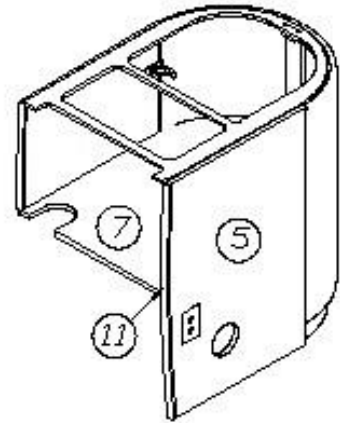
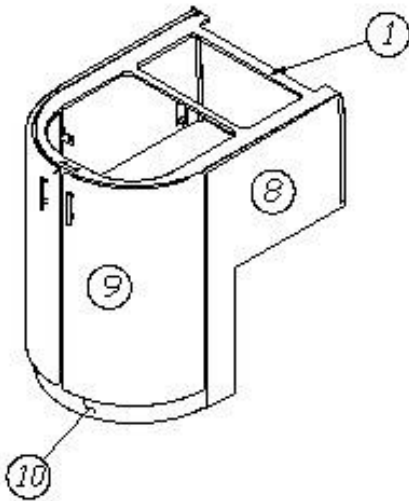
## Galley, Forward Section, 25' Signature

967986 Galley Forward Section

1. 967986-1 Panel, 23.5 x 33.91
2. 967986-2 Panel, 23.54 x 17.88
3. 967986-3 Panel, 23.27 x 12.18
4. 967986-4 Panel, 23.27 x 12.18
5. 967986-6 Panel, 23.4 x 34.25
6. 967986-7 Panel, 2.4 x 34.25
7. 967986-8 Panel, 23.5 x 34.38
8. 967986-9 Panel, 23.4 x 34.25
9. 801787-0124 Door, 16.97 x 31, Ebony
10. 115309 Toe kick, Aluminum
11. 203464 Trim panel, .75", Black
12. 967986-24 Panel, 10.5 x 8.75
- 381808-01 Bracket, Face mount hinge
- 381607-11 Hinge, Self-close
- 382029-05 Handle bar, 21.33"
- 203483 Sink cover, Round
- 381708 Wastebasket

# 2016 INTERNATIONAL TRAVEL TRAILER FURNITURE, GALLEY

## Galley, Forward Section, 25' Serenity



Parts Listed on Next Page

# 2016 INTERNATIONAL TRAVEL TRAILER FURNITURE, GALLEY

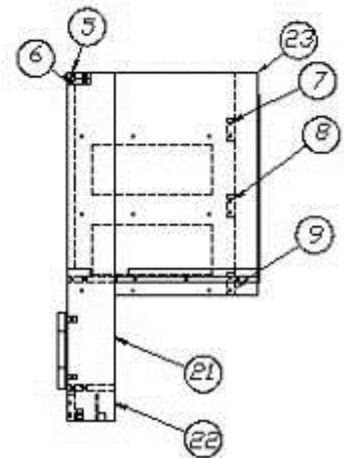
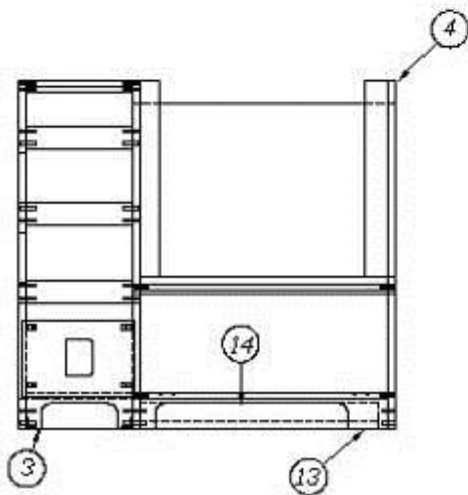
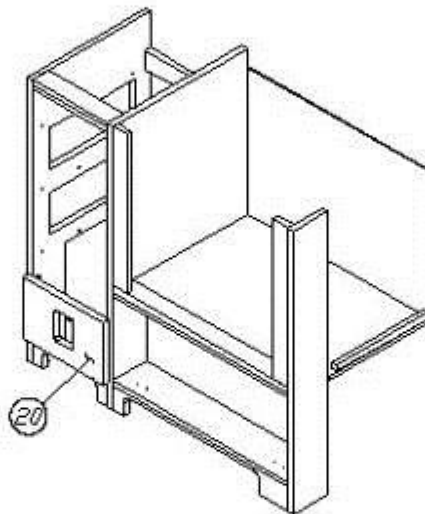
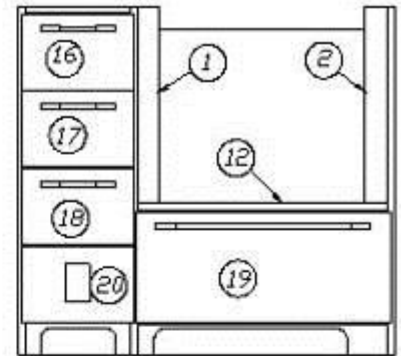
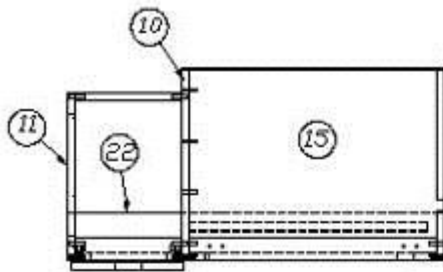
## Galley, Forward Section, 25' Serenity

967986-15 Galley Forward Section

1. 967986-1 Panel, 23.5 x 33.91
2. 967986-2 Panel, 23.54 x 17.88
3. 967986-3 Panel, 23.27 x 12.18
4. 967986-4 Panel, 23.27 x 12.18
5. 967986-156 Panel, 23.4 x 34.25
6. 967986-157 Panel, 2.4 x 34.25
7. 967986-8 Panel, 23.5 x 34.38
8. 967986-159 Panel, 23.4 x 34.25
9. 801787-0118 Door, 16.97 x 31, Asian Sand
10. 115309 Toe kick, Aluminum
11. 203464-02 Trim panel, .75", Beige
12. 967986-24 Panel, 10.5 x 8.75
- 381808-01 Bracket, Face mount hinge
- 381607-11 Hinge, Self-close
- 382029-05 Handle bar, 21.33"
- 203483 Sink cover, Round
- 381708 Wastebasket

# 2016 INTERNATIONAL TRAVEL TRAILER FURNITURE, GALLEY

## Galley, Oven Section, 25' Signature



Parts Listed on Next Page

# 2016 INTERNATIONAL TRAVEL TRAILER FURNITURE, GALLEY

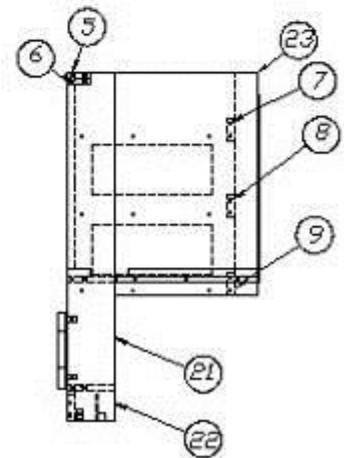
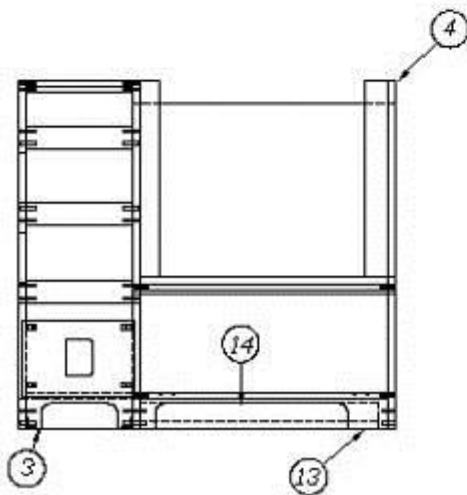
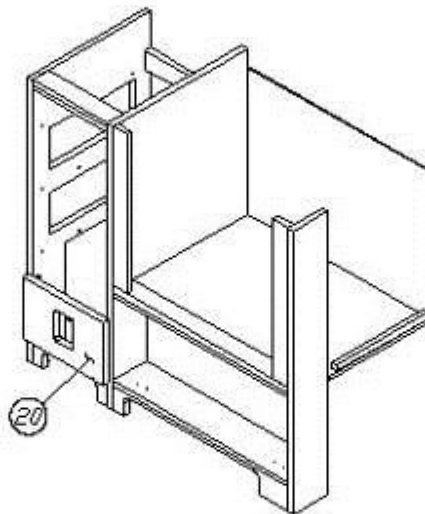
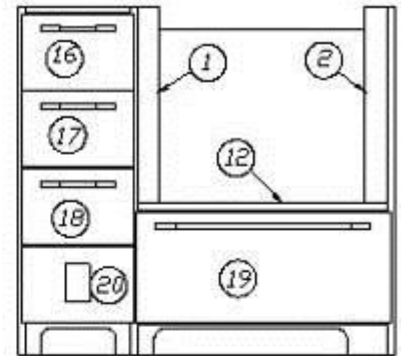
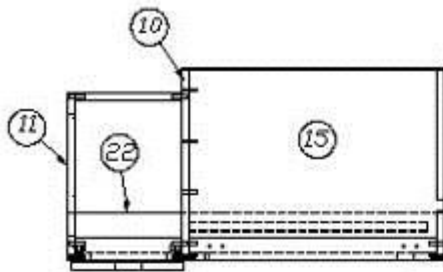
## Galley, Oven Section, 25' Signature

967987	Galley Oven Section
1. 967987-35	Panel, 21 x 19.25
2. 967987-36	Panel, 2.24 x 19.25
3. 967987-3	Panel, 3.5 x 10.5
4. 967987-4	Panel, 4.69 x 34.25
5. 967987-5	Panel, 2.25 x 10.5
6. 967987-6	Panel, 2.25 x 10.5
7. 967987-7	Panel, 2.25 x 10.5
8. 967987-8	Panel, 2.25 x 10.5
9. 967987-9	Panel, 2.25 x 10.5
10. 967987-10	Panel, 18.88 x 34.25
11. 967987-11	Panel, 16.44 X 34.25
12. 967987-12	Panel, 2.25 x 24.5
13. 967987-14	Panel, 3 x 24
14. 967987-15I	Panel, 4.69 x 24.5
15. 967987-16	Panel, 18.88 x 25.25
16. 967987-17	Door, 11.13 x 7.5
17. 967987-18	Door, 11.13 x 7.5
18. 967987-19	Door, 11.13 x 7.5
19. 967987-20	Door, 25.13 x 10.88
20. 967987-21	Panel, 11.13 x 7.5
21. 967987-22	Panel, 26 x 9.81
22. 967987-30	Panel, 12 x 3
23. 967987-34	Panel, 26 x 18.25
968024	Insert, Cutlery drawer
382029-05	Handle bar, 21.33
381228-02	Catch, Grabber door (5lb pull)
203440	T-molding, Black Embossed
382203-03	Drawer slide, 15"
382203-06	Clips, Front fixing (Pr.)



# 2016 INTERNATIONAL TRAVEL TRAILER FURNITURE, GALLEY

## Galley, Oven Section, 25' Serenity



Parts Listed on Next Page

# 2016 INTERNATIONAL TRAVEL TRAILER FURNITURE, GALLEY

## Galley, Oven Section, 25' Serenity

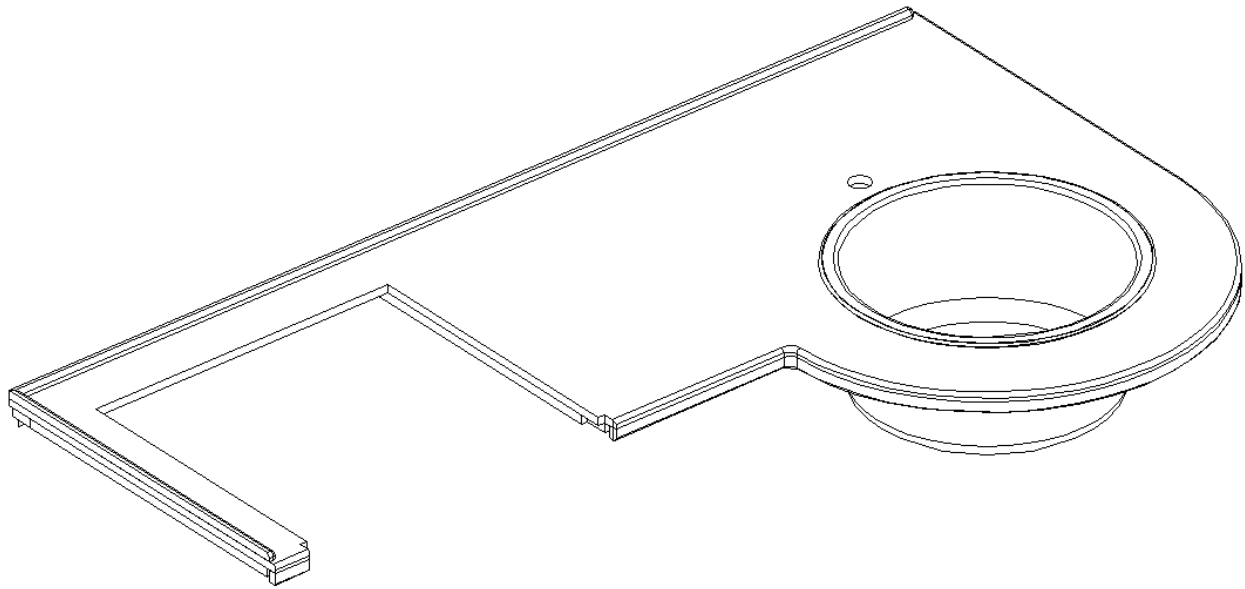
967987-15

Galley Oven Section

1. 967987-1535	Panel, 21 x 19.25
2. 967987-1536	Panel, 2.24 x 19.25
3. 967987-153	Panel, 3.5 x 10.5
4. 967987-4	Panel, 4.69 x 34.25
5. 967987-5	Panel, 2.25 x 10.5
6. 967987-6	Panel, 2.25 x 10.5
7. 967987-7	Panel, 2.25 x 10.5
8. 967987-8	Panel, 2.25 x 10.5
9. 967987-9	Panel, 2.25 x 10.5
10. 967987-10	Panel, 18.88 x 34.25
11. 967987-11	Panel, 16.44 X 34.25
12. 967987-12	Panel, 2.25 x 24.5
13. 967987-1514	Panel, 3 x 24
14. 967987-15I	Panel, 4.69 x 24.5
15. 967987-16	Panel, 18.88 x 25.25
16. 967987-1517	Door, 11.13 x 7.5
17. 967987-1518	Door, 11.13 x 7.5
18. 967987-1519	Door, 11.13 x 7.5
19. 967987-1520	Door, 25.13 x 10.88
20. 967987-1521	Panel, 11.13 x 7.5
21. 967987-22	Panel, 26 x 9.81
22. 967987-30	Panel, 12 x 3
23. 967987-1534	Panel, 26 x 18.25
968024	Insert, Cutlery drawer
382029-05	Handle bar, 21.33"
381228-02	Catch, Grabber door (5lb pull)
203693	T-molding, Beige Embossed
382203-03	Drawer slide, 15"
382203-06	Front fixing clips (Pr.)

# 2016 INTERNATIONAL TRAVEL TRAILER FURNITURE, GALLEY

## Galley Top, 25FB

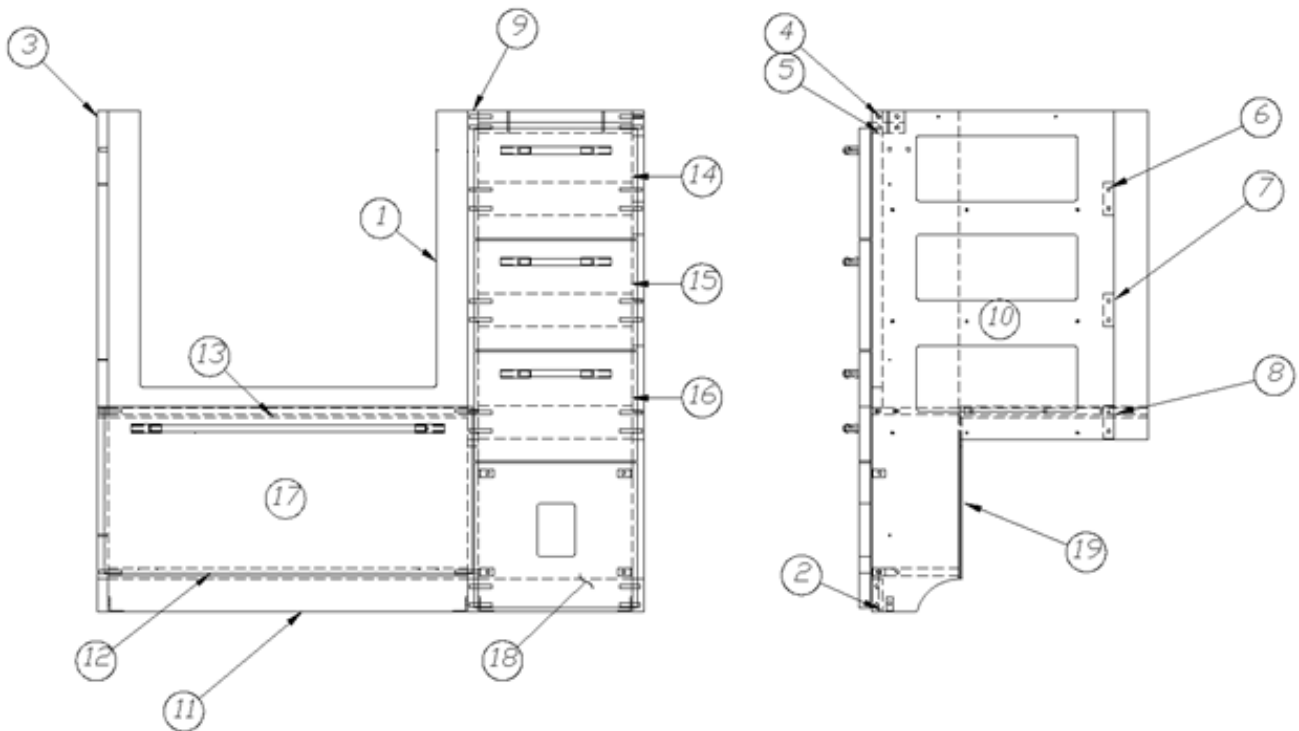
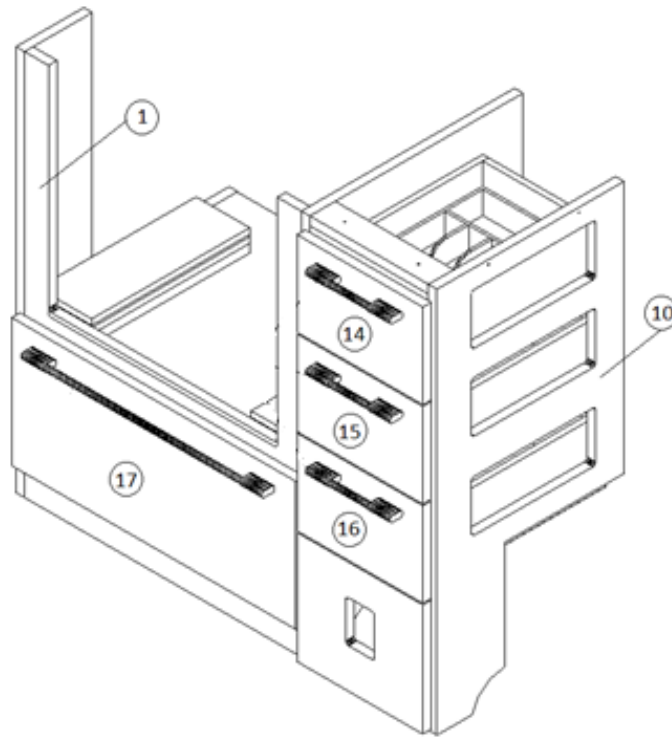


967990-01 Galley Top, Signature  
967990-02 Galley Top, Serenity

602353-01 Corian Top, Ecrú, Signature  
602353-06 Corian Top, Sorrel, Serenity

# 2016 INTERNATIONAL TRAVEL TRAILER FURNITURE, GALLEY

## Galley, Oven Section, 25FB Signature



Parts Listed on Next Page

# 2016 INTERNATIONAL TRAVEL TRAILER

## FURNITURE, GALLEY

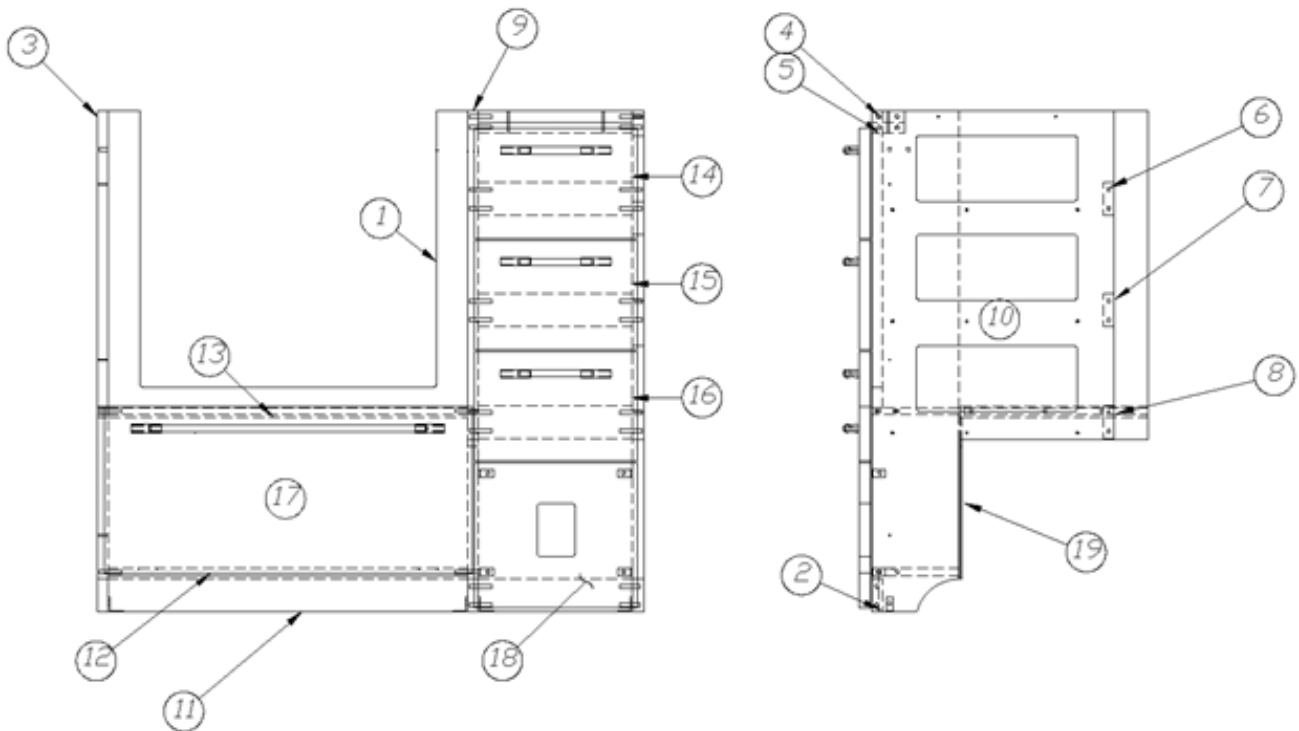
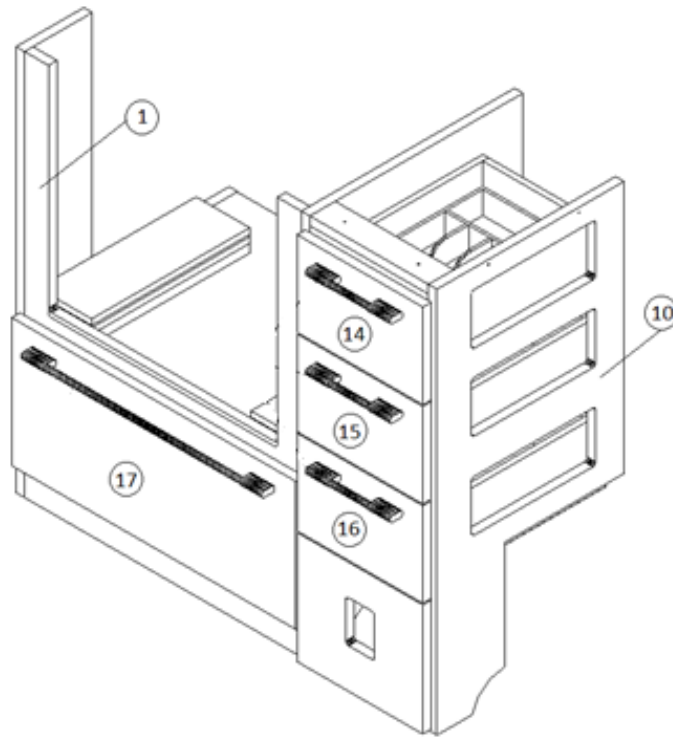
### Galley, Oven Section, 25FB Signature

967992 Galley Oven Section

1. 967992-2	Panel, 24.5 x 20.25
2. 967992-3	Panel, 10.5 x 2.25
3. 967992-4	Panel, 6 x 34.25
4. 967992-5	Panel, 2.25 x 10.5
5. 967992-6	Panel, 2.25 x 10.5
6. 967992-7	Panel, 2.25 x 10.5
7. 967992-8	Panel, 2.25 x 10.5
8. 967992-9	Panel, 2.25 x 10.5
9. 967992-10	Panel, 18.88 x 34.25
10. 967992-11	Panel, 16.56 x 34.25
11. 967992-14	Panel, 24.5 x 3
12. 967992-15I	Panel, 6 x 24.5
13. 967992-16	Panel, 18.88 x 25.25
14. 967992-17	Door, 11.13 x 7.5
15. 967992-18	Door, 11.13 x 7.5
16. 967992-19	Door, 11.13 x 7.5
17. 967992-20	Door, 25.13 x 11.38
18. 967992-21	Panel, 11.13 x 9.92
19. 967992-22	Panel, 26 x 11.06
382029-00	Handle bar, 7.48"
382029-05	Handle bar, 21"
968020-02	Drawer box, 5" x 15"
381607-11	Hinge, Self-close
381228-02	Catch, Grabber door (5lb Pull)
382203-03	Drawer slide, Self-close, 15" (Pair)
382203-06	Front fixing clip (Pair)
968024	Insert, Cutlery drawer

# 2016 INTERNATIONAL TRAVEL TRAILER FURNITURE, GALLEY

## Galley, Oven Section, 25FB Serenity



Parts Listed on Next Page

# 2016 INTERNATIONAL TRAVEL TRAILER

## FURNITURE, GALLEY

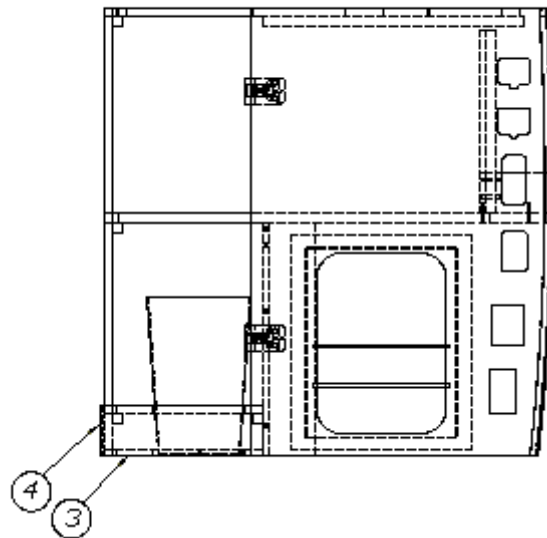
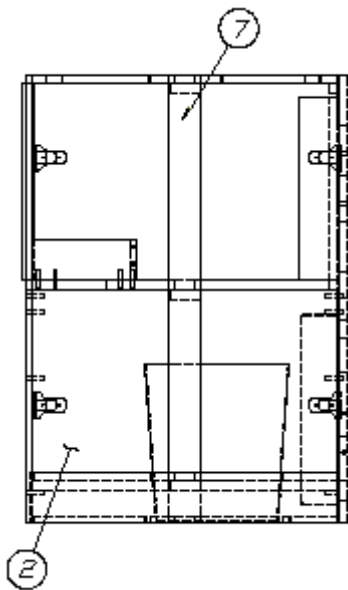
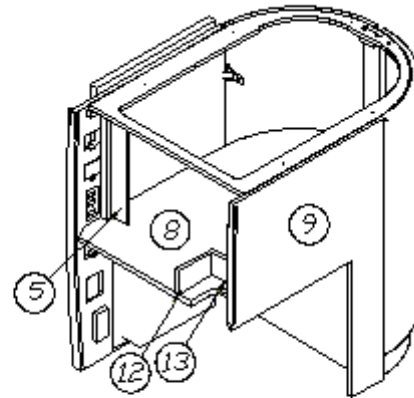
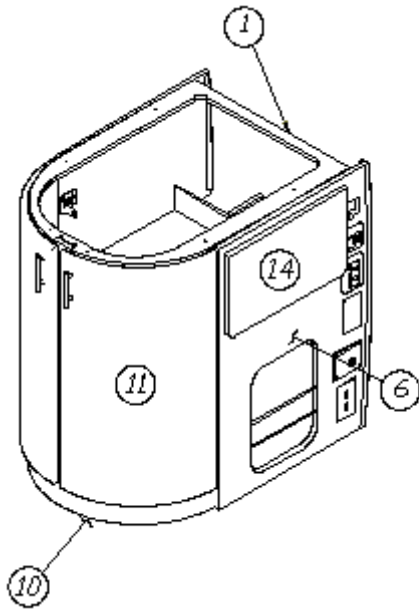
### Galley, Oven Section, 25FB Serenity

967992-15 Galley Oven Section

1. 967992-2	Panel, 24.5 x 20.25
2. 967992-153	Panel, 10.5 x 2.25
3. 967992-4	Panel, 6 x 34.25
4. 967992-5	Panel, 2.25 x 10.5
5. 967992-6	Panel, 2.25 x 10.5
6. 967992-7	Panel, 2.25 x 10.5
7. 967992-8	Panel, 2.25 x 10.5
8. 967992-9	Panel, 2.25 x 10.5
9. 967992-10	Panel, 18.88 x 34.25
10. 967992-11	Panel, 16.56 x 34.25
11. 967992-1514	Panel, 24.5 x 3
12. 967992-15I	Panel, 6 x 24.5
13. 967992-16	Panel, 18.88 x 25.25
14. 967992-1517	Door, 11.13 x 7.5
15. 967992-1518	Door, 11.13 x 7.5
16. 967992-1519	Door, 11.13 x 7.5
17. 967992-1520	Door, 25.13 x 11.38
18. 967992-1521	Panel, 11.13 x 9.92
19. 967992-22	Panel, 26 x 11.06
382044	Handle, Brushed Nickel
382115	Pull, Flat Black
381228-02	Catch, Grabber door (5lb Pull)
968020-02	Drawer box, Self-close, 5" x 15"
381607-11	Hinge, Self-close
382203-03	Drawer slide, Self-close, 15" (Pair)
382203-06	Front fixing clips (Pr)
968024	Insert, Cutlery drawer

# 2016 INTERNATIONAL TRAVEL TRAILER FURNITURE, GALLEY

## Galley, Aft Section, 25FB Signature



Parts Listed on Next Page



# 2016 INTERNATIONAL TRAVEL TRAILER

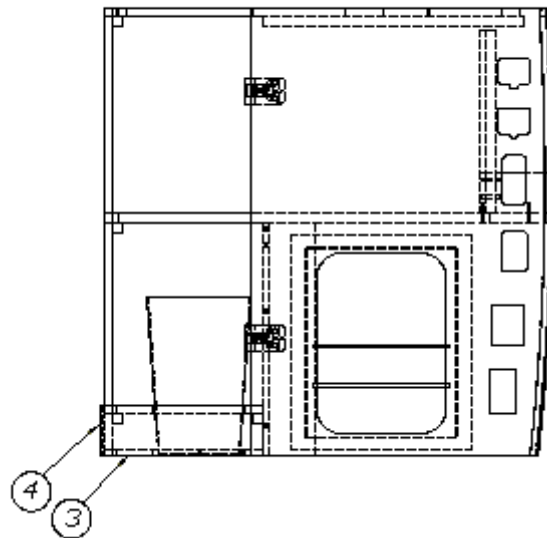
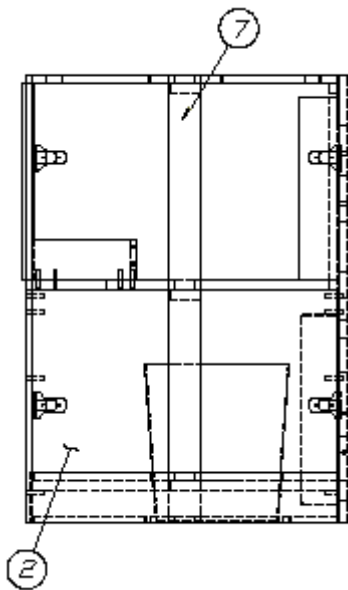
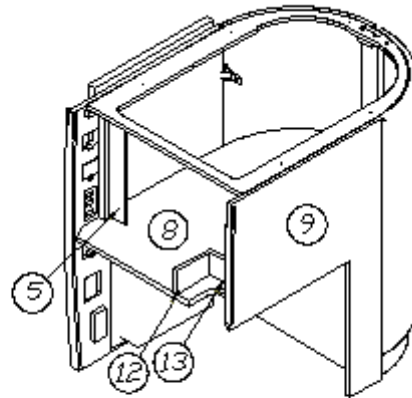
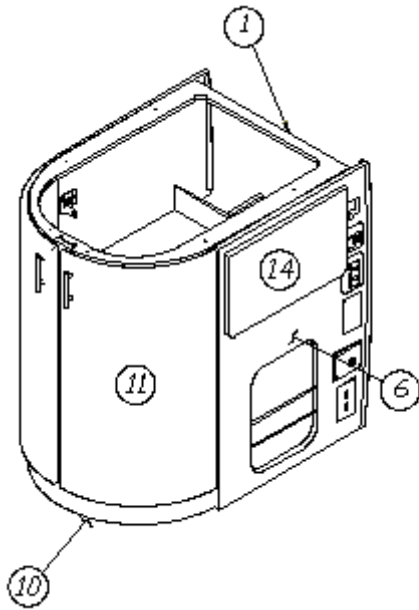
## FURNITURE, GALLEY

### Galley, Aft Section, 25FB Signature

967991	Galley Aft Section
1. 967991-1	Panel, 23.5 x 33.94
2. 967991-2	Panel, 23.54 x 17.88
3. 967991-3	Panel, 23.27 x 12.18
4. 967991-4	Panel, 23.27 x 12.18
5. 967991-5	Panel, 3 x 14
6. 967991-6	Panel, 23.04 x 34.25
7. 967991-7	Panel, 2.4 x 34.25
8. 967991-8	Panel, 23.5 x 34.4
9. 967991-9	Panel, 23.04 x 34.25
10. 115309	Toe kick, Aluminum
11. 801787-0124	Door, 16.26 x 31, Ebony
12. 967991-32	Panel, 3 x 5
13. 967991-33	Panel, 3 x 6.5
14. 967989-01	Galley flip shelf
602351-01	Galley flip shelf top, Corian, Ecru
382092	Bracket, Hinged spring
203440	T-molding, .8125, Black Embossed
381856	Catch, Tension 2-ball
381607-11	Hinge, Self-close
381808-01	Bracket, Face mount hinge
382029-00	Handle bar, 7.48"
203383	Magazine rack
115042	Rod, .25", Aluminum
203483	Sink cover, Round, 17.75"
381708	Wastebasket

# 2016 INTERNATIONAL TRAVEL TRAILER FURNITURE, GALLEY

## Galley, Aft Section, 25FB Serenity



Parts Listed on Next Page

# 2016 INTERNATIONAL TRAVEL TRAILER

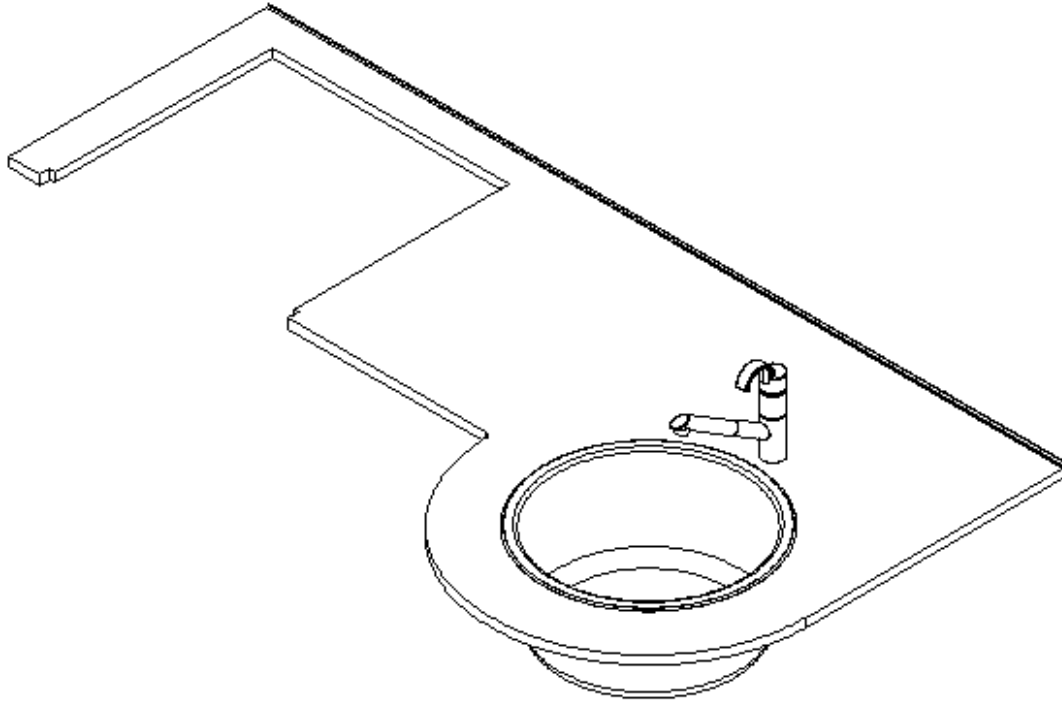
## FURNITURE, GALLEY

### Galley, Aft Section, 25FB Serenity

967991-15	Galley Aft Section
1. 967991-1	Panel, 23.5 x 33.94
2. 967991-2	Panel, 23.54 x 17.88
3. 967991-3	Panel, 23.27 x 12.18
4. 967991-4	Panel, 23.27 x 12.18
5. 967991-5	Panel, 3 x 14
6. 967991-156	Panel, 23.04 x 34.25
7. 967991-157	Panel, 2.4 x 34.25
8. 967991-8	Panel, 23.5 x 34.4
9. 967991-159	Panel, 23.04 x 34.25
10. 115309	Toe Kick, Aluminum
11. 801787-0118	Door, 16.26 x 31, Asian Sand
12. 967991-32	Panel, 3 x 5
13. 967991-33	Panel, 3 x 6.5
14. 967989-02	Galley flip shelf
602351-06	Galley flip shelf top, Corian, Sorrel
382092	Bracket, Hinged spring
203693	T-molding, .8125, Beige Embossed
381607-11	Hinge, Self-close
381808-01	Bracket, Face mount hinge
382115	Pull, Black
203383	Magazine rack
115042	Rod, .25", Aluminum
381856	Catch, Tension 2-ball
203483	Sink cover, Round, 17.75"
381708	Wastebasket

# 2016 INTERNATIONAL TRAVEL TRAILER FURNITURE, GALLEY

## Galley Top, 27FB

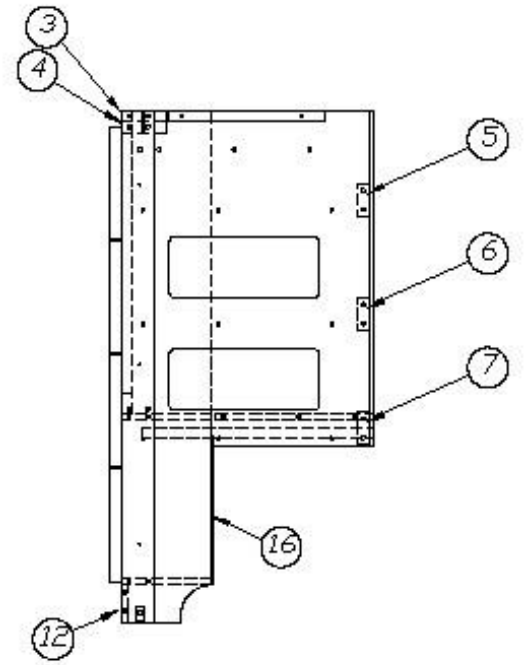
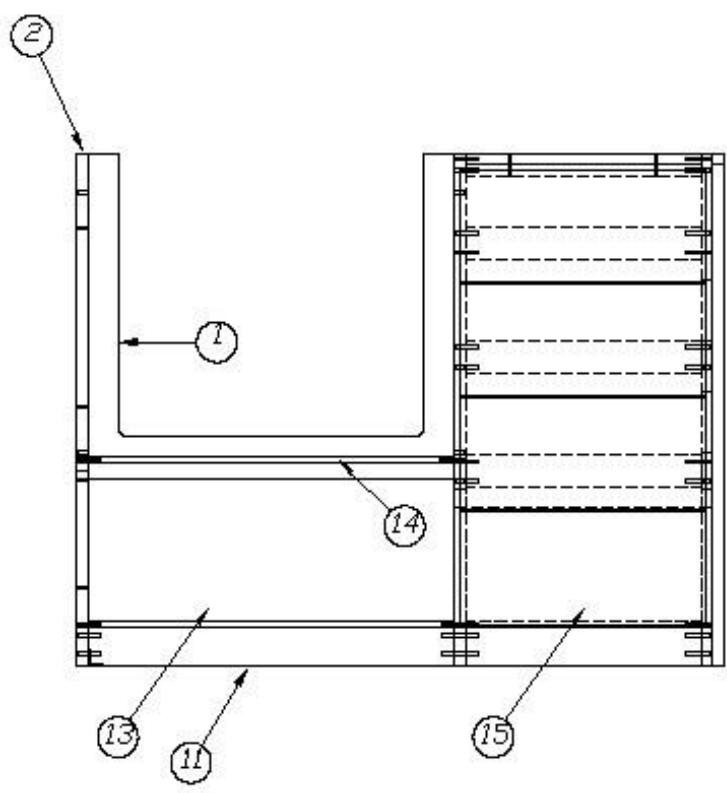
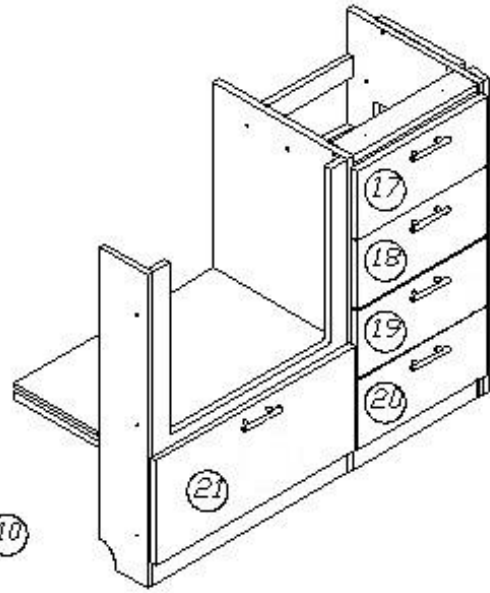
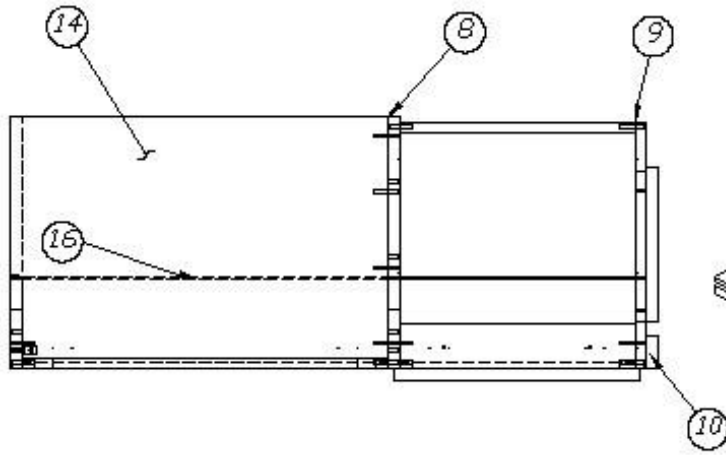


967994-01 Galley Top, Signature  
967994-02 Galley Top, Serenity

602354-01 Corian Top, Ecrú, Signature  
602354-06 Corian Top, Sorrel, Serenity

# 2016 INTERNATIONAL TRAVEL TRAILER FURNITURE, GALLEY

## Galley, Oven Section, 27FB Signature



Parts Listed on Next Page

# 2016 INTERNATIONAL TRAVEL TRAILER

## FURNITURE, GALLEY

### Galley, Oven Section, 27FB Signature

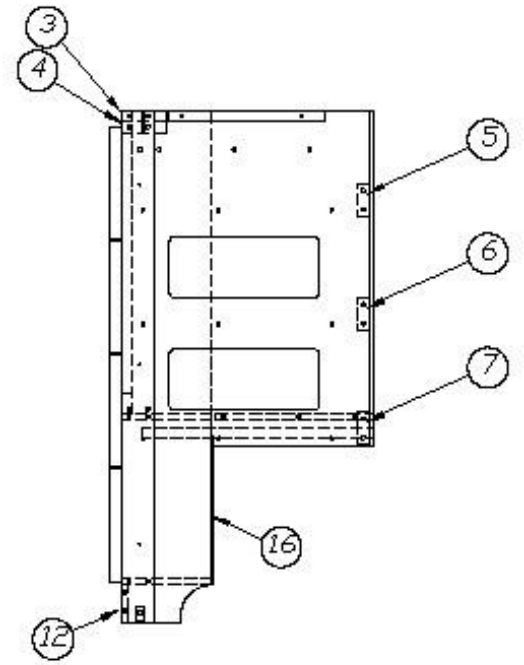
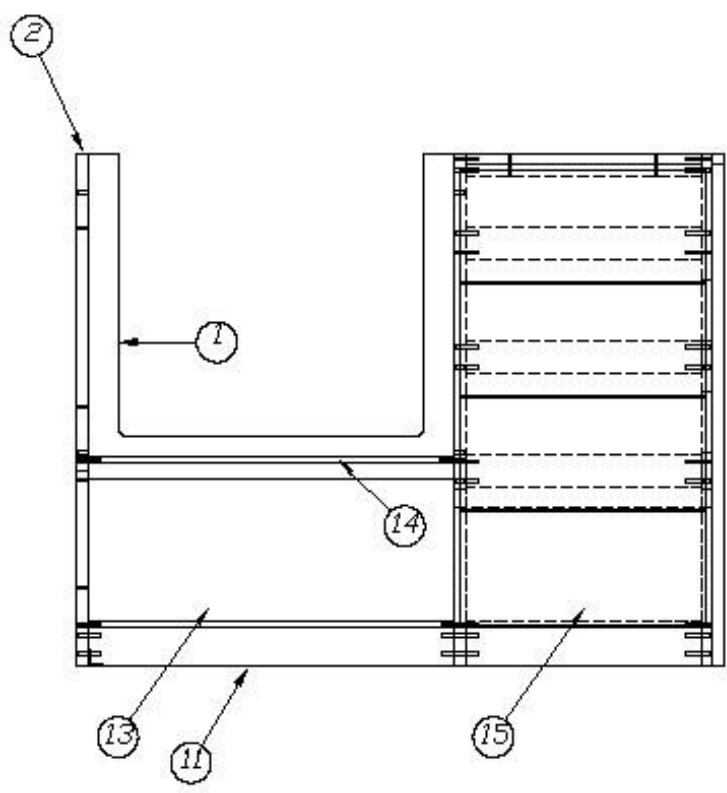
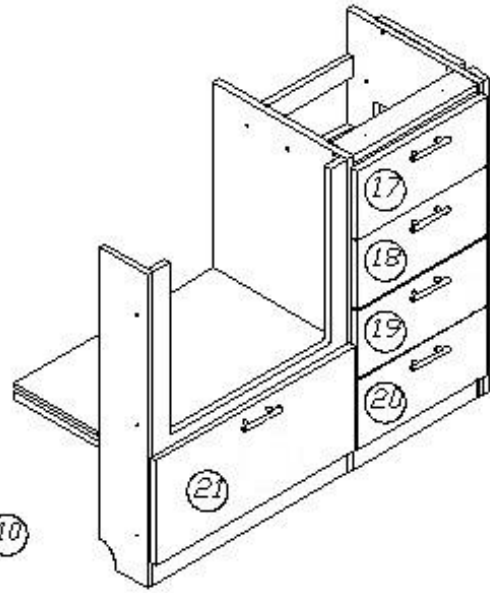
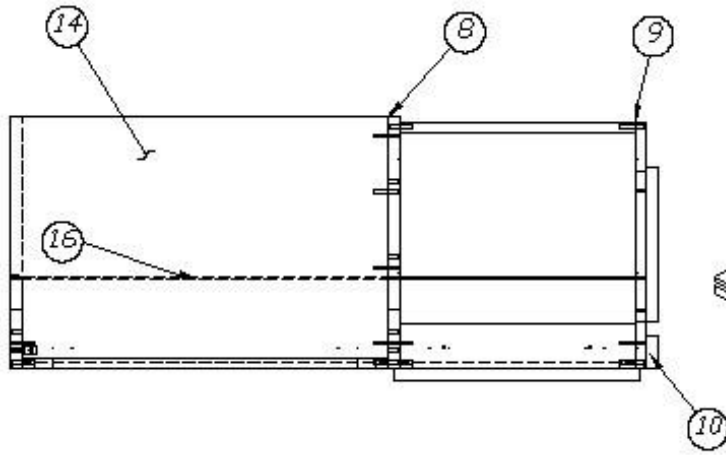
967995

Galley Standard Oven Section

1. 967995-2	Panel, 24.5 x 20.25
2. 967995-3	Panel, 6 x 34.25
3. 967995-4	Panel, 15.75 x 3
4. 967995-5	Panel, 15.75 x 3
5. 967995-6	Panel, 2.25 x 15.75
6. 967995-7	Panel, 2.25 x 15.75
7. 967995-8	Panel, 2.25 x 15.75
8. 967995-9	Panel, 16.88 x 34.25
9. 967995-10	Panel, 16.56 x 34.25
10. 967995-12	Panel, 2.25 x 34.25
11. 967995-14	Panel, 24.5 x 3.5
12. 967995-15I	Panel, 15.75 x 2.5
13. 967995-16	Panel, 6 x 24.5
14. 967995-17	Panel, 16.88 x 25.25
15. 967995-18	Panel, 6 x 15.75
16. 967995-19	Panel, 42.5 x 10
17. 967995-21	Drawer Face, 16.38 x 7.5
18. 967995-22	Drawer Face, 16.38 x 7.5
19. 967995-23	Drawer Face, 16.38 x 7.5
20. 967995-24	Door, 16.38 x 7.5
21. 967995-25	Door, 25.13 x 11.63
382029-04	Handle bar, 15"
381228-02	Catch, Grabber door (5lb Pull)
968020-04	Drawer box, Self-close, 5"
381607-11	Hinge, Self-close
382029-05	Handle bar, 21.33"
382203-03	Drawer slide, Self-close, 15"
382203-06	Front fixing clips
115309	Toe kick, Aluminum
968024	Insert, Cutlery drawer

# 2016 INTERNATIONAL TRAVEL TRAILER FURNITURE, GALLEY

## Galley, Oven Section, 27FB Serenity



Parts Listed on Next Page

# 2016 INTERNATIONAL TRAVEL TRAILER FURNITURE, GALLEY

## Galley, Oven Section, 27FB Serenity

967995-15

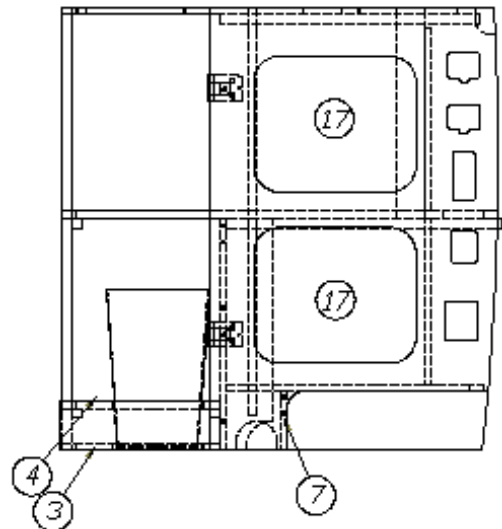
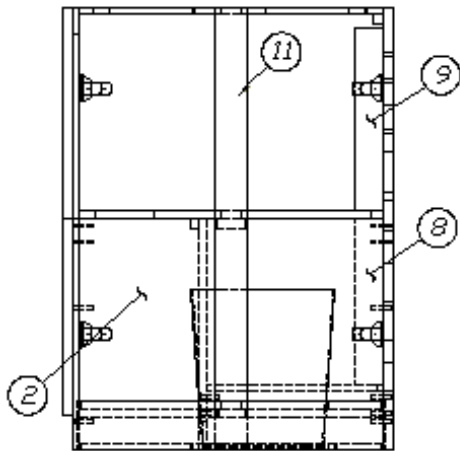
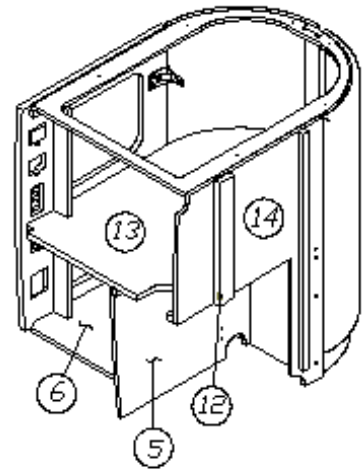
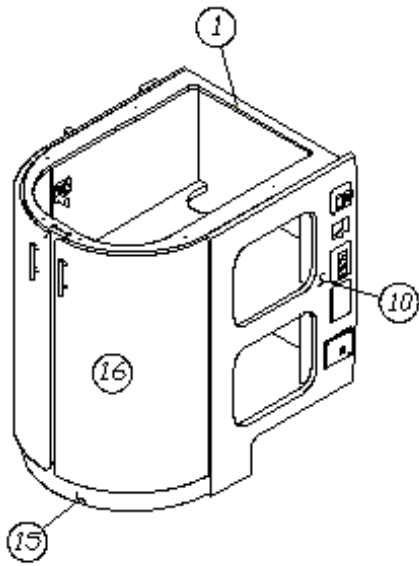
Galley Standard Oven Section

1. 967995-152 Panel, 24.5 x 20.25
  2. 967995-3 Panel, 6 x 34.25
  3. 967995-4 Panel, 15.75 x 3
  4. 967995-5 Panel, 15.75 x 3
  5. 967995-6 Panel, 2.25 x 15.75
  6. 967995-7 Panel, 2.25 x 15.75
  7. 967995-8 Panel, 2.25 x 15.75
  8. 967995-9 Panel, 16.88 x 34.25
  9. 967995-10 Panel, 16.44 x 34.25
  10. 967995-12 Panel, 2.25 x 34.25
  11. 967995-1514 Panel, 24.5 x 2.5
  12. 967995-1515 Panel, 15.75 x 2.5
  13. 967995-16 Panel, 6 x 24.5
  14. 967995-17 Panel, 16.88 x 25.25
  15. 967995-18 Panel, 6 x 15.75
  16. 967995-19 Panel, 42.5 x 10
  17. 967995-1521 Drawer Face, 16.38 x 7.5
  18. 967995-1522 Drawer Face, 16.38 x 7.5
  19. 967995-1523 Drawer Face, 16.38 x 7.5
  20. 967995-1524 Door, 16.38 x 7.5,
  21. 967995-1525 Door, 25.13 x 11.63
- 382115 Pull, Flat Black
- 381228-02 Catch, Grabber door (5lb Pull)
- 968020-04 Drawer box, Self-close, 5"
- 381607-11 Hinge, Self-close
- 382203-03 Drawer slide, 15", Tandem (Pair)
- 382203-06 Front fixing clips (Pair)
- 115309 Toe kick, Aluminum
- 968024 Insert, Cutlery drawer



# 2016 INTERNATIONAL TRAVEL TRAILER FURNITURE, GALLEY

## Galley, Aft Section, 27FB Signature



Parts Listed on Next Page

# 2016 INTERNATIONAL TRAVEL TRAILER

## FURNITURE, GALLEY

### Galley, Aft Section, 27FB Signature

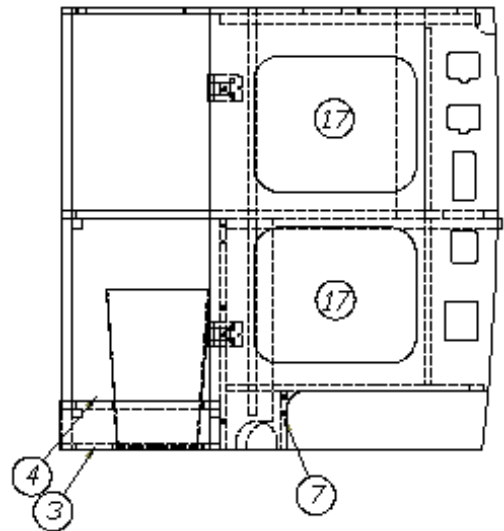
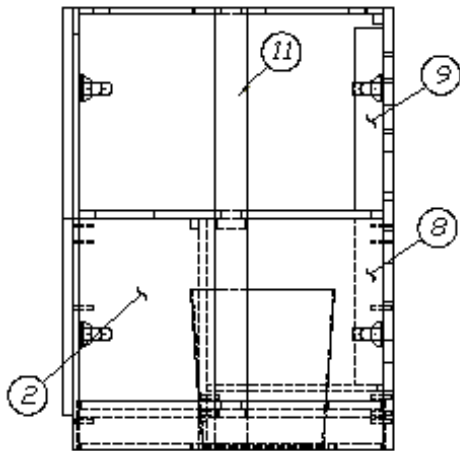
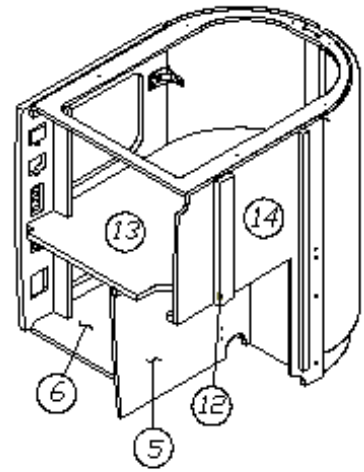
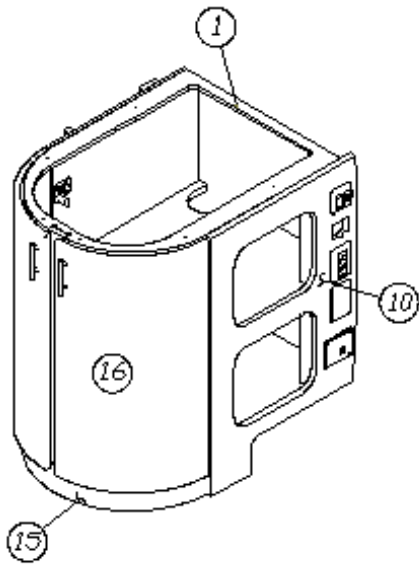
967996

Galley Aft Section

1. 967996-1 Panel, 23.5 x 33.44
2. 967996-2 Panel, 23.54 x 17.88
3. 967996-3 Panel, 23.27 x 12.18
4. 967996-4 Panel, 23.27 x 12.18
5. 967996-5 Panel, 17.88 x 20.82
6. 967996-6 Panel, 19.85 x 13.25
7. 967996-7 Panel, 4.63 x 13.75
8. 967996-8 Panel, 12.75 x 2.25
9. 967996-9 Panel, 14.13 x 2.25
10. 967996-10 Panel, 34.25 x 22.57
11. 967996-11 Panel, 2.4 x 34.25
12. 967996-12 Panel, 2.25 x 16.38
13. 967996-13 Panel, 23.5 x 33.62
14. 967996-14 Panel, 22.45 x 34.25
15. 115309 Toe kick, Aluminum
16. 801787-0124 Door, 16.81 x 31, Ebony
17. 371432 Door, 12.06 x 9.81
- 203440 T-molding, Black Embossed .8125
- 381856 Catch, Tension, 2-ball
- 381654 Hinge, Black
- 381707 Strike w/pull, Black
- 381808-01 Bracket, Face mount hinge
- 381607-11 Hinge, Self-close
- 382029-05 Handle bar, 21.33"
- 381708 Wastebasket
- 203483 Sink cover, Round

# 2016 INTERNATIONAL TRAVEL TRAILER FURNITURE, GALLEY

## Galley, Aft Section, 27FB Serenity



Parts Listed on Next Page

# 2016 INTERNATIONAL TRAVEL TRAILER FURNITURE, GALLEY

## Galley, Aft Section, 27FB Serenity

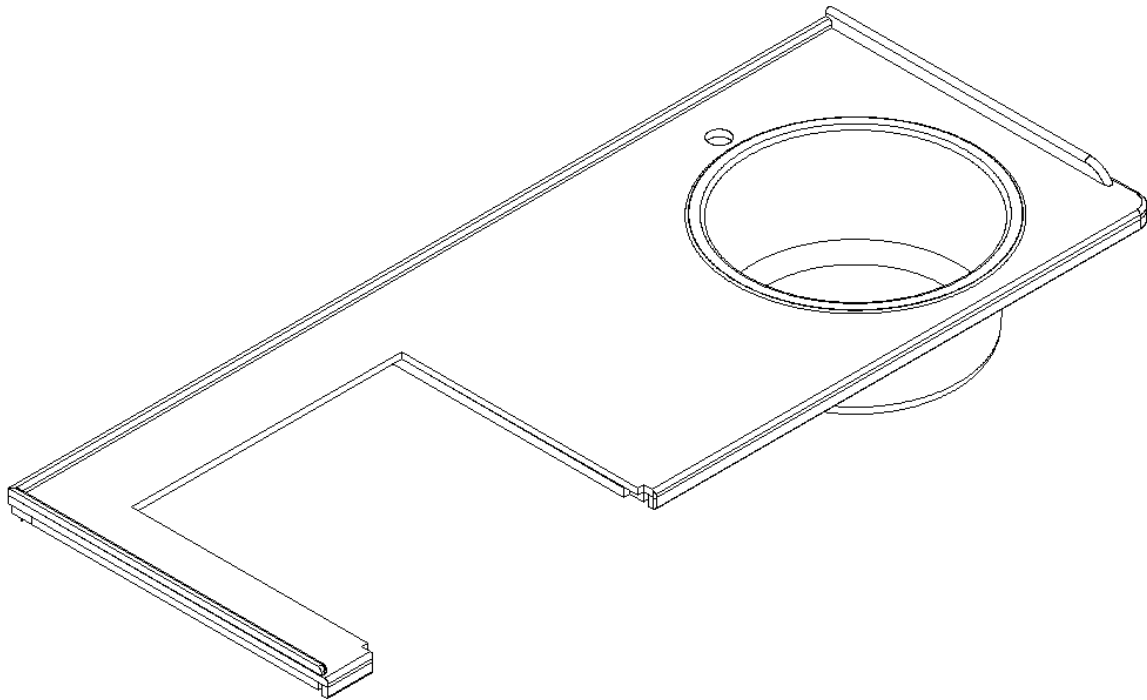
967996-15

Galley Aft Section

1. 967996-1 Panel, 23.5 x 33.44
2. 967996-2 Panel, 23.54 x 17.88
3. 967996-3 Panel, 23.27 x 12.18
4. 967996-4 Panel, 23.27 x 12.18
5. 967996-5 Panel, 17.88 x 20.82
6. 967996-6 Panel, 19.85 x 13.25
7. 967996-7 Panel, 4.63 x 13.75
8. 967996-8 Panel, 12.75 x 2.25
9. 967996-9 Panel, 14.13 x 2.25
10. 967996-1510 Panel, 34.25 x 22.57
11. 967996-1511 Panel, 2.40 x 34.25
12. 967996-1512 Panel, 2.25 x 16.38
13. 967996-13 Panel, 23.5 x 33.62
14. 967996-1514 Panel, 22.45 x 34.25
15. 115309 Toe kick, Aluminum
16. 801787-0118 Door, 16.97 x 31, Asian Sand
17. 371432 Door, 12.06 x 9.81
- 203693 T-molding, .8125, Beige Embossed
- 381856 Catch, Tension, 2-ball
- 381654 Hinge, Black
- 381707 Strike w/pull, Black
- 381808-01 Bracket, Face mount hinge
- 381607-11 Hinge, Self-close
- 382115 Pull, Flat Black
- 381708 Wastebasket
- 203483 Sink cover, Round

# 2016 INTERNATIONAL TRAVEL TRAILER FURNITURE, GALLEY

Galley Top, 28'

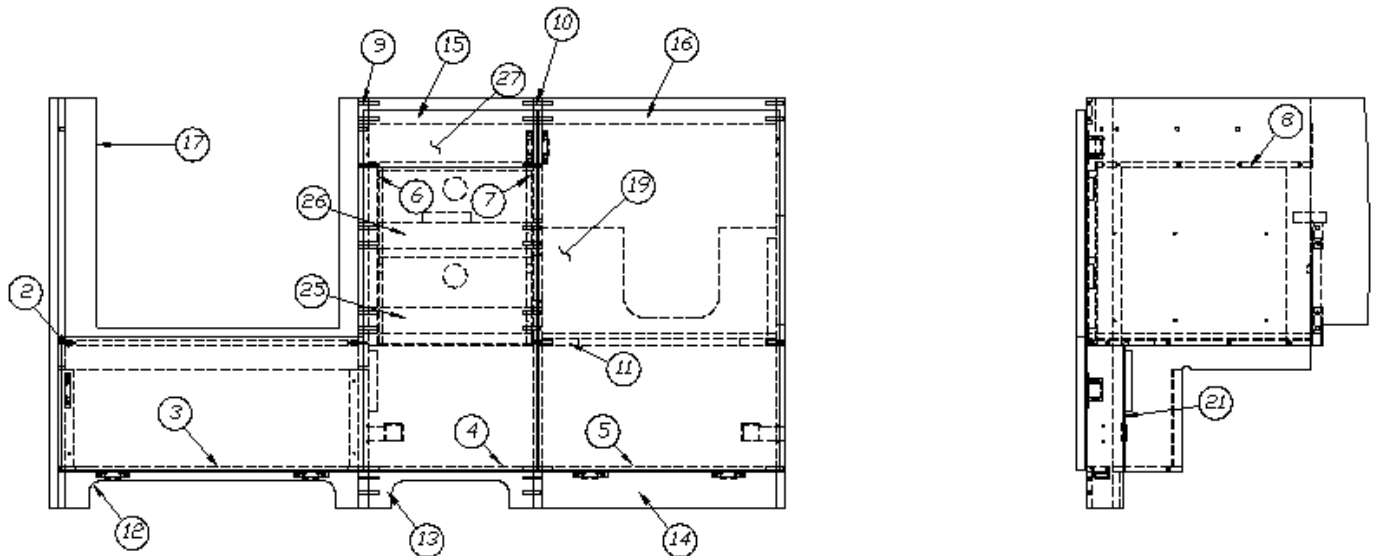
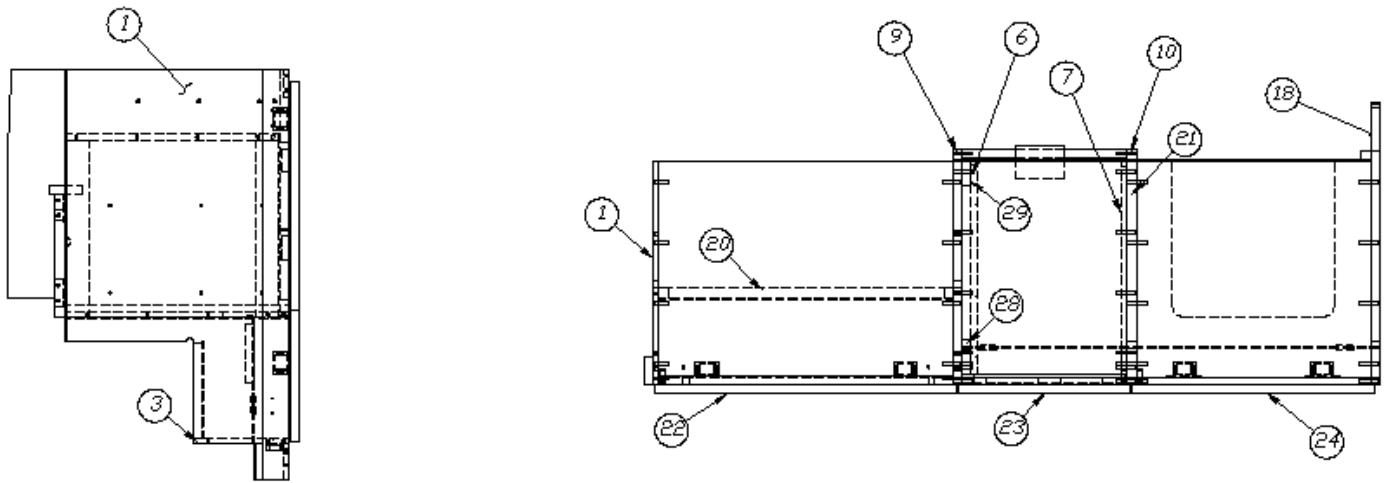


967998-01 Galley Top, Signature  
967998-02 Galley Top, Serenity

602355-01 Corian Top, Ecrú, Signature  
602355-06 Corian Top, Sorrel, Serenity

# 2016 INTERNATIONAL TRAVEL TRAILER FURNITURE, GALLEY

## Galley, Standard Oven, 28' Signature



Parts Listed on Next Page

## 2016 INTERNATIONAL TRAVEL TRAILER FURNITURE, GALLEY

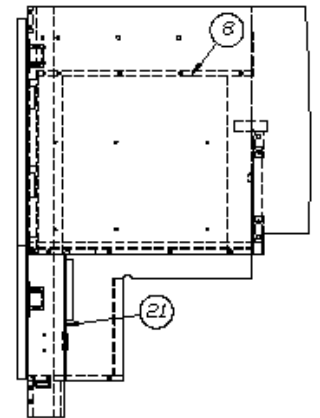
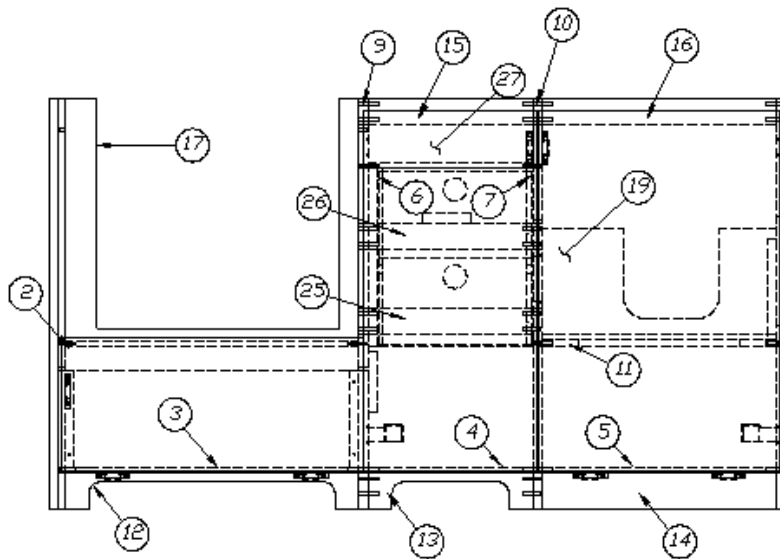
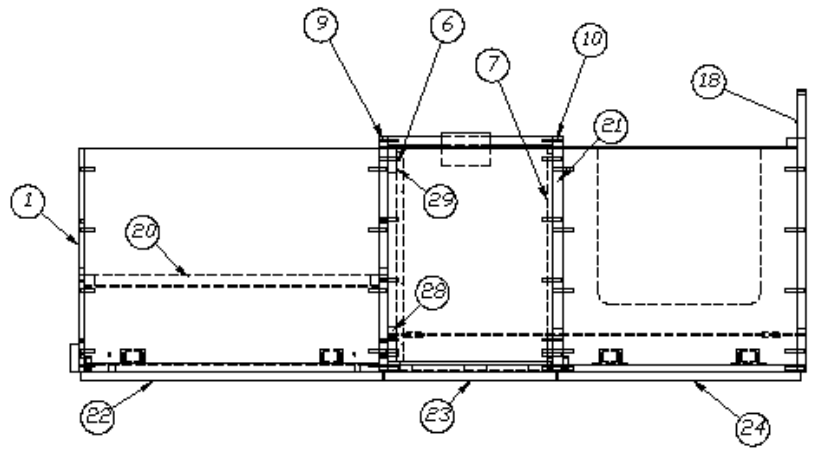
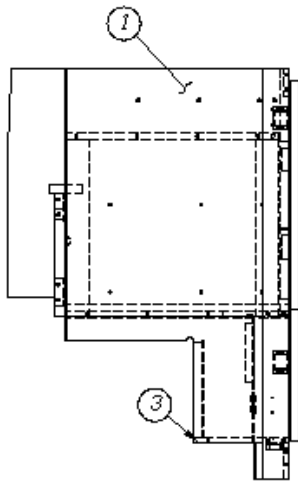
### Galley, Standard Oven, 28' Signature

967999 Galley Standard Oven

1. 967999-1	Panel, 18.63 x 34.25
2. 967999-2	Panel, 18.63 x 24.5
3. 967999-3	Panel, 8 x 24.5
4. 967999-4	Panel, 3 x 13.75
5. 967999-5	Panel, 3 x 19.5
6. 967999-6	Panel, 17.75 x 14.84
7. 967999-7	Panel, 17.75 x 14.84
8. 967999-8	Panel, 17.75 x 13.75
9. 967999-9	Panel, 19.63 x 34.25
10. 967999-10	Panel, 19.63 x 34.25
11. 967999-11	Panel, 18.63 x 19.5
12. 967999-12	Panel, 3 x 24.5
13. 967999-13	Panel, 3 x 13.75
14. 967999-14	Panel, 3 x 19.5
15. 967999-15I	Panel, 2.25 x 13.75
16. 967999-16	Panel, 2.25 x 19.5
17. 967999-18	Panel, 24.5 x 20.25
18. 967999-20	Panel, 23.51 x 34.25
19. 967999-21	Panel, 20.25 x 11.75
20. 967999-22	Panel, 8.06 x 24.5
21. 967999-23	Panel, 10.56 x 34.75
22. 967999-24	Door, 25.12 x 11.06
23. 967999-25	Door, 14.38 x 30
24. 967999-26	Door, 20.13 x 30
25. 967999-27	Drawer face, 12.63 x 7.17
26. 967999-28	Drawer face, 12.63 x 7.17
27. 967999-44	Panel, 3.5 x 15.25
28. 967999-42	Panel, 2 x 14.84
29. 967999-43	Panel, 2 x 14.84
968020-06	Drawer box, Self-Close, 5"
381228-02	Catch, Grabber door (5lb Pull)
382029-05	Handle bar, 21.33"
380041	Brace, 1" Stanley corner
381607-11	Hinge, Self-close
968024	Insert, Cutlery drawer
195329-202	Hemisphere clear bump-on
203776	Plug, Square, 1.25"

# 2016 INTERNATIONAL TRAVEL TRAILER FURNITURE, GALLEY

## Galley, Standard Oven, 28' Serenity



Parts Listed on Next Page



## 2016 INTERNATIONAL TRAVEL TRAILER FURNITURE, GALLEY

### Galley, Standard Oven, 28' Serenity

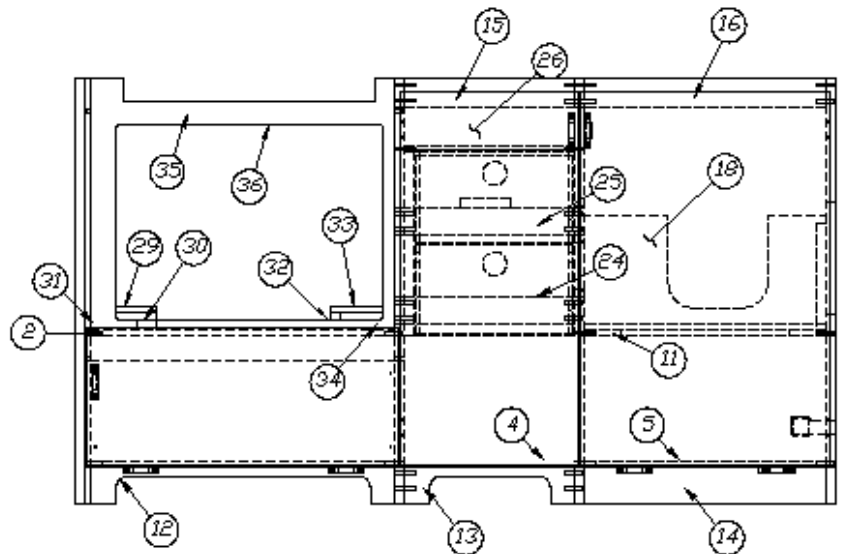
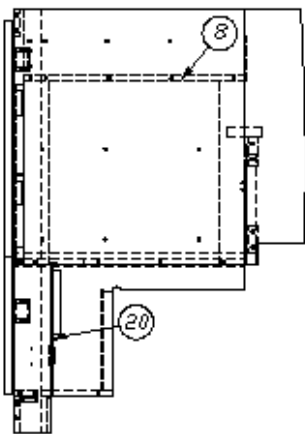
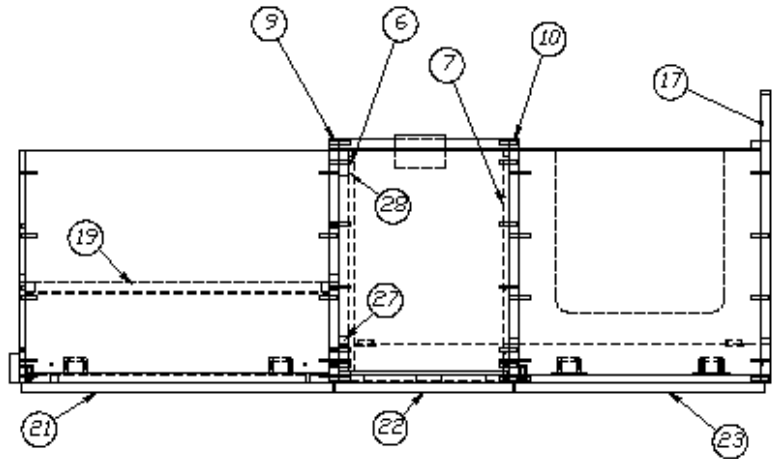
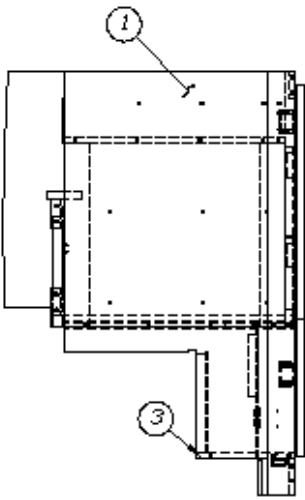
967999-15

Galley Standard Oven

1. 967999-1	Panel, 18.63 x 34.25
2. 967999-2	Panel, 18.63 x 24.5
3. 967999-3	Panel, 8 x 24.5
4. 967999-4	Panel, 3 x 13.75
5. 967999-5	Panel, 3 x 19.5
6. 967999-6	Panel, 17.75 x 14.84
7. 967999-7	Panel, 17.75 x 14.84
8. 967999-8	Panel, 17.75 x 13.75
9. 967999-9	Panel, 19.63 x 34.25
10. 967999-10	Panel, 19.63 x 34.25
11. 967999-11	Panel, 18.63 x 19.5
12. 967999-1512	Panel, 3 x 24.5
13. 967999-1513	Panel, 3 x 13.75
14. 967999-1514	Panel, 3 x 19.5
15. 967999-1515	Panel, 2.25 x 13.75
16. 967999-1516	Panel, 2.25 x 19.5
17. 967999-18	Panel, 24.5 x 20.25
18. 967999-1520	Panel, 23.51 x 34.25
19. 967999-21	Panel, 20.25 x 11.75
20. 967999-22	Panel, 8.06 x 24.5
21. 967999-23	Panel, 10.56 x 34.75
22. 967999-1524	Door, 25.12 x 11.06
23. 967999-1525	Door, 14.38 x 30
24. 967999-1526	Door, 20.13 x 30
25. 967999-1527	Drawer face, 12.63 x 7.17
26. 967999-1528	Drawer face, 12.63 x 7.17
27. 967999-44	Panel, 3.5 x 15.25
28. 967999-1542	Panel, 2 x 14.84
29. 967999-1543	Panel, 2 x 14.84
968020-06	Drawer box, Self-close, 5"
382115	Pull, Flat Black
380041	Brace, 1" Stanley corner
381607-11	Hinge, Self-close
381228-02	Catch, Grabber door (5lb Pull)
968024	Insert, Cutlery drawer
195329-202	Hemisphere clear bump-on
203776	Plug, Square, 1.25"

# 2016 INTERNATIONAL TRAVEL TRAILER FURNITURE, GALLEY

Galley, Convection Microwave Option, 28' Signature



Parts Listed on Next Page

## 2016 INTERNATIONAL TRAVEL TRAILER FURNITURE, GALLEY

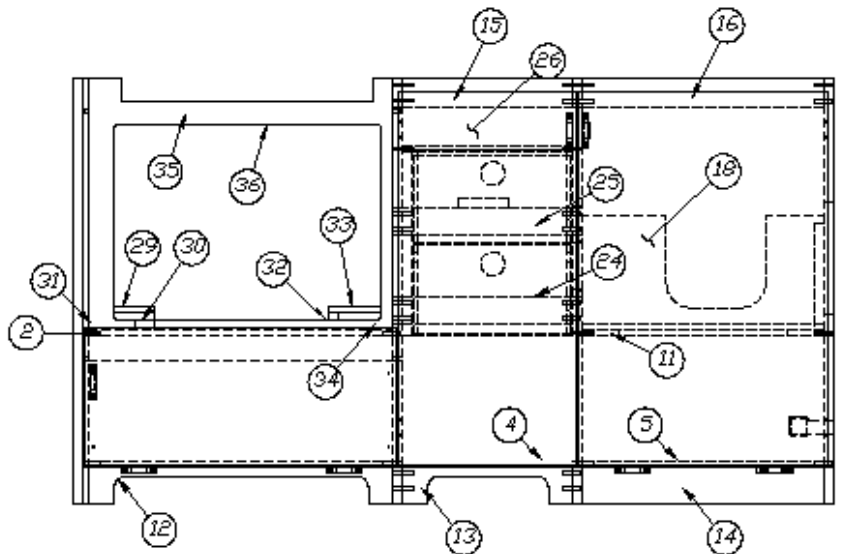
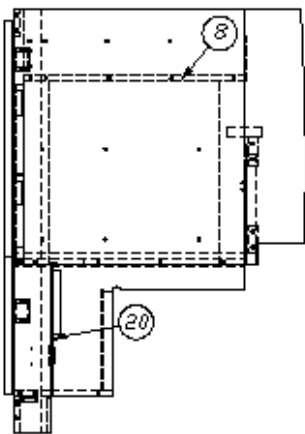
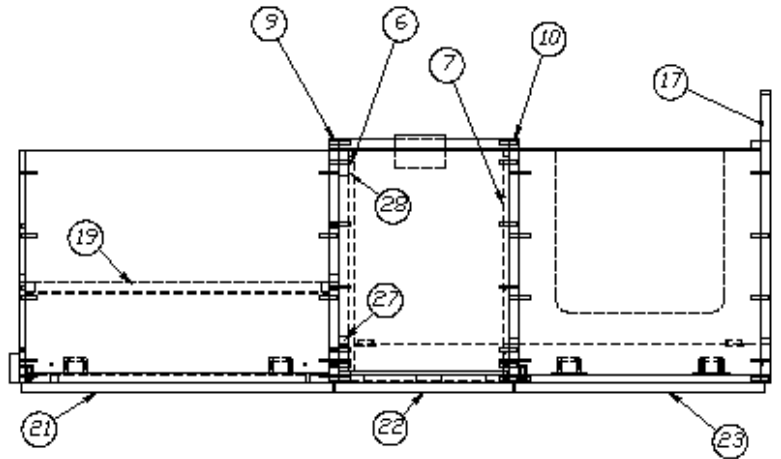
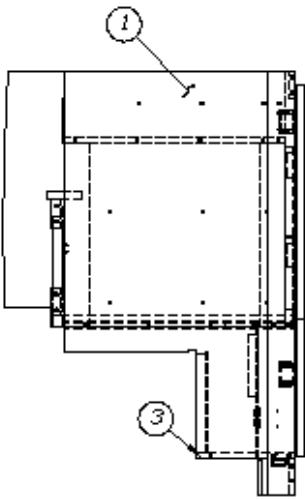
### Galley, Convection Microwave Option, 28' Signature

967999-04 Galley Convection Microwave Option

1. 967999-1	Panel, 18.63 x 34.25
2. 967999-2	Panel, 18.63 x 24.5
3. 967999-3	Panel, 8 x 24.5
4. 967999-4	Panel, 3 x 13.75
5. 967999-5	Panel, 3 x 19.5
6. 967999-6	Panel, 17.75 x 14.84
7. 967999-7	Panel, 17.75 x 14.84
8. 967999-8	Panel, 17.75 x 13.75
9. 967999-9	Panel, 19.63 x 34.25
10. 967999-10	Panel, 19.63 x 34.25
11. 967999-11	Panel, 18.63 x 19.5
12. 967999-12	Panel, 3 x 24.5
13. 967999-13	Panel, 3 x 13.75
14. 967999-14	Panel, 3 x 19.5
15. 967999-15I	Panel, 2.25 x 13.75
16. 967999-16	Panel, 2.25 x 19.5
17. 967999-20	Panel, 23.51 x 34.25
18. 967999-21	Panel, 20.25 x 11.75
19. 967999-22	Panel, 8.06 x 24.5
20. 967999-23	Panel, 10.56 x 34.75
21. 967999-24	Door, 25.12 x 11.06
22. 967999-25	Door, 14.38 x 30
23. 967999-26	Door, 20.13 x 30
24. 967999-27	Drawer Face 12.63 x 7.17
25. 967999-28	Drawer Face 12.63 x 7.17
26. 967999-44	Panel, 3.5 x 15.25
27. 967999-42	Panel, 2 x 14.84
28. 967999-43	Panel, 2 x 14.84
29. 967999-47	Panel, 4.75 x 14
30. 967999-48	Panel, 1.44 x 14
31. 967999-49	Panel, 1.44 x 14
32. 967999-50	Panel, 1.44 x 14
33. 967999-51	Panel, 4.75 x 14
34. 967999-52	Panel, 1.44 x 14
35. 967999-53	Panel, 24.5 x 17.62
36. 967999-60	Panel, 24.5 x 20.25
968020-06	Drawer Box, Self-Close, 5"
381228-02	Catch, Grabber door (5lb Pull)
382029-05	Handle bar, 21.33"
381607-11	Hinge, Self-close
968024	Insert, Cutlery drawer
382203-03	Drawer slide, 15"

# 2016 INTERNATIONAL TRAVEL TRAILER FURNITURE, GALLEY

Galley, Convection Microwave Option, 28' Serenity



Parts Listed on Next Page

## 2016 INTERNATIONAL TRAVEL TRAILER FURNITURE, GALLEY

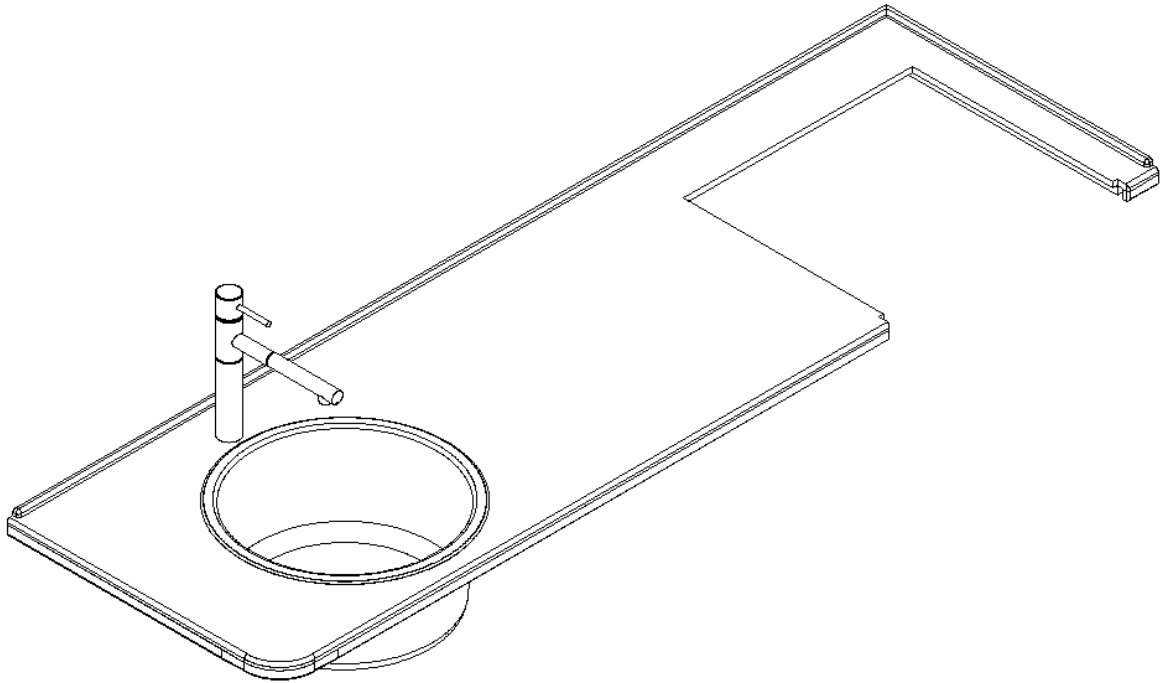
### Galley, Convection Microwave Option, 28' Serenity

967999-0415 Galley Convection Microwave Option

1. 967999-1	Panel, 18.63 x 34.25
2. 967999-2	Panel, 18.63 x 24.5
3. 967999-3	Panel, 8 x 24.5
4. 967999-4	Panel, 3 x 13.75
5. 967999-5	Panel, 3 x 19.5
6. 967999-6	Panel, 17.75 x 14.84
7. 967999-7	Panel, 17.75 x 14.84
8. 967999-8	Panel, 17.75 x 13.75
9. 967999-9	Panel, 19.63 x 34.25
10. 967999-10	Panel, 19.63 x 34.25
11. 967999-11	Panel, 18.63 x 19.5
12. 967999-1512	Panel, 3 x 24.5
13. 967999-1513	Panel, 3 x 13.75
14. 967999-1514	Panel, 3 x 19.5
15. 967999-1515	Panel, 2.25 x 13.75
16. 967999-1516	Panel, 2.25 x 19.5
17. 967999-1520	Panel, 23.51 x 34.25
18. 967999-21	Panel, 20.25 x 11.75
19. 967999-22	Panel, 8.06 x 24.5
20. 967999-23	Panel, 10.56 x 34.75
21. 967999-1524	Door, 25.12 x 11.06
22. 967999-1525	Door, 14.38 x 30
23. 967999-1526	Door, 20.13 x 30
24. 967999-1527	Drawer Face 12.63 x 7.17
25. 967999-1528	Drawer Face 12.63 x 7.17
26. 967999-44	Panel, 3.5 x 15.25
27. 967999-1542	Panel, 2 x 14.84
28. 967999-1543	Panel, 2 x 14.84
29. 967999-47	Panel, 4.75 x 14
30. 967999-48	Panel, 1.44 x 14
31. 967999-49	Panel, 1.44 x 14
32. 967999-50	Panel, 1.44 x 14
33. 967999-51	Panel, 4.75 x 14
34. 967999-52	Panel, 1.44 x 14
35. 967999-53	Panel, 24.5 x 17.62
36. 967999-150460	Panel, 24.5 x 20.25
968020-06	Drawer Box, Self-Close, 5"
381228-02	Catch, Grabber door (5lb Pull)
382115	Pull, Flat Black
381607-11	Hinge, Self-close
968024	Insert, Cutlery drawer
382203-03	Drawer slide, 15"

# 2016 INTERNATIONAL TRAVEL TRAILER FURNITURE, GALLEY

Galley Top, 30'



968001-01  
968001-02

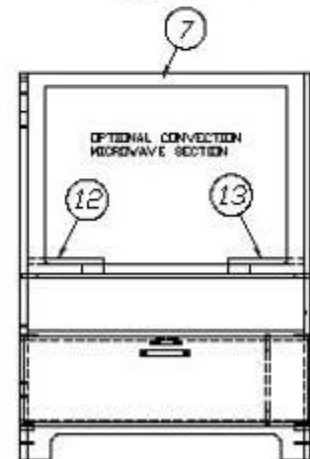
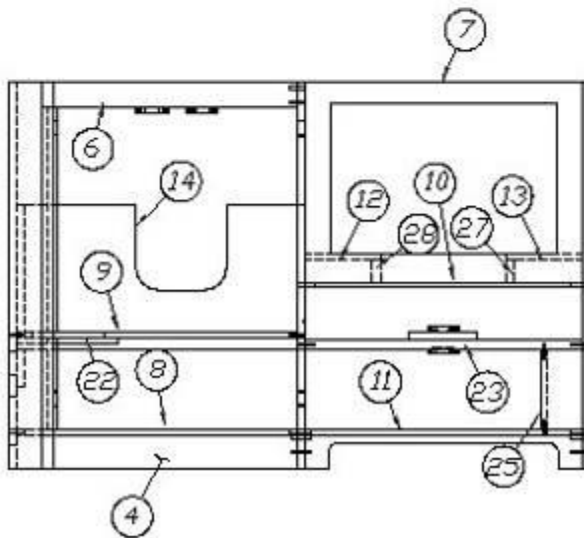
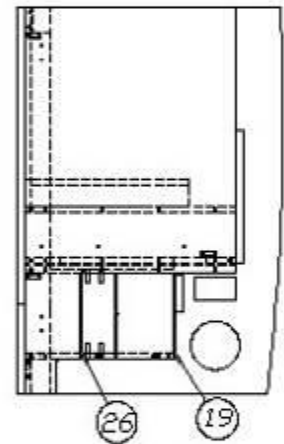
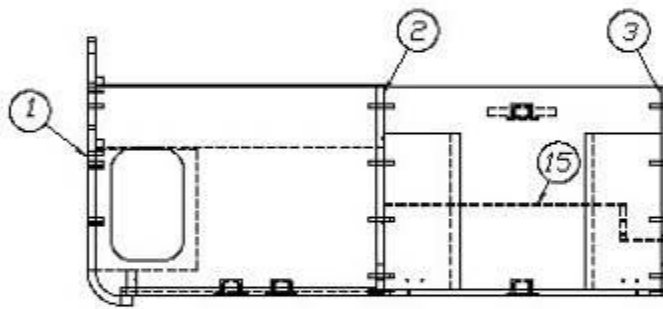
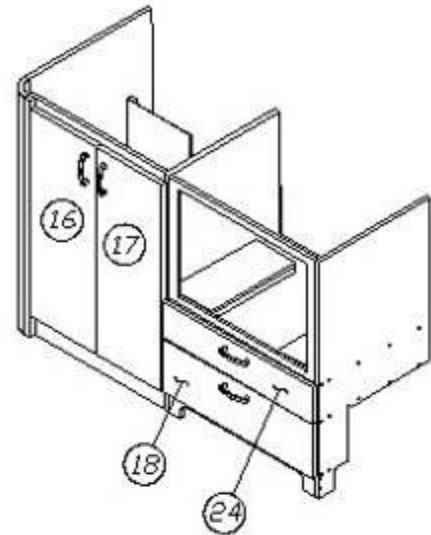
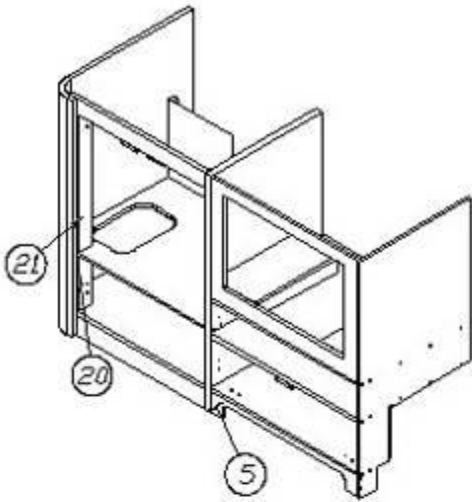
Galley Top, Signature  
Galley Top, Serenity

602356-01  
602356-06

Corian Top, Ecrú, Signature  
Corian Top, Sorrel, Serenity

# 2016 INTERNATIONAL TRAVEL TRAILER FURNITURE, GALLEY

## Galley, Forward Section, 30' Signature



Parts Listed on Next Page

# 2016 INTERNATIONAL TRAVEL TRAILER FURNITURE, GALLEY

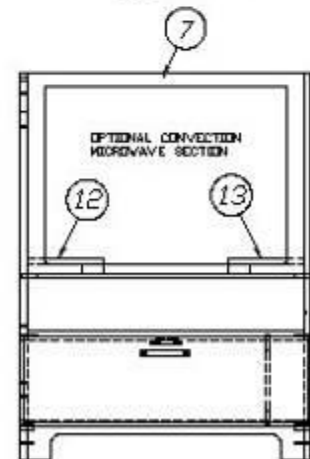
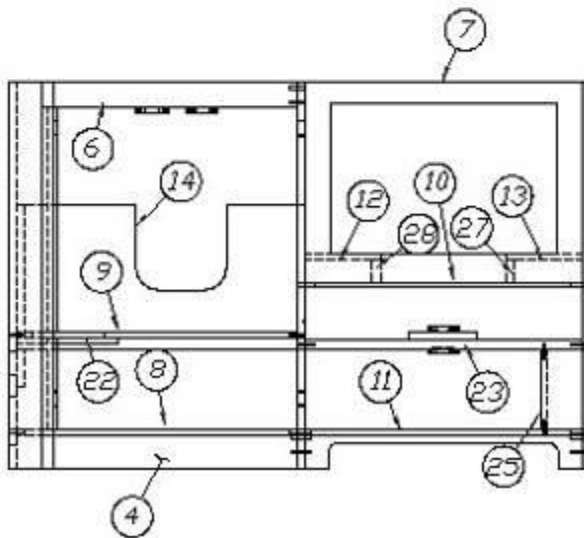
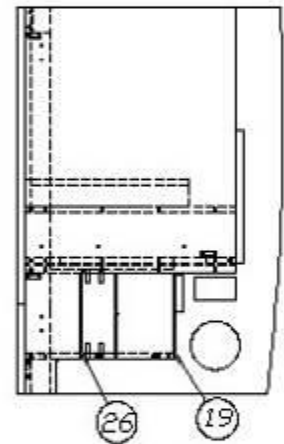
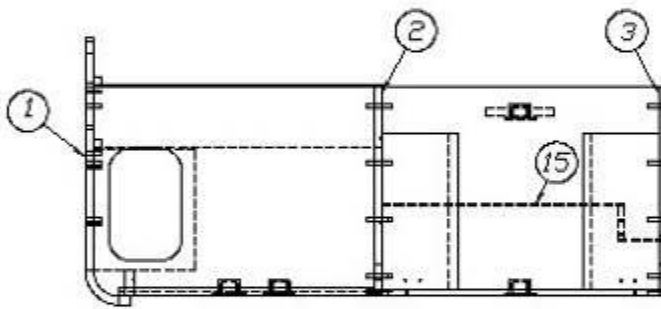
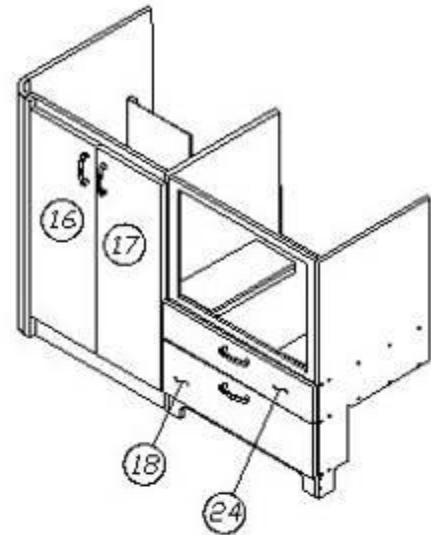
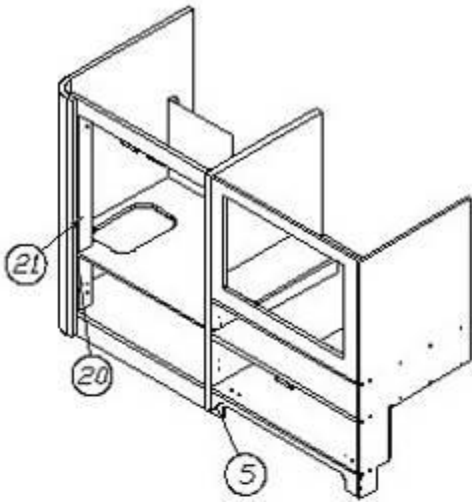
## Galley, Forward Section, 30' Signature

968002	Galley Forward Section
968002-01	Galley Forward Section w/Convection Microwave
1. 968013	Galley sub assembly
2. 968002-2	Panel, 18.63 x 34.25
3. 968002-3	Panel, 18.63 x 34.25
4. 968002-4	Panel, 3 x 22.63
5. 968002-5	Panel, 3 x 24.5
6. 968002-6	Panel, 2.25 x 22.63
7. 968002-7	Panel, 24.5 x 17.75, Standard microwave
968002-27	Panel, 24.5 x 17.75, Convection microwave
8. 968002-8	Panel, 13.17 x 24.88
9. 968002-9	Panel, 18.63 x 24.88
10. 968002-10	Panel, 18.63 x 24.5
11. 968002-11	Panel, 8 x 24.5
12. 968002-13	Panel, 5.69 x 14
13. 968002-15I	Panel, 5.69 x 14
14. 968002-16	Panel, 25.63 x 11.75
15. 968002-17	Panel, 25 x 7.63
16. 968002-18	Door, 10.88 x 30
17. 968002-19	Door, 10.88 x 30
18. 968002-20	Door, 25.13 x 7.69
19. 968002-28	Panel, 3 x 7.13
20. 968002-29	Panel, 4 x 7.13
21. 968002-30	Panel, 1.94 x 14
22. 968002-31	Panel, 10.88 x 9
23. 968002-32	Panel, 18.63 x 24.5
24. 968002-33	Door, 25.13 x 5.25
25. 968002-40	Panel, 3 x 7.13
26. 968002-41	Panel, 4 x 7.13
27. 968002-42	Panel, 1.94 x 14
28. 968002-43	Panel, 1.94 x 14
968021-04	Drawer box, 2.75"
968024	Insert, Cutlery drawer
381228-02	Catch, Grabber door (5lb Pull)
382029-00	Handle bar, 21.33"
381607-11	Hinge, Self-close
382203-03	Drawer Slide, Self-close
382203-06	Front fixing clips



# 2016 INTERNATIONAL TRAVEL TRAILER FURNITURE, GALLEY

## Galley, Forward Section, 30' Serenity



Parts Listed on Next Page

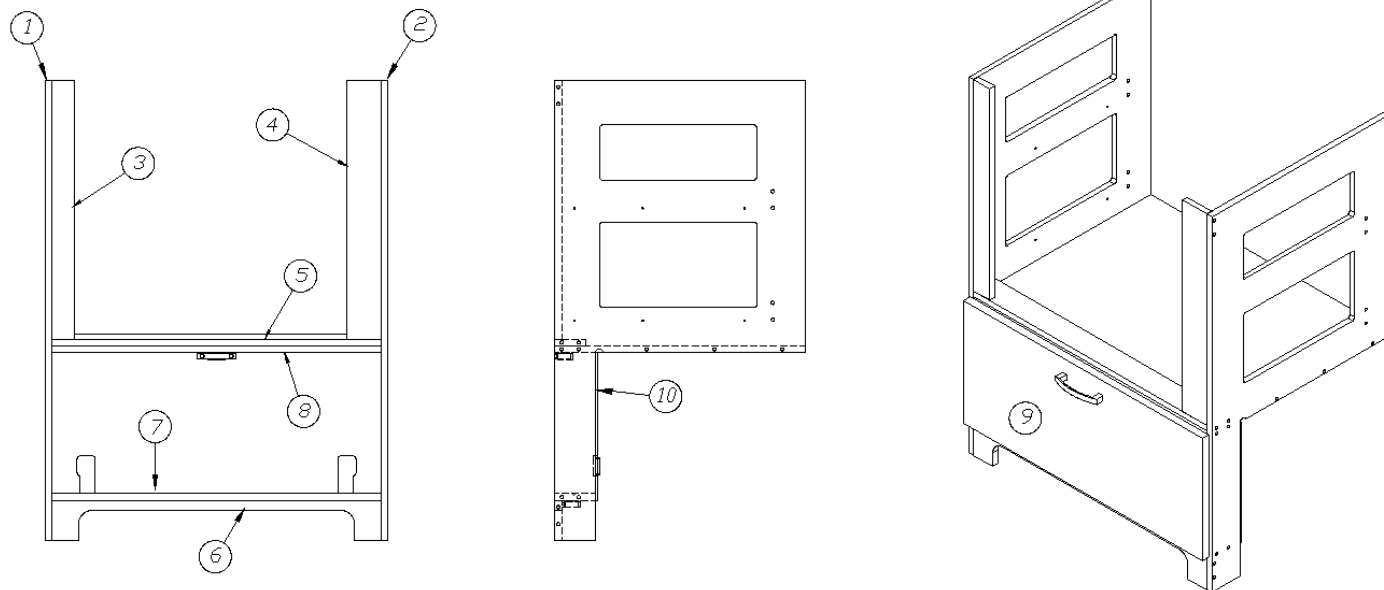
## 2016 INTERNATIONAL TRAVEL TRAILER FURNITURE, GALLEY

### Galley, Forward Section, 30' Serenity

968002-15	Galley Forward Section
968002-0115	Galley Forward Section w/Convection Microwave
1. 968013-15	Galley sub assembly
2. 968002-2	Panel, 18.63 X 34.25
3. 968002-3	Panel, 18.63 X 34.25
4. 968002-154	Panel, 3 X 22.63
5. 968002-155	Panel, 3 X 24.5
6. 968002-156	Panel, 2.25 X 22.63
7. 968002-157	Panel, 24.5 X 17.75, Standard microwave
968002-1527	Panel, 24.50 X 17.75, Convection microwave
8. 968002-8	Panel, 13.17 X 24.88
9. 968002-9	Panel, 18.63 X 24.88
10. 968002-10	Panel, 18.63 X 24.5
11. 968002-11	Panel, 8 X 24.5
12. 968002-13	Panel, 5.69 X 14
13. 968002-15I	Panel, 5.69 X 14
14. 968002-16	Panel, 25.63 X 11.75
15. 968002-17	Panel, 25 X 7.63
16. 968002-1518	Door, 10.88 X 30
17. 968002-1519	Door, 10.88 X 30
18. 968002-1520	Door, 25.13 X 7.75
19. 968002-28	Panel, 3 x 7.13
20. 968002-29	Panel, 4 x 7.13
21. 968002-30	Panel, 1.94 x 14
22. 968002-31	Panel, 10.88 X 9
23. 968002-32	Panel, 18.63 X 24.5
24. 968002-1533	Door, 25.13 X 5.25
25. 968002-40	Panel, 3 x 7.13
26. 968002-41	Panel, 4 x 7.13
27. 968002-42	Panel, 1.94 x 14
28. 968002-43	Panel, 1.94 x 14
381228-02	Catch, Grabber door (5lb Pull)
382115	Pull, Flat Black
381607-11	Hinge, Self-close
968021-04	Drawer box, 2.75"
968024	Insert, Cutlery drawer
382203-03	Drawer Slide, Self-close
382203-06	Front fixing clips

# 2016 INTERNATIONAL TRAVEL TRAILER FURNITURE, GALLEY

## Galley, Aft with Oven, 30' Signature



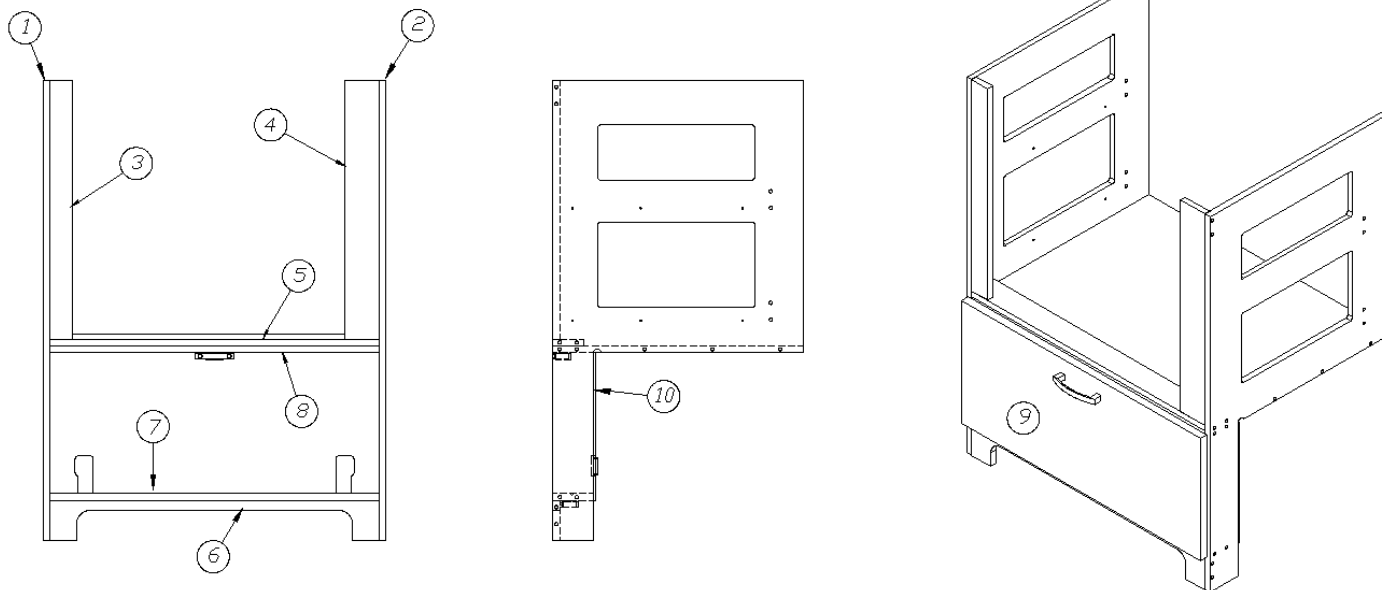
968003

Galley Aft with Oven

- |               |                                      |
|---------------|--------------------------------------|
| 1. 968003-1   | Panel, 18.63 x 34.25                 |
| 2. 968003-2   | Panel, 18.63 x 34.25                 |
| 3. 968003-16  | Panel, 1.69 x 18.88                  |
| 4. 968003-17  | Panel, 2.56 x 18.88                  |
| 5. 968003-5   | Panel, 24.5 x 2.25                   |
| 6. 968003-6   | Panel, 3 x 24.5                      |
| 7. 968003-7   | Panel, 3 x 24.5                      |
| 8. 968003-8   | Panel, 18.63 x 24.5                  |
| 9. 968003-9   | Door, 25.13 x 11.13                  |
| 10. 968003-10 | Panel, 11 x 25.5                     |
| 381228-02     | Catch, Grabber door (5lb Pull)       |
| 382029-00     | Handle bar, 21.33"                   |
| 381607-11     | Hinge, Self-close                    |
| 365364-01     | Edgebanding .63", Ebony Woods        |
| 365364-02     | Edgebanding .94", Ebony Woods        |
| 203776        | Plug, Square finishing ribbed, White |

# 2016 INTERNATIONAL TRAVEL TRAILER FURNITURE, GALLEY

## Galley, Aft with Oven, 30' Serenity



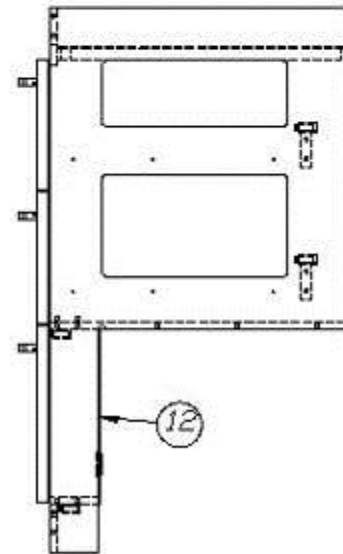
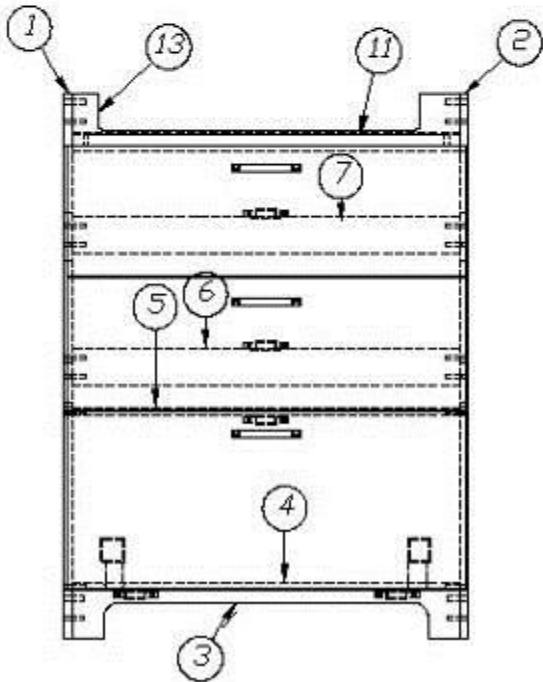
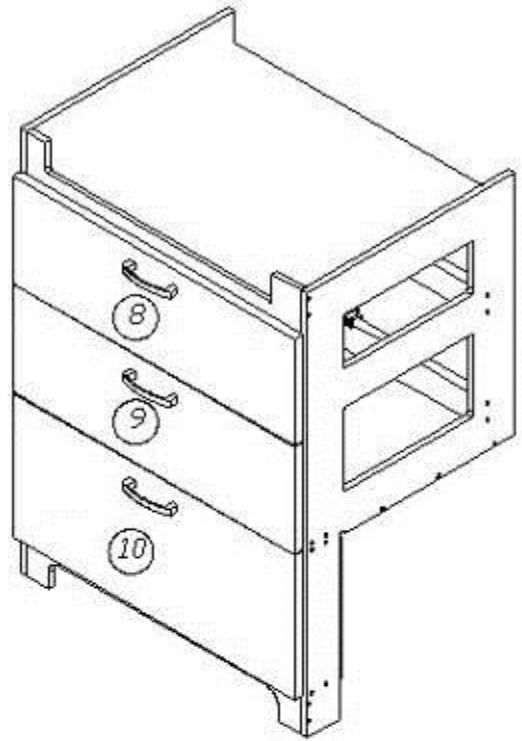
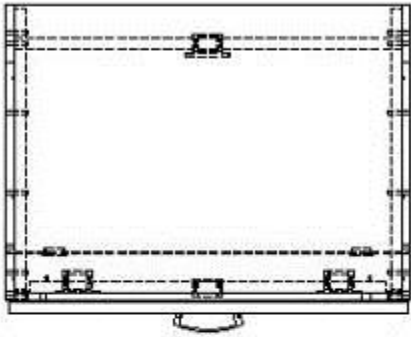
968003-15

Galley Aft with Oven

- |                |                                      |
|----------------|--------------------------------------|
| 1. 968003-1    | Panel, 18.63 x 34.25                 |
| 2. 968003-2    | Panel, 18.63 x 34.25                 |
| 3. 968003-1516 | Panel, 1.69 x 18.88                  |
| 4. 968003-1517 | Panel, 2.56 x 18.88                  |
| 5. 968003-5    | Panel, 24.5 x 2.25                   |
| 6. 968003-156  | Panel, 3 x 24.5                      |
| 7. 968003-7    | Panel, 3 x 24.5                      |
| 8. 968003-8    | Panel, 18.63 x 24.5                  |
| 9. 968003-159  | Door, 25.13 x 11.13                  |
| 10. 968003-10  | Panel, 11 x 25.5                     |
| 381228-02      | Catch, Grabber door (5lb Pull)       |
| 382115         | Pull, Flat Black                     |
| 381607-11      | Hinge, Self-close                    |
| 365344-01      | Edgebanding, .63", Pearl Bisque      |
| 365344-02      | Edgebanding, .94", Pearl Bisque      |
| 203776         | Plug, Square finishing ribbed, White |

# 2016 INTERNATIONAL TRAVEL TRAILER FURNITURE, GALLEY

Galley, Aft with Convection Microwave, 30' Signature



Parts Listed on Next Page

# 2016 INTERNATIONAL TRAVEL TRAILER

## FURNITURE, GALLEY

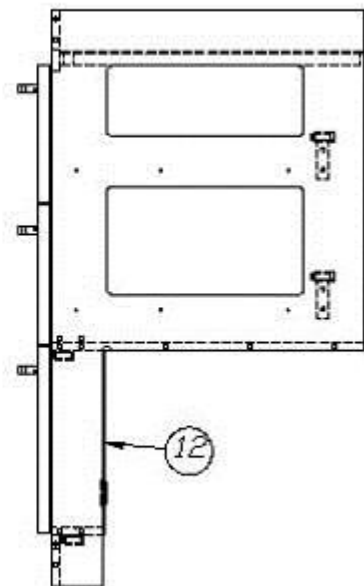
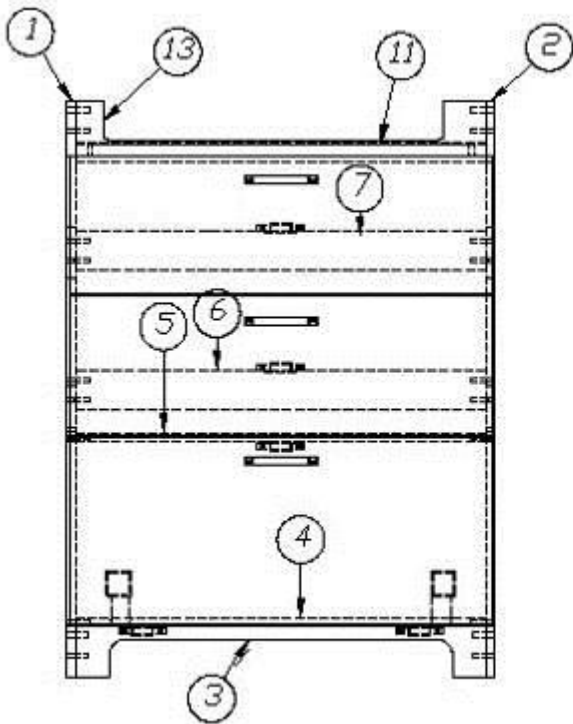
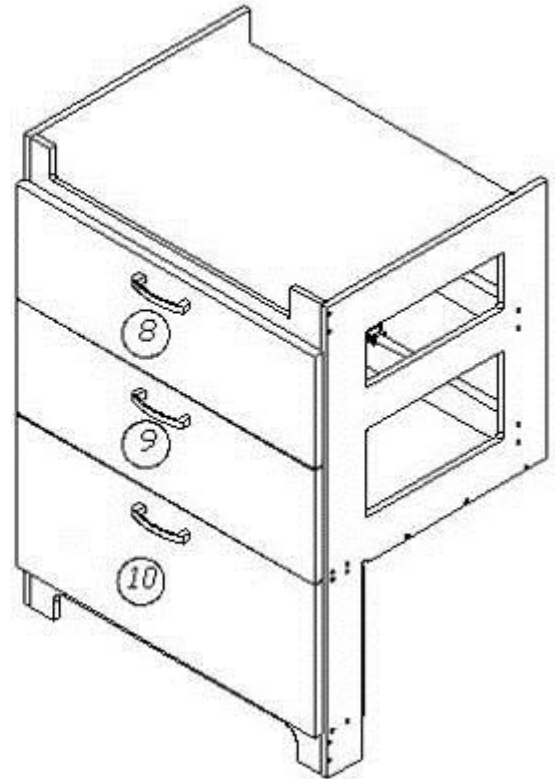
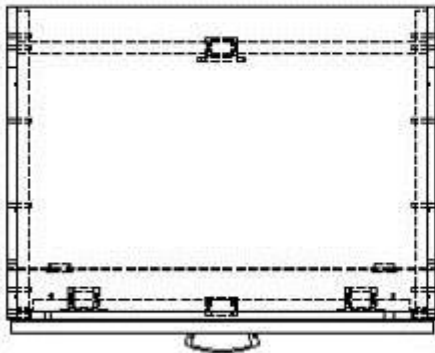
### Galley, Aft with Convection Microwave, 30' Signature

968004 Galley, Aft with Drawers, Convection Microwave Option

1. 968004-1	Panel, 18.63 x 34.75
2. 968004-2	Panel, 18.63 x 34.75
3. 968004-4	Panel, 3.5 x 24.5
4. 968004-5	Panel, 3 x 24.5
5. 968004-6	Panel, 18.63 x 24.5
6. 968004-7	Panel, 2.25 x 24.5
7. 968004-8	Panel, 2.25 x 24.5
8. 968004-9	Door, 25.13 x 8.25
9. 968004-10	Door, 25.13 x 8.25
10. 968004-11	Panel, 25.13 x 11.13
11. 968004-12	Panel, 18.13 x 24.5
12. 968004-13	Panel, 11 x 25.5
13. 968004-21	Panel, 3.63 x 24.5
382029-00	Handle bar, 21.33"
381607-11	Hinge, Self-close
365364-01	Edgebanding, .63", Ebony Woods
365364-02	Edgebanding, .94", Ebony Woods
968020-07	Drawer box, 5"
381228-02	Catch, Grabber door (5lb Pull)
382203-03	Drawer Slide, Self-close
382203-06	Front fixing clips

# 2016 INTERNATIONAL TRAVEL TRAILER FURNITURE, GALLEY

Galley, Aft with Convection Microwave, 30' Serenity



Parts Listed on Next Page

# 2016 INTERNATIONAL TRAVEL TRAILER

## FURNITURE, GALLEY

### Galley, Aft with Convection Microwave, 30' Serenity

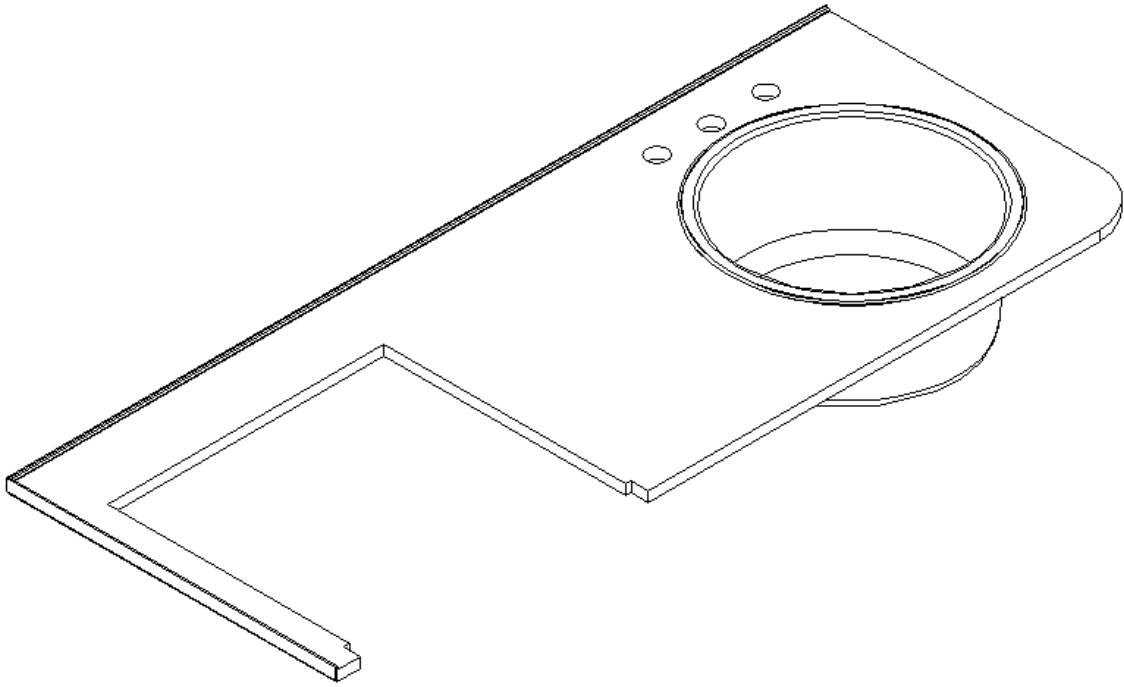
968004-15 Galley, Aft with Drawers, Convection Microwave Option

1. 968004-1	Panel, 18.63 x 34.75
2. 968004-2	Panel, 18.63 x 34.75
3. 968004-1521	Panel, 3.63 x 24.5
4. 968004-154	Panel, 3.5 x 24.5
5. 968004-5	Panel, 3 x 24.5
6. 968004-6	Panel, 18.63 x 24.5
7. 968004-7	Panel, 2.25 x 24.5
8. 968004-8	Panel, 2.25 x 24.5
9. 968004-159	Door, 25.13 x 8.25
10. 968004-1510	Door, 25.13 x 8.25
11. 968004-1511	Panel, 25.13 x 11.13
12. 968004-12	Panel, 18.13 x 24.5
13. 968004-13	Panel, 11 x 25.5
382115	Pull, Flat Black
381228-02	Catch, Grabber door (5lb Pull)
381607-11	Hinge, Self-close
365344-01	Edgebanding, .63", Pearl Bisque
365344-02	Edgebanding, .94", Pearl Bisque
968020-07	Drawer box, 5"
382203-03	Drawer Slide, Self-close
382203-06	Front fixing clips



2016 INTERNATIONAL TRAVEL TRAILER  
FURNITURE, GALLEY

Galley Top, 25FB Eddie Bauer

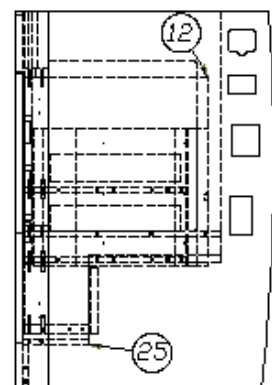
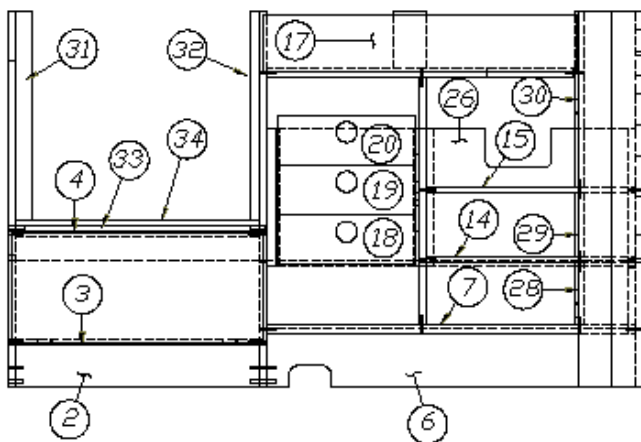
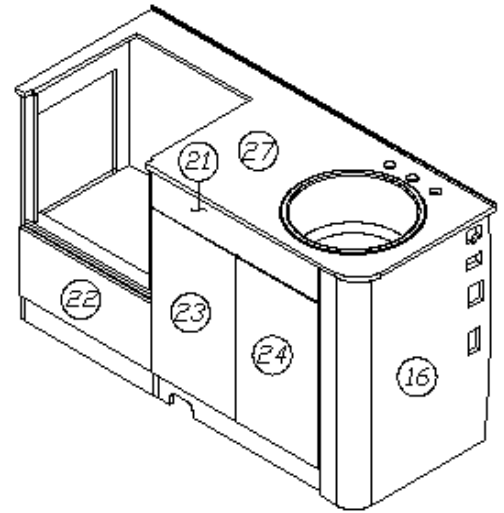
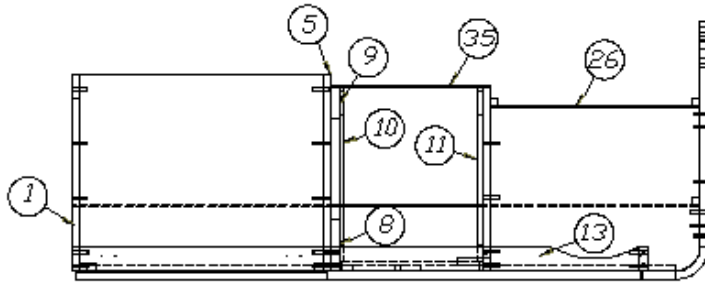


967835

Galley top

# 2016 INTERNATIONAL TRAVEL TRAILER FURNITURE, GALLEY

Galley, Standard Oven, 25FB Eddie Bauer



Parts Listed on Next Page

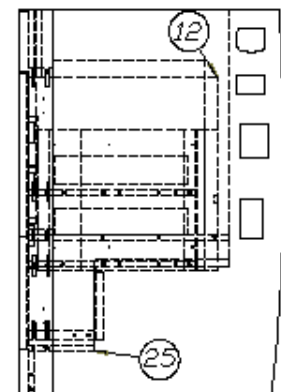
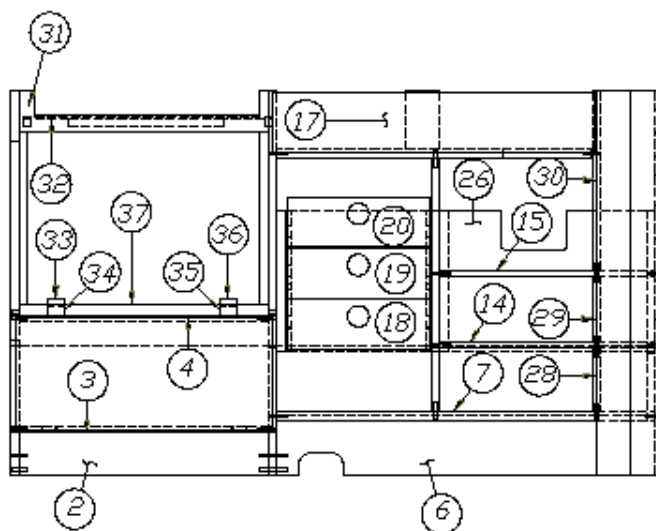
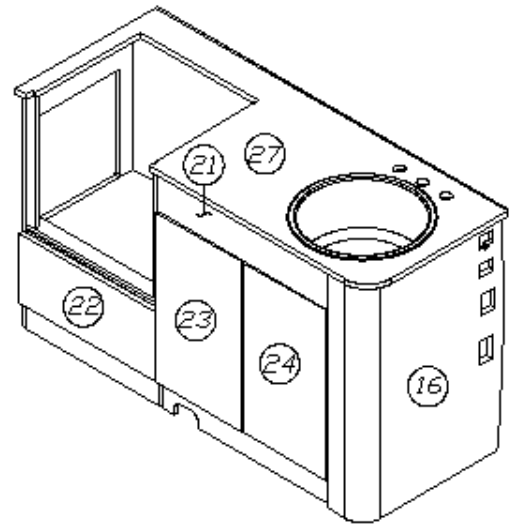
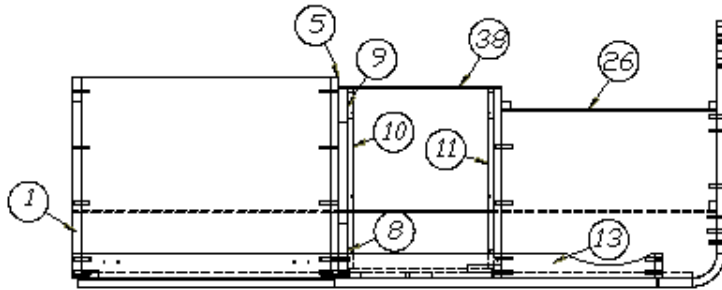
## 2016 INTERNATIONAL TRAVEL TRAILER FURNITURE, GALLEY

### Galley, Standard Oven, 25FB Eddie Bauer

968039-19	Galley Standard Oven
1. 968039-191	Panel, 35.5 x 18.25
2. 968039-192	Panel, 4.63 x 22.25
3. 968039-193	Panel, 6 x 22.25
4. 968039-194	Panel, 18.25 x 22.25
5. 968039-195	Panel, 18.25 x 35.5
6. 968039-196	Panel, 5.75 x 32.25
7. 968039-197	Panel, 5.96 x 34.5
8. 968039-198	Panel, 3 x 12.75
9. 968039-199	Panel, 3 x 12.75
10. 968039-1910	Panel, 14.25 x 12.75
11. 968039-1911	Panel, 14.25 x 12.75
12. 968039-1912	Panel, 15 x 23
13. 968039-1913	Panel, 2.25 x 28.89
14. 968039-1914	Panel, 15.09 x 19.75
15. 968039-1915	Panel, 14.96 x 19.75
16. 967837	Galley sub assembly
17. 968039-1917	Panel, 5.25 x 3
18. 968039-1918	Panel, 12.88 x 4.13
19. 968039-1919	Panel, 12.88 x 4.13
20. 968039-1920	Panel, 12.88 x 4.13
21. 968039-1921	Panel, 29.38 x 5.38
22. 968039-1922	Door, 22.88 x 9.31
23. 968039-1923	Door, 14.63 x 25
24. 968039-1924	Door, 14.63 x 25
25. 968039-1925	Panel, 7.38 x 58.25
26. 968039-1926	Panel, 12.75 x 34.5
27. 967835	Galley top
28. 968039-1929	Panel, 2.25 x 5.75
29. 968039-1930	Panel, 2.25 x 6
30. 968039-1931	Panel, 2.25 x 16.25
31. 968039-1940	Panel, .88 x 21.19
32. 968039-1941	Panel, .88 x 21.19
33. 968039-1942	Panel, 2.25 x 22.56
34. 968039-1943	Panel, 2.25 x 22.56
35. 968039-1951	Panel, 12.75 x 14.75
967656-19	Galley flip-up shelf
968021-05	Drawer box, 2.75"
381607-11	Hinge, Self-close
382029-00	Handle bar, 7.48"
381228-02	Catch, Grabber door (5lb Pull)
968024	Insert, Cutlery drawer
382203-03	Drawer slide, Self-close, 15"

# 2016 INTERNATIONAL TRAVEL TRAILER FURNITURE, GALLEY

Galley, Microwave Option, 25FB Eddie Bauer



Parts Listed on Next Page

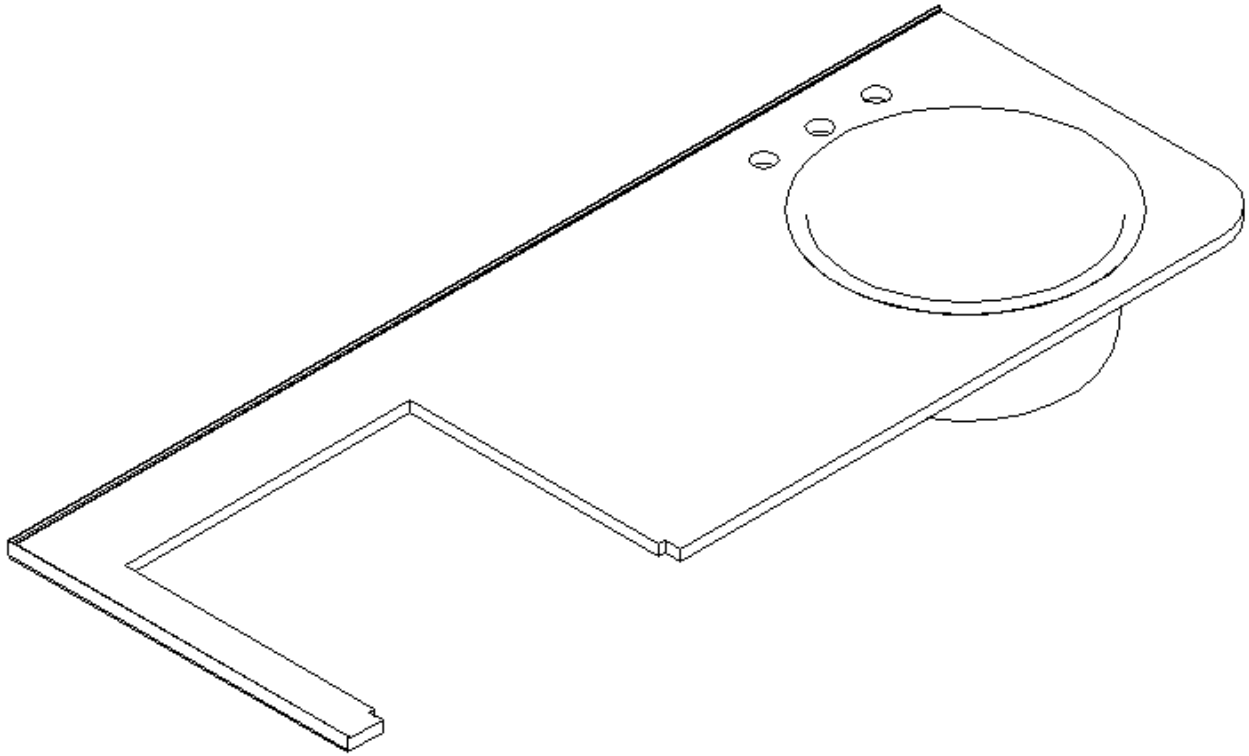
# 2016 INTERNATIONAL TRAVEL TRAILER FURNITURE, GALLEY

## Galley, Microwave Option, 25FB Eddie Bauer

968039-0119	Galley Microwave Option
1. 968039-191	Panel, 35.5 x 18.25
2. 968039-192	Panel, 4.63 x 22.25
3. 968039-193	Panel, 6 x 22.25
4. 968039-194	Panel, 18.25 x 22.25
5. 968039-195	Panel, 18.25 x 35.5
6. 968039-196	Panel, 5.75 x 32.25
7. 968039-197	Panel, 5.96 x 34.5
8. 968039-198	Panel, 3 x 12.75
9. 968039-199	Panel, 3 x 12.75
10. 968039-1910	Panel, 14.25 x 12.75
11. 968039-1911	Panel, 14.25 x 12.75
12. 968039-1912	Panel, 15 x 23
13. 968039-1913	Panel, 2.25 x 28.89
14. 968039-1914	Panel, 15.09 x 19.75
15. 968039-1915	Panel, 14.96 x 19.75
16. 967837	Galley sub assembly
17. 968039-1917	Panel, 5.25 x 3
18. 968039-1918	Panel, 12.88 x 4.13
19. 968039-1919	Panel, 12.88 x 4.13
20. 968039-1920	Panel, 12.88 x 4.13
21. 968039-1921	Panel, 29.38 x 5.38
22. 968039-1922	Door, 22.88 x 9.31
23. 968039-1923	Door, 14.63 x 25
24. 968039-1924	Door, 14.63 x 25
25. 968039-1925	Panel, 7.38 x 58.25
26. 968039-1926	Panel, 12.75 x 34.5
27. 967835	Galley top
28. 968039-1929	Panel, 2.25 x 5.75
29. 968039-1930	Panel, 2.25 x 6
30. 968039-1931	Panel, 2.25 x 16.25
31. 968039-1944	Panel, 22.56 x 3.75
32. 968039-1945	Panel, 16.13 x 22.56
33. 968039-1946	Panel, 1.5 x 14.5
34. 968039-1947	Panel, 1.5 x 14.5
35. 968039-1948	Panel, 1.5 x 14.5
36. 968039-1949	Panel, 1.5 x 14.5
37. 968039-1950	Panel, 22.56 x 1
38. 968039-1951	Panel, 12.75 x 14.75
967656-19	Galley flip-up shelf
968021-05	Drawer box, 2.75"
382029-00	Handle bar, 7.48"
382203-03	Drawer slide, Self-close, 15"

2016 INTERNATIONAL TRAVEL TRAILER  
FURNITURE, GALLEY

Galley Top, 27FB Eddie Bauer

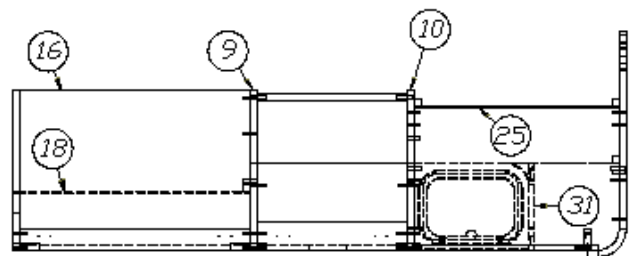
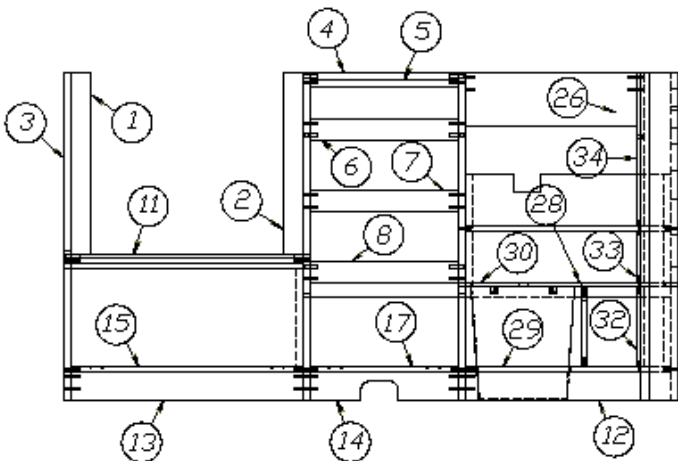
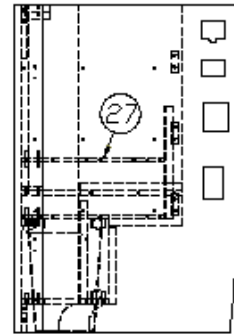
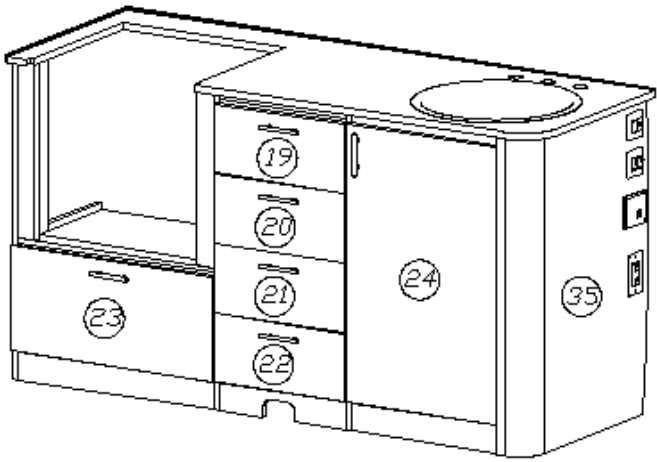


967886

Galley Top

# 2016 INTERNATIONAL TRAVEL TRAILER FURNITURE, GALLEY

Galley, Standard Oven, 27FB Eddie Bauer



Parts Listed on Next Page

# 2016 INTERNATIONAL TRAVEL TRAILER

## FURNITURE, GALLEY

### Galley, Standard Oven, 27FB Eddie Bauer

968040-19

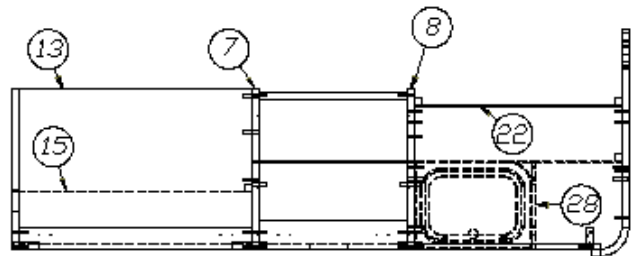
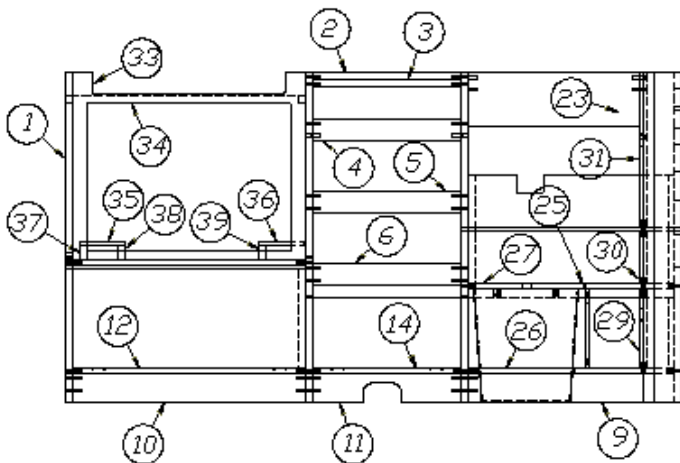
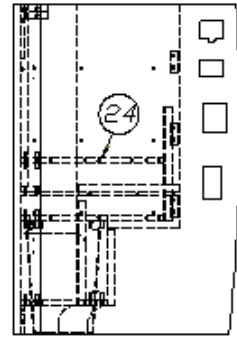
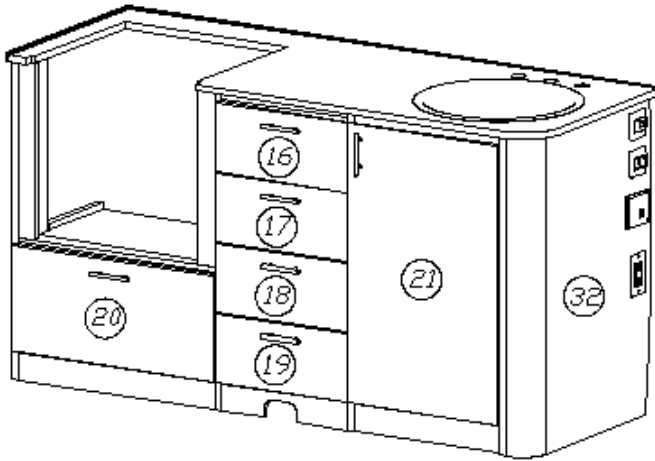
Galley Standard Oven

1. 968040-191	Panel, 2.13 x 19.25
2. 968040-192	Panel, 2.13 x 19.25
3. 968040-193	Panel, 6 x 34.75
4. 968040-194	Panel, 15.75 x 3
5. 968040-195	Panel, 15.75 x 3
6. 968040-196	Panel, 2.25 x 15.75
7. 968040-197	Panel, 2.25 x 15.75
8. 968040-198	Panel, 2.25 x 15.75
9. 968040-199	Panel, 16.88 x 34.75
10. 968040-1910	Panel, 16.44 x 34.75
11. 968040-1911	Panel, 2.25 x 24.5
12. 968040-1912	Panel, 19.5 x 3
13. 968040-1914	Panel, 24.5 x 3
14. 968040-1915	Panel, 15.75 x 3
15. 968040-1916	Panel, 6 x 24.5
16. 968040-1917	Panel, 16.88 x 25.25
17. 968040-1918	Panel, 9.13 x 15.75
18. 968040-1919	Panel, 25.25 x 11
19. 968040-1921	Panel, 16.38 x 7.5
20. 968040-1922	Panel, 16.38 x 7.5
21. 968040-1923	Panel, 16.38 x 7.5
22. 968040-1924	Panel, 16.38 x 7.5
23. 968040-1925	Panel, 25.13 x 7.5
24. 968040-1926	Panel, 18.69 x 30.38
25. 968040-1927	Panel, 21.75 x 12.75
26. 968040-1928	Panel, 18.6 x 7.5
27. 968040-1929	Panel, 21.75 x 15.06
28. 968040-1930	Panel, 21.75 x 15.06
29. 968040-1931	Panel, 21.75 x 9.13
30. 968040-1932	Panel, 12.13 x 9.13
31. 968040-1933	Panel, 9.25 x 8.5
32. 968040-1934	Panel, 2.25 x 8.5
33. 968040-1935	Panel, 2.25 X 5.5
34. 968040-1936	Panel, 2.25 x 16.25
35. 967793-19	Galley sub assembly
381865	Pull Bar, Brushed Nickel
968020-04	Drawer box, 5"
381607-11	Hinge, Self-close
967656-19	Galley flip-up shelf
968024	Insert, Cutlery drawer
382203-03	Drawer slide, Self-close, 15"
382203-06	Front Fixing Clip (Pr)



# 2016 INTERNATIONAL TRAVEL TRAILER FURNITURE, GALLEY

Galley, Convection Microwave, 27FB Eddie Bauer



Parts Listed on Next Page

## 2016 INTERNATIONAL TRAVEL TRAILER FURNITURE, GALLEY

### Galley, Convection Microwave, 27FB Eddie Bauer

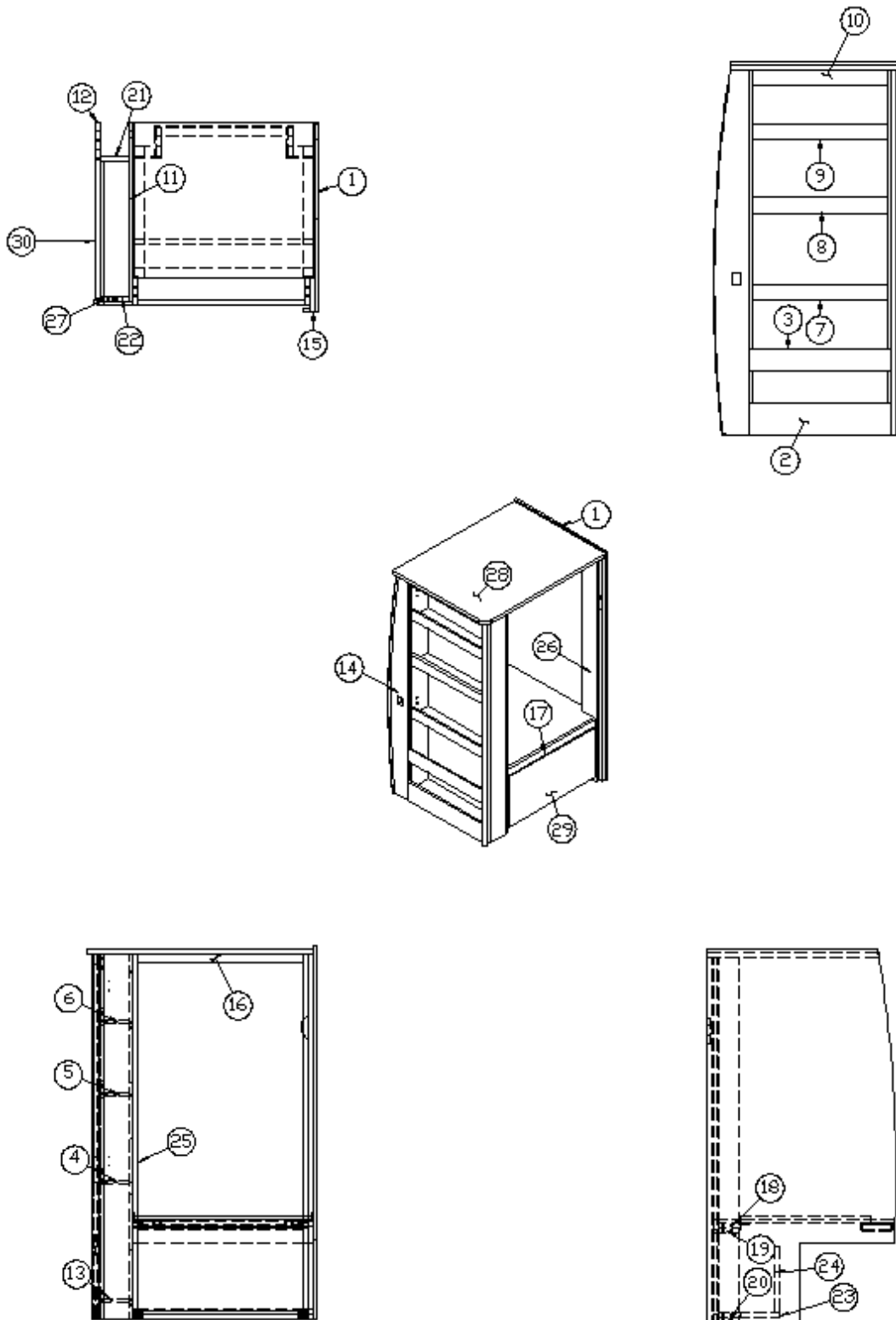
968040-19

Galley Convection Microwave Option

1. 968040-193	Panel, 6 x 34.75
2. 968040-194	Panel, 15.75 x 3
3. 968040-195	Panel, 15.75 x 3
4. 968040-196	Panel, 2.25 x 15.75
5. 968040-197	Panel, 2.25 x 15.75
6. 968040-198	Panel, 2.25 x 15.75
7. 968040-199	Panel, 16.88 x 34.75
8. 968040-1910	Panel, 16.44 x 34.75
9. 968040-1912	Panel, 19.5 x 3
10. 968040-1914	Panel, 24.5 x 3
11. 968040-1915	Panel, 15.75 x 3
12. 968040-1916	Panel, 6 x 24.5
13. 968040-1917	Panel, 16.88 x 25.25
14. 968040-1918	Panel, 9.13 x 15.75
15. 968040-1919	Panel, 25.25 x 11
16. 968040-1921	Panel, 16.38 x 7.5
17. 968040-1922	Panel, 16.38 x 7.5
18. 968040-1923	Panel, 16.38 x 7.5
19. 968040-1924	Panel, 16.38 x 7.5
20. 968040-1925	Panel, 25.13 x 7.5
21. 968040-1926	Panel, 18.69 x 30.38
22. 968040-1927	Panel, 21.75 x 12.75
23. 968040-1928	Panel, 18.6 x 7.5
24. 968040-1929	Panel, 21.75 x 15.06
25. 968040-1930	Panel, 21.75 x 15.06
26. 968040-1931	Panel, 21.75 x 9.13
27. 968040-1932	Panel, 12.13 x 9.13
28. 968040-1933	Panel, 9.25 x 8.5
29. 968040-1934	Panel, 2.25 x 8.5
30. 968040-1935	Panel, 2.25 X 5.5
31. 968040-1936	Panel, 2.25 x 16.25
32. 967793-19	Galley sub assembly
33. 968040-1950	Panel, 24.5 x 19.75
34. 968040-1951	Panel, 16.13 x 25.25
35. 968040-1952	Panel, 4.75 x 14
36. 968040-1953	Panel, 4.75 x 14
37. 968040-1954	Panel, 1.44 x 14
38. 968040-1955	Panel, 1.44 x 14
39. 968040-1956	Panel, 1.44 x 14
967656-19	Galley flip-up shelf
968020-04	Drawer box, 5"
381865	Pull Bar, Brushed Nickel

# 2016 INTERNATIONAL TRAVEL TRAILER FURNITURE, GALLEY

## Refrigerator Cabinet, 19' Signature



Parts Listed on Next Page

# 2016 INTERNATIONAL TRAVEL TRAILER

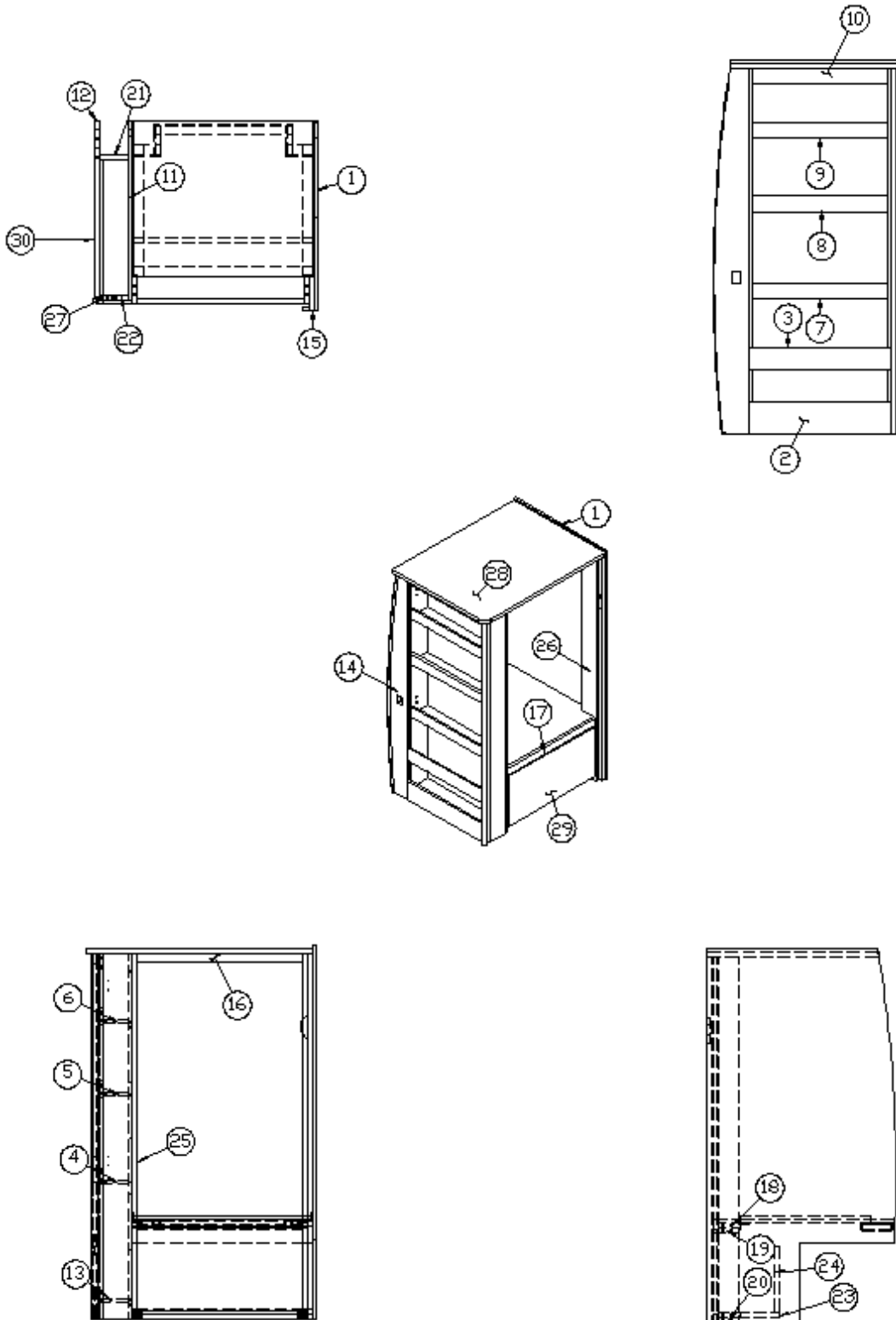
## FURNITURE, GALLEY

### Refrigerator Cabinet, 19' Signature

966952	Refrigerator Cabinet
1. 966952-1	Panel, 27.33 x 53.75
2. 966952-2	Panel, 4.5 x 20.5
3. 966952-3	Panel, 3 x 20.5
4. 966952-4	Panel, 3.68 x 19.5
5. 966952-5	Panel, 3.68 x 19.5
6. 966952-6	Panel, 3.68 x 19.5
7. 966952-7	Panel, 2.25 x 19.5
8. 966952-8	Panel, 2.25 x 19.5
9. 966952-9	Panel, 2.25 x 19.5
10. 966952-10	Panel, 2.25 x 19.5
11. 966952-11	Panel, 25.83 x 52.5
12. 966952-12	Panel, 5.14 x 52.5
13. 966952-13	Panel, 4.25 x 19.5
14. 966952-14	Panel, 4.12 x 52.5
15. 966952-15I	Panel, 4.75 x 52.5
16. 966952-16	Panel, 1.44 x 23.94
17. 966952-17	Panel, 1.5 x 23.94
18. 966952-18	Panel, 2.94 x 23.94
19. 966952-19	Panel, 2.94 x 23.94
20. 966952-20	Panel, 2.94 x 23.94
21. 966952-21	Panel, 4.25 x 52.5
22. 966952-22	Panel, 4.25 x 52.5
23. 966952-23	Panel, 8.69 x 26.19
24. 966952-24	Panel, 9.5 x 26.19
25. 966952-25	Panel, 3.75 x 52.5
26. 966952-26	Panel, 3.75 x 52.5
27. 801706-0024	Corner trim, 90°, 1" radius, Ebony Woods
28. 966952-31	Panel, 3.75 x 24.88
29. 966952-32	Door, 23.63 x 11.75
30. 966952-33	Door, 20 x 31.31
965630	Refrigerator stand
382029-04	Handle bar, 15"
381607-11	Hinge, Self-close
381228-02	Catch, Grabber door (5lb Pull)
964519-0024	Block, Pocket door latch

# 2016 INTERNATIONAL TRAVEL TRAILER FURNITURE, GALLEY

## Refrigerator Cabinet, 19' Serenity



Parts Listed on Next Page

## 2016 INTERNATIONAL TRAVEL TRAILER FURNITURE, GALLEY

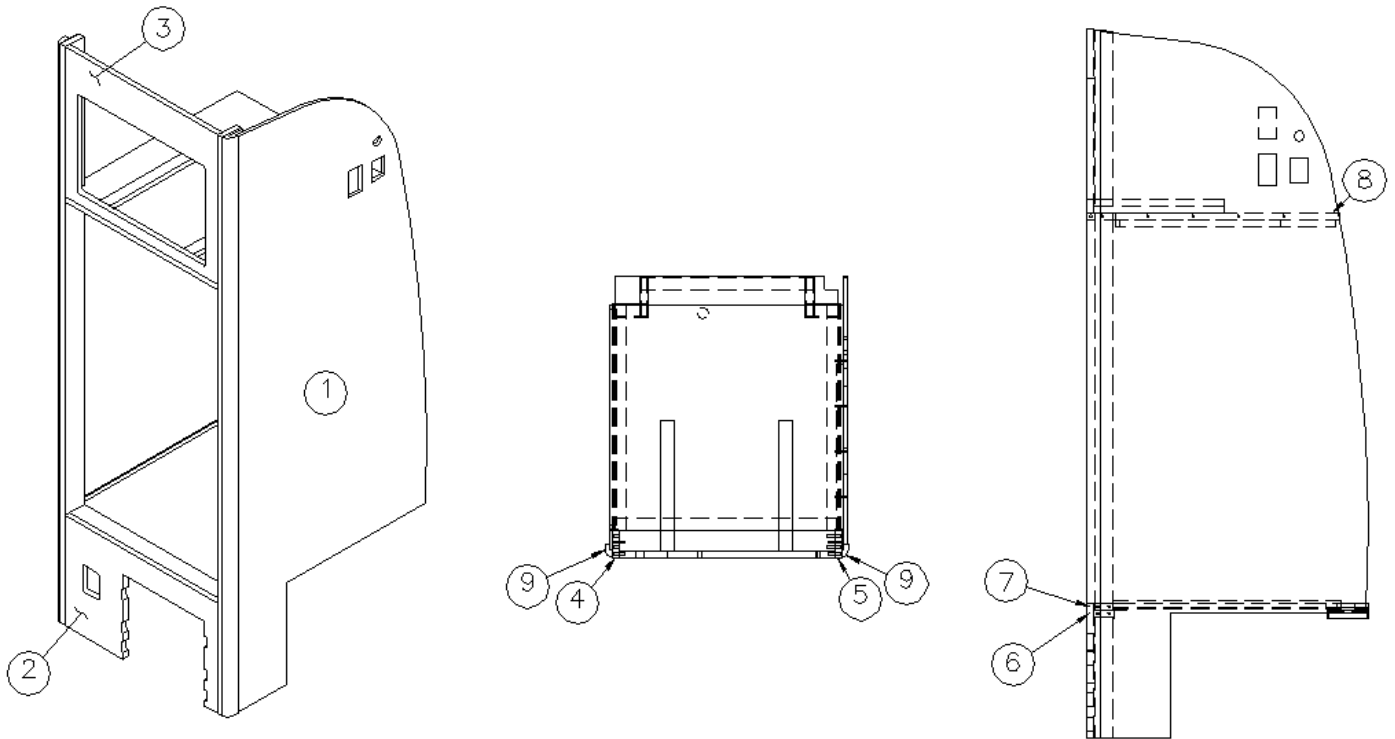
### Refrigerator Cabinet, 19' Serenity

966952-15 Refrigerator Cabinet

1. 966952-151	Panel, 27.33 x 53.75
2. 966952-152	Panel, 4.50 x 20.5
3. 966952-153	Panel, 3 x 20.5
4. 966952-154	Panel, 3.68 x 19.5
5. 966952-155	Panel, 3.68 x 19.5
6. 966952-156	Panel, 3.68 x 19.5
7. 966952-157	Panel, 2.25 x 19.5
8. 966952-158	Panel, 2.25 x 19.5
9. 966952-159	Panel, 2.25 x 19.5
10. 966952-1510	Panel, 2.25 x 19.5
11. 966952-1511	Panel, 25.83 x 52.5
12. 966952-1512	Panel, 5.14 x 52.5
13. 966952-1513	Panel, 4.25 x 19.5
14. 966952-1514	Panel, 4.12 x 52.5
15. 966952-1515	Panel, 4.75 x 52.5
16. 966952-1516	Panel, 1.44 x 23.94
17. 966952-1517	Panel, 1.5 x 23.94
18. 966952-18	Panel, 2.94 x 23.94
19. 966952-19	Panel, 2.94 x 23.94
20. 966952-20	Panel, 2.94 x 23.94
21. 966952-1521	Panel, 4.25 x 52.5
22. 966952-1522	Panel, 4.25 x 52.5
23. 966952-23	Panel, 8.69 x 26.19
24. 966952-24	Panel, 9.5 x 26.19
25. 966952-25	Panel, 3.75 x 52.5
26. 966952-26	Panel, 3.75 x 52.5
27. 801706-0018	Corner trim, 90°, 1" radius, Asian Sand
28. 966952-1531	Panel, 24.98 x 32.75
29. 966952-1532	Door, 23.63 x 11.75
30. 966952-1533	Door, 20 x 31.31
965630	Refrigerator stand
382115	Pull, Flat Black
381607-11	Hinge, Self-close
381228-02	Catch, Grabber door (5lb Pull)
964519-0016	Block, Pocket door latch

# 2016 INTERNATIONAL TRAVEL TRAILER FURNITURE, GALLEY

## Refrigerator & Microwave Cabinet, 23D Signature



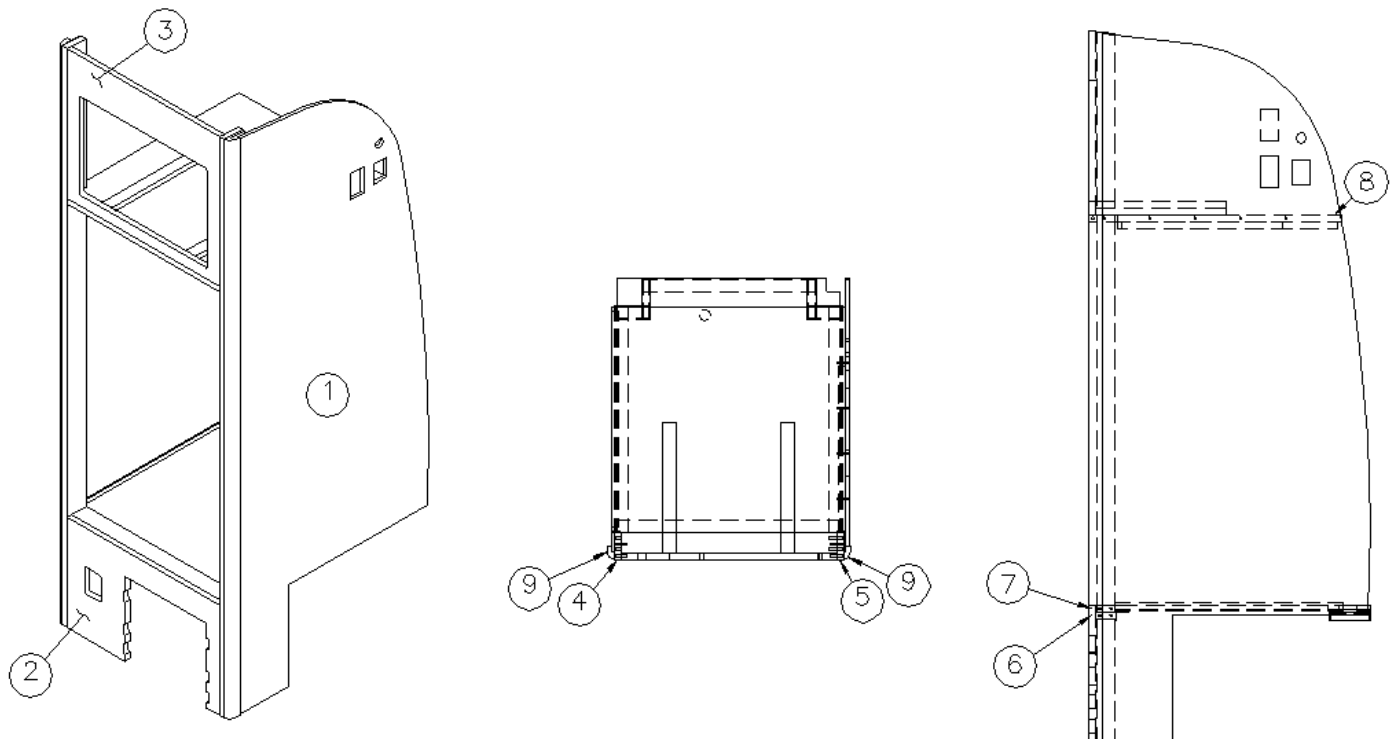
966948

Refrigerator & Microwave Cabinet

- |                |                                    |
|----------------|------------------------------------|
| 1. 966948-1    | Panel, 29.65 x 78.37               |
| 2. 966948-2    | Panel, 23.94 x 14.88               |
| 3. 966948-3    | Panel, 23.94 x 20.39               |
| 4. 966948-4    | Panel, 3 x 78.65                   |
| 5. 966948-5    | Panel, 3 x 78.65                   |
| 6. 966948-6    | Panel, 2.25 x 23.94                |
| 7. 966948-7    | Panel, 2.25 x 23.94                |
| 8. 966948-8    | Panel, 25.94 x 285                 |
| 9. 801706-0024 | Corner trim, 90°, 1" Radius, Ebony |
| 203138-05      | Extrusion, Plastic, 1/2", Black    |
| 966811         | Refrigerator stand                 |
| 381209-01      | Grommet w/cap, 1.5" hole, Black    |

# 2016 INTERNATIONAL TRAVEL TRAILER FURNITURE, GALLEY

## Refrigerator & Microwave Cabinet, 23D Serenity



966948-15

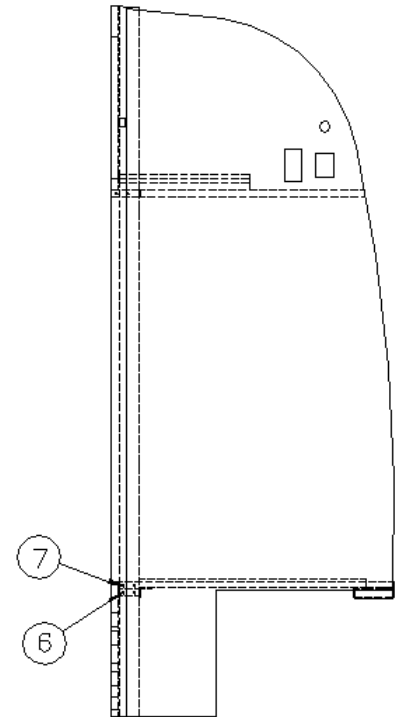
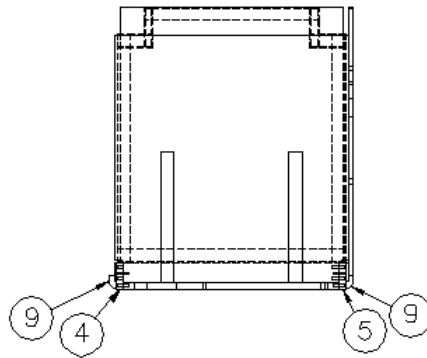
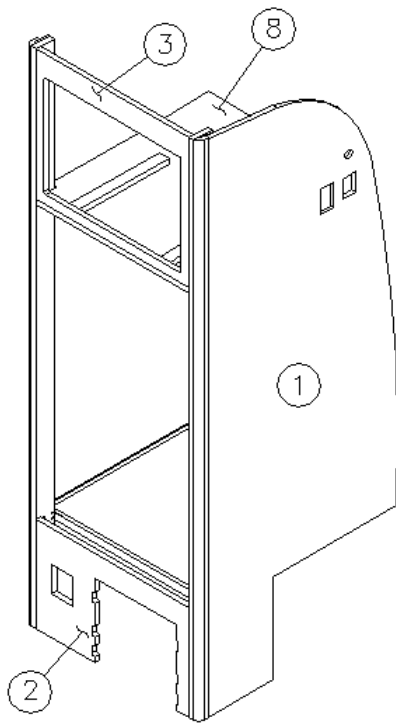
Refrigerator Cabinet

- |                |   |
|----------------|---|
| 1. 966948-151  | Panel, 29.65 x 78.37                    |
| 2. 966948-152  | Panel, 23.94 x 14.88                    |
| 3. 966948-153  | Panel, 23.94 x 20.39                    |
| 4. 966948-4    | Panel, 3 x 78.65                        |
| 5. 966948-5    | Panel, 3 x 78.65                        |
| 6. 966948-6    | Panel, 2.25 x 23.94                     |
| 7. 966948-7    | Panel, 2.25 x 23.94                     |
| 8. 966948-8    | Panel, 25.94 x 285                      |
| 9. 801706-0018 | Corner trim, 90°, 1" radius, Asian Sand |
| 203138-03      | Extrusion, Plastic, 1/2", Beige         |
| 966811         | Refrigerator stand,                     |
| 381209-01      | Grommet, 1.5" hole, Black               |



# 2016 INTERNATIONAL TRAVEL TRAILER FURNITURE, GALLEY

## Refrigerator & Convection Microwave Cabinet, 23D Signature



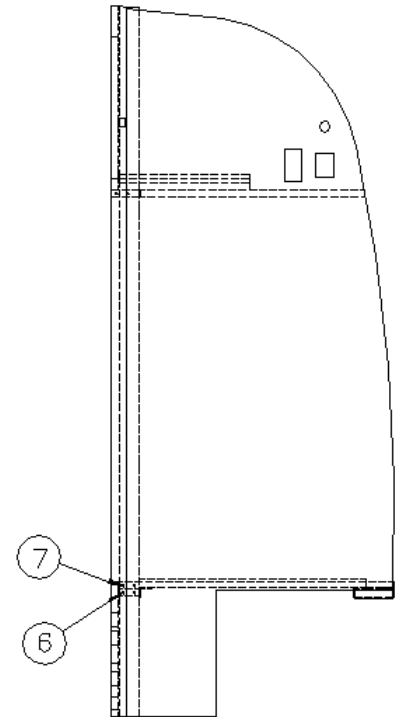
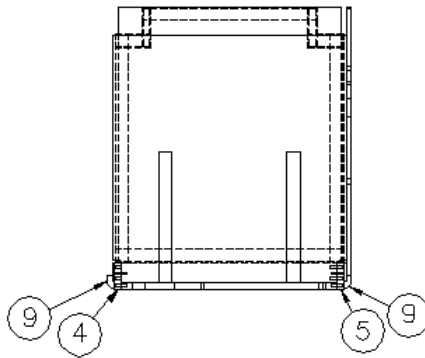
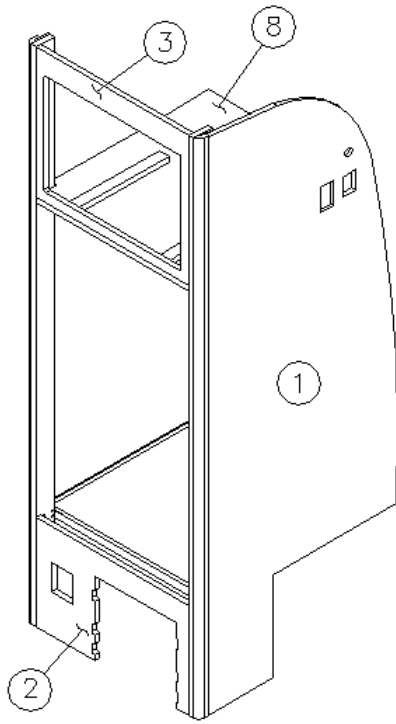
967226

Refrigerator & Convection Microwave Cabinet

- |                |                                    |
|----------------|------------------------------------|
| 1. 967226-1    | Panel, 29.65 x 78.37               |
| 2. 967226-2    | Panel, 23.94 x 14.88               |
| 3. 967226-3    | Panel, 23.94 x 20.39               |
| 4. 967226-4    | Panel, 3 x 78.65                   |
| 5. 967226-5    | Panel, 3 x 78.65                   |
| 6. 967226-6    | Panel, 2.25 x 23.94                |
| 7. 967226-7    | Panel, 2.25 x 23.94                |
| 8. 967226-8    | Panel, 25.94 x 285                 |
| 9. 801706-0024 | Corner trim, 90°, 1" radius, Ebony |
| 966811         | Refrigerator stand                 |
| 203138-05      | Extrusion, Plastic, .5", Black     |
| 381209-01      | Grommet w/cap, 1.5" hole, Black    |

# 2016 INTERNATIONAL TRAVEL TRAILER FURNITURE, GALLEY

## Refrigerator & Convection Microwave Cabinet, 23D Serenity



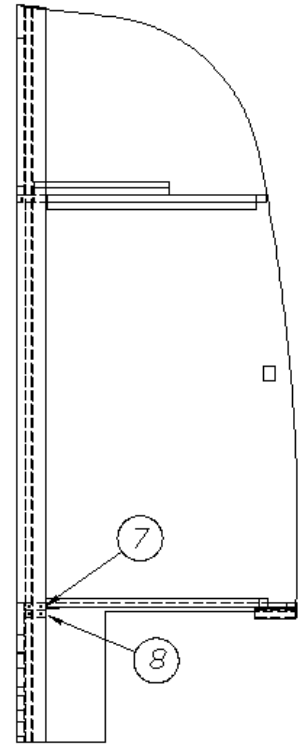
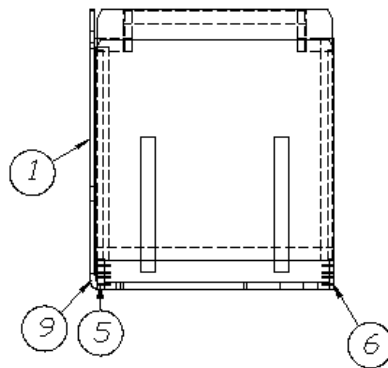
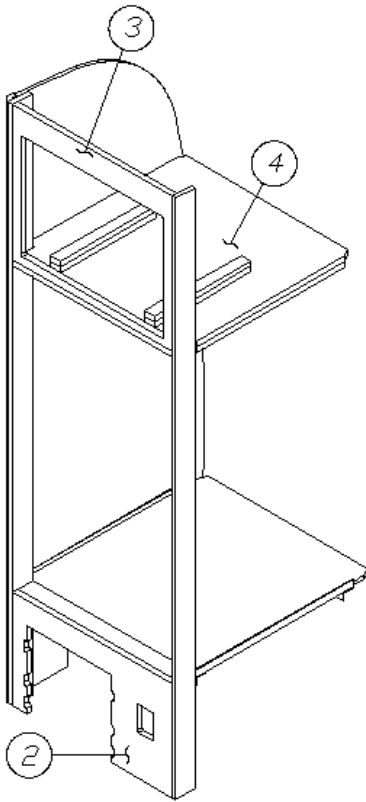
967226-15

Refrigerator & Convection Microwave Cabinet

- |                |   |
|----------------|---|
| 1. 967226-151  | Panel, 29.65 x 78.37                    |
| 2. 967226-152  | Panel, 23.94 x 14.88                    |
| 3. 967226-153  | Panel, 23.94 x 20.39                    |
| 4. 967226-154  | Panel, 3 x 78.65                        |
| 5. 967226-155  | Panel, 3 x 78.65                        |
| 6. 967226-156  | Panel, 2.25 x 23.94                     |
| 7. 967226-157  | Panel, 2.25 x 23.94                     |
| 8. 967226-158  | Panel, 25.94 x 285                      |
| 9. 801393-0018 | Corner trim, 90°, 1" radius, Asian Sand |
| 966811         | Refrigerator stand                      |
| 203138-03      | Extrusion, Plastic, .5", Beige          |
| 381209-01      | Grommet w/cap, 1.5" hole, Black         |

# 2016 INTERNATIONAL TRAVEL TRAILER FURNITURE, GALLEY

## Refrigerator & Microwave Cabinet, 23FB A2GO, 23FB Signature



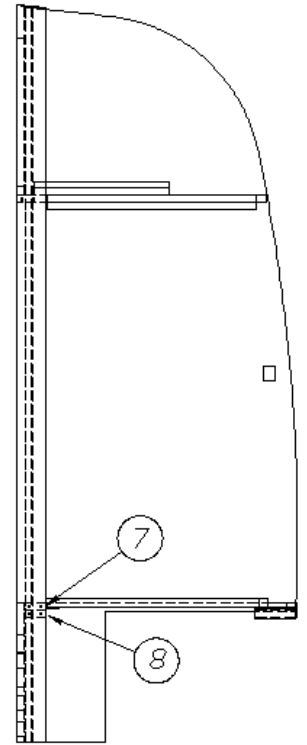
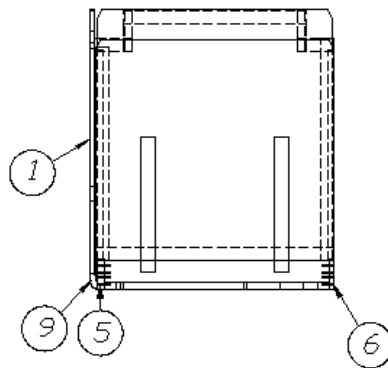
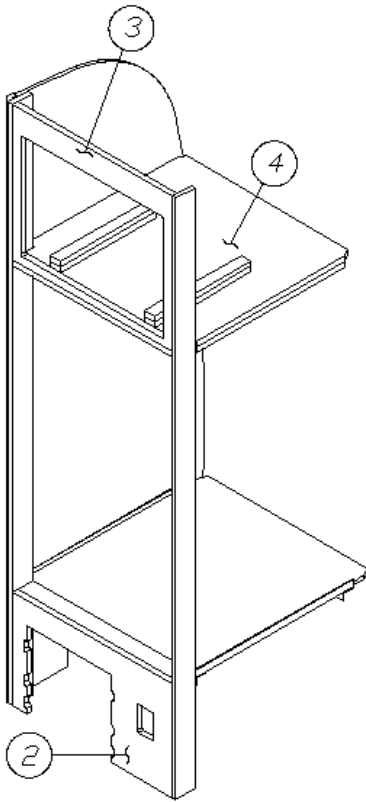
967310  
967310-02  
967310-03

Refrigerator & Microwave Cabinet, Convection Microwave  
Refrigerator & Microwave Cabinet, 23FB A2GO  
Refrigerator & Microwave Cabinet, Standard Microwave

- |                                       |   |
|---------------------------------------|---|
| 1. 967310-1                           | Panel, 28.22 x 78.19  |
| 2. 967310-23<br>967310-19             | Panel, 23.94 x 14.88<br>Panel, 23.94 x 14.88, A2GO  |
| 3. 967310-3<br>967310-24              | Panel, 23.94 x 20.23<br>Panel, 23.94 x 20.14, Standard microwave                              |
| 4. 967310-4                           | Panel, 26.56 x 25.44  |
| 5. 967310-5                           | Panel, 3 x 78.39  |
| 6. 967310-6                           | Panel, 3 x 78.48  |
| 7. 967310-7                           | Panel, 2.25 x 23.94   |
| 8. 967310-8                           | Panel, 2.25 x 23.94   |
| 9. 801706-0024<br>968352<br>203138-05 | Corner trim, 90°, 1" radius, Ebony Woods<br>Refrigerator stand<br>Extrusion, Plastic ½" Black |

# 2016 INTERNATIONAL TRAVEL TRAILER FURNITURE, GALLEY

## Refrigerator & Microwave Cabinet, 23FB Serenity



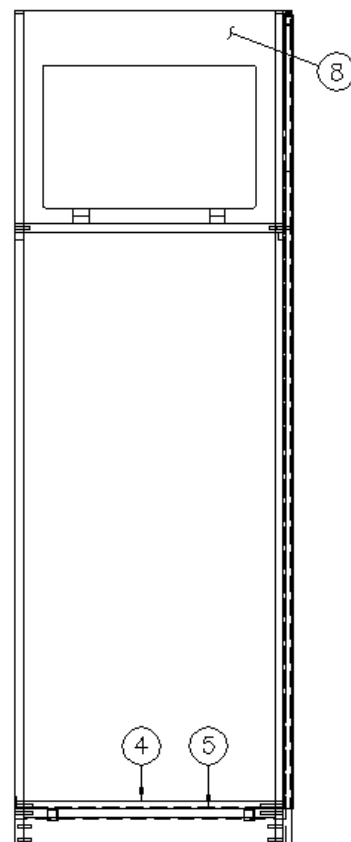
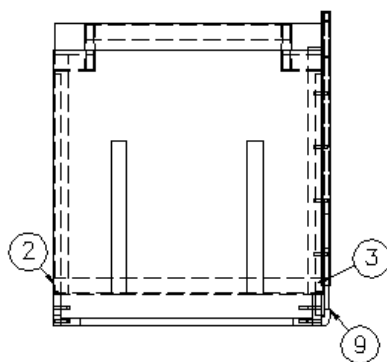
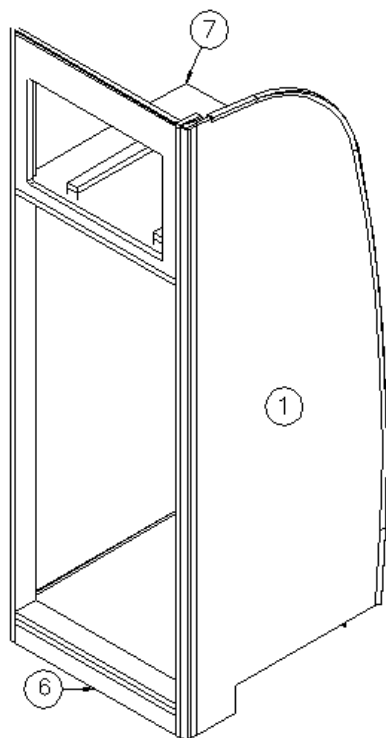
967310-15  
967310-03

Refrigerator & Microwave Cabinet, Convection  
Refrigerator & Microwave Cabinet, Standard Microwave

- |                |  |
|----------------|--|
| 1. 967310-151  | Panel, 28.22 x 78.19                     |
| 2. 967310-1523 | Panel, 23.94 x 14.88                     |
| 3. 967310-153  | Panel, 23.94 x 20.23                     |
| 967310-1524    | Panel, 23.94 x 20.14, Standard microwave |
| 4. 967310-4    | Panel, 26.56 x 25.44                     |
| 5. 967310-5    | Panel, 3 x 78.39                         |
| 6. 967310-156  | Panel, 3 x 78.48                         |
| 7. 967310-7    | Panel, 2.25 x 23.94                      |
| 8. 967310-8    | Panel, 2.25 x 23.94                      |
| 9. 801706-0018 | Corner trim, 90°, 1" radius, Asian Sand  |
| 968352         | Refrigerator stand                       |
| 203138-03      | Extrusion, Plastic, 1/2", Beige          |

# 2016 INTERNATIONAL TRAVEL TRAILER FURNITURE, GALLEY

## Refrigerator & Microwave Cabinet, 25' Signature



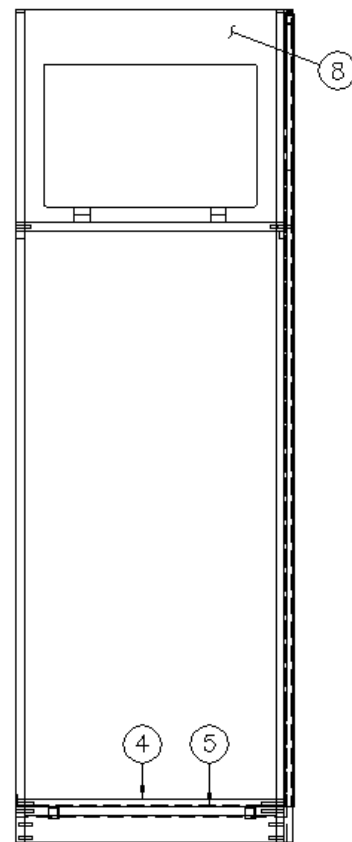
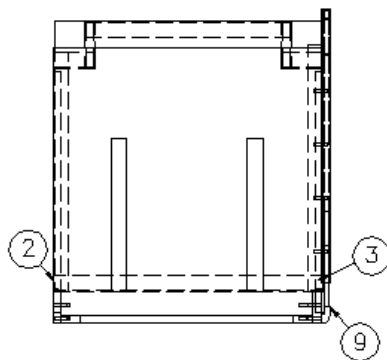
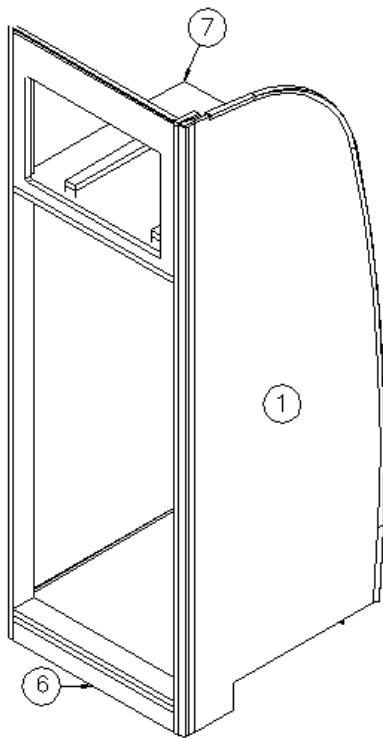
967724

Refrigerator Cabinet

- |                |   |
|----------------|---|
| 1. 967724-1    | Panel, 28 x 78.31                         |
| 2. 967724-2    | Panel, 3 x 78.7                           |
| 3. 967724-3    | Panel, 3 x 78.8                           |
| 4. 967724-4    | Panel, 3 x 23.81                          |
| 5. 967724-5    | Panel, 3 x 23.81                          |
| 6. 967724-6    | Panel, 2.5 x 23.81                        |
| 7. 967724-7    | Panel, 26.11 x 25.56                      |
| 8. 967724-10   | Panel, 23.81 x 20.2                       |
| 967724-19      | Panel, 23.81 x 20.2, Convection microwave |
| 9. 801706-0024 | Corner trim, 90°, 1" radius, Ebony        |
| 203138-05      | Extrusion, Plastic, .5", Black            |
| 968353         | Refrigerator stand                        |

# 2016 INTERNATIONAL TRAVEL TRAILER FURNITURE, GALLEY

## Refrigerator & Microwave Cabinet, 25' Serenity



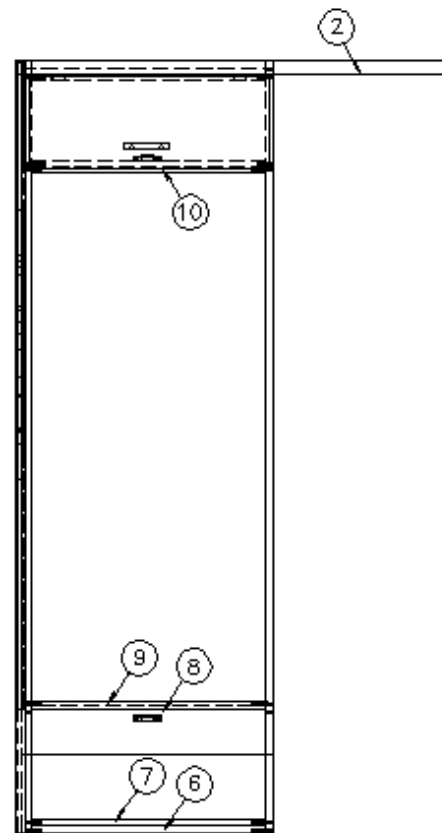
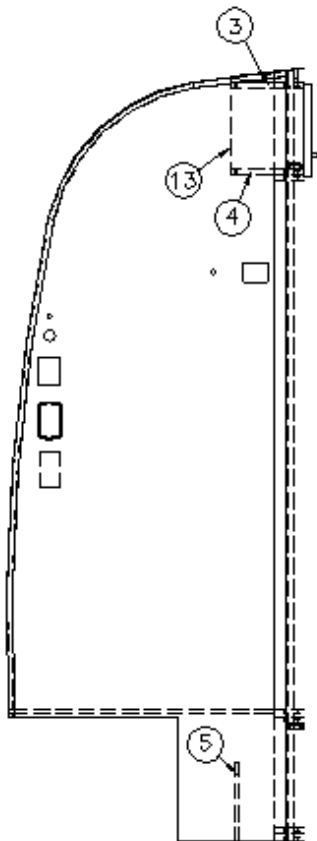
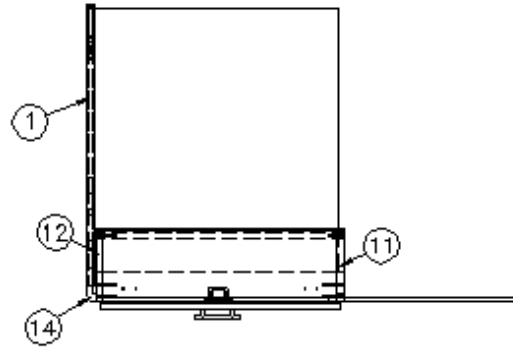
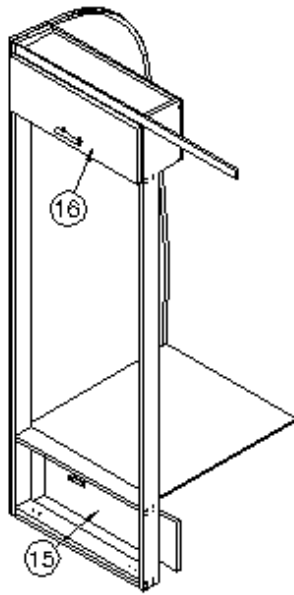
967724-15

Refrigerator Cabinet

- |                |   |
|----------------|---|
| 1. 967724-151  | Panel, 28 x 78.31                         |
| 2. 967724-2    | Panel, 3 x 78.7                           |
| 3. 967724-3    | Panel, 3 x 78.8                           |
| 4. 967724-154  | Panel, 3 x 23.81                          |
| 5. 967724-155  | Panel, 3 x 23.81                          |
| 6. 967724-6    | Panel, 2.5 x 23.81                        |
| 7. 967724-7    | Panel, 26.11 x 25.56                      |
| 8. 967724-1510 | Panel, 23.81 x 20.2                       |
| 967724-1519    | Panel, 23.81 x 20.2, Convection microwave |
| 9. 801706-0018 | Corner trim, 90°, 1" radius, Asian Sand   |
| 203138-03      | Extrusion, Plastic, .5", Beige            |
| 968353         | Refrigerator stand                        |

# 2016 INTERNATIONAL TRAVEL TRAILER FURNITURE, GALLEY

## Refrigerator Cabinet, 25FB, 27FB Signature



Parts Listed on Next Page

# 2016 INTERNATIONAL TRAVEL TRAILER FURNITURE, GALLEY

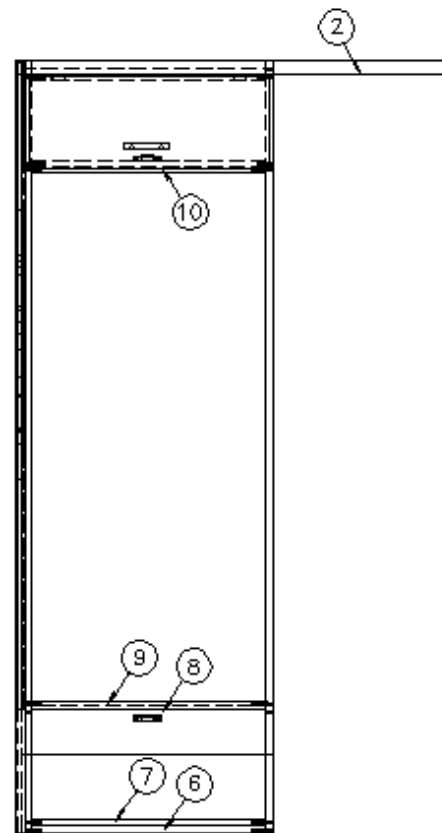
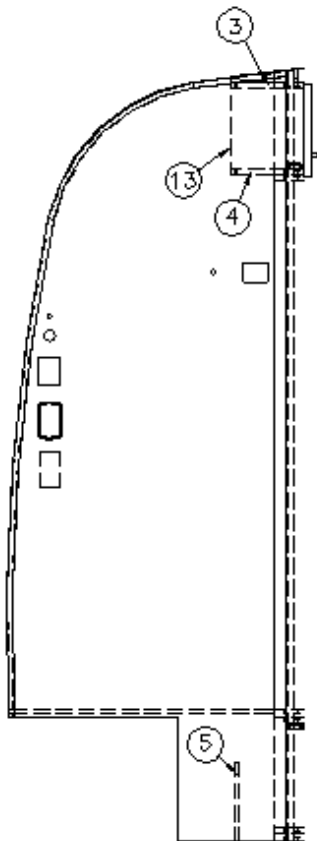
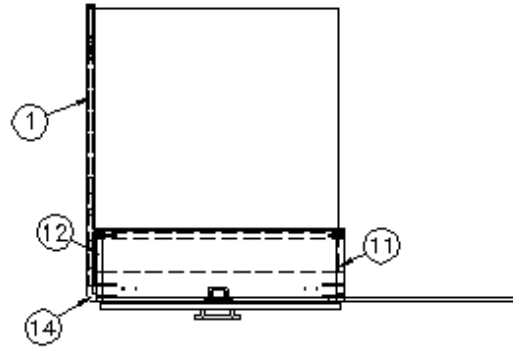
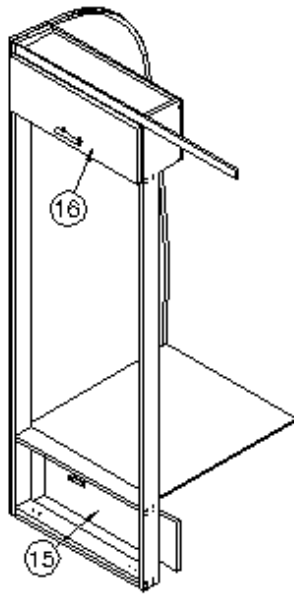
## Refrigerator Cabinet, 25FB, 27FB Signature

966853	Refrigerator Cabinet
1. 966853-1	Panel, 28.64 x 78.45
2. 966853-2	Panel, 1.49 x 43
3. 966853-3	Panel, 7.25 x 23.81
4. 966853-4	Panel, 7.25 x 23.81
5. 966853-5	Panel, 8 x 25.5
6. 966853-6	Panel, 3 x 23.81
7. 966853-7	Panel, 3 x 23.81
8. 966853-8	Panel, 3 x 23.81
9. 966853-9	Panel, 3 x 23.81
10. 966853-10	Panel, 3 x 23.81
11. 966853-11	Panel, 7.25 x 78.74
12. 966853-12	Panel, 7.25 x 78.74
13. 966853-15I	Panel, 9.92 x 25.31
14. 801706-0024	Corner trim, 90°, 1" radius, Ebony
15. 966853-18	Door, 24.44 x 11.69
16. 966853-19I	Door, 24.44 x 9.25
966812	Refrigerator stand
382029-05	Handle bar, 21.33"
381607-11	Hinge, Self-close
381228-02	Catch, Grabber door (5lb Pull)



# 2016 INTERNATIONAL TRAVEL TRAILER FURNITURE, GALLEY

## Refrigerator Cabinet, 25FB, 27FB Serenity



Parts Listed on Next Page

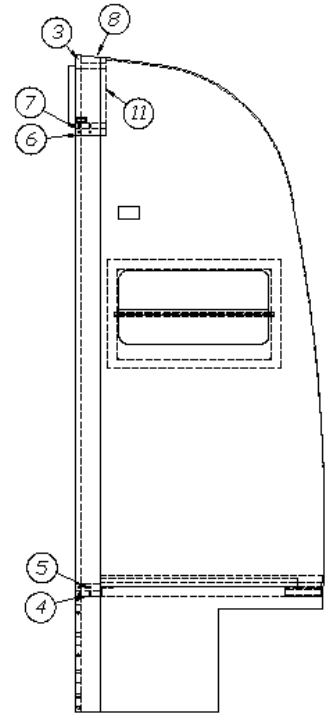
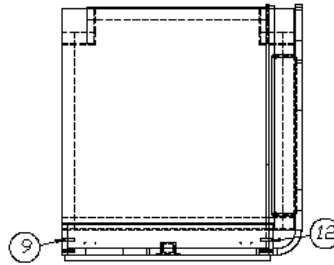
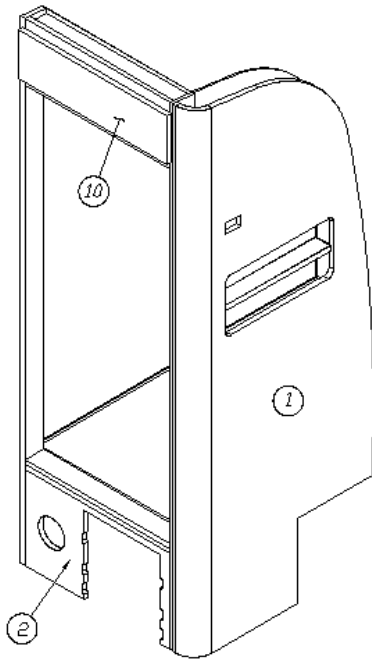
# 2016 INTERNATIONAL TRAVEL TRAILER FURNITURE, GALLEY

## Refrigerator Cabinet, 25FB, 27FB Serenity

966853-15	Refrigerator Cabinet
1. 966853-151	Panel, 28.64 x 78.45
2. 966853-152	Panel, 1.49 x 43
3. 966853-3	Panel, 7.25 x 23.81
4. 966853-4	Panel, 7.25 x 23.81
5. 966853-5	Panel, 8 x 25.5
6. 966853-6	Panel, 3 x 23.81
7. 966853-7	Panel, 3 x 23.81
8. 966853-8	Panel, 3 x 23.81
9. 966853-9	Panel, 3 x 23.81
10. 966853-10	Panel, 3 x 23.81
11. 966853-11	Panel, 7.25 x 78.74
12. 966853-12	Panel, 7.25 x 78.74
13. 966853-15I	Panel, 9.92 x 25.31
14. 801706-0018	Corner trim, 90°, 1" radius, Asian Sand
15. 966853-1518	Door, 24.44 x 11.69
16. 966853-1519	Door, 24.44 x 9.25
966812	Refrigerator stand
382115	Pull, Flat Black
381607-11	Hinge, Self-close
381228-02	Catch, Grabber door (5lb Pull)

# 2016 INTERNATIONAL TRAVEL TRAILER FURNITURE, GALLEY

## Refrigerator Cabinet, 28' Signature



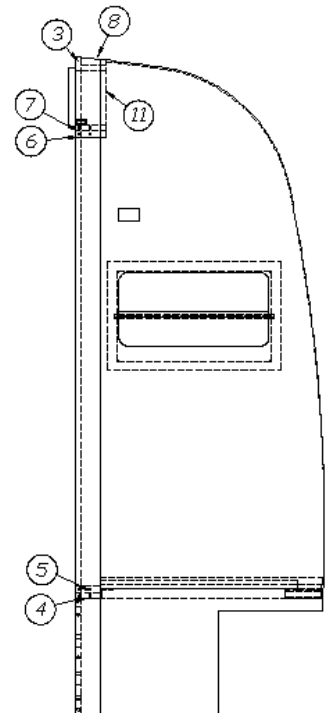
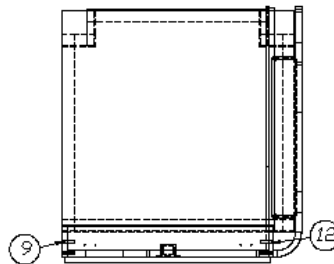
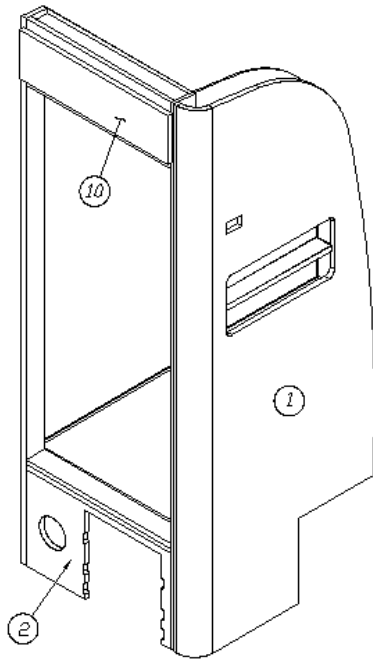
968213

Refrigerator Cabinet

- |               |                                |
|---------------|--------------------------------|
| 1. 966993     | Refrigerator panel             |
| 2. 968213-2   | Panel, 13.75 x 24.06           |
| 3. 968213-3   | Panel, 1.71 x 24.06            |
| 4. 968213-4   | Panel, 3 x 24.06               |
| 5. 968213-5   | Panel, 3 x 24.06               |
| 6. 968213-6   | Panel, 3.63 x 24.06            |
| 7. 968213-7   | Panel, 3.63 x 24.06            |
| 8. 968213-8   | Panel, 2.88 x 24.06            |
| 9. 968213-9   | Panel, 3.63 x 78.581           |
| 10. 968213-11 | Door, 24.69 x 7                |
| 11. 968213-12 | Panel, 9.21 x 25.31            |
| 12. 968213-13 | Panel, 3.63 x 78.581           |
| 203384        | Spice rack                     |
| 203476        | Refrigerator shelf             |
| 966808        | Refrigerator stand             |
| 382029-05     | Handle bar, 21.33"             |
| 381607-11     | Hinge, Self-close              |
| 381228-02     | Catch, Grabber door            |
| 365364-01     | Edgebanding, .63", Ebony Woods |
| 365364-02     | Edgebanding, .94", Ebony Woods |

# 2016 INTERNATIONAL TRAVEL TRAILER FURNITURE, GALLEY

## Refrigerator Cabinet, 28' Serenity



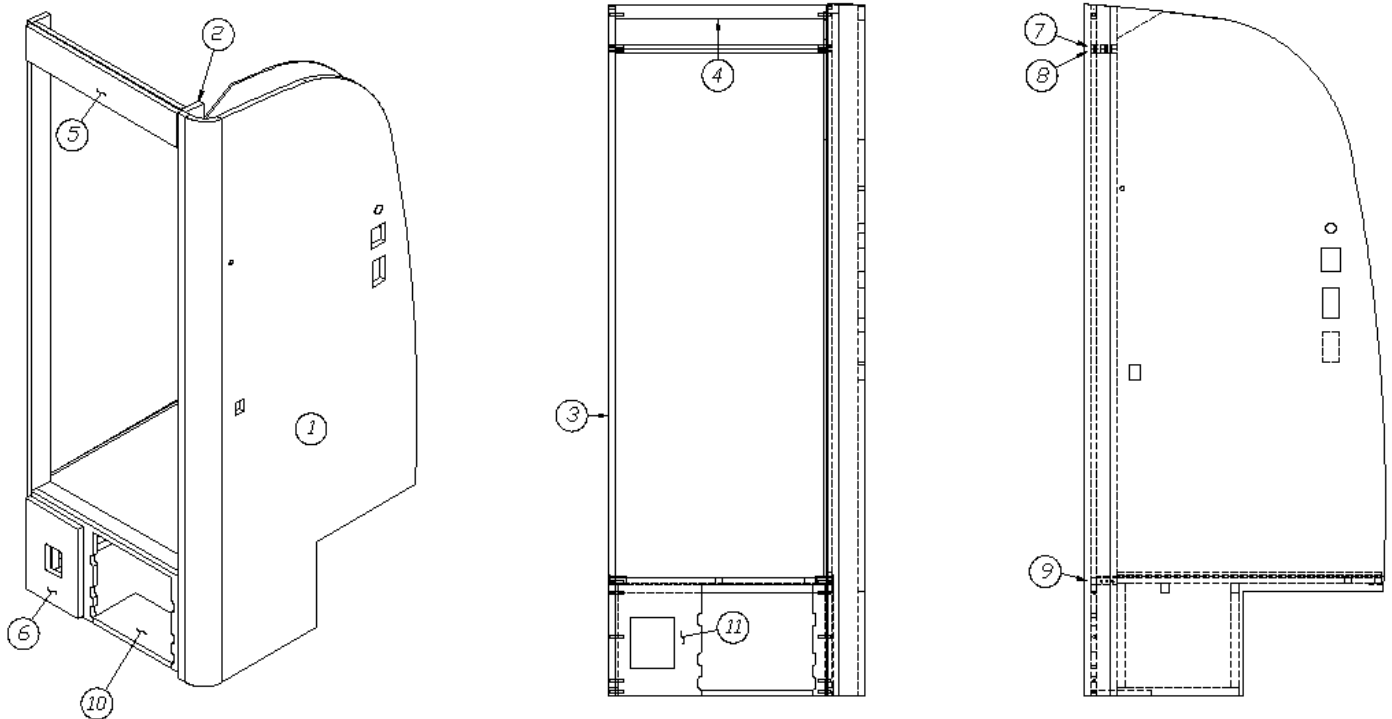
968213-15

Refrigerator Cabinet

- |                 |                                 |
|-----------------|---------------------------------|
| 1. 966993-15    | Refrigerator panel              |
| 2. 968213-152   | Panel, 13.75 x 24.06            |
| 3. 968213-153   | Panel, 1.71 x 24.06             |
| 4. 968213-4     | Panel, 3 x 24.06                |
| 5. 968213-5     | Panel, 3 x 24.06                |
| 6. 968213-6     | Panel, 3.63 x 24.06             |
| 7. 968213-7     | Panel, 3.63 x 24.06             |
| 8. 968213-8     | Panel, 2.88 x 24.06             |
| 9. 968213-9     | Panel, 3.63 x 78.581            |
| 10. 968213-1511 | Door, 24.69 x 7                 |
| 11. 968213-12   | Panel, 9.21 x 25.31             |
| 12. 968213-13   | Panel, 3.63 x 78.581            |
| 203384          | Spice rack                      |
| 203476          | Refrigerator shelf              |
| 966808          | Refrigerator stand              |
| 382115          | Pull, Flat Black                |
| 381607-11       | Hinge, Self-close               |
| 381228-02       | Catch, Grabber door             |
| 365344-01       | Edgebanding, .63", Pearl Bisque |
| 365344-02       | Edgebanding, .94", Pearl Bisque |

# 2016 INTERNATIONAL TRAVEL TRAILER FURNITURE, GALLEY

## Refrigerator Cabinet, 30' Signature



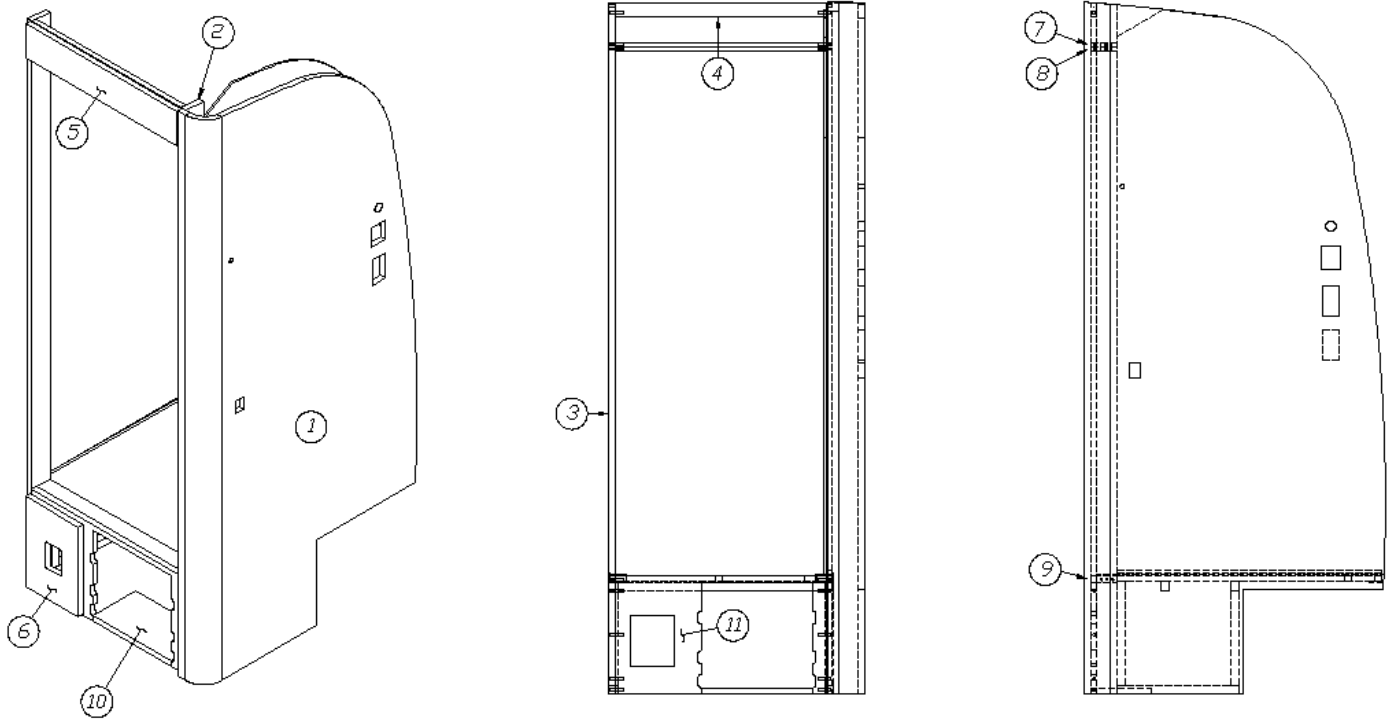
967520

Refrigerator Cabinet

- |               |                                |
|---------------|--------------------------------|
| 1. 967523     | Refrigerator sub assembly      |
| 2. 967520-2   | Panel, 3 x 79.12               |
| 3. 967520-3   | Panel, 3 x 79.12               |
| 4. 967520-4   | Panel, 24.06 x 1.75            |
| 5. 967520-5   | Panel, 24.5 x 4.75             |
| 6. 967520-6   | Panel, 10.06 x 12.63           |
| 7. 967520-7   | Panel, 3 x 24.06               |
| 8. 967520-8   | Panel, 3 x 24.06               |
| 9. 967520-9   | Panel, 3 x 24.06               |
| 10. 967520-27 | Panel, 12.75 x 7               |
| 11. 967520-28 | Panel, 24.06 x 13.5            |
| 967519        | Refrigerator stand             |
| 454736        | Refrigerator baffle            |
| 365364-01     | Edgebanding, .63", Ebony Woods |
| 365364-02     | Edgebanding, .94", Ebony Woods |

# 2016 INTERNATIONAL TRAVEL TRAILER FURNITURE, GALLEY

## Refrigerator Cabinet, 30' Serenity



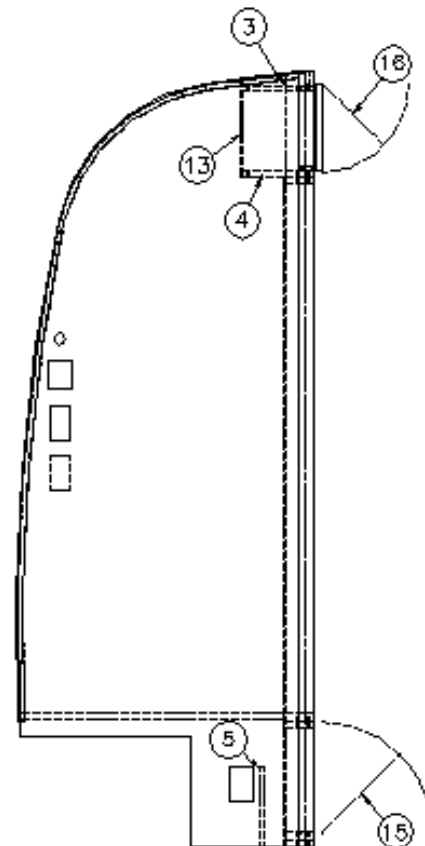
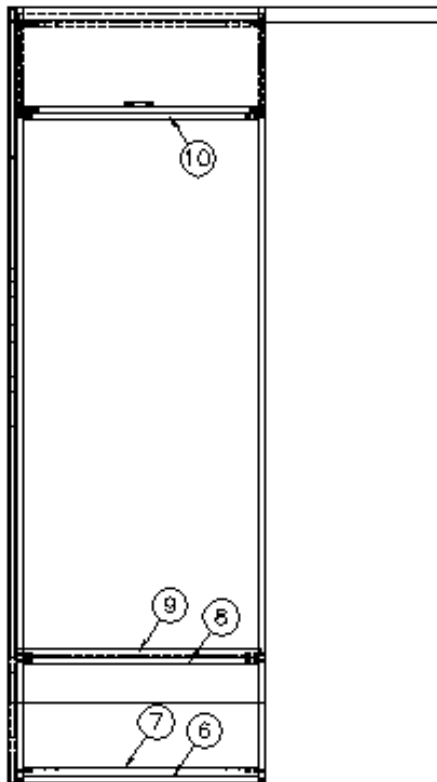
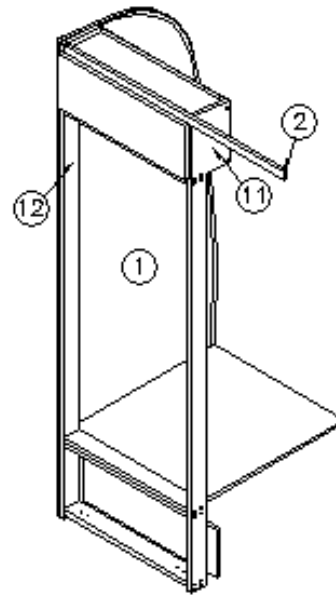
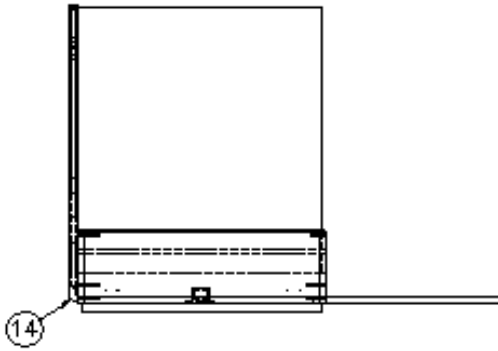
967520-15

Refrigerator Cabinet

- |                 |                                 |
|-----------------|---------------------------------|
| 1. 967523       | Refrigerator sub assembly       |
| 2. 967520-2     | Panel, 3 x 79.12                |
| 3. 967520-3     | Panel, 3 x 79.12                |
| 4. 967520-154   | Panel, 24.06 x 1.75             |
| 5. 967520-155   | Panel, 24.5 x 4.75              |
| 6. 967520-156   | Panel, 10.06 x 12.63            |
| 7. 967520-7     | Panel, 3 x 24.06                |
| 8. 967520-8     | Panel, 3 x 24.06                |
| 9. 967520-9     | Panel, 3 x 24.06                |
| 10. 967520-1527 | Panel, 12.75 x 7                |
| 11. 967520-1528 | Panel, 24.06 x 13.5             |
| 967519          | Refrigerator stand              |
| 365344-01       | Edgebanding, .63", Pearl Bisque |
| 365344-02       | Edgebanding, .94", Pearl Bisque |
| 454736          | Refrigerator baffle             |

# 2016 INTERNATIONAL TRAVEL TRAILER FURNITURE, GALLEY

## Refrigerator Cabinet, Eddie Bauer



Parts Listed on Next Page

# 2016 INTERNATIONAL TRAVEL TRAILER FURNITURE, GALLEY

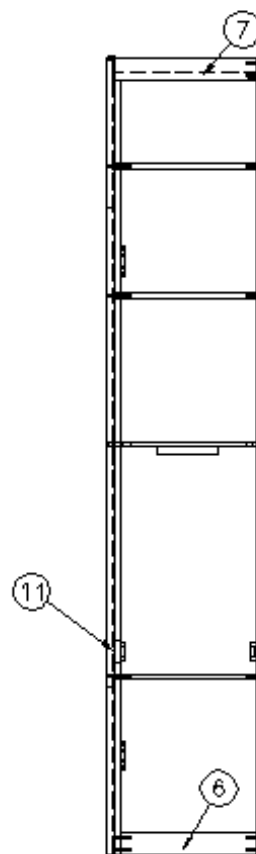
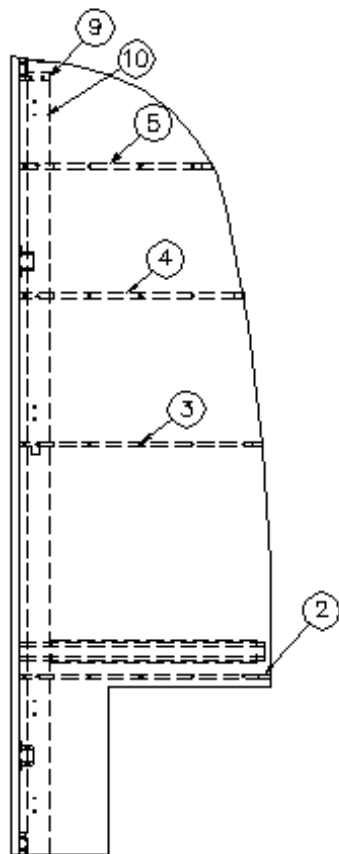
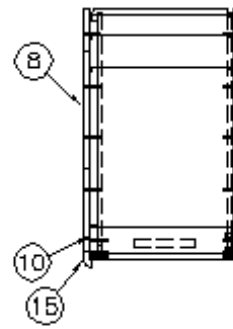
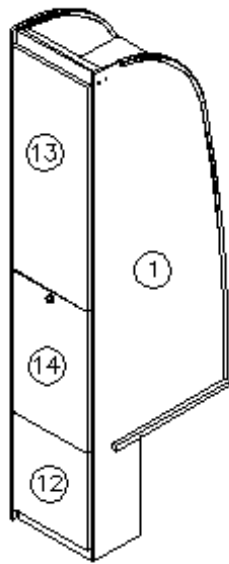
## Refrigerator Cabinet, Eddie Bauer

967682-19	Refrigerator Cabinet
1. 967682-191	Panel, 28.5 x 78.45
2. 967682-192	Panel, 1.49 x 43, 25FB EB
967682-1929	Panel, 1.49 x 56.75, 27FB EB
3. 967682-193	Panel, 7.25 x 23.81
4. 967682-194	Panel, 7.25 x 23.81
5. 967682-195	Panel, 8 x 25.5
6. 967682-196	Panel, 3 x 23.81
7. 967682-197	Panel, 3 x 23.81
8. 967682-198	Panel, 3 x 23.81
9. 967682-199	Panel, 3 x 23.81
10. 967682-1910	Panel, 3 x 23.81
11. 967682-1911	Panel, 7.25 x 78.74
12. 967682-1912	Panel, 7.25 x 78.74
13. 967682-1915	Panel, 9.92 x 24.81
14. 801706-0023	Corner trim, 90°, 1" radius, Limber Maple
15. 967682-1918	Door, 24.44 x 11.69
16. 967682-1919	Door, 24.44 x 8.88
966812	Refrigerator stand
382029-00	Handle bar, 7.48"
381607-11	Hinge, Self-close
381228-02	Catch, Grabber door (5lb Pull)
365352-01	Edgebanding, .63", Maple
365352-02	Edgebanding, .94", Maple
365352-03	Edgebanding, 1.25", Maple



# 2016 INTERNATIONAL TRAVEL TRAILER FURNITURE, GALLEY

## Pantry, 23D Signature



Parts Listed on Next Page

# 2016 INTERNATIONAL TRAVEL TRAILER FURNITURE, GALLEY

## Pantry, 23D Signature

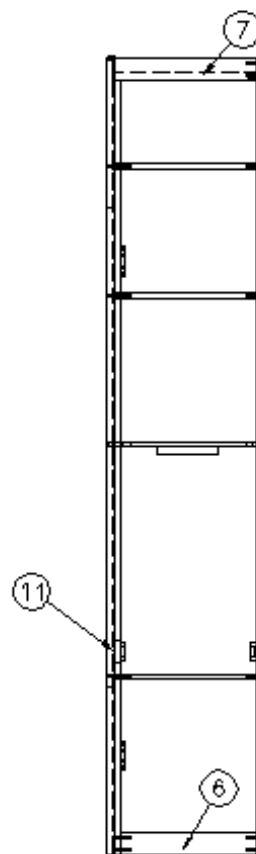
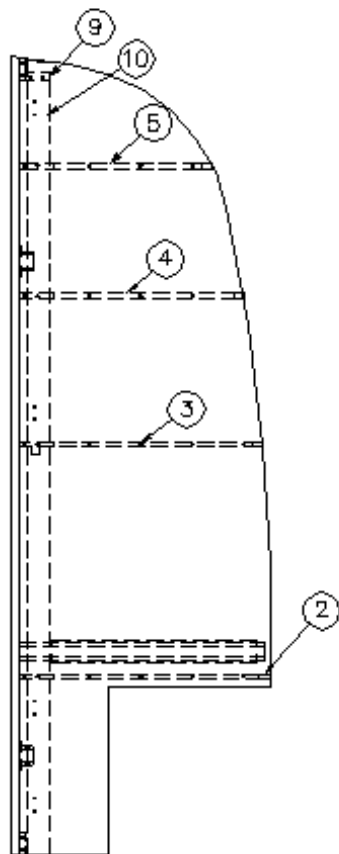
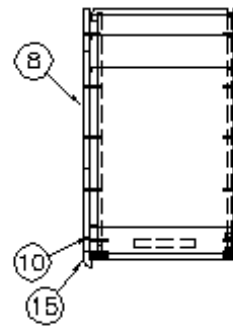
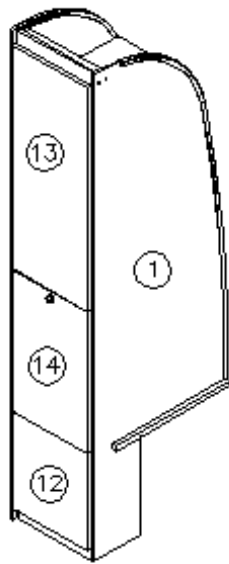
966936

Pantry Cabinet

1. 966936-1 Panel, 24.55 x 78.14
2. 966936-2 Panel, 14.01 x 24.27
3. 966936-3 Panel, 14.01 x 23.84
4. 966936-4 Panel, 14.01 x 21.96
5. 966936-5 Panel, 14.01 x 18.71
6. 966936-6 Panel, 13.26 x 2.25
7. 966936-7 Panel, 14.01 x 2.26
8. 966936-8 Panel, 23.79 x 77.9
9. 966936-9 Panel, 2.5 x 14.01
10. 966936-10 Panel, 3 x 75.88
11. 966936-11 Panel, 2.5 x 20
12. 966936-12 Door, 13.88 x 15.5
13. 966936-13 Door, 13.88 x 35.88
14. 966935 Slide-out pantry
15. 801706-0024 Corner trim, 90°, 1" radius, Ebony
- 382029-03 Handle bar, 11.25"
- 381607-11 Hinge, Self-close
- 381228-02 Catch, Grabber door (5lb Pull)
- 203138-01 Extrusion, Plastic, White
- 203138-05 Extrusion, Plastic, 1/2", Black
- 381925 Drawer slide, 24"
- 381408 Lock, Push button style, Black

# 2016 INTERNATIONAL TRAVEL TRAILER FURNITURE, GALLEY

## Pantry, 23D Serenity



Parts Listed on Next Page

# 2016 INTERNATIONAL TRAVEL TRAILER FURNITURE, GALLEY

## Pantry, 23D Serenity

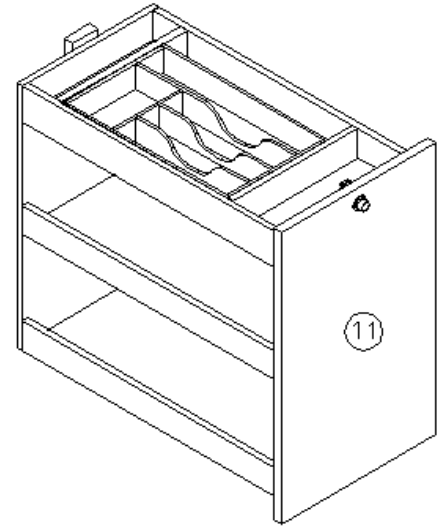
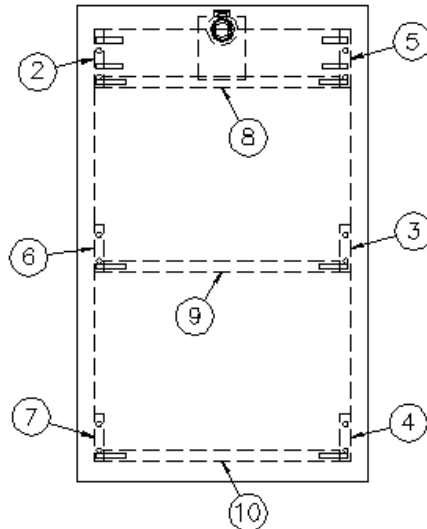
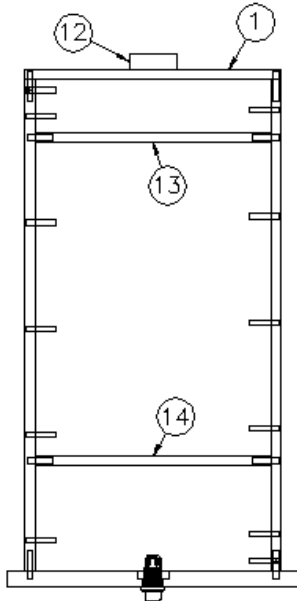
966936-15

Pantry Cabinet

1. 966936-1 Panel, 24.55 x 78.14
2. 966936-2 Panel, 14.01 x 24.27
3. 966936-3 Panel, 14.01 x 23.84
4. 966936-4 Panel, 14.01 x 21.96
5. 966936-5 Panel, 14.01 x 18.71
6. 966936-156 Panel, 13.26 x 2.25
7. 966936-157 Panel, 14.01 x 2.26
8. 966936-158 Panel, 23.79 x 77.9
9. 966936-9 Panel, 2.5 x 14.01
10. 966936-10 Panel, 3 x 75.88
11. 966936-11 Panel, 2.5 x 20
12. 966936-1512 Door, 13.88 x 15.5
13. 966936-1513 Door, 13.88 x 35.88
14. 966935-15 Slide-out pantry
15. 801706-0018 Corner trim, 90°, 1" radius, Asian Sand
- 382115 Pull, Flat Black
- 381607-11 Hinge, Self-close
- 381228-02 Catch, Grabber door (5lb Pull)
- 203138-03 Extrusion, Plastic, Beige
- 381925 Drawer slide, 24"
- 381408 Lock, Push button, Black

# 2016 INTERNATIONAL TRAVEL TRAILER FURNITURE, GALLEY

## Pantry, Slide-Out, 23D Signature



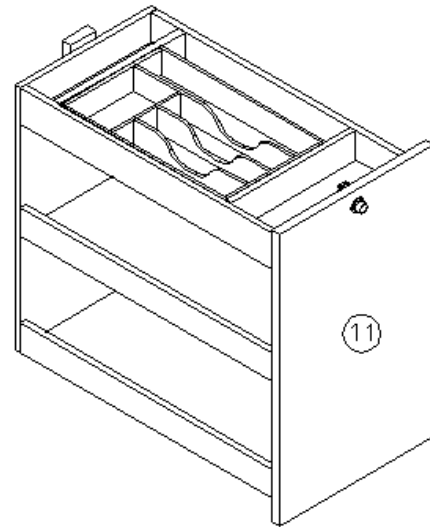
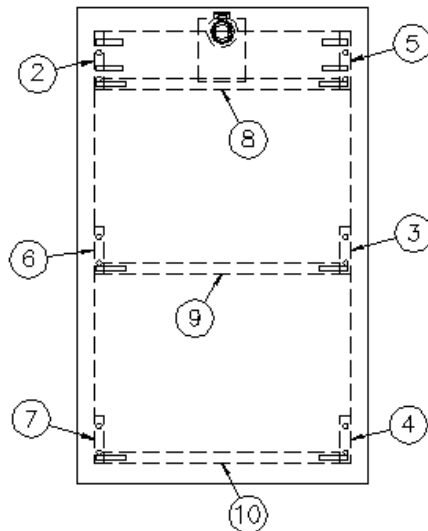
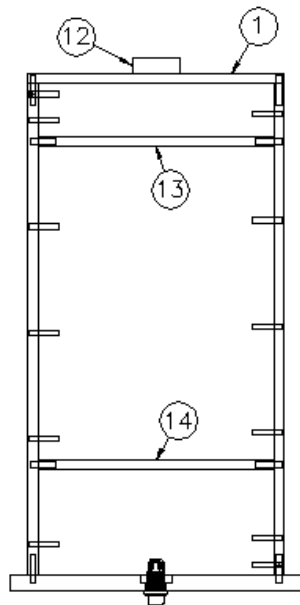
966935

Slide-Out Pantry Cabinet

- |               |                          |
|---------------|--------------------------|
| 1. 966935-1   | Panel, 12.25 x 20.5      |
| 2. 966935-2   | Panel, 2.25 x 23.38      |
| 3. 966935-3   | Panel, 2.25 x 23.38      |
| 4. 966935-4   | Panel, 2.25 x 23.38      |
| 5. 966935-5   | Panel, 2.25 x 23.38      |
| 6. 966935-6   | Panel, 2.25 x 23.38      |
| 7. 966935-7   | Panel, 2.25 x 23.38      |
| 8. 966935-8   | Panel, 11.25 x 23.38     |
| 9. 966935-9   | Panel, 11.25 x 23.38     |
| 10. 966935-10 | Panel, 11.25 x 23.38     |
| 11. 966935-11 | Panel, 13.88 x 22.62     |
| 12. 966935-12 | Panel, 3 x 2.25          |
| 13. 966935-16 | Panel 2.25 x 11.25       |
| 14. 966935-17 | Panel 2.25 x 11.25       |
| 968024        | Insert, Cutlery drawer   |
| 381408        | Lock, Push button, Black |

# 2016 INTERNATIONAL TRAVEL TRAILER FURNITURE, GALLEY

## Pantry, Slide-Out, 23D Serenity



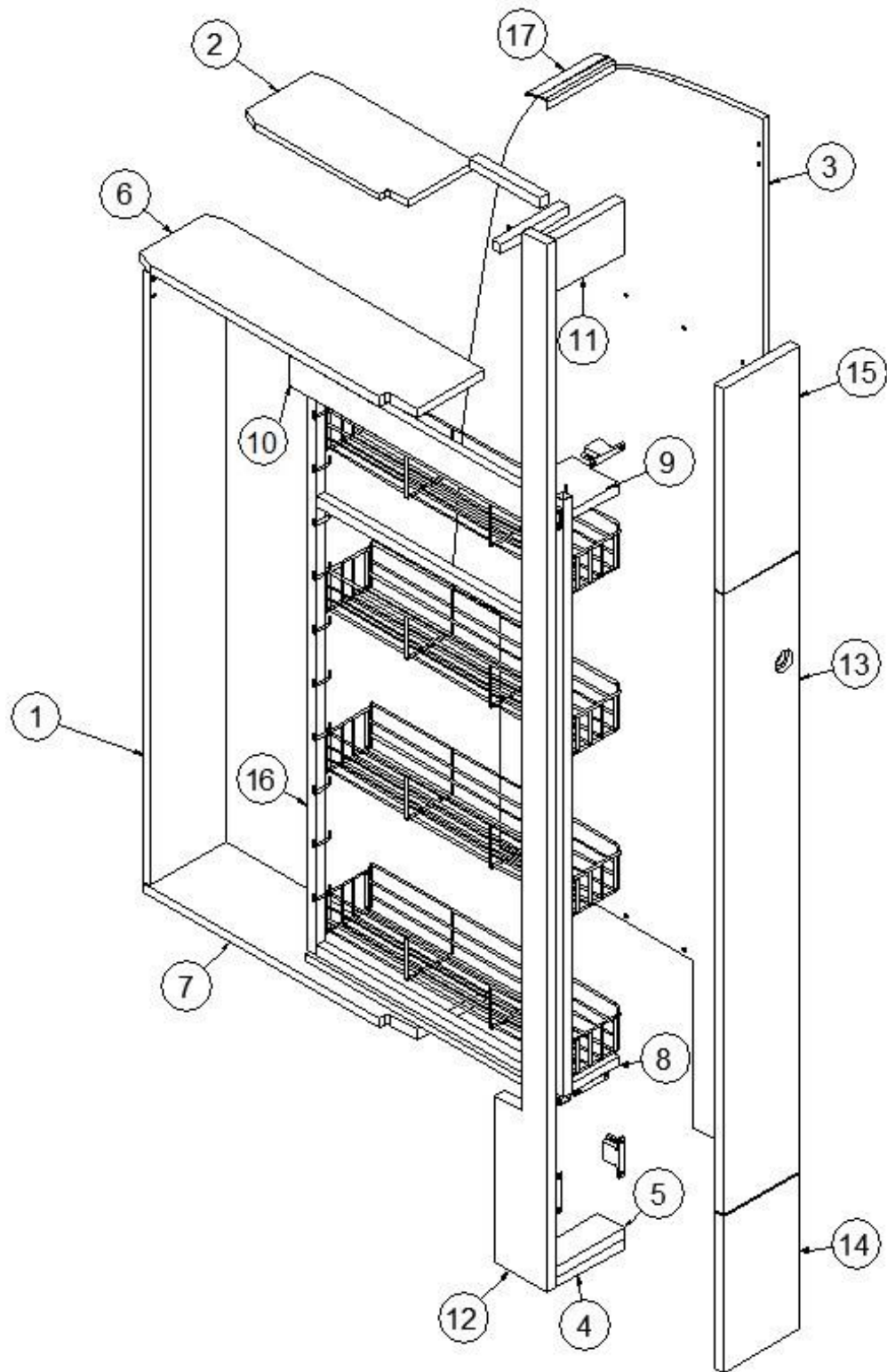
966935-15

Slide-Out Pantry Cabinet

- |                 |                                 |
|-----------------|---------------------------------|
| 1. 966935-1     | Panel, 12.25 x 20.5             |
| 2. 966935-2     | Panel, 2.25 x 23.38             |
| 3. 966935-3     | Panel, 2.25 x 23.38             |
| 4. 966935-4     | Panel, 2.25 x 23.38             |
| 5. 966935-5     | Panel, 2.25 x 23.38             |
| 6. 966935-6     | Panel, 2.25 x 23.38             |
| 7. 966935-7     | Panel, 2.25 x 23.38             |
| 8. 966935-8     | Panel, 11.25 x 23.38            |
| 9. 966935-9     | Panel, 11.25 x 23.38            |
| 10. 966935-10   | Panel, 11.25 x 23.38            |
| 11. 966935-1511 | Panel, 13.88 x 22.62            |
| 12. 966935-12   | Panel, 3 x 2.25                 |
| 13. 966935-16   | Panel 2.25 x 11.25              |
| 14. 966935-17   | Panel 2.25 x 11.25              |
| 968024          | Insert, Cutlery Drawer          |
| 381408          | Lock, Push, Button Style, Black |

# 2016 INTERNATIONAL TRAVEL TRAILER FURNITURE, GALLEY

## Pantry, 23FB Signature



Parts Listed on Next Page

# 2016 INTERNATIONAL TRAVEL TRAILER

## FURNITURE, GALLEY

### Pantry, 23FB Signature

968347

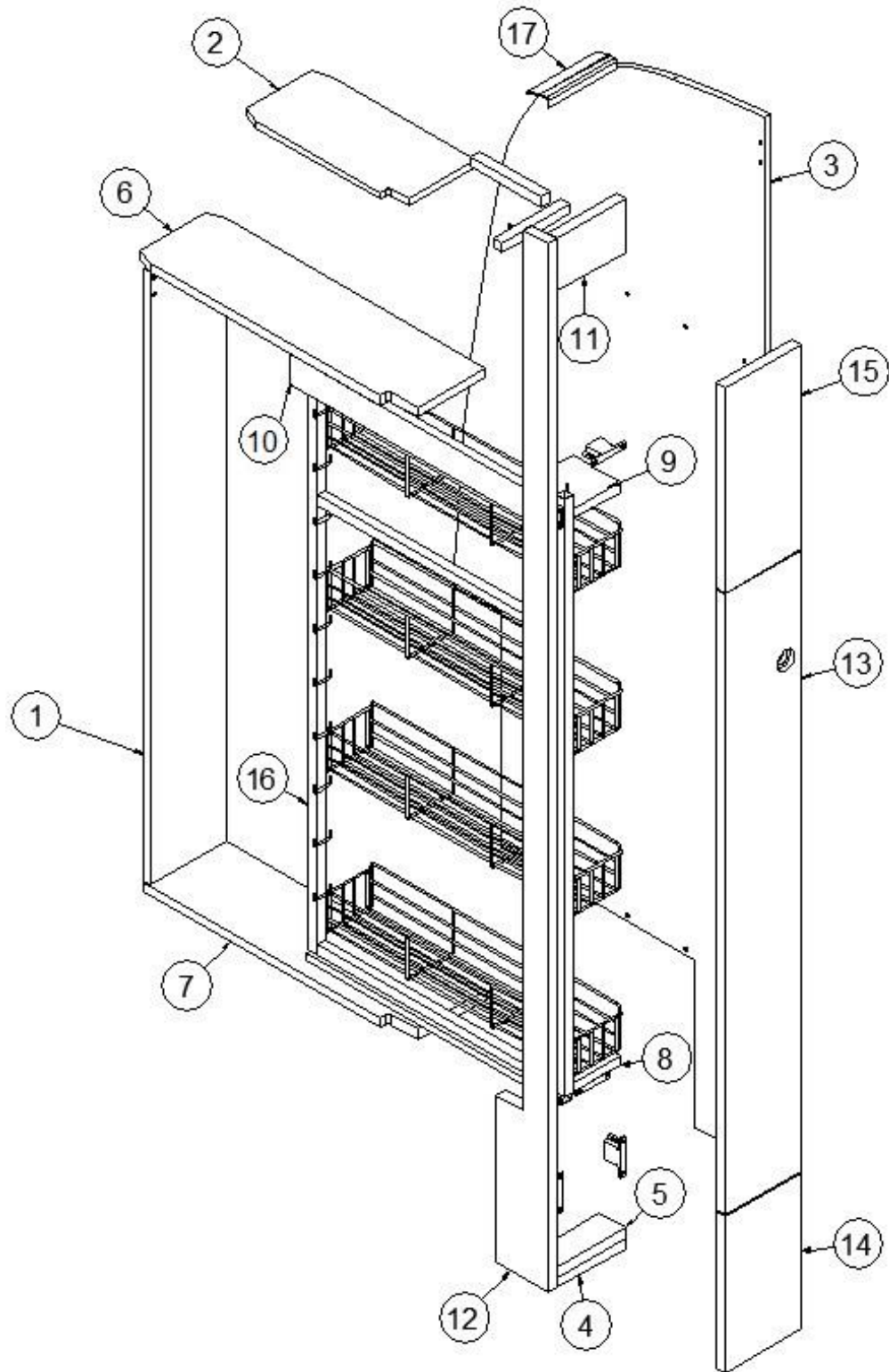
Pantry Cabinet

1. 968347-1 Panel, 6.63 x 45.63
2. 968347-2 Panel, 5.88 x 13.75
3. 968347-3 Panel, 26.87 x 78.25
4. 968347-4 Panel, 2.25 x 5.88
5. 968347-5 Panel, 2.25 x 5.88
6. 968347-6 Panel, 23.63 x 6.63
7. 968347-7 Panel, 6.63 x 22.75
8. 968347-8 Panel, 4 x 4
9. 968347-9 Panel, 4 x 4
10. 968347-10 Panel, 20 x 2.25
11. 968347-11 Panel, 4 x 5.88
12. 968347-12 Panel, 4.5 x 78.25
13. 968347-13 Door, 6.5 x 46.25
14. 968347-14 Door, 6.5 x 11.63
15. 968347-15I Door, 6.5 x 15.25
16. 381551-01 Pantry Rack, White
17. 104821 Roof locker support
- 381228-02 Catch, Grabber door (5lb Pull)
- 381228 Catch, Grabber door
- 381551-02 Wire basket, 4" wide, White
- 381408 Lock, Push button, Black
- 381607-11 Hinge, Self-close
- 382029-00 Handle bar, 7.48"
- 203138-05 Extrusion, Plastic 1/2", Black



# 2016 INTERNATIONAL TRAVEL TRAILER FURNITURE, GALLEY

## Pantry, 23FB Serenity



Parts Listed on Next Page

# 2016 INTERNATIONAL TRAVEL TRAILER

## FURNITURE, GALLEY

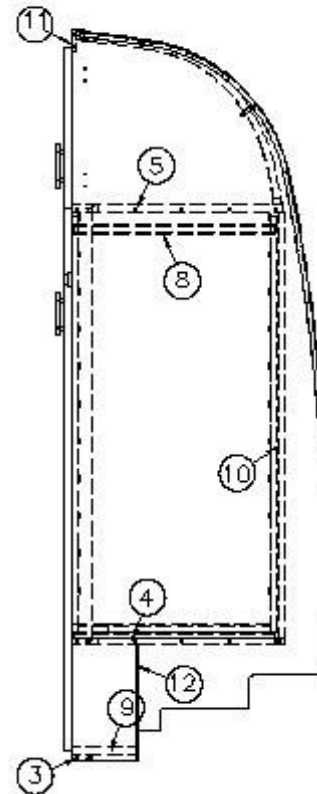
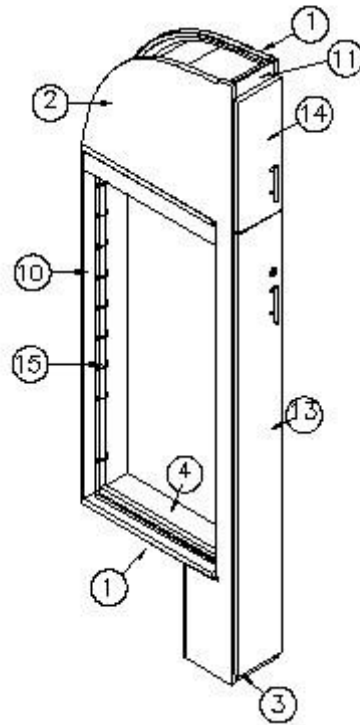
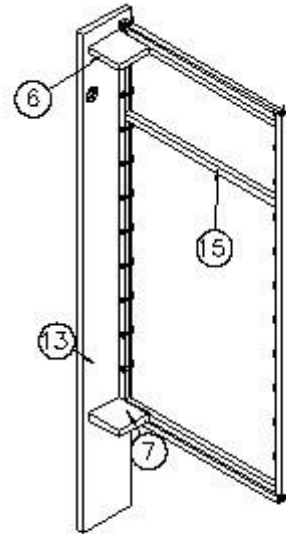
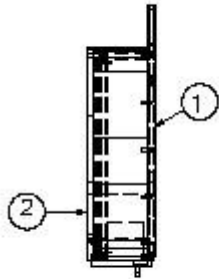
### Pantry, 23FB Serenity

968347-15 Pantry Cabinet

1. 968347-1 Panel, 6.63 x 45.63
2. 968347-2 Panel, 5.88 x 13.75
3. 968347-153 Panel, 26.87 x 78.25
4. 968347-4 Panel, 2.25 x 5.88
5. 968347-5 Panel, 2.25 x 5.88
6. 968347-6 Panel, 23.63 x 6.63
7. 968347-7 Panel, 6.63 x 22.75
8. 968347-8 Panel, 4 x 4
9. 968347-9 Panel, 4 x 4
10. 968347-10 Panel, 20 x 2.25
11. 968347-1511 Panel, 4 x 5.88
12. 968347-1512 Panel, 4.5 x 78.25
13. 968347-1513 Door, 6.5 x 46.25
14. 968347-1514 Door, 6.5 x 11.63
15. 968347-1515 Door, 6.5 x 15.25
16. 381551-01 Pantry Rack, White
17. 104821 Roof locker support
- 381228-02 Catch, Grabber door (5lb Pull)
- 381228 Catch, Grabber door
- 381551-02 Wire basket, 4" wide, White
- 381408 Lock, Push button, Black
- 381607-11 Hinge, Self-close
- 382115 Pull, Flat Black
- 203138-03 Extrusion, Plastic 1/2", Beige

# 2016 INTERNATIONAL TRAVEL TRAILER FURNITURE, GALLEY

## Pantry, 25' Signature



Parts Listed on Next Page

# 2016 INTERNATIONAL TRAVEL TRAILER FURNITURE, GALLEY

## Pantry, 25' Signature

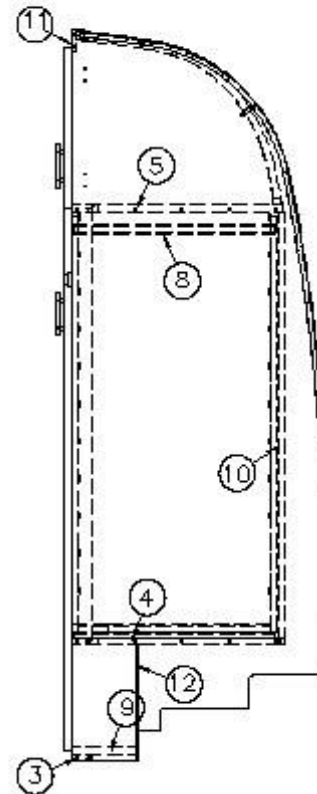
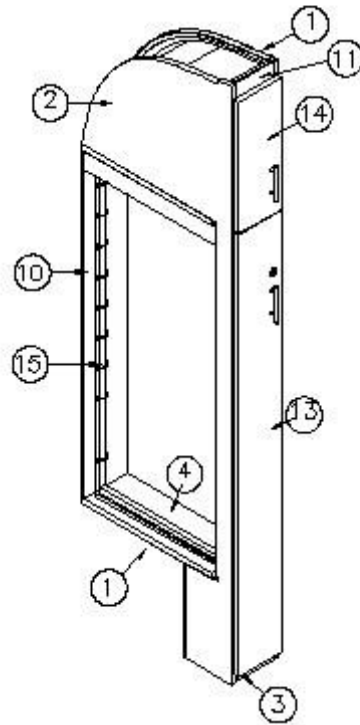
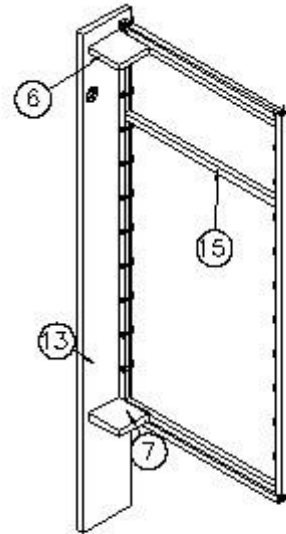
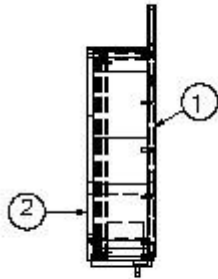
967726

Pantry Cabinet

1. 967726-1 Panel, 27.25 x 78.23
2. 967726-2 Panel, 22.63 x 78.23
3. 967726-3 Panel, 2.25 x 5.88
4. 967726-4 Panel, 6.63 x 22.75
5. 967726-5 Panel, 6.63 x 22.63
6. 967726-6 Panel, 4 x 4
7. 967726-7 Panel, 4 x 4
8. 967726-8 Panel, 2.25 x 20
9. 967726-9 Panel, 7 x 5.88
10. 967726-10 Panel, 6.63 x 45.5
11. 967726-11 Panel, 2.25 x 5.88
12. 967726-12 Panel, 6.63 x 12.5
13. 967726-13 Door, 6.5 x 58
14. 967726-14 Door, 6.5 x 17.25
15. 381551-01 Pantry rack, White
- 381408 Lock, Push button, Black
- 382029-05 Handle bar, 21.33"
- 381228-02 Catch, Grabber door (5lb Pull)
- 381551-02 Wire basket, 4" wide, White
- 203138-05 Extrusion, Plastic .5", Black
- 381607-11 Hinge, Self-close

# 2016 INTERNATIONAL TRAVEL TRAILER FURNITURE, GALLEY

## Pantry, 25' Serenity



Parts Listed on Next Page

# 2016 INTERNATIONAL TRAVEL TRAILER

## FURNITURE, GALLEY

### Pantry, 25' Serenity

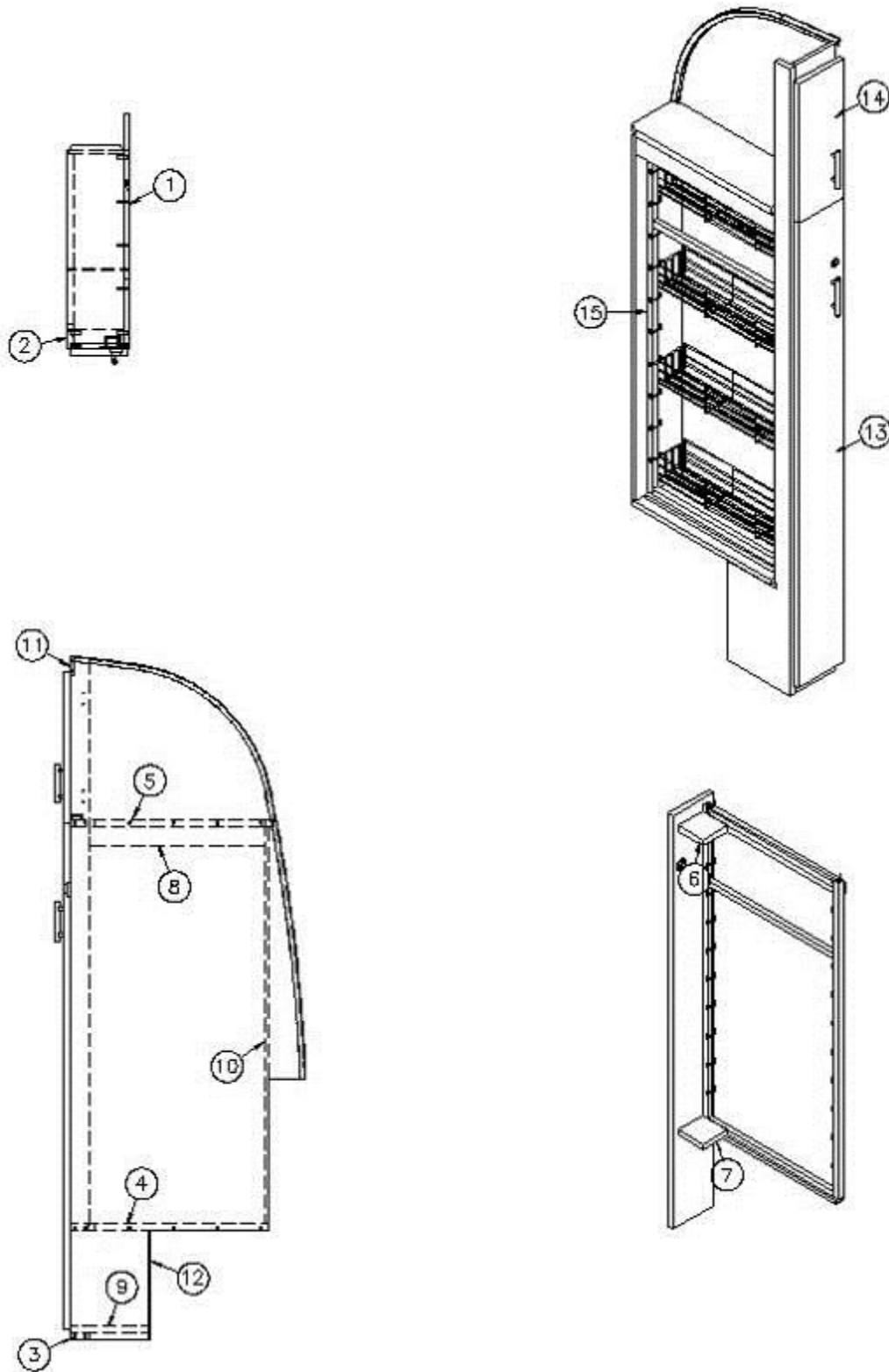
967726-15

Pantry Cabinet

1. 967726-151 Panel, 27.25 x 78.23
2. 967726-2 Panel, 22.63 x 78.23
3. 967726-3 Panel, 2.25 x 5.88
4. 967726-4 Panel, 6.63 x 22.75
5. 967726-5 Panel, 6.63 x 22.63
6. 967726-6 Panel, 4 x 4
7. 967726-7 Panel, 4 x 4
8. 967726-8 Panel, 2.25 x 20
9. 967726-9 Panel, 7 x 5.88
10. 967726-10 Panel, 6.63 x 45.63
11. 967726-1511 Panel, 2.25 x 5.88
12. 967726-1512 Panel, 6.63 x 12.5
13. 967726-1513 Door, 6.5 x 58
14. 967726-1514 Door, 6.5 x 17.25
15. 381551-01 Pantry Rack, White
- 381408 Lock, Push button, Black
- 382115 Pull, Flat Black
- 381228-02 Catch, Grabber door (5lb Pull)
- 381551-02 Wire basket, 4" wide, White
- 203138-03 Extrusion, Plastic .5", Beige
- 381607-11 Hinge, Self-close

# 2016 INTERNATIONAL TRAVEL TRAILER FURNITURE, GALLEY

## Pantry, 25FB Signature



Parts Listed on Next Page

# 2016 INTERNATIONAL TRAVEL TRAILER

## FURNITURE, GALLEY

### Pantry, 25FB Signature

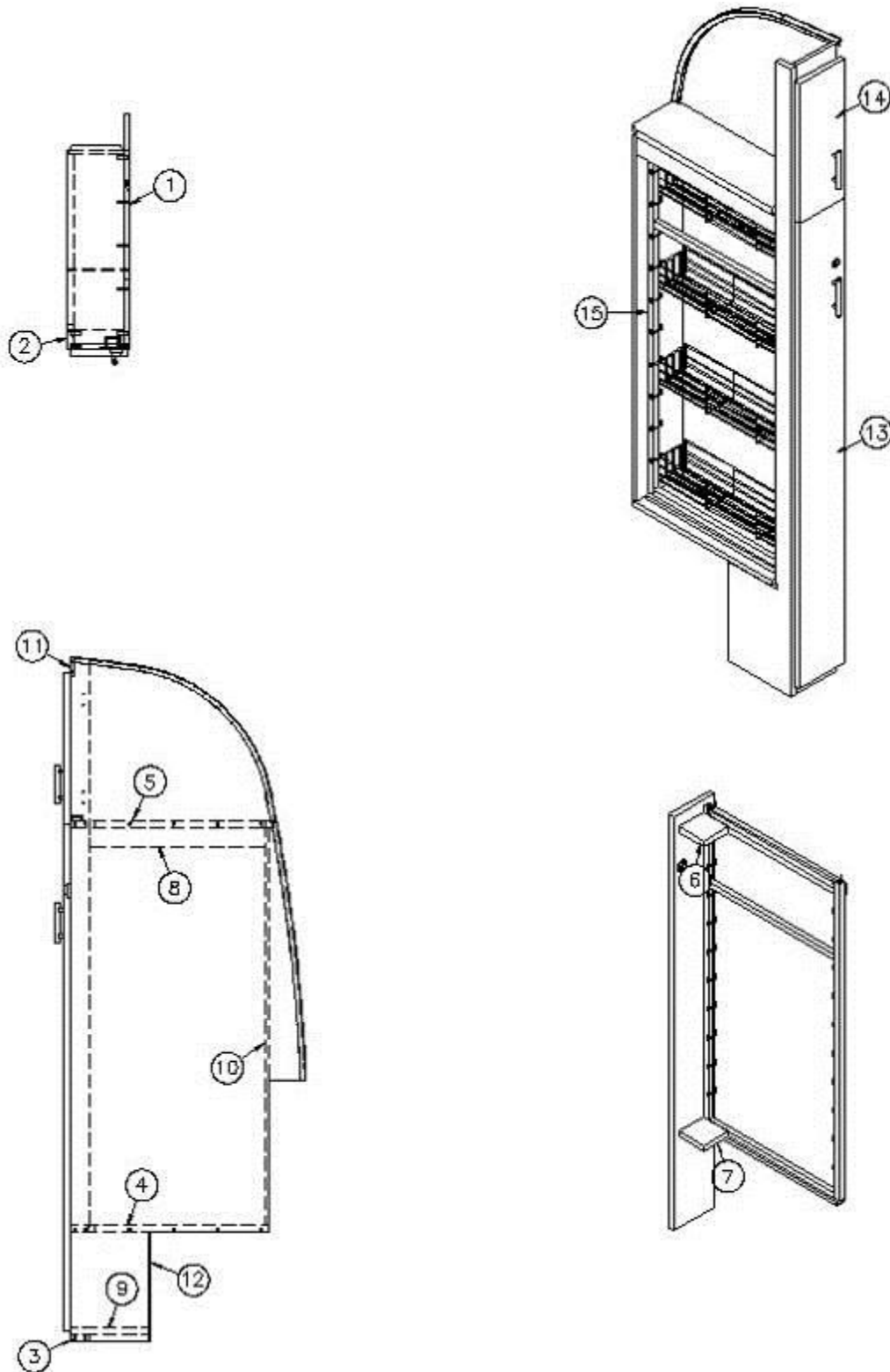
966904 Pantry Cabinet

1. 966904-1 Panel, 26.88 x 78.29
2. 966904-2 Panel, 9 x 78.43
3. 966904-3 Panel, 2.25 x 5.88
4. 966904-4 Panel, 6.63 x 22.75
5. 966904-5 Panel, 6.63 x 23.38
6. 966904-6 Panel, 4 x 4
7. 966904-7 Panel, 4 x 4
8. 966904-8 Panel, 2.25 x 20
9. 966904-9 Panel, 9 x 5.88
10. 966904-10 Panel, 6.63 x 45.63
11. 966904-11 Panel, 5.88 x 2.25
12. 966904-12 Panel, 7.13 x 12.5
13. 966904-13 Door, 6.5 x 58
14. 966904-14 Door, 6.5 x 17.25
15. 381551-01 Pantry rack, White
- 382029-00 Handle bar, 7.48"
- 381228-02 Catch, Grabber door (5lb Pull)
- 381607-11 Hinge, Self-close
- 381551-02 Wire basket, 4" wide, White
- 381408 Lock, Push, button, Black
- 203138-05 Extrusion, Plastic 1/2", Black



# 2016 INTERNATIONAL TRAVEL TRAILER FURNITURE, GALLEY

## Pantry, 25FB Serenity



Parts Listed on Next Page

# 2016 INTERNATIONAL TRAVEL TRAILER

## FURNITURE, GALLEY

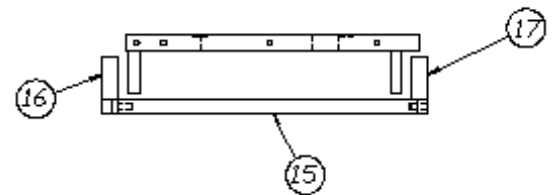
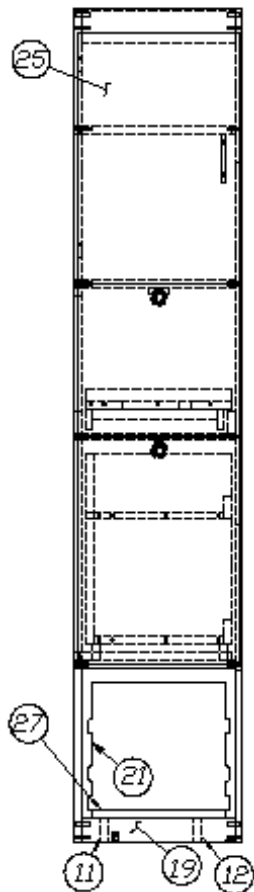
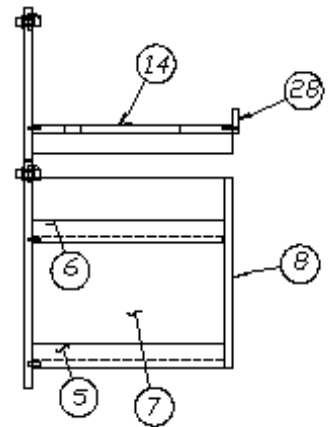
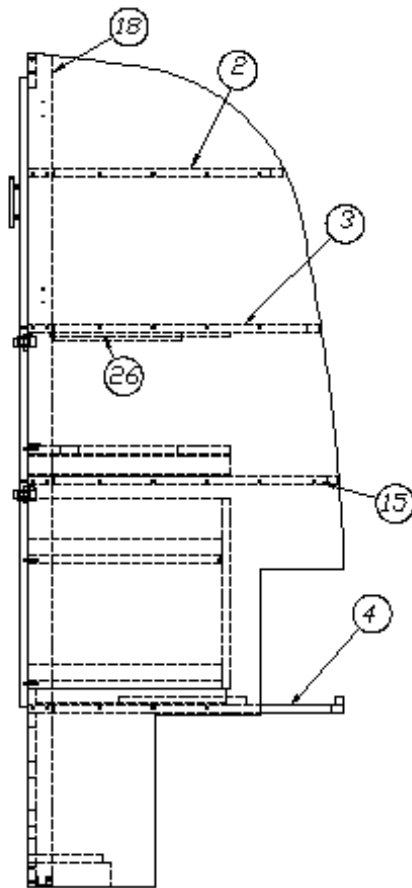
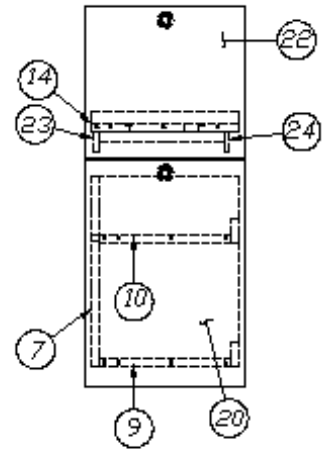
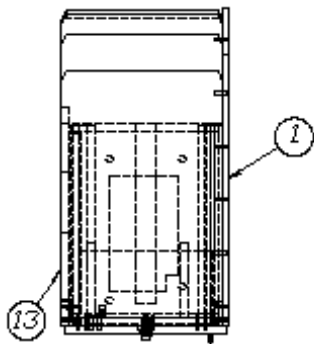
### Pantry, 25FB Serenity

966904-15 Pantry Cabinet

1. 966904-151 Panel, 26.88 x 78.29
2. 966904-2 Panel, 9 x 78.43
3. 966904-3 Panel, 2.25 x 5.88
4. 966904-4 Panel, 6.63 x 22.75
5. 966904-5 Panel, 6.63 x 23.38
6. 966904-6 Panel, 4 x 4
7. 966904-7 Panel, 4 x 4
8. 966904-8 Panel, 2.25 x 20
9. 966904-9 Panel, 9 x 5.88
10. 966904-10 Panel, 6.63 x 45.63
11. 966904-1511 Panel, 5.88 x 2.25
12. 966904-1512 Panel, 7.13 x 12.5
13. 966904-1513 Door, 6.5 x 58
14. 966904-1514 Door, 6.5 x 17.25
15. 381551-01 Pantry rack, White
- 382115 Pull, Flat Black
- 381228-02 Catch, Grabber door (5lb Pull)
- 381607-11 Hinge, Self-close
- 381551-02 Wire basket, 4" wide, White
- 381408 Lock, Push button, Black
- 203138-03 Extrusion, Plastic, 1/2", Beige

# 2016 INTERNATIONAL TRAVEL TRAILER FURNITURE, GALLEY

Pantry, with Microwave, 27FB Signature



Parts Listed on Next Page

# 2016 INTERNATIONAL TRAVEL TRAILER FURNITURE, GALLEY

## Pantry, with Microwave, 27FB Signature

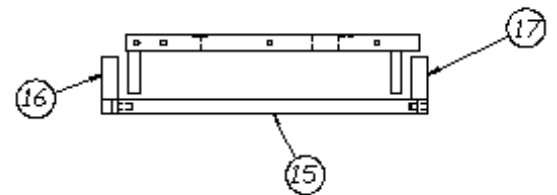
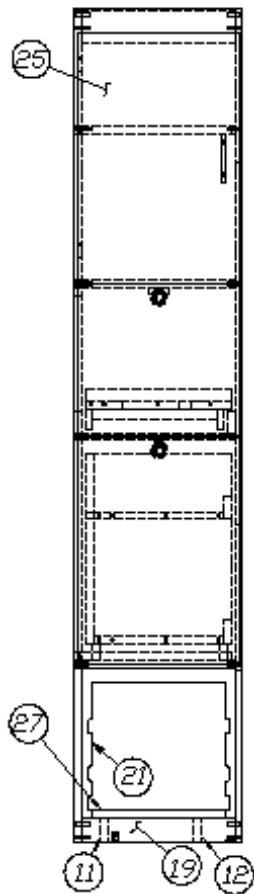
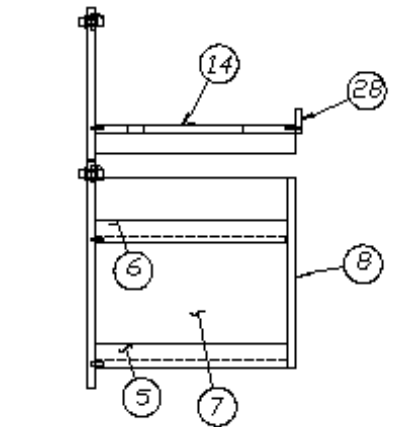
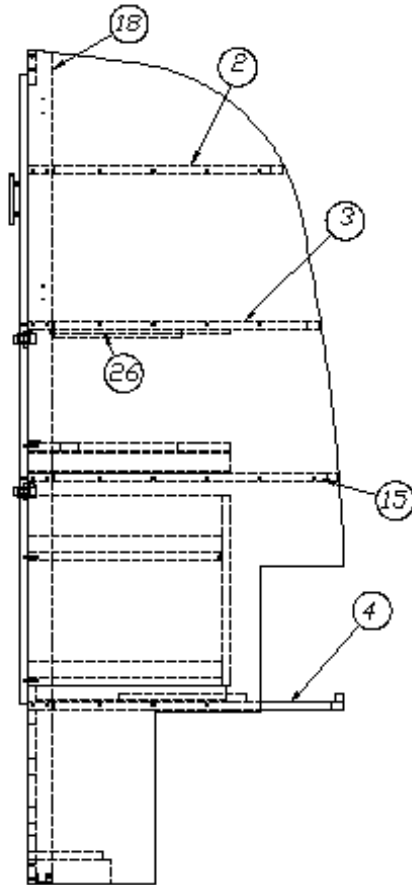
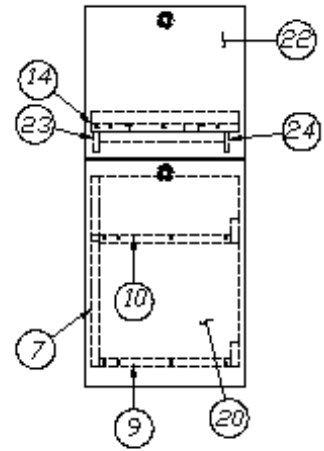
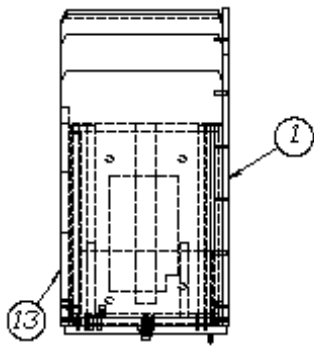
966898

Pantry Cabinet with Microwave

1. 966898-1	Panel, 29.87 x 78.7
2. 966898-2	Panel, 24 x 15.38
3. 966898-3	Panel, 27.5 x 15.38
4. 966898-4	Panel, 29.75 x 15.38
5. 966898-5	Panel, 2.25 x 18.25
6. 966898-6	Panel, 2.25 x 18.25
7. 966898-7	Panel, 18 x 18.25
8. 966898-8	Panel, 18 x 13.88
9. 966898-9	Panel, 12.38 x 18.25
10. 966898-10	Panel, 12.38 x 18.25
11. 966898-11	Panel, 2.25 x 7
12. 966898-12	Panel, 2.25 x 7
13. 966898-13	Panel, 2.25 x 78.63
14. 966898-14	Panel, 19 x 13.88
15. 966898-15I	Panel, 29.31 x 15.38
16. 966898-16	Panel, 2 x 19
17. 966898-17	Panel, 2 x 19
18. 966898-18	Panel, 3.27 x 14.63
19. 966898-19	Panel, 2.25 x 14.63
20. 966898-20	Door, 21.38 x 15.25
21. 966898-21	Panel, 14.63 x 14.22
22. 966898-24	Door, 14.31 x 15.25
23. 966898-25	Panel, 2 x 19
24. 966898-26	Panel, 2 x 19
25. 966898-27	Door, 15.25 x 23.63
26. 966898-42	Panel, 20 x 17
27. 966898-47	Panel, 12.63 x 7
28. 966898-54	Panel, 2.25 x 13.88
381944-01	Slide, 18", Per set
381408	Lock, Push button, Black
203445	T-molding, Black flexible plastic
114812	Aluminum angle, 1" x 1"
381192	Drawer slide, 18", Pair
382029-04	Handle bar, 15"
381607-11	Hinge, Self-close
381228-02	Catch, Grabber door (5lb Pull)

# 2016 INTERNATIONAL TRAVEL TRAILER FURNITURE, GALLEY

Pantry, with Microwave, 27FB Serenity



Parts Listed on Next Page

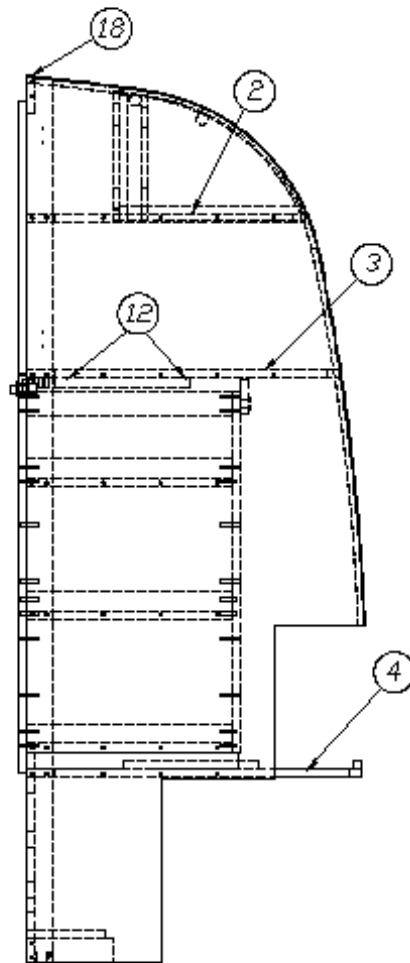
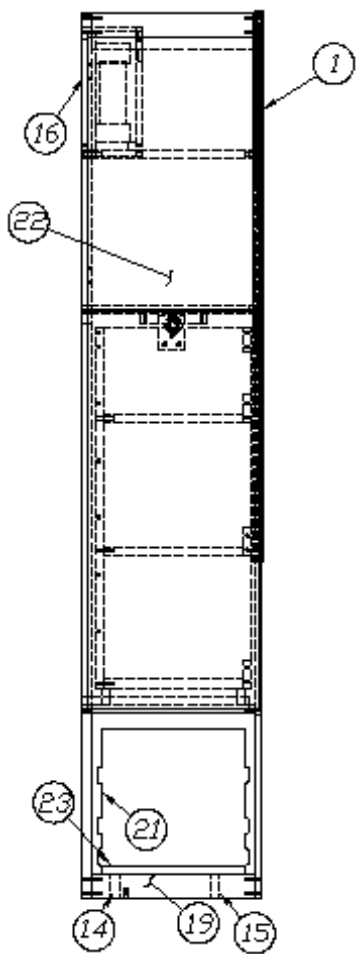
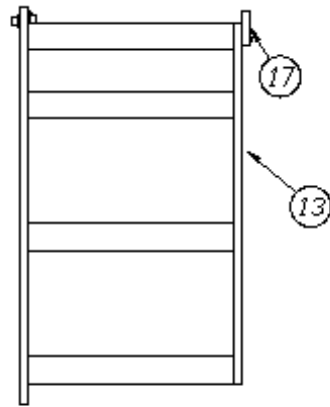
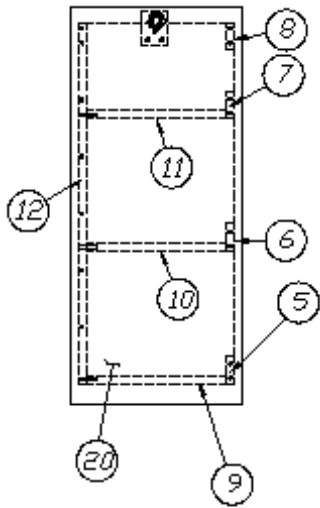
## 2016 INTERNATIONAL TRAVEL TRAILER FURNITURE, GALLEY

### Pantry, with Microwave, 27FB Serenity

966898-15	Pantry Cabinet with Microwave
1. 966898-151	Panel, 29.87 x 78.7
2. 966898-152	Panel, 24 x 15.38
3. 966898-153	Panel, 27.5 x 15.38
4. 966898-154	Panel, 29.75 x 15.38
5. 966898-155	Panel, 2.25 x 18.25
6. 966898-156	Panel, 2.25 x 18.25
7. 966898-157	Panel, 18 x 18.25
8. 966898-158	Panel, 18 x 13.88
9. 966898-159	Panel, 12.38 x 18.25
10. 966898-1510	Panel, 12.38 x 18.25
11. 966898-1511	Panel, 2.25 x 7
12. 966898-1512	Panel, 2.25 x 7
13. 966898-1513	Panel, 2.25 x 78.63
14. 966898-1514	Panel, 19 x 13.88
15. 966898-1515	Panel, 29.31 x 15.38
16. 966898-1516	Panel, 2 x 19
17. 966898-1517	Panel, 2 x 19
18. 966898-1518	Panel, 3.27 x 14.63
19. 966898-1519	Panel, 2.25 x 14.63
20. 966898-1520	Door, 21.38 x 15.25
21. 966898-1521	Panel, 1 x 11.31
22. 966898-1524	Door, 14.31 x 15.25
23. 966898-1525	Panel, 2 x 19
24. 966898-1526	Panel, 2 x 19
25. 966898-1527	Door, 15.25 x 23.63
26. 966898-1542	Panel, 2 x 17
27. 966898-1547	Panel, 12.63 x 7
28. 966898-54	Panel, 2.25 x 13.88
381944-01	Slide, 18", Per set
381408	Lock, Push button, Black
203445	T-molding, Black flexible plastic
114812	Aluminum angle, 1" x 1"
381192	Drawer slide, 18", Pair
382115	Pull, Flat Black
381607-11	Hinge, Self-close
381228-02	Catch, Grabber door (5lb Pull)

# 2016 INTERNATIONAL TRAVEL TRAILER FURNITURE, GALLEY

Pantry, Without Microwave, 27FB Signature



Parts Listed on Next Page

# 2016 INTERNATIONAL TRAVEL TRAILER FURNITURE, GALLEY

## Pantry, Without Microwave, 27FB Signature

966886

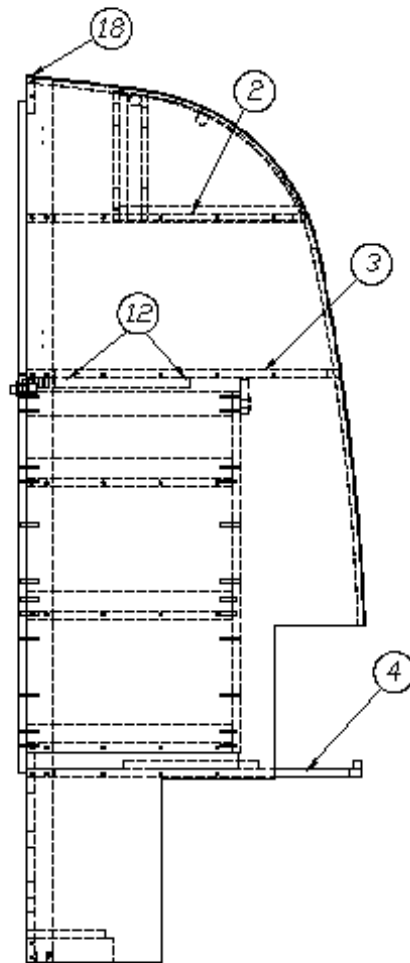
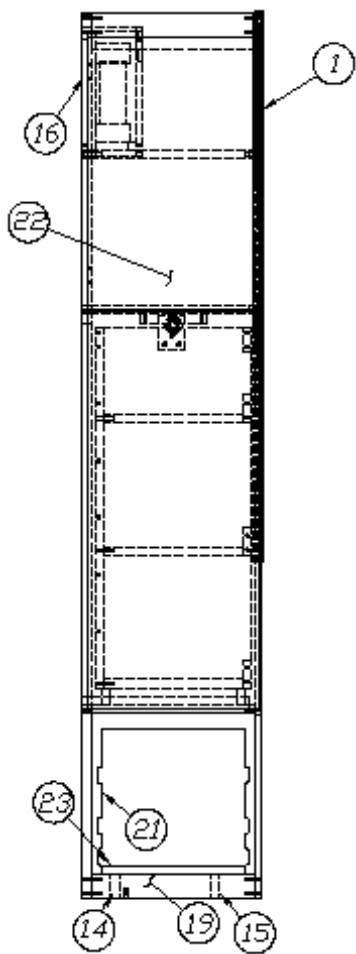
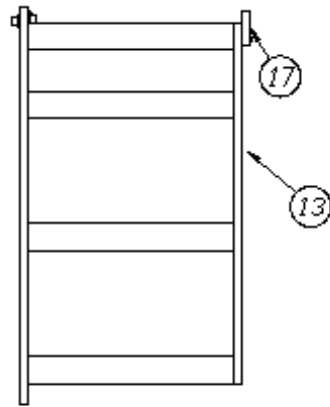
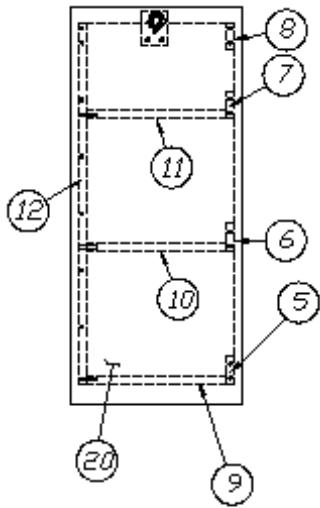
Pantry Cabinet without microwave

1. 966886-1	Panel, 29.87 x 78.42
2. 966886-2	Panel, 24.75 x 15.38
3. 966886-3	Panel, 27.75 x 15.38
4. 966886-4	Panel, 29.75 x 15.38
5. 966886-5	Panel, 2.5 x 18.25
6. 966886-6	Panel, 2.5 x 18.25
7. 966886-7	Panel, 2.5 x 18.25
8. 966886-8	Panel, 2.5 x 18.25
9. 966886-9	Panel, 18.25 x 12.38
10. 966886-10	Panel, 18.25 x 12.38
11. 966886-11	Panel, 18.25 x 12.38
12. 966886-12	Panel, 18.25 x 32
13. 966886-13	Panel, 13.88 x 32
14. 966886-14	Panel, 2.25 x 7
15. 966886-15I	Panel, 2.25 x 7
16. 966886-16	Panel, 2.25 x 78.72
17. 966886-17	Panel, 2.25 x 3
18. 966886-18	Panel, 3.129 x 14.63
19. 966886-19I	Panel, 2.25 x 14.63
20. 966886-20	Door, 15.25 x 35.31
21. 966886-21	Panel, 14.63 x 14.22
22. 966886-24	Door, 15.25 x 24.13
23. 966886-36	Panel, 12.63 x 7
381944-01	Slide, 18", Per set
381408	Lock, Push button, Black
203445	T-molding, Black
382029-04	Handle bar, 15"
381607-11	Hinge, Self-close
381228-02	Catch, Grabber door (5lb Pull)



# 2016 INTERNATIONAL TRAVEL TRAILER FURNITURE, GALLEY

## Pantry, Without Microwave, 27FB Serenity



Parts Listed on Next Page

# 2016 INTERNATIONAL TRAVEL TRAILER FURNITURE, GALLEY

## Pantry, Without Microwave, 27FB Serenity

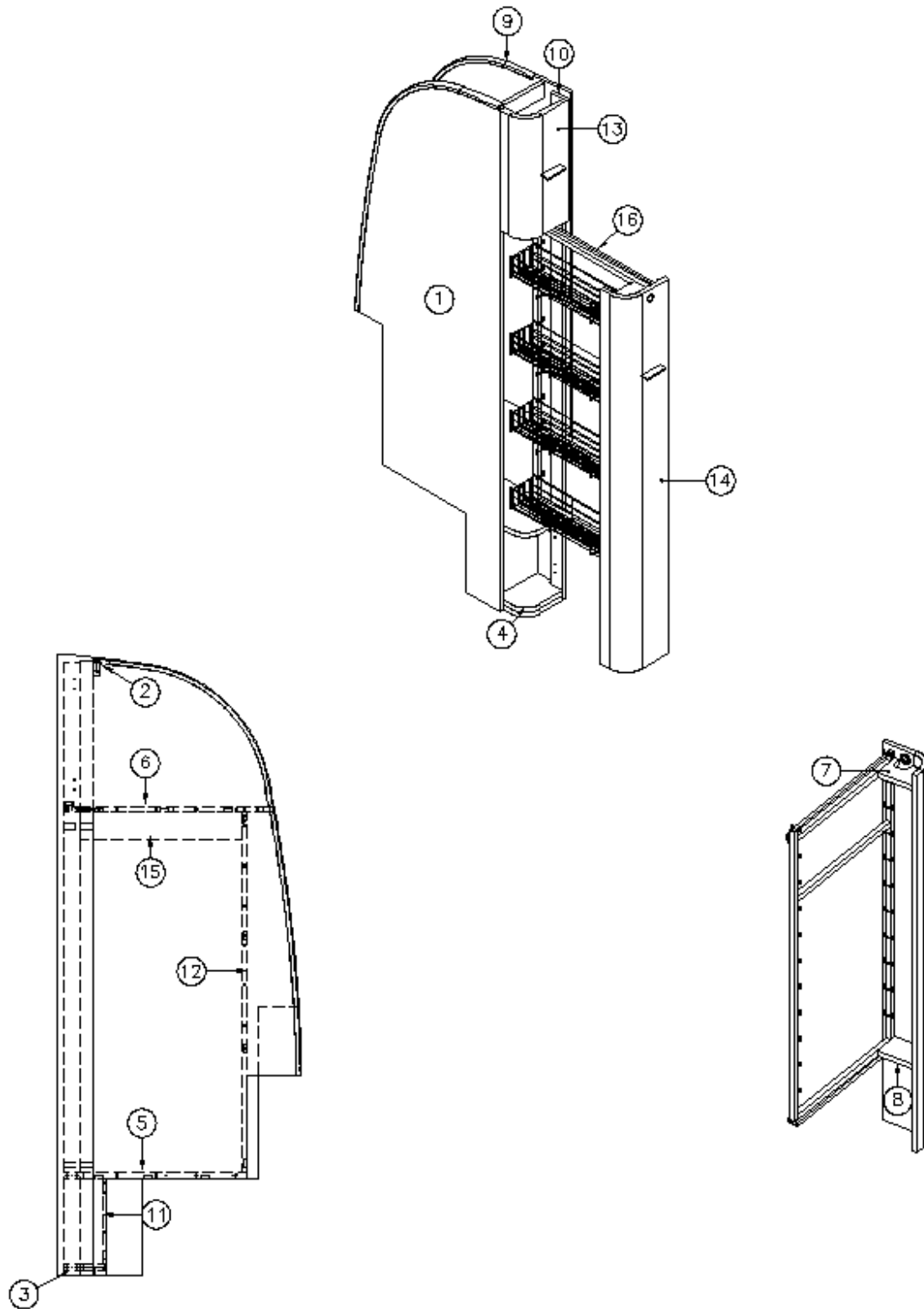
966886-15

Pantry Cabinet without Microwave

1. 966886-151	Panel, 29.87 x 78.42
2. 966886-2	Panel, 24.75 x 15.38
3. 966886-3	Panel, 27.75 x 15.38
4. 966886-4	Panel, 29.75 x 15.38
5. 966886-5	Panel, 2.5 x 18.25
6. 966886-6	Panel, 2.5 x 18.25
7. 966886-7	Panel, 2.5 x 18.25
8. 966886-8	Panel, 2.5 x 18.25
9. 966886-9	Panel, 18.25 x 12.38
10. 966886-10	Panel, 18.25 x 12.38
11. 966886-11	Panel, 18.25 x 12.38
12. 966886-12	Panel, 18.25 x 32
13. 966886-13	Panel, 13.88 x 32
14. 966886-14	Panel, 2.25 x 7
15. 966886-15I	Panel, 2.25 x 7
16. 966886-16	Panel, 2.25 x 78.72
17. 966886-17	Panel, 2.25 x 3
18. 966886-1518	Panel, 3.129 x 14.63
19. 966886-1519	Panel, 2.25 x 14.63
20. 966886-1520	Panel, 15.25 x 35.31
21. 966886-1521	Panel, 14.63 x 14.22
22. 966886-1524	Door, 15.25 x 24.13
23. 966886-1536	Panel, 12.63 x 7
381944-01	Slide, 18", Per set
381408	Lock, Push button, Black
203445	T-molding, Black
382115	Pull, Flat Black
381607-11	Hinge, Self-close
381228-02	Catch, Grabber door (5lb Pull)

# 2016 INTERNATIONAL TRAVEL TRAILER FURNITURE, GALLEY

## Pantry, Slide-Out, 30' Signature



Parts Listed on Next Page

# 2016 INTERNATIONAL TRAVEL TRAILER FURNITURE, GALLEY

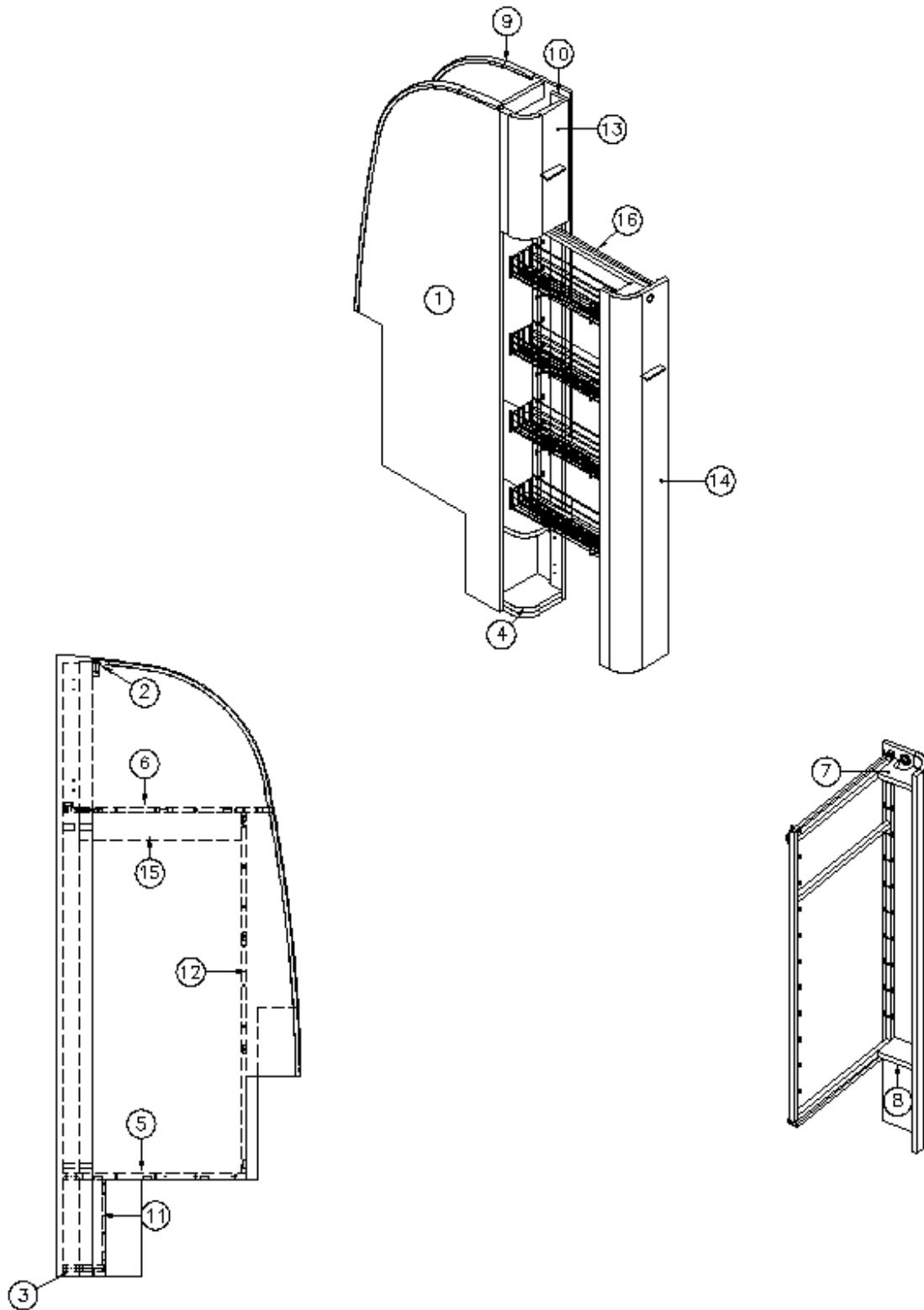
## Pantry, Slide-Out, 30' Signature

967529 Slide-out Pantry Cabinet

1. 967529-1 Panel, 25.88 x 78.17
2. 967529-2 Panel, 7.25 x 2.25
3. 967529-3 Panel, 4 x 6.75
4. 967529-4 Panel, 13.5 x 7.25
5. 967529-5 Panel, 23.25 x 7.25
6. 967529-6 Panel, 25.5 x 7.25
7. 967529-7 Panel, 5.38 x 3.75
8. 967529-8 Panel, 5.38 x 3.75
9. 967529-9 Panel, 30.82 x 78.77
10. 967529-10 Panel, 2.25 x 77.75
11. 967529-11 Panel, 7.25 x 10.88
12. 967529-12 Panel, 7.25 x 45.63
13. 967304-01 Door, 18.75"
14. 967304-02 Door, 58"
15. 967529-27 Panel, 3.5 x 20.5
16. 381551-01 Pantry rack, White
- 382044 Handle, Brushed Nickel
- 381228-02 Catch, Grabber door (5lb Pull)
- 381408 Lock, Push button, Black
- 381551-02 Wire basket, 4" wide, White
- 203138-05 Extrusion, Plastic .5", Black
- 203464 Trim panel, .75", Black
- 382057 Knockdown, 8mm
- 381607-11 Hinge, Self-close
- 365364-01 Edgebanding, .63", Ebony Woods
- 365364-02 Edgebanding, .94", Ebony Woods

# 2016 INTERNATIONAL TRAVEL TRAILER FURNITURE, GALLEY

## Pantry, Slide-Out, 30' Serenity



Parts Listed on Next Page

# 2016 INTERNATIONAL TRAVEL TRAILER FURNITURE, GALLEY

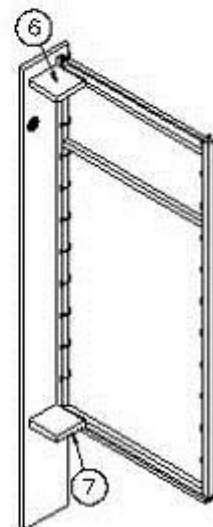
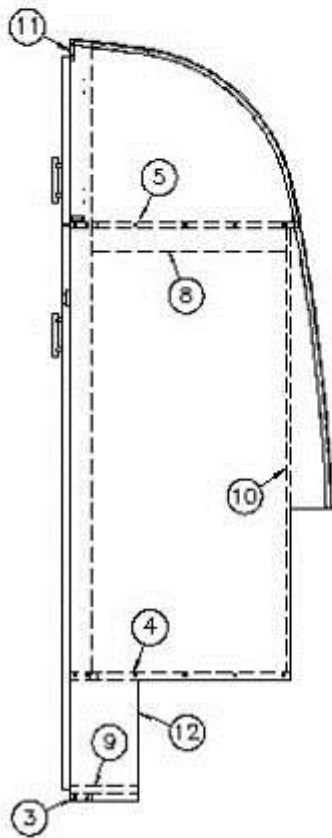
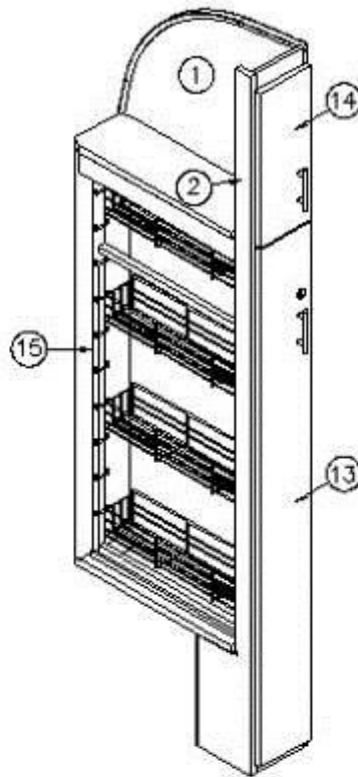
## Pantry, Slide-Out, 30' Serenity

967529-15                      Slide-out Pantry Cabinet

1. 967529-151                      Panel, 25.88 x 78.17
2. 967529-152                      Panel, 7.25 x 2.25
3. 967529-3                        Panel, 4 x 6.75
4. 967529-4                        Panel, 13.5 x 7.25
5. 967529-5                        Panel, 23.25 x 7.25
6. 967529-6                        Panel, 25.5 x 7.25
7. 967529-7                        Panel, 5.38 x 3.75
8. 967529-8                        Panel, 5.38 x 3.75
9. 967529-159                      Panel, 30.82 x 78.77
10. 967529-10                      Panel, 2.25 x 77.75
11. 967529-11                      Panel, 7.25 x 10.88
12. 967529-12                      Panel, 7.25 x 45.63
13. 967304-01                      Door, 18.75"
14. 967304-02                      Door, 58"
15. 967529-27                      Panel, 3.5 x 20.5
16. 381551-01                      Pantry rack, White
- 382115                            Pull, Flat Black
- 381228-02                      Catch, Grabber door (5lb Pull)
- 381408                            Lock, Push button, Black
- 381551-02                      Wire basket, 4" wide, White
- 203138-03                      Extrusion, Plastic .5", Beige
- 203464-02                      Trim panel, .75", Beige
- 381607-11                      Hinge, Self-close
- 365344-01                      Edgebanding, .63", Pearl Bisque
- 365344-02                      Edgebanding, .94", Pearl Bisque
- 382057                            Knockdown, 8mm

# 2016 INTERNATIONAL TRAVEL TRAILER FURNITURE, GALLEY

Pantry, 25FB Eddie Bauer



Parts Listed on Next Page

# 2016 INTERNATIONAL TRAVEL TRAILER

## FURNITURE, GALLEY

### Pantry, 25FB Eddie Bauer

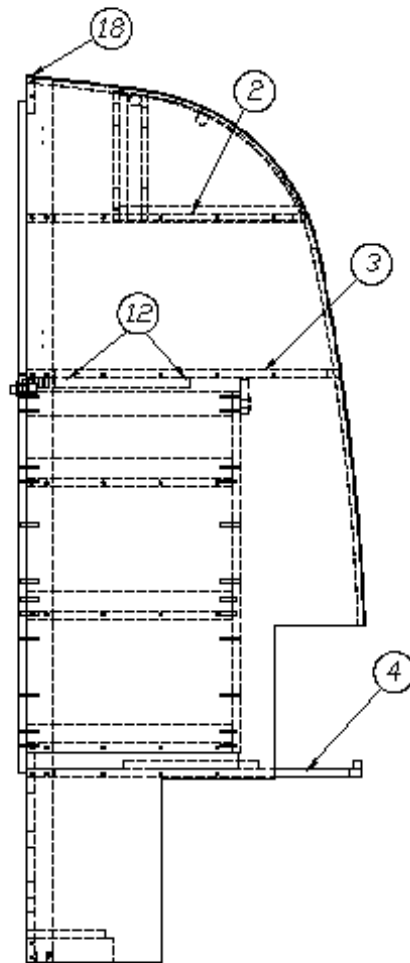
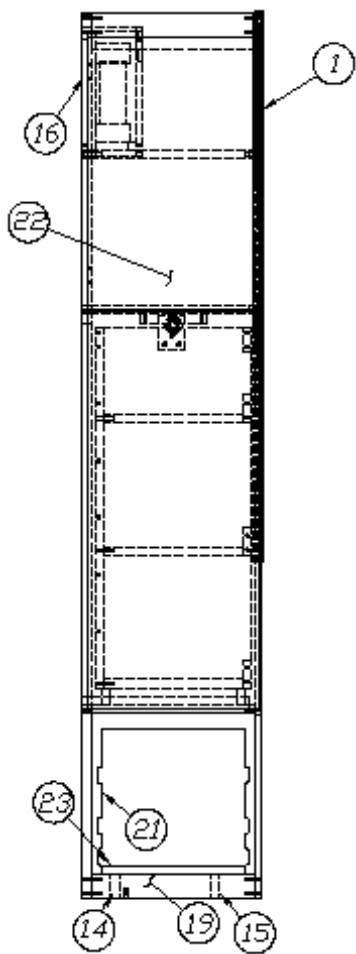
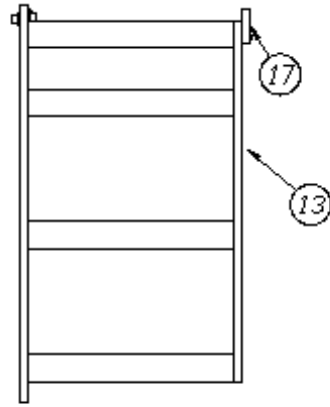
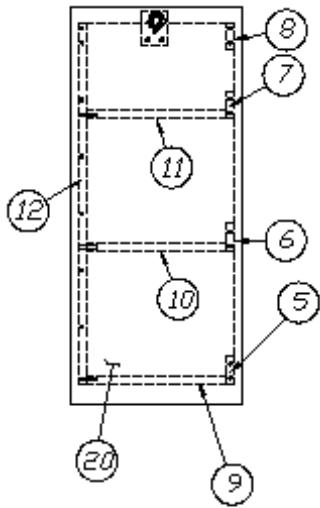
967697-19 Pantry Cabinet

1. 967697-191 Panel, 26.88 x 78.29
2. 967697-192 Panel, 7 x 78.43
3. 967697-193 Panel, 2.25 x 5.88
4. 967697-194 Panel, 6.63 x 22.75
5. 967697-195 Panel, 6.63 x 23.38
6. 967697-196 Panel, 4 x 4
7. 967697-197 Panel, 4 x 4
8. 967697-198 Panel, 2.25 x 20
9. 967697-199 Panel, 7 x 5.88
10. 967697-1910 Panel, 6.63 x 45.63
11. 967697-1911 Panel, 2.25 x 5.88
12. 967697-1912 Panel, 7.13 x 12.5
13. 967697-1913 Door, 6.5 x 58
14. 967697-1914 Door, 6.5 x 17.25
15. 381551-01 Pantry rack, White
- 382029-00 Handle bar, 7.48"
- 381228-02 Catch, Grabber door (5lb Pull)
- 381607-11 Hinge, Self-close
- 381551-02 Wire basket, 4" wide, White
- 381408 Lock, Push button, Black
- 203138-04 Extrusion, Plastic .5", Oak
- 365352-01 Edgebanding, .63", Maple
- 365352-02 Edgebanding, .94", Maple



# 2016 INTERNATIONAL TRAVEL TRAILER FURNITURE, GALLEY

## Pantry, 27FB Eddie Bauer



Parts Listed on Next Page

# 2016 INTERNATIONAL TRAVEL TRAILER FURNITURE, GALLEY

## Pantry, 27FB Eddie Bauer

966886-19	Pantry Cabinet
1. 966886-191	Panel, 29.87 x 78.42
2. 966886-192	Panel, 24.75 x 15.38
3. 966886-193	Panel, 27.75 x 15.38
4. 966886-194	Panel, 29.75 x 15.38
5. 966886-195	Panel, 2.50 x 18.25
6. 966886-196	Panel, 2.50 x 18.25
7. 966886-197	Panel, 2.50 x 18.25
8. 966886-198	Panel, 2.50 x 18.25
9. 966886-199	Panel, 18.25 x 12.38
10. 966886-1910	Panel, 18.25 x 12.38
11. 966886-1911	Panel, 18.25 x 12.38
12. 966886-1912	Panel, 18.25 x 32
13. 966886-1913	Panel, 13.88 x 32
14. 966886-1914	Panel, 2.25 x 7
15. 966886-1915	Panel, 2.25 x 7
16. 966886-1916	Panel, 2.25 x 78.72
17. 966886-1917	Panel, 2.25 x 3
18. 966886-1918	Panel, 3.129 x 14.63
19. 966886-1919	Panel, 2.25 x 14.63
20. 966886-1920	Door, 15.25 x 35.31
21. 966886-1921	Panel, 14.63 x 14.22
22. 966886-1924	Door, 15.25 x 24.13
23. 966886-1936	Panel, 12.63 x 7
381944-01	Slide, 18", Per set
381408	Lock, Push button, Black
203710	T-molding, Almond
381865	Pull, Brush Nickel
381607-11	Hinge, Self-close
381228-02	Catch, Grabber door (5lb Pull)

# 2016 INTERNATIONAL TRAVEL TRAILER FURNITURE, GALLEY

## Flip Shelf, Signature

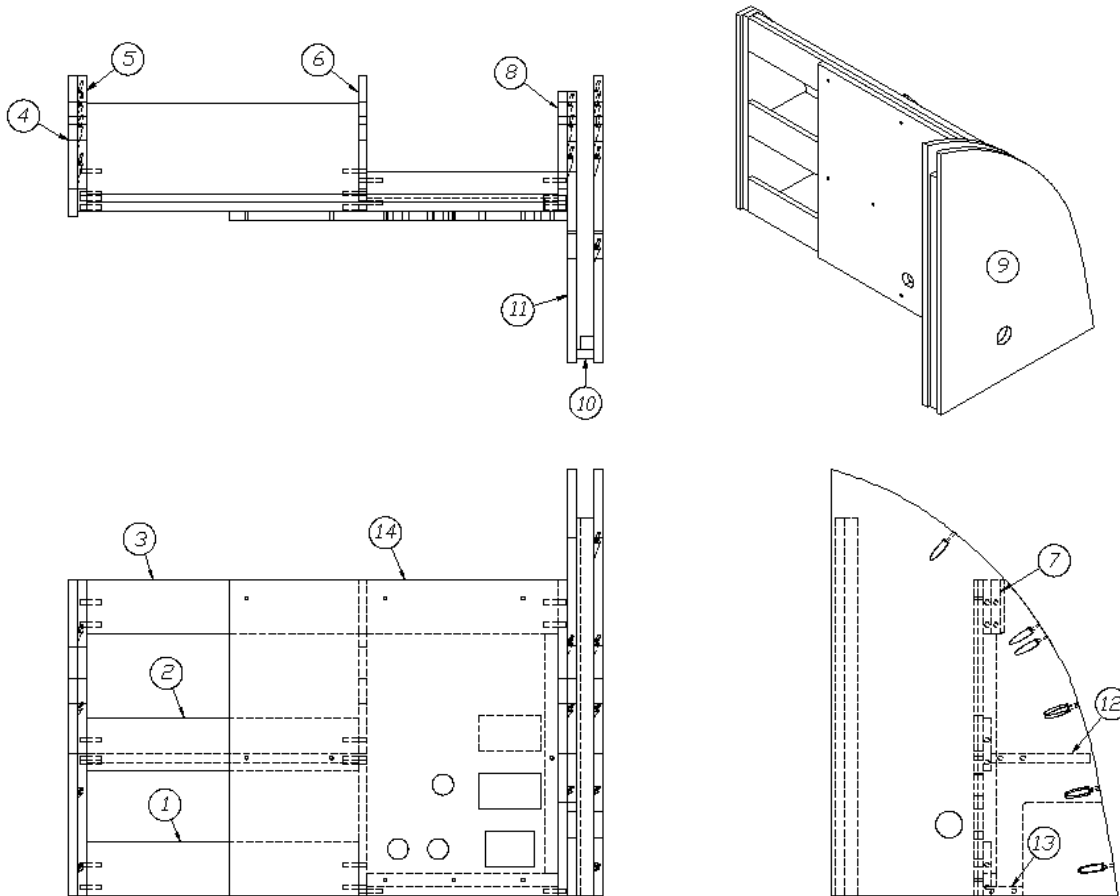
967989-01	Galley flip shelf
602351-01	Flip shelf top, Corian, Ecrú

## Flip Shelf, Serenity

967989-02	Galley flip shelf
602351-06	Flip shelf top, Corian, Sorrel

# 2016 INTERNATIONAL TRAVEL TRAILER FURNITURE, GALLEY

## Spice Rack, 19' Signature



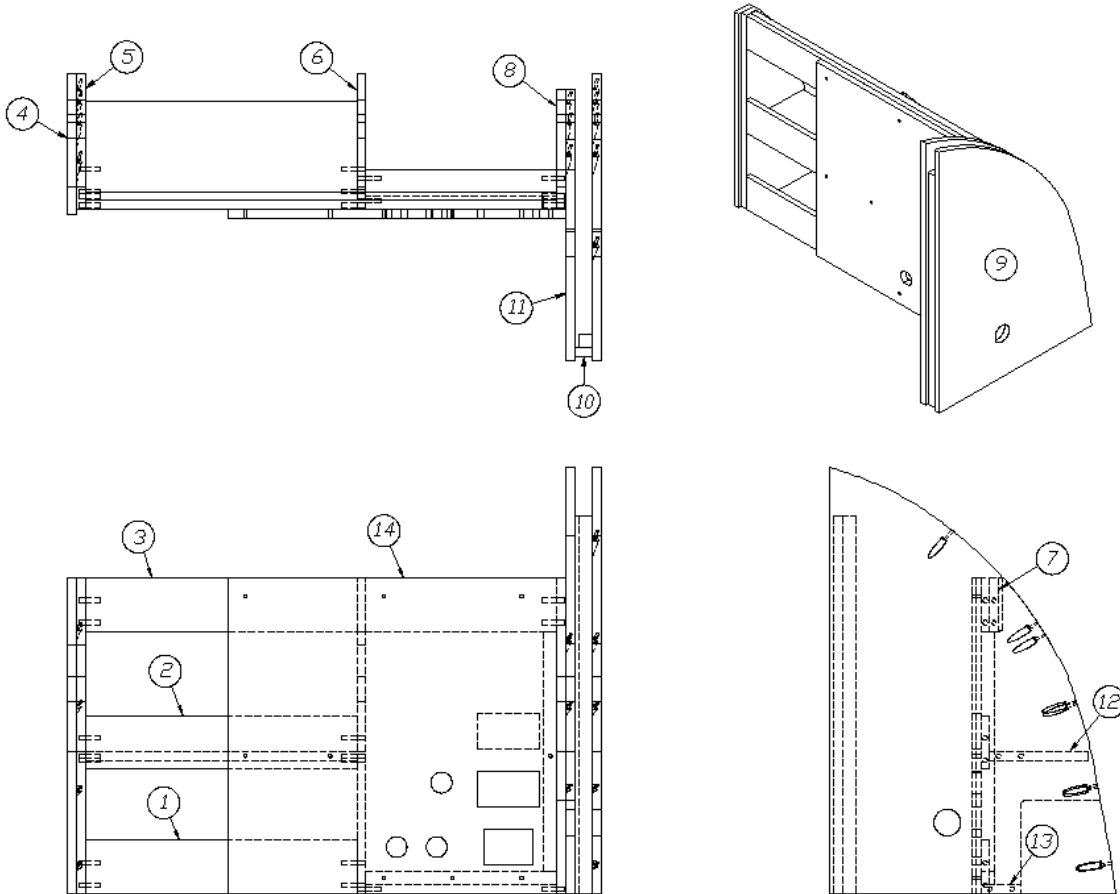
968242

Spice Rack

- |               |                                 |
|---------------|---------------------------------|
| 1. 968242-1   | Panel, 3 x 15.25                |
| 2. 968242-2   | Panel, 3 x 15.25                |
| 3. 968242-3   | Panel, 3 x 26.5                 |
| 4. 968242-4   | Panel, 7.88 x 18                |
| 5. 968242-5   | Panel, 7.63 x 17.75             |
| 6. 968242-6   | Panel, 7.63 x 17.75             |
| 7. 968242-7   | Panel, 3 x 26.5                 |
| 8. 968242-8   | Panel, 6.75 x 17.75             |
| 9. 968242-9   | Panel, 16.12 x 23.98            |
| 10. 968242-10 | Panel, 1 x 21.25                |
| 11. 968242-11 | Panel, 15.25 x 23.98            |
| 12. 968242-12 | Panel, 5.56 x 26.5              |
| 13. 968242-13 | Panel, 2.25 x 10.75             |
| 14. 968242-14 | Panel, 17.75 x 19               |
| 365364-01     | Edgebanding, .63", Ebony Woods  |
| 381209-01     | Grommet w/cap, 1.5" hole, Black |

# 2016 INTERNATIONAL TRAVEL TRAILER FURNITURE, GALLEY

## Spice Rack, 19' Serenity



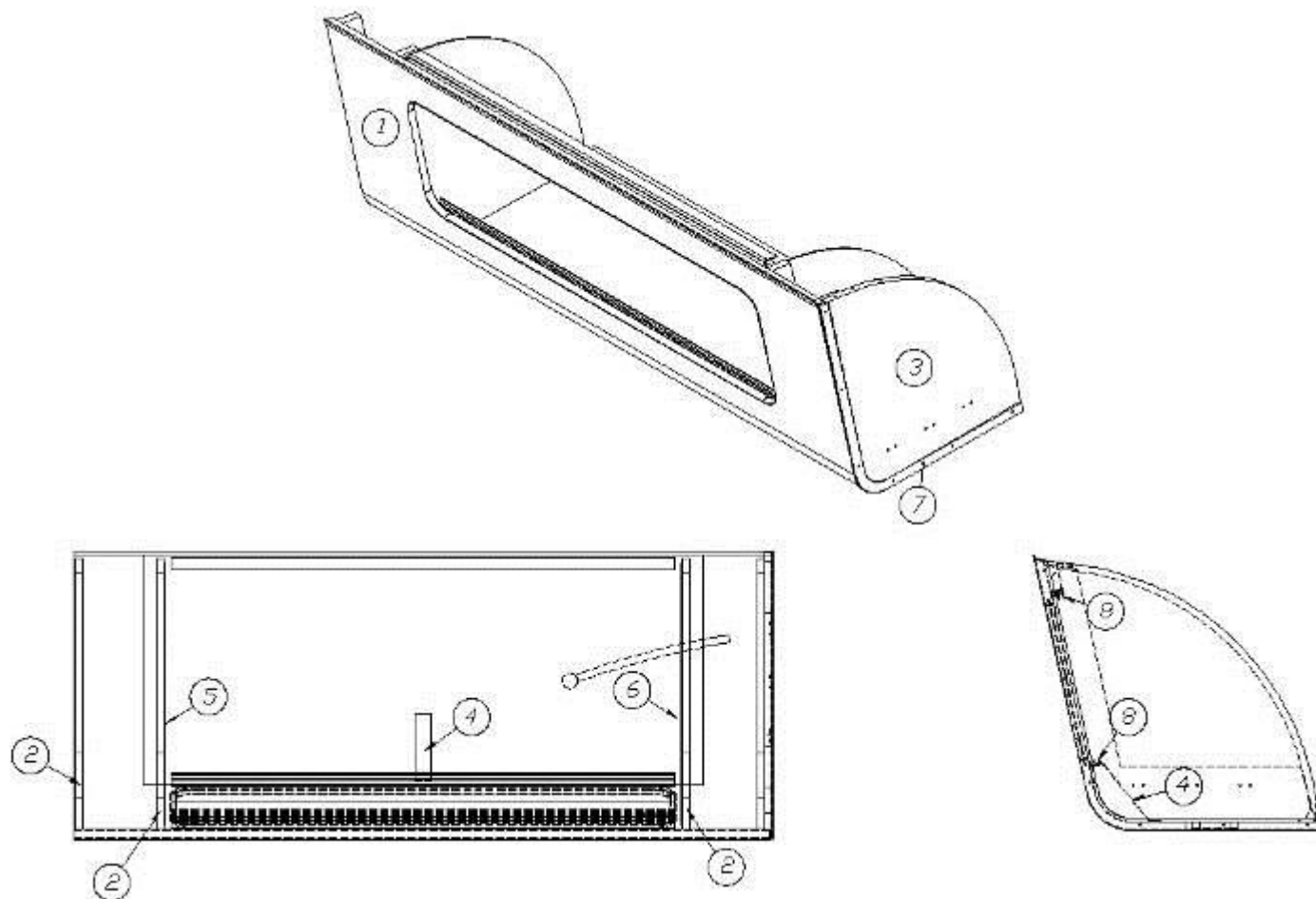
968242-15

Spice Rack

- |                 |                                 |
|-----------------|---------------------------------|
| 1. 968242-151   | Panel, 3 x 15.25                |
| 2. 968242-152   | Panel, 3 x 15.25                |
| 3. 968242-153   | Panel, 3 x 26.5                 |
| 4. 968242-154   | Panel, 7.88 x 18                |
| 5. 968242-155   | Panel, 7.63 x 17.75             |
| 6. 968242-156   | Panel, 7.63 x 17.75             |
| 7. 968242-157   | Panel, 3 x 26.5                 |
| 8. 968242-158   | Panel, 6.75 x 17.75             |
| 9. 968242-159   | Panel, 16.12 x 23.98            |
| 10. 968242-1510 | Panel, 1 x 21.25                |
| 11. 968242-1511 | Panel, 15.25 x 23.98            |
| 12. 968242-1512 | Panel, 5.56 x 26.5              |
| 13. 968242-1513 | Panel, 2.25 x 10.75             |
| 14. 968242-1514 | Panel, 17.75 x 19               |
| 365344-01       | Edgebanding, .63", Pearl Bisque |
| 381209-01       | Grommet w/cap, 1.5" hole, Black |

# 2016 INTERNATIONAL TRAVEL TRAILER FURNITURE, GALLEY

## Roof Locker, Galley, 19' Signature



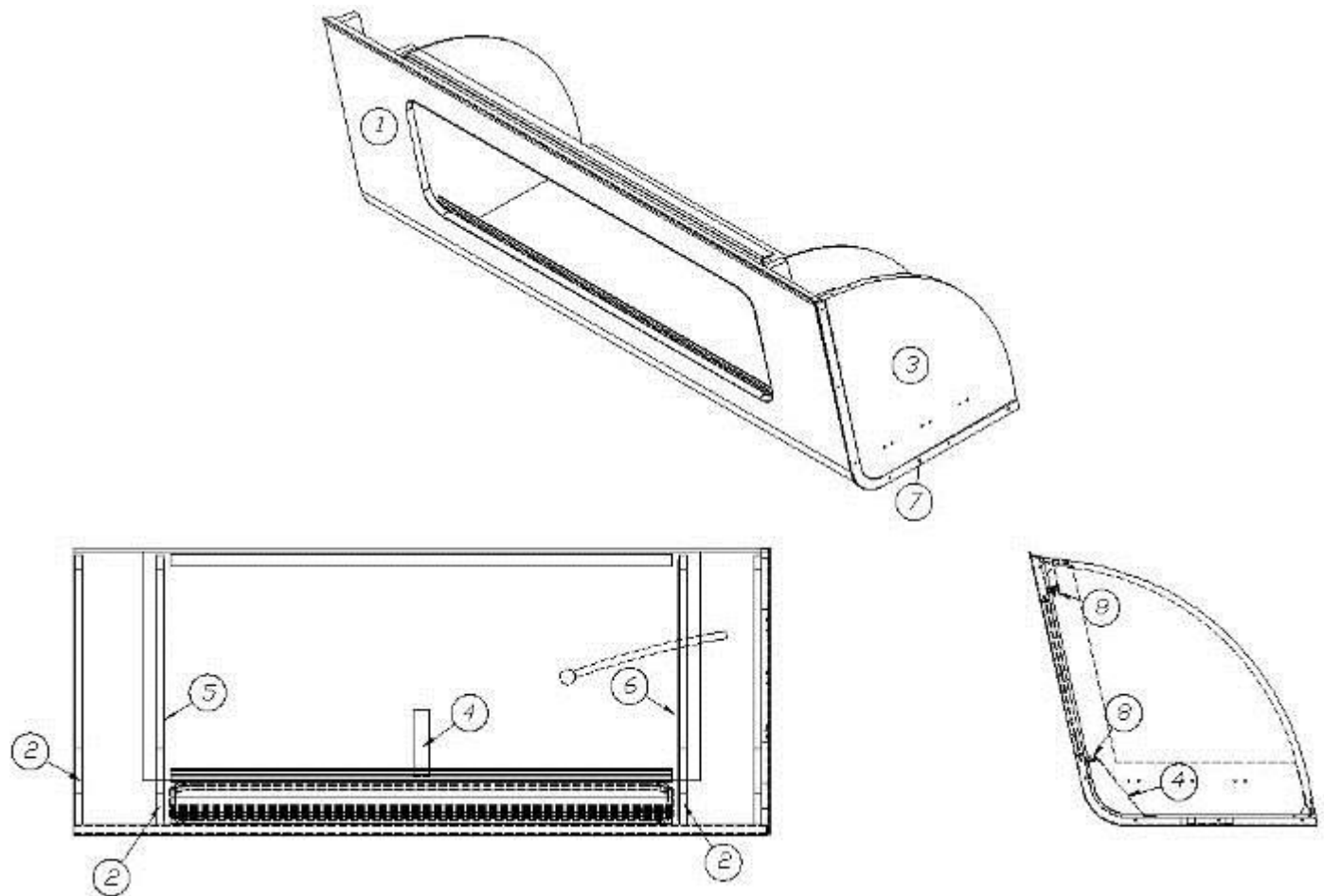
966958

Roof Locker, Galley

- |              |  |
|--------------|--|
| 1. 801733    | Galley locker face                     |
| 2. 801545-02 | Divider, Partial                       |
| 3. 966958-4  | End cap                                |
| 4. 115226    | Bracket, Formed, Locker center support |
| 5. 801539-01 | Divider, LH                            |
| 6. 801539-02 | Divider, RH                            |
| 7. 115375    | Formed extrusion, End cap              |
| 8. 203388    | Sliding door track                     |
| 203749-01    | Door, 17.5"                            |
| 201673       | Reverse cove molding, White            |
| 104821       | Roof locker support                    |
| 203445       | T-molding, .5625", Black               |
| 382149       | Finger pull, Satin Nickel              |
| 115227-03    | Angle, Formed, 33"                     |

# 2016 INTERNATIONAL TRAVEL TRAILER FURNITURE, GALLEY

## Roof Locker, Galley, 19' Serenity



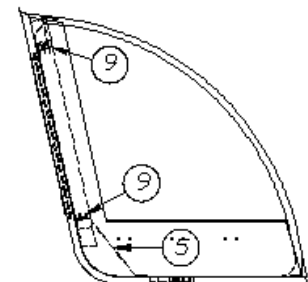
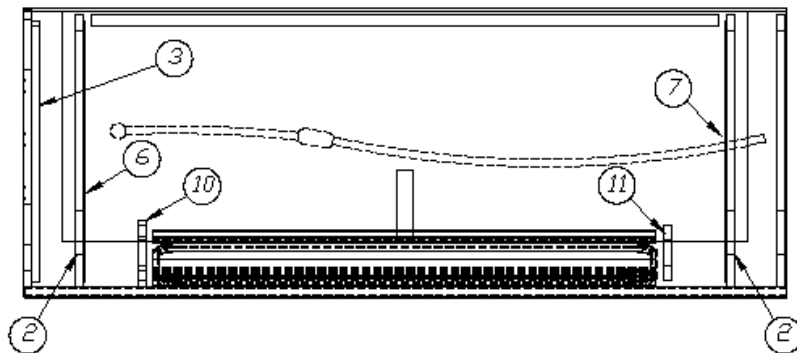
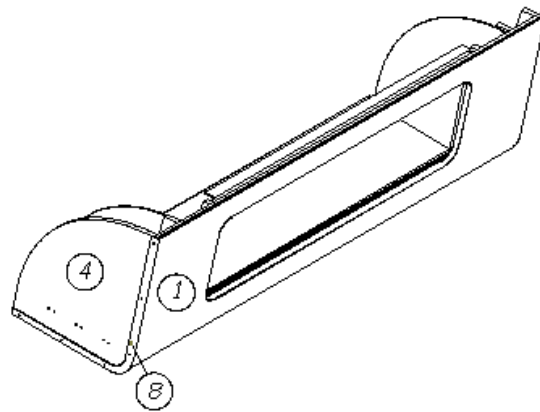
967552-15

Roof locker, Galley

- |               |  |
|---------------|--|
| 1. 801827     | Galley locker face                     |
| 2. 801545-02  | Divider, Partial                       |
| 3. 967552-154 | End cap                                |
| 4. 115226     | Bracket, Formed, Locker center support |
| 5. 801539-01  | Divider, LH                            |
| 6. 801539-02  | Divider, RH                            |
| 7. 115375     | Formed extrusion, End cap              |
| 8. 203388     | Sliding door track                     |
| 203677-01     | Door, 11.31 x 17.5                     |
| 201673        | Reverse cove molding, White            |
| 104821        | Roof locker support                    |
| 382114        | Knob, Brushed Satin Nickel             |
| 114812        | Aluminum angle, 1 x 1                  |

# 2016 INTERNATIONAL TRAVEL TRAILER FURNITURE, GALLEY

## Roof Locker, Galley, 23D Signature



966947

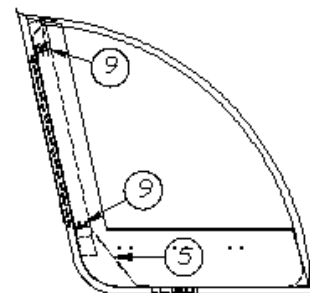
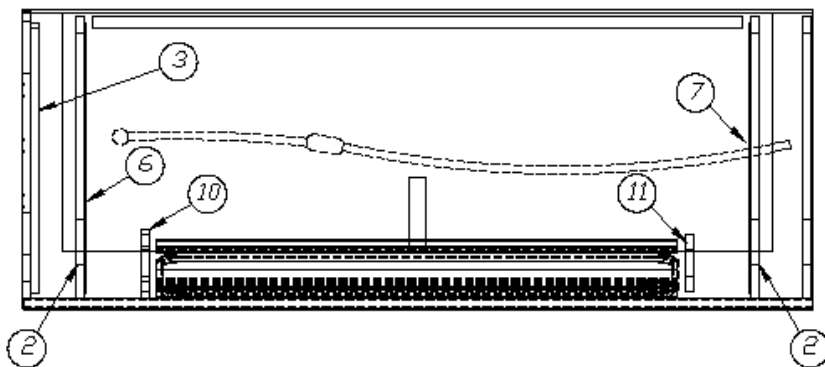
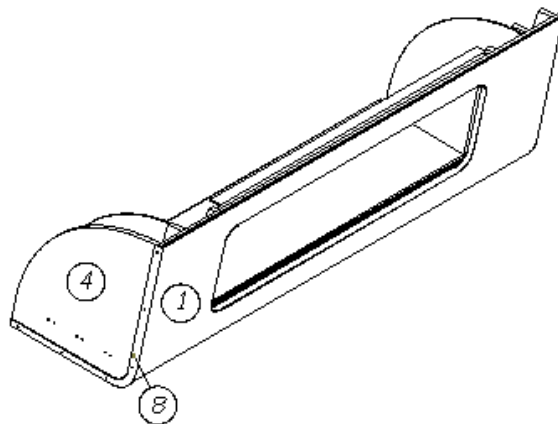
Roof Locker, Galley

- |               |  |
|---------------|--|
| 1. 801542-13  | Galley locker face                     |
| 2. 801545-05  | Divider, Partial                       |
| 3. 801545-01  | Divider, Full                          |
| 4. 966891     | End cap                                |
| 5. 115226     | Bracket, Formed, Locker center support |
| 6. 801539-01  | Divider, LH                            |
| 7. 801539-02  | Divider, RH                            |
| 8. 115375     | Formed extrusion, End cap              |
| 9. 203388     | Sliding door track                     |
| 10. 966947-16 | Panel, 1 x 12.5                        |
| 11. 966947-17 | Panel, 1 x 12.5                        |
| 203749-01     | Door, 17.5"                            |
| 201673        | Reverse cove molding, White            |
| 203445        | T-molding, .5625", Black               |
| 115227-03     | Angle, Formed, 41.25"                  |
| 104821        | Roof locker support                    |
| 382149        | Finger Pull, Satin Nickel              |



# 2016 INTERNATIONAL TRAVEL TRAILER FURNITURE, GALLEY

## Roof Locker, Galley, 23D Serenity



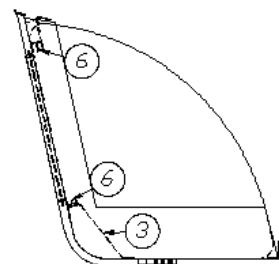
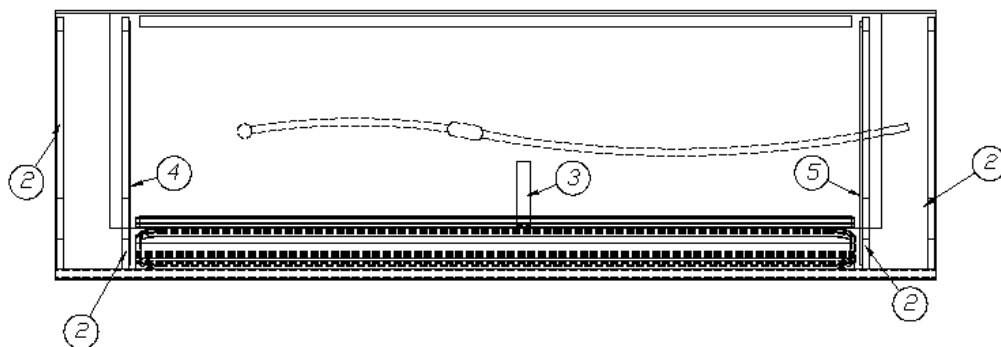
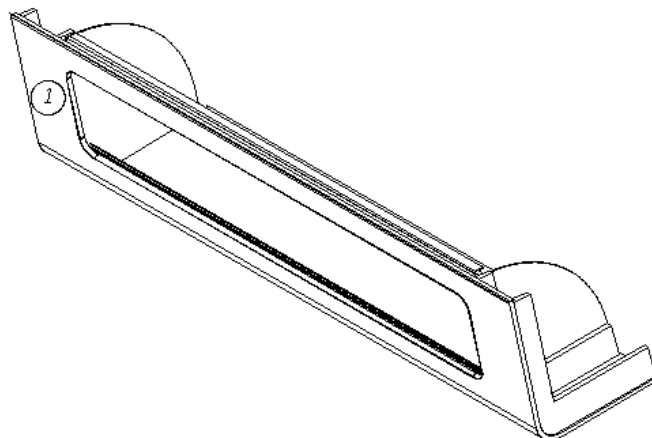
967554-15

Roof Locker, Galley

- |               |  |
|---------------|--|
| 1. 801847     | Galley locker face                     |
| 2. 801545-05  | Divider, Partial                       |
| 3. 801545-01  | Divider, Full                          |
| 4. 967554-154 | End cap                                |
| 5. 115226     | Bracket, Formed, Locker center support |
| 6. 801539-01  | Divider, LH                            |
| 7. 801539-02  | Divider, RH                            |
| 8. 115375     | Formed extrusion, End cap              |
| 9. 203388     | Sliding door track                     |
| 10. 967554-16 | Panel, 1 x 12.5                        |
| 11. 967554-17 | Panel, 1 x 12.5                        |
| 203677-01     | Door, 11.31 x 17.5                     |
| 201673        | Reverse cove molding, White            |
| 114812        | Aluminum angle, 1 x 1                  |
| 104821        | Roof locker support                    |
| 382114        | Knob, Brushed Satin Nickel             |

# 2016 INTERNATIONAL TRAVEL TRAILER FURNITURE, GALLEY

## Roof Locker, Galley, 23FB Signature



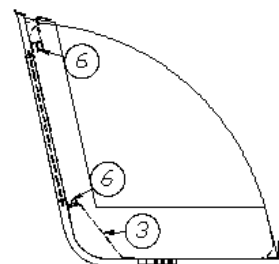
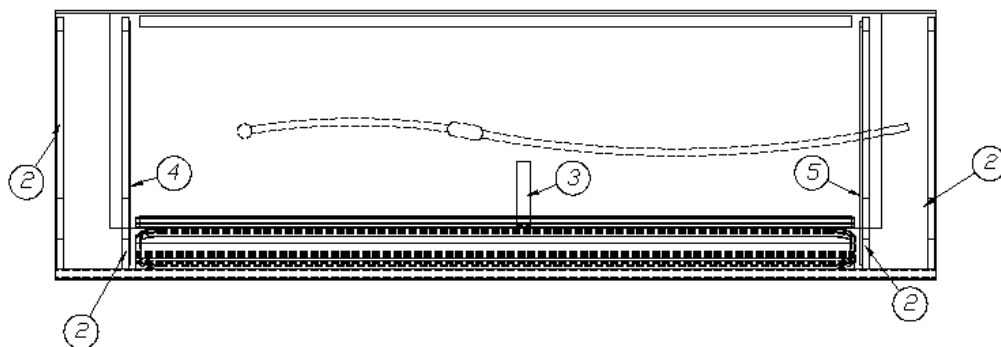
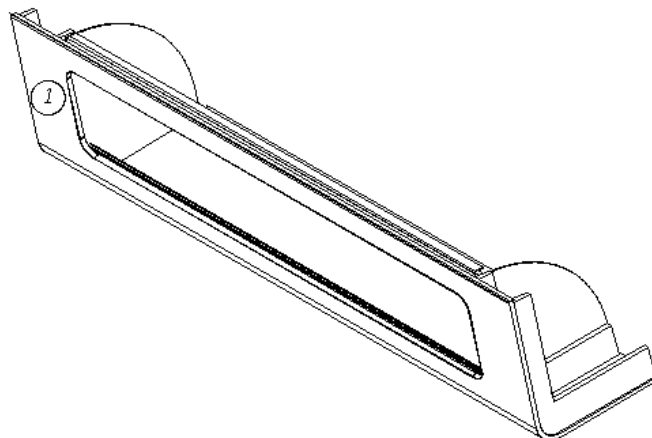
967642

Roof locker, Galley

- |              |  |
|--------------|--|
| 1. 801884    | Galley locker face                     |
| 2. 801884-02 | Divider, Partial                       |
| 3. 115226    | Bracket, Formed, Locker center support |
| 4. 801539-01 | Divider, LH                            |
| 5. 801539-02 | Divider, RH                            |
| 6. 203388    | Sliding door track                     |
| 203749-09    | Door, 11.31 x 26.25                    |
| 201673       | Reverse cove molding, White            |
| 703991       | Pile seal weather strip                |
| 203445       | T-molding, .5625", Black               |
| 114812       | Aluminum angle, 1 x 1                  |
| 104821       | Roof locker support                    |
| 382149       | Finger pull, Satin Nickel              |

# 2016 INTERNATIONAL TRAVEL TRAILER FURNITURE, GALLEY

## Roof Locker, Galley, 23FB Serenity



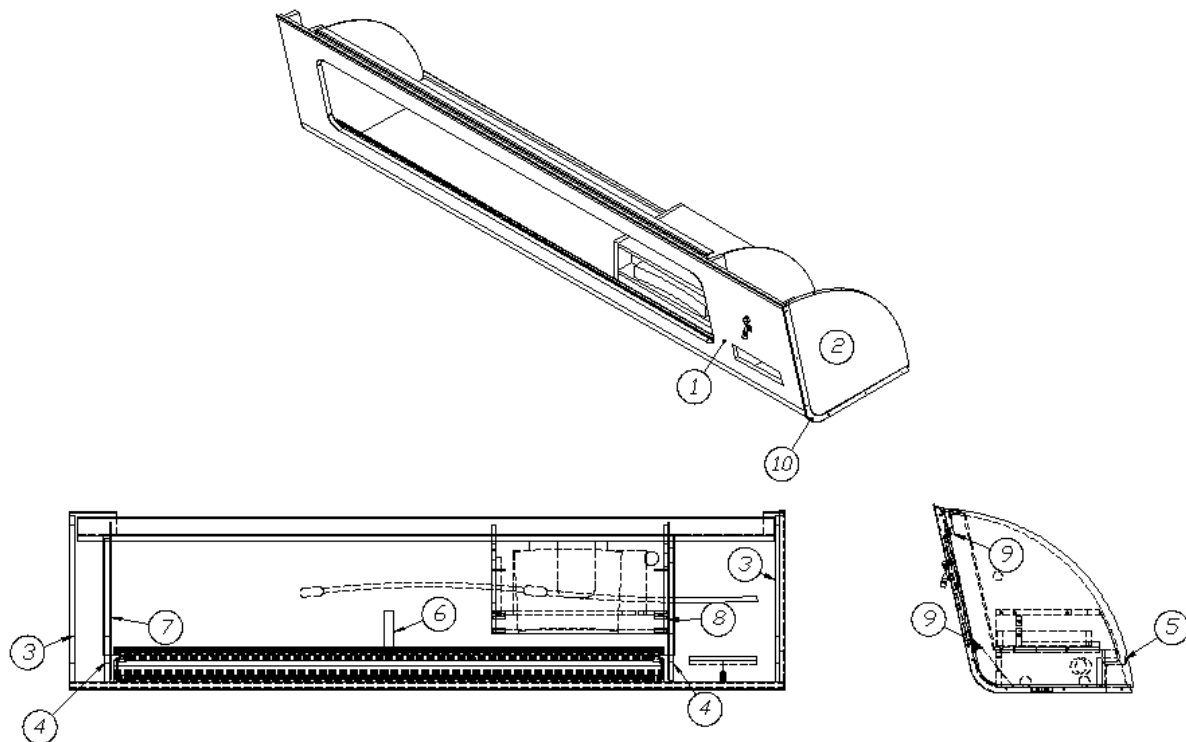
967643

Roof locker, Galley

- |              |  |
|--------------|--|
| 1. 801885    | Galley locker face                     |
| 2. 801885-02 | Divider, Partial                       |
| 3. 115226    | Bracket, Formed, Locker center support |
| 4. 801539-01 | Divider, LH                            |
| 5. 801539-02 | Divider, RH                            |
| 6. 203388    | Sliding door track                     |
| 203677-02    | Door, 11.31 x 26.25                    |
| 201673       | Reverse cove molding, White            |
| 114812       | Aluminum angle, 1 x 1                  |
| 104821       | Roof locker support                    |
| 703991       | Pile seal weather strip                |
| 203445       | T-molding, .5625", Black               |
| 382114       | Knob, Brush Satin Nickel               |

# 2016 INTERNATIONAL TRAVEL TRAILER FURNITURE, GALLEY

## Roof Locker, Dinette, 23FB A2GO, 23FB Signature



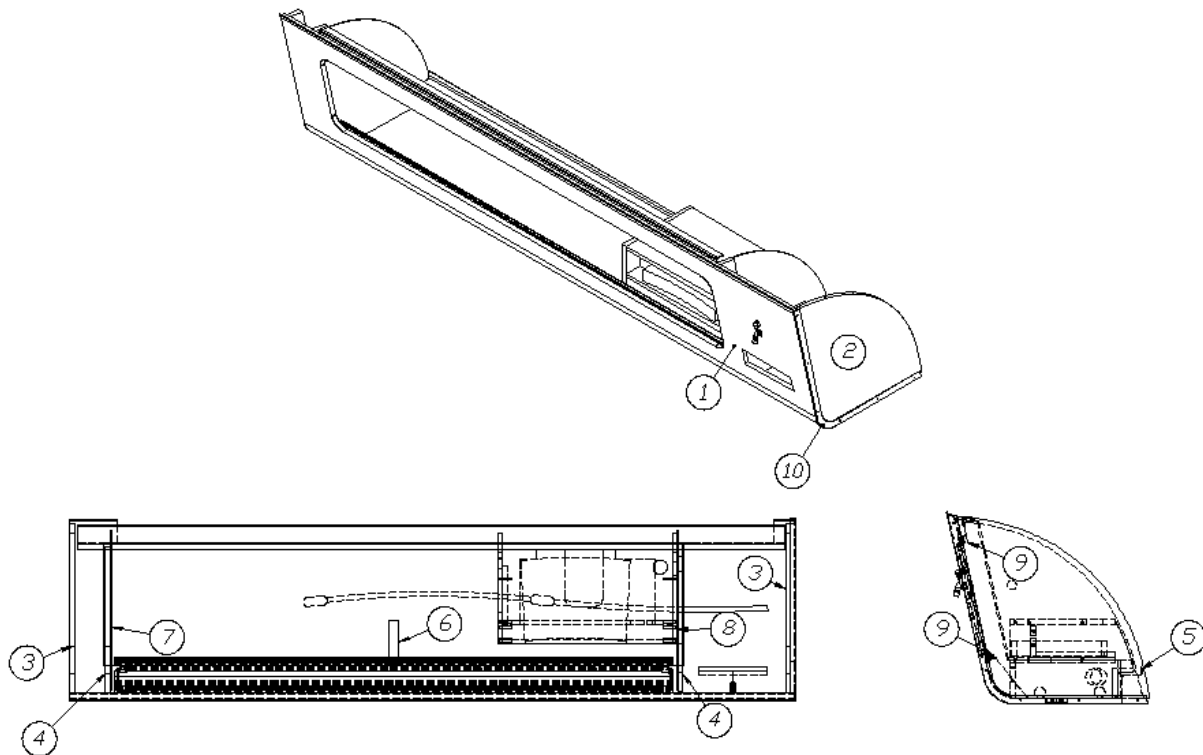
967635  
967635-01

Roof locker, Dinette  
Roof locker, Dinette, A2Go

- |              |  |
|--------------|--|
| 1. 801882    | Locker face                            |
| 2. 967635-3  | Panel, 17.15 x 18.21                   |
| 3. 801882-03 | Divider, Partial                       |
| 4. 801882-02 | Divider, Partial, Short                |
| 5. 115228-04 | Blind closeout, Formed                 |
| 6. 115226    | Bracket, Formed, Locker center support |
| 7. 801540-01 | Divider, LH                            |
| 8. 801540-05 | Divider, RH                            |
| 801540-06    | Divider, RH dinette, A2GO              |
| 9. 203388    | Sliding door track                     |
| 10. 115375   | Formed extrusion, End cap              |
| 203749-08    | Door, 11.31 x 30                       |
| 104821       | Roof locker support                    |
| 201673       | Reverse cove molding, White            |
| 115227-01    | Angle, Formed                          |
| 703991       | Pile seal weather strip                |
| 115064       | Aluminum counter top trim              |
| 968345       | Blu-Ray shelf                          |
| 968122       | Blu-Ray shelf, A2GO                    |
| 382149       | Finger pull, Satin Nickel              |

# 2016 INTERNATIONAL TRAVEL TRAILER FURNITURE, GALLEY

## Roof Locker, Dinette, 23FB Serenity



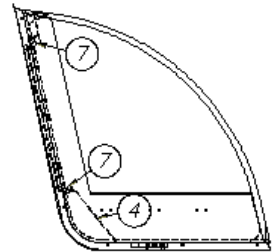
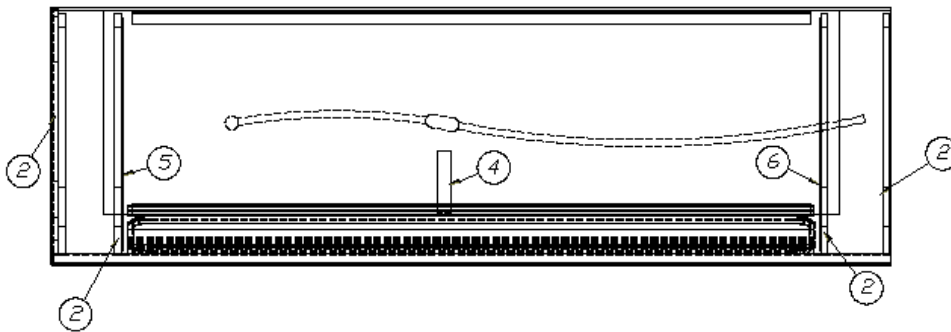
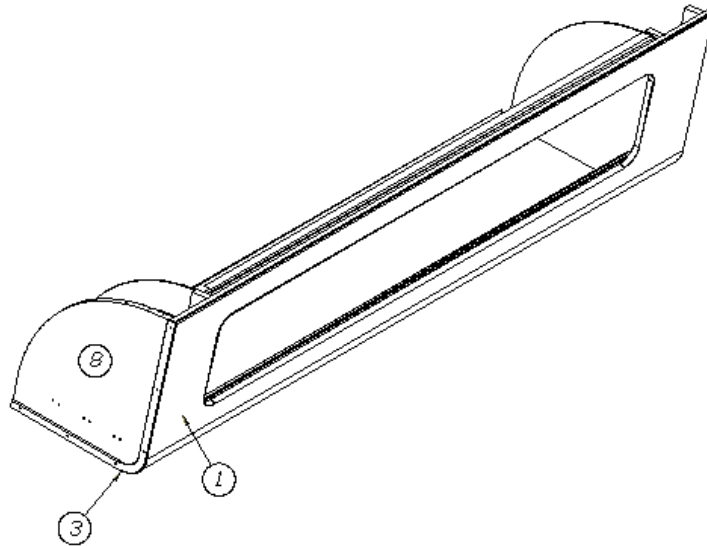
967636

Roof locker, Dinette

- |     |           |  |
|-----|-----------|--|
| 1.  | 801883    | Locker face                            |
| 2.  | 967636-3  | Panel, 17.15 x 18.21                   |
| 3.  | 801883-03 | Divider, Partial                       |
| 4.  | 801883-02 | Divider, Partial, Short                |
| 5.  | 115228-04 | Blind closeout, Formed                 |
| 6.  | 115226    | Bracket, Formed, Locker center support |
| 7.  | 801540-01 | Divider, LH                            |
| 8.  | 801540-05 | Divider, RH w/radio                    |
| 9.  | 203388    | Sliding door track                     |
| 10. | 115375    | Formed extrusion, End cap              |
|     | 203677-03 | Door, 11.31 x 30                       |
|     | 201673    | Reverse cove molding, White            |
|     | 115227-01 | Angle, Formed                          |
|     | 104821    | Roof locker support                    |
|     | 703991    | Pile seal weather strip                |
|     | 382114    | Knob, Brushed Satin Nickel             |
|     | 115064    | Aluminum counter top trim              |
|     | 968345    | Blu-Ray shelf                          |

# 2016 INTERNATIONAL TRAVEL TRAILER FURNITURE, GALLEY

## Roof Locker, Galley, 25' Signature



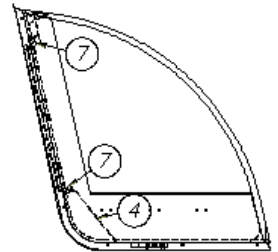
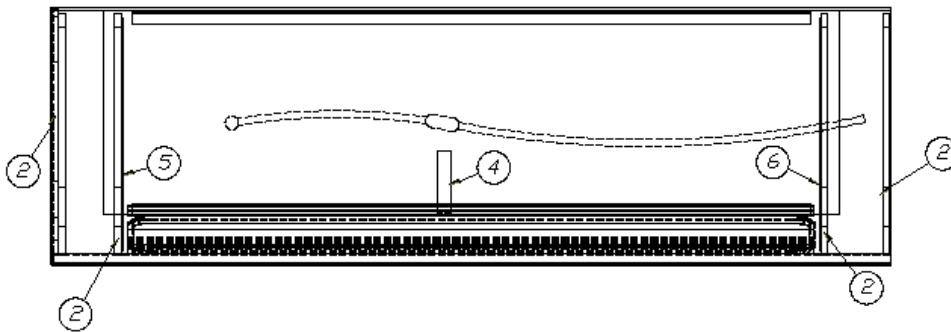
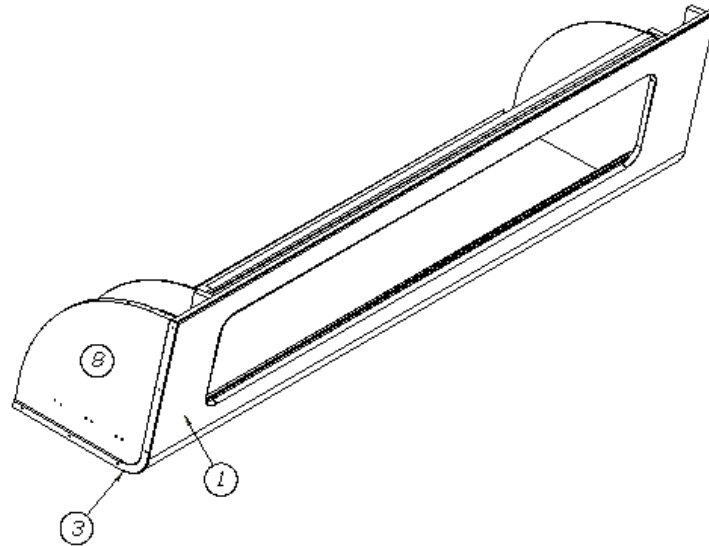
967764

Galley Roof Locker

- |  |   |
|--|---|
| <ul style="list-style-type: none"> <li>1. 801909</li> <li>2. 801909-02</li> <li>3. 115375</li> <li>4. 115226</li> <li>5. 801539-01</li> <li>6. 801539-02</li> <li>7. 203388</li> <li>8. 967764-17</li> <li>203749-09</li> <li>115227-02</li> <li>104821</li> <li>203445</li> <li>201673</li> <li>703991</li> </ul> | <ul style="list-style-type: none"> <li>Locker face</li> <li>Divider, Partial</li> <li>Formed extrusion, End cap</li> <li>Bracket, Formed, Locker center support</li> <li>Divider, LH</li> <li>Divider, RH</li> <li>Sliding door track</li> <li>Panel, Galley Locker 18.21 X 17.15</li> <li>Door, 11.31 x 26.25</li> <li>Angle, Formed</li> <li>Roof locker support</li> <li>T-molding, Flexible Black poly</li> <li>Reverse cove molding, White</li> <li>Pile seal weather strip</li> </ul> |
|--|---|

# 2016 INTERNATIONAL TRAVEL TRAILER FURNITURE, GALLEY

## Roof Locker, Galley, 25' Serenity



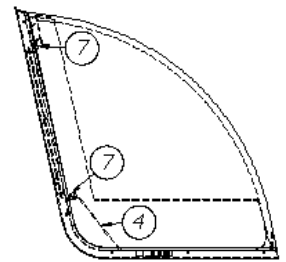
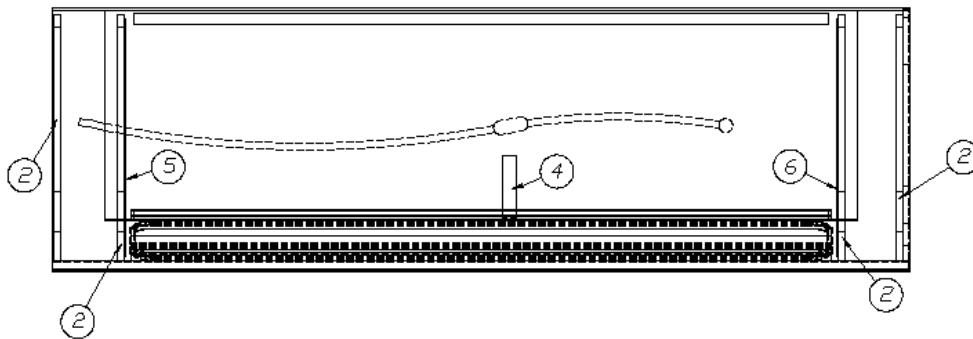
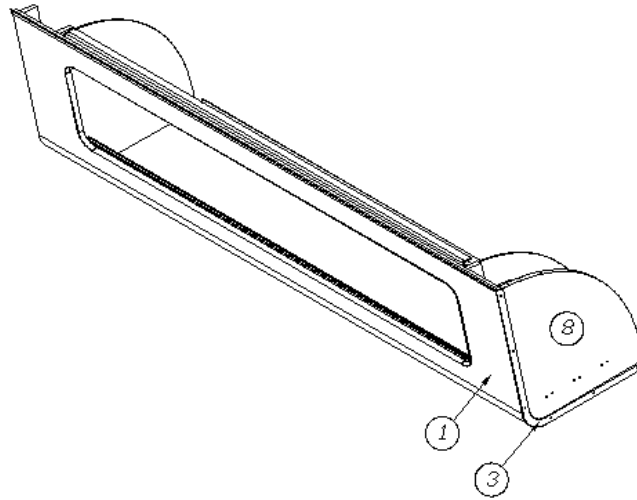
967779-15

Galley Roof Locker

- |              |                                     |
|--------------|-------------------------------------|
| 1. 801912-15 | Locker face                         |
| 2. 801912-02 | Divider, Partial                    |
| 3. 115375-01 | Formed extrusion, End cap           |
| 4. 115226    | Bracket, Formed, Locker CTR Support |
| 5. 801539-01 | Divider, LH                         |
| 6. 801539-02 | Divider, RH                         |
| 7. 203388    | Sliding door track                  |
| 8. 802073    | End cap                             |
| 203677-02    | Door, 11.31 x 26.25                 |
| 201673       | Reverse cove molding, White         |
| 115483       | Aluminum angle, .75" x .75"         |
| 114812       | Aluminum angle, 1 x 1               |
| 104821       | Roof locker support                 |
| 382114       | Knob, Brushed Satin Nickel          |
| 703991       | Pile seal weather strip             |

# 2016 INTERNATIONAL TRAVEL TRAILER FURNITURE, GALLEY

## Roof Locker, Galley, 25FB Signature



966911

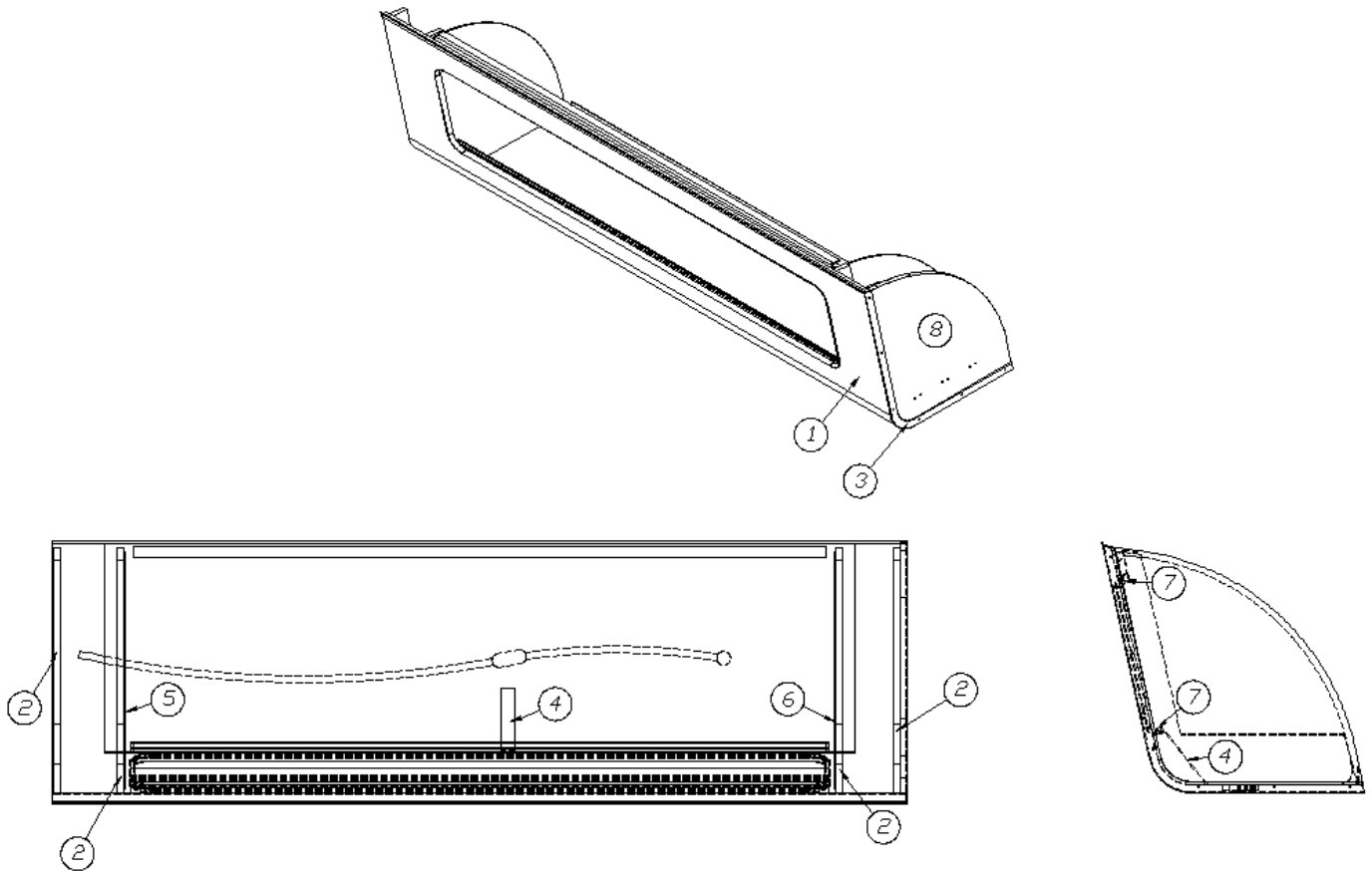
Galley Roof Locker

- |  |   |
|--|---|
| <ul style="list-style-type: none"> <li>1. 801726</li> <li>2. 801545-02</li> <li>3. 115375</li> <li>4. 115226</li> <li>5. 801539-01</li> <li>6. 801539-02</li> <li>7. 203388</li> <li>8. 802073-01</li> <li>203749-09</li> <li>201673</li> <li>703991</li> <li>115227-02</li> <li>104821</li> <li>203445</li> <li>382149</li> </ul> | <ul style="list-style-type: none"> <li>Locker face</li> <li>Divider, Partial</li> <li>Formed extrusion, End cap</li> <li>Bracket, Formed, Locker center support</li> <li>Divider, LH</li> <li>Divider, RH</li> <li>Sliding door track</li> <li>End cap</li> <li>Door, 11.31 x 26.25</li> <li>Reverse cove molding, White</li> <li>Pile seal weather strip</li> <li>Angle, Formed</li> <li>Roof locker support</li> <li>T-molding, .5625", Black</li> <li>Finger pull, Satin Nickel</li> </ul> |
|--|---|



# 2016 INTERNATIONAL TRAVEL TRAILER FURNITURE, GALLEY

## Roof Locker, Galley, 25FB Serenity



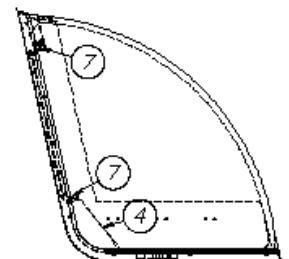
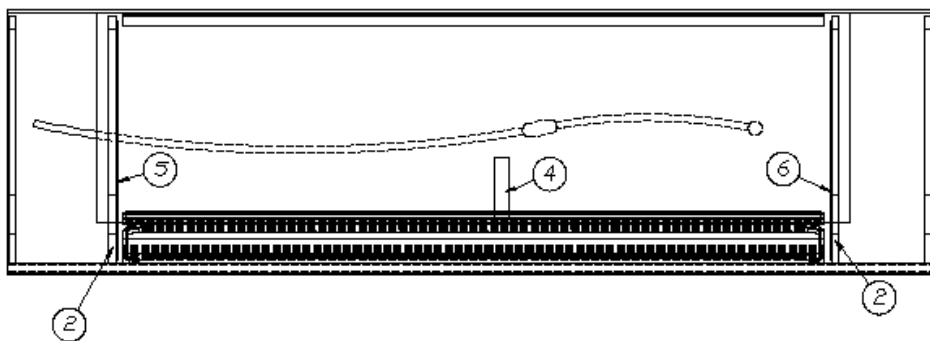
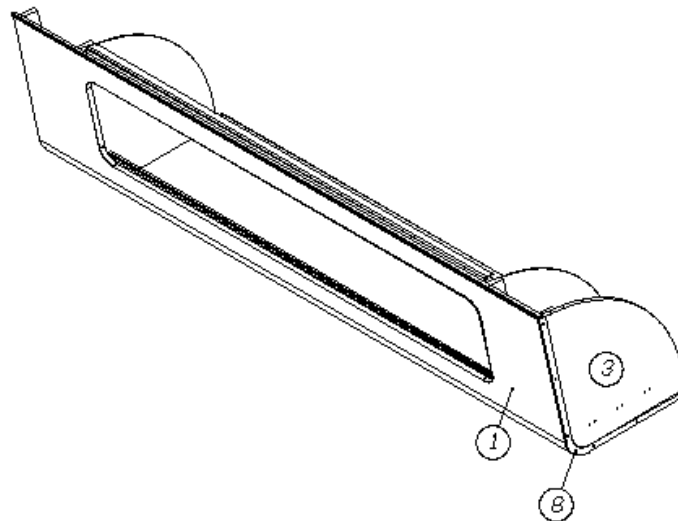
967558-15

Galley Roof locker

- |                |  |
|----------------|--|
| 1. 801851-01   | Locker face                            |
| 2. 801851-02   | Divider, Partial                       |
| 3. 115375      | Formed extrusion, End cap              |
| 4. 115226      | Bracket, Formed, Locker center support |
| 5. 801539-01   | Divider, LH                            |
| 6. 801539-02   | Divider, RH                            |
| 7. 203388      | Sliding door track                     |
| 8. 967558-1517 | Panel, 18.21 x 17.15                   |
| 203677-02      | Door, 11.31 x 26.25                    |
| 201673         | Reverse cove molding, White            |
| 114812         | Aluminum angle, 1 x 1                  |
| 104821         | Roof locker support                    |
| 382114         | Knob, Brushed Satin Nickel             |
| 115483         | Aluminum angle, .75" x .75"            |
| 703991         | Pile seal weather strip                |

# 2016 INTERNATIONAL TRAVEL TRAILER FURNITURE, GALLEY

## Roof Locker, Galley, 27FB Signature

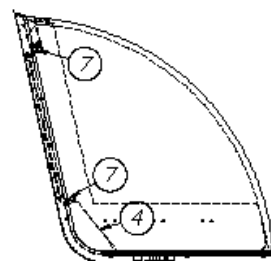
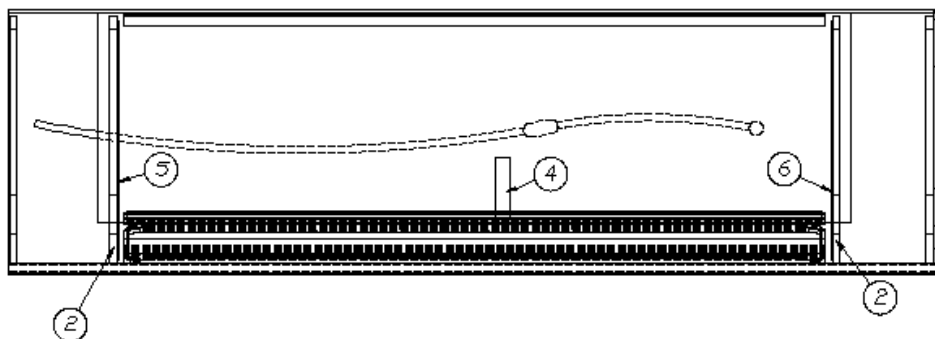
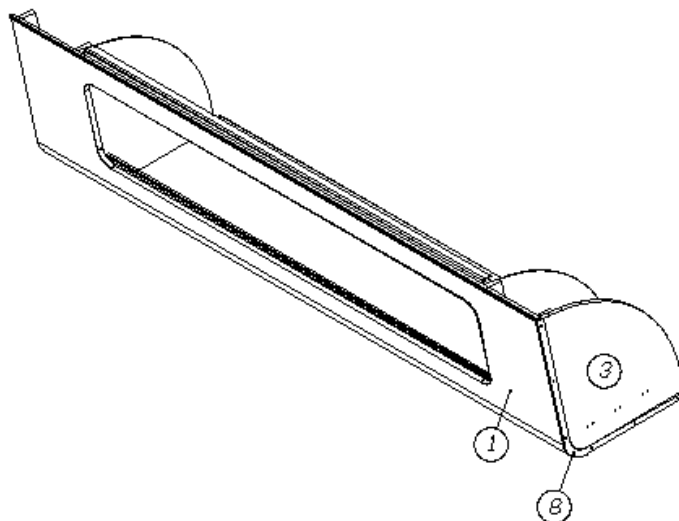


### 966854 Galley Roof Locker

- |              |  |
|--------------|--|
| 1. 801542-12 | Locker Face                            |
| 2. 801545-02 | Divider, Partial                       |
| 3. 966891    | End Cap                                |
| 4. 115226    | Bracket, Formed, Locker center support |
| 5. 801539-01 | Divider, LH                            |
| 6. 801539-02 | Divider, RH                            |
| 7. 203388    | Sliding door track                     |
| 8. 115375    | Formed extrusion, End cap              |
| 203749-09    | Door, 11.31 x 26                       |
| 201673       | Reverse cove molding, White            |
| 115227-02    | Angle, Formed                          |
| 104821       | Roof locker support                    |
| 203445       | T-molding, .5625", Black               |
| 703991       | Pile seal weather strip                |
| 382149       | Finger pull                            |

# 2016 INTERNATIONAL TRAVEL TRAILER FURNITURE, GALLEY

## Roof Locker, Galley, 27FB Serenity



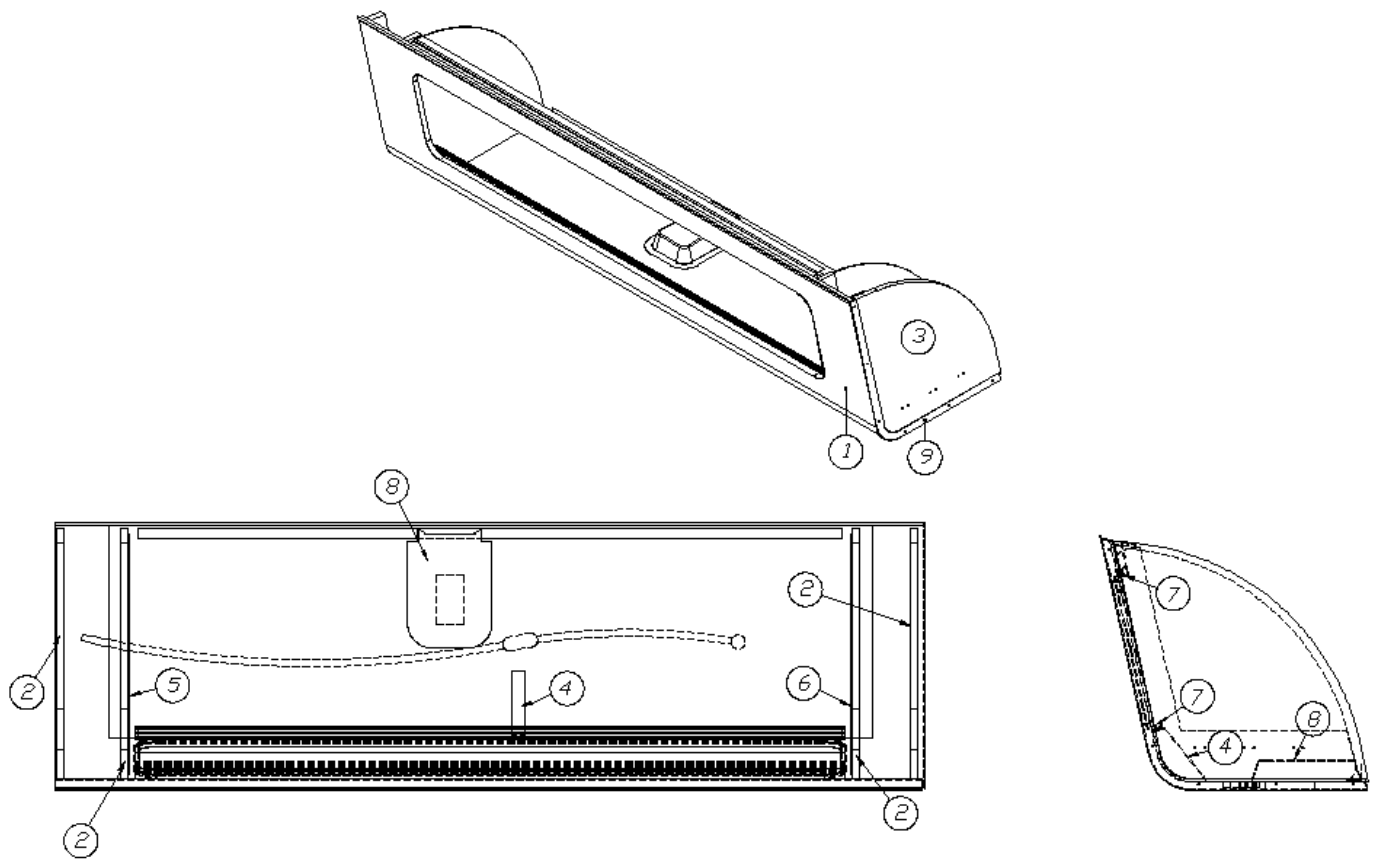
967559-15

Galley Roof Locker

- |               |  |
|---------------|--|
| 1. 801852-01  | Locker face                            |
| 2. 801852-02  | Divider, Partial                       |
| 3. 967559-154 | End cap                                |
| 4. 115226     | Bracket, Formed, Locker center support |
| 5. 801539-01  | Divider, LH                            |
| 6. 801539-02  | Divider, RH                            |
| 7. 203388     | Sliding door track                     |
| 8. 115375     | Formed extrusion, End cap              |
| 203677-02     | Door, 11.31 x 26.25                    |
| 201673        | Reverse cove molding, White            |
| 114812        | Aluminum angle, 1 x 1                  |
| 104821        | Roof locker support                    |
| 703991        | Pile seal weather strip                |

# 2016 INTERNATIONAL TRAVEL TRAILER FURNITURE, GALLEY

## Roof Locker, Galley, 28' Signature



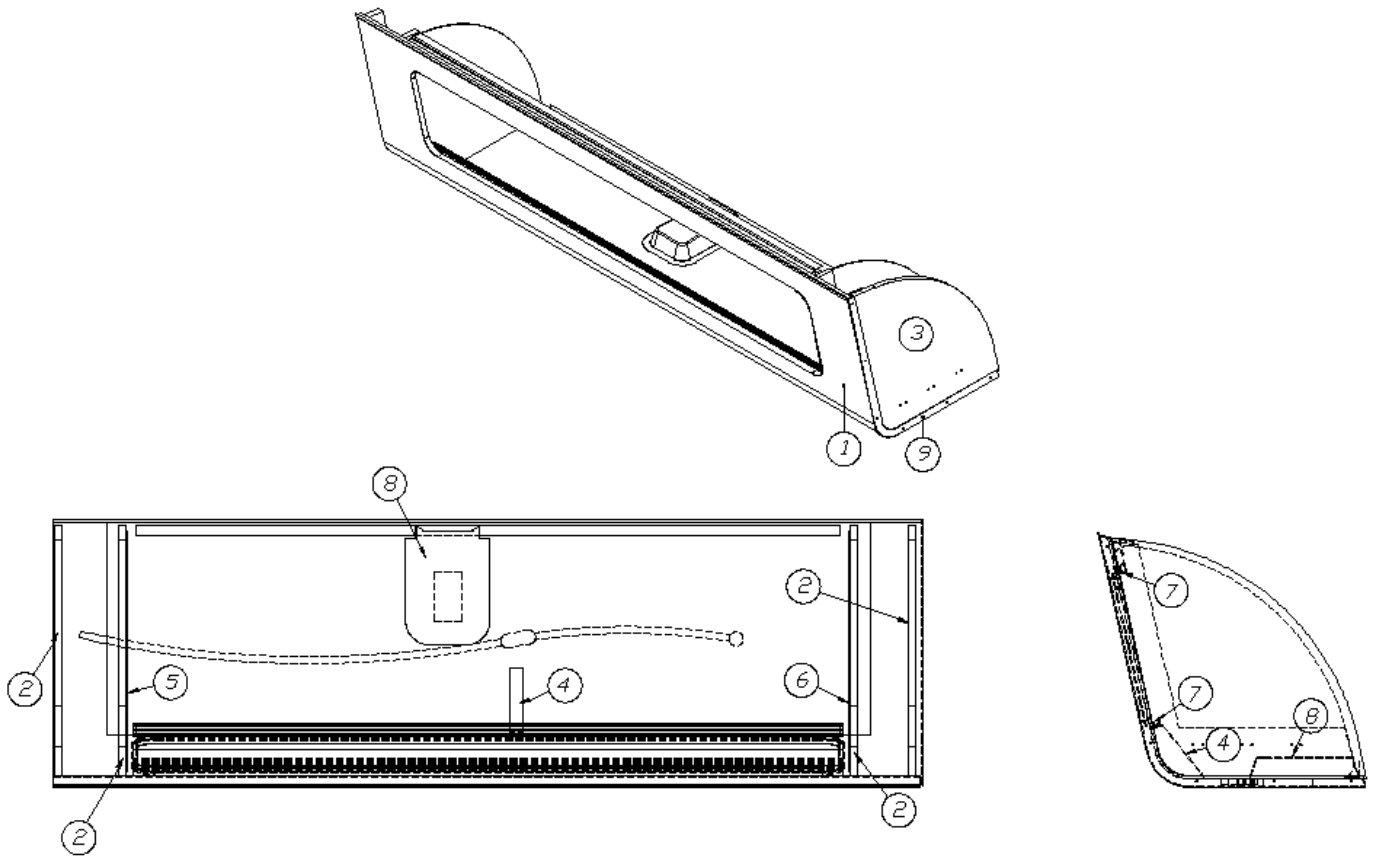
966968

Galley Roof Locker

- |              |  |
|--------------|--|
| 1. 801542-03 | Locker face                            |
| 2. 801545-02 | Divider Partial                        |
| 3. 966968-4  | End cap                                |
| 4. 115226    | Bracket, Formed, Locker center support |
| 5. 801539-01 | Divider, LH                            |
| 6. 801539-02 | Divider, RH                            |
| 7. 203388    | Sliding door track                     |
| 8. 200772    | Pan, Deadbolt                          |
| 9. 115375    | Formed extrusion, End cap              |
| 203749-09    | Door, 11.31 x 26                       |
| 115227-02    | Angle, Formed                          |
| 104821       | Roof locker support                    |
| 203445       | T-molding, .5625", Black               |
| 201673       | Reverse cove molding, White            |
| 703991       | Pile seal weather strip                |
| 382149       | Finger pull, Satin Nickel              |

# 2016 INTERNATIONAL TRAVEL TRAILER FURNITURE, GALLEY

## Roof Locker, Galley, 28' Serenity



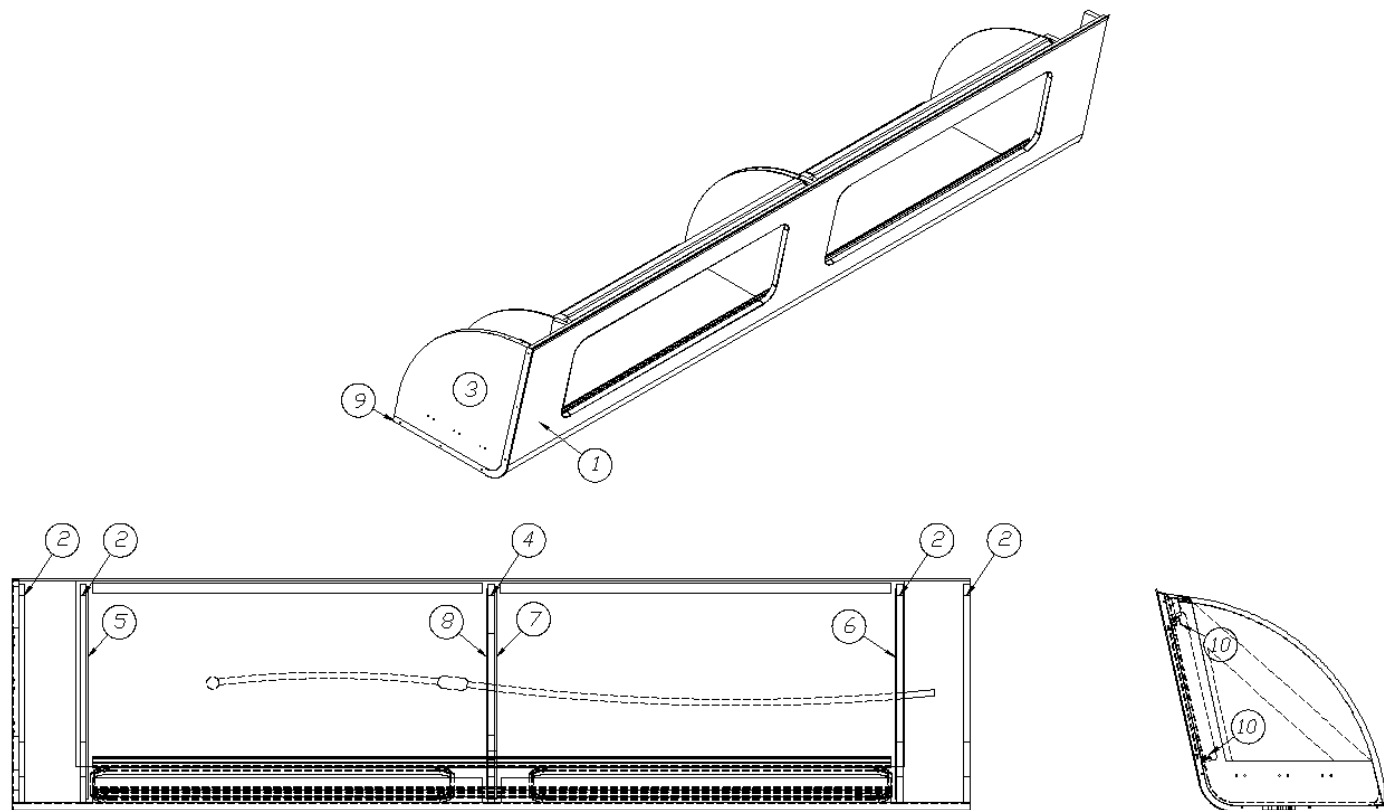
967560-15

Galley Roof

- |               |  |
|---------------|--|
| 1. 801853-01  | Locker face                            |
| 2. 801853-02  | Divider, Partial                       |
| 3. 967560-154 | End cap                                |
| 4. 115226     | Bracket, Formed, Locker center support |
| 5. 801539-01  | Divider, LH                            |
| 6. 801539-02  | Divider, RH                            |
| 7. 203388     | Sliding door track                     |
| 8. 200772     | Pan, Deadbolt, Tri-Mark                |
| 9. 115375     | Formed extrusion, End cap              |
| 203677-02     | Door, 11.31 x 26.25                    |
| 201673        | Reverse cove molding, White            |
| 115483        | Aluminum angle, .75" x .75"            |
| 114812        | Aluminum angle, 1 x 1                  |
| 104821        | Roof locker support                    |
| 382114        | Knob, Brushed Satin Nickel             |
| 703991        | Pile seal weather strip                |

# 2016 INTERNATIONAL TRAVEL TRAILER FURNITURE, GALLEY

## Roof Locker, Galley, 30' Signature



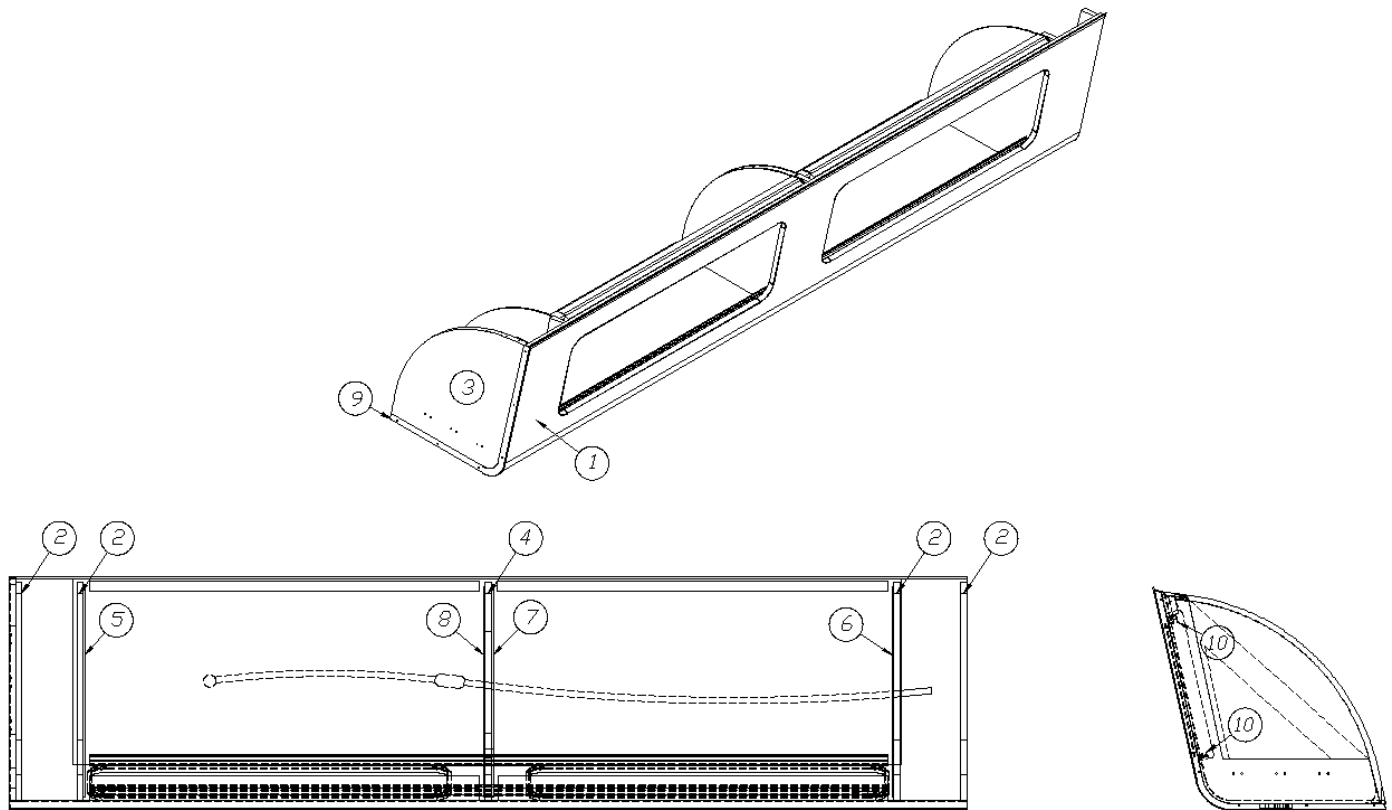
967626

Galley Roof Locker

- |     |           |                                   |
|-----|-----------|-----------------------------------|
| 1.  | 801878    | Locker face                       |
| 2.  | 801878-02 | Divider, Partial                  |
| 3.  | 967626-4  | End cap                           |
| 4.  | 967626-5  | Panel, 16.9 x 17.78               |
| 5.  | 801539-01 | Divider, LH                       |
| 6.  | 801539-02 | Divider, RH                       |
| 7.  | 801539-07 | Divider, Center pass-thru, LH     |
| 8.  | 801539-08 | Divider, Center pass-thru, RH     |
| 9.  | 115375-01 | Formed extrusion, End cap         |
| 10. | 203388    | Sliding door track                |
|     | 203749-08 | Door, 11.31 x 30                  |
|     | 201673    | Reverse cove molding, White       |
|     | 115227-05 | Angle, Formed                     |
|     | 104821    | Roof locker support               |
|     | 203445    | T-molding, Flexible Black plastic |
|     | 703991    | Pile seal weather strip           |
|     | 382149    | Finger pull, Satin Nickel         |

# 2016 INTERNATIONAL TRAVEL TRAILER FURNITURE, GALLEY

## Roof Locker, Galley, 30' Serenity



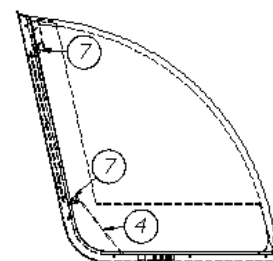
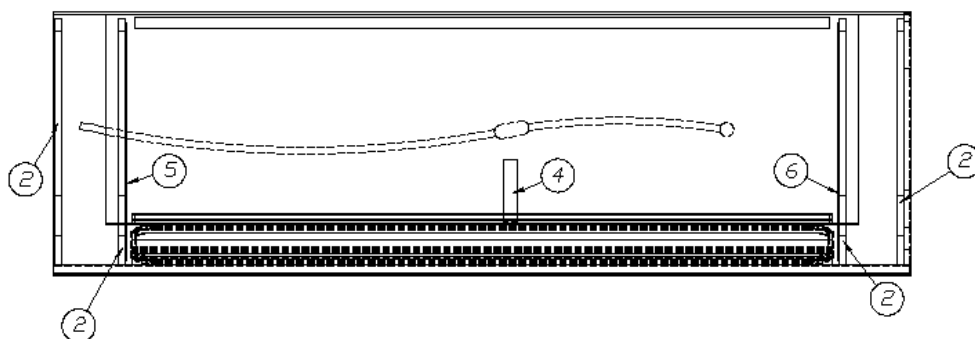
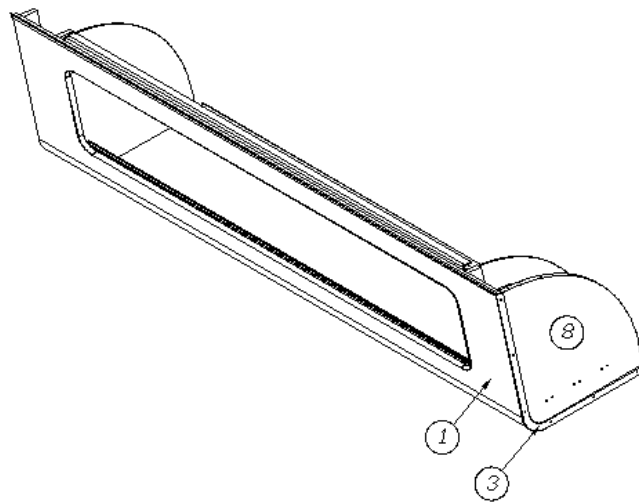
967627

Galley Roof Locker

- |     |           |                               |
|-----|-----------|-------------------------------|
| 1.  | 801879    | Locker face                   |
| 2.  | 801879-02 | Divider, Partial              |
| 3.  | 967627-4  | End cap                       |
| 4.  | 967627-5  | Panel, 16.9 x 17.78           |
| 5.  | 801539-01 | Divider, LH                   |
| 6.  | 801539-02 | Divider, RH                   |
| 7.  | 801539-07 | Divider, Center pass-thru, LH |
| 8.  | 801539-08 | Divider, Center pass-thru, RH |
| 9.  | 115375-01 | Formed extrusion, End cap     |
| 10. | 203388    | Sliding door track            |
|     | 203677-03 | Door, 11.31 x 30              |
|     | 104821    | Roof locker support           |
|     | 115227-05 | Angle, Formed                 |
|     | 201673    | Reverse cove molding, White   |
|     | 703991    | Pile seal weather strip       |
|     | 382114    | Knob, Brushed Satin Nickel    |

# 2016 INTERNATIONAL TRAVEL TRAILER FURNITURE, GALLEY

## Roof Locker, Galley, 25FB Eddie Bauer



967653-19

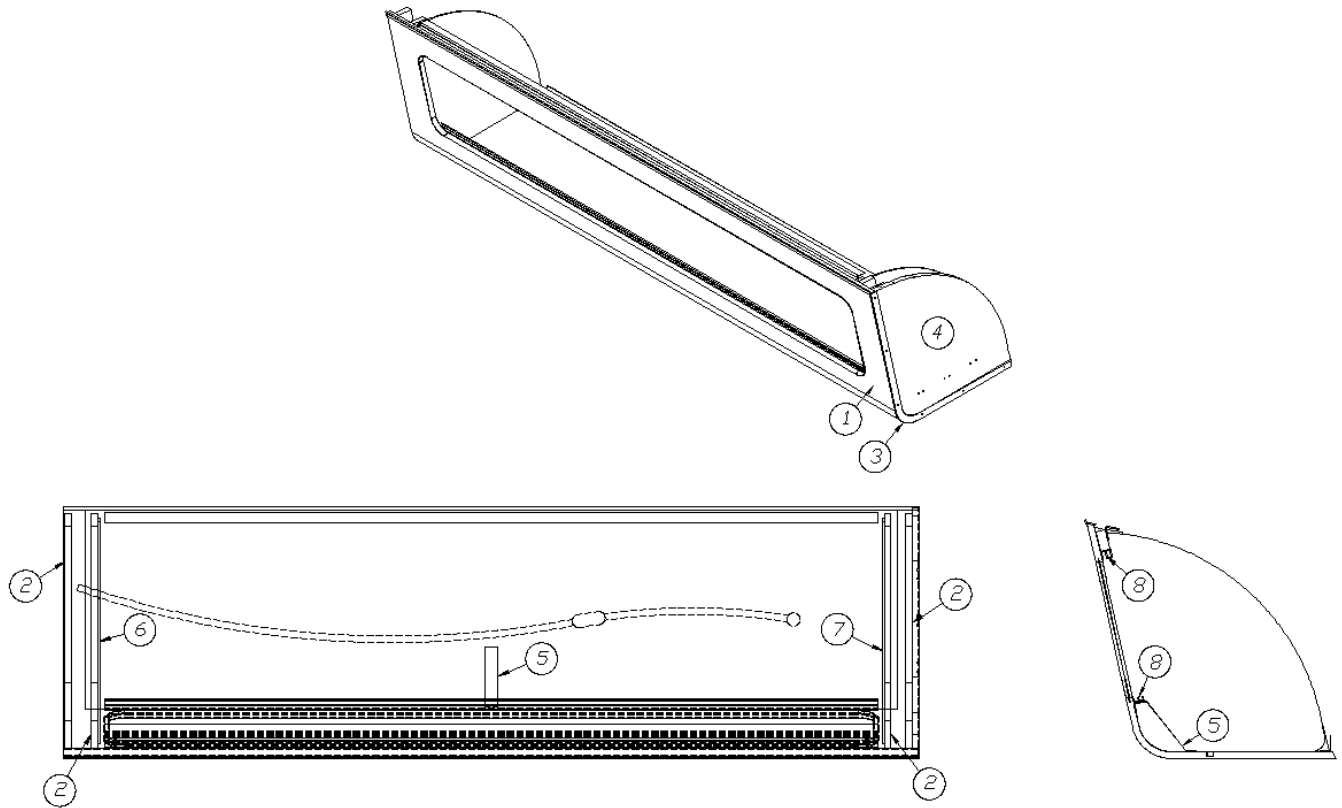
Galley Roof Locker

- |                |  |
|----------------|--|
| 1. 801899      | Locker face                            |
| 2. 801889-02   | Divider, Partial                       |
| 3. 115375      | Formed extrusion, End cap              |
| 4. 115226      | Bracket, Formed, Locker center support |
| 5. 801539-01   | Divider, LH                            |
| 6. 801539-02   | Divider, RH                            |
| 7. 203388      | Sliding door track                     |
| 8. 967653-1917 | End cap                                |
| 203708-02      | Door, 24.75"                           |
| 201673-01      | Reverse cove molding, .43", Oak        |
| 115227-02      | Angle, Formed                          |
| 104821         | Roof locker support                    |
| 203710         | T-molding, .56", Almond                |
| 703991         | Pile seal weather strip                |
| 382149         | Pull finger, Satin Nickel              |



# 2016 INTERNATIONAL TRAVEL TRAILER FURNITURE, GALLEY

## Roof Locker, Galley, 27FB Eddie Bauer



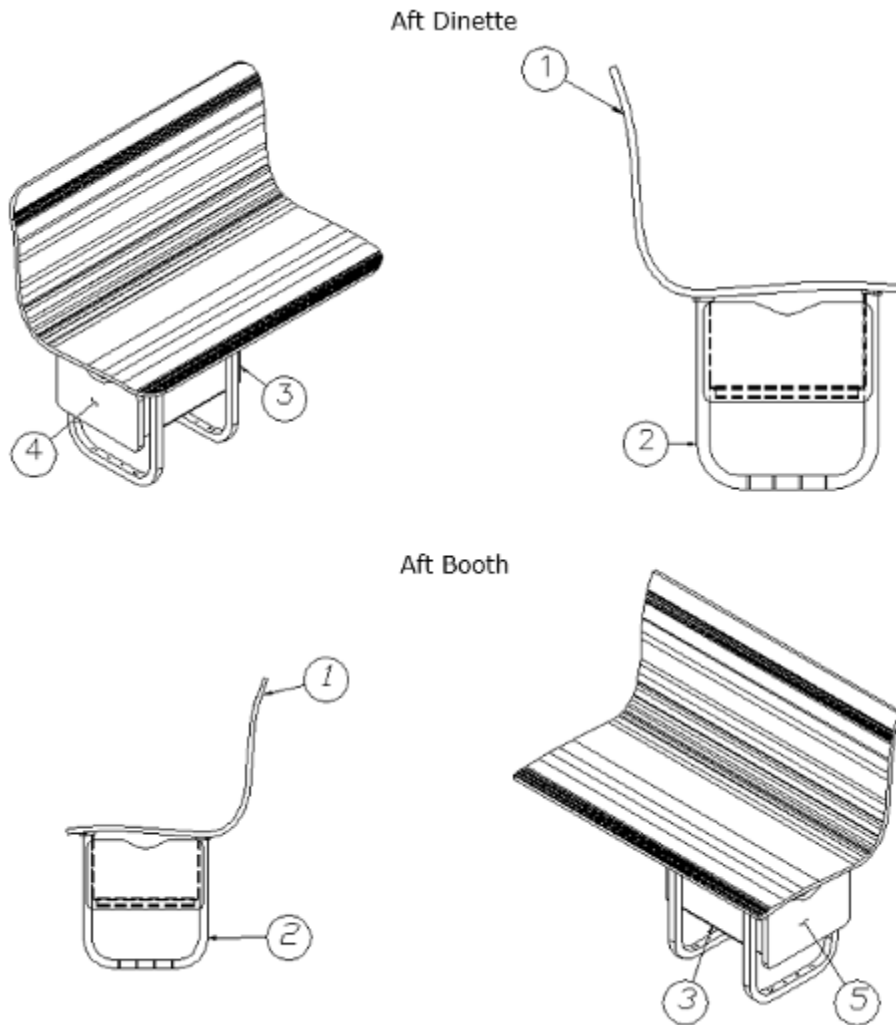
967796-19

Galley Roof Locker

- |                |  |
|----------------|--|
| 1. 801914      | Locker face                            |
| 2. 801914-02   | Divider, Partial                       |
| 3. 115375      | Formed extrusion, End cap              |
| 4. 967796-1917 | End cap                                |
| 5. 115226      | Bracket, Formed, Locker center support |
| 6. 801539-01   | Divider, LH                            |
| 7. 801539-02   | Divider, RH                            |
| 8. 203388      | Sliding door track                     |
| 203708-01      | Door, 11.31 x 30                       |
| 201673-01      | Reverse cove molding, .43", Oak        |
| 115227-01      | Angle, Formed                          |
| 104821         | Roof locker support                    |
| 203710         | T-molding, .56", Almond                |
| 703991         | Pile seal weather strip                |
| 382149         | Finger pull, Satin Nickel              |

# 2016 INTERNATIONAL TRAVEL TRAILER FURNITURE, GALLEY

## Dinette Seats, 23FB Signature



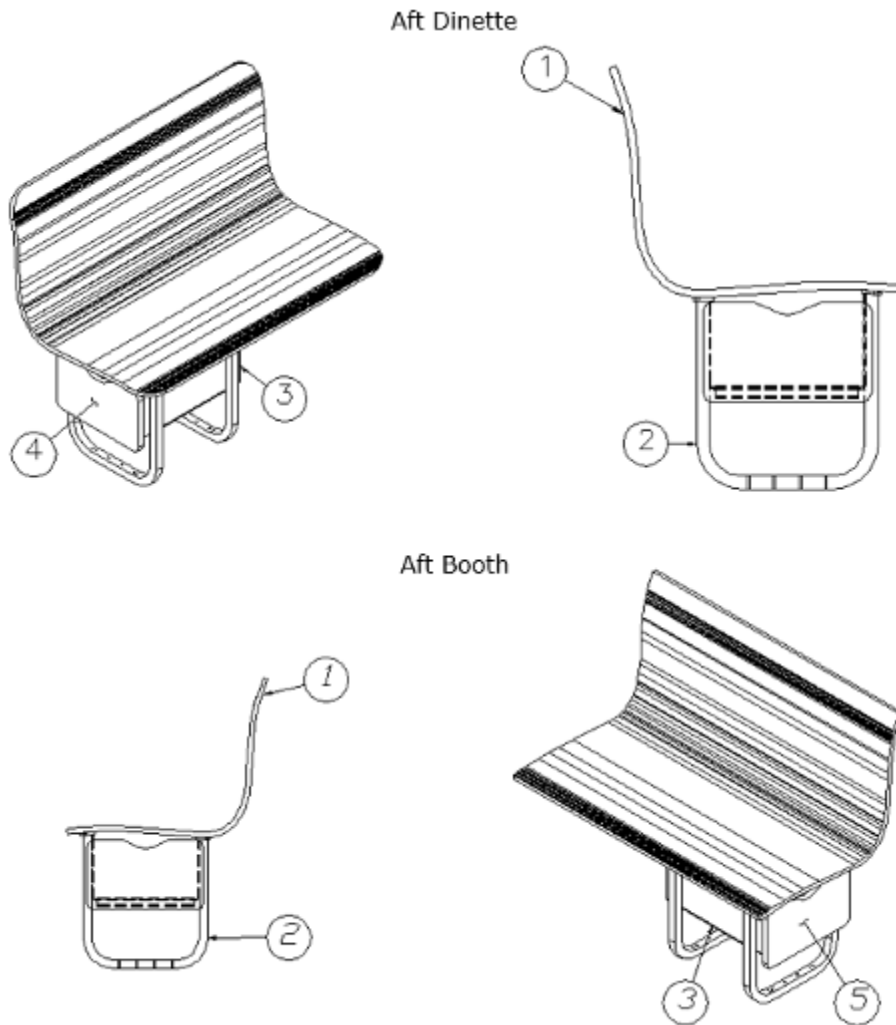
967631  
966987

Aft Dinette Seat  
Aft Booth

- |              |                                      |
|--------------|--------------------------------------|
| 1. 801446    | Dinette seat, Contoured              |
| 2. 115140    | Leg, Dinette base                    |
| 3. 115141-02 | Closeout, Under booth seat           |
| 4. 967631-6  | Door, 13.06 x 7.75, Aft dinette seat |
| 5. 966987-6  | Door, 13.06 x 7.75, Aft booth seat   |
| 203439       | Storage box, 17" x 11.13" x 6.38"    |
| 381847-01    | Piano hinge                          |
| 381228-02    | Catch, Grabber door (5lb Pull)       |
| 114070       | Extrusion, J-trim                    |
| 114812       | Aluminum angle, 1 x 1                |
| 967638       | Wheel well cover                     |
| 967639       | Wire cover                           |

# 2016 INTERNATIONAL TRAVEL TRAILER FURNITURE, GALLEY

## Dinette Seats, 23FB Serenity



967631-15  
966987-15

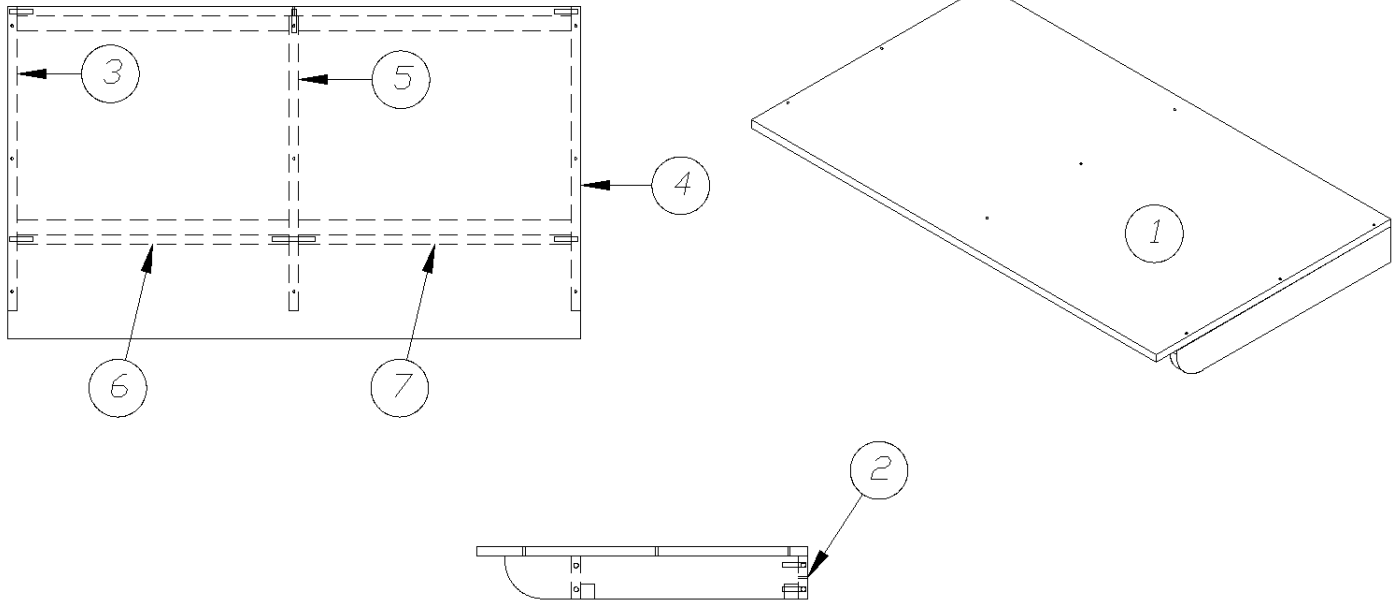
Aft Dinette Seat  
Aft Booth

1. 801446
2. 115140
3. 115141-02
4. 967631-156
5. 966987-156
- 203439
- 381847-01
- 381228-02
- 114070
- 114812
- 967638
- 967639-15

- Dinette seat, Contoured  
Leg, Dinette base  
Closeout, Under booth seat, 15.5"  
Door, 13.06 x 7.75, Aft dinette seat  
Door, 13.06 x 7.75, Aft booth seat  
Storage box, 17" x 11.13" x 6.38"  
Piano hinge  
Catch, Grabber door (5lb Pull)  
Extrusion, J-trim  
Aluminum angle, 1 x 1  
Wheel well cover  
Wire cover

# 2016 INTERNATIONAL TRAVEL TRAILER FURNITURE, GALLEY

## Dinette Seat, Center, 23FB



968012  
968012-15

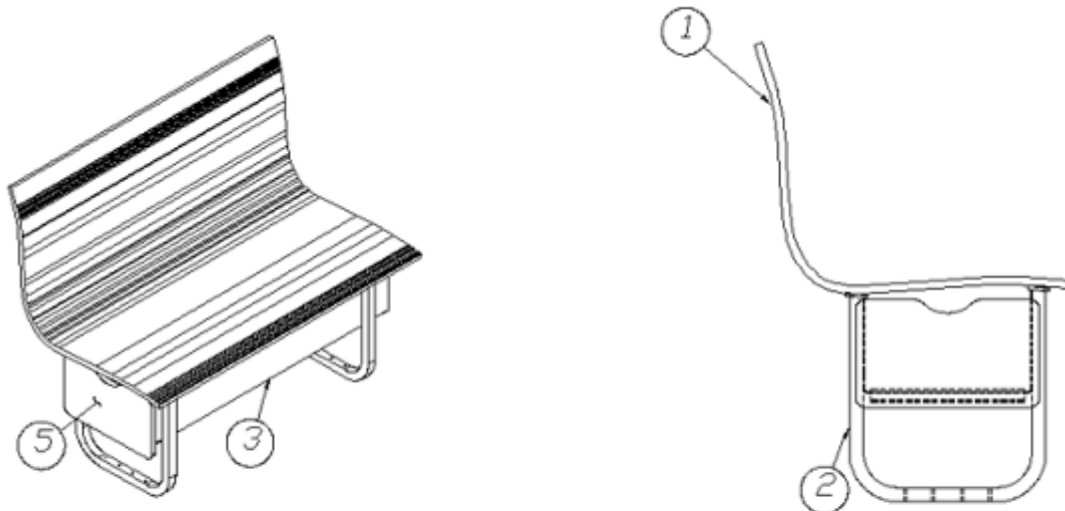
Center Seat, Signature  
Center Seat, Serenity

- |             |                     |
|-------------|---------------------|
| 1. 968012-1 | Panel, 30.25 x 17.5 |
| 2. 968012-2 | Panel, 2.25 x 29.25 |
| 3. 968012-3 | Panel, 2.25 x 16    |
| 4. 968012-4 | Panel, 2.25 x 16    |
| 5. 968012-5 | Panel, 2.25 x 16    |
| 6. 968012-8 | Panel, 2.25 x 14.38 |
| 7. 968012-9 | Panel, 2.25 x 14.38 |

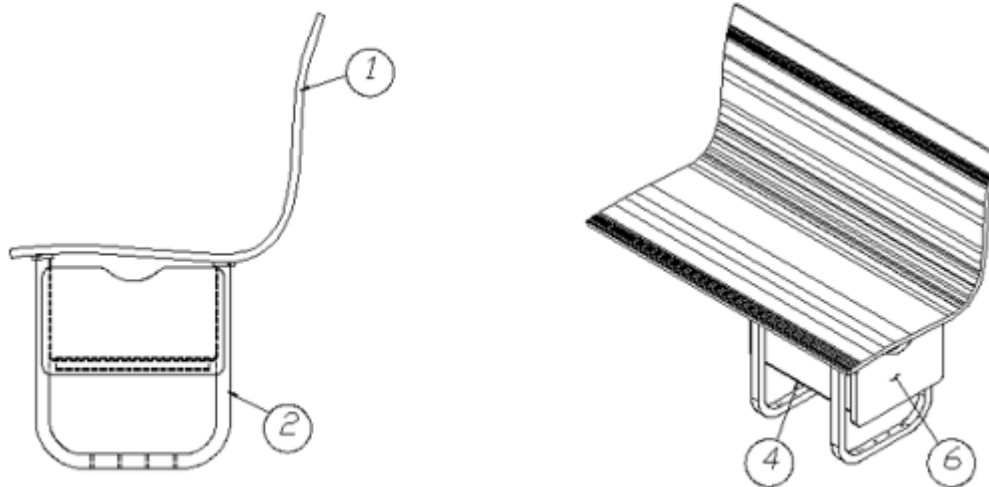
# 2016 INTERNATIONAL TRAVEL TRAILER FURNITURE, GALLEY

## Dinette Seats, 28' Signature

Forward Booth



Aft Booth



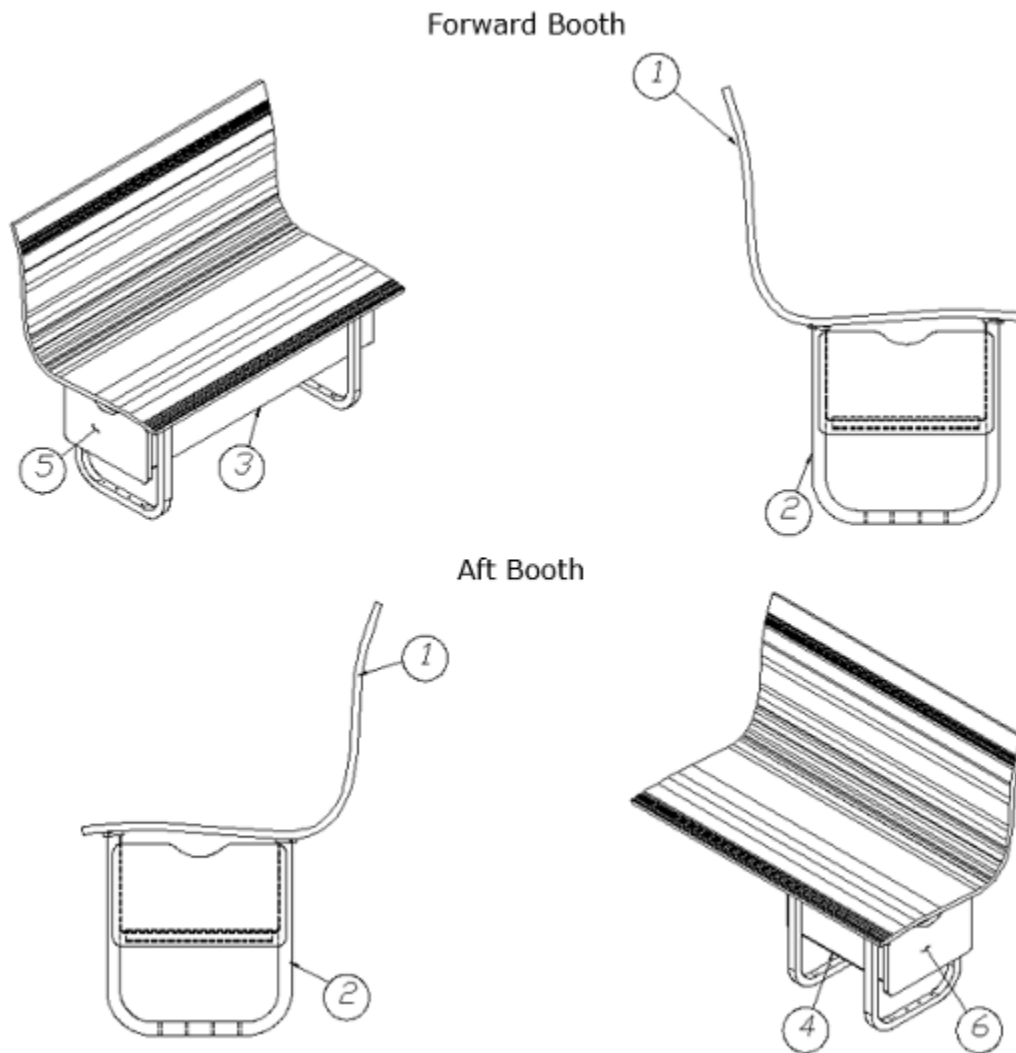
966986  
966987

Forward Booth  
Aft Booth

- |   |   |
|---|---|
| <ul style="list-style-type: none"> <li>1. 801446</li> <li>2. 115140</li> <li>3. 115141</li> <li>4. 115141-02</li> <li>5. 966986-7</li> <li>6. 966987-6</li> <li>381847-01</li> <li>381228-02</li> <li>114070</li> <li>114812</li> </ul> | <ul style="list-style-type: none"> <li>Dinette seat, Contoured</li> <li>Leg, Dinette base</li> <li>Closeout, Under booth seat</li> <li>Closeout, Under booth seat</li> <li>Door, 13.07 x 7.75, Forward booth seat</li> <li>Door, 13.07 x 7.75, Aft booth seat</li> <li>Piano hinge</li> <li>Catch, Grabber door (5lb Pull)</li> <li>Extrusion, J-trim</li> <li>Aluminum angle, 1 x 1</li> </ul> |
|---|---|

# 2016 INTERNATIONAL TRAVEL TRAILER FURNITURE, GALLEY

## Dinette Seats, 28' Serenity



966986-15  
966987-15

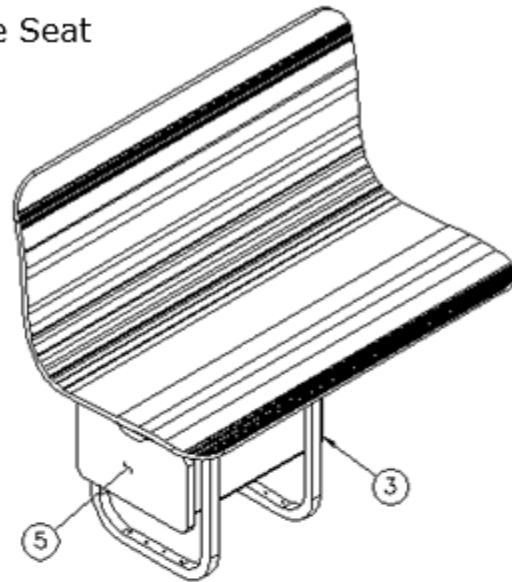
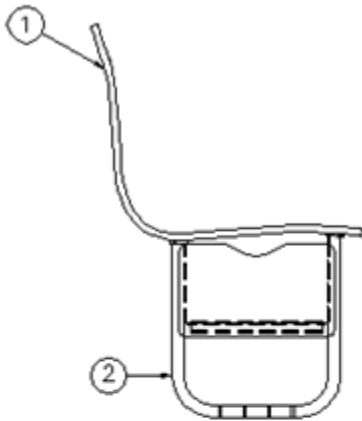
Forward Booth  
Aft Booth

- |   |  |
|---|--|
| <ul style="list-style-type: none"> <li>1. 801446</li> <li>2. 115140</li> <li>3. 115141</li> <li>4. 115141-02</li> <li>5. 966986-157</li> <li>6. 966987-156</li> <li>381847-01</li> <li>203439</li> <li>381228-02</li> <li>114070</li> <li>114812</li> </ul> | <ul style="list-style-type: none"> <li>Dinette seat, Contoured</li> <li>Leg, Dinette base</li> <li>Closeout, Under booth seat</li> <li>Closeout, Under booth seat</li> <li>Door, 13.07 x 7.75, Forward booth seat</li> <li>Door, 13.07 x 7.75, Aft booth seat</li> <li>Piano hinge</li> <li>Storage box, 17" x 11.13" x 6.38"</li> <li>Catch, Grabber door (5lb Pull)</li> <li>Extrusion, J-trim</li> <li>Aluminum angle, 1 x 1</li> </ul> |
|---|--|

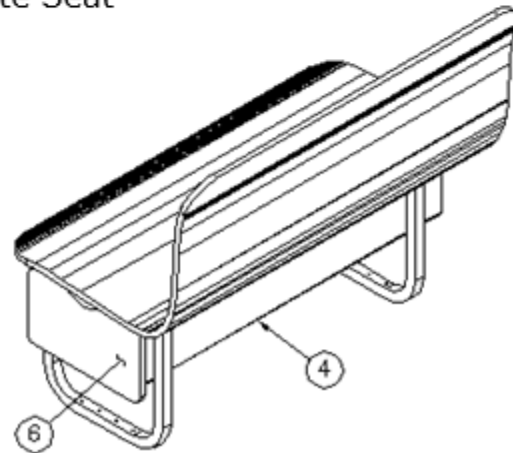
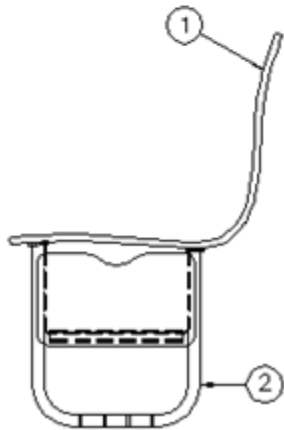
# 2016 INTERNATIONAL TRAVEL TRAILER FURNITURE, GALLEY

## Dinette Seats, 30' Signature

Aft Dinette Seat



Forward Dinette Seat



967631  
967632

Aft Dinette Seat  
Forward Dinette Seat

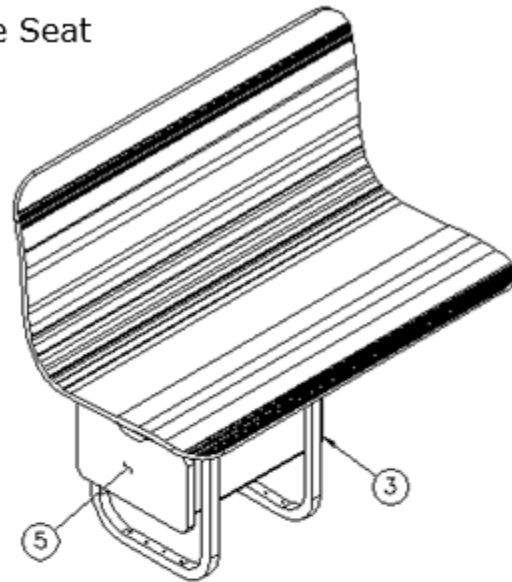
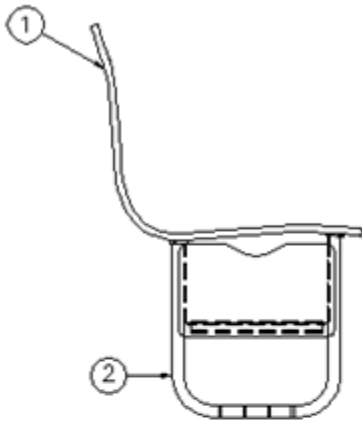
1. 801446
2. 115140
3. 115141-02
4. 115141
5. 967631-6
6. 967632-6
- 203439
- 381847-01
- 381228-02

Dinette seat, Contoured  
Leg, Dinette base  
Closeout, Under booth seat  
Closeout, Under booth seat  
Door, 13.06 x 7.75, Aft dinette seat  
Door, 13.06 x 7.75, Forward dinette seat  
Storage box, 17" x 11.13" x 6.38"  
Piano hinge  
Catch, Grabber door (5lb Pull)

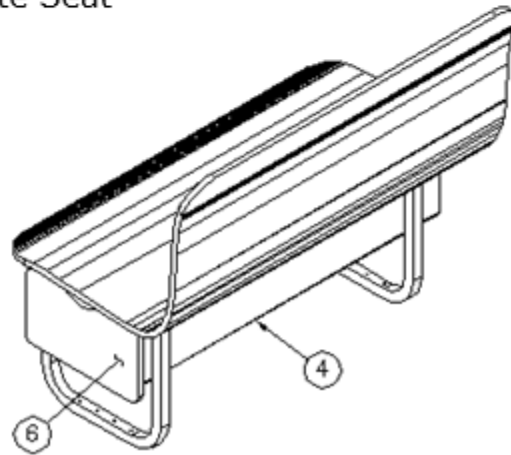
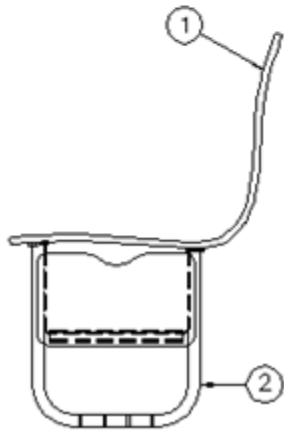
# 2016 INTERNATIONAL TRAVEL TRAILER FURNITURE, GALLEY

## Dinette Seats, 30' Serenity

Aft Dinette Seat



Forward Dinette Seat



967631-15  
967632-15

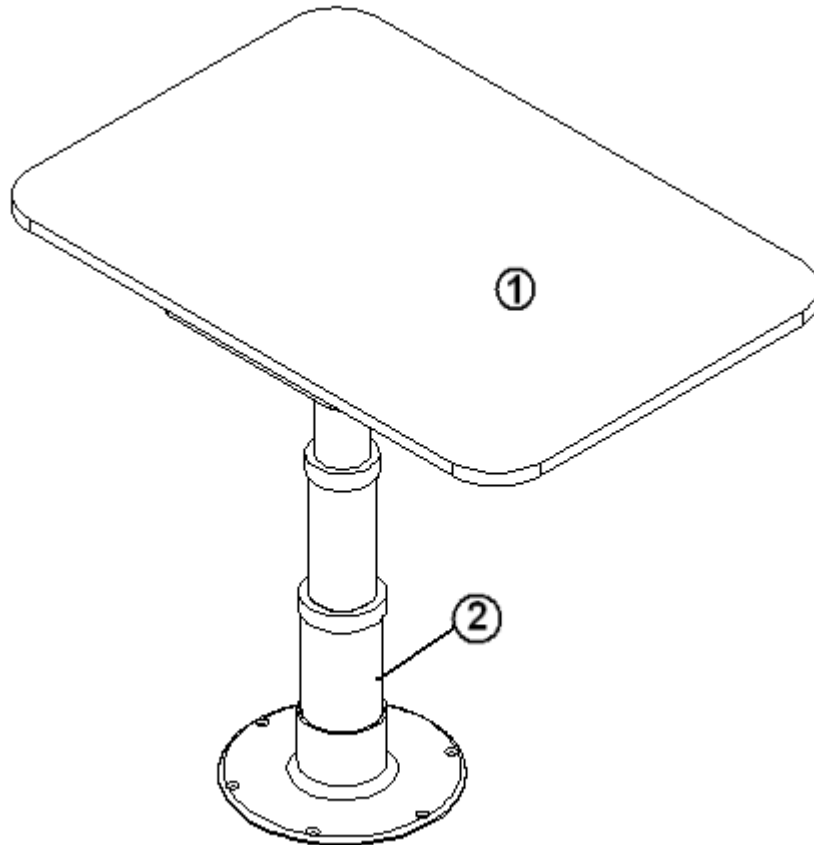
Aft Dinette Seat  
Forward Dinette Seat

- |               |  |
|---------------|--|
| 1. 801446     | Dinette seat, Contoured                  |
| 2. 115140     | Leg, Dinette base                        |
| 3. 115141-02  | Closeout, Under booth seat               |
| 4. 115141     | Closeout, Under booth seat               |
| 5. 967631-156 | Door, 13.06 x 7.75, Aft dinette seat     |
| 6. 967632-156 | Door, 13.06 x 7.75, Forward dinette seat |
| 203439        | Storage box, 17" x 11.13" x 6.38"        |
| 381847-01     | Piano hinge                              |
| 381228-02     | Catch, Grabber door (5lb Pull)           |



# 2016 INTERNATIONAL TRAVEL TRAILER FURNITURE, GALLEY

## Dinette Table, Sliding Pedestal, 23FB



967924  
967924-15

Sliding Pedestal Table, Signature  
Sliding Pedestal Table, Serenity

1. 967924-1  
967924-151

Top, 24" x 35", Signature  
Top, 24" x 35", Serenity

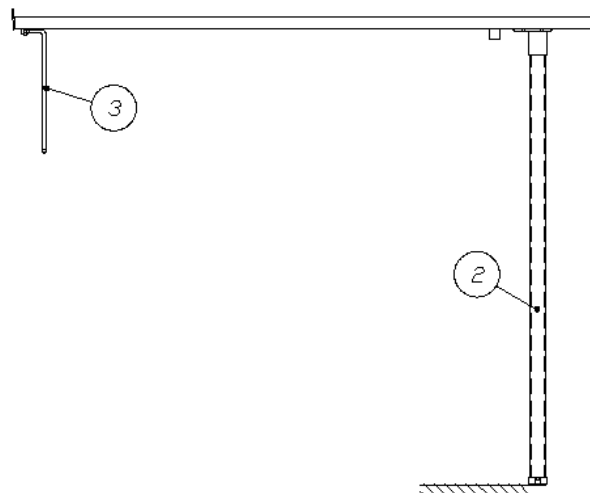
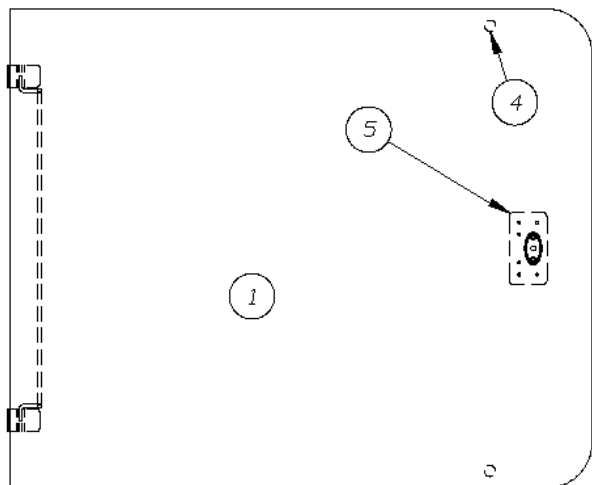
2. 382073-01  
381400-01  
381109-01

Bracket, Pedestal table  
Drawer slide, 12"  
Latch w/flat U-strike

# 2016 INTERNATIONAL TRAVEL TRAILER

## FURNITURE, GALLEY

### Dinette Table, 28FB A2GO, 28', 30'



967155  
967155-15  
967155-23

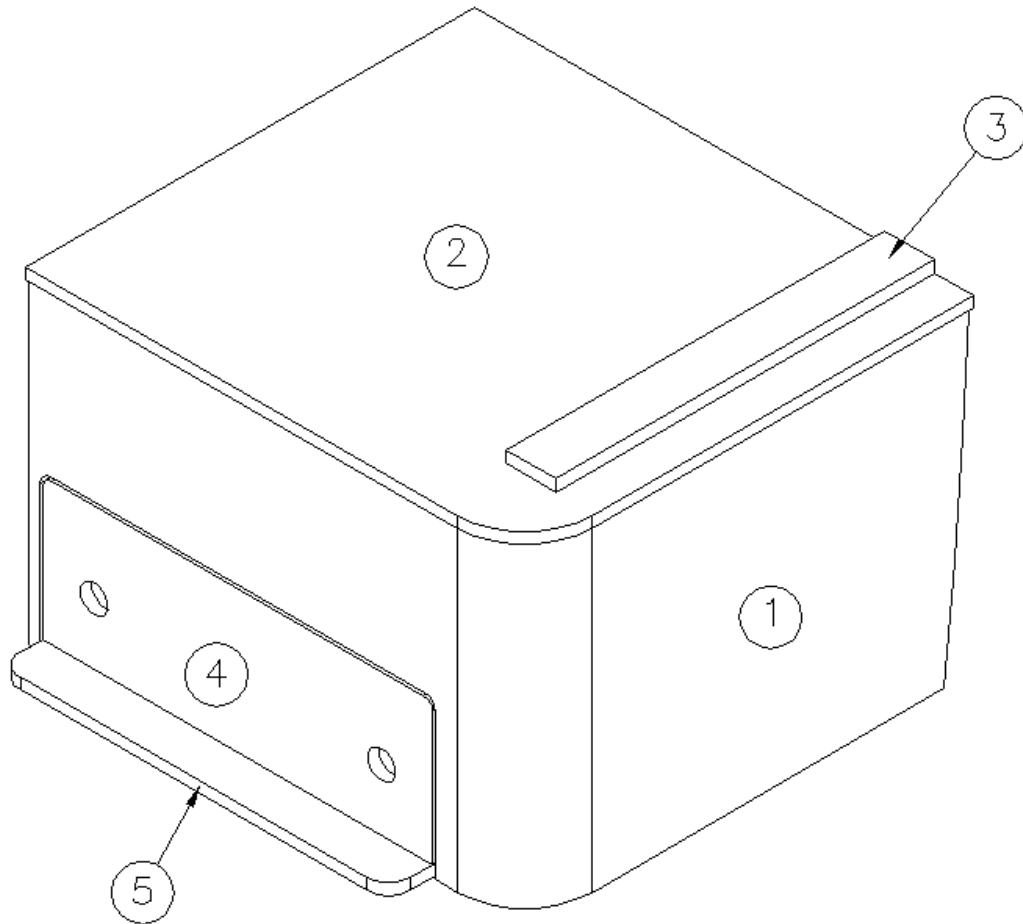
Dinette Table, Signature  
Dinette Table, Serenity  
Dinette Table, A2GO

1. 967155-1  
967155-151  
967155-231
2. 382177
3. 380284-02
4. 381136
5. 967155-8  
340018

Table top, Signature  
Table top, Serenity  
Table top, A2Go  
Leg, Folding table  
Hinge bracket  
Rubber bumper  
Panel, 3.63 x 5.88  
Catch plate, J-1

# 2016 INTERNATIONAL TRAVEL TRAILER FURNITURE, GALLEY

## Water Heater Cover, 30' Signature



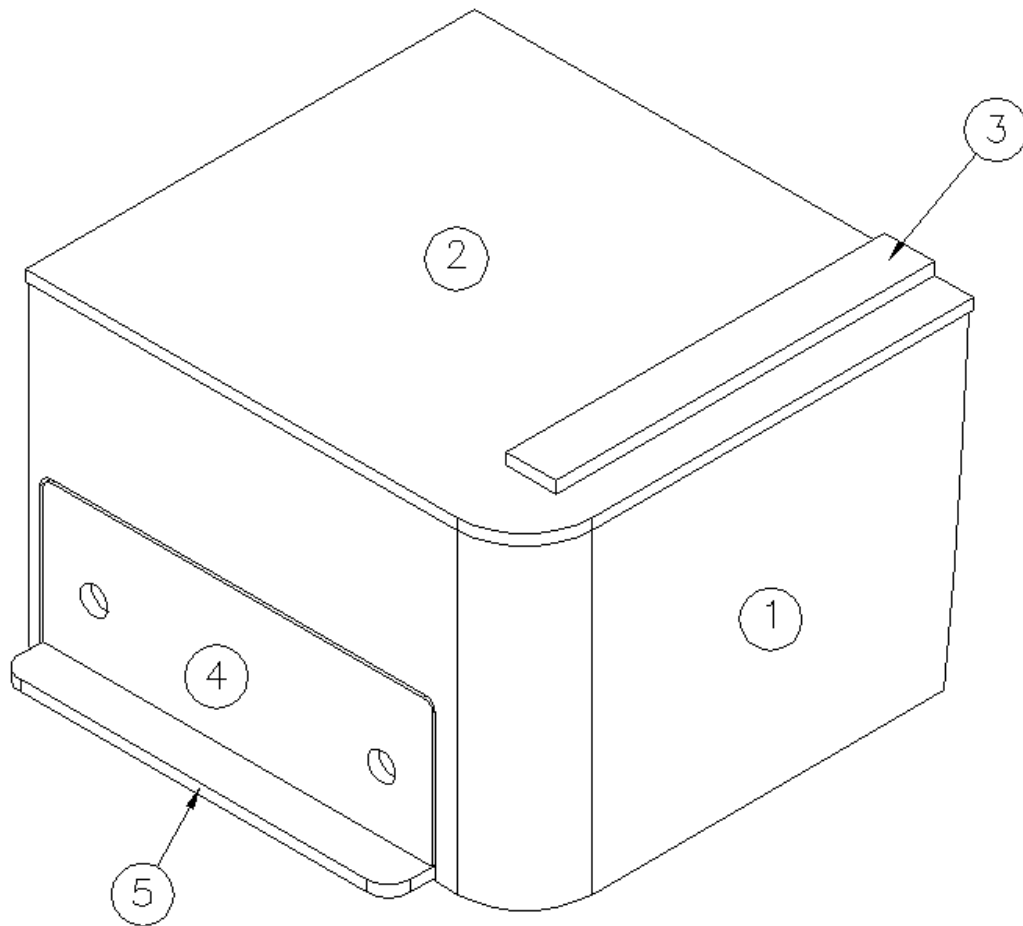
967630

Water Heater Cover

- |              |                                |
|--------------|--------------------------------|
| 1. 967630-4  | Panel, Water cover             |
| 2. 967630-5  | Panel, 22.38 x 20.13           |
| 3. 967630-6  | Panel, 2.25 x 17               |
| 4. 967630-7  | Panel, 4.62 x 9.62             |
| 5. 967630-11 | Panel, 2.5 x 17.52             |
| 381228-02    | Catch, Grabber door (5lb Pull) |
| 365364-01    | Edgebanding, .63", Ebony Woods |

# 2016 INTERNATIONAL TRAVEL TRAILER FURNITURE, GALLEY

## Water Heater Cover, 30' Serenity



967630-15

Water Heater Cover

1. 967630-154

Panel, Water cover

2. 967630-155

Panel, 22.38 x 20.13

3. 967630-156

Panel, 2.25 x 17

4. 967630-157

Panel, 4.62 x 9.62

5. 967630-1511

Panel, 2.5 x 17.52

381228-02

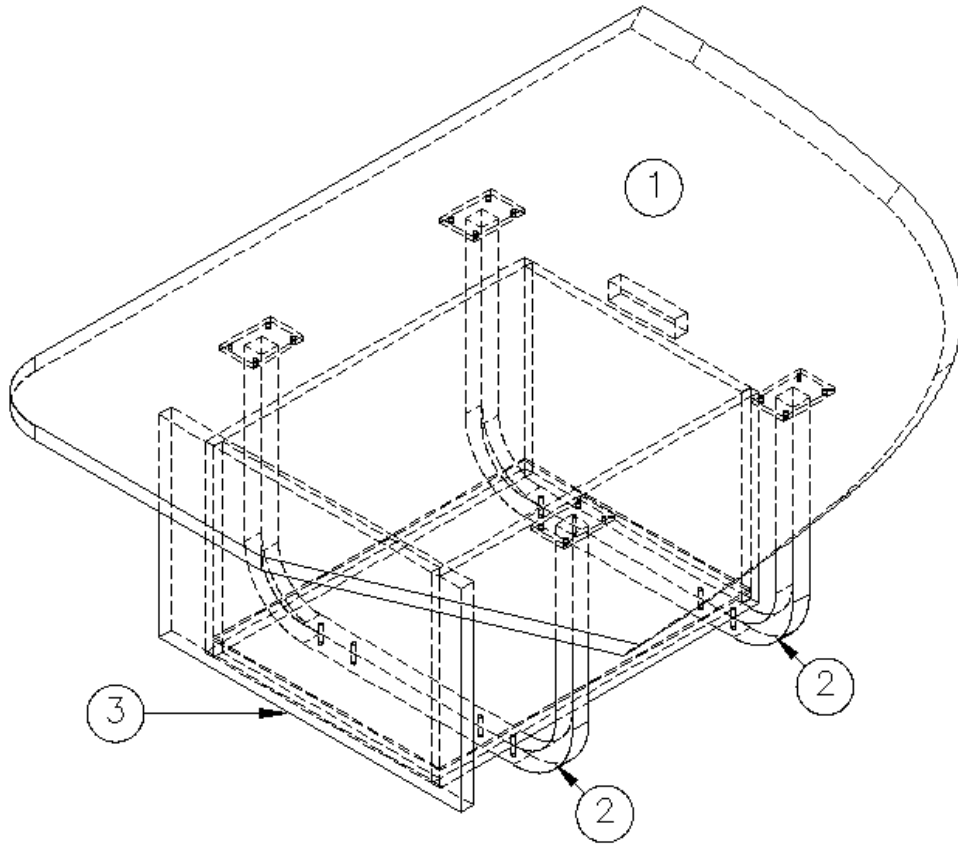
Catch, Grabber door (5lb Pull)

365344-01

Edgebanding, .63", Pearl Bisque

# 2016 INTERNATIONAL TRAVEL TRAILER FURNITURE, LOUNGE

## Dinette Seat, Curbside, 19' Signature



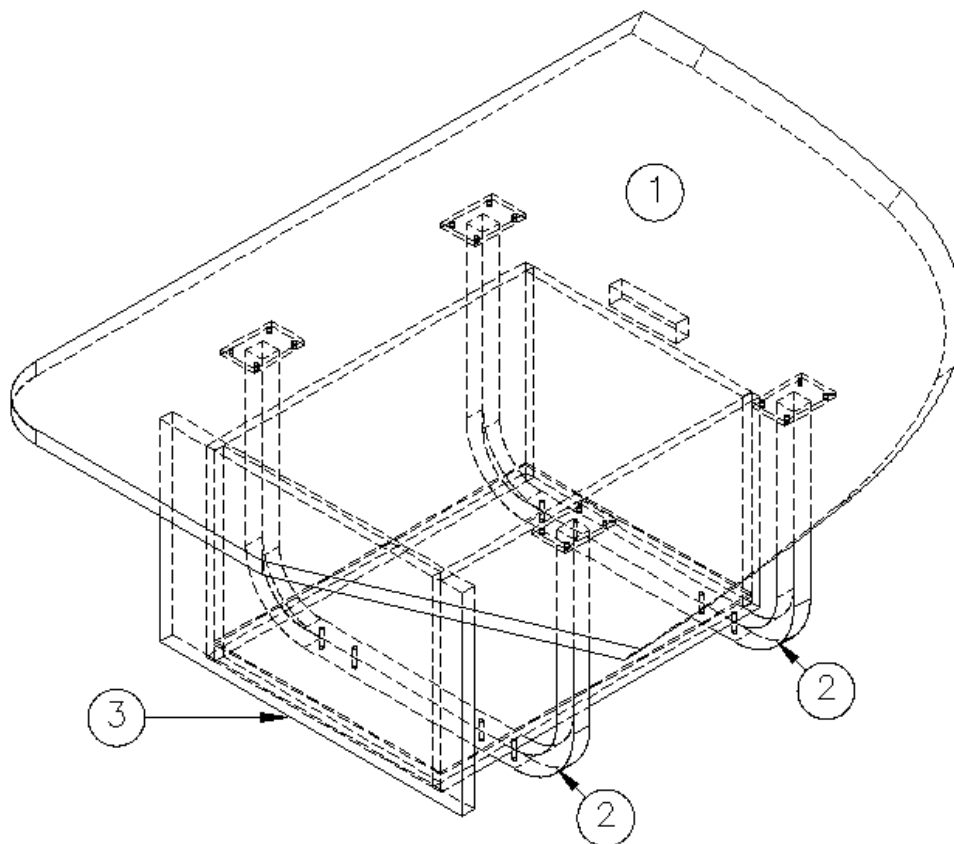
### 966961 Curbside Dinette Seat

- |             |                                 |
|-------------|---------------------------------|
| 1. 966961-1 | Panel, 32.88 x 39.68            |
| 2. 454177   | Legs, Aluminum                  |
| 3. 966961-4 | Drawer face, 18 x 11.5          |
| 964909-11   | Drawer box, 10 x 14 x 19        |
| 381833-01   | Drawer slide, 18"               |
| 381074      | Bull dog catch                  |
| *381228     | Catch, Grabber door (10lb Pull) |

\*381228 Replaced 381074 in March 2016

# 2016 INTERNATIONAL TRAVEL TRAILER FURNITURE, LOUNGE

## Dinette Seat, Curbside, 19' Serenity



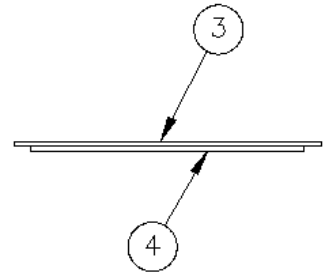
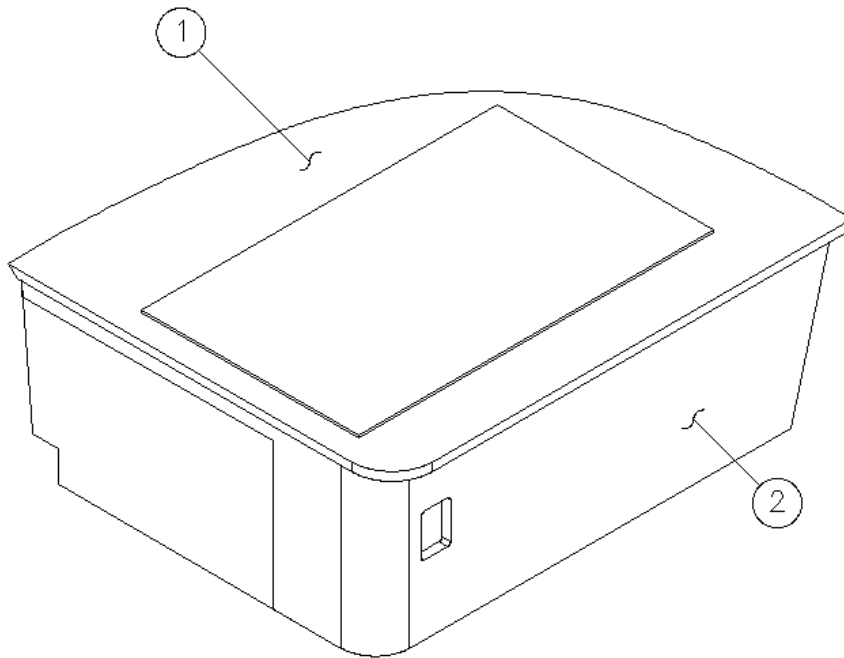
966961-15 Curbside Dinette Seat

- |               |                                 |
|---------------|---------------------------------|
| 1. 966961-151 | Panel, 32.88 x 39.68            |
| 2. 454177     | Legs, Aluminum                  |
| 3. 966961-154 | Drawer face, 18 x 11.5          |
| 964909-11     | Drawer box, 10 x 14 x 19        |
| 381833-01     | Drawer slide, 18"               |
| 381074        | Bull dog catch                  |
| *381228       | Catch, Grabber door (10lb Pull) |

\*381228 Replaced 381074 in March 2016

# 2016 INTERNATIONAL TRAVEL TRAILER FURNITURE, LOUNGE

## Dinette Seat, Roadside, 19' Signature



966962

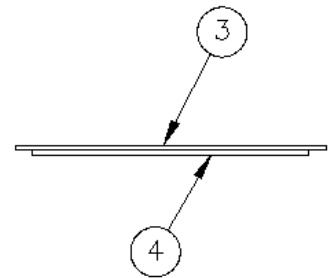
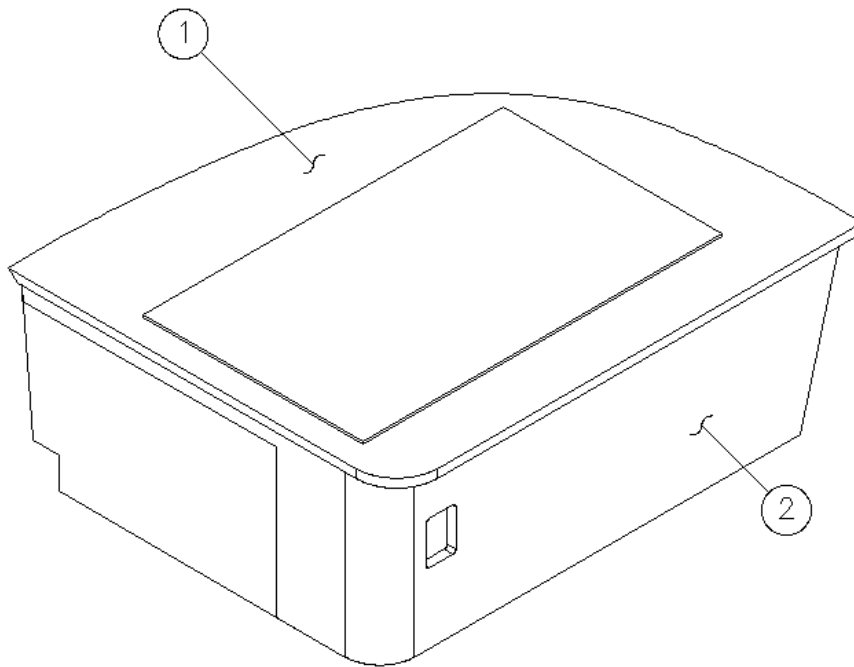
Roadside Dinette Seat

- 1. 966962-1
- 2. 968185
- 3. 966962-5
- 4. 966962-6
- 701538-01

Panel, 33.44 x 40.19  
RS dinette sub assembly  
Panel, 31.13 x 19  
Panel, 28.75 x 16.88  
Carpet, Econolier

# 2016 INTERNATIONAL TRAVEL TRAILER FURNITURE, LOUNGE

## Dinette Seat, Roadside, 19' Serenity



966962-15

Roadside Dinette Seat

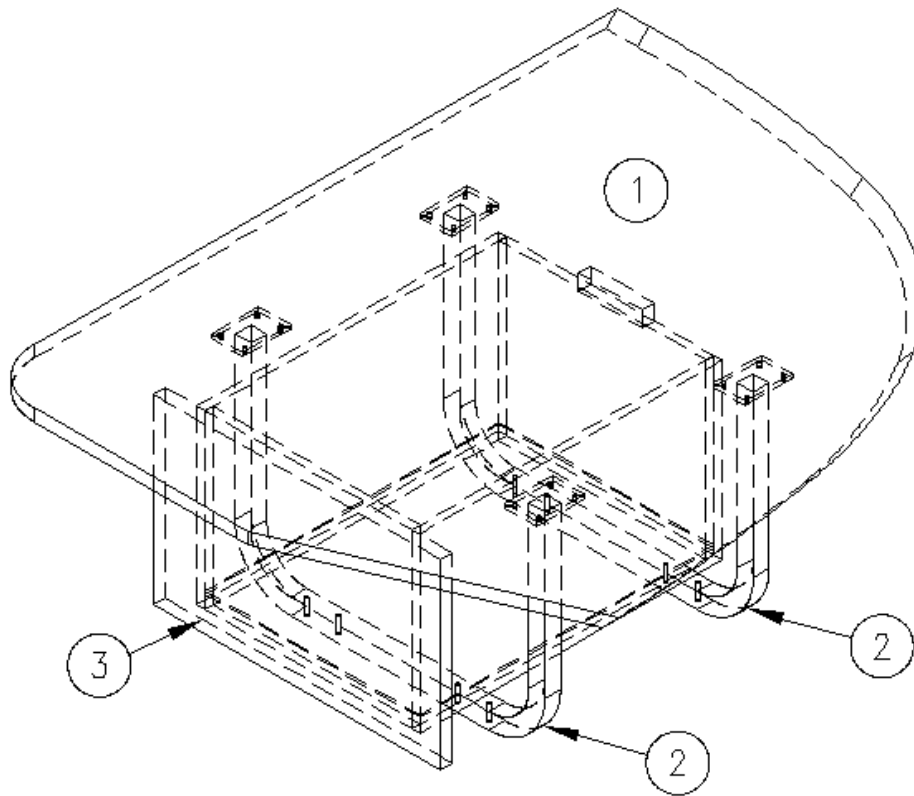
- 1. 966962-1
- 2. 968185-15
- 3. 966962-5
- 4. 966962-6  
701538-01

Panel, 33.44 x 40.19  
RS dinette sub assembly  
Panel, 31.13 x 19  
Panel, 28.75 x 16.88  
Carpet, Econolier



# 2016 INTERNATIONAL TRAVEL TRAILER FURNITURE, LOUNGE

## Dinette Seat, Curbside, 23D Signature



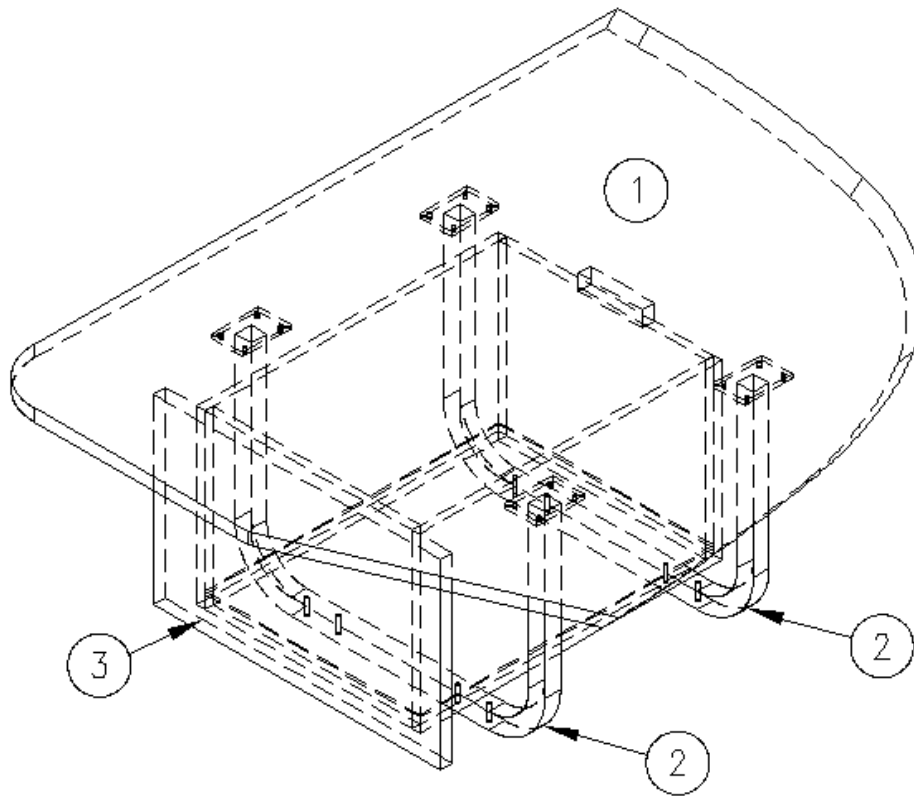
966928

Curbside Dinette Seat

- |             |                          |
|-------------|--------------------------|
| 1. 966928-1 | Panel, 33.38 x 40.18     |
| 2. 454177   | Legs, Aluminum           |
| 3. 966928-4 | Door, 11.5 x 18          |
| 964909-11   | Drawer box, 10 x 14 x 19 |
| 381833-01   | Drawer slide, 18"        |
| 381074      | Bull dog catch           |

# 2016 INTERNATIONAL TRAVEL TRAILER FURNITURE, LOUNGE

## Dinette Seat, Curbside, 23D Serenity



966928-15

Curbside Dinette Seat

1. 966928-1

Panel, 33.38 x 40.18

2. 454177

Legs, Aluminum

3. 964909-11

Drawer box, 10 x 14 x 19

966928-154

Door, 11.5 x 18

381833-01

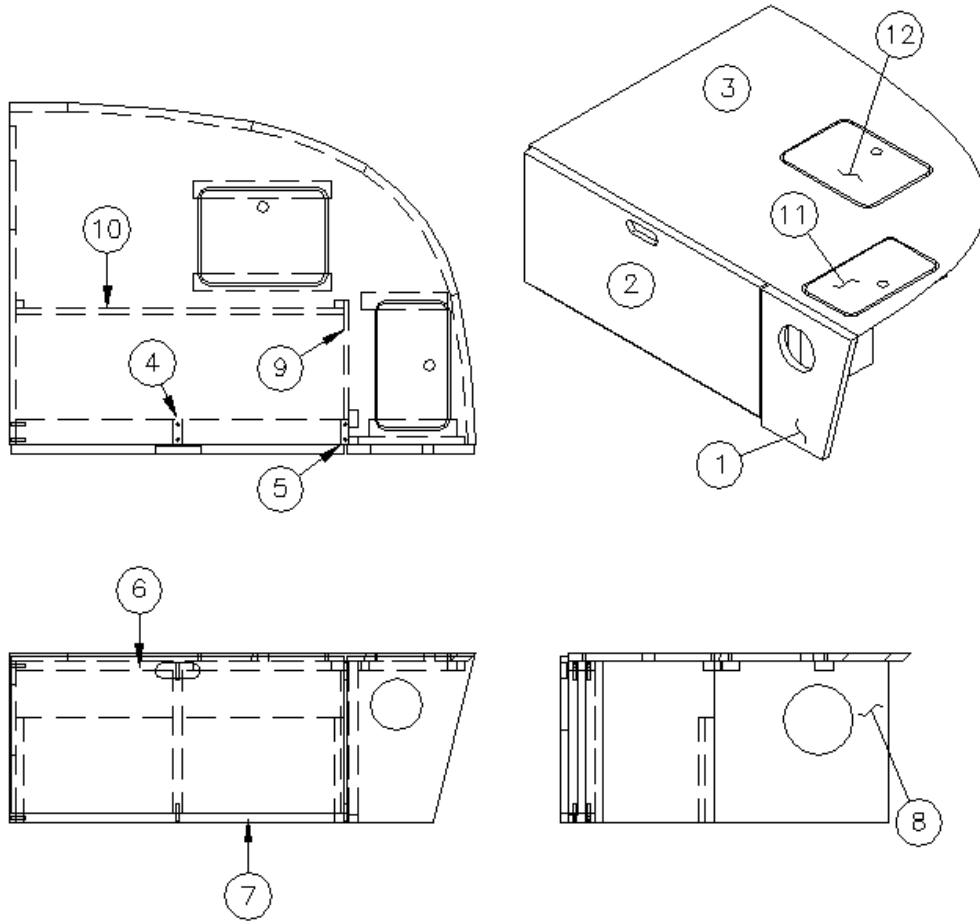
Drawer slide, 18"

381074

Bull dog catch

# 2016 INTERNATIONAL TRAVEL TRAILER FURNITURE, LOUNGE

## Dinette Seat, Roadside, 23D Signature



966930

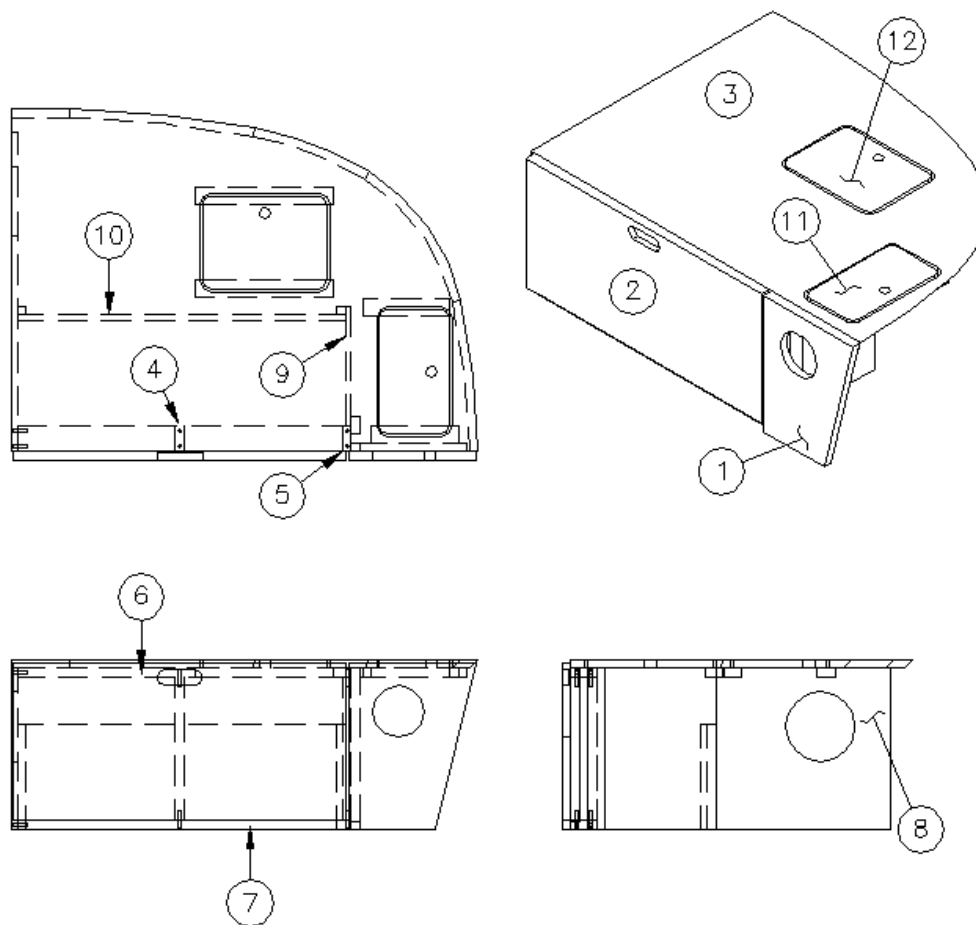
Roadside Dinette Seat

- |               |                                |
|---------------|--------------------------------|
| 1. 966930-1   | Panel, 14.38 x 10.88           |
| 2. 966930-2   | Panel, 13.63 x 28.63           |
| 3. 966930-3   | Panel, 29.5 x 40.19            |
| 4. 966930-4   | Panel, 2.25 x 12.38            |
| 5. 966930-5   | Panel, 2.25 x 12.38            |
| 6. 966930-6   | Panel, 2.25 x 28.75            |
| 7. 966930-7   | Panel, 2.25 x 28.75            |
| 8. 966930-8   | Panel, 27.5 x 13.88            |
| 9. 966930-15I | Panel, 10.25 x 13.88           |
| 10. 966930-17 | Panel, 9 x 28.25               |
| 11. 966930-18 | Panel, 6 x 10.75               |
| 12. 966930-19 | Panel, 8 x 10.75               |
| 381072-01     | Hinge 3" x 2", Fixed pin       |
| 381775        | Drawer Pull                    |
| 381228-02     | Catch, Grabber door (5lb Pull) |

# 2016 INTERNATIONAL TRAVEL TRAILER

## FURNITURE, LOUNGE

### Dinette Seat, Roadside, 23D Serenity



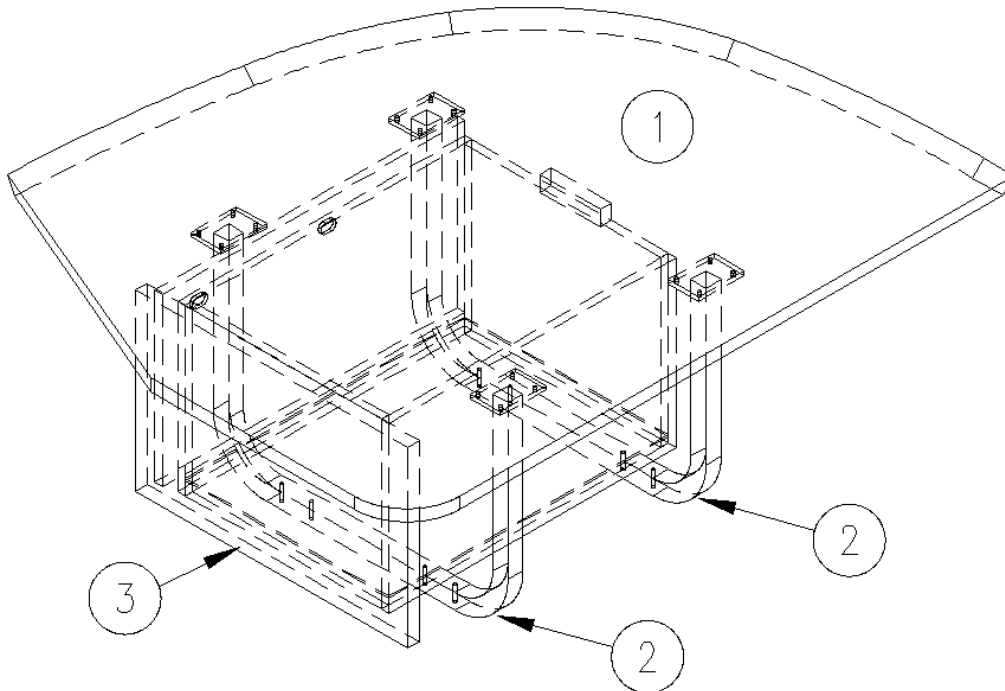
966930-15

Roadside Dinette Seat

- |               |                                |
|---------------|--------------------------------|
| 1. 966930-151 | Panel, 8.88 x 14.38            |
| 2. 966930-152 | Panel, 30.63 x 13.63           |
| 3. 966930-3   | Panel, 29.5 x 40.19            |
| 4. 966930-4   | Panel, 2.25 x 12.38            |
| 5. 966930-5   | Panel, 2.25 x 12.38            |
| 6. 966930-6   | Panel, 2.25 x 30.75            |
| 7. 966930-7   | Panel, 2.25 x 30.75            |
| 8. 966930-8   | Panel, 27.5 x 13.88            |
| 9. 966930-15I | Panel, 14 x 13.88              |
| 10. 966930-17 | Panel, 9 x 30.25               |
| 11. 966930-18 | Panel, 6 x 10.75               |
| 12. 966930-19 | Panel, 8 x 10.75               |
| 381775        | Drawer Pull                    |
| 381072-01     | Hinge 3" x 2", Fixed pin       |
| 381228-02     | Catch, Grabber door (5lb Pull) |

# 2016 INTERNATIONAL TRAVEL TRAILER FURNITURE, LOUNGE

## Dinette Seat, Curbside, 25FB, 27FB Signature



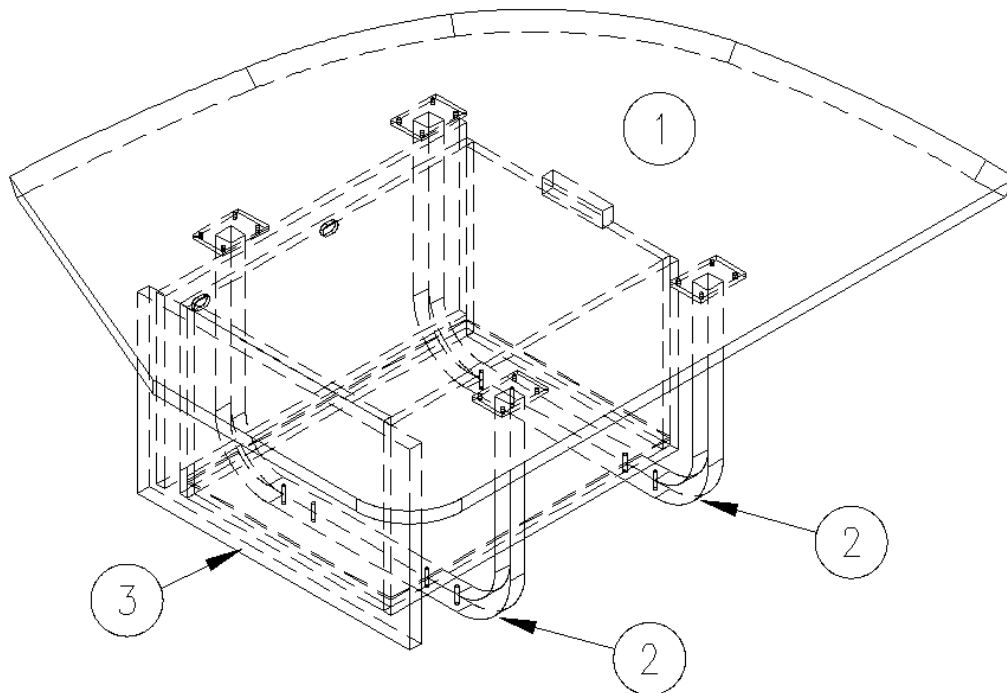
966889

Curbside Dinette Seat

- |              |                                   |
|--------------|-----------------------------------|
| 1. 966889-1  | Panel, 33.38 x 40.18              |
| 2. 454177    | Leg, Aluminum                     |
| 3. 966889-04 | Door, 11.5 x 18                   |
| 964909-11    | Drawer box, 10" x 14" x 19"       |
| 381833-01    | Drawer slide, 18"                 |
| 381074       | Bull dog catch                    |
| 365364-02    | Edgebanding, .94", Ebony          |
| 203439       | Storage box, 17" x 11.13" x 6.38" |

# 2016 INTERNATIONAL TRAVEL TRAILER FURNITURE, LOUNGE

## Dinette Seat, Curbside, 25FB, 27FB Serenity



966889-15

Curbside Dinette Seat

1. 966889-1

Panel, 33.38 x 40.18

2. 454177

Leg, Aluminum

3. 966889-154

Door, 11.5 x 18

964909-11

Drawer box, 10" x 14" x 19"

381833-01

Drawer slide, 18"

381074

Bull dog catch

365344-02

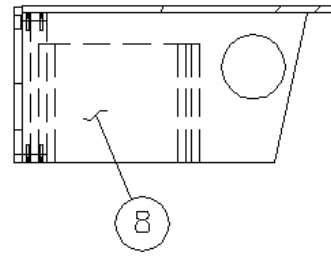
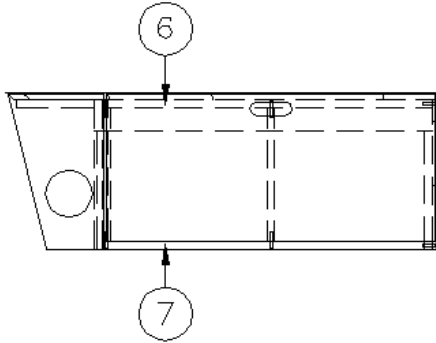
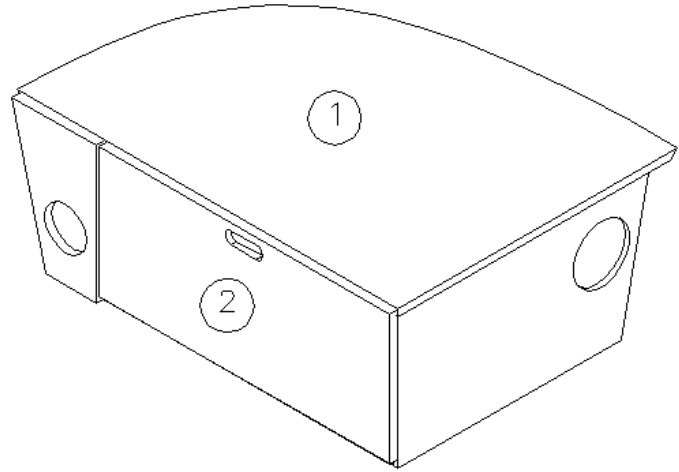
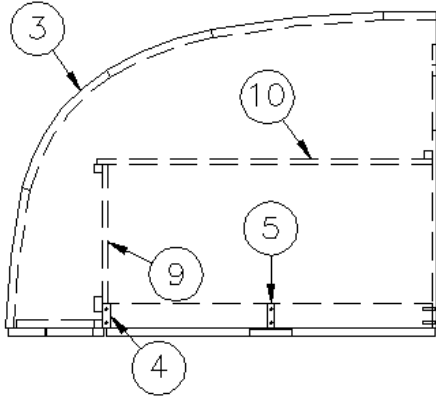
Edgebanding, .94", Pearl Bisque

203439

Storage box, 17" x 11.13" x 6.38"

# 2016 INTERNATIONAL TRAVEL TRAILER FURNITURE, LOUNGE

## Dinette Seat, Roadside, 25FB, 27FB Signature



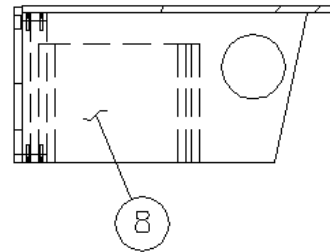
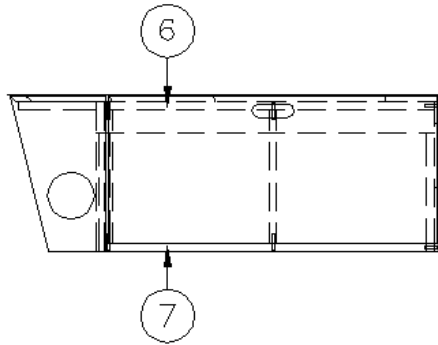
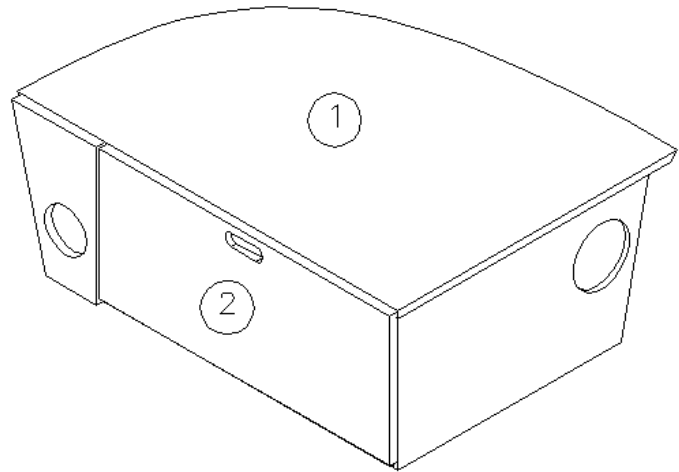
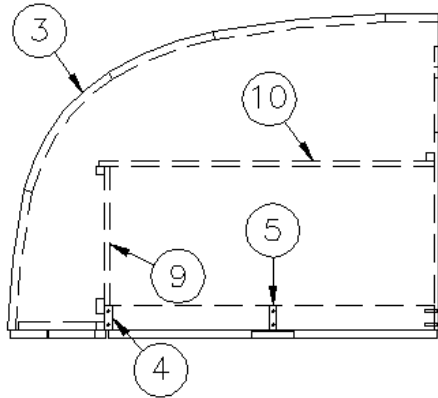
966890

Roadside Dinette Seat

- |               |                                   |
|---------------|-----------------------------------|
| 1. 966890-1   | Panel, 14.38 x 8.88               |
| 2. 966890-2   | Panel, 13.63 x 30.63              |
| 3. 966890-3   | Panel, 29.5 x 40.19               |
| 4. 966890-4   | Panel, 2.25 x 12.38               |
| 5. 966890-5   | Panel, 2.25 x 12.38               |
| 6. 966890-6   | Panel, 2.25 x 30.75               |
| 7. 966890-7   | Panel, 2.25 x 30.75               |
| 8. 966890-8   | Panel, 26.5 x 13.88               |
| 9. 966890-16  | Panel, 13 x 11                    |
| 10. 966890-17 | Panel, 31.25 x 11                 |
| 381775        | Drawer pull                       |
| 381072-01     | Hinge, 3" x 2", Fixed pin         |
| 381228-02     | Catch, Grabber door (5lb Pull)    |
| 365364-02     | Edgebanding, .94", Ebony          |
| 365364-01     | Edgebanding, .63", Ebony          |
| 203439        | Storage box, 17" x 11.13" x 6.38" |

# 2016 INTERNATIONAL TRAVEL TRAILER FURNITURE, LOUNGE

## Dinette Seat, Roadside, 25FB, 27FB Serenity



966890-15

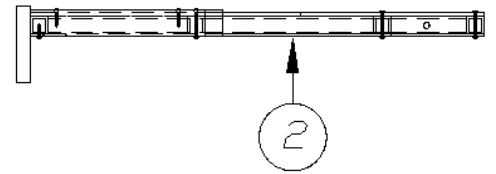
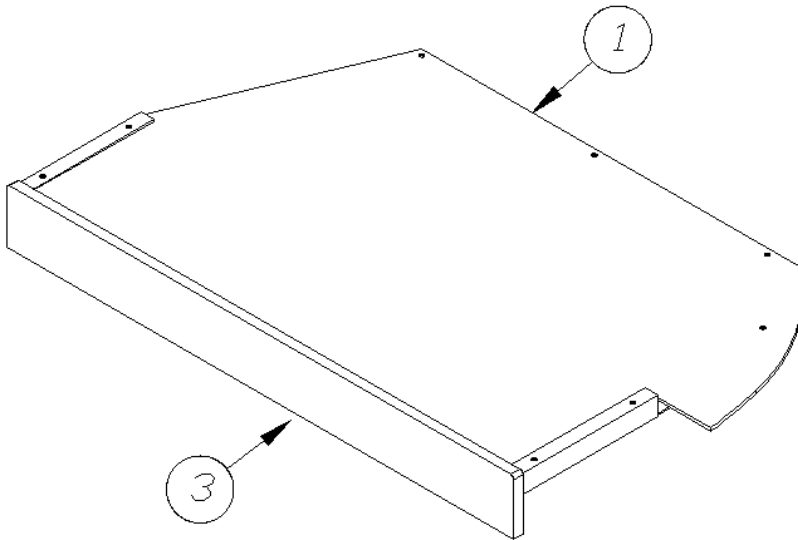
Roadside Dinette Seat

- |               |                                   |
|---------------|-----------------------------------|
| 1. 966890-151 | Panel 14.38 x 8.88                |
| 2. 966890-152 | Panel 13.63 x 30.63               |
| 3. 966890-3   | Panel, 29.5 x 40.19               |
| 4. 966890-4   | Panel, 2.25 x 12.39               |
| 5. 966890-5   | Panel, 2.25 x 12.38               |
| 6. 966890-6   | Panel, 2.25 x 30.75               |
| 7. 966890-7   | Panel, 2.25 x 30.75               |
| 8. 966890-8   | Panel, 27.5 x 13.88               |
| 9. 966890-16  | Panel, 13 x 11                    |
| 10. 966890-17 | Panel, 31.25 x 11                 |
| 381775        | Drawer Pull                       |
| 381072-01     | Hinge, 3" x 2", Fixed pin         |
| 381228-02     | Catch, Grabber door (5lb Pull)    |
| 365344-02     | Edgebanding, .94", Pearl Bisque   |
| 365344-01     | Edgebanding, .63", Pearl Bisque   |
| 203439        | Storage Box, 17" x 11.13" x 6.38" |



# 2016 INTERNATIONAL TRAVEL TRAILER FURNITURE, LOUNGE

## Dinette Seat, Curbside Base, Eddie Bauer



967687-19

Curbside Dinette Seat Base

1. 967687-191

Panel, 44.65 x 25.63

2. 967687-192

Panel, 40 x 25.63

3. 967687-194

Panel, 4.38 x 40.5

101134

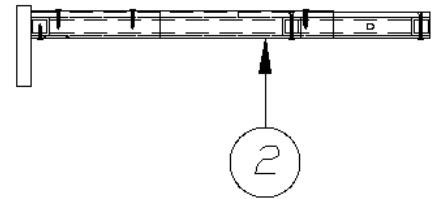
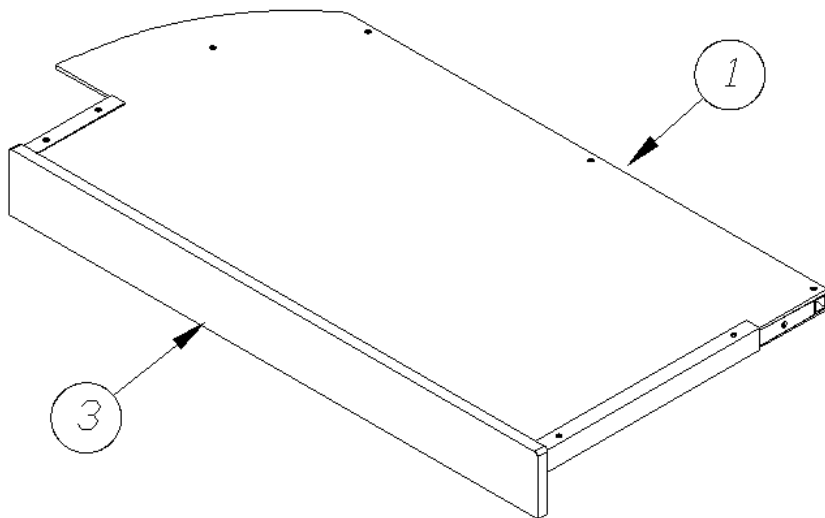
Aluminum angle

365352-02

Edgebanding, .94", Maple

# 2016 INTERNATIONAL TRAVEL TRAILER FURNITURE, LOUNGE

## Dinette Seat, Roadside Base, Eddie Bauer



967688-19

Roadside Dinette Seat Base

1. 967688-191

Panel, 44.65 x 21.63

2. 967688-192

Panel, 40 x 21.63

3. 967688-194

Panel, 4.38 x 40.5

101134

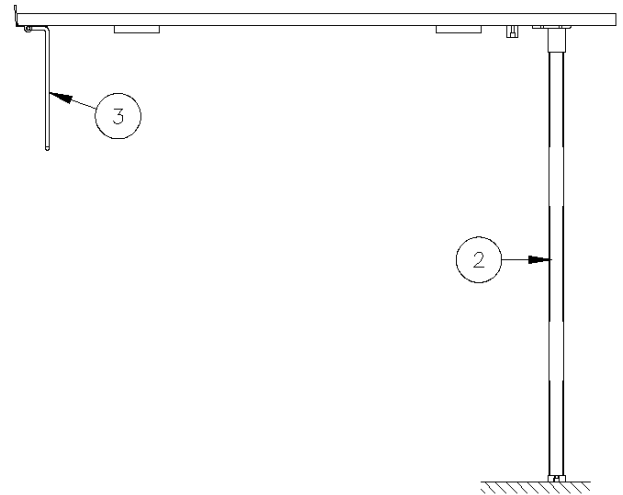
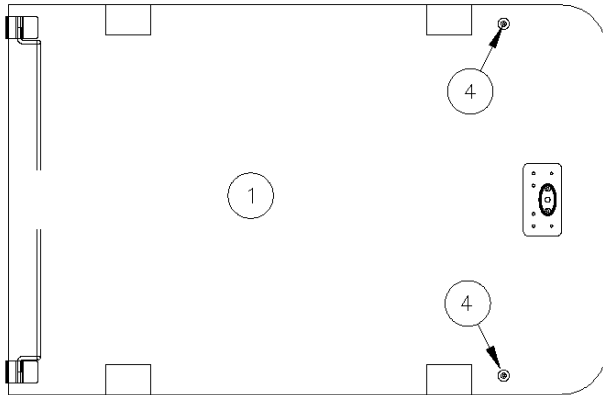
Aluminum angle

365352-02

Edgebanding, .94", Maple

# 2016 INTERNATIONAL TRAVEL TRAILER FURNITURE, LOUNGE

## Dinette Table, 19' Signature



967153

Dinette Table

1. 967153-1

Table top, 26 x 40

2. 382177

Leg, Folding

3. 380284-02

Hinge bracket

4. 381136

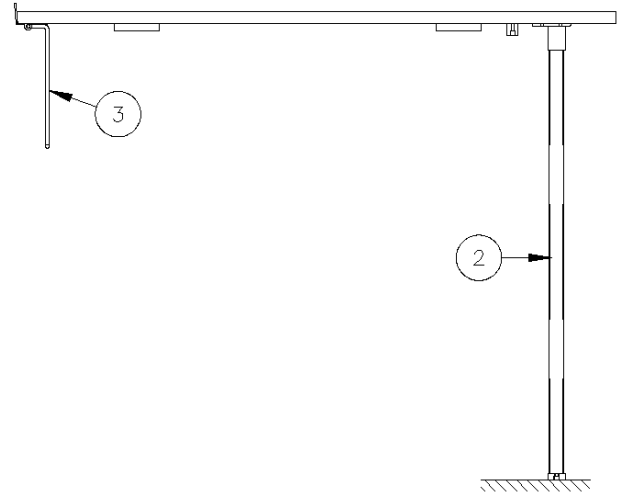
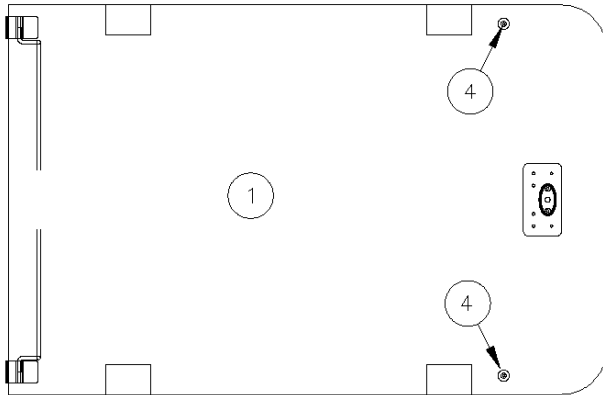
Rubber bumper

340018

Catch plate J-1

# 2016 INTERNATIONAL TRAVEL TRAILER FURNITURE, LOUNGE

## Dinette Table, 19' Serenity



967153-15

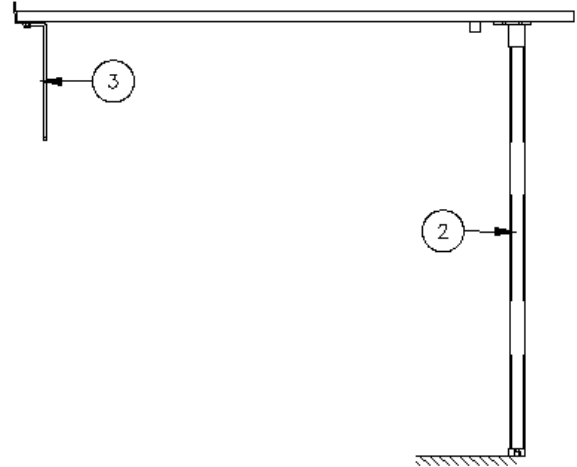
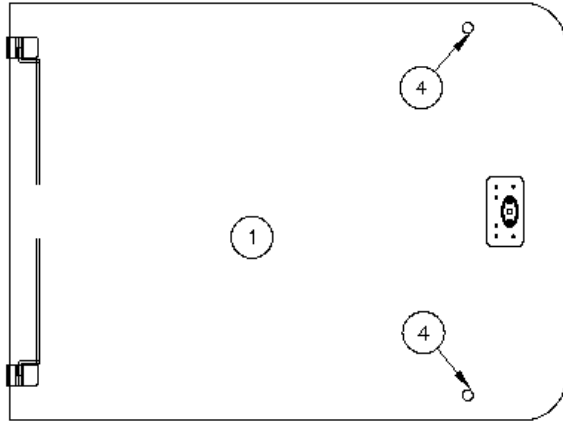
Dinette Table

1. 967153-151
2. 382177
3. 380284-02
4. 381136  
340018

Table Top, 26 x 40  
Leg, Folding  
Hinge bracket  
Rubber bumper  
Catch plate J-1

# 2016 INTERNATIONAL TRAVEL TRAILER FURNITURE, LOUNGE

## Dinette Table, 23D Signature



967154

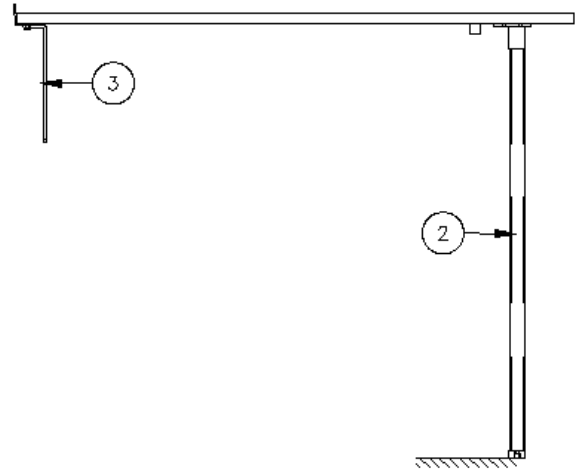
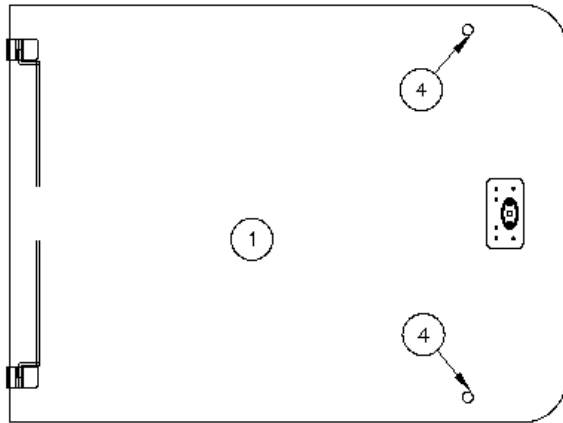
Dinette Table

1. 967154-1
2. 382177
3. 380284-02
4. 381136
- 340018

Table top, 29.31 x 39  
Leg, Folding  
Hinge bracket  
Rubber bumper  
Catch plate J-1

# 2016 INTERNATIONAL TRAVEL TRAILER FURNITURE, LOUNGE

## Dinette Table, 23D Serenity



967154-15

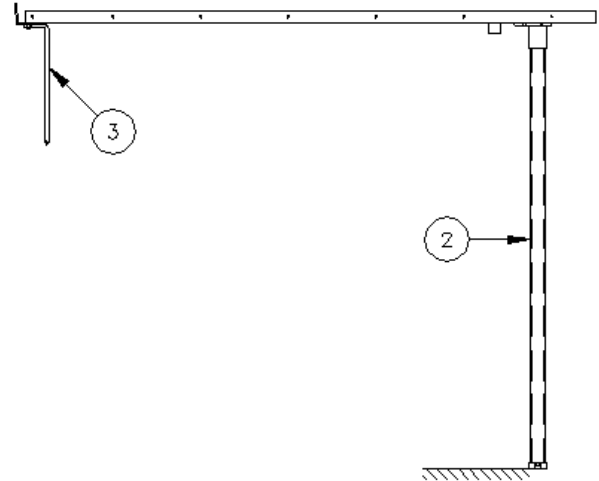
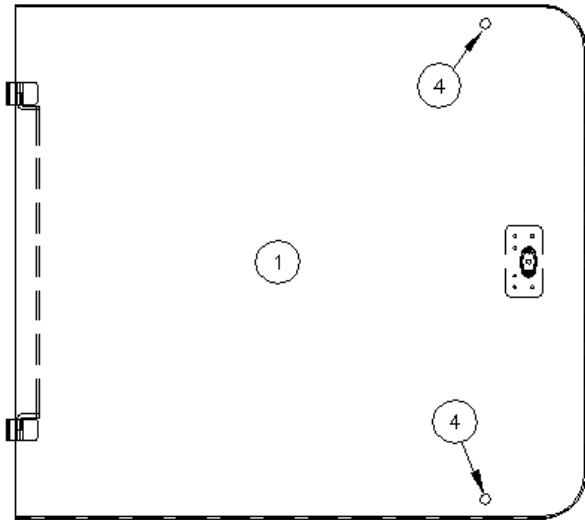
Dinette Table

1. 967154-151
2. 382177
3. 380284-02
4. 381136
- 340018

Table top, 29.31 x 39  
Leg, Folding  
Hinge bracket  
Rubber bumper  
Catch plate J-1

# 2016 INTERNATIONAL TRAVEL TRAILER FURNITURE, LOUNGE

## Dinette Table, 25', 25FB, 27FB Signature



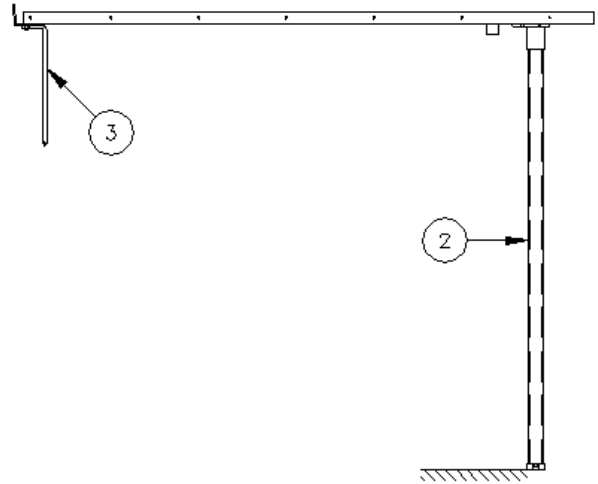
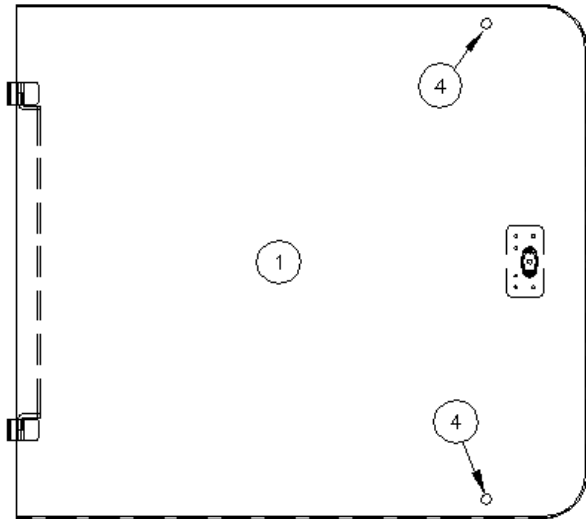
967156

Dinette Table

- |              |                    |
|--------------|--------------------|
| 1. 967156-1  | Table top, 35 x 39 |
| 2. 382177    | Leg, Folding       |
| 3. 380284-02 | Hinge bracket      |
| 4. 381136    | Rubber bumper      |
| 340018       | Catch Plate J-1    |

# 2016 INTERNATIONAL TRAVEL TRAILER FURNITURE, LOUNGE

Dinette Table, 25', 25FB, 27FB Serenity



967156-15

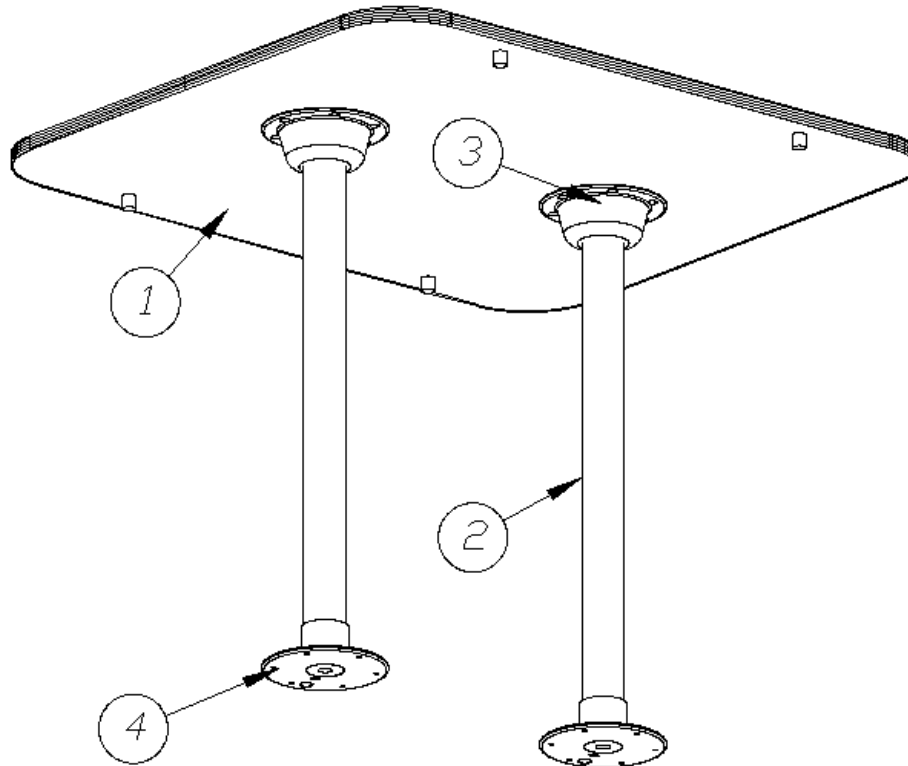
Dinette Table

- |               |                    |
|---------------|--------------------|
| 1. 967156-151 | Table top, 35 x 39 |
| 2. 382177     | Leg, Folding       |
| 3. 380284-02  | Hinge bracket      |
| 4. 381136     | Rubber bumper      |
| 340018        | Catch plate J-1    |



# 2016 INTERNATIONAL TRAVEL TRAILER FURNITURE, LOUNGE

## Dinette Table, Pedestal, Eddie Bauer



967690-19

Dinette Pedestal Table, Eddie Bauer

1. 967690-191

Table top, 35 x 40

2. 381974-01

Pedestal Leg, 31.5"

3. 381975

Socket, Table

4. 381976

Socket, Floor

381581

Strap, Clear plastic

700005

Fastener cap

700006

Fastener socket

115472

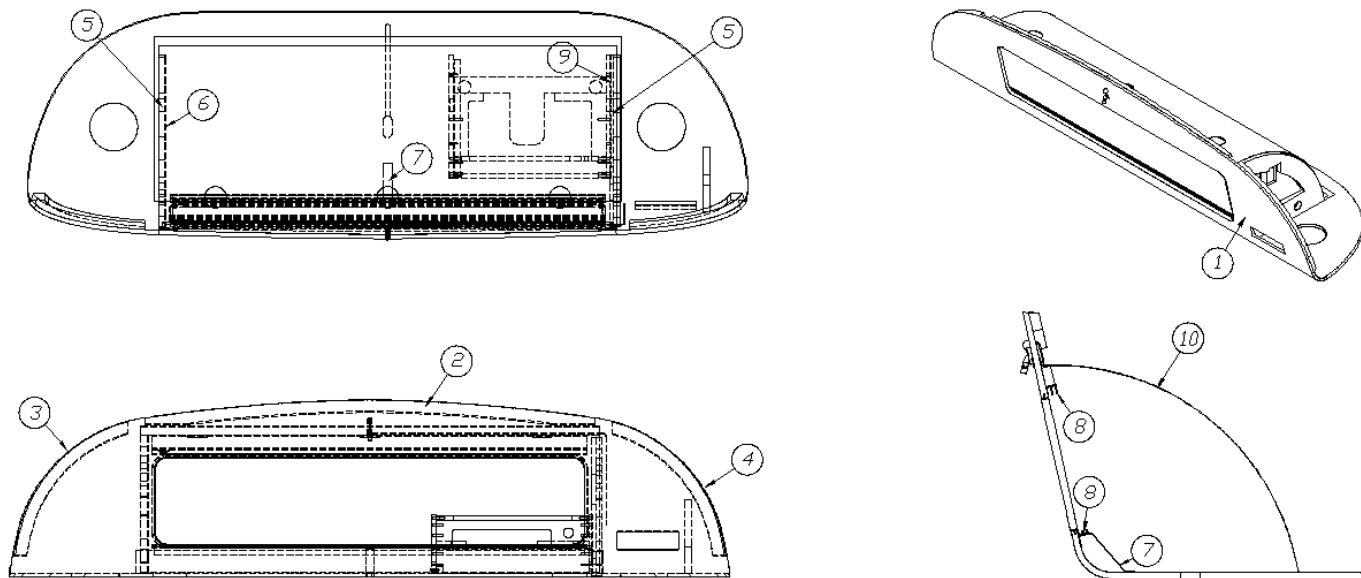
Trim, Counter Top, .8125", Aluminum

381136

Rubber Bumper

# 2016 INTERNATIONAL TRAVEL TRAILER FURNITURE, LOUNGE

## Roof Locker, Front Liner, 19', 23D Signature



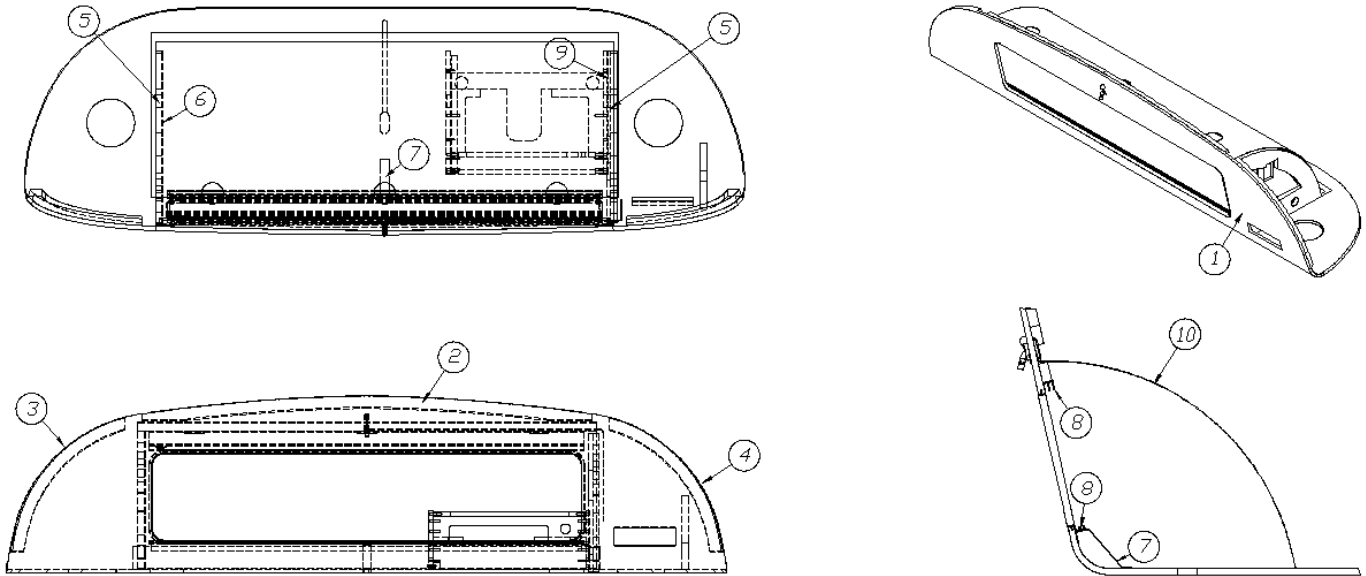
966942

Roof Locker, Front Liner

- |               |  |
|---------------|--|
| 1. 801731     | Face, NB front                         |
| 2. 801596-01  | Backer, WB liner locker center         |
| 3. 801596-02  | Backer, LH                             |
| 4. 801596-03  | Backer, RH                             |
| 5. 801594     | Divider, Liner Locker                  |
| 6. 801595     | Divider w/laminate                     |
| 7. 115226-01  | Bracket, Formed, Locker center support |
| 8. 203388     | Sliding door track                     |
| 9. 801911-01  | Divider, Liner w/Blu-Ray player        |
| 10. 115264-02 | Pan, Liner locker                      |
| 203749-09     | Door, 11.31 x 26.25                    |
| 115261-02     | Angle, Formed                          |
| 203445        | T-molding, .5625", Black               |
| 201673        | Reverse cove molding, White            |
| 703991        | Pile seal weather strip                |
| 511314        | Universal bushing, 1" I.D., Black      |
| 968343        | Blu-Ray shelf                          |
| 382149        | Finger pull, Satin Nickel              |
| 512577        | Bushing, Strain relief                 |

# 2016 INTERNATIONAL TRAVEL TRAILER FURNITURE, LOUNGE

## Roof Locker, Front Liner, 19', 23D Serenity



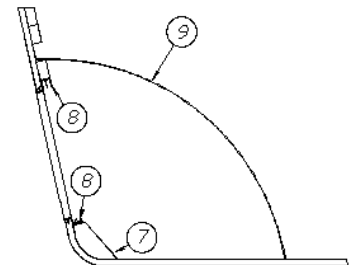
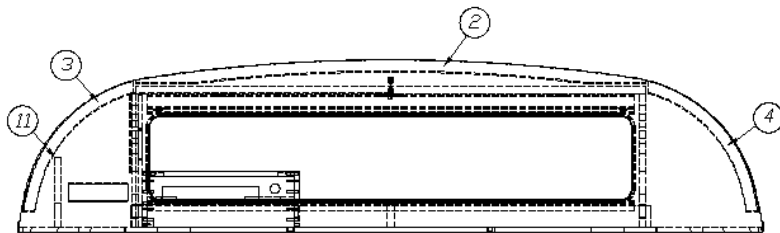
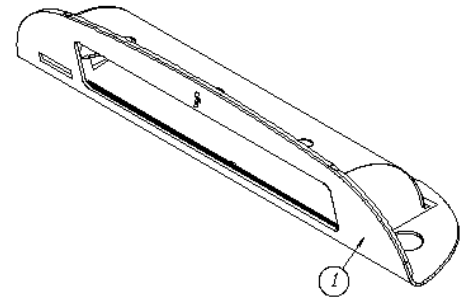
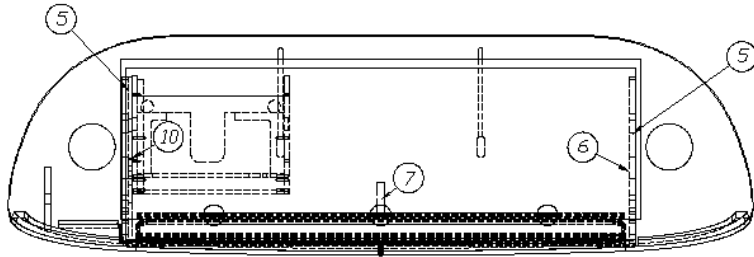
967549-15

Roof locker, Front Liner

- |     |           |  |
|-----|-----------|--|
| 1.  | 801826    | Face, NB front                         |
| 2.  | 801596-01 | Backer, WB liner locker center         |
| 3.  | 801596-02 | Backer, LH                             |
| 4.  | 801596-03 | Backer, RH                             |
| 5.  | 801594    | Divider, Liner Locker                  |
| 6.  | 801595    | Divider w/laminate                     |
| 7.  | 115226-01 | Bracket, Formed, Locker center support |
| 8.  | 203388    | Sliding door track                     |
| 9.  | 801911-01 | Divider, Liner w/Blu-Ray player        |
| 10. | 115264-02 | Pan, Liner Locker                      |
|     | 203677-02 | Door, 11.31 x 26.25                    |
|     | 114812    | Aluminum angle, 1 x 1                  |
|     | 382114    | Knob, Brushed Satin Nickel             |
|     | 201673    | Reverse cove molding, White            |
|     | 703991    | Pile seal weather strip                |
|     | 968343    | Blu-Ray shelf                          |

# 2016 INTERNATIONAL TRAVEL TRAILER FURNITURE, LOUNGE

## Roof Locker, Aft w/Radio, 25FB, 27FB Signature



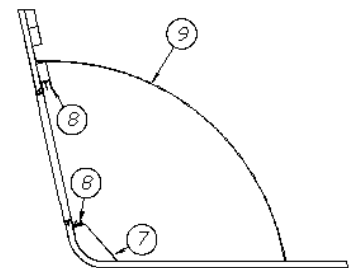
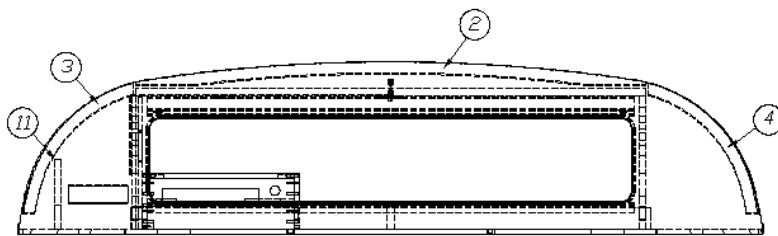
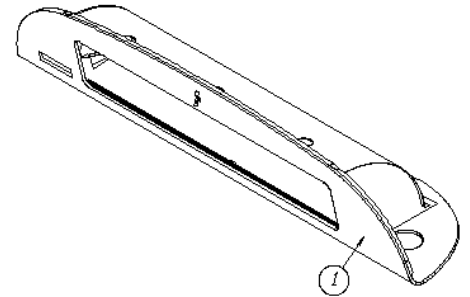
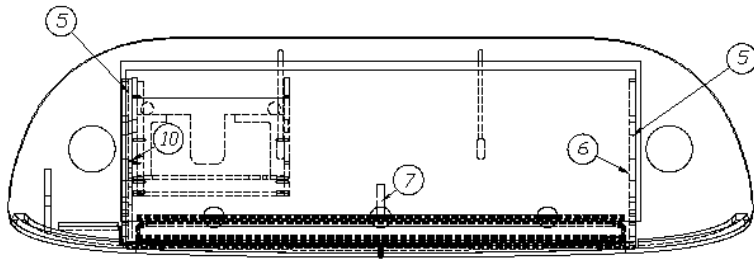
966869

Roof locker, Aft w/Radio

- |               |  |
|---------------|--|
| 1. 801722     | Face, Liner locker w/radio, Speakers   |
| 2. 801596-01  | Backer, WB liner locker center         |
| 3. 801596-02  | Backer, LH                             |
| 4. 801596-03  | Backer, RH                             |
| 5. 801594     | Divider, Liner locker                  |
| 6. 801595     | Divider w/laminate                     |
| 7. 115226-01  | Bracket, Formed, Locker center support |
| 8. 203388     | Sliding door track                     |
| 9. 115264-01  | Pan, WB front                          |
| 10. 801911-02 | Divider, Liner w/Blu-Ray player        |
| 11. 801710    | Divider support                        |
| 203749-08     | Door, 11.31 x 30                       |
| 203445        | T-molding, Flexible Black poly         |
| 201673        | Reverse cove molding, White            |
| 703991        | Pile seal weather strip                |
| 115261-01     | Angle, Formed                          |
| 968343        | Blu-Ray shelf                          |
| 512577        | Bushing, Strain relief                 |

# 2016 INTERNATIONAL TRAVEL TRAILER FURNITURE, LOUNGE

## Roof Locker, Aft w/Radio, 25FB, 27FB Serenity



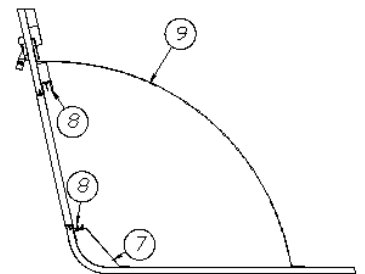
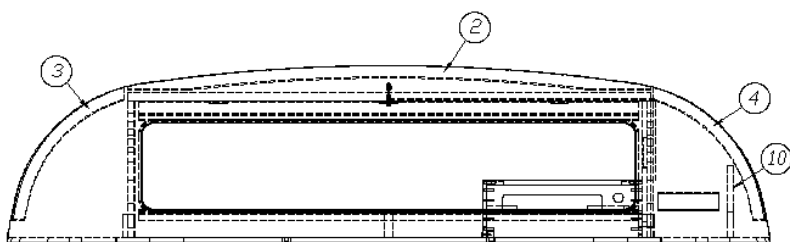
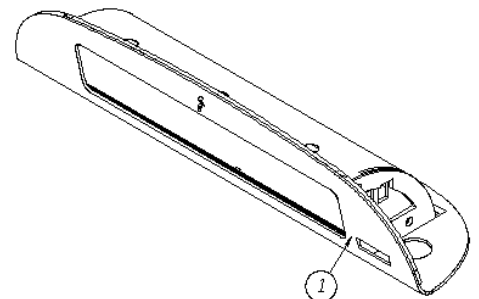
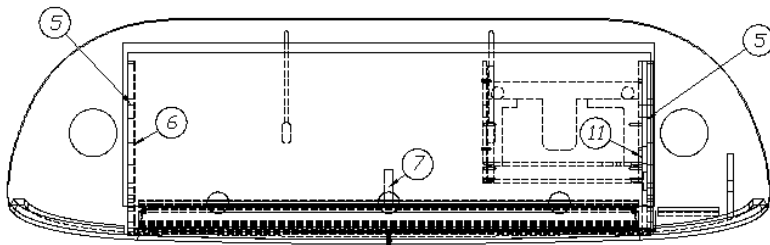
967556-15

Roof locker, Aft w/Radio

- |               |  |
|---------------|--|
| 1. 801849     | Face, Liner locker w/radio, Speakers   |
| 2. 801596-01  | Backer WB liner locker center          |
| 3. 801596-02  | Backer, LH                             |
| 4. 801596-03  | Backer, RH                             |
| 5. 801594     | Divider, Liner Locker                  |
| 6. 801595     | Divider w/laminate                     |
| 7. 115226-01  | Bracket, Formed, Locker center support |
| 8. 203388     | Sliding door track                     |
| 9. 115264-01  | Pan, WB front                          |
| 10. 801911-02 | Divider, Liner w/Blu-Ray player        |
| 11. 801710    | Divider support                        |
| 203677-03     | Door, 11.31 x 30                       |
| 201673        | Reverse cove molding, White            |
| 512577        | Bushing, Strain relief                 |
| 114812        | Aluminum angle, 1 x 1                  |
| 382114        | Knob, Brushed Satin Nickel             |
| 968343        | Blu-Ray shelf                          |

# 2016 INTERNATIONAL TRAVEL TRAILER FURNITURE, LOUNGE

Roof Locker, Front w/Radio, 25', 28', 28' A2GO, 30' Signature



967502

967502-01

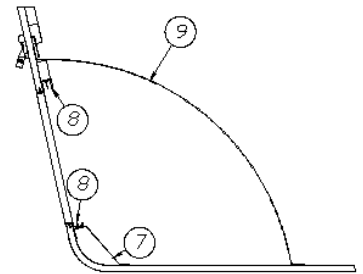
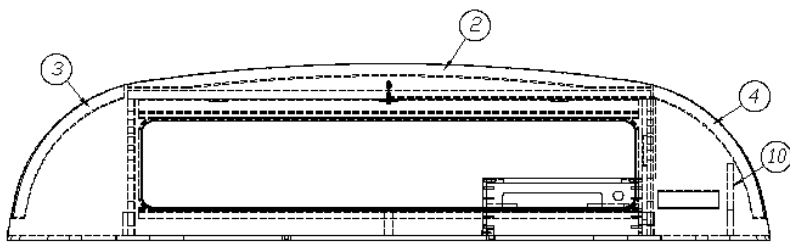
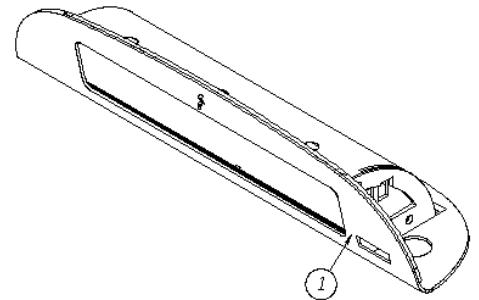
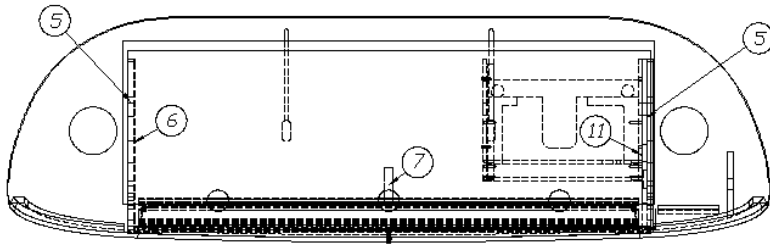
Front Roof locker w/Radio

Front Roof locker w/Radio, A2Go

- |               |  |
|---------------|--|
| 1. 801593-01  | Face, WB front                         |
| 2. 801596-01  | Backer, WB liner locker center         |
| 3. 801596-02  | Backer, LH                             |
| 4. 801596-03  | Backer, RH                             |
| 5. 801594     | Divider, Liner locker                  |
| 6. 801595     | Divider w/laminate                     |
| 7. 115226-01  | Bracket, Formed, Locker center support |
| 8. 203388     | Sliding door track                     |
| 9. 115264-01  | Pan, WB front                          |
| 10. 801710    | Divider support                        |
| 11. 801911-01 | Divider, Liner locker w/Blu-Ray player |
| 801911-04     | Divider, Liner locker w/Blu-Ray, A2GO  |
| 203749-08     | Door, 11.31 x 30                       |
| 201673        | Reverse cove molding, White            |
| 115261-01     | Angle, Formed                          |
| 968343        | Blu-Ray shelf                          |
| 703991        | Seal pile weather strip                |
| 382149        | Finger pull, Satin Nickel              |
| 512577        | Bushing, Strain relief                 |

# 2016 INTERNATIONAL TRAVEL TRAILER FURNITURE, LOUNGE

## Roof Locker, Front w/Radio, 25', 28', 30' Serenity



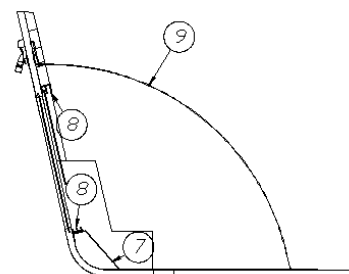
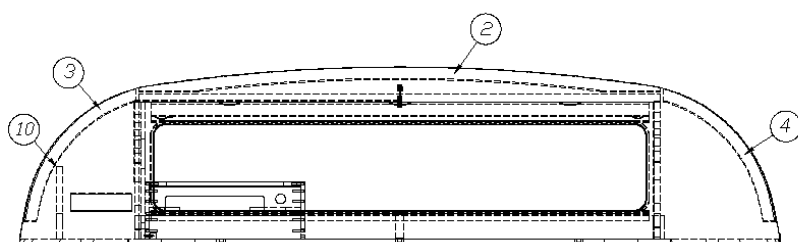
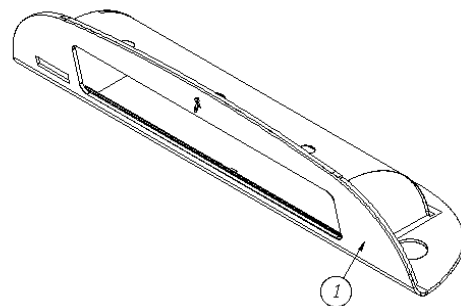
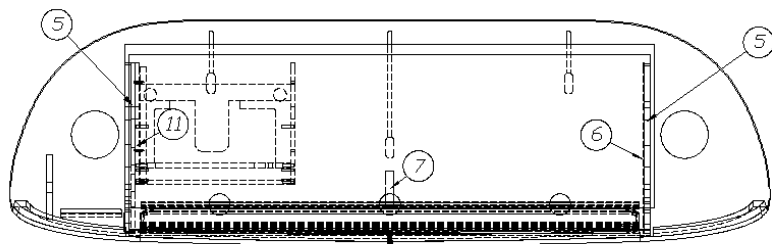
967568-15

Front Roof locker w/Radio

- |     |           |  |
|-----|-----------|--|
| 1.  | 801859    | Face, Liner locker w/radio, Speakers   |
| 2.  | 801596-01 | Backer, WB liner locker center         |
| 3.  | 801596-02 | Backer, LH                             |
| 4.  | 801596-03 | Backer, RH                             |
| 5.  | 801594    | Divider, Liner locker                  |
| 6.  | 801595    | Divider w/laminate                     |
| 7.  | 115226-01 | Bracket, Formed, Locker center support |
| 8.  | 203388    | Sliding door track                     |
| 9.  | 115264-01 | Pan, WB front                          |
| 10. | 801710    | Divider support                        |
| 11. | 801911-01 | Divider, Liner w/Blu-Ray player        |
|     | 203677-03 | Door, 11.31 x 30                       |
|     | 201673    | Reverse cove molding, white            |
|     | 114812    | Aluminum angle, 1 x 1                  |
|     | 382114    | Knob, Brushed Satin Nickel             |
|     | 703991    | Pile seal weather strip                |
|     | 968343    | Blu-Ray shelf                          |

# 2016 INTERNATIONAL TRAVEL TRAILER FURNITURE, LOUNGE

## Roof Locker, Rear w/Radio, Eddie Bauer



967677-19

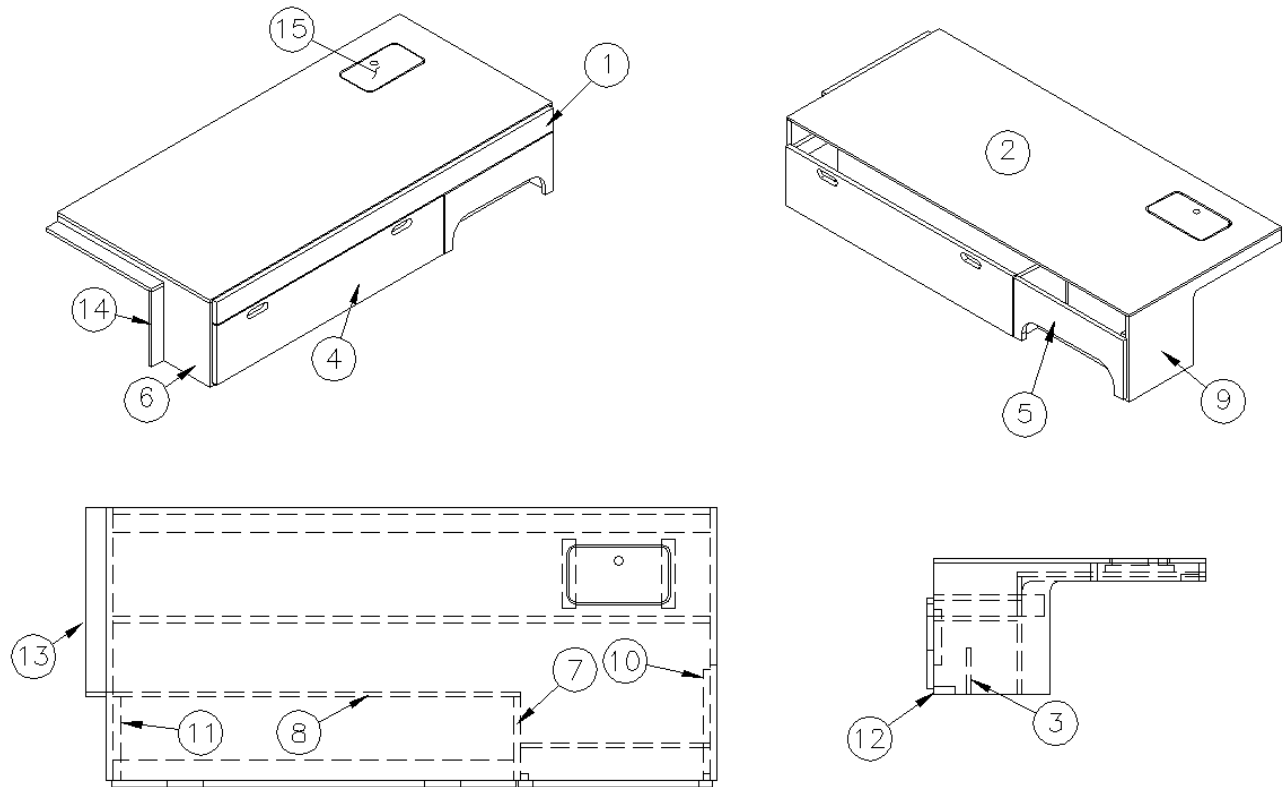
Rear Roof locker w/Radio

- |  |   |
|--|---|
| <ul style="list-style-type: none"> <li>1. 801901</li> <li>2. 801596-01</li> <li>3. 801596-02</li> <li>4. 801596-03</li> <li>5. 801594</li> <li>6. 801595</li> <li>7. 115226-01</li> <li>8. 203388</li> <li>9. 115264-01</li> <li>10. 801710</li> <li>11. 801911-02</li> <li>203708-01</li> <li>115261-01</li> <li>203710</li> <li>703991</li> <li>201673-01</li> <li>968343</li> <li>512577</li> </ul> | <ul style="list-style-type: none"> <li>Face, Liner locker w/radio, Speakers</li> <li>Backer, WB liner locker center</li> <li>Backer, LH</li> <li>Backer, RH</li> <li>Divider, Liner locker</li> <li>Divider w/laminate</li> <li>Bracket, Formed, Locker center support</li> <li>Sliding door track</li> <li>Pan, WB front</li> <li>Divider support</li> <li>Divider, Liner w/Blu-Ray player</li> <li>Door, 11.31 x 30</li> <li>Angle, Formed</li> <li>T-molding, .56", Almond</li> <li>Pile seal weather strip</li> <li>Reverse cove molding, .43", Oak</li> <li>Blu-Ray shelf</li> <li>Bushing, Strain relief</li> </ul> |
|--|---|



# 2016 INTERNATIONAL TRAVEL TRAILER FURNITURE, LOUNGE

## Sofa, 23D Signature



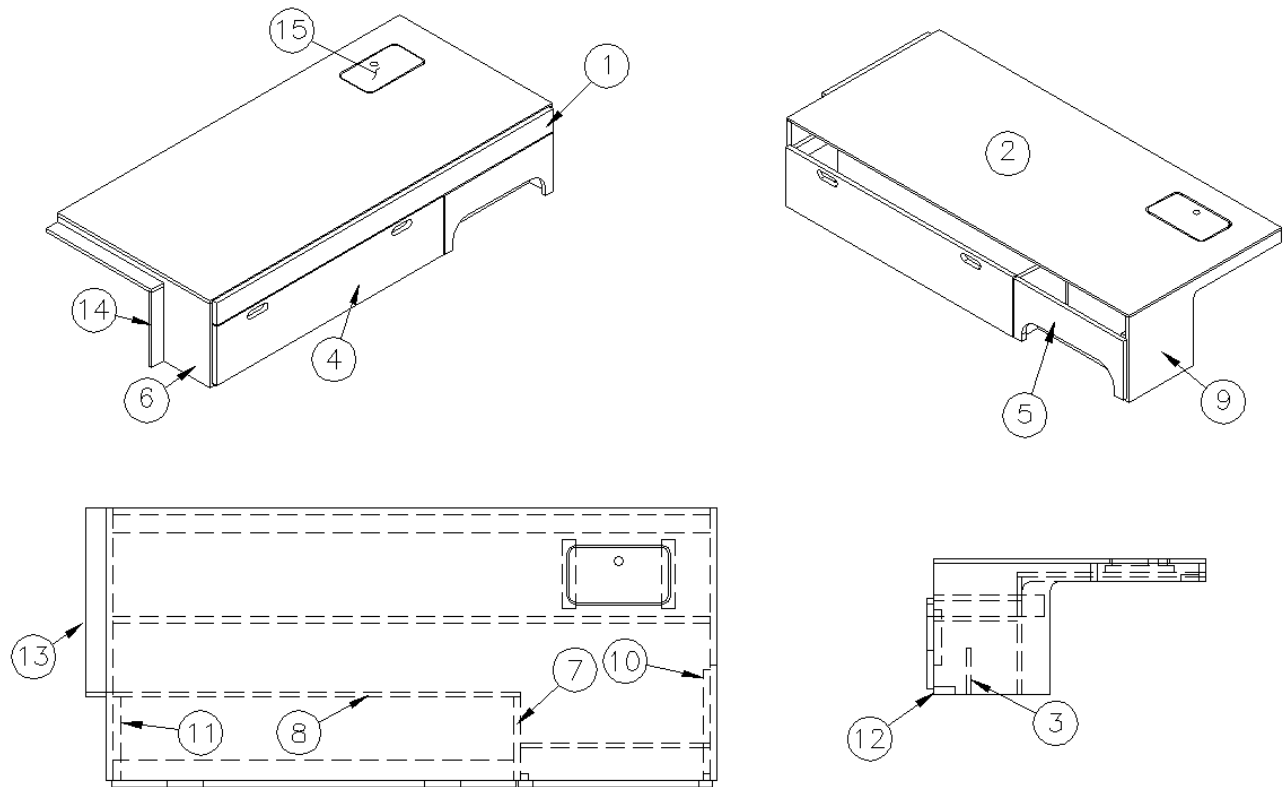
966929

### Sofa Assembly

- |                |                                |
|----------------|--------------------------------|
| 1. 966888      | Sofa bed                       |
| 2. 966929-2    | Panel, 66.19 x 29.5            |
| 3. 966929-3    | Panel, 20.5 x 5                |
| 4. 966929-4    | Panel, 43.88 x 9.88            |
| 5. 966929-5    | Panel, 21.13 x 9.88            |
| 6. 966929-6    | Panel, 14.13 x 29.5            |
| 7. 966929-7    | Panel, 10.13 x 9               |
| 8. 966929-8    | Panel, 10.13 x 44              |
| 9. 966929-9    | Panel, 14.13 x 29.5            |
| 10. 966929-10  | Panel, 2.25 x 12               |
| 11. 966929-11  | Panel, 2.25 x 9                |
| 12. 966929-15I | Panel, 2.25 x 43.44            |
| 13. 966929-25  | Panel, 2.25 x 20.5             |
| 14. 966929-26  | Panel, 12.63 x 2.25            |
| 15. 966929-27  | Panel, 10.75 x 6               |
| 381775         | Drawer Pull                    |
| 381072-01      | Hinge, 3" x 2", Fixed pin      |
| 381228-02      | Catch, Grabber door (5lb Pull) |

# 2016 INTERNATIONAL TRAVEL TRAILER FURNITURE, LOUNGE

## Sofa, 23D Serenity



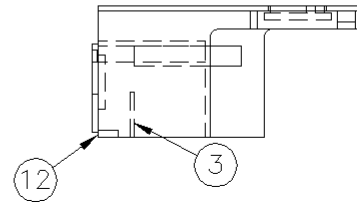
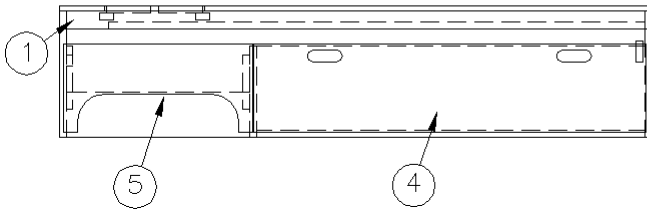
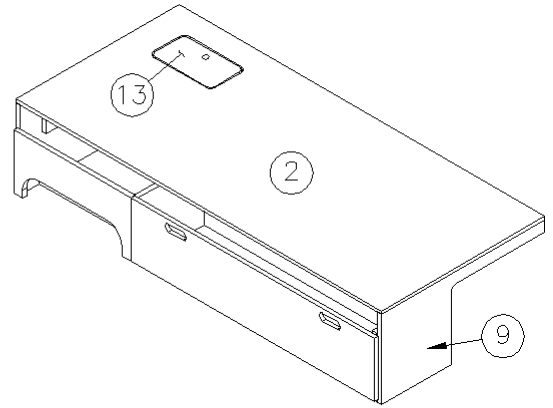
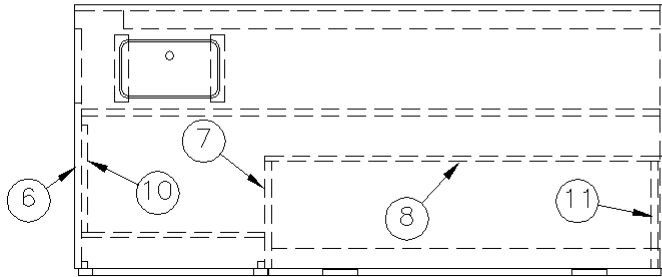
966929-15

Sofa Assembly

- |                 |                                |
|-----------------|--------------------------------|
| 1. 966888-15    | Sofa Bed                       |
| 2. 966929-2     | Panel, 66 x 29.5               |
| 3. 966929-153   | Panel, 20.5 x 5                |
| 4. 966929-154   | Panel, 43.88 x 9.88            |
| 5. 966929-155   | Panel, 21.13 x 9.88            |
| 6. 966929-6     | Panel, 14.13 x 29.5            |
| 7. 966929-157   | Panel, 10.13 x 9               |
| 8. 966929-8     | Panel, 10.13 x 44              |
| 9. 966929-159   | Panel, 14.13 x 29.5            |
| 10. 966929-10   | Panel, 2.25 x 12               |
| 11. 966929-11   | Panel, 2.25 x 9                |
| 12. 966929-15I  | Panel, 2.25 x 43.44            |
| 13. 966929-1525 | Panel, 2.25 x 20.5             |
| 14. 966929-1526 | Panel, 12.63 x 2.25            |
| 15. 966929-27   | Panel, 10.75 x 6               |
| 381775          | Drawer Pull                    |
| 381072-01       | Hinge, 3" x 2", Fixed pin      |
| 381228-02       | Catch, Grabber door (5lb Pull) |

# 2016 INTERNATIONAL TRAVEL TRAILER FURNITURE, LOUNGE

## Sofa, 25FB, 27FB Signature



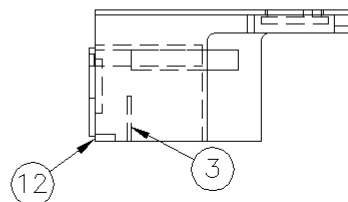
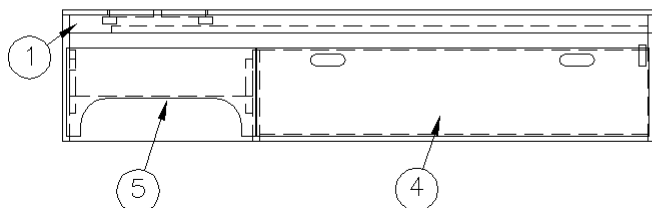
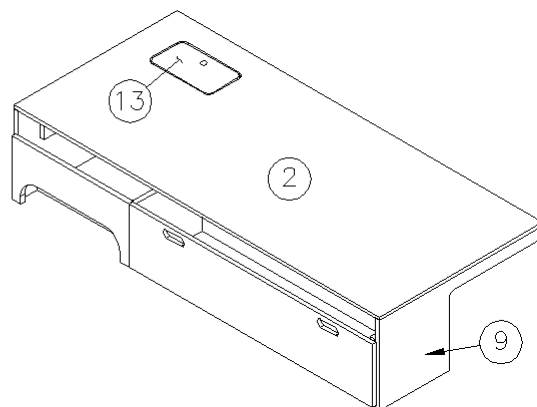
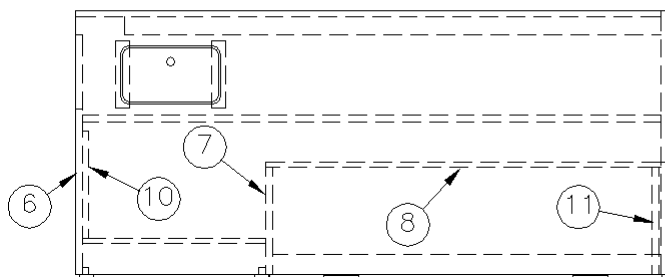
966887

Sofa Assembly

- |                |                                |
|----------------|--------------------------------|
| 1. 966888      | Sofa Bed                       |
| 2. 966887-2    | Panel, 29.5 x 66.19            |
| 3. 966887-3    | Panel, 20.5 x 5                |
| 4. 966887-4    | Panel, 9.88 x 43.88            |
| 5. 966887-5    | Panel, 9.88 x 21.13            |
| 6. 966887-6    | Panel, 14.13 x 29.5            |
| 7. 966887-7    | Panel, 10.13 x 12              |
| 8. 966887-8    | Panel, 10.13 x 44.19           |
| 9. 966887-9    | Panel, 14.13 x 29.5            |
| 10. 966887-10  | Panel, 2.25 x 12               |
| 11. 966887-11  | Panel, 2.25 x 12               |
| 12. 966887-15I | Panel, 2.25 x 43.44            |
| 13. 966887-25  | Panel, 10.75 x 6               |
| 381775         | Drawer pull, Flush Satin       |
| 381072-01      | Hinge 3" x 2", Fixed pin       |
| 381228-02      | Catch, Grabber door (5lb Pull) |
| 365009         | Foam tape, 1 x 1               |

# 2016 INTERNATIONAL TRAVEL TRAILER FURNITURE, LOUNGE

## Sofa, 25FB, 27FB Serenity



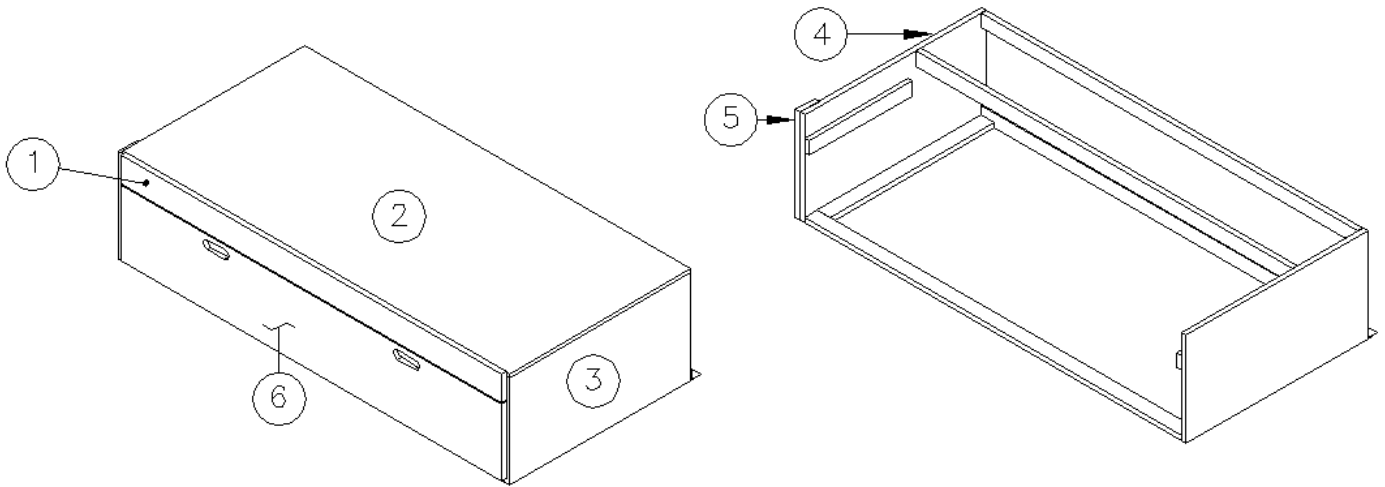
966887-15

Sofa Assembly

- |                |                                |
|----------------|--------------------------------|
| 1. 966888-15   | Sofa Bed                       |
| 2. 966887-2    | Panel, 17 x 63                 |
| 3. 966887-153  | Panel, 20.5 x 5                |
| 4. 966887-154  | Panel, 9.88 x 43.88            |
| 5. 966887-155  | Panel, 9.88 x 21.13            |
| 6. 966887-156  | Panel, 14.13 x 29.5            |
| 7. 966887-157  | Panel, 10.13 x 12              |
| 8. 966887-8    | Panel, 10.13 x 44              |
| 9. 966887-9    | Panel, 14.13 x 29.5            |
| 10. 966887-10  | Panel, 2.25 x 12               |
| 11. 966887-11  | Panel, 2.25 x 12               |
| 12. 966887-15I | Panel, 2.25 x 43.25            |
| 13. 966887-25  | Panel, 10.75 x 6               |
| 381775         | Pull, Flush, Satin             |
| 381072-01      | Hinge, Fixed pin               |
| 381228-02      | Catch, Grabber door (5lb Pull) |
| 365009         | Foam tape, 1 x 1               |

# 2016 INTERNATIONAL TRAVEL TRAILER FURNITURE, LOUNGE

## Sofa, 28', 30' Signature



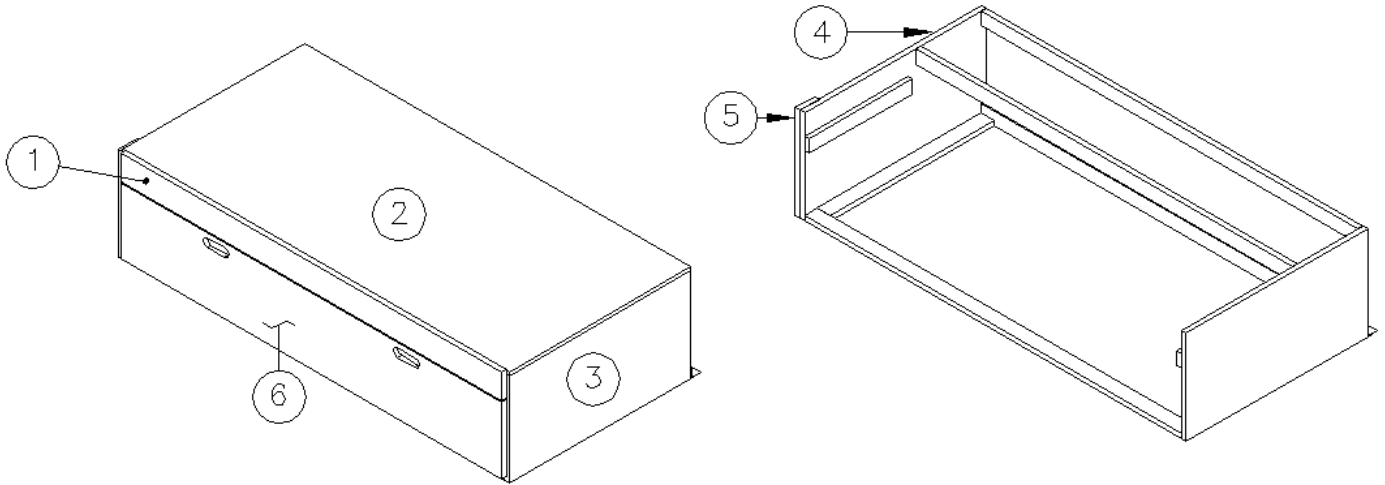
966970

Sofa Assembly

- |             |                                |
|-------------|--------------------------------|
| 1. 966971   | Sofa Bed                       |
| 2. 966970-2 | Panel, 60 x 28.25              |
| 3. 966970-3 | Panel, 14.5 x 28.25            |
| 4. 966970-4 | Panel, 14.5 x 28.25            |
| 5. 966970-5 | Panel, 14.5 x 3                |
| 6. 966970-6 | Door, 10.25" X 59.13"          |
| 381775      | Drawer pull, Flush Satin       |
| 381072-01   | Hinge, 3" x 2", Fixed Pin      |
| 381228-02   | Catch, Grabber door (5lb Pull) |
| 114809      | Aluminum angle 1.5 x 1.5       |

# 2016 INTERNATIONAL TRAVEL TRAILER FURNITURE, LOUNGE

## Sofa, 28', 30' Serenity



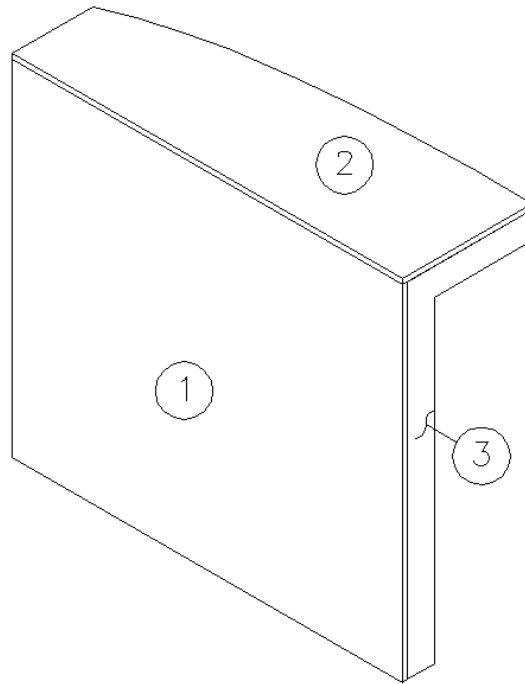
966970-15

Sofa Assembly

- |               |                                |
|---------------|--------------------------------|
| 1. 966971-15  | Sofa Bed                       |
| 2. 966970-152 | Panel, 60 x 28.25              |
| 3. 966970-153 | Panel, 14.5 x 28.25            |
| 4. 966970-154 | Panel, 14.5 x 28.25            |
| 5. 966970-155 | Panel, 14.5 x 3                |
| 6. 966970-156 | Door, 10.25 x 59.13            |
| 382115        | Pull, Flat Black               |
| 381607-11     | Hinge, Self-close              |
| 381228-02     | Catch, Grabber door (5lb Pull) |
| 114809        | Aluminum angle 1.5 x 1.5       |

# 2016 INTERNATIONAL TRAVEL TRAILER FURNITURE, LOUNGE

Sofa, Armrest, 28' & 30'



966974

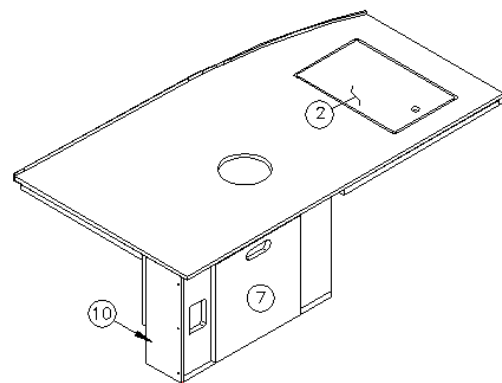
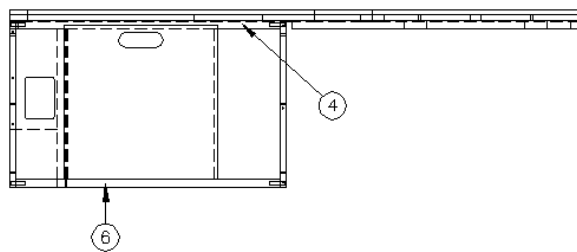
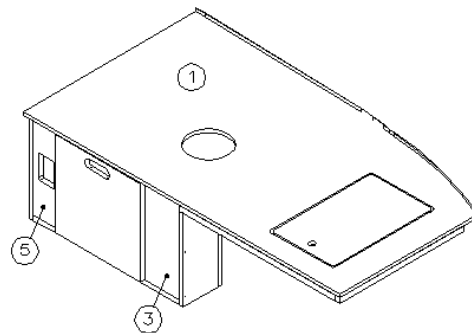
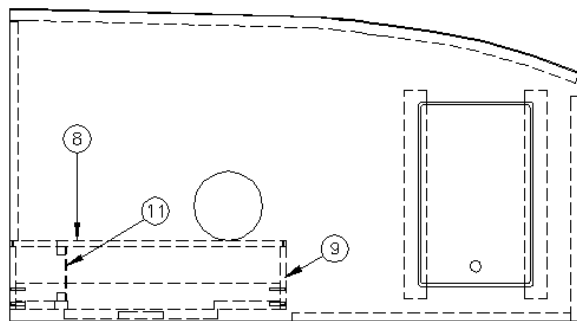
Sofa Armrest Assembly

1. 966974-1
2. 966974-2
3. 966974-3  
700414

Panel, 25.63 x 29  
Panel, 9.63 x 29  
Panel, 9.25 x 2  
Foam, 3/8"

# 2016 INTERNATIONAL TRAVEL TRAILER FURNITURE, LOUNGE

## Sofa, L-Section, 28' Signature



968214

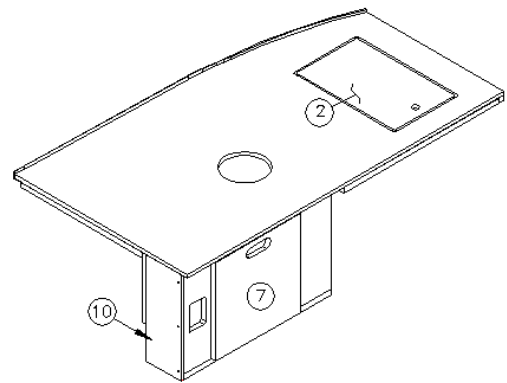
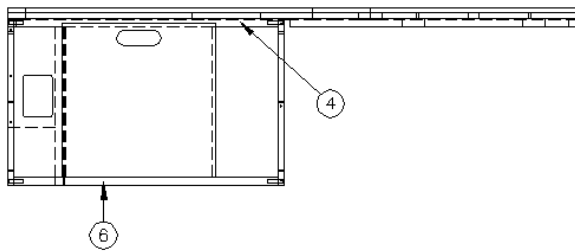
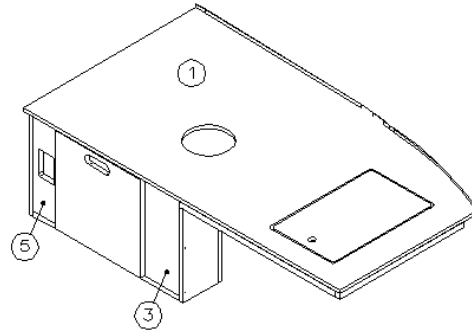
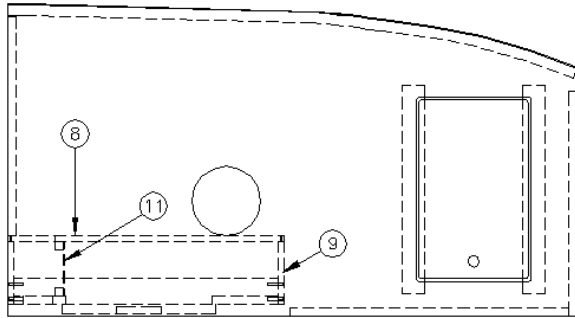
Sofa Assembly, L-Section

- |                |                                  |
|----------------|----------------------------------|
| 1. 968214-1    | Panel, 27 x 49.5                 |
| 2. 968214-2    | Panel, 9.5 x 15.5                |
| 3. 968214-3    | Panel, 13 x 5.75                 |
| 4. 968214-4    | Panel, 2.25 x 23                 |
| 5. 968214-10   | Panel, 13 x 4.5                  |
| 6. 968214-11   | Panel, 2.25 x 23                 |
| 7. 968214-12   | Panel, 13.31 x 13.38             |
| 8. 968214-13   | Panel, 14.5 x 24                 |
| 9. 968214-14   | Panel, 5.5 x 14.5                |
| 10. 968214-15I | Panel, 5.5 x 14.5                |
| 11. 968214-16  | Panel, 4.75 x 13.75              |
| 114812         | Aluminum angle, 1 x 1            |
| 365364-01      | Edgebanding, 5/8", Ebony Woods   |
| 365364-02      | Edgebanding, 15/16", Ebony Woods |
| 381607-11      | Hinge, Self-close                |
| 382029-05      | Handle Bar, 21.33"               |
| 381228-02      | Catch, Grabber Door              |



# 2016 INTERNATIONAL TRAVEL TRAILER FURNITURE, LOUNGE

## Sofa, L-Section, 28' Serenity



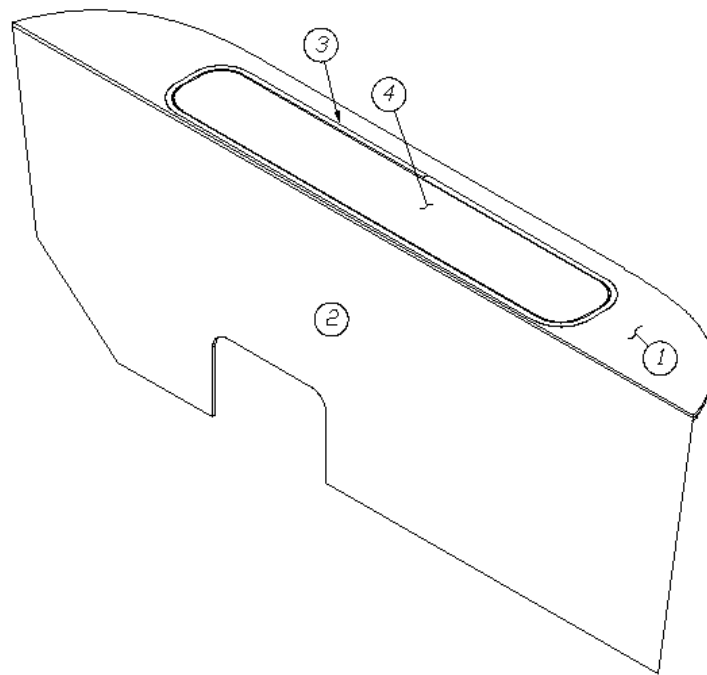
968214-15

Sofa Assembly, L-Section

- |                |                                 |
|----------------|---------------------------------|
| 1. 968214-1    | Panel, 27 x 49.5                |
| 2. 968214-2    | Panel, 9.5 x 15.5               |
| 3. 968214-153  | Panel, 13 x 5.75                |
| 4. 968214-154  | Panel, 2.25 x 23                |
| 5. 968214-1510 | Panel, 13 x 4.5                 |
| 6. 968214-11   | Panel, 2.25 x 23                |
| 7. 968214-1512 | Panel, 13.31 x 13.38            |
| 8. 968214-13   | Panel, 14.5 x 24                |
| 9. 968214-14   | Panel, 5.5 x 14.5               |
| 10. 968214-15I | Panel, 5.5 x 14.5               |
| 11. 968214-16  | Panel, 4.75 x 13.75             |
| 114812         | Aluminum angle, 1 x 1           |
| 365344-01      | Edgebanding, .63", Pearl Bisque |
| 365344-02      | Edgebanding, .94", Pearl Bisque |
| 381607-11      | Hinge, Self-close               |
| 382115         | Pull, Flat Black                |
| 381228-02      | Catch, Grabber door             |

# 2016 INTERNATIONAL TRAVEL TRAILER FURNITURE, LOUNGE

## Sofa, Back, 28'



966973

Sofa Back Assembly

1. 966973-1

Panel, 12.25 x 90.06

2. 966973-2

Panel, 31.63 x 90.06

3. 115203

Door jamb

4. 966134

Door, Sofa back

381847-01

Piano hinge

203622

Storage tub

381581

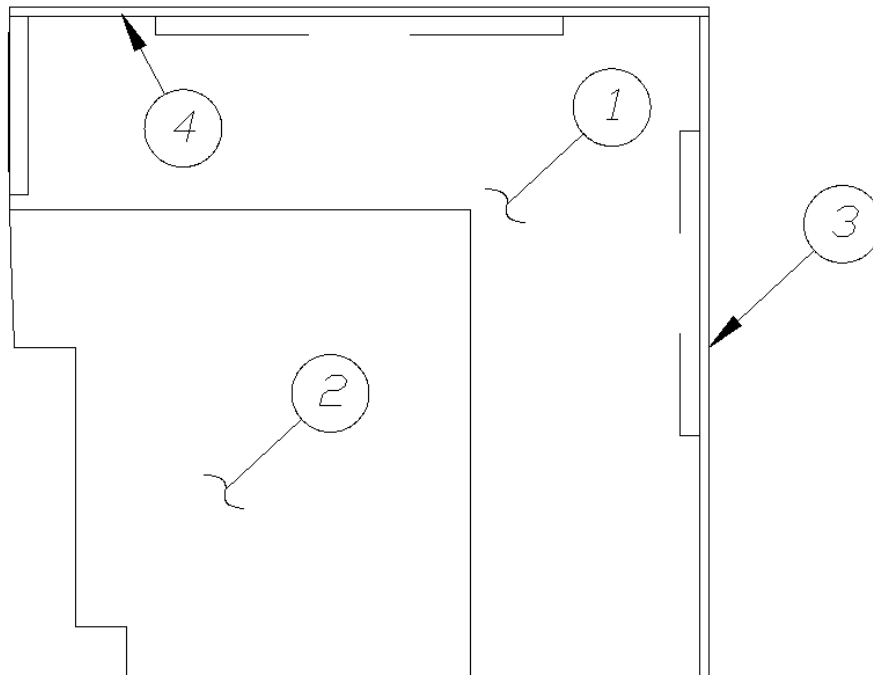
Strap, Clear plastic

700414

Foam, 3/8"

# 2016 INTERNATIONAL TRAVEL TRAILER FURNITURE, LOUNGE

Sofa, L-Lounge Armrest, 28'



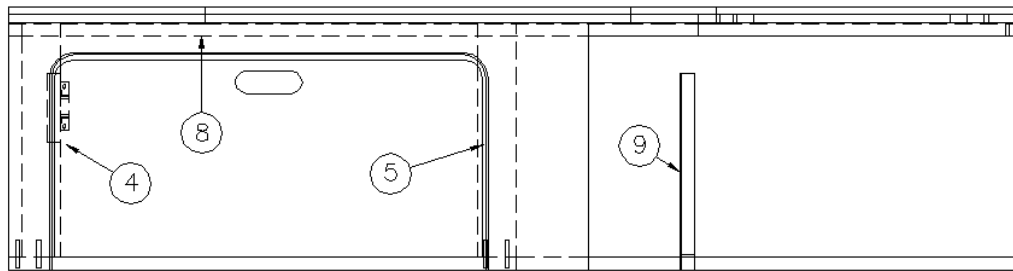
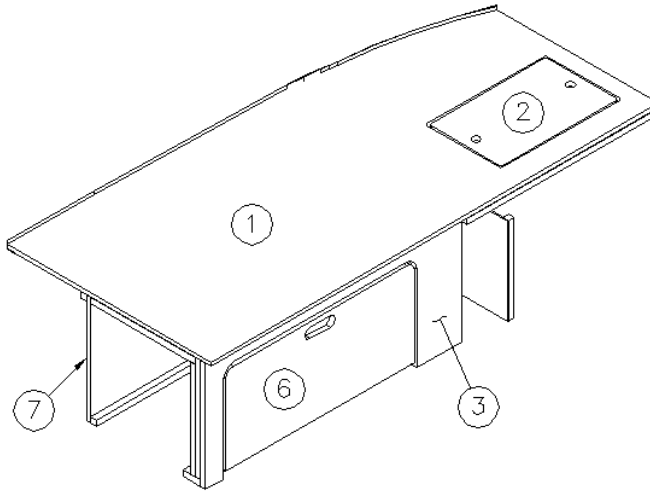
967230

L-Lounge Armrest Assembly

- |             |                   |
|-------------|-------------------|
| 1. 967230-1 | Panel, 27.19 x 26 |
| 2. 967230-2 | Panel, 27.19 x 26 |
| 3. 967230-3 | Panel, 2 x 26     |
| 4. 967230-4 | Panel, 2 x 27.5   |
| 700414      | Foam, 3/8"        |

# 2016 INTERNATIONAL TRAVEL TRAILER FURNITURE, LOUNGE

## Sofa, L-Section, 30' Signature



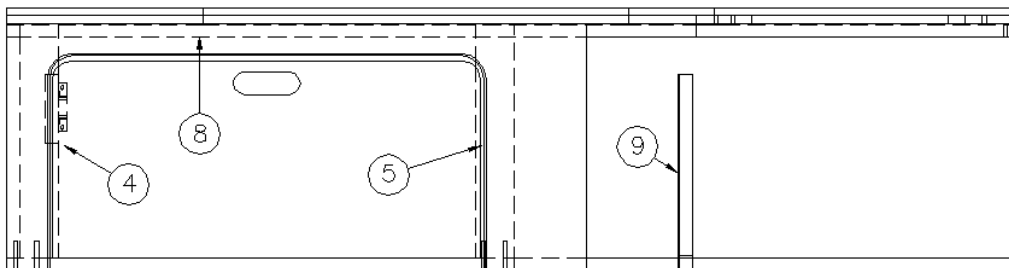
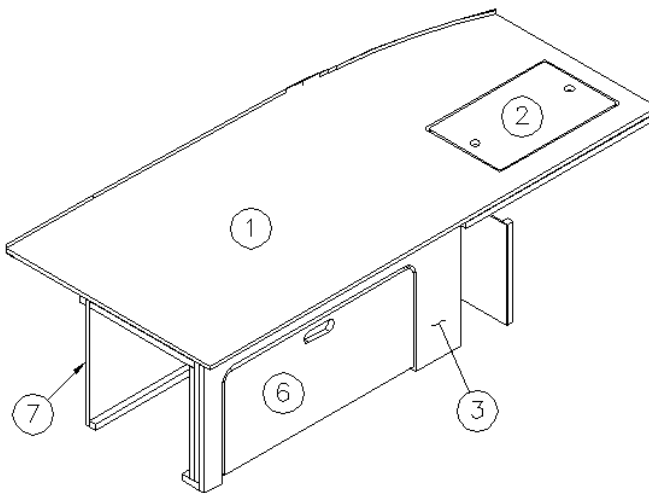
967621  
967621-01

Sofa Assembly, L-Section  
Sofa Assembly, L-Section, Inverter Option

- |              |                                   |
|--------------|-----------------------------------|
| 1. 967621-1  | Panel, 27 x 59.5                  |
| 2. 967621-2  | Panel, 9.5 x 15.5                 |
| 3. 967621-3  | Panel, 14.5 x 34                  |
| 4. 967621-4  | Panel, 3 x 13.75                  |
| 5. 967621-6  | Panel, 2.25 x 13.75               |
| 6. 967621-7  | Door, 11.56 x 25.13               |
| 7. 967621-8  | Panel, 14.5 x 59.5                |
| 8. 967621-10 | Panel, 2.25 x 29.75               |
| 9. 967621-21 | Panel, 11.5 x 16, Inverter option |
| 114812       | Aluminum angle, 1 X 1             |
| 381228-02    | Catch, Grabber door (5lb Pull)    |
| 381775       | Drawer pull, Flush Satin          |
| 381072-01    | Hinge, 3" x 2", Fixed pin         |
| 365364-01    | Edgebanding, .63", Ebony Woods    |
| 365364-02    | Edgebanding, .94", Ebony Woods    |
| 203440       | T-molding, Black embossed         |

# 2016 INTERNATIONAL TRAVEL TRAILER FURNITURE, LOUNGE

## Sofa, L-Section, 30' Serenity



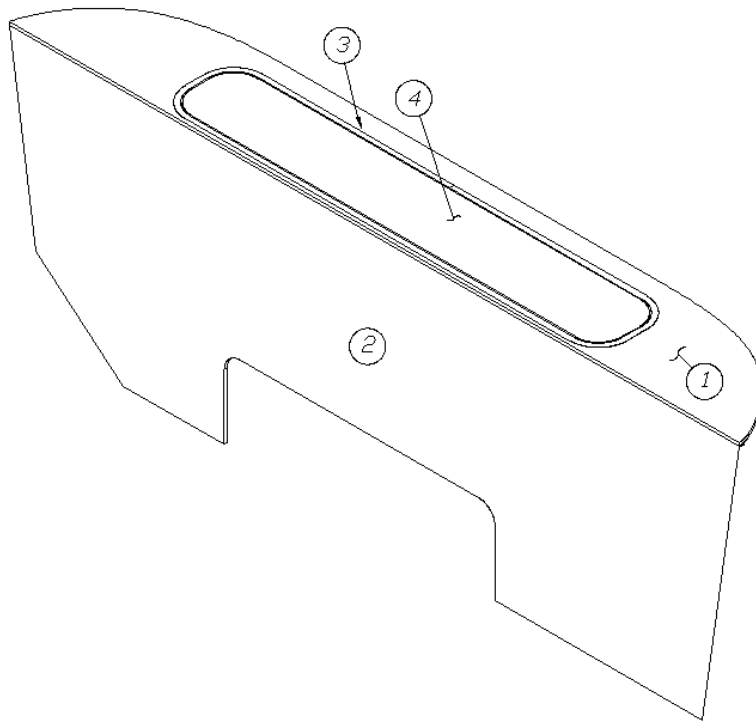
967621-15  
967621-0115

Sofa Assembly, L-Section  
Sofa Assembly, L-Section, Inverter Option

- |               |                                   |
|---------------|-----------------------------------|
| 1. 967621-1   | Panel, 27 x 59.5                  |
| 2. 967621-2   | Panel, 9.5 x 15.5                 |
| 3. 967621-153 | Panel, 14.5 x 34                  |
| 4. 967621-154 | Panel, 3 x 13.75                  |
| 5. 967621-156 | Panel, 2.25 x 13.75               |
| 6. 967621-157 | Door, 11.56 x 25.13               |
| 7. 967621-8   | Panel, 14.5 x 59.5                |
| 8. 967621-10  | Panel, 2.25 x 29.75               |
| 9. 967621-21  | Panel, 11.5 x 16, Inverter option |
| 114812        | Aluminum angle, 1 x 1             |
| 381228-02     | Catch, Grabber door (5lb Pull)    |
| 381775        | Drawer pull, Flush Satin          |
| 381072-01     | Hinge, 3" x 2", Fixed pin         |
| 365344-01     | Edgebanding, .63", Pearl Bisque   |
| 365344-02     | Edgebanding, .94", Pearl Bisque   |
| 203440        | T-molding, Black embossed         |

# 2016 INTERNATIONAL TRAVEL TRAILER FURNITURE, LOUNGE

Sofa, Back, 30'



967625

Sofa Back Assembly

1. 967625-1

Panel, 12.25 x 90.06

2. 967625-2

Panel, 31.63 x 90.06

3. 115203

Door jamb

4. 966134

Door, Sofa back

381847-01

Piano hinge

203622

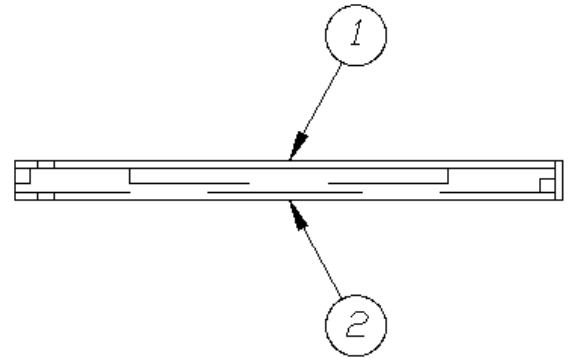
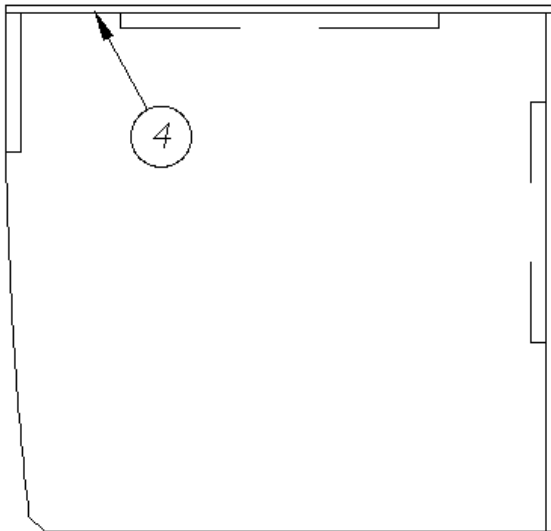
Storage tub

700414

Foam, 3/8"

# 2016 INTERNATIONAL TRAVEL TRAILER FURNITURE, LOUNGE

## Sofa, L-Lounge Armrest, 30'



967623

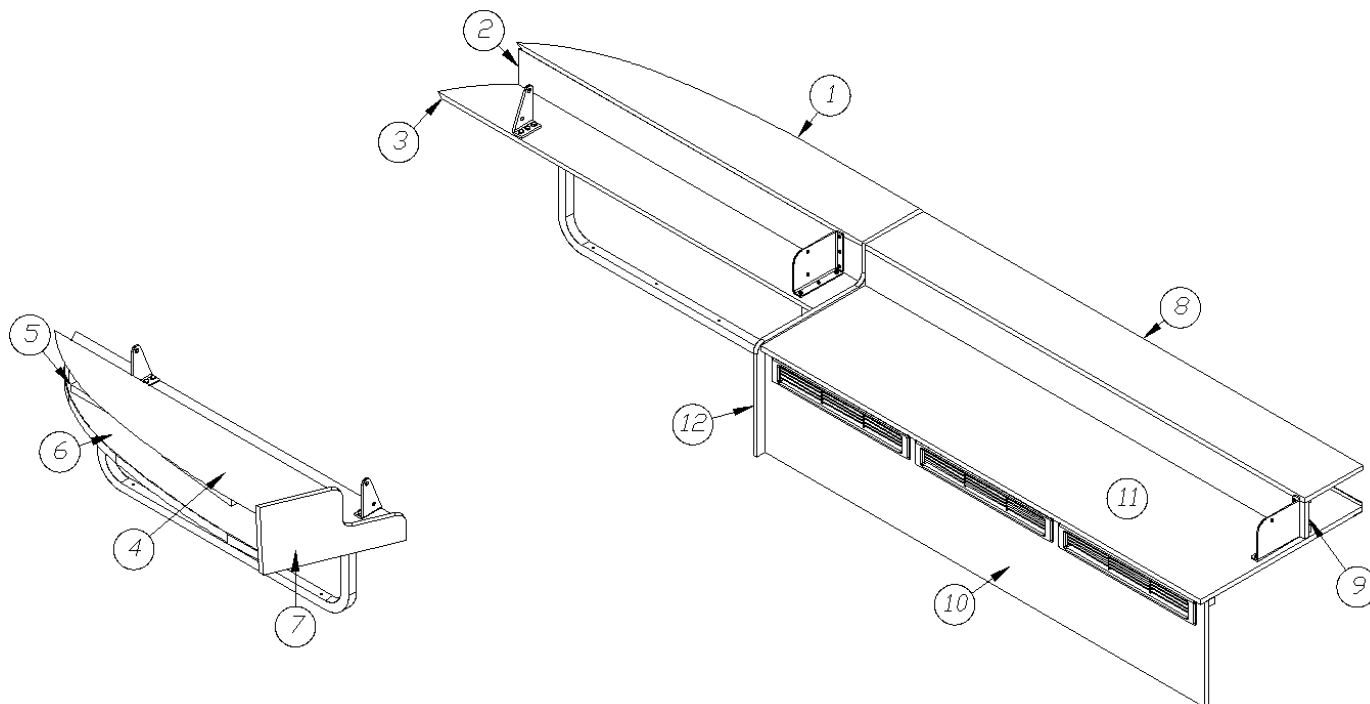
L-Lounge Armrest Assembly

- 1. 967623-1
  - 2. 967623-2
  - 3. 967623-3
  - 4. 967623-4
- 700414

Panel, 27.16 x 26  
Panel, 27.16 x 26  
Panel, 2 x 26  
Panel, 2 x 27.5  
Foam, 3/8"

# 2016 INTERNATIONAL TRAVEL TRAILER FURNITURE, LOUNGE

## Furniture Bases, Lounge, 25FB, Eddie Bauer



968201

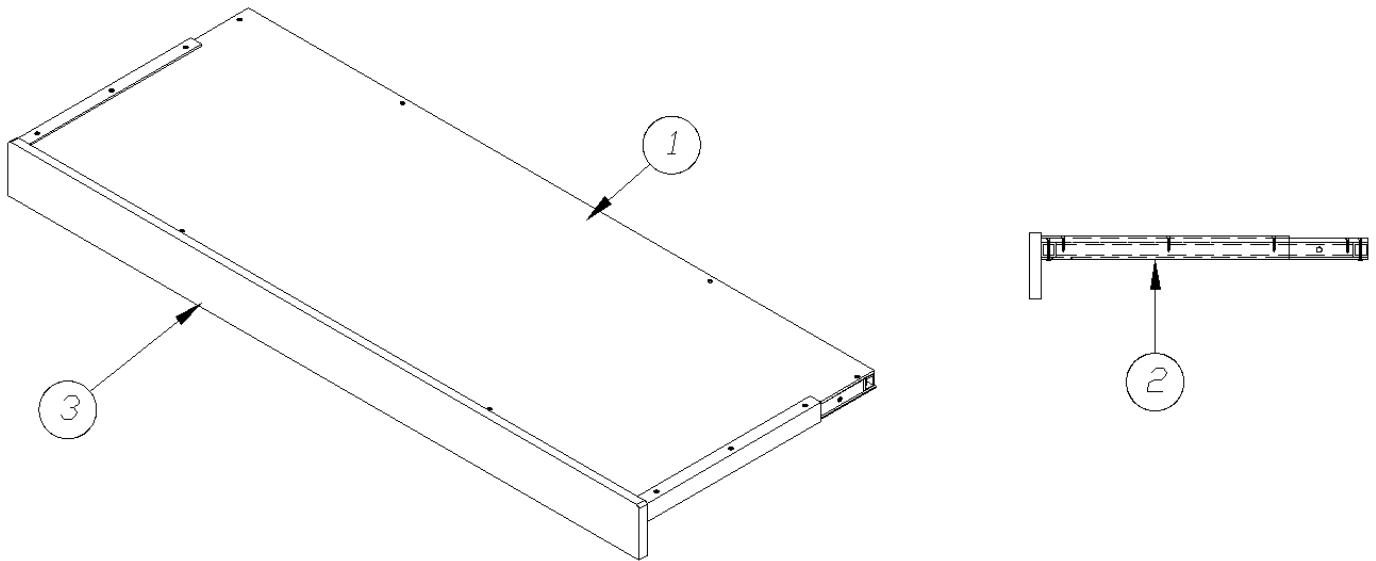
### Furniture Bases Assembly

- |               |                                     |
|---------------|-------------------------------------|
| 1. 968201-1   | Panel, 7.38 x 43.92                 |
| 2. 968201-2   | Panel, 4 x 43.92                    |
| 3. 968201-3   | Panel, 13.13 x 48.07                |
| 4. 968201-4   | Panel, 7.38 x 36.05                 |
| 5. 968201-5   | Panel, 4 x 34.81                    |
| 6. 968201-6   | Panel, 12.94 x 41.5                 |
| 7. 968201-7   | Panel, 14.49 x 7.47                 |
| 8. 968201-8   | Panel, 7.38 x 56                    |
| 9. 968201-9   | Panel, 4 x 56                       |
| 10. 968201-10 | Panel, 11.5 x 56                    |
| 11. 968201-11 | Panel, 20.5 x 56                    |
| 12. 968201-12 | Panel, 21.19 x 16.5                 |
| 454860        | Weldment, Furniture leg             |
| 454863        | Bracket, Sofa hinge, RH             |
| 454861        | Bracket, Sofa hinge, Locking, LH    |
| 454864        | Bracket, Dinette hinge, Locking, LH |
| 454865        | Bracket, Dinette hinge, RH          |
| 386206        | Louvered vent                       |
| 365352-01     | Edgebanding, .63", Maple            |



# 2016 INTERNATIONAL TRAVEL TRAILER FURNITURE, LOUNGE

## Sofa Seat Base, Eddie Bauer



967689-19

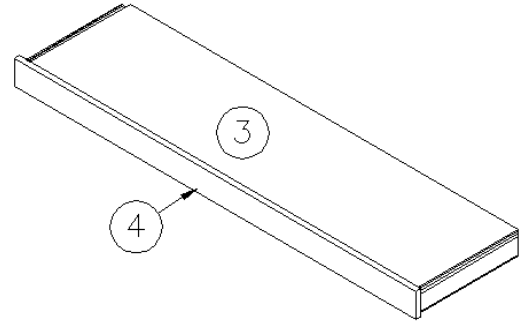
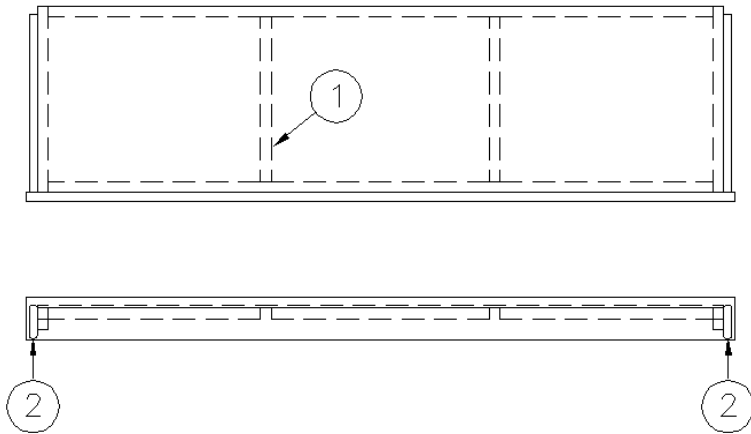
Base, Sofa Seat, Eddie Bauer

- 1. 967689-192
- 2. 967689-193
- 3. 967689-194
- 101134
- 365352-02

Panel, 58.5 x 21.63  
Panel, 58.5 x 21.63  
Panel, 4 x 58.5  
Aluminum angle  
Edgebanding, .94", Maple

# 2016 INTERNATIONAL TRAVEL TRAILER FURNITURE, LOUNGE

## Sofa Bed, 23D, 25FB, 27FB Signature

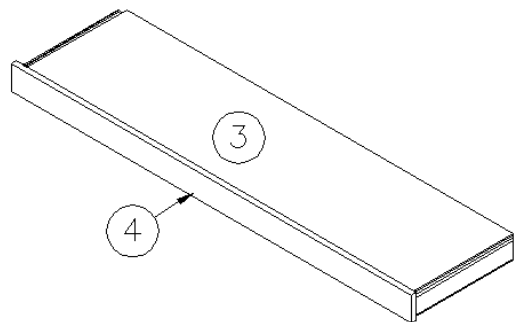
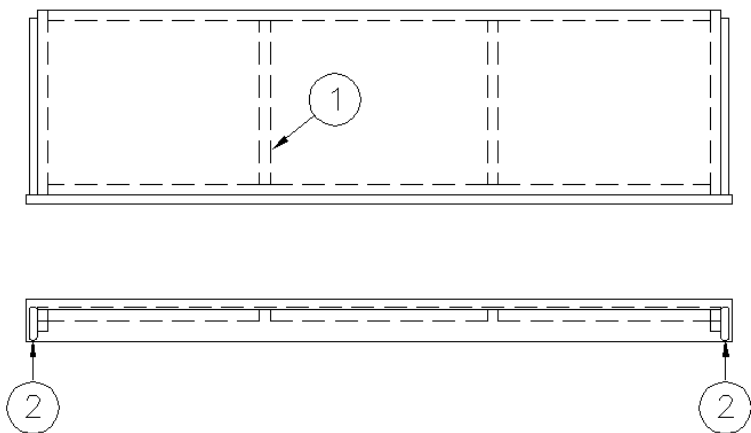


966888

Sofa Bed

- |             |                          |
|-------------|--------------------------|
| 1. 915811   | Sofa bed weldment        |
| 2. 381826   | Slide, Ball bearing, 16" |
| 3. 966888-3 | Panel, 17 x 63           |
| 4. 966888-4 | Panel, 3.88 x 65.13      |

## Sofa Bed 23D, 25FB, 27FB Serenity



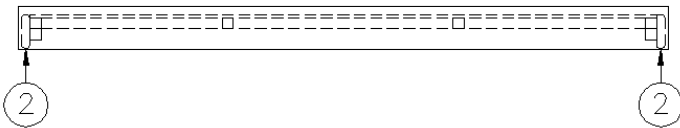
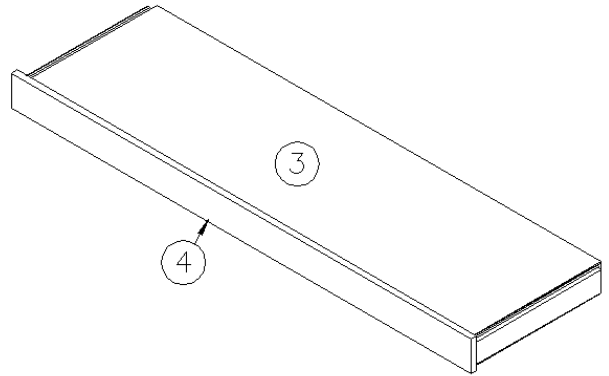
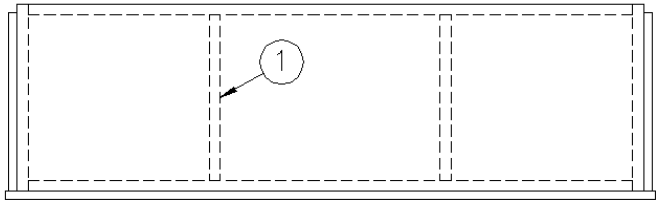
966888-15

Sofa Bed

- |               |                          |
|---------------|--------------------------|
| 1. 915811     | Sofa bed weldment        |
| 2. 381826     | Slide, Ball bearing, 16" |
| 3. 966888-3   | Panel, 17 x 63           |
| 4. 966888-154 | Panel, 3.88 x 65.13      |

# 2016 INTERNATIONAL TRAVEL TRAILER FURNITURE, LOUNGE

## Sofa Bed, 28', 30' Signature

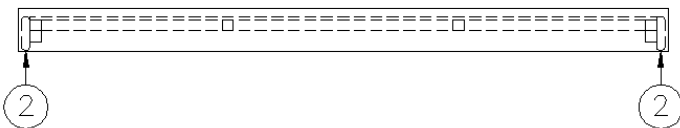
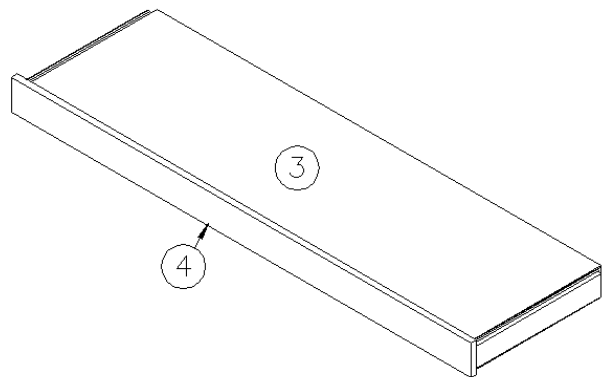
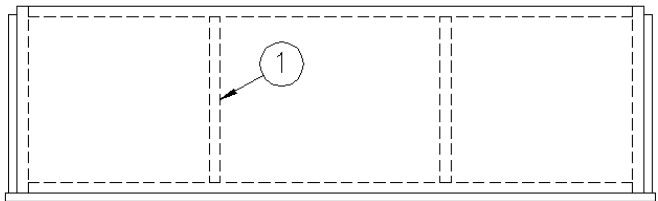


966971

Sofa Bed

- |             |                          |
|-------------|--------------------------|
| 1. 915708   | Sofa bed weldment        |
| 2. 381826   | Slide, Ball bearing, 16" |
| 3. 966971-3 | Panel, 17 x 57           |
| 4. 966971-4 | Panel, 3.88 x 59.13      |

## Sofa Bed, 28', 30' Serenity



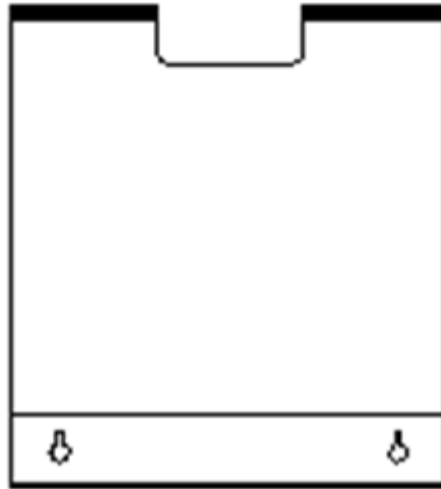
966971-15

Sofa Bed

- |               |                          |
|---------------|--------------------------|
| 1. 915708     | Sofa Bed Weldment        |
| 2. 381826     | Slide, Ball Bearing, 16" |
| 3. 966971-3   | Panel, 17 x 57           |
| 4. 966971-154 | Panel, 3.88 x 59.13      |

# 2016 INTERNATIONAL TRAVEL TRAILER FURNITURE, LOUNGE

## Magazine Rack



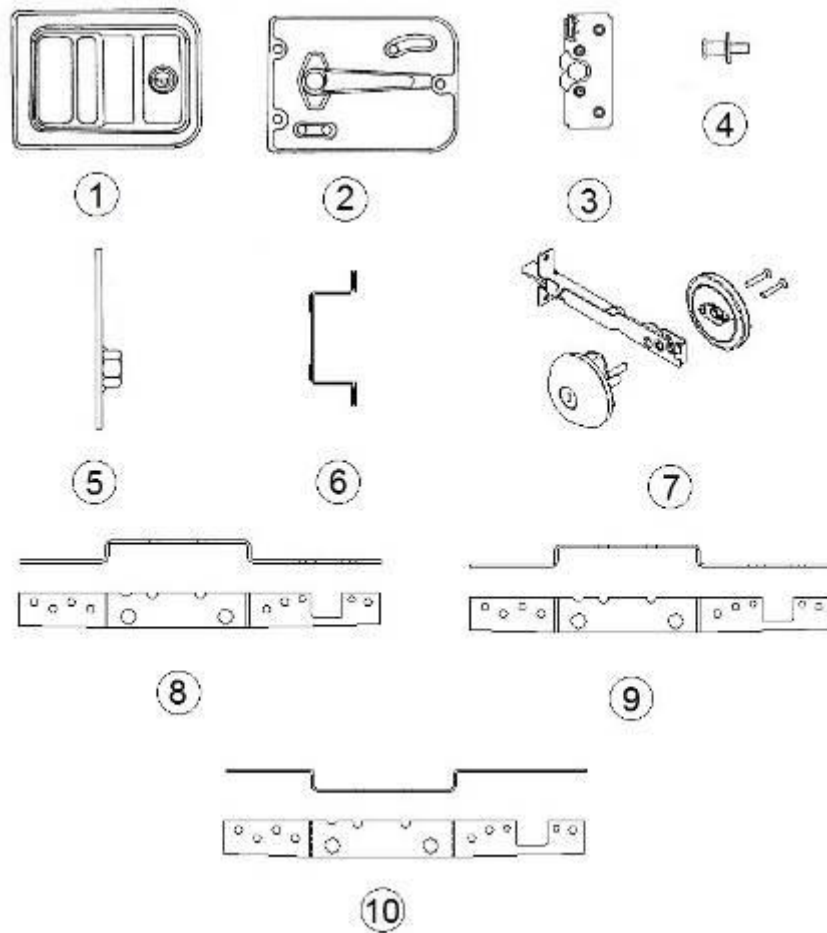
386106-01 Magazine rack, White  
386107 Rod, Magazine rack

## Camp Chair, 23FB A2GO

704033 Camp chair w/carrying bag & A2GO Logo

# 2016 INTERNATIONAL TRAVEL TRAILER HARDWARE

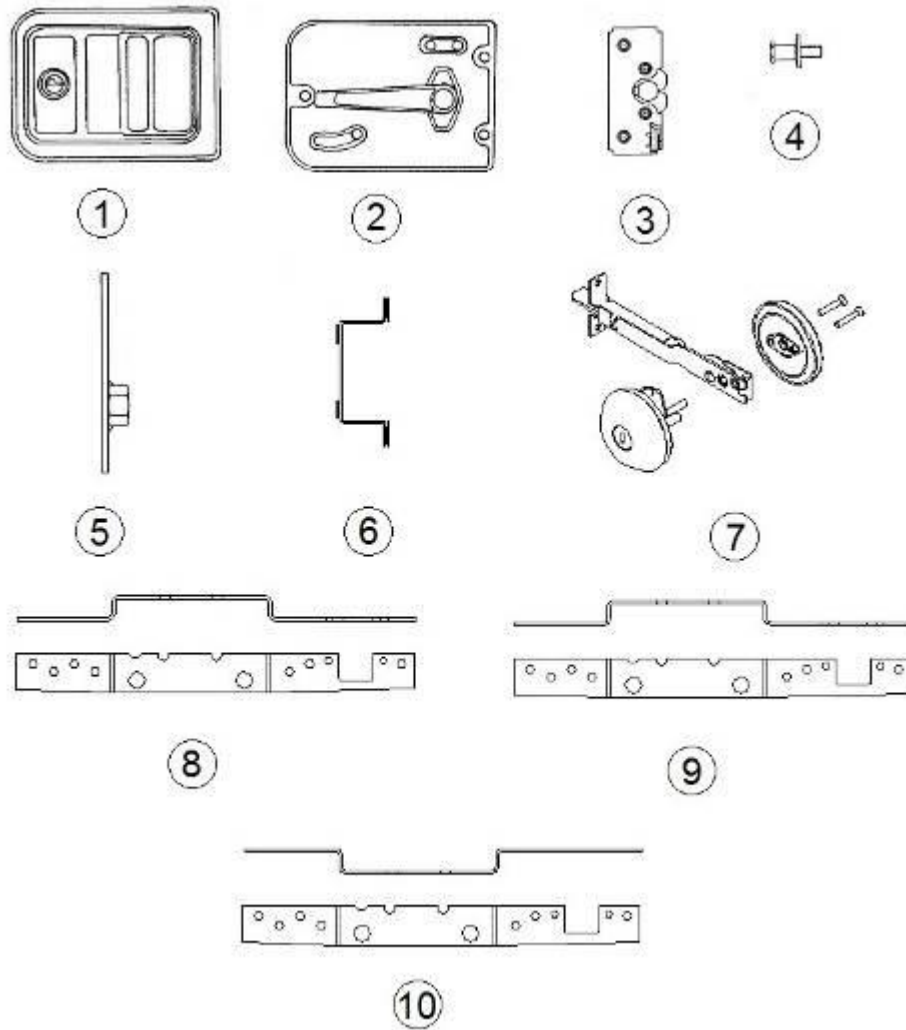
## Main Door Lock, Left Hand Hinge



- |     |            |  |
|-----|------------|--|
| 1.  | 381547-01  | Main door lock, outside housing              |
| 2.  | 381547-07  | Main door lock, inside plate                 |
| 3.  | 381547-03  | Double rotary latch, main door               |
| 4.  | 381547-04  | Striker bolt w/washer, main door lock        |
| 5.  | 381550     | Plate, Striker Bolt Mounting                 |
| 6.  | 115413     | Door hat section                             |
| 7.  | 382069     | Deadbolt, round, Trimark                     |
| 8.  | 382067     | Outer Reinforcement Plate, RH/LH Hinged Door |
| 9.  | 382066     | Inner Reinforcement Plate, LH Hinged Door    |
| 10. | 382068     | Inner reinforcement plate, RH hinged door    |
|     | 382069-100 | Deadbolt Key, Blank                          |
|     | 381547-102 | Main door key, Blank                         |
|     | 381547-08  | Screw package, main door lock                |
|     | 385595     | Pocket strike                                |
|     | 382122     | Key Chain, Airstream Logo                    |

# 2016 INTERNATIONAL TRAVEL TRAILER HARDWARE

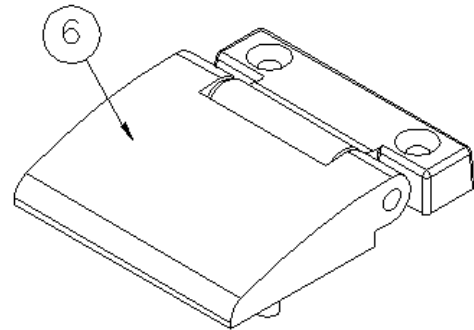
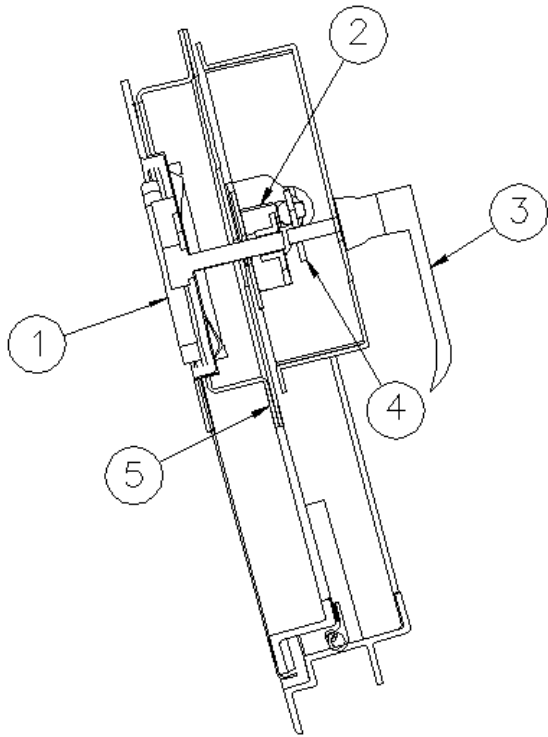
## Main Door Lock, Right Hand Hinge



- |     |            |  |
|-----|------------|--|
| 1.  | 381547-09  | Main door lock, outside, housing             |
| 2.  | 381547-11  | Main door lock, inside plate                 |
| 3.  | 381547-10  | Double rotary latch, main door lock          |
| 4.  | 381547-04  | Striker bolt w/washer main door lock         |
| 5.  | 381550     | Plate, Striker Bolt                          |
| 6.  | 115413     | Door hat section                             |
| 7.  | 382069     | Deadbolt, round, Trimark                     |
| 8.  | 382067     | Outer Reinforcement Plate, RH/LH Hinged Door |
| 9.  | 382066     | Inner Reinforcement Plate, LH Hinged Door    |
| 10. | 382068     | Inner reinforcement plate, RH hinged door    |
|     | 382069-100 | Deadbolt Key, Blank                          |
|     | 381547-08  | Screw package, main door lock                |
|     | 381547-102 | Main door key, Blank                         |
|     | 385595     | Pocket, strike                               |

# 2016 INTERNATIONAL TRAVEL TRAILER HARDWARE

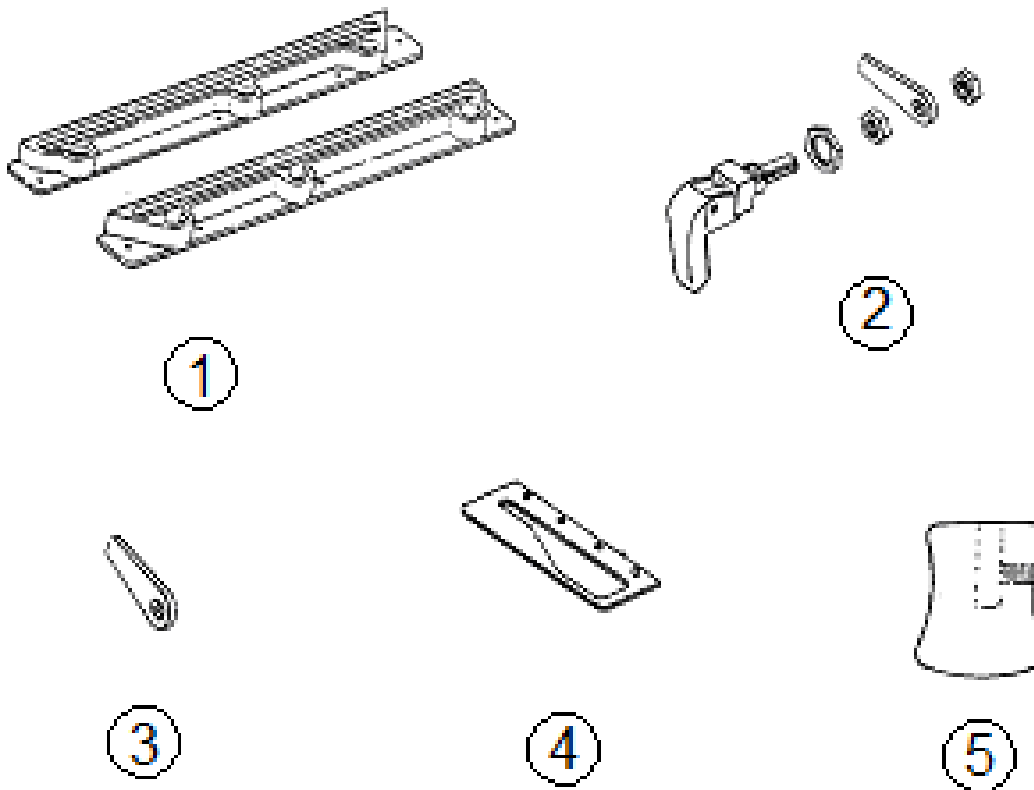
## Lock & Hinge, Hatch Door, Eddie Bauer



- |              |                           |
|--------------|---------------------------|
| 1. 382018-10 | Handle, locking D-ring    |
| 2. 382018-04 | Center case w/override    |
| 3. 382018-08 | Handle-L, Non-locking     |
| 4. 454577    | Adaptor, Latch release    |
| 5. 115522    | Plate, Latch cover 45.81" |
| 6. 382065    | Hinge, Rear hatch door    |

# 2016 INTERNATIONAL TRAVEL TRAILER HARDWARE

## Window, Opening

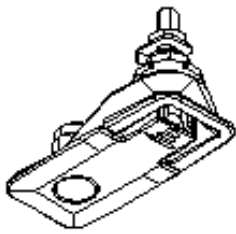


- |              |                               |
|--------------|-------------------------------|
| 1. 0802-0001 | Window guide, RH              |
| 0802-0002    | Window guide, LH              |
| 2. 010020    | Lower window latch, Chrome    |
| 195467-05    | Lower window latch, Red       |
| 3. 685123    | Pawl, Window latch, Straight  |
| 4. 685124    | Striker plate, Window latch   |
| 5. 380230-03 | Knob, window arm, Silver      |
| 380230-04    | Knob, window arm, Red         |
| 0703-0001    | Screw, 8-32 x 1/2", Black     |
| 0706-0001    | Washer, Flat, .53 OD, .328 ID |
| 0802-0004    | Screw cap, Black              |



# 2016 INTERNATIONAL TRAVEL TRAILER HARDWARE

## Exterior Latches, Locks, & Handles



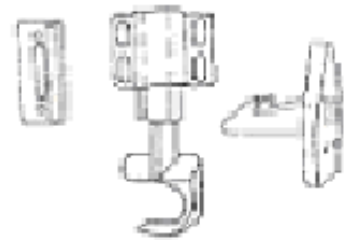
①



②



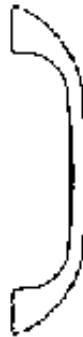
③



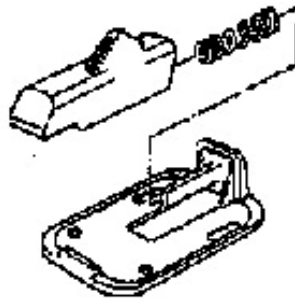
④



⑤



⑥



⑦



⑧

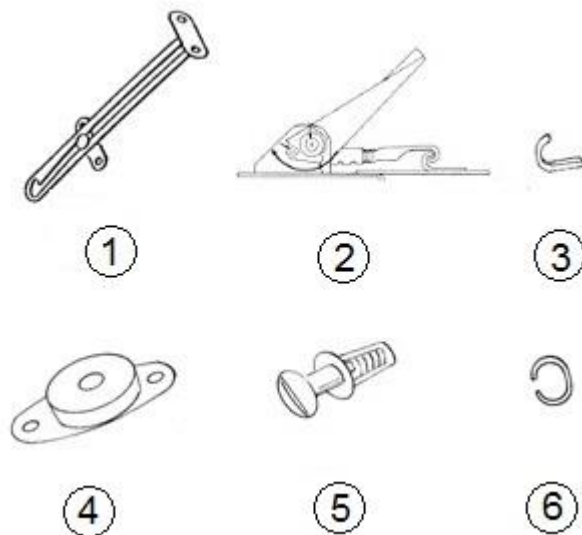


⑨

- |   |  |
|---|--|
| <p>1. 382230-02<br/>2. 381021-01<br/>3. 201056<br/>4. 381454<br/>5. 101171<br/>6. 380004<br/>7. 380291<br/>8. 380290<br/>9. 092609<br/>   340023-01<br/>   382074</p> | <p>Compression Latch w/key code<br/>Rubber T handle<br/>Catch, main door hold-back<br/>Latch, screen door, Bullet<br/>Grab handle<br/>Handle, screen door<br/>Main door hold-back<br/>Latch housing<br/>Lock cam<br/>Catch w/strike, battery box<br/>Gasket, Main Door Grab handle</p> |
|---|--|

# 2016 INTERNATIONAL TRAVEL TRAILER HARDWARE

## Exterior Latches & Locks



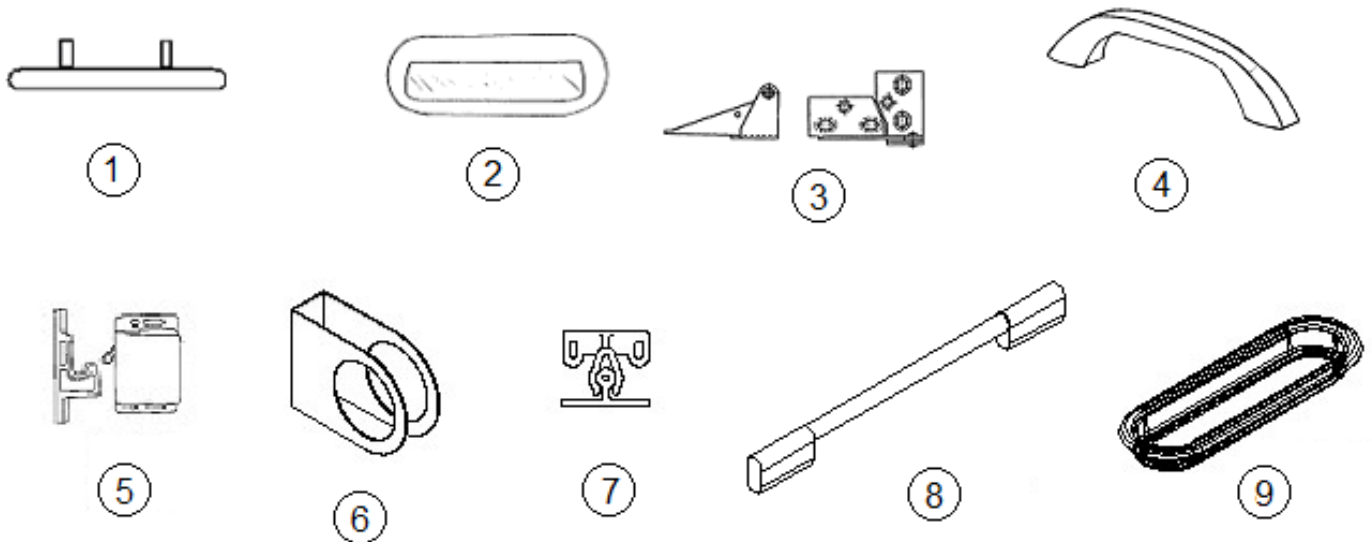
- |              |  |
|--------------|--|
| 1. 380024    | Support arm, Bumper lid                    |
| 2. 382091-01 | Tension latch, Stainless Steel             |
| 3. 382091-02 | Strike, Tension latch, Stainless Steel     |
| 4. 685359    | Rubber receptacle, 1/4 turn latch, Southco |
| 5. 685358    | Stud, 1/4 turn latch, Southco              |
| 6. 685362    | Retaining ring, 1/4 turn stud              |

## Exterior Hinges

- |           |   |
|-----------|---|
| 381552-03 | Hinge, Main door, Upper                     |
| 381552-04 | Hinge, Main door, Lower                     |
| 381531-01 | Hinge, Screen door, Upper                   |
| 381531-02 | Hinge, Screen door, Lower                   |
| 380773    | Hinge, Exterior access door, Gas tank cover |
| 380203-01 | Piano hinge, 1/8" Pin, Battery box lid      |
| 380203-02 | Piano hinge, Hose carrier lid, 72", Black   |
| 380988    | Hinge, Continuous, Refrigerator access door |

# 2016 INTERNATIONAL TRAVEL TRAILER HARDWARE

## Interior Latches & Handles



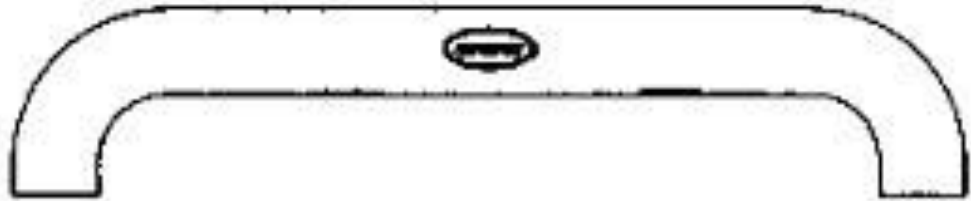
- |              |                                       |
|--------------|---------------------------------------|
| 1. 382044    | Handle, Drawer/door, Chrome           |
| 2. 381775    | Pull handle, Chrome                   |
| 3. 382159    | Pivot hinge, Nickel                   |
| 4. 381737-02 | Grab bar, Interior, Black             |
| 5. 381228    | Catch, grabber door, 10lb             |
| 381228-02    | Catch, grabber door, 5LB              |
| 6. 454320    | Door handle cover                     |
| 7. 381948    | K-catch                               |
| 8. 382029-00 | Handle, Chrome                        |
| 9. 382030    | Pull, Recessed finger                 |
| 381607-04    | Hinge screw                           |
| 381771       | Latch, Lever lockset, Privacy         |
| 382034       | Latch, Flush mount, Corner bath doors |
| 385940-02    | Mirror pull, Chrome                   |

## Interior Hinges

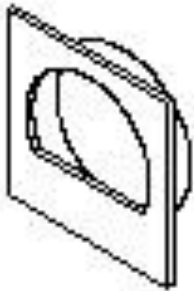
- |           |                                      |
|-----------|--------------------------------------|
| 380203-01 | Hinge, Bath door, Wardrobe, Clear    |
| 382159    | Pivot hinge, Nickel                  |
| 380203-01 | Piano hinge                          |
| 380203-02 | Piano hinge, Black                   |
| 380988    | Hinge, Continuous                    |
| 380773    | Hinge, Access door                   |
| 381607-10 | Hinge, Self-close, 110D half overlay |
| 381607-11 | Hinge, Self-close, 110D overlay      |

# 2016 INTERNATIONAL TRAVEL TRAILER HARDWARE

## Head knocker, Drawer Finger Pulls, & Rubber Bumpers



1



2



3



4

- |              |  |
|--------------|--|
| 1. 382194    | Head knocker, White                          |
| 2. 382026    | Finger pull, Recessed, SS                    |
| 3. 360012-01 | Bumper, Rubber, Stick-on, Cylindrical, Brown |
| 4. 360016    | Bump on, Rubber, Square, Gray                |
| 381610-01    | Cover cap, Plastic, European White           |
| 381610-04    | Cover cap, Plastic, Black                    |

# 2016 INTERNATIONAL TRAVEL TRAILER HARDWARE

## Bathroom Accessories

382175	Towel bar, Chrome, 18"
382176	Towel ring, Chrome
381778	Robe hook, Chrome, 19', 25', 23D, 25', 25FB, 27FB, 28', EB
381299	Recessed toilet paper holder, 19', 25', 27FB, 28', EB
380034	Toilet paper holder, Chrome, 23FB, 27FB, 30'
967110	Closeout toilet paper holder, 19', 23D
602285	Towel ring, Polished Stainless Steel, 30'
602284	Towel bar, 18", Polished Stainless Steel, 30'
371423-02	Mirror, Wall mount, 8", Chrome, 23FB, 30'
371423-01	Retainer clip for mirror, 1.88" 30'
601829	Trim kit, Shower, Chateau, Chrome
601358	Shower hardware, Chrome
600594	Strainer w/white rubber stopper
382098	Towel bar, 14.25" Chrome, Eddie Bauer

## Clothes Line

382063	Retractable Clothes Line
--------	--------------------------

## Dinette Table Hardware

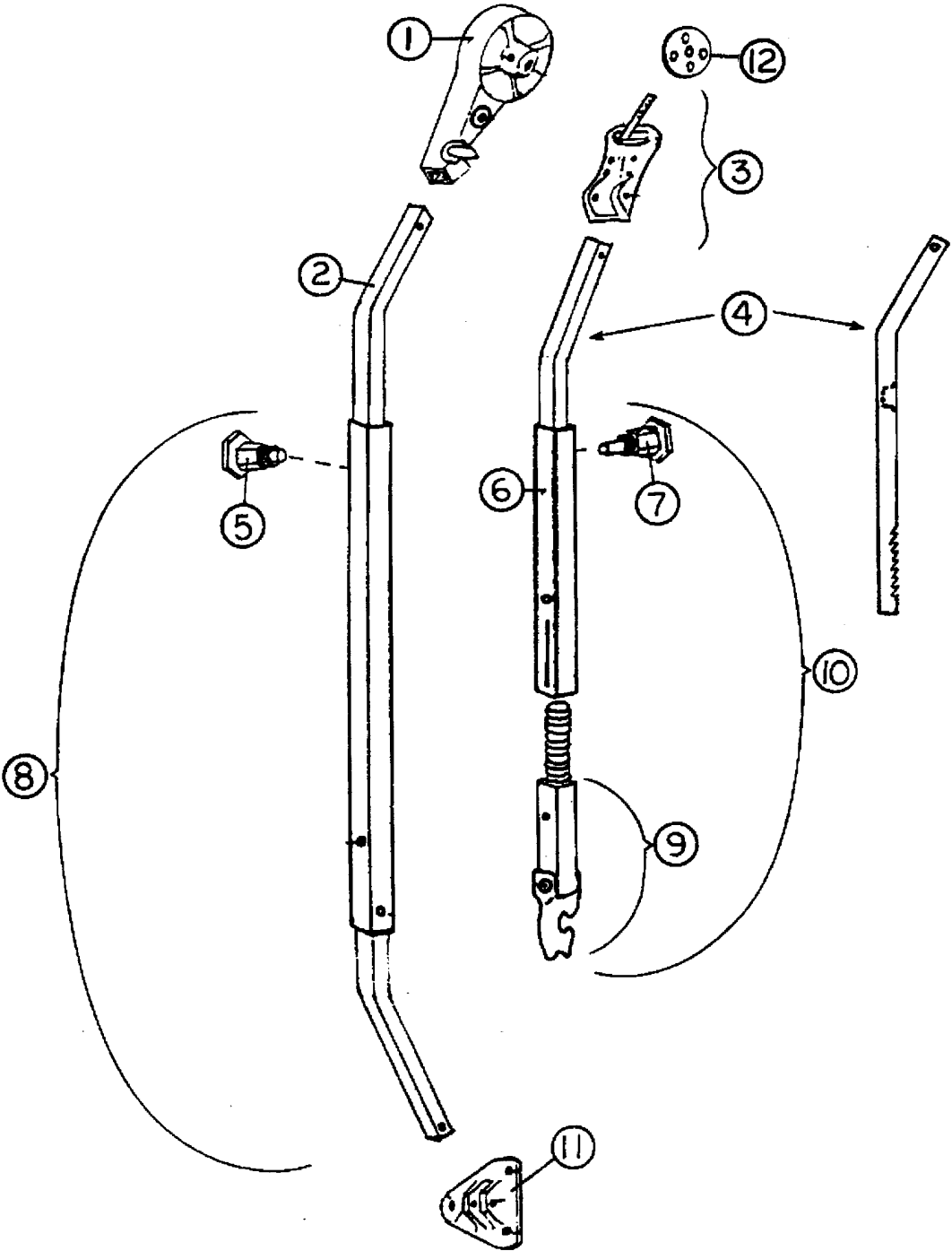
380284-02	Bracket, Table hinge assembly kit
340018	Catch plate, J-1
382177	Leg, Folding

## Bed Gas Springs, 23FB, 25', 25FB, 27FB, 28', 30', EB

381067-09	Spring, Gas 90 Lbs.
381262	Bracket, Prop w/ball
381310	Gas prop bracket, Upper
381084	Ball, Stud

# 2016 INTERNATIONAL TRAVEL TRAILER HARDWARE

## Awning Hardware



Parts Listed on Next Page

# 2016 INTERNATIONAL TRAVEL TRAILER HARDWARE

## Awning Hardware

702993

Awning Hardware

- |                |                             |
|----------------|-----------------------------|
| 1. 74043W-06   | Front head                  |
| 74043W-07      | Rear head                   |
| 2. 74047W-11   | Front main arm bar          |
| 74047W-12      | Rear main arm bar           |
| 3. 74056W      | Clamp, Front, Curved        |
| 74056W-01      | Clamp, Rear, Curved         |
| 4. 74061WS-08  | Rafter arm bar, Satin       |
| 5. 74054W      | Snap stud                   |
| 6. 74063W-04   | Rafter arm tube, Satin      |
| 7. 74072W      | Ratchet stud                |
| 8. 74048WS-15  | Front main arm tube         |
| 74048WS-16     | Rear main arm tube          |
| 9. 74068W-04   | Claw bar                    |
| 10. 74048WS-17 | Rafter arm                  |
| 11. 74055W     | Base hinge, Rib mount       |
| 12. 74060W     | Clamp wheel                 |
| 74041W-01      | Zip Dee hook, Pull rod, 52" |

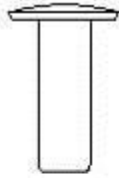
## Key Hooks, Eddie Bauer

382152

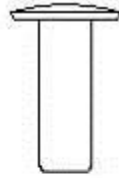
Hook, Hammock, Stainless

# 2016 INTERNATIONAL TRAVEL TRAILER HARDWARE

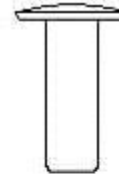
## Rivets, Buck



①



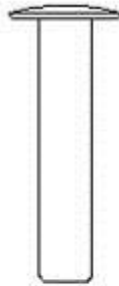
②



③



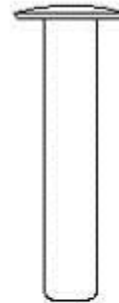
④



⑤



⑥



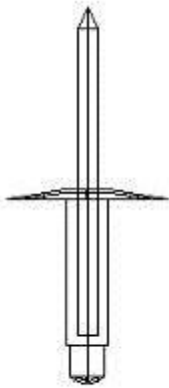
⑦

- |                        |  |
|------------------------|--|
| 1. 325043              | Rivet, 1/8", 1/4" length (hard)                                  |
| 2. 325000              | Rivet, 1/8", length 1/4", Solid brazier head                     |
| 3. 325000-01           | Rivet, 1/8", 1/4" length anodized Clear                          |
| 4. 325001-03           | Rivet, 1/8", length 5/16", Polar White                           |
| 5. 325002-01           | Rivet, 1/8", length 3/8", anodized Clear                         |
| 6. 325004-01           | Rivet, 1/8", length 1/2", anodized Clear                         |
| 7. 325003-01<br>300101 | Rivet, anodized clear, 1/8 x 7/16<br>1/8" I.D., Washer, Aluminum |



# 2016 INTERNATIONAL TRAVEL TRAILER HARDWARE

## Rivets, Pop



1



2



3



4



5

- |               |  |
|---------------|--|
| 1. 330155     | Rivet, 1/8", Aluminum Body w/steel Mandrel           |
| 2. 330127-030 | Pop Rivet, grip range .063-.125, alum body & mandrel |
| 3. 330126-02  | Pop Rivet, dia. 1/8" grip range .126-.187, S.S.      |
| 4. 330126-03  | Pop Rivet, dia., 1/8" grip range .126-.250, S.S.     |
| 5. 330128-05  | Pop Rivet, dia., 1/8" .251"-.312" White              |
| 330038        | Pop Rivet, dia .150". (#20 bit) grip range           |
| 330016-08     | Pop rivet, closed end, sealing                       |
| 325103-01     | Pop rivet, 3/16 x 1/2, anodized Clear                |
| 330126-04     | Pop rivet, dome head, SSD45                          |

# 2016 INTERNATIONAL TRAVEL TRAILER SAFETY EQUIPMENT

## Detectors & Fire Extinguishers

510781	Smoke detector
510891	Smoke detector, CSA
512539-01	LP detector
512318	Holder w/1 amp fuse, In-line
510696	Holder, Fuse, In-line
386019	Label, 1 amp fuse max
512783	Carbon monoxide detector (Brk)
600162-01	Fire extinguisher
600162-02	Fire extinguisher, CSA
203387	Pocket, Recessed fire ext. bracket

# 2016 INTERNATIONAL TRAVEL TRAILER LABELS & TAGS

## Labels & Tags, USA

386119	Label, "Don't Use Area for Storage"
385068	Tag, Cooking Appliance Warning
386118	Label, LP Gas Warning/Fill
385517	Label, Kill Switch Warning
385521	Label, Emergency Egress Window
386122	Warning Label, Cooking Appliance
386121	Label, LP Gas Warning Label (Odor)
385465	Exit Label, English
385560	Label, Air Conditioner Rating
385812	Label, Calif. Hazardous Substance
386120	Label, Smoke Detector
385359	Label, Microwave or Air Conditioner
385837	Label, Refrigerator Ignition
386012	Label Warning, Water Heater
386123	Label "Potable Water Only"
386114	Label, Rvia Silver
385062	Decal, 110-125 Voltage AC
385565	Label, Holding Tank Flushing
386142	Check Wheel Lug Label
386019	Label, 1 Amp Fuse Max
385101	Tag, Aux Tank Dump Valve Handle
385099	Tag, Main Tank Dump Valve Handle
386192	Hang, Tag, Smoke/Co Detector Battery
386193	Label, Wheel Torque Warning
385020	Sticker, Self-Adhering, "Jack"
386098	Label, Fuse, 12V.
386226	Label, RV Master Weight Label
386110	Label, Ok To Ship Inspected
386121	Label, "If You Smell Gas"
386194	Label, Storage, Eddie Bauer
386257	Label, Cable & Satellite Inlet
386263	Hang Tag, Coach-Net Roadside Assistance
386267-01	Front Label, Power Awning Cable
386267-02	Rear Label, Power Awning Cable
386284	Warning label, "Do not use a dolly wheel"

# 2016 INTERNATIONAL TRAVEL TRAILER LABELS & TAGS

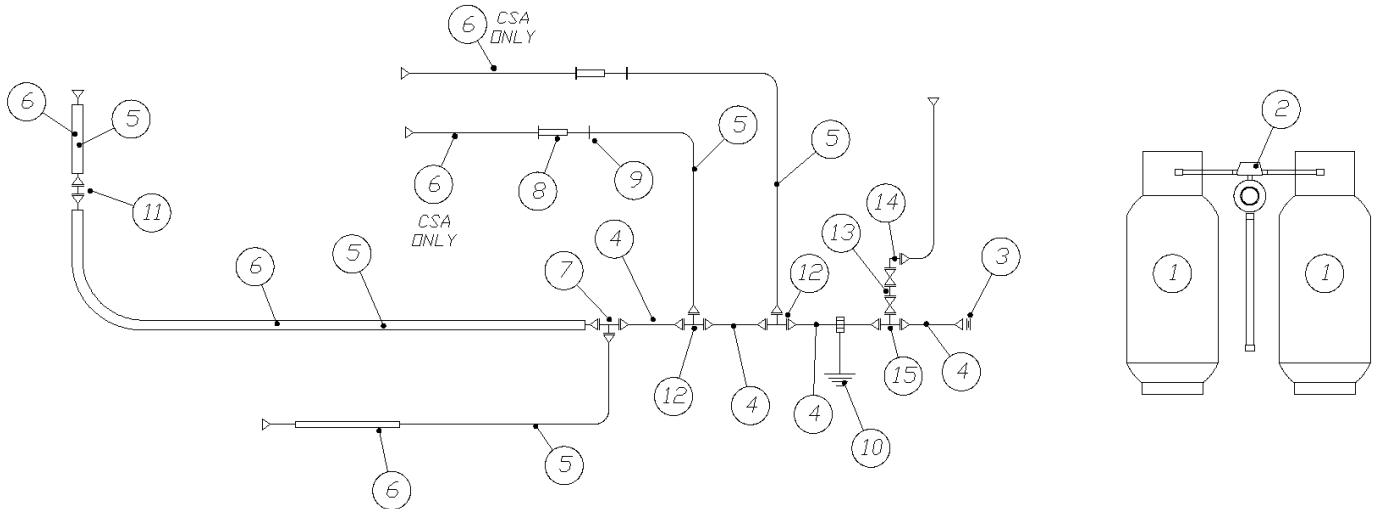
## Labels & Tags, CSA

385949	Label, "Potable Water"
385950	Label, "Smoke Detector"
385951	Label, "Range Fresh Air"
385952	Label, "LP Warning"
385953	Label, "If You Smell Gas"
385954	Label, "Range Warning"
385466	Label, Exit, French
386105	Label, TV/VCR Receptacle
385971	Label, Fuse, Exterior Light
386120	Label, Smoke Alarm Warning
386118	Label, LP Gas Tri-warning
386121	Label, "If You Smell Gas"
386122	Label, "Comfort Heating"

# 2016 INTERNATIONAL TRAVEL TRAILER

## PLUMBING, LPG SYSTEM

### LPG System, 19'

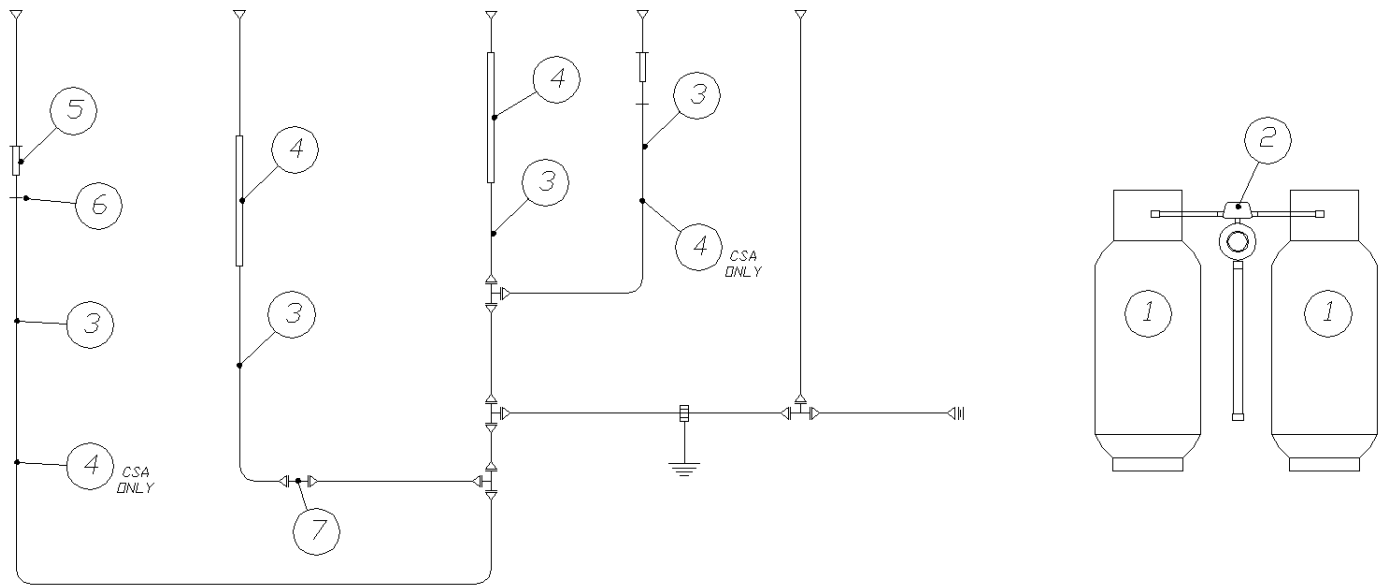


- |              |  |
|--------------|--|
| 1. 601710-01 | LP cylinder, Steel                                     |
| 2. 602531-01 | Sturgis gas regulator w/two 11" pigtails & 48" LP hose |
| 3. 600468    | Union flare, 5/8 x 5/8                                 |
| 4. 600004    | Tubing, Copper, 5/8 OD                                 |
| 5. 600008    | Tubing, Copper, 3/8 OD                                 |
| 6. 601698-01 | Tubing, 1/2" E-Pex                                     |
| 7. 600003    | Tee, 5/8 x 3/8 x 3/8                                   |
| 8. 380887    | Floor grommet  |
| 9. 380886    | Floor grommet  |
| 10. 600661   | Grounding clamp, 1/2"-1"                               |
| 11. 600238   | Flare union, 3/8"                                      |
| 12. 600000   | Tee, Brass, 5/8 x 5/8 x 3/8                            |
| 13. 602314   | Fitting, 5/8 flr x 5/8 flr union                       |
| 14. 602312   | Fitting, 5/8 flr x 1/2 flr 90°                         |
| 15. 601281   | Tee, Brass union, 5/8 x 5/8 x 5/8                      |
| 500839       | Wire, Bare Copper, 8 gauge                             |
| 500038       | Lug ground   |
| 602332-04    | Threaded rod w/wing nut & hold down                    |
| 602531-02    | 48" LP hose, 3/8" x 1/2" female flare                  |
| 381613       | Plastisol cover, LP wing handle                        |
| 600436       | Forged flare nuts, 5/8"                                |
| 600435       | Forged flare nuts, 3/8"                                |
| 340085-05    | Clamp, 5/8" Dia  |
| 340085-07    | Clamp, Loop, Steel w/rubber, CSA                       |

# 2016 INTERNATIONAL TRAVEL TRAILER

## PLUMBING, LPG SYSTEM

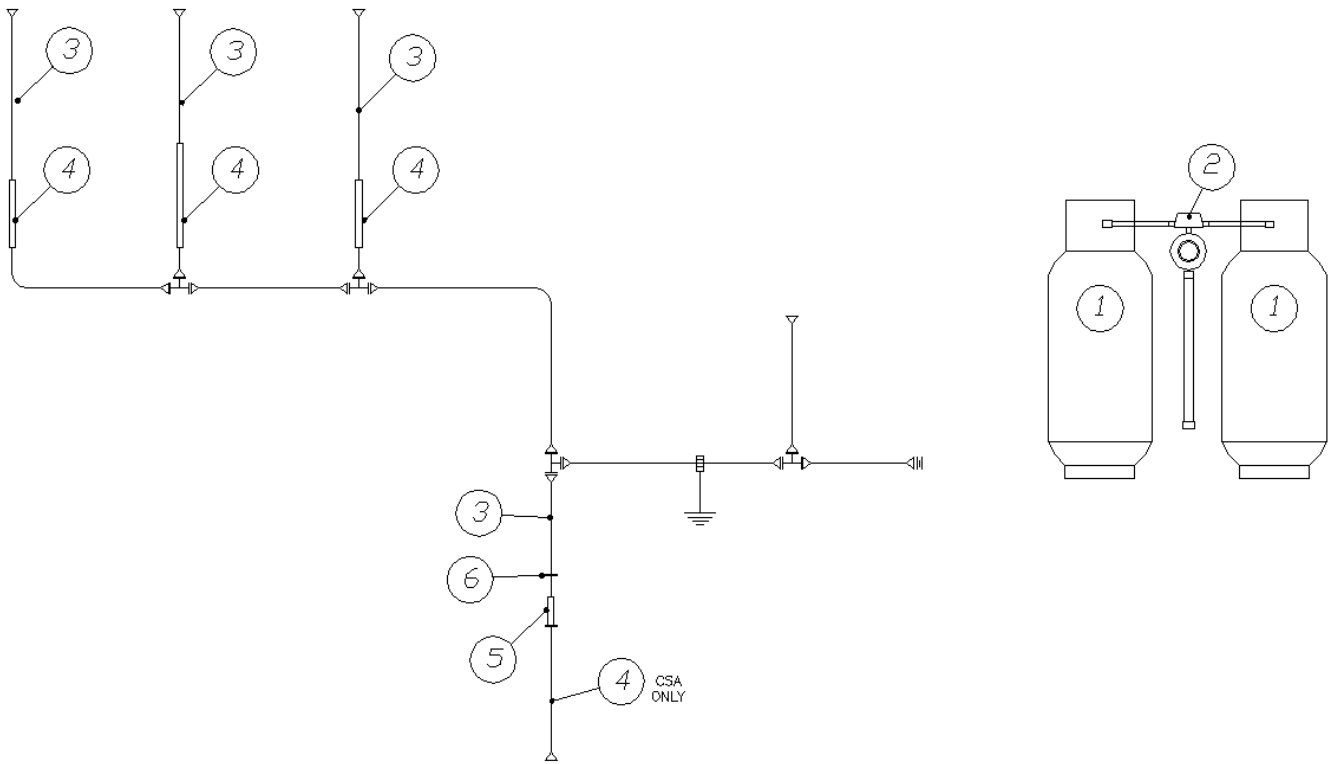
### LPG System, 23D



- |              |   |
|--------------|---|
| 1. 601710-01 | LP cylinder, Steel                                      |
| 2. 602531-01 | Sturgis gas regulator w/two 11" pigtailed & 48" LP hose |
| 3. 600008    | Tubing, Copper, 3/8" OD                                 |
| 4. 601698-01 | E-Pex tubing, 1/2"                                      |
| 5. 380887    | Floor grommet   |
| 6. 380886    | Underbelly grommet                                      |
| 7. 600238    | Flare union, 3/8"                                       |
| 602332-04    | Threaded rod w/wing nut & hold down                     |
| 602531-02    | 48" LP hose, 3/8" x 1/2" female flare                   |
| 340085-05    | Clamp, 5/8" Dia   |
| 600436       | Forged flare nuts, 5/8"                                 |
| 600435       | Forged flare nuts, 3/8"                                 |
| 381613       | Plastisol cover, LP wing handle                         |
| 602314       | Fitting, 5/8 flr x 5/8 flr union                        |
| 602312       | Fitting, 5/8 flr x 1/2 flr 90°                          |
| 601281       | Tee, Brass union, 5/8 x 5/8 x 5/8                       |

# 2016 INTERNATIONAL TRAVEL TRAILER PLUMBING, LPG SYSTEM

## LPG System, 23FB

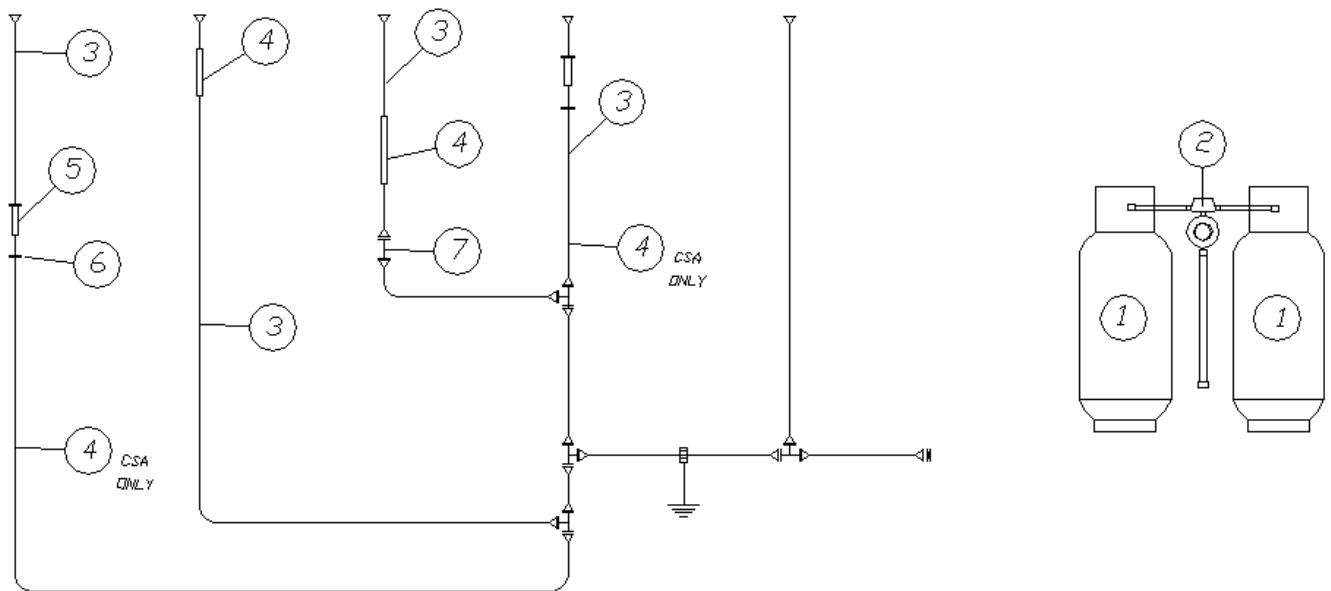


- |              |  |
|--------------|--|
| 1. 601710-01 | LP cylinder, Steel                                     |
| 2. 602531-01 | Sturgis gas regulator w/two 11" pigtails & 48" LP hose |
| 3. 600008    | Tubing, Copper, 3/8 OD                                 |
| 4. 601698-01 | E-Pex tubing, 1/2"                                     |
| 5. 380887    | Floor grommet  |
| 6. 380886    | Underbelly grommet                                     |
| 602332-04    | Threaded rod w/wing nut & hold down                    |
| 602531-02    | 48" LP hose, 3/8" x 1/2" female flare                  |
| 600435       | Forged flare nuts, 3/8"                                |
| 340085-05    | Clamp, 5/8" Dia  |
| 381613       | Plastisol cover, LP wing handle                        |

# 2016 INTERNATIONAL TRAVEL TRAILER

## PLUMBING, LPG SYSTEM

LPG System, 25', 25FB, 25FB EB



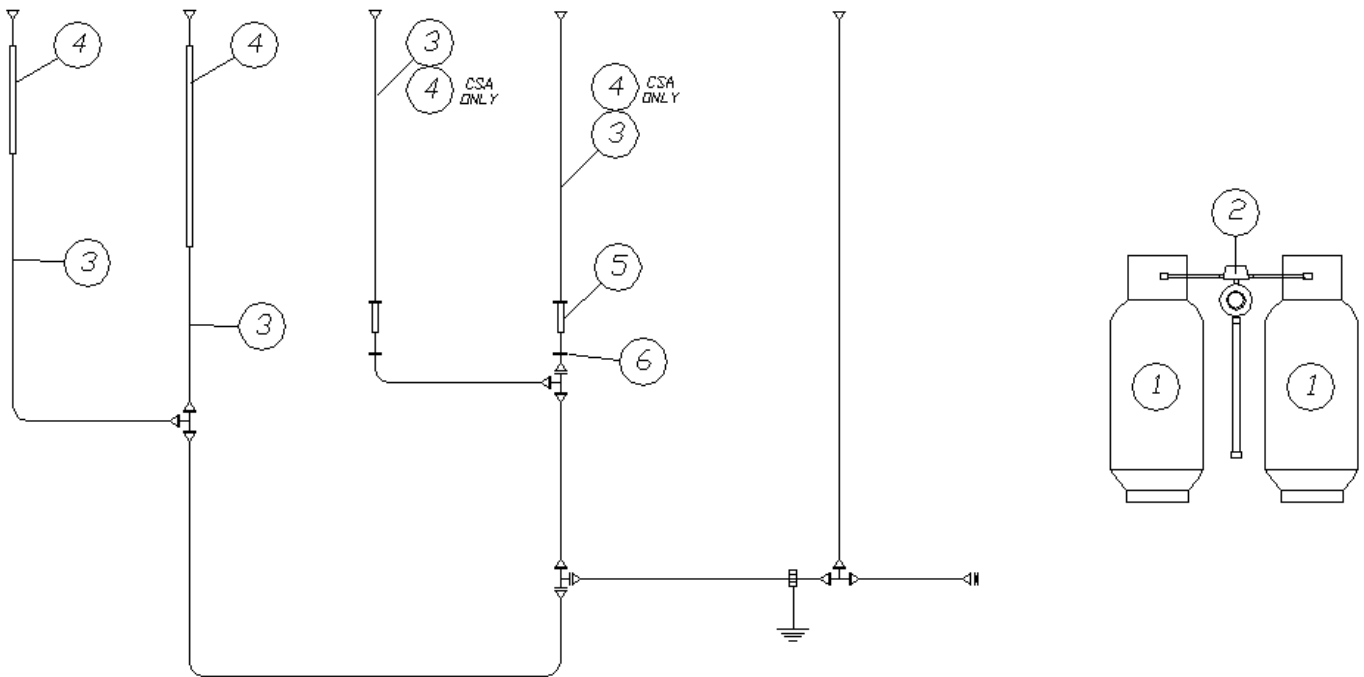
- |              |  |
|--------------|--|
| 1. 601710-01 | LP cylinder, Steel                                     |
| 2. 602531-01 | Sturgis gas regulator w/two 11" pigtails & 48" LP hose |
| 3. 600008    | Tubing, Copper, 3/8 OD                                 |
| 4. 601698-01 | E-Pex tubing, 1/2"                                     |
| 5. 380887    | Floor grommet  |
| 6. 380886    | Underbelly grommet                                     |
| 7. 600238    | Flare union, 3/8"                                      |
| 381613       | Plastisol cover, LP wing handle                        |
| 600004       | Tubing, Copper, 5/8 OD                                 |
| 600003       | Tee, 5/8 x 3/8 x 3/8                                   |
| 600436       | Forged flare nuts, 5/8"                                |
| 602332-04    | Threaded rod w/wing nut & hold down                    |
| 602531-02    | 48" LP hose, 3/8" x 1/2" female flare                  |
| 500038       | Lug ground   |
| 340085-05    | Clamp, 5/8" Dia  |
| 601281       | Tee, Brass union, 5/8 x 5/8 x 5/8                      |



# 2016 INTERNATIONAL TRAVEL TRAILER

## PLUMBING, LPG SYSTEM

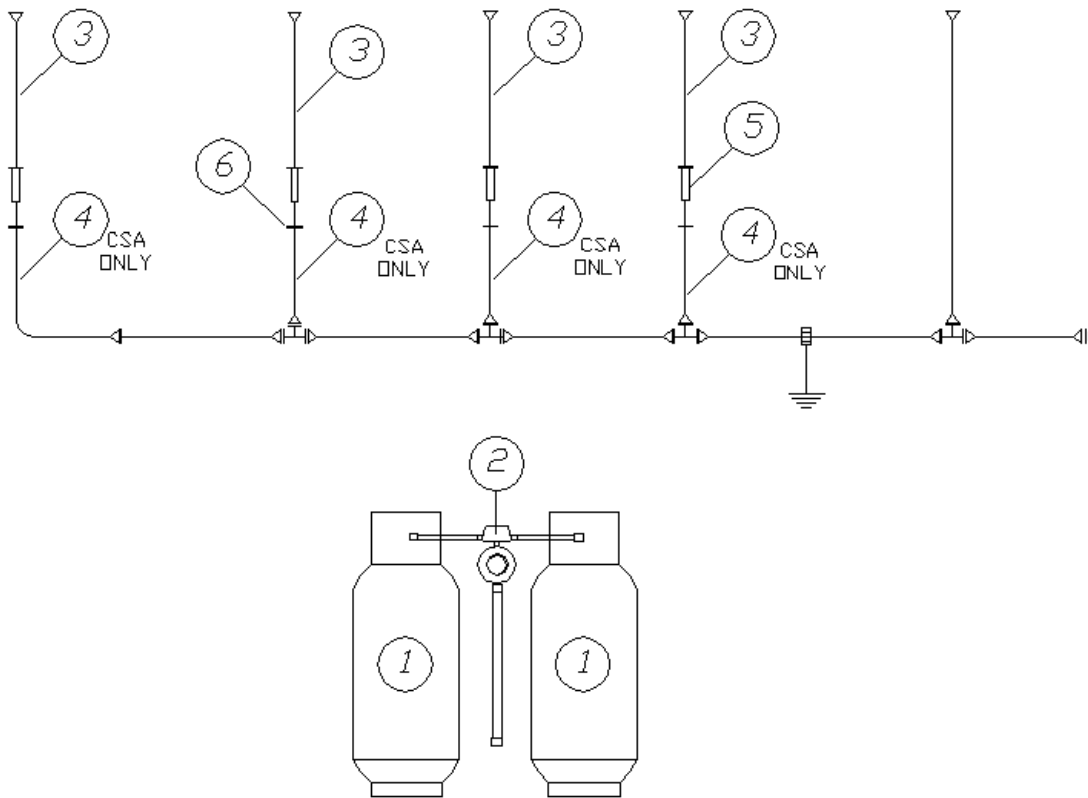
### LPG System, 27FB, 27FB EB



- |              |  |
|--------------|--|
| 1. 601710-01 | LP cylinder, Steel                                     |
| 2. 602531-01 | Sturgis gas regulator w/two 11" pigtails & 48" LP hose |
| 3. 600008    | Tubing, Copper, 3/8" OD                                |
| 4. 601698-01 | E-Pex tubing, 1/2"                                     |
| 5. 380887    | Floor grommet  |
| 6. 380886    | Underbelly grommet                                     |
| 602332-04    | Threaded rod w/wing nut & hold down                    |
| 602531-02    | 48" LP hose, 3/8" x 1/2" female flare                  |
| 340085-05    | Clamp, 5/8" Dia  |
| 600238       | Flare union, 3/8"                                      |
| 600435       | Forged flare nuts, 3/8"                                |
| 381613       | Plastisol cover, LP wing handle                        |

# 2016 INTERNATIONAL TRAVEL TRAILER PLUMBING, LPG SYSTEM

## LPG System, 28'

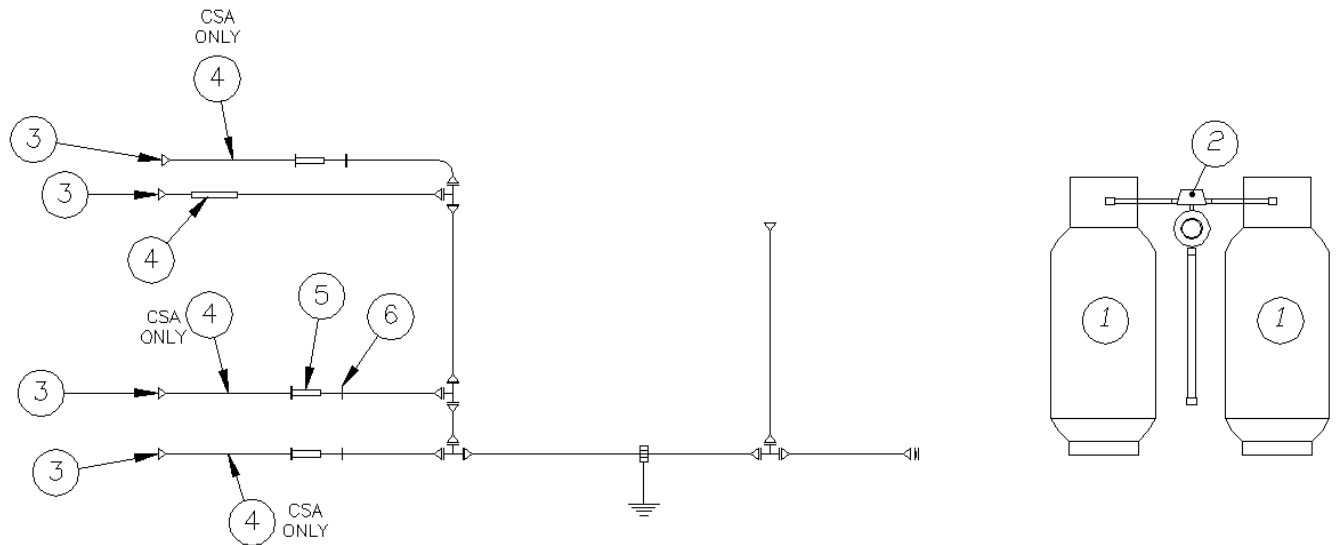


- |              |  |
|--------------|--|
| 1. 601710-01 | LP cylinder, Steel                                     |
| 2. 602531-01 | Sturgis gas regulator w/two 11" pigtails & 48" LP hose |
| 3. 600008    | Tubing, Copper, 3/8 OD                                 |
| 4. 601698-01 | E-Pex tubing, 1/2"                                     |
| 5. 380887    | Floor grommet  |
| 6. 380886    | Underbelly grommet                                     |
| 600435       | Forged flare nuts, 3/8"                                |
| 602332-04    | Threaded rod w/wing nut & hold down                    |
| 602531-02    | 48" LP hose, 3/8" x 1/2" female flare                  |

# 2016 INTERNATIONAL TRAVEL TRAILER

## PLUMBING, LPG SYSTEM

### LPG System, 30'



- |              |  |
|--------------|--|
| 1. 601710-01 | LP cylinder, Steel                                     |
| 2. 602531-01 | Sturgis gas regulator w/two 11" pigtails & 48" LP hose |
| 3. 600008    | Tubing, Copper, 3/8 OD                                 |
| 4. 601698-01 | E-Pex tubing, 1/2"                                     |
| 5. 380887    | Floor grommet  |
| 6. 380886    | Underbelly grommet                                     |
| 602332-04    | Threaded rod w/wing nut & hold down                    |
| 602531-02    | 48" LP hose, 3/8" x 1/2" female flare                  |
| 600435       | Forged flare nuts, 3/8"                                |
| 340085-05    | Clamp, 5/8" Dia  |

# 2016 INTERNATIONAL TRAVEL TRAILER

## PLUMBING, LPG SYSTEM

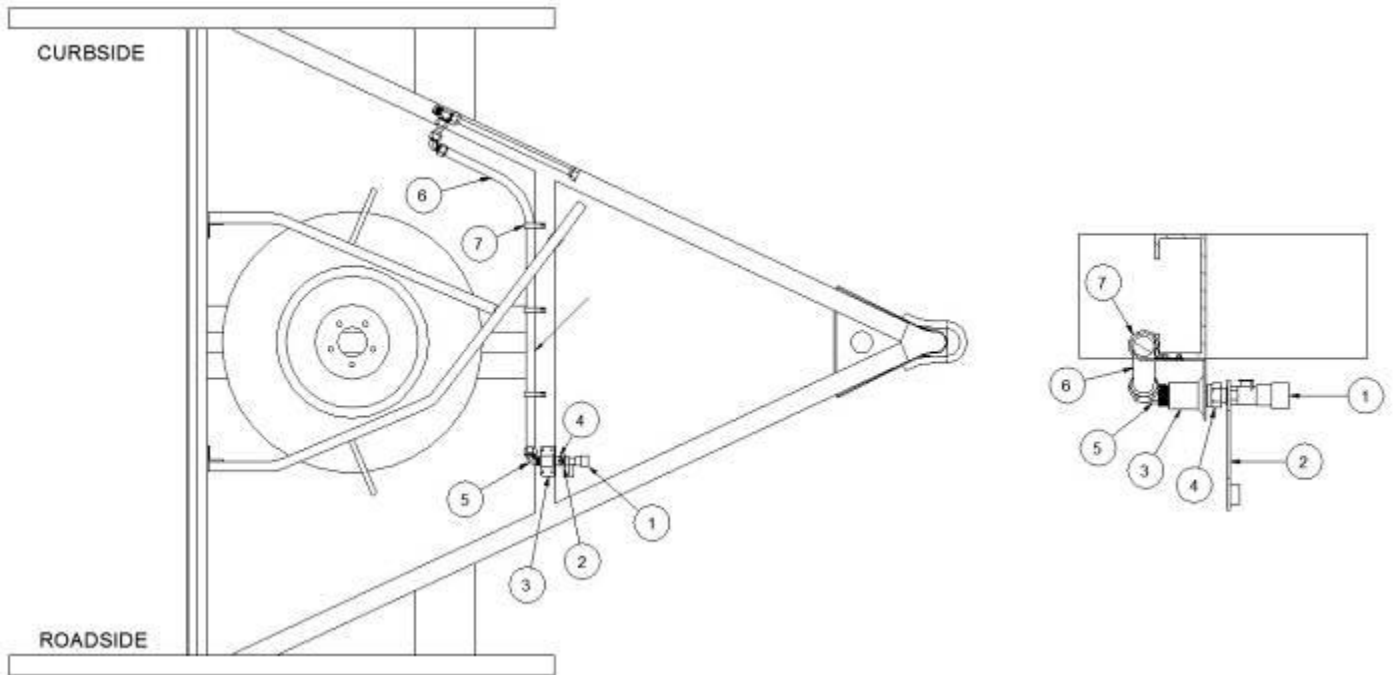
### LPG Tank & Cover

601710-01	LP cylinder, Steel
921246	LP tank cover
602531-01	Sturgis gas regulator w/two 11" pigtails & 48" LP hose
602332-04	Threaded rod w/wing nut & hold down
602332-01	Wing nut
602332-02	Black pan
602332-06	Hold down
602531-02	48" LP hose, 3/8" x 1/2" female flare
381613	Plastisol cover, LP wing handle
115289-05	Cross bar, LP bottle cover 5.31"
200841	Lid, LP bottle cover
382091-01	Latch
382091-02	Strike

# 2016 INTERNATIONAL TRAVEL TRAILER

## PLUMBING, LPG SYSTEM

### Propane Port, Exterior



112008 Exterior Propane Port  
 112008-01 Exterior Propane Port, 28'

- |  |  |
|--|--|
| <ul style="list-style-type: none"> <li>1. 602109-01</li> <li>2. 602109-03</li> <li>3. 454901</li> <li>4. 602286</li> <li>5. 602313</li> <li>6. 602315</li> <li style="padding-left: 20px;">602315-01</li> <li>7. 340085-07</li> <li style="padding-left: 20px;">201267-11</li> <li style="padding-left: 20px;">386250</li> <li>602286</li> </ul> | <ul style="list-style-type: none"> <li>Coupler, Quick disconnect</li> <li>Dust plug</li> <li>Bracket, LP quick disconnect port</li> <li>Nipple, 1/2" MNPT, 1/4" MNPT</li> <li>Fitting, 1/2" MPT x 1/2" FLR 90°</li> <li>LP hose, 1/2" FLR SWV, 36"</li> <li>LP hose, 18"</li> <li>Clamp, Loop, Steel w/rubber, 1"</li> <li>Conduit, Convoluted, 1" Dia.</li> <li>Label, LPG service port</li> <li>Nipple, 1/2" MNPT-1/4" MNPT</li> </ul> |
|--|--|

# 2016 INTERNATIONAL TRAVEL TRAILER PLUMBING, FRESH WATER

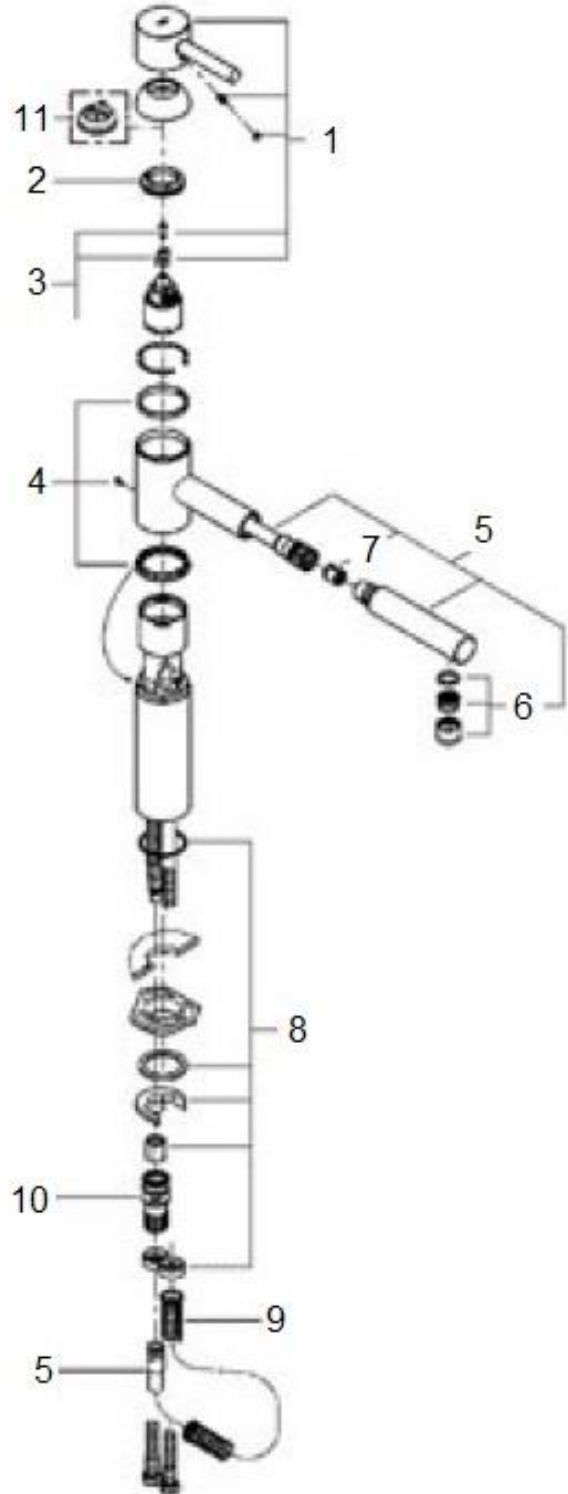
## Faucet, Galley

\*602310 Galley faucet, Pull-out, Chrome  
 602277 Shurflo In-Line Water Filter  
 602277-01 Fitting for Shurflo Water Filter

- 1. 46535000 Lever
- 2. 46460000 Screw coupling
- 3. 46374000 Cartridge
- 4. 46429K00 Seal kit
- 5. 46590000 Extractable shower
- 6. 13967000 Flow control
- 7. 08565000 Non-return valve
- 8. 46346000 Shank mounting kit
- 9. 07240000 Return spring
- 10. 48220000 Snap coupling
- 11. 46375000 Temperature limiter

Numbers listed are Grohe part numbers

\*602310 was replaced by 602549 in Oct. 2015



# 2016 INTERNATIONAL TRAVEL TRAILER PLUMBING, FRESH WATER

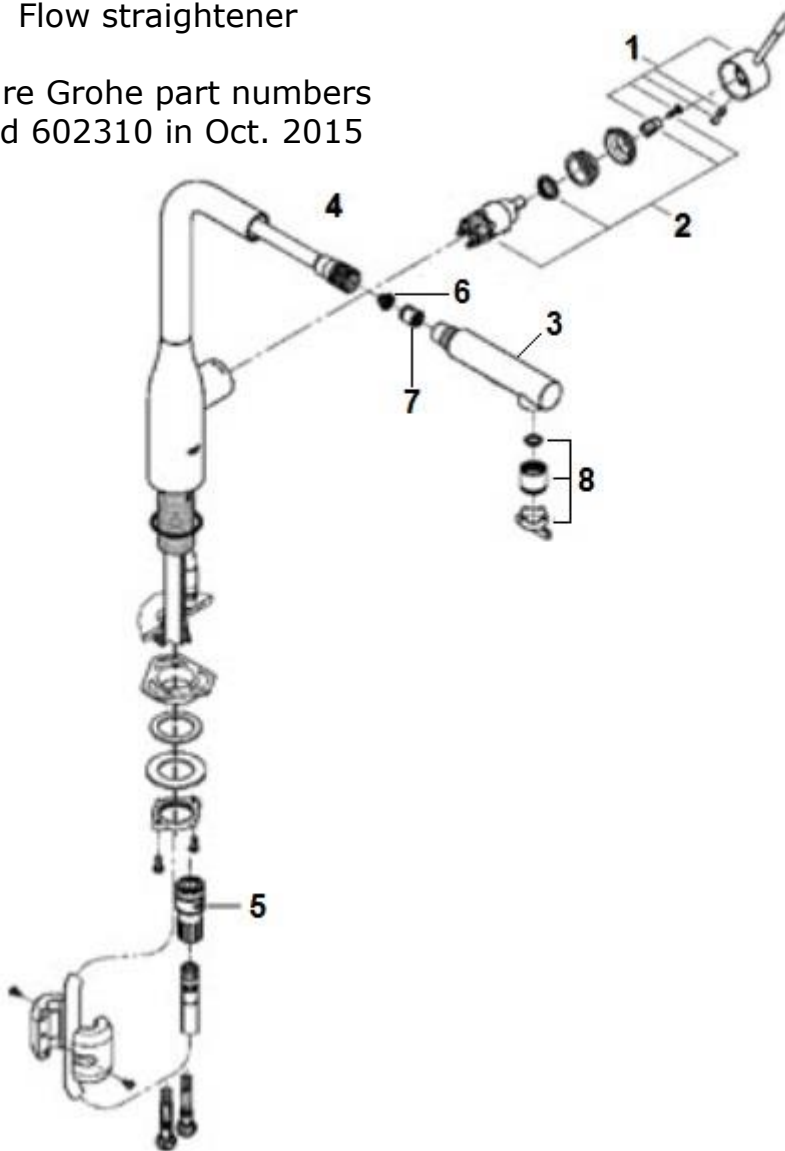
## Faucet, Galley

\*602549 Galley faucet, Pull-out, Chrome  
602137 Shut off valve  
602277 Shurflo In-Line Water Filter  
602277-01 Fitting for Shurflo Water Filter

1. 46927000 Lever
2. 46580000 Cartridge
3. 46926000 Pull-out spray
4. 46881000 Shower hose f. touch faucets
5. 48220000 Snap coupling
6. 0676800M Dirt strainer
7. 08565000 Non-return valve
8. 48275000 Flow straightener

Numbers listed are Grohe part numbers

\*602549 replaced 602310 in Oct. 2015



# 2016 INTERNATIONAL TRAVEL TRAILER PLUMBING, FRESH WATER

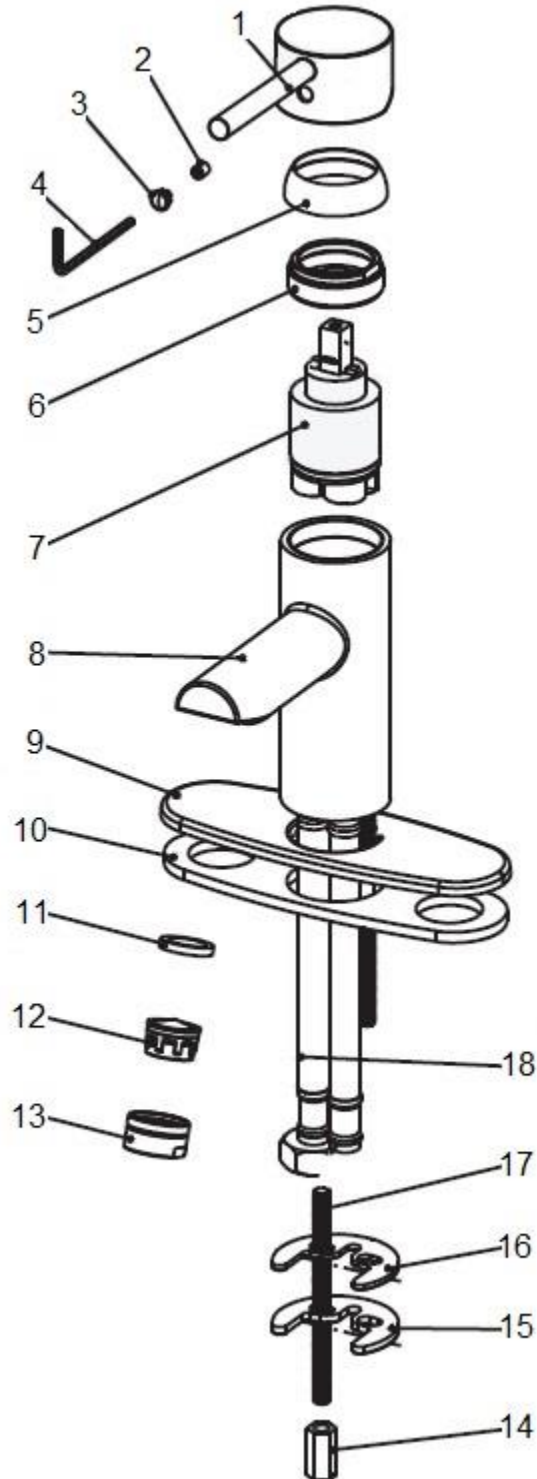
## Faucet, Lavatory

\*602352 Lavy faucet, Single hole, Chrome

1. CTHZ0281
2. CTST0117
3. CTCP0072
4. CCQT0002
5. CTCP0366
6. CTKB0107
7. ATBA0134
8. CTYN0040
9. CTKB0091
10. CTWP0219
11. CTWR0254
12. ATBX0040
13. CTXB0053
14. CTNB0063
15. CTKL0001
16. CTWR0199
17. CTST0013
18. ATBP0068

Numbers listed are  
Huntington Brass  
part numbers

\*602352 was replaced  
by 602550 in Oct. 2015





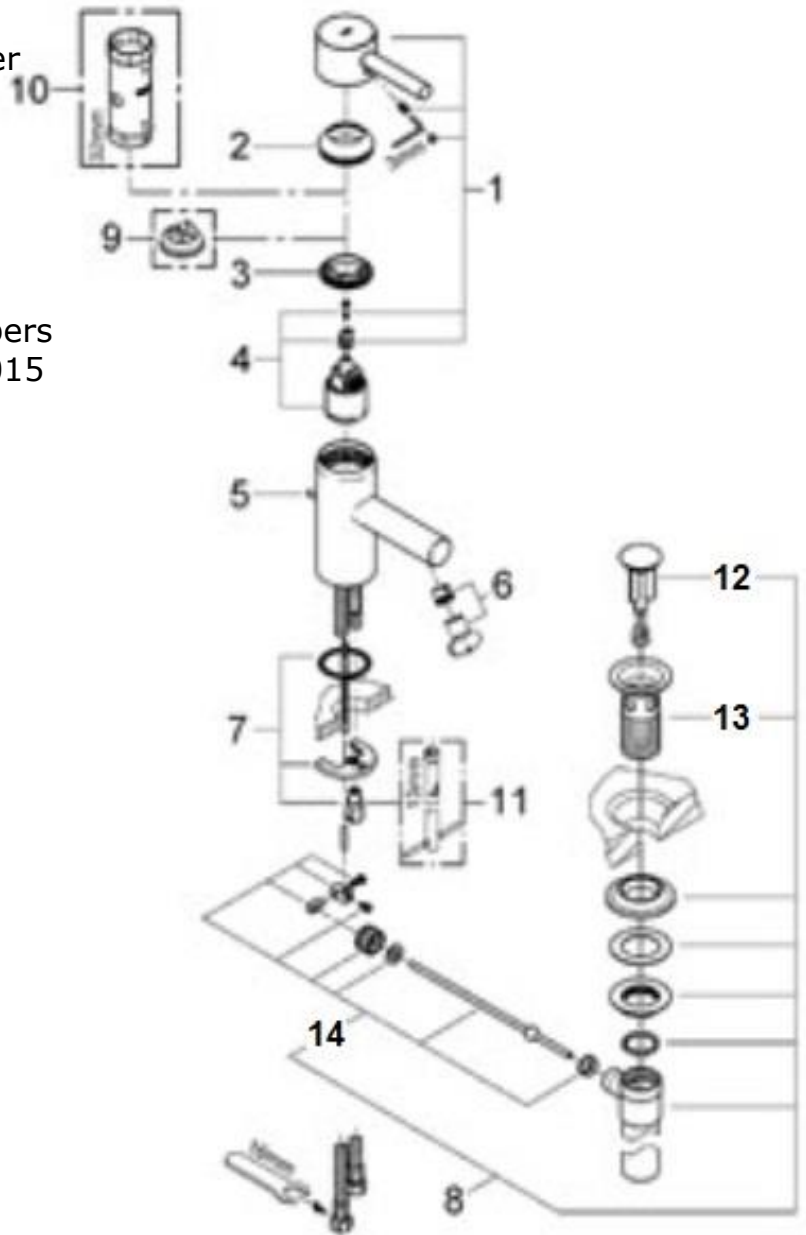
# 2016 INTERNATIONAL TRAVEL TRAILER PLUMBING, FRESH WATER

## Faucet, Lavatory

\*602550 Lavy faucet, Single hole, Chrome  
602137 Shut off valve

- 1. 46535000 Lever
- 2. 46436000 Cap
- 3. 46460000 Screw coupling
- 4. 46374000 Cartridge
- 5. 10769000 Pop-up rod
- 6. 46765000 Flow control
- 7. 46249000 Shank mounting kit
- 8. 28957000 waste fitting
- 9. 46375000 Temperature limiter
- 10. 19332000 Socket spanner
- 11. 19017000 Mounting wrench
- 12. 45324000 Plug
- 13. 01153000 Housing
- 14. 45264000 Ball rod

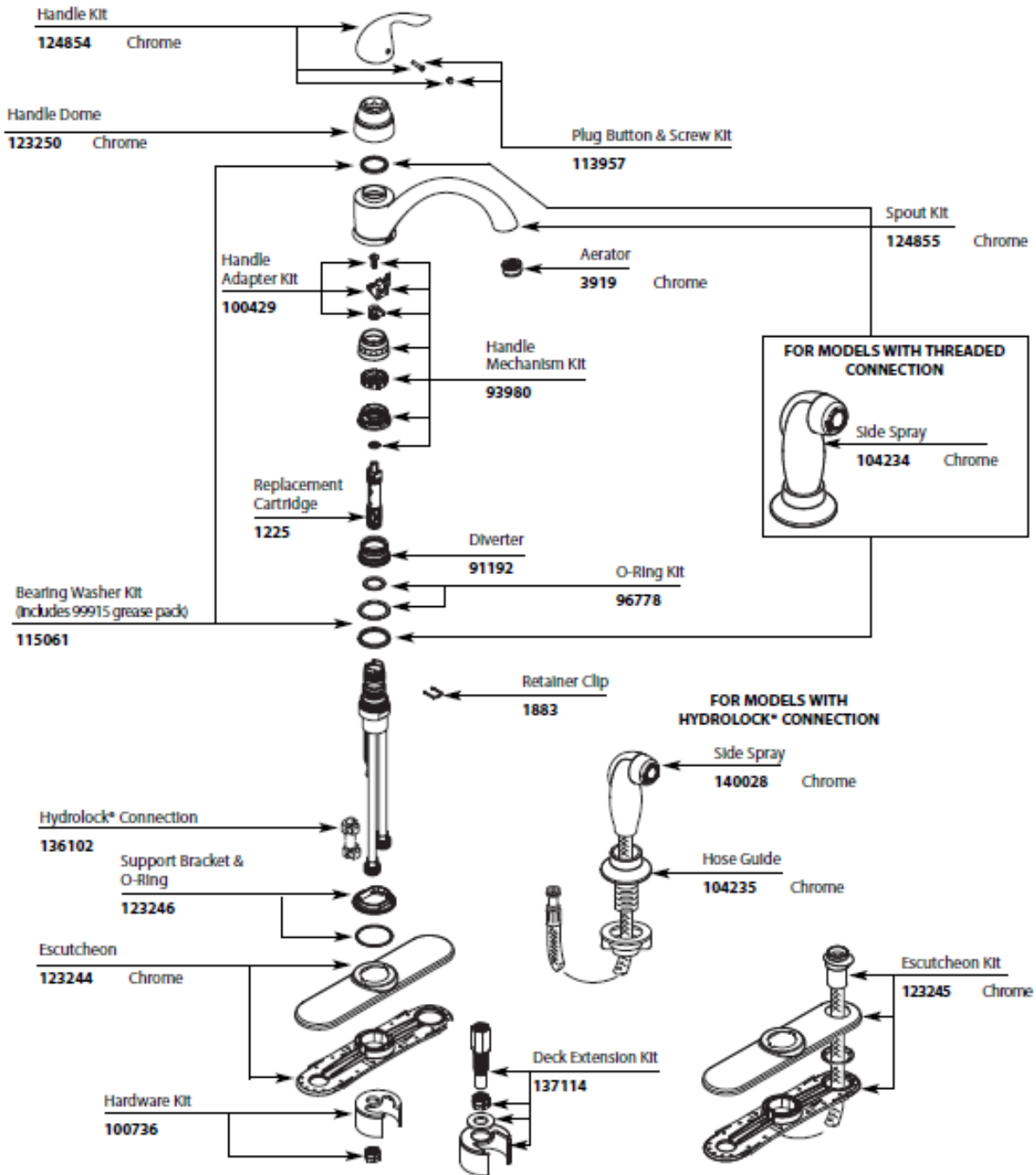
Numbers listed are Grohe part numbers  
\*602550 replaced 602352 in Oct. 2015



# 2016 INTERNATIONAL TRAVEL TRAILER PLUMBING, FRESH WATER

## Faucet, Galley, Eddie Bauer

- 602327 Galley faucet, Moen Camerist w/spray
- 602277 Shurflo In-Line Water Filter
- 602277-01 Fitting for Shurflo Water Filter



\*Numbers listed are Moen part numbers

# 2016 INTERNATIONAL TRAVEL TRAILER PLUMBING, FRESH WATER

Faucet, Lavatory, Eddie Bauer

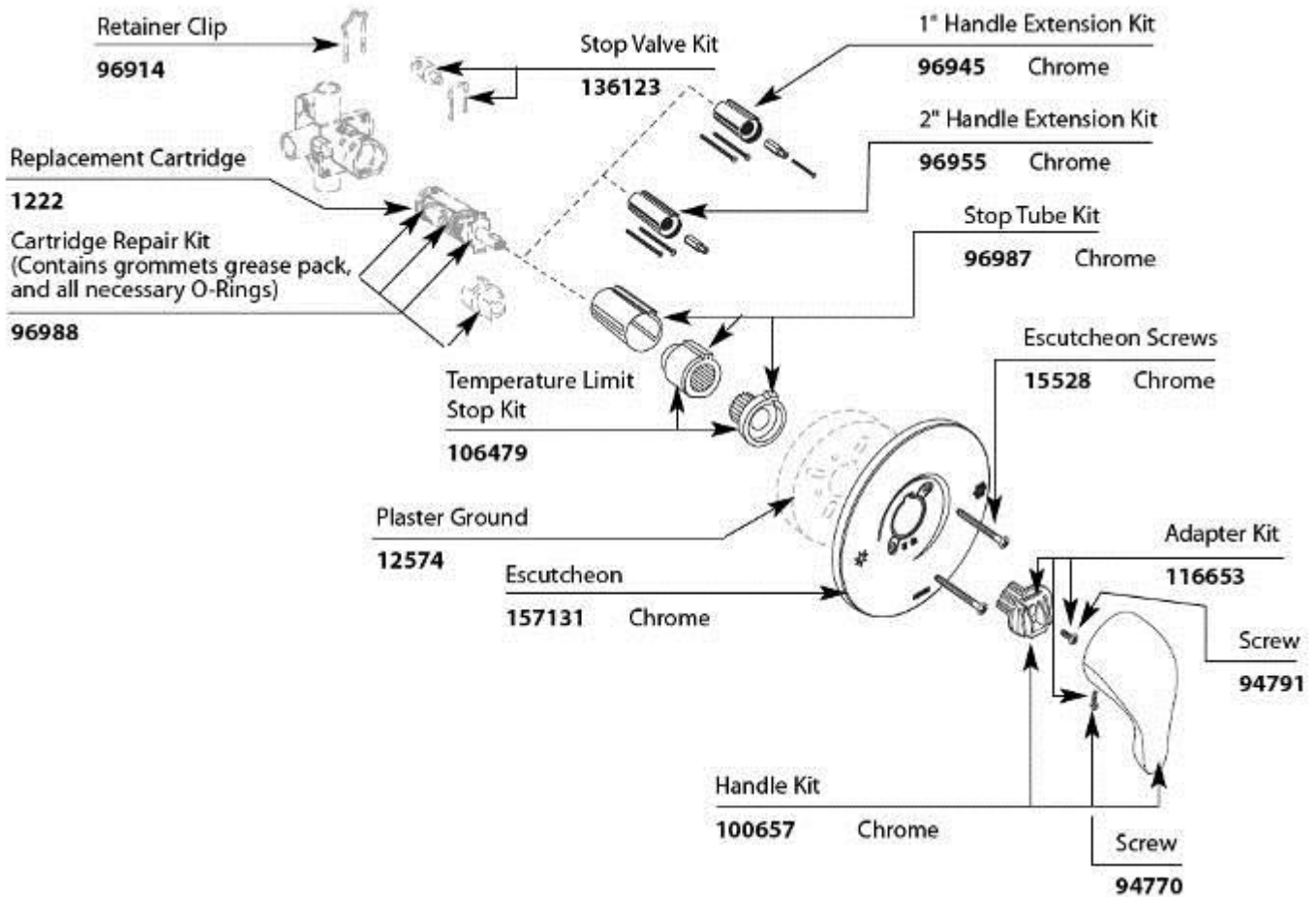
602294-01      Lavy faucet, Single lever, Brushed Nickel



# 2016 INTERNATIONAL TRAVEL TRAILER PLUMBING, FRESH WATER

## Faucet, Shower

- 601829 Shower handle, Chrome
- 601358 Kit, Hand Shower unit, Wall mount, Chrome
- 601358-100 Shower head
- 601358-101 Wall plate w/pin
- 601358-102 Swivel w/shower hook
- 601358-103 Swivel connector
- 601358-104 Shower supply elbow



\*Numbers listed are Moen part numbers

# 2016 INTERNATIONAL TRAVEL TRAILER PLUMBING, FRESH WATER

## City Water Hook-Up

601392-05	City water fill w/regulator
601392-06	City water fill w/regulator, CSA
600336	Plug with chain
600315	Pump guard filter
602256-01	Nipple, .5" MPT x .5" MPT
601690	Nipple, .5" MPT x 2.5", Brass
600227	Plastic couplings

## Fresh Water Tank Fill

601194	Water fill w/lock, Gray
601239-01	Tubing, 1.375" ID, Ribbed
601240-01	Tubing, .5" ID, 3/32" wall thickness

## Water Pump

602307	Shurflo water pump, 3 GPM
601668-01	Strainer, Water pump

## 2016 INTERNATIONAL TRAVEL TRAILER PLUMBING, FRESH WATER

### Fresh water Tank, 19'

601861-01	Tank, Fresh water, 23 gallon
964478	Slope pad, Fresh tank
454065	Strap, Fresh water tank
602185-01	Drain valve, 90° turn, Lead free
453712	Shield, Fresh water tank drain

### Fresh Water Tank, 23D, 23FB

601863-02	Tank, Fresh water, 39 gallon
966288	Tank pan
602185-01	Drain valve, 90° turn, Lead free

### Fresh Water Tank, 25', 25FB, 28', 25FB Eddie Bauer

601863-01	Tank, Fresh water, 39 gallon
601642	Tank pan, Rotocast
*602520	Tank pan, Fresh water
602185-01	Drain valve, 90° turn, Lead free
601243	Drain cock, Fresh water
453493	Hanger strap, Tank pan
600155	Plug, Cleanout, 1.5"

\*602520 replaced 601642

### Fresh Water Tank, 27FB, 27FB Eddie Bauer

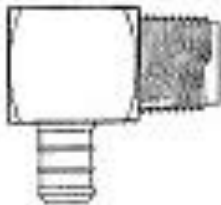
601863-01	Tank, Fresh water, 39 gallon
601620	Tank pan, Fresh water
601243	Drain cock
600155	Plug, Cleanout, 1.5"

### Fresh Water Tank, 30'

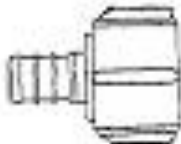
601864-01	Tank, Fresh water, 54.5 gallon
601620	Tank pan, Fresh water
600155	Plug, Cleanout, 1.5"

# 2016 INTERNATIONAL TRAVEL TRAILER PLUMBING, FRESH WATER

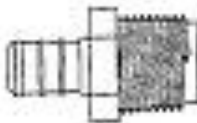
## Fresh Water Fittings



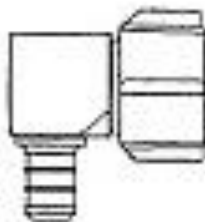
①



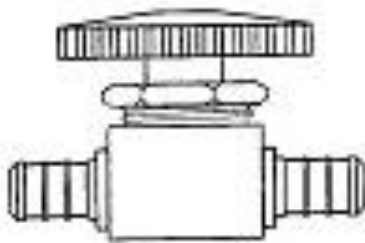
②



③



④



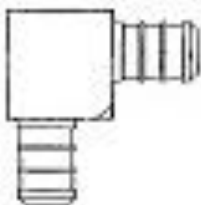
⑤



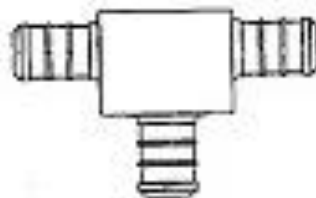
⑥



⑦



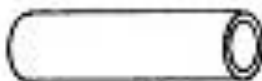
⑧



⑨



⑩



⑪

Parts Listed on Next Page

# 2016 INTERNATIONAL TRAVEL TRAILER PLUMBING, FRESH WATER

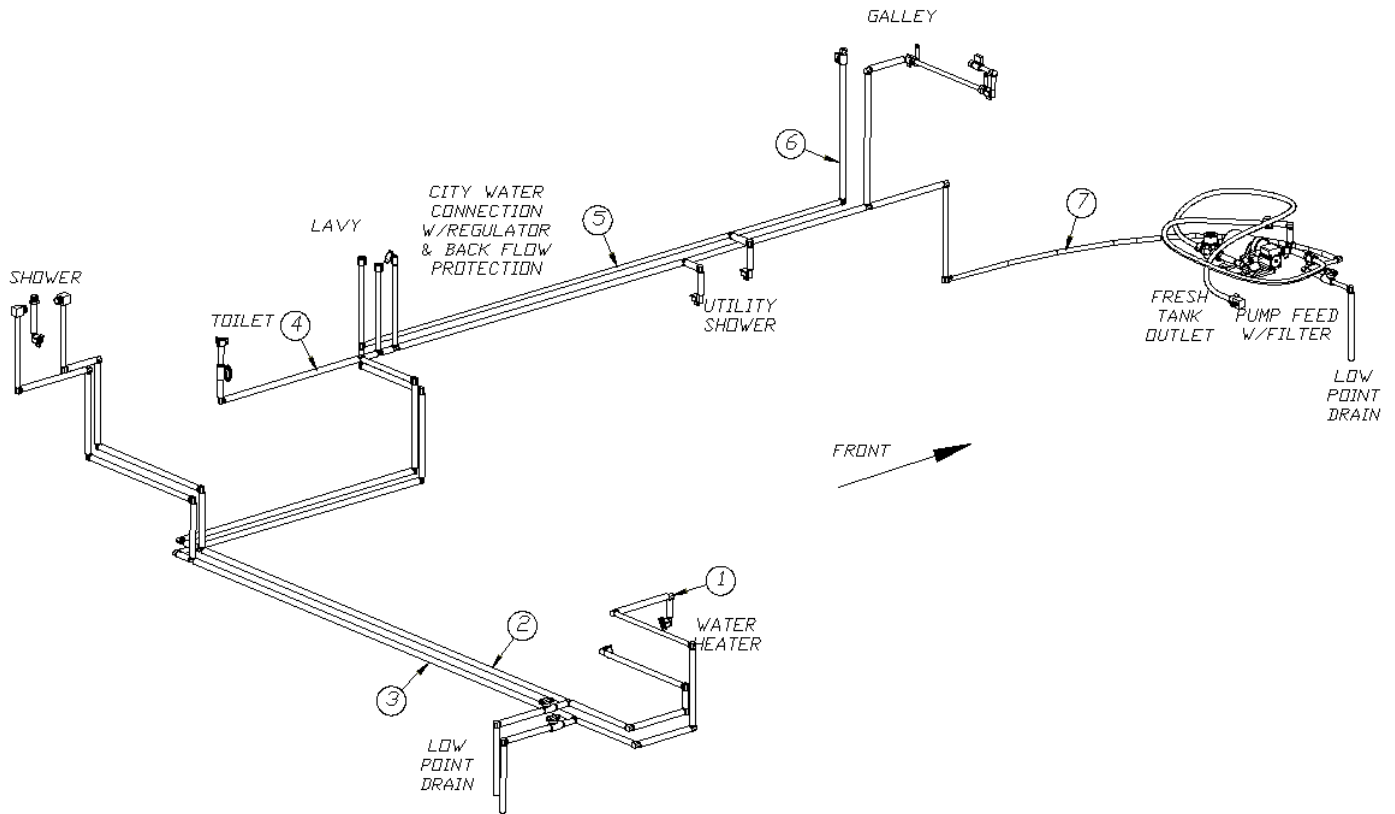
## Fresh Water Fittings

1. 602256-04 Elbow, 1/2" barb x 1/2" MPT
2. 602256-03 Coupler, 1/2" barb x 1/2" FPT
3. 602256-02 Coupler, 1/2" barb x 1/2" MPT
4. 602256-05 Elbow, 1/2 barb x 1/2" FPT
5. 602256-22 Shut-off, 1/2" barb x 1/2" barb
6. 602256-08 Coupler, 1/2" x 1/2" barb
7. 602256-09 Plug, 1/2" barb
8. 602256-10 Elbow 1/2" barb x 1/2" barb
9. 602256-11 Tee, 1/2" x 1/2" x 1/2"
10. 601698-15 Crimp ring, 1/2E-Pex, 1/2", Black
11. 601698-01 E-Pex tube, 1/2"  
601698-21 E-Pex tube, 1/2", Red  
600836 Elbow, 3/8 MPT x 1/2", barb, copper  
601237 Elbow, 90°, 1.25 MPT x 1.25 barb  
601659 Riser, 1/2" FPT x 12" CPVC



# 2016 INTERNATIONAL TRAVEL TRAILER PLUMBING, FRESH WATER

Fresh Water Lines, 19'

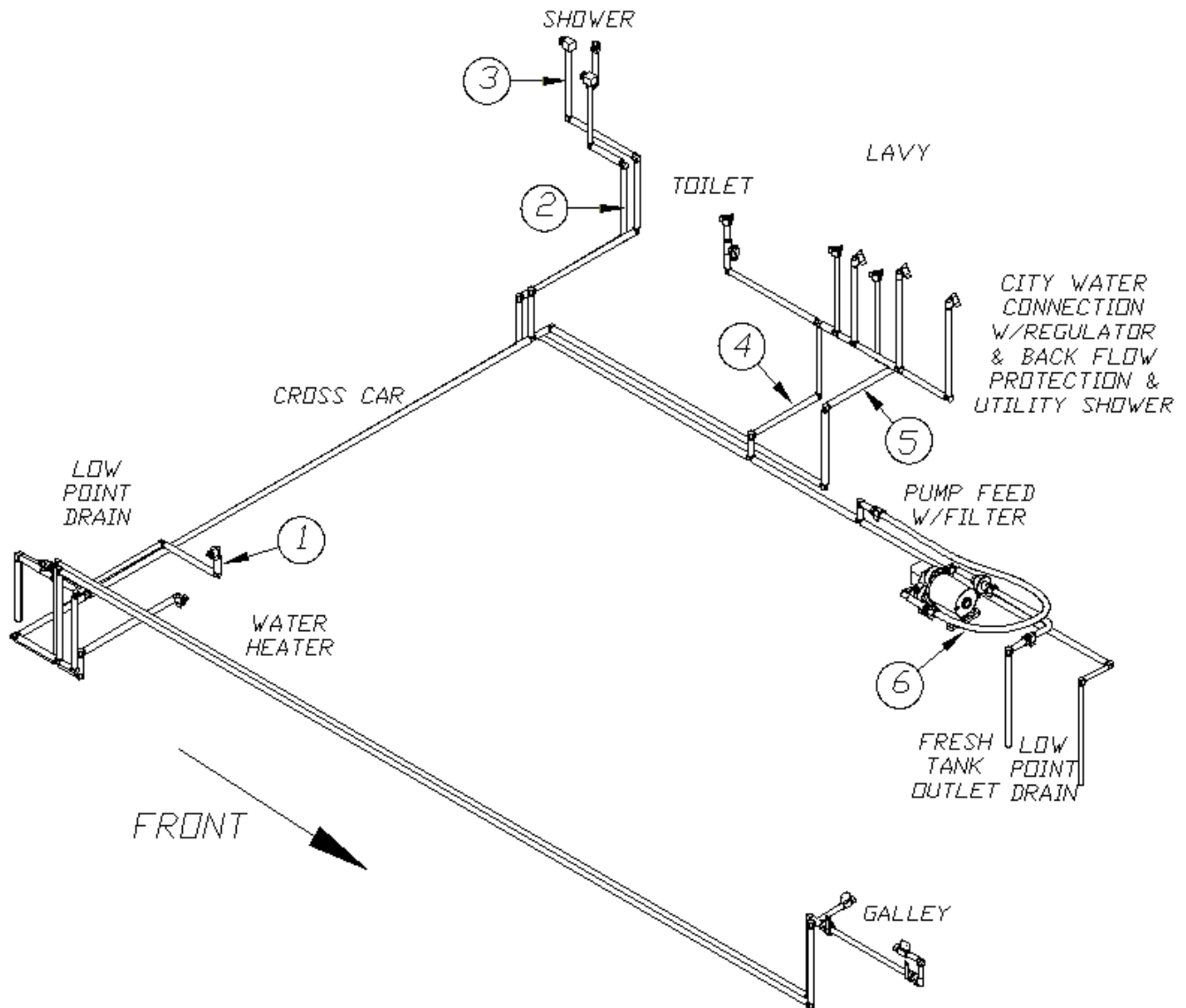


## 943518 Fresh Water Layout

- |              |                      |
|--------------|----------------------|
| 1. 943518-01 | Water heater hook-up |
| 2. 943518-02 | Cross-car, Cold      |
| 3. 943518-03 | Cross-car, Hot       |
| 4. 943518-09 | RS Cold              |
| 5. 943518-10 | RS Hot               |
| 6. 943518-06 | Galley, Hot          |
| 7. 943518-08 | Water pump connect   |
| 943565       | Tank flush           |

# 2016 INTERNATIONAL TRAVEL TRAILER PLUMBING, FRESH WATER

## Fresh Water Lines, 23D

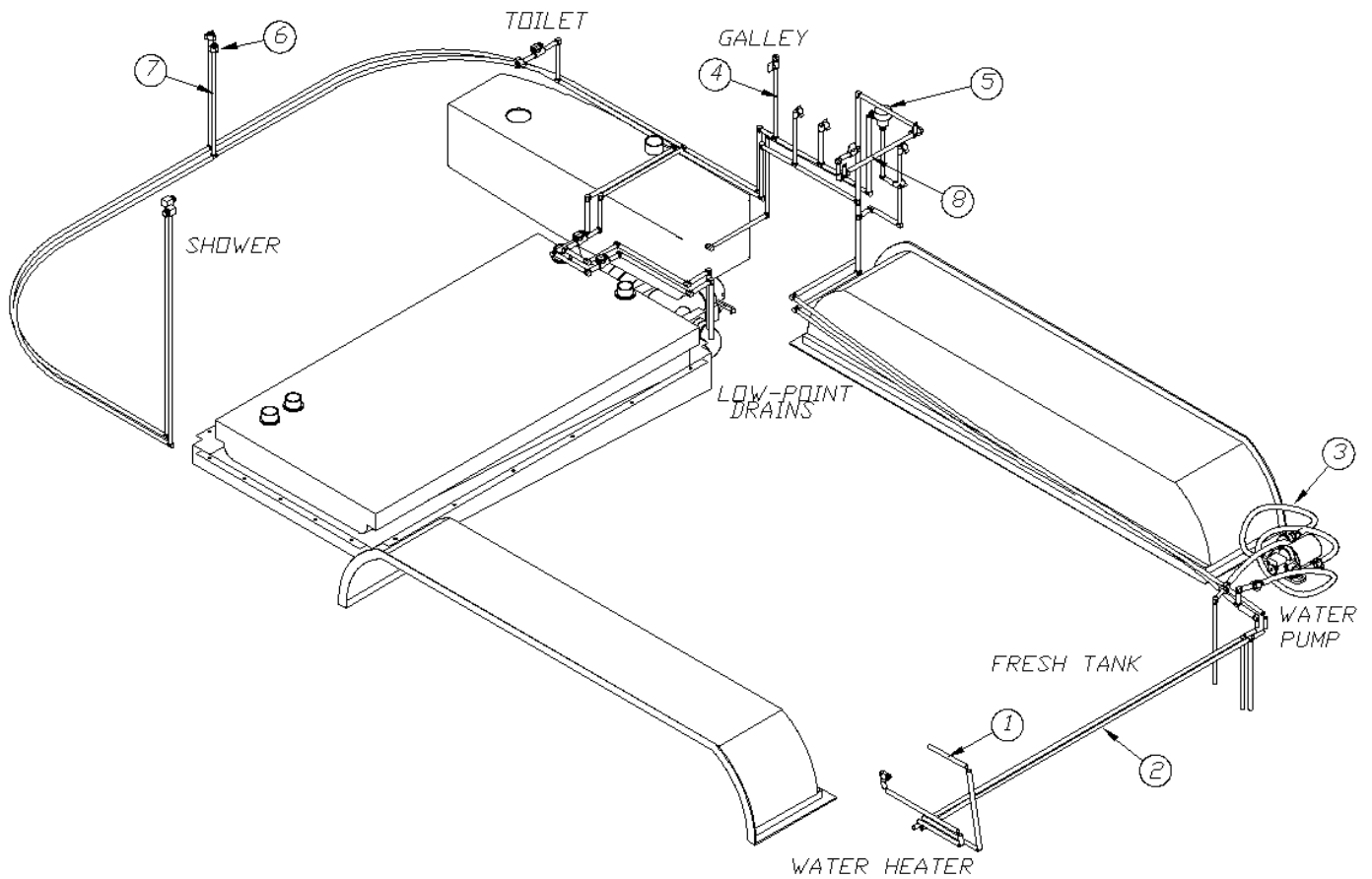


### 943686-100 Fresh Water Layout

- |              |                      |
|--------------|----------------------|
| 1. 943686-01 | Water heater hook-up |
| 2. 943686-04 | Cross-car cold lines |
| 3. 943686-05 | Cross-car hot lines  |
| 4. 943686-06 | RS cold              |
| 5. 943686-07 | RS hot               |
| 6. 943686-08 | water pump connect   |
| 943565-01    | Tank flush           |

# 2016 INTERNATIONAL TRAVEL TRAILER PLUMBING, FRESH WATER

## Fresh Water Lines, 23FB



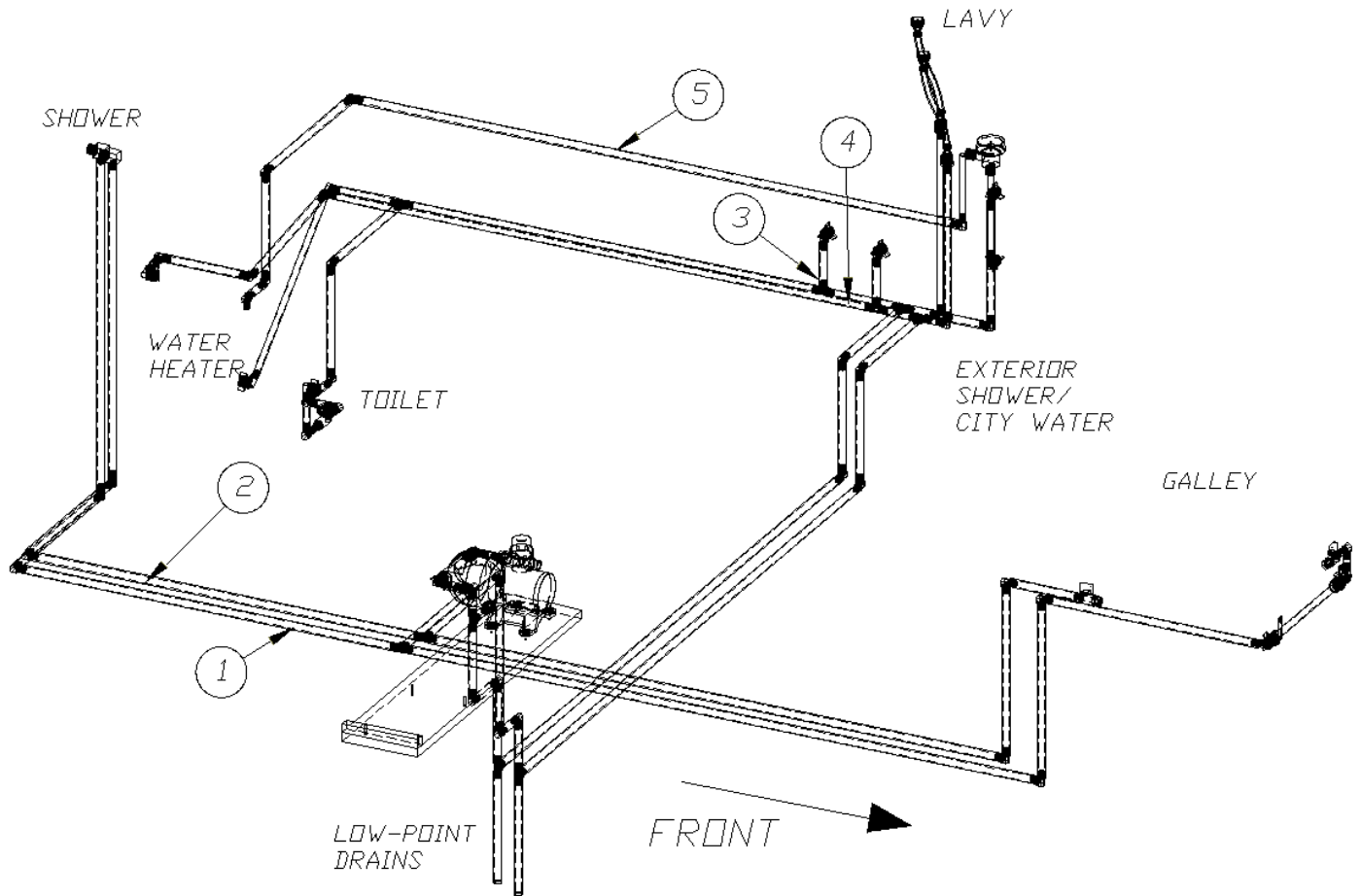
943698-101

### Fresh Water Layout

- |              |                        |
|--------------|------------------------|
| 1. 943698-01 | Water heater by-pass   |
| 2. 943698-02 | Fresh water tank lines |
| 3. 943698-03 | Water pump lines       |
| 4. 943698-05 | RS hot                 |
| 5. 943698-08 | Black tank flush       |
| 6. 943698-09 | Rear hot               |
| 7. 943698-10 | Rear Cold              |
| 8. 943698-17 | Cold galley filter     |

# 2016 INTERNATIONAL TRAVEL TRAILER PLUMBING, FRESH WATER

Fresh Water Lines, 25'



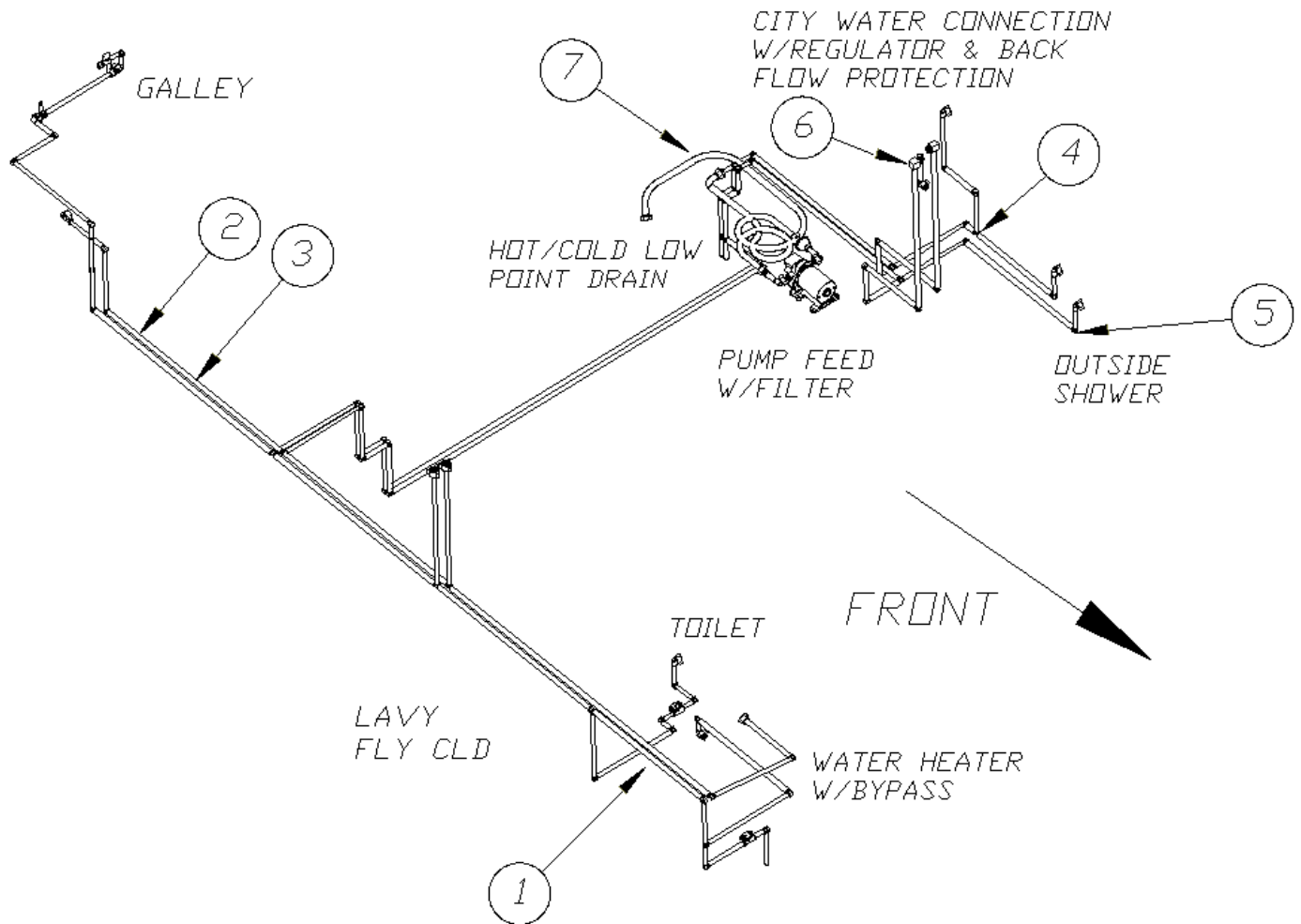
943732

Fresh Water Layout

- |              |                  |
|--------------|------------------|
| 1. 943732-01 | CS cold          |
| 2. 943732-02 | CS hot           |
| 3. 943732-08 | RS cold          |
| 4. 943732-09 | RS hot           |
| 5. 943732-05 | Tank flush lines |

# 2016 INTERNATIONAL TRAVEL TRAILER PLUMBING, FRESH WATER

## Fresh Water Lines, 25FB



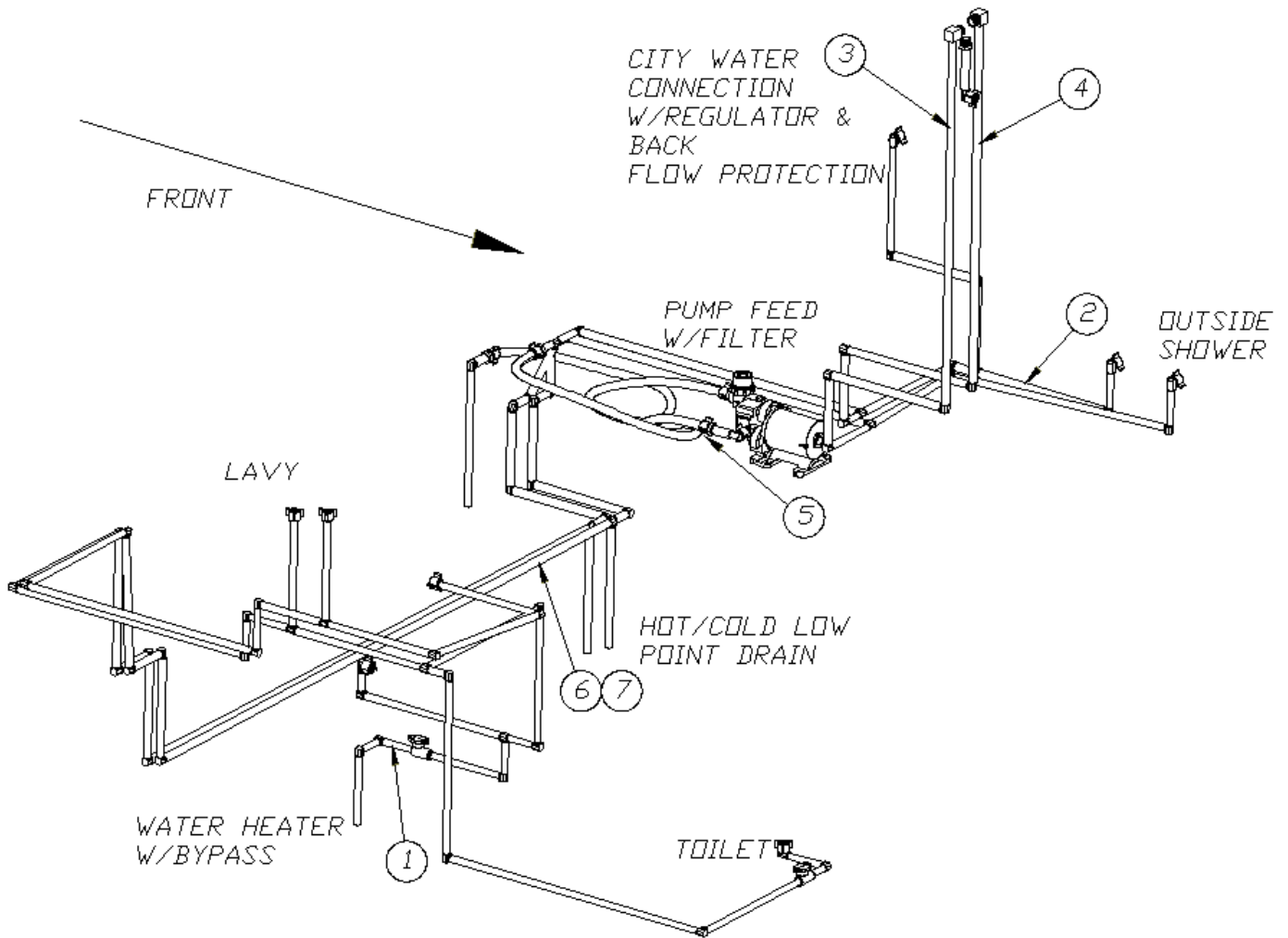
943633-101

Fresh Water Layout

- |              |                      |
|--------------|----------------------|
| 1. 943633-01 | Water heater by-pass |
| 2. 943633-12 | CS hot               |
| 3. 943633-13 | CS cold              |
| 4. 943633-04 | RS cold              |
| 5. 943633-05 | RS hot               |
| 6. 943633-06 | Shower control valve |
| 7. 943633-07 | Water pump connect   |

# 2016 INTERNATIONAL TRAVEL TRAILER PLUMBING, FRESH WATER

## Fresh Water Lines, 27FB



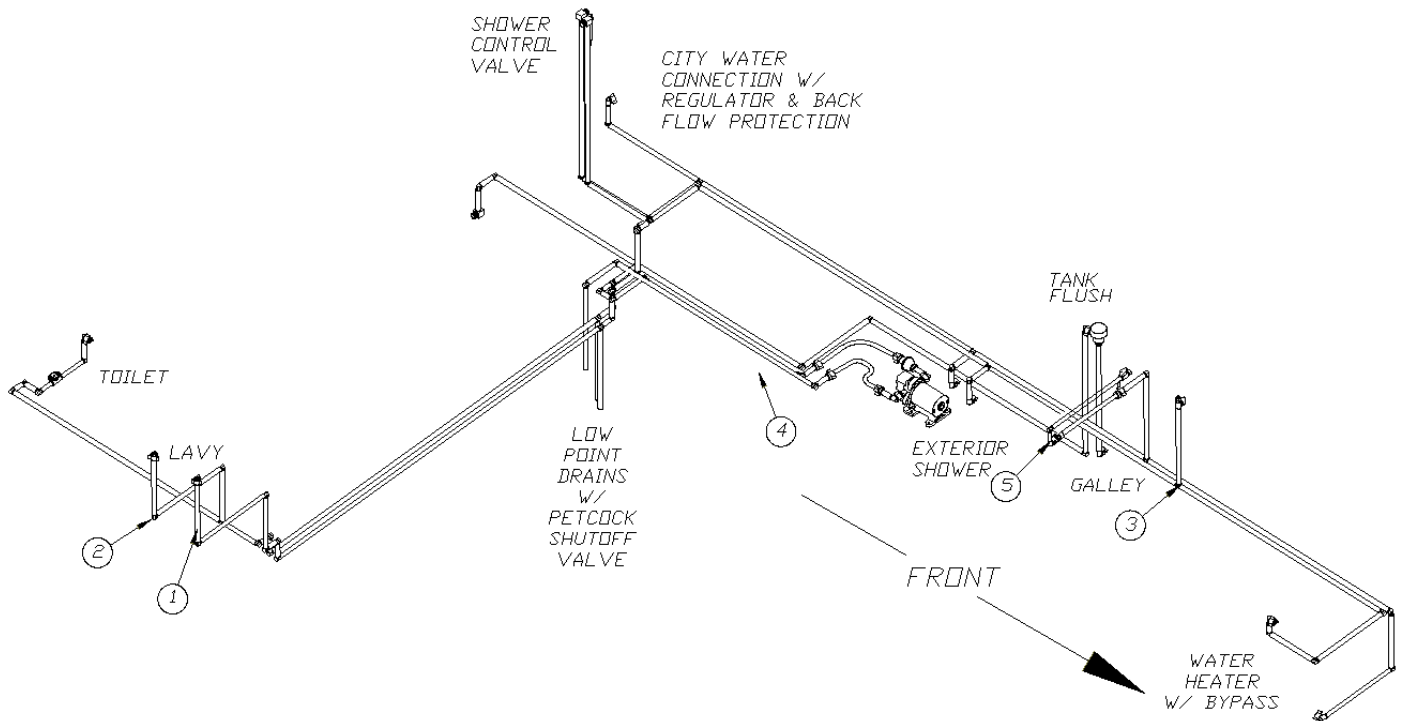
943670-101

Fresh Water Layout

- |              |                      |
|--------------|----------------------|
| 1. 943670-01 | Water heater by-pass |
| 2. 943670-04 | RS cold              |
| 3. 943670-05 | RS hot               |
| 4. 943670-06 | Shower control valve |
| 5. 943670-07 | Water pump connect   |
| 6. 943617-01 | Crossover line, Cold |
| 7. 943617-08 | Crossover line, Hot  |

# 2016 INTERNATIONAL TRAVEL TRAILER PLUMBING, FRESH WATER

## Fresh Water Lines, 28'



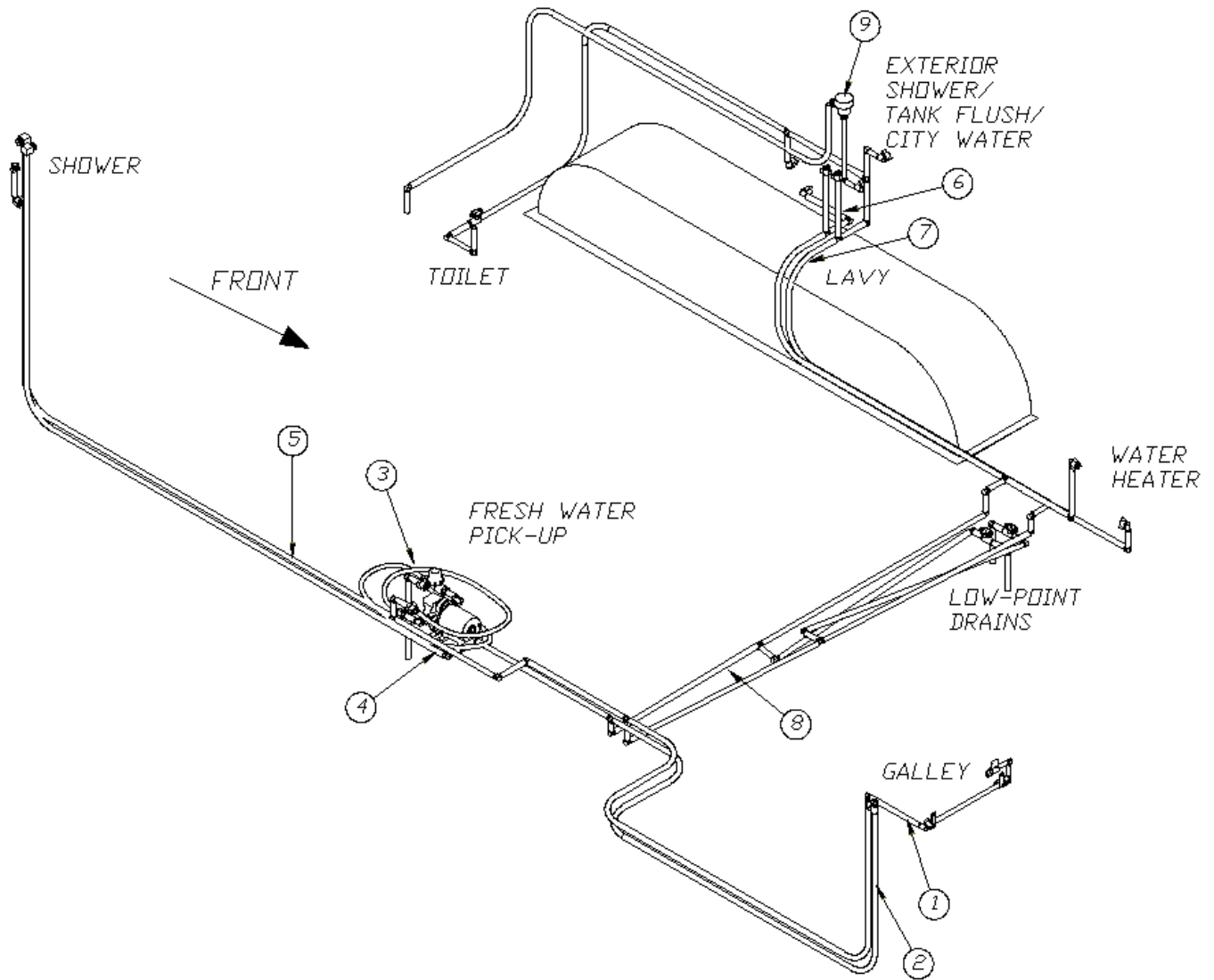
943600-101

Fresh Water Layout

- |              |                                 |
|--------------|---------------------------------|
| 1. 943600-08 | CS hot                          |
| 2. 943600-09 | CS cold                         |
| 3. 943600-03 | RS hot                          |
| 4. 943600-05 | Water pump connect              |
| 5. 943600-14 | Galley filter, Cold             |
| 340085-06    | Clamp, Steel w/rubber, .75 Dia. |

# 2016 INTERNATIONAL TRAVEL TRAILER PLUMBING, FRESH WATER

Fresh Water Lines, 30'



943721-101

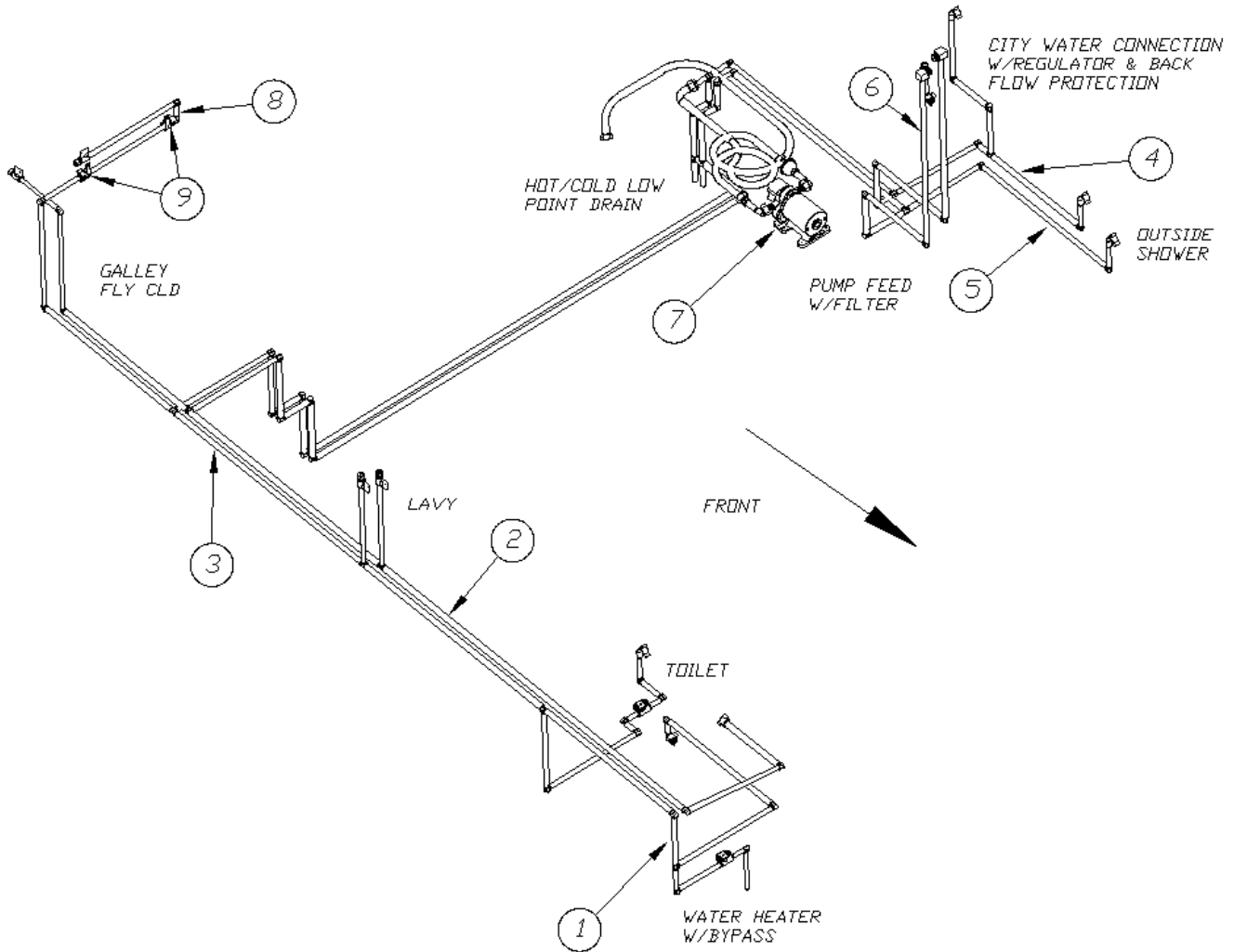
Fresh Water System

- |              |                       |
|--------------|-----------------------|
| 1. 943721-12 | Galley, Cold          |
| 2. 943721-02 | Galley, Hot           |
| 3. 943721-03 | Pick-up, Cold         |
| 4. 943721-04 | CS, Hot               |
| 5. 943721-05 | CS, Cold              |
| 6. 943721-10 | RS, Cold              |
| 7. 943721-11 | RS, Hot               |
| 8. 943721-08 | Cross-car Water Lines |
| 9. 943721-09 | Tank Flush            |



# 2016 INTERNATIONAL TRAVEL TRAILER PLUMBING, FRESH WATER

## Fresh Water Lines, 25FB Eddie Bauer



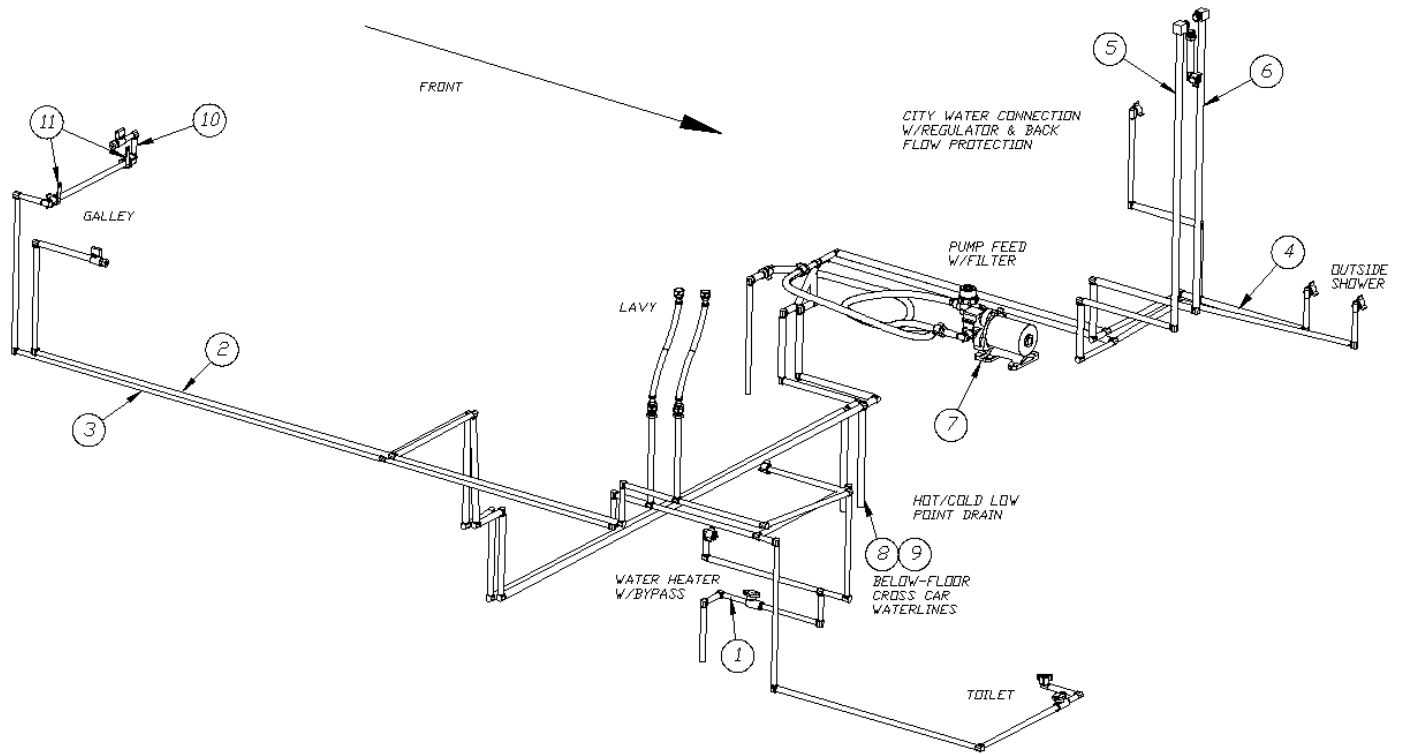
943736

### Fresh Water System

- |              |                              |
|--------------|------------------------------|
| 1. 943736-01 | Water heater by-pass         |
| 2. 943736-02 | CS, Hot                      |
| 3. 943736-03 | CS, Cold                     |
| 4. 943736-04 | RS, Cold                     |
| 5. 943736-05 | RS, Hot                      |
| 6. 943736-06 | Shower control valve         |
| 7. 943736-07 | Water pump connect           |
| 8. 943633-11 | Galley filter, Cold          |
| 9. 340093-06 | "J" clip, Vinyl coated, 3/4" |

# 2016 INTERNATIONAL TRAVEL TRAILER PLUMBING, FRESH WATER

## Fresh Water Lines, 27FB Eddie Bauer



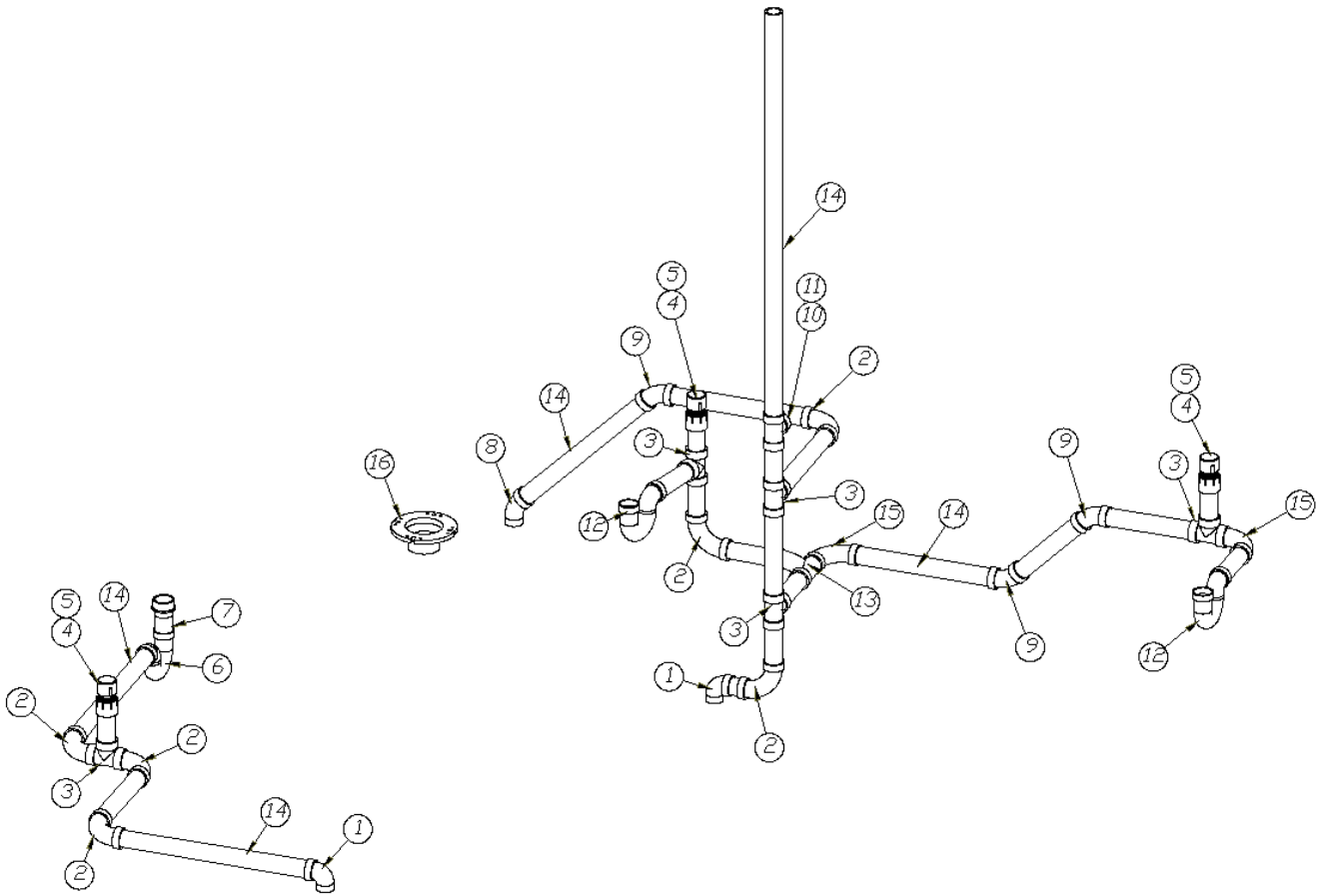
943746

### Fresh Water System

- |               |                              |
|---------------|------------------------------|
| 1. 943746-01  | Water heater by-pass         |
| 2. 943746-02  | CS, Hot                      |
| 3. 943746-03  | CS, Cold                     |
| 4. 943746-04  | RS, Cold                     |
| 5. 943746-05  | RS, Hot                      |
| 6. 943746-06  | Shower control valve         |
| 7. 943746-07  | Water pump connect           |
| 8. 943617-01  | Cold crossover line          |
| 9. 943617-08  | Hot crossover line           |
| 10. 943746-09 | Galley filter, Cold          |
| 11. 340093-06 | "J" clip, Vinyl coated, 3/4" |

# 2016 INTERNATIONAL TRAVEL TRAILER PLUMBING, DRAIN

Drain, Above Floor, 19'



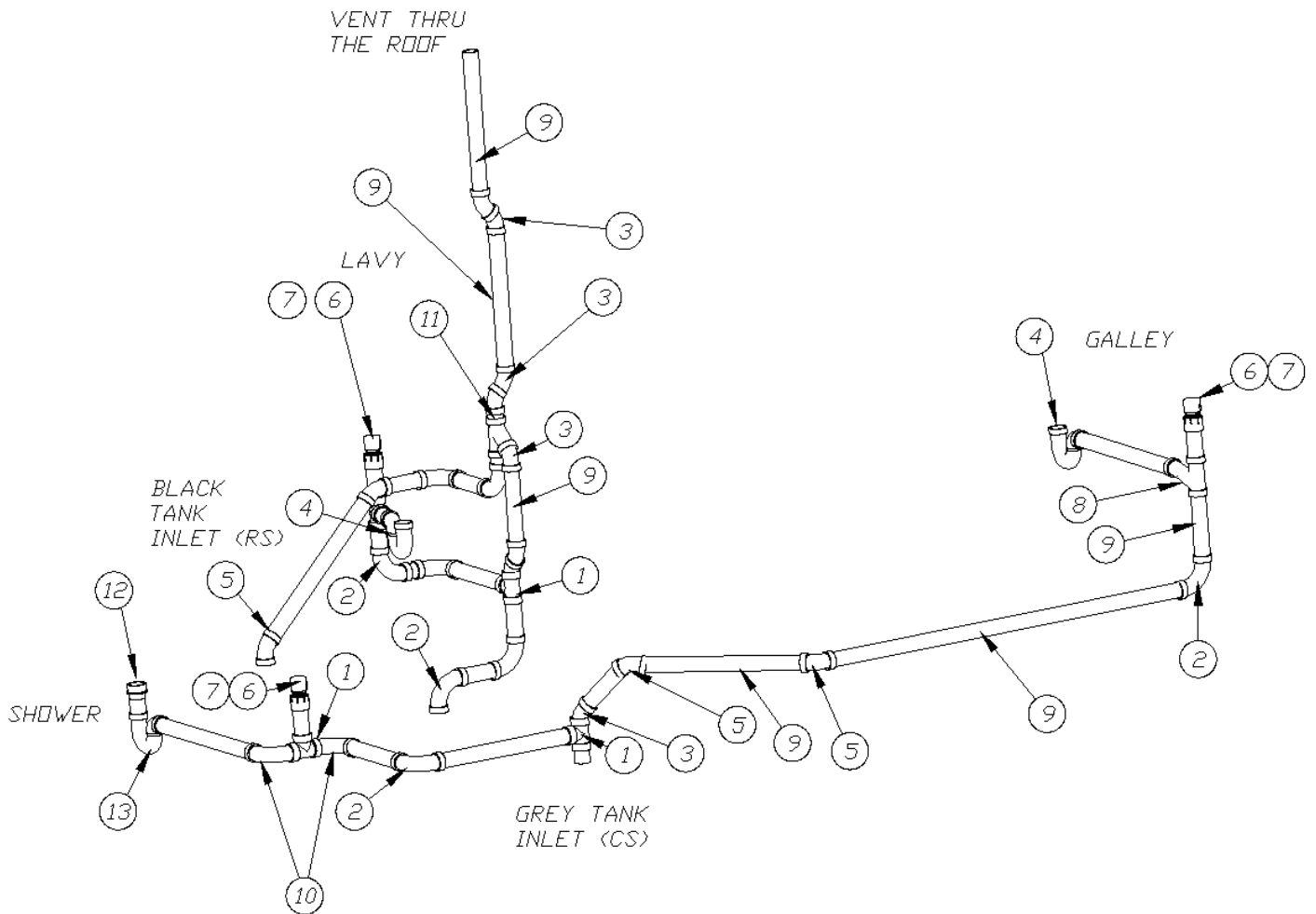
943519-01

Above Floor Drain System

- |               |                                  |
|---------------|----------------------------------|
| 1. 600662     | Elbow, Short radius, 1.5"        |
| 2. 600035     | Ell, ABS, Long sweep, 1.5"       |
| 3. 600156     | Tee, Sanitary                    |
| 4. 602306     | Valve, 2" Air admittance         |
| 5. 600308     | Adapter, ABS female              |
| 6. 602164-01  | P-trap w/compression nut, 1.5"   |
| 7. 602164-02  | Tailpiece w/nuts & washers, 1.5" |
| 8. 600027     | Elbow, ABS, Long sweep, 45°      |
| 9. 600030     | Ell, ABS, 45°, Long turn         |
| 10. 601318    | Tee, Bi-directional              |
| 11. 600155    | Plug, 1.5"                       |
| 12. 600144    | P-trap, ABS, 1.5"                |
| 13. 600182    | Wye, 1/8" bend                   |
| 14. 601160-02 | Pipe, ABS, 1.5"                  |
| 15. 600431    | Elbow, 90°, 1.5"                 |
| 16. 600065    | Flange, Threaded                 |

# 2016 INTERNATIONAL TRAVEL TRAILER PLUMBING, DRAIN

## Drain, Above Floor, 23D



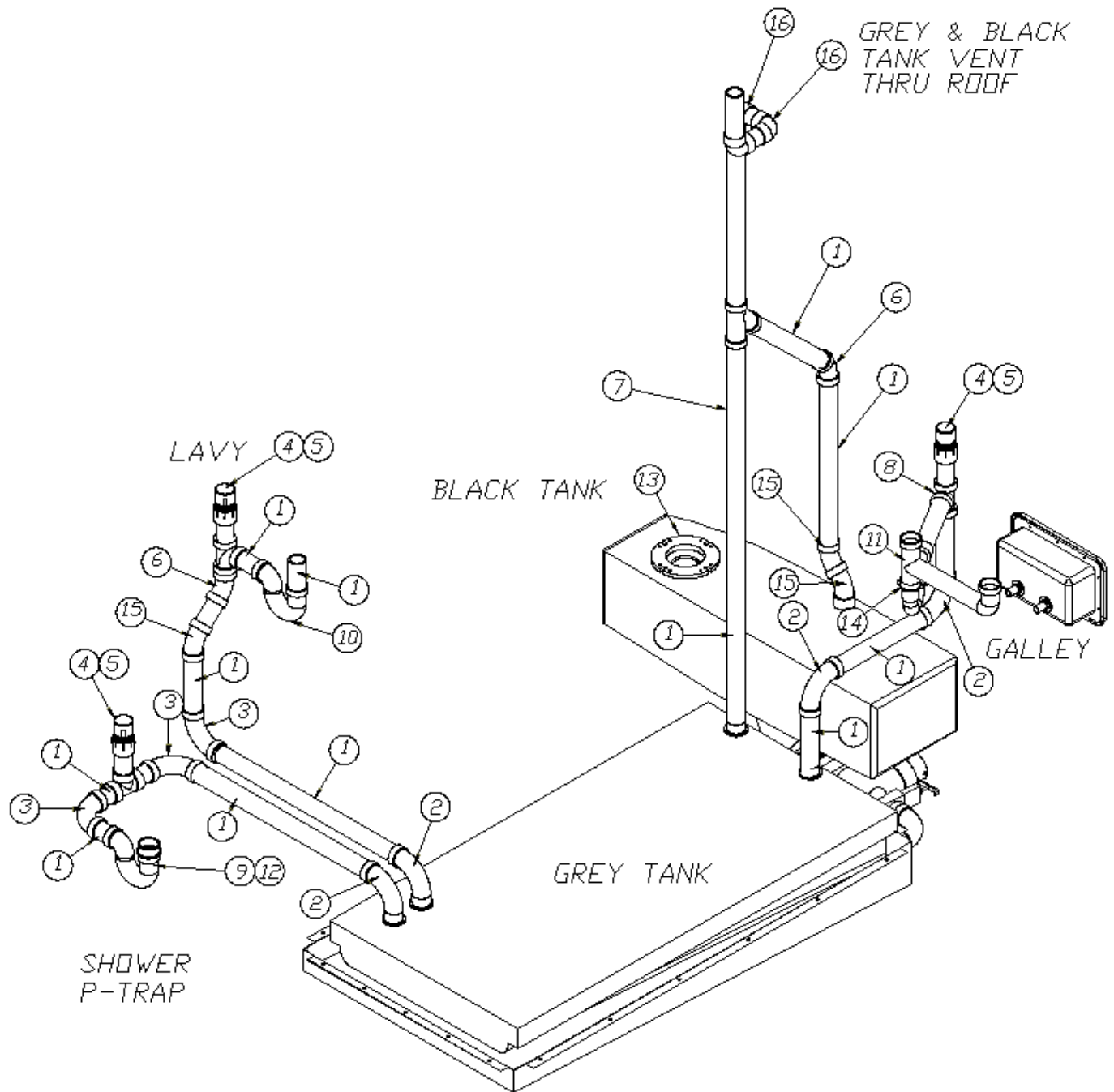
943685

### Above Floor Drain System

- |               |                                  |
|---------------|----------------------------------|
| 1. 601318     | Tee, Bi-directional              |
| 2. 600035     | El, ABS, Long sweep, 1-1/2"      |
| 3. 600027     | Elbow, ABS, Long sweep, 45°      |
| 4. 600144     | P-trap, ABS, 1-1/2"              |
| 5. 600030     | El, ABS, 45°, Long turn          |
| 6. 602306     | Valve, 2" Air admittance         |
| 7. 600308     | Adapter, ABS female              |
| 8. 600182     | Wye, 1/8" bend                   |
| 9. 601160-02  | Pipe, ABS, 1-1/2"                |
| 10. 600431    | Elbow, 90°, 1-1/2"               |
| 11. 600094    | Wye                              |
| 12. 602164-02 | Tailpiece w/nuts & washers, 1.5" |
| 13. 602164-01 | P-trap w/compression nut, 1.5"   |

# 2016 INTERNATIONAL TRAVEL TRAILER PLUMBING, DRAIN

Drain, Above Floor, 23FB



Parts Listed on Next Page

# 2016 INTERNATIONAL TRAVEL TRAILER PLUMBING, DRAIN

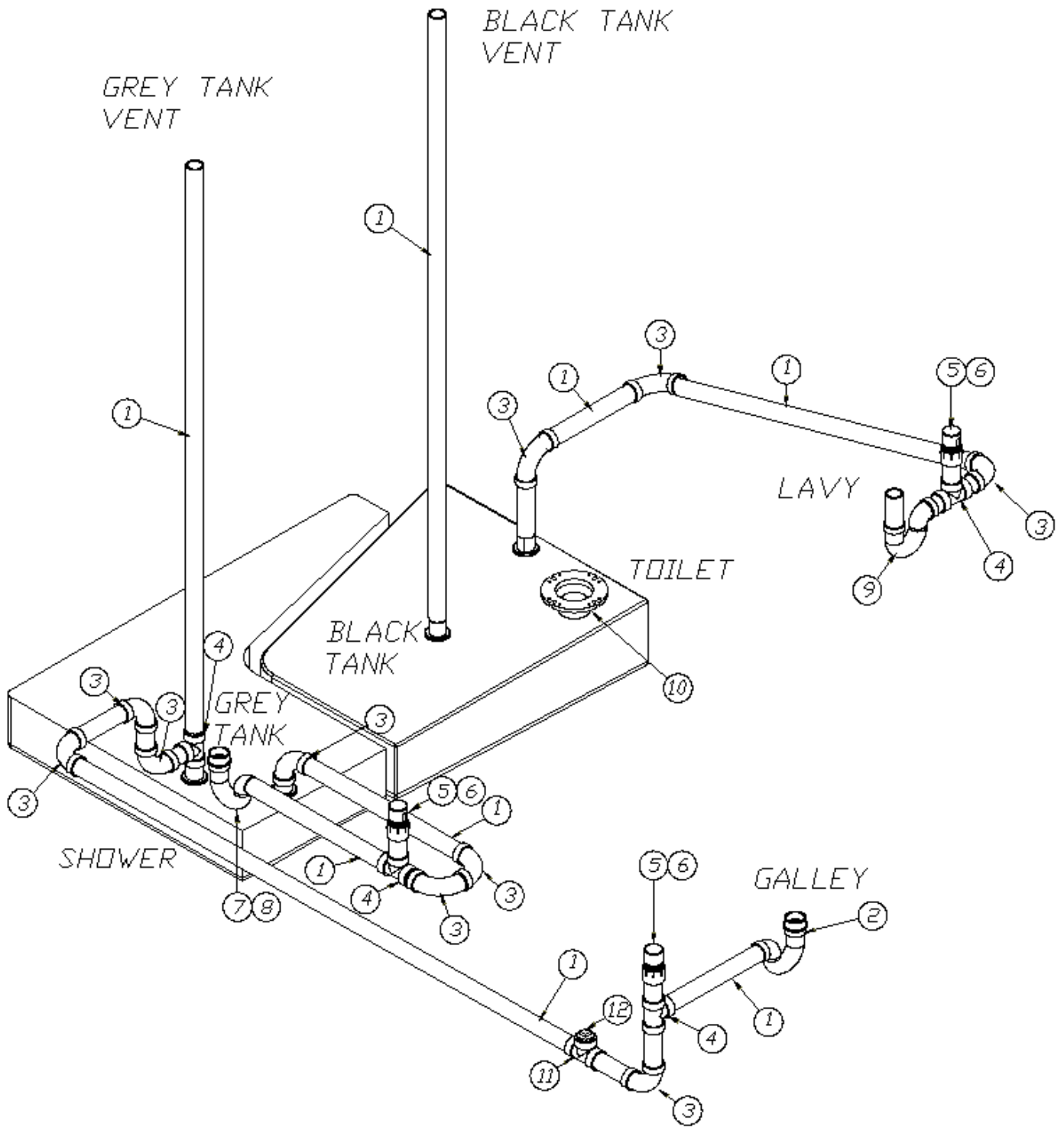
## Drain, Above Floor, 23FB

943790 Above Floor Drain System

1. 601160-02 Pipe, ABS, 1.5"
2. 600662 Elbow, Short radius, 1.5"
3. 600035 Ell, ABS, Long sweep, 1.5"
4. 602306 Vent, V-200 automatic
5. 600308 Adapter, ABS female
6. 600030 Ell, ABS, 45°, Long turn
7. 600094 Wye
8. 600156 Tee, Sanitary
9. 602164-01 P-trap w/compression nut, 1.5"
10. 600144 P-trap, ABS, 1.5"
11. 600378 Continuous waste, 1.5"
12. 602164-02 Tailpiece w/nuts & washers, 1.5"
13. 601266 Flange, Slip fit
14. 600622 P-trap, 1.5" w/slip nut & washer
15. 600027 Elbow, ABS, Long sweep, 45°
16. 600033 Elbow, Vent, 1.5", 90°
- 601267-02 Nipple, Threaded one end only, 6"

# 2016 INTERNATIONAL TRAVEL TRAILER PLUMBING, DRAIN

Drain, Above Floor, 25'



Parts Listed on Next Page

# 2016 INTERNATIONAL TRAVEL TRAILER PLUMBING, DRAIN

## Drain, Above Floor, 25'

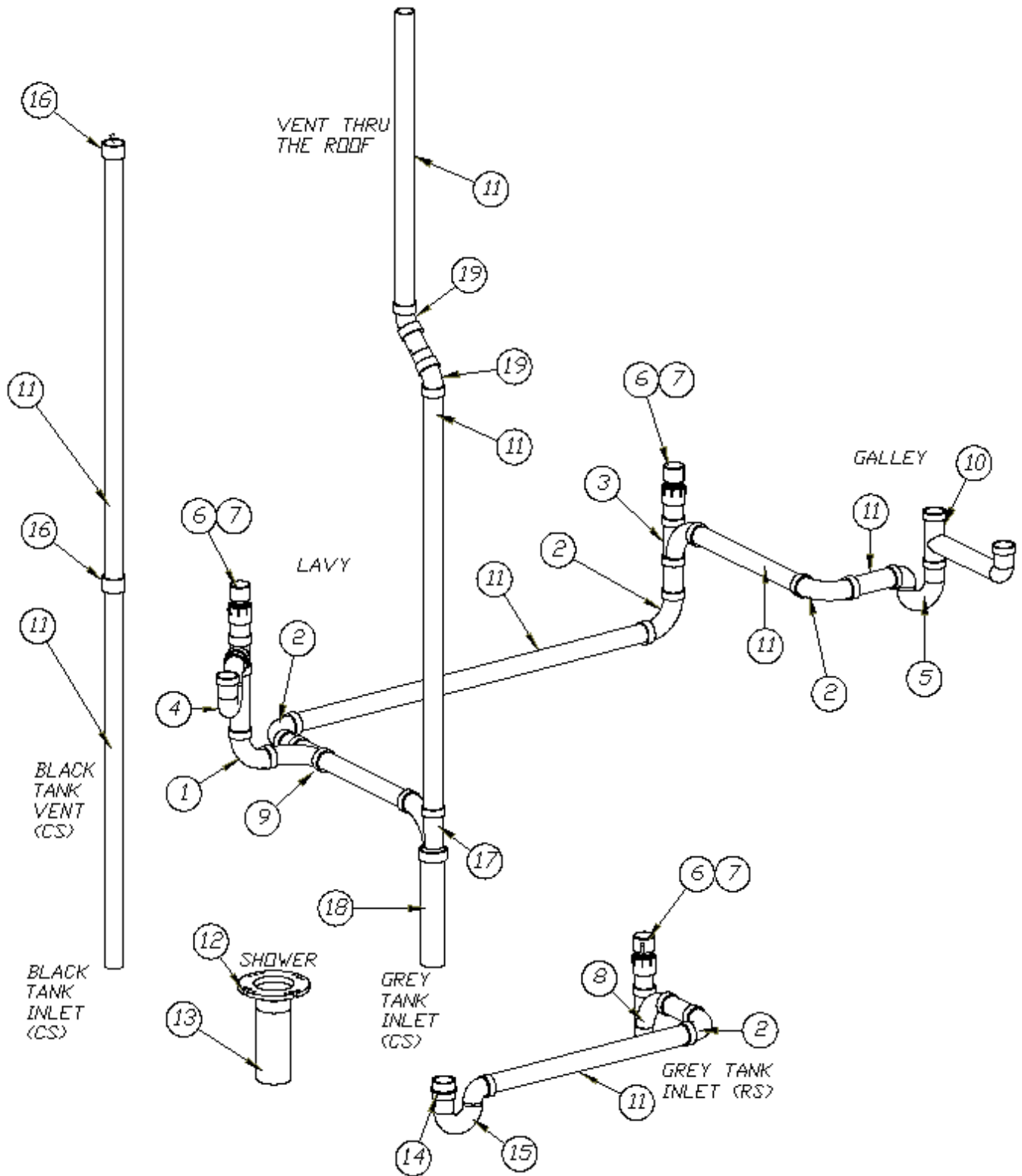
943733 Above Floor Drain System

1. 601160-02 Pipe, ABS 1.5"
2. 600622 P-Trap 1.5" W/Slip Nut & Washer
3. 600035 Elbow, Extra Long Sweep
4. 600156 Tee, Sanitary
5. 602306 Valve 2" Air Admittance Ayrlet
6. 600308 Adapter ABS Female
7. 602164-01 P-Trap W/Compression Nut 1.5"
8. 602164-02 Tailpiece W/Nuts & Washers 1.5"
9. 600144 P-Trap ABS 1.5"
10. 600065 Flange, Floor Threaded
11. 601318 Tee, Bi-Directional Cleanout
12. 600155 Plug, Cleanout 1.5"



# 2016 INTERNATIONAL TRAVEL TRAILER PLUMBING, DRAIN

Drain, Above Floor, 25FB, 25FB Eddie Bauer



Parts Listed on Next Page

# 2016 INTERNATIONAL TRAVEL TRAILER

## PLUMBING, DRAIN

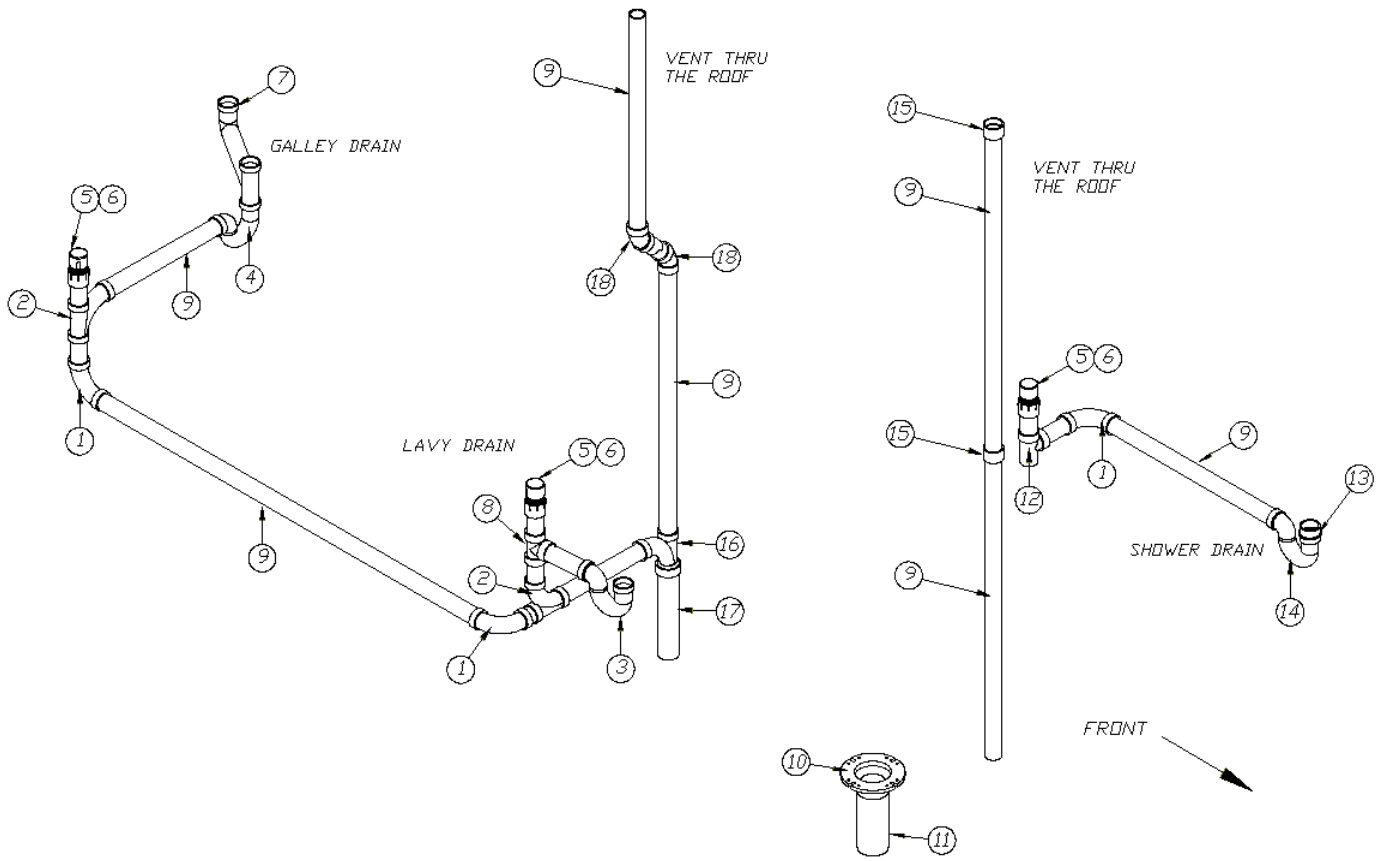
### Drain, Above Floor, 25FB, 25FB Eddie Bauer

943632 Above Floor Drain System

1. 600431 Elbow, 90°, 1.5"
2. 600035 Ell, ABS, Long sweep, 1.5"
3. 600156 Tee, Sanitary
4. 600144 P-trap, ABS, 1.5"
5. 600622 P-trap, 1.5" w/slip nut & washer
6. 602306 Valve, 2" Air admittance
7. 600308 Adapter, ABS female
8. 601868 Tee, Sanitary
9. 600182 Wye, 1/8" bend
10. 600378 Continuous waste, 1.5"
11. 601160-02 Pipe, ABS, 1.5"
12. 600065 Flange, Floor Threaded
13. 601267-04 Nipple, Threaded one end only, 10"
14. 602164-02 Tailpiece w/nuts & washers, 1.5"
15. 602164-01 P-trap w/compression nut, 1.5"
16. 600227 Plastic coupling
17. 602072 Tee, Sanitary, Reducing
18. 601160-03 Pipe, ABS, 2"
19. 600030 Ell, ABS, 45°, Long turn

# 2016 INTERNATIONAL TRAVEL TRAILER PLUMBING, DRAIN

Drain, Above Floor, 27FB, 27FB Eddie Bauer



Parts Listed on Next Page

# 2016 INTERNATIONAL TRAVEL TRAILER

## PLUMBING, DRAIN

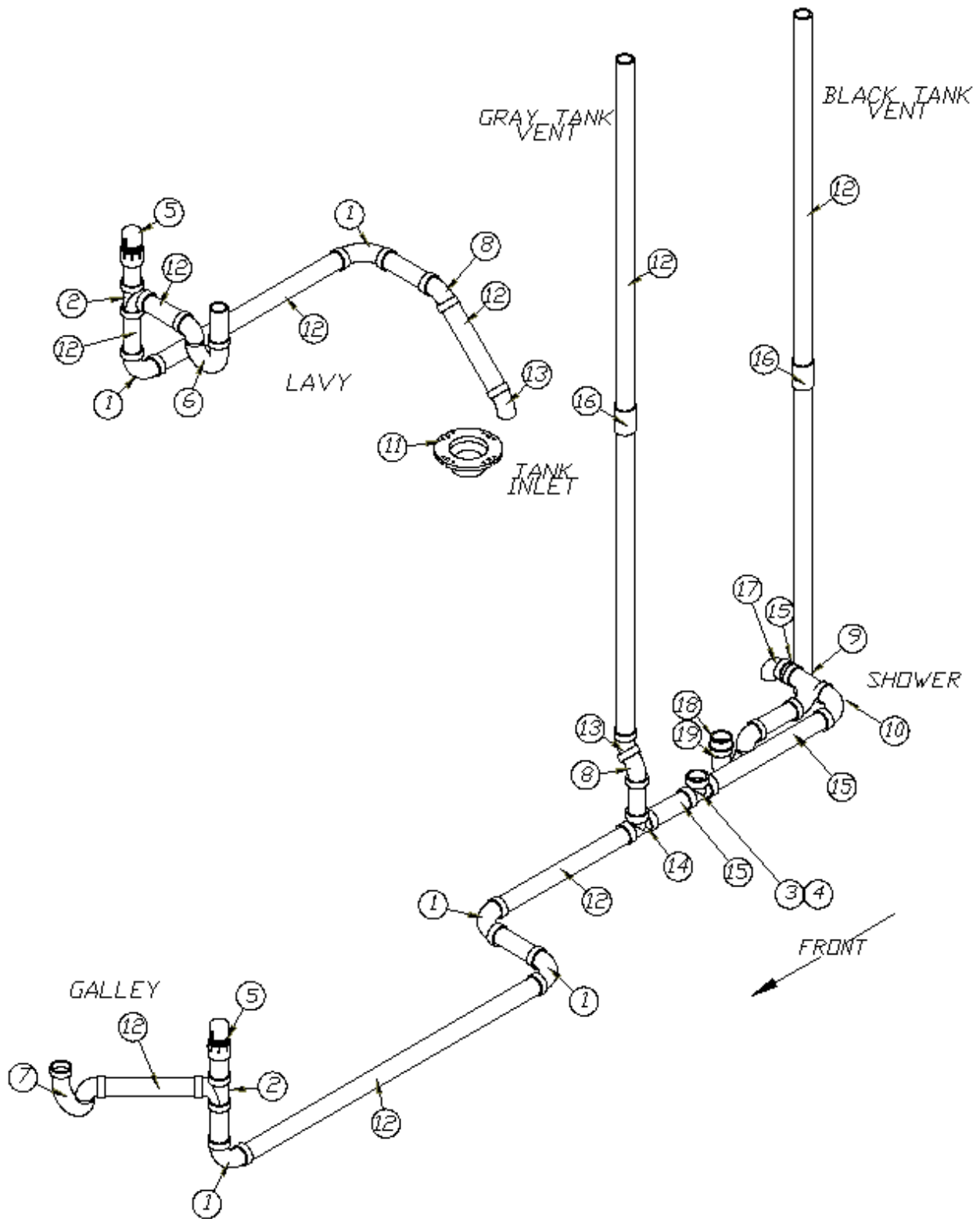
Drain, Above Floor, 27FB, 27FB Eddie Bauer

943672 Above Floor Drain System

1. 600035 Ell, ABS, Long sweep, 1.5"
2. 600182 Wye
3. 600144 P-trap, ABS, 1.5"
4. 600622 P-trap, 1.5" w/slip nut & washer
5. 602306 Valve, 2" Air admittance
6. 600308 Adapter, ABS female
7. 600378 Continuous waste, 1.5"
8. 600156 Tee, Sanitary
9. 601160-02 Pipe, ABS, 1.5"
10. 600065 Flange, Floor Threaded
11. 601267-04 Nipple, Threaded one end only, 10"
12. 601868 Tee, Sanitary
13. 602164-02 Tailpiece w/nuts & washers, 1.5"
14. 602164-01 P-trap w/compression nut, 1.5"
15. 600227 Plastic coupling
16. 602072 Tee, Sanitary, Reducing
17. 601160-03 Pipe, ABS, 2"
18. 600030 Ell, ABS, 45°, Long turn

# 2016 INTERNATIONAL TRAVEL TRAILER PLUMBING, DRAIN

Drain, Above Floor, 28'



Parts Listed on Next Page

# 2016 INTERNATIONAL TRAVEL TRAILER PLUMBING, DRAIN

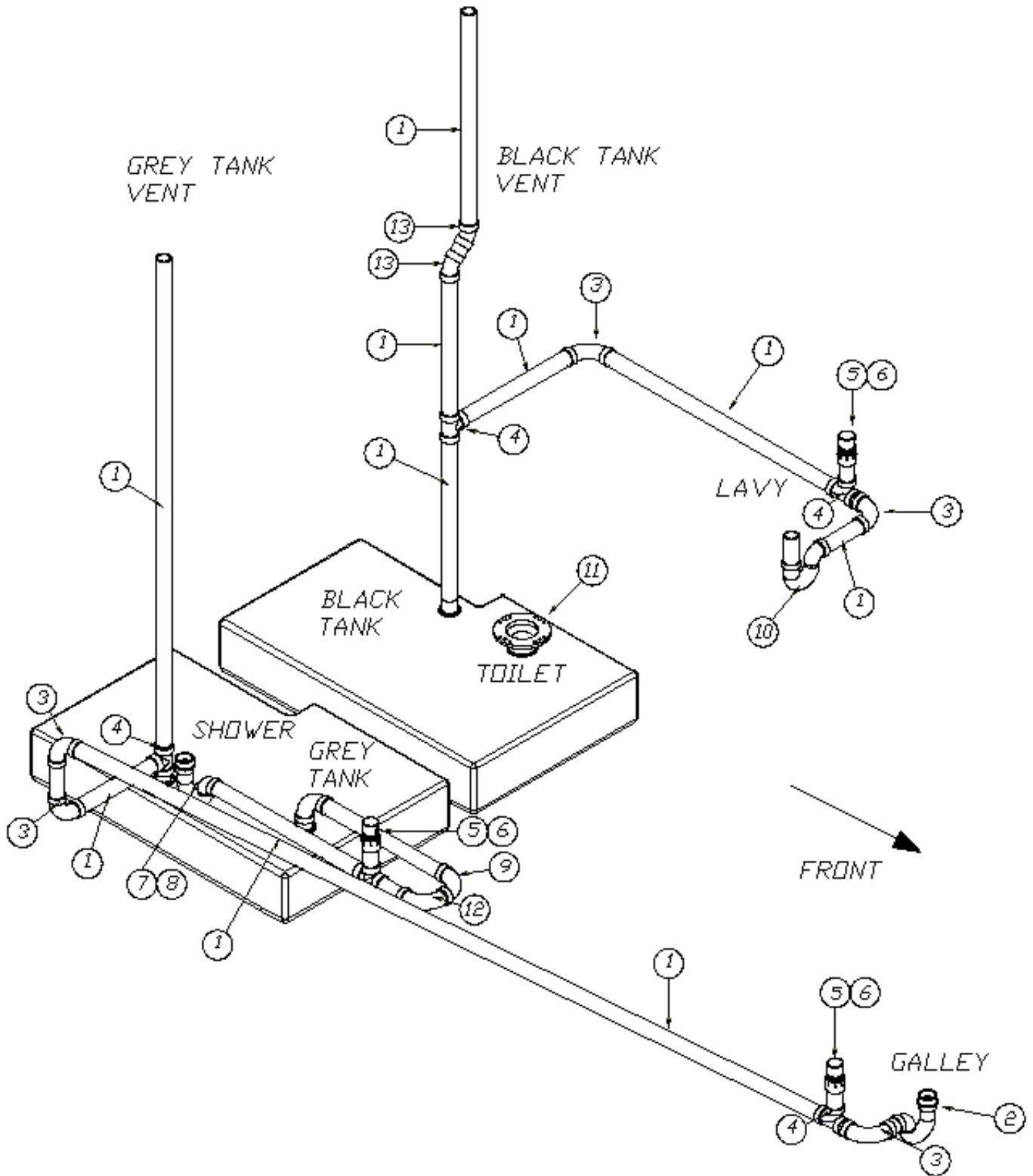
## Drain, Above Floor, 28'

943599-01 Above Floor Drain System

1. 600035 Ell, ABS, Long sweep, 1.5"
2. 600156 Tee, Sanitary
3. 602073 Fixture tee, 2 x 2 x 1.5
4. 600155 Cleanout plug, 1.5"
5. 602306 Valve, 2" Air admittance
6. 600144 P-trap, ABS, 1.5"
7. 600622 P-trap, 1.5" w/slip nut & washer
8. 600030 Ell, ABS, 45°, Long turn
9. 600318 Wye, Long turn, 2 x 2 x 1.5
10. 600372 Elbow, 90°, 2"
11. 600065 Flange, Floor Threaded
12. 601160-02 Pipe, ABS, 1.5"
13. 600027 Elbow, ABS, Long sweep, 45°
14. 602072 Tee, Sanitary, Reducing
15. 601160-03 Pipe, ABS, 2"
16. 600227 Plastic coupling
17. 602112 Elbow, 90°, Short sweep, 2"
18. 602164-02 Tailpiece w/nuts & washers, 1.5"
19. 602164-01 P-trap w/compression nut, 1.5"

# 2016 INTERNATIONAL TRAVEL TRAILER PLUMBING, DRAIN

Drain, Above Floor, 30'



Parts Listed on Next Page

# 2016 INTERNATIONAL TRAVEL TRAILER PLUMBING, DRAIN

## Drain, Above Floor, 30'

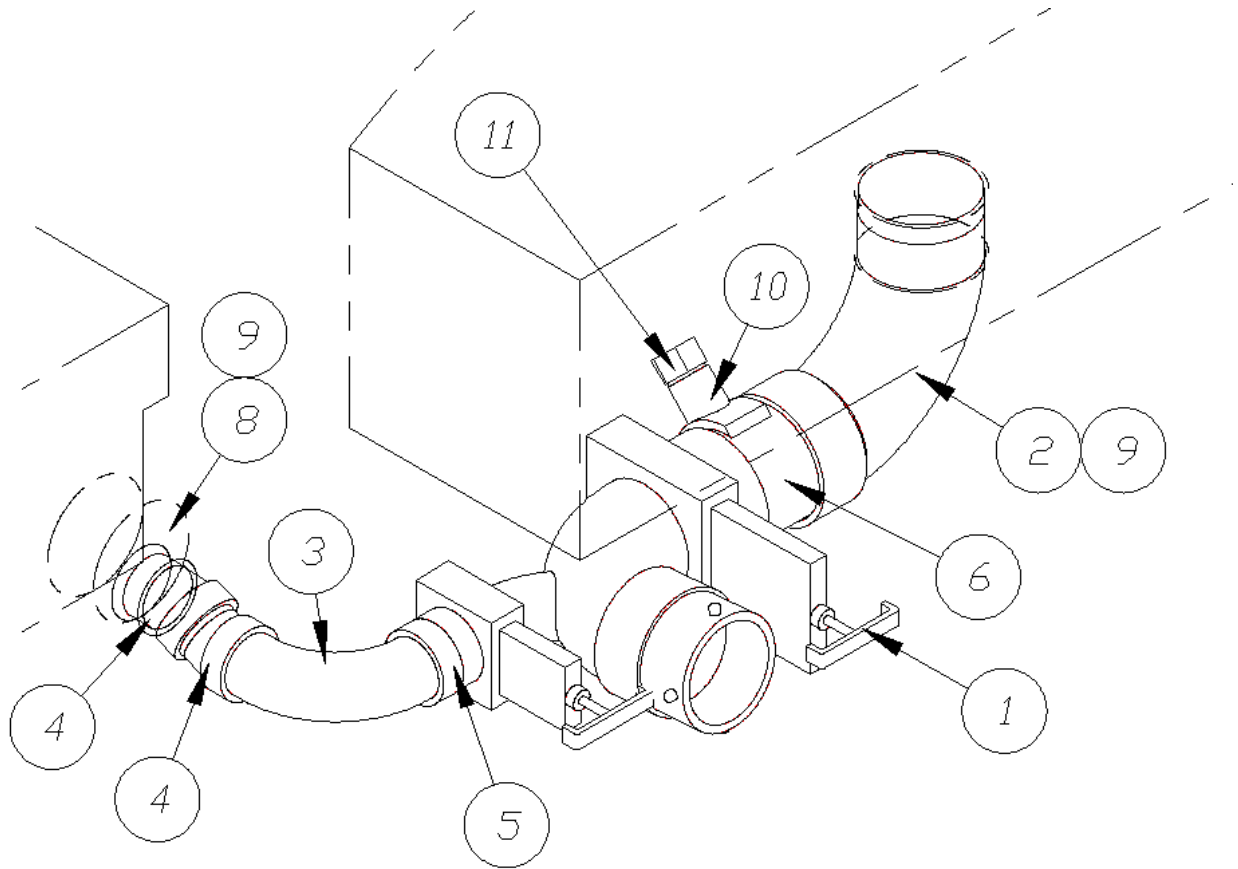
943722 Above Floor Drain System

1. 601160-02 Pipe, ABS DWG, 1.5"
2. 600622 P-trap, 1.5" W/Slip Nut & Washer
3. 600035 Ell ABS Long Sweep 1.5
4. 600156 Tee Sanitary
5. 602306 Valve, 2" Air admittance
6. 600308 Adapter ABS female sloan
7. 602164-01 P-trap w/compression Nut, 1.5"
8. 602164-02 Tailpiece w/nuts & Washers, 1.5"
9. 600035 Ell, ABS Long Sweep, 1.5"
10. 600144 P-trap, 1.5" ABS
11. 600065 Floor Flange, Threaded
12. 600431 Elbow, 90, 1.5"
13. 600030 Ell, ABS, 45°, Long turn



# 2016 INTERNATIONAL TRAVEL TRAILER PLUMBING, DRAIN

Tank Drain, 19', 23D, 23FB



Parts Listed on Next Page

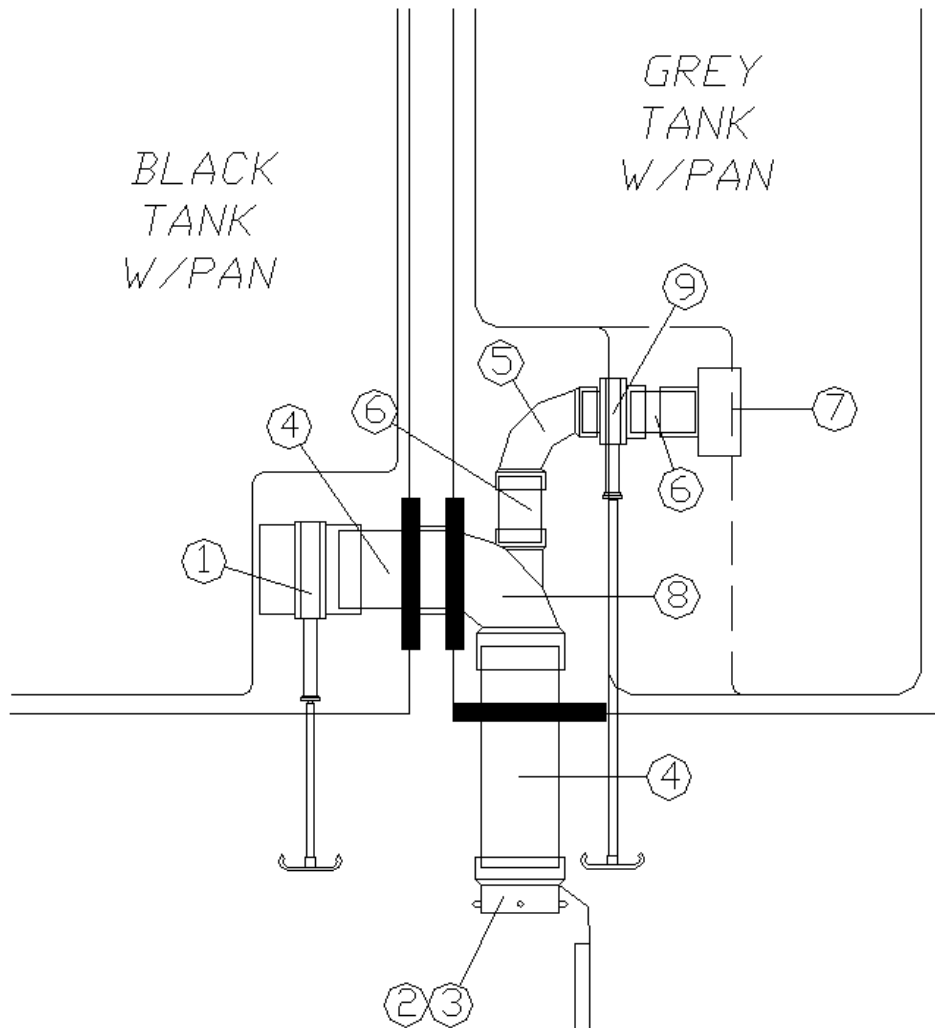
# 2016 INTERNATIONAL TRAVEL TRAILER PLUMBING, DRAIN

## Tank Drain, 19', 23D, 23FB

943574	Tank Drain Install
1. 601482	Dump Valve Rotating assembly
2. 600820	3" single socket, 90D
3. 600431	Elbow, 90, 1.5"
4. 601800	Street ELL, 22.5D, ABS, SPIG x HUB, 1.5"
5. 601160-02	Pipe, ABS DVW, Long, 1.5"-2"
6. 601160-04	Pipe, ABS DVW, 3"- 4" Long
7. 114916	Bracket, Dump valve
8. 195329-229	Reducer adaptor, 3" to 1.5"
9. 340092	Clamp, worm type T40C-75-388-SB
10. 601846	Adaptor, 3" pipe, Catcon
11. 512566	Monitor, Tank system kit, Seelevel
512566-01	Monitor Panel only
512566-02	Sender Pad
601854-01	Black tank
601844-01	Holding tank, Gray, 19', 23D
602173	Holding tank, Gray, 23FB
601717	Pan, Gray tank, 19', 23D
454649	Pan, Gray tank, 23FB
964478	Slope pad-Black tank
453977	Strap, Black tank, forward
453978	Strap, Black tank, aft
380481-A	Rubber boot, 7 x 8, 3.5" dia. hole
114916	Bracket, Dump Valve

# 2016 INTERNATIONAL TRAVEL TRAILER PLUMBING, DRAIN

Tank Drain, 25', 28'



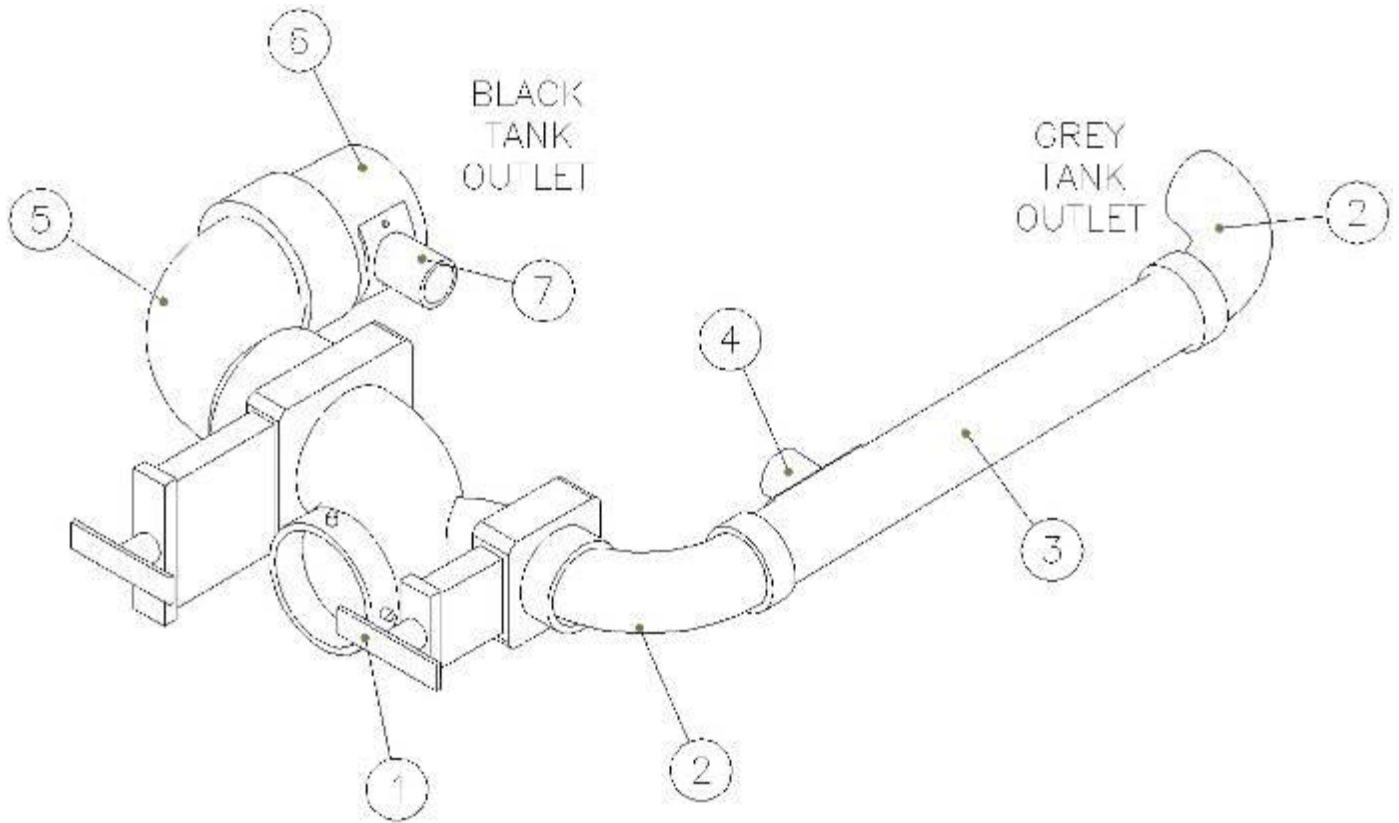
110541

Tank Drain Install

- |  |  |
|--|--|
| <ul style="list-style-type: none"> <li>1. 601607-11</li> <li>2. 601607-06</li> <li>3. 601607-07</li> <li>4. 601160-04</li> <li>5. 600035</li> <li>6. 601160-02</li> <li>7. 195329-229</li> <li>8. 601716</li> <li>9. 601607-12</li> <li>04190</li> <li>340092</li> <li>380481-A</li> </ul> | <ul style="list-style-type: none"> <li>Valve assembly, 3" spigot x 3" spigot</li> <li>Termination adaptor</li> <li>Termination cap</li> <li>Pipe, ABS DVW, 3"</li> <li>Ell, ABS, Long sweep, 1.5"</li> <li>Pipe, ABS DVW, 1.5"</li> <li>Reducer adaptor, 3" to 1.5"</li> <li>Ell w/low heel, 90°</li> <li>Valve assembly, 1.5" HUB x 1.5" spigot</li> <li>Dump valve handle</li> <li>Clamp, worm type</li> <li>Rubber boot, 3.5" drain line</li> </ul> |
|--|--|

# 2016 INTERNATIONAL TRAVEL TRAILER PLUMBING, DRAIN

## Dump Valve, 25'



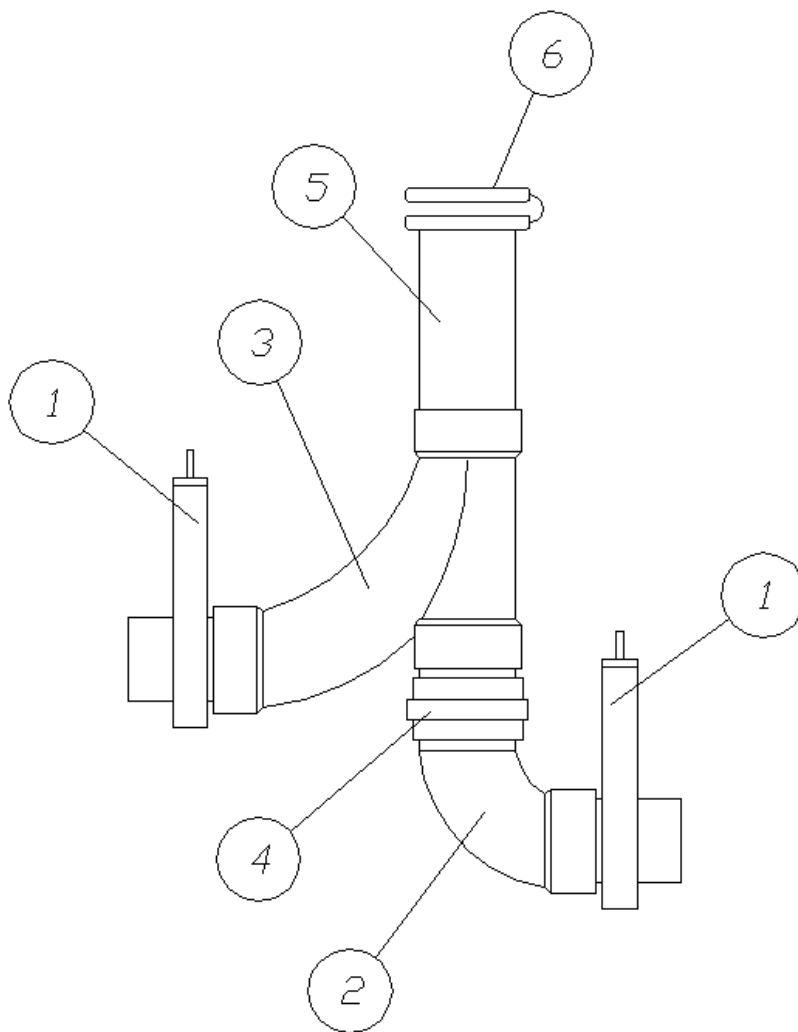
943741

### Dump Valve Assembly

- |              |                              |
|--------------|------------------------------|
| 1. 601482    | Dump valve rotating assembly |
| 2. 600431    | Elbow, 90, 1.5"              |
| 3. 601160-02 | Pipe, ABS DVW, 1.5"          |
| 4. 601845    | Adaptor, 1.5" pipe Catcon    |
| 5. 600820    | Single socket, 3", 90°       |
| 6. 601160-04 | Pipe, ABS DVW, 3"            |
| 7. 601846    | Adaptor, 3" pipe Catcon      |
| 601889-02    | Grey tank, 35 gallon         |
| 601890-03    | Black tank, 37 gallon        |
| 601895       | Pan, Black/Grey tank         |

# 2016 INTERNATIONAL TRAVEL TRAILER PLUMBING, DRAIN

## Dump Valve, 25FB, 27FB



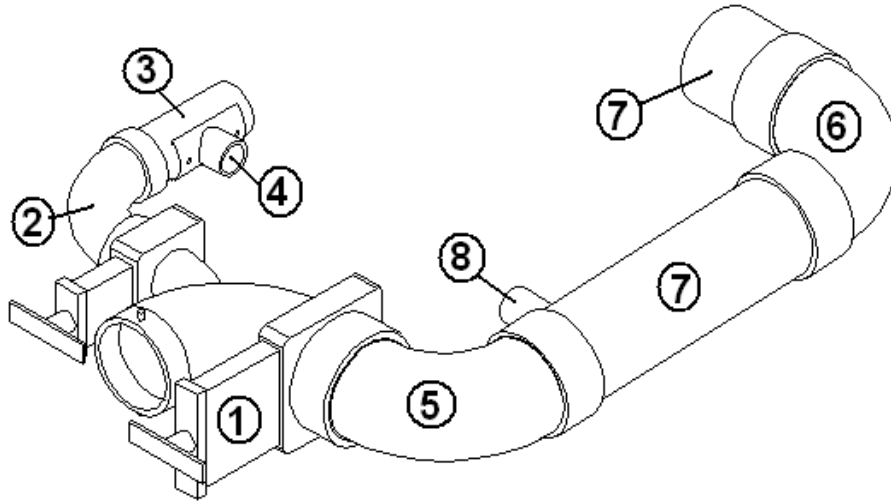
110191

### Dump Valve Install

- |              |                                       |
|--------------|---------------------------------------|
| 1. 601607-11 | Valve assembly, 3" spigot x 3" spigot |
| 2. 600820    | Single socket, 3", 90°                |
| 3. 600187    | 3" Wye, combination & 1/8" bend       |
| 4. 600289    | Calder coupler, 3"                    |
| 5. 601160-04 | 3" ABS pipe                           |
| 6. 601607-07 | Termination cap                       |
| 601850-04    | Grey tank, 37 gallon, 25FB, 27FB      |
| 601848-12    | Black tank, 39 gallon, 25FB, 27FB     |

# 2016 INTERNATIONAL TRAVEL TRAILER PLUMBING, DRAIN

## Dump Valve, 28'



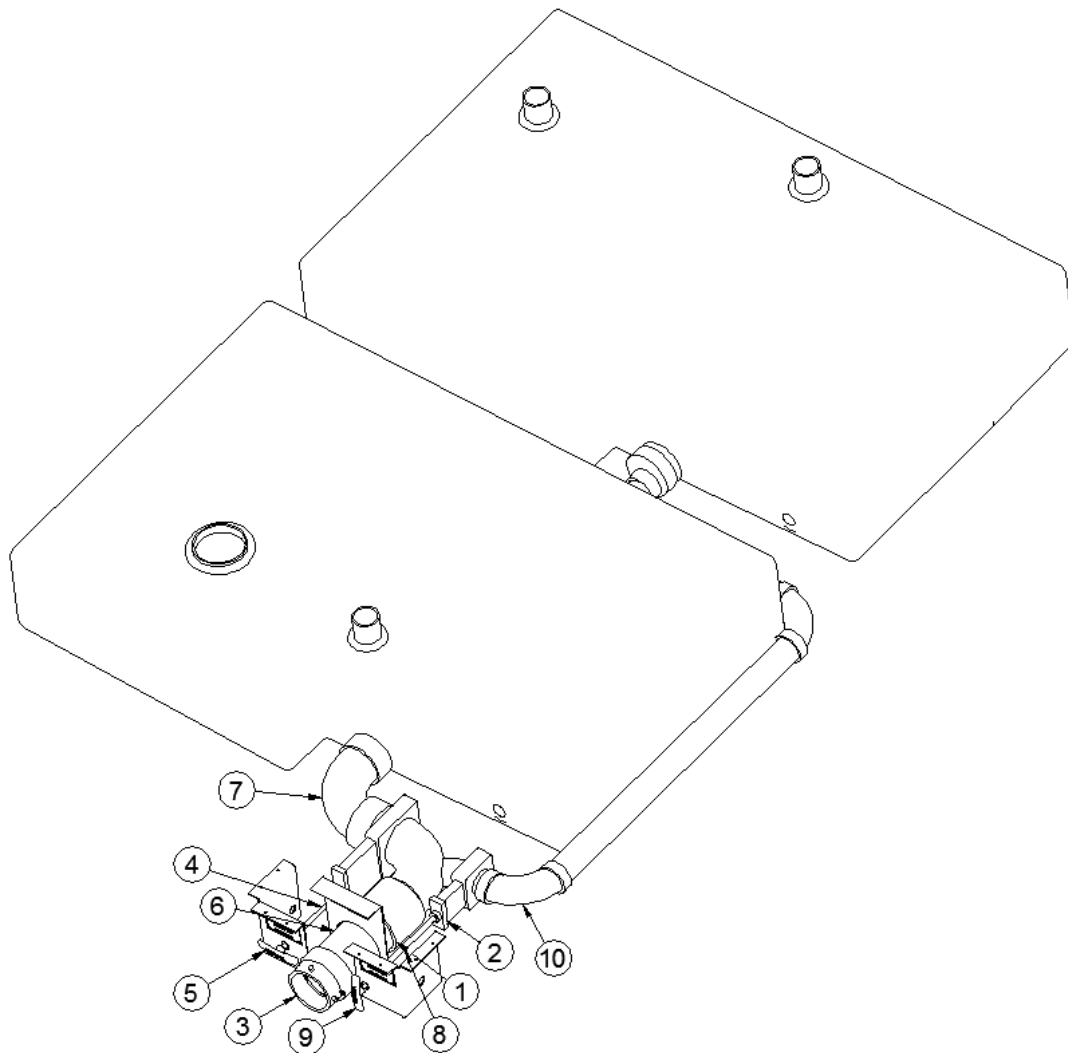
943621

Dump Valve Assembly

- |              |                               |
|--------------|-------------------------------|
| 1. 601482    | Dump valve, rotating assembly |
| 2. 600431    | Elbow, 90, 1.5"               |
| 3. 601160-02 | Pipe, ABS DVW, 1.5"           |
| 4. 601845    | Adaptor, 1.5", pipe, Catcon   |
| 5. 600820    | Single socket, 3", 90°        |
| 6. 600183    | Ell, long sweep ABS 3"        |
| 7. 601160-04 | Pipe, ABS DVW, 3"             |
| 8. 601846    | Adaptor, 3" pipe, Catcon      |
| 601889-03    | Black tank, 35 gallon         |
| 601890-02    | Gray tank, 37 gallon          |
| 601895       | Pan, Black/Gray tank          |
| 200954       | Slope pad, Holding tanks      |

# 2016 INTERNATIONAL TRAVEL TRAILER PLUMBING, DRAIN

## Dump Valve, 30'



943720

### Dump Valve Assembly

- |              |                         |
|--------------|-------------------------|
| 1. 600253    | Coupler, 3"             |
| 2. 601607-16 | Dump valve, No handles  |
| 3. 601607-06 | Termination adaptor     |
| 4. 601607-19 | Threaded extension, 6"  |
| 5. 601607-17 | Black tank handle       |
| 6. 601160-04 | Pipe, ABS DWV, 3"       |
| 7. 600820    | Single socket, 3", 90°  |
| 8. 601607-20 | Threaded extension, 8"  |
| 9. 601607-18 | Grey tank handle        |
| 10. 600035   | Elbow, 90°, Long sweep  |
| 602245-01    | Black tank, 39.3 Gallon |
| 602245-02    | Grey tank, 39.3 Gallon  |

# 2016 INTERNATIONAL TRAVEL TRAILER PLUMBING, DRAIN

## Toilet Flange

601266	Flange, closet, 3 x 4, slip fit
601424	Flange, closet, 4" x 3", threaded

## Sinks & Shower, 19'

602250	Galley sink, Single bowl, 13 x 15, SS
601804-01	Lavy sink, 12" round, SS
601813	Tail piece, Lift and turn drain
203673	Sink cover, 12.25 x 14.25
702937-06	Shower door, Roll away, 62 x 36, White
203114-02	Shower, 2 piece fiberglass, White

## Sinks & Shower, 23D

601806	Galley sink, Round, SS
601804-01	Lavy sink, 12" round, SS
601813	Tail piece, Lift and turn drain
203483	Sink cover, Round, 17.75", Natural
702937-06	Shower door, Roll away, 62 x 36, White
203114-02	Shower, 2 piece fiberglass, White

## Sinks & Shower, 23FB

601806	Galley sink, Round, SS
601804-01	Lavy sink, 12" round, SS
601813	Tail piece, Lift and turn drain
203483	Sink cover, Round, 17.75", Natural
703911-02	Shower door w/travel latch, 22 x 65, Brown
203615	Shower stall
203692	Shower base, Fiberglass



## 2016 INTERNATIONAL TRAVEL TRAILER PLUMBING, DRAIN

### Sinks & Shower, 25'

601806	Galley sink, Round, SS
601804-01	Lavy sink, 12" round, SS
203483	Sink cover, Round, 17.75", Natural
203081-01	Shower stall, 2 piece fiberglass, White
703911-01	Shower door, Brushed Nickel

### Sinks & Shower, 25FB, 27FB, Eddie Bauer

601806	Galley sink, Round, SS
601804-01	Lavy sink, 12" round, SS
203483	Sink cover, Round, 17.75", Natural
203081-02	Shower stall, 2 piece fiberglass, White
703911-01	Shower door, Brushed Nickel

### Sinks & Shower, 28', 30'

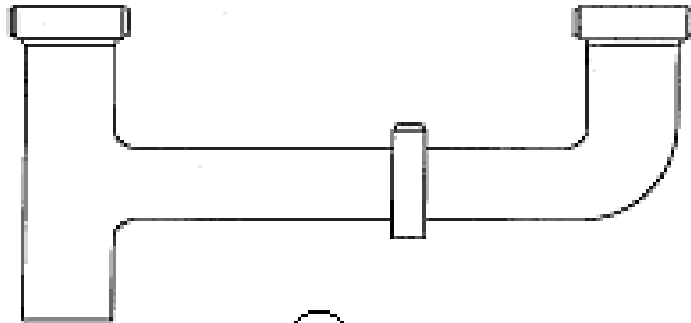
601806	Galley sink, Round, SS
601804-01	Lavy sink, 12" round, SS
203483	Sink cover, Round, 17.75", Natural
203081-01	Shower stall, 2 piece fiberglass, White
703911-01	Shower door, Brushed Nickel

### Black Tank Flush

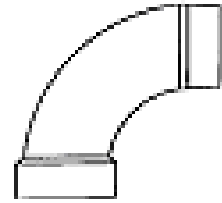
601441-02	System, Tank Flush
601392-01	Plastic Screw in Cap

# 2016 INTERNATIONAL TRAVEL TRAILER PLUMBING, DRAIN

## Drain Fittings



1



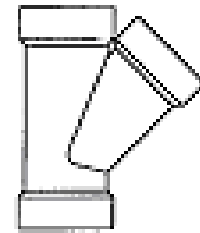
2



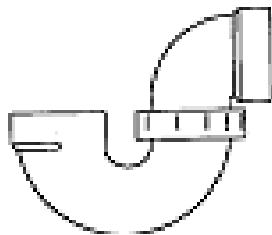
3



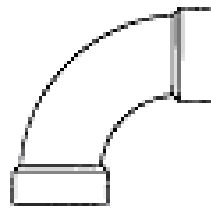
4



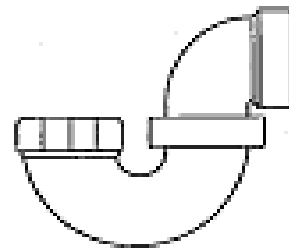
5



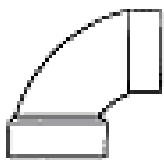
6



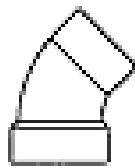
7



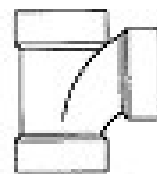
8



9



10



11

Parts Listed on Next Page

# 2016 INTERNATIONAL TRAVEL TRAILER PLUMBING, DRAIN

## Drain Fittings

1. 600378 Continuous waste
2. 600431 Elbow, 90°, Long street
3. 600625-01 Plug, P-trap
4. 600822 Swivel adaptor
5. 600094 Wye
6. 600144 P-trap, 1.5" w/o slip nut
7. 600035 Elbow, 90°, Long turn, 1.5"
8. 600622 P-trap, 1.5" w/slip nut
9. 600662 Elbow, 90°, Short street, 1.5"
10. 600027 Elbow, 45°, Long street
11. 601868 Sanitary tee

# 2016 INTERNATIONAL TRAVEL TRAILER PLUMBING, DRAIN

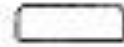
## Drain Fittings



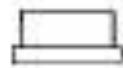
12



13



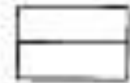
14



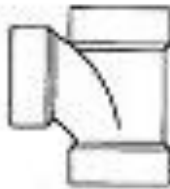
15



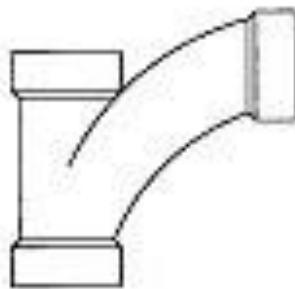
16



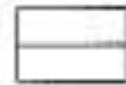
17



18



19



20



21

Parts Listed on Next Page

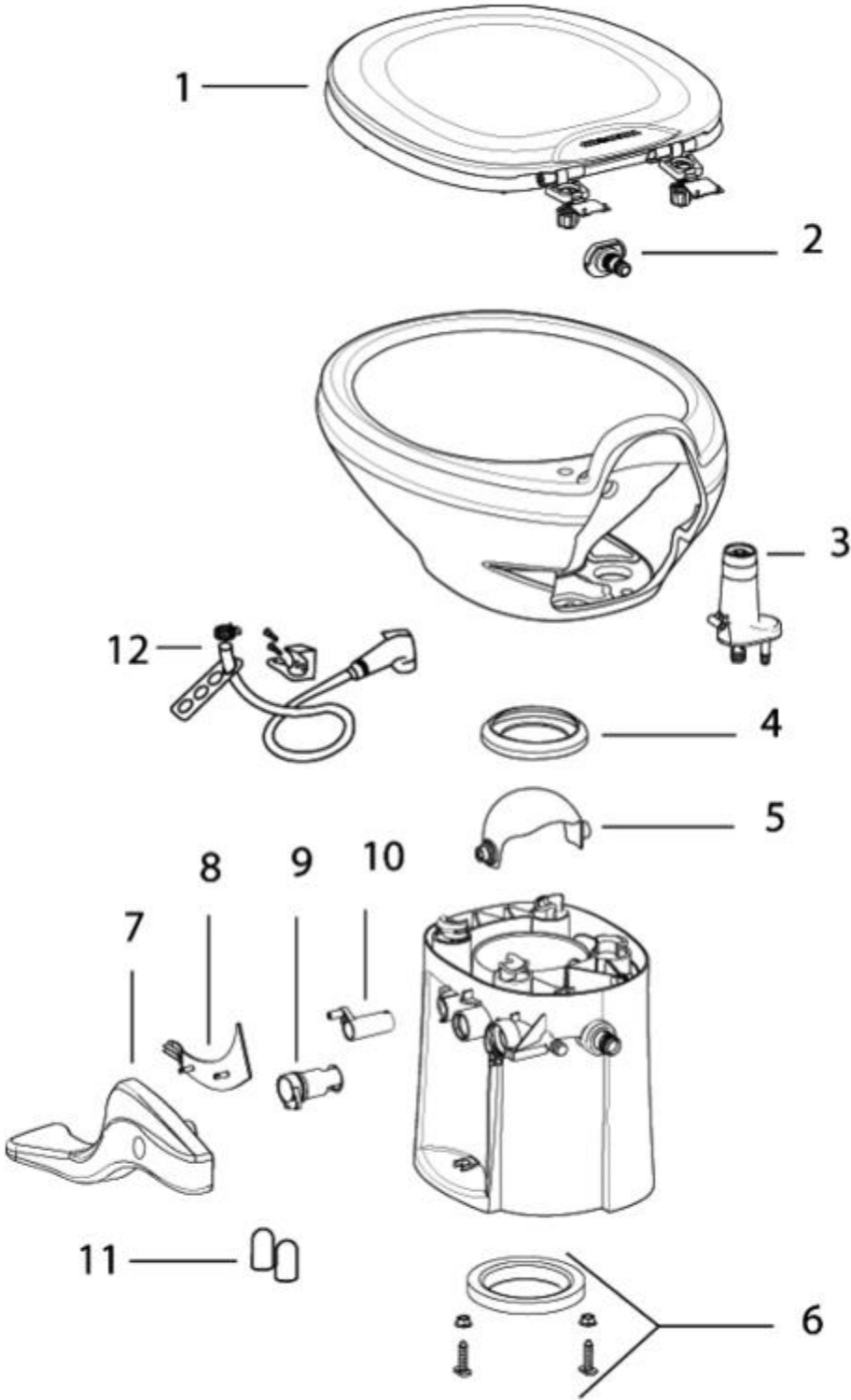
# 2016 INTERNATIONAL TRAVEL TRAILER PLUMBING, DRAIN

## Drain Fittings

12. 600155	Plug, 1.5"
13. 602306	Valve, 2" Air Admittance Ayrlet
14. 601677	Cap, 1.5"
15. 601263	Reducer, 1.5" to 1.25"
16. 601676	Adaptor, 1.5"
17. 600308	Adaptor, w/female threads, 1.5"
18. 600156	Tee, sanitary, 1.5"
19. 600182	Wye, 1.5", 1/8" bend
20. 600227	1.5" coupling
21. 600030	Elbow, 45 degree, long degree
601318	Tee, bi-directional, clean out, 1.5"

# 2016 INTERNATIONAL TRAVEL TRAILER PLUMBING, TOILET

Toilet, 19', 23D, 23FB



Parts Listed on Next Page

## 2016 INTERNATIONAL TRAVEL TRAILER PLUMBING, TOILET

### Toilet, 19', 20', 23D, 23FB

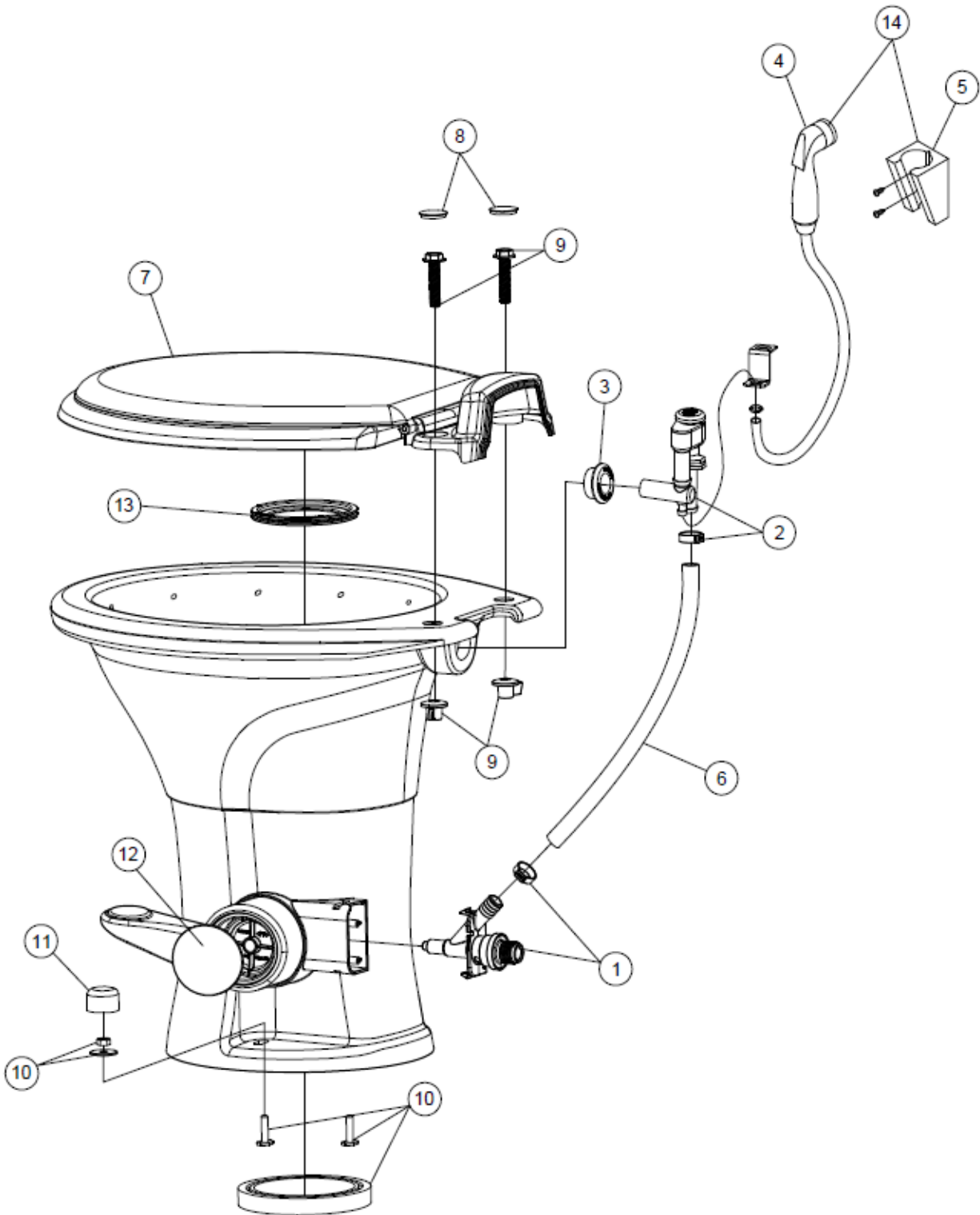
602334 Toilet, Thetford Aqua Magic Style II China  
601266 Toilet, Flange, Closet, 3" x 4", Slip Fit

1. 42036 Seat and cover assembly
2. 34124 Nozzle
3. 34122 Vacuum breaker
4. 34120 Waste ball seal
5. 34117 Waste ball
6. 42115 Closet bolt package
7. 42078 Pedal
8. 42080 Pedal cover insert
9. 42049 Water Valve
10. 42048 Waste ball drive arm
11. 42111 Bolt caps
12. 19289 Chrome hand spray kit (optional)

\*Parts listed are Thetford part numbers

# 2016 INTERNATIONAL TRAVEL TRAILER PLUMBING, TOILET

Toilet, 25', 25FB, 27FB, 28', 30', Eddie Bauer



Parts Listed on Next Page



## 2016 INTERNATIONAL TRAVEL TRAILER PLUMBING, TOILET

Toilet, 25', 25FB, 27FB, 28', 30', Eddie Bauer

690621 Toilet, China, Dometic  
601266 Toilet flange, Slip fit

1. 385311641 Water valve
2. 385230335 Hand Spray VB  
385316906 Vacuum breaker
3. 385311164 Sealing grommet
4. 385319054 Vacuum break w/spray
5. 385230319 Bracket, hand spray
6. 385345377 Supply hose
7. 385311646 Seat and cover
8. 385311648 Seat bracket covers
9. 385311650 Seat mounting hardware
10. 385311652 Mounting hardware
11. 385311654 Cap
12. 385311656 Pedal cover
13. 385311658 Flush ball seal
14. 385311124 Hand spray, (optional)

\*Parts listed are Dometic part numbers

# 2016 INTERNATIONAL TRAVEL TRAILER SEALERS, GASKETS, PAINT

## Sealers

360001	Sealant, #884058
360002	Sealant, Vulkem, 11.5 oz. tube
360209	Sealant, Seam
360176	Sealant, Almond
360180-04	Sealant, Sika-Flex, Black
360180	Sealant, Sika-Flex, Gray
365330-01	Sealant, RTV silicone, White
365330-02	Sealant, RTV silicone, Gray
365330-03	Sealant, RTV silicone, Aluminum Gray
365330-04	Sealant, RTV silicone, Black
365330-05	Sealant, RTV silicone, Self-level, White
365233-01	Sealant, 100% silicone, Clear
360255-04	Sealant, Anti-wick
28430W-01	Sealant, Acryl-R, Gray, 16 oz. can

## Gaskets

365013-01	Gasket, Screen Door
365035	Gasket, Access door jamb
365232	Gasket, Main door
365190	Seal, Rubber, .75" x .75"
382117	Gasket, Window seal
365208	Gasket, Window frame to glass
365016	Tape, Foam, Double face, 1/2" Wide
685510	Seam tape, Rubber, Black
685510-01	Seam tape, Exterior metal, Rubber, 1/2", Black
365001	Tape, Double coated foam
381830	Gasket Wiper, L-section, 1.12" x 20"
382074	Gasket, Main door grab handle
512477	Gasket, Neoprene, 1/8" thick, Black
365367	Automotive foam tape

## Paint

360213	Paint, Aluminum Metallic
360151	Paint, Centari Gray, Metallic
360151-01	Paint, Centari Gray, Metallic, 16 Oz. Can
360260	Paint, Pewter
360260-100	Paint, Pewter, 16 Oz. Can

## 2016 INTERNATIONAL TRAVEL TRAILER SEALERS, GASKETS, PAINT

### Gasket Kits

365336 Gasket Kit #1, not sold separately:

Exterior shower gasket, 1 Ea.  
City water fill gasket, 1 Ea.  
Step light gasket, 1 Ea.  
Awning lockdown (AS5 & AS7 Kit), 4 Ea.  
Lower awning foot (AS7 Kit), 4 Ea.  
Awning foot (Rear W/Pan Kit), 4 Ea.  
Lower awning foot (AS5 Kit), 4 Ea.

365337 Gasket Kit #2, not sold separately:

Small furnace exhaust/intake, 1 Ea.  
Gravity water fill, 1 Ea.  
Range vent gasket, 1 Ea.  
Awning lockdown (LW7 Kit), 4 Ea.  
Awning classic center post, 4 Ea.  
AEU BBQ point, 1 Ea.  
AEU upper indicator light, 2 Ea.  
AEU city water hookup, 1 Ea.

365338 Gasket Kit #3, not sold separately:

Scare light domestic units, 1 Ea.  
Black tank flush gasket, 1 Ea.  
Awning travel latch gasket, 4 Ea.  
AEU fog/backup lamp housing, 2 Ea.  
AEU fog/backup lamp bezel, 2 Ea.  
Scare light AEU units, 1 Ea.  
Awning hook gasket, 4 Ea.  
Awning prop foot gasket, 4 Ea.

## 2016 INTERNATIONAL TRAVEL TRAILER PILLOWS, MATTRESSES, BEDSPREADS

### Pillow Kits, Signature

703678-UL	Pillow kit, Espresso and Oyster
703678-ULS	Pillow kit, Salsa
703987	Pillow, Bed plump poly fill

### Pillow Kits, Serenity

703849-04	Pillow kit, 23D, 25', 25FB, 27FB, 28', 30'
703849-05	Pillow kit, 19', 23FB
703849-01	Pillow, 16 x 16
703849-02	Pillow, 20 x 12
703849-03	Pillow, 18 x 18
703987	Pillow, Bed plump poly fill

### Pillow Kits, Eddie Bauer

703939-04	Pillow Kit
703939-01	Pillow w/diamond quilt pattern, 18 x 18
703939-02	Pillow w/channel quilt pattern, 18 x 18
703939-03	Pillow w/zipper closure, 28 x 10
703920	Down pillows, White
703923	Pillow shams, Basil
703924	Pillow shams, Midnight

### Sheet Set & Mattress Pad, 23' A2GO

704029	Custom Sheet Set
704035	Sheet, Flat
704031	Mattress Pad, Waterproof
704036	Pillow Case, Queen 600TC, Dove White
703987	Pillow, Bed plump poly fill

### Sheet Set & Mattress Pad, 28' A2GO

704030	Custom Sheet Set
704035	Sheet, Flat
704032	Mattress Pad, Waterproof
704036	Pillow Case, Queen 600TC, Dove White
703987	Pillow, Bed plump poly fill

## 2016 INTERNATIONAL TRAVEL TRAILER PILLOWS, MATTRESSES, BEDSPREADS

### Mattress & Bedspread, 19', 23D

704129 Mattress, Pillowtop, Foam Core, 48" x 76", Corner Dbl  
703287-180 Bedspread, Mint Green

### Mattress & Bedspread, 23FB

704131 Mattress, Pillowtop, 60" x 75", Queen B  
703301-180 Bedspread, Mint Green

### Mattress & Bedspread, 25', 25FB

704131 Mattress, Pillowtop, 60" x 75", Queen B  
703356-180 Bedspread, Rev. Sham, Mint Green

### Mattress & Bedspread, 27FB, 28', 30'

704132 Mattress, Pillowtop, 60" x 75", Queen J  
703356-180 Bedspread, Rev. Sham, Mint Green

### Mattress & Bedspread, Twin, 25', 25FB, 27FB, 28', 30'

702820-180 Bedspread  
703356-180 Bedspread, Reverse sham, Mint Green  
704130-01 Mattress, CS twin, Pillow top, 34 x 78  
704130-02 Mattress, RS twin, Pillow top, 34 x 78

### Mattress & Bedspread, Eddie Bauer

704131 Mattress, Pillowtop, 60" x 75", Queen B, 25FB  
704132 Mattress, Pillowtop, 60" x 75", Queen J, 27FB  
703919 Down comforter  
703922 Duvet Cover, Basil  
704004-01 Sheet set, 100% Egyptian Sateen Cotton, 400 TC, 25FB  
704004-02 Sheet set, 100% Egyptian Sateen Cotton, 400 TC, 27FB

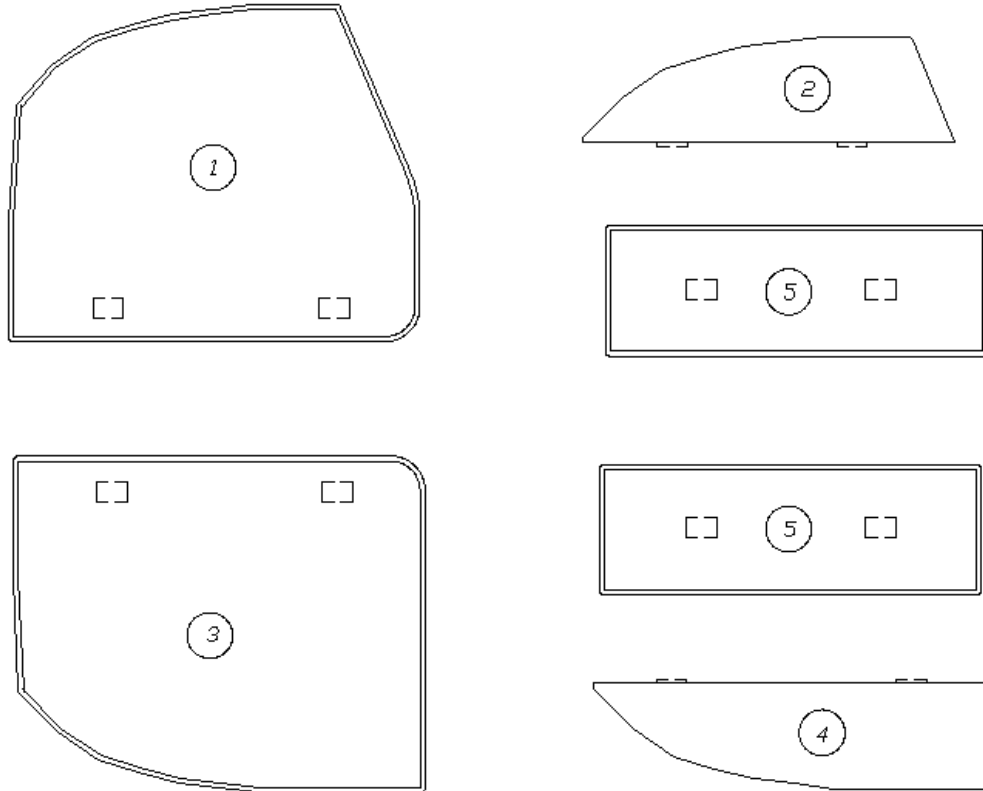
### Accessories, Eddie Bauer

703928 Packable down throw  
703934 Duffel, Medium, Black  
703938 Mat, Non-skid  
703933 Airstream trailhead back pack

# 2016 INTERNATIONAL TRAVEL TRAILER UPHOLSTERY, FOAM, ULTRALEATHER

## Dinette Cushions, 19'

703882BR	Kit, Din Cushion, Ultraleather, Espresso
703882OY	Kit, Din Cushion, Ultraleather, Oyster
703882R	Kit, Din Cushion, Ultraleather, Salsa
703368	Kit, Foam

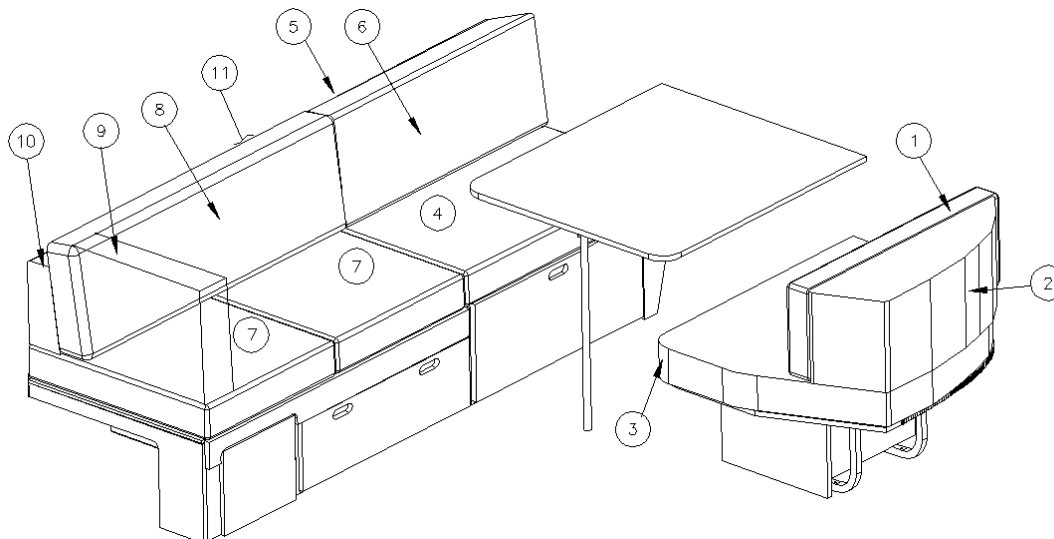


- |               |                       |
|---------------|-----------------------|
| 1. 703882x-01 | CS, Dinette           |
| 703368-01     | Foam, CS Dinette Seat |
| 2. 703882x-02 | CS, Back Filler       |
| 703368-02     | Foam, CS Back Filler  |
| 3. 703882x-04 | RS, Dinette Filler    |
| 703368-04     | Foam, RS Dinette Seat |
| 4. 703882x-05 | RS, Back Filler       |
| 703368-05     | Foam, RS Back Filler  |
| 5. 703882x-06 | RS/CS, Back Filler    |
| 703368-06     | Foam, RS/CS Back Rest |

\*Substitute "BR", "OY", or "R" for "X" when ordering Ultraleather

# 2016 INTERNATIONAL TRAVEL TRAILER UPHOLSTERY, FOAM, ULTRALEATHER

## Sofa, Dinette Cushions, 23D



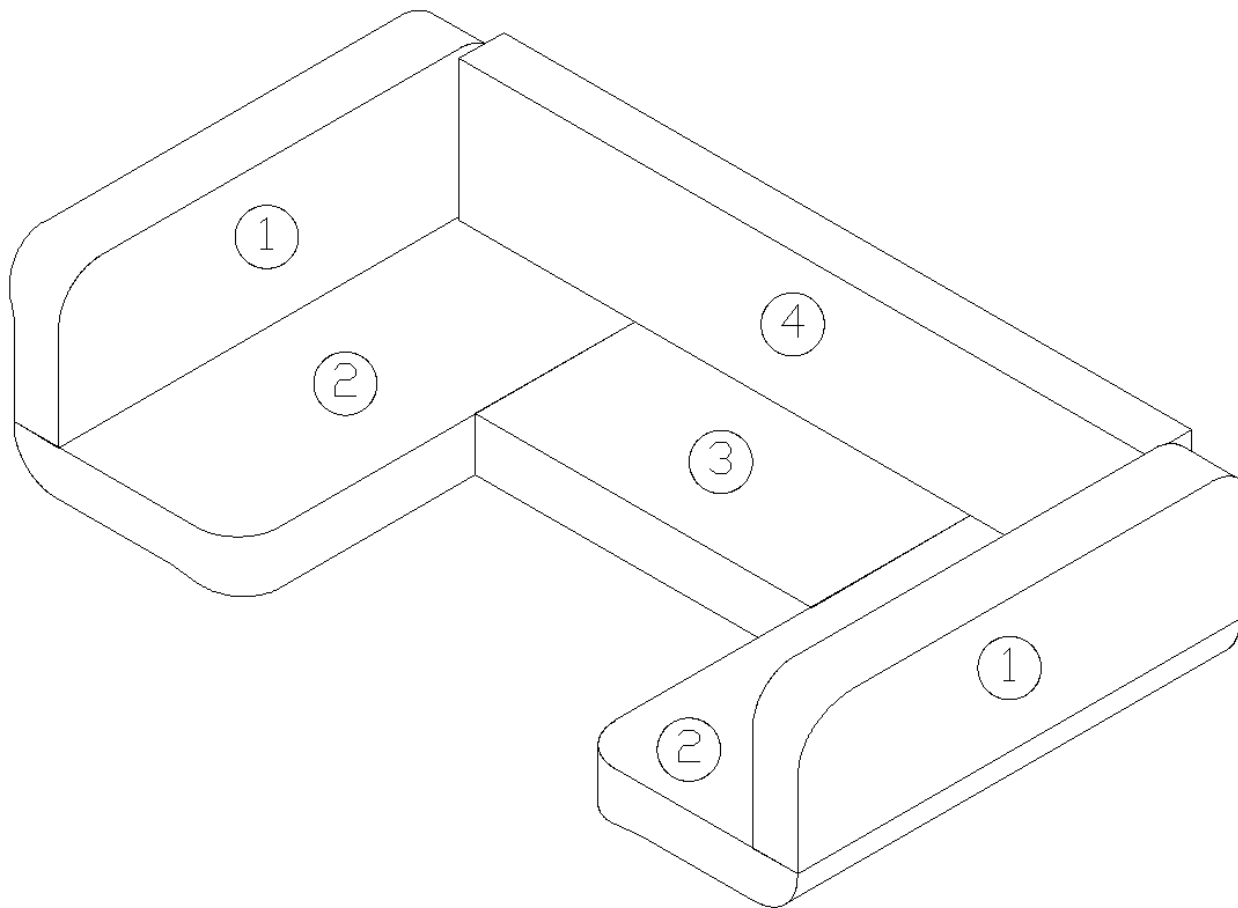
703883BR	Kit, Din/Lnge Cushions, Ultraleather, Espresso
703883OY	Kit, Din/Lnge Cushions, Ultraleather, Oyster
703883R	Kit, Din/Lnge Cushions, Ultraleather, Salsa
703682	Kit, Foam

- |                |                              |
|----------------|------------------------------|
| 1. 703883x-03  | CS Back Rest                 |
| 703682-03      | Foam, CS Back Rest           |
| 2. 703883x-02  | CS Filler Wedge              |
| 703682-02      | Foam, CS Filler Wedge        |
| 3. 703883x-01  | CS Dinette Seat              |
| 703682-01      | Foam, CS Dinette Seat        |
| 4. 703883x-04  | RS Dinette Seat              |
| 703682-04      | Foam, RS Dinette Seat        |
| 5. 703883x-05  | RS Filler Wedge              |
| 703682-05      | Foam, RS Filler Wedge        |
| 6. 703883x-06  | RS Back Rest                 |
| 703682-06      | Foam, RS Back Rest           |
| 7. 703883x-08  | Lounge Bottom Cushions       |
| 703682-08      | Foam, Lounge Bottom Cushions |
| 8. 703883x-09  | Lounge Back Rest             |
| 703682-09      | Foam, Lounge Back Rest       |
| 9. 703883x-10  | Side Armrest                 |
| 703850         | Foam, Side Armrest           |
| 10. 703883x-11 | Filler Lounge/Bed Wedge, 40" |
| 703682-10      | Foam, Lounge/Bed Wedge, 40"  |
| 11. 703883x-12 | Filler Lounge Wedge, 26"     |
| 703682-11      | Foam, Lounge Wedge, 26"      |

\*Substitute "BR", "OY", or "R" for "X" when ordering Ultraleather

# 2016 INTERNATIONAL TRAVEL TRAILER UPHOLSTERY, FOAM, ULTRALEATHER

## U-Dinette Cushions, 23FB



704052BR  
704052OY  
704052R

Kit, U-Dinette, Ultraleather, Espresso  
Kit, U-Dinette, Ultraleather, Oyster  
Kit, U-Dinette, Ultraleather, Salsa

- |               |                       |
|---------------|-----------------------|
| 1. 704052x-01 | CS/RS back cushions   |
| 2. 704052x-02 | CS/RS bottom cushions |
| 3. 704052x-03 | Center seat cushion   |
| 4. 704052x-04 | Center back cushion   |

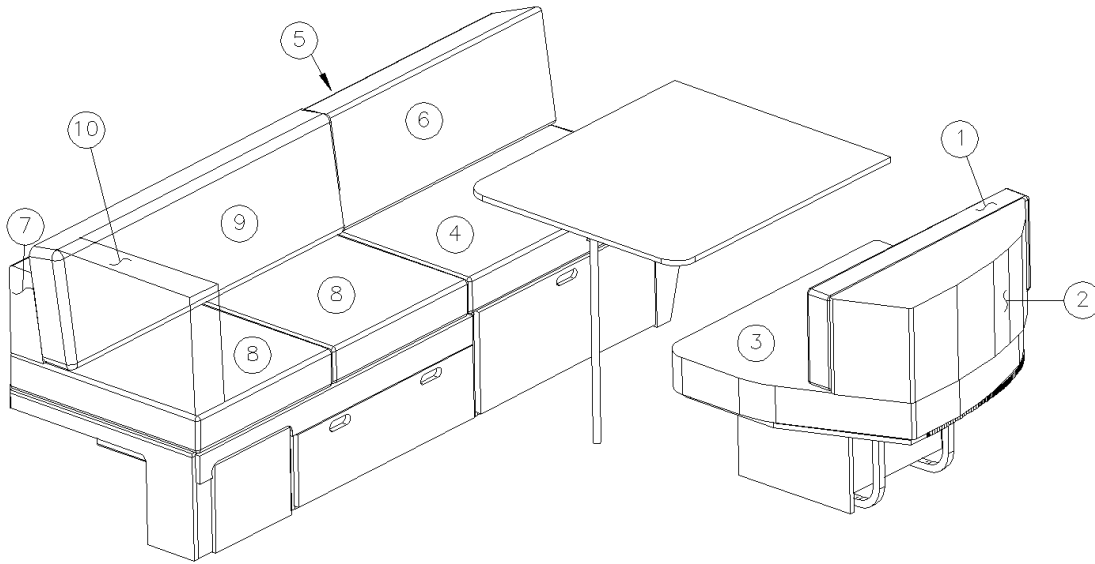
\*Substitute "BR", "OY", or "R" for "X" when ordering Ultraleather



# 2016 INTERNATIONAL TRAVEL TRAILER UPHOLSTERY, FOAM, ULTRALEATHER

## Sofa, Dinette Cushions, 25'

703946BR	Kit, Sofa/Dinette Cushions, Ultraleather, Espresso
703946OY	Kit, Sofa/Dinette Cushions, Ultraleather, Oyster
703946R	Kit, Sofa/Dinette Cushions, Ultraleather, Salsa
703942	Kit, Foam

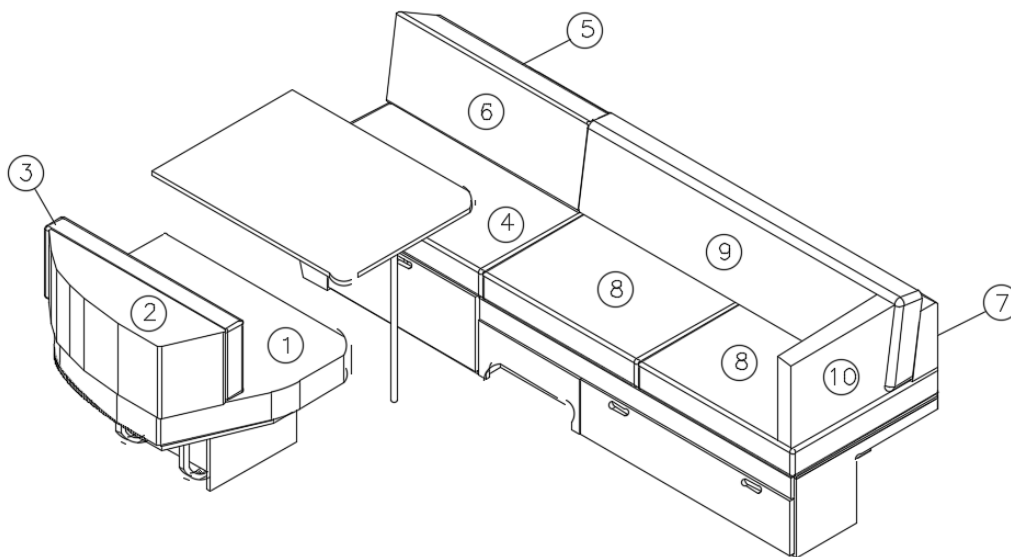


1. 703946x-01 703942-03	CS, Backrest Foam, CS backrest
2. 703946x-02 703942-02	CS, Wedge filler Foam, CS wedge filler
3. 703946x-03 703942-01	CS, Dinette seat Foam, CS dinette seat
4. 703946x-04 703942-04	RS, Dinette seat Foam, RS dinette seat
5. 703946x-05 703942-05	RS, Wedge filler Foam, RS wedge filler
6. 703946x-06 703942-06	RS, Backrest Foam, RS backrest
7. 703946x-07 703942-07	Lounge, Wedge filler Foam, Lounge wedge filler
8. 703946x-08 703942-08	Lounge, Seat cushions Foam, Lounge seat cushions
9. 703946x-09 703942-09	Lounge, Backrest Foam, Lounge backrest
10. 703946x-10 703850	Side armrest Foam, Side Armrest

\*Substitute "BR", "OY", or "R" for "X" when ordering Ultraleather

# 2016 INTERNATIONAL TRAVEL TRAILER UPHOLSTERY, FOAM, ULTRALEATHER

## Dinette Cushions, 25FB, 27FB



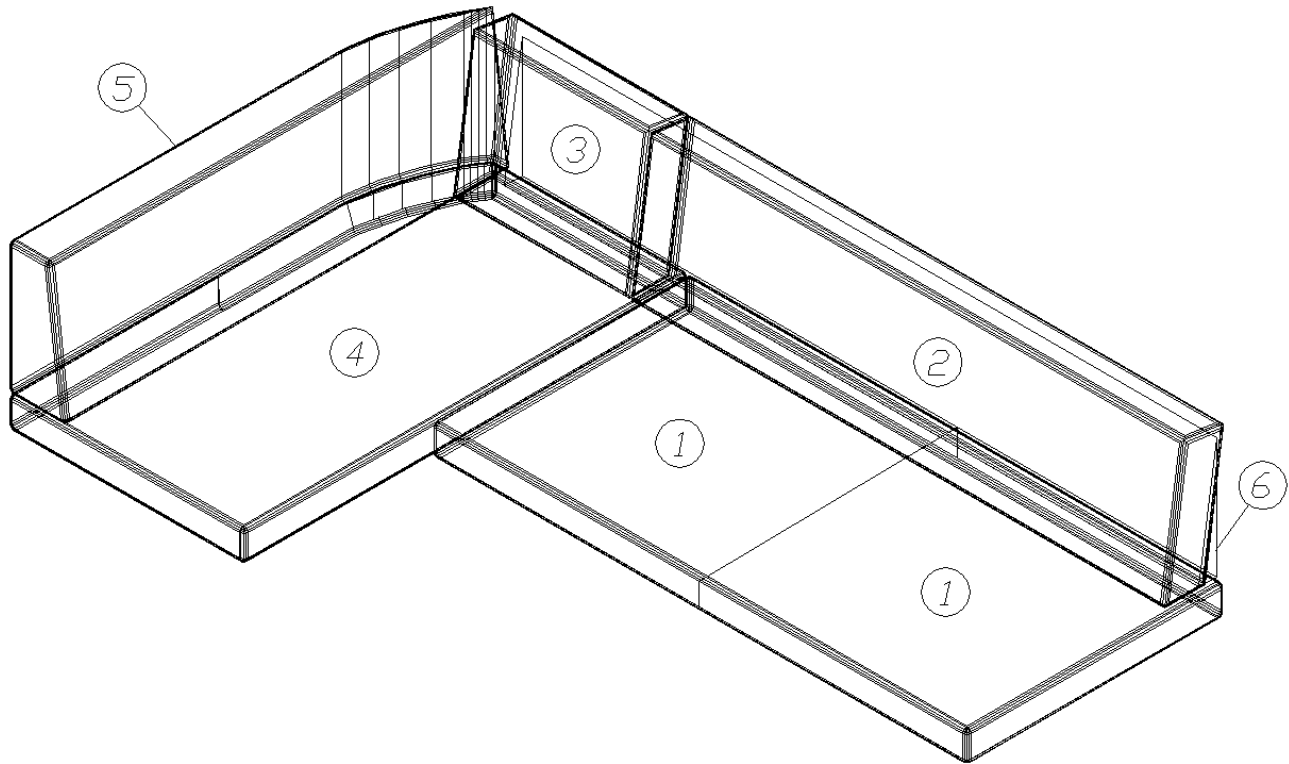
703884BR	Kit, Sofa/Dinette Cushions, Ultraleather, Espresso
703884OY	Kit, Sofa/Dinette Cushions, Ultraleather, Oyster
703884R	Kit, Sofa/Dinette Cushions, Ultraleather, Salsa
703486	Kit, Foam

- |                |                              |
|----------------|------------------------------|
| 1. 703884x-01  | CS Dinette Seat              |
| 703486-01      | Foam, CS Dinette Seat        |
| 2. 703884x-02  | CS filler wedge              |
| 703486-02      | Foam, CS filler wedge        |
| 3. 703884x-03  | CS backrest                  |
| 703486-03      | Foam, CS backrest            |
| 4. 703884x-04  | RS dinette seat              |
| 703486-04      | Foam, RS dinette seat        |
| 5. 703884x-05  | RS filler wedge              |
| 703486-05      | Foam, RS filler wedge        |
| 6. 703884x-06  | RS backrest                  |
| 703486-06      | Foam, RS backrest            |
| 7. 703884x-07  | Lounge filler piece          |
| 703486-07      | Foam, Lounge filler piece    |
| 8. 703884x-08  | Lounge bottom cushions       |
| 703486-08      | Foam, Lounge bottom cushions |
| 9. 703884x-09  | Lounge backrest              |
| 703486-09      | Foam, Lounge backrest        |
| 10. 703884x-10 | Side armrest                 |
| 703850         | Foam, Side armrest           |

\*Substitute "BR", "OY", or "R" for "X" when ordering Ultraleather

# 2016 INTERNATIONAL TRAVEL TRAILER UPHOLSTERY, FOAM, ULTRALEATHER

Sofa, L-Lounge Cushions, 28'



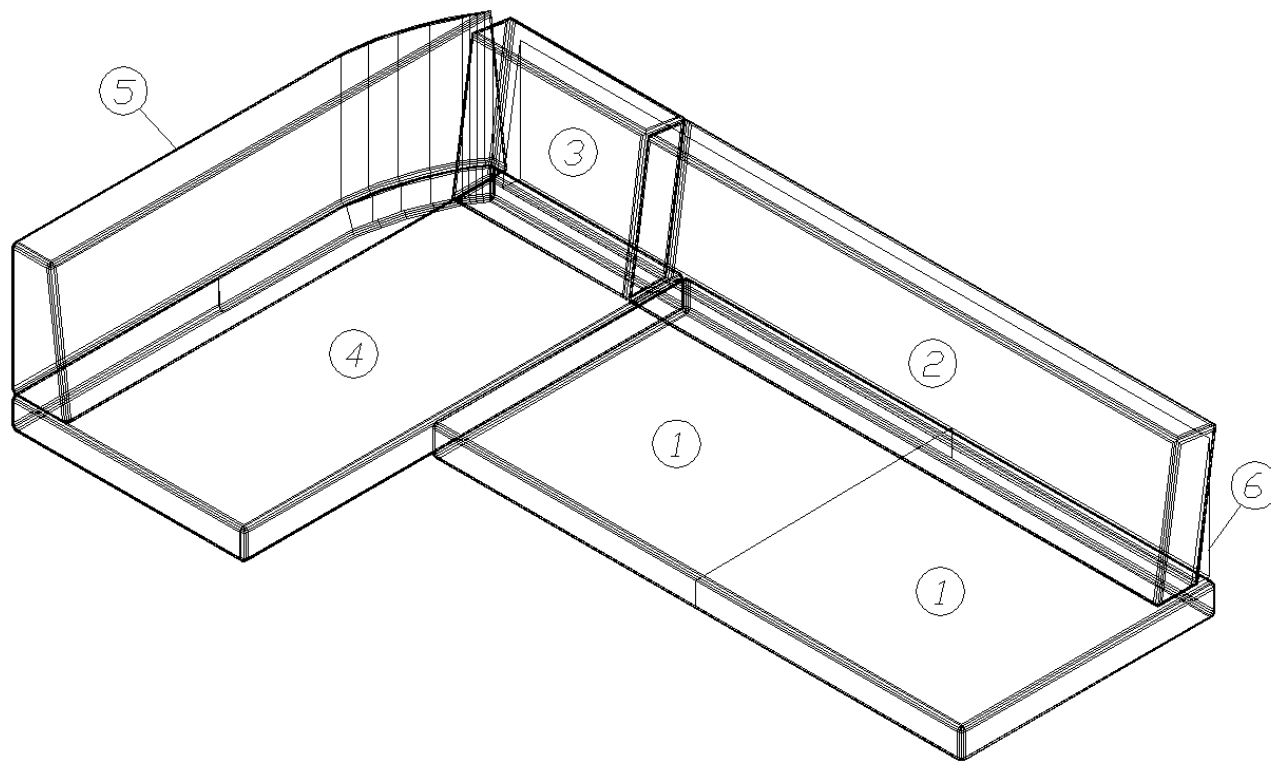
703885BR	Kit, L-Lnge Cushions, Ultraleather, Espresso
703885OY	Kit, L-Lnge Cushions, Ultraleather, Oyster
703885R	Kit, L-Lnge Cushions, Ultraleather, Salsa
703340	Kit, Foam

- |               |                               |
|---------------|-------------------------------|
| 1. 703885x-01 | Captains bottom cushion       |
| 703340-01     | Foam, Captains bottom cushion |
| 2. 703885x-02 | Captains back cushion         |
| 703340-02     | Foam, Captains back cushion   |
| 3. 703885x-03 | Small back cushion            |
| 703340-03     | Foam, Small back cushion      |
| 4. 703885x-04 | Base side cushion             |
| 703340-04     | Foam, Base side cushion       |
| 5. 703885x-05 | Back side front cushion       |
| 703340-05     | Foam, Back side front cushion |
| 6. 703885x-06 | Wedge                         |
| 703340-06     | Foam, Wedge                   |

\*Substitute "BR", "OY", or "R" for "X" when ordering Ultraleather

# 2016 INTERNATIONAL TRAVEL TRAILER UPHOLSTERY, FOAM, ULTRALEATHER

Sofa, L-Lounge Cushions, 28' A2GO



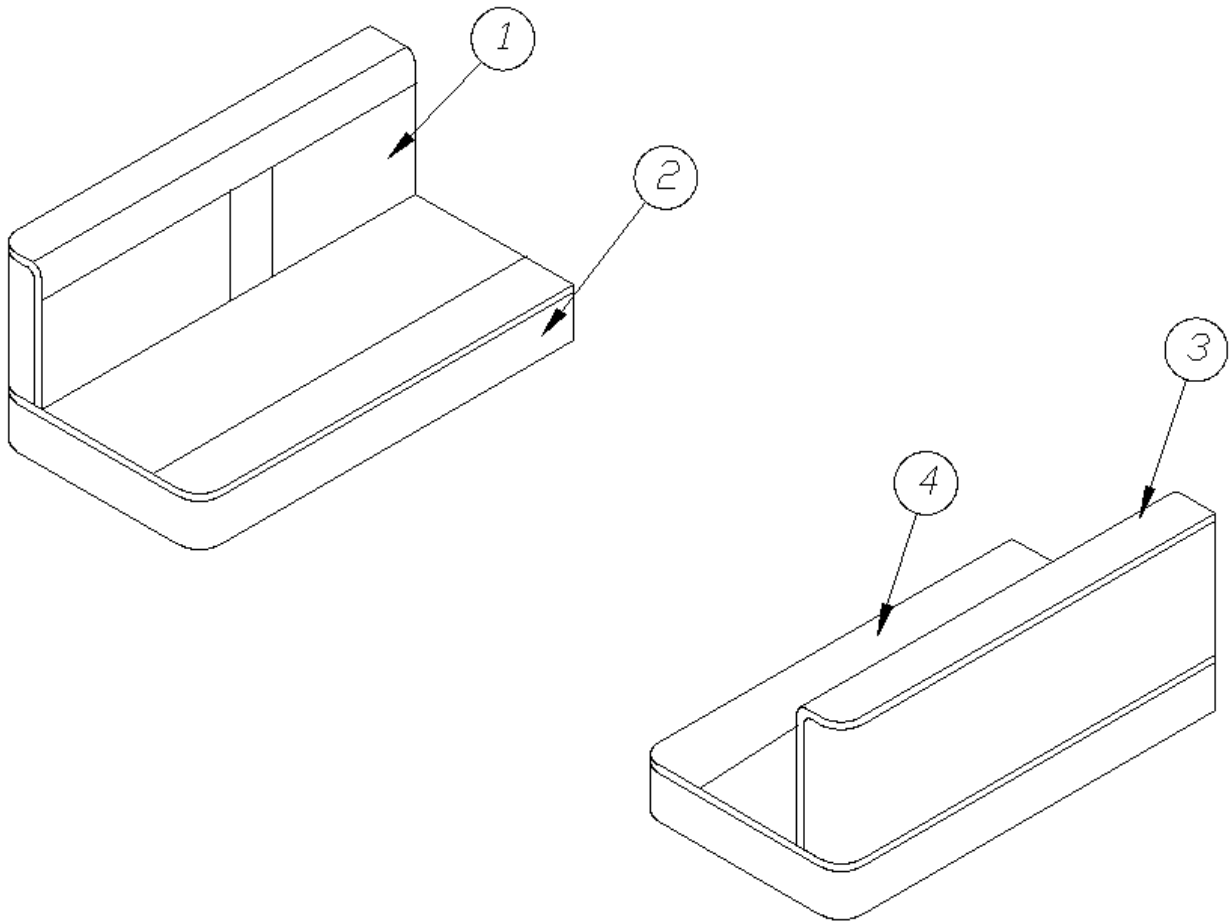
704027  
703340

Kit, L-Lnge Cushions, Ultraleather, Fudge  
Kit, Foam

- |              |                               |
|--------------|-------------------------------|
| 1. 704027-01 | Seat cushion, Forward         |
| 703340-01    | Foam, Seat cushion, Forward   |
| 2. 704027-02 | Backrest, Forward             |
| 703340-02    | Foam, Backrest, Forward       |
| 3. 704027-03 | Small backrest, Forward       |
| 703340-03    | Foam, Small backrest, Forward |
| 4. 704027-04 | Seat cushion, Side            |
| 703340-04    | Foam, Seat cushion, Side      |
| 5. 704027-05 | Backrest, Side                |
| 703340-05    | Foam, Backrest, Side          |
| 6. 704027-06 | Wedge                         |
| 703340-06    | Foam, Wedge                   |

# 2016 INTERNATIONAL TRAVEL TRAILER UPHOLSTERY, FOAM, ULTRALEATHER

Dinette Cushions, 28', 30'



703886BR  
703886OY  
703886R

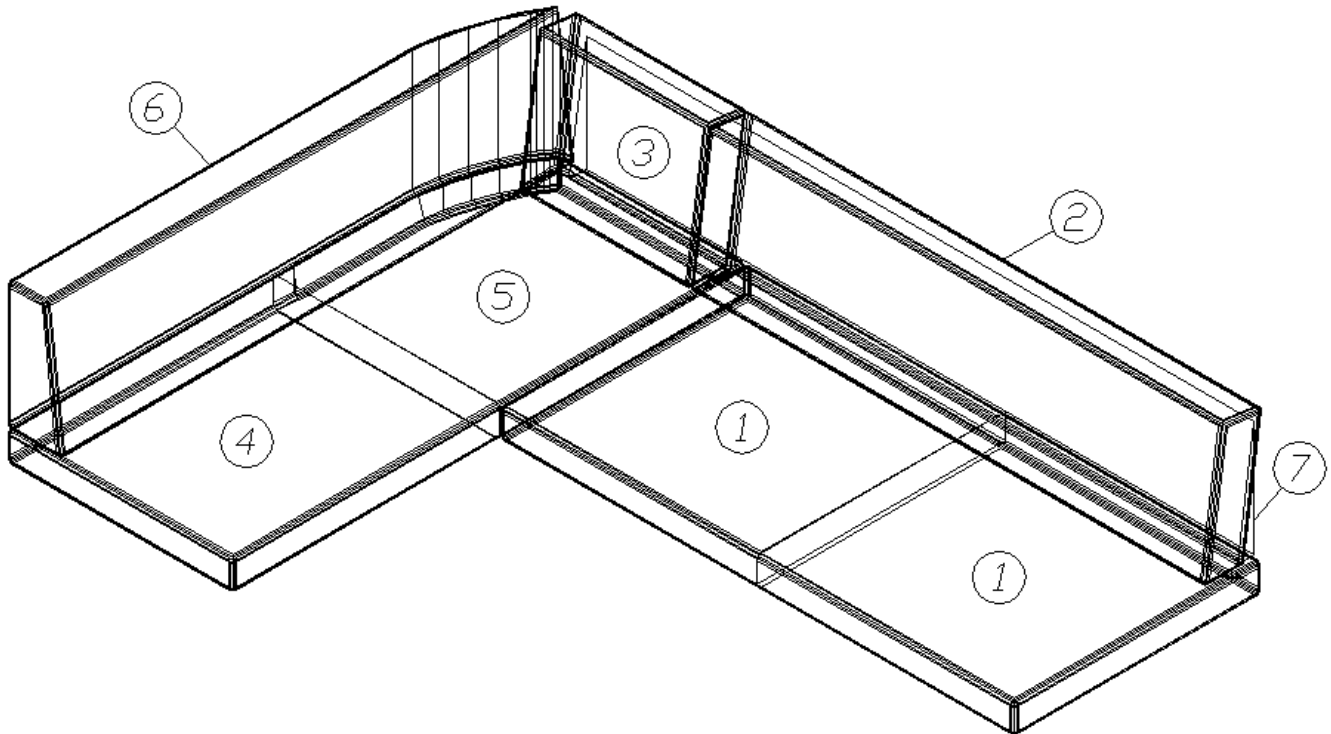
Kit, Dinette Seat Cushions, Ultraleather, Espresso  
Kit, Dinette Seat Cushions, Ultraleather, Oyster  
Kit, Dinette Seat Cushions, Ultraleather, Salsa

- |               |              |
|---------------|--------------|
| 1. 703886x-01 | Backrest     |
| 2. 703886x-02 | Seat cushion |
| 3. 703886x-03 | Backrest     |
| 4. 703886x-04 | Seat cushion |

\*Substitute "BR", "OY", or "R" for "X" when ordering Ultraleather

# 2016 INTERNATIONAL TRAVEL TRAILER UPHOLSTERY, FOAM, ULTRALEATHER

Sofa, L-Lounge Cushions, 30'



703909BR  
703909OY  
703909R

Kit, L-Lounge Cushions, Ultraleather, Espresso  
Kit, L-Lounge Cushions, Ultraleather, Oyster  
Kit, L-Lounge Cushions, Ultraleather, Salsa

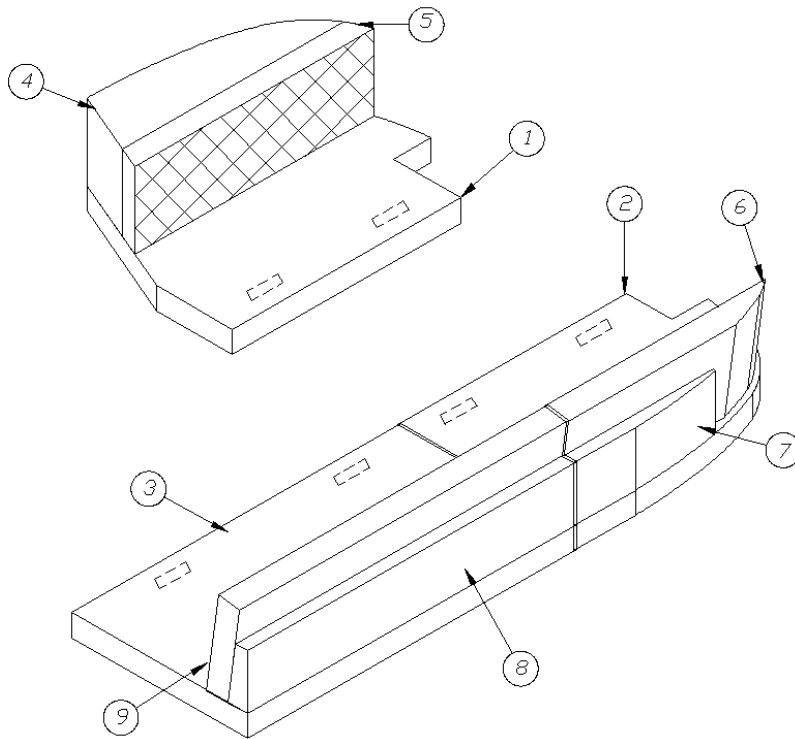
- 1. 703909x-01
- 2. 703909x-02
- 3. 703909x-03
- 4. 703909x-04
- 5. 703909x-05
- 6. 703909x-06
- 7. 703909x-07

Main bottom cushion  
Main back cushion  
Small back cushion  
Base side, Aft cushion  
Base side, Forward cushion  
Back side, Front cushion  
Wedge

\*Substitute "BR", "OY", or "R" for "X" when ordering Ultraleather

# 2016 INTERNATIONAL TRAVEL TRAILER UPHOLSTERY, FOAM, ULTRALEATHER

## Sofa, Dinette Cushions, Eddie Bauer



703918-10B

Kit, Dinette/Lounge Cushions, Ultraleather, Black

- |              |                          |
|--------------|--------------------------|
| 1. 703918B-1 | CS dinette seat          |
| 703918B-010  | Cover only for 703918B-1 |
| 2. 703918B-2 | RS dinette seat          |
| 703918B-020  | Cover only for 703918B-2 |
| 3. 703918B-3 | Sofa seat                |
| 703918B-030  | Cover only for 703918B-3 |
| 4. 703918B-4 | CS back filler           |
| 703918B-040  | Cover only for 703918B-4 |
| 5. 703918B-5 | CS back rest             |
| 703918B-050  | Cover only for 703918B-5 |
| 6. 703918B-6 | RS back rest             |
| 703918B-060  | Cover only for 703918B-6 |
| 7. 703918B-7 | RS back wedge            |
| 703918B-070  | Cover only for 703918B-7 |
| 8. 703918B-8 | Sofa back wedge          |
| 703918B-080  | Cover only for 703918B-8 |
| 9. 703918B-9 | Sofa back rest           |
| 703918B-090  | Cover only for 703918B-9 |

\*Diamond quilt pattern on all seat back cushions; 5, 6, & 9

# 2016 INTERNATIONAL TRAVEL TRAILER

## VENTS, FANS

### Refrigerator Roof Vent

100341	Refrigerator roof vent collar, Large
101394	Cover, Refrigerator roof vent, Large
380228	Wire hardware cloth

### Refrigerator Side Vent & Power Fan

690470-01	Vent, Side wall, 23D
690394	Power ventilator, 19', 23D, 23FB, 25', 28'
511997	Refrigerator fan switch, Red LED, 19'

### Black Tank Roof Vent Pipe Cover

*690700-01	Vent pipe cover, White
*382337	Gasket, Corlon, Vent Cap
380228	Wire hardware cloth

\*Replaced 690601-01 vent cover and 382165 gasket in January 2016

### Power Bath Vents

690266-01	Power ventilator
690266-02	Power ventilator, CSA
690266-03	Extension garnish, 4", Power vent
690266-06	Shower roof vent w/o garnish

### Power Roof Vents

382240	Vent, Fantastic fan, Exhaust only
--------	-----------------------------------

### Ram Air Vent, Eddie Bauer

382020	Vent, Low profile, Aluminum
365355-02	Gasket, Ram air vent
203590	Trim, 7.38" x 13"



## 2016 INTERNATIONAL TRAVEL TRAILER SKYLIGHTS

### Skylight, 23D

381318-05	Skylight, 19.5 x 19.5
702804-03	Shade, Pleated, 19.25 x 20
203785	Trim ring, 19 x 19
114485	Mounting frame, 19 x 19

### Skylight, 25', 25FB, 27FB, 28', 30', Eddie Bauer

381318-05	Skylight, 19.5" x 19.5"
704120-02	Shade, Skylight, 19.25 x 20, Grey
203785	Trim Ring, 19" x 19"
115619	Mounting frame, 19 x 19

### Skylight, 27FB, 28', 30', 27FB Eddie Bauer

381318-06	Skylight, 14.5 x 22.5
704120-01	Shade, Skylight, 14.5 x 22.75, Grey
203786	Trim ring, 14 x 22, White
115620	Mounting frame, 14.5 x 22

# 2016 INTERNATIONAL TRAVEL TRAILER

## PANELING, EDGEBANDING, LAUAN

### Plywood

800506-04	Plywood, 1/2" x 4' x 8'
800506-05	Plywood, 5/8" x 4' x 8'
800506-06	Plywood, 3/4" x 4' x 8'
800976-01	Plywood, tongue and groove, 19/32' (floor)
801351	Lite Ply, 18mm (.75") 4' x 8'
801345	Radius plywood, .75" x 3" x 8'
801348	Radius plywood, .75" x 8" x 6'

### Paneling

801355-01	Laminate, Vertical, Frosty White
801924-01	Laminate, Vertical, Ebony Woods
801438	Paneling, 2.7mm, Vinyl/Raw, Frost White
801725	Paneling, 3mm, Kaleidoscope/Raw
801392	Paneling, 12mm, White liner/White liner
801844	Paneling, 12mm w/special grooves, Pearl Bisque
801703	Paneling, 12mm, Frosty White/White
801697	Paneling, 12mm, Frosty White/Frosty White
801698	Paneling, 12mm, White/Raw
801926	Paneling, 12mm, Ebony Woods/White liner
801927	Paneling, 12mm, Ebony Woods/Frosty White
801925	Paneling, 12mm, Ebony/Ebony
801368	Paneling, 18mm, White/White
801369	Paneling, 18mm, Frosty White/White
801928	Paneling, 18mm, Vertical, Ebony Woods/White
801922	Paneling, 18mm, Amber Fusion/White liner
801929	Paneling, 18mm, Ebony Woods/Frosty White
801931	Paneling, 18mm, Ebony Woods/Ebony Woods

### Paneling, Eddie Bauer

801904	Panel, Pre-laminated, .25", Liner Raw
801896-01	Panel, Pre-laminated, 12mm, Maple/Liner
801897-01	Panel, Pre-laminated, 12mm, Maple/Maple
801898-01	Panel, Pre-laminated, 12mm, Maple/Frosty
801893	Panel, Pre-laminated, 18mm, Soapstone/Liner
801894-01	Panel, Pre-laminated, 18mm, Maple/Liner
801900	Panel, Pre-laminated, Horizontal, 18mm, Maple/Liner

## 2016 INTERNATIONAL TRAVEL TRAILER PANELING, EDGEBANDING, LAUAN

### Lauan

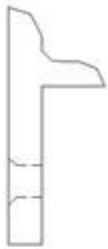
800507-01	Lauan, 1/8 x 4' x 8'
800507-02	Lauan, 1/4" x 4' x 8', Raw/Raw
800507-03	Lauan, 3/8" x 4' x 8', Raw/Raw
800507-06	Lauan, .75" x 4' 8'

### Edgebanding

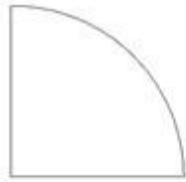
365364-01	Edgebanding, .63", Ebony Woods
365364-02	Edgebanding, .94", Ebony Woods
365364-03	Edgebanding, 1.25", Ebony Woods
365344-01	Edgebanding, .63", Pearl Bisque
365344-02	Edgebanding, .94", Pearl Bisque
365344-03	Edgebanding, 1.25", Pearl Bisque
365352-01	Edgebanding, .63", Limber Maple
365352-02	Edgebanding, .94", Limber Maple
365352-03	Edgebanding, 1.25", Limber Maple
365363-01	Edgebanding, .63", Amber Fusion
365353-02	Edgebanding, .94", Oiled Soapstone
365377-02	Edgebanding, .94", Western Storm

# 2016 INTERNATIONAL TRAVEL TRAILER TRIM, WOOD

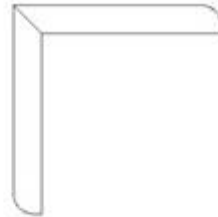
## Trim, Wood



①



②



③



④



⑤



⑥



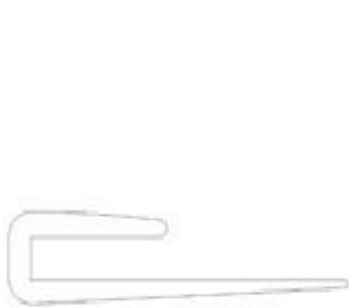
⑦

- |                |   |
|----------------|---|
| 1. 115064      | Trim, aluminum counter top                |
| 2. 800638-0118 | Molding, ¼ round, .5", Asian Sand         |
| 3. 801172-10   | Molding, corner Butler White              |
| 4. 801178-07   | Molding, flat, .81", Frosty White         |
| 801178-08      | Molding, flat, .81 Cream                  |
| 5. 801394-OB   | Corner trim 45°, 2" radius, White         |
| 801394-0016    | Corner trim 45°, 2" radius, Wenge         |
| 801394-0018    | Corner trim 45°, 2" radius, Asian Sand    |
| 6. 801665-0024 | Molding, door jamb, Ebony Woods           |
| 801665-0018    | Molding, door jamb, Asian Sand            |
| 7. 801706-0024 | Corner trim, 90°, 1" radius, Ebony Woods  |
| 801706-0018    | Corner trim, 90°, 1" radius, Asian Sand   |
| 801706-0016    | Corner trim, 90°, 1" radius, Wenge        |
| 801706-0023    | Corner trim, 90°, 1" radius, Limber Maple |
| 115565         | Extrusion, Threshold, Main Door           |
| 100097         | Extrusion, Alum. Track Curtain            |

# 2016 INTERNATIONAL TRAVEL TRAILER

## TRIM, PLASTIC

### Trim, Plastic



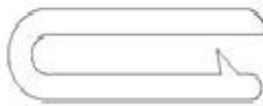
①



②



③



④



⑤



⑥

- |              |                                   |
|--------------|-----------------------------------|
| 1. 114070    | J-molding, Mill Finish            |
| 2. 201666-01 | J-molding, 3/16", White           |
| 3. 201673    | Reverse cove molding, White       |
| 201673-01    | Reverse cove molding, .43", Oak   |
| 4. 203225-01 | Trim lock, .75", Gray             |
| 5. 203138-01 | Extrusion, Panel edging, White    |
| 203138-03    | Extrusion, Panel edging, Beige    |
| 203138-04    | Extrusion, Panel edging, Oak      |
| 203138-05    | Extrusion, Panel edging, Black    |
| 6. 203464    | Extrusion, Panel, .75", Black     |
| 203464-01    | Extrusion, Panel, .75", Oak       |
| 203464-02    | Extrusion, Panel, .75", Beige     |
| 203445       | T-molding, 9/16", Black           |
| 203440       | T-molding, Black, Embossed 13/16" |



