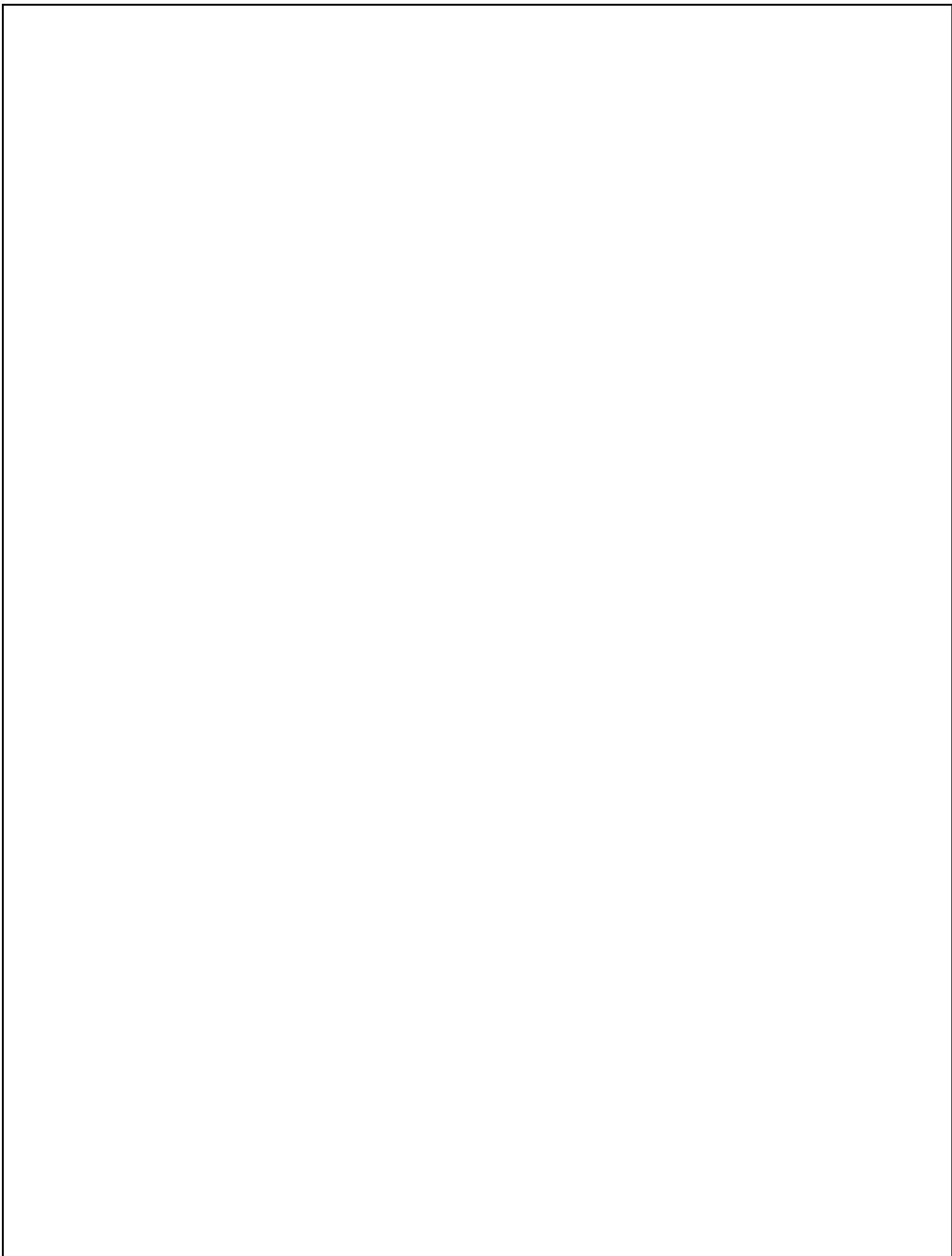


# ***AIRSTREAM***

## ***Land Yacht TRAVEL TRAILER***

### ***PARTS BOOK***

**2015**



# 2015 LAND YACHT TABLE OF CONTENTS SECTION I

## APPLIANCE

<u>Air Conditioners</u> .....	I-1
<u>Air Conditioner Drain Kit</u> .....	I-1
<u>Furnace</u> .....	I-1
<u>Water Heater</u> .....	I-1
<u>Refrigerator</u> .....	I-2
<u>Microwave</u> .....	I-2
<u>Range/Cook Top</u> .....	I-2

## EXTERIOR SHELL

<u>End shell, aft</u> .....	I-3
<u>End shell, front</u> .....	I-5
<u>RS Wall, 28FB</u> .....	I-7
<u>CS Wall, 28FB</u> .....	I-9
<u>Roof</u> .....	I-11
<u>Body Interior</u> .....	I-12

## CHASSIS

<u>A-frame</u> .....	I-13
<u>Battery box</u> .....	I-14
<u>Hose/Tire Carriers</u> .....	I-14
<u>Power jack</u> .....	I-15
<u>Chassis Coverings, Stabilizing Jacks</u> .....	I-17
<u>Axles</u> .....	I-18
<u>Shocks</u> .....	I-18
<u>Tire/Wheel Assembly</u> .....	I-18
<u>Spare Tire/Wheel assembly</u> .....	I-18

2015 LAND YACHT  
TABLE OF CONTENTS  
SECTION II

DECALS/LOGOS/MEDALLIONS ..... II-1

EXTERIOR TRIM ..... II-2

DOORS/WINDOWS/AWNING

Exterior Doors..... II-3

Windows ..... II-8

Power Awnings..... II-13

Awnings ..... II-13

Window Stone guard..... II-14

SHADES/TRACKS/BRACKETS

Window Treatments..... II-15

Tracks/Brackets ..... II-16

ELECTRICAL, 110 Volt

Power Cord ..... II-17

Breakers..... II-17

Interior Receptacles and Switches ..... II-18

Exterior Outlet ..... II-18

Inverter..... II-18

Converter Kill Breaker Panel ..... II-19

Generator Prep..... II-19

ELECTRICAL, 12 Volt

Battery, 7-way Cable ..... II-20

Break Away Switch ..... II-20

Battery Disconnect System ..... II-20

Monitor Panel ..... II-20

12V Outlet ..... II-21

Solar Charging System..... II-21

Interior Switches and Covers ..... II-22

Interior/Exterior Lights..... II-23

Power Center, TV Jack, Reflectors..... II-24

Tail Lights..... II-25

2015 LAND YACHT  
TABLE OF CONTENTS  
SECTION II

ENTERTAINMENT

<u>Radio/DVD</u> .....	II-26
<u>Antenna</u> .....	II-26
<u>TV Install</u> .....	II-27
<u>TV Jacks</u> .....	II-27

**2015 LAND YACHT  
TABLE OF CONTENTS  
SECTION III**

**FLOOR COVERING**

Carpet, Mats, Linoleum .....III-1

**FURNITURE**

Mirrors .....III-2  
Doors, Shower and Foldette .....III-2

**BEDROOM**

Beds .....III-3  
Night Stands .....III-5  
Roof Locker .....III-7  
Wardrobe .....III-8

**LAVATORY**

Bath Module..... III-10  
Lavatory Counter Top..... III-12  
Cabinets..... III-13

**GALLEY**

Flip Lid ..... III-15  
Dinette Table ..... III-16  
Dinette Seats ..... III-17  
Roof Locker ..... III-19  
Refrigerator Cabinet..... III-20  
Galley Counter Top ..... III-22  
Galley Cabinets ..... III-23

**LOUNGE**

Roof Locker ..... III-25  
Sofa..... III-26

2015 LAND YACHT  
TABLE OF CONTENTS  
SECTION III

HARDWARE

<u>Exterior locks/hinges</u> .....	III-27
<u>Window hardware</u> .....	III-30
<u>Interior Latches/Hinges/Handles</u> .....	III-32
<u>Interior Rubber Bumpers/Mirror Clips</u> .....	III-33
<u>Drawer Slides/Bath Accessories</u> .....	III-34
<u>Closet Rod</u> .....	III-35
<u>Sewer hose, Keys &amp; Holder</u> .....	III-35
<u>Hinges</u> .....	III-36
<u>Awning hardware</u> .....	III-37
<u>Rivets</u> .....	III-39
<u>Wrap Protectors</u> .....	III-41
 <u>Labels and Tags</u> .....	 III-42

2015 LAND YACHT  
TABLE OF CONTENTS  
SECTION IV

PLUMBING

<u>LPG</u> .....	IV-1
<u>Fresh Water</u> .....	IV-3
<u>Fresh Water Fittings</u> .....	IV-4
<u>Faucets</u> .....	IV-6
<u>Drain Tanks</u> .....	IV-9
<u>Dump Valve System</u> .....	IV-10
<u>Sinks</u> .....	IV-11
<u>Shower Stall</u> .....	IV-12
<u>Black Tank Flush</u> .....	IV-12
<u>Drain Line Fittings</u> .....	IV-13
<u>Toilet</u> .....	IV-17

<u>SAFETY EQUIPMENT</u> .....	IV-18
-------------------------------	-------

<u>SEALER/GASKETS/PAINT</u> .....	IV-19
-----------------------------------	-------

UPHOLSTERY/FOAM/MATTRESS

<u>Bedspreads, Pillows, and Mattresses</u> .....	IV-20
<u>Sofa</u> .....	IV-21
<u>Fabric and Leather Kits</u> .....	IV-22
<u>Technoform Supplied Kits</u> .....	IV-23

<u>VENTS/FANS</u> .....	IV-25
-------------------------	-------

<u>WOOD/LAMINATES/TRIM</u> .....	IV-26
----------------------------------	-------



# 2015 LAND YACHT APPLIANCES

## Air Conditioner

690323-48	Air conditioner, 15,000 BTU w/Heat pump
690323-44	Comfort Control Center, #3312024
690380-08	Sensor cable, 20', dual air only
203724	Kit, AC Drain
203722	Gasket, AC Drain Kit
601240-01	Tubing, 1/2" ID x 5/8" OD, Black plastic
385560	Label, air conditioning rating
382160	Grommet, Flexible Vinyl #635
115635	Bracket, short, A/C mounting
115634	Bracket, long, A/C mounting
300167	Washer, 1/4"-20, Black
345514	Cap Screw, 1/4"-20 x 2.25
*382233-02	AC grill, Stainless Steel, Polished
382276-02	Register, Adjustable direction, Mirror polished
382234-02	Grill, Return air, Snap in, Stainless Steel, Polished
382236	Filter, Return air

\*Replaced by 382276-02 in December 2014

## Air Conditioner Drain Kit

203724	Kit, A/C Drain
203722	Gasket, A/C Drain

## Furnace

690274-04	Furnace, Hydroflame, 25K BTU
690274-09	Furnace door, Control Mill Finish
600526	Flange, 4"
600247	4" duct hose, flexible
600193	2" duct, flexible hose
962807	Furnace stand assembly

## Water Heater

690602	Water heater, Atwood, elec. ignition, 110 volt/gas
690671	Access Cover, Water Heater, Painted
512480	Switch Assy., Water Heater White
510888-05	Receptacle w/ cover, GFI, white
510888-06	Spacer, receptacle, GFI, white
510888-07	Receptacle Cover White
512308	Box, Shallow Switch & Outlet

## 2015 LAND YACHT APPLIANCES

### Refrigerator

690656-01 Refrigerator, 7 CF, RH hinge, Black  
511997 Switch, Refrigerator fan, LED, Red  
690394 Power ventilator  
512477 110 Receptacle Gasket, Neoprene  
365190 Seal, Rubber Adhesive, 3/4" X 3  
601239-01 Tubing, 1.375"ID, Ribbed W/Flats

### Microwave

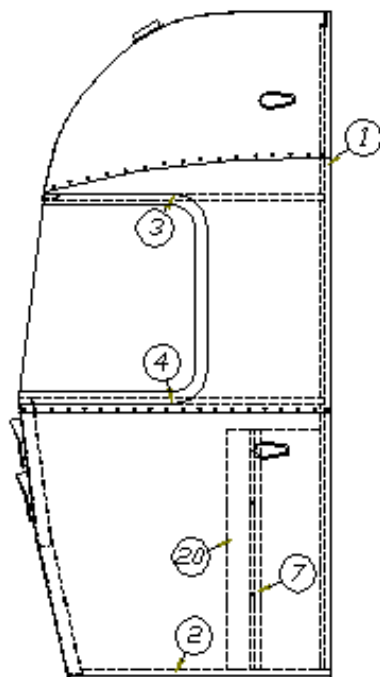
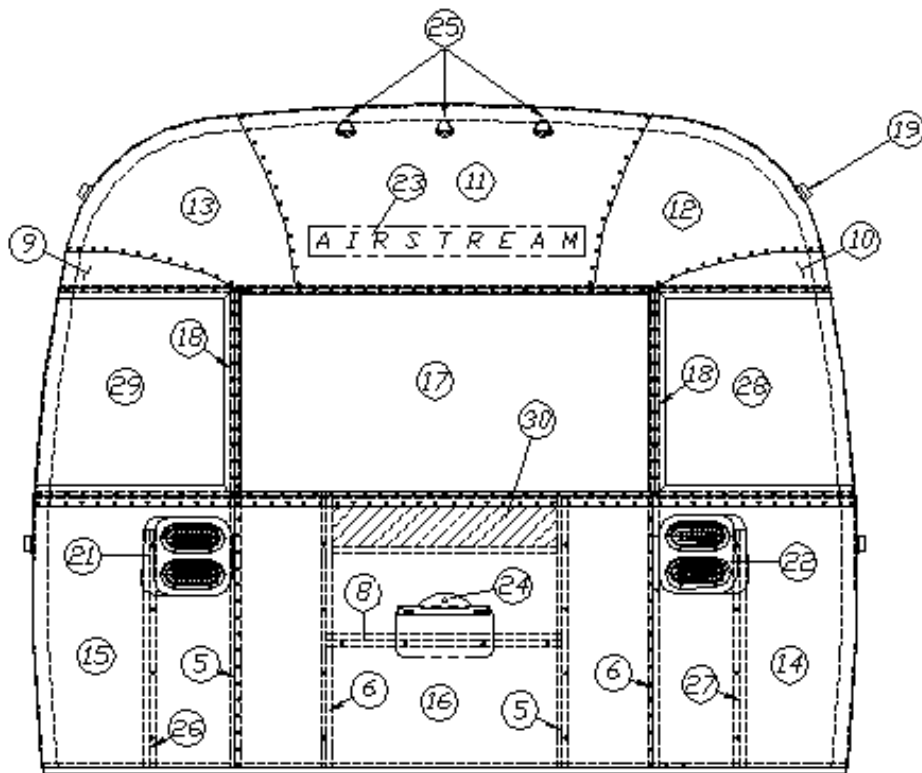
690657-03 Microwave, convection, 1.1 CF, Black, High Pointe  
690657-04 Trim Kit, Black

### Range/Cook Top

690661 Cooktop, 2 Burner, White, Dometic  
512210 Range Hood, Baraldi  
511017-11 Exterior Vent, Gray  
115175 Duct, Range Exhaust Transition  
454590 Extension, Range Vent

# 2015 LAND YACHT EXTERIOR SHELL

Aft End, 28FB



Parts Listed on Next Page

# 2015 LAND YACHT

## EXTERIOR SHELL

### Aft End, 28FB

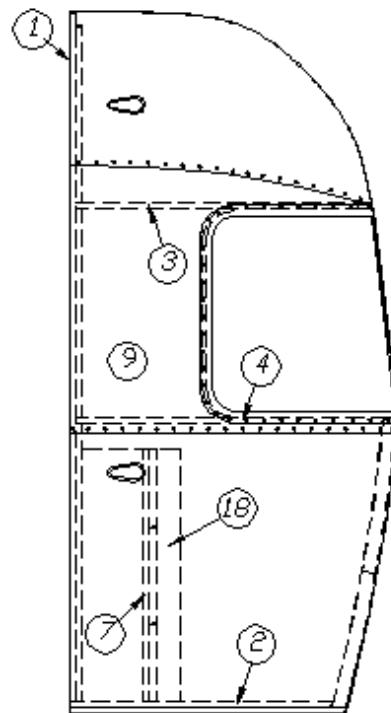
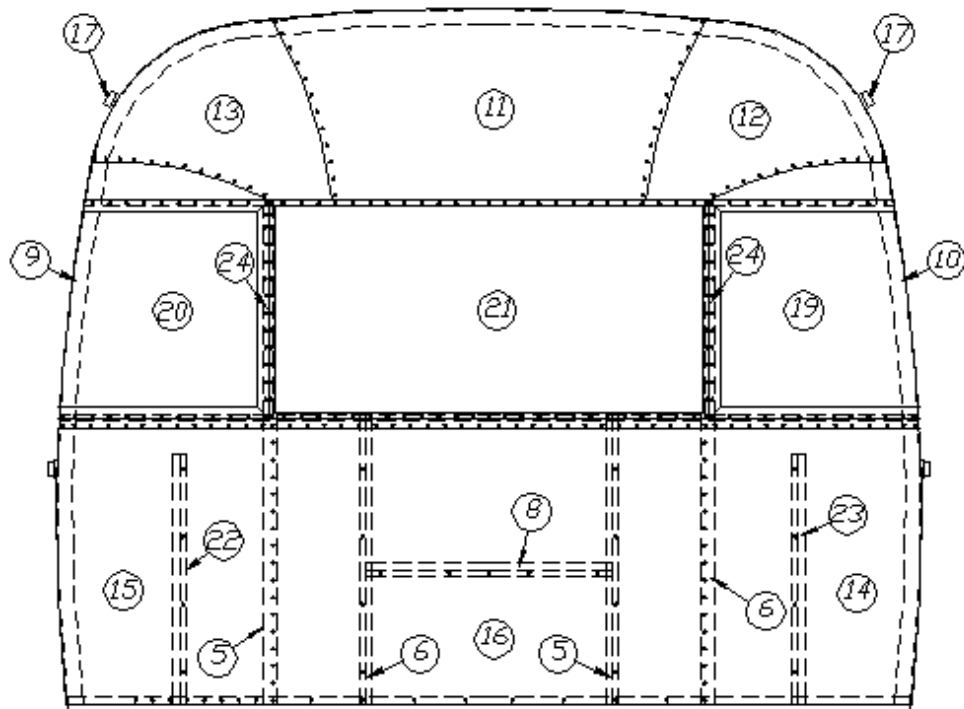
921227-02

### End Shell Assembly

1. 114993	End bow
2. 114676	Floor bow
3. 114678	Upper window bow
4. 114677	Lower window bow
5. 114505-01	Support, lower end, LH
6. 114505-02	Support, lower end, RH
7. 101315	Brace, vertical rear
8. 104408	Z-Bar
9. 114888	Segment, center left
10. 114889	Segment, center right
11. 114893	Segment #25
12. 114890	Segment #26
13. 114891	Segment #27
14. 114894	Segment #28
15. 114895	Segment #29
16. 114880-307	Alum. Sheet, cut down to size
17. 371346-02	Window, rear
18. 454910	Support, wrap window
19. 512860	Red LED clearance light
20. 114849-03	Aluminum sheet, pewter, 12" x 29"
21. 952929-01	Taillight Assembly, RS
22. 952929-02	Taillight Assembly, CS
23. 386272	Logo, "AIRSTREAM", Black Chrome
24. 512455	License plate holder
25. 512227	Light, clearance, red LED
26. 114505-01	Rear, vertical brace, LH
27. 114505-02	Rear, vertical brace, RH
28. 372088-101	window, rear corner wrap, CS
29. 372089-101	window, rear corner wrap, RS
30. 453629	Hat section, Table support

# 2015 LAND YACHT EXTERIOR SHELL

Front End, 28FB



Parts Listed on Next Page

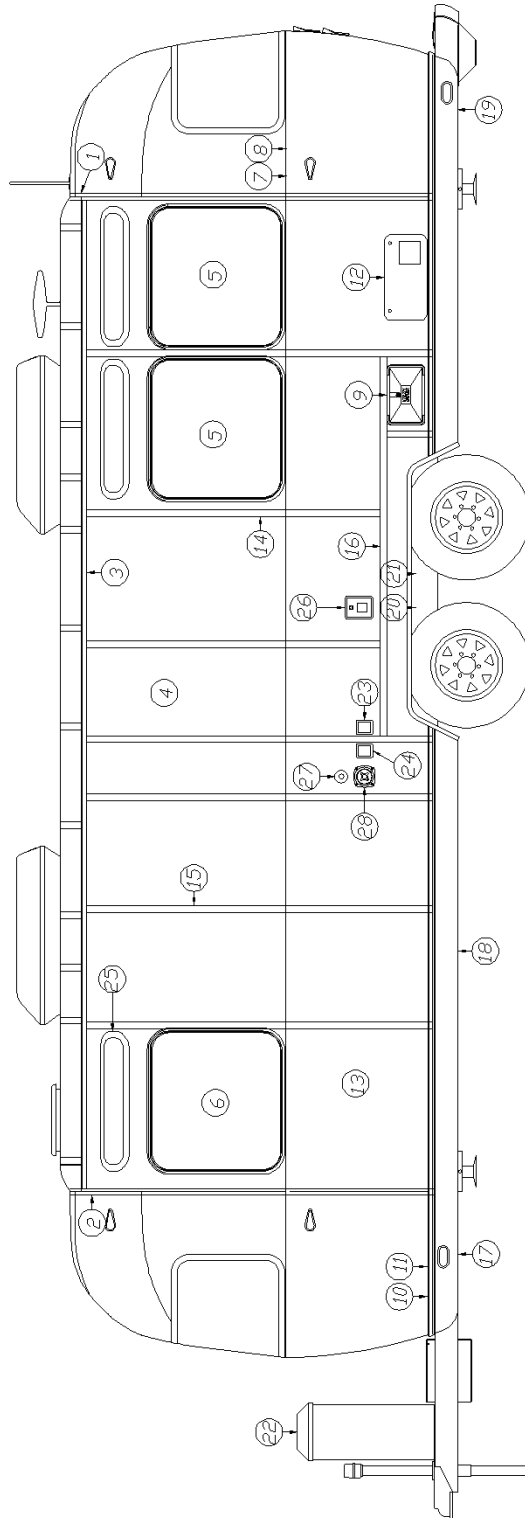
# 2015 LAND YACHT EXTERIOR SHELL

## Front End, 28FB

922676	End shell Assembly
1. 114993	End bow
2. 114676	Floor bow
3. 114678	Upper window bow
4. 114677	Lower window bow
5. 114505-01	Support, lower end, LH
6. 114505-02	Support, lower end, RH
7. 101315	Brace, vertical rear
8. 104408	Z-bar
9. 114888	Segment, center left
10. 114889	Segment, center right
11. 114893	Segment #25
12. 114890	Segment #26
13. 114891	Segment #27
14. 114894	Segment #28
15. 114895	Segment #29
16. 114880-307	Aluminum sheet, cut to .040" x 34.75" x 51"
17. 512859	Amber LED clearance light
18. 114849-03	Aluminum sheet, .04" x 20"x 8", cut to 12"x 29"
19. 372088-101	Panoramic window, CS front
20. 372089-101	Panoramic window, RS front
21. 371346-02	Window, front, dark glass
22. 114505-01	Support, lower end shell, LH
23. 114505-02	Support, lower end shell, RH
24. 454910	Support, wrap window
100029	Trim, wrap around window

# 2015 LAND YACHT EXTERIOR SHELL

Wall, Roadside, 28FB



Parts Listed on Next Page

## 2015 LAND YACHT EXTERIOR SHELL

### Wall, Roadside, 28FB

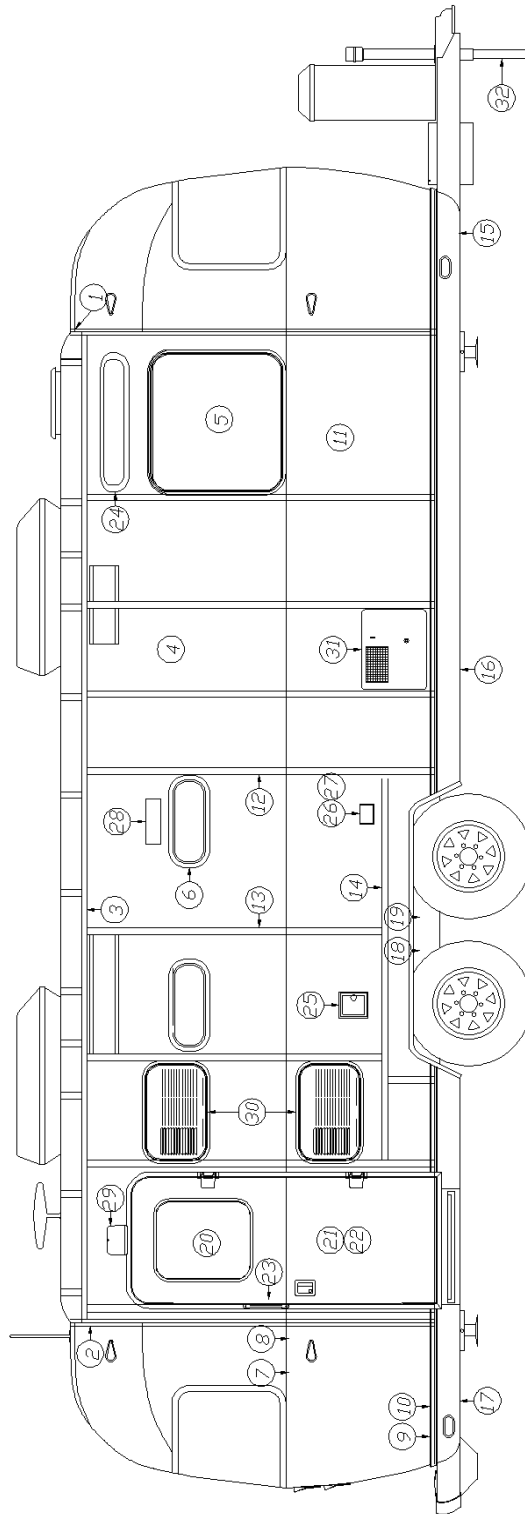
923139                      Roadside Wall Assembly

- |     |            |  |
|-----|------------|--|
| 1.  | 114290-01  | Extrusion, awning/drip rail            |
| 2.  | 114993     | End bow                                |
| 3.  | 104707-01  | Extrusion, "I" beam                    |
| 4.  | 114880-238 | Alum, sheet, upper, .040" x 51" x 238" |
| 5.  | 371380     | Window, 30" tall                       |
| 6.  | 371380-01  | Window, 30" tall, Egress               |
| 7.  | 114328     | Extrusion, belt line                   |
| 8.  | 201912-100 | Molding, chrome, belt line             |
| 9.  | 115627     | Exterior shower, Stainless Steel       |
| 10. | 115546     | Extrusion, rub rail                    |
| 11. | 201763-100 | Insert, rub rail, chrome, 1"           |
| 12. | 690274-09  | Furnace door, Control Mill Finish      |
| 13. | 114879-238 | Alum, sheet, lower, .040" x 33" x 238" |
| 14. | 114387-01  | Bow, Z rib, RH                         |
| 15. | 114387-02  | Bow, Z rib, LH                         |
| 16. | 100986     | Wheel well stiffener (floor channel)   |
| 17. | 200542-01  | Banana wrap, RS front                  |
| 18. | 101131-01  | Underbelly wrap, .024" x 22.5", Pewter |
| 19. | 200544-01  | Wrap, Underbelly RS Rear, Haircell     |
| 20. | 684936     | Outer wheel well trim, dual axle       |
| 21. | 684937     | Inner wheel well trim, dual axle       |
| 22. | 921246     | Bottle cover, LP                       |
| 23. | 512568     | Inlet, Dual TV/SAT, titanium           |
| 24. | 511149-02  | Power Inlet w/strain relief            |
| 25. | 371437-02  | Vista View, 30"                        |
| 26. | 115626     | Water fill box, Stainless Steel        |
| 27. | 601441-02  | Black tank flush                       |
| 28. | 601392-05  | City water hook-up, Chrome w/regulator |
|     | 601392-06  | City water fill w/regulator, CSA       |
|     | 453629     | Hat Section, Table Support 30"         |
|     | 100034     | Z-Bar Horiz Frame Member Alum 48"      |



# 2015 LAND YACHT EXTERIOR SHELL

Wall, Curbside, 28FB



Parts Listed on Next Page

## 2015 LAND YACHT EXTERIOR SHELL

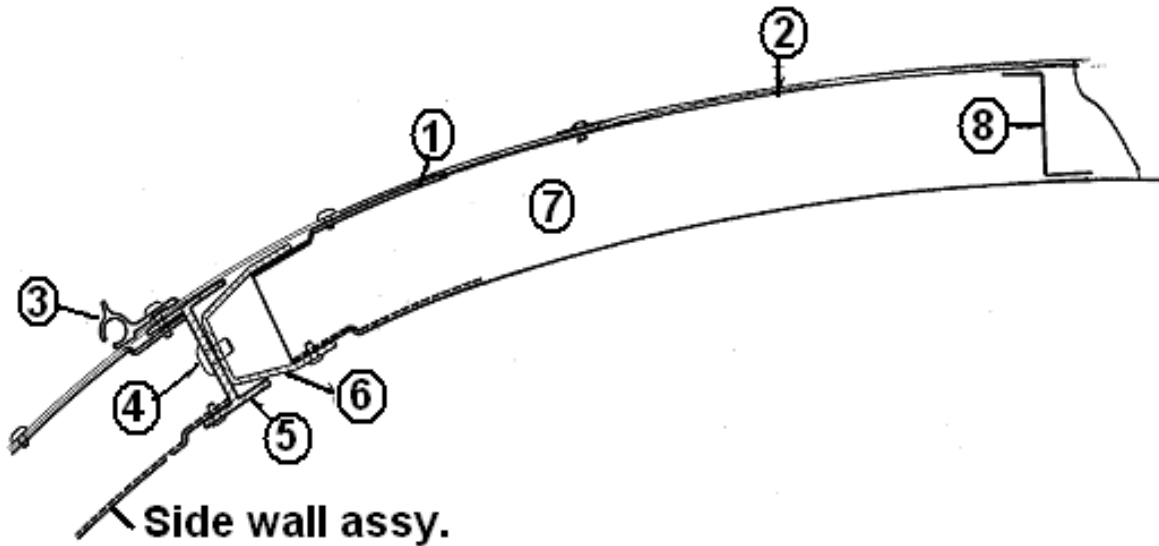
### Wall, Curbside, 28FB

923138 Curbside Wall Assembly

1. 114290-01 Extrusion, awning/drip rail
2. 114993 End bow
3. 104707-01 Extrusion, "I" beam
4. 114880-238 Alum. sheet, upper, .040" x 51" x 238"
5. 371380 Window, 30" tall
6. 371436 Window, 18in., stack, stationary
7. 114328 Extrusion, belt line
8. 201912-100 Molding, chrome, belt line
9. 115546 Extrusion, rub rail
10. 201763-100 Insert, rub rail, chrome, 1"
11. 114879-238 Alum. sheet, lower, .040" x 33" x 238"
12. 114387-01 Bow, Z rib, RH
13. 114387-02 Bow, Z rib, LH
14. 100986 Wheel well stiffener (floor channel)
15. 200543-01 Banana wrap, CS front
16. 101131-01 Underbelly wrap, .024" x 22.5", Pewter
17. 200545-01 Banana Wrap, CS Rear, Haircell
18. 684936 Outer wheel well trim, dual axle
19. 684937 Inner wheel well trim, dual axle
20. 371400-01 Window, main door
21. 115207 Main door assembly
22. 114654 Screen door assembly
23. 114652 Main door jamb, formed
24. 371437-02 Vista View, 30"
25. 115640 Stabilizer Jack Switch Box
26. 500563-03 Receptacle, White 15 A#Wrdu15-Wt
27. 512741 W.P. Cover w/Gasket, Gray
28. 511017-11 Exterior Range Vent
29. 994165 Entrance light
30. 923114 Refrigerator Access Door assy. w/screen
31. 690671 Access Cover, Water Heater, Painted
32. 400961 Power jack

## 2015 LAND YACHT EXTERIOR SHELL

Roof



1. 115597-262	Aluminum, .032" x 13.31" x 262"
2. 114489-238	Aluminum, white, .032 x 60 x 238"
3. 114290-01	Extrusion, awning/drip rail, 197.25"
4. 330139-01	Rivet, Magnalok, SS 1/4"
5. 104707-01	Extrusion, "I" beam, 258"
6. 114987-01	Extrusion, roof corner, 194", 27'
7. 115586	Roof bow, Ducted
8. 104408	Extrusion, Z bar, horizontal
104948	Air deflector, A/C-Refer vent
325003-03	Rivet, 1/8" X 7/16", Polar White
101828	Extrusion, aluminum window stiffener

## 2015 LAND YACHT INTERIOR SHELL

### Interior Skin

114879-201	Aluminum Sheet, .040" x 33" x 201"
114879-262	Aluminum Sheet, .040" x 33" x 262"
114879-238	Aluminum Sheet, .040" x 33" x 238"
114880-201	Aluminum Sheet, .040" x 51" x 201"
114880-238	Aluminum Sheet, .040" x 51" x 238"
114880-262	Aluminum Sheet, .040" x 51" x 262"
114880-307	Aluminum Sheet, .040" x 51" x 307"
115609-238	Aluminum Sheet, .040" x 45" x 238"

### Trim

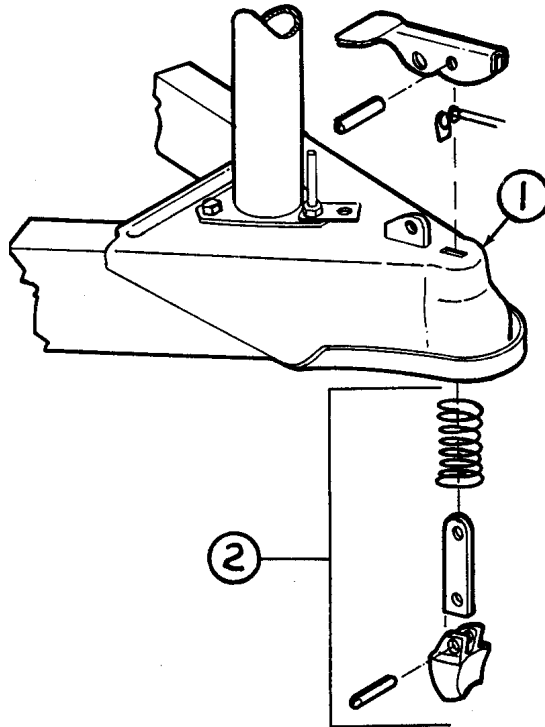
114507-03	Trim, Main door
110900-03	Trim, Formed Interior front wrap
110900-04	Trim, Formed Interior front wrap
371319-06	Trim ring, Main door window

### Wheel Well Cover

200514	Wheel well cover, interior, tandem
--------	------------------------------------

# 2015 LAND YACHT CHASSIS

## A-Frame/Coupler



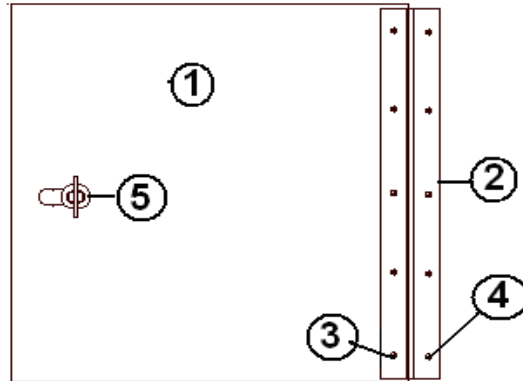
- 1. 680343-01 Coupler assembly, 2 5/16"
- 2. 680345 Repair kit, 2 5/16" coupler
- 915256 A-frame complete
- 453620 Covers, A-frame, stainless steel

## Breakaway Switch

- 300027 Breakaway Switch, Bargman
- 454526 Bracket, breakaway switch

# 2015 LAND YACHT CHASSIS

## Tool Box Lid/Battery Box



- |              |                                   |
|--------------|-----------------------------------|
| 1. 410551-02 | Lid, battery box 12.63 x 17 x 8.5 |
| 2. 380203-01 | Piano Hinge, 1/8"                 |
| 3. 330127-08 | Rivet 1/8" (Mill) AD48ABS         |
| 4. 325035    | Chicago rivets                    |
| 5. 381430    | Lock, twist straight cam 1.75"    |

## Hose carrier

- |           |                            |
|-----------|----------------------------|
| 601544-02 | EZ hose carrier, black 45" |
| 104704-01 | Shim, 3" X 3"              |

## Tire Carrier

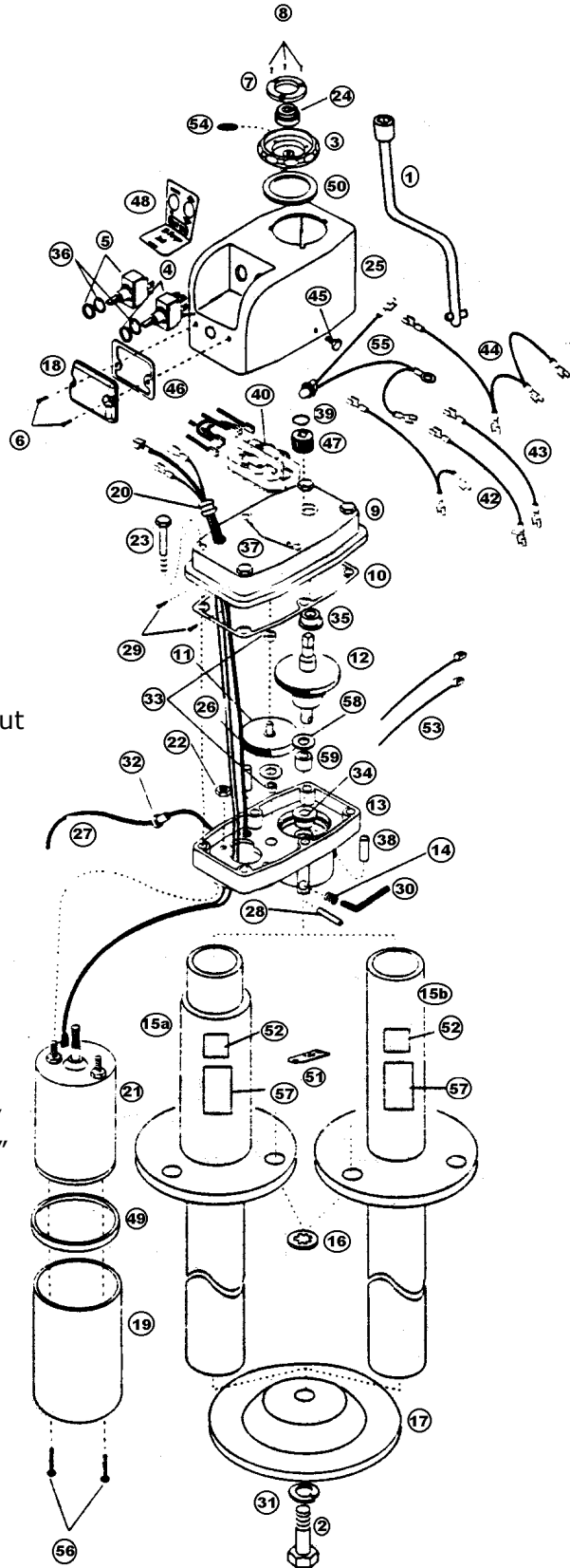
- |        |                        |
|--------|------------------------|
| 450414 | "A" frame tire carrier |
|--------|------------------------|

# 2015 LAND YACHT CHASSIS

Power Jack P/N 400961  
Barker Hi-Power 3,000

MANUFACTURER:  
Barker Manufacturing Co.  
730 east Michigan Ave.  
Battle Creek, MI. 49014

Customer Service Phone  
& Parts Ordering  
616-965-2371



400961                      Power Jack

- |  |  |
|--|--|
| <ul style="list-style-type: none"> <li>1. 21047</li> <li>2. 600-0011</li> <li>3. 27268</li> <li>   27341</li> <li>4. 736-0005</li> <li>5. 736-0004</li> <li>6. 606-5001</li> <li>7. 27343</li> <li>   27269</li> <li>8. 606-0011</li> <li>9. 27247</li> <li>10. 17422</li> <li>11. 22012</li> <li>12. 27248</li> <li>13. 23674</li> <li>   25697</li> <li>14. 608-0006</li> <li>15. 27313</li> <li>   15A. 27527</li> <li>   15B. 27335</li> <li>16. 619-0003</li> <li>17. 21349</li> <li>   12752</li> <li>18. 27262</li> <li>19. 27276</li> <li>   27344</li> <li>20. 26236</li> <li>21. 17414</li> <li>22. 611-2100</li> <li>23. 605-0012</li> <li>24. 27272</li> </ul> | <ul style="list-style-type: none"> <li>Crank</li> <li>Hex bolt, 1/2-20 x 3/4</li> <li>Cap, Machined, Black</li> <li>Cap, Machined, White</li> <li>Actuator toggle switch and nut</li> <li>Lamp toggle switch and nut</li> <li>#10 x 1/2, Phillips head</li> <li>Level retainer, White</li> <li>Level retainer, Black</li> <li>#6-32 x 5/8, Type "F" screw</li> <li>Upper housing</li> <li>Gasket</li> <li>Drive gear assembly</li> <li>Output gear assembly</li> <li>Lower housing, Black</li> <li>Lower housing, White</li> <li>5/16-18 x 1/2", Set screw</li> <li>Post assembly, Black, 2-1/4"</li> <li>Post assembly, White, 2-1/4"</li> <li>Post assembly, Black, 2"</li> <li>Internal tooth lock washer</li> <li>Foot plate, Black</li> <li>Foot plate, Silver, White</li> <li>Lens</li> <li>Motor sleeve, Black</li> <li>Motor sleeve, White</li> <li>Rubber grommet</li> <li>Electric motor</li> <li>Hex lock nut</li> <li>Screw</li> <li>Circular level</li> </ul> |
|--|--|

Parts Continued on Next Page

## 2015 LAND YACHT CHASSIS

### Power Jack

25. 27338	Cover, White
27259	Cover, Black
26. 80208	Washer, Spacer
27. 27251	Grey Wire Assembly
28. 623-1216	Groove Pin
29. 606-0009	#10 X 3/8 Screw (Limit Switch)
30. 636-0000	Hex Key
31. 618-1002	Lock Washer 1/2"
32. 80504	Snap Bushing
33. 80501	Bushing
34. 645-0024	Flange Bushing
35. 641-0009	Bushing
36. 635-0015	"0", Ring Toggle Switch Seal
37. 16434	Hole Plug
38. 621-0004	1/8" x 3/4 Dowel
39. 634-0023	Retainer Ring
40. 27512	Limit Switch Assy.
41. 27257	1black Wire Assembly
42. 27256	White Wire Assembly
43. 27254	Blue Wire Assembly
44. 27252	Green Wire Assembly
45. 606-0008	#10-16 X 3/4", Tek Screw (Black)
606-0010	#10-16 X 3/4", Tek Screw Zinc Plated
46. 27263	Lens Gasket
47. 27277	Pot/Reed Drive Gear
48. 27264	Cover Label
49. 27274	Motor Seal
50. 27273	Cap Gasket
51. 26351	I.D. Tag (55:1)
52. 24047	Warning Label
53. 17892	Cable Tie Gray
16392	Cable Tie Black
54. 620-0000	Wave Spring
55. 27253	Lamp Wire Assy
56. 603-5017	#10-32 X 5/8" Phillips Screw (Black)
603-5011	#10-32 X 5/8" Phillips Screw (Silver)
57. 12393	Synchronize Label
58. 14459	Thrust Washer
59. 14489	1/2" X 5/8" X 3/4" Bearing



# 2015 LAND YACHT CHASSIS

## Chassis Covering

114679	Alum. Underbelly, .019" x 65.75, coil
101131-01	Alum. Underbelly, .024" x 22.5", coil, pewter (covers from underbelly to floor line)
200543-01	Banana wrap, CS front
200545-01	Banana Wrap, CS Rear, Haircell

## Bumper/Hose Storage

410831	Bumper, Polished
345073-08	Screw ¼-20 x 1 3/8 Wafer Head
453538	Bottom, Sewer Hose Compartment
921239-01	Lid Assembly, Rear Hose Carrier
380203-02	Piano Hinge
380024	Arm Support, Right Hand
092609	Lock Cam
381435	Hatch, Access Cover 4" White

## Stabilizing Jacks, Power

401014	Power Stabilizing Jacks w/switch
115640	Switch box, Stabilizing jacks, Lockable

## Step

382207	Electric step, Double
--------	-----------------------

## 2015 LAND YACHT CHASSIS

### Axles, Dexter Nev-R-Lube, Nev-R-Adjust

410980-11      Axle, 4500#

### Shocks

0220003      Shock absorber

### Tire/Wheel Assembly

411001      Tire/Wheel Assembly, 15" Alum.  
400844      Cover, Hub dust, 4", Stainless Steel  
400923      Lug nut, acorn type

### Spare Tire/Wheel assembly

410843-01      Spare tire/wheel, Dexter 15" rim, BW, Range "D"  
994073      Bracket, Spare tire

# 2015 LAND YACHT DECALS, LOGOS, MEDALLIONS

## Decals, Logos, and Medallions

386272	Decal, "AIRSTREAM", 2.4" X 29.19", Black Chrome
386068	Medallion, 3" Logo, Airstream
386266	Nameplate, Land Yacht, 10 x 3 oblong

## 2015 LAND YACHT EXTERIOR TRIM

### Beltline

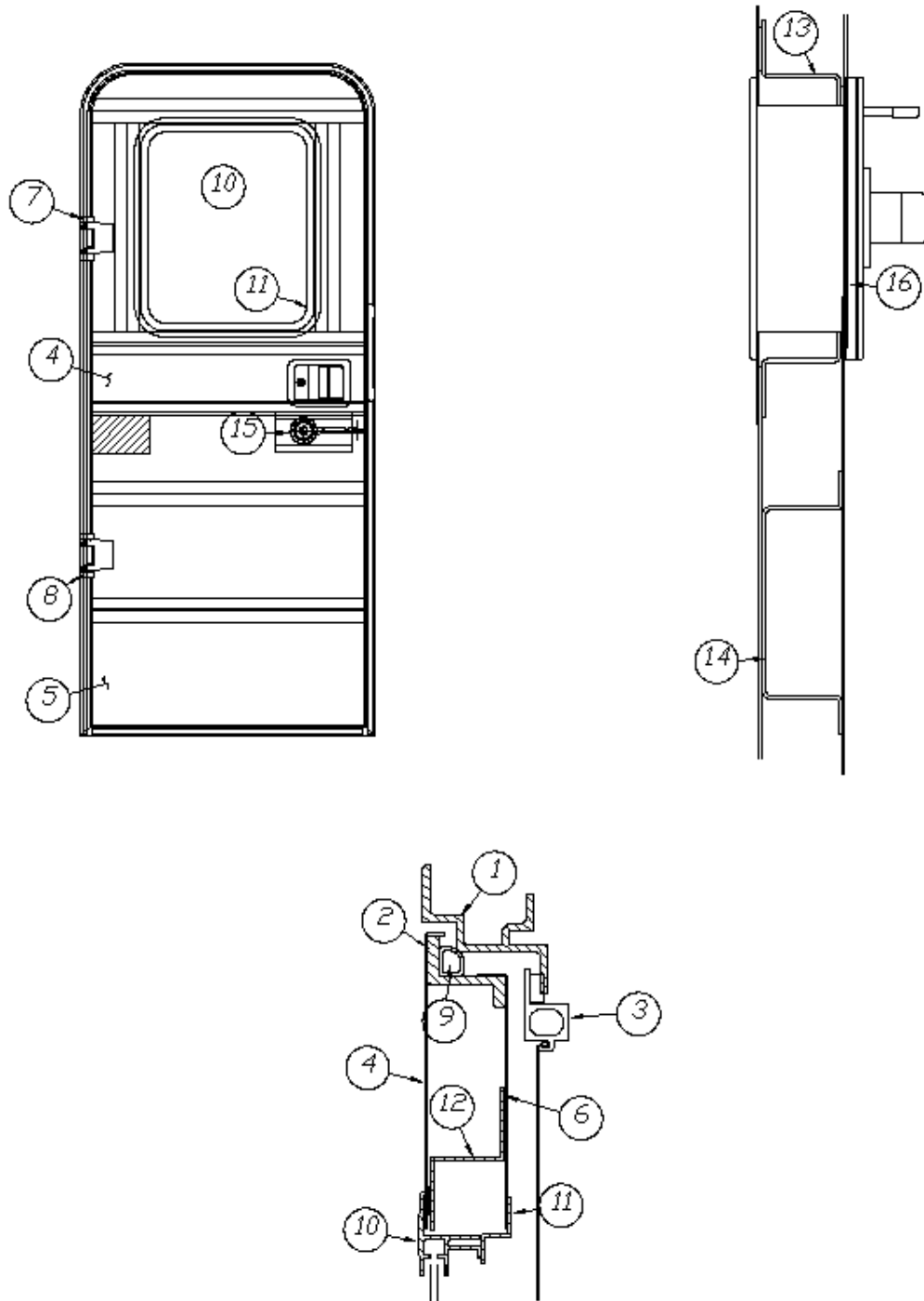
114328	Extrusion, belt line molding
201912-100	Molding, belt line insert, chrome
114417	Casting, belt line close out

### Rub Rail

115546	Extrusion, rub rail
201763-100	Molding, rub rail insert, chrome
114466-01	Casting, close out, rub rail, angled, RH
114466-02	Casting, close out, rub rail, angled, LH
114465-01	Casting, close out, rub rail, RH
114465-02	Casting, close out, rub rail, LH

# 2015 LAND YACHT EXTERIOR DOORS

## Main Door, LH Hinge



Parts Listed on Next Page

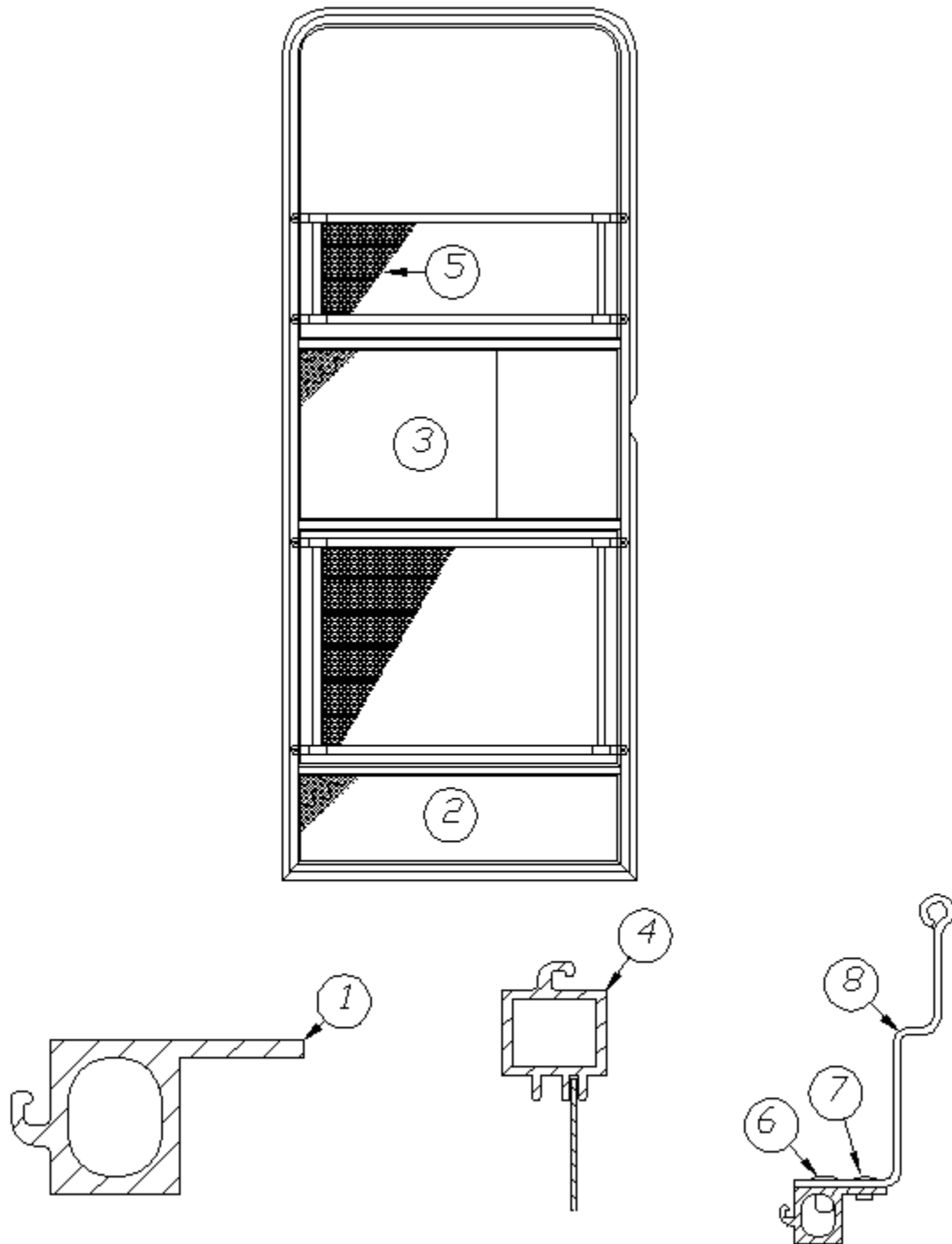
## 2015 LAND YACHT EXTERIOR DOORS

### Main Door, LH Hinge

115207	Main door assembly
1. 114652	Jamb, main door, pre-formed
2. 114653	Frame, main door, pre-formed
3. 114654	Screen door assembly
4. 114448-03	Skin, exterior, upper main door
5. 114449-03	Skin, exterior, lower main door
6. 114475	Main door skin, inner
7. 381552-03	Hinge assembly, main door, upper
8. 381552-04	Hinge assembly, main door, lower
9. 365232	Seal, main door
10. 371400-01	Window, main door, etched
11. 115208	Trim ring, main door window
12. 114658	Inner door, "Z" bar, upper & lower
13. 114657	Hat section, formed, main door
14. 115413	Hat section assembly, round dead bolt
15. 382069	Deadbolt assembly, round, Trimark
16. 203370	Spacer, deadbolt assembly
385595	Pocket strike, main door
381326	Striker w/ Trimark deadbolt
453851	Bolt, Trimark, deadbolt
114363	Drip cap, main door
345321-12	Screw, flat head, black
380290	Housing. Latch, mounted on side sheet
380291	Latch assembly, mounted on side sheet
201056	Striker, main door, black plastic
114507-03	Trim, main door
203494	Baseplate, door latch
511344-03	Grab handle, no engraving

# 2015 LAND YACHT EXTERIOR DOORS

## Screen Door



Parts Listed on Next Page

## 2015 LAND YACHT EXTERIOR DOORS

### Screen Door

114654	Screen door assembly, LH hinge
1. 104782-186	Extrusion, Frame, Screen Door
2. 114648-01	Kick panel screen door
3. 114561-01	Panel, slider, screen door
4. 104784-78	Extr., screen door stiffener #VH-9
5. 380079	Screen, gray
6. 330126-03	Rivet, pop, SSD44SSBS
7. 325002-01	Rivet, 1/8 x 3/8, anodized clear
8. 385577	Tape, Clear, 3.5" wide
380004	Handle with 8/32 X 1 screw
365013-01	Gasket, screen door, foam tape
683946	Bug seal, edge of screen door close out
203287-02	Close out, plastic, screen door
115171-01	Screen door guard top
115171-02	Screen door guard bottom
200518	Spline, gray, screen insert
701624	Velcro, loop 5/8" wide
701625	Velcro, hook 5/8" wide
381454	Screen door hold back latch, Bullet
386068	Medallion, 3" logo, AIRSTREAM
381531-01	Hinge, screen door, upper
381531-02	Hinge, screen door, lower



## 2015 LAND YACHT EXTERIOR DOORS

### Refrigerator Access Door

923114	Door, refrigerator with screen, assembly
923115	Door, refrigerator access w/Jamb
112024	Jamb, refrigerator access door
372264	Screen, refrigerator door
203714	Trim Lok, flexible, inner doorjamb
380988	Hinge, continuous .5 in, leaf 16IN
381812	Latch, twist, chrome

### Water Heater/Water Fill/Furnace Doors

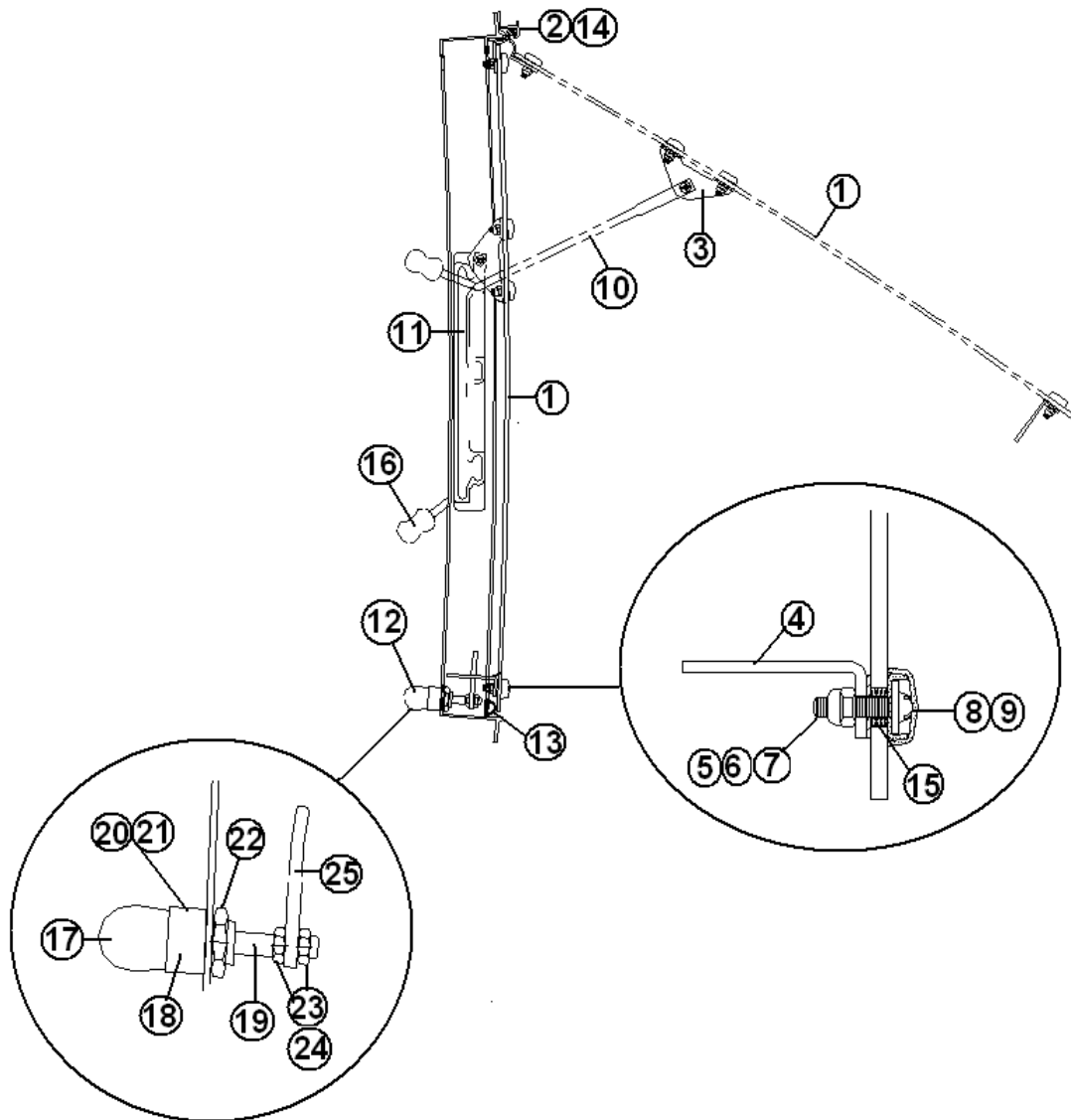
690671	Access Cover, Water Heater, Painted
690274-09	Furnace door, Control Mill Finish
115626	Water fill box, Stainless Steel

### Power Cord, Receptacle, TV/Sat

511149-02	Power inlet w/strain relief
512568	Inlet, Dual TV/SAT, titanium
500563-03	Receptacle, White 15 A#Wrdu15-Wt
512741	W.P. Cover w/Gasket, Gray

# 2015 LAND YACHT WINDOWS

## Window, Parts Diagram



Parts Listed on Next Page

# 2015 LAND YACHT WINDOWS

## Window, Parts Diagram

1. 371324-100	Glass w/hardware, 30" window
195510-93	Glass assembly for 30" tall window
2. 371324-101	Hinge, 30" window
3. 1101-0010	Bracket, window prop
4. 1101-0011	Bracket, LH Striker
1101-0012	Bracket, RH Striker
5. 0706-0004	Flat washer
6. 0703-0001	Screw, #8-32 x .625", black, SS
7. 0702-0010	Nut, Nylox, #8-32, black SS
8. 0802-0004	Screw cover, 12-12 #100, black
9. 195467-02	Washer, Nylon, .125 x 5/16 OD
10. 195510-17	Arm Assembly, 30" window, LH
195510-16	Arm Assembly, 30" window, RH
11. 0802-0001	Guide, operating arm, RH
0802-0002	Guide, operating arm, LH
12. 010020	Latch assembly, chrome
13. 382117	Gasket, rectangular post
14. 0101-0017	Male hinge extrusion, 1/2" pc.
15. 195467-02	Washer, nylon .125" X 5/16" OD
16. 380230-03	Window arm knob, silver
380230-04	Window arm knob, red
17. 195467-05	Latch handle, red
18. 1101-0007	Latch body
19. 1101-0008	Latch shaft
20. 1101-0009	Latch spring
21. 0707-0002	Pin, drive lock, 5/32" x 5/8", zinc
22. 0702-0001	Nut, hex panel, 5/8"-24, zinc
23. 0702-0002	Nut, jam, hex, 5/16-24
24. 0706-0001	Washer, Flat, .53 OD x .328 ID
25. 0304-0003	Window Lock Paw

## 2015 LAND YACHT WINDOWS

### Window Trim Rings

372267	Trim Ring, 30", Stacked, aluminum
372268	Trim ring, 18", stacked, aluminum
115208	Trim ring, window, Main door
203225-01	Trim lok, .75", Gray

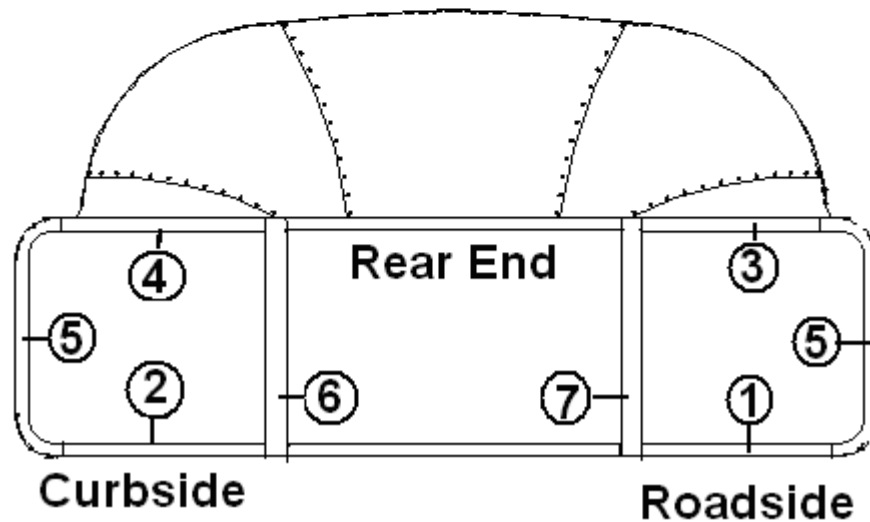
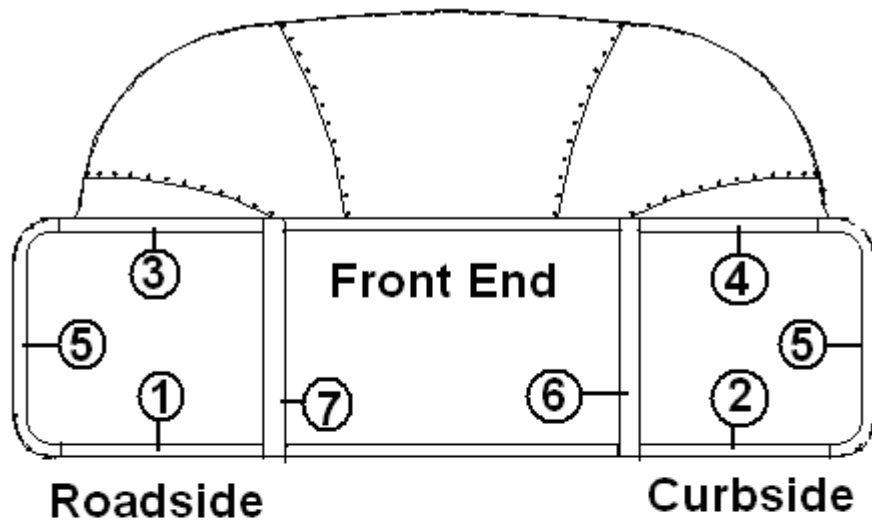
### Vista View Windows, 30"

203490-04	Trim ring, 30" Vista View, Interior, silver
371437-02	Window, Vista View, 30"
703462-04	Shade, Vista View, 31.25 x 9.5
*704199-02	Shade-pull, 31.25 x 9.5, Ash Grey
372272-02	Sash, 30" Vista View
922772-02	Backer, Vista View blind, 30"
115222-01	Z Bar-formed 31.5" Vista View
365367	Foam Tape, Automotive

\*Replaced 703462-04 on 3-19-2015

# 2015 LAND YACHT WINDOWS

## Panoramic Window Trim



- |              |                            |
|--------------|----------------------------|
| 1. 201579-02 | Trim ring, lower RS, Gray  |
| 2. 201580-02 | Trim ring, lower CS, Gray  |
| 3. 201581-05 | Trim ring, upper RS, Gray  |
| 4. 201581-06 | Trim ring, upper CS, Gray  |
| 5. 201578-02 | End Cap, trim ring, Gray   |
| 6. 110900-03 | Trim, formed, Aluminum, RH |
| 7. 110900-04 | Trim, formed, Aluminum, LH |
| 203225-01    | Trim-lok, Gray .75"        |

## 2015 LAND YACHT WINDOWS

### Windows

371346-02	Window, flat, front center
372088-101	Window, panoramic, front RS
372089-101	Window, panoramic, front, CS
371436	18" Stack Window
371380	Window, opening, 30" tall
371400-01	Window, main door
371380-01	30" x 30", opening egress window

### Window Screens

371349-03	Screen, rear escape
371347-03	Screen, front window

## 2015 LAND YACHT AWNINGS

### Power Awnings, Patio

112062-04	Power patio awning
704049-13	Power awning, 18'-5.25"
704049-01	Hardware Kit, Power awning
385577	Wear tape, clear, 3½" wide
365369	Gasket, Power awning

### Awnings, Windows

111550-03	Awning Windows Package
703181-55	Awning, Window, 52.63", Rear
703181-56	Awning, Window, 18'-6.25"
385577	Wear tape, clear, 3½" wide

## 2015 LAND YACHT WINDOWS, STONE GUARDS

### Window Stone Guard

110188-01	3 Piece Stone Guard
685275-101	CS wrap window solar protector, stone guard
685275-102	RS wrap window solar protector, stone guard
110102	Stone Guard, Center Piece, w/Panoramic windows
685358	Turn fast stud
685362	Retainer, split ring
685359	Rubber receptacle
685361	Bracket, rubber receptacle
685363	Slip joint hinge, SS, CS per pair
683960	Arm support
683959	Arm support bracket
114749	Hinge, "Y" assembly. (Rockguard Assy.)
114750	Hinge, "J" (Rockguard Assy.)
685364	Bracket, upper hinge-45.375-Stoneguard
381021-01	Latch, draw flexible
381688	Bumper, rubber, .44" wide, hemisphere, clear

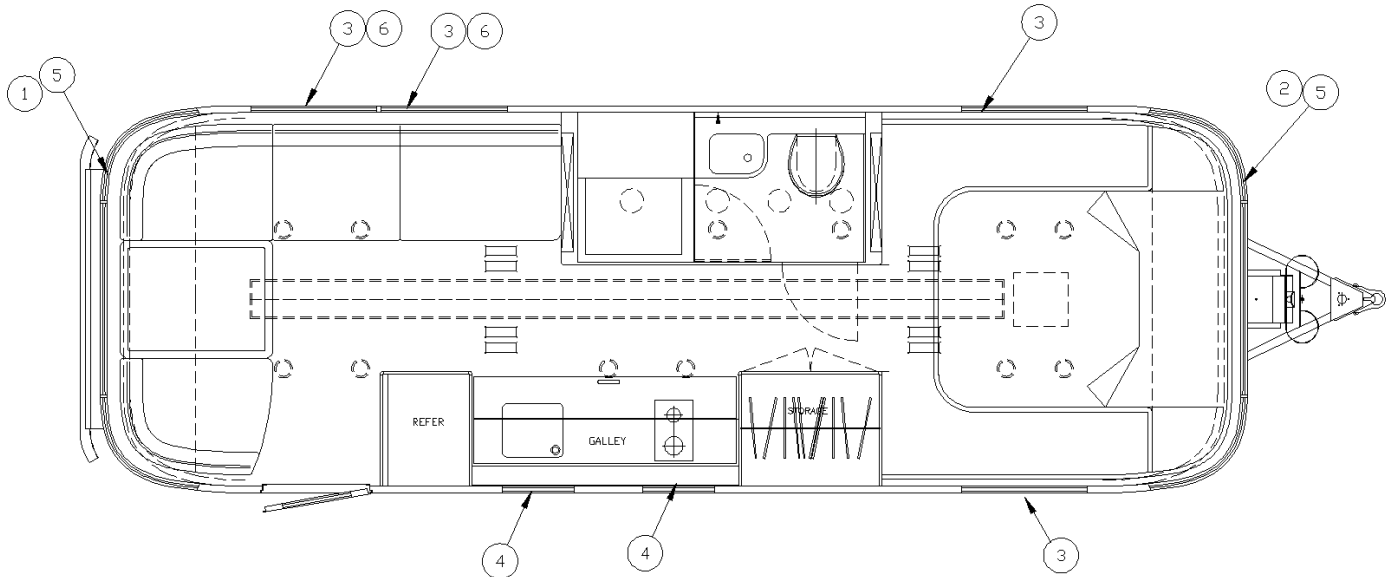
### Stone Guard Frame

114815-01	Extrusion, frame aluminum
685354	Front Win key, 90-Deg, riveted to inside corner of metal frame
685378-01	¼" rubber spline
685351	Rubber frame, black
290812-01	Plexi-glass, 28" x 84 ", sheet
101401	Extrusion, door latch housing
685355	Slip joint, SS. hinge



# 2015 LAND YACHT SHADES, TRACKS, BRACKETS

## Window Treatments



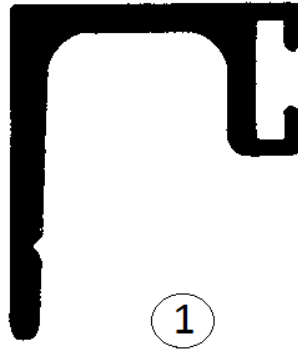
112090  
112090-01

Window Treatment Install, Mocha  
Window Treatment Install, Polar

- |              |   |
|--------------|---|
| 1. 998148-21 | Panel, Curtain, 21 pleat, 24.75", Mocha   |
| 998148-23    | Panel, Curtain, 21 pleat, 24.75", Polar   |
| 2. 998148-22 | Panel, Curtain, 20 pleat, 24.75", Mocha   |
| 998148-24    | Panel, Curtain, 20 pleat, 24.75", Polar   |
| 3. 703700-04 | Shade, 29.75 x 34, Oceanair               |
| 4. 703700-01 | Shade, 19 x 24, Oceanair                  |
| 5. 101217    | Extrusion curtain track                   |
| 6. 703462-04 | Shade-pull, 31.25 x 9.5, Gray, Vista view |
| 702804-03    | Shade, Pleated skylight, 19.25 x 20       |
| 702804-04    | Shade, Pleated skylight, 14.5 x 22.7      |

# 2015 LAND YACHT SHADES, TRACKS, BRACKETS

## Track/Brackets



1. 101225  
101217

Bracket, curtain standoff  
Extrusion curtain track

## 2015 LAND YACHT ELECTRICAL, 110 VOLT

### Power Cord, 50 Amps, Exterior Hook Up

511149-02 Power inlet w/ strain relief 50  
511149-03 Power cord, 50A, 36'.

### Breakers

510564-06 Breaker, 20 GFI  
510564-08 Breaker, 20-15Amp  
510564-09 Breaker, 15Amp  
510564-11 Breaker, 10-10Amp  
510564-12 Breaker, 10Amp  
510564-1515 Breaker, Type BRD, BD 15-15, CSA  
510564-2020 Breaker, Type BRD, BD 20-20  
510564-3020 Breaker, Type BRD, BD 30-20  
512646-20 Universal circuit breaker, 20Amp

### Breaker Boxes

512308 Box, Shallow Switch & Outlet, Water Heater  
510741 Box, electrical, 1-1/2" X 2" X 3"  
510014 Junction box, Octagon  
510015 Box, cover

## 2015 LAND YACHT ELECTRICAL, 110 VOLT

### Interior Receptacle, Switches, and Covers

512481-01	Receptacle, 20A, Single, White
512481-02	Receptacle, 20A, Single, Brown
512481-03	Plate, Brown Cover W/Screws
500563-03	Receptacle, White, Self-contained
511815-01	Receptacle, Duplex, Black
500563-04	Wall plate, White w/screws for 500563-03
510888-05	Receptacle w/Cover, GFI, White
510888-06	Receptacle spacer, white
510888-07	Receptacle cover, white
512480-01	Switch, Water heater, Black

### Exterior 110 Volt Outlet

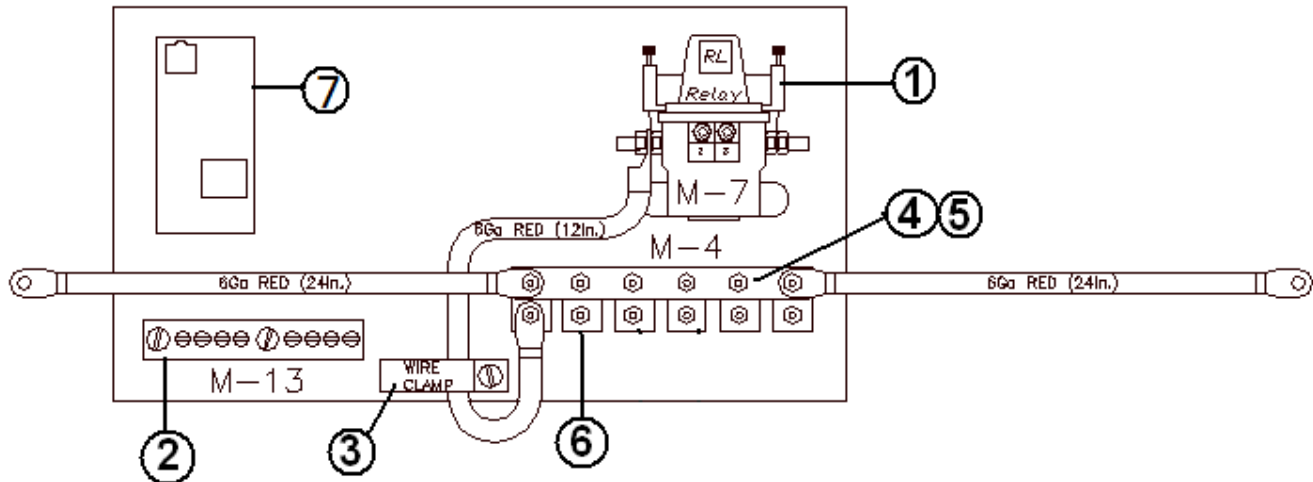
500563-03	Duplex receptacle, white
512741	W.P. cover w/ gasket

### Inverter

512680	Inverter, 1,000 Watt #WF-511OH-W
512680-01	Time delay fuse, 15Amp
512680-02	Connector
512680-03	Installation tool
512030	Ring terminal, Insulated, 5/16"
511969-01	110A fuse and block, CLASS T
500563-03	Receptacle, White, Self-contained
500563-04	Wall plate, White w/screws for 500563-03
512481-01	Receptacle, 20A, single, white XL
512847	Portable Cord, SJ00W12-3

# 2015 LAND YACHT ELECTRICAL, 110 VOLT

## Converter/Electronic Kill Breaker Panel



- |              |                                       |
|--------------|---------------------------------------|
| 1. 511655-02 | BDO Relay 100 AMP 12VOLT              |
| 511655-01    | Switch bezel, silver/black            |
| 511655-03    | Cable, BDO/1, 20'                     |
| 2. 510743    | Ground bar, 3-1/2" long               |
| 3. 340093-06 | Clip, "J" vinyl coated, 3/4"          |
| 340093-03    | Clip, "J" vinyl coated, 1/2"          |
| 4. 510948-04 | Bar BUSS circuit breaker conn.        |
| 5. 510946-04 | Bracket, 4PO, breaker, 12V, #8536-2   |
| 6. 510947-20 | Breaker, 12V DC, type II, #12V20      |
| 7. 511846    | Kit, charger controller, solar panel  |
| 511023       | Tester, circuit analyzer (loose item) |

## Generator Prep Components

- |           |  |
|-----------|--|
| 510562    | Switch, generator Auto transfer switch |
| 385062    | Decal 110-125 Voltage AC               |
| 512401-02 | Power inlet, 30A, 125V, male           |

# 2015 LAND YACHT

## ELECTRICAL, 12 VOLT

### Battery

511596 Battery, Deep cycle, Group 24  
511828 Battery, 12V, AGM, Use W/Solar Charging Sys Only

### 7-way Cable

500886-01 7-Way cable w/plug  
511411 Junction box, 7-way cable

### Breakaway Switch

300027 Break Away Switch, Bargman  
454526 Break away switch bracket  
345426-04 Clamp, rubber loop .63"

### Battery Disconnect System

511655-01 BDO bezel assembly, Black/silver  
511655-02 BD relay, 100 amp, 12 Volt  
511655-03 Cable, BDO/1, 20'  
511655-07 Cable, BDO/1, 35'

### Monitor Panel

512566 Monitor, Tank System Kit (Seelevel)  
512566-01 Flush mount monitor panel only  
512566-02 Sender pad

# 2015 LAND YACHT

## ELECTRICAL, 12 VOLT

### 12-Volt Outlet

512451 Outlet, 12 volt, interior

### Solar Charging System

511828 Battery, 12V, AGM, Use W/Solar Charging Sys Only  
511142-01 Panel, solar, 53 watt  
511142-02 Bracket, mounting kit, solar panel  
510696 Holder Fuse, In-Line, #24-139-0  
510328 AGC 10 fuse, fuse panel  
385947 Label 10 AMP fuse, max.  
511846 Kit, charge controller display  
511846-100 #PVCM25D Regulator for solar panel 511846  
511846-101 Display only, #PVDM4-LC FOR P/N 511846  
511851 Cable, CAT 5E, blue  
511852 Connector, RJ45E  
115583 Plate, Solar Battery Spacer

### Fuses/Fuse Holders

510696 Holder, fuse, inline  
500883-01 Fuse, CSA, 1 AMP

# 2015 LAND YACHT ELECTRICAL, 12 VOLT

## Interior Switches/Covers

512709	Switch, Slide Dimmer Black #AH-SL
512480-01	Water heater switch assembly, Black
512691-01	Switch frame, 1 gang, Chrome
512691-02	Switch frame, 2 gang, Chrome
512691-03	Switch frame, 3 gang, Chrome
511997	Switch, Refrigerator, Red LED
511999	Switch assembly, 2 gang, Black
511977	Switch assembly, SPDT, Black
512791	USB Port w/ Q nut, Dual, Black
512792	USB Port Pigtail



# 2015 LAND YACHT

## ELECTRICAL, 12 VOLT

### Interior Lights

512694	Light, LED w/o switch, Chrome
512695	Light, LED w/switch, Chrome
512696-01	Button light, LED
512696-02	Collar, Chrome
512697	Light, Wet location, LED w/o switch, Chrome
512698	Lighted panel w/diffuser, LED
512699	Diffused tape light, LED, Warm white, 24"
512700	Diffused tape light, LED, Warm white, 30"
512701	Diffused tape light, LED, Warm white, 90"
200773	Closeout, Reading light, ABS, Black
512533	Auxiliary light, LED

### Exterior Lights

512455	License Plate Holder
512859	Amber LED clearance light
512859-01	Amber Bezel
512859-02	Chrome base
512227	Red LED clearance light
*512860	Red LED clearance light
512860-01	Red Bezel
512860-02	Chrome base
382181	Gasket, Clearance Light
512533	Light, Auxiliary, LED
994165	Entrance light

\*replaces 512227, except for 3 lights on End Shell Top

# 2015 LAND YACHT

## ELECTRICAL, 12 VOLT

### Power Center

512845-02      Power center, 110/12V w/30Amp transfer switch, Parallax

### TV Jack

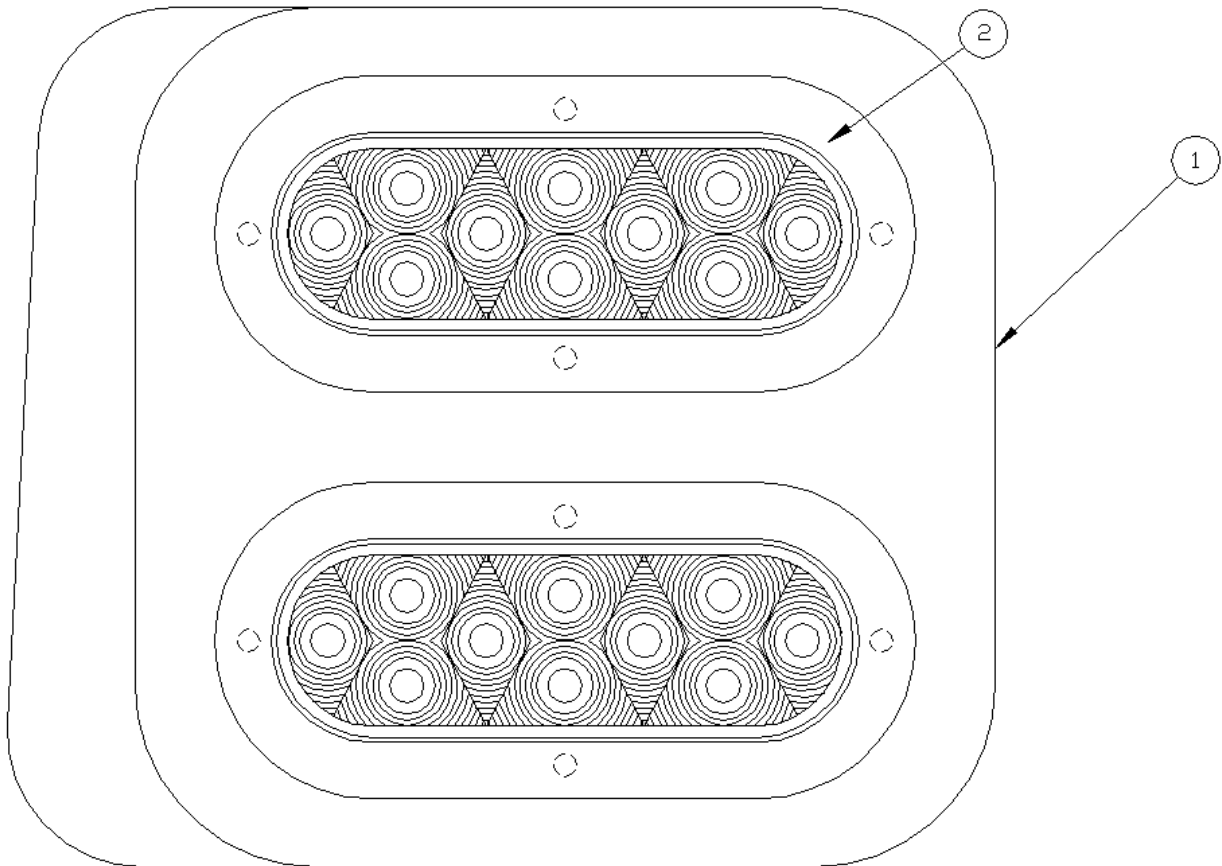
510614      Jack TV 12V, interior  
511534      Dual, Coax, Cable Plate, White  
511375      Jack Modular Telephone TA-1020

### Reflectors

500095      Reflector, red, Oblong oval  
500096      Reflector, Amber  
510446      Reflector, red, stick-on

# 2015 LAND YACHT ELECTRICAL, 12 VOLT

## Tail Lights



- |              |                                  |
|--------------|----------------------------------|
| 1. 952929-01 | Tail light assembly, RS          |
| 952929-02    | Tail light assembly, CS          |
| 2. 512425    | Kit, Taillight, 6" oval, Red LED |
| 512425-01    | Taillight w/pigtail              |
| 512425-02    | Trim ring                        |
| 512425-03    | Gasket                           |
| 511664-01    | Casting, tail light, RS          |
| 511664-02    | Casting, tail light, CS          |
| 382079       | Grommet, tail light              |

## 2015 LAND YACHT ENTERTAINMENT

### Radio/DVD Player

512692	Speaker w/black grill, Dual cone, 6", REI
203599	Speaker, spacer, 5/8"
511807	Antenna, AM/FM, rubber, 14" #RV71
511822	Sub-woofer, powered, 6.5" wedge
512810	Radio, AM/FM, Clarion
512810-01	Clarion Bluetooth microphone w/cord & 3.5 male connector
512811	Speaker, 2-way, 6.5", Clarion
512693	Blue Ray Disc/DVD Player, Samsung
512366-30	Cable, HDMI Male to Male, 30'
512366-35	Cable, HDMI Male to Male, 35'
512366-25	Cable, HDMI male/male 25'
386159	Label, Flat Screen TV
512516	HDMI Right Angle Adapter
512517	HDMI Coupler
512552	Kit, Switcher, HDMI
512568	Dual Inlet, TV/Satellite

### Television Antenna

512657-01	Antenna, Omni directional
512398	RV Wall Plate/Power Supply, White, RV-0741, Winegard
500484-04	Antenna, lead and extension, 48"
511807	Antenna, AM/FM, Rubber, 14"

## 2015 LAND YACHT ENTERTAINMENT

### Flat Screen TV Install

690669	HDTV, LED, 28" Samsung
512656	Wall Bracket, Flush, Moview
320177	Screw, Hex washer head, #8 x 1"
512499	Cable, Mini Coax 48"
500132	Grommet, 1" 1-3/16 ID
386159	Label, Flat Screen TV
512528	HDMI Right Angle Adapter
345464	Screw, M4 x 25mm, Philips Pan HE
345468-01	Screw, #12 x .625" PH Phil, Black
381220-02	Mirror Clip
801946	Spacer, TV Bracket
382184	Sleeving, Flexo Braided Split
371442	Mirror, TV glass

### Exterior TV Jack

512568	Inlet, Dual TV/SAT, titanium
--------	------------------------------

### Interior TV Jack

512398	RV Wall Plate/Power Supply White RV-0842 Winegard
510614	TV Jack, 12V

## 2015 LAND YACHT FLOOR COVERING

### Carpet, Flooring/Floor Mats/ Linoleum

701538-01	Carpet, Econolier W/PSA Back
203594-02	Floor Trim, UN7021, Ash Grey
112096	Flooring kit, Technoform, Mocha
112096-01	Flooring kit, Technoform, Polar
703852	Entrance matt, Airstream Logo
360255-04	Sealer, Anti-wick
203727	Foil, Single bubble flex

## 2015 LAND YACHT FURNITURE

### Mirrors

371440-01	Mirror, Contoured RH, 31.11" x 38"
371441	Mirror, Gray, 32.5 x 74.06
371442	Mirror, TV glass, 26.375 x 18.88
381220-02	Mirror clip, Nickel plated

### Door, Shower

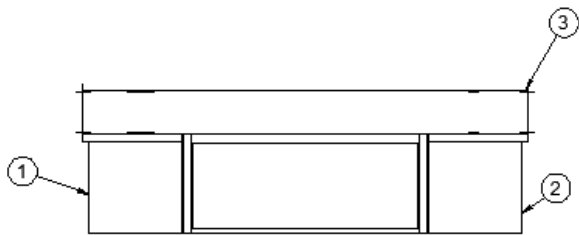
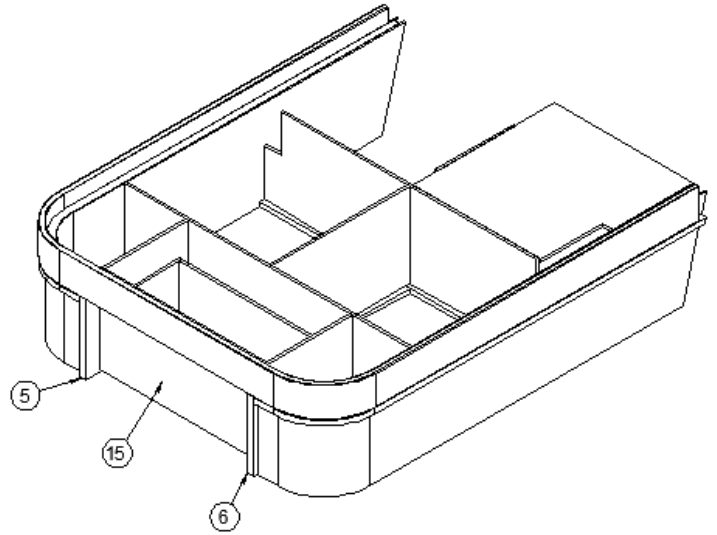
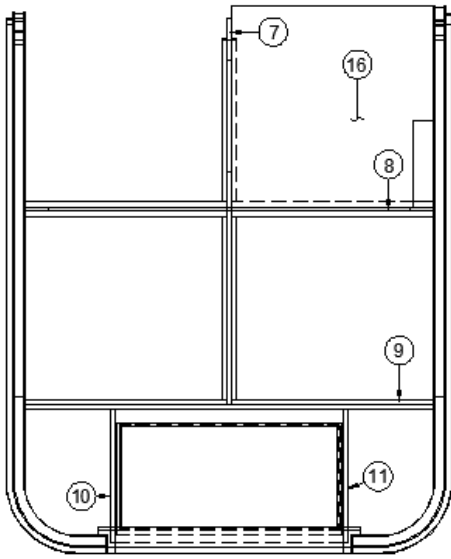
112069-8	Shower Door, Assembled by Technoform
----------	--------------------------------------

### Door, Foldette

704166	Door, Folding, Black, 60 x 73
--------	-------------------------------

# 2015 LAND YACHT FURNITURE, BEDROOM

## Bed, Double



Parts Listed on Next Page



## 2015 LAND YACHT FURNITURE, BEDROOM

### Bed, Double

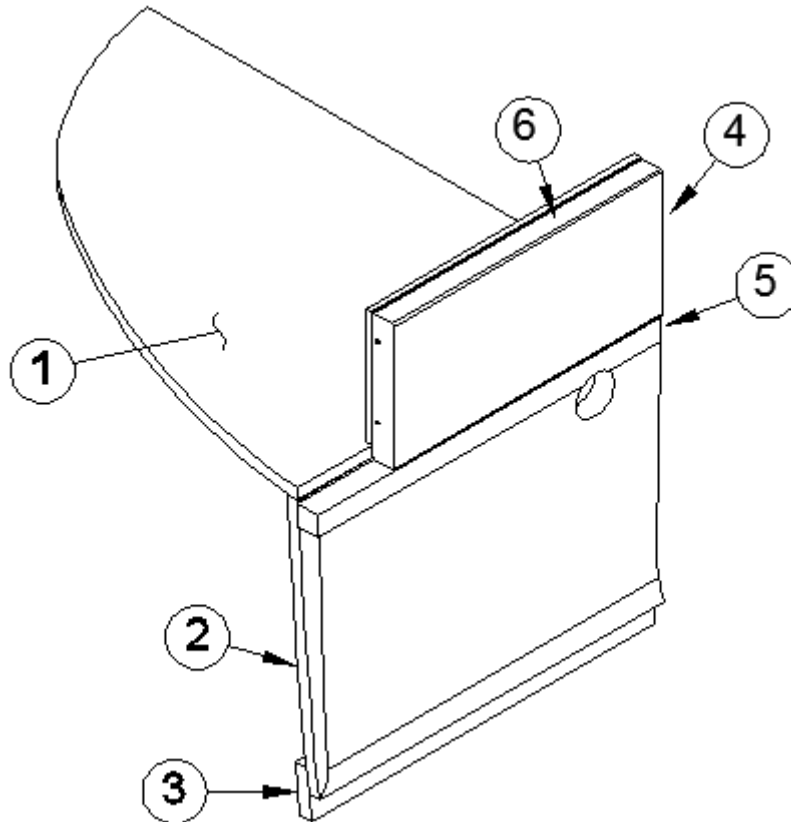
968009

Bed Assembly, Queen

- |               |                                |
|---------------|--------------------------------|
| 1. 968009-1   | Bed assembly, RS               |
| 2. 968009-2   | Bed assembly, CS               |
| 3. 968009-3   | Bed assembly, Top frame        |
| 4. 968009-4   | Hardware Kit (not shown)       |
| 5. 968009-5   | Drawer box frame, RS           |
| 6. 968009-6   | Drawer bod frame, CS           |
| 7. 968009-7   | Panel, 17.2 x 53.79            |
| 8. 968009-8   | Panel, 17.2 x 56.86            |
| 9. 968009-9   | Panel, 17.2 x 56.86            |
| 10. 968009-10 | Panel, 17.2 x 18.5             |
| 11. 968009-11 | Panel, 17.2 x 18.5             |
| 12. 968009-12 | Panel, 1.73 x 31.78            |
| 13. 968009-13 | Panel, 2.75 x 31.78            |
| 14. 968009-14 | Panel, 1.73 x 36.51            |
| 15. 968009-15 | Drawer box, 10.9 x 31.15 x 15  |
| 16. 968009-18 | Panel, 28.17 x 27.9            |
| 382204-02     | Drawer slides, Soft-close, 15" |
| 382204-06     | Drawer front locking device    |
| 968009-103    | Gas Strut                      |

# 2015 LAND YACHT FURNITURE, BEDROOM

## Nightstand, RS, Queen Bed



968011

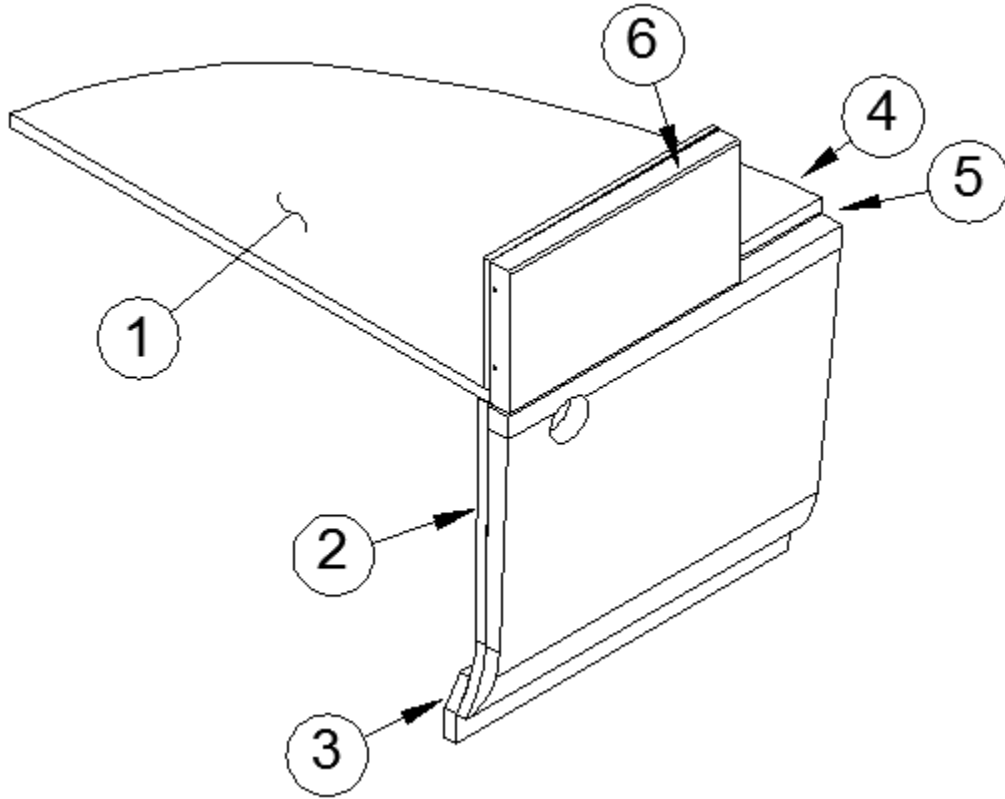
Night Stand Assembly, RS

- 1. 968011-1
- 2. 968011-2
- 3. 968011-3
- 4. 968011-4
- 5. 968011-5
- 6. 968011-6

- Panel, 15.98 x 22.96
- Panel, 17.06 x 12.6
- Panel, 2.34 x 16.24
- Leather panel, 5.91 x 12.5
- Batt, 17.98
- 7mm leather panel, 5.4 x 12.5

# 2015 LAND YACHT FURNITURE, BEDROOM

Nightstand, CS, Queen Bed



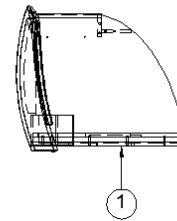
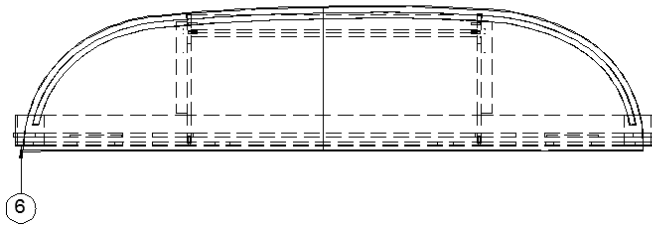
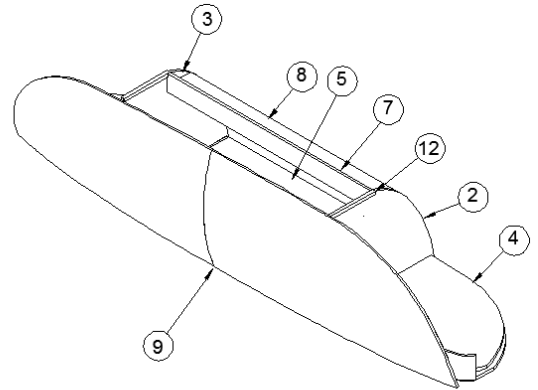
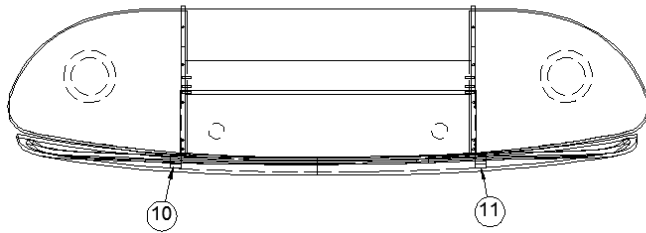
968010

Night Stand Assembly, CS

- |             |                                 |
|-------------|---------------------------------|
| 1. 968010-1 | Panel, 15.98 x 22.96            |
| 2. 968010-2 | Panel, 17.06 x 12.6             |
| 3. 968010-3 | Panel, 2.34 x 16.24             |
| 4. 968010-4 | 26mm leather panel, 5.91 x 12.5 |
| 5. 968010-5 | Batt, 17.98                     |
| 6. 968010-6 | 7mm leather panel, 5.4 x 12.5   |

# 2015 LAND YACHT FURNITURE, BEDROOM

## Roof Locker, Front



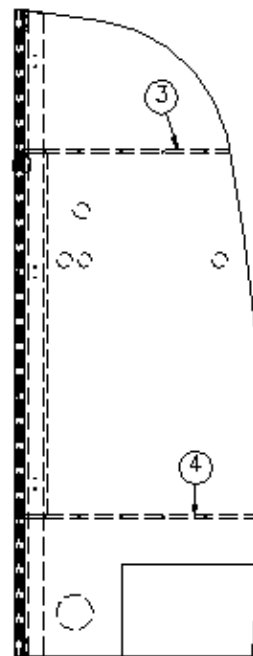
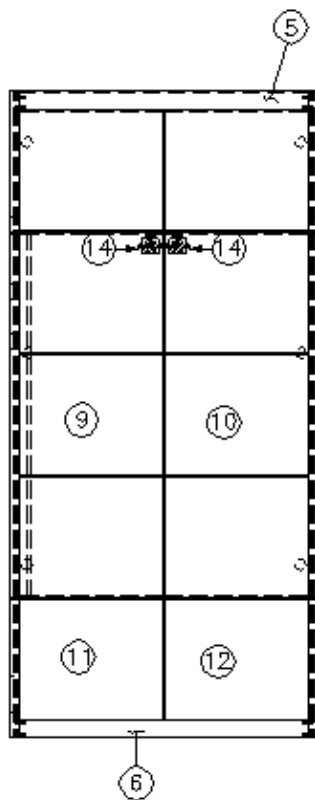
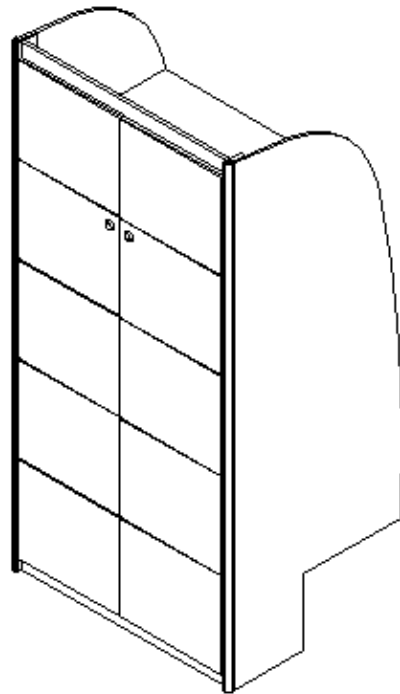
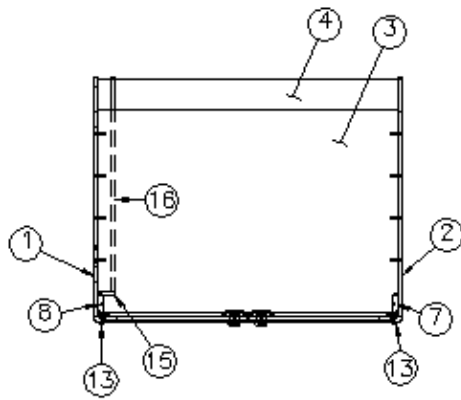
968069

Front Roof Locker

- |               |                                     |
|---------------|-------------------------------------|
| 1. 968069-1   | Locker bottom, Formed by Technoform |
| 2. 968069-2   | Panel, 17.19 x 20                   |
| 3. 968069-3   | Panel, 17.19 x 20                   |
| 4. 968069-4   | Panel, 19.09 x 24.13                |
| 5. 968069-5   | Panel, 20 x 38.5                    |
| 6. 968069-6   | Panel, 19.09 x 24.13                |
| 7. 968069-7   | Panel, 3 x 38.5                     |
| 8. 968069-8   | Panel, 4 x 38.5                     |
| 9. 968069-9   | Locker door, Technoform             |
| 10. 968069-10 | Hinge mount, Technoform             |
| 11. 968069-11 | Hinge mount, Technoform             |
| 12. 115613    | Channel extrusion, 1/2" panel       |
| 382214        | Blum lift mechanism, Overhead door  |

# 2015 LAND YACHT FURNITURE, BEDROOM

## Wardrobe, Bedroom



Parts Listed on Next Page

## 2015 LAND YACHT FURNITURE, BEDROOM

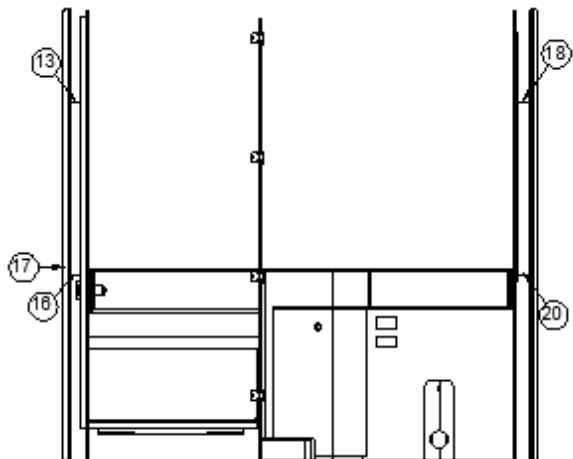
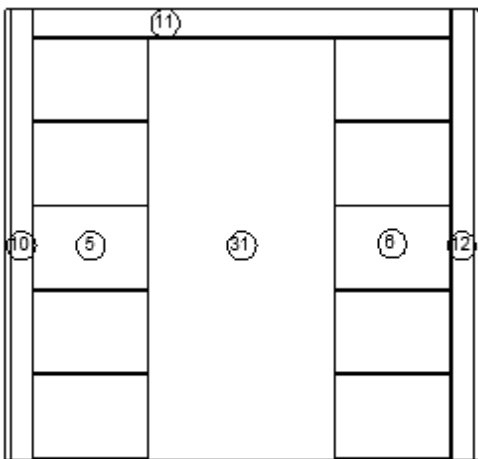
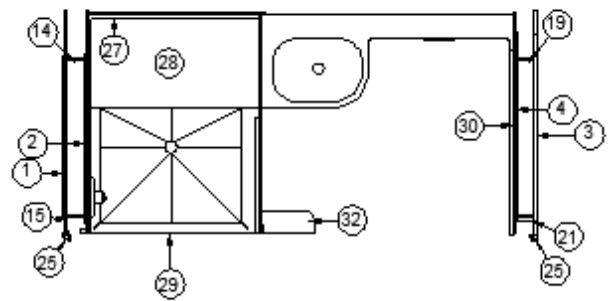
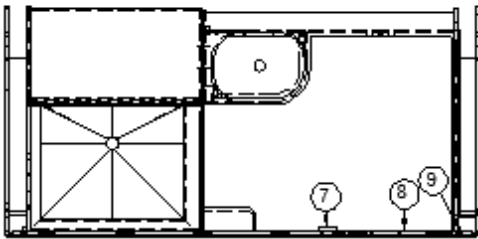
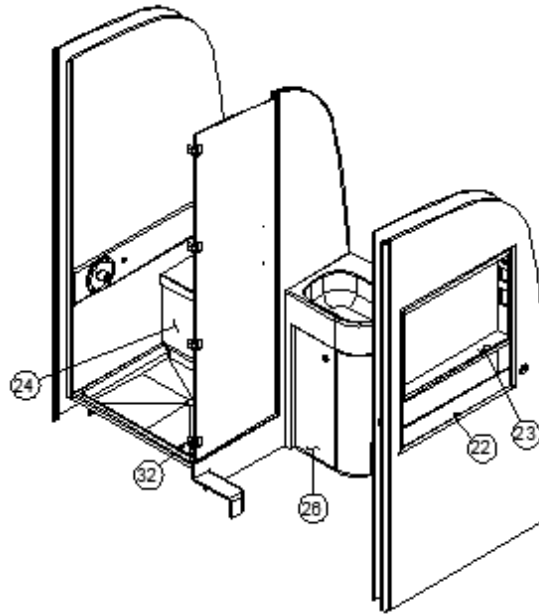
### Wardrobe, Bedroom

967962 Wardrobe Assembly

1. 967962-1	Panel, 28.8 x 78.04
2. 967962-2	Panel, 28.8 x 78.04
3. 967962-3	Panel, 24.88 x 36.06
4. 967962-4	Panel, 28.67 x 36.06
5. 967962-5	Panel, 2.39 x 35.04
6. 967962-6	Panel, 2.76 x 35.04
7. 967962-7	Panel, 3.35 x 78.15
8. 967962-8	Panel, 3.35 x 78.15
9. 967962-9	Panel, 17.29 x 58.86
10. 967962-10	Panel, 17.29 x 58.86
11. 967962-11	Panel, 17.29 x 14.57
12. 967962-12	Panel, 17.29 x 14.57
13. 967962-14	Corner extrusion, Chrome
14. 382206-01	Push lock, Plastic, Brown
15. 967962-24	Panel, 2.01 x 43.63
16. 967962-25	Panel, 25.56 x 43.63
967962-13	Wood strips
967962-16	Hinge, 35mm
382219	Strike plate, Hafele
967962-18	Panel trim
382221	Closet rod, Chrome
200975-04	Conduit, Flexible black plastic
382221-01	Flange, Oval, Chrome
104821	Support, Roof locker, 74"
381074	Catch, Bull dog, Copper
382206-02	Knob, Solid brass, Chrome polish
382206-04	Rosette, Solid brass, Chrome polish
382212	Blum hinge, Inset, 35mm

# 2015 LAND YACHT FURNITURE, BATH

## Bath Module, 28FB



Parts Listed on Next Page

## 2015 LAND YACHT FURNITURE, BATH

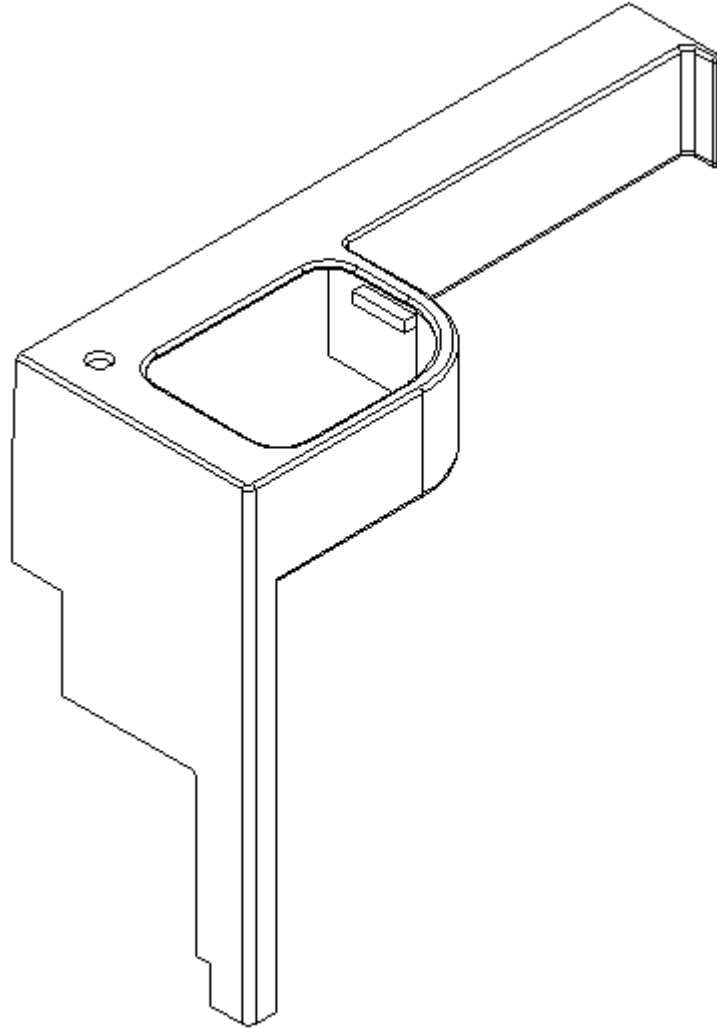
### Bath Module, 28FB

112069	Bathroom Module Install
1. 112069-1	Panel, 39.36 x 78.94
2. 112069-2	Panel, 39.18 x 78.93
3. 112069-3	Panel, 39.36 x 78.94
4. 112069-4	Panel, 39.18 x 78.93
5. 112069-7	Wall, Assembled by Technoform
6. 112069-8	Door, Assembled by Technoform
7. 112069-9	Panel, 78.9 x 3
8. 112069-10	Panel, 20.04 x 4.64
9. 112069-11	Panel, 78.94 x 4.02
10. 112069-12	3mm covered, 3.82 x 78.95
11. 112069-13	3mm covered, 73.24 x 4.69
12. 112069-14	3mm covered, 78.95 x 4.02
13. 112069-15	Panel, 27.11 x 3.17
14. 112069-16	Panel, 30.39 x 3.17
15. 112069-17	Panel, 30.39 x 3.17
16. 112069-18	Panel, 27.11 x 3.17
17. 112069-19	Panel, 26.92 x 3.94
18. 112069-20	Panel, 27.07 x 2.92
19. 112069-21	Panel, 30.39 x 2.92
20. 112069-22	Panel, 27.07 x 2.92
21. 112069-23	Panel, 30.39 x 2.92
22. 112069-24	Panel, 26.92 x 3.94
23. 112069-25	Panel, 27.11 x 3.55
24. 112069-26	Panel, 29.75 x 12.44
25. 112069-33	Corner extrusion, Chrome
26. 968019	Lavy cabinet assembly
27. 602338-01	Shower trim, Corian
28. 602339-01	Shower seat, Corian
29. 203754	Shower pan base, Fiberglass
30. 371440	Mirror, contoured, 35.63 x 31.09
31. 371441	Mirror, Grey tint, 74.06 x 32.5
32. 382250	Hinge, Shower door, Inset
382279	Latch, Shower door, Chrome
115590	F-extrusion, 3/8" panel, Satin
115591	H-extrusion, 3/8" panel, Satin
382280	Magnetic strip w/adhesive back
602370	Shower Kit, Chrome
382222	Kit, Glass door pull, Bullnose ends, Chrome
382222-01	Mounting kit



2015 LAND YACHT  
FURNITURE, BATH

Lavatory Base w/Sink

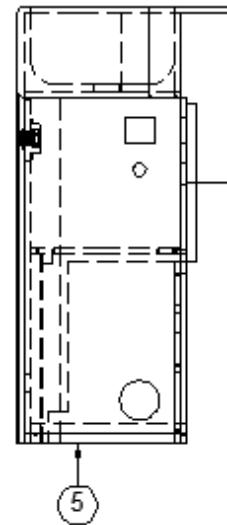
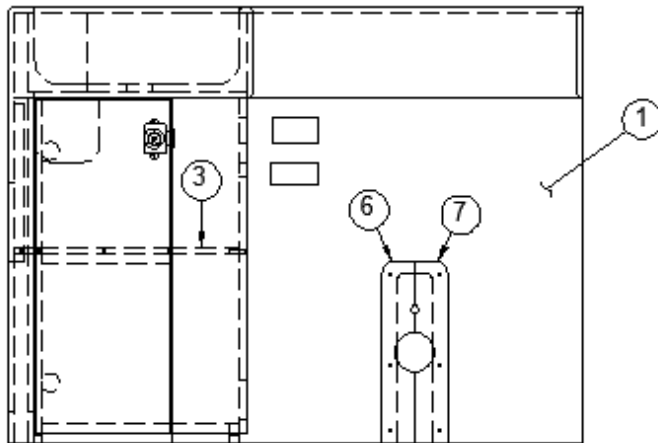
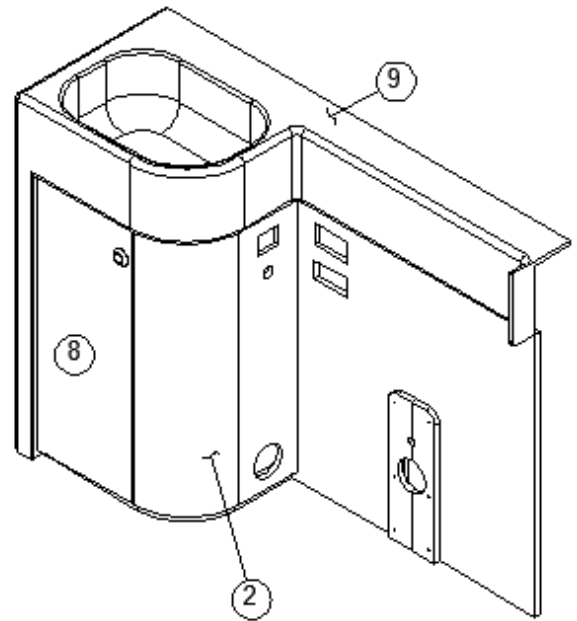
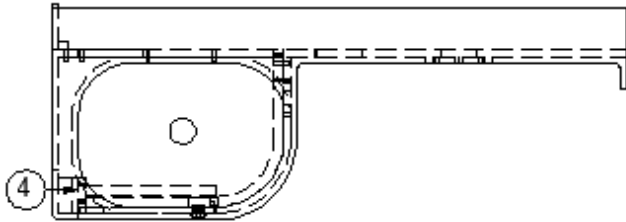


602336-01

Lavy base w/sink, Corian, Glacier White

# 2015 LAND YACHT FURNITURE, BATH

## Lavatory Cabinet



Parts Listed on Next Page

## 2015 LAND YACHT FURNITURE, BATH

### Lavatory Cabinet

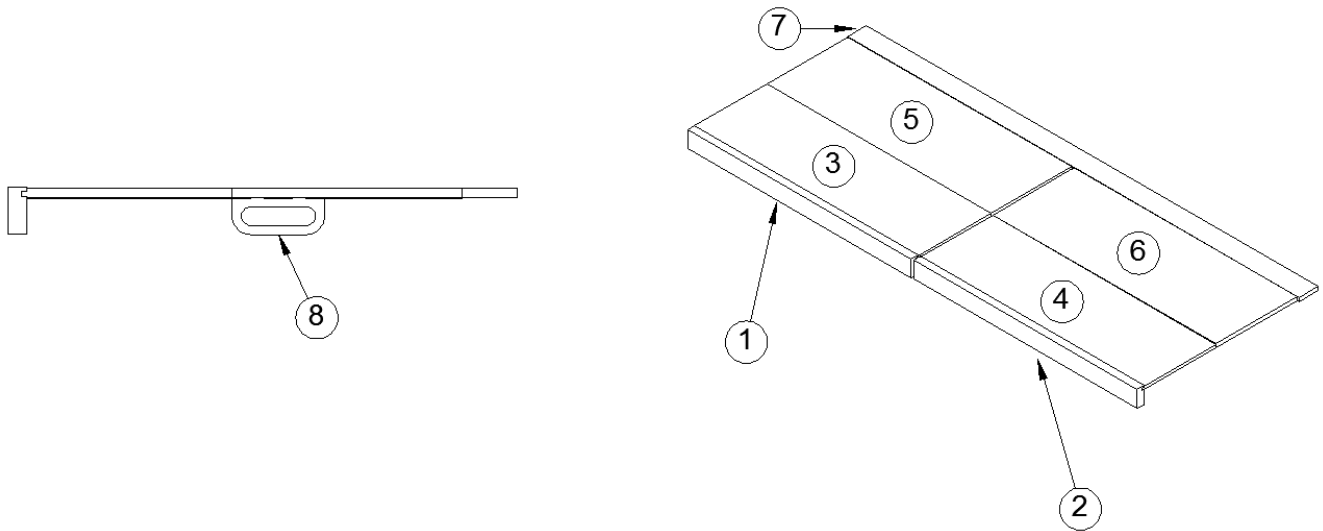
968019

Lavy Cabinet Assembly

1. 968019-1 Panel, 43.56 x 26.5
2. 968019-2 Formed part
3. 968019-3 Panel, 17.24 x 11.49
4. 968019-4 Panel, 2.25 x 26.48
5. 968019-5 Formed part
6. 968019-6 Panel, 2.5 x 14
7. 968019-7 Panel, 2.5 x 14
8. 968019-8 Door, 10.29 x 25.57
9. 602336-01 Lavy base w/sink, Corian
- 382206-01 Push lock, Plastic, Brown
- 382219 Strike plate, Hafele
- 382206-02 Knob, Solid brass, Chrome polish
- 382206-03 Rosette, Solid brass, Chrome polish
- 382215 Hinge, Blum full overlay

# 2015 LAND YACHT FURNITURE, GALLEY

## Galley Flip Lid

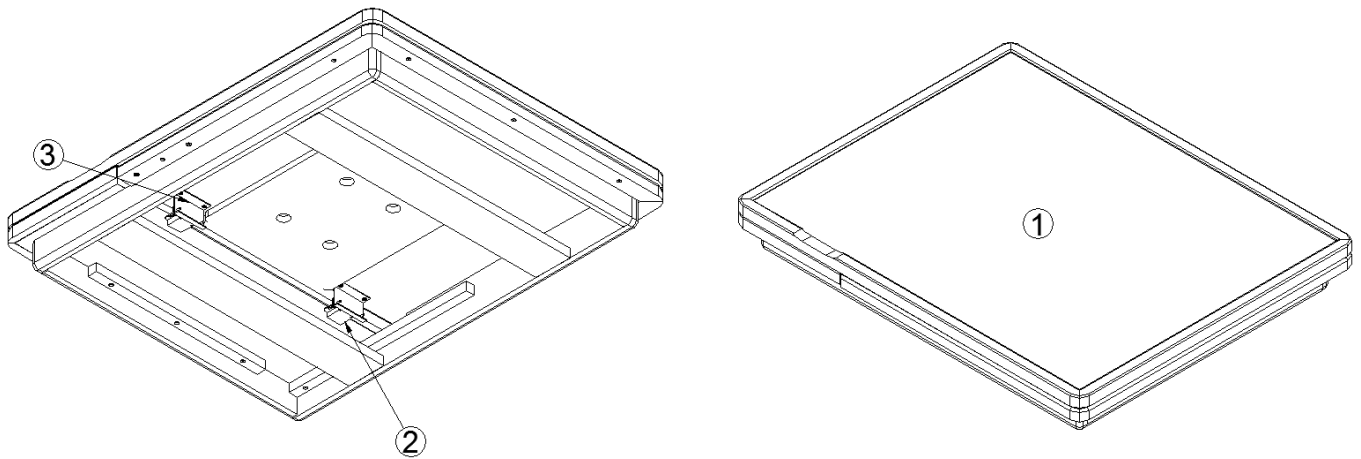


### 967964 Galley Flip Lid Assembly

- |             |                      |
|-------------|----------------------|
| 1. 967964-1 | Panel, 2.52 x 34.19  |
| 2. 967964-2 | Panel, 2.52 x 34.19  |
| 3. 967964-3 | Panel, 34.19 x 11.36 |
| 4. 967964-4 | Panel, 34.19 x 11.36 |
| 5. 967964-5 | Panel, 34.19 x 12.43 |
| 6. 967964-6 | Panel, 34.19 x 12.43 |
| 7. 967964-7 | Panel, 2.98 x 69.11  |
| 8. 602365   | Pull handle, Corian  |

# 2015 LAND YACHT FURNITURE, GALLEY

## Dinette table



968314

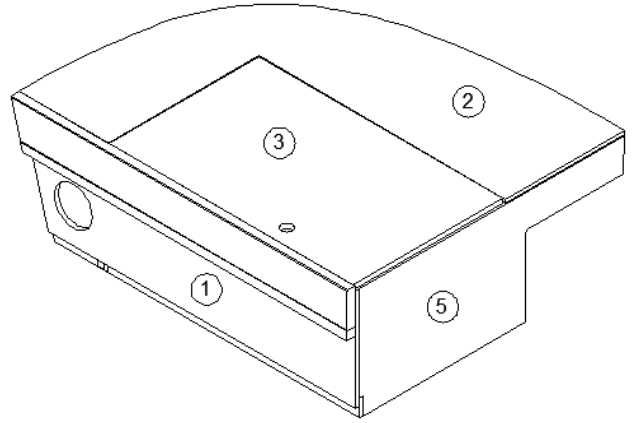
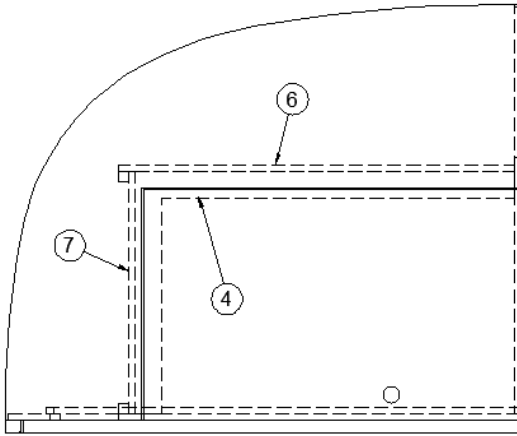
Dinette Table Modification

1. 967978
2. 381228-02
3. 115655

Dinette Table, Assembled by Technoform  
Catch Grabber, 5LB  
Channel, Grabber catch

# 2015 LAND YACHT FURNITURE, GALLEY

## Dinette Seat, Roadside



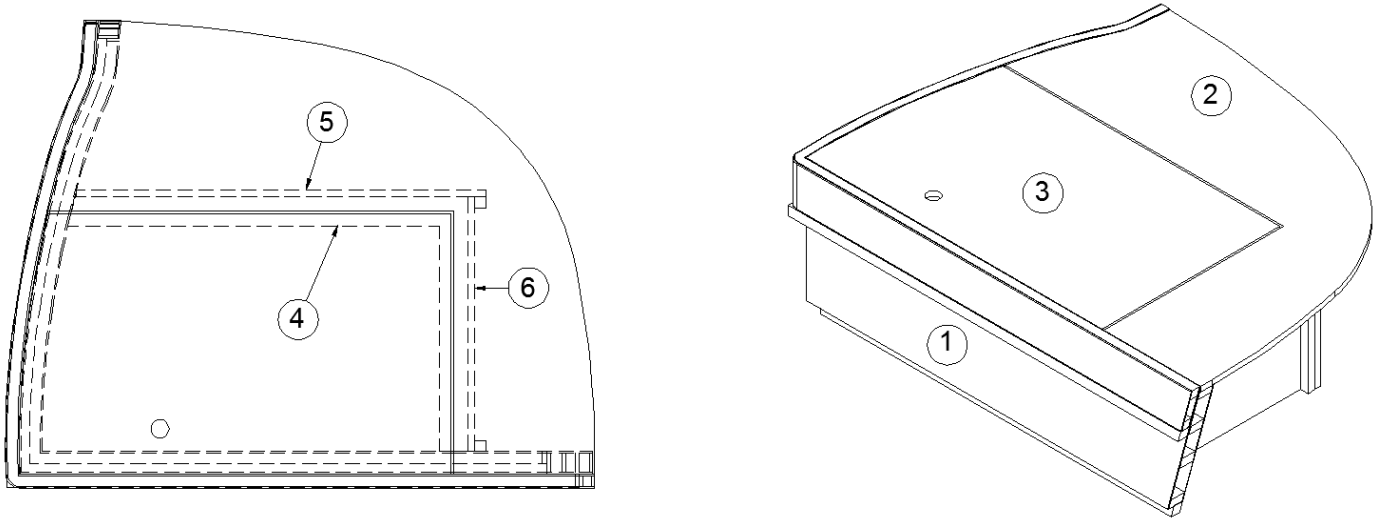
967977

Dinette Seat Assembly, Roadside

- |             |                       |
|-------------|-----------------------|
| 1. 967977-1 | Dinette seat assembly |
| 2. 967977-2 | Panel, 39.98 x 32.07  |
| 3. 967977-3 | Panel, 29.08 x 17.81  |
| 4. 967977-4 | Panel, 29.42 x 18.68  |
| 5. 967977-5 | Panel, 31.56 x 13.28  |
| 6. 967977-6 | Panel, 30.68 x 13.28  |
| 7. 967977-7 | Panel, 13.28 x 18.68  |

# 2015 LAND YACHT FURNITURE, GALLEY

## Dinette Seat, Curbside

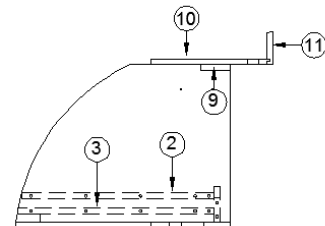
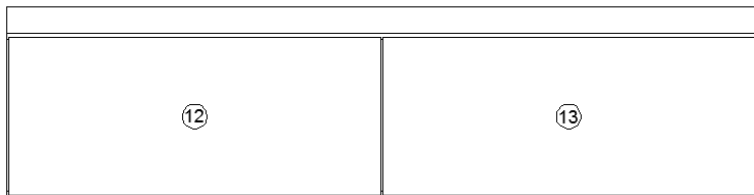
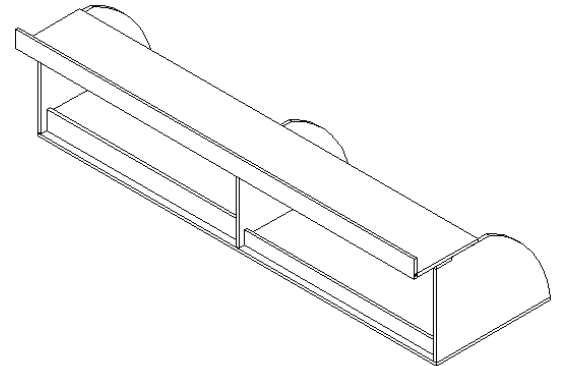
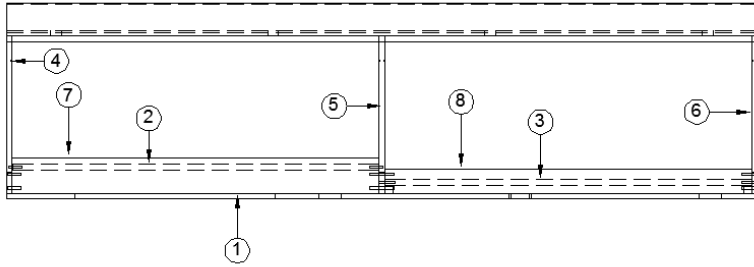


### 967976 Dinette Seat Assembly, Curbside

- |             |                       |
|-------------|-----------------------|
| 1. 967976-1 | Dinette seat assembly |
| 2. 967976-2 | Panel, 40.14 x 33.53  |
| 3. 967976-3 | Panel, 30.16 x 18.12  |
| 4. 967976-4 | Panel, 27.97 x 17.74  |
| 5. 967976-5 | Panel, 13.27 x 28.64  |
| 6. 967976-6 | Panel, 13.27 x 17.74  |

# 2015 LAND YACHT FURNITURE, GALLEY

## Roof Locker, Galley



967965

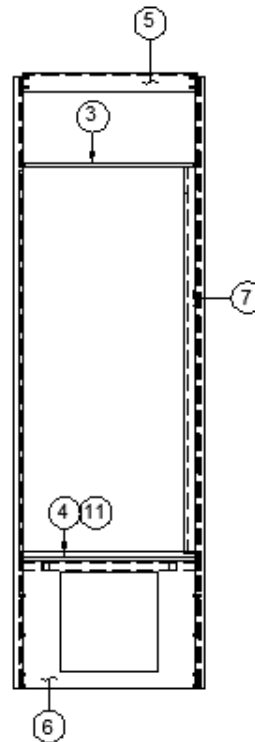
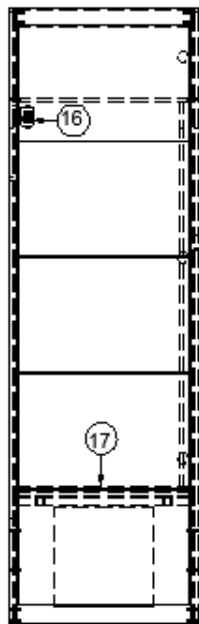
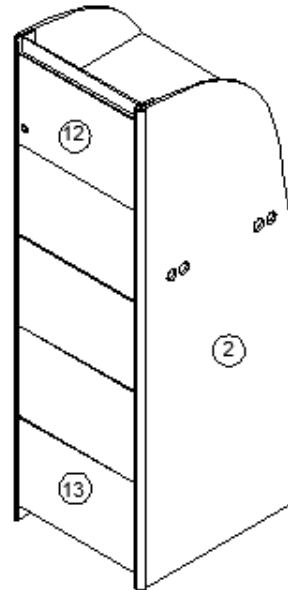
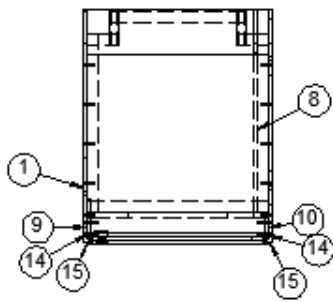
Roof Locker, Galley

- |               |                                  |
|---------------|----------------------------------|
| 1. 967965-1   | Panel, 19.82 x 69.11             |
| 2. 967965-2   | Panel, 17.74 x 33.71             |
| 3. 967965-3   | Panel, 18.12 x 33.71             |
| 4. 967965-4   | Panel, 19.76 x 14.47             |
| 5. 967965-5   | Panel, 19.76 x 14.47             |
| 6. 967965-6   | Panel, 19.76 x 14.47             |
| 7. 967965-7   | Panel, 3.25 x 33.79              |
| 8. 967965-8   | Panel, 2.25 x 33.79              |
| 9. 967965-9   | Panel, 2.76 x 69.11              |
| 10. 967965-10 | Panel, 10.89 x 69.11             |
| 11. 967965-11 | Panel, 3 x 69.11                 |
| 12. 967965-12 | Door, 14.49 x 34.25              |
| 13. 967965-13 | Door, 14.49 x 34.25              |
| 382213        | Hinges, Overhead door lift, Blum |
| 967965-15     | Handle w/push lock               |
| 345529        | Screw, 8-32 x 3", PH, Phil       |
| 382244-07     | Striker plate, Nickel matt       |



# 2015 LAND YACHT FURNITURE, GALLEY

## Refrigerator Cabinet



Parts Listed on Next Page

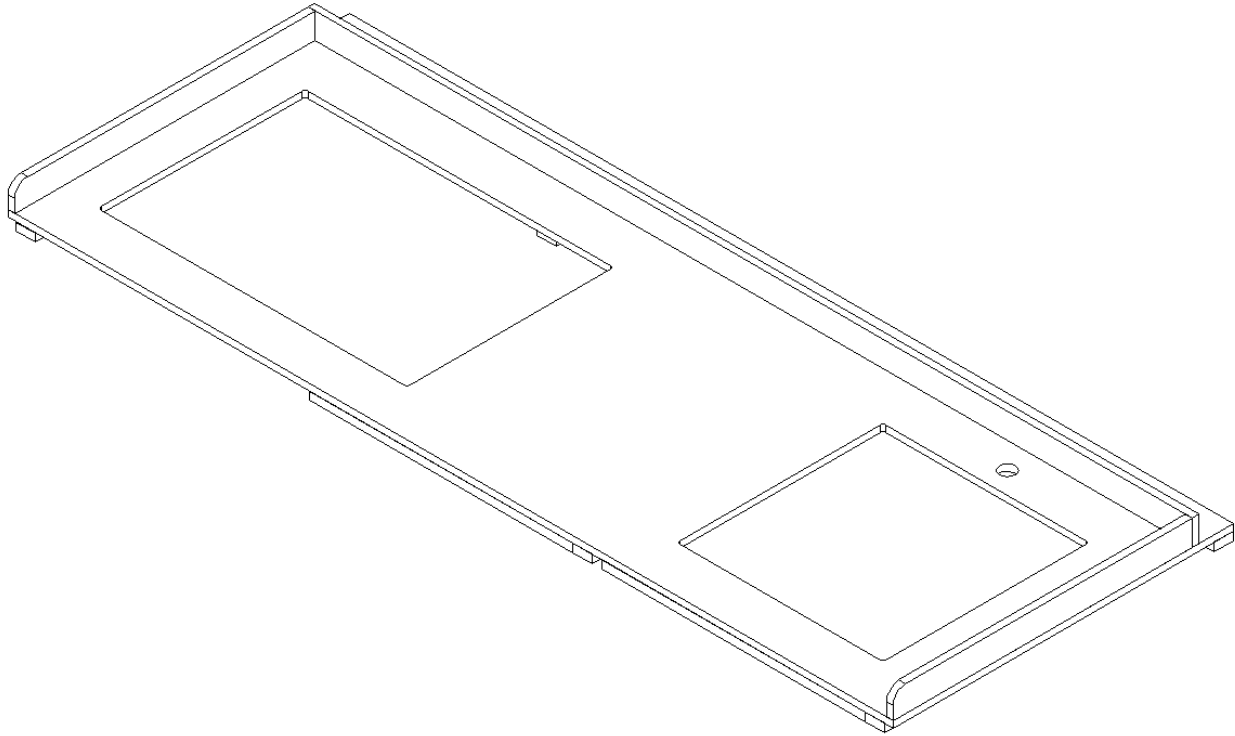
# 2015 LAND YACHT FURNITURE, GALLEY

## Refrigerator Cabinet

968006	Refrigerator Cabinet Assembly
1. 968006-1	Panel, 28.8 x 78.17
2. 968006-2	Panel, 28.8 x 78.17
3. 968006-3	Panel, 23.17 x 23.21
4. 968006-4	Panel, 2.52 x 22.15
5. 968006-5	Panel, 2.38 x 22.15
6. 968006-6	Panel, 17.36 x 23.17
7. 968006-7	Panel, 2 x 49.08
8. 968006-8	Panel, 25.75 x 49.08
9. 968006-9	Panel, 3.35 x 78.28
10. 968006-10	Panel, 3.35 x 78.28
11. 968006-11	Panel, 23.17 x 26.27
12. 968006-12	Door, 21.83 x 58.86
13. 968006-13	Door, 21.83 x 15.57
14. 968006-14	Wood filler strips
15. 968006-15	Corner trim extrusion
16. 382206-01	Push lock, Plastic, Brown
17. 968008	Refrigerator stand, Aluminum frame
382212	Blum hinge, Inset, 35mm
382219	Strike plate, Hafele
104821	Support, 74"
381074	Catch bull dog, Copper
968006-23	Panel, 2.25 x 49.08
382206-02	Knob, Solid brass, Chrome polish
382206-04	Rosette, Solid brass, Chrome polish

2015 LAND YACHT  
FURNITURE, GALLEY

Galley Top, Corian

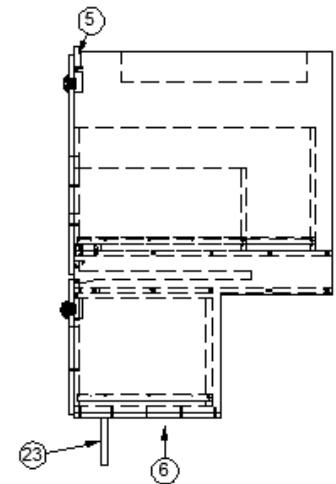
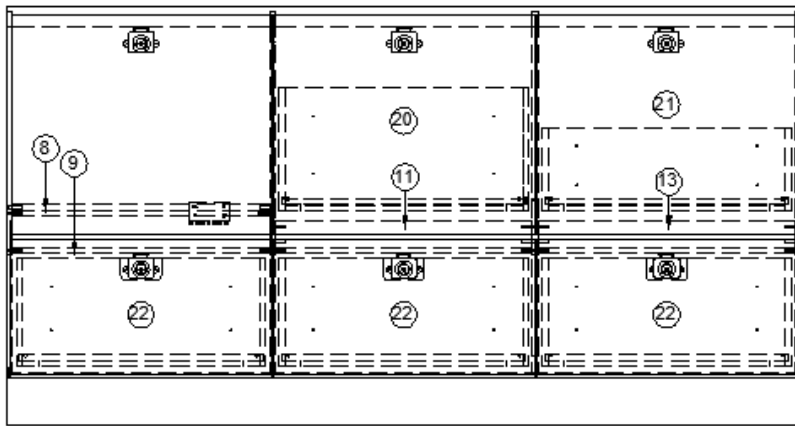
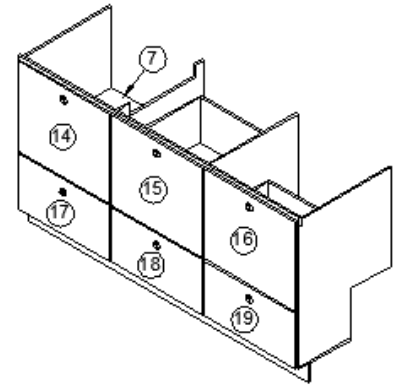
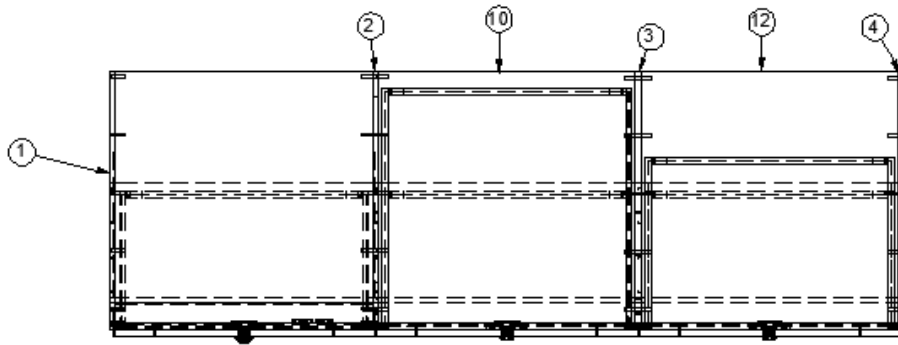


602346-01  
690662

Top assembly, Corian, Glacier White  
Sink, White Enameled, Dometic

# 2015 LAND YACHT FURNITURE, GALLEY

## Galley Cabinets



Parts Listed on Next Page

# 2015 LAND YACHT FURNITURE, GALLEY

## Galley Cabinets

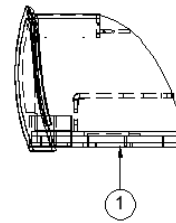
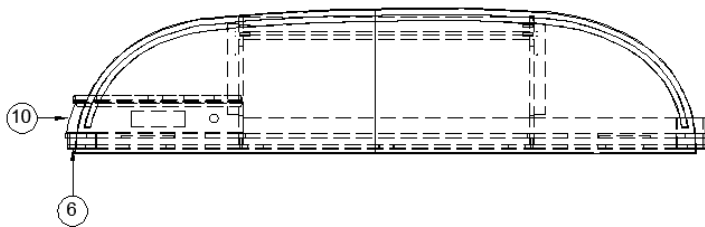
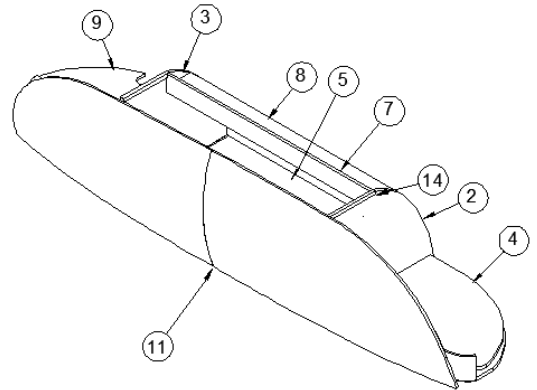
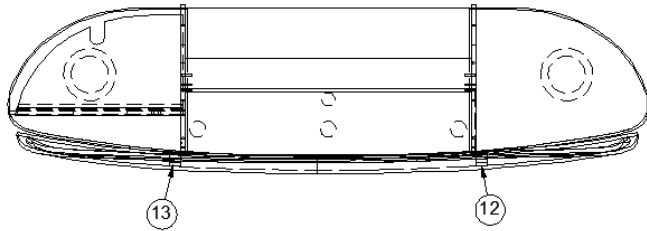
967963

### Galley Cabinet Assembly

1. 967963-1	Panel, 22.54 x 31.38
2. 967963-2	Panel, 22.54 x 31.38
3. 967963-3	Panel, 22.54 x 31.38
4. 967963-4	Panel, 22.54 x 31.38
5. 967963-5	Panel, 1.84 x 69.12
6. 967963-6	Panel, 12.81 x 69.12
7. 967963-7	Panel, 22.34 x 22.41
8. 967963-8	Panel, 22.34 x 2.25
9. 967963-9	Panel, 22.34 x 2.25
10. 967963-10	Panel, 22.38 x 22.54
11. 967963-11	Panel, 22.38 x 2.25
12. 967963-12	Panel, 22.34 x 22.54
13. 967963-13	Panel, 22.34 x 2.25
14. 967963-14	Panel, 19.19 x 22.66
15. 967963-15	Panel, 19.19 x 22.7
16. 967963-16	Panel, 19.19 x 22.7
17. 967963-17	Panel, 11.72 x 22.66
18. 967963-18	Panel, 11.72 x 22.7
19. 967963-19	Panel, 11.72 x 22.66
20. 967963-20	Panel, 10.67 x 21.75 x 21
21. 967963-21	Panel, 7.13 x 21.71 x 15
22. 967963-22	Panel, 9.43 x 21.71 x 12
23. 967963-29	Panel, 4 x 69.12
382204-01	Slide drawer, Soft-close, 12"
382204-02	Slide drawer, Soft-close, 15"
382204-03	Slide drawer, Soft-close, 21"
382200-01	Slide, Over-the-top, 22"
382206-01	Push lock, Plastic, Brown
382204-06	Front fixing clips
382219	Strike plate, Hafele
382206-02	Knob, Solid brass, Chrome polish
382206-03	Rosette, Solid brass, Chrome polish
382212	Blum hinge, Inset, 35mm

# 2015 LAND YACHT FURNITURE, LOUNGE

## Roof Locker, Rear



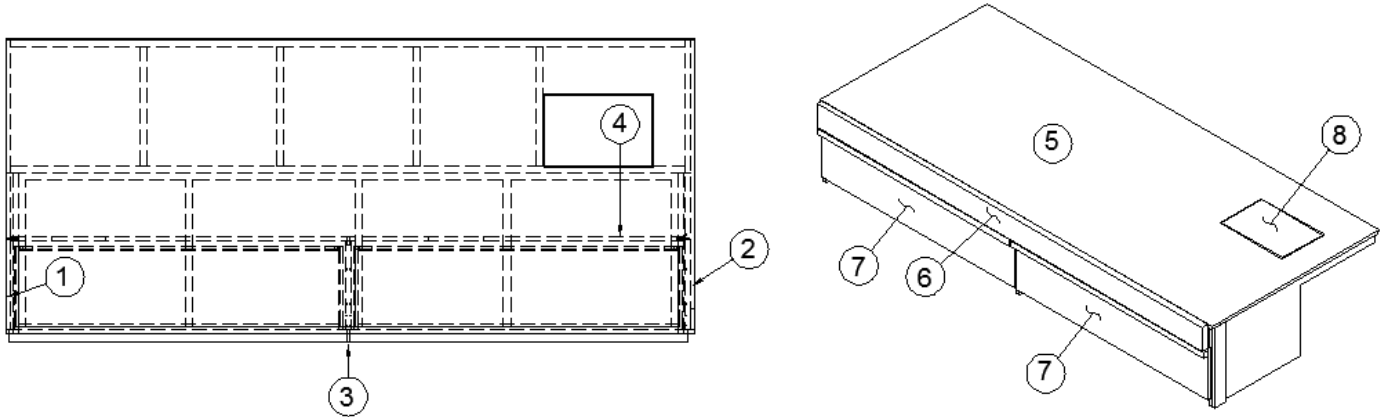
968068

Rear Roof Locker

- |               |                                     |
|---------------|-------------------------------------|
| 1. 968068-1   | Locker bottom, Formed by Technoform |
| 2. 968068-2   | Panel, 17.19 x 20                   |
| 3. 968068-3   | Panel, 17.19 x 20                   |
| 4. 968068-4   | Panel, 19.09 x 24.13                |
| 5. 968068-5   | Panel, 20 x 38.5                    |
| 6. 968068-6   | Panel, 19.09 x 24.13                |
| 7. 968068-7   | Panel, 3 x 38.5                     |
| 8. 968068-8   | Panel, 4 x 38.5                     |
| 9. 968068-9   | Panel, 12.59 x 22.25                |
| 10. 968068-10 | Panel, 4.28 x 23.66                 |
| 11. 968068-11 | Locker door, Technoform             |
| 12. 968068-12 | Hinge mount, Technoform             |
| 13. 968068-13 | Hinge mount, Technoform             |
| 14. 115613    | Channel extrusion, 1/2" panel       |
| 382214        | Blum lift mechanism, Overhead door  |
| 968068-14     | Extrusion, Corner, Chrome           |
| 968068-15     | Wood strips, 1/8"                   |

# 2015 LAND YACHT FURNITURE, LOUNGE

## Sofa



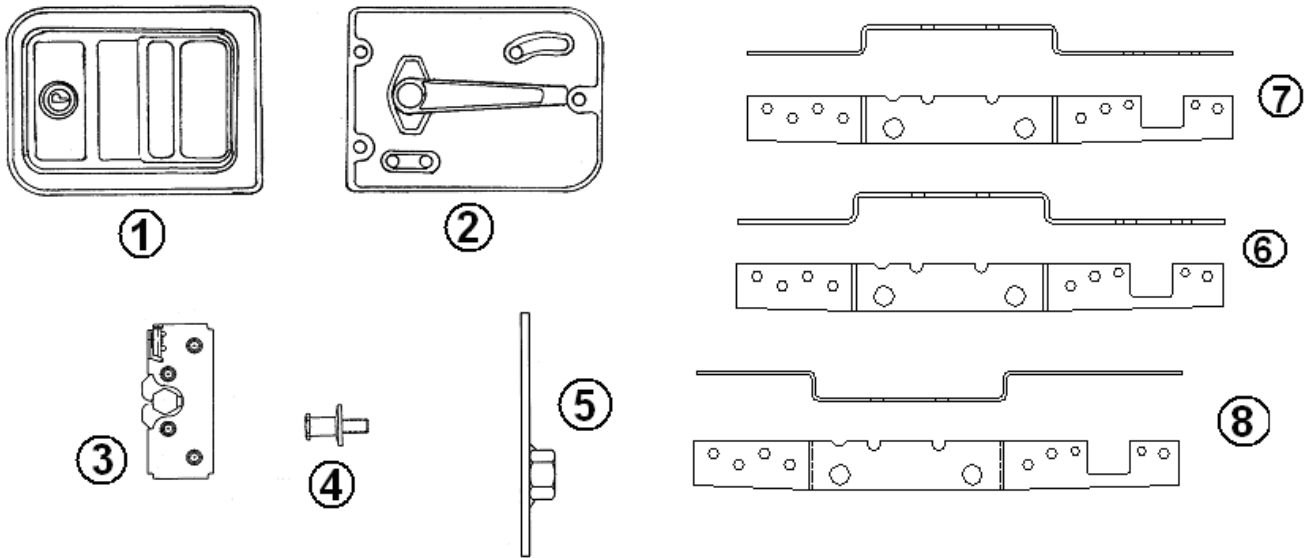
967984

Sofa Assembly

- |              |   |
|--------------|---|
| 1. 967984-1  | Panel, 31.53 x 13.27                      |
| 2. 967984-2  | Panel, 31.53 x 13.27                      |
| 3. 967984-3  | Panel, 9.56 x 9.55                        |
| 4. 967984-4  | Panel, 9.55 x 73.66                       |
| 5. 967984-5  | Panel, 32.03 x 75.2                       |
| 6. 967984-6  | Sofa slide-out assembly, Technoform       |
| 7. 967984-7  | Sofa drawer box face assembly, Technoform |
| 8. 967984-11 | Panel, 7.75 x 3.75                        |
| 967984-12    | Panel, 2.25 x 13.27                       |
| 382204-04    | Drawer slide, Soft-close, 9"              |
| 382204-06    | Front fixing clips                        |
| 382231       | Slide, Ball bearing, 14"                  |

# 2015 LAND YACHT HARDWARE

## Main Door Latch/Lock

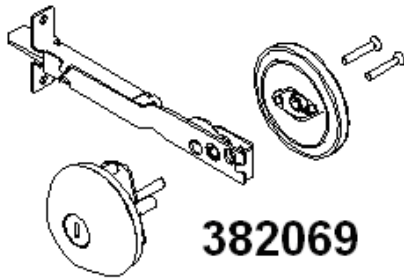


- |    |                         |  |
|----|-------------------------|--|
| 1. | 381547-01<br>381547-102 | Main door lock, outside housing              |
| 2. | 381547-07               | Main door key, Blank                         |
| 3. | 381547-03               | Main door lock, inside plate                 |
| 4. | 381547-04               | Double rotary latch, main door               |
| 5. | 381550                  | Striker bolt w/washer, main door lock        |
| 6. | 382067                  | Plate, Striker Bolt Mounting                 |
| 7. | 382066                  | Outer Reinforcement Plate, RH/LH Hinged Door |
| 8. | 382068                  | Inner Reinforcement Plate, LH Hinged Door    |
|    | 381547-08               | Inner reinforcement plate, RH hinged door    |
|    | 385595                  | Screw package, main door lock                |
|    |                         | Pocket strike, #10-10-810                    |

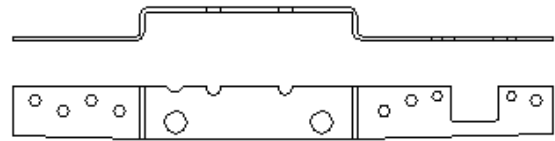


# 2015 LAND YACHT HARDWARE

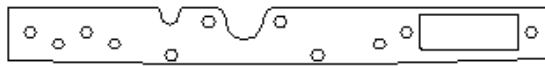
## Deadbolt Assembly, Main Door, Round, Trimark



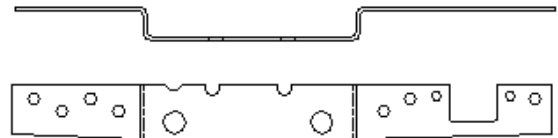
**382069**



**382066**



**382067**



**382068**

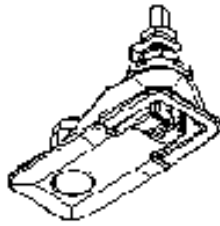
**115413**



- |            |  |
|------------|--|
| 382069     | Deadbolt assembly, round, Trimark            |
| 382069-100 | Deadbolt Key, Blank                          |
| 382066     | Inner reinforcement plate, LH hinged door    |
| 382067     | Outer reinforcement plate, RH/LH hinged door |
| 382068     | Inner reinforcement plate, RH hinged door    |
| 115413     | Door hat section                             |

# 2015 LAND YACHT HARDWARE

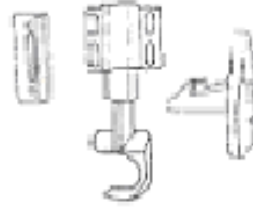
## Exterior Latches/Locks/Handles



①



②



③



④



⑤



⑥



⑦



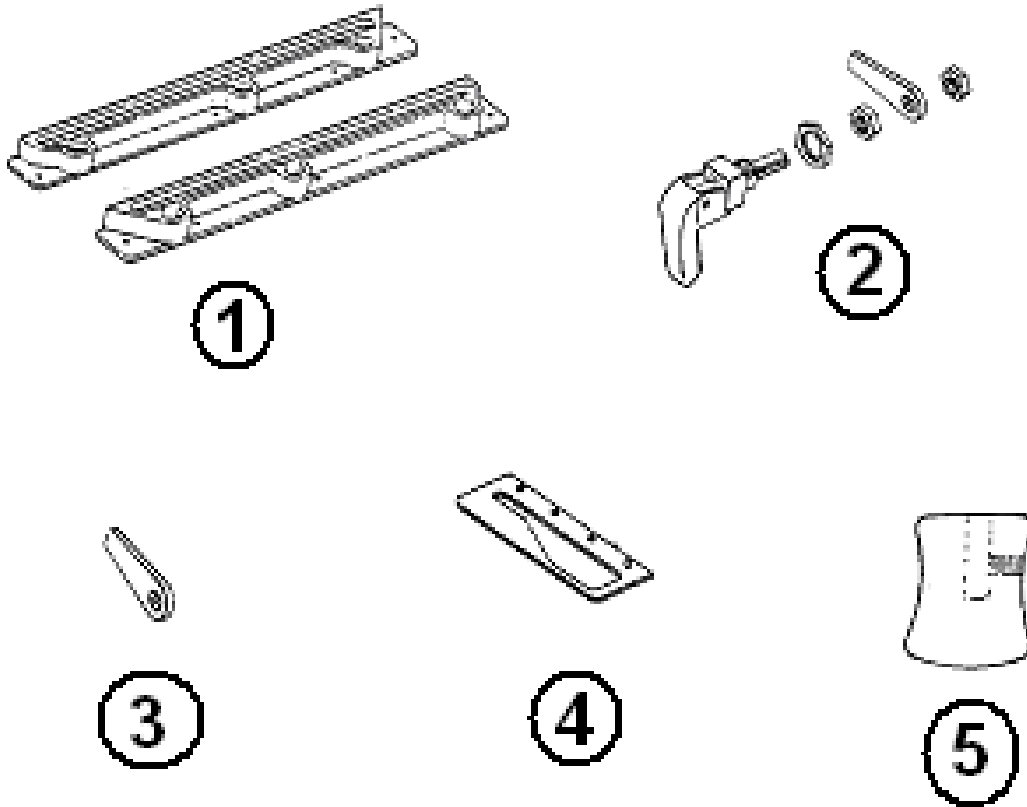
⑧

- |   |   |
|---|---|
| <ul style="list-style-type: none"> <li>1. 382230-02</li> <li>2. 381021-01</li> <li>3. 381454</li> <li>4. 380291</li> <li>5. 380290</li> <li>6. 201056</li> <li>7. 381430</li> <li>8. 380004</li> <li>    381737-01</li> <li>    *381737-02</li> </ul> | <ul style="list-style-type: none"> <li>Compression Latch w/key code</li> <li>Rubber T handle</li> <li>Latch, screen door, Bullet</li> <li>Main door holdback, (use w/housing #380290)</li> <li>Latch housing, main door holdback</li> <li>Catch, main door holdback</li> <li>Twist lock, straight cam</li> <li>Handle, screen door</li> <li>Assist handle, Molded, Painted Mocha</li> <li>Assist handle, Molded, Black</li> </ul> |
|---|---|

\*Replaced 381737-01 on 5-1-2015

# 2015 LAND YACHT HARDWARE

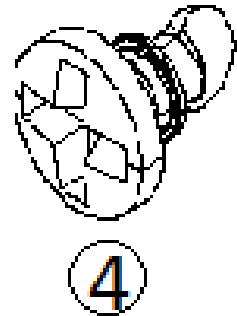
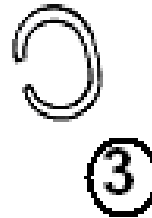
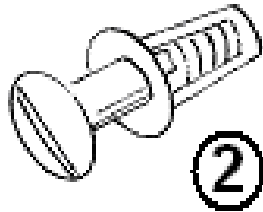
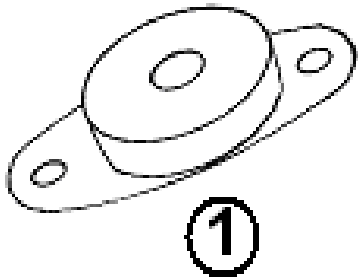
## Window, Opening



- |              |                                  |
|--------------|----------------------------------|
| 1. 0802-0001 | Window guide, RH                 |
| 0802-0002    | Window guide, LH                 |
| 2. 010020    | Lower window latch, chrome       |
| 195467-05    | Lower window latch, w/red handle |
| 3. 685123    | Pawl, window latch, straight     |
| 4. 685124    | Striker plate, window latch      |
| 5. 380230-03 | Knob window arm, silver          |
| 380230-04    | Knob, window arm, red            |

## 2015 LAND YACHT HARDWARE

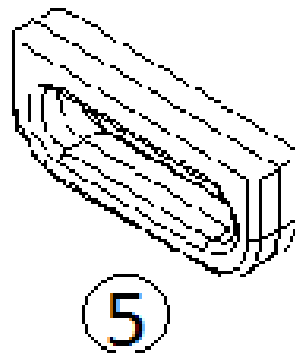
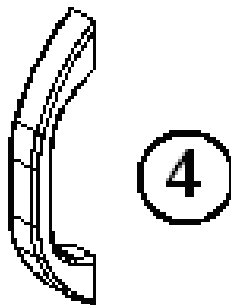
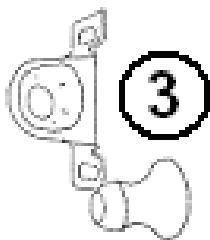
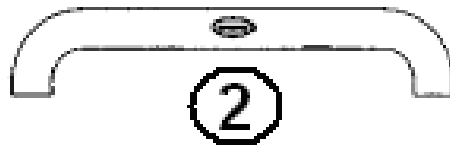
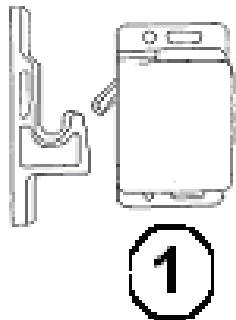
### Window Stone Guard



- |           |   |
|-----------|---|
| 1. 685359 | Rubber receptacle                         |
| 2. 685342 | 1/4 latch, South-co                       |
| 3. 685362 | Stud, 1/4 turn latch South-co             |
| 4. 685358 | Retaining ring                            |
| 685363    | 1/4 turn stud                             |
| 683960    | Oval recess, Quarter turn fastener        |
| 683959    | Slip Joint Hinge                          |
| 114749    | Support arm, rock guard                   |
| 114750    | Bracket, arm support                      |
| 381021-01 | Hinge "Y" assembly                        |
| 114819-01 | Hinge "J" rock guard                      |
| 114819-02 | Draw Latch, Black Rubber                  |
| 114819-03 | Wrap protector hold back, 1.62"           |
| 101401    | Wrap protector hold back, 2.50"           |
| 345417    | Wrap protector hold back, 5.00"           |
| 345376    | Extrusion, door latch housing/Stone guard |
| 345336-07 | Nut, acorn, hex locking, SS 1/4-20        |
|           | Nut, hex HD 1/4-20 SS                     |
|           | Cap screw HEX HD 1/4-20 X .75"            |

# 2015 LAND YACHT HARDWARE

## Interior Latches/Hinges/Handles



- |              |   |
|--------------|---|
| 1. 381228    | Grabber door latch w/catch, 10 lb. Rating |
| 381228-02    | Catch, grabber door, (5lb pull)           |
| 2. 382194-02 | Head knocker, white, interior door jamb   |
| 3. 381074    | Bull dog door catch                       |
| 4. 381737-01 | Handle assist, molded, interior           |
| 5. 602365-01 | Pull handle, Corian, Glacier White        |
| 382212       | Blum Hinge, Inset, 35mm                   |
| 382206-01    | Push lock, w/o latch, Plastic, Brown      |
| 382206-02    | Knob, Solid brass, Chrome polish          |
| 382206-04    | Rosette, Solid brass, Chrome polish       |

# 2015 LAND YACHT HARDWARE

## Interior Rubber Bumpers/Mirror Clip



1



2



3



4

- |               |  |
|---------------|--|
| 1. 360012     | Bumper, rubber, white, stick-on, cylindrical |
| 2. 360016     | Bumper, rubber, gray, square 3/8 x 3/8       |
| 3. 195329-202 | Bumper, rubber, brown, stick on, oval        |
| 4. 381754     | Clip, mirror, retainer, metal                |

## 2015 LAND YACHT HARDWARE

### Drawer Slides

382203-02	Drawer slide, self-close, 12"
382204-01	Drawer slide, Soft close, 12"
382204-02	Drawer slide, Soft close, 15"
382204-03	Drawer slide, Soft close, 21"
382200-01	Slide, Hinged door, 20"
382231	Slide, Ball bearing, 14"

### Bath Accessories

600594	Strainer with White Rubber Stopper
601358	Hand shower unit, Chrome
602369	Faucet, Chrome, Nordic
602370	Complete shower kit, Chrome

## 2015 LAND YACHT HARDWARE

### Closet Rod

382221	Closet rod, Chrome
382221-01	Flange, Oval w/3 holes, Chrome

### Sewer Hose Parts

195329-240	Sewer hose adaptor
340084-52	Clamp, hose SAE #52

### Keys, Key Holder

381647	Key, water fill CH 751
382069-100	Deadbolt Key, Blank
381547-102	Main door key, Blank
385229	Key Holder, Plastic, Airstream Blue



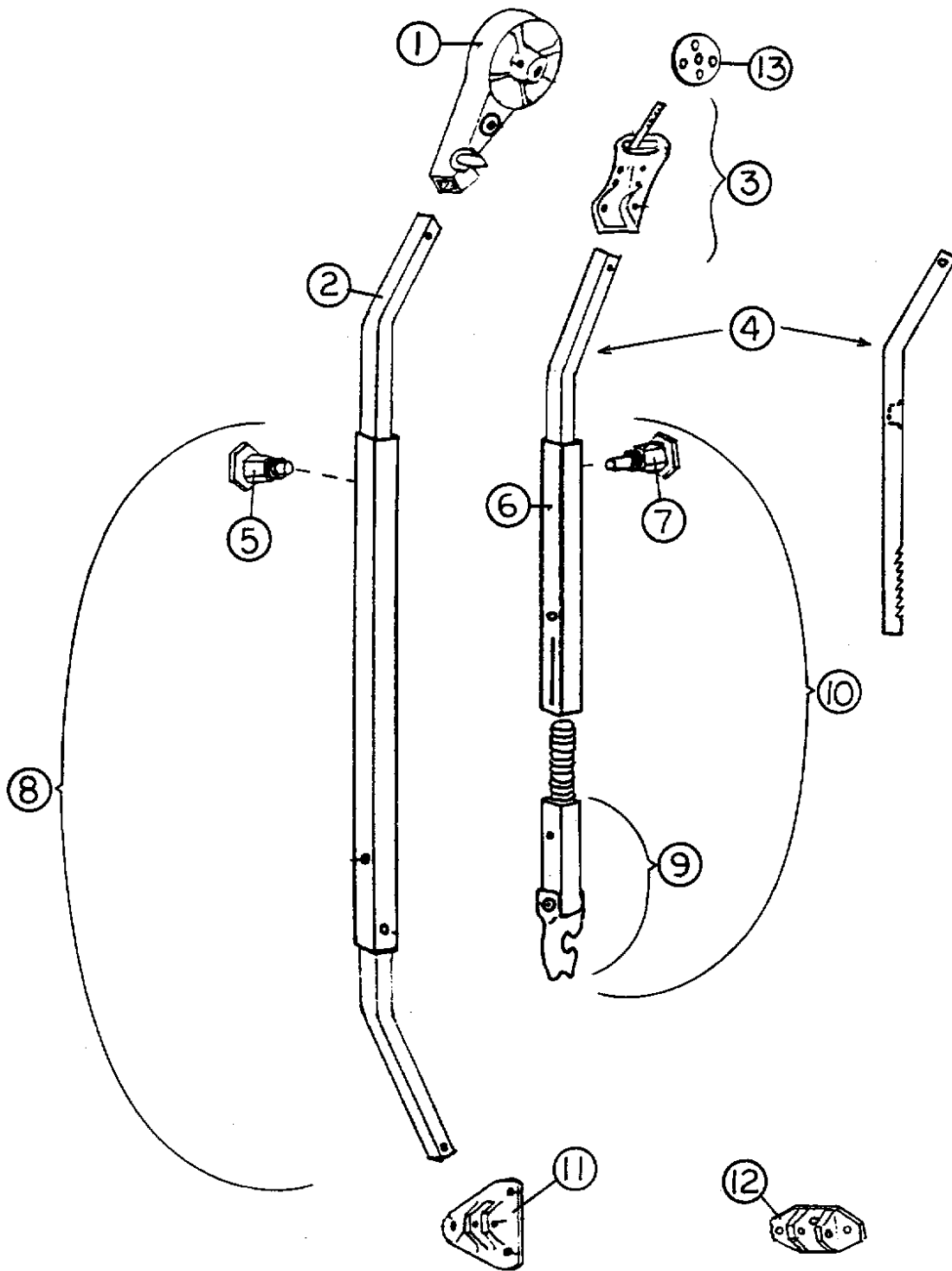
## 2015 LAND YACHT HARDWARE

### Interior/Exterior Hinges

381552-03	Hinge assembly, main door upper
381552-04	Hinge assembly, main door lower
381531-01	Hinge, screen door, upper
381531-02	Hinge, screen door, lower
380988	Hinge, refer access door, underbelly comp door, Electrical box
381605-01	Hinge, piano, Stainless Steel, 20"
381605-03	Hinge, piano, Stainless Steel, 25"
380773	Hinge, access door, gas bottle cover
380203-01	Piano hinge, 1/8", clear anodized
380203-02	Piano hinge, 7/2", black anodized
114749	Hinge, "Y" Assembly, Rockguard
114750	Hinge, "J", Rockguard
382212	Blum Hinge, Inset, 35mm

# 2015 LAND YACHT HARDWARE

## Awnings



Parts Listed on Next Page

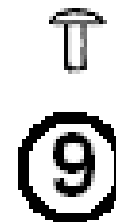
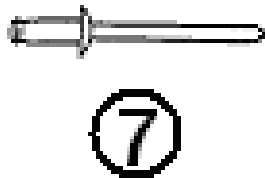
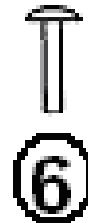
# 2015 LAND YACHT HARDWARE

## Awnings

- |                |                               |
|----------------|-------------------------------|
| 1. 74043W-04   | Head assembly, front          |
| 74043W-05      | Head assembly, Rear           |
| 2. 74047W-09   | Main arm bar, front           |
| 74047W-10      | Main arm bar, rear            |
| 3. 74056W      | Clamp assembly, front, curved |
| 74056W-01      | Clamp assembly, rear, curved  |
| 4. 74061WS-07  | Rafter arm bar, satin         |
| 5. 74054W      | Snap stud assembly            |
| 6. 74063W-04   | Rafter arm tube, satin        |
| 7. 74072W      | Ratchet stud                  |
| 8. 74048WS-12  | Main arm tube assembly, front |
| 74048WS-13     | Main arm tube assembly, rear  |
| 9. 74068W-03   | Claw bar assembly             |
| 10. 74048WS-14 | Rafter arm assembly           |
| 11. 74055W     | Base hinge, rib mount         |
| 12. 74055W-01  | Base hinge, floor mount       |
| 13. 74060W     | Clamp wheel                   |
| 74041W-01      | Awning hook rod               |

## 2015 LAND YACHT HARDWARE

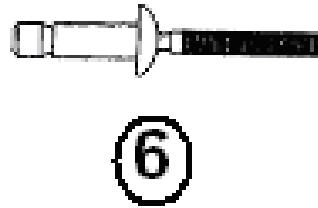
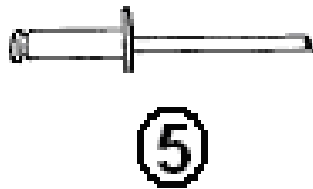
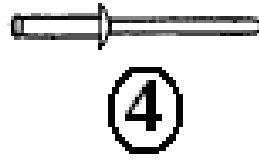
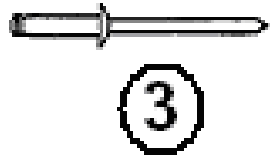
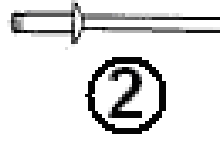
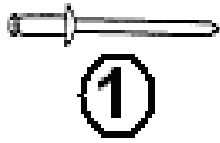
### Rivets, Buck



- |  |   |
|--|---|
| <ul style="list-style-type: none"> <li>1. 325043</li> <li>2. 325000-01</li> <li>3. 325000-03</li> <li>4. 325001-03</li> <li>5. 325002-01</li> <li>6. 325004-01</li> <li>7. 330127-03</li> <li>8. 300101</li> <li>9. 325003-03</li> </ul> | <ul style="list-style-type: none"> <li>Rivet, 1/8", 1/4" length (hard)</li> <li>Rivet, 1/8", 1/4" length anodized clear</li> <li>Rivet, 1/8", length 1/4", long, Solid Braizer HD</li> <li>Rivet, 1/8", length 5/16", Polar white</li> <li>Rivet, 1/8", length 3/8", anodized clear</li> <li>Rivet, 1/8", length 1/2", anodized clear</li> <li>Rivet, grip range .063-.125, alum body, aluminum mandrel</li> <li>1/8" I.D., Washer, aluminum</li> <li>Rivet, Polar White, 1/8 X 7/16</li> </ul> |
|--|---|

# 2015 LAND YACHT HARDWARE

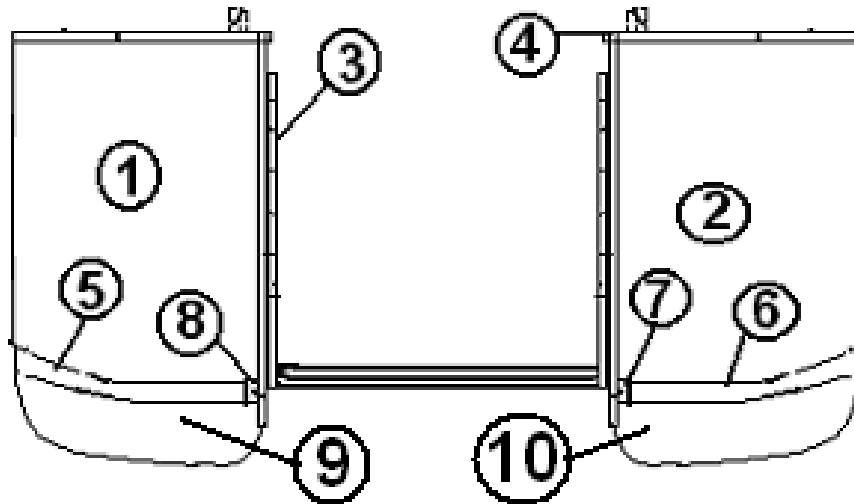
## Rivets, Pop



- |              |  |
|--------------|--|
| 1. 330126-02 | Pop Rivet, dia. 1/8" grip range .126-.187, S.S.        |
| 2. 330126-03 | Pop Rivet, dia., 1/8" grip range .126-.250, S.S.       |
| 3. 330155    | Pop Rivet, 1/8", Aluminum body w/Steel Mandrel         |
| 4. 330128-05 | Pop Rivet, dia., 1/8", white                           |
| 330128-08    | Pop Rivet, dia., 1/8", white                           |
| 5. 330038    | Pop Rivet, dia., .150". grip range .126-.25, Alum body |
| 6. 330016-04 | Pop rivet, closed end, sealing                         |
| 325103-01    | Pop Rivet, 3/16 x 1/2, Clear anodized                  |

## 2015 LAND YACHT HARDWARE

### Wrap Protector



109325-100

Wrap Protector, complete set

- |               |  |
|---------------|--|
| 1. 966276     | Wrap Protector, CS                         |
| 685365-100    | Wrap Protector, CS, CSA                    |
| 2. 966277     | Wrap Protector, RS                         |
| 685366-100    | Wrap Protector, RS, CSA                    |
| 3. 381605-03  | Hinge, stainless, wrap protector, 25" long |
| 4. 100742-01  | Extrusion, mirror/wrap trim protector      |
| 5. 115546     | Extrusion, rub rail                        |
| 6. 201763-100 | Insert, rub rail, chrome                   |
| 7. 114465-01  | Casting, closeout, rub rail, RH            |
| 8. 114465-02  | Casting, closeout, rub rail LH             |
| 9. 200542-01  | Wrap, underbelly, front RS, Haircell       |
| 10. 200543-01 | Wrap, underbelly, front CS, Haircell       |
| 101401        | Extrusion, door latch housing/stone        |
| 345417        | Nut acorn, hex, locking SS 1/4-            |
| 345376        | Nut, hex HD 1/4-20 SS                      |
| 345336-07     | Cap screw hex HD 1/4-20 hex .75"           |
| 114819        | Wrap protector hold back, 2.75"            |
| 114819-02     | Wrap protector hold back, 2.00"            |
| 114819-03     | Wrap protector hold back, 5.00"            |
| 500096        | Reflector, amber                           |

## 2015 LAND YACHT LABELS AND TAGS

### Labels and Tags

386250	Label, LPG Service Port
385193	Label, "12V distribution panel inside"
386119	Label, do not store combustible
385068	Tag, cooking appliance warning
386118	Label, LP gas, tri-warning
385517	Label, kill switch warning
385521	Label, emergency egress window
386122	Label, comfort heating
386121	Label, "if you smell gas"
385465	Exit label, English
385560	Label, air-conditioner rating
385812	Label, California hazardous substance
386120	Label, smoke alarm warning
385359	Label, microwave or air-conditioner
385837	Label, refrigeration ignition
386012	Label, warning-water heater
386082	Label, THOR, 5.25" x .75"
386098	Label Fuse, 12 V.
386123	Label, potable water only
386192	Hang tag, smoke/CO detector
386193	Label, wheel torque warning
386142	Label, check wheel lug
386114	Label, RVIA, silver
385062	Decal, 110-125 voltage AC
385565	Label, holding tank flushing
386097	Label Fuse, 12 V.
386226	Label, RV master weight
385101	Tag, aux., dump valve
385099	Tag, Black tank dump
386019	Label, 1 amp. Fuse max.
385020	Sticker, self-adhering, jack placement
386257	Label, Cable & Satellite Inlet
386110	Label, OK to ship inspected AD-75
386221	Label sheet, Warranty Trailer
385971	Label, fuse, exterior light

## 2015 LAND YACHT LABELS AND TAGS

### Labels and Tags, CSA

386105	Label, TV/VCR Receptacle
385949	Label, potable water
385950	Label, smoke detector
385951	Label, range fresh air
385952	Label, LP warning
385953	Label, if you smell gas
385954	Label, range warning
385466	Label, exit, (French)
386263	Hang Tag, Coach-Net Roadside Assistance



## 2015 LAND YACHT PLUMBING, LPG SYSTEM

### LP Bottles and Fittings

601710-01	LP tank, 30# Steel
602332-01	Wing Nut
602332-02	Black Pan
602332-03	Regulator, gas w/two 12" pigtails
602332-05	48" LP Hose (1/2" Female Flare)
602332-06	Hold down VTD0046
602332-07	LP Regulator Mtg. Bracket
350132	Nut, Flanged Mac-Lock 1/2-13
602109-01	Disconnect coupler, 1/4" FPT x Quick disconnect
602312	Fitting, 5/8" FLR x 1/2" FLR, 90 Degree, Brass
602314	Fitting, 5/8" FLR x 5/8" FLR, Union Brass
600436	Forged Flare nut 5/8"
601776	Union, 1/2" Flare x 5/8" Flare

## 2015 LAND YACHT PLUMBING, LPG SYSTEM

### LP Bottle Cover

921246	LP bottle cover, 30#
382091-01	Tension latch, stainless steel
382091-02	Strike, tension latch, stainless steel
200845	Lid, plastic, bottle cover
380773	Hinge, access door
114070	J-trim, extrusion, aluminum

### Port, Exterior Propane

602109-01	Coupler, Disconnect .25" FPT
602109-03	Dust plug
454901	Bracket, LP Quick Disconnect port
602286	Nipple, .5" MPT x .25" MPT Brass
602313	Fitting MPT x 1/2" Flare, 90 degree
602315	LP hose, 1/2" x 36" CSA
340085-07	Clamp, loop 1"
201267-11	Conduit, Convoluted w/s 1" Black
386250	Label, LPG Service Port

# 2015 LAND YACHT PLUMBING, FRESH WATER

## Fresh Water Tank System

601863-01	Tank, fresh water 39 gallon
601620	Pan, fresh water tank
601243	Drain cock, fresh water tank
602185-01	Drain Valve, 90 degree lead free
381435	Hatch, white plastic, water hose exit
600155	1 1/2" plug Clean out
340301	Worm Clamp Dual Bead

## Gravity Fill System

115626	Water fill box, Stainless Steel
365380-01	Seal, Exterior shower door
365380-02	Seal, Interior door
601239-01	Tubing, 1.375" ID, ribbed w/flats
601240	Tubing, 3/8" I.D. X 3/32" wall thickness

## City Water Hookup System

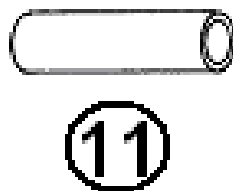
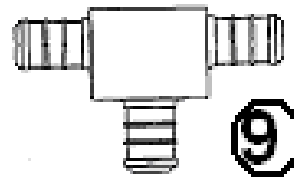
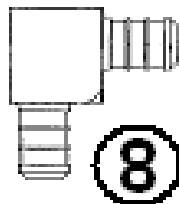
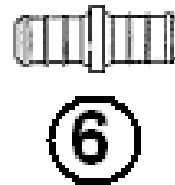
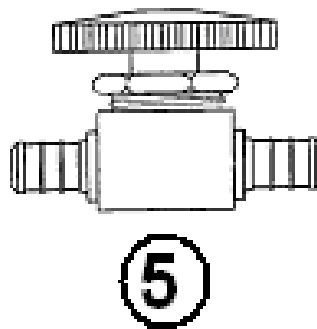
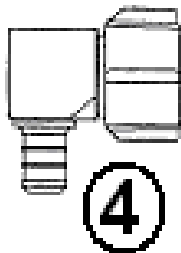
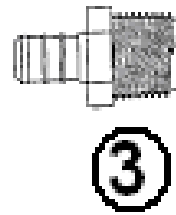
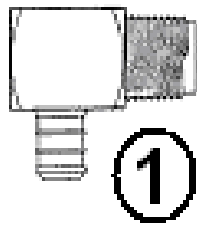
601392-05	City water fill w/regulator, Chrome
601392-06	City water fill w/regulator, Chrome, CSA
601659	Riser 1/2" FPT X 12" CPVC
602185-01	Drain Valve 90 deg. Lead free

## Water Pump System

602328	4GPM Shurflo water pump
602204	Flex hose, 1/2", Sureflo water pump
601668-01	Strainer, fresh water pump
602277	Filter, Water Inline Shurflo
602277-01	Fitting Water filter

# 2015 LAND YACHT PLUMBING, FRESH WATER

## Fresh Water Line/Fittings



Parts Listed on Next Page

## 2015 LAND YACHT PLUMBING, FRESH WATER

### Fresh Water Line/Fittings

1. 602256-04 Elbow, 1/2" barb x 1/2" MPT
2. 602256-03 Coupler, 1/2" barb x 1/2" FPT
3. 602256-02 Coupler, 1/2" barb x 1/2" MPT
4. 602256-05 Elbow, 1/2" barb x 1/2" FPT
5. 602256-22 Shut-off, 1/2" barb x 1/2" barb
6. 602256-08 Coupler, 1/2" x 1/2" barb
7. 602256-09 Plug, 1/2" barb
8. 602256-10 Elbow, 1/2" barb x 1/2" barb
9. 602256-11 Tee, 1/2" x 1/2" x 1/2"
10. 601698-15 Crimp ring, 1/2" E-Pex, black
11. 601698-01 E-Pex tube, 1/2"
- 601698-21 E-Pex tube, 1/2", red
- 600836 Elbow, 3/8" MPT x 1/2" barb, copper
- 601237 Elbow, 90 Degree, 1.25 MPT x 1.25 barb
- 602185-01 Drain Valve, 90 Degree
- 602137 Valve, shut off, water purifier

2015 LAND YACHT  
PLUMBING, FAUCETS

Faucet, Galley  
Dometic Model #AC542



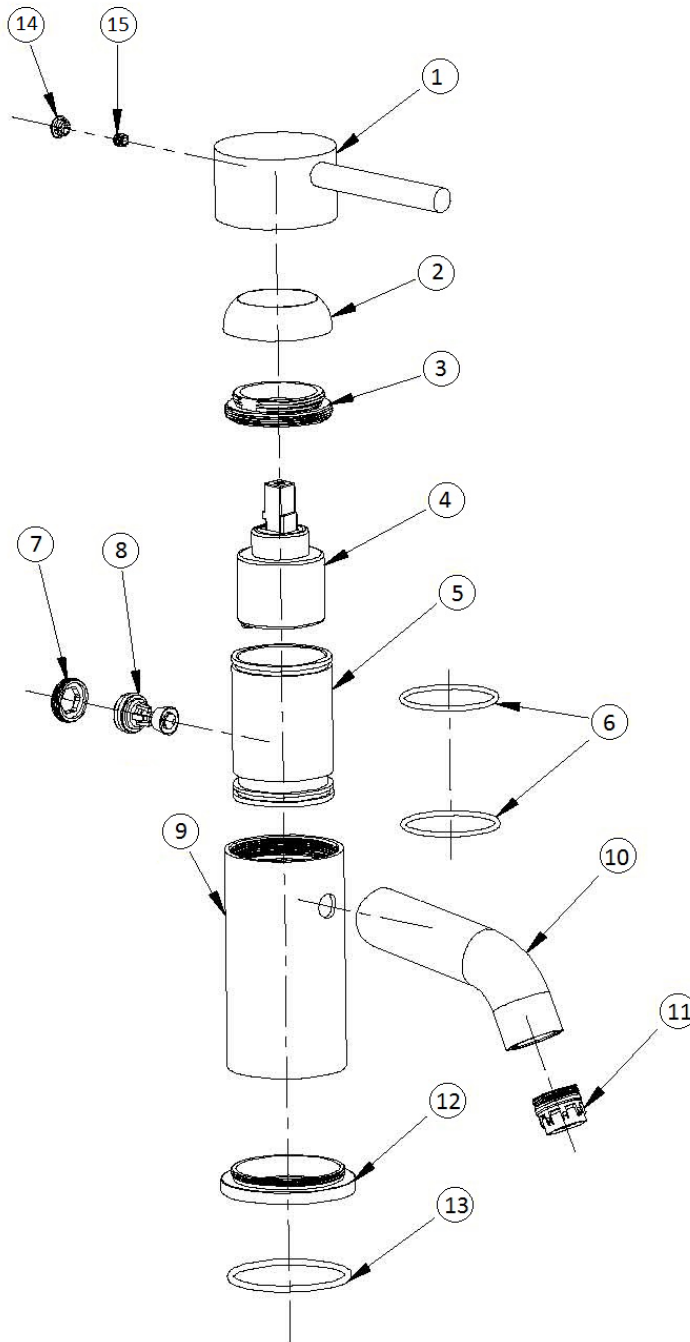
602375            Faucet, Fold-down, Chrome  
602137            Valve, shut off

# 2015 LAND YACHT PLUMBING, FAUCETS

Faucet, Lavatory  
Scandvik, Inc. Model #70103

602369           Faucet, Chrome  
602137           Valve, shut off

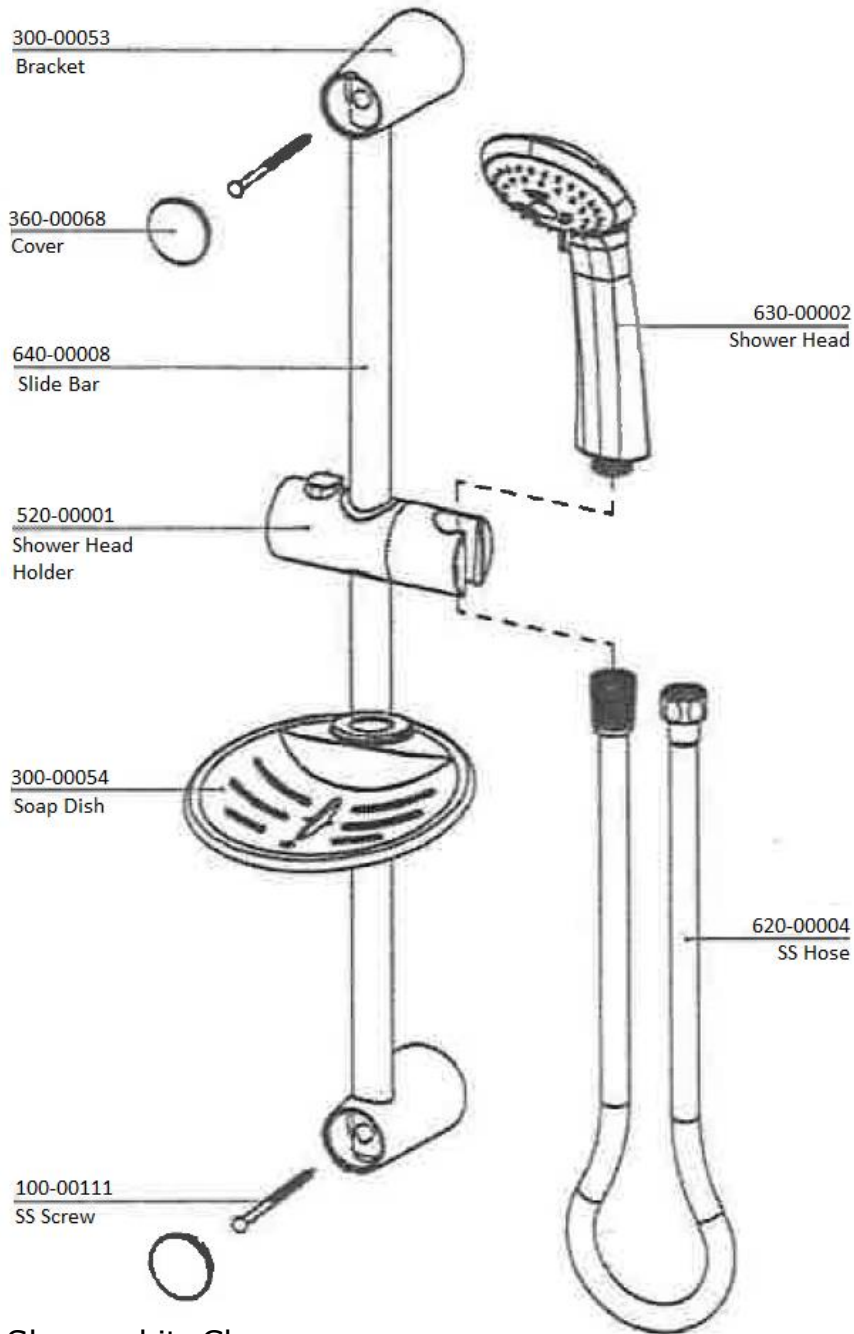
1. Handle
2. Cap
3. Nut
4. Valve
5. Sleeve
6. O-ring
7. Nut
8. Diverter valve
9. Body
10. Spout
11. M19-Aerator
12. Base
13. O-ring
14. Red/Blue Insert
15. Set Screw



# 2015 LAND YACHT PLUMBING, FAUCETS

## Shower Kit

ITC Incorporated Model#99007CH-DK



602370

Shower kit, Chrome

- 99041-CH, Chrome shower valve w/stick handle
- 99008, Chrome shower bar w/soap dish and spray head
- 99001-Nipple, nipple fitting that screws into the elbow
- 99001-ELB-6401, Fitting/elbow that spray head hooks up to



# 2015 LAND YACHT PLUMBING, DRAIN SYSTEM

## Drain Tanks/Pan

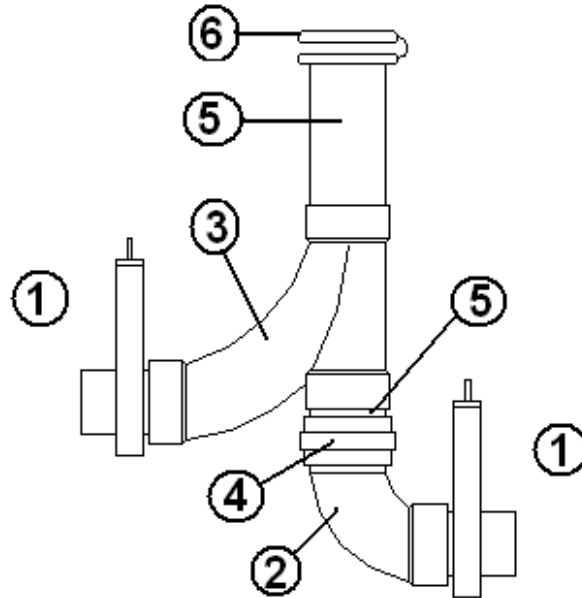
601850-08	Holding Tank, 37 Gal, Gray
601848-13	Holding Tank, 39 Gal, Black
601626	Pan, waste holding tank
200954	Slope pad-22.75" X 55"

## Styrofoam Insulation, Tank Pans

200152	Styrofoam ½" X 6" X 42"
200507	Styrofoam, 1 X 25 X 55"

# 2015 LAND YACHT PLUMBING, DRAIN SYSTEM

## Dump Valve System



- |              |  |
|--------------|--|
| 1. 601607-11 | Valve assembly, 3" spigot x 3" spigot  |
| 2. 600820    | 3" Single socket 90 degree             |
| 3. 600187    | 3" Wye. Combination & 1/8" bend        |
| 4. 600289    | Calder coupler 3" rubber               |
| 5. 601160-04 | Pipe, ABS, 3"                          |
| 6. 601607-07 | Termination Cap                        |
| 601531       | Fitting-90 degree 3" H X ST            |
| 200943       | Dump valve, closeout                   |
| 601607-06    | Termination adaptor, 3" HUB X 3" BA    |
| 04190        | Dump valve handle 19 Ext. Thetford     |
| 380481-A     | 7 X 8 Rubber boot 3-1/2" diameter hole |
| 385101       | Tag, aux tank dump valve handle        |
| 385099       | Tag, main tank dump valve handle       |
| 114086       | Bracket, dump valve handle             |

## 2015 LAND YACHT PLUMBING, DRAIN SYSTEM

### Sinks, Galley

690662 Sink, White Enameled, Dometic  
602346-01 Galley top, Corian, Glacier White

### Sink, Lavatory

203774 Sink, Undermount, Fiberglass  
602336-01 Lavy base w/sink, Corian, Glacier White  
600594 Strainer w/white rubber stopper

## 2015 LAND YACHT PLUMBING, DRAIN SYSTEM

### Shower Stall

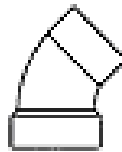
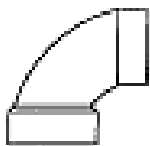
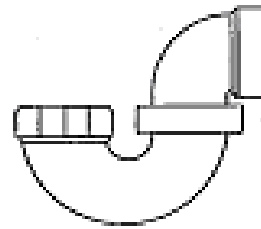
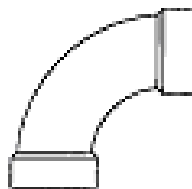
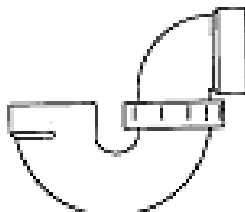
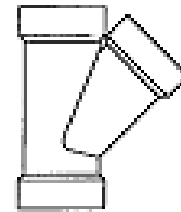
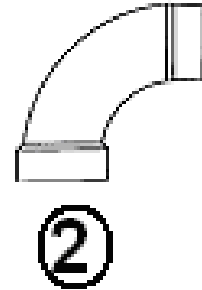
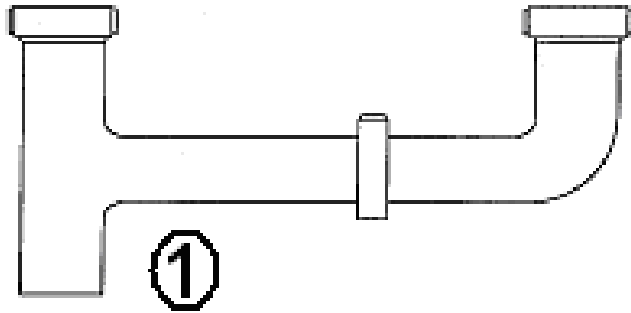
602338-01	Shower trim, Corian, Glacier White
602339-01	Shower seat, Corian, Glacier White
602358-01	Closeout assembly, Glacier White
203754	Shower base

### Tank Flush, Black

601441-02	Tank flush, no-fuss
601392-01	Cap, black, Screw in style

# 2015 LAND YACHT PLUMBING, DRAIN SYSTEM

## Drain Line Fitting



Parts Listed on Next Page

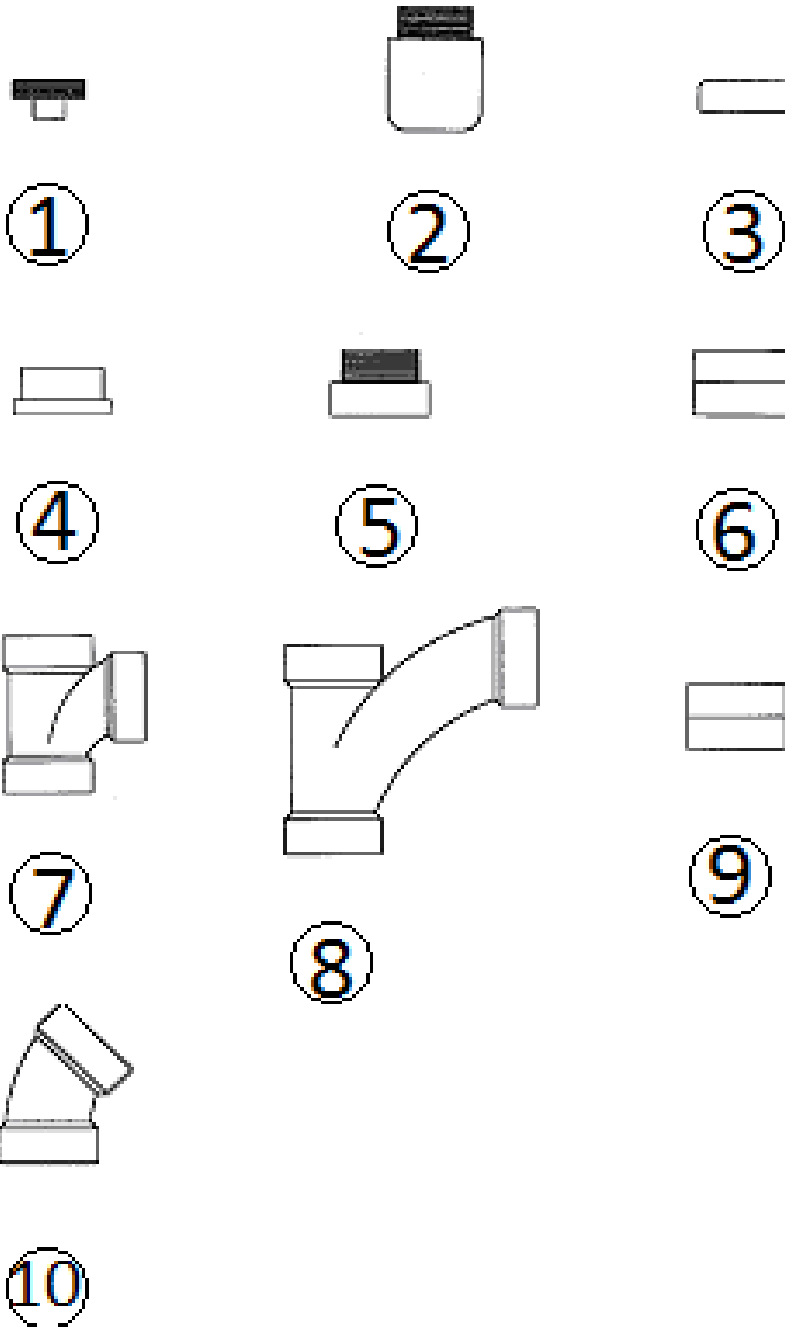
## 2015 LAND YACHT PLUMBING, DRAIN SYSTEM

### Drain Line Fittings

- |              |                                    |
|--------------|------------------------------------|
| 1. 600378    | Continuous waste                   |
| 2. 600431    | Elbow, 90 degree, long street      |
| 3. 600625-01 | Plug, trap, 1-1/2" adapter, female |
| 4. 600822    | Swivel adaptor                     |
| 5. 600094    | Wye, #2301                         |
| 6. 600144    | P-trap, 1.5" w/o slip nut          |
| 7. 600035    | Elbow, 90 degree, long turn        |
| 8. 600622    | P-trap, 1.5" with slip nut         |
| 9. 600662    | Elbow, 90 degree, short street     |
| 10. 600027   | Elbow, 45 degree, long street      |
| 600050       | Elbow, 45 degree, long turn        |
| 11. 601868   | Sanitary tee-SPIG X HUB X HUB      |

# 2015 LAND YACHT PLUMBING, DRAIN SYSTEM

## Drain Line Fittings



Parts Listed on Next Page

## 2015 LAND YACHT PLUMBING, DRAIN SYSTEM

### Drain Line Fittings

- |            |                                     |
|------------|-------------------------------------|
| 1. 600155  | Plug, 1.5"                          |
| 2. 602306  | Valve, 2" Air Admittance Ayrlet     |
| 3. 601677  | Cap, 1.5"                           |
| 4. 601263  | Reducer, 1.5" to 1.25"              |
| 5. 601676  | Adapter                             |
| 6. 600308  | Adapter, w/female threads           |
| 7. 600156  | Tee, sanitary, 1.5"                 |
| 8. 600182  | Wye, 1.5", 1/8" bend                |
| 9. 600227  | Coupling, 1.5"                      |
| 10. 600030 | Elbow, 45 degrees, long turn        |
| 601318     | Tee, bi-directional clean out, 1.5" |

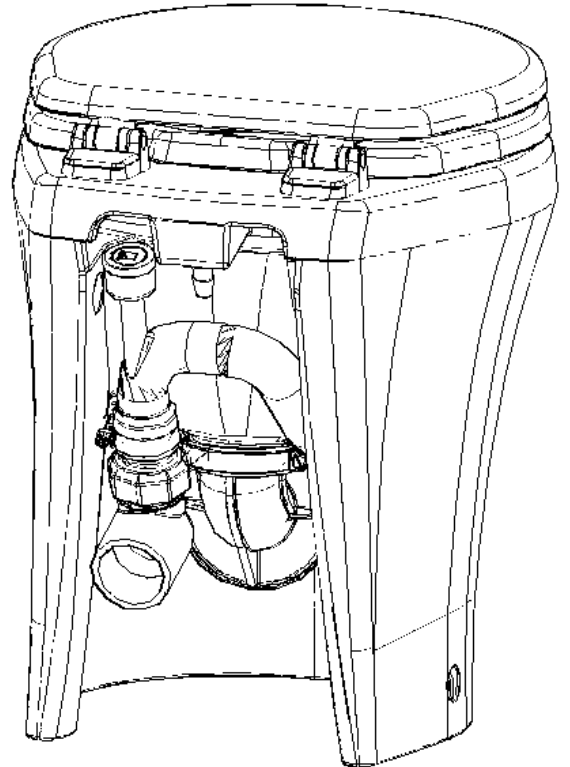
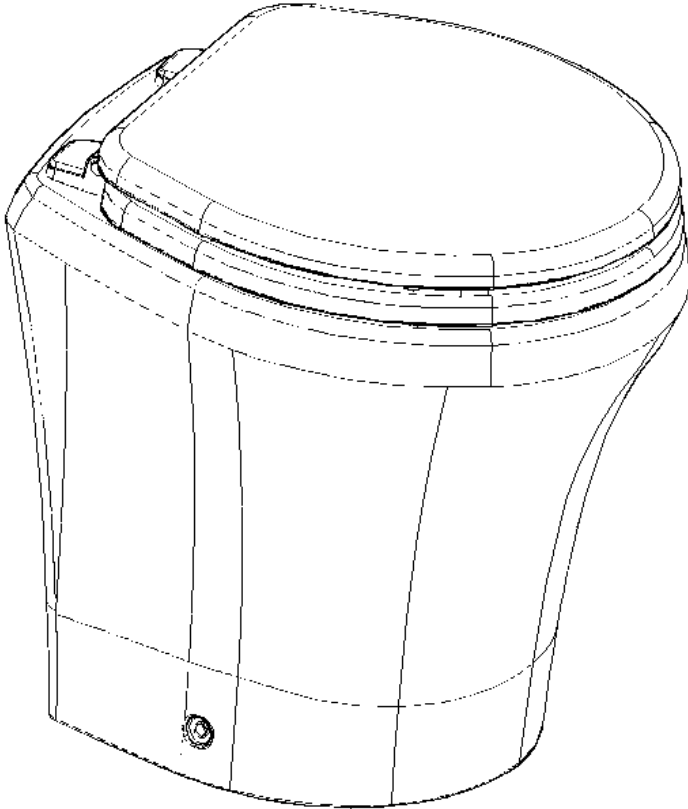
### Drain Pipe

- |           |   |
|-----------|---|
| 601160-04 | Pipe, 3" ABS                            |
| 601160-02 | Pipe, 1.5" ABS                          |
| 602185-01 | Brass adapter, drain valve, "Lead free" |



# 2015 LAND YACHT PLUMBING, DRAIN SYSTEM

## Toilet



- 602302 Toilet kit, Macerator, Dometic
- 602302-01 Toilet, Macerator, Tall, White
- 602302-02 Wooden seat
- 602302-03 Remote mount vacuum breaker/water valve assembly
- 602302-04 Relay assembly w/bracket & 12" wires
- 602302-05 2-switch flush/add water panel
- 602302-06 Tank full panel
- 602302-07 Tank full probe

# 2015 LAND YACHT SAFETY EQUIPMENT

## Detectors

510781	Smoke detector
510891	Smoke detector, CSA
512783	Detector, Carbon Monoxide

## Fire Extinguisher

600162-01	Fire extinguisher
600162-02	Fire extinguisher, CSA

# 2015 LAND YACHT SEALERS, GASKETS, PAINT

## Sealers

360001	Sealant, #884058
360002	Sealant, Vulkem 11.5 oz. tube
360209	Sealant, seam
360176	Sealant, Almond, kitchen and bath
360180	Sealant, Sikaflex #221
365330-01	Sealant, RTV Silicone, White
365330-02	Sealant, RTV Silicone, Grey
365330-03	Sealant, RTV Silicone, Aluminum Grey
365330-04	Sealant, RTV Silicone, Black
365330-05	Sealant, RTV Silicone, White

## Gaskets

203722	Gasket, A/C drain kit
382181	Gasket, Clearance light
365208	Gasket, Excel windows
365232	Gasket, main/baggage door
382117	Gasket, window frame to glass
365035	Gasket, access doorjamb
365351	Washer, Sealing, Main Door Hinge
365336	Gasket Kit Pad, #1
365337	Gasket Kit Pad, #2
365338	Gasket Kit Pad, #3
365360	Gasket, Nut plate
365369	Gasket, Power awning
382262	Gasket, Water heater

## Tape/Microwave Insulation

685510	Seam Tape, black, for between end segments.
365222	Tape, double coated, .08" x 3/4"
365016	Tape, foam, double face, 1/2" wide
365001	Tape, double coated foam

## Paint

360213	Paint, Metallic Aluminum, Centari #65751
360260	Paint, Pewter
360151-01	Paint, gray metallic, Centari #44146A, 12 oz.
360213-100	Paint, aluminum metallic (16 oz. can)
360360	PPG low VOC urethane paint, Charcoal
360361	PPG low VOC urethane paint, Silver

## 2015 LAND YACHT UPHOLSTERY, FOAM, MATTRESS

### Bedsread, Double Bed

704062 Bedsread w/tube pillow, Mocha  
704101 Bedsread w/tube pillow, Polar

### Pillow

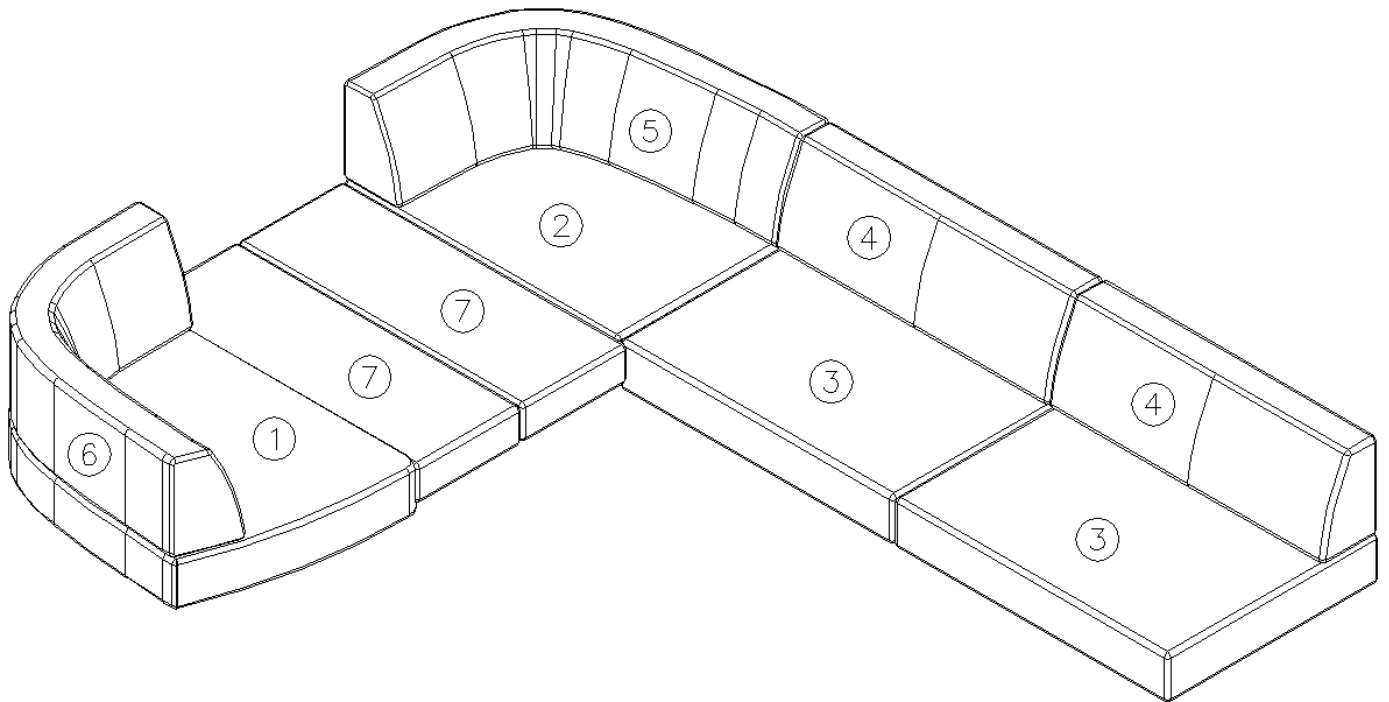
703987 Pillow, Bed Plump Poly 20" x 30"

### Mattress, Double Bed

704134 Mattress, Pillow top, 60 x 75

# 2015 LAND YACHT UPHOLSTERY, FOAM, MATTRESS

## Sofa



704065M  
704065P

Kit, Fabric/foam, Mocha  
Kit, Fabric/foam, Polar

- |              |                       |
|--------------|-----------------------|
| 1. 704065-01 | Cushion, CS seat base |
| 2. 704065-02 | Cushion, RS seat base |
| 3. 704065-03 | Cushion, Sofa base    |
| 4. 704065-04 | Cushion, Sofa back    |
| 5. 704065-05 | Cushion, RS seat back |
| 6. 704065-06 | Cushion, CS seat back |
| 7. 704065-07 | Cushion, Filler       |

# 2015 LAND YACHT

## UPHOLSTERY, FOAM, MATTRESS

### Fabric & Leather Kits

112097	Faux leather kit, Mocha
112097-01	Faux leather kit, Polar
704091-01	Fabric, Faux leather, Montana
704091-02	Fabric, Faux leather, Montana w/ 3/16" foam applied
704098-01	Fabric, Faux leather, Polar
704098-02	Fabric, Faux leather, Polar w/ 3/16" foam applied
703592	Fabric, Dupione, Pearl, Window treatments, Mocha scheme
704114	Fabric, Rib, Natural, Window treatments, Polar scheme
704054	Fabric, Lining for all curtains, White

# 2015 LAND YACHT TECHNOFORM KITS

## Technoform Supplied Kits

112095 Hardware Kit, Includes;

### Kitchen & Wardrobe

- Gloss profile
- Recessed hinges for kitchen top

### Kitchen Locker

- Handle with integrated push lock

### Bed

- Project 2000
- Mechanism to lengthen the table
- Electric leg

### Lavatory

- Hinges
- Handle with recessed lock
- Gloss profile
- Support toothbrush and soap dispenser
- Toothbrush dispenser
- Liquid soap dispenser
- Towel rail
- Toilet paper bearing
- Hinges for Perspex door
- Plastic insert for pocket screws

## 2015 LAND YACHT TECHNOFORM KITS

### Technoform Supplied Kits

112094	Furniture Kit, Elm
112094-01	Furniture Kit, Tendu, Includes;
112069	Bath module install
967962	Wardrobe assembly
967963	Galley assembly
967964	Galley flip assembly
967965	Galley locker assembly
967976	Curbside dinette assembly
967977	Roadside dinette assembly
967978	Dinette table assembly
967984	Lounge assembly
968006	Refrigerator cabinet assembly
968009	Bed base assembly
968010	Curbside nightstand assembly
968011	Roadside nightstand assembly
968019	Lavy cabinet assembly
968068	Rear Rooflocker assembly
968069	Front Rooflocker assembly
968070	Center wall liner assembly
968071	Front curbside wall liner assembly
968072	Front roadside wall liner assembly
968073	Rear curbside wall liner assembly
968074	Rear roadside wall liner assembly



## 2015 LAND YACHT VENTS, FANS

### Vent, Power, Bathroom

690266-06	Ventilator, Power w/o garnish
690266-02	Ventilator, power, CSA
203801-01	Trim ring, Bath exhaust, Satin silver

### Vent, Range exhaust

512210	Range hood, 12V, Grey/SS, Baraldi
115175	Duct, Range Exhaust Transition
454590	Extension, range vent, Baraldi
511017-11	Vent cover, exterior, range hood, gray

### Vent, Refrigerator

104948	Air deflector, A/C to Refrigerator vent
690394	Power ventilator, Dometic
923114	Door assembly w/screen

### Vent, Holding Tanks

690601-01	360 Siphon tank vent cover, White
382165	Gasket, Corlon Vent Cap

### Vent, Power, Fantastic

382223	Fantastic fan w/double dome
*382240	Vent, Fantastic Fan, Exhaust only
382240-01	Garnish, Gray

\*Replaced 382223 on 7-25-2014

# 2015 LAND YACHT

## WOOD, LAMINATES, INTERIOR TRIM

### Lauan Panels

800507-01      Paneling, Lauan, 1/8" x 4' x 8'

### Edgebanding

365364-02      Edgebanding, .94", Ebony Woods

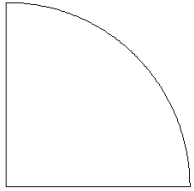
### Paneling

801392      Paneling, White liner/White liner 12MM  
801725      Paneling, Brushed Stainless Steel/Backer, 2.7mm  
801928      Paneling, Ebony woods/White liner, 18mm  
801935      Paneling, Aluminum Mill/White liner, 18mm

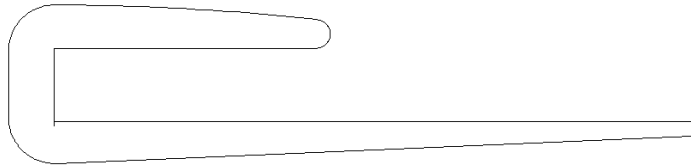
# 2015 LAND YACHT

## WOOD, LAMINATES, INTERIOR TRIM

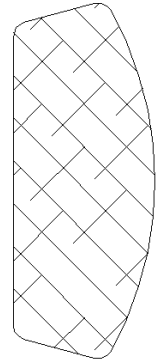
### Molding, Wood



1



2



3

1. 801956-0126  
801956-0127
2. 114070
3. 201709-02

Molding, Quarter round,  $\frac{3}{4}$ ", Elm scheme  
molding, Quarter round,  $\frac{3}{4}$ ", Tendu scheme  
J-Trim, Aluminum  
Trim molding, Black w/chrome



