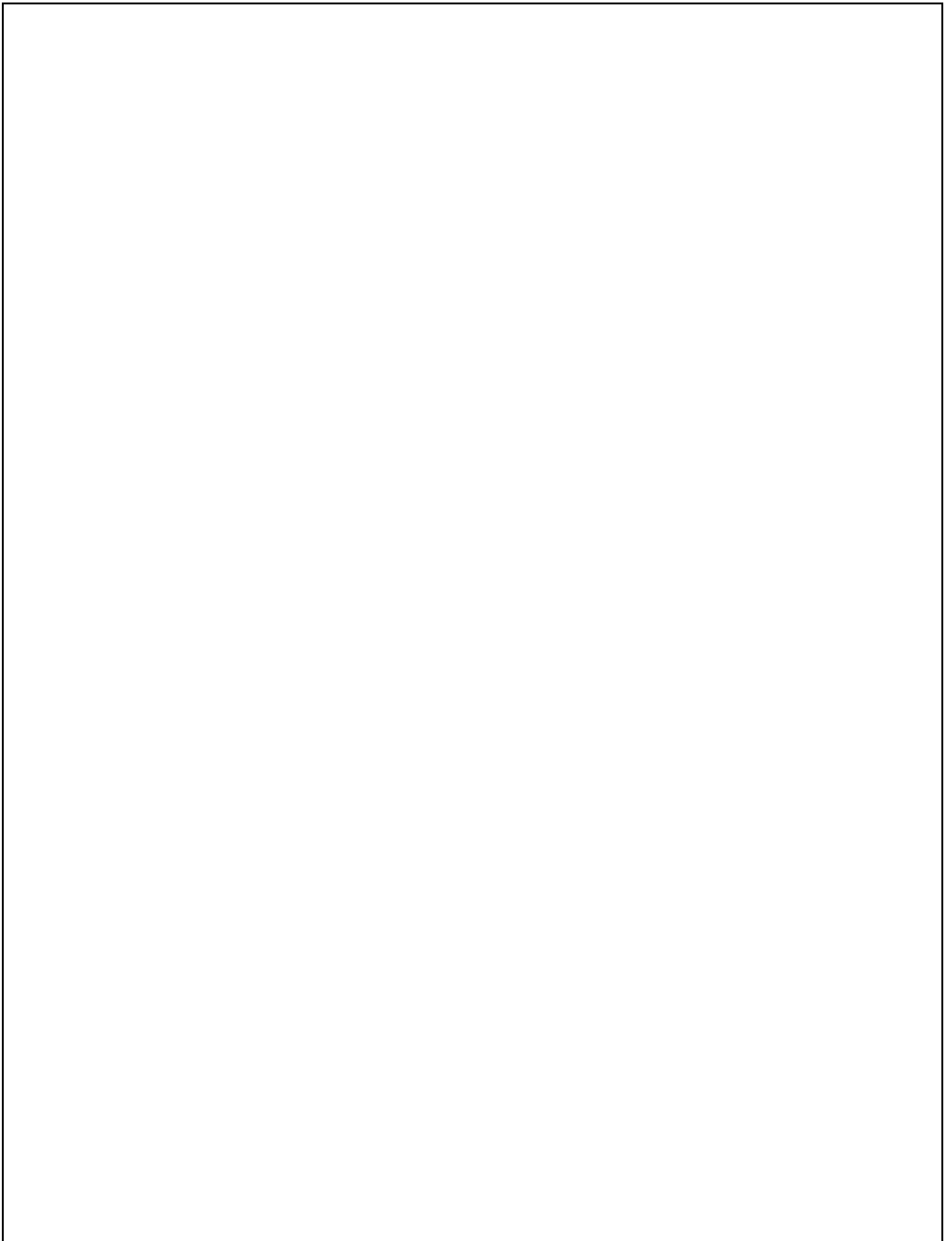


# ***AIRSTREAM***

## ***CLASSIC TRAVEL TRAILER***

### ***PARTS BOOK***

**2015**



2015 CLASSIC TRAILER  
TABLE OF CONTENTS  
SECTION I

APPLIANCE

<u>Air Conditioners</u> ,.....	I-1
<u>Refrigerator</u> .....	I-2
<u>Furnace, Microwave</u> , .....	I-3
<u>Range/Cook Top</u> .....	I-4
<u>Water Heater</u> .....	I-5

EXTERIOR SHELL

<u>End shell, aft</u> .....	I-6
<u>End shell, front</u> .....	I-8
<u>RS Wall, 30'</u> .....	I-10
<u>CS Wall, 30'</u> .....	I-12
<u>Roof</u> .....	I-14
<u>Wheel Well/Cover/Close-Out</u> .....	I-14

INTERIOR SHELL

<u>Interior Skin/Trim</u> .....	I-15
<u>Galley Wall Splash</u> .....	I-15

CHASSIS

<u>A-frame</u> .....	I-16
<u>Power jack</u> .....	I-18
<u>Step</u> .....	I-22
<u>Chassis Coverings, Stabilizing Jacks</u> .....	I-25
<u>Underbelly Utility Compartment</u> .....	I-26
<u>Axles/shocks/wheels</u> .....	I-27
<u>Trunk Storage, Sub Floor</u> .....	I-28

2015 CLASSIC TRAILER  
TABLE OF CONTENTS  
SECTION II

DECALS/LOGOS/MEDALLIONS ..... II-1

EXTERIOR TRIM ..... II-2

DOORS/WINDOWS/AWNING

Exterior Doors ..... II-3

Windows ..... II-9

Awnings ..... II-14

Power Awnings ..... II-14

Window Stone guard ..... II-15

SHADES/TRACKS/BRACKETS

Shades/Window Boxes ..... II-16

Tracks/Brackets ..... II-18

ELECTRICAL

110 volt ..... II-19

12 volt ..... II-22

Solar Charging System ..... II-23

Interior Receptacles and Switches ..... II-24

Interior Lights and Bulbs ..... II-25

Exterior lights & reflectors ..... II-27

Licenses Plate and Tail Lights ..... II-28

ENTERTAINMENT

Radio/DVD/TV ..... II-29

TV Jacks ..... II-30

Video Package ..... II-31

2015 CLASSIC TRAILER  
TABLE OF CONTENTS  
SECTION III

FLOOR COVERING

Carpet, Mats, Linoleum..... III-1

FURNITURE

Mirrors..... III-2

Doors, Shower and Foldette ..... III-3

BEDROOM

Beds..... III-4

Night Stands..... III-10

Roof Locker ..... III-13

Wardrobe ..... III-15

LAVATORY

Bath Module ..... III-19

Lavatory Door ..... III-21

Shower Stall and Door..... III-22

Lavatory Counter Top..... III-24

Cabinets..... III-25

Medicine Cabinet ..... III-29

Wardrobe ..... III-31

2015 CLASSIC TRAILER  
TABLE OF CONTENTS  
SECTION III

FURNITURE, CONTINUED

GALLEY

<u>Flip Shelf, Spice Rack</u> .....	III-33
<u>Dinette Table</u> .....	III-34
<u>Dinette Seat</u> .....	III-35
<u>Roof Locker</u> .....	III-36
<u>Refrigerator Cabinet</u> .....	III-38
<u>Pantry</u> .....	III-42
<u>Galley Counter Top</u> .....	III-44
<u>Galley Cabinets</u> .....	III-45
<u>Cabinet Drawer Section</u> .....	III-47
<u>Magazine Rack</u> .....	III-48

LOUNGE

<u>Roof Locker</u> .....	III-49
<u>Sofa</u> .....	III-50

HARDWARE

<u>Exterior locks/hinges</u> .....	III-51
<u>Window hardware</u> .....	III-56
<u>Interior Latches/Hinges/Handles</u> .....	III-58
<u>Interior Rubber Bumpers/Mirror Clips</u> ...	III-61
<u>Drawer Slides/Bath Accessories</u> .....	III-62
<u>Wardrobe/Galley</u> .....	III-63
<u>Goody Box</u> .....	III-63
<u>Hinges</u> .....	III-64
<u>Awning hardware</u> .....	III-65
<u>Rivets</u> .....	III-67
<u>Wrap Protectors</u> .....	III-69

<u>LABELS AND TAGS</u> .....	III-70
------------------------------	--------

2015 CLASSIC TRAILER  
TABLE OF CONTENTS  
SECTION IV

PLUMBING

LPG ..... IV-1  
Fresh Water..... IV-3  
Fresh Water Fittings ..... IV-4  
Faucets ..... IV-6  
Drain Tanks ..... IV-11  
Dump Valve System..... IV-12  
Sinks ..... IV-13  
Shower Stall ..... IV-14  
Black Tank Flush ..... IV-14  
Drain Line Fittings..... IV-15  
Toilet ..... IV-19

SAFETY EQUIPMENT ..... IV-21

SEALER/GASKETS/PAINT ..... IV-22

UPHOLSTERY/FOAM/MATTRESS

Bedspreads, Sheets, and Mattresses..... IV-23  
Sofa ..... IV-24  
Dinette Seats/Chairs ..... IV-25  
Pillow Kits..... IV-26

VENTS/FANS..... IV-27

SKY LIGHTS..... IV-28

WOOD/LAMINATES/TRIM ..... IV-29

# 2015 CLASSIC TRAILER

## APPLIANCES

### Air Conditioner

690323-48	Air conditioner, 15,000 BTU w/Heat pump
690323-44	Comfort Control Center, #3312024
690323-52	Comfort Control Center II thermostat, Black
690323-47	Air conditioner - 13,500 W/Heat Pump
601240-01	Tubing, ½" ID x 5/8" OD, Black plastic
500967-01	Cover blank, ivory #86
385560	Label, air conditioning rating
382160	Grommet, Flexible Vinyl #635
511260	Cover, weather proof boot
115635	Bracket, short, A/C mounting
115634	Bracket, long, A/C mounting
203788	Shoulder spacer, ¾", Nylon
300167	Washer, ¼"-20, Black
345514	Cap Screw, ¼"-20 x 2.25
*382233-01	AC grill, Stainless Steel, Brushed
382276-01	Register, Adjustable direction, Brushed
382234-01	Grill, Return air, Snap in, Stainless Steel, Brushed
382236	Filter, Return air

\*Replaced by 382276-01 in December 2014

### 2<sup>nd</sup> Air Conditioner W/50 Amp Service

510564-20gfi	Breaker, Type Br, 20gfi, #Gfcb-
510564-20	Breaker, 20 Amp. Bryant #Br120
511149-02	Power Inlet W/Strain Relief 50
511149-03	Power Cord 50 Amp 36 Ft.
203724	Kit-A/C Drain Trailer
203722	Gasket-A/C Drain Kit
365330-03	Sealant-Alum Grey#455-38
511260	Cover Weather Proof Single Gan
382160	Grommet-Flexible Vinyl #635
690323-47	Air Conditioner 13,5 W/Heat Pump
512818	Power center, AC/DC, 50 amp
690323-44	Comfort Control Center#3312024

### Air Conditioner Drain Kit

203724	Kit, A/C Drain
203722	Gasket, A/C Drain



# 2015 CLASSIC TRAILER

## APPLIANCES

### Refrigerator

690628	Refer, 9 CF, LH RM3962LSS
381830	Wiper, Rubber, 1.125" X 2" L
512477	110 Receptacle Gasket, Neoprene
365190	Seal, Rubber Adhesive, ¾" X 3
601239-01	Tubing, 1.375"ID, Ribbed W/Flats
380228	Wire Hardware Cloth

# 2015 CLASSIC TRAILER

## APPLIANCES

### Furnace

690664-03	Furnace, Hydro Flame, 35K BTU
690664-04	Aluminum Painted Exterior Door and Bezel
602394-03	Register, 4", Black
602394-04	2" Adapter, Black
600526	Flange, 4"
600247	4" duct hose, flexible
511228	Thermostat, off white
600193	2" duct, flexible hose
300172	Nylon Spacer
365365-08	Pre-cut PVC Foam Strip
968151	Stand Assembly, Furnace

### Microwave

690657-01	Microwave, convection, 1.1 CF, SS STL, w/trim kit
690657-04	Trim Kit
*690657-05	Microwave, Convection, 1.1 CF, SS w/trim, Contoure

\*Replaced 690657-01 on 3-12-2015

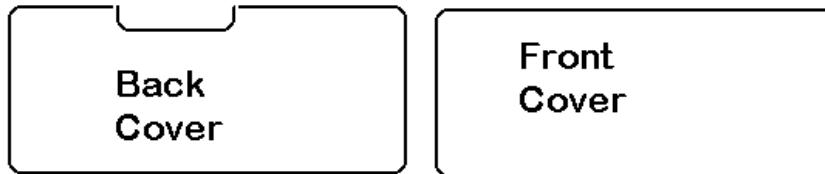
# 2015 CLASSIC TRAILER

## APPLIANCES

### Range/Cook Top

690672-01	Dometic Cooktop, 3 Burner, stainless w/glass top
690672-02	Dometic Range, 3 Burner, stainless w/glass top
512210	Range Hood, Baraldi
511017-11	Exterior Vent, Gray
115175	Duct, Range Exhaust Transition
454590	Extension, Range Vent

### Range Covers



602323-01	Range covers, Corian, set, 3-Burner Sandstone
-----------	---

# 2015 CLASSIC TRAILER

## APPLIANCES

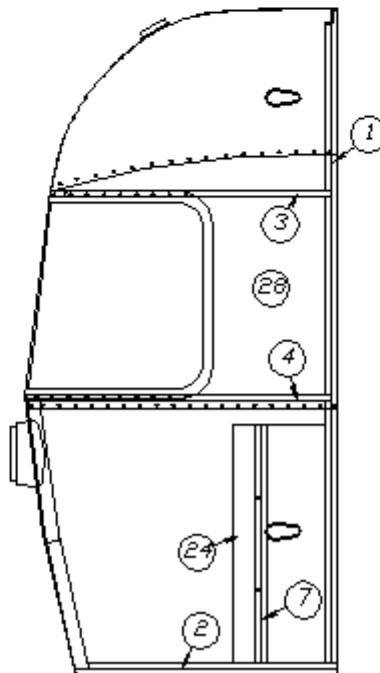
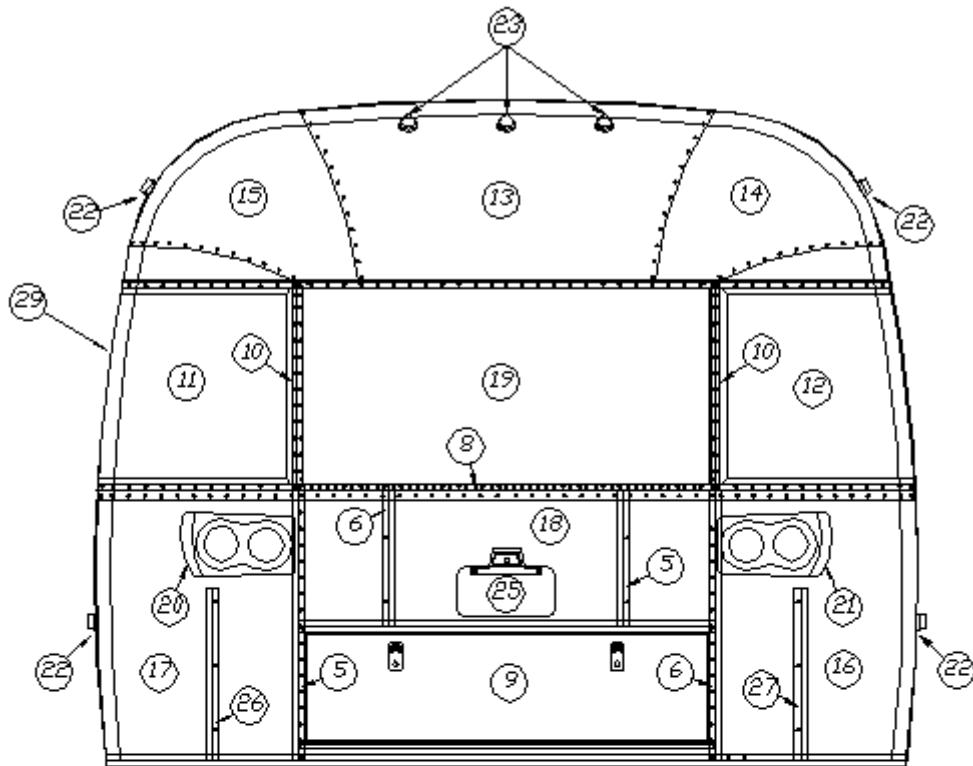
### Water Heater

690602	Water heater, Atwood, elec. ignition, 110 volt/gas
690671	Access Cover, Water Heater, Painted
512480	Switch Assy., Water Heater White
510888-05	Receptacle w/ cover, GFI, white
510888-06	Spacer, receptacle, GFI, white
510888-07	Receptacle Cover White
512308	Box, Shallow Switch & Outlet

# 2015 CLASSIC TRAILER

## EXTERIOR SHELL

Aft End, 30'



Parts Listed on Next Page

# 2015 CLASSIC TRAILER

## EXTERIOR SHELL

Aft End, 30'

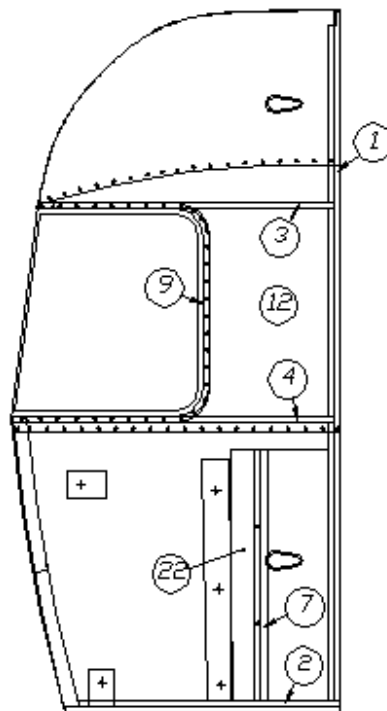
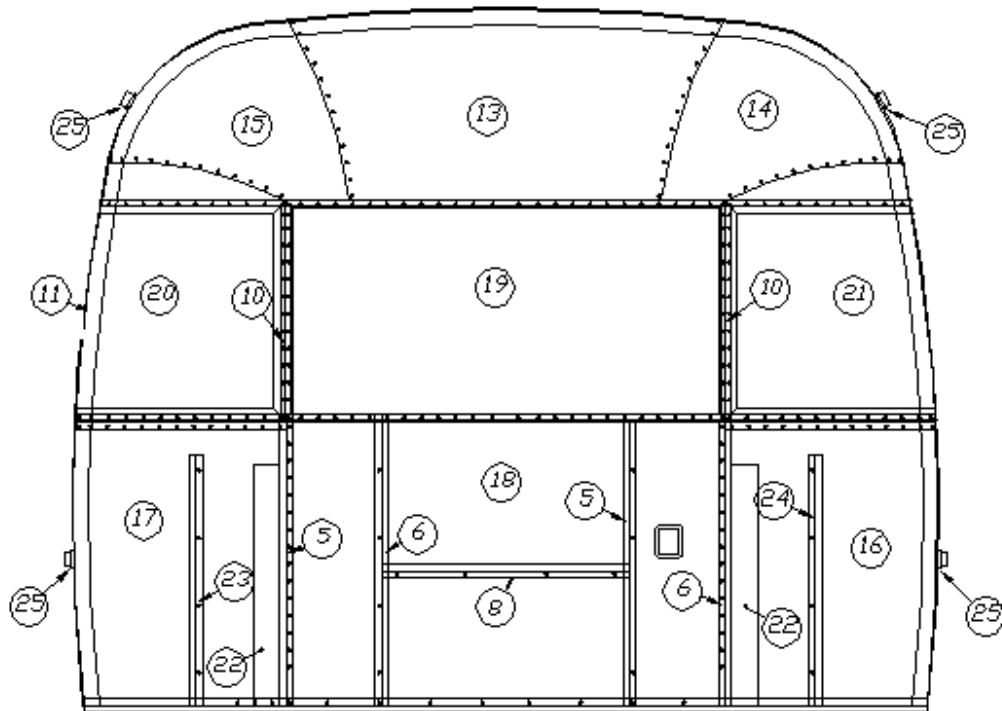
923176	End Shell Assembly
1. 114993	End bow
2. 114676	Floor bow
3. 114678	Upper window bow
4. 114677	Lower window bow
5. 114505-01	Support, lower end, LH
6. 114505-02	Support, lower end, RH
7. 101315	Brace, vertical rear
8. 104408	Z-Bar
9. 921159	Trunk door assembly
10. 454910	Support, wrap window
11. 372089-101	window, rear corner wrap, RS
12. 372088-101	window, rear corner wrap, CS
13. 114893	Segment #25
14. 114890	Segment #26
15. 114891	Segment #27
16. 114894	Segment #28
17. 114895	Segment #29
18. 114880-307	Alum. Sheet, cut down to size
19. 371346-02	Window, rear
20. 968188-02	Taillight Assembly, RS
21. 968188-01	Taillight Assembly, CS
22. *512860	Red LED clearance light
23. 512227	Light, clearance, red LED
24. 114849-03	Aluminum sheet, pewter, 12" x 29"
25. 512455	License plate holder
26. 101315-03	Rear, vertical brace, LH
27. 101315-04	Rear, vertical brace, RH
28. 114889	Segment, center right
29. 114888	Segment, center left
382181	Gasket, Clearance Light
115563	Casting, Tear Drop Light, Flat
115564	Casting, Tear Drop Light, Curved
115601-04	Tread Insert, Bumper Storage 11.75" x 62.88"
115209-02	Tread Plate, Rear Compartment Twin

\*replaces 512227, except for 3 lights on End Shell Top

# 2015 CLASSIC TRAILER

## EXTERIOR SHELL

Front End, 30'



Parts Listed on Next Page

# 2015 CLASSIC TRAILER

## EXTERIOR SHELL

### Front End, 30'

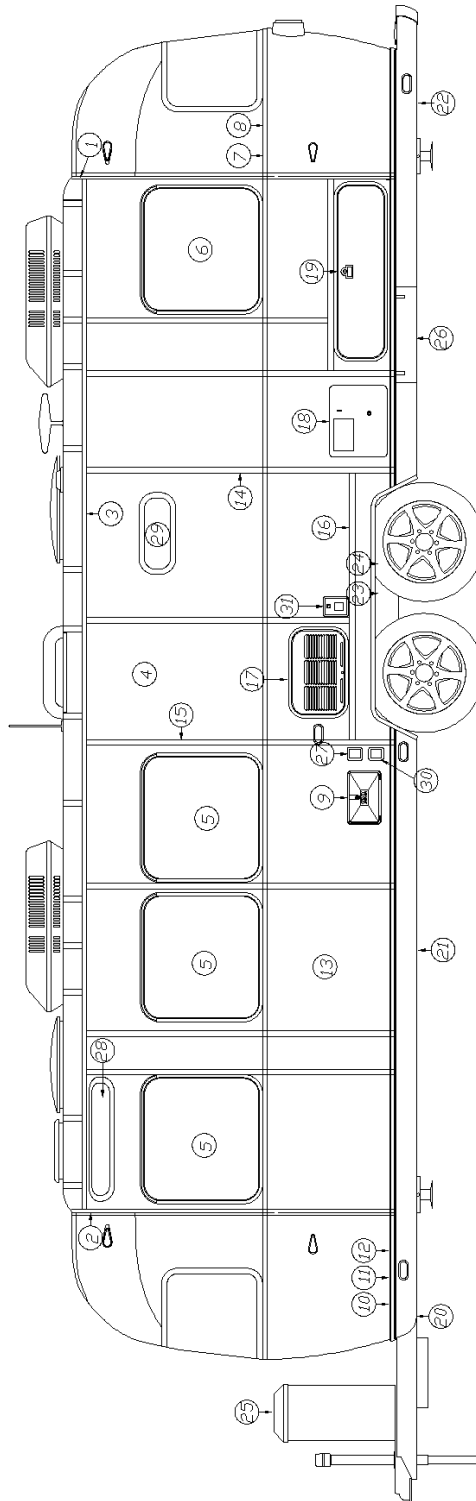
923100	End shell Assembly
1. 114993	End bow
2. 114676	Floor bow
3. 114678	Upper window bow
4. 114677	Lower window bow
5. 114505-01	Support, lower end, LH
6. 114505-02	Support, lower end, RH
7. 101315	Brace, vertical rear
8. 104408	Z-bar
9. 100029	Trim, wrap around window
10. 454910	Support, wrap window
11. 114888	Segment, center left
12. 114889	Segment, center right
13. 114893	Segment #25
14. 114890	Segment #26
15. 114891	Segment #27
16. 114894	Segment #28
17. 114895	Segment #29
18. 114880-307	Aluminum sheet, cut to .040" x 34.75" x 51"
19. 371346-02	Window, front, dark glass
20. 372088-101	Panoramic window, CS front
21. 372089-101	Panoramic window, RS front
22. 114849-03	Aluminum sheet, .04" x 20"x 8", cut to 12"x 29"
23. 101315-01	Rear, vertical brace, LH
24. 101315-02	Rear, vertical brace, RH
25. 512859	Amber LED clearance light
115563	Casting, Tear Drop Light Flat



# 2015 CLASSIC TRAILER

## EXTERIOR SHELL

Wall, Roadside, 30'



Parts Listed on Next Page

# 2015 CLASSIC TRAILER

## EXTERIOR SHELL

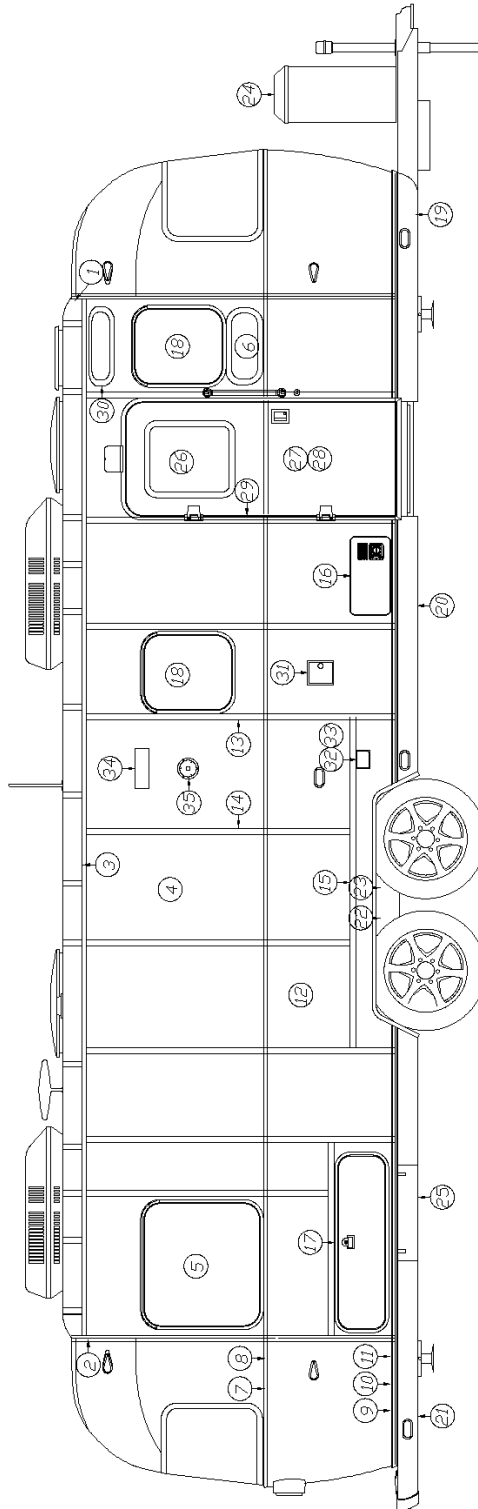
### Wall, Roadside, 30'

923188	Roadside Wall Assembly
1. 114290-01	Extrusion, awning/drip rail
2. 114993	End bow
3. 104707-06	Extrusion, "I" beam
4. 114880-262	Alum, sheet, upper, .040" x 51" x 262"
5. 371380	Window, 30" tall
6. 371380-01	Window, 30" tall, Egress
7. 114328	Extrusion, belt line
8. 201912-100	Molding, chrome, belt line
9. 115627	Exterior shower, Stainless Steel
10. 115546	Extrusion, rub rail
11. 201763-100	Insert, rub rail, chrome, 1"
12. 100986	Floor channel
13. 114879-262	Alum, sheet, lower, .040" x 33" x 262"
14. 114387-01	Bow, Z rib, RH
15. 114387-02	Bow, Z rib, LH
16. 100986	Wheel well stiffener (floor channel)
17. 923114	Refrigerator Access Door assy. w/screen
18. 690671	Access Cover, Water Heater, Painted
19. 922288-02	Door, side access, long, twin only
20. 200542-01	Banana wrap, RS front
21. 101131-01	Underbelly wrap, .024" x 22.5", Pewter
22. 200544-01	Wrap, Underbelly RS Rear, Haircell
23. 684936	Outer wheel well trim, dual axle
24. 684937	Inner wheel well trim, dual axle
25. 921233	Bottle cover, LP, w/out decal
26. 114496-02	Door, utility compartment
27. 512568	Inlet, Dual TV/SAT, titanium
28. 371437-02	Vista View, 30"
29. 371436	Window, 18"
30. 511149-02	Power Inlet w/strain relief
31. 601194	Water fill, w/lock
453629	Hat Section, Table Support 30"
100034	Z-Bar Horiz Frame Member Alum 48"

# 2015 CLASSIC TRAILER

## EXTERIOR SHELL

Wall, Curbside, 30'



Parts Listed on Next Page

# 2015 CLASSIC TRAILER

## EXTERIOR SHELL

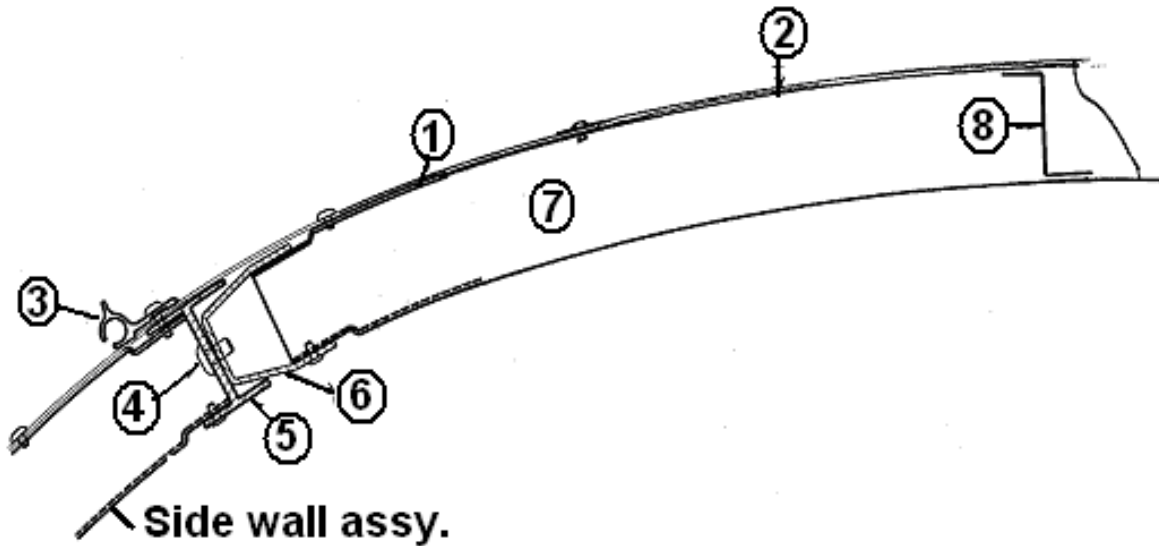
Wall, Curbside, 30'

923187	Curbside Wall Assembly
1. 114290-01	Extrusion, awning/drip rail
2. 114993	End bow
3. 104707-06	Extrusion, "I" beam
4. 114880-262	Alum. sheet, upper, .040" x 51" x 262"
5. 371380	Window, 30" tall
6. 371436	Window, 18in., stack, stationary
7. 114328	Extrusion, belt line
8. 201912-100	Molding, chrome, belt line
9. 115546	Extrusion, rub rail
10. 201763-100	Insert, rub rail, chrome, 1"
11. 100986	Floor channel
12. 114879-262	Alum. sheet, lower, .040" x 33" x 262"
13. 114387-01	Bow, Z rib, RH
14. 114387-02	Bow, Z rib, LH
15. 100986	Wheel well stiffener (floor channel)
16. 690664-04	Aluminum Painted Exterior Furnace Door and Bezel
17. 922288-02	Door, side access, long, twin only
18. 371323-01	Window, 18in. opening
19. 200543-01	Banana wrap, CS front
20. 101131-01	Underbelly wrap, .024" x 22.5", Pewter
21. 200545-01	Banana Wrap, CS Rear, Haircell
22. 684936	Outer wheel well trim, dual axle
23. 684937	Inner wheel well trim, dual axle
24. 921233	Bottle cover, LP, w/out decal
25. 109867-02	Door, utility compartment
26. 371400-01	Window, main door
27. 115207-04	Main door assembly
28. 114654	Screen door assembly
29. 114652	Main door jamb, formed
30. 371437-01	Vista View, 18"
31. 115640	Stabilizer Jack Switch Box
32. 500563-03	Receptacle, White 15 A#Wrdu15-Wt
33. 512741	W.P. Cover w/Gasket, Gray
34. 511017-11	Exterior Range Vent
35. 512532	Utility Light, LED
100034	Z-Bar Horizontal Frame Member Alum, 48"

# 2015 CLASSIC TRAILER

## EXTERIOR SHELL

### Roof



1.	115597-262	Aluminum, .032" x 13.31" x 262"
2.	114489-262	Aluminum, white, .032 x 60 x 262"
	114489-198	Aluminum, sheet, white, .032 x 60 x 198"
3.	114290-01	Extrusion, awning/drip rail, 197.25"
4.	330139-01	Rivet, Magnalok, SS 1/4"
5.	104707-06	Extrusion, "I" beam, 258"
6.	114987-01	Extrusion, roof corner, 194", 27'
7.	115586	Roof bow, Ducted
8.	104408	Extrusion, Z bar, horizontal
	104948	Air deflector, A/C-Refer vent
	325003-03	Rivet, 1/8" X 7/16", Polar White
	101828	Extrusion, aluminum window stiffener

### Wheel Well/Cover/Close-Out

200514	Wheel well cover, interior, tandem
200844	Wheel well, black 66.50" A.B.S (Tri-axle wheel wells are made from two tandems)

# 2015 CLASSIC TRAILER

## INTERIOR SHELL

### Interior Skin/Trim

114880-262	Aluminum sheet, .04" x 51" x 262"
114879-262	Aluminum sheet, .04" x 33" x 262"
115609-262	Aluminum sheet, .04" x 45" x 262"
203138-03	Extrusion, plastic, wall trim, beige
203138-05	Extrusion, plastic, interior wall, Black
114890-01	Interior segment, Front CS, Rear RS
114891-01	Interior segment, Front RS, Rear CS
114893-01	Interior segment, Center wide

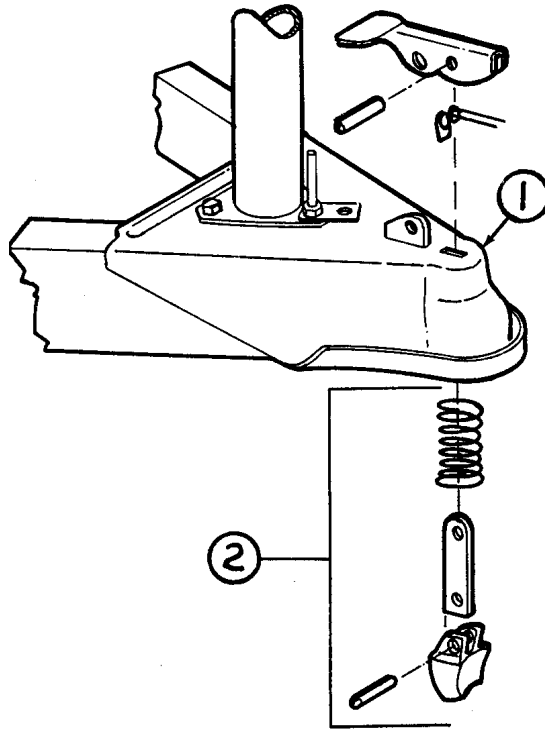
### Galley Wall Splash

114879-262	Aluminum Sheet
------------	----------------

# 2015 CLASSIC TRAILER

## CHASSIS

### A-Frame/Coupler



- 1. 680343-01 Coupler assembly, 2 5/16"
- 2. 680345 Repair kit, 2 5/16" coupler
- 915256 A-frame complete
- 453620 Covers, A-frame, stainless steel

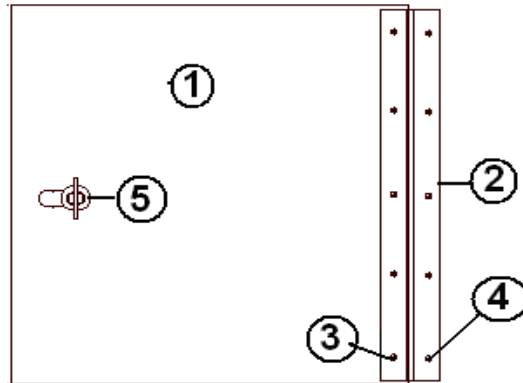
### Breakaway Switch

- 0300027 Breakaway Switch, Bargman
- 454526 Bracket, breakaway switch

# 2015 CLASSIC TRAILER

## CHASSIS

### Tool Box Lid/Battery Box



- |              |  |
|--------------|--|
| 1. 410551-05 | Lid, battery box 13.75L x 17.00W x 8.50" |
| 2. 380203-01 | Piano Hinge, 1/8"                        |
| 3. 330127-08 | Rivet 1/8" (Mill) AD48ABS                |
| 4. 325035    | Chicago rivets                           |
| 5. 381430    | Lock, twist straight cam 1.75"           |

### Hose carrier

- |           |                            |
|-----------|----------------------------|
| 601544-02 | EZ hose carrier, black 45" |
| 104704-01 | Shim, 3" X 3"              |

### Tire Carrier

- |        |                        |
|--------|------------------------|
| 450414 | "A" frame tire carrier |
|--------|------------------------|

### Floor Fasteners

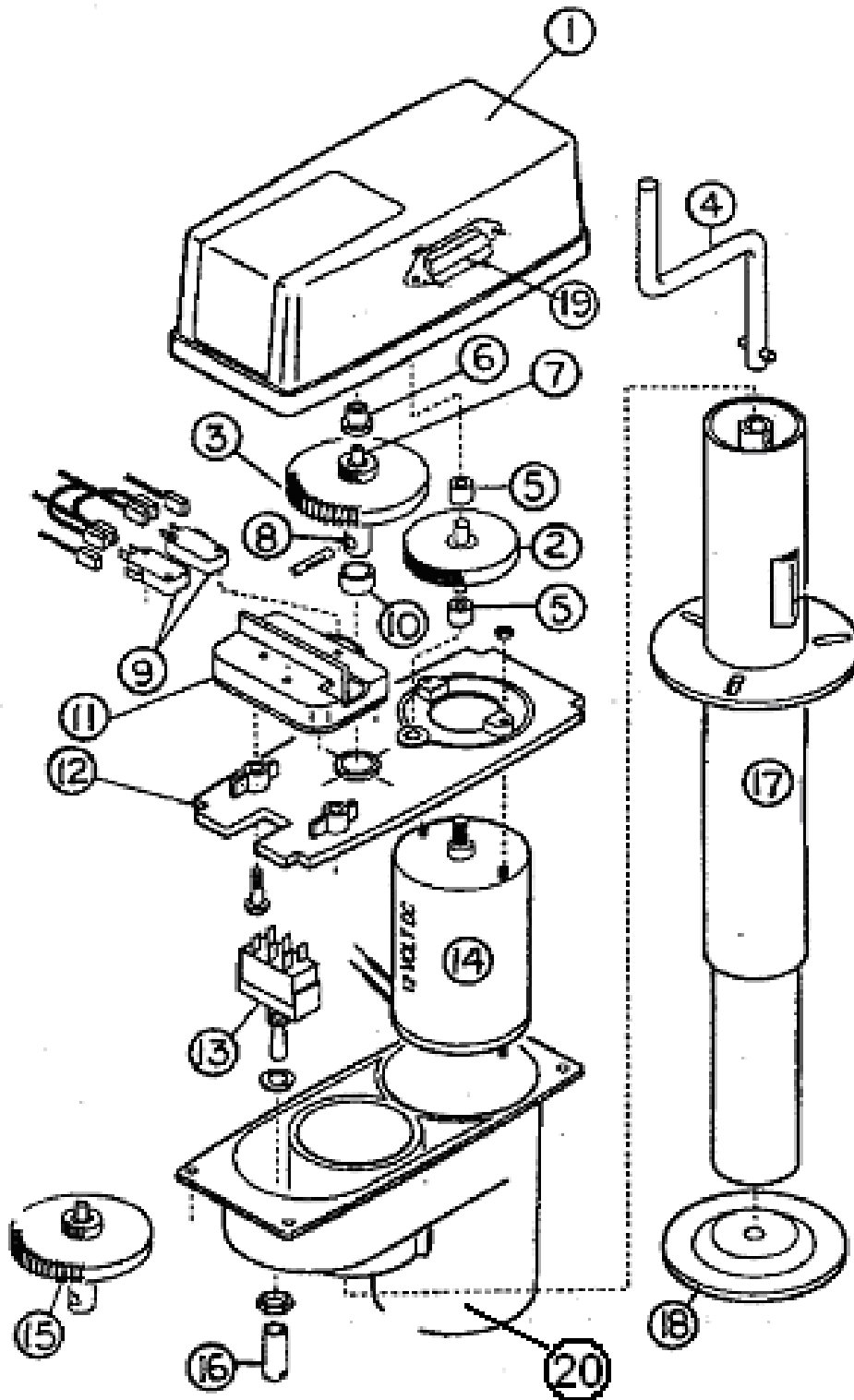
- |           |                                  |
|-----------|----------------------------------|
| 345181    | Screw, 1/4-14 x 2", Self-tapping |
| 345370-01 | Bolt 3/8-16 hex head, 3.50"      |
| 300023-02 | Washer, hold down-hole offset    |
| 100986    | Floor Extrusion                  |



# 2015 CLASSIC TRAILER

## CHASSIS

### Power Hitch Jack



Parts Listed on Next Page

# 2015 CLASSIC TRAILER

## CHASSIS

### Power Hitch Jack

511544	Power jack w/flag holder, light & Foot Pad
*400961	Electric jack, 3000 LB's
012251	Power head less post
1. 012198	Cover, Super Jack
2. 010051	Gear, fiber, Super Jack
3. 015551	Drive gear, Super Jack
4. 016199	Crank handle, manual, Super Jack
5. 080501	Bushing, bronze, Super Jack
6. 010055	No longer available for individual purchase.
7. 015552	Gear, pot/reed, Super Jack
8. 015553	Shaft, Super Jack
9. 081703	Micro switch, Super Jack
10. 080520	Bushing/bronze,7/16,Super Jack
11. 012252	Limit switch assembly, Super Jack
12. 012200	Center plate, Super Jack
13. 081704	Switch, toggle, Super Jack
14. 016263	Motor, 12V, Super Jack
15. 011675	Drive gear assembly, Super Jack
16. 010069	Switch cover, Super Jack
17. 011631	Jack post, Super Jack
18. 410598	Foot pad #12231
19. 026503	Light, Jack
20. 012199	Housing for Motor and Switch

\*400961 Replaced 511544 during 2015 model year

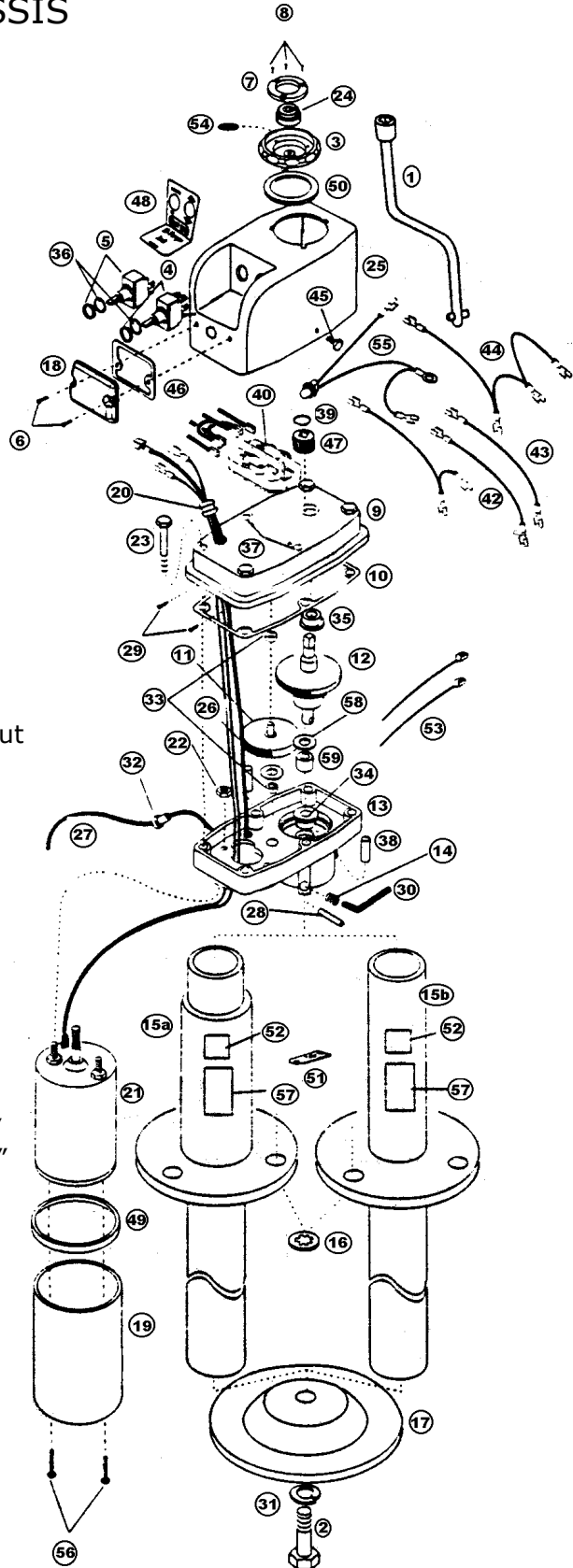
# 2015 CLASSIC TRAILER

## CHASSIS

Power Jack P/N 400961  
Barker Hi-Power 3,000

MANUFACTURER:  
Barker Manufacturing Co.  
730 east Michigan Ave.  
Battle Creek, MI. 49014

Customer Service Phone  
& Parts Ordering  
616-965-2371



400961 Power Jack

- |              |                                |
|--------------|--------------------------------|
| 1. 21047     | Crank                          |
| 2. 600-0011  | Hex bolt, 1/2-20 x 3/4         |
| 3. 27268     | Cap, Machined, Black           |
| 27341        | Cap, Machined, White           |
| 4. 736-0005  | Actuator toggle switch and nut |
| 5. 736-0004  | Lamp toggle switch and nut     |
| 6. 606-5001  | #10 x 1/2, Phillips head       |
| 7. 27343     | Level retainer, White          |
| 27269        | Level retainer, Black          |
| 8. 606-0011  | #6-32 x 5/8, Type "F" screw    |
| 9. 27247     | Upper housing                  |
| 10. 17422    | Gasket                         |
| 11. 22012    | Drive gear assembly            |
| 12. 27248    | Output gear assembly           |
| 13. 23674    | Lower housing, Black           |
| 25697        | Lower housing, White           |
| 14. 608-0006 | 5/16-18 x 1/2", Set screw      |
| 15. 27313    | Post assembly, Black, 2-1/4"   |
| 15A. 27527   | Post assembly, White, 2-1/4"   |
| 15B. 27335   | Post assembly, Black, 2"       |
| 16. 619-0003 | Internal tooth lock washer     |
| 17. 21349    | Foot plate, Black              |
| 12752        | Foot plate, Silver, White      |
| 18. 27262    | Lens                           |
| 19. 27276    | Motor sleeve, Black            |
| 27344        | Motor sleeve, White            |
| 20. 26236    | Rubber grommet                 |
| 21. 17414    | Electric motor                 |
| 22. 611-2100 | Hex lock nut                   |
| 23. 605-0012 | Screw                          |
| 24. 27272    | Circular level                 |

Parts Continued on Next Page

# 2015 CLASSIC TRAILER

## CHASSIS

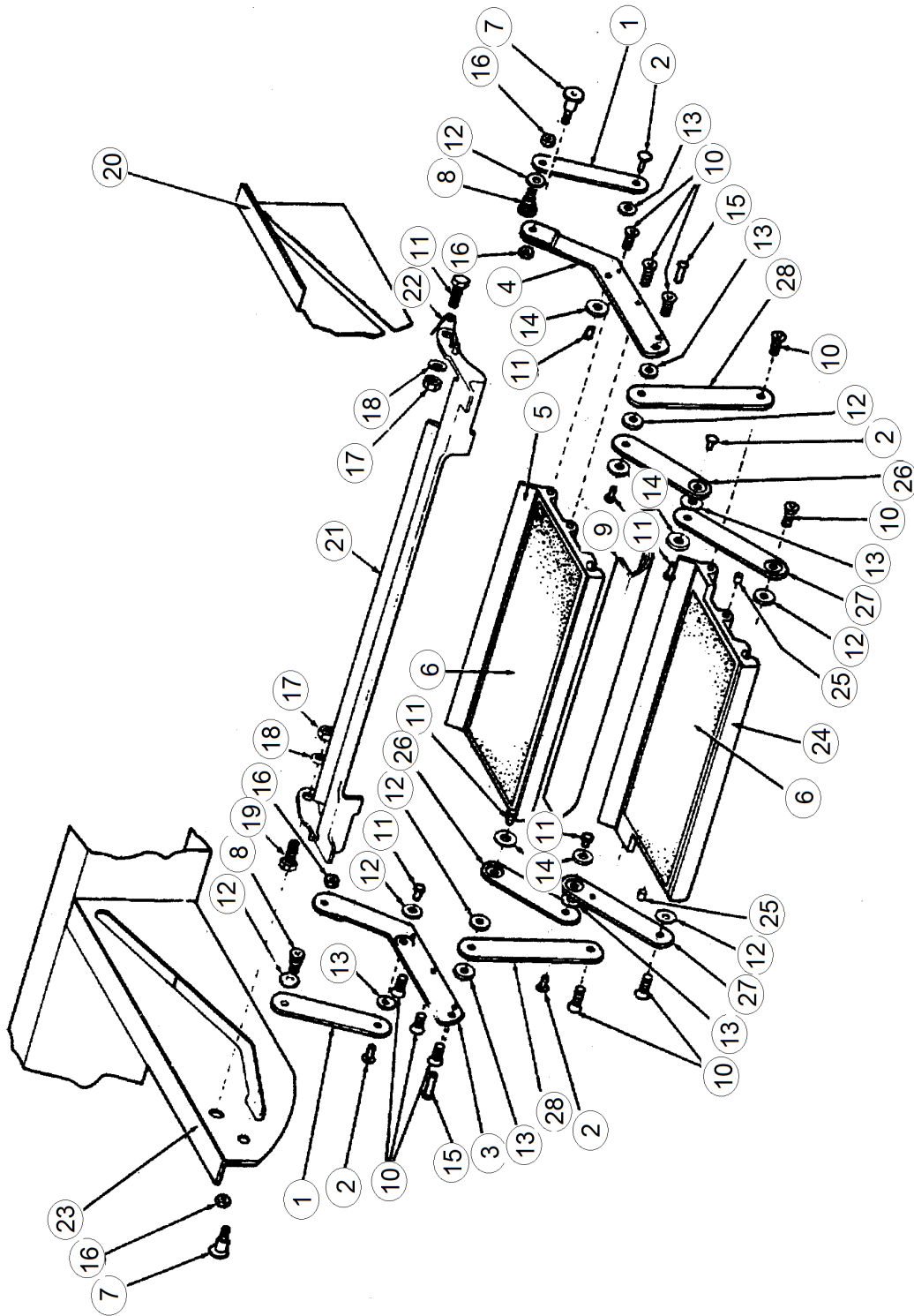
### Power Jack

25. 27338	Cover, White
27259	Cover, Black
26. 80208	Washer, Spacer
27. 27251	Grey Wire Assembly
28. 623-1216	Groove Pin
29. 606-0009	#10 X 3/8 Screw (Limit Switch)
30. 636-0000	Hex Key
31. 618-1002	Lock Washer 1/2"
32. 80504	Snap Bushing
33. 80501	Bushing
34. 645-0024	Flange Bushing
35. 641-0009	Bushing
36. 635-0015	"0", Ring Toggle Switch Seal
37. 16434	Hole Plug
38. 621-0004	1/8" x 3/4 Dowel
39. 634-0023	Retainer Ring
40. 27512	Limit Switch Assy.
41. 27257	1black Wire Assembly
42. 27256	White Wire Assembly
43. 27254	Blue Wire Assembly
44. 27252	Green Wire Assembly
45. 606-0008	#10-16 X 3/4", Tek Screw (Black)
606-0010	#10-16 X 3/4", Tek Screw Zinc Plated
46. 27263	Lens Gasket
47. 27277	Pot/Reed Drive Gear
48. 27264	Cover Label
49. 27274	Motor Seal
50. 27273	Cap Gasket
51. 26351	I.D. Tag (55:1)
52. 24047	Warning Label
53. 17892	Cable Tie Gray
16392	Cable Tie Black
54. 620-0000	Wave Spring
55. 27253	Lamp Wire Assy
56. 603-5017	#10-32 X 5/8" Phillips Screw (Black)
603-5011	#10-32 X 5/8" Phillips Screw (Silver)
57. 12393	Synchronize Label
58. 14459	Thrust Washer
59. 14489	1/2" X 5/8" X 3/4" Bearing

# 2015 CLASSIC TRAILER

## CHASSIS

Step



Parts Listed on Next Page

# 2015 CLASSIC TRAILER

## CHASSIS

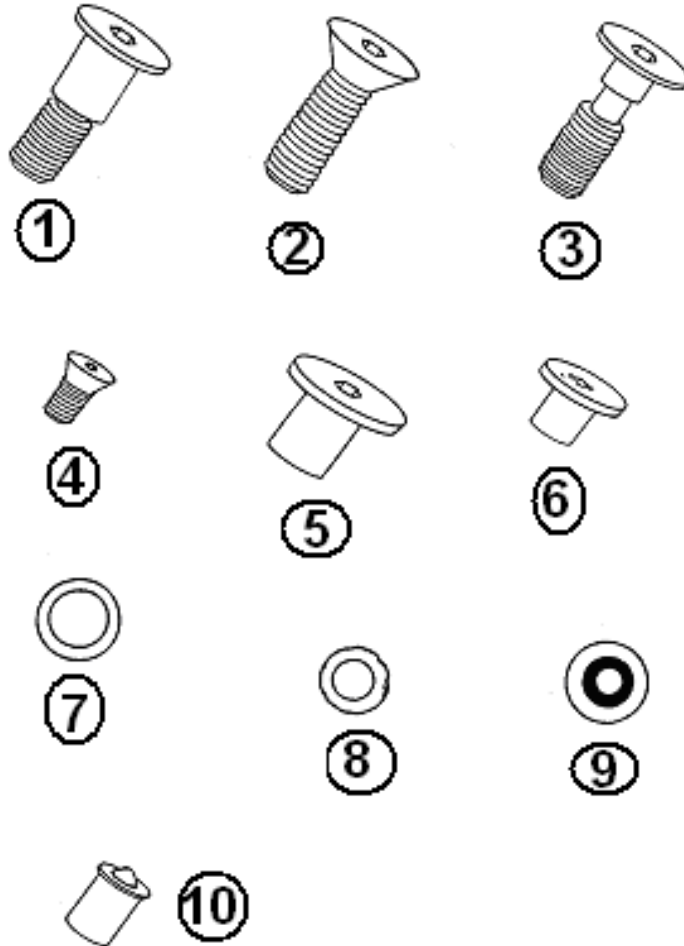
### Step

3440006	Double step assembly
1. 680213	Arm, upper support
2. 680214	Pin, hinge
3. 680215	Step bracket, left
4. 680216	Step bracket, right
5. 680217	Extrusion, step 20.5"
6. 380069	Safety tread
7. 001152	Bolt, shoulder
8. 001145	Bolt, shoulder, 3/8" thread
9. 680220	Panel
10. 680221	Screw, flat head
11. 680222	Bolt, socket head
12. 680223	Washer, bronze
13. 680224	Washer, wave
14. 680225	Washer, aluminum
15. 680226	Pin, pivot
16. 350005	Nut, hex
17. 350147-25	Nut, Nylock
18. 300005	Washer, flat
19. 345016	Screw, machine
20. 400454	Outrigger, RH (Not included with step assembly.)
21. 100298	Casting, step release
22. 0440032	Step spring
23. 400455	Outrigger, LH (Not included with step assembly.)
24. 410200	Extrusion, step, 20.0"
25. 380075	Bullet catch
26. 400004	Hinge arm, upper
27. 400003	Hinge arm, lower
28. 400005	Arm, lower support

# 2015 CLASSIC TRAILER

## CHASSIS

### Step Bolts/Washers/Screws/Catches Illustrated



- |            |                                    |
|------------|------------------------------------|
| 1. 001152  | 1/2" Shoulder w/3/8" shoulder bolt |
| 2. 680221  | 3/8-16 x 1, flat head Allen, screw |
| 3. 001145  | 3/8-16 thread, shoulder bolt       |
| 4. 680222  | Flat head Allen socket screw       |
| 5. 680226  | Pivot pin                          |
| 6. 680214  | Hinge pin                          |
| 7. 680223  | Brass washer                       |
| 8. 680224  | Wave washer                        |
| 9. 680225  | Aluminum Washer                    |
| 10. 380075 | Bullet catch                       |

# 2015 CLASSIC TRAILER

## CHASSIS

### Chassis Covering

114679 Alum. Underbelly, .019" x 65.75, coil  
101131-01 Alum. Underbelly, .024" x 22.5", coil, pewter  
(covers from underbelly to floor line)

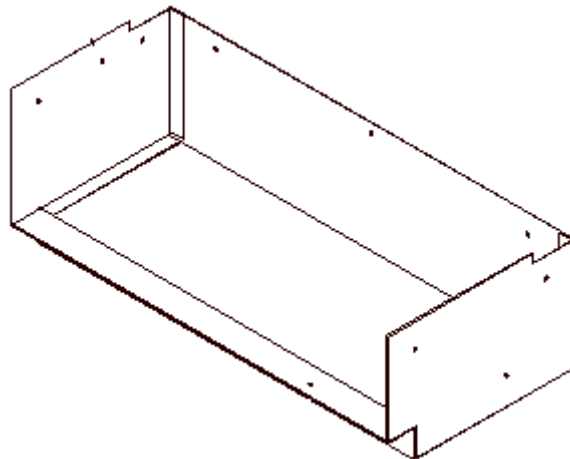
### Bumper/Hose Storage

410831 Bumper, Polished  
345073-08 Screw ¼-20 x 1 3/8 Wafer Head  
454147 Bottom, Sewer Hose Compartment  
921239-01 Lid Assembly, Rear Hose Carrier  
380203-02 Piano Hinge  
380024 Arm Support, Right Hand  
092609 Cam Lock  
381435 Hatch, Access Cover 4" White

### Stabilizing Jacks, Power

401014 Power Stabilizing Jacks w/switch

### Underbelly Compartment Pan



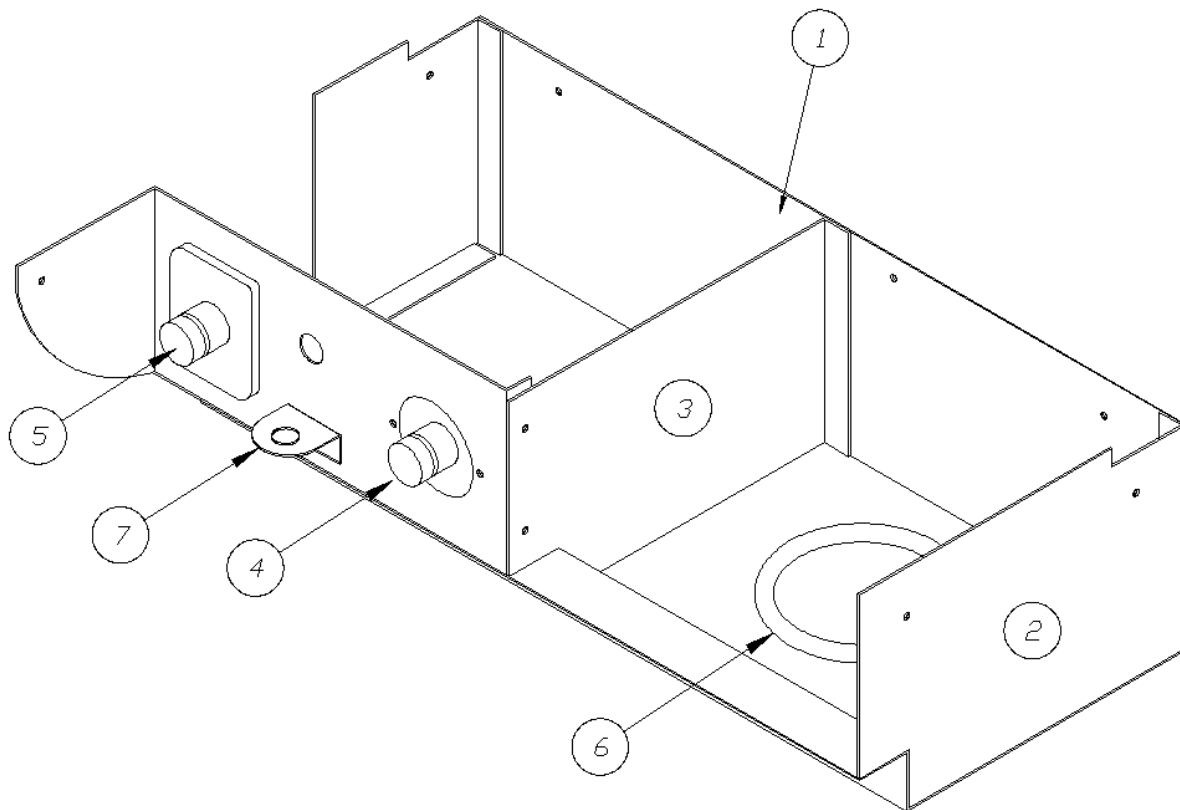
915145 Utility compartment assembly, painted



# 2015 CLASSIC TRAILER

## CHASSIS

### Underbelly Utility Compartment



- |              |                                     |
|--------------|-------------------------------------|
| 1. 916080    | Assembly, Utility Compartment       |
| 2. 452351-01 | Assembly, End, Full, LH             |
| 3. 454984    | Panel, Interior utility compartment |
| 4. 601441-02 | Black Tank No-fuss Flush            |
| 5. 601392-04 | City Water Fill w/Regulator         |
| 6. 381435    | Hatch, Access Cover, 4", White      |
| 7. 454986    | Bracket, drain valve utility box    |

# 2015 CLASSIC TRAILER

## CHASSIS

### Axles, Dexter Nev-R-Lube, Nev-R-Adjust

410980-01 Axle, 5000#, 30'

### Shocks

0220003 Shock absorber

### Spare Tire/Wheel assembly

410994 Spare tire/wheel, Dexter 16" rim, BW, Range "E", 16"

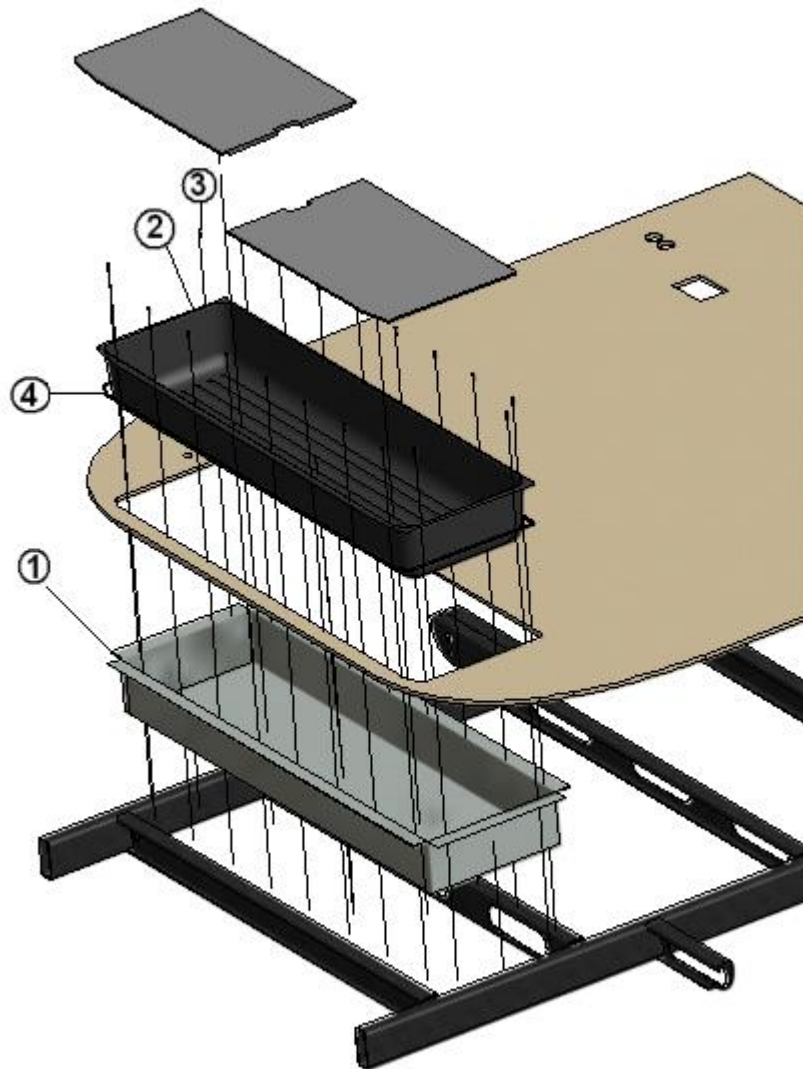
### Tire/Wheel Assembly

411005 Tire/Wheel Assembly, 16" Alum.  
400844-01 Cap, Center, Stainless Steel  
400923 Lug nut, acorn type

# 2015 CLASSIC TRAILER

## CHASSIS

### Trunk Storage, Sub Floor



- |              |                                  |
|--------------|----------------------------------|
| 1. 454916    | Pan, Drop-In Storage, Galvanized |
| 2. 203743    | Storage Pan, Trunk, Plastic      |
| 3. 345329-07 | Screw, Phillips, #6 Oval Head    |
| 4. 365232    | Seal, Baggage Door               |
| 203745-01    | Lid, Storage Bin, RH             |
| 203745-02    | Lid, Storage Bin, LH             |

# 2015 CLASSIC TRAILER

## DECALS/LOGOS/MEDALLIONS

### Decals, Logos, and Medallions

386086	Decal, pin stripe, blue
386188	Decal, "LIMITED" .88" X 5", chrome
386273	Nameplate, "CLASSIC", 10" x 3"
386272	Decal, "AIRSTREAM", 2.4" X 29.19", Black Chrome
386068	Medallion, 3", screen door

# 2015 CLASSIC TRAILER

## EXTERIOR TRIM

### Beltline

114328	Extrusion, belt line molding
201912-100	Molding, belt line insert, chrome
114417	Casting, belt line close out
385745	End Cap, Beltline Silver

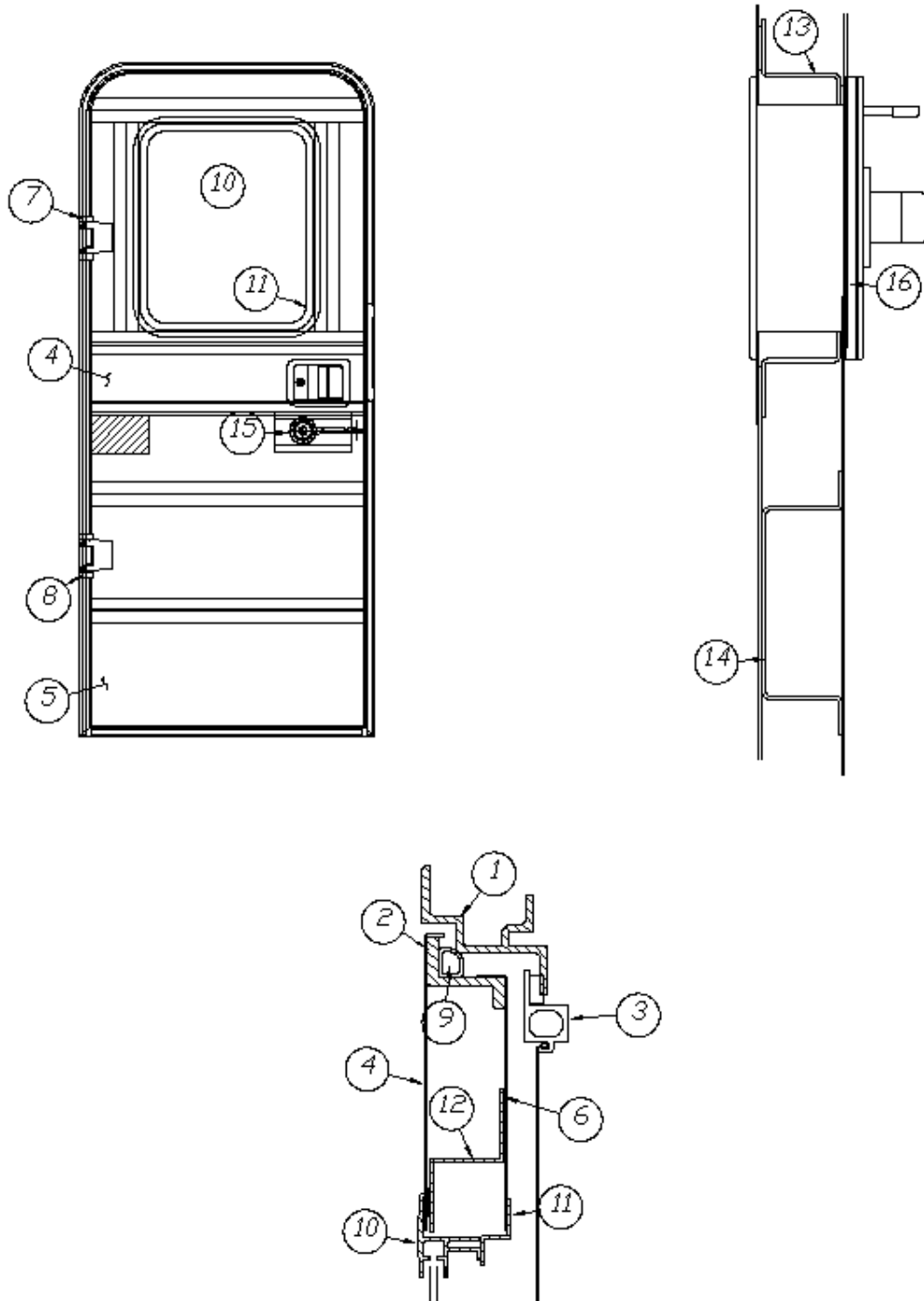
### Rub Rail

115546	Extrusion, rub rail
201763-100	Molding, rub rail insert, chrome
114466-01	Casting, close out, rub rail, angled, RH
114466-02	Casting, close out, rub rail, angled, LH
114465-01	Casting, close out, rub rail, RH
114465-02	Casting, close out, rub rail, LH

# 2015 CLASSIC TRAILER

## EXTERIOR DOORS

### Main Door, LH Hinge



Parts Listed on Next Page

# 2015 CLASSIC TRAILER

## EXTERIOR DOORS

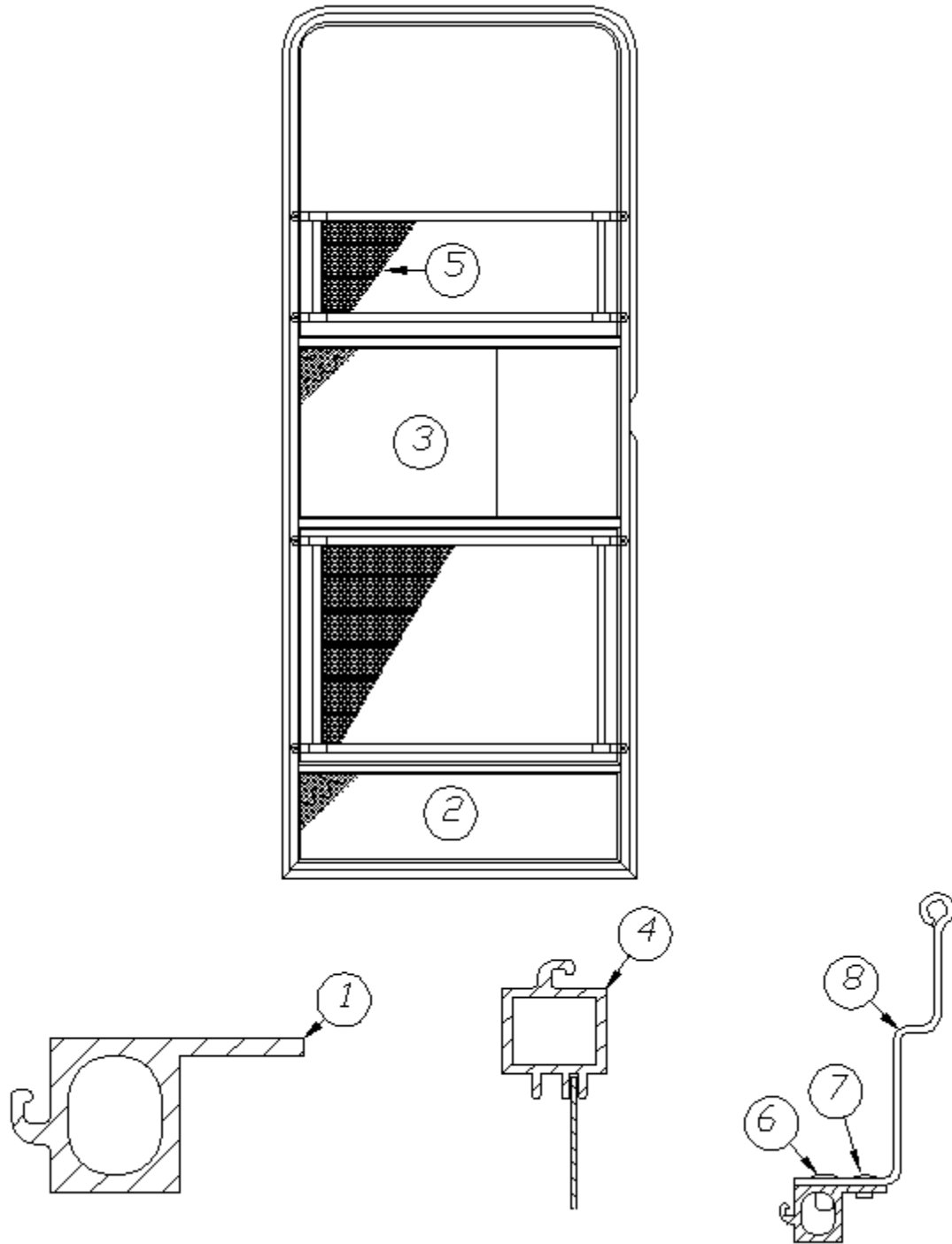
### Main Door, LH Hinge

115207-04	Main door assembly
1. 114652	Jamb, main door, pre-formed
2. 114653	Frame, main door, pre-formed
3. 114654	Screen door assembly
4. 114448-03	Skin, exterior, upper main door
5. 114449-03	Skin, exterior, lower main door
6. 114475	Main door skin, inner
7. 381552-03	Hinge assembly, main door, upper
8. 381552-04	Hinge assembly, main door, lower
9. 365232	Seal, main door
10. 371400-01	Window, main door, etched
11. 115208	Trim ring, main door window
12. 114658	Inner door, "Z" bar, upper & lower
13. 114657	Hat section, formed, main door
14. 115413	Hat section assembly, round dead bolt
15. 382069	Deadbolt assembly, round, Trimark
16. 203370	Spacer, deadbolt assembly
385595	Pocket strike, main door
381326	Striker w/ Trimark deadbolt
453851	Bolt, Trimark, deadbolt
114363	Drip cap, main door
380290	Housing. Latch, mounted on side sheet
380291	Latch assembly, mounted on side sheet
201056	Striker, main door, black plastic
114507-03	Trim, main door
203494	Baseplate, door latch
511344-03	Grab handle, no engraving

# 2015 CLASSIC TRAILER

## EXTERIOR DOORS

### Screen Door



Parts Listed on Next Page



# 2015 CLASSIC TRAILER

## EXTERIOR DOORS

### Screen Door

114654	Screen door assembly, LH hinge
1. 104782-186	Extrusion, Frame, Screen Door
2. 114648-01	Kick panel screen door
3. 114561-01	Panel, slider, screen door
4. 104784-78	Extr., screen door stiffener #VH-9
5. 380079	Screen, gray
6. 330126-03	Rivet, pop, SSD44SSBS
7. 325002-01	Rivet, 1/8 x 3/8, anodized clear
8. 385577	Tape, Clear, 3.5" wide
380004	Handle with 8/32 X 1 screw
365013-01	Gasket, screen door, foam tape
683946	Bug seal, edge of screen door close out
203287-02	Close out, plastic, screen door
115171-01	Screen door guard top
115171-02	Screen door guard bottom
200518	Spline, gray, screen insert
701624	Velcro, loop 5/8" wide
701625	Velcro, hook 5/8" wide
381454	Screen door hold back latch, Bullet
386068	Medallion, 3" logo, AIRSTREAM
381531-01	Hinge, screen door, upper
381531-02	Hinge, screen door, lower

# 2015 CLASSIC TRAILER

## EXTERIOR DOORS

### Refrigerator Access Door

923114	Door, refrigerator with screen, assembly
923115	Door, refrigerator access w/Jamb
112024	Jamb, refrigerator access door
372264	Screen, refrigerator door
203714	Trim Lok, flexible, inner doorjamb
380988	Hinge, continuous .5 in, leaf 16IN
381812	Latch, twist, chrome
114811	Aluminum angle, .50" X .50"

### Trunk Door, Rear End, Twin Bed

921159-01	Trunk door assembly w/o Jamb
921159	Trunk door assembly, w/Jamb
114675	Jamb, rear trunk door
382230	Compression Latch
*382230-02	Compression Latch w/key code
360016	Bump on rubber
365035	Rubber seal, access door
380203-01	Piano, hinge 1/8" pin
381065-10	10" cable support
701538-01	Carpet, Econolier w/PSA backer

### Side Access Door, Long, Front Access Door FB Models

922288-02	Door, front, w/o license plate holder
104833	Jamb, long side access door, twin only
381065-10	10" cable support
104831	Frame, rear access door
382230	Compression Latch
*382230-02	Compression Latch w/key code
365035	Rubber seal, access door
380774-02	Hinge, compartment, door, 48.00"

\*Replaces 382230 Starting Serial #531031. New Latch has a Unique Key Code

# 2015 CLASSIC TRAILER

## EXTERIOR DOORS

### Water Heater/Water Fill/Furnace Doors

690671	Access Cover, Water Heater, Painted
690664-04	Aluminum Painted Exterior Door and Bezel
601194	Water fill door w/pocket & lock

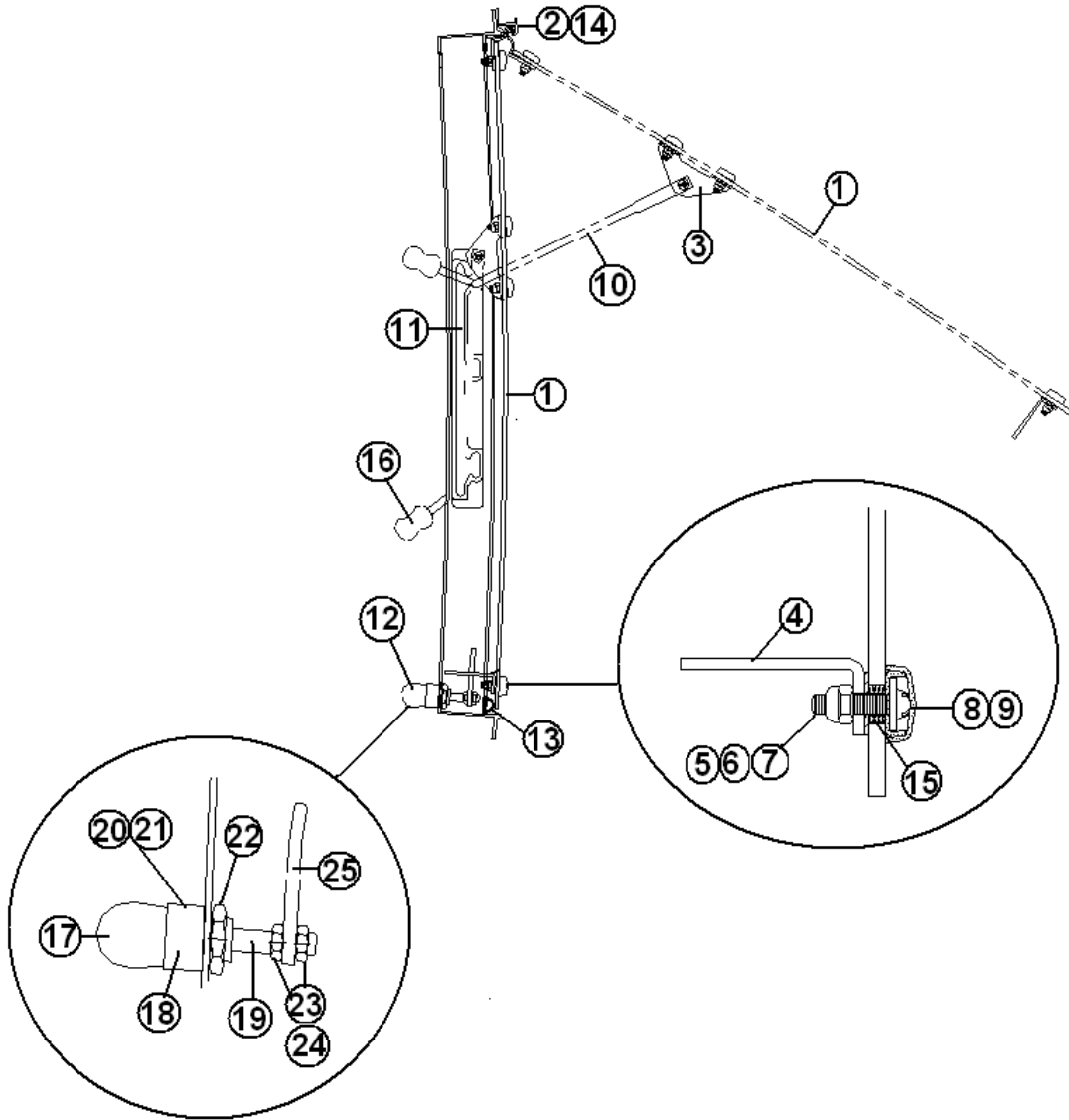
### Utility/Power Cord Underbelly Doors

109867-01	Door, Power Cord compartment
109867-02	Door, utility compartment
340023-01	Pad lockable catch
380988	Hinge, continuous, .5IN leaf
114812	Aluminum angle, 1.00" X 1.00"
365013-01	Tape, charcoal low density foam
365030	Seal, door hinge 3-3/4" wide
114070	J-trim, extrusion, aluminum
922288	Trunk Door Assembly
922288-01	Jamb, Rear Trunk Door, Long
365035	Rubber Seal

# 2015 CLASSIC TRAILER

## WINDOWS

### Window, Parts Diagram



Parts Listed on Next Page

# 2015 CLASSIC TRAILER

## WINDOWS

### Window, Parts Diagram

1. 371323-100	Glass w/hardware, 18" window
371324-100	Glass w/hardware, 30" window
195510-93	Glass assembly for 30" tall window
2. 371323-101	Hinge, 18" window
371324-101	Hinge, 30" window
3. 1101-0010	Bracket, window prop
4. 1101-0011	Bracket, LH Striker
1101-0012	Bracket, RH Striker
5. 0706-0004	Flat washer
6. 0703-0001	Screw, #8-32 x .625", black, SS
7. 0702-0010	Nut, Nylox, #8-32, black SS
8. 0802-0004	Screw cover, 12-12 #100, black
9. 195467-02	Washer, Nylon, .125 x 5/16 OD
10. 195510-17	Arm Assembly, 30" window, LH
195510-16	Arm Assembly, 30" window, RH
11. 0802-0001	Guide, operating arm, RH
0802-0002	Guide, operating arm, LH
12. 010020	Latch assembly, chrome
13. 382117	Gasket, rectangular post
14. 0101-0017	Male hinge extrusion, 1/2" pc.
15. 195467-02	Washer, nylon .125" X 5/16" OD
16. 380230-03	Window arm knob, silver
380230-04	Window arm knob, red
17. 195467-05	Latch handle, red
18. 1101-0007	Latch body
19. 1101-0008	Latch shaft
20. 1101-0009	Latch spring
21. 0707-0002	Pin, drive lock, 5/32" x 5/8", zinc
22. 0702-0001	Nut, hex panel, 5/8"-24, zinc
23. 0702-0002	Nut, jam, hex, 5/16-24
24. 0706-0001	Washer, Flat, .53 OD x .328 ID
25. 0304-0003	Window Lock Paw

# 2015 CLASSIC TRAILER

## WINDOWS

### Window Trim Rings

372267	Trim Ring, 30", Stacked, aluminum
372268	Trim ring, 18", stacked, aluminum
115208	Trim ring, window, main door
203225	Trim lok, white, for fixed window close outs

### Vista View Windows, 30"

203490-04	Trim ring, 30" Vista View, Interior, silver
371437-02	Window, Vista View, 30"
704157-04	Shade, Vista View, 9.625 x 31.5
372272-02	Sash, 30" Vista View
922772-02	Backer, Vista View blind, 30"
115222-01	Z Bar-formed 31.5" Vista View
365367	Foam Tape, Automotive

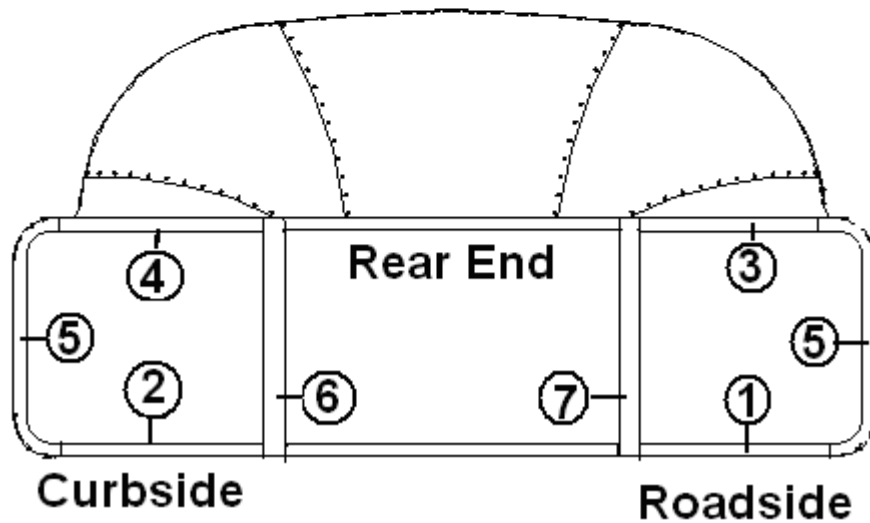
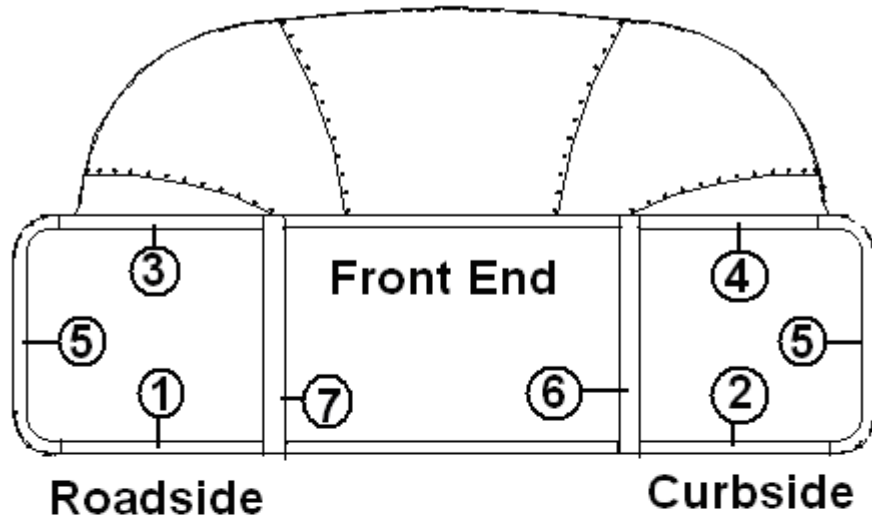
### Vista View Windows, 18"

371437-01	Window, Vista View, 18"
203490-03	Trim ring, 18" Vista View, Interior, silver
704157-03	Shade, Vista View, 9.625 x 19.38
922772-01	Backer, Vista View blind, 18"
115222-02	Z Bar-formed 19.5" Vista View
365367	Foam Tape, Automotive

# 2015 CLASSIC TRAILER

## WINDOWS

Window Trim, Panoramic



- |              |                           |
|--------------|---------------------------|
| 1. 201579-02 | Trim ring, lower RS, Gray |
| 2. 201580-02 | Trim ring, lower CS, Gray |
| 3. 201581-05 | Trim ring, upper RS, Gray |
| 4. 201581-06 | Trim ring, upper CS, Gray |
| 5. 201578-02 | End Cap, trim ring, Gray  |
| 6. 110900-01 | Trim, formed, white, RH   |
| 7. 110900-02 | Trim, formed, white, LH   |
| 203225       | Trim-lok, white .75"      |

# 2015 CLASSIC TRAILER

## WINDOWS

### Windows

371346-02	Window, flat, front center
372088-101	Window, panoramic, front RS
372089-101	Window, panoramic, front, CS
371323-01	Window, curved 18" opening
371436	18" Stack Window
371380	Window, opening, 30" tall
371400-01	Window, main door
371380-01	30" x 30", opening egress window

### Window Screens

371349-01	Screen, rear escape
371347-01	Screen, front window
372174-01	Screen, 18" opening window, white frame
372175-02	Screen, 30" opening window, white frame



# 2015 CLASSIC TRAILER

## AWNINGS

### Awnings, Patio

110366-04	Awning patio package
704126-01	Awning, Patio, 21'-8", Satin
381532-01	Hardware, patio, satin
703633-05	Center support
385577	Wear tape, clear, 3½" wide
703633-06	Silkscreen, Airstream

If the awning is to have silkscreen, the awning will need to be ordered along with -06 for the silkscreen.

### Awnings, Windows

110446-04	Awning Windows Package
704125-01	Awning, Window, 17'-6.5"
704125-02	Awning, 3', Satin
704125-03	Awning, 52.62", Satin
385577	Wear tape, clear, 3½" wide

### Power Awnings, Patio

704049-17	Power Awning, 21'-8"
704049-01	Hardware Kit, 65" Support Arm
365369	Kit, Gasket Power Awning
386267-01	Front Label 2.50"
386267-02	Rear Label 2.50"
115578	Doubler Plate, Trailer Awning
382210	Plug, White 1" Cutout
382202	Grommet, Liquid Tight LTB50-70
512652	Power Cable, Relax Awning
704049-03	Awning Silkscreen, Airstream

# 2015 CLASSIC TRAILER

## WINDOWS/STONE GUARDS

### Window Stone Guard

110188-01	3 Piece Stone Guard
685275-101	CS wrap window solar protector, stone guard
685275-102	RS wrap window solar protector, stone guard
110102	Stone Guard, Center Piece, w/Panoramic windows
685358	Turn fast stud
685362	Retainer, split ring
685359	Rubber receptacle
685361	Bracket, rubber receptacle
685363	Slip joint hinge, SS, CS per pair
683960	Arm support
683959	Arm support bracket
114749	Hinge, "Y" assembly. (Rockguard Assy.)
114750	Hinge, "J" (Rockguard Assy.)
685364	Bracket, upper hinge-45.375-Stoneguard
381021-01	Latch, draw flexible
381688	Bumper, rubber, .44" wide, hemisphere, clear

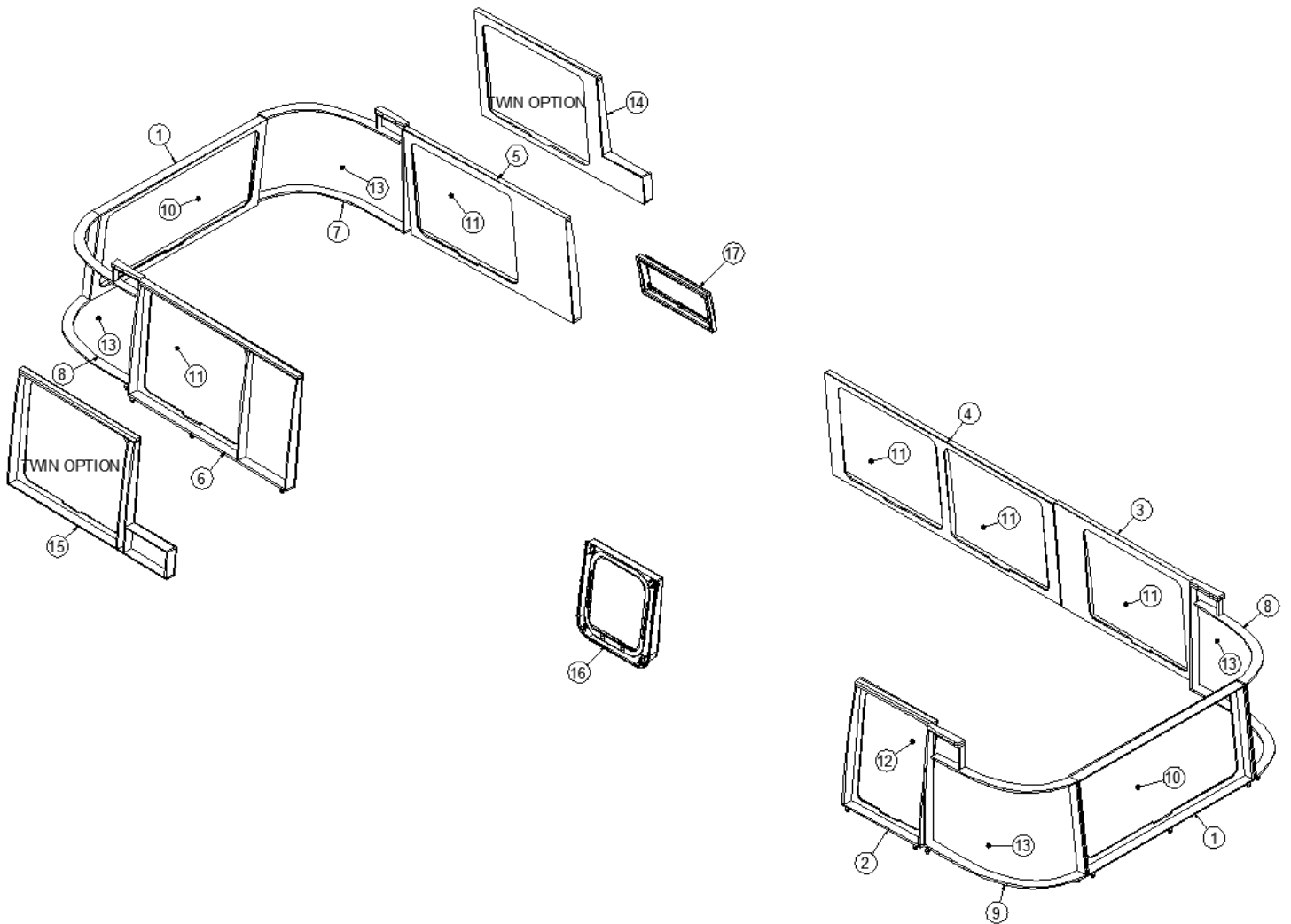
### Stone Guard Frame

114815-01	Extrusion, frame aluminum
685354	Front Win key, 90-Deg, riveted to inside corner of metal frame
685378-01	¼" rubber spline
685351	Rubber frame, black
290812-01	Plexi-glass, 28" x 84", sheet
101401	Extrusion, door latch housing
685355	Slip joint, SS. hinge

# 2015 CLASSIC TRAILER

## SHADES/TRACKS/BRACKETS

### Shades/Window Boxes



Parts Listed on Next Page

# 2015 CLASSIC TRAILER

## SHADES/TRACKS/BRACKETS

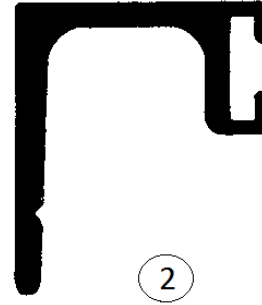
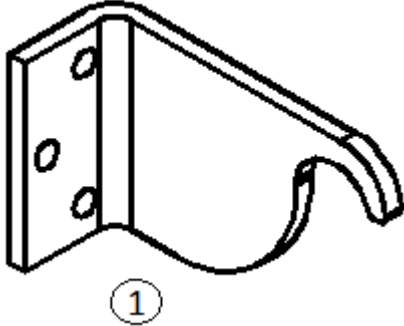
### Shades/Window Boxes

112173	Install Window Boxes and Blinds
1. 704148	Fabric Assy, Front and Rear Window Box
2. 704146	Fabric Assy, CS Front Window Box
3. 704147	Fabric Assy, RS Front Window Box
4. 704144	Fabric Assy, Dinette Window Box
5. 704143	Fabric Assy, RS Rear Window Box, Queen Only
6. 704145	Fabric Assy, CS Rear Window Box, Queen Only
7. 704150	Fabric Assy, RH Rear Pano Window Box
8. 704149	Fabric Assy, LH Pano Window Box
9. 704151	Fabric Assy, RH Pano Window Box
10. 704155-01	Shade, 52.25 x 25.25, Day/Night Duette
11. 704155-02	Shade, 24.5 x29.75, Day/Night Duette
12. 704155-03	Shade, 22.63 x 32, Day/Night Duette
13. 704156	Shade, 25 x 40, Panoramic
14. 968265	RS Rear Window Box Assy, Twin
15. 968266	CS Rear Window Box Assy, Twin
16. 112182	Install, Galley Shade
17. 112181	Install, Bath Shade
704157-03	Shade, Vista View, 9.625 x 19.38
704157-04	Shade, Vista View, 9.625 x 31.5
704157-01	Shade, Skylight, 14.625 x 22.75
704157-02	Shade, Skylight, 19.75 x 19.75

# 2015 CLASSIC TRAILER

## SHADES/TRACKS/BRACKETS

### Track/Bracket



- |              |                                    |
|--------------|------------------------------------|
| 1. 115623-01 | Bracket, Blind Retainer, RH        |
| 115623-02    | Bracket, Blind Retainer, LH        |
| 2. 101225    | Bracket, curtain standoff          |
| 704156-03    | Track Set, #1 RH, panoramic window |
| 704156-04    | Track Set, #2 RH, panoramic window |
| 100097       | Extrusion Aluminum Curtain Track   |

# 2015 CLASSIC TRAILER

## ELECTRICAL, 110 VOLT

### Power Cord, 50 Amps, Exterior Hook Up

511149-02      Power inlet w/ strain relief 50  
511149-03      Power cord, 50A, 36'.

### Breaker Box, 50 Amp USA

510662              Breaker, 20 amp, Double, Square D 2020  
510661              Breaker, 20 amp. Square D GFI  
510666              Breaker, 15/20 amps double  
510564-20GFI      Breaker, Type BR, 20GFI, #GFCB-120

### Breaker Box, 50 Amp, CSA

511149-02              Power inlet w/ strain relief 50  
511149-03              Power cord, 50A, 36'.  
510717              Breaker, Square D, QOT1515  
510664              Breaker, Square D #QO115GFI, 15  
512480              Switch Assy, Water Heater, White  
510888-05              Receptacle w/ cover, GFI, white, water heater  
510888-06              Spacer, receptacle, GFI, white, water heater  
510888-07              Receptacle Cover, White, Water Heater  
512308              Box, Shallow Switch & Outlet, Water Heater  
510741              Box, electrical, 1-1/2" X 2" X 3"

# 2015 CLASSIC TRAILER

## ELECTRICAL, 110 VOLT

### Interior Receptacle, Switches, and Covers

512481-02	Receptacle, 20A, Single, Brown
512481-03	Plate, Brown Cover W/Screws
500563-03	Receptacle, White, Self-contained
500563-04	Wall plate, White w/screws for 500563-03
382070	Non-skid rubber dot for 500563-03
500903	Duplex receptacle, ivory
500913-03	Switch, T & B, white
500785	Outlet, duplex, brown, T & B
511287	Receptacle, single, 15A
510888-07	Receptacle cover, white
510888-05	Receptacle w/Cover, GFI, White
511814-01	Receptacle, duplex, gray
511814-02	Plate, decorator, 1 gang, gray
510014	Box, junction, octagon #54151-C
510015	Box, cover
510315	Switch and Receptacle box
512791	USB Port w/ Q nut, Dual, Black
512792	USB Port Pigtail

### Exterior 110 Volt Outlet

500563-03	Duplex receptacle, white
512741	W.P. cover w/ gasket

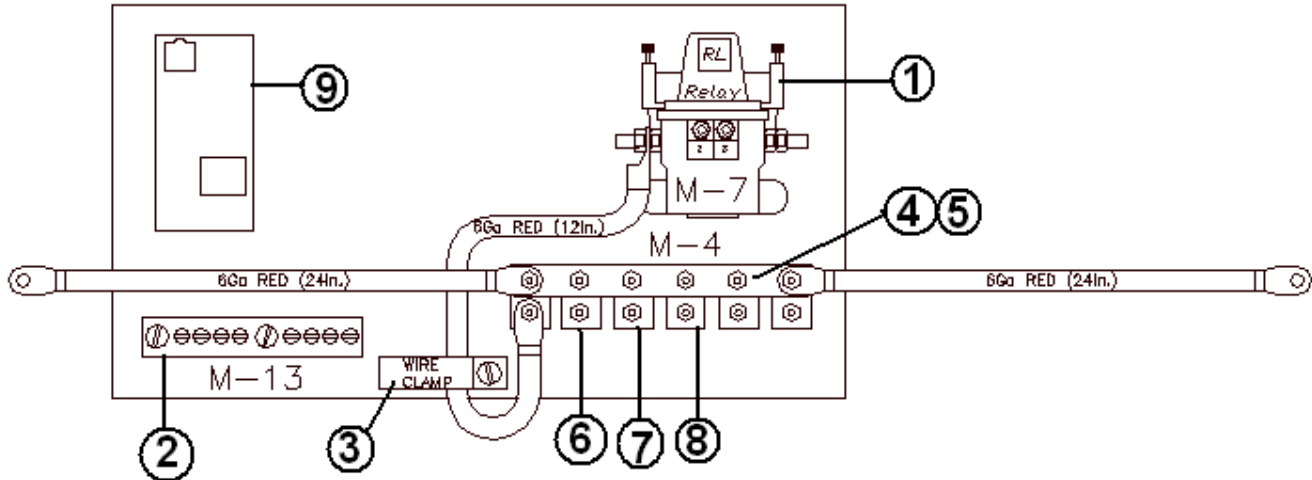
### Inverter

512680	Inverter, 1,000 Watt #WF-511OH-W
500039	Ground lug
511090	Stud type, junction block, Red
511090-01	Stud type, junction block, Black
511969-01	110A fuse and block, CLASS T
500563-03	Receptacle, White, Self-contained
500563-04	Wall plate, White w/screws for 500563-03
382070	Non-skid rubber dot for 500563-03
512481-01	Receptacle, 20A, single, white XL
512847	Portable Cord, SJ00W12-3

# 2015 CLASSIC TRAILER

## ELECTRICAL, 110 VOLT

### Converter/Electronic Kill Breaker Panel



- |              |                                       |
|--------------|---------------------------------------|
| 1. 511655-02 | BDO Relay 100 AMP 12VOLT              |
| 511655-01    | Switch bezel, silver/black            |
| 511655-05    | Cable, BDO/1 30'                      |
| 2. 510743    | Ground bar, 3-1/2" long               |
| 3. 340093-06 | Clip, "J" vinyl coated, 3/4"          |
| 4. 510948-06 | Bar BUSS circuit breaker conn.        |
| 5. 510946-06 | Bracket, 6PO, breaker, 12V, #8536-2   |
| 6. 510947-50 | Breaker, 12V DC, type II, #12V50      |
| 7. 510947-20 | Breaker, 12V DC, type II, #12V20      |
| 8. 510947-30 | Breaker, 12V DC, type II, #12V30      |
| 9. 511846    | Kit, charger controller, solar panel  |
| 511023       | Tester, circuit analyzer (loose item) |

### Generator Prep Components

- |           |  |
|-----------|--|
| 510562    | Switch, generator Auto transfer switch, 34', 31', 30' (34'OUT) |
| 385062    | Decal 110-125 Voltage AC                                       |
| 512401-02 | Power inlet, 30A, 125V, male                                   |



# 2015 CLASSIC TRAILER

## ELECTRICAL, 12 VOLT

### Battery

511132	Battery, Deep cycle, Lead acid, Interstate SRM-27
500836-02	Positive battery cable, 72"
500837	Negative battery cable
511608	Isolation transformer, 15A

### 7-way Cable

500886-01	7-Way cable w/plug
511411	Junction box, 7-way cable

### Break Away Switch

0300027	Break Away Switch, Bargman
454526	Break away switch bracket
345426-04	Clamp, rubber loop .63"

### Battery Disconnect Switch

510626	Switch, master disconnect
510627	Face plate, disconnect switch

### Monitor Panel

512833	Monitor, Tank System Kit (Seelevel)
512833-01	Flush mount monitor panel only
512566-02	Sender pad
511252	Plug, phone, 4 conductor
510174	Telephone Wire

# 2015 CLASSIC TRAILER

## ELECTRICAL, 12 VOLT

### 12-Volt Outlet

510807	Outlet, 12 Volt, Interior
511121	Mounting plate, 12 volt receptacle
512451	Outlet, 12 volt, interior

### Solar Charging System

511845	Battery, 12V, deep cycle, GP.27 glass matt
511142-01	Panel, solar, 53 watt
511142-02	Bracket, mounting kit, solar panel
510696	Holder Fuse, In-Line, #24-139-0
510328	AGC 10 fuse, fuse panel
385947	Label 10 AMP fuse, max.
511846	Kit, charge controller display
511846-100	#PVCM25D Regulator for solar panel 511846
511846-101	Display only, #PVDM4-LC FOR P/N 511846
511851	Cable, CAT 5E, blue
511852	Connector, RJ45E
115583	Plate, Solar Battery Spacer

### Door Bell

511957	Bezel, round, doorbell
511958	Switch, doorbell w/ 6" leads
511966	Doorbell, battery powered, white/brown

### Fuses/Fuse Holders

510696	Holder, fuse, inline
500883-01	Fuse, CSA, 1 AMP

# 2015 CLASSIC TRAILER

## ELECTRICAL, 12 VOLT

### Interior Receptacle/Switches/Covers

510868-03	Switch panel, 4-gang, white
511327	Switch body w/rocker, 1 gang, white
511328	Cover switch, one gang white
511566-01	Cover, switch, 2 gang
511567-01	Switch body w/switches, 2-gang, black
511771	Switch assembly, two-gang, white
500967-01	Cover, blank, Ivory
512709	Switch, Slide Dimmer Black #AH-SL
512312	Switch Assembly, reversing, Black
510888-05	Receptacle w/cover, GFI, White
510888-07	Receptacle cover, white
512480	Water heater switch assembly, white
510315	Switch and Receptacle box
511814-01	Receptacle, Duplex, Gray
511815-01	Receptacle, Duplex, Black
511287	Receptacle, Single, 15 Amp
512826	Switch, Rocker, Split, Stainless Steel
512825-03	Switch frame, 3 gang, Stainless Steel
512827	Switch, Rocker, Change-over, Stainless Steel
512825-01	Switch frame, 1 gang, Stainless Steel
512825-02	Switch frame, 2 gang, Stainless Steel
511912	Plate, Receptacle, Stainless Steel

# 2015 CLASSIC TRAILER

## ELECTRICAL, 12 VOLT

### Interior Lights/Bulbs

512169	Light, 3 arm, dinette
512168	Light, Oval, Wall Lamp
512828	Light, Wet locations, 9 LED
512829	Light, Courtesy Push Lens
512830	Light, Ceiling, 9 LED, Un-switched
512831	Closet Light w/Plunger, LED
512832	Tape Light, Diffused w/48" Lead
512736	Light, 12V w/Switch, LED
512840	Courtesy Light, Wall Wash, Black
512478	Light, LED, Wet Location

# 2015 CLASSIC TRAILER

## ELECTRICAL, 12 VOLT

### Electrical Center Box, Under Sofa

965419-01	12 V Electrical box assembly
380988	Hinge, continuous, .5in. leaf 16
381228-02	Catch, grabber door, (5lb pull)
512282	Fuse Panel, 12VDC ATC-Type W/LEDS 9.25" X 4.25" X 2.38" Brown (4 30amp & 8 20amps) 30' & 31' TT

### TV Jack

510614-01	Jack TV 12V white, interior
512510	Audio/Video, Coax w/HDMI Pass-through Grommet Bedroom TV Only
511534	Dual, Coax, Cable Plate, White
511375	Jack Modular Telephone TA-1020

# 2015 CLASSIC TRAILER

## ELECTRICAL, 12 VOLT

### Exterior Lights/Switches

512252	Step light, L.E.D., SS
510658	Switch w/weather proof boot
512532	Light, Utility L.E.D., 4"
512455	License Plate Holder
512859	Amber LED clearance light
512859-01	Amber Bezel
512859-02	Chrome base
512227	Red LED clearance light
*512860	Red LED clearance light
512860-01	Red Bezel
512860-02	Chrome base
382181	Gasket, Clearance Light
512533	Light, Auxiliary, LED
115563	Casting, Tear Drop Light, Flat
115564	Casting, Tear Drop Light, Curved

\*replaces 512227, except for 3 lights on End Shell Top

### Reflectors

500095	Reflector, red, oval
500096	Reflector, Amber, Oval
510446	Reflector, red, stick-on

# 2015 CLASSIC TRAILER

## ELECTRICAL, 12 VOLT

### License Plate Light

512455	License Plate Holder
350153	Nut, plate, 1/4 x 20

### Tail Lights

968188-01	Tail light assembly, RS
968188-02	Tail light assembly, CS
115624-02	Casting, tail light, RS
115624-01	Casting, tail light, CS
203797-02	Gasket, Tail light RS
203797-01	Gasket, Tail light CS
512821	Tail Light, 4"
382258	Grommet, tail light
512820	Tail Light w/Backup Lens, 4"
115629	Angle tail light
115630	Angle tail light

# 2015 CLASSIC TRAILER

## ENTERTAINMENT

### Radio/Antenna

512834	Speaker, Coaxial, 6.5", Polk
203599	Speaker, spacer, 5/8"
511807	Antenna, AM/FM, rubber, 14" #RV71
500913-100	Switch, T & B, white
511822	Sub-woofer, powered, 6.5" wedge
511863	Switch, A/B, speaker, radio
512835-01	Audio System w/2 head units, Polk
512835-02	Wired remote w/display
512835-03	Y Cable
512835-04	18' extension cable
512835-05	Sirius/XM tuner, no antenna
512835-06	Sirius/XM Antenna
512835-07	USB input port
512693	Blue Ray Disc/DVD Player, Samsung
512366-30	Cable, HDMI Male to Male, 30'
512366-35	Cable, HDMI Male to Male, 35'
512366-25	Cable, HDMI male/male 25'
195466-250	Receptacle, 12V, Socket w/Cover
386159	Label, Flat Screen TV
512516	HDMI Right Angle Adapter
512517	HDMI Coupler
512552	Kit, Switcher, HDMI
512568	Dual Inlet, TV/Satellite

### TV Antenna

512657-01	Antenna, Omni-directional, White
512398	RV Wall Plate/Power Supply, White, RV-0741, Winegard
500484-04	Antenna, lead and extension, 48"
510616	Connector, "F", coax
510623	Connector, male-to-male, coax
510623-01	Locking Nut



# 2015 CLASSIC TRAILER

## ENTERTAINMENT

### Exterior TV Jack

512568 Inlet, Dual TV/SAT, titanium  
104619 Mounting. Plate, Exterior Telephone & TV Jack

### Interior TV Jack

512398 RV Wall Plate/Power Supply White RV-0842 Winegard  
510614-01 TV Jack, 12V, White

# 2015 CLASSIC TRAILER

## ENTERTAINMENT

### Video Package

512405-02	Coax Lead/Jumper W/Connectors, 12"
512405-01	Coax Lead/Jumper W/Connectors, 6"
512406	Connector, RG6 Hex Compression
512407	Cable, RG6 Coax
512499	Cable, mini coax 48"
511856	Wiring kit, 4 way flat, ext
511703	Cord, patch, male/male, 2-way 20'
511645	Male to 2 female, adaptor
386159	Label, flat screen TV
510621-02	Splitter, Coax
511827	TV jack Plate
512510	Audio Video Plate, Coax w/HDMI pass through grommet (Bedroom TV Only)

# 2015 CLASSIC TRAILER

## ENTERTAINMENT

### Flat Screen TV Install

512526-01	Wall Bracket, articulating arm, LED TV
320157	Screw, PH M4 x 12MM, Steel
512499	Cable, Mini Coax 48"
500132	Grommet, 1" 1-3/16 ID
512836	Patch Cord, male to male, 10', 2 way RCA
386159	Label, Flat Screen TV
512528	HDMI Right Angle Adapter
690668	HDTV, LED, 32" Samsung
345517	Screw, M8 x 20MM, threaded, black
345461-01	Screw cap, hex ¼-20 x .63, black
512499	Cable, Mini Coax 48"
320116-02	Screw, Black, Phil Head, #8 ½"
381754	Mirror Clip
801946	Spacer, TV Bracket
512058	Cable, 3.5mm plug/jack
340300	Clip, Cable Holder
382184	Sleeving, Flexo Braided Split

# 2015 CLASSIC TRAILER

## ENTERTAINMENT

### 22" Bedroom TV Option

690650	TV LED HD Color 22" Samsung
512457	Arm, articulating Moview MSDSL
320157	Screw, PHM4 x 2MM, steel
512499	Cable, Mini Coax 48"
512501	Splitter, HDMI Pass through 1X2
350189	Nut, Tee, 6 prong, 1/4-20, Black
300072-05	Washer Lock, 5/16 I.D. X 19/32
345461-01	Screw, 1/4-20 Hex Flange Cap SE\
340300	Clip, Cable Holder
382184	Sleeving, Flexo Braided Split
512366-03	Cable, HDMI, Male to Male, 3'

# 2015 CLASSIC TRAILER

## FLOOR COVERING

### Carpet, Flooring/Floor Mats/ Linoleum

701538	Carpet, Velour-compartment liner
701538-01	Carpet, Econolier W/PSA Back
203594-03	Floor Trim, UN275 Magnolia
320146-03	Screw, OH PHIL, #6 x 1/2", Magnolia
704160	Flooring, Raffia, 1520 CC, color #2
704137	Mat, Floor, "CLASSIC"
203727	Foil, Single bubble flex

# 2015 CLASSIC TRAILER

## FURNITURE

### Mirrors

372203-04	Mirror, polished edges, 36.00 X 14.00
380024	Support, friction slide, LH
371443	Mirror, Bath door, 18.63" x 67.13"
371440-01	Mirror, Contoured RH, 31.11" x 38"

# 2015 CLASSIC TRAILER

## FURNITURE

### Door, Shower

703989-01 Shower Door, adjustable, continuous hinge, reeded glass

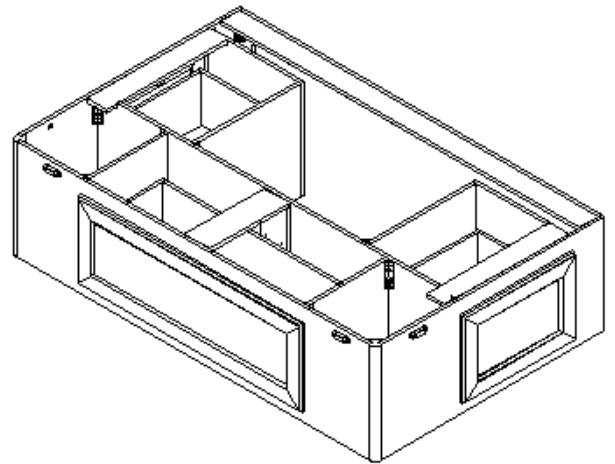
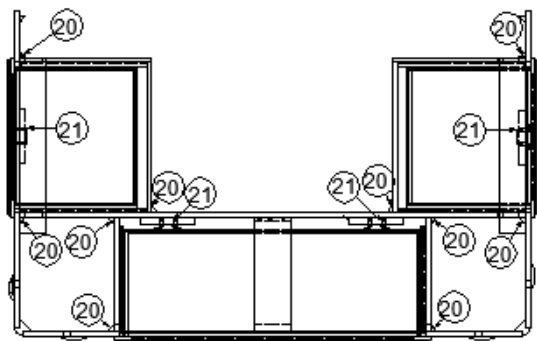
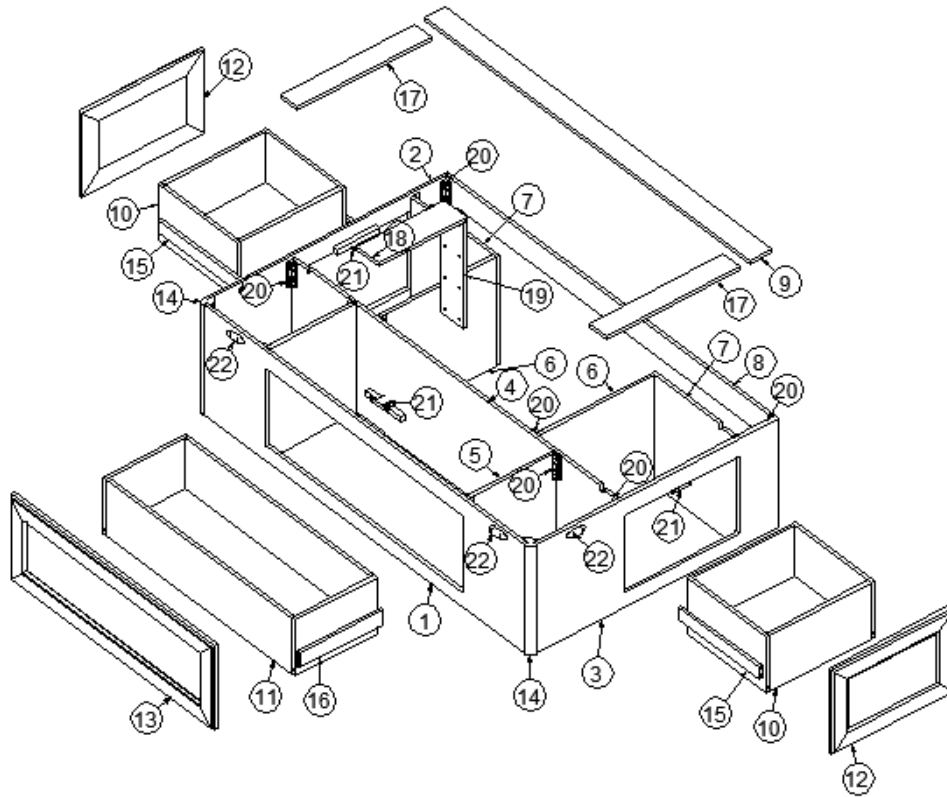
### Door, Foldette

704166 Door, Folding, Black, 60 x 73  
381563-01 Track, foldette door

# 2015 CLASSIC TRAILER

## FURNITURE, BEDROOM

Bed, Double



Parts Listed on Next Page



# 2015 CLASSIC TRAILER

## FURNITURE, BEDROOM

### Bed, Double

968152-28

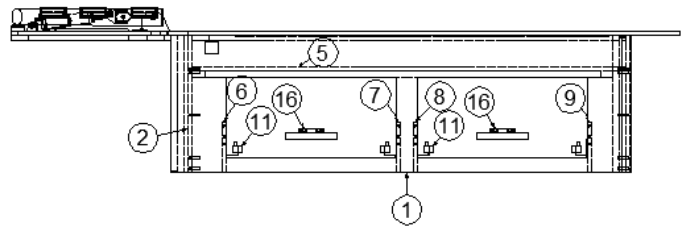
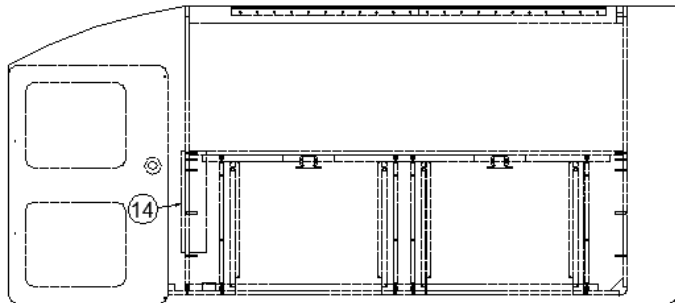
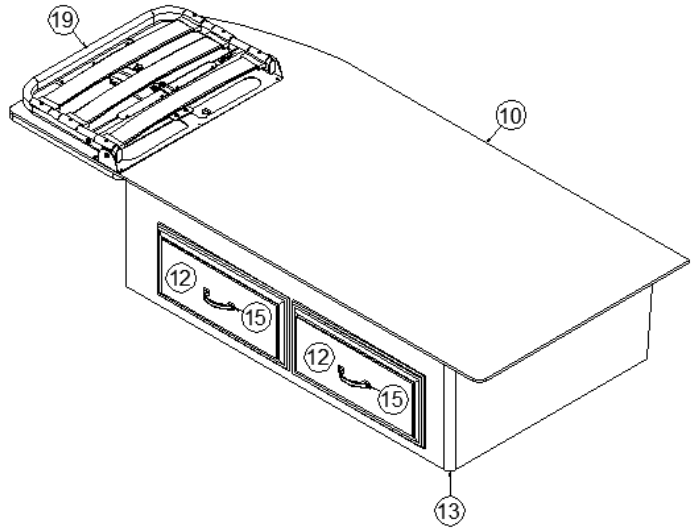
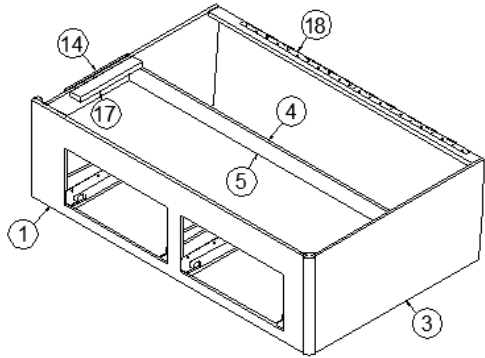
Bed Assembly, Queen, Cherry

1. 968152-128 Panel, 15.625 x 55.535
2. 968152-228 Panel, 15.625 x 35.768
3. 968152-328 Panel, 15.625 x 35.143
4. 968152-428 Panel, 15.625 x 56.5
5. 968152-528 Panel, 15.625 x 12.75
6. 968152-628 Panel, 15.625 x 16.75
7. 968152-728 Panel, 15.625 x 14.75
8. 968152-828 Panel, 15.625 x 56.5
9. 968152-1128 Panel, 3 x 56.5
10. 968028-08 Drawer, 8"
11. 968028-07 Drawer box, 8"
12. 801968-0628 Drawer door, Cherry
13. 801968-0528 Drawer door, Cherry
14. 801415-0028 Corner trim, 15.625, Cherry
15. 381400 Drawer slide, 14"
16. 381400-01 Drawer slide, 12"
17. 968152-1928 Panel, 3 x 19.5
18. 968152-2128 Panel, 4 x 12.75
19. 968152-3528 Panel, 4 x 15.125
20. 386279 Corner Brace, 3.5 x .75 x .75
21. 381228-02 Black catch grabber, 5LB
22. 512840 Courtesy Wall Light, Black
- 382253-02 Pull, Antique silver, 5"

# 2015 CLASSIC TRAILER

## FURNITURE, BEDROOM

### Twin Bed, Roadside



Parts Listed on Next Page

# 2015 CLASSIC TRAILER

## FURNITURE, BEDROOM

### Twin Bed, Roadside

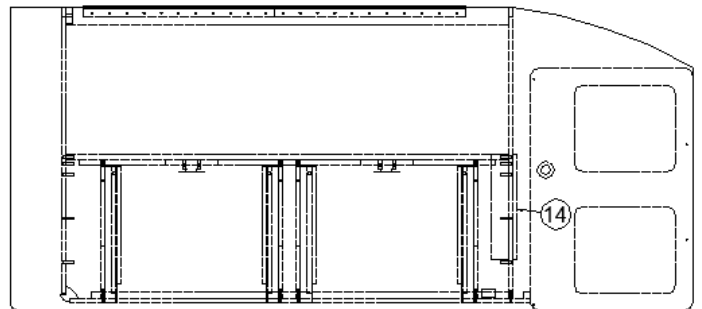
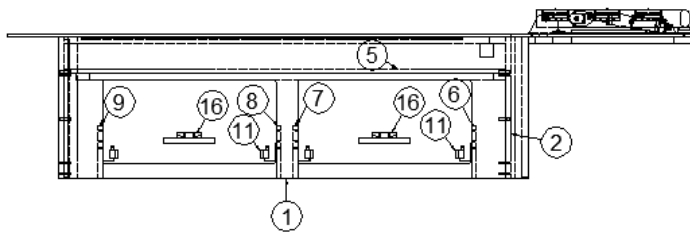
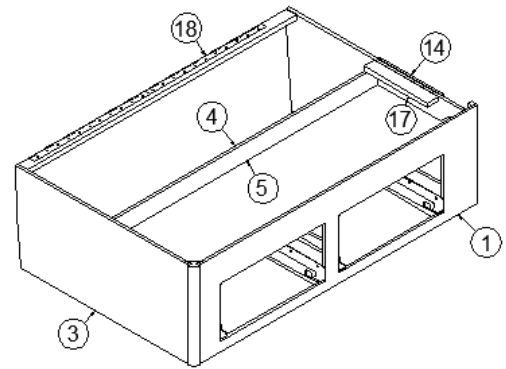
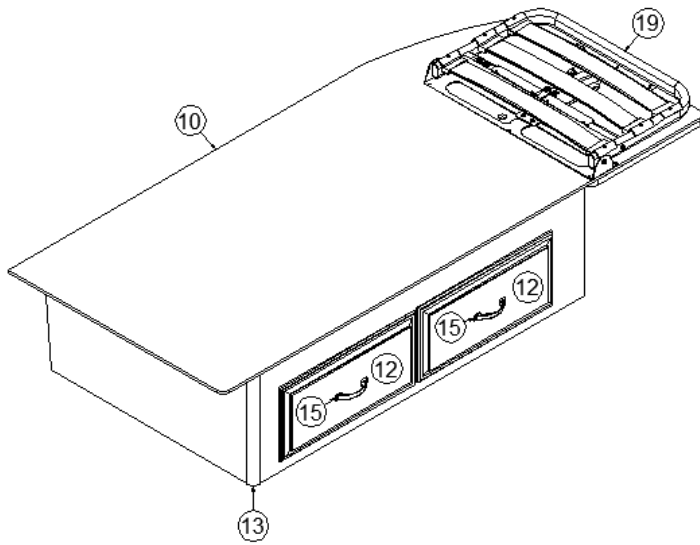
968253-28 Bed Assembly, RS Twin, Cherry

1. 968253-128 Panel, 16.25 x 53
2. 968253-228 Panel, 16.25 x 33.5
3. 968253-328 Panel, 16.25 x 33
4. 968253-428 Panel, 15.5 x 51
5. 968253-528 Panel, 16 x 51
6. 968253-628 Panel, 16 x 6
7. 968253-728 Panel, 16 x 6
8. 968253-828 Panel, 16 x 6
9. 968253-928 Panel, 16 x 6
10. 968253-1028 Panel, 35 x 78.75
11. 382203-03 Drawer slide, self-close, 15"
12. 801968-0928 Drawer face, 10.5 x 22, Cherry
13. 801415-0028 Corner trim, 1" Radius, Cherry
14. 968253-3428 Panel, 12 x 16.25
15. 382253-03 Pull, antique silver, 8"
16. 381228-02 Black Catch Grabber, 5LB
17. 382172 Hinge, Narrow utility, 1.5 x 1.38
18. 380203-01 Piano Hinge, 44"
19. 382278 Back Rest, Reclining, Electric
- 968028-12 Drawer Box, 8"

# 2015 CLASSIC TRAILER

## FURNITURE, BEDROOM

### Twin Bed, Curbside



Parts Listed on Next Page

# 2015 CLASSIC TRAILER

## FURNITURE, BEDROOM

### Twin Bed, Curbside

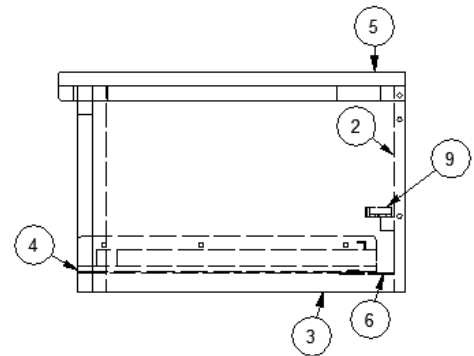
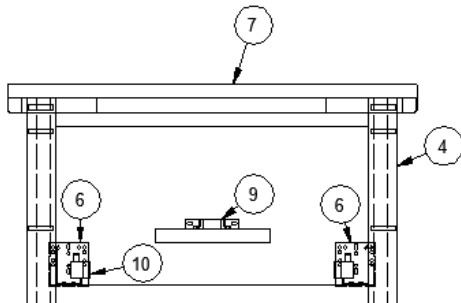
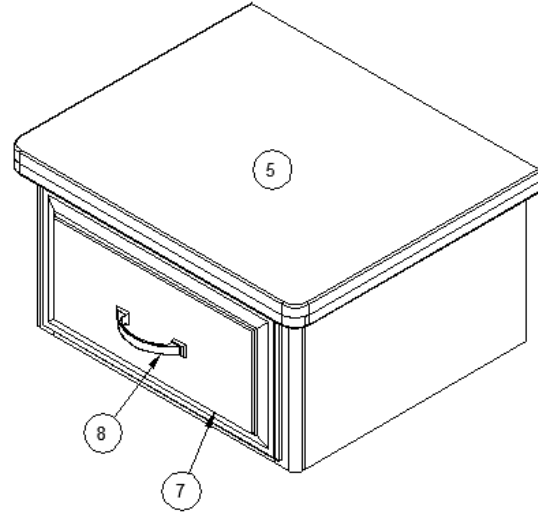
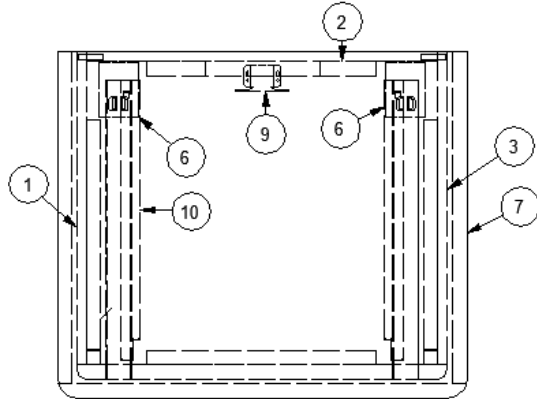
968254-28                      Bed Assembly, CS Twin, Cherry

1. 968254-128                      Panel, 16.25 x 53
2. 968254-228                      Panel, 16.25 x 33.5
3. 968254-328                      Panel, 16.25 x 33
4. 968254-428                      Panel, 15.5 x 51
5. 968254-528                      Panel, 16 x 51
6. 968254-628                      Panel, 16 x 6
7. 968254-728                      Panel, 16 x 6
8. 968254-828                      Panel, 16 x 6
9. 968254-928                      Panel, 16 x 6
10. 968254-1028                      Panel, 35 x 78.75
11. 382203-03                      Drawer slide, self-close, 15"
12. 801968-0928                      Drawer face, 10.5 x 22, Cherry
13. 801415-0028                      Corner trim, 1" Radius, Cherry
14. 968254-3428                      Panel, 12 x 16.25
15. 382253-03                      Pull, antique silver, 8"
16. 381228-02                      Black Catch Grabber, 5LB
17. 382172                      Hinge, Narrow Utility, 1.5 x 1.38
18. 380203-01                      Piano Hinge, 44"
19. 382278                      Back Rest, Reclining, Electric
- 968028-12                      Drawer Box, 8"

# 2015 CLASSIC TRAILER

## FURNITURE, BEDROOM

### Nightstand, Center, Twin Bed



968246-28

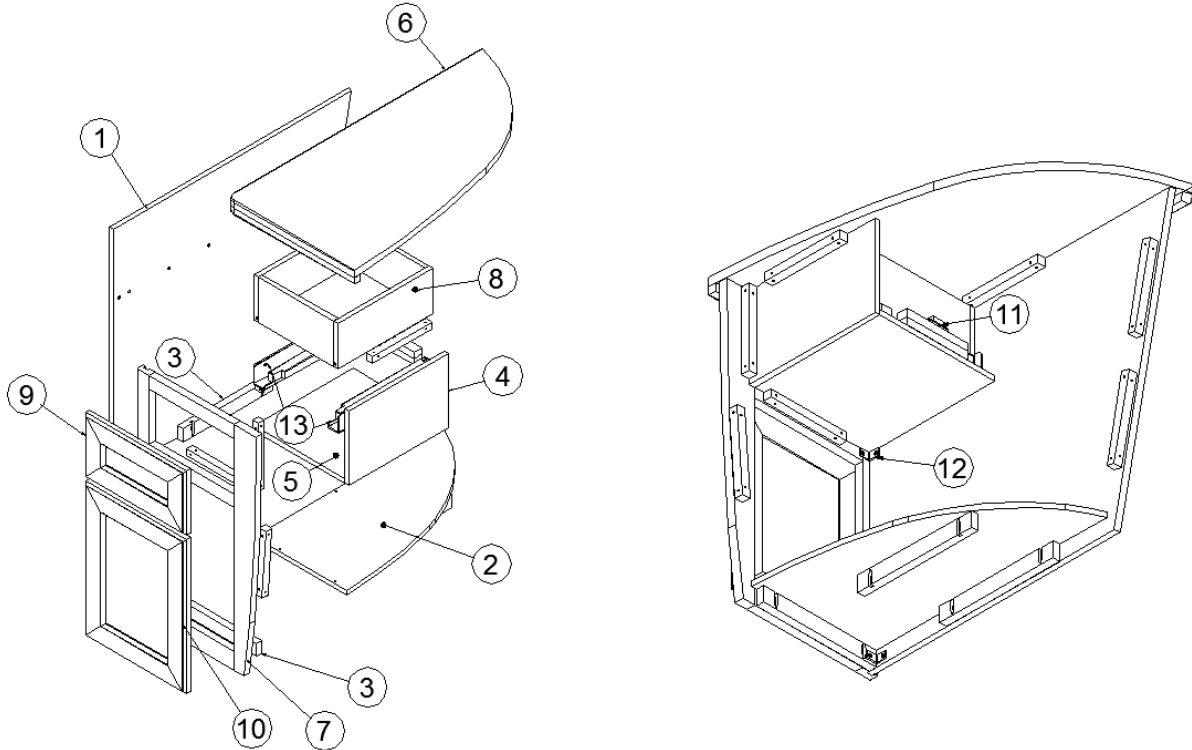
Center Nightstand Assembly, Cherry

- |                |  |
|----------------|--|
| 1. 968246-128  | Panel, 19.31 x 10.75                   |
| 2. 968246-228  | Panel, 18.38 x 10.75                   |
| 3. 968246-328  | Panel, 19.31 x 10.75                   |
| 4. 802017-0028 | Face Frame, Center night stand, Cherry |
| 5. 802021-0028 | Top, Center night stand, Cherry        |
| 6. 382203-08   | Bracket, rear mount drawer slides      |
| 7. 801968-1028 | Drawer face, 17.38 x 9.25, Cherry      |
| 8. 382253-03   | Pull, Antique silver, 8"               |
| 9. 381228-02   | Black Catch Grabber, 5LB               |
| 10. 382203-03  | Slide Drawer, Self-close, 15"          |
| 968020-16      | Drawer Box Assembly, 5"                |

# 2015 CLASSIC TRAILER

## FURNITURE, BEDROOM

### Nightstand, RS, Queen Bed



968144-28

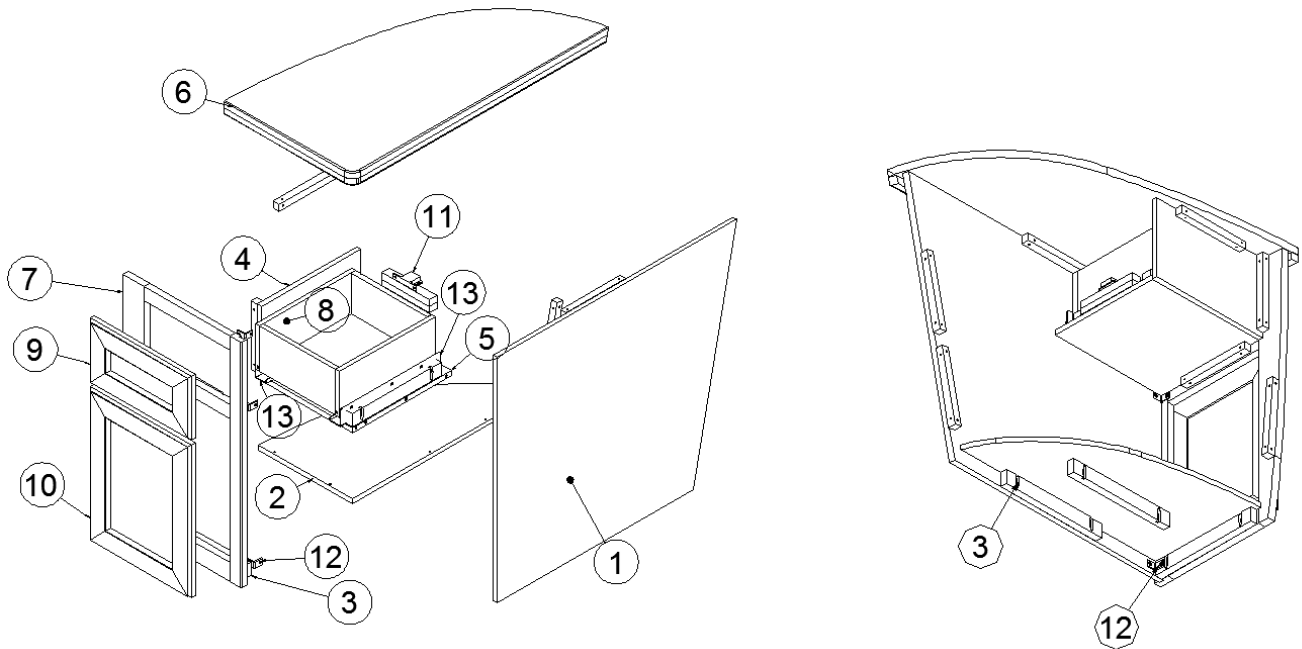
Night Stand Assembly, RS, Cherry

- |                 |                                      |
|-----------------|--------------------------------------|
| 1. 968144-128   | Panel, 25.375 x 29.938               |
| 2. 968144-228   | Panel, 11.75 x 23.654                |
| 3. 801351       | Light Ply, 1.4375 x 12 x .75         |
| 4. 968144-428   | Panel, 8.0625 x 12.5'                |
| 5. 968144-528   | Panel, 11.4375 x 12.5'               |
| 6. 801971-0028  | Top Assembly, DuraVar Finish, Cherry |
| 7. 801993-0028  | Face Frame, Cherry                   |
| 8. 968020-14    | Drawer Box Assembly, 5"              |
| 9. 801968-0228  | Drawer Face, 7 x 12.75, Cherry       |
| 10. 801969-0328 | Door, 12.75 x 15.375, Cherry         |
| 11. 381228-02   | Black Catch grabber, 5LB             |
| 12. 380041      | Corner Brace, 1" Stanely             |
| 13. 382203-02   | Drawer Slide, 12"                    |
| 382238          | Hinge, 1" overlay                    |
| 382253-02       | Pull, Antique Silver, 5"             |
| 382252          | Knob, Antique Silver, 1 1/4"         |

# 2015 CLASSIC TRAILER

## FURNITURE, BEDROOM

### Nightstand, CS, Queen Bed



968153-28

Night Stand Assembly, CS, Cherry

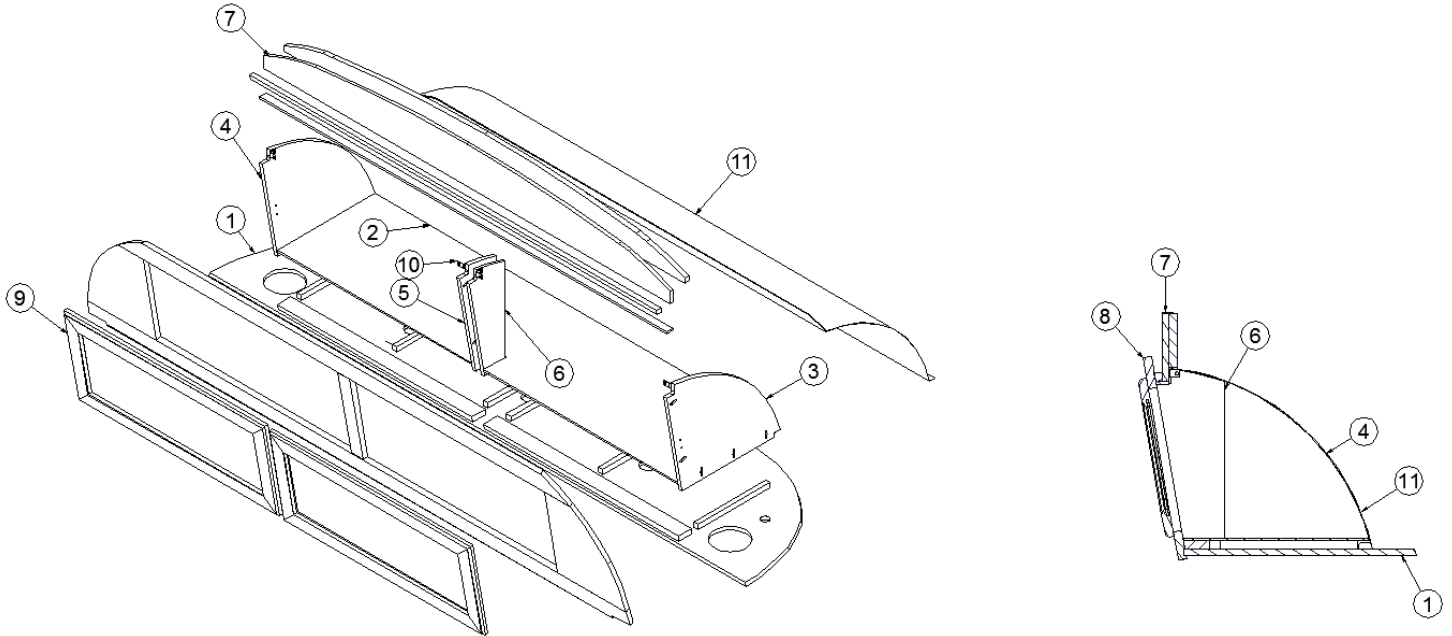
- |                 |                                      |
|-----------------|--------------------------------------|
| 1. 968153-128   | Panel, 25.375 x 29.938               |
| 2. 968153-228   | Panel, 11.75 x 23.654                |
| 3. 968153-328   | Light Ply, 1.4375 x 12 x .75         |
| 4. 968153-428   | Panel, 8.0625 x 12.5'                |
| 5. 968153-528   | Panel, 11.4375 x 12.5'               |
| 6. 801974-0028  | Top Assembly, DuraVar Finish, Cherry |
| 7. 801973-0028  | Face Frame, Cherry                   |
| 8. 968020-14    | Drawer Box Assembly, 5"              |
| 9. 801968-0228  | Drawer Face, 7 x 12.75, Cherry       |
| 10. 801969-0328 | Door, 12.75 x 15.375, Cherry         |
| 11. 381228-02   | Black Catch grabber, 5LB             |
| 12. 380041      | Corner Brace, 1" Stanely             |
| 13. 382203-02   | Drawer Slide, 12"                    |
| 382238          | Hinge, 1" overlay                    |
| 382253-02       | Pull, Antique Silver, 5"             |
| 382252          | Knob, Antique Silver, 1 1/4"         |



# 2015 CLASSIC TRAILER

## FURNITURE, BEDROOM

### Roof Locker, Front/Rear



968203-28

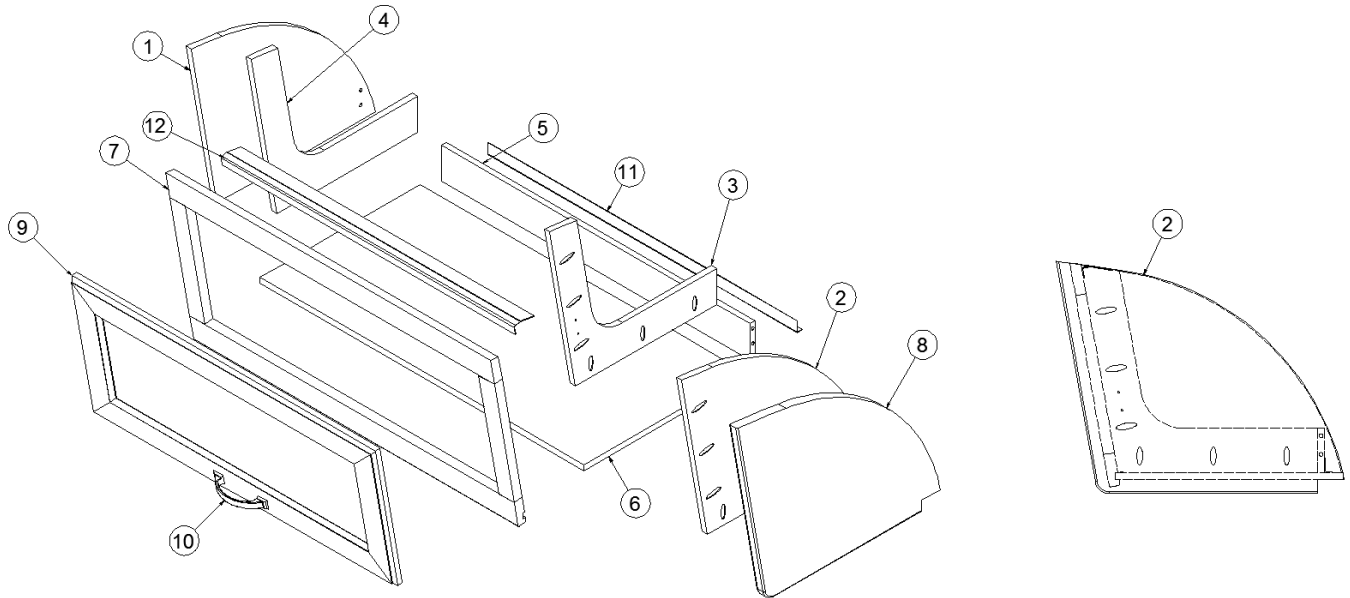
Front/Rear Roof Locker, Cherry

- |                |                                    |
|----------------|------------------------------------|
| 1. 968203-128  | Panel, 20.5 x 88.75                |
| 2. 968203-228  | Panel, 16.25 x 66.38               |
| 3. 968203-328  | Panel, 18.95 x 15.64               |
| 4. 968203-428  | Panel, 18.947 x 15.639             |
| 5. 968203-828  | Panel, 6.036 x 14.639              |
| 6. 968203-928  | Panel, 6.036 x 14.639              |
| 7. 968203-1028 | Panel, 5.992 x 67.505              |
| 8. 801986-0028 | Face frame, roof locker, Cherry    |
| 9. 801969-1028 | Door, roof locker, Cherry          |
| 10. 380041     | Brace, 1", Stanley corner          |
| 11. 115644     | Aluminum Back                      |
|                | 382238 hinge, Compact              |
|                | 382253-02 Pull, Antique Silver, 5" |

# 2015 CLASSIC TRAILER

## FURNITURE, BEDROOM

### Roof Locker, Bedroom, RS/CS



968249-0128  
968249-0228

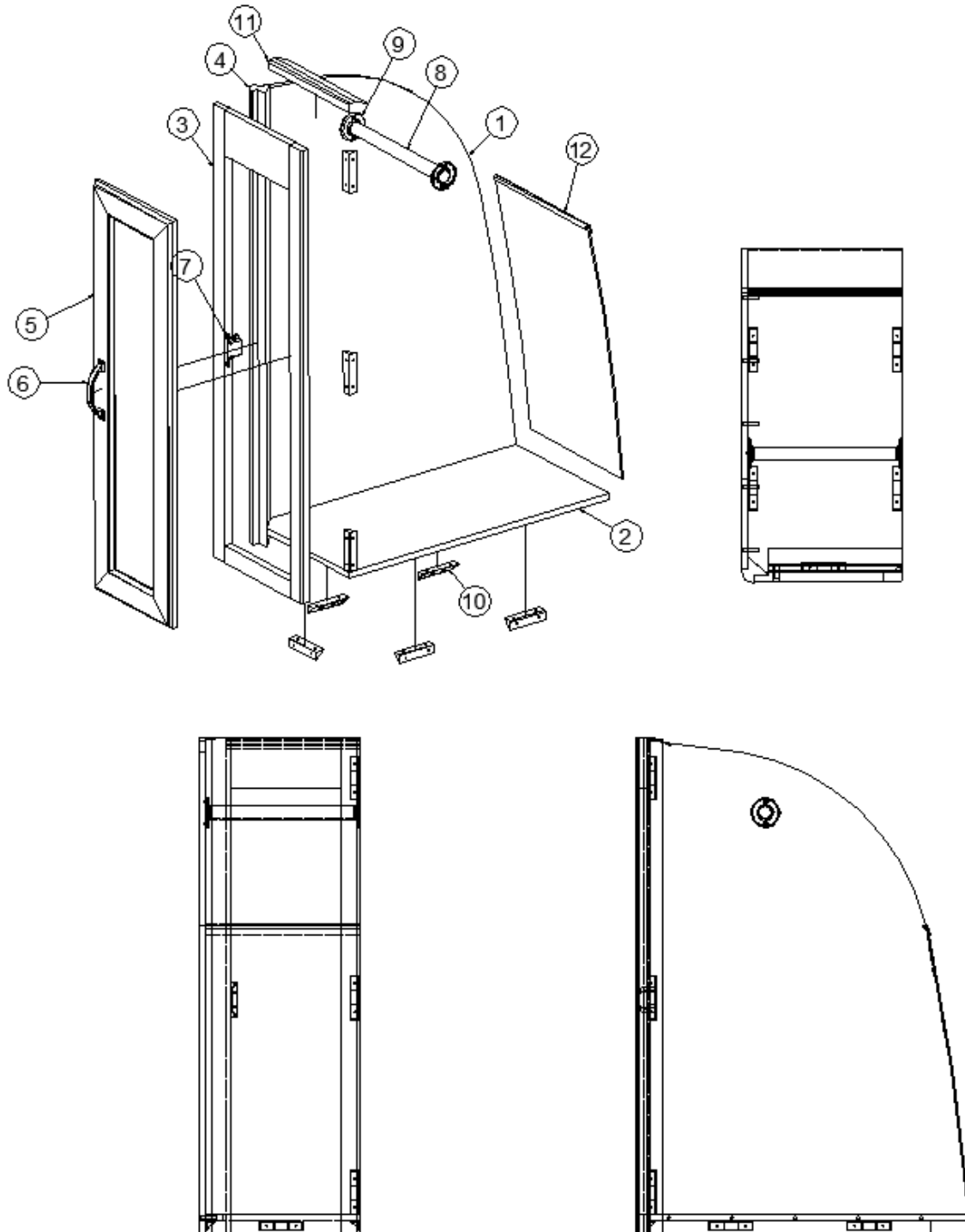
Roof Locker, Curbside, Cherry  
Roof Locker, Roadside, Cherry

- |                |  |
|----------------|--|
| 1. 968249-128  | Panel, 17.74 x 14.09                       |
| 2. 968249-228  | Panel, 17.74 x 14.09                       |
| 3. 968249-328  | Panel, 16.07 x 14.09                       |
| 4. 968249-428  | Panel, 16.07 x 14.09                       |
| 5. 968249-528  | Panel, 3 x 29.75                           |
| 6. 968249-628  | Panel, 15.5 x 13.25                        |
| 7. 802020-0028 | Face Frame, rear roof locker, twin, Cherry |
| 8. 802023-0028 | End Cap, Cherry                            |
| 9. 801969-1528 | Door, 29.25 x 12.5, Cherry                 |
| 10. 382253-02  | Pull, antique silver, 5"                   |
| 11. 114810     | Aluminum Angle, .5 x 1"                    |
| 12. 104821     | Support, 74"                               |
| 382238         | Hinge, 1" overlay                          |

# 2015 CLASSIC TRAILER

## FURNITURE, BEDROOM

Wardrobe, Hanging, RS, Twin Bed



Parts Listed on Next Page

# 2015 CLASSIC TRAILER

## FURNITURE, BEDROOM

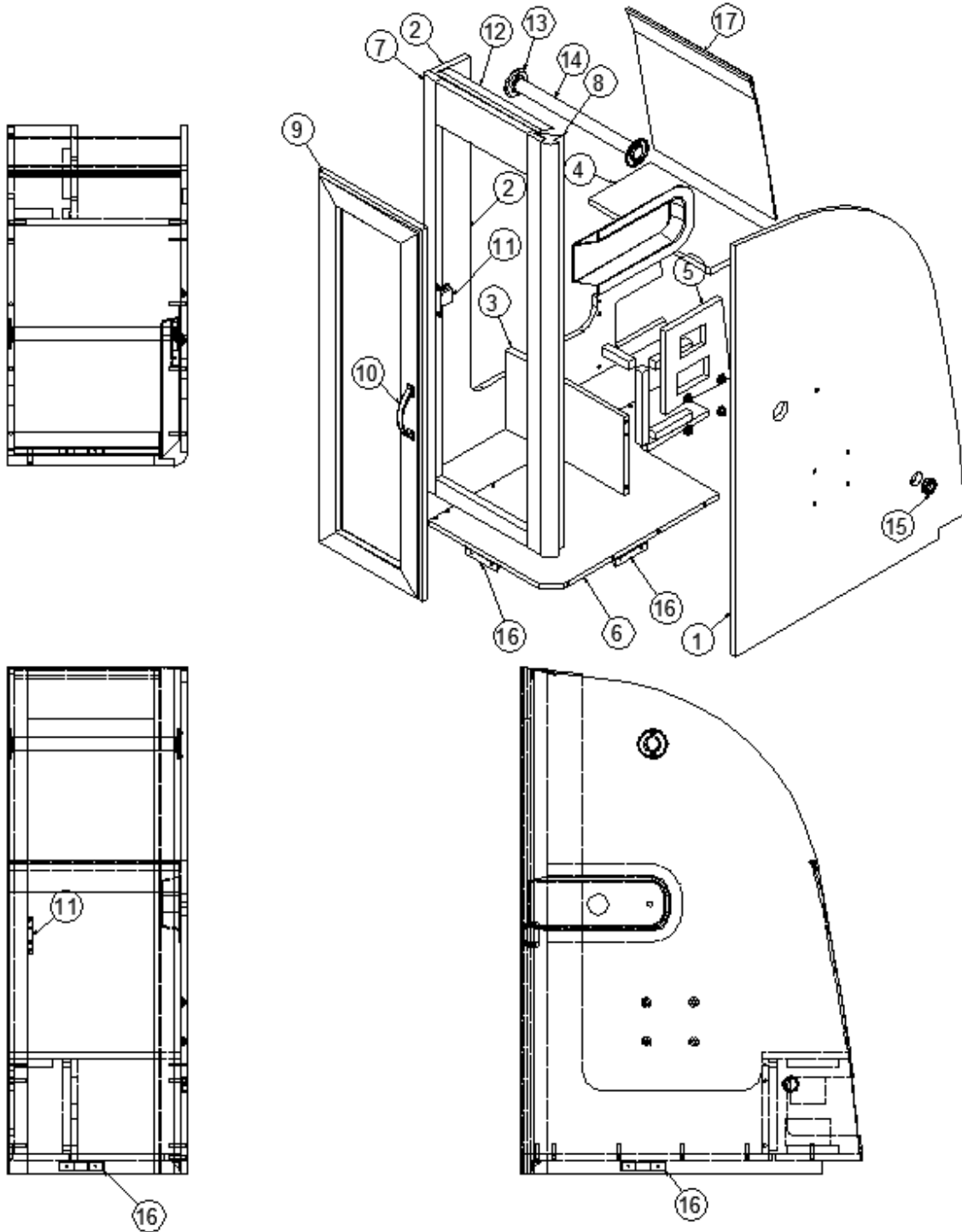
### Wardrobe, Hanging, RS, Twin Bed

968248-28	Hanging Wardrobe Assembly, RS, Cherry
1. 968248-128	Panel, 25.5 x 39.25
2. 968248-228	Panel, 12.25 x 25.78
3. 802018-0028	Face Frame, RS hanging wardrobe, Cherry
4. 801415-0028	Corner Trim, 1" radius, Cherry
5. 801969-1728	Door, 10.25 x 35.5, Cherry
6. 382253-02	Pull, antique silver, 5"
7. 381228-02	Black catch grabber, 5LB
8. 380045	Tubing, 3/4"
9. 380046	Flange, Chrome
10. 386279	Corner Brace, 3.5 x .75 x .75
11. 104821	Support, 74"
12. 114750	Hinge, "J"
382238	Hinge, 1" overlay

# 2015 CLASSIC TRAILER

## FURNITURE, BEDROOM

Wardrobe, Hanging, CS, Twin Bed



Parts Listed on Next Page

# 2015 CLASSIC TRAILER

## FURNITURE, BEDROOM

### Wardrobe, Hanging, CS, Twin Bed

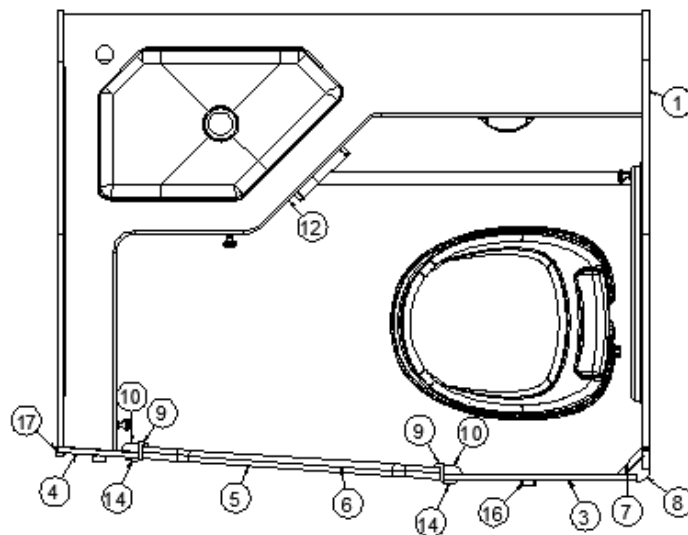
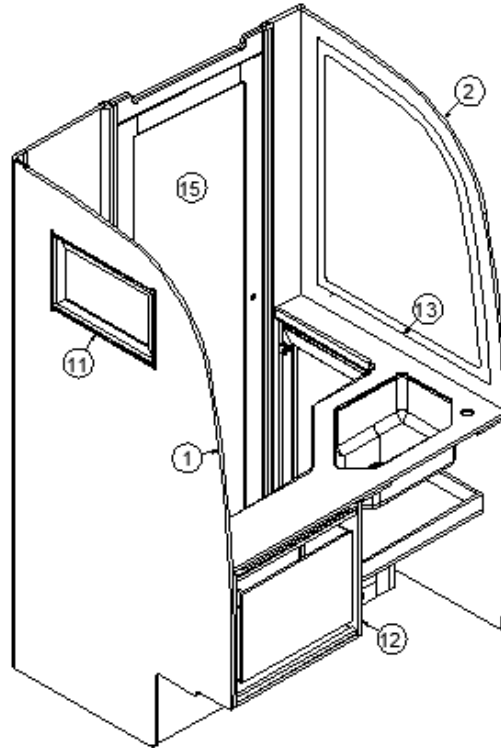
968247-28 Hanging Wardrobe Assembly, CS, Cherry

1. 968247-128 Panel, 25.5 x 39.25
2. 968247-228 Panel, 25.77 x 37.92
3. 968247-328 Panel, 13 x 7.5
4. 968247-428 Panel, 13.5 x 6.88
5. 968247-528 Panel, 7.23 x 8
6. 968247-628 Panel, 13.5 x 25.78
7. 802019-0028 Face Frame, CS hanging wardrobe, Cherry
8. 801415-0028 Corner Trim, 1" radius, Cherry
9. 801969-1628 Door, 11.5 x 35.5, Cherry
10. 382253-02 Pull, antique silver, 5"
11. 381228-02 Black catch grabber, 5LB
12. 104821 Support, 74"
13. 380046 Flange, Chrome
14. 380045 Tubing, 3/4"
15. 500132 Grommet, Black, 1.19 OD
16. 386279 Corner Brace, 3.5 x .75 x .75
17. 114750 Hinge, "J"
- 382238 Hinge, 1" overlay

# 2015 CLASSIC TRAILER

## FURNITURE, BATH

Bath Module, 30'



Parts Listed on Next Page

# 2015 CLASSIC TRAILER

## FURNITURE, BATH

### Bath Module, 30'

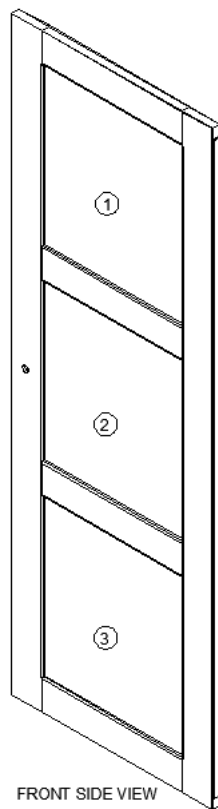
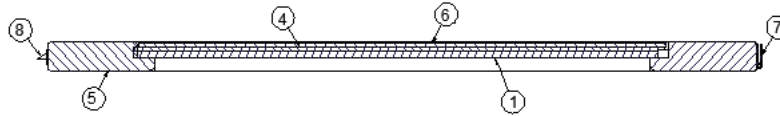
112165-28	Bathroom Module Install, Cherry
1. 112165-128	Panel, 39.08 x 79.37
2. 112165-228	Panel, 37.17 x 79.13
3. 112165-328	Panel, 16.5 x 79.41
4. 112165-428	Panel, 6.89 x 79.32
5. 112165-528	Panel, 25.38 x 3.4
6. 112165-628	Panel, 25.38 x 3.38
7. 112165-728	Panel, 3.25 x 79.39
8. 801415-0028	Corner Trim, 1" radius, Cherry
9. 801665-0028	"L" Molding, Door Jamb, Cherry
10. 801977-0028	Corner Trim, Bathroom, Cherry
11. 801978-0028	Door Frame, Forward Bath Wall, Cherry
12. 968161-28	Lavy Cabinet Assembly, Cherry
13. 371440-01	Mirror, Contoured
14. 800573-0128	Hardwood Flat Molding, Door Edge, Cherry
15. 801969-0628	Door, 20 x 13, Cherry
16. 200003-01	End Cap, Header, Black
17. 801997-0028	Trim, Outside corner, .75", Cherry
382238	Hinge
381228-02	Door catch grabber, 5LB
382252	Knob, antique silver, 1 1/4"
704166	Folding Door, Black
382273	Robe Hook, double prong
382274	Robe Hook, Clarendon
382275	Towel Bar, Clarendon
968165	Bath Door Assembly



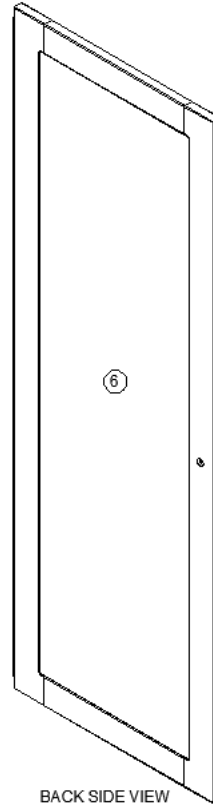
# 2015 CLASSIC TRAILER

## FURNITURE, BATH

### Door, Lavatory



FRONT SIDE VIEW



BACK SIDE VIEW

968165-28

Lavatory Door Assembly, Cherry

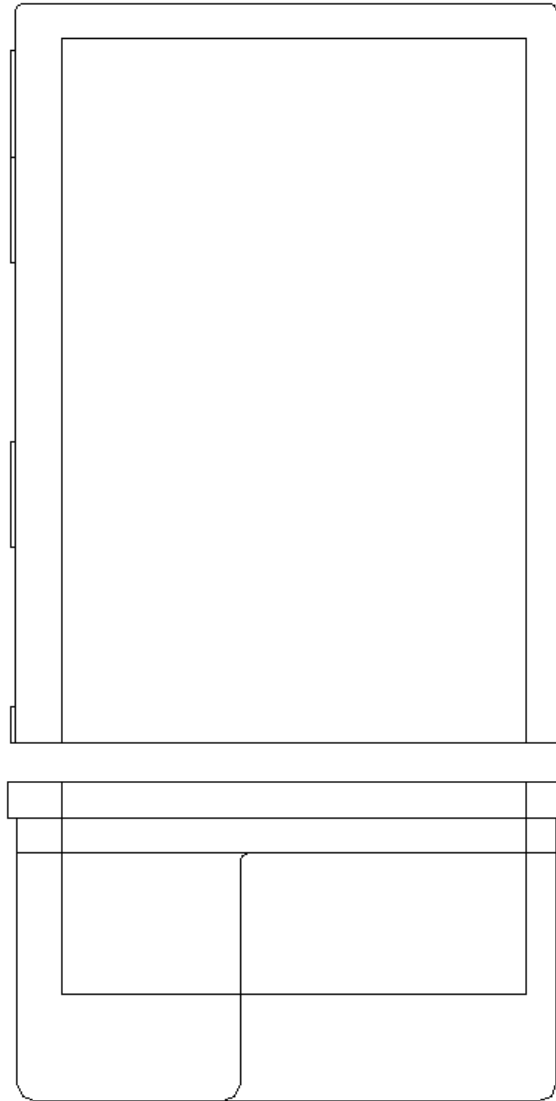
- 1. 968165-128
- 2. 968165-228
- 3. 968165-328
- 4. 801438
- 5. 801995-0028
- 6. 371443
- 7. 380458
- 8. 382244

- Panel, 18.5 x 20.63
- Panel, 18.5 x 20.63
- Panel, 18.5 x 20.63
- Panel, Pre Laminate, White
- Door Frame, Cherry
- Mirror, 21.5 x 67.5
- Piano Hinge, Copper Metallic
- Door Latch

# 2015 CLASSIC TRAILER

## FURNITURE, BATH

Shower Stall/Door, 30'



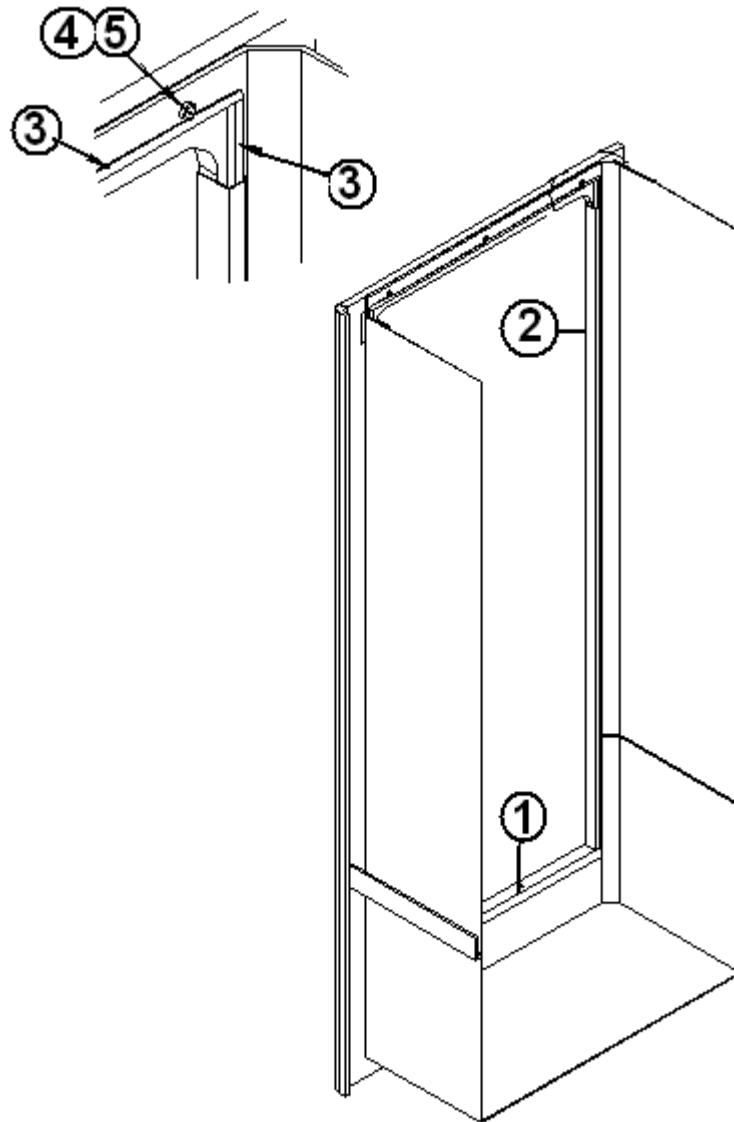
203081-02  
703989-01

Shower Stall-2 piece Fiberglass  
Shower Door, Adjustable, Continuous hinge, reeded glass

# 2015 CLASSIC TRAILER

## FURNITURE, BATH

### Shower Trim/Door Install, 30'



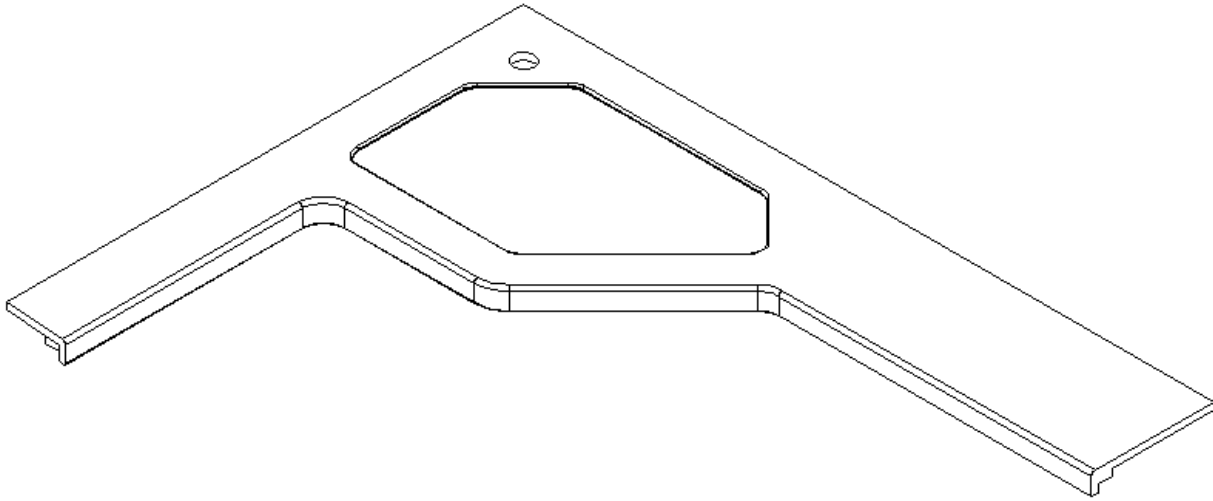
1. 454727-01
2. 454727-02
3. 201666-01
4. 381081-01
5. 320006

- Angle, shower frame, 27"
- Angle, shower frame, 64.75"
- Molding, "J" 3/16, plastic, White
- Snap cap w/ washer, Antique White
- Screw, sheet metal, 8 X 3/4 BH PHILIP

# 2015 CLASSIC TRAILER

## FURNITURE, BATH

Lavatory Top, Corian

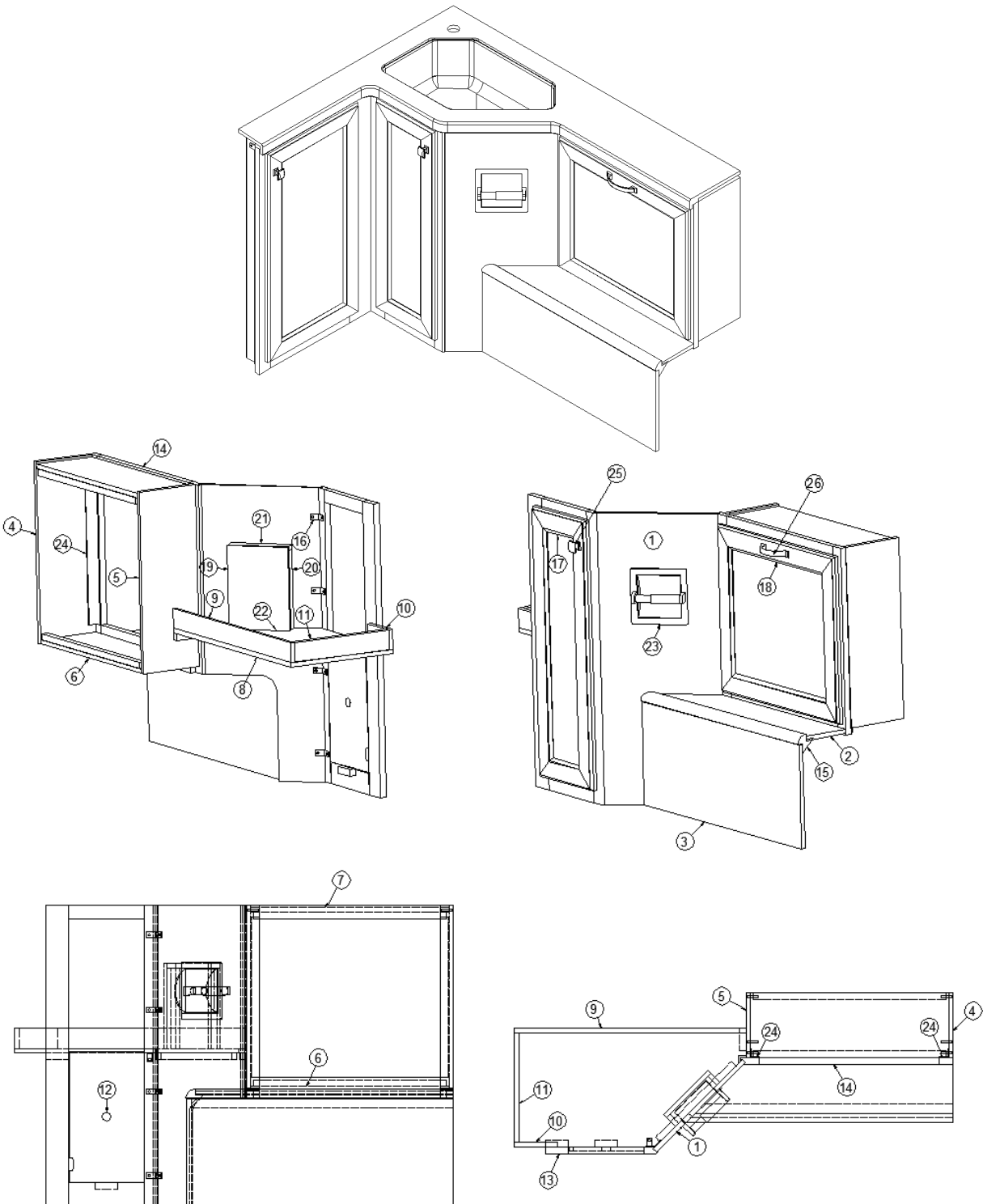


602385-01 Lavy top assembly, Corian, Night Sky  
602385-02 Lavy top assembly, Corian, Sandalwood

# 2015 CLASSIC TRAILER

## FURNITURE, BATH

### Lavatory Cabinet, 30'



Parts Listed on Next Page

# 2015 CLASSIC TRAILER

## FURNITURE, BATH

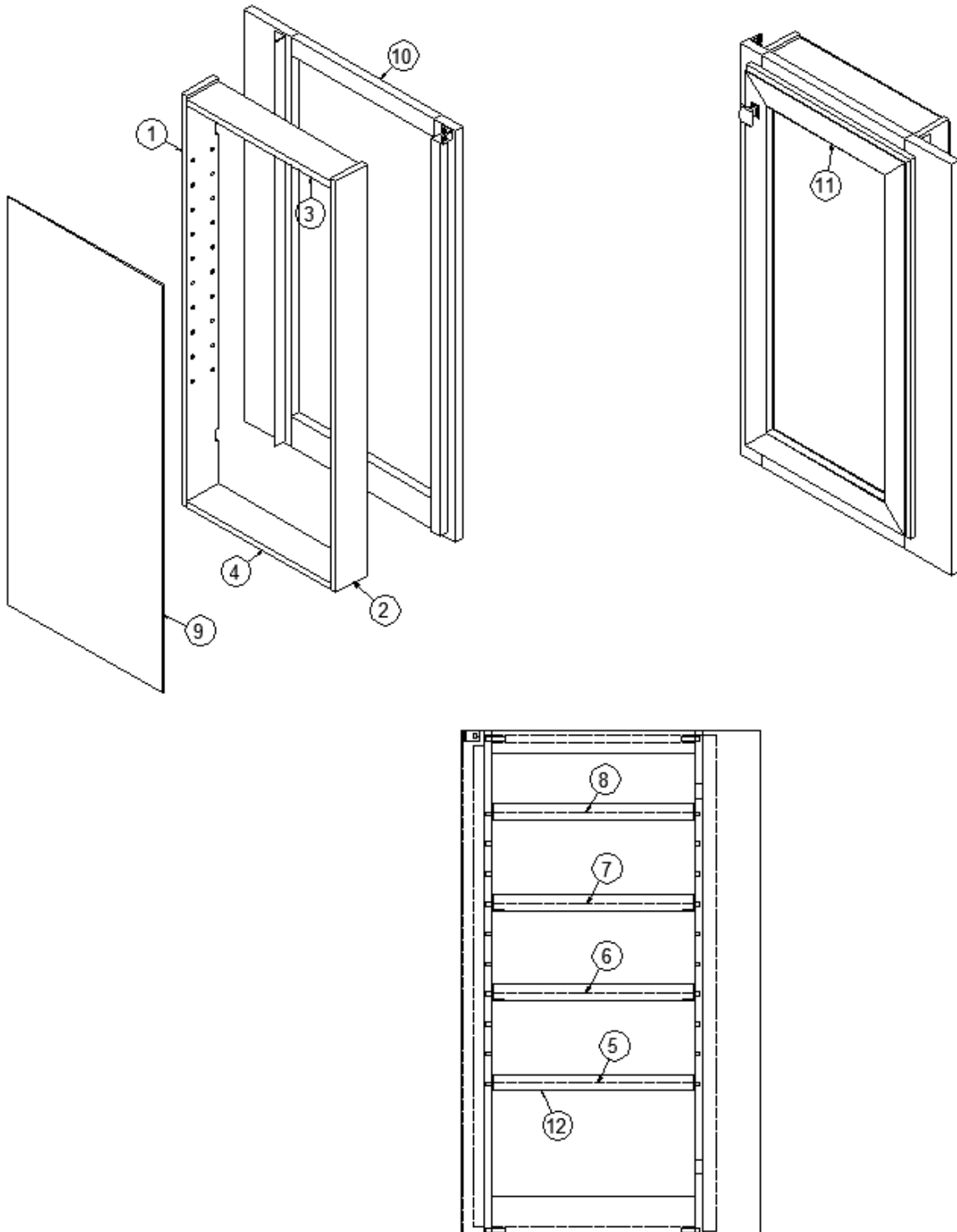
### Lavatory Cabinet, Forward Section

968161-28	Lavy Cabinet Assembly, Cherry
968160-28	Lavy Cabinet Forward Assembly, Cherry
1. 968160-128	Panel, 14.13 x 33.5
2. 968160-228	Panel, 28.82 x 5.5
3. 968160-328	Panel, 29.81 x 11.89
4. 968160-428	Panel, 7.25 x 20.75
5. 968160-528	Panel, 7.25 x 20.75
6. 968160-628	Panel, 7.25 x 22.13
7. 968160-728	Panel, 7.25 x 22.13
8. 968160-828	Panel, 26.13 x 13.25
9. 968160-928	Panel, 26.13 x 2.25
10. 968160-1028	Panel, 5 x 2.25
11. 968160-1128	Panel, 12.25 x 2.25
12. 968160-1228	Panel, 8.38 x 14.63
13. 801979-0028	Face Frame, Lavy Mid, Cherry
14. 801980-0028	Face Frame, Lavy Forward, Cherry
15. 801415-0028	Corner Trim, 1" radius, Cherry
16. 380041	Stanley Corner Brace, 1"
17. 801969-0828	Door, 10 x 31, Cherry
18. 968163	Lavy Storage Box Assembly
19. 968160-2828	Panel, 1.38 x 9
20. 968160-2928	Panel, 1.38 x 9
21. 968160-3028	Panel, 7 x 1.38
22. 968160-3128	Panel, 7 x 9.5
23. 382259	Recessed Toilet Paper Dispenser, Satin
24. 114812	Aluminum Angle, 1 x 1 x 33
25. 382252	Knob, antique silver, 1 ¼"
26. 382253-02	Pull, Antique Silver, 5"
381228-02	Door catch grabber, 5LB
382238	Hinge

# 2015 CLASSIC TRAILER

## FURNITURE, BATH

### Lavatory Cabinet, Aft Section



Parts Listed on Next Page

# 2015 CLASSIC TRAILER

## FURNITURE, BATH

### Lavatory Cabinet, Aft Section

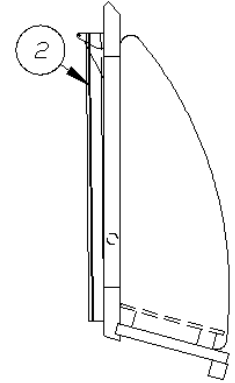
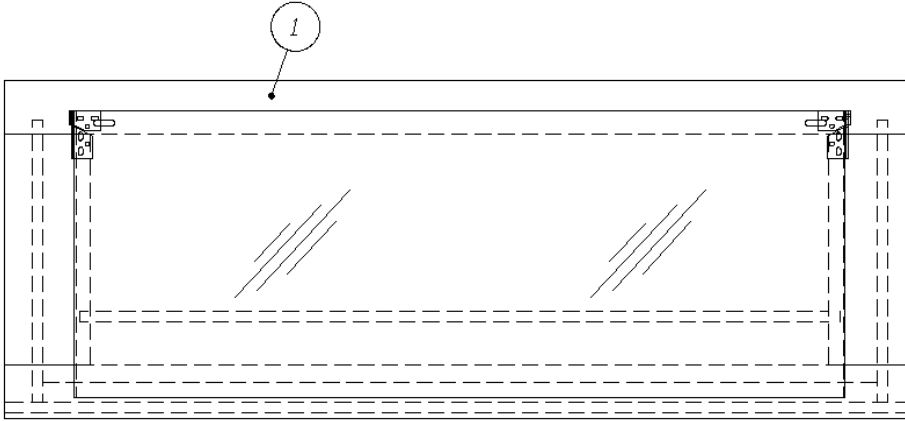
968159-28	Lavy Cabinet Aft Assembly, Cherry
1. 968159-128	Panel, 2.88 x 33.5
2. 968159-228	Panel, 2.88 x 33.5
3. 968159-328	Panel, 2.88 x 13.5
4. 968159-428	Panel, 2.88 x 13.5
5. 968159-528	Panel, 2.88 x 13.38
6. 968159-628	Panel, 2.88 x 13.38
7. 968159-728	Panel, 2.88 x 13.38
8. 968159-828	Panel, 2.88 x 13.38
9. 801438	panel, 15.5 x 33.25, Frost White
10. 801981-0028	Face frame, Aft
11. 801969-0728	Door, 15.5 x 31
12. 800573-0128	Hardwood flat molding, Door edge
382238	Hinge, Compact
381228-02	Catch, Grabber door
382252	Knob, Antique Silver



# 2015 CLASSIC TRAILER

## FURNITURE, BATH

### Medicine Cabinet, Upper, 30'



963753-03

Medicine cabinet assembly, upper

1. 962170-0128

Face frame, medicine cabinet upper, Cherry

2. 372203-04

Mirror, polished edges, 36.00" X 14.00"

382159

Hinge, Pivot, Nickel

801258-0028

Panel 1/2" G2S, Cherry

380024

Support, friction, LH

385940-02

Mirror pull, chrome

382126

Lid Stay, chrome

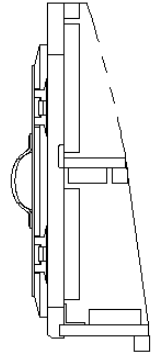
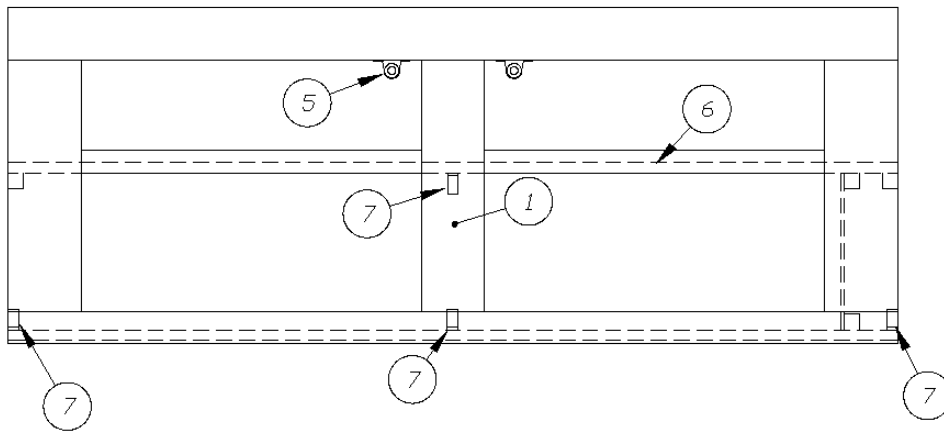
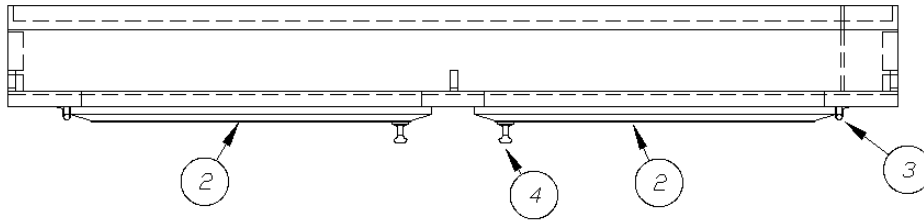
380203-01

Piano hinge

# 2015 CLASSIC TRAILER

## FURNITURE, BATH

### Medicine Cabinet, Lower, 30'



961899-05

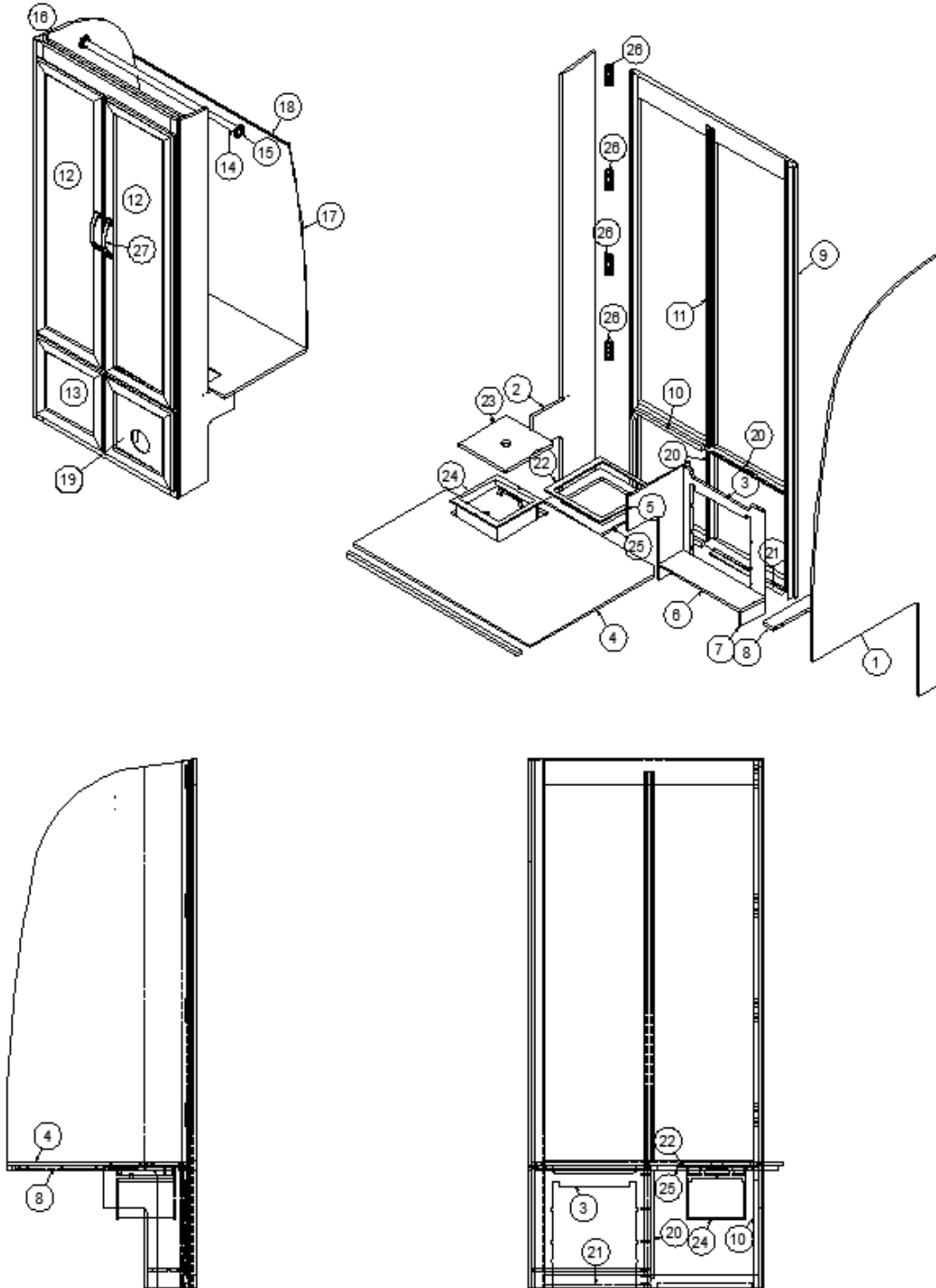
Medicine Cabinet, Lower

- |                |   |
|----------------|---|
| 1. 961897-0128 | Face frame, medicine cabinet, lower, Cherry |
| 2. 800599-5728 | Drawer face 17.25 X 13.00, Cherry           |
| 3. 381999      | Hinge, Orb                                  |
| 4. 382002      | Cabinet door pull, Orb, 3" center           |
| 5. 381228-02   | Catch, grabber door, (5lb pull)             |
| 6. 800573-0128 | Molding, 1 X 3/32 X 80, Cherry              |
| 7. 380041      | Brace, 1IN Stanley, corner                  |
| 801258-0028    | Panel, 1/2" G2S, Cherry                     |

# 2015 CLASSIC TRAILER

## FURNITURE, BATH

Wardrobe, 30'



Parts Listed on Next Page

# 2015 CLASSIC TRAILER

## FURNITURE, BATH

### Wardrobe, 30'

968237-28

Wardrobe Assembly, Cherry

1. 968237-128 Panel, 27.12 x 78.31
2. 968237-228 Panel, 13.19 x 78.35
3. 968237-328 Panel, 17.13 x 18.25
4. 968237-428 Panel, 37.31 x 27.38
5. 968237-528 Panel, 13 x 18.25
6. 968237-628 Panel, 17.13 x 5
7. 968237-728 Panel, 5 x 2.5
8. 968237-828 Panel, 18 x 2.25
9. 801415-0028 Corner trim, 1" Radius, Cherry
10. 800025-01 Pine, .75 x .75, Stained
11. 801968-0028 Face frame, wardrobe cabinet, Cherry
12. 801969-0128 Door, 16.13 x 59.13, Cherry
13. 801969-0228 Door, 16.13 x 16.5, Cherry
14. 380045 Tubing, 3/4"
15. 380046 Flange, chrome
16. 104821 Support, roof locker, 74"
17. 800397 Cedar sheet, 48 x 37.31
18. 114750 "J" Hinge
19. 801975-0028 Door, heat duct, Cherry
20. 114811 Aluminum Angle, .5 x .5 x 16
21. 114810 Aluminum Angle, .5 x 1 x 16
22. 968237-3528 Panel, 12 x 12
23. 968237-3628 Panel, 10 x 10.125
24. 382248 Stealth Safe, 9 x 8.75 x 8
25. 968237-3828 Panel, 12 x 12
26. 386279 Corner brace, 3.5 x .75 x .75
27. 382253-03 Pull, antique silver, 8"

# 2015 CLASSIC TRAILER

## FURNITURE, GALLEY

Galley Flip-Up Shelf, Corian, 30'



602392-02

Galley Flip Shelf Assembly, Sandalwood

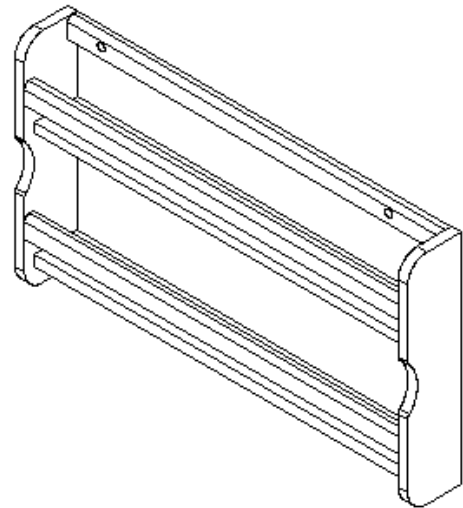
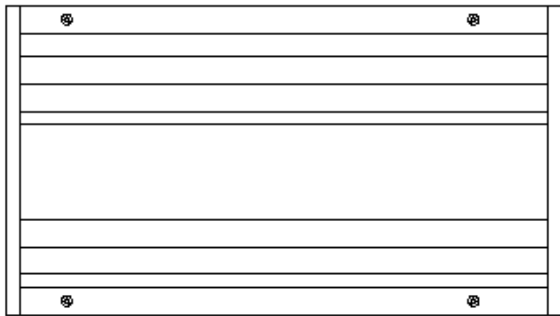
602392-01

Galley Flip Shelf Assembly, Deep Night Sky

382092

Bracket, Hinged spring

Spice Rack



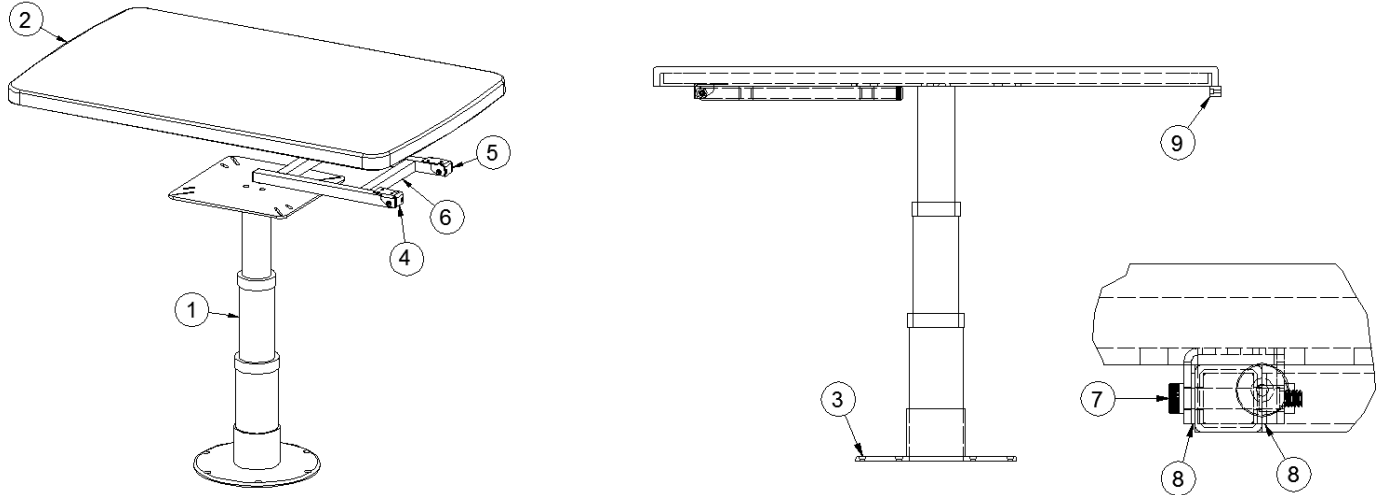
963991-0028

Spice rack, Cherry

# 2015 CLASSIC TRAILER

## FURNITURE, GALLEY

### Dinette table



968180

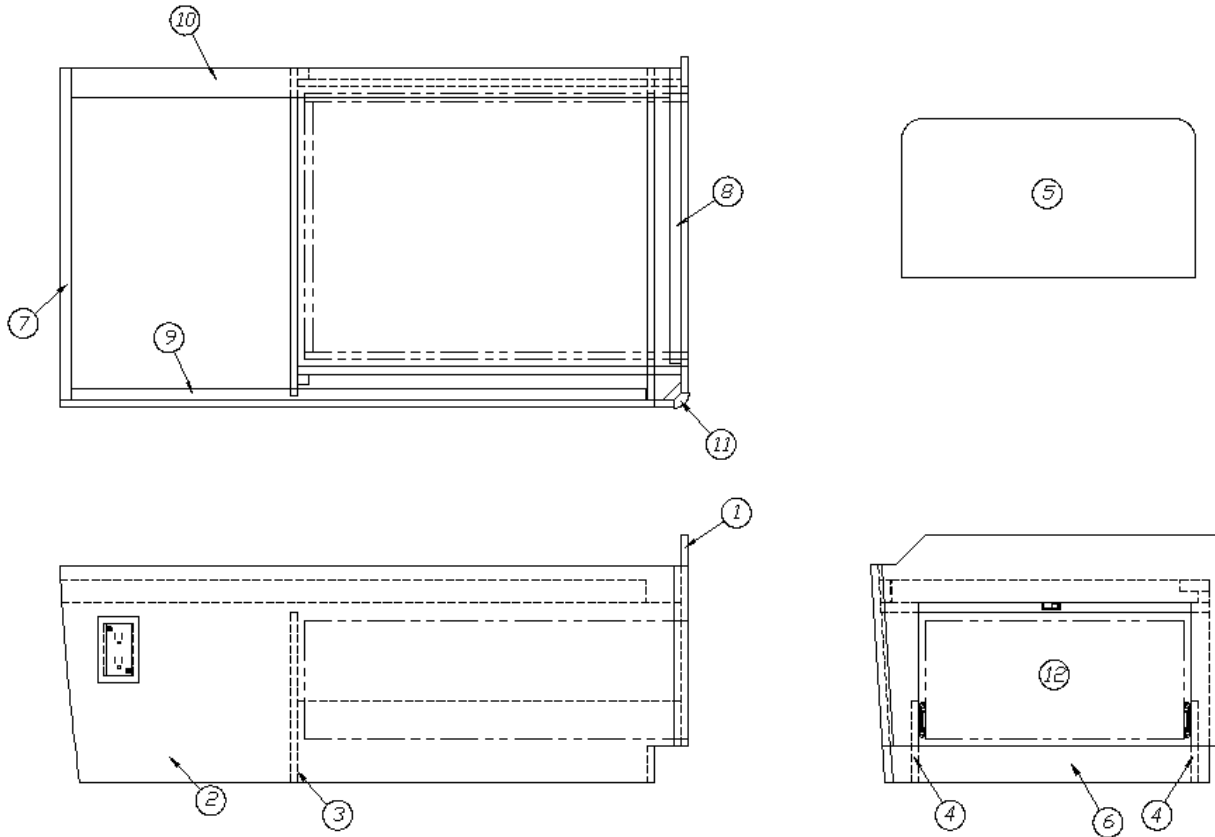
Pedestal Table

- |              |                                       |
|--------------|---------------------------------------|
| 1. 382073-01 | Bracket                               |
| 2. 602390-01 | Corian Table Top, Night Sky           |
| 602390-02    | Corian Table Top, Sandalwood          |
| 3. 345073-11 | Screw, Phil. Wafer HD, 1/4-20 x 1.75" |
| 4. 454871    | Bracket, Leg Hinge, RH                |
| 5. 454870    | Bracket, Leg Hinge, LH                |
| 6. 454990    | Leg, Bed Support, Dinette             |
| 7. 345435-02 | Shoulder Bolt, 5/16" x 1/4-20 x 1.5"  |
| 8. 300162    | Washer, Nylon 6/6, 5/16 ID            |
| 9. 381136    | Rubber Bumper                         |

# 2015 CLASSIC TRAILER

## FURNITURE, GALLEY

### Dinette Seat



964949-04  
964949-05

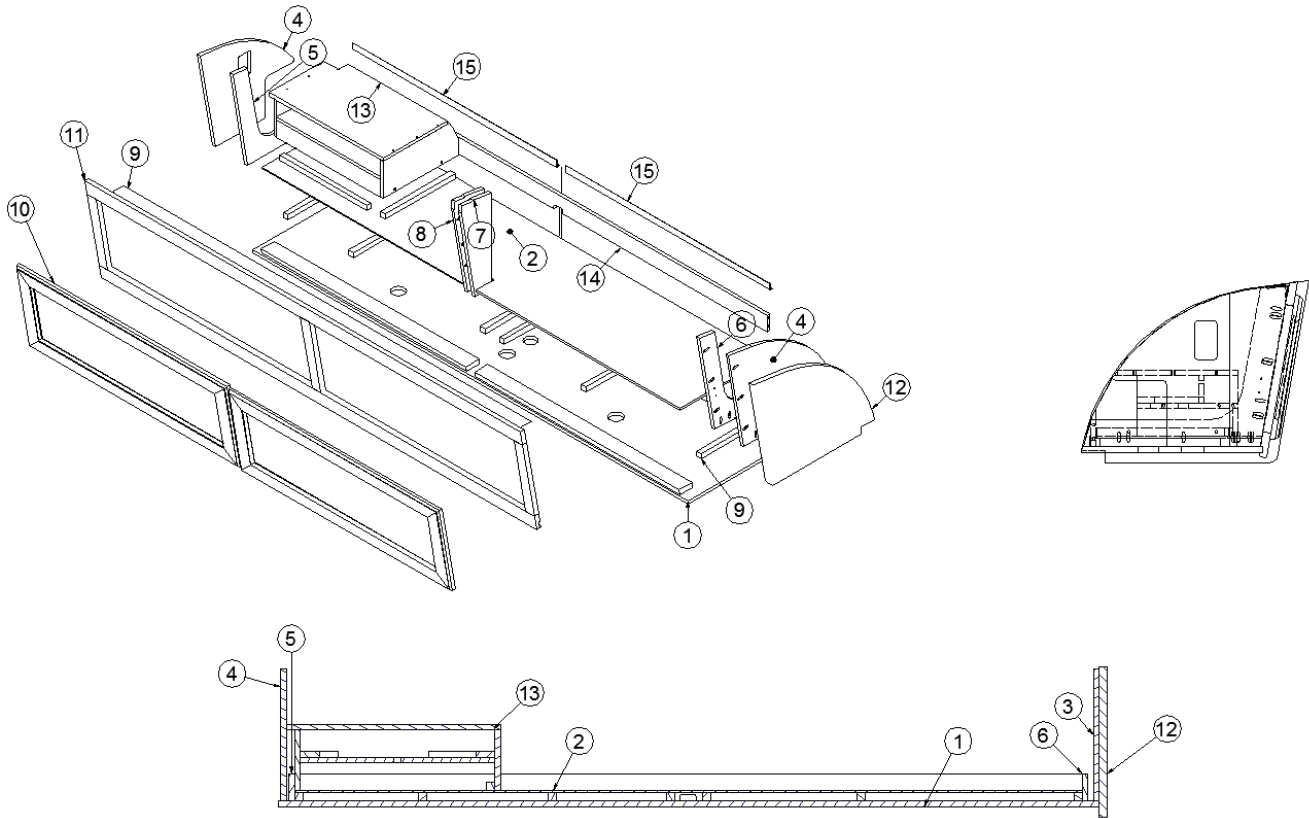
Dinette Seat Sub-Assembly, LH  
Dinette Seat Sub-Assembly, RH

1. 964949-1A	Panel, 23 x 14.25
2. 964949-1B	Panel, 14.75 x 41.62
3. 964949-1C	Panel, 22.63 x 11.5
4. 964949-1D	Panel, 5.5 x 26
5. 964949-1E	Panel, 10.75 x 20
6. 964949-2A	Panel, 21.69 x 2.5
7. 964949-3A	Panel, 22.63
8. 964949-3B	Panel, 21.5
9. 964949-3C	Panel, 40.13
10. 964949-4A	Panel, 40.62
11. 801415-0028	Corner trim, Hardwood, 1" radius
12. 964908-01	Drawer box, 9 x 17.5 x 26
381090	Drawer slide, 22"
381228-02	Catch grabber, 5LB

# 2015 CLASSIC TRAILER

## FURNITURE, GALLEY

### Roof Locker, Dinette, 30'



968167-28

Dinette Roof Locker Assembly, Cherry

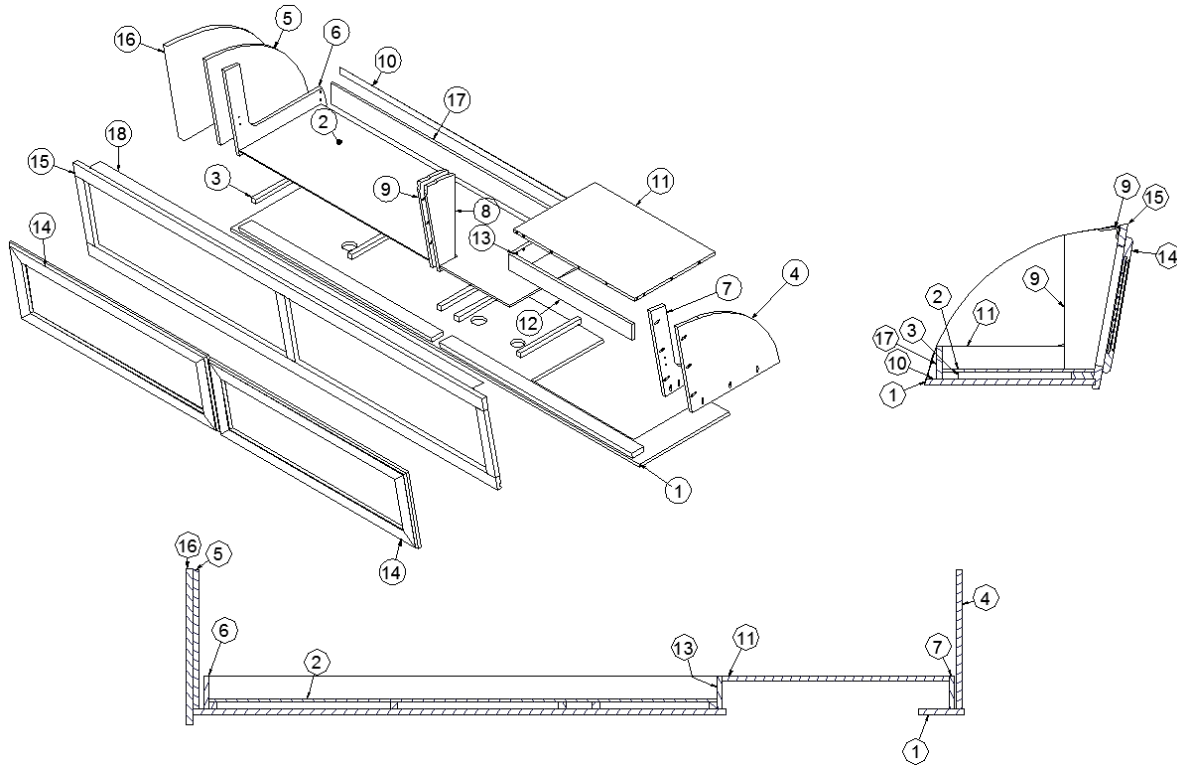
- |                 |                                |
|-----------------|--------------------------------|
| 1. 968167-128   | Panel, 16.53 x 74.75           |
| 2. 968167-228   | Panel, 16.021 x 35.0625        |
| 3. 968167-428   | Panel, 18.739 x 14.85          |
| 4. 968167-528   | Panel, 18.739 x 14.85          |
| 5. 968167-628   | Panel, 18.739 x 14.845         |
| 6. 968167-728   | Panel, 18.739 x 14.845         |
| 7. 968167-828   | Panel, 5.268 x 14.845          |
| 8. 968167-928   | Panel, 2.823 x 14.845          |
| 9. 104821       | Support, Aluminum, 70"         |
| 10. 801969-1128 | Door, Cherry                   |
| 11. 801988-0028 | Face Frame, Cherry             |
| 12. 801990-0028 | End cap, Cherry                |
| 13. 968168-28   | Blu-Ray shelf Assembly, Cherry |
| 14. 968167-2528 | Panel, 2.5 x 71.75             |
| 15. 114810      | Aluminum Angle, .5 x 1"        |
| 382253-02       | Pull, antique silver, 5"       |
| 382238          | Hinge, 1" overlay              |



# 2015 CLASSIC TRAILER

## FURNITURE, GALLEY

### Roof Locker, Galley, 30'



968166-28

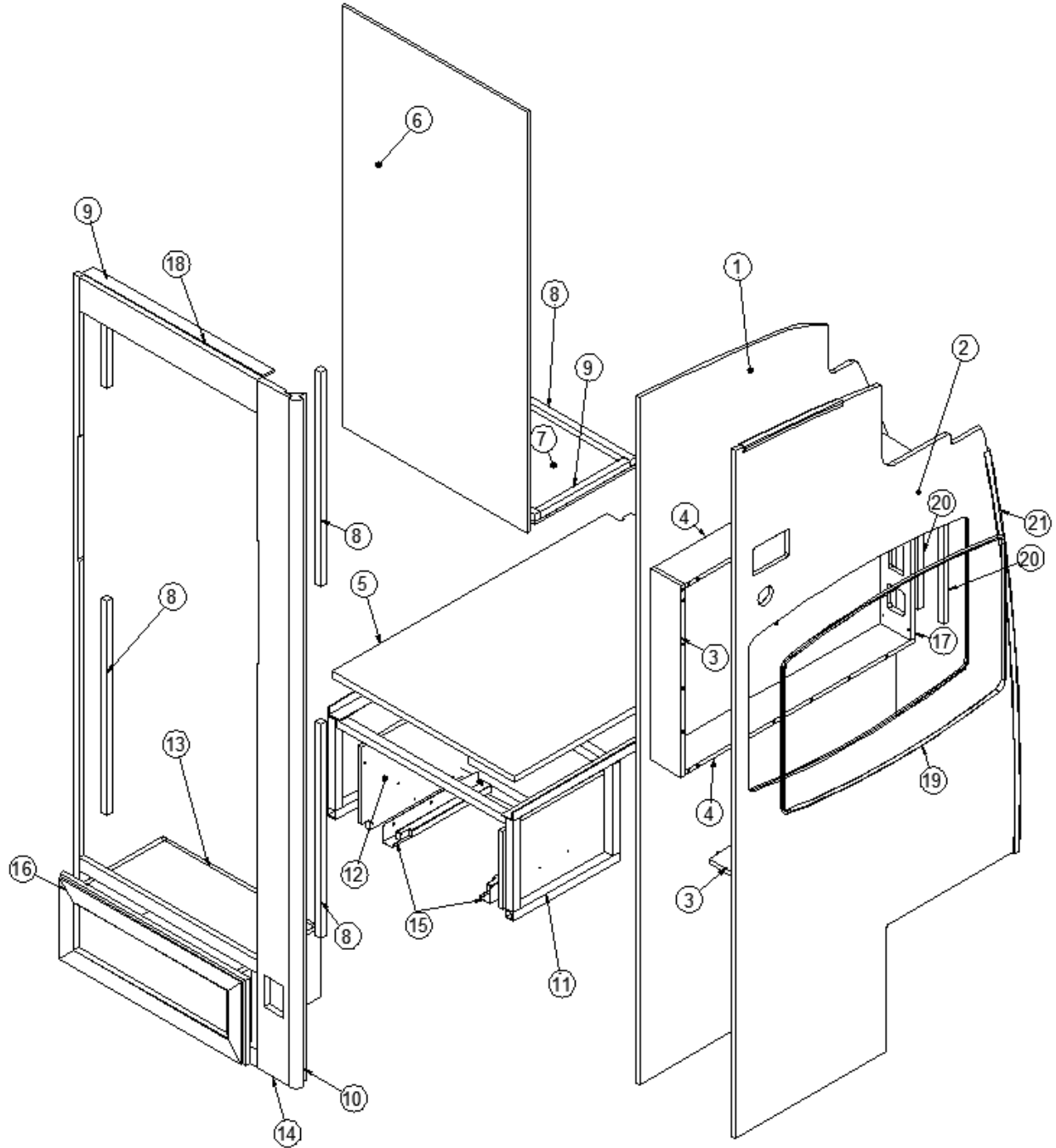
Galley Roof Locker, Cherry

- |                 |                          |
|-----------------|--------------------------|
| 1. 968166-128   | Panel, 16.53 x 74.75     |
| 2. 968166-228   | Panel, 16.021 x 35.0625  |
| 3. 800025       | Poplar, .75 x .75        |
| 4. 968166-428   | Panel, 18.739 x 14.85    |
| 5. 968166-528   | Panel, 18.739 x 14.85    |
| 6. 968166-628   | Panel, 18.739 x 14.845   |
| 7. 968166-728   | Panel, 18.739 x 14.845   |
| 8. 968166-828   | Panel, 5.268 x 14.845    |
| 9. 968166-928   | Panel, 2.823 x 14.845    |
| 10. 114810      | Aluminum Angle, .5 x 1"  |
| 11. 968166-1128 | Panel, 14.78 x 22        |
| 12. 968166-1228 | Panel, 2.5 x 22.5        |
| 13. 968166-1328 | Panel, 3.25 x 14.78      |
| 14. 801969-1128 | Door, Cherry             |
| 15. 801988-0028 | Face Frame, Cherry       |
| 16. 801989-0028 | End Cap, Cherry          |
| 17. 968166-2828 | Panel, 3.25 x 49.25      |
| 18. 104821      | Support, Aluminum, 120"  |
| 382253-02       | Pull, antique silver, 5" |
| 382238          | Hinge, 1" overlay        |

# 2015 CLASSIC TRAILER

## FURNITURE, GALLEY

### Refrigerator Cabinet, Older Model, 30'



Parts Listed on Next Page

# 2015 CLASSIC TRAILER

## FURNITURE, GALLEY

### Refrigerator Cabinet, Older Model, 30'

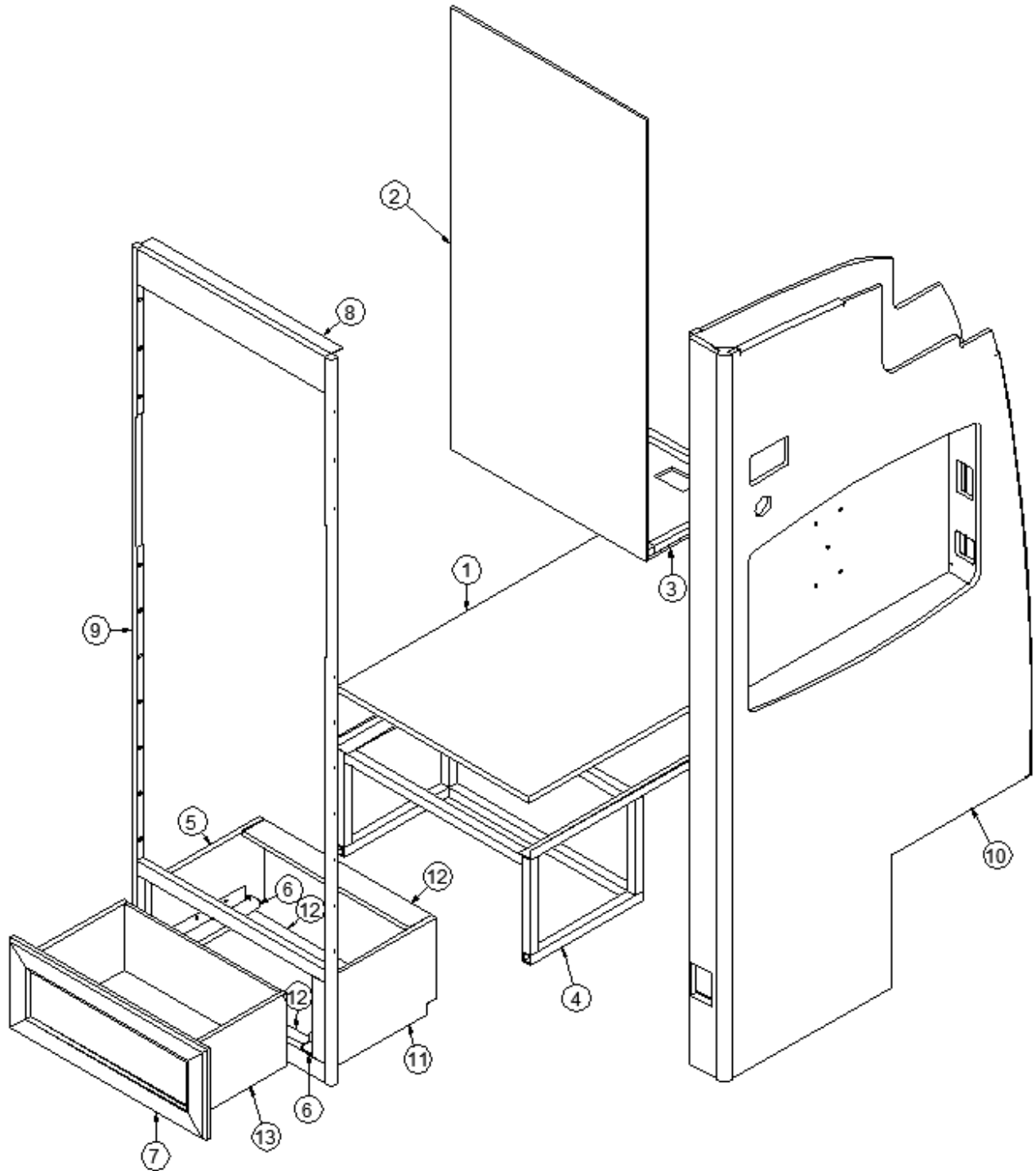
*968139-28	Refrigerator Cabinet Assembly, Cherry (Older Model)
1. 968139-128	Panel, 37.91 x 79.155
2. 968139-228	Panel, 37.589 x 79.155
3. 968139-328	Panel, 4.0625 x 22
4. 968139-428	Panel, 4.0625 x 30.125
5. 968139-528	Panel, 24.25 x 38.25
6. 968139-628	Panel, 24.625 x 48.385
7. 968139-728	Panel, 13.425 x 24.625
8. 800025	Poplar, .75 x .75 x 24.875
9. 800025-01	Poplar, .75 x .75 x 11.925
10. 801415-0028	Corner Molding, 79.2, Cherry
11. 968140	Refrigerator Stand Assembly
12. 968139-1228	Panel, 10 x 14.25
13. 968028-06	Drawer box assembly, 8"
14. 801965-28	Face Frame, Cherry
15. 382203-02	Drawer slide, 12"
16. 801968-0428	Refrigerator Drawer Face, Cherry
17. 968139-2028	Panel, 4.0625 x 22'
18. 115085	Aluminum Angle, 24"
19. 203445	T-molding, Embossed, 9/16"
20. 800025-01	Pine, .75 x .75 x 18
21. 203138-05	Extrusion, Plastic, 1/2", Black
382253-02	Pull, antique silver, 5"

\*Replaced by 968270 starting unit #532290

# 2015 CLASSIC TRAILER

## FURNITURE, GALLEY

### Refrigerator Cabinet, Newer Model, 30'



Parts Listed on Next Page

# 2015 CLASSIC TRAILER

## FURNITURE, GALLEY

### Refrigerator Cabinet, Newer Model, 30'

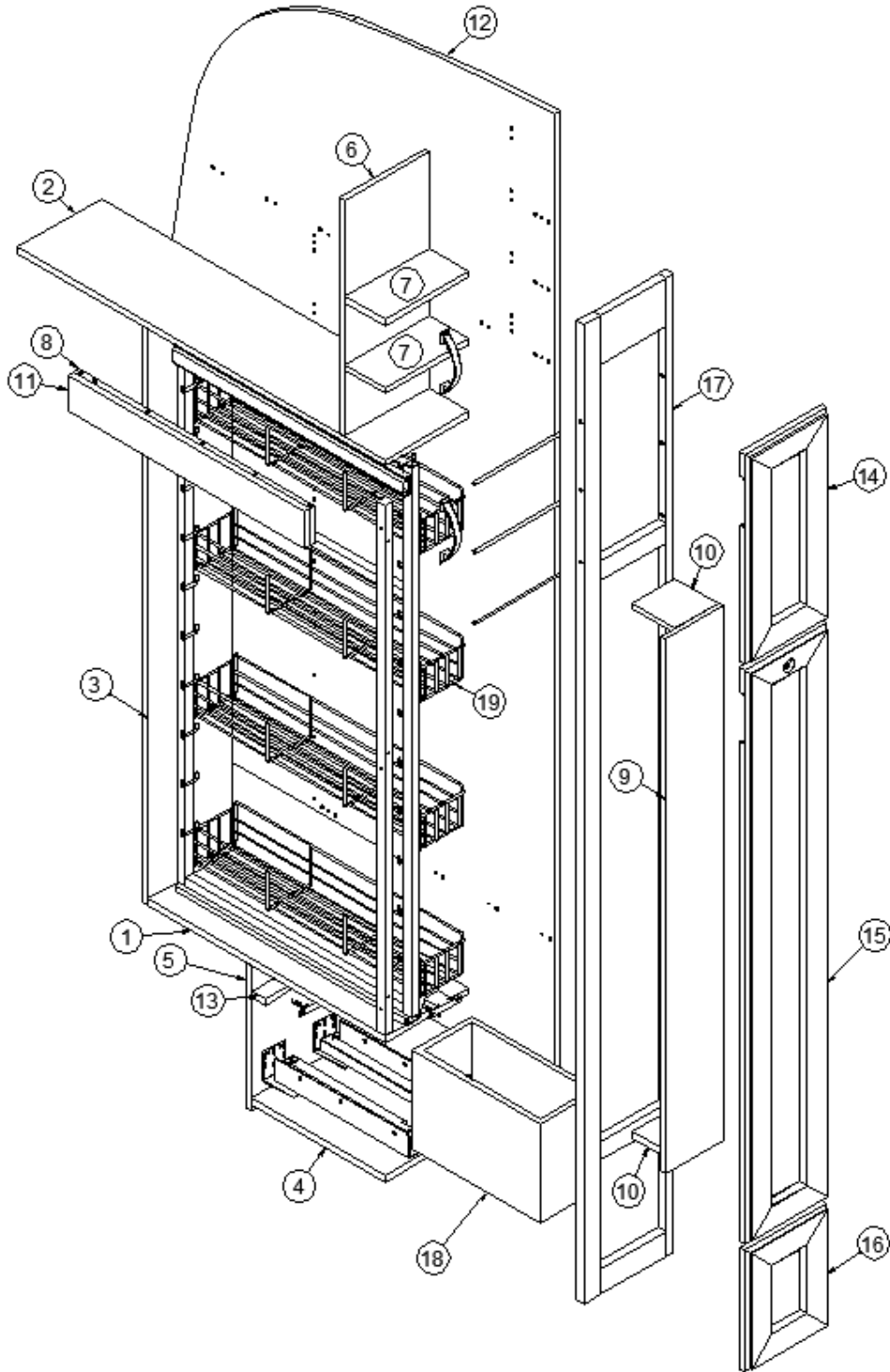
*968270-28	Refrigerator Cabinet Assembly, Cherry
1. 968270-128	Panel, 24.25 x 38.25
2. 968270-228	Panel, 24.625 x 48.385
3. 968270-328	Panel, 13.425 x 24.625
4. 968140	Refrigerator Stand Assembly
5. 968270-728	Panel, 10 x 14.25
6. 382203-02	Drawer slide, 12"
7. 801968-0428	Refrigerator Drawer Face, Cherry
8. 115085	Aluminum Angle, 24"
9. 802024-0028	Face Frame, Cherry
10. 968269-28	Forward Refrigerator TV Wall Assembly, Cherry
11. 968270-1328	Panel, 10 x 14.25
12. 968270-1428	Panel, 2.75 x 21.125
13. 968028-13	Drawer Box Assembly, 8"
381228-02	Black Catch Grabber, 5LB
382253-02	Pull, antique silver, 5"

\*Replaced 968139 starting unit #532290

# 2015 CLASSIC TRAILER

## FURNITURE, GALLEY

### Pantry



Parts Listed on Next Page

# 2015 CLASSIC TRAILER

## FURNITURE, GALLEY

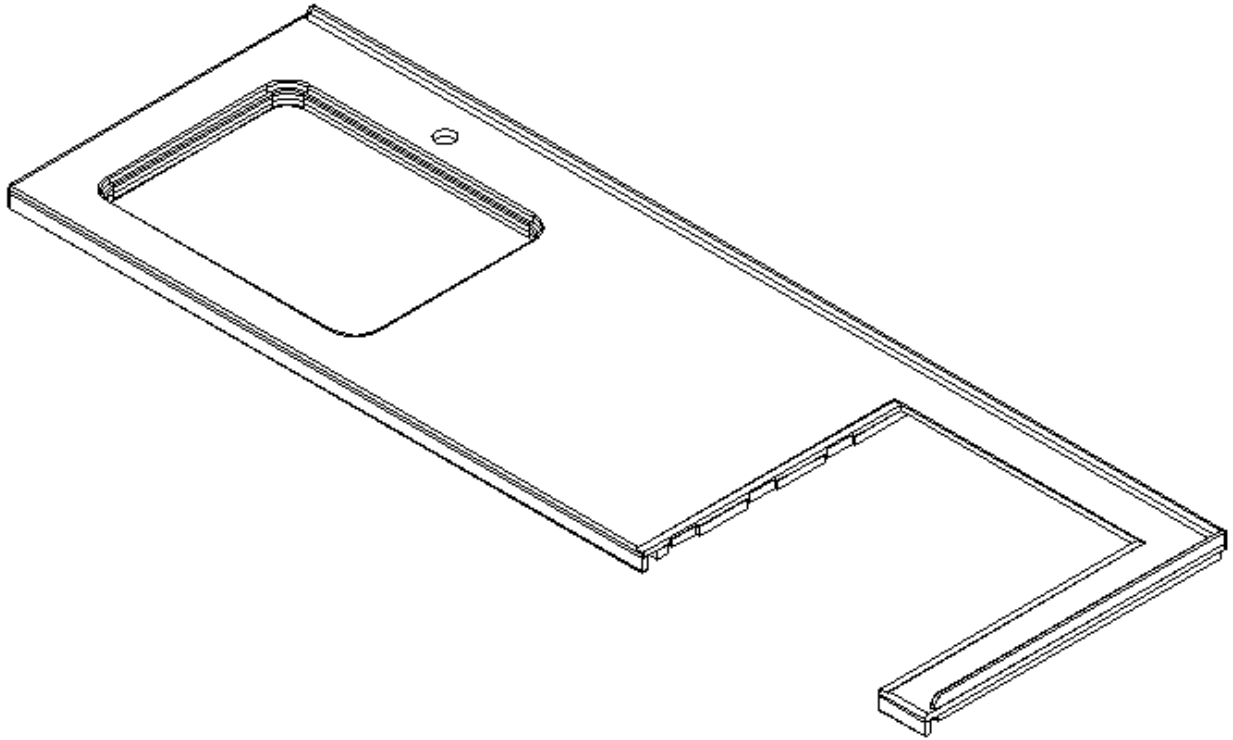
### Pantry

968137-28	Pantry Cabinet, Cherry
1. 968137-128	Panel, 7.875 x 22.25
2. 968137-228	Panel, 7.875 x 34.4375
3. 968137-328	Panel, 7.875 x 46.75
4. 968137-428	Panel, 7.875 x 11.75
5. 968137-528	Panel, 7.875 x 11.8125
6. 968137-628	Panel, 7.875 x 19.118
7. 968137-728	Panel, 3.75 x 7.875
8. 968137-828	Panel, 3 x 22.25
9. 968137-3228	Panel, 43.375 x 5.375
10. 968137-3328	Panel, 4 x 4
11. 968137-3628	Panel, 3 x 22.25
12. 968137-3728	Panel, 37.92 x 79.17
13. 968137-3828	Panel, 1.25 x 7.875
14. 801969-0528	Door, Upper
15. 801969-0428	Door, Middle
16. 801968-0328	Drawer face, Bottom
17. 801963-0028	Face frame
18. 968028-05	Drawer box, 12.4375 x 5.625
19. 381551-01	Pantry pull-out
381551	Wire basket, 4", White
382203-02	Drawer slide, 12"
382203-08	Bracket, Rear mount drawer slides
115042	Aluminum rod, 8"
382238	Compact hinge, 1" overlay
381408	Lock, Push button, Black
381228-02	Catch, Grabber door
382252	Knob, Antique Silver
382253-01	Pull, 4", Antique Silver
382253-02	Pull, 5", Antique Silver

# 2015 CLASSIC TRAILER

## FURNITURE, GALLEY

Galley Top, Corian



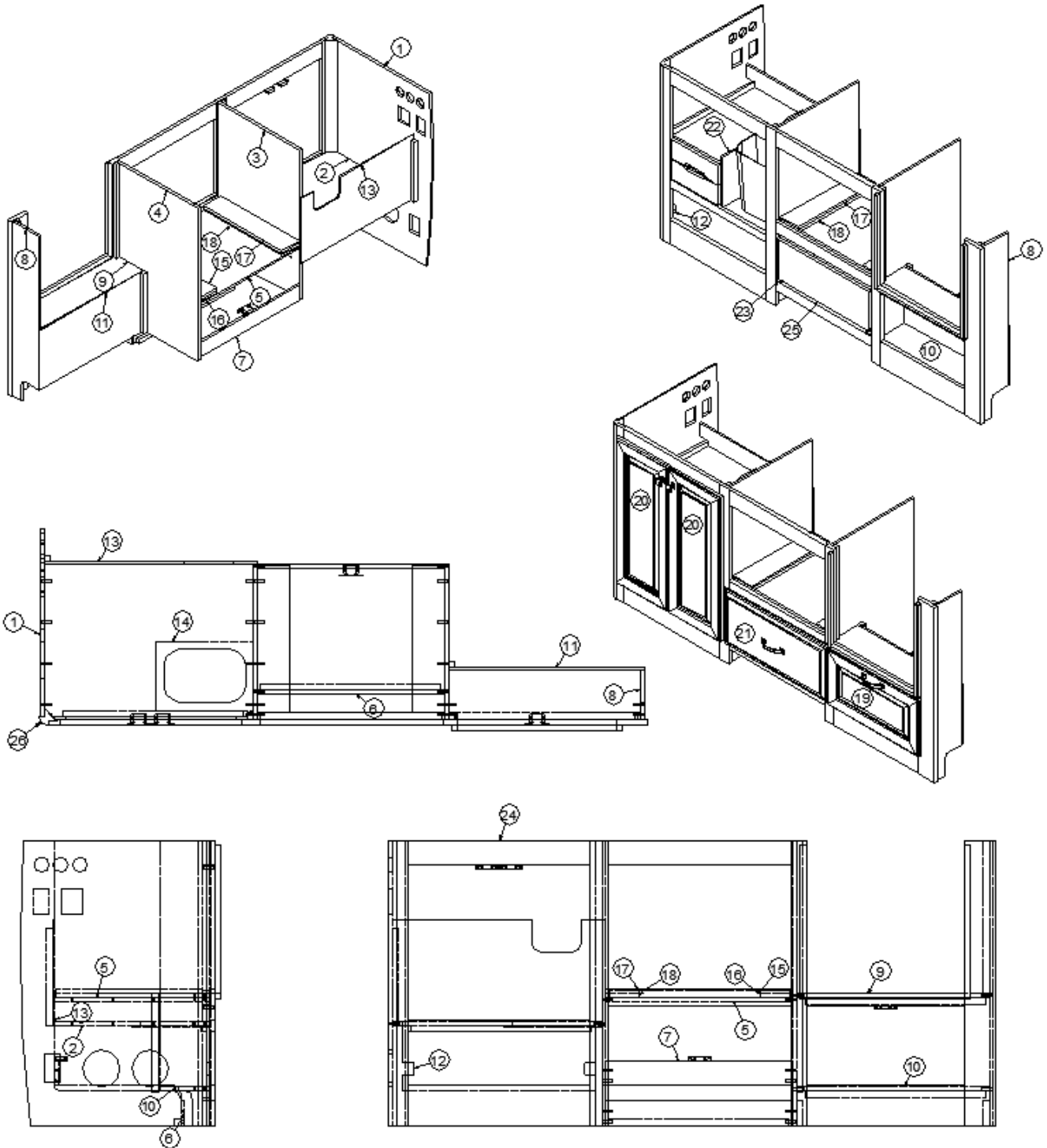
602391-01 Top assembly, Corian, Deep Night Sky  
602391-02 Top assembly, Corian, Sandalwood



# 2015 CLASSIC TRAILER

## FURNITURE, GALLEY

### Galley, Oven with 3 Burners and Convection Microwave



Parts Listed on Next Page

# 2015 CLASSIC TRAILER

## FURNITURE, GALLEY

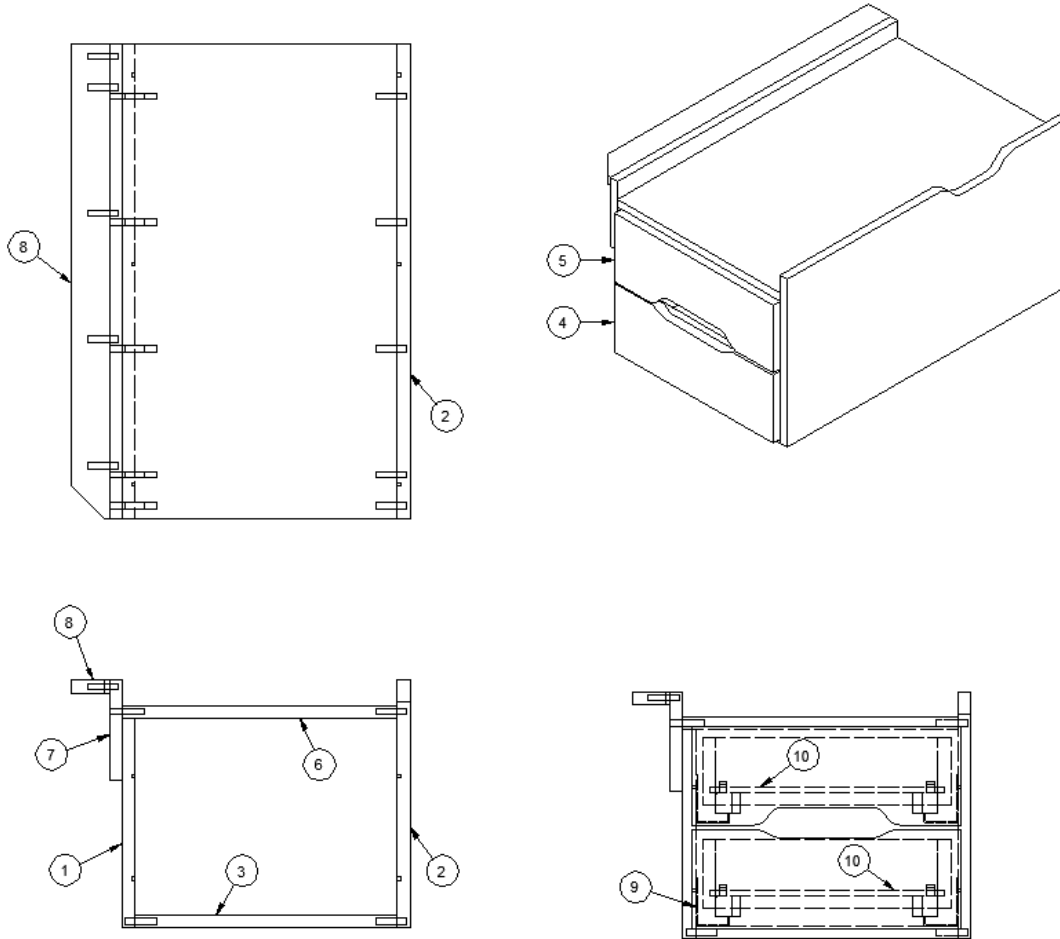
### Galley, Oven with 3 Burners and Convection Microwave

968181-28	Galley Cabinet Assembly, Cherry
1. 968181-128	Panel, 22.91 x 35
2. 968181-228	Panel, 25.75 x 19
3. 968181-328	Panel, 19 x 35
4. 968181-428	Panel, 19 x 35
5. 968181-528	Panel, 23 x 19
6. 968181-628	Panel, 23 x 3
7. 968181-728	Panel, 23 x 3
8. 968181-828	Panel, 6 x 35
9. 968181-928	Panel, 23.88 x 6
10. 968181-1028	Panel, 23.88 x 6
11. 968181-1128	Panel, 24.38 x 11.94
12. 968181-1228	Panel, 23.75 x 8
13. 968181-1328	Panel, 26.25 x 13
14. 968181-1428	Panel, 12 x 8.5
15. 968181-1528	Panel, 18 x 4
16. 968181-1628	Panel, 18 x 4
17. 968181-1728	Panel, 18 x 4
18. 968181-1828	Panel, 18 x 4
19. 801969-1228	Door, 20.75 x 11.25, Cherry
20. 801969-1328	Door, 12 x 29, Cherry
21. 801968-0728	Drawer Face, 11.25 x 24, Cherry
22. 968190-28	Drawer Section Assembly, Cherry
23. 382203-04	Drawer slide, Self-close, 18"
24. 801991-0028	Face Frame, Cherry
25. 968028-09	Drawer box assembly, 8"
26. 801415-0028	Corner Trim, 1" radius, Cherry
381708	Wastebasket, Rubbermaid
381228-02	Black Catch Grabber, 5LB
382253-03	Pull, antique silver, 8"
382252	Knob, antique silver, 1 1/4"
382203-08	Bracket, rear mount drawer slides
382238	Hinge

# 2015 CLASSIC TRAILER

## FURNITURE, GALLEY

### Galley, Drawer Section



968190-28

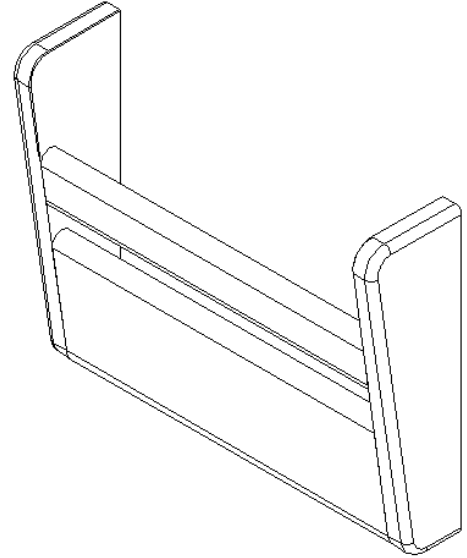
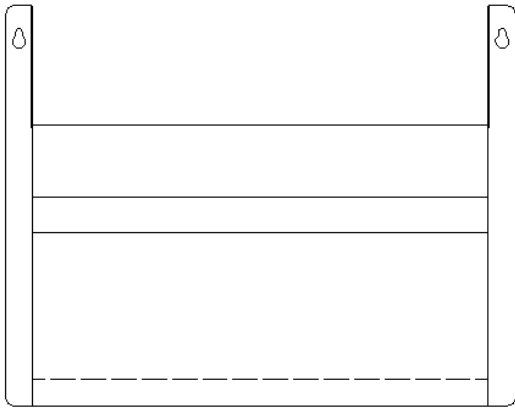
Galley Drawer Section Assembly, Cherry

- |               |                               |
|---------------|-------------------------------|
| 1. 968190-128 | Panel, 19 x 8.38              |
| 2. 968190-228 | Panel, 19 x 9.88              |
| 3. 968190-328 | Panel, 19 x 10.5              |
| 4. 968190-428 | Panel, 10.75 x 4              |
| 5. 968190-528 | Panel, 10.75 x 4              |
| 6. 968190-628 | Panel, 19 x 11                |
| 7. 968190-728 | Panel, 19 x 4                 |
| 8. 968190-828 | Panel, 19 x 1.5               |
| 9. 382203-04  | Drawer slide, Self-close, 18" |
| 10. 968021-08 | Drawer box, 2.75 x 9.88 x 18  |
| 968024        | Insert, cutlery drawer        |
| 382203-06     | Front Fixing Clips            |

# 2015 CLASSIC TRAILER

## FURNITURE, GALLEY

### Magazine Rack



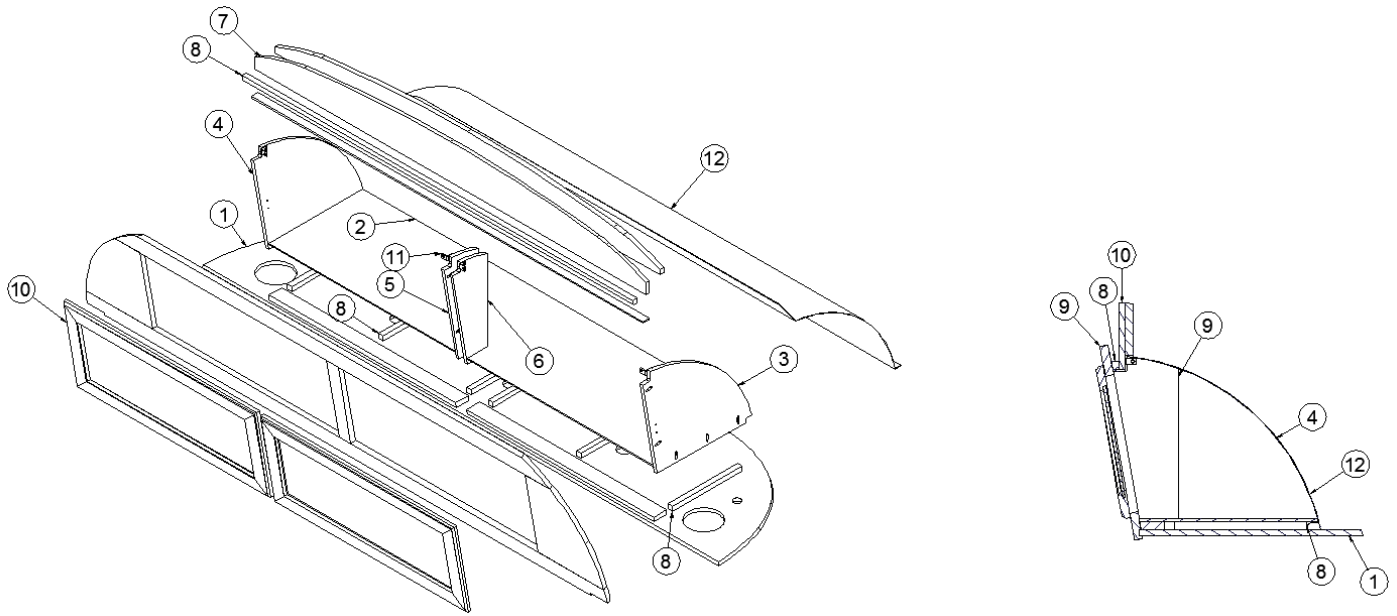
968162-0028

Magazine Rack, Cherry

# 2015 CLASSIC TRAILER

## FURNITURE, LOUNGE

### Roof Locker, Front/Rear



968203-28

Front/Rear Roof Locker, Cherry

- |                |                                 |
|----------------|---------------------------------|
| 1. 968203-128  | Panel, 20.5 x 88.75             |
| 2. 968203-228  | Panel, 16.25 x 66.38            |
| 3. 968203-328  | Panel, 18.95 x 15.64            |
| 4. 968203-428  | Panel, 18.947 x 15.639          |
| 5. 968203-828  | Panel, 6.036 x 14.639           |
| 6. 968203-928  | Panel, 6.036 x 14.639           |
| 7. 968203-1028 | Panel, 5.992 x 67.505           |
| 8. 801986-0028 | Face frame, roof locker, Cherry |
| 9. 801969-1028 | Door, roof locker, Cherry       |
| 10. 380041     | Brace, 1", Stanley corner       |
| 11. 115644     | Aluminum Back                   |
| 382238         | hinge, Compact                  |
| 382253-02      | Pull, Antique Silver, 5"        |

# 2015 CLASSIC TRAILER

## FURNITURE, LOUNGE

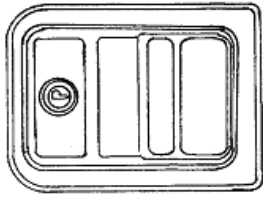
### Sofa, 30'

704161-01	Sofa, 96", Dual Electric Inliner, Macadamia, UL
704161-02	Sofa, 96", Dual Electric Inliner, Chestnut, UL
968209-01	Sofa Fold-Down Top Assembly, Deep Sky Night
968209-02	Sofa Fold-Down Top Assembly, Sandalwood
602412-01	Sofa Fold Down, Corian, Deep Sky Night
602412-02	Sofa Fold Down, Corian, Sandalwood
704164	Ultra Leather, Brisa Fesco, Patina
704163	Ultra Leather, Brisa Fesco, Whey

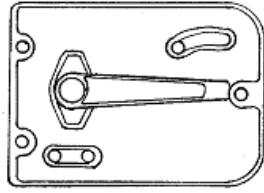
# 2015 CLASSIC TRAILER

## HARDWARE

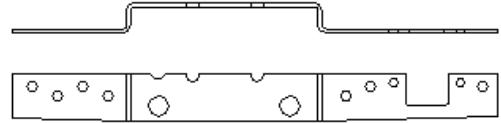
### Main Door Latch/Lock



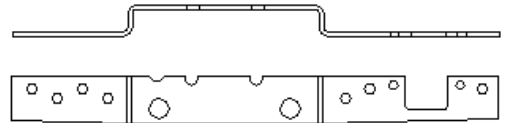
①



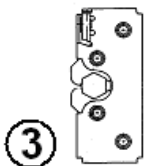
②



⑦



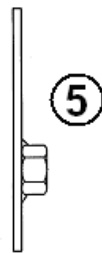
⑥



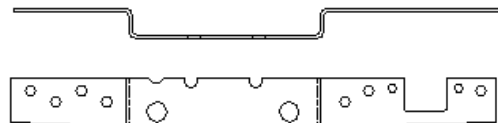
③



④



⑤



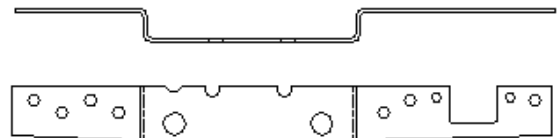
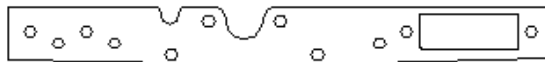
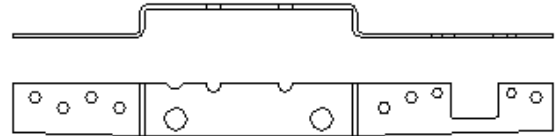
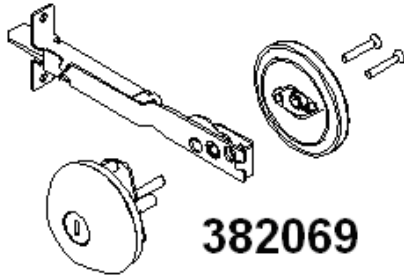
⑧

- |              |  |
|--------------|--|
| 1. 381547-01 | Main door lock, outside housing              |
| 2. 381547-07 | Main door lock, inside plate                 |
| 3. 381547-03 | Double rotary latch, main door               |
| 4. 381547-04 | Striker bolt w/washer, main door lock        |
| 5. 381550    | Plate, Striker Bolt Mounting                 |
| 6. 382067    | Outer Reinforcement Plate, RH/LH Hinged Door |
| 7. 382066    | Inner Reinforcement Plate, LH Hinged Door    |
| 8. 382068    | Inner reinforcement plate, RH hinged door    |
| 381547-102   | Main door key, Blank                         |
| 381547-08    | Screw package, main door lock                |
| 385595       | Pocket strike, #10-10-810                    |

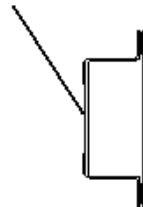
# 2015 CLASSIC TRAILER

## HARDWARE

Deadbolt Assembly, Main Door, Round, Trimark



115413



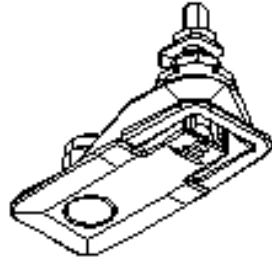
382069	Deadbolt assembly, round, Trimark
382069-100	Deadbolt Key, Blank
382066	Inner reinforcement plate, LH hinged door
382067	Outer reinforcement plate, RH/LH hinged door
382068	Inner reinforcement plate, RH hinged door
115413	Door hat section



# 2015 CLASSIC TRAILER

## HARDWARE

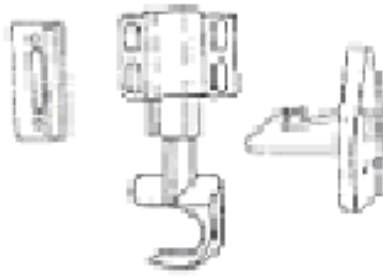
### Exterior Latches/Locks/Handles



1



2



3



4

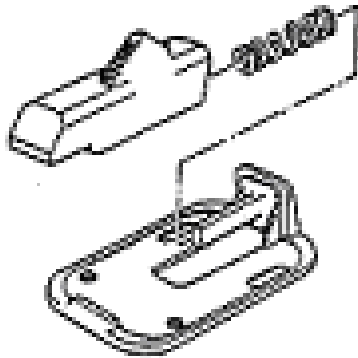
- |              |                               |
|--------------|-------------------------------|
| 1. 382230    | Compression Latch             |
| *382230-02   | Compression Latch w/key code  |
| 2. 381021-01 | Rubber T handle               |
| 3. 381454    | Latch, screen door, Bullet    |
| 4. 511344-03 | Grab handle                   |
| 382249       | Gasket, Main Door Grab handle |

\*Replaces 382230 Starting Serial #531031. New Latch has a Unique Key Code

# 2015 CLASSIC TRAILER

## HARDWARE

### Exterior Latches/Locks/Handles



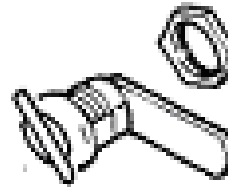
1



2



3



4

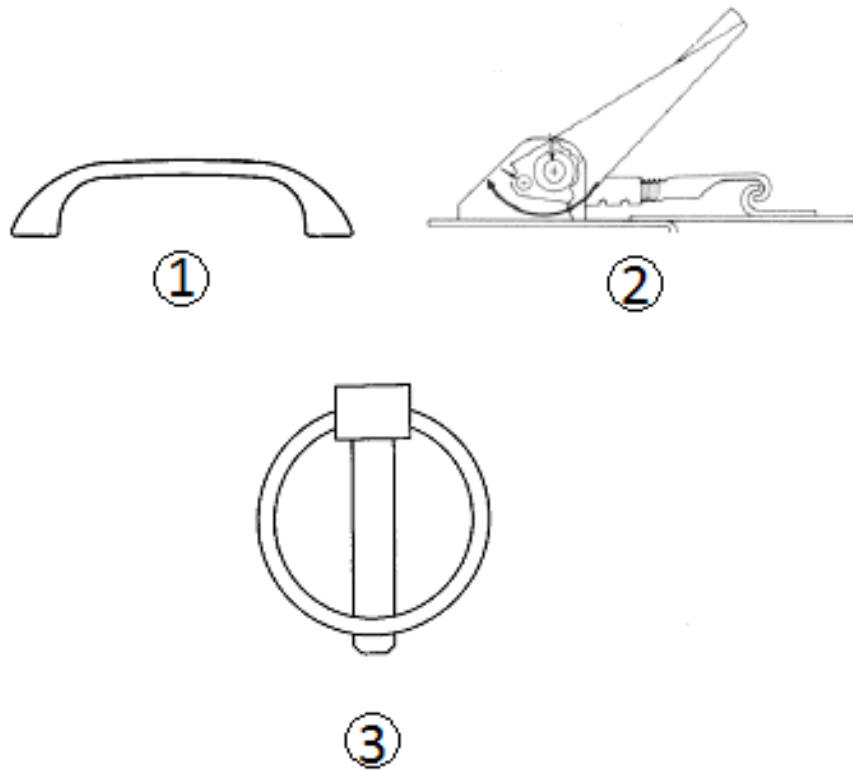
1. 380291
2. 380290
3. 201056
4. 381430  
340023-01

- Main door holdback, (use w/housing #380290)  
Latch housing, main door holdback  
Catch, main door holdback  
Twist lock, straight cam  
Pad lockable catch

# 2015 CLASSIC TRAILER

## HARDWARE

### Exterior Latches/Locks/Handles

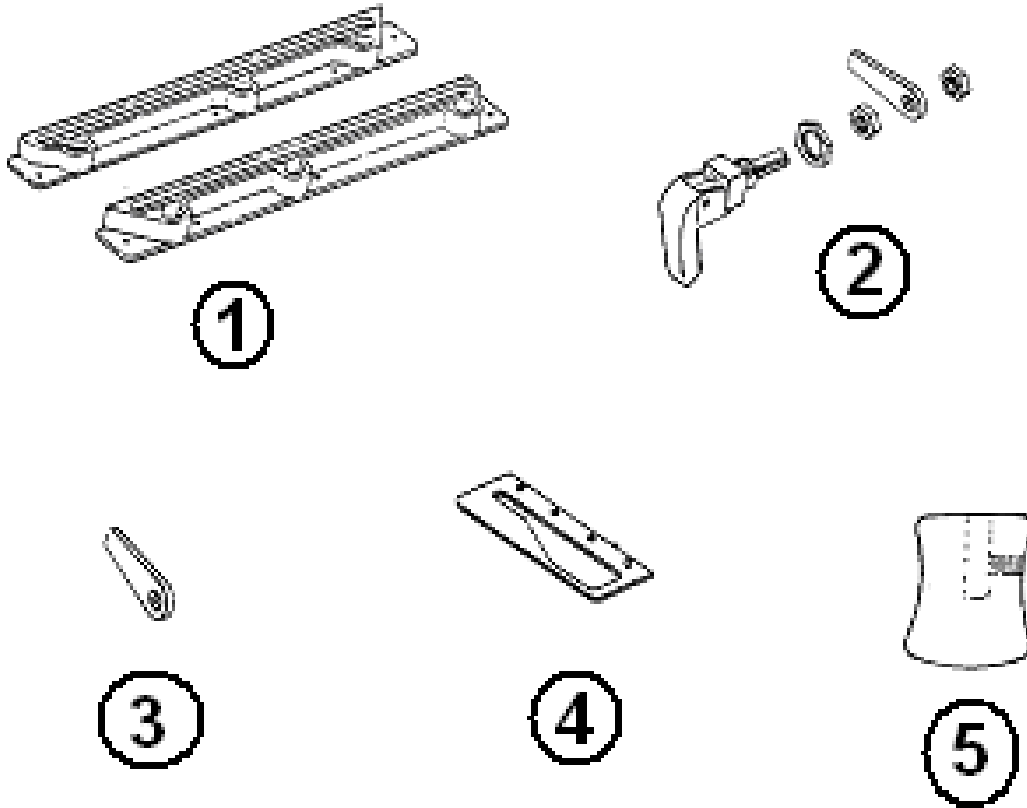


- |              |  |
|--------------|--|
| 1. 380004    | Handle, screen door                    |
| 2. 382091-01 | Tension latch, stainless steel         |
| 382091-02    | Strike, tension latch, stainless steel |
| 3. 310028    | Lynch pin roll out storage tray        |

# 2015 CLASSIC TRAILER

## HARDWARE

### Window, Opening

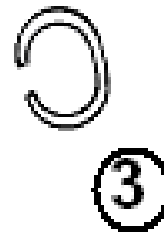
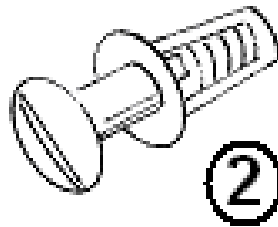
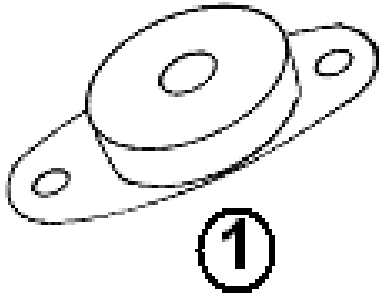


- |              |                                  |
|--------------|----------------------------------|
| 1. 0802-0001 | Window guide, RH                 |
| 0802-0002    | Window guide, LH                 |
| 2. 010020    | Lower window latch, chrome       |
| 195467-05    | Lower window latch, w/red handle |
| 3. 685123    | Pawl, window latch, straight     |
| 4. 685124    | Striker plate, window latch      |
| 5. 380230-03 | Knob window arm, silver          |
| 6. 380230-04 | Knob, window arm, red            |

# 2015 CLASSIC TRAILER

## HARDWARE

### Window Stone Guard

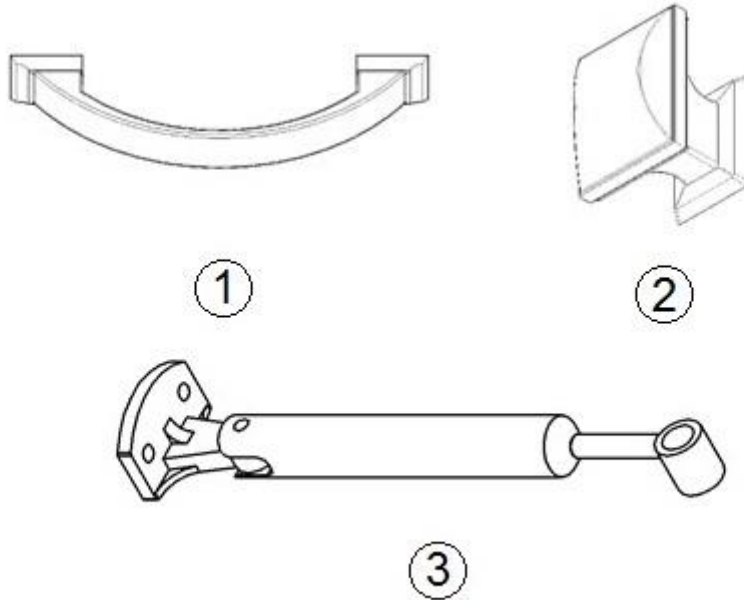


- |           |   |
|-----------|---|
| 1. 685359 | Rubber receptacle                         |
| 2. 685342 | 1/4 latch, South-co                       |
| 3. 685362 | Stud, 1/4 turn latch South-co             |
| 685363    | Retaining ring                            |
| 683960    | 1/4 turn stud                             |
| 683959    | Slip Joint Hinge                          |
| 114749    | Support arm, rock guard                   |
| 114750    | Bracket, arm support                      |
| 381021-01 | Hinge "Y" assembly                        |
| 114819-01 | Hinge "J" rock guard                      |
| 114819-02 | Draw Latch, Black Rubber                  |
| 114819-03 | Wrap protector hold back, 1.62"           |
| 101401    | Wrap protector hold back, 2.50"           |
| 345417    | Wrap protector hold back, 5.00"           |
| 345376    | Extrusion, door latch housing/Stone guard |
| 345336-07 | Nut, acorn, hex locking, SS 1/4-20        |
|           | Nut, hex HD 1/4-20 SS                     |
|           | Cap screw HEX HD 1/4-20 X .75"            |

# 2015 CLASSIC TRAILER

## HARDWARE

### Interior Latches/Hinges/Handles

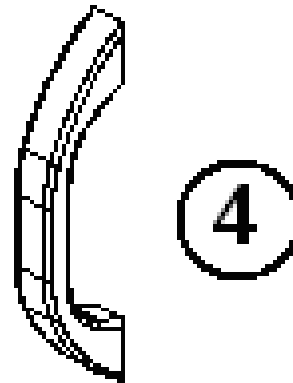
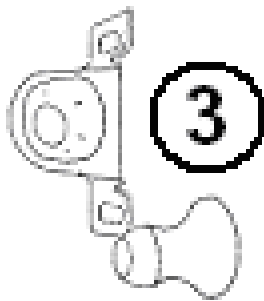
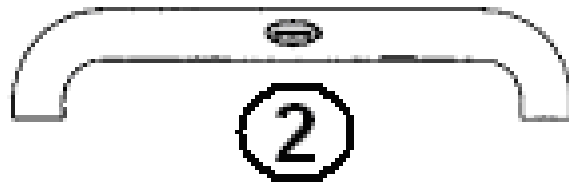
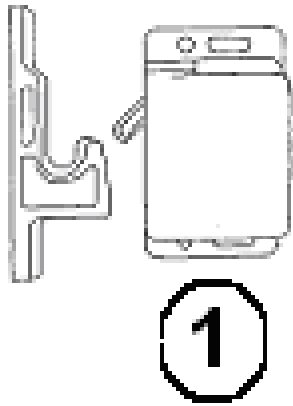


- 1. 382253-02 Pull, Antique Silver, 5"
- 382253-03 Pull, antique silver, 8"
- 2. 382252 Knob, Antique Silver, 5-3/16"
- 3. 381147 Door support spring loaded
- 385940-02 Mirror pull, chrome
- 381999 Hinge, Orb
- 382159 Hinge, pivot Nickel
- 382238 Hinge, Compact, Steel Nickel Plated

# 2015 CLASSIC TRAILER

## HARDWARE

### Interior Latches/Hinges/Handles



- |           |   |
|-----------|---|
| 1. 381228 | Grabber door latch w/catch, 10 lb. Rating |
| 381228-02 | Catch, grabber door, (5lb pull)           |
| 2. 382194 | Head knocker, white, interior door jamb   |
| 3. 381074 | Bull dog door catch                       |
| 4. 381737 | Handle assist, molded, interior           |

# 2015 CLASSIC TRAILER

## HARDWARE

### Foldette Door Strap/ Pantry Button Latch

700811	Button cap, Handy #36, clear vinyl strap
700812	Button bottom, Handy #36, clear vinyl strap
381581	Strap, clear plastic .75"W
381408	Pantry latch, button style, black



# 2015 CLASSIC TRAILER

## HARDWARE

### Interior Rubber Bumpers/Mirror Clip



1



2



3



4

- 1. 360012
- 2. 360016
- 3. 195329-202
- 4. 381754

- Bumper, rubber, white, stick-on, cylindrical
- Bumper, rubber, gray, square 3/8 x 3/8
- Bumper, rubber, brown, stick on, oval
- Clip, mirror, retainer, metal

# 2015 CLASSIC TRAILER

## HARDWARE

### Drawer Slides

381400	Slide, drawer, 14", 2900-14
381400-01	Slide, drawer, 12", 2900-12
381090	Slide, 22", dinette drawer
382203-02	Drawer slide, self-close, 12"
382203-03	Drawer slide, self-close, 15"
382203-04	Drawer slide, self-close, 18'

### Bath Accessories

382259	Toilet Paper Holder, recessed,
602405	Shower, Slide Bar, 24"
600594	Strainer with White Rubber Stopper
602399	Faucet, Single Handle, Brushed Nickel
382275	Towel Bar, 18", Antique Silver
382274	Robe Hook, Antique Silver

# 2015 CLASSIC TRAILER

## HARDWARE

### Wardrobe Cabinet

380045	Clothes rod
200975-04	Conduit, flexible, black (covers clothes rod)
380046	Bracket, Clothes rod end, chrome flange
114750	"J" Hinge

### Galley Cabinet

381708	Waste basket-11.38 X 8.25 X 12"
--------	---------------------------------

### Sewer Hose Parts/Keys/Key Holder

381647	Key, water fill CH 751
195329-240	Sewer hose adaptor
340084-52	Clamp, hose SAE #52
385229	Key Holder, Plastic, Airstream Blue

# 2015 CLASSIC TRAILER

## HARDWARE

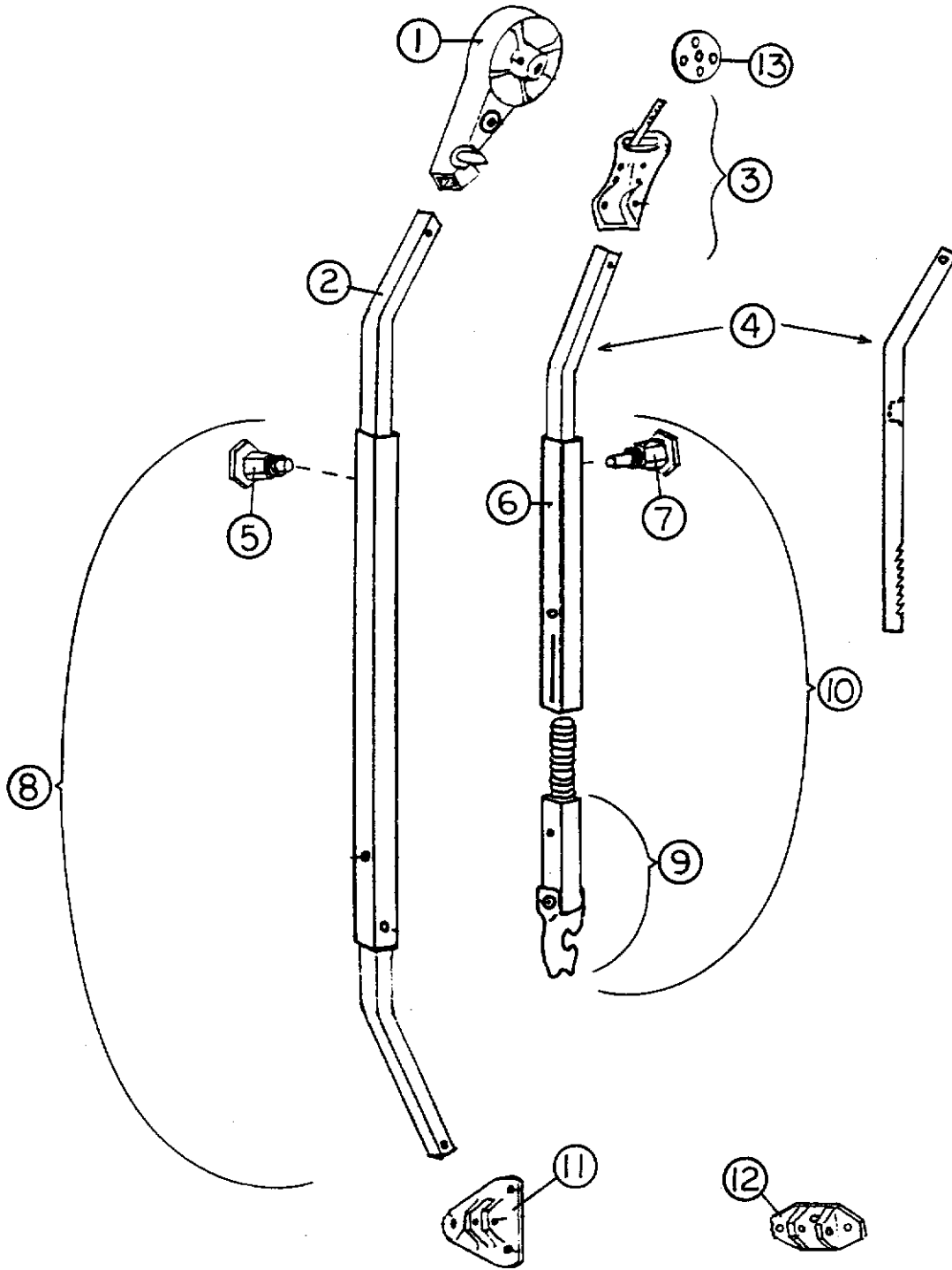
### Interior/Exterior Hinges

381552-03	Hinge assembly, main door upper
381552-04	Hinge assembly, main door lower
381531-01	Hinge, screen door, upper
381531-02	Hinge, screen door lower
380988	Hinge, refer access door, underbelly comp door, electrical box
380203-01	Piano hinge, credenza, bed, tool Box, refer access
380203-02	Piano hinge, 72", black anodized
381605-03	Hinge, piano, wrap protectors,
381999	Hinge, orb
380773	Hinge, access door, gas bottle cover
380774-02	Hinge, 48.00", compartment door, trunk door
382238	Hinge, compact, steel nickel plated
114749	Hinge, "Y" Assembly, Rockguard
114750	Hinge, "J", Rockguard

# 2015 CLASSIC TRAILER

## HARDWARE

### Awnings



Parts Listed on Next Page

# 2015 CLASSIC TRAILER

## HARDWARE

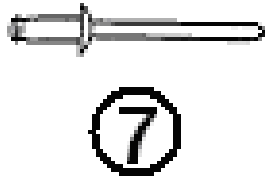
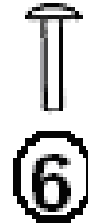
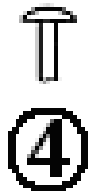
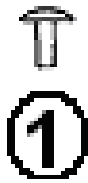
### Awnings

1. 74043W-04	Head assembly, front
74043W-05	Head assembly, Rear
2. 74047W-09	Main arm bar, front
74047W-10	Main arm bar, rear
3. 74056W	Clamp assembly, front, curved
74056W-01	Clamp assembly, rear, curved
4. 74061WS-07	Rafter arm bar, satin
5. 74054W	Snap stud assembly
6. 74063W-04	Rafter arm tube, satin
7. 74072W	Ratchet stud
8. 74048WS-12	Main arm tube assembly, front
74048WS-13	Main arm tube assembly, rear
9. 74068W-03	Claw bar assembly
10. 74048WS-14	Rafter arm assembly
11. 74055W	Base hinge, rib mount
12. 74055W-01	Base hinge, floor mount
13. 74060W	Clamp wheel
74041W-01	Awning hook rod

# 2015 CLASSIC TRAILER

## HARDWARE

### Rivets, Buck

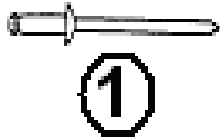


- |              |  |
|--------------|--|
| 1. 325043    | Rivet, 1/8", 1/4" length (hard)                          |
| 2. 325000-01 | Rivet, 1/8", 1/4" length anodized clear                  |
| 3. 325000-03 | Rivet, 1/8", length 1/4", long, anodized white           |
| 4. 325001-01 | Rivet, 1/8", length 5/16", anodized clear                |
| 5. 325002-01 | Rivet, 1/8", length 3/8", anodized clear                 |
| 6. 325004-01 | Rivet, 1/8", length 1/2", anodized clear                 |
| 7. 330127-03 | Rivet, grip range .063-.125, alum body, aluminum mandrel |
| 8. 300101    | 1/8" I.D., Washer, aluminum                              |
| 9. 325003-01 | Rivet, anodized clear, 1/8 X 7/16                        |

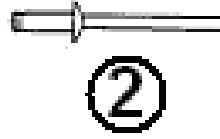
# 2015 CLASSIC TRAILER

## HARDWARE

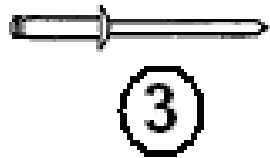
### Rivets, Pop



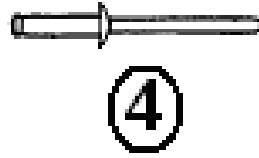
①



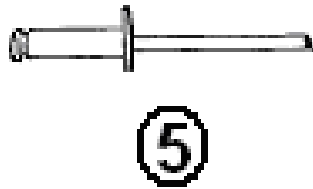
②



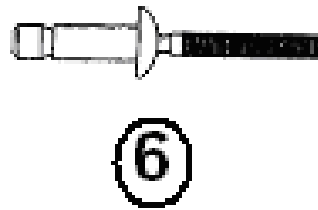
③



④



⑤



⑥

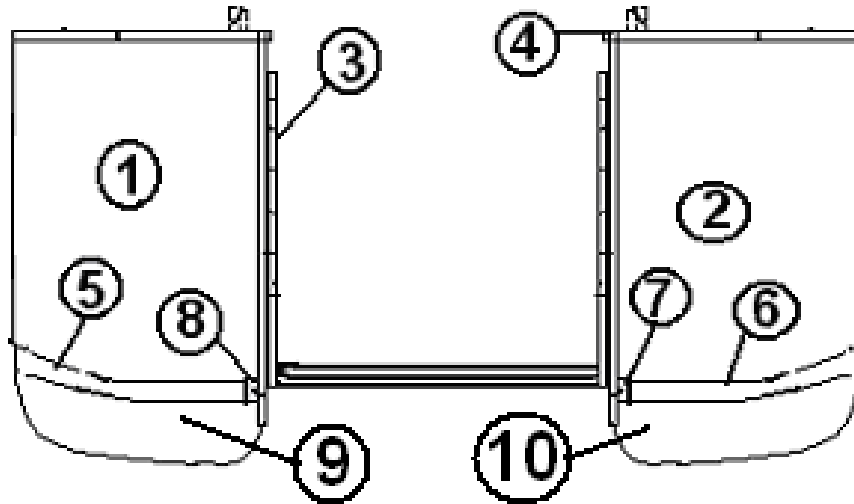
- |               |   |
|---------------|---|
| 1. 330126-02  | Pop Rivet, dia. 1/8" grip range .126-.187, S.S.   |
| 2. 330126-03  | Pop Rivet, dia., 1/8" grip range .126-.250, S.S.  |
| 3. 330155     | Pop Rivet, 1/8", Aluminum body w/Steel Mandrel  |
| 4. 330128-050 | Pop Rivet, dia., 1/8" .251"-.312" white   |
| 5. 330038     | Pop Rivet, dia., .150". (#20 bit) grip range<br>126-.250, aluminum body & mandrel (screen door) |
| 6. 330016-04  | Pop rivet, closed end, sealing  |
| 325103        | Pop Rivet, dia. 1/4" grip range .080-.325, SS body,<br>Steel mandrel                            |
| 330126-04     | Pop rivet, dome head, SSD45   |
| 330126-05     | Pop rivet, dome head, SSD46   |
| 330126-06     | Pop rivet, dome head, SSD48   |



# 2015 CLASSIC TRAILER

## HARDWARE

### Wrap Protector



966273-100

Wrap Protector, complete set

- |               |  |
|---------------|--|
| 1. 966272     | Wrap Protector, CS                         |
| 2. 966273     | Wrap Protector, RS                         |
| 3. 381605-03  | Hinge, stainless, wrap protector, 25" long |
| 4. 100742-01  | Extrusion, mirror/wrap trim protector      |
| 5. 115546     | Extrusion, rub rail                        |
| 6. 201763-100 | Insert, rub rail, chrome                   |
| 7. 114465-01  | Casting, closeout, rub rail, RH            |
| 8. 114465-02  | Casting, closeout, rub rail LH             |
| 9. 200542-01  | Wrap, underbelly, front RS, Haircell       |
| 10. 200543-01 | Wrap, underbelly, front CS, Haircell       |
| 101401        | Extrusion, door latch housing/stone        |
| 345417        | Nut acorn, hex, locking SS 1/4-            |
| 345376        | Nut, hex HD 1/4-20 SS                      |
| 345336-07     | Cap screw hex HD 1/4-20 hex .75"           |
| 114819        | Wrap protector hold back, 2.75"            |
| 114819-02     | Wrap protector hold back, 2.00"            |
| 114819-03     | Wrap protector hold back, 5.00"            |
| 500096        | Reflector, amber                           |

# 2015 CLASSIC TRAILER

## LABELS AND TAGS

### Labels and Tags

386250	Label, LPG Service Port
385193	Label, "12V distribution panel inside"
386119	Label, do not store combustible
385068	Tag, cooking appliance warning
386118	Label, LP gas, tri-warning
385517	Label, kill switch warning
385521	Label, emergency egress window
386122	Label, comfort heating
386121	Label, "if you smell gas"
385465	Exit label, English
385560	Label, air-conditioner rating
385812	Label, California hazardous substance
386120	Label, smoke alarm warning
385359	Label, microwave or air-conditioner
385837	Label, refrigeration ignition
386012	Label, warning-water heater
386082	Label, THOR, 5.25" x .75"
386098	Label Fuse, 12 V.
386123	Label, potable water only
386192	Hang tag, smoke/CO detector
386193	Label, wheel torque warning
386142	Label, check wheel lug
386114	Label, RVIA, silver
385062	Decal, 110-125 voltage AC
385565	Label, holding tank flushing
386097	Label Fuse, 12 V.
386226	Label, RV master weight
386060	Label Satellite Receiver Jack
386038	Label, CSA, Holding tank fresh water
385966	Label, inverter circuit
386160	Label, inverter switch
385101	Tag, aux., dump valve
385099	Tag, Black tank dump
386019	Label, 1 amp. Fuse max.
385020	Sticker, self-adhering, jack placement
386257	Label, Cable & Satellite Inlet
386263	Hang Tag, Coach-Net Roadside Assistance

# 2015 CLASSIC TRAILER

## LABELS AND TAGS

### Labels and Tags, CSA

386105	Label, TV/VCR Receptacle, CSA only
385949	Label, potable water CSA
385950	Label, smoke detector CSA
385951	Label, range fresh air CSA
385952	Label, LP warning CSA
385953	Label, if you smell gas CSA
385954	Label, range warning CSA
385466	Label, exit, (French)
385971	Label, fuse, exterior light
385973	Label, fuse 12 volt

# 2015 CLASSIC TRAILER

## PLUMBING, LPG SYSTEM

### LP Bottles and Fittings

601712	LP tank, 40# aluminum
601500-100	Sender dial, Screw-in, 90 OHM
602332-01	Wing Nut
602332-02	Black Pan
602332-03	Regulator, gas w/two 12" pigtails
602332-05	48" LP Hose (1/2" Female Flare)
602332-06	Hold down VTD0046
602332-07	LP Regulator Mtg. Bracket
104648	Bracket, 7.5 Gal. Steel Cover
350132	Nut, Flanged Mac-Lock 1/2-13
6000491	Hold down rod, threaded, 1/2"-13
100949	Bracket, bottle hold, cast aluminum
410238	"T" handle, threaded, cast aluminum
602109-02	Hose Quick Disconnect 5/8"
602312	Fitting, 5/8" FLR x 1/2" FLR, 90 Degree, Brass
602314	Fitting, 5/8" FLR x 5/8" FLR, Union Brass
600436	Forged Flare nut 5/8"
601776	Union, 1/2" Flare x 5/8" Flare

# 2015 CLASSIC TRAILER

## PLUMBING, LPG SYSTEM

### LP Bottle Cover

921233	Gas bottle cover w/o decal, 40lbs
382091-01	Tension latch, stainless steel
382091-02	Strike, tension latch, stainless steel
200845	Lid, plastic, bottle cover
380773	Hinge, access door
114070	J-trim, extrusion, aluminum

### Port, Exterior Propane

602109-01	Coupler, Disconnect .25" FPT
602109-03	Dust plug
454901	Bracket, LP Quick Disconnect port
602286	Nipple, .5" MPT x .25" MPT Brass
602313	Fitting MPT x 1/2" Flare, 90 degree
602315	LP hose, 1/2" x 36" CSA
340085-07	Clamp, loop 1"
201267-11	Conduit, Convolutd w/s 1" Black
386250	Label, LPG Service Port

# 2015 CLASSIC TRAILER

## PLUMBING, FRESH WATER

### Fresh Water Tank System

601864-01	Tank, fresh water 54.5 gallon
601620	Pan, fresh water tank
601243	Drain cock, fresh water tank
602185-01	Drain Valve, 90 degree lead free
601723	Filter screen, water
453712	Shield, fresh water tank drain
381435	Hatch, white plastic, water hose exit
600155	1 1/2" plug Clean out
340301	Worm Clamp Dual Bead

### Fresh Water Gravity Fill System

601194	Water fill w/lock, gray
601239-01	Tubing, 1.375" ID, ribbed w/flats
601240-01	Tubing, 1/2" I.D. X 3/32" wall thickness

### City Water Hookup System

601392-04	Water fill, chrome
601659	Riser 1/2" FPT X 12" CPVC
602185-01	Drain Valve 90 deg. Lead free

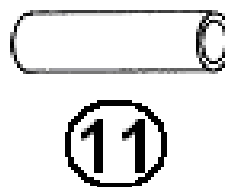
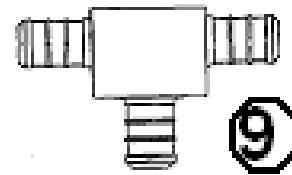
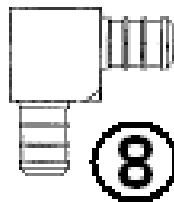
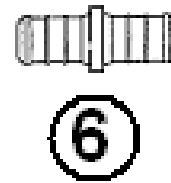
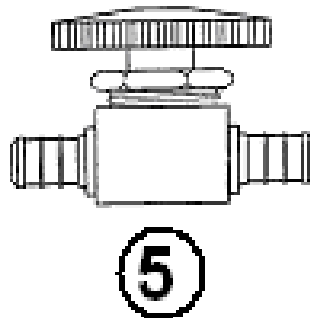
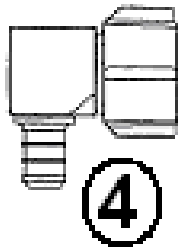
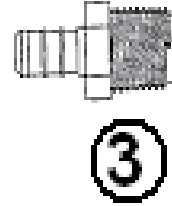
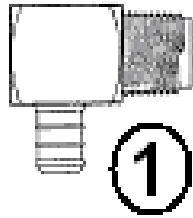
### Water Pump System

602328	4GPM Shurflo water pump
602204	Flex hose, 1/2", Sureflo water pump
601668-01	Strainer, fresh water pump
602277	Filter, Water Inline Shurflo
602277-01	Fitting Water filter

# 2015 CLASSIC TRAILER

## PLUMBING, FRESH WATER

### Fresh Water Line/Fittings



Parts Listed on Next Page

# 2015 CLASSIC TRAILER

## PLUMBING, FRESH WATER

### Fresh Water Line/Fittings

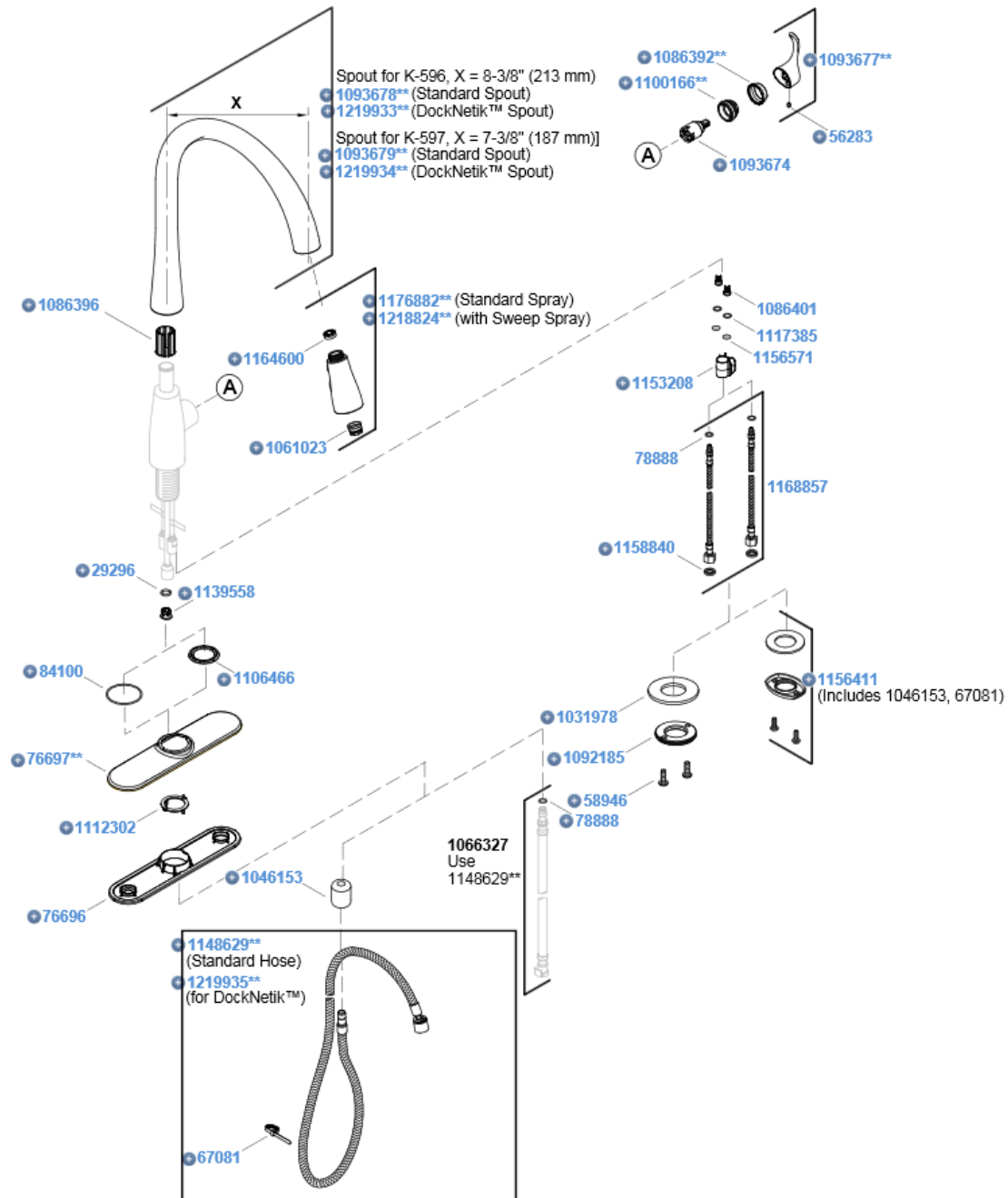
- |               |  |
|---------------|--|
| 1. 602256-04  | Elbow, 1/2" barb x 1/2" MPT              |
| 2. 602256-03  | Coupler, 1/2" barb x 1/2" FPT            |
| 3. 602256-02  | Coupler, 1/2" barb x 1/2" MPT            |
| 4. 602256-05  | Elbow, 1/2" barb x 1/2" FPT              |
| 5. 602256-22  | Shut-off, 1/2" barb x 1/2" barb          |
| 6. 602256-08  | Coupler, 1/2" x 1/2" barb                |
| 7. 602256-09  | Plug, 1/2" barb                          |
| 8. 602256-10  | Elbow, 1/2" barb x 1/2" barb             |
| 9. 602256-11  | Tee, 1/2" x 1/2" x 1/2"                  |
| 10. 601698-15 | Crimp ring, 1/2" E-Pex, black            |
| 11. 601698-01 | E-Pex tube, 1/2"                         |
| 601698-21     | E-Pex tube, 1/2", red                    |
| 600836        | Elbow, 3/8" MPT x 1/2" barb, copper      |
| 601237        | Elbow, 90 Degree, 1.25 MPT x 1.25 barb   |
| 602185        | Drain Valve, 90 Degree, Fresh water tank |
| 602137        | Valve, shut off, water purifier          |



# 2015 CLASSIC TRAILER

## PLUMBING, FAUCETS

Faucet, Galley, Kohler  
Model #K-597-VS



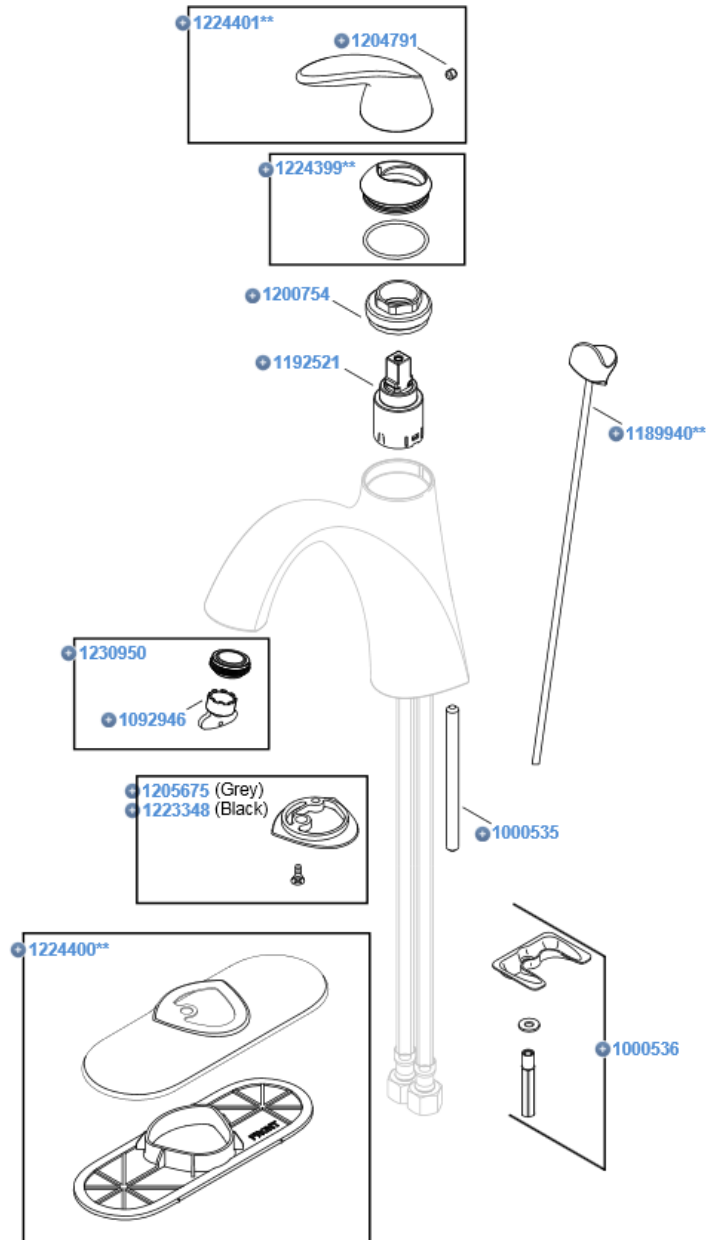
602395  
602137

Faucet, single hole, pull down, Stainless Steel, Kohler  
Valve, shut off

# 2015 CLASSIC TRAILER

## PLUMBING, FAUCETS

Faucet, Lavatory, Kohler  
Model #K45800-4-BN



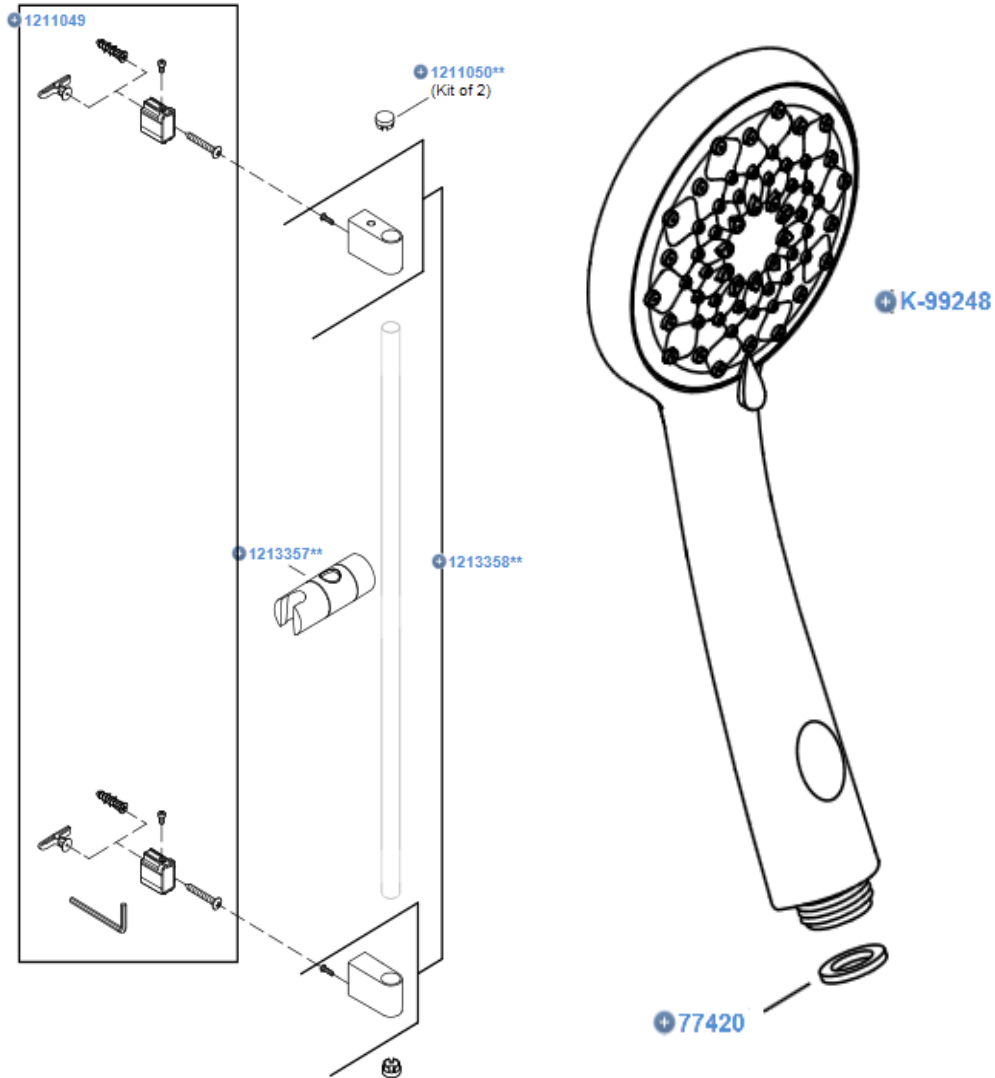
602399  
602137

Faucet, Single Handle, Vibrant Brushed Nickel, Kohler  
Valve, shut off

# 2015 CLASSIC TRAILER

## PLUMBING, FAUCETS

Faucet, Hand shower w/Eco-Boost Tech-Awaken, Kohler  
Model #K-99248-BN, Hand shower  
Model #K-98341-BN, Slide bar

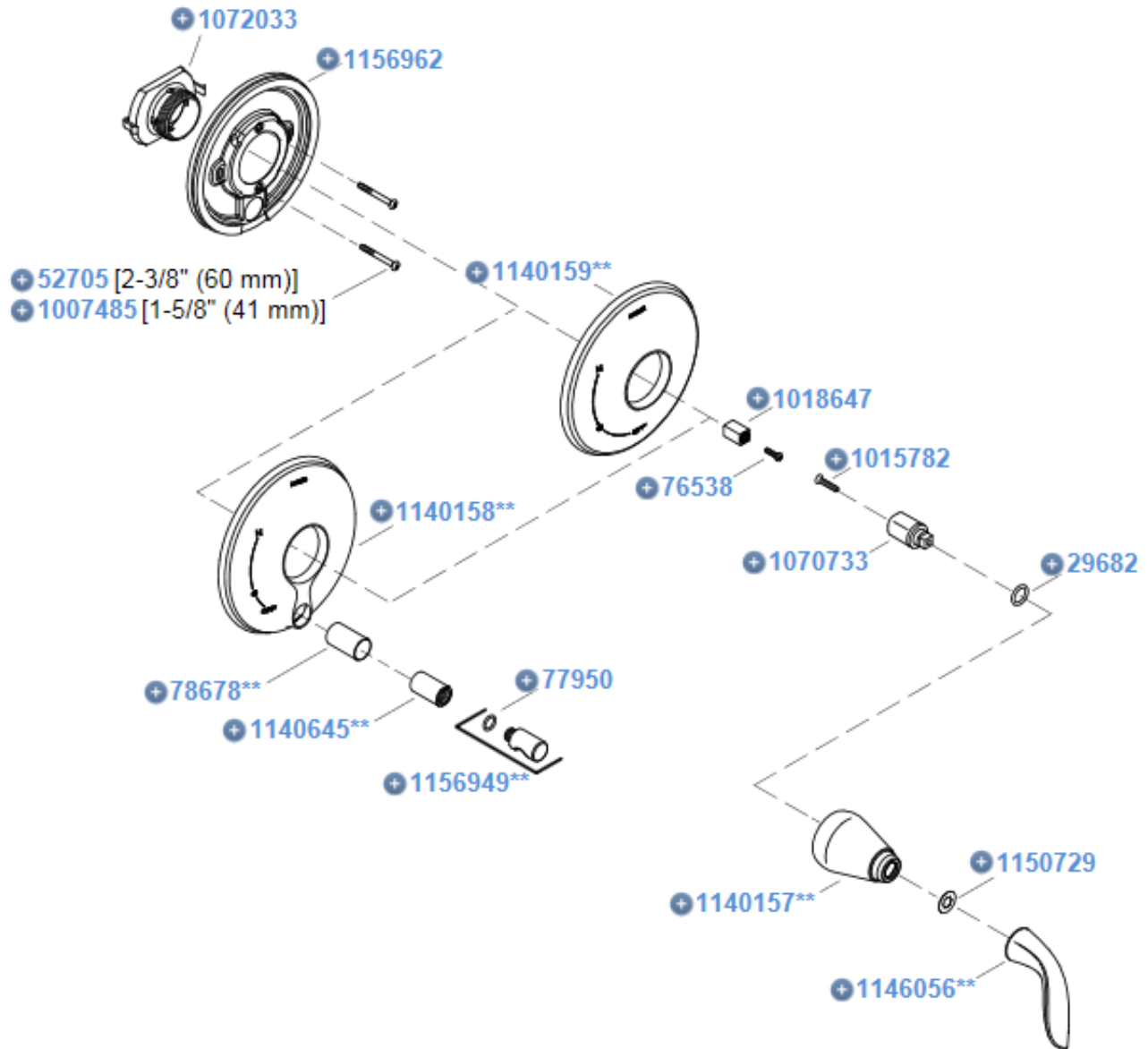


- |           |   |
|-----------|---|
| 602402    | Hand shower, Vibrant Brushed Nickel, Kohler |
| 602405    | Shower slide bar, 24"                       |
| 602403    | Hose, 60", Brushed Nickel                   |
| 601592-04 | Hose guide Ring, Clear, CSA                 |

# 2015 CLASSIC TRAILER

## PLUMBING, FAUCETS

Faucet, Shower Handle, Kohler  
Model #K-T5322-4-BN, Valve trim kit



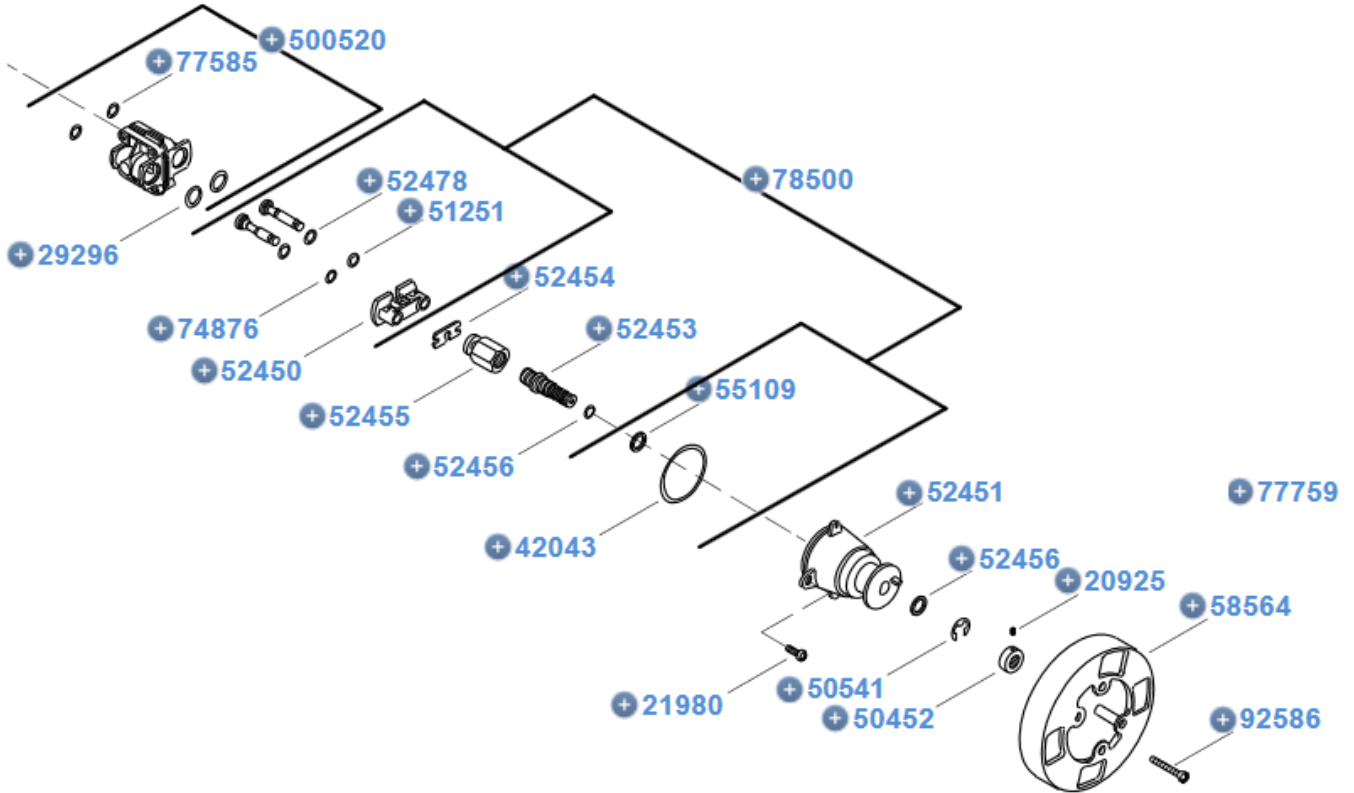
602400

Valve Trim Kit, Refina, Vibrant Brushed Nickel, Kohler

# 2015 CLASSIC TRAILER

## PLUMBING, FAUCETS

Faucet, Valve, Kohler  
Model #K-304-PX-NA, Valve



602401  
602632

Valve, Rite-Temp, 1/2" Pressure Balance  
Flow controller w/Off switch

# 2015 CLASSIC TRAILER

## PLUMBING, DRAIN SYSTEM

### Drain Tanks/Pan, 30'

601850-09	Holding Tank, Gray
601848-14	Holding Tank, Black
601619	Pan, waste tank, 30ft.
200954	Slope pad-22.75" X 55"

### Holding Tank Pan Closeout

601228	Closeout, septic pan
--------	----------------------

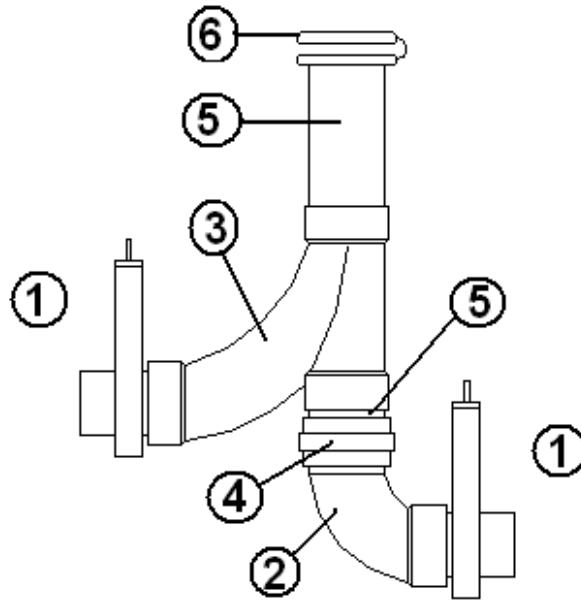
### Styrofoam Insulation, Tank Pans

200152	Styrofoam 1/2" X 6" X 42"
200507	Styrofoam, 1 X 25 X 55"

# 2015 CLASSIC TRAILER

## PLUMBING, DRAIN SYSTEM

### Dump Valve System



- |              |  |
|--------------|--|
| 1. 601607-11 | Valve assembly, 3" spigot x 3" spigot  |
| 2. 600820    | 3" Single socket 90 degree             |
| 3. 600187    | 3" Wye. Combination & 1/8" bend        |
| 4. 600289    | Calder coupler 3" rubber               |
| 5. 601160-04 | Pipe, ABS, 3"                          |
| 6. 601607-07 | Termination Cap                        |
| 601531       | Fitting-90 degree 3" H X ST            |
| 200943       | Dump valve, closeout                   |
| 601607-06    | Termination adaptor, 3" HUB X 3" BA    |
| 04190        | Dump valve handle 19 Ext. Thetford     |
| 380481-A     | 7 X 8 Rubber boot 3-1/2" diameter hole |
| 385101       | Tag, aux tank dump valve handle        |
| 385099       | Tag, main tank dump valve handle       |
| 114086       | Bracket, dump valve handle             |

# 2015 CLASSIC TRAILER

## PLUMBING, DRAIN SYSTEM

### Sinks, Galley, 30'

602396	Sink, Undertone, Single Bowl, Mirror Finish, Kohler
602397	Sink Strainer w/Tailpiece, Vibrant Stainless
320130-05	Screw, #10-32 X .75" slot, hex
602393-02	Sink Cover, Corian, Sandalwood
602393-01	Sink Cover, Corian, Night Sky
381635	Sink clip, under mount

### Sink, Lavatory

203790	Sink, Undermount, Fiberglass
381635	Sink clip, under mount
601813	Tail piece, Lift and turn drain



# 2015 CLASSIC TRAILER

## PLUMBING, DRAIN SYSTEM

### Shower Stall

203081-02	Shower stall, 2 piece
600594	Strainer with rubber stopper
703989-01	Shower Door, Brushed Nickel, Reeded Glass

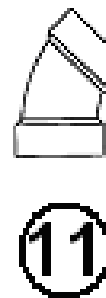
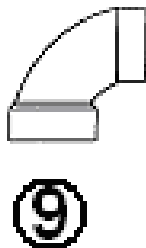
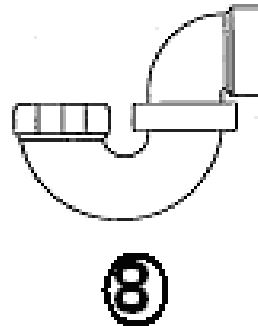
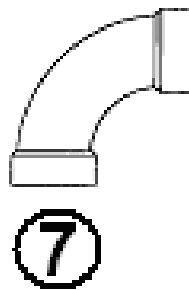
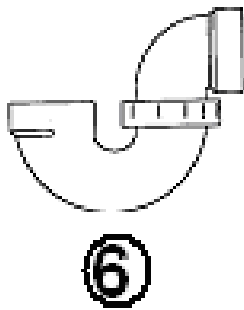
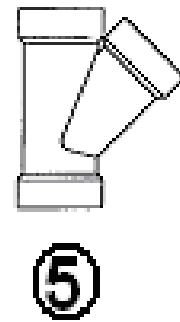
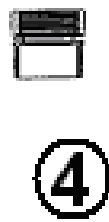
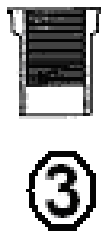
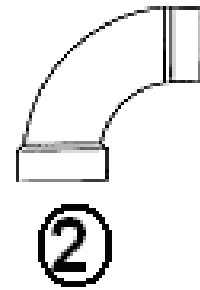
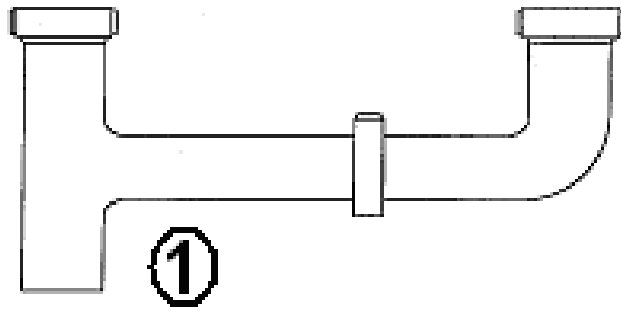
### Tank Flush, Black

601441-02	Tank flush, no-fuss (vacuum breaker & check valve)
601392-01	Screw, black, Screw in style

# 2015 CLASSIC TRAILER

## PLUMBING, DRAIN SYSTEM

### Drain Line Fitting



Parts Listed on Next Page

# 2015 CLASSIC TRAILER

## PLUMBING, DRAIN SYSTEM

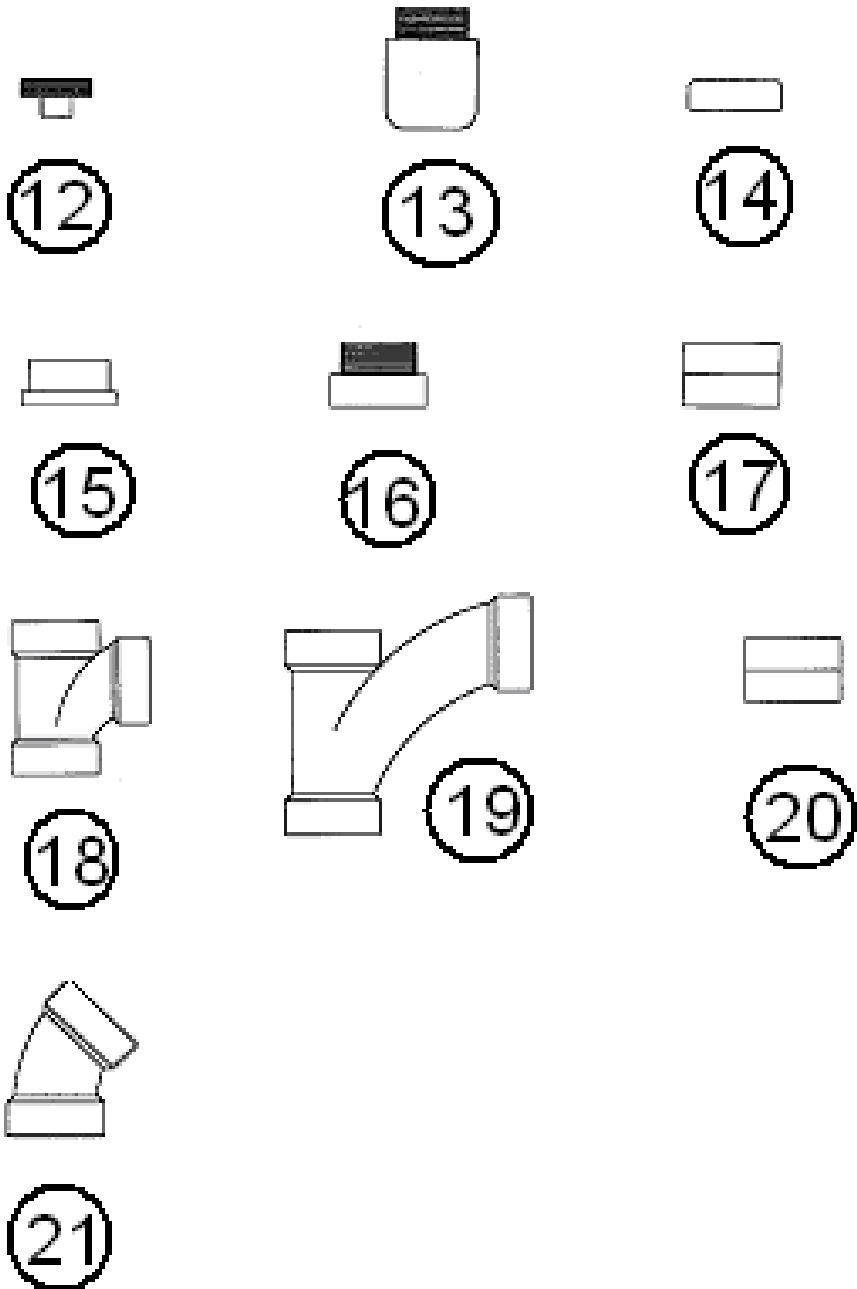
### Drain Line Fittings

- |              |                                    |
|--------------|------------------------------------|
| 1. 600378    | Continuous waste                   |
| 2. 600431    | Elbow, 90 degree, long street      |
| 3. 600625-01 | Plug, trap, 1-1/2" adapter, female |
| 4. 600822    | Swivel adaptor                     |
| 5. 600094    | Wye, #2301                         |
| 6. 600144    | P-trap, 1.5" w/o slip nut          |
| 7. 600035    | Elbow, 90 degree, long turn        |
| 8. 600622    | P-trap, 1.5" with slip nut         |
| 9. 600662    | Elbow, 90 degree, short street     |
| 10. 600027   | Elbow, 45 degree, long street      |
| 600050       | Elbow, 45 degree, long turn        |
| 11. 601868   | Sanitary tee-SPIG X HUB X HUB      |

# 2015 CLASSIC TRAILER

## PLUMBING, DRAIN SYSTEM

### Drain Line Fittings



Parts Listed on Next Page

# 2015 CLASSIC TRAILER

## PLUMBING, DRAIN SYSTEM

### Drain Line Fittings

12. 600155	Plug, 1.5"
13. 602306	Valve, 2" Air Admittance Ayrlet
14. 601677	Cap, 1.5"
15. 601263	Reducer, 1.5" to 1.25"
16. 601676	Adapter
17. 600308	Adapter, w/female threads
18. 600156	Tee, sanitary, 1.5"
19. 600182	Wye, 1.5", 1/8" bend
20. 600227	Coupling, 1.5"
21. 600030	Elbow, 45 degrees, long turn
601318	Tee, bi-directional clean out, 1.5"

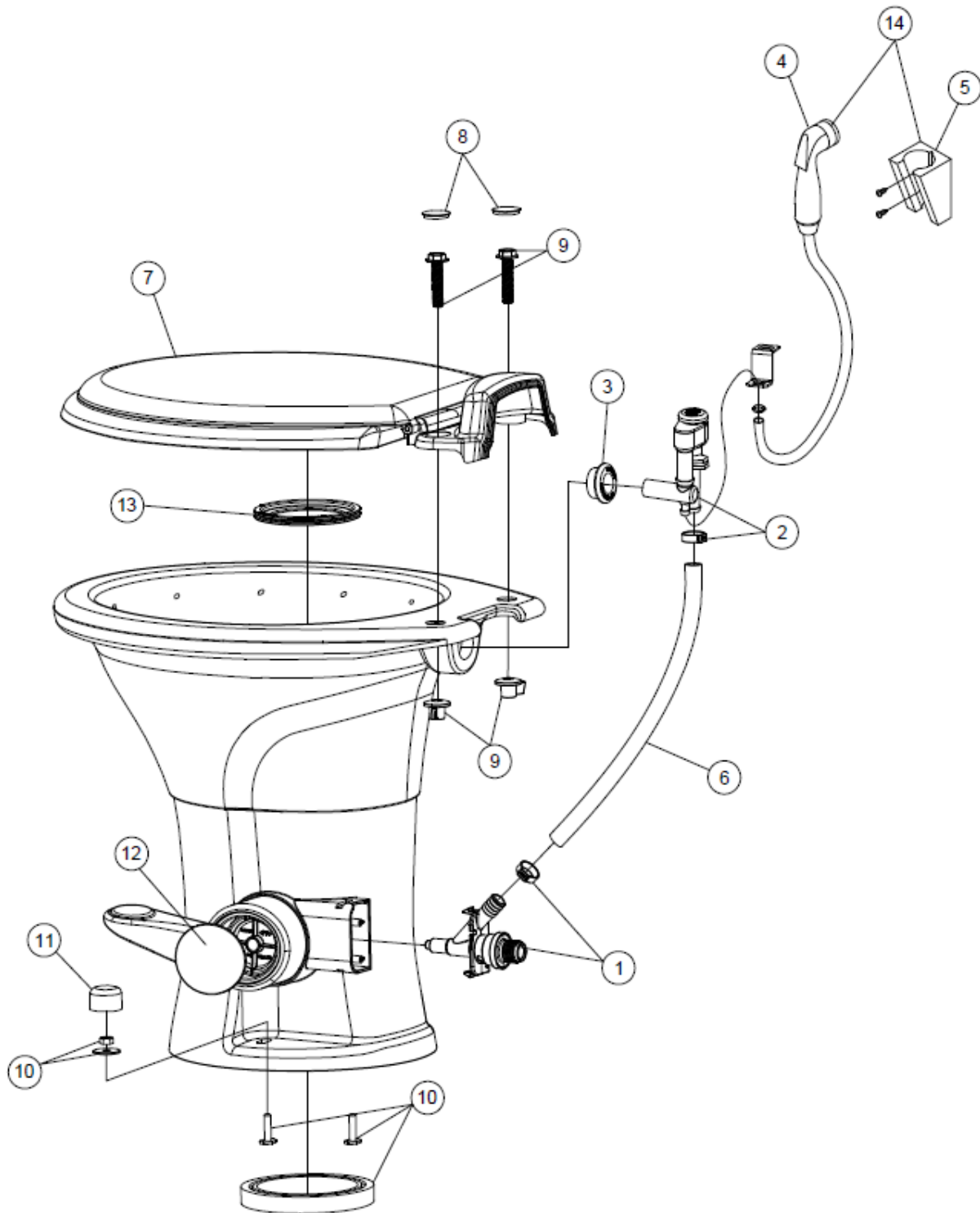
### Drain Pipe

601160-04	Pipe, 3" ABS
601160-02	Pipe, 1.5" ABS
602185-01	Drain valve, 90D turn, Lead free
601165-02	Water line risers, 54"

# 2015 CLASSIC TRAILER

## PLUMBING, DRAIN SYSTEM

### Toilet



Parts Listed on Next Page

# 2015 CLASSIC TRAILER

## PLUMBING, DRAIN SYSTEM

### Toilet

690621 Toilet, China #302310041 Dometic  
600065 Floor Flange, Threaded

1. 385311641 Water valve
2. 385230335 Hand Spray VB
- 385316906 Vacuum breaker
3. 385311164 Sealing grommet
4. 385319054 Vacuum break w/spray
5. 385230319 Bracket, hand spray
6. 385345377 Supply hose
7. 385311646 Seat and cover
8. 385311648 Seat bracket covers
9. 385311650 Seat mounting hardware
10. 385311652 Mounting hardware
11. 385311654 Cap
12. 385311656 Pedal cover
13. 385311658 Flush ball seal
14. 385311124 Hand spray, (optional)

\*Parts listed are Dometic part numbers

# 2015 CLASSIC TRAILER

## SAFETY EQUIPMENT

### Detectors

510781	Smoke detector
510891	Smoke detector, CSA
512539-01	Detector LP Black 12V
512318	Holder, W/1 amp fuse, inline
512783	Detector, Carbon Monoxide

### Fire Extinguisher

600162-01	Fire extinguisher
600162-02	Fire extinguisher, CSA



# 2015 CLASSIC TRAILER

## SEALER/GASKETS/PAINT

### Sealer

360001	Sealant, #884058
360002	Sealant, Vulkem 11.5 oz. tube
360209	Sealant, seam
360176	Sealant, Almond, kitchen and bath
360180	Sealant, Sikaflex #221
365330-04	Sealant, Adseal (Used on compartment boxes)

### Gaskets

365232	Gasket, main/baggage door
382117	Gasket, window frame to glass
365035	Gasket, access doorjamb
381830	Wiper gasket, refrigerator baffle, 1.12" x 2"
365030	Seal, door hinge 3-3/4 wide
381663	Gasket, D-Seal, PDM sponge, door bell
365351	Washer, Sealing, Main Door Hinge
365336	Gasket Kit Pad, #1
365337	Gasket Kit Pad, #2
365338	Gasket Kit Pad, #3
365367	Automotive Foam Tape

### Tape/Microwave Insulation

685510	Seam Tape, black, for between end segments.
365221	Tape, double coated, 1/32 urethane
365222	Tape, double coated, .08" x 3/4"
365016	Tape, foam, double face, 1/2" wide
365001	Tape, double coated foam

### Paint

360213	Paint, Metallic Aluminum, Centari #65751
360308	Paint, Pewter
360151-01	Paint, gray metallic, Centari #44146A, 12 oz.
360213-100	Paint, aluminum metallic (16 oz. can)

# 2015 CLASSIC TRAILER

## UPHOLSTERY/FOAM/MATTRESS

### Twin Bed Kit, Bedding and Throw Pillows

704183-01	Duvet, RS
704183-02	Duvet, CS
704183-03	Shams, 20 x 27, w/Knife Edge
704183-04	Neck Roll, 7 x 20, self-welt
704183-05	Lounge Pillow, 14 x 24, self-welt
704183-06	Lounge Pillow, 10 x 18, self-welt

Specify Macadamia or Chestnut

### Bedsread, Double Bed

702676-346	Bedsread, Jade
702676-460	Bedsread, Mystic Mint

### Pillow

703987	Pillow, Bed Plump Poly 20" x 30"
--------	----------------------------------

### Mattress and Sheets, Twin Beds

704178-01	Mattress, Split Twin, Roadside
704178-02	Mattress, Split Twin, Curbside
704184	Sheet Set, 6 Pc, 1 RS, 1 CS, 2 Flat, 2 Cases

### Mattress, Double Bed

704138	Mattress, Split Queen, 60 x 75
--------	--------------------------------

# 2015 CLASSIC TRAILER

## UPHOLSTERY/FOAM/MATTRESS

### Sofa, 30'

704161-01	Sofa, 96", Dual Electric Inliner, Macadamia, UL
704161-02	Sofa, 96", Dual Electric Inliner, Chestnut, UL
968209-01	Sofa Fold-Down Top Assembly, Deep Sky Night
968209-02	Sofa Fold-Down Top Assembly, Sandalwood
602412-01	Sofa Fold-Down, Corian, Deep Sky Night
602412-02	Sofa Fold-Down, Corian, Sandalwood
704164	Ultra Leather, Brisa Fesco, Patina
704163	Ultra Leather, Brisa Fesco, Whey

# 2015 CLASSIC TRAILER

## UPHOLSTERY/FOAM/MATTRESS

### Dinette Seat Kit

704162-01	Dinette Kit, face to face, Ultraleather, Macadamia
704162-02	Dinette Kit, face to face, Ultraleather, Chestnut
704162-03	Filler Cushion, Ultraleather, Macadamia
704162-04	Filler Cushion, Ultraleather, Chestnut

### Dinette Seat, Ultra Leather

704164	Ultra Leather, Brisa Fesco, Patina
704163	Ultra Leather, Brisa Fesco, Whey

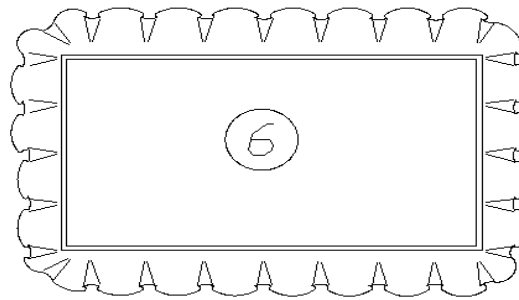
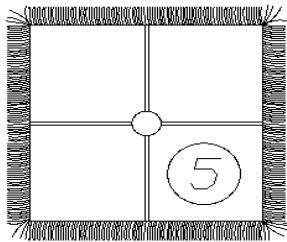
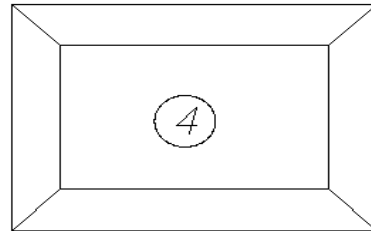
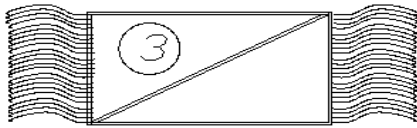
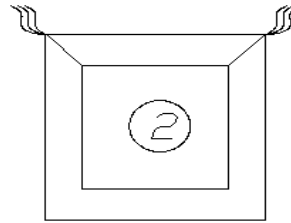
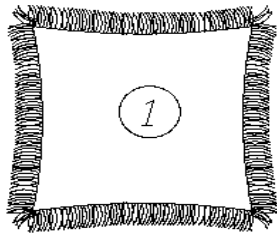
### Chairs

382004-04	Folding Chair, Zip Dee, w/Logo, Gray/Black/White
382004-05	Silkscreen for Zip Dee Chair

# 2015 CLASSIC TRAILER

## UPHOLSTERY/FOAM/MATTRESS

### Pillow Kit



703607-05 Pillow Kit, Queen, Jade  
703109-03 Pillow Kit, Queen, Mystic Mint

- 1. 703607-01 Lounge Pillow, Celery
- 2. 703607-02 Lounge/Bed, Green Tea and Nutmeg
- 3. 703607-03 Lounge/Bed, Seaglass and Green Tea
- 4. 703607-04 Bedroom, Pear and Celery
- 5. 703109-01 Sofa, Haynes and Montesque
- 6. 703109-02 Bedroom Shams, Sandalwood and Montesque

# 2015 CLASSIC TRAILER

## VENTS/FANS/SKYLIGHTS

### Vent, Power, Bathroom

690266-01	Ventilator, power, bathroom
690266-02	Ventilator, power, bathroom, CSA
372072-01	Screen, Ceiling Vent, CSA Only
201666-01	Molding, J 3/16" Almond, plastic

### Range exhaust

512210	Range hood, 12V, Grey/SS, Baraldi
115175	Duct, Range Exhaust Transition
453158	Extension, range vent
511017-11	Vent cover, exterior, range hood, gray

### Vent, Refrigerator

100341	Refrigerator, vent collar, large
101394	Cover, refrigerator vent, large
380228	Mesh, galvanized, .017" x 36"

### Vent, Holding Tanks

690601-01	360 Siphon tank vent cover, White
380228	Wire hardware cloth
382165	Gasket, Corlon Vent Cap

### Vent, Power, Fantastic

382240	Vent, Fantastic Fan, Exhaust only
381841-02	Vent, Roof, Fantastic Fan, Exhaust only
511657	Fantastic Fan W/410KIB Control

# 2015 CLASSIC TRAILER

## VENTS/FANS/SKYLIGHTS

### Sky Light, Lounge

381318-05	Skylight, 19.5" x 19.5", galley/lounge
115619	Frame, 19 x 19
203785	Trim Ring, 19 x 19, Silver
704157-02	Shad, Pleated, 19.75 x 19.75

### Sky Light, Bath

381318-06	Skylight, 14.5" x 22.5" bath
115620	Frame, 14 x 22
203786	Trim Ring, 14 x 22, Silver
704157-01	Shade, Pleated, 14.625 x 22.75

# 2015 CLASSIC TRAILER

## WOOD/LAMINATES/INTERIOR TRIM

### Cedar/Lauan Panels

800507-01	Paneling, Lauan, 1/8" x 4' x 8'
800507-02	Paneling, Lauan 1/4" x 4' x 8'
800507-03	Paneling, Lauan 3/8" x 4' x 8'
800507-06	Paneling, Lauan .3/4" x 4' x 8'
800397-01	Cedar, planked, 5/32"x 4' x 8'

### Edge banding

365268-03	Edgebanding, .024" X .63", Oak
365379-01	Edgebanding, .63, Walnut
365379-02	Edgebanding, .94, Walnut
365343-02	Edgebanding, .94, Gold Alchemy

### Paneling

801987-0028	Paneling, 1/4", G1S, Raw, Cherry
801966-0028	Paneling, 1/2", G1S, Raw, Cherry
801967-0028	Paneling, 1/2", G2S, Raw, Cherry
801368	Paneling, White liner/White liner 18MM
801392	Paneling, White liner/White liner 12MM



# 2015 CLASSIC TRAILER

## WOOD/LAMINATES/INTERIOR TRIM

### Molding, Wood, Cherry



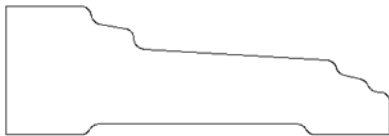
①



②



③



④



⑤



⑥

- |                |  |
|----------------|--|
| 1. 801206-0128 | Molding, floor, 43", Cherry              |
| 2. 800573-0128 | Molding, Door, Cherry                    |
| 3. 801665-0028 | Molding, "L", Door Jamb, Cherry          |
| 4. 801266-008  | Molding, baseboard, Cherry               |
| 5. 201666-01   | Molding, "J", 3/16", Plastic, White      |
| 6. 801994-0028 | Molding, Galley Flip Shelf, Mocha Cherry |

# 2015 CLASSIC TRAILER

## WOOD/LAMINATES/INTERIOR TRIM

### Main Door Threshold

115565	Extrusion, Threshold
100097	Extrusion, Alum. Track
320059	Screw, #8 Pan Head Phil 1" White
702963	Vinyl Embossed Threshold 1.75"



