

# ***AIRSTREAM***

## ***INTERNATIONAL TRAVEL TRAILER***

### ***PARTS BOOK***

**2014**



# 2014 INTERNATIONAL TRAVEL TRAILER

## SECTION I

### APPLIANCES

<u>Air Conditioner</u> ,.....	I-1
<u>Furnace, Microwave</u> ,.....	I-2
<u>Range/Cook Top, Refrigerator</u> , .....	I-4
<u>Water Heater, Range Hood</u> .....	I-5

### BODY

<u>End shell, aft</u> .....	I-7
<u>End shell, front</u> .....	I-19
<u>19 Ft. CCD RS Wall</u> .....	I-29
<u>19 Ft. CCD CS Wall</u> .....	I-31
<u>23 FT. D, RS Wall</u> .....	I-33
<u>23 Ft. D, CS Wall</u> .....	I-35
<u>23 Ft. Front Bed RS Wall</u> .....	I-37
<u>23 Ft. Front Bed CS Wall</u> .....	I-39
<u>25 Ft. Twin RS Wall</u> .....	I-41
<u>25 Ft. Twin CS Wall</u> .....	I-44
<u>25 Ft. Front Bed RS Wall</u> .....	I-45
<u>25 Ft. Front Bed CS Wall</u> .....	I-47
<u>25 Ft. Front Bed RS Wall, Eddie Bauer</u> .....	I-49
<u>25 Ft. Front Bed CS Wall, Eddie Bauer</u> .....	I-51
<u>27 Ft RS Wall</u> .....	I-53
<u>27 Ft. Front Bed RS Wall, Eddie Bauer</u> .....	I-55
<u>27 Ft CS Wall</u> .....	I-57
<u>27 Ft. Front Bed CS Wall, Eddie Bauer</u> .....	I-60
<u>28 Ft CCD RS Wall</u> .....	I-61
<u>28 Ft CCD CS Wall</u> .....	I-63
<u>30 Ft INT'L CS Wall</u> .....	I-65
<u>30 Ft INT'L RS Wall</u> .....	I-67
<u>Roof</u> ,.....	I-69
<u>Floor</u> .....	I-70
<u>Wrap Protectors</u> .....	I-71
<u>Body Interior</u> .....	I-72

# 2014 INTERNATIONAL TRAVEL TRAILER

## SECTION I

### CHASSIS

<u>Axles, Shocks, Tires, Wheels</u> .....	I-73
<u>Spare Tire Carrier, Step,</u> .....	1-74
<u>Hitch Jack, Safety Chains</u> .....	I-74
<u>Bumper/Bumper Storage</u> .....	I-75
<u>Jacks. Hose Carrier, Underbelly Metal</u> .....	I-77
<u>Diamond Plate, Compartment Bottom</u> .....	I-78
<u>Hitch Coupler</u> .....	I-78
<u>Rear Storage Bumper Slide Out (option)</u> .....	I-79

## SECTION II

<u>DECAL/EXTERIOR TRIM</u> .....	II-1
----------------------------------	------

### DOORS/WINDOWS/AWNING

<u>Exterior Doors</u> .....	II-2
<u>Windows, Window Trim &amp; Screens</u> .....	II-11
<u>Window Rock Guard</u> .....	II-21
<u>Awnings</u> .....	II-22

### DRAPES/BLINDS/VALANCES

<u>19 Ft. Signature</u> .....	II-27
<u>23 Ft. D Wenge</u> .....	II-29
<u>23 Ft. D Serenity</u> .....	II-30
<u>23 FT FB</u> .....	II-31
<u>23 FT FB Serenity</u> .....	II-32
<u>25 Ft. Front Bed</u> .....	II-35
<u>25 Ft. Front Bed Serenity</u> .....	II-36
<u>25 Ft FB Eddie Bauer</u> .....	II-38
<u>27 Ft. Front Bed</u> .....	II-39
<u>27 Ft. Front Bed Serenity</u> .....	II-40
<u>27 Ft. Front Bed, Eddie Bauer</u> .....	II-41
<u>28 Ft.</u> .....	II-43
<u>28 Ft. Serenity</u> .....	II-44
<u>30 Ft.</u> .....	II-45
<u>30 Ft. Serenity</u> .....	II-46
<u>Drape trim and track</u> .....	II-47
<u>Drape Parts/Material</u> .....	II-48

# 2014 INTERNATIONAL TRAVEL TRAILER

## SECTION II

### ELECTRICAL

<u>110 volt</u> .....	II-49
<u>12 volt</u> .....	II-52
<u>Exterior lights</u> .....	II-57

### ENTERTAINMENT

<u>Television Antenna/Booster System</u> .....	II-60
<u>Audio/Video Packages</u> .....	II-62
<u>Flat Screen TV Installation</u> .....	II-63
<u>Blue Ray Disc/DVD Player</u> .....	II-61

## SECTION III

### FASTENERS

<u>Rivets</u> .....	III-1
---------------------	-------

<u>FLOOR COVERING</u> .....	III-3
-----------------------------	-------

### FURNITURE DRAWINGS & CHARTS

<u>Drawer Slides/Boxes</u> .....	III-4
<u>Mirrors</u> .....	III-6
<u>Interior Doors</u> .....	III-7
<u>Bedroom</u> .....	III-9
<u>Bedroom Hangers</u> .....	III-98
<u>Lavatory</u> .....	III-111
<u>Retractable Clothes Line</u> .....	III-213
<u>Galley</u> .....	III-214
<u>Lounge</u> .....	III-404
<u>Galley Flip Shelf Assys.</u> .....	III-272
<u>Magazine Rack, Optional Recliner, 30'</u> .....	III-476

# 2014 INTERNATIONAL TRAVEL TRAILER

## SECTION III

### HARDWARE

<u>Exterior locks/hinges</u> .....	III-477
<u>Window Hardware</u> .....	III-479
<u>Cabinet Hinge/Catch</u> .....	III-483
<u>Interior Trim</u> .....	III-484
<u>Lavatory Accessories</u> .....	III-485
<u>Interior Hinges</u> .....	III-485
<u>Dinette Table Hardware</u> .....	III-485
<u>Bed Gas Springs</u> .....	III-485
<u>Awning Hardware</u> .....	III-486
<u>Trailer Level</u> .....	III-487
<u>Key Hooks, Eddie Bauer</u> .....	III-487

## SECTION IV

<u>LABELS and TAGS</u> .....	IV-1
------------------------------	------

### PLUMBING

<u>LPG</u> .....	IV-4
<u>PROPANE PORT</u> .....	IV-14
<u>Fresh Water</u> .....	IV-15
<u>Freshwater Fittings</u> .....	<a href="#">IV-35</a>
<u>Faucets</u> .....	IV-37
<u>Drain Water</u> .....	IV-40
<u>Toilet</u> .....	IV-58
<u>Black Tank Flush/Loose parts</u> .....	IV-62

<u>SAFETY EQUIPMENT</u> .....	IV-64
-------------------------------	-------

<u>SEALER/GASKETS</u> .....	IV-65
-----------------------------	-------

<u>PAINT</u> .....	IV-68
--------------------	-------

# 2014 INTERNATIONAL TRAVEL TRAILER

## SECTION IV

### UPHOLSTERY/FOAM/MATTRESS

<u>Pillows</u> .....	IV-69
<u>Mattresses</u> .....	IV-70
<u>Bedspreads</u> .....	IV-71
<u>Cushion Sewing Style Chart</u> .....	IV-73
<u><a href="#">Cushions/Fabric Assemblies</a></u> .....	<a href="#">IV-74</a>
<u>Recliner</u> .....	IV-89

<u>VENTS/FANS</u> .....	IV-92
-------------------------	-------

<u>SKY LIGHTS</u> .....	IV-92
-------------------------	-------

<u>WOOD/LAMINATES/TRIM</u> .....	IV-93
----------------------------------	-------

# 2014 INTERNATIONAL TRAVEL TRAILER

## APPLIANCES

### Air Conditioner

- \*690323-32 AC 13,500 BTU W/HEAT PUMP
- \*690323-37 AIR CONDITIONER, 15,000 BTU w/Heat Pump
- 690323-03 AIR CONDITIONER, DOMETIC HEAT STRIP
- \*690323-31 COMFORT CONTROL CENTER
- \*\*690323-42 AIR CONDITIONER – 13,500 W/HEAT PUMP
- \*\*690323-43 AIR CONDITIONER 15,000 W/HEAT PUMP
- \*\*690323-44 COMFORT CONTROL CENTER II  
During Nov/Dec the white CCC was unavailable.  
Black was used as a replacement.
- \*690323-47 AIR CONDITIONER 13,500W/HEAT PUMP
- \*690323-48 AIR CONDITIONER 15,000 W/HEAT PUMP
- \*Temporary replacement of 690323-47 with 690323-48 on the following units: 530396, 530441, 530444, 530445, 530458, 530465, 530470, 530698, 530472, 530477.

- 511724 HARNESS-AMBIENT TEMP. SENSOR
- 690380-08 SENSOR CABLE 20' A/C
- 690323-10 HEAT PUMP A/C ELEC.PENQUIN 13,500
- 690380-10 INTAKE AIR BOX AND CEILING SHROUD, WHITE
- 690380-11 DUST ADAPTOR, USE WITH 690380-10
- 690380-03 AIR BOX, PENGUIN HEAT PUMP
- 511252 PLUG PHONE 4 CONDUCTOR
- 511260 COVER, WEATHERPROOF, SINGLE GANG
- 961270 Pan Assembly, drain, air conditioner
- 601240-01 TUBING 1/2ID X 5/8OD BLACK PLASTIC
- 195329-143 AIR CONDITIONER 11,000 BTU
- 690323-05 AIR BOX/RETURN GRILL MANUAL
- 690323-100 Shroud, exterior, Penguin air conditioner
- 690323-28 BOLT COVER KIT, A/C

\* The comfort control center (-31) can only be used with air conditioner -32 & -37.

\*\*The comfort control center (-44) can only be used with air conditioner -42 & -43, the 2<sup>nd</sup> AC option on the 30' Model.



# 2014 INTERNATIONAL TRAVEL TRAILER

## APPLIANCES

### Furnace

690395-04	FURNACE 16,000 BTU #791611 19'
690613-01	BLACK FRAME - INTERIOR DOOR
690467-08	FURNACE, 18,000 BTU, #7920-11 23FB
690613-02	BROWN FURNACE DOOR, 23FB
690274-01	FURNACE, 30,000BTU, 28', 30'
690274-04	HYDROFLAME FURNACE, 23' D, 25', 27' FB
690274-09	Door exterior, Hydroflame
511228	THERMOSTAT ROOM #36684 OFF WHITE
600193	2" DUCT THERMAFLEX FLEXIBLE, DUCT
600247	4" HOSE, HEAT DUCT FLEX
203070	REGISTER PLASTIC BROWN 2" X 10"
601244-03	REGISTER, ROTAIRE, BLACK
690429	LOUVER-2" BLACK ROUND
600526	FLANGE, 4 IN
601348	TEE, HEAT DUCT, 4" X 4" X 2"

# 2014 INTERNATIONAL TRAVEL TRAILER

## APPLIANCES

### Microwave

690643-01 MICROWAVE, ADVENT – BLACK – 23D, 23FB, 25,  
30', OPT FOR EDDIE BAUER

690607-01 MICROWAVE-BLACK DOMETIC CSA  
690607-02 TRIM RING-CONVEC MICRO#B1116G CSA

690345-01 Microwave, Sharp Convection  
690345-03 Trim Kit

690648-01 Microwave Franklin Chef .7CF UL/CUL  
690644-01 Microwave Frigidaire .7CF FFCM0734 UL Only

# 2014 INTERNATIONAL TRAVEL TRAILER

## APPLIANCES

### Range/Cook Top

690631-01 RANGE-21" BLK TOP/SS DR#52844  
690631-02 RANGE-ATWOOD, 21" BLK TOP/SS DR#52844  
690396-03 Range bi-fold cover, black  
690631-03 Range bi-fold cover, Stainless Steel  
690631-04 Range bi-fold cover, Black  
382071 Rubber Grommet 1 1/2" Dia.

### Refrigerator

690393-07 REFER-4CF 2-WAY RH RM2451RB, 19'  
690540 REFER, 5 CU FT AMERICANA, 23' D  
690540-01 REFER, 5 CU FT RH #2551 2-WAY 23'FB  
690574-02 REFER, 7CU FT RH #RM3762RB, 25' FB, 27' FB  
690574-01 REFER, 7CU FT LH DR #RM3762LB, 25', 28'  
690609-01 REFER, 8 CU FT LH DOOR #DM2862, 30'  
965934-03 INSERT ASSY-REFER 20.62 X 38.62, 23FB  
965934-05 INSERT ASSY-REFER UPPER 23.75" X 32", 25' FB,  
28'  
965934-06 INSERT ASSY-REFER LOWER, 23.75" X 32", 25' FB,  
28'  
965934-09 INSERT ASSY-REFER UPPER 20.69" X 15.81" 30'  
965934-10 INSERT ASSY-REFER LOWER 20.69" X 38.69" 30'  
801728-01 INSERT, REFER 23.75" X 17", 27' FB, 28'  
801728-02 INSERT, REFER 23.75" X 32.38", 27' FB, 28'  
801728-03 INSERT, REFER, 20.62" X 32.62", 19', 23'D  
690394 Power ventilator, refrigerator  
511997 SWITCH, REFER RED LED

# 2014 INTERNATIONAL TRAVEL TRAILER

## APPLIANCES

### Water Heater

690602	WATER HEATER, 6 GAL. GAS/ELECTRIC
320006	SCREW, SHEET METAL, 8 X 3/4" BH PHIL
690209	BRUSHED ALUM ACCESS COVER
601671	ELBOW STREET 90DEG 1/2"
381648	COVER LATCH HOLE WATER HEATER
690417-05	SWITCH DUAL, WATER HEATER 30'
512480-01	SWITCH ASSY - WATER HEATER BLACK
512308	BOX, SHALLOW, SWITCH & OUTLET

### Range Hood

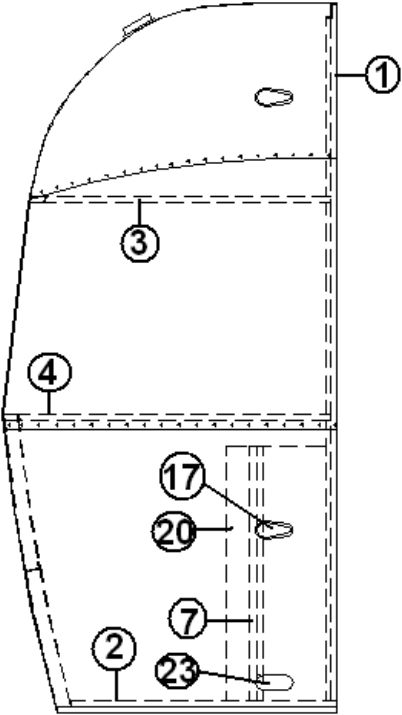
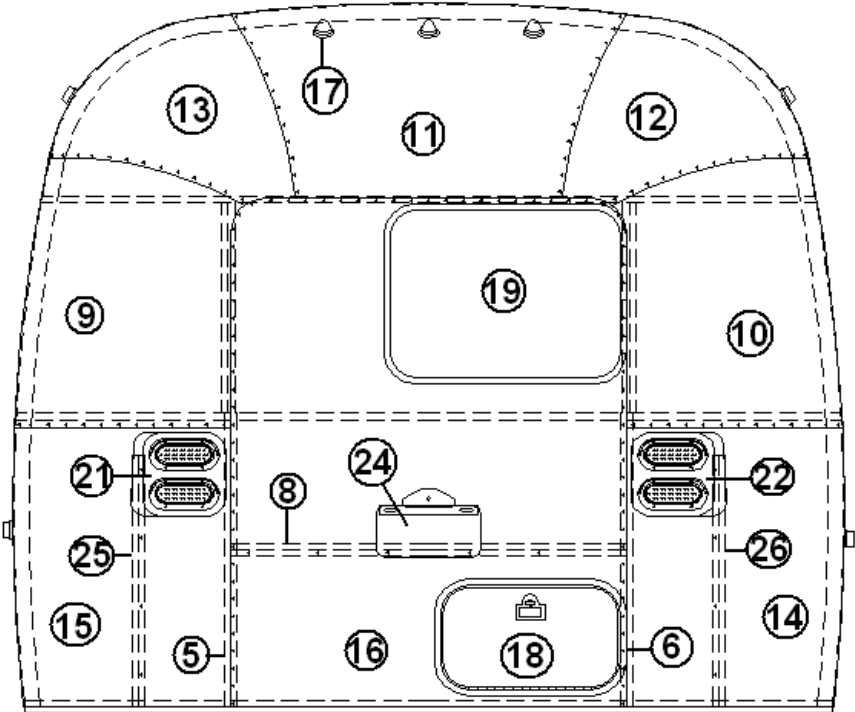
512210	RANGE HOOD, BARALDI, 12V
454590	EXTENSION-RANGE VENT BARALDI
511791-02	RANGE HOOD-VENTLINE SILVER, CSA
511017-11	EXTERIOR VENT GRAY
115175	DUCT-RANGE EXHAUST TRANSITION
114913	ANGLE RANGE HOOD
365016	TAPE FOAM DUBL-KOTE - 1/2"
365190	SEAL, RUBBER, ADHESIVE, 3/4" X 3/4"
203600	CAP COVER, SCREW, GRAY

2014 INTERNATIONAL TRAVEL TRAILER  
NOTES

# 2014 INTERNATIONAL TRAVEL TRAILER

## EXTERIOR SHELL

AFT END 19', 23' D



Part Numbers are on the Next Page

# 2014 INTERNATIONAL TRAVEL TRAILER

## EXTERIOR SHELL

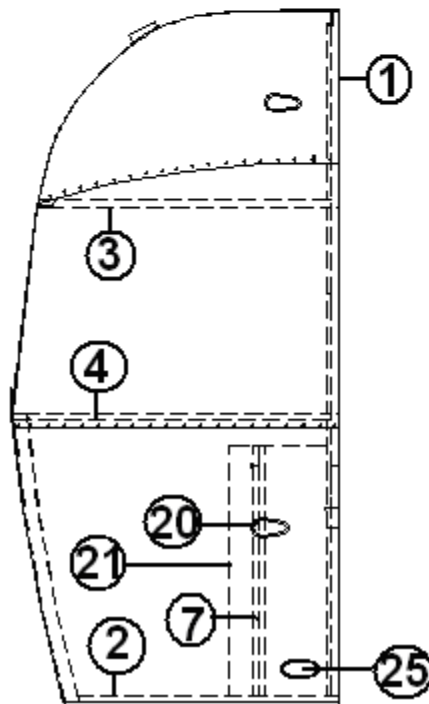
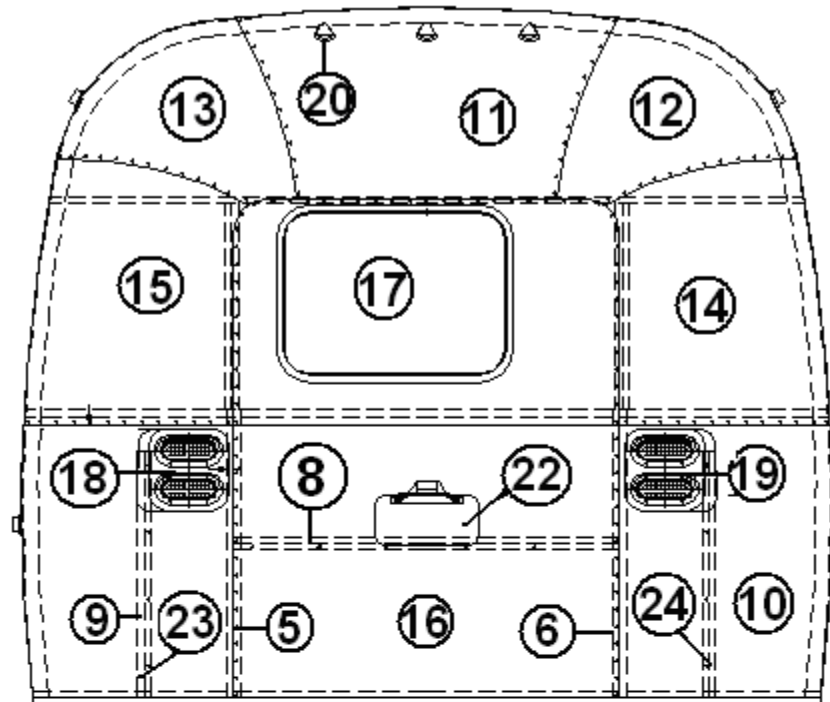
AFT END 19', 23' D

964513-08	AFT SHELL
1. 114994	End bow
2. 104463	Floor bow
3. 115480	Upper window bow
4. 104343	Lower window bow
5. 114505-01	Support, lower end, LH
6. 114505-02	Support, lower end, RH
7. 101315	Brace, vertical rear
8. 104408	Z-rib
9. 114888	Segment, center left
10. 114889	Segment, center right
11. 114892	Segment #25
12. 114890	Segment #26
13. 114891	Segment #27
14. 114894	Segment #28
15. 114895	Segment #29
16. 114880-201	Alum. Sheet, cut down to .040 x 19.0" x 51.0"
17. 512227	Light, clearance, red LED
18. 100679-01	Door assembly, side access
19. 372229	WINDOW, NON ARMS, REAR END
20. 114849-03	Aluminum sheet, gray
21. 952929-02	TAIL LIGHT ASSEMBLY, CURBSIDE
22. 952929-01	TAIL LIGHT ASSEMBLY, ROADSIDE
23. 500095	Red reflector, rectangular
24. 512455	HOLDER-LICENSE PLATE LED BLK
25. 101315-01	SUPPORT-LOWER END SHELL, LH
101315-02	SUPPORT LOWER END SHELL, RH

# 2014 INTERNATIONAL TRAVEL TRAILER

## EXTERIOR SHELL

AFT END, 23' FRONT BED



Part Numbers are on the Next Page



# 2014 INTERNATIONAL TRAVEL TRAILER

## EXTERIOR SHELL

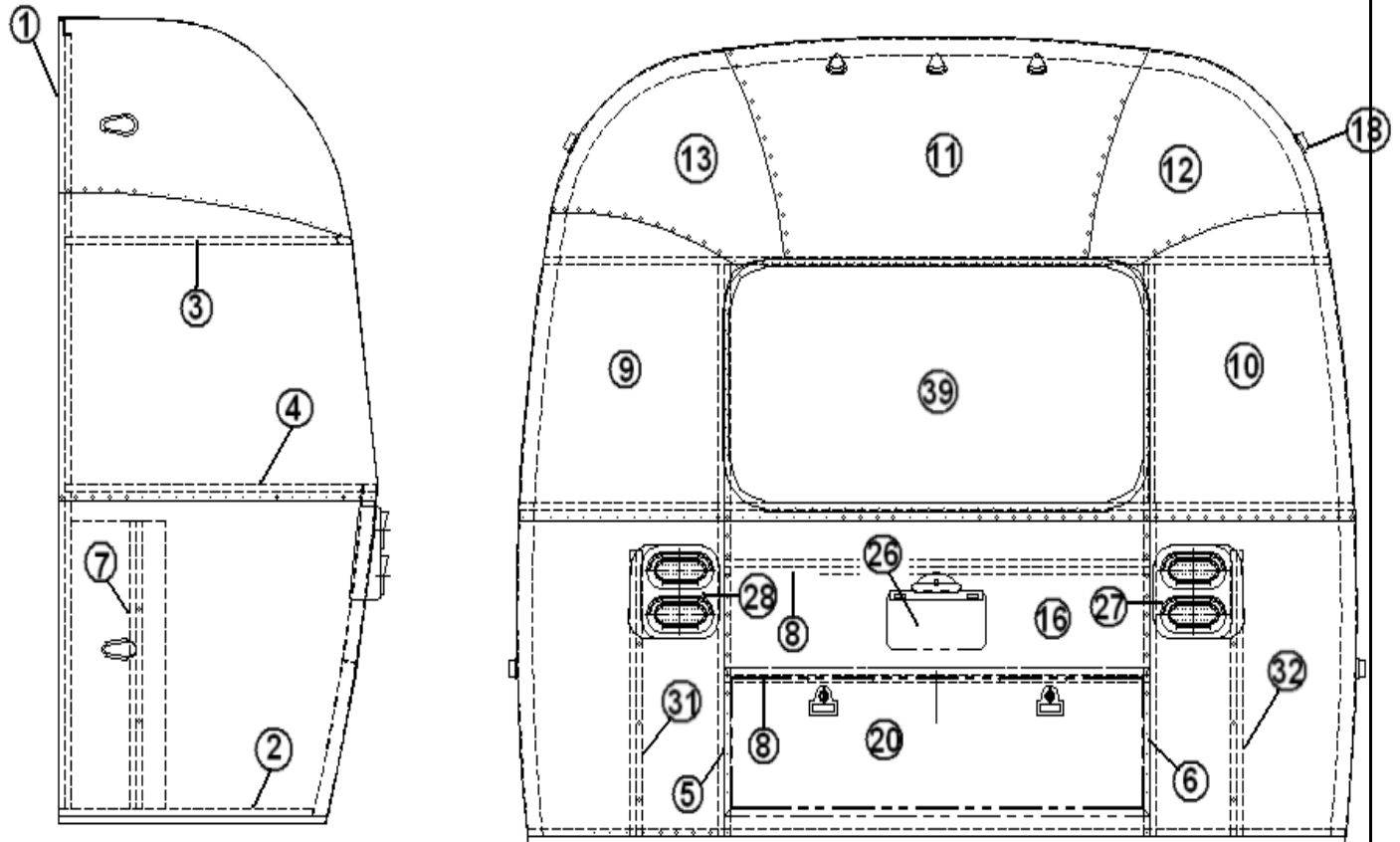
### AFT END, 23' FRONT BED

967149-01	End shell complete
1. 114994	End bow
2. 104463	Floor bow
3. 115480	Upper window bow
4. 104343	Lower window bow
5. 114505-01	Support, lower end, LH
6. 114505-02	Support, lower end, RH
7. 101315	Brace, vertical rear
8. 104408	Extrusion rib
9. 114895	Segment #29
10. 114894	Segment #28
11. 114892	Segment #25(narrow body)
12. 114890	Segment #26
13. 114891	Segment #27
14. 114889	Segment, center right
15. 114888	Segment, center left
16. 114880-201	Alum. Sheet, cut down to 41" x 51"
17. 372218-01	21" x 28" opening window, emergency egress
18. 952929-01	RS tail light assembly
19. 952929-02	CS tail light assembly
20. 512227	Light, clearance, red LED
21. 114849-03	Alum. Sheet, 040 x 12.0" x 29.0"
22. 512455	License plate holder, LED black
23. 101315-01	Support, lower end shell, LH
24. 101315-02	Support, lower end shell, RH
25. 500095	Red reflector, rectangular
510446	Reflector, stick on, red

# 2014 INTERNATIONAL TRAVEL TRAILER

## EXTERIOR SHELL

AFT END, 25 "A" Twin



Parts Listed On Next Page

# 2014 INTERNATIONAL TRAVEL TRAILER

## EXTERIOR SHELL

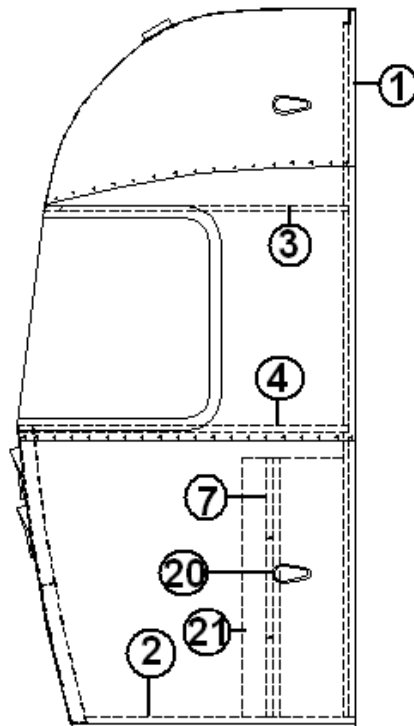
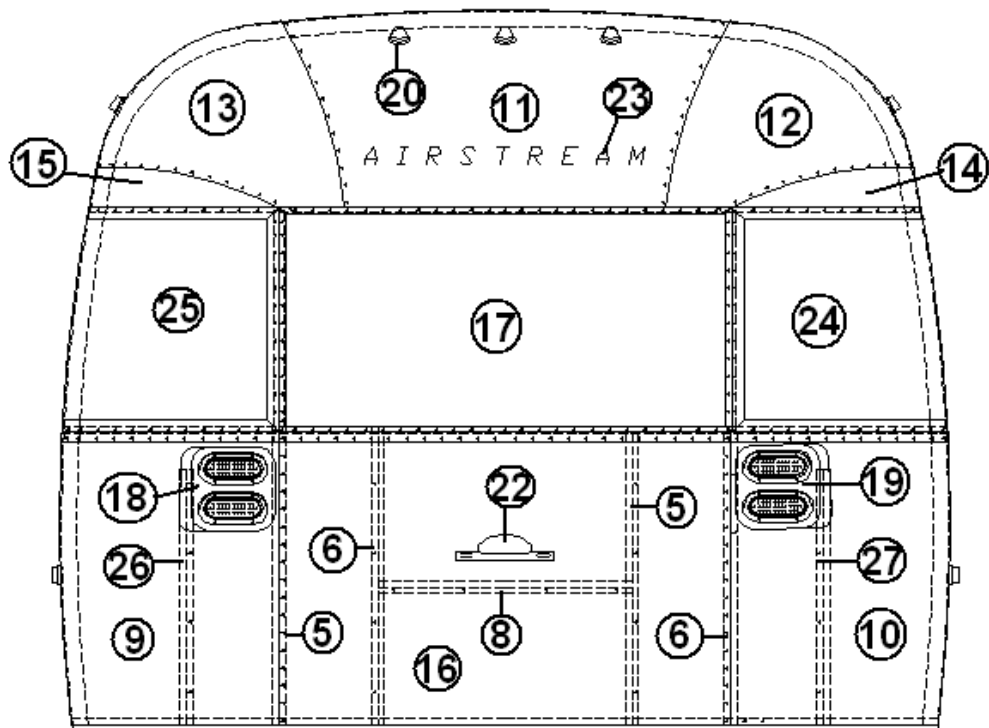
### AFT END, 25 "A" Twin

	922677-02	Aft End Assembly
1.	114993	End bow
2.	114676	Floor bow
3.	114678	Upper window bow
4.	114677	Lower window bow
5.	114677	Support, lower end, LH
6.	114505-02	Support, lower end, RH
7.	101315	Brace, vertical rear
8.	104408	Z-rib
9.	114888	Segment, center left
10.	114889	Segment, center right
11.	114893	Segment #25
12.	114890	Segment #26
13.	114891	Segment #27
14.	114894	Segment #28
15.	114895	Segment #29
16.	114880-307	Alum. Sheet, .060 x 19.0" x 51.0"
18.	512227	Markerlight, red, LED
20.	921159	Trunk Door Assy. (Twin Only)
26.	512455	License Plate Holder w/Light
27.	952929-01	Taillight Assy., RS
28.	952929-02	Taillight Assy., CS
31.	101315-02	Brace Vertical Rear, LH
32.	101315-02	Brace Vertical Rear, RH
39.	371346-01	Window 48.97" Flat Rear Egress
	372088-101	Window, Corner Wrap RS Frt., CS Rear
	372089-101	Window, Corner Wrap CS Frt., RS Rear
	100029	Trim, Wrap Around Window

# 2014 INTERNATIONAL TRAVEL TRAILER

## EXTERIOR SHELL

AFT END, 25' FB, 27' FB



Part Numbers are on the Next Page

# 2014 INTERNATIONAL TRAVEL TRAILER

## EXTERIOR SHELL

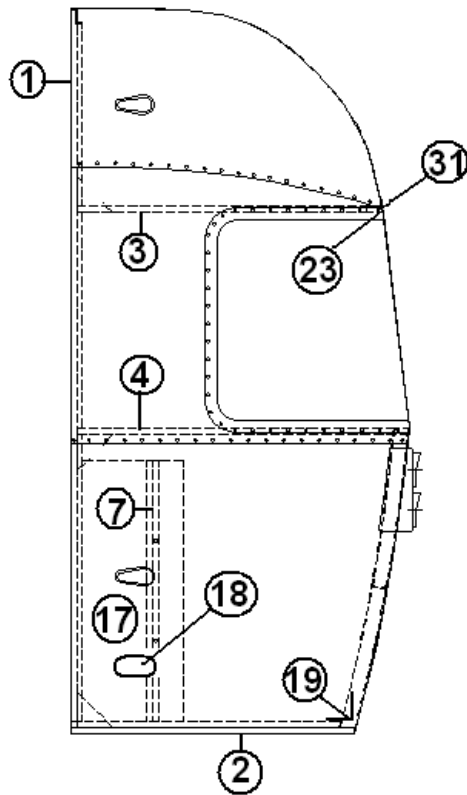
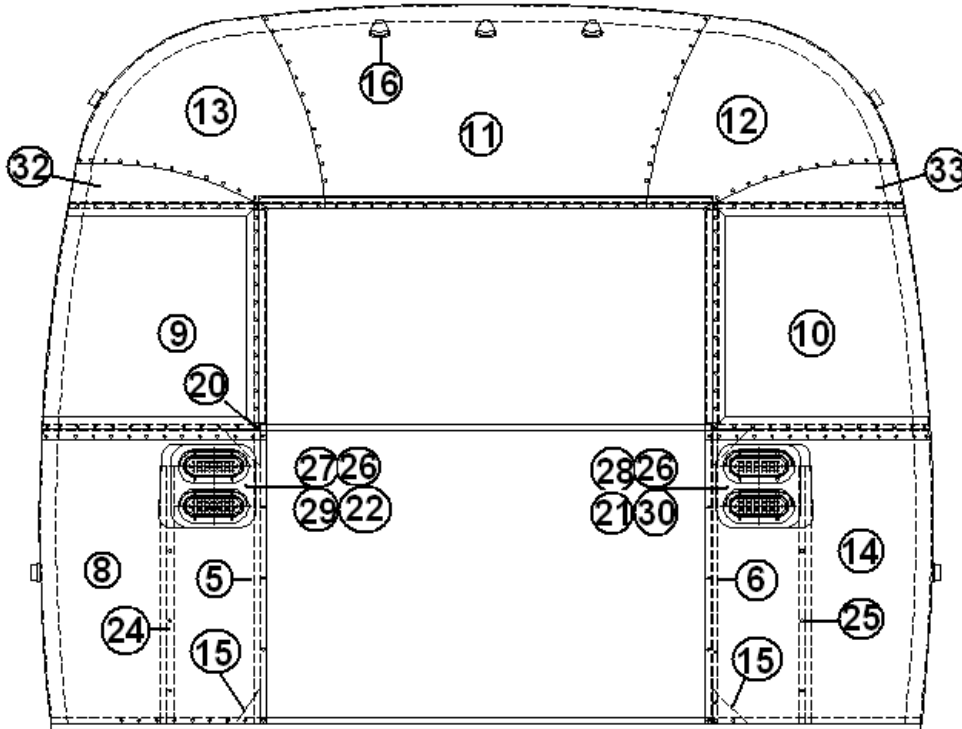
AFT END, 25' FB, 27' FB

921227-02	End shell complete, Aft
1. 114993	End bow
2. 114676	Floor bow
3. 114678	Upper window bow
4. 114677	Lower window bow
5. 114505-01	Support, lower end, LH
6. 114505-02	Support, lower end, RH
7. 101315-01	Brace, vertical rear
8. 104408	Extrusion rib
9. 114895	Segment #29
10. 114894	Segment #28
11. 114893	Segment #25
12. 114890	Segment #26
13. 114891	Segment #27
14. 114889	Segment, center right
15. 114888	Segment, center left
16. 114880-201	Alum. sheet, cut down to 040 x 45.25 x 51.0
17. 371346-02	WINDOW-48.97" FLAT FRT/WRAP
18. 952929-02	TAIL LIGHT ASSEMBLY, CURBSIDE
512425	6" OVAL TAILLIGHT ONLY
511664-02	CS TAILLIGHT CASTING ONLY
19. 952929-01	TAIL LIGHT ASSEMBLY, ROADSIDE
512425	6" OVAL TAILLIGHT ONLY
511664-01	RS TAILLIGHT CASTING ONLY
20. 512227	Light, clearance, red LED
21. 114849-03	Alum. Sheet, 040 x 12.0" x 29.0"
22. 512455	License plate holder w/LED Light
23. 386150	Decal, "AIRSTREAM"
24. 372088-101	WINDOW CORNER WRAP RS FRT, CS
25. 372089-101	WINDOW CORNER WRAP CS FRT, RS
26. 101315-01	SUPPORT-LOWER END SHELL, LH
27. 101315-02	SUPPORT LOWER END SHELL, RH

# 2014 INTERNATIONAL TRAVEL TRAILER

## EXTERIOR SHELL

AFT END, 25' FB, 27FB, EDDIE BAUER



PART NUMBERS ARE ON NEXT PAGE

# 2014 INTERNATIONAL TRAVEL TRAILER

## EXTERIOR SHELL

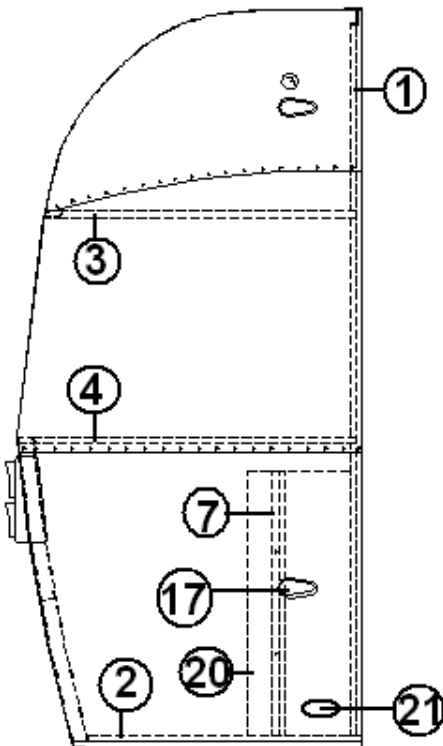
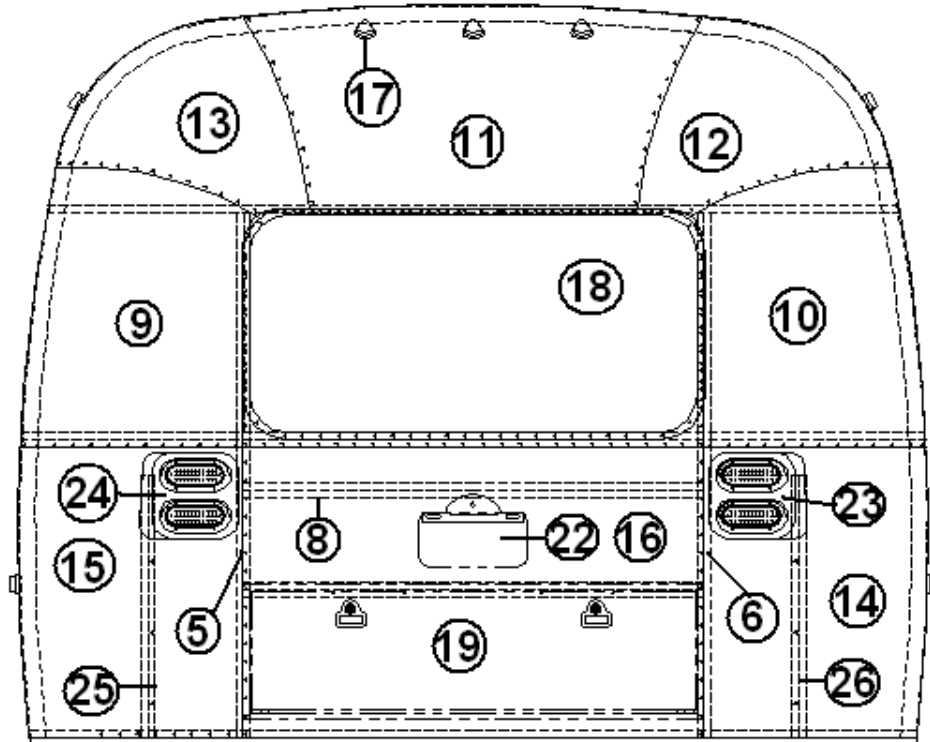
AFT END, 25' FB, 27'FB, EDDIE BAUER

	923059	END SHELL- REAR 25FB, 27FB, EDDIE BAUER
1.	114993	WELDMENT ZERO BOW "WB"
2.	114676	BOW, FLOOR ALTERED
3.	114678	BOW, UPPER WINDOW ALTERED
4.	114677	BOW, LOWER WINDOW ALTERED
5.	114505-01	BRACE,FRT VERTICAL CS
6.	114505-02	BRACE,FRT VERTICAL RS
7.	101315	BRACE,VERTICAL REAR
8.	114895	SEGMENT, #29 "BRIGHT"
9.	372089-101	WINDOW, ROADSIDE WRAP
10.	372088-101	WINDOW, CURBSIDE WRAP
11.	114893	SEGMENT ,#25 WIDE BODY "BRIGHT"
12.	114890	SEGMENT, #26 "BRIGHT"
13.	114891	SEGMENT, #27 "BRIGHT"
14.	114894	SEGMENT, #28 "BRIGHT"
15.	454711	GUSSET, REAR END SHELL PAN AM
16.	512227	LIGHT, CLEARANCE LED RED #L04-0
17.	114849-03	ALUMINUM SHEET, 12.00" X 29.00" PEWTER
18.	500095	REFLECTOR RED OBLONG OVAL
19.	114813	ALUMINUM ANGLE 1.00" X 1.50"
20.	454858	ANGLE-GALVANIZED 1.5" X 1.00"
21.	952929-01	TAILLIGHT ASSY R.S.
22.	952929-02	TAILLIGHT ASSY C.S.
23.	101041	EXTRUSION FRONT ROOFLOCKER, LOWER
24.	101315-01	SUPPORT-LOWER END SHELL
25.	101315-02	SUPPORT LOWER END SHELL RH
26.	115074	BRACKET-CENTER TAILLIGHT
27.	115073-01	BRACKET-R.S. TAILLIGHT
28.	115073-02	BRACKET-C.S. TAILLIGHT
29.	203386-01	POCKET-INNER TAILLIGHT LH
30.	203386-02	POCKET-INNER TAILLIGHT RH
31.	104837	ALUMINUM EXTRUSION, DRIP CAP
32.	114888	Segment, center left
33.	114889	Segment, center right
	967683	HATCH DOOR ASSY. (See exterior doors.)

# 2014 INTERNATIONAL TRAVEL TRAILER

## EXTERIOR SHELL

AFT END, 28', 30'



Part Numbers are on the Next Page



# 2014 INTERNATIONAL TRAVEL TRAILER

## EXTERIOR SHELL

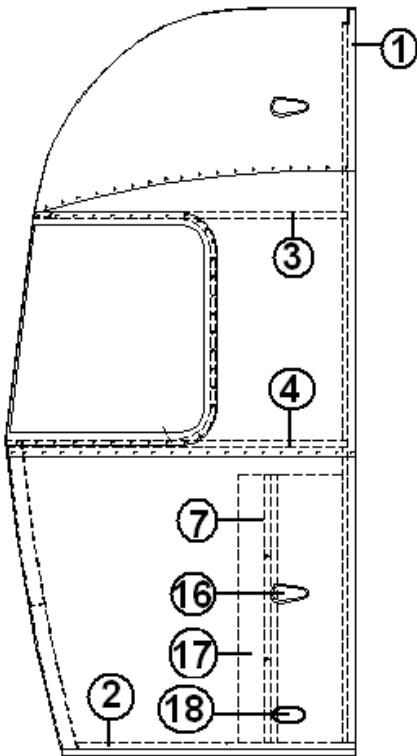
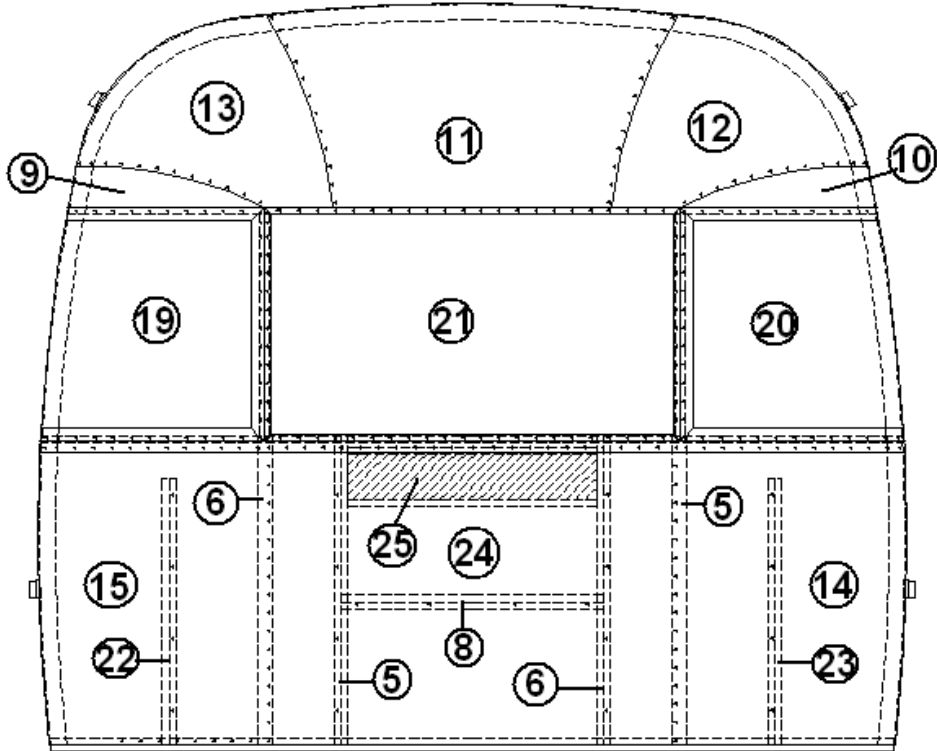
AFT END, 28', 30'

922677	Aft End Assembly
1. 114993	End bow
2. 114676	Floor bow
3. 114678	Upper window bow
4. 114677	Lower window bow
5. 114505-01	Support, lower end, LH
6. 114505-02	Support, lower end, RH
7. 101315	Brace, vertical rear
8. 104408	Z-rib
9. 114888	Segment, center left
10. 114889	Segment, center right
11. 114893	Segment #25
12. 114890	Segment #26
13. 114891	Segment #27
14. 114894	Segment #28
15. 114895	Segment #29
16. 114880-307	Alum. Sheet, .060 x 19.0" x 51.0"
17. 512227	Light, clearance, red LED
18. 371348-02	Window, Rear w/ red handles
19. 921159	Trunk door assembly
20. 114849-03	Alum. Sheet, 040 x 12.0" x 29.0"
21. 500095	Red reflector, rectangular
22. 512455	License Plate holder w/LED Light
23. 952929-02	TAIL LIGHT ASSEMBLY, CURBSIDE
24. 952929-01	TAIL LIGHT ASSEMBLY, ROADSIDE
25. 101315-01	Brace, vertical, rear, LH
26. 101315-02	Brace, vertical, rear, RH

# 2014 INTERNATIONAL TRAVEL TRAILER

## EXTERIOR SHELL

FRONT END, 19', 23' D, 23 Front Bed



Part Numbers are on the Next Page

# 2014 INTERNATIONAL TRAVEL TRAILER

## EXTERIOR SHELL

FRONT END, 19', 23' D, 23 Front Bed

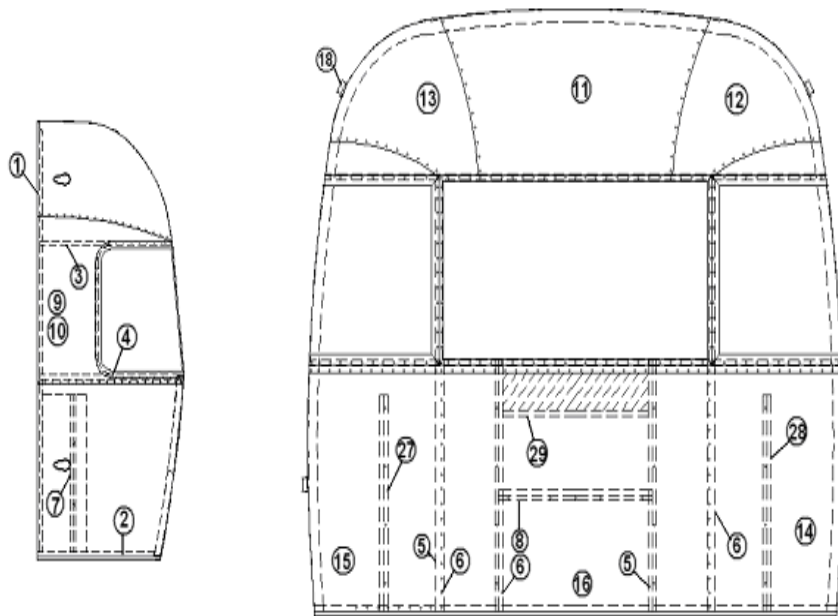
922626	Front End Shell
1. 114994	Weldment, end bow, NB
2. 104463	Floor bow, captive extrusion
3. 115480	Upper, window bow
4. 104343	Lower, window bow
5. 114505-01	Support, lower end shell, left-hand
6. 114505-02	Brace, vertical rear
7. 101315	Brace, vertical rear
8. 104408	Rib bow
9. 114888	Segment, center left, bright
10. 114889	Segment, center right, bright
11. 114892	Segment, #25, NB, bright
12. 114890	Segment, #26, bright
13. 114891	Segment, #27, bright
14. 114894	Segment, #28, bright
15. 114895	Segment, #29, bright
16. 512226	Light, clearance, amber LED
17. 114849-03	Aluminum sheet, 060 x 12.00" x 29.00"
18. 500096	Reflector, amber
19. 372089-101	CS front panoramic window
20. 372088-101	RS front panoramic window
21. 371328	Front window, complete assembly
21. 371328-100	Front window glass w/Hardware only
22. 101315-01	Brace, vertical, rear, LH
23. 101315-02	Brace, vertical, rear, RH
24. 114880-307	Aluminum sheet, .040" x 5" x 307", cut down to size and hole punched"
25. 453629	Hat section, 27.25" long, Front dinette models only

19' and 23' D models have marker light, item 16, at 17.00" from floor for wrap protector, 16' model is at 20.38"

# 2014 INTERNATIONAL TRAVEL TRAILER

## EXTERIOR SHELL

FRONT END, 25 INTERNATIONAL, 30'



Parts Listed on Next Page

# 2014 INTERNATIONAL TRAVEL TRAILER

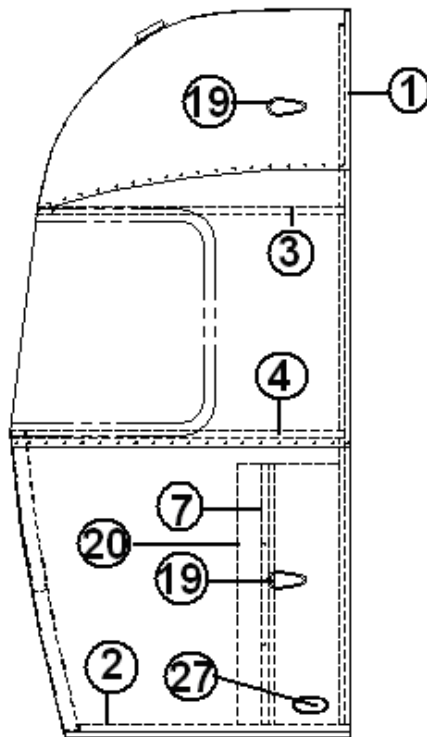
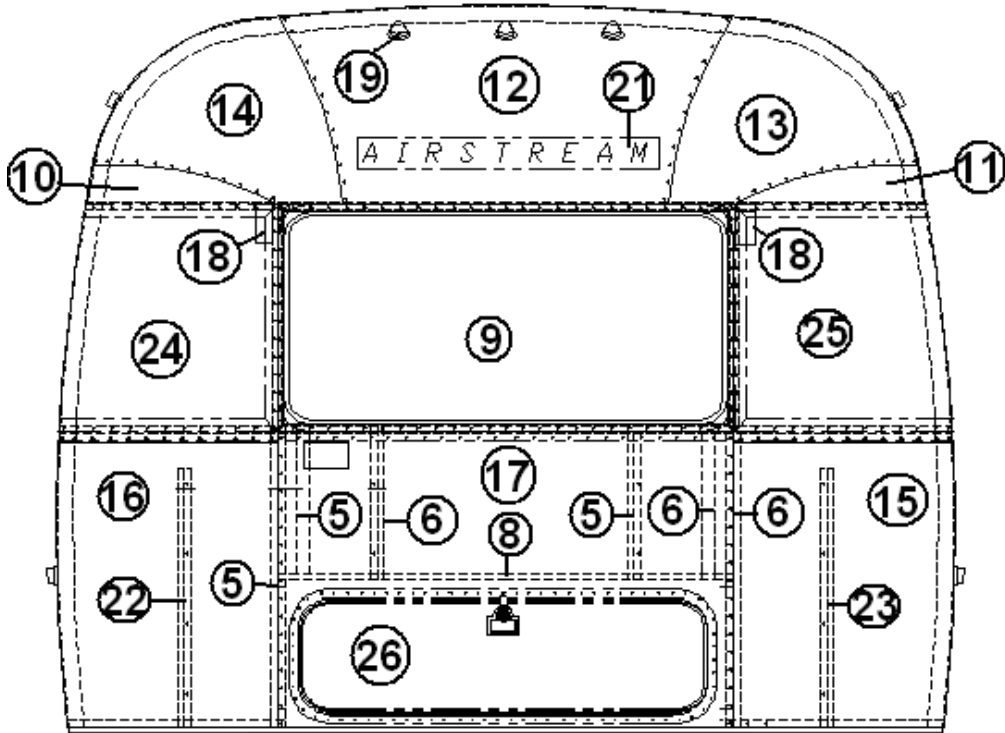
## EXTERIOR SHELL

	922676-01	FRONT END SHELL 25 INT'L, 30'
1.	114993	Weldment, Zero Bow
2.	114676	Bow, Floor Altered
3.	114678	Bow, Upper Window, Altered
4.	114677	Bow, Lower Window Altered
5.	114505-01	Support Lower End Shell, LH
6.	114505-02	Support Lower End Shell, RH
7.	101315	Brace, Vertical Rear
8.	104408	Extrusion Z Rib
9.	114888	Segment, Center Left, Bright
10.	114889	Segment, Center Right, Bright
11.	114893	Segment, #25, Bright
12.	114890	Segment, #26, Bright
13.	114891	Segment, #27 Bright
14.	114894	Segment, #28 Bright
15.	114895	Segment, #29 Bright
16.	114880-307	Aluminum Sheet .040 x 51 x 307
18.	511750	Marker Light, Amber teardrop
19.	101041	Extrusion, Frt. Rooflocker, Lower
21.	114849-03	Aluminum Sheeet .060 x 26 x 8' Pewter
23.	500096	Reflector, Amber
25.	114813	Angle, 1 x 1 ½
26.	100029	Trim, Wrap Around Window
27.	101315-01	Brace, Vertical Rear LH
28.	101315-02	Brace, Vertical Rear RH
29.	453629	Hat Section, Dinette Table Support
	372089-101	Panoramic window, CS Front
	372088-101	Panoramic window, RS Front
	371346-02	Window, 48.97"

# 2014 INTERNATIONAL TRAVEL TRAILER

## EXTERIOR SHELL

Front End Shell, 25' Front Bed, w/Panoramic Windows



Part Numbers are on the Next Page

# 2014 INTERNATIONAL TRAVEL TRAILER

## EXTERIOR SHELL

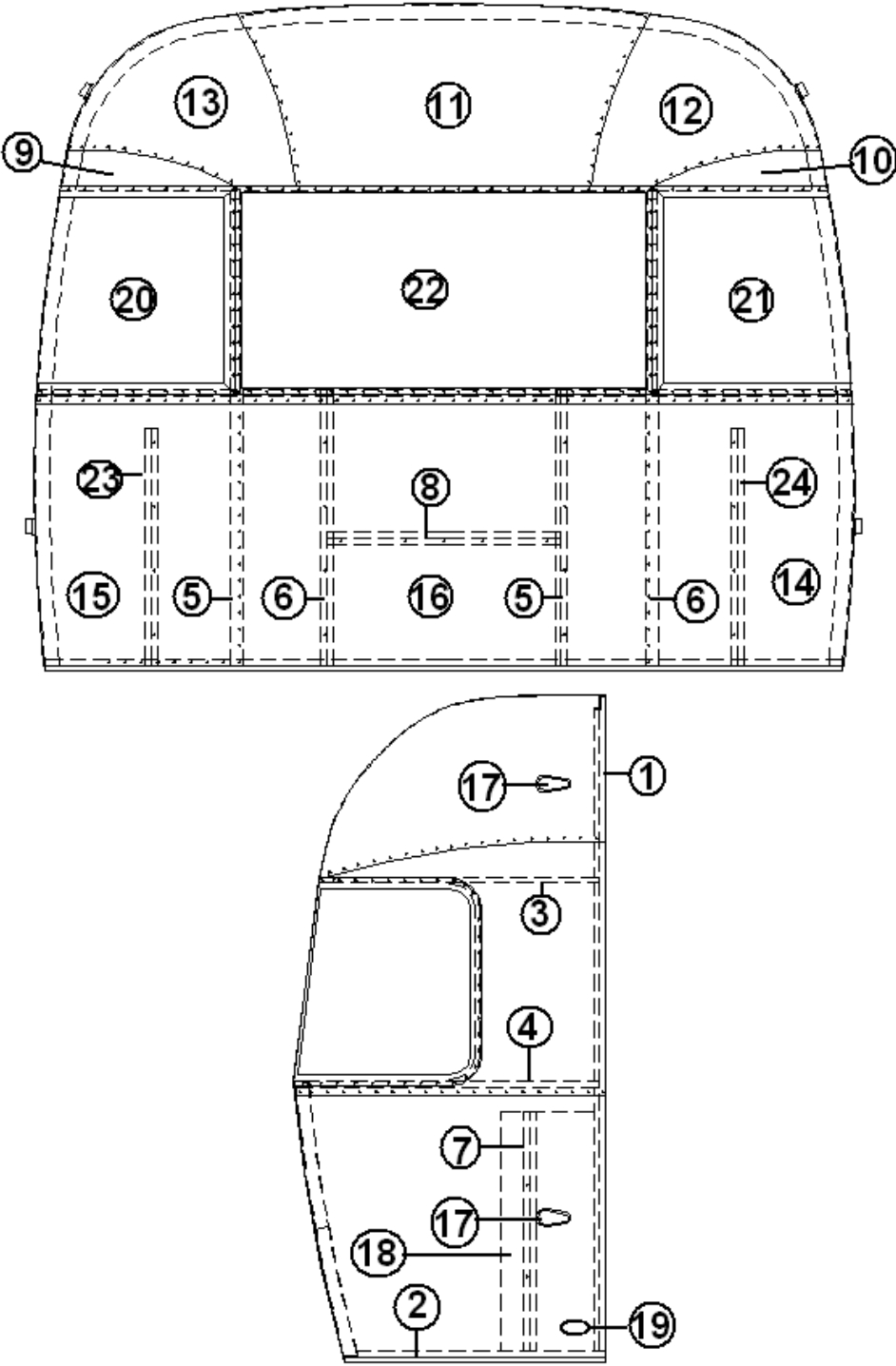
### Front End Shell, 25' Front Bed, w/Panoramic Windows

921240-01	Front Shell 25' Front Bed, w/Panoramic Windows
1. 114993	End bow
2. 114676	Floor bow
3. 114678	Upper window bow
4. 114677	Lower window bow
5. 114505-01	Support, lower end, LH
6. 114505-02	Support, lower end, RH
7. 101315	Brace, vertical rear
8. 104408	Z-rib
9. 371346-02	Window, front, w/panoramic windows
10. 114888	Segment, center left
11. 114889	Segment, center right
12. 114893	Segment #25
13. 114890	Segment #26
14. 114891	Segment #27
15. 114894	Segment #28
16. 114895	Segment #29
17. 101115	Alum. sheet, .060" x 41.00" x 51"
18. 115316	Aluminum angle, end shell insert
19. 512226	Light, clearance, amber LED
20. 114849-03	Aluminum sheet, Pewter, 26" x 8"
21. 386150	Logo, "Airstream"
22. 101315-01	Brace, rear vertical, LH
23. 101315-02	Brace, rear vertical, RH
24. 372089-101	Panoramic window, CS front
25. 372088-101	Panoramic window, RS front
26. 922288-02	Trunk door assembly
27. 500096	Reflector, amber

# 2014 INTERNATIONAL TRAVEL TRAILER

## EXTERIOR SHELL

Front End, 28'



Part Numbers are on the Next Page



# 2014 INTERNATIONAL TRAVEL TRAILER

## EXTERIOR SHELL

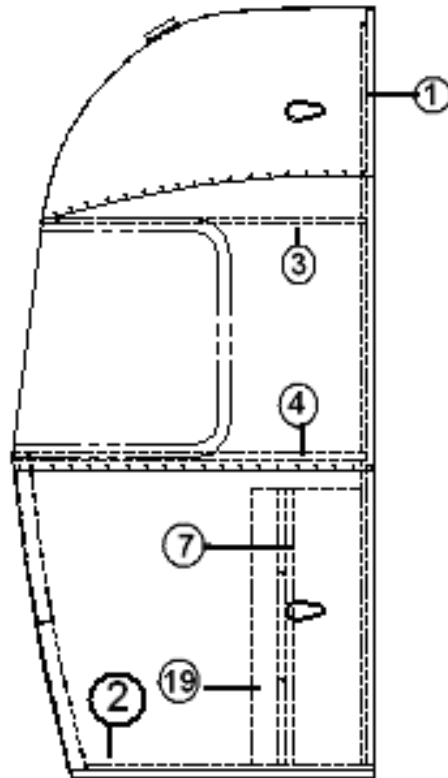
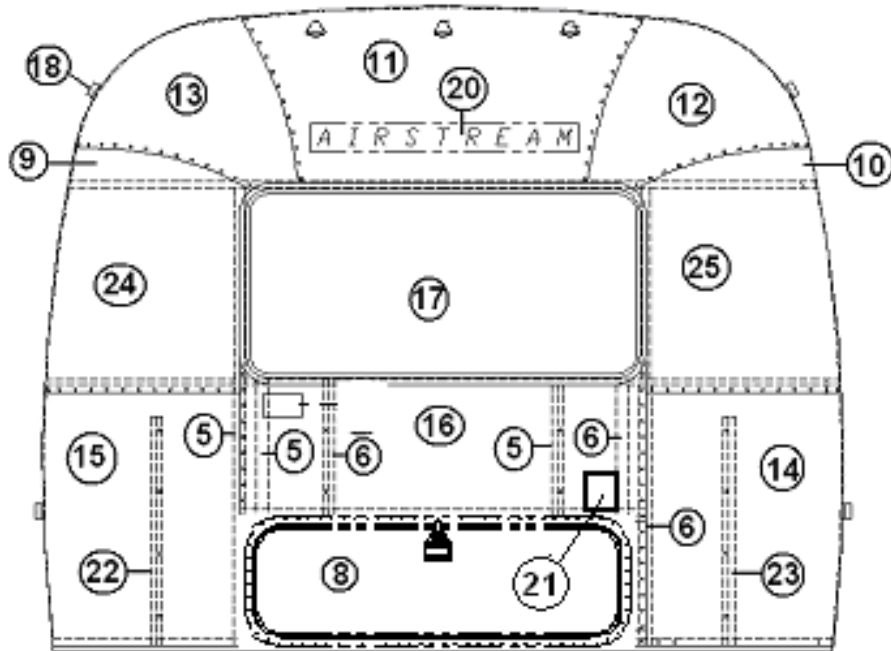
Front End, 28'

922676	Front end shell
1. 114993	End bow
2. 114676	Floor bow
3. 114678	Upper window bow
4. 114677	Lower window bow
5. 114505-01	Support, lower end, LH
6. 114505-02	Support, lower end, RH
7. 101315	Brace, vertical rear
8. 104408	Z-rib
9. 114888	Segment, center left
10. 114889	Segment, center right
11. 114893	Segment #25
12. 114890	Segment #26
13. 114891	Segment #27
14. 114894	Segment #28
15. 114895	Segment #29
16. 101115	Alum. sheet, .060" x 41.00" x 51"
17. 512226	Light, clearance, amber LED
18. 114849-03	Aluminum sheet, Pewter, 26" x 8"
19. 500096	Reflector, amber
20. 372089-101	Panoramic window, CS front
21. 372088-101	Panoramic window, RS front
22. 371346-02	WINDOW, 48.97" Front/Rear End
23. 101315-01	Brace, vertical, rear, LH
24. 101315-02	Brace, vertical, rear, RH

# 2014 INTERNATIONAL TRAVEL TRAILER

## EXTERIOR SHELL

Front End, 27' FB, w/Panoramic Windows & 27FB EDDIE BAUER



Part Numbers are on the Next Page

# 2014 INTERNATIONAL TRAVEL TRAILER

## EXTERIOR SHELL

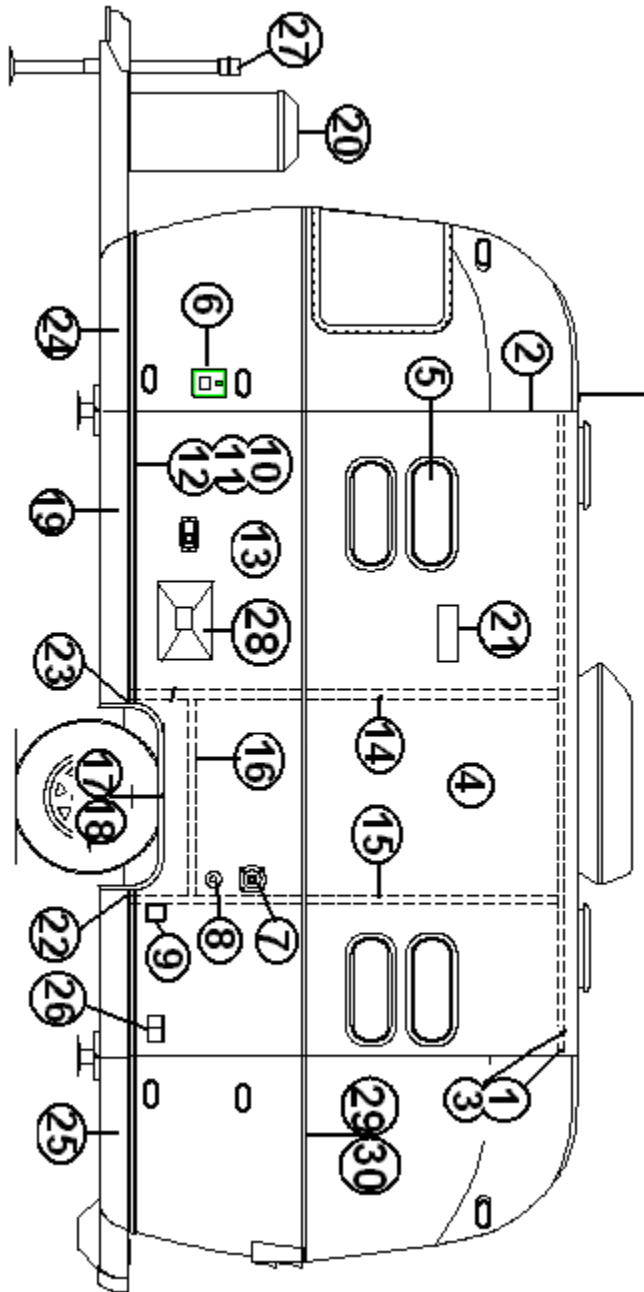
Front End, 27' FB, w/Panoramic Windows, 27FB EDDIE BAUER

921244-01	End shell, front w/Panoramic Windows, 27' FB
1. 114993	WELDMENT ZERO BOW "WB"
2. 114676	BOW FLOOR ALTERED
3. 114678	BOW UP WINDOW ALTERED
4. 114677	BOW LOWER WINDOW ALTERED
5. 114505-01	SUPPORT LOWER END SHELL LH
6. 114505-02	SUPPORT LOWER END RH
7. 101315	BRACE VERTICAL REAR
8. 922288-02	TRUNK DOOR ONLY W/ROUND CORNERS
9. 114888	SEGMENT-CENTER LEFT "BRIGHT"
10. 114889	SEGMENT-CENTER RIGHT "BRIGHT"
11. 114893	SEGMENT-#25 WIDE BODY "BRIGHT"
12. 114890	SEGMENT-#26 "BRIGHT"
13. 114891	SEGMENT-#27 "BRIGHT"
14. 114894	SEGMENT-#28 "BRIGHT"
15. 114895	SEGMENT-#29 "BRIGHT"
16. 114880-307	ALUMINUM, .040" X 51" X 307"
17. 371346-02	Window, 49.63 x 24.19", Silver handles
18. 512226	Light, clearance, amber LED
19. 114849-03	ALUMINUM, .060 26"W X 8' GRAY
20. 386150	AIRSTREAM LOGO, BLACK
21. 512401-02	Power inlet, generator prep
22. 101315-01	Vertical brace, LH
23. 101315-02	Vertical brace, RH
24. 372089-101	Panoramic window, CS front
25. 372088-101	Panoramic window, RS front

# 2014 INTERNATIONAL TRAVEL TRAILER

## EXTERIOR SHELL

Roadside Wall, 19'



Part Numbers on the next page

# 2014 INTERNATIONAL TRAVEL TRAILER

## EXTERIOR SHELL

Roadside Wall, 19'

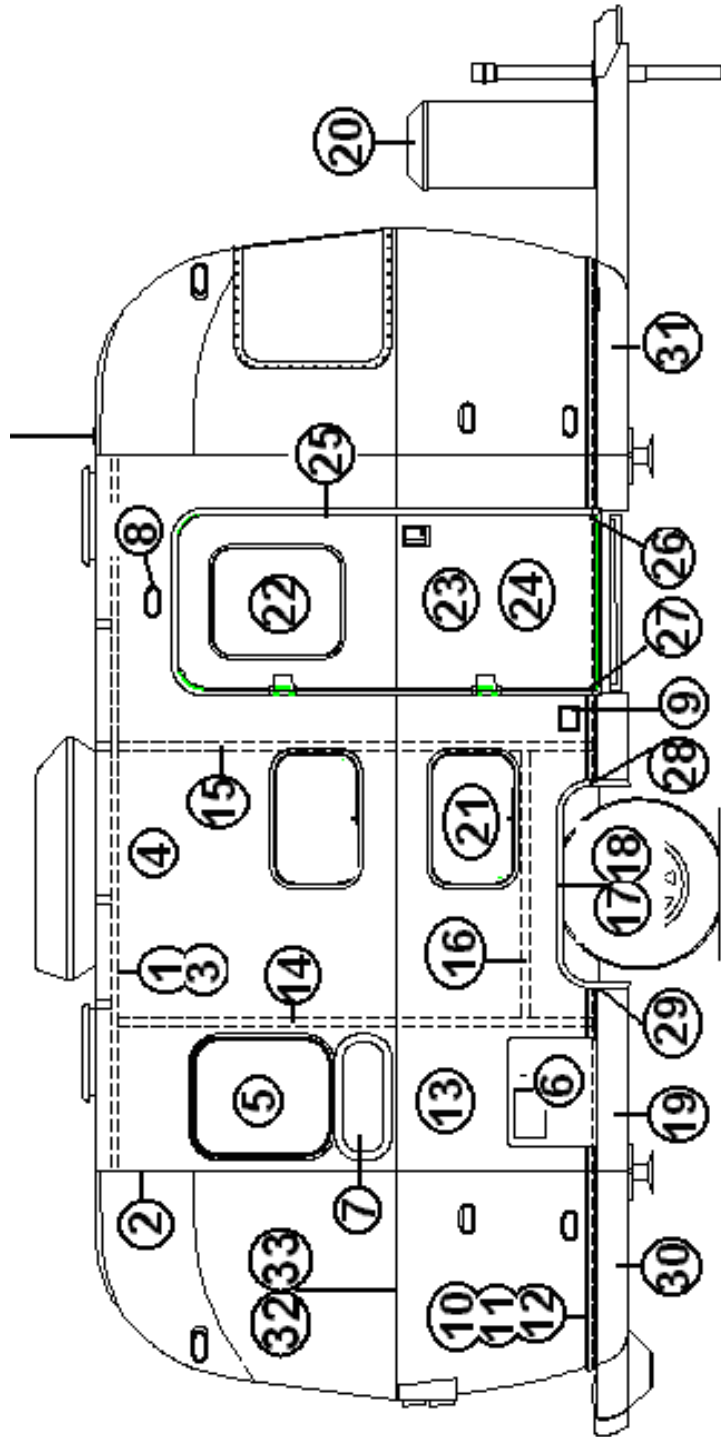
1. 114290-02 Extrusion, awning/drip rail
2. 114994 Rib, end bow
3. 104707-05 Extrusion, "I" beam
4. 114880-201 Aluminum sheet, upper, .040 x 51" x 201"
5. 371436 Window, 18" stacked
6. 601194 Water fill w/lock, gray
- 6a. 381647 CH 751 Key only
7. 601392-05 City water hook-up
8. 601441 System, Tank Flush
9. 512401-02 Power inlet, 30 amp.
10. 115546 Extrusion, rub rail
11. 201763-01 Insert, rub rail, chrome, 1"
12. 100986 Floor channel
13. 114880-201 Aluminum sheet, lower, .040 x 33" x 201"
14. 114387-02 Bow, Z rib, LH
15. 114387-01 Bow, Z rib, RH
16. 100986 Wheel well stiffener (floor channel)
17. 114003-04 Wheel well trim, inner, single axle
18. 114004-04 Wheel well trim, outer, single axle
19. 101131-01 Underbelly wrap, .024 x 22.5, pewter
20. 921246 Cover, 30# LPG bottles
21. 511017-11 Vent cover, range exhaust
22. 114466-01 Casting, rub rail end, wheel well, RH
23. 114466-02 Casting, rub rail end, wheel well, LH
24. 203251-01 Banana wrap, RS front
24. 203251-05 Banana wrap, RS front - Haircell
25. 203251-03 Banana wrap, RS rear
25. 203251-07 Banana wrap RS rear - Haircell
26. 512568 TV cable hook up jack
27. \*400961 Jack, power
28. 602326 Shower, exterior
29. 114328 Extrusion, beltline, chrome
30. 201912 Molding, beltline, chrome

\*Units manufactured in January, 2014 may have Jack #27265 as a substitution for Barker #27720. The jacks are identical except for post size. The current model #27720 is a 2 ¼" post. The temporary model #27265 is a 2" post w/ABS adapter.

# 2014 INTERNATIONAL TRAVEL TRAILER

## EXTERIOR SHELL,

Curbside Wall, 19'



Part Numbers on the next page

# 2014 INTERNATIONAL TRAVEL TRAILER

## EXTERIOR SHELL

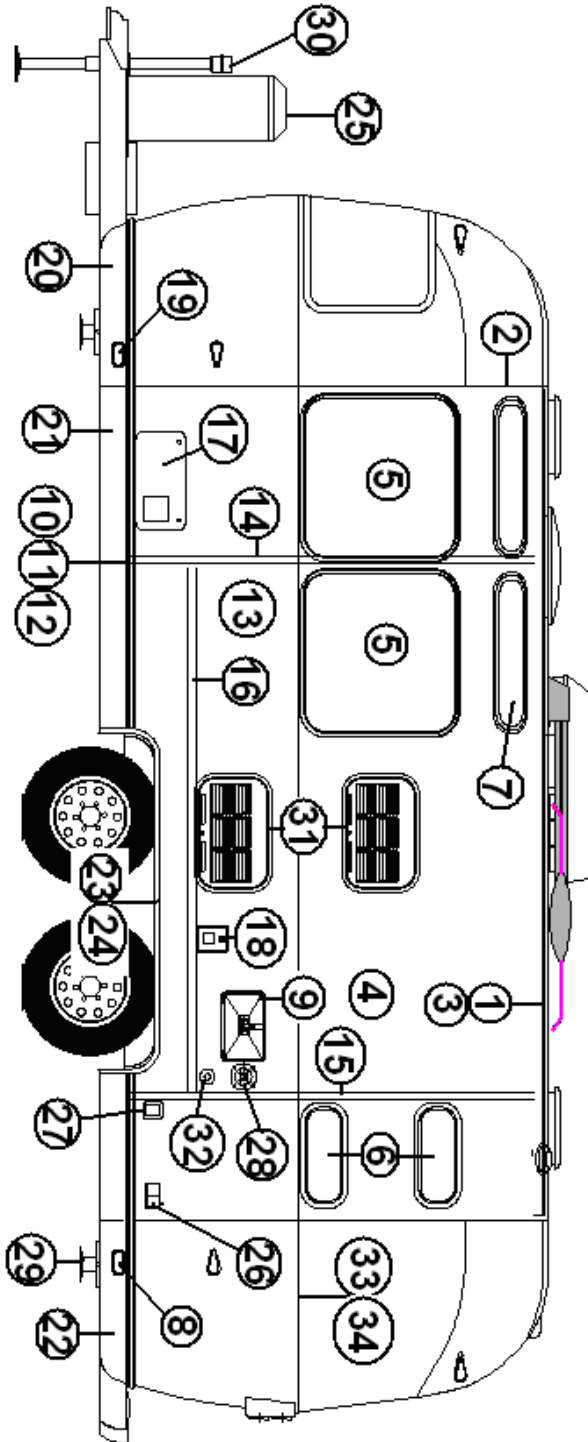
Curbside Wall, 19'

1. 114290-02 Extrusion, awning/drip rail
2. 114994 Rib, end bow
3. 104707-05 Extrusion, "I" beam
4. 114880-201 Aluminum sheet, upper, .040 x 51 x 201"
5. 371323-01 Window, 18" opening
6. 690259-03 Cover and mounting flange, Atwood
7. 371436 Window, 18" stacked
8. 101323 Casting, step light, polished
8. 201185 Lens, step light
9. 512401-02 30-amp, male power inlet
10. 115546 Extrusion, rub rail
11. 201763-01 Insert, rub rail, chrome, 1"
12. 100986 Floor channel
13. 114879-201 Aluminum sheet, lower, .040 x 33 x 201"
14. 114387-02 Bow, Z rib, LH
15. 114387-01 Bow, Z rib, RH
16. 100986 Wheel well stiffener (floor channel)
17. 114003-04 Wheel well trim, inner, single axle
18. 114004-04 Wheel well trim, outer, single axle
19. 101131-01 Underbelly wrap, .024 x 22.5, pewter
20. 921246 Cover, 30# LPG bottles
21. 923115 Door assembly, refrigerator access
22. 371400-01 WINDOW-MAIN DOOR
23. 115207-04 Main door assembly
24. 114654 Screen door assembly
25. 114652 Jamb, main door, pre-formed
26. 114465-01 Casting, rub rail end, door, RH
27. 114465-02 Casting, rub rail end, door, LH
28. 114466-01 Casting, rub rail end, wheel well, RH
29. 114466-02 Casting, rub rail end, wheel well, LH
30. 203251-08 Banana wrap CS Rear - Haircell
31. 203251-06 Banana wrap, CS front - Haircell
32. 114328 Extrusion, beltline, chrome
33. 201912 Molding, beltline, chrome

# 2014 INTERNATIONAL TRAVEL TRAILER

## EXTERIOR SHELL

Roadside Wall, 23' D



Part Numbers on the next page



# 2014 INTERNATIONAL TRAVEL TRAILER

## EXTERIOR SHELL

### Roadside Wall, 23' D

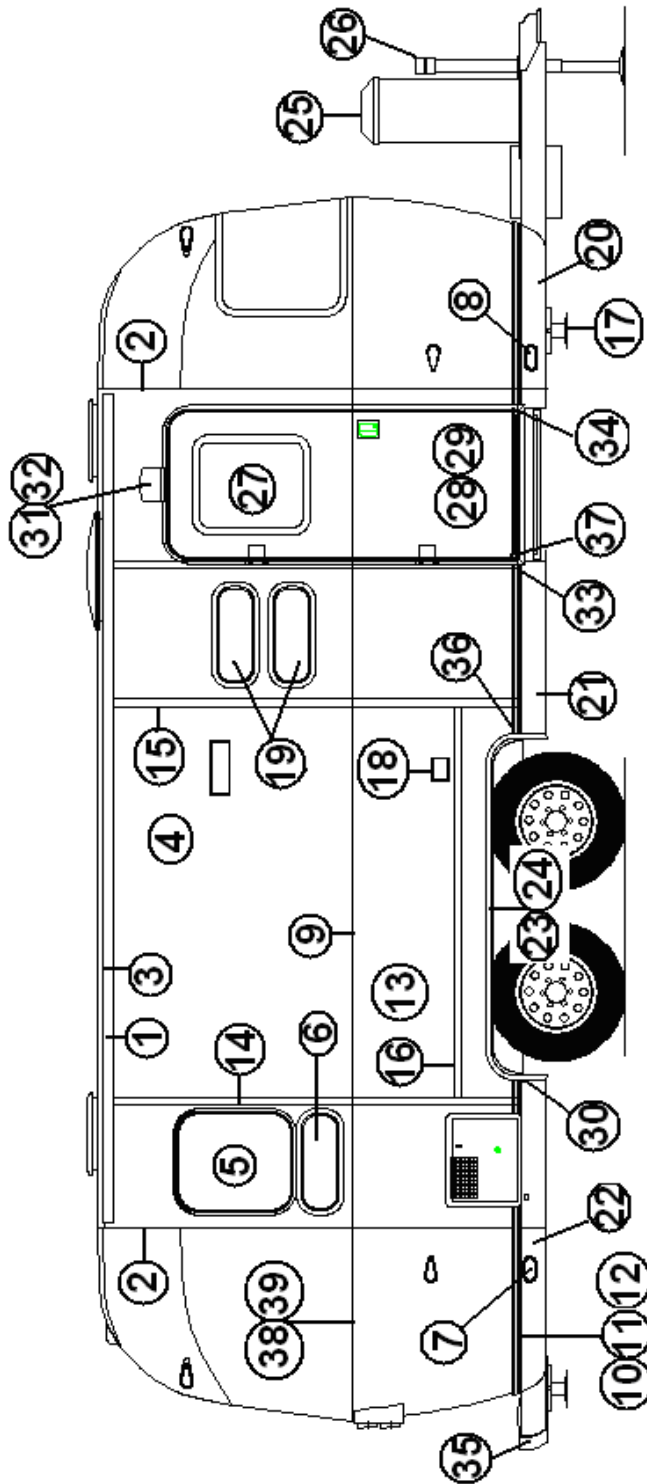
1. 114290-01 Extrusion, awning/drip rail
2. 114994 Rib, end bow
3. 104707-05 Extrusion, "I" beam
4. 114880-201 Alum, sheet, upper, .040" x 51" x 201"
5. 371380 Window, 30" tall
6. 371436 Window, 18" fixed window
7. 371437-02 Vista View window, 30"
8. 500095 REFLECTOR RED
9. 602326 Shower, exterior
10. 115546 Extrusion, rub rail
11. 201763-01 Insert, rub rail, chrome, 1"
12. 100986 Floor channel
13. 114879-201 Alum. sheet, lower, .040" x 33" x 201"
14. 114387-01 Bow, Z rib, RH
15. 114387-02 Bow, Z rib, LH
16. 100986 Wheel well stiffener (floor channel)
17. 690274-09 Door exterior, Hydroflame
18. 601194 Water fill, exterior
19. 500096 REFLECTOR, AMBER
20. 200542-01 Banana wrap, RS front
21. 203304 ROLL, UNDERBELLY, BLACK PLASTIC
22. 200544-01 Banana wrap, RS rear
23. 684936 Wheel well trim, outer, tandem axle
24. 684937 Wheel well trim, inner, tandem axle
25. 921246 Bottle cover, LP
26. 512568 TV cable hook up jack
27. 512401-02 30-amp, male power inlet
28. 601392-05 City water hook-up, chrome w/regulator
29. 400093 Stabilizer jack
- 29a. 400093-02 Handle, stabilizer jack
30. \*400961 POWER JACK
31. 923115 Refer Access door W/frame
32. 601441 Black tank flush system
33. 114328 Extrusion, beltline, chrome
34. 201912 Molding, beltline, chrome

\*Units manufactured in January, 2014 may have Jack #27265 as a substitution for Barker #27720. The jacks are identical except for post size. The current model #27720 is a 2 ¼" post. The temporary model #27265 is a 2" post w/ABS adapter.

# 2014 INTERNATIONAL TRAVEL TRAILER

## EXTERIOR SHELL

Curbside Wall, 23' D



Part Numbers on the next page

# 2014 INTERNATIONAL TRAVEL TRAILER

## EXTERIOR SHELL

### Curbside Wall, 23' D

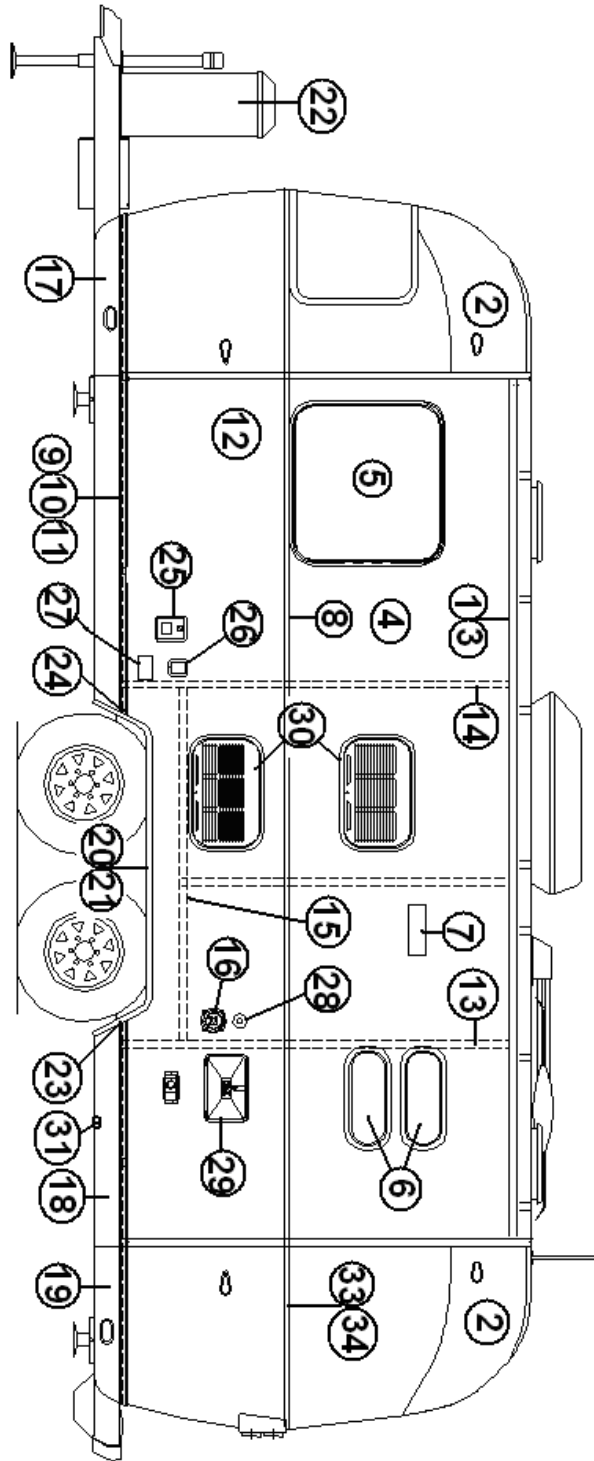
1. 114290-01 Extrusion, awning/drip rail
2. 114994 Rib, end bow
3. 104707-05 Extrusion, "I" beam
4. 114880-201 Window sheet, .040" x 51" x 201"
5. 371323-01 Window, 18", opening window
6. 371436 Window, 18" stacked
7. 500096 REFLECTOR, AMBER
8. 500095 REFLECTOR RED
9. 100034 "Z" bar 48"
10. 115546 Extrusion, rub rail
11. 201763-01 Insert, rub rail, chrome, 1"
12. 100986 Floor channel
13. 114879-201 Side sheet, .040" x 33" x 201"
14. 114387-01 Bow, Z rib, RH
15. 114387-02 Bow, Z rib, LH
16. 100986 Wheel well stiffener (floor channel)
17. 400093 Stabilizer jack, 20"
17. 400093-02 Handle, stabilizer jack
18. 500563-03 Outlet, exterior, 120V gray
18. \*512399 Cover, exterior outlet, gray, W/P
19. 371436 Window, 18" stacked
20. 200543-01 Banana wrap, CS front
21. 203304 ROLL, UNDERBELLY, BLACK PLASTIC
22. 200545-01 Banana wrap, CS rear
23. 684936 Wheel well trim, outer, tandem axle
24. 684937 Wheel well trim, inner, tandem axle
25. 921246 Bottle cover, LP
- 26.\* 400961 POWER JACK
26. 410598 FOOT PAD, POWER JACK
27. 371400-01 Window, main door
28. 115207-04 Main door assembly
29. 114654 Screen door assembly
30. 114466-02 Casting, rub rail end, wheel well, LH
31. 101323 Casting, main door light
32. 201185 Lens, main door light
33. 114465-02 Close out rub rail, LH
34. 114465-01 Close out rub rail, RH
35. 410932 Bumper, polished
36. 114466-01 Casting, rub rail end, wheel well, RH
37. 114466-02 Casting, rub rail end, wheel well
38. 114328 Extrusion, beltline, chrome
39. 201912 Molding, beltline, chrome

\*Units manufactured in January, 2014 may have Jack #27265 as a substitution for Barker #27720. The jacks are identical except for post size. The current model #27720 is a 2 ¼" post. The temporary model #27265 is a 2" post w/ABS adapter.

# 2014 INTERNATIONAL TRAVEL TRAILER

## EXTERIOR BODY

Wall, Roadside, 23' Front Bed



Part numbers are on the next page

# 2014 INTERNATIONAL TRAVEL TRAILER

## EXTERIOR BODY

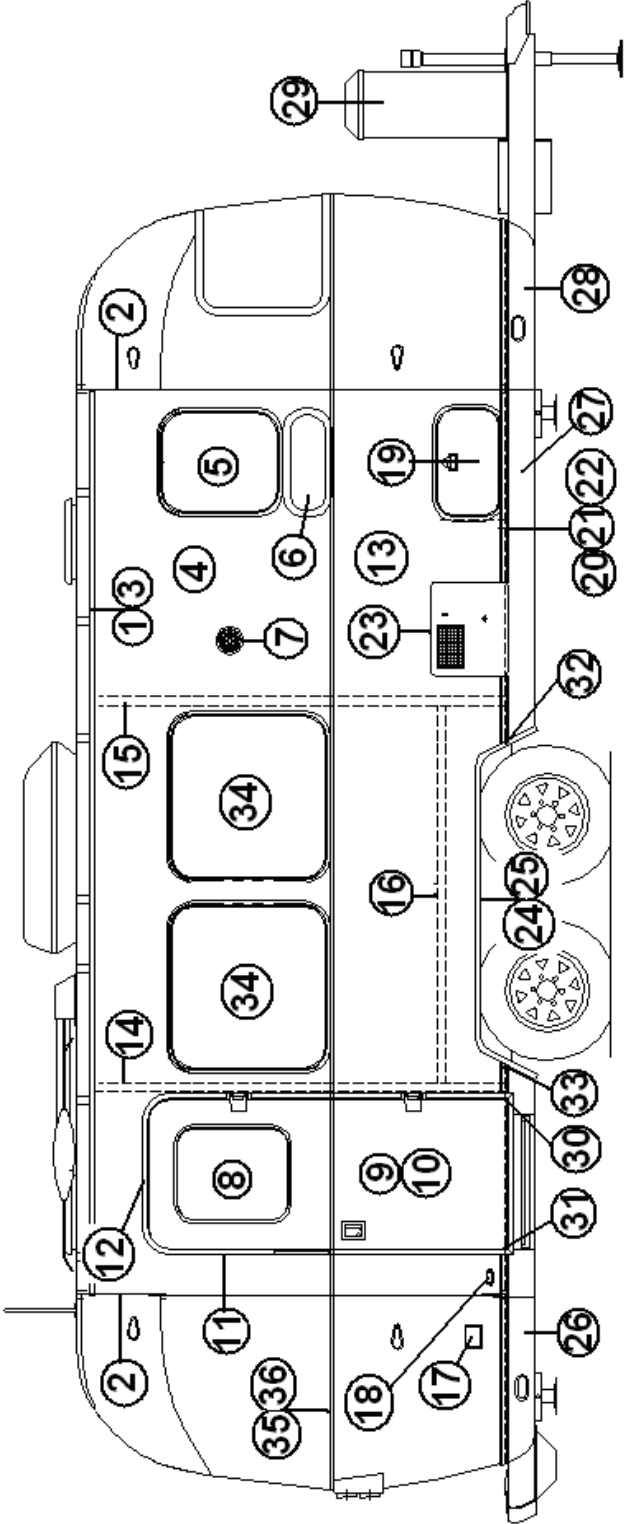
Wall, Roadside, 23' Front Bed

1. 114290-01 Extrusion, awning/drip rail
2. 114994 Rib, end bow
3. 104707-05 Extrusion, "I" beam
4. 114880-201 Sheet, upper, .040" x 51" x 201"
5. 371380-01 Window, 30" opening egress
6. 371436 Window 18" stack
7. 511017-11 Vent cover, range exhaust
8. 100034 "Z" bar, 48"
9. 115546 Extrusion, rub rail
10. 201763-01 Insert, rub rail, chrome, 1"
11. 100986 Floor channel
12. 114879-201 Sheet, lower, .040" x 33" x 201"
13. 114387-01 Bow, Z rib, RH
14. 114387-02 Bow, Z rib, LH
15. 100986 Wheel well stiffener (floor channel.
16. 601392-05 City, water hook up
17. 200542-01 Wrap, underbelly, RS front, haircell
18. 203304 Roll, underbelly, black plastic
19. 200544-01 Wrap, underbelly, RS rear, haircell
20. 684936 Wheel well trim, inner, tandem axle
21. 684937 Wheel well trim, outer, tandem axle
22. 921246 Cover, 30# LPG bottles
23. 114466-01 Casting, rub rail end, wheel well, RH
24. 114466-02 Casting, rub rail end, wheel well, LH
25. 601194 Water fill w/lock
26. 512401-02 Power inlet, 30A, 125V
27. 512568 TV cable hook up jack
28. 601197-02 Water hook-up for black tank FLUSH
29. 602326 Shower, exterior, white
30. 923115 Refer Access door w/frame
31. 510658 Switch, w/ weather proof boot
32. 511361 Light, flush mount, half moon, black (not shown)
33. 201912 Molding, belt line insert, chrome
34. 114328 Extrusion, belt line molding

# 2014 INTERNATIONAL TRAVEL TRAILER

## EXTERIOR BODY

Wall, Curbside, 23' Front Bed



Part numbers are on the next page

# 2014 INTERNATIONAL TRAVEL TRAILER

## EXTERIOR BODY

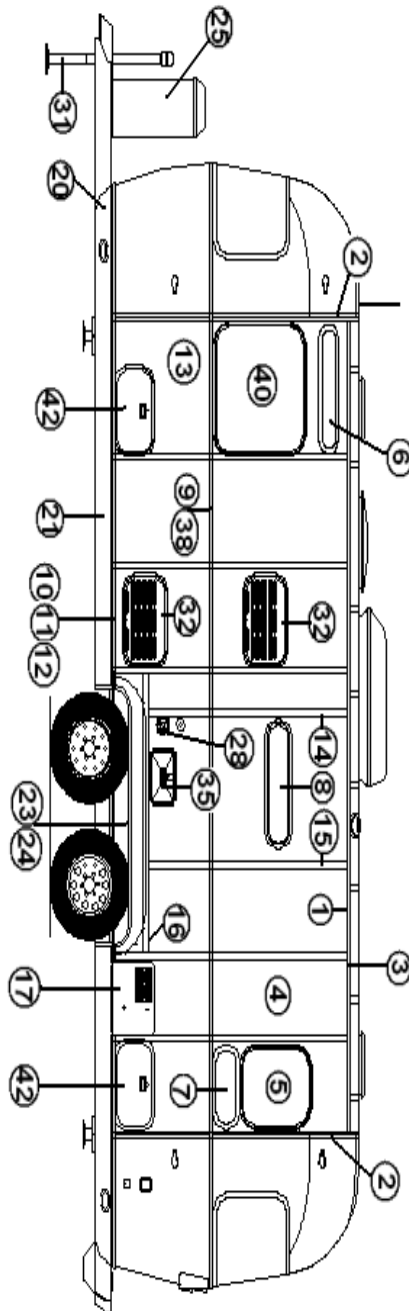
### Wall, Curbside, 23' Front Bed

1. 114290-01 Extrusion, awning/drip rail
2. 114994 Rib, end bow
3. 104707-05 Extrusion, "I" beam
4. 114880-201 Sheet, upper, .040" x 51" x 201"
5. 371323-01 Window, 18" opening
6. 371436 Window 18" stack
7. 512532 Patio light, round, L.E.D.
8. 371400-01 Window, main door, etched
9. 115207-05 Main door assembly
10. 114654-01 Screen door assembly
11. 114652-01 Jamb, main door
12. 114363 Drip cap, main door
13. 114879-201 Sheet, lower, .040" x 33" x 201"
14. 114387-01 Bow, Z rib, RH
15. 114387-02 Bow, Z rib, LH
16. 100986 Wheel well stiffener(floor channel.
17. 500563-03 Recept, white, 15 A#WRDU15-WT  
512399 Cover, ext. outlet, gray W/P
18. 512252 Step light, L.E.D., SS
19. 100679-01 Side access door assembly
20. 115546 Extrusion, rub rail
21. 201763-01 Insert, rub rail, chrome, 1"
22. 100986 Floor channel
23. 690209 Access door, Atwood
24. 684936 Wheel well trim, inner, tandem axle
25. 684937 Wheel well trim, outer, tandem axle
26. 200545-01 Wrap, underbelly, CS rear, haircell
27. 203304 Roll, underbelly, black plastic
28. 200543-01 Wrap, underbelly, CS front, haircell
29. 921232 Cover, 30# LPG bottles
30. 114465-01 Casting, rub rail end, door, RH
31. 114465-02 Casting, rub rail end, door, LH
32. 114466-01 Casting, rub rail end, wheel well, RH
33. 114466-02 Casting rub rail end, wheel well, LH
34. 371380 Window, 30" tall, opening
35. 201912 Molding, belt line insert, chrome
36. 114328 Extrusion, belt line molding

# 2014 INTERNATIONAL TRAVEL TRAILER

## EXTERIOR BODY

Wall, Roadside, 25 International



Parts Listed on Next Page



# 2014 INTERNATIONAL TRAVEL TRAILER

## EXTERIOR BODY

### Wall, Roadside, 25 International

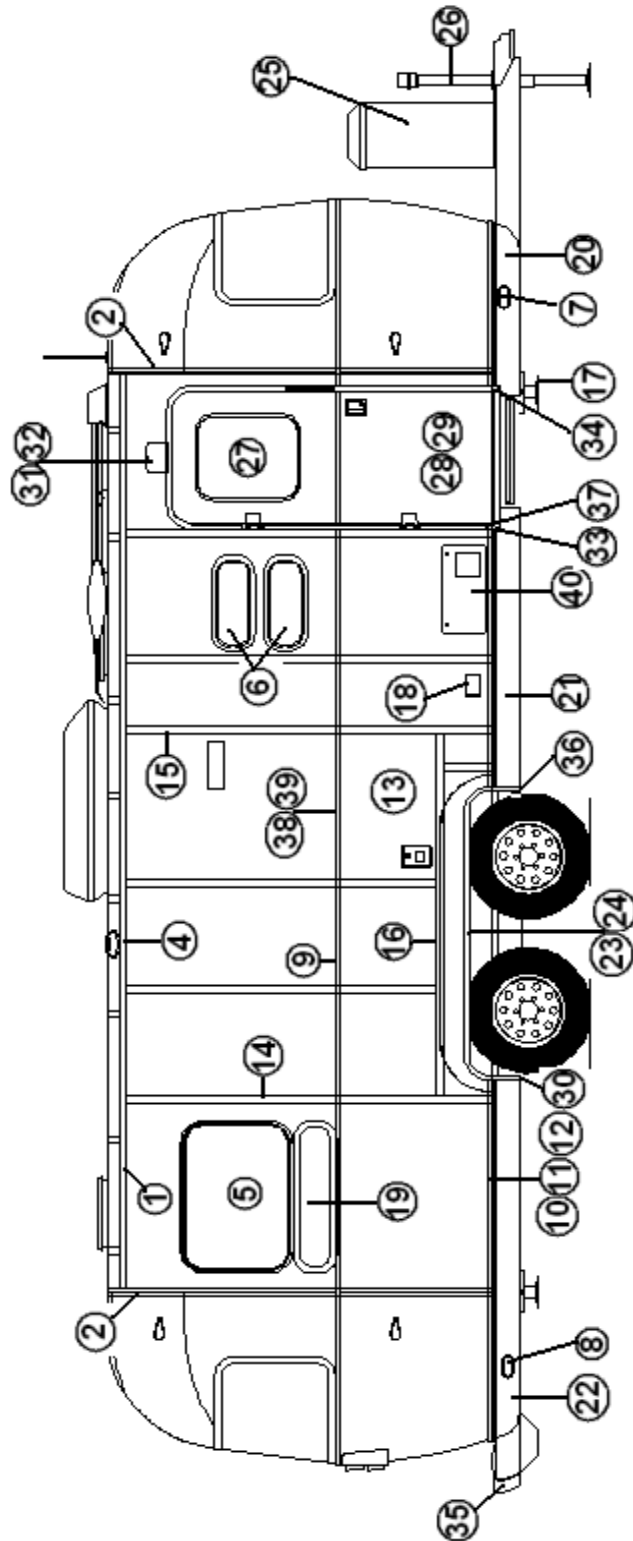
1.	114290-01	Extrusion, awning/drip rail
2.	114993	Rib, end bow
3.	104707-01	Extrusion, "I" beam
4.	114880-307	Alum, sheet, upper, .040" x 51" x307"
5.	371323-01	Window, 18", opening window
6.	371437-02	VISTA VIEW - 30"
7.	371436	Window, 18" stacked
8.	371435	Window, 30" stacked
9.	114328	Extrusion, beltline, chrome
10.	115546	Extrusion, rub rail
11.	201763-01	Insert, rub rail, chrome, 1"
12.	100986	Floor channel
13.	114879-262	Alum. sheet, lower, .040" x 33" x262"
14.	114387-01	Bow, Z rib, RH
15.	114387-02	Bow, Z rib, LH
16.	100986	Wheel well stiffener (floor channel)
17.	690209	Access door, Atwood water heater
20.	200542-01	Banana wrap, RS front
21.	101131-01	Underbelly wrap, .024" x 22.5", Pewter
22.	200544-01	Banana wrap, RS rear haircell
23.	684936	Wheel well trim, outer, tandem axle
24.	684937	Wheel well trim, inner, tandem axle
25.	921246	Bottle cover, LP
28.	601392-05	City water hook-up, chrome w/regulator
29.	400093-01	Stabilizer jack, each
29A.	400093-02	Handle, stabilizer jack
31.	*400961	Jack, Power
32.	923115	Refer access door, w/frame
35.	602326	Shower, exterior, white
36.	601441	Black tank Flush
38.	201912	Molding, beltline, chrome
40.	371380	Window 30" Opening, Tall
42.	100679-01	Side Access Door
	512226	Clearance Light, Amber
	512227	Clearance Light, Red
	510446	Reflector, red stick on

\*Units manufactured in January, 2014 may have Jack #27265 as a substitution for Barker #27720. The jacks are identical except for post size. The current model #27720 is a 2 ¼" post. The temporary model #27265 is a 2" post w/ABS adapter.

# 2014 INTERNATIONAL TRAVEL TRAILER

## EXTERIOR BODY

Wall, Curbside, 25 International



PARTS LISTED ON NEXT PAGE

# 2014 INTERNATIONAL TRAVEL TRAILER

## EXTERIOR BODY

Wall, Curbside, 25 International

1. 114290-01 Extrusion, awning/drip rail
2. 114993 Rib, end bow
3. 104707-01 Extrusion "I" beam
4. 114880-201 Window sheet, .040" x 51" x 201"
5. 371323-01 Window, 18", opening window
6. 371436 Window, 18" stacked
7. 500096 REFLECTOR, AMBER
8. 500095 REFLECTOR RED
9. 100034 "Z" bar 48"
10. 115546 Extrusion, rub rail
11. 201763-01 Insert, rub rail, chrome, 1"
12. 100986 Floor channel
13. 114879-201 Side sheet, .040" x 33" x 201"
14. 114387-01 Bow, Z rib, RH
15. 114387-02 Bow, Z rib, LH
16. 100986 Wheel well stiffener (floor channel)
17. 400093 Stabilizer jack, 20"
17. 400093-02 Handle, stabilizer jack
18. 500563-03 Outlet, exterior, 120V gray
18. 512399 Cover, exterior outlet, gray, W/P
19. 371435 Window, 30" stacked
20. 200543-01 Banana wrap, CS front
21. 101131-01 UNDERBELLY, 22.5"wide, Pewter
22. 200545-01 Banana wrap, CS rear
23. 684936 Wheel well trim, outer, tandem axle
24. 684937 Wheel well trim, inner, tandem axle
25. 921246 Bottle cover, LP
26. \*400961 POWER JACK
26. 410598 FOOT PAD, POWER JACK
27. 371400-01 Window, main door
28. 115207-04 Main door assembly
29. 114654 Screen door assembly
30. 114466-02 Casting, rub rail end, wheel well, LH
31. 101323 Casting, main door light
32. 201185 Lens, main door light
33. 114465-02 Close out rub rail, LH
34. 114465-01 Close out rub rail, RH
35. 410831 Bumper
36. 114466-01 Casting, rub rail end, wheel well, RH
37. 114466-02 Casting, rub rail end, wheel well
38. 114328 Extrusion, beltline, chrome
39. 201912 Molding, beltline, chrome
40. 690274-09 Door, Exterior Silver

\*Units manufactured in January, 2014 may have Jack #27265 as a substitution for Barker #27720. The jacks are identical except for post size. The current model #27720 is a 2 ¼" post. The temporary model #27265 is a 2" post w/ABS adapter.



# 2014 INTERNATIONAL TRAVEL TRAILER

## EXTERIOR BODY

### Roadside Wall, 25' Front Bed

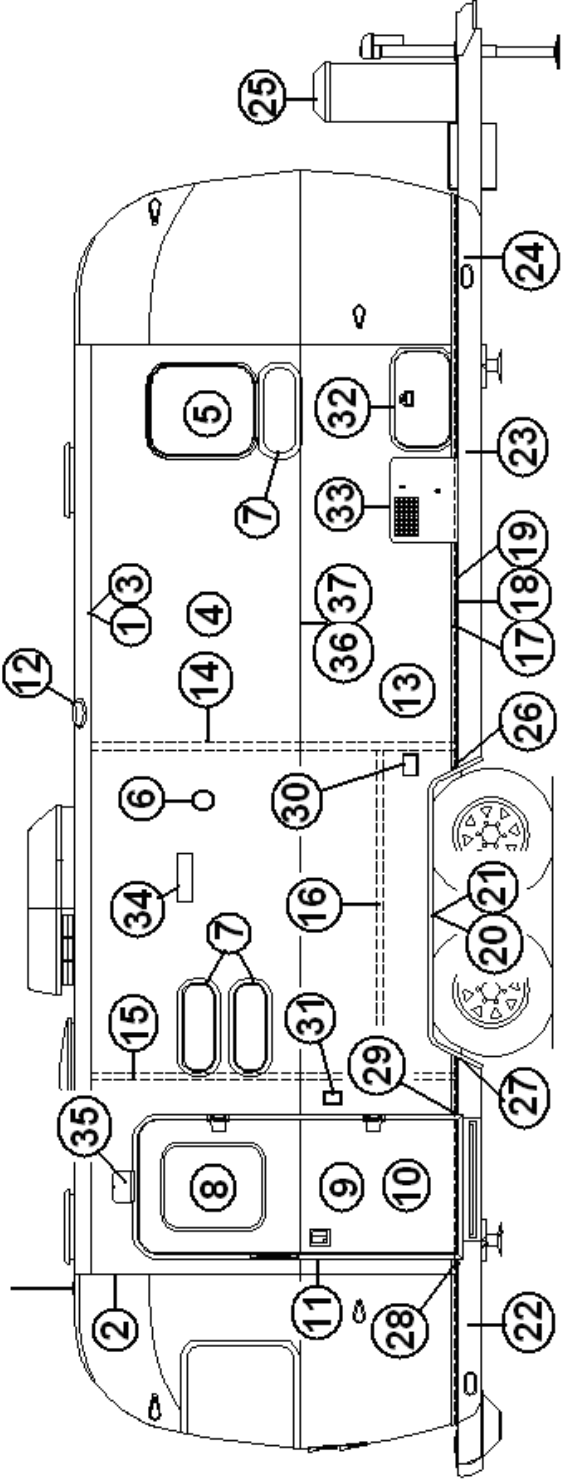
1. 114290-01	Extrusion, awning/drip rail
2. 114993	Rib, end bow
3. 104707-01	Extrusion, "I" beam
4. 114880-201	Alum. sheet, upper, .040" x 51" x 201"
5. 371380	Window, 30" opening, tall
6. 601392-05	City water hook-up
7. 371380-01	30" egress window
8. 115546	Extrusion, rub rail
9. 201763-01	Insert, rub rail, chrome, 1"
10. 100986	Floor channel
11. 114879-201	Alum. sheet, lower, .040" x 33" x 201"
12. 114387-01	Bow, Z rib, RH
13. 114387-02	Bow, Z rib, LH
14. 100986	Wheel well stiffener (floor channel)
15. 602326	Shower, exterior, white
16. 684936	Wheel well trim, outer, tandem axle
17. 684937	Wheel well trim, inner, tandem axle
18. 200542-01	Banana wrap, RS front
19. 101131-01	Underbelly wrap, .024" x 22.5", Pewter
20. 200544-01	Banana wrap, RS rear
21. 921246	Cover, 30# LPG bottles
22. 114466-01	Casting, rub rail end, wheel well, RH
23. 114466-02	Casting, rub rail end, wheel well, LH
24. 371437-02	Vista View Window, 30"
25. 512568	TV cable hook up jack
26. 512401-02	POWER INLET, 30A, 125V, MALE. GRAY
27. 601441	Black tank Flush
28. 690274-09	Door exterior, Hydroflame
29.*400961	POWER JACK
30. 601194	Water fill w/lock, gray w/label
31. 100679-01	Side Access Door Assembly
32. 923115	Refer Access door w/frame
33. 114328	Extrusion, beltline, chrome
34. 201912	Molding, beltline, chrome
100034	Z-Bar Horiz Frame Member Alum. 48"

\*Units manufactured in January, 2014 may have Jack #27265 as a substitution for Barker #27720. The jacks are identical except for post size. The current model #27720 is a 2 ¼" post. The temporary model #27265 is a 2" post w/ABS adapter.

# 2014 INTERNATIONAL TRAVEL TRAILER

## EXTERIOR BODY

Curbside Wall, 25' Front Bed



# 2014 INTERNATIONAL TRAVEL TRAILER

Part Numbers are on the Next Page

# 2014 INTERNATIONAL TRAVEL TRAILER

## EXTERIOR BODY

### Curbside Wall, 25' Front Bed

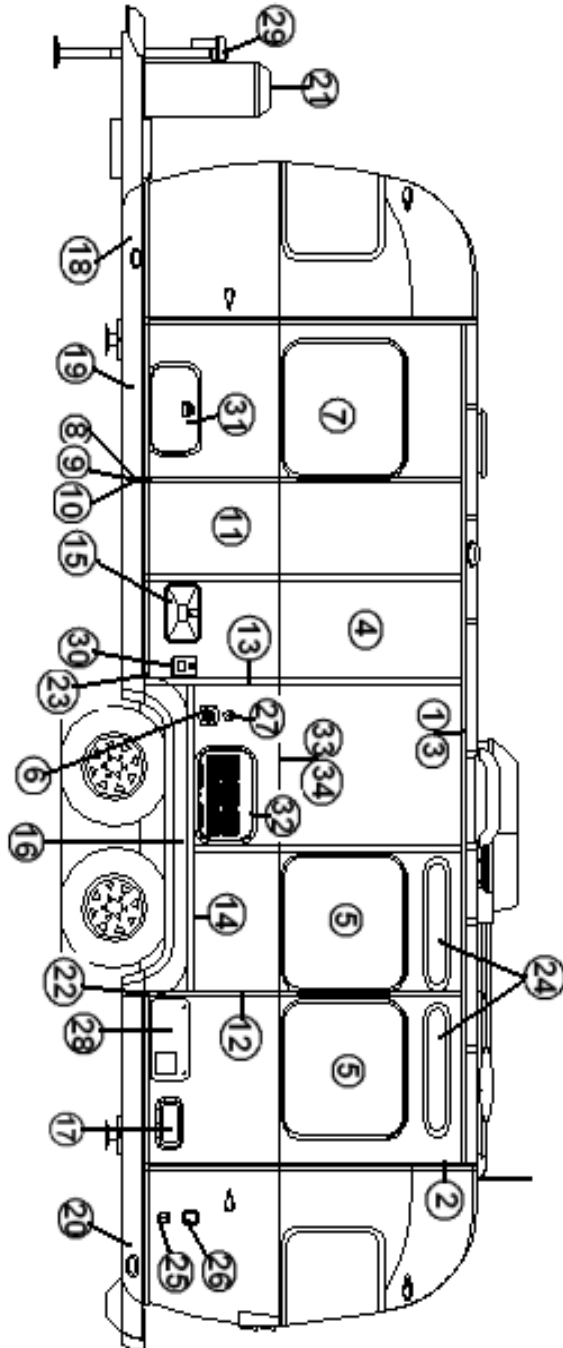
1. 114290-01	Extrusion, awning/drip rail
2. 114993	Rib, end bow
3. 104707-05	Extrusion, "I" beam
4. 114880-201	Alum. sheet, upper, .040" x 51" x 201"
5. 371323-01	Window, 18" opening
6. 512532	Flood light and lens, L.E.D.
7. 371436	Window, 18" stack
8. 371400-01	Window, main door, etched
9. 114654-01	Screen door assembly, RH hinge
10. 115207-06	Main door assembly RH hinge
11. 114652-01	Jamb, main door, RH hinge
12. 690266-01	Shower roof vent
13. 114879-201	Alum. sheet, lower, .040" x 33 x 201"
14. 114387-01	Bow, Z rib, RH
15. 114387-02	Bow, Z rib, LH
16. 100986	Wheel well stiffener (floor channel.
17. 115546	Extrusion, rub rail
18. 201763-01	Insert, rub rail, chrome, 1"
19. 100986	Floor channel
20. 684936	Wheel well trim, outer, tandem axle
21. 684937	Wheel well trim, inner, tandem axle
22. 200545-01	Banana wrap, CS rear
23. 101131-01	Underbelly wrap, .024" x 22.5, Pewter
24. 200543-01	Banana wrap, CS front
25. 921246	Cover, 30# LPG bottles
26. 114466-01	Casting, rub rail end, wheel well, RH
27. 114466-02	Casting, rub rail end, wheel well, LH
28. 114465-02	CASTING CLOSEOUT, RUB RAIL LH
29. 114465-01	CASTING CLOSEOUT, RUB RAIL RH
30. 500563-03	RECEPT-WHITE 15 A#WRDU15-WT
30. 512399	COVER-EXT.OUTLET GREY W/P
31. 510732-02	UTILITY LIGHT #1327
32. 100679-01	Side Access Door Assembly
33. 690602	Water Heater
34. 511017-11	EXTERIOR VENT GRAY
35. 101323	CASTING, STEPLIGHT
36. 114328	Extrusion, beltline, chrome
37. 201912	Molding, beltline, chrome



# 2014 INTERNATIONAL TRAVEL TRAILER

## EXTERIOR BODY

Roadside Wall, 25' Front Bed, EDDIE BAUER



Part Numbers are on the Next Page

# 2014 INTERNATIONAL TRAVEL TRAILER

## EXTERIOR BODY

Roadside Wall, 25' Front Bed, EDDIE BAUER

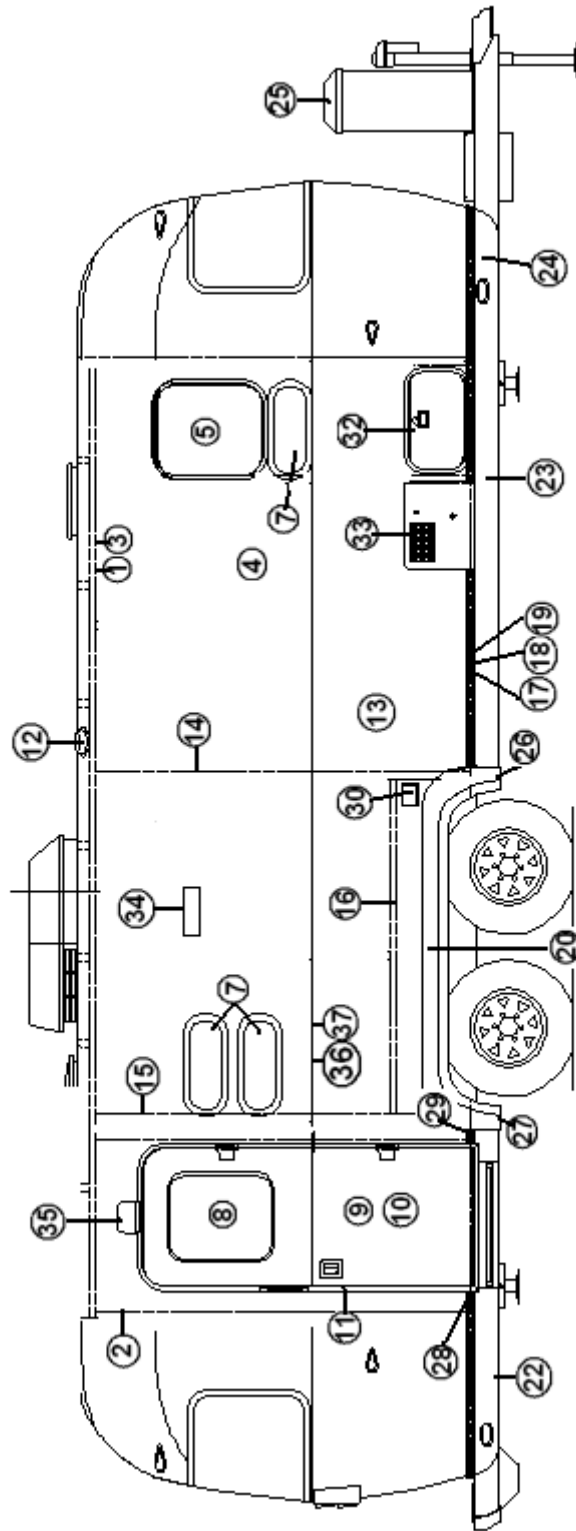
1. 114290-01 Extrusion, awning/drip rail
2. 114993 Rib, end bow
3. 104707-01 Extrusion, "I" beam
4. 114880-201 Alum. sheet, upper, .040" x 51" x 201"
5. 371380 Window, 30" opening, tall
6. 601392-05 City water hook-up
7. 371380-01 30" egress window
8. 115546 Extrusion, rub rail
9. 201763-01 Insert, rub rail, chrome, 1"
10. 100986 Floor channel
11. 114879-201 Alum. sheet, lower, .040" x 33" x 201"
12. 114387-01 Bow, Z rib, RH
13. 114387-02 Bow, Z rib, LH
14. 100986 Wheel well stiffener (floor channel)
15. 602326 Shower, exterior, white
16. 203711 Fender Flare
17. 382020 Vent, Low Profile, Aluminum
18. 200542-01 Banana wrap, RS front
19. 101131-01 Underbelly wrap, .024" x 22.5", Pewter
20. 200544-01 Banana wrap, RS rear
21. 921246 Cover, 30# LPG bottles
22. 114466-01 Casting, rub rail end, wheel well, RH
23. 114466-02 Casting, rub rail end, wheel well, LH
24. 371437-02 Vista View Window, 30"
25. 512568 TV cable hook up jack
26. 512401-02 POWER INLET, 30A, 125V, MALE. GRAY
27. 601441 Black tank Flush
28. 690274-09 Door exterior, Hydroflame
29. \*400961 Power Jack
30. 601194 Water fill w/lock, gray w/label
31. 100679-01 Side Access Door Assembly
32. 923115 Refer Access door w/frame
33. 114328 Extrusion, beltline, chrome
34. 203713 Beltline Molding, Moss

\*Units manufactured in January, 2014 may have Jack #27265 as a substitution for Barker #27720. The jacks are identical except for post size. The current model #27720 is a 2 ¼" post. The temporary model #27265 is a 2" post w/ABS adapter.

# 2014 INTERNATIONAL TRAVEL TRAILER

## EXTERIOR BODY

Curbside Wall, 25' Front Bed, Eddie Bauer



Parts Listed On Next Page

# 2014 INTERNATIONAL TRAVEL TRAILER

## EXTERIOR BODY

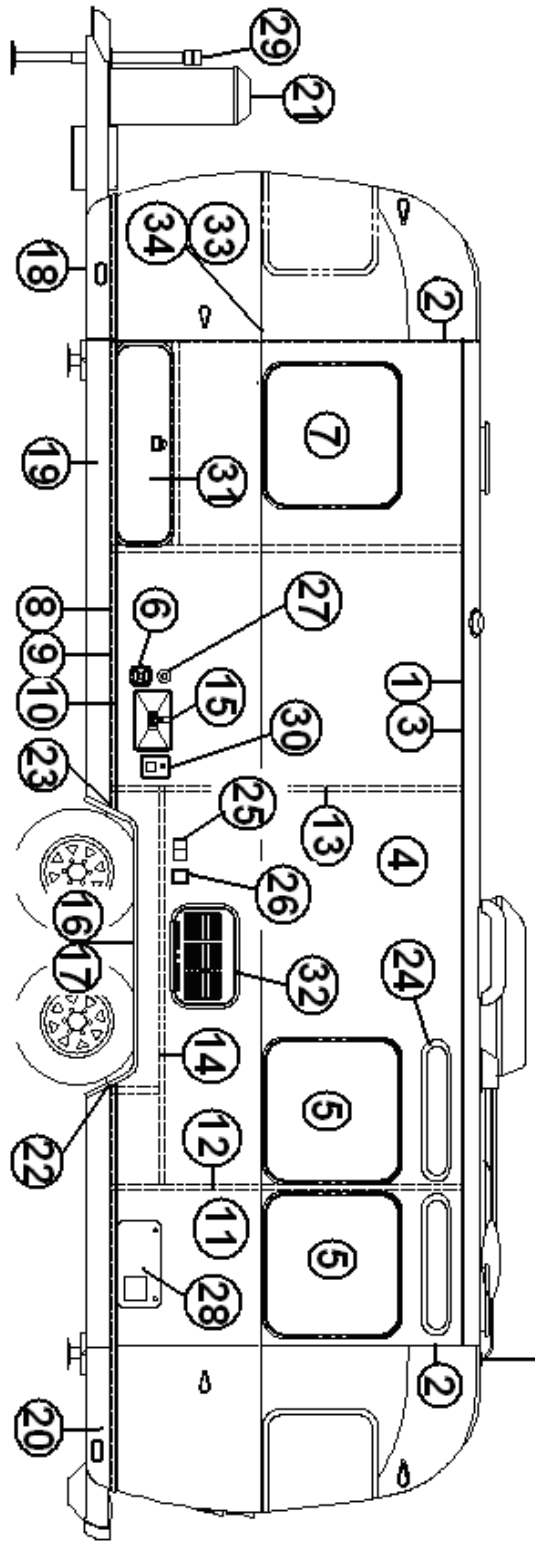
Curbside Wall, 25' Front Bed, Eddie Bauer

1. 114290-01 Extrusion, awning/drip rail
2. 114993 Rib, end bow
3. 104707-05 Extrusion, "I" beam
4. 114880-201 Alum. sheet, upper, .040" x 51" x 201"
5. 371323-01 Window, 18" opening
7. 371436 Window, 18" stack
8. 371400-01 Window, main door, etched
9. 114654-01 Screen door assembly, RH hinge
10. 115207-06 Main door assembly RH hinge
11. 114652-01 Jamb, main door, RH hinge
12. 690266-01 Shower roof vent
13. 114879-201 Alum. sheet, lower, .040" x 33 x 201"
14. 114387-01 Bow, Z rib, RH
15. 114387-02 Bow, Z rib, LH
16. 100986 Wheel well stiffener - floor channel.
17. 115546 Extrusion, rub rail
18. 201763-01 Insert, rub rail, chrome, 1"
19. 100986 Floor channel
20. 203711 Fender Flare
22. 200545-01 Banana wrap, CS rear
23. 101131-01 Underbelly wrap, .024" x 22.5, Pewter
24. 200543-01 Banana wrap, CS front
25. 921246 Cover, 30# LPG bottles
26. 114466-01 Casting, rub rail end, wheel well, RH
27. 114466-02 Casting, rub rail end, wheel well, LH
28. 114465-02 CASTING CLOSEOUT, RUB RAIL LH
29. 114465-01 CASTING CLOSEOUT, RUB RAIL RH
30. 500563-03 RECEPT-WHITE 15 A#WRDU15-WT
30. 512399 COVER-EXT.OUTLET GREY W/P
32. 100679-01 Side Access Door Assembly
33. 690602 Water Heater
34. 511017-11 EXTERIOR VENT GRAY
35. 101323 CASTING, STEPLIGHT
36. 114328 Extrusion, beltline, chrome
- 37.203713 Molding, beltline, Moss

# 2014 INTERNATIONAL TRAVEL TRAILER

## EXTERIOR BODY

Roadside Wall, 27' Front Bed



Part Numbers are on the Next Page

# 2014 INTERNATIONAL TRAVEL TRAILER

## EXTERIOR BODY

### Roadside Wall, 27' Front Bed

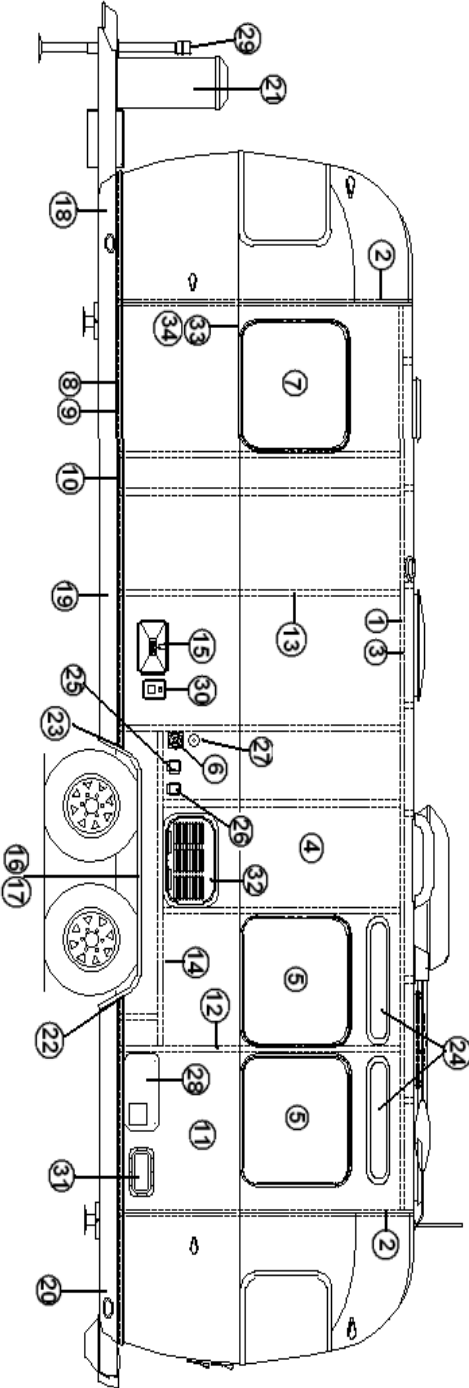
1. 114290-01 Extrusion, awning/drip rail
2. 114993 Rib, end bow
3. 104707-06 Extrusion, "I" beam
4. 114880-238 Alum. sheet, upper, .040" x 51" x 238"
5. 371380 Window, 30" opening, tall
6. 601392-05 City water hook-up
6. 601392-06 City water hook up - C.S.A.
7. 371380-01 30" egress window
8. 115546 Extrusion, rub rail
9. 201763-01 Insert, rub rail, chrome, 1"
10. 100986 Floor channel
11. 114879-238 Alum. sheet, lower, .040" x 33" x 238"
12. 114387-01 Bow, Z rib, RH
13. 114387-02 Bow, Z rib, LH
14. 100986 Wheel well stiffener (floor channel)
15. 602326 Shower, exterior, white
16. 684936 Wheel well trim, outer, tandem axle
17. 684937 Wheel well trim, inner, tandem axle
18. 200542-01 Banana wrap, RS front
19. 101131-01 Underbelly wrap, .024" x 22.5", Pewter
20. 200544-01 Banana wrap, RS rear
21. 921232 Cover, 30# LPG bottles
22. 114466-01 Casting, rub rail end, wheel well, RH
23. 114466-02 Casting, rub rail end, wheel well, LH
24. 371437-02 Vista View Window, 30"
25. 512568 TV cable hook up jack
26. \*512401-02 POWER INLET, 30A, 125V, MALE - GRAY
27. 601441 Black tank Flush
28. 690274-09 Door exterior, Hydroflame
29. \*400961 POWER JACK
30. 601194 Water fill w/lock, gray w/label
31. 922228-02 Door, side access, large
32. 923115 Refer Access door w/frame
33. 114328 Extrusion, beltline, chrome
34. 201912 Molding, beltline, chrome

\*Units manufactured in January, 2014 may have Jack #27265 as a substitution for Barker #27720. The jacks are identical except for post size. The current model #27720 is a 2 ¼" post. The temporary model #27265 is a 2" post w/ABS adapter.

# 2014 INTERNATIONAL TRAVEL TRAILER

## EXTERIOR BODY

Roadside Wall, 27' Front Bed, EDDIE BAUER



Parts Listed on Next Page

# 2014 INTERNATIONAL TRAVEL TRAILER

## EXTERIOR BODY

Roadside Wall, 27' Front Bed, EDDIE BAUER	
1. 114290-01	Extrusion, awning/drip rail
2. 114993	Rib, end bow
3. 104707-01	Extrusion, "I" beam
4. 114880-238	Alum. sheet, upper, .040" x 51" x 238"
5. 371380	Window, 30" opening, tall
6. 601392-05	City water hook-up
6. 601392-06	City water hook up - C.S.A.
7. 371380-01	30" egress window
8. 115546	Extrusion, rub rail
9. 201763-01	Insert, rub rail, chrome, 1"
10. 100986	Floor channel
11. 114879-238	Alum. sheet, lower, .040" x 33" x 238"
12. 114387-01	Bow, Z rib, RH
13. 114387-02	Bow, Z rib, LH
14. 100986	Wheel well stiffener (floor channel)
15. 602326	Shower, exterior, white
16. 684936	Wheel well trim, outer, tandem axle
17. 684937	Wheel well trim, inner, tandem axle
18. 200542-01	Banana wrap, RS front
19. 101131-01	Underbelly wrap, .024" x 22.5", Pewter
20. 200544-01	Banana wrap, RS rear
21. 921246	Cover, 30# LPG bottles
22. 114466-01	Casting, rub rail end, wheel well, RH
23. 114466-02	Casting, rub rail end, wheel well, LH
24. 371437-02	Vista View Window, 30"
25. 512568	TV/SAT Inlet Titanium
26. 512401-02	POWER INLET, 30A, 125V, MALE - GRAY
27. 601441	Black tank Flush
28. 690274-09	Door exterior, Hydroflame
29. *400961	POWER JACK
30. 601194	Water fill w/lock, gray w/label
31. 382020	Ram Air Vent
32. 923115	Refer Access door w/frame
33. 114328	Extrusion, beltline, chrome
34. 203713	Molding, beltline, Moss

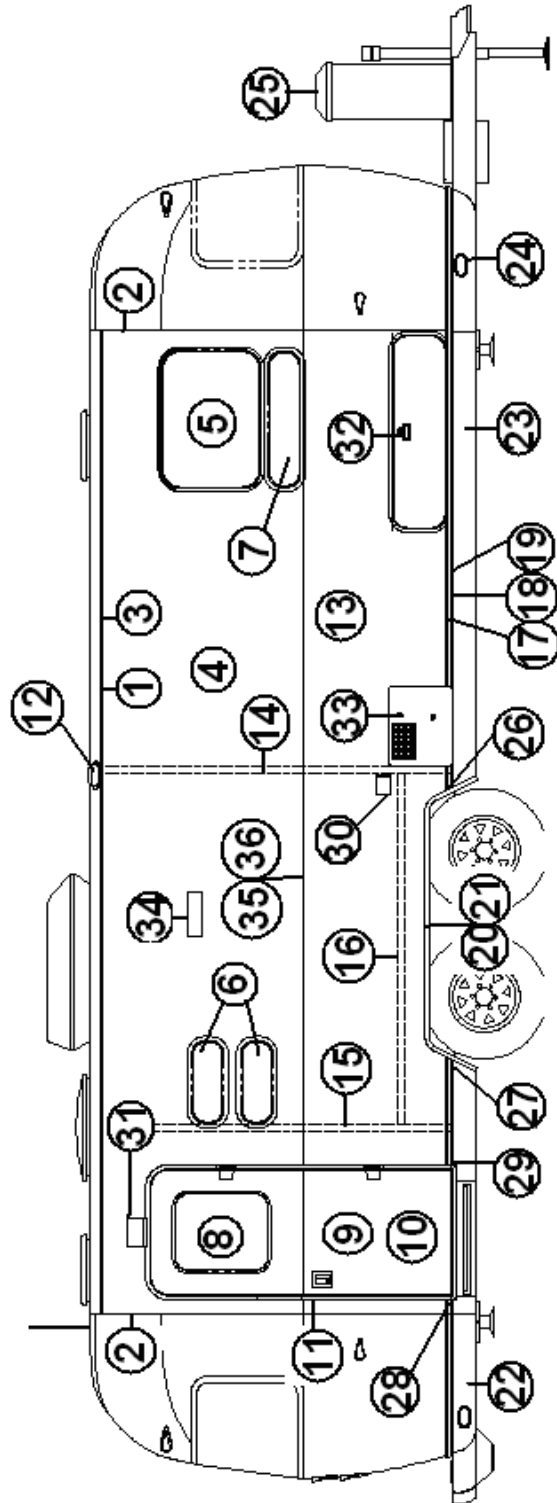
\*Units manufactured in January, 2014 may have Jack #27265 as a substitution for Barker #27720. The jacks are identical except for post size. The current model #27720 is a 2 ¼" post. The temporary model #27265 is a 2" post w/ABS adapter.



# 2014 INTERNATIONAL TRAVEL TRAILER

## EXTERIOR BODY

Curbside Wall, 27' Front Bed



Part Numbers are on the Next Page

# 2014 INTERNATIONAL TRAVEL TRAILER

## EXTERIOR BODY

### Curbside Wall, 27' Front Bed

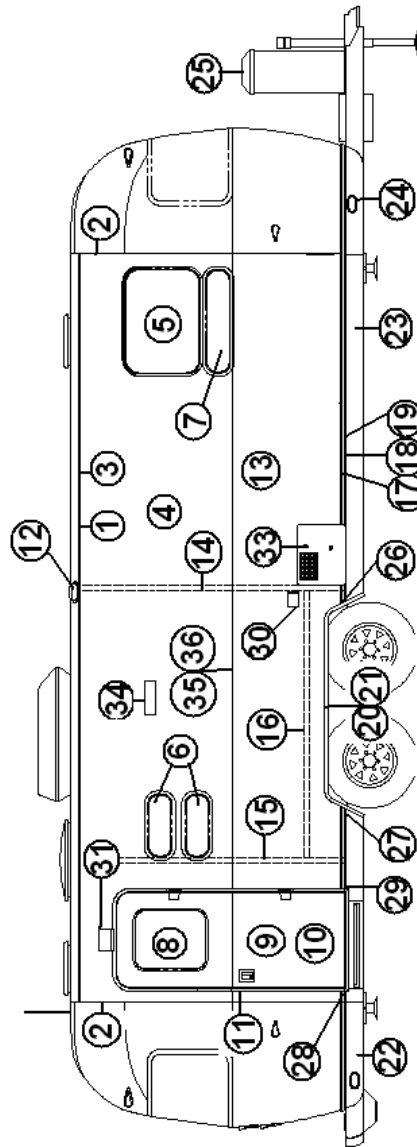
1. 114290-01 Extrusion, awning/drip rail
2. 114993 Rib, end bow
3. 104707-06 Extrusion, "I" beam
4. 114880-238 Alum. sheet, upper, .040" x 51" x 238"
5. 371324-02 Window, 30" opening
6. 371436 Window, 18" Stack
7. 371435 Window, 30" stack
8. 371400-01 Window, main door
9. 114654-01 Screen door assembly, RH hinge
10. 115207-06 Main door assembly RH hinge
11. 114652-01 Jamb, main door, RH hinge
12. 690266-01 Shower roof vent
13. 114879-238 Alum. sheet, lower, .040" x 33 x 238"
14. 114387-01 Bow, Z rib, RH
15. 114387-02 Bow, Z rib, LH
16. 100986 Wheel well stiffener (floor channel.
17. 115546 Extrusion, rub rail
18. 201763-01 Insert, rub rail, chrome, 1"
19. 100986 Floor channel
20. 684936 Wheel well trim, outer, tandem axle
21. 684937 Wheel well trim, inner, tandem axle
22. 200545-01 Banana wrap, CS rear
23. 101131-01 Underbelly wrap, .024" x 22.5, Pewter
24. 200543-01 Banana wrap, CS front
25. 921246 Cover, 30# LPG bottles
26. 114466-01 Casting, rub rail end, wheel well, RH
27. 114466-02 Casting, rub rail end, wheel well, LH
28. 114465-02 CASTING CLOSEOUT, RUB RAIL LH
29. 114465-01 CASTING CLOSEOUT, RUB RAIL RH
30. 500563-03 RECEP-WHITE 15 A#WRDU15-WT
30. 512399 COVER-EXT.OUTLET GREY W/P
31. 101323 CASTING, STEPLIGHT
32. 922288-02 Door, side access, large
33. 690602 Water Heater
34. 511017-11 EXTERIOR VENT GRAY
35. 114328 Extrusion, beltline, chrome
36. 201912 Molding, beltline, chrome

.

# 2014 INTERNATIONAL TRAVEL TRAILER

## EXTERIOR BODY

Curbside Wall, 27' Front Bed, Eddie Bauer



Parts Listed on Next Page

# 2014 INTERNATIONAL TRAVEL TRAILER

## EXTERIOR BODY

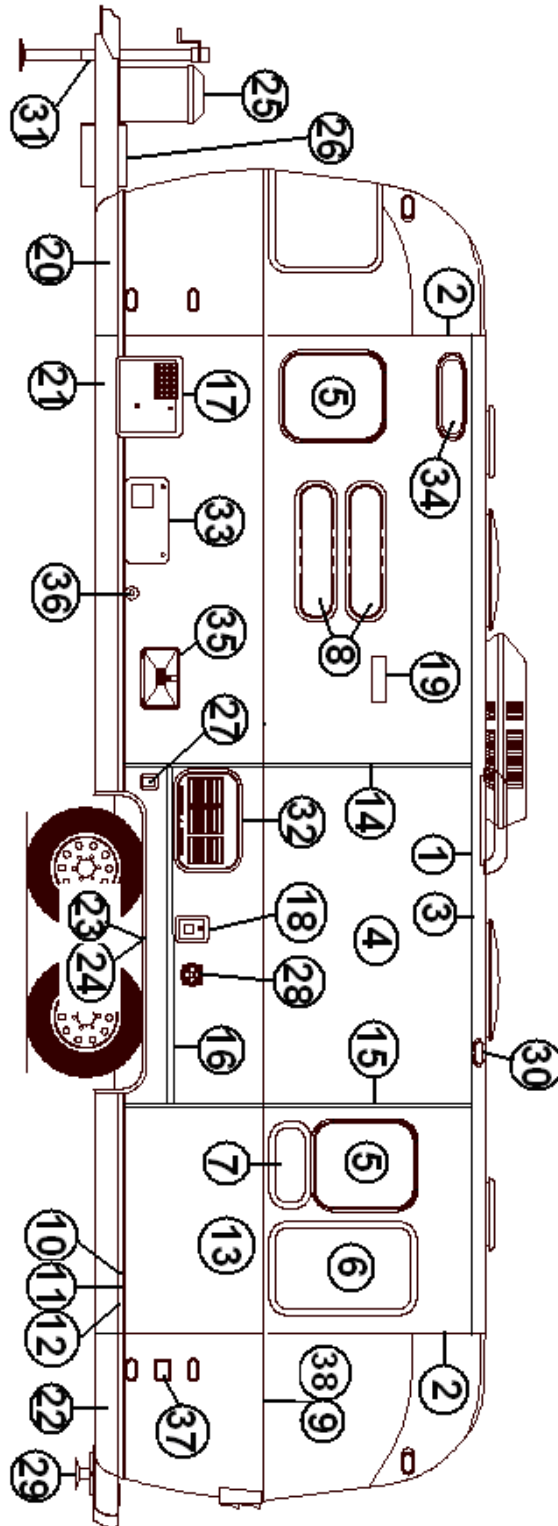
Curbside Wall, 27' Front Bed, Eddie Bauer

1. 114290-01 Extrusion, awning/drip rail
2. 114993 Rib, end bow
3. 104707-01 Extrusion, "1" beam
4. 114880-238 Alum. sheet, upper, .040" x 51" x 238"
5. 371324-02 Window, 30" opening
6. 371436 Window, 18" Stack
7. 371435 Window, 30" stack
8. 371400-01 Window, main door
9. 371400-01 Screen door assembly, RH hinge
10. 115207-06 Main door assembly RH hinge
11. 114652-01 Jamb, main door, RH hinge
12. 690266-01 Shower roof vent
13. 114879-238 Alum. sheet, lower, .040" x 33 x 238"
14. 114387-01 Bow, Z rib, RH
15. 114387-02 Bow, Z rib, LH
16. 100986 Wheel well stiffener (floor channel.
17. 115546 Extrusion, rub rail
18. 201763-01 Insert, rub rail, chrome, 1"
19. 100986 Floor channel
20. 684936 Wheel well trim, outer, tandem axle
21. 684937 Wheel well trim, inner, tandem axle
22. 200545-01 Banana wrap, CS rear
23. 101131-01 Underbelly wrap, .024" x 22.5, Pewter
24. 200543-01 Banana wrap, CS front
25. 921246 Cover, 30# LPG bottles
26. 114466-01 Casting, rub rail end, wheel well, RH
27. 114466-02 Casting, rub rail end, wheel well, LH
28. 114465-02 CASTING CLOSEOUT, RUB RAIL LH
29. 114465-01 CASTING CLOSEOUT, RUB RAIL RH
30. 500563-03 RECEPT-WHITE 15 A#WRDU15-WT
30. 512399 COVER-EXT.OUTLET GREY W/P
31. 101323 CASTING, STEPLIGHT
32. 922288-02 Door, side access, large
33. 690602 Water Heater
34. 511017-11 EXTERIOR VENT GRAY
35. 114328 Extrusion, beltline, chrome
36. 203713 Molding, beltline, Moss

# 2014 INTERNATIONAL TRAVEL TRAILER

## EXTERIOR SHELL

Roadside Wall, 28'



P/N on the next page.

# 2014 INTERNATIONAL TRAVEL TRAILER

## EXTERIOR SHELL

Roadside Wall, 28'

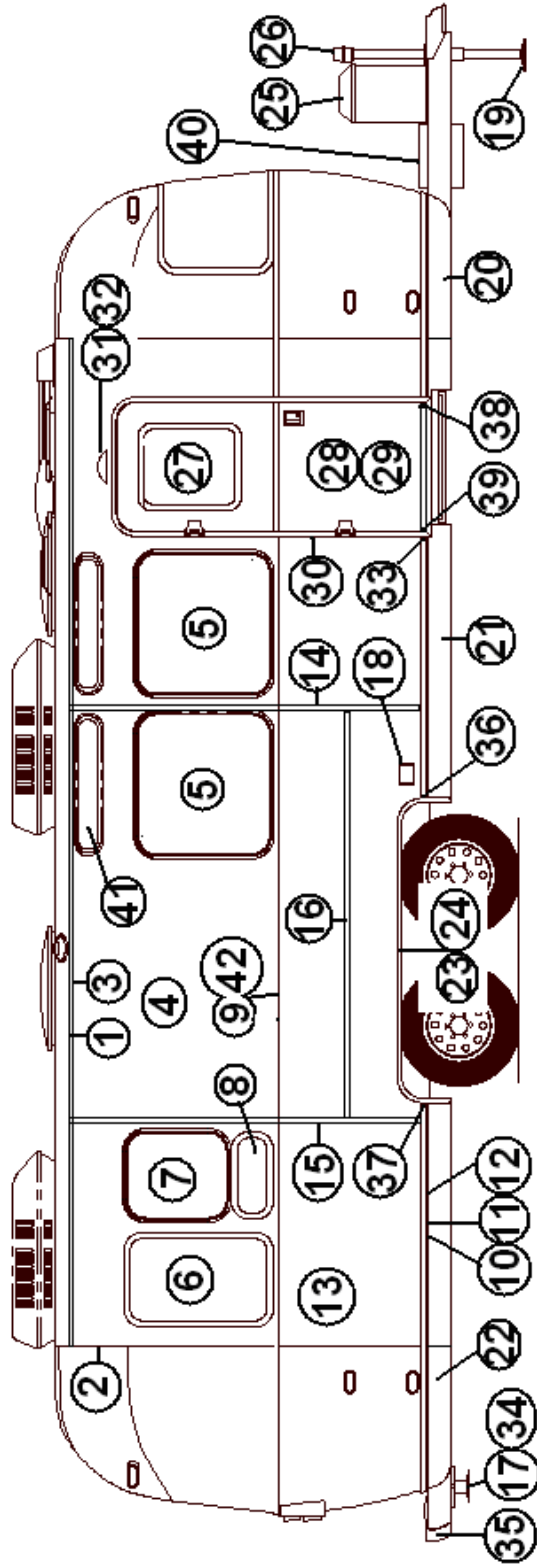
1. 114290-01	Extrusion, awning/drip rail
2. 114993	Rib, end bow
3. 104707-06	Extrusion, "I" beam
4. 114880-238	Alum, sheet, upper, .040" x 51" x 238"
5. 371323-01	Window, 18", opening window
6. 371286-01	Window, 18", curved fixed window
7. 371436	Window, 18" stacked
8. 371435	Window, 30" stacked
9. 114328	Extrusion, beltline, chrome
10. 115546	Extrusion, rub rail
11. 201763-01	Insert, rub rail, chrome, 1"
12. 100986	Floor channel
13. 114879-238	Alum. sheet, lower, .040" x 33" x 238"
14. 114387-01	Bow, Z rib, RH
15. 114387-02	Bow, Z rib, LH
16. 100986	Wheel well stiffener (floor channel)
17. 690209	Access door, Atwood water heater
18. 601194	Water fill, w/lock
19. 511017-11	Vent cover, exterior range exhaust
20. 200542-01	Banana wrap, RS front
21. 101131-01	Underbelly wrap, .024" x 22.5", Pewter
22. 200544-01	Banana wrap, RS rear
23. 684936	Wheel well trim, outer, tandem axle
24. 684937	Wheel well trim, inner, tandem axle
25. 921232	Bottle cover, LP
26. 410551-02	Lid, battery Box
27. 512401-02	POWER INLET, 30A, 125V, MALE - GRAY
28. 601392-05	City water hook-up, chrome w/regulator
29. 400093-01	Stabilizer jack, each
29A. 400093-02	Handle, stabilizer jack
30. 690266-01	Bath power ventilator
31.* 400961	Jack, Power
32. 923115	Refer access door w/frame
33. 690274-09	Door exterior, Hydroflame
34. 371437-01	Vista View Window, 18"
35. 602326	Shower, exterior, white
36. 601441	Black tank Flush
37. 500563-03	RECEPT-WHITE 15 A#WRDU15-WT
37. 512399	COVER-EXT.OUTLET GREY W/P
38. 201912	Molding, beltline, chrome

\*Units manufactured in January, 2014 may have Jack #27265 as a substitution for Barker #27720. The jacks are identical except for post size. The current model #27720 is a 2 ¼" post. The temporary model #27265 is a 2" post w/ABS adapter.

# 2014 INTERNATIONAL TRAVEL TRAILER

## EXTERIOR SHELL

Curbside Wall, 28'



P/N on the next page.

# 2014 INTERNATIONAL TRAVEL TRAILER

## EXTERIOR SHELL

Curbside Wall, 28'

1. 114290-01 Extrusion, awning/drip rail
2. 114993 End bow
3. 104707-06 Extrusion, "I" beam
4. 114880-238 Window sheet, .040" x 51" x 238"
5. 371380 Window, Tall, 30" opening
6. 371286-01 Window, 18" X 30" curved fixed
7. 371323-01 Window, 18" opening
8. 371436 Window, 18" stacked
9. 114328 Extrusion, beltline, chrome
10. 115546 Extrusion, rub rail
11. 201763-01 Insert, rub rail, chrome, 1"
12. 100986 Floor channel
13. 114879-238 Side sheet, .040" x 33" x 238"
14. 114387-01 Bow, Z rib, RH
15. 114387-02 Bow, Z rib, LH
16. 100986 Wheel well stiffener (floor channel)
17. 400093-02 Handle, stabilizer jack
18. 500563-03 RECEPT-WHITE 15 A#WRDU15-WT
18. 512399 COVER-EXT.OUTLET GREY W/P
19. 410598 Super Jack footpad
20. 200543-01 Banana wrap, CS front
21. 101131-01 Underbelly wrap, .024 x 22.5, Pewter
22. 200545-01 Banana wrap, CS rear
23. 684936 Wheel well trim, outer, tandem axle
24. 684937 Wheel well trim, inner, tandem axle
25. 371246 Bottle cover, LP
26. \*400961 Jack, Super w/light
27. 371400-01 Window, main door
28. 115207-04 Main door assembly
29. 114654 Screen door assembly
30. 114652 Main door jamb, formed
31. 101323 Casting, main door light
32. 201185 Lens, main door light
33. 114465-02 Close out rub rail, LH
34. 400093-01 Stabilizer jack, each
35. 410831 Bumper, polished
36. 114466-01 Casting, rub rail end, wheel well, RH
37. 114466-02 Casting, rub rail end, wheel well, LH
38. 114465-01 Close out rub rail, RH
39. 114465-02 Close out rub rail, LH
40. 410551-02 LID BATTERY BOX
41. 371437-02 Vista View Window, 30"
42. 201912 Molding, beltline, chrome

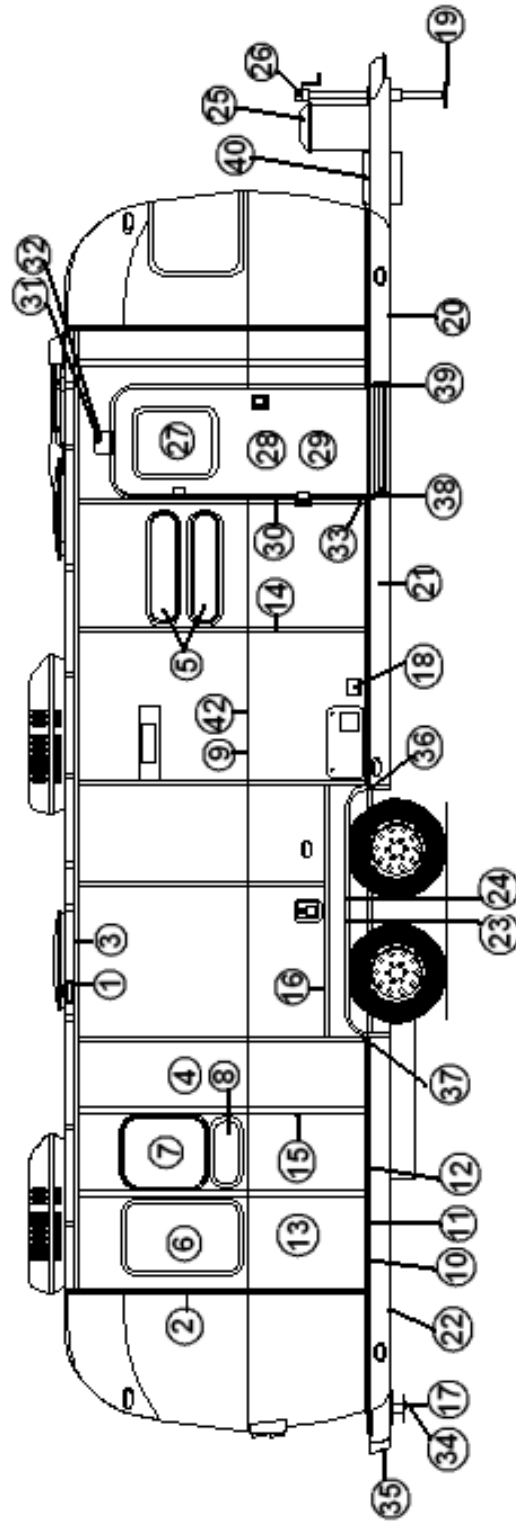
\*Units manufactured in January, 2014 may have Jack #27265 as a substitution for Barker #27720. The jacks are identical except for post size. The current model #27720 is a 2 ¼" post. The temporary model #27265 is a 2" post w/ABS adapter.



# 2014 INTERNATIONAL TRAVEL TRAILER

## EXTERIOR SHELL

Curbside Wall, 30'



Part Numbers on Next Page

# 2014 INTERNATIONAL TRAVEL TRAILER

## EXTERIOR SHELL

Curbside Wall, 30'

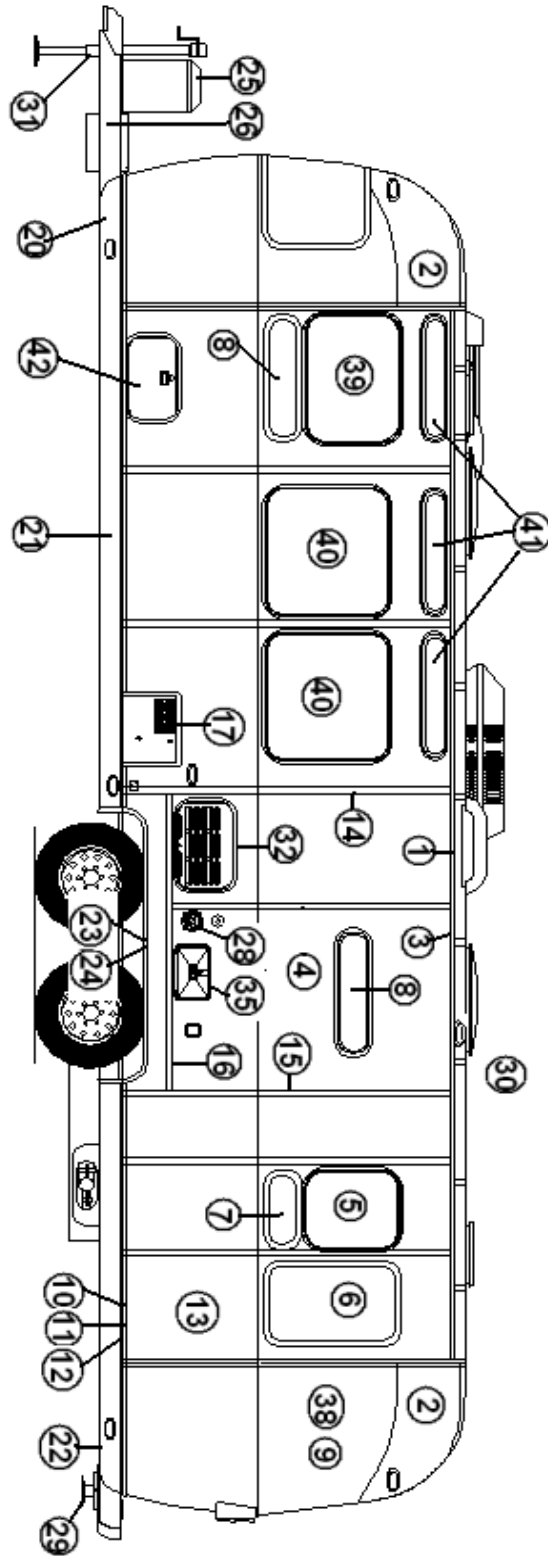
1. 114290-01 Extrusion, awning/drip rail
2. 114993 End bow
3. 104707-06 Extrusion, "I" beam
4. 114880-262 Window sheet, .040" x 51" x 262"
5. 371435 Window, 30" stack
6. 371286-01 Window, 18" X 30" curved fixed
7. 371323-01 Window, 18" opening
8. 371436 Window, 18" stacked
9. 114328 Extrusion, beltline, chrome
10. 115546 Extrusion, rub rail
11. 201763-01 Insert, rub rail, chrome, 1"
12. 100986 Floor channel
13. 114879-262 Side sheet, .040" x 33" x262"
14. 114387-01 Bow, Z rib, RH
15. 114387-02 Bow, Z rib, LH
16. 100986 Wheel well stiffener (floor channel)
17. 400093-02 Handle, stabilizer jack
18. 500563-03 RECEPT-WHITE 15 A#WRDU15-WT
- 18 512399 COVER-EXT.OUTLET GREY
19. 410598 Super Jack footpad
20. 200543-01 Banana wrap, CS front
21. 101131-01 Underbelly wrap, .024 x 22.5, Pewter
22. 200545-01 Banana wrap, CS rear
23. 684936 Wheel well trim, outer, tandem axle
24. 684937 Wheel well trim, inner, tandem axle
25. 921246 Bottle cover, LP
- 26.\* 400961 Jack, Super w/light
27. 371400-01 Window, main door
28. 115207-04 Main door assembly
29. 114654 Screen door assembly
30. 114652 Main door jamb, formed
31. 101323 Casting, main door light
32. 201185 Lens, main door light
33. 114465-02 Close out rub rail, LH
34. 400093-01 Stabilizer jack, each
35. 410831 Bumper, polished
36. 114466-01 Casting, rub rail end, wheel well, RH
37. 114466-02 Casting, rub rail end, wheel well, LH
38. 114465-01 Close out rub rail, RH
39. 114465-02 Close out rub rail, LH
40. 410551-02 LID BATTERY BOX
42. 201912 Molding, beltline, chrome

\*Units manufactured in January, 2014 may have Jack #27265 as a substitution for Barker #27720. The jacks are identical except for post size. The current model #27720 is a 2 ¼" post. The temporary model #27265 is a 2" post w/ABS adapter.

# 2014 INTERNATIONAL TRAVEL TRAILER

## EXTERIOR SHELL

Roadside Wall, 30'



PARTS ON NEXT PAGE

# 2014 INTERNATIONAL TRAVEL TRAILER

## EXTERIOR SHELL

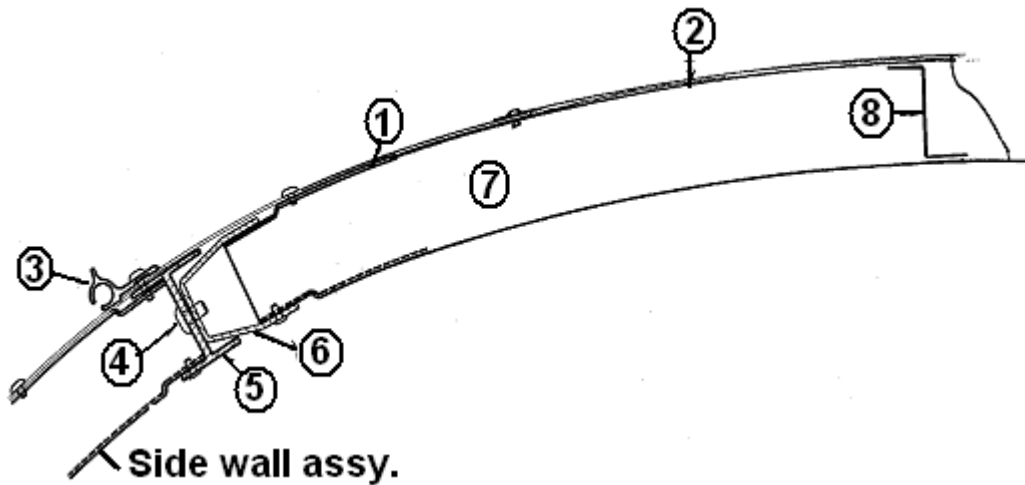
Roadside Wall, 30'

1.	114290-01	Extrusion, awning/drip rail
2.	114993	Rib, end bow
3.	104707-06	Extrusion, "I" beam
4.	114880-262	Alum, sheet, upper, .040" x 51" x262"
5.	371323-01	Window, 18", opening window
6.	371286-01	Window, 18", curved fixed window
7.	371436	Window, 18" stacked
8.	371435	Window, 30" stacked
9.	114328	Extrusion, beltline, chrome
10.	115546	Extrusion, rub rail
11.	201763-01	Insert, rub rail, chrome, 1"
12.	100986	Floor channel
13.	114879-262	Alum. sheet, lower, .040" x 33" x262"
14.	114387-01	Bow, Z rib, RH
15.	114387-02	Bow, Z rib, LH
16.	100986	Wheel well stiffener (floor channel)
17.	690209	Access door, Atwood water heater
18.	601194	Water fill, w/lock
19.	511017-11	Vent cover, exterior range exhaust
20.	200542-01	Banana wrap, RS front
21.	101131-01	Underbelly wrap, .024" x 22.5", Pewter
22.	200544-01	Banana wrap, RS rear haircell
23.	684936	Wheel well trim, outer, tandem axle
24.	684937	Wheel well trim, inner, tandem axle
25.	921246	Bottle cover, LP
26.	410551-02	Lid, battery Box
28.	601392-05	City water hook-up, chrome w/regulator
29.	400093-01	Stabilizer jack, each
29A.	400093-02	Handle, stabilizer jack
31.	*400961	Jack, Power
32.	923115	Refer access door w/frame
33.	690274-09	Door exterior, Hydroflame
35.	602326	Shower, exterior, white
36.	601441	Black tank Flush
37.	500563-03	RECEPT-WHITE 15 A#WRDU15-WT
37.	512399	COVER-EXT.OUTLET GREY W/P
38.	201912	Molding, beltline, chrome
39.	371324-02	Window 30" Opening
40.	371380	Window 30" Opening, Tall
41.	371437-02	Window 30" Vista View
42.	100679-01	Side Access Door

\*Units manufactured in January, 2014 may have Jack #27265 as a substitution for Barker #27720. The jacks are identical except for post size. The current model #27720 is a 2 ¼" post. The temporary model #27265 is a 2" post w/ABS adapter.

# 2014 INTERNATIONAL TRAVEL TRAILER

## Roof End View



- |               |                                           |
|---------------|-------------------------------------------|
| 1. 114669-307 | Alum. Sheet, white, .032" x 12.69" x 307" |
| 2. 114489-198 | Alum. Sheet, white, .032" x 60" x 198"    |
| 2. 114489-238 | Alum. Sheet, white, .032" x 60" x 238"    |
| 2. 114489-262 | Alum. Sheet, white, .032" x 60" x 262"    |
| 2. 114489-307 | Alum. Sheet, white, .032" x 60" x 307"    |
| 3. 114290-01  | Extrusion, awning/drip rail, 197"         |
| 4. 330139-01  | RIVET MAGNALOK SS 1/4"                    |
| 5. 114515     | Extrusion, "I" beam, 258"                 |
| 6. 114987-01  | Extrusion, roof corner, 194"              |
| 7. 114387-03  | N/B ROOF BOW, ASSEMBLY                    |
| 7. 114668     | W/B ROOF BOW ASSEMBLY                     |
| 8. 104408     | Extrusion, Z-bar, horizontal              |
| 330139-01     | RIVET, MAGNALOK SS 1/4"                   |
| 325000-03     | RIVET ANODIZED WHITE 1/8" X 1/4"          |
| 330016-04     | POP RIVET, CLOSED END, 1/8" DIAMETER      |
| 330126-04     | RIVET, POP, S.S., .125" #45               |
| 330127-03     | RIVET 1/8" (MILL) AD43ABS                 |

## Air Conditioner Deflector, Roof



104948

AIR DEFLECTOR, A/C TO REFER VENT

# 2014 INTERNATIONAL TRAVEL TRAILER

## EXTERIOR SHELL

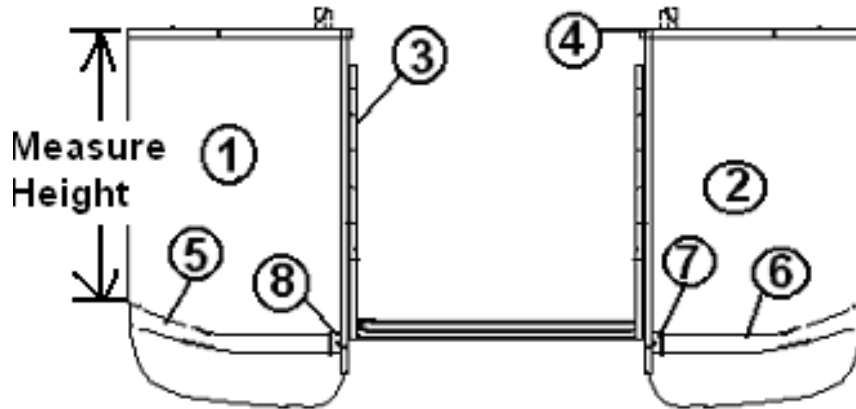
### FLOORING, SUB STRUCTURE

800976-01	PLYWOOD TONGUE & GROOVE 19/32 X 97"
345073-21	1/4-20 X 3 SCREW WAFERHEAD
100986	EXTRUSION, FLOOR
300023-02	WASHER, HOLD DOWN-HOLE OFFSET
345084	SCREW-1/4-14X1 THREAD. CUTTING
320159	FLOOR SCREW M6 X 45 SELF DRILL
203727	FOIL, SINGLE BUBBLE FLEX

# 2014 INTERNATIONAL TRAVEL TRAILER

## EXTERIOR SHELL

### Wrap Protector/Holdbacks



- |               |                                                                              |
|---------------|------------------------------------------------------------------------------|
| 109325-02     | Wrap Protector, Complete Set, 19', (23FB<br>CSA)                             |
| 109325-100    | Wrap Protector, Complete Set, 23' D, 25', 27',<br>28'                        |
| 1. 966276     | Wrap Protector, CS, 28" Tall, 23' D, 23 FB, 25',<br>27', 28', 30' FIRST UNIT |
| 1. 685365-100 | Wrap Protector, CS, 28" Tall, 19'                                            |
| 2. 966277     | Wrap Protector, RS, 28" Tall, 23' D, 23FB, 25',<br>27', 28', 30'             |
| 2. 685366-100 | Wrap Protector, RS, 28" Tall, 19'                                            |
| 3. 381605-03  | Hinge, stainless, wrap protector, 25"                                        |
| 4. 100742-01  | Extrusion, mirror/wrap trim protector                                        |
| 5. 115546     | Extrusion, rub rail                                                          |
| 6. 201763-01  | Insert, rub rail, chrome                                                     |
| 7. 114465-01  | CASTING CLOSEOUT RUB RAIL RH                                                 |
| 8. 114465-02  | CASTING CLOSE-OUT RUB RAIL LH                                                |
| 114819-01     | Wrap protector hold back, 1.62"                                              |
| 114819-02     | Wrap protector hold back, 2.50"                                              |
| 114819-03     | Wrap protector hold back, 5.00"                                              |
| 101401        | EXTRUSION, DOOR LATCH HOUSING/STONE                                          |
| 345417        | NUT ACORN, HEX, LOCKING SS 1/4-                                              |
| 345376        | NUT HEX HD 1/4-20 SS                                                         |
| 345336-07     | CAP SCREW HEX HD 1/4-20 HEX .75"                                             |
| 500096        | REFLECTOR, AMBER                                                             |

# 2014 INTERNATIONAL TRAVEL TRAILER

## INTERIOR SHELL

### SKIN

114879-201	ALUMINUM SHEET, .040" X 33"W X 201"
114880-201	ALUMINUM SHEET, .040" X 51"W X 201"
114879-238	ALUMINUM SHEET, .040" X 33" X 238"
114880-238	ALUMINUM SHEET, .040" X 51" X 238"
114879-262	ALUMINUM SHEET .040" X 33" X 262"
114880-262	ALUMINUM SHEET .040" X 51" X 262"
114880-307	ALUMINUM SHEET .040" X 51" X 307"
330128-05	RIVET 1/8 IN (WHITE) AD45ABS

### INTERIOR SHELL TRIM

114507-03	TRIM, MAIN DOOR
381772	HEAD KNOCKER-ENTRANCE DOOR
201666	MOLDING-J 3/16" ALMOND PLASTIC, bath wall
110900-03	TRIM FORMED INT. FRONT WRAP ALUM.
110900-04	TRIM FORMED INTERIOR FRONT WRAP ALUM
114157-01	EXTRUSION END LINER UPPER WHITE
371319-06	TRIM RING-MAIN DOOR WINDOW
203138-01	EXTRUSION, PLASTIC WALL, WHITE
203138-03	EXTRUSION PLASTIC WALL BEIGE
203138-04	EXTRUSION, PLASTIC 1/2" OAK W
203138-05	EXTRUSION, PLASTIC 1/2", WALL, BLACK

### INTERIOR WHEEL WELL LINER

200844	WHEEL WELL, TANDEM, 66.50", A.B.S, 25 FB, 28', 30'
200514	WHEEL WELL INSULATOR, PLASTIC, TANDEM



# 2014 INTERNATIONAL TRAVEL TRAILER

## CHASSIS

### Axles

410980-11	AXLE, 4500 lbs., 30' (First usage S/N 528088 – January, 2013.)
410980-02	AXLE, 3800 lbs., 28', 27', 25', 25 & 27 FB EDDIE BAUER
410980-09	AXLE, 3000 lbs., 23'D, 23FB
410980-06	AXLE, 4300 lbs., 19'
410980-07	AXLE, 5000 lbs., 19' – CSA
411000-01	AXLE, 3800# 12" Brakes, Dexter-28' Airstream 2 Go

### Shocks

0220003	Shock assembly
0250173-15	Bolt, grade 5, 5/8"-18 x 1.5", shock mount
0130068-818	Nut, hex head flanged, 5/8"-18, shock mount

### Tires/Wheels, 14", 23' D Models, 23FB

400996	Tire/Wheel assembly, 14", 10 hole pattern
400996-100	Wheel Only, 14"
400985	COVER, DUST, 4", STAINLESS STEEL
400923	LUG NUT-1/2" ACORN TYPE

### Tires/Wheels 15", 19', 25', 28', 27' FB Models, 30'

410840-01	TIRE/WHEEL ASSY "D" RANGE
400844	COVER, HUB DUST, 4", STAINLESS STEEL
400844-01	CAP, CENTER, STAINLESS STEEL, 25'
400923	LUG NUT-1/2" ACORN TYPE
410598	FOOT PAD

### Tires/Wheels 16" – Eddie Bauer

410991	TIRE/WHEEL ASSY- 16" ALUMINUM
400844-01	CAP-CENTER STAINLESS STEEL
400923	LUG NUT-1/2" ACORN TYPE

# 2014 INTERNATIONAL TRAVEL TRAILER

## CHASSIS

### Spare Tire and Carrier

410848-01	Tire & Wheel Assy. 14" Steel
410848-100	Wheel Only 14" Steel
410843-01	SPARE TIRE/WHEEL ASSEMBLY 15" "D"
410843-100	Wheel Only 15" Steel
450414	"A" frame spare tire carrier
994073	Bracket for spare tire carrier
410994	Spare Tire/Wheel Assy. 16", 25FB EDDIE BAUER

### Step Assembly, 19'

400962	STEP, MAIN DOOR STEEL 24"
0250175-03	SCREW HHCS GR5 3/8-16 X 3/4"
0260100	3/8-16 U-TYPE CAGE NUT

### Step Assembly, 23' D, 23'FB, 25', 27' FB, 28', 30'

381863-01	STEP, DOUBLE W/DOUBLE TREAD
0250175-03	SCREW HHCS GR5 3/8-16 X 3/4"
0260100	3/8-16 U-TYPE CAGE NUT

### Hitch Jack, Manual

3320028	FRONT-WIND MANUAL JACK, ATWOOD
410598	FOOT PAD #12231

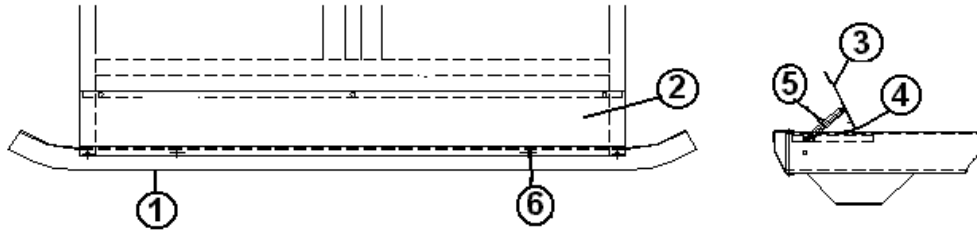
### Safety Chains

400953	Safety Chain, 1/4" x 30"
400945	5/16" clevis, safety slip hook

# 2014 INTERNATIONAL TRAVEL TRAILER

## CHASSIS

### Bumper/Bumper Storage Assembly, 19'

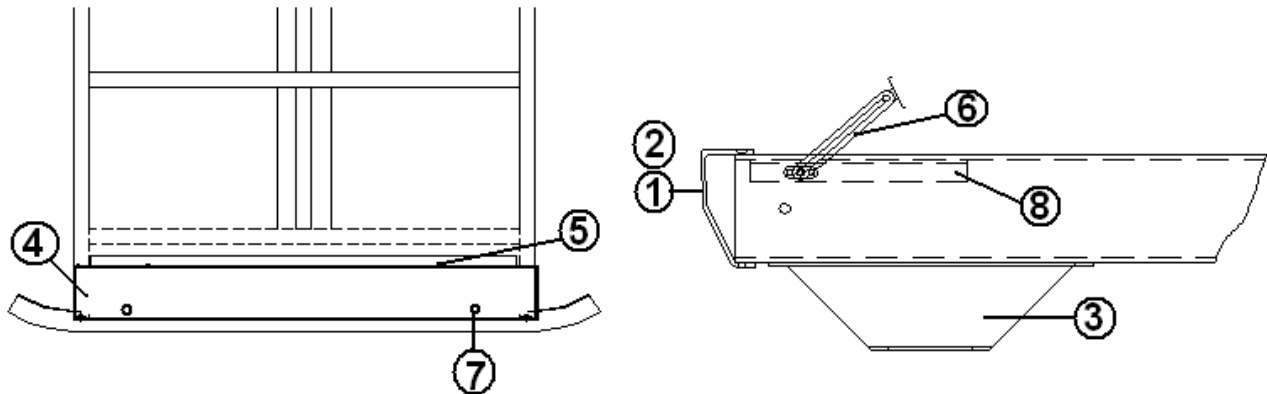


- |              |                                |
|--------------|--------------------------------|
| 1. 410932    | BUMPER                         |
| 2. 453627    | BOTTOM-STORAGE COMPARTMENT     |
| 3. 454214    | LID REAR BUMPER COMPARTMENT    |
| 4. 380203-02 | HINGE PIANO 1/8 PIN            |
| 5. 380024    | ARMS SUPPORT RIGHT HAND        |
| 6. 380067    | LOCK CAM BUMPER LID LATCH      |
| 365013-01    | TAPE CHARCOAL LOW DENSITY FOAM |

# 2014 INTERNATIONAL TRAVEL TRAILER

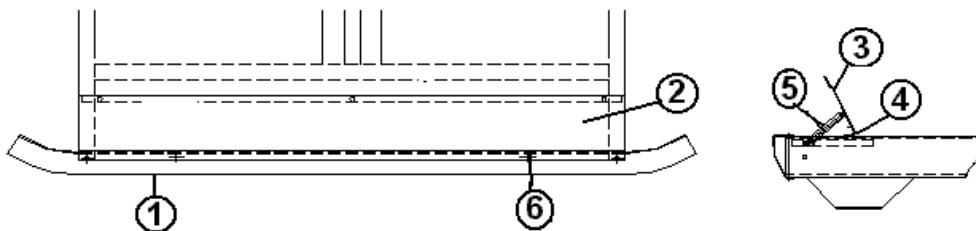
## CHASSIS

### Bumper/Bumper Storage Assembly, 23' D, 23FB



- |              |                                |
|--------------|--------------------------------|
| 1. 410932    | BUMPER-REAR                    |
| 2. 345073-08 | SCREW 1/4-20 X 1 3/8 WAFER HD. |
| 3. 454314    | BOTTOM-SEWER HOSE COMPARTMENT  |
| 4. 454315    | LID-REAR HOSE CARRIER          |
| 5. 380203-02 | HINGE PIANO                    |
| 6. 380024    | ARMS SUPPORT RIGHT HAND        |
| 7. 380067    | LOCK CAM                       |
| 8. 114812    | ALUMINUM ANGLE 1.00 X 1.00"    |
| 365013-01    | TAPE CHARCOAL LOW DENSITY FOAM |
| 381435       | HATCH, ACCESS COVER 4" WHITE   |

### Bumper/Bumper Storage Assembly, 25', 25FB EB, 27' FB, 28', 30'



- |              |                                |
|--------------|--------------------------------|
| 1. 410831    | REAR BUMPER                    |
| 2. 453538    | BOTTOM-SEWER HOSE COMPART      |
| 3. 453497    | LID REAR BUMPER COMPARTMENT    |
| 4. 380203-02 | HINGE PIANO 1/8 PIN            |
| 5. 380024    | ARMS SUPPORT RIGHT HAND        |
| 6. 380067    | LOCK CAM BUMPER LID LATCH      |
| 365013-01    | TAPE CHARCOAL LOW DENSITY FOAM |
| 381435       | Hatch- Access Cover 4" White   |

# 2014 INTERNATIONAL TRAVEL TRAILER

## CHASSIS

### Stabilizing Jacks, 19',

400914-03 STABILIZER JACK 20"  
400914-02 HANDLE-15"(STABILIZER JACK)  
400914-04 Stabilizer jack footpad, set of 4  
385020 STICKER SELF ADHERING, JACK  
454425 SPACER-STABILIZER JACK

### Stabilizing Jacks, 23'D, 23'FB, 25', 25' FB, 27' FB, 28',30'

400093 Stabilizing jacks, BAL w/handle, set of 4, 19'  
400093-01 BAL jack, each  
400093-02 CRANK, STABILIZER JACK (BAL)  
400093-04 Foot pad, BAL jack  
400093-05 BAL JACK, BLK, W/FOOTPAD & CRANK  
385020 STICKER SELF ADHERING, JACK

### Power Jack

400961 POWER JACK W/FOOT PAD  
410598 FOOT PAD, POWER JACK

\*Units manufactured in January, 2014 may have Jack #27265 as a substitution for Barker #27720. The jacks are identical except for post size. The current model #27720 is a 2 1/4" post. The temporary model #27265 is a 2" post w/ABS adapter.

### Hose Carrier

601544-02 EZ HOSE CARRIER-BLACK 45  
601544-03 EZ HOSE CARRIER END CAP - BLACK  
454422 SPACER-SEWER HOSE CARRIER, 16' model  
104704-01 SHIM, 3" X 3"

### Underbelly

101131-01 Aluminum, underbelly wrap, .024" x 22.5, gray  
114679 ALUMINUM UNDERBELLY .019" X" 65.75"  
200093 INSULATION, FIBERGLASS

# 2014 INTERNATIONAL TRAVEL TRAILER

## CHASSIS

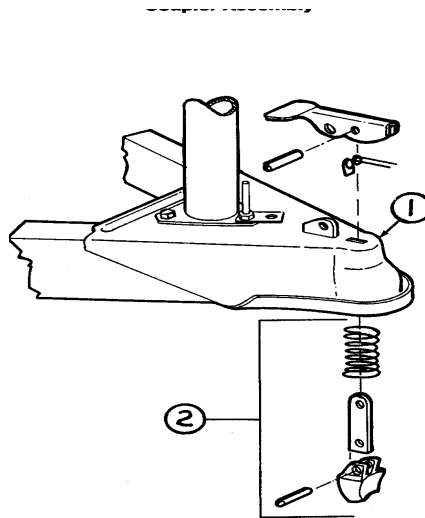
### Compartment Bottom

- 115209-01 ALUMINUM DIAMOND PLATE, .025" X 4' X 90", 23', 19'
- 115209-02 ALUMINUM DIAMOND PLATE-.025" X 4' X 74",30' 28'
- 115212-01 Tread plate, 28.16" X 53.25", 30', 28', 27'
- 115212-12 Tread plate- 43.75" x 50" ,23'FB, 25' FB
- 115212-04 Tread plate, under bed storage, 23' D, 19'
- 115601-01 Tread plate, Bumper storage 11.50 x 66.50  
Diamond Plate
- 115601-02 Tread plate, Bumper Storage 11.50 x 60.82  
Diamond Plate
- 115601-03 Tread plate, Bumper Storage 9.38 x 58.13  
Diamond Plate
- 115601-04 Tread plate, Bumper Storage 11.75 x 62.88  
Diamond Plate

### Cross Car Electrical Raceway, 30', 28', 27', 25'

- 453296 CROSSCAR ELECTRICAL RACEWAY

### Hitch Coupler

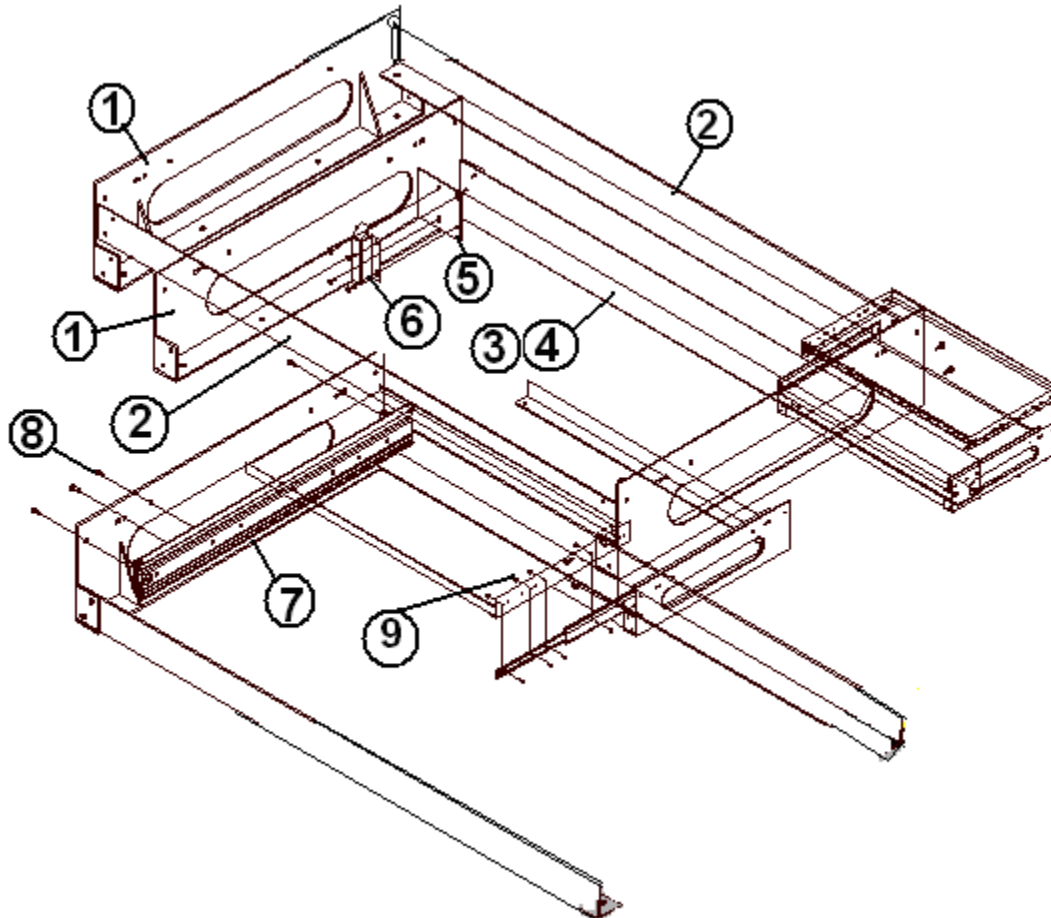


- 1. 680343 Coupler assembly, 2 5/16"
- 2. 680345 Repair kit, 2 5/16" coupler

# 2014 INTERNATIONAL TRAVEL TRAILER

## CHASSIS

### Rear Storage Slide, "W" Bed



- |               |                                      |
|---------------|--------------------------------------|
| 1. 454596     | FLOOR MOUNTING BRACKET, REAR STORAGE |
| 2. 454597     | ANGLE, CROSSMEMBER, REAR STOW        |
| 3. 454598     | SLIDE BRACKET, REAR STOW             |
| 4. 454599     | STORAGE BOX CROSSMEMBER              |
| 5. 454600     | LATCH BRACKET                        |
| 6. 382035     | LATCH, SUNDECKER                     |
| 7. 382036     | SLIDE, 24" ACCURIDE END              |
| 8. 320120-500 | SCREW, 10-32, FLAT HEAD              |
| 9. 350029     | LOCK NUT, 10-32                      |

# 2014 INTERNATIONAL TRAVEL TRAILER

## EXTERIOR TRIM

### Decal/Medallions

386068	MEDALLION 3" LOGO, AIRSTREAM, Main door
386125	NAMEPLATE, BAMBI, RED-WHITE-BLUE 19'
386130-01	NAMEPLATE-CCD, BLACK, CHRIS DEAM
386108	NAMEPLATE-INTERNATIONAL
386247	NAMEPLATE – 80 YEAR LOGO
386258	NAMEPLATE – STERLING
386259	NAMEPLATE – INTERNATIONAL STERLING
386152	DECAL-AIRSTREAM 2.4"X 28"
386239	BADGE – SERENITY 3" DIA.
386248	NAMEPLATE – EDDIE BAUER 3" X 10"
386196	DECAL, SIGNATURE SERIES
385964-02	"AIRSTREAM" DECAL, 1 5/16" X 32"
386150	DECAL, AIRSTREAM 2.4" X 28" BLACK
365354	DECAL, REFLECT 2" X 8" WHITE/SILVER

### Beltline

114328	Extrusion, belt line molding
201912-100	Molding, belt line insert, chrome
114417	Casting, belt line close out
203713	Molding, belt line insert, Moss – Eddie Bauer

### Rub Rail Trim

115546	Extrusion, rub rail
201763-01	Insert, rub rail, chrome, 1"
114466-01	Close out, casting, rub rail, angled RH
114466-02	Close out, casting, rub rail, angled LH
114465-01	Close out, casting, rub rail RH
114465-02	Close out, casting, rub rail LH

### Reflectors

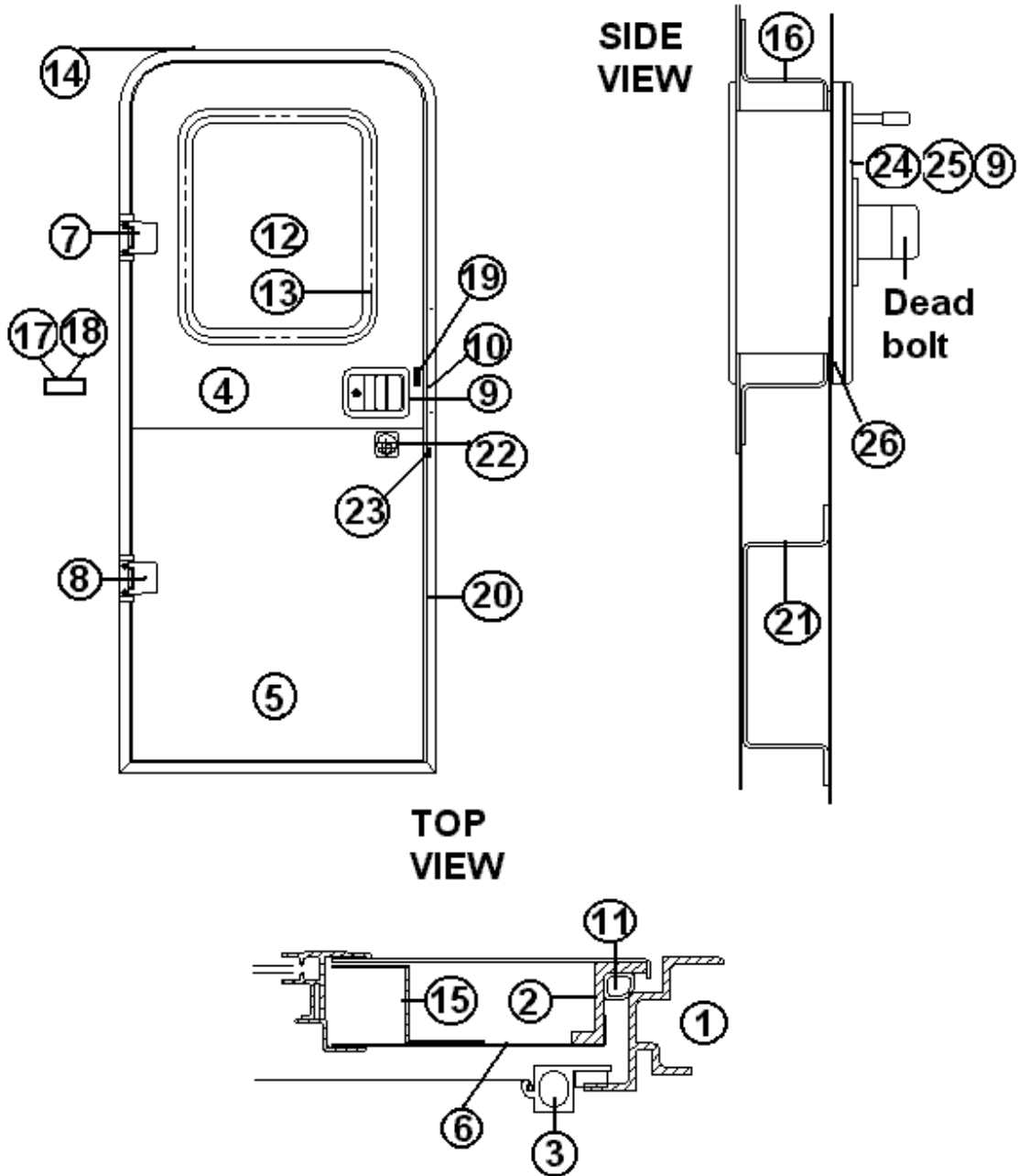
500095	REFLECTOR RED RECTANGULAR
500096	REFLECTOR, AMBER
510446	REFLECTOR, RED, STICK-ON



# 2014 INTERNATIONAL TRAVEL TRAILER

## DOORS, EXTERIOR

Door, Main, LH Hinge



# 2014 INTERNATIONAL TRAVEL TRAILER

## DOORS, EXTERIOR

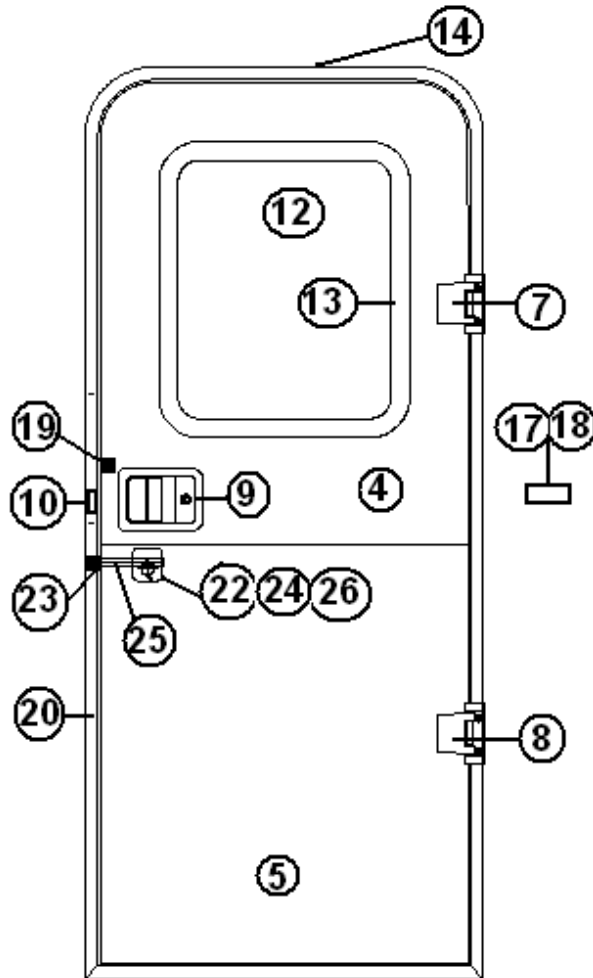
### Main Door, LH Hinge

- 115207-04 Main door assembly
- 1. 114653 Frame, main door, pre-formed
- 2. 114652 Jamb, main door, pre-formed
- 3. 114654 Screen door assembly
- 4. 114448-03 Skin, exterior, upper main door
- 5. 114449-03 Skin, exterior, lower main door
- 6. 114475 MAIN DOOR SKIN INNER
- 7. 381552-03 HINGE ASSY. MAIN DOOR UPPER
- 8. 381552-04 HINGE ASSY. MAIN DOOR LOWER
- 9. See hardware section for door latch parts
- 10. 385595 Pocket strike, main door
- 11. 365232 Seal, main door
- 12. 371400-01 WINDOW, MAIN DOOR, ETCHED
- 13. 115208 TRIM RING- MAIN DR.WINDOW
- 14. 114363 Drip cap, main door
- 15. 114658 Inner door, "Z" bar, upper & lower
- 16. 114657 Hat section, formed, main door
- 17. 380290 Housing. Latch, mounted on side sheet
- 18. 380291 Latch assembly, mounted on side sheet
- 19. 201056 Striker, main door, black plastic
- 20. 114507-03 Trim, main door
- 21. 115415 Hat section assembly, round dead bolt
- 22. 382069 Deadbolt assembly, round, Trimark
- 23. 381326 Striker w/ Trimark deadbolt
- 24. 345321-12 Screw, flat head, black
- 25. 453851 Bolt, Trimark, deadbolt
- 26. 203370 Spacer, deadbolt assembly
- 203495 SPACER-DOOR STAY MAIN
- 203494 BASE PLATE DOOR LATCH
- 454898 Nut Plate, Main door hinge
- 365360 Gasket for the nut plate

# 2014 INTERNATIONAL TRAVEL TRAILER

## DOORS, EXTERIOR

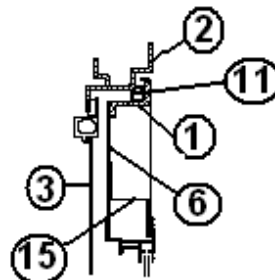
### Main Door, RH Hinge



**Latch  
Assembly**



**Top  
View**



# 2014 INTERNATIONAL TRAVEL TRAILER

## DOORS, EXTERIOR

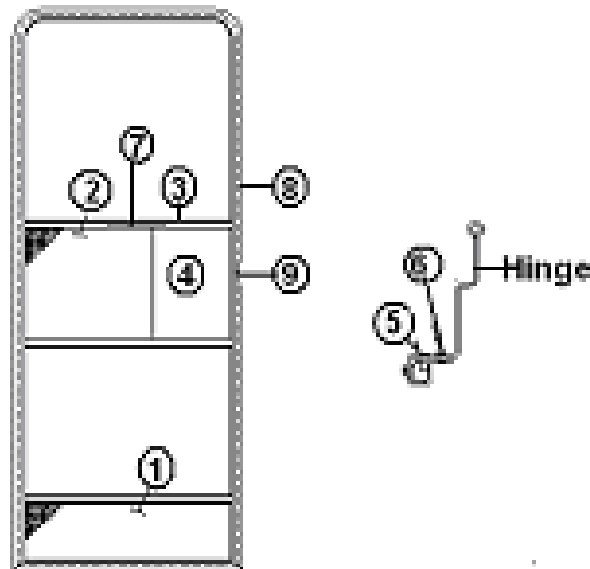
### Main Door, RH Hinge

115207-05	Main door assembly, RH hinge, 23' FB
115207-06	Main door assembly, RH hinge, 25' FB, 27FB
1. 114652-01	Jamb, main door, pre-formed
2. 114653-01	Frame, main door, pre-formed
3. 114654-01	Screen door assembly, RH Hinge
4. 114448-03	Skin, exterior, upper main door
5. 114449-03	Skin, exterior, lower main door
6. 114475	MAIN DOOR SKIN INNER
7. 381552-02	HINGE ASSY. MAIN DOOR UPPER
8. 381552-01	HINGE ASSY. MAIN DOOR LOWER
9. Trimark latch assembly parts shown in hardware section	
10. 385595	Pocket strike, main door
11. 365232	Seal, main door
12. 371400-01	Window, main door, etched
13. 203370	Spacer, Trimark door Latch
14. 114363	Drip cap, main door
15. 114658	Inner door, "Z" bar, upper & lower
16. 114657	Hat section, formed, main door
17. 380290	Housing. Latch, mounted on side sheet
18. 380291	Latch assembly, mounted on side sheet
19. 201056	Striker, main door, black plastic
20. 114507-03	Trim, main door
21. 115413	Hat section assembly, round dead bolt
22. 382069	Deadbolt assembly, round, Trimark
23. 381326	Striker w/ Trimark deadbolt
24. 345321-12	Screw, flat head, black
25. 453851	Bolt, Trimark, deadbolt
26. 203370	Spacer, deadbolt assembly
203495	SPACER-DOOR STAY MAIN
203494	BASE PLATE DOOR LATCH
454898	Nut Plate, Main door hinge
365360	Gasket for the nut plate

# 2014 INTERNATIONAL TRAVEL TRAILER

## DOORS, EXTERIOR

### Main Door Screen Assembly



114654	SCREEN DOOR ASSY. LH HINGE
114654-01	SCREEN DOOR ASSY. RH HINGE
1. 114648-01	Kick panel screen door
2. 114561-01	Panel, slider, screen door
3. 104784-78	EXTR.SCREENDOOR STIFENER #VH-9
4. 203287-02	Close out, plastic, screen door
5. 330126-03	RIVET POP SSD44SSBS
6. 325122	Rivet, hard, 5/32
7. 380004	HANDLE WITH 8/32 X 1 SCREW
8. 365013-01	Gasket, screen door, foam tape
9. 683946	BUG SEAL, edge of screen door close out
380079	Screen, gray
200518	Spline, gray, screen insert
701624	VELCRO LOOP 5/8" WIDE
701625	VELCRO HOOK, 5/8" WIDE
381454	Screen door hold back latch, Bullet
386068	MEDALLION 3" LOGO, AIRSTREAM

### Screen Door Guard

115171-01	Guard, screen door, top
115171-02	Guard, screen door, bottom

# 2014 INTERNATIONAL TRAVEL TRAILER

## DOORS, EXTERIOR

### Door, Refer Access

923114	REFER DOOR ASSY W/SCREEN
104439	LOUVERED PANEL, REFER ACCESS DOOR
372264	SCREEN - REFER DOOR
923115	REFER DOOR ASSY W/FRAME
112024	JAMB, REFER ACCESS
380988	HINGE, CONTINUOUS .5IN LEAF 16IN
203714	TRIM LOCK NEOPRENE
365334	TAPE, SEALFOAM 7#W/PSA ONCE SIDE
381812	LATCH TWIST CHROME
365330-03	SEALANT - ALUM GREY #455-38

### Access Door, Small, Side/Rear End

100679-01	Small, access door assembly, rear or side
365035	Seal, side access door
380773	HINGE, ACCESS DOOR
380770	LOCK & CASTING ASSEMBLY
115295	SPACER, FORMED COMPARTMENT DOOR
115296	JAMB, FORMED COMPARTMENT DOOR

### Access Door, Battery

410551-02	LID BATTERY BOX
381430	LOCK, TWIST, STRAIGHT CAM
380203-01	PIANO HINGE 1/8", Battery box lid
381814	NUT-WING 5/16 #1809
381613	PLASTISOL COVER-LP WING HANDLE

### Furnace Door

690274-09	Door exterior, Hydroflame
-----------	---------------------------

# 2014 INTERNATIONAL TRAVEL TRAILER

## DOORS, EXTERIOR

### Access Door, Side Assembly, 61.50"

921159	DOOR ASSY TRUNK
114673	PANEL OUTER TRUNK DOOR
114674	PANEL INNER TRUNK DOOR
114675	JAMB TRUNK DOOR
380774-02	PIANO HINGE 1/8" PIN
380770	LOCK & CASTING ASSEMBLY
360016	BUMP-ON RUBBER
365035	RUBBER SEAL ACCESS DOOR
381065-10	10" CABLE SUPPORT

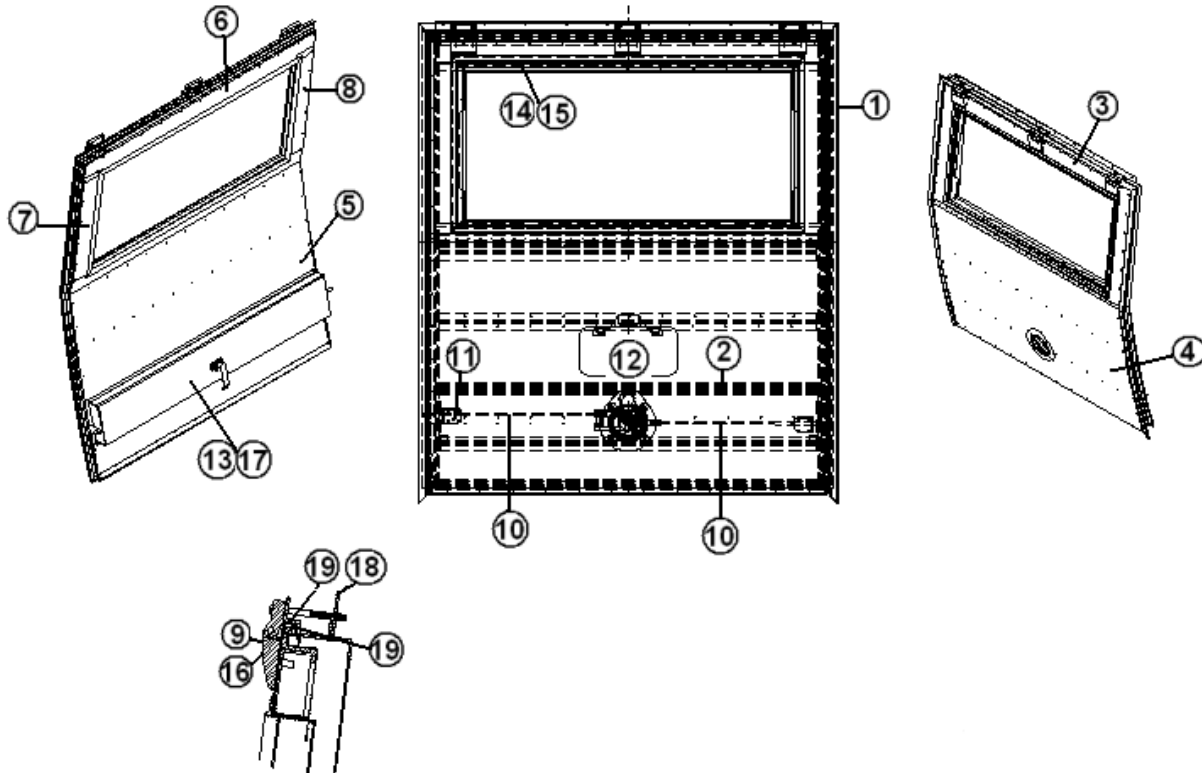
### Access Door Assembly, Front & Rear End Shell

922288-02	DOOR ASSY, ROUND CORNERS
104831	JAMB, FRONT ACCESS DOOR
380774-02	HINGE COMPARTMENT DOOR, 48"
380770	LOCK & CASTING, BLACK
360016	BUMP-ON RUBBER
365035	RUBBER SEAL ACCESS DOOR
381065-10	10" CABLE SUPPORT

# 2014 INTERNATIONAL TRAVEL TRAILER

## DOORS, EXTERIOR

HATCH DOOR ASSY. 25FB, 27FB EDDIE BAUER



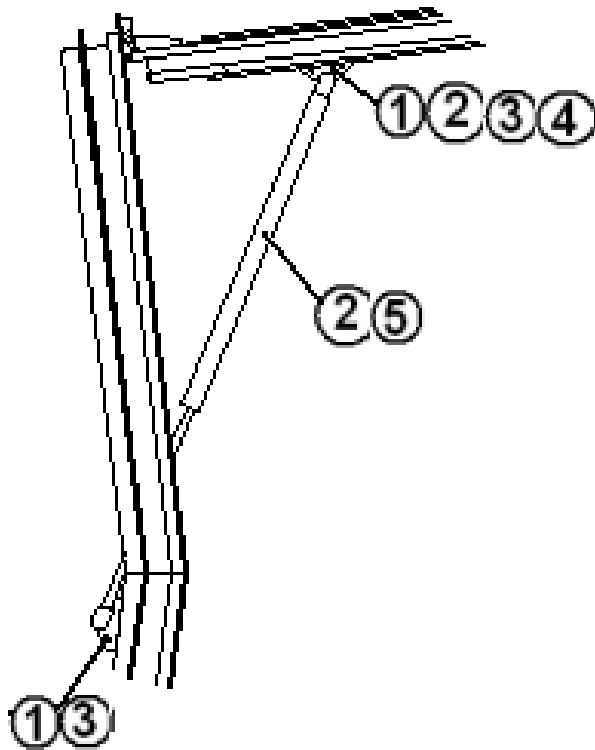
- |              |                                     |
|--------------|-------------------------------------|
| 967683       | HATCH DOOR ASSY. EDDIE BAUER        |
| 1. 115517    | JAMB ASSY-HATCH DOOR                |
| 2. 115518    | WELDMENT-FRAME HATCH DOOR           |
| 3. 115523    | OUTER SKIN-UPPER HATCH DOOR         |
| 4. 115524    | OUTER SKIN-LOWER HATCH DOOR         |
| 5. 115525    | INNER SKIN-LOWER HATCH DOOR         |
| 6. 115526-01 | INNER SKIN-3.71 X 47.3 UPPER HATCH  |
| 7. 115526-02 | INNER SKIN-3.71 X 20 CS UPPER HATCH |
| 8. 115526-03 | INNER SKIN-3.71 X 20 RS UPPER HATCH |
| 9. 382065    | HINGE ASSY-REAR HATCH DOOR          |
| 10.382018-07 | RODS-48" SQ.D RINGS#9020-6-ZN       |
| 11.382018-06 | GROMMET ROD GUIDE                   |
| 12.512455    | HOLDER-LICENSE PLATE W/LED LIGHT    |
| 13.115521    | CLOSEOUT-HATCH DOOR LATCH           |
| 14.371430    | WINDOW-HATCH DOOR 40.97"            |
| 15.372263    | SCREEN-HATCH DOOR 42"X20.5"         |
| 16.365355-01 | GASKET-HATCH DOOR HINGE             |
| 17.454862    | COVER-FINISH HATCH DOOR             |
| 18.115529    | BACKER, HINGE, HATCH DOOR           |
| 365232       | SEAL BAGGAGE DOOR                   |
| 512472       | KIT, DOOR JAMB CONTACT #S-30K       |
| 203655       | BLOCK, ROD GUIDE                    |
| 382017       | GASKET, .60" BLULB SEAL             |



# 2014 INTERNATIONAL TRAVEL TRAILER

## DOORS, EXTERIOR

### HATCH DOOR STRUTS, 25FB EDDIE BAUER



- |              |                                    |
|--------------|------------------------------------|
| 1. 381262    | BRACKET,PROP,W/BALL,#004002 AN     |
| 2. 382084-04 | GAS SPRING - M8 MALE THREAD , 150# |
| 2. 330031-03 | RIVET DOME HEAD SSD64SSBS          |
| 3. 330031-01 | RIVET,3/16 X 5/8,SSD68SSBS         |
| 4. 382084-02 | SOCKET-GAS ROD #9416K76            |
| 5. 300012    | WASHER, ALUM 3/16 ID               |

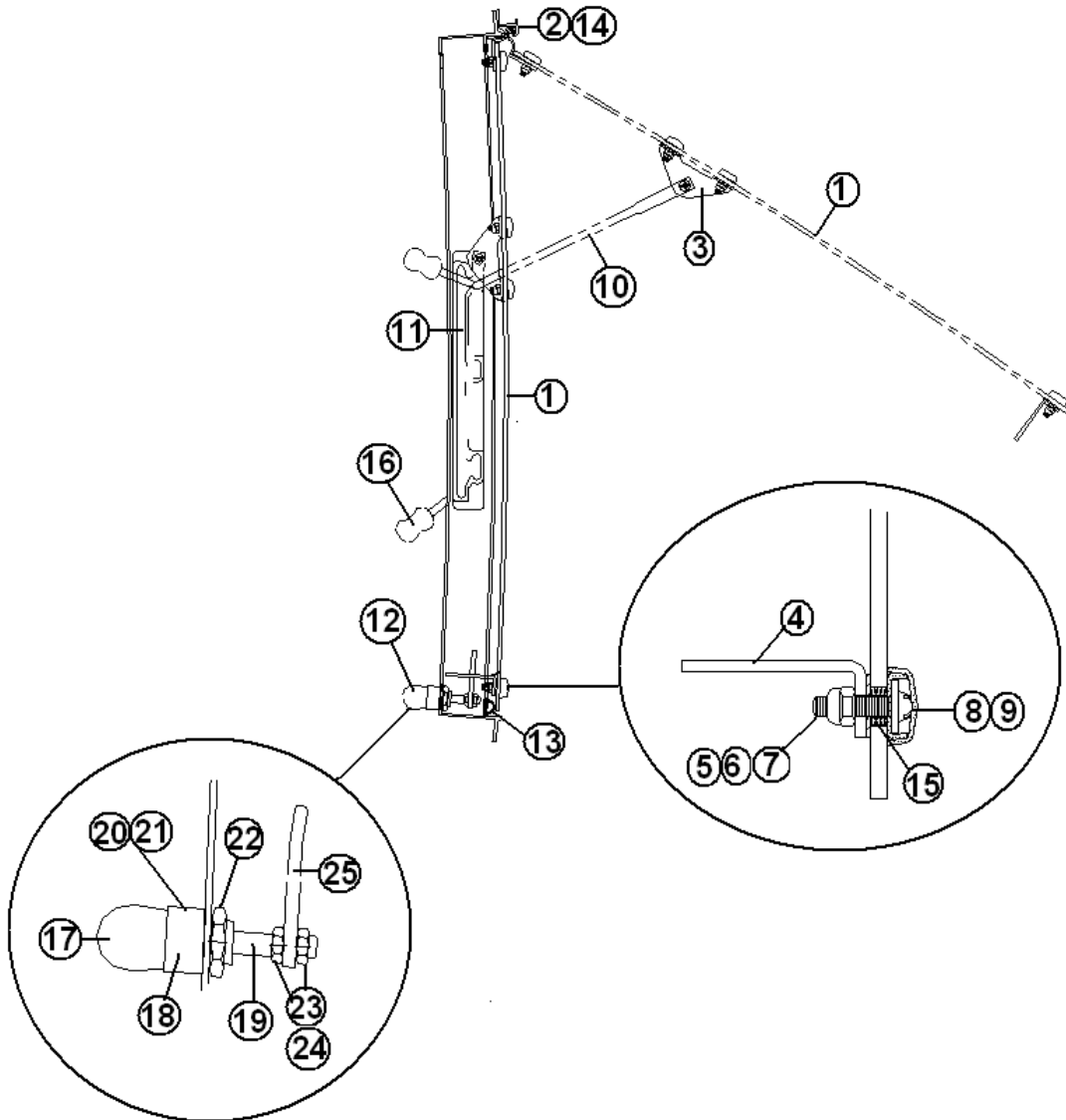
### REAR SCREEN DOOR ASSY. EDDIE BAUER

- |           |                               |
|-----------|-------------------------------|
| 382150    | SCREEN, PULL DOWN RETRACTABLE |
| 454859    | CLOSEOUT, REAR SCREEN DOOR    |
| 203138-04 | EXTRUSION, PLASTIC 1/2" OAK   |
| 365232    | SEAL, BAGGAGE DOOR            |
| 382151    | PLUG, SNAP IN .5"DIA. BLACK   |

# 2014 INTERNATIONAL TRAVEL TRAILER

## WINDOWS/SCREENS

### Opening Windows Diagram



Part numbers on next page

# 2014 INTERNATIONAL TRAVEL TRAILER

## WINDOWS/SCREENS

1. 371323-100	Glass w/hardware, 18" window
1. 371324-100	Glass w/hardware, 30" window
2. 371323-101	Hinge, 18" window
2. 371324-101	Hinge, 30" window
3. 1101-0010	Bracket, window prop
4. 685124	Striker plate, window latch
5. 0706-0004	Flat washer
6. 0703-0001	Screw, #8-32 x .625", black, SS
7. 0702-0010	Nut, Nylox, #8-32, black SS
8. 0802-0004	Screw cover, 12-12 #100, black
9. 0802-0005	Washer, 12-12 screw cover bottom
10. 100903	Operating arm, RH
10. 100903-01	Operating arm, LH
11. 0802-0001	Guide, operating arm, RH
11. 0802-0002	Guide, operating arm, LH
12. 010020	Latch assembly, chrome
13. 382117	Gasket – window seal
14. 0101-0017	Male hinge extrusion, 1/2" pc.
15. 0706-0003	Bushing, window, acrylic
16. 380230-03	Window arm knob, silver
16. 380230-04	Window arm knob, red
17. 1101-0005	Latch handle, chrome
17. 195467-05	Latch handle, red
18. 1101-0007	Latch body
19. 1101-0008	Latch shaft
20. 1101-0009	Latch spring
21. 0707-0002	Pin, drive lock, 5/32" x 5/8", zinc
22. 0702-0001	Nut, hex panel, 5/8"-24, zinc
23. 0702-0002	Nut, jam, hex, 5/16-24
24. 385123	Washer, flat, .53" OD x .328" ID
25. 685123	Latch paw

# 2014 INTERNATIONAL TRAVEL TRAILER

## WINDOWS/SCREENS

### Windows and Screens, 19'

371436	Window, 18" stacked
371400-01	WINDOW, MAIN DOOR ETCHED
371323-01	Window, 18" OPENING
371328	Window, FRONT END, DARK GLASS
372088-101	Window, CORNER WRAP RS FRT, CS
372089-101	Window, CORNER WRAP CS FRT, RS
372229	WINDOW, 21"X 28" OPENING
372174-03	SCREEN, 18"OPENING WINDOW RAW M
371347-03	SCREEN, SQUARE FRT WINDOW
372230	SCREEN-21"X 28" CLEAR 19'
372230-01	SCREEN - 21" X 28" EGRESS - NO ARMS

# 2014 INTERNATIONAL TRAVEL TRAILER

## WINDOWS/SCREENS

### Windows and Screens, 23' D

371323-01	Window, 18" opening
372174-03	SCREEN, 18" OPENING WINDOW
371436	WINDOW, 18" STACK
371380	WINDOW, OPENING, 30" TALL
372215-01	SCREEN, 30"OPENING WINDOW TALL
372220-01	SCREEN, 21" X 28", EGRESS WINDOW
371328	WINDOW, 43" FLAT, FRONT END
372173-02	WINDOW SCREEN, FRONT WINDOW
372088-101	CURBSIDE WRAP WINDOW
372089-101	ROADSIDE WARP WINDOW
371400-01	WINDOW, MAIN DOOR
371437-02	VISTA VIEW, 30"
372229	WINDOW, NON ARMS, REAR END
365367	AUTOMOTIVE FOAM TAPE

# 2014 INTERNATIONAL TRAVEL TRAILER

## WINDOWS/SCREENS

Windows and Screens, 23' FB

371436	WINDOW 18" STACK - GRAY
371380	WINDOW 30" TALL SLIDE OUT
371400-01	WINDOW, MAIN DOOR
371438	WINDOW, BATH DOOR
372174-03	WINDOW SCREEN 18"
371347-03	FRT WB SILVER SCREEN
372215-01	WIN SCN 30" TALL MIL
372215-02	30" SILVER TALL SCREEN
372218-01	REAR WINDOW 21" X 28"
372220-02	SCRN RR MILL-NON EGRESS

# 2014 INTERNATIONAL TRAVEL TRAILER

## WINDOWS/SCREENS

### Windows and Screens, 25' Front Bed

371323-01	WINDOW, 18" OPENING
371380	WINDOW, OPENING 30" TALL
371380-01	WINDOW, 30" TALL, EGRESS
371436	WINDOW 18" STACK
371437-02	WINDOW 30" VISTA VIEW
372088-101	WINDOW, CORNER WRAP CS
372089-101	WINDOW, CORNER WRAP RS
371346-02	WINDOW, 48.97" FLAT, REAR
371400-01	WINDOW, MAIN DOOR, ETCHED
372174-03	SCREEN, 18"OPENING WINDOW
371347-03	SCREEN, SQUARE FRT WINDOW
372215-01	SCREEN, 30"OPENING WINDOW TALL
372215-02	SCREEN, 30" x 30", CURVED, ALTERNATE EGRESS
372215-03	SCREEN, 30" SILVER – TALL
371349-01	SCREEN, REAR ESCAPE
365367	AUTOMOTIVE FOAM TAPE

### Windows and Screens, 27' FB

371324-02	WINDOW, 30" OPENING
371380	WINDOW, OPENING 30" TALL
371380-01	WINDOW, 30" TALL, EGRESS
371435	WINDOW, 30" STACK
371348-03	WINDOW-FRONT W/SILVER HANDLES
371437-02	VISTA VIEW, 30"
371436	WINDOW 18" STACK
372088-101	WINDOW CORNER WRAP RS FRT, CS
372089-101	WINDOW CORNER WRAP CS FRT, RS
371346-02	WINDOW, 48.97" FLAT FRT/WRAP RR
372175-02	SCREEN, 30"CURVED WINDOW
372176-02	SCREEN, FRONT, W/ROUND CORNERS
372234	SCREEN-REAR WINDOW (SQ.CORNERS)
372215-02	SCREEN, 30" x 30", CURVED, ALTERNATE EGRESS
372215-01	SCREEN, 30"OPENING WINDOW TALL

# 2014 INTERNATIONAL TRAVEL TRAILER

## WINDOWS/SCREENS

### Windows and Screens, 28'

371436	WINDOW 18" STACK
371435	WINDOW 30" STACK
371286-01	WINDOW 18 X 30 CURVED FIXED
371400-01	WINDOW-MAIN DOOR
371323-01	WINDOW-18" OPENING
371346-02	WINDOW FRONT DARK GLASS
371348-02	WINDOW-REAR W/RED HANDLES
371380	WINDOW-OPENING 30" TALL
371437-02	VISTA VIEW- 30"
371437-01	VISTA VIEW- 18"
195510-19	GLASS AND HARDWARE FOR 371380 WINDOW
372088-101	WINDOW, PANORAMIC, RS FRONT
372089-101	WINDOW, PANORAMIC, CS FRONT
372174-03	SCREEN-18"OPENING WINDOW
371347-03	SCREEN-SQUARE FRT WINDOW
371349-03	SCREEN-REAR ESCAPE
372215-01	SCREEN-30"OPENING WINDOW TALL
365367	AUTOMOTIVE FOAM TAPE

### Windows and Screens, 30'

371323-01	WINDOW-18" OPENING
371286-01	WINDOW 18 X 30 CURVED FIXED
371436	WINDOW 18" STACK
371435	WINDOW 30" STACK
371324-02	Window, 30" opening
371380	WINDOW-OPENING 30" TALL
371437-02	VISTA VIEW- 30"
371347-01	FRONT WINDOW SCREEN
372215-01	WINDOW SCREENN 30" TALL
372175-04	SCREEN 30"OPENING WINDOW
365367	AUTOMOTIVE FOAM TAPE



# 2014 INTERNATIONAL TRAVEL TRAILER

## WINDOWS/SCREENS

### Window Screen Assembly

683946	SEAL, FUZZ GRY (SCREEN)
380079	Screen, gray
200518	Spline, gray, screen insert

### Vista View Window, Trim, Shade, 18"

371437-01	VISTA VIEW, 18"
203490-03	TRIM RING, 18" VISTA VIEW
703462-03	SHADE, PULL 19.25" X 9.5", 18" VISTA VIEW
922772-01	BACKER, VISTA VIEW BLIND 18"

# 2014 INTERNATIONAL TRAVEL TRAILER

## WINDOWS/SCREENS

Vista View Window, Trim, Shade, 30"

371437-02	VISTA VIEW, 30"
203490-04	TRIM RING, 30" VISTA VIEW
703462-04	SHADE, PULL 31.25" X 9.5", 30" VISTA VIEW
922772-02	BACKER, VISTA VIEW BLIND 30"
365367	AUTOMOTIVE FOAM TAPE

Main Door Window Trim Ring

371319-06	TRIM RING, MAIN DOOR WINDOW
-----------	-----------------------------

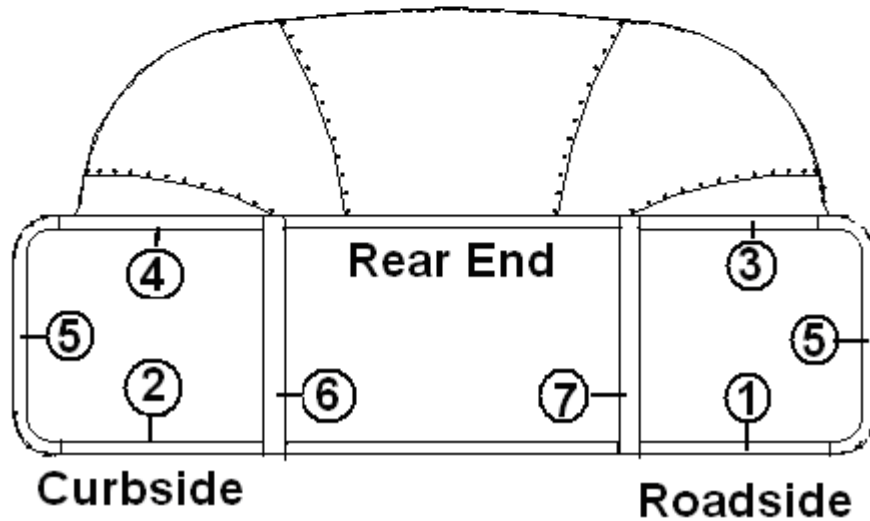
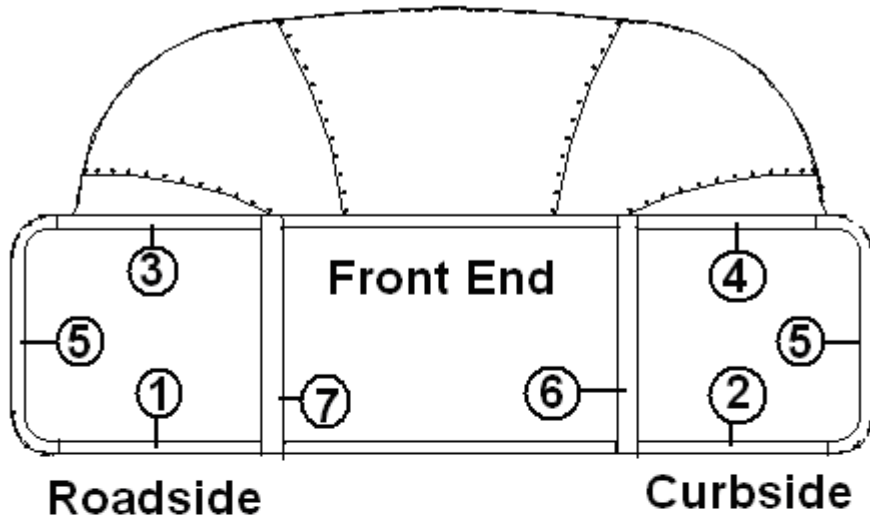
Stacked (Fixed) Window Trim

372269	TRIM RING INNER SUPPORT 30"
372270	TRIM RING INNER SUPPORT 18"
372228	TRIM RING-18"X 30" WINDOW
372227	TRIM RING-INNER SPACER 18" X 30"
372267	TRIM RING-30" STACK WINDOW CLEAR
372268	TRIM RING-18" STACK WINDOW CLEAR
203225-01	TRIM, gray flexible, goes around window rings

# 2014 INTERNATIONAL TRAVEL TRAILER

## WINDOWS/SCREENS

### Panoramic Window Trim



- |              |                           |
|--------------|---------------------------|
| 1. 201579-02 | TRIM RING, LOWER, GRAY    |
| 2. 201580-02 | TRIM RING, LOWER, GRAY    |
| 3. 201581-05 | TRIM RING, UPPER, GRAY    |
| 4. 201581-06 | TRIM RING, UPPER, GRAY    |
| 5. 201578-02 | END CAP, TRIM RING GRAY   |
| 6. 110900-03 | TRIM FORMED, ALUMINUM, RH |
| 7. 110900-04 | TRIM FORMED, ALUMINUM, LH |
| 203225-01    | TRIM LOK, GRAY .75"       |

# 2014 INTERNATIONAL TRAVEL TRAILER

## WINDOWS/SCREENS

### Window Stone Guard

110102-01	Stone Guard, 1 piece, 27' FB, 25' FB
685275-100	3-Piece Stone, Panoramic Windows, Narrow Body
110188-01	3-Piece Stone, Panoramic Windows, Wide Body
685275-101	CS wrap window solar protector, stone guard
685275-102	RS wrap window solar protector, stone guard
685275-103	Stone guard, center piece only, 45.25", 19'
110102	Stone guard, center piece only, Wide Body
685358	Turn fast stud
685362	Retainer, split ring
685359	Rubber receptacle
685361	Bracket, rubber receptacle
685361-01	Bracket for rubber receptacle
685363	Slip joint hinge, SS, CS per pair
683960	Arm support
683959	Arm support bracket
114749	HINGE "Y" ASSY. (ROCKGUARD ASSY.)
114750	HINGE "J" (ROCKGUARD ASSY.)
685364	BRKT, UPPER HINGE-45.375-STONEGUARD
381021-01	Latch, draw flexible
114815-01	Extrusion, frame aluminum
685354	Front window key, 90-degree angle riveted to inside corner of metal frame
685378-01	1/4" rubber spline
685351	Rubber frame, black
290812-01	Plexi-glass sheet, 1/8" x 28" x "84"
290812-02	Plexi-glass sheet, 1/8 X 28" X 10"
685355	SLIP JOINT S.S.HINGE
101401	Extrusion, door latch housing
381688	BUMP ON

# 2014 INTERNATIONAL TRAVEL TRAILER

## AWNINGS

### PATIO AWNINGS

702993-09	AWNING, PATIO, 9' 8, 19' Model
702993-15	AWNING, PATIO, 13' 5", 23' D Model
702993-06	AWNING, PATIO, 16' 4.25", 25' FB Model
702993-17	AWNING, PATIO, 18' 5.25", 27' FB Model
702993-08	AWNING, PATIO, 18' 4 1/2", 28' Model
702993-27	AWNING, PATIO, 14' 2", 23'FB Model
702993-28	AWNING, PATIO, 21' 4.25" #4607, 30'
702993-30	AWNING, PATIO, 16'4.25" #4961 25'FB Serenity
702993-31	AWNING, PATIO, 13'5" #4961 23' Serenity
702993-32	AWNING, PATIO, 9'8" #4961 - 19' Serenity
702993-33	AWNING, PATIO, 18'5.25" #4961 27'FB Serenity
702993-35	AWNING, PATIO, 18' 4.25" #4961 28' Serenity
702993-38	AWNING, PATIO, 21' 4.25" #4961, 30' Serenity
702993-39	AWNING, PATIO, 14' 2" #4961, 23FB Serenity
702993-40	AWNING, PATIO, 16' 4.25" #4671 - EDDIE BAUER
702993-41	AWNING 18' 5.25" W/EDDIE BAUER SILKSCREEN
702993-42	AWNING 16'4.25" #4651 25FB STERLING
702993-43	AWNING 18' 5.25" #4651 27FB STERLING
702993-37	CENTER SUPPORT, SATIN 30'
702993	HARDWARE, MOUTING, ZIP DEE #HE-AS7
385577	TAPE, CLEAR, WEAR STRIP, 3.5" WIDE
345326-06	SCREW TAPPING, #10 SST. PPH. 1.25"

# 2014 INTERNATIONAL TRAVEL TRAILER

## AWNINGS

### POWER AWNINGS

704049-01	HARDWARE KIT, 65" SUPPORT ARM
704049-02	HARDWARE KIT, 79.63" SUPPORT ARM
704049-04	POWER AWNING 16' 4-1/4" 25' INTL
704049-05	POWER AWNING 16' 4-1/4" 25' SERENITY
704049-06	POWER AWNING 16' 4-1/4" 25FB STERLING
704049-07	POWER AWNING 18' 4-1/4" 28 INTL
704049-08	POWER AWNING 18' 4-1/4" 28 SERENITY
704049-09	POWER AWNING 18' 5-1/4" 27FB INTL
704049-10	POWER AWNING 18' 5-1/4" 27FB SERENITY
704049-11	POWER AWNING 18' 5-1/4" 27FB STERLING
704049-14	POWER AWNING 21' 4-1/4" 30 INTL
704049-15	POWER AWNING 21' 4-1/4" 30 SERENITY
365369-01	GASKET POWER AWNING KIT
365369-02	GASKET, POWER AWNING MAIN SUPPORT
330134	RIVET, COUNTER SUNK OLYMPIC RV6
382202	GROMMET - LIQUID TIGHT LTB50-70
382199	PLUG, 1" ID HOLE NICKEL #9563K47
454931	BACKER, SIDEWALL POWER AWNING 34.50" (23FB & 28 A2GO)
454931-01	BACKER, SIDEWALL POWER AWNING 24.00" (27FB, 28')
454931-02	BACKER, SIDEWALL POWER AWNING 12.50" (25', 30')
454931-03	BACKER, SIDEWALL POWER AWNING 29.50" (25'FB)
454931-04	BAK CER, SIDEWALL POWER AWNING 32.50" (27'FB, 30')
115578-01	DOUBLER PLATE, AWNING 6.00" X 2.75"
385577	TAPE, CLEAR WEAR STRIP 3.5" WIDE
386257	FRONT/REAR LABEL, POWER AWNING CABLE
512652	POWER CABLE, RELAX AWNING

# 2014 INTERNATIONAL TRAVEL TRAILER

## AWNINGS

### POWER AWNINGS, AIRSTREAM 2 GO

- 704034-01 14'2" PATIO AWNING WITH AIRSTREAM 2 GO LOGO  
#4652 MEDITERRANEAN BLUE
- 704034-02 18'4.25" PATIO WITH AIRSTREAM 2 GO LOGO  
#4652 MEDITERRANEAN BLUE
- 704034-03 RELAX AWNING HARDWARE
- 704034-04 SILKSCREEN FOR LOGO

\*SILKSCREEN MUST BE ORDERED WHEN ORDERING THE AWNING WITH A2GO LOGO.

# 2014 INTERNATIONAL TRAVEL TRAILER

## AWNINGS

### Window Awnings

- 703181-01 Awning, 47", rear window, Charcoal, 19', 23'D, 23'FB
- 703181-13 Awning, 9' 8" RS window, Charcoal, 19'
- 703181-16 AWNING, WINDOW, 13' 5.25", 23' D,
- 703181-05 Awning, 16' 4.5", RS Window, Charcoal, 25' FB
- 703181-15 Awning, 52.63", Rear window, Charcoal, 28'
- 703181-20 Awning, 52.63", Rear window, W/V Hardware, 27' FB, 25' FB
- 703181-21 AWNING, WINDOW, 18' 6.25", 27' FB
- 703181-29 AWNING, WINDOW 14'2.25" #4607 23'FB
- 703181-40 AWNING, WINDOW 18' 6.25" 27FB , Serenity
- 703181-12 Awning, 18' 4.5" RS window, Charcoal, 28'
- 703181-34 AWNING, WINDOW 52.63" #4961 - Serenity
- 703181-35 AWNING, WINDOW 52.63" V HDWE #4961 Serenity 25FB SERENITY
- 703181-36 AWNING, WINDOW 47" #4961 - Serenity, 19', 23D, 23FB
- 703181-37 AWNING, WINDOW 16'4.5" #4961 - Serenity 25FB
- 703181-38 AWNING, WINDOW 13'5.25" #4961-Serenity 23D
- 703181-39 AWNING, WINDOW 9'8" #4961 - Serenity, 19'
- 703181-41 AWNING, WINDOW 18'4.5" #4961 - Serenity
- 703181-42 AWNING, WINDOW 15' 11.5" #4607, 30'
- 703181-43 AWNING, WINDOW 49" #4607, 30'
- 703181-44 AWNING, WINDOW 15'11.5" #4961 - 30' Serenity
- 703181-45 AWNING, WINDOW 49" #4961 - 30' Serenity
- 703181-47 AWNING, WINDOW 14' 2 ¼" - 23'FB Serenity
- 703181-48 AWNING, WINDOW 52.63" #4671, 25FB, EDDIE BAUER



# 2014 INTERNATIONAL TRAVEL TRAILER

## AWNINGS

Window Awnings, Continued.

- 703181-49      AWNING, WINDOW 16'4.5" #4671, 25FB, EDDIE  
BAUER
- 703181-50      AWNING, WINDOW 18'6.25", EDDIE BAUER, 27FB
- 703181-51      AWNING WINDOW 16'4.5" #4651 - 25FB STERLING
- 703181-52      AWNING REAR 52.63" W/V HDWE. #4651 - 25FB,  
27FB STERLING
- 703181-53      AWNING WINDOW 18'6.25" #4651 - 27FB  
STERLING
- 703181-54      AWNING, 47" REAR W/V HDWE #4671 - EDDIE  
BAUER NARROW BODY
- 385577          TAPE, CLEAR, WEAR STRIP, 3.5" WIDE

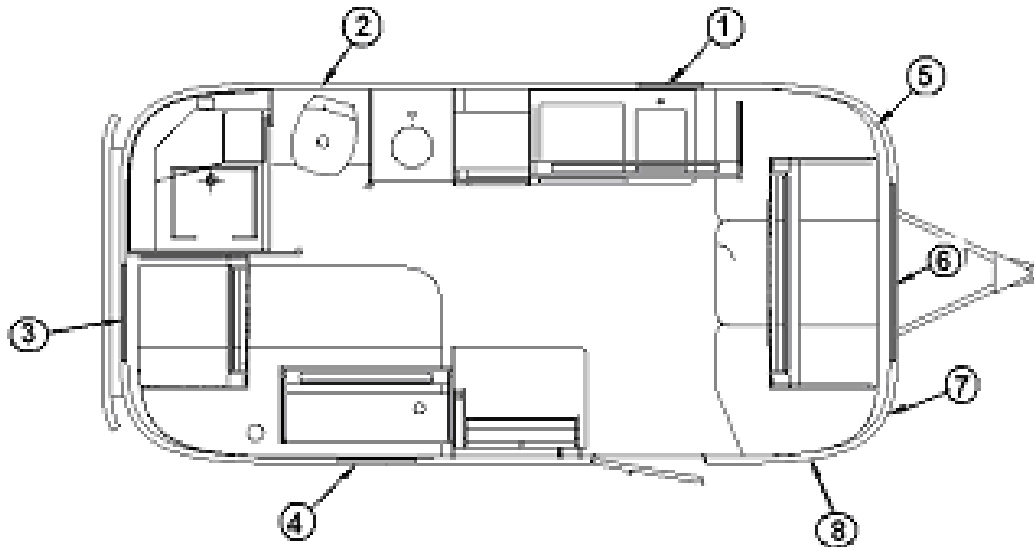
Camp Chair, Airstream 2 Go

- 704033          Camp Chair w/Carrying Bag & Airstream 2 Go Logo

# 2014 INTERNATIONAL TRAVEL TRAILER

## DRAPES/BLINDS

Drapes/Shades, 19'

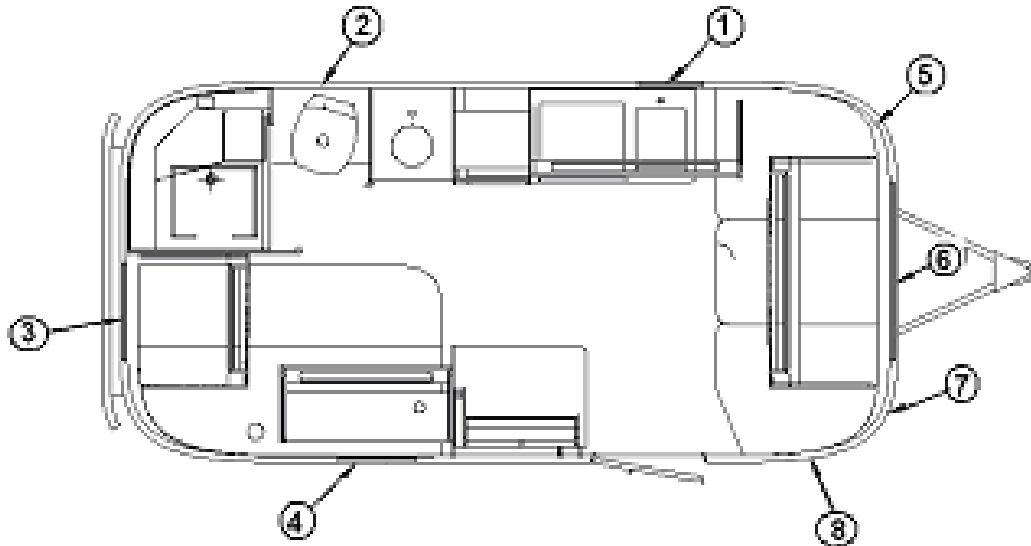


- |              |                                          |
|--------------|------------------------------------------|
| 1. 703700-01 | SHADE 19.00 X 24.00L                     |
| 2. 703700-07 | SHADE 17.75 X 34L                        |
| 3. 703700-05 | SHADE 19" X 34"L                         |
| 4. 703700-03 | SHADE 25.25 X 34L                        |
| 5. 998144-11 | DRAPE, ROADSIDE SIDE PANEL, 37" X 25.5"  |
| 6. 998144-12 | DRAPE, CURBSIDE FRONT PANEL, 23" X 25.5" |
| 7. 998144-10 | DRAPE, CURBSIDE FRONT PANEL, 23" X 25.5" |
| 8. 998144-09 | DRAPE, CURBSIDE SIDE PANEL, 37" X 25.5"  |

# 2014 INTERNATIONAL TRAVEL TRAILER

## DRAPES/BLINDS

Drapes/Shades, 19' - SERENITY

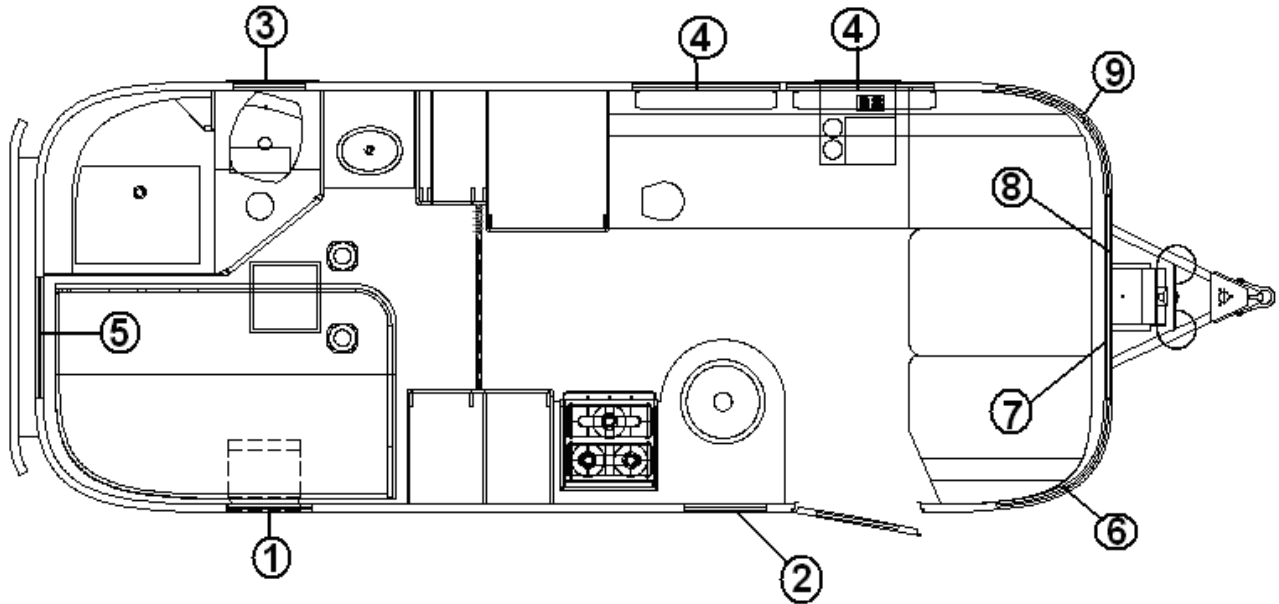


- |              |                                          |
|--------------|------------------------------------------|
| 1. 703700-01 | SHADE 19.00 X 24.00L                     |
| 2. 703700-07 | SHADE 17.75 X 34L                        |
| 3. 998171-17 | CURTAIN PANEL, 16.5" X 22"               |
| 4. 998171-18 | CURTAIN PANEL, 14" X 34.5"               |
| 5. 998144-11 | DRAPE, ROADSIDE SIDE PANEL, 37" X 25.5"  |
| 6. 998144-12 | DRAPE, CURBSIDE FRONT PANEL, 23" X 25.5" |
| 7. 998144-10 | DRAPE, CURBSIDE FRONT PANEL, 23" X 25.5" |
| 8. 998144-09 | DRAPE, CURBSIDE SIDE PANEL, 37" X 25.5"  |

# 2014 INTERNATIONAL TRAVEL TRAILER

## DRAPES/BLINDS

Drapes/Shades, 23' D

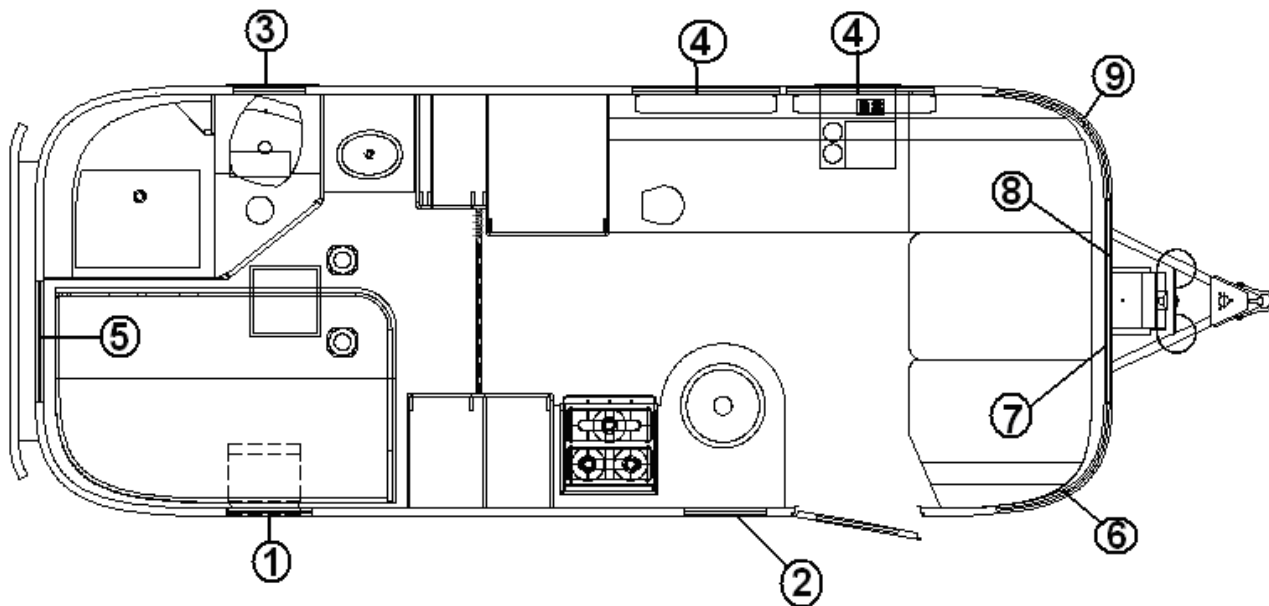


- |              |                                            |
|--------------|--------------------------------------------|
| 1. 703700-05 | SHADE, PULL, 19.00W X 34.00L               |
| 2. 703700-01 | SHADE, PULL, 19.00W X 24.00L               |
| 3. 703700-07 | SHADE, PULL, 18.50W X 34.00L               |
| 4. 703700-04 | SHADE, PULL, 29.75W X 34.00L               |
| 5. 703700-03 | SHADE, PULL, 25.25W X 34.00L               |
| 6. 998144-09 | DRAPE, CS SIDE PANEL, 37" X 25.5"          |
| 7. 998144-10 | DRAPE, CS FRONT PANEL, 23" X 25.5"         |
| 8. 998144-12 | DRAPE, CS FRONT PANEL, 23" X 25.5"         |
| 9. 998144-11 | DRAPE, RS SIDE PANEL, 37" X 25.5"          |
| 703462-04    | SHADE, PULL, 31.25 X 9.5, GRAY, VISTA VIEW |
| 702804-03    | SHADE, PLEATED, SKYLIGHT, 19.25" X 20.00"  |

# 2014 INTERNATIONAL TRAVEL TRAILER

## DRAPES/BLINDS

Drapes/Shades, 23' D - Serenity

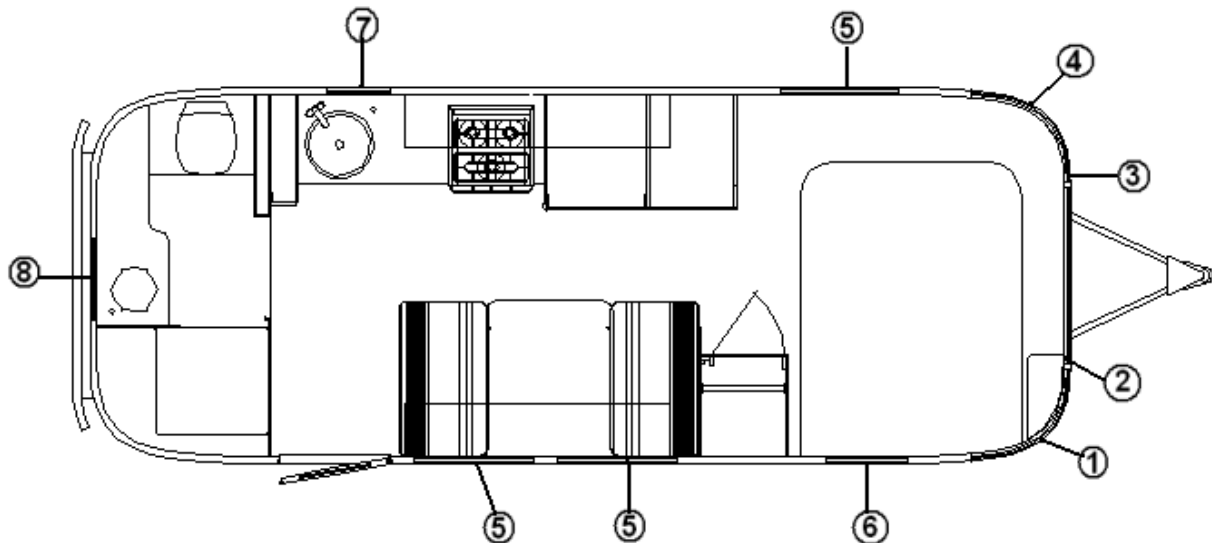


- |              |                                            |
|--------------|--------------------------------------------|
| 1. 998171-18 | PANEL, CURTAIN, 14"W X 34.5"               |
| 2. 703700-01 | SHADE, PULL, 19.00W X 24.00L               |
| 3. 703700-07 | SHADE, PULL, 17.75W X 34.00L               |
| 4. 703700-04 | SHADE, PULL, 29.75W X 34.00L               |
| 5. 998171-17 | PANEL, CURTAIN, 16.5" X 22"                |
| 6. 998144-09 | DRAPE, CS SIDE PANEL, 37" X 25.5"          |
| 7. 998144-10 | DRAPE, CS FRONT PANEL, 23" X 25.5"         |
| 8. 998144-12 | DRAPE, RS FRONT PANEL, 23" X 25.5"         |
| 9. 998144-11 | DRAPE, CS SIDE PANEL, 37" X 25.5"          |
| 703462-04    | SHADE, PULL, 31.25 X 9.5, GRAY, VISTA VIEW |
| 702804-03    | SHADE, PLEATED, SKYLIGHT, 19.25" X 20.00"  |

# 2014 INTERNATIONAL TRAVEL TRAILER

## DRAPES/BLINDS

### Drapes/Shades, 23' FRONT BED



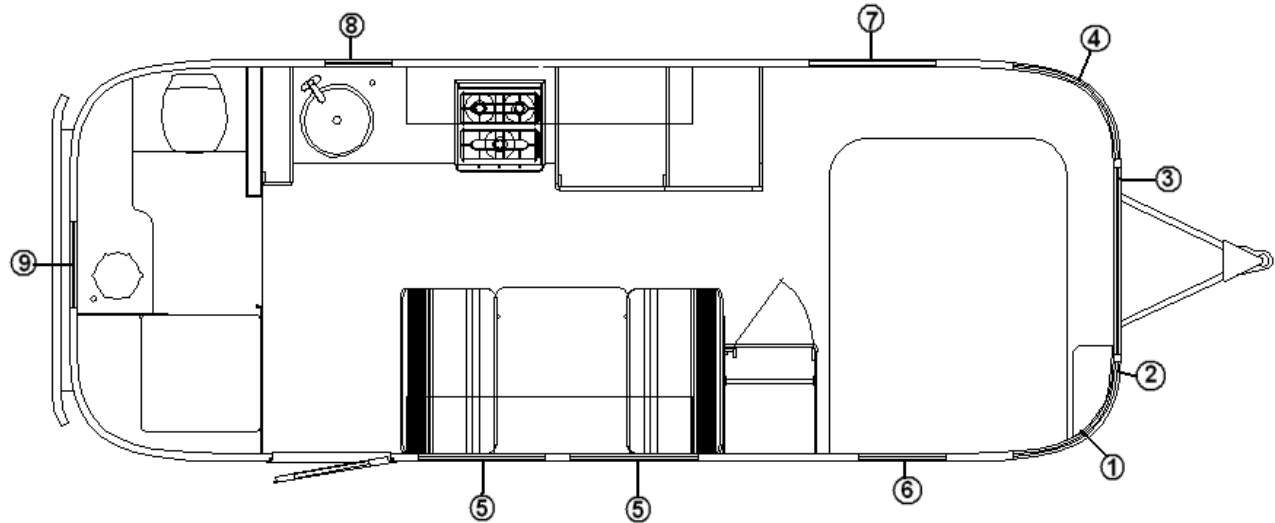
### WINDOW COVERINGS – 23' FRONT BED – SIGNATURE SERIES

1. 998144-09	DRAPE-CS SIDE PANEL 37" X 25.5
2. 998144-10	DRAPE-CS FRT PANEL 23"X 25.5"
3. 998144-12	DRAPE-RS FRT PANEL 23"X 25.5"
4. 998144-11	DRAPE-RS SIDE PANEL 37" X 25.5
5. 703700-04	SHADE 29.75" X 34"L OCEANAIR
6. 703700-07	SHADE 17.75 X 34L OCEANAIR
7. 703700-01	SHADE 19.00 X 24.00L OCEANAIR
8. 703700-03	SHADE 25.25 X 34L OCEANAIR

# 2014 INTERNATIONAL TRAVEL TRAILER

## DRAPES/BLINDS

Drapes/Shades, 23' FRONT BED, SERENITY



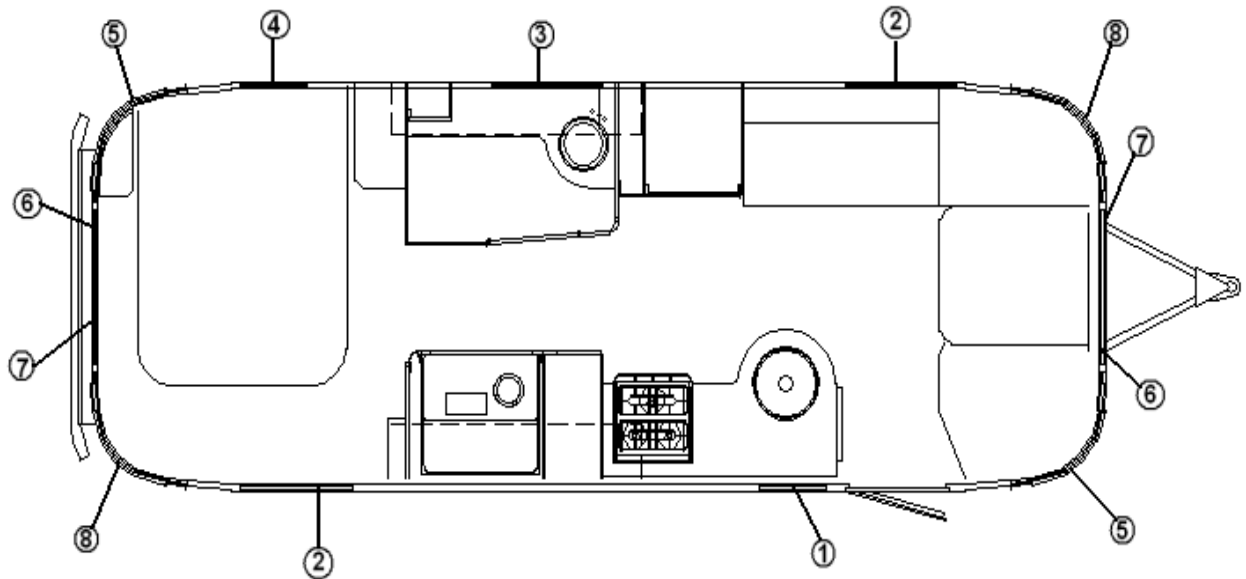
### WINDOW COVERINGS - 23' FRONT BED - SERENITY

- |              |                                |
|--------------|--------------------------------|
| 1. 998144-09 | DRAPE-CS SIDE PANEL 37" X 25.5 |
| 2. 998144-10 | DRAPE-CS FRT PANEL 23"X 25.5"  |
| 3. 998144-12 | DRAPE-RS FRT PANEL 23"X 25.5"  |
| 4. 998144-11 | DRAPE-RS SIDE PANEL 37" X 25.5 |
| 5. 703700-04 | SHADE 29.75" X 34"L OCEANAIR W |
| 6. 998171-18 | DRAPE CS 14"W X 34.5"          |
| 7. 998171-20 | DRAPE PANEL 19" X 34.5"        |
| 8. 703700-01 | SHADE 19.00 X 24.00L OCEANAIR  |
| 9. 703700-03 | SHADE 25.25 X 34L OCEANAIR     |

# 2014 INTERNATIONAL TRAVEL TRAILER

## DRAPES/BLINDS

Drapes/Shades, 25' International



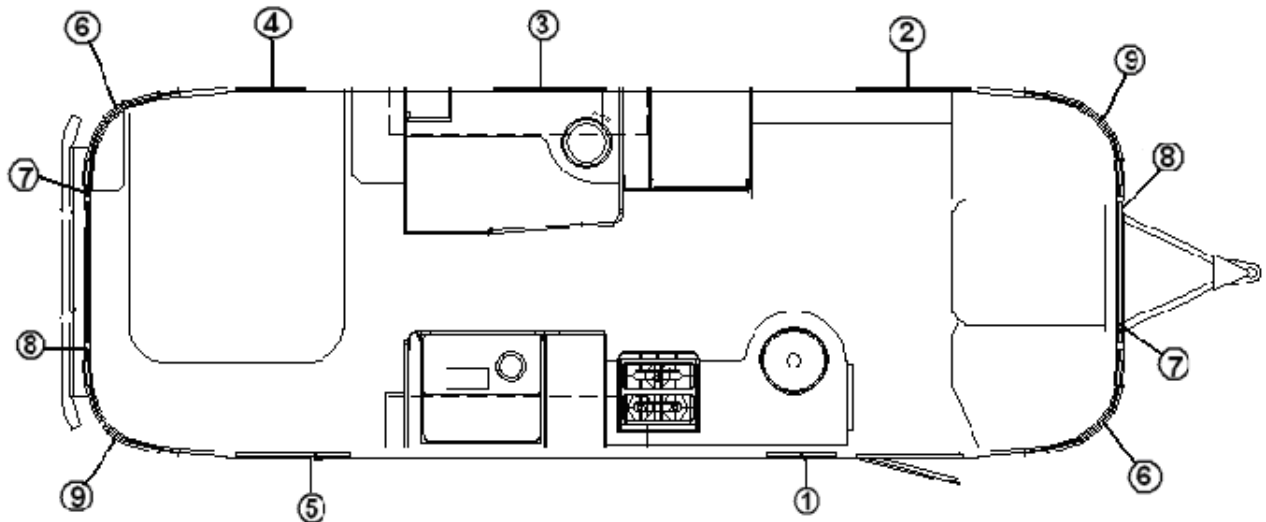
- |              |                                |
|--------------|--------------------------------|
| 1. 703700-05 | Shade, 19" x 34"L Oceanair     |
| 2. 703700-04 | Shade, 29.75" x 34"L Oceanair  |
| 3. 703700-02 | Shade, 32.5" x 24"L Oceanair   |
| 4. 703700-07 | Shade, 17.75" X 34"L Oceanair  |
| 5. 998144-09 | Drape, Side Panel 37" x 25.5"  |
| 6. 998144-05 | Drape, Front Panel 27" x 25.5" |
| 7. 998144-07 | Drape, Front Panel 27" x 25.5" |
| 8. 998144-11 | Drape, Side Panel 37" x 25.5"  |



# 2014 INTERNATIONAL TRAVEL TRAILER

## DRAPES/BLINDS

Drapes/Shades, 25' Serenity

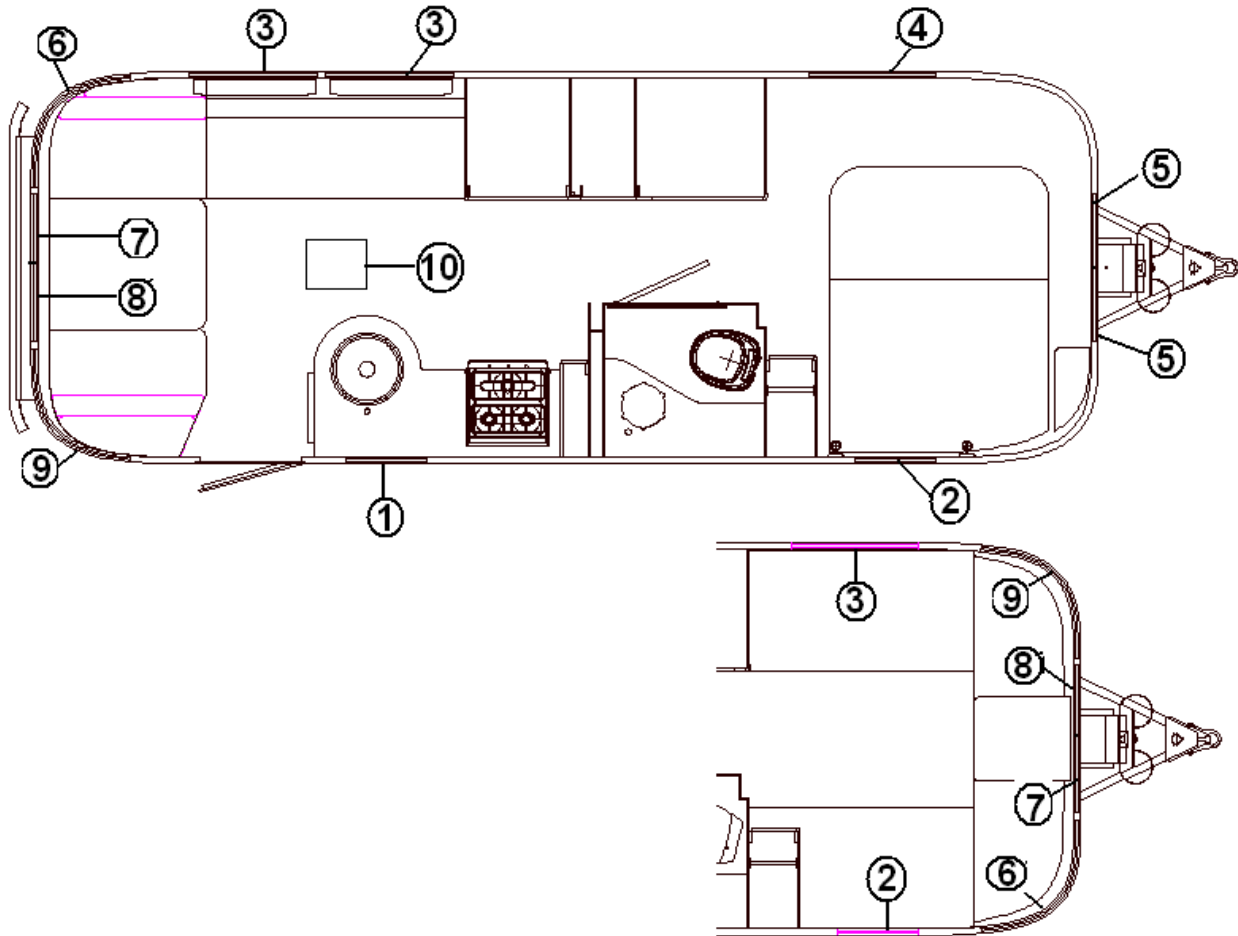


- |              |                                |
|--------------|--------------------------------|
| 1. 703700-05 | Shade, 19" x " x 34"L Oceanair |
| 2. 703700-04 | Shade, 29.25" x 34"L Oceanair  |
| 3. 703700-02 | Shade, 32.5 x 24"l             |
| 4. 998171-18 | Drape, Curbside 14"W x 34.5"   |
| 5. 998171-20 | Drape, 19" x 34.5"             |
| 6. 998144-09 | Drape, Side Panel 37" x 25.5"  |
| 7. 998144-05 | Drape, Front Panel 27" x 25.5" |
| 8. 998144-07 | Drape, Front Panel 27" x 25.5" |
| 9. 998144-11 | Drape, Side Panel 37" x 25.5"  |

# 2014 INTERNATIONAL TRAVEL TRAILER

## DRAPES/BLINDS

Drapes/Shades, 25' Front Bed

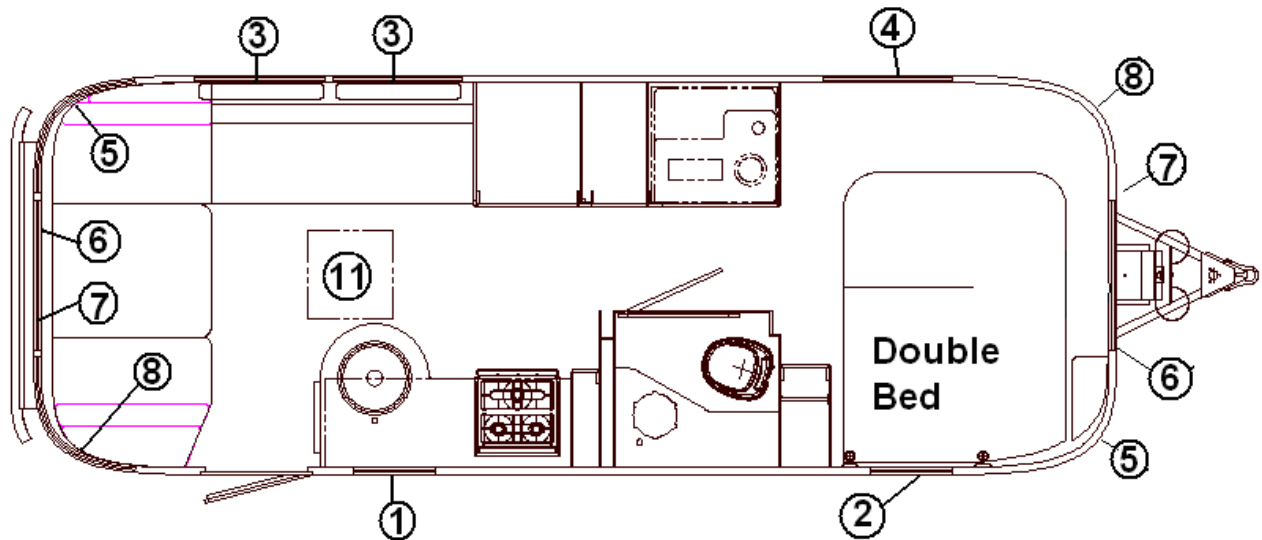


- |               |                                        |
|---------------|----------------------------------------|
| 1. 703700-05  | SHADE, PULL, 19.00W X 34.00L           |
| 2. 703700-07  | SHADE, PULL, 17.75W X 34.00L           |
| 3. 703700-04  | SHADE, PULL, 29.75W X 34.00L           |
| 4. 703700-04  | SHADE, PULL, 29.75W X 34.00L           |
| 5. 998171-09  | CURTAIN, 28.5" X 25.5"                 |
| 6. 998144-11  | DRAPE, ROADSIDE SIDE PANEL, 37" X 25.5 |
| 7. 998144-05  | DRAPE, CS FRONT PANEL, 27" X 29"       |
| 8. 998144-07  | DRAPE, RS FRONT PANEL, 27" X 29"       |
| 9. 998144-09  | DRAPE, CS SIDE PANEL, 37" X 25.5"      |
| 10. 702804-03 | SHADE, PLEATED, SKYLIGHT               |

# 2014 INTERNATIONAL TRAVEL TRAILER

## DRAPES/BLINDS

Drapes/Shades, 25' Front Bed - SERENITY

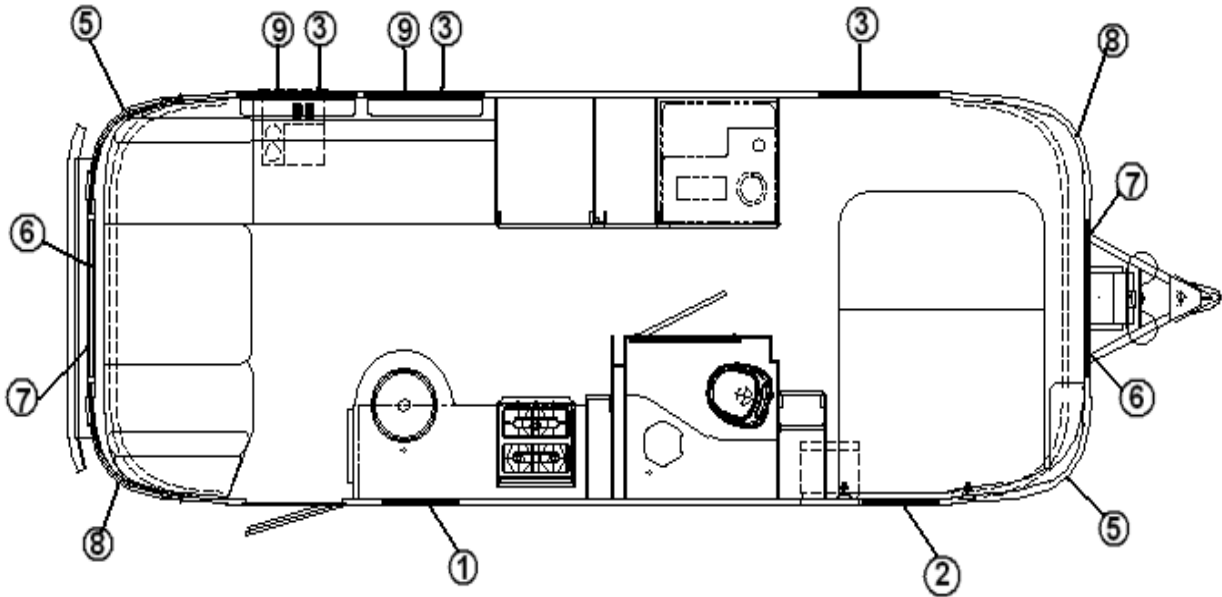


- |               |                                        |
|---------------|----------------------------------------|
| 1. 703700-05  | SHADE, PULL, 19.00W X 34.00L           |
| 2. 998171-18  | CURTAIN, 14" X 34.5"                   |
| 3. 998171-04  | CURTAIN, 18" X 34.5"                   |
| 4. 998171-20  | CURTAIN, 18" X 34.5"                   |
| 5. 998144-11  | DRAPE, ROADSIDE SIDE PANEL, 37" X 25.5 |
| 6. 998144-05  | DRAPE, CS FRONT PANEL, 27" X 29"       |
| 7. 998144-07  | DRAPE, RS FRONT PANEL, 27" X 25.5"     |
| 8. 998144-09  | DRAPE, CS SIDE PANEL, 37" X 25.5"      |
| 11. 702804-03 | SHADE, PLEATED, SKYLIGHT               |

# 2014 INTERNATIONAL TRAVEL TRAILER

## DRAPES/BLINDS

Drapes/Shades, 25' Front Bed - STERLING

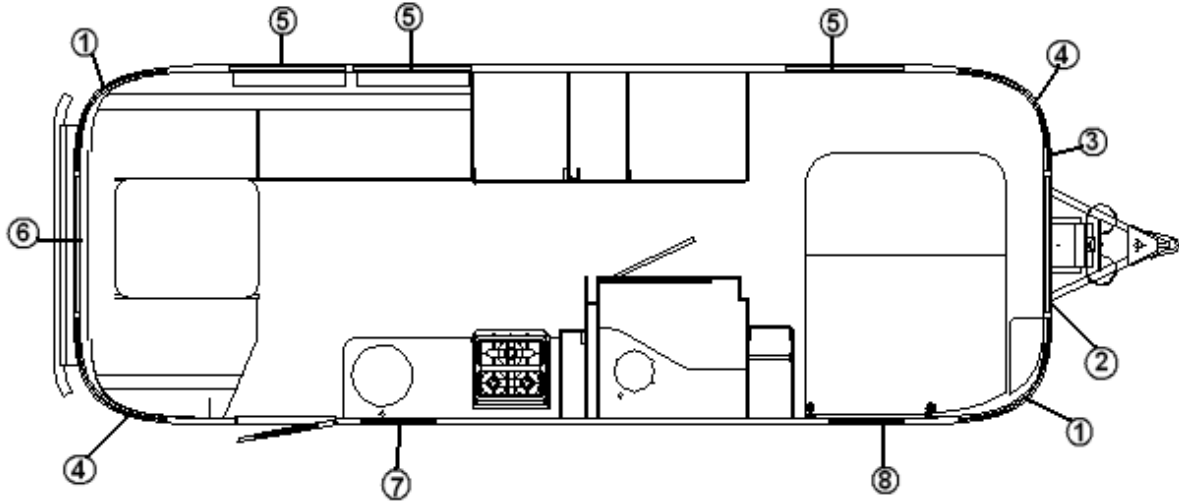


- |    |           |                                   |
|----|-----------|-----------------------------------|
| 1. | 703700-05 | SHADE, 19" X 34" L                |
| 2. | 703700-07 | SHADE, 17.75" X 34"L              |
| 3. | 703700-04 | SHADE, 29.75" X 34"L              |
| 5. | 998144-11 | DRAPE-RS SIDE PANEL 37" X 25.5"   |
| 6. | 998144-05 | DRAPE-CS FRONT PANEL 27" X 25.50" |
| 7. | 998144-07 | DRAPE-RS FRT PANEL 27" X 25.5"    |
| 8. | 998144-09 | DRAPE-CS SIDE PANEL 37" X 25.5"   |
| 9. | 703462-04 | PULL SHADE 31.25" X 9.5" GRAY, VV |

# 2014 INTERNATIONAL TRAVEL TRAILER

## DRAPES/BLINDS

Drapes/Shades, 25' Front Bed, EDDIE BAUER



115527

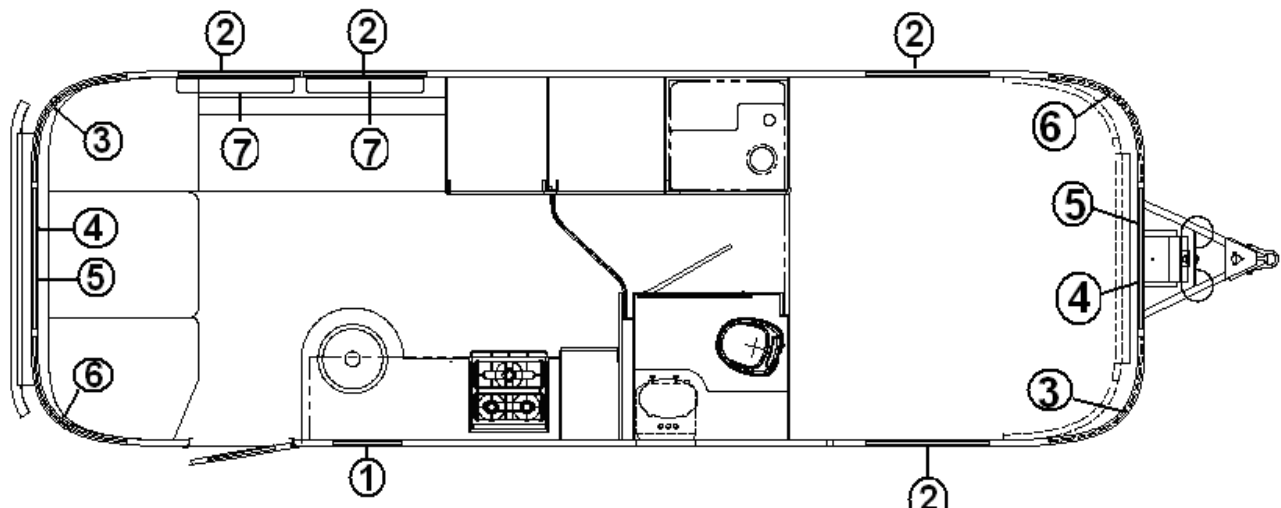
WINDOW COVERINGS- 25FB EDDIE BAUER

- |              |                                 |
|--------------|---------------------------------|
| 1. 998144-11 | DRAPE-RS SIDE PANEL 37" X 25.5" |
| 2. 998144-05 | DRAPE-CS FRT PANEL 27"X 29"     |
| 3. 998144-07 | DRAPE-RS FRT PANEL 27"X 29"     |
| 4. 998144-09 | DRAPE-CS SIDE PANEL 37" X 25.5  |
| 5. 703700-04 | SHADE 29.75" X 34"L OCEANAIR    |
| 6. 703700-08 | SHADE- 41.5"X34"L OCEANAIR      |
| 7. 703700-05 | SHADE 19" X 34"L OCEANAIR       |
| 8. 703700-07 | SHADE 17.75 X 34L OCEANAIR      |

# 2014 INTERNATIONAL TRAVEL TRAILER

## DRAPES/BLINDS

Drapes/Shades, 27' Front Bed

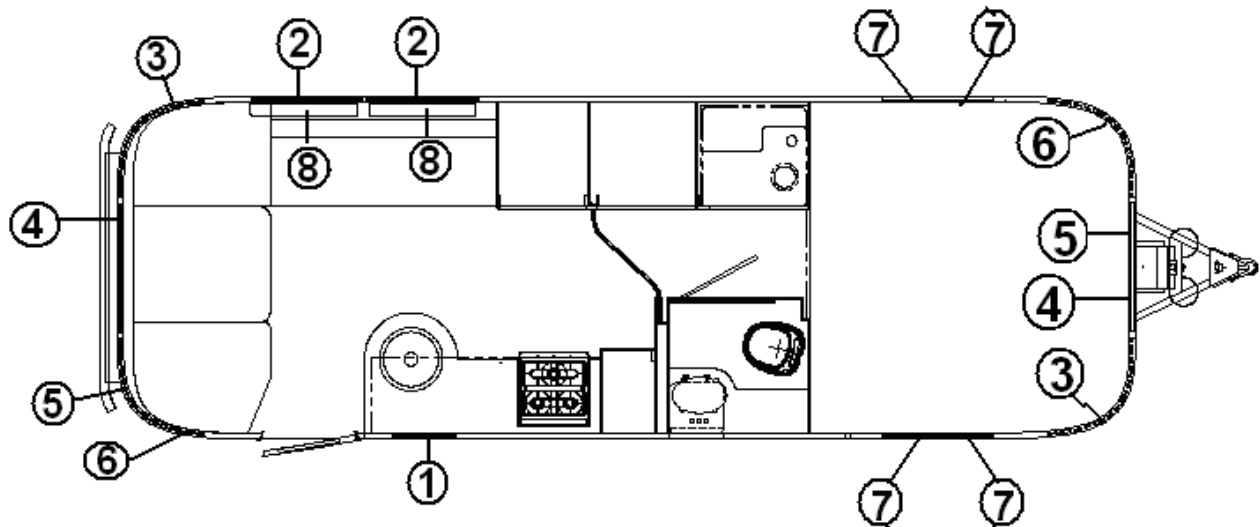


- |              |                                       |
|--------------|---------------------------------------|
| 1. 703700-05 | SHADE, 19.00"W X 34.00"L              |
| 2. 703700-04 | SHADE, 29.75"W X 34.00"L              |
| 3. 998144-09 | DRAPE, CS SIDE PANEL, 37" X 25.5"     |
| 4. 998144-05 | DRAPE, CS FRONT PANEL, 27"X 29"       |
| 5. 998144-07 | DRAPE, RS FRONT PANEL, 27"X 29"       |
| 6. 998144-11 | DRAPE, RS SIDE PANEL, 37" X 25.5"     |
| 7. 703462-04 | SHADE, 31.25" X 9.5", Gray Vista View |

# 2014 INTERNATIONAL TRAVEL TRAILER

## DRAPES/BLINDS

Drapes/Shades, 27' Front Bed - SERENITY

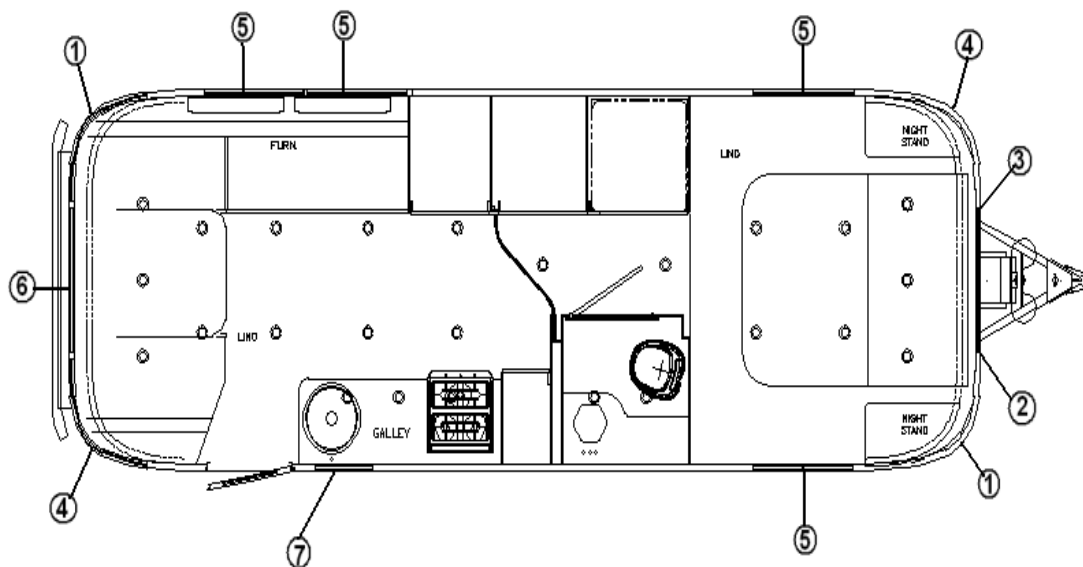


- |              |                                       |
|--------------|---------------------------------------|
| 1. 703700-01 | SHADE, 19.00"W X 24.00"L WHITE        |
| 2. 703700-04 | SHADE, 29.75"W X 34.00"L WHITE        |
| 3. 998144-09 | DRAPE, CS SIDE PANEL, 37" X 25.5"     |
| 4. 998144-05 | DRAPE, CS FRONT PANEL, 27"X 29"       |
| 5. 998144-07 | DRAPE, RS FRONT PANEL, 27"X 29"       |
| 6. 998144-11 | DRAPE, RS SIDE PANEL, 37" X 25.5"     |
| 7. 998171-20 | DRAPE, CS REAR PNL, 19"X 35.50"       |
| 8. 703462-04 | SHADE, 31.25" X 9.5", Gray Vista View |

# 2014 INTERNATIONAL TRAVEL TRAILER

## DRAPES/BLINDS

Drapes/Shades, 27' Front Bed – EDDIE BAUER



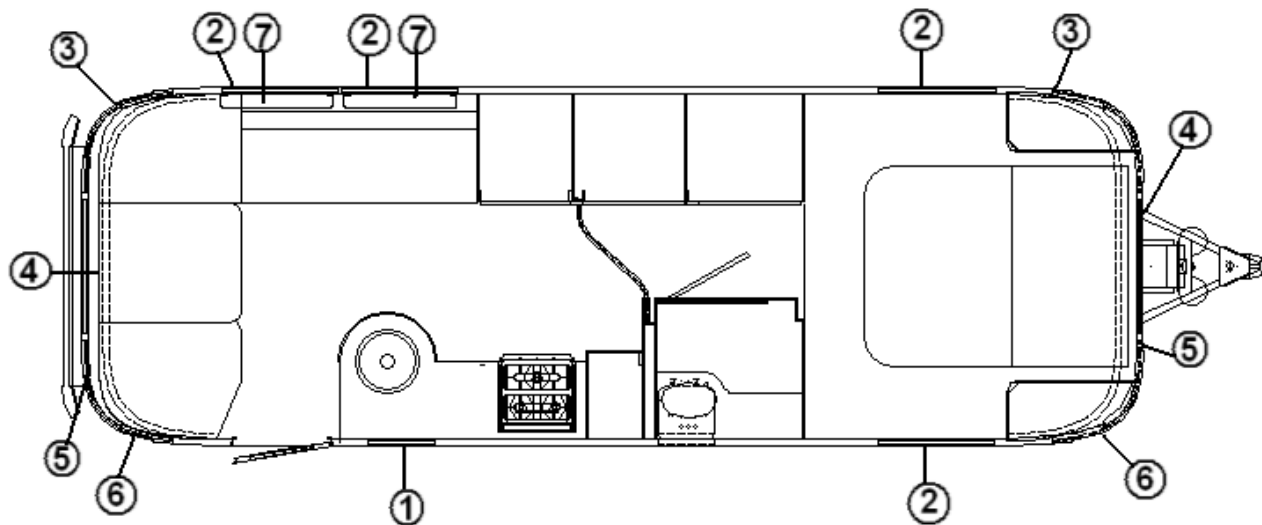
1. 998144-11 DRAPE-RS SIDE PANEL 37" X 25.5"
2. 998144-05 DRAPE-CS FRT PNL 27"X 29"
3. 998144-07 DRAPE-RS FRT PNL 27"X 29"
4. 998144-09 DRAPE-CS SIDE PANEL 37" X 25.5"
5. 703700-04 SHADE 29.75" X 34"L OCEANAIR
6. 703700-08 SHADE-OCEANAIR 40.5"X34"L
7. 703700-05 SHADE 19" X 34"L OCEANAIR



# 2014 INTERNATIONAL TRAVEL TRAILER

## DRAPES/BLINDS

Drapes/Shades, 27' Front Bed, STERLING

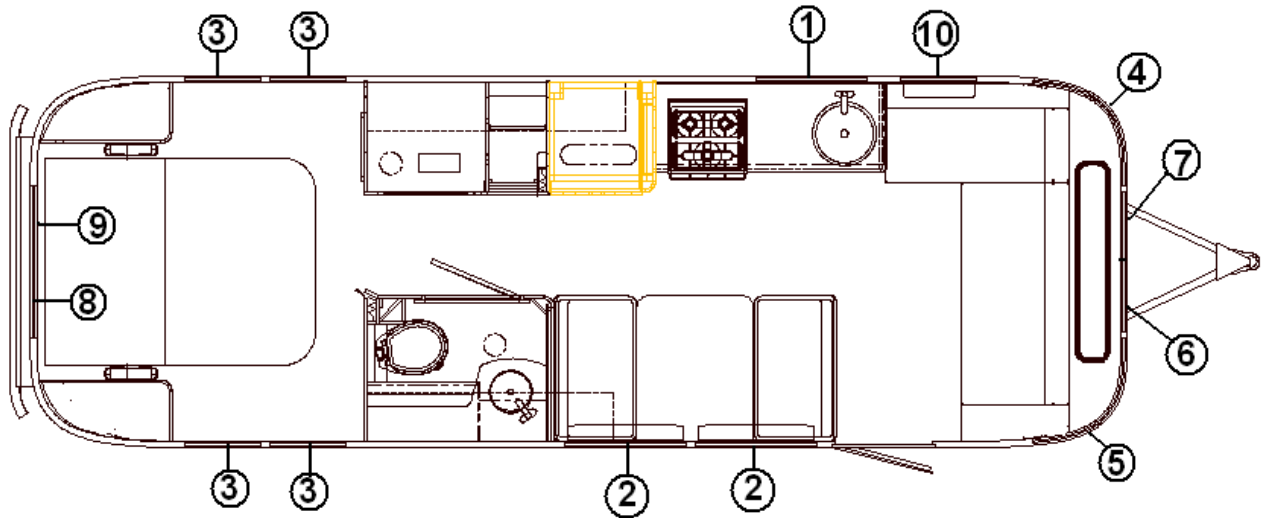


- |    |           |                                     |
|----|-----------|-------------------------------------|
| 1. | 703700-05 | SHADE 19" X 34"L OCEANAIR           |
| 2. | 703700-04 | SHADE 29.75" X 34"L OCEANAIR        |
| 3. | 998144-09 | DRAPE, CS SIDE PANEL 37" X 25.50"   |
| 4. | 998144-05 | DRAPE, CS FRT PNL 27" X 25.50"      |
| 5. | 998144-07 | DRAPE, RS FRT PNL 27" X 25.50"      |
| 6. | 998144-11 | DRAPE, RS SIDE PANEL 37" X 25.50"   |
| 7. | 703462-04 | SHADE, PULL 31.25 X 9.50" GRAY V.V. |

# 2014 INTERNATIONAL TRAVEL TRAILER

## DRAPES/BLINDS

Drapes/Shades, 28'

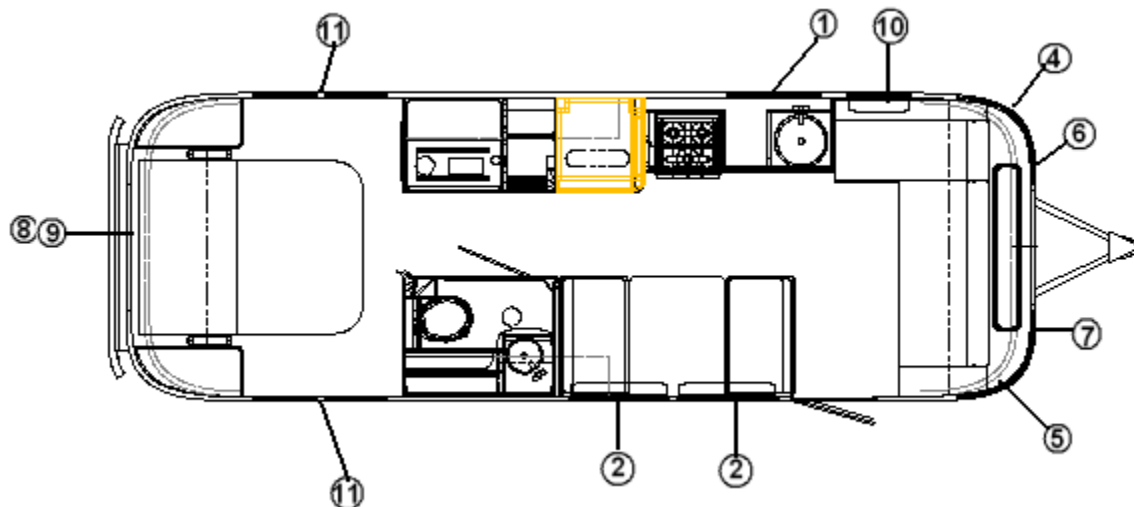


- |               |                                  |
|---------------|----------------------------------|
| 1. 703700-02  | SHADE, 32.5" X 24L               |
| 2. 703700-04  | SHADE, 29.75" X 34"L             |
| 3. 703700-05  | SHADE, 19" X 34"L                |
| 4. 998144-11  | DRAPE, RS SIDE PANEL 37" X 25.5" |
| 5. 998144-09  | DRAPE, CS SIDE PANEL 37" X 25.5" |
| 6. 998144-07  | DRAPE, RS FRONT PANEL, 27" X 29" |
| 7. 998144-05  | DRAPE, CS FRONT PANEL, 27" X 29" |
| 8. 998144-06  | DRAPE, CS REAR PANEL, 30" X 29"  |
| 9. 998144-08  | DRAPE, RS REAR PANEL, 30" X 29"  |
| 10. 703700-07 | SHADE, 17.75" X 34"L             |

# 2014 INTERNATIONAL TRAVEL TRAILER

## DRAPES/BLINDS

Drapes/Shades, 28' – SERENITY

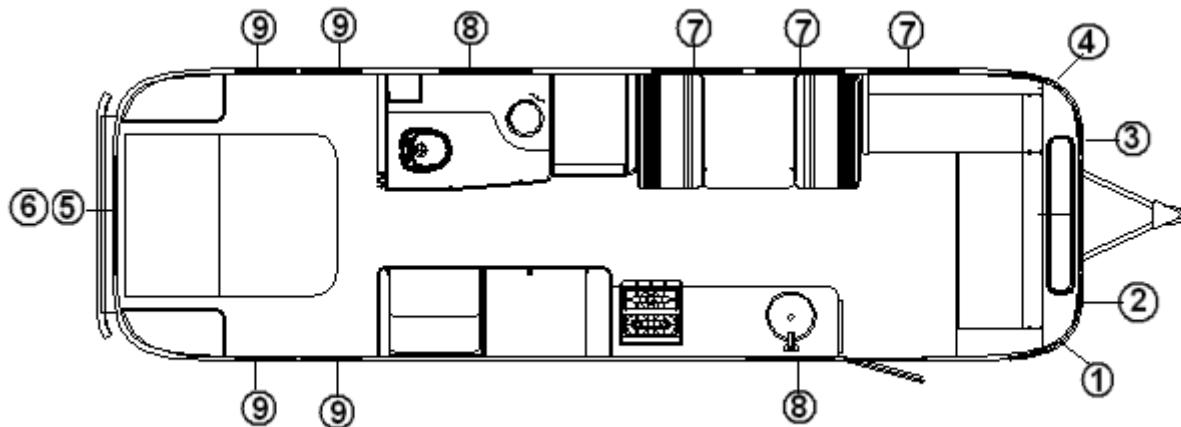


- |              |                                |
|--------------|--------------------------------|
| 1.703700-02  | SHADE32.5 X 24L OCEANAIR       |
| 2.703700-04  | SHADE 29.75" X 34"L OCEANAIR   |
| 4.998144-11  | DRAPE-RS SIDE PANEL 37" X 25.5 |
| 5.998144-09  | DRAPE-CS SIDE PANEL 37" X 25.5 |
| 6.998144-07  | DRAPE-RS FRT PNL 27"X 29"      |
| 7.998144-05  | DRAPE-CS FRT PNL 27"X 29"      |
| 8.998144-06  | DRAPE-CS REAR PNL 30"X 29"     |
| 9.998144-08  | DRAPE-RS REAR PNL 30"X 29"     |
| 10.703700-07 | SHADE 17.75 X 34L OCEANAIR     |
| 11.998171-24 | DRAPE, 27.00W X 34.50"L        |

# 2014 INTERNATIONAL TRAVEL TRAILER

## DRAPES/BLINDS

Drapes/Shades, 30'

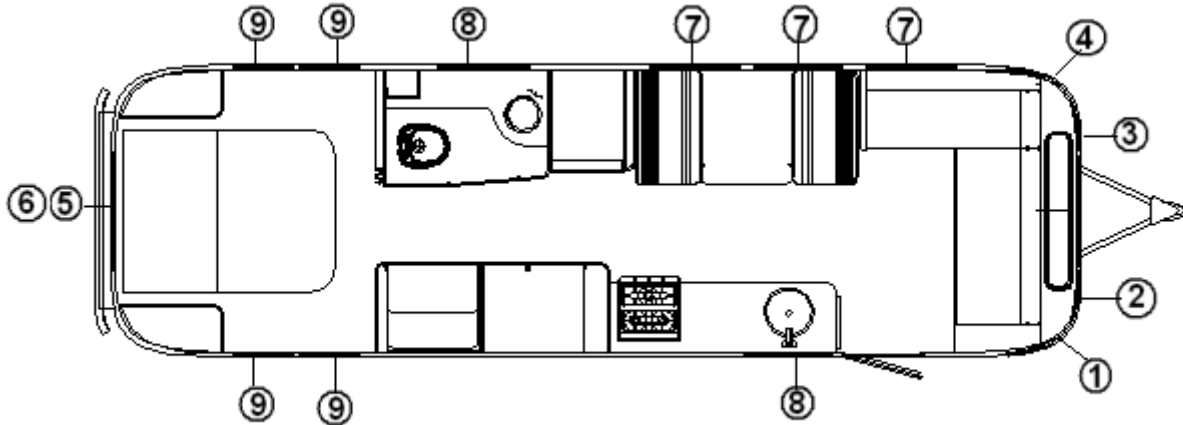


- |              |                                |
|--------------|--------------------------------|
| 1. 998144-09 | DRAPE-CS SIDE PANEL 37" X 25.5 |
| 2. 998144-05 | DRAPE-CS FRONT PANEL 27"X 29"  |
| 3. 998144-07 | DRAPE-RS FRONT PANEL 27"X 29"  |
| 4. 998144-11 | DRAPE-RS SIDE PANEL 37" X 25.5 |
| 5. 998144-06 | DRAPE-CS REAR PANEL 30"X 29"   |
| 6. 998144-08 | DRAPE-RS REAR PANEL 30"X 29"   |
| 7. 703700-04 | SHADE 29.75" X 34"L OCEANAIR   |
| 8. 703700-02 | SHADE 32.5 X 24L OCEANAIR      |
| 9. 703700-05 | SHADE 19" X 34"L OCEANAIR      |

# 2014 INTERNATIONAL TRAVEL TRAILER

## DRAPES/BLINDS

Drapes/Shades, 30', SERENITY

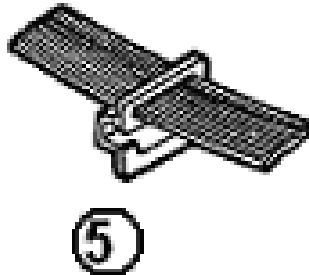
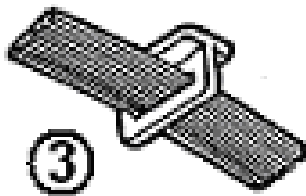


- |              |                                  |
|--------------|----------------------------------|
| 1. 998144-09 | DRAPE, CS SIDE PANEL 37" X 25.5  |
| 2. 998144-05 | DRAPE, CS FRONT PANEL 27"X 29"   |
| 3. 998144-07 | DRAPE, RS FRONT PANEL 27"X 29"   |
| 4. 998144-11 | DRAPE, RS SIDE PANEL 37" X 25.5" |
| 5. 998144-06 | DRAPE, CS REAR PANEL 30"X 29"    |
| 6. 998144-08 | DRAPE, RS REAR PANEL 30"X 29"    |
| 7. 703700-04 | SHADE, 29.75" X 34"L OCEAN AIR   |
| 8. 703700-02 | SHADE, 32.5 X 24L OCEAN AIR      |
| 9. 998171-24 | DRAPE, 27" X 34"L                |

# 2014 INTERNATIONAL TRAVEL TRAILER

## DRAPES/BLINDS

### Drape Hardware



- |           |                               |
|-----------|-------------------------------|
| 1. 101220 | Bracket, curtain stand off    |
| 2. 101217 | Track, curtain                |
| 3. 700044 | Glides, w/elastic, T" type    |
| 4. 101225 | Bracket, curtain, stand off   |
| 5. 700045 | Glides, w/elastic, "G" type   |
| 6. 200785 | End, curtain track, LH        |
| 7. 200784 | End, curtain track, RH        |
| 100099    | EXTR, ALUM. CURTAIN TRACK TOP |

# 2014 INTERNATIONAL TRAVEL TRAILER

## DRAPES/BLINDS

### Drape Parts/Material

703848	FABRIC, POPCORN SHEER, SERENITY
703903	FABRIC, DRAPERY – WYETH OFF WHITE
704054	DRAPERY LINING – THERMAL SUEDE FR (Dry Clean Only)
700013	PERMA TAPE #4813-3IN 100 YD ROLL
700045	GLIDES, CURTAIN, G3 W/ELASTIC
700005	FASTENER, CAP
700006	FASTENER SOCKET
700020	PILE VELCRO
700021	HOOK, VELCRO, WHITE
340030	FASTENER STUD NICKEL PLATED

# 2014 INTERNATIONAL TRAVEL TRAILER

## ELECTRICAL, 110 VOLT

### Shoreline Cord/Converter

512401-02	INLET, MALE 30 A, 125V TITANIUM
512401-01	POWER CORD 30 A, 30' TITANIUM
511654-01	POWER CENTER-110V/12V MAGNATEK, BROWN
511654-03	POWER CENTER, MAGNETEK, BLACK W/30 AMP A/C TRANSFER SWITCH
510741	BOX/ELECTRICAL, 1-1/2" X 2" X 3"
500563-03	Receptacle, White, Self contained
500563-04	Wall plate, White w/screws for 500563-03
511814-01	RECEPTACLE, DUPLEX, GRAY SELF CONTAINED
511814-02	PLATE, DECORATOR, 1 GANG, GRAY

### Breakers/Breaker Box

453573	MOUNTING BRACKET-BREAKER BOX
510564-03	Breaker, Bryant, 15-15
510564-04	Breaker 20-20, Bryant, CSA
510564-05	Breaker 30-20, Bryant
510564-06	Breaker 20 GFI, Bryant, CSA

### Interior/Exterior Receptacles

500563-03	Receptacle, White, Self contained
500563-04	Wall plate, White w/screws for 500563-03
512562	Receptacle Gasket, Neoprene w/adhesive
511287	Receptacle, 15 amp, single
512399	Cover, ext. outlet, gray, W/P
511023	Circuit tester (loose item)
512481-01	RECEPTACLE 20A SINGLE WHITE
512481-02	RECEPTABLE 20A SINGLE BROWN
512481-03	DECORATOR COVER PLATE W/SCREWS, BROWN
511534	DUAL COAX PLATE WHITE
511375	JACK MODULAR TELEPHONE
512398	POWER SUPPLY, WALL PLATE, WHITE



# 2014 INTERNATIONAL TRAVEL TRAILER

## ELECTRICAL, 110 VOLT

### Junction Box

510014	BOX JUNCTION OCTAGON #54151-C
510015	BOX COVER #54C-1
510475	CLIP, GROUND
510110	CLAMPS ADHESIVE BACKED

### Generator Prep

512401-02	INLET, MALE 125V 30A
385062	DECAL 110-125 VOLTAGE AC
115155-01	GEN PREP-REMOTE W/O SWITCH

### 50 Amp Service, 2<sup>nd</sup> AC, 30' Model

511149-03	POWER CORD, 50 AMP, 36 FT.
511149-02	POWER INLET W/STRAIN RELIEF
690380-11	ADAPTER DUCT USE W/690380-10
511260	WEATHERPROOF COVER, SINGLE
511885	CIRCUIT BREAKER
512285	POWER CENTER AC/DC
512408	CABLE CONNECTOR 1"

### Microwave Switch, 27' Front Bed

512221	SWITCH-LEVER 300V 10A
511283	BOX HANDY, 2" X 4", METAL
512369	RECEPTACLE, 15A SLG WHITE UL/CS
512370	WALLPLATE, 1 GANG, SINGLE RECEPTACLE
386230	LABEL, MICROWAVE 120VAC 60HZ 70

## 2014 INTERNATIONAL TRAVEL TRAILER

### ELECTRICAL, 110 VOLT

#### Inverter, 600 Watt

511968	INVERTER 600W W/REMOTE
511969-01	110A FUSE & FUSE BLACK
500039	GROUND LUG
500563-03	Receptacle, White, Self contained
500563-04	Wall plate, White w/screws for 500563-03
512562	Receptacle Gasket, Neoprene w/adhesive
512481-01	RECEPTACLE 20A SINGLE WHITE
511286-03	WIRE, TELE.26GA FLAT RED#191824
512052	POWER CONNECTOR, 2 WIRES
512053	POWER CONNECTOR, 3 WIRES

#### Tester, 110 Volt Circuit Analyzer

511023	TESTER CIRCUIT ANALYZER 3 WIRE
--------	--------------------------------

# 2014 INTERNATIONAL TRAVEL TRAILER

## ELECTRICAL, 12 VOLT

### Battery

511596	Battery, deep cycle, lead acid
511595	Battery box
500836	Positive battery cable, 55"
500836-01	Positive battery cable, 91"
500836-02	Positive battery cable, 72"
500837	Negative Battery cable
203415	BATTERY TRAY
340023-01	CATCH, ASSEMBLY
512049-01	CABLE-RED JUMPER BAT. 6GA 7.75
512049-02	CABLE-BLK JUMPER BAT.6GA 7.75"
510946-04	BRACKET, 4-POSITION, CIRCUIT BREAKER, 12V
500475-20	BREAKER, CIRCUIT, 12 VDC, EARS, 20 AMP
500475-30	BREAKER, CIRCUIT, 12 VDC, EARS, 30 AMP
500475-50	BREAKER, CIRCUIT, 12 VDC, EARS, 50 AMP
510947-20	BREAKER, 12V DC, TYPE II, #12V, 20 Amp
510947-50	BREAKER, 12V DC, TYPE II, #12V, 50 Amp

### Battery Disconnect

511655-01	BEZEL ASSY-BLACK/SILVER
511655-02	RELAY 100 AMP 12VOLT
511655-03	CABLE, 20 Ft.
511655-05	CABLE, BDO, 30'

### Interior Lights

*512442	Light w/ Switch, L.E.D. Double
*512737	Light w/Switch L.E.D. – Double, Replaces 512442
*512441	Light W/switch L.E.D. – Single- Incandescent
*512736	Light w/Switch, L.E.D. Single, Replaces 512441
512438	Reading light, L.E.D., Nickel 69920B-N16K
512719	Reading Light, Directional L.E.D. Nickel (Replaced 512438 mid year.)
512709	Switch, Slide Dimmer 3-Wire Blk
512720	Spotlight Surface Mount L.E.D.
512462	Reading light, L.E.D. Nickel
512463	Spot Light L.E.D. – Recessed – Frost
512464	Spot Light L.E.D. – Surface Mount – Frost
512478	Light – Wet Location L.E.D.
512478	LIGHT, SHOWER INCANDESCENT SINGLE 12V
512403	SCONCE-SATIN NICKEL W/BLK-SERENITY
512403-01	BULB-LED SCONCE #B7038-SERENITY
512404	SHADE-CREAM W/BLK #EX1183-SERENITY

\*First usage of replacement lights – Appx. 11/1/2013.

# 2014 INTERNATIONAL TRAVEL TRAILER

## ELECTRICAL, 12 VOLT

### Monitor System

511788-01	Monitor panel, CATCON Micropulse
512566	Monitor panel, SeeLevel 25FB/27FB 1 <sup>st</sup> Usage appx. 8/12/13.
511252	PLUG PHONE 4 CONDUCTOR
511789	SENSOR-TANK MONITOR #500-10050
511393	COUPLER-MODULAR EXTENSION 4 CONDUCTOR
511286-01	WIRE-TELEPHONE 26GA FLAT BACK
512566	Monitor, Tank System Kit, Eddie Bauer
512566-01	Flush mount monitor panel only, Eddie Bauer
512566-02	Sender pad, Eddie Bauer
602211	Plug, 3/4", Eddie Bauer MPT PLASTIC
511789-01	BOOT-SENSOR #500-20010-05
512650	OBSERVATION SYS WIRELESS DIGITAL (AIRSTREAM 2 GO)

### Solar Panel System

511828	BATTERY-12V DEEP CYCLE AGM
511142-01	PANEL-SOLAR 53 WATT VLX-53
511142-02	BRACKET-MOUNTING KIT SOLAR PANEL
512318	HOLDER W/1 AMP FUSE, IN-LINE
510328	FUSE, AGC 10
385947	LABEL-10 AMP FUSE MAX
511846	KIT-CHARGE CONTROLLER DISPLAY
511851	CABLE- CAT 5E BLUE
511852	CONNECTOR- RJ45E
512049-03	JUMPER CABLE, BATTERY, W/.38 ENDS
115583	PLATE, SOLAR BATTERY SPACER

# 2014 INTERNATIONAL TRAVEL TRAILER

## ELECTRICAL, 12 VOLT

### 7-Way Cable/Breakaway Switch

500886-01	7-Way cable w/plug
512401-01	CORD-POWER 30A 30' #F30R30-SS
512401-02	INLET-MALE 125V 30A #F30INS-GS
510743	Ground bar, 3 ½" long
511411	Junction box, 7 terminals
0300027	Break away switch, Bargman
454526	Bracket, breakaway switch
512537-01	RACEWAY W/ LATCH, ELECTRICAL, IVORY
512537-02	RACEWAY END CAP, IVORY

# 2014 INTERNATIONAL TRAVEL TRAILER

## ELECTRICAL, 12 VOLT

### Switches

512496-01	SLIDE DIMMER SWITCH, 12V Black
500913-03	SWITCH T & B WHITE
500933	SWITCH-WATER HEATER ELECTRONIC
502056	Mounting plate, 12 volt switch
510947-20	BREAKER, 12V DC, TYPE II, #12V 20APP
511100	SWITCH BODY WITH SWITCHES
511327	Switch body w/rocker, single, white
511658	SWITCH BODY W/COVER 3-GANG
511665	SWITCH ASSY-CEILING WHITE
511566-01	SWITCH COVER-2 GANG BLK-#10072
511566-02	Cover, switch, Printed, Two Gang, White
511567-01	SWITCH BODY W/ROCKER SW 2 GANG BLACK
511567-02	Switch body w/Rocker switches two gang white
511669	SWITCH ASSY-SHOWER WHITE
511672-01	SWITCH BEZEL - BLACK
511672-02	FLOOR MOUNT - BLACK
511672-03	SWITCH, BLACK SPST ON/OFF
511673	SWITCH COVER-TWO GANG BLACK
511674	SWITCH COVER-ONE GANG BLACK
511731-01	SWITCH, WATER HEATER, BLACK
511763	SWITCH W/COVER & INDICATOR, LOUNGE/PATIO
511781	SWITCH ASSY, LIGHTED, 2 GANG, ROCKER
511784	SWITCH BODY W/COVER 4-GANG BLACK
511785	COVER-SWITCH SPDT INDIRECT BLACK
511799	SWITCH-W/COVER VANITY/INDIRECT
511809	SWITCH BODY W/COVER 4-GANG
511844	SWITCH BODY W/COVER 4-GANG

Continued on Next Page

# 2014 INTERNATIONAL TRAVEL TRAILER

## ELECTRICAL, 12 VOLT

### Switches

510888-05	RECEPTACLE W/COVER GFI WHITE
510888-06	SPACER, RECEPTACLE GFI WHITE
510888-07	RECEPTACLE COVER WHITE
511975	SWITCH ASSY, 4 GANG BLACK
511977	SWITCH ASSY-SPDT BLACK 28' INT, 30' INT
511976	SWITCH ASSY SPST 1 GANG BLACK
511979	SWITCH ASSY-3 GANG BLACK
511980	SWITCH ASSY-4 GANG BLACK
511999	SWITCH ASSY-2 GANG BLACK
510658	SWITCH W/WEATHER-PROOF BOOT #1
511288	FACE PLATE, ON/OFF TOGGLE SWITCH
500563-04	DECORATIVE PLATE, 1 GANG, FOR 600W INVERTER
512481-01	RECEPTACLE, 20A SINGLE, WHITE, FOR 600W INVERTER

### Cables, Power Awnings

512649-01	Cable w/RG45 Connectors, Cat5e, 25' (23FB A2GO)
512649-02	Cable w/RG45 Connectors, Cat5e, 28' A2GO, 30'

# 2014 INTERNATIONAL TRAVEL TRAILER

## ELECTRICAL, 12 VOLT

### Exterior Lights

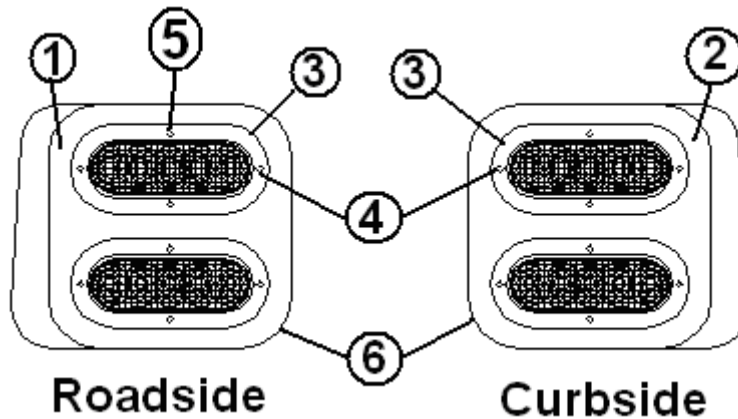
512532	Patio light, 4" round, L.E.D.
510732-02	Utility light (by main door)
512455	Holder, License plate w/LED light
512227	Red LED clearance light
382181	Foam gasket, red LED clearance light
512226	Amber LED clearance light
382181	Foam gasket, amber LED clearance light
510112	AMBER CLEARANCE LIGHT, DOUBLE BULB, CSA
511294	LIGHT LICENSE PLATE
512533	AUXILIARY LIGHT, L.E.D. SURFACE MOUNT
994165	Entrance light assembly above main door
101323	CASTING, ALUM STEP LIGHT, POLISHED
201185	LENS STEP LIGHT
512490	Bulb, 25 Diode, Entry Light
382225	Grommet, Black, .50 OD x .26 Thick, Clearance Lights



# 2014 INTERNATIONAL TRAVEL TRAILER

ELECTRICAL, 12 VOLT

## Taillight Assembly



952929-01	TAIL LIGHT ASSEMBLY, LED, ROADSIDE
952929-02	TAIL LIGHT ASSEMBLY, LED, CURBSIDE
1. 511664-01	TAIL LIGHT CASTING, ROADSIDE
2. 511664-02	TAIL LIGHT CASTING, CURBSIDE
3. *512425	6" OVAL LED TAIL LIGHT KIT
4. 512425-02	TRIM RING
5. 345473	SCREW, #6 X 3/4" SELF DRILLING
6. 512425-03	GASKET, TAILLIGHT
115073-01	BRACKET, ROADSIDE, TAILLIGHT
115073-02	BRACKET, CURBSIDE, TAILLIGHT
115074	BRACKET, CENTER, TAILLIGHT

\*512425 TAIL LIGHT KIT INCLUDES TAIL LIGHT, TRIM RING & GASKET. (2 KITS PER TAILLIGHT ASSY.)

# 2014 INTERNATIONAL TRAVEL TRAILER

## ELECTRICAL, 12 VOLT

### 12 Volt Outlet/Breaker

452412-01	BRACKET FUSE BLOCK 12V
510807	Outlet, 12 volt
511121	Mounting plate, 12 volt receptacle
512451	PANEL ASSY., 12VDC

### FUSE BLOCK ASSY. 12V CSA

964082	FUSE BLOCK ASSY. 12V CSA
452412-01	BRACKET, FUSE BLOCK, 12V, CSA
511313	BLOCK, FUSE, ATC, 12V, 6 POSITION
511314	BUSHING, UNIVERSAL, 1" I.D. BLACK
511345	FUSE, 30A AGU GLASS TUBE, BUSSMAN
500773-40	FUSE, 40A ATC 12V DC
500773-10	FUSE ATC 12V DC 10 AMP

# 2014 INTERNATIONAL TRAVEL TRAILER

## ENTERTAINMENT

### TV Antenna/Booster System

510788-07	Antenna, TV Wineguard, w/RV Wing, White
512657-01	Antenna, TV Omni Directional White (AIRSTREAM 2 GO)
500484-05	Antenna lead & extension, 72"
500484-04	ANTENNA LEAD & EXTENSION 48"
500484-07	ANTENNA LEAD & EXTENSION 144"
510788-03	Amplifier, TV antenna
510788-04	Hardware package, interior, Winegard
510612	Coax, 75 ohm, standard
510623	Connector, coax, male to male
510616	F CONNECTOR, COAX, 75 OHM
114396	Trough, TV antenna, roof
511827	WALL PLATE FLUSH MOUNT COAX-WH
510614	TV JACK, 12 VOLT, COAX
510614-01	TV JACK, 12 VOLT, COAX, WHITE
512568	TV exterior cable hook up jack
510654-01	TV jack/12 volt w/splitter, white
511534	DUAL COAX PLATE, WHITE, TT
690266-03	EXTENSION GARNISH 4" ROOF
512406	RG6 HEX COMPRESSION CONNECTOR, (SATELLITE PREWIRE)
512407	RG6 COAX CABLE
512567-01	HARNESS, COAX CABLE, RG6 (NARROW BODY TT.) SATELLITE PREWIRE
512567-02	HARNESS, COAX CABLE, RG6 (WIDE BODY TT) SATELLITE PREWIRE

# 2014 INTERNATIONAL TRAVEL TRAILER

## ENTERTAINMENT

### Blue Ray Disc/DVD Player

512693	Blue Ray Disc/DVD Player, Samsung 10.6" x 1.5" x 7.6"
512499	Mini Coax Cable, 48"
203739	Face Plate, Blue Ray Player 6.81" X 18.88"
511862	Switch, Source Selector, Sony, Obsolete 1/2014.
512366-30	Cable, HDMI Male to Male, 30'
512366-35	Cable, HDMI Male to Male, 35'
512500-25	Optical Cable, Toslink, 25' (Narrow Body Trailers)
512500-35	Optical Cable, Toslink, 35' (Wide Body Trailers)
195466-250	Outlet w/cover 12 Volt
512552	Kit, Switcher, HDMi (For switching Blu-Ray & Satellite Receiver
512058	Stereo Plug/RCA Jack x 2 Female Y-cable 6" 3.5mm
512561	HDMi Right Angle Adapter, Right Side

# 2014 INTERNATIONAL TRAVEL TRAILER

## ENTERTAINMENT

### TV Hookup Blank Plate

512025-01 V JUNCTION DEVICE, SELF CONTAINED, WHITE  
512025-02 PLATE, SNAP ON, ONE GANG SCD, WHITE

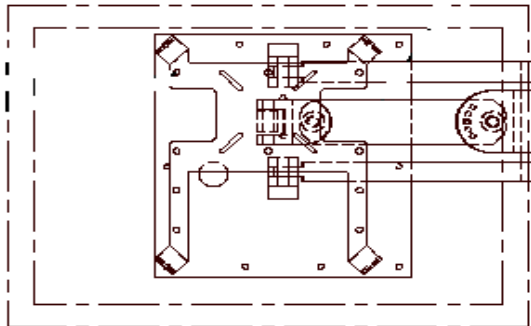
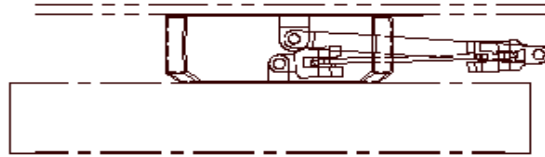
### Audio/Video Package

512782 OBS - CD receiver w/AM-FM Tuner MEX-BT3100P-M01  
(First usage January 2014.)  
512782-01 OBS - Microphone, Sony Bluetooth 1-542-870-11  
(For repair purposes).  
512787 RADIO AM/FM MODEL #MVH-X560BT-KT01 PIONEER  
REPLACEMENT FOR 512782. FIRST USED ON UNIT MFGD.  
ON OR AFTER 1/30/14.  
511807 ANTENNA, AM/FM RUBBER 13"  
511835 PATCH CORD 30' 3-WAY MALE TO MALE  
511834 PATCH CORD 30' DUAL MALE TO MALE  
511646 PATCH CORD 3-WAY 20" RCA  
511703 CORD-PATCH MALE/MALE 2-WAY 20'  
500913-03 SWITCH T & B WHITE  
512215-01 SPEAKER, 6.5", model SP65CO  
512215-02 GRILL, 6.5", WHITE  
203599 Speaker, Spacer, 5/8"  
511856 WIRING KIT- 4 WAY FLAT EXT.SPEAKER  
690651 TV, L.E.D. HD COLOR 22" SAMSUNG  
511863-02 A/B Selector Switch Kit  
511863-01 MODULE, SPEAKER CONTROL #AT-RLM  
512024 Jack, Audio Prep  
511822 SUB WOOFER-POWERED 6.5" WEDGE  
511645 Y' ADAPTER MALE TO 2-FEMALE  
386159 LABEL-FLAT SCREEN TV  
511829 CONNECTOR, 'F' MALE/MALE ADAPTER  
511608 ISOLATION TRANSFORMER, 15 AMP  
512056 BARREL COUPLER, RCA GOLD F/F  
512379 COUPLER BARREL, RCA GOLD M/M  
512503 CONVERTER, DIGITAL TO ANALOG  
386268 QUICK OPERATING TIPS 2014, MODEL DSX-S310BTX  
386268-01 QUICK OPERATING TIPS 2014, MODEL MEXBT3100P  
512647 RADIO AM/FM/DVD/CD/SONY - AIRSTREAM 2 GO  
512505 OBS - AM/FM Digital Media Player, Sony Model DSX-S310BTX  
(Usage: Prior to January 2014.)  
511862 Switch, Source Selector, #XA-300 - Obsolete January 2014.

# 2014 INTERNATIONAL TRAVEL TRAILER

## ENTERTAINMENT

Flat Screen TV & Bracket Installation, 22" TV, 19, 23FB, 23D



512526-01	Articulating Arm
345459	SCREW M4 X 16 PHIL PAN HEAD
381136	Bumper, rubber
512265	Adaptor right angle, RCA OUT
512268	TV antenna coaxial cable lead, 9'
512499	CABLE-MINI COAX 48" TRL
512501	Splitter, HDMI Pass Through 1 X 2
690651	22" L.E.D. HD Color Samsung
320157	Screw, PH M4 x 12MM Steel
381609-02	Screw, Hafele European #9, 1"
345468-01	Screw, #12 x .625" PH Black Head
512273	POWER CORD, 8', SAMSUNG TV
381136	Spacer bumpers, TV bracket
512537-02	Raceway end cap, Ivory
967130	TV Support/Spice Rack, (19'Intl.)
340300	Clip, Cable Holder
382184	Sleeving, Flexo Braided Split

# 2014 INTERNATIONAL TRAVEL TRAILER

## ENTERTAINMENT

Flat Screen & Bracket Installation, 29" TV, 25, 25FB, 25FB Eddie Bauer, 27FB, 28', 30', Airstream2Go

690649	TV, L.E.D. Color, 29" Samsung
512656	Bracket, TV Flush, Moview MQ120
345464	Screw, M4 X 25MM Philips Pan Head
345468-01	Screw #12 x .625" PH Black Head
512499	Cable, Mini Coax 48"
320116-08	Screw, Black Phil Head #8; 1 1/4"
381220-02	Mirror Clip, #318NP Nickel Plate
320177	Screw, Hex Washer Head #8 x 1.00"
801946	Spacer, TV Bracket
801946-15	Spacer, TV Bracket, Serenity
320116-06	Screw, Black Phil Head #8 1"
500132	Grommet 1" (1-3/16ID) #2182
382184	Sleeving, .75" Flexo Braided Spl

# 2014 INTERNATIONAL TRAVEL TRAILER

## ENTERTAINMENT

Bedroom TV Option, 22" TV, 30' Intl., 28, 27FB Twin, 27FB EB,  
25FB, 25 FB Twin, 25'

690650	TV, L.E.D. 22" Samsung
512457	Articulating Arm, Moview MSDSL
320157	Screw PH M4 x 12mm Steel
345468-01	Screw #12 x .625" PH Phil Black Head
511314	Bushing, Universal 1" I.D. Black
512499	Cable, Mini Coax 48"
512501	Splitter HDMi Pass Through 1 x 2
511862	SWITCH-SOURCE SELECTOR #XA-300
512510	A/V Plate, Coax w/HDMi Pass Through Grommet
340300	Clip, Cable Holder
382184	Sleeving, Flexo Braided Split



# 2014 INTERNATIONAL TRAVEL TRAILER

# 2014 INTERNATIONAL TRAVEL TRAILER

## FASTENERS

### Rivets



325043(hard)  
325000 (soft)  
Rivet, buck type  
dia. 1/8"  
length 1/4"



325000-01  
Rivet, buck type  
dia. 1/8"  
length 1/4"  
anodized clear



325000-03  
Rivet, buck type  
dia. 1/8"  
length 1/4"  
anodized white



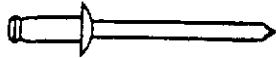
325001-01  
Rivet, buck type  
dia. 1/8"  
length 5/16"  
anodized clear



325002  
Rivet, buck type  
dia. 1/8"  
length 3/8"  
anodized clear



325004-01  
Rivet, buck type  
dia. 1/8"  
length 1/2"  
anodized clear



330129-08 Brown  
dia. 1/8"  
grip range .063-.125  
aluminum body  
aluminum mandrel



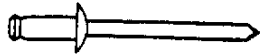
300101  
1/8" I.D.  
washer, aluminum

\*Common bolts and screws readily available at local hardware outlets have not been listed.

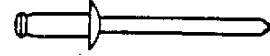
# 2014 INTERNATIONAL TRAVEL TRAILER

## \*FASTENERS

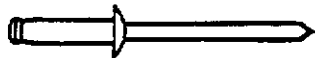
### Rivets



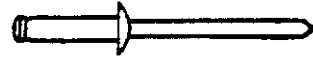
330126-02  
rivet, pop  
dia. 1/8 "  
grip range .126-.187  
stainless steel  
stainless steel mandrel



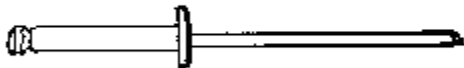
330126-03  
rivet, pop  
dia. 1/8 "  
grip range .126-.250  
body stainless steel  
stainless steel mandrel



330148  
rivet, pop  
AD43-45ABS  
grip range .251-.312  
aluminum body  
aluminum mandrel



330128-050  
rivet, pop  
dia. 1/8"  
grip range .251-.312  
aluminum body, white  
aluminum mandrel



330038  
rivet, pop  
dia. .150 (#20 bit)  
grip range .126-.250  
Aluminum body  
aluminum mandrel  
(used-screen door hinge)



325103  
dia. 1/4"  
grip range .080-.325  
SS body, steel mandrel

\*Common bolts and screws not listed.

# 2014 INTERNATIONAL TRAVEL TRAILER

## FURNITURE

### Floor Covering

703944	FLOORING, VINYL BEAU WHITE OILED ASH 01S
703766-01	ADHESIVE AAT 272 SUPER PREMIUM
703841	FLOORING, VINYL BEAU JUTA – SERENITY
703835	FLOORING, VINYL YASMINE – EDDIE BAUER
702665	Rug cushion, non-slip
703852	MATT ENTRANCE W/AIRSTREAM LOGO
203594-02	FLOOR TRIM, UN7021 ASH GREY
703938	MAT, AIRSTREAM, REAR DOOR – EDDIE BAUER
703988	FLOORING VINYL BOLON BOTANIC VIVA, STERLING
703995	FLOORING VINYL BOLON NOW PINK, STERLING

### Furniture/Cushion Batting

701538-01	CARPET, ECONOLIER W/PSA BACKING, used on furniture
-----------	----------------------------------------------------

# 2014 INTERNATIONAL TRAVEL TRAILER

## FURNITURE

### Drawer Slides

381192	SLIDE, DRAWER, 18"
381833-01	DRAWER SLIDE-UNDER SHELF 18" (PAIR)
381773-03	DRAWER SLIDE 15.75"
381773-09	DRAWER SLIDE, 4.625"H X 15.75"L
381944-01	SLIDE, 18", PER SET, PANTRY
381925	SLIDE, DRAWER, 24", 23'D PANTRY
381833-01	SLIDE, 18" UNDER SHELF, 23', 19' DINETTE SEAT
381925-01	SLIDE, 20" SIDE MOUNT
382203-03	SLIDE, SELF CLOSE 15.00"
382203-04	SLIDE, SELF CLOSE 18.00"
382203-05	SLIDE, SELF CLOSE 21.00"
382203-06	FRONT FIXING CLIPS (PR.)

### Drawer Boxes

964909-11	DRAWER BOX, 10" X 14.00" X 19"
965584-01	DRAWER BOX ASSY 3.38"X 13.75"X11 -E.Bauer.

# 2014 INTERNATIONAL TRAVEL TRAILER

## FURNITURE

### Drawer Boxes

#### Drawer Box Assys. 5.00"

968020-01	Drawer Box 5" x 20.38" x 15.00"
968020-02	Drawer Box 5" x 9.88" x 15.00"
968020-03	Drawer Box 5" x 8.50" x 18.00"
968020-04	Drawer Box 5" x 15.13" x 15.00"
968020-05	Drawer Box 5" x 17.19" x 18.00"
968020-06	Drawer Box 5" x 11.38" x 15.00"
968020-07	Drawer Box 5" x 23.88" x 15.00"
968020-08	Drawer Box 5" x 13.63" x 18.00"
968020-09	Drawer Box 5" x 13.63" x 15.00"
968020-10	Drawer Box 5" x 17.25" x 15.00"

#### Drawer Box Assys. 2.75"

968021-01	Drawer Box 2.75" x 20.38" x 15.00"
968021-02	Drawer Box 2.75" x 22.38" x 15.00"
968021-03	Drawer Box 2.75" x 15.63" x 15.00"
968021-04	Drawer Box 2.75" x 23.88" x 15.00"
968021-05	Drawer Box 2.75" x 11.63" x 15.00"

#### Drawer Box Assys. 6.00"

968022-01	Drawer Box 6.00" x 23.13" x 15.00"
968022-02	Drawer Box 6.00" x 22.38" x 18.00"
968022-03	Drawer Box 6.00" x 17.88" x 18.00"
968022-04	Drawer Box 6.00" x 14.63" x 18.00"
968022-05	Drawer Box 6.00" x 23.88" x 15.00"

#### Drawer Box Assys. 8.00"

968028-01	Drawer Box 8.00" x 17.19" X 21.00"
968028-02	Drawer Box 8.00" x 15.81" x 21.00"
968028-03	Drawer Box 8.00" x 10.13" x 21.00"
968028-04	Drawer Box 8.00" x 10.13" x 18.00"

# 2014 INTERNATIONAL TRAVEL TRAILER

## FURNITURE

### Mirrors

372203-05	MIRROR, POLISHED EDGES, 19.00" X 14"
372203-09	GLASS SAFETY MIRRORED 14" X 22"
372203-15	MIRROR- POL EDGES- 17.00" X 25.25"
372203-24	MIRROR, POLISHED EDGES, 9.50" X 20"
372203-26	MIRROR, POLISHED EDGES 13.62" X 58"
372203-30	MIRROR, SAFETY 14"H X 30"W, 28' Medicine cabinet
372203-33	MIRROR, SAFETY .125" X 14" X 40"
381220-01	MIRROR CLIP, #309NP NICKEL PLATE
381220-02	MIRROR CLIP, #318NP NICKEL PLATE

# 2014 INTERNATIONAL TRAVEL TRAILER

## FURNITURE

### Doors, Roof Lockers

203749-01	DOOR-SLIDING PLEXIGLASS 17.50"
203749-05	DOOR-SLIDING PLEXIGLASS 11.75"
203749-08	DOOR-SLIDING PLEXIGLASS 30.00"
203749-09	DOOR-SLIDING PLEXIGLASS 26.25"

### Doors, Roof Lockers, Serenity

203677-01	Door, sliding, Mari 11.31" x 17.50", Serenity
203677-02	Door, sliding, Mari 11.31" x 26.25", Serenity
203677-03	Door, sliding, Mari 11.31" x 30", Serenity
203677-04	Door, sliding, Mari 11.31" x 15.00" Serenity
203677-05	Door, sliding, Mari 11.31" x 11.75", Serenity

### Doors, Roof Lockers, Eddie Bauer

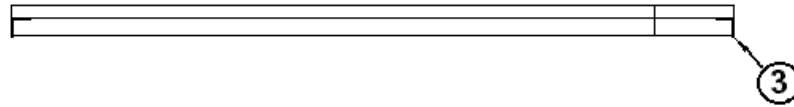
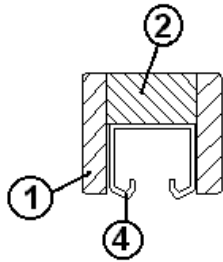
203708-01	DOOR-PLEXIGLASS 11.31X30
203708-02	DOOR-PLEXIGLASS 11.31 X 24.75



# 2014 INTERNATIONAL TRAVEL TRAILER

## FURNITURE

### Doors, Foldette

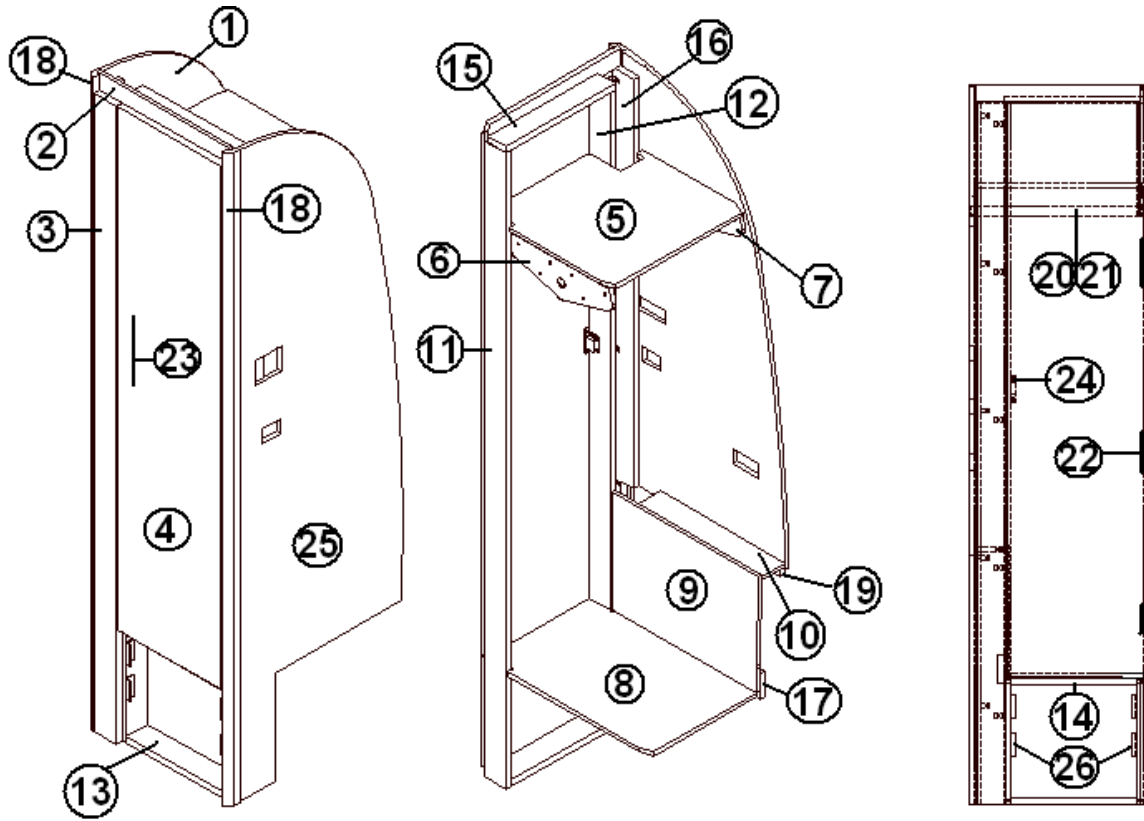


- |              |                                                            |
|--------------|------------------------------------------------------------|
| 702681-07    | DOOR-FOLDETTTE 60"X 73" GREY,                              |
| 702681-08    | DOOR-FOLDETTTE 60" X 73" BEIGE, 25&27FB<br>E.BAUER         |
| 1. 801924-01 | LAMINATE, EBONY WOODS VERTICAL 4'X8'                       |
| 2. 800304    | PINE, 5/8" X 2 1/2"                                        |
| 3. 452258    | BRACKET, MTG. FOLDETTTE DOOR                               |
| 4. 381769    | TRACK, FOLDETTTE DOOR, 23' D                               |
| 4. 381838-01 | TRACK, FOLDETTTE DOOR METAL 16'TRL                         |
| 4. 381563-01 | TRACK, FORMED FOLDETTTE DOOR, 19', 28', 30'                |
| 4. 381890-01 | TRACK, FORMED FOLDETTTE, 23' FB, 25' FB,<br>27' FB         |
| 4. 381890-02 | TRACK, STRAIGHT FOLDETTTE, 25' FB,<br>27' FB, 23' D, 23'FB |
| 4. 382112    | TRACK, FOLDETTTE DOOR, 35.36" - 30'                        |
| 701342-01    | STRAP, VINYL, HOLD-BACK, 7.0"LONG                          |
| 200003-01    | END CAP MOUNTING, BLACK                                    |
| 350178-01    | NUT, ACORN, 6-32, NICKEL PLATED                            |
| 101038       | EXTRUSION, HEADER, 110" BROWN                              |

# 2014 INTERNATIONAL TRAVEL TRAILER

## FURNITURE, BEDROOM

### Wardrobe, 19' Signature, Roadside



Part Number on the next page

# 2014 INTERNATIONAL TRAVEL TRAILER

## FURNITURE, BEDROOM

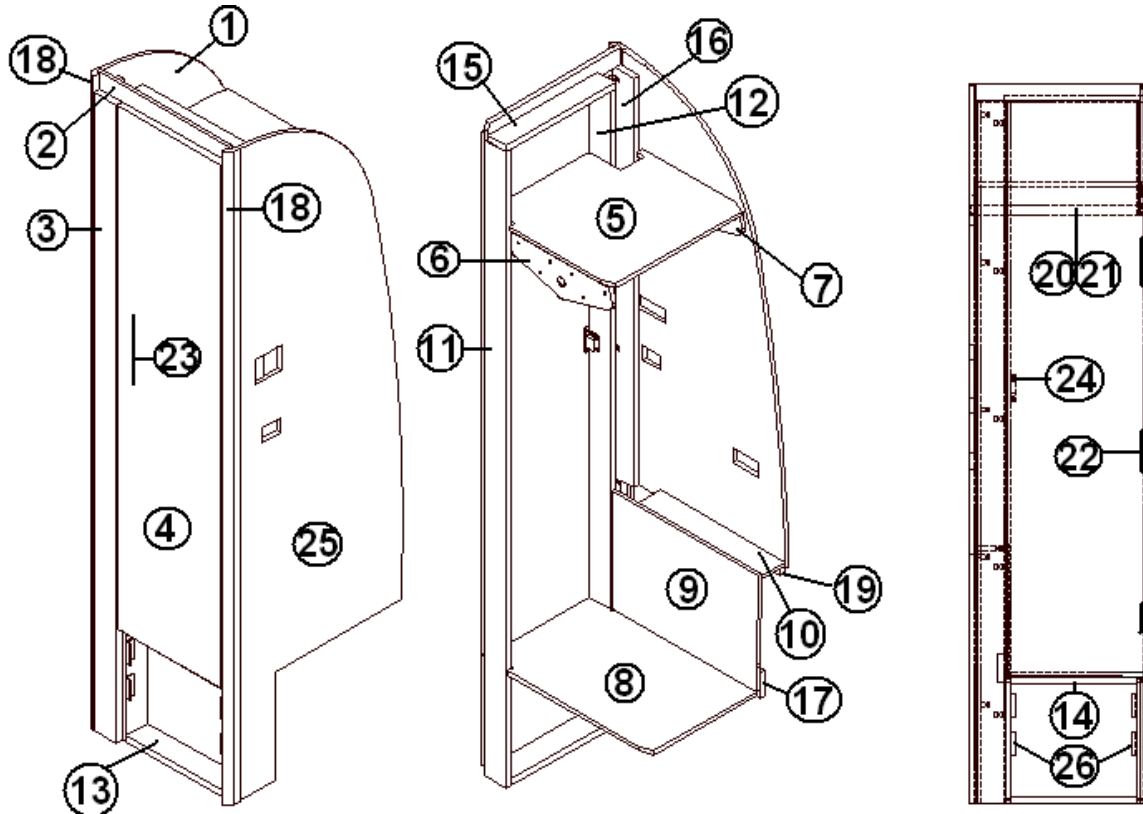
### Wardrobe, 19' Signature, Roadside

966957	WARDROBE ASSEMBLY
1. 966957-1	PANEL, 22.38" X 77.76"
2. 966957-2	PANEL, 2.06" X 18.38"
3. 966957-3	PANEL, 3.13" X 76.19"
4. 966957-4	DOOR, 14.25" X 62.38"
5. 966957-5	PANEL, 16.88" X 18.38"
6. 966957-6	PANEL, 14.00" X 4.50"
7. 966957-7	PANEL, 14.00" X 4.50"
8. 966957-8	PANEL, 15.12" X 22.88"
9. 966957-9	PANEL, 14.00" X 20.17"
10. 966957-10	PANEL, 3.25" X 17.13"
11. 966957-11	PANEL, 3.00" X 75.88"
12. 966957-12	PANEL, 3.00" X 75.88"
13. 966957-13	PANEL, 3.00" X 13.63"
14. 966957-14	PANEL, 3.00" X 13.63"
15. 966957-15I	PANEL, 2.50" X 15.13"
16. 966957-16	PANEL, 3.00" X 75.88"
17. 801351	PANEL, 3.00" X 18.00", LITE PLY
18. 801706-0024	CORNER TRIM, 90 DGREE
19. 800025-01	PINE, 3/4" X 3/4"
20. 380045	TUBING 3/4", METALLIC
21. 200975-04	CONDUIT, FLEXIBLE BLACK PLASTIC
22. 381607	HINGE ASSY
23. 382029-03	HANDLE-BAR 11.25"
24. 381228-01	GRABBER CATCH, DOOR
25. 966957-30	PANEL, 77.78" X 22.50"
26. 114811	ALUMINUM ANGLE .50 X .50

# 2014 INTERNATIONAL TRAVEL TRAILER

## FURNITURE, BEDROOM

Wardrobe, 19' Signature, Roadside, Serenity



Part Number on the next page

# 2014 INTERNATIONAL TRAVEL TRAILER

## FURNITURE, BEDROOM

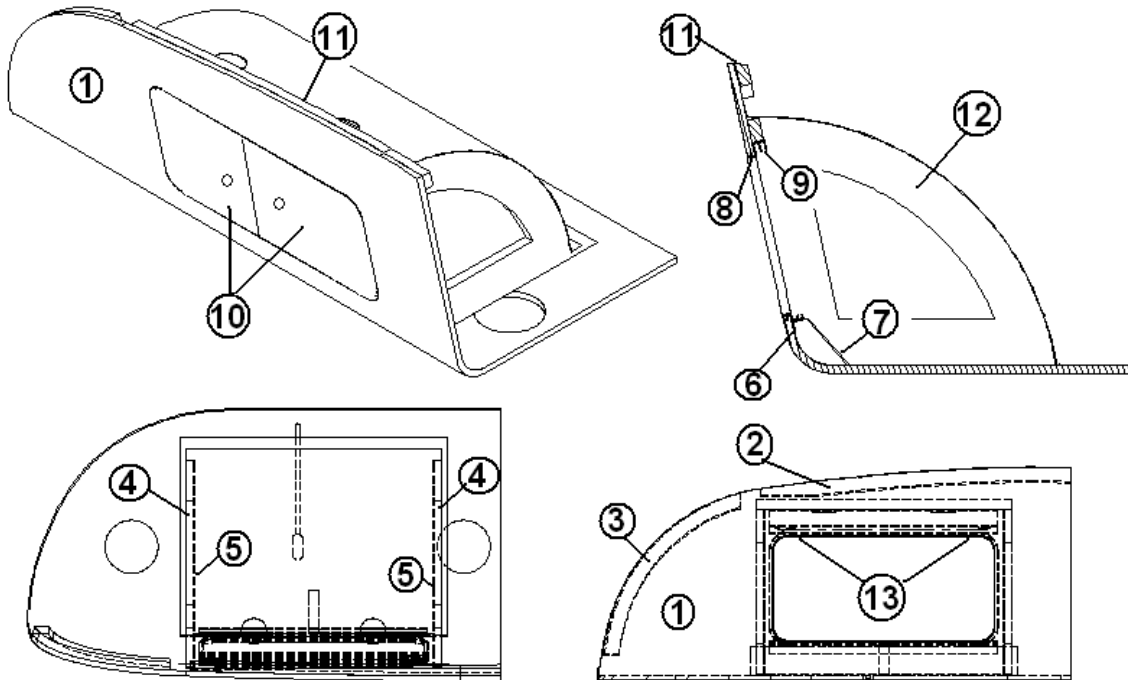
### Wardrobe, 19' Signature, Roadside, Serenity

966957-15	WARDROBE ASSEMBLY
1. 966957-151	PANEL, 22.38" x 77.75"
2. 966957-152	PANEL, 2.06" X 18.38"
3. 966957-153	PANEL, 3.13" X 77.19"
4. 966957-154	DOOR, 14.25" X 62.38"
5. 966957-5	PANEL, 16.88" X 18.38"
6. 96957-6	PANEL, 14.00" X 4.50"
7. 966957-7	PANEL, 14.00" X 4.50"
8. 966957-8	PANEL, 15.12" X 22.88"
9. 966957-9	PANEL, 14.00" X 20.17"
10. 966957-10	PANEL, 3.25" X 17.13"
11. 966957-11	PANEL, 3.00" X 75.88"
12. 966957-12	PANEL, 3.00" X 75.88"
13. 966957-13	PANEL, 3.00" X 13.63"
14. 966957-14	PANEL, 3.00" X 13.63"
15. 966957-15I	PANEL, 2.50" X 15.13"
16. 966957-16	PANEL, 3.00" X 75.88"
17. 801351	PANEL, 3.00" X 18.00", LITE PLY N
18. 801706-0018	CORNER TRIM, 90 DGREE ASIAN SAND
19. 800025-01	PINE, 3/4" X 3/4"
20. 380045	TUBING 3/4", METALLIC
21. 200975-04	CONDUIT, BLACK PLASTIC
22. 381607	HINGE ASSY
23. 382115	PULL, FLAT BLACK #M575
24. 381228-01	GRABBER CATCH, DOOR
25. 966957-1530	PANEL, 77.78" X 22.50"
26. 114811	ALUMINUM ANGLE .50 X .50

# 2014 INTERNATIONAL TRAVEL TRAILER

## FURNITURE, BEDROOM

### Roof Locker, 19', 23' D Signature, Rear End Liner

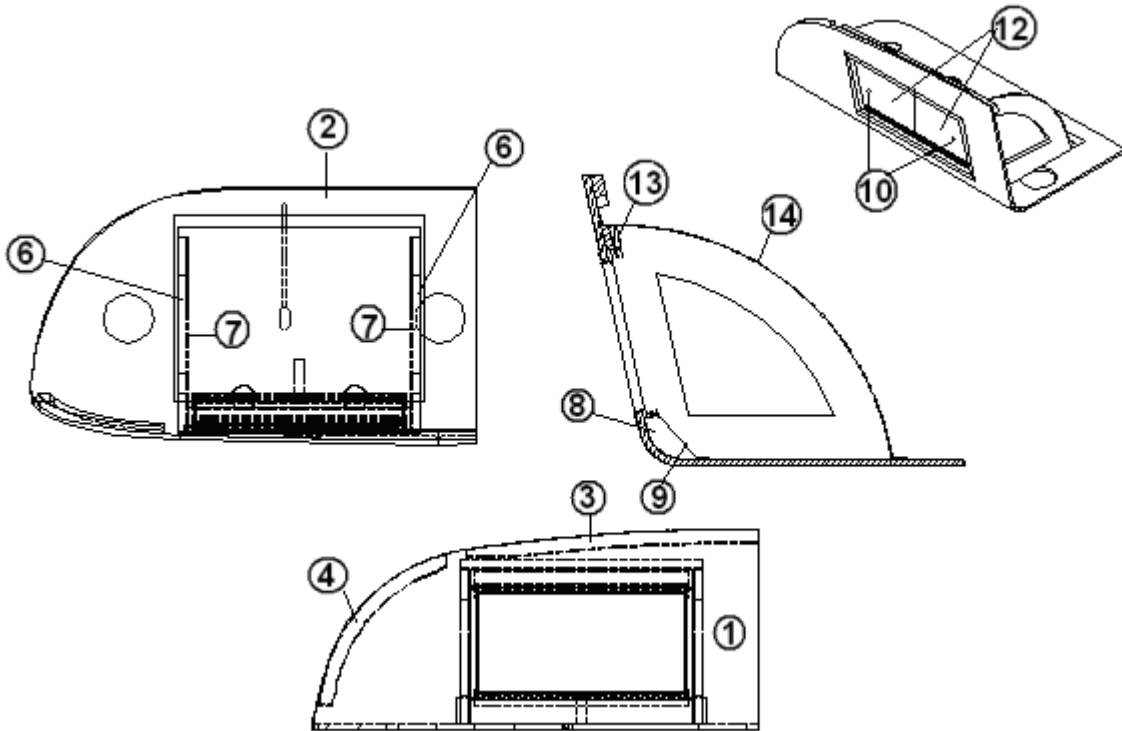


966933	LINER LOCKER ASSY NB REAR CORNER
1. 801730	FACE-LINER LOCKER NB REAR CORNER
2. 801596-01	BACKER W/B LINER LOCKER CENTER
3. 801596-02	BACKER LINER LOCKER LH
4. 801594	DIVIDER-LINER LOCKER
5. 801595	DIVIDER LINER LOCKER CCD
6. 115261-04	ANGLE, FORMED LCKR TRACK SUPPORT
7. 115226-01	BRACKET, FORMED, CENTER SUPPORT
8. 203445	T-MOLDING, FLEXIBLE POLY BLACK
9. 203388	SLIDING DOOR TRACK, 56-1/5"
10. 203749-05	DOOR, PLEXIGLASS, 11.31" x 11.75"
11. 201673	REVERSE COVE MOLDING, WHITE
12. 115264-04	PAN-LINER LOCKER N/B REAR
13. 703991	PILE SEAL WEATHER STRIP
382149	PULL, FINGER, SATIN NICKEL

# 2014 INTERNATIONAL TRAVEL TRAILER

## FURNITURE, BEDROOM

Roof Locker, 19', 23' D Signature, Rear Corner- SERENITY



967550-15

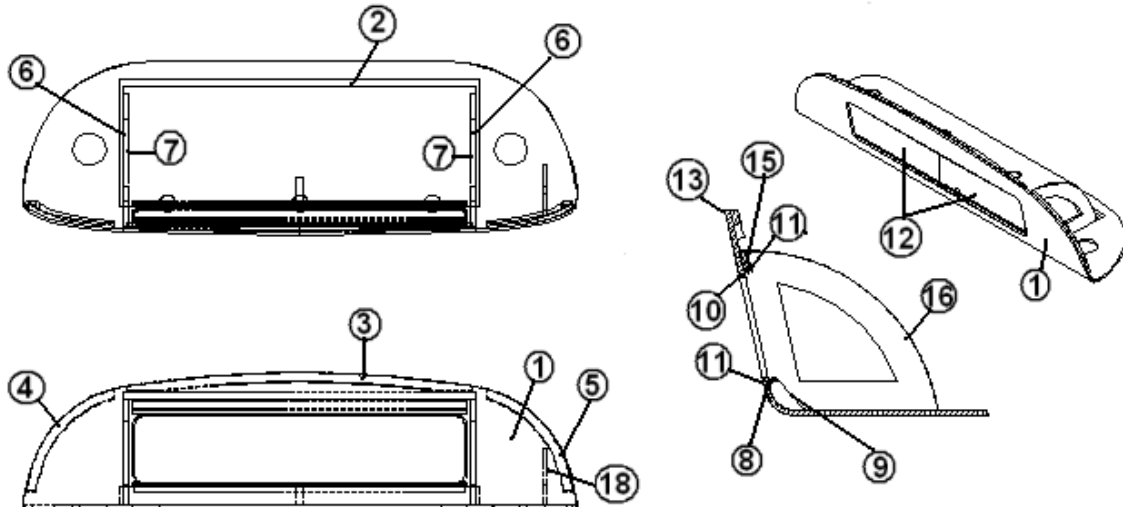
ROOFLOCKER ASSY.-NB Rear Corner 19/23 SERENITY

- |     |           |                                   |
|-----|-----------|-----------------------------------|
| 1.  | 801825    | FACE-REAR R/L                     |
| 2.  | 801355-01 | LAM-FROST WHT 4'X8'VERT #1573-    |
| 3.  | 801596-01 | BACKER W/B LINER LOCKER CTR       |
| 4.  | 801596-02 | BACKER LINER LOCKER LH            |
| 5.  | 801594    | DIVIDER-LINER LOCKER              |
| 6.  | 801595    | DIVIDER LINER LOCKER              |
| 7.  | 114812    | FORMED ANGLE 1" X 1" X 22.00"     |
| 8.  | 115226-01 | BRACKET, FORMED LOCKER CTR SUPORT |
| 9.  | 382114    | KNOB-BRUSH.SATIN NICKEL #M576     |
| 10. | 381245    | SLIDING DOOR TRACK, 56-1/5"       |
| 11. | 203677-05 | DOOR-MARI 11.31 X 11.75           |
| 12. | 800506-04 | PLYWOOD,1/2" X 4'X8'              |
| 13. | 115264-04 | PAN-LINER LOCKER N/B REAR         |
|     | 703991    | PILE SEAL WEATHER STRIP           |
|     | 201673    | COVE MOLDING, WHITE               |

# 2014 INTERNATIONAL TRAVEL TRAILER

## FURNITURE, BEDROOM

### Roof Locker, Front Bedroom 23 FB



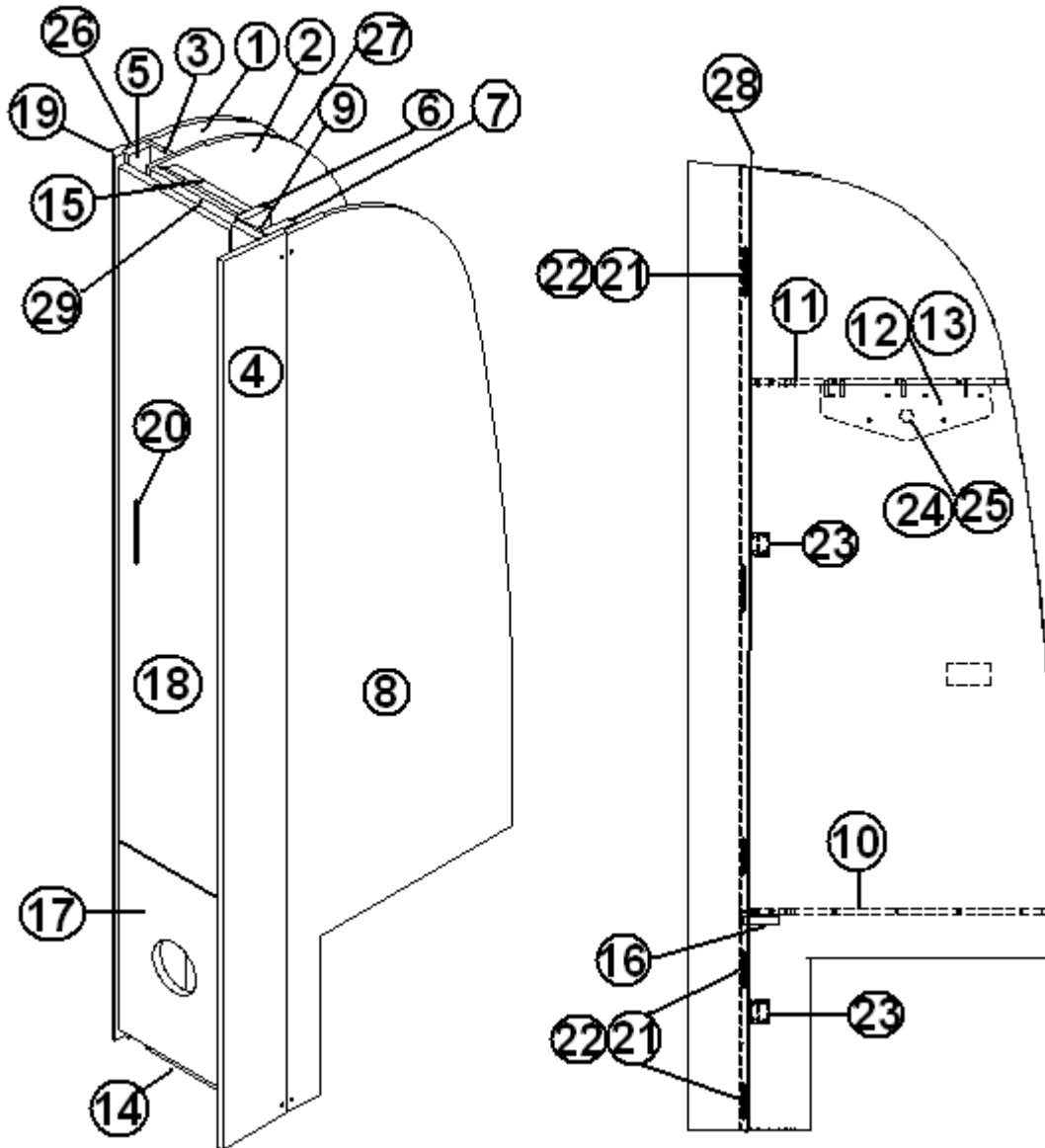
967645	ROOFLOCKER ASSY, FRONT, 23FB
1. 801887	FACE, FRONT ROOFLOCKER
2. 801928	PANEL, PRELAM EBONY WOODS/LINER 18MM
3. 801596-01	BACKER, W/B LINER LOCKER CTR
4. 801596-02	BACKER, LINER LOCKER LH
5. 801596-03	BACKER, LINER LOCKER RH
6. 801594	DIVIDER, LINER LOCKER
7. 801595	DIVIDER, LINER LOCKER
8. 115261-02	ANGLE FORMED LCKR TRACK SUPPORT
9. 101115-01	ALUM.SHEET 30"X8"W/PROTECTIVE
10. 115226-01	BRACKET, FORMED LOCKER CTR SUPPORT
11. 203445-01	T-MOLDING, .5625" WHITE
12. 203388	TRACK, SLIDING DOOR
13. 203749-08	DOOR, PLEXIGLASS 11.31" x 30"
14. 201673	REVERSE COVE MOLDING, WHITE
15. 365215	TAPE ADHESIVE TRANSFER #950 5M
16. 800028	PINE, 3/4" X 1-1/2"
17. 115264-02	PAN-LINER LOCKER N/B
18. 114879-238	ALUM.SHEET .040"X33"X238"
801710	SUPPORT DIVIDER-R/L INT II
703991	PILE SEAL WEATHER STRIP
382149	FINGER PULL, SATIN NICKEL



# 2014 INTERNATIONAL TRAVEL TRAILER

## FURNITURE, BEDROOM

Wardrobe, 23' D Signature, Roadside



Part Numbers on the Next Page

# 2014 INTERNATIONAL TRAVEL TRAILER

## FURNITURE, BEDROOM

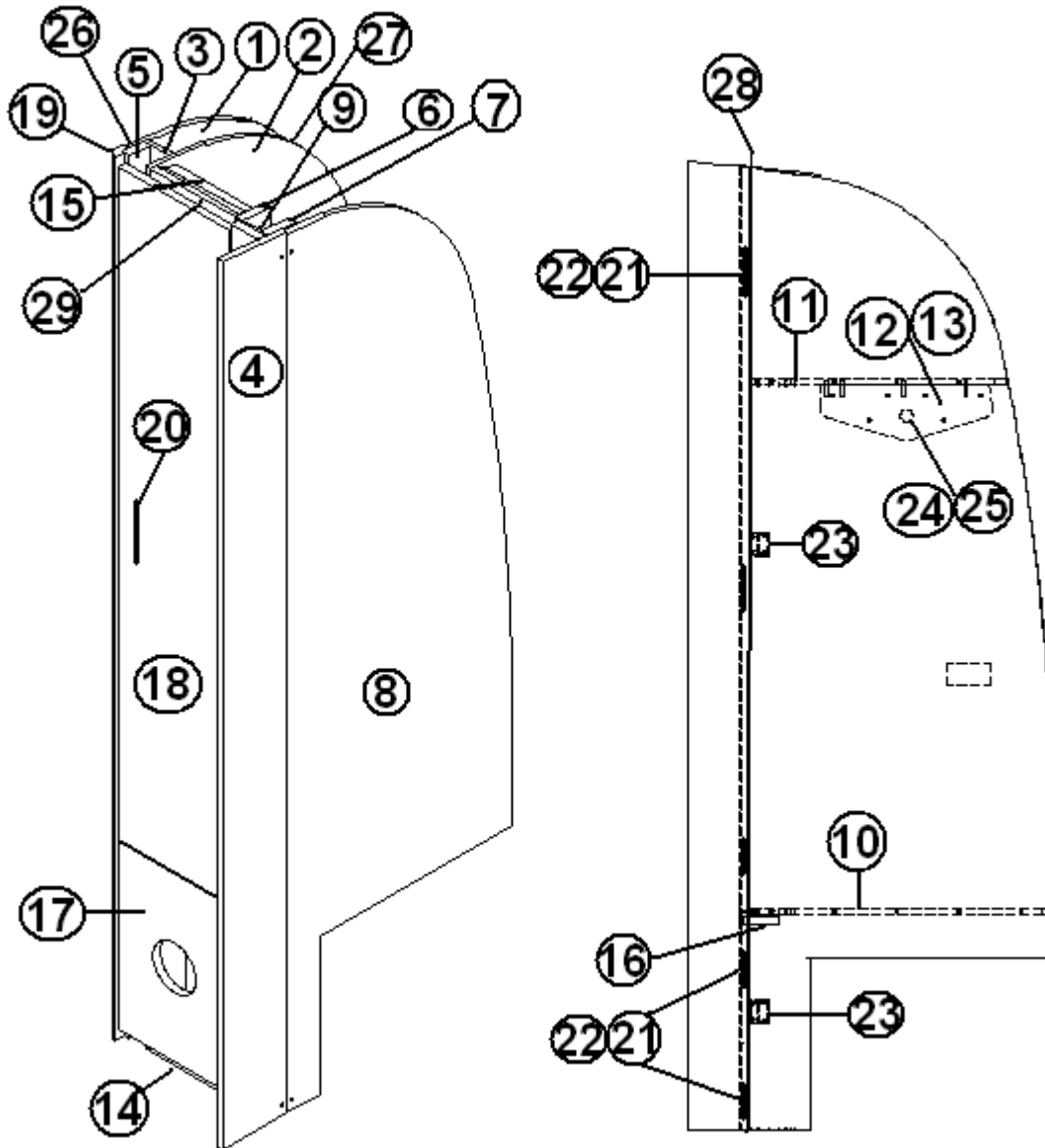
### Wardrobe, 23' D Signature, Roadside

966949	WARDROBE ASSY, R.S.
1. 966949-1	PANEL, RS W/R, 23.78 X 77.82
2. 966949-2	PANEL, RS W/R, 24.56 X 78.06
3. 966949-3	PANEL, RS W/R, 2.5 X 77.8
4. 966949-4	PANEL, RS W/R, 6.60 X 78.53
5. 966949-5	PANEL, RS W/R, 2.25 X 78.06
6. 966949-6	PANEL, RS W/R, 3.0 X 78.06
7. 966949-7	PANEL, RS W/R, 3.0 X 78.06
8. 966949-8	PANEL, RS W/R, 23.05 X 77.83
9. 966949-9	PANEL, RS W/R, 1.87 X 12.0
10. 966949-11	PANEL, RS W/R, 11.89 X 24.59
11. 966949-12	PANEL, RS W/R, 11.89 X 20.74
12. 966949-13	PANEL, RS W/R, 14.0 X 4.49
13. 966949-14	PANEL, RS W/R, 14.0 X 4.49
14. 966949-15I	PANEL, RS W/R, 8.51 X 2.25
15. 966949-16	PANEL, RS W/R, 8.51 X 2.25
16. 966949-17	PANEL, RS W/R, 2.25 X 8.51
17. 966949-18	DOOR RS W/R, 11.38 X 16.68
18. 966949-19	DOOR R/S W/R, 11.38 X 59.5
19. 801706-0024	CORNER TRIM 90 DEG
20. 382029-03	HANDLE BAR, 11.25"
21. 381607	HINGE ASSY
22. 320006	SCREW, SHEET METAL, 8 X 3/4 BH PHI
23. 381228	CATCH, GRABBER, DOOR
24. 380045	TUBING 3/4", METAL
25. 200975-04	CONDUIT, FLEXIBLE BLACK PLASTIC
26. 203138-05	EXTRUSION, PLASTIC 1/2" WALL BLACK
27. 203138-01	EXTRUSION, PLASTIC WALL-WHITE
28. 115085	ANGLE ALUMINUM, ROOFLOCKERS
29. 966949-35	PANEL, RS W/R, 2.94 X 78.00

# 2014 INTERNATIONAL TRAVEL TRAILER

## FURNITURE, BEDROOM

Wardrobe, 23' D Signature, Roadside, SERENITY



Part Numbers on the Next Page

# 2014 INTERNATIONAL TRAVEL TRAILER

## FURNITURE, BEDROOM

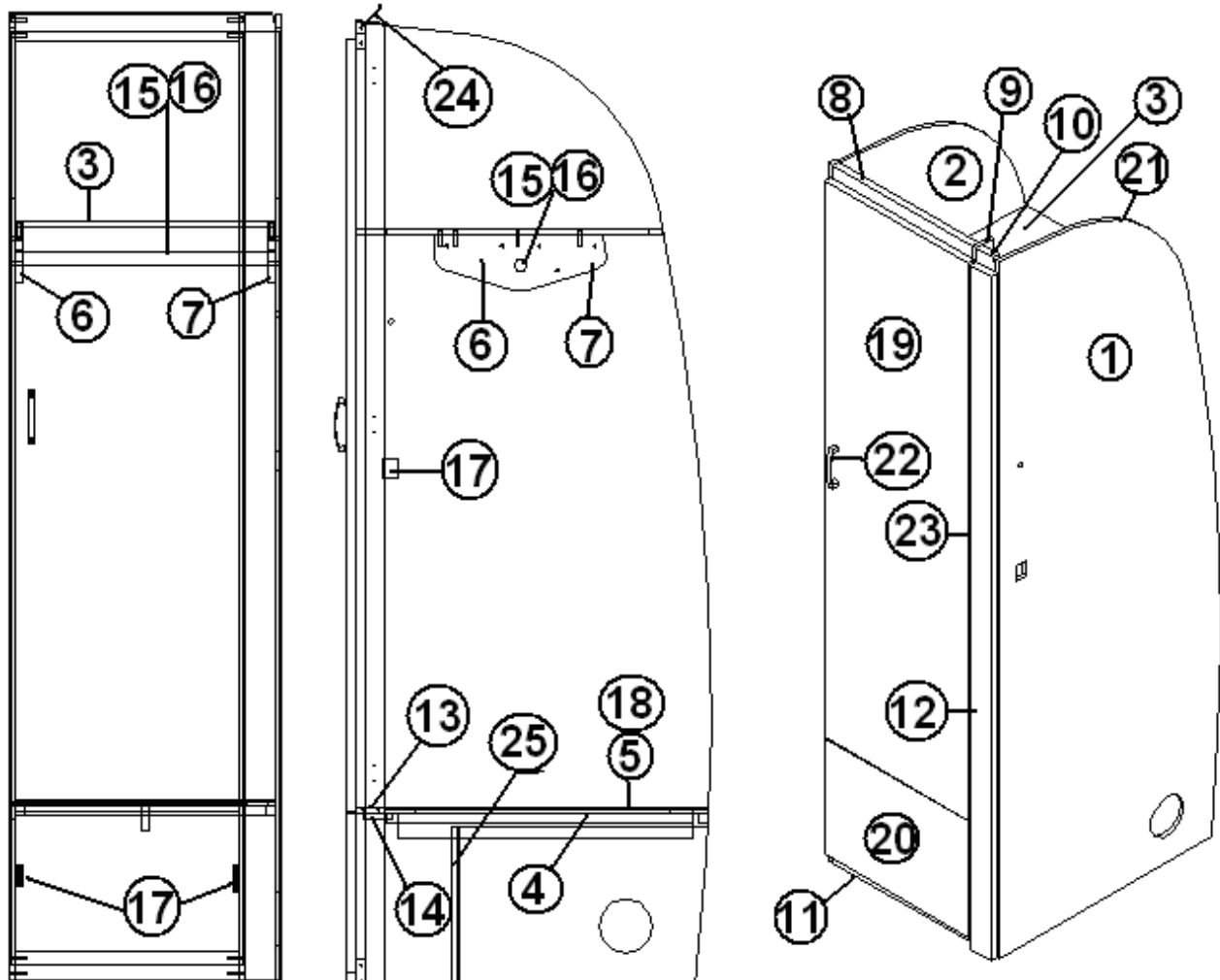
Wardrobe, 23' D Signature, Roadside, Serenity

966949-15	WARDROBE ASSY, R.S.,
1. 966949-151	PANEL, RS W/R, 23.78 X 77.82
2. 966949-152	PANEL, RS W/R, 24.56 X 78.06
3. 966949-153	PANEL, RS W/R, 2.5 X 77.8
4. 966949-154	PANEL, RS W/R, 6.60 X 78.53
5. 966949-5	PANEL, RS W/R, 1.75X 78.06
6. 966949-6	PANEL, RS W/R, 3.0 X 78.06
7. 966949-7	PANEL, RS W/R, 3.0 X 78.06
8. 966949-8	PANEL, RS W/R, 23.05 X 77.83
9. 966949-9	PANEL, RS W/R, 1.87 X 77.69
10. 966949-11	PANEL, RS W/R, 11.89 X 24.59
11. 966949-12	PANEL, RS W/R, 11.89 X 20.74
12. 966949-13	PANEL, RS W/R, 14.0 X 4.49
13. 966949-14	PANEL, RS W/R, 14.0 X 4.49
14.966949-1515	PANEL, RS W/R, 8.51 X 2.25
15.966949-1516	PANEL, RS W/R, 8.51 X 2.25
16.966949-17	PANEL, RS W/R, 2.25 X 8.51
17.966949-1518	DOOR RS W/R, 11.38 X 16.68
18.966949-1519	DOOR R/S W/R, 11.38 X 59.5
19.801706-0018	CORNER TRIM 90 DEG ASIAN SAND
20.382115	PULL, FLAT BLACK #M575
21.381607	HINGE ASSY
22.320006	SCREW, METAL, 8 X 3/4 BH PHI
23.381228	CATCH, GRABBER, DOOR
24.380045	TUBING 3/4", METAL
25.200975-04	CONDUIT, BLACK PLASTIC
26.203138-03	EXTRUSION, PLASTIC WALL-BEIGE
27.203138-03	EXTRUSION, PLASTIC WALL-BEIGE
28.115085	ANGLE ALUMINUM, ROOFLOCKERS
29.966949-1535	PANEL, RS W/R, 2.94 X 78.00

# 2014 INTERNATIONAL TRAVEL TRAILER

## FURNITURE, BEDROOM

### Wardrobe, Roadside, 23' Front Bed



PART NUMBERS ARE ON THE NEXT PAGE

# 2014 INTERNATIONAL TRAVEL TRAILER

## FURNITURE, BEDROOM

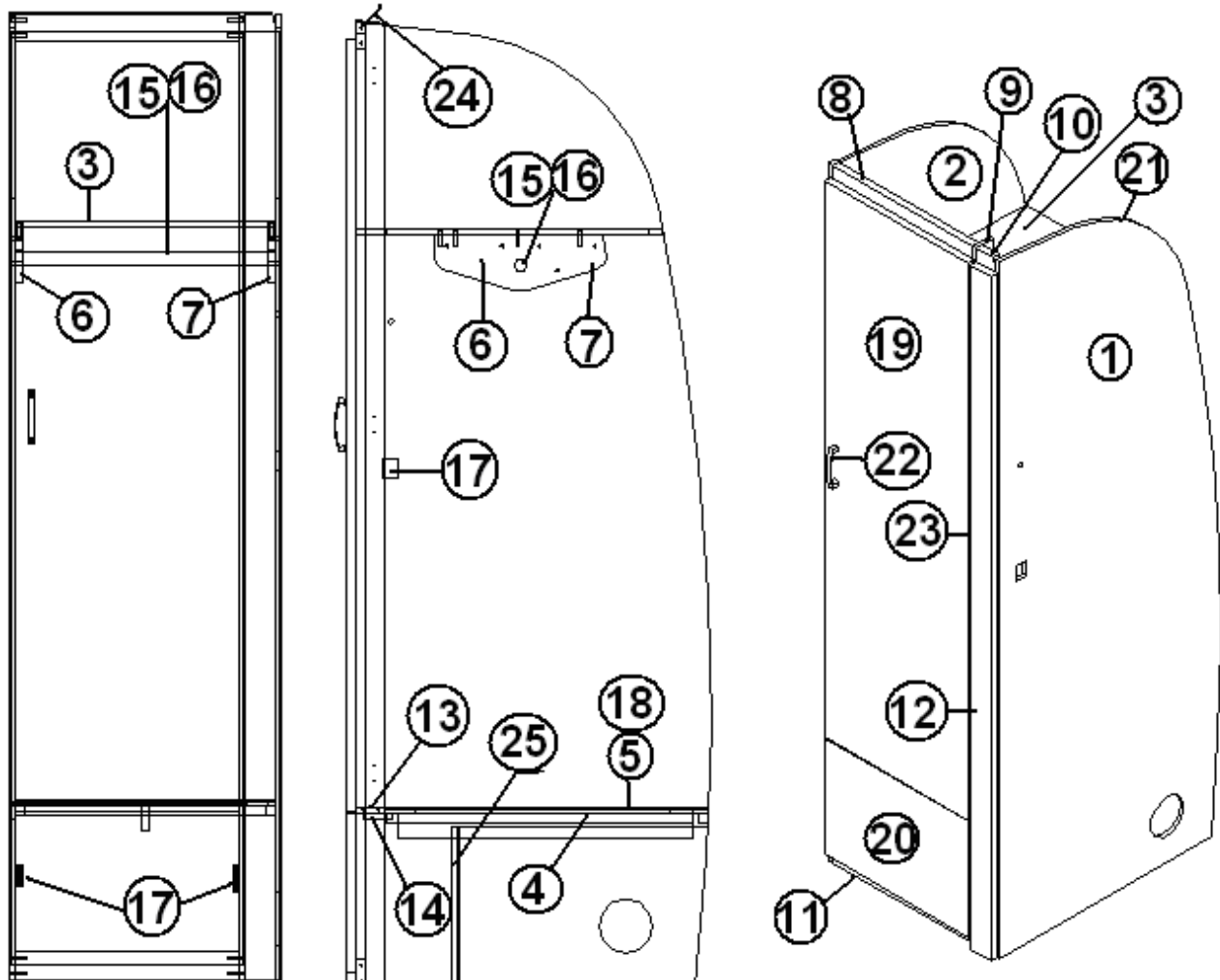
### Wardrobe, Roadside, 23' Front Bed

967308	Wardrobe assembly
1. 967308-1	Panel, 28.79 X 78.24
2. 967308-2	Panel, 28.79 X 78.24
3. 967308-3	Panel, 24.88 X 21.00
4. 967308-4	Panel, 21.00 X 26.25
5. 967308-5	Panel, 21.00 X 26.25
6. 967308-6	Panel, 14.00 X 4.50
7. 967308-7	Panel, 14.00 X 4.50
8. 967308-8	Panel, 2.25 X 18.06
9. 967308-9	Panel, 2.25 X 78.38
10. 967308-10	Panel, 2.44 X 78.38
11. 967308-11	Panel, 2.25 X 18.06
12. 967308-12	Panel, 2.69 X 76.88
13. 967308-13	Panel, 2.25 X 18.06
14. 967308-14	Panel, 2.25 X 18.06
15. 380045	Tubing, 3/4"
16. 200975-04	Conduit, flexible black plastic
17. 381228-01	Catch, grabber door
18. 701538	Carpet, Econolier, Velour Black
19. 967308-21	Door, 18.69 X 62.56
20. 381607	Hinge
21. 382029-04	Handle, 15"
22. 967308-22	Door, 18.69 X 13.75"
23. 203138-05	Extrusion, plastic 1/2"
24. 104821	Roof locker support
25. 967308-29	Panel, 14.13 X 21.00

# 2014 INTERNATIONAL TRAVEL TRAILER

## FURNITURE, BEDROOM

Wardrobe, Roadside, 23' Front Bed, SERENITY



PART NUMBERS ARE ON THE NEXT PAGE

# 2014 INTERNATIONAL TRAVEL TRAILER

## FURNITURE, BEDROOM

### Wardrobe, Roadside, 23' Front Bed, SERENITY

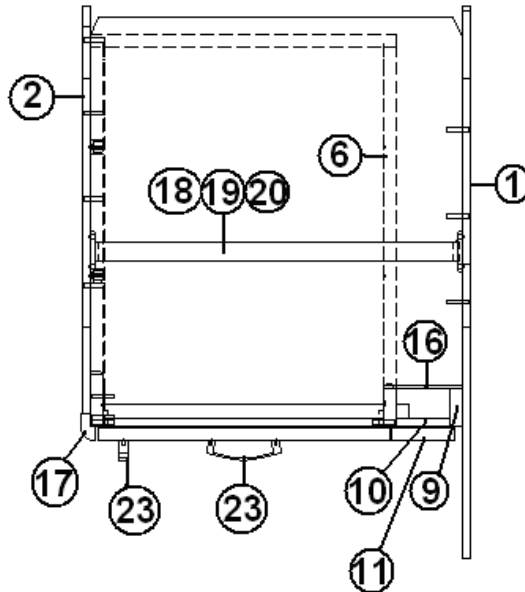
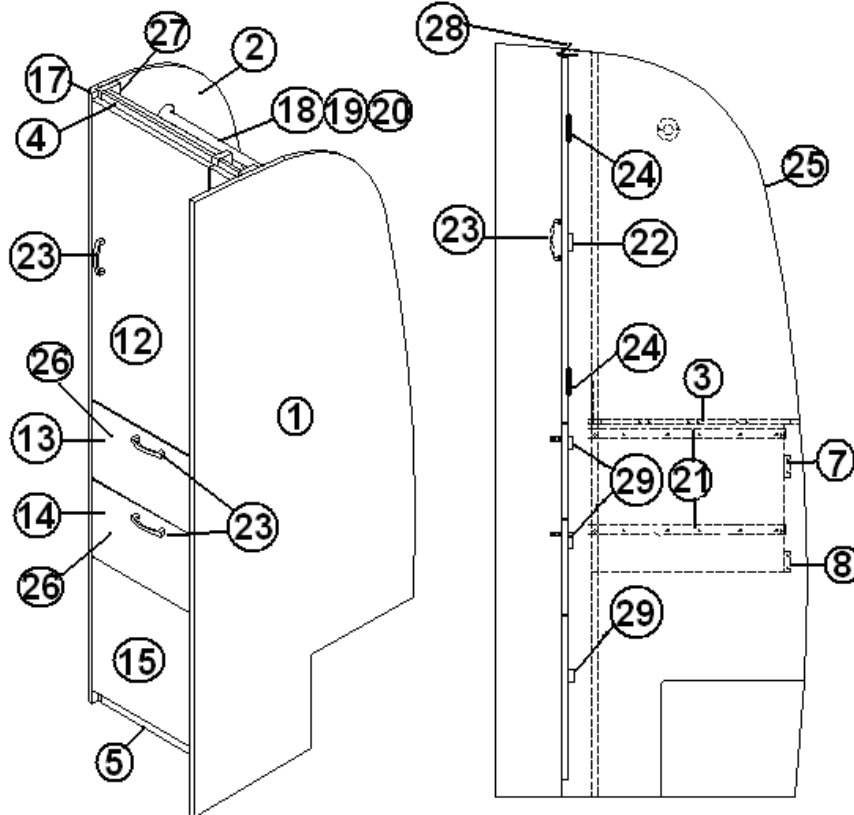
967308-15	Wardrobe assembly
1. 967308-151	Panel, 28.79 X 78.24
2. 967308-152	Panel, 28.79 X 78.24
3. 967308-3	Panel, 24.88 X 21.00
4. 967308-4	Panel, 21.00 X 26.25
5. 967308-5	Panel, 21.00 X 26.25
6. 967308-6	Panel, 14.00 X 4.50
7. 967308-7	Panel, 14.00 X 4.50
8. 967308-158	Panel, 2.25 X 18.06
9. 967308-9	Panel, 2.25 X 78.38
10. 967308-1510	Panel, 2.44 X 78.38
11. 967308-11	Panel, 2.25 X 18.06
12. 967308-1512	Panel, 2.69 X 76.88
13. 967308-13	Panel, 2.25 X 18.06
14. 967308-14	Panel, 2.25 X 18.06
15. 380045	Tubing, 3/4"
16. 200975-04	Conduit, flexible black plastic
17. 381228-01	Catch, grabber door
18. 701538-01	Carpet, Econolier, Velour Black
19. 967308-21	Door, 18.69 X 62.56
20. 381607	Hinge
21. 382115	PULL, FLAT BLACK #M575
22. 967308-1522	Door, 18.69 X 13.75"
23. 203138-03	Extrusion, plastic 1/2", Beige
24. 104821	Roof locker support
25. 967308-29	Panel, 14.13 X 21.00



# 2014 INTERNATIONAL TRAVEL TRAILER

## FURNITURE, BEDROOM

### Wardrobe, Bedroom, 23' Front Bed



PART NUMBERS ARE ON THE NEXT PAGE

# 2014 INTERNATIONAL TRAVEL TRAILER

## FURNITURE, BEDROOM

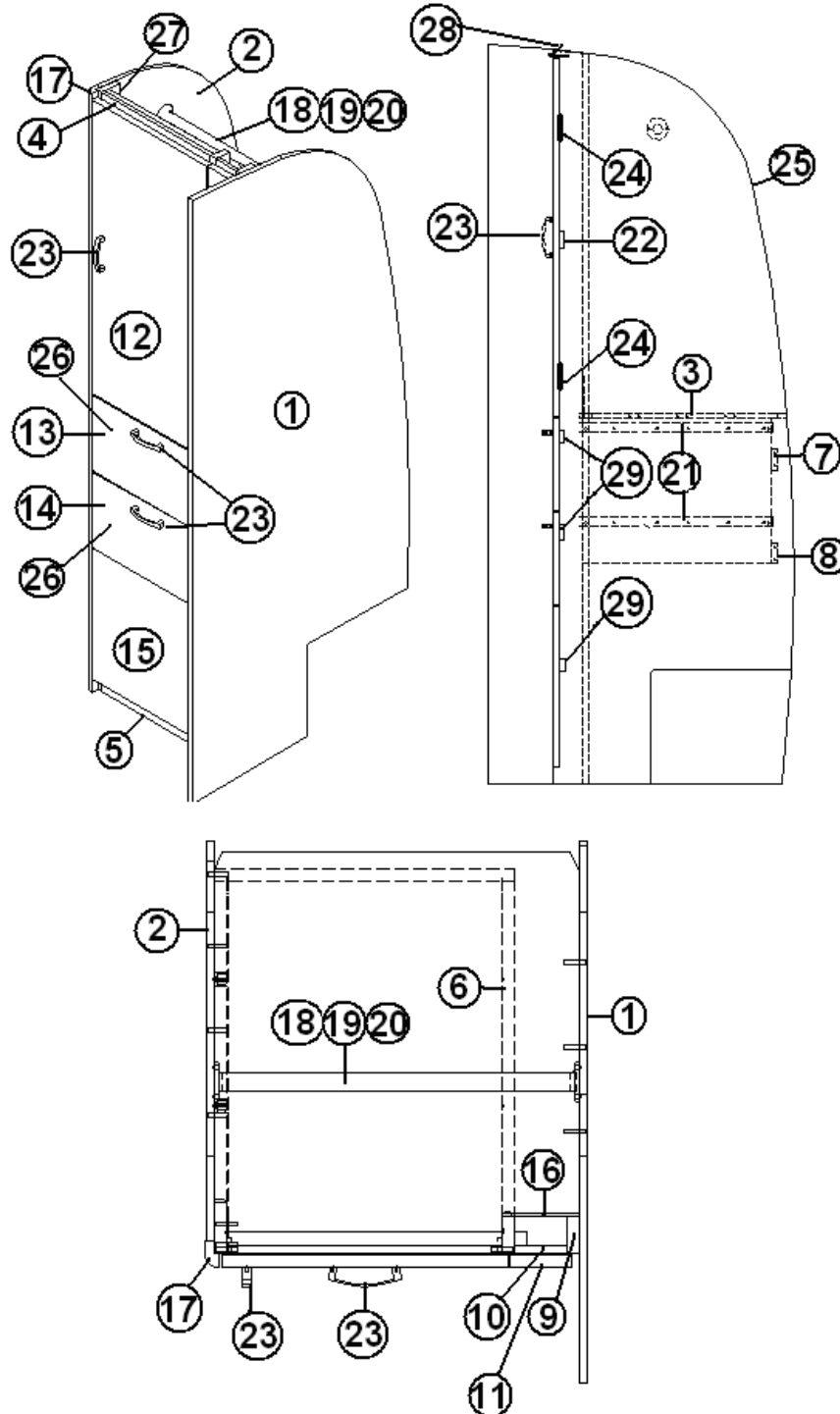
### Wardrobe, Bedroom, 23' Front Bed

	968031	Wardrobe, bedroom
1.	968031-1	Panel, 32.47 X 78.51
2.	968031-2	Panel, 23.98 X 77.77
3.	968031-3	Panel, 24.00 X 21.75
4.	968031-4	Panel, 2.25 X 16.44
5.	968031-5	Panel, 2.25 X 16.44
6.	968031-6	Panel, 22.25 X 77.96
7.	968031-7	Panel, 17.94 X 2.25
8.	968031-8	Panel, 17.94 X 2.25
9.	968031-9	Panel, 2.25 X 77.96
10.	968031-10	Panel, 3.06 X 77.96
11.	968031-11	Panel, 3.19 X 75.25
12.	968031-12	Door, 17.06 X 38.13
13.	968031-13	Door, 17.06 X 9.88
14.	968031-14	Door, 17.06 X 9.88
15.	968031-15I	Door, 17.06 X 17.00
16.	968031-16	Panel, 4 X 4.56
17.	801706-0024	Corner trim, 90 DEG. 1" radius, EBONY WOODS
18.	380045	Tubing, ¾"
19.	200975-04	Conduit, flexible black plastic
20.	380046	Flange, chrome
21.	382203-05	Drawer slide, Self Close 21.00" (PR)
	382203-06	Front Fixing Clips, (Pr.)
22.	381228-01	Catch, grabber door
	381228	Catch, grabber door (A2GO)
23.	382029-04	Handle Bar, 15"
24.	381607	Hinge
25.	203138-05	Extrusion, plastic ½" Black
26.	968028-02	Drawer box, 8.00 X 15.81" X 21.00"
27.	968031-30	Panel, 3.00 X 77.96
28.	104821	Roof locker support
29.	381228	Catch, grabber door

# 2014 INTERNATIONAL TRAVEL TRAILER

## FURNITURE, BEDROOM

### Wardrobe, Bedroom, 23' Front Bed - Serenity



PART NUMBERS ARE ON THE NEXT PAGE

# 2014 INTERNATIONAL TRAVEL TRAILER

## FURNITURE, BEDROOM

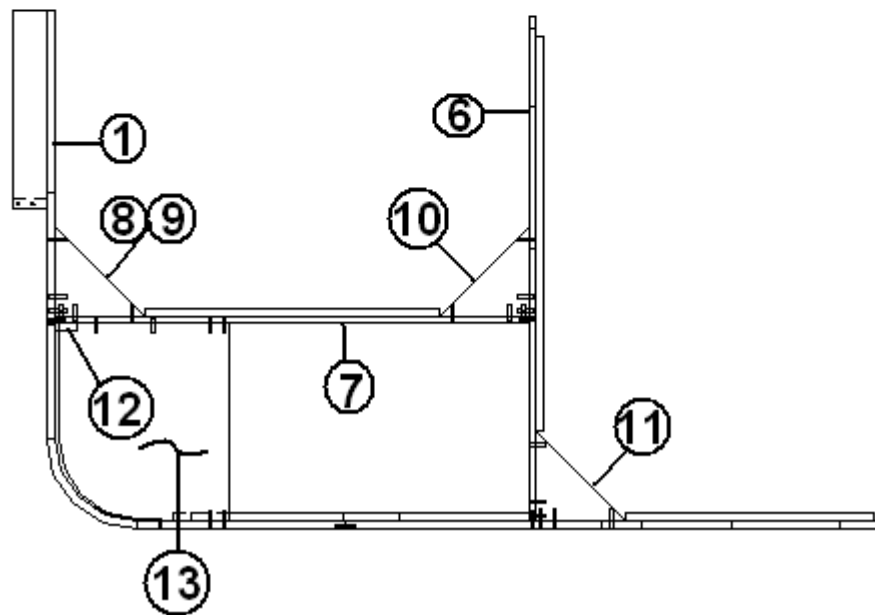
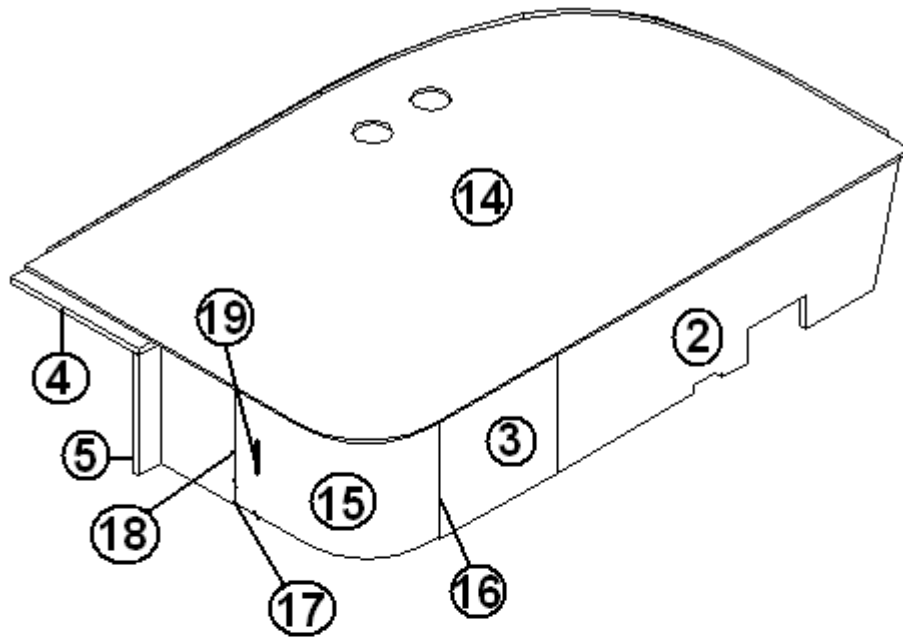
### Wardrobe, Bedroom, 23' Front Bed, Serenity

	968031-15	Wardrobe, bedroom
1.	968031-151	Panel, 32.47 X 78.51
2.	968031-152	Panel, 23.98 X 77.77
3.	968031-3	Panel, 24.00 X 21.75
4.	968031-154	Panel, 2.25 X 16.44
5.	968031-155	Panel, 2.25 X 16.44
6.	968031-6	Panel, 22.25 X 77.96
7.	968031-7	Panel, 17.94 X 2.25
8.	968031-8	Panel, 17.94 X 2.25
9.	968031-9	Panel, 2.25 X 77.96
10.	968031-1510	Panel, 3.06 X 77.96
11.	968031-1511	Panel, 3.19 X 75.25
12.	968031-1512	Door, 17.06 X 38.13
13.	968031-1513	Door, 17.06 X 9.88
14.	968031-1514	Door, 17.06 X 9.88
15.	968031-1515	Door, 17.06 X 17.00
16.	968031-16	Panel, 4 X 4.56
17.	801706-0018	Corner trim, 90 DEG. 1" radius, Asian Sand
18.	380045	Tubing, ¾"
19.	200975-04	Conduit, flexible black plastic
20.	380046	Flange, chrome
21.	382203-05	Drawer slide, Self Close 21" (PR)
	382203-06	Front Fixing Clips (PR)
22.	381228-01	Catch, grabber door
23.	382115	Pull, Flat Black, #M575
24.	381607	Hinge
25.	203138-03	Extrusion, plastic ½" Beige
26.	968028-02	Drawer box, 8.00 X 15.81" X 21.00"
27.	968031-30	Panel, 3.00 X 77.96
28.	104821	Roof locker support
29.	381228	Catch, grabber door
	381228-01	Catch, grabber door (A2GO)

# 2014 INTERNATIONAL TRAVEL TRAILER

## FURNITURE, BEDROOM

Bed, 19', 23' D Signature



Part Numbers on the Next Page

# 2014 INTERNATIONAL TRAVEL TRAILER

## FURNITURE, BEDROOM

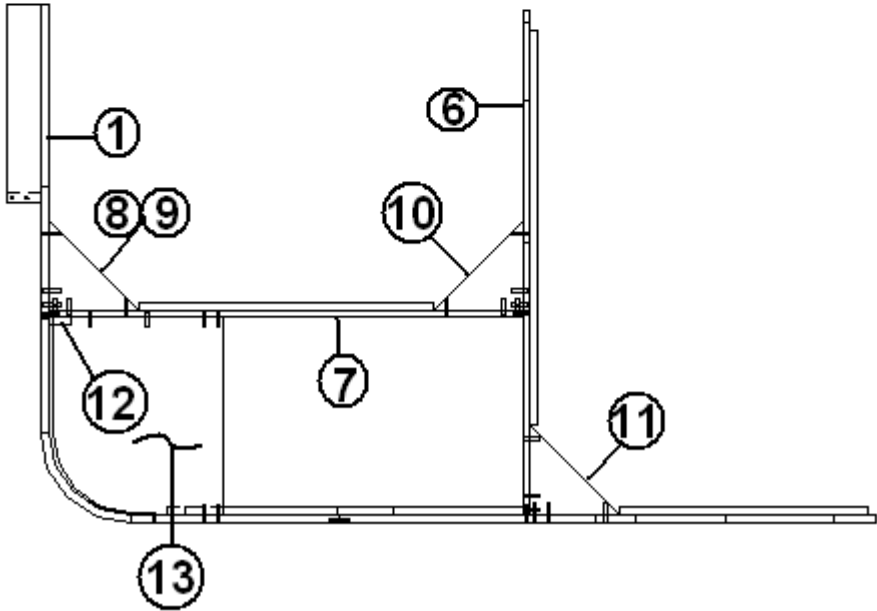
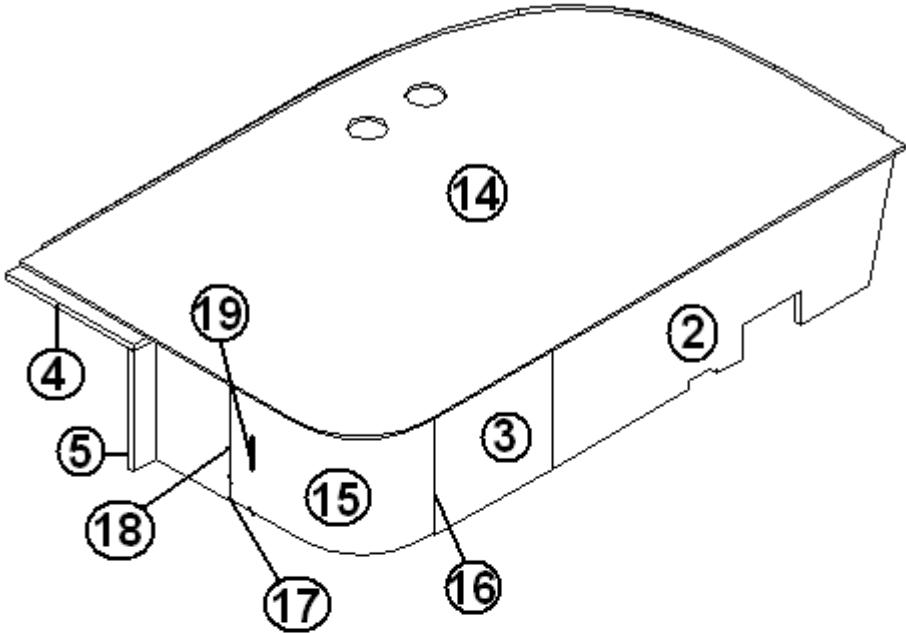
### Bed, 19', 23' D Signature

966926	BED ASSY, CORNER
1. 966926-1	PANEL, CORNER BED, 27.75 X 15.125
2. 966926-2	PANEL, CORNER BED, 47.63 X 15.125
3. 966926-3	PANEL, CORNER BED, 16.19 X 15.125
4. 966926-4	PANEL, CORNER BED, 17.5 X 3.0
5. 966926-5	PANEL, CORNER BED, 3.0 X 14.36
6. 966926-6	PANEL, CORNER BED, 44.75 X 15.125
7. 966926-7	PANEL, CORNER BED, 42.0 X 15.125
8. 966926-8	PANEL, CORNER BED, 8.0 X 8.0
9. 966926-9	PANEL, CORNER BED, 8.0 X 8.0
10. 966926-10	PANEL, CORNER BED, 8.0 X 8.0
11. 966926-11	PANEL, CORNER BED, - 8.0 X 8.0
12. 966926-12	PANEL, CORNER BED, 2.0 X 13.5
13. 966926-13	PANEL, CORNER BED, 15.19 X 17.625
14. 966926-14	PANEL, CORNER BED, 47.14 X 75.12
15. 966925	DOOR ASSY, RADIUS, BED
16. 381853	HINGE, CONTINUOUS ALUM PIANO
17. 203587	WEDGE, RADIUS BED BASE DOOR
18. 381948	K-CATCH
19. 382029-00	HANDLE, BAR 7.48"
203667	BIN STORAGE, 23"L X 16.75"W X 12.38"
203439	STORAGE BOX, 17"L X 11.13"W X 6.38"
701538-01	CARPET, ECONOLIER W/PSA BACK
968115	Closeout, Bed Plumbing

# 2014 INTERNATIONAL TRAVEL TRAILER

## FURNITURE, BEDROOM

Bed, 19', 23' D Signature, SERENITY



Part Numbers on the Next Page

# 2014 INTERNATIONAL TRAVEL TRAILER

## FURNITURE, BEDROOM

Bed, 19', 23' D Signature, SERENITY

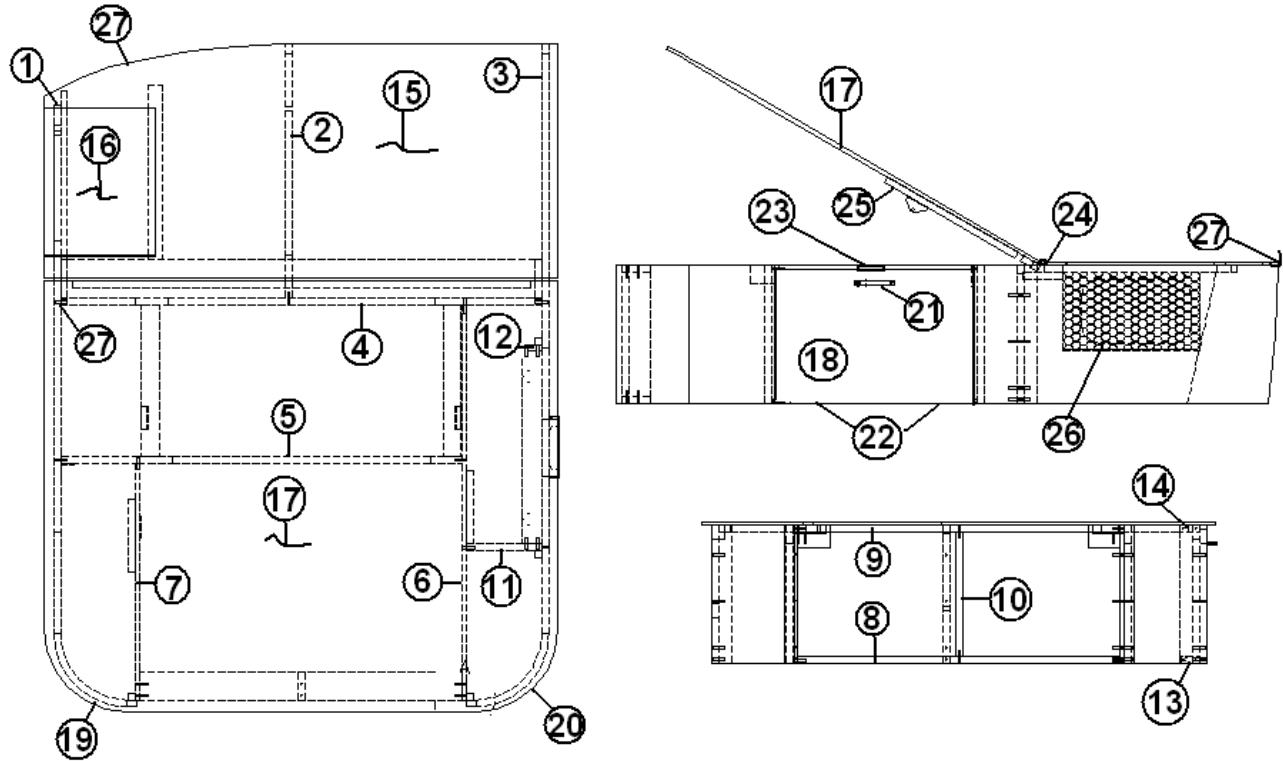
966926-15	BED ASSY, CORNER
1. 966926-151	PANEL, BED, 27.75 X 15.125
2. 966926-152	PANEL, BED, 47.63 X 15.125
3. 966926-153	PANEL, BED, 16.19 X 15.125
4. 966926-154	PANEL, BED, 17.5 X 3.0
5. 966926-155	PANEL, BED, 3.0 X 14.36
6. 966926-6	PANEL, BED, 44.75 X 15.125
7. 966926-7	PANEL, BED, 42.0 X 15.125
8. 966926-8	PANEL, BED, 8.0 X 8.0
9. 966926-9	PANEL, BED, 8.0 X 8.0
10. 966926-10	PANEL, BED, 8.0 X 8.0
11. 966926-11	PANEL, BED, 8.0 X 8.0
12. 966926-12	PANEL, BED, 2.0 X 13.5
13. 966926-13	PANEL, BED, 15.19 X 17.625
14. 966926-14	PANEL, BED, 47.14 X 75.12
15. 966925-15	DOOR ASSY, RADIUS, BED
16. 381853	HINGE, CONTINUOUS ALUM PIANO
17. 203587	WEDGE, RADIUS BED BASE DOOR
18. 381948	K-CATCH
19. 382115	PULL FLAT BLACK #M575
203667	BIN STORAGE, 23"L X 16.75"W X 12.38
203439	STORAGE BOX, 17"L X 11.13"W X 6.38"
701538-01	CARPET, ECONOLIER W/PSA BACK
968115-15	CLOSEOUT BED PLUMBING



# 2014 INTERNATIONAL TRAVEL TRAILER

## FURNITURE, BEDROOM

Bed, 23' Front Bed



PART NUMBERS ARE ON THE NEXT PAGE

# 2014 INTERNATIONAL TRAVEL TRAILER

## FURNITURE, BEDROOM

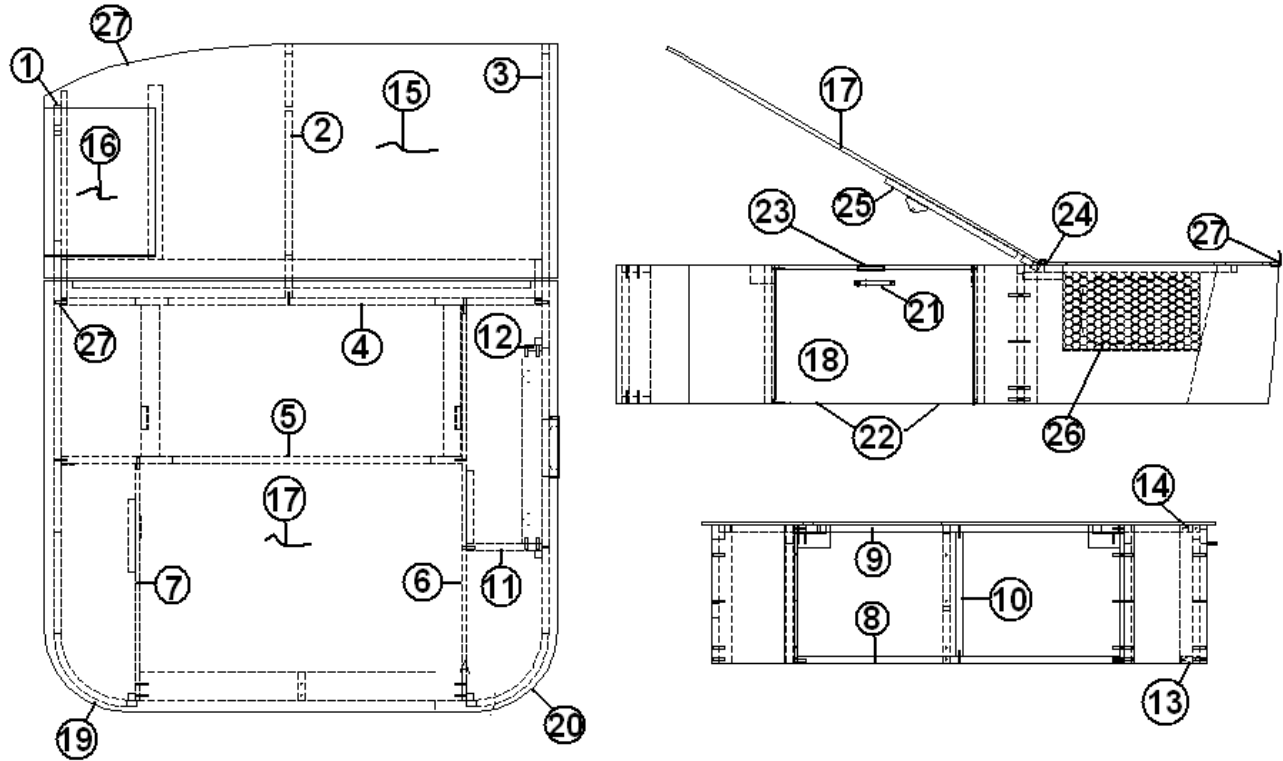
### Bed, 23' Front Bed

967264	Bed base assembly
1. 967264-1	Panel, bed base assembly, 15.13 X 46.62
2. 967264-2	Panel, bed base, 15.13 X 33.11
3. 967264-3	Panel, bed base, 15.13 X 33.11
4. 967264-4	Panel, bed base, 15.13 X 52.50
5. 967264-5	Panel, bed base, 15.13 X 43.81
6. 967264-6	Panel, bed base, 15.13 X 43.00
7. 967264-7	Panel, bed base, 15.13 X 25.75
8. 967264-8	Panel, bed base, 3.00 X 35.13
9. 967264-9	Panel, bed base, 3.00 X 35.13
10. 967264-10	Panel, bed base, 3.00 X 13.63
11. 967264-11	Panel, bed base, 8.19 X 15.13
12. 967264-12	Panel, bed base, 2.25 X 15.13
13. 967264-13	Panel, bed base, 21.00 X 2.25
14. 967264-14	Panel, bed base, 21.00 X 2.25
15. 967264-15I	Panel, bed base, 56.00 X 25.63
16. 967264-16	Panel, bed base, 16.00 X 12.00
17. 967264-17	Panel, bed base, 56.00 X 47.00
18. 967264-18	Door, 14.25" X 21.63"
19. 967200	Sub assembly, bed corner
20. 967265	Sub assembly, bed corner
21. 382029-03	Handle, 11.25"
22. 381607	Hinge, Grass Euro
23. 381228-01	Catch, grabber door
24. 380203-01	Piano hinge
25. 114812	Aluminum angle, 1.00" X 1.00"
26. 203664-01	Grille screen, plastic
27. 115151	Angle, bed support
703978	Mattress 60"X75" Queen, B
203667	Bin, storage,23" X 16.75" X 12.38"
381067-09	Spring, Gas 90 LBS.
381262	Bracket, prop w/ball
381310	Gas prop bracket assembly, upper
381084	Ball, stud

# 2014 INTERNATIONAL TRAVEL TRAILER

## FURNITURE, BEDROOM

Bed, 23' Front Bed, SERENITY



PART NUMBERS ARE ON THE NEXT PAGE

# 2014 INTERNATIONAL TRAVEL TRAILER

## FURNITURE, BEDROOM

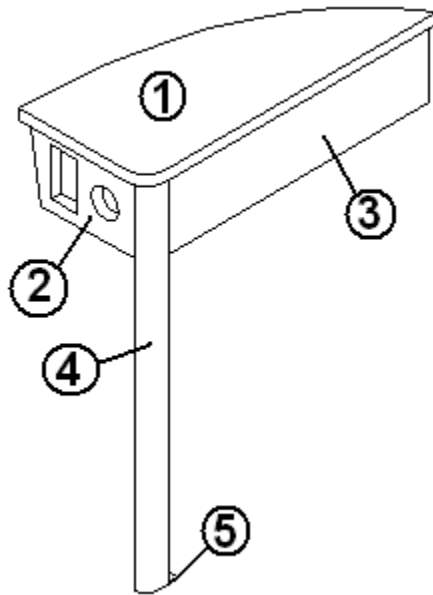
### Bed, 23' Front Bed, SERENITY

967264-15	Bed base assembly
1. 967264-151	Panel, bed base assembly, 15.13 X 46.62
2. 967264-2	Panel, bed base, 15.13 X 33.11
3. 967264-153	Panel, bed base, 15.13 X 33.11
4. 967264-4	Panel, bed base, 15.13 X 52.50
5. 967264-5	Panel, bed base, 15.13 X 43.81
6. 967264-6	Panel, bed base, 15.13 X 43.00
7. 967264-7	Panel, bed base, 15.13 X 25.75
8. 967264-8	Panel, bed base, 3.00 X 35.13
9. 967264-9	Panel, bed base, 3.00 X 35.13
10. 967264-10	Panel, bed base, 3.00 X 13.63
11. 967264-11	Panel, bed base, 8.19 X 15.13
12. 967264-12	Panel, bed base, 2.25 X 15.13
13. 967264-13	Panel, bed base, 21.00 X 2.25
14. 967264-14	Panel, bed base, 21.00 X 2.25
15. 967264-15I	Panel, bed base, 56.00 X 25.63
16. 967264-16	Panel, bed base, 16.00 X 12.00
17. 967264-17	Panel, bed base, 56.00 X 47.00
18. 967264-1518	Door, 14.25" X 21.63"
19. 967200-15	Sub assembly, bed corner
20. 967265-15	Sub assembly, bed corner
21. 382115	Pull, Flat Black #M575
22. 381607	Hinge, Grass Euro
23. 381228-01	Catch, grabber door
24. 380203-01	Piano hinge
25. 114812	Aluminum angle, 1.00" X 1.00"
26. 203664-01	Grille screen, plastic
27. 115151	Angle, bed support
703978	Mattress 60"X75" Queen, B pillow top
203667	Bin, storage,23" X 16.75" X 12.38"
381067-09	Spring, Gas 90 LBS.
381262	Bracket, prop w/ball
381310	Gas prop bracket assembly, upper
381084	Ball, stud

# 2014 INTERNATIONAL TRAVEL TRAILER

## FURNITURE, BEDROOM

### Nightstand, 23' Front Bed

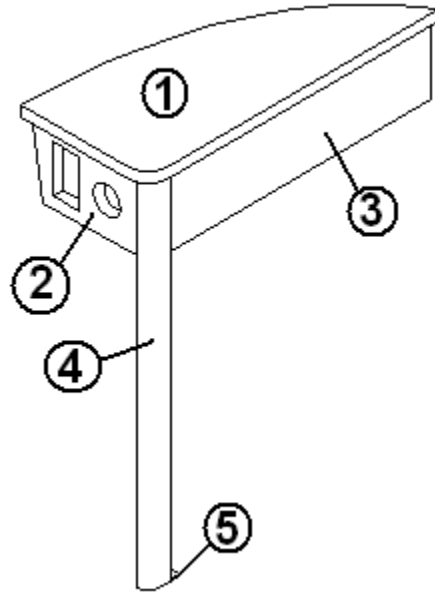


967318	Nightstand
1. 967318-1	Top, 9.28 X 21.19
967318-2	Panel, 7.63 X 5.00
2. 967318-3	Panel, 18.75 X 5.00
3. 801706-0024	Corner trim, 90 DEG. 1" radius
4. 380041	Brace, 1", Stanley, corner

# 2014 INTERNATIONAL TRAVEL TRAILER

## FURNITURE, BEDROOM

### Nightstand, 23' Front Bed - SERENITY



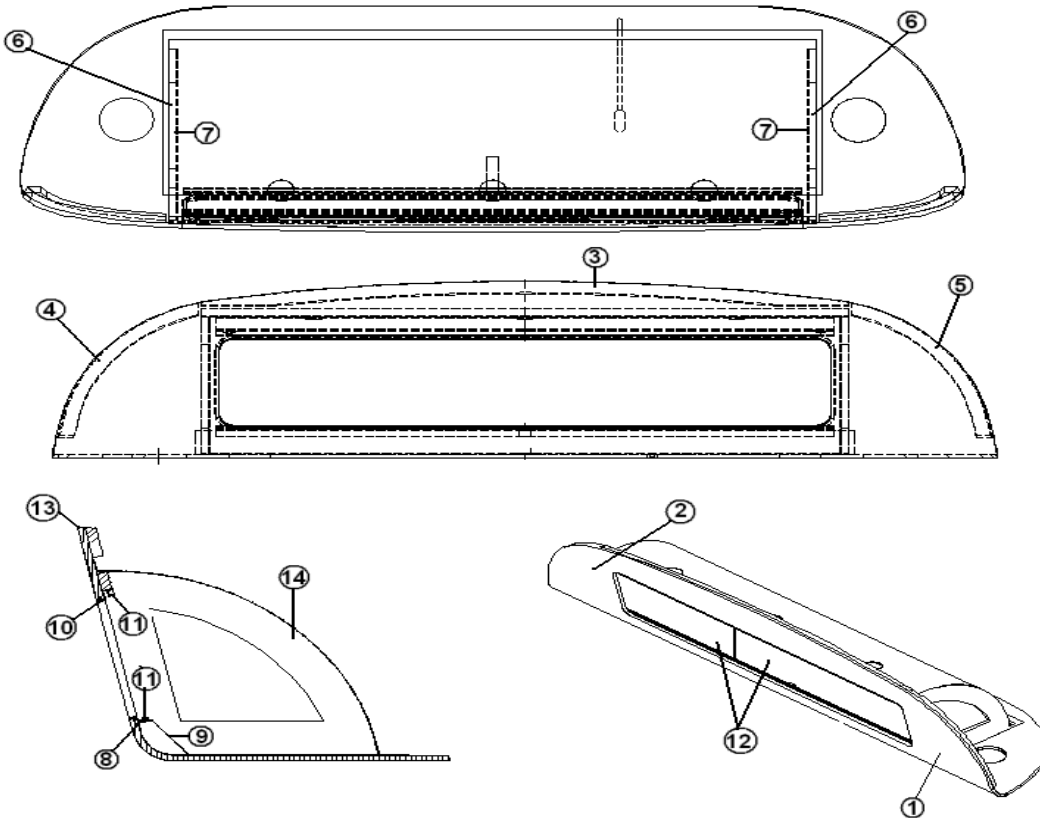
- 967318-15
- 1. 967318-151
- 2. 967318-152
- 3. 967318-153
- 4. 801706-0018  
380041

- Nightstand
- Top, 9.28 X 21.19
- Panel, 7.63 X 5.00
- Panel, 18.75 X 5.00
- Corner trim, 90 DEG. 1" radius
- Brace, 1", Stanley, corner

# 2014 INTERNATIONAL TRAVEL TRAILER

## FURNITURE, BEDROOM

### Roof Locker, Rear Endliner, "B" Queen, 25' International

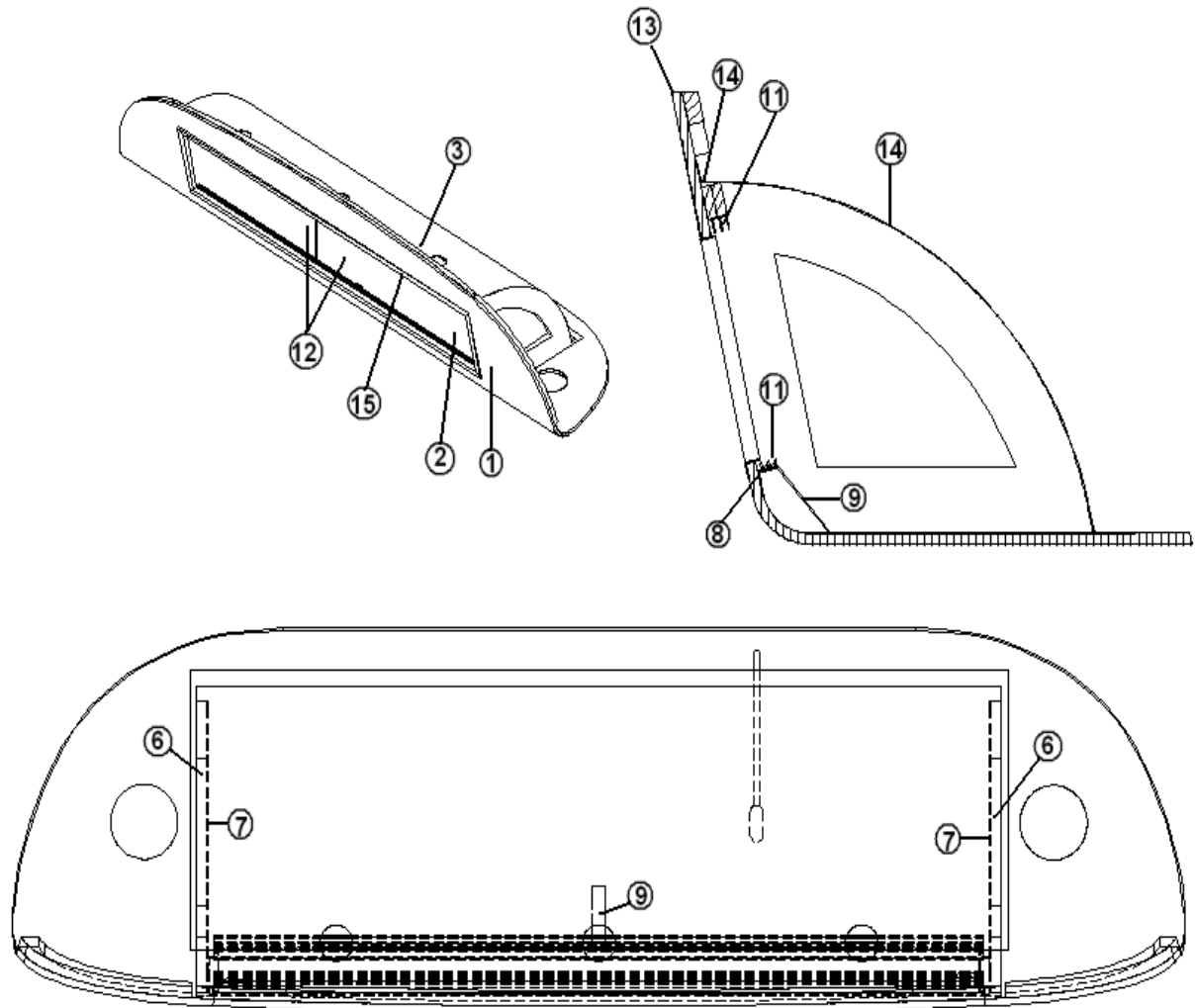


	967765	LINER LOCKER ASSEMBLY
1.	801910	FACE, LINER LOCKER
2.	967765-2	PANEL LAMINATE 21.00 X 62.25
3.	801596-01	BACKER W/B LINER LOCKER CTR
4.	801596-02	BACKER LINER LOCKER LH
5.	801596-03	BACKER, LINER LOCKER RH
6.	801594	DIVIDER-LINER LOCKER
7.	801595	DIVIDER LINER LOCKER
8.	115261-01	ANGLE FORMED LOCKER TRACK SUPP
9.	115226-01	BRACKET, FORMED LOCKER CTR SUP
10.	203445	T MOLDING, FLEXIBLE POLY, BLACK
11.	203388	TRACK-SLIDING DOOR
12.	203749-08	DOOR-PLEX.SLIDING 11.31"X 30"
13.	203445-01	T-MOLDING - .5625" WHITE
14.	115264-01	PAN, LINER LOCKER W/B FRONT
	703991	PILE SEAL WEATHER STRIP

# 2014 INTERNATIONAL TRAVEL TRAILER

## FURNITURE, BEDROOM

Roof Locker, Rear Endliner, Serenity



Parts Listed on Next Page



# 2014 INTERNATIONAL TRAVEL TRAILER

## FURNITURE, BEDROOM

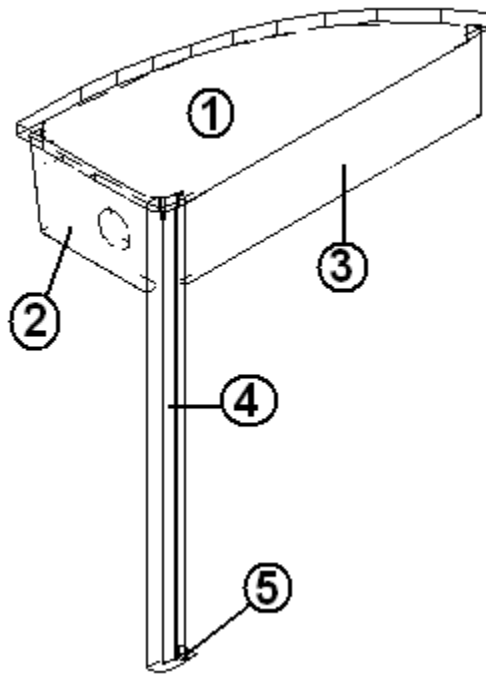
Roof Locker, Rear Endliner, Serenity, 25 International

	967780-15	LINER LOCKER ASSEMBLY, SERENITY
1.	801913-15	FACE-LINER LOCKER 25SER
2.	967780-152	PNL-LINER LOCKER 21 X 62.25
3.	801596-01	BACKER W/B LINER LOCKER CTR
4.	801596-02	BACKER LINER LOCKER LH
5.	801596-03	BACKER, LINER LOCKER RH
6.	801594	DIVIDER-LINER LOCKER
7.	801595	DIVIDER LINER LOCKER
8.	114812	ALUM. ANGLE 1.00 X 1.00
9.	115226-01	BRACKET, FORMED LOCKER CTR
10.	382114	KNOB-BRUSH.SATIN NICKEL #M576 (not shown)
11.	203388	TRACK-SLIDING DOOR
12.	203677-03	DOOR-MARI 11.31X30
13.	201673	REVERSE COVE MOLDING, WHITE,
14.	115264-01	PAN, LINER LOCKER W/B FRONT
15.	115483	ANGLE-ALUM .06X.75"X.75"X6'
	703991	PILE SEAL WEATHER STRIP
	320035	SCREW 8X1/2 PH TYPE A PHIL WD

# 2014 INTERNATIONAL TRAVEL TRAILER

## FURNITURE, BEDROOM

Nightstand, 25, 25' Front Bed Signature, Double Bed, Wenge

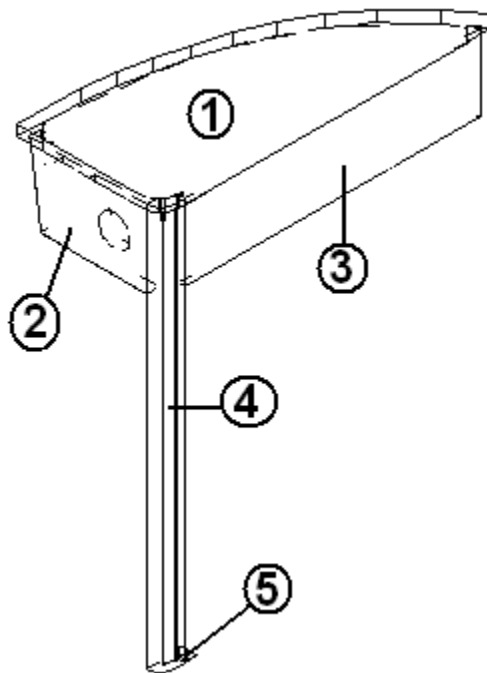


- |                |                               |
|----------------|-------------------------------|
| 966899         | Nightstand, 25' FB Double Bed |
| 1. 966899-1    | Panel, 9.25 x 21.39           |
| 2. 966899-2    | Panel, 7.63 x 5.00            |
| 3. 966899-3    | Panel, 18.95 x 5.00           |
| 4. 801706-0024 | Corner trim, 90 degree radius |
| 5. 380041      | Corner bracer                 |

# 2014 INTERNATIONAL TRAVEL TRAILER

## FURNITURE, BEDROOM

Nightstand, 25, 25' Front Bed Signature, Double Bed, Serenity

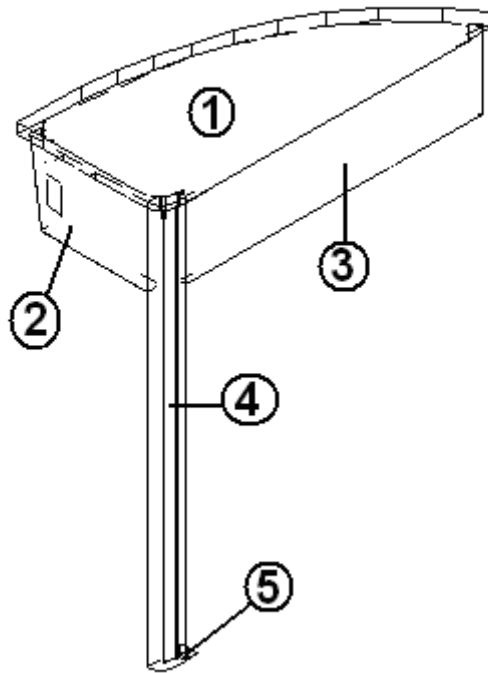


- 966899-15 Nightstand, 25' FB Double Bed, SERENITY
1. 966899-151 Panel, 9.25 x 21.39
2. 966899-152 Panel, 7.63 x 5.00
3. 966899-153 Panel, 18.95 x 5.00
4. 801706-0018 Corner trim, 90 degree radius Asian Sand
5. 380041 Corner brace

# 2014 INTERNATIONAL TRAVEL TRAILER

## FURNITURE, BEDROOM

Nightstand, 25' Front Bed, Double Bed, Sterling

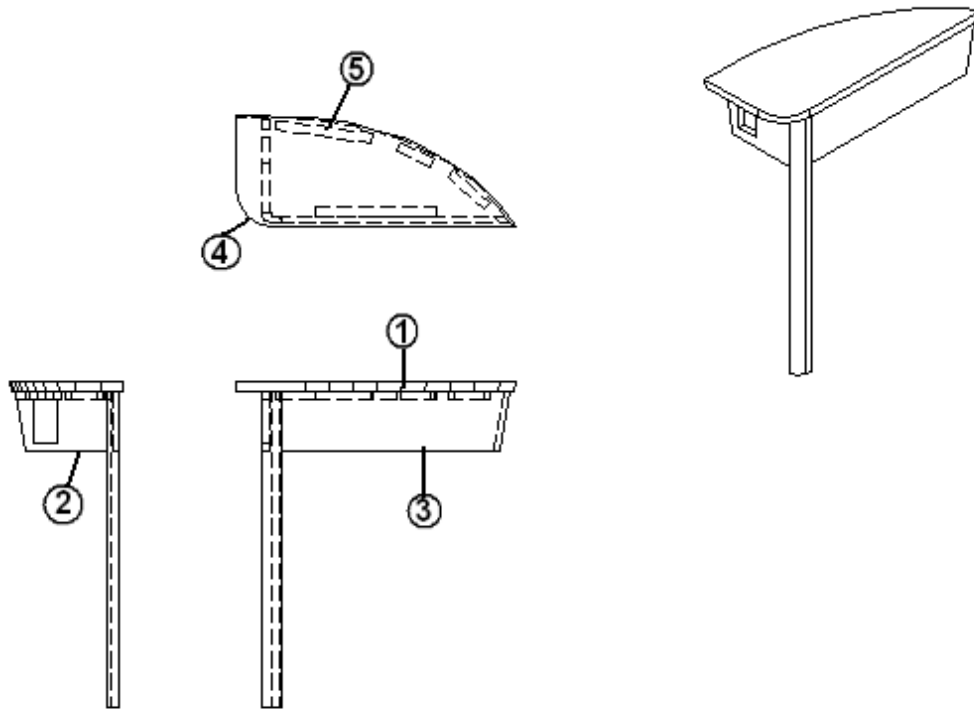


- |    |             |                                          |
|----|-------------|------------------------------------------|
|    | 966899-22   | Nightstand, 25' FB Double Bed, STERLING  |
| 1. | 966899-221  | Top, 9.25 x 21.39                        |
| 2. | 966899-222  | Panel, 7.63 x 5.00                       |
| 3. | 966899-223  | Panel, 18.95 x 5.00                      |
| 4. | 801706-0025 | Corner trim, 90 degree radius Alum. Mill |
| 5. | 380041      | Corner brace                             |
|    | 365368-02   | Edgebanding, .94" AVI 1MM Alum.          |

# 2014 INTERNATIONAL TRAVEL TRAILER

## FURNITURE, BEDROOM

### Nightstand, 25' Front Bed - EDDIE BAUER



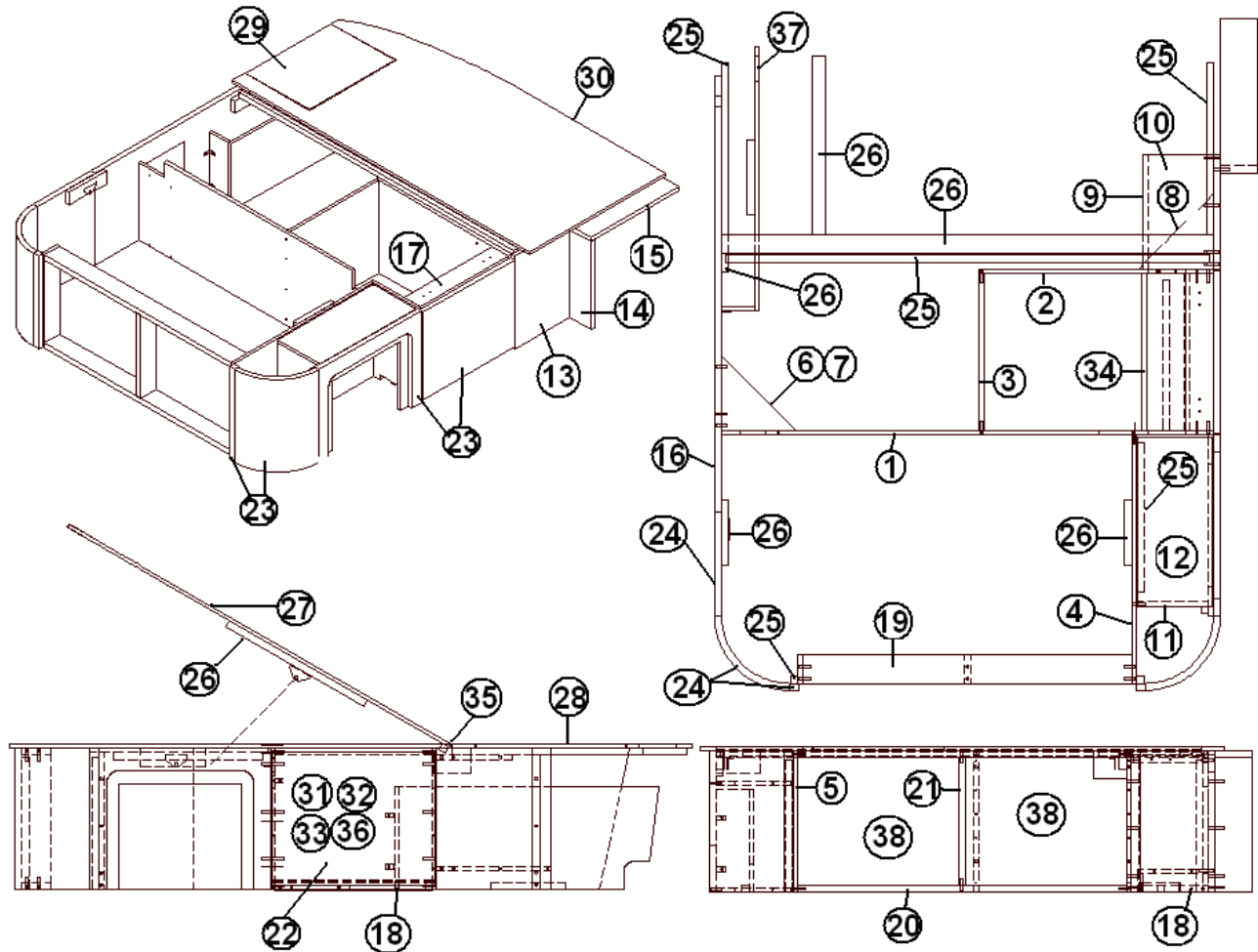
- 967679-19
- 1. 967679-191
- 2. 967679-192
- 3. 801706-0023
- 4. 800025-01
- 5. 380041
- 365352-02
- 115472

- NIGHTSTAND ASSY
- PANEL- 9.3X23.01
- PANEL- 18.95X5
- CORNER TRIM-90D 1"RAD L.MAPLE
- PINE 3/4" X 3/4" STAINED
- BRACE 1" STANLEY CORNER
- EDGEBANDING- 1MM X .94" MAPLE
- TRIM-ALUM COUNTER TOP

# 2014 INTERNATIONAL TRAVEL TRAILER

## FURNITURE, BEDROOM

Bed, 25' Front Bed Signature, Double



967072	BASE ASSY BED
1. 967072-1	PANEL, 15.13 X 52.50
2. 967072-2	PANEL, 25.00 X 15.13
3. 967072-3	PANEL, 16.75 X 15.13
4. 967072-4	PANEL, 26.50 X 15.13
5. 967072-5	PANEL, 3.00 X 15.13
6. 967072-6	PANEL, 8.00 X 8.00,, TRIANGLE
7. 967072-7	PANEL, 8.00 X 8.00, TRIANGLE
8. 967072-8	PANEL, 8.00 X 8.00, TRIANGLE
9. 967072-9	PANEL, 2.00 X 12.25

Part Numbers continued on the next page

# 2014 INTERNATIONAL TRAVEL TRAILER

## FURNITURE, BEDROOM

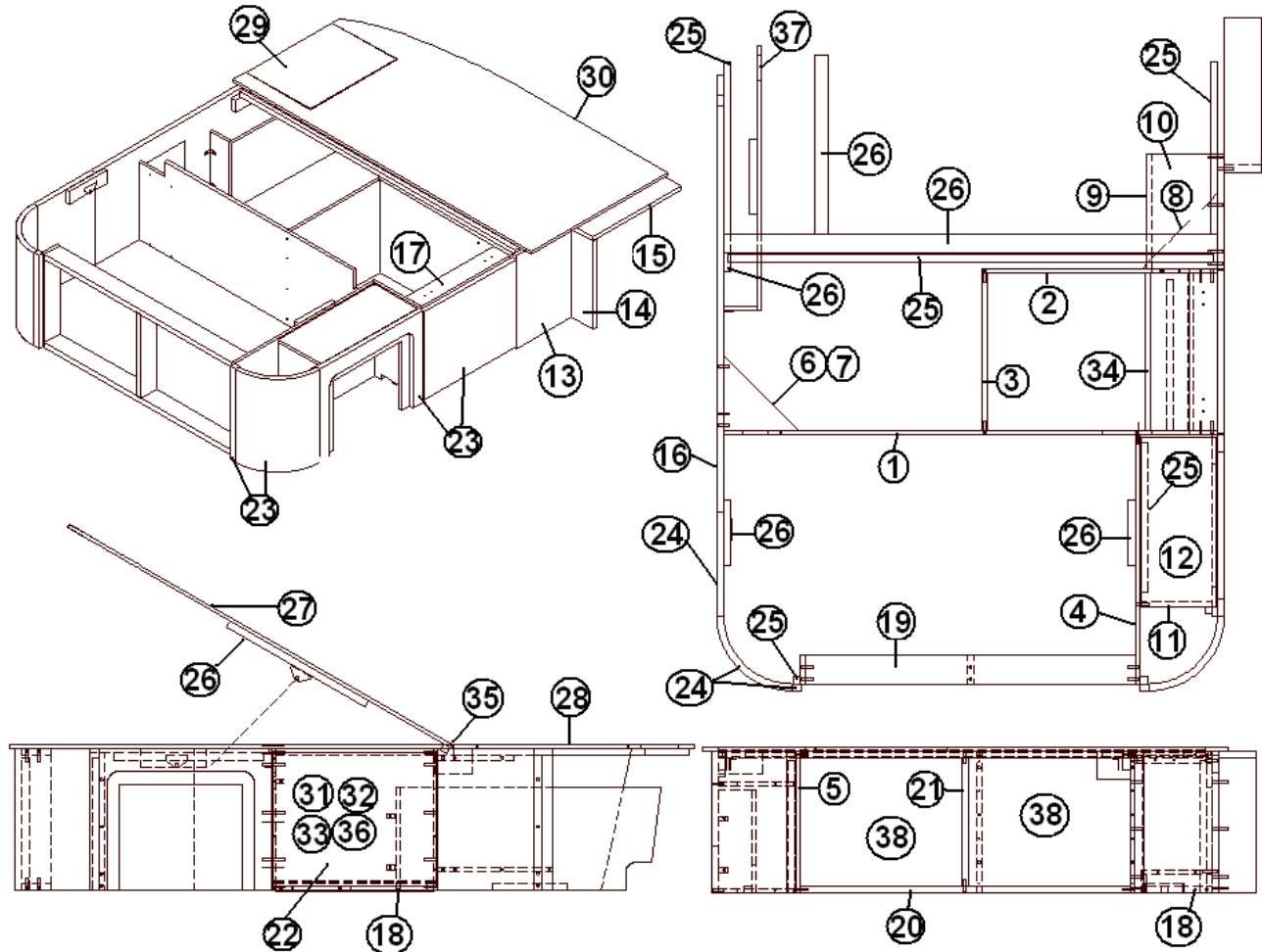
### Bed, 25' Front Bed Signature, Double

10.	967072-10	PANEL, 7.5 X 12.25
11.	967072-11	PANEL, 8.19X 15.13
12.	967072-12	PANEL, 8.06 X 17.81
13.	967072-13	PANEL, 10.31 X 15.13
14.	967072-14	PANEL, 4.00 X 14.38
15.	967072-15I	PANEL, 4.00 X 18.25
16.	967072-16	PANEL, 46.62 X 15.13
17.	967072-17	PANEL, 3.00 X 16.75
18.	967072-18	PANEL, 3.00 X 16.75
19.	967072-19	PANEL, 3.00 X 35.13
20.	967072-20	PANEL, 3.00 X 35.13
21.	967072-21	PANEL, 3.00 X 13.63
22.	967072-22	DOOR 17.38 X 14.25
23.	967069	RADIUS ASSY
24.	967070	RADIUS ASSY FWD
25.	800025-01	PINE 3/4" X 3/4" STAINED
26.	850082	POPLAR, .75 X 2.00
27.	800507-03	LAUAN, 3/8" X 47.00 X 56.00
28.	800507-03	LAUAN, 3/8" X 25.62 x 56.00
29.	800507-03	LAUAN, 3/8" x 12 x 16
30.	115151	ANGLE, BED SUPPORT, 43"
31.	381607	HINGE ASSY
32.	382029-04	HANDLE, BAR 15"
33.	381228-01	CATCH, GRABBER, DOOR
34.	115101	CLOSEOUT, BED BASE, WIRES, 17.19"
35.	380203-01	HINGE, PIANO
36.	201016	DRAWER, 16 X 22
37.	967071	WIRING CLOSEOUT
38.	203419	BOX STORAGE, 23"L X 16.75"W X 11.88"
	203439	STORAGE BOX, 17"L X 11.13"W X 6.38"

# 2014 INTERNATIONAL TRAVEL TRAILER

## FURNITURE, BEDROOM

Bed, 25' Front Bed Signature, Double, - Serenity



- |             |                               |
|-------------|-------------------------------|
| 967072-15   | BASE ASSY BED                 |
| 1. 967072-1 | PANEL, 15.13 X 52.50          |
| 2. 967072-2 | PANEL, 25.00 X 15.13          |
| 3. 967072-3 | PANEL, 16.75 X 15.13          |
| 4. 967072-4 | PANEL, 26.50 X 15.13          |
| 5. 967072-5 | PANEL, 3.00 X 15.13           |
| 6. 967072-6 | PANEL, 8.00 X 8.00,, TRIANGLE |
| 7. 967072-7 | PANEL, 8.00 X 8.00, TRIANGLE  |
| 8. 967072-8 | PANEL, 8.00 X 8.00, TRIANGLE  |
| 9. 967072-9 | PANEL, 2.00 X 12.25           |

Part Numbers continued on the next page



# 2014 INTERNATIONAL TRAVEL TRAILER

## FURNITURE, BEDROOM

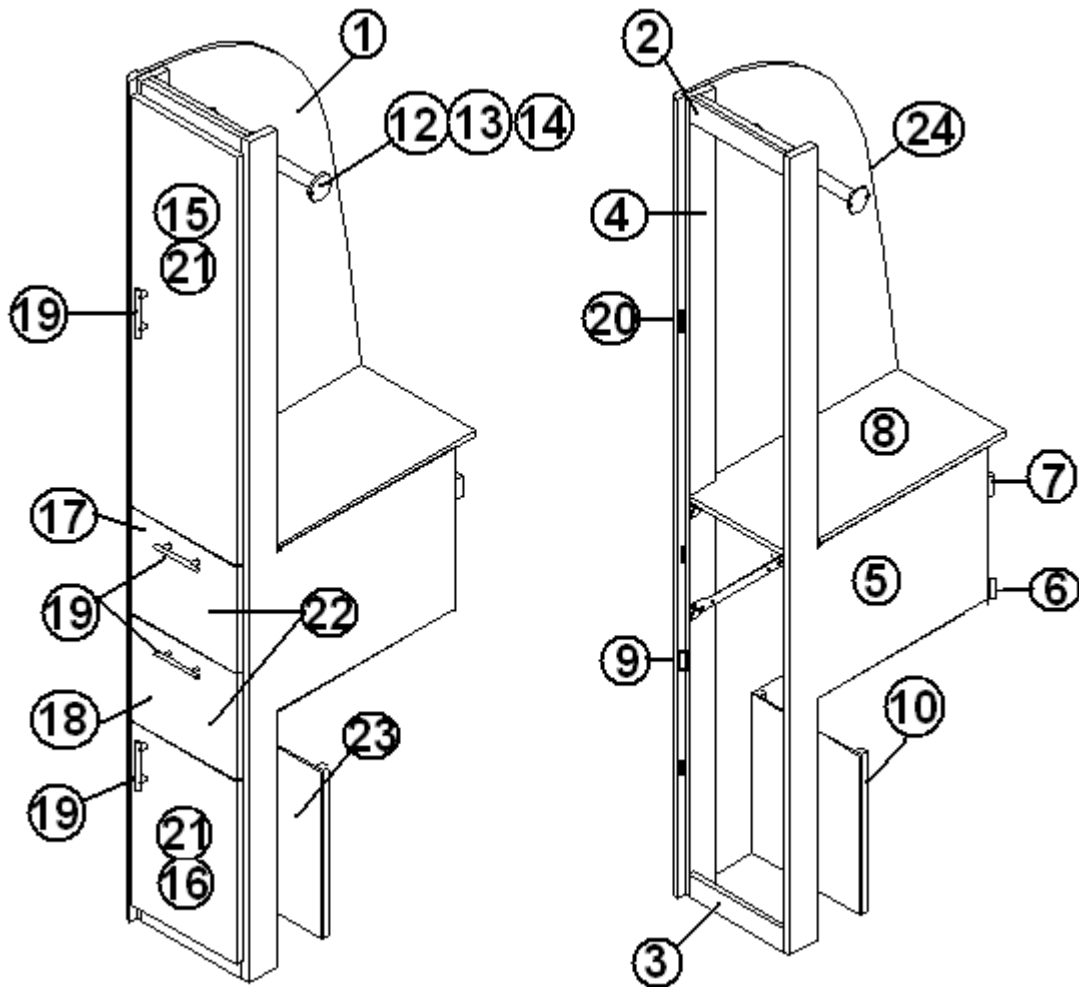
### Bed, 25' Front Bed Signature, Double, Serenity

10. 967072-10	PANEL, 7.5 X 12.25
11. 967072-11	PANEL, 8.19X 15.13
12. 967072-12	PANEL, 8.06 X 17.81
13. 967072-1513	PANEL, 10.31 X 15.13
14. 967072-1514	PANEL, 4.00 X 14.38
15. 967072-1515	PANEL, 4.00 X 18.25
16. 967072-1516	PANEL, 46.62 X 15.13
17. 967072-17	PANEL, 3.00 X 16.75
18. 967072-18	PANEL, 3.00 X 16.75
19. 967072-19	PANEL, 3.00 X 35.13
20. 967072-20	PANEL, 3.00 X 35.13
21. 967072-21	PANEL, 3.00 X 13.63
22. 967072-1522	DOOR 17.38 X 14.25
23. 967069-15	RADIUS ASSY
24. 967070-15	RADIUS ASSY FWD
25. 800025-01	PINE 3/4" X 3/4" STAINED
26. 850082	POPLAR, .75 X 2.00
27. 800507-03	LAUAN, 3/8" X 47.00 X 56.00
28. 800507-03	LAUAN, 3/8" X 25.62 x 56.00
29. 800507-03	LAUAN, 3/8" x 12 x 16
30. 115151	ANGLE, BED SUPPORT, 43"
31. 381607	HINGE ASSY
32. 382115	PULL FLAT BLACK #M575
33. 381228-01	CATCH, GRABBER, DOOR
34. 115101	CLOSEOUT, BED BASE, WIRES, 17.19"
35. 380203-01	HINGE, PIANO
36. 201016	DRAWER, 16 X 22
37. 967071	WIRING CLOSEOUT
38. 203667	BOX STORAGE, 23"L X 16.75"W X 11.88"
203439	STORAGE BOX, 17"L X 11.13"W X 6.38"

# 2014 INTERNATIONAL TRAVEL TRAILER

## FURNITURE, BEDROOM

### Wardrobe, 25' Front Bed Signature, Double Bedroom



Part Numbers on the next page

# 2014 INTERNATIONAL TRAVEL TRAILER

## FURNITURE, BEDROOM

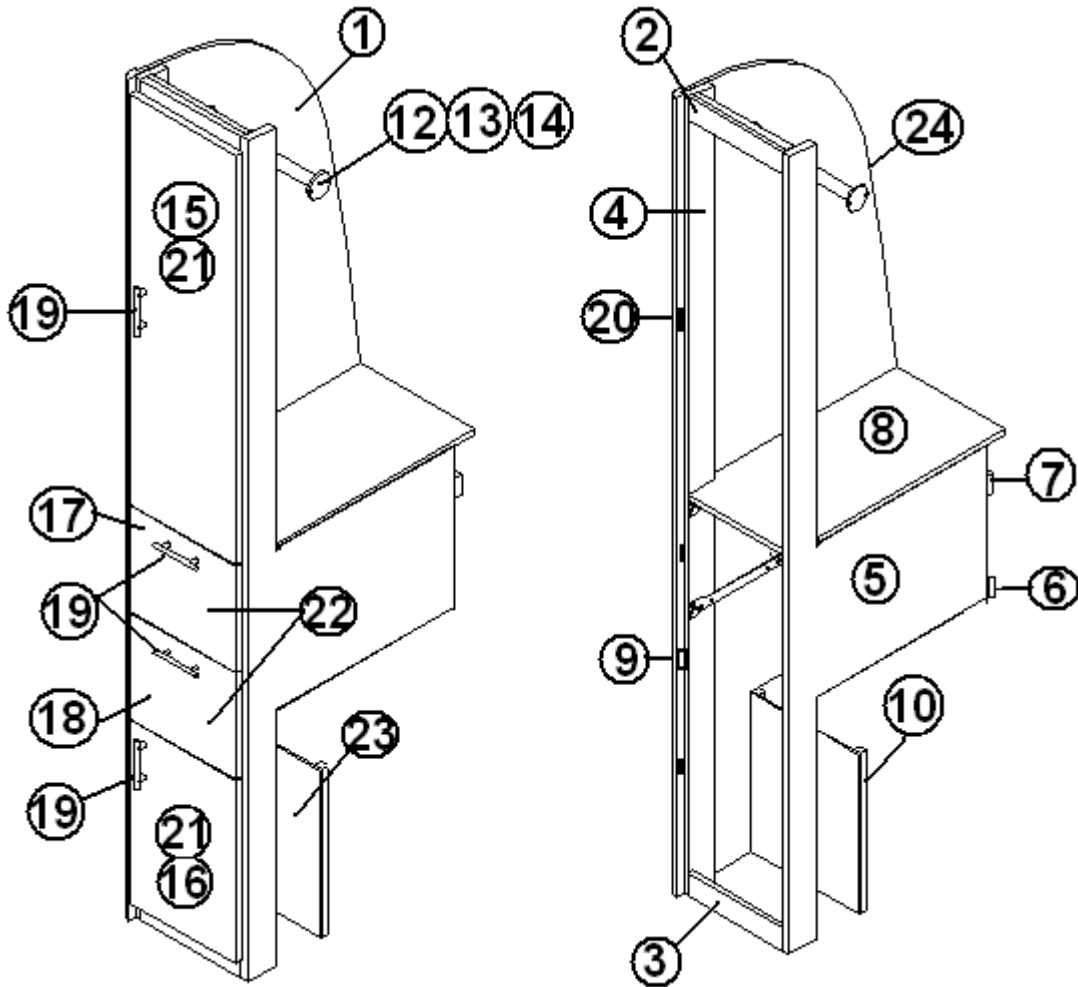
### Wardrobe, 25' Front Bed Signature, Double Bedroom

968037	Wardrobe, Double Bedroom
1. 968037-1	PANEL, 24.09 X 77.95
2. 968037-2	PANEL, 10.75 X 2.25
3. 968037-3	PANEL, 10.75 X 2.25
4. 968037-4	PANEL, 22.63 X 78.18
5. 968037-5	PANEL, 22.63 X 78.18
6. 968037-6	PANEL, 2.25 X 10.75
7. 968037-7	PANEL, 2.25 X 10.75
8. 968037-8	PANEL, 24.31 X 12.25
9. 801706-0024	CORNER TRIM-90D 1"RADIUS
10. 800025-01	PINE, ¾" X ¾", STAINED
11.800030	PINE, ¾" X 2"
12.380046	FLANGE CHROME
13.380045	TUBING, 3/4", METALLIC
14.200975-04	CONDUIT, FLEXIBLE BLACK PLASTIC
15.968037-15I	DOOR, BED W/R 11.38" X 38.13"
16.968037-16	DOOR, BED W/R 11.38" X 17"
17.968037-17	DOOR, BED W/R 11.38" X 9.88"
18.968037-18	DOOR, BED W/R 11.38" X 9.88"
19.382029-00	HANDLE-BAR 7.48"
20.381228-01	CATCH GRABBER DOOR
21.381607	HINGE ASSY
22.968028-03	DRAWER BOX ASSY, 8.00" x10.13"x21.00"
23.968037-26	PANEL, 11.38 X 14.00
24.203138-05	EXTRUSION, PLASTIC ½" WALL, BLACK
382203-05	DRAWER SLIDE, 21.00" SELF CLOSE
382203-06	FRONT FIXING CLIPS (PR)
203434	SPACER, PLASTIC .75" DOOR SLIDE

# 2014 INTERNATIONAL TRAVEL TRAILER

## FURNITURE, BEDROOM

Wardrobe, 25' Front Bed Signature, Double Bedroom, Serenity



Part Numbers on the next page

# 2014 INTERNATIONAL TRAVEL TRAILER

## FURNITURE, BEDROOM

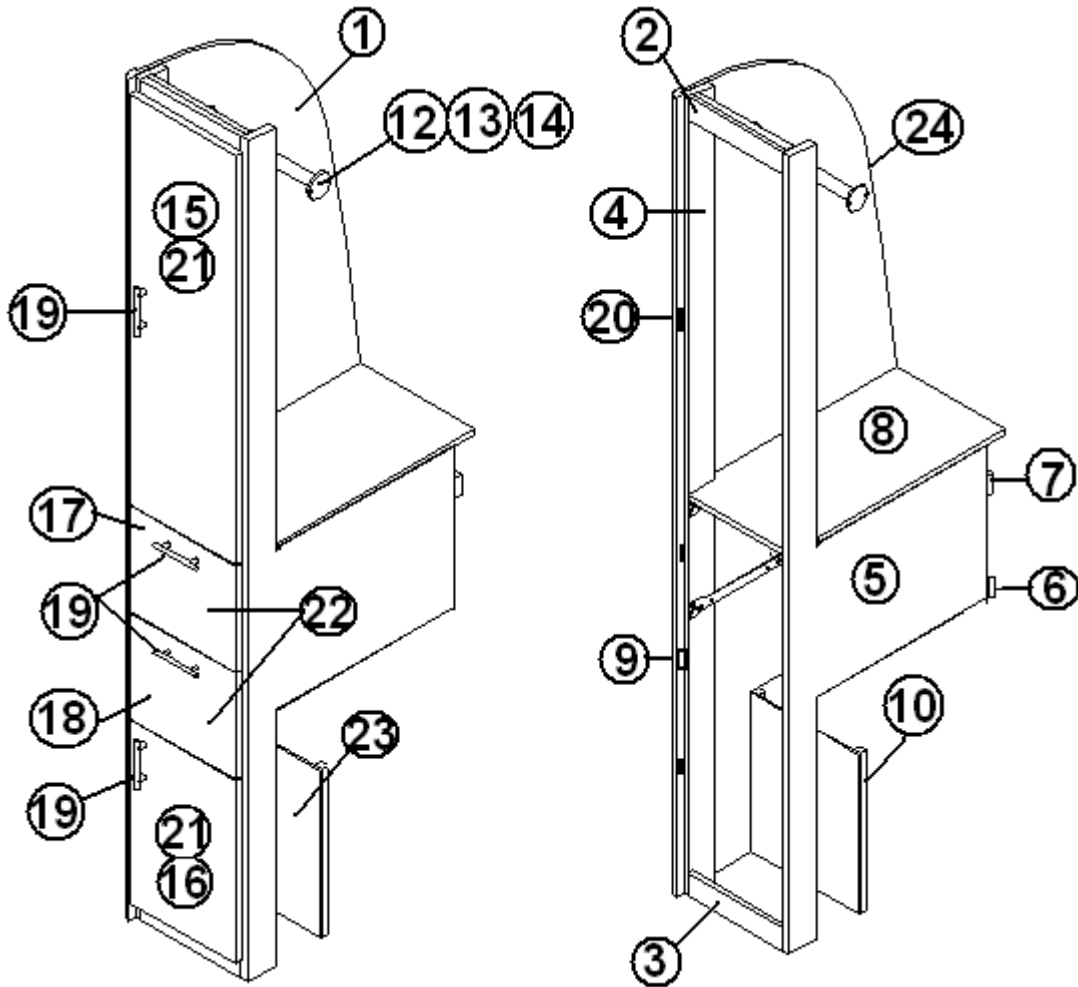
Wardrobe, 25' Front Bed Signature, Double Bedroom, SERENITY

968037-15	Wardrobe, Double Bedroom
1. 968037-151	PANEL, 24.09 5 X 77.95
2. 968037-152	PANEL, 10.75 X 2.25
3. 968037-153	PANEL, 10.75 X 2.25
4. 968037-4	PANEL, 22.63 X 78.18
5. 968037-5	PANEL, 22.63 X 78.18
6. 968037-6	PANEL, 2.25 X 10.75
7. 968037-7	PANEL, 2 X 10.75
8. 968037-8	PANEL, 24.31 X 12.25
9. 801706-0018	CORNER TRIM-90D 1"RADIUS ASIAN SAND
10. 800025-01	PINE, 3/4" X 3/4", STAINED
11. 800030	PINE, 3/4" X 2"
12. 380046	FLANGE CHROME
13. 380045	TUBING, 3/4", METALLIC
14. 200975-04	CONDUIT, FLEXIBLE BLACK PLASTIC
15. 968037-1515	DOOR, BED W/R 11.38" X 38.13"
16. 968037-1516	DOOR, BED W/R 11.38" X 17"
17. 968037-1517	DOOR, BED W/R 11.38" X 9.88"
18. 968037-1518	DOOR, BED W/R 11.38" X 9.88"
19. 382115	PULL, FLAT BLACK #M575
20. 381228-01	CATCH GRABBER DOOR
21. 381607	HINGE ASSY
22. 968028-03	DRAWER BOX ASSY, 8.00" X 10.13" X 21.00"
23. 968037-26	PANEL, 12.125 X 14
24. 203138-03	EXTRUSION, PLASTIC 1/2" WALL, BEIGE
382203-05	DRAWER SLIDE, SELF CLOSE 21.00"
382203-06	FRONT FIXING CLIPS (PR)

# 2014 INTERNATIONAL TRAVEL TRAILER

## FURNITURE, BEDROOM

Wardrobe, 25' Front Bed Signature, Double Bedroom, Sterling



Part Numbers on the next page

# 2014 INTERNATIONAL TRAVEL TRAILER

## FURNITURE, BEDROOM

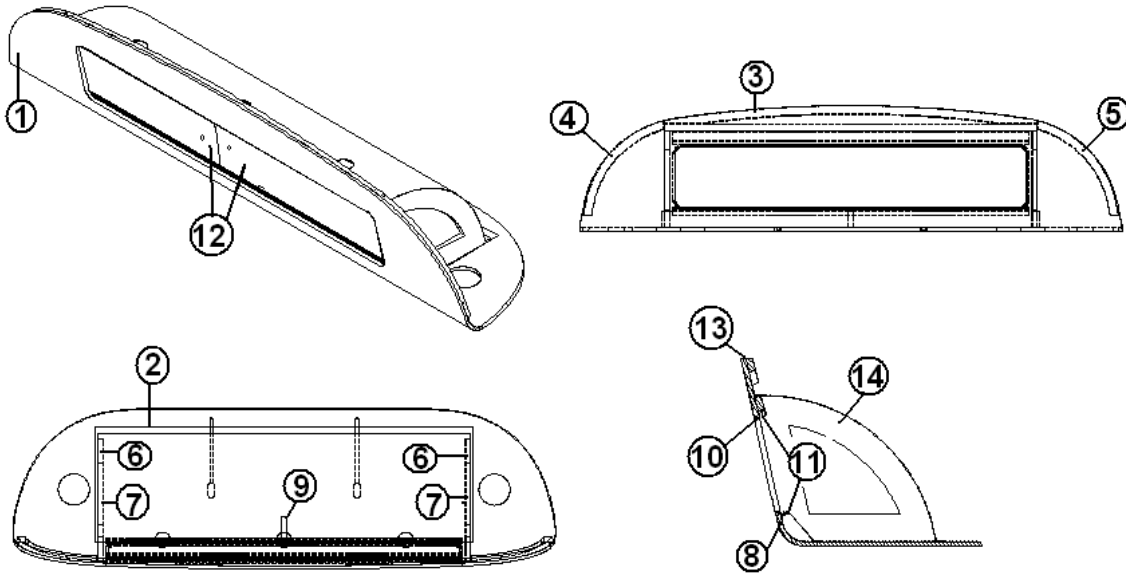
Wardrobe, 25' Front Bed Signature, Double Bedroom, STERLING

968037-22	Wardrobe, Double Bedroom
1. 968037-221	PANEL, 24.09 5 X 77.95
2. 968037-222	PANEL, 10.75 X 2.25
3. 968037-223	PANEL, 10.75 X 2.25
4. 968037-4	PANEL, 22.63 X 78.18
5. 968037-5	PANEL, 22.63 X 78.18
6. 968037-6	PANEL, 2.25 X 10.75
7. 968037-7	PANEL, 2 X 10.75
8. 968037-8	PANEL, 24.31 X 12.25
9. 801706-0025	CORNER TRIM-90D 1"RADIUS ALUM MILL
10. 800025-01	PINE, 3/4" X 3/4", STAINED
11. 800030	PINE, 3/4" X 2"
12. 380046	FLANGE CHROME
13. 380045	TUBING, 3/4", METALLIC
14. 200975-04	CONDUIT, FLEXIBLE BLACK PLASTIC
15. 968037-2215	DOOR, BED W/R 11.38" X 38.13"
16. 968037-2216	DOOR, BED W/R 11.38" X 17"
17. 968037-2217	DWR, BED W/R 11.38" X 9.88"
18. 968037-2218	DWR, BED W/R 11.38" X 9.88"
19. 381865	PULL, BAR BRUSH NICKEL
20. 381228-01	CATCH GRABBER DOOR
21. 381607	HINGE ASSY
22. 968028-03	DRAWER BOX ASSY, 8.00" X 10.13" X 21.00"
23. 968037-26	PANEL, 12.125 X 14
24. 203138-06	EXTRUSION, PLASTIC 1/2" WALL, ASH GREY
203138-05	EXTRUSION PLASTIC 1/2" WALL BLACK
382203-05	DRAWER SLIDE, SELF CLOSE 21.00"
382203-06	FRONT FIXING CLIPS (PR)

# 2014 INTERNATIONAL TRAVEL TRAILER

## FURNITURE, BEDROOM

Roof Locker, 25' FB, 27' FB Signature, "J" Queen Bed, Front End Liner



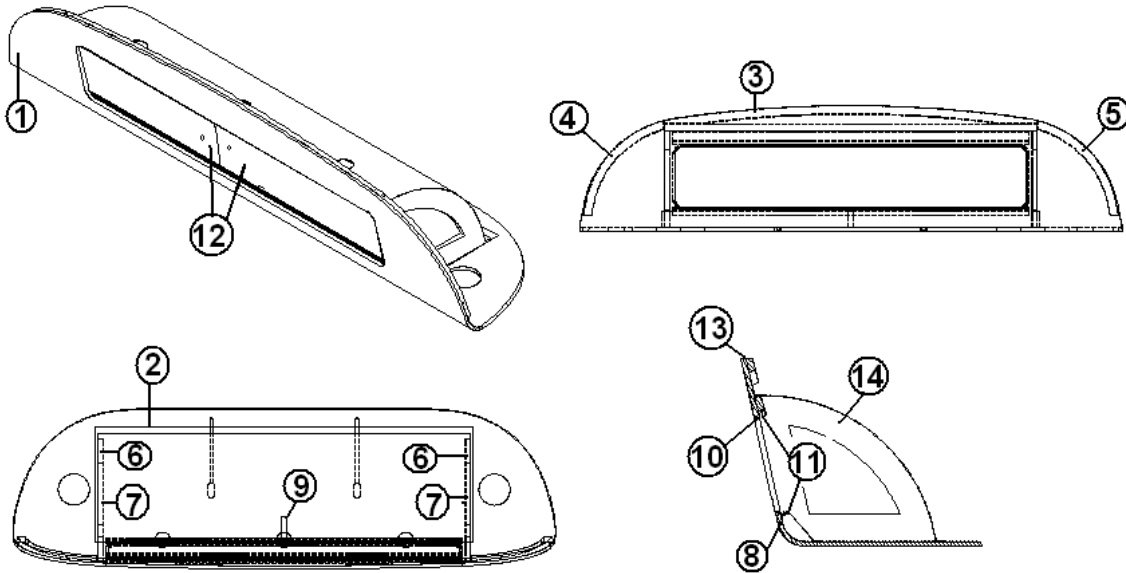
966870	ROOF LOCKER, FRONT END, 27' FB
1. 801723	FACE-FRONT R/L
2. 801355-01	LAMINATE, 21" X 62.25"
3. 801596-01	BACKER W/B LINER LOCKER CTR
4. 801596-02	BACKER W/B LINER LOCKER LH
5. 801596-03	BACKER, LINER LOCKER RH
6. 801594	DIVIDER, LINER LOCKER
7. 801595	DIVIDER, LINER LOCKER
8. 115261-01	ANGLE, LOCKER TRACK SUPPORT
9. 115226-01	BRACKET, LOCKER CTR SUPPORT
10. 203445	T MOLDING FLEXIBLE POLY, BLACK
11. 203388	TRACK, SLIDING DOOR
12. 203749-08	DOOR, SLIDING 11.31" X 30"
13. 201673	REVERSE COVE MOLDING, WHITE
14. 115264-01	PAN, LINER LOCKER W/B FRONT
703991	PILE SEAL WEATHER STRIP



# 2014 INTERNATIONAL TRAVEL TRAILER

## FURNITURE, BEDROOM

Roof Locker, 25' FB, 27' FB Signature, "J" Queen Bed, Front End Liner, STERLING



966870-22

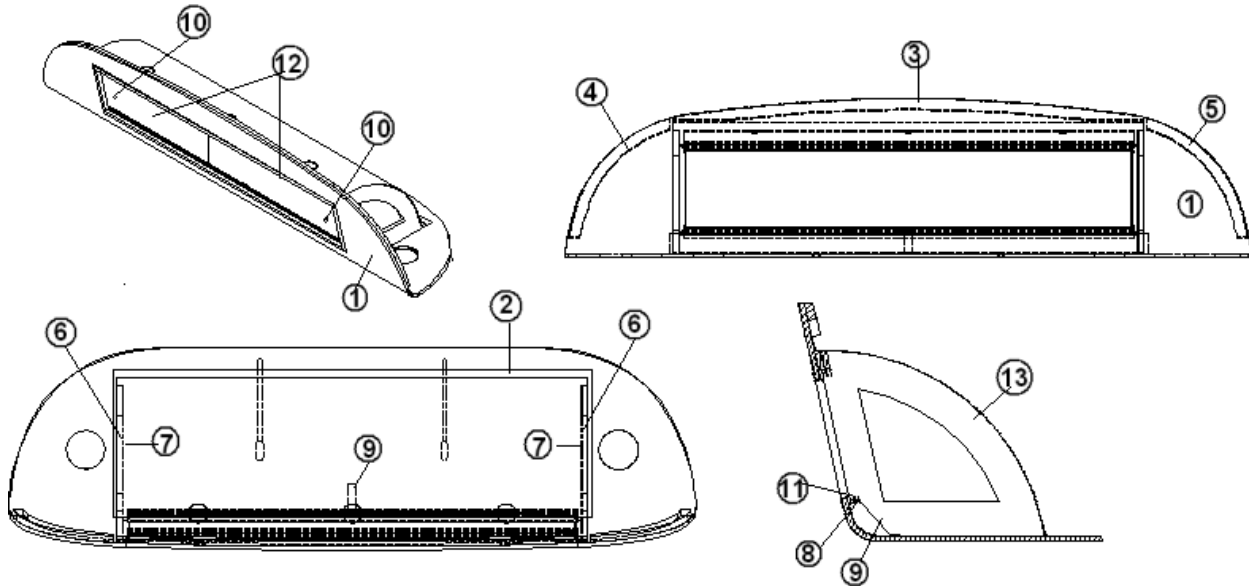
ROOF LOCKER, FRONT END,  
STERLING

- |     |            |                             |
|-----|------------|-----------------------------|
| 1.  | 966870-222 | FACE-FRONT R/L              |
| 2.  | 801355-01  | LAMINATE, FROST WHITE       |
| 3.  | 801596-01  | BACKER W/B LINER LOCKER CTR |
| 4.  | 801596-02  | BACKER W/B LINER LOCKER LH  |
| 5.  | 801596-03  | BACKER, LINER LOCKER RH     |
| 6.  | 801594     | DIVIDER, LINER LOCKER       |
| 7.  | 801595     | DIVIDER, LINER LOCKER       |
| 8.  | 115261-01  | ANGLE, LOCKER TRACK SUPPORT |
| 9.  | 115226-01  | BRACKET, LOCKER CTR SUPPORT |
| 10. | 115576-02  | LOCKER TRIM, FORMED LOOP    |
| 11. | 203388     | TRACK, SLIDING DOOR         |
| 12. | 203741-02  | DOOR, SLIDING 11.31" X 30"  |
| 13. | 201673-03  | REVERSE COVE MOLDING, OAK   |
| 14. | 115264-01  | PAN, LINER LOCKER W/B FRONT |
|     | 703991     | SPRING, LEAF R/L            |

# 2014 INTERNATIONAL TRAVEL TRAILER

## FURNITURE, BEDROOM

Roof Locker, 25' FB, 27' FB Signature, "J" Queen Bed, Front End Liner, Serenity

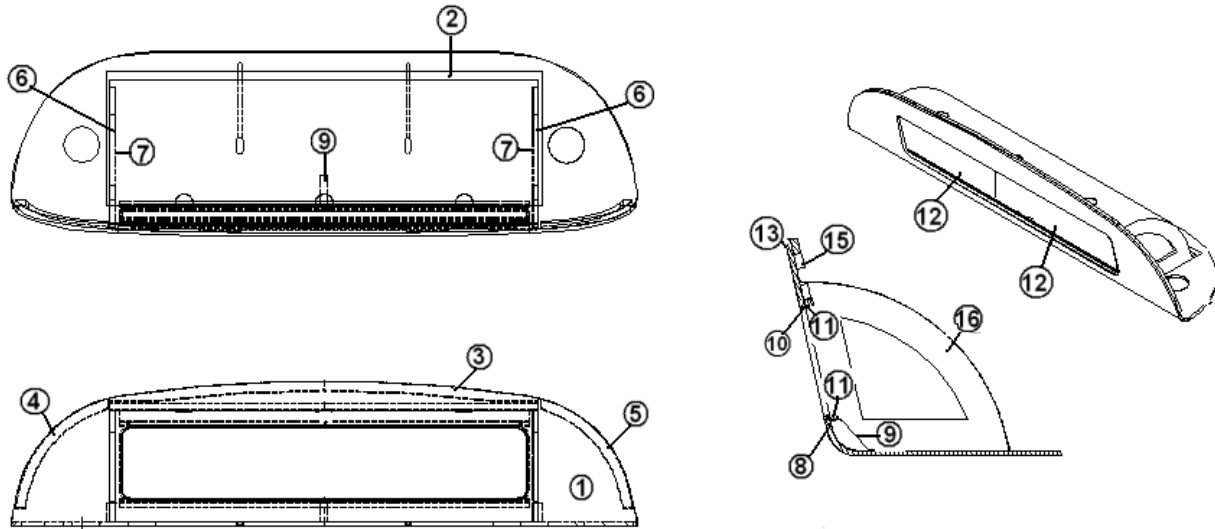


	967555-15	ROOFLOCKER ASSY-LINER - SERENITY
1.	801848	FACE-ROOFLOCKER
2.	801355-01	LAMINATE 21.00 X 62.25
3.	801596-01	BACKER LINER LOCKER CTR
4.	801596-02	BACKER LINER LOCKER LH
5.	801596-03	BACKER, LINER LOCKER RH
6.	801594	DIVIDER-LINER LOCKER
7.	801595	DIVIDER LINER LOCKER
8.	114812	ANGLE, FORMED 1" X 1" 58.50"
9.	115226-01	BRACKET, FORMED LOCKER CENTER SUPPORT,
10.	382114	KNOB-BRUSH.SATIN NICKEL #M576
11.	203388	TRACK-SLIDING DOOR
12.	203677-03	DOOR-MARI 11.31X30
13.	115264-01	PAN, LINER LOCKER W/B FRONT
	703991	PILE SEAL WEATHER STRIP
	201673	COVE MOLDING, WHITE

# 2014 INTERNATIONAL TRAVEL TRAILER

## FURNITURE, BEDROOM

### ROOFLOCKER, FRONT ENDLINER - 25' FB, 27FB, EDDIE BAUER

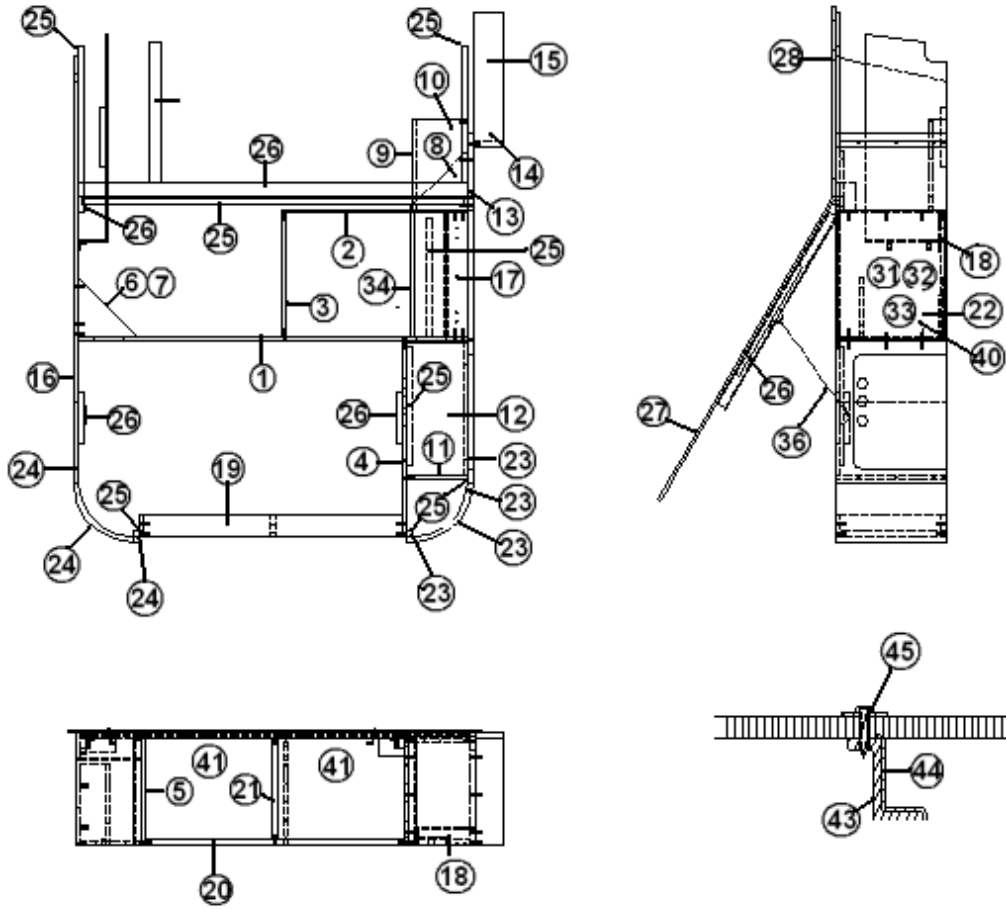


	967681-19	ROOFLOCKER ASSY - FRONT - EDDIE BAUER
1.	801902	FACE- FRONT ROOFLOCKER
2.	967681-192	PANEL, 21" X 62.25"
3.	801596-01	BACKER, LINER LOCKER CENTER
4.	801596-02	BACKER, LINER LOCKER LH
5.	801596-03	BACKER, LINER LOCKER RH
6.	801594	DIVIDER, LINER LOCKER
7.	801595	DIVIDER, LINER LOCKER CCD
8.	115261-01	ANGLE FORMED LOCKER TRACK SUPPORT
9.	115226-01	BRACKET, FORMED LOCKER CTR SUPPORT
10.	203710	T MOLDING-ALMOND .56" X 250'
11.	203388	TRACK-SLIDING DOOR
12.	203708-01	DOOR, PLEXIGLASS 11.31X30
13.	201673-01	MOLDING, OAK COVE .43" OAK
14.	365215	TAPE ADHESIVE TRANSFER #950 5M
15.	800028	PINE, 3/4" X 1-1/2"
16.	115264-01	PAN, LINER LOCKER W/B FRONT
	703991	PILE SEAL WEATHER STRIP
	382149	PULL-FINGER SATIN NICKEL#35120

# 2014 INTERNATIONAL TRAVEL TRAILER

## FURNITURE, BEDROOM

### BED BASE ASSY. "B" - EDDIE BAUER



PARTS ON NEXT PAGE

# 2014 INTERNATIONAL TRAVEL TRAILER

## FURNITURE, BEDROOM

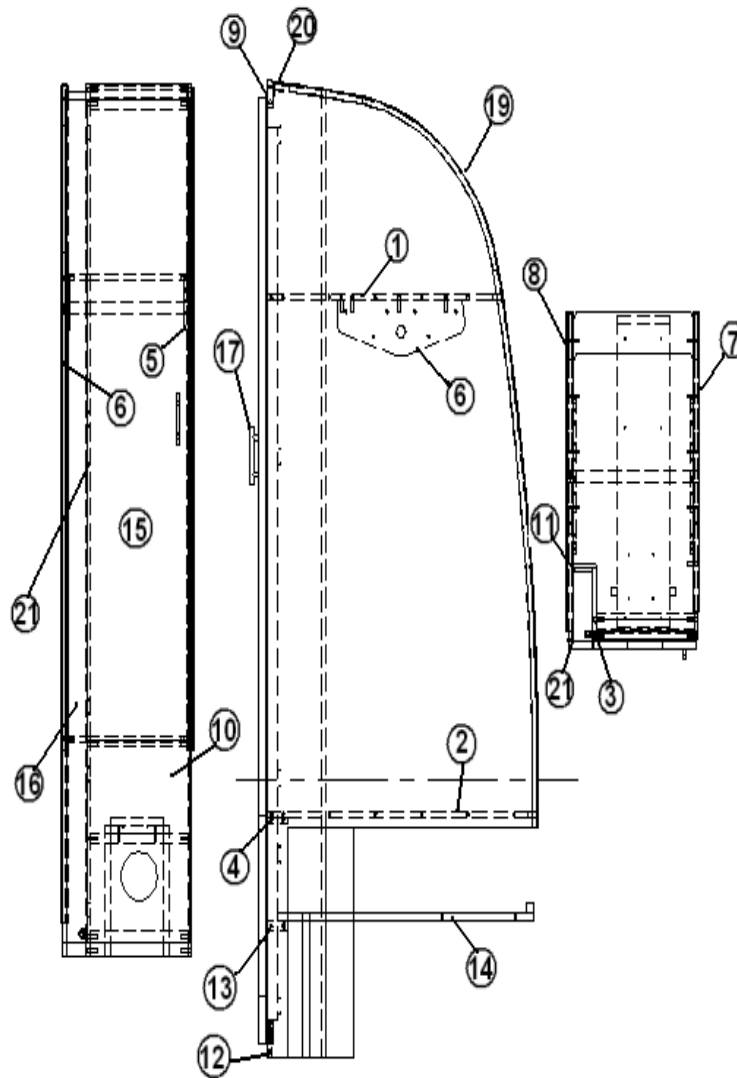
### BED BASE ASSY. "B" – EDDIE BAUER

	967694-19	BED ASSY- 25FB EB
1.	967694-1	PANEL-BED 15.13X52.5
2.	967694-2	PANEL-BED 25X15.13
3.	967694-3	PANEL-BED 16.75X12.63
4.	967694-4	PANEL-BED 26.5X15.13
5.	967694-5	PANEL-BED 3X15.13
6.	967694-6	PANEL-BED 8X8
7.	967694-7	PANEL-BED 8X8
8.	967694-8	PANL-BED 8X8
9.	967694-9	PANEL-BED 2X12.25
10.	967694-10	PANEL-BED 7.5X12.25
11.	967694-11	PANEL-BED 8.19X15.13
12.	967694-12	PANEL-BED 8.06X17.81
13.	967694-1913	PANEL-BED 10.31X15.13
14.	967694-1914	PANEL-BED 4X14.38
15.	967694-1915	PANEL-BED 4X18.25
16.	967694-1916	PANEL-BED 46.62X15.13
17.	967694-17	PANEL-BED 3X16.75
18.	967694-18	PANEL-BED 3X16.75
19.	967694-1919	PANEL-BED 3X35.13
20.	967694-20	PANEL-BED 3X35.13
21.	967694-21	PANEL-BED 3X13.63
22.	967694-1922	PANEL-BED 17.38X14.25
23.	967069-19	BED SUB ASSY-LH FWD RAD.
24.	967070-19	BED SUB ASSY-RH FWD RAD
25.	800025-01	PINE 3/4" X 3/4" STAINED
26.	850082	POPLAR,.75X2.00
27.	800507-03	LAUAN,3/8"X 4'X 8'
28.	800507-03	LAUAN,3/8"X 4'X 8'
29.	800507-03	LAUAN,3/8"X 4'X 8'
30.	115151	ANGLE-BED SUPPORT 43"
31.	381607	HINGE ASSY-GRASS EURO-SAFARI
32.	382029-00	HANDLE-BAR 7.48" #3701-128-CR
33.	381228-01	CATCH GRABBER DOOR C3-803
34.	115101	CLOSEOUT BED BASE WIRES 16.63
35.	380203-01	PIANO HINGE 1/8" PIN CLR ANODI
36.	381067-09	GAS SPRING, 90#
37.	365352-02	EDGE BANDING- 1MM X .94" MAPLE
38.	365352-01	EDGE BANDING-1MM X .63" MAPLE
39.	703978	MATTRESS 60 X 75 QUEEN "B"
40.	201016	DRAWER 16 X 22
41.	203419	BOX STORAGE 23"LX16.75"WX11.88
42.	967071	CLOSEOUT - BED BASE WIRES
43.	454872	SUPPORT-PED TABLE STORAGE EB
44.	701538-01	ECONOLIER W/PSA BACK
45.	320006	SCREW SHEET METAL 8X3/4 BH PHI
46.	300166	WASHER-#8 STEEL ROUND
	203667	BIN-STORAGE 23"X16.75"X12.38"
	201016	DRAWER 16 X 22
	115212-12	TREAD PLATE INSTALL-25FB
	115209-01	DIAMOND PLATE- .025"X 48"X 90"

# 2014 INTERNATIONAL TRAVEL TRAILER

## FURNITURE, BEDROOM

### Wardrobe, 25' International



Parts Listed on Next Page

# 2014 INTERNATIONAL TRAVEL TRAILER

## FURNITURE, BEDROOM

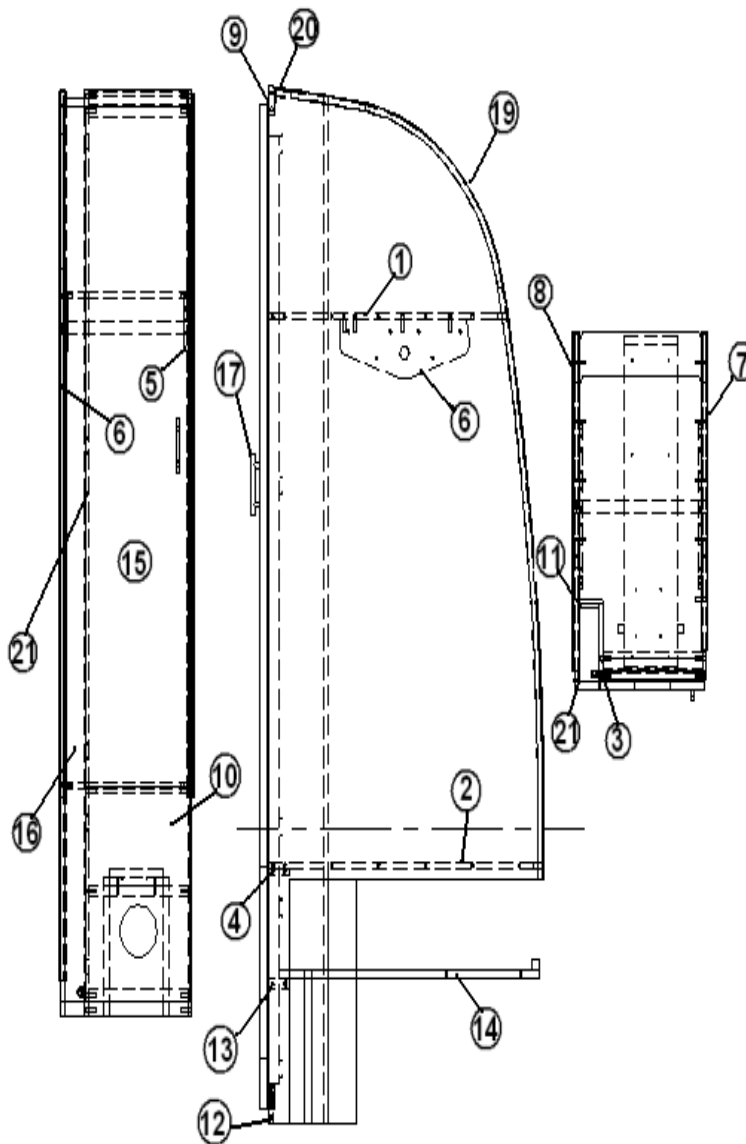
### Wardrobe , 25' International

	967738	WARDROBE ASSEMBLY
1.	967738-1	PANEL-W/R 14.88X25.72
2.	967738-2	PANEL-W/R 14.88X29.56
3.	967738-3	PANEL-W/R 6.5X78.74
4.	967738-4	PANEL-W/R 2.25X11.94
5.	967738-5	PANEL-W/R 4.49X14
6.	967738-6	PANEL-W/R 4.49X14
7.	967738-7	PANEL-W/R 29.44X78.74
8.	967738-8	PANEL-W/R 29.44X78.74
9.	967738-9	PANEL-W/R 2.25X11.94
10.	967738-10	PANEL-W/R 12.56X18.25
11.	967738-11	PANEL-W/R 2.44X78.08
12.	967738-12	PANEL-W/R 2.25X11.94
13.	967738-13	PANEL-W/R 2.25X11.94
14.	967738-14	PANEL-W/R 6.44X27
15.	967738-15I	PANEL-W/R 12.56X57.81
16.	967738-16	PANEL-W/R 3.06X76.19
17.	382029-05	HANDLE-BAR 21.33" #3701-480-CR
18.	381607	HINGE ASSY-GRASS EURO (NOT SHOWN)
19.	203445	EXTRUSION-PLASTIC 1/2" WALL BL
20.	104821	SUPPORT, ROOFLOCKER, 74"
21.	381847	HINGE-PIANO ANGLE .88" X 72"
	381074	CATCH BULL DOG #65S (COPPER)
	381228-01	CATCH GRABBER DOOR C3-803
	380045	TUBING 3/4" ELEC METALLIC
	200975-04	CONDUIT,FLEXIBLE BLACK PLASTIC

# 2014 INTERNATIONAL TRAVEL TRAILER

## FURNITURE, BEDROOM

### Wardrobe , 25' Serenity



Parts Listed on Next Page



# 2014 INTERNATIONAL TRAVEL TRAILER

## FURNITURE, BEDROOM

### Wardrobe , 25' Serenity

	967738-15	WARDROBE ASSEMBLY, 25 SERENITY
1.	967738-1	PNL-W/R 14.88X25.72
2.	967738-2	PNL-W/R 14.88X29.56
3.	967738-3	PNL-W/R 6.5X78.74
4.	967738-4	PNL-W/R 2.25X11.94
5.	967738-5	PNL-W/R 4.49X14
6.	967738-6	PNL-W/R 4.49X14
7.	967738-7	PNL-W/R 29.44X78.74
8.	967738-158	PNL-W/R 29.44X78.74
9.	967738-159	PNL-W/R 2.25X11.94
10.	967738-1510	PNL-W/R 12.56X18.25
11.	967738-11	PNL-W/R 2.44X78.08
12.	967738-1512	PNL-W/R 2.25X11.94
13.	967738-13	PNL-W/R 2.25X11.94
14.	967738-14	PNL-W/R 6.44X27
15.	967738-1515	PNL-W/R 12.56X57.81
16.	967738-1516	PNL-W/R 3.06X76.19
17.	382029-05	HANDLE-BAR 21.33" #3701-480-CR
18.	381607	HINGE ASSY-GRASS EURO (NOT SHOWN)
19.	381228-01	CATCH GRABBER DOOR C3-803
20.	203138-03	EXTRUSION PLASTIC WALL BEIGE
21.	104821	SUPPORT, ROOFLOCKER, 74"
22.	381847-01	HINGE-PIANO ANGLE .88" X 72"
23.	381074	CATCH BULL DOG #65S (COPPER)
	380045	TUBING 3/4" ELEC METALLIC
	200975-04	CONDUIT,FLEXIBLE BLACK PLASTIC
	966883-15	CLOSEOUT WARDROBE



# 2014 INTERNATIONAL TRAVEL TRAILER

## FURNITURE, BEDROOM

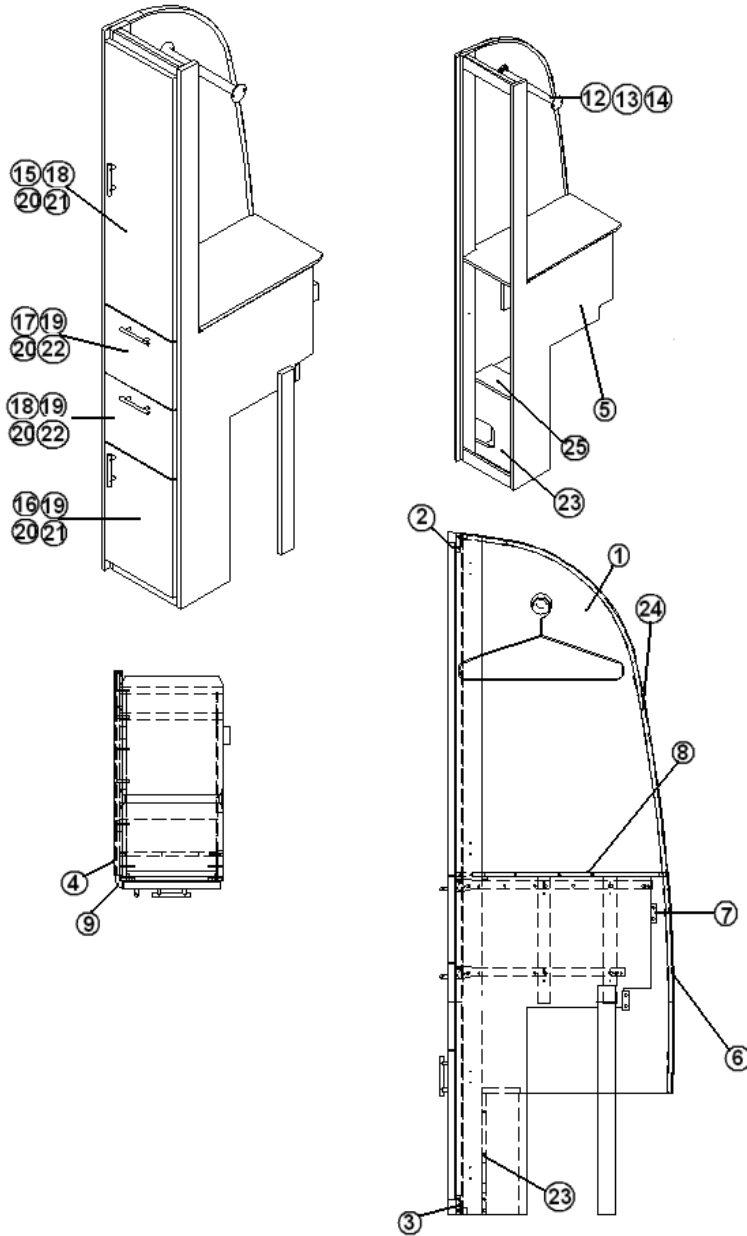
### Wardrobe , 25, Roadside

	968033	WARDROBE ASSY
	968033-15	WARDROBE ASSY - SERENITY
1.	968033-1	PANEL-W/R 24.09X77.95
1.	968033-151	PANEL-W/R 24.09X77.95 - SERENITY
2.	968033-2	PANEL-W/R 2.25X10.75
2.	968033-152	PANEL-W/R 2.25X10.75 - SERENITY
3.	968033-3	PANEL-W/R 2.25X10.75
3.	968033-153	PANEL-W/R 2.25X 10.75 - SERENITY
4.	968033-4	PANEL-W/R 3X78.18
5.	968033-5	PANEL-W/R 22.25X78.18
6.	968033-6	PANEL-W/R 2.25X12.25
7.	968033-7	PANEL-W/R 2.25X12.25
8.	968033-8	PANEL-W/R 24.31X12.25
9.	801706-0024	CORNER TRIM 90 DEG 1" EBONY
9.	801706-0018	CORNER TRIM 90 DEG 1" A.SAND - SERENITY
12.	380046	FLANGE CHROME
13.	380045	TUBING 3/4" ELEC METALLIC
14.	200975-04	CONDUIT,FLEXIBLE BLACK PLASTIC
15.	968033-15I	DOOR-W/R 11.38X38.13
15.	968033-1515	DOOR-W/R 11.38X38.13 - SERENITY
16.	968033-16	DOOR-W/R 11.38X17
16.	968033-1516	DOOR-W/R 11.38X17 - SERENITY
17.	968033-17	DWR FACE-W/R 11.38X9.88
17.	968033-1517	DWR FACE-W/R 11.38X9.88 - SERENITY
18.	968033-18	DWR FACE-W/R 11.38X9.88
18.	968033-1518	DWR FACE-W/R 11.38X9.88 - SERENITY
20.	381228-01	CATCH GRABBER DOOR C3-803
21.	381607	HINGE ASSY-GRASS EURO
22.	968028-03	DWR BOX ASSY-8.00"X 10.13" X 21"
23.	968033-26	PANEL-W/R 11.50X14
24.	203138-05	EXTRUSION-PLASTIC 1/2" WALL BLK
24.	203138-03	EXTRUSION-PLASTIC 1/2" BEIGE - SERENITY
25.	968033-29	PANEL-W/R 11.50X4.38
	968028-04	DWR BOX ASSY-8"X10.13X 18"
	382203-04	DWR SLIDE, SELF CLOSE 18.00"
	382203-05	DWR SLIDE, SELF CLOSE 21.00"
	382203-06	FRONT FIXING CLIPS (PR)
	382115	PULL-FLAT BLACK - SERENITY

# 2014 INTERNATIONAL TRAVEL TRAILER

## FURNITURE, BEDROOM

### Wardrobe , 25', Roadside - SERENITY

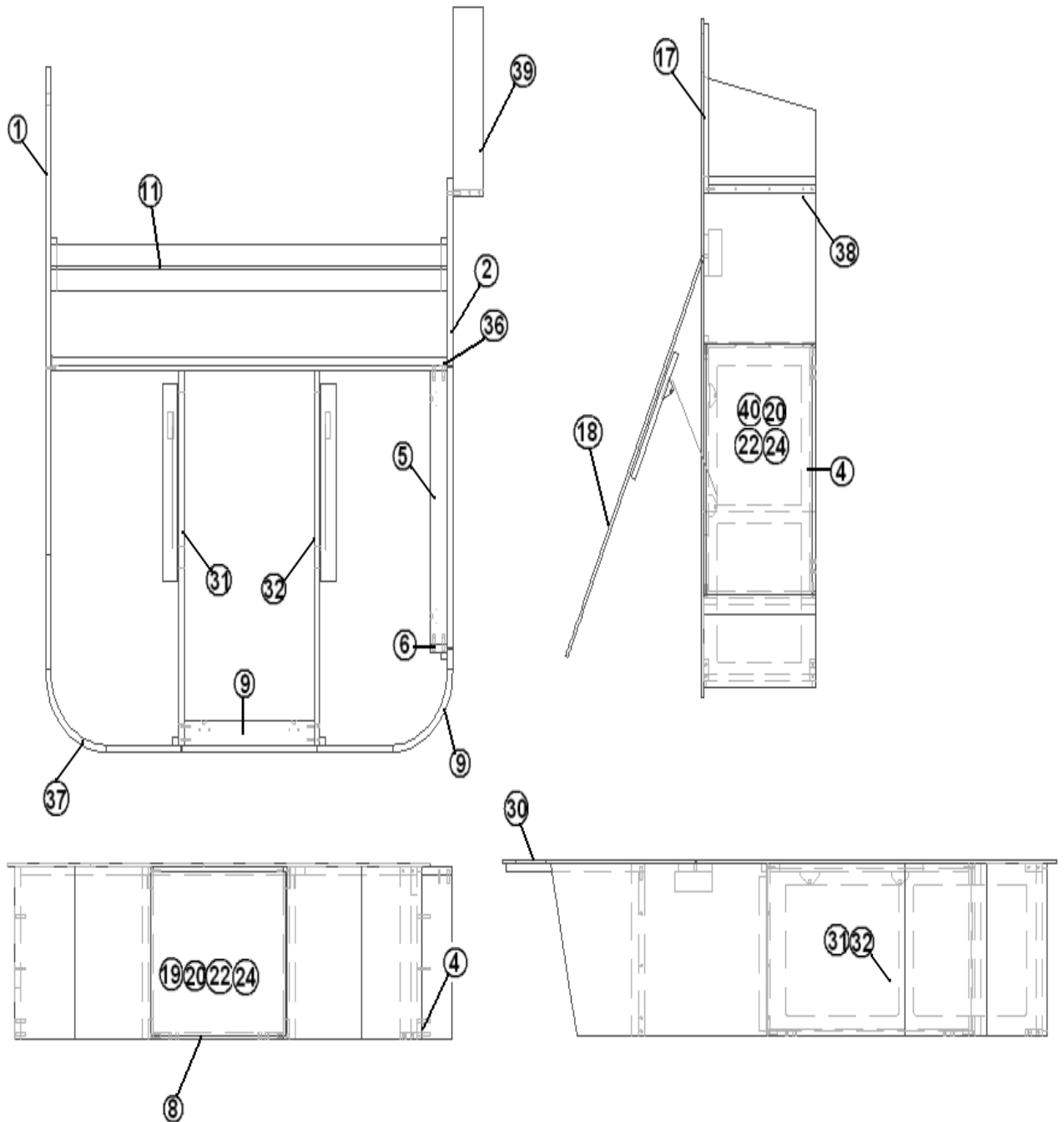


Parts Listed on Next Page

# 2014 INTERNATIONAL TRAVEL TRAILER

## FURNITURE, BEDROOM

### Bed Assembly, 25 International



Parts on Next Page

# 2014 INTERNATIONAL TRAVEL TRAILER

## FURNITURE, BEDROOM

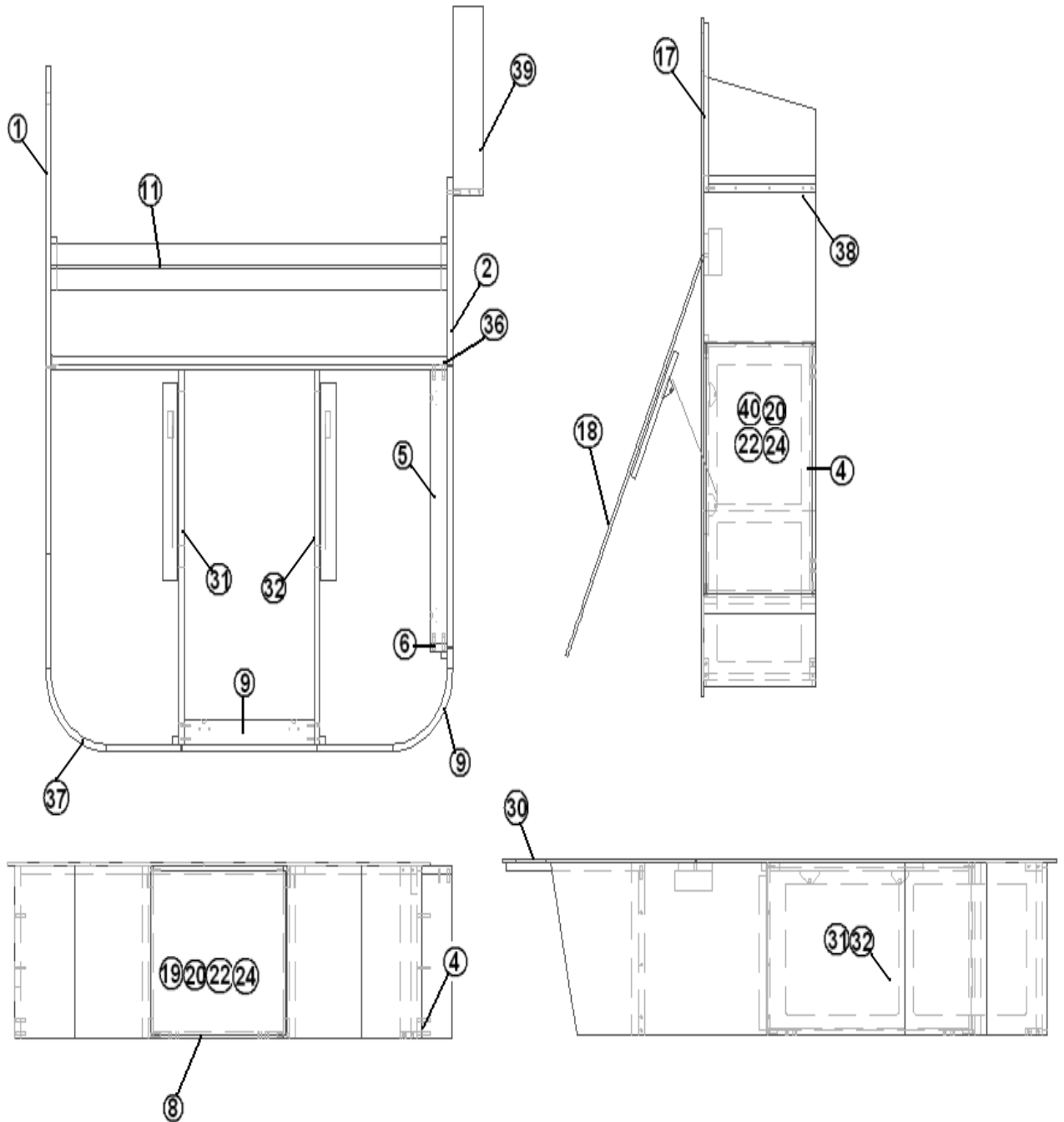
### Bed Assembly, 25 International

	967740	BED ASSEMBLY
1.	967740-1	PANEL-BED 43.94X16.63
2.	967740-2	PANEL-BED 18.5X16.63
4.	967740-4	PANEL-BED 2.25X26
5.	967740-5	PANEL-BED 2.25X26
6.	967740-6	PANEL-BED 16.63X2.25
7.	967740-7	PANEL-BED 2.25X17.25 (NOT SHOWN)
8.	967740-8	PANEL-BED 2.25X17.25
9.	966864	CORNER ASSY-BED SUB
11.	967740-11	PANEL-BED 16.63X52.5
17.	800507-03	LAUAN, 23.25 X 56.00
18.	800507-03	LAUAN,47.75 X 56.00
19.	967740-19	DOOR-BED 17.88X15.75
20.	382029-05	HANDLE-BAR 21.33" #3701-480-CR
21.	345001-08	MACH SCREW #8-32 X 1"
22.	381607	HINGE ASSY-GRASS EURO
23.	381607-04	HINGE SCREW-GRASS #6X5/8 FHP
24.	381228-01	CATCH GRABBER DOOR C3-803
29.	380203	NLA USE 380203-01-----HINGE PIANO
30.	381067-09	SPRING-GAS 90 LBS.
30.	381262	BRACKET,PROP,W/BALL,#004002
30.	381310	GAS PROP BRKT. ASSY-UPPER
30.	381084	BALL, STUD
31.	967740-31	PANEL-BED 36X16.63
32.	967740-32	PANEL-BED 36X16.63
35.	967740-35	PANEL-BED 11X31.44
36.	114812	ALUM. ANGLE 1.00 X 1.00
37.	967759	RADIUS ASSY., FORWARD
38.	967740-38	PANEL-BED 4X15.88
39.	967740-39	PANEL-BED 4X18.25
40.	967740-40	DOOR 26.63 X 15.75 - BED BASE
	703978	MATTRESS 60 X 75 QUEEN "B"
	203419	BOX STORAGE 23"LX16.75"WX11.88
	203439	STORAGE BOX-17"LX11.13"WX6.38"
	967740-41	Closeout 19.04 x 15.83
	967740-42	Extension, 15.88" x 5"

# 2014 INTERNATIONAL TRAVEL TRAILER

## FURNITURE, BEDROOM

### Bed Assembly, 25 International, Serenity



Parts on Next Page

# 2014 INTERNATIONAL TRAVEL TRAILER

## FURNITURE, BEDROOM

### Bed Assembly, 25 International, Serenity

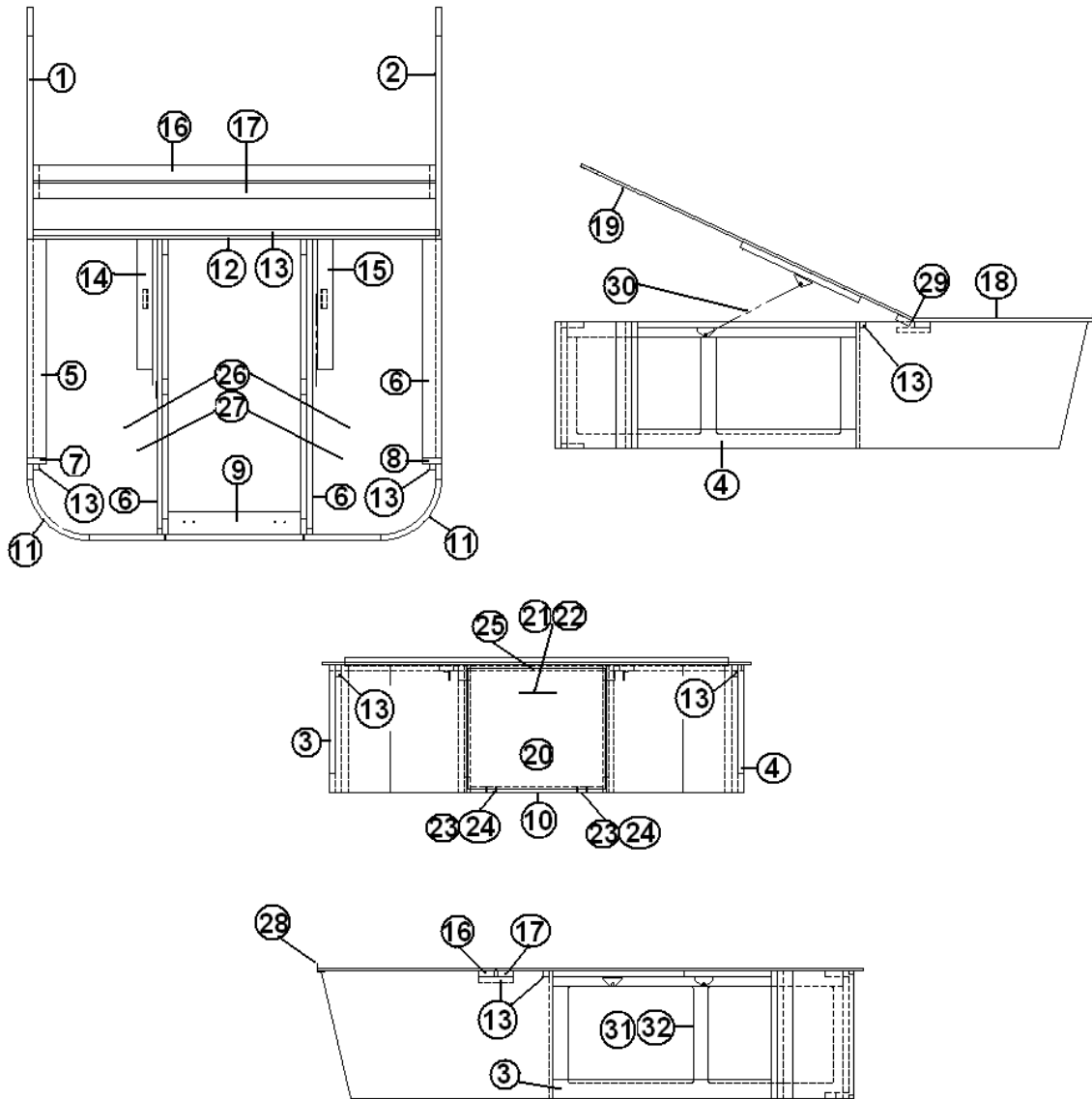
	967740-15	BED ASSEMBLY
1.	967740-151	PANEL-BED 43.94X16.63
2.	967740-152	PANEL-BED 18.5X16.63
4.	967740-4	PANEL-BED 2.25X26
5.	967740-5	PANEL-BED 2.25X26
6.	967740-6	PANEL-BED 16.63X2.25
7.	967740-7	PANEL-BED 2.25X17.25 (NOT SHOWN)
8.	967740-8	PANEL-BED 2.25X17.25
9.	966864	CORNER ASSY-BED SUB
11.	967740-11	PANEL-BED 16.63X52.5
17.	800507-03	LAUAN, 23.25 X 56.00
18.	800507-03	LAUAN,47.75 X 56.00
19.	967740-1519	DOOR-BED 17.88X15.75
20.	382115	PULL, FLAT BLACK
21.	345001-08	MACH SCREW #8-32 X 1"
22.	381607	HINGE ASSY-GRASS EURO
23.	381607-04	HINGE SCREW-GRASS #6X5/8 FHP
24.	381228-01	CATCH GRABBER DOOR C3-803
29.	380203	NLA USE 380203-01----HINGE PIANO
30.	381067-09	SPRING-GAS 90 LBS.
30.	381262	BRACKET,PROP,W/BALL,#004002
30.	381310	GAS PROP BRKT. ASSY-UPPER
30.	381084	BALL, STUD
31.	967740-31	PANEL-BED 36X16.63
32.	967740-32	PANEL-BED 36X16.63
35.	967740-35	PANEL-BED 11X31.44
36.	114812	ALUM. ANGLE 1.00 X 1.00
37.	967759	RADIUS ASSY., FORWARD
38.	967740-1538	PANEL-BED 4X15.88
39.	967740-1539	PANEL-BED 4X18.25
40.	967740-1540	DOOR 26.63 X 15.75 - BED BASE
	703978	MATTRESS 60 X 75 QUEEN "B"
	203419	BOX STORAGE 23"LX16.75"WX11.88
	203439	STORAGE BOX-17"LX11.13"WX6.38"
	967740-41	Closeout 19.04 x 15.83
	967740-42	Extension, 15.88" x 5"



# 2014 INTERNATIONAL TRAVEL TRAILER

## FURNITURE, BEDROOM

Bed, 27' Front Bed, 28', 30' Signature, "J" & "W" Queen



Part numbers on the next page

# 2014 INTERNATIONAL TRAVEL TRAILER

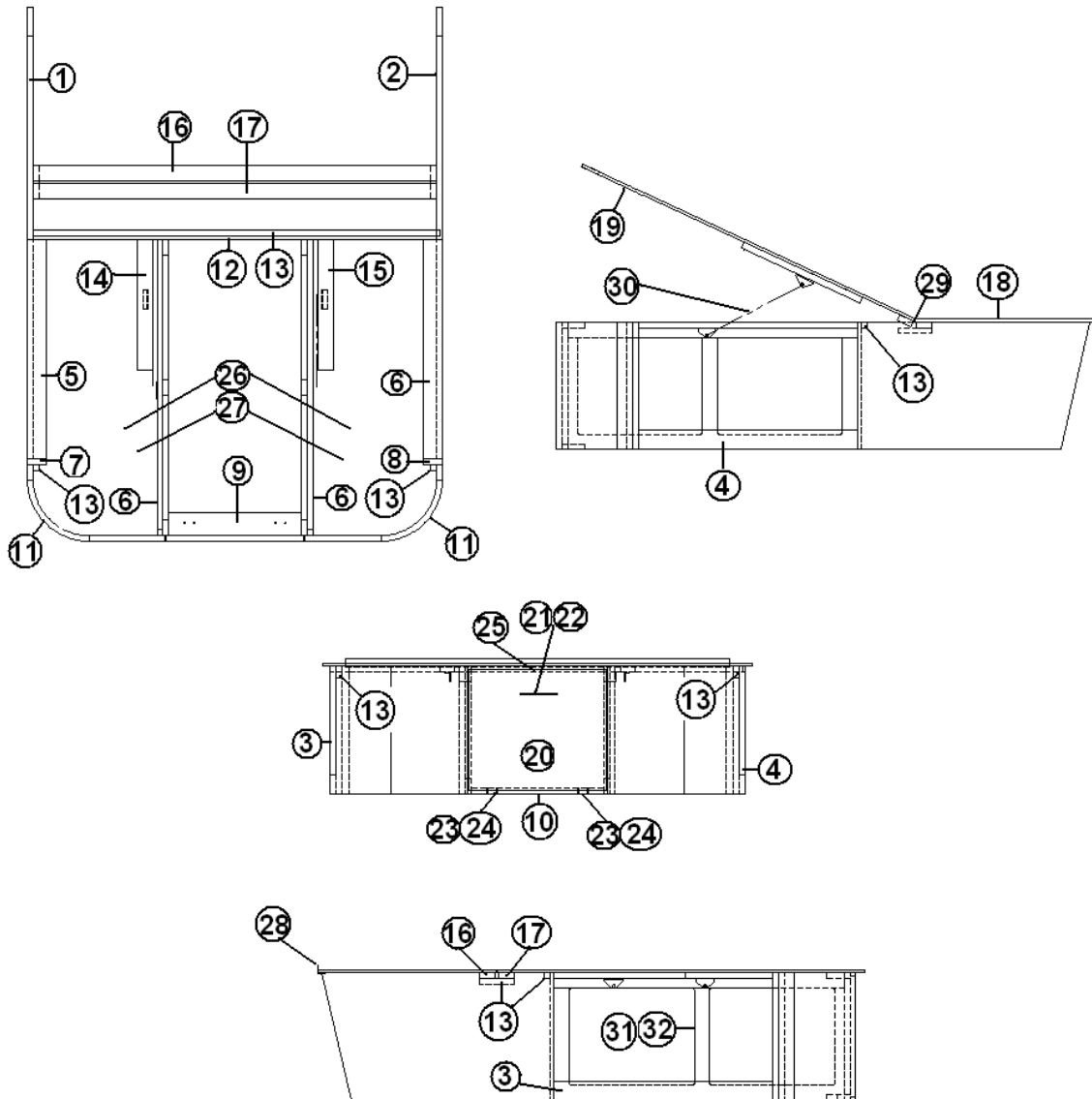
## FURNITURE, BEDROOM

Bed, 27' Front Bed, 28', 30' Signature, "J" & "W" Queen 966863	BED ASSEMBLY, "J" & "W"
1. 966863-1	PANEL, 32.75" X 16.63"
2. 966863-2	PANEL, 32.75" X 16.63"
3. 966863-3	PANEL, 2.25" X 26.00"
4. 966863-4	PANEL, 2.25" X 26.00"
5. 966863-5	PANEL, 2.25" X 26.00"
6. 966863-6	PANEL, 2.25" X 26.00"
7. 966863-7	PANEL, 16.63" X 2.50"
8. 966863-8	PANEL, 16.63" X 2.50"
9. 966863-9	PANEL, 2.25" X 7.25"
10. 966863-10	PANEL, 2.25" X 17.25"
11. 966864	CORNER SUB-ASSY, BED
12. 966863-13	PANEL, 52.50" X 16.63"
13. 800025-01	PINE 3/4" X 3/4" STAINED, 8.72' LONG
14. 850082	POPLAR, .75" X 2.00"
15. 850082	POPLAR, .75" X 2.00"
16. 850082	POPLAR, .75" X 2.00"
17. 850082	POPLAR, .75" X 2.00"
18. 966863-19	LAUAN, 56" X 23.25"
19. 966863-20	LAUAN, 56" X 47.75"
20. 966863-17	DOOR, "J" & "W", 15.75" X 17.88"
21. 382029-04	HANDLE-BAR 15"
22. 345001-08	SCREW #8-32 X 1"
23. 381607	HINGE-ASSEMBLY
24. 381607-04	HINGE SCREW-GRASS
25. 381228-01	CATCH GRABBER DOOR
26. 203667	BOX STORAGE, 23"L x 16.75"W x 12.38"
27. 203439	STORAGE BOX, 17"L X 11.13"W X 6.38"
28. 114812	ALUMINUM ANGLE 1.00" X 1.00"
29. 380203-01	HINGE PIANO
30. SPRING-GAS 90 LBS, SEE HARDWARE SECTION	
966863-33	PANEL, 36.00 X 16.63"
966863-34	PANEL, 36.00 X 16.63"
966863-37	PANEL, 11.00 X 31.44"
201016	DRAWER 16 X 22

# 2014 INTERNATIONAL TRAVEL TRAILER

## FURNITURE, BEDROOM

Bed, 27' Front Bed, 28' Signature, "J" & "W" Queen, Serenity



Part numbers on the next page

# 2014 INTERNATIONAL TRAVEL TRAILER

## FURNITURE, BEDROOM

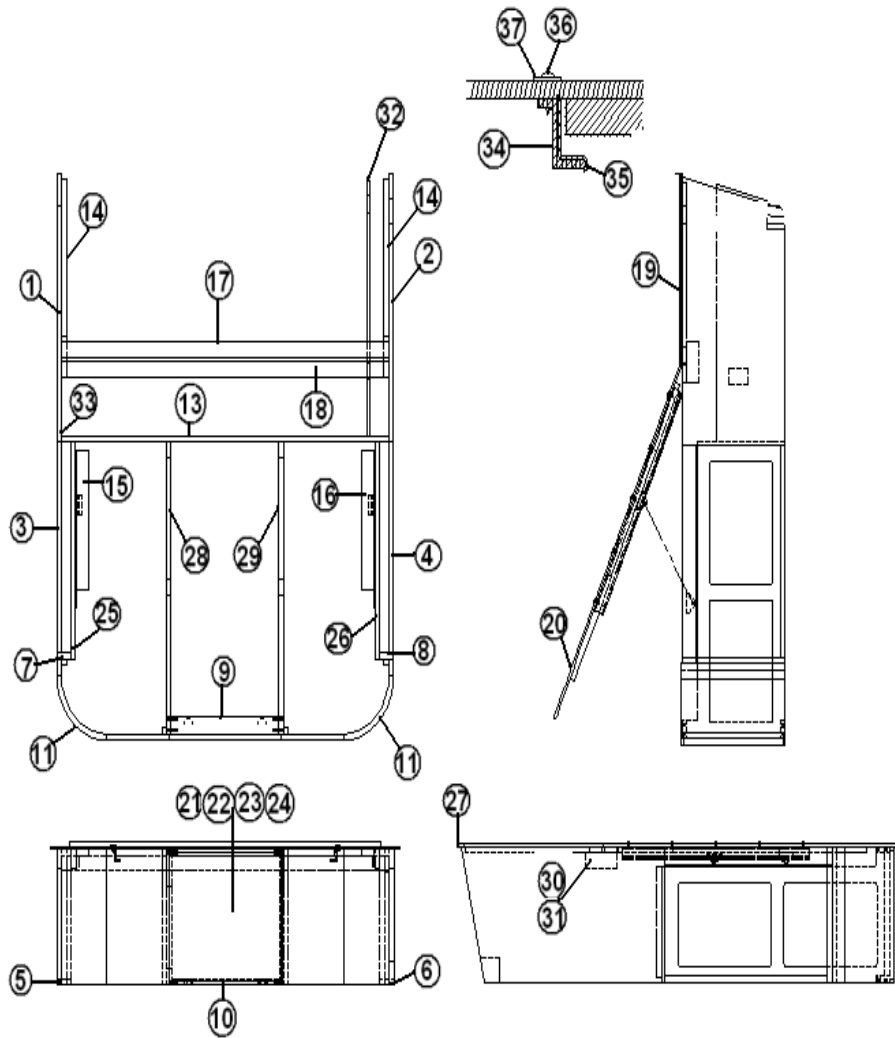
Bed, 27' Front Bed, 28' Signature, 30' "J" & "W" Queen, Serenity

966863-15	BED ASSEMBLY, "J" & "W"
1. 966863-151	PANEL, 32.75" X 16.63"
2. 966863-152	PANEL, 32.75" X 16.63"
3. 966863-153	PANEL, 2.25" X 26.00"
4. 966863-154	PANEL, 2.25" X 26.00"
5. 966863-5	PANEL, 2.25" X 26.00"
6. 966863-6	PANEL, 2.25" X 26.00"
7. 966863-7	PANEL, 16.63" X 2.50"
8. 966863-8	PANEL, 16.63" X 2.50"
9. 966863-9	PANEL, 2.25" X 7.25"
10. 966863-10	PANEL, 2.25" X 17.25"
11. 966864-15	CORNER SUB-ASSY, BED
12. 966863-13	PANEL, 52.50" X 16.63"
13. 800025-01	PINE 3/4" X 3/4" STAINED, 8.72' LONG
14. 850082	POPLAR, .75" X 2.00"
15. 850082	POPLAR, .75" X 2.00"
16. 850082	POPLAR, .75" X 2.00"
17. 850082	POPLAR, .75" X 2.00"
18. 966863-19	LAUAN, 56" X 23.25"
19. 966863-20	LAUAN, 56" X 47.75"
20. 966863-1521	DOOR-BED BASE 17.88X15.75
21. 382115	PULL - FLAT BLACK #M575
22. 345001-08	SCREW #8-32 X 1"
23. 381607	HINGE, DOOR
24. 381607-04	HINGE SCREW-GRASS
25. 381228-01	CATCH GRABBER DOOR
26. 203667	STORAGE BIN 23" X 16.75" X 12.38"
27. 203439	STORAGE BOX, 17"L X 11.13"W X 6.38"
28. 114812	ALUMINUM ANGLE 1.00" X 1.00"
29. 380203-01	HINGE PIANO
30. SPRING-GAS 90 LBS, SEE HARDWARE SECTION	
31. 966863-33	PANEL, 36.00X16.63"
32. 966863-34	PANEL, 36.00X6.63"

# 2014 INTERNATIONAL TRAVEL TRAILER

## FURNITURE, BEDROOM

### Bed, 27' Front Bed Eddie Bauer



Parts Listed On Next Page

# 2014 INTERNATIONAL TRAVEL TRAILER

## FURNITURE, BEDROOM

### Bed, 27' Front Bed Eddie Bauer

	967797-19	BED BASE ASSEMBLY
1.	967797-191	PNL-BED 32.75X16.63
2.	967797-192	PNL-BED 32.75X16.63
3.	967797-193	PNL-BED 2.25X26
4.	967797-194	PNL-BED 2.25X26
5.	967797-5	PNL-BED 2.25X26
6.	967797-6	PNL-BED 2.25X26
7.	967797-7	PNL-BED 16.63X2.25
8.	967797-8	PNL-BED 16.63X2.25
9.	967797-9	PNL-BED 2.25X17.25
10.	967797-10	PNL-BED 2.25X17.25
11.	966864	CORNER ASSY-BED SUB 27FB INT
12.	365352-02	EDGEBANDING- 1MM X .94" MAPLE
13.	967797-13	PNL-BED 14.13X52.5
14.	800025-01	PINE 3/4" X 3/4" STAINED
15.	850082	POPLAR, .17.00 X 2.00
16.	850082	POPLAR, 17.00 X 2.00
17.	850082	POPLAR, 52.50 X 2.00
18.	850082	POPLAR, 52.50 X 2.00
19.	800507-03	LAUAN, 23.25 X 56.00
20.	800507-03	LAUAN, 47.75 X 56.00
21.	967797-1921	DOOR- BED 17.88X15.75
22.	381865	PULL-BAR BRUSH NICKEL #3489
23.	381607	ASSY-GRASS EURO-
24.	381228-01	CATCH GRABBER DOOR C3-803
25.	967797-25	PNL-BED 2.25X26.75
26.	967797-26	PNL-BED 2.25X26.75
27.	114812	ALUM. ANGLE 1.00 X 1.00
28.	967797-33	PNL-BED 36X16.63
29.	967797-34	PNL-BED 16.63
30.	850082	POPLAR, 5.00 X 2.00
31.	850082	POPLAR, 5.00 X 2.00
32.	967797-37	PNL-BED 11X31.44
33.	114812	ALUM. ANGLE 1.00 X 1.00
34.	454872	SUPPORT-PED TABLE STORAGE EB
35.	701538-01	CARPET-ECONOLIER W/PSA BACK
36.	320006	SCREW SHEET METAL 8X3/4 BH PHI
37.	300166	WASHER-#8 STEEL ROUND

Parts Continued on Next Page

# 2014 INTERNATIONAL TRAVEL TRAILER

## FURNITURE, BEDROOM

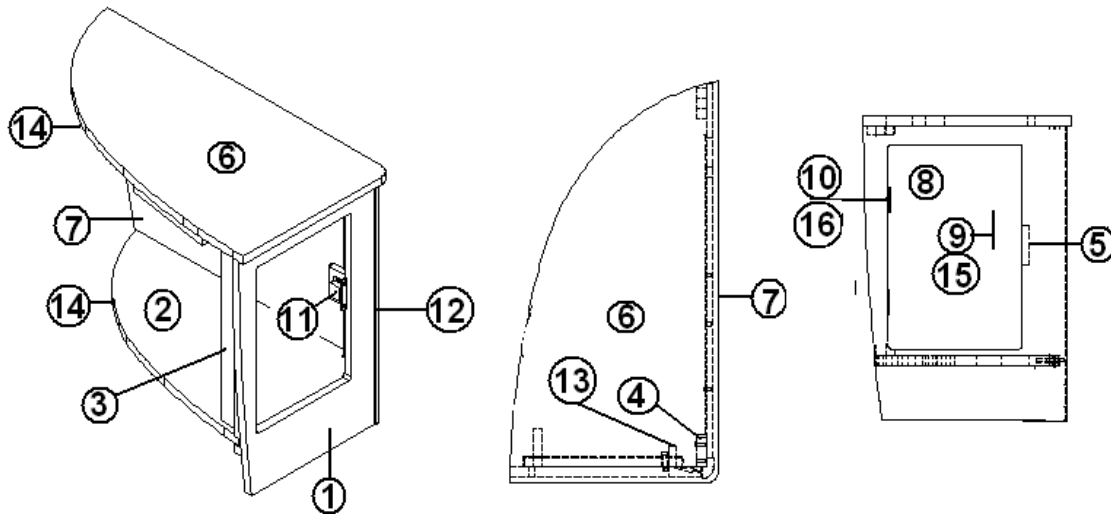
### Bed, 27' Front Bed Eddie Bauer

381067-09	SPRING-GAS 90 LBS
381262	BRACKET,PROP,W/BALL,#004002 AN
381310	GAS PROP BRKT. ASSY-UPPER
381084	BALL, STUD
203667	BIN-STORAGE 23"X16.75"X12.38"
201016	DRAWER 16 X 22
703979	MATTRESS 60X75 QUEEN "J"
380203-01	PIANO HINGE 1/8" PIN CLR ANODIZED

# 2014 INTERNATIONAL TRAVEL TRAILER

## FURNITURE, BEDROOM

Nightstand, 27' Front Bed Signature "J" Bedroom, LH



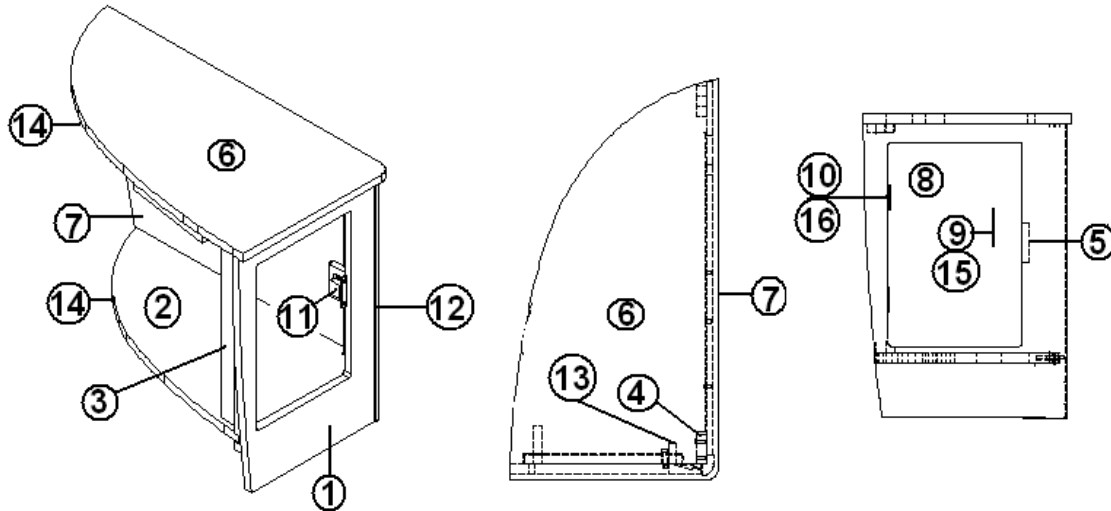
- |                 |                             |
|-----------------|-----------------------------|
| 966868          | NIGHTSTAND ASSY, LH         |
| 1. 966868-1     | PANEL, 1.78" X 22.75"       |
| 2. 966868-2     | PANEL, 27.69" X 14.13"      |
| 3. 966868-3     | PANEL, 3.00" X 17.75"       |
| 4. 966868-4     | PANEL, 2.25" X 22.75"       |
| 5. 966868-5     | PANEL, 17.75" X 1.63"       |
| 6. 966868-6     | PANEL, 16.09" X 31.06",     |
| 7. 966868-7     | PANEL, 28.84" X 22.75"      |
| 8. 966868-8     | DOOR, 10" X 15.44"          |
| 9. 382029-00    | HANDLE-BAR 7.48"            |
| 10. 381607      | HINGE-ASSEMBLY              |
| 11. 381228-01   | CATCH GRABBER DOOR          |
| 12. 801706-0024 | CORNER TRIM 90D 1"          |
| 13. 800025-01   | PINE 3/4" X 3/4" STAINED    |
| 14. 201673      | REVERSE COVE MOLDING, WHITE |
| 15. 345001-08   | SCREW #8-32 X 1"            |
| 16. 381607-04   | HINGE SCREW-GRASS           |



# 2014 INTERNATIONAL TRAVEL TRAILER

## FURNITURE, BEDROOM

Nightstand, 27' Front Bed Signature "J" Bedroom, LH, SERENITY

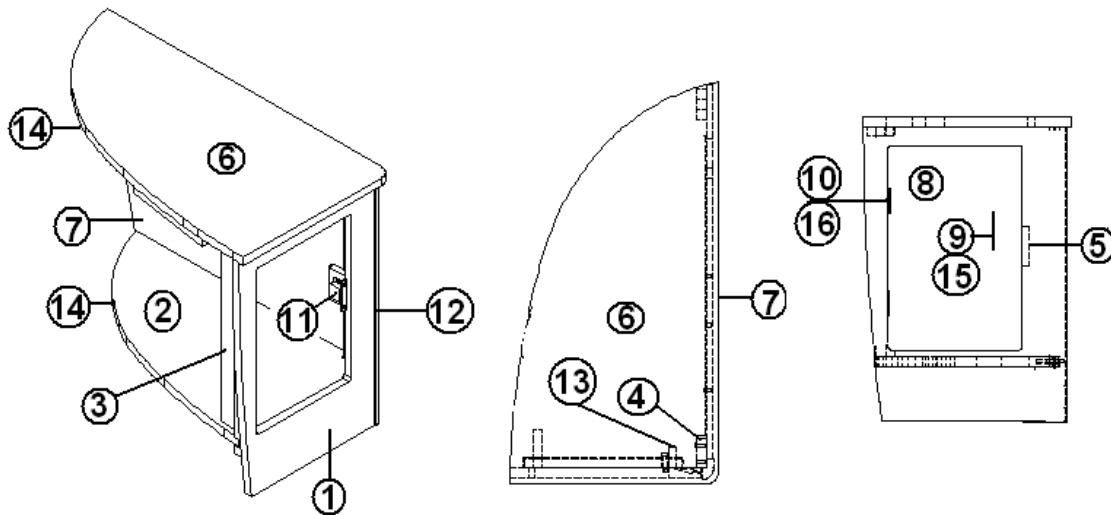


966868-15	NIGHTSTAND ASSY, LH
1. 966868-151	PANEL, 14.78" X 22.75"
2. 966868-2	PANEL, 27.69" X 14.13"
3. 966868-3	PANEL, 3.00" X 17.75"
4. 966868-4	PANEL, 2.25" X 27.75"
5. 966868-5	PANEL, 17.75" x 1.63"
6. 966868-156	PANEL, 16.09"X31.06"
7. 966868-157	PANEL, 28.84" X 22.75"
8. 966868-158	DOOR, 9.88" X 15.31"
9. 382115	PULL, FLAT BLACK #M575
10. 381228-01	CATCH GRABBER DOOR
11. 801706-0018	CORNER TRIM 90D 1" ASIAN SAND
12. 800025-01	PINE 3/4" X 3/4" STAINED
13. 201673	REVERSE COVE MOLDING, WHITE
14. 345001-08	SCREW #8-32 X 1"
15. 381607-04	HINGE SCREW-GRASS

# 2014 INTERNATIONAL TRAVEL TRAILER

## FURNITURE, BEDROOM

Nightstand, 27' Front Bed Signature "J" Bedroom, LH, EDDIE BAUER

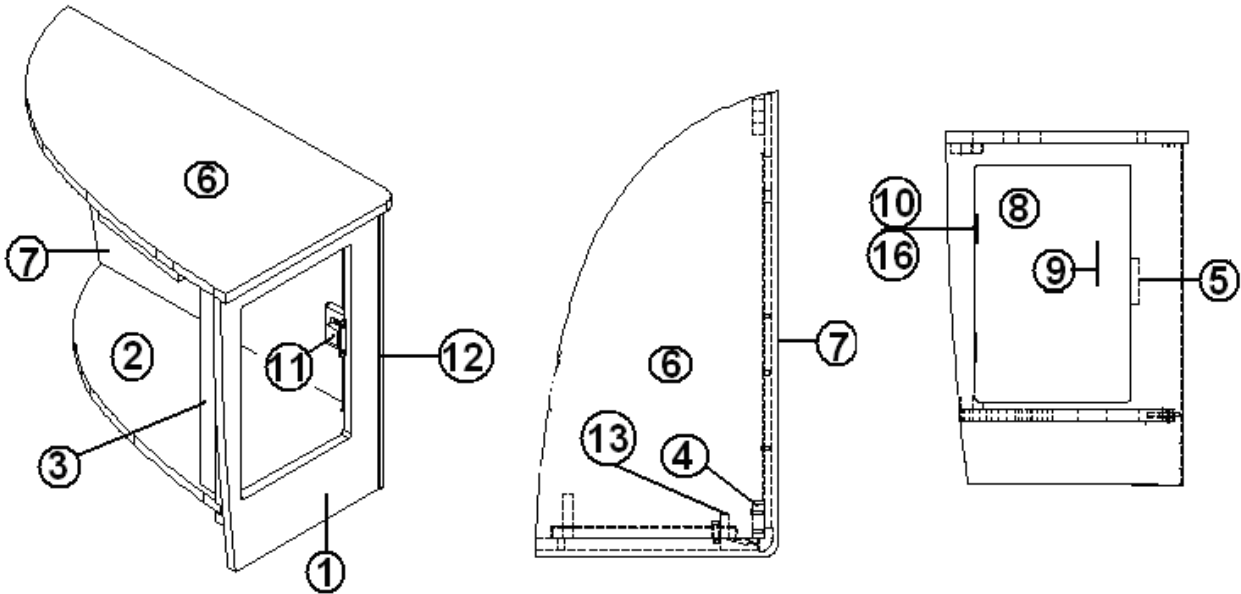


966868-19	NIGHTSTAND ASSY, LH
1. 966868-191	PANEL, 14.78" X 22.75"
2. 966868-2	PANEL, 27.69" X 14.13"
3. 966868-3	PANEL, 3.00" X 17.75"
4. 966868-4	PANEL, 2.25" X 27.75"
5. 966868-5	PANEL, 17.75" x 1.63"
6. 966868-196	PANEL, 16.09"X31.06"
7. 966868-197	PANEL, 28.84" X 22.75"
8. 966868-198	DOOR, 9.88" X 15.31"
9. 381865	PULL, BAR BRUSH NICKEL-
10. 381228-01	CATCH GRABBER DOOR
11. 801706-0023	CORNER TRIM 90D 1" L.MAPLE
12. 800025-01	PINE 3/4" X 3/4" STAINED
13. 201673-01	REVERSE COVE MOLDING, OAK
14. 345001-08	SCREW #8-32 X 1"
15. 381607-04	HINGE SCREW-GRASS

# 2014 INTERNATIONAL TRAVEL TRAILER

## FURNITURE, BEDROOM

Nightstand, 27' Front Bed Signature "J" Bedroom, LH, STERLING

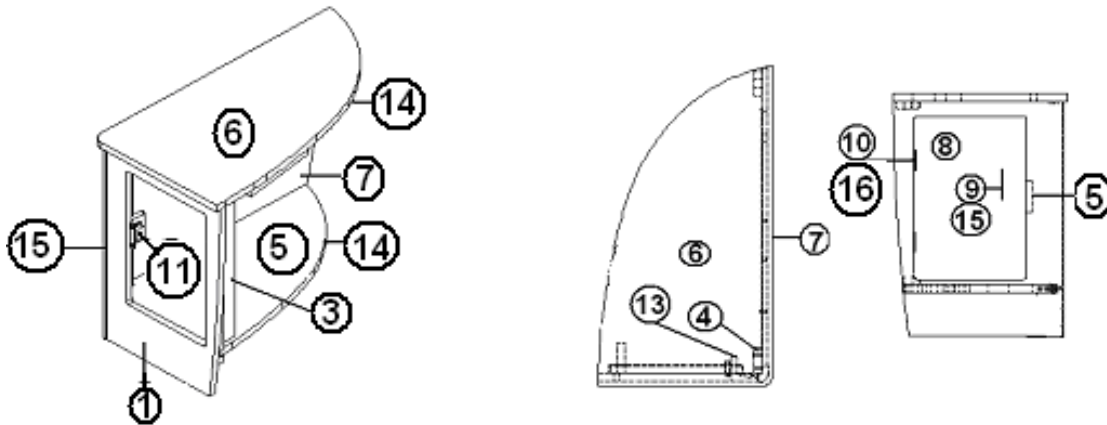


966868-22	NIGHTSTAND ASSY, LH
1. 966868-221	PANEL, 14.78" X 22.75"
2. 966868-222	PANEL, 27.69" X 14.13"
3. 966868-3	PANEL, 3.00" X 17.75"
4. 966868-4	PANEL, 2.25" X 27.75"
5. 966868-5	PANEL, 17.75" x 1.63"
6. 966868-226	PANEL, 16.09"X31.06"
7. 966868-227	PANEL, 28.84" X 22.75"
8. 966868-228	DOOR, 9.88" X 15.31"
9. 382178	HANDLE, ROUND BR. NICKEL
10. 381228-01	CATCH GRABBER DOOR
11. 801706-0025	CORNER TRIM 90D 1" ALUM.MILL
12. 800025-01	PINE 3/4" X 3/4" STAINED
13. 201673-03	REVERSE COVE MOLDING, ASH GREY

# 2014 INTERNATIONAL TRAVEL TRAILER

## FURNITURE, BEDROOM

Nightstand, 27' Front Bed Signature, RH "J" Bedroom

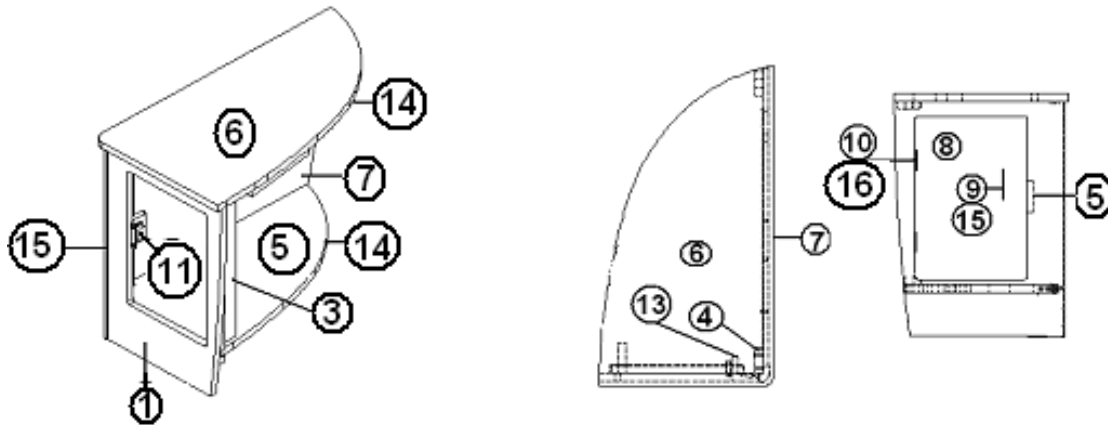


966851	NIGHTSTAND ASSY, RH
1. 966851-1	PANEL, 14.78" X 22.75"
2. 966851-2	PANEL, 27.69" X 14.13
3. 966851-3	PANEL, 3.00" X 17.75"
4. 966851-4	PANEL, 2.25" X 27.75"
5. 966851-5	PANEL, 17.75" X 1.63",
6. 966851-6	PANEL, 16.09" X 31.06"
7. 966851-7	PANEL, 28.84" X 22.75"
8. 966851-08	DOOR, 9.88" X 15.31"
9. 382029-00	HANDLE-BAR 7.48"
10. 381607	HINGE-ASSEMBLY
11. 381228-01	CATCH GRABBER DOOR
12. 801706-0024	CORNER TRIM 90D 1"
13. 800025-01	PINE 3/4" X 3/4" STAINED
14. 201673	REVERSE COVE MOLDING, WHITE
15. 345001-08	SCREW #8-32 X 1"
16. 381607-04	HINGE SCREW-GRASS

# 2014 INTERNATIONAL TRAVEL TRAILER

## FURNITURE, BEDROOM

Nightstand, 27' Front Bed Signature, RH "J" Bedroom, SERENITY

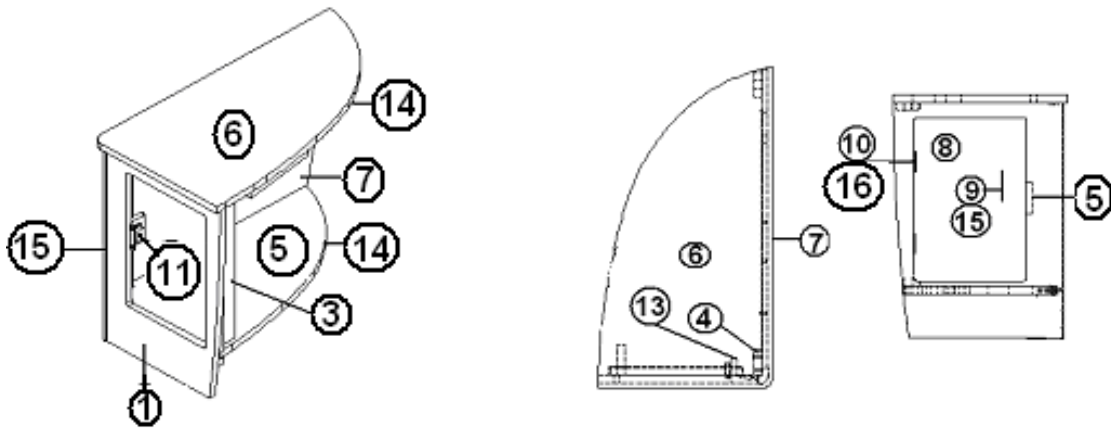


966851-15	NIGHTSTAND ASSY, RH
1. 966851-151	PANEL, 14.78 X 22.75"
2. 966851-2	PANEL, 27.69" X 22.75"
3. 966851-3	PANEL, 3.00" X 17.75"
4. 966851-4	PANEL, 2.25" X 22.75"
5. 966851-5	PANEL, 17.75 X 1.63
6. 966851-156	PANEL, 16.09"X31.09"
7. 966851-157	PANEL, 28.84" X 22.75"
8. 966851-158	DOOR, 9.88" X 15.31"
9. 382115	PULL, FLAT BLACK #M575
10. 381607	HINGE, DOOR
11. 381228-01	CATCH GRABBER DOOR
12. 801706-0018	CORNER TRIM 90D 1 ASIAN "
13. 800025-01	PINE 3/4" X 3/4" STAINED
14. 201673	REVERSE COVE MOLDING, WHITE
15. 345001-08	SCREW #8-32 X 1"
16. 381607-04	HINGE SCREW-GRASS

# 2014 INTERNATIONAL TRAVEL TRAILER

## FURNITURE, BEDROOM

Nightstand, 27' Front Bed Signature, RH "J" Bedroom, EDDIE BAUER

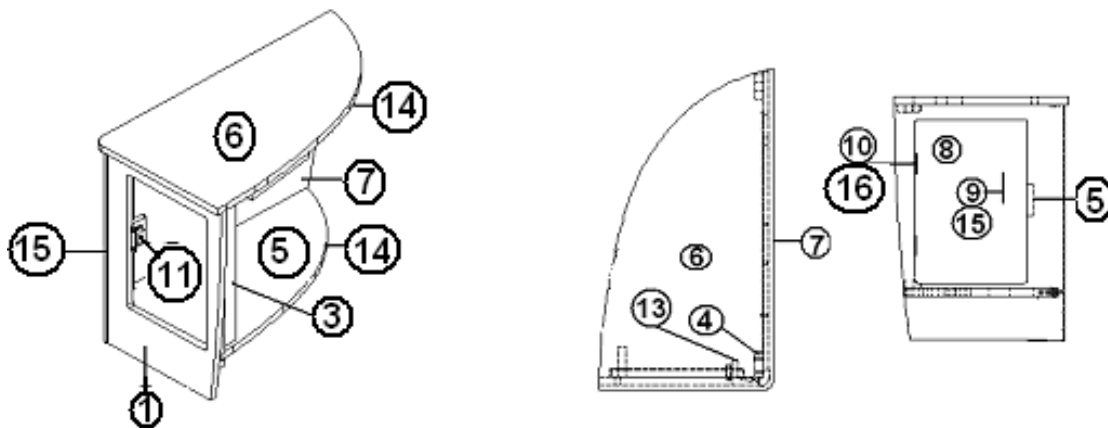


966851-19	NIGHTSTAND ASSY, RH
1. 966851-191	PANEL, 14.78 X 22.75"
2. 966851-2	PANEL, 27.69" X 22.75"
3. 966851-3	PANEL, 3.00" X 17.75"
4. 966851-4	PANEL, 2.25" X 22.75"
5. 966851-5	PANEL, 17.75 X 1.63
6. 966851-196	PANEL, 16.09"X31.09"
7. 966851-197	PANEL, 28.84" X 22.75"
8. 966851-198	DOOR, 9.88" X 15.31"
9. 381865	PULL BAR BRUSH NICKEL
10. 381607	HINGE, DOOR
11. 381228-01	CATCH GRABBER DOOR
12. 801706-0023	CORNER TRIM 90D 1 L.MAPLE
13. 800025-01	PINE 3/4" X 3/4" STAINED
14. 201673-01	REVERSE COVE MOLDING, OAK
15. 345001-08	SCREW #8-32 X 1"
16. 381607-04	HINGE SCREW-GRASS

# 2014 INTERNATIONAL TRAVEL TRAILER

## FURNITURE, BEDROOM

Nightstand, 27' Front Bed Signature, RH "J" Bedroom, STERLING

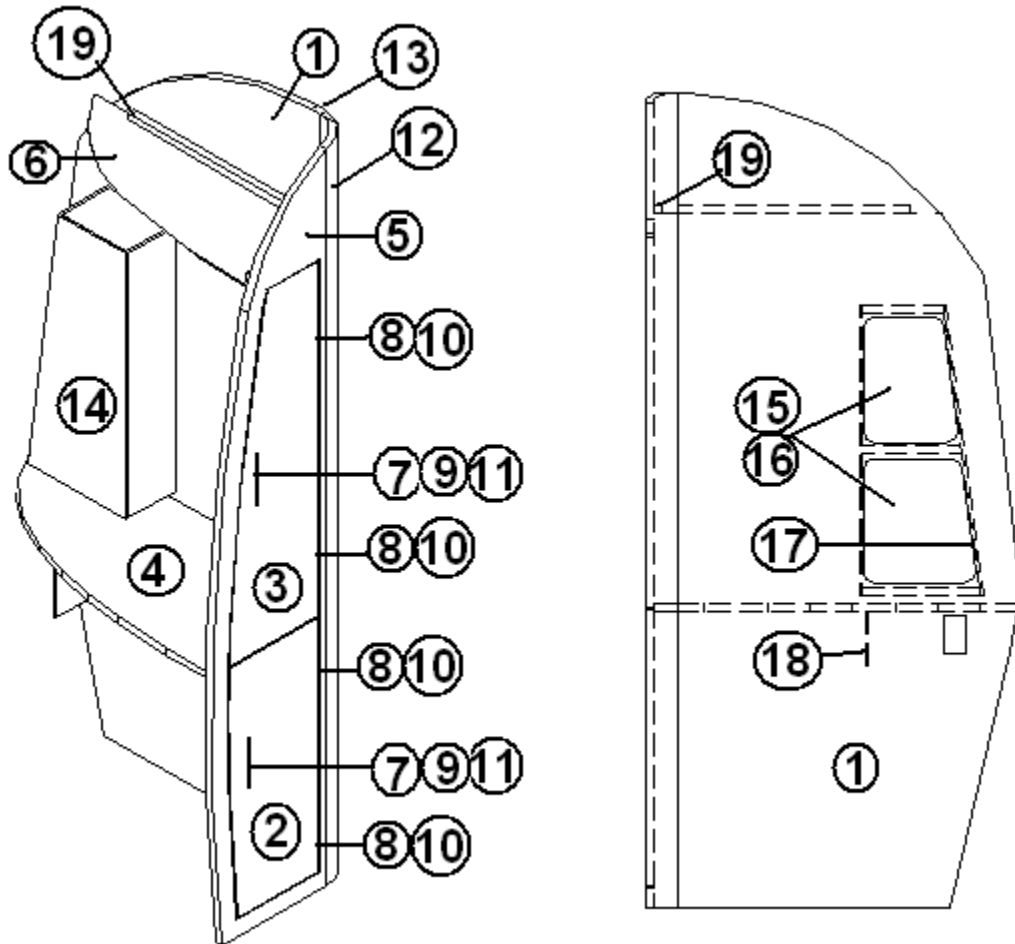


- |     |             |                                |
|-----|-------------|--------------------------------|
|     | 966851-22   | NIGHTSTAND ASSY, RH            |
| 1.  | 966851-221  | PANEL, 14.78 X 22.75"          |
| 2.  | 966851-222  | PANEL, 27.69" X 22.75"         |
| 3.  | 966851-223  | PANEL, 3.00" X 17.75"          |
| 4.  | 966851-224  | PANEL, 2.25" X 22.75"          |
| 5.  | 966851-225  | PANEL, 17.75 X 1.63            |
| 6.  | 966851-226  | PANEL, 16.09"X31.09"           |
| 7.  | 966851-227  | PANEL, 28.84" X 22.75"         |
| 8.  | 966851-228  | DOOR, 9.88" X 15.31"           |
| 9.  | 382178      | HANDLE, ROUND BR. NICKEL       |
| 10. | 381607      | HINGE, DOOR                    |
| 11. | 381228-01   | CATCH GRABBER DOOR             |
| 12. | 801706-0025 | CORNER TRIM 90D 1 ALUM. MILL   |
| 13. | 800025-01   | PINE 3/4" X 3/4" STAINED       |
| 14. | 201673-03   | REVERSE COVE MOLDING, ASH GREY |
| 15. | 320006      | SCREW 3 X 3/4"                 |
| 16. | 345353-03   | SCREW #6 X .75" PLAT HEAD PHIL |

# 2014 INTERNATIONAL TRAVEL TRAILER

## FURNITURE, BEDROOM

Closet, Left, 28', 30' Signature, "W" Bedroom



Part numbers on the next page



# 2014 INTERNATIONAL TRAVEL TRAILER

## FURNITURE, BEDROOM

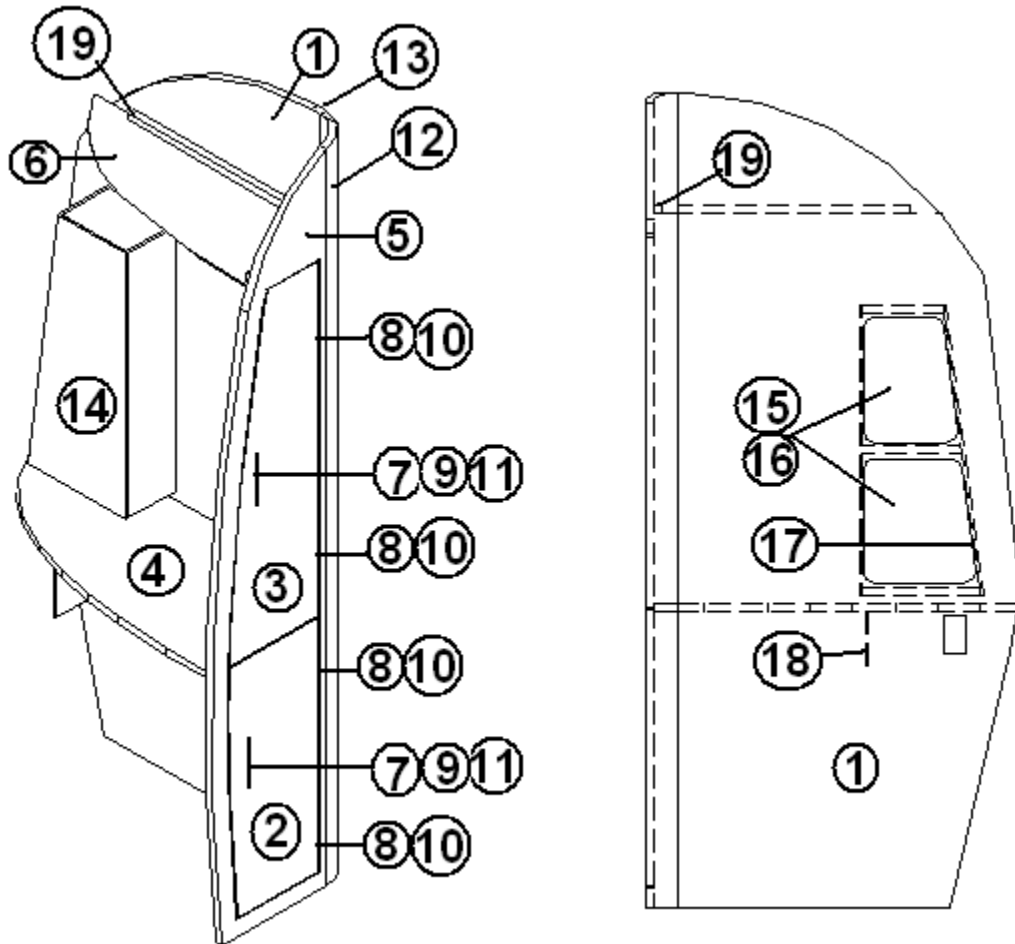
Closet, Left, 28', 30' Signature, "W" Bedroom

966871	Closet, Left, "W" Bedroom
1. 966871-1	PANEL, 32.25" X 76.61"
2. 966871-02	DOOR, 10.06" X 26.06"
3. 966871-03	DOOR, 10.06" X 36.50"
4. 966871-4	PANEL, 34.35" X 15.92"
5. 966871-5	PANEL, 13.69" X 75.7", BACKER
6. 966871-6	PANEL, 29" X 10.81", BACKER
7. 382029-00	HANDLE-BAR 7.48"
8. 381607	HINGE-ASSEMBLY
9. 345001-08	SCREW #8-32 X 1"
10. 381607-04	HINGE SCREW-GRASS
11. 381228-01	CATCH, GRABBER DOOR
12. 801345	RADIUS PLYWOOD, .75"X 3"X 8'
13. 801924-01	LAMINATE, EBONY VERTICAL
14. 966875	BOOKSHELF ASSY, CS
15. 386106-01	RACK, MAGAZINE WHITE
16. 386107	ROD, MAGAZINE RACK
17. 203440	T MOLDING, BLACK EMBOSSED .8125
18. 966871-19	PANEL, 5" X 13.78", WHITE/RAW
19. 800025-01	PINE 3/4" X 3/4" STAINED

# 2014 INTERNATIONAL TRAVEL TRAILER

## FURNITURE, BEDROOM

Closet, Left, 28' Signature, "W" Bedroom, SERENITY



Part numbers on the next page

# 2014 INTERNATIONAL TRAVEL TRAILER

## FURNITURE, BEDROOM

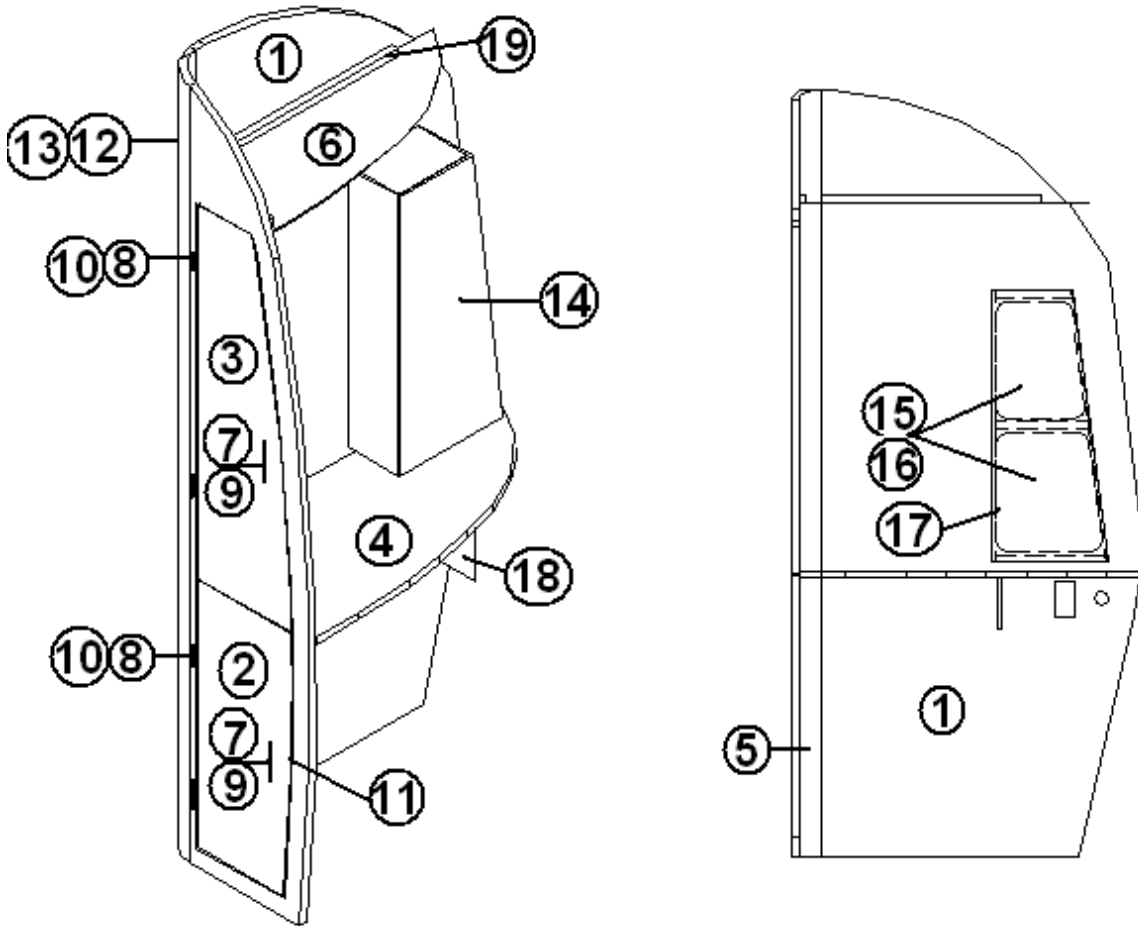
Closet, Left, 28' Signature, 30'SIGNATURE "W" Bedroom,  
SERENITY, A2GO

966871-15	CLOSET, LEFT, "W" Bedroom
966871-23	CLOSET, LEFT, "W" Bedroom (A2Go)
1. 966871-151	PANEL, 32.25" X 76.61"
2. 966871-152	DOOR, 10.49" X 25.88
3. 966871-153	DOOR, 10.41" X 36.31"
4. 966871-4	PANEL, 34.35" X 15.92"
5. 966871-155	PANEL, 13.69" X 75.7"
6. 966871-156	PANEL, 29" X 10.81"
7. 382115	PULL FLAT BLACK #M575
8. 381607	HINGE, DOOR
9. 345001-08	SCREW #8-32 X 1"
10. 381607-04	HINGE SCREW-GRASS
11. 381228-01	CATCH, GRABBER DOOR
12. 801345	RADIUS PLYWOOD, .75"X 3"X 8'
13. 966871-1513	PANEL 18.5 X 76"
14. 966875-15	BOOKSHELF ASSY, CS
15. 386106-01	RACK, MAGAZINE WHITE
16. 386107	ROD, MAGAZINE RACK
17. 203693	T MOLDING, BEIGE EMBOSSED .8125
18. 966871-1519	PANEL, 5" X 13.78", WHITE/RAW
19. 800025-01	PINE 3/4" X 3/4" STAINED
380046	FLANGE, CHROME
380045	TUBING 3/4"
200975-04	FLEXIBLE BLACK PLASTIC CONDUIT

# 2014 INTERNATIONAL TRAVEL TRAILER

## FURNITURE, BEDROOM

Closet, Right Rear, 28', 30' Signature, "W" Bedroom



Part numbers on the next page

# 2014 INTERNATIONAL TRAVEL TRAILER

## FURNITURE, BEDROOM

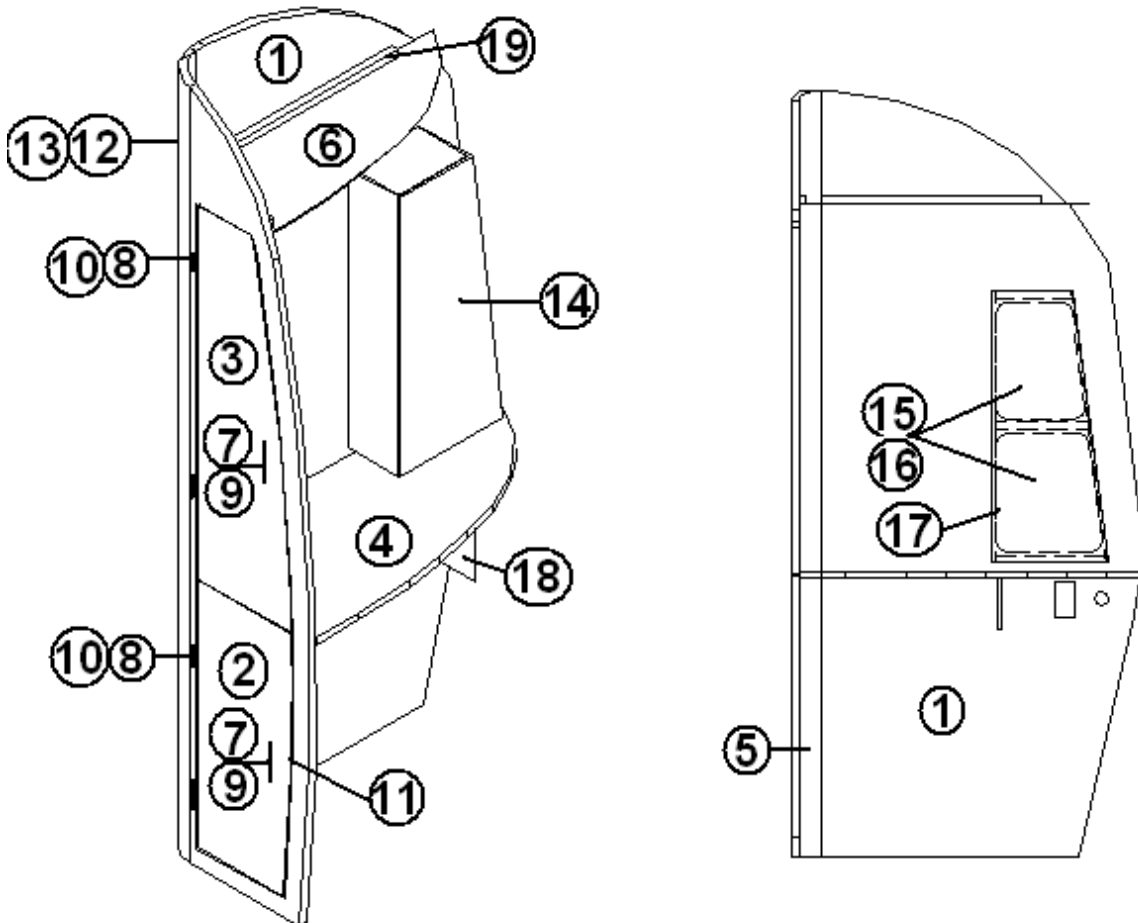
Closet, Right Rear, 28', 30' Signature, "W" Bedroom

966872	Closet, Right Rear
1. 966872-1	PANEL, 32.25" X 76.61"
2. 966872-02	DOOR, 10.06" X 26.06"
3. 966872-03	DOOR, 10.06" X 36.50"
4. 966872-4	PANEL, 34.35" X 15.92"
5. 966872-5	PANEL, 13.69" X 75.7", BACKER
6. 966872-6	PANEL, 29" X 10.81", BACKER
7. 382029-00	HANDLE-BAR 7.48"
8. 381607	HINGE-ASSEMBLY
9. 345001-08	SCREW #8-32 X 1"
10. 381607-04	HINGE SCREW-GRASS
11. 381228-01	CATCH, GRABBER DOOR
12. 801345	RADIUS PLYWOOD, .75"X 3"X 8'
13. 801924-01	LAMINATE, EBONY WOODS VERTICAL
14. 966874	BOOKSHELF ASSY, CS
15. 386106-01	RACK, MAGAZINE WHITE
16. 386107	ROD, MAGAZINE RACK
17. 203440	T MOLDING, BLACK EMBOSSED .8125
18. 966872-19	PANEL, 5" X 13.78", WHITE/RAW
19. 800025-01	PINE 3/4" X 3/4" STAINED
380046	CHROME FLANGE
380045	TUBING, 3/4"
200975-04	BLACK PLASTIC FLEXIBLE CONDUIT

# 2014 INTERNATIONAL TRAVEL TRAILER

## FURNITURE, BEDROOM

Closet, Right Rear, 28', 30', Signature, "W" Bedroom, SERENITY



Part numbers on the next page

# 2014 INTERNATIONAL TRAVEL TRAILER

## FURNITURE, BEDROOM

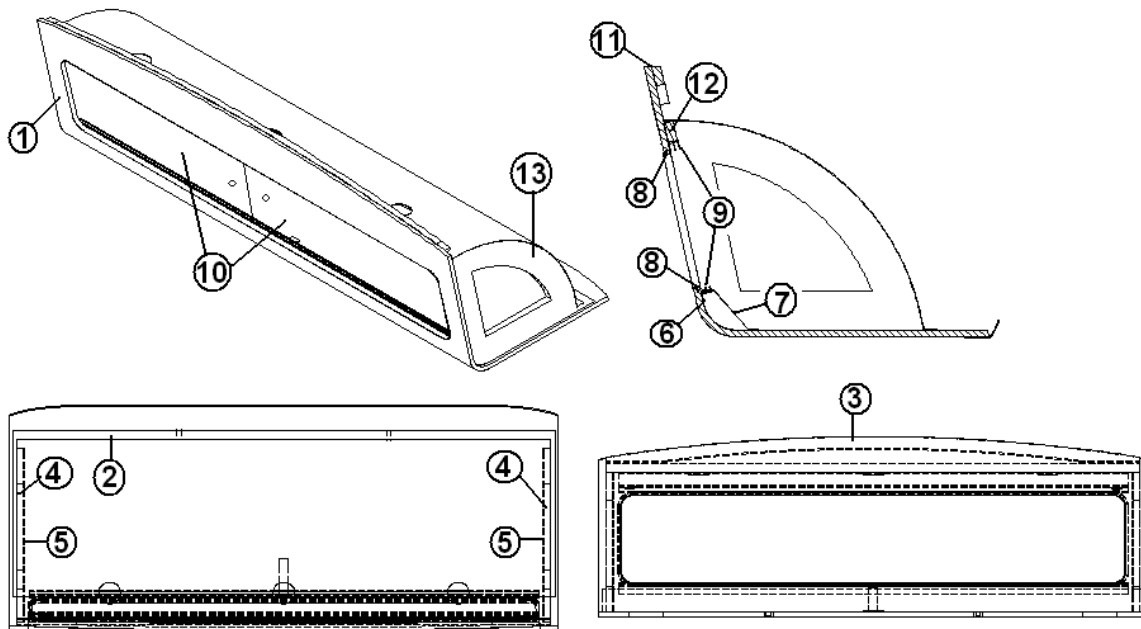
Closet, Right Rear, 28' Signature, 30' "W" Bedroom, SERENITY

966872-15	CLOSET, RIGHT REAR
1. 966872-151	PANEL, 32.25" X 76.61"
2. 966872-152	WARDROBE DOOR 10.49 X 25.88
3. 966872-153	WARDROBE DOOR 10.41 X 36.31
4. 966872-4	PANEL, 34.35" X 15.92"
5. 966872-155	PANEL 13.69 X 75.65"
6. 966872-156	PANEL, 29" X 10.81"
7. 382115	PULL - FLAT BLACK #M575
8. 381607	HINGE, DOOR
9. 345001-08	SCREW #8-32 X 1"
10. 381607-04	HINGE SCREW-GRASS
11. 381228-01	CATCH, GRABBER DOOR
12. 801345	RADIUS PLYWOOD, .75"X 3"X 8'
13. 966872-1513	PANEL - 18.5 X 76"
14. 966874-15	BOOKSHELF ASSY, RS
15. 386106-01	RACK, MAGAZINE WHITE
16. 386107	ROD, MAGAZINE RACK
17. 203693	T MOLDING, BEIGE EMBOSSED .8125
18. 966872-1519	PANEL, 5" X 13.78", WHITE/RAW
19. 800025-01	PINE 3/4" X 3/4" STAINED
380046	CHROME FLANGE
380045	TUBING 3/4"
200975-04	CONDUIT, FLEXIBLE BLK PLASTIC

# 2014 INTERNATIONAL TRAVEL TRAILER

## FURNITURE, BEDROOM

Roof Locker, 28', 30' Signature Rear End Liner, "W" Bedroom



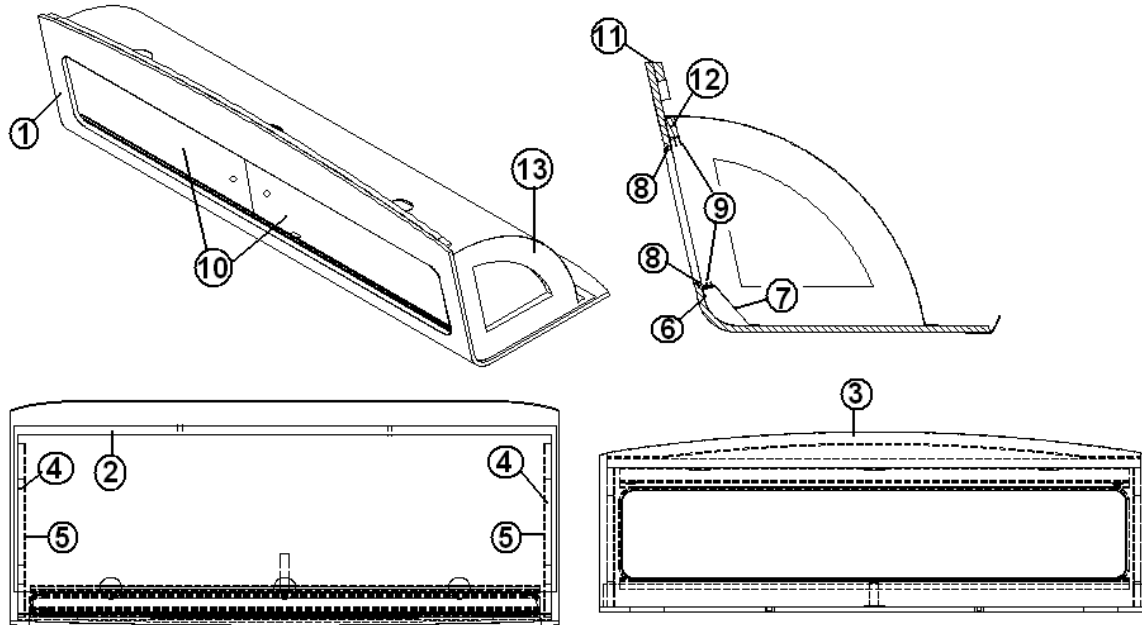
966862	Roof Locker, Front End Liner
1. 801720	ROOF LOCKER FACE
2. 966862-1	LAMINATE, 21" X 62.25", WHITE
3. 801596-01	BACKER W/B LINER LOCKER CTR
4. 801594	DIVIDER, LINER LOCKER
5. 801721	DIVIDER, R/L
6. 115261-01	ANGLE, LOCKER TRACK SUPPORT
7. 115226-01	BRACKET, LOCKER CTR SUPPORT
8. 203445-01	T-MOLDING, .5625" WHITE
9. 203388	TRACK, SLIDING DOOR
10. 203749-08	DOOR, SLIDING 11.31" X 30"
11. 201673	REVERSE COVE MOLDING, WHITE
12. 800028	PINE, 3/4" X 1-1/2"
13. 115264-01	PAN, LINER LOCKER W/B FRONT
454613	SPRING-LEAF R/L
382149	PULL, FINGER, SATIN NICKEL



# 2014 INTERNATIONAL TRAVEL TRAILER

## FURNITURE, BEDROOM

Roof Locker, 28', 30' Signature Rear End Liner, "W" Bedroom, SERENITY

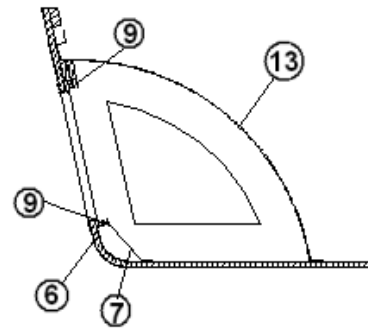
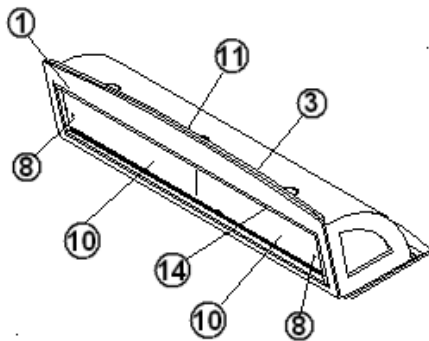
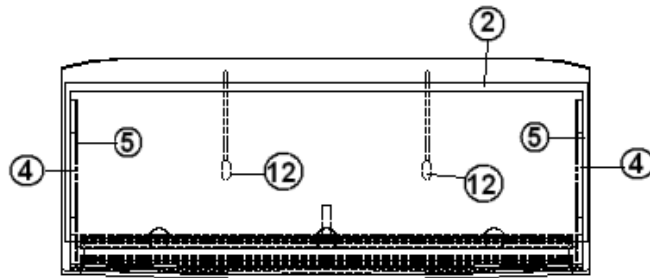


966862-15	Roof Locker, Front End Liner
1. 801720	ROOF LOCKER FACE
2. 801355-01	LAMINATE, 21" X 62.25", WHITE
3. 801596-01	BACKER W/B LINER LOCKER CTR
4. 801594	DIVIDER, LINER LOCKER
5. 801721	DIVIDER, R/L
6. 115261-01	ANGLE, LOCKER TRACK SUPPORT
7. 115226-01	BRACKET, LOCKER CTR SUPPORT
8. 203445	T-MOLDING, .5625" BLACK
9. 203388	TRACK, SLIDING DOOR
10. 203749-08	DOOR, SLIDING 11.31" X 30"
11. 201673	REVERSE COVE MOLDING, WHITE
12. 800028	PINE, 3/4" X 1-1/2"
13. 115264-01	PAN, LINER LOCKER W/B FRONT
703991	SEAL, PILE WEATHER STRIP
382149	PULL, FINGER, SATIN NICKEL

# 2014 INTERNATIONAL TRAVEL TRAILER

## FURNITURE, BEDROOM

Roof Locker, 28', 30' Signature, Front End Liner, "W" Bedroom, Serenity



967557-15	ROOFLOCKER ASSY-"W" BEDROOM
1.801850	FACE-ROOFLOCKER "W"
2.801355-01	LAM-FROST WHT 4' X 8'
3.801596-01	BACKER W/B LINER LOCKER CTR
4.801594	DIVIDER-LINER LOCKER
5.801721	DIVIDER-R/L W/LAM.27FB INT II
6.114812	ALUM. ANGLE 1.00 X 1.00
7.115226-01	BRACKET, FORMED LOCKER CTR SUPPORT
8.382114	KNOB-BRUSH.SATIN NICKEL #M576
9.381245	SLIDING DOOR TRACK, 56-1/5"
10.203677-03	DOOR 11.31X30
11.201673	REVERSE COVE MOLDING, WHITE
12.512464	SPOTLIGHT, L.E.D.FROSTED LENS SURFACE MT.
13.115264-01	PAN, LINER LOCKER FRONT
14.115483	ANGLE, ALUMINUM- 3/4" X 3/4"
703991	PILE SEAL WEATHER STRIP

# 2014 INTERNATIONAL TRAVEL TRAILER

## FURNITURE, BEDROOM

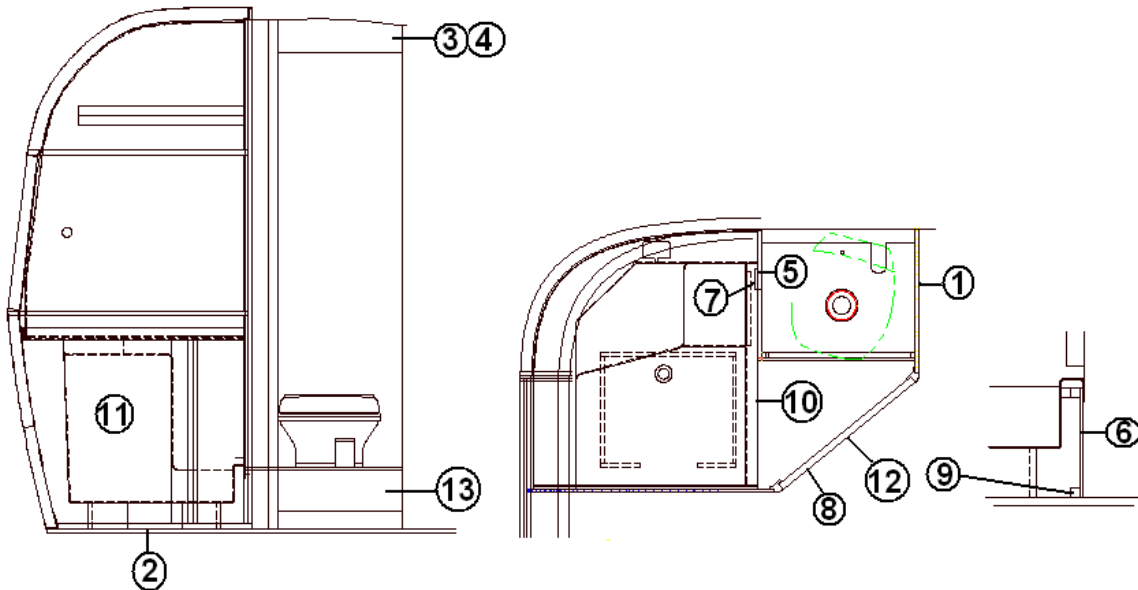
### Bedroom Hangers

382098	Handle, Gloss Chrome, 14.25" Towel
300140-01	Washer, 1 1/2" OD, 3 Hole
330142	Rivet, Pop, Open end aluminum 3/16"

# 2014 INTERNATIONAL TRAVEL TRAILER

## FURNITURE, BATH

### Bath Lay Out, 19' Signature

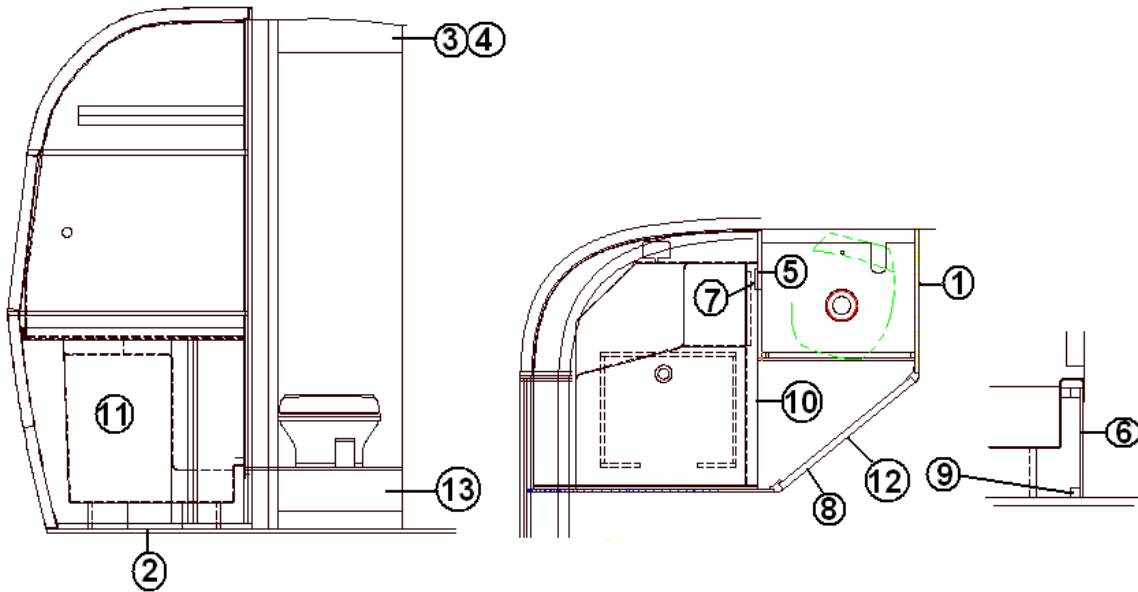


- |     |           |                                   |
|-----|-----------|-----------------------------------|
| 1.  | 111563-1  | PANEL, 23 X 77.84                 |
| 2.  | 111563-2  | PANEL, 38.34 X 79.48              |
| 3.  | 111563-3  | PANEL, 26.13 X 4.75               |
| 4.  | 111563-4  | PANEL, 26.13 X 4.75               |
| 5.  | 111563-5  | PANEL, 12 X 66.63                 |
| 6.  | 111563-6  | PANEL, 9.50 X 23                  |
| 7.  | 111563-7  | PANEL, 63 X 3                     |
| 8.  | 801394-OB | CORNER TRIM, 45 DEGREE, 2" RADIUS |
| 9.  | 800025-01 | PINE 3/4" X 3/4" STAINED          |
| 10. | 702937-06 | SHOWER DOOR, ROLL AWAY 62 X 36    |
| 11. | 203114-02 | SHOWER 2 PC FIBERGLASS, WHITE     |
| 12. | 966940    | DOOR, BATH, 25.50 X 72.00         |
| 13. | 966941    | STAND ASSY, TOILET                |
|     | 386106-01 | Rack, Magazine, White             |
|     | 386107    | Rod, Magazine Rack                |
|     | 381778    | Robe Hook, Dbl. Chrome            |
|     | 967110    | Closeout                          |

# 2014 INTERNATIONAL TRAVEL TRAILER

## FURNITURE, BATH

### Bath Lay Out, 19' Signature, SERENITY

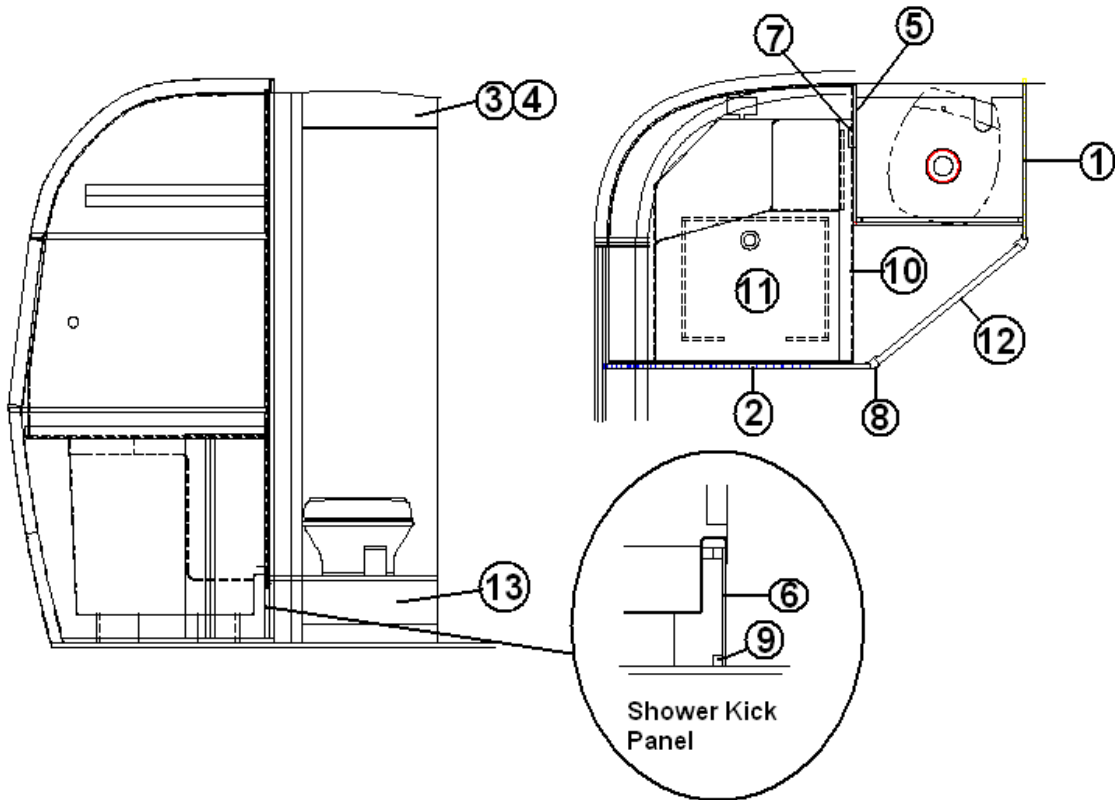


1.111563-151	PANEL, 23 X 77.84
2.111563-152	PANEL, 38.34 X 79.48
3.111563-153	PANEL, 26.13 X 4.75
4.111563-154	PANEL, 26.13 X 4.75
5.111563-5	PANEL, 12 X 66.63
6.111563-6	PANEL, 9.50 X 23
7.111563-7	PANEL, 63 X 3
8.801394-0018	CORNER TRIM, ASIAN SAND 45 DEGREE, 2" RADIUS
9.800025-01	PINE 3/4" X 3/4" STAINED
10.702937-06	SHOWER DOOR, ROLL AWAY WHITE 62 X 36
11.203114-02	SHOWER 2 PC FIBERGLASS, WHITE
12.967544-15	DOOR, BATH, WITH WINDOW
13.966941	STAND ASSY, TOILET
381778	ROBE HOOK, DBL. CHROME
967110	CLOSEOUT, TOILET PAPER HOLDER

# 2014 INTERNATIONAL TRAVEL TRAILER

## FURNITURE, BATH

### Shower Compartment, 23' D, Signature

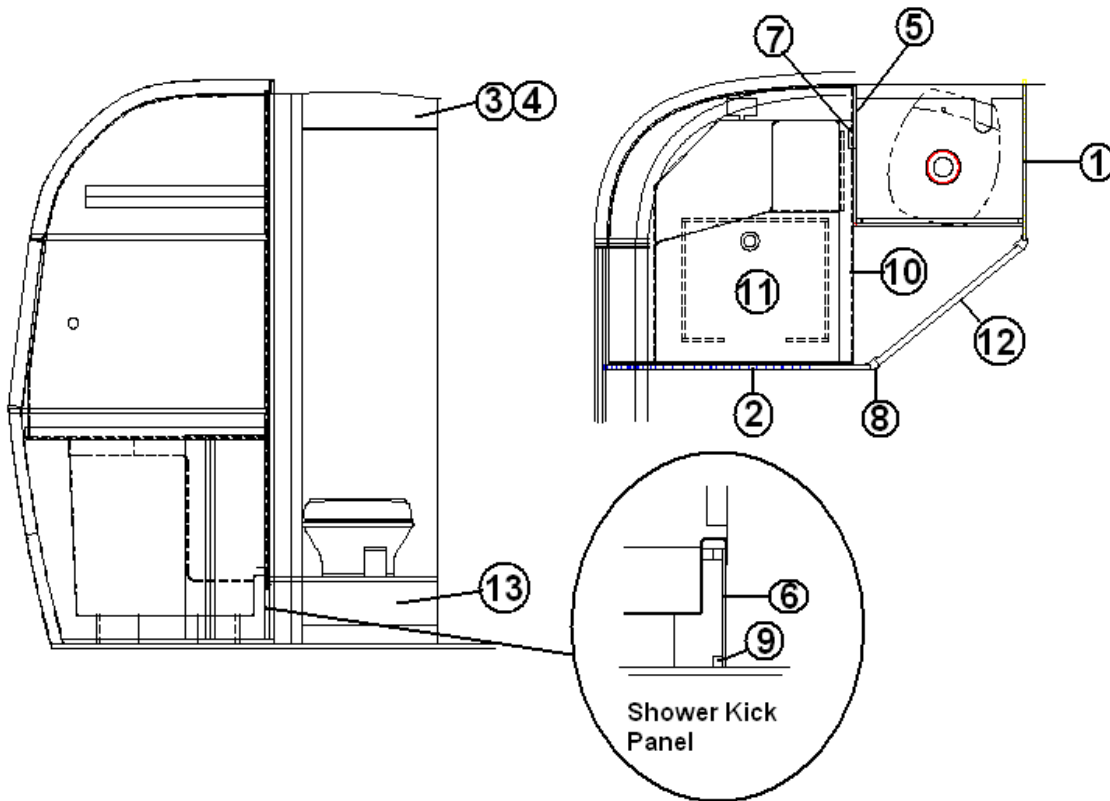


1.111557-1	PANEL, SHOWER, 23.00" X 77.84"
2.111557-2	PANEL, SHOWER, 38.34" X 79.48"
3.111557-3	PANEL, SHOWER, 26.13" X 4.75"
4.111557-4	PANEL, SHOWER, 26.13 X 4.75"
5.111557-5	PANEL, SHOWER, 12.00" X 66.63"
6.111557-6	PANEL, SHOWER, 9.50" X 23.00"
7.111557-7	PANEL, SHOWER, 63.00" X 3.00"
8.801394-0024	CORNER TRIM 45 DEGREE, 2" RADIUS
9.800025-01	PINE, 3/4" X 3/4" STAINED
10.702937-06	SHOWER DOOR, ROLL AWAY 62" X 36" WHITE
11.203114-02	SHOWER, 2 PC FIBERGLASS WHITE
12.966940	DOOR BATH, W/PORTHOLE, 25.50" X 72.00"
13.966941	STAND ASSY, TOILET
386106-01	Rack, Magazine, White
386107	Rod, Magazine Rack
381778	Rob Hook, Double, Chrome

# 2014 INTERNATIONAL TRAVEL TRAILER

## FURNITURE, BATH

### Shower Compartment, 23' D, Signature, SERENITY

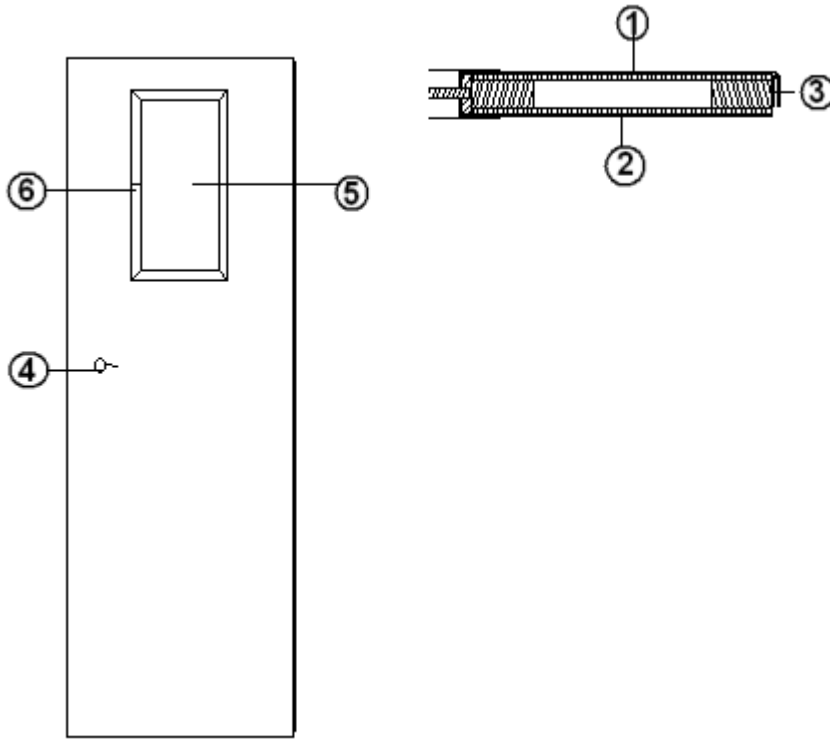


- |     |             |                                             |
|-----|-------------|---------------------------------------------|
| 1.  | 111557-151  | PANEL, SHOWER, 23.00" X 77.84"              |
| 2.  | 111557-152  | PANEL, SHOWER, 38.34" X 79.48"              |
| 3.  | 111557-153  | PANEL, SHOWER, 26.13" X 4.75"               |
| 4.  | 111557-154  | PANEL, SHOWER, 26.13 X 4.75"                |
| 5.  | 111557-5    | PANEL, SHOWER, 12.00" X 66.63"              |
| 6.  | 111557-6    | PANEL, SHOWER, 9.50" X 23.00"               |
| 7.  | 111557-7    | PANEL, SHOWER, 63.00" X 3.00"               |
| 8.  | 801394-0018 | CORNER TRIM 45 DEGREE, 2" RADIUS ASIAN SAND |
| 9.  | 800025-01   | PINE, 3/4" X 3/4" STAINED                   |
| 10. | 702937-06   | SHOWER DOOR, ROLL AWAY 62" X 36"            |
| 11. | 203114-02   | SHOWER, 2 PC FIBERGLASS WHITE               |
| 12. | 967544-15   | DOOR ASSY, BATH W/WINDOW                    |
| 13. | 966941      | STAND ASSY, TOILET                          |
|     | 386106-01   | Rack, Magazine, White                       |
|     | 386107      | Rod, Magazine Rack                          |
|     | 381778      | Robe Hook, Double, Chrome                   |

# 2014 INTERNATIONAL TRAVEL TRAILER

## FURNITURE, BATH

### BATH DOOR, 19', 23' - SERENITY

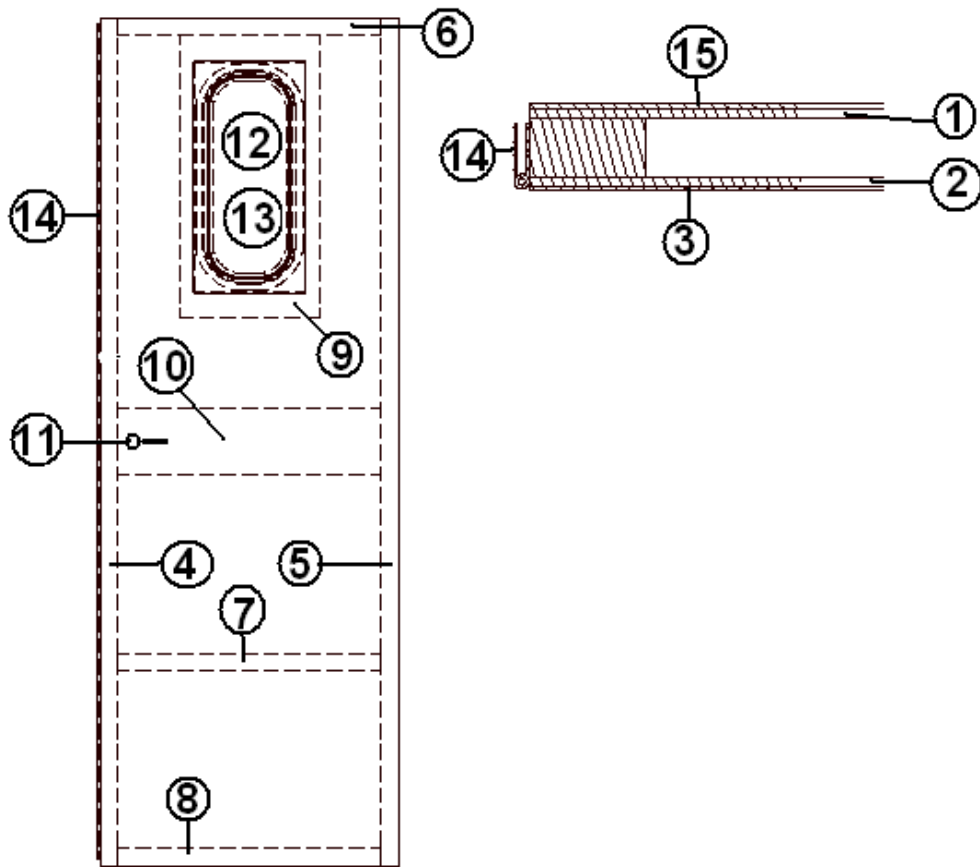


- |              |                                   |
|--------------|-----------------------------------|
| 967544-15    | DOOR-BATH W/WINDOW 19-23 SERENITY |
| 1. 801833-01 | LAMINATE-ASIAN SAND VERTICAL      |
| 2. 801355-01 | LAM-FROST WHT 4'X8'VERT #1573-    |
| 3. 380203-01 | PIANO HINGE 1/8" PIN CLR ANODI    |
| 4. 382034    | LATCH-FLUSH MOUNT                 |
| 5. 203676    | WINDOW-BATH DR GINGKO THATCH      |
| 6. 115488    | ANGLE-ALUM. .06" X .5" X 1"       |



# 2014 INTERNATIONAL TRAVEL TRAILER

Door, Bath, 19', 23' D, 30' Signature



966940

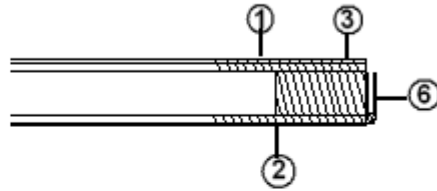
Bath door

- |               |                                     |
|---------------|-------------------------------------|
| 1. 966940-1   | PANEL, 1/8" X 27.50" X 74"          |
| 2. 966940-2   | PANEL, 1/8" X 27.50" X 74"          |
| 3. 801355-01  | LAMINATE, FROSTY WHITE              |
| 4. 966940-4   | PANEL, 1.50" x 72.5"                |
| 5. 966940-5   | PANEL, 1.50" x 72.5"                |
| 6. 966940-6   | PANEL, 1.50" x 23.25"               |
| 7. 966940-7   | PANEL, 1.50" x 23.25"               |
| 8. 966940-8   | PANEL, 1.50" x 23.25"               |
| 9. 966940-9   | PANEL, 12.00" x 24.00"              |
| 10. 966940-10 | PANEL, 5.69" x 23.25"               |
| 11. 382034    | LATCH, FLUSH MOUNT                  |
| 12. 371438    | BATH WINDOW 18"                     |
| 13. 203761-02 | TRIM, BATH WINDOW 18"               |
| 14. 380203-01 | PIANO HINGE 1/8" PIN CLEAR ANODIZED |
| 15. 801355-01 | LAMINATE, WHITE VERTICAL            |

# 2014 INTERNATIONAL TRAVEL TRAILER

## FURNITURE, BATH

Door, Bath, W/PORT HOLE - 25FB EDDIE BAUER



967678-19

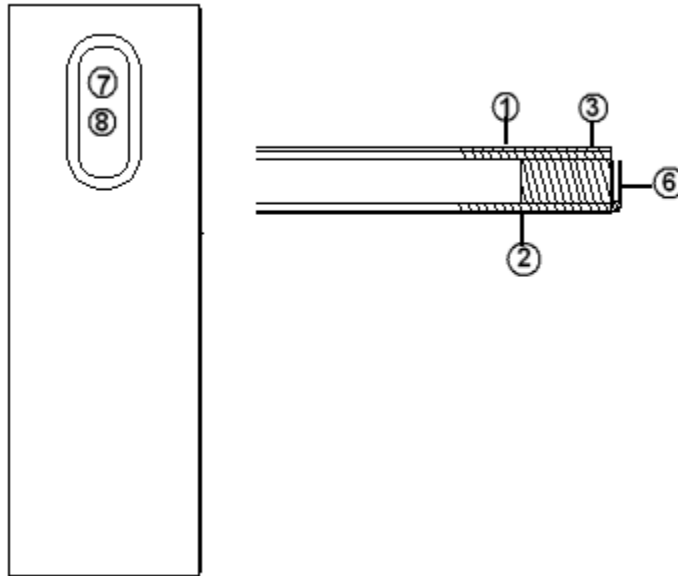
BATH DOOR W/PORHOLE - EDDIE  
BAUER

- |               |                                |
|---------------|--------------------------------|
| 1. 800507-01  | PANEL, 27.50 X 74.00           |
| 2. 800507-01  | PANEL, 27.50 X 74.00           |
| 3. 967678-193 | PANEL-BATH DR 24 X 72          |
| 4. 800507-06  | LAUAN-.75"                     |
| 5. 382034     | LATCH-FLUSH MOUNT              |
| 6. 380203-01  | PIANO HINGE 1/8" PIN CLR ANODI |
| 7. 371438     | BATH WINDOW 18"                |
| 8. 203761-02  | TRIM- 18" STACK WINDOW         |
| 365352-03     | EDGEBANDING, 1MM X 1.25" MAPLE |

# 2014 INTERNATIONAL TRAVEL TRAILER

## FURNITURE, BATH

Door, Bath, W/PORT HOLE – 25FB, 27FB STERLING

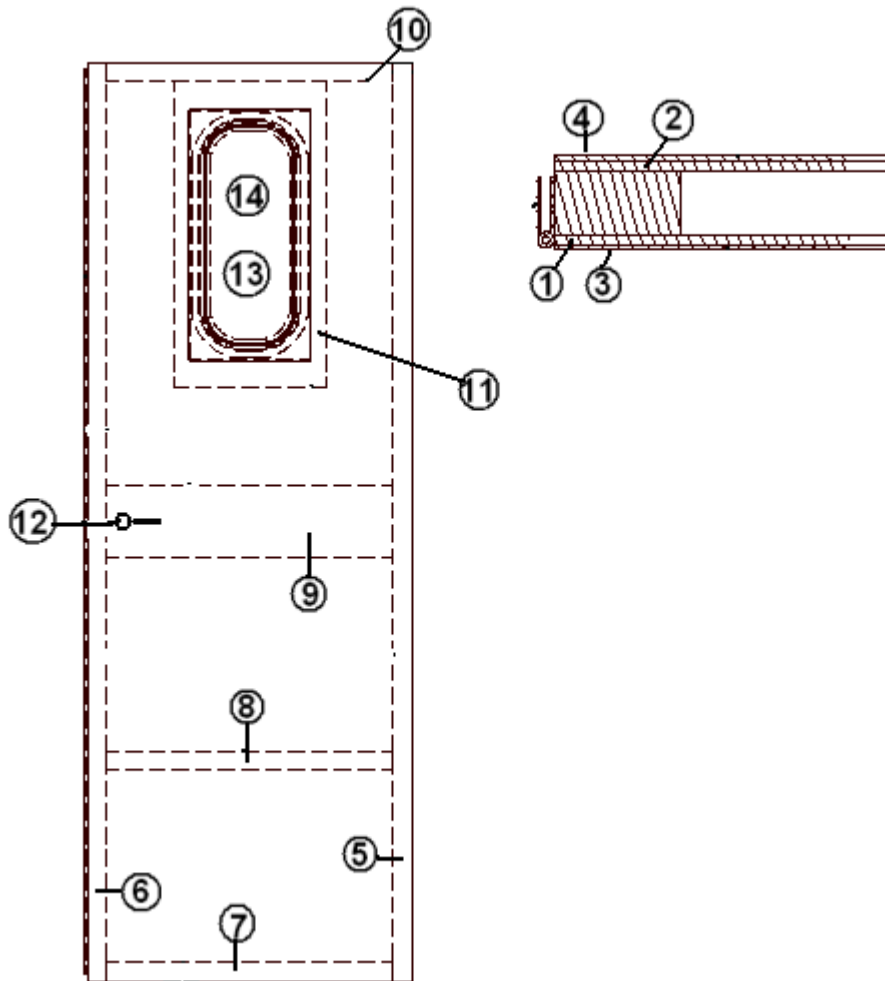


967884	BATH DOOR W/PORTHOLE – STERLING	
1.	801917-01	PANEL, 26" X 76"
2.	801917-01	PANEL, 26" X 76"
3.	967884-3	PANEL-BATH DR
4.	800507-06	LAUAN-.75"
5.	381771	LATCH-LEVER LOCKSET PRIVACY
6.	380203-01	PIANO HINGE 1/8" PIN CLR ANODI
7.	371439	BATH WINDOW 18"
8.	203761-03	TRIM- 18" STACK WINDOW
9.	365368-03	EDGEBANDING, 1.25" AVI 1MM ALUM.

# 2014 INTERNATIONAL TRAVEL TRAILER

## FURNITURE, BATH

Door, Bath, 23'FB, Signature



PART LISTED ON NEXT PAGE

# 2014 INTERNATIONAL TRAVEL TRAILER

## FURNITURE, BATH

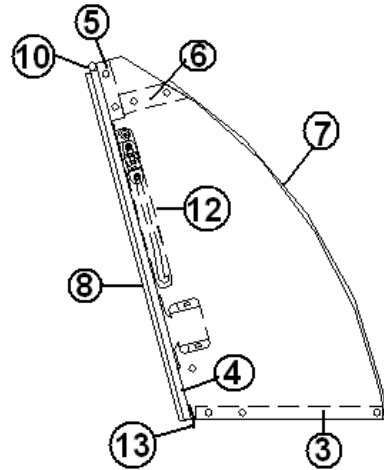
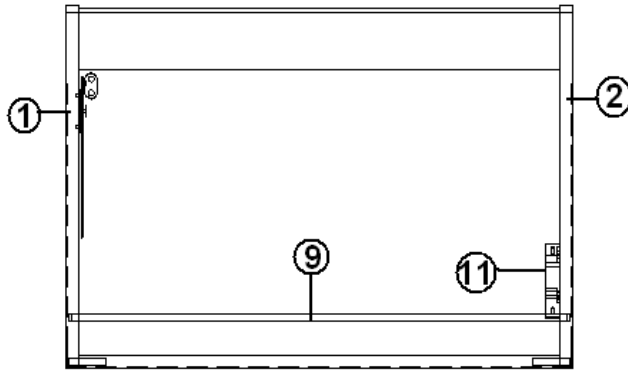
### 967637 BATH DOOR - 23FB INTERNATIONAL

1. 967637-1 PANEL, DOOR 27.5 X 77.13
2. 967637-2 PANEL, DOOR 27.5 X 77.13
3. 967637-3 PANEL, DOOR 25.5 X 75.13
4. 801355-01 LAMINATE-FROST WHT
5. 800507-06 LAUAN-.75" X 4' 8'
6. 800507-06 LAUAN-.75" X 4' 8'
7. 800507-06 LAUAN-.75" X 4' 8'
8. 800507-06 LAUAN-.75" X 4' 8'
9. 800507-06 LAUAN-.75" X 4' 8'
10. 800507-06 LAUAN-.75" X 4' 8'
11. 800507-06 LAUAN-.75" X 4' 8'
12. 381771 LATCH, LEVER LOCKSET
13. 371438 BATH WINDOW 18"
14. 203761-02 TRIM- 18" STACK WINDOW 16'/22'
- 380203-01 PIANO HINGE 1/8" PIN CLR ANODI
- 454320 DOOR HANDLE COVER-SAF/CCD
- 365364-02 EDGE BANDING-.94" EBONY WOODS

# 2014 INTERNATIONAL TRAVEL TRAILER

## FURNITURE, BATH

### Medicine Cabinet, Upper, 19', 23' D, Signature

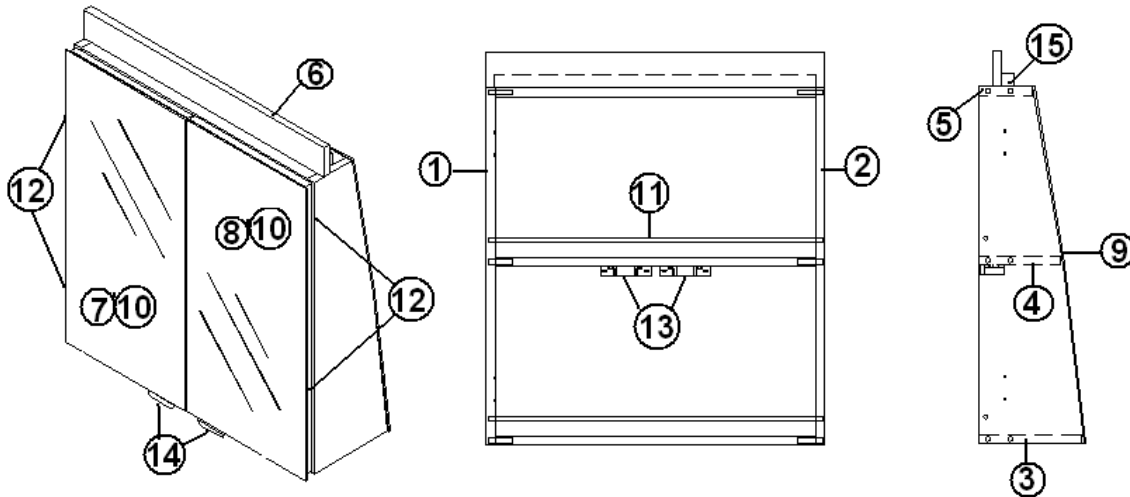


966921		CABINET, UPPER MEDICINE
1.	966921-1	PANEL, UPPER CABINET 10.44 X 13.5
2.	966921-2	PANEL, UPPER CABINET 10.44 X 13.50
3.	966921-3	PANEL, UPPER CABINET 7.00 X 17.97
4.	966921-4	PANEL, UPPER CABINET 13.88 X 18.88
5.	966921-5	PANEL, UPPER CABINET 2.25 X 17.97
6.	966921-6	PANEL, UPPER CABINET 2.50 X 17.97
7.	966921-7	PANEL, UPPER CABINET 16.25 X 19.0
8.	372203-05	MIRROR- POL EDGES- 19.00 X 14.00
9.	115042	ROD, .25" ALUMINUM, 6' LENGTH
10.	385935-01	HINGE, PIVOT ZINC PLATED
11.	381228-01	CATCH, GRABBER DOOR
12.	382126	LID STAY, CHROME #263 PC
13.	385940-02	MIRROR PULL, CHROME

# 2014 INTERNATIONAL TRAVEL TRAILER

## FURNITURE, BATH

### Medicine Cabinet, Lower, 19', 23' D, Signature

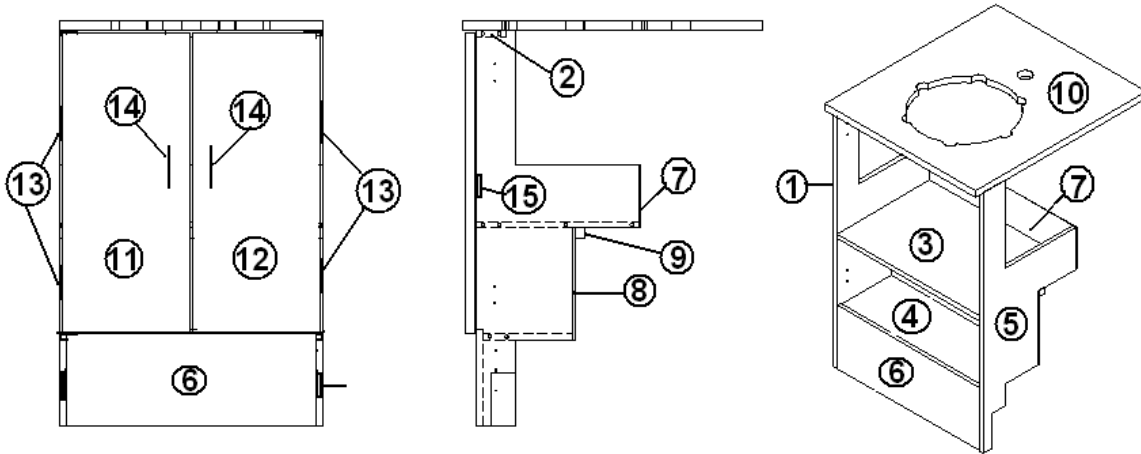


966922	CABINET ASSY-LOWER MED 19"
1. 966922-1	PANEL, LOWER CABINET, 5.89 X 20.00
2. 966922-2	PANEL, LOWER CABINET, 5.89 X 20.00
3. 966922-3	PANEL, LOWER CABINET, 5.75 X 17.97
4. 966922-4	PANEL, LOWER CABINET, 4.56 X 17.97
5. 966922-5	PANEL, LOWER CABINET, 3.00 X 17.97
6. 966922-6	PANEL, LOWER CABINET, 2.00 X 19.00
7. 966922-7	PANEL, LOWER CABINET, 9.25 X 19.75
8. 966922-8	PANEL, LOWER CABINET, 9.25 X 19.75
9. 966922-9	PANEL, LOWER CABINET, 20.25 X 19.00
10. 372203-24	MIRROR, 9.50 X 20.00
11. 115042	ROD, .25" ALUMINUM, 6' LENGTH
12. 385935-01	HINGE, PIVOT, ZINC PLATED
13. 381228-01	CATCH, GRABBER DOOR
14. 385940-02	MIRROR, PULL CHROME
15. 800025-01	PINE, 3/4" X 3/4" STAINED

# 2014 INTERNATIONAL TRAVEL TRAILER

## FURNITURE, BATH

### Lavatory Cabinet, 19', 23' D, Signature



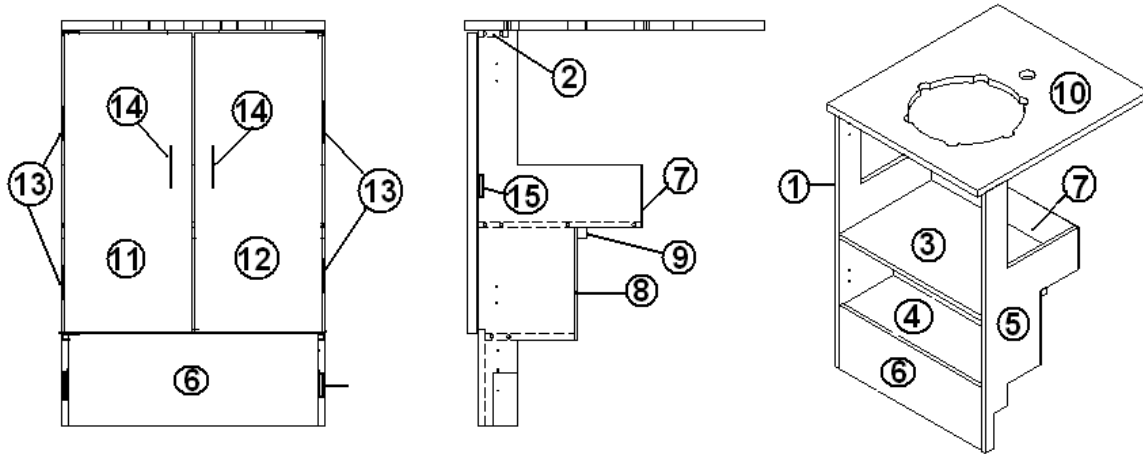
966919	CABINET ASSY. LAVATORY
1. 966919-1	PANEL, LAVY CABINET, 12.38 X 30.00
2. 966919-2	PANEL, LAVY CABINET, 2.25 X 19.00
3. 966919-3	PANEL, LAVY CABINET, 12.38 X 19.00
4. 966919-4	PANEL, LAVY CABINET, 6.81 X 19.00
5. 966919-5	PANEL, LAVY CABINET, 12.38 X 30.00
6. 966919-6	PANEL, LAVY CABINET, 19.00 X 7.25
7. 966919-7	PANEL, LAVY CABINET, 4.75 X 20.00
8. 966919-8	PANEL, LAVY CABINET, 6.50 X 20.00
9. 800025-01	PINE 3/4" X 3/4" STAINED
10. 966920	TOP ASSY. LAVY
11. 966919-13	DOOR, LAVY 9.75" X 22.88"
12. 966919-14	DOOR, LAVY 9.75" X 22.88"
13. 381607	HINGE ASSY
14. 382029-00	HANDLE BAR, 7.48"
15. 381228-01	CATCH GRABBER DOOR



# 2014 INTERNATIONAL TRAVEL TRAILER

## FURNITURE, BATH

### Lavatory Cabinet, 19', 23' D, Signature, SERENITY



#### 966919-15

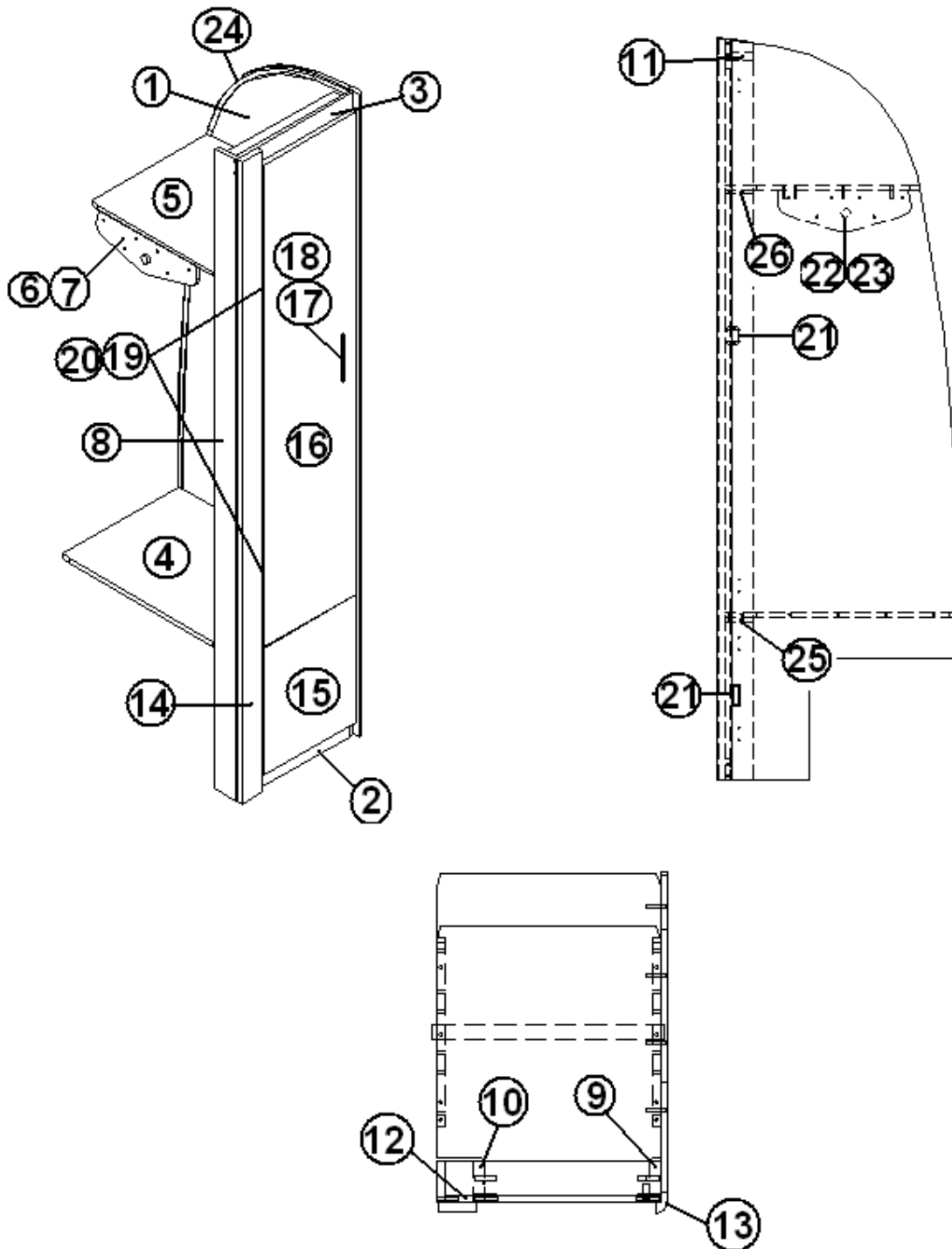
#### CABINET ASSY. LAVATORY

- |                 |                                    |
|-----------------|------------------------------------|
| 1. 966919-1     | PANEL, LAVY CABINET, 12.38 X 30.00 |
| 2. 966919-2     | PANEL, LAVY CABINET, 2.25 X 19.00  |
| 3. 966919-3     | PANEL, LAVY CABINET, 12.38 X 19.00 |
| 4. 966919-4     | PANEL, LAVY CABINET, 6.81 X 19.00  |
| 5. 966919-5     | PANEL, LAVY CABINET, 12.38 X 30.00 |
| 6. 966919-156   | PANEL, LAVY CABINET, 19.00 X 7.25  |
| 7. 966919-7     | PANEL, LAVY CABINET, 4.715 X 20.00 |
| 8. 966919-8     | PANEL, LAVY CABINET, 6.50 X 20.00  |
| 9. 800025-01    | PINE 3/4" X 3/4" STAINED           |
| 10. 966920-15   | TOP ASSY. LAVY                     |
| 11. 966919-1513 | DOOR, LAVY 9.75" X 22.88"          |
| 12. 966919-1514 | DOOR, LAVY 9.75" X 22.88"          |
| 13. 381607      | HINGE ASSY                         |
| 14. 382115      | PULL, FLAT BLACK #M575             |
| 15. 381228-01   | CATCH GRABBER DOOR                 |

# 2014 INTERNATIONAL TRAVEL TRAILER

## FURNITURE, BATH

### Wardrobe, 23' D Signature, Curbside



Part Numbers are on the Next page

# 2014 INTERNATIONAL TRAVEL TRAILER

## FURNITURE, BATH

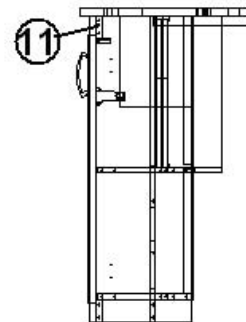
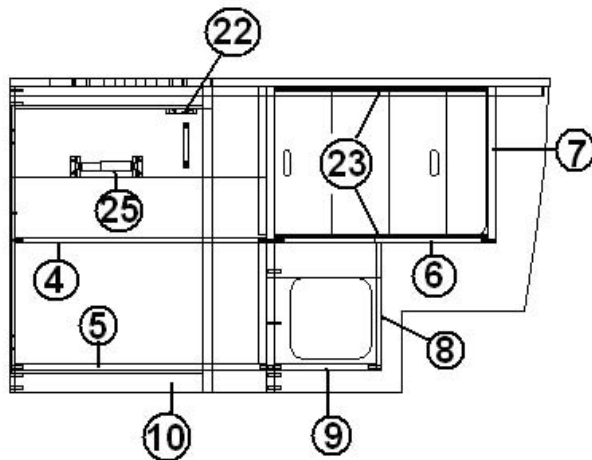
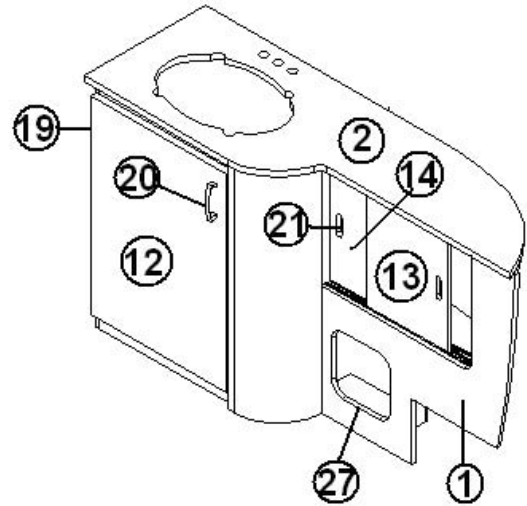
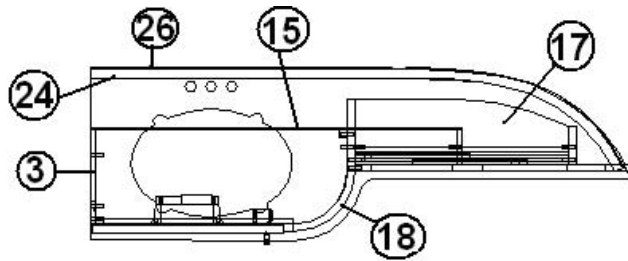
### Wardrobe, 23' D Signature, Curbside

966934	WARDROBE ASSY CS
1. 966934-1	PANEL, CS W/R, 23.8 X 77.9
2. 966934-2	PANEL, CS W/R, 12.315 X 2.25
3. 966934-3	PANEL, CS W/R, 16.0X 2.25
4. 966934-4	PANEL, CS W/R, 16.5 X 24.47
5. 966934-5	PANEL, CS W/R, 16.5 X 20.47
6. 966934-6	PANEL, CS W/R, 4.48 X 14.0
7. 966934-7	PANEL, CS W/R, 4.48 X 14.0
8. 966934-8	PANEL, CS W/R, 3.0 X 78.14
9. 966934-9	PANEL, CS W/R, 3.0 X 75.88
10. 966934-10	PANEL, CS W/R, 3.0 X 75.88
11. 966934-11	PANEL, CS W/R, 2.5 X 16.0
12. 966934-12	PANEL, CS W/R, 2.18 X 12.0
13. 801706-0024	CORNER TRIM 90 DEG 1"
14. 966934-15I	PANEL, CS W/R 2.88 X 78.14
15. 966934-16	DOOR CS W/R 12.94" X 15.50"
16. 966934-17	DOOR CS W/R 12.94 X 58.63
17. 382029-03	HANDLE, BAR 11.25"
18. 345001-08	MACH SCREW #8-32 X 1"
19. 381607	HINGE ASSY
20. 320006	SCREW SHEET METAL 8X3/4 BH PHI
21. 381228	CATCH GRABBER DOOR
22. 380045	TUBING 3/4", METALLIC
23. 200975-04	CONDUIT, FLEXIBLE BLACK PLASTIC
24. 203138-05	EXTRUSION, PLASTIC 1/2" WALL BLACK
25. 966934-30	PANEL, CS W/R, 3.0 X 12.31
26. 966934-31	PANEL, CS W/R, 3.0 X 12.31

# 2014 INTERNATIONAL TRAVEL TRAILER

## FURNITURE, BATH

### Lavatory Cabinet, 23' Front Bed



Part Numbers are on the next page

# 2014 INTERNATIONAL TRAVEL TRAILER

## FURNITURE, BATH

### Lavatory Cabinet, 23' Front Bed

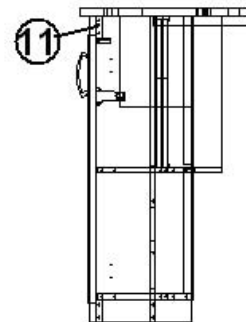
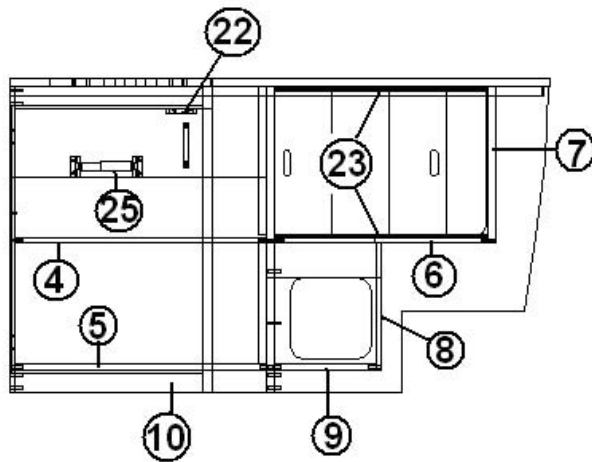
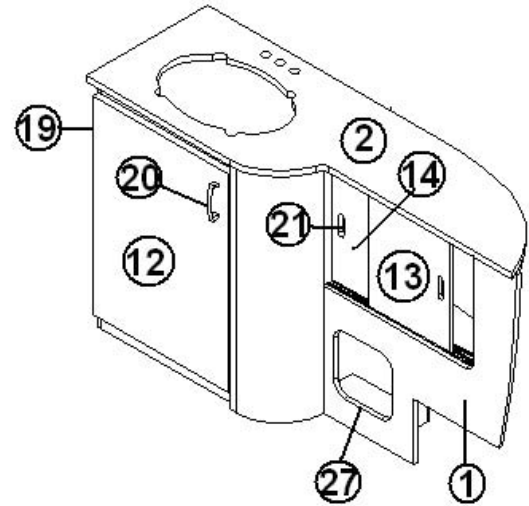
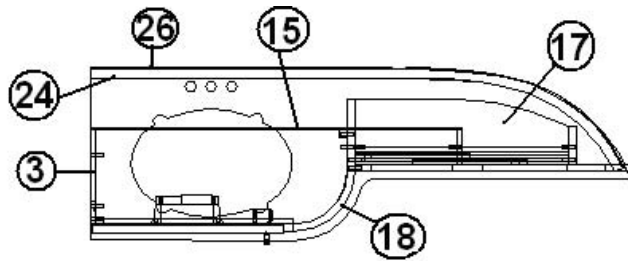
967321	Lavy assembly
1. 967321-1	Panel, 28.89 X 30.00
2. 967321-2	Top, Oak
3. 967321-3	Panel, 9.27 X 30.00
4. 967321-4	Panel, 9.27 X 24.64
5. 967321-5	Panel, 9.27 X 24.64
6. 967321-6	Panel, 7.02 X 20.85
7. 967321-7	Panel, 3.75 X 15.38
8. 967321-8	Panel, 3.5 X 12.88
9. 967321-9	Panel, 3.50 X 10.00
10. 967321-10	Panel, 2.25 X 19.42
11. 967321-11	Panel, 2.25 X 19.42
12. 967321-12	Door, lavy 18.67 X 26.13
13. 967321-13	Door, lavy 11.25 X 14.50
14. 967321-14	Door, lavy 11.25 X 14.50
15. 967321-14	Panel, 36.42 X 18.75
17. 967321-17	Panel, 22.38 X 7.50
18. 967198	Sub assembly, radius, lavy
19. 381607	Hinge assembly, Grass
20. 382030	PULL, recessed finger
21. 382030	Pull, recessed finger
22. 381228-01	Catch, grabber door
23. 115374	Extrusion, sliding door track, .5"
24. 114812	Aluminum angle, 1.00 X 1.00
25. 380034	Toilet paper holder, chrome
26. 201673	Reverse cove molding, white,
27. 203445	Molding black, flexible poly .5
454853	Leaf spring - Lavy Door
704041	Pile Seal Weather Strip .40H x .54W

NOTE: Item 16 omitted.

# 2014 INTERNATIONAL TRAVEL TRAILER

## FURNITURE, BATH

### Lavatory Cabinet, 23' Front Bed, Serenity



Part Numbers are on the next page

# 2014 INTERNATIONAL TRAVEL TRAILER

## FURNITURE, BATH

### Lavatory Cabinet, 23' Front Bed, Serenity

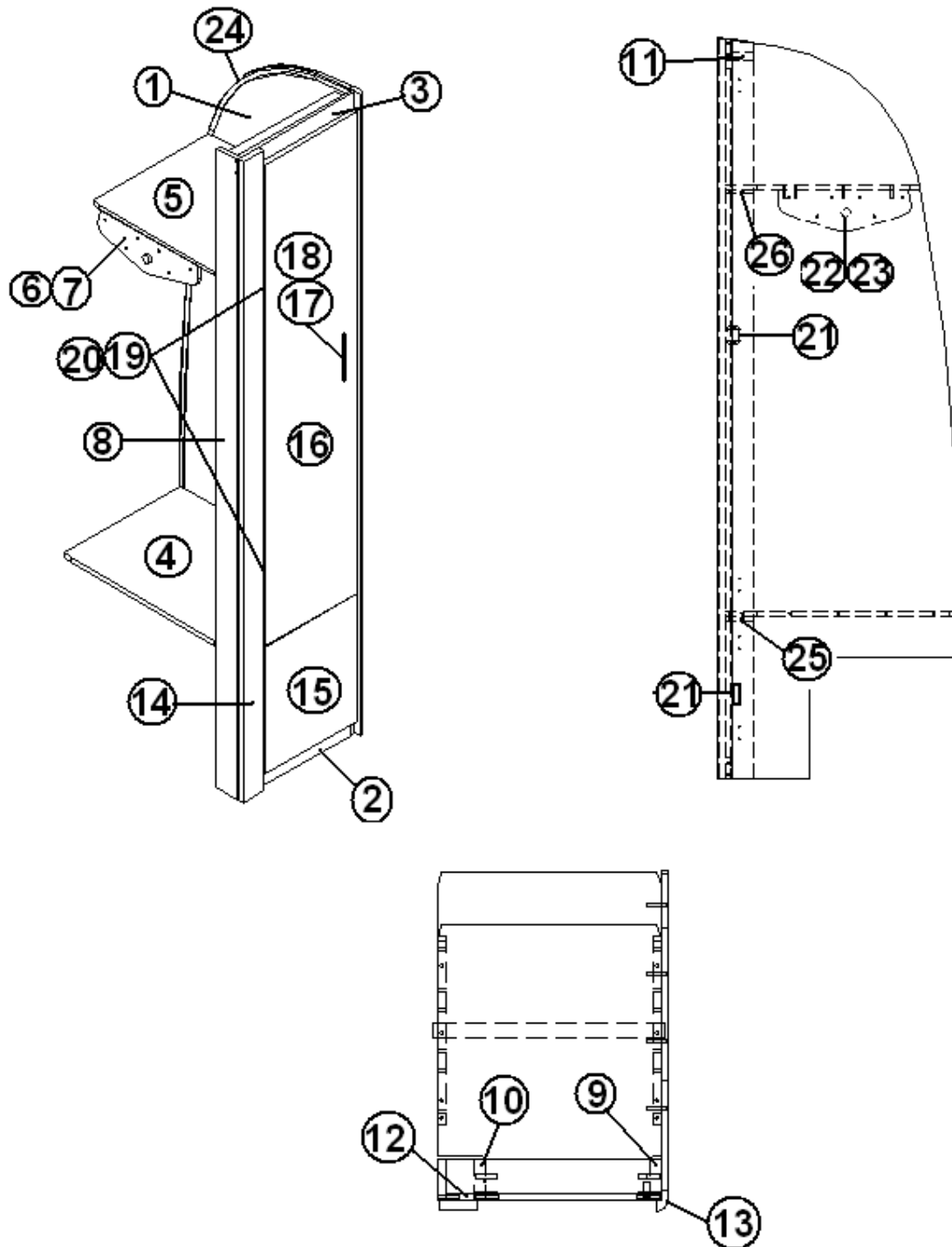
967321-15	Lavy assembly
1.967321-151	Panel, 28.89 X 30.00
2.967321-152	Top, Serenity
3.967321-3	Panel, 9.27 X 30.00
4.967321-4	Panel, 9.27 X 24.64
5.967321-5	Panel, 9.27 X 24.64
6.967321-6	Panel, 7.02 X 20.85
7.967321-7	Panel, 3.75 X 15.38
8.967321-8	Panel, 3.5 X 12.88
9.967321-9	Panel, 3.50 X 10.00
10.967321-1510	Panel, 2.25 X 19.42
11.967321-1511	Panel, 2.25 X 19.42
12.967321-1512	Door, lavy 18.67 X 26.13
13.96721-1513	Door, lavy 11.25 X 14.50
14.967321-1514	Door, lavy 11.25 X 14.50
15.967321-15I	Panel, 36.42 X 18.75
16.967321-17	Panel, 22.38 X 7.50
17.967198	Sub assembly, radius, lavy
18.381607	Hinge assembly, Grass
19.382030	PULL, recessed finger
20.382030	Pull, recessed finger
21.381228-01	Catch, grabber door
22.115374	Extrusion, sliding door track, .5"
23.114812	Aluminum angle, 1.00 X 1.00
24.380034	Toilet paper holder, chrome
25.201673	Reverse cove molding, white,
26.203445	Molding black, flexible poly .5
454853	Leaf spring – Lavy Door
704041	Pile Seal Weather Strip .40H x .54W

NOTE: Item 16 omitted.

# 2014 INTERNATIONAL TRAVEL TRAILER

## FURNITURE, BATH

Wardrobe, 23' D Signature, Curbside, SERENITY



Part Numbers are on the Next page



# 2014 INTERNATIONAL TRAVEL TRAILER

## FURNITURE, BATH

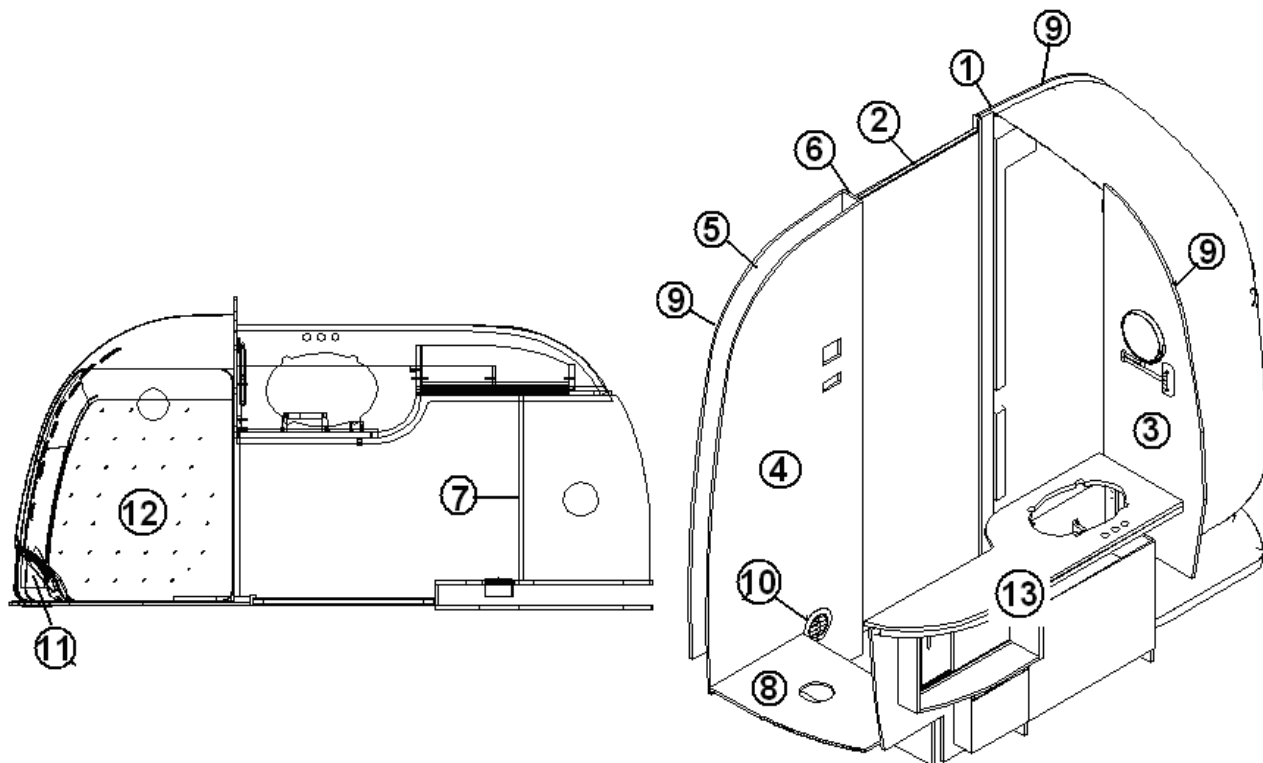
Wardrobe, 23' D Signature, Curbside, SERENITY

966934-15	WARDROBE ASSY CS
1. 966934-151	PANEL, CS W/R, 23.8 X 77.9
2. 966934-152	PANEL, CS W/R, 12.315 X 2.25
3. 966934-153	PANEL, CS W/R, 16.0X 2.25
4. 966934-4	PANEL, CS W/R, 16.5 X 24.47
5. 966934-5	PANEL, CS W/R, 16.5 X 20.47
6. 966934-6	PANEL, CS W/R, 4.48 X 14.0
7. 966934-7	PANEL, CS W/R, 4.48 X 14.0
8. 966934-158	PANEL, CS W/R, 3.0 X 78.14
9. 966934-9	PANEL, CS W/R, 3.0 X 75.88
10. 966934-10	PANEL, CS W/R, 3.0 X 75.88
11. 966934-11	PANEL, CS W/R, 2.5 X 16.0
12. 966934-12	PANEL, CS W/R, 2.18 X 75.00
13. 801706-0018	CORNER TRIM 90 DEG 1"Asian Sand
14. 966934-1515	PANEL, CS W/R 2.88 X 78.14
15. 966934-1516	DOOR CS W/R 12.94" X 15.50"
16. 966934-1517	DOOR CS W/R 12.94 X 58.63
17. 382115	PULL, FLAT BLACK #M575
18. 345001-08	MACH SCREW #8-32 X 1"
19. 381607	HINGE ASSY
20. 320006	SCREW, METAL 8X3/4 BH PHI
21. 381228	CATCH GRABBER DOOR
22. 380045	TUBING 3/4", METALLIC
23. 200975-04	CONDUIT, BLACK PLASTIC
24. 203138-03	EXTRUSION, PLASTIC 1/2" BEIGE
25. 966934-30	PANEL, CS W/R, 3.0 X 12.31
26. 966934-31	PANEL, CS W/R, 3.0 X 12.31

# 2014 INTERNATIONAL TRAVEL TRAILER

## FURNITURE, BATH

Bath Module, 23' Front Bed

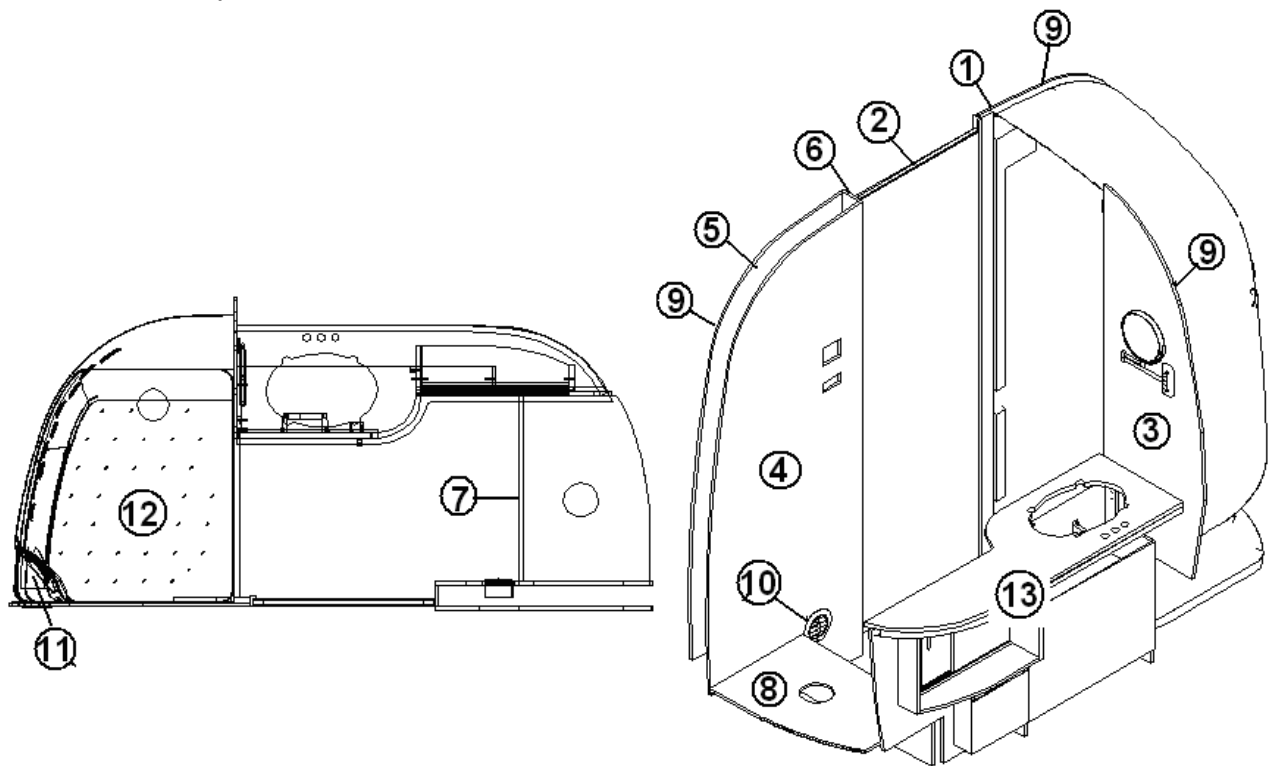


- |     |             |                                     |
|-----|-------------|-------------------------------------|
| 1.  | 967325      | Forward panel sub assembly          |
| 2.  | 967637      | Bath Door                           |
| 3.  | 111730-3    | Panel, 20.92 x 78.08                |
| 4.  | 111730-4    | Panel, 30.76 X 78.39                |
| 5.  | 111730-5    | Panel, 30.76 X 78.39                |
| 6.  | 111730-6    | Panel, 3.00 X 78.55                 |
| 7.  | 111730-7    | Panel, 20.5 x 7.25                  |
| 8.  | 967455      | Toilet Stand                        |
| 9.  | 203138-05   | Wall extrusion, Black               |
| 10. | 601244-01   | Register, round, brown              |
| 11. | 111730-13   | Panel, 5.5 X 5.5                    |
| 12. | 203615      | Shower                              |
| 13. | 967321      | Lavatory assembly                   |
|     | 801665-0024 | Molding "L", door jamb, Ebony Woods |
|     | 381945      | Dry Erase Board, 11" x 14"          |
|     | 381834      | Coat Hook, Aluminum                 |
|     | 382063      | Retractable Clothes Line            |

# 2014 INTERNATIONAL TRAVEL TRAILER

## FURNITURE, BATH

### Bath Module, 23' Front Bed - SERENITY

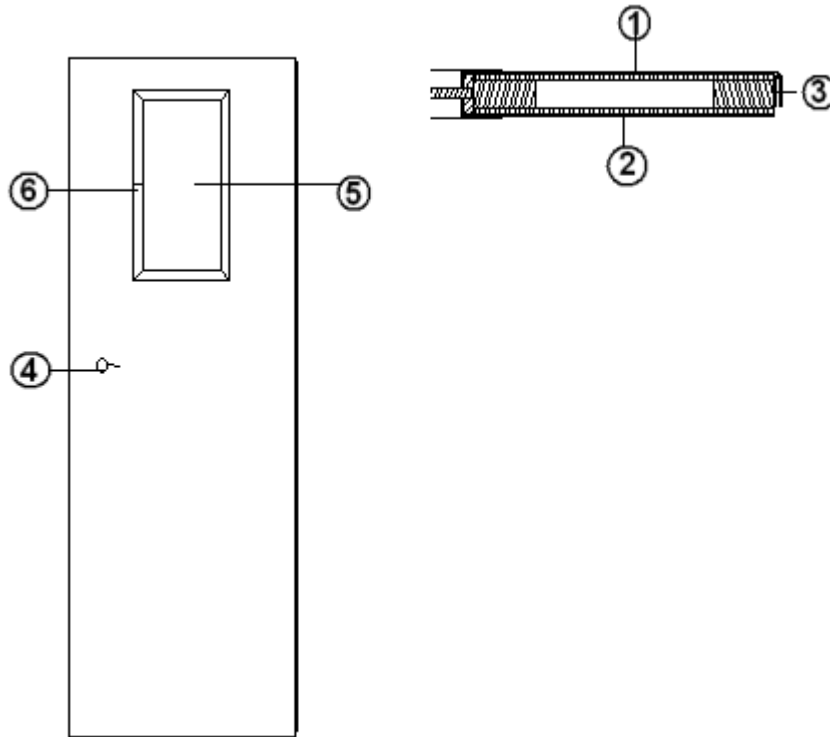


- |     |             |                                    |
|-----|-------------|------------------------------------|
| 1.  | 967325-15   | Sub Assy., FWD SHOWER PANEL        |
| 2.  | 967647      | BATH DOOR W/WINDOW                 |
| 3.  | 111730-153  | Panel, 20.92 x 78.08               |
| 4.  | 111730-154  | Panel, 30.76 X 78.39               |
| 5.  | 111730-155  | Panel, 30.76 X 78.39               |
| 6.  | 111730-156  | Panel, 3.00 X 78.55                |
| 7.  | 111730-157  | Panel, 20.5 x 7.25                 |
| 8.  | 967455      | Toilet Stand                       |
| 9.  | 203138-03   | Wall extrusion, Beige              |
| 10. | 601244-01   | Register, round, brown             |
| 11. | 111730-1513 | Panel, 5.5 X 5.5                   |
| 12. | 203615      | Shower                             |
| 13. | 967321-15   | Lavatory assembly                  |
|     | 801665-0018 | Molding "L", door jamb, ASIAN SAND |
|     | 381945      | Dry Erase Board, 11" x 14"         |
|     | 703911-02   | Shower Door 22 x 65 Brush Nickel   |
|     | 381834      | Coat Hook, Aluminum                |
|     | 382063      | Retractable Clothes Line           |

# 2014 INTERNATIONAL TRAVEL TRAILER

## FURNITURE, BATH

### BATH DOOR W/WINDOW, 23'FB, SERENITY



967647

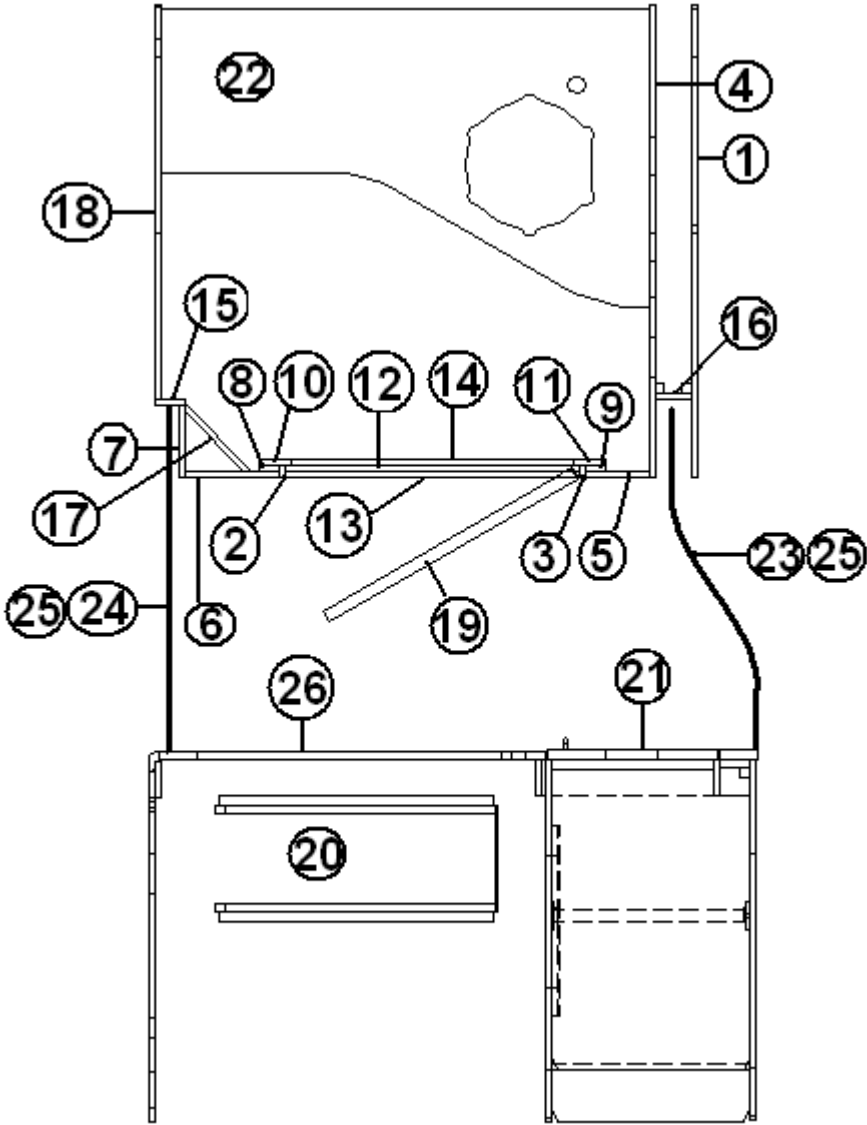
DOOR-BATH W/WINDOW 23'FB SERENITY

- |              |                                |
|--------------|--------------------------------|
| 1. 967647-1  | PANEL-DOOR 25.50X75.13         |
| 2. 967647-2  | PANEL-DOOR 25.50X75.13         |
| 3. 380203-01 | PIANO HINGE 1/8" PIN CLR ANODI |
| 4. 381771    | LATCH-LEVER LOCKSET            |
| 5. 203676    | WINDOW-BATH DR GINGKO THATCH   |
| 6. 115488    | ANGLE-ALUM. .06" X .5" X 1"    |

# 2014 INTERNATIONAL TRAVEL TRAILER

## FURNITURE, BATH

Bath Lay Out, 25' Signature, Front Bed



Part Numbers on the Next Page

# 2014 INTERNATIONAL TRAVEL TRAILER

## FURNITURE, BATH

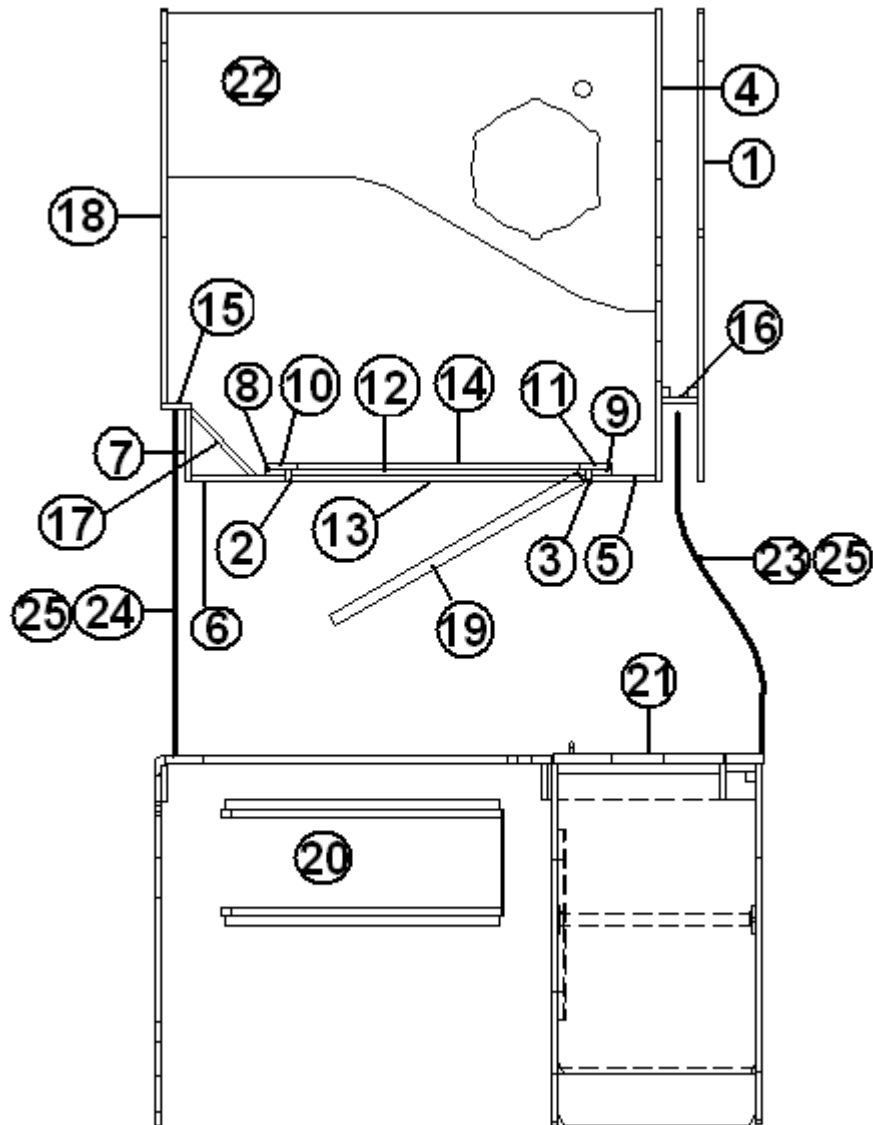
### Bath Lay Out, 25' Signature, Front Bed

1. 111565-1	PANEL, BATH, 79.44" X 39.50"
2. 111565-2	PANEL, BATH, 1.13" X 79.50"
3. 111565-3	PANEL, BATH, 1.13" X 79.50 "
4. 111565-4	PANEL, BATH, 79.44" X 39.50"
5. 111565-5	PANEL, BATH, 5.375" X 79.5"
6. 111565-6	PANEL, BATH, 8.00" X 79.5"
7. 111565-7	PANEL, BATH, 6.00" X 79.5"
8. 111565-8	PANEL, BATH, 1.69 " X 79.5"
9. 111565-9	PANEL, BATH, 1.69 " X 79.5"
10. 111565-10	PANEL, BATH, 2.75" X 79.5"
11. 111565-11	PANEL, BATH, 2.75" X 79.5"
12. 111565-12	PANEL, BATH, 24.625" X 3.50"
13. 111565-13	PANEL, BATH, 24.625" X 3.50"
14. 111565-14	PANEL, BATH, 23.625" X 3.75"
15. 111565-15I	PANEL, BATH, 2.50" X 79.04 "
16. 111565-16	PANEL, BATH, 3.00" X 79.25"
17. 111565-17	PANEL, BATH, 8.00" X 79.13"
18. 111565-18	PANEL, BATH, 79.00" X 33.00"
19. 966895	DOOR ASSY, BATH, 24" X 72"
20. 966879	SHOWER COMPARTMENT ASSY
21. 966905	WARDROBE ASSY.
22. 966902	LAVATORY CABINET ASSY
23. 381890-01	TRACK, FORMED FOLDETTTE
24. 381890-02	TRACK, STRAIGHT FOLDETTTE
25. 702681-07	DOOR, FOLDETTTE 60"X 73" GREY
26. 703911-01	SHOWER DOOR-BRUSHED NICKEL

# 2014 INTERNATIONAL TRAVEL TRAILER

## FURNITURE, BATH

Bath Lay Out, 25' Signature, Front Bed, SERENITY



Part Numbers on the Next Page

# 2014 INTERNATIONAL TRAVEL TRAILER

## FURNITURE, BATH

### Bath Lay Out, 25' Signature, Front Bed, SERENITY

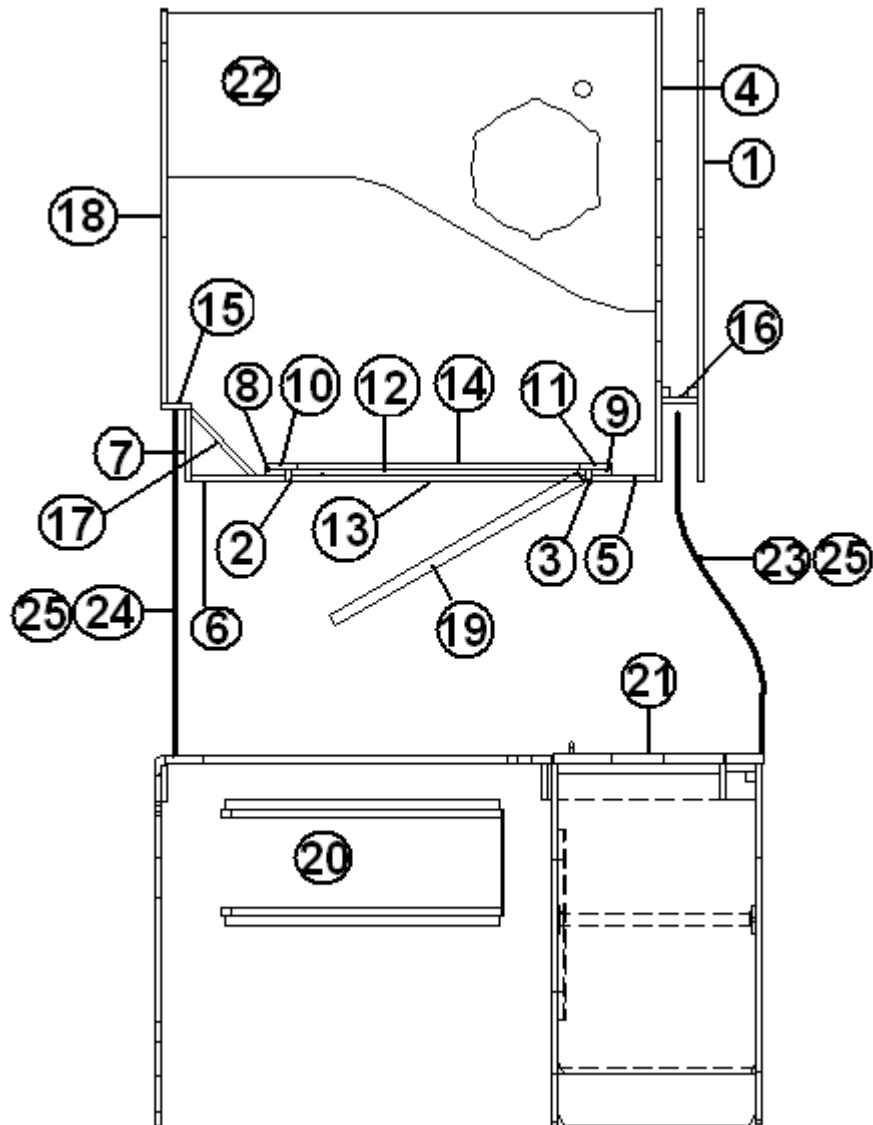
1. 111565-151	PANEL, BATH, 79.44" X 39.50"
2. 111565-152	PANEL, BATH, 1.13" X 79.50 "
3. 111565-153	PANEL, BATH, 1.13"X 79.50 "
4. 111565-154	PANEL, BATH, 79.44" X 39.50"
5. 111565-155	PANEL, BATH, 5.375" X 79.5"
6. 111565-156	PANEL, BATH, 8.00" X 79.5"
7. 111565-157	PANEL, BATH, 6.00" X 79.5"
8. 111565-158	PANEL, BATH, 1.69 " X 79.5"
9. 111565-159	PANEL, BATH, 1.69 " X 79.36 "
10. 111565-1510	PANEL, BATH, 2.75" X 79.5"
11. 111565-1511	PANEL, BATH, 2.75" X 79.5"
12.111565-1512	PANEL, BATH, 24.625" X 3.50"
13.111565-1513	PANEL, BATH, 24.625" X 3.50"
14.111565-1514	PANEL, BATH, 23.625" X 3.75"
15.111565-1515	PANEL, BATH, 2.50" X 79.04 "
16.111565-16	PANEL, BATH, 3.00" X 79.25"
17.111565-17	PANEL, BATH, 8.00" X 79.13"
18.111565-1518	PANEL, BATH, 79.00" X 33.00"
19.967546-15	DOOR ASSY, BATH, 24" X 72",W/WINDOW
20.966879-15	SHOWER COMPT ASSY
21.966905-15	WARDROBE ASSY.
22.966902-15	LAVATORY CABINET ASSY
23.381890-01	TRACK, FORMED FOLDETTE
24.381890-02	TRACK, STRAIGHT FOLDETTE
25.702681-07	DOOR-FOLDETTE 60""X 73"" GREY
26.703911-01	SHOWER DOOR-BRUSHED NICKEL



# 2014 INTERNATIONAL TRAVEL TRAILER

## FURNITURE, BATH

Bath Lay Out, 25' Signature, Front Bed - EDDIE BAUER



Part Numbers on the Next Page

# 2014 INTERNATIONAL TRAVEL TRAILER

## FURNITURE, BATH

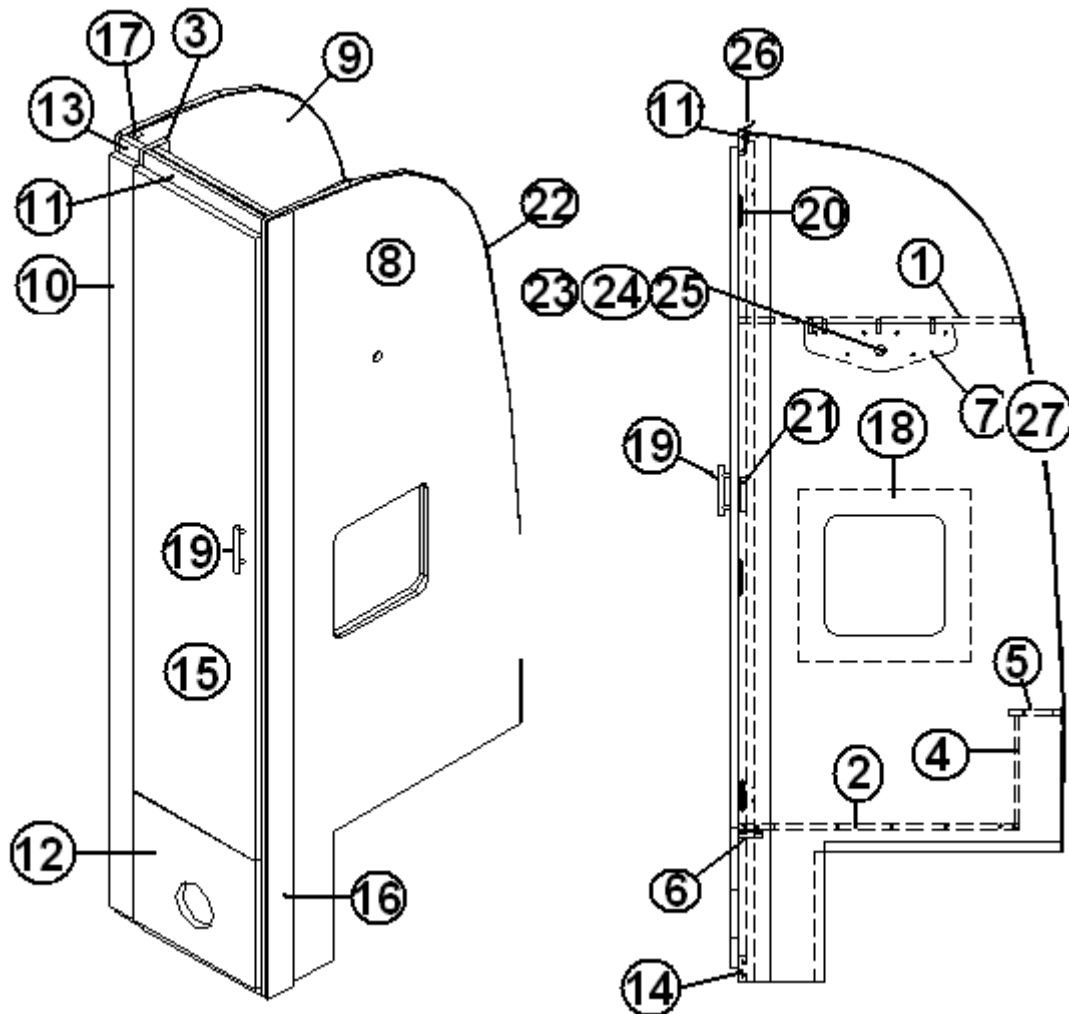
Bath Lay Out, 25' Signature, Front Bed, EDDIE BAUER

1.	111565-191	PANEL, BATH, 79.44" X 39.50"
2.	111565-192	PANEL, BATH, 1.13" X 79.50 "
3.	111565-193	PANEL, BATH, 1.13"X 79.50 "
4.	111565-194	PANEL, BATH, 79.44" X 39.50"
5.	111565-195	PANEL, BATH, 5.375" X 79.5"
6.	111565-196	PANEL, BATH, 8.00" X 79.5"
7.	111565-197	PANEL, BATH, 6.00" X 79.5"
8.	111565-198	PANEL, BATH, 1.69 " X 79.5"
9.	111565-199	PANEL, BATH, 1.69 " X 79.36 "
10.	111565-1910	PANEL, BATH, 2.75" X 79.5"
11.	111565-1911	PANEL, BATH, 2.75" X 79.5"
12.	111565-1912	PANEL, BATH, 24.625" X 3.50"
13.	111565-1913	PANEL, BATH, 24.625" X 3.50"
14.	111565-1914	PANEL, BATH, 23.625" X 3.75"
15.	111565-1915	PANEL, BATH, 2.50" X 79.04 "
16.	111565-16	PANEL, BATH, 3.00" X 79.25"
17.	111565-17	PANEL, BATH, 8.00" X 79.13"
18.	111565-1918	PANEL, BATH, 79.00" X 33.00"
19.	966895-19	DOOR ASSY, BATH, 24" X 72"
20.	966879-19	SHOWER COMPT ASSY
21.	966905-19	WARDROBE ASSY.
22.	966902-19	LAVATORY CABINET ASSY
23.	381890-01	TRACK, FORMED FOLDETTTE
24.	381890-02	TRACK, STRAIGHT FOLDETTTE
25.	702681-08	DOOR-FOLDETTTE 60""X 73"" BEIGE
26.	703911-01	SHOWER DOOR-BRUSHED NICKEL

# 2014 INTERNATIONAL TRAVEL TRAILER

## FURNITURE, BATH

Wardrobe, 25' Signature, Front Bed



Part Numbers on the Next Page

# 2014 INTERNATIONAL TRAVEL TRAILER

## FURNITURE, BATH

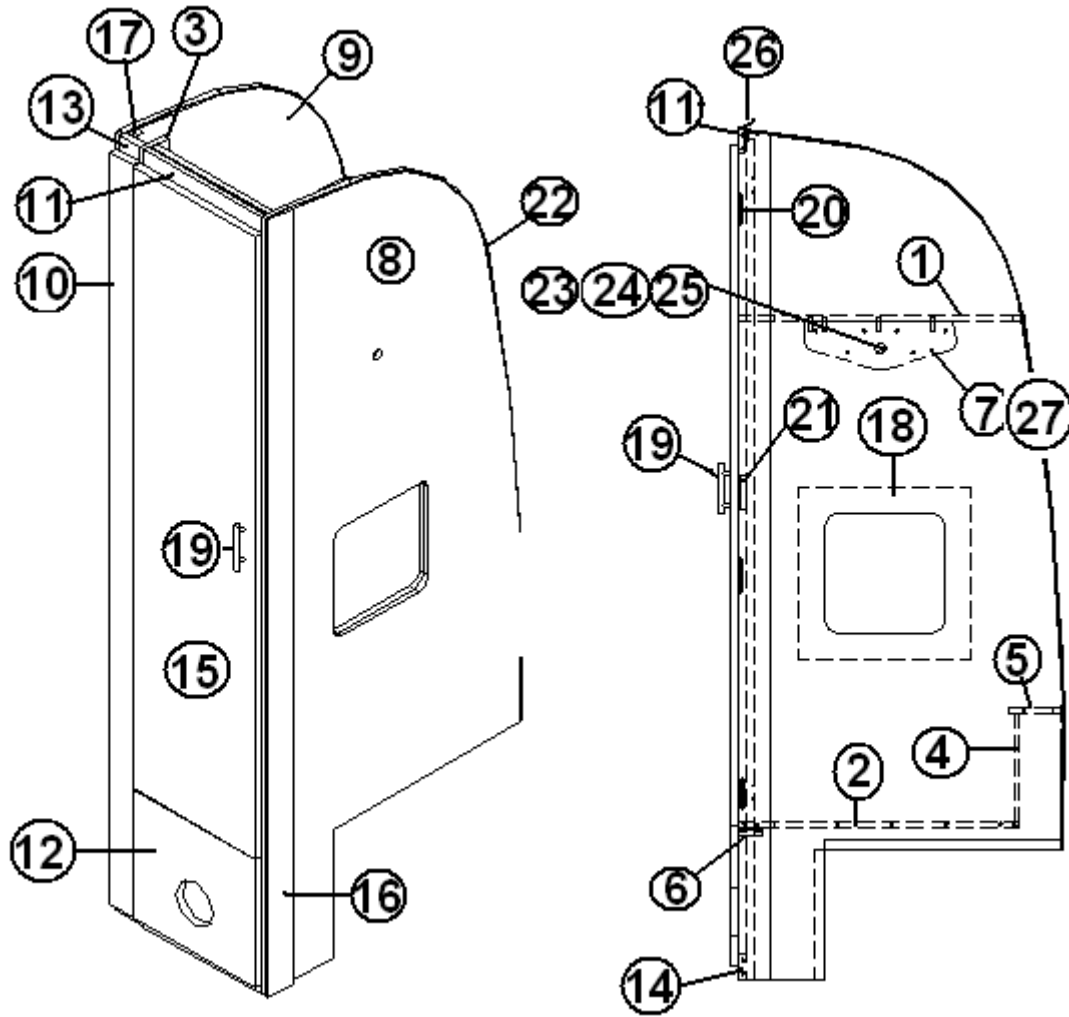
### Wardrobe, 25' Signature, Front Bed

966905	Wardrobe, 25' Front Bed,
1. 966905-1	PANEL, 16.56" X 26.50"
2. 966905-2	PANEL, 16.56" X 26.00"
3. 966905-3	PANEL, 3" X 78.88"
4. 966905-4	PANEL, 10" X 16.56"
5. 966905-5	PANEL, 5.25" X 16.56"
6. 966905-6	PANEL, 2.5" X 13.63"
7. 966905-7	PANEL, 4.5" X 14.00"
8. 966905-8	PANEL, 30.09" X 78.88"
9. 966905-9	PANEL 30.09" X 78.88"
10. 966905-10	PANEL, 2.69" X 75.88"
<del>11. 966905-11</del>	<del>PANEL, 13.63" X 2.5"</del> (Not used after mid Nov. 2013.)
12. 966905-12	PANEL, 14.25" X 13.00"
13. 966905-13	PANEL, 2.44" X 78.88"
14. 966905-14	PANEL, 2.5" X 13.63"
15. 966905-15I	DOOR, 14.25" X 62.75"
16. 800507-02	PANEL, 3.0" X 77.25", LAUAN
17. 800025-01	PINE, 3/4" X 3/4" STAINED
18. 966883	CLOSEOUT
19. 382029-03	HANDLE, BAR 11.25"
20. 381228-01	CATCH GRABBER DOOR
21. 381607	HINGE ASSY, GRASS EURO
22. 203138-05	EXTRUSION, PLASTIC, 1/2" BLACK
23. 380045	TUBING 3/4", METAL
24. 200975-04	CONDUIT, FLEXIBLE BLACK PLASTIC
25. 380046	FLANGE CHROME
26. 104821	SUPPORT, ROOFLOCKER, 74"
27. 966905-30	Panel, 4.5 x 14.00
966905-31	Panel, 13.625" x 2.25", header
966905-32	Panel, 13.625" x 1.25", header

# 2014 INTERNATIONAL TRAVEL TRAILER

## FURNITURE, BATH

Wardrobe, 25' Signature, Front Bed, Serenity



Part Numbers on the Next Page

# 2014 INTERNATIONAL TRAVEL TRAILER

## FURNITURE, BATH

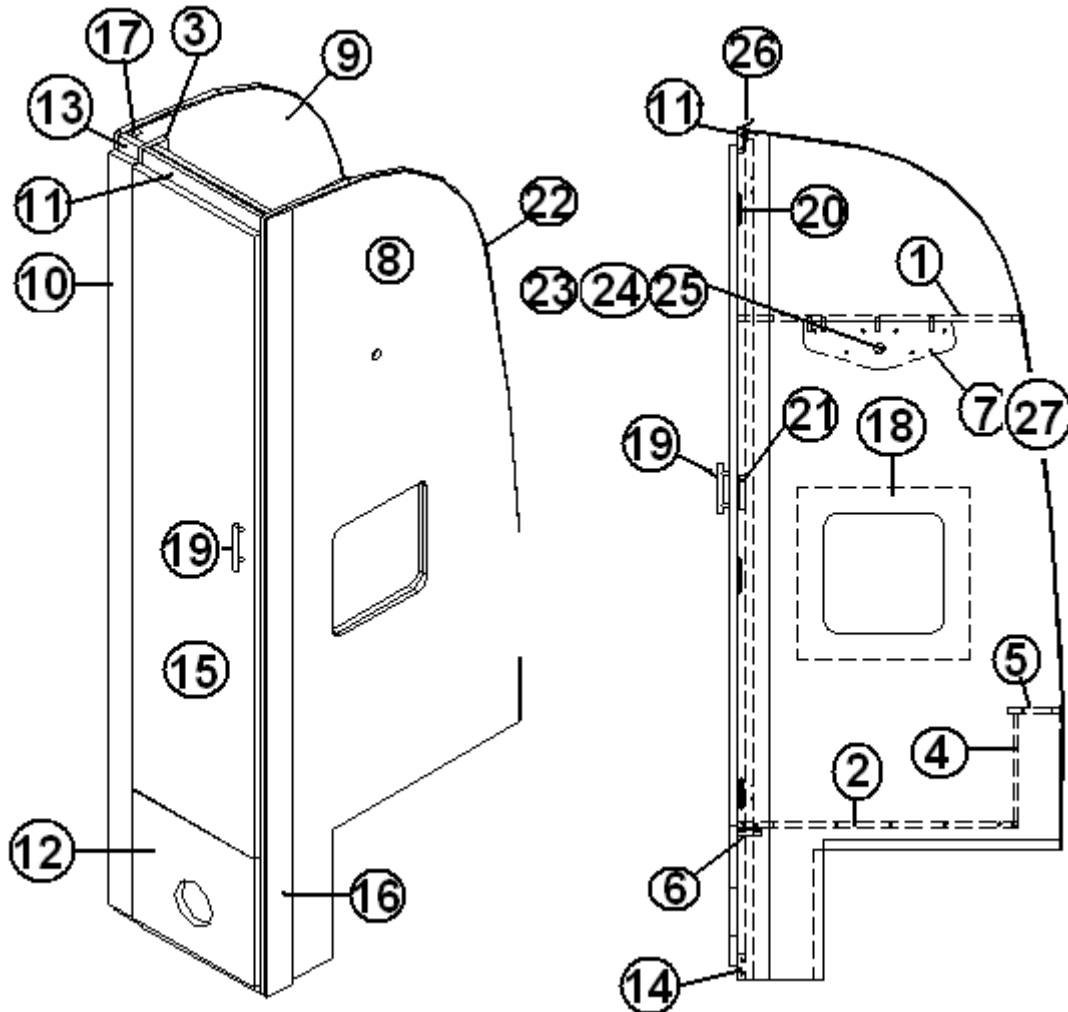
Wardrobe, 25' Signature, Front Bed, Serenity

966905-15	Wardrobe, 25' Front Bed, SERENITY
1. 966905-1	PANEL, 16.56" X 26.50"
2. 966905-2	PANEL, 16.56" X 26.00"
3. 966905-3	PANEL, 3" X 78.88"
4. 966905-4	PANEL, 10" X 16.56"
5. 966905-5	PANEL, 5.25" X 16.56"
6. 966905-6	PANEL, 2.25" X 13.63"
7. 966905-7	PANEL, 4.5" X 14.00"
8. 966905-8	PANEL, 30.09" X 78.88"
9. 966905-9	PANEL 30.09" X 78.88"
10. 966905-1510	PANEL, 2.69" X 76.19"
11. <del>966905-1511</del>	<del>PANEL, 13.63" X 2.5"</del> (not used after mid
Nov. 2013)	
12. 966905-1512	PANEL, 14.25" X 13.00"
13. 966905-1513	PANEL, 2.44" X 78.88"
14. 966905-1514	PANEL, 2.5" X 13.63"
15. 966905-1515	DOOR, 14.25" X 63.06"
16. 800507-02	PANEL, 3.0" X 77.25", LAUAN
17. 800025-01	PINE, 3/4" X 3/4" STAINED
18. 966883	CLOSEOUT
19. 382115	PULL, FLAT BLACK #M575
20. 381607	HINGE ASSY, GRASS EURO
21. 381228-01	CATCH GRABBER DOOR
22. 203138-03	EXTRUSION, PLASTIC, BEIGE
23. 380045	TUBING 3/4", METAL
24. 200975-04	CONDUIT, BLACK PLASTIC
25. 380046	FLANGE CHROME
26. 104821	SUPPORT, ROOFLOCKER, 74"
27. 966905-30	Panel, 4.5 x 14.00
966905-1531	Panel, 13.625" x 2.25", header
966905-1532	Panel, 13.625" x 1.25", header

# 2014 INTERNATIONAL TRAVEL TRAILER

## FURNITURE, BATH

Wardrobe, 25' Front Bed, EDDIE BAUER



Part Numbers on the Next Page

# 2014 INTERNATIONAL TRAVEL TRAILER

## FURNITURE, BATH

Wardrobe, 25' Front Bed, EDDIE BAUER

966905-19 Wardrobe, 25'FB, EDDIE BAUER

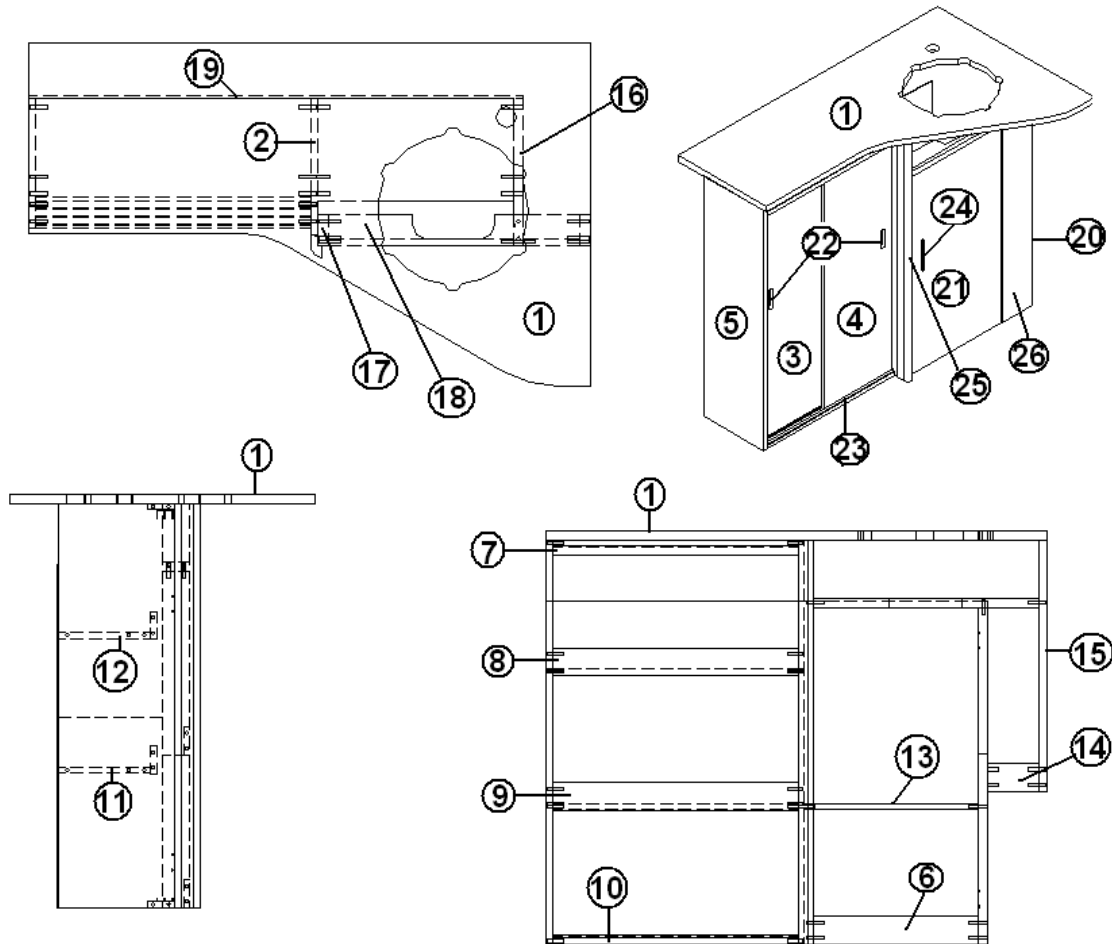
1. 966905-191 PANEL, 16.56" X 26.50"
2. 966905-192 PANEL, 16.56" X 26.00"
3. 966905-193 PANEL, 3" X 78.88"
4. 966905-194 PANEL, 10" X 16.56"
5. 966905-195 PANEL, 5.25" X 16.56"
6. 966905-195 PANEL, 2.25" X 13.63"
7. 966905-197 PANEL, 4.5" X 14.00"
8. 966905-198 PANEL, 30.09" X 78.88"
9. 966905-199 PANEL 30.09" X 78.88"
10. 966905-1910 PANEL 2.69" X 76.19"
- ~~11. 966905-1911 PANEL, 13.63" X 2.5" (Not used after Mid  
Nov.2013.)~~
12. 966905-1912 PANEL, 14.25" X 13.00"
13. 966905-1913 PANEL, 2.44" X 78.88"
14. 966905-1914 PANEL, 2.5" X 13.63"
15. 966905-1915 DOOR, 14.25" X 63.06"
16. 800507-02 PANEL, 3.0" X 77.25", LAUAN
17. 800025-01 PINE, 3/4" X 3/4" STAINED
18. 966883 CLOSEOUT
19. 382029-00 HANDLE BAR, 7.48" #4701-128-CR
20. 381607 HINGE ASSY, GRASS EURO
21. 381228-01 CATCH GRABBER DOOR
22. 203138-04 EXTRUSION, PLASTIC 1/2" OAK
23. 380045 TUBING 3/4", METAL
24. 200975-04 CONDUIT, BLACK PLASTIC
25. 380046 FLANGE CHROME
26. 104821 SUPPORT, ROOFLOCKER, 74"
27. 966905-1930 PANEL, 4.5 X 14.00
- 966905-1931 Panel, 13.625" x 2.25", header
- 966905-1932 Panel, 13.625" x 1.25", header



# 2014 INTERNATIONAL TRAVEL TRAILER

## FURNITURE, BATH

### Lavatory Cabinet, 25' Front Bed, Signature



Part Numbers on the Next Page

# 2014 INTERNATIONAL TRAVEL TRAILER

## FURNITURE, BATH

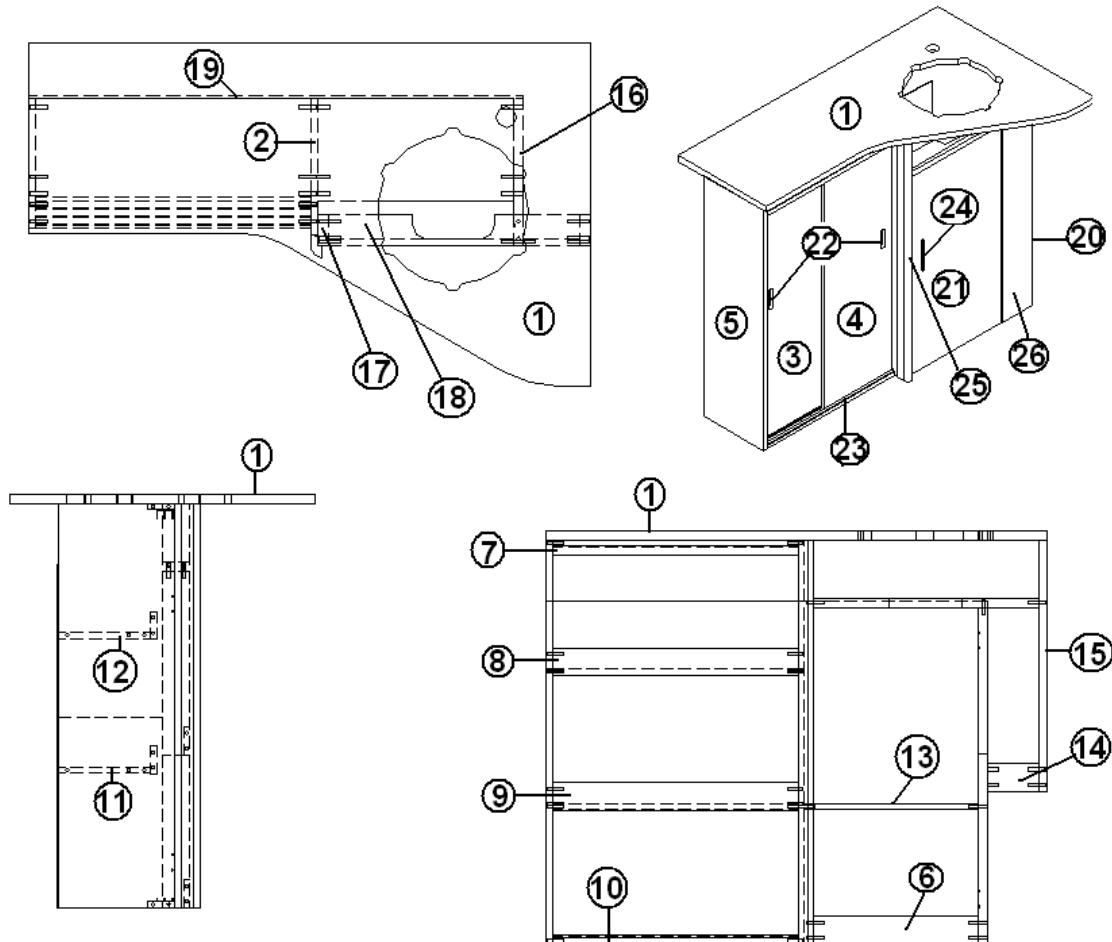
### Lavatory Cabinet, 25' Front Bed, Signature

966902	LAVATORY CABINET
1. 966903	LAVATORY TOP
2. 966902-01	PANEL, LAVY 10 X 33
3. 966902-3	PANEL, LAVY 10.81 X 15.38
4. 966902-4	PANEL, LAVY 10.81 X 15.38
5. 966902-5	PANEL, LAVY 9.5 X 33
6. 966902-6	PANEL, LAVY 2.25 X 13.5
7. 966902-7	PANEL, LAVY 2.25 X 20.12
8. 966902-8	PANEL, LAVY 10.81 X 15.38"
9. 966902-9	PANEL, LAVY 10.81 X 15.38
10. 966902-10	PANEL, LAVY 2.25 X 20.12
11. 966902-11	PANEL, LAVY 9.5 X 20.13
12. 966902-12	PANEL, LAVY 7.5 X 20.12
13. 966902-13	PANEL, LAVY 7.5 X 14.25
14. 966902-14	PANEL, LAVY 2.25 X 4.12
15. 966902-15I	PANEL, LAVY 2.25 X 33.00
16. 966902-16	PANEL, LAVY 10.75 X 27.5
17. 966902-17	PANEL, LAVY 2.25 X 33.00
18. 966902-18	PANEL, LAVY, 2.25 X 18.38
19. 966902-19	PANEL, LAVY 28 X 36.12
20. 801706-0024	CORNER TRIM, 90D, 1"RADIUS
21. 966902-23	DOOR, LAVY, 14.13" X 27.13"
22. 382030	PULL, RECESSED FINGER
23. 115374	EXTRUSION, SLIDING DR TRACK .5"
24. 382029-03	HANDLE BAR 11.25"
25. 381228-01	CATCH, GRABBER DOOR
26. 966902-31	PANEL, LAVY 4.75 X 27.12
381607	HINGE ASSY.
114070	EXTRUSION, J-TRIM, ALUMINUM

# 2014 INTERNATIONAL TRAVEL TRAILER

## FURNITURE, BATH

### Lavatory Cabinet, 25' Front Bed, Signature, Serenity



Part Numbers on the Next Page

# 2014 INTERNATIONAL TRAVEL TRAILER

## FURNITURE, BATH

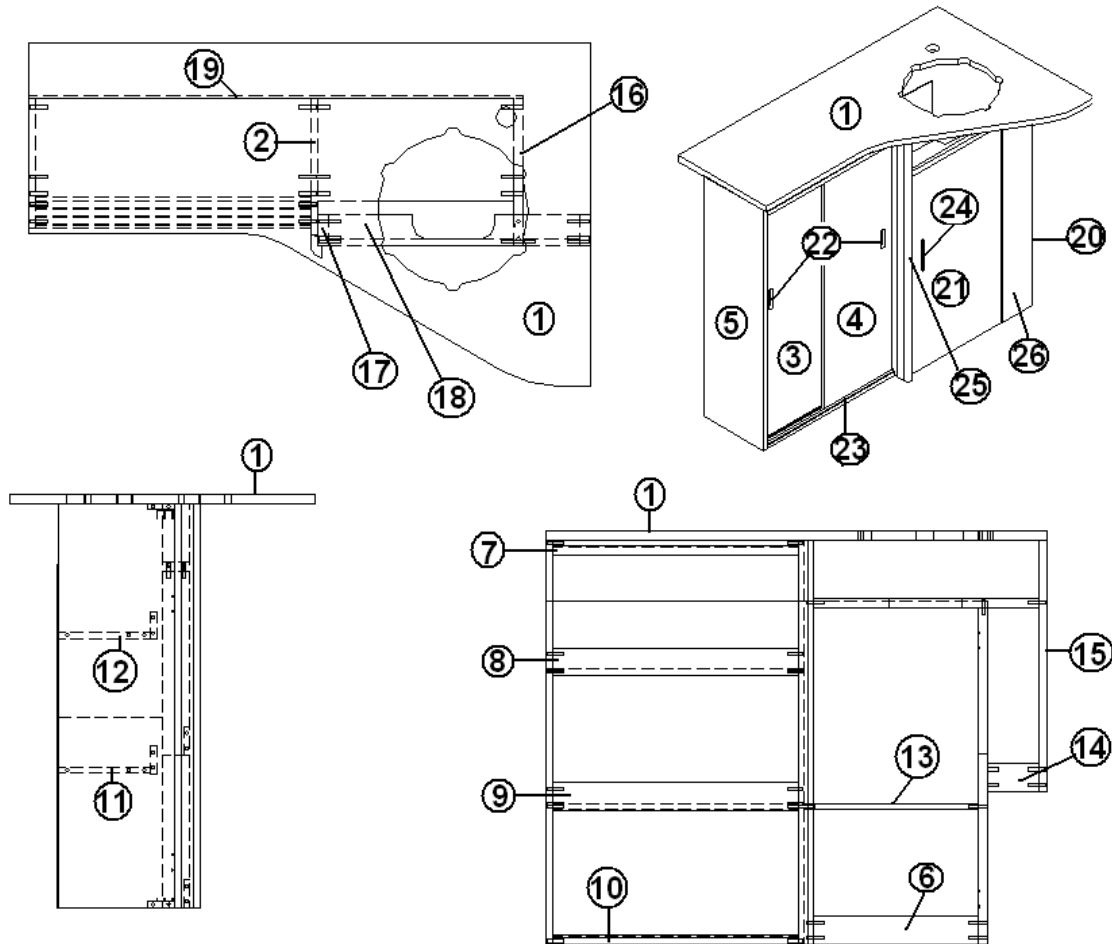
### Lavatory Cabinet, 25' Front Bed, Signature, Serenity

966902-15	LAVATORY CABINET
1. 966903-15	LAVATORY TOP
2. 966902-152	PANEL, LAVY 10 X 33
3. 966902-153	PANEL, LAVY 10.81 X 15.38
4. 966902-154	PANEL, LAVY 10.81 X 15.38
5. 966902-155	PANEL, LAVY 9.5 X 33
6. 966902-156	PANEL, LAVY 2.25 X 13.5
7. 966902-7	PANEL, LAVY 2.25 X 20.12
8. 966902-158	PANEL, LAVY 10.81 X 15.38
9. 966902-159	PANEL, LAVY 10.81 X 15.38
10. 966902-10	PANEL, LAVY 2.25 X 20.12
11. 966902-11	PANEL, LAVY 9.5 X 20.13
12. 966902-12	PANEL, LAVY 7.5 X 20.12
13. 966902-13	PANEL, LAVY 7.5 X 14.25
14. 966902-14	PANEL, LAVY 2.25 X 4.12
15. 966902-1515	PANEL, LAVY 2.25 X 33
16. 966902-16	PANEL, LAVY 10.75 X 27.5
17. 966902-17	PANEL, LAVY 2.25 X 33
18. 966902-18	PANEL, LAVY 2.25 X 18.38
19. 966902-19	PANEL, LAVY 28 X 36.12
20. 801706-0018	CORNER TRIM, 90D, 1"RADIUS ASIAN SAND
21. 966902-1523	DOOR, LAVY, 14.13" X 27.13"
22. 382030	PULL, RECESSED FINGER
23. 115374	SLIDING DOOR TRACK, .5"
24. 382115	PULL, FLAT BLACK #M575
25. 381228-01	CATCH, GRABBER DOOR
26. 966902-1531	PANEL, LAVY 4.75 X 27.12
381607	HINGE ASSY.

# 2014 INTERNATIONAL TRAVEL TRAILER

## FURNITURE, BATH

### Lavatory Cabinet, 25' Front Bed, EDDIE BAUER



Part Numbers on the Next Page

# 2014 INTERNATIONAL TRAVEL TRAILER

## FURNITURE, BATH

### Lavatory Cabinet, 25' Front Bed, EDDIE BAUER

966902-19	LAVATORY CABINET
1. 966903-191	LAVATORY TOP
2. 966902-192	PANEL, LAVY 10 X 33
3. 966902-193	PANEL, LAVY 10.81 X 15.38
4. 966902-194	PANEL, LAVY 10.81 X 15.38
5. 966902-195	PANEL, LAVY 9.5 X 33
6. 966902-196	PANEL, LAVY 2.25 X 13.5
7. 966902-197	PANEL, LAVY 2.25 X 20.12
8. 966902-198	PANEL, LAVY 10.81 X 15.38
9. 966902-199	PANEL, LAVY 10.81 X 15.38
10. 966902-1910	PANEL, LAVY 2.25 X 20.12
11. 966902-1911	PANEL, LAVY 9.5 X 20.13
12. 966902-12	PANEL, LAVY 7.5 X 20.12
13. 966902-1913	PANEL, LAVY 7.5 X 14.25
14. 966902-1914	PANEL, LAVY 2.25 X 4.12
15. 966902-1915	PANEL, LAVY 2.25 X 33
16. 966902-1916	PANEL, LAVY 10.75 X 27.5
17. 966902-1917	PANEL LAVY 2.25 X 33
18. 966902-1918	PANEL, LAVY 2.25 X 13.38
19. 966902-1919	PANEL, LAVY 28 X 36.12
20. 801706-0023	CORNER TRIM 90D 1" RADIUS MAPLE
21. 966902-1923	DOOR LAVY, 14.13" X 27.13"
22. 382030	PULL, RECESSED FINGER 7" X 2.7"
23. 115374	SLIDING DOOR TRACK, .5"
24. 382029-00	HANDLE BAR 7.48" #3701-128 CR
25. 381228-01	CATCH, GRABBER DOOR
26. 966902-1931	PANEL, LAVY 4.75 X 27.12
381607	HINGE ASSY.



# 2014 INTERNATIONAL TRAVEL TRAILER

## FURNITURE, BATH

### Bath Lay Out, 27' Signature, Double Front Bed

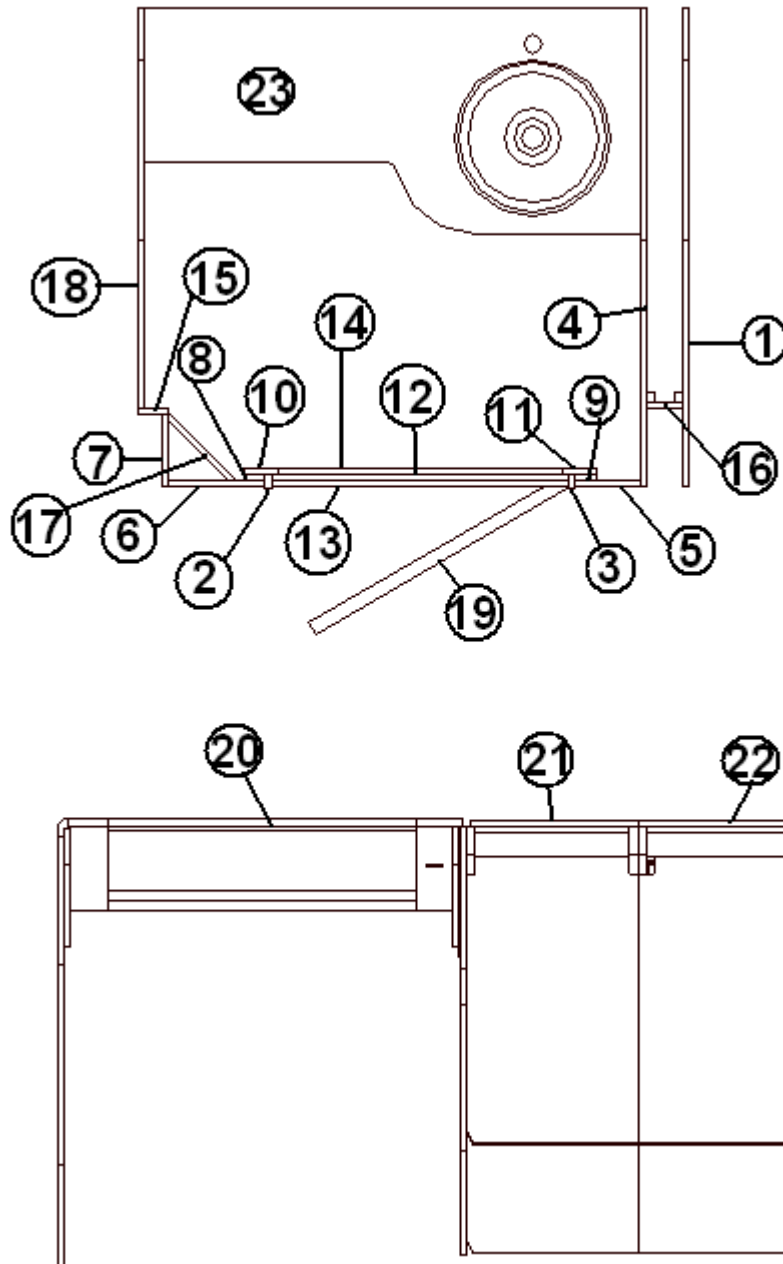
1. 111533-1	PANEL, 79.25 X 39.5
2. 111533-2	PANEL, 1.13 X 79.38
3. 111533-3	PANEL, 1.13 X 79.38
4. 111533-4	PANEL, 79.25 X 39.5
5. 111533-5	PANEL, 5.375 X 79.38
6. 111533-6	PANEL, 8 X 79.38
7. 111533-7	PANEL, 6 X 79.38
8. 111533-8	PANEL, 1.69 X 79.36
9. 111533-9	PANEL, 1.69 X 79.36
10. 111533-10	PANEL, 2.75 X 79.33
11. 111533-11	PANEL, 2.75 X 79.33
12. 111533-12	PANEL, 24.625 X 3.5
13. 111533-13	PANEL, 24.625 X 3.5
14. 111533-14	PANEL, 23.625 X 3.75
15. 111533-15I	PANEL, 2.5 X 79.02
16. 111533-16	PANEL, 3 X 78.94
17. 111533-17	PANEL, 8 X 79.36
18. 111533-18	PANEL, 78.85X33
19. 966895	DOOR ASSY, BATH, 24" X 72"
20. 966879	SHOWER COMPARTMENT
21. 966880	WARDROBE, FORWARD
22. 966881	WARDROBE, AFT
23. 966884	LAVATORY CABINET
203138-05	EXTRUSION, PLASTIC, 1/2" WALL, BLACK
381890-01	TRACK, FORMED FOLDETTTE
381890-02	TRACK, STRAIGHT FOLDETTTE
702681-07	DOOR, FOLDETTTE 60"X 73" GREY
111533-32	Panel, 4.50" x 79.36"
114812	Aluminum Angle 1.00 x 1.00



# 2014 INTERNATIONAL TRAVEL TRAILER

## FURNITURE, BATH

Bath Lay Out, 27' Signature, Double Front Bed, Serenity



Part number save on the next page

# 2014 INTERNATIONAL TRAVEL TRAILER

## FURNITURE, BATH

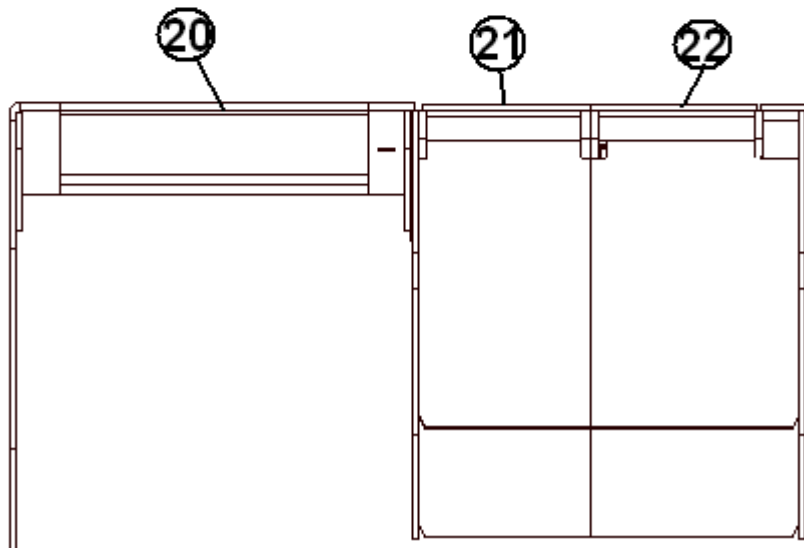
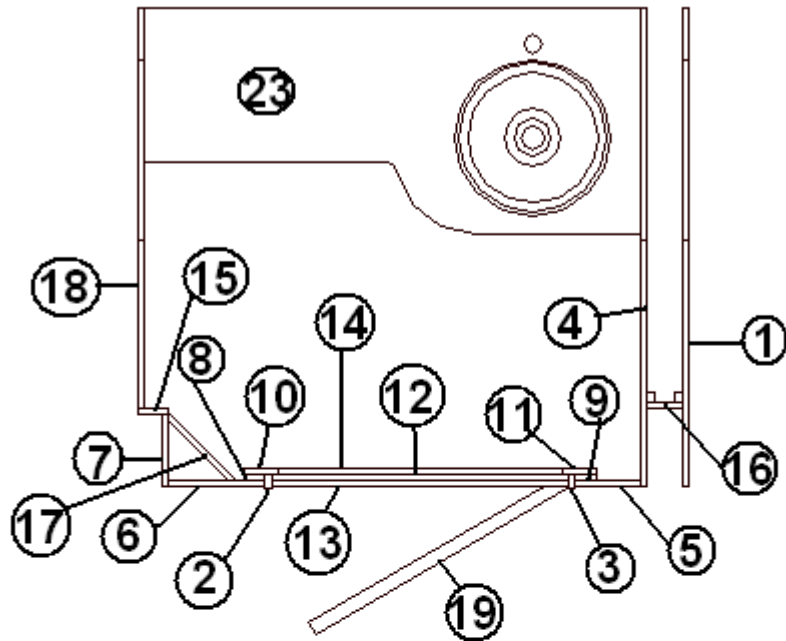
### Bath Lay Out, 27' Signature, Double Front Bed, Serenity

1.	111533-151	PANEL, 79.25 X 39.5
2.	111533-152	PANEL, 1.13 X 79.38
3.	111533-153	PANEL, 1.13 X 79.38
4.	111533-154	PANEL, 79.25 X 39.5
5.	111533-155	PANEL, 5.375 X 79.38
6.	111533-156	PANEL, 8 X 79.38
7.	111533-157	PANEL, 6 X 79.38
8.	111533-158	PANEL, 1.69 X 79.36
9.	111533-159	PANEL, 1.69 X 79.36
10.	111533-1510	PANEL, 2.75 X 79.33
11.	111533-1511	PANEL, 2.75 X 79.33
12.	111533-1512	PANEL, 24.625 X 3.5
13.	111533-1513	PANEL, 24.625 X 3.5
14.	111533-1514	PANEL, 23.625 X 3.75
15.	111533-1515	PANEL, 2.5 X 79.02
16.	111533-1516	PANEL, 3 X 78.94
17.	111533-1517	PANEL, 8 X 79.36
18.	111533-1518	PANEL, 78.85 X 33
19.	967546-15	DOOR ASSY, BATH, 24" X 72"
20.	966879-15	SHOWER COMPARTMENT
21.	966880-15	WARDROBE, FORWARD
22.	966881-15	WARDROBE, AFT
23.	966884-15	LAVATORY CABINET
	203138-05	EXTRUSION, PLASTIC, 1/2" WALL, BLACK
	381890-01	TRACK, FORMED FOLDETTE
	381890-02	TRACK, STRAIGHT FOLDETTE
	702681-07	DOOR, FOLDETTE 60"X 73" GREY
	111533-1532	Panel, 4.50" x 79.36"
	114812	Aluminum Angle 1.00 x 1.00

# 2014 INTERNATIONAL TRAVEL TRAILER

## FURNITURE, BATH

Bath Lay Out, 27' Signature, Double Front Bed, Eddie Bauer



Part number save on the next page

# 2014 INTERNATIONAL TRAVEL TRAILER

## FURNITURE, BATH

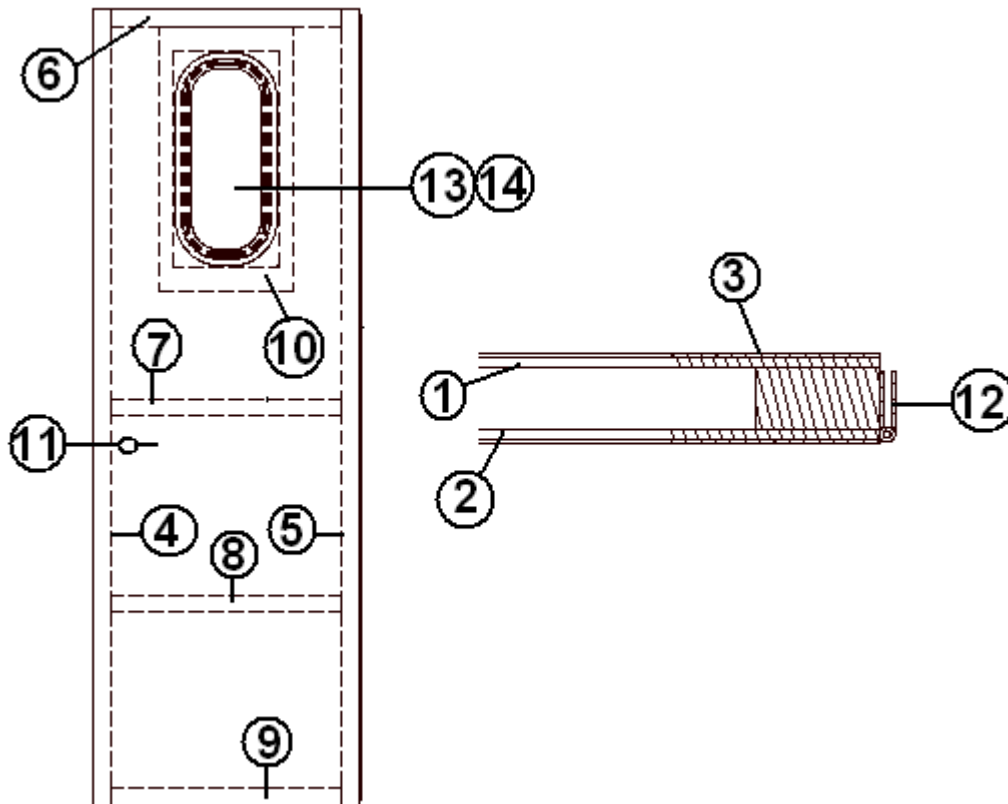
### Bath Lay Out, 27' Signature, Double Front Bed, Eddie Bauer

	111533-19	Bath Layout 27FB EB
1.	111533-191	PANEL, 79.25 X 39.5
2.	111533-192	PANEL, 1.13 X 79.38
3.	111533-193	PANEL, 1.13 X 79.38
4.	111533-194	PANEL, 79.25 X 39.5
5.	111533-195	PANEL, 5.375 X 79.38
6.	111533-196	PANEL, 8 X 79.38
7.	111533-197	PANEL, 6 X 79.38
8.	111533-198	PANEL, 1.69 X 79.36
9.	111533-199	PANEL, 1.69 X 79.36
10.	111533-1910	PANEL, 2.75 X 79.33
11.	111533-1911	PANEL, 2.75 X 79.33
12.	111533-1912	PANEL, 24.625 X 3.5
13.	111533-1913	PANEL, 24.625 X 3.5
14.	111533-1914	PANEL, 23.625 X 3.75
15.	111533-1915	PANEL, 2.5 X 79.02
16.	111533-1916	PANEL, 3 X 78.94
17.	111533-1917	PANEL, 8 X 79.36
18.	111533-1918	PANEL, 78.85 X 33
19.	967678-19	DOOR-BATH W/PORTHOLE
20.	966879-19	SHOWER COMPARTMENT
21.	966880-19	WARDROBE, FORWARD
22.	966881-19	WARDROBE, AFT
23.	966884-19	LAVATORY CABINET
	203138-04	EXTRUSION, PLASTIC, 1/2" WALL, OAK
	381890-02	TRACK, STRAIGHT FOLDETTE
	381299	HOLDER-RECESSED TOILET PAPER
	381778	ROBE HOOK, DOUBLE, CHROME
	702681-08	FOLDETTE DOOR, BEIGE
	111533-1932	Panel, 4.50" x 79.36"
	114812	Aluminum Angle 1.00 x 1.00

# 2014 INTERNATIONAL TRAVEL TRAILER

## FURNITURE, BATH

Door, Bath, 25' Front Bed, 27' Front Bed

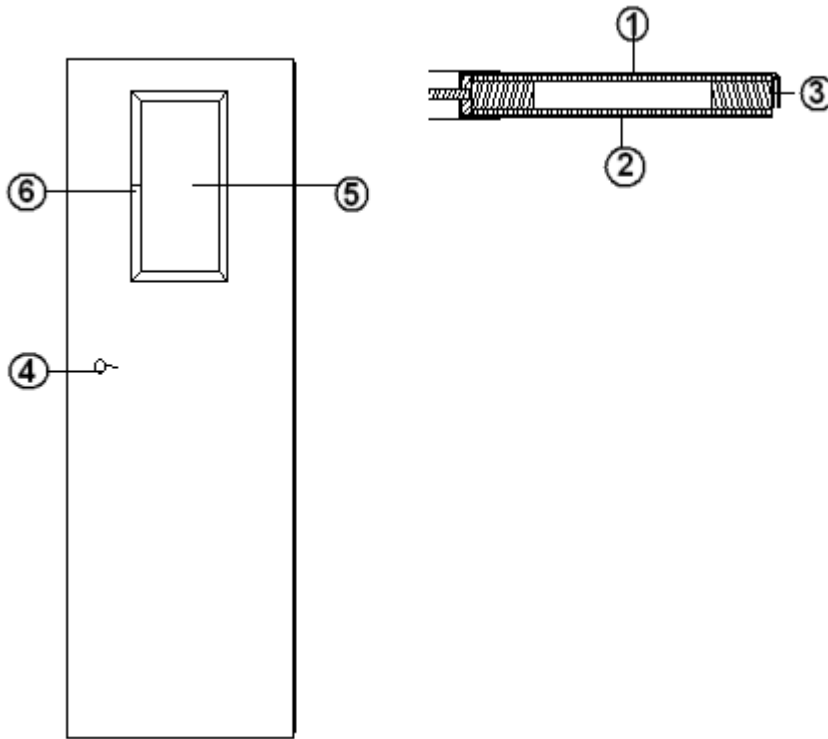


966895	Bath door
1. 966895-1	PANEL, .125", "LAUAN 27.5 X 74
2. 966895-2	PANEL, .125", "LAUAN 27.5 X 74
3. 966895-3	LAMINATE, 27.5 X 74
4. 966895-4	PANEL, .75 LAUAN, 1.5 X 72.5
5. 966895-5	PANEL, .75 LAUAN, 1.5 X 72.5
6. 966895-6	PANEL, .75 LAUAN, 1.5 X 21.75
7. 966895-7	PANEL, .75 LAUAN, 1.5 X 21.75
8. 966895-8	PANEL, .75 LAUAN, 1.5 X 21.75
9. 966895-9	PANEL, .75 LAUAN, 1.5 X 21.75
10. 966895-10	PANEL, .75 LAUAN, 12 X 24
11. 381771	LATCH-LEVER LOCKSET PRIVACY
12. 380203-01	PIANO HINGE
13. 371438	BATH WINDOW, 18"
14. 203761-02	TRIM, 18" STACK WINDOW
454320	DOOR HANDLE COVER

# 2014 INTERNATIONAL TRAVEL TRAILER

## FURNITURE, BATH

Door, Bath, 25' Front Bed, 27' Front Bed – SERENITY



967546-15

DOOR-BATH W/WINDOW

1. 801833-01

LAMINATE-ASIAN SAND VERTICAL

2. 801355-01

LAM-FROST WHT 4'X8'VERT #1573-

3. 380203-01

PIANO HINGE 1/8" PIN CLR ANODI

4. 381771

LATCH-LEVER LOCKSET PRIVACY

5. 203676

WINDOW-BATH DR GINGKO THATCH

6. 115488

ANGLE-ALUM. .06" X .5" X 1"

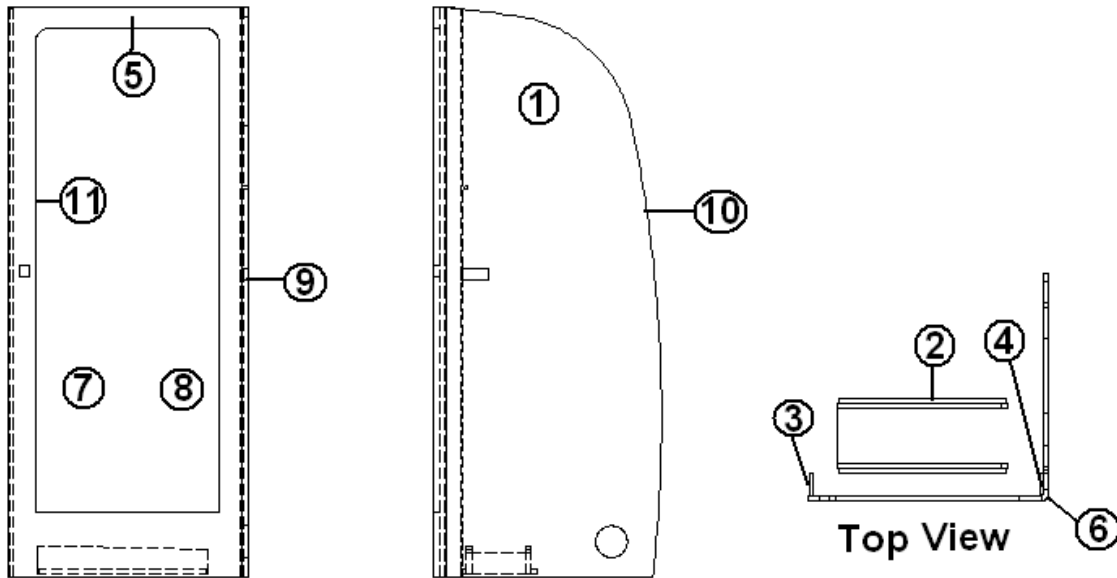
454320

DOOR HANDLE COVER

# 2014 INTERNATIONAL TRAVEL TRAILER

## FURNITURE, BATH

Shower Compartment Assembly, 25' FB Double Bed, 27' FB Double Bed, Signature

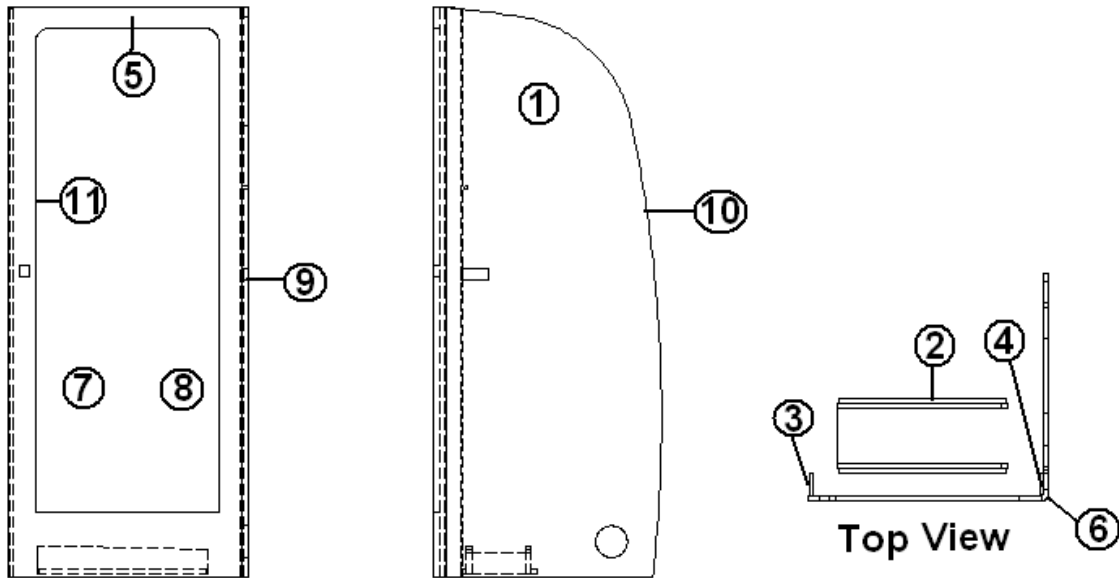


- |                |                                    |
|----------------|------------------------------------|
| 966879         | Shower Compartment Assembly        |
| 1. 966879-1    | PANEL, AFT SHOWER                  |
| 2. 961916-01   | STAND ASSY-SHOWER                  |
| 3. 966879-3    | PANEL, 3" X 79.00"                 |
| 4. 966879-4    | PANEL, 3" X 79.00"                 |
| 5. 966879-5    | PANEL REXEL                        |
| 6. 801706-0024 | CORNER TRIM, 90D 1"RADIUS, 84"     |
| 7. 203081-02   | SHOWER STALL, WHITE 2 PC.          |
| 8. 703911-01   | SHOWER DOOR, BRUSHED NICKEL        |
| 9. 365303-02   | EDGE BANDING, 1.125"               |
| 10. 203138-05  | EXTRUSION, PLASTIC 1/2" WALL       |
| 11. 203445     | T-MOLDING BLACK, FLEXIBLE POLY .5" |

# 2014 INTERNATIONAL TRAVEL TRAILER

## FURNITURE, BATH

Shower Compartment Assembly, 25' FB Double Bed, 27' FB Double Bed, Signature, SERENITY



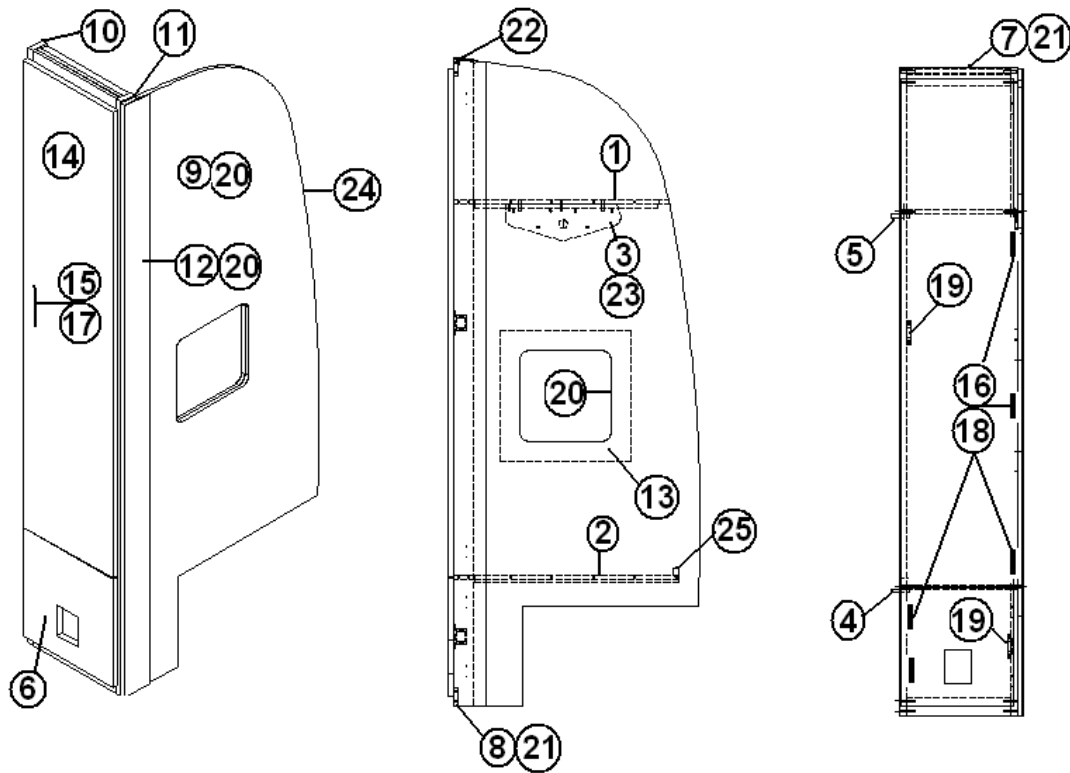
- |                |                                  |
|----------------|----------------------------------|
| 966879-15      | Shower Compartment Assembly      |
| 1. 966879-151  | PANEL, AFT SHOWER, WHITE         |
| 2. 961916-01   | STAND ASSY-SHOWER                |
| 3. 966879-3    | PANEL, 3" X 54.00"               |
| 4. 966879-4    | PANEL, 3" X 54.00"               |
| 5. 966879-155  | PANEL, AFT SHOWER, 32.50 x 79.00 |
| 6. 801706-0018 | CORNER TRIM, 90D 1"RADIUS, 84"   |
| 7. 203081-02   | SHOWER STALL - WHITE , 2 PC.     |
| 8. 703911-01   | SHOWER DOOR, BRUSHED NICKEL      |
| 9. 365344-02   | EDGE BANDING, PEARL BISQUE .94"  |
| 10. 203138-03  | EXTRUSION, PLASTIC BEIGE         |
| 11. 203693     | T-MOLDING, BEIGE, EMBOSSED       |



# 2014 INTERNATIONAL TRAVEL TRAILER

## FURNITURE, BATH

Wardrobe, Forward, 27' FB, Signature



Part numbers are on the next page.

# 2014 INTERNATIONAL TRAVEL TRAILER

## FURNITURE, BATH

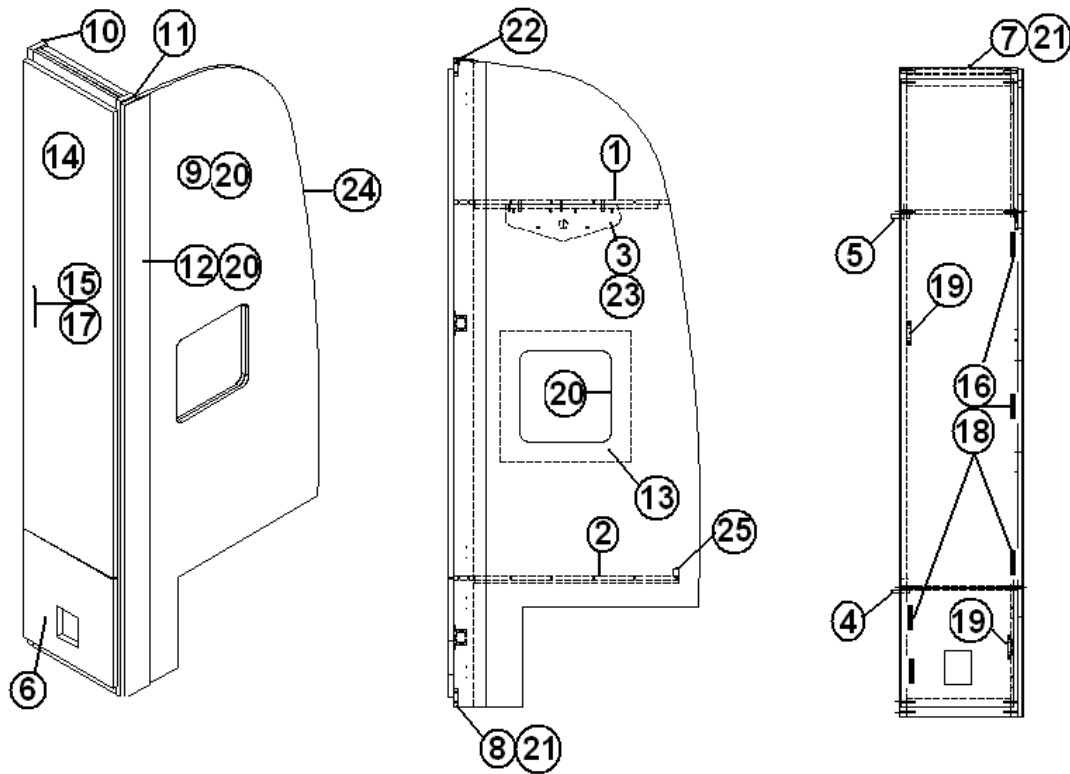
Wardrobe, Forward, 27' FB, Signature,

966880	Wardrobe, forward, Wenge
1. 966880-1	Panel, 26" x 14.25"
2. 966880-2	Panel, 27.25" x 14.25"
3. 966880-3	Panel, 14" x 7"
4. 966880-4	Panel, 2.25" x 24.75"
5. 966880-5	Panel, 2.25" x 22.25"
6. 966880-6	Door, 13.75" x 14.38"
7. 966880-7	Panel, 12.75" x 2.25"
8. 966880-8	Panel, 12.75" x 2.25"
9. 966880-9	Panel, 29.87" x 78.54"
10. 966880-10	Panel, 78.69" x 2.25"
11. 966880-11	Panel, 78.69" x 2.25"
12. 966880-12	Panel, Forward, ¼" x 78.54" x 3.81"
13. 966883	CLOSEOUT, WARDROBE
14. 966880-14	DOOR, 13.75" X 61.38"
15. 382029-03	HANDLE, BAR, 11.25"
16. 381607	HINGE-ASSEMBLY
17. 345001-08	SCREW #8-32 X 1" REC TRUS
18. 381607-04	HINGE SCREW-GRASS
19. 381228-01	CATCH GRABBER DOOR C3-803
20. 365364-02	EDGEBANDING, EBONY, 1.125"
21. 365364-01	EDGEBANDING, EBONY, .63"
22. 104821	SUPPORT, ROOFLOCKER, 74"
23. 365238-04	EDGEBANDING, WHITE, .50"
24. 203138-04	EXTRUSION - PLASTIC 1/2" OAK
25. 800025-01	PINE, ¾" X ¾", STAINED

# 2014 INTERNATIONAL TRAVEL TRAILER

## FURNITURE, BATH

Wardrobe, Forward, 27' FB, Signature, Serenity



Part numbers are on the next page.

# 2014 INTERNATIONAL TRAVEL TRAILER

## FURNITURE, BATH

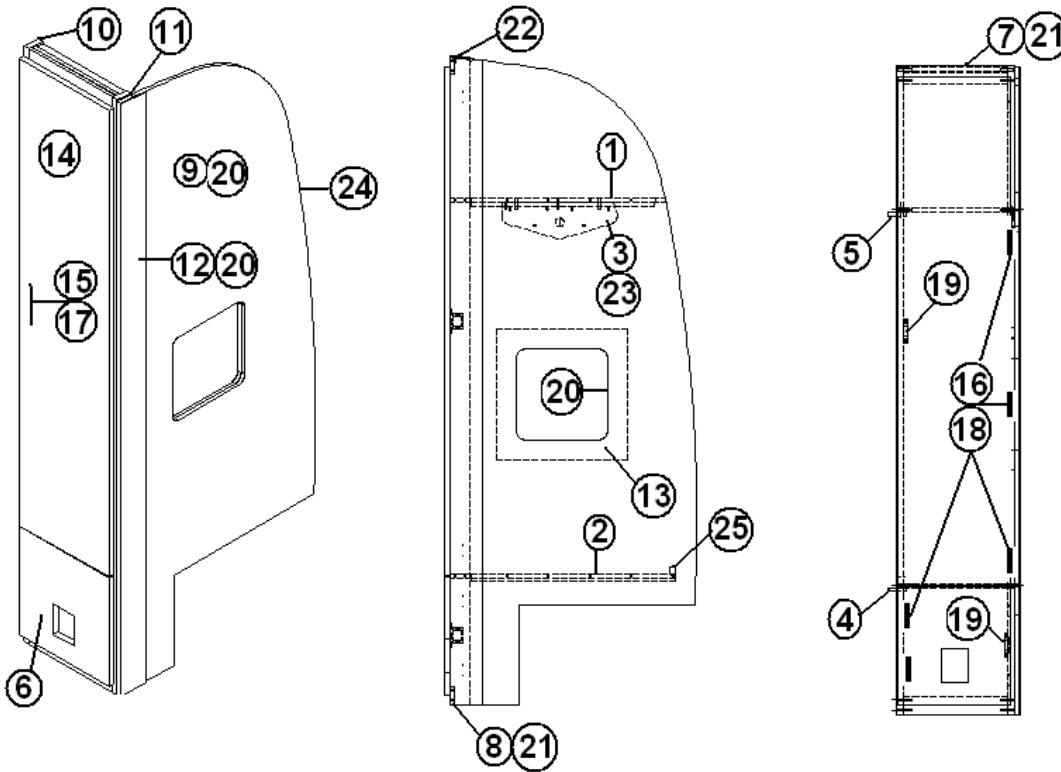
Wardrobe, Forward, 27' FB, Signature, Serenity

966880-15	Wardrobe, forward
1. 966880-1	Panel, 26" x 14.25"
2. 966880-2	Panel, 27.25" x 14.25"
3. 966880-3	Panel, 14" x 7"
4. 966880-4	Panel, 2.25" x 24.75"
5. 966880-5	Panel, 2.25" x 22.25"
6. 966880-156	Door, 13.75" x 14.38"
7. 966880-157	Panel, 12.75" x 2.25"
8. 966880-158	Panel, 12.75" x 2.25"
9. 966880-9	Panel, 30.11" x 78.54"
10. 966880-10	Panel, 78.74" x 2.25"
11. 966880-11	Panel, 78.74" x 2.25"
12. 966880-12	Lauan, ¼" x 78.54" x 3.81"
13. 966883-15	CLOSEOUT, WARDROBE
14. 966880-1514	DOOR, 13.75" X 61.38"
15. 382115	PULL, FLAT BLACK #M575
16. 381607	HINGE, DOOR
17. 345001-08	SCREW #8-32 X 1" REC TRUS
18. 381607-04	HINGE SCREW-GRASS
19. 381228-01	CATCH GRABBER DOOR C3-803
20. 365344-02	EDGE BANDING, PEARL BISQUE .94"
21. 365344-01	EDGE BANDING, PEARL BISQUE, .63"
22. 104821	SUPPORT, ROOFLOCKER, 74"
23. 365340-01	EDGE BANDING .63" FROSTY WHITE
24. 203138-03	EXTRUSION, PLASTIC WALL BEIGE
25. 800025-01	PINE, ¾" X ¾", STAINED

# 2014 INTERNATIONAL TRAVEL TRAILER

## FURNITURE, BATH

Wardrobe, Forward, 27' FB, Signature, EDDIE BAUER



Part numbers are on the next page.

# 2014 INTERNATIONAL TRAVEL TRAILER

## FURNITURE, BATH

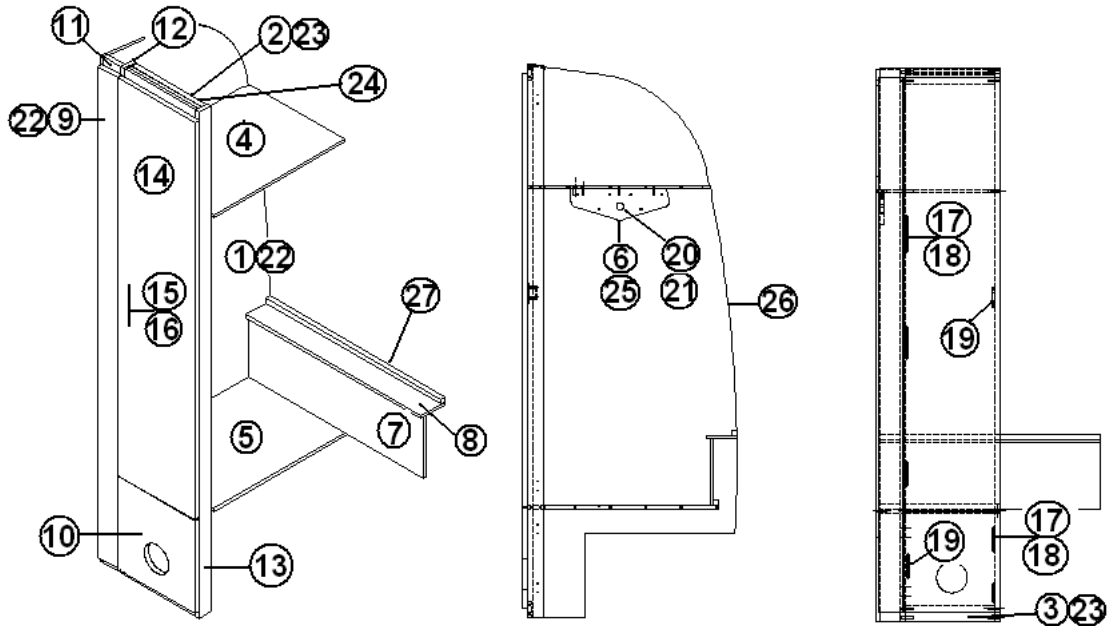
### Wardrobe, Forward, 27' FB, Signature, EDDIE BAUER

	966880-19	Wardrobe, forward
1.	966880-191	Panel, 26" x 14.25"
2.	966880-192	Panel, 27.25" x 14.25"
3.	966880-193	Panel, 14" x 7"
4.	966880-194	Panel, 2.25" x 24.75"
5.	966880-195	Panel, 2.25" x 22.25"
6.	966880-196	Door, 13.75" x 14.38"
7.	966880-197	Panel, 12.75" x 2.25"
8.	966880-198	Panel, 12.75" x 2.25"
9.	966880-199	Panel, 30.11" x 78.54"
10.	966880-1910	Panel, 78.74" x 2.25"
11.	966880-1911	Panel, 78.74" x 2.25"
12.	966880-12	Lauan, ¼" x 78.54" x 3.81"
13.	966883-19	CLOSEOUT, WARDROBE
14.	966880-1914	DOOR, 13.75" X 61.38"
15.	381865	PULL, BAR BRUSH NICKEL
16.	381607	HINGE, DOOR
17.	345001-08	SCREW #8-32 X 1" REC TRUS
18.	381607-04	HINGE SCREW-GRASS
19.	381228-01	CATCH GRABBER DOOR C3-803
20.	365352-02	EDGE BANDING, MAPLE .94"
21.	365352-01	EDGE BANDING, MAPLE, .63"
22.	104821	SUPPORT, ROOFLOCKER, 74"
23.	365340-01	EDGE BANDING .63" FROSTY WHITE
24.	203138-04	EXTRUSION, PLASTIC WALL OAK
25.	800025-01	PINE, ¾" X ¾", STAINED

# 2014 INTERNATIONAL TRAVEL TRAILER

## FURNITURE, BATH

Wardrobe, Aft, 27' FB, Signature



Part numbers are on the next page.

# 2014 INTERNATIONAL TRAVEL TRAILER

## FURNITURE, BATH

Wardrobe, Aft, 27' FB, Signature,

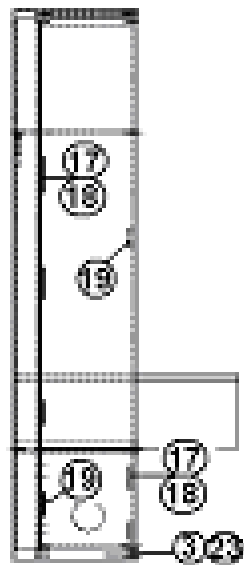
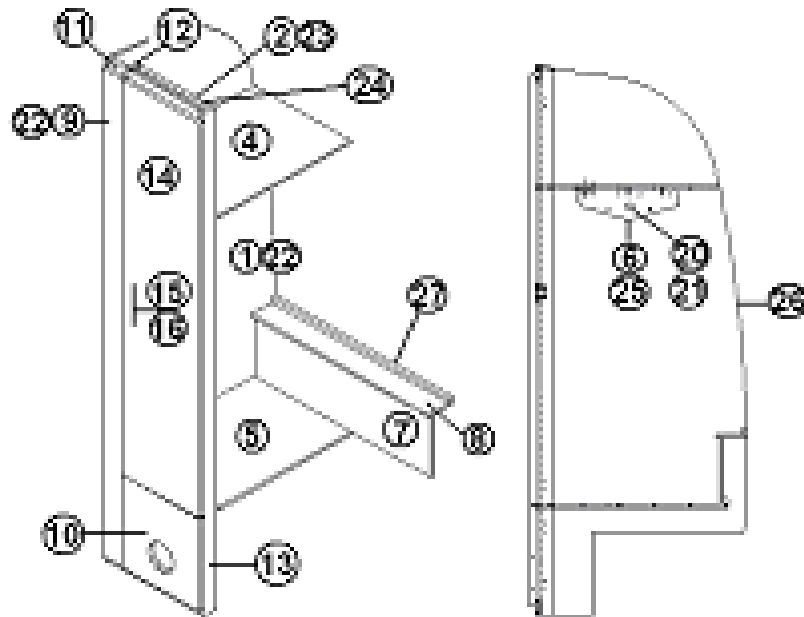
966881	WARDROBE, AFT
1. 966881-1	Panel, 30.11" x 78.69"
2. 966881-2	Panel, 12.75" x 2.25"
3. 966881-3	Panel, 12.75" x 2.25"
4. 966881-4	Panel, 26" x 17.19"
5. 966881-5	Panel, 27.25" x 17.19"
6. 966881-6	Door, 14" x 7"
7. 966881-7	Panel, 9.5" x 31.44"
8. 966881-8	Panel, 4.31 x 31.44"
9. 966881-9	Panel, 3.44 x 75.87"
10. 966881-10	Door, aft wardrobe bottom
11. 966881-11	Panel, 2.94" x 77.25"
12. 966881-12	Panel, 78.69 x 2.25"
13. 966881-13	Panel, 78.69" x 2.25"
14. 966881-14	Door, aft wardrobe
15. 382029-03	HANDLE, BAR, 11.25"
16. 345001-08	SCREW #8-32 X 1"
17. 381607	HINGE-ASSEMBLY
18. 381607-04	HINGE SCREW-GRASS
19. 381228-01	CATCH GRABBER DOOR C3-803
20. 380045	TUBING, 3/4"
21. 200975-04	CONDUIT, FLEXIBLE, BLACK
22. 365364-02	EDGE BANDING, EBONY, 1.125"
23. 365364-01	EDGE BANDING, EBONY, .63"
24. 104821	SUPPORT, ROOFLOCKER, 74"
25. 365238-04	EDGE BANDING, WHITE, .50"
26. 203138-04	EXTRUSION - PLASTIC 1/2" OAK
27. 800025-01	PINE, 3/4" X 3/4", STAINED



# 2014 INTERNATIONAL TRAVEL TRAILER

## FURNITURE, BATH

Wardrobe, Aft, 27' FB, Signature, Serenity



Part numbers are on the next page.

# 2014 INTERNATIONAL TRAVEL TRAILER

## FURNITURE, BATH

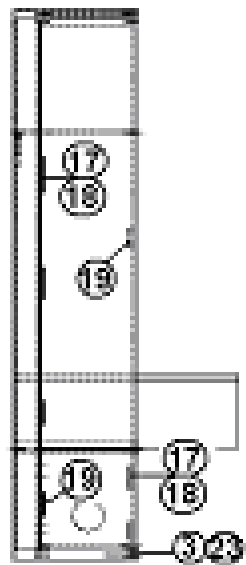
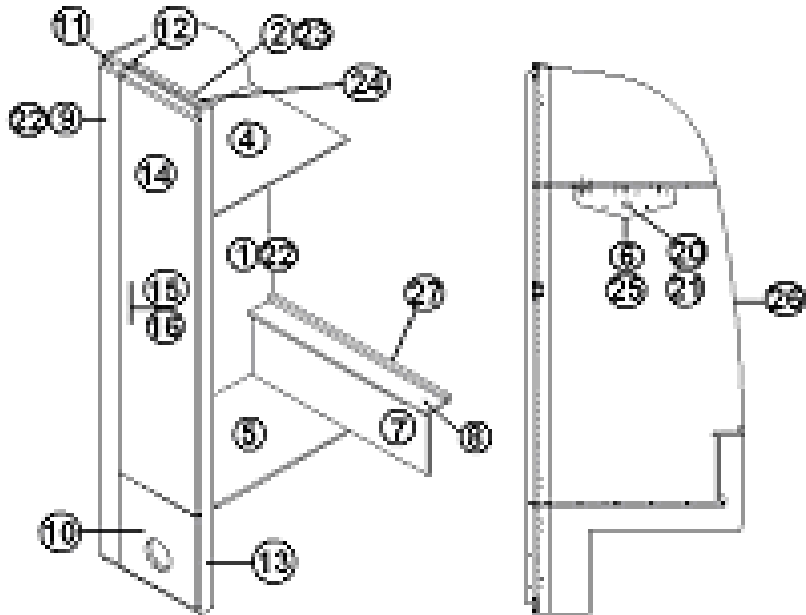
Wardrobe, Aft, 27' FB, Signature, Serenity

	966881-15	WARDROBE, AFT
1.	966881-1	Panel, 78.69" x 30.11"
2.	966881-152	Panel, 12.75" x 2.25"
3.	966881-153	Panel, 12.75" x 2.25"
4.	966881-4	Panel, 26" x 17.19"
5.	966881-5	Panel, 27.25" x 17.19"
6.	966881-6	Door, 14" x 7"
7.	966881-7	Panel, 9.5" x 31.44"
8.	966881-8	Panel, 4.31 x 31.44"
9.	966881-159	Panel, 3.44 x 75.87"
10.	966881-1510	Door, aft wardrobe bottom
11.	966881-1511	Panel, 2.94" x 77.25"
12.	966881-12	Panel, 78.69 x 2.25"
13.	966881-13	Panel, 78.69" x 2.25"
14.	966881-1514	Door, aft wardrobe
15.	382115	PULL, FLAT BLACK, #M575
16.	345001-08	SCREW #8-32 X 1"
17.	381607	HINGE, DOOR
18.	381607-04	HINGE, SCREW
19.	381228-01	CATCH GRABBER DOOR C3-803
20.	380045	TUBING, 3/4"
21.	200975-04	CONDUIT, FLEXIBLE, BLACK
22.	365344-02	EDGE BANDING, PEARL BISQUE, .94"
23.	365344-01	EDGE BANDING, PEARL BISQUE, .63"
24.	104821	SUPPORT, ROOFLOCKER, 74"
25.	365238-04	EDGE BANDING, PVC 5/8",
26.	203138-03	EXTRUSION, PLASTIC - WALL- BEIGE -
27.	800025-01	PINE, 3/4" X 3/4", STAINED

# 2014 INTERNATIONAL TRAVEL TRAILER

## FURNITURE, BATH

Wardrobe, Aft, 27' FB, EDDIE BAUER



Part numbers are on the next page.

# 2014 INTERNATIONAL TRAVEL TRAILER

## FURNITURE, BATH

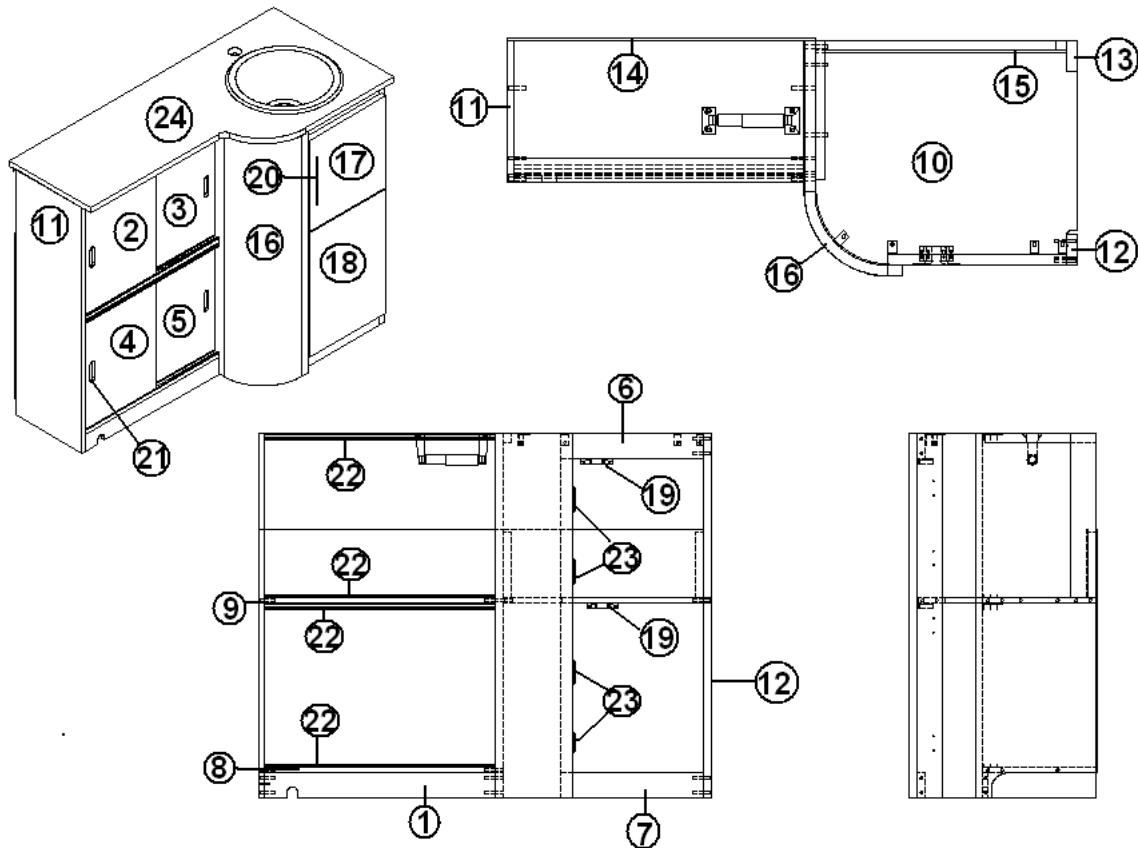
### Wardrobe, Aft, 27' FB, EDDIE BAUER

	966881-19	WARDROBE, AFT
1.	966881-1	Panel, 78.69" x 30.11"
2.	966881-192	Panel, 12.75" x 2.25"
3.	966881-193	Panel, 12.75" x 2.25"
4.	966881-4	Panel, 26" x 17.19"
5.	966881-5	Panel, 27.25" x 17.19"
6.	966881-6	Door, 14" x 7"
7.	966881-7	Panel, 9.5" x 31.44"
8.	966881-8	Panel, 4.31 x 31.44"
9.	966881-199	Panel, 3.44 x 75.87"
10.	966881-1910	Door, aft wardrobe bottom
11.	966881-1911	Panel, 2.94" x 77.25"
12.	966881-12	Panel, 78.69 x 2.25"
13.	966881-13	Panel, 78.69" x 2.25"
14.	966881-1914	Door, aft wardrobe
15.	381865	PULL, BAR BRUSH NICKEL
16.	345001-08	SCREW #8-32 X 1"
17.	381607	HINGE, DOOR
18.	381607-04	HINGE, SCREW
19.	381228-01	CATCH GRABBER DOOR C3-803
20.	380045	TUBING, 3/4"
21.	200975-04	CONDUIT, FLEXIBLE, BLACK
22.	365352-02	EDGE BANDING, MAPLE, .94"
23.	365352-01	EDGE BANDING, MAPLE, .63"
24.	104821	SUPPORT, ROOFLOCKER, 74"
25.	365340-01	EDGE BANDING, .63 FROSTY
26.	203138-04	EXTRUSION, PLASTIC - WALL- OAK
27.	800025-01	PINE, 3/4" X 3/4", STAINED

# 2014 INTERNATIONAL TRAVEL TRAILER

## FURNITURE, BATH

### Lavatory Cabinet, 27' FB, Signature



Part numbers are on the next page.

# 2014 INTERNATIONAL TRAVEL TRAILER

## FURNITURE, BATH

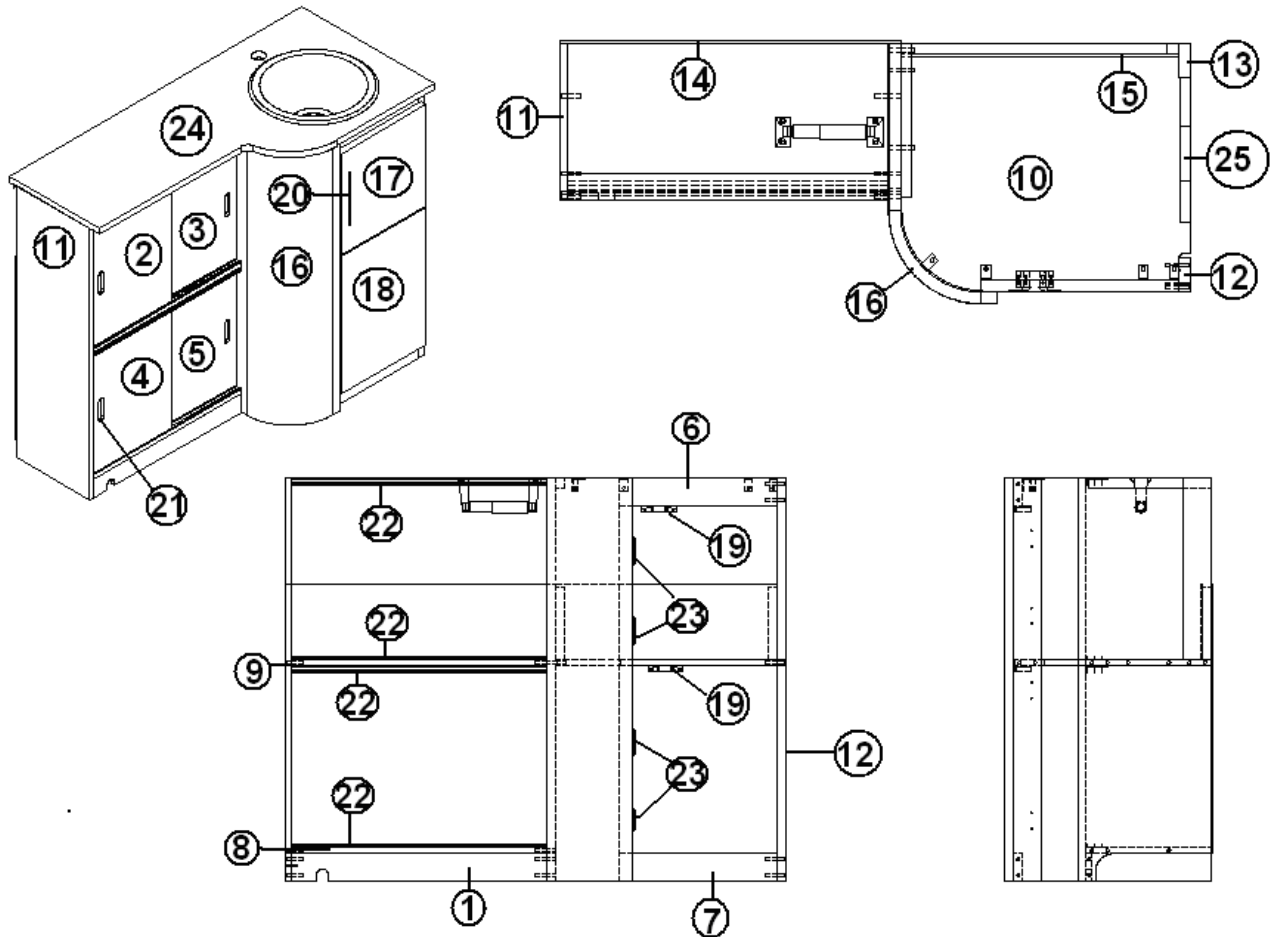
### Lavatory Cabinet, 27' FB, Signature

966884	CABINET ASSEMBLY, LAVY
1. 966884-1	Panel, 20.85" x 2.25"
2. 966884-02	DOOR, 11.25" X 14"
3. 966884-03	DOOR, 11.25" X 14"
4. 966884-04	DOOR, 11.25" X 14"
5. 966884-05	DOOR, 11.25" X 14"
6. 966884-6	PANEL, 12.87" X 2.25"
7. 966884-7	PANEL, 12.87" X 2.25"
8. 966884-8	PANEL, 10.25" X 20.85"
9. 966884-9	PANEL, 10.25" X 20.85"
10. 966884-10	PANEL, 18.87" X 16.19"
11. 966884-11	PANEL, 10.25" X 33"
12. 966884-12	PANEL, 2.25" X 33"
13. 966884-13	PANEL, 2.25" X 14.87"
14. 966884-14	PANEL, 22.13" X 22.13" WHITE/RAW
15. 966884-15I	PANEL, 18.12" X 6.25", WHITE/RAW
16. 966893	RADIUS SUB-ASSEMBLY
17. 966884-17	DOOR, 11.87" X 16.69"
18. 966884-18	DOOR, 11.87" X 12.31"
19. 381228-01	CATCH GRABBER DOOR C3-803
20. 382029-00	HANDLE, BAR 7.48"
21. 382030	PULL-RECESSED FINGER .7 X 2.7
22. 115374	SLIDING DOOR TRACK .5"
23. 381607	HINGE-ASSEMBLY
24. 966885	TOP ASSY, LAVY

# 2014 INTERNATIONAL TRAVEL TRAILER

## FURNITURE, BATH

### Lavatory Cabinet, 27' FB, Signature, SERENITY



Part numbers are on the next page.

# 2014 INTERNATIONAL TRAVEL TRAILER

## FURNITURE, BATH

### Lavatory Cabinet, 27' FB, Signature, SERENITY

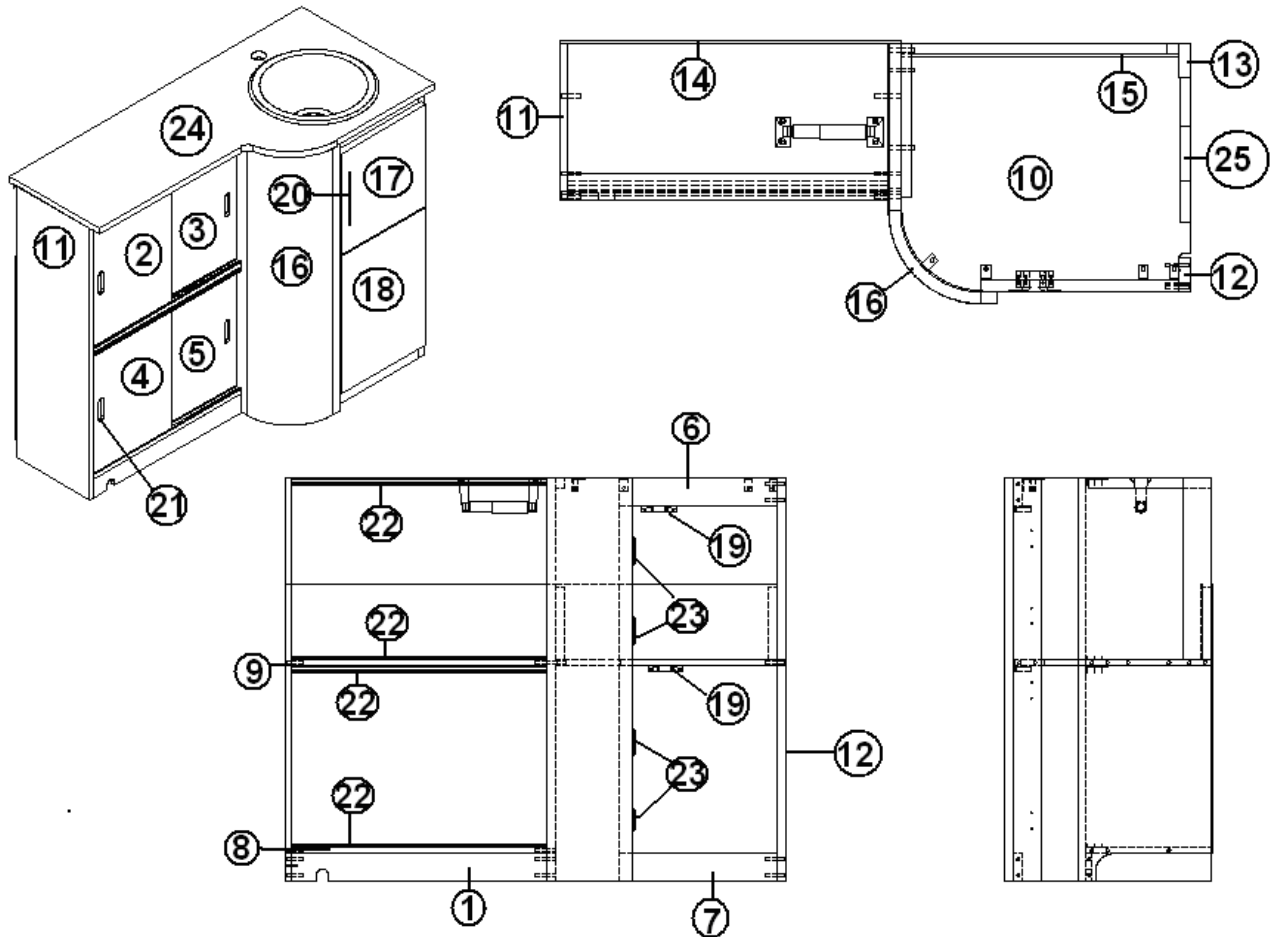
966884-15	CABINET ASSEMBLY, LAVY
1. 966884-151	PANEL, 20.85" x 2.25"
2. 966884-152	DOOR, 11.25" X 14.5"
3. 966884-153	DOOR, 11.25" X 14.5"
4. 966884-154	DOOR, 11.25" X 14.25"
5. 966884-155	DOOR, 11.25" X 14.5"
6. 966884-156	PANEL, 12.87" X 2.25"
7. 966884-157	PANEL, 12.87" X 2.25"
8. 966884-8	PANEL, 10.25" X 20.85"
9. 966884-9	PANEL, 10.25" X 20.85"
10. 966884-10	PANEL, 18.87" X 16.19"
11. 966884-11	PANEL, 10.25" X 33"
12. 966884-12	PANEL, 2.25" X 33"
13. 966884-13	PANEL, 2.25" X 14.87"
14. 966884-14	PANEL, 22.13" X 22.13"
15. 966884-1515	PANEL, 18.12" X 6.25",
16. 966893-15	LAVY SUB ASSY. RADIUS
17. 966884-1517	DOOR, 11.87" X 16.69"
18. 966884-1518	DOOR, 11.87" X 12.31"
19. 381228-01	CATCH GRABBER DOOR C3-803
20. 382115	PULL FLAT BLACK M575
21. 382030	PULL, RECESSED FINGER .7 X 2.7
22. 115374	EXTRUSION - SLIDING DOOR TRACK
23. 381607	HINGE, DOOR
24. 966885-15	TOP ASSY, LAVY
25. 966884-31	PANEL, 7.00 X 8.50



# 2014 INTERNATIONAL TRAVEL TRAILER

## FURNITURE, BATH

### Lavatory Cabinet, 27' FB, Eddie Bauer



Part numbers are on the next page.

# 2014 INTERNATIONAL TRAVEL TRAILER

## FURNITURE, BATH

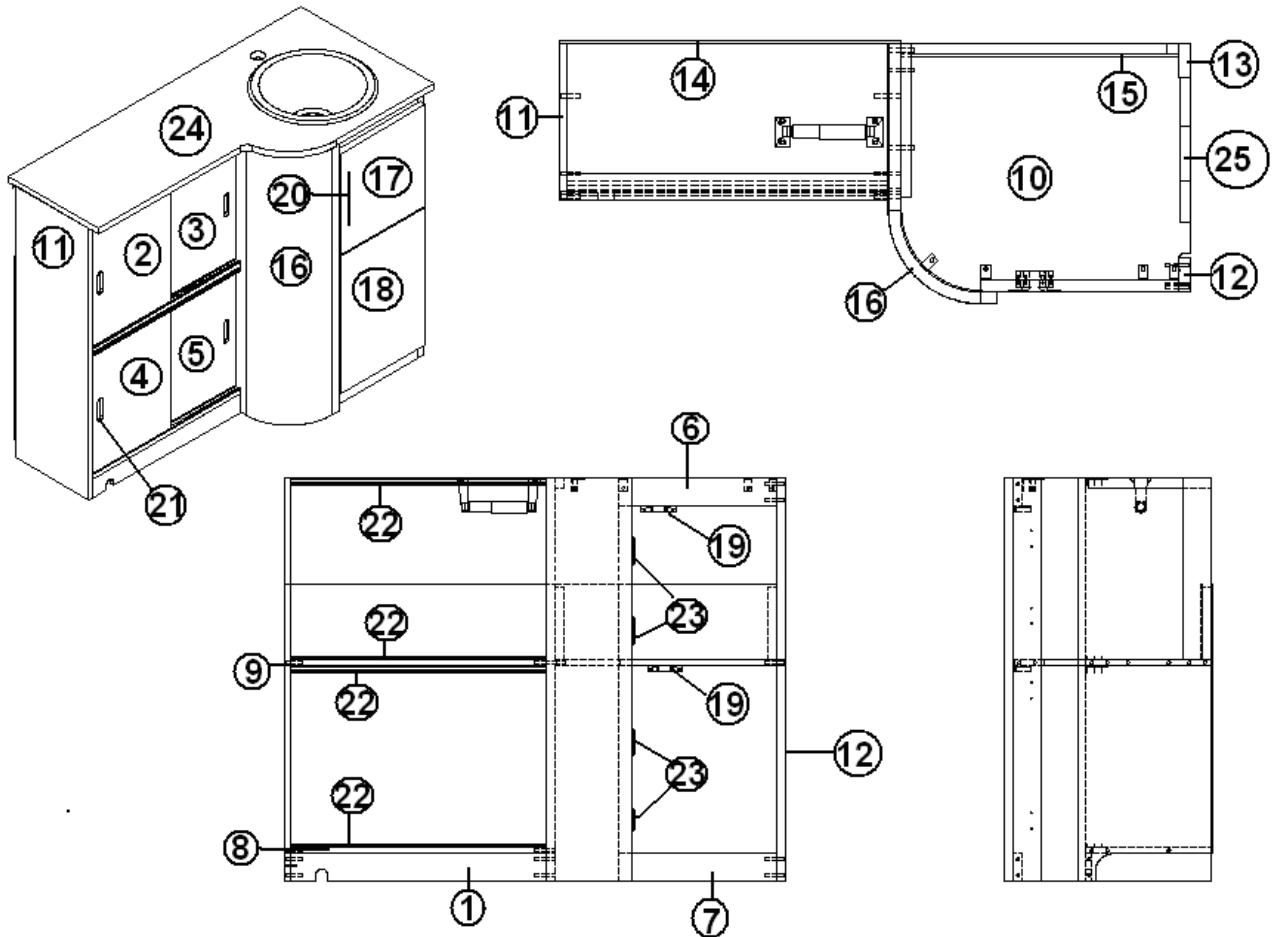
### Lavatory Cabinet, 27' FB, EDDIE BAUER

	966884-19	CABINET ASSEMBLY, LAVY
1.	966884-191	PANEL, 20.85" x 2.25"
2.	966884-192	DOOR, 11.25" X 14.5"
3.	966884-193	DOOR, 11.25" X 14.5"
4.	966884-194	DOOR, 11.25" X 14.25"
5.	966884-195	DOOR, 11.25" X 14.5"
6.	966884-196	PANEL, 12.87" X 2.25"
7.	966884-197	PANEL, 12.87" X 2.25"
8.	966884-8	PANEL, 10.25" X 20.85"
9.	966884-9	PANEL, 10.25" X 20.85"
10.	966884-10	PANEL, 18.87" X 16.19"
11.	966884-11	PANEL, 10.25" X 33"
12.	966884-12	PANEL, 2.25" X 33"
13.	966884-13	PANEL, 2.25" X 14.87"
14.	966884-1914	PANEL, 22.13" X 22.13"
15.	966884-1915	PANEL, 18.12" X 6.25",
16.	966893-19	LAVY SUB ASSY. RADIUS
17.	966884-1917	DOOR, 11.87" X 16.69"
18.	966884-1918	DOOR, 11.87" X 12.31"
19.	381228-01	CATCH GRABBER DOOR C3-803
20.	381865	PULL BRUSH NICKEL
21.	382030	PULL, RECESSED FINGER .7 X 2.7
22.	115374	EXTRUSION - SLIDING DOOR TRACK
23.	381607	HINGE, DOOR
24.	966885-19	TOP ASSY, LAVY
25.	966884-31	PANEL, 7.00 X 8.50

# 2014 INTERNATIONAL TRAVEL TRAILER

## FURNITURE, BATH

### Lavatory Cabinet, 27' FB, STERLING



Parts Listed on Next Page

# 2014 INTERNATIONAL TRAVEL TRAILER

## FURNITURE, BATH

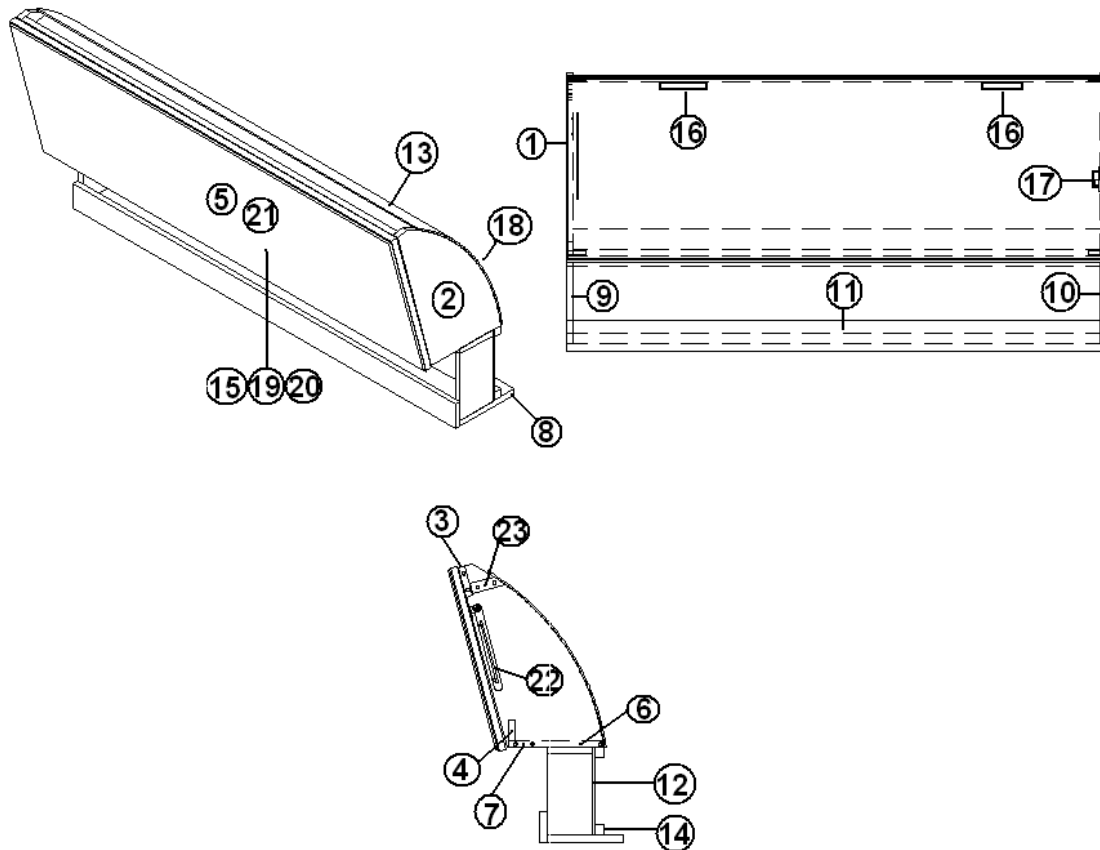
### Lavatory Cabinet, 27' FB, STERLING

	966884-22	CABINET ASSEMBLY, LAVY
1.	966884-221	PANEL, 20.85" x 2.25"
2.	966884-222	DOOR, 11.25" X 14.5"
3.	966884-223	DOOR, 11.25" X 14.5"
4.	966884-224	DOOR, 11.25" X 14.25"
5.	966884-225	DOOR, 11.25" X 14.5"
6.	966884-226	PANEL, 12.87" X 2.25"
7.	966884-227	PANEL, 12.87" X 2.25"
8.	966884-8	PANEL, 10.25" X 20.85"
9.	966884-9	PANEL, 10.25" X 20.85"
10.	966884-10	PANEL, 18.87" X 16.19"
11.	966884-11	PANEL, 10.25" X 33"
12.	966884-12	PANEL, 2.25" X 33"
13.	966884-13	PANEL, 2.25" X 14.87"
14.	966884-14	PANEL, 22.13" X 22.13"
15.	966884-15I	PANEL, 18.12" X 6.25",
16.	966893-22	LAVY SUB ASSY. RADIUS
17.	966884-2217	DOOR, 11.87" X 16.69"
18.	966884-2218	DOOR, 11.87" X 12.31"
19.	381228-01	CATCH GRABBER DOOR C3-803
20.	382178	HANDLE, ROUND BR. NICKEL
21.	382030	PULL, RECESSED FINGER .7 X 2.7
22.	115374	EXTRUSION - SLIDING DOOR TRACK
23.	381607	HINGE, DOOR
24.	966885-22	TOP ASSY, LAVY
25.	966884-31	PANEL, 7.00 X 8.50

# 2014 INTERNATIONAL TRAVEL TRAILER

## FURNITURE, BATH

Medicine Cabinet, 25' FB, 27' FB, Signature



Part numbers are on the next page.

# 2014 INTERNATIONAL TRAVEL TRAILER

## FURNITURE, BATH

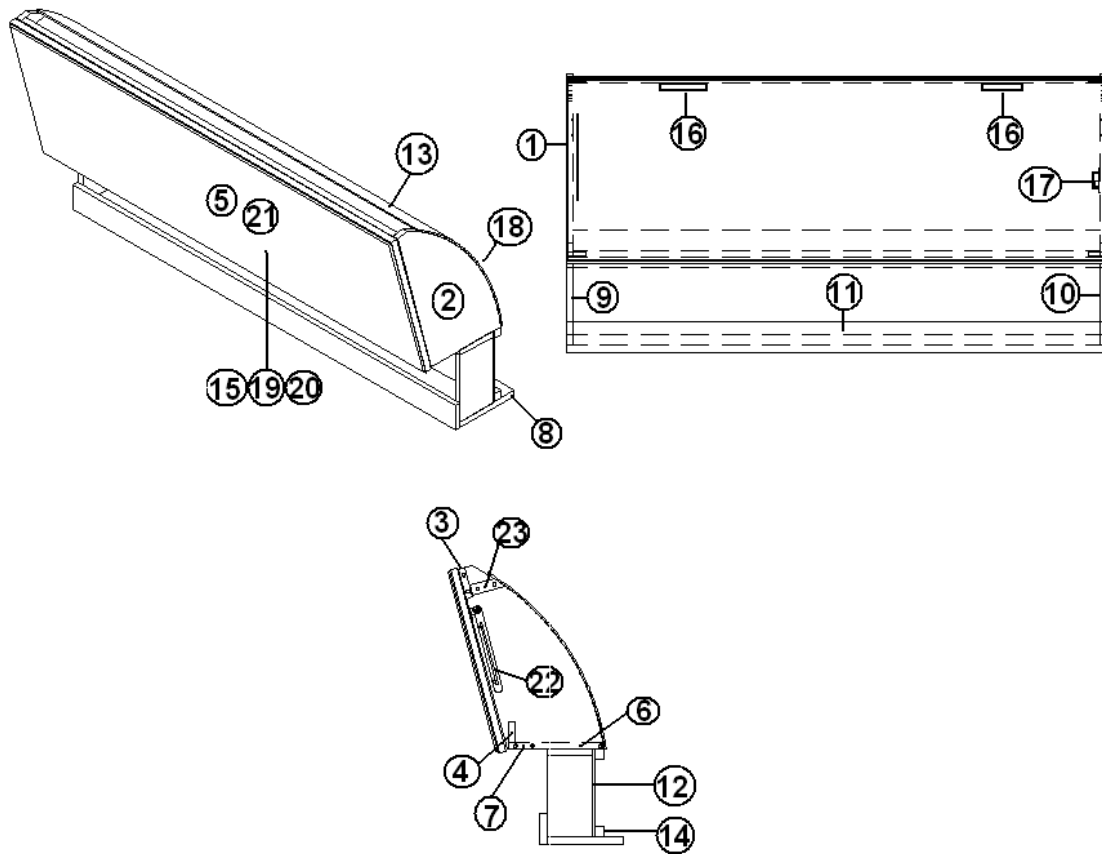
### Medicine Cabinet, 25' FB, 27' FB, Signature

966896	MEDICINE CABINET ASSY.
1. 966896-1	PANEL, 10.81. 13.56"
2. 966896-2	PANEL, 10.81. 13.56"
3. 966896-3	PANEL, 2.25" X 39"
4. 966896-4	PANEL, 1.50" X 39"
5. 966896-5	PANEL, 13.88" X 39.88"
6. 966896-6	PANEL, 7" X 39"
7. 966896-7	PANEL, 3.42" X 40"
8. 966896-8	PANEL, 5.67" X 40"
9. 966896-9	PANEL, 3.42" X 6"
10. 966896-10	PANEL, 3.42" X 6"
11. 966896-11	PANEL, 2.25" X 40"
12. 966896-12	PANEL, 6.5" X 40"
13. 966896-13	PANEL, 16.25" X 40"
14. 800025-01	PINE, 3/4" X 3/4", STAINED
15. 372203-33	MIRROR, SAFETY .125" X 14" X 40"
16. 385935-01	HINGE, PIVOT ZINC PLATED
17. 381228-01	CATCH GRABBER DOOR
18. 365238-04	EDGE BANDING. .5, WHITE
19. 365001	TAPE, DOUBLE COATED FOAM
20. 360180	ADHESIVE SEAL, SIKAFLEX 221, GRAY
21. 385940-02	MIRROR, PULL CHROME
22. 380024	ARMS SUPPORT, RIGHT HAND
23. 966896-23	PANEL, 2.50" X 19"

# 2014 INTERNATIONAL TRAVEL TRAILER

## FURNITURE, BATH

### Medicine Cabinet, 25' FB, 27' FB, Sterling



Parts Listed On Next Page

# 2014 INTERNATIONAL TRAVEL TRAILER

## FURNITURE, BATH

### Medicine Cabinet, 25' FB, 27' FB, Sterling

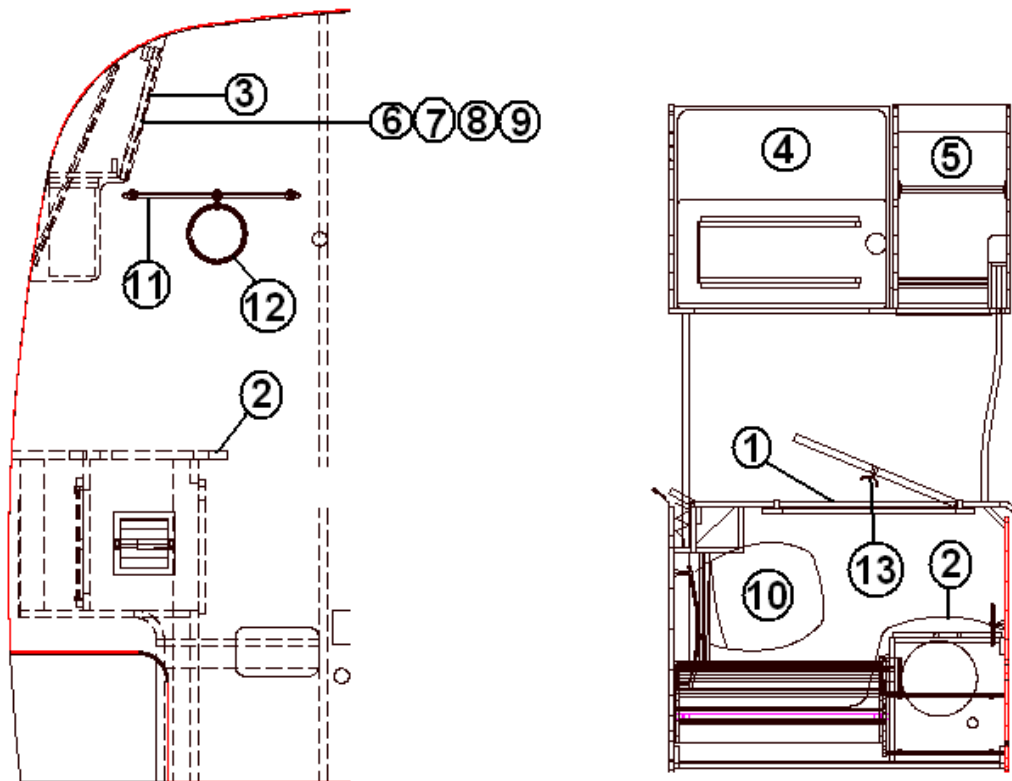
	967876	MEDICINE CABINET ASSY.
1.	967876-1	PANEL, 10.81. 13.56"
2.	967876-2	PANEL, 10.81. 13.56"
3.	967876-3	PANEL, 2.25" X 39"
4.	967876-4	PANEL, 1.50" X 39"
5.	967876-5	PANEL, 13.88" X 39.88"
6.	967876-6	PANEL, 7" X 39"
7.	967876-7	PANEL, 3.92" X 40"
8.	967876-8	PANEL, 6.17" X 40"
9.	967876-9	PANEL, 3.92" X 6"
10.	967876-10	PANEL, 3.92" X 6"
11.	967876-11	PANEL, 1.75" X 39"
12.	967876-12	PANEL, 6.5" X 40"
13.	966896-13	PANEL, 16.25" X 40"
14.	800025-01	PINE, 3/4" X 3/4", STAINED
15.	372203-33	MIRROR, SAFETY .125" X 14" X 40"
16.	382159	HINGE, PIVOT NICKEL
17.	381228-01	CATCH GRABBER DOOR
18.	365368-01	EDGE BANDING. .625" AVI 1mm ALUM.
19.	365001	TAPE, DOUBLE COATED FOAM
20.	360180	ADHESIVE SEAL, SIKAFLEX 221, GRAY
21.	385940-02	MIRROR, PULL CHROME
22.	380024	ARMS SUPPORT, RIGHT HAND
23.	966896-23	PANEL, 2.50" X 19"



# 2014 INTERNATIONAL TRAVEL TRAILER

## FURNITURE, BATH

### Bath Lay Out, 28', Signature

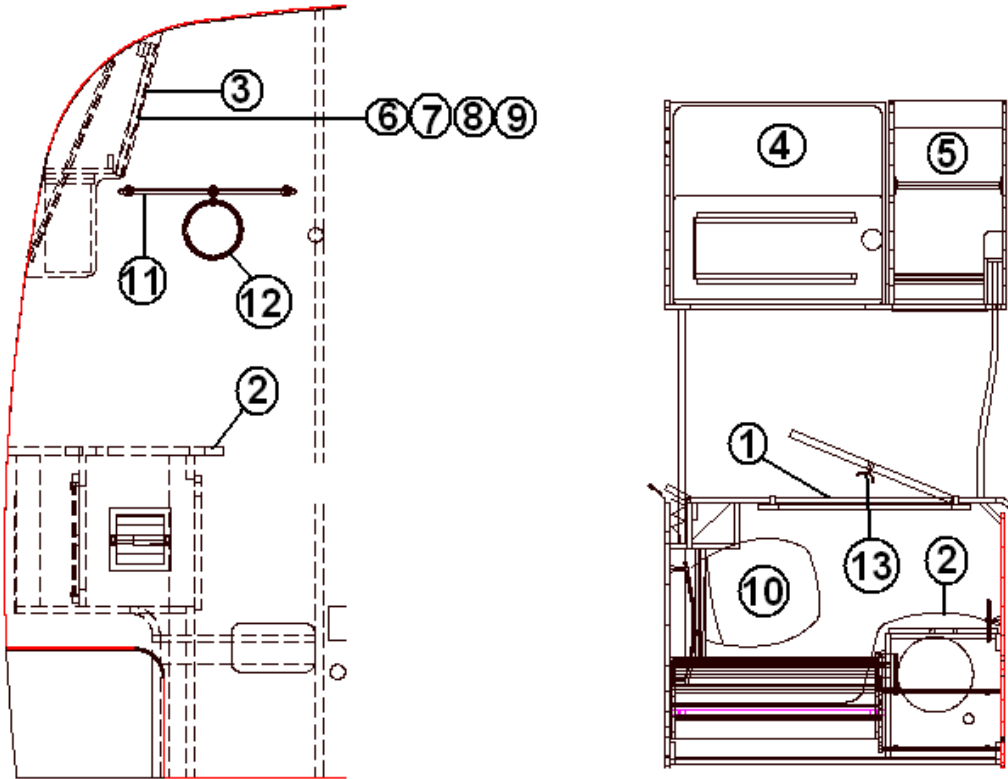


- |              |                             |
|--------------|-----------------------------|
| 1. 966990    | FRONT WALL ASSY, LATRINE    |
| 2. 967394    | CABINET ASSY - LAVATORY     |
| 3. 967003    | MEDICINE CABINET, UPPER 30" |
| 4. 966967    | SHOWER COMPT ASSY           |
| 5. 966969    | WARDROBE ASSY ROADSIDE      |
| 6. 372203-26 | MIRROR, 17.00 X 25.25       |
| 7. 800507-02 | LAUAN, 1/4"X 4' X 8'        |
| 8. 381220-01 | MIRROR CLIP                 |
| 9. 381220-02 | MIRROR CLIP                 |
| 10.690472    | TOILET, CHINA, WHITE        |
| 11.381776    | TOWEL BAR, CHROME, 18"      |
| 12.381777    | TOWEL RING, CHROME          |
| 13.381778    | ROBE HOOK, DOUBLE CHROME    |

# 2014 INTERNATIONAL TRAVEL TRAILER

## FURNITURE, BATH

### Bath Lay Out, 28', Signature, Serenity



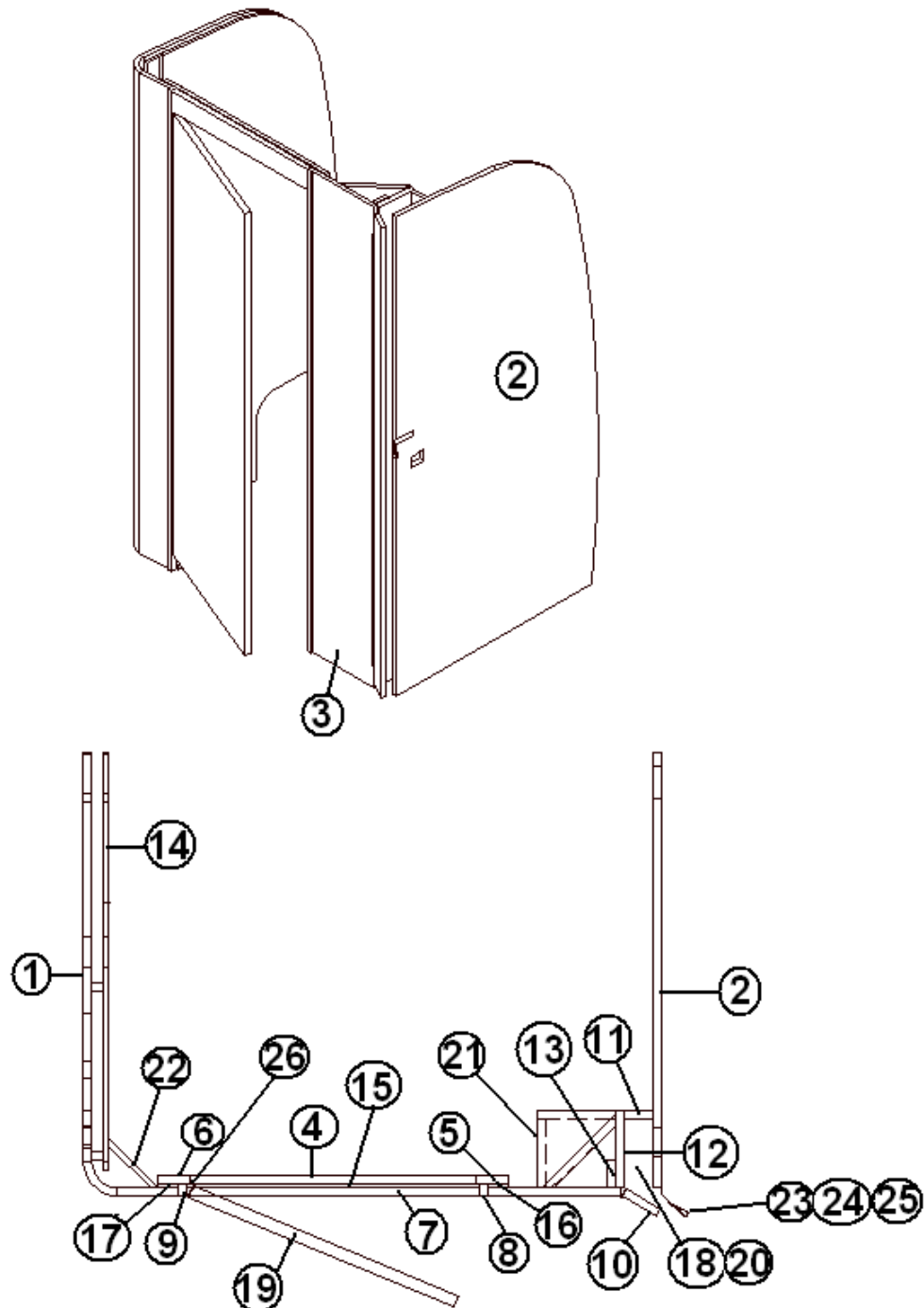
- 966990-15
- 1. 967394-15
- 2. 967003
- 3. 966967-15
- 4. 966969-15
- 5. 372203-26
- 6. 800507-02
- 7. 381220-01
- 8. 381220-02
- 9. 690472
- 10. 382175
- 11. 382176
- 12. 381778

- FRONT WALL ASSY, LATRINE
- LAVY CABINET ASSY.
- MEDICINE CABINET, UPPER 30"
- SHOWER COMPT ASSY
- WARDROBE ASSY ROADSIDE
- MIRROR, 13.62 X 58.
- LAUAN, 1/4"X 4' X 8'
- MIRROR CLIP
- MIRROR CLIP
- TOILET, CHINA, WHITE
- TOWEL BAR, CHROME, 18"
- TOWEL RING, CHROME
- ROBE HOOK, DOUBLE CHROME

# 2014 INTERNATIONAL TRAVEL TRAILER

## FURNITURE, BATH

### Latrine Front Wall Assembly, 28', Signature



Part Number on the Next Page

# 2014 INTERNATIONAL TRAVEL TRAILER

## FURNITURE, BATH

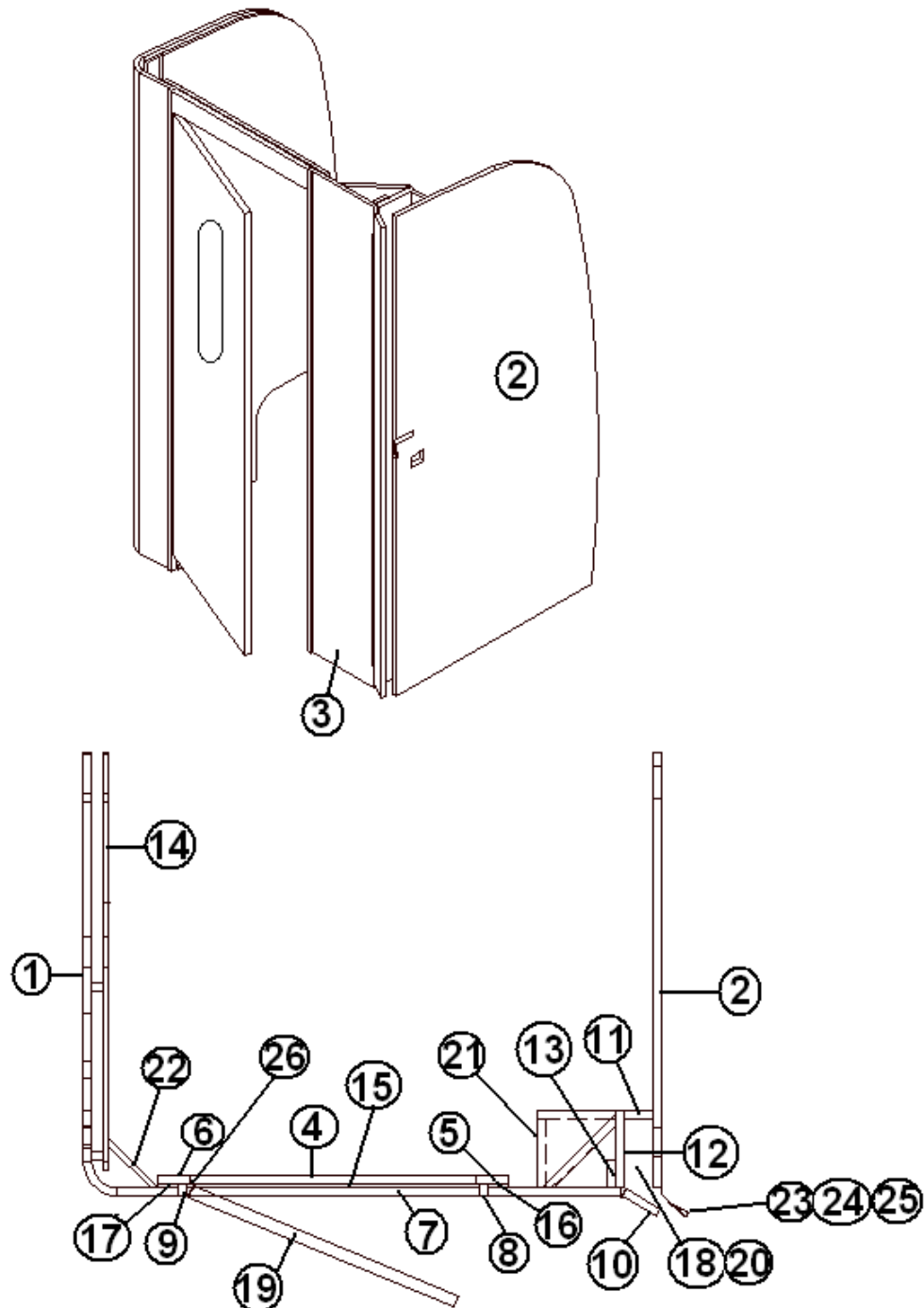
### Latrine Front Wall Assembly, 28', Signature

966990	FRONT WALL ASSY, LATRINE
1. 966991	WALL ASSY FWD BATH
2. 966990-2	PANEL, BATH, 38.58 X 79.22
3. 966990-3	PANEL, BATH, 11.69 X 79.50
4. 966990-4	PANEL, BATH, 25.25 X 3.75
5. 966990-5	PANEL, BATH, 2.88 X 79.32
6. 966990-6	PANEL, BATH, 2.88 X 79.32
7. 966990-7	PANEL, BATH, 26.00 X 3.41
8. 966990-8	PANEL, BATH, 1.06 X 79.42
9. 966990-9	PANEL, BATH, 1.06 X 79.42
10. 966990-10	DOOR, BATH, FRONT WALL, 3.44 X 77.4
11. 966990-11	PANEL, BATH, 2.5 X 78.82
12. 966990-12	PANEL, BATH, 6.75 X 79.34
13. 966990-13	PANEL, BATH, 2.5 X 79.38
14. 966990-14	PANEL, BATH, 37.08 X 79.15
15. 800507-02	LAUAN, 1/4" X 4' X 8'
16. 800507-02	LAUAN, 1/4" X 4' X 8'
17. 800507-02	LAUAN, 1/4" X 4' X 8'
18. 702681-07	DOOR, FOLDETTE 60"X 73" GREY
19. 966995	BATH DOOR ASSY W/PORHOLE
20. 381802-01	TAP CAP #2 WHITE
21. 966996	CLOSEOUT, BLACK TANK VENT ASSY.
22. 966990-22	PANEL, BATH, 6.18 X 79.34
23. 381581	STRAP CLEAR PLASTIC .75"W
24. 700811	BUTTON CAP, HANDY
25. 700812	BUTTON BOTTOM, OAK
26. 380203-01	PIANO HINGE 1/8" PIN

# 2014 INTERNATIONAL TRAVEL TRAILER

## FURNITURE, BATH

### Latrine Front Wall Assembly, 28', Signature, Serenity



Part Number on the Next Page

# 2014 INTERNATIONAL TRAVEL TRAILER

## FURNITURE, BATH

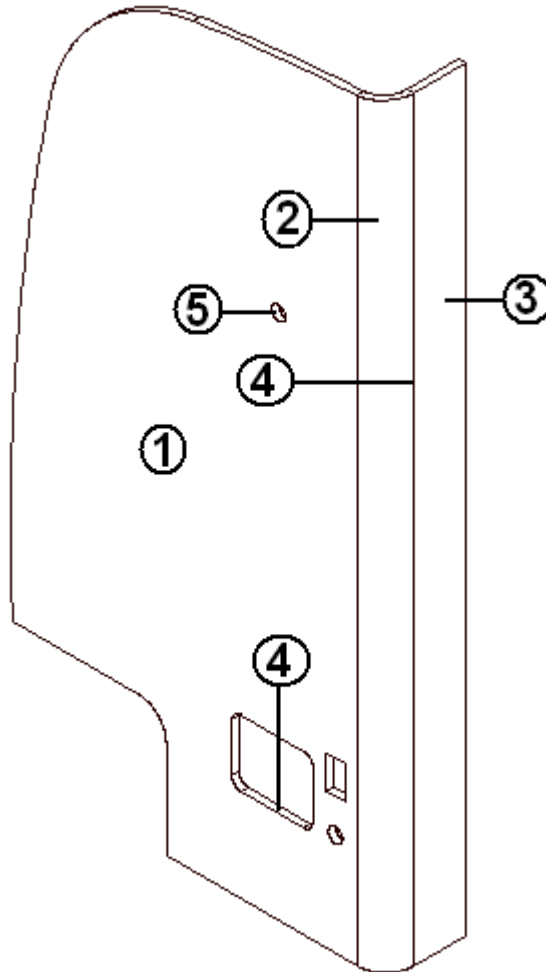
### Latrine Front Wall Assembly, 28', Signature, SERENITY

	966990-15	FRONT WALL ASSY, LATRINE
1.	966991-15	WALL ASSY FWD BATH
2.	966990-152	PANEL, BATH, 38.58 X 79.22
3.	966990-153	PANEL, BATH, 11.69 X 79.50
4.	966990-154	PANEL, BATH, 25.25 X 3.75
5.	966990-155	PANEL, BATH, 2.88 X 79.32
6.	966990-156	PANEL, BATH, 2.88 X 79.32
7.	966990-157	PANEL, BATH, 26.00 X 3.41
8.	966990-158	PANEL, BATH, 1.06 X 79.42
9.	966990-159	PANEL, BATH, 1.06 X 79.42
10.	966990-1510	DOOR, BATH, FRONT WALL, 3.44 X 77.4
11.	966990-1511	PANEL, BATH, 2.5 X 78.82
12.	966990-1512	PANEL, BATH, 6.75 X 79.34
13.	966990-1513	PANEL, BATH, 2.5 X 79.38
14.	966990-1514	PANEL, BATH, 37.08 X 79.195
15.	800507-02	LAUAN, 1/4" X 4' X 8'
16.	800507-02	LAUAN, 1/4" X 4' X 8'
17.	800507-02	LAUAN, 1/4" X 4' X 8'
18.	702681-07	DOOR, FOLDETTE 60"X 73" GREY
19.	967545-15	DOOR ASSY. W/WINDOW BATH
20.	381802-01	TAP CAP #2 WHITE
21.	966996	CLOSEOUT, BLACK TANK VENT ASSY.
22.	966990-22	PANEL, BATH, 6.18 X 79.34
23.	381581	STRAP CLEAR PLASTIC .75"W
24.	700811	BUTTON CAP, HANDY
25.	700812	BUTTON BOTTOM, OAK
26.	380203-01	PIANO HINGE 1/8" PIN

# 2014 INTERNATIONAL TRAVEL TRAILER

## FURNITURE, BATH

Latrine Wall, Forward, 28', Signature

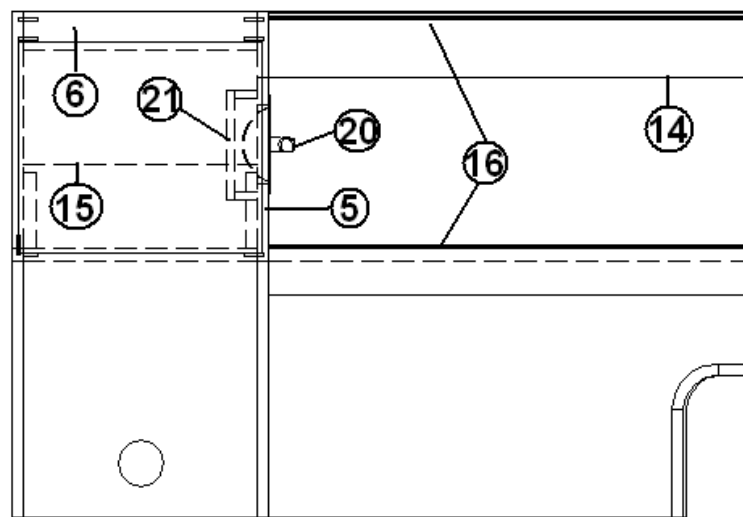
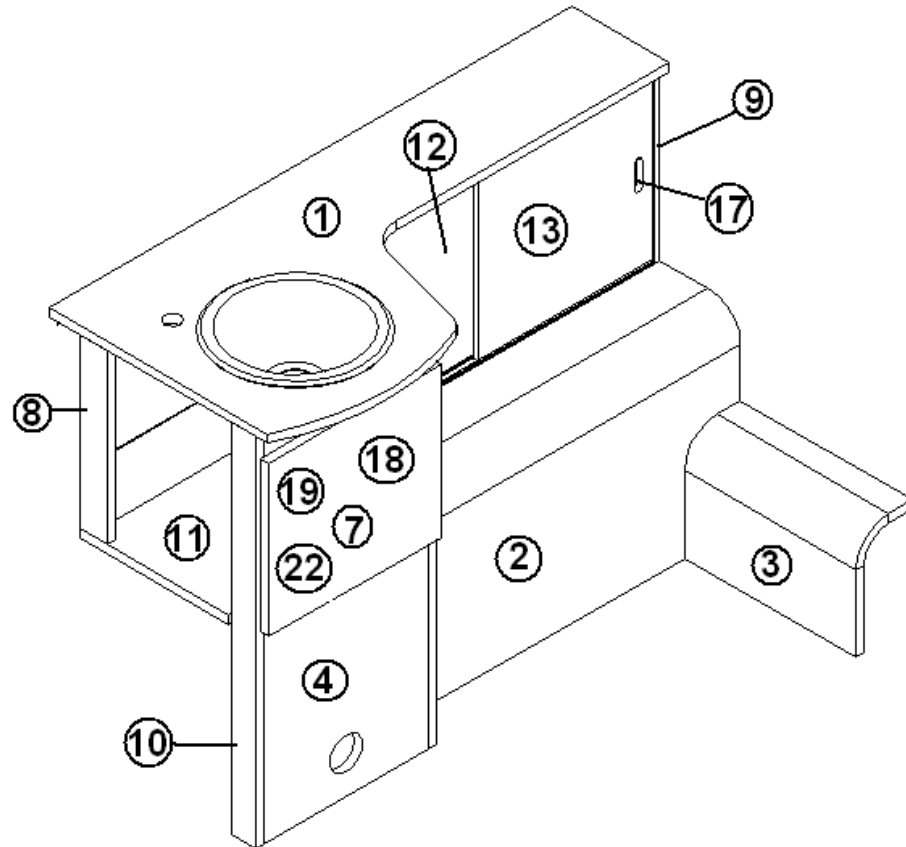


- |              |                                  |
|--------------|----------------------------------|
| 966991       | WALL ASSY FWD BATH               |
| 1. 966991-1  | PANEL, 36.33 X 79.15             |
| 2. 801345    | RADIUS PLYWOOD, .75"X 3"X 8'     |
| 3. 966991-3  | PANEL, 5.375 X 79.4              |
| 4. 203440    | T MOLDING, BLACK EMBOSSED, .8125 |
| 5. 381209-01 | GROMMET, W/CAP BLACK 1.5"HOLE    |

# 2014 INTERNATIONAL TRAVEL TRAILER

## FURNITURE, BATH

### Lavatory Cabinet, 28' Signature



Part Number on the Next Page



# 2014 INTERNATIONAL TRAVEL TRAILER

## FURNITURE, BATH

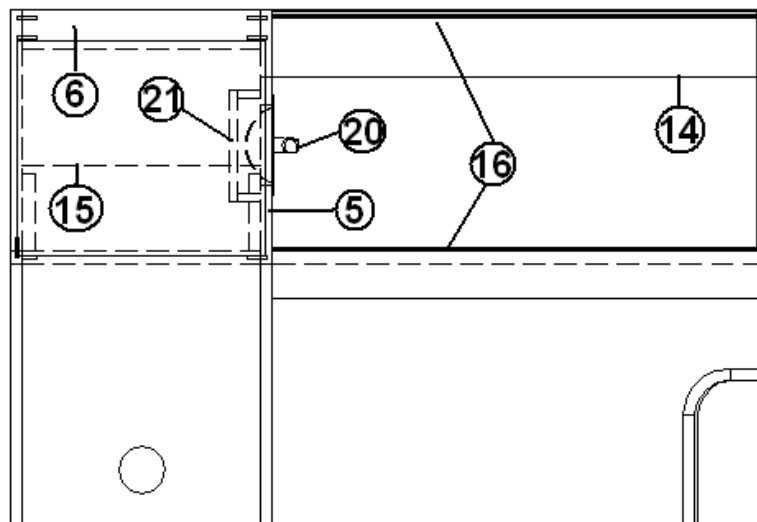
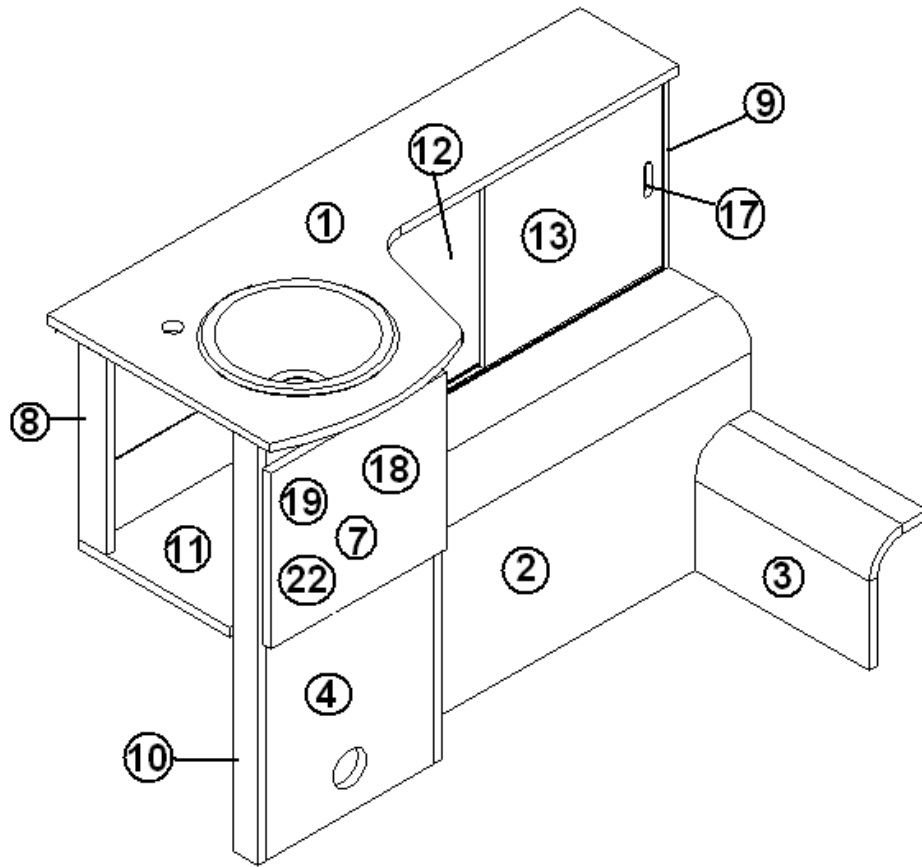
### Lavatory Cabinet, 28' Signature

967394	LAVY CABINET ASSY
967394-23	LAVY CABINET ASSY - AIRSTREAM 2 GO
967396-23	LAVY TOP ASSY - AIRSTREAM 2 GO
1. 966998	LAVY TOP ASSY - INTERNATIONAL
2. 966999	BASE, CLOSE OUT, LAVY
3. 967002	PLUMBING, CLOSE OUT, LAVY
4. 967394-4	PANEL, LAVY CAB 15.25 X 17.50
5. 967394-5	PANEL, LAVY CAB 18.25 X 33.00
6. 967394-6	PANEL, LAVY CAB 2.25 X 15.25
7. 967394-7	DOOR, LAVY CAB 15.00 X 13.00
8. 967394-8	PANEL, LAVY CAB 2.25 X 15.50
9. 967394-9	PANEL, LAVY CAB 7.25 X 15.50
10. 967394-10	PANEL, LAVY CAB 2.25 X 33.00
11. 967394-11	PANEL, CAB 16.00 X 15.50
12. 967394-12	DOOR, LAVY CAB 16.00 X 15.13
13. 967394-13	DOOR, LAVY CAB 16.00 X 15.13
14. 967394-14	PANEL, LAVY CAB 12.00 X 32.13
15. 967394-15	PANEL, LAVY CAB 15.25 X 15.50
16. 115374	EXTRUSION, SLIDING DOOR TRACK, .5"
17. 382030	PULL, RECESSED FINGER, .7 X 2.75
18. 381607	HINGE ASSY
19. 381228-01	CATCH GRABBER DOOR
20. 381299	HOLDER RECESSED TOILET PAPER
21. 967006	CLOSEOUT PAPER HOLDER
22. 382029-00	HANDLE-BAR 7.48"
381607-04	HINGE SCREW, GRASS #6X5/8 FHP,N
114812	ALUMINUM ANGLE, 1.00" X 1.00"

# 2014 INTERNATIONAL TRAVEL TRAILER

## FURNITURE, BATH

### Lavatory Cabinet, 28' Signature, Serenity



Part Number on the Next Page

# 2014 INTERNATIONAL TRAVEL TRAILER

## FURNITURE, BATH

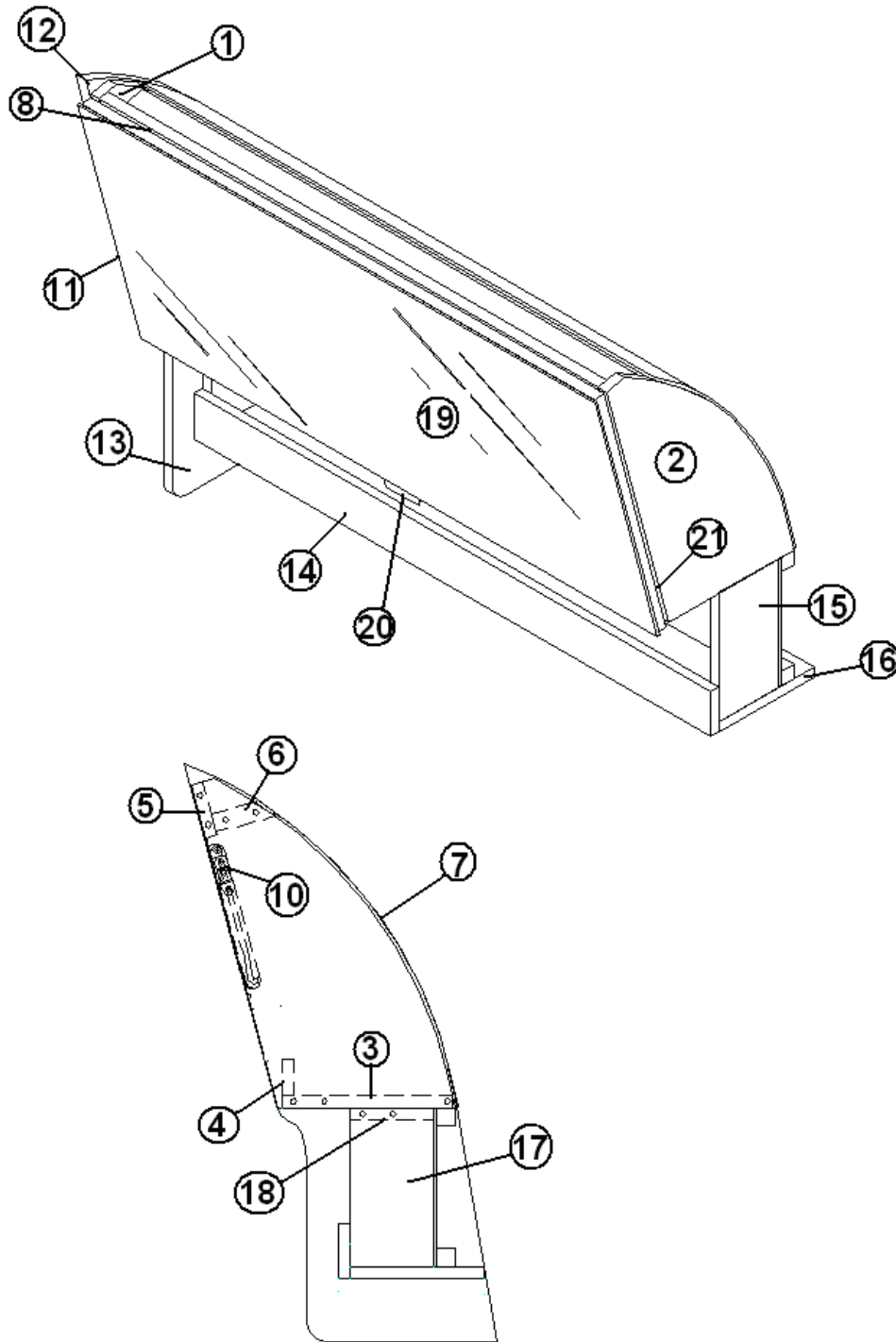
### Lavatory Cabinet, 28' Signature, Serenity

967394-15	LAVY CABINET ASSY
1. 966998-15	LAVY TOP ASSY
2. 966999	BASE, CLOSE OUT, LAVY
3. 967002	PLUMBING, CLOSE OUT, LAVY
4. 967394-154	PANEL, LAVY CAB 15.25 X 17.50
5. 967394-155	PANEL, LAVY CAB 18.25 X 33.00
6. 967394-156	PANEL, LAVY CAB 2.5 X 15.25
7. 967394-157	DOOR, LAVY CAB 15.88 X 13.63
8. 967394-8	PANEL, LAVY CAB 2.5 0 X 15.50
9. 967394-159	PANEL, LAVY CAB 2.50 X 15.50
10. 967394-10	PANEL, LAVY CAB 2.50 X 33.00
11. 967394-11	PANEL, CAB 16.00 X 15.50
12. 967394-1512	PANEL, LAV CAB 15.50 X 31.50
13. 967394-1513	DOOR - 15.88"X13.88"
14. 967394-1514	PANEL, LAVY CAB 15.25 X 5.50
15. 967394-1515	PANEL, LAVY CAB 15.25 X 15.50
16. 115374	EXTRUSION, SLIDING DOOR TRACK, .5"
17. 382030	PULL, RECESSED FINGER, .7 X 2.75
18. 381607	HINGE ASSY
19. 381228-01	CATCH GRABBER DOOR
20. 381299	HOLDER RECESSED TOILET PAPER
21. 967006	CLOSEOUT PAPER HOLDER
22. 382115	PULL, FLAT BLACK #M575
381607-04	HINGE SCREW, GRASS #6X5/8 FHP,N
114812	ALUMINUM ANGLE, 1.00" X 1.00"

# 2014 INTERNATIONAL TRAVEL TRAILER

## FURNITURE, BATH

### Medicine Cabinet, 28' Signature



Part Number on the Next Page

# 2014 INTERNATIONAL TRAVEL TRAILER

## FURNITURE, BATH

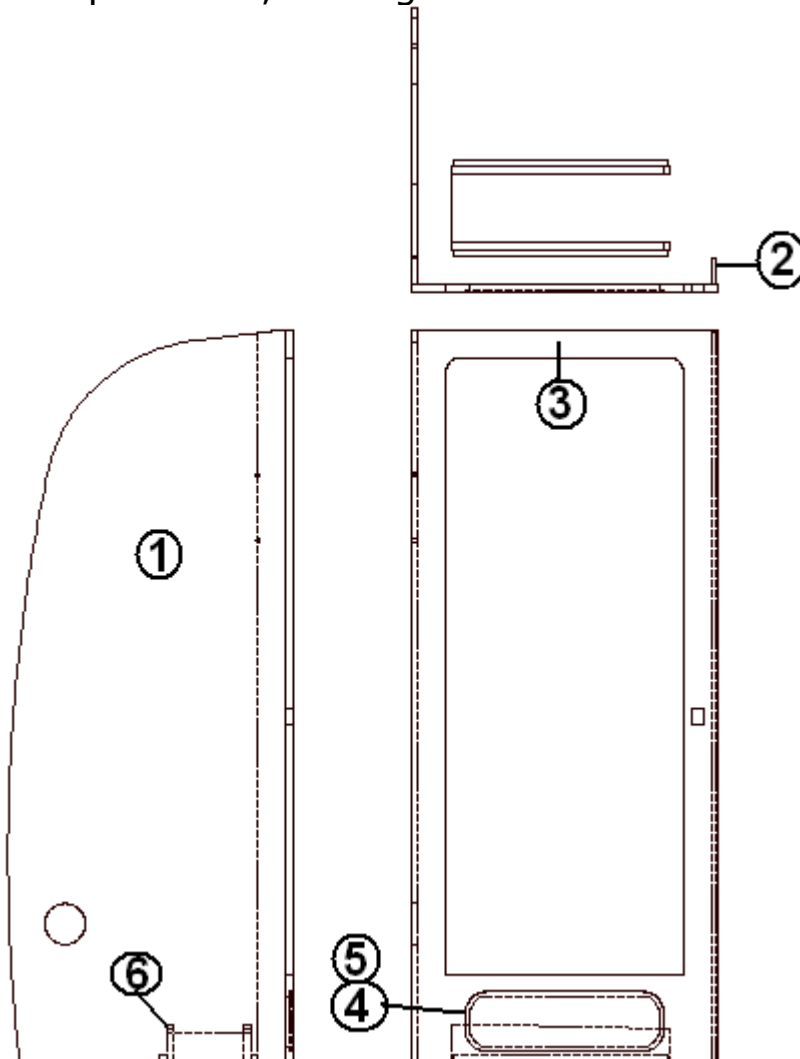
### Medicine Cabinet, 28' Signature

967003	MEDICINE CABINET, UPPER 30"
1. 967003-1	PANEL, 10.81 X 13.56
2. 967003-2	PANEL, 30" 10.81 X 13.56
3. 967003-3	PANEL, 7.00 X 28.97
4. 967003-4	PANEL, 1.50 X 28.97
5. 967003-5	PANEL, 2.25 X 28.97
6. 967003-6	PANEL, 30" 2.50 X 28.97
7. 967003-7	PANEL, 30" 16.125 X 30
8. 385935-01	HINGE, PIVOT, ZINC PLATED
10.382126	LID STAY CHROME
11. 967004	DOOR, MEDICINE, 30"
12.967005	CLOSE OUT, MEDICINE, CABINET
13.967003-15	PANEL, 3.42 X 6.50
14.967003-16	PANEL, 2.25 X 29.97
15.967003-17	PANEL, 3.42 X 6.50
16.967003-18	PANEL, 5.50 X 29.97
17.967003-20	PANEL, 6.50 X 29.97
18.967003-21	PANEL, 3.42 X 28.97
19.372203-30	MIRROR, SAFETY, 14"H X 30"W
20.385940-02	MIRROR, PULL, CHROME
21.195329-202	HEMISPHERE, CLEAR, BUMP-ON

# 2014 INTERNATIONAL TRAVEL TRAILER

## FURNITURE, BATH

### Shower Compartment, 28' Signature

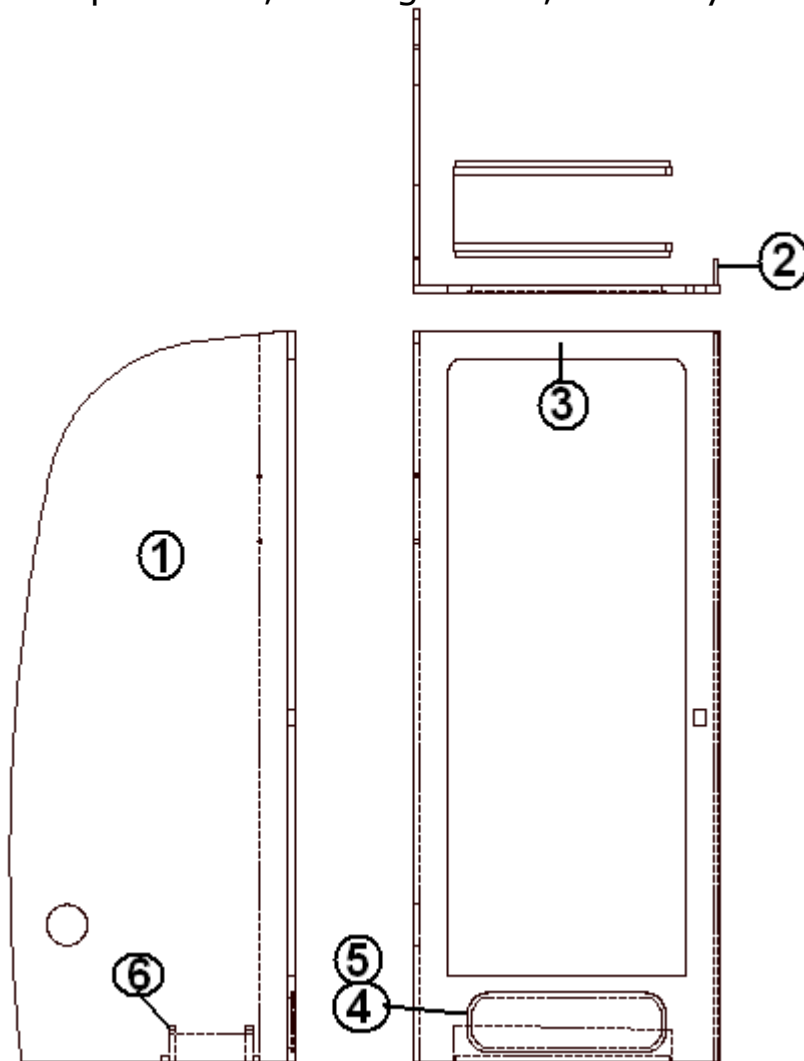


966967	SHOWER COMPARTMENT
1. 966967-1	PANEL, SHOWER, 29.89 X 78.65
2. 966967-2	PANEL, SHOWER, 3.0 X 54.00
3. 966967-3	PANEL SHOWER, 33.06 X 78.71
4. 966967-4	PANEL SHOWER, 21.44 X 6.44
5. 203440	T MOLDING, BLACK EMBOSSED .8125
6. 965816	STAND ASSY, SHOWER
203081-01	SHOWER STALL, 2 PC FIBERGLASS
703911-01	SHOWER DOOR, BRUSHED NICKEL

# 2014 INTERNATIONAL TRAVEL TRAILER

## FURNITURE, BATH

### Shower Compartment, 28' Signature, Serenity

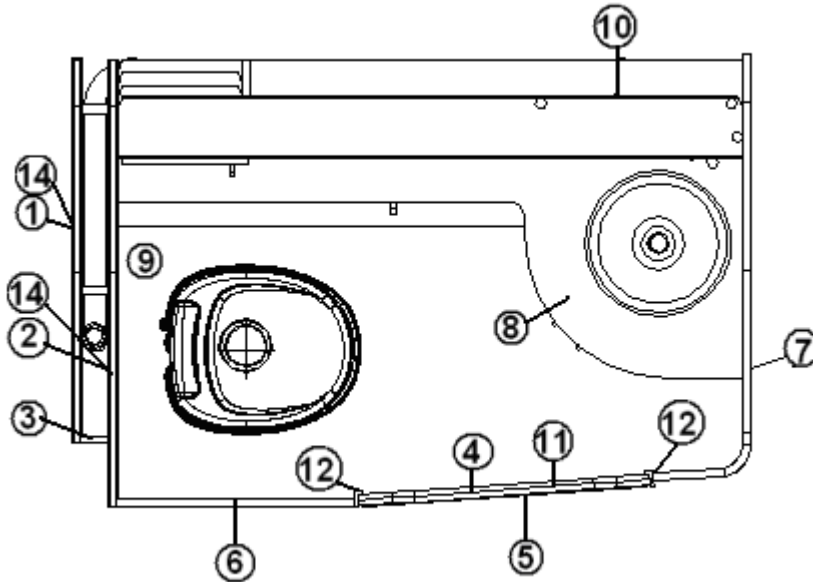


- |               |                                 |
|---------------|---------------------------------|
| 966967-15     | SHOWER COMPARTMENT              |
| 1. 966967-151 | PANEL, SHOWER, 29.89 X 78.65    |
| 2. 966967-2   | PANEL, SHOWER, 3.0 X 54.00      |
| 3. 966967-153 | PANEL SHOWER, 33.06 X 78.71     |
| 4. 966967-154 | PANEL SHOWER, 21.44 X 6.44      |
| 5. 203693     | T MOLDING, BEIGE EMBOSSED .8125 |
| 6. 965816     | STAND ASSY, SHOWER              |
| 203081-01     | SHOWER STALL, 2 PC FIBERGLASS   |
| 703911-01     | SHOWER DOOR, BRUSHED NICKEL     |

# 2014 INTERNATIONAL TRAVEL TRAILER

## FURNITURE, BATH

### BATH MODULE - 30'



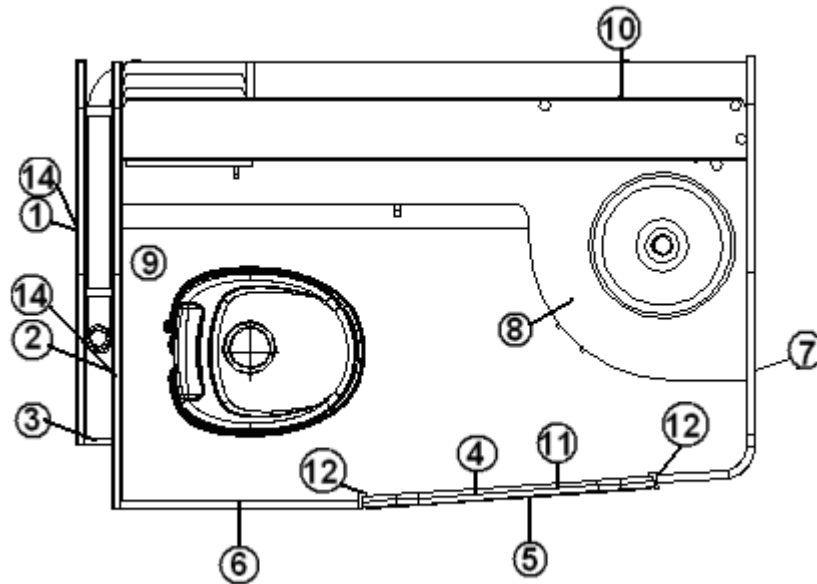
1.111838-1	PANEL, BATH 34.06 X 78.99
2.111838-2	PANEL, BATH 39.58 X 79.32
3.111838-3	PANEL, BATH 2.75 X 79
4.111838-4	PANEL, BATH 4.01 X 26
5.111838-5	PANEL, BATH 4.01 X 26
6.111838-6	PANEL, BATH 21.15 X 79.32
7.967524	SUB ASSY-RAD.BATH PNL
8.967521	CABINET ASSY-LAVY
9.967525	CABINET .ASSY-UPPER LAVY
10.967526	SHELF ASSY-UPPER LAVY 30INTL
11.966940	DOOR W/PORHOLE BATH 25.5 X 72
12.801665-0024	MOLDING-DR JAMB EBONY WOODS 80"
13.203138-05	EXTRUSION-PLASTIC 1/2" WALL BLACK
14. 365364-01	EDGE BANDING- .63" EBONY WOODS
15.967527	SHOWER COMPARTMENT
111838-17	PANEL, BATH 4.50 X 79.36
114812	ALUMINUM ANGLE, 1.00 X 1.00



# 2014 INTERNATIONAL TRAVEL TRAILER

## FURNITURE, BATH

### BATH MODULE, 30' INT'L, SERENITY

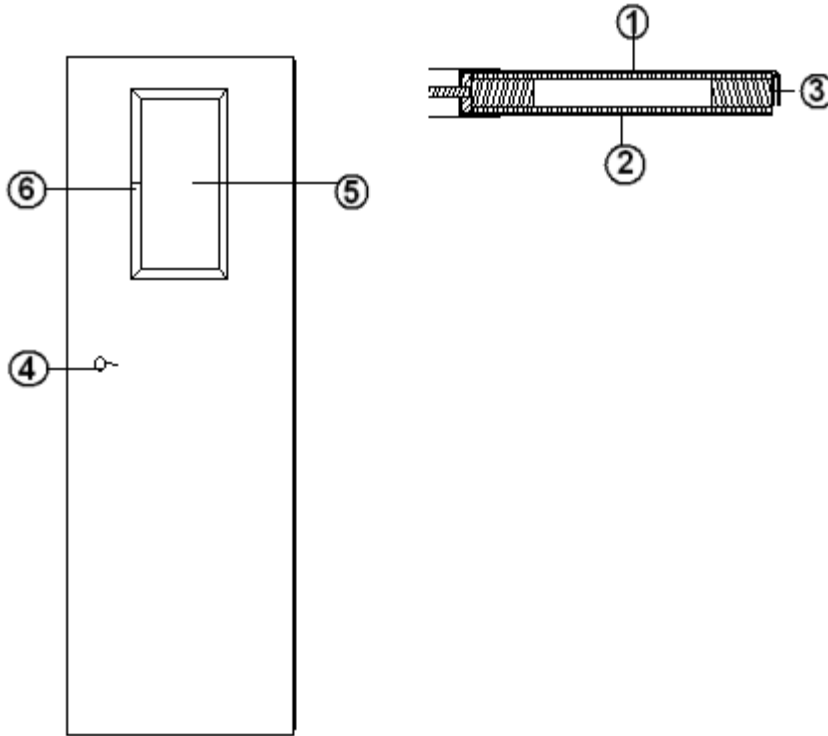


1.111838-151	PANEL, BATH 34.06 X 79
2.111838-152	PANEL, BATH 39.58 X 79.32
3.111838-153	PANEL, BATH 2.75 X 79
4.111838-154	PANEL, BATH 4.01 X 26
5.111838-155	PANEL, BATH 4.01 X 26
6.111838-156	PANEL, BATH 21.15 X 79.32
7.967524-15	SUB ASSY-RAD.BATH PNL
8.967521-15	CABINET ASSY-LAVY
9.967525-15	CABINET .ASSY-UPPER LAVY 30INTL
10.967526	SHELF ASSY-UPPER LAVY 30 INTL
11.967545-15	DOOR W/WINDOW
12.801665-0018	MOLDING-DR JAMB ASIAN SAND
13.203138-03	EXTRUSION-PLASTIC 1/2" WALL BEIGE
14.365344-01	EDGE BANDING- .63" PEARL BISQUE
15.967527-15	SHOWER COMPARTMENT- 30INTL
966996	CLOSEOUT BLACK TANK VENT ASSY.
111838-1517	PANEL, BATH 4.50 X 79.36
114812	ALUMINUM ANGLE, 1.00 X 1.00

# 2014 INTERNATIONAL TRAVEL TRAILER

## FURNITURE, BATH

### BATH DOOR W/WINDOW, 30' SERENITY

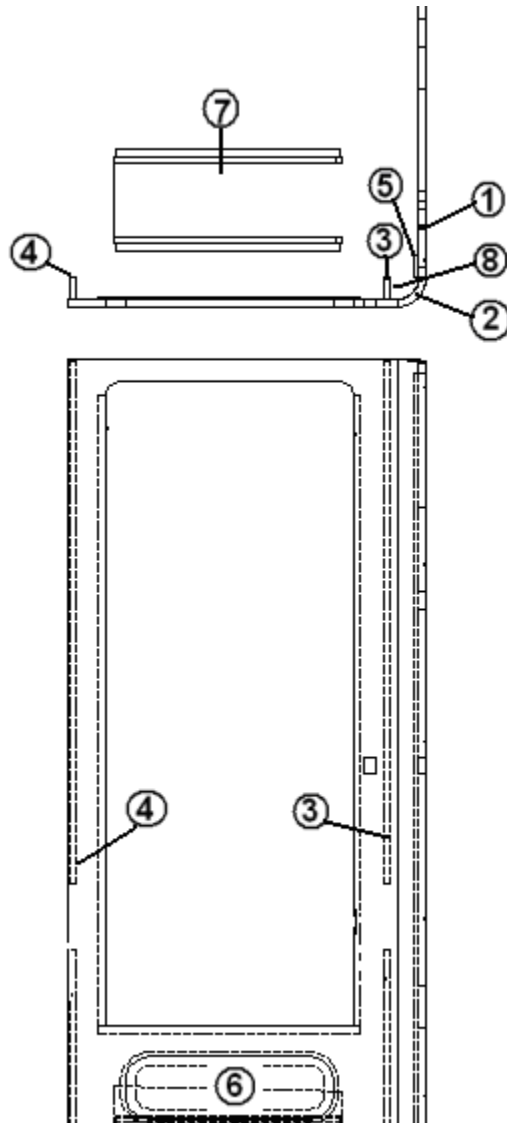


- |              |                                 |
|--------------|---------------------------------|
| 967545-15    | DOOR-BATH W/WINDOW 30' SERENITY |
| 1. 801833-01 | LAMINATE-ASIAN SAND VERTICAL    |
| 2. 801355-01 | LAM-FROST WHT 4'X8'VERT #1573-  |
| 3. 380203-01 | PIANO HINGE 1/8" PIN CLR ANODI  |
| 4. 381771    | LATCH-LEVER LOCKSET             |
| 5. 203676    | WINDOW-BATH DR GINGKO THATCH    |
| 6. 115488    | ANGLE-ALUM. .06" X .5" X 1"     |

# 2014 INTERNATIONAL TRAVEL TRAILER

## FURNITURE, BATH

### SHOWER COMPARTMENT, 30' INT, SERENITY



PARTS LISTED ON NEXT PAGE

# 2014 INTERNATIONAL TRAVEL TRAILER

## FURNITURE, BATH

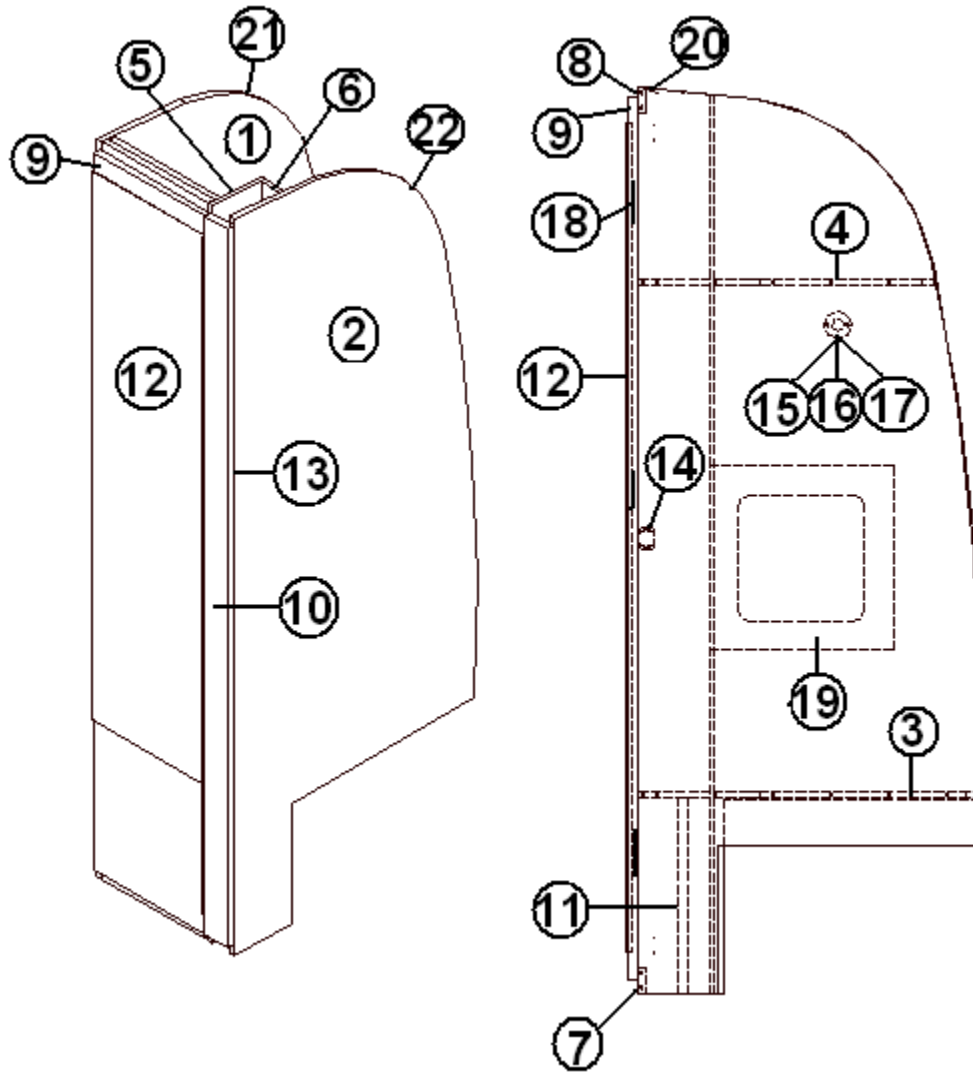
### SHOWER COMPARTMENT, 30' INT, SERENITY

967527-15	SHOWER COMPARTMENT- 30 SERENITY
1.967527-151	PANEL 26.84" X 78.27"
2.967528-15	SUB ASSY-SHOWER COMPT.
3.967527-3	PANEL-SHOWER 2.25X53.91
4.967527-4	PANEL-SHOWER 2.25X53.91
5.967527-5	PANEL-SHOWER 2.25X77.5
6.967527-156	PANEL-SHOWER 8.44X5.94
7.965816	STAND ASSY-SHOWER
8.800025-01	PINE 3/4" X 3/4" STAINED
203081-01	SHOWER STALL-2 PC FIBER
703911-01	SHOWER DOOR - BRUSHED NICKEL

# 2014 INTERNATIONAL TRAVEL TRAILER

## FURNITURE, BATH

Wardrobe, 28', 30' Signature, Roadside



Part Number on the Next Page

# 2014 INTERNATIONAL TRAVEL TRAILER

## FURNITURE, BATH

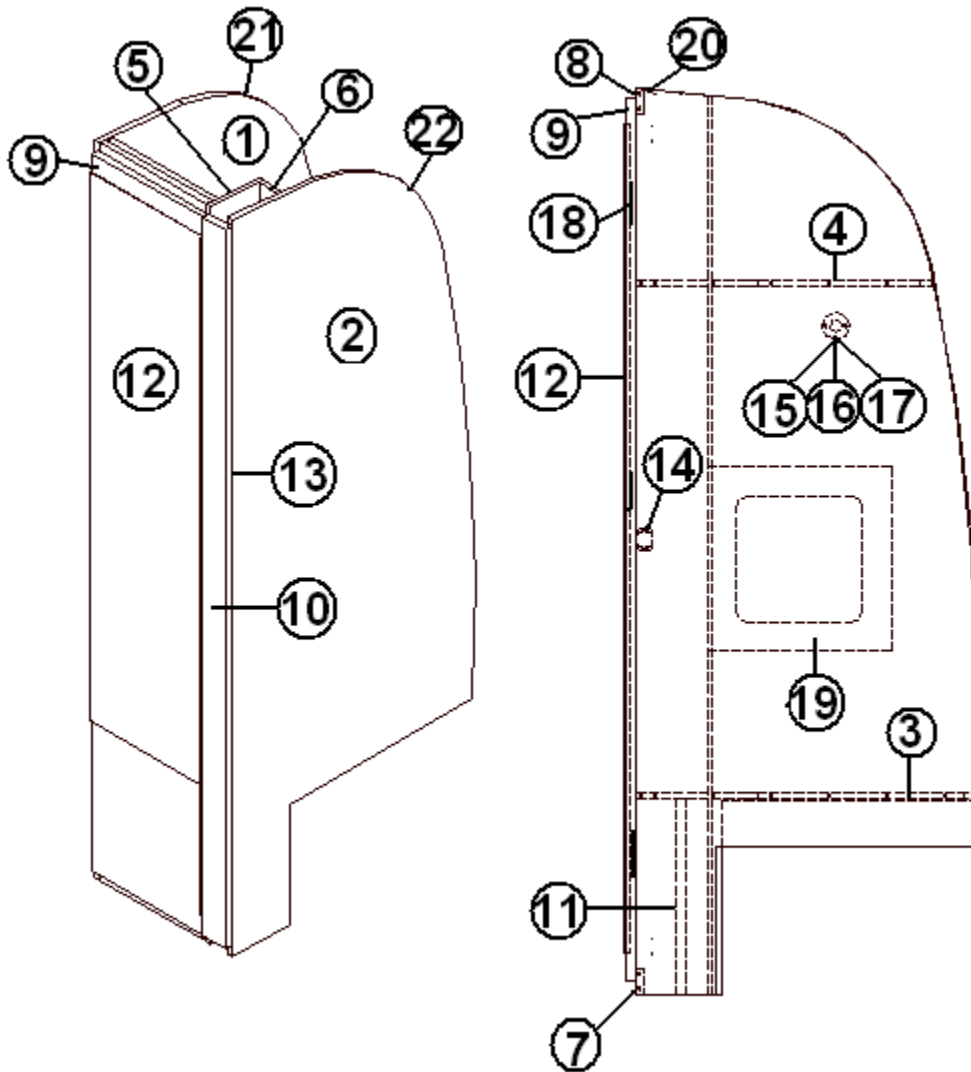
Wardrobe, 28', 30' Signature, Roadside

966969	WARDROBE ASSY R/S
1. 966969-1	PANEL, 29.85 X 78.59
2. 966969-2	PANEL, 29.58 X 78.59
3. 966969-3	PANEL, 29.63 X 15.81
4. 966969-4	PANEL, 25.79 X 15.81
5. 966969-5	PANEL, 6.75 X 78.55
6. 966969-6	PANEL, 2.31 X 77.89
7. 966969-7	PANEL, 2.25 X 13.00
8. 966969-8	PANEL, 2.25 X 13.00
9. 966969-9	DOOR RS W/R 13.62 X 76.56
10. 966969-10	DOOR RS W/R 2.77 X 76.56
11. 966969-11	PNL W/R RS 17.00 X 13.00
12.372203-26	MIRROR, 13.62" X 58.50"
13.380203-01	PIANO HINGE 1/8" PIN
14.381228	CATCH GRABBER DOOR
15.380046	FLANGE CHROME
16.380045	TUBING 3/4", METALLIC
17.200975-04	CONDUIT, FLEXIBLE BLACK PLASTIC
18.381607	HINGE ASSY.
19.966883	CLOSEOUT, W/R
20.104821	SUPPORT, ROOFLOCKER, 74"
21.203464	TRIM, PANEL BLACK 3/4"
22.203138-05	EXTRUSION, 1/2", WALL, BLACK
381220-01	MIRROR CLIP
381220-02	MIRROR CLIP
966969-27	Panel, 14 x 4.50
966969-28	Panel, 14 x 4.50

# 2014 INTERNATIONAL TRAVEL TRAILER

## FURNITURE, BATH

Wardrobe, 28' Signature, Roadside, SERENITY



Part Number on the Next Page

# 2014 INTERNATIONAL TRAVEL TRAILER

## FURNITURE, BATH

### Wardrobe, 28' Signature, Roadside, Serenity

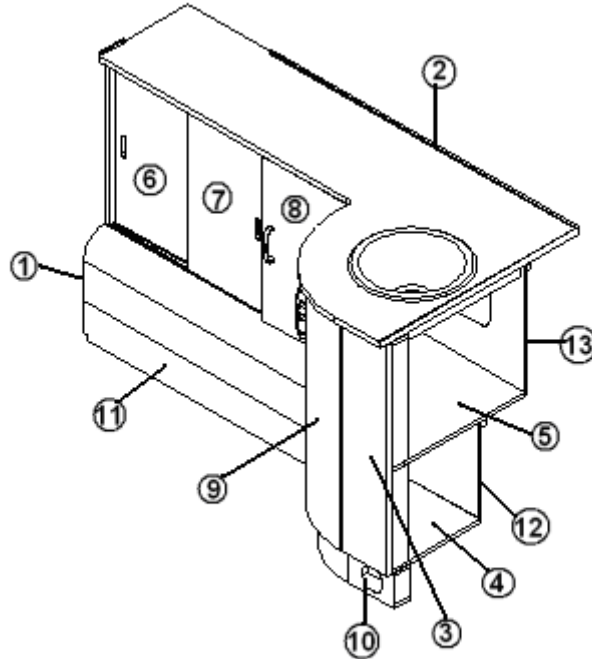
966969-15	WARDROBE ASSY R/S
1. 966969-1	PANEL, 29.85 X 78.59
2. 966969-2	PANEL, 29.58 X 78.59
3. 966969-3	PANEL, 29.63 X 15.81
4. 966969-4	PANEL, 25.79 X 15.81
5. 966969-5	PANEL, 6.75 X 78.55
6. 966969-6	PANEL, 2.31 X 77.89
7. 966969-157	PANEL, 2.25 X 13.00
8. 966969-158	PANEL, 2.25 X 13.00
9. 966969-159	DOOR RS W/R 13.62 X 76.56
10. 966969-1510	DOOR RS W/R 2.77 X 76.56
11. 966969-1511	PANEL, 17.00 X 13.00
12.372203-26	MIRROR, 13.62" X 58.50"
13.380203-01	PIANO HINGE 1/8" PIN
14.381228	CATCH GRABBER DOOR
15.380046	FLANGE CHROME
16.380045	TUBING 3/4", METALLIC
17.200975-04	CONDUIT, BLACK PLASTIC
18.381607	HINGE ASSY.
19.966883	CLOSEOUT, W/R
20.104821	SUPPORT, ROOFLOCKER, 74"
21.203464-02	TRIM, PANEL BEIGE, 3/4"
22.203138-03	EXTRUSION, 1/2", WALL, BEIGE
382115	PULL-FLAT BLACK #M575
966969-27	Panel, 14 x 4.50
966969-28	Panel, 14 x 4.50



# 2014 INTERNATIONAL TRAVEL TRAILER

## FURNITURE, BATH

### LAVATORY CABINET, 30'



967521	LAVATORY CABINET ASSY. 30'
1.967522	SUB ASSY-LAVY BASE 30INTL
2.967618	LAVY TOP - 30 SIG
3.967521-3	PANEL, LAVY CAB. 6.44X28.5
4.967521-10	PANEL, LAVY CAB. 12.5 X17.75
5.967521-11	PANEL, LAVY CAB. 19X17.75
6.967521-26	PANEL, LAVY CAB. 11.34 X 20.13
7.967521-27	DOOR, LAVY CAB. 11.34 X 20.13
8.967521-28	DOOR, LAVY CAB. 13.88X20.25
9.801788-0124	PANEL, LAVY CAB. 4.49X13.25 Ebony
10.115438-03	TOE KICK, ALUM. LAVY 23.75"
11.115438-04	TOE KICK, ALUM. LAVY 39.13"
12.967521-25	PANEL, LAVY CAB. 17.63 X 12"
13.967521-24	PANEL, LAVY CAB. 16 X 17.75"

# 2014 INTERNATIONAL TRAVEL TRAILER

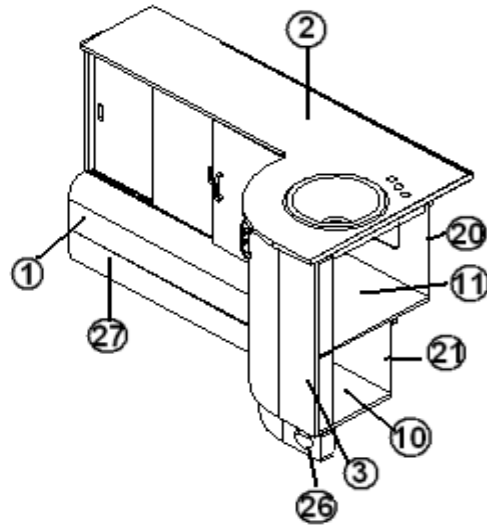
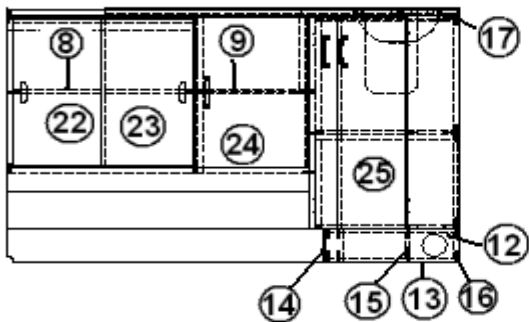
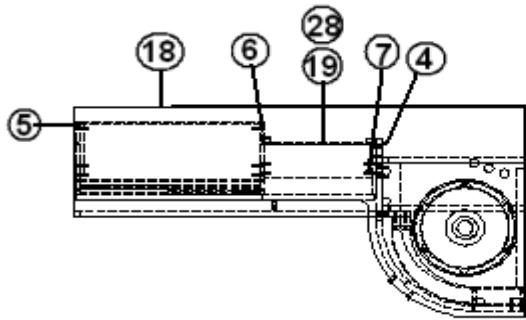
## FURNITURE, BATH

### Lavatory Cabinet Assy., 30' - Continued

381607	HINGE ASSY-GRASS EURO-SAFARI
382044	HANDLE-BRUSHED NICKEL
381228-01	CATCH GRABBER DOOR C3-803
115374	EXTRUSION-SLIDING DR TRACK .5"
454853	LEAF SPRING - SS 22 GA.LAVY DR
704041	Pile Seal Weather Strip .40H x .54W
967521-8	PNL LAVY CABINET 7.5 X 22.19 (NOT SHOWN)
967521-9	SHELF, LAVY CAB 4.59 X 13.25 (NOT SHOWN)
382030	PULL, RECESSED FINGER .7 X 2.7 SL

# 2014 INTERNATIONAL TRAVEL TRAILER

## FURNITURE, BATH LAVATORY CABINET, 30' SERENITY



967521-15	LAVATORY CABINET ASSY. 30'
1.967522-15	SUB ASSY-LAVY BASE 30INTL
2.967618-15	LAVY TOP - 30 SIG
3.967521-153	PANEL, LAVY CAB. 6.44X28.5
4.967521-154	PANEL, LAVY CAB. 10.3X28.5
5.967521-155	PANEL, LAVY CAB. 9.5X20.5
6.967521-156	PANEL, LAVY CAB. 9.5X20.5
7.967521-7	PANEL, LAVY CAB. 7.55X20.5
8.967521-8	PANEL, LAVY CAB. 7.5X22.19
9.967521-9	PANEL, LAVY CAB. 4.49X13.25
10.967521-10	PANEL, LAVY CAB. 12.5X17.75
11.967521-11	PANEL, LAVY CAB. 19X17.75
12.967521-12	PANEL, LAVY CAB. 11.56X16.5
13.967521-13	PANEL, LAVY CAB. 11.56X16.5
14.967521-14	PANEL, LAVY CAB. 2.25X3.5
15.967521-15I	PANEL, LAVY 2.25 X 3.5
	Parts Continued on Next Page

# 2014 INTERNATIONAL TRAVEL TRAILER

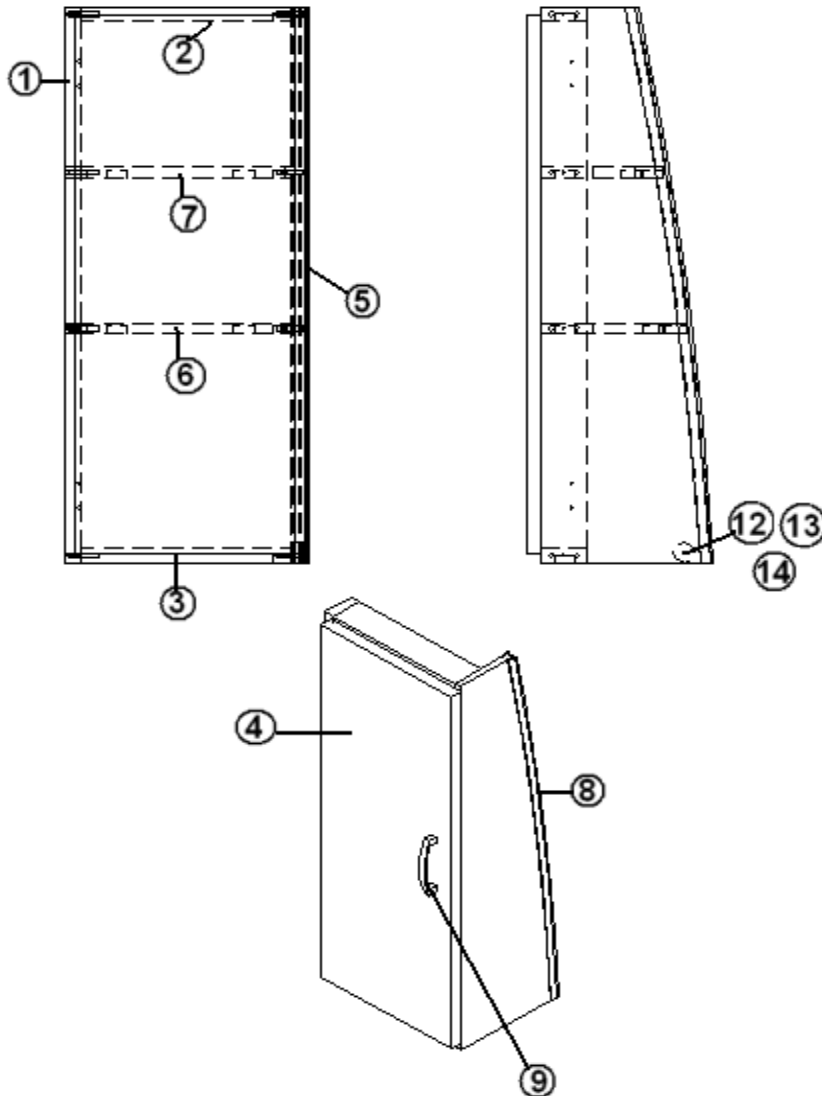
## FURNITURE, BATH

16.967521-16	PANEL, LAVY CAB. 2.25X3.5
17.967521-21	PANEL, LAVY CAB. 19X17.75
18.967521-22	PANEL, LAVY CAB. 23.44 X 19.25
19.967521-23	PANEL, LAVY CAB. 13.75 X 11.00
20.967521-24	PANEL, LAVY CAB. 16 X 17.75
21.967521-25	PANEL, LAVY CAB. 17.75 X 12.5
22.967521-1526	DOOR, LAVY CAB. 11.34 X 20.13
23.967521-1527	DOOR, LAVY CAB. 11.34 X 20.13
24.967521-1528	DOOR, LAVY CAB. 13.88 X 20.25
25.801788-0118	DOOR PLYFORM 9.18 X 28.25 A.SAND
26.115438-03	TOEKICK, ALUM LAVY 23.75"
27.115438-04	TOEKICK, ALUM LAVY 39.13"
28.967521-41	PANEL, LAVY 10 X 13.22
381607	HINGE ASSY., GRASS EURO
381228-01	CATCH, GRABBER DOOR
115374	EXTRUSION, SLIDING DOOR TRACK .5"
382057	KNOCKDOWN
382057-04	CAP, KNOCKDOWN WHT #16387
320151	SCREW #6 X 3/4"
454853	LEAF SPRING, SS 22 GA. LAVY DOOR
704041	Pile Seal Weatherstrip .40H x .54W

# 2014 INTERNATIONAL TRAVEL TRAILER

## FURNITURE, BATH

### LAVATORY CABINET ASSEMBLY - UPPER 30'

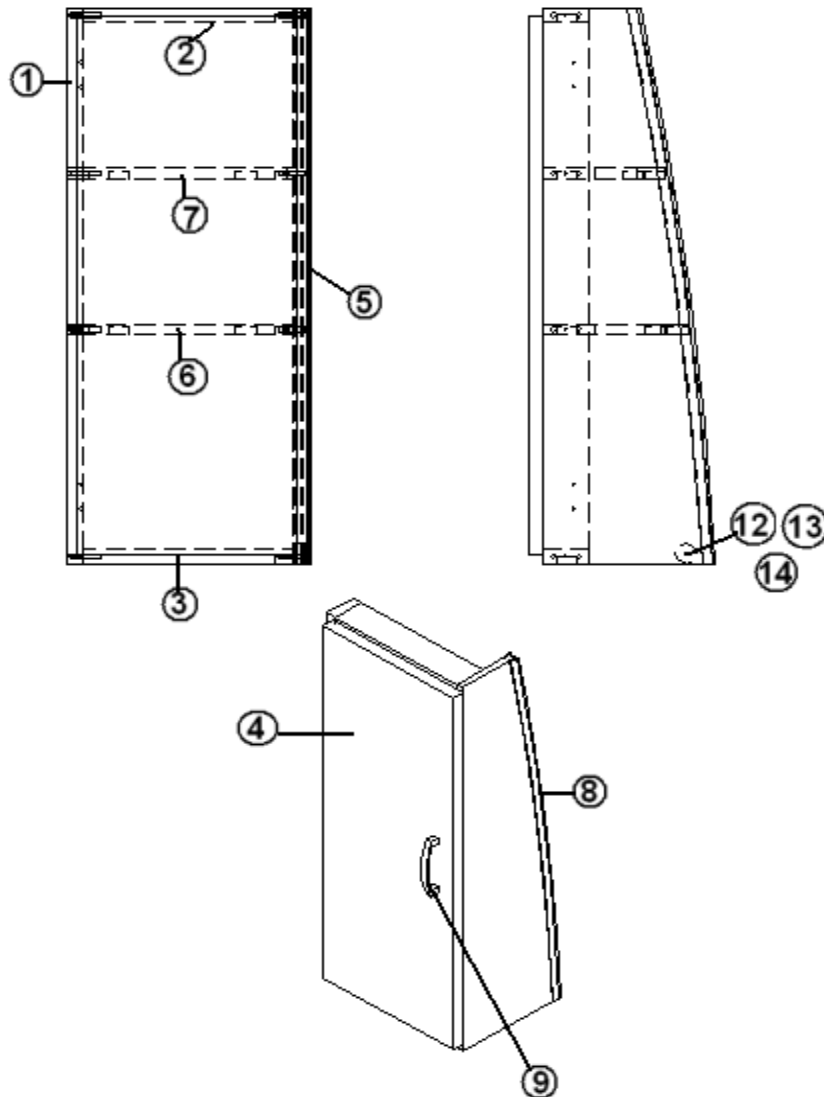


- |              |                                |
|--------------|--------------------------------|
| 967525       | CAB.ASSY-UPPER LAVY 30INTL     |
| 1. 967525-1  | PANEL, LAVY CAB 2.25X28.5      |
| 2. 967525-2  | PANEL, LAVY CAB 2.25X10.5      |
| 3. 967525-3  | PANEL, LAVY CAB 2.25X10.5      |
| 4. 967525-4  | PANEL, LAVY CAB 11.31X27.63    |
| 5. 967525-5  | PANEL, LAVY CAB 8.29X28.5      |
| 6. 967525-6  | PANEL, LAVY CAB 11.25X7.13     |
| 7. 967525-7  | PANEL, LAVY CAB 11.25X6        |
| 8. 203138-05 | EXTRUSION-PLASTIC 1/2" WALL BL |
| 9. 382029-00 | HANDLE-BAR 7.48" #3701-128-CR  |
| 10.381607    | HINGE ASSY-GRASS EURO-SAFARI   |
| 11.381228-01 | CATCH GRABBER DOOR C3-803      |
| 12.382057    | KNOCKDOWN FASTENER             |
| 13.320151    | SCREW #6 X 3/4" ROUND WASHER H |
| 14.382057-04 | CAP-KNOCKDOWN WHT #16387       |

# 2014 INTERNATIONAL TRAVEL TRAILER

## FURNITURE, BATH

### LAVATORY CABINET ASSEMBLY, UPPER 30', Serenity

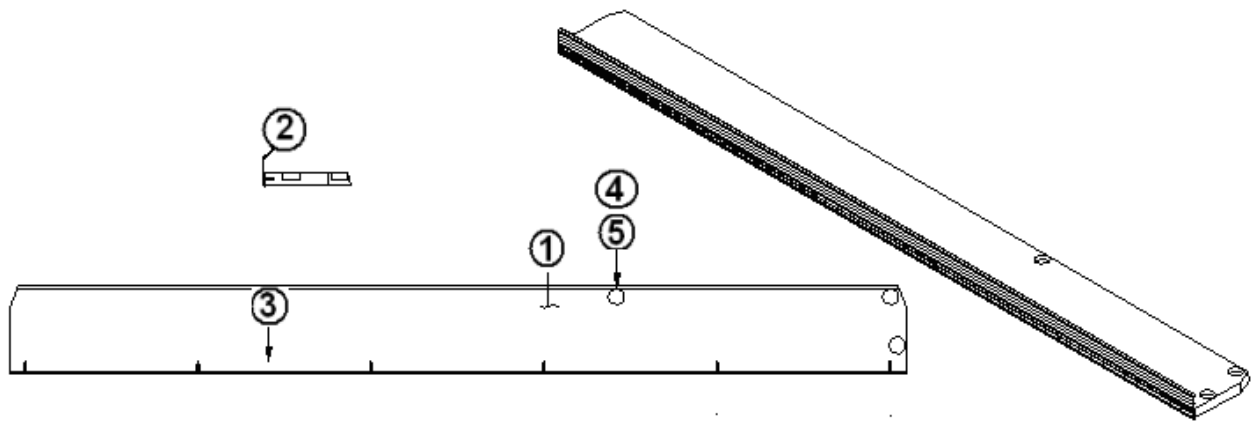


967525-15	CAB.ASSY-UPPER LAVY 30INTL - SERENITY
1. 967525-1	PANEL, LAVY CAB 2.25X28.5
2. 967525-2	PANEL, LAVY CAB 2.25X10.5
3. 967525-3	PANEL, LAVY CAB 2.25X10.5
4. 967525-154	PANEL, LAVY CAB 11.31X27.63
5. 967525-155	PANEL, LAVY CAB 8.29X28.5
6. 967525-6	PANEL, LAVY CAB 11.25X7.13
7. 967525-7	PANEL, LAVY CAB 11.25X6
8. 203138-03	EXTRUSION-PLASTIC 1/2" WALL BEIGE
9. 382115	PULL - FLAT BLACK #M575
10.381607	HINGE ASSY-GRASS EURO-SAFARI
11.381228-01	CATCH GRABBER DOOR C3-803
12.382057	KNOCKDOWN FASTENER
13.320151	SCREW #6 X 3/4" ROUND WASHER H
14.382057-04	CAP-KNOCKDOWN WHT #16387

# 2014 INTERNATIONAL TRAVEL TRAILER

## FURNITURE, BATH

### UPPER SHELF ASSEMBLY 30'

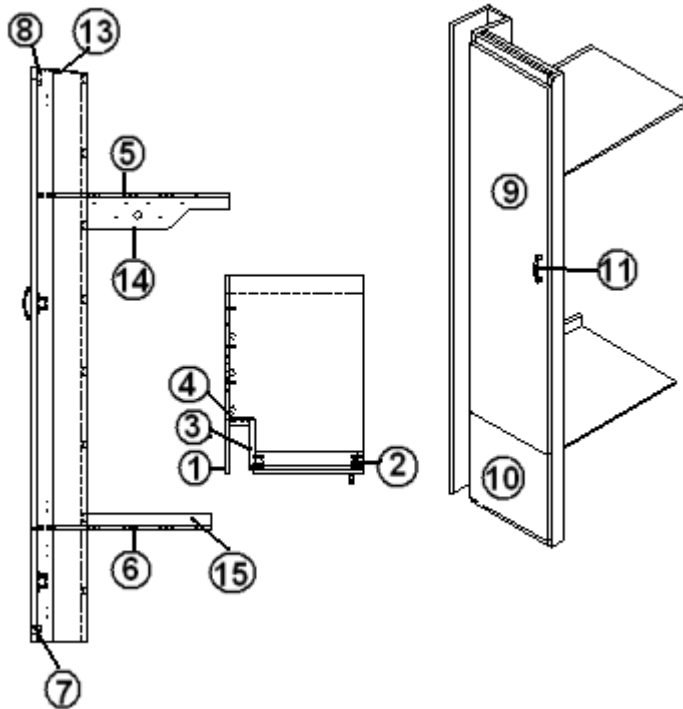


- |              |                                |
|--------------|--------------------------------|
| 967526       | SHELF ASSY-UPPER LAVY 30 INTL  |
| 1. 967526-1  | PANEL, LAVY SHELF 55.69X5.38   |
| 2. 114869    | EXTRU THRESHOLD COMPT CLR ANOD |
| 3. 345353-03 | SCREW- #6 X 0.75 FLAT HD- PHIL |
| 4. 382057    | KNOCKDOWN-8MM #16289B          |
| 5. 382057-01 | CAP-KNOCKDOWN LT BRN #16289C   |

# 2014 INTERNATIONAL TRAVEL TRAILER

## FURNITURE, BATH

### WARDROBE ASSEMBLY, FORWARD, 30'



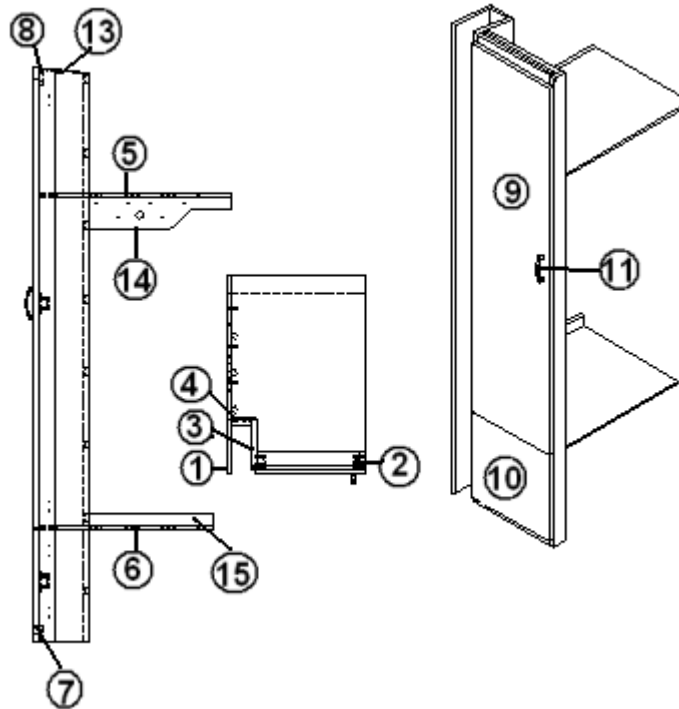
967533	WARDROBE ASSY, FORWARD 30'
1.967533-1	PANEL 78.77 X 7.5
2.967533-2	PANEL 78.70 X 2.25
3.967533-3	PANEL 78.70 X 6.75
4.967533-4	PANEL 78.06 X 2.94
5.967533-5	PANEL 18.5X26.38
6.967533-6	PANEL 18.5X24
7.967533-7	PANEL 2.25X14.06
8.967533-8	PANEL 2.25X14.06
9.967533-9	DOOR- 15.06X61.5
10.967533-10	DOOR- 15.06X14.41
11.382029-03	HANDLE-BAR 11.25" #3701-224-CR
12.381607	HINGE ASSY-GRASS EURO-SAFARI
13.104821	SUPPORT, ROOFLOCKER, 74"
14.967533-17	PNL, W/R 5X19.63
15.967533-18	PANEL, W/R 2.25X17.25
381228	CATCH GRABBER DOOR C3-810



# 2014 INTERNATIONAL TRAVEL TRAILER

## FURNITURE, BATH

### WARDROBE ASSEMBLY, FORWARD, 30' SERENITY

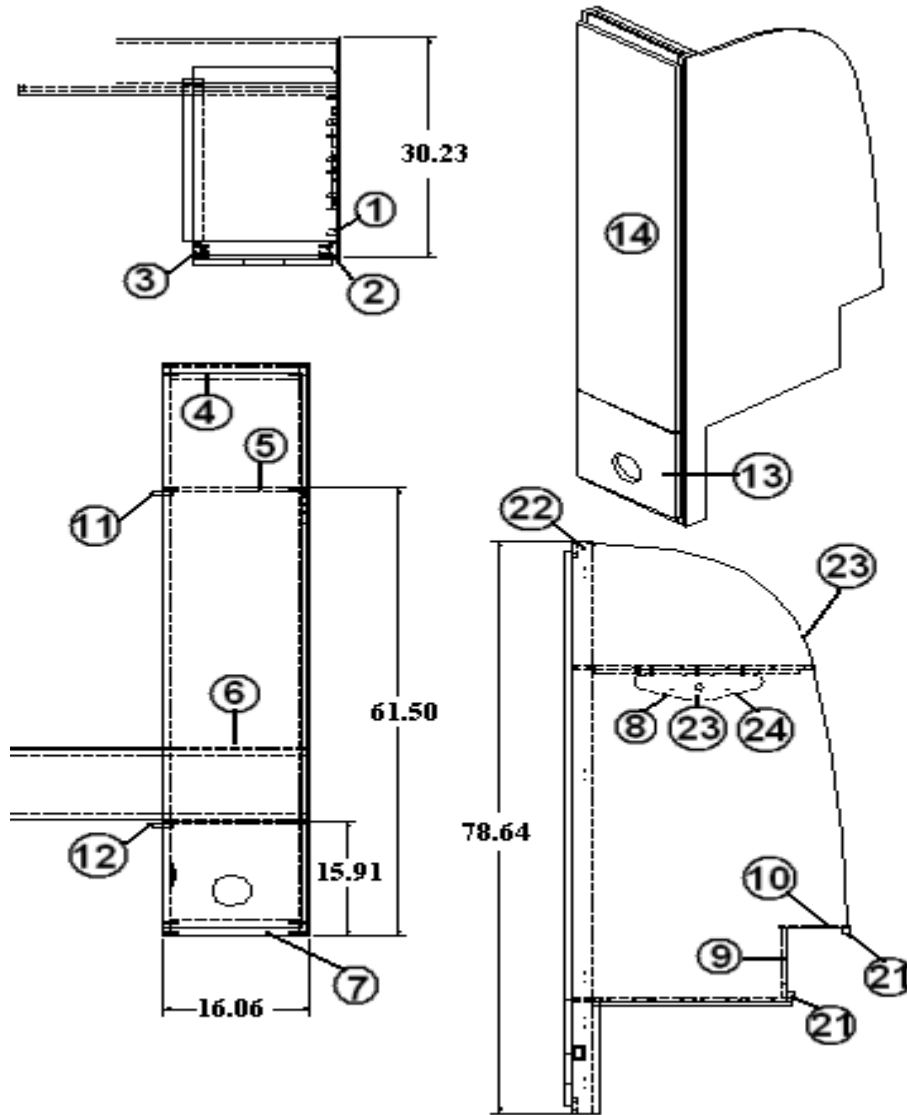


967533-15	WARDROBE ASSY - FORWARD 30' SERENITY
1.967533-151	PANEL 78.72X7.5
2.967533-2	PANEL 78.64X2.25
3.967533-153	PANEL 78.64X6.75
4.967533-154	PANEL 77.96X2.94
5.967533-5	PANEL 18.5X26.38
6.967533-6	PANEL 18.5X24
7.967533-157	PANEL 2.25X14.06
8.967533-158	PANEL 2.25X14.06
9.967533-159	DOOR- 15.06X61.5
10.967533-1510	DOOR- 15.06X14.41
11.382115	PULL, FLAT BLACK #M575
12.381607	HINGE ASSY-GRASS EURO-SAFARI
13.104821	SUPPORT, ROOFLOCKER, 74"
14.967533-17	PANEL, W/R 5X19.63
15.967533-18	PANEL, W/R 2.25X17.25
381228	CATCH GRABBER DOOR C3-810

# 2014 INTERNATIONAL TRAVEL TRAILER

## FURNITURE, BATH

### WARDROBE ASSEMBLY, REAR 30'



PARTS LISTED ON NEXT PAGE

# 2014 INTERNATIONAL TRAVEL TRAILER

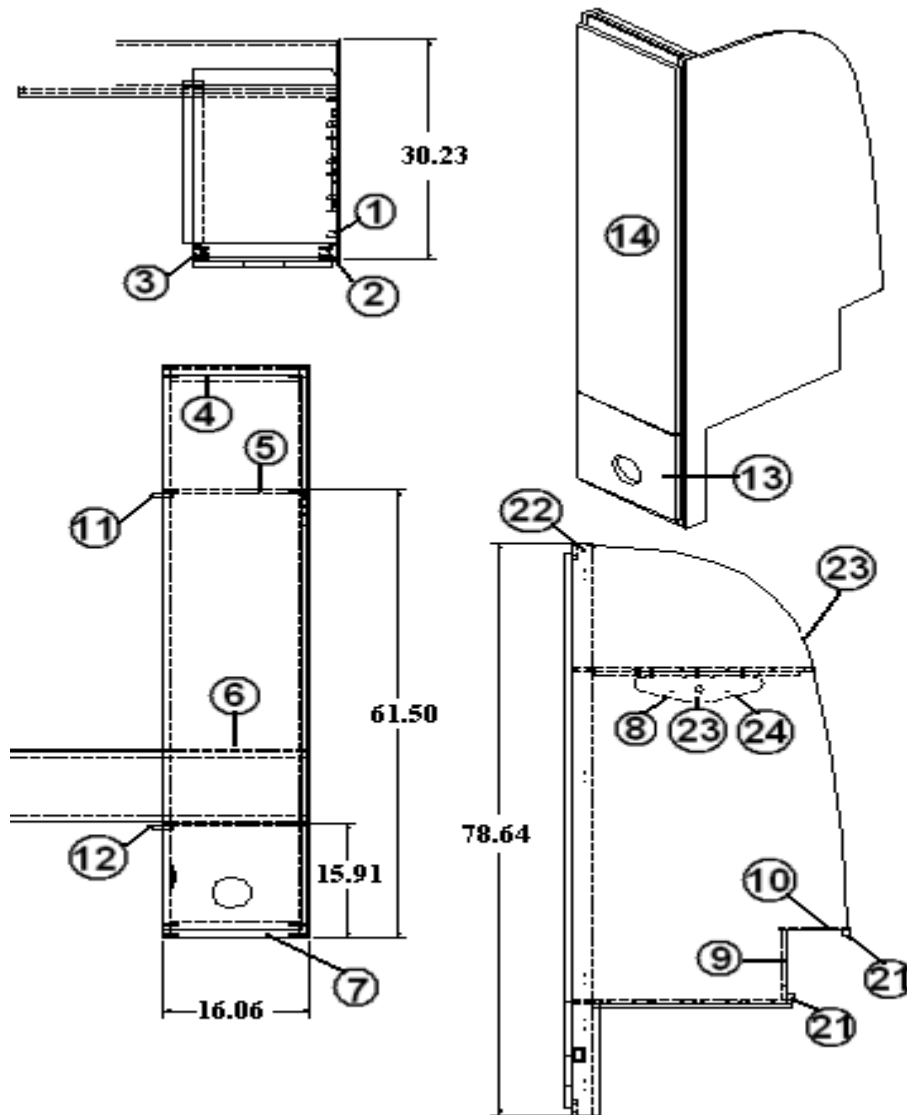
## FURNITURE, BATH

967534	WARDROBE ASSEMBLY REAR, 30'
1.967534-1	PANEL 78.64X30.07
2.967534-2	PANEL 78.64X2.25
3.967534-3	PANEL 78.64X2.25
4.967534-4	PANEL 2.25X14.06
5.967534-5	PANEL 15.56X26.38
6.967534-6	PANEL 15.56X24
7.967534-7	PANEL 2.25X14.06
8.967534-8	PANEL 14X4.5
9.967534-9	PANEL 9.5X34.56
10.967534-10	PANEL 7.75X34.56
11.967534-11	PANEL 2.25X22.25
12.967534-12	PANEL 2.25X21.5
13.967534-13	DOOR-W/R 15.06X14.41
14.967534-14	DOOR-W/R 15.06X61.5
15.365364-01	EDGEBANDING- .63". EBONY WOODS
16.365364-02	EDGEBANDING- .94", EBONY WOODS
17.365340-01	EDGEBANDING- .63" FROSTY WHITE
18.382029-03	HANDLE-BAR 11.25" #3701-224-CR
19.381607	HINGE ASSY-GRASS EURO-SAFARI
20.381228	CATCH GRABBER DOOR C3-810
21.800025-01	PINE 3/4" X 3/4" STAINED
22.104821	SUPPORT, ROOFLOCKER, 74"
23.380045	TUBING 3/4" ELEC METALLIC
24.200975-04	CONDUIT,FLEXIBLE BLACK PLASTIC
25.203138-01	EXTRUSION-PLASTIC WALL-WHITE

# 2014 INTERNATIONAL TRAVEL TRAILER

## FURNITURE, BATH

### WARDROBE ASSEMBLY, REAR 30', Serenity



PARTS LISTED ON NEXT PAGE

# 2014 INTERNATIONAL TRAVEL TRAILER

## FURNITURE, BATH

### WARDROBE ASSEMBLY REAR, 30', SERENITY

967534-15	WARDROBE ASSEMBLY REAR, 30', SERENITY
1.967534-1	PANEL 78.64X30.07
2.967534-2	PANEL 78.64X2.25
3.967534-3	PANEL 78.64X2.25
4.967534-1542	PANEL 2.25X14.06
5.967534-5	PANEL 15.56X26.38
6.967534-6	PANEL 15.56X24
7.967534-157	PANEL 2.25X14.06
8.967534-8	PANEL 14X4.5
9.967534-9	PANEL 9.5X34.56
10.967534-10	PANEL 7.75X34.56
11.967534-11	PANEL 2.25X22.25
12.967534-12	PANEL 2.25X21.5
13.967534-1513	DOOR-W/R 15.06 X 14.41"
14.967534-1514	DOOR-W/R 15.06 X 61.5"
15.365344-01	EDGE BANDING .63" PEARL BISQUE
16.365344-02	EDGE BANDING .94" PEARL BISQUE
17.365340-01	EDGE BANDING- .63" FROSTY WHITE
18.382115	PULL, FLAT BLACK #M575
19.381607	HINGE ASSY-GRASS EURO-SAFARI
20.381228	CATCH GRABBER DOOR C3-810
21.800025-01	PINE 3/4" X 3/4" STAINED
22.104821	SUPPORT, ROOFLOCKER, 74"
23.380045	TUBING 3/4" ELEC METALLIC
24.200975-04	CONDUIT, FLEXIBLE BLACK PLASTIC
25.203138-01	EXTRUSION-PLASTIC WALL-WHITE

# 2014 INTERNATIONAL TRAVEL TRAILER

## FURNITURE, BATH

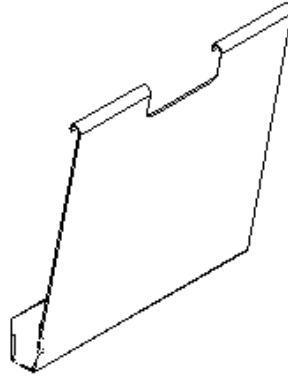
Clothes Line, Retractable, All models

382063 Retractable Clothes Line

# 2014 INTERNATIONAL TRAVEL TRAILER

## FURNITURE, GALLEY

Magazine Rack, Signature, White



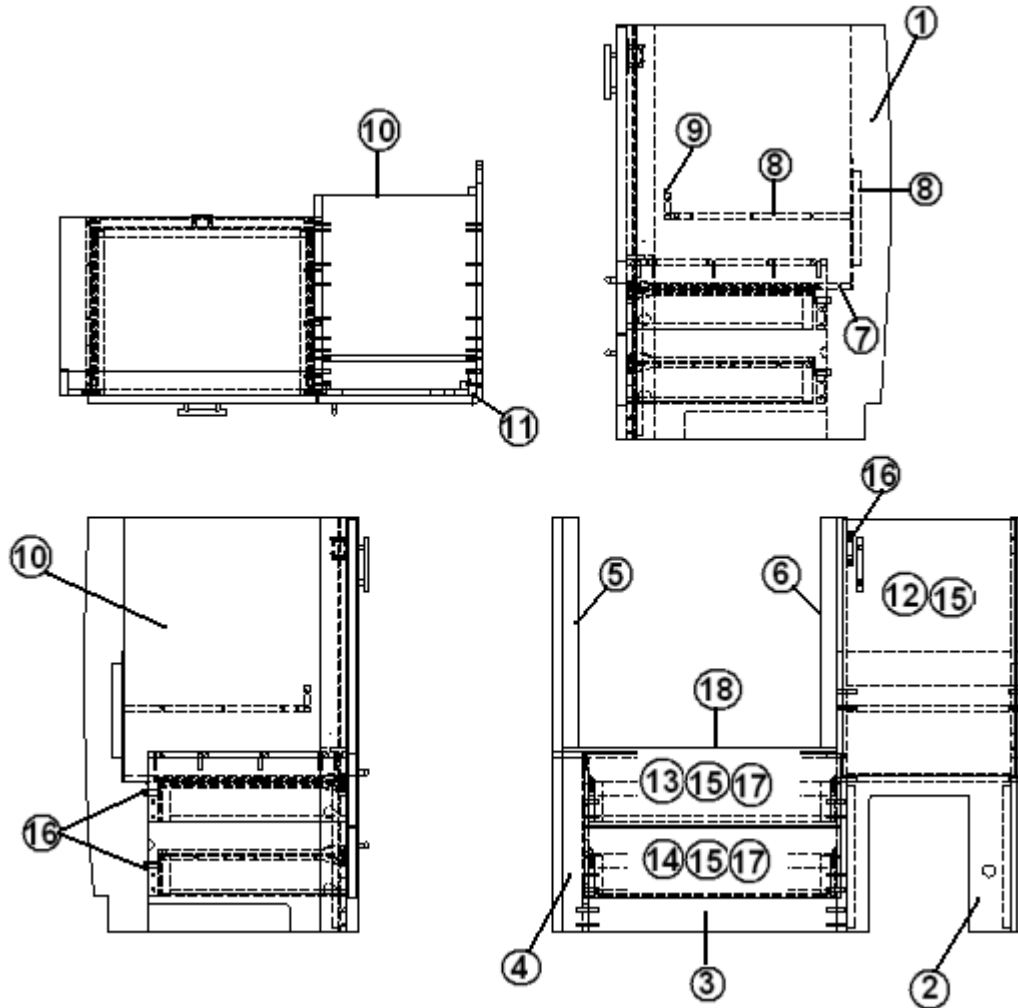
386106-01  
386107  
115064

RACK-MAGAZINE WHITE  
ROD-MAGAZINE RACK  
TRIM-ALUM COUNTER TOP

# 2014 INTERNATIONAL TRAVEL TRAILER

## FURNITURE, GALLEY

Galley, 19' Signature, W/Oven



Parts Listed On Next Page



# 2014 INTERNATIONAL TRAVEL TRAILER

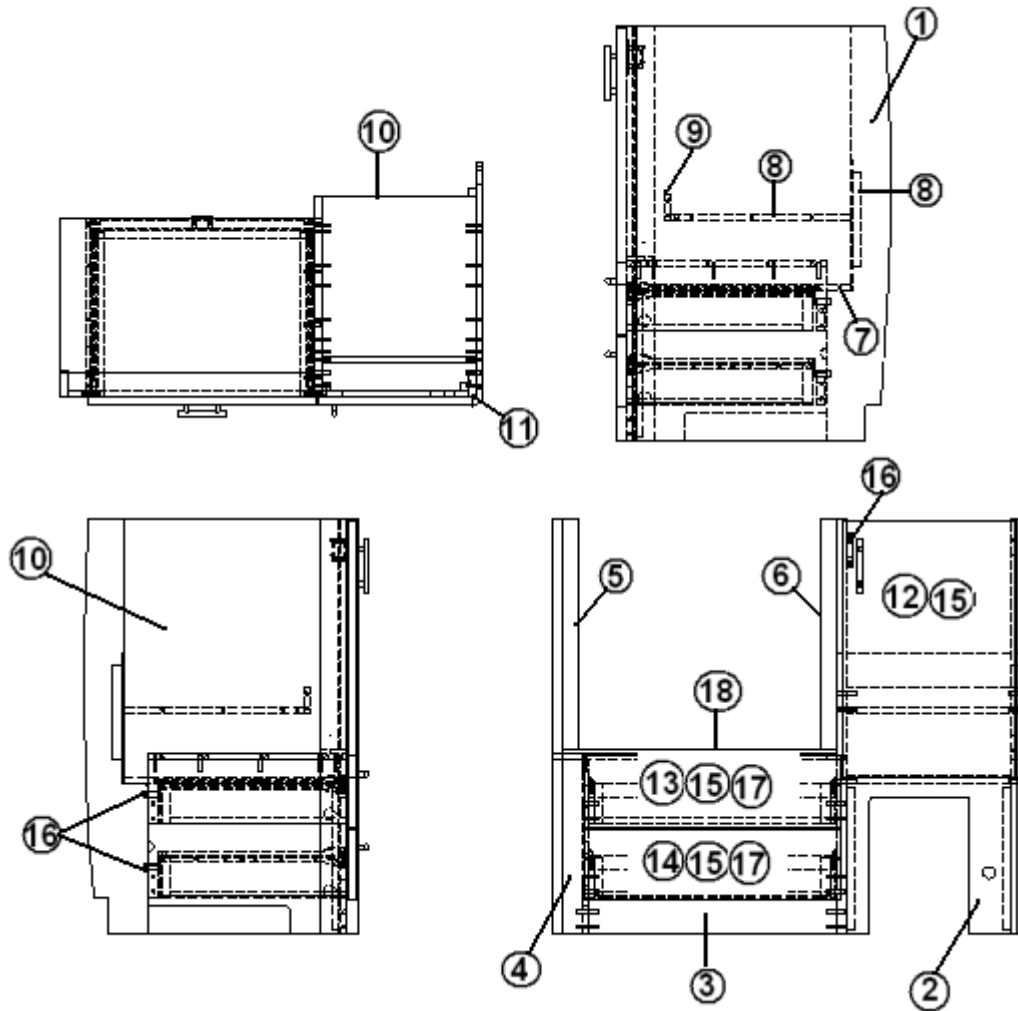
## FURNITURE, GALLEY

	967968	Galley, Base Assembly 19'
1.	967968-1	PANEL 21.43 X 34.25
2.	967968-2	PANEL 13.88 X 13.25 GAL
3.	967968-3	PANEL 3.00 X 21.00 GAL
4.	967968-4	PANEL 2.13 X 14.50 GAL
5.	967968-5	PANEL 1.50 X 19.25 - GAL
6.	967968-6	PANEL 1.37 X 19.25 GAL
7.	967968-14	PANEL 18.31 X 14.62 GALLEY
8.	967968-15I	PANEL 15.12 X 14.62 GALLEY
9.	967968-17	PANEL 2.25 X 14.62 GALLEY
10.	967968-22	PANEL 11.00 X 15.38 GALLEY
11.	801706-0024	CORNER TRIM 90 DEG 1" RAD EBONY WOODS
12.	967968-25	DOOR 15.25 X 21.50
13.	967968-26	DRAWER FACE 21.62 X 5.25 GALLEY
14.	967968-27	DRAWER FACE 21.62 X 6.75 GALLEY
15.	382029-00	PULL
16.	381228-01	CATCH GRABBER DOOR C3-803
17.	968020-01	BOX ASSY. DRAWER 5.00" SELF CLOSE
17.	968021-01	BOX ASSY. DRAWER 2.75" SELF CLOSE
18.	967968-36	PANEL 23.13 X 2.25 GALLEY
	382203-03	DRAWER SLIDE SELF CLOSE 15.00"
	382203-06	FRONT FIXING CLIPS - DWR BOX
	381607	HINGE ASSY-GRASS EURO-SAFARI
	967967-01	GALLEY TOP ASSY.
	602347-01	CORIAN TOP, ECRU
	968024	CUTLERY DRAWER INSERT
	195329-202	HEMISPHERE CLEAR BUMP-ON

# 2014 INTERNATIONAL TRAVEL TRAILER

## FURNITURE, GALLEY

Galley, 19' Signature, W/Oven, SERENITY



Parts Listed On Next Page

# 2014 INTERNATIONAL TRAVEL TRAILER

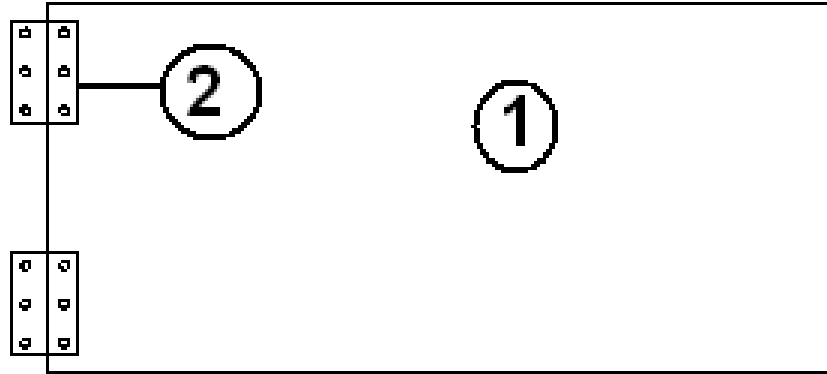
## FURNITURE, GALLEY

	967968-15	Galley, Base Assembly 19' Serenity
1.	967968-151	PANEL 21.43 X 34.25
2.	967968-152	PANEL 13.88 X 12.77 GAL
3.	967968-153	PANEL 2.50 X 21.00 GAL
4.	967968-154	PANEL 2.13 X 14.00 GAL
5.	967968-5	PANEL 1.50 X 19.25 - GAL
6.	967968-5	PANEL 1.50 X 19.25 GAL
7.	967968-14	PANEL 18.31 X 14.62 GALLEY
8.	967968-15I	PANEL 15.12 X 14.62 GALLEY
9.	967968-17	PANEL 2.25 X 14.62 GALLEY
10.	967968-22	PANEL 11.00 X 15.38 GALLEY
11.	801706-0024	CORNER TRIM 90 DEG 1" RAD EBONY WOODS
12.	967968-1525	DOOR 15.25 X 21.50
13.	967968-1526	DRAWER FACE 21.62 X 5.25 GALLEY
14.	967968-1527	DRAWER FACE 21.62 X 6.75 GALLEY
15.	382115	PULL
16.	381228-01	CATCH GRABBER DOOR C3-803
17.	968020-01	BOX ASSY. DRAWER 5.00" SELF CLOSE
	968021-01	BOX ASSY. DRAWER 2.75" SELF CLOSE
18.	967968-36	PANEL 23.13 X 2.25 GALLEY
	382203-03	DRAWER SLIDE SELF CLOSE 15.00"
	382203-06	FRONT FIXING CLIPS - DWR BOX
	381607	HINGE ASSY-GRASS EURO-SAFARI
	967967-01	GALLEY TOP ASSY.
	*602347-05	CORIAN TOP, BRONZITE
	*602347-06	CORIAN TOP, SORREL -
		*Replaces 602347-05 on units manufactured on or after 9/9/2013.
	968024	CUTLERY DRAWER INSERT
	195329-202	HEMISPHERE CLEAR BUMP-ON

# 2014 INTERNATIONAL TRAVEL TRAILER

## FURNITURE, GALLEY

Galley, 19' Signature, Close Out shelf, Wenge & SERENITY

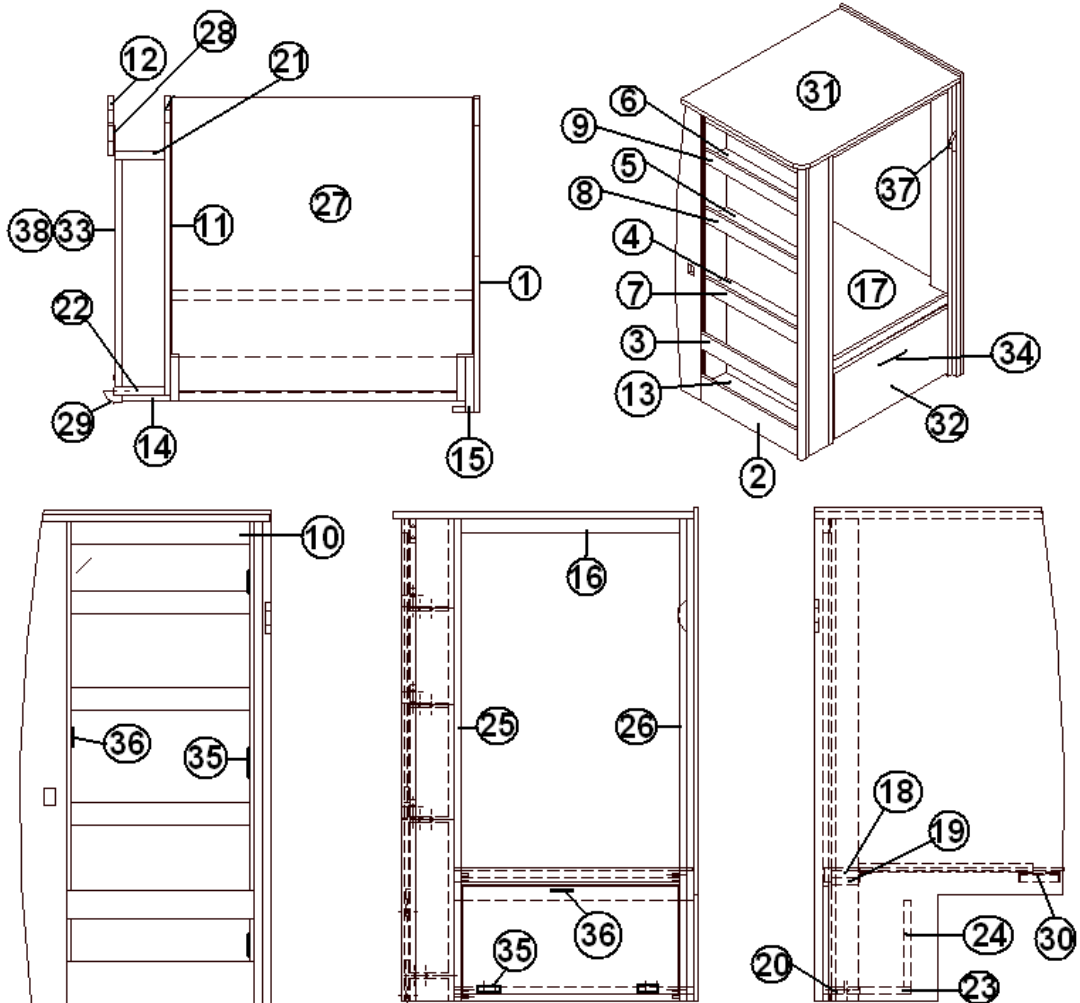


- |    |            |                                                |
|----|------------|------------------------------------------------|
|    | 966956     | GALLEY CABINET CLOSEOUT SHELF, 19'             |
|    | 966956-15  | GALLEY CABINET CLOSEOUT SHELF, 19'<br>SERENITY |
| 1. | 966956-1   | PANEL 10.75 X 23.00                            |
| 1. | 966956-151 | PANEL , 10.75 X 23.00, 19' - SERENITY          |
|    | 381479-02  | HINGE, BRIGHT ZINC CABINET, 2" X 1.563"        |
|    | 381688     | BUMP ON                                        |
|    | 381074     | CATCH BULL DOG #65S (COPPER)                   |
|    | 320114-04  | SCREW, .5" WOOD PH OVAL ZINC                   |

# 2014 INTERNATIONAL TRAVEL TRAILER

## FURNITURE, GALLEY

### Refrigerator Cabinet, 19' Signature



Part number on the next page

# 2014 INTERNATIONAL TRAVEL TRAILER

## FURNITURE, GALLEY

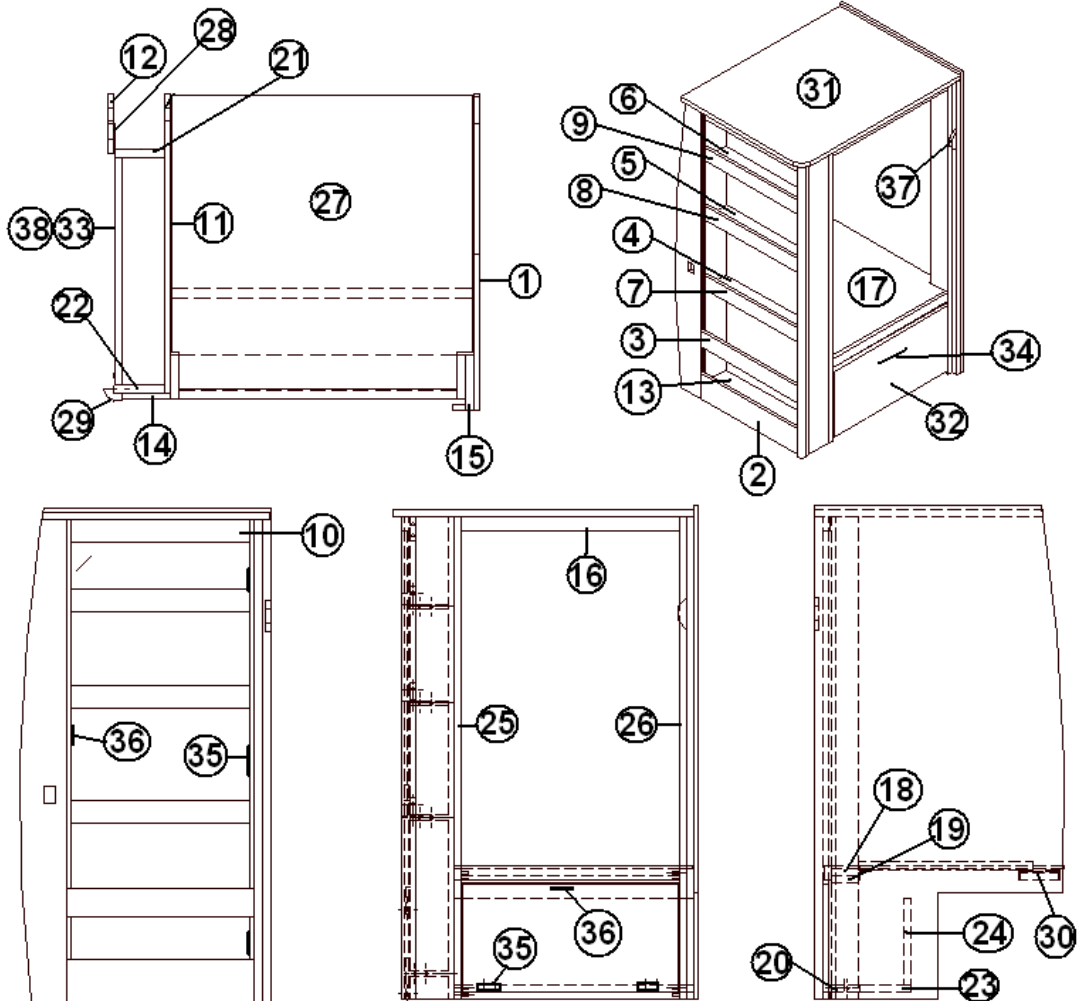
### Refrigerator Cabinet, 19' Signature

966952	Refrigerator Cabinet
1. 966952-1	PANEL, 27.33" X 53.75"
2. 966952-2	PANEL, 4.50" X 20.50"
3. 966952-3	PANEL, 3" X 20.50"
4. 966952-4	PANEL, 3.68" X 19.50"
5. 966952-5	PANEL, 3.68" X 19.50"
6. 966952-6	PANEL, 3.68" X 19.50"
7. 966952-7	PANEL, 2.25" X 19.50"
8. 966952-8	PANEL, 2.25" X 19.50"
9. 966952-9	PANEL, 2.25" X 19.50"
10. 966952-10	PANEL, 2.25" X 19.50"
11. 966952-11	PANEL, 25.83" X 52.50"
12. 966952-12	PANEL, 5.14" X 52.50"
13. 966952-13	PANEL, 4.25" X 19.50"
14. 966952-14	PANEL, 4.12" X 52.50"
15. 966952-15I	PANEL, 4.75" X 52.50"
16. 966952-16	PANEL, 1.44" X 23.94"
17. 966952-17	PANEL, 1.50" X 23.94"
18. 966952-18	PANEL, 2.94" X 23.94"
19. 966952-19	PANEL, 2.94" X 23.94"
20. 966952-20	PANEL, 2.94" X 23.94"
21. 966952-21	PANEL, 4.25" X 52.50"
22. 966952-22	PANEL, 4.25" X 52.50"
23. 966952-23	PANEL, 8.69" X 26.19"
24. 966952-24	PANEL, 9.50" X 26.19"
25. 966952-25	PANEL, 3.75" X 52.50"
26. 966952-26	PANEL, 3.75" X 52.50"
27. 800507-03	PANEL, Luan, 3/8" x 25.94" x 25.37"
28. 800507-01	PANEL, Luan, 1/8" x 2.50" x 52.50"
29. 801706-0024	CORNER TRIM EBONY WOODS
30. 965630	STAND ASSY. REFER
31. 966952-31	PANEL, 3.75" X 24.88"
32. 966952-32	DOOR, 23.63" X 11.56"
33. 966952-33	DOOR, 20.00" X 31.31"
34. 382029-04	HANDLE-BAR 15"
35. 381607	HINGE ASSY
36. 381228-01	CATCH GRABBER DOOR
37. 964519-0024	BLOCK, POCKET DOOR LATCH
38. 382029-04	HANDLE-BAR 15"

# 2014 INTERNATIONAL TRAVEL TRAILER

## FURNITURE, GALLEY

### Refrigerator Cabinet, 19' Signature, Serenity



Part number on the next page

# 2014 INTERNATIONAL TRAVEL TRAILER

## FURNITURE, GALLEY

### Refrigerator Cabinet, 19' Signature, Serenity

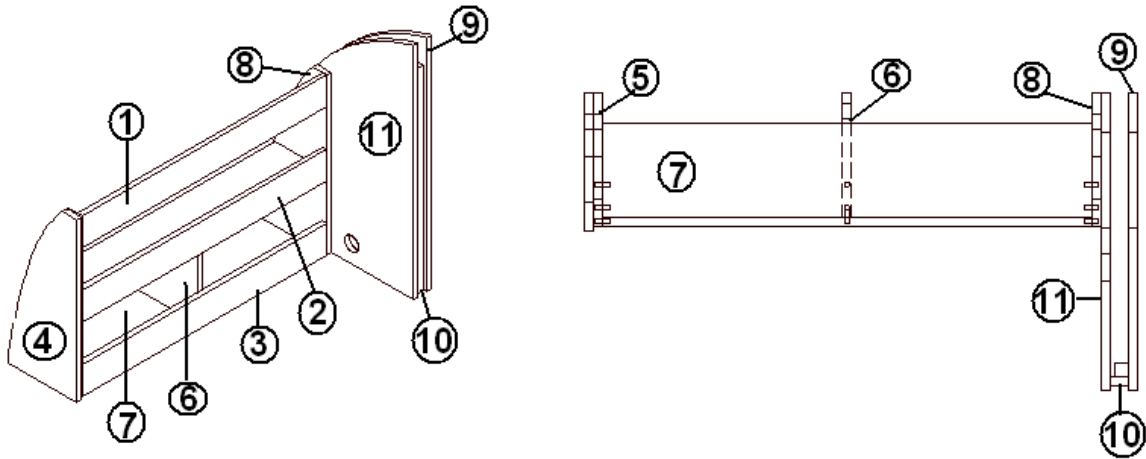
966952-15	Refrigerator Cabinet
1. 966952-151	PANEL, 27.33" X 53.75"
2. 966952-152	PANEL, 4.50" X 20.50"
3. 966952-153	PANEL, 3" X 20.50"
4. 966952-154	PANEL, 3.68" X 19.50"
5. 966952-155	PANEL, 3.68" X 19.50"
6. 966952-156	PANEL, 3.68" X 19.50"
7. 966952-157	PANEL, 2.25" X 19.50"
8. 966952-158	PANEL, 2.25" X 19.50"
9. 966952-159	PANEL, 2.25" X 19.50"
10. 966952-1510	PANEL, 2.25" X 19.50"
11. 966952-1511	PANEL, 25.83" X 52.50"
12. 966952-1512	PANEL, 5.14" X 52.50"
13. 966952-1513	PANEL, 4.25" X 19.50"
14. 966952-1514	PANEL, 4.12" X 52.50"
15. 966952-1515	PANEL, 4.75" X 52.50"
16. 966952-1516	PANEL, 1.44" X 23.94"
17. 966952-1517	PANEL, 1.50" X 23.94"
18. 966952-18	PANEL, 2.94" X 23.94"
19. 966952-19	PANEL, 2.94" X 23.94"
20. 966952-20	PANEL, 2.94" X 23.94"
21. 966952-1521	PANEL, 4.25" X 52.50"
22. 966952-1522	PANEL, 4.25" X 52.50"
23. 966952-23	PANEL, 8.69" X 26.19"
24. 966952-24	PANEL, 9.50" X 26.19"
25. 966952-25	PANEL, 3.75" X 52.50"
26. 966952-26	PANEL, 3.75" X 52.50"
27. 800507-03	PANEL, Lauan, 3/8" x 25.94" x 25.37"
28. 800507-01	PANEL, Luan, 1/8" x 2.50" x 52.50"
29. 801706-0018	CORNER TRIM – Asian Sand
30. 965630	STAND ASSY. REFER
31. 966952-1531	PANEL, 24.98" X 32.75"
32. 966952-1532	DOOR, 23.63" X 11.56"
33. 966952-1533	DOOR, 20.00" X 31.31"
34. 382115	PULL, FLAT BLACK #M575
35. 381607	HINGE ASSY
36. 381228-01	CATCH GRABBER DOOR
37. 964519-0024	BLOCK, POCKET DOOR LATCH
38. 382115	PULL, FLAT BLACK #M575



# 2014 INTERNATIONAL TRAVEL TRAILER

## FURNITURE, GALLEY

### Spice Rack, 19' Signature

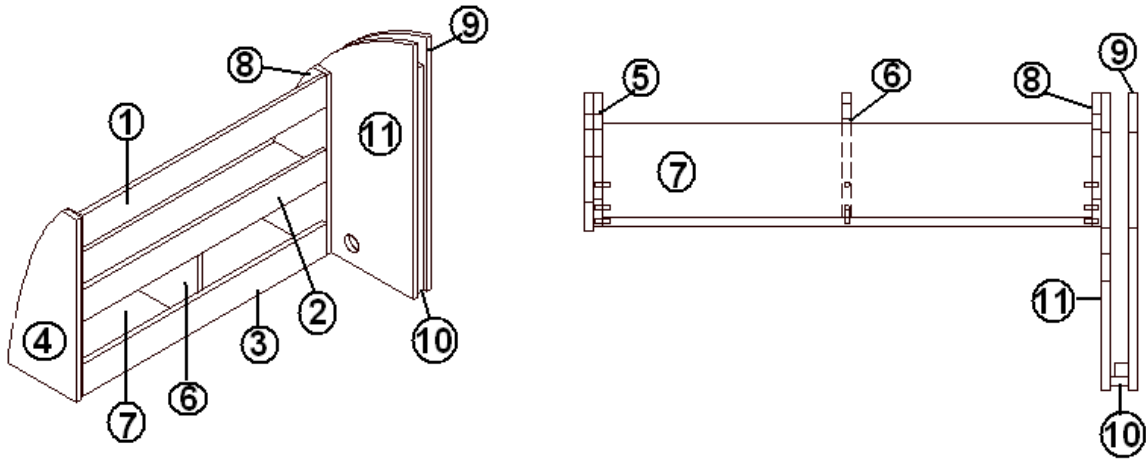


966954		SPICE RACK	
1.	966954-1	PANEL,	3.00" X 26.00"
2.	966954-2	PANEL,	3.00" X 26.00"
3.	966954-3	PANEL,	3.00" X 26.00"
4.	966954-4	PANEL,	7.88" X 18.00"
5.	966954-5	PANEL,	7.63" X 17.75"
6.	966954-6	PANEL,	7.00" X 7.38"
7.	966954-7	PANEL,	5.56" X 26.50"
8.	966954-8	PANEL,	7.63" X 17.75"
9.	966954-9	PANEL,	23.92" X 16.12"
10.	966954-11	PANEL,	1.00" X 21.25"
11.	966954-12	PANEL,	23.92" X 16.12"

# 2014 INTERNATIONAL TRAVEL TRAILER

## FURNITURE, GALLEY

### Spice Rack, 19' Signature, Serenity

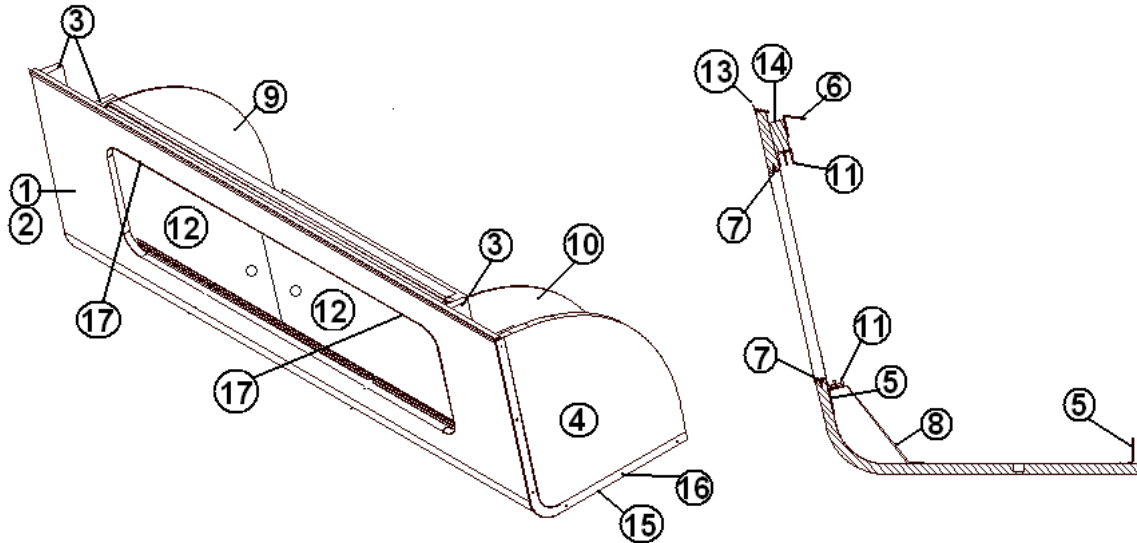


966954-15	SPICE RACK
1. 966954-151	PANEL, 3.00" X 26.50"
2. 966954-152	PANEL, 3.00" X 26.50"
3. 966954-153	PANEL, 3.00" X 26.50"
4. 966954-154	PANEL, 7.88" X 18.00"
5. 966954-155	PANEL, 7.63" X 17.75"
6. 966954-156	PANEL, 7.00" X 7.38"
7. 966954-157	PANEL, 5.56" X 26.50"
8. 966954-158	PANEL, 7.63" X 17.75"
9. 966954-159	PANEL, 16.12" X 23.92"
10. 966954-1511	PANEL, 1.00" X 21.25"
11. 966954-1512	PANEL, 23.92" X 16.12"

# 2014 INTERNATIONAL TRAVEL TRAILER

## FURNITURE, GALLEY

### Roof Locker, 19' Signature Galley

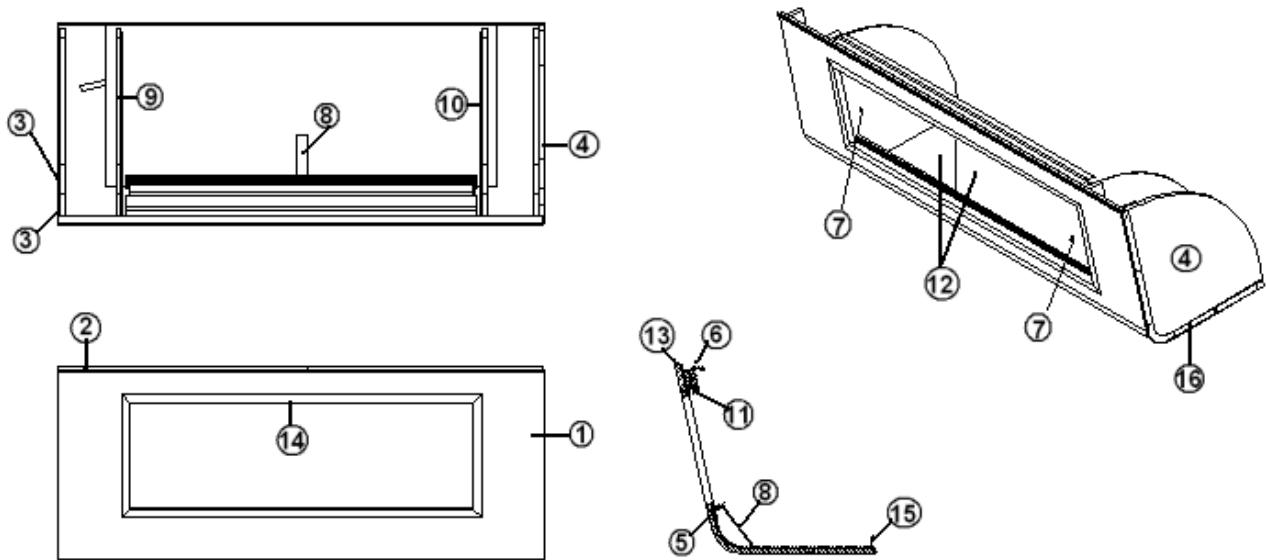


966958	LOCKER ASSY, GALLEY
1. 801733	LOCKER FACE, GALLEY
2. 801928	PRELAM PNL, EBONY WOODS/LINER, 17.25 X 36.75
3. 801545-02	DIVIDER (PARTIAL)
4. 966958-4	PANEL, 17.15 X 18.21
5. 115227-03	ANGLE, FORMED, 33"
6. 104821	SUPPORT, ROOFLOCKER, 74"
7. 203445-01	T-MOLDING, .5625" WHITE
8. 115226	BRACKET, FORMED, LOCKER CENTER
9. 801539-01	DIVIDER, GALLEY LOCKER LH
10. 801539-02	DIVIDER, GALLEY LOCKER
11. 203388	SLIDING DOOR TRACK, 56-1/5"
12. 203749-01	DOOR, PLEXGLASS 17.50"
13. 201673	COVE MOLDING, WHITE
14. 800028	PINE, 3/4" X 1-1/2"
15. 320006	SCREW, SHEET METAL 8X3/4 BH PHILIP
16. 115375	EXTRUSION, FORMED R/L END
17. 454613	SPRING, LEAF
382149	FINGER PULL, SATIN NICKEL

# 2014 INTERNATIONAL TRAVEL TRAILER

## FURNITURE, GALLEY

### Roof Locker, 19' Signature Galley - SERENITY

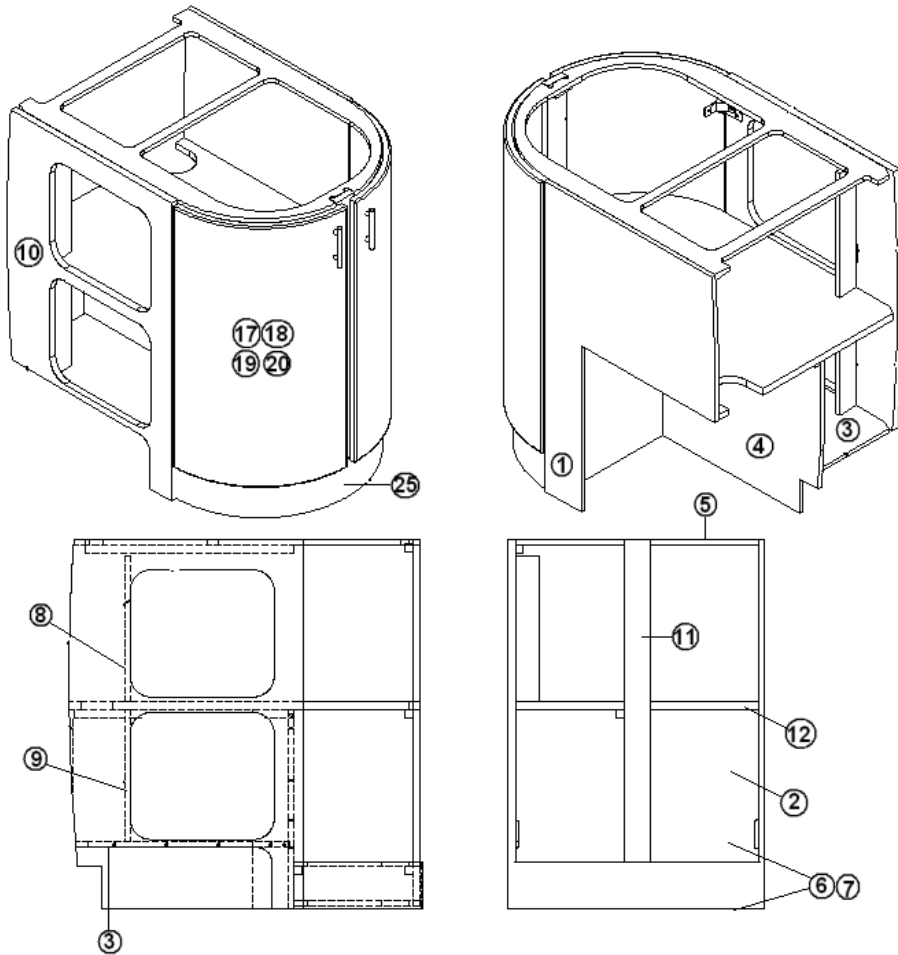


967552-15	ROOFLOCKER ASSY-GALLEY - 19' SERENITY
1.801827	FACE - GALLEY ROOFLOCKER
2.801355-01	LAMINATE FROST WHITE 17.25 X 36.75
3.801545-02	DIVIDER PARTIAL
4.967552-154	PANEL, GAL R/L 18.21X17.15
5.114812	ALUM. ANGLE 1.00 X 1.00
6.104821	SUPPORT, ROOFLOCKER, 74"
7.382114	KNOB-BRUSH.SATIN NICKEL #M576
8.115226	BRACKET-FORMED-LOCKER CTR SUPP
9.801539-01	DIVIDER-GALLEY LOCKER LH
10.801539-02	DIVIDER-GALLEY LOCKER
11.381245	SLIDING DOOR TRACK, 56-1/5"
12.203677-01	DOOR MARI 11.31X17.5
13.201673	REVERSE COVE MOLDING, WHITE, P
14.115375	EXTR.-FORMED R/L END INT
15.114812	ALUM. ANGLE 1.00 X 1.00
16.115375	Extrusion, RH formed, R/L end
454613	LEAF SPRING - ROOFLOCKER
382149	Finger Pull, Satin Nickel

# 2014 INTERNATIONAL TRAVEL TRAILER

## FURNITURE, GALLEY

### Galley, 23' D Signature, Forward Section



Parts Listed on Next Page

# 2014 INTERNATIONAL TRAVEL TRAILER

## FURNITURE, GALLEY

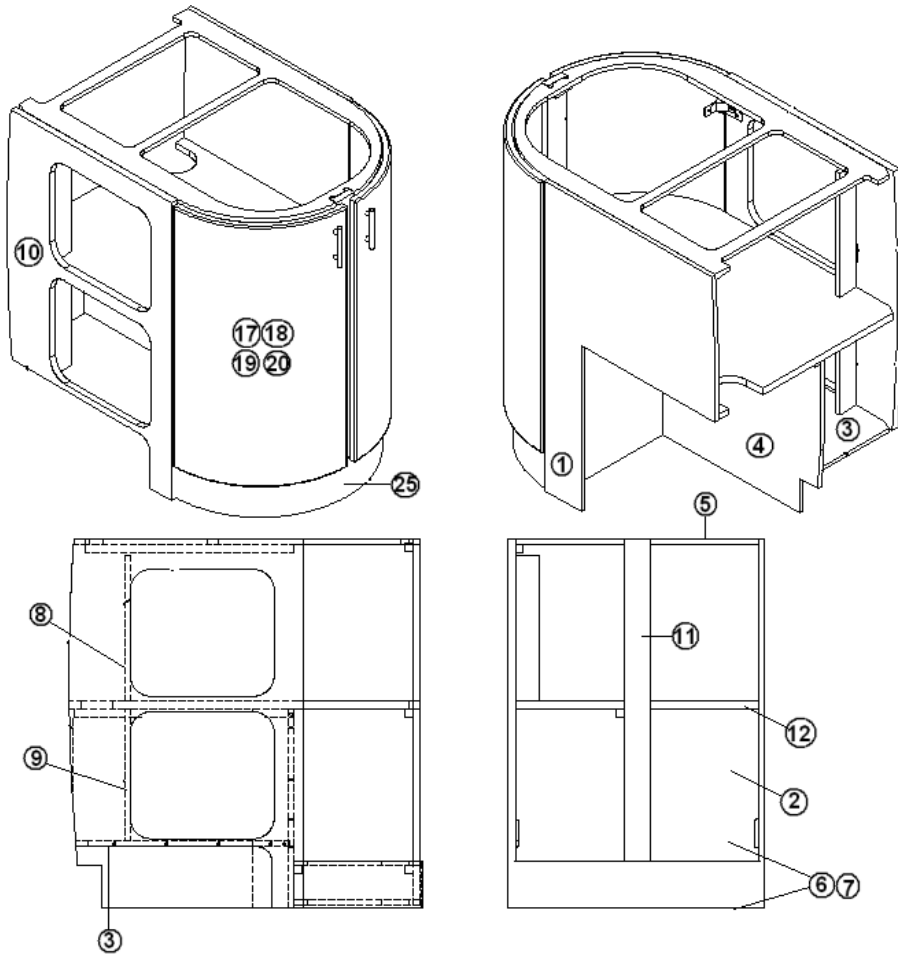
### 23' D Signature, Forward Section

	967974	Galley Forward Section
1.	967974-1	PANEL 22.58 X 34.75 GAL FWD SEC
2.	967974-2	PANEL 23.54 X 18.38 GAL FWD SEC
3.	967974-3	PANEL 20.60 X 9.25 GAL FWD SEC 2
4.	967974-4	PANEL 17.88 X 20.82 GAL FWD SEC
5.	967974-5	PANEL 24.91 X 33.87 GAL FWD SEC
6.	967974-6	PANEL 23.27 X 12.19 GAL FWD SEC
7.	967974-7	PANEL 23.27 X 12.19 GAL FWD SEC
8.	967974-8	PANEL 2.25 X 14.13 GAL FWD SEC 2
9.	967974-9	PANEL 2.25 X 12.75 GAL FWD SEC 2
10.	967974-10	PANEL 22.57 X 34.75 GAL FWD SEC
11.	967974-11	PANEL 2.40 X 35.50 GAL FWD SEC
12.	967974-12	PANEL 24.91 X 33.87 GAL FWD SEC
13.	203445	T-MOLDING BLK FLEXIBLE POLY .5
14.	365364-02	EDGE BANDING- .94" EBONY WOODS
15.	375364-01	EDGE BANDING- .63" EBONY
16.	365340-01	EDGE BANDING- .63" FROSTY WHITE
17.	382029-00	HANDLE-BAR 7.48" #3701-128-CR
18.	801787-0124	DOOR-RAD.FOAM 16.97X31 EBONY
19.	381607	HINGE ASSY-GRASS EURO-SAFARI
20.	381808-01	BRKT-FACE MOUNT HINGE #39184
21.	381856	CATCH-TENSION 2-BALL CHROME
22.	381654	HINGE-NON BORE GLASS DR.BLACK
23.	381707	STRIKE W/PULL-GLASS DOOR BLACK
24.	371432	DOOR-GLASS GALLEY 12.06X9.81
25.	115309	TOE KICK - GALLEY ALUMINUM
26.	320035-01	SCREW 5/8" #8 PAN TYPE A PHIL

# 2014 INTERNATIONAL TRAVEL TRAILER

## FURNITURE, GALLEY

Galley, 23' D Signature, Forward Section, Serenity



Parts Listed on Next Page

# 2014 INTERNATIONAL TRAVEL TRAILER

## FURNITURE, GALLEY

Galley, 23' D Signature, Forward Section, Serenity

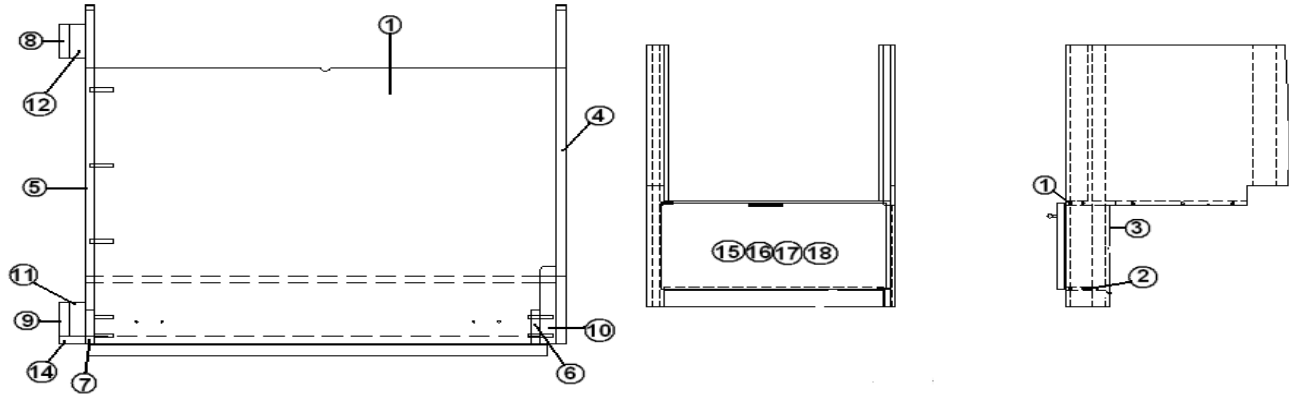
	967974-15	GALLEY, FORWARD SECTION
1.	967974-1	PANEL 22.58 X 34.75 GAL FWD SEC
2.	967974-2	PANEL 23.54 X 18.38 GAL FWD SEC
3.	967974-3	PANEL 20.60 X 9.25 GAL FWD SEC 2
4.	967974-4	PANEL 17.88 X 20.82 GAL FWD SEC
5.	967974-5	PANEL 24.91 X 33.87 GAL FWD SEC
6.	967974-6	PANEL 23.27 X 12.19 GAL FWD SEC
7.	967974-7	PANEL 23.27 X 12.19 GAL FWD SEC
8.	967974-8	PANEL 2.25 X 14.13 GAL FWD SEC 2
9.	967974-9	PANEL 2.25 X 12.75 GAL FWD SEC 2
10.	967974-1510	PANEL 22.57 X 34.75 GAL FWD SEC
11.	967974-1511	PANEL 2.40 X 35.50 GAL FWD SEC
12.	967974-12	PANEL 24.91 X 33.87 GAL FWD SEC
13.	203445	T-MOLDING BLK FLEXIBLE POLY .5
14.	365344-02	EDGE BANDING- .94" PEARL BISQUE
15.	365344-01	EDGE BANDING- .63" PEARL BISQUE
16.	365340-01	EDGE BANDING- .63" FROSTY WHITE
17.	382029-00	HANDLE-BAR 7.48" #3701-128-CR
18.	801787-0118	DOOR-RAD.FOAM 16.97X31 A.SAND
19.	381607	HINGE ASSY-GRASS EURO-SAFARI
20.	381808-01	BRKT-FACE MOUNT HINGE #39184
21.	381856	CATCH-TENSION 2-BALL CHROME
22.	381654	HINGE-NON BORE GLASS DR.BLACK
23.	381707	STRIKE W/PULL-GLASS DOOR BLACK
24.	371432	DOOR-GLASS GALLEY 12.06X9.81
25.	115309	TOE KICK - GALLEY ALUMINUM
26.	320035-01	SCREW 5/8" #8 PAN TYPE A PHIL



# 2014 INTERNATIONAL TRAVEL TRAILER

## FURNITURE, GALLEY

### Galley, 23' D Signature, Aft Section

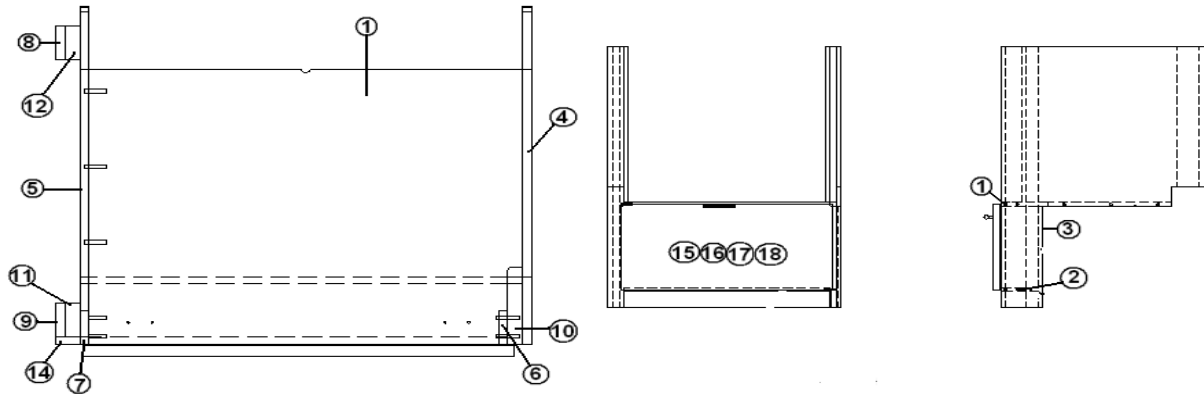


	967980	Galley, Aft Section
1.	967980-1	Panel, 18.36 x 22.87
2.	967980-2	Panel, 4.00 x 22.13
3.	967980-3	Panel, 23.38 x 15.00
4.	967980-4	Panel, 22.58 x 34.25
5.	967980-5	Panel, 22.08 x 34.25
6.	967980-6	Panel, 2.25 x 19.25
7.	967980-7	Panel, 2.25 x 19.25
8.	967980-8	Panel, 2.25 x 18.25
9.	967980-9	Panel, 2.25 x 34.25
10.	967980-10	Panel, 4.00 x 34.25
11.	967980-11	Panel, 2.25 x 34.75
12.	967980-12	Panel, 2.25 x 18.25
13.	967980-13	Panel, 2.25 x 22.13
14.	967980-14	Panel, 1.75 x 34.25
15.	967980-15I	Door, 22.81 x 11.63
16.	381607	Grass Hinge Assy.
17.	381228-01	Catch, Grabber Door C3-803
18.	382029-05	Handle Bar

# 2014 INTERNATIONAL TRAVEL TRAILER

## FURNITURE, GALLEY

### Galley, 23' D Signature, Aft Section, Serenity

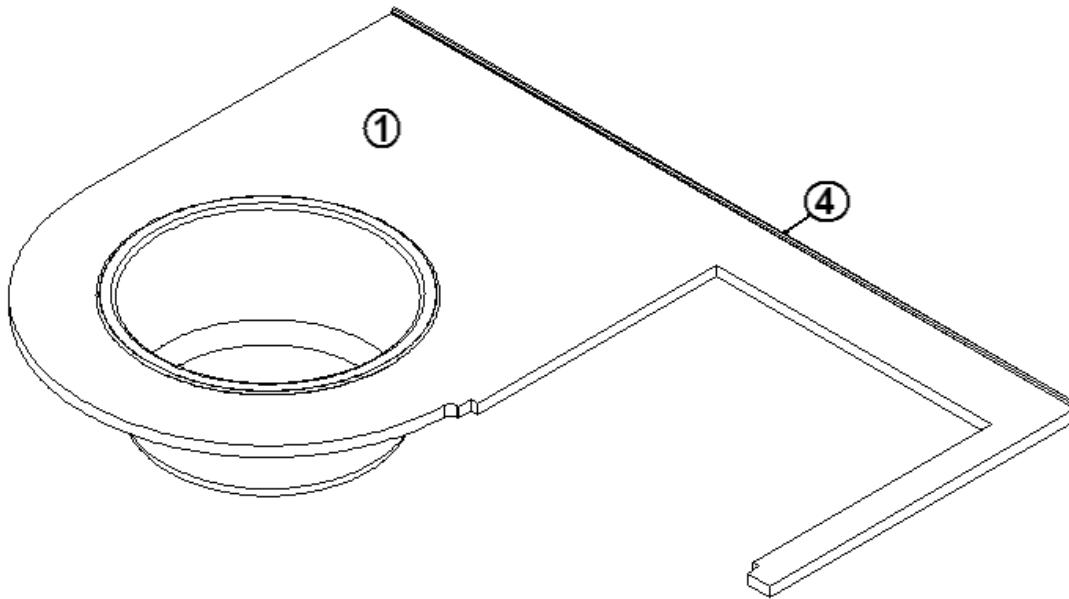


	967980-15	Galley, Aft Section
1.	967980-1	Panel, 18.36 x 22.87
2.	967980-2	Panel, 4.00 x 22.13
3.	967980-3	Panel, 23.38 x 15.00
4.	967980-4	Panel, 22.58 x 34.25
5.	967980-5	Panel, 22.08 x 34.25
6.	967980-6	Panel, 2.25 x 19.25
7.	967980-7	Panel, 2.25 x 19.25
8.	967980-8	Panel, 2.25 x 18.25
9.	967980-9	Panel, 2.25 x 34.25
10.	967980-10	Panel, 4.00 x 34.25
11.	967980-11	Panel, 2.25 x 34.25
12.	967980-12	Panel, 2.25 x 18.25
13.	967980-1513	Panel, 2.25 x 22.13
14.	967980-1514	Panel, 1.75 x 34.75
15.	967980-1515	Door, 22.81 x 11.63
16.	381607	Grass Hinge Assy.
17.	381228-01	Catch, Grabber Door C3-803
18.	382029-05	Handle Bar

# 2014 INTERNATIONAL TRAVEL TRAILER

## FURNITURE, GALLEY

Galley, 23' D Signature, Top -



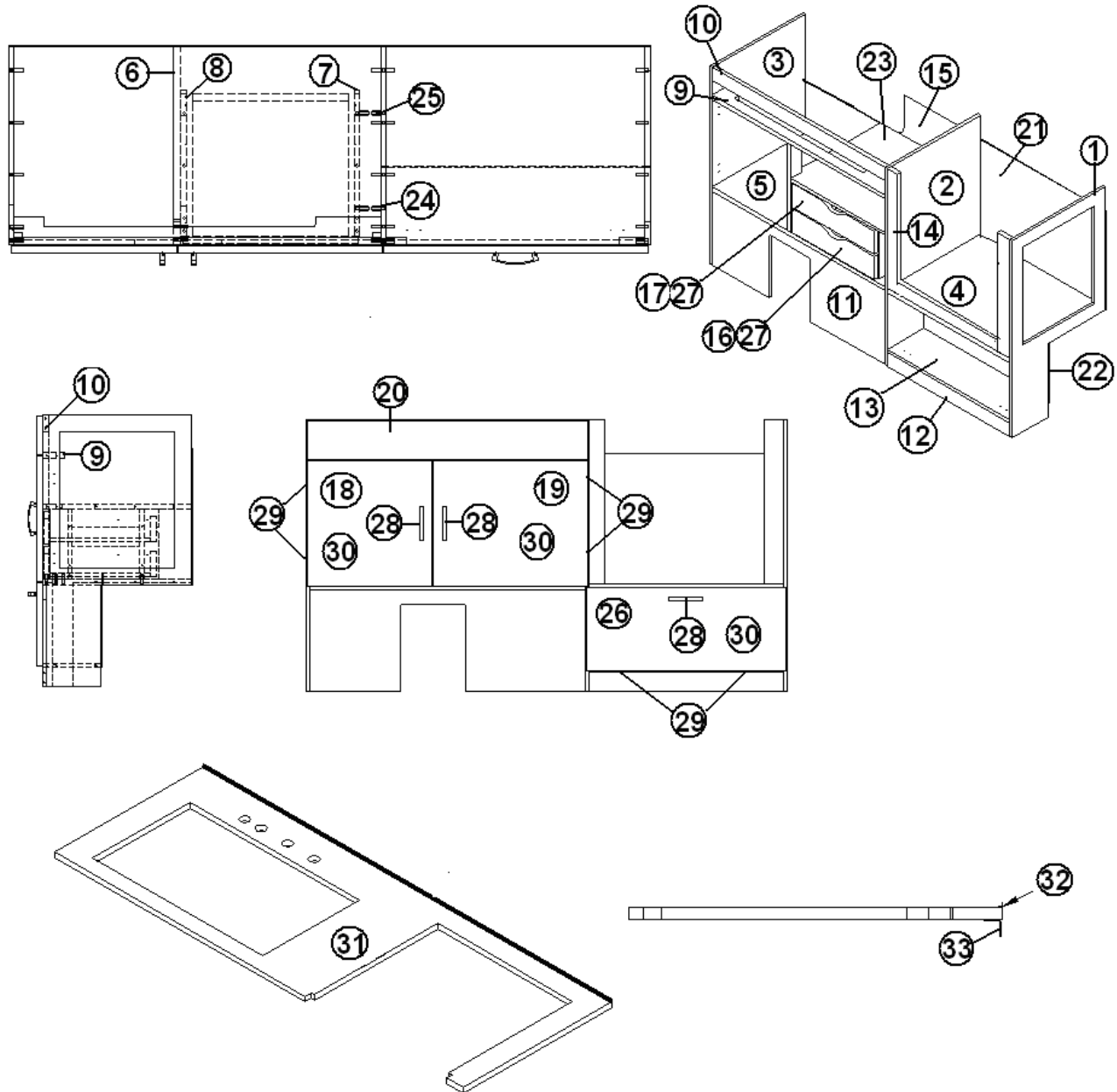
967973-01 GALLEY TOP ASSEMBLY  
967973-02 GALLEY TOP ASSEMBLY, SERENITY

- 1. 602348-01 CORIAN TOP, ECRU
- 1. \*602348-05 CORIAN TOP, BRONZITE - SERENITY
- 1. \*602348-06 CORIAN TOP, SORREL - SERENITY  
\*REPLACES 602348-05 ON UNITS  
MANUFACTURED ON OR AFTER 9/9/2013.
- 114812 ALUMINUM ANGLE 1.00 X 1.00
- 601806 SINK, STAINLESS STEEL, ROUND
- 602310 FAUCET, GALLEY ELKAY
- 601714-01 TAIL PIECE 1 1/2 X 4"
- 601714-02 SLIP NUT W/ WINGS 1 1/2"
- 601714-03 WASHER, 1 1/2" BLACK RUBBER

# 2014 INTERNATIONAL TRAVEL TRAILER

## FURNITURE, GALLEY

### Galley, 23' Front Bed



Part numbers are on the next page.

# 2014 INTERNATIONAL TRAVEL TRAILER

## FURNITURE, GALLEY

Galley, 23' Frt. Bed

	967982	Galley Assembly
1.	967982-1	Panel, galley, 19.13 X 34.25
2.	967982-1	Panel, galley, 19.13 X 34.25
3.	967982-3	Panel, galley, 17.13 X 34.25
4.	967982-4	Panel, galley, 18.38 X 25.00
5.	967982-5	Panel, galley, 17.13 X 35.38
6.	967982-6	Panel, galley, 17.13 X 16.31
7.	967982-7	Panel, galley, 16.13 X 9.22
8.	967982-8	Panel, galley, 16.13 X 9.22
9.	967982-9	Panel, galley, 2.25 X 35.38
10.	967982-10	Panel, galley, 35.38 X 2.00
11.	967982-11	Panel, galley, 35.38 X 12.19
12.	967982-12	Panel, galley, 25.00 X 2.25
13.	967982-13	Panel, galley, 7.50 X 25.00
14.	967982-33	Panel, galley, 25.00 X 23.44
15.	967982-34	Panel, galley, 35.88 X 13.63
16.	967982-16	Panel, galley, 16.88 X 4.25
17.	967982-17	Panel, galley, 16.88 X 4.25
18.	967982-18	Panel, galley, 16.00 X 16.81
19.	967982-19	Door, galley, 19.88 X 16.81
20.	967982-20	Panel, galley, 36.00 X 4.50
21.	967982-21	Panel, galley, 17.63 X 26.00
22.	967982-22	Panel, galley, 10.31 X 26.00
23.	967982-23	Panel, galley, 17.13 X 20.00
24.	967982-24	Panel, galley, 2.00 X 9.29
25.	967982-25	Panel, galley, 2.00 X 9.29
26.	967982-26	Door, galley, 25.38 X 10.75
27.	968021-03	Drawer box, 2.75 x 15.00 Self Close
28.	382029-05	Handle, 21"
29.	381607	Hinge assembly
30.	381228-01	Catch, grabber door
31.	967981-01	Galley Top Assy.
	602349-01	Corian Top Only, Ecru
32.	115064	Trim, aluminum, counter top
33.	114811	Aluminum angle, .50 X .50

# 2014 INTERNATIONAL TRAVEL TRAILER

## FURNITURE, GALLEY

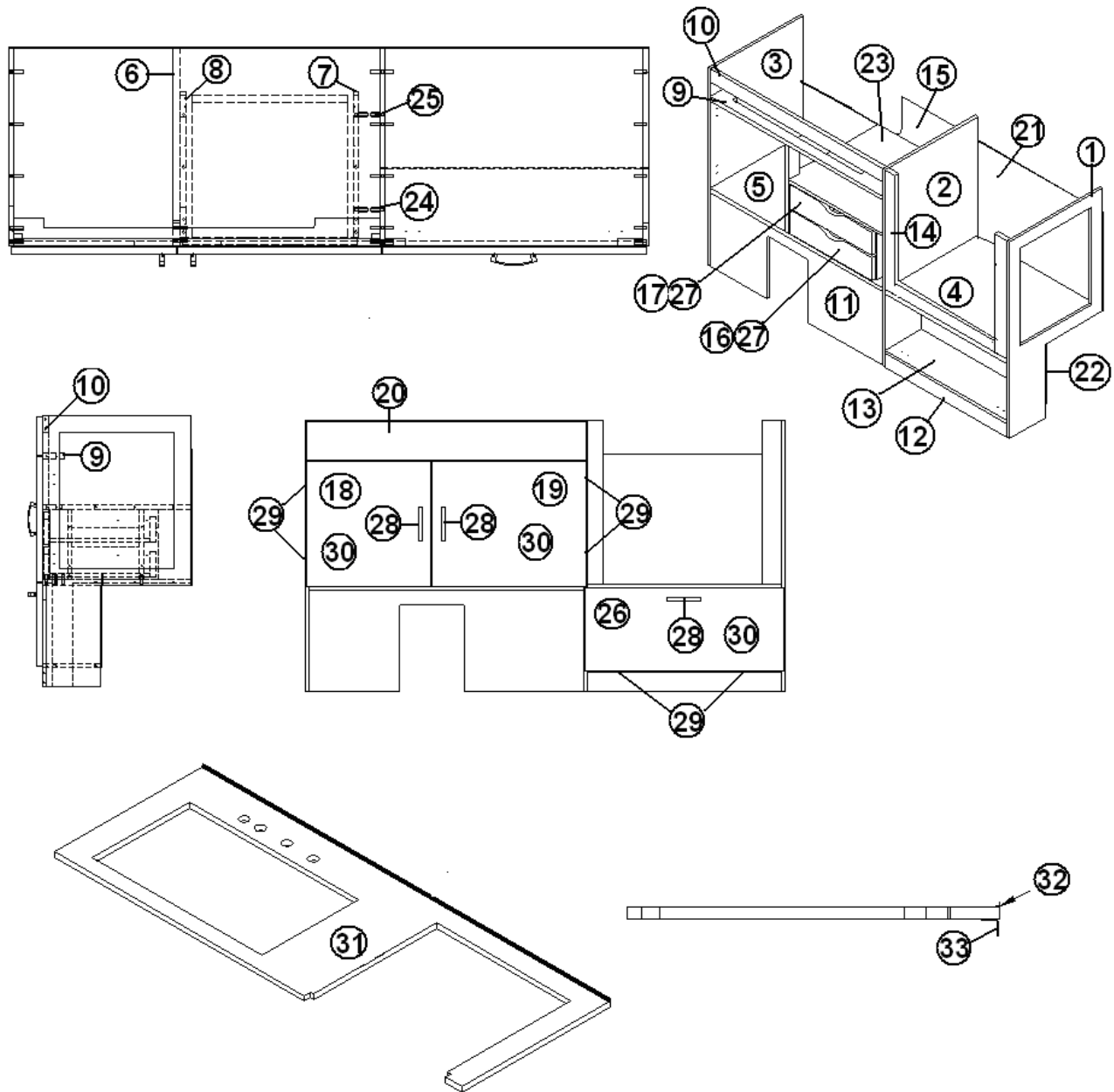
Galley, 23' Frt. Bed, Continued..

382203-03	Slide, drawer, Self Close
382203-06	Front Fixing Clips
382026	Pull, Flush S.S. Finger
382029-04	Handle, 15.00"
115309	Toe Kick, Galley, Aluminum
381708	Waste Basket
968024	INSERT, CUTLERY DRAWER
195329-202	HEMISPHERE CLEAR BUMP-ON

# 2014 INTERNATIONAL TRAVEL TRAILER

## FURNITURE, GALLEY

Galley, 23' Front Bed, Serenity



Part numbers are on the next page.

# 2014 INTERNATIONAL TRAVEL TRAILER

## FURNITURE, GALLEY

Galley, 23' Front Bed, Serenity

	967982-15	Galley Assembly
1.	967982-1	Panel, galley, 19.13 X 35.00
2.	967982-2	Panel, galley, 19.13 X 35.00
3.	967982-3	Panel, galley, 19.13 X 35.00
4.	967982-4	Panel, galley, 19.13 X 25.00
5.	967982-5	Panel, galley, 19.13 X 35.38
6.	967982-6	Panel, galley, 19.13 X 15.56
7.	967982-7	Panel, galley, 14.13 X 9.09
8.	967982-8	Panel, galley, 14.13 X 9.09
9.	967982-9	Panel, galley, 2.75 X 35.38
10.	967982-1510	Panel, galley, 35.38 X 2.25
11.	967982-1511	Panel, galley, 35.38 X 13.06
12.	967982-1512	Panel, galley, 25.00 X 2.44
13.	967982-13	Panel, galley, 7.50 X 25.00
14.	967982-33	Panel, galley, 25.00 X 23.44
15.	967982-34	Panel, galley, 35.88 X 13.63
16.	967982-1516	Panel, galley, 16.88 X 4.13
17.	967982-1517	Panel, galley, 16.88 X 4.13
18.	967982-1518	Panel, galley, 16.00 X 16.18
19.	967982-1519	Panel, galley, 19.88 X 16.18
20.	967982-1520	Panel, galley, 36.00 X 5.00
21.	967982-21	Panel, galley, 17.62 X 61.88
22.	967982-22	Panel, galley, 10.62 X 26.00
23.	967982-23	Panel, galley, 19.13 X 20.00
24.	967982-24	Panel, galley, 2.00 X 9.09
25.	967982-25	Panel, galley, 2.00 X 9.09
26.	967982-1526	Door, galley, 25.63 X 10.75
27.	968021-03	Drawer box, 2.75" X 15.00 Self Close
28.	382029-05	Handle, 21"
29.	381607	Hinge assembly
30.	381228-01	Catch, grabber door
31.	967981-02	Galley top Assy.
	*602349-05	Corian Galley Top Only, Bronzite
	*602349-06	Corian Galley Top Only, Sorrel
		*Sorrel replaced Bronzite on units manufactured on or after 9/9/2013.
32.	115064	Trim, aluminum, counter top
33.	114812	Aluminum angle, 1.00 X 1.00



# 2014 INTERNATIONAL TRAVEL TRAILER

## FURNITURE, GALLEY

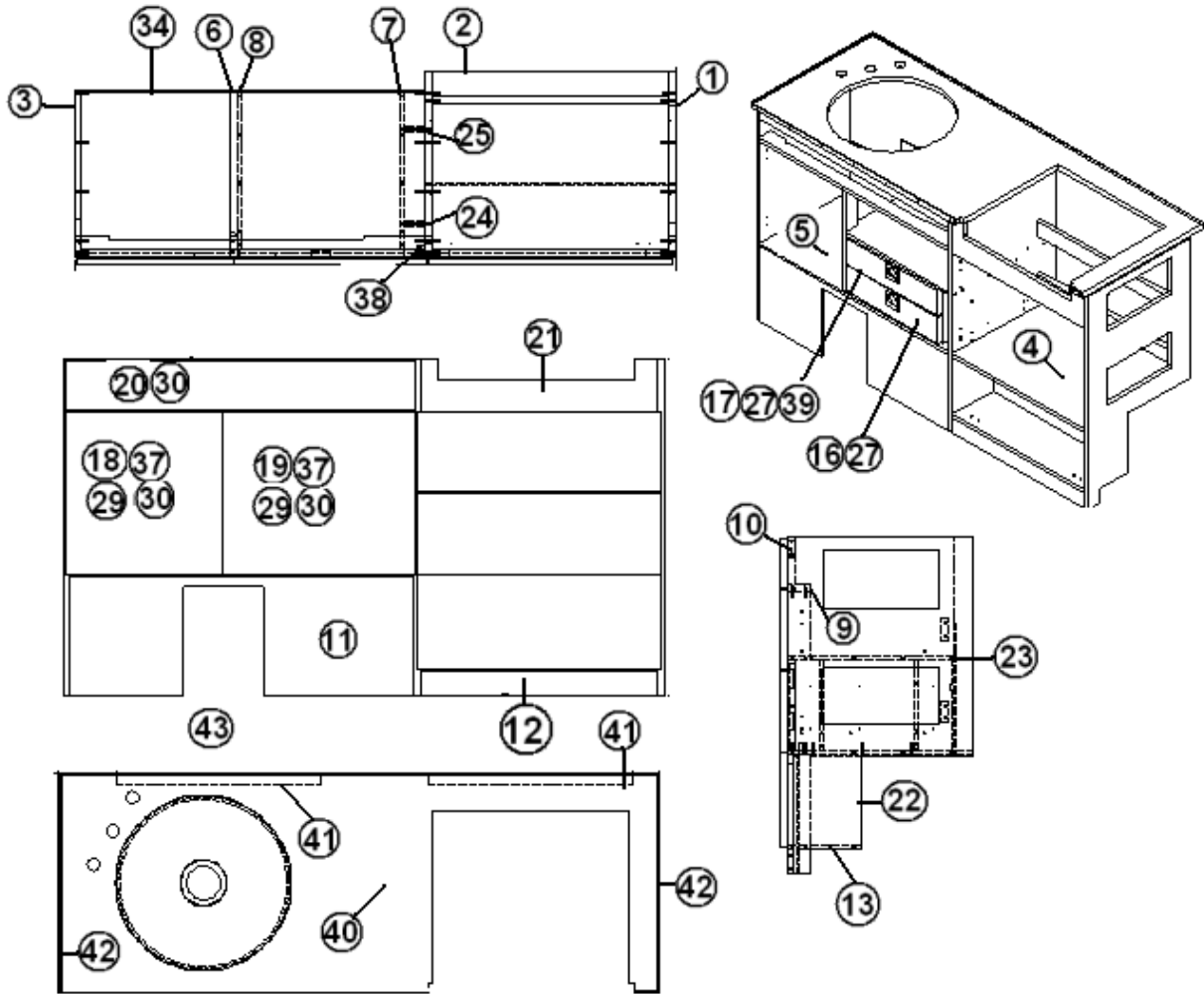
Galley, 23' Front Bed, Serenity

382203-03	Slide, drawer Self Close
382203-06	Front Fixing Clips
382026	Pull, Flush S.S. Finger
382029-05	Handle, 21.33"
115309	Toe Kick, Galley, Aluminum
381708	Waste Basket
968024	INSERT, CUTLERY DRAWER
195329-202	HEMISPHERE CLEAR BUMP-ON

# 2014 INTERNATIONAL TRAVEL TRAILER

## FURNITURE, GALLEY

Galley, 23' Front Bed, Airstream 2 Go



Parts Listed on Next Page

# 2014 INTERNATIONAL TRAVEL TRAILER

## FURNITURE, GALLEY

Galley, 23' Front Bed, Airstream 2 Go

968044 Galley Base Assembly Airstream 2 Go

1.	968044-1	Pnl. 19.13 x 34.75
2.	968044-2	Pnl. 19.13 x 34.75
3.	968044-3	Pnl. 17.13 x 34.75
4.	968044-4	Pnl. 19.13 x 24.50
5.	968044-5	Pnl. 17.13 x 35.38
6.	968044-6	Pnl. 17.13 x 16.18
7.	968044-7	Pnl. 16.13 x 9.22
8.	968044-8	Pnl. 16.13 x 9.22
9.	968044-9	Pnl. 2.25 x 35.38
10.	968044-10	Pnl. 2.00 x 35.38
11.	968044-11	Pnl. 35.38 x 12.19
12.	968044-12	Pnl. 24.50 x 2.44
13.	968044-13	Pnl. 7.50 x 24.50
14.	968044-14	Pnl. 25.13 x 8.31
15.	968044-15	Pnl. 25.13 x 8.31
16.	968044-16	Pnl. 16.88 x 4.25
17.	968044-17	Pnl. 16.88 x 4.25
18.	968044-18	Door, Galley 16 x 16.81
19.	968044-19	Door, Galley 19.88 x 16.81
20.	968044-20	Pnl. 36.00 x 5.13
21.	968044-21	Pnl. 24.50 x 5.75
22.	968044-22	Pnl. 9.62 x 26
23.	968044-23	Pnl. 17.13 x 20
24.	968044-24	Pnl. 2.00 x 9.09
25.	968044-25	Pnl. 2.00 x 9.09
26.	968044-26	Door, Galley 25.13 x 9.75
27.	968021-03	Drawer Box Assy., 2.75" 15.63 x 15
28.	382029-05	Handle Bar 21.33
29.	381607	Hinge Assy., Grass Euro
30.	381228-01	Grabber Door Catch
33.	968022-05	Drawer Box Assy., 6" 23.88 x 15

Parts Continued on Next Page

# 2014 INTERNATIONAL TRAVEL TRAILER

## FURNITURE, GALLEY

Galley, 23' Front Bed, Airstream 2 Go, Continued

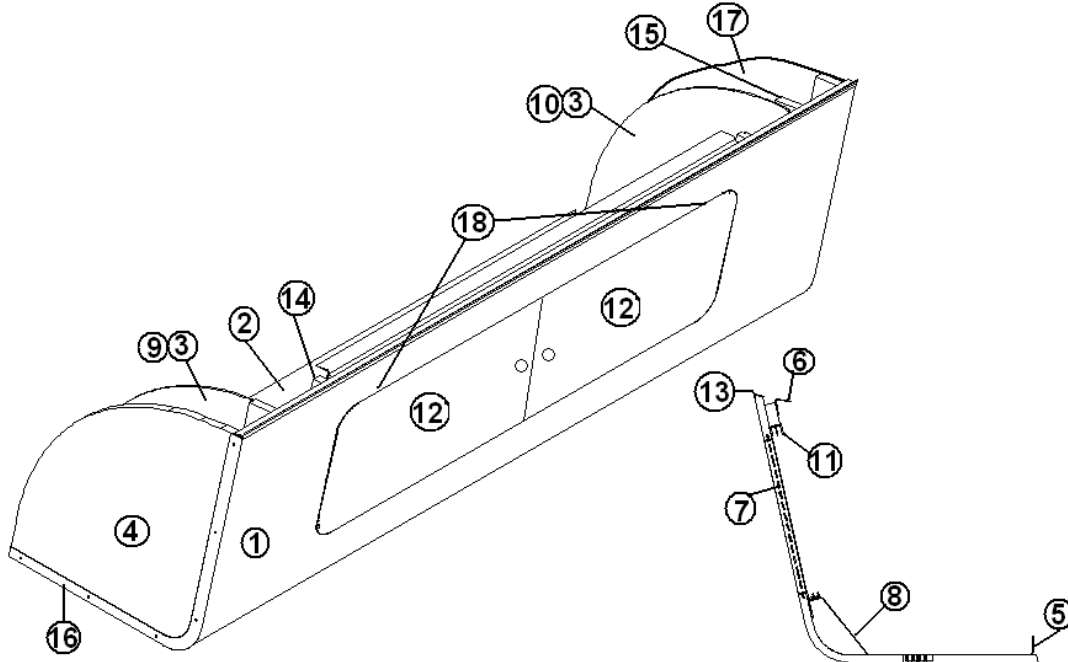
968044 Galley Base Assembly Airstream 2 Go

34.	968044-34	Pnl. 35.88 x 13.63
35.	381708	Wastebasket 11.38 x 8.25 x 12
36.	114811	Alum. Angle .50 x .50
37.	382029-04	Handle Bar 15"
39.	968024	Insert, Cutlery Drawer
40.	968044-40	Top, Galley 22.50 x 61.75
41.	114812	Aluminum Angle, 1.00 x 1.00
42.	115064	Trim, Alum. Counter Top
43.	601806	Sink, S.S. Round
44.	602327	FAUCET, MOEN CAMERIST CHROME W/SPRAY
	801714-01	Tail Piece 1-1/2 x 4"
	601714-02	1 1/2" Slip Nut w/Wing
	601714-03	1 1/2" Black Rubber Washer
	115134	Extrusion Laminate Trim, 120"
	381228	Catch, Grabber Door
	908044-50	Pnl. 2.25"x24.50"
	968044-51	Pnl. 2.25 x 24.50
	382203-03	Drawer Slide 15" Tandem
	382203-06	Clips, Front Fixing (Pr.)
	345353-03	Screw, #6 x .75 Flat Hd. Phillips
	320166-01	Screw #8 x .50" PH FH Zinc
	382026	Pull, Flush S.S. Finger

# 2014 INTERNATIONAL TRAVEL TRAILER

## FURNITURE, GALLEY

### Roof Locker, 23' D Signature, Galley

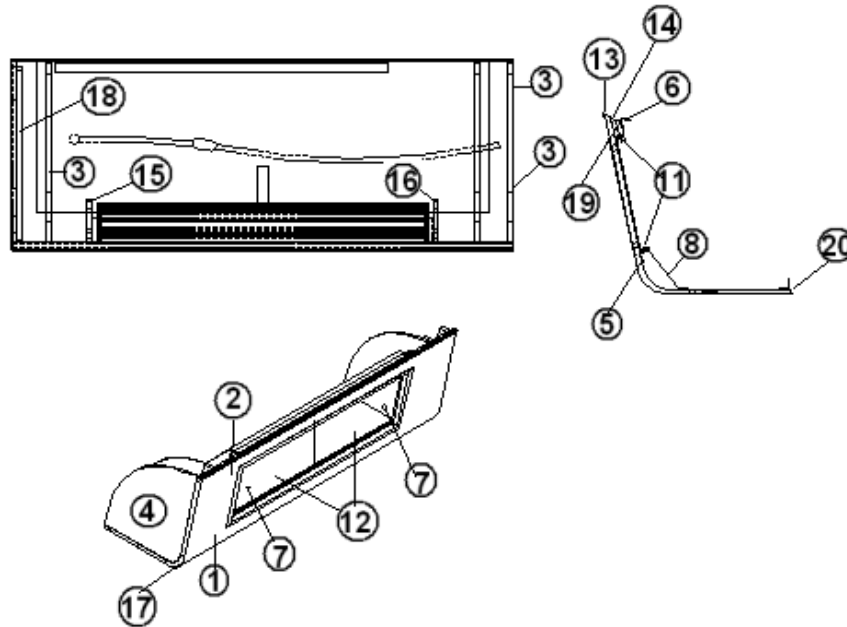


966947	LOCKER ASSY, GALLEY
1. 801542-13	LOCKER FACE, GALLEY
2. 966947-1	PANEL, 17.25 X 45.00
3. 801545-05	DIVIDER (PARTIAL) W/RANGE VENT
4. 966891	END CAP ASSY, R/L
5. 115227-03	ANGLE, FORMED, 41"
6. 104821	SUPPORT, ROOFLCKER, 74"
7. 203445-01	T-MOLDING, .5625" WHITE
8. 115226	BRACKET, FORMED, LOCKER CENTER
9. 801539-01	DIVIDER, GALLEY LOCKER LH
10. 801539-02	DIVIDER, GALLEY LOCKER
11. 203388	SLIDING DOOR TRACK, 56-1/5"
12. 203749-01	DOOR, PLEXGLASS 17.50"
13. 201673	COVE MOLDING, WHITE
11.966947-16	PANEL, GALLEY LOCKER 1.00 X 15.56
12.966947-17	PANEL, GALLEY LOCKER 1.00 X 15.56
13.201173	WHITE ROOFLCOKER END CAP
14.801545-01	DIVIDER, ROOF LOCKER, FULL
15.454613	SPRING, LEAF
382149	FINGER PULL, SATIN NICKEL

# 2014 INTERNATIONAL TRAVEL TRAILER

## FURNITURE, GALLEY

Roof Locker, 23' D Signature, Galley, Serenity

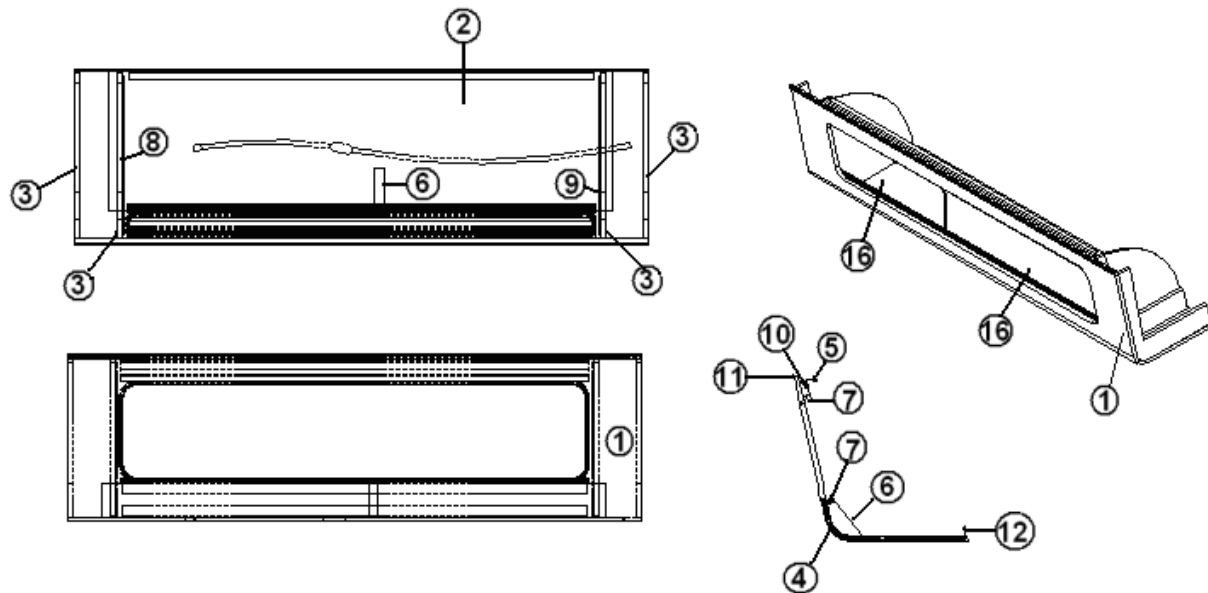


967554-15	ROOFLOCKER ASSY-GALLEY 23 SERENITY
1.801847	FACE-GALLEY R/L 23 SER
2.801355-01	LAMINATE 17.25 X 45" FROST WHITE-
3.801545-05	DIVIDER(PARTIAL) W/RA16NGE VENT
4.967554-154	PANEL, GAL R/L 18.21X17.15
5.114812	ALUM. ANGLE 1.00 X 1.00
6.104821	SUPPORT, ROOFLOCKER, 74"
7.382114	KNOB-BRUSH.SATIN NICKEL #M576
8.115226	BRACKET-FORMED-LOCKER CTR SUPP
9.801539-01	DIVIDER-GALLEY LOCKER LH
10.801539-02	DIVIDER-GALLEY LOCKER
11.381245	SLIDING DOOR TRACK, 56-1/5"
12.203677-01	DOOR MARI 11.31X17.5
13.201673	REVERSE COVE MOLDING, WHITE, P
14.800506-04	PLYWOOD,1/2"X4'X8'
15.801392	PANEL, PRELAM WHTLIN/WHTLIN 12MM
16.801809	LAMINATE-WHT LINER 4'X8' VERTI
17.115375	EXTR.-FORMED R/L END INT.
18.801545-01	DIVIDER-FULL
19.800506-04	PLYWOOD, 1.5" X 33.00"
20.114812	ALUM. ANGLE 1.00 X 1.
21.703991	PILE SEAL WEATHER STRIP

# 2014 INTERNATIONAL TRAVEL TRAILER

## FURNITURE, GALLEY

### Roof Locker, 23' FB Signature, Galley

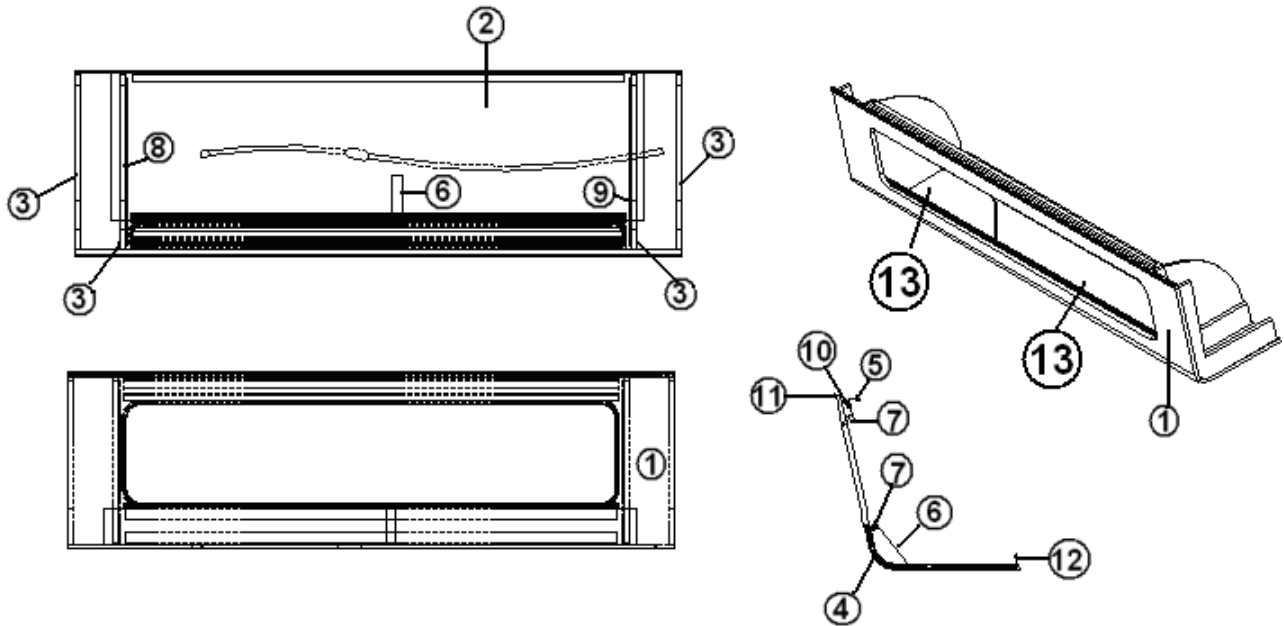


967642	ROOFLOCKER ASSY - GALLEY
1. 801884	FACE-GALLEY R/L 23FB SIG
2. 801928	PANEL, PRELAM EBONYWOODS/LINER 18MM
3. 801884-02	DIVIDER-GAL ROOFLOCKER
4. 114812	ALUMINUM. ANGLE 1.00 X 1.00
5. 104821	SUPPORT, ROOFLOCKER 74"
6. 115226	BRACKET-FORMED-LOCKER CTR SUPP
7. 203388	TRACK-SLIDING DOOR
8. 801539-01	DIVIDER-GALLEY LOCKER LH
9. 801539-02	DIVIDER-GALLEY LOCKER
10.800028	PINE, 3/4" X 1-1/2"
11.201673	REVERSE COVE MOLDING, WHITE, P
12.114812	ALUMINUM. ANGLE 1.00 X 1.00
13.703991	PILE SEAL WEATHER STRIP
14.203445-01	T-MOLDING - .5625" WHITE
15.203749-09	DOOR-PLEX.SLIDING 11.31X26.25
382149	FINGER PULL, SATIN NICKEL

# 2014 INTERNATIONAL TRAVEL TRAILER

## FURNITURE, GALLEY

Roof Locker, Galley, 23' Front Bed Signature, Serenity



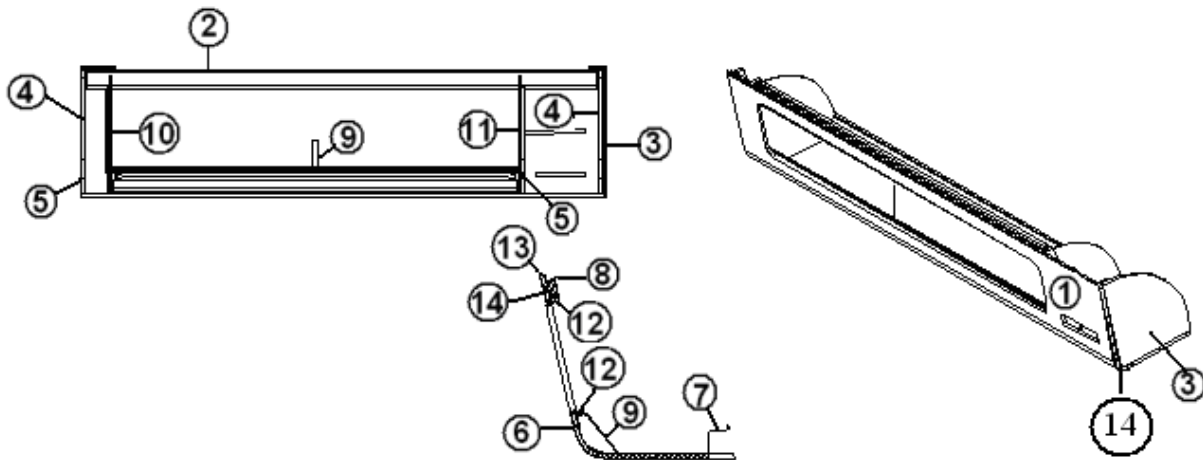
967643	ROOFLOCKER ASSY - GALLEY - SERENITY
1. 801885	FACE-GALLEY R/L 23FB SERENITY
2. 801438	PANEL, FRT WHT VINYL/RAW 2.7MM LAUAN
3. 801884-02	DIVIDER-GALLEY ROOFLOCKER
4. 114812	ALUMINUM. ANGLE 1.00 X 1.00
5. 104821	SUPPORT, ROOFLOCKER 74"
6. 115226	BRACKET-FORMED-LOCKER CTR SUPPORT
7. 203388	TRACK-SLIDING DOOR
8. 801539-01	DIVIDER-GALLEY LOCKER LH
9. 801539-02	DIVIDER-GALLEY LOCKER
10.800028	PINE, 3/4" X 1-1/2"
11.201673	REVERSE COVE MOLDING, WHITE,
12.114812	ALUMINUM. ANGLE 1.00 X 1.00
13.203677-02	DOOR- MARI - SLIDING 11.31X26.25
703991	PILE SEAL WEATHER STRIP
203445-01	T-MOLDING - .5625" WHITE
382114	KNOB, BRUSH SATIN NICKEL #M576



# 2014 INTERNATIONAL TRAVEL TRAILER

## FURNITURE, GALLEY

### Roof Locker, DINETTE - 23 FB

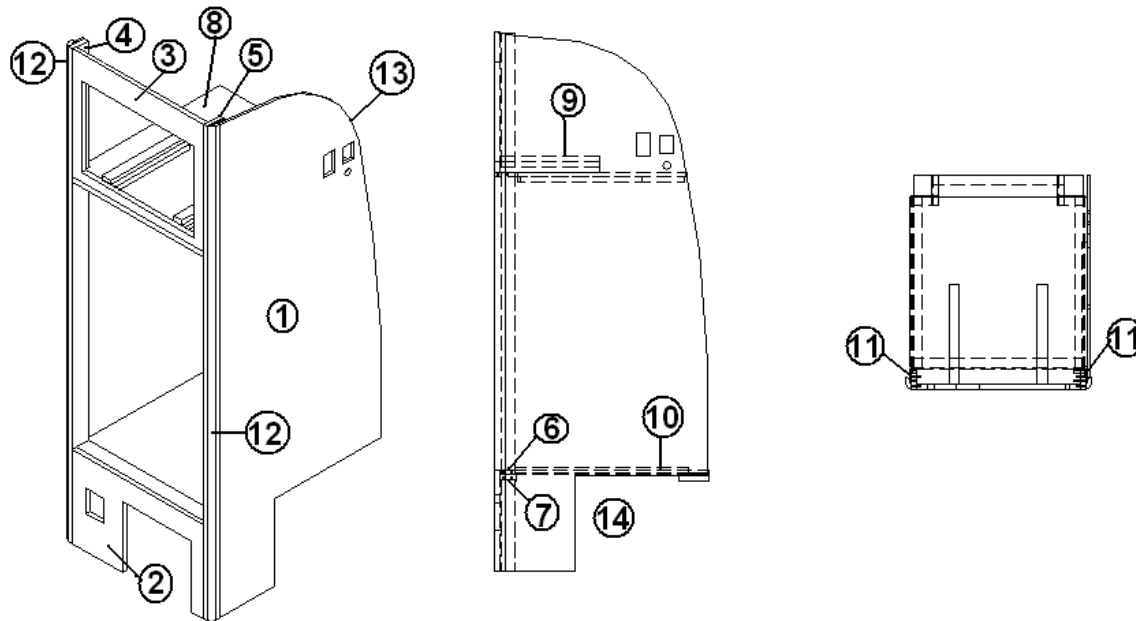


967635	ROOFLOCKER ASSY - DINETTE
967524-01	ROOFLOCKER ASSY - AIRSTREAM 2 GO
1.801882	FACE - DINETTE R/L 23FB SIG
2.801438	PANEL, FRT WHT VINYL/RAW 2.7MM LAUAN
3.801882-02	DIVIDER - DINETTE R/L LH
4.801882-03	DIVIDER - DINETTE R/L LH SHORT
5.115227-01	ANGLE-FORMED-LOCKER TRACK
6.115228-04	CLOSEOUT-BLIND 74"
7.104821	SUPPORT, ROOFLOCKER, 74"
8.115226	BRACKET-FORMED-LOCKER CTR SUPP
9.801540-01	DIVIDER-DINETTE LOCKER LH
10.801540-05	Divider, RH Dinette INT'L ONLY
801540-06	Divider, RH Dinette - AIRSTREAM 2 GO
11.203388	TRACK-SLIDING DOOR
12.201673	REVERSE COVE MOLDING, WHITE
13.800028	PINE, 3/4" X 1-1/2"
14.115375	EXTRUSION.-FORMED R/L END.
703991	PILE SEAL WEATHER STRIP
203749-08	DOOR-PLEX.SLIDING 11.31"X 30"
115064	TRIM-ALUM COUNTER TOP INT
968051	Blue Ray Shelf Assy. - International Only
382149	FINGER PULL, SATIN NICKEL
512577	BUSHING STRAIN RELIEF

# 2014 INTERNATIONAL TRAVEL TRAILER

## FURNITURE, GALLEY

### Refrigerator/Microwave Cabinet, 23' D Signature

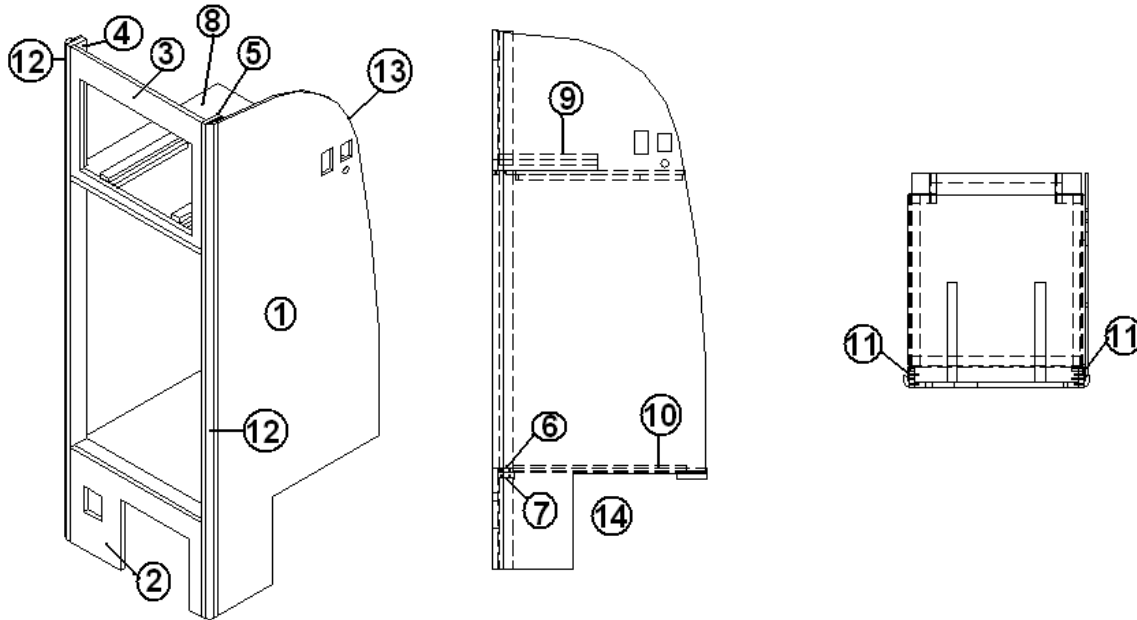


966948	CABINET ASSY REFER/MICRO
1. 966948-1	PANEL, 29.65 X 78.37
2. 966948-2	PANEL, 23.94 X 14.88
3. 966948-3	PANEL, 23.94 X 20.39
4. 966948-4	PANEL, 3.0 X 78.65
5. 966948-5	PANEL, 3.0 X 78.65
6. 966948-6	PANEL, 2.25 X 23.94
7. 966948-7	PANEL, 2.25 X 23.94
8. 966948-8	PANEL, 25.94 X 28.05
9. 800506-06	PANEL, PLYWOOD, 3/4" X 1.5 X 14.50
10. 800506-04	PANEL, PLYWOOD, 1/2" X 24.75 X 28.25
11. 800507-02	PANEL, LAUAN, 1/4" X 2.125 X 78.53
12. 801706-0024	CORNER TRIM 90 DEGREE, 1" RADIUS
13. 203138-05	EXTRUSION, PLASTIC, 1/2" WALL BLACK
14. 966811	STAND, REFRIGERATOR
381209-01	GROMMET W/CAP BLACK, 1.5" HOLE

# 2014 INTERNATIONAL TRAVEL TRAILER

## FURNITURE, GALLEY

### Refrigerator/Microwave Cabinet, 23' D Signature, Serenity

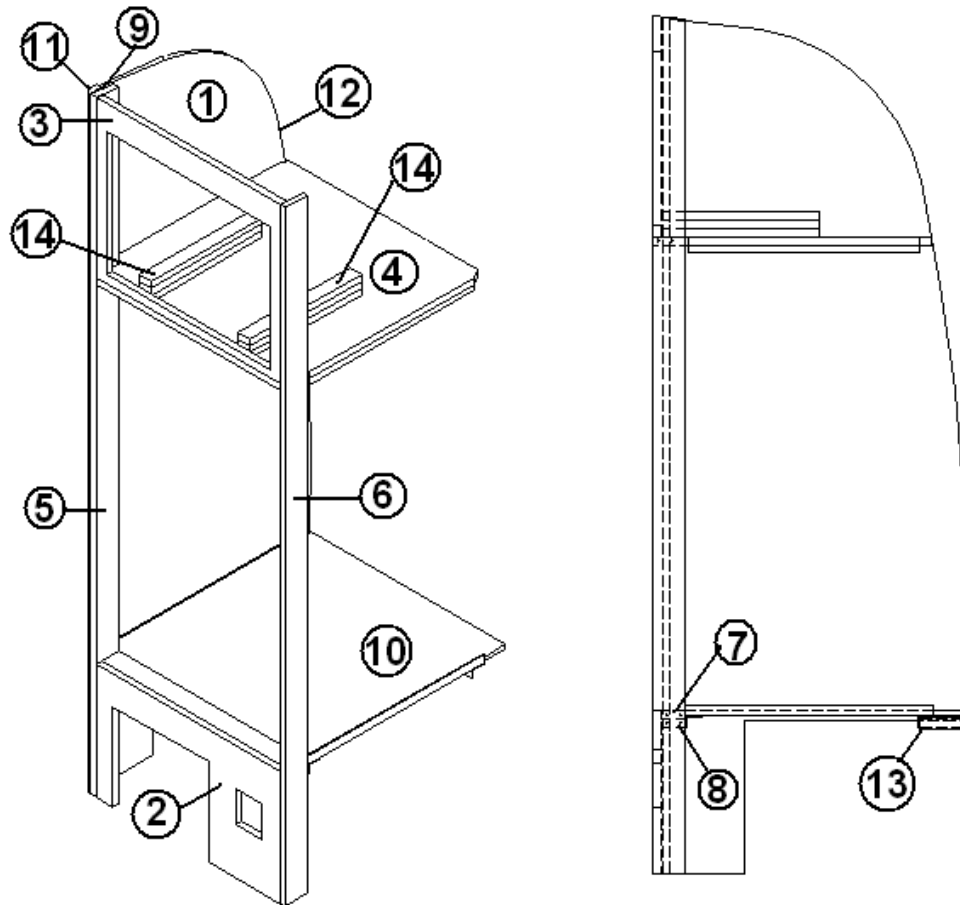


966948-15	CABINET ASSY REFER/MICRO
1. 966948-151	PANEL, 29.65 X 78.37
2. 966948-152	PANEL, 23.94 X 14.88
3. 966948-153	PANEL, 23.94 X 20.39
4. 966948-4	PANEL, 3.0 X 78.65
5. 966948-5	PANEL, 3.0 X 78.65
6. 966948-6	PANEL, 2.25 X 23.94
7. 966948-7	PANEL, 2.25 X 23.94
8. 966948-8	PANEL, 25.94 X 28.05
9. 800506-06	PANEL, PLYWOOD, 3/4" X 1.5 X 14.50
10. 800506-04	PANEL, PLYWOOD, 1/2" X 24.75 X 28.25
11. 800507-02	PANEL, LAUAN, 1/4" X 2.125 X 78.53
12. 801706-0018	CORNER TRIM, 90 DEGREE, 1" RADIUS
13. 203138-03	EXTRUSION, PLASTIC, 1/2" BEIGE
14. 966811	STAND, REFRIGERATOR
381209-01	GROMMET, BLACK, 1.5" HOLE

# 2014 INTERNATIONAL TRAVEL TRAILER

## FURNITURE, GALLEY

### Refrigerator/Microwave Cabinet, 23' Front Bed

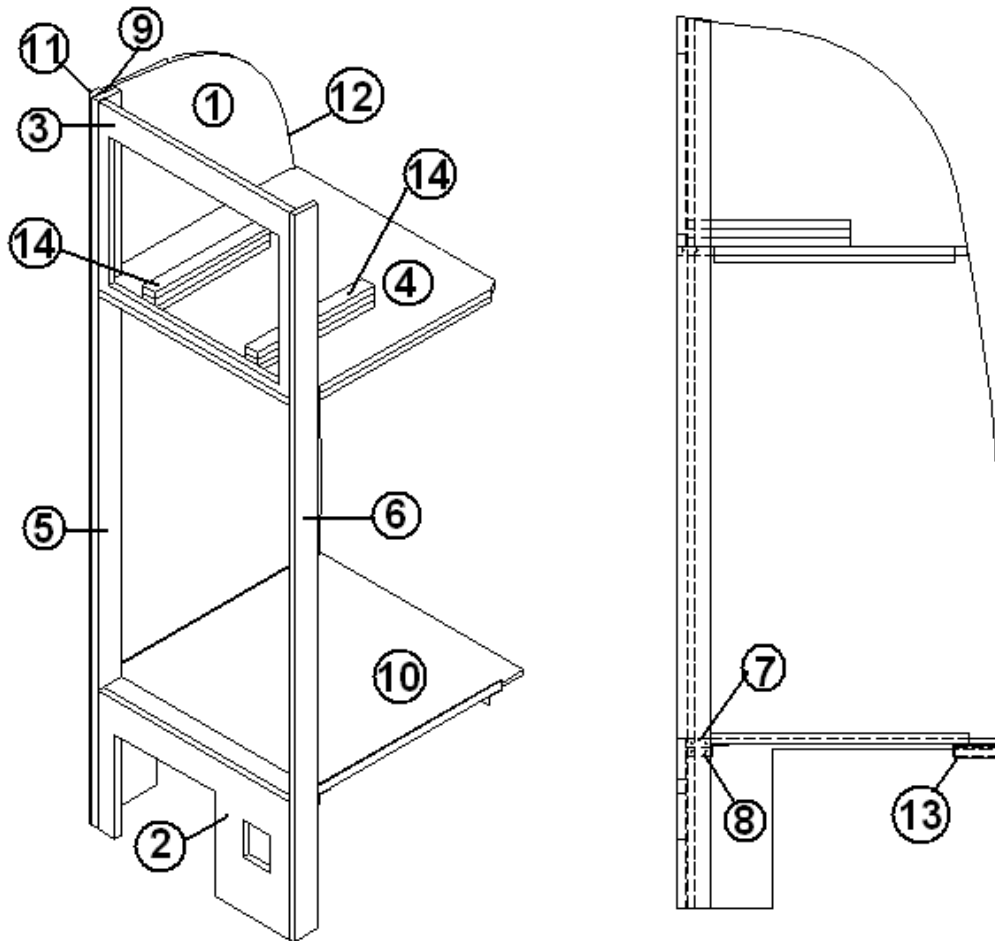


967309	Refer/Convection Microwave Cabinet
1. 967309-1	Panel, 27.22 X 78.10
2. 967309-2	Panel, 23.94 X 14.88
3. 967309-3	Panel, 23.94 X 20.16
4. 967309-4	Panel, 25.56 X 25.44
5. 967309-5	Panel, 3.00 X 78.39
6. 967309-6	Panel, 3.00 X 78.39
7. 967309-7	Panel, 2.25 X 23.94
8. 967309-8	Panel, 2.25 X 23.94
9. 800507-02	Panel, 2.125 X 78.32
10. 800506-04	Panel, 25.25 X 25.75
11. 801706-0024	Corner trim 90 degree 1" radius – EBONY WOODS
12. 203138-05	Extrusion, plastic ½"
13. 967176	Refrigerator stand assembly
14. 800506-06	Panel, 1.50 X 14.50

# 2014 INTERNATIONAL TRAVEL TRAILER

## FURNITURE, GALLEY

### Refrigerator/Microwave Cabinet, 23' Front Bed - Serenity

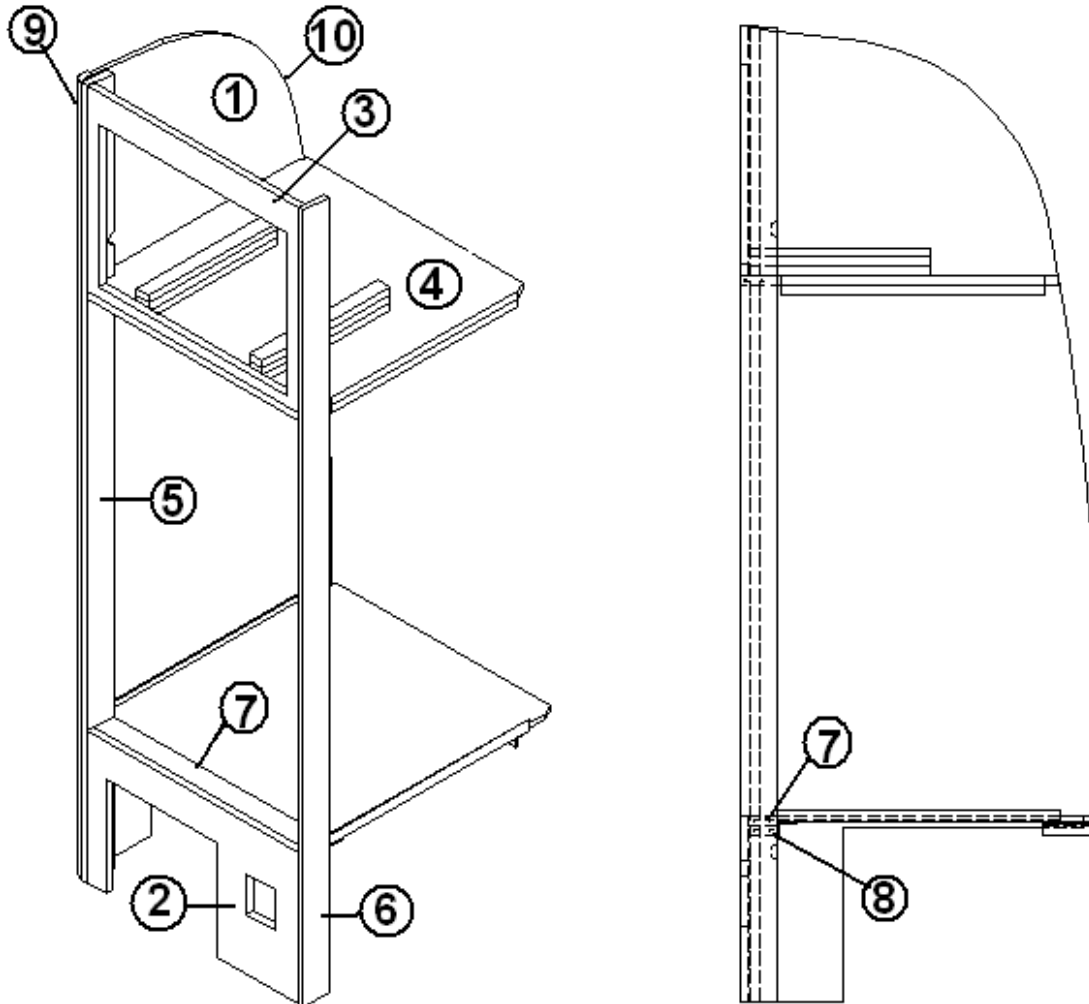


967309-15	Refer/Convection Microwave Cabinet, Serenity
1. 967309-151	Panel, 27.22 X 78.10
2. 967309-152	Panel, 23.94 X 14.88
3. 967309-153	Panel, 23.94 X 20.16
4. 967309-4	Panel, 25.56 X 25.44
5. 967309-5	Panel, 3.00 X 78.39
6. 967309-6	Panel, 3.00 X 78.39
7. 967309-7	Panel, 2.25 X 23.94
8. 967309-8	Panel, 2.25 X 23.94
9. 800507-02	Lauan, 1/4"
10. 800507-04	Lauan, 1/2", 25.25 X 25.75
11. 801706-0018	Corner trim 90 degree 1" radius - Asian Sand
12. 203138-03	Extrusion, plastic 1/2", Beige
13. 967176	Refrigerator stand assembly
14. 800506-06	Panel, 1.50 X 14.50

# 2014 INTERNATIONAL TRAVEL TRAILER

## FURNITURE, GALLEY

### Refrigerator/Convection Microwave Cabinet, 23' Front Bed

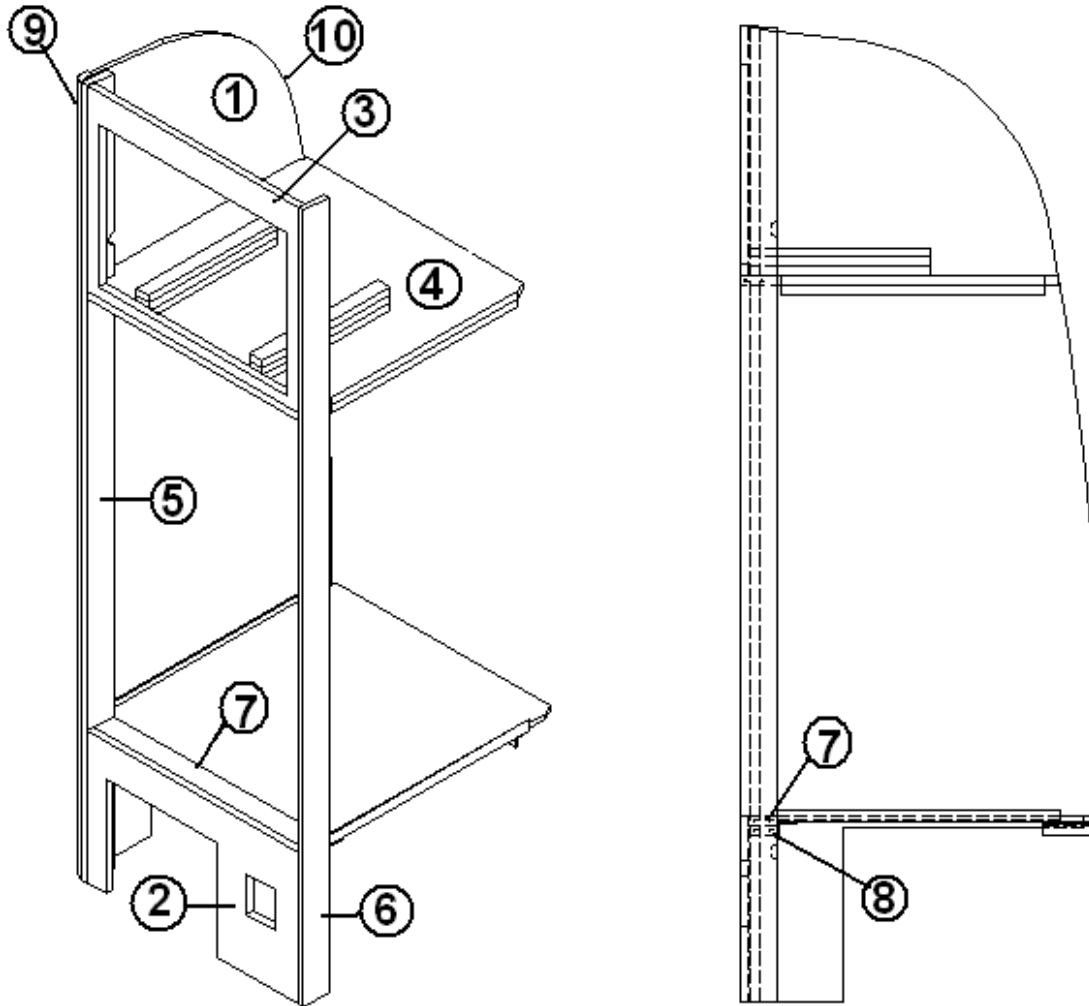


967310	Refrigerator Cabinet w/Convection Microwave
1. 967310-1	Panel, refer/conv. micro., 27.22 X 78.10
2. 967310-2	Panel, refer/conv. micro., 23.94 X 14.88
3. 967310-3	Panel, refer/conv. micro., 23.94 X 20.16
4. 967310-4	Panel, refer/conv. micro., 25.56 X 25.50
5. 967310-5	Panel, refer/conv. micro., 3.00 X 78.39
6. 967310-6	Panel, refer/conv. micro., 3.00 X 78.39
7. 967310-7	Panel, refer/conv. micro., 2.25 X 23.94
8. 967310-8	Panel, refer/conv. micro., 2.25 X 23.94
9. 801706-0024	Corner trim, 90 D, 1" radius, EBONY WOODS
10. 203138-05	Extrusion, plastic 1/2" Black
11. 967176	Stand, refrigerator

# 2014 INTERNATIONAL TRAVEL TRAILER

## FURNITURE, GALLEY

### Refrigerator/Convection Microwave Cabinet, 23' FB, SERENITY

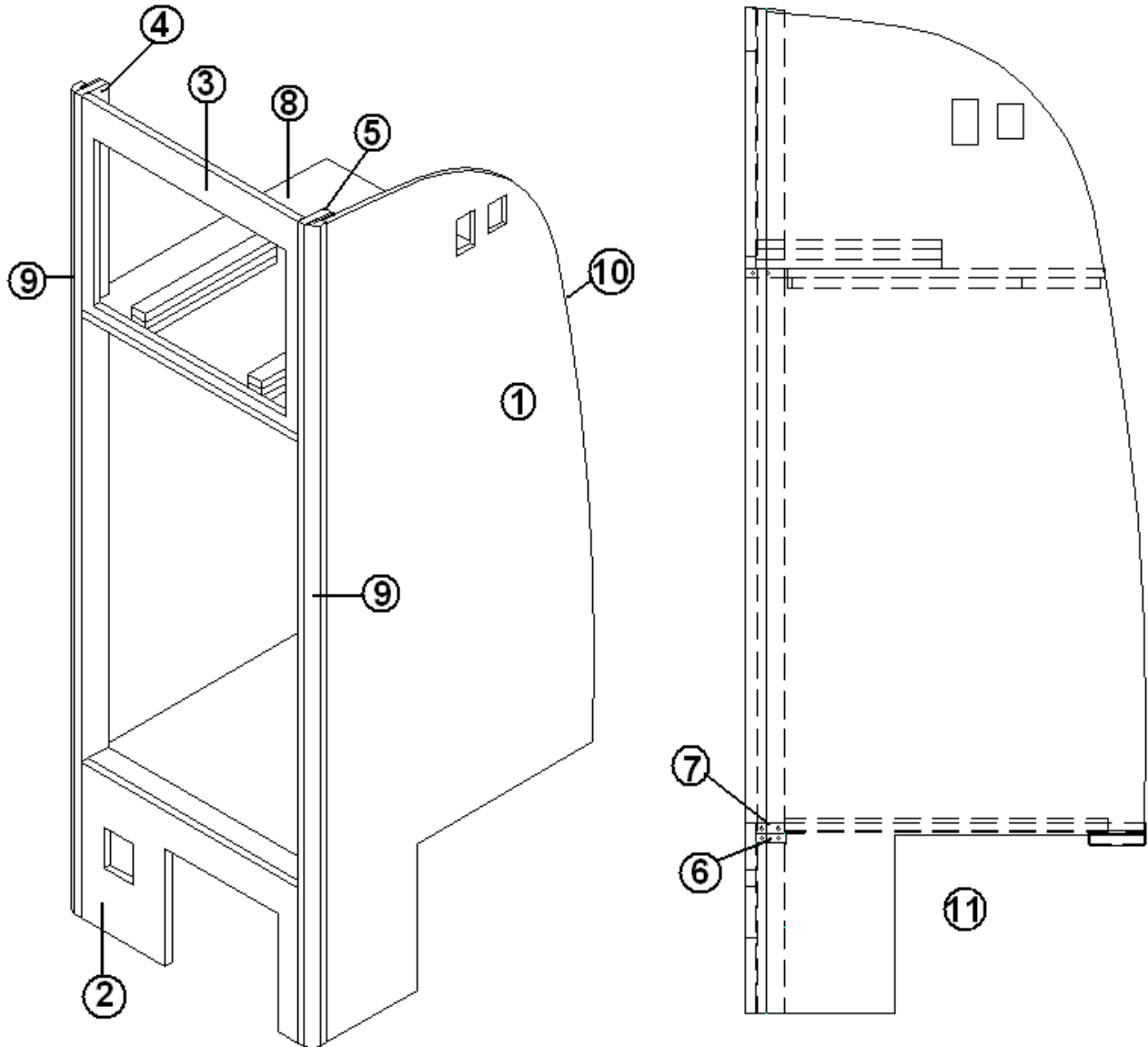


967310-15	Refrigerator Cabinet w/Convection Microwave
1. 967310-151	Panel, refer/conv. micro., 27.22 X 78.10
2. 967310-152	Panel, refer/conv. micro., 23.94 X 14.88
3. 967310-153	Panel, refer/conv. micro., 23.94 X 20.16
4. 967310-4	Panel, refer/conv. micro., 25.56 X 25.50
5. 967310-5	Panel, refer/conv. micro., 3.00 X 78.39
6. 967310-6	Panel, refer/conv. micro., 3.00 X 78.39
7. 967310-7	Panel, refer/conv. micro., 2.25 X 23.94
8. 967310-8	Panel, refer/conv. micro., 2.25 X 23.94
9. 801393-0018	Corner trim, 90 D, 1" radius, ASIAN SAND
10. 203138-03	Extrusion, plastic 1/2" Beige
11. 967176	Stand, refrigerator

# 2014 INTERNATIONAL TRAVEL TRAILER

## FURNITURE, GALLEY

### Refrigerator/Convection Microwave Cabinet, 23' D Signature





# 2014 INTERNATIONAL TRAVEL TRAILER

## FURNITURE, GALLEY

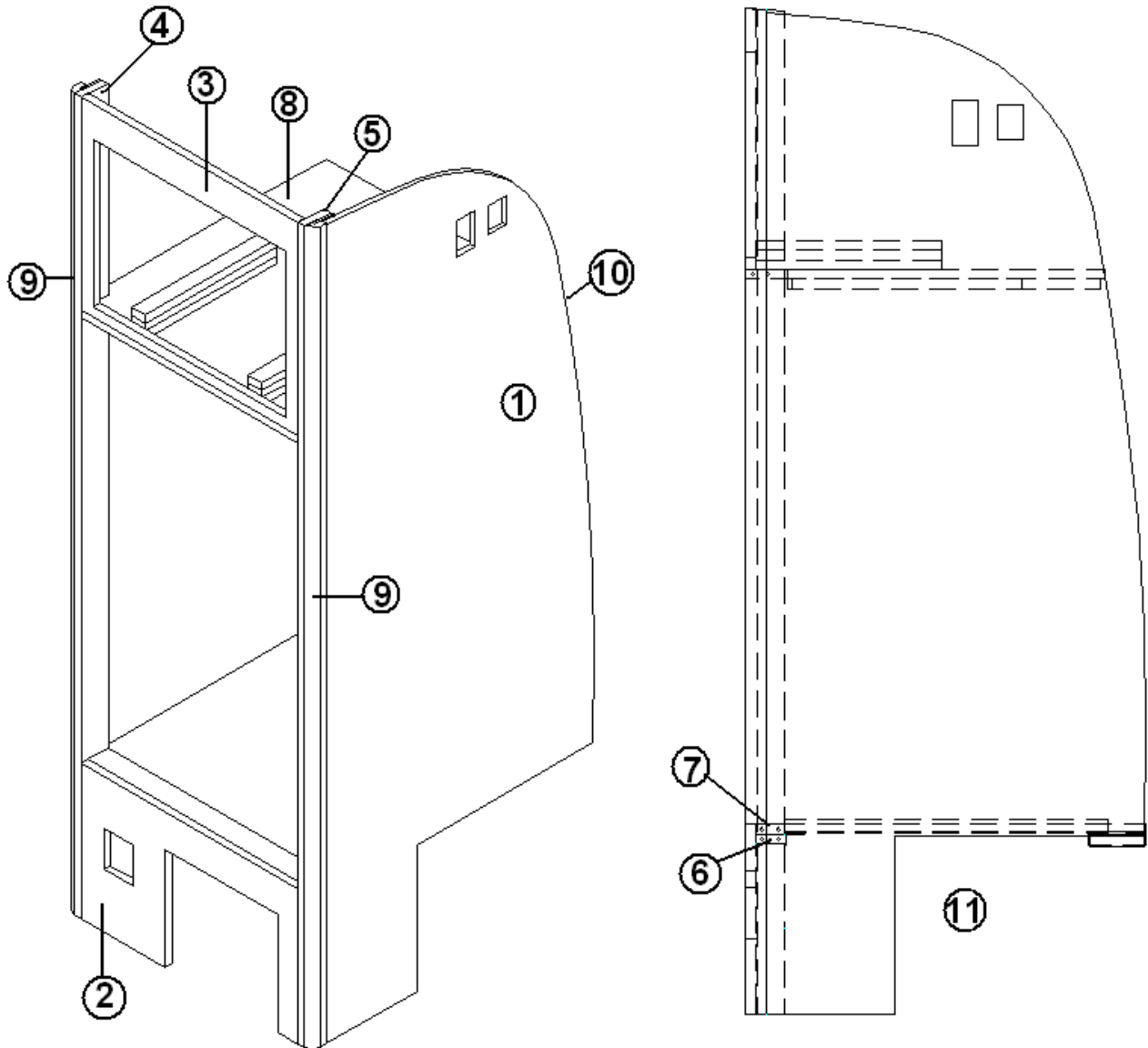
Refrigerator/Convection Microwave Cabinet, 23' D Signature,

967226	CABINET, REFER/CONVECTION MICROWAVE
1. 967226-1	PANEL, 29.65 X 78.37, REFER/CONV. MW
2. 967226-2	PANEL, 23.94X14.88, REFER/CONV. MW
3. 967226-3	PANEL, 23.94X20.39, REFER/CONV. MW
4. 967226-4	PANL, 3.0X78.65, REFER/CONV. MW
5. 967226-5	PANEL, 3.0X78.65, REFER/CONV. MW
6. 967226-6	PANEL, 2.25X23.94, REFER/CONV. MW
7. 967226-7	PANEL, 2.25X23.94, REFER/CONV. MW
8. 967226-8	PANEL, 25.94X28.05, REFER/CONV. MW
9. 203138-05	EXTRUSION, PLASTIC, 1/2" WALL BLACK
10. 801706-0024	CORNER TRIM, 90 DEGREE, 1" RADIUS, EBONY
11. 966811	STAND ASSY.,REFRIGERATOR
381209-01	GROMMET-W/CAP BLACK 1.5"HOLE

# 2014 INTERNATIONAL TRAVEL TRAILER

## FURNITURE, GALLEY

Refrigerator/Convection Microwave Cabinet, 23' D Signature,  
SERENITY



Part numbers are on the next page

# 2014 INTERNATIONAL TRAVEL TRAILER

## FURNITURE, GALLEY

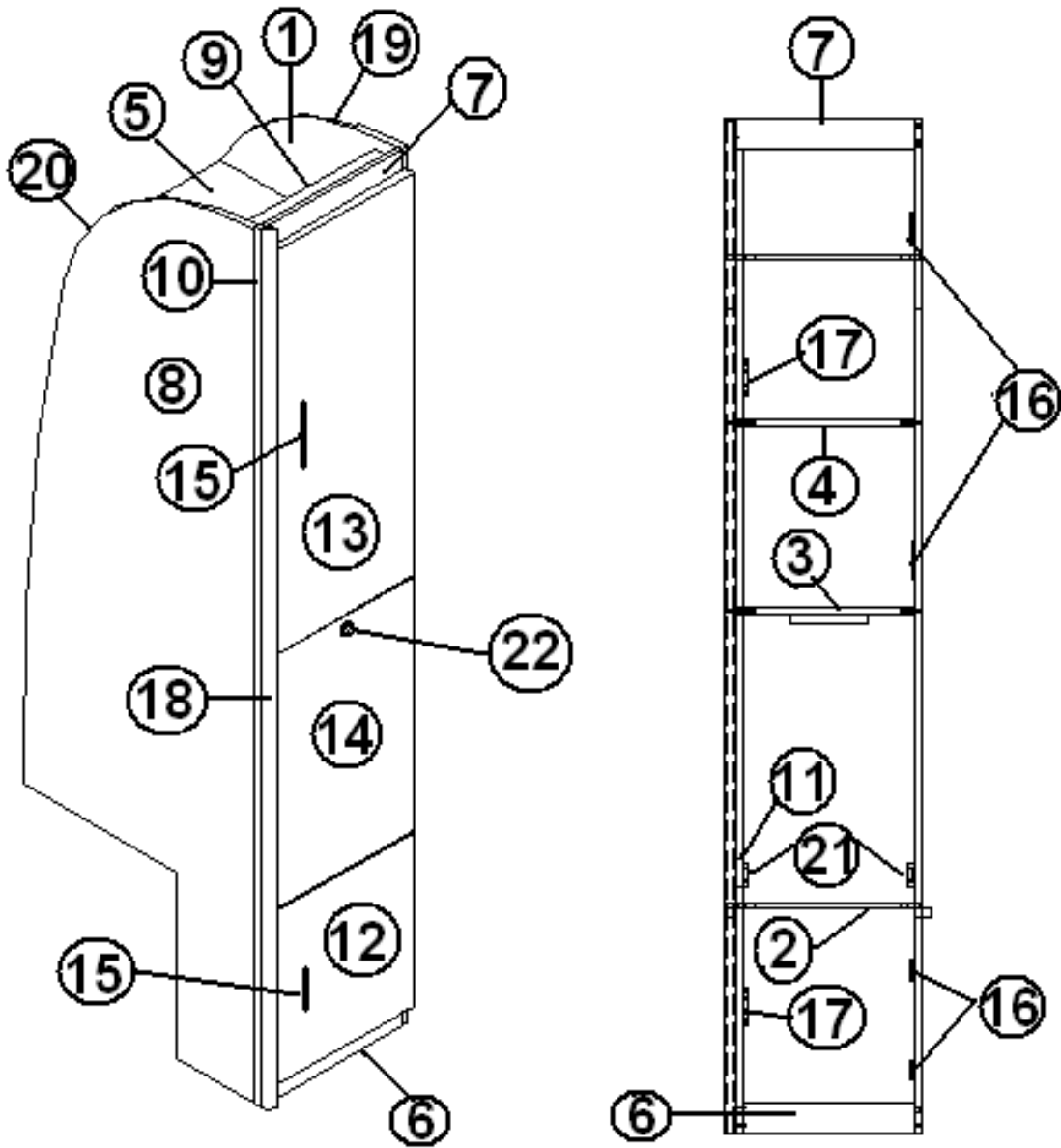
Refrigerator/Convection Microwave Cabinet, 23' D Signature,  
Serenity

967226-15	CABINET, REFER/CONVECTION MICROWAVE
1. 967226-151	PANEL, 29.65 X 78.37, REFER/CONV. MW
2. 967226-152	PANEL, 23.94X14.88, REFER/CONV. MW
3. 967226-153	PANEL, 23.94X20.39, REFER/CONV. MW
4. 967226-154	PANEL, 3.0X78.65, REFER/CONV. MW
5. 967226-155	PANEL, 3.0X78.65, REFER/CONV. MW
6. 967226-156	PANEL, 2.25X23.94, REFER/CONV. MW
7. 967226-157	PANEL, 2.25X23.94, REFER/CONV. MW
8. 967226-158	PANEL, 25.94X28.05, REFER/CONV. MW
9. 203138-03	EXTRUSION, PLASTIC, 1/2" WALL BEIGE
10. 801393-0018	CORNER TRIM, 1" RADIUS
11. 966811	STAND ASSY., REFRIGERATOR
381209-01	GROMMET-W/CAP BLACK 1.5"HOLE

# 2014 INTERNATIONAL TRAVEL TRAILER

## FURNITURE, GALLEY

Pantry, 23' D Signature



Part Numbers are on the Next page

# 2014 INTERNATIONAL TRAVEL TRAILER

## FURNITURE, GALLEY

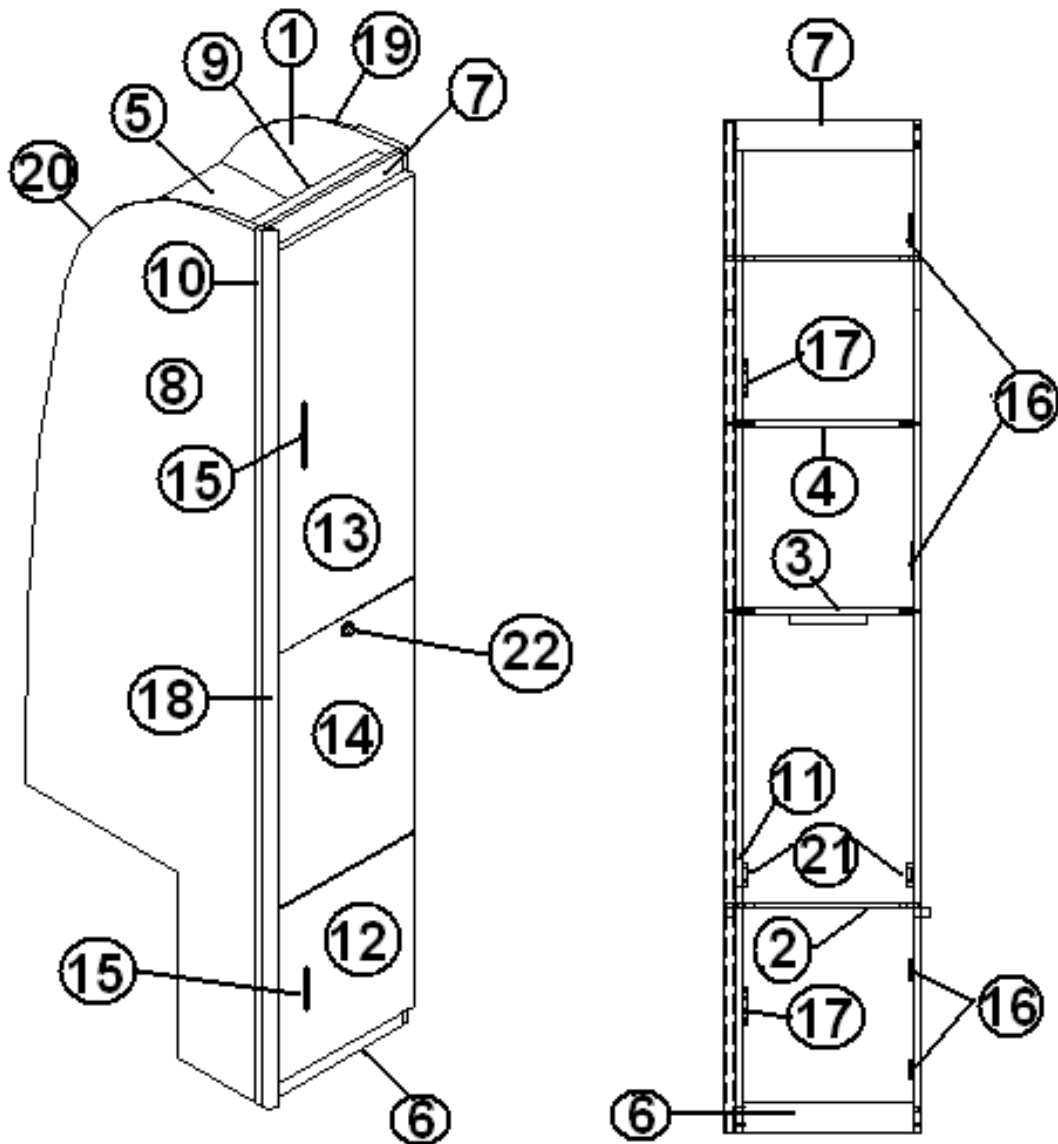
### Pantry, 23' D Signature

966936	PANTRY ASSY.
1. 966936-1	PANEL, PANTRY 24.55 X 78.14
2. 966936-2	PANEL, PANTRY 14.01 X 24.27
3. 966936-3	PANEL, PANTRY 14.01 X 23.84
4. 966936-4	PANEL, PANTRY 14.01 X 21.96
5. 966936-5	PANEL, PANTRY 14.01 X 18.71
6. 966936-6	PANEL, PANTRY 13.26 X 2.25
7. 966936-7	PANEL, PANTRY 14.01 X 2.26
8. 966936-8	PANEL, PANTRY 23.79 X 77.9
9. 966936-9	PANEL, PANTRY 2.5 X 14.01
10. 966936-10	PANEL, PANTRY 3.0 X 75.88
11. 966936-11	PANEL, PANTRY 2.5 X 20.0
12. 966936-12	DOOR, PANTRY 13.88 X 15.5
13. 966936-13	DOOR, PANTRY 13.88 X 35.88
14. 966935	PANTRY ASSY S/O
15. 382029-03	HANDLE BAR, 11.25"
16. 381607	HINGE ASSY.
17. 381228-01	CATCH GRABBER DOOR
18. 801706-0024	CORNER TRIM, 90 DEGREE, 1" RADIUS
19. 203138-01	EXTRUSION-PLASTIC WALL, WHITE
20. 203138-05	EXTRUSION, PLASTIC 1/2" WALL BLACK
21. 381925	DRAWER SLIDE, 24"
22. 381408	LOCK, PUSH, BUTTON STYLE, BLACK

# 2014 INTERNATIONAL TRAVEL TRAILER

## FURNITURE, GALLEY

Pantry, 23' D Signature, Serenity



Part Numbers are on the Next page

# 2014 INTERNATIONAL TRAVEL TRAILER

## FURNITURE, GALLEY

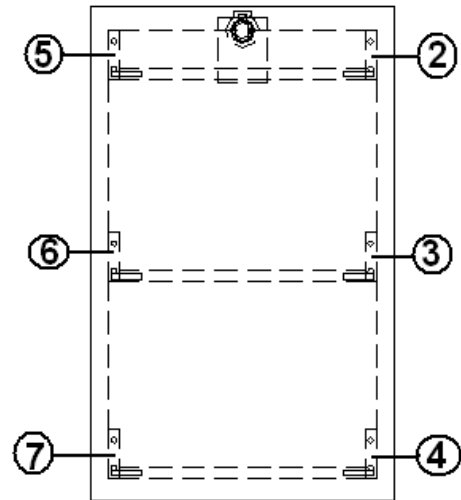
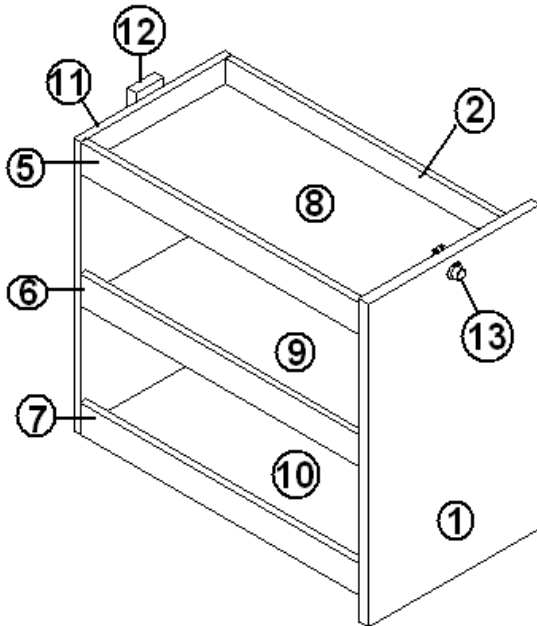
### Pantry, 23' D Signature, Serenity

966936-15	PANTRY ASSY.
1. 966936-1	PANEL, PANTRY 24.55 X 78.14
2. 966936-2	PANEL, PANTRY 14.01 X 24.27
3. 966936-3	PANEL, PANTRY 14.01 X 23.84
4. 966936-4	PANEL, PANTRY 14.01 X 21.96
5. 966936-5	PANEL, PANTRY 14.01 X 18.71
6. 966936-156	PANEL, PANTRY 13.26 X 2.25
7. 966936-157	PANEL, PANTRY 14.01 X 2.26
8. 966936-158	PANEL, PANTRY 23.79 X 77.9
9. 966936-9	PANEL, PANTRY 2.5 X 14.01
10. 966936-10	PANEL, PANTRY 3.0 X 75.88
11. 966936-11	PANEL, PANTRY 2.5 X 20.0
12. 966936-1512	DOOR, PANTRY 13.88 X 15.5
13. 966936-1513	DOOR, PANTRY 13.88 X 35.88
14. 966935	PANTRY ASSY S/O
15. 382115	PULL, FLAT BLACK #M575
16. 381607	HINGE ASSY.
17. 381228-01	CATCH GRABBER DOOR
18. 801706-0018	CORNER TRIM, 90 DEGREE, 1" RAD
19. 203138-03	EXTRUSION-PLASTIC WALL, BEIGE
20. 203138-03	EXTRUSION-PLASTIC WALL, BEIGE
21. 381925	DRAWER SLIDE, 24"
22. 381408	LOCK, PUSH BUTTON, BLACK

# 2014 INTERNATIONAL TRAVEL TRAILER

## FURNITURE, GALLEY

### Pantry, 23' D Signature, Slide Out



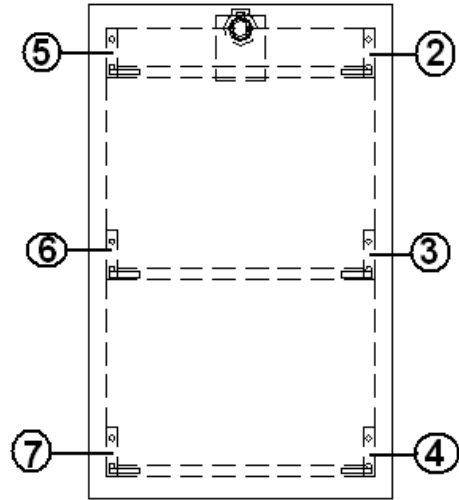
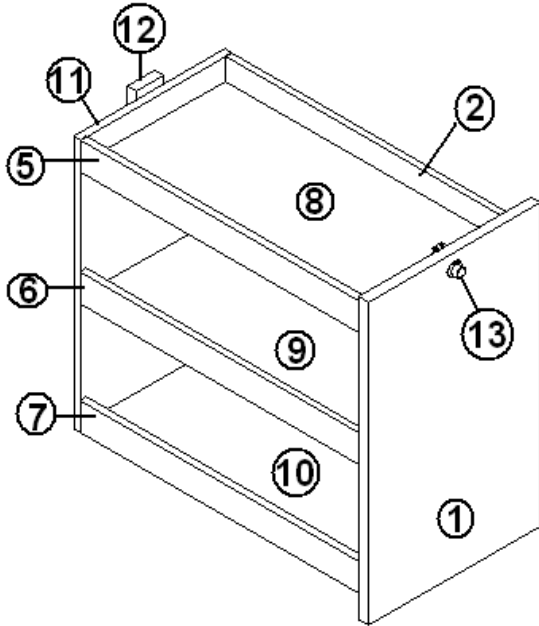
966935	PANTRY ASSY S/O
1. 966935-11	PANEL, S/O PANTRY, 13.88 X 22.62
2. 966935-2	PANEL, S/O PANTRY, 2.25 X 23.38
3. 966935-3	PANEL, S/O PANTRY, 2.25 X 23.38
4. 966935-4	PANEL, S/O PANTRY, 2.25 X 23.38
5. 966935-5	PANEL, S/O PANTRY, 2.25 X 23.38
6. 966935-6	PANEL, S/O PANTRY, 2.25 X 23.38
7. 966935-7	PANEL, S/O PANTRY, 2.25 X 23.38
8. 966935-8	PANEL, S/O PANTRY, 11.25 X 23.38
9. 966935-9	PANEL, S/O PANTRY, 11.25 X 23.38
10. 966935-10	PANEL, S/O PANTRY, 11.25 X 23.38
11. 966935-1	PANEL, S/O PANTRY, 12.25 X 20.5
12. 966935-12	PANEL, S/O PANTRY, 3.0 X 2.25
13. 381408	LOCK, PUSH, BUTTON STYLE, BLACK
966935-16	PANEL 2.25 X 11.25
966935-17	PANEL 2.25 X 11.25
968024	INSERT, CUTLERY DRAWER
195329-202	HEMISPHERE CLEAR BUMPON 190M



# 2014 INTERNATIONAL TRAVEL TRAILER

## FURNITURE, GALLEY

### Pantry, 23' D Signature, Slide Out, Serenity

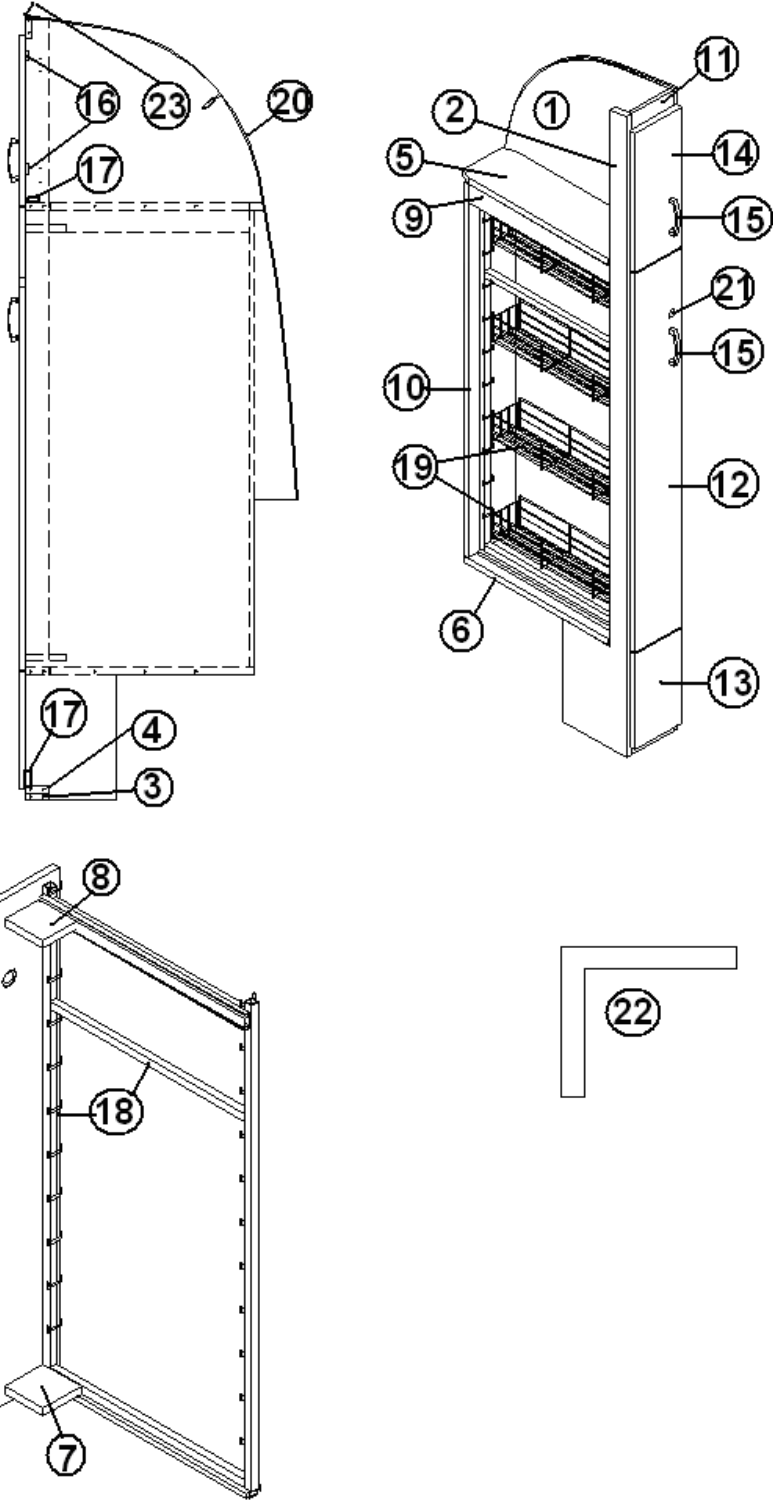


- |                |                                  |
|----------------|----------------------------------|
| 966935-15      | PANTRY ASSY S/O - SERENITY       |
| 1. 966935-1511 | PANEL, S/O PANTRY, 13.88 X 22.62 |
| 2. 966935-2    | PANEL, S/O PANTRY, 2.25 X 23.38  |
| 3. 966935-3    | PANEL, S/O PANTRY, 2.25 X 23.38  |
| 4. 966935-4    | PANEL, S/O PANTRY, 2.25 X 23.38  |
| 5. 966935-5    | PANEL, S/O PANTRY, 2.25 X 23.38  |
| 6. 966935-6    | PANEL, S/O PANTRY, 2.25 X 23.38  |
| 7. 966935-7    | PANEL, S/O PANTRY, 2.25 X 23.38  |
| 8. 966935-8    | PANEL, S/O PANTRY, 11.25 X 23.38 |
| 9. 966935-9    | PANEL, S/O PANTRY, 11.25 X 23.38 |
| 10. 966935-10  | PANEL, S/O PANTRY, 11.25 X 23.38 |
| 11. 966935-1   | PANEL, S/O PANTRY, 12.25 X 20.5  |
| 12. 966935-12  | PANEL, S/O PANTRY, 3.0 X 2.25    |
| 13. 381408     | LOCK, PUSH, BUTTON STYLE, BLACK  |
| 966935-16      | PANEL 2.25 X 11.25               |
| 966935-17      | PANEL 2.25 X 11.25               |
| 968024         | INSERT, CUTLERY DRAWER           |
| 195329-202     | HEMISPHERE CLEAR BUMPON 190M     |

# 2014 INTERNATIONAL TRAVEL TRAILER

## FURNITURE, GALLEY

Pantry, 23' Front Bed



Part numbers are on the next page.

# 2014 INTERNATIONAL TRAVEL TRAILER

## FURNITURE, GALLEY

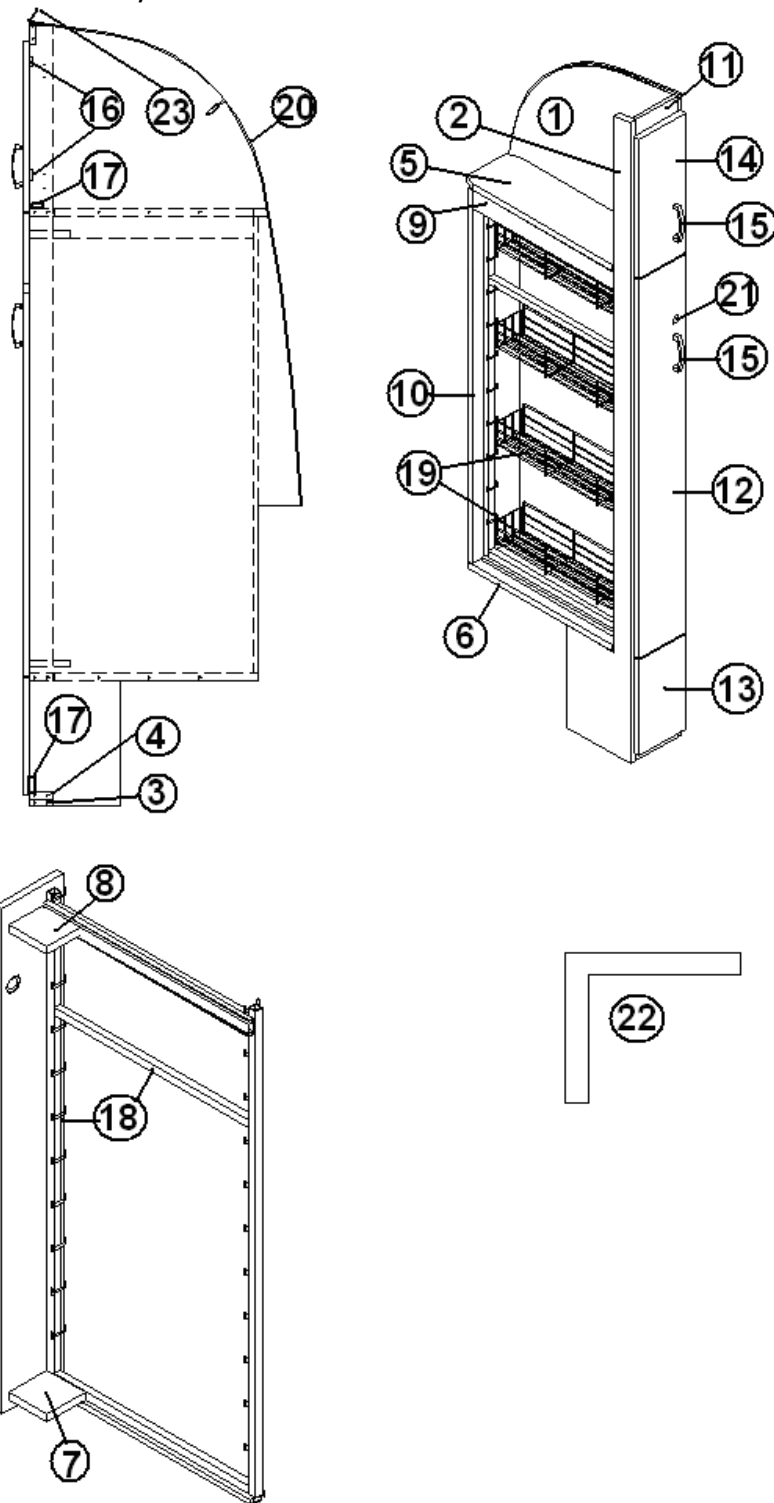
### Pantry, 23' Front Bed

	967317	Pantry Assembly
1.	967317-1	Panel, 26.87 X 78.09
2.	967317-2	Panel, 4.50 X 78.25
3.	967317-3	Panel, 5.88 X 2.25
4.	967317-4	Panel, 5.88 X 2.25
5.	967317-5	Panel, 23.63 X 6.63
6.	967317-6	Panel, 22.75 X 6.63
7.	967317-7	Panel, 4.00 X 4.00
8.	967317-8	Panel, 4.00 X 4.00
9.	967317-9	Panel, 20.00 X 2.25
10.	967317-10	Panel, 6.63 X 45.63
11.	967317-11	Panel, 5.88 X 2.25
12.	967317-12	Door, 6.50 X 46.25, pantry
13.	967317-13	Door, 6.50 X 11.63, pantry
14.	967317-14	Door, 6.50 X 17.00, pantry
15.	382029-00	Handle Bar, 7.48"
16.	381607	Hinge assembly
17.	381228-01	Catch, grabber door, C3-803
18.	381551-01	Pantry rack 1.5"W X 45"H white
19.	381551-02	Wire basket, 4" wide, white
20.	203138-05	Extrusion, plastic 1/2", Black
21.	381408	Lock, push button style, black
22.	966503	Spacer, bed/pantry
23.	104821	Roof locker support, 74"
	203636	Storage box, 24.5" X 17.75" X 7.25"

# 2014 INTERNATIONAL TRAVEL TRAILER

## FURNITURE, GALLEY

Pantry, 23' Front Bed, SERENITY



Part numbers are on the next page.

# 2014 INTERNATIONAL TRAVEL TRAILER

## FURNITURE, GALLEY

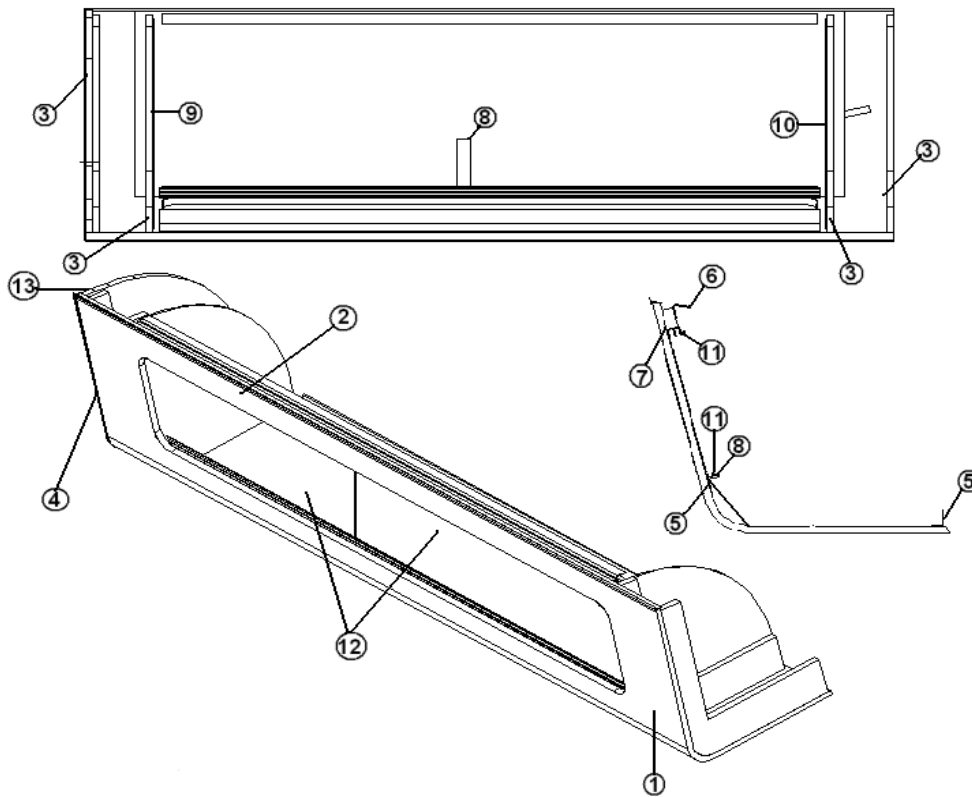
### Pantry, 23' Front Bed – SERENITY

967317-15	Pantry
1.967317-151	Panel, 26.87 X 78.09
2.967317-12	Panel, 4.50 X 78.25
3.967317-3	Panel, 5.88 X 2.25
4.967317-4	Panel, 5.88 X 2.25
5.967317-5	Panel, 23.63 X 6.63
6.967317-6	Panel, 22.75 X 6.63
7.967317-7	Panel, 4.00 X 4.00
8.967317-8	Panel, 4.00 X 4.00
9.967317-9	Panel, 20.00 X 2.25
10.967317-10	Panel, 6.63 X 45.63
11.967317-1511	Panel, 5.88 X 2.25
12.967317-1512	Door, 6.50 X 46.25, pantry
13.967317-1513	Door, 6.50 X 11.63, pantry
14.967317-1514	Door, 6.50 X 17.00, pantry
15.382115	Pull, Flat Black #M575
16.381607	Hinge assembly
17.381228-01	Catch, grabber door, C3-803
18.381551-01	Pantry rack 1.5"W X 45"H white
19.381551-02	Wire basket, 4" wide, white
20.203138-03	Extrusion, plastic ½", Beige
21.381408	Lock, push button style, black
22.966503	Spacer, bed/pantry
23.104821	Roof locker support, 74"
203636	Storage box, 24.5" X 17.75" X 7.25"

# 2014 INTERNATIONAL TRAVEL TRAILER

## FURNITURE, GALLEY

### Galley Locker Assembly, 25 Int'l.

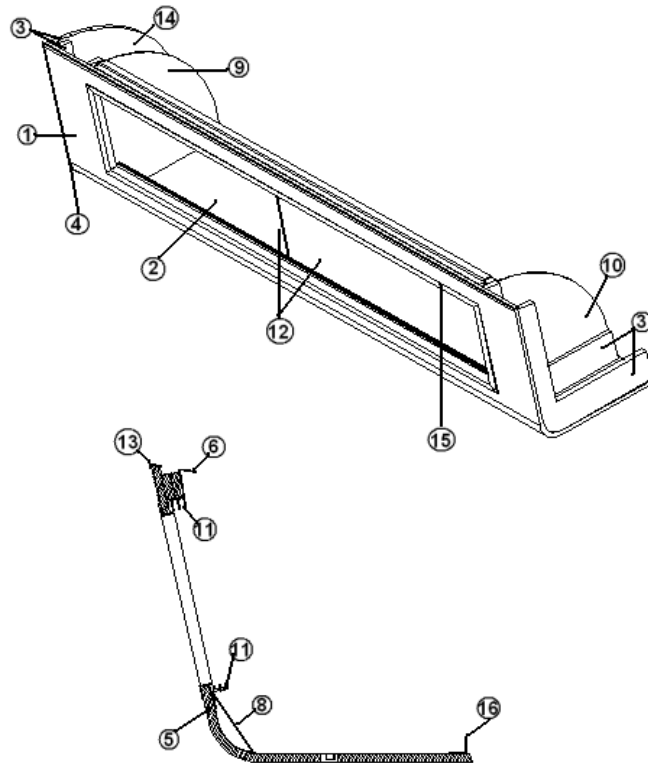


- |     |           |                                     |
|-----|-----------|-------------------------------------|
|     | 967764    | GALLEY LOCKER ASSY. INT'L           |
| 1.  | 801909    | LOCKER FACE, GALLEY 25 INTL         |
| 2.  | 801928    | PANEL-PRELAM EBONY WOODS/LINER 18MM |
| 3.  | 801909-02 | DIVIDER-PARTIAL - GAL LOCKER        |
| 4.  | 115375    | EXTRUSION-FORMED R/L END            |
| 5.  | 115227-02 | ANGLE-FORMED, LOCKER TRACK SUPPORT  |
| 6.  | 104821    | SUPPORT, ROOFLOCKER, 74"            |
|     | 203445    | T MOLDING FLEXIBLE POLY BLACK       |
| 7.  | 115226    | BRACKET-FORMED-LOCKER CTR SUPPORT   |
| 8.  | 801539-01 | DIVIDER-GALLEY LOCKER LH            |
| 9.  | 801539-02 | DIVIDER-GALLEY LOCKER               |
| 10. | 203388    | TRACK-SLIDING DOOR                  |
| 11. | 381245    | NLA - TRACK-SLIDING DOOR            |
| 11. | 203749-09 | DOOR-PLEX.SLIDING 11.31X26.25       |
| 12. | 967764-17 | PNL-GAL LOCKER 18.21 X 17.15        |
|     | 201673    | REVERSE COVE MOLDING, WHITE         |
|     | 703991    | PILE SEAL WEATHER STRIP             |

# 2014 INTERNATIONAL TRAVEL TRAILER

## FURNITURE, GALLEY

### Galley Locker Assembly, 25 Int'l., Serenity

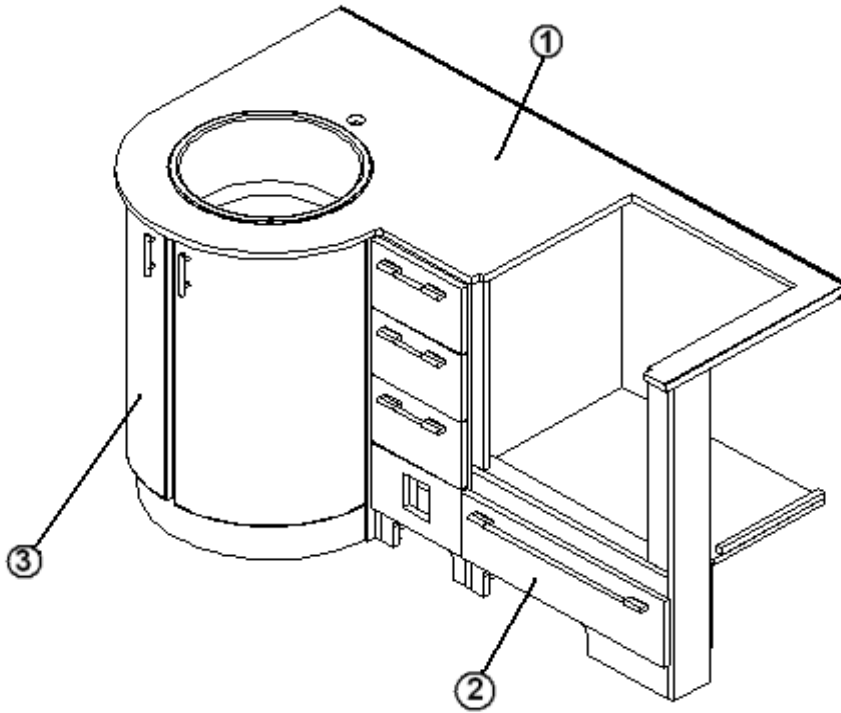


	967779-15	GALLEY LOCKER ASSY., SERENITY
1.	801912-15	LOCKER FACE, GALLEY SERENITY
2.	967779-152	PNL LAMINATE 17.25 X 54.25 GAL
3.	801912-02	DIVIDER-PARTIAL GAL LOCKER SER
4.	115375-01	EXTR.-LH FORMED R/L END INT
5.	114812	ALUM. ANGLE 1.00 X 1.00
6.	104821	SUPPORT, ROOFLOCKER, 74"
7.	382114	KNOB-BRUSH.SATIN NICKEL #M576 (not shown)
8.	115226	BRACKET-FORMED-LOCKER CTR SUPP
9.	801539-01	DIVIDER-GALLEY LOCKER LH
10.	801539-02	DIVIDER-GALLEY LOCKER
11.	203388	TRACK-SLIDING DOOR
12.	203677-02	DOOR-MARI 11.31X26.25
13.	201673	REVERSE COVE MOLDING, WHITE, P
14.	801856-01	PNL-PRELAM A.NIGHT/A.NIGHT 12M
15.	115483	ANGLE-ALUM .06X.75"X.75"X6'
16.	114812	ALUM. ANGLE 1.00 X 1.00
	703991	PILE SEAL WEATHER STRIP

# 2014 INTERNATIONAL TRAVEL TRAILER

## FURNITURE, GALLEY

### Galley Assembly, 25' International



Part Numbers Listed on Next Page



# 2014 INTERNATIONAL TRAVEL TRAILER

## FURNITURE, GALLEY

### Galley Assembly, 25' International

- 1. 967985-01 Galley Top Assembly
- 1. 967985-02 Galley Top Assembly, Serenity
- 2. 967987 Galley Assy., Oven Section
- 2. 967987-15 Galley Assy., Oven Section, Serenity
- 3. 967986 Galley Assy., Forward Section (Parts listed on next page.)
  
- 3. 967986-15 Galley Assy., Forward Section, Serenity (Parts listed on next page.)

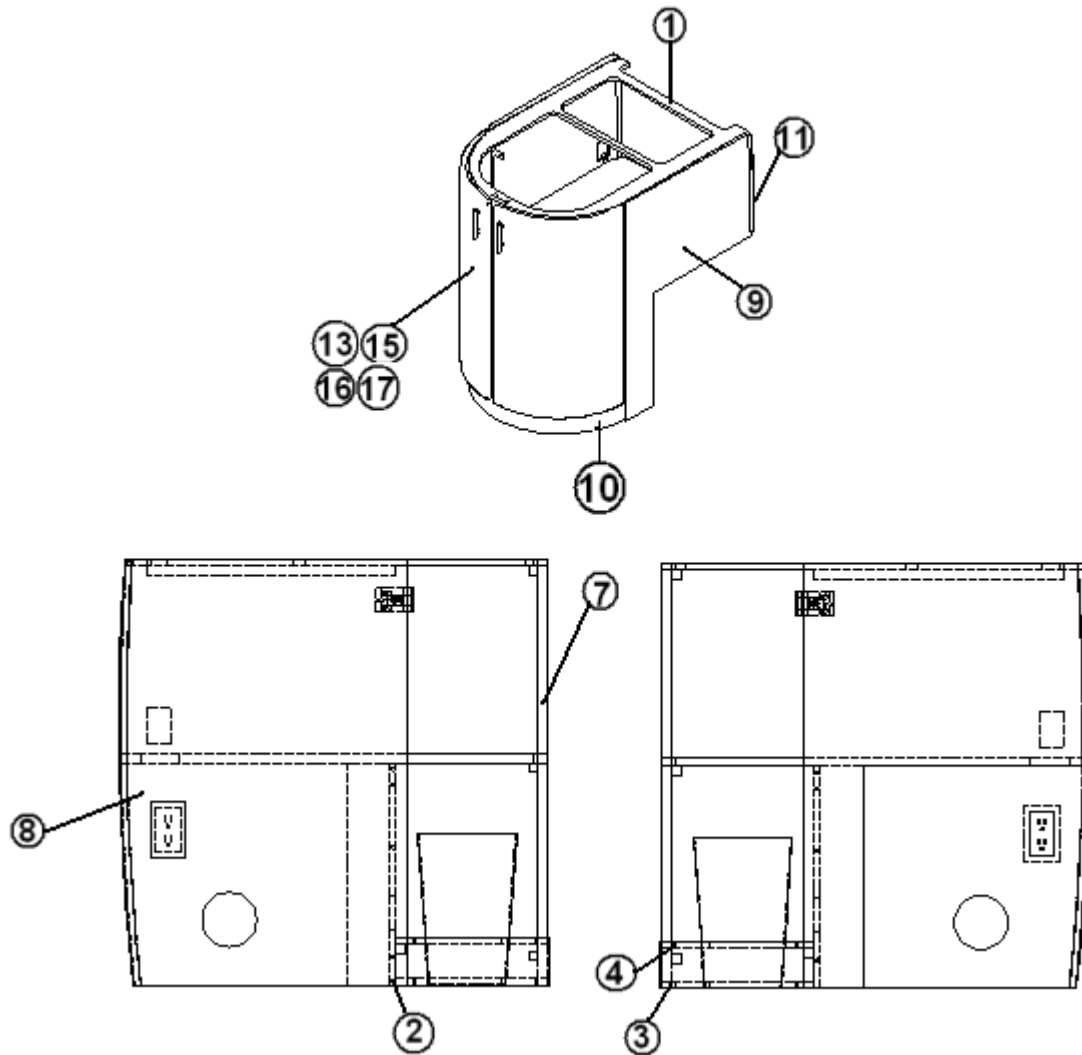
### FLIP SHELF ASSYS.

- 967989-01 Flip Shelf Assy., Int'l
- 602351-01 Flip Shelf Top, Corian Ecru
  
- 967989-02 Flip Shelf Assy., Serenity
- 602351-05 Flip Shelf Top, Corian Bronzite
- 602351-06 Flip Shelf Top, Corian Sorrel  
Sorrel replaced Bronzite on units  
Manufactured on or after 9/9/2013.
  
- 967989-03 Flip Shelf Assy., Onyx SE
- 602351-03 Flip Shelf Top, Corian Hazelnut
  
- 967989-04 Flip Shelf Assy., Sterling
- 602351-04 Flip Shelf Top, Corian, Glacier

# 2014 INTERNATIONAL TRAVEL TRAILER

## FURNITURE, GALLEY

Galley Forward Section, 25' International/Serenity



Parts Listed on Next Page

# 2014 INTERNATIONAL TRAVEL TRAILER

## FURNITURE, GALLEY

### Galley Forward Section, 25' International/Serenity

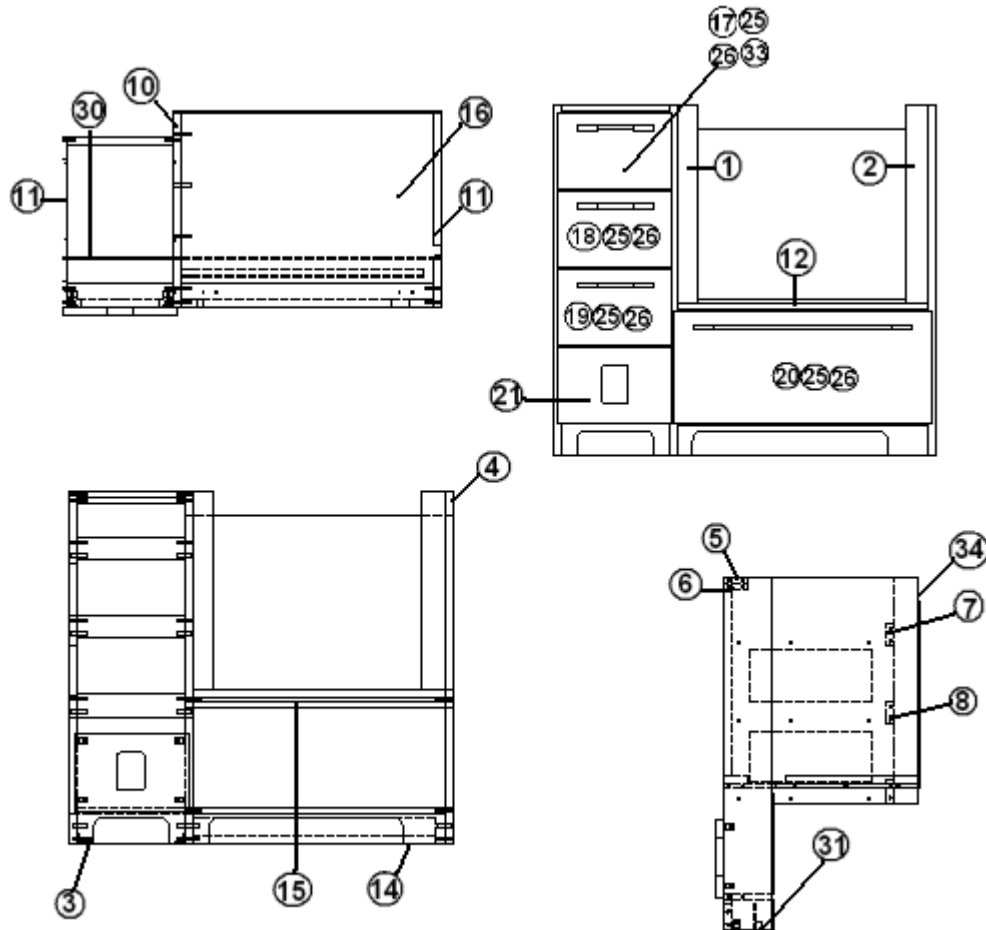
	967986	Galley, Forward Section
	967986-15	Galley, Forward Section – Serenity
1.	967986-1	Panel, 23.50 x 33.91 Galley Forward
2.	967986-2	Panel, 23.54 x 17.88 Galley Forward
3.	967986-3	Panel, 23.27 x 12.18 Galley Forward
4.	967986-4	Panel, 23.27 x 12.18 Galley Forward
6.	967986-6	Panel, 23.04 x 34.25 Galley Forward <u>INT'L</u>
6.	967986-156	Panel, 23.04 x 34.25 Galley Forward <u>SERENITY</u>
7.	967986-7	Panel, 2.40 x 34.25 Galley Forward <u>INT'L</u>
7.	967986-157	Panel, 2.40 x 34.25 Galley Forward <u>SERENITY</u>
8.	967986-8	Panel, 23.50 x 34.38 Galley Forward
9.	967986-9	Panel, 23.04 x x 34.25 Galley Forward
10.	115309	Toe Kick, Galley Aluminum
11.	203138-01	Extrusion, Plastic Wall, White, <u>INT'L</u>
11.	203138-03	Extrusion, Plastic Wall, Beige, <u>SERENITY</u>
13.	801787-0124	Door, Radius Foam Ebony 16.97 x 31, <u>INT'L</u>
13.	801787-0118	Door, Radius Foam Asian Sand 16.97 x 31 <u>SERENITY</u>
15.	<b>381808-01</b>	Bracket, Face Mount Hinge #39184
16.	381607	Hinge Assembly
17.	382029-05	Handle Bar 21.33"
	203483	Sink Cover, Round
	203464	Trim, Panel .75" Black <u>INT'L</u>
	203464-02	Trim, Panel .75" Beige <u>SERENITY</u>
	381708	Wastebasket, 11.38" x 8.25" x 12"

ALL LINE ITEMS ARE USED ON INT'L AND SERENITY  
UNLESS SPECIFIED.

# 2014 INTERNATIONAL TRAVEL TRAILER

## FURNITURE, GALLEY

### Galley Oven Section, 25' International/Serenity



Parts Listed on Next Page

# 2014 INTERNATIONAL TRAVEL TRAILER

## FURNITURE, GALLEY

### Galley Oven Section, 25' International/Serenity

	967987	Galley, Oven Section, Int'l
	967987-15	Galley, Oven Section, <u>Serenity</u>
1.	967987-35	Panel 2.01" x 19.25 Int'l
1.	967987-1535	Panel 2.01" x 19.25 <u>Serenity</u>
2.	967987-36	Panel 2.24" x 19.25 Int'l
2.	967987-1536	Panel 2.24" x 19.25 <u>Serenity</u>
3.	967987-3	Panel 3.50" x 10.5" Int'l
3.	967987-153	Panel 3.50" x 10.5" <u>Serenity</u>
4.	967987-4	Panel 4.69" x 34.25
5.	967987-5	Panel 2.25" x 10.50
6.	967987-6	Panel 2.25" x 10.50
7.	967987-7	Panel 2.25" x 10.50
8.	967987-8	Panel 2.25" x 10.50
9.	967987-9	Panel 2.25" x 10.50
10.	967987-10	Panel 18.88" x 34.25
11.	967987-11	Panel 16.44" X 34.25
12.	967987-12	Panel 2.25" x 24.50
14.	967987-14	Panel 3.00" x 24.00
14.	967987-1514	Panel 3.00" x 24.00" <u>Serenity</u>
15.	967987-15I	Panel 4.69" x 24.50
16.	967987-16	Panel 18.88" x 25.25
17.	967987-17	Door 11.13" x 7.50
17.	967987-1517	Door 11.13" x 7.50 <u>Serenity</u>
18.	967987-18	Door 11.13" x 7.50
18.	967987-1518	Door 11.13" x 7.50 <u>Serenity</u>
19.	967987-19	Door 11.13" x 7.50
19.	967987-1519	Door 11.13" x 7.50 <u>Serenity</u>
20.	967987-20	Door 25.13" x 10.88
20.	967987-1520	Door 25.13" x 10.88 <u>Serenity</u>

Parts Continued on Next Page

# 2014 INTERNATIONAL TRAVEL TRAILER

## FURNITURE, GALLEY

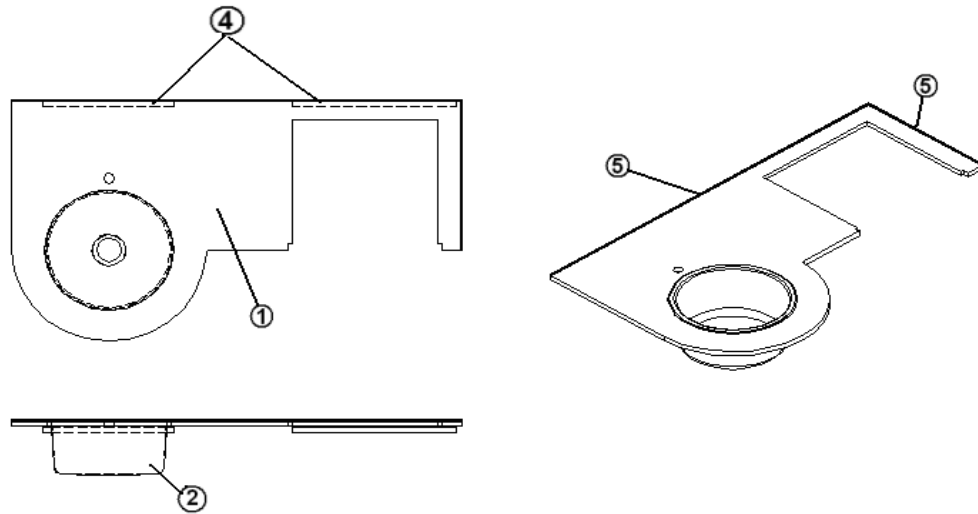
### Galley Oven Section, 25' International/Serenity, Continued

- 21. 967987-21 Panel, 11.13" x 7.5
- 21. 967987-1521 Panel, 11.13" x 7.5 - Serenity
- 22. 967987-22 Panel, 26.00" x 9.81
- 25. 382029-05 Handle bar 21.33"
- 26. 381228-01 Catch, Grabber door #3701-480-CR
- 30. 967987-30 Panel 12.00" x 3.00
- 31. 203440 T Molding Black Embossed Int'l
- 31. 203693 T Molding Beige Embossed Serenity
- 33. 968024 Insert, Cutlery Drawer
  - 382203-03 Drawer Slide, 15"
  - 382203-06 Clips, Front Fixing (Pr.)

# 2014 INTERNATIONAL TRAVEL TRAILER

## FURNITURE, GALLEY

### Galley Top Assembly, 25 International/Serenity

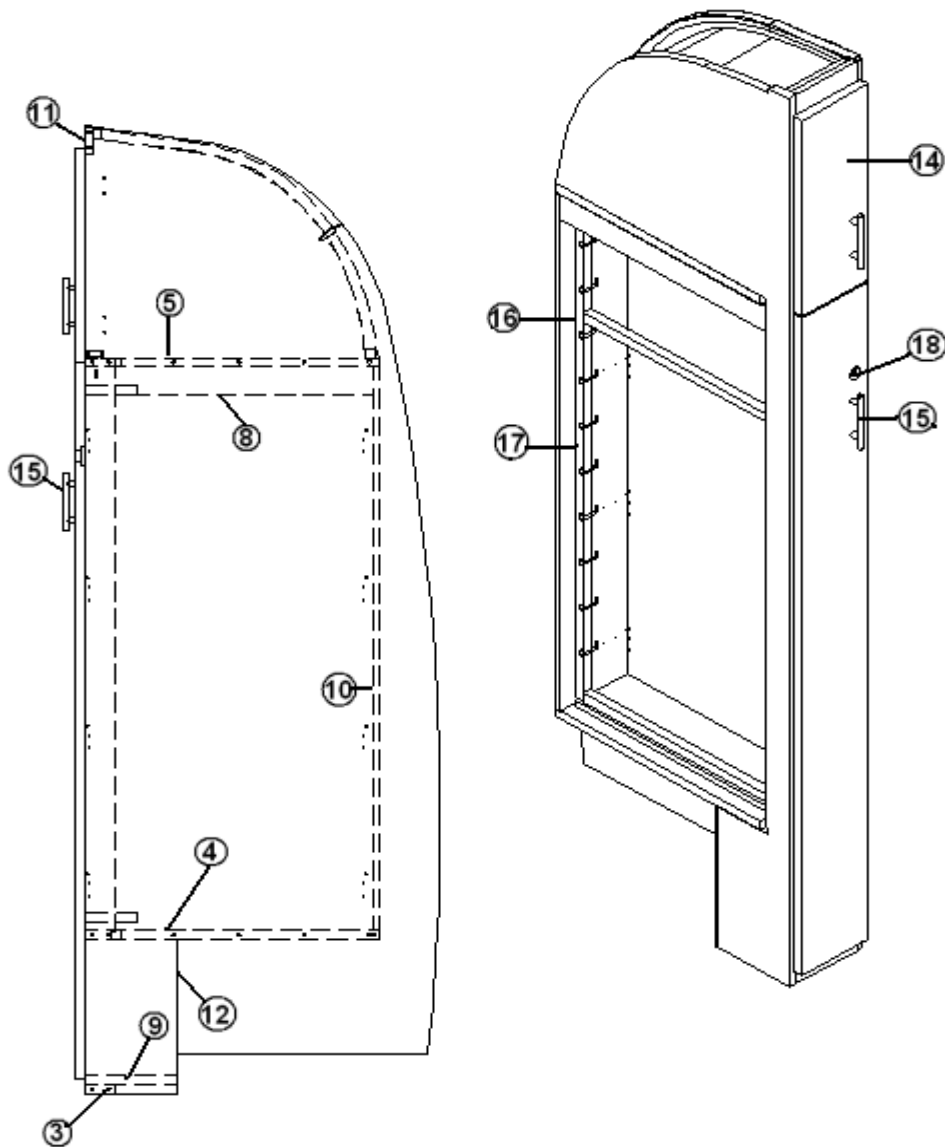


- |    |            |                                                                                  |
|----|------------|----------------------------------------------------------------------------------|
|    | 967985-01  | Galley Top Assembly                                                              |
|    | 967985-02  | Galley Top Assembly, Serenity                                                    |
| 1. | 602350-01  | Corian Top Ecrú                                                                  |
| 1. | *602350-05 | Corian Top Bronzite, Serenity                                                    |
| 1. | *602350-06 | Corian Top Sorrel, Serenity                                                      |
|    |            | *Sorrel replaced Bronzite on units<br>manufactured on or after 9/9/2013 forward. |
| 2. | 601806     | Sink, St. St. Round                                                              |
| 3. | 602327     | Faucet, Moen Camerist w/Side Spray, Chrome                                       |
| 3. | 602310     | Faucet, Faucet, Galley, 1 handle                                                 |
| 4. | 114812     | Angle, 1.00 X 1.00                                                               |
| 5. | 115064     | Trim, Aluminum Counter Top                                                       |
|    | 601714-01  | Tail Piece 1 ½ x 4"                                                              |
|    | 601714-02  | 1 ½" Slip Nut w/Wings                                                            |
|    | 601714-03  | 1 ½" Black Rubber Washer                                                         |

# 2014 INTERNATIONAL TRAVEL TRAILER

## FURNITURE, GALLEY

Pantry, 25' Signature



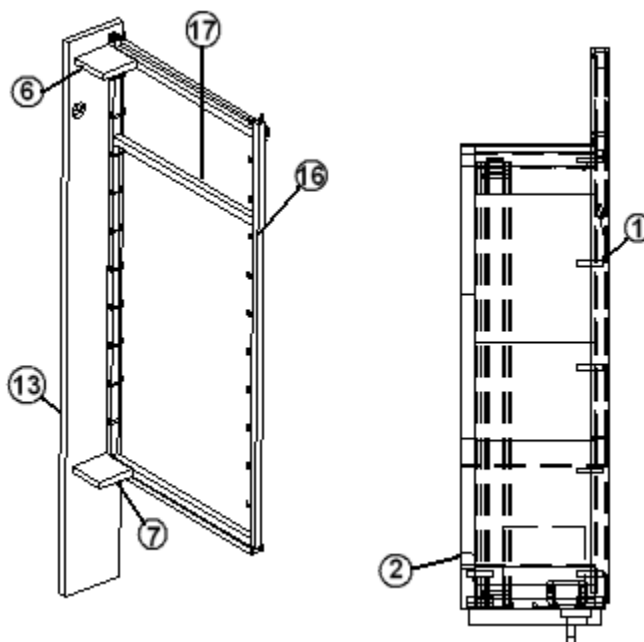
Drawing Continued on next page.



# 2014 INTERNATIONAL TRAVEL TRAILER

## FURNITURE, GALLEY

### Pantry, 25' Signature

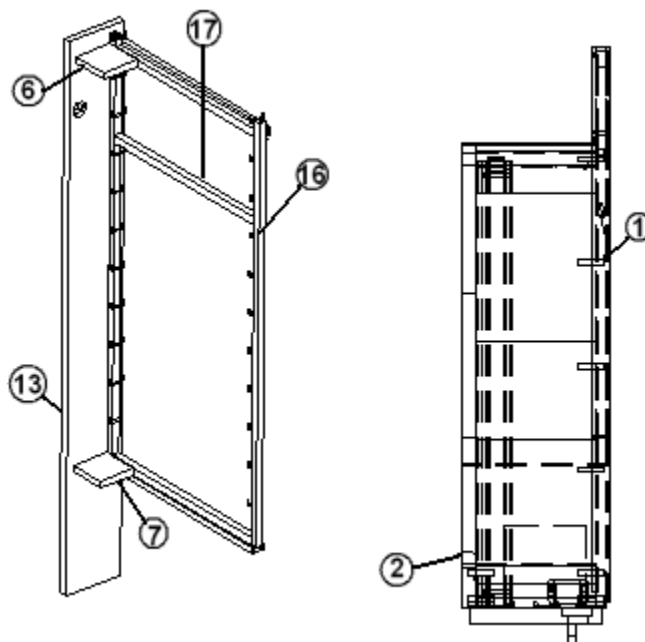


- 967726 PANTRY CABINET ASSY.
1. 967726-1 PANEL-PANTRY 27.25 X 78.23
  2. 967726-2 PANEL-PANTRY 22.63 X 78.23
  3. 967726-3 PANEL-PANTRY 2.25 X 5.88
  4. 967726-4 PANEL-PANTRY 6.63 X 22.75
  5. 967726-5 PANEL-PANTRY 6.63 X 22.63
  6. 967726-6 PANEL-PANTRY 4 X 4
  7. 967726-7 PANEL-PANTRY 4 X 4
  8. 967726-8 PANEL-PANTRY 2.25 X 20
  9. 967726-9 PANEL-PANTRY 7 X 5.88
  10. 967726-10 PANEL-PANTRY 6.63 X 45.63
  11. 967726-11 PANEL-PANTRY 2.25 X 5.88
  12. 967726-12 PANEL-PANTRY 6.63 X 12.5
  13. 967726-13 DOOR-PANTRY 6.5 X 58
  14. 967726-14 DOOR-PANTRY 6.5 X 17.25
  15. 382029-05 HANDLE-BAR 21.33" #3701-480-CR
  16. 381228-01 CATCH GRABBER DOOR C3-803
  17. 381551-01 PANTRY RACK 1.5"W X 45"H WHITE
  18. 381408 LOCK PUSH BUTTON STYLE, BLACK
  - 381551-02 WIRE BASKET 4" WIDE WHITE
  - 203138-05 EXTRUSION-PLASTIC 1/2" WALL BLK
  - 381607 HINGE ASSY-GRASS EURO

# 2014 INTERNATIONAL TRAVEL TRAILER

## FURNITURE, GALLEY

Pantry, 25', SERENITY

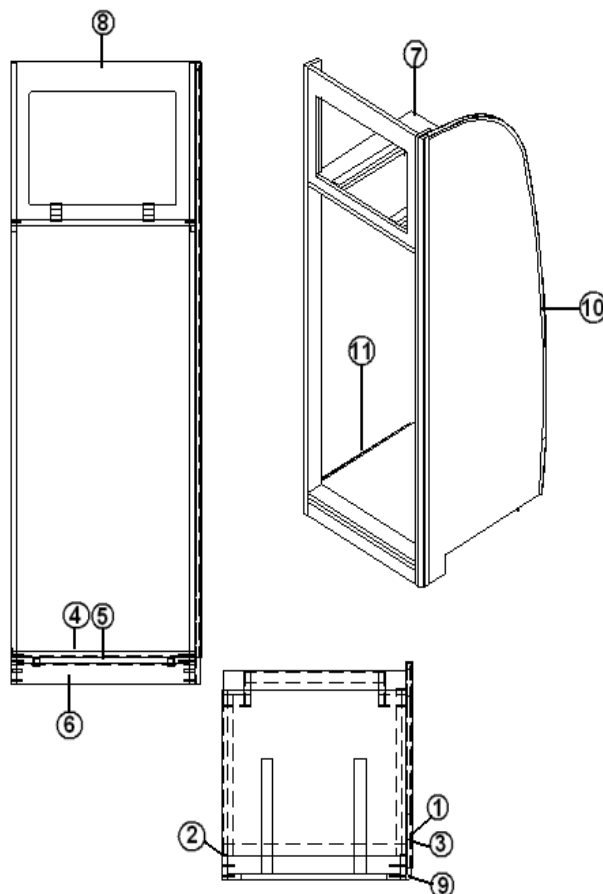


	967726-15	PANTRY CABINET ASSY.
1.	967726-151	PANEL-PANTRY 27.25 X 78.23
2.	967726-2	PANEL-PANTRY 22.63 X 78.23
3.	967726-3	PANEL-PANTRY 2.25 X 5.88
4.	967726-4	PANEL-PANTRY 6.63 X 22.75
5.	967726-5	PANEL-PANTRY 6.63 X 22.63
6.	967726-6	PANEL-PANTRY 4 X 4
7.	967726-7	PANEL-PANTRY 4 X 4
8.	967726-8	PANEL-PANTRY 2.25 X 20
9.	967726-9	PANEL-PANTRY 7 X 5.88
10.	967726-10	PANEL-PANTRY 6.63 X 45.63
11.	967726-1511	PANEL-PANTRY 2.25 X 5.88
12.	967726-1512	PANEL-PANTRY 6.63 X 12.5
13.	967726-1513	DOOR-PANTRY 6.5 X 58
14.	967726-1514	DOOR-PANTRY 6.5 X 17.25
15.	382115	PULL - FLAT BLACK
16.	381228-01	CATCH GRABBER DOOR C3-803
17.	381551-01	PANTRY RACK 1.5"W X 45"H WHITE
18.	381408	LOCK PUSH BUTTON STYLE, BLACK
	381551-02	WIRE BASKET 4" WIDE WHITE
	203138-03	EXTRUSION-PLASTIC 1/2" WALL BEIGE
	381607	HINGE ASSY-GRASS EURO

# 2014 INTERNATIONAL TRAVEL TRAILER

## FURNITURE, GALLEY

### REFRIGERATOR CABINET ASSEMBLY, 25

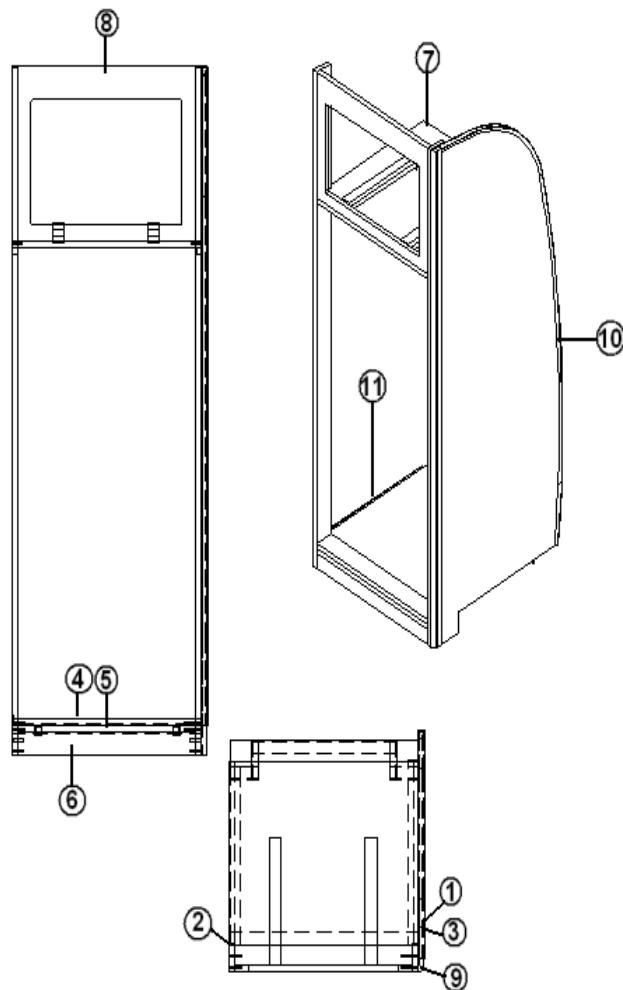


- |     |             |                                 |
|-----|-------------|---------------------------------|
|     | 967724      | REFER CABINET                   |
| 1.  | 967724-1    | PANEL-REFER 25.75X78.06         |
| 2.  | 967724-2    | PANEL-REFER 3X78.24             |
| 3.  | 967724-3    | PANEL-REFER 3X78.24             |
| 4.  | 967724-4    | PANEL-REFER 3X23.81             |
| 5.  | 967724-5    | PANEL-REFER 3X23.81             |
| 6.  | 967724-6    | PANEL-REFER 2.5X23.81           |
| 7.  | 967724-7    | PANEL-REFER 23.86X25.56         |
| 8.  | 967724-10   | PANEL-REFER 23.81X20.19.74      |
| 9.  | 801706-0024 | CORNER TRIM 90 DEG 1" RAD WENGE |
| 10. | 203138-05   | EXTRUSION-PLASTIC 1/2" WALL BLK |
|     | 967725      | STAND ASSY- REFER               |

# 2014 INTERNATIONAL TRAVEL TRAILER

## FURNITURE, GALLEY

### REFRIGERATOR CABINET ASSEMBLY, 25 SERENITY

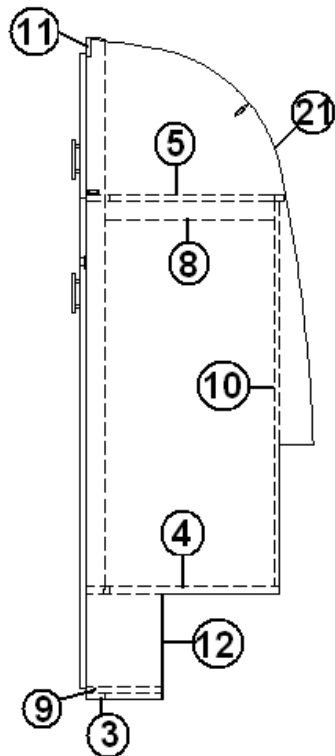
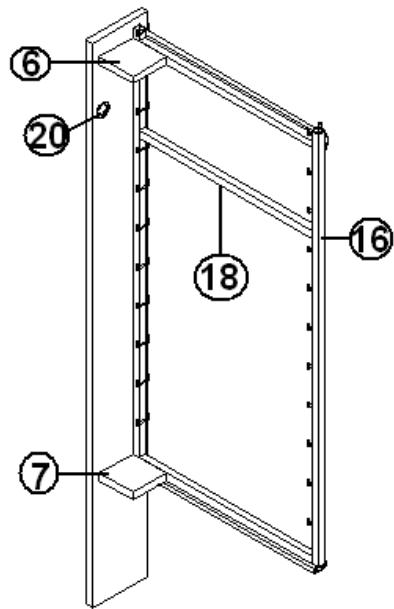
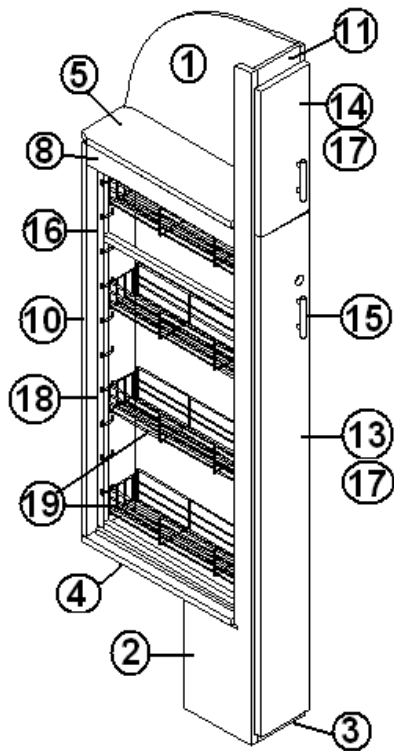


- |     |             |                                   |
|-----|-------------|-----------------------------------|
|     | 967724-15   | REFER CABINET, SERENITY           |
| 1.  | 967724-151  | PANEL-REFER 25.75X78.06           |
| 2.  | 967724-2    | PANEL-REFER 3X78.24               |
| 3.  | 967724-3    | PANEL-REFER 3X78.24               |
| 4.  | 967724-154  | PANEL-REFER 3X23.81               |
| 5.  | 967724-155  | PANEL-REFER 3X23.81               |
| 6.  | 967724-6    | PANEL-REFER 2.5X23.81             |
| 7.  | 967724-7    | PANEL-REFER 23.86X25.56           |
| 8.  | 967724-1510 | PANEL-REFER 23.81X19.74           |
| 9.  | 801706-0018 | CORNER TRIM 90 DEG 1" RAD ASIAN   |
| 10. | 203138-03   | EXTRUSION-PLASTIC 1/2" WALL BEIGE |
| 11. | 967725      | STAND ASSY- REFER                 |

# 2014 INTERNATIONAL TRAVEL TRAILER

## FURNITURE, GALLEY

### Pantry, 25' Front Bed Signature



Part Numbers on the Next Page

# 2014 INTERNATIONAL TRAVEL TRAILER

## FURNITURE, GALLEY

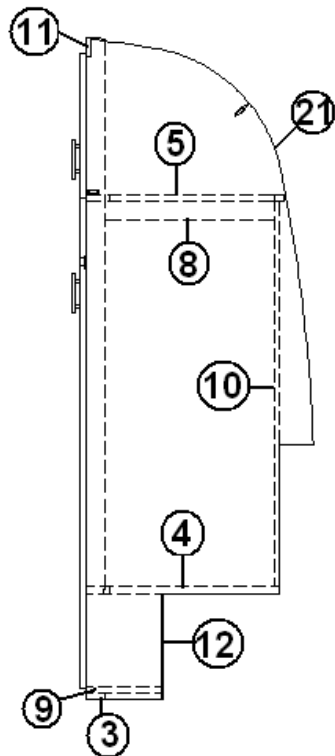
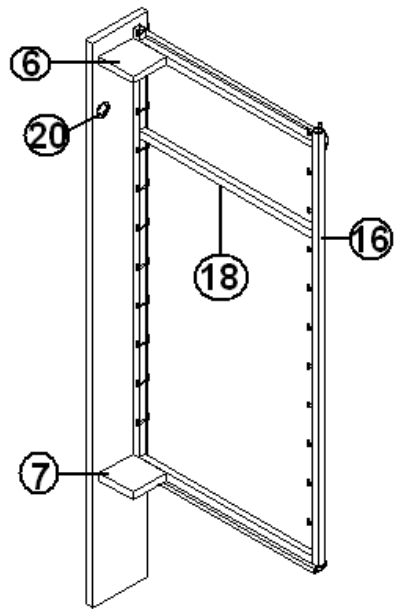
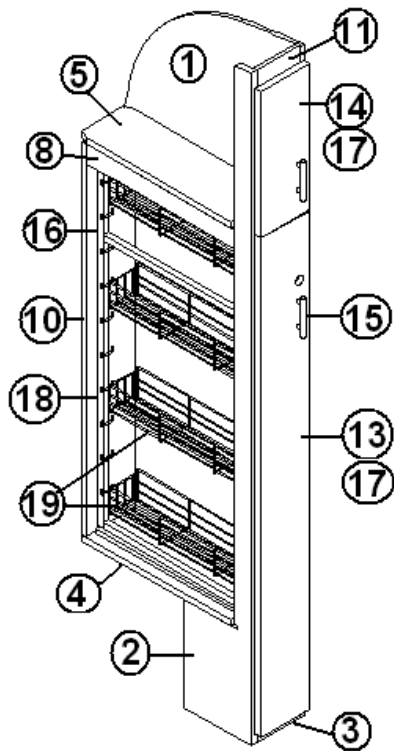
### Pantry, 25' Front Bed Signature

966904	PANTRY CABINET, 25' FB, WENGE
1. 966904-1	PANEL, PANTRY, 26.88" X 78.29"
2. 966904-2	PANEL, PANTRY, 9" X 78.43"
3. 966904-3	PANEL, PANTRY, 2.25" X 5.88"
4. 966904-4	PANEL, PANTRY, 6.63" X 22.75"
5. 966904-5	PANEL, PANTRY, 6.63" X 23.38"
6. 966904-6	PANEL, PANTRY, 4" X 4"
7. 966904-7	PANEL, PANTRY, 4" X 4"
8. 966904-8	PANEL, PANTRY, 2.25" X 20"
9. 966904-9	PANEL, PANTRY, 9" X 5.88"
10. 966904-10	PANEL, PANTRY, 6.63" X 45.63"
11. 966904-11	PANEL, PANTRY, 5.88" X 2.25"
12. 966904-12	PANEL, PANTRY, 7.13" X 12.50"
13. 966904-13	DOOR, PANTRY 6.5" X 58"
14. 966904-14	DOOR, PANTRY 6.5" X 17.25"
15. 382029-00	HANDLE BAR, 7.48"
16. 381228-01	CATCH GRABBER DOOR
17. 381607	HINGE, GRASS EURO
18. 381551-01	PANTRY RACK, 1.5"W X 45"H WHITE
19. 381551-02	WIRE BASKET, 4" WIDE WHITE
20. 381408	LOCK, PUSH, BUTTON STYLE, BLACK
21. 203138-05	EXTRUSION, PLASTIC, 1/2" WALL

# 2014 INTERNATIONAL TRAVEL TRAILER

## FURNITURE, GALLEY

Pantry, 25' Front Bed Signature, SERENITY



Part Numbers on the Next Page

# 2014 INTERNATIONAL TRAVEL TRAILER

## FURNITURE, GALLEY

### Pantry, 25' Front Bed Signature, SERENITY

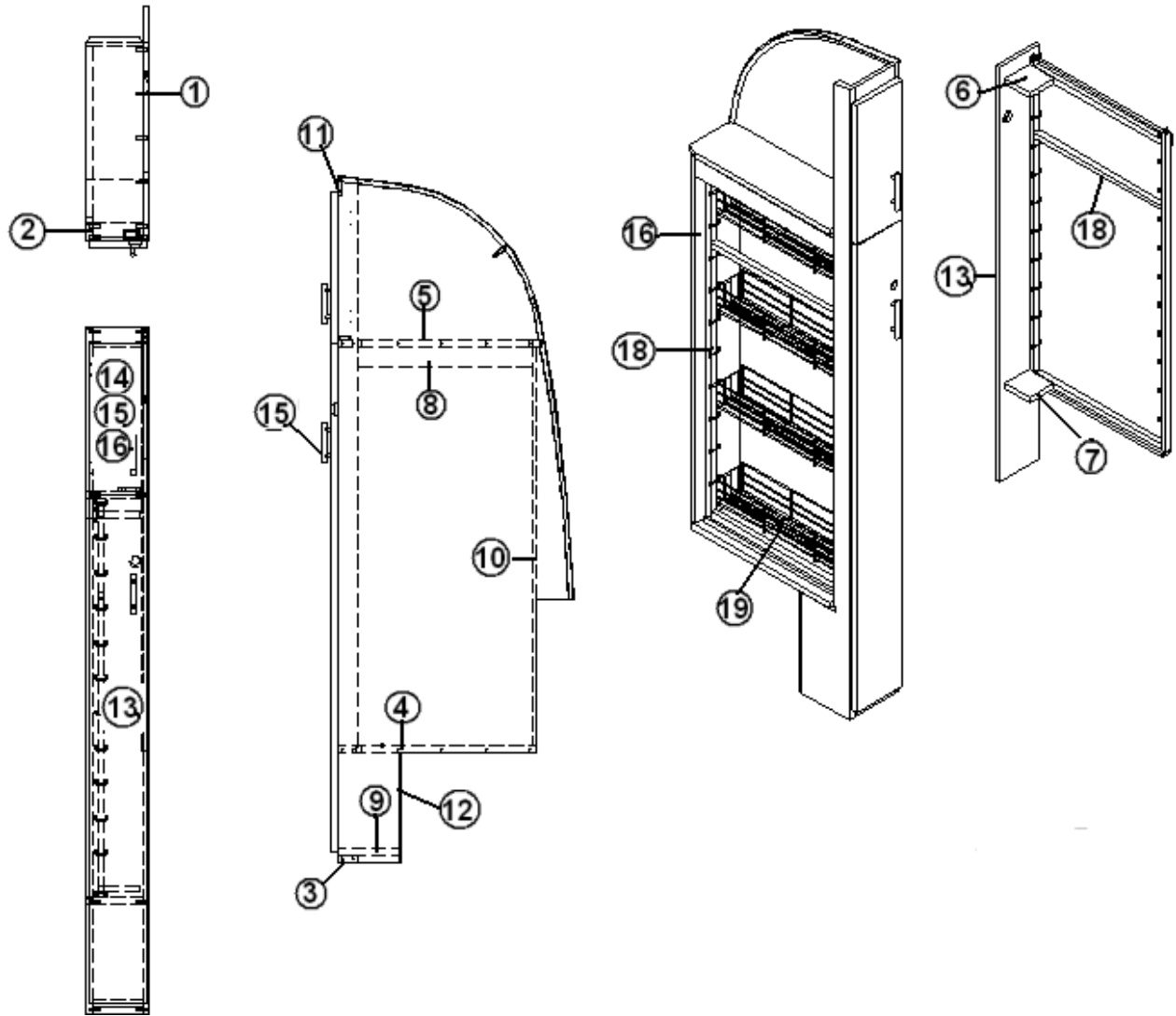
966904-15	PANTRY CABINET, 25' FB, SERENITY
1. 966904-151	PANEL, PANTRY, 26.88" X 78.29"
2. 966904-2	PANEL, PANTRY, 9" X 78.43"
3. 966904-3	PANEL, PANTRY, 2.25" X 5.88"
4. 966904-4	PANEL, PANTRY, 6.63" X 22.75"
5. 966904-5	PANEL, PANTRY, 6.63" X 23.38"
6. 966904-6	PANEL, PANTRY, 4" X 4"
7. 966904-7	PANEL, PANTRY, 4" X 4"
8. 966904-8	PANEL, PANTRY, 2.25" X 20"
9. 966904-9	PANEL, PANTRY, 9" X 5.88"
10. 966904-10	PANEL, PANTRY, 6.63" X 45.63"
11. 966904-1511	PANEL, PANTRY, 5.88" X 2.25"
12. 966904-1512	PANEL, PANTRY, 7.13" X 12.50"
13. 966904-1513	DOOR, PANTRY 6.5" X 58"
14. 966904-1514	DOOR, PANTRY 6.5" X 17.25"
15. 382115	PULL, FLAT BLACK #M575
16. 381228-01	CATCH GRABBER DOOR
17. 381607	HINGE, GRASS EURO
18. 381551-01	PANTRY RACK, 1.5"W X 45"H WHITE
19. 381551-02	WIRE BASKET, 4" WIDE WHITE
20. 381408	LOCK, PUSH, BUTTON STYLE, BLACK
21. 203138-03	EXTRUSION, PLASTIC, 1/2" WALL BEIGE



# 2014 INTERNATIONAL TRAVEL TRAILER

## FURNITURE, GALLEY

Pantry, 25' Front Bed Signature, Eddie Bauer



Part Numbers on the Next Page

# 2014 INTERNATIONAL TRAVEL TRAILER

## FURNITURE, GALLEY

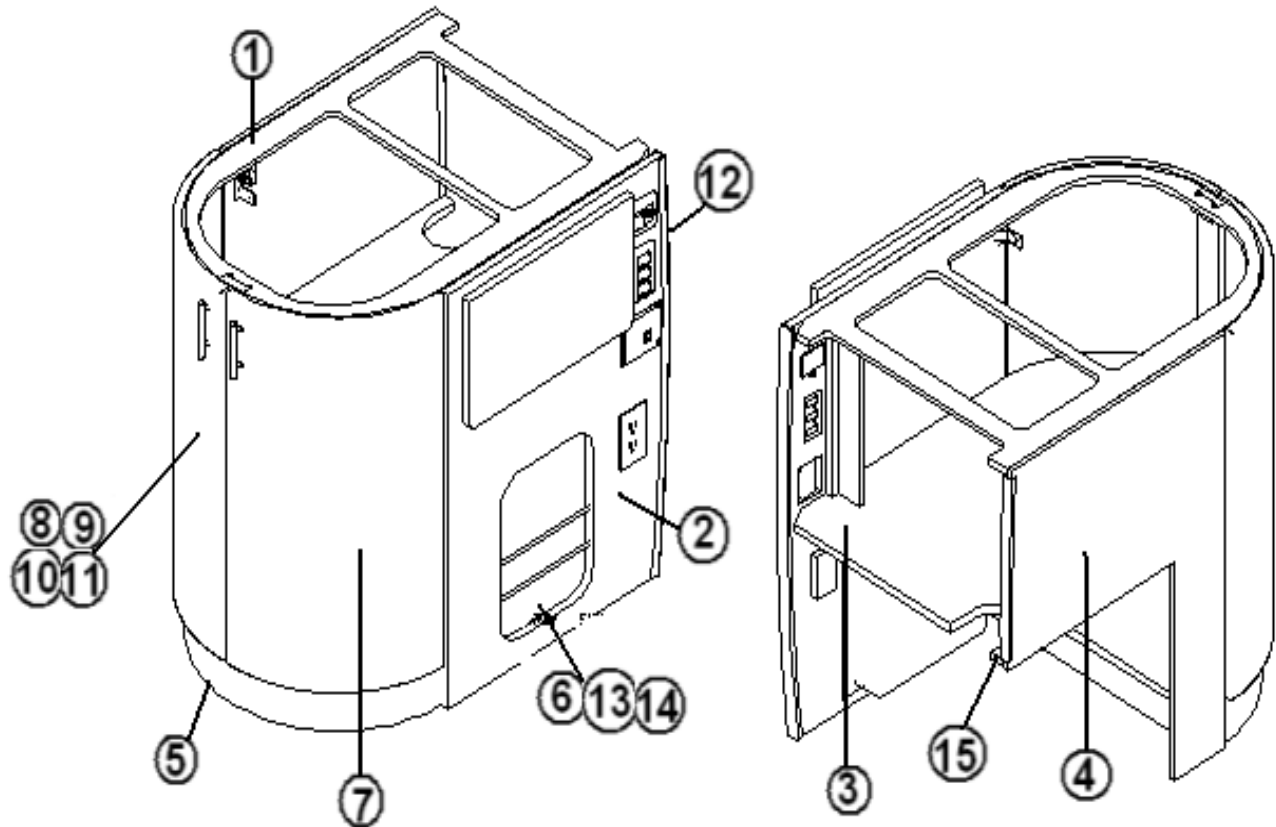
Pantry, 25' Front Bed Signature, Eddie Bauer

967697-19	PANTRY CABINET ASSEMBLY – 25FB EDDIE BAUER
1. 967697-191	PANEL-PANTRY 26.88X78.29
2. 967697-192	PANEL-PANTRY 7X78.43
3. 967697-193	PANEL-PANTRY 2.25X5.88
4. 967697-194	PANEL-PANTRY 6.63X22.75
5. 967697-195	PANEL-PANTRY 6.63X23.38
6. 967697-196	PANEL-PANTRY 4X4
7. 967697-197	PANEL-PANTRY 4X4
8. 967697-198	PANEL-PANTRY 2.25X20
9. 967697-199	PANEL-PANTRY 7X5.88
10.967697-1910	PANEL-PANTRY 6.63X45.63
11.967697-1911	PANEL-PANTRY 2.25X5.88
12.967697-1912	PANEL-PANTRY 7.13X12.5
13.967697-1913	DOOR-PANTRY 6.5X58
14.967697-1914	DOOR-PANTRY 6.5X17.25
15.382029-00	HANDLE-BAR 7.48" #3701-128-CR
16.381228-01	GRABBER DOOR CATCH
17.381607	HINGE
18.381551-01	PANTRY RACK 1.5"W X 45"H WHITE
19.381551-02	WIRE BASKET 4" WIDE WHITE
20.365352-01	EDGE BANDING-1MM X .63" MAPLE
21.365352-02	EDGE BANDING- 1MM X .94" MAPLE
22.381408	LOCK, PUSH, BUTTON STYLE, BLAC
23.203138-04	EXTRUSION - PLASTIC 1/2" OAK
24.365352-01	EDGE BANDING-1MM X .63" MAPLE

# 2014 INTERNATIONAL TRAVEL TRAILER

## FURNITURE, GALLEY

Galley, Aft Section, 25' Front Bed Signature, STERLING



Parts Listed on Next Page

# 2014 INTERNATIONAL TRAVEL TRAILER

## FURNITURE, GALLEY

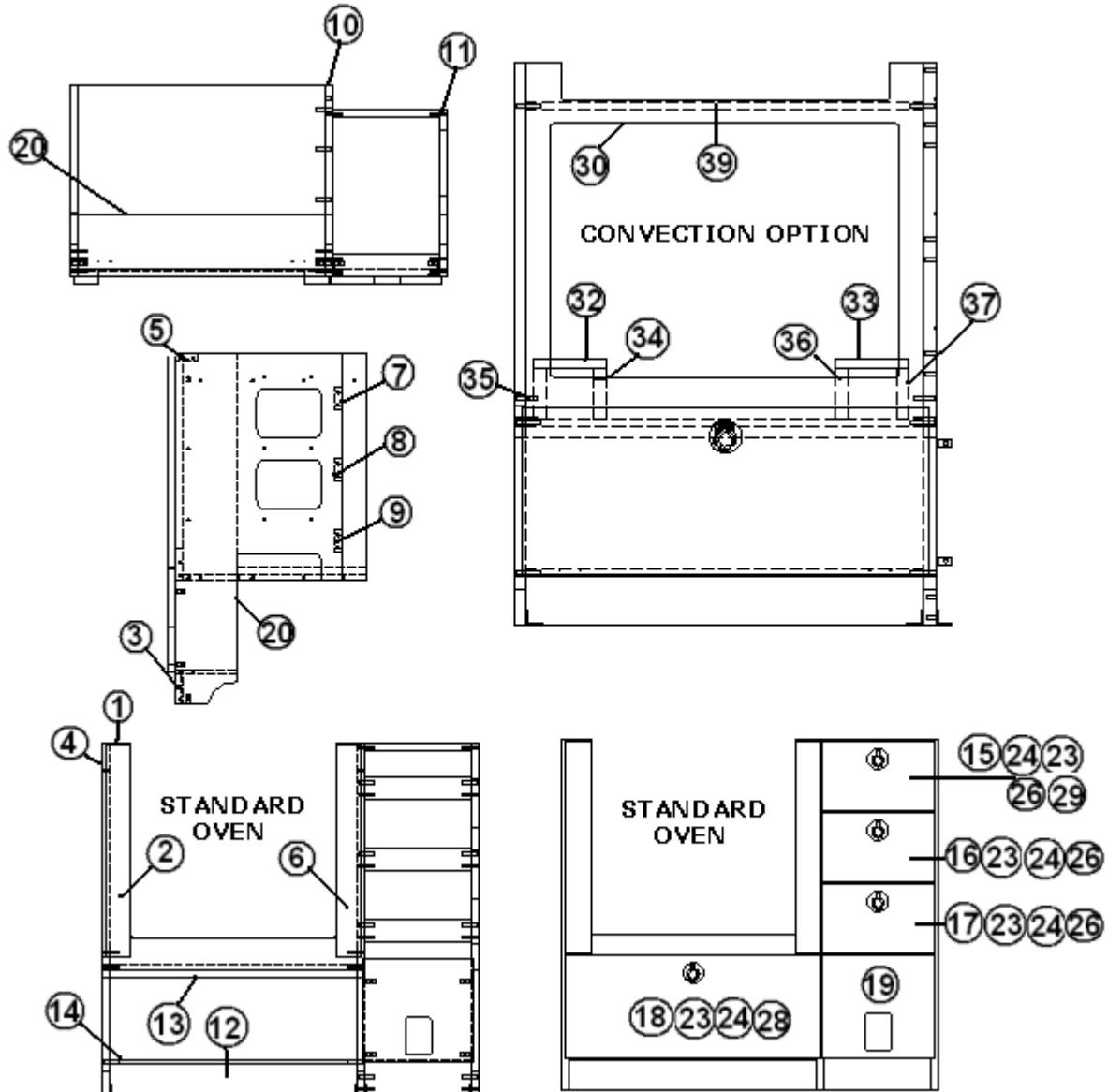
Galley, Aft Section, 25' Front Bed Signature, STERLING

	968041	Galley, Aft Section, 25FB Sterling
1.	968041-1	Panel, 23.50 x 34.41
2.	968041-6	Panel 23.79 x 34.75
3.	968041-8	Panel 23.5 x 34.87
4.	968041-9	Panel, 23.79 x 34.75
5.	115309	Toe Kick, Galley, Aluminum
6.	203440	T molding Black Embossed .8125
7.	801787-0125	Door, Radius Foam 16.97 x 31 RH
8.	801787-0225	Door, Radius Foam 16.97 x 31 LH
9.	381808-01	Bracket, Face Mount Hinge
10.	381607	Hinge Assy., Grass Euro
11.	382178	Handle, Round Br. Nickel
12.	203464-04	Trim, Panel .75 Ash Grey
13.	203383	Magazine Rack, ABS
14.	115042	Rod, .25" Aluminum
15.	203138-04	Extrusion, Plastic 1/2"
	203483	Cover, Sink Round 17.75"
	381856	Catch, Tension, 2-Ball Chrome

# 2014 INTERNATIONAL TRAVEL TRAILER

## FURNITURE, GALLEY

Galley, Oven Section, 25' Front Bed Signature, STERLING



Parts Listed On Next Page

# 2014 INTERNATIONAL TRAVEL TRAILER

## FURNITURE, GALLEY

Galley, Oven Section, 25' Front Bed Signature, STERLING

	968042	Galley Assy., Oven Section, Standard
	968042-01	Galley Assy., Convection Option
1.	968042-1	PNL-GAL OVEN SEC 24.50 X 22.44 (Std Oven Only)
2.	968042-2	PNL GAL OVEN SEC 2 X 21.07 (Std Oven Only)
3.	968042-3	PNL 3.50 X 10.50 GAL OVEN SEC
4.	968042-4	PNL GAL OVEN SEC 6 X 34.75 25F
5.	968042-5	PNL GAL OVEN SEC 2.25 X 10.5 2
6.	968042-6	PNL GAL OVEN SEC 2 X 21.07 (Std Oven Only)
7.	968042-7	PNL 2.25 X 10.5 GAL OVEN SEC 2
8.	968042-8	PNL 2.25 X 10.50 GAL OVEN SEC
9.	968042-9	PNL 2.25 X 10.50 GAL OVEN SEC
10.	968042-10	PNL 18.88 X 34.75 GAL OVEN SEC
11.	968042-11	PNL 16.44 X 34.75 GAL OVEN SEC
12.	968042-12	PNL 2.50X24.50 GAL OVEN SEC 25
13.	968042-13	PNL 6 X 24.50 GAL OVEN SEC 25F
14.	968042-14	PNL 18.13 X 25.25 GAL OVEN SEC
15.	968042-15	PNL 11.13X6.94 GAL OVEN SEC 25
16.	968042-16	PNL 11.13X6.94 GAL OVEN SEC 25
17.	968042-17	DOOR 11.13 X 6.94 GAL OVEN SEC
18.	968042-18	DOOR 25.13 X 10.25 GAL OVEN SEC
19.	968042-19	PNL 11.13 X 10.25 GAL OVEN SEC
20.	968042-20	PNL 26 X 8.63 GAL OVEN SEC 25F
23.	382178	HANDLE-ROUND BR NICKEL
24.	381228-01	CATCH GRABBER DOOR C3-803
26.	968020-02	DWR BOX ASSY 5.00 x 9.88 x 15.00
27.	380041	BRACE 1" STANLEY CORNER
28.	381607	HINGE ASSY-GRASS EURO
29.	968024	INSERT-CUTLERY DWR
	382203-03	DWR SLIDE SELF CLOSE 15.00"
	382203-06	FRONT FIXING CLIPS (PR)

Parts Continued on Next Page

# 2014 INTERNATIONAL TRAVEL TRAILER

## FURNITURE, GALLEY

Galley, Oven Section, 25' Front Bed Signature, STERLING

968042 Galley Assy., Oven Section, Standard  
968042-01 Galley Assy., Convection Option

The following panels are used on galley 968042-01 convection microwave option.

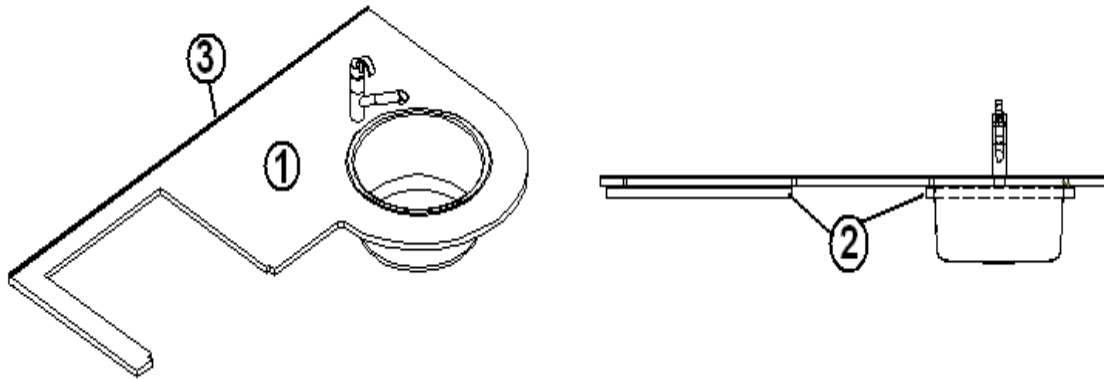
30.	968042-30	PNL 24.50 X 22.44 (CONV. OPTION)
31.	968042-31	PNL 4.50 X 14.00 (CONV. OPTION)
32.	968042-32	PNL 4.50 X 14.00 (CONV. OPTION)
33.	968042-33	PNL 4.50 X 14.00 (CONV. OPTION)
34.	968042-34	PNL 3.13 X 14.00 (CONV. OPTION)
35.	968042-35	PNL 3.13 X 14.00 (CONV. OPTION)
36.	968042-36	PNL 3.13 x 14.00 (CONV. OPTION)
37	968042-37	PNL 3.13 X 14.00 (CONV. OPTION)
39.	968042-39	PNL 2.44 x 14.00 (CSA)

195329-202	HEMISPHERE CLEAR BUMP-ON 190 M
365368-01	EDGE BANDING-.625" AVI 1MM ALUM
365368-02	EDGE BANDING.94" AVI 1MM ALUM

# 2014 INTERNATIONAL TRAVEL TRAILER

## FURNITURE, GALLEY

### Galley Top, 25' Front Bed Signature



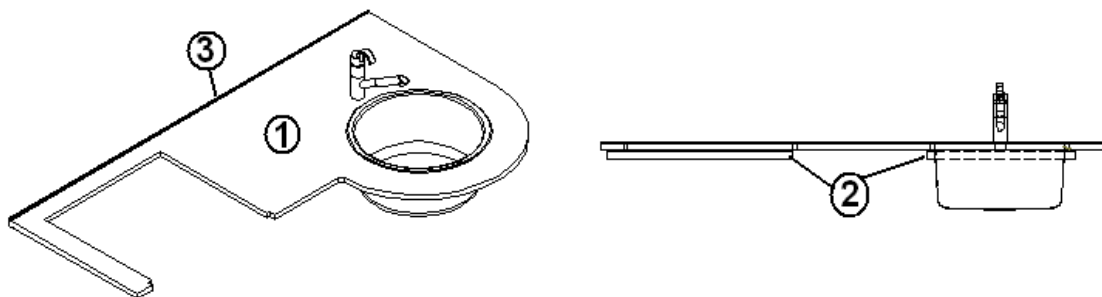
- |              |                                                                 |
|--------------|-----------------------------------------------------------------|
| 967990-01    | TOP ASSY, Ecru, Int'l                                           |
| 967990-02    | TOP ASSY, Bronzite, Serenity                                    |
| 967990-03    | TOP ASSY, Hazelnut, Onyx SE                                     |
| 1. 602353-01 | Corian Top, Ecru, Int'l.                                        |
| 602353-05    | Corian Top, Bronzite, Serenity                                  |
| 602353-06    | Corian Top, Sorrel, Serenity                                    |
|              | Sorrel replaced Bronzite on units mfg.<br>On or after 9/9/2013. |
| 2. 114812    | ALUMINUM ANGLE, 1.00" X 1.00"                                   |
| 3. 115064    | TRIM, ALUMINUM COUNTER TOP                                      |
| 601714-01    | TAIL PIECE 1-1/2X4"(GALLEY DRAIN)                               |
| 601714-02    | 1.5" SLIP NUT W/WINGS                                           |
| 601714-03    | 1.5" BLACK RUBBER WASHER                                        |



# 2014 INTERNATIONAL TRAVEL TRAILER

## FURNITURE, GALLEY

### GALLEY TOP, 25FB STERLING

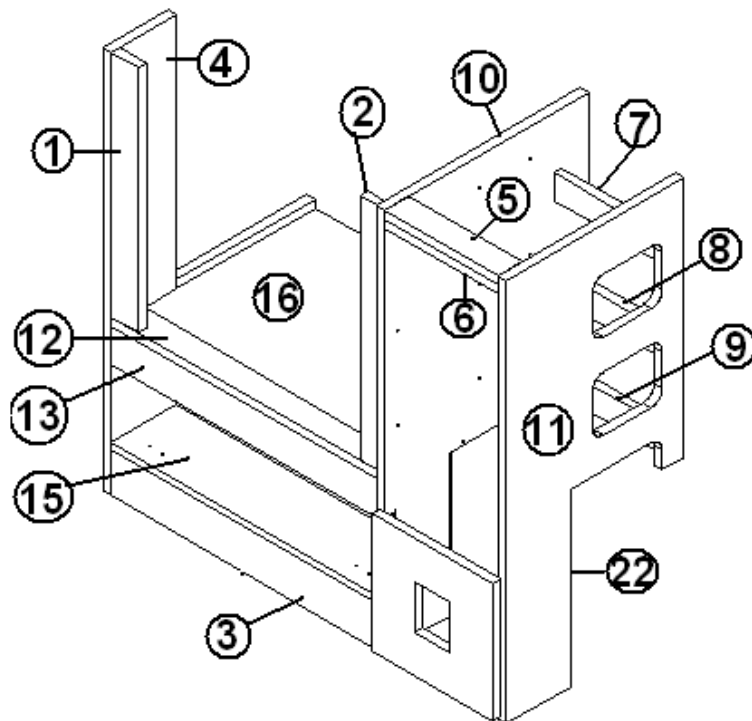
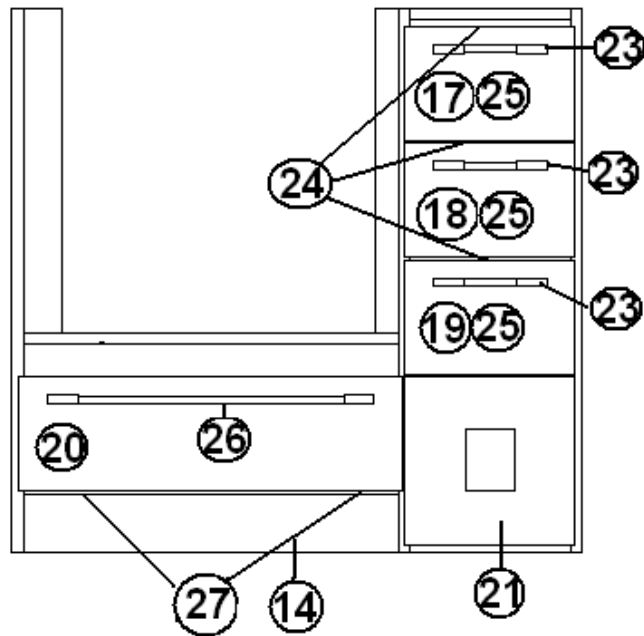


- |              |                                     |
|--------------|-------------------------------------|
| 967990-04    | TOP ASSY, GALLEY 25' FB STERLING    |
| 1. 602353-04 | CORIAN TOP, GLACIER WHITE STERLING  |
| 2. 114812    | ALUMINUM ANGLE, 1.00" X 1.00"       |
| 3. 115064    | TRIM, ALUMINUM COUNTER TOP          |
| 601806       | SINK, ROUND S.S. GALLEY             |
| 602310       | FAUCET, GALLEY CHROME               |
| 601714-01    | TAIL PIECE, 1 1/2 X 4" GALLEY DRAIN |
| 601714-02    | 1 1/2" SLIP NUT W/WINGS             |
| 601714-03    | 1 1/2" BLACK RUBBER WASHER          |

# 2014 INTERNATIONAL TRAVEL TRAILER

## FURNITURE, GALLEY

### Galley, 25' Front Bed Signature, Oven Section



Part Numbers on the Next Page

# 2014 INTERNATIONAL TRAVEL TRAILER

## FURNITURE, GALLEY

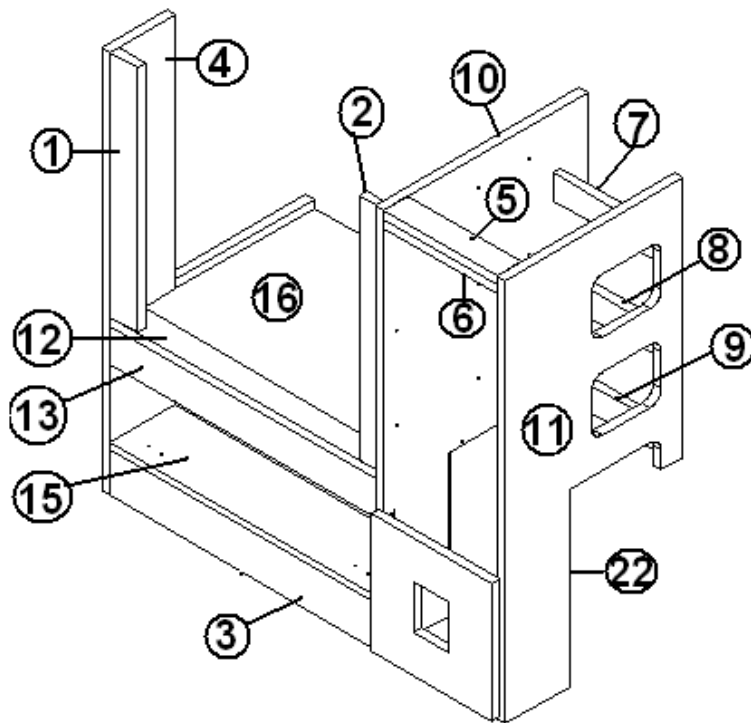
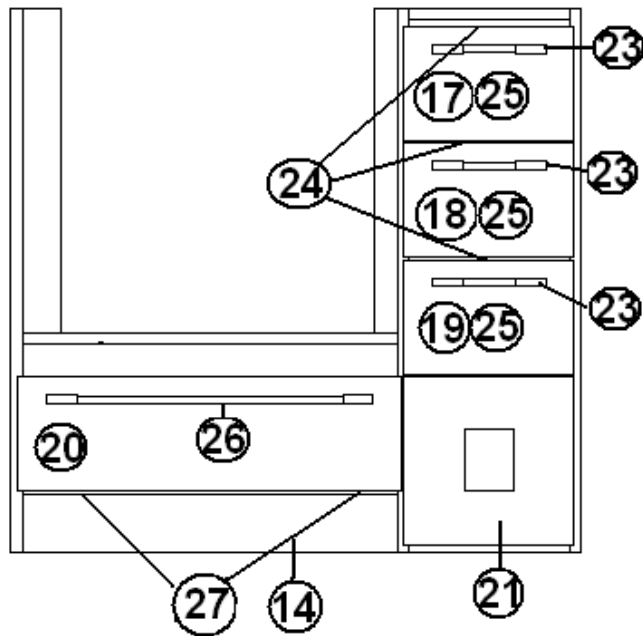
Galley, 25' Front Bed Signature, Oven Section.

	967992	GALLEY, OVEN SECTION
1.	967992-12	PANEL, GALLEY 2.13 X 18.88
2.	967992-13	PANEL, GALLEY 2.13 X 18.88
3.	967992-3	PANEL, GALLEY 10.5 X 2.25"
4.	967992-4	PANEL, GALLEY 6 X 34.25"
5.	967992-5	PANEL, GALLEY 2.25 X 10.5"
6.	967992-6	PANEL, GALLEY 2.25 X 10.5"
7.	967992-7	PANEL, GALLEY 2.25" X 10.5"
8.	967992-8	PANEL, GALLEY 2.25" X 10.5"
9.	967992-9	PANEL, GALLEY 2.25" X 10.5"
10.	967992-10	PANEL, GALLEY 18.88" X 34.25"
11.	967992-11	PANEL, GALLEY 16.56" X 34.25"
12.	967992-30	PANEL, 2.25" X 24.50
13.	967992-31	PANEL, 2.25" X 24.50
14.	967992-14	PANEL, GALLEY 24.5" X 3.00"
15.	967992-15I	PANEL, GALLEY 6" X 24.5"
16.	967992-16	PANEL, GALLEY 18.88" X 25.25"
17.	967992-17	DOOR, GALLEY, 11.13" X 7.5"
18.	967992-18	DOOR, GALLEY 11.13" X 7.5"
19.	967992-19	DOOR, GALLEY 11.13" X 7.5"
20.	967992-20	DOOR, GALLEY 25.13" X 11.38"
21.	967992-21	PANEL, GALLEY
22.	967992-22	PANEL, GALLEY
23.	382029-00	HANDLE-BAR 7.48"
24.	381228-01	CATCH GRABBER DOOR
25.	968020-02	DRAWER BOX, 5.00" X 15.00"
26.	382029-05	HANDLE, BAR 21.00"
27.	381607	HINGE ASSY-GRASS EURO
	382203-03	DWR SLIDE 15" SELF CLOSE (PAIR)
	382203-06	FRONT FIXING CLIP (PAIR)
	968024	INSERT, CUTLERY DRAWER
	195329-202	HEMISPHERE CLEAR BUMP-ON

# 2014 INTERNATIONAL TRAVEL TRAILER

## FURNITURE, GALLEY

Galley, 25' Front Bed Signature, Oven Section, SERENITY



Part Numbers on the Next Page

# 2014 INTERNATIONAL TRAVEL TRAILER

## FURNITURE, GALLEY

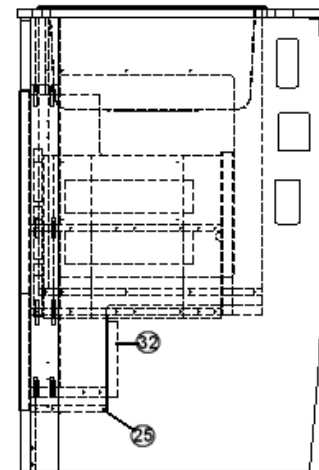
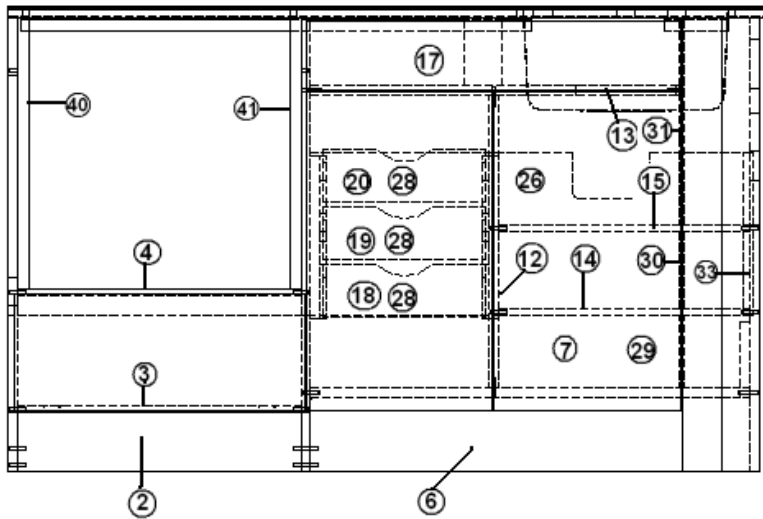
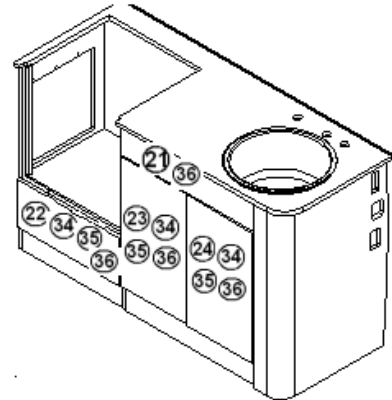
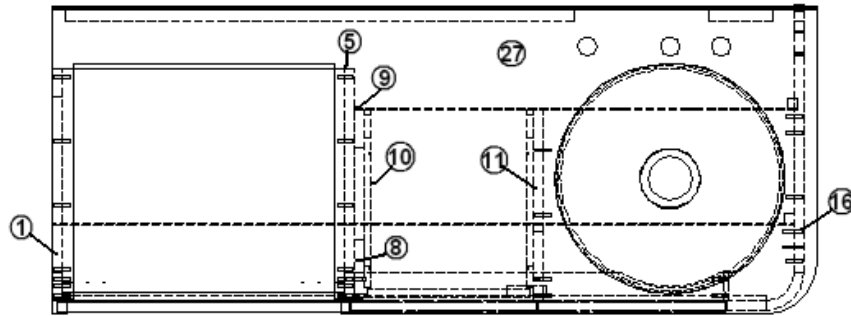
Galley, 25' Front Bed Signature, Oven Section, SERENITY

	967992-15	GALLEY, OVEN SECTION
1.	967992-1512	PANEL, GALLEY 2.13 X 18.88
2.	967992-1513	PANEL, GALLEY 2.13 X 18.88
3.	967992-153	PANEL, GALLEY 10.5 X 2.25"
4.	967992-4	PANEL, GALLEY 6 X 34.25"
5.	967992-5	PANEL, GALLEY 2.25 X 10.5"
6.	967992-6	PANEL, GALLEY 2.25 X 10.5"
7.	967992-7	PANEL, GALLEY 2.25" X 10.5"
8.	967992-8	PANEL, GALLEY 2.25" X 10.5"
9.	967992-9	PANEL, GALLEY 2.25" X 10.5"
10.	967992-10	PANEL, GALLEY 18.88" X 34.25"
11.	967992-11	PANEL, GALLEY 16.56" X 34.25"
12.	967992-12	PANEL, GALLEY 2.13" X 18.88"
13.	967992-13	PANEL, GALLEY 2.13" X 18.88"
14.	967992-1514	PANEL, GALLEY 24.5" X 3"
15.	967992-15I	PANEL, GALLEY 6" X 24.5"
16.	967992-16	PANEL, GALLEY 18.88" X 25.25"
17.	967992-1517	DOOR, GALLEY, 11.13" X 7.5"
18.	967992-1518	DOOR, GALLEY 11.13" X 7.5"
19.	967992-1519	DOOR, GALLEY 11.13" X 7.5"
20.	967992-1520	DOOR, GALLEY 25.13" X 11.38"
21.	967992-1521	PANEL, GALLEY
22.	967992-1522	PANEL, GALLEY
23.	382029-00	HANDLE-BAR 7.48"
24.	381228-01	CATCH GRABBER DOOR
25.	968020-02	DRAWER BOX, 5" SELF CLOSE 15"
26.	382029-05	HANDLE, BAR 21.00"
27.	381607	HINGE ASSY-GRASS EURO
	382203-03	DRAWER SLIDE SELF CLOSE 15" (PAIR)
	382203-06	FRONT FIXING CLIPS (PR)
	968024	INSERT, CUTLERY DRAWER
	195329-202	HEMISPHERE CLEAR BUMP-ON

# 2014 INTERNATIONAL TRAVEL TRAILER

## FURNITURE, GALLEY

Galley, 25' Front Bed Signature - EDDIE BAUER



# 2014 INTERNATIONAL TRAVEL TRAILER

## FURNITURE, GALLEY

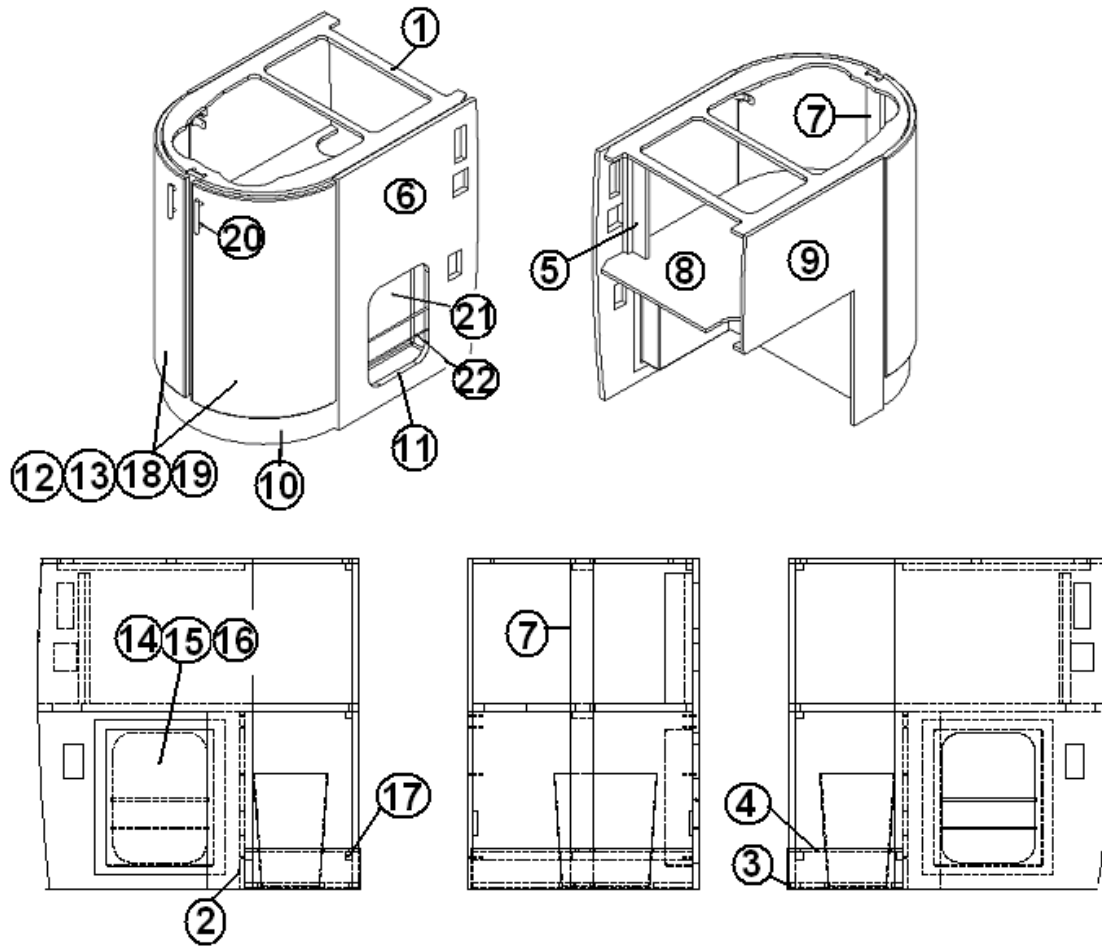
### Galley, 25' Front Bed Signature – EDDIE BAUER

	968039-19	GALLEY ASSY 25' FB EDDIE BAUER
1.	968039-191	PANEL- 35.5 X 18.25
2.	968039-192	PANEL- 4.63 X 22.25
3.	968039-193	PANEL- 6 X 22.25
4.	968039-194	PANEL- 18.25 X 22.25
5.	968039-195	PANEL- 18.25 X 35.5
6.	968039-196	PANEL- 5.75 X 32.25
7.	968039-197	PANEL- 5.96 X 34.5
8.	968039-198	PANEL- 3 X 12.75
9.	968039-199	PANEL- 3 X 12.75
10.	968039-1910	PANEL- 14.25 X 12.75
11.	968039-1911	PANEL- 14.25 X 12.75
12.	968039-1912	PANEL- 15 X 23
13.	968039-1913	PANEL- 2.25 X 28.89
14.	968039-1914	PANEL- 15.09 X 19.75
15.	968039-1915	PANEL- 14.96 X 19.75
16.	967837	SUB ASSY-GALLEY 25FB EB
17.	968039-1917	PANEL- 5.25 X 3
18.	968039-1918	PANEL- 12.88 X 4.13
19.	968039-1919	PANEL- 12.88 X 4.13
20.	968039-1920	PANEL- 12.88 X 4.13
21.	968039-1921	PANEL- 29.38 X 5.38
22.	968039-1922	PANEL- 22.88 X 9.31
23.	968039-1923	PANEL- 14.63 X 25
24.	968039-1924	PANEL- 14.63 X 25
25.	968039-1925	PANEL- 7.38 X 58.25
26.	968039-1926	PANEL- 12.75 X 34.50
27.	967835	TOP ASSY-GALLEY 25FB EB
28.	968021-05	DRW BOX ASSY 2.75X11.63X15.00
29.	968039-1929	PANEL- 2.25 X 5.75
30.	968039-1930	PANEL- 2.25 X 6
31.	968039-1931	PANEL- 2.25 X 16.25
32.	800025-01	PINE ¾" X ¾" STAINED
33.	800025-01	PINE ¾" X ¾" STAINED
34.	381607	HINGE ASSY-GRASS EURO-SAFARI
35.	382029-00	HANDLE-BAR 7.48" #3701-128-CR
36.	381228-01	CATCH GRABBER DOOR C3-803
37.	365352-02	EDGE BANDING- 1MM X .94" MAPLE
38.	365352-01	EDGE BANDING-1MM X .63" MAPLE
39.	967656-19	SHELF-GALLEY FLIP UP
40.	968039-1940	PANEL, GAL .88X21.19
41.	968039-1941	PANEL, GAL .88X21.19
	968024	INSERT, CUTLERY DRAWER
	195329-202	HEMISPHERE CLEAR BUMP-ON
	382203-03	DWR. SLIDE, SELF CLOSE 15.00"
	382203-06	FRONT FIXING CLIPS (PR.)

# 2014 INTERNATIONAL TRAVEL TRAILER

## FURNITURE, GALLEY

Galley, 25' Front Bed Signature, Aft Section



Part Numbers on the Next Page



# 2014 INTERNATIONAL TRAVEL TRAILER

## FURNITURE, GALLEY

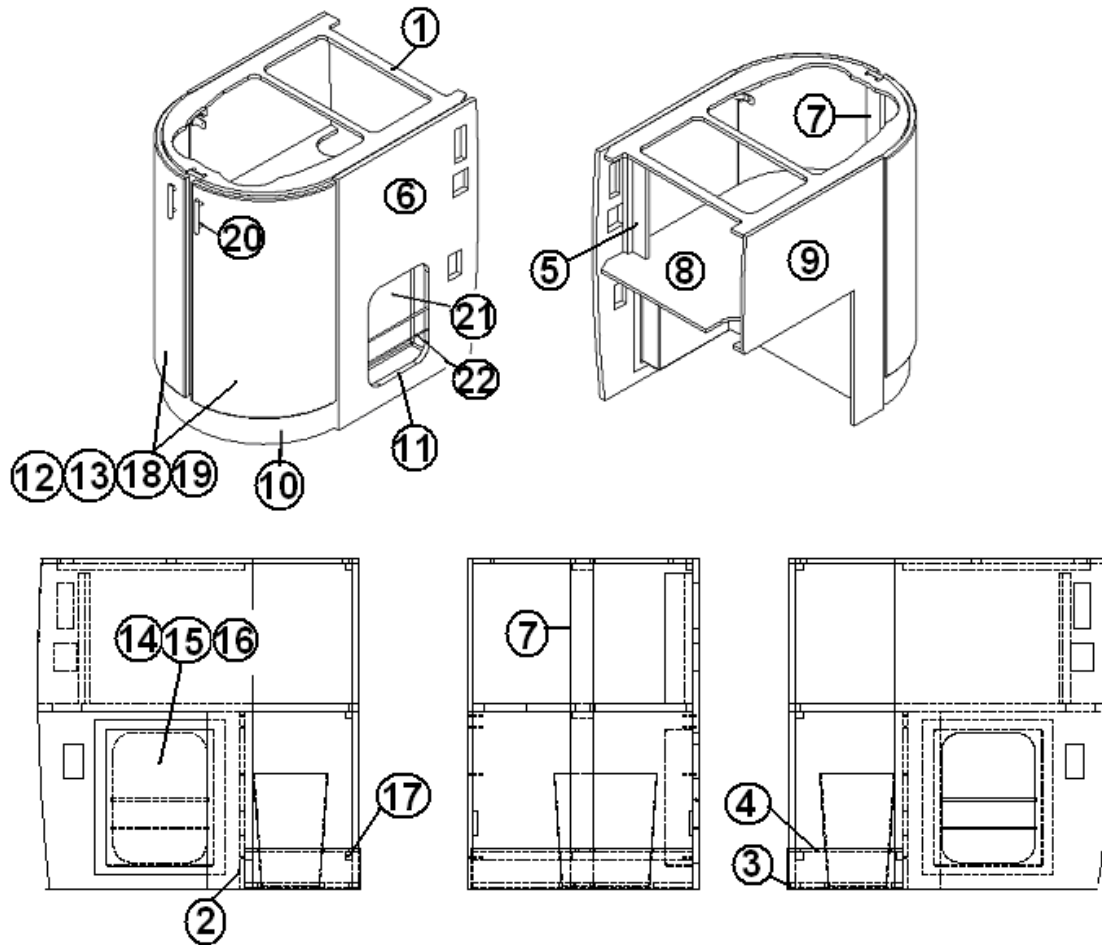
### Galley, 25' Front Bed Signature, Aft Section

	967991	GALLEY AFT SECTION
1.	967991-1	PANEL, 23.5 X 33.94
2.	967991-2	PANEL, 23.54 X 17.88
3.	967991-3	PANEL, 23.27 X 12.18
4.	967991-4	PANEL, 23.27 X 12.18
5.	967991-5	PANEL, 3 X 14
6.	967991-6	PANEL, 23.04 X 34.25
7.	967991-7	PANEL, 2.40 X 34.25
8.	967991-8	PANEL, 23.50 X 34.4
9.	967991-9	PANEL, 23.04 X 34.25
10.	115309	TOE KICK, GALLEY ALUMINUM
11.	203440	T MOLDING, BLACK EMBOSSED .8125
12.	381856	CATCH, TENSION 2-BALL
13.	801787-0124	DOOR, RADIUS, 16.26"X 31" Ebony
14.	381607	HINGE, GLASS DOOR, BLACK
15.	381707	STRIKE W/PULL, GLASS DOOR, BLACK
16.	371391	DOOR, GLASS 11.56"X 13.06"
17.	800025-01	PINE 3/4" X 3/4" STAINED
18.	381607-07	BRACKET, BLIND CORNER 90D
19.	381607	HINGE ASSY
20.	382029-00	HANDLE BAR 7.48"
21.	203383	RACK, MAGAZINE RACK
22.	115042	ROD, .25" ALUMNUM
	203483	COVER, ROUND SINK, 17.75"
	381708	WASTEBASKET, 11.38" X 8.25" X 12"
	967989-01	SHELF ASSY., GALLEY FLIP UP
	602351-01	SHELF ONLY, FLIP - CORIAN ECRU
	381614	FOLDING SHELF BRACKET, White
	381808-01	BRACKET, FACE MOUNT, HINGE

# 2014 INTERNATIONAL TRAVEL TRAILER

## FURNITURE, GALLEY

Galley, 25' Front Bed Signature, Aft Section, SERENITY



Part Numbers on the Next Page

# 2014 INTERNATIONAL TRAVEL TRAILER

## FURNITURE, GALLEY

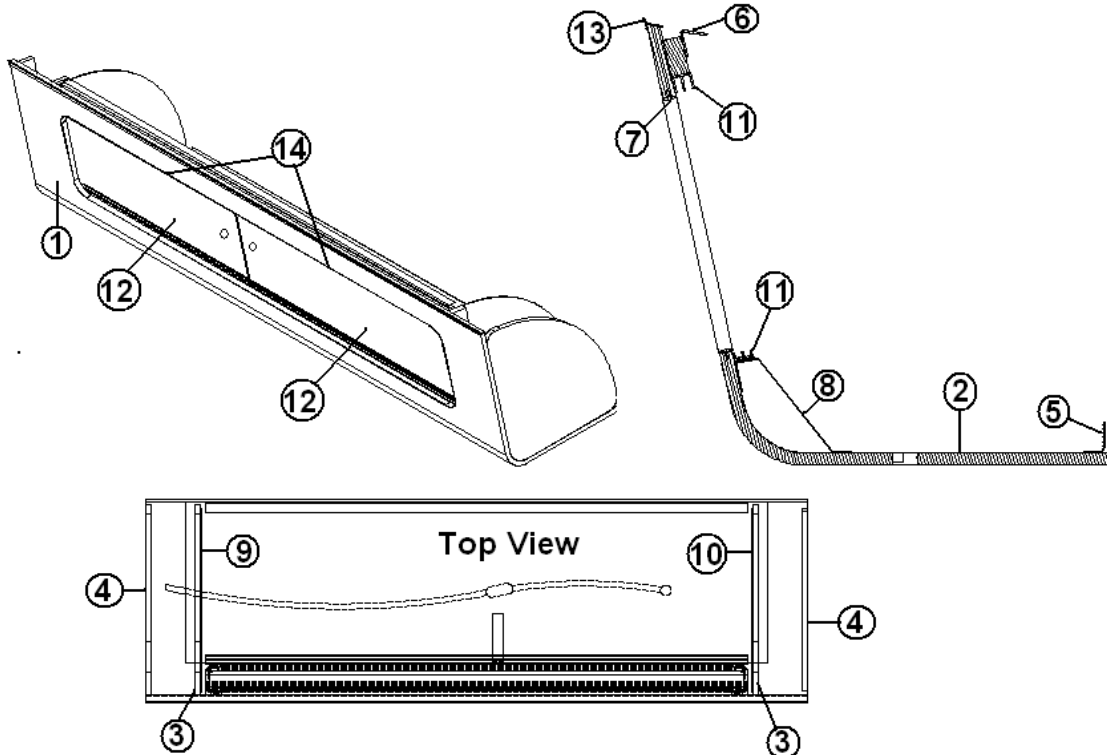
Galley, 25' Front Bed Signature, Aft Section, SERENITY

	967991-15	GALLEY AFT SECTION
1.	967991-1	PANEL, 23.5 X 33.94
2.	967991-2	PANEL, 23.54 X 17.88
3.	967991-3	PANEL, 23.27 X 12.18
4.	967991-4	PANEL, 23.27 X 12.18
5.	967991-5	PANEL, 3 X 14
6.	967991-156	PANEL, 23.04 X 34.25
7.	967991-157	PANEL, 2.40 X 34.25
8.	967991-8	PANEL, 23.5 X 34.4
9.	967991-159	PANEL, 23.04 X 34.25
10.	115309	TOE KICK, GALLEY ALUMINUM
11.	203693	T MOLDING, BEIGE EMBOSSED .8125
12.	381856	CATCH, TENSION 2-BALL
13.	801787-0118	DOOR, RADIUS, 16.26"X 31" A.Sand
14.	381607	HINGE, GLASS DOOR, BLACK
15.	381707	STRIKE W/PULL, GLASS DOOR, BLACK
16.	371391	DOOR, GLASS 11.56"X 13.06"
17.	800025-01	PINE 3/4" X 3/4" STAINED
18.	381607-07	BRACKET, BLIND CORNER 90D
19.	381607	HINGE ASSY
20.	382115	PULL - BLACK
21.	203383	RACK, MAGAZINE RACK
22.	115042	ROD, .25" ALUMNUM
	203483	COVER, ROUND SINK, 17.75"
	381708	WASTEBASKET, 11.38" X 8.25" X 12"
	967989-02	SHELF ASSY, GALLEY FLIP UP - SERENITY
	*602351-05	FLIP UP SHELF TOP, CORIAN - BRONZITE
	*602351-06	FLIP UP SHELF TOP, CORIAN - SORREL
		*SORREL REPLACED BRONZITE ON OR
		AFTER UNITS MANUFACTURED 9/9/13.
	381614	FOLDING SHELF BRACKET, White
	381808-01	BRACKET, FACE MOUNT, HINGE

# 2014 INTERNATIONAL TRAVEL TRAILER

## FURNITURE, GALLEY

### Roof Locker, Galley, 25' Front Bed Signature

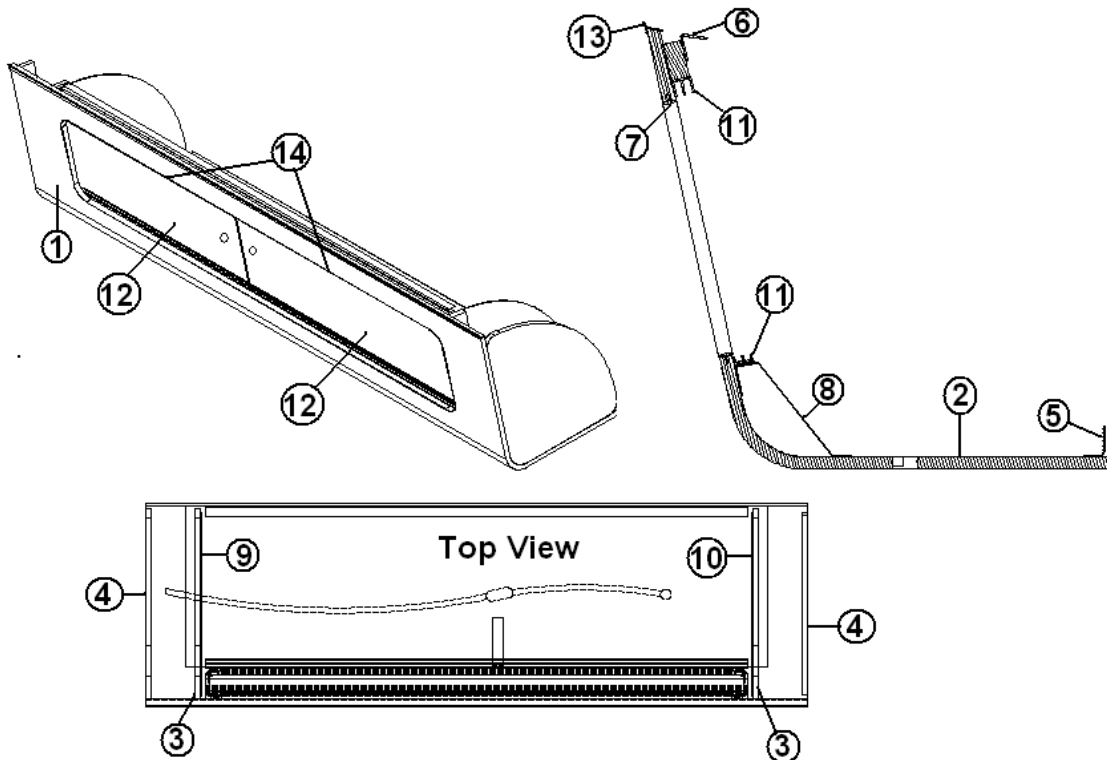


- |               |                                  |
|---------------|----------------------------------|
| 966911        | ROOF LOCKER, GALLEY 25FB         |
| 1. 801726     | LOCKER FACE, GALLEY              |
| 2. 801537     | PANEL, 12mm w/SPECIAL GROOVES F. |
| 3. 801545-02  | DIVIDER PARTIAL                  |
| 4. 115375     | EXTRUSION, FORMED R/L END        |
| 5. 115227-02  | ANGLE, LOCKER TRACK SUPPORT      |
| 6. 104821     | SUPPORT, ROOFLOCKER, 74"         |
| 7. 203445-01  | T-MOLDING, .5625" WHITE          |
| 8. 115226     | BRACKET, LOCKER CENTER SUPPORT   |
| 9. 801539-01  | DIVIDER, GALLEY LOCKER LH        |
| 10. 801539-02 | DIVIDER, GALLEY LOCKER           |
| 11. 203388    | SLIDING DOOR TRACK, 56-1/5"      |
| 12. 203749-09 | DOOR, SLIDING 11.31" X 26.25"    |
| 13. 201673    | REVERSE COVE MOLDING, WHITE      |
| 14. 703991    | PILE SEAL WEATHER STRIP          |
| 382149        | PULL, FINGER, SATIN NICKEL       |

# 2014 INTERNATIONAL TRAVEL TRAILER

## FURNITURE, GALLEY

### Roof Locker, Galley, 25' Front Bed, STERLING

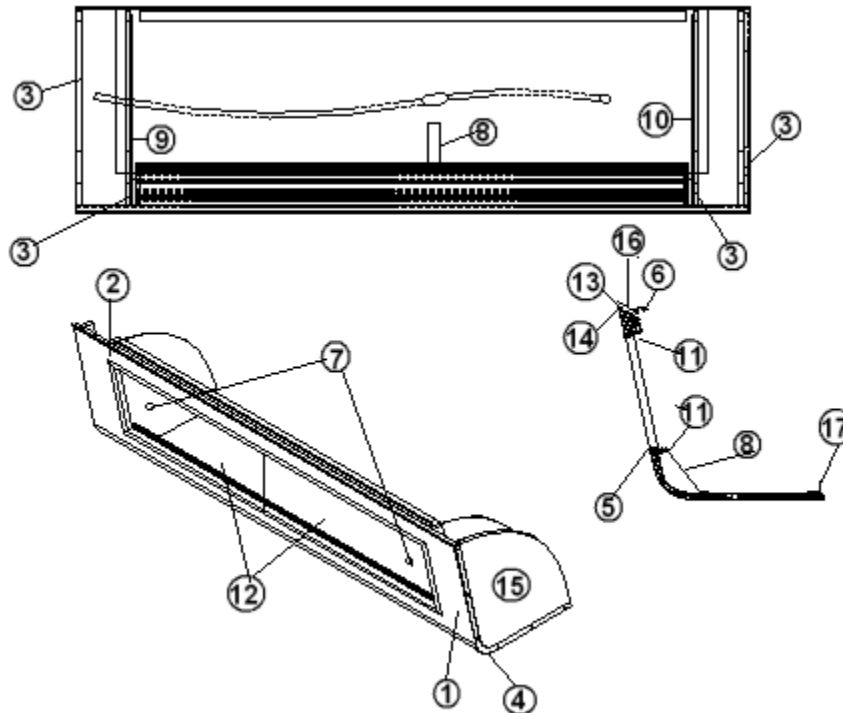


- |     |             |                                    |
|-----|-------------|------------------------------------|
|     | 966911-22   | ROOF LOCKER, GALLEY 25FB STERLING  |
| 1.  | 801726-22   | LOCKER FACE, GALLEY                |
| 2.  | 966911-222  | PNL. 17.25" X 54.25" GALLEY LOCKER |
| 3.  | 801726-0222 | DIVIDER PARTIAL                    |
| 4.  | 115375      | EXTRUSION, FORMED R/L END          |
| 5.  | 115227-02   | ANGLE, LOCKER TRACK SUPPORT        |
| 6.  | 104821      | SUPPORT, ROOFLOCKER, 74"           |
| 7.  | 115576-01   | LOCKER TRIM, FORMED LOOP           |
| 8.  | 115226      | BRACKET, LOCKER CENTER SUPPORT     |
| 9.  | 801539-01   | DIVIDER, GALLEY LOCKER LH          |
| 10. | 801539-02   | DIVIDER, GALLEY LOCKER             |
| 11. | 203388      | SLIDING DOOR TRACK, 56-1/5"        |
| 12. | 203749-09   | DOOR, SLIDING 11.31" X 26.25"      |
| 13. | 201673      | REVERSE COVE MOLDING, WHITE        |
| 14. | 703991      | SEAL-PILE WEATHER STRIP BLK        |

# 2014 INTERNATIONAL TRAVEL TRAILER

## FURNITURE, GALLEY

### Roof Locker, Galley, 25' Front Bed Signature, Serenity

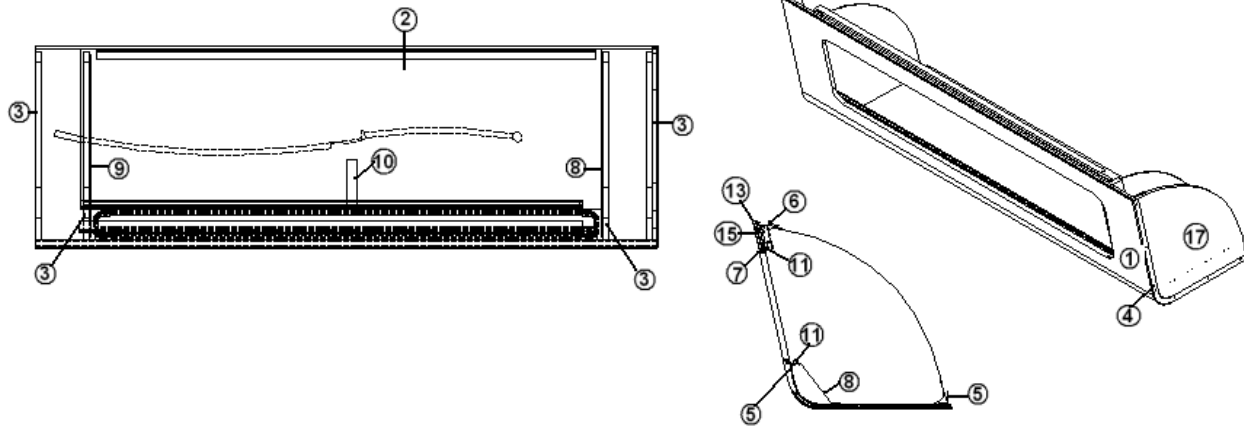


967558-15	ROOFLOCKER ASSY-GALLEY
1. 801851-01	FACE-GALLEY ROOFLOCKER
2. 801355-01	LAMINATE-FROST WHT
3. 801851-02	DIVIDER-GALLEY ROOFLOCKER
4. 115375	EXTR.-FORMED R/L END INT.
5. 114812	ALUM. ANGLE 1.00 X 1.00
6. 104821	SUPPORT, ROOFLOCKER, 74"
7. 382114	KNOB-BRUSH.SATIN NICKEL #M576
8. 115226	BRACKET-FORMED-LOCKER CTR SUPP
9. 801539-01	DIVIDER-GALLEY LOCKER LH
10. 801539-02	DIVIDER-GALLEY LOCKER RH
11. 203388	TRACK-SLIDING DOOR
12. 203677-02	DOOR-MARI 11.31X26.25
13. 201673	REVERSE COVE MOLDING, WHITE, P
14. 800506-04	PLYWOOD,1/2"X4'X8'
15. 967558-1517	PANEL, GAL R/L 18.21X17.15
16. 115483	ANGLE-ALUM .06X.75"X.75"X6'
17. 800506-04	PLYWOOD,1/2"X4'X8'
18. 114812	ALUM. ANGLE 1.00 X 1.00
703991	PILE SEAL WEATHER STRIP

# 2014 INTERNATIONAL TRAVEL TRAILER

## FURNITURE, GALLEY

### Roof Locker, Galley, 25' Front Bed - EDDIE BAUER

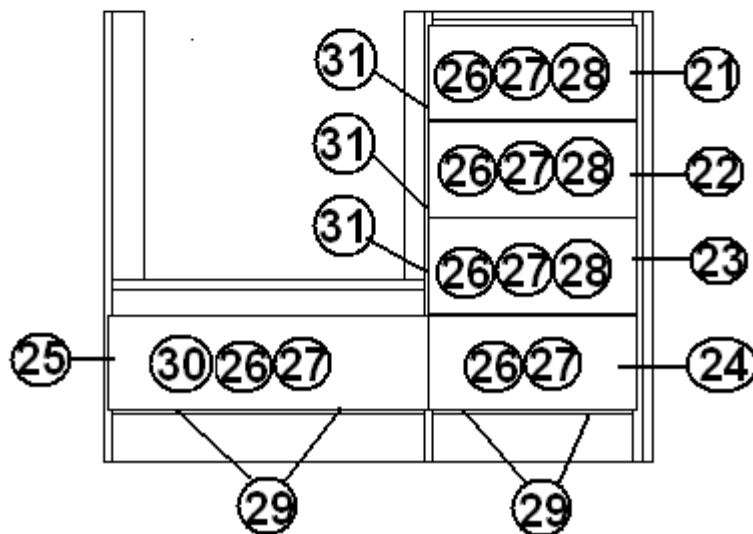
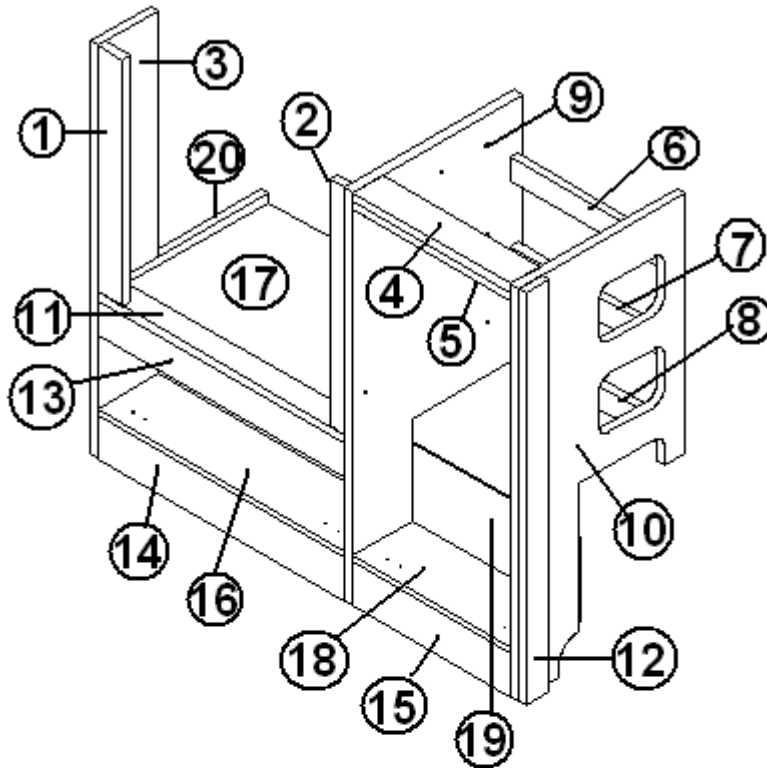


967653-19	ROOFLOCKER ASSY-GALLEY
1. 801899	PANEL- W/GROOVES MAPLE 12MM
2. 967653-192	PANEL 17.25 X 51.25
3. 801889-02	DIVIDER
4. 115375	EXTRUSION.-FORMED R/L END
5. 115227-02	ANGLE-FORMED-LOCKER TRACK SUPPORT
6. 104821	SUPPORT, ROOFLOCKER, 74"
7. 203710	T MOLDING-ALMOND .56" X 250'
8. 115226	BRACKET-FORMED-LOCKER CTR SUPP
9. 801539-01	DIVIDER-GALLEY LOCKER LH
10. 801539-02	DIVIDER-GALLEY LOCKER
11. 203388	TRACK-SLIDING DOOR
12. 203708-02	DOOR, SLIDING PLEXIGLASS 24.79" (Not shown)
13. 201673-01	MOLDING-OAK COVE .43" OAK
14. 365215	TAPE ADHESIVE TRANSFER #950 5M
15. 800028	PINE, 3/4" X 1-1/2"
16. 703991	PILE SEAL WEATHER STRIP
17. 967653-1917	PANEL, GAL R/L 18.21X17.15
18. 381245	SLIDING DOOR TRACK, 56-1/5"
382149	PULL-FINGER SATIN NICKEL#35120
382152	HOOK-HAMMOCK SS #671460

# 2014 INTERNATIONAL TRAVEL TRAILER

## FURNITURE, GALLEY

Galley, 27' FB Signature, Standard Oven Section



Part numbers are on the next page



# 2014 INTERNATIONAL TRAVEL TRAILER

## FURNITURE, GALLEY

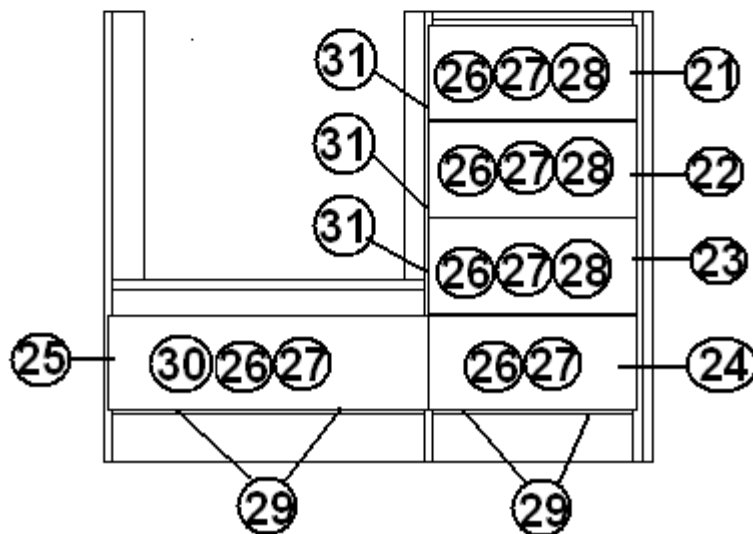
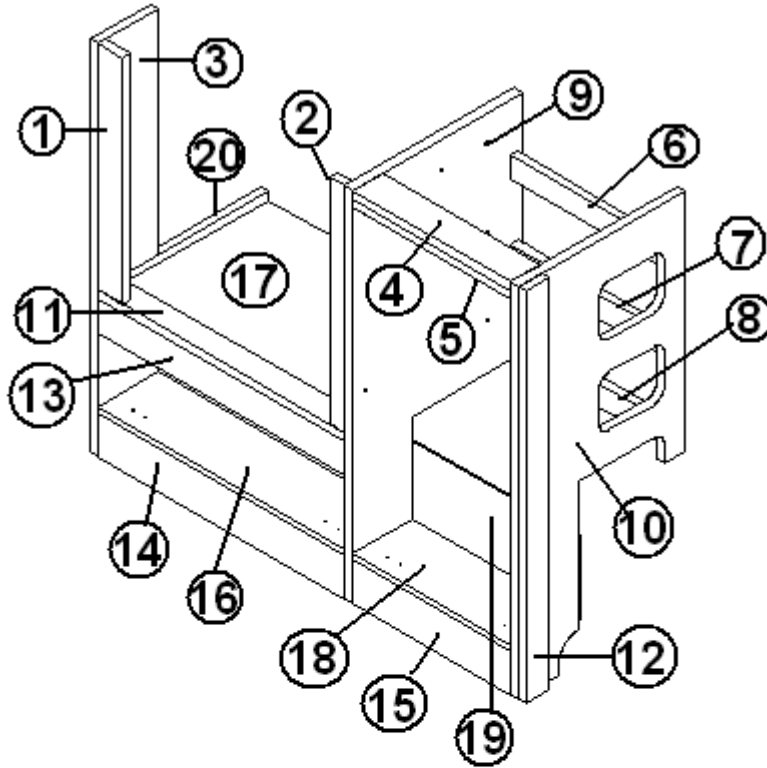
Galley, 27' FB Signature, Standard Oven Section, Ebony

	967995	Galley, Standard Oven Section
1.	967995-1	PANEL, 2.13 x 19.25
2.	967995-2	PANEL, 2.13 x 19.25
3.	967995-3	PANEL, 6" x 34.25"
4.	967995-4	PANEL, 15.75" x 3"
5.	967995-5	PANEL, 15.75" x 3"
6.	967995-6	PANEL, 2.25" x 15.75"
7.	967995-7	PANEL, 2.25" x 15.75"
8.	967995-8	PANEL, 2.25" x 15.75"
9.	967995-9	PANEL, 16.88" x 34.25"
10.	967995-10	PANEL, 16.56" x 34.25"
11.	967995-11	PANEL, 2.25" x 24.50"
12.	967995-12	PANEL, 2.25" x 34.25"
13.	967995-13	PANEL, 24.50" x 2.25"
14.	967995-14	PANEL, 24.50" x 3.50"
15.	967995-15I	PANEL, 15.75" x 2.50"
16.	967995-16	PANEL, 6" x 24.50"
17.	967995-17	PANEL, 16.88" x 25.25"
18.	967995-18	PANEL, 6" x 15.75"
19.	967995-19	PANEL, 42.50" x 10.00", WHITE/RAW
20.	800025-01	PINE, 3/4" X 3/4", STAINED
21.	967995-21	DWR FACE, GALLEY, 16.38" X 7.5"
22.	967995-22	DWR FACE, GALLEY, 16.38" X 7.5"
23.	967995-23	DWR FACE, GALLEY, 16.38" X 7.5"
24.	967995-24	DOOR, GALLEY, 16.38" X 7.5"
25.	967995-25	DOOR, GALLEY, 25.13" X 11.63"
26.	382029-04	HANDLE-BAR 15"
27.	381228-01	CATCH GRABBER DOOR
28.	968020-04	DRAWER BOX, 5" X 15.13" X 5" SELF CLOSE
29.	381607	HINGE, ASSEMBLY
30.	382029-05	HANDLE, BAR 21.33"
31.	382203-03	DRAWER SLIDE, 15.00" SELF CLOSE
	382203-06	FRONT FIXING CLIPS, DWR BOX
	115558	TOE KICK, ALUMINUM, GALLEY
	968024	INSERT, CUTLERY DRAWER
	195329-202	HEMISPHERE CLEAR BUMP-ON

# 2014 INTERNATIONAL TRAVEL TRAILER

## FURNITURE, GALLEY

Galley, 27' FB Signature, Standard Oven Section, Serenity



Part numbers are on the next page

## 2014 INTERNATIONAL TRAVEL TRAILER

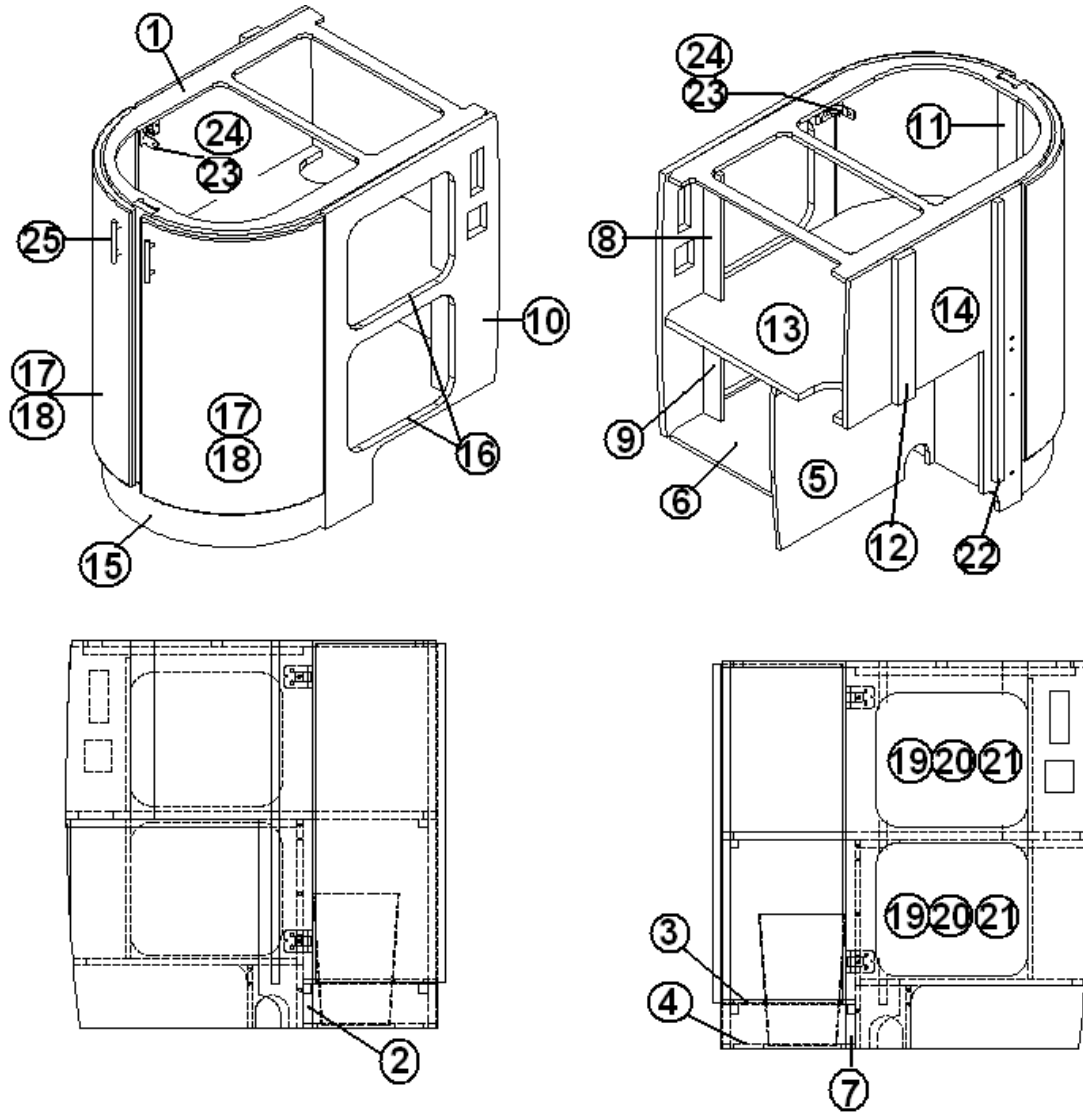
Galley, 27' FB Signature, Standard Oven Section, Serenity  
 967995-15 Galley, Standard Oven Section

- |     |             |                                  |
|-----|-------------|----------------------------------|
| 1.  | 967995-1545 | PANEL, 2.13" x 18.88"            |
| 2.  | 967995-1546 | PANEL, 2.13" x 18.88"            |
| 3.  | 967995-3    | PANEL, 6" x 34.25"               |
| 4.  | 967995-4    | PANEL, 15.75" x 3"               |
| 5.  | 967995-5    | PANEL, 15.75" x 3"               |
| 6.  | 967995-6    | PANEL, 2.25" x 15.75"            |
| 7.  | 967995-7    | PANEL, 2.25" x 15.75"            |
| 8.  | 967995-8    | PANEL, 2.25" x 15.75"            |
| 9.  | 967995-9    | PANEL, 16.88" x 34.25"           |
| 10. | 967995-10   | PANEL, 16.44" x 34.25"           |
| 11. | 967995-10   | PANEL, 2.25" x 24.50"            |
| 12. | 967995-12   | PANEL, 2.25" x 34.25"            |
| 13. | 967995-1513 | PANEL, 24.50" x 2.25"            |
| 14. | 967995-1514 | PANEL, 24.50" x 2.50"            |
| 15. | 967995-1515 | PANEL, 15.75" x 2.50"            |
| 16. | 967995-16   | PANEL, 6" x 24.50"               |
| 17. | 967995-17   | PANEL, 16.88" x 25.25"           |
| 18. | 967995-18   | PANEL, 6" x 15.75"               |
| 19. | 967995-1519 | PANEL, 42.50" x 10.00"           |
| 20. | 800025-01   | PINE, 3/4" X 3/4", STAINED       |
| 21. | 967995-1521 | DWR FACE, GALLEY, 16.38" X 7.5   |
| 22. | 967995-1522 | DWR FACE, GALLEY, 16.38" X 7.5", |
| 23. | 967995-1523 | DWR FACE, GALLEY, 16.38" X 7.5", |
| 24. | 967995-1524 | DOOR, GALLEY, 16.38" X 7.5",     |
| 25. | 967995-1525 | DOOR, GALLEY, 25.13" X 11.63",   |
| 26. | 382115      | PULL, FLAT BLACK #M575           |
| 27. | 381228-01   | CATCH GRABBER DOOR               |
| 28. | 968020-04   | DRAWER BOX, 5" 13.13" X 15"      |
| 29. | 381607      | HINGE, DOOR                      |
| 30. | 382115      | PULL FLAT BLACK #M575            |
| 31. | 382203-03   | DRAWER SLIDE 15" TANDEM (PAIR)   |
|     | 382203-06   | CLIPS, FRONT FIXING (PAIR)       |
|     | 115558      | TOE KICK, ALUMINUM, GALLEY       |
|     | 968024      | INSERT, CUTLERY DRAWER           |
|     | 195329-202  | HEMISPHERE CLEAR BUMP-ON         |

# 2014 INTERNATIONAL TRAVEL TRAILER

## FURNITURE, GALLEY

Galley, 27' FB Signature, Aft Section



Part numbers are on the next page

# 2014 INTERNATIONAL TRAVEL TRAILER

## FURNITURE, GALLEY

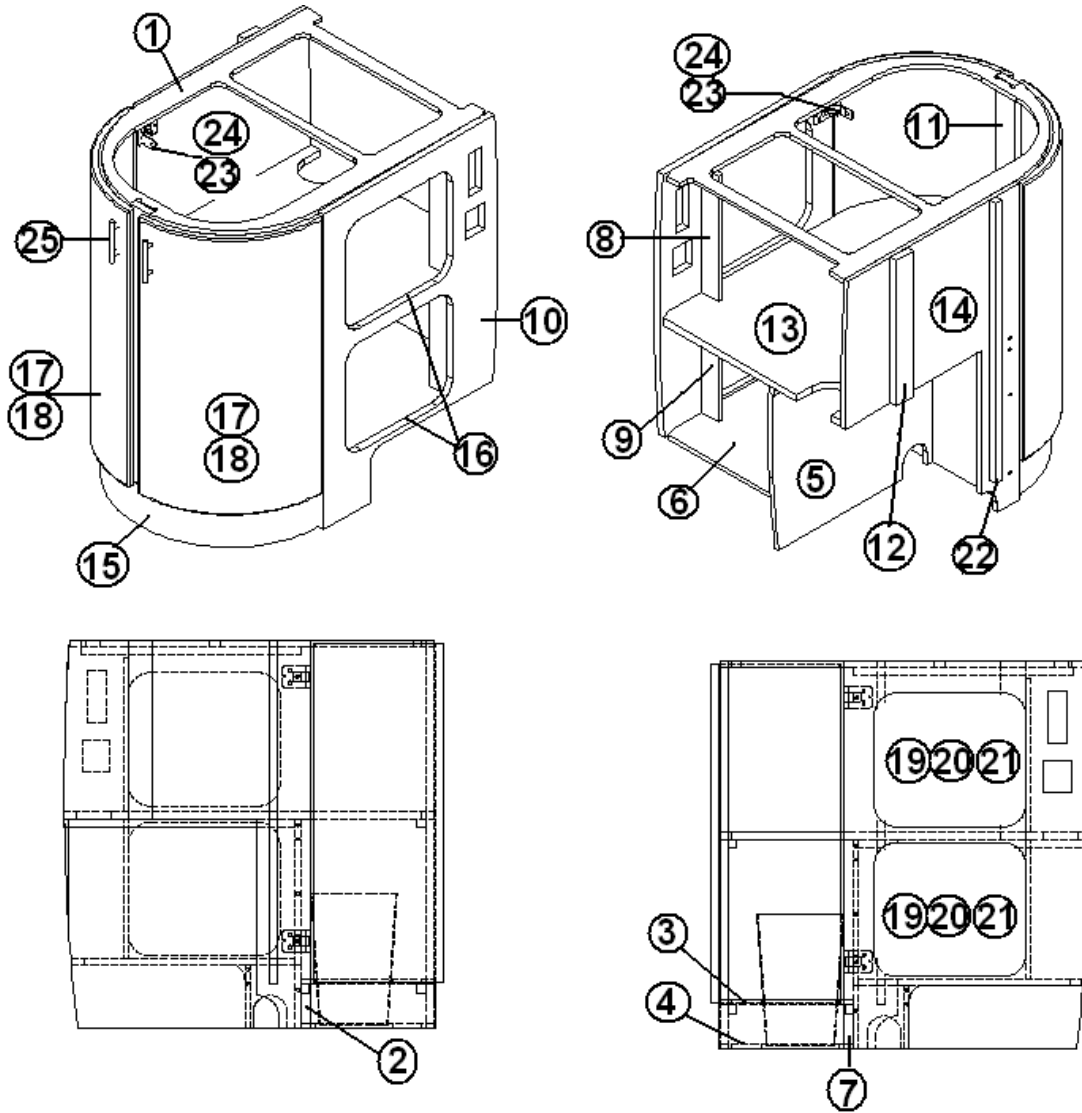
Galley, 27' FB Signature, Aft Section

	967996	GALLEY, AFT SECTION
1.	967996-1	PANEL, 23.5" x 33.44"
2.	967996-2	PANEL, 23.54" x 17.88"
3.	967996-3	PANEL, 23.27" x 12.18"
4.	967996-4	PANEL, 23.27" x 12.18"
5.	967996-5	PANEL, 17.88" x 20.82"
6.	967996-6	PANEL, 19.85" x 13.25"
7.	967996-7	PANEL, 4.63" x 13.75"
8.	967996-8	PANEL, 12.75" x 2.25"
9.	967996-9	PANEL, 14.13" x 2.25"
10.	967996-10	PANEL, 34.25" x 22.57"
11.	967996-11	PANEL, 2.40" x 34.25"
12.	967996-12	PANEL, 2.25" x 16.38"
13.	967996-13	PANEL, 23.50" X 33.62"
14.	967996-14	PANEL, 22.45" x 34.25"
15.	115309	TOE KICK, GALLEY ALUMINUM
16.	203440	T MOLDING, BLACK EMBOSSED .8125
17.	381856	CATCH, TENSION, 2-BALL
18.	801787-0124	DOOR, RADIUS, 16.81" X 31", WENGE
19.	381654	HINGE, GLASS DOOR, BLACK
20.	381707	STRIKE W/PULL, GLASS DOOR BLACK
21.	371432	DOOR, GLASS 11.56" X 13.06"
22.	800025-01	PINE, ¾" X ¾", STAINED
23.	<b>381808-01</b>	BRACKET, FACE MOUNT, HINGE
24.	381607	HINGE, ASSEMBLY
25.	382029-05	HANDLE, BAR 21.33"
	381708	WASTEBASKET
	203483	Sink cover, round

# 2014 INTERNATIONAL TRAVEL TRAILER

## FURNITURE, GALLEY

Galley, 27' FB Signature, Aft Section, Serenity



Part numbers are on the next page

# 2014 INTERNATIONAL TRAVEL TRAILER

## FURNITURE, GALLEY

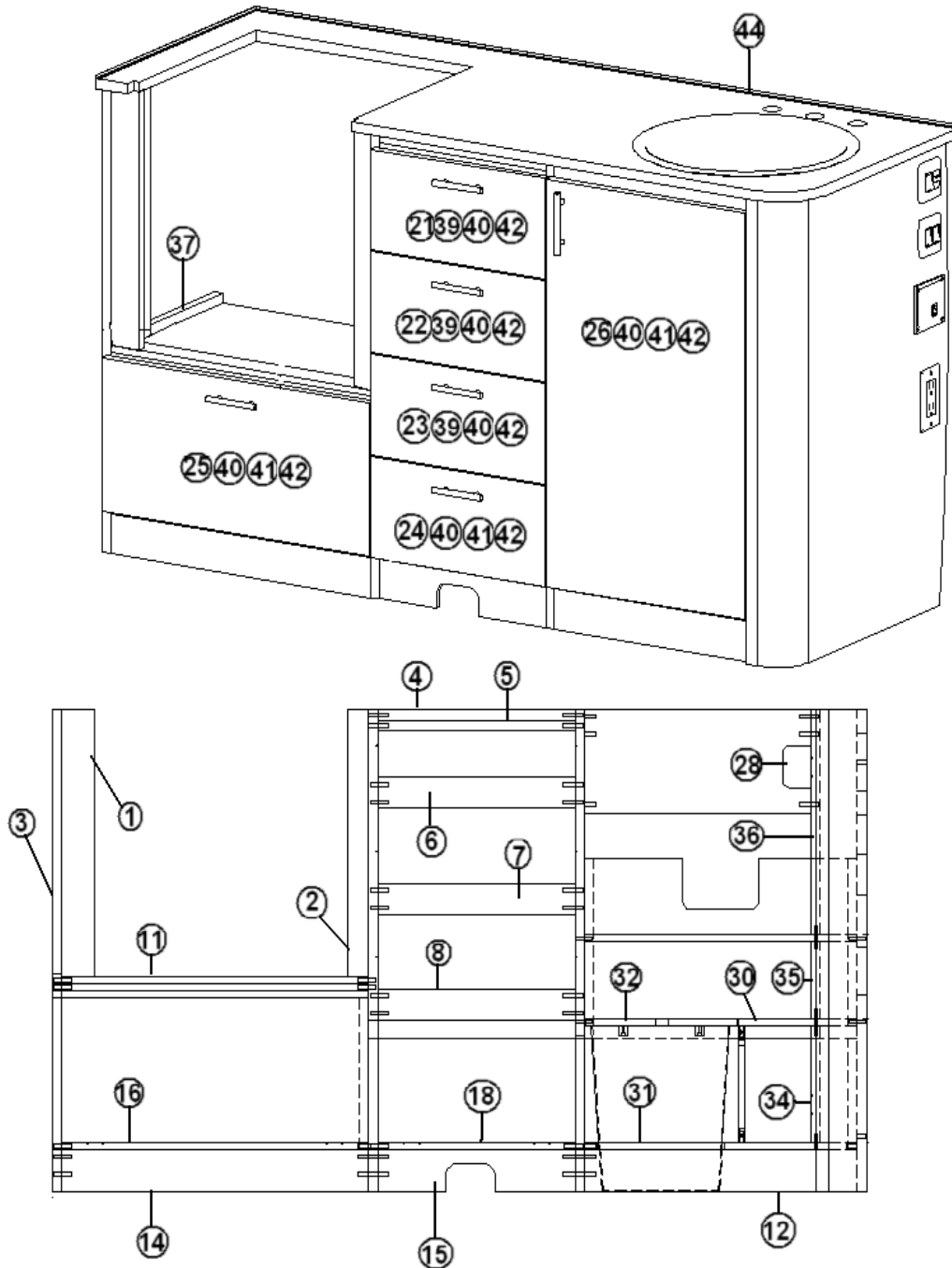
Galley, 27' FB Signature, Aft Section, Serenity

- |     |             |                                        |
|-----|-------------|----------------------------------------|
|     | 967996-15   | GALLEY, AFT SECTION                    |
| 1.  | 967996-1    | PANEL, 23.5" x 33.44"                  |
| 2.  | 967996-2    | PANEL, 23.54" x 17.88"                 |
| 3.  | 967996-3    | PANEL, 23.27" x 12.18"                 |
| 4.  | 967996-4    | PANEL, 23.27" x 12.18"                 |
| 5.  | 967996-5    | PANEL, 17.88" x 20.82"                 |
| 6.  | 967996-6    | PANEL, 19.85" x 13.25"                 |
| 7.  | 967996-7    | PANEL, 4.63" x 13.75"                  |
| 8.  | 967996-8    | PANEL, 12.75" x 2.25"                  |
| 9.  | 967996-9    | PANEL, 14.13" x 2.25"                  |
| 10. | 967996-1510 | PANEL, 34.25" x 22.57"                 |
| 11. | 967996-1511 | PANEL, 2.40" x 34.25"                  |
| 12. | 967996-1512 | PANEL, 2.25" x 16.38"                  |
| 13. | 967996-13   | PANEL, 23.5" X 33.62"                  |
| 14. | 967996-1514 | PANEL, 22.45" x 34.25"                 |
| 15. | 115309      | TOE KICK, GALLEY ALUMINUM              |
| 16. | 203693      | T MOLDING, BEIGE EMBOSSED, .8125       |
| 17. | 381856      | CATCH, TENSION, 2-BALL                 |
| 18. | 801787-0118 | DOOR RADIUS FOAM 16.97 X 31 ASIAN SAND |
| 19. | 381654      | HINGE, GLASS DOOR, BLACK               |
| 20. | 381707      | STRIKE W/PULL, GLASS DOOR BLACK        |
| 21. | 371391      | DOOR, GLASS 11.56" X 13.06"            |
| 22. | 800025-01   | PINE, 3/4" X 3/4", STAINED             |
| 23. | 381808-01   | BRACKET, FACE MOUNT, HINGE             |
| 24. | 381607      | HINGE, DOOR                            |
| 25. | 382115      | PULL FLAT BLACK #M575                  |
|     | 381708      | WASTEBASKET                            |
|     | 203483      | Sink cover, round                      |

# 2014 INTERNATIONAL TRAVEL TRAILER

## FURNITURE, GALLEY

Galley Cabinet, Standard Oven, 27' FB Eddie Bauer



Parts Listed on Next Page



# 2014 INTERNATIONAL TRAVEL TRAILER

## FURNITURE, GALLEY

	968040-19	CABINET, STANDARD OVEN, 27'FB EDDIE BAUER
1.	968040-191	PNL GAL 2.63X19.25
2.	968040-192	PNL GAL 1.63X19.25
3.	968040-193	PNL GAL 6X34.75
4.	968040-194	PNLGAL 15.75X3
5.	968040-195	PNL GAL 15.75X3
6.	968040-196	PNL GAL 2.25X15.75
7.	968040-197	PNL GAL 2.25X15.75
8.	968040-198	PNL GAL 2.25X15.75
9.	968040-199	PNL GAL 16.88X34.75
10.	968040-1910	PNL - GAL 16.44X34.75
11.	968040-1912	PNL- GAL 19.5X3.00
12.	968040-1913	PNL- GAL 24.5X13
13.	968040-1914	PNL - GAL 24.5X3
14.	968040-1915	PNL - GAL 15.75X3.75
15.	968040-1916	PNL - GAL 6X24.5
16.	968040-1917	PNL - GAL 16.88X25.25
17.	968040-1918	PNL - GAL 9.13X15.75
18.	968040-1919	PNL - GAL 25.25X8
19.	968040-1920	PNL - GAL 39X8
20.	968040-1921	PNL - GAL 16.38X7.5
21.	968040-1922	PNL - GAL 16.38X7.5
22.	968040-1923	PNL - GAL 16.38X7.5
23.	968040-1924	PNL - GAL 16.38X7.5
24.	968040-1925	PNL - GAL 25.13X7.5
25.	968040-1926	PNL - GAL 18.69X30.38
26.	968040-1927	PNL - GAL 21.75X12.75
27.	968040-1928	PNL - GAL 18.06X7.5
28.	968040-1929	PNL - GAL 21.75X15.06
29.	968040-1930	PNL - GAL 21.75X15.06
30.	968040-1931	PNL - GAL 21.75X9.13
31.	968040-1932	PNL - GAL 12.13X9.13
32.	968040-1933	PNL - GAL 9.25X8.5
33.	968040-1934	PNL - GAL 2.25X8.5
34.	968040-1935	PNL - 2.25 X 5.50
35.	968040-1936	PNL- GAL 2.25X16.25
36.	800025-01	PINE ¾" X ¾"STAINED

Parts Continued on Next Page

# 2014 INTERNATIONAL TRAVEL TRAILER

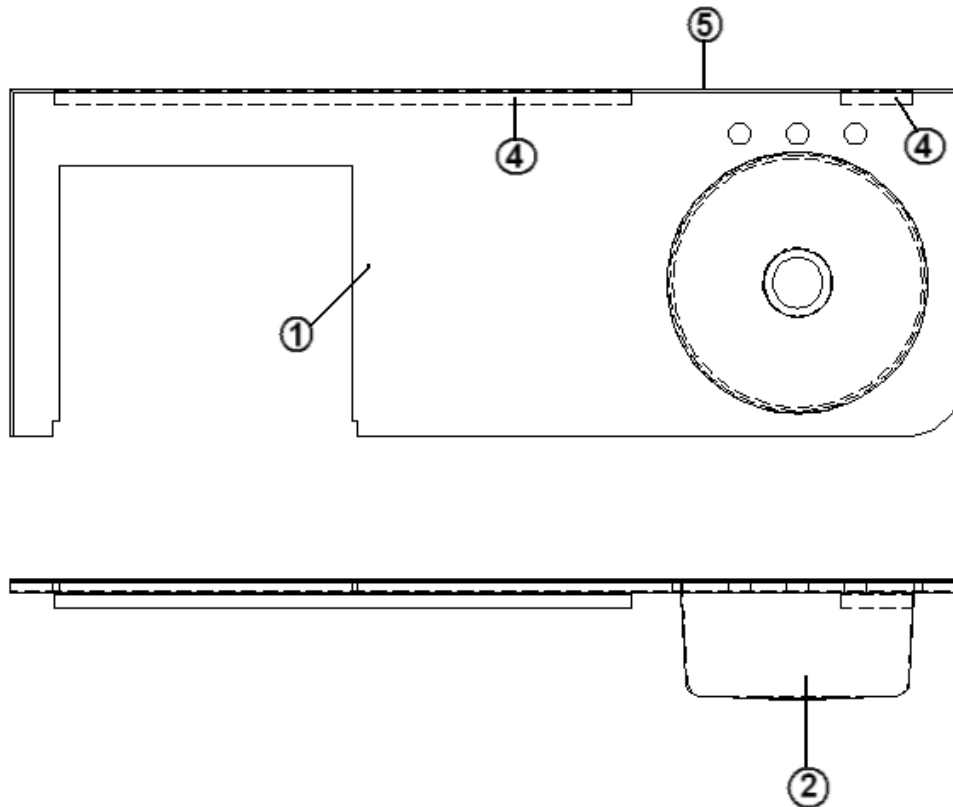
## FURNITURE, GALLEY

37.	967793-19	PNL ASSY- GAL SUB MAPLE
38.	968020-04	DWR. BOX ASSY-5.00"X15.13"X15.00"
39.	381865	PULL BAR BRUSH NICKEL #3489
40.	381607	HINGE ASSY-GRASS EURO
41.	345001-08	MACH SCREW #8 X 1" REC TRUS
42.	381228-01	CATCH GRABBER DOOR C3-803
43.	380041	BRACE 1" STANLEY CORNER
44.	967886	TOP ASSY 27FB EDDIE BAUER
45.	967656-19	SHELF-GALLEY FLIP UP
	381708	WASTEBASKET-11.38 X 8.25 X 12.
	381136	RUBBER BUMPER
	365352-02	EDGEBANDING- 1MM X .94" MAPLE
	365352-01	EDGEBANDING-1MM X .63" MAPLE
	968024	INSERT, CUTLERY DRAWER
	195329-202	HEMISPHERE CLEAR BUMP-ON
	382203-03	DRAWER SLIDE, SELF CLOSE 15.00"
	382203-06	FRONT FIXING CLIP (PR)

# 2014 INTERNATIONAL TRAVEL TRAILER

## FURNITURE, GALLEY

### GALLEY, TOP, 27FB EDDIE BAUER



967886

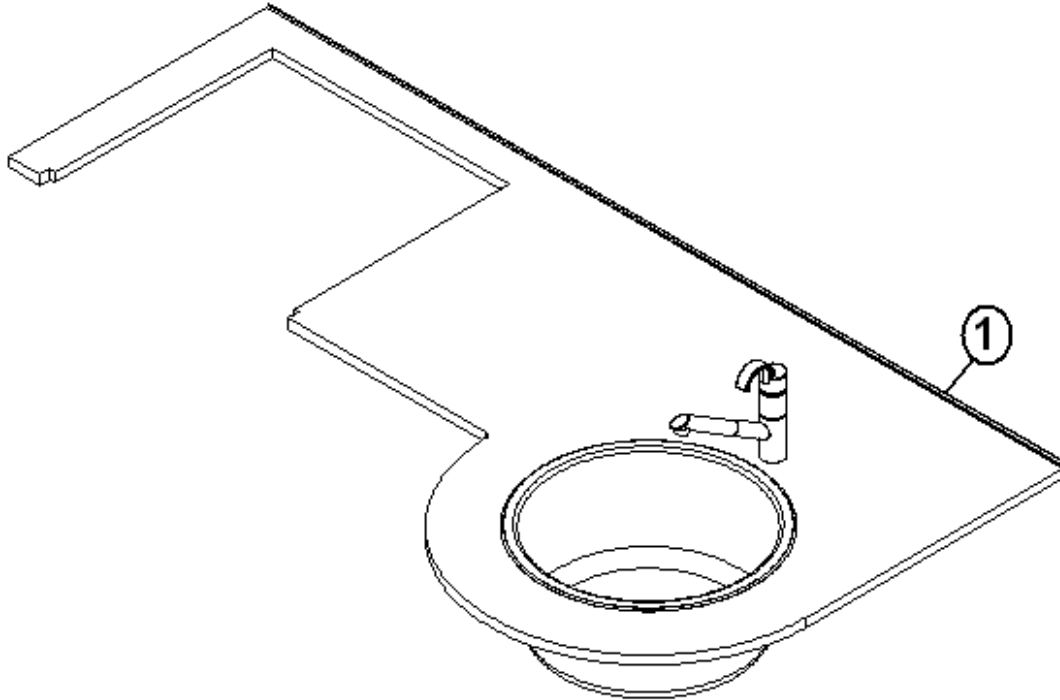
#### GALLEY TOP ASSEMBLY

- |              |                                           |
|--------------|-------------------------------------------|
| 1. 967886-1  | TOP CUTOUT 24 X 66                        |
| 2. 601806    | SINK, STAINLESS STEEL, ROUND GALLEY       |
| 3. 602327    | FAUCET, MOEN CAMERIST CHROME W/SIDE SPRAY |
| 4. 114812    | ALUMINUM ANGLE 1.00 X 1.00                |
| 5. 115064    | TRIM, ALUMINUM COUNTER TOP                |
| 6. 601714-01 | TAILPIECE 1 1/2 X 4"                      |
| 7. 601714-02 | 1 1/2 SLIP NUT W/WINGS                    |
| 8. 601714-03 | 1 1/2 BLACK RUBBER WASHER                 |
| 365353-02    | EDGEBANDING 1MM X .94" SOAPSTONE.         |

# 2014 INTERNATIONAL TRAVEL TRAILER

## FURNITURE, GALLEY

Galley Top, 27' FB Signature



967994-01

TOP, GALLEY ASSY.

967994-02

TOP, GALLEY ASSY., SERENITY

967994-03

TOP, GALLEY ASSY., ONYX

602354-01

CORIAN TOP, ECRU

602354-05

CORIAN TOP, BRONZITE - SERENITY

602354-06

CORIAN TOP, SORREL - SERENITY

SORRELL REPLACED BRONZITE ON  
SERENITY UNITS MFG. ON OR AFTER  
9/9/2013.

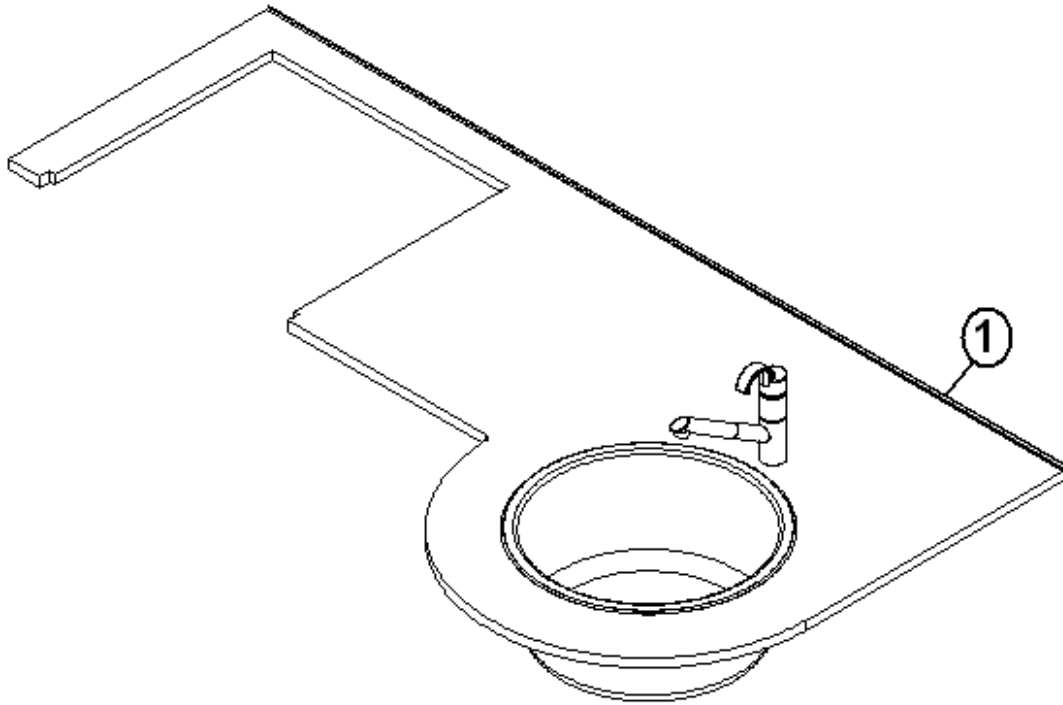
602354-03

CORIAN TOP, HAZELNUT - ONYX SE

# 2014 INTERNATIONAL TRAVEL TRAILER

## FURNITURE, GALLEY

Galley Top, 27' FB STERLING

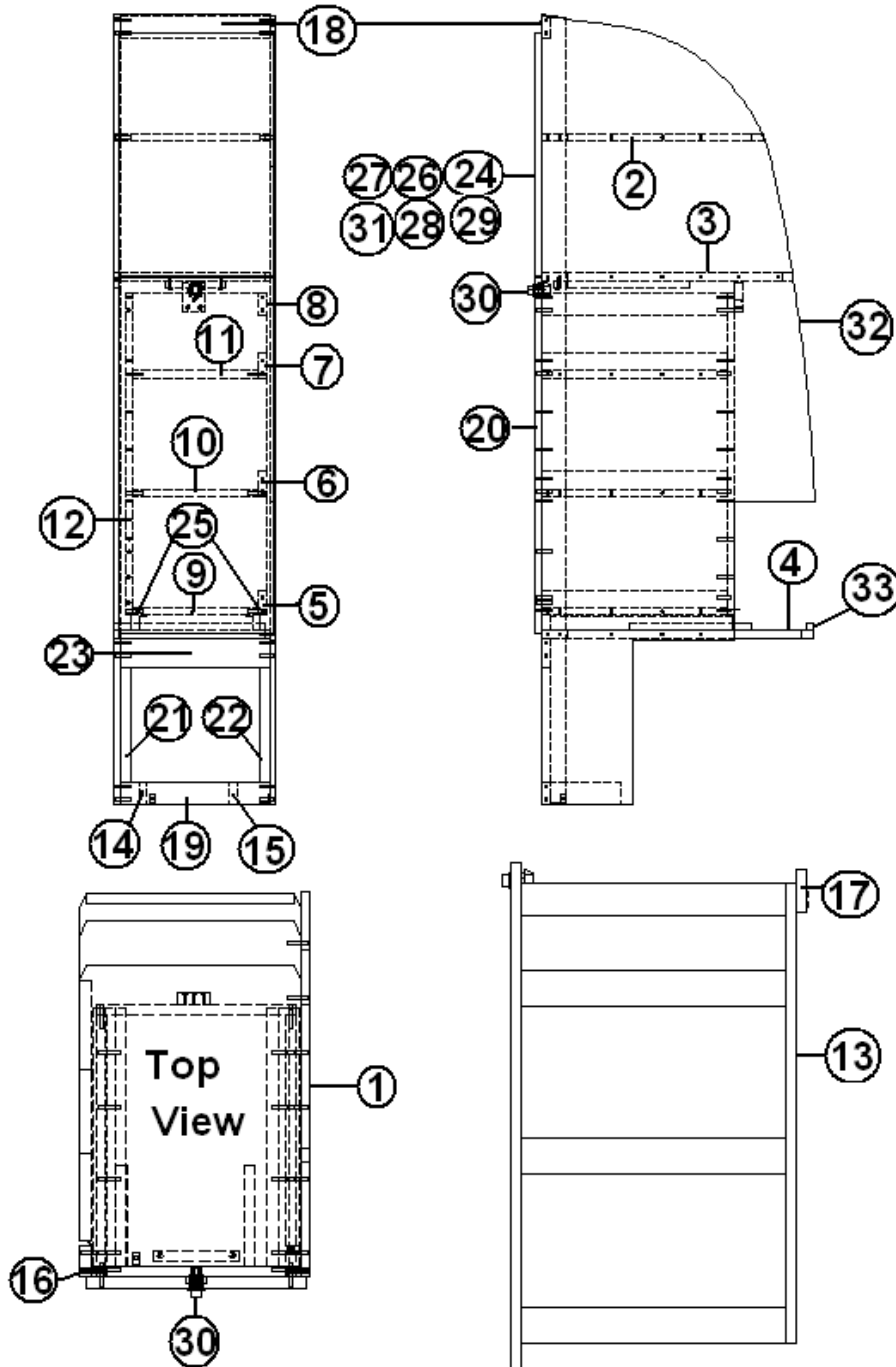


968038	GALLEY TOP ASSY., 27FB STERLING
602359-04	GALLEY TOP ONLY, CORIAN GLACIER WHT
601806	SINK, ROUND
602310	FAUCET, GALLEY CHROME PULLOUT
601714-01	TAIL PIECE
601714-02	1 1/2" SLIP NUT W/WINGS
601714-03	RUBBER WASHER, BLACK, 1 1/2"
602137	SHUT OFF VALVE, .5

# 2014 INTERNATIONAL TRAVEL TRAILER

## FURNITURE, GALLEY

Pantry, 27' FB Signature



Part numbers are on the next page

# 2014 INTERNATIONAL TRAVEL TRAILER

## FURNITURE, GALLEY

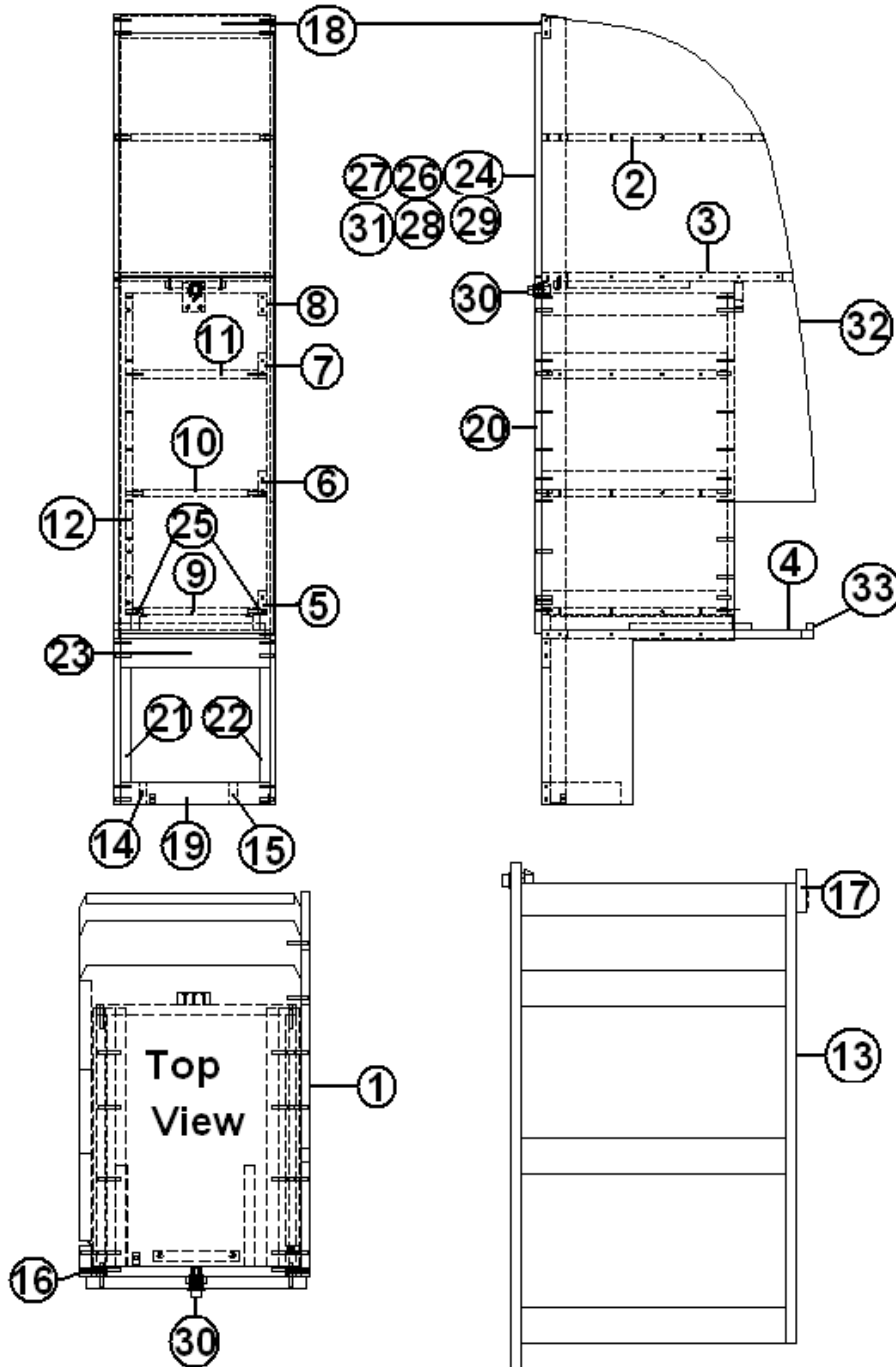
### Pantry, 27' FB Signature

966886	PANTRY ASSY
1.966886-1	PANEL, 26.87" x 78.09"
2.966886-2	PANEL, 21.75" x 15.38"
3.966886-3	PANEL, 24.75" x 15.38"
4.966886-4	PANEL, 26.75" x 15.38"
5.966886-5	PANEL, 2.50" x 18.25"
6.966886-6	PANEL, 2.50" x 18.25"
7.966886-7	PANEL, 2.50" x 18.25"
8.966886-8	PANEL, 2.50" x 18.25"
9.966886-9	PANEL, 18.25" x 12.38"
10.966886-10	PANEL, 18.25" x 12.38"
11.966886-11	PANEL, 18.25" x 12.38"
12.966886-12	PANEL, 18.25" x 32"
13.966886-13	PANEL, 13.88" X 32"
14.966886-14	PANEL, 2.25" x 7.00"
15.966886-15I	PANEL, 2.25" x 7.00"
16.966886-16	PANEL, 2.25" x 78.25"
17.966886-17	PANEL, 2.25" x 3.00"
18.966886-18	PANEL, 14.63" x 2.25"
19.966886-19	PANEL, 14.63" x 2.25""
20.966886-20	PANEL, 15.25" x 35.31"
21.966886-21	PANEL, 1.00" x 11.31"
22.966886-22	PANEL, 1.00" x 11.31"
23.966886-23	PANEL, 2.91" x 14.63"
24.966886-24	DOOR, PANTRY 15.25" X 24.13
25.381944-01	SLIDE 18", PER SET
26.382029-04	HANDLE, BAR 15"
27.381607	HINGE, ASSEMBLY
28.345001-08	SCREW #8-32 X 1" REC TRUS
29.381607-04	HINGE SCREW-GRASS
30.381408	LOCK, PUSH, BUTTON STYLE, BLACK
31.381228-01	CATCH GRABBER DOOR
32.203445	T-MOLDING BLACK
33.800025-01	PINE, 3/4" X 3/4", STAINED

# 2014 INTERNATIONAL TRAVEL TRAILER

## FURNITURE, GALLEY

Pantry, 27' FB Signature, Serenity



Part numbers are on the next page



# 2014 INTERNATIONAL TRAVEL TRAILER

## FURNITURE, GALLEY

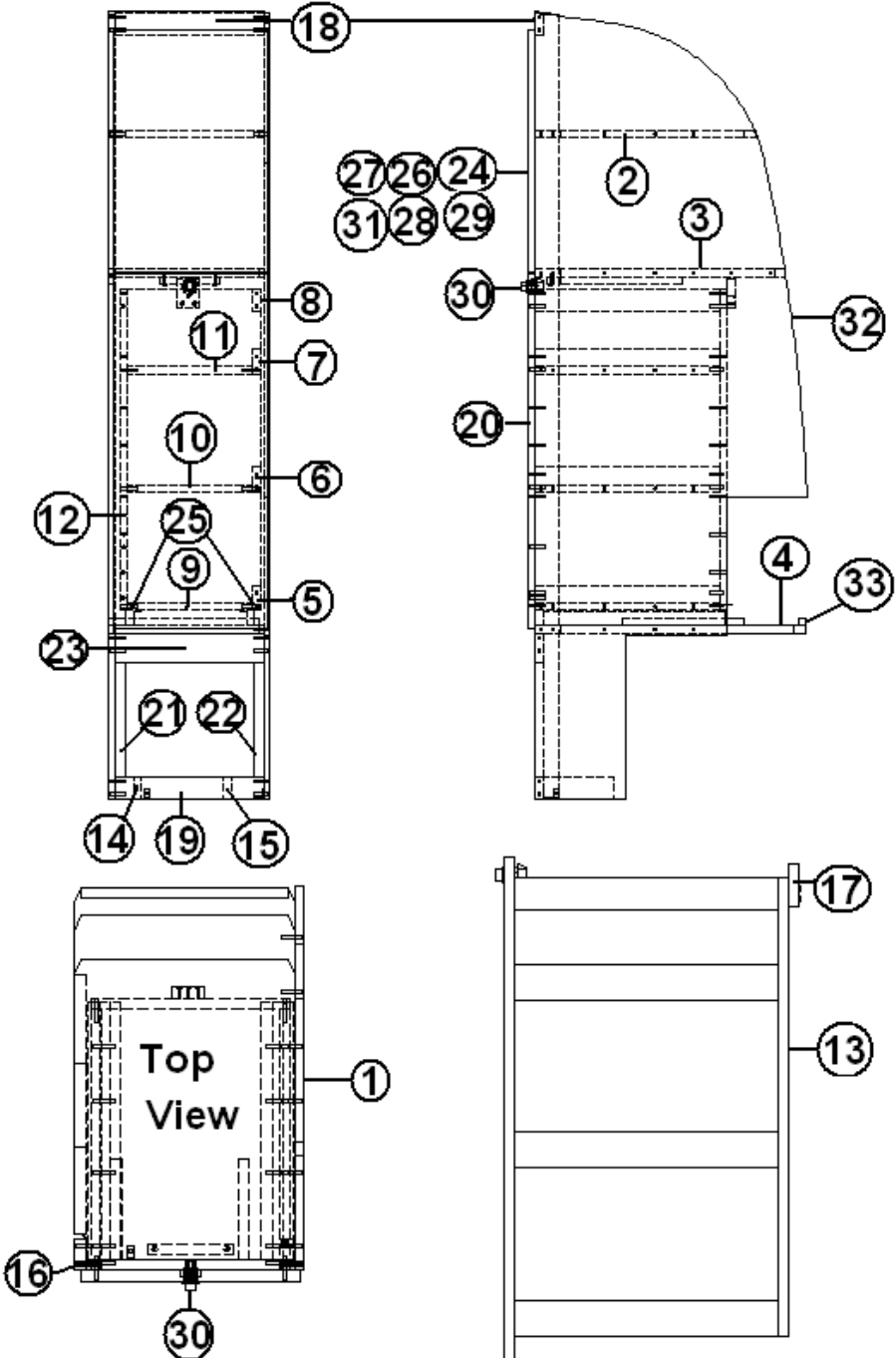
### Pantry, 27' FB Signature, Serenity

966886-15	PANTRY ASSY
1. 966886-151	PANEL, 26.87" x 78.29"
2. 966886-2	PANEL, 21.75" x 15.38"
3. 966886-3	PANEL, 24.75" x 15.38"
4. 966886-4	PANEL, 26.75" x 15.38"
5. 966886-5	PANEL, 2.50" x 18.25"
6. 966886-6	PANEL, 2.50" x 18.25"
7. 966886-7	PANEL, 2.50" x 18.25"
8. 966886-8	PANEL, 2.50" x 18.25"
9. 966886-9	PANEL, 18.25" x 12.38"
10. 966886-10	PANEL, 18.25" x 12.38"
11. 966886-11	PANEL, 18.25" x 12.38"
12. 966886-12	PANEL, 18.25" x 32"
13. 966886-13	PANEL, 13.88" X 32"
14. 966886-14	PANEL, 2.25" x 7.00"
15. 966886-15I	PANEL, 2.25" x 7.00"
16. 966886-16	PANEL, 2.25" x 78.43"
17. 966886-17	PANEL, 2.25" x 3.00"
18. 966886-1518	PANEL, 14.63" x 3"
19. 966886-1519	PANEL, 14.63" x 2.25"
20. 966886-1520	PANEL, 15.25" x 35.31"
21. 966886-1521	PANEL, 1.00" x 11.31"
22. 966886-1522	PANEL, 1.00" x 11.31"
23. 966886-1523	PANEL, 2.91" x 14.63"
24. 966886-1524	DOOR, PANTRY 15.25" X 24.13
25. 381944-01	SLIDE 18", PER SET
26. 382115	PULL - FLAT BLACK #M575
27. 381607	HINGE, DOOR
28. 345001-08	SCREW #8-32 X 1" REC TRUS
29. 381607-04	HINGE SCREW-GRASS
30. 381408	LOCK, PUSH, BUTTON STYLE, BLACK
31. 381228-01	CATCH GRABBER DOOR
32. 203445	T MOLDING BLK FLEXIBLE
33. 800025-01	PINE, 3/4" X 3/4", STAINED

# 2014 INTERNATIONAL TRAVEL TRAILER

## FURNITURE, GALLEY

Pantry, 27' FB Signature, EDDIE BAUER



Part numbers are on the next page

# 2014 INTERNATIONAL TRAVEL TRAILER

## FURNITURE, GALLEY

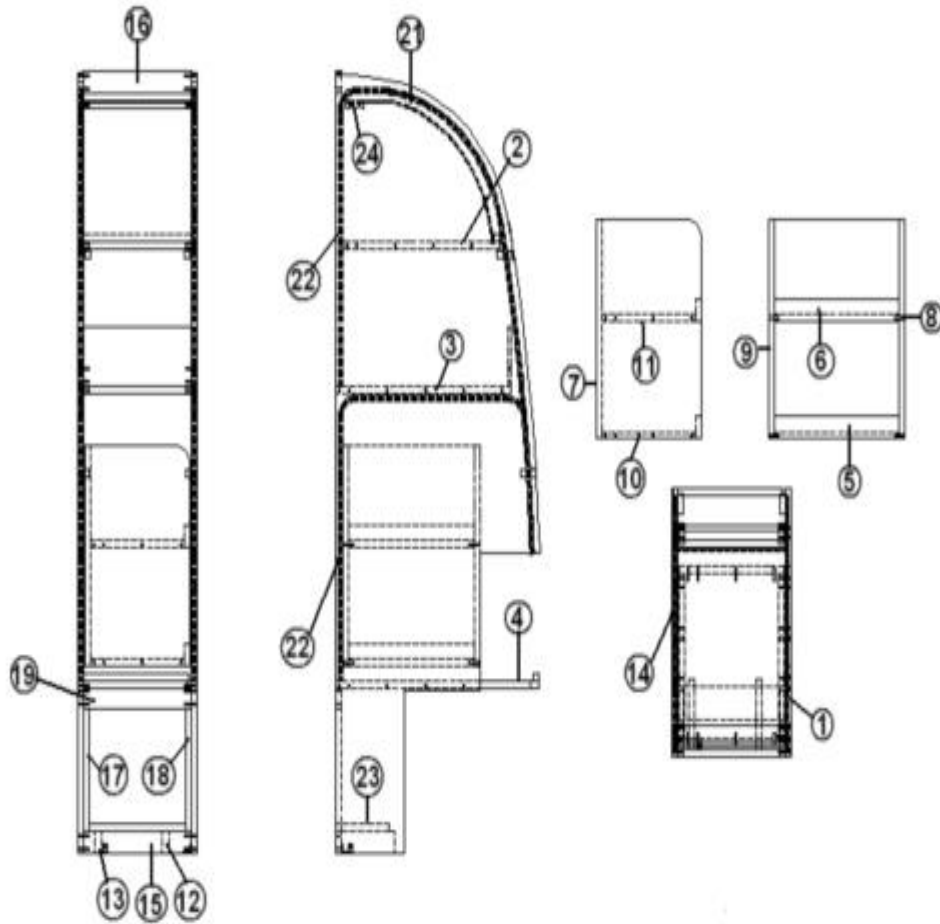
Pantry, 27' FB Signature, EDDIE BAUER

	966886-19	PANTRY ASSY
1.	966886-191	PANEL, 26.87" x 78.29"
2.	966886-192	PANEL, 21.75" x 15.38"
3.	966886-193	PANEL, 24.75" x 15.38"
4.	966886-194	PANEL, 26.75" x 15.38"
5.	966886-195	PANEL, 2.50" x 18.25"
6.	966886-196	PANEL, 2.50" x 18.25"
7.	966886-197	PANEL, 2.50" x 18.25"
8.	966886-198	PANEL, 2.50" x 18.25"
9.	966886-199	PANEL, 18.25" x 12.38"
10.	966886-1910	PANEL, 18.25" x 12.38"
11.	966886-1911	PANEL, 18.25" x 12.38"
12.	966886-1912	PANEL, 18.25" x 32"
13.	966886-1913	PANEL, 13.88" X 32"
14.	966886-1914	PANEL, 2.25" x 7.00"
15.	966886-1915	PANEL, 2.25" x 7.00"
16.	966886-1916	PANEL, 2.25" x 78.43"
17.	966886-1917	PANEL, 2.25" x 3.00"
18.	966886-1918	PANEL, 14.63" x 3"
19.	966886-1919	PANEL, 14.63" x 2.25"
20.	966886-1920	PANEL, 15.25" x 35.31"
21.	966886-1921	PANEL, 1.00" x 11.31"
22.	966886-1922	PANEL, 1.00" x 11.31"
23.	966886-1923	PANEL, 2.91" x 14.63"
24.	966886-1924	DOOR, PANTRY 15.25" X 24.13
25.	381944-01	SLIDE 18", PER SET
26.	381865	PULL - BAR BRUSH NICKEL
27.	381607	HINGE, DOOR
28.	345001-08	SCREW #8-32 X 1" REC TRUS
29.	381607-04	HINGE SCREW-GRASS
30.	381408	LOCK, PUSH, BUTTON STYLE, BLACK
31.	381228-01	CATCH GRABBER DOOR
32.	203710	T MOLDING ALMOND
33.	800025-01	PINE, 3/4" X 3/4", STAINED

# 2014 INTERNATIONAL TRAVEL TRAILER

## FURNITURE, GALLEY

Pantry, 27' FB STERLING



Parts Listed on Next Page

# 2014 INTERNATIONAL TRAVEL TRAILER

## FURNITURE, GALLEY

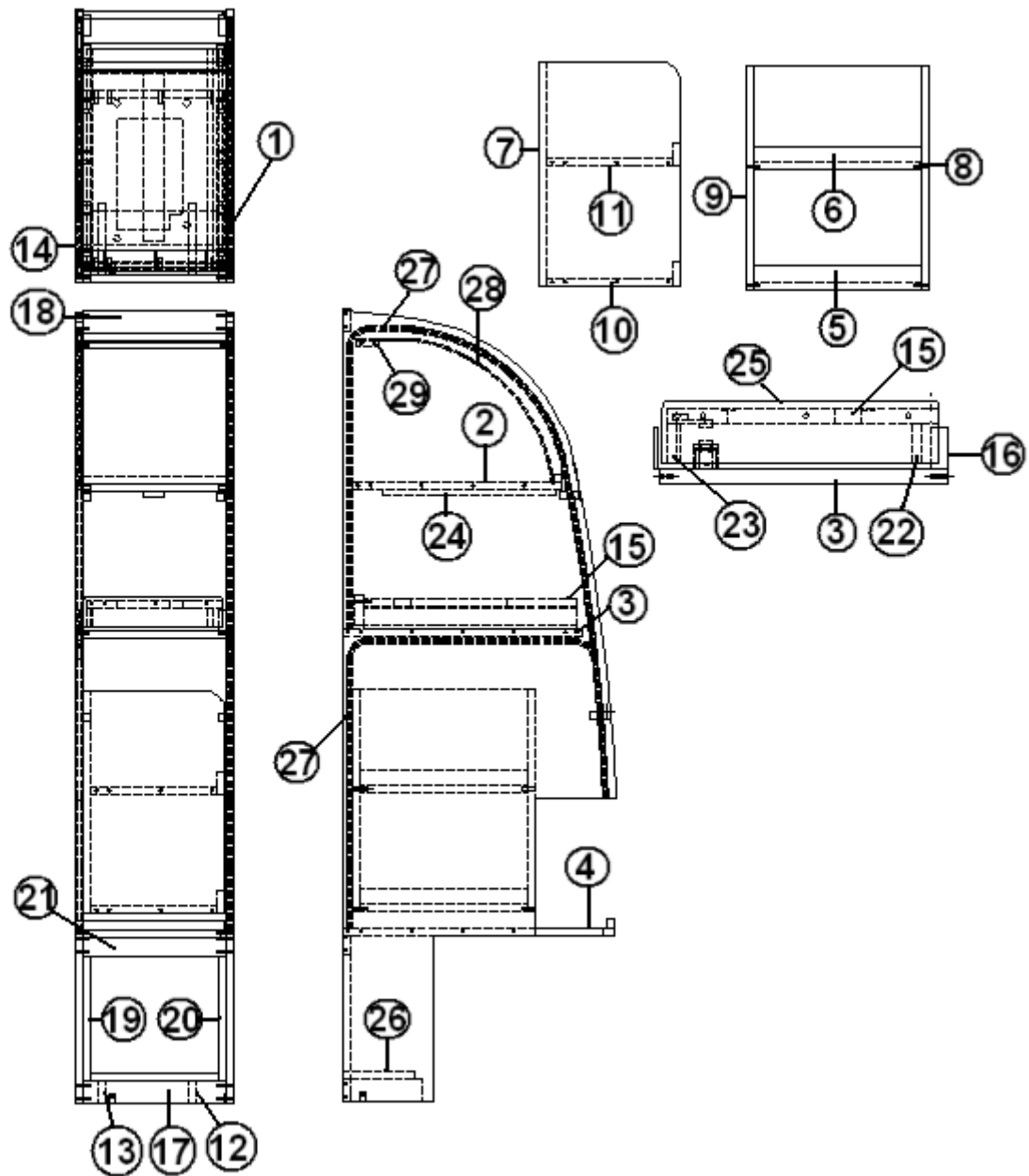
### Pantry, 27' FB STERLING

	967878	Pantry Assy., 27'FB Sterling
1.	967878-1	Panel, 26.87 x 78.09
2.	967878-2	Panel 20.63 x 14.13
3.	967878-3	Panel 23.13 x 14.13
4.	967878-4	Panel 26.75 x 14.13
5.	967878-5	Panel 2.25 x 16.50
6.	967878-6	Panel 2.25 x 16.50
7.	967878-7	Panel 22.00 x 16.50
8.	967878-8	Panel 22.00 x 13.88
9.	967878-9	Panel 22.00 x 13.88
10.	967878-10	Panel 12.38 x 16.50
11.	967878-11	Panel 12.38 x 16.50
12.	967878-12	Panel 2.25 x 7.00
13.	967878-13	Panel 2.25 x 7.00
14.	967878-14	Panel 26.87 x 78.09
15.	967878-15	Panel 14.13 x 2.25
16.	967878-16	Panel 14.13 x 2.25
17.	967878-17	Panel .75 x 12.25
18.	967878-18	Panel .75 x 12.25
19.	967878-19	Panel 1.97 x 14.13
20.	381944-01	Slide 18", Per Set
21.	967878-24	Panel, 24.50 x 14.50
22.	203748	Track, tambour 98"
23.	967878-27	Panel 12.63 x 7
24.	967878-29	Panel, 14.13 x 2.25
	203464-04	Panel trim, .75 Ash Grey
	203747	Door, tambour 14.63"
	967878-28	Panel 14.13 x 6.00

# 2014 INTERNATIONAL TRAVEL TRAILER

## FURNITURE, GALLEY

Pantry, Microwave Option, 27' FB STERLING



Parts Listed on Next Page

# 2014 INTERNATIONAL TRAVEL TRAILER

## FURNITURE, GALLEY

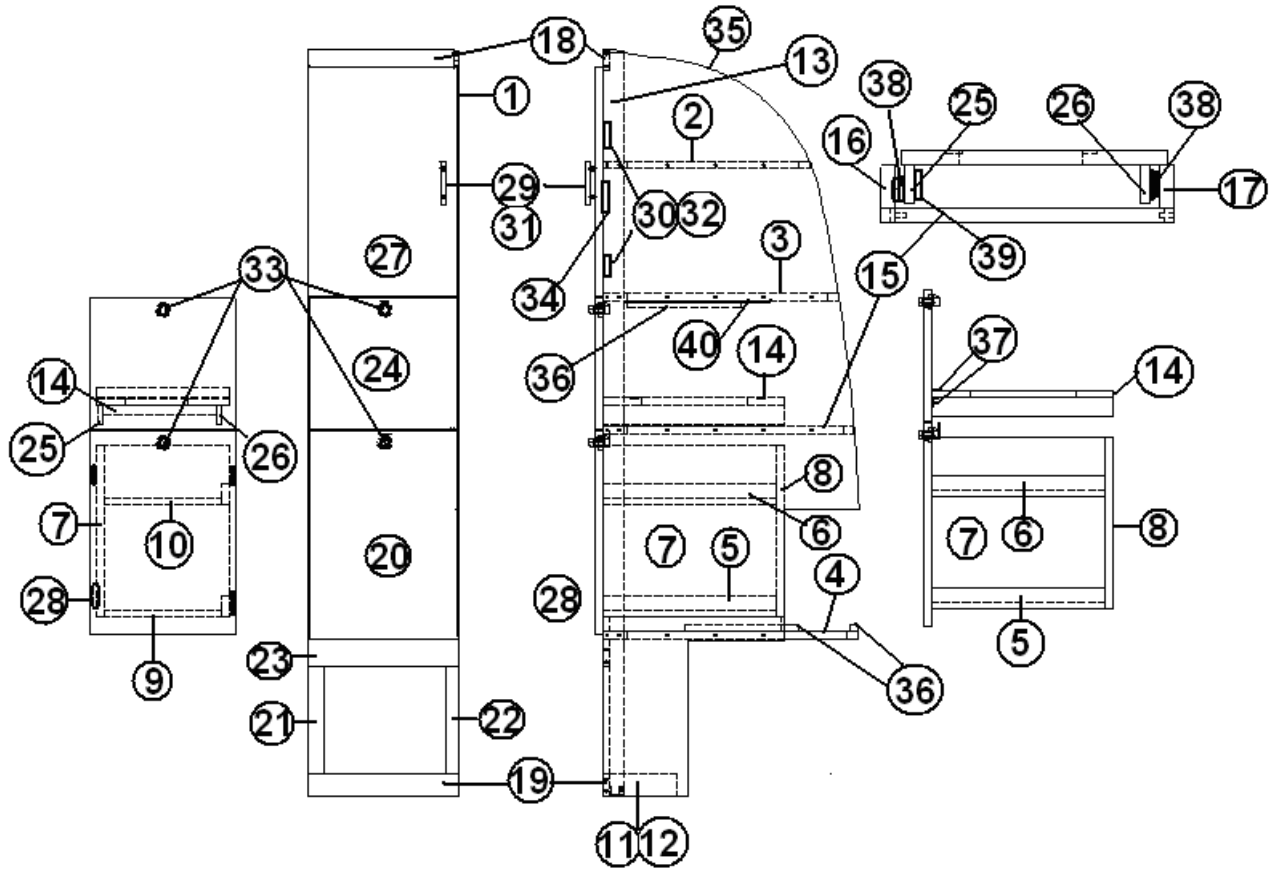
### Pantry, Microwave Option, 27' FB STERLING

	967877	Pantry Assembly (Microwave Option)
1.	967877-1	Panel 26.87 x 78.09
2.	967877-2	Panel 21.13 x 14.13
3.	967877-3	Panel 25.50 x 14.13
4.	967877-4	Panel 26.75 x 14.13
5.	967877-5	Panel 2.25 x 16.50
6.	967877-6	Panel 2.25 x 16.50
7.	967877-7	Panel 22.00 x 16.50
8.	967877-8	Panel 22.00 x 13.88
9.	967877-9	Panel 22.00 x 13.88
10.	967877-10	Panel 12.38 x 16.50
11.	967877-11	Panel 12.38 x 16.50
12.	967877-12	Panel 2.25 x 7.00
13.	967877-13	Panel 2.25 x 7.00
14.	967877-14	Panel 26.87 x 78.09
15.	967877-15	Panel 21.00 x 13.38
16.	967877-16	Panel 21.00 x 2.00
17.	967877-17	Panel 14.13 x 2.25
18.	967877-18	Panel 14.13 x 2.25
19.	967877-19	Panel .75 x 12.25
20.	967877-20	Panel .75 x 12.25
21.	967877-21	Panel 1.97 x 14.13
22.	967877-22	Panel 2.00 x 21.00
23.	967877-23	Panel 2.00 x 21.00
24.	967877-24	Panel 2.00 x 19.00
25.	967877-25	Panel 3.13 x 13.88
26.	967877-34	Panel 12.63 x 7
27.	203748	Track, tambour 98"
28.	967877-37	Panel 24.50 x 14.50
29.	967877-38	Panel 2.25 x 14.13
	381944-01	Slide 18", Per set
	203464-04	Trim, Panel .75 Ash Grey
	114812	Alum. Angle 1.00 x 1.00
	381925-01	Drawer Slide, 20"
	701538-01	Carpet, Econolierw/PSA Back
	203747	Door, tambour 98"

# 2014 INTERNATIONAL TRAVEL TRAILER

## FURNITURE, GALLEY

Pantry, 27' FB Signature, Slide out Microwave option



- |               |                                    |
|---------------|------------------------------------|
| 966898        | PANTRY, Slide out Microwave option |
| 1. 966898-1   | PANEL, 78.29" x 26.87"             |
| 2. 966898-2   | PANEL, 15.38" x 24.75"             |
| 3. 966898-3   | PANEL, 24.38" x 15.38"             |
| 4. 966898-4   | PANEL, 26.75" x 15.38"             |
| 5. 966898-5   | PANEL, 2.25" x 18.25"              |
| 6. 966898-6   | PANEL, 2.25" x 18.25"              |
| 7. 966898-7   | PANEL, 18.00" x 18.25"             |
| 8. 966898-8   | PANEL, 18.00" x 13.88"             |
| 9. 966898-9   | PANEL, 12.38" x 18.25"             |
| 10. 966898-10 | PANEL, 12.38" x 18.25"             |
| 11. 966898-11 | PANEL, 2.25" x 7.00"               |
| 12. 966898-12 | PANEL, 2.25" x 7.00"               |

Continued on next page



# 2014 INTERNATIONAL TRAVEL TRAILER

## FURNITURE, GALLEY

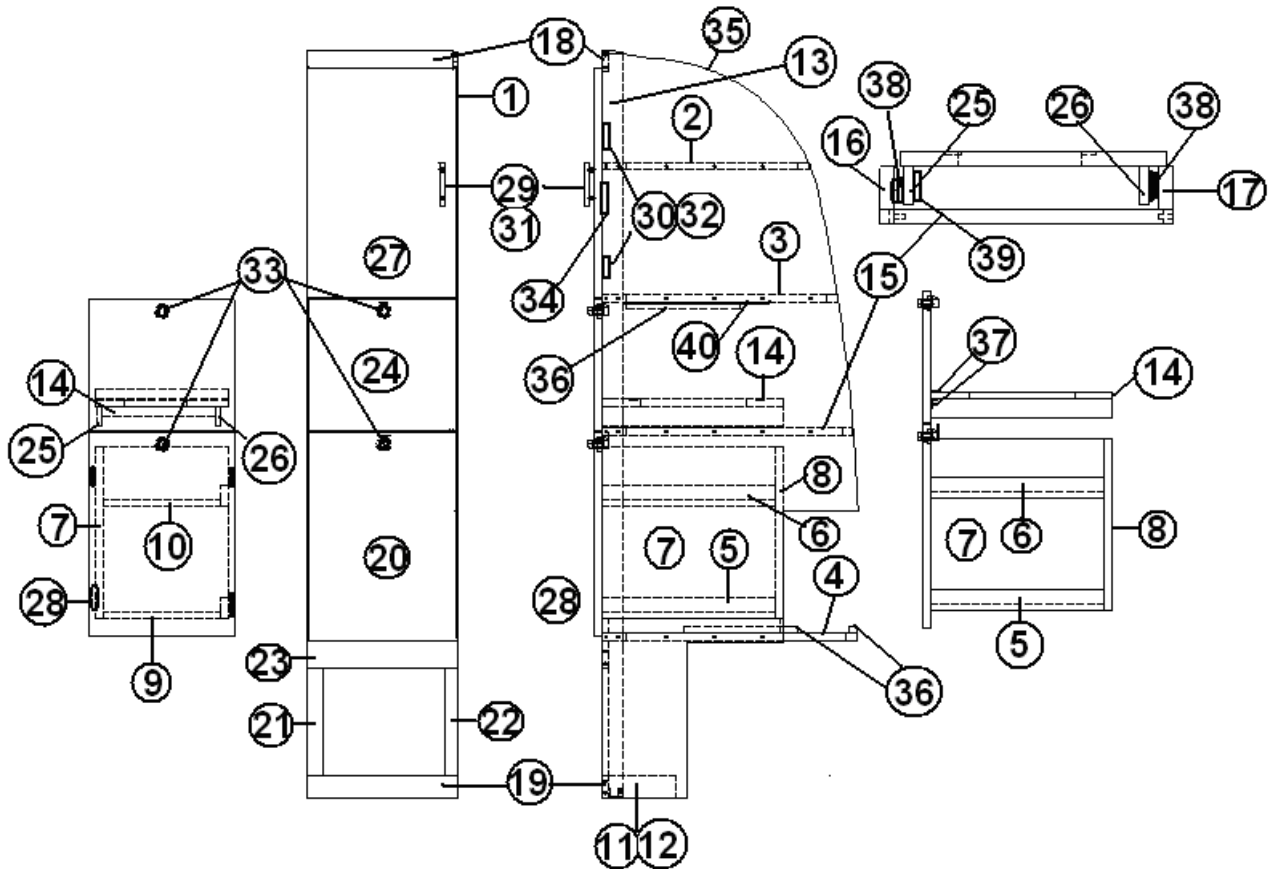
Pantry, Slide out Microwave option, 27' FB Signature

13.966898-13	PANEL, 2.25" X 78.43"
14.966898-14	PANEL, 19.00" x 13.88"
15.966898-15	PANEL, 26.31" x 15.38"
16.966898-16	PANEL, 2.00" x 19.00"
17.966898-17	PANEL, 2.00" x 19.00"
18.966898-18	PANEL, 14.63" x 3.00"
19.966898-19	PANEL, 14.63" x 3.00"
20.966898-20	PANEL, 21.38" x 15.25"
21.966898-21	PANEL, 1.00" x 11.31"
22.966898-22	PANEL, 1.00" x 11.31"
23.966898-23	PANEL, 2.91" x 14.63"
24.966898-24	DOOR, PANTRY 13.81" X 15.25,
25.966898-25	PANEL, 2.00" x 19.00"
26.966898-26	PANEL, 2.00" x 19.00"
27.966898-27	DOOR, 15.25" X 24.13",
28.381944-01	SLIDE 18", PER SET
29.382029-04	HANDLE, BAR, 15.00"
30.381607	HINGE, ASSEMBLY
31.345001-08	SCREW #8-32 X 1" REC TRUS
32.381607-04	HINGE SCREW-GRASS
33.381408	LOCK, PUSH, BUTTON STYLE, BLACK
34.381228-01	CATCH GRABBER DOOR
35.203445	EXTRUSION, PLASTIC 1/2", OAK
36.800025-01	PINE, 3/4" X 3/4", STAINED
37.114812	ALUMINUM ANGLE, 1" X 1"
38.381192	SLIDE, DRAWER, 18", PAIR
39.800507-01	LAUAN, 2.00 x 19.00
40.966898-42	PANEL, 2.00 X 17.00

# 2014 INTERNATIONAL TRAVEL TRAILER

## FURNITURE, GALLEY

Pantry, 27' FB Signature, Slide out, Microwave Option, Serenity



- |                 |                                    |
|-----------------|------------------------------------|
| 966898-15       | PANTRY, Slide out Microwave option |
| 1. 966898-151   | PANEL, 78.09" x 26.87"             |
| 2. 966898-152   | PANEL, 15.38" x 24.75"             |
| 3. 966898-153   | PANEL, 21.75" x 15.38"             |
| 4. 966898-154   | PANEL, 26.75" x 15.38"             |
| 5. 966898-155   | PANEL, 2.25" x 18.25"              |
| 6. 966898-156   | PANEL, 2.25" x 18.25"              |
| 7. 966898-157   | PANEL, 18.00" x 18.25"             |
| 8. 966898-158   | PANEL, 18.00" x 13.88"             |
| 9. 966898-159   | PANEL, 12.38" x 18.25"             |
| 10. 966898-1510 | PANEL, 12.38" x 18.25"             |
| 11. 966898-1511 | PANEL, 2.25" x 7.00"               |
| 12. 966898-1512 | PANEL, 2.25" x 7.00"               |

Continued on next page

# 2014 INTERNATIONAL TRAVEL TRAILER

## FURNITURE, GALLEY

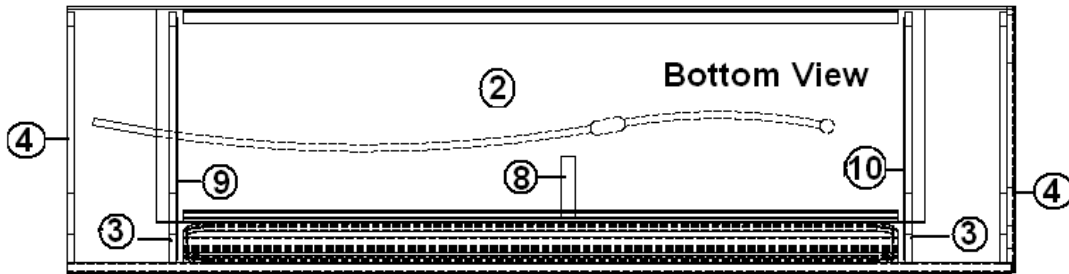
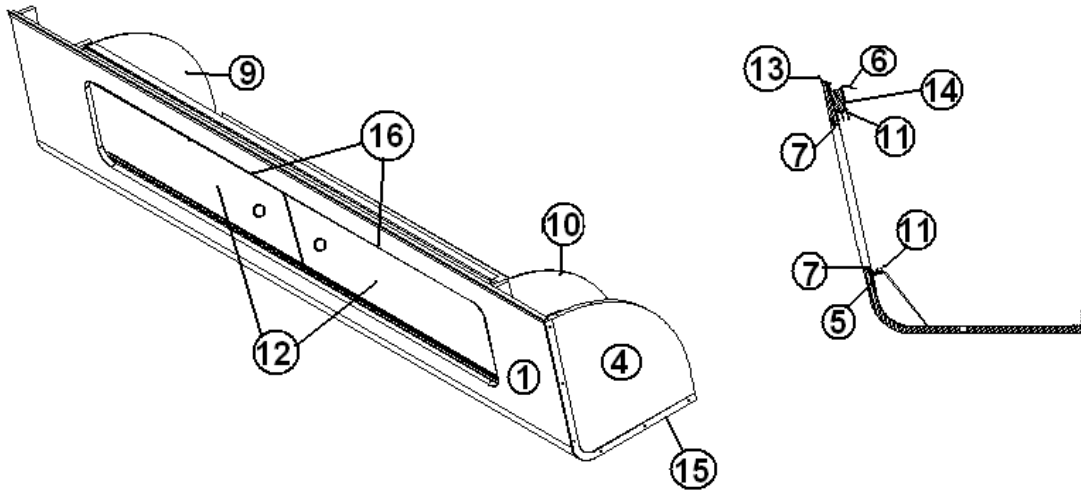
Pantry, Slide out Microwave option, 27' FB Signature, SERENITY

13.966898-1513	PANEL, 2.25" X 78.25"
14.966898-1514	PANEL, 19.00" x 13.88"
15.966898-1515I	PANEL, 26.31" x 15.38"
16.966898-1516	PANEL, 2.25" x 19.00"
17.966898-1517	PANEL, 2.25" x 19.00"
18.966898-1518	PANEL, 14.63" x 2.25"
19.966898-1519	PANEL, 14.63" x 2.25""
20.966898-1520	PANEL, 21.38" x 15.25"
21.966898-1521	PANEL, 1.00" x 11.31"
22.966898-1522	PANEL, 1.00" x 11.31"
23.966898-1523	PANEL, 2.91" x 14.63"
24.966898-1524	DOOR, PANTRY 13.81" X 15.25, WHITE
25.966898-1525	PANEL, 2.00" x 19.00"
26.966898-1526	PANEL, 2.00" x 19.00"
27.966898-1527	DOOR, 15.25" X 24.13", WHITE
28.381944-01	SLIDE 18", PER SET
29.382115	PULL, FLAT BLACK #M575
30.381607	HINGE, DOOR
31.345001-08	SCREW #8-32 X 1" REC TRUS
32.381607-04	HINGE SCREW-GRASS
33.381408	LOCK, PUSH, BUTTON STYLE, BLACK
34.381228-01	CATCH GRABBER DOOR
35.203445	EXTRUSION, PLASTIC 1/2", PLY
36.800025-01	PINE, 3/4" X 3/4", STAINED
37.114812	ALUMINUM ANGLE, 1" X 1"
38.381192	SLIDE, DRAWER, 18", PAIR
40.966898-42	PANEL, 2.00 x 17.00

# 2014 INTERNATIONAL TRAVEL TRAILER

## FURNITURE, GALLEY

### Roof Locker, 27' FB Signature Galley

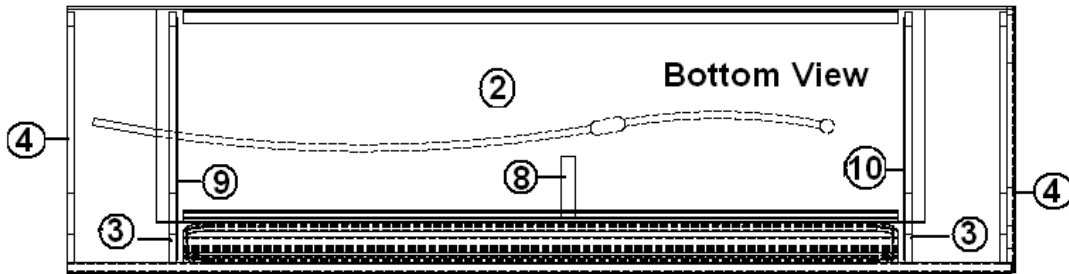
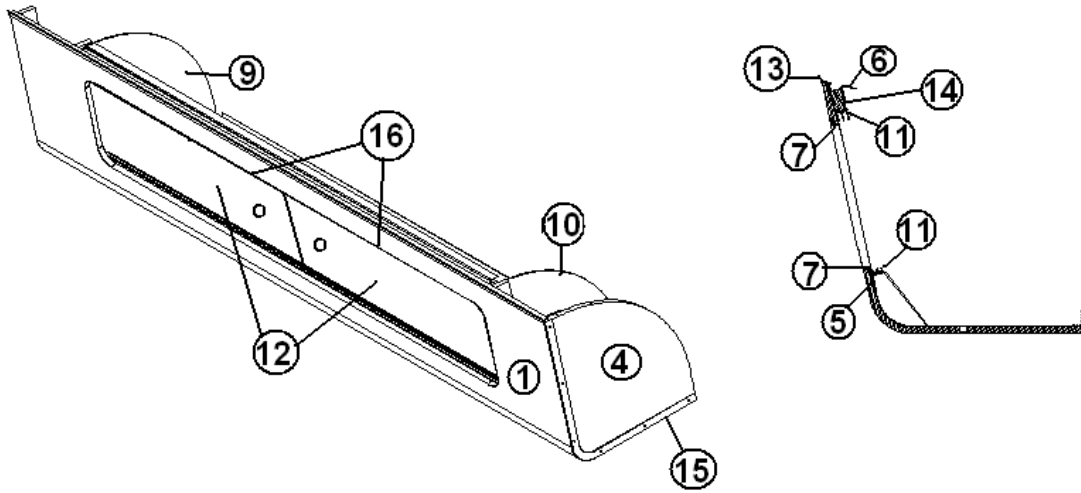


- |               |                                     |
|---------------|-------------------------------------|
| 966854        | R/L ASSY-GALLEY 27FB"               |
| 1. 801542-12  | LOCKER FACE, GALLEY 32.31" X 67"    |
| 2. 801928     | PRELAM PANEL 18MM EBONY WOODS/LINER |
| 3. 801545-02  | DIVIDER PARTIAL                     |
| 4. 966891     | END CAP ASSY- GAL R/L               |
| 5. 115227-02  | ANGLE, LOCKER TRACK SUPPORT         |
| 6. 104821     | SUPPORT, ROOFLOCKER, 74"            |
| 7. 203445-01  | T-MOLDING, 5625" WHITE              |
| 8. 115226     | BRACKET, LOCKER CTR SUPPORT         |
| 9. 801539-01  | DIVIDER-GALLEY LOCKER LH            |
| 10. 801539-02 | DIVIDER-GALLEY LOCKER               |
| 11. 203388    | SLIDING DOOR TRACK, 56-1/5"         |
| 12. 203749-09 | DOOR-PLEX.SLIDING 11.31"X 26"       |
| 13. 201673    | REVERSE COVE MOLDING, WHITE         |
| 14. 800028    | PINE, 3/4" X 3/4", STAINED          |
| 15. 454587    | Formed extrusion, roof locker       |
| 16. 703991    | PILE SEAL WEATHER STRIP             |
| 382149        | FINGER PULL                         |

# 2014 INTERNATIONAL TRAVEL TRAILER

## FURNITURE, GALLEY

Roof Locker, 27' FB Signature Galley, Sterling

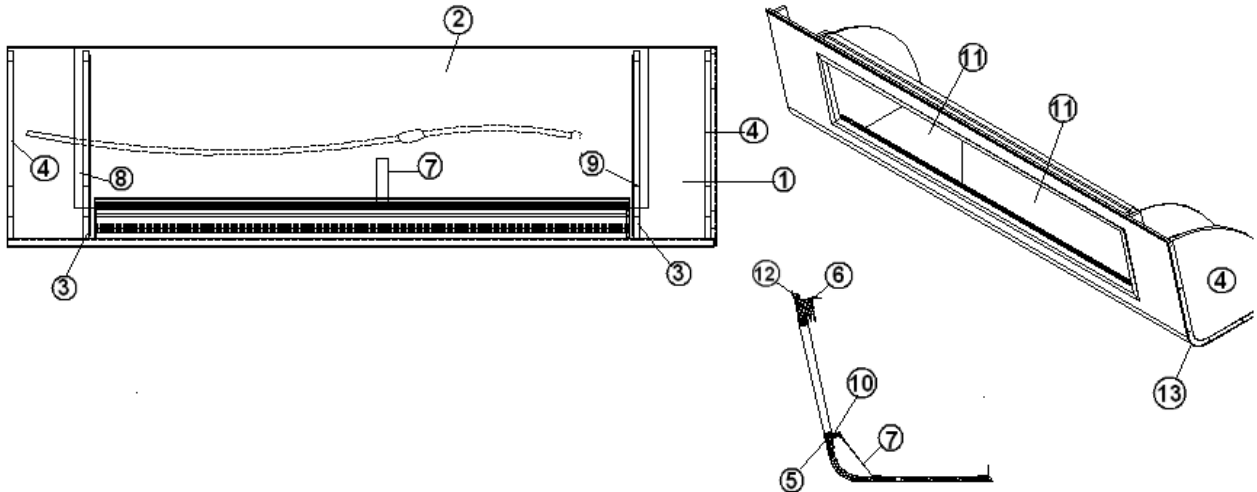


	966854-22	R/L ASSY-GALLEY 27FB"
1.	801932	Panel w/Spec Grooves 12MM aluminum
2.	966854-222	Panel, Rooflocker 17.25 x 54.25
3.	801545-02	DIVIDER PARTIAL
4.	966854-224	END CAP ASSY- GAL R/L
5.	115227-02	ANGLE, LOCKER TRACK SUPPORT
6.	104821	SUPPORT, ROOFLOCKER, 74"
7.	115566	EXTRUSION, LAMINATE TRIM
8.	115226	BRACKET, LOCKER CTR SUPPORT
9.	801539-01	DIVIDER-GALLEY LOCKER LH
10.	801539-02	DIVIDER-GALLEY LOCKER
11.	203388	SLIDING DOOR TRACK, 56-1/5"
12.	203741-01	DOOR-SLIDING 26.25"
13.	201673-03	REVERSE COVE MOLDING, ASH GREY
14.	800028	PINE, 3/4" X 3/4", STAINED
15.	115375	Formed extrusion, roof locker
16.	703991	SEAL, PILE WEATHER STRIP BLK
	382149	FINGER PULL

# 2014 INTERNATIONAL TRAVEL TRAILER

## FURNITURE, GALLEY

### Roof Locker, 27' FB Signature, Galley, Serenity

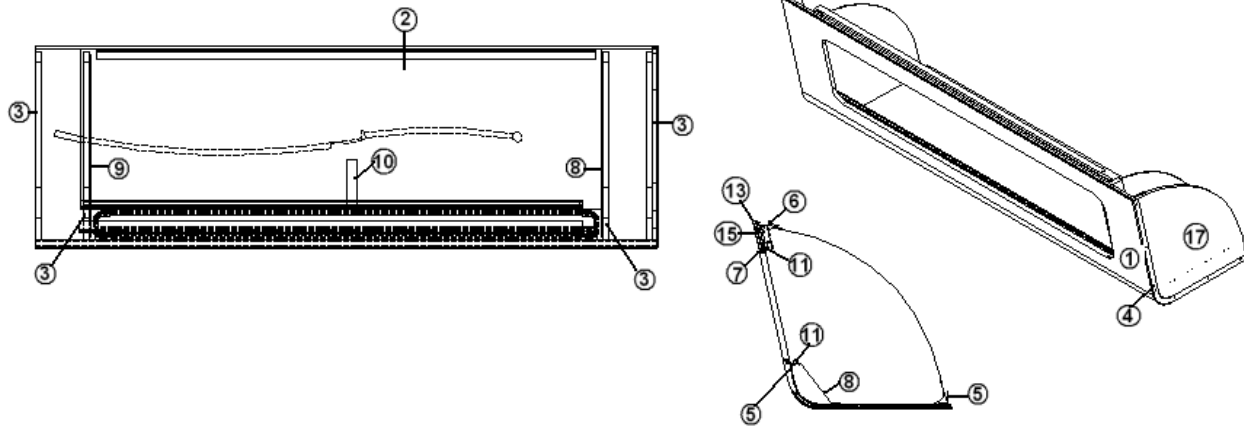


- |               |                                     |
|---------------|-------------------------------------|
| 967559-15     | Roof Locker, GALLEY, 27FB, Serenity |
| 1. 801852-01  | FACE-GALLEY ROOFLOCKER              |
| 2. 801355-01  | LAM-FROST WHT 4'X8'VERT #1573-      |
| 3. 801852-02  | DIVIDER-GALLEY ROOFLOCKER           |
| 4. 801852-02  | DIVIDER - 17.15 X 18.21             |
| 5. 114812     | ALUM. ANGLE 1.00 X 1.00             |
| 6. 104821     | SUPPORT, ROOFLOCKER, 74"            |
| 7. 115226     | BRACKET-FORMED-LOCKER CTR SUPP      |
| 8. 801539-01  | DIVIDER-GALLEY LOCKER LH            |
| 9. 801539-02  | DIVIDER-GALLEY LOCKER               |
| 10. 381245    | SLIDING DOOR TRACK, 56-1/5"         |
| 11. 203677-02 | DOOR-MARI 11.31X26.25               |
| 12. 201673    | REVERSE COVE MOLDING, WHITE, P      |
| 13. 115375    | EXTR.-FORMED R/L END                |
| 703991        | PILE SEAL WEATHER STRIP             |

# 2014 INTERNATIONAL TRAVEL TRAILER

## FURNITURE, GALLEY

### Roof Locker, Galley, 27 Front Bed - EDDIE BAUER

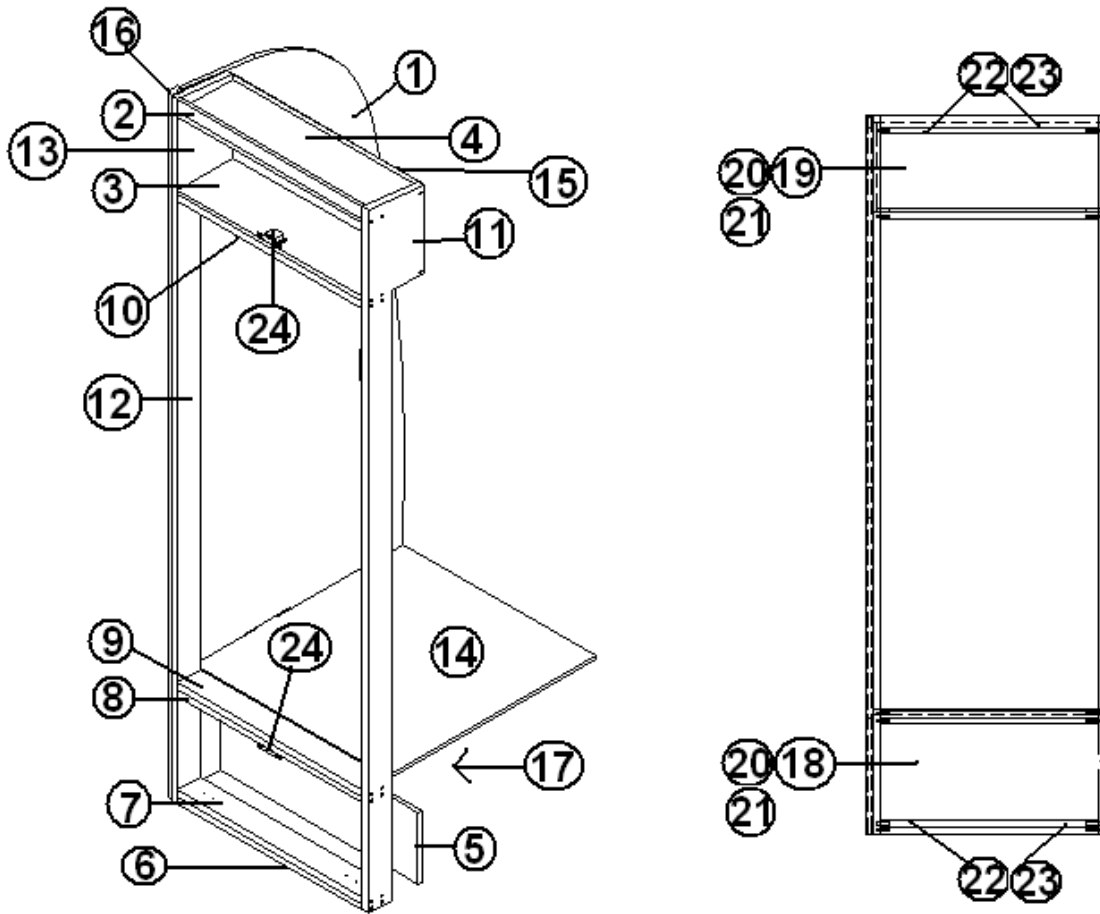


	967796-19	ROOFLOCKER ASSY-GALLEY
1.	801914	FACE, GALLEY ROOFLOCKER
2.	967796-192	PANEL 17.25 X 61.5
3.	801914-02	DIVIDER
4.	115375	EXTRUSION.-FORMED R/L END
5.	115227-02	ANGLE-FORMED-LOCKER TRACK SUPPORT
6.	104821	SUPPORT, ROOFLOCKER, 74"
7.	203710	T MOLDING-ALMOND .56" X 250'
8.	115226	BRACKET-FORMED-LOCKER CTR SUPP
9.	801539-01	DIVIDER-GALLEY LOCKER LH
10.	801539-02	DIVIDER-GALLEY LOCKER
11.	203388	TRACK-SLIDING DOOR
12.	203708-02	DOOR, SLIDING PLEXIGLASS 24.79" (Not shown)
13.	201673-01	MOLDING-OAK COVE .43" OAK
14.	365215	TAPE ADHESIVE TRANSFER #950 5M
15.	800028	PINE, 3/4" X 1-1/2"
16.	703991	PILE SEAL WEATHER STRIP
17.	967796-1917	PANEL, GAL R/L 18.21X17.15
	382149	PULL-FINGER SATIN NICKEL#35120

# 2014 INTERNATIONAL TRAVEL TRAILER

## FURNITURE, GALLEY

Refrigerator Cabinet, 25' FB, 27' FB, Signature



Part numbers are on the next page



# 2014 INTERNATIONAL TRAVEL TRAILER

## FURNITURE, GALLEY

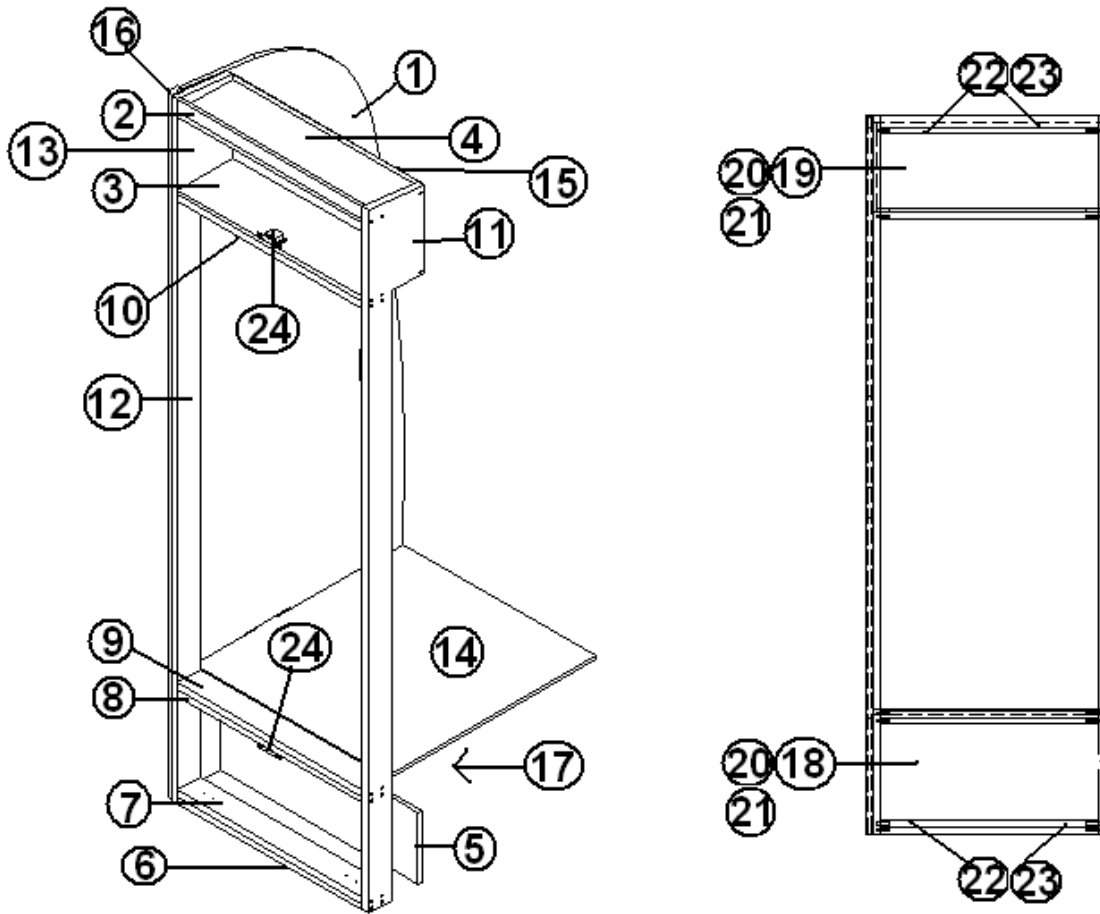
### Refrigerator Cabinet, 25' FB, 27' FB, Signature

966853	REFER CABINET
1. 966853-1	PANEL, 28.64" x 78.46"
2. 966853-2	PANEL, 23.81" x 1.49"
3. 966853-3	PANEL, 7.25" x 23.81"
4. 966853-4	PANEL, 7.25" x 23.81"
5. 966853-5	PANEL, 8" x 25.5"
6. 966853-6	PANEL, 3" x 23.81"
7. 966853-7	PANEL, 3" x 23.81"
8. 966853-8	PANEL, 3" x 23.81"
9. 966853-9	PANEL, 3" x 23.81"
10. 966853-10	PANEL, 3" x 23.81"
11. 966853-11	PANEL, 7.25" x 78.74"
12. 966853-12	PANEL, 7.25" x 78.74"
13. 966853-13	PANEL, LAUAN, 2.00 x 78.74
14. 966853-14	PANEL, PLYWOOD, 24.81" X 26.88
15. 966853-15I	PANEL, 9.92" X 24.81, WHITE/RAW
16. 801706-0024	CORNER TRIM 90 DEG. 1"RADIUS
17. 966812	STAND, REFRIGERATOR
18. 966853-18	DOOR, 24.44"X11.69"
19. 966853-19I	DOOR, 24.44" X 9.25"
20. 382029-05	HANDLE, BAR, 21.33"
21. 345001-08	SCREW, #8-32 X 1"
22. 381607	HINGE, ASSEMBLY
23. 381607-04	HINGE SCREW-GRASS
24. 381228-01	CATCH GRABBER DOOR

# 2014 INTERNATIONAL TRAVEL TRAILER

## FURNITURE, GALLEY

Refrigerator Cabinet, 25' FB, 27' FB, Signature, Serenity



Part numbers are on the next page

# 2014 INTERNATIONAL TRAVEL TRAILER

## FURNITURE, GALLEY

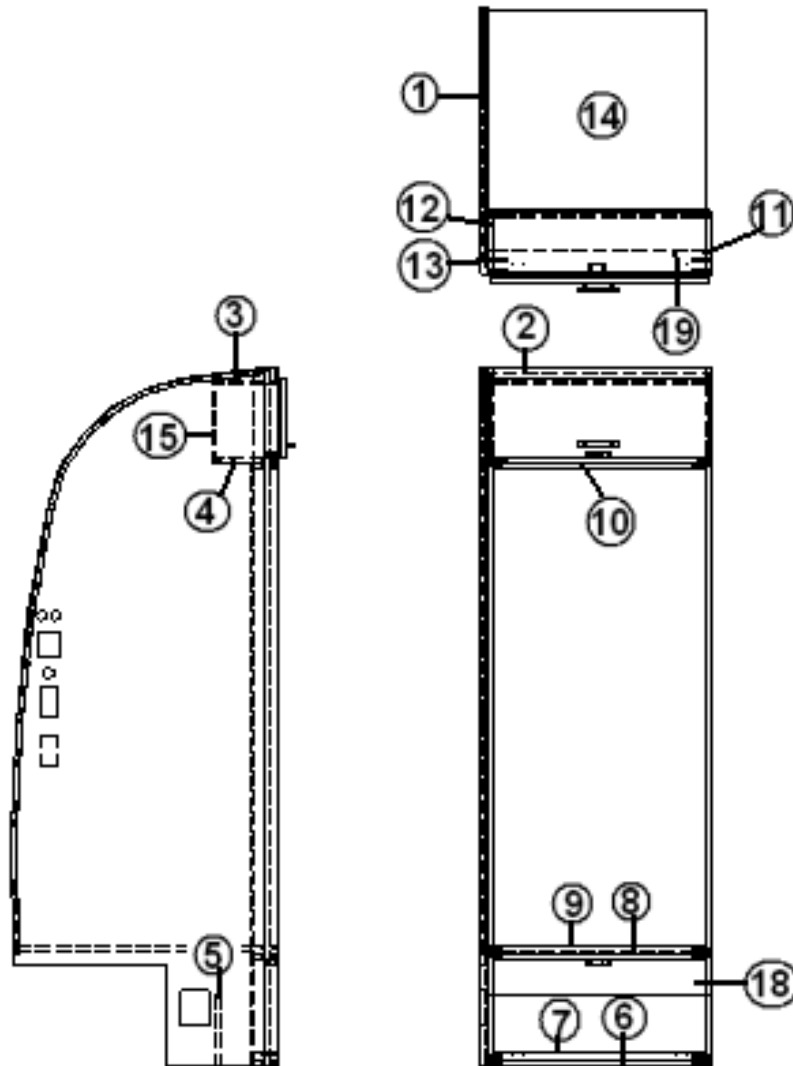
Refrigerator Cabinet, 25' FB, 27' FB, Signature, Serenity

966853-15	REFER CABINET
1. 966853-151	PANEL, 28.64"x 78.45"
2. 966853-152	PANEL, 23.81" x 1.49"
3. 966853-3	PANEL, 7.25" x 23.81"
4. 966853-4	PANEL, 7.25" x 23.81""
5. 966853-5	PANEL, 8" x 25.06"
6. 966853-6	PANEL, 3" x 23.81"
7. 966853-7	PANEL, 3" x 23.81"
8. 966853-8	PANEL, 3" x 23.81"
9. 966853-9	PANEL, 3" x 23.81"
10. 966853-10	PANEL, 3" x 23.81"
11. 966853-11	PANEL, 7.25" x 78.74"
12. 966853-12	PANEL, 7.25" x 78.74"
13. 800507-02	PANEL, LAUAN, 2.00 x 78.63
14. 800506-04	PANEL, PLYWOOD, 24.81" X 26.88
15. 966853-0115	PANEL, 24.81" X 26.88, WHITE/RAW
16. 801706-0018	CORNER TRIM 90 DEG. 1"RADIUS ASIAN SAND
17. 966812	STAND, REFRIGERATOR
18. 966853-1518	DOOR, 24.44" X 11.69"
19. 966853-1519	DOOR, 24.44" X 9.25"
20. 382115	PULL, FLAT BLACK #M575
21. 345001-08	SCREW, #8-32 X 1"
22. 381607	HINGE, DOOR
23. 381607-04	HINGE SCREW-GRASS
24. 381228-01	CATCH GRABBER DOOR

# 2014 INTERNATIONAL TRAVEL TRAILER

## FURNITURE, GALLEY

### Refrigerator Cabinet, 25' FB, EDDIE BAUER



PARTS LISTED ON NEXT PAGE

# 2014 INTERNATIONAL TRAVEL TRAILER

## FURNITURE, GALLEY

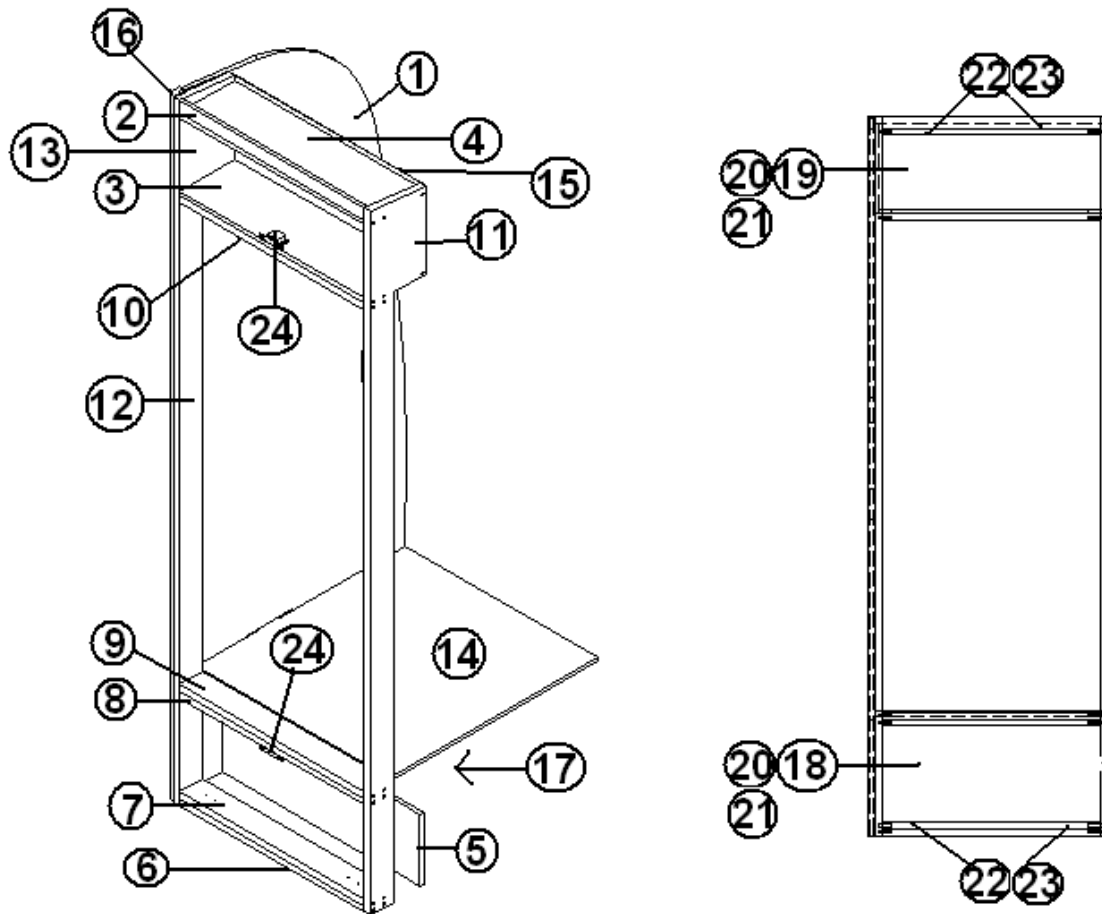
### Refrigerator Cabinet, 25' FB, EDDIE BAUER

967682-19	REFRIGERATOR CABINET ASSY.
1. 967682-191	PANEL-REFER 28.64X78.45
2. 967682-192	PANEL-REFER 1.49X23.8
3. 967682-193	PANEL-REFER 7.25X23.81
4. 967682-194	PANEL-REFER 7.25X23.81
5. 967682-195	PANEL-REFER 8X25.5
6. 967682-196	PANEL-REFER 3X23.81
7. 967682-197	PANEL-REFER 3X23.81
8. 967682-198	PANEL-REFER 3X23.81
9. 967682-199	PANEL-REFER 3X23.81
10. 967682-1910	PANEL-REFER 3X23.81
11. 967682-1911	PANEL-REFER 7.25X78.74
12. 967682-1912	PANEL-REFER 7.25X78.74
13. 800507-02	LAUAN,1/4"X 4'X 8'
14. 800506-04	PLYWOOD,1/2"X4'X8'
15. 801438	PANEL, FRT WHT VINYL 9.92 X 24.81
16. 801706-0023	CORNER TRIM-90D 1"RAD L.MAPLE
17. 966812	STAND ASSY -NOT SHOWN
18. 967682-1918	DOOR- 24.44 X 11.69
19. 967682-1919	DOOR- 24.44 X 8.88
382029-00	HANDLE-BAR 7.48" #3701-128-CR
345001-08	MACH SCREW #8-32 X 1" REC TRUS
381607	HINGE ASSY-GRASS EURO-SAFARI
320006	SCREW SHEET METAL 8X3/4 BH PHI
381228-01	CATCH GRABBER DOOR C3-803
365352-03	EDGEBANDING- 1MM X 1.25" MAPLE
365352-01	EDGEBANDING-1MM X .63" MAPLE
800025-01	PINE 3/4" X 3/4" STAINED
365352-02	EDGEBANDING- 1MM X .94" MAPLE

# 2014 INTERNATIONAL TRAVEL TRAILER

## FURNITURE, GALLEY

### Refrigerator Cabinet, 27' FB, STERLING



Part numbers are on the next page

# 2014 INTERNATIONAL TRAVEL TRAILER

## FURNITURE, GALLEY

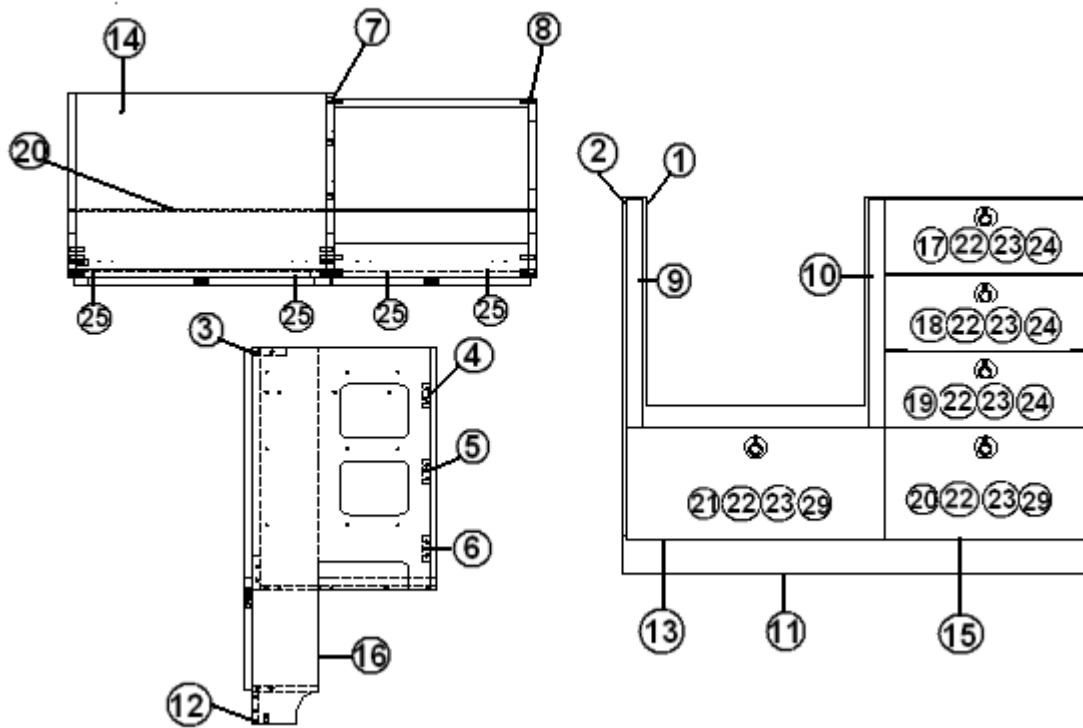
### Refrigerator Cabinet, 27' FB, STERLING

	966853-22	REFER CABINET
1.	966853-221	PANEL, 28.64"x 78.45"
2.	966853-222	PANEL, 42.375" x 1.49"
3.	966853-3	PANEL, 7.25" x 23.81"
4.	966853-4	PANEL, 7.25" x 23.81"
5.	966853-5	PANEL, 8" x 25.06"
6.	966853-6	PANEL, 3" x 23.81"
7.	966853-7	PANEL, 3" x 23.81"
8.	966853-8	PANEL, 3" x 23.81"
9.	966853-9	PANEL, 3" x 23.81"
10.	966853-10	PANEL, 3" x 23.81"
11.	966853-11	PANEL, 7.25" x 78.74"
12.	966853-12	PANEL, 7.25" x 78.74"
13.	800507-02	PANEL, LAUAN, 2.00 x 78.63
14.	800506-04	PANEL, PLYWOOD, 24.81" X 26.88
15.	966853-15I	PANEL, 24.81" X 26.88, WHITE/RAW
16.	801706-0025	CORNER TRIM 90 DEG. 1"RADIUS ALUM.MILL
17.	966812	STAND, REFRIGERATOR
18.	966853-2218	DOOR, 24.44" X 11.69"
19.	966853-2219	DOOR, 24.44" X 9.25"
20.	382178	HANDLE, ROUND BR. NICKEL
21.	345001-08	SCREW, #8-32 X 1"
22.	381607	HINGE, DOOR
23.	381607-04	HINGE SCREW-GRASS
24.	381228-01	CATCH GRABBER DOOR

# 2014 INTERNATIONAL TRAVEL TRAILER

## FURNITURE, GALLEY

Galley, Oven Section, 27FB STERLING



Parts Listed on Next Page



# 2014 INTERNATIONAL TRAVEL TRAILER

## FURNITURE, GALLEY

### Galley, Oven Section, 27FB STERLING

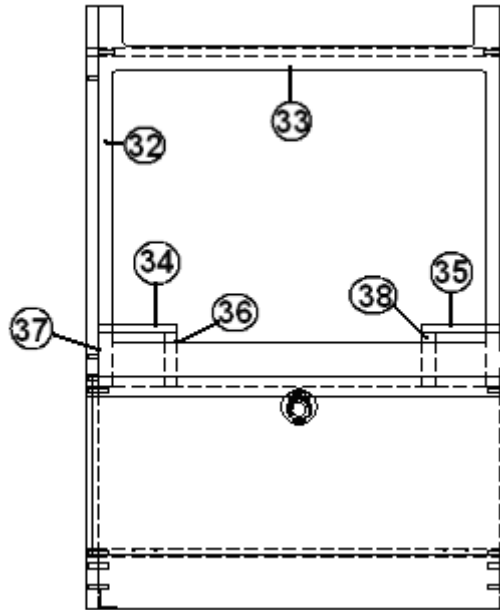
	968035	Galley Oven Section
	968035-01	Galley Convection Oven Option
1.	968035-1	Panel 23.13 x 21.94 (Not used w/convection opt.)
2.	968035-2	Panel 6 x 34.75
3.	968035-3	Panel 17.69 x 3
4.	968035-4	Panel 2.25 x 17.88
5.	968035-5	Panel 2.25 x 17.88
6.	968035-6	Panel 2.25 x 17.88
7.	968035-7	Panel 16.88 x 34.75
8.	968035-8	Panel 16.44 x 34.75
9.	968035-9	Panel 1.25 x 21.07 (Not used w/convection)
10.	968035-10	Panel 1.25 x 21.07 (Not used w/convection)
11.	968035-11	Panel 17.88 x 3
12.	968035-12	Panel 6 x 23.13
13.	968035-13	Panel 16.88 x 23.88
14.	968035-14	Panel 6 x 17.88
15.	968035-15	Panel 43.25 x 9.25
16.	968035-16	Drawer Face 18.5 x 6.90
17.	968035-17	Drawer Face 18.5 x 6.90
18.	968035-18	Drawer Face 18.5 x 6.90
19.	968035-19	Drawer Face 18.50 x 10.25
20.	968035-20	Door 23.75 x 10.25
21.	968035-21	Panel Galley 23.75 x 10.25
22.	382178	Handle, Round Brushed Nickel
23.	381228-01	Grabber Door Catch
24.	968020-10	Drawer Box Assy. 5.0 x 17.25 x 15.00
25.	800025-01	Pine, 3/4" x 3/4" stained
	380041	Brace 1" Stanley Corner
	115558	Toe Kick, Aluminum
	968024	Insert, Cutlery Drawer
	381607	Hinge Assy.
	382203-03	Dwr. Slide Self Close 15.00"
	382203-06	Front Fixing Clips, Dwr. Box

# 2014 INTERNATIONAL TRAVEL TRAILER

## FURNITURE, GALLEY

Galley, Convection Oven Section, 27FB STERLING

968035-01 Galley Convection Oven Option

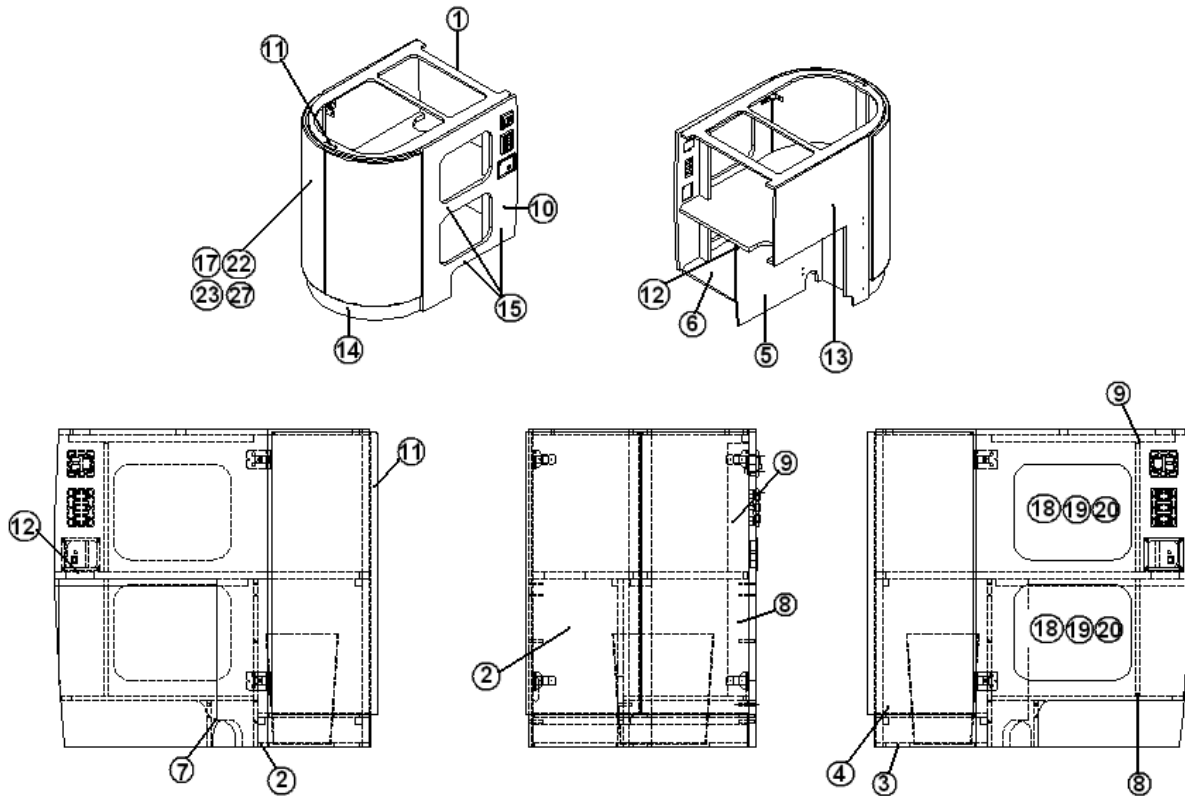


- |     |           |                      |
|-----|-----------|----------------------|
| 32. | 968035-32 | Panel, 23.13 x 22.44 |
| 33. | 968035-33 | Panel, 23.88 x 16.13 |
| 34. | 968035-34 | Panel, 4.5 x 14      |
| 35. | 968035-35 | Panel, 4.5 x 14      |
| 36. | 968035-36 | Panel, 3.13 x 14     |
| 37. | 968035-37 | Panel, 3.13 x 14     |
| 38. | 968035-38 | Panel, 3.13 x 14     |
| 39. | 968035-39 | Panel, 3.13 x 14     |

# 2014 INTERNATIONAL TRAVEL TRAILER

## FURNITURE, GALLEY

### Galley, Aft Section, 27FB STERLING



Parts Listed on Next Page

# 2014 INTERNATIONAL TRAVEL TRAILER

## FURNITURE, GALLEY

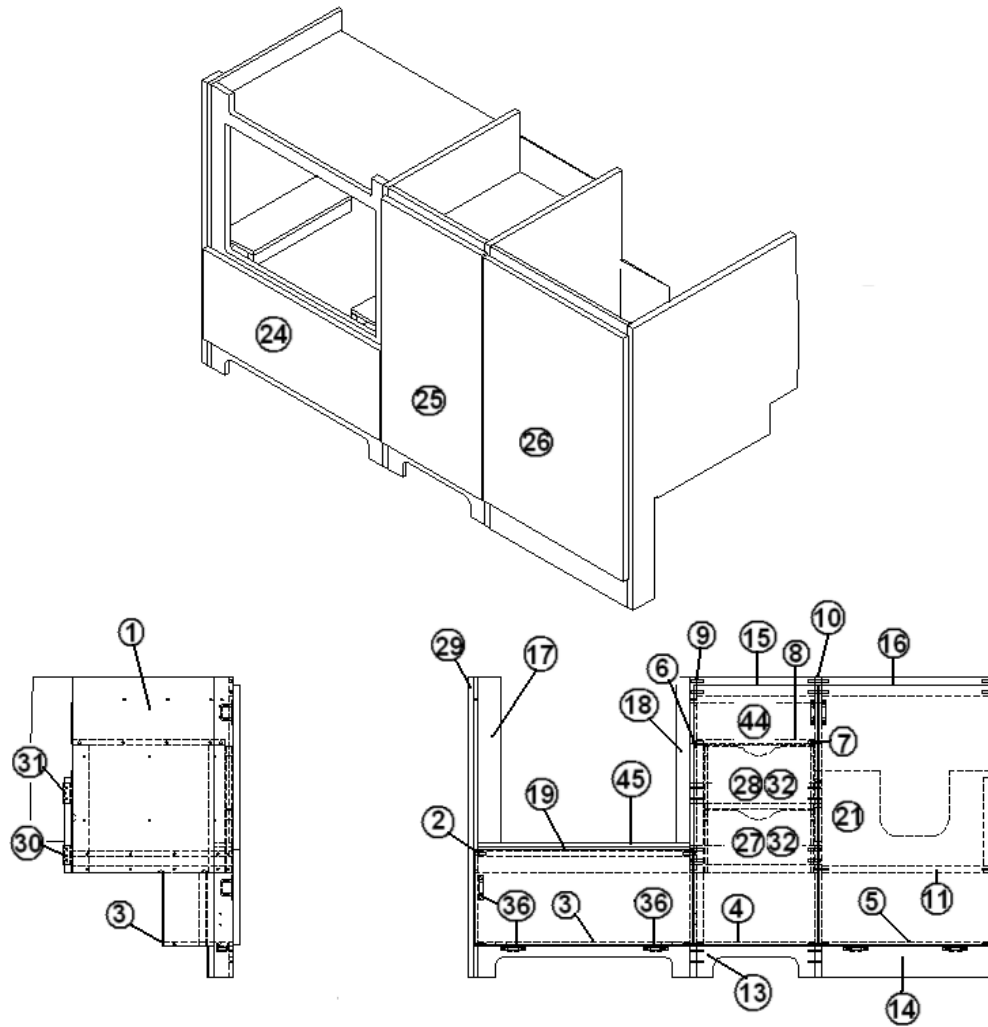
### Galley, Aft Section, 27FB STERLING

	968034	Galley, Aft Section
1.	968034-1	Panel 23.50 x 33.91
2.	968034-2	Panel 23.54 x 18.38
3.	968034-3	Panel 23.4 x 12.18
4.	968034-4	Panel 23.4 x 12.18
5.	968034-5	Panel 18.38 x 21.32
6.	968034-6	Panel 20.98 x 13.75
7.	968034-7	Panel 5.13 x 13.75
8.	968034-8	Panel 12.75 x 2.25
9.	968034-9	Panel 14.13 x 2.25
10.	968034-10	Panel 34.75 x 23.32
11.	968034-11	Panel 2.44 x 34.75
12.	968034-12	Panel 23.5 x 34.37
13.	968034-13	Panel 23.32 x 34.75
14.	115309	Toe Kick, Galley, Aluminum
15.	203440	T Molding Black Embossed .8125
16.	381856	Catch, Tension 2-Ball chrome
17.	801787-0125	Door, Radius Foam 16.97 x 31 RH Alum.
	801787-0225	Door, Radius Foam 16.97 x 31 LH Alum.
18.	381654	Hinge, Non Bore Glass Door Black
19.	381707	Strike w/Pull - Glass Door Black
20.	371432	Door, Glass 11.56" x 13.06" Galley
21.	800025-01	Pine 3/4 x 3/4 stained
22.	<b>381808-01</b>	Bracket, Face Mount Hinge #39184
23.	381607	Hinge Assy., Grass Euro
27.	382178	Handle, Round Br. Nickel
	203483	Sink cover Round 17.75"
	203138-06	Wall extrusion Plastic Ash Grey

# 2014 INTERNATIONAL TRAVEL TRAILER

## FURNITURE, GALLEY

Galley, 28' Signature, Standard Oven



Parts Listed on Next Page

# 2014 INTERNATIONAL TRAVEL TRAILER

## FURNITURE, GALLEY

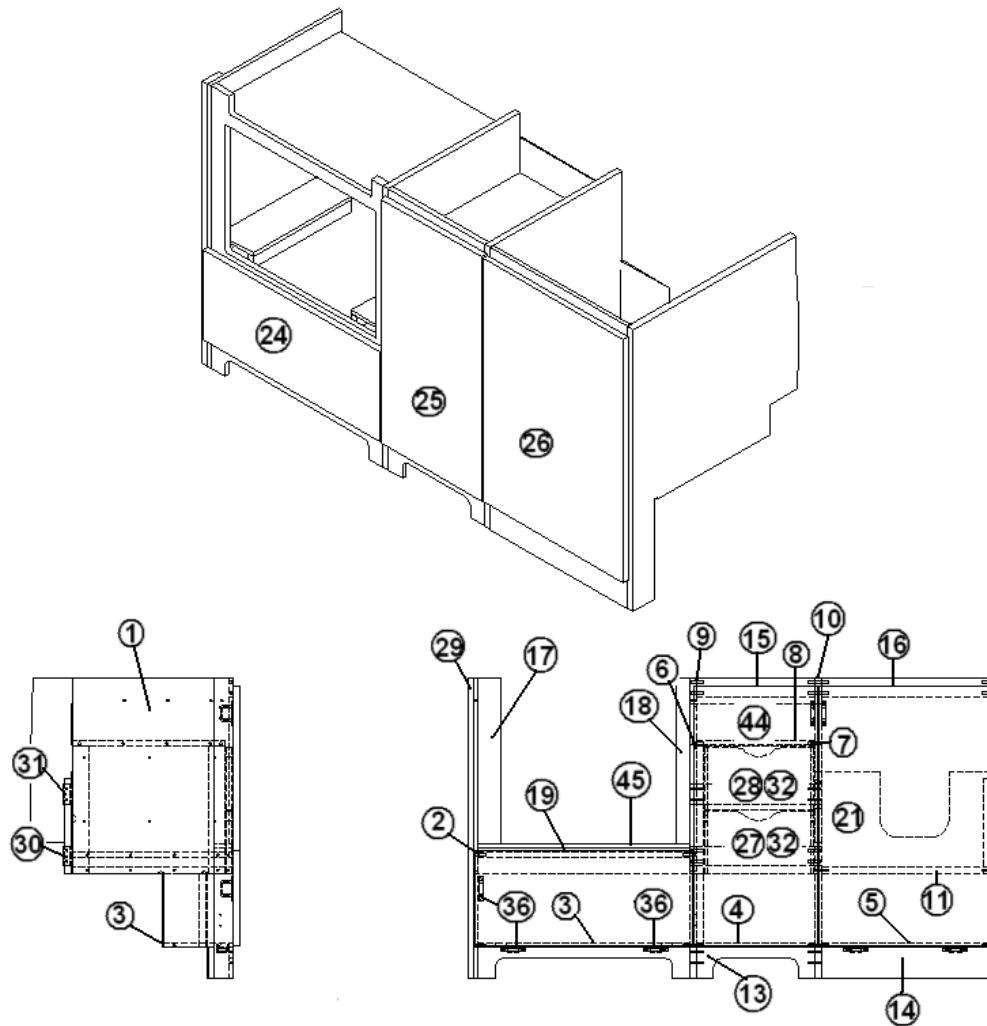
Galley, 28' Signature, Standard Oven

	967999	Galley Base Assembly
1.	967999-1	PANEL-GALLEY 18.63X34.75
2.	967999-2	PANEL-GALLEY 18.63X24.5
3.	967999-3	PANEL-GALLEY 8X24.5
4.	967999-4	PANEL-GALLEY 3X13.75 (Not shown)
5.	967999-5	PANEL-GALLEY 3X19.5
6.	967999-6	PANEL-GALLEY 17.75X14.84
7.	967999-7	PANEL-GALLEY 17.75X14.84
8.	967999-8	PANEL-GALLEY 19.63X13.75
9.	967999-9	PANEL-GALLEY 19.63X34.75
10.	967999-10	PANEL-GALLEY 19.63X34.75
11.	967999-11	PANEL-GALLEY 18.63X19.5
12.	967999-12	PANEL-GALLEY 3.5X24.5
13.	967999-13	PANEL-GALLEY 3.5X13.75
14.	967999-14	PANEL-GALLEY 3.5X19.5
15.	967999-15I	PANEL-GALLEY 2.25X13.75
16.	967999-16	PANEL-GALLEY 2.25X19.5
17.	967999-17	PANEL-GALLEY 2.63X19.25 (Not Used)
18.	967999-18	PANEL-GALLEY 1.63X19.25 (Not Used)
19.	967999-19	PANEL-GALLEY 2.25X24.5
20.	967999-20	PANEL-GALLEY 23.51X34.75 (Not shown)
21.	967999-21	PANEL-GALLEY 20.25X11.75
22.	967999-22	PANEL-GALLEY 8.56X25.75 (Not shown)
23.	967999-23	PANEL-GALLEY 8.56X34.75 (Not shown)
24.	967999-24	DOOR-GALLEY 25.12X8.69
25.	967999-25	DOOR-GALLEY 14.38X30
26.	967999-26	DOOR-GALLEY 20.13X30
27.	967999-27	DWR FACE- GAL12.63X7.17
28.	967999-28	DWR FACE- 12.63X7.17
29.	801351	LITE PLY-18MM (.75") 2.25" X 34.75"
30.	801351	LITE PLY-18MM (.75") 2.25" X 13.75"
31.	801351	LITE PLY-18MM (.75") 2.25 X 13.75"
32.	968020-06	DWR BOX ASSY 5.00 x 11.38 x 15.00 SELF CLOSE
36.	381228-01	CATCH GRABBER DOOR C3-80
44.	967999-44	PANEL-GALLEY 4.75X15.25
45.	967999-45	PANEL-GALLEY 2.25X24.5
	967999-42	PANEL-GALLEY 2X14.84 (Not shown)
	967999-43	PANEL-GALLEY 2X14.84 (Not shown)
	382029-05	HANDLE-BAR 21.33" #3701-480-CR
	380041	BRACE 1" STANLEY CORNER
	381607	HINGE ASSY-GRASS EURO-SAFARI
	968024	INSERT, CUTLERY DRAWER
	195329-202	HEMISPHERE CLEAR BUMP-ON
	203776	PLUG, SQUARE FINISHING WHITE

# 2014 INTERNATIONAL TRAVEL TRAILER

## FURNITURE, GALLEY

Galley, 28' Signature, Standard Oven, Serenity



Parts Listed on Next Page

# 2014 INTERNATIONAL TRAVEL TRAILER

## FURNITURE, GALLEY

Galley, 28' Signature, Standard Oven, Serenity

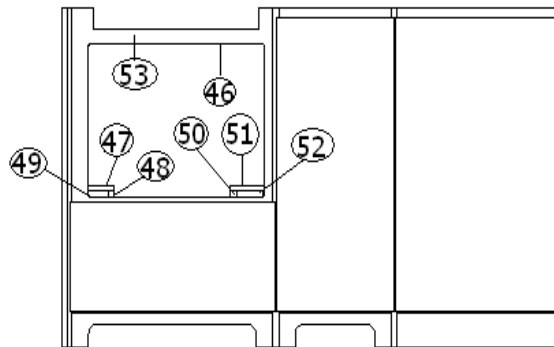
	967999-15	Galley Base Assembly
1.	967999-1	PANEL-GALLEY 18.63X34.75
2.	967999-2	PANEL-GALLEY 18.63X24.5
3.	967999-3	PANEL-GALLEY 8X24.5
4.	967999-4	PANEL-GALLEY 3X13.75 (Not shown)
5.	967999-5	PANEL-GALLEY 3X19.5
6.	967999-6	PANEL-GALLEY 17.75X14.84
7.	967999-7	PANEL-GALLEY 17.75X14.84
8.	967999-8	PANEL-GALLEY 19.63X13.75
9.	967999-9	PANEL-GALLEY 19.63X34.75
10.	967999-10	PANEL-GALLEY 19.63X34.75
11.	967999-11	PANEL-GALLEY 18.63X19.5
12.	967999-1512	PANEL-GAL 3.5X24.5
13.	967999-1513	PANEL-GALLEY 3.5X13.75
14.	967999-1514	PANEL-GALLEY 3.5X19.5
15.	967999-1515	PANEL-GALLEY 2.25X13.75
16.	967999-1516	PANEL-GALLEY 2.25X19.5
17.	967999-1517	PANEL-GALLEY 2.63X19.25
18.	967999-1518	PANEL-GALLEY 1.63X19.25
19.	967999-1519	PANEL-GALLEY 2.25X24.5
20.	967999-1520	PANEL-GALLEY 23.51X34.75
21.	967999-1521	PANEL-GALLEY 20.25X11.75
22.	967999-1522	PANEL-GALLEY 8.56X25.75
23.	967999-1523	PANEL-GAL 8.56X34.75 (Not shown)
24.	967999-1524	DOOR-GALLEY 25.12X8.69
25.	967999-1525	DOOR-GALLEY 14.38X30
26.	967999-1526	DOOR-GALLEY 20.13X30
27.	967999-1527	DWR FACE- GALLEY 12.63X7.17
28.	967999-1528	DWR FACE- 12.63X7.17
29.	801351	LITE PLY-18MM (.75") 2.25" X 34.75"
30.	801351	LITE PLY-18MM (.75") 2.25" X 13.75"
31.	801351	LITE PLY-18MM (.75") 2.25 X 13.75"
32.	968020-06	DWR BOX ASSY 5.00x11.38x15.00 SELF CLOSE
36.	382029-05	PULL, FLAT BLACK
44.	967999-44	PANEL-GALLEY 4.75X15.25
45.	967999-45	PANEL-GALLEY 2.25X24.5
	967999-1542	PANEL-GALLEY 2X14.84 (Not shown)
	967999-1543	PANEL-GALLEY 2X14.84 (Not shown)
	380041	BRACE 1" STANLEY CORNER
	381607	HINGE ASSY-GRASS EURO-SAFARI
	381228-01	CATCH GRABBER DOOR C3-803
	968024	INSERT, CUTLERY DRAWER
	195329-202	HEMISPHERE CLEAR BUMP-ON
	203776	PLUG, SQUARE FINISHING WHITE



# 2014 INTERNATIONAL TRAVEL TRAILER

## FURNITURE, GALLEY

Galley Base Section, 28' Signature, Convection Microwave Option



Parts Listed On Next Page

# 2014 INTERNATIONAL TRAVEL TRAILER

## FURNITURE, GALLEY

Galley	Base Section for Convection Microwave, 28' Signature	
	967999-04	Complete Base Assembly for Conv. Microwave
1.	967999-1	PANEL-GALLEY 18.63 X 34.25
2.	967999-2	PANEL-GALLEY 18.63 X 24.5
3.	967999-3	PANEL-GALLEY 8 X 24.5
4.	967999-4	PANEL-GALLEY 3 X 13.75
5.	967999-5	PANEL-GALLEY 3 X 19.5
6.	967999-6	PANEL-GALLEY 17.75 X 14.84
7.	967999-7	PANEL-GALLEY 17.75 X 14.84
8.	967999-8	PANEL-GALLEY 17.75 X 13.75
9.	967999-9	PANEL-GALLEY 19.63 X 34.25
10.	967999-10	PANEL-GALLEY 19.63 X 34.25
11.	967999-11	PANEL-GALLEY 18.63 X 19.5
12.	967999-12	PANEL-GALLEY 3 X 24.5
13.	967999-13	PANEL-GALLEY 3 X 13.75
14.	967999-14	PANEL-GALLEY 3 X 19.5
15.	967999-15I	PANEL-2.25 X 13.75
16.	967999-16	PANEL-2.25 X 19.5
20.	967999-20	PANEL-23.51 X 34.25
21.	967999-21	PANEL-20.25 X 11.75
22.	967999-22	PANEL-8.56 X 25.75
23.	967999-23	PANEL-5.56 X 34.75
24.	967999-24	DOOR-25.12 X 11.06
25.	967999-25	DOOR-14.38 X 30
26.	967999-26	DOOR-20.13 X 30
27.	967999-27	DRAWER FACE 12.63 X 7.17
28.	967999-28	DRAWER FACE 12.63 X 7.17
29.	801351	LITE PLY, 18MM .75" 4'X8'
30.	801351	LITE PLY, 18MM .75" 4'X8'
31.	801351	LITE PLY, 18MM .75" 4'X8'
32.	968020-06	DWR BOX ASSY 5.00 x 11.38 x 15.00 SELF CLOSE
36.	381228-01	GRABBER DOOR CATCH
44.	967999-44	PANEL-GALLEY 4.75 X 15.25
46.	967999-46	PANEL-GALLEY 24.50 X 20.25
47.	967999-47	PANEL-GALLEY 4.75" X 14.00
48.	967999-48	PANEL-GALLEY 1.44" X 14.00
49.	967999-49	PANEL-GALLEY 1.44" X 14.00
50.	967999-50	PANEL-GALLEY 1.44" X 14.00
51.	967999-51	PANEL-GALLEY 4.75" X 14.00
52.	967999-52	PANEL-GALLEY 1.44" X 14.00
53.	967999-53	PANEL-GALLEY 24.50" X 17.62
	382029-05	HANDLE-BAR 21.33" #3701-480-CR
	380041	BRACE 1" STANLEY CORNER
	381607	HINGE ASSY-GRASS EURO-SAFARI
	968024	INSERT, CUTLERY DRAWER
	195329-202	HEMISPHERE CLEAR BUMP-ON
	382203-03	DRAWER SLIDE 15"
	203776	PLUG, SQUARE FINISHING WHITE

# 2014 INTERNATIONAL TRAVEL TRAILER

## FURNITURE, GALLEY

### GALLEY TOP ASSYS. 28' International

967998-01	GALLEY TOP ASSY. COMPLETE, INTERNATIONAL
967998-02	GALLEY TOP ASSY. COMPLETE, SERENITY

### CORIAN TOP ONLY. 28' International

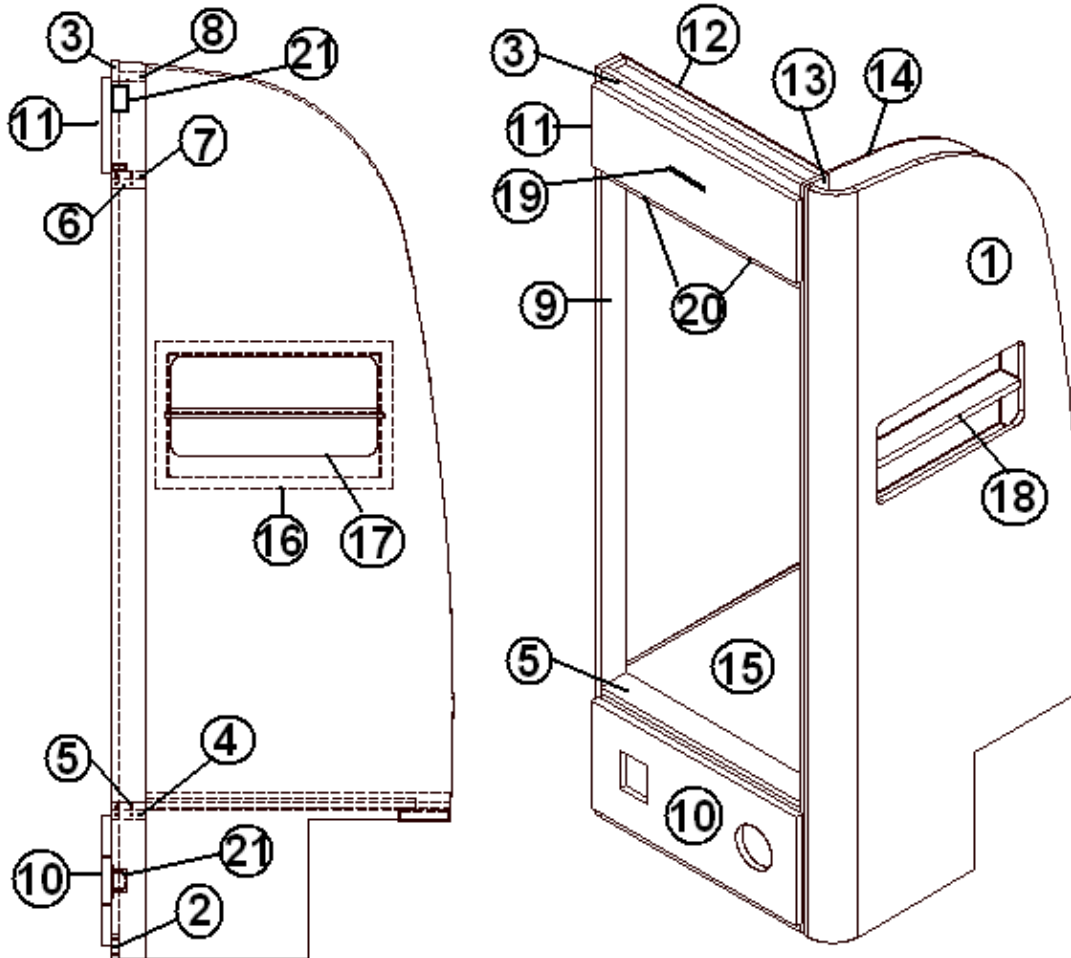
602355-01	GALLEY TOP ONLY, CORIAN ECRU, INTERNATIONAL
602355-05	GALLEY TOP ONLY, CORIAN BRONZITE, SERENITY
602355-06	GALLEY TOP ONLY, CORIAN SORREL, SERENITY

SORREL REPLACED BRONZITE ON SERENITY UNITS MFG. ON OR AFTER 9/9/2013.

# 2014 INTERNATIONAL TRAVEL TRAILER

## FURNITURE, GALLEY

### Refrigerator Cabinet, 28' Signature



Part Number on the Next page

# 2014 INTERNATIONAL TRAVEL TRAILER

## FURNITURE, GALLEY

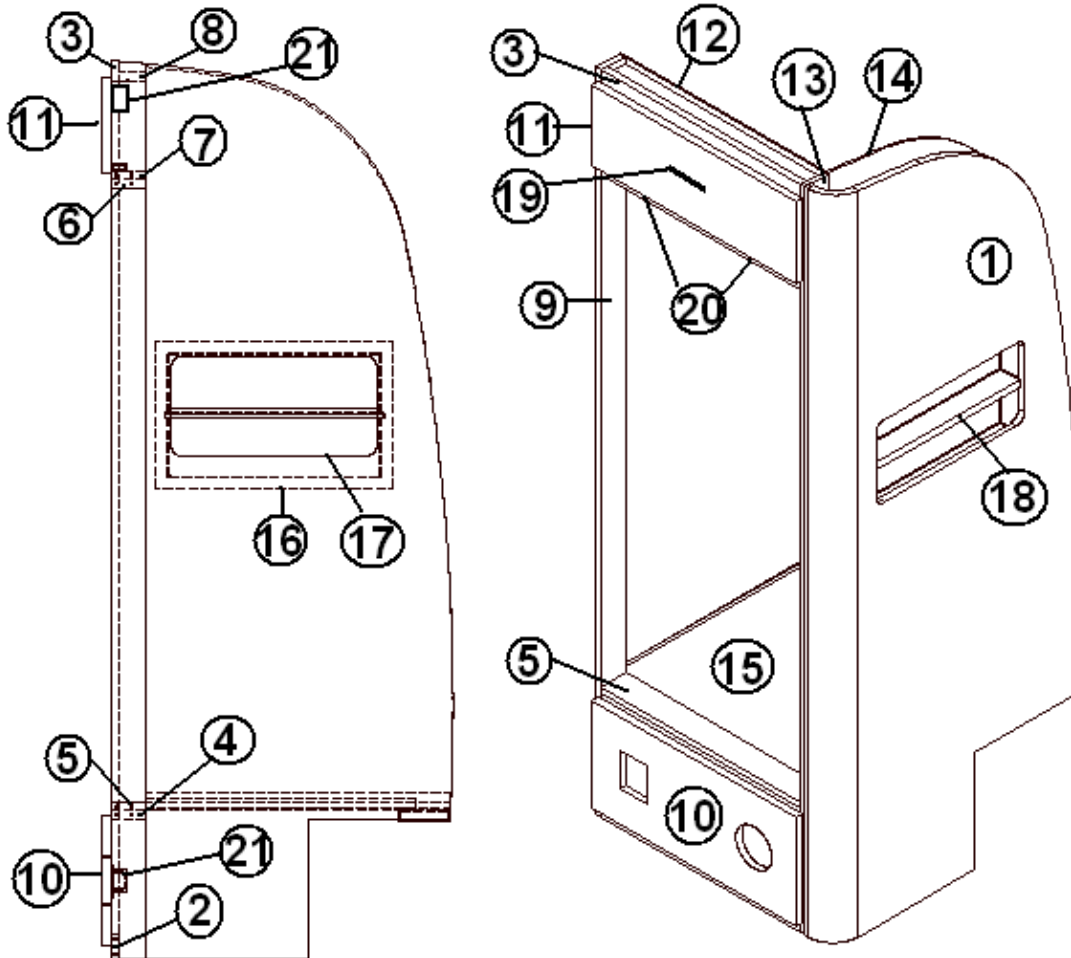
### Refrigerator Cabinet, 28' Signature

966992	CABINET ASSY, REFRIGERATOR
1. 966993	PANEL, ASSY, REFRIGERATOR
2. 966992-2	PANEL, 24.06 X 1.75
3. 966992-3	PANEL, 24.06 X 1.75
4. 966992-4	PANEL, 3.0 X 24.06
5. 966992-5	PANEL, 3.0 X 24.06
6. 966992-6	PANEL, 3.0 X 24.06
7. 966992-7	PANEL, 30 X 24.06
8. 966992-8	PANEL, 2.25 X 24.06
9. 966992-9	PANEL, 3.63 X 78.581
10. 966992-10	PANEL 24.69 X 11.38
11. 966992-11	DOOR 24.69 X 8.50
12. 966992-12	PANEL 10.7 X 25.31
13. 966992-13	PANEL 3.63 X 78.581
14. 800507-02	LAUAN, ¼" X 64.33" X 29.13"
15. 800507-04	LAUAN, ½" X 27.81" X 26.25
16. 203384	RACK, SPICE ABS
17. 203385	TRIM, "F", SELF EDGING
18. 203476	SHELF-REFRIGERATOR
19. 382029-05	HANDLE BAR 21.33"
20. 381607	HINGE ASSY.
21. 381228-01	CATCH GRABBER DOOR
966808	STAND ASSY, REFRIGERATOR

# 2014 INTERNATIONAL TRAVEL TRAILER

## FURNITURE, GALLEY

### Refrigerator Cabinet, 28' Signature, SERENITY



Part Number on the Next page

# 2014 INTERNATIONAL TRAVEL TRAILER

## FURNITURE, GALLEY

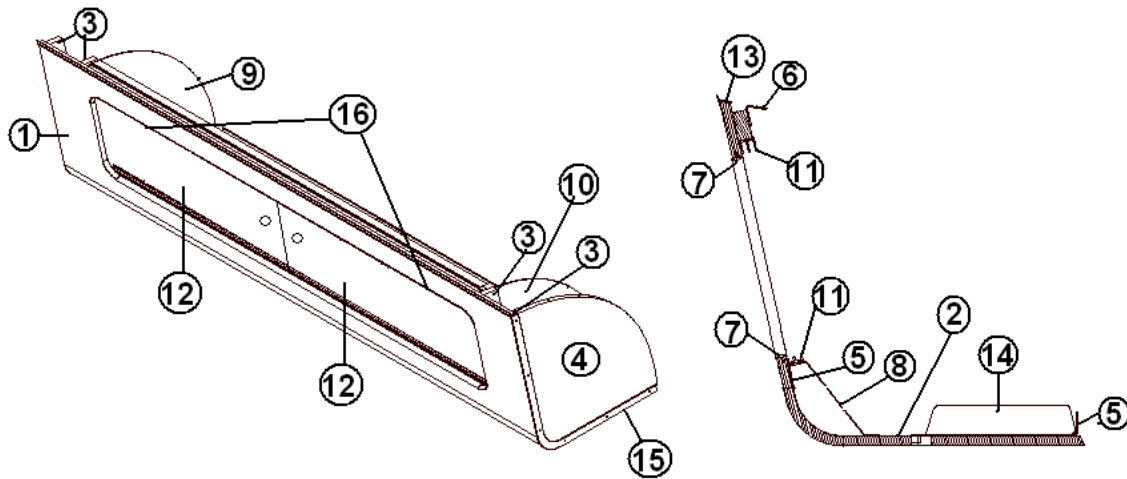
Refrigerator Cabinet, 28' Signature, SERENITY

966992-15	CABINET ASSY, REFRIGERATOR
1. 966993-15	PANEL, ASSY, REFRIGERATOR
2. 966992-152	PANEL, 24.06 X 2.75
3. 966992-153	PANEL, 24.06 X 1.71
4. 966992-4	PANEL, 3.0 X 24.06
5. 966992-5	PANEL, 3.0 X 24.06
6. 966992-6	PANEL, 3.0 X 24.06
7. 966992-7	PANEL, 30 X 24.06
8. 966992-8	PANEL, 2.25 X 24.06
9. 966992-9	PANEL, 3.0 X 78.581
10.966992-1510	PANEL 24.69 X 11.38
11.966992-1511	DOOR 24.69 X 8.50
12.966992-1512	PANEL 10.70 X 25.31
13.966992-13	PANEL 3.63 X 78.581
14.800507-02	LAUAN, ¼" X 64.33" X 29.13"
15.800507-04	LAUAN, ½" X 27.81" X 26.25
16.203384	RACK, SPICE ABS
17.203385	TRIM, "F", SELF EDGING
18.203476	SHELF, REFRIGERATOR
19. 382115	PULL-FLAT BLACK #M575
20.381607	HINGE ASSY.
21.381228-01	CATCH GRABBER DOOR
966808	STAND ASSY, REFRIGERATOR

# 2014 INTERNATIONAL TRAVEL TRAILER

## FURNITURE, GALLEY

### Roof Locker, 28' Signature Galley



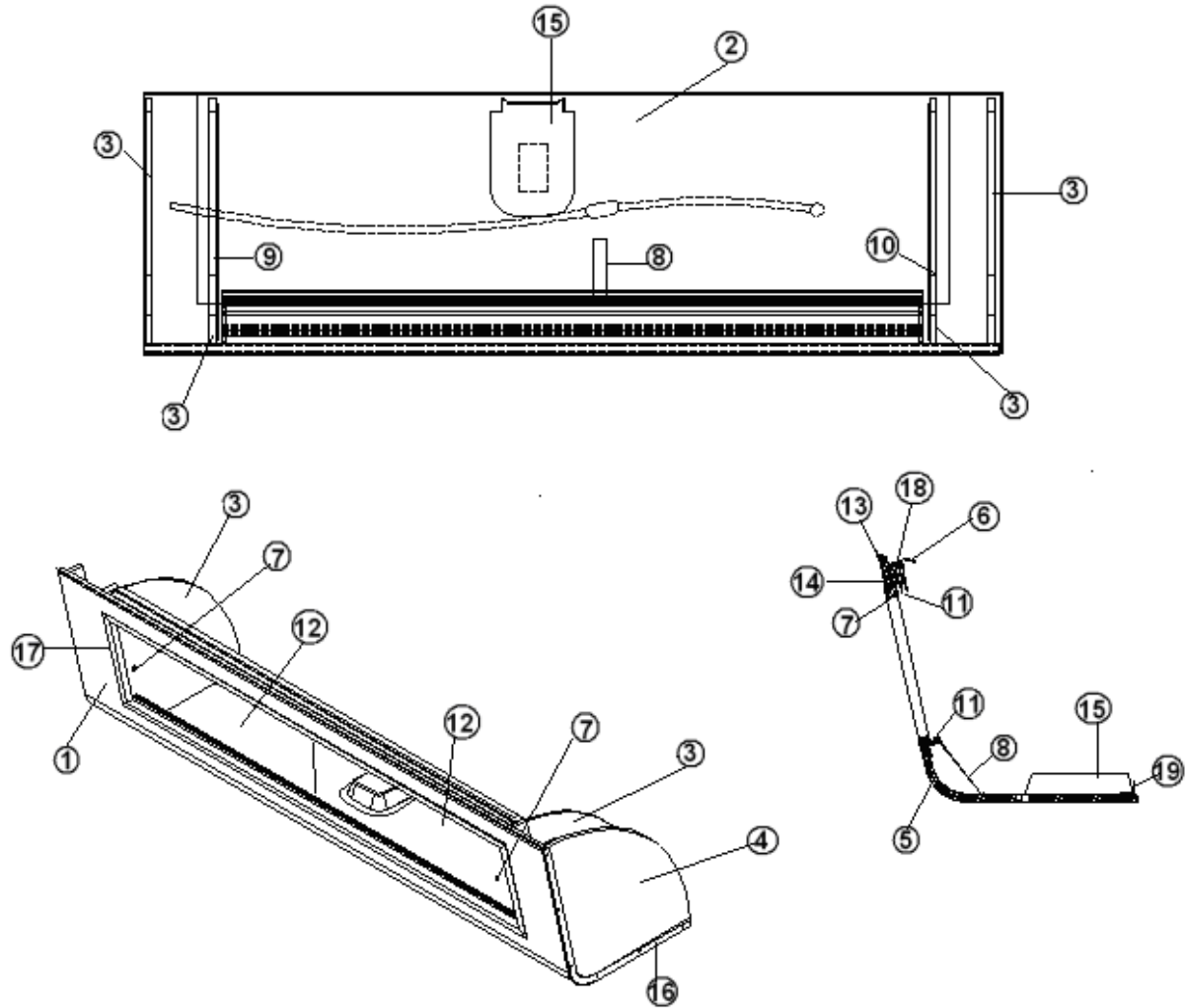
966968	LOCKER ASSY, GALLEY
1. 801542-03	LOCKER FACE. GALLEY
2. 801928	PANEL, EBONY WOODS/LINER 18MM
3. 801545-02	DIVIDER PARTIAL
4. 966968-4	PANEL, 17.15 X 18.21
5. 115227-02	ANGLE, LOCKER TRACK SUPPORT
6. 104821	SUPPORT, ROOFLOCKER, 74"
7. 203445-01	T-MOLDING, .5625" WHITE
8. 115226	BRACKET, LOCKER, CENTER SUPPORT
9. 801539-01	DIVIDER, GALLEY LOCKER LH
10. 801539-02	DIVIDER, GALLEY LOCKER
11. 203388	SLIDING DOOR TRACK, 56-1/5"
12. 203749-09	DOOR-PLEX.SLIDING 11.31" X 26"
13. 201673	REVERSE COVE MOLDING, WHITE
14. 200772	PAN, DEADBOLT
15. 115375	EXTRUSION, FORMED, R/L END
703991	PILE SEAL WEATHER STRIP
382149	FINGER PULL, SATIN NICKEL



# 2014 INTERNATIONAL TRAVEL TRAILER

## FURNITURE, GALLEY

Roof Locker, 28' Signature Galley, Serenity



## 2014 INTERNATIONAL TRAVEL TRAILER

### FURNITURE, GALLEY

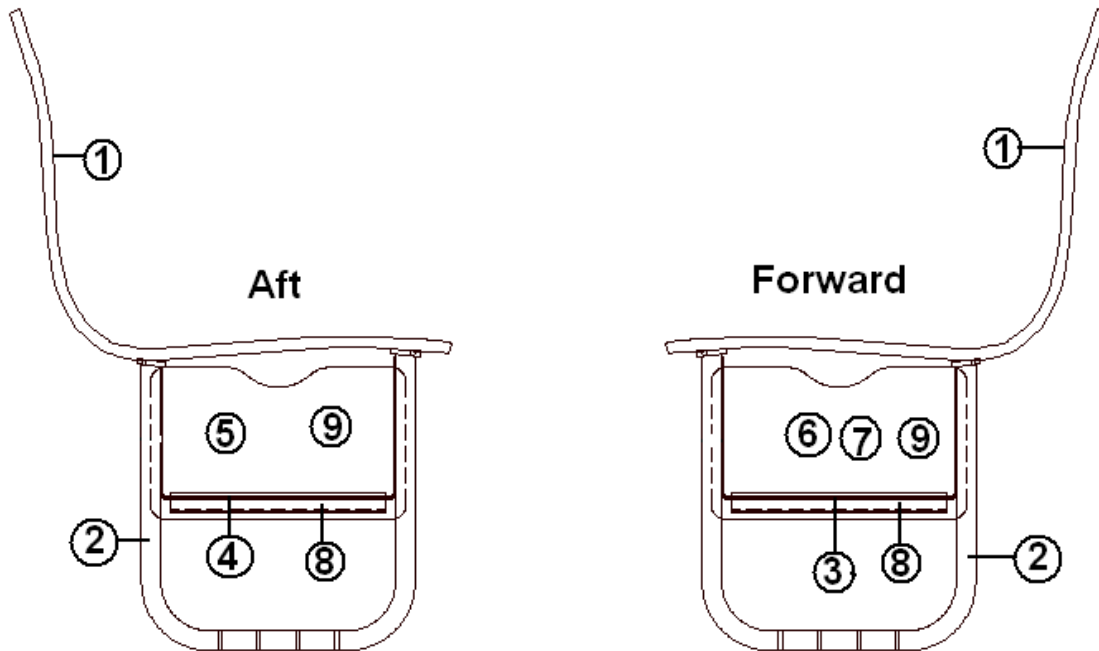
Roof Locker, 28' Signature Galley, Serenity

967560-15	Roof Locker ASSY., Galley, 28', Serenity
1.801853-01	FACE-GALLEY R/L SERENITY
2.801355-01	LAM-FROST WHT 4'X8'VERT #1573-
3.801853-02	DIVIDER-GALLEY ROOFLOCKER
4.967560-154	PANEL, GAL R/L 17.15X18.21
5.114812	ALUM. ANGLE 1.00 X 1.00
6.104821	SUPPORT, ROOFLOCKER, 74"
7.382114	KNOB-BRUSH.SATIN NICKEL #M576
8.115226	BRACKET-FORMED-LOCKER CTR SUPPORT
9.801539-01	DIVIDER-GALLEY LOCKER LH
10.801539-02	DIVIDER-GALLEY LOCKER RH
11.381245	SLIDING DOOR TRACK, 56-1/5"
12.203677-02	DOOR-MARI 11.31X26.25
13.201673	COVE MOLDING, WHITE
14.800506-04	PLYWOOD,1.5"X50.50"
15.200772	PAN,DEADBOLT,TRI-MARK
16.115375	EXTR., FORMED ROOFLOCKER END CAP
17.115483	ANGLE-ALUM .06X.75"X.75"
18.800506-04	PLYWOOD,1/2" 1.5"X 50.50"
703991	PILE SEAL WEATHER STRIP

# 2014 INTERNATIONAL TRAVEL TRAILER

## FURNITURE, GALLEY

### Dinette Seats, 28' Signature

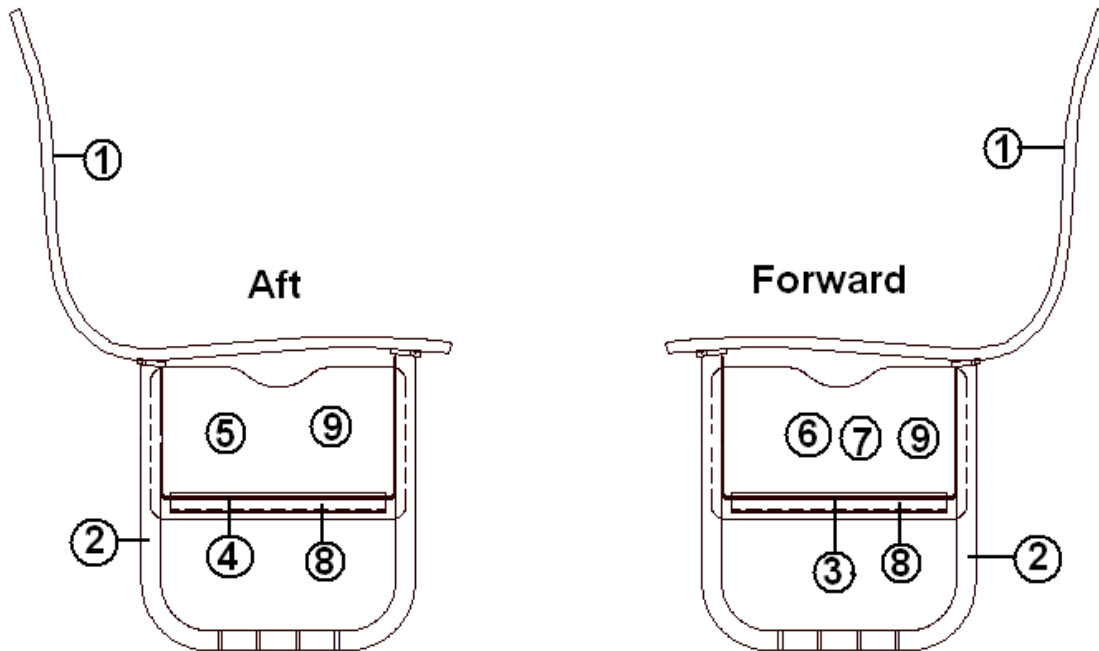


966986	SEAT ASSY, FORWARD BOOTH
966987	SEAT ASSY, AFT BOOTH
1. 801446	SEAT, DINETTE, CONTOURED
2. 115140	LEG-DINETTE BASE
3. 115141	CLOSEOUT, BOTTOM, SEAT, 37"
4. 115141-02	CLOSEOUT, UNDER BOOTH SEAT, 15"
5. 966987-6	DOOR, 13.06 X 7.75, BOOTH SEAT
6.	
7. 966986-7	DOOR, 13.07 X 7.75 BOOTH SEAT
8. 381847-01	HINGE PIANO ANGLE, 46"
9. 381228-01	CATCH GRABBER DOOR
114070	EXTRUSION, J-TRIM
114812	ALUMINUM ANGLE, 1.00" X 1.00"
966988	CLOSEOUT UNDER DINETTE SEAT

# 2014 INTERNATIONAL TRAVEL TRAILER

## FURNITURE, GALLEY

### Dinette Seats, 28' Signature, Serenity

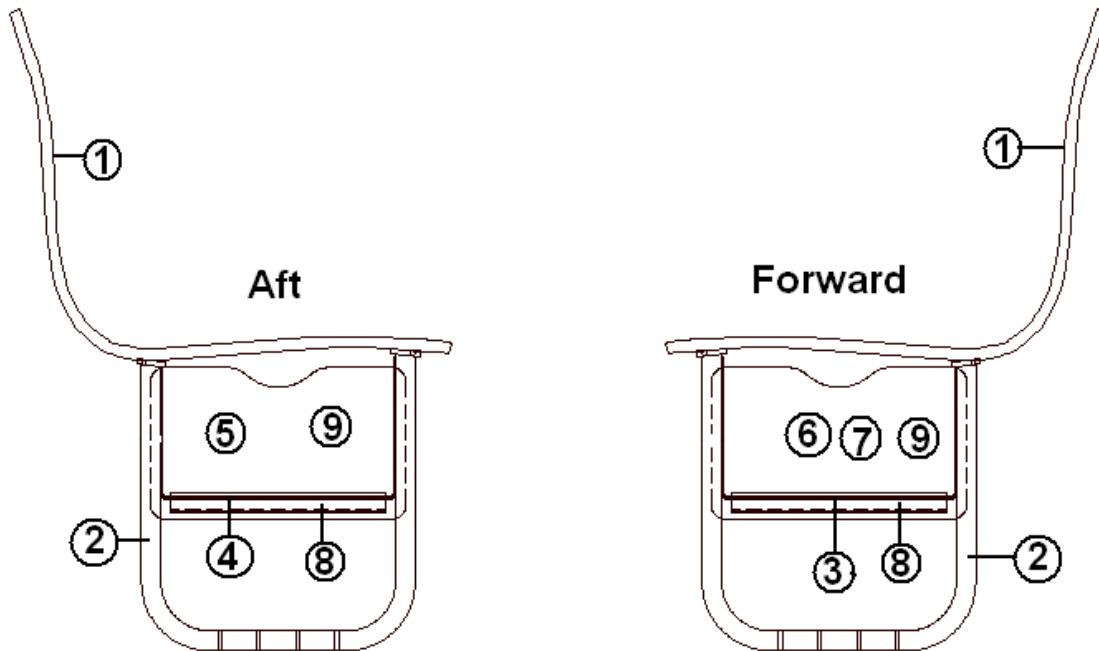


966986-15	SEAT ASSY, FORWARD BOOTH, SERENITY
966987-15	SEAT ASSY, AFT BOOTH, SERENITY
1. 801446	SEAT, DINETTE, CONTOURED
2. 115140	LEG-DINETTE BASE
3. 115141	CLOSEOUT, BOTTOM, SEAT, 37"
4. 115141-02	CLOSEOUT, UNDER BOOTH SEAT, 15"
5. 966987-156	DOOR, 13.06 X 7.75, BOOTH SEAT, SERENITY
6. 203439	STORAGE BOX, 17"L X 11.13"W X 6.38"
7. 966986-157	DOOR, 13.07 X 7.75 BOOTH SEAT, SERENITY
8. 381847-01	HINGE PIANO ANGLE, 46"
9. 381228-01	CATCH GRABBER DOOR
114070	EXTRUSION, J-TRIM
114812	ALUMINUM ANGLE, 1.00" X 1.00"
966988-15	CLOSEOUT UNDER DINETTE SEAT

# 2014 INTERNATIONAL TRAVEL TRAILER

## FURNITURE, GALLEY

Dinette Seats, 23' Front Bed, 30' Signature

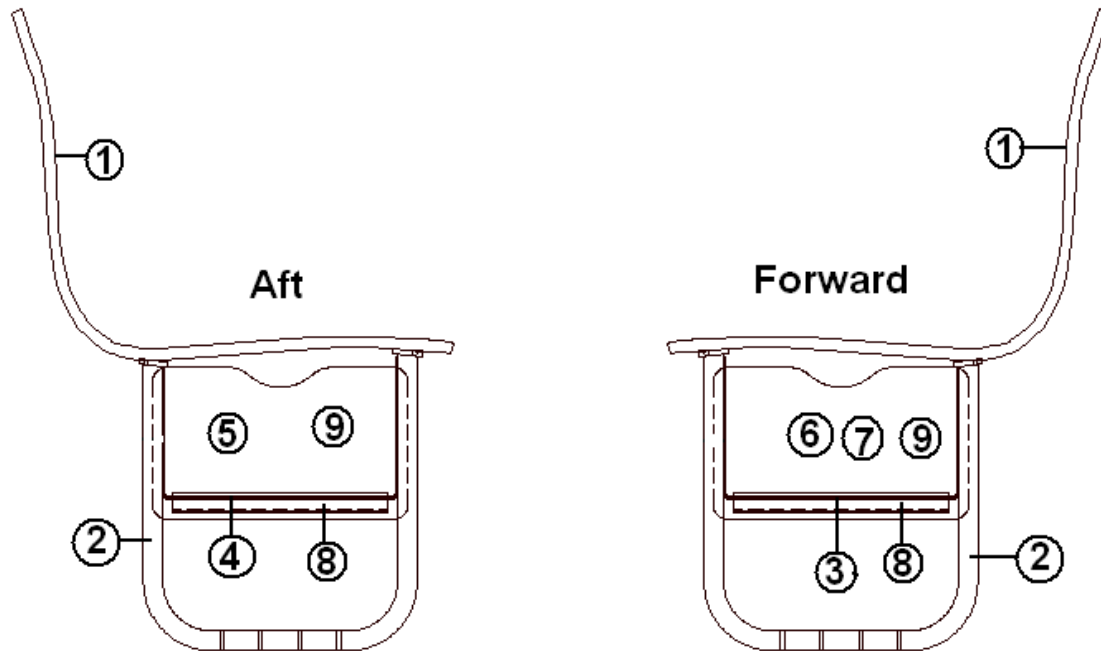


967631	SEAT ASSY, AFT SEAT 23FB. 30'
967632	SEAT ASSY, FWD, 30'
966987	SEAT ASSY, AFT BOOTH, 23FB
1. 801446	SEAT, DINETTE, CONTOURED
2. 115140	LEG-DINETTE BASE
3. 115141	CLOSEOUT, BOTTOM, SEAT, 37"
4. 115141-02	CLOSEOUT, UNDER BOOTH SEAT, 15"
5. 966987-6	DOOR, 13.06 X 7.75, BOOTH SEAT
6. 203439	STORAGE BOX, 17"L X 11.13"W X 6.38"
7. 966986-7	DOOR, 13.07 X 7.75 BOOTH SEAT
8. 381847-01	HINGE PIANO ANGLE, 46"
9. 381228-01	CATCH GRABBER DOOR
114070	EXTRUSION, J-TRIM
114812	ALUMINUM ANGLE, 1.00" X 1.00"
966988	CLOSEOUT UNDER DINETTE SEAT
967638	WHEEL WELL COVER ASSY.
967639	WIRE COVER ASSY.

# 2014 INTERNATIONAL TRAVEL TRAILER

## FURNITURE, GALLEY

Dinette Seats, 23' FB, Signature, Serenity

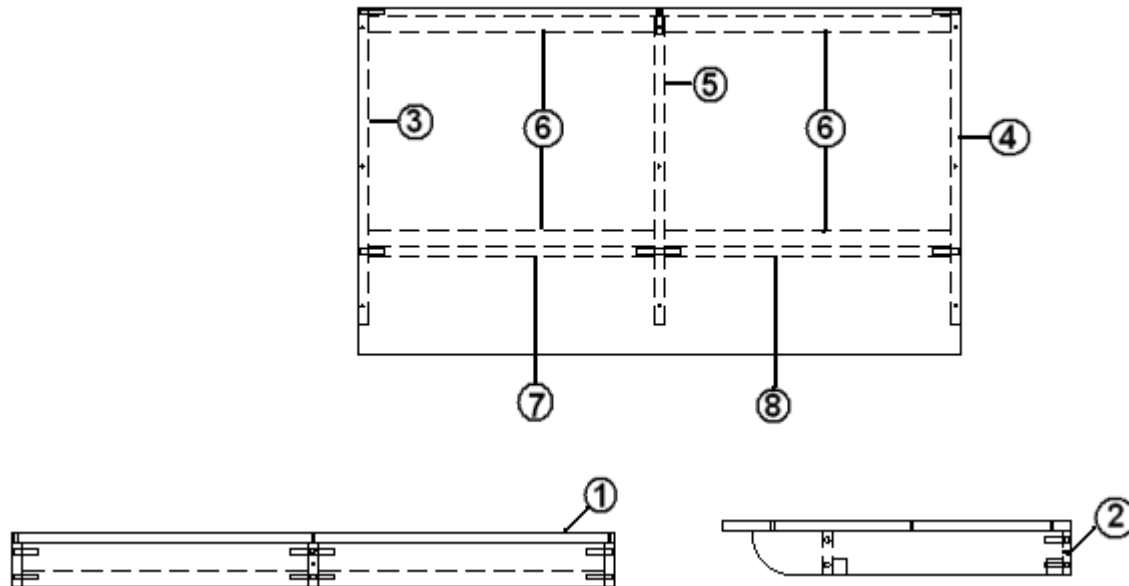


967631-15	SEAT ASSY, AFT, FWD SEAT ON 23'FB
966987-15	SEAT ASSY, AFT BOOTH
1.801446	SEAT, DINETTE, CONTOURED
2.115140	LEG-DINETTE BASE
3.115141	CLOSEOUT, BOTTOM, SEAT, 37"
4.115141-02	CLOSEOUT, UNDER BOOTH SEAT, 15"
5.966987-156	DOOR, AFT, 13.06 X 7.75, BOOTH SEAT
6.203439	STORAGE BOX, 17"L X 11.13"W X 6.38"
7.966986-157	DOOR, FWD 13.07 X 7.75 BOOTH SEAT
8.381847-01	HINGE PIANO ANGLE, 46"
9.381228-01	CATCH GRABBER DOOR
114070	EXTRUSION, J-TRIM
114812	ALUMINUM ANGLE, 1.00" X 1.00"
966988	CLOSEOUT UNDER DINETTE SEAT
967638	WHEEL WELL COVER ASSY.
967639-15	WIRE COVER ASSY. Serenity

# 2014 INTERNATIONAL TRAVEL TRAILER

## FURNITURE, GALLEY

### Center Seat Assy., 23FB

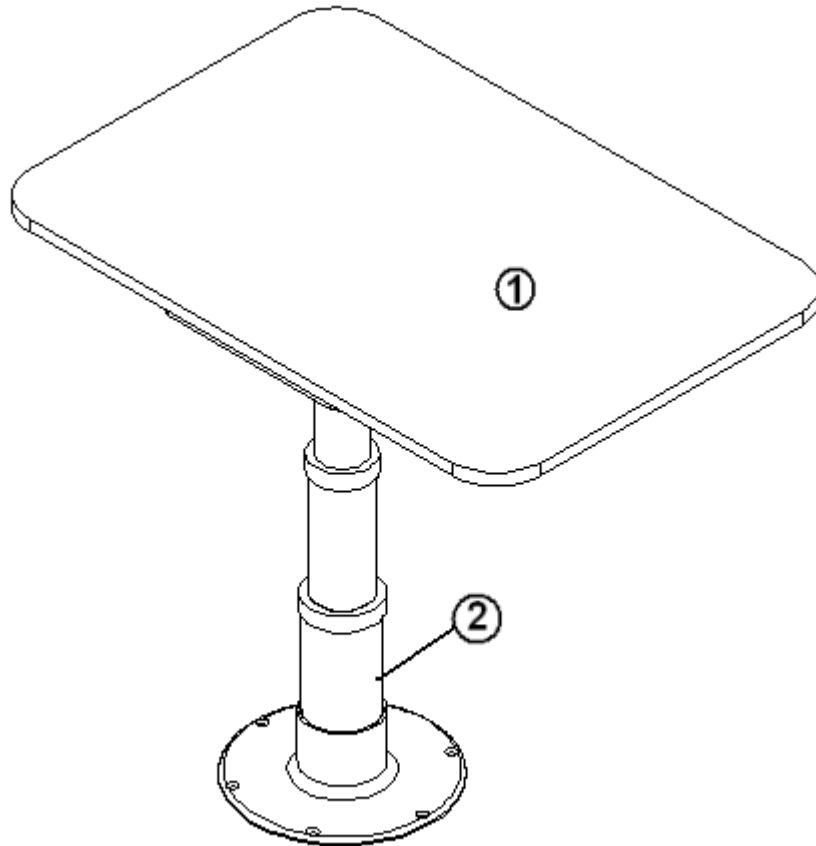


	968012	Center Seat Assy.
	968012-15	Center Seat Assy., <u>Serenity</u>
1.	968012-1	Panel, 30.25" x 17.50"
2.	968012-2	Panel, 2.25" x 29.25"
3.	968012-3	Panel 2.25" x 16.00"
4.	968012-4	Panel 2.25" x 16.00"
5.	968012-5	Panel 2.25" x 16.00"
6.	800025-01	Pine $\frac{3}{4}$ " x $\frac{3}{4}$ "
7.	968012-8	Panel 2.25" x 14.38"
8.	968012-9	Panel 2.25" x 14.38"

# 2014 INTERNATIONAL TRAVEL TRAILER

## FURNITURE, GALLEY

### Table Assy., Sliding Pedestal, 23FB



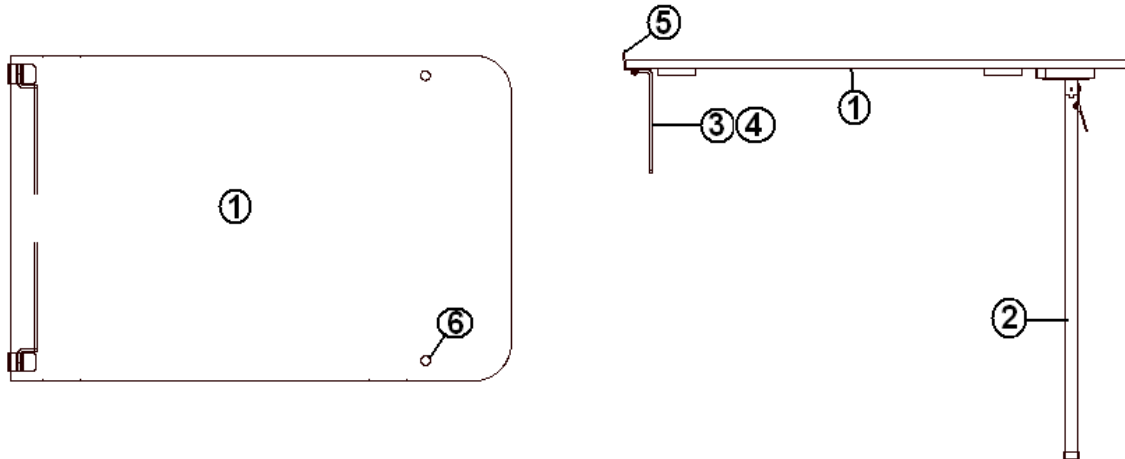
- |    |            |                                  |
|----|------------|----------------------------------|
|    | 967924     | Sliding Pedestal Table           |
|    | 967924-15  | Sliding Pedestal Table           |
| 1. | 967924-1   | Top, Sliding Pedestal, 24" x 35" |
| 1. | 967924-151 | Top, Sliding Pedestal, Serenity  |
| 2. | 382073-01  | Bracket, Pedestal Table          |
|    | 381400-01  | Drawer Slide 2900-12"            |
|    | 345496     | Screw, Truss HD #8-32 x 1/2      |
|    | 350196     | Acorn Nut, Self Locking #8-32    |
|    | 381109-01  | Latch w/Flat U Strike            |



# 2014 INTERNATIONAL TRAVEL TRAILER

## FURNITURE, GALLEY

Dinette Table, 28', 30', Signature, Sand Crystal

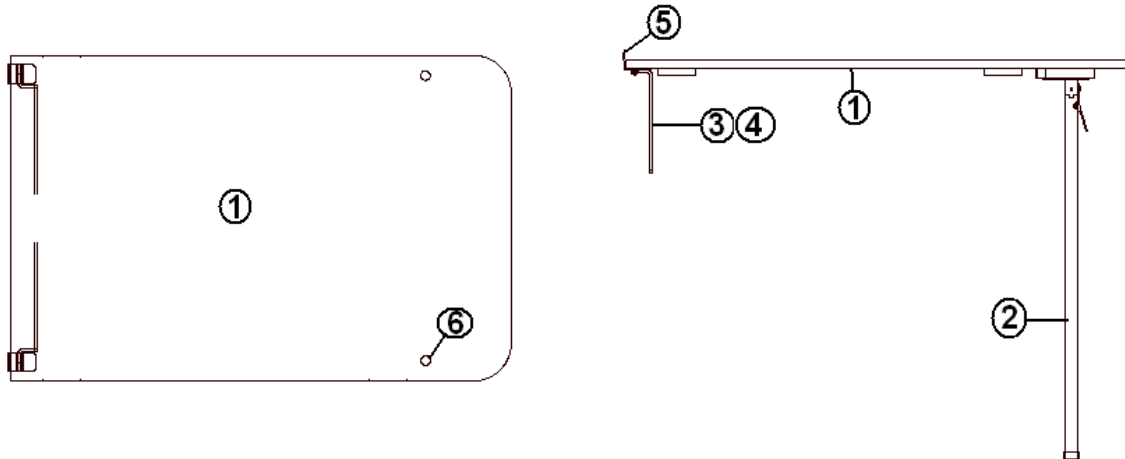


- 967155 TABLE ASSY, DINETTE
- 967155-23 TABLE ASSY, DINETTE AIRSTREAM 2 GO
- 1. 967155-1 TABLE TOP, SAND CRYSTAL
- 1. 967155-231 TABLE TOP, 32 X 39 AIRSTREAM 2 GO
- 2. 382177 LEG, FOLDING TABLE
- 3. 380284-02 TABLE HINGE BRACKET
- 4. 380284-03 TABLE HINGE BRACKETS
- 5. 340018 CATCH PLATE J-1
- 6. 381136 RUBBER BUMPER

# 2014 INTERNATIONAL TRAVEL TRAILER

## FURNITURE, GALLEY

Dinette Table, 28' 30', Signature, Serenity



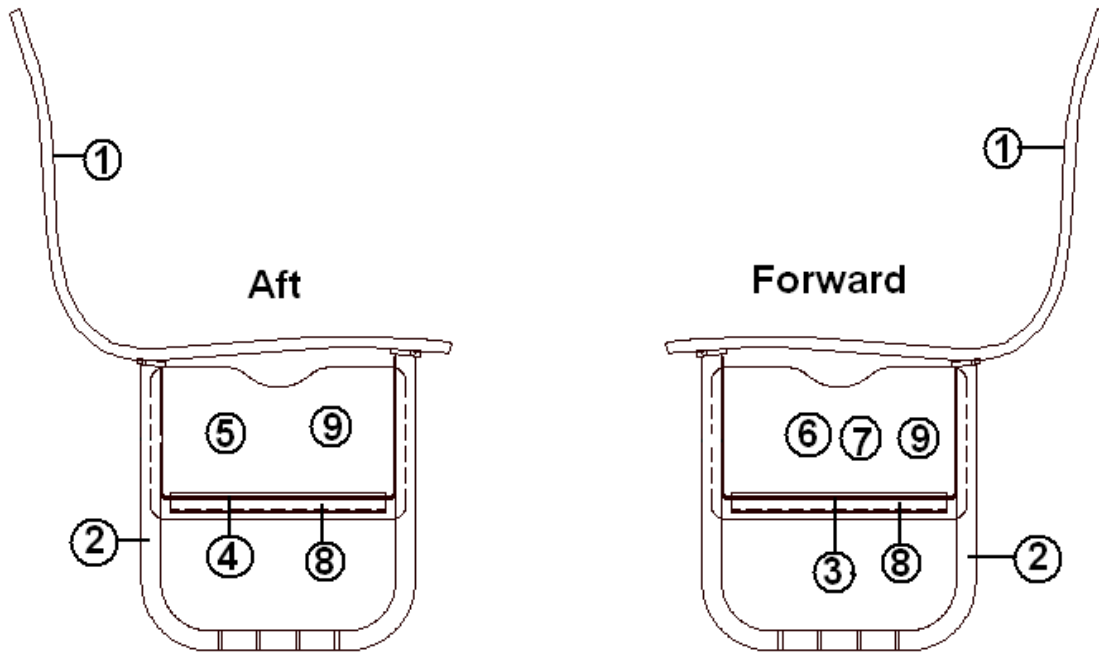
- 967155-15
- 1. 967155-151
- 2. 382177
- 3. 380284-02
- 4. 380284-03
- 5. 340018
- 6. 381136

- TABLE ASSY, DINETTE SERENITY
- TABLE TOP, SERENITY
- LEG, TABLE FOLDING
- TABLE HINGE BRACKET
- TABLE HINGE BRACKETS
- CATCH PLATE J-1
- RUBBER BUMPER

# 2014 INTERNATIONAL TRAVEL TRAILER

## FURNITURE, GALLEY

### Dinette Seats, 30' Signature

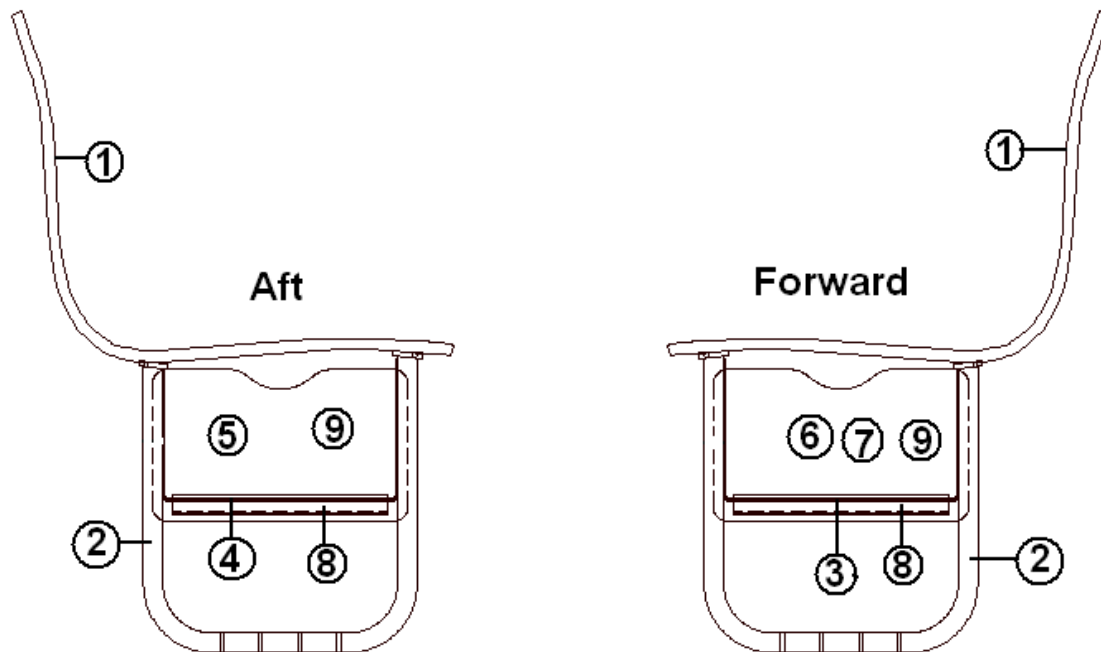


967631	AFT DINETTE SEAT BASE ASSY., 30'
967632	FORWARD DINETTE SEAT BASE ASSY. 30'
1. 801446	SEAT-DINETTE PLYMOLD CONTOURED
2. 115140	LEG-DINETTE BASE
3. 115141	CLOSEOUT-BOTTOM DIN SEAT 37"
4. 115141-02	CLOSEOUT-UNDER BOOTH SEAT
5. 967631-6	DOOR- 13.06X7.75 - AFT DINETTE
6. 203439	STORAGE BOX 17"L X 11.13"W X 6.38"
7. 967632-156	DOOR- 13.06X7.75 - FORWARD DINETTE
8. 381847-01	HINGE PIANO ANGLE 46"
9. 381228-01	CATCH GRABBER DOOR C3-803

# 2014 INTERNATIONAL TRAVEL TRAILER

## FURNITURE, GALLEY

### Dinette Seats, 30' Signature, Serenity

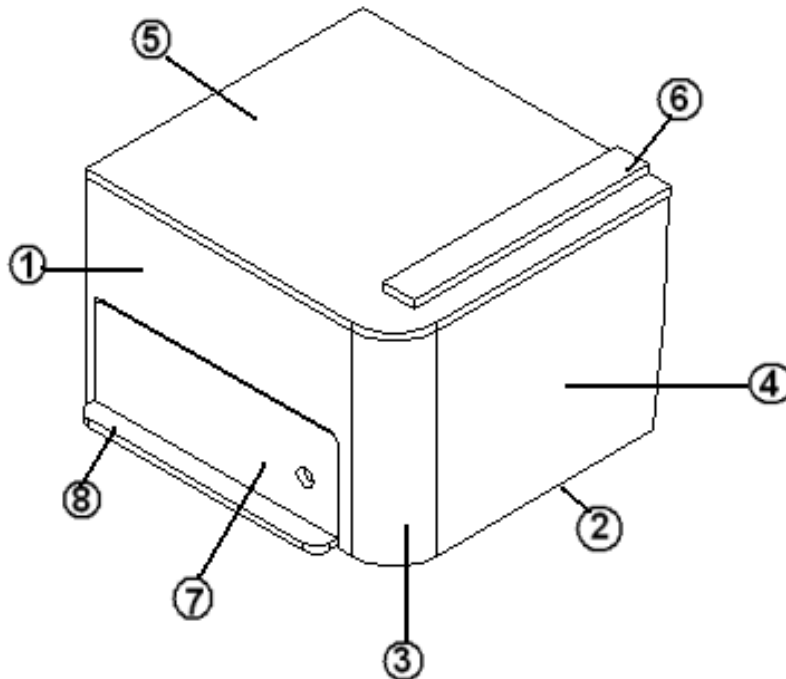


967631-15	AFT DINETTE SEAT BASE ASSY. 30'
967632-15	FORWARD DINETTE SEAT BASE ASSY. 30'
1. 801446	SEAT-DINETTE PLYMOLD CONTOURED
2. 115140	LEG-DINETTE BASE
3. 115141	CLOSEOUT-BOTTOM DIN SEAT 37"
4. 115141-02	CLOSEOUT-UNDER BOOTH SEAT
5. 967631-156	DOOR- 13.06X7.75 - AFT DINETTE
6. 203439	STORAGE BOX 17"L X 11.13"W X 6.38"
7. 967632-156	DOOR- 13.06X7.75 - FORWARD DINETTE
8. 381847-01	HINGE PIANO ANGLE 46"
9. 381228-01	CATCH GRABBER DOOR C3-803

# 2014 INTERNATIONAL TRAVEL TRAILER

## FURNITURE, GALLEY

### WATER HEATER COVER ASSEMBLY 30'

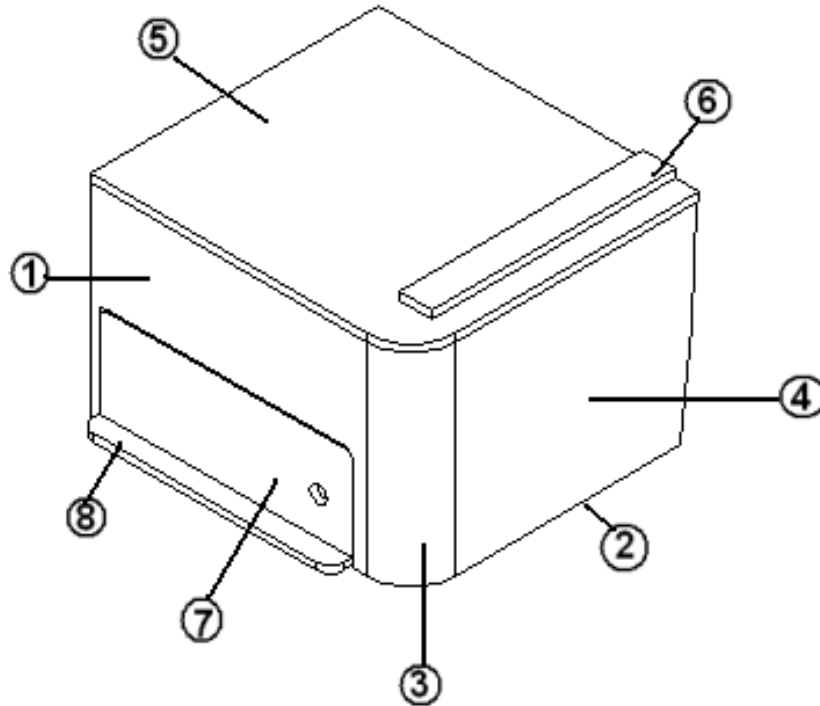


967630	COVER ASSEMBLY - WATER HEATER 30'
1. 801351	LITE PLY-18MM 14.25" X 19.25"
2. 801351	LITE PLY 18MM 14.25" X 16.92"
3. 801345	RADIUS .PLYWOOD .75"
4. 967630-4	PANEL-WATER COVER
5. 967630-5	PANEL-WATER COVER 22.38" X 20.13"
6. 967630-6	PANEL-WATER COVER 2.25" X 17"
7. 967630-7	PANEL-WATER COVER 4.62" X 9.62"
8. 967630-11	PANEL-COVER 2.5" X 17.52"
381228-01	CATCH GRABBER DOOR C3-803
365364-01	EDGE BANDING-.63" EBONY WOODS
800025-01	PINE 3/4" X 3/4" STAINED

# 2014 INTERNATIONAL TRAVEL TRAILER

## FURNITURE, GALLEY

### WATER HEATER COVER ASSEMBLY 30' - Serenity



967630-15

1. 801351

2. 801351

3. 801345

4. 967630-154

5. 967630-155

6. 967630-156

7. 967630-157

8. 967630-1511

381228-01

365344-01

800025-01

COVER ASSEMBLY, WATER HEATER

LITE PLY-18MM 14.25" X 19.25"

LITE PLY 18MM 14.25" X 16.92"

RADIUS .PLYWOOD .75"

PANEL-WATER COVER

PANEL-WATER COVER 22.38" X 20.13"

PANEL-WATER COVER 2.25" X 17"

PANEL-WATER COVER 4.62" X 9.62"

PANEL-COVER 2.5" X 17.52"

CATCH GRABBER DOOR C3-803

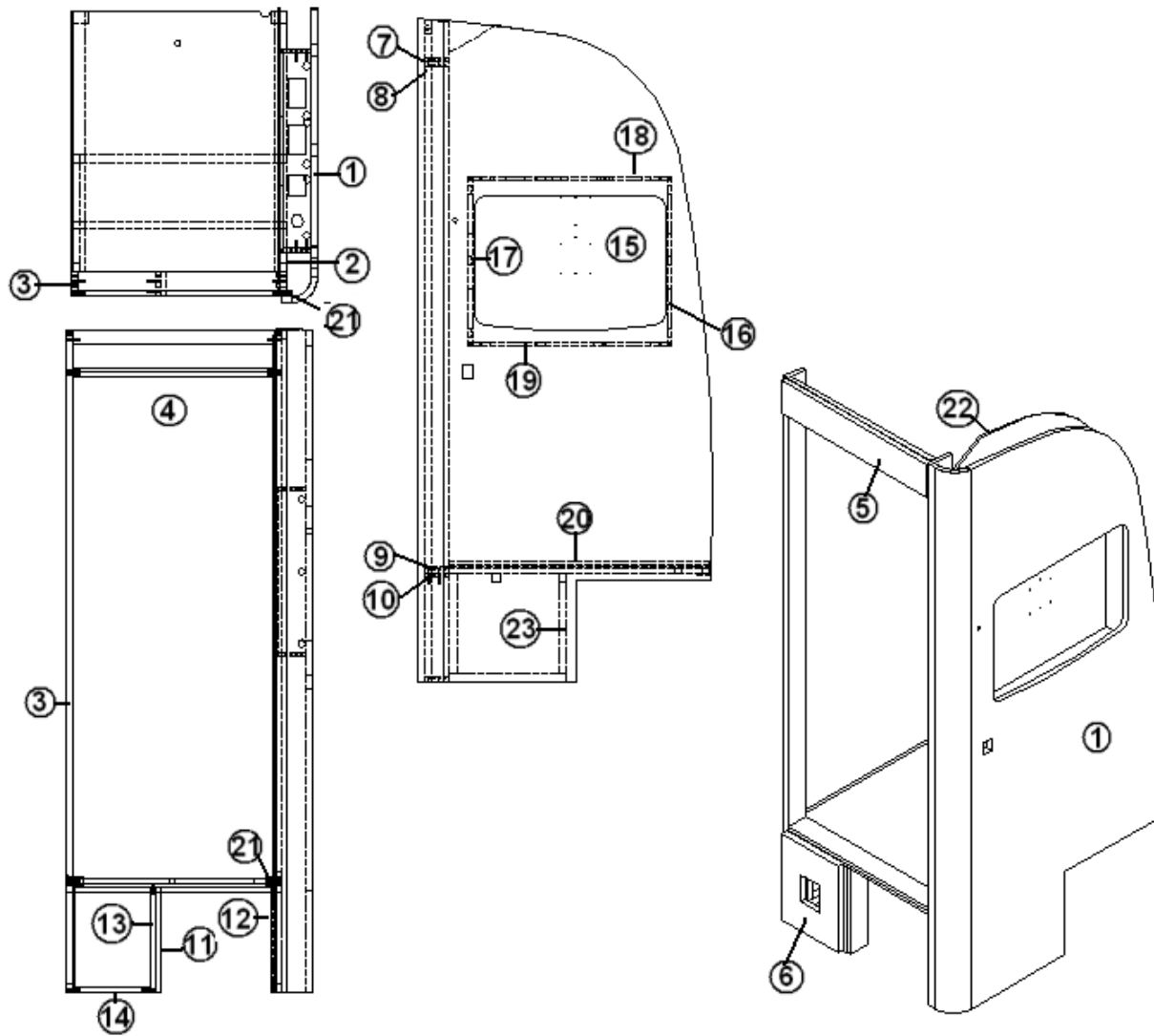
EDGE BANDING- .63" PEARL BISQUE

PINE 3/4" X 3/4" STAINED

# 2014 INTERNATIONAL TRAVEL TRAILER

## FURNITURE, GALLEY

### REFRIGERATOR CABINET ASSEMBLY, 30'



PARTS LISTED ON NEXT PAGE

# 2014 INTERNATIONAL TRAVEL TRAILER

## FURNITURE, GALLEY

### REFRIGERATOR CABINET ASSEMBLY, 30'

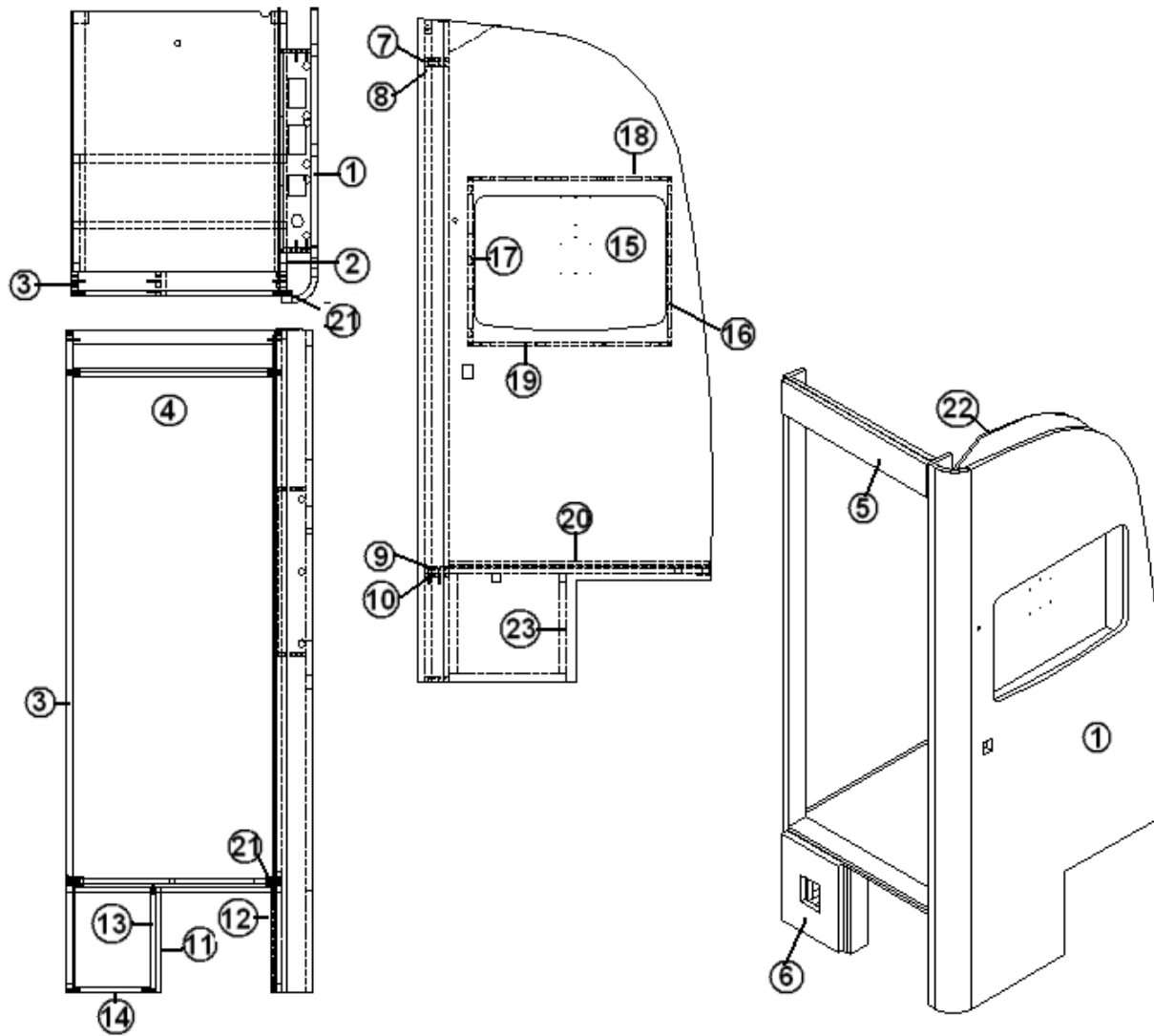
967520	Refrigerator Cabinet Assembly, 30'
1.967523	SUB ASSY-REFER PNL 30INTL
2.967520-2	PANEL 3X79.12
3.967520-3	PANEL 3X79.12
4.967520-4	PANEL 24.06X1.75
5.967520-5	PANEL 24.5X4.75
6.967520-6	PANEL 10.06X12.63
7.967520-7	PANEL 3X24.06
8.967520-8	PANEL 3X24.06
9.967520-9	PANEL 3X24.06
10.967520-10	PANEL 3X24.06
11.967520-11	PANEL 3X12.5
12.967520-12	PANEL 3X12.5
13.967520-13	PANEL 3X12.5
14.967520-14	PANEL 3X9.44
15.	NO USAGE
16.	NO USAGE
17.	NO USAGE
18.	NO USAGE
19.	NO USAGE
20.800507-04	LAUAN 1/2" 25.44 X 31.00
21.800025-01	PINE 3/4" X 3/4" STAINED
22.800507-02	LAUAN,1/4" 33.75 X 64.57
23.967519	STAND-REFER 30' INT'L
24. 365364-01	EDGEBANDING- .63" EBONY WOODS
25.365364-02	EDGEBANDING- .94" EBONY WOODS
26.454736	REFER BAFFLE



# 2014 INTERNATIONAL TRAVEL TRAILER

## FURNITURE, GALLEY

### REFRIGERATOR CABINET ASSEMBLY, 30' Serenity



PARTS LISTED ON NEXT PAGE

# 2014 INTERNATIONAL TRAVEL TRAILER

## FURNITURE, GALLEY

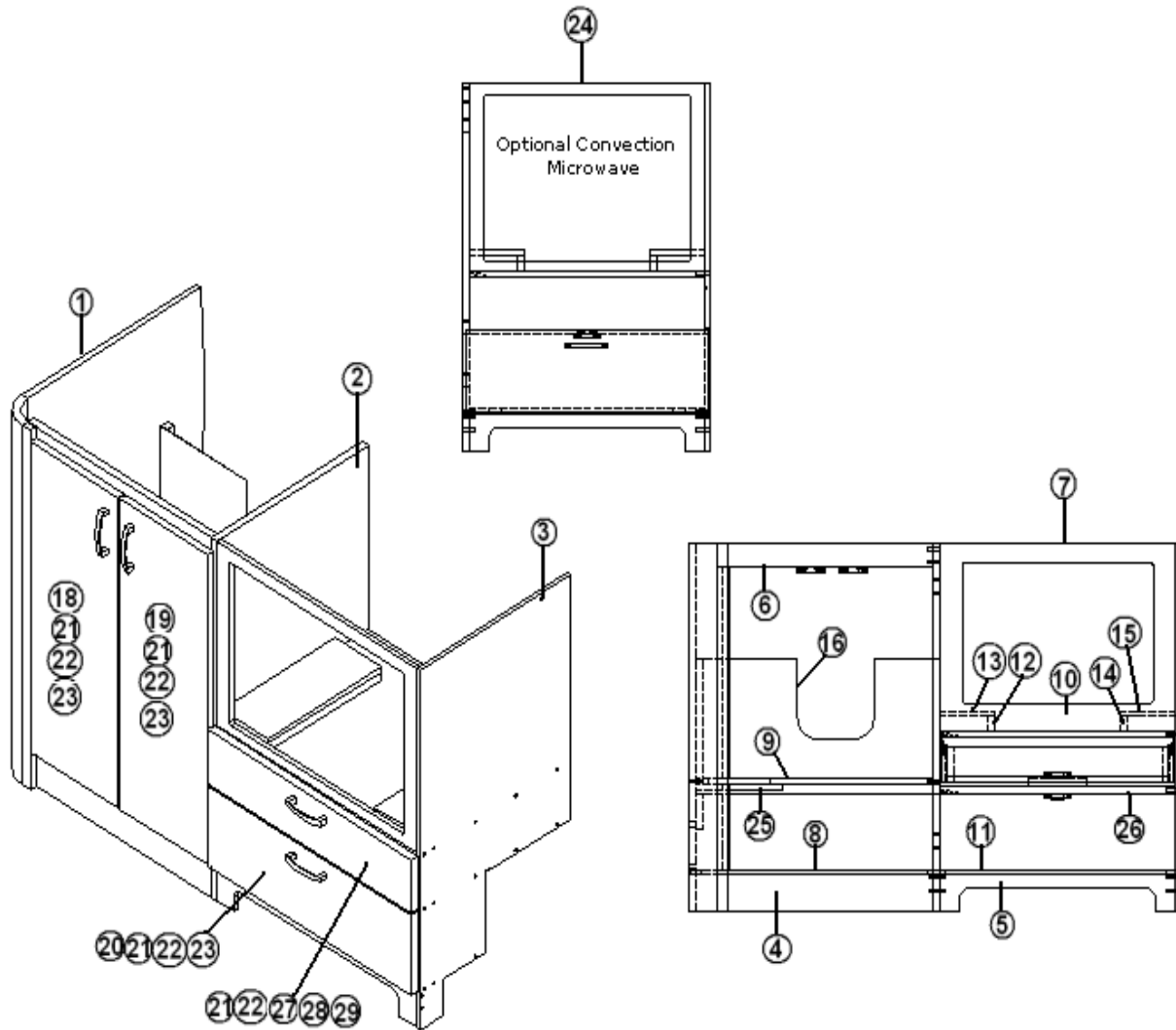
### REFRIGERATOR CABINET ASSEMBLY, 30' Serenity

967520-15	Refrigerator Cabinet Assy., 30', Serenity
1.967523	SUB ASSY-REFER PNL 30INTL
2.967520-2	PANEL 3X79.12
3.967520-3	PANEL 3X79.12
4.967520-154	PANEL 24.06X1.75- SERENITY
5.967520-155	PANEL 24.5X4.75
6.967520-156	PANEL 10.06X12.63
7.967520-7	PANEL 3X24.06
8.967520-8	PANEL 3X24.06
9.967520-9	PANEL 3X24.06
10.967520-10	PANEL 3X24.06
11.967520-11	PANEL 3X12.5
12.967520-12	PANEL 3X12.5
13.967520-13	PANEL 3X12.5
14.967520-14	PANEL 3X9.44
15.	NO USAGE
16.	NO USAGE
17.	NO USAGE
18.	NO USAGE
19.	NO USAGE
20.800507-04	LAUAN 1/2" 25.44 X 31.00
21.800025-01	PINE 3/4" X 3/4" STAINED
22.800507-02	LAUAN, 1/4" 33.75 X 64.57
23.967519	STAND-REFER 30' INT'L
24.365364-01	EDGE BANDING- .63" EBONY WOODS
25.365364-02	EDGE BANDING- .94" EBONY WOODS
26.454736	REFER BAFFLE

# 2014 INTERNATIONAL TRAVEL TRAILER

## FURNITURE, GALLEY

### FORWARD GALLEY ASSEMBLY, 30 INTERNATIONAL



Parts Listed on Next Page

# 2014 INTERNATIONAL TRAVEL TRAILER

## FURNITURE, GALLEY

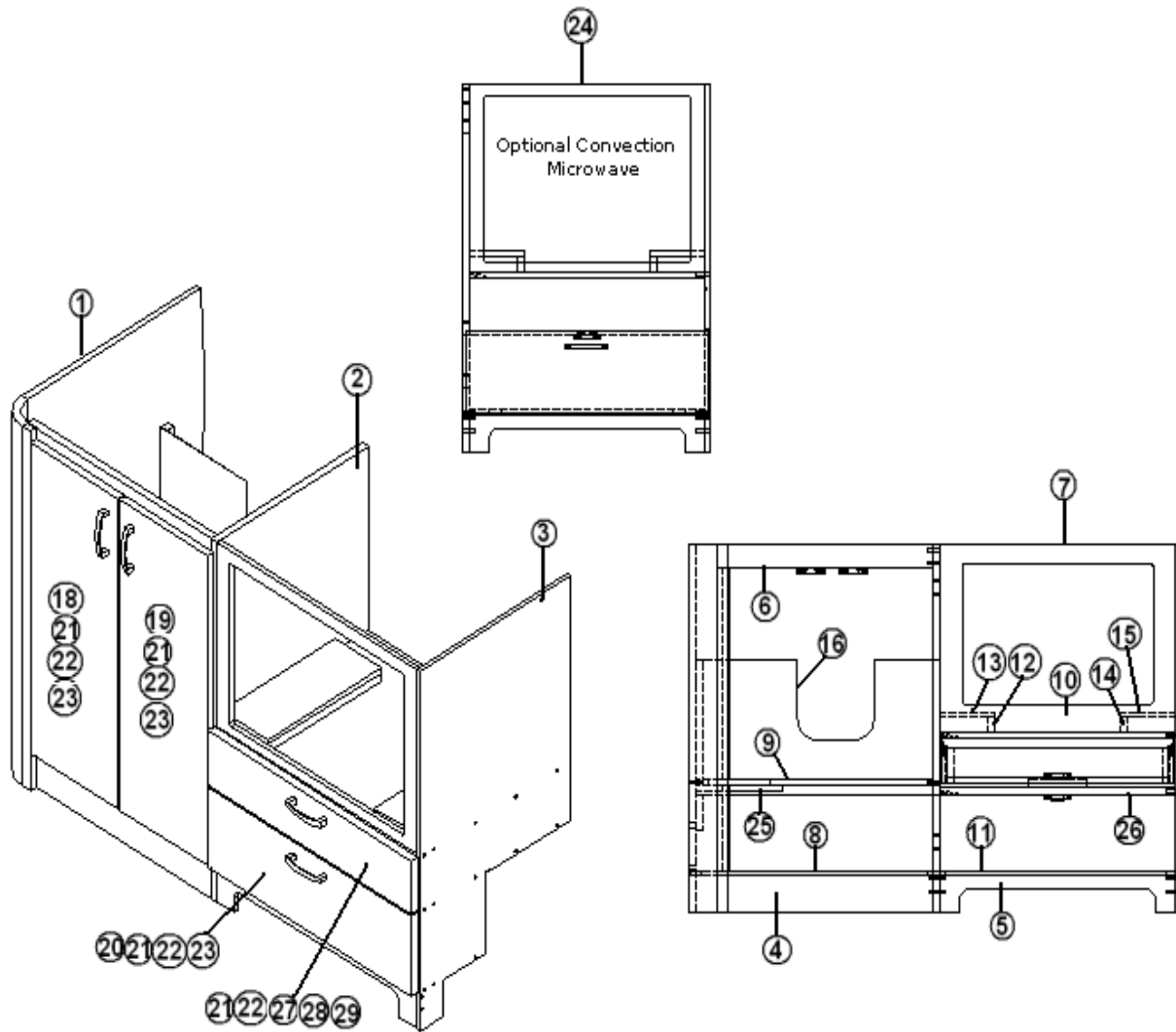
### FORWARD GALLEY ASSEMBLY, 30 INTERNATIONAL

	968002	Galley Assembly, Forward
	968002-01	Galley Assembly, Forward w/Optional Convection Microwave
1.	968013	GAL SUB ASSY-FWD PNL 30 SIG
2.	968002-2	PNL 18.63 X 34.25 GAL ASSY FWD
3.	968002-3	PNL 18.63 X 34.25 GAL ASSY FWD
4.	968002-4	PNL 3.00 X 22.63 GAL ASSY FWD
5.	968002-5	PNL 3.00 X 24.50 GAL ASSY FWD
6.	968002-6	PNL 2.25 X 22.63 GAL ASSY FWD
7.	*968002-7	PNL 24.50 X 17.75 GAL ASSY FWD - STANDARD MICROWAVE ONLY
8.	968002-8	PNL 13.17 X 24.88 GAL ASSY FWD
9.	968002-9	PNL 18.63 X 24.88 GAL ASSY FWD
10.	968002-10	PNL 18.63 X 24.50 GAL ASSY FWD
11.	968002-11	PNL 8.00 X 24.50 GAL ASSY FWD
12.	968002-12	PNL 1.44 X 14.00 GAL ASSY FWD
13.	968002-13	PNL ASSY 5.69 X 14.00 GAL ASSY
14.	968002-14	PNL 1.44 X 14.00 GAL FWD
15.	968002-15I	PNL 5.69 X 14.00 GAL FWD
16.	968002-16	PNL 25.63 X 11.75 GAL - FWD
17.	968002-17	PNL 25.00 X 7.63 GAL ASSY FWD
18.	968002-18	DOOR 10.88 X 30.00 GAL FWD
19.	968002-19	DOOR 10.88 X 30.00 GAL ASSY FW
20.	968002-20	DOOR 25.13 X 7.69 GAL ASSY FWD
21.	381228-01	CATCH GRABBER DOOR C3-803
22.	382029-05	HANDLE-BAR 21.33" #3701-480-CR
23.	381607	HINGE ASSY-GRASS EURO-SAFARI
24.	*968002-27	PNL 24.50 X 17.75 - . CONV. M/W ONLY
25.	968002-31	PNL 10.88 X 9.00 GALL ASSY FWD
26.	968002-32	PNL 18.63 X 24.50 GAL ASSY FWD
27.	968002-33	DOOR 25.13 X 5.25 GAL ASSY FWD
28.	968021-04	DRAWER BOX ASSY 2.75 X 23.88 X 15.00
29.	968024	INSERT-CUTLERY DWR
	195329-202	HEMISPHERE CLEAR BUMP-ON 190 M
	382203-03	DRAWER SLIDE, SELF CLOSE
	382203-06	FRONT FIXING CLIPS

# 2014 INTERNATIONAL TRAVEL TRAILER

## FURNITURE, GALLEY

### FORWARD GALLEY ASSEMBLY, 30 SERENITY



Parts Listed on Next Page

# 2014 INTERNATIONAL TRAVEL TRAILER

## FURNITURE, GALLEY

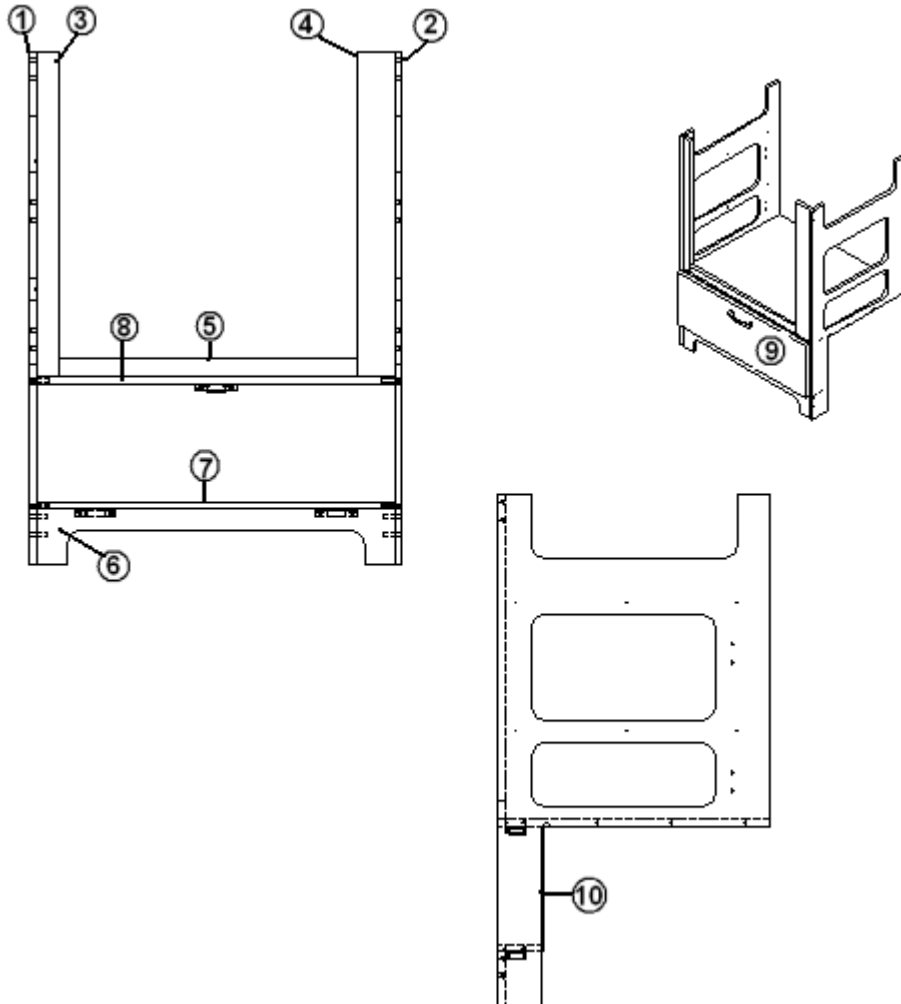
FORWARD GALLEY ASSEMBLY, 30 INTERNATIONAL. Serenity

	968002-15	Galley Assembly, Forward
	968002-0115	Galley Assembly, Forward w/Optional Convection Microwave
1.	968013-15	GAL SUB ASSY-FWD PNL 30 SIG
2.	968002-2	PNL 18.63 X 34.25 GAL ASSY FWD
3.	968002-3	PNL 18.63 X 34.25 GAL ASSY FWD
4.	968002-154	PNL 3.00 X 22.63 GAL ASSY FWD
5.	968002-155	PNL 3.00 X 24.50 GAL ASSY FWD
6.	968002-156	PNL 2.25 X 22.63 GAL ASSY FWD
7.	*968002-157	PNL 24.50 X 17.75 GAL ASSY FWD - STANDARD GALLEY ONLY
8.	968002-8	PNL 13.17 X 24.88 GAL ASSY FWD
9.	968002-9	PNL 18.63 X 24.88 GAL ASSY FWD
10.	968002-10	PNL 18.63 X 24.50 GAL ASSY FWD
11.	968002-11	PNL 8.00 X 24.50 GAL ASSY FWD
12.	968002-12	PNL 1.44 X 14.00 GAL ASSY FWD
13.	968002-13	PNL ASSY 5.69 X 14.00 GAL ASSY
14.	968002-14	PNL 1.44 X 14.00 GAL FWD
15.	968002-15I	PNL 5.69 X 14.00 GAL FWD
16.	968002-16	PNL 25.63 X 11.75 GAL - FWD
17.	968002-17	PNL 25.00 X 7.63 GAL ASSY FWD
18.	968002-1518	DOOR 10.88 X 30.00 GAL FWD
19.	968002-1519	DOOR 10.88 X 30.00 GAL ASSY FW
20.	968002-1520	DOOR 25.13 X 7.75 GAL ASSY FWD
21.	381228-01	CATCH GRABBER DOOR C3-803
22.	382115	PULL, FLAT BLACK
23.	381607	HINGE ASSY-GRASS EURO-SAFARI
24.	*968002-1527	PNL 24.50 X 17.75 - . CONV. M/W ONLY
25.	968002-31	PNL 10.88 X 9.00 GALL ASSY FWD
26.	968002-32	PNL 18.63 X 24.50 GAL ASSY FWD
27.	968002-1533	DOOR 25.13 X 5.25 GAL ASSY FWD
28.	968021-04	DRAWER BOX ASSY 2.75X23.88X15.00
29.	968024	INSERT-CUTLERY DWR
	382203-03	DRAWER SLIDE, SELF CLOSE
	382203-06	FRONT FIXING CLIPS
	195329-202	HEMISPHERE CLEAR BUMP-ON 190 M

# 2014 INTERNATIONAL TRAVEL TRAILER

## FURNITURE, GALLEY

### GALLEY ASSEMBLY, AFT WITH OVEN 30'



PARTS LISTED ON NEXT PAGE

# 2014 INTERNATIONAL TRAVEL TRAILER

## FURNITURE, GALLEY

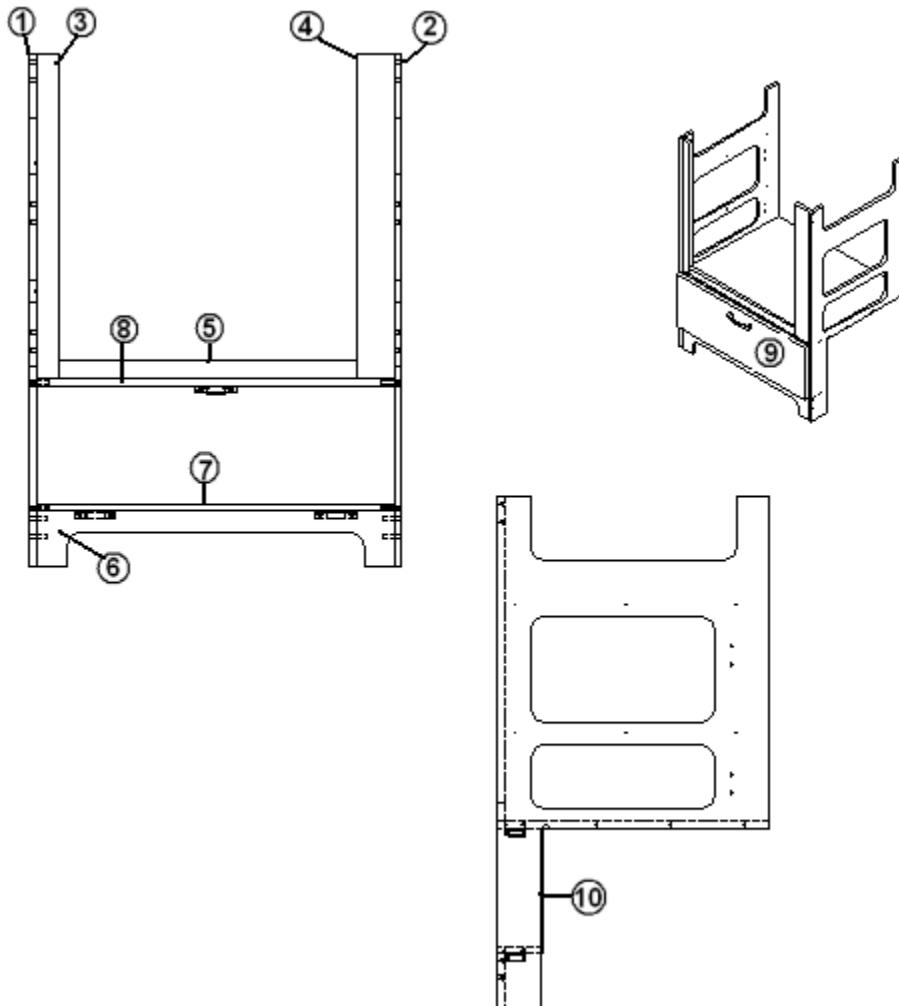
### GALLEY ASSEMBLY, AFT WITH OVEN 30'

- 968003 GALLEY ASSY-AFT W/OVEN - 30'
- 1. 968003-1 PANEL 18.63 X 34.25
- 2. 968003-2 PANEL 18.63 X 34.25
- 3. 968003-16 PANEL 1.69 X 18.88
- 4. 968003-17 PANEL 2.56 X 18.88
- 5. 968003-5 PANEL 24.50 X 2.25
- 6. 968003-6 PANEL 3.00 X 24.50
- 7. 968003-7 PANEL 3 X 24.5
- 8. 968003-8 PANEL 18.63 X 24.5
- 9. 968003-9 DOOR 25.13 X 11.13
- 10. 968003-10 PANEL 11.00 X 25.5
- 381228-01 CATCH GRABBER DOOR C3-803
- 382029-05 HANDLE-BAR 21.33" #3701-480-CR
- 381607 HINGE ASSY-GRASS EURO-SAFARI
- 365364-01 EDGEBANDING .63" EBONY WOODS
- 365364-02 EDGEBANDING .94" EBONY WOODS
- 203776 PLUG SQUARE FINISHING WHITE



# 2014 INTERNATIONAL TRAVEL TRAILER FURNITURE, GALLEY

## GALLEY ASSEMBLY, AFT WITH OVEN 30', SERENITY



PARTS LISTED ON NEXT PAGE

# 2014 INTERNATIONAL TRAVEL TRAILER

## FURNITURE, GALLEY

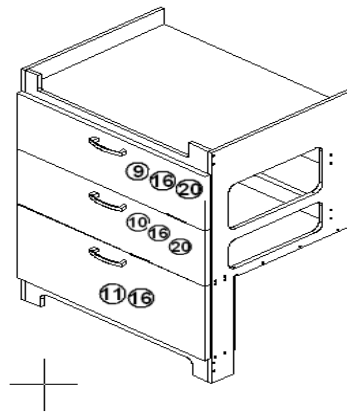
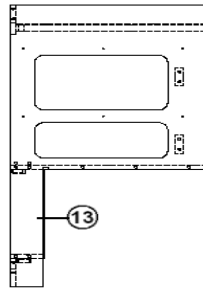
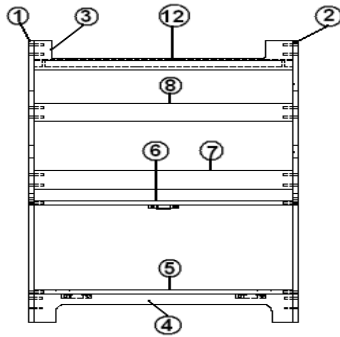
### GALLEY ASSEMBLY, AFT WITH OVEN 30', SERENITY

	968003-15	GALLEY ASSY-AFT W/OVEN
1.	968003-1	PANEL 18.63 X 34.25
2.	968003-2	PANEL 18.63 X 34.25
3.	968003-1516	PANEL 1.69 X 18.88
4.	968003-1517	PANEL 2.56 X 18.88
5.	968003-15	PANEL 24.5 X 2.25
6.	968003-156	PANEL 3 X 24.50
7.	968003-7	PANEL 3 X 24.50
8.	968003-8	PANEL 18.63 X 24.5
9.	968003-159	DOOR 25.13 X 11.13
10.	968003-10	PANEL, 11.00 X 25.5
	381228-01	CATCH GRABBER DOOR C3-803
	382029-05	HANDLE-BAR 21.33" #3701-480-CR
	381607	HINGE ASSY-GRASS EURO-SAFARI
	365344-01	EDGE BANDING- .63" PEARL BISQUE
	365344-02	EDGE BANDING- .94" PEARL BISQUE
	203776	PLUG SQUARE FINISHING WHITE

# 2014 INTERNATIONAL TRAVEL TRAILER

## FURNITURE, GALLEY

### GALLEY ASSEMBLY, AFT W/DRAWERS, 30' CONV. M/W OPTION

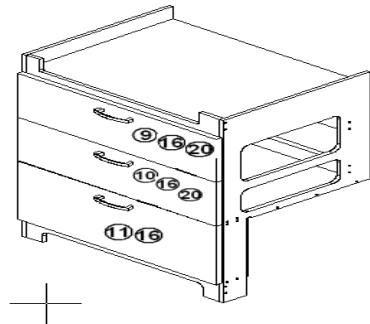
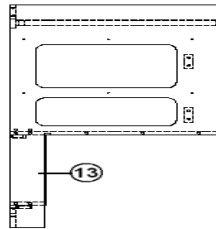
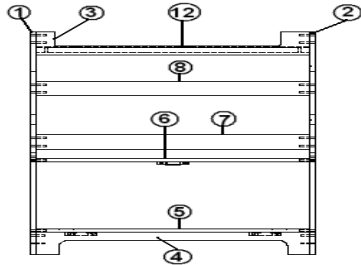


	968004	Galley, Aft w/Drawers, Conv. M/W Opt 30'
1.	968004-1	PNL-GAL 18.63X34.75
2.	968004-2	PNL-GAL 18.63X34.75
3.	968004-21	PNL-GAL 3.63 x 24.50
4.	968004-4	PNL-GAL 3.5X24.5
5.	968004-5	PNL-GAL 3X24.5
6.	968004-6	PNL-GAL 18.63X24.5
7.	968004-7	PNL-GAL 2.25X24.5
8.	968004-8	PNL-GAL 2.25X24.5
9.	968004-9	DOOR-GAL 25.13X8.25
10.	968004-10	DOOR-GAL 25.13X8.25
11.	968004-11	PNL-GAL 25.13X11.13
12.	968004-12	PNL-GAL 18.13X24.5
13.	968004-13	PNL-GAL 11X25.5
14.	800025-01	PINE 3/4" X 3/4" STAINED
15.	381228-01	CATCH GRABBER DOOR C3-803
16.	382029-05	HANDLE-BAR 21.33" #3701-480-CR
17.	381607	HINGE ASSY-GRASS EURO-SAFARI
18.	320006	SCREW SHEET METAL 8X3/4 BH PHI
19.	345001-08	MACH SCREW #8-32 X 1" REC TRUS
20.	365364-01	EDGE BANDING- .63" EBONY WOODS
21.	365364-02	EDGE BANDING- .94" EBONY.WOODS
22.	968020-07	DWR BOX ASSY-5.00X23.88X15.00
	382203-03	DWR SLIDE, SELF CLOSE
	382203-06	FRONT FIXING CLIPS

# 2014 INTERNATIONAL TRAVEL TRAILER

## FURNITURE, GALLEY

GALLEY ASSEMBLY, AFT W/DRAWERS, 30' CONV. M/W OPTION - SERENITY



<p>968004-15</p> <p>1. 968004-1</p> <p>2. 968004-2</p> <p>3. 968004-1521</p> <p>4. 968004-154</p> <p>5. 968004-5</p> <p>6. 968004-6</p> <p>7. 968004-7</p> <p>8. 968004-8</p> <p>9. 968004-159</p> <p>10. 968004-1510</p> <p>11. 968004-1511</p> <p>12. 968004-12</p> <p>13. 968004-13</p> <p>14. 800025-01</p> <p>15. 381228-01</p> <p>16. 382115</p> <p>17. 381607</p> <p>18. 320006</p> <p>19. 345001-08</p> <p>20. 365344-01</p> <p>21. 365344-02</p> <p>22. 968020-07</p> <p>    382203-03</p> <p>    382203-06</p>	<p>Galley, Aft w/Drawers, Conv. M/W Opt. 30' Serenity</p> <p>PNL-GAL 18.63X34.75</p> <p>PNL-GAL 18.63X34.75</p> <p>PNL-GAL 3.63 x 24.50</p> <p>PNL-GAL 3.5X24.5</p> <p>PNL-GAL 3X24.5</p> <p>PNL-GAL 18.63X24.5</p> <p>PNL-GAL 2.25X24.5</p> <p>PNL-GAL 2.25X24.5</p> <p>DOOR-GAL 25.13X8.25</p> <p>DOOR-GAL 25.13X8.25</p> <p>PNL-GAL 25.13X11.13</p> <p>PNL-GAL 18.13X24.5</p> <p>PNL-GAL 11X25.5</p> <p>PINE 3/4" X 3/4" STAINED</p> <p>CATCH GRABBER DOOR C3-803</p> <p>PULL, FLAT BLACK</p> <p>HINGE ASSY-GRASS EURO-SAFARI</p> <p>SCREW SHEET METAL 8X3/4 BH PHI</p> <p>MACH SCREW #8-32 X 1" REC TRUS</p> <p>EDGEBANDING- .63" PEARL BISQUE</p> <p>EDGEBANDING- .94" PEARL BISQUE</p> <p>DWR BOX ASSY-5.00X23.88X15.00</p> <p>DWR SLIDE, SELF CLOSE</p> <p>FRONT FIXING CLIPS</p>
--------------------------------------------------------------------------------------------------------------------------------------------------------------------------------------------------------------------------------------------------------------------------------------------------------------------------------------------------------------------------------------------------------------------------------------------------------------------------------------------------------------------------	----------------------------------------------------------------------------------------------------------------------------------------------------------------------------------------------------------------------------------------------------------------------------------------------------------------------------------------------------------------------------------------------------------------------------------------------------------------------------------------------------------------------------------------------------------------------------------------------------------------------------------------------------------------------------------------------------------------------------------------------------------------------------------------------

# 2014 INTERNATIONAL TRAVEL TRAILER

## FURNITURE, GALLEY

GALLEY TOP ASSEMBLY, 30'



968001-01	GALLEY TOP ASSEMBLY
968001-02	GALLEY TOP ASSEMBLY, SERENITY
602356-01	GALLEY TOP ONLY - CORIAN ECRU
602356-05	GALLEY TOP ONLY - CORIAN BRONZITE, SERENITY
602356-06	GALLEY TOP ONLY - CORIAN SORREL, SERENITY SORREL REPLACED BRONZITE ON SERENITY UNITS MFG. ON OR AFTER 9/9/2013.
114812	ALUM. ANGLE 1.00 X 1.00
115064	TRIM-ALUM COUNTER TOP
601806	SINK STAINLESS STEEL - ROUND
602310	FAUCET, GALLEY, 1 HANDLE, PULL OUT
602137	SHUT OFF VALVE (2 PER USED WITH 602310 FAUCET)
602256-02	ADAPTER, MALE POLY .5" BARB X .5" MPT
601714-01	TAIL PIECE 1 1/2 X 4" (GALLEY DRAIN)
601714-02	1 1/2" SLIP NUT W/WINGS
601714-03	1 1/2" BLACK RUBBER WASHER



# 2014 INTERNATIONAL TRAVEL TRAILER

## FURNITURE, GALLEY

### PANTRY ASSEMBLY, SLIDE-OUT, 30'

967529	PANTRY ASSY - SLIDEOUT
1. 967529-1	PANEL PANTRY 25.88 X 78.17
2. 967529-2	PANEL PANTRY 7.25 X 2.25
3. 967529-3	PANEL PANTRY 4 X 6.75
4. 967529-4	PANEL PANTRY 13.5 X 7.25
5. 967529-5	PANEL PANTRY 23.25 X 7.25
6. 967529-6	PANEL PANTRY 25.5 X 7.25
7. 967529-7	PANEL PANTRY 5.38 X 3.75
8. 967529-8	PANEL PANTRY 5.38 X 3.75
9. 967529-9	PANEL PANTRY 30.82 X 78.77
10. 967529-10	PANEL PANTRY 2.25 X 77.75
11. 967529-11	PANEL PANTRY 7.25 X 10.88
12. 967529-12	PANEL PANTRY 7.25 X 45.63
13. 967304-01	DOOR ASSY-RADIUS 18.75"
14. 967304-02	DOOR ASSY-RADIUS 58"
15. 382044	HANDLE-BRUSHED NICKEL
16. 381228-01	CATCH GRABBER DOOR C3-803
17. 381607	HINGE ASSY-GRASS EURO-SAFARI
18. 381408	LOCK, PUSH, BUTTON STYLE, BLAC
19. 381551-01	PANTRY RACK 1.5"W X 45"H WHITE
20. 381551-02	WIRE BASKET 4" WIDE WHITE
21. 365364-01	EDGEBANDING- .63" E.WOODS
22. 365364-02	EDGEBANDING- .94" E.WOODS
23. 203138-05	EXTRUSION-PLASTIC 1/2" WALL BLACK
24. 203464	TRIM, PANEL BLACK 3/4"
25. 382057	KNOCKDOWN-8MM #16289B
26. 320151	SCREW #6 X 3/4" ROUND WASHER H
27. 967529-27	PANEL PANTRY 3.5 X 20.5





# 2014 INTERNATIONAL TRAVEL TRAILER

## FURNITURE, GALLEY

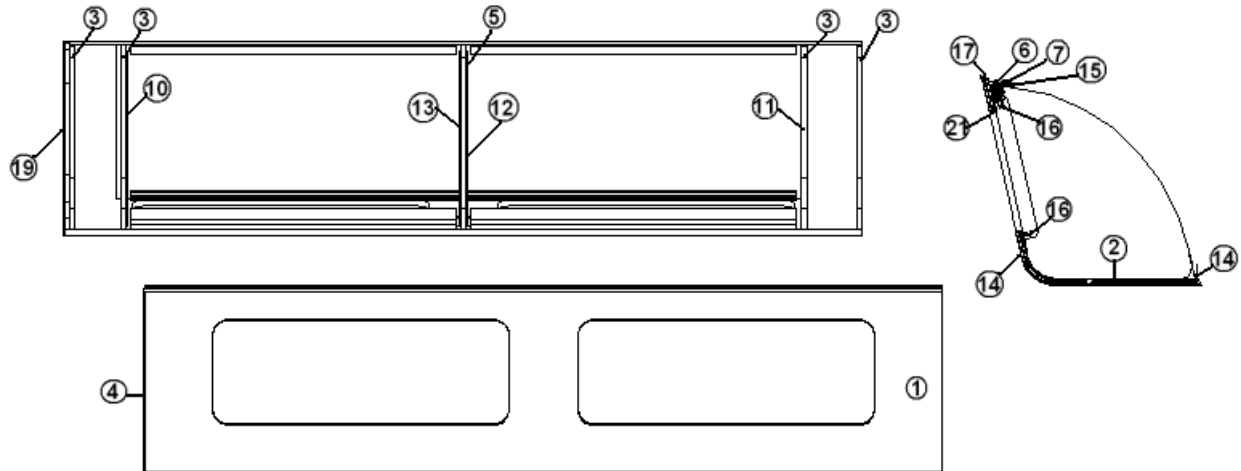
### PANTRY ASSEMBLY, SLIDE-OUT, 30', Serenity

967529-15	PANTRY ASSY - SLIDEOUT
1. 967529-151	PANEL PANTRY 25.88 X 78.17
2. 967529-152	PANEL PANTRY 7.25 X 2.25
3. 967529-3	PANEL PANTRY 4 X 6.75
4. 967529-4	PANEL PANTRY 13.5 X 7.25
5. 967529-5	PANEL PANTRY 23.25 X 7.25
6. 967529-6	PANEL PANTRY 25.5 X 7.25
7. 967529-7	PANEL PANTRY 5.38 X 3.75
8. 967529-8	PANEL PANTRY 5.38 X 3.75
9. 967529-159	PANEL PANTRY 30.82 X 78.77
10. 967529-10	PANEL PANTRY 2.25 X 77.75
11. 967529-11	PANEL PANTRY 7.25 X 10.88
12. 967529-12	PANEL PANTRY 7.25 X 45.63
13. 967304-01	DOOR ASSY-RADIUS 18.75"
14. 967304-02	DOOR ASSY-RADIUS 58"
15. 382115	PULL, FLAT BLACK #M575
16. 381228-01	CATCH GRABBER DOOR C3-803
17. 381607	HINGE ASSY-GRASS EURO-SAFARI
18. 381408	LOCK, PUSH, BUTTON STYLE, BLAC
19. 381551-01	PANTRY RACK 1.5"W X 45"H WHITE
20. 381551-02	WIRE BASKET 4" WIDE WHITE
21. 365344-01	EDGE BANDING- .63" PEARL BISQUE
22. 365344-02	EDGE BANDING- .94" PEARL BISQUE
23. 203138-03	EXTRUSION-PLASTIC 1/2" WALL BEIGE
24. 203464	TRIM, PANEL BLACK 3/4"
25. 382057	KNOCKDOWN-8MM #16289B
26. 320151	SCREW #6 X 3/4" ROUND WASHER H
27. 967529-27	PANEL PANTRY 3.5 X 20.5

# 2014 INTERNATIONAL TRAVEL TRAILER

## FURNITURE, GALLEY

### GALLEY ROOFLOCKER ASSEMBLY, 30'

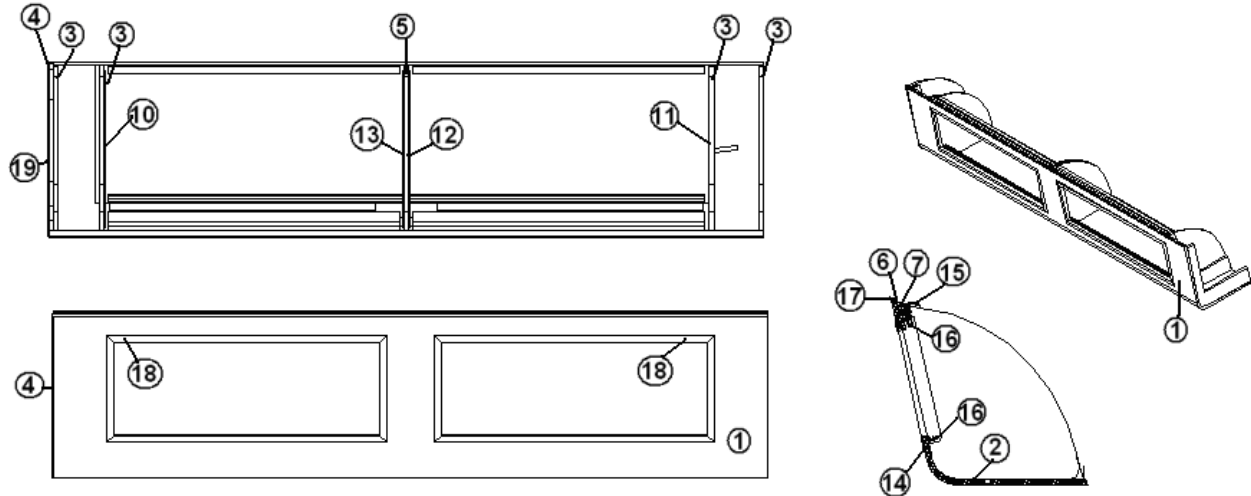


967626	ROOFLOCKER ASSY. - GALLEY 30'
1. 801878	FACE - GALLEY ROOFLOCKER
2. 967626-2	PANEL- 17.25 X 67.25
3. 801878-02	DIVIDER-PARTIAL
4. 967626-4	PANEL 17.15 X 18.21
5. 967626-5	PANEL 16.9 X 17.78
6. 800506-04	PLYWOOD,1/2"- 1.5 X 31.67
7. 800506-04	PLYWOOD,1/2"- 1.5 X 31.67
8. 800506-04	PLYWOOD,1/2"- 1.5 X 31.67
9. 800506-04	PLYWOOD,1/2"- 1.5 X 31.67
10. 801539-01	DIVIDER-GALLEY LOCKER LH
11. 801539-02	DIVIDER-GALLEY LOCKER RH
12. 801539-07	DIVIDER-.LH CNT
13. 801539-08	DIVIDER-.RH CNT
14. 115227-05	ANGLE-FORMED R/L SUPP. 31.67"
15. 104821	SUPPORT, ROOFLOCKER, 74"
16. 203388	TRACK-SLIDING DOOR
17. 201673	REVERSE COVE MOLDING, WHITE, P
203749-08	DOOR-PLEX.SLIDING 11.31"X 30"
703991	PILE SEAL WEATHER STRIP
382149	FINGER PULL, SATIN NICKEL

# 2014 INTERNATIONAL TRAVEL TRAILER

## FURNITURE, GALLEY

### GALLEY ROOFLOCKER ASSEMBLY 30' Serenity



- |               |                                       |
|---------------|---------------------------------------|
| 967627        | ROOFLOCKER ASSY - GALLEY 30' SERENITY |
| 1. 801879     | FACE - GALLEY R/L                     |
| 2. 967627-2   | PANEL-GALLLEY R/L 17.25X67.25         |
| 3. 3801879-02 | DIVIDER-PARTIAL GAL R/L               |
| 4. 967627-4   | PANEL-GAL R/L 17.15X18.21             |
| 5. 967627-5   | PANEL-GAL R/L 16.9X17.78              |
| 6. 800506-04  | PLYWOOD, 1/2"X4'X8'                   |
| 7. 800506-04  | PLYWOOD, 1/2"X4'X8'                   |
| 8. 801539-01  | DIVIDER-GALLEY LOCKER LH              |
| 9. 801539-02  | DIVIDER-GALLEY LOCKER                 |
| 10. 801539-07 | DIVIDER-R/L GAL.LH CNT                |
| 11. 801539-08 | DIVIDER-R/L GAL.RH CNT                |
| 12. 115227-05 | ANGLE-FORMED R/L SUPP. 31.67"         |
| 13. 104821    | SUPPORT, ROOFLOCKER, 74"              |
| 14. 203388    | TRACK-SLIDING DOOR                    |
| 15. 201673    | REVERSE COVE MOLDING, WHITE,          |
| 16. 703991    | PILE SEAL WEATHER STRIP               |
| 382114        | KNOB-BRUSH.SATIN NICKEL #M576         |
| 203677-03     | DOOR-MARI 11.31X30                    |

2014 INTERNATIONAL TRAVEL TRAILER  
FURNITURE, GALLEY

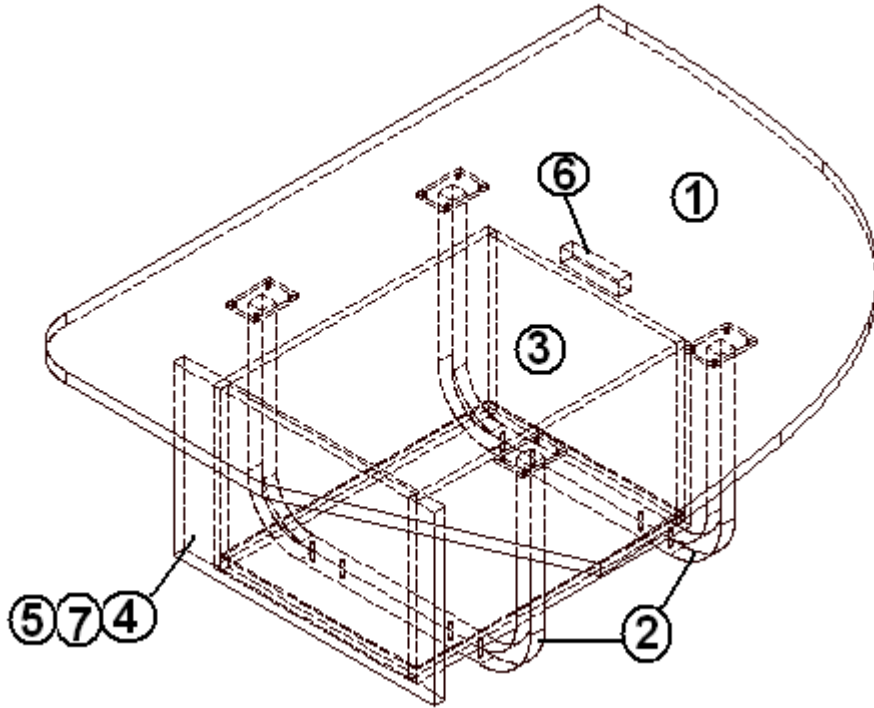
MAGAZINE RACK

386106-01	Magazine rack
386107	Magazine rack rod

# 2014 INTERNATIONAL TRAVEL TRAILER

## FURNITURE, LOUNGE

Dinette Seat, 19', Signature, Curbside, Wenge

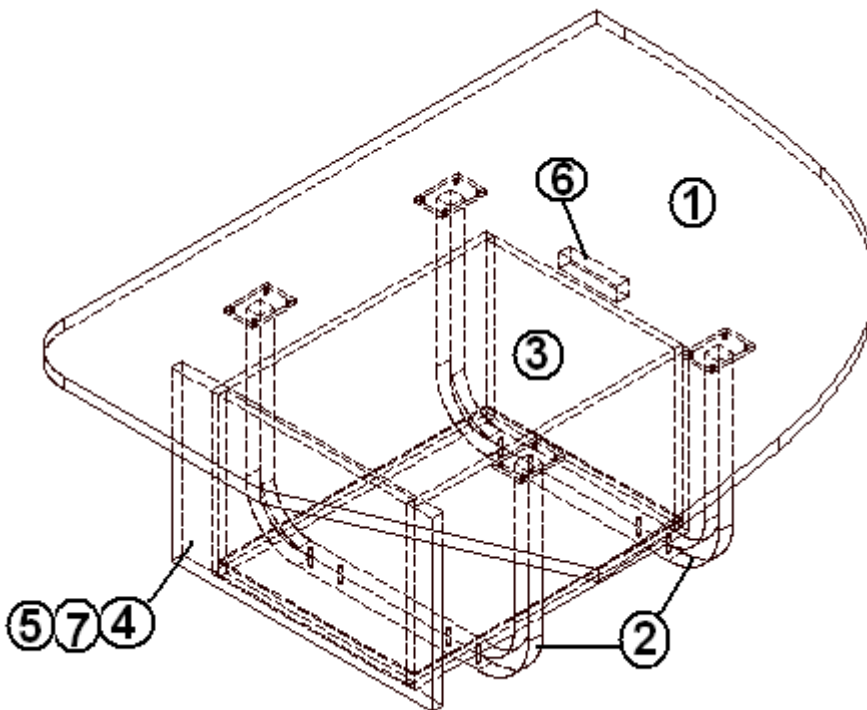


966961	SEAT ASSY, CS DINETTE
1. 966961-1	PANEL, 32.88 X 39.68"
2. 454177	LEG, DINETTE ALUM
3. 964909-11	DRAWER BOX ASSY, 10" X 14.00 X 19
4. 966961-4	PANEL, 18 X 11.5
5. 381833-01	DRAWER SLIDE, UNDER SHELF 18"PR
6. 800581-01	LUMBER, OAK, 13/16 X 1.5
7. 381074	CATCH BULL DOG

# 2014 INTERNATIONAL TRAVEL TRAILER

## FURNITURE, LOUNGE

Dinette Seat, 19', Signature, Curbside, Serenity

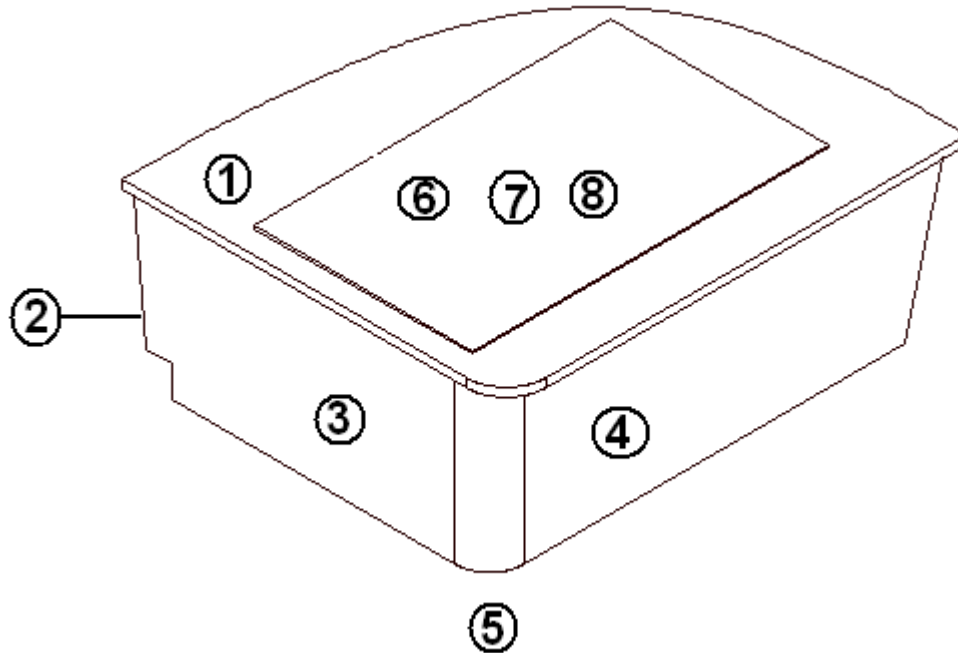


- |               |                                        |
|---------------|----------------------------------------|
| 966961-15     | SEAT ASSY, CS DINETTE                  |
| 1. 966961-151 | PANEL, 32.88 X 39.68                   |
| 2. 454177     | LEG, DINETTE ALUM                      |
| 3. 964909-11  | DRAWER BOX ASSY, 10" X 14.00 X 19      |
| 4. 966961-154 | PANEL, 18 X 11.5                       |
| 5. 381833-01  | DRAWER SLIDE, UNDER SHELF 18"PR        |
| 6. 800025-01  | PINE $\frac{3}{4}$ " X $\frac{3}{4}$ " |
| 7. 381074     | CATCH BULL DOG                         |

# 2014 INTERNATIONAL TRAVEL TRAILER

## FURNITURE, LOUNGE

Dinette Seat, 19', Signature, Roadside, Wenge

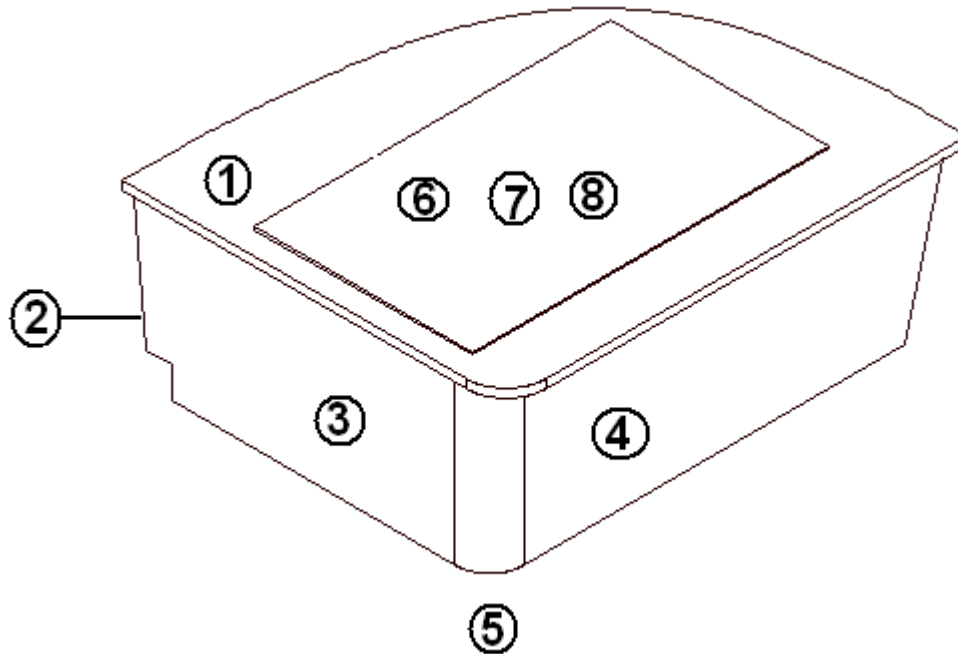


966962	SEAT, ROADSIDE DINETTE
1. 966962-1	PANEL, 33.44 X 40.19
2. 966964	SUB ASSY-RS DINETTE
3. 966964-1	RS DIN SUB ASSY, 28 X 13.88
4. 966964-2	RS DIN SUB ASSY-37.03 X 13.88
5. 801345	RADIUS PLYWOOD, .75"X 3"X 8'
6. 966962-5	LUAN PANEL, 31.13 X 19
7. 966962-6	LUAN PANEL, 28.75 X 16.88
8. 701538-01	CARPET-ECONOLIER

# 2014 INTERNATIONAL TRAVEL TRAILER

## FURNITURE, LOUNGE

Dinette Seat, 19', Signature, Roadside, Serenity



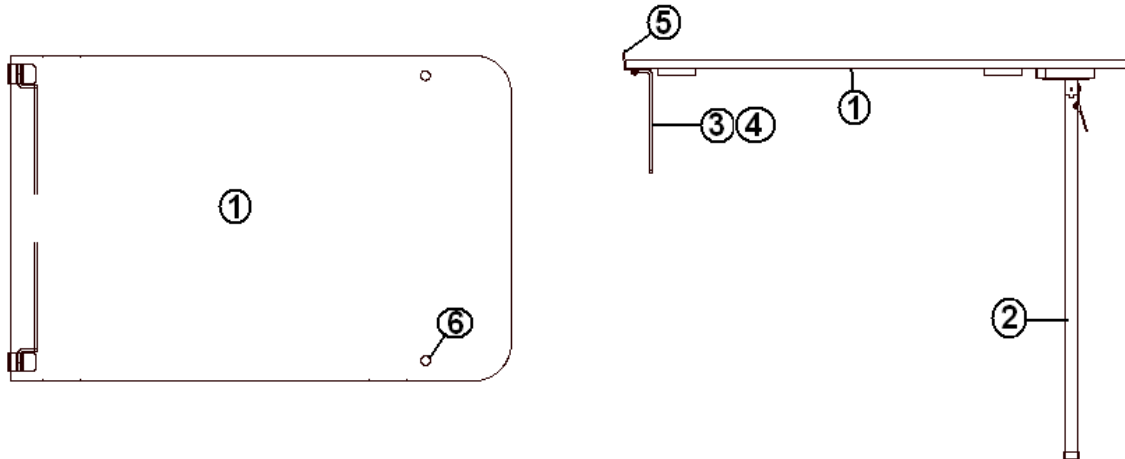
966962-15	SEAT, ROADSIDE DINETTE
1. 966962-1	PANEL, 33.44 X 40.19
2. 966964	SUB ASSY-RS DINETTE
3. 966964-1	RS DIN SUB ASSY, 28 X 13.88
4. 966964-2	RS DIN SUB ASSY-37.03 X 13.88
5. 801345	RADIUS PLYWOOD, .75"X 3"X 8'
6. 966962-5	LUAN PANEL, 31.13 X 19
7. 966962-6	LUAN PANEL, 28.75 X 16.88
8. 701538-01	CARPET-ECONOLIER



# 2014 INTERNATIONAL TRAVEL TRAILER

## FURNITURE, LOUNGE

Dinette Table, 19', Signature, Sand Crystal

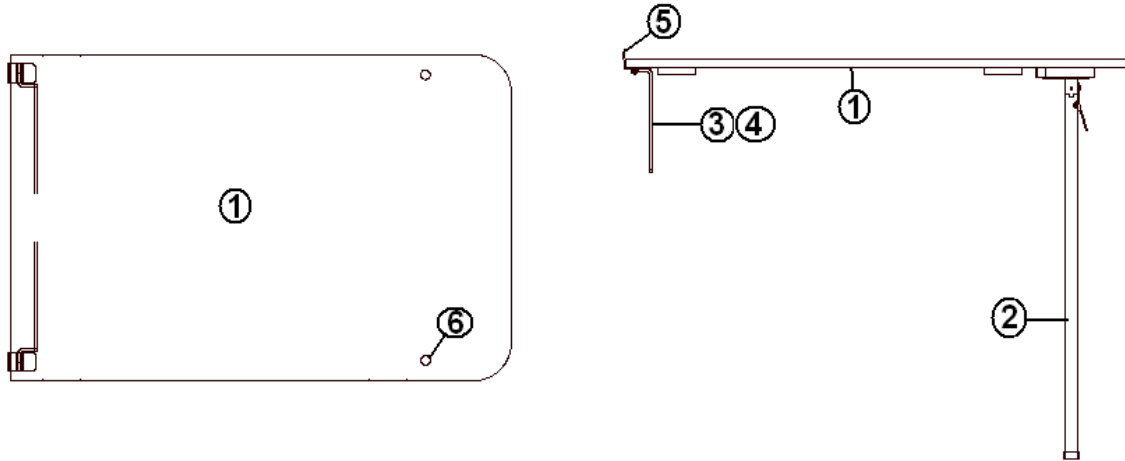


- |              |                                    |
|--------------|------------------------------------|
| 967153       | TABLE ASSY, DINETTE                |
| 1. 967153-1  | TABLE TOP, 26" X 40", SAND CRYSTAL |
| 2. 382177    | LEG, TABLE FOLDING                 |
| 3. 380284-02 | TABLE HINGE BRACKET                |
| 4. 380284-03 | TABLE HINGE BRACKETS               |
| 5. 340018    | CATCH PLATE J-1                    |
| 6. 381136    | RUBBER BUMPER                      |

# 2014 INTERNATIONAL TRAVEL TRAILER

## FURNITURE, LOUNGE

Dinette Table, 19', Signature, Serenity

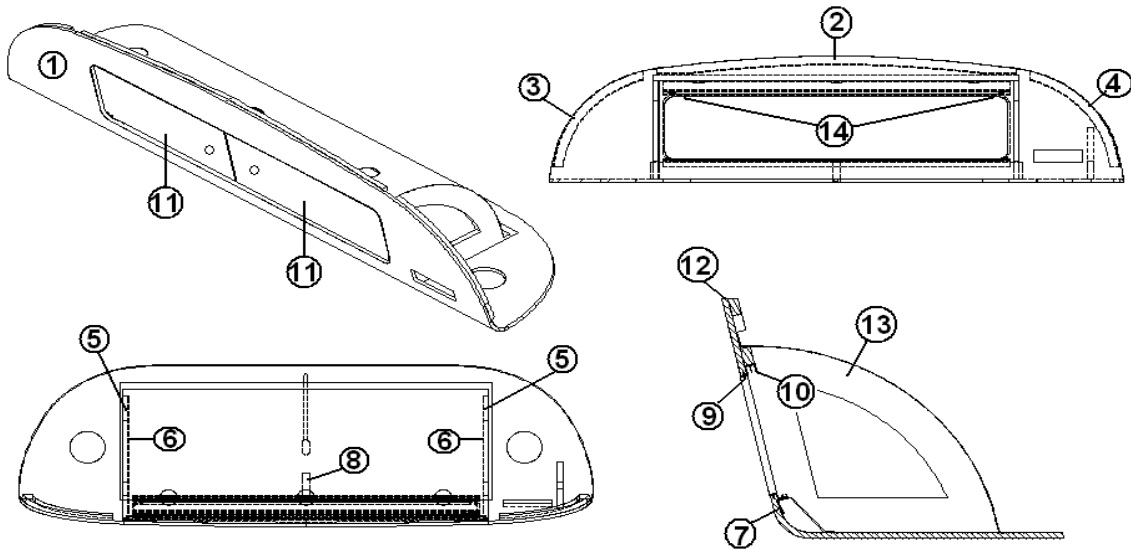


967153-15	TABLE ASSY, DINETTE, SERENITY
1. 967153-151	TABLE TOP, 26" X 40", SERENITY
2. 382177	LEG, FOLDING
3. 380284-02	TABLE HINGE BRACKET
4. 380284-03	TABLE HINGE BRACKETS
5. 340018	CATCH PLATE J-1
6. 381136	RUBBER BUMPER

# 2014 INTERNATIONAL TRAVEL TRAILER

## FURNITURE, LOUNGE

Roof Locker, 19', 23' D, Signature, Front End

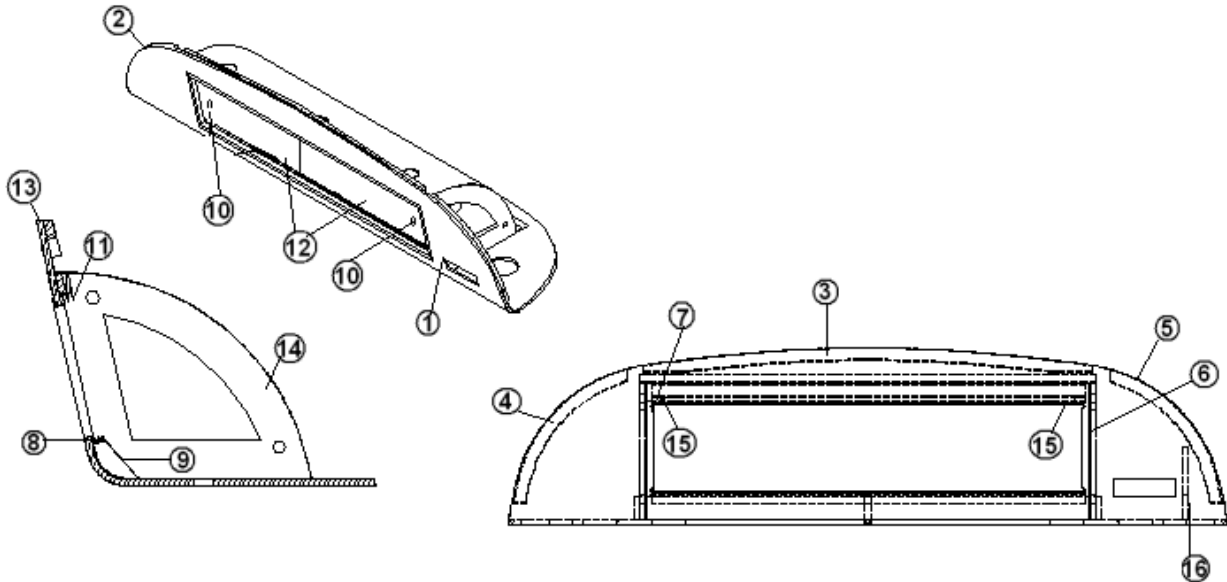


1.	966942	LINER LOCKER ASSY
2.	801731	FACE-LINER LOCKER NB FRONT
3.	801596-01	BACKER, LINER LOCKER CENTER
4.	801596-02	BACKER, LINER LOCKER LH
5.	801596-03	BACKER, LINER LOCKER RH
6.	801594	DIVIDER, LINER LOCKER
7.	801595	DIVIDER LINER LOCKER
8.	115261-02	ANGLE FORMED, TRACK SUPPORT
9.	115226-01	BACKET, FORMED LOCKER
10.		SUPPORT
11.	203445-01	T-MOLDING, 5625", WHITE
12.	203388	TRACK, SLIDING DOOR
13.	203749-09	DOOR, PLEXIGLASS, 11.31" x 26.25
14.	201673	REVERSE COVE MOLDING, WHITE
	115264-02	PAN, LINER LOCKER
	703991	PILE SEAL WEATHER STRIP
	801595-10	DIVIDER, LINER W/BLUERAY PLAYER
	511314	BUSHING UNIVERSAL 1" I.D. BLK
	967741	BLUE RAY SHELF ASSY.
	382149	PULL, FINGER, SATIN NICKEL
	512577	BUSHING STRAIN RELIEF

# 2014 INTERNATIONAL TRAVEL TRAILER

## FURNITURE, LOUNGE

Roof Locker, 19', 23' D, Signature, Front End, SERENITY



967549-15

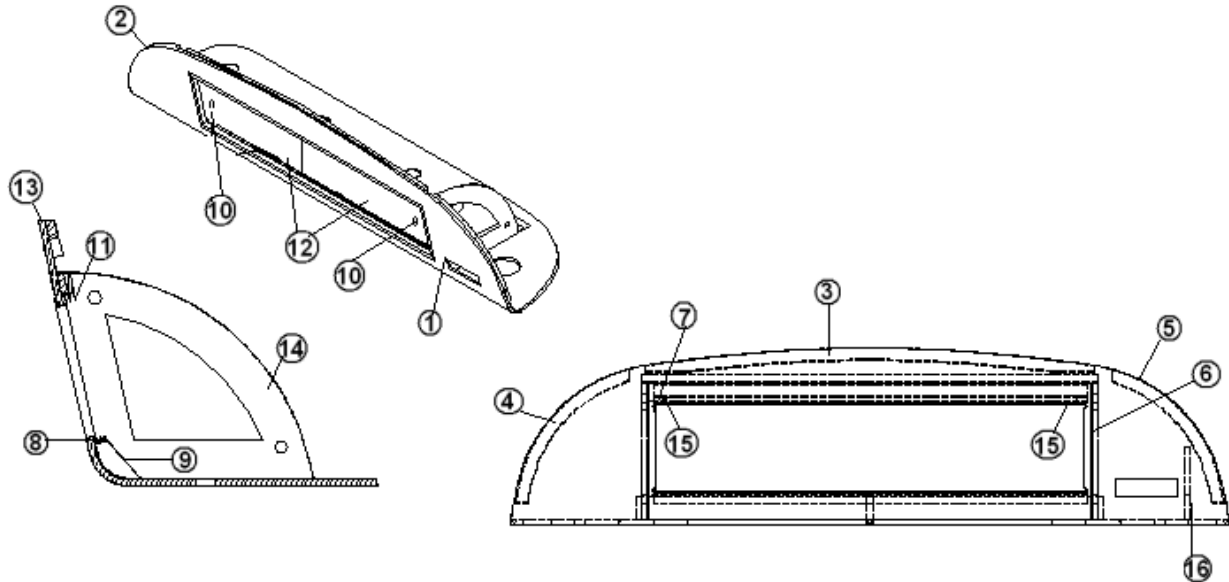
ROOFLOCKER ASSY-NB FRONT

- |               |                                |
|---------------|--------------------------------|
| 1. 801826     | FACE- FRT R/L I19VE            |
| 2. 801355-01  | LAM-FROST WHT 4'X8'VERT #1573- |
| 3. 801596-01  | BACKER W/B LINER LOCKER CTR    |
| 4. 801596-02  | BACKER LINER LOCKER LH         |
| 5. 801596-03  | BACKER, LINER LOCKER RH        |
| 6. 801594     | DIVIDER-LINER LOCKER           |
| 7. 801595     | DIVIDER LINER LOCKER CCD       |
| 8. 114812     | ALUM. ANGLE 1.00 X 1.00        |
| 9. 115226-01  | BRACKET, FORMED LOCKER CTR SUP |
| 10. 382114    | KNOB-BRUSH.SATIN NICKEL #M576  |
| 11. 203388    | TRACK-SLIDING DOOR             |
| 12. 203677-02 | DOOR-MARI 11.31X26.25          |
| 13. 201673    | REVERSE COVE MOLDING, WHITE, P |
| 14. 115264-02 | PAN-LINER LOCKER N/B           |
| 15. 703991    | PILE SEAL WEATHER STRIP        |
| 16. 801595-10 | DIVIDER-LINER W/BLUERAY PLAYER |
| 968049        | BLUERAY SHELF ASSEMBLY         |

# 2014 INTERNATIONAL TRAVEL TRAILER

## FURNITURE, LOUNGE

### Roof Locker, 23FB, Front End, SERENITY

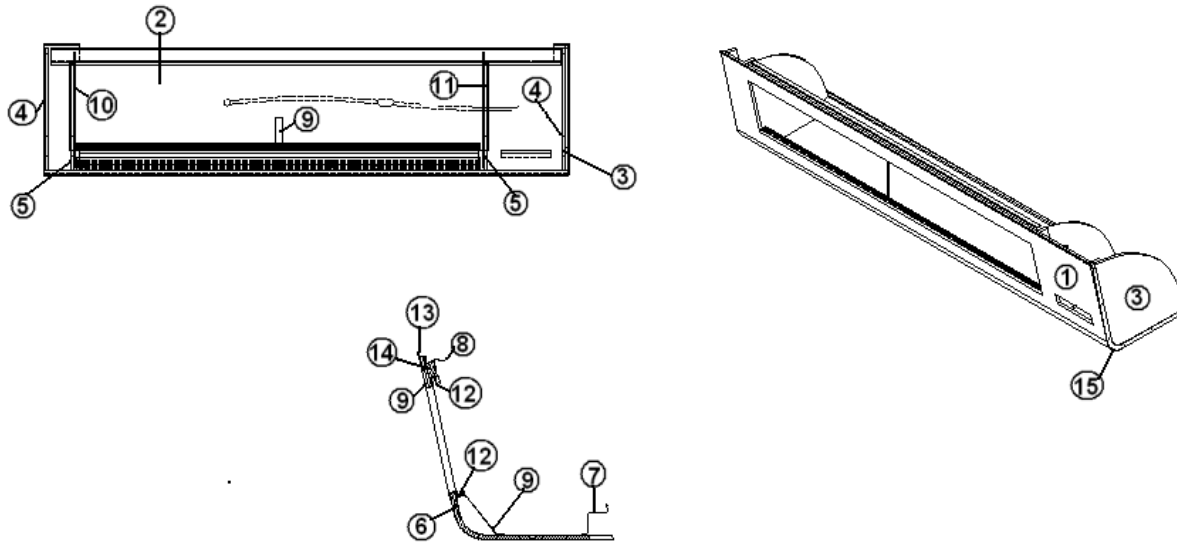


- |               |                                  |
|---------------|----------------------------------|
| 967646        | ROOFLOCKER ASSY, FRONT 23 FB     |
| 1. 801888     | FACE- FRONT ROOFLOCKER           |
| 2. 801355-01  | LAMINATE, FROSTY WHITE, VERTICAL |
| 3. 801596-01  | BACKER W/B LINER LOCKER CTR      |
| 4. 801596-02  | BACKER LINER LOCKER LH           |
| 5. 801596-03  | BACKER, LINER LOCKER RH          |
| 6. 801594     | DIVIDER-LINER LOCKER             |
| 7. 801595     | DIVIDER LINER LOCKER CCD         |
| 8. 114812     | ALUM. ANGLE 1.00 X 1.00          |
| 9. 115226-01  | BRACKET, FORMED LOCKER CTR SUP   |
| 10. 382114    | KNOB-BRUSH.SATIN NICKEL #M576    |
| 11. 203388    | TRACK-SLIDING DOOR               |
| 12. 203677-03 | DOOR-MARI 11.31X30.00'           |
| 13. 201673    | REVERSE COVE MOLDING, WHITE,     |
| 14. 115264-02 | PAN-LINER LOCKER N/B             |
| 15. 703991    | PILE SEAL WEATHER STRIP          |
| 16. 801710    | SUPPORT DIVIDER                  |

# 2014 INTERNATIONAL TRAVEL TRAILER

## FURNITURE, LOUNGE

### Roof Locker, 23FB, Dinette, SERENITY

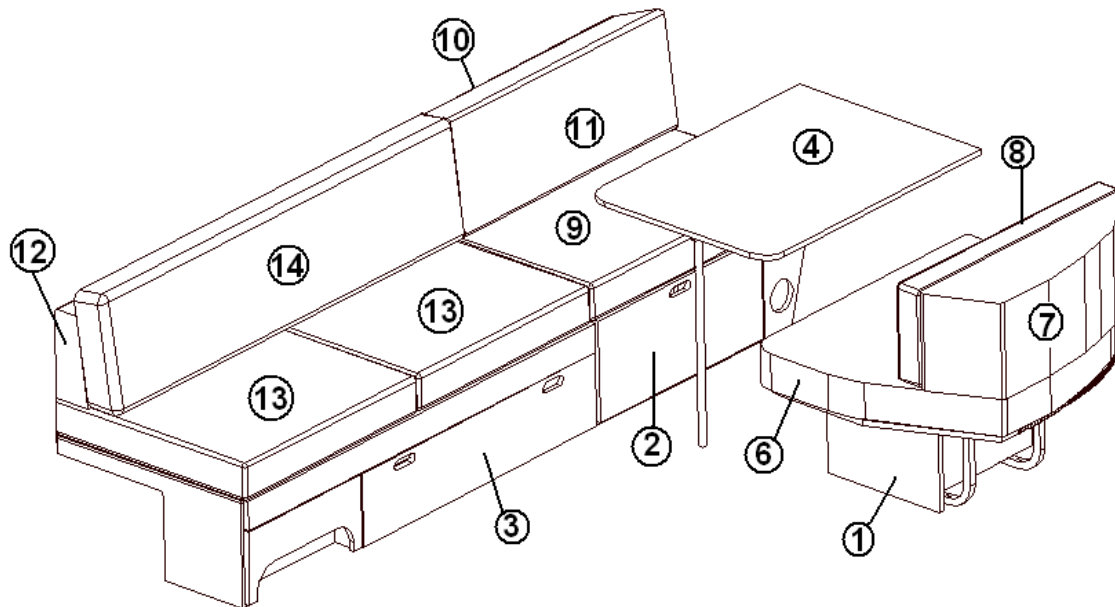


967636	ROOFLOCKER ASSY- DINETTE 23 Frt. Bed, SERENITY
1. 801883	FACE - DINETTE ROOFLOCKER
2. 801438	LAMINATE-WHITELINER
3. 967636-3	PANEL-DINNETT R/L 17.15" X 18.21"
4. 801883-02	DIVIDER - DIN R/L RH
5. 801883-03	DIVIDER - DIN R/L RH
6. 115227-01	ANGLE-FORMED-LOCKER TRACK SUPPORT
7. 115228-04	CLOSEOUT-BLIND 74"
8. 104821	SUPPORT, ROOFLOCKER, 74"
9. 115226	BRACKET-FORMED-LOCKER CTR SUPP
10. 801540-01	DIVIDER-DINETTE LOCKER LH
11. 801540-05	DIVIDER-DINETTE LOCKER W/RADIO, RH
12. 203388	TRACK-SLIDING DOOR
13. 201673	REVERSE COVE MOLDING, WHITE
14. 800028	PINE, 3/4" X 1-1/2"
115375	EXTR.-FORMED ROOFLOCKER END
703991	PILE SEAL WEATHER STRIP
382114	KNOB-BRUSH.SATIN NICKEL #M576
203677-03	DOOR-MARI 11.31X30
115064	TRIM-ALUM COUNTER TOP INT
968051	BLUE RAY SHELF ASSY.

# 2014 INTERNATIONAL TRAVEL TRAILER

## FURNITURE, LOUNGE

### Dinette/Sofa Assembly, 23' D Signature

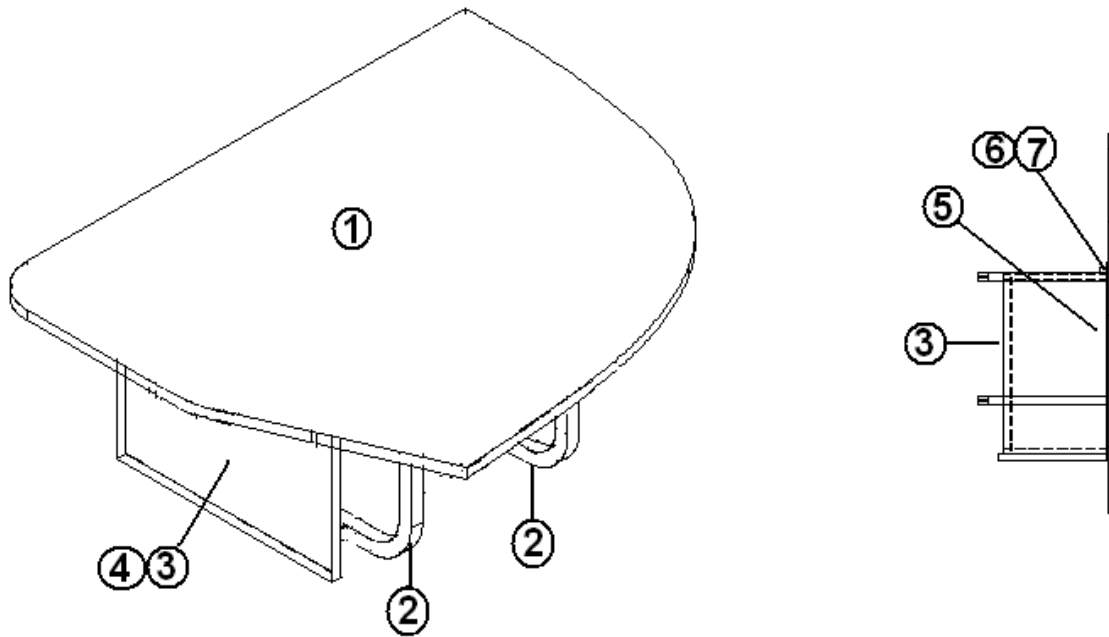


- |               |                                                         |
|---------------|---------------------------------------------------------|
| 1. 966928     | SEAT ASSY. CS DINETTE                                   |
| 1. 966928-15  | SEAT ASSY. CS DINETTE, SERENITY                         |
| 2. 966930     | SEAT ASSY., RS DINETTE                                  |
| 2. 966930-15  | SEAT ASSY. RS DINETTE - 23D, SERENITY                   |
| 3. 966929     | SOFA ASSY.                                              |
| 3. 966929-15  | SOFA ASSY, SERENITY                                     |
| 4. 967154     | TABLE ASSY., DINETTE                                    |
| 4. 967154-15  | TABLE ASSY., DINETTE, SERENITY 23'                      |
| 5. 704067-113 | FOAM/FABRIC KIT- MOJAVE                                 |
| 5. 704067-104 | FOAM/FABRIC KIT - FLINT                                 |
| 5. 704067-141 | FOAM/FABRIC KIT- SOY BROWN                              |
| 5. 704067-180 | FOAM/FABRIC KIT- MINT GREEN                             |
| 5. 703883T    | KIT DINETTE/LOUNGE FOAM/FABRIC - ULTRA LEATHER 23D      |
| 5. 703883BR   | KIT DINETTE/LOUNGE FOAM/FABRIC - ULTRA LEATHER-ESPRESSO |

# 2014 INTERNATIONAL TRAVEL TRAILER

## FURNITURE, LOUNGE

### Dinette Seat, 23' D Signature, Curbside



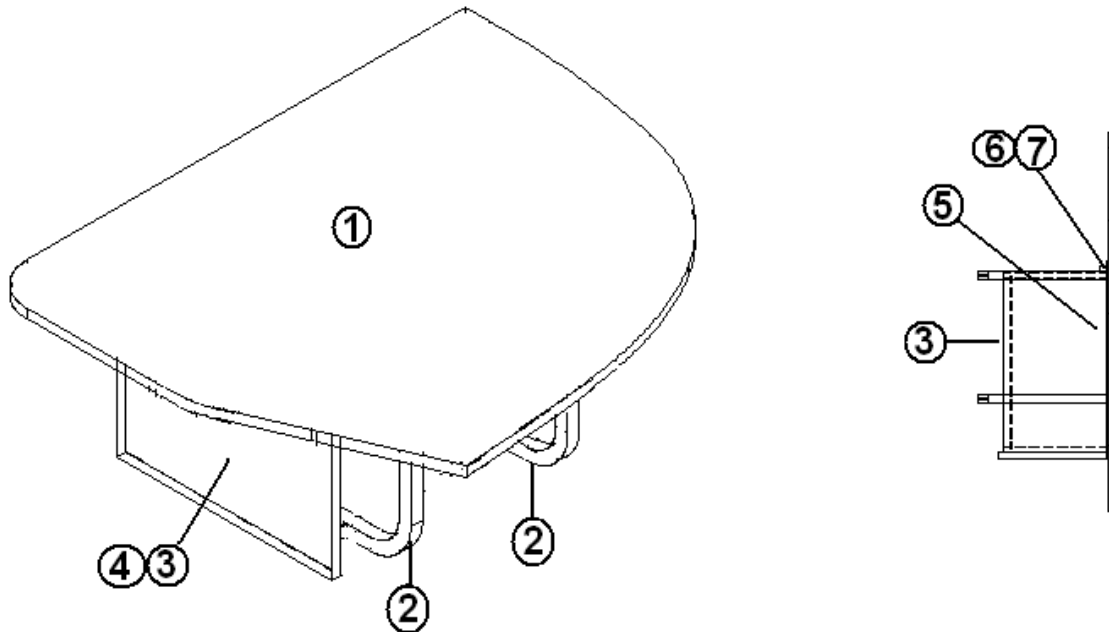
- |              |                                    |
|--------------|------------------------------------|
| 966928       | SEAT ASSY CS DINETTE               |
| 1. 966928-1  | PANEL, CS SEAT 33.38 X 40.18       |
| 2. 454177    | LEG, DINETTE                       |
| 3. 964909-11 | DRAWER BOX ASSY, 10" X 14.00 X 19. |
| 4. 966928-4  | DOOR, CS SEAT, 11.50 X 18.00       |
| 5. 381833-01 | DRAWER SLIDE, UNDER SHELF 18"PR    |
| 6. 800581-01 | LUMBER, OAK, 13/16 X 1.5"          |
| 7. 381074    | CATCH BULL DOG #65S (COPPER)       |



# 2014 INTERNATIONAL TRAVEL TRAILER

## FURNITURE, LOUNGE

Dinette Seat, 23' D Signature, Curbside, Serenity

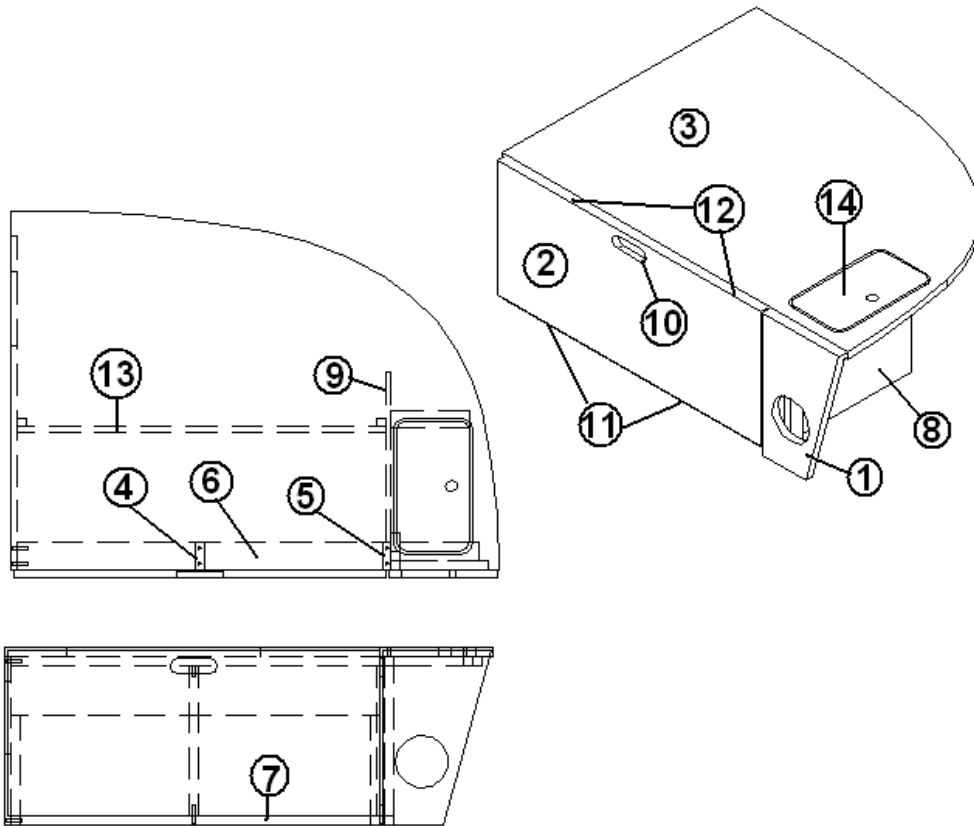


- |               |                                    |
|---------------|------------------------------------|
| 966928-15     | SEAT ASSY CS DINETTE               |
| 1. 966928-1   | PANEL, CS SEAT 33.38 X 40.18       |
| 2. 454177     | LEG, DINETTE                       |
| 3. 964909-11  | DRAWER BOX ASSY, 10" X 14.00 X 19. |
| 4. 966928-154 | DOOR, CS SEAT, 11.50 X 18.00       |
| 5. 381833-01  | DRAWER SLIDE, UNDER SHELF 18"PR    |
| 6. 800581-01  | LUMBER, OAK, 13/16 X 1.5"          |
| 7. 381074     | CATCH BULL DOG #65S (COPPER)       |

# 2014 INTERNATIONAL TRAVEL TRAILER

## FURNITURE, LOUNGE

Dinette Seat, 23' D Signature, Roadside,

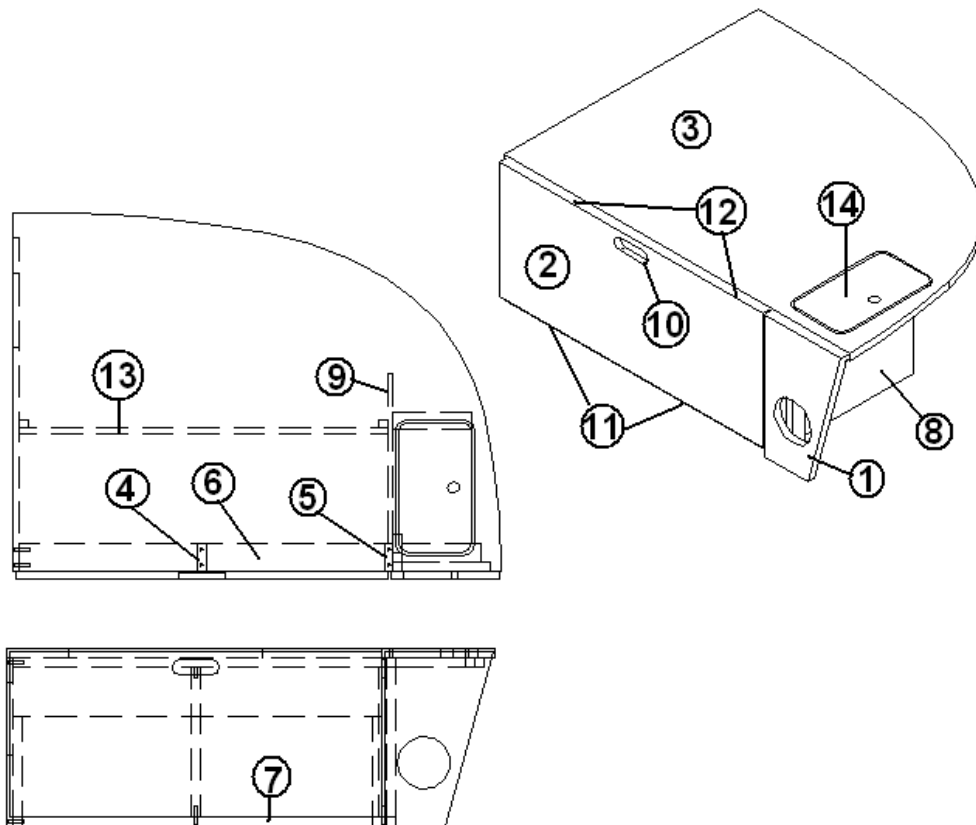


966930	SEAT ASSY RS DINETTE
1. 966930-1	PANEL, RS DIN SEAT 8.88 X 14.38
2. 966930-2	PANEL, RS DIN SEAT 30.63 X 13.63
3. 966930-3	PANEL, RS DIN SEAT 29.5 X 40.19
4. 966930-4	PANEL, RS DIN SEAT 2.25 X 12.38
5. 966930-5	PANEL, RS DIN SEAT 2.25 X 12.38
6. 966930-6	PANEL, RS DIN SEAT 2.25 X 30.75
7. 966930-7	PANEL, RS DIN SEAT 2.25 X 30.75
8. 966930-8	PANEL, RS DIN SEAT 27.5 X 13.88
9. 966930-15I	PANEL, RS DIN SEAT 14.00 X 13.88
10. 381775	DRAWER PULL
11. 381072	HINGE 3" X 1 7/8" OPEN GOLD
12. 381228-01	CATCH GRABBER DOOR
13. 966930-17	PANEL, RS DIN SEAT 9.00 X 30.25
14. 966930-18	PANEL, RS DIN SEAT 6.00 X 10.75

# 2014 INTERNATIONAL TRAVEL TRAILER

## FURNITURE, LOUNGE

Dinette Seat, 23' D Signature, Roadside, Serenity

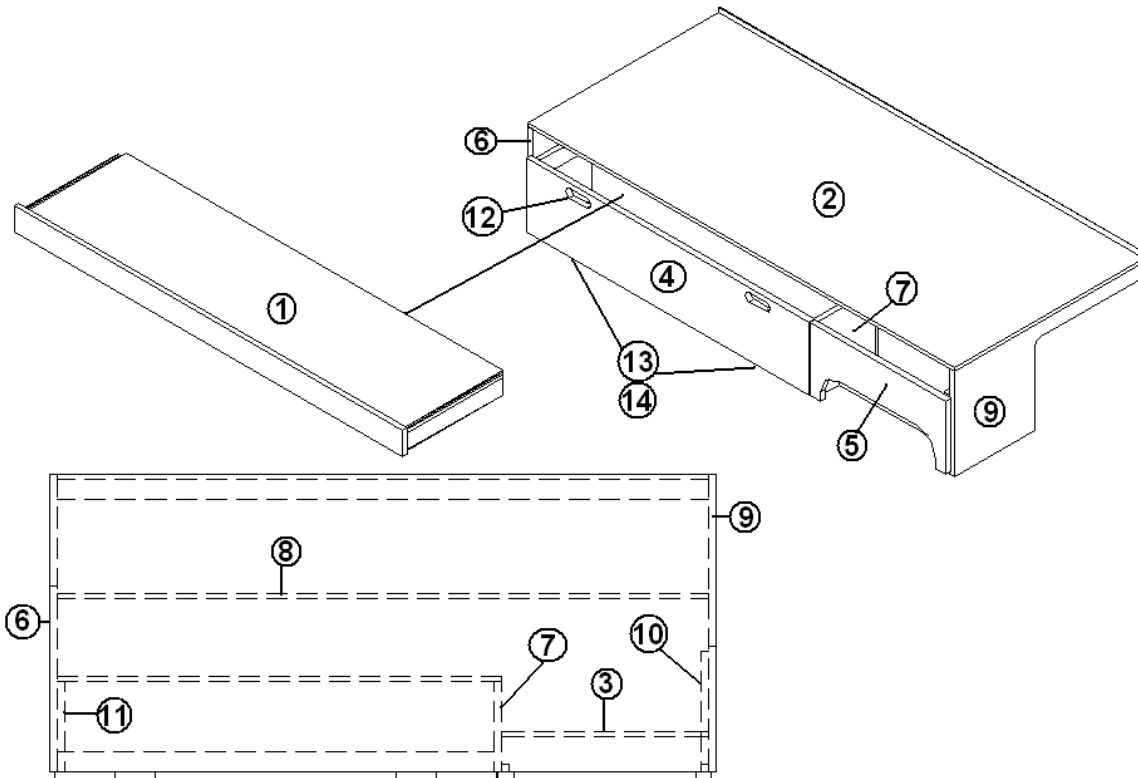


966930-15 SEAT ASSY RS DINETTE	
1. 966930-151	PANEL, RS DIN SEAT 8.88 X 14.38
2. 966930-152	PANEL, RS DIN SEAT 30.63 X 13.63
3. 966930-3	PANEL, RS DIN SEAT 29.5 X 40.19
4. 966930-4	PANEL, RS DIN SEAT 2.25 X 12.38
5. 966930-5	PANEL, RS DIN SEAT 2.25 X 12.38
6. 966930-6	PANEL, RS DIN SEAT 2.25 X 30.75
7. 966930-7	PANEL, RS DIN SEAT 2.25 X 30.75
8. 966930-8	PANEL, RS DIN SEAT 27.5 X 13.88
9. 966930-15I	PANEL, RS DIN SEAT 14.00 X 13.88
10. 381775	DRAWER PULL
11. 381072	HINGE 3" X 1 7/8" OPEN GOLD
12. 381228-01	CATCH GRABBER DOOR
13. 966930-17	PANEL, RS DIN SEAT 9.00 X 30.25
14. 966930-18	PANEL, RS DIN SEAT 6.00 X 10.75

# 2014 INTERNATIONAL TRAVEL TRAILER

## FURNITURE, LOUNGE

Sofa, 23' D Signature

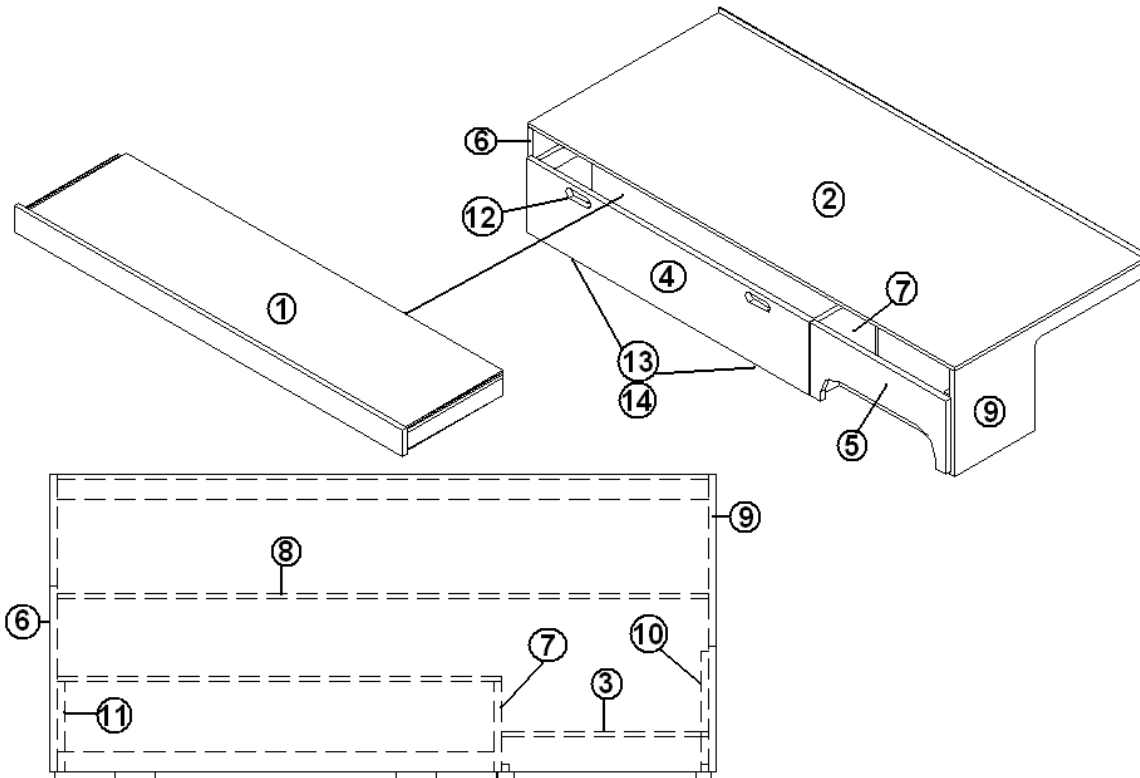


966929	SOFA ASSY.
1. 966888	SOFA BED ASSY.
1. 915811	WELDMENT, SOFA BED
2. 966929-2	PANEL, SOFA, 66.19 X 29.50
3. 966929-3	PANEL, SOFA, 20.5 X 5
4. 966929-4	PANEL, SOFA, 43.88 X 9.88
5. 966929-5	PANEL, SOFA, 21.13 X 9.88
6. 966929-6	PANEL, SOFA, 14.13 X 29.5
7. 966929-7	PANEL, SOFA, 10.13 X 9.00
8. 966929-8	PANEL, SOFA, 10.13 X 44.00
9. 966929-9	PANEL, SOFA, 14.13 X 29.5
10. 966929-10	PANEL, SOFA, 2.25 X 12.00
11. 966929-11	PANEL, SOFA, 2.25 X 9.00
12.381775	DRAWER PULL
13.381072	HINGE 3" X 1 7/8" OPEN GOLD
14.381228-01	CATCH GRABBER DOOR
203636	STORAGE BOX 24.5 X 17.75 X 7.25

# 2014 INTERNATIONAL TRAVEL TRAILER

## FURNITURE, LOUNGE

Sofa, 23' D Signature, Serenity

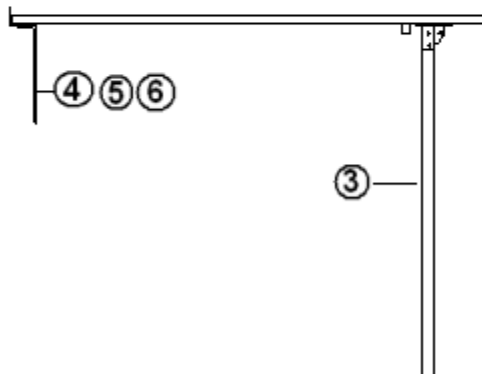


966929-15	SOFA ASSY.
1. 966888-15	SOFA BED ASSY.
1. 915811	WELDMENT, SOFA BED
2. 966929-012	PANEL, SOFA, 66.00 X 29.50
3. 966929-153	PANEL, SOFA, 20.5 X 5
4. 966929-154	PANEL, SOFA, 43.88 X 9.88
5. 966929-155	PANEL, SOFA, 21.13 X 9.88
6. 966929-6	PANEL, SOFA, 14.13 X 29.5
7. 966929-157	PANEL, SOFA, 10.13 X 9.00
8. 966929-8	PANEL, SOFA, 10.13 X 44.00
9. 966929-159	PANEL, SOFA, 14.13 X 29.5
10. 966929-10	PANEL, SOFA, 2.25 X 12.00
11. 966929-11	PANEL, SOFA, 2.25 X 9.00
1. 381775	DRAWER PULL
2. 381072	HINGE 3" X 1 7/8" OPEN GOLD
3. 381228-01	CATCH GRABBER DOOR
203636	Storage Box 24.5" x 17.75" x 7.25"

# 2014 INTERNATIONAL TRAVEL TRAILER

## FURNITURE, LOUNGE

Dinette Table, 23' D Signature, Serenity

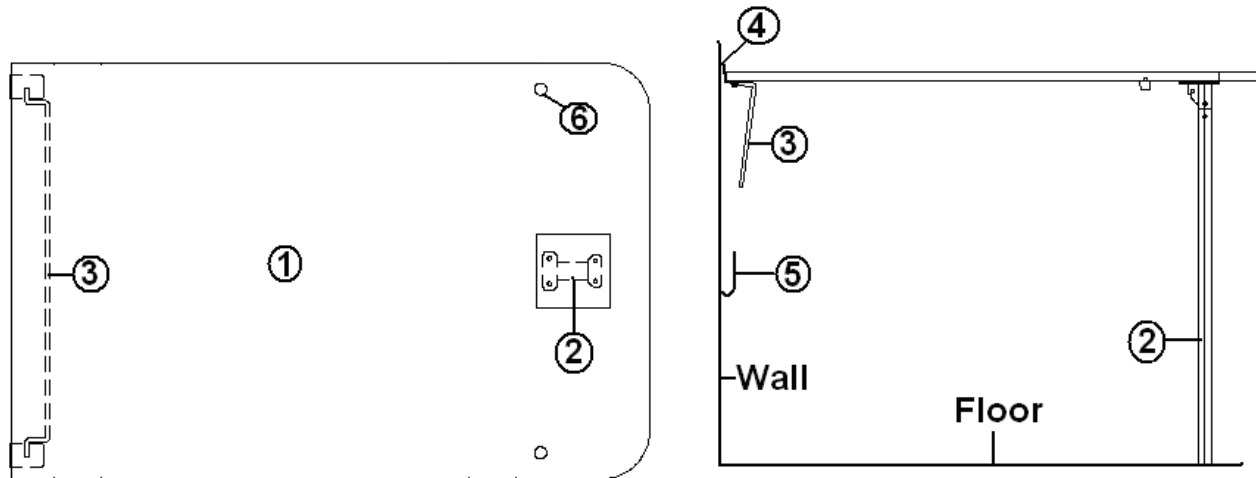


- |               |                                                                                   |
|---------------|-----------------------------------------------------------------------------------|
| 967154-15     | TABLE ASSY 23 SERENITY                                                            |
| 1. 967154-151 | TOP-ASSY. DINETTE TABLE 29.5X40                                                   |
| 2. 365377-02  | EDGEBANDING- .94" WESTERN STORM,<br>(Replacement for 365345-tab, Medallion (NLA)) |
| 3. 382177     | LEG, TABLE FOLDING                                                                |
| 4. 380284-02  | TABLE HINGE BRACKET                                                               |
| 5. 380284-03  | TABLE HINGE BRACKETS                                                              |
| 6. 340018     | CATCH PLATE J-1                                                                   |
| 7. 381136     | RUBBER BUMPER                                                                     |

# 2014 INTERNATIONAL TRAVEL TRAILER

## FURNITURE, LOUNGE

Dinette Table, 23' D Signature, Sand Crystal

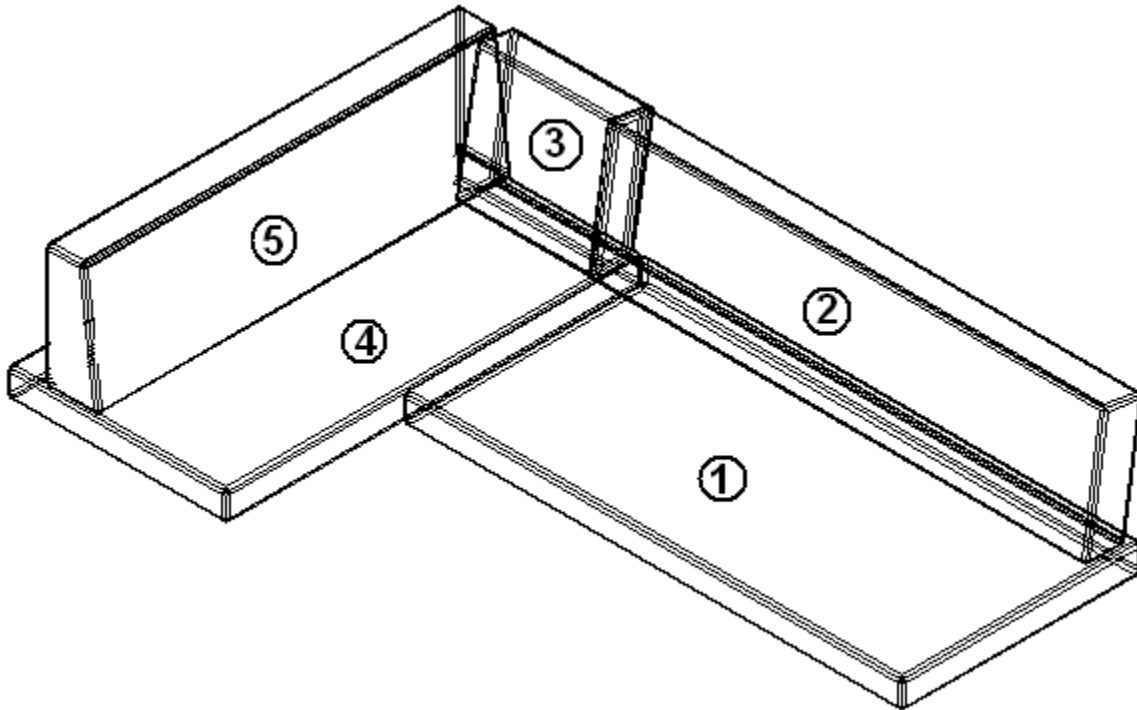


- |              |                                        |
|--------------|----------------------------------------|
| 967154       | TABLE ASSY, DINETTE, SAND CRYSTAL      |
| 1. 967154-1  | TOP, TABLE 29.31 X 40.00, SAND CRYSTAL |
| 2. 382177    | LEG-TABLE FOLDING                      |
| 3. 380284-02 | TABLE HINGE BRACKET                    |
| 4. 380284-03 | TABLE HINGE BRACKETS                   |
| 5. 340018    | CATCH PLATE J-1                        |
| 6. 381136    | RUBBER BUMPER                          |

# 2014 INTERNATIONAL TRAVEL TRAILER

## FURNITURE, LOUNGE

Sofa Cushions, 28', Signature L-Lounge



704072-113

Kit, L-Lng Cushion Foam/Fabric Mojave

704072-104

Kit, L-Lng Cushion Foam/Fabric Flint

704072-180

Kit, L-Lng Cushion Foam/Fabric Mint Green (Serenity)

704072-141

Kit, L-Lng Cushion Foam/Fabric Soy Brown (Serenity)

703885

Cushion Kit, Sofa, Foam/Ultra Leather-Taupe - Serenity

703885BR

Cushion Kit, Dinette, Foam/UL - Espresso

1. 704072-01

Foam cushion & cover, bottom main

2. 704072-02

Foam cushion & cover, back, main

3. 704072-03

Foam cushion & cover, Small Back Rest

4. 704072-04

Foam cushion & cover, Base side

5. 704072-05

Foam cushion & cover, Back Rest Side

704072-06

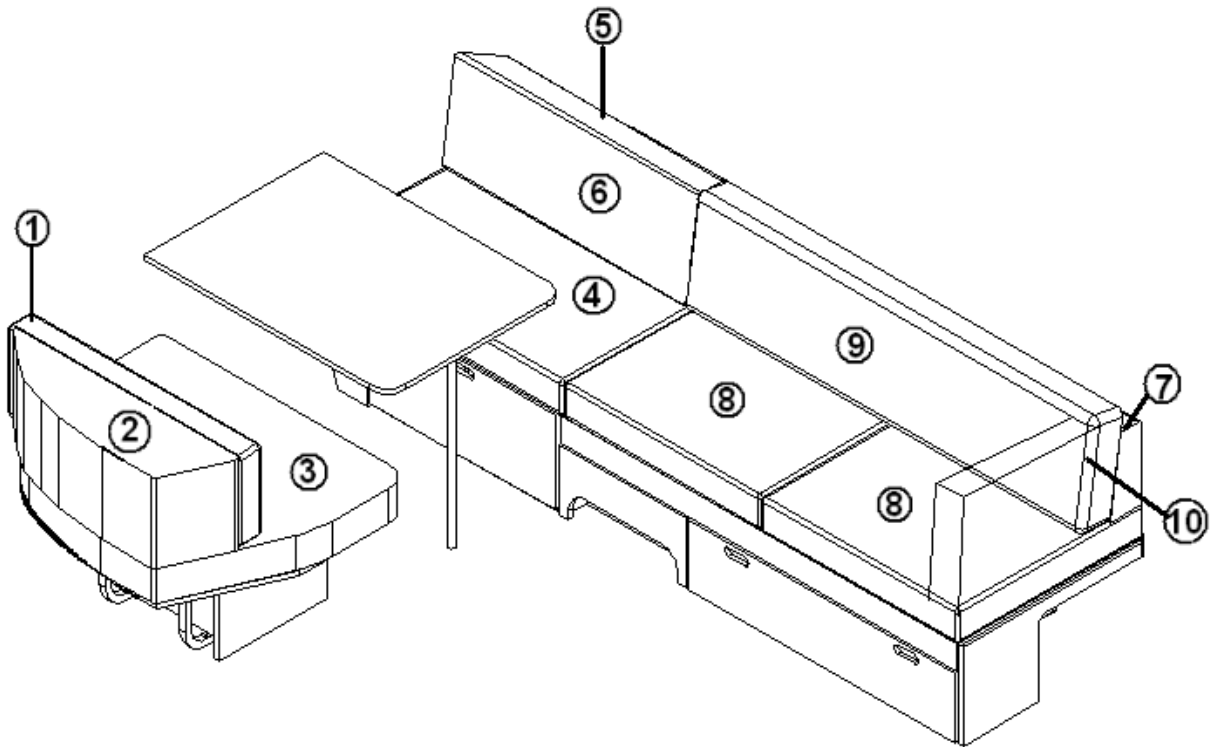
Foam cushion & cover WEDGE 78"



# 2014 INTERNATIONAL TRAVEL TRAILER

## FURNITURE, LOUNGE

### DINETTE/LOUNGE CUSHION KIT FOAM/FABRIC, 25FB/27FB



- |            |                                                                      |
|------------|----------------------------------------------------------------------|
| 704070-113 | Kit, Din/Lng Cush Foam/Fabric Complete Mojave, Style A - Plain       |
| 704070-104 | Kit, Din/Lng Cush Foam/Fabric Complete Flint, Style B - Tuck         |
| 704070-180 | Kit, Din/Lng Cush Foam/Fabric Complete Mint Green, Style C, Serenity |
| 704070-141 | Kit, Din/Lng Cush Foam/Fabric Complete Soy Brown, Style C, Serenity  |
| 703884     | Kit, Din/Lng, Ultraleather, Taupe                                    |
| 703884BR   | Kit, Din/Lng, Ultraleather, Espresso                                 |

Kit Pieces Listed on Next Page

# 2014 INTERNATIONAL TRAVEL TRAILER

## FURNITURE, LOUNGE

DINETTE/LOUNGE CUSHION KIT FOAM/FABRIC, 25FB/27FB,  
continued.

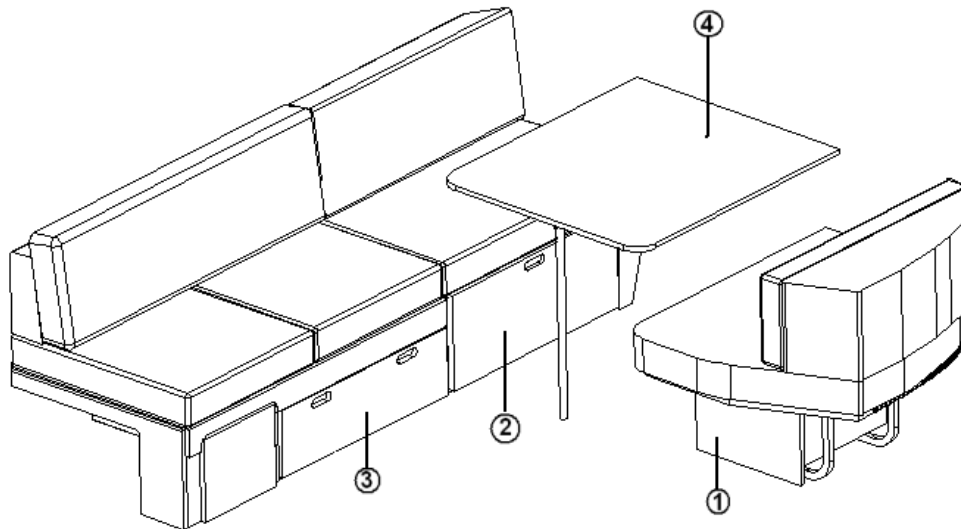
1. 704070-01 Back rest, Curbside Fab/Foam
2. 704070-02 Wedge, Filler, Curbside Fab/Foam
3. 704070-03 Seat, Dinette, Curbside Fab/Foam
4. 704070-04 Seat, Dinette, Roadside Fab/Foam
5. 704070-05 Wedge, Filler, Roadside Fab/Foam
6. 704070-06 Backrest, Roadside Fab/Foam
7. 704070-07 Wedge, Filler Lounge Fab/Foam
8. 704070-08 Seat Cushions, Lounge Fab/Foam
9. 704070-09 Backrest, Lounge Fab/Foam
10. 704070-10 Side Arm Rest Fab/Foam

\*\* When ordering separate pieces of the kit please specify color scheme and sewing style. For style chart see Pg. IV-75.

# 2014 INTERNATIONAL TRAVEL TRAILER

## FURNITURE, LOUNGE

### Dinette/Sofa Assembly, 25 International



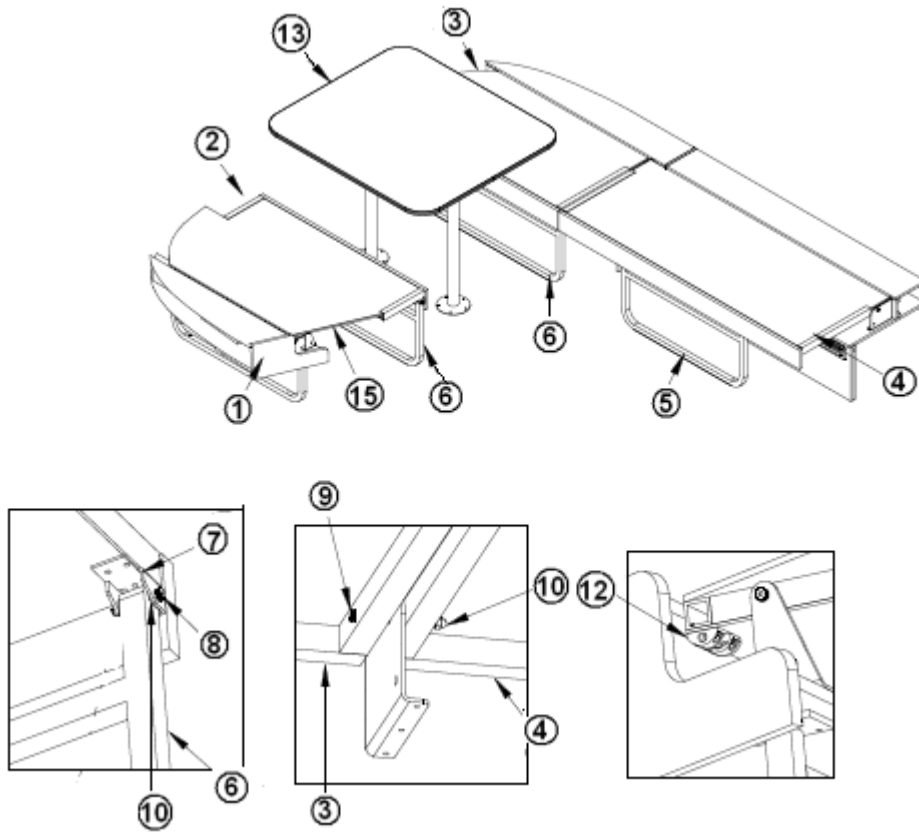
- |    |           |                                     |
|----|-----------|-------------------------------------|
| 1. | 966928    | SEAT ASSEMBLY, CS DINETTE           |
| 1. | 966928-15 | SEAT ASSEMBLY, CS DINETTE, SERENITY |
| 2. | 967730    | SEAT ASSEMBLY, RS DINETTE           |
| 2. | 967730-15 | SEAT ASSEMBLY, RS DINETTE, SERENITY |
| 3. | 967731    | SOFA ASSEMBLY                       |
| 3. | 967731-15 | SOFA ASSEMBLY, SERENITY             |
| 4. | 967156    | TABLE ASSEMBLY                      |
| 4. | 967156-15 | TABLE ASSEMBLY, SERENITY            |
| 4. | 967156-22 | TABLE ASSEMBLY, STERLING            |

(See Upholstery and Foam Section for Seat cover information.)

# 2014 INTERNATIONAL TRAVEL TRAILER

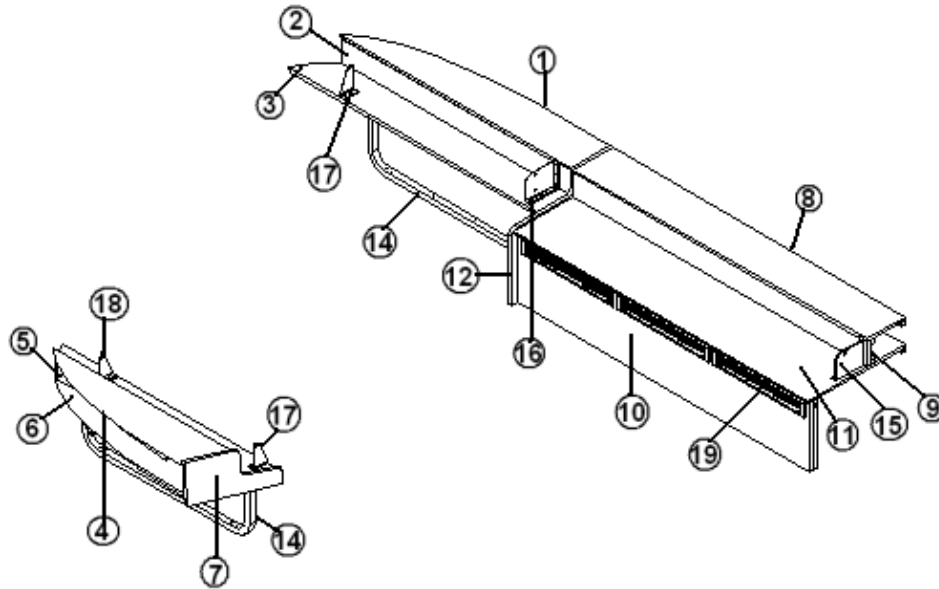
## FURNITURE, LOUNGE

### SEAT BASES INSTALLATION - 25FB/27FB EDDIE BAUER



- |               |                                      |
|---------------|--------------------------------------|
| 111936        | SEAT BASES INSTALL- 25FB EDDIE BAUER |
| 1. 967686-19  | FURNITURE BASES ASSY-LOUNGE          |
| 2. 967687-19  | BASE - CS DINETTE SEAT               |
| 3. 967688-19  | BASE - RS DINETTE SEAT               |
| 4. 967689-19  | BASE- SOFA SEAT                      |
| 5. 454856     | WELDMENT-SOFA LEG                    |
| 6. 454855     | WELDMENT-DINETTE LEG                 |
| 7. 454870     | BRKT-LEG HINGE LH CLAMPING EB        |
| 8. 345435-02  | BOLT-SHOULDER 1/4-20 X 2"            |
| 9. 345435-04  | BOLT-SHOULDER 5/16"1/4-20X2.75       |
| 10. 300162    | WASHER-NYLON 6/6 5/16 ID             |
| 11. 360016    | BUMP-ON RUBBER                       |
| 12. 382157    | BARREL BOLT-LOCKING CHROME#124       |
| 13. 967690-19 | PEDESTAL TABLE ASSY.                 |
| 203712        | TRIM-PNL BLACK STYRENE               |

**2014 INTERNATIONAL TRAVEL TRAILER**  
**FURNITURE, LOUNGE**  
**FURNITURE BASES ASSEMBLY – LOUNGE – 25'FB/27FB EDDIE**  
**BAUER**

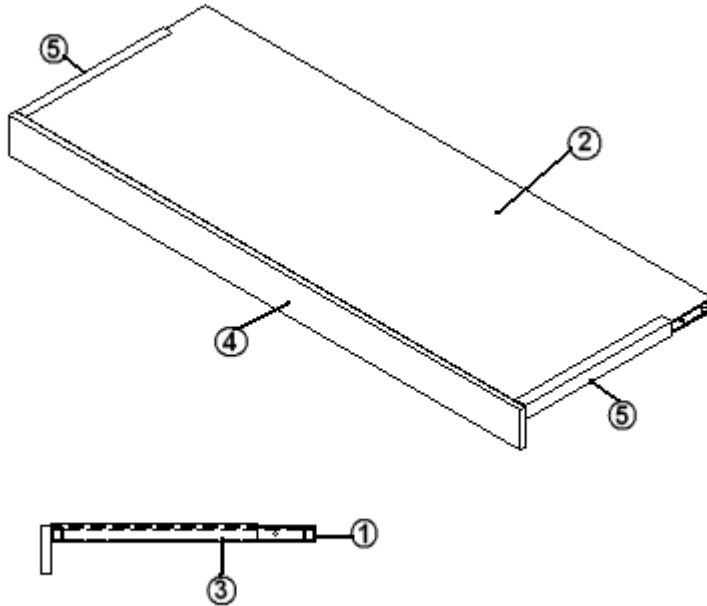


967686-19	FURNITURE BASES ASSY-LOUNGE 25'FB, 27FB
1. 967686-191	PANEL-BASE 7.38" X 43.92"
2. 967686-192	PANEL-BASE 4" X 43.92"
3. 967686-193	PANEL-BASE 13.13" X 48.07"
4. 967686-194	PANEL-BASE 7.38" X 35.05"
5. 967686-195	PANEL-BASE 4" X 34.81"
6. 967686-196	PANEL-BASE 12.94" X 41.5"
7. 967686-197	PANEL-BASE 14.49" X 7.47"
8. 967686-198	PANEL-BASE 7.38" X 56"
9. 967686-199	PANEL-BASE 4" X 56"
10. 967686-1910	PANEL-BASE 11.5" X 56"
11. 967686-1911	PANEL-BASE 18.5" X 56"
12. 967686-1912	PANEL-BASE 19.19" X 16.5"
13. 800025-01	PINE 3/4" X 3/4" STAINED
14. 454860	WELDMNT-LEG FURNITURE
15. 454863	BRKT-SOFA HINGE PT RH
16. 454861	BRKT-SOFA HINGE PT LH LOCKING
17. 454864	BRKT-DIN HINGE PT LH LOCKING
18. 454865	BRKT-DINETTE HINGE PT RH
19. 386206	VENT-LOUVERED 2.63X17.5 BLK #3

# 2014 INTERNATIONAL TRAVEL TRAILER

## FURNITURE, LOUNGE

### SOFA SEAT BASE – 25'FB, 27'FB EDDIE BAUER

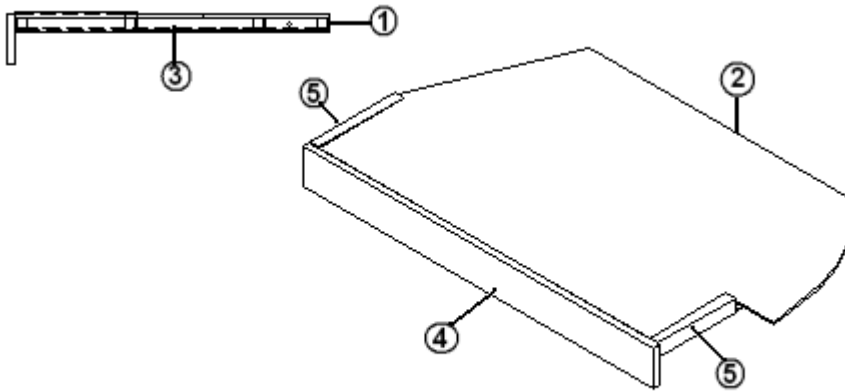


967689-19	BASE- SOFA SEAT – EDDIE BAUER
1. 916029	WELDMENT - SOFA
2. 967689-192	PANEL-BASE 58.5 X 21.63
3. 967689-193	PANEL-BASE 58.5 X 21.63
4. 967689-194	PANEL-BASE 4 X 58.5
5. 101134	ANGLE ALUM, 1/8 X 1 X 1-1/2
6. 365352-02 454856	EDGEBANDING- 1MM X .94" MAPLE WELDMENT, SOFA LEG

# 2014 INTERNATIONAL TRAVEL TRAILER

## FURNITURE, LOUNGE

BASE ASSY., CURBSIDE DINETTE SEAT- 25'FB, 27FB, EDDIE  
BAUER



967687-19

BASE ASSY.-CURBSIDE DINETTE SEAT

1. 916031

WELDMENT- CS DINETTE 25FB EB

2. 967687-192

PANEL-BASE 44.65" X 25.63"

3. 967687-193

PANEL-BASE 40" X 25.63"

4. 967687-194

PANEL-BASE 4" X 40.5"

5. 101134

ANGLE ALUM, 1/8 X 1 X 1-1/2

6. 365352-02

EDGE BANDING- 1MM X .94" MAPLE

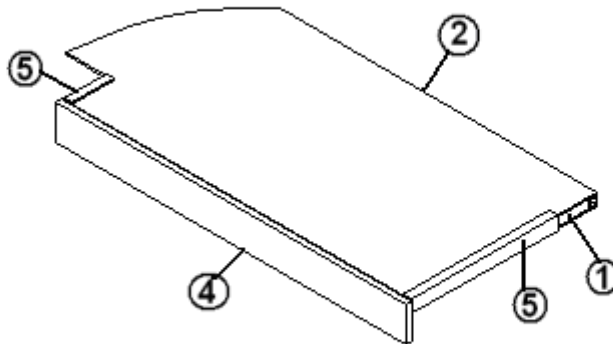
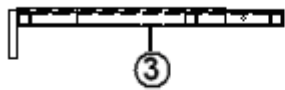
454855

WELMENT, DINETTE LEG

# 2014 INTERNATIONAL TRAVEL TRAILER

## FURNITURE, LOUNGE

BASE ASSY., ROADSIDE DINETTE SEAT- 25'FB, 27FB, EDDIE  
BAUER



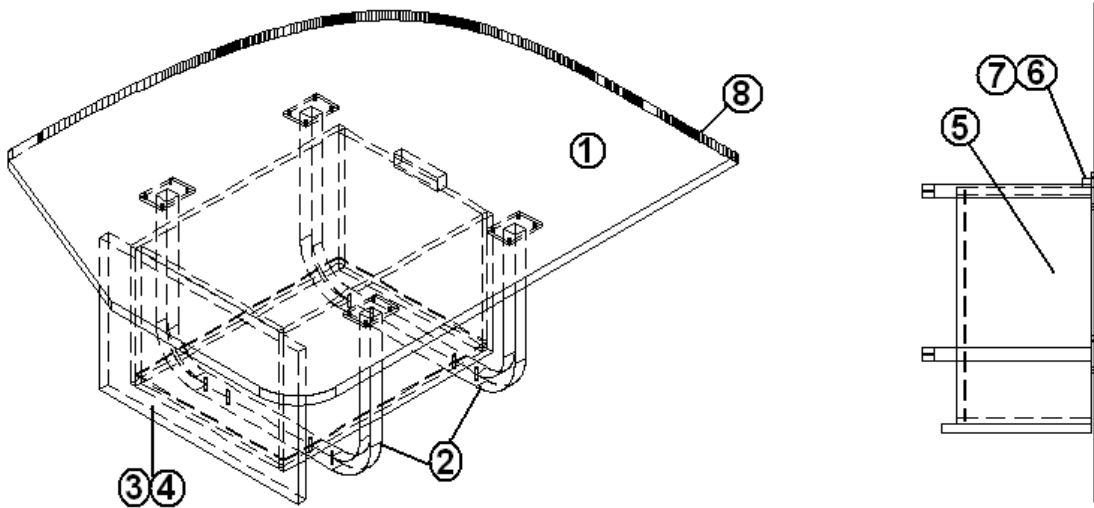
967688-19	BASE ASSY. - ROADSIDE DINETTE SEAT
1. 916030	WELDMENT - ROADSIDE DINETTE
2. 967688-192	PANEL-BASE 44.65" X 21.63"
3. 967688-193	PANEL-BASE 40" X 21.63"
4. 967688-194	PANEL-BASE 4" X 40.5"
5. 101134	ANGLE ALUM, 1/8 X 1 X 1-1/2
6. 365352-02	EDGE BANDING- 1MM X .94" MAPLE
454856	WELDMENT, DINETTE LEG



# 2014 INTERNATIONAL TRAVEL TRAILER

## FURNITURE, LOUNGE

Dinette Seat, 25' FB, 27' FB Signature, Curbside

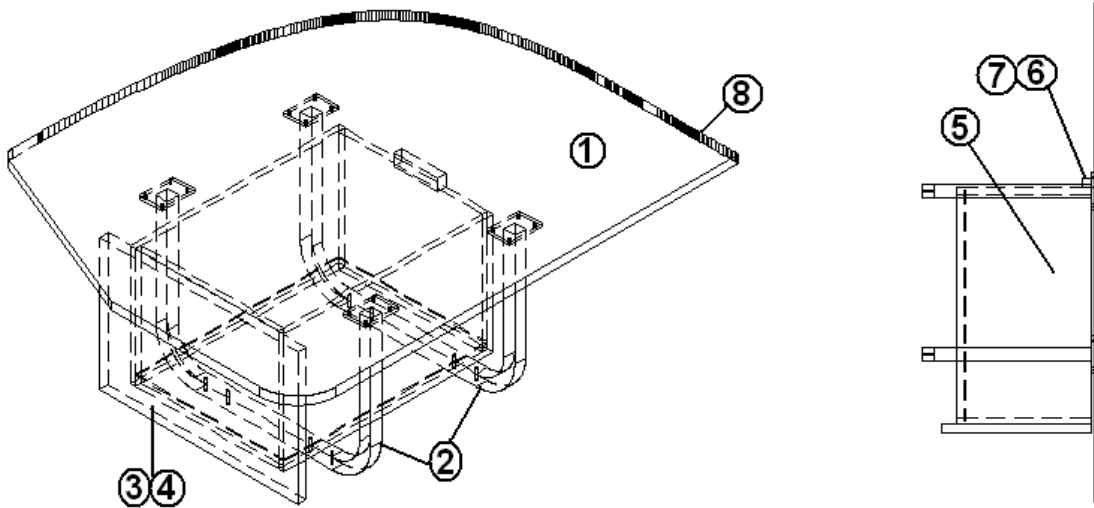


- |              |                                     |
|--------------|-------------------------------------|
| 966889       | SEAT, CS DINETTE                    |
| 1. 966889-1  | PANEL                               |
| 2. 454177    | LEG, DINETTE ALUM                   |
| 3. 964909-11 | DRAWER BOX ASSY, 10" X 14.00" X 19" |
| 4. 966889-04 | DOOR, DINETTE, 11.5"X 18"           |
| 5. 381833-01 | DRAWER SLIDE-UNDER SHELF 18"PR      |
| 6. 800581-01 | OAK, 13/16 X 1.5" X 4'              |
| 7. 381074    | CATCH BULL DOG #65S (COPPER)        |
| 8. 365364-02 | EDGEBANDING, EBONY 1.125"           |
| 203439       | STORAGE BOX, 17"L X 11.13"W X6.38"  |

# 2014 INTERNATIONAL TRAVEL TRAILER

## FURNITURE, LOUNGE

Dinette Seat, 25' FB, 27' FB Signature, Curbside, SERENTY

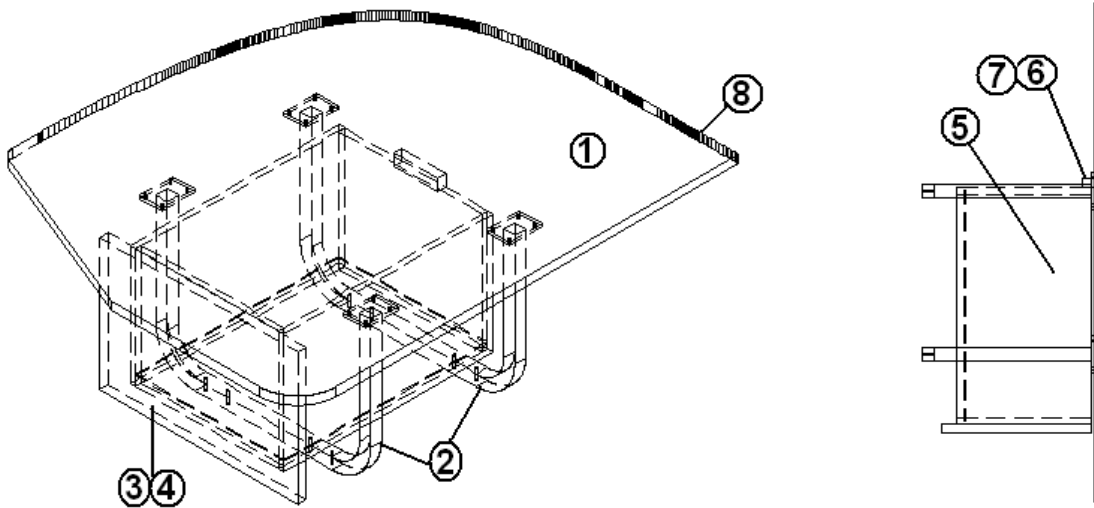


- |               |                                     |
|---------------|-------------------------------------|
| 966889-15     | SEAT, CS DINETTE                    |
| 1. 966889-1   | PANEL                               |
| 2. 454177     | LEG, DINETTE ALUM                   |
| 3. 964909-11  | DRAWER BOX ASSY, 10" X 14.00" X 19" |
| 4. 966889-154 | DOOR, DINETTE, 11.5"X 18"           |
| 5. 381833-01  | DRAWER SLIDE-UNDER SHELF 18"PR      |
| 6. 800581-01  | OAK, 13/16 X 1.5"                   |
| 7. 381074     | CATCH BULL DOG #65S (COPPER)        |
| 8. 365344-02  | EDGE BANDING PEARL BISQUE .94"      |
| 203439        | STORAGE BOX, 17"L X 11.13"W X 6.38" |

# 2014 INTERNATIONAL TRAVEL TRAILER

## FURNITURE, LOUNGE

Dinette Seat 25'FB/27' FB Signature, Curbside, STERLING

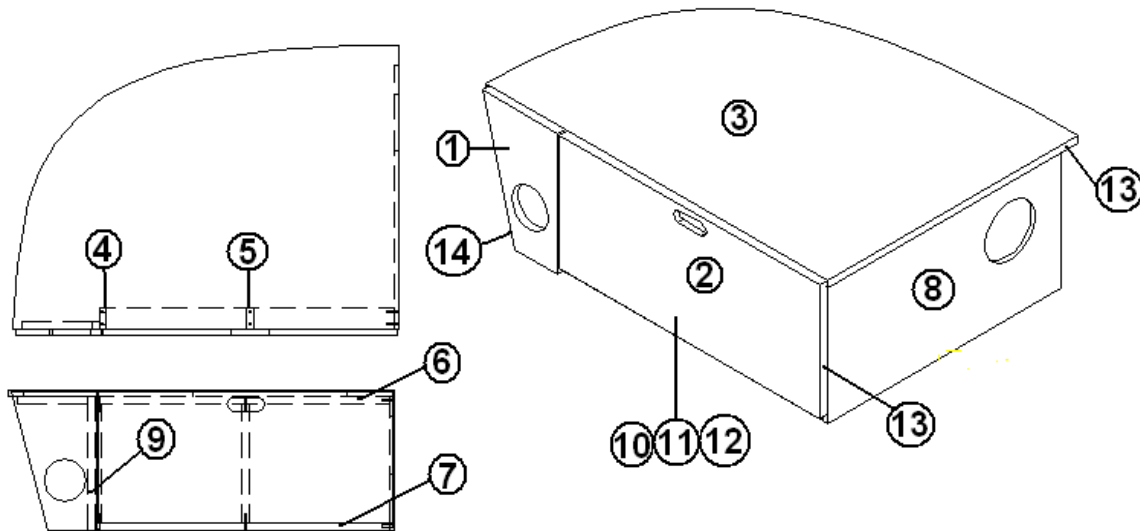


- |    |            |                                        |
|----|------------|----------------------------------------|
|    | 966889-22  | SEAT, CS DINETTE                       |
| 1. | 966889-1   | PANEL, 33.38 X 40.18                   |
| 2. | 454177     | LEG, DINETTE ALUM                      |
| 3. | 964909-11  | DRAWER BOX ASSY, 10" X 14.00" X 19"    |
| 4. | 966889-224 | DOOR, DINETTE, 11.5"X 18"              |
| 5. | 381833-01  | DRAWER SLIDE-UNDER SHELF 18"PR         |
| 6. | 800581-01  | OAK, 13/16 X 1.5"                      |
| 7. | 381074     | CATCH BULL DOG #65S (COPPER)           |
| 8. | 365344-02  | EDGEBANDING PEARL BISQUE .94"          |
|    | 203439     | STORAGE BOX, 17"L X 11.13"W X6.38"     |
|    | 966889-229 | PANEL, DINETTE 11 X 20,(STERLING ONLY) |

# 2014 INTERNATIONAL TRAVEL TRAILER

## FURNITURE, LOUNGE

Dinette Seat, 25' FB, 27' FB, Signature, Roadside

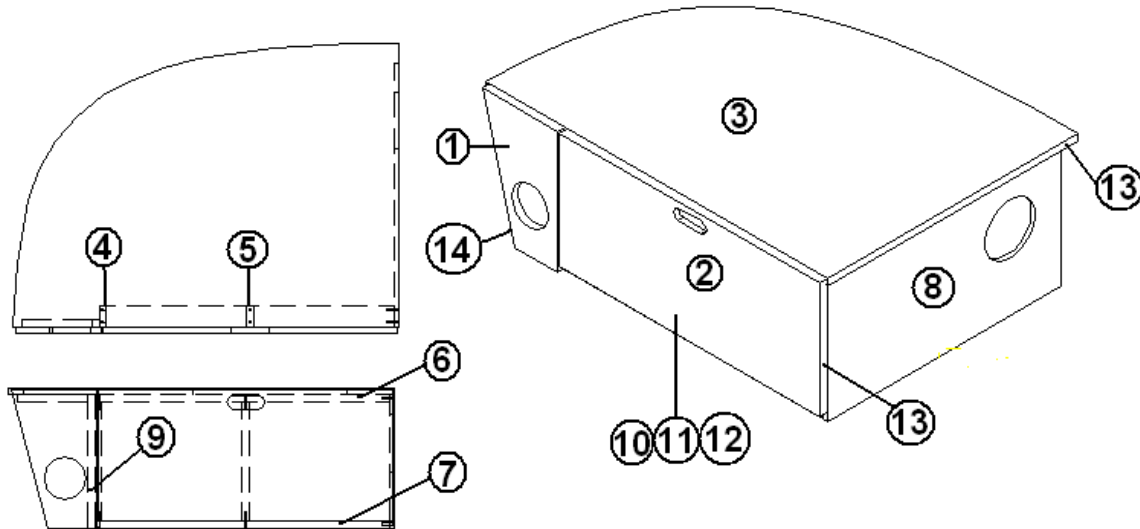


966890	SEAT, RS DINETTE
1. 966890-1	PANEL, 18MM
2. 966890-2	PANEL, 18MM
3. 966890-3	PANEL, 18MM
4. 966890-4	PANEL, 18MM
5. 966890-5	PANEL, 18MM
6. 966890-6	PANEL, 18MM
7. 966890-7	PANEL, 18MM
8. 966890-8	PANEL 12MM
9. 800025-01	Pine, 3/4" x 3/4", stained
10. 381775	DRAWER PULL
11. 381072	HINGE 3" X 1 7/8" OPEN GOLD
12. 381228-01	CATCH GRABBER DOOR
13. 365364-02	EDGE BANDING-EBONY 1.125"
14. 365364-01	EDGE BANDING-EBONY .63"
203439	STORAGE BOX, 17"L X 11.13"W X 6.38"

# 2014 INTERNATIONAL TRAVEL TRAILER

## FURNITURE, LOUNGE

Dinette Seat, 25' FB, 27' FB, Signature, Roadside, SERENITY

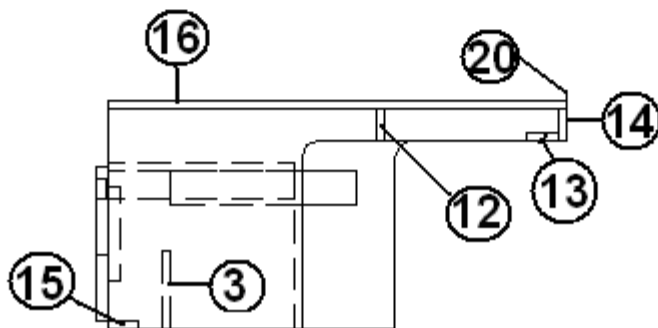
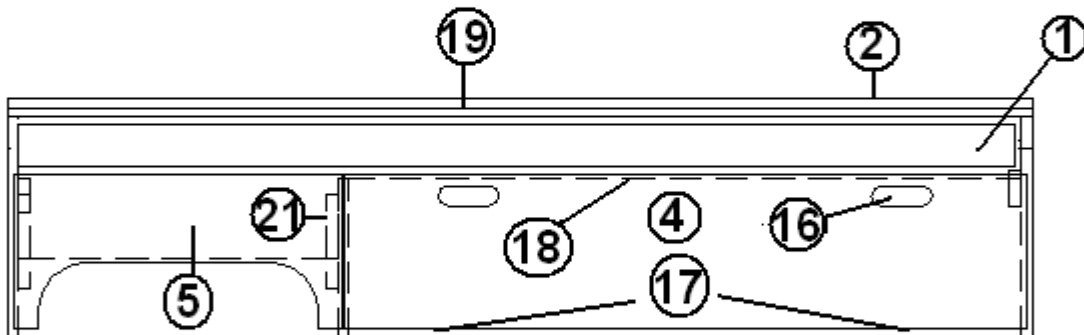
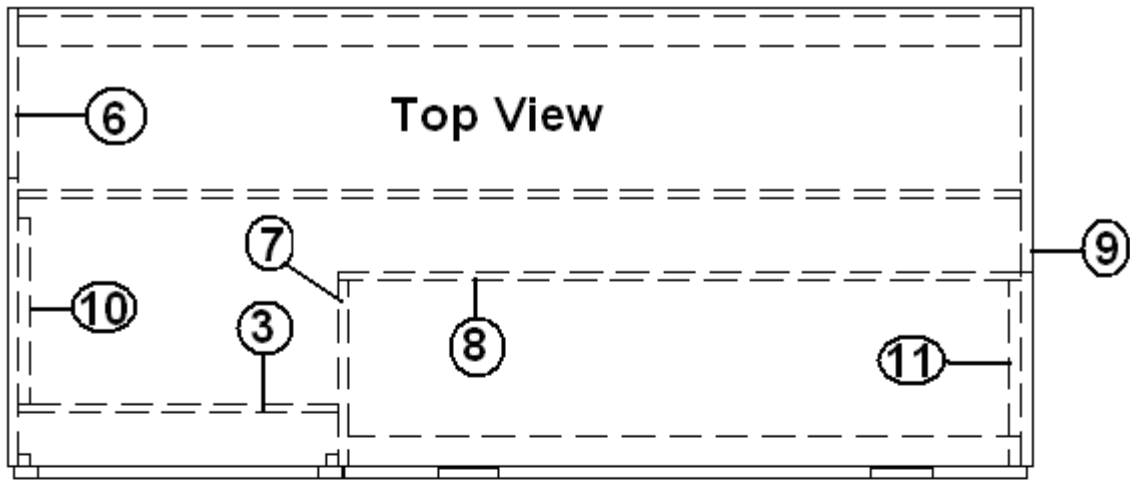


966890-15	SEAT, RS DINETTE
1. 966890-151	PANEL 14.38 X 8.88
2. 966890-152	PANEL RH DINETTE SEAT 13.63 X 30.63
3. 966890-3	PANEL, RH DINETTE 29.5 X 40.19
4. 966890-4	PANEL, RH DINETTE 2.25 X 12.39
5. 966890-5	PANEL, RH DINETTE 2.25 X 12.38
6. 966890-6	PANEL, RH DINETTE 2.25 X 30.75
7. 966890-7	PANEL, RH DINETTE 2.25 X 30.75
8. 966890-8	PANEL RH DINETTE 27.5 X 13.88
9. 800025-01	Pine, 3/4" x 3/4", stained
10. 381775	DRAWER PULL
11. 381072	HINGE 3" X 1 7/8" OPEN GOLD
12. 381228-01	CATCH GRABBER DOOR
13. 365344-02	EDGE BANDING, PEARL BISQUE .94"
14. 365344-01	EDGE BANDING, PEARL BISQUE .63"
203439	STORAGE BOX, 17"L X 11.13"W X 6.38"

# 2014 INTERNATIONAL TRAVEL TRAILER

## FURNITURE, LOUNGE

Sofa, 25' FB, 27' FB, Signature



Part numbers on the next page

# 2014 INTERNATIONAL TRAVEL TRAILER

## FURNITURE, LOUNGE

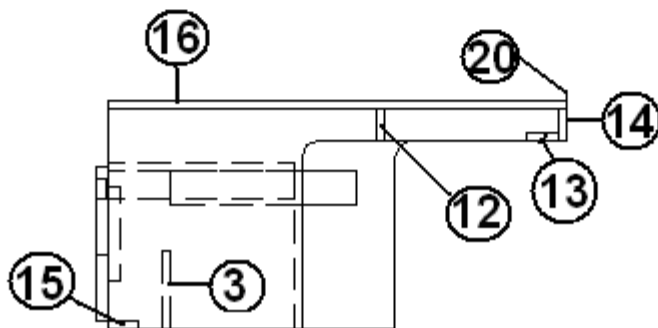
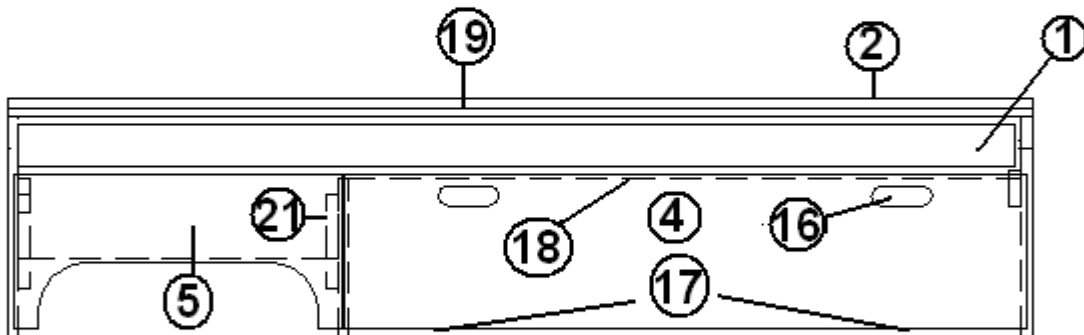
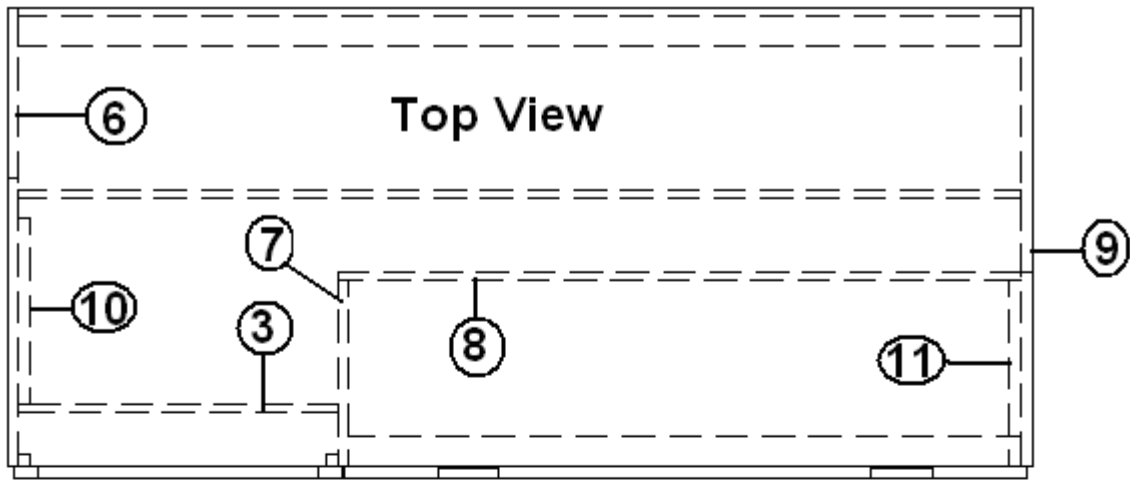
Sofa, 25' FB, 27' FB, Signature, Wenge

966887	SOFA ASSY
1. 966888	SOFA BED UPPER ASSY
2. 966887-2	PANEL-SOFA TOP 29.5 X 66
3. 966887-3	PANEL REXEL, 12MM
4. 966887-4	PANEL, 18MM
5. 966887-5	PANEL, 18MM
6. 966887-6	PANEL, 18MM
7. 966887-7	PANEL, 18MM
8. 966887-8	PANEL 12MM
9. 966887-9	PANEL, 18MM
10. 966887-10	PANEL, 18MM
11. 966887-11	PANEL, 18MM
12. 850082	Poplar, .75" x 2.00", 64.5" long
13. 850082	Poplar, .75" x 2.00", 64.5" long
14. 850082	Poplar, .75" x 2.00", 64.5" long
15. 966887-15I	PANEL 2.25 X 43.25
16. 381775	DRAWER PULL – FLUSH SATIN
17. 381072-01	HINGE 3" X 2" FIXED PIN – PER PR.
18. 381228-01	CATCH GRABBER DOOR
19. 801924-01	LAMINATE, EBONY WOODS
20. 101115	Sheet, aluminum, .060" x 3.25" x 66"
21. 800025-01	Pine ¾" x ¾", stained, 6" long
915811	WELDMENT-SOFA BED
381826	SLIDE-BALL BEARING
330031-03	RIVET DOME HEAD SSD64SSBS

# 2014 INTERNATIONAL TRAVEL TRAILER

## FURNITURE, LOUNGE

Sofa, 25' FB, 27' FB, Signature, Serenity



Part numbers on the next page



# 2014 INTERNATIONAL TRAVEL TRAILER

## FURNITURE, LOUNGE

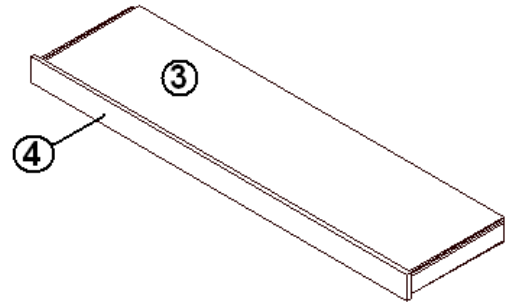
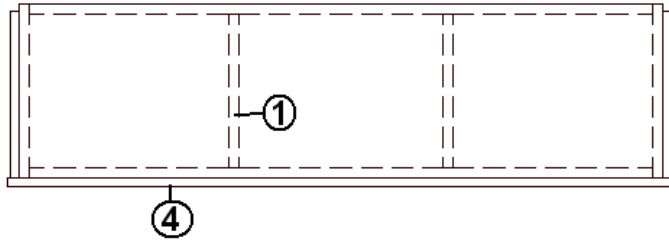
Sofa, 25' FB, 27' FB, Signature, Serenity

966887-15	SOFA ASSY
1. 966888-15	SOFA BED UPPER ASSY.
2. 966888-3	PANEL, SOFA TOP, 17 X 63
3. 966887-153	PANEL, SOFA 20.5 X 5
4. 966887-154	PANEL SOFA 9.88 X 43.88
5. 966887-155	PANEL, SOFA 9.88 X 21.13
6. 966887-156	PANEL, SOFA 14.13 X 29.5
7. 966887-157	PANEL, PANEL SOFA 10.13 X 12
8. 966887-8	PANEL, SOFA 10.13 X 44
9. 966887-9	PANEL, SOFA 14.13 X 29.5
10. 966887-10	PANEL, SOFA 2.25 X 12
11. 966887-11	PANEL, SOFA 2.25 X 12
12. 850082	Poplar, .75" x 2.00", 64.5" long
13. 850082	Poplar, .75" x 2.00", 64.5" long
14. 850082	Poplar, .75" x 2.00", 64.5" long
15. 966887-15I	PANEL SOFA, 2.25 X 43.25
16. 381775	PULL-FLUSH - SATIN
17. 381072-01	HINGE 3" X 1 7/8" OPEN GOLD
18. 381228-01	CATCH GRABBER DOOR
19. 801833-01	Laminate, Asian Sand
20. 101115	Sheet, aluminum, .060" x 3.25" x 66"
21. 800025-01	Pine 3/4" x 3/4", stained, 6" long
915811	WELDMENT-SOFA BED
381826	SLIDE-BALL BEARING
330031-03	RIVET DOME HEAD SSD64SSBS

# 2014 INTERNATIONAL TRAVEL TRAILER

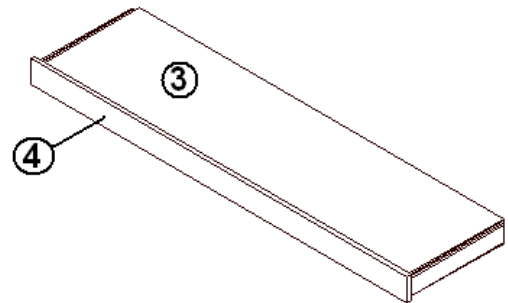
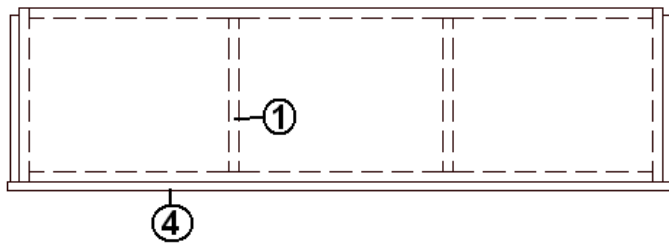
## FURNITURE, LOUNGE

Sofa Bed, 25' FB, 27' FB, 23' D, Signature



- |             |                                |
|-------------|--------------------------------|
| 966888      | SOFA BED ASSY                  |
| 1. 915811   | WELDMENT, SOFA BED             |
| 2. 381826   | SLIDE, BALL BEARING 16"        |
| 3. 966888-3 | PANEL, SOFA TOP, 17.00 X 63.00 |
| 4. 966888-4 | PANEL, SOFA TOP, 3.88 x 65.13  |

Sofa Bed, 25' FB, 27' FB, 23' D, Signature, SERENITY

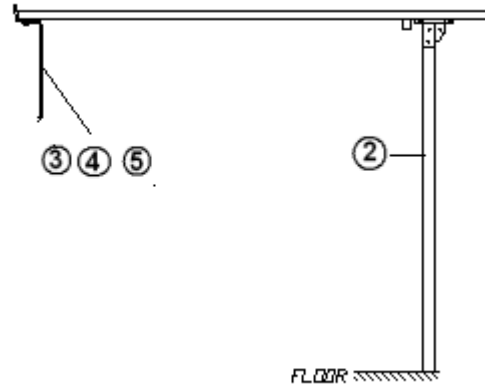
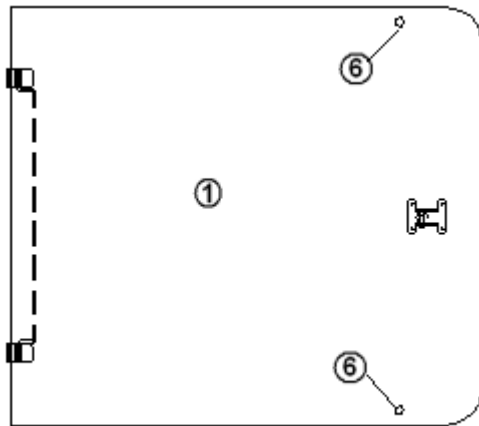


- |               |                                |
|---------------|--------------------------------|
| 966888-15     | SOFA BED ASSY                  |
| 1. 915811     | WELDMENT, SOFA BED             |
| 2. 381826     | SLIDE, BALL BEARING 16"        |
| 3. 966888-3   | PANEL, SOFA TOP, 17.00 X 63.00 |
| 4. 966888-154 | PANEL, SOFA TOP, 3.88 x 65.13  |

# 2014 INTERNATIONAL TRAVEL TRAILER

## FURNITURE, LOUNGE

Dinette Table 25', 25' FB, 27' FB, Signature, Serenity



967156-15 TABLE ASSY-DINETTE 25/27 SERENTY

1. 967156-151 DINETTE TABLE TOP 35X40
2. 382177 LEG, FOLDING TABLE, EBONY
3. 380284-02 TABLE HINGE BRACKET
4. 380284-03 TABLE HINGE BRACKETS
5. 340018 CATCH PLATE J-1
6. 381136 RUBBER BUMPER

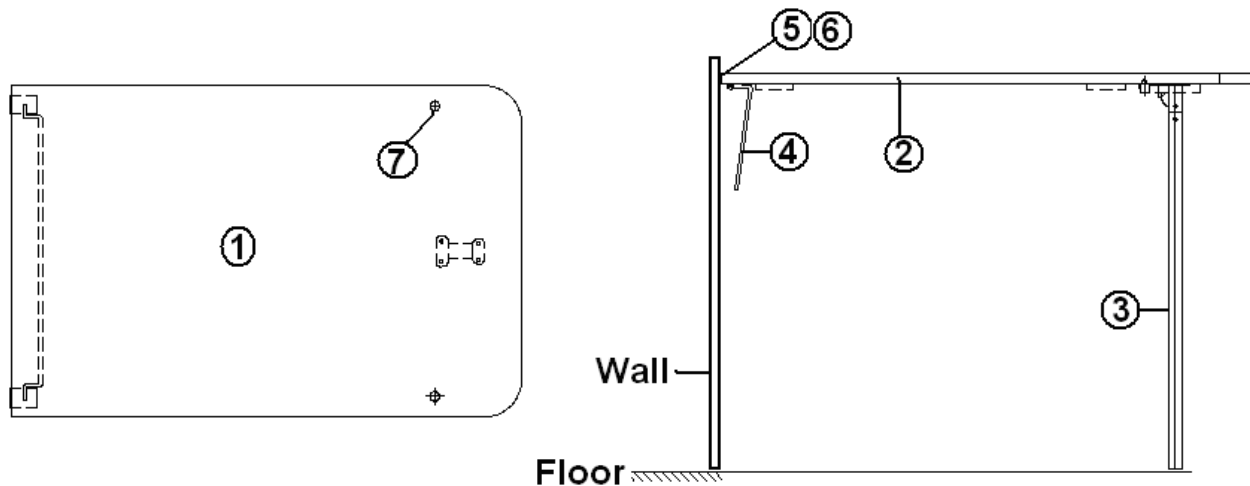
Dinette Table 25' FB, 27' FB, Signature, Sterling

1. 967156-22 TABLE ASSY-DINETTE 25/27 STERLING
1. 967156-221 DINETTE TABLE TOP 35X40
2. 382177 LEG, FOLDING TABLE
3. 380284-02 TABLE HINGE BRACKET
4. 380284-03 TABLE HINGE BRACKETS
5. 340018 CATCH PLATE J-1
6. 381136 RUBBER BUMPER

# 2014 INTERNATIONAL TRAVEL TRAILER

## FURNITURE, LOUNGE

Dinette Table, 25', 25' FB, 27' FB, Signature, Sand Crystal



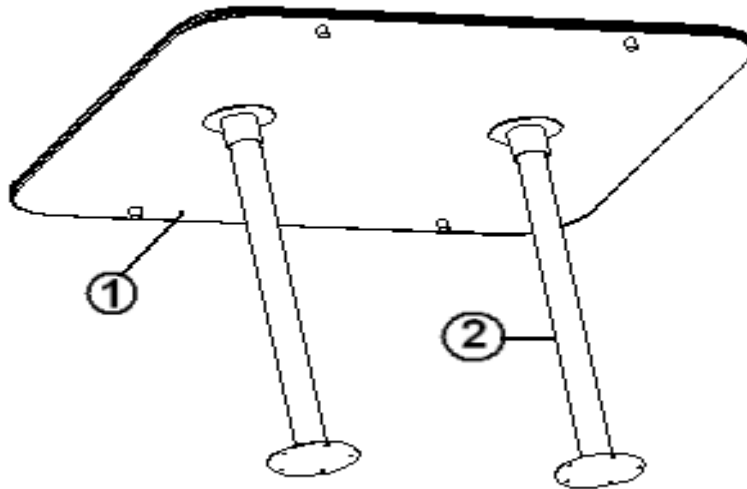
- 967156  
1. 967156-1  
2. 365363-01  
3. 382177  
4. 380284-02  
5. 380284-03  
6. 340018  
7. 381136

- TABLE, DINETTE, SAND CRYSTAL  
TABLE TOP, SAND CRYSTAL/LINER 18MM  
EDGE BANDING, SAND CRYSTAL, 7/8"  
LEG, TABLE FOLDING, EBONY  
CENTER HINGE  
TABLE HINGE BRACKET  
CATCH PLATE J-1  
RUBBER BUMPER

# 2014 INTERNATIONAL TRAVEL TRAILER

## FURNITURE, LOUNGE

### PEDESTAL TABLE ASSEMBLY - 25'FB, 27FB, EDDIE BAUER



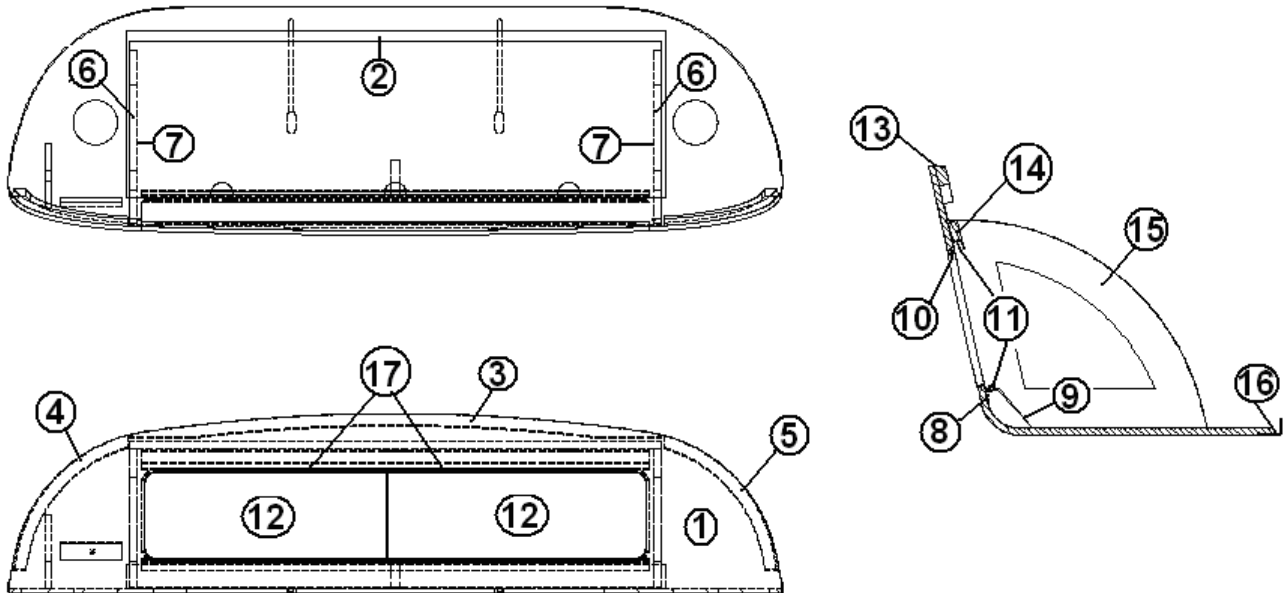
#### 967690-19 PEDESTAL TABLE ASSY.- DINETTE - EDDIE BAUER

- |               |                               |
|---------------|-------------------------------|
| 1. 967690-191 | PANEL-DINETTE TABLE 35" X 40" |
| 2. 382154     | LEG-DINETTE PEDESTAL 31.5"    |
| 381136        | RUBBER BUMPER                 |
| 115472        | TRIM-ALUM COUNTER TOP         |
| 382077        | CLIP, TABLE POST STORAGE      |

# 2014 INTERNATIONAL TRAVEL TRAILER

## FURNITURE, LOUNGE

Roof Locker, End Liner, 25' FB Aft, 27' FB Aft, Signature

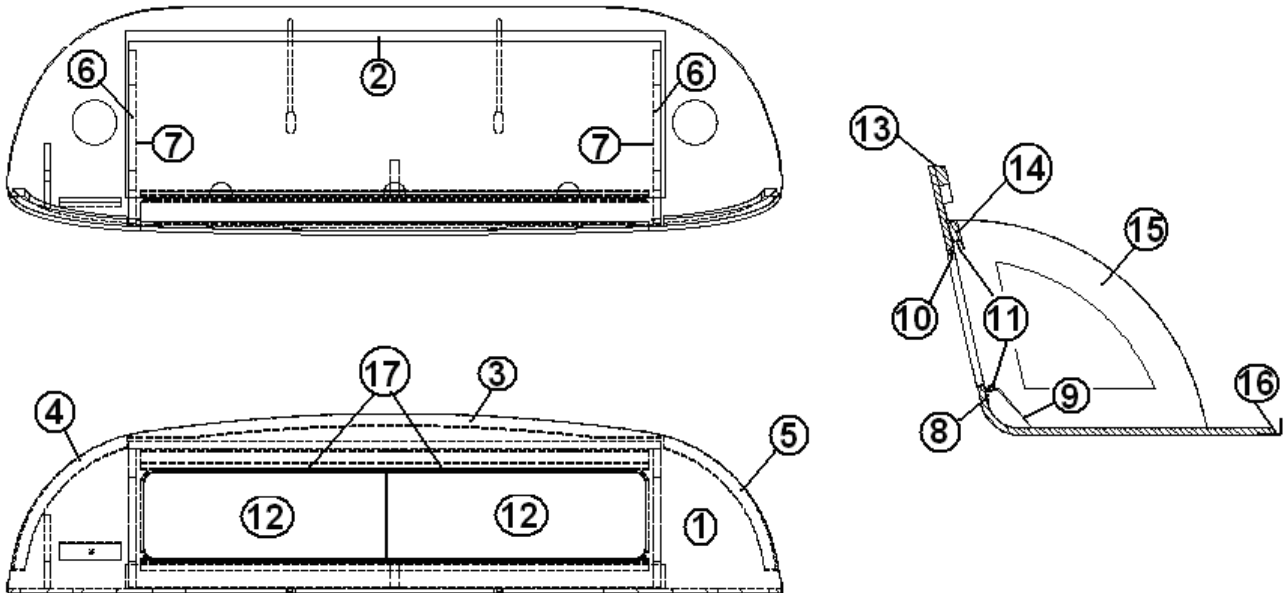


- |               |                                             |
|---------------|---------------------------------------------|
| 966869        | ROOFLOCKER, FRONT/AFT W/RADIO               |
| 1. 801722     | FACE, FRONT/AFT R/L W/RADIO                 |
| 2. 801355-01  | LAMINATE, FROSTY WHITE                      |
| 3. 801596-01  | BACKER, LINER LOCKER CENTER                 |
| 4. 801596-02  | BACKER LINER LOCKER, LH                     |
| 5. 801596-03  | BACKER, LINER LOCKER, RH                    |
| 6. 801594     | DIVIDER-LINER LOCKER                        |
| 7. 801595     | DIVIDER LINER LOCKER                        |
| 7. 801595-01  | Divider, liner locker, w Audio Switch Holes |
| 8. 115261-01  | ANGLE, LOCKER TRACK SUPPORT                 |
| 9. 115226-01  | BRACKET, LOCKER, CENTER SUPPORT             |
| 10. 203445    | T MOLDING FLEXIBLE POLY, BLACK              |
| 11. 203388    | TRACK, SLIDING DOOR                         |
| 12. 203749-08 | DOOR, SLIDING, 11.31" X 30"                 |
| 13. 201673    | REVERSE COVE MOLDING, WHITE                 |
| 14. 800028    | PINE, 3/4" X 1.5"                           |
| 15. 115264-01 | PAN, LINER LOCKER W/B FRONT                 |
| 16. 801710    | SUPPORT DIVIDER-R/L                         |
| 17. 703991    | PILE SEAL WEATHER STRIP                     |
| 968049        | BLUE RAY SHELF ASSY.                        |
| 801595-11     | DIVIDER, LINER ROOFLOCKER W/AUDIO SWITCH    |
| 512577        | BUSHING STRAIN RELIEF                       |

# 2014 INTERNATIONAL TRAVEL TRAILER

## FURNITURE, LOUNGE

Roof Locker, End Liner w/Radio, 25' FB Aft, 27' FB Aft, Sterling

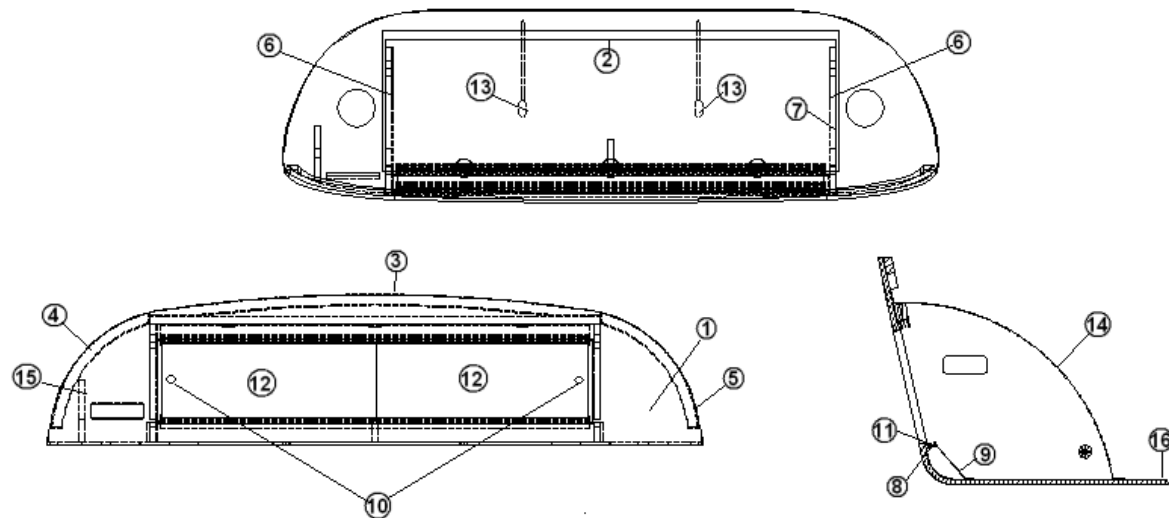


	966869-22	ROOFLOCKER, FRONT/AFT W/RADIO
1.	966869-222	FACE, FRONT/AFT R/L W/RADIO
3.	801596-01	BACKER, LINER LOCKER CENTER
4..	801596-02	BACKER LINER LOCKER, LH
5.	801596-03	BACKER, LINER LOCKER, RH
6.	801594	DIVIDER-LINER LOCKER
7.	801595	DIVIDER LINER LOCKER
7.	801595-01	Divider, liner locker, w Audio Switch Holes
8.	115261-01	ANGLE, LOCKER TRACK SUPPORT
9.	115226-01	BRACKET, LOCKER, CENTER SUPPORT
10.	115576-02	LOCKER TRIM, FORMED LOOP
11.	203388	TRACK, SLIDING DOOR
12.	203741-02	DOOR, SLIDING, 30"
13.	201673-03	REVERSE COVE MOLDING, Ash Grey
14.	800028	PINE, 3/4" X 1.5"
15.	115264-01	PAN, LINER LOCKER W/B FRONT
16.	801710	SUPPORT DIVIDER-R/L
17.	703991	SEAL, PILE WEAATHER STRIP BLK #4
	968049-22	BLUE RAY SHELF ASSY.
	801911-02	DIVIDER, ROOFLOCKER W/BLUE RAY RH
	512577	BUSHING, STRAIN RELIEF

# 2014 INTERNATIONAL TRAVEL TRAILER

## FURNITURE, LOUNGE

Roof Locker, End Liner, 25' FB Aft, 27' FB Aft, 28' Front Serenity



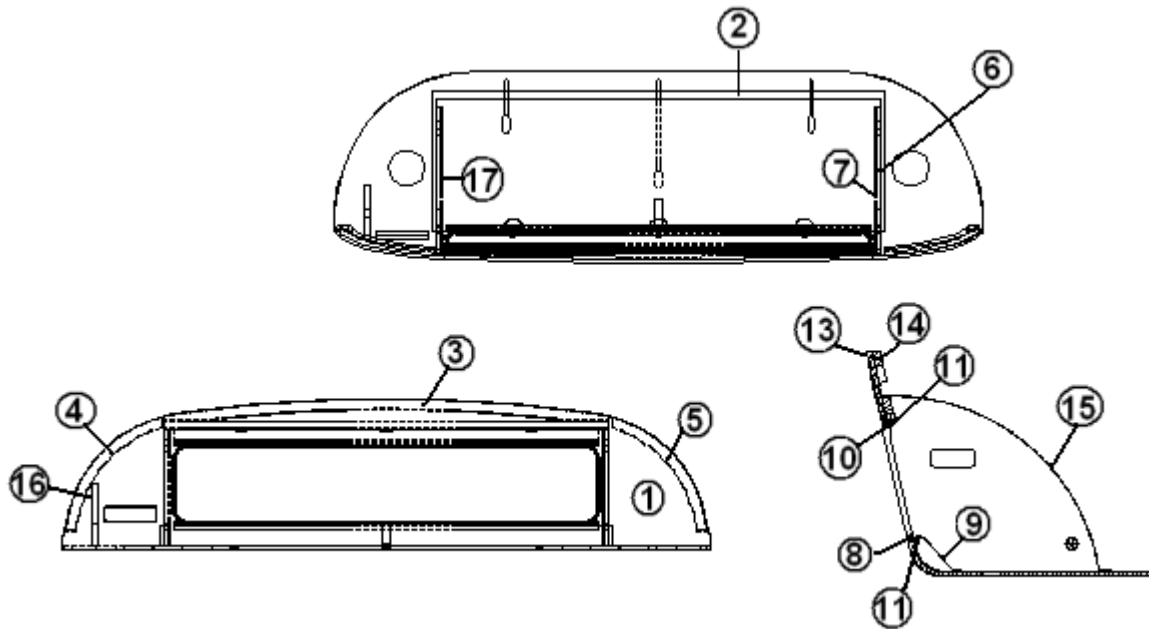
- |               |                                |
|---------------|--------------------------------|
| 967556-15     | ROOFLOCKER ASSY-REAR W/RADIO   |
| 1. 801849     | FACE-R/L W/RADIO SER           |
| 2. 801355-01  | LAM-FROST WHT 4'X8'VERT #1573  |
| 3. 801596-01  | BACKER W/B LINER LOCKER CTR    |
| 4. 801596-02  | BACKER LINER LOCKER LH         |
| 5. 801596-03  | BACKER, LINER LOCKER RH        |
| 6. 801594     | DIVIDER-LINER LOCKER           |
| 7. 801595     | DIVIDER LINER LOCKER CCD       |
| 8. 114812     | ALUM. ANGLE 1.00 X 1.00        |
| 9. 115226-01  | BRACKET, FORMED LOCKER CTR SUP |
| 10. 382114    | KNOB-BRUSH.SATIN NICKEL #M576  |
| 11. 203388    | TRACK-SLIDING DOOR             |
| 12. 203677-03 | DOOR-MARI 11.31X30             |
| 13. **        | SPOTLIGHT - SEE 12V ELECTRICAL |
| 14. 115264-01 | PAN, LINER LOCKER W/B FRONT    |
| 15. 801710    | SUPPORT DIVIDER-R/L INT II     |
| 16. 801595-11 | DIVIDER-LINER LOCKER W/AUDIO S |
| 968049        | BLUE RAY SHELF ASSEMBLY        |



# 2014 INTERNATIONAL TRAVEL TRAILER

## FURNITURE, LOUNGE

Roof Locker, End Liner, 25' FB Aft, EDDIE BAUER

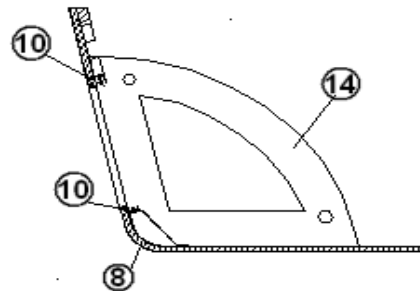
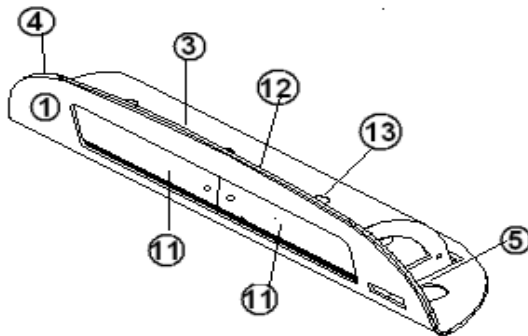
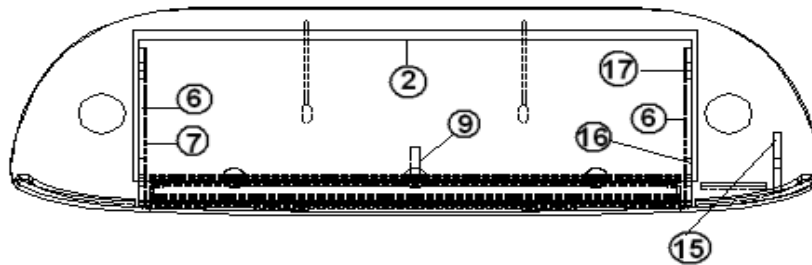


- |               |                                       |
|---------------|---------------------------------------|
| 967677-19     | ROOFLOCKER, REAR, W/RADIO 25'FB, 27FB |
| 1. 801901     | FACE- ROOFLOCKER REAR W/RADIO         |
| 2. 967677-192 | PANEL - 21X62.25                      |
| 3. 801596-01  | BACKER LINER LOCKER CTR               |
| 4. 801596-02  | BACKER LINER LOCKER LH                |
| 5. 801596-03  | BACKER, LINER LOCKER RH               |
| 6. 801594     | DIVIDER-LINER LOCKER                  |
| 7. 801595     | DIVIDER LINER LOCKER CCD              |
| 8. 115261-01  | ANGLE FORMED LOCKER TRACK SUPP        |
| 9. 115226-01  | BRACKET, FORMED LOCKER CTR SUP        |
| 10. 203710    | T MOLDING-ALMOND .56" X 250'          |
| 11. 203388    | TRACK-SLIDING DOOR                    |
| 12. 203708-01 | DOOR-PLEXIGLASS 11.31X30              |
| 13. 201673-01 | MOLDING-OAK COVE .43" OAK             |
| 14. 800028    | PINE, 3/4" X 1-1/2"                   |
| 15. 115264-01 | PAN, LINER LOCKER W/B FRONT           |
| 16. 801710    | SUPPORT DIVIDER-R/L INT II            |
| 17. 801595-11 | DIVIDER-R/L W/AUDIO SWITH HOLE        |
| 18. 703991    | PILE SEAL WEATHER STRIP               |
| 968049        | BLUE RAY SHELF ASSY.                  |
| 512577        | BUSHING STRAIN RELIEF                 |

# 2014 INTERNATIONAL TRAVEL TRAILER

## FURNITURE, LOUNGE

Roof Locker, End Liner, 25, 28' Front, 30' Signature

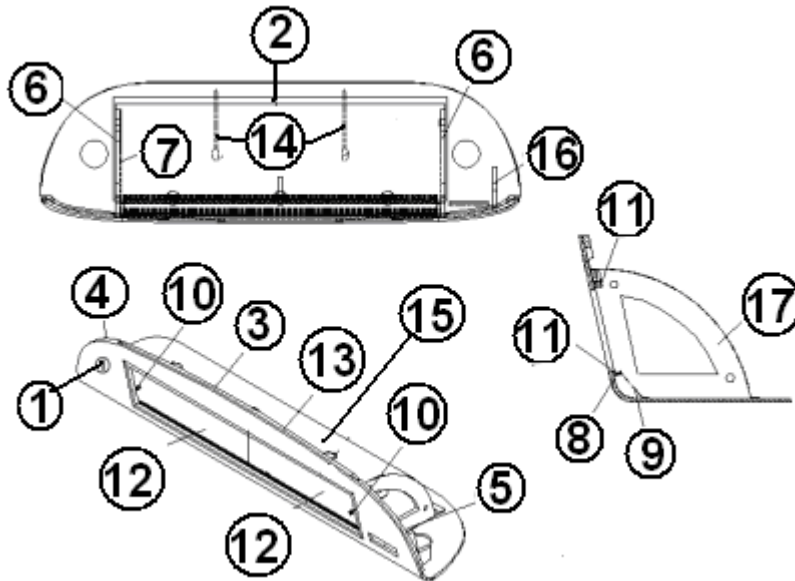


- |               |                                                  |
|---------------|--------------------------------------------------|
| 967502        | ROOFLOCKER ASSY, FRONT                           |
| 967502-01     | ROOFLOCKER ASSY., FRONT - AIRSTREAM 2 GO         |
| 1. 801593-01  | FACE-LINER LOCKER W/B FRONT                      |
| 2. 801924-01  | LAMINATE, EBONY WOODS                            |
| 3. 801596-01  | BACKER W/B LINER LOCKER CTR                      |
| 4. 801596-02  | BACKER LINER LOCKER LH                           |
| 5. 801596-03  | BACKER, LINER LOCKER RH                          |
| 6. 801594     | DIVIDER-LINER LOCKER                             |
| 7. 801595     | DIVIDER LINER LOCKER CCD                         |
| 8. 115261-01  | ANGLE FORMED LOCKER TRACK SUPP                   |
| 9. 115226-01  | BRACKET, FORMED LOCKER CTR SUP                   |
| 10. 203388    | TRACK-SLIDING DOOR                               |
| 11. 203749-08 | DOOR-PLEX.SLIDING 11.31"X 30"                    |
| 12. 201673    | COVE MOLDING, WHITE                              |
| 13. 512464    | SPOTLIGHT - SURFACE MOUNT                        |
| 14. 115264-01 | PAN, LINER LOCKER W/B FRONT                      |
| 15. 801710    | SUPPORT DIVIDER-R/L INT II                       |
| 16. 801911-01 | DIVIDER-LINER LOCKER W/BLUE RAY                  |
| 801911-04     | DIVIDER-LINER LOCKER W/BLUE RAY - AIRSTREAM 2 GO |
| 968049        | BLUE RAY SHELF ASSY.                             |
| 703991        | SEAL, PILE WEATHERSTRIP, BLACK                   |
| 382149        | FINGER PULL, SATIN NICKEL                        |
| 512577        | BUSHING STRAIN RELIEF                            |

# 2014 INTERNATIONAL TRAVEL TRAILER

## FURNITURE, LOUNGE

Roof Locker, End Liner, 25, 28' Front, 30' Signature, Serenity

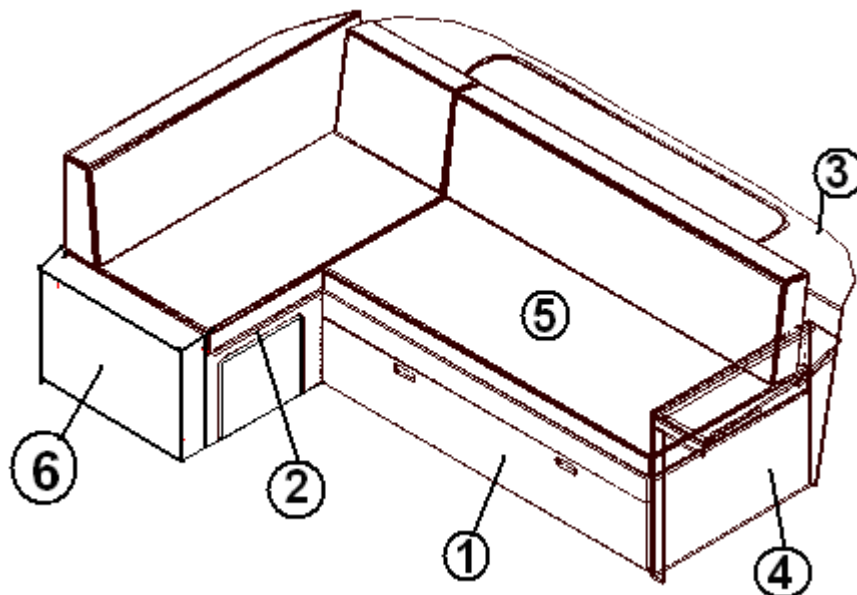


- |               |                                        |
|---------------|----------------------------------------|
| 967568-15     | ROOFLOCKER ASSY. W/RADIO               |
| 1. 801859     | FACE-R/L W/RADIO 28 SER                |
| 2. 967568-152 | PANEL, R/L 21X62.25                    |
| 3. 801596-01  | BACKER W/B LINER LOCKER CTR            |
| 4. 801596-02  | BACKER LINER LOCKER LH                 |
| 5. 801596-03  | BACKER, LINER LOCKER RH                |
| 6. 801594     | DIVIDER-LINER LOCKER                   |
| 7. 801595     | DIVIDER LINER LOCKER CCD               |
| 8. 114812     | ALUM. ANGLE 1.00 X 1.00                |
| 9. 115226-01  | BRACKET, FORMED LOCKER CTR SUP         |
| 10. 382114    | KNOB-BRUSH.SATIN NICKEL #M576          |
| 11. 203388    | TRACK-SLIDING DOOR                     |
| 12. 203677-03 | DOOR-11.31X30                          |
| 13. 201673    | COVE MOLDING, WHITE, P                 |
| 14. 512464    | SPOTLIGHT -FROST LENS LED. SURFACE MT. |
| 15. 115264-01 | PAN, LINER LOCKER W/B FRONT            |
| 16. 801710    | SUPPORT DIVIDER-R/L INT II             |
| 17. 801595-10 | DIVIDER-R/L W/AUDIO SWITH HOLE         |
| 703991        | PILE SEAL WEATHER STRIP                |
| 968049        | BLUERAY SHELF ASSEMBLY                 |

# 2014 INTERNATIONAL TRAVEL TRAILER

## FURNITURE, LOUNGE

### Sofa, 28' /30' Signature

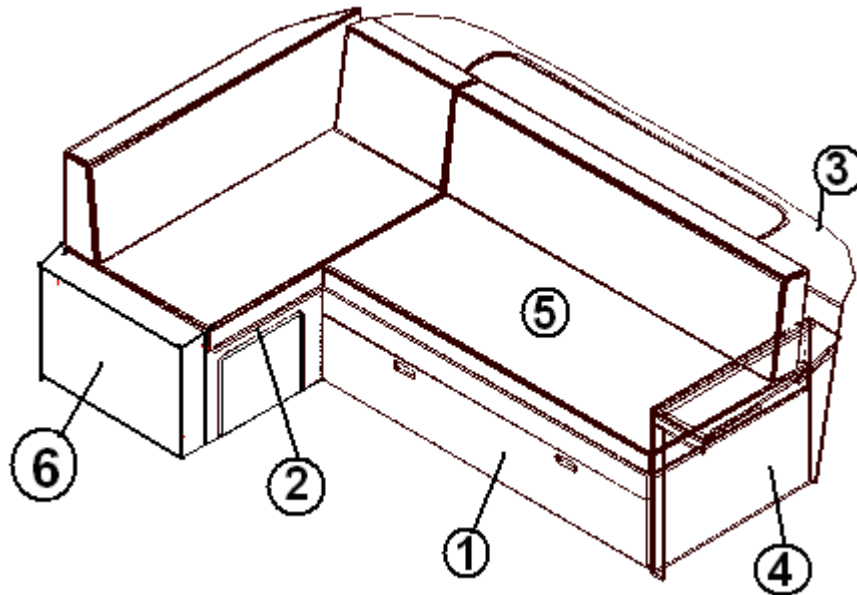


- |               |                                     |
|---------------|-------------------------------------|
| 1. 966970     | SOFA ASSY.                          |
| 2. 966972     | SOFA ASSY, L SECTION                |
| 3. 966973     | BACK ASSY, SOFA                     |
| 4. 966974     | ARMREST ASSY, SOFA                  |
| 5. 704071-113 | CUSHION KIT, MOJAVE                 |
| 5. 704071-104 | CUSHION KIT, FLINT                  |
| 5. 704071-180 | CUSHION KIT, MINT GREEN             |
| 5. 704071-141 | CUSHION KIT, SOY BROWN              |
| 6. 967230     | ARMREST ASSY, L-LOUNGE              |
| 965812        | CUSHION ASSY, FOAM WEDGE, L LOUNGE  |
| 203622        | TUB, STORAGE, L-LOUNGE              |
| 203636        | STORAGE BOX, 24.5" X 17.75" X 7.25" |
| 703885        | CUSHION KIT, UL TAUPE               |
| 703885BR      | CUSHION KIT, UL ESPRESSO            |

# 2014 INTERNATIONAL TRAVEL TRAILER

## FURNITURE, LOUNGE

Sofa, 28'/30' Signature, Serenity

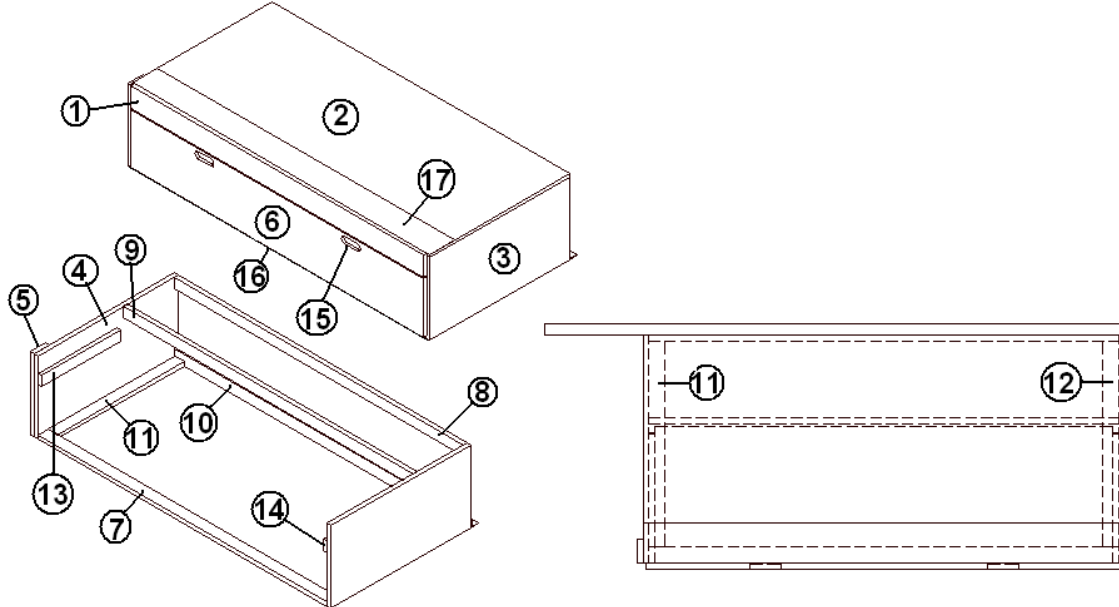


- |               |                                      |
|---------------|--------------------------------------|
| 1. 966970-15  | SOFA ASSY.                           |
| 2. 966972-15  | SOFA ASSY, L SECTION                 |
| 3. 966973     | BACK ASSY, SOFA                      |
| 4. 966974     | ARMREST ASSY, SOFA                   |
| 5. 704071-180 | CUSHION KIT - MINT GREEN             |
| 5. 704071-141 | CUSHION KIT - SOY BROWN              |
| 5. 704071-113 | CUSHION KIT - MOJAVE                 |
| 5. 704071-104 | CUSHION KIT - FLINT                  |
| 6. 967230     | ARMREST ASSY, L-LOUNGE               |
| 965812        | CUSHION ASSY, FOAM WEDGE, L LOUNGE   |
| 703885        | CUSHION KIT, ULTRA LEATHER, TAUPE    |
| 703885BR      | CUSHION KIT, ULTRA LEATHER, ESPRESSO |

# 2014 INTERNATIONAL TRAVEL TRAILER

## FURNITURE, LOUNGE

Sofa, 28', 30' Signature, Assembly,

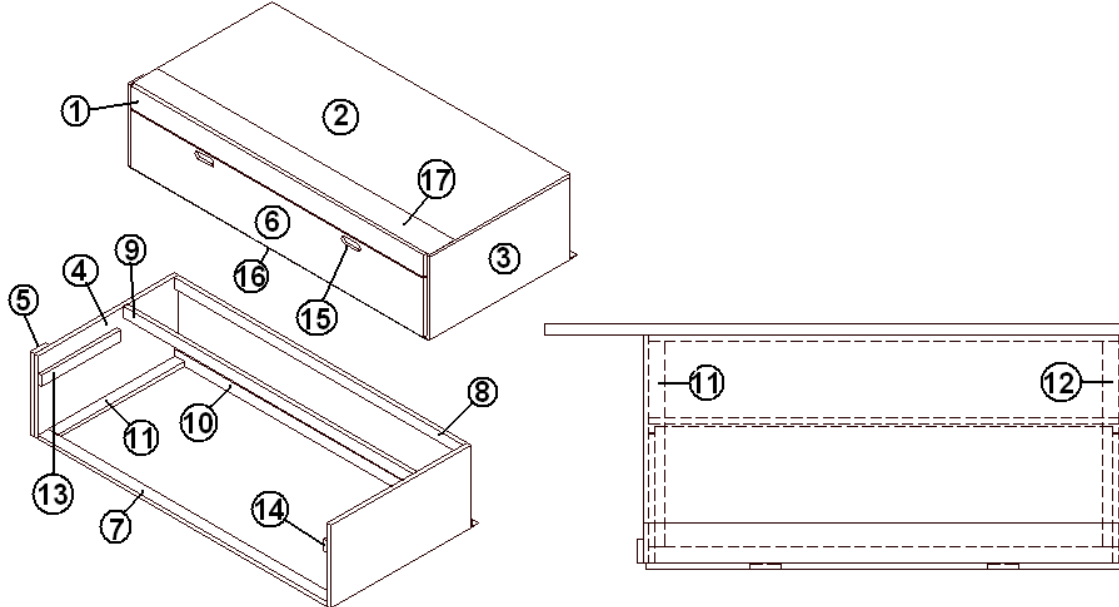


966970	SOFA ASSY.
1. 966971	SOFA BED ASSY.
2. 800506-04	PLYWOOD, 1/2" X 4' X 8'
3. 801351	LITE PLY, 18MM (.75") 4'X 8'
4. 801351	LITE PLY, 18MM (.75") 4'X 8'
5. 801351	LITE PLY, 18MM (.75") 4'X 8'
6. 966970-6	DOOR, 10.25" X 59.13"
7. 850082	POPLAR, .75 X 2.00
8. 850082	POPLAR, .75 X 2.00
9. 850082	POPLAR, .75 X 2.00
10. 850082	POPLAR, .75 X 2.00
11. 850082	POPLAR, .75 X 2.00
12. 850082	POPLAR, .75 X 2.00
13. 850082	POPLAR, .75 X 2.00
14. 850082	POPLAR, .75 X 2.00
15. 381775	DRAWER PULL, FLUSH SATIN
16. 381072-01	HINGE, 3" X 2" FIXED PIN
17. 801924-01	LAMINATE-EBONY WOODS VERTICAL
381228-01	CATCH GRABBER DOOR
114809	ALUM. ANGLE 1.50 X 1.50

# 2014 INTERNATIONAL TRAVEL TRAILER

## FURNITURE, LOUNGE

Sofa, 28', 30' Signature, Assembly, Serenity

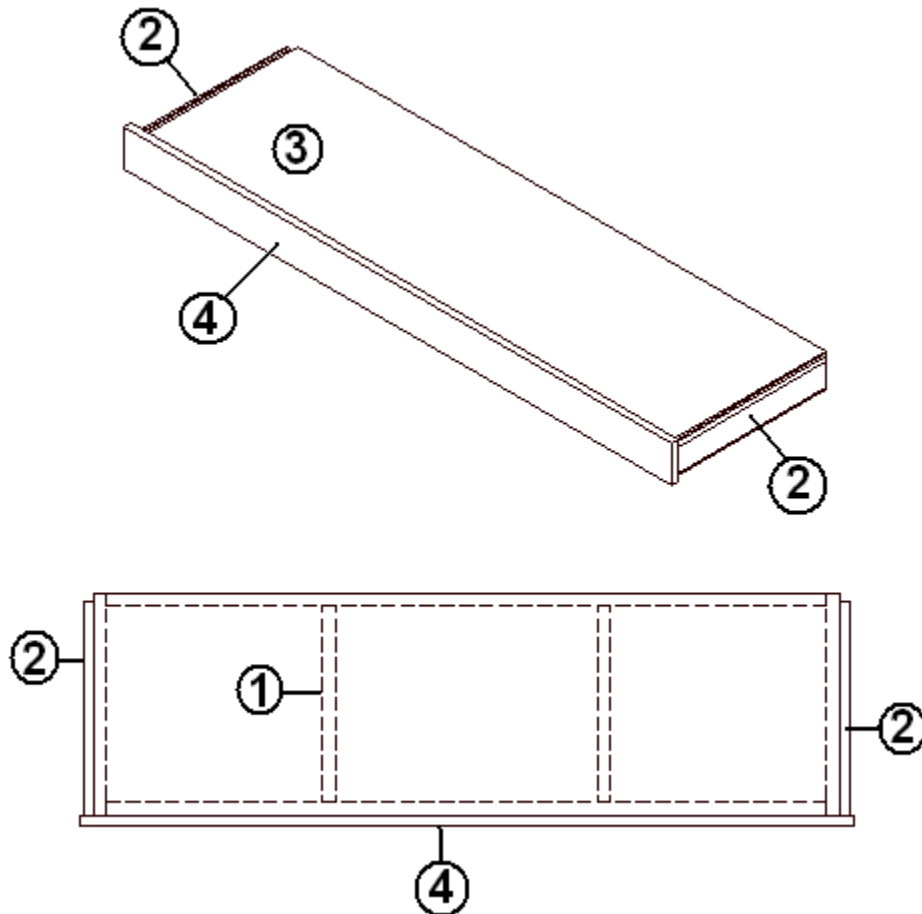


966970-15	SOFA ASSY.
1. 966971-15	SOFA BED ASSY.
2. 800506-04	PLYWOOD, 1/2" X 4' X 8'
3. 801351	LITE PLY, 18MM (.75") 4'X 8'
4. 801351	LITE PLY, 18MM (.75") 4'X 8'
5. 801351	LITE PLY, 18MM (.75") 4'X 8'
6. 966970-156	DOOR, 10.25" X 59.13"
7. 850082	POPLAR, .75 X 2.00
8. 850082	POPLAR, .75 X 2.00
9. 850082	POPLAR, .75 X 2.00
10. 850082	POPLAR, .75 X 2.00
11. 850082	POPLAR, .75 X 2.00
12. 850082	POPLAR, .75 X 2.00
13. 850082	POPLAR, .75 X 2.00
14. 850082	POPLAR, .75 X 2.00
15. 382115	DRAWER PULL-BLACK
16. 381607	HINGE ASSY.
17. 966970-1521	PANEL, SOFA 5" X 60"
381228-01	CATCH GRABBER DOOR
114809	ALUM. ANGLE 1.50 X 1.50

# 2014 INTERNATIONAL TRAVEL TRAILER

## FURNITURE, LOUNGE

Sofa Bed, 28', 30', Signature



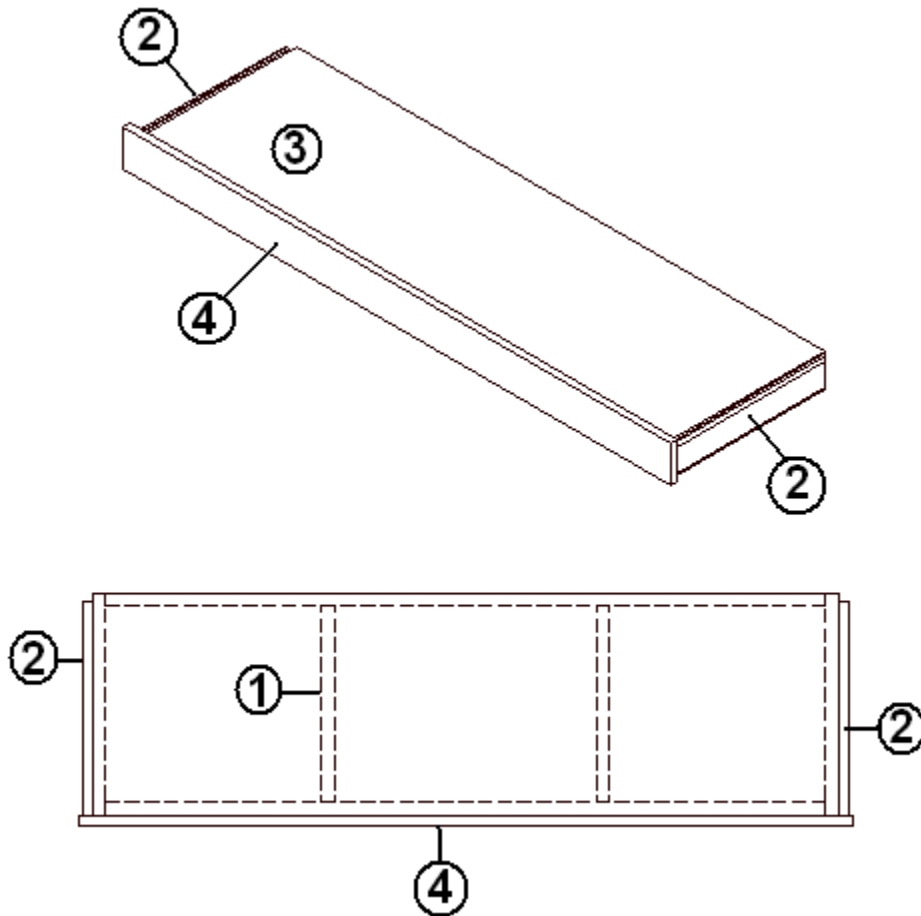
- |              |                              |
|--------------|------------------------------|
| 966971       | SOFA BED ASSY                |
| 1. 915708    | WELDMENT, SOFA BED           |
| 2. 381826    | SLIDE, BALL BEARING, 16"     |
| 3. 800507-02 | LAUAN, 1/4" X 4' X 8'        |
| 4. 966971-4  | PANEL, SOFA BED 3.88 X 59.13 |
| 330031-03    | RIVET DOME HEAD SSD64SSBS    |
| 320117-03    | SCREW, DRYWALL, #6 X 1.625"  |



# 2014 INTERNATIONAL TRAVEL TRAILER

## FURNITURE, LOUNGE

Sofa Bed, 28', Signature, Serenity

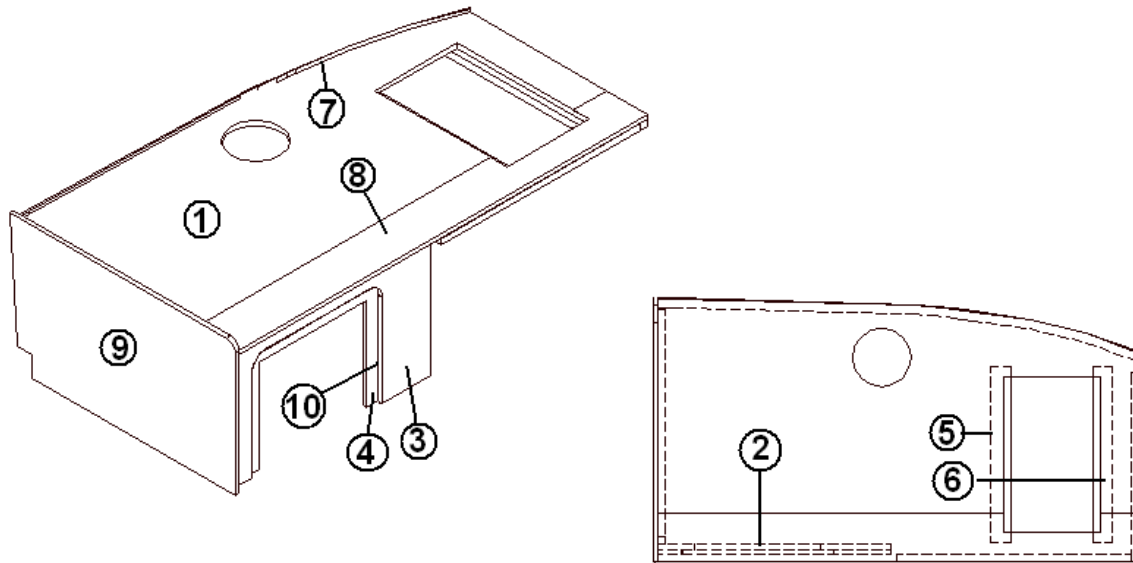


- |               |                              |
|---------------|------------------------------|
| 966971-15     | SOFA BED ASSY                |
| 1. 915708     | WELDMENT, SOFA BED           |
| 2. 381826     | SLIDE, BALL BEARING, 16"     |
| 3. 800507-02  | LAUAN, 1/4" X 4' X 8'        |
| 4. 966971-154 | PANEL, SOFA BED 3.88 X 59.13 |
| 330031-03     | RIVET DOME HEAD SSD64SSBS    |
| 320117-03     | SCREW, DRYWALL, #6 X 1.625"  |

# 2014 INTERNATIONAL TRAVEL TRAILER

## FURNITURE, LOUNGE

Sofa, 28' Signature, L-Section

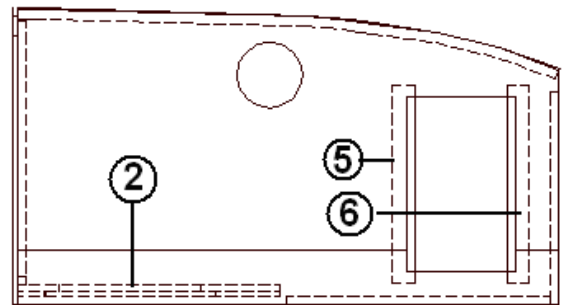
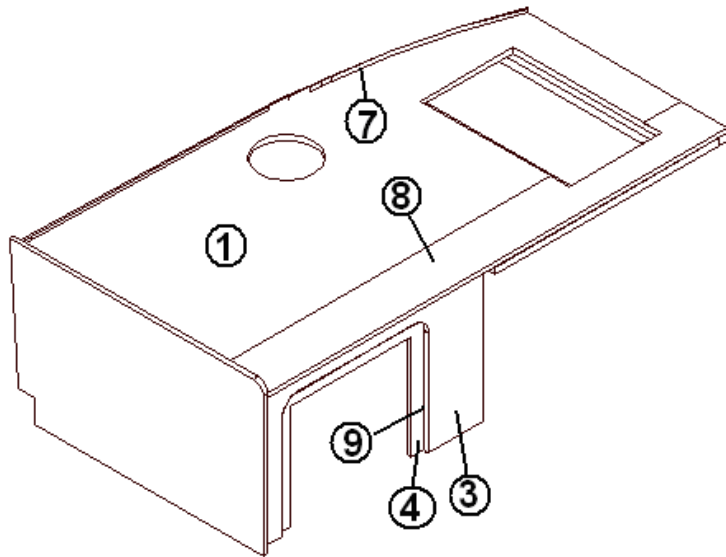


966972	SOFA ASSY L SECTION
1. 966972-1	TOP ASSY SOFA L SECTION
2. 966972-2	PANEL, 9.88 X 15.88 SOFA L SECTION
3. 966972-3	PANEL, 24.00" X 14.50"
4. 966972-4	PANEL, 24.00 X 14.50
5. 850082	POPLAR, .75" X 2.00"
6. 850082	POPLAR, .75" X 2.00"
7. 114812	ALUMINUM ANGLE, 1.00" X 1.00"
8. 801924-01	LAMINATE, EBONY VERTICAL
9. 966972-11	PANEL, 16.00 X 27.29
10. 203445	T-MOLDING BLACK, FLEXIBLE POLY .5

# 2014 INTERNATIONAL TRAVEL TRAILER

## FURNITURE, LOUNGE

Sofa, 28' Signature, L-Section, Serenity

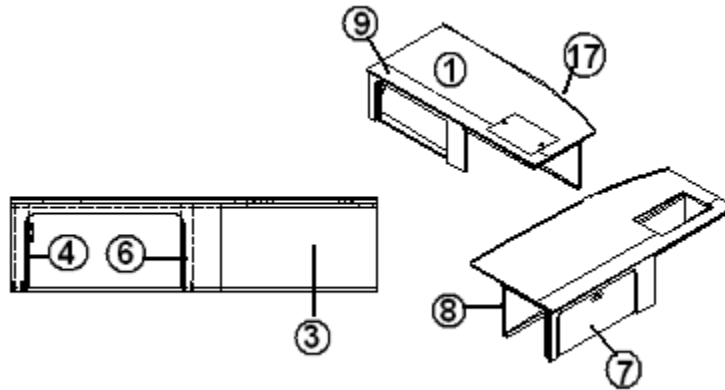


- |                |                                    |
|----------------|------------------------------------|
| 966972-15      | SOFA ASSY L SECTION                |
| 1. 966972-01   | TOP ASSY SOFA L SECTION            |
| 2. 966972-02   | PANEL, 9.88 X 15.88 SOFA L SECTION |
| 3. 966972-153  | PANEL, 24.00" X 14.50"             |
| 4. 966972-154  | PANEL, 24.00 X 14.50               |
| 5. 850082      | POPLAR, .75" X 2.00"               |
| 6. 850082      | POPLAR, .75" X 2.00"               |
| 7. 114812      | ALUMINUM ANGLE, 1.00" X 1.00"      |
| 8. 966972-1510 | PANEL, SOFA 5" X 49.5"             |

# 2014 INTERNATIONAL TRAVEL TRAILER

## FURNITURE, LOUNGE

### Sofa, 30' Signature, L-Section

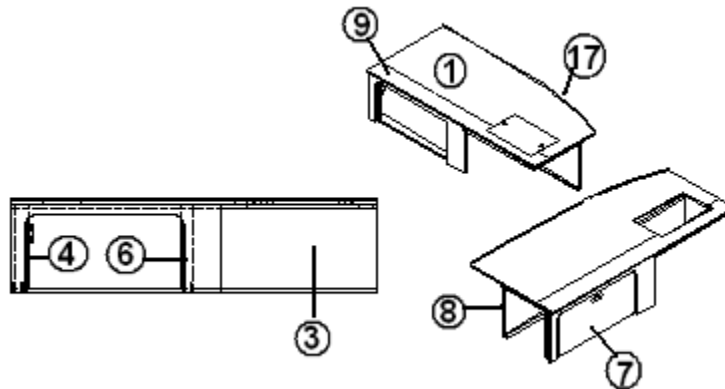


	967621	SOFA ASSY- L SECTION
1.	967621-1	PANEL, SOFA 27X59.5
2.	967621-2	PANEL, SOFA 9.88X15.88 (NOT SHOWN)
3.	967621-3	PANEL, SOFA 14.5X34 (NOT SHOWN)
4.	967621-4	PANEL, SOFA 3X13.75
6.	967621-6	PANEL, SOFA 2.25X13.75
7.	967621-7	DOOR-SOFA 11.56X25.13
8.	967621-8	PANEL, SOFA 14.5X59.5
9.	967621-9	PANEL, SOFA 5X59.5
10.	967621-10	PANEL, SOFA 2.25X29.75(NOT SHOWN)
17.	114812	ALUMINUM ANGLE 1.00 X 1.00
	850082	POPLAR 2" X 18"
	850082	POPLAR 2" X 18"
	800025-01	PINE 3/4" X 3/4" STAINED
	381228-01	CATCH GRABBER DOOR C3-803
	381775	DRAWER PULL-FLUSH SATIN #UT-10
	381072-01	HINGE-3" X 2" FIXED PIN (PR)#V
	365364-01	EDGE BANDING- .63" E WOODS
	365364-02	EDGE BANDING- .94" E. WOODS
	203440	T MOLDING-BLACK EMBOSSED

# 2014 INTERNATIONAL TRAVEL TRAILER

## FURNITURE, LOUNGE

Sofa, 30' Signature, L-Section - Serenity

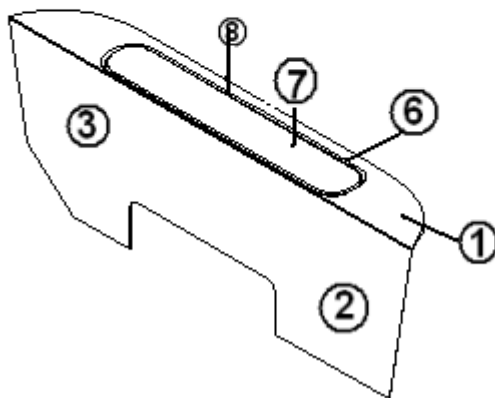
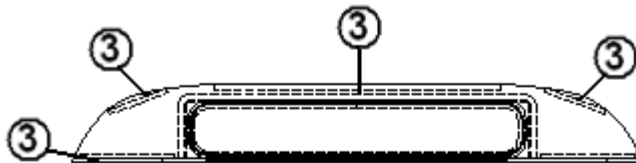


- |     |            |                                    |
|-----|------------|------------------------------------|
|     | 967621-15  | SOFA ASSY- L SECTION - SERENITY    |
| 1.  | 967621-1   | PANEL, SOFA 27X59.5                |
| 2.  | 967621-2   | PANEL, SOFA 9.88X15.88 (NOT SHOWN) |
| 3.  | 967621-153 | PANEL, SOFA 14.5X34 (NOT SHOWN)    |
| 4.  | 967621-154 | PANEL, SOFA 3X13.75                |
| 6.  | 967621-156 | PANEL, SOFA 2.25X13.75             |
| 7.  | 967621-157 | DOOR-SOFA 11.56X25.13              |
| 8.  | 967621-8   | PANEL, SOFA 14.5X59.5              |
| 9.  | 967621-159 | PANEL, SOFA 5X59.5                 |
| 10. | 967621-10  | PANEL, SOFA 2.25X29.75(NOT SHOWN)  |
| 17. | 114812     | ALUMINUM ANGLE 1.00 X 1.00         |
|     | 850082     | POPLAR 2" X 18"                    |
|     | 800025-01  | PINE 3/4" X 3/4" STAINED           |
|     | 381228-01  | CATCH GRABBER DOOR C3-803          |
|     | 381775     | DRAWER PULL-FLUSH SATIN #UT-10     |
|     | 381072-01  | HINGE-3" X 2" FIXED PIN (PR)#V     |
|     | 365344-01  | EDGE BANDING- .63" PEARL BISQUE    |
|     | 365344-02  | EDGE BANDING- .94" PEARL BISQUE    |
|     | 203440     | T MOLDING-BLACK EMBOSSED           |

# 2014 INTERNATIONAL TRAVEL TRAILER

## FURNITURE, LOUNGE

### Sofa, 30' Signature - Back Assembly



967625

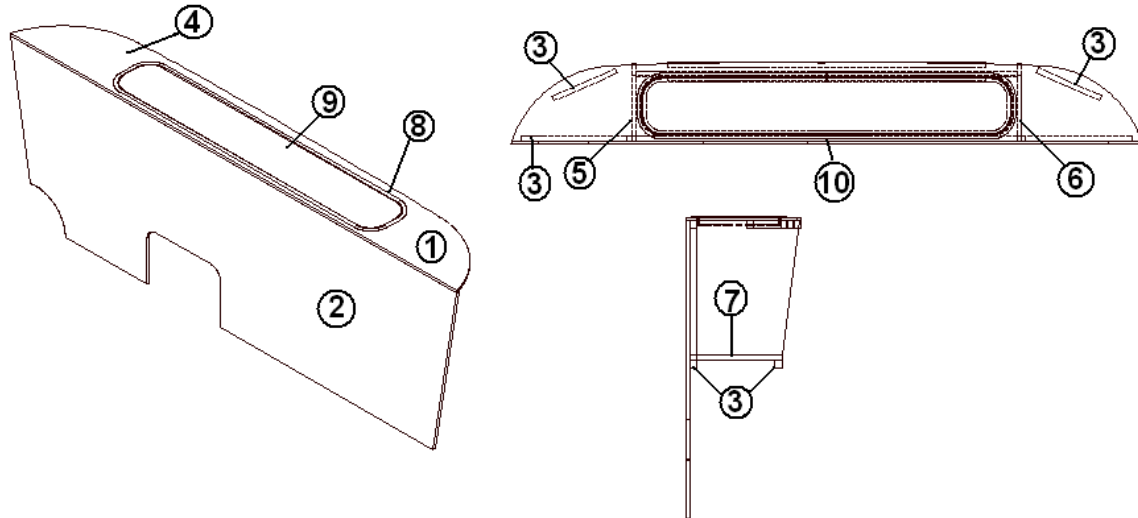
BACK ASSY-SOFA 30 INTL

- |              |                          |
|--------------|--------------------------|
| 1. 800507-03 | LAUAN 12.25 X 91.0       |
| 2. 800507-03 | LAUAN 31.63 X 91.0       |
| 3. 800025-01 | PINE 3/4" X 3/4" STAINED |
| 4. 701764    | FOAM-.25"                |
| 5. 090467-C  | FABRIC                   |
| 6. 115203    | JAMB-SOFA BACK DOOR      |
| 7. 966134    | DOOR ASSY-SOFA BACK      |
| 8. 381847-01 | HINGE PIANO ANGLE 46"    |
| 203622       | TUB-STORAGE L-LOUNGE     |

# 2014 INTERNATIONAL TRAVEL TRAILER

## FURNITURE, LOUNGE

### Sofa Back, 28', Signature

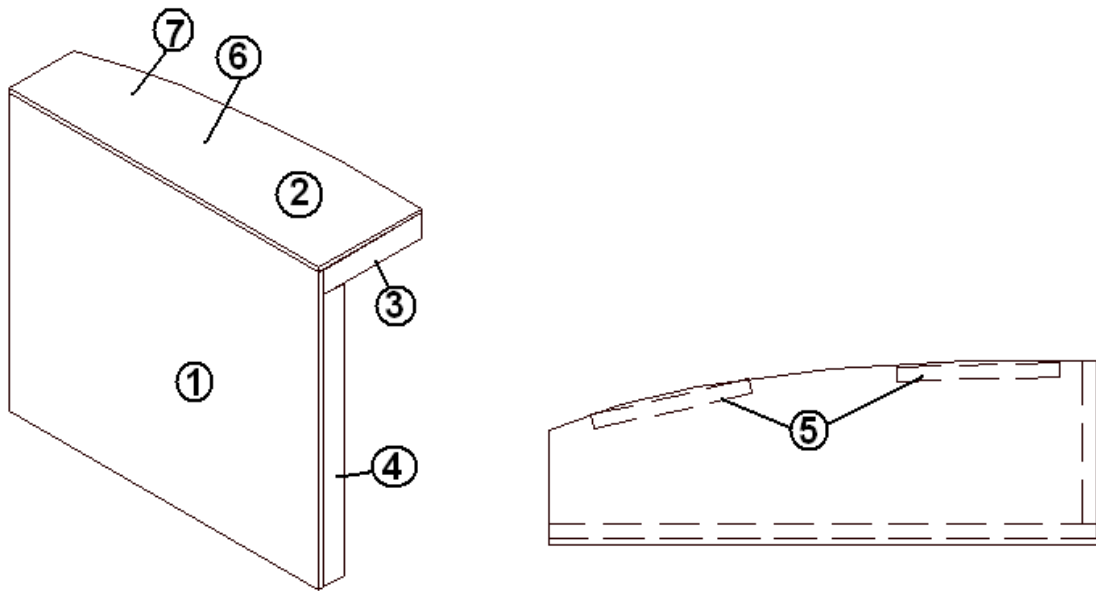


966973	BACK ASSY, SOFA
1. 800507-03	LAUAN, 3/8" X 4' X 8'
2. 800507-03	LAUAN, 3/8" X 4' X 8'
3. 800025-01	PINE, 3/4 X 3/4' STAINED
4. 701764	FOAM, 1/4"
4. 703896	FABRIC-SPECTRUM GRAPHITE #48030
5. 966973-6	PANEL, 11.13 X 13.63
6. 966973-7	PANEL, 11.13 X 13.63
7. 966973-8	PANEL, 9.38 X 56.00
8. 115203	JAMB, SOFA BACK DOOR
9. 966134	DOOR, SOFA BACK
10. 381847-01	HINGE PIANO ANGLE, 46"
365013-01	TAPE CHARCOAL LOW DENSITY FOAM
381581	STRAP CLEAR PLASTIC .75"W

# 2014 INTERNATIONAL TRAVEL TRAILER

## FURNITURE, LOUNGE

Sofa, 28', 30' Signature, Armrest



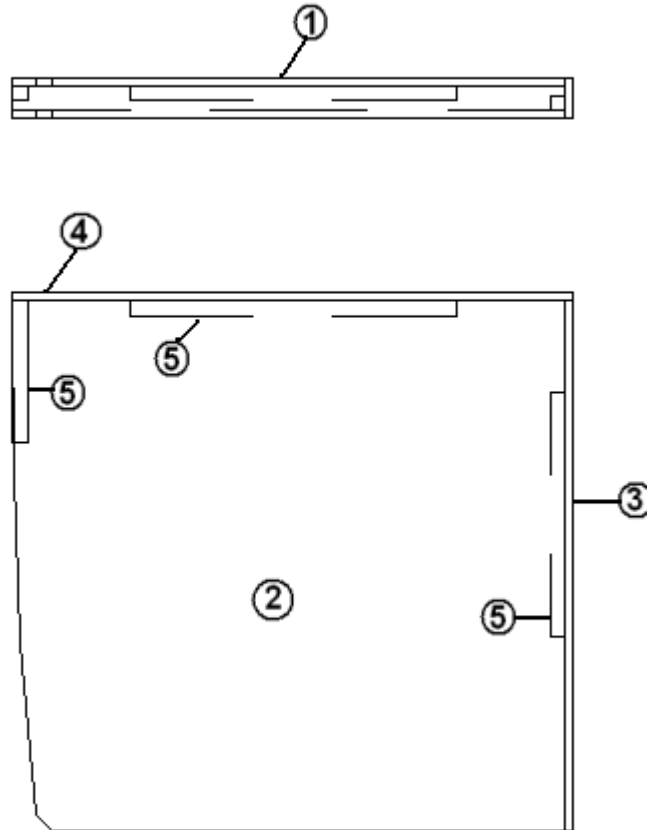
966974	ARMREST ASSY SOFA
1. 966974-1	LAUAN, 3/8" X 4' X 8'
2. 966974-2	LAUAN, 3/8" X 4' X 8'
3. 966974-3	LAUAN, 3/8" X 4' X 8'
4. 966974-4	LAUAN, .75" X 4' X 8'
5. 800025-01	PINE 3/4" X 3/4" STAINED
6. 701764	FOAM, 1/4"



# 2014 INTERNATIONAL TRAVEL TRAILER

## FURNITURE, LOUNGE

### ARMREST - L-LOUNGE 30' Sofa



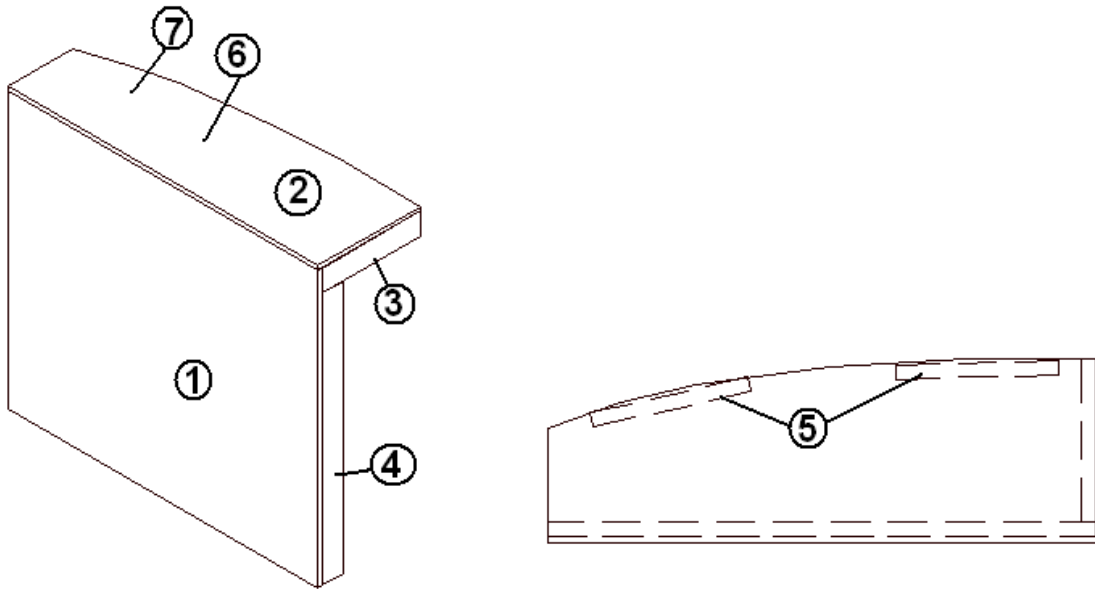
#### 967623 ARMREST ASSY., ROADSIDE L- LNG 30' INTL

- |              |                            |
|--------------|----------------------------|
| 1. 800507-03 | LAUAN, 3/8" X 27.16" X 26" |
| 2. 800507-03 | LAUAN, 3/8" X 27.16" X 26" |
| 3. 800507-03 | LAUAN, 3/8" X 2" X 26"     |
| 4. 800507-03 | LAUAN, 3/8" X 2" X 27"     |
| 5. 800025-01 | PINE 3/4" X 3/4" STAINED   |
| 6. 701764    | FOAM-.25"                  |

# 2014 INTERNATIONAL TRAVEL TRAILER

## FURNITURE, LOUNGE

Sofa, 28' & 30', Signature, Armrest

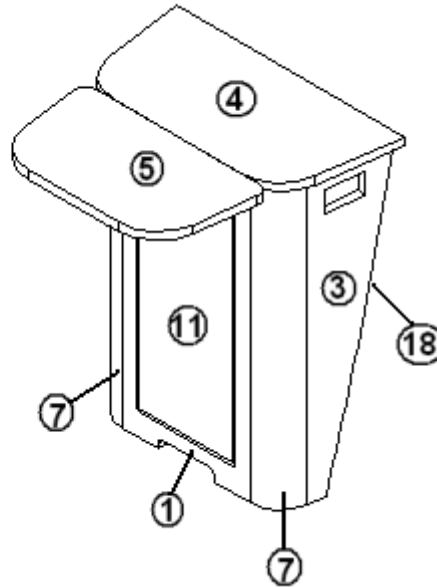
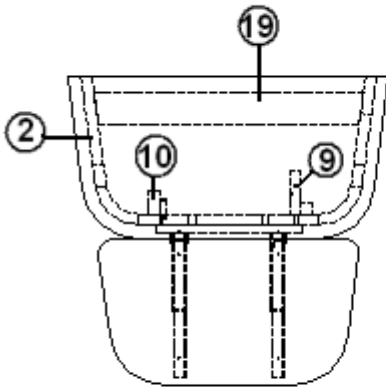


966974	ARMREST ASSY SOFA
1. 800507-03	LAUAN, 3/8" X 4'X 8'
2. 800507-03	LAUAN, 3/8" X 4'X 8'
3. 800507-03	LAUAN, 3/8" X 4'X 8'
4. 800507-06	LAUAN, .75" X 4' 8'
5. 800025-01	PINE 3/4" X 3/4" STAINED
6. 701764	FOAM, 1/4"
7. 090467-C	FABRIC

# 2014 INTERNATIONAL TRAVEL TRAILER

## FURNITURE - LOUNGE

### CENTER CONSOLE ASSEMBLY - 30'

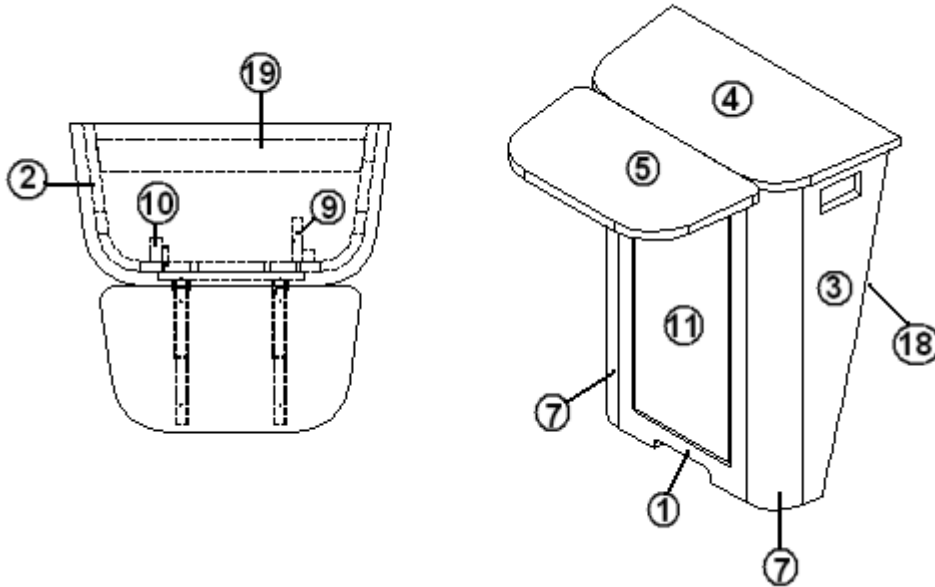


	967536	CONSOLE ASSY, CENTER 30
1.	967536-1	PANEL-CONSOLE 12.31X27.25
2.	967536-2	PANEL-CONSOLE 7.58X27.25
3.	967536-3	PANEL-CONSOLE 7.58X27.25
4.	967536-4	PANEL-CONSOLE 22X11
5.	967536-5	PANEL-CONSOLE 17.57X10
6.	967536-6	PANEL-CONSOLE 10X3.25 (NOT SHOWN)
7.	801345	RAD.PLYWOOD .75"X 3"X 8'
8.	967536-8	PANEL-CONSOLE 37X28 (NOT SHOWN)
9.	967536-9	PANEL-CONSOLE 25X3
10.	967536-10	PANEL-CONSOLE 25X1.63
11.	967536-11	DOOR-CONSOLE 9.06X21
12.	800025-01	PINE ¾ X ¾
13.	381228-01	CATCH GRABBER DOOR C3-803 (NOT SHOWN)
14.	382092	BRKT-HINGED SPRING 88 LB CAP.(NOT SHOWN)
15.	365364-01	EDGEBANDING- .63" EBONY WOODS
16.	365364-02	EDGEBANDING- .94" EBONY WOODS
17.	365363-02	EDGEBANDING- 15/16" AMBER FUSION
18.	203464-03	TRIM PANEL WHITE ¾"
19.	967536-19	PANEL, CONSOLE 18.46X2.25

# 2014 INTERNATIONAL TRAVEL TRAILER

## FURNITURE - LOUNGE

### CENTER CONSOLE ASSEMBLY - 30 SERENITY

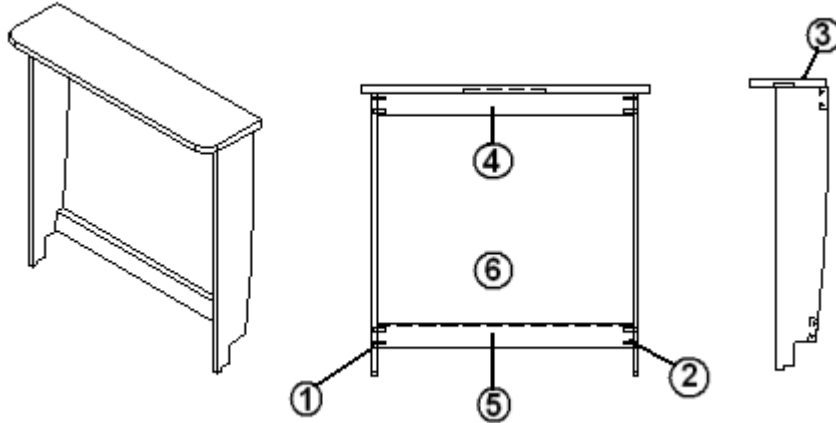


- |     |            |                                                                                                  |
|-----|------------|--------------------------------------------------------------------------------------------------|
|     | 967536-15  | CONSOLE ASSY, CENTER 30 SERENITY                                                                 |
| 1.  | 967536-1   | PANEL-CONSOLE 12.31X27.25                                                                        |
| 2.  | 967536-2   | PANEL-CONSOLE 7.58X27.25                                                                         |
| 3.  | 967536-3   | PANEL-CONSOLE 7.58X27.25                                                                         |
| 4.  | 967536-154 | PANEL-CONSOLE 22X11                                                                              |
| 5.  | 967536-155 | PANEL-CONSOLE 17.57X10                                                                           |
| 6.  | 967536-156 | PANEL-CONSOLE 10X3.25 (NOT SHOWN)                                                                |
| 7.  | 801345     | RAD.PLYWOOD .75"X 3"X 8'                                                                         |
| 8.  | 967536-158 | PANEL-CONSOLE 37X28 (NOT SHOWN)                                                                  |
| 9.  | 967536-9   | PANEL-CONSOLE 25X3                                                                               |
| 10. | 967536-10  | PANEL-CONSOLE 25X1.63                                                                            |
| 11. | 967536-11  | DOOR-CONSOLE 9.06X21                                                                             |
| 12. | 800025-01  | PINE ¾ X ¾                                                                                       |
| 13. | 381228-01  | CATCH GRABBER DOOR C3-803 (NOT SHOWN)                                                            |
| 14. | 382092     | BRKT-HINGED SPRING 88 LB CAP.(NOT SHOWN)                                                         |
| 15. | 365344-01  | EDGEBANDING- .63" PEARL BISQUE (NOT SHOWN)                                                       |
| 16. | 365344-02  | EDGEBANDING- .94" PEARL BISQUE (NOT SHOWN)                                                       |
|     | 365377-02  | *EDGEBANDING- .94" WESTERN STORM (REPLACEMENT *FOR MEDALLION, NLA, 1 <sup>ST</sup> USAGE 11/13.) |
| 17. | 203464-02  | TRIM PANEL BEIGE ¾"                                                                              |
| 18. | 967536-19  | PANEL, CONSOLE 18.46X2.25                                                                        |

# 2014 INTERNATIONAL TRAVEL TRAILER

## FURNITURE - LOUNGE

### LIFT UP TABLE CABINET ASSEMBLY



967537

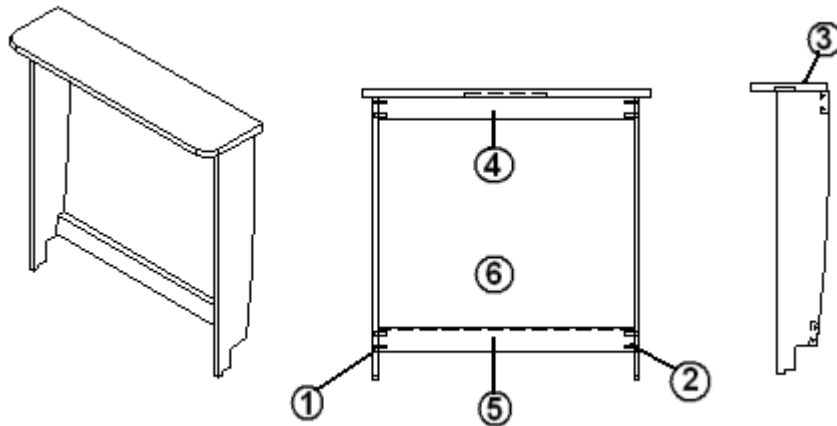
CABINET ASSY-LIFT UP TABLE 30'

- |             |                               |
|-------------|-------------------------------|
| 1. 967537-1 | PANEL, TABLE CAB 5X27.75      |
| 2. 967537-2 | PANEL, TABLE CAB. 5X27.75     |
| 3. 967537-3 | PANEL, TABLE CAB. 7.5X28.25   |
| 4. 967537-4 | PANEL, TABLE CAB. 2.25X25.13  |
| 5. 967537-5 | PANEL, TABLE CAB. 2.25X25.13  |
| 6. 967381   | TABLE ASSY - LIFT UP 30 SIG   |
| 381074      | CATCH BULL DOG #65S (COPPER)  |
| 800025-01   | PINE 3/4" X 3/4" STAINED      |
| 380203-01   | PIANO HINGE                   |
| 101253      | EXTR. CREDENZA HINGE MOVABLE  |
| 385963      | BRACKET MTG. ANGLE LAMBREQUIN |
| 365364-01   | EDGE BANDING- .63" E.WOODS    |
| 365364-02   | EDGE BANDING- .94" E.WOODS    |
| 454740      | BRACKET-RECLINER RETENSION    |
| 382095      | KNOB-KNURLED 1/4-20 X .50"    |
| 350189      | NUT - TEE 6 PRONG 1/4-20      |

# 2014 INTERNATIONAL TRAVEL TRAILER

## FURNITURE - LOUNGE

### LIFT UP TABLE CABINET ASSEMBLY SERENITY 30



967537-15

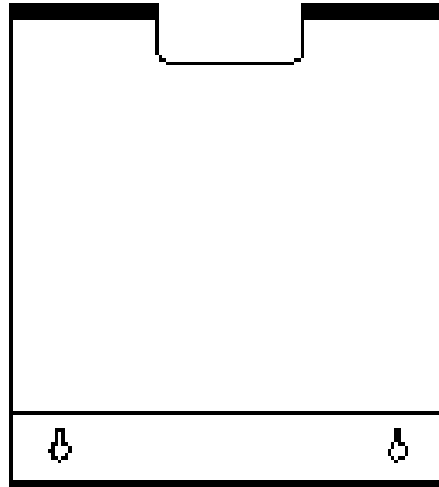
CABINET ASSY-LIFT UP TABLE 30' SERENITY

1. 967537-151 PANEL, TABLE CAB 5X27.75
2. 967537-152 PANEL, TABLE CAB. 5X27.75
3. 967537-153 PANEL, TABLE CAB. 7.5X28.25
4. 967537-154 PANEL, TABLE CAB. 2.25X25.13
5. 967537-155 PANEL, TABLE CAB. 2.25X25.13
6. 967381 TABLE ASSY - LIFT UP 30 SIG
- 381074 CATCH BULL DOG #65S (COPPER)
- 800025-01 PINE 3/4" X 3/4" STAINED
- 380203-01 PIANO HINGE
- 101253 EXTR. CREDENZA HINGE MOVABLE
- 385963 BRACKET MTG. ANGLE LAMBREQUIN
- 365344-01 EDGE BANDING- .63" PEARL BISQUE
- 365344-02 EDGE BANDING- .94" PEARL BISQUE
- 454740 BRACKET-RECLINER RETENSION
- 382095 KNOB-KNURLED 1/4-20 X .50"
- 350189 NUT - TEE 6 PRONG 1/4-20
- 365344-02 EDGE BANDING-.63" PEARL BISQUE

# 2014 INTERNATIONAL TRAVEL TRAILER

## FURNITURE - LOUNGE

### MAGAZINE RACK, RECLINER OPTION

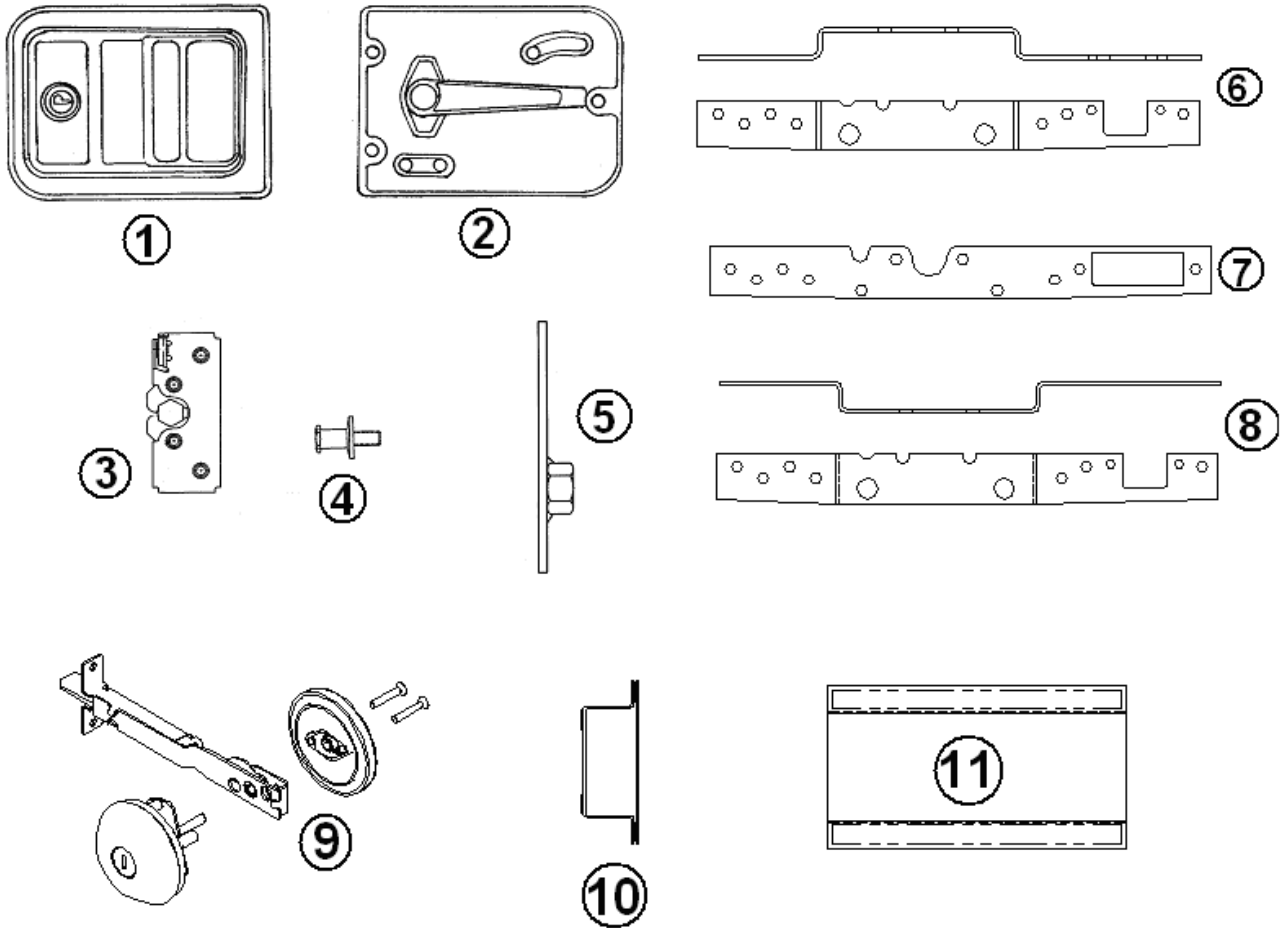


386106-01      Rack, Magazine, White  
386107      Rod, Magazine Rack

# 2014 INTERNATIONAL TRAVEL TRAILER

## HARDWARE

### Main Door Latch/Deadbolt



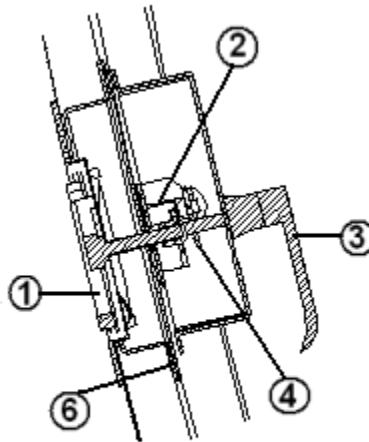
- |              |                                              |
|--------------|----------------------------------------------|
| 1. 381547-01 | Main door lock, outside housing LH Hinge     |
| 1.381547-09  | Main door lock/outside housing – RH Hinge    |
| 2. 381547-07 | Main door lock, inside plate – LH Hinge      |
| 2. 381547-11 | Main door lock inside plate – RH Hinge       |
| 3. 381547-03 | Double rotary latch, main door LH Hinge      |
| 3.381547-10  | Double rotary latch, main door RH Hinge      |
| 4. 381547-04 | Striker bolt w/washer, main door lock        |
| 5. 381550    | Plate, striker bolt mounting                 |
| 6. 382066    | Inner reinforcement plate, LH hinged door    |
| 7. 382067    | Outer reinforcement plate, RH/LH hinged door |
| 8. 382068    | Inner reinforcement plate, RH hinged door    |
| 9. 382069    | Deadbolt assembly, round, Trimark            |
| 10. 115413   | Door hat section                             |
| 11. 115415   | Door hat section assembly                    |
| 381547-08    | Screw package, main door lock                |
| 385595       | Pocket strike, #10-10-810                    |
| 201787-01    | POCKET DEADBOLT INTERIOR 2.25D               |



# 2014 INTERNATIONAL TRAVEL TRAILER

## HARDWARE

LOCK ASSY. FOR HATCH DOOR ASSY. - EDDIE BAUER

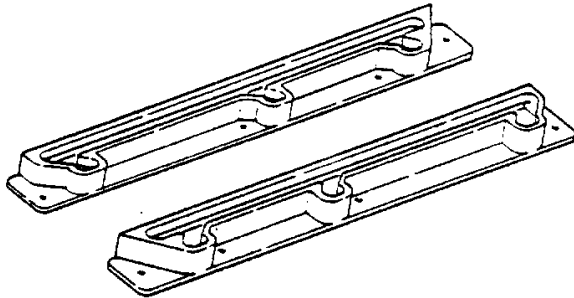


- |              |                                 |
|--------------|---------------------------------|
| 1. 382018-10 | HANDLE-LOCKING D RING# 16900-CH |
| 2. 382018-04 | CENTER CASE-W/OVERRIDE# 5644-50 |
| 3. 382018-08 | HANDLE-L NON LOCK # 5646-54-ZN  |
| 4. 454577    | ADAPTOR-LATCH RELEASE           |
| 5. 454578    | BRACKET, ROD GUIDE - NOT SHOWN  |
| 6. 115522    | PLATE-LATCH COVER 45.81"        |

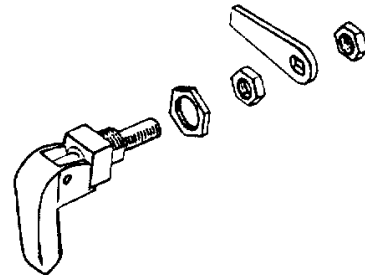
# 2014 INTERNATIONAL TRAVEL TRAILER

## HARDWARE

### WINDOW HARDWARE



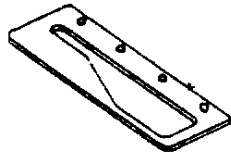
0802-0001 Window guide, RH  
0802-0002 Window guide, LH



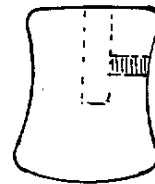
010020 Lower window latch  
381088 Latch w/red handle



685123 Pawl,  
window latch,  
straight



685124 Striker  
plate, window  
latch



380230-03 Knob,  
window arm  
380230-04 Knob,  
window arm, red

0703-0001  
0703-0010  
0706-0003  
0706-0004  
0802-0004  
0802-0005

Screw 8-32 x 1/2", black  
Screw 8-32 x 1/2", stainless  
Washer, flat, nylon, clear  
Washer, flat, nylon, black  
Screw cap, black  
Snap cap washer, clear

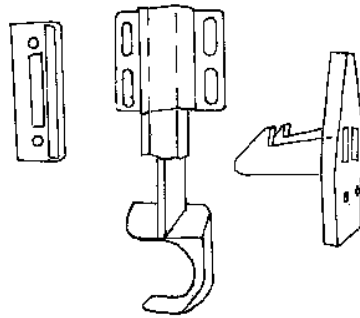
# 2014 INTERNATIONAL TRAVEL TRAILER

## HARDWARE

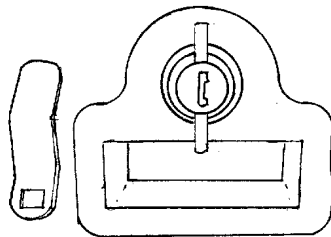
### EXTERIOR LATCHES/LOCKS



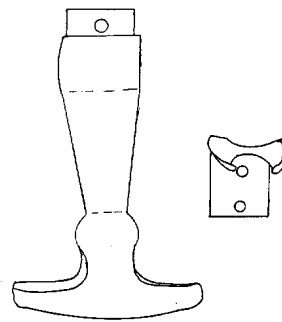
101171 Grab  
Handle, main door



381454 Latch,  
screen door, Bullet



380770-102 Twist lock, black

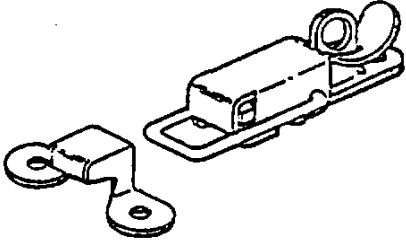


381021-01 Rubber T  
handle

# 2014 INTERNATIONAL TRAVEL TRAILER

## HARDWARE

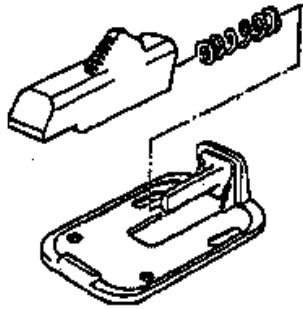
### EXTERIOR LATCHES/LOCKS



340023-01 Catch  
w/strike, battery box



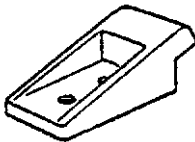
092609 Lock cam,  
bumper lid



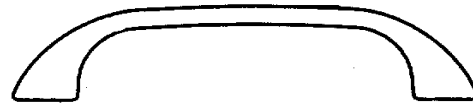
380291 Main door holdback,  
(use w/housing #380290)



380290 Latch housing,



201056 Catch, main door  
holdback

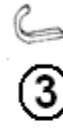
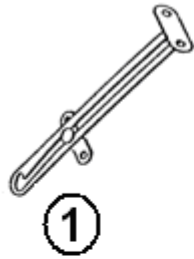


380004 Handle, screen door

# 2014 INTERNATIONAL TRAVEL TRAILER

## HARDWARE

### EXTERIOR LATCHES/LOCKS



- |              |                                            |
|--------------|--------------------------------------------|
| 1. 380024    | Support arm, bumper lid                    |
| 2. 382091-01 | Tension latch, stainless steel             |
| 3. 382091-02 | Strike, tension latch, stainless steel     |
| 4. 685359    | Rubber receptacle, 1/4 turn latch, Southco |
| 5. 685348    | Stud, 1/4 turn latch, Southco              |
| 6. 685362    | Retaining ring, 1/4 turn stud              |

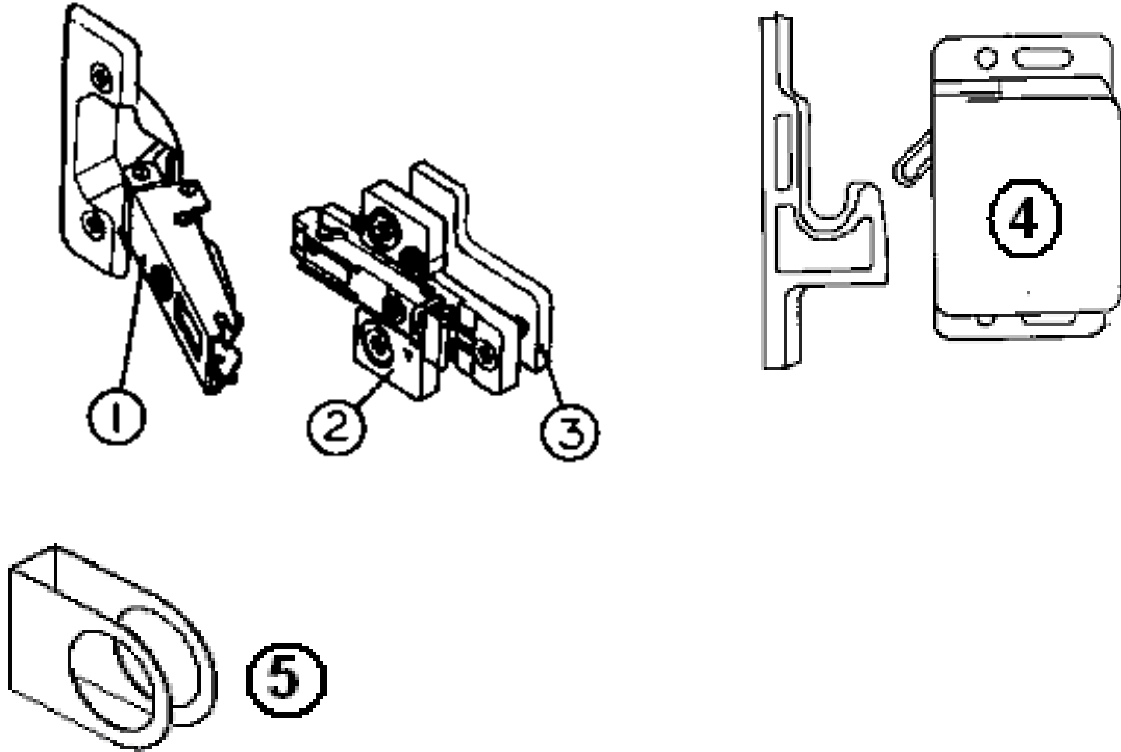
### EXTERIOR HINGES

- |           |                                                      |
|-----------|------------------------------------------------------|
| 381552-03 | Hinge assembly, main door, upper                     |
| 381552-04 | Hinge assembly, main door, lower                     |
| 381531-01 | Hinge, screen door, upper                            |
| 381531-02 | Hinge, screen door, lower                            |
| 380773    | Hinge, exterior access door, 13¼, gas bottle cover   |
| 380203-01 | Piano hinge, 1/8" pin, Battery box lid, access doors |
| 380203-02 | PIANO HINGE, BLACK, HOSE CARRIER LID, 72"            |
| 380988    | HINGE, CONTINUOUS, REFER ACCESS DOOR                 |

# 2014 INTERNATIONAL TRAVEL TRAILER

## HARDWARE

### INTERIOR CABINET HINGE/CATCH



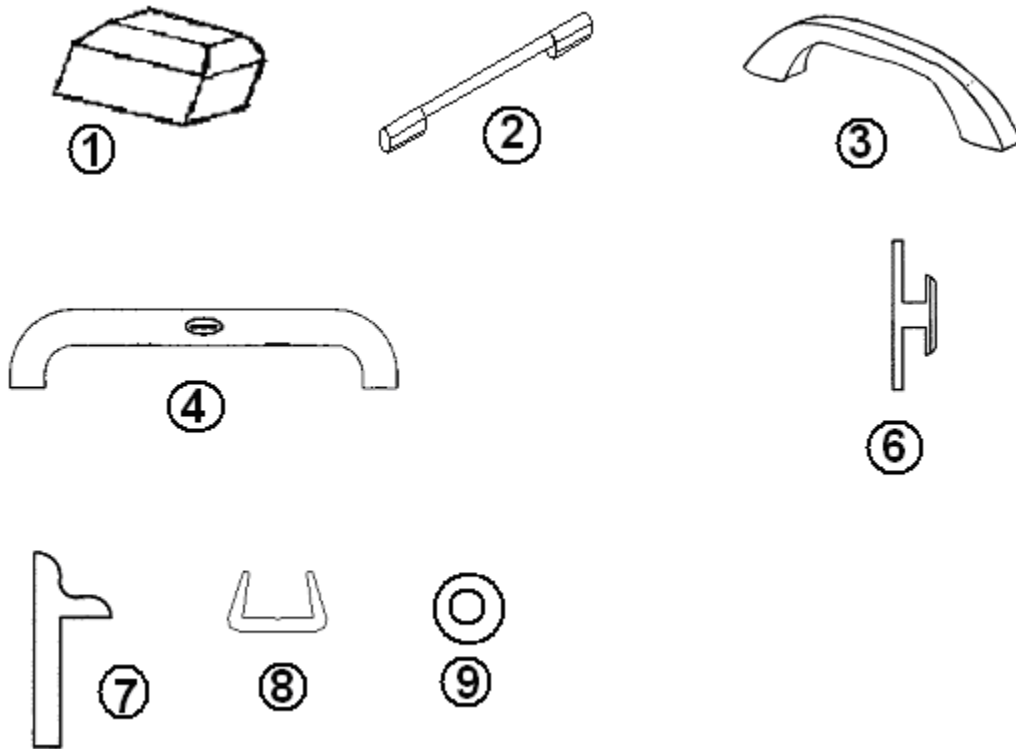
- |    |                   |                                                                                    |
|----|-------------------|------------------------------------------------------------------------------------|
|    | 381607            | Hinge assembly                                                                     |
| 1) | 381607-01         | Hinge, cabinet                                                                     |
| 2) | 381607-02         | Base, metal                                                                        |
| 3) | *381607-03        | Base, plastic                                                                      |
| 3) | 381608-04         | Screw #6 x 5/8"                                                                    |
| 4) | 381228-01         | Grabber door latch                                                                 |
| 5) | 454320            | Door latch cover                                                                   |
|    | <b>381607-10</b>  | <b>Hinge, Nickel, self closing (T10M0S) (Replaces -01 on Radius plyform doors.</b> |
|    | <b>381607-11</b>  | <b>Hinge, Nickel self closing (T10M0S)</b>                                         |
|    | <b>381607-12</b>  | <b>Hinge Bracket, replaces -02.</b>                                                |
|    | <b>381607-13</b>  | <b>Hinge Bracket, replaces -03.</b>                                                |
|    | <b>381607-110</b> | <b>Nicket plated hinge cover</b>                                                   |

\*Not used in all applications

# 2014 INTERNATIONAL TRAVEL TRAILER

## HARDWARE

### INTERIOR TRIM



- |              |                                                 |
|--------------|-------------------------------------------------|
| 1. 360016    | Bumper, rubber                                  |
| 2. 382029-03 | HANDLE, BAR 11.25"                              |
| 2. 382029-05 | HANDLE, BAR 21.33"                              |
| 2. 382029-04 | HANDLE, BAR 15"                                 |
| 2. 382029-00 | HANDLE, BAR 7.48                                |
| 3. 381737    | Grab bar, interior, mounts on interior doorjamb |
| 4. 382194    | Head knocker, white                             |
| 5. 382115    | PULL, Flat Black (Not Shown)                    |
| 6. 203385    | "F" Trim Black plastic                          |
| 7. 115064    | Molding Aluminum cove                           |
| 8. 203138-05 | EXTRUSION, PLASTIC WALL BLACK                   |
| 8. 203138-01 | EXTRUSION, PLASTIC WALL WHITE                   |
| 9. 381610-04 | SCREW CAP, BLACK                                |
| 201673-03    | COVE MOLDING, ASH GREY                          |

# 2014 INTERNATIONAL TRAVEL TRAILER

## HARDWARE

### BATHROOM ACCESSORIES

382175 TOWEL BAR, CHROME 18" 23014  
382176 TOWEL RING, CHROME #23008  
381778 ROBE HOOK, CHROME, 19', 25', 23' D, 23FB, 27' FB, 28'  
381299 Recessed toilet paper holder, 19', 25', 27' FB, 28'  
380034 TOILET PAPER HOLDER, CHROME, 27' FB, 30'  
602285 TOWEL RING - STAINLESS STEEL POLISHED, 30'  
602284 TOWEL BAR - 18" STAINLESS STEEL POLISHED , 30'  
371423 MIRROR - WALL MOUNT NICKEL, 30'  
371423-02 MIRROR - WALL MOUNT 8" CHROME, 23'FB, 30'  
371423-01 RETAINER CLIP FOR MIRROR 1.88" 30'  
381299 HOLDER-RECESSED TOILET PAPER , EDDIE BAUER  
601830 TRIM KIT SHOWER VLV BRASS/CHROME, EDDIE BAUER  
601358 SHOWER HDW UNIT,CHROME, EDDIE BAUER  
600594 STRAINER W/WHT RUBR STOPPER, EDDIE BAUER  
601767-02 TAILPIECE-CHROME LAVY, EDDIE BAUER  
601831 VALVE 4 PORT POSI-TEMP #6200, EDDIE BAUER  
382098 TOWEL BAR, 14.25" CHROME, EDDIE BAUER

### MISCELLANEOUS INTERIOR HINGES

380203-01 Hinge, Bath Door, Wardrobe, clear

### DINETTE TABLE HARDWARE

380284-02 TABLE HINGE BRACKET  
380284-03 CENTER HINGE J-4  
340018 CATCH PLATE J-1  
382177 LEG, TABLE FOLDING

### BED GAS SPRINGS, 30', 28', 25' Front Bed, 27 Front Bed

381067-09 SPRING, GAS 90 LBS.  
381262 BRACKET, PROP, W/BALL  
381310 GAS PROP BRKT. ASSY-UPPER  
381084 BALL, STUD

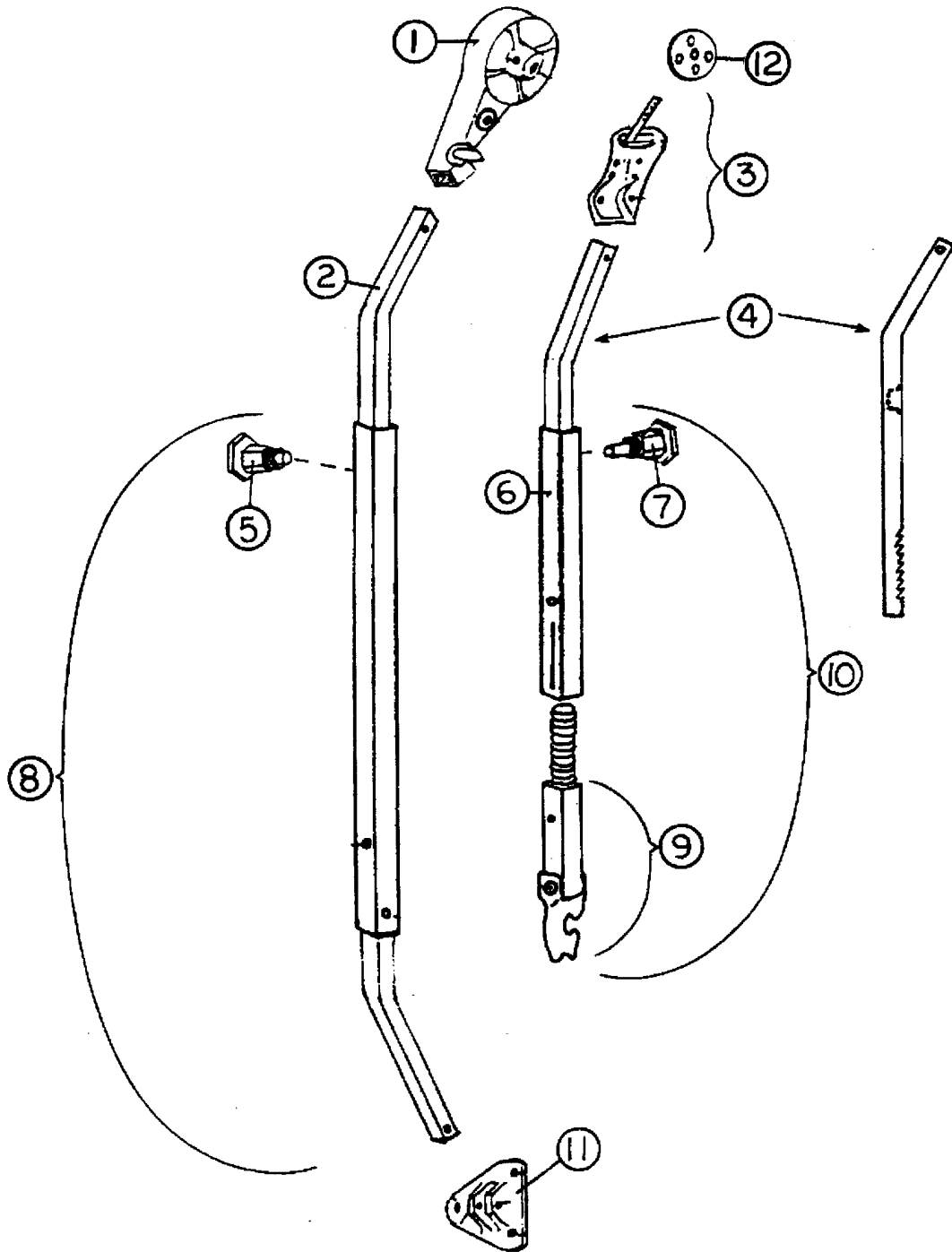


# 2014 INTERNATIONAL TRAVEL TRAILER

## HARDWARE

### AWNING HARDWARE

See next page for P/N



# 2014 INTERNATIONAL TRAVEL TRAILER

## HARDWARE

### AWNING HARDWARE

702993	Awning Hardware, complete Assembly
1. 74043W-06	Front head assembly
1. 74043W-07	Rear head assembly
2. 74047W-11	Front main arm bar
2. 74047W-12	Rear main arm bar
3. 74056W	Clamp assembly, front, curved
3. 74056W-01	Clamp assembly, rear, curved
4. 74061WS-08	Rafter arm bar, satin
5. 74054W	Snap stud assembly
6. 74063W-04	Rafter arm tube, satin
7. 74072W	Ratchet stud
8. 74048WS-15	Front main arm tube assembly
8. 74048WS-16	Rear main arm tube assembly
9. 74068W-04	Claw bar assembly
10. 74048WS-17	Rafter arm assembly
11. 74055W	Base hinge, rib mount
12. 74060W	Clamp wheel

### Trailer Level

381269 TRAILER LEVEL

### KEY HOOKS – EDDIE BAUER

382152 HOOK, HAMMOCK, STAINLESS  
320037-00 SCREW, #6 FH PHILLIPS HEAD 3/8" ZINC

# 2014 INTERNATIONAL TRAVEL TRAILER

## LABELS AND TAGS

### Labels and Tags

385193	Label, "12V distribution panel inside"
386119	Label, "DON'T USE AREA FOR STORAGE"
385068	Tag, cooking appliance warning
386118	Label, LP gas warning/fill
385517	Label, kill switch warning
385521	Label, emergency egress window
386122	Warning label/cooking appliance
386121	Label, LP gas warning label (odor)
385465	Exit label, English
385560	Label, air conditioner rating
385812	Label, Calif. hazardous substance
386120	Label, smoke detector
385359	Label, microwave or air conditioner
385837	Label, refrigeration ignition
386012	Label warning, water heater
386123	LABEL "POTABLE WATER ONLY"
386114	LABEL-RVIA SILVER
385062	Decal, 110-125 voltage AC
385565	Label, holding tank flushing
386142	CHECK WHEEL LUG LABEL
386082	LABEL THOR, 5.25" X .75'
386097	LABEL FUSE 12 V. Fuse Block Circuits
386019	LABEL 1 AMP FUSE MAX
385101	TAG AUX TANK DUMP VALVE HANDLE
385099	TAG MAIN TANK DUMP VALVE HANDLE
386111	LABEL 30 AMP FUSE MAX
386192	HANG TAG, SMOKE/CO DETECTOR BATTERY
386193	LABEL, WHEEL TORQUE WARNING
385020	Sticker, Self adhering, "JACK"
386098	LABEL, FUSE, 12 V.
386226	LABEL, RV MASTER WEIGHT LABEL
386110	LABEL-OK TO SHIP INSPECTED
386121	LABEL - "IF YOU SMELL GAS"
386194	LABEL, STORAGE, EDDIE BAUER
386257	LABEL, CABLE & SATELLITE INLET
386263	HANG TAG, COACH-NET ROADSIDE ASSISTANCE
386267-01	FRONT LABEL, POWER AWNING CABLE
386267-02	REAR LABEL, POWER AWNING CABLE

# 2014 INTERNATIONAL TRAVEL TRAILER

## LABELS AND TAGS

### Labels and Tags, CSA

385949	LABEL "POTABLE WATER" CSA
385950	LABEL "SMOKE DETECTOR CSA
385951	LABEL "RANGE FRESH AIR" CSA
385952	LABEL "LP WARNING" CSA
385953	LABEL "IF YOU SMELL GAS" CSA
385954	LABEL "RANGE WARNING" CSA
385466	LABEL, EXIT, FRENCH
386105	LABEL, TV/VCR RECEPTABLE, CSA
385971	LABEL, FUSE, EXTERIOR LIGHT
386120	LABEL, SMOKE ALARM WARNING
386118	LABEL LP GAS TRIWARNING
386121	LABEL "IF YOU SMELL GAS"
386122	LABEL "COMFORT HEATING"
385466	LABEL, EXIT LABEL (FRENCH)

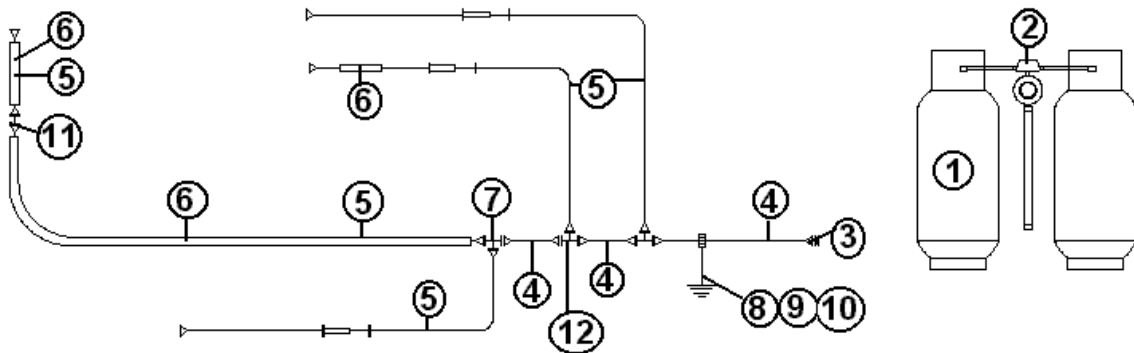
# 2014 INTERNATIONAL TRAVEL TRAILER

NOTES:

# 2014 INTERNATIONAL TRAVEL TRAILER

## PLUMBING, LPG

LPG SYSTEM, 19'

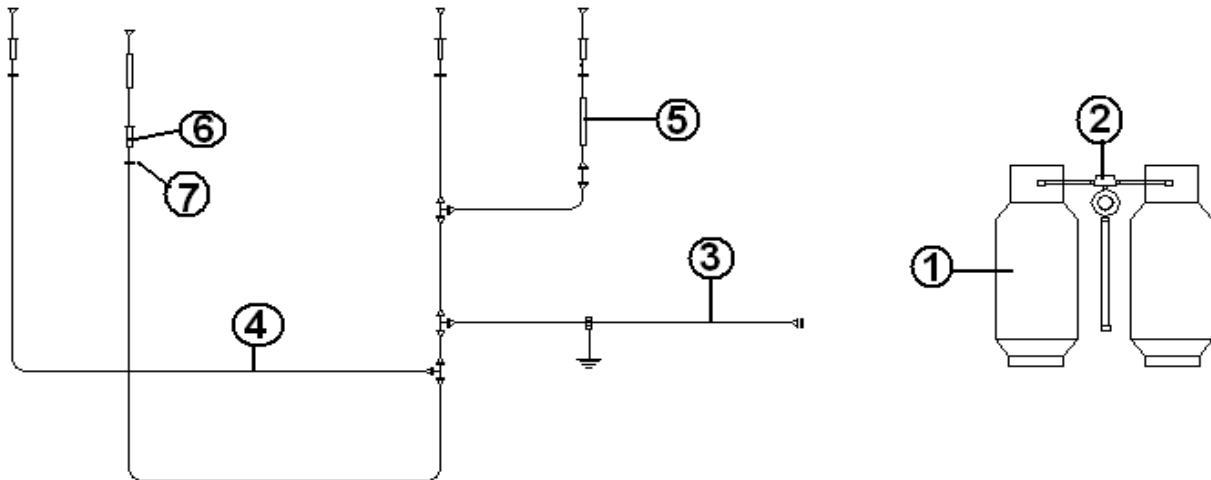


- |     |           |                                                     |
|-----|-----------|-----------------------------------------------------|
| 1.  | 601710-01 | LP CYLINDER 30# STEEL                               |
| 2.  | 602332-03 | REGULATOR W/2 12" PIGTAILS                          |
|     | 602332-04 | 30# KIT BLACK PAN, THREADED ROD, WING NUT & HOLDOWN |
|     | 602332-05 | 48" LP HOSE                                         |
| 3.  | 600468    | UNION FLARE 5/8 X 5/8                               |
| 4.  | 600004    | TUBING COPPER 5/8 OD                                |
| 5.  | 600008    | TUBING COPPER 3/8OD                                 |
| 6.  | 601698-01 | TUBING, 1/2" E-PEX                                  |
| 7.  | 600003    | TEE 5/8 X 3/8 X 3/8                                 |
| 8.  | 600661    | GROUNDING CLAMP 1/2" TO 1                           |
| 9.  | 500839    | WIRE, BARE COPPER 8 GA.                             |
| 10. | 500038    | LUG GROUND                                          |
| 11. | 600238    | 3/8IN FLARE UNION                                   |
| 12. | 600000    | TEE BRASS 5/8 X 5/8 X 3/8                           |
|     | 381613    | PLASTISOL COVER-LP WING HANDLE                      |
|     | 600436    | FORGED FLARE NUTS 5/8"                              |
|     | 600435    | FORGED FLARE NUTS 3/8"                              |
|     | 380887    | FLOOR GROMMET                                       |
|     | 380886    | FLOOR GROMMET                                       |
|     | 602314    | FITTING 5/8 FLR X 5/8 FLR UNION                     |
|     | 602312    | FITTING 5/8 FLR X 1/2 FLR 90 DEGREE                 |
|     | 601281    | TEE BRASS UNION 5/8 X 5/8 X 5/8                     |
|     | 602332-07 | BRACKET, Z REGULATOR                                |

# 2014 INTERNATIONAL TRAVEL TRAILER

## PLUMBING, LPG

### LPG SYSTEM, 23'

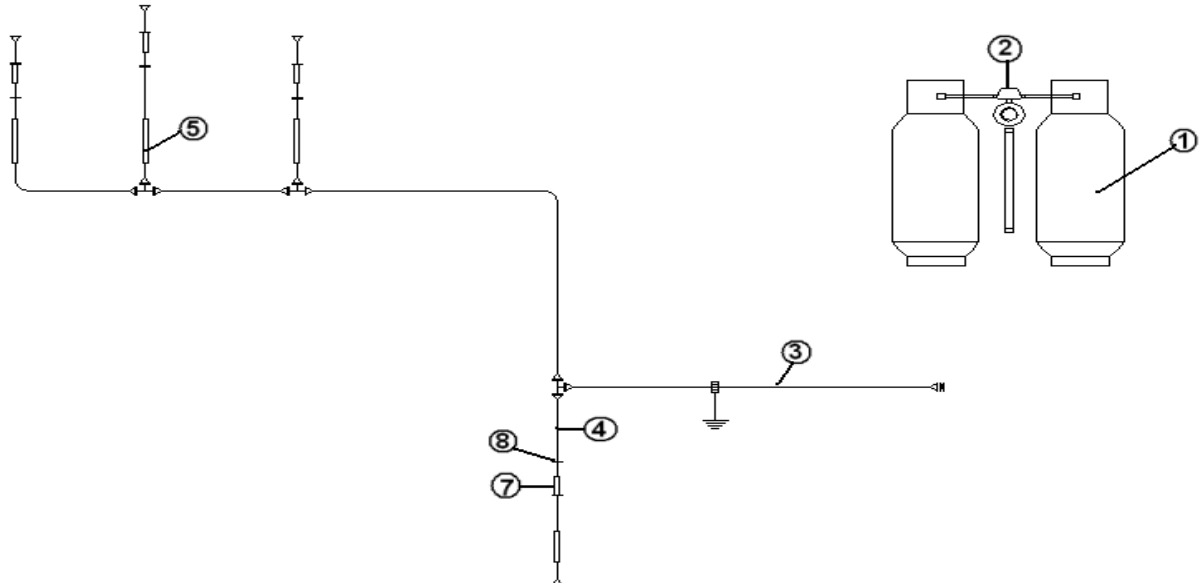


- |              |                                                       |
|--------------|-------------------------------------------------------|
| 1. 601710-01 | CYLINDER 30# STEEL LP                                 |
| 2. 602332-03 | REGULATOR W/2 12" PIGTAILS                            |
| 602332-04    | 30# KIT, BLACK PAN, THREADED ROD, WING NUT & HOLDDOWN |
| 602332-05    | 48" LP HOSE                                           |
| 1. 600008    | TUBING COPPER 3/8" OD                                 |
| 2. 600008    | TUBING COPPER 3/8" OD                                 |
| 3. 601698-01 | SHEATHING                                             |
| 4. 380887    | GROMMET, FLOOR                                        |
| 5. 380886    | GROMMET, UNDERBELLY                                   |
| 340085-05    | CLAMP #COY 1109 5/8 IN. DIA.                          |
| 600238       | 3/8 IN FLARE UNION                                    |
| 600435       | FORGED FLARE NUTS 3/8IN.                              |
| 600436       | FORGED FLARE NUTS 5/8 IN.                             |
| 601685-02    | LP HOSE-1/2"FPT X 3/8F-36", CSA                       |
| 381613       | PLASTISOL COVER-LP WING HANDLE                        |
| 345084       | SCREW-1/4-14X1 THD.CUTTING                            |
| 350005       | NUT 3/8-16 UNC HEX HD PLATED                          |
| 380887       | FLOOR GROMMET                                         |
| 380886       | FLOOR GROMMET                                         |
| 602314       | FITTING 5/8 FLR X 5/8 FLR UNION                       |
| 602312       | FITTING 5/8 FLR X 1/2 FLR 90 DEGREE                   |
| 601281       | TEE BRASS UNION 5/8 X 5/8 X 5/8                       |
| 602332-07    | BRACKET, Z REGULATOR                                  |

# 2014 INTERNATIONAL TRAVEL TRAILER

## PLUMBING, LPG

LPG SYSTEM, 23' FB UNITS.



- |    |           |                                                       |
|----|-----------|-------------------------------------------------------|
| 1. | 601710-01 | CYLINDER 30# STEEL LP                                 |
| 2. | 602332-03 | REGULATOR W/2 12" PIGTAILS                            |
|    | 602332-04 | 30# KIT, BLACK PAN, THREADED ROD, WING NUT & HOLDDOWN |
|    | 602332-05 | 48" LP HOSE                                           |
| 2. | 600008    | TUBING COPPER 3/8OD                                   |
| 3. | 600008    | TUBING COPPER 3/8 OD                                  |
| 4. | 601698-01 | E-PEX TUBING 1/2"                                     |
| 5. | 600435    | FORGED FLARE NUTS 3/8IN                               |
| 6. | 380887    | GROMMET, FLOOR                                        |
| 7. | 380886    | GROMMET, UNDERBELLY                                   |
| 8. | 340085-05 | CLAMP #COY 1109 5/8 IN. DIA.                          |
|    | 600238    | 3/8IN FLARE UNION                                     |
|    | 601685-02 | LPHOSE 1/2"FPT X 3/8F 36"                             |
|    | 381613    | PLASTISOL COVER, LP WING HANDLE                       |
|    | 602332-07 | BRACKET, Z REGULATOR                                  |



# 2014 INTERNATIONAL TRAVEL TRAILER

## PLUMBING, LPG

### LPG SYSTEM, 25'

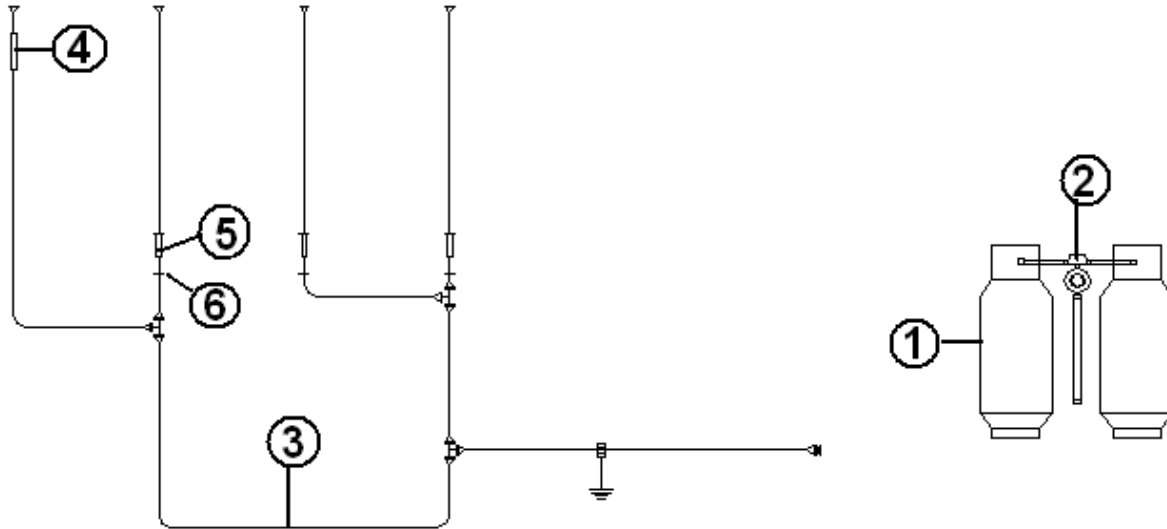
601710-01	CYLINDER 30# STEEL LP
602332-03	REGULATOR W/2 12" PIGTAILS
602332-04	30# KIT, BLACK PAN, THREADED ROD, WING NUT & HOLDDOWN
602332-05	48" LP HOSE
201649	ACCESS COVER LP REGULATOR
601685-02	LP HOSE 1/2" FPT X 3/8" FLARE X 36" LONG
381613	PLASTISOL COVER-LP WING HANDLE
601686	BASE PLATE-LP TANK MOUNTING
600004	TUBING COPPER 5/8 OD
600003	TEE 5/8 X 3/8 X 3/8
600008	TUBING COPPER 3/8OD
600436	FORGED FLARE NUTS 5/8IN
600661	GROUNDING CLAMP 1/2 TO 1 SIZE
345084	SCREW-1/4-14X1 THD.CUTTING
350005	NUT 3/8-16 UNC HEX HD PLATED
500038	LUG GROUND
340085-05	CLAMP #COY 1109 5/8 IN. DIA.
601698-01	E-PEX, 1/2", TUBING
601281	TEE BRASS UNION 5/8 X 5/8 X 5/8
602332-07	BRACKET, Z REGULATOR

# 2014 INTERNATIONAL TRAVEL TRAILER

## PLUMBING, LPG

LPG SYSTEM, 27' FB

Range WH Furn. Refer.



- |              |                                        |
|--------------|----------------------------------------|
| 1. 601710-01 | CYLINDER 30# STEEL LP                  |
| 2. 602332-03 | REGULATOR W/2 12" PIGTAILS             |
| 602332-04    | 30# KIT, BLACK PAN, THREADED ROD, WING |
| 602332-05    | 48" LP HOSE                            |
| 1. 600008    | TUBING COPPER 3/8" OD                  |
| 2. 601698-01 | SHEATHING                              |
| 3. 380887    | GROMMET, FLOOR                         |
| 4. 380886    | GROMMET, UNDERBELLY                    |
| 340085-05    | CLAMP #COY 1109 5/8 IN. DIA.           |
| 600238       | 3/8IN FLARE UNION                      |
| 600435       | FORGED FLARE NUTS 3/8 IN.              |
| 601685-02    | LP HOSE 1/2" FPT x 3/8"F 36" #19 CSA   |
| 381613       | PLASTISOL COVER-LP WING HANDLE         |
| 345084       | SCREW-1/4-14X1 THD.CUTTING             |
| 350005       | NUT 3/8-16 UNC HEX HD PLATED           |
| 602332-07    | BRACKET, Z REGULATOR                   |

# 2014 INTERNATIONAL TRAVEL TRAILER

## PLUMBING, LPG

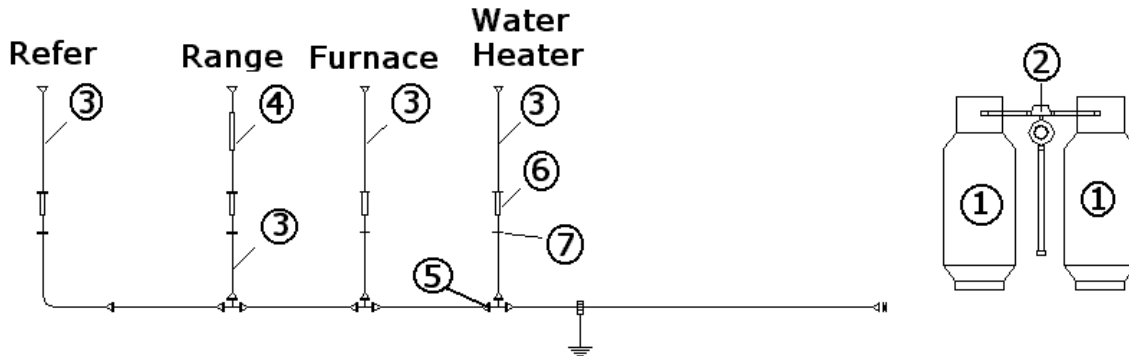
### Below Floor Assembly

600001	Flare nut, 5/8"
600661	Ground Clamp
500038	Ground Clamp
500839	Wire, copper, #8
600004	Copper line, 5/8"
600000	5/8" x 5/8" x 3/8" Tee
600436	Forged Flare Nuts - 5/8"
601698-01	TUBING, 1/2", E-Pex

# 2014 INTERNATIONAL TRAVEL TRAILER

## PLUMBING, LPG

### LPG SYSTEM 28'



- |              |                                                       |
|--------------|-------------------------------------------------------|
| 1. 601710-01 | CYLINDER 30# STEEL LP                                 |
| 2. 602332-03 | REGULATOR W/2 12" PIGTAILS                            |
| 602332-04    | 30# KIT, BLACK PAN, THREADED ROD, WING NUT & HOLDDOWN |
| 602332-05    | 48" LP HOSE                                           |
| 3. 600008    | TUBING COPPER 3/8 OD                                  |
| 4. 601698-01 | TUBING, 1/2", E-Pex                                   |
| 5. 600435    | FORGED FLARE NUTS 3/8IN                               |
| 6. 380887    | GROMMET, FLOOR                                        |
| 7. 380886    | GROMMET, FLOOR                                        |
| 601685-02    | LP HOSE 1/2" FPT X 3/8" FLARE #1956                   |

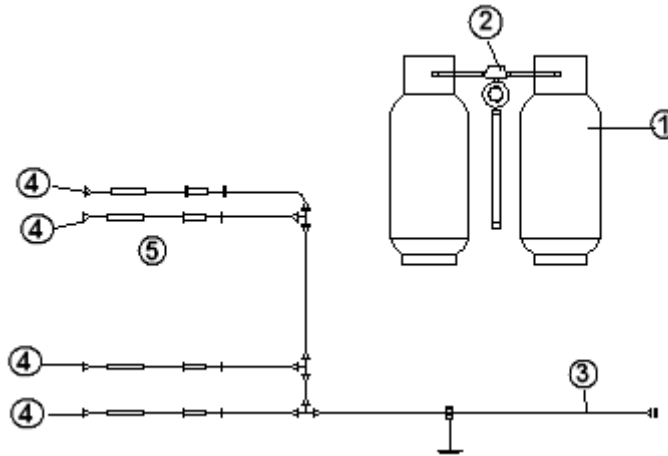
### Below Floor Assembly

- |           |                                     |
|-----------|-------------------------------------|
| 600661    | Ground Clamp                        |
| 500038    | Ground Clamp                        |
| 500839    | Wire, copper, #8                    |
| 600004    | Copper line, 5/8"                   |
| 600000    | 5/8" x 5/8" x 3/8" Tee              |
| 600436    | Forged Flare Nuts - 5/8"            |
| 601421-11 | Flare Union - 3/8"MPT x 5/8"MPT     |
| 601281    | Tee, Brass Union 5/8" x 5/8" x 5/8" |

# 2014 INTERNATIONAL TRAVEL TRAILER

## PLUMBING, LPG

### LPG SYSTEM 30'



- |              |                                                       |
|--------------|-------------------------------------------------------|
| 1. 601710-01 | CYLINDER 30# STEEL LP                                 |
| 2. 602332-03 | REGULATOR W/2 12" PIGTAILS                            |
| 602332-04    | 30# KIT, BLACK PAN, THREADED ROD, WING NUT & HOLDDOWN |
| 602332-05    | 48" LP HOSE                                           |
| 2. 943718    | LP SUB ASSY (Listed Below)                            |
| 3. 600008    | TUBING COPPER 3/8OD - 94"                             |
| 4. 600008    | TUBING COPPER 3/8 OD - 33"                            |
| 4. 600008    | TUBING COPPER 3/8 OD - 84"                            |
| 4. 600008    | TUBING COPPER 3/8 OD - 32"                            |
| 5. 601698-01 | E-PEX 1/2" TUBING                                     |
| 600435       | FORGED FLARE NUTS 3/8IN                               |
| 380887       | GROMMET, FLOOR                                        |
| 380886       | GROMMET, FLOOR                                        |
| 340085-05    | CLAMP #COY 1109 5/8 IN. DIA.                          |

### LP SUB - ASSY.

- |           |                                |
|-----------|--------------------------------|
| 600436    | FORGED FLARE NUTS 5/8"         |
| 600661    | GROUND FITTING .5" TO 1" DIE C |
| 500038    | LUG GROUND                     |
| 500839    | WIRE, BARE COPPER 8 GA.        |
| 600004    | TUBING COPPER 5/8 OD           |
| 600000    | TEE BRASS 5/8 X 5/8 X 3/8      |
| 601698-01 | E-PEX 1/2" TUBING              |

# 2014 INTERNATIONAL TRAVEL TRAILER

## PLUMBING, LPG

### LP BOTTLES AND FITTINGS

602320	Bottle LP, steel 30#
601710-01	CYLINDER 30# STEEL LP
602332-03	REGULATOR W/2 12" PIGTAILS
602332-04	30# KIT, BLACK PAN, THREADED ROD, WING NUT & HOLDDOWN
602332-01	Wing nut
602332-02	Black Pan
602332-05	48" LP HOSE
602332-06	Hold down
602332-07	Bracket for regulator
381613	PLASTISOL COVER-LP WING HANDLE

# 2014 INTERNATIONAL TRAVEL TRAILER

## PLUMBING, LPG

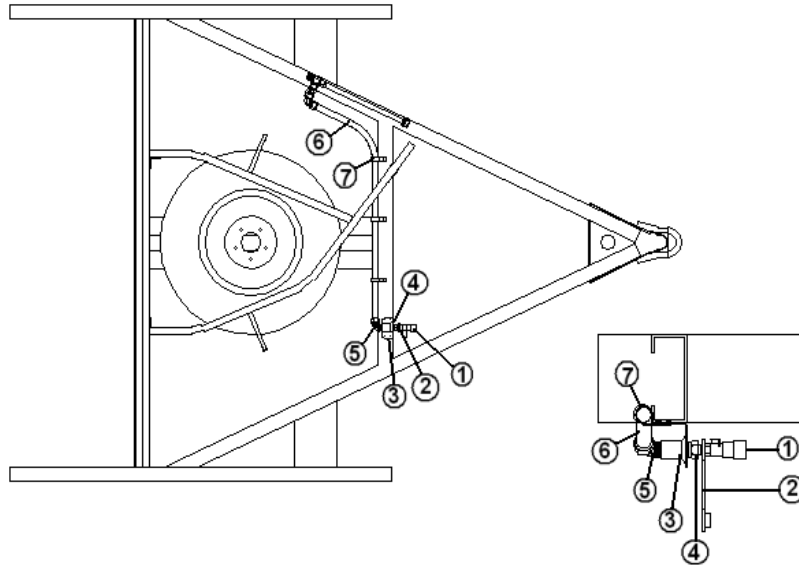
LP BOTTLE COVER 19', 23'D, 23'FB,27'FB, 25'FB, 28', 30'

921246	LP BOTTLE COVER
115289-05	CROSS BAR LP BOTTLE COVER 5.31"
200841	LID-LP BOTTLE COVER
382091-01	LATCH
382091-02	STRIKE
380773	PIANO HINGE

# 2014 INTERNATIONAL TRAVEL TRAILER

## PLUMBING, LPG

### PROPANE PORT – EXTERIOR



112008

#### EXTERIOR PROPANE PORT

- |     |           |                                       |
|-----|-----------|---------------------------------------|
| 1.  | 602109-01 | COUPLER, QUICK DISCONNECT             |
| 2.  | 602109-03 | DUST PLUG                             |
| 3.  | 454901    | BRACKET – LP QUICK DISCONNECT PORT    |
| 4.  | 602286    | NIPPLE, 1/2" MNPT – 1/4" MNPT         |
| 5.  | 602313    | FITTING 1/2" MPT X 1/2" FLR 90 DEGREE |
| *6. | 602315    | LP HOSE 1/2" FLR SWV 36.00"           |
| 7.  | 340085-07 | CLAMP, LOOP, STEEL W/RUB 1"           |
| 8.  | 201267-11 | CONDUIT CONVOLUTED 1.00" DIA          |
|     | 386250    | LABEL-LPG SERVICE PORT                |



# 2014 INTERNATIONAL TRAVEL TRAILER

## PLUMBING, FRESHWATER

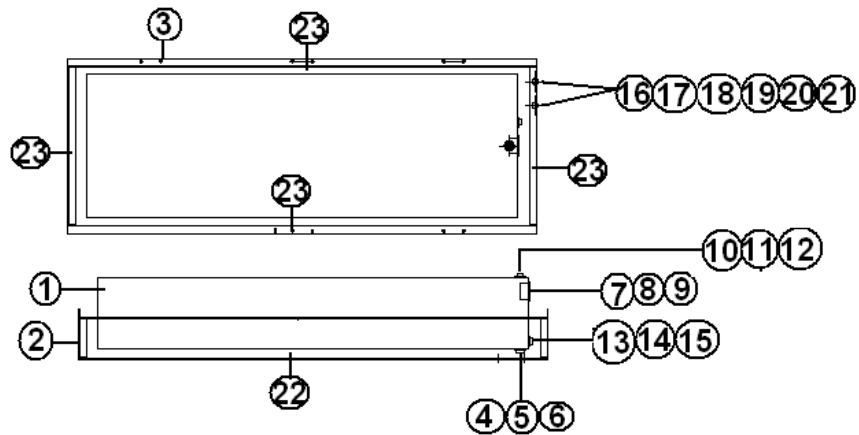
### Water Fill/Tank System, 19'

203085	PLUG WATER LINE 1/2" PLASTIC B
601861-01	Tank, fresh water
454065	Fresh water tank aluminum strap
964478	SLOPE PAD-Fresh tank
453712	SHIELD FRESH WATER TANK DRAIN
602185-01	Drain Valve, 90 degree turn, Lead Free
601469	VACUUM BREAKER, 3/4IN GARDEN HOSE
602202	PUMP – WATER SMART SENSOR 4.0
601668-01	WATER PUMP PRE-FILTER
601194	WATER FILL W/LOCK, GRAY, W/LABEL
601267-04	NIPPLE 3" DIA. THD ONE 10" LG
601531	FITTING-90 DEGREE 3" H X ST
601658	VALVE 1/2" STOP CPVC
601659	RISER 1/2" FPT X 12" CPVC
601467	SILLCOCK, 1/2" FEMALE W/WHEEL HANDLE
601588	DRAIN COCK RADIATOR BRASS

# 2014 INTERNATIONAL TRAVEL TRAILER

## PLUMBING, FRESHWATER

### Fresh Water Tank Layout, Plastic Fittings 23' D

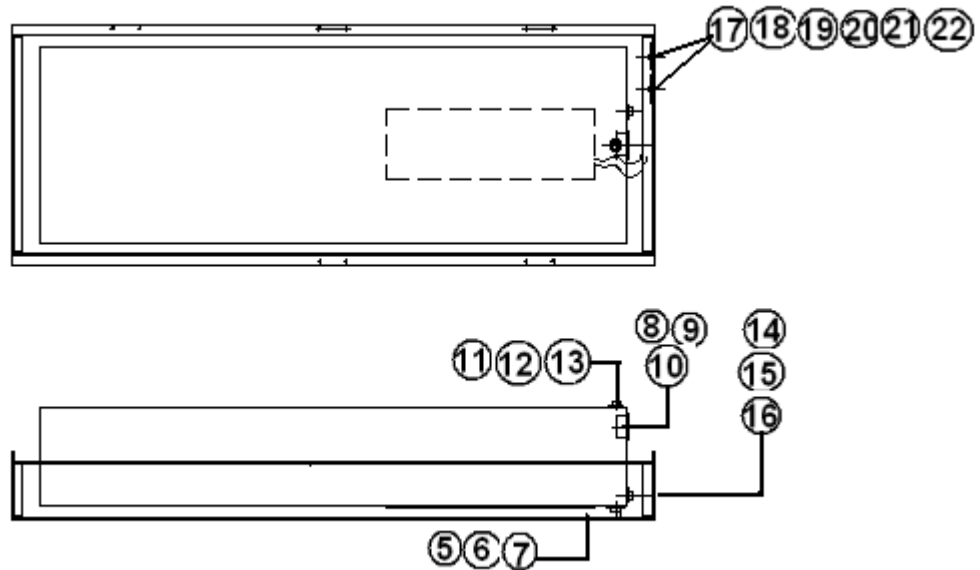


- |      |           |                                          |
|------|-----------|------------------------------------------|
| 1. \ | 601863-02 | TANK, FRESH WATER 39 GALLON              |
| 2. \ | 966288    | TANK PAN                                 |
| 3. \ | 345074-05 | SCREW 5/16-18 X 7/8 HEX WASHER           |
| 4. \ | 601810    | VALVE, 1/2" FPT X 1/2" FPT KBI           |
| 5. \ | 601811    | ELBOW, 1/2" MPT X 1/2" FPT STREET        |
| 6. \ | 601812    | NIPPLE-BRASS 1/2" X 2.0"                 |
| 7. \ | 601237    | ELBOW 90 D 1.25 MPT X 1.25 BAR           |
| 8. \ | 601239-01 | TUBING 1.375 I.D. RIBBED                 |
| 9. \ | 340301    | CLAMP - WORM GEAR DUAL BEAD              |
| 10.  | 602256-04 | QQE33BTX 1/2" B X 1/2" MPT BARB EL       |
| 11.  | 601240-01 | TUBING 1/2" I.D. X 3/32" WALL THREADED   |
| 12.  | 340086    | MINIATURE SCREW TYPE HOSE CLAMP          |
| 13.  | 602256-04 | QQE33BTX 1/2" B X 1/2" MPT BARB EL       |
| 14.  | 601698-01 | E-PEX 1/2" TUBING                        |
| 15.  | 601698-15 | 1/2" CRIMP RING                          |
| 16.  | 602185-01 | Drain Valve, 90 degree, Lead Free        |
| 17.  | 300124    | WASHER 1.25OD X.69ID X.09 TH Z           |
| 18.  | 602185-01 | Drain Valve, 90 degree, Lead Free        |
| 19.  | 602256-03 | QQSFC33XPXP 1/2" B X 1/2" FPT SW ADAPTOR |
| 20.  | 601698-01 | E-PEX 1/2" TUBING                        |
| 21.  | 601698-15 | 1/2" CRIMP RING                          |
| 22.  | 200507    | STYROFOAM, 1 X 25 X 55                   |
| 23.  | 200152    | STYROFOAM, 1/2" X 6 X 42                 |

# 2014 INTERNATIONAL TRAVEL TRAILER

## PLUMBING, FRESHWATER

### Fresh Water Tank Layout, 23FB



- |     |           |                                  |
|-----|-----------|----------------------------------|
| 1.  | 601863-02 | TANK-FRESH WATER 39 GAL #WO199   |
| 2.  | 966288    | TANK PAN                         |
| 3.  | 511789    | Sensor, Tank Monitor             |
| 4.  | 345074-05 | SCREW 5/16-18 X 7/8HEX WASHER    |
| 5.  | 601810    | VALVE-1/2"FPT X 1/2"FPT KBI      |
| 6.  | 601811    | ELBOW-1/2"MPT X 1/2"FPT STREET   |
| 7.  | 601812    | NIPPLE-BRASS 1/2" X 2.0"         |
| 8.  | 601237    | ELBOW 90 D 1.25 MPT X 1.25 BAR   |
| 9.  | 601239-01 | TUBING 1.375 I.D. RIBBED w/FLATS |
| 10. | 340301    | CLAMP, WORM GEAR DUAL BEAD       |
| 11. | 602256-04 | ELBOW-POLY .5BARB X .5MPT        |
| 12. | 601240-01 | TUBING 1/2 I.D. X 3/32 WALL TH   |
| 13. | 340086    | MINIATURE SCREW TYPE HOSE CLAM   |
| 14. | 602256-04 | ELBOW-POLY .5BARB X .5MPT        |
| 15. | 601698-01 | E-PEX 1/2" TUBING                |
| 16. | 601698-15 | 1/2 CRIMP RING #14785            |
| 17. | 601588    | DRAIN COCK RADIATOR BRASS        |
| 18. | 300124    | WASHER 1.25OD X.69ID X.09 TH Z   |
| 19. | 602185-01 | DRAIN VALVE 90D TURN, LEAD FREE  |
| 20. | 602256-03 | ADAP.-POLY .5BARBX.5FPT SWIVEL   |
| 21. | 601698-01 | E-PEX 1/2" TUBING                |
| 22. | 601698-15 | 1/2 CRIMP RING #14785            |
| 23. | 200507    | STYROFOAM, 1 X 25 X 55-WATER T   |
| 24. | 200152    | STYROFOAM 1/2 X 6 X 42           |

# 2014 INTERNATIONAL TRAVEL TRAILER

## PLUMBING, FRESHWATER

### Fresh Water System, 25' FB

601863-01	TANK-FRESH WATER 39 GAL #W0199
601642	PAN-TANK ROTOCAST 25'SAFARI
453493	HANGER STRAP-TANK PAN SAFARI
601243	DRAIN COCK, FRESH WATER
600155	PLUG, CLEANOUT 1-1/2"
453712	SHIELD FRESH WATER TANK DRAIN
511252	PLUG PHONE 4 CONDUCTOR
511789	SENSOR-TANK MONITOR
511393	COUPLER-MODULAR EXTEN 4 CONDUCTOR
511789-01	BOOT, SENSOR
200152	STYROFOAM 1/2 X 6 X 42
453615	TANK SUPPORT STRIP-62" SAFARI
601239-01	TUBING, 1.375" ID, RIBBED W/FLATS
601240-01	TUBING, 1/2" I.D. X 3/32 WALL

### Fresh, Water System, 25'

601863-01	TANK-FRESH WATER 39 GAL #W0199
601642	PAN-TANK ROTOCAST 25'SAFARI
453493	HANGER STRAP-TANK PAN SAFARI
601243	DRAIN COCK, FRESH WATER
600155	PLUG, CLEANOUT 1-1/2"
453615	TANK SUPPORT STRIP-62" SAFARI
453712	SHIELD FRESH WATER TANK DRAIN

# 2014 INTERNATIONAL TRAVEL TRAILER

## PLUMBING, FRESHWATER

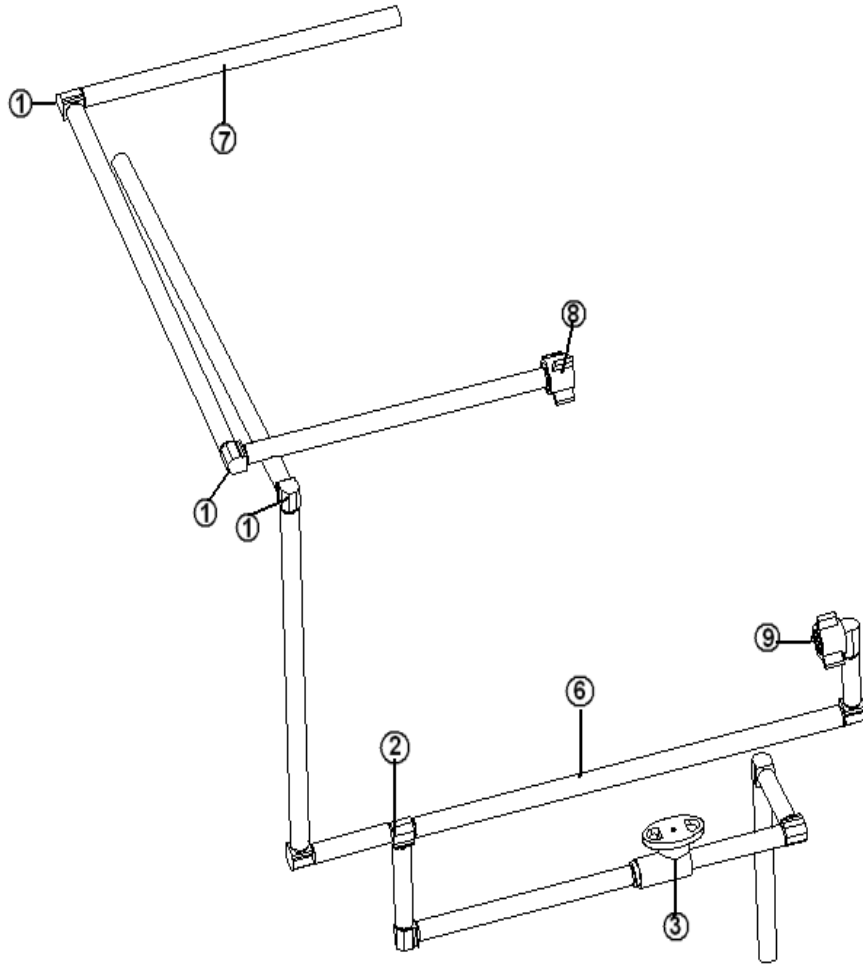
### Fresh Water System, 27' FB

601863-01	TANK-FRESH WATER 39 GALLON
601863-02	TANK-FRESH WATER, 27 EDDIE BAUER
601620	PAN FRESH TANK
601243	DRAIN COCK, FRESH WATER
600155	PLUG, CLEANOUT 1-1/2
601004	COUPLING 1/2" BARB X 3/8 MPT
600836	ELBOW 3/8 MPT X 1/2"BARB-COPPE
601237	ELBOW 90 D 1.25 MPT X 1.25 BAR
601239-01	TUBING 1.375 I.D. RIBBED
601698-01	E-PEX 1/2" TUBING
601240-01	TUBING, 3/8 UD W/3/32"
340086	MINIATURE SCREW TYPE HOSE CLAMP
0260043-06	WORM CLAMP #6
0260043-28	WORM CLAMP #28
345853	SCREW PAN HD #8-32 X .25 PAN H
0250123-06	#8-32 X.25"PHILLIPS ,RD.HD.MACH
345074-05	SCREW 5/16-18 X 7/8HEX WASHER
200152	STYROFOAM 1/2 X 6 X 42
511018	HARNESS, TANK VENTLINE L7452
600309	REGULATOR, WATTS 1/2"

# 2014 INTERNATIONAL TRAVEL TRAILER

## PLUMBING, FRESHWATER

### WATER HEATER BY-PASS, 27FB EDDIE BAUER

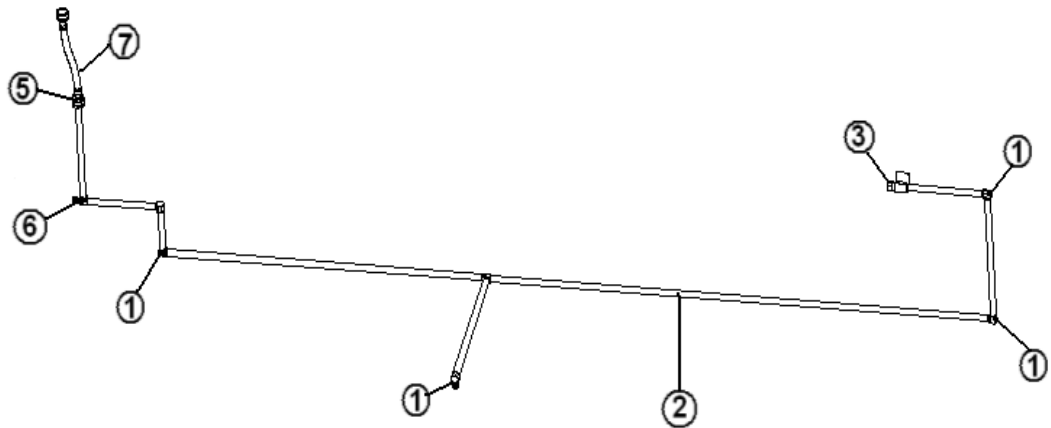


- |    |           |                                   |
|----|-----------|-----------------------------------|
|    | 943746-01 | LAYOUT                            |
| 1. | 602256-10 | ELBOW-POLY .5 BARB                |
| 2. | 602256-11 | TEE-POLY .5 BARB                  |
| 3. | 602256-22 | Valve, straight .5B               |
| 5. | 601698-15 | 1/2" Crimp Ring                   |
| 6. | 601698-01 | TUBING, E-PEX 1/2"                |
| 7. | 601698-21 | TUBING, E-PEX 1/2" RED            |
| 8. | 602256-03 | ADAPTER, POLY .5BARBX.5FPT SWIVEL |
| 9. | 602256-05 | ELBOW-POLY .5BARB X .5FPT SWIVEL  |

# 2014 INTERNATIONAL TRAVEL TRAILER

## PLUMBING, FRESHWATER

LAYOUT – HOT WATER – CURBSIDE, 27FB EDDIE BAUER

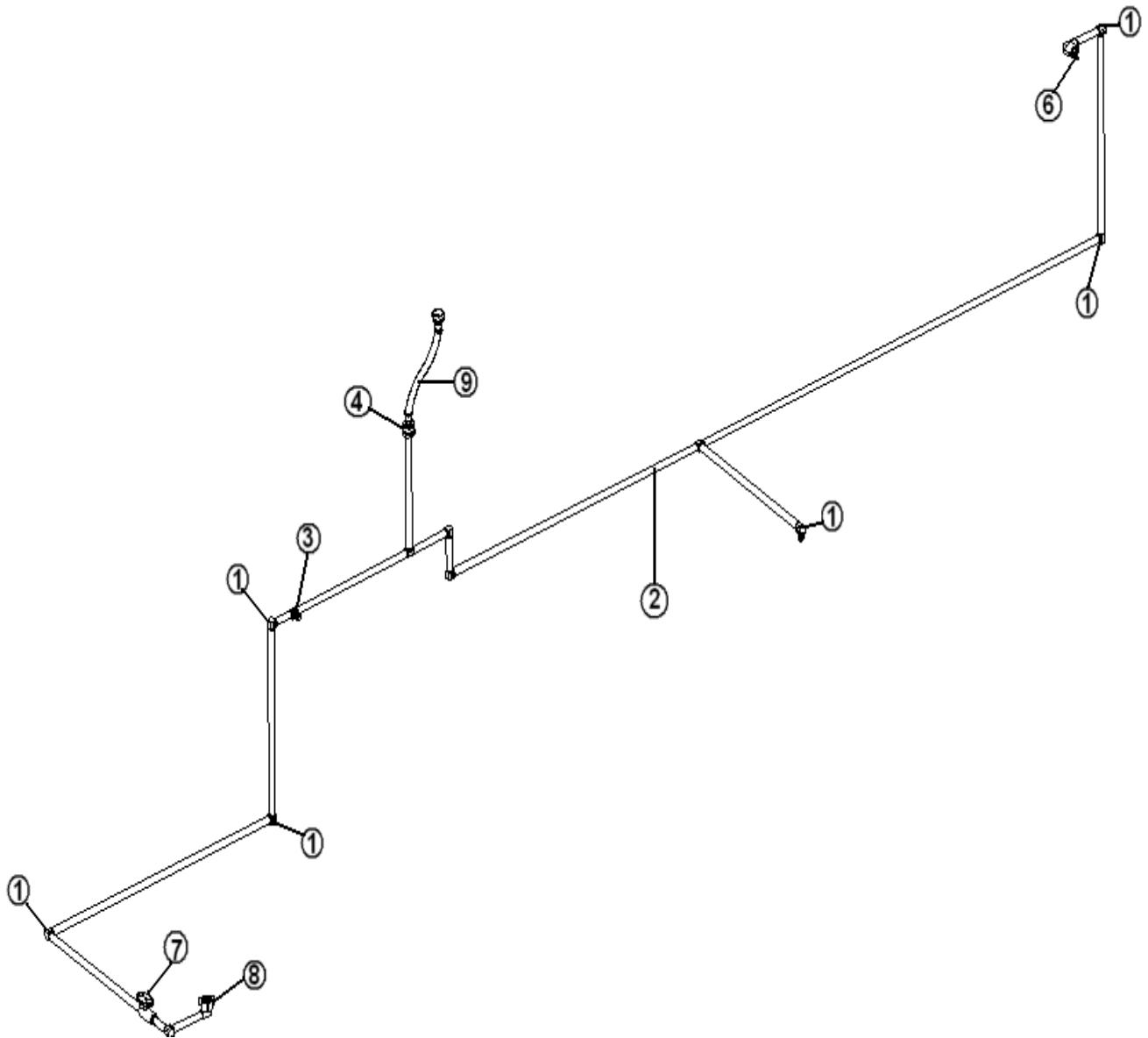


943746-02	LAYOUT
1. 602256-10	ELBOW – POLY .5 BARB
2. 601698-21	TUBING E-PEX ½" RED
3. 602137	VALVE, SHUT OFF .5BX.38 COMPT
4. 601698-15	CRIMP RING #14785
5. 602256-02	ADAPTER-MALE POLY .5BARB X .5MPT
6. 602256-11	TEE-POLY .5 BARB
7. 601659	RISER ½" FPT X 12" CPVC
602256-02	ADAPTER MALE POLY .5" BARB X .5" MPT

# 2014 INTERNATIONAL TRAVEL TRAILER

## PLUMBING, FRESHWATER

LAYOUT, COLD WATER, CURBSIDE, 27FB EDDIE BAUER



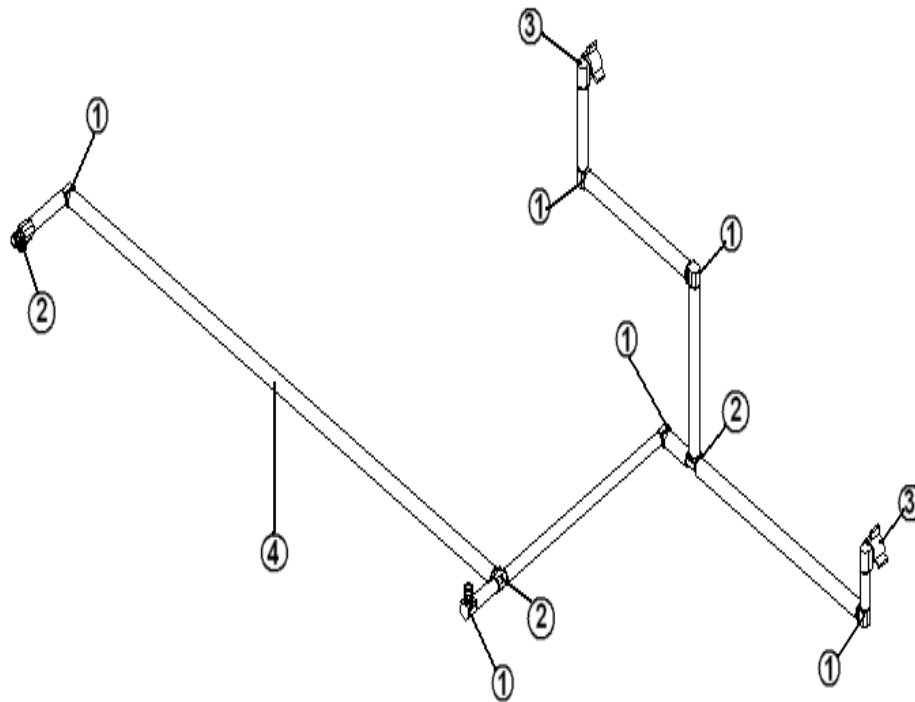
- |    |           |                                    |
|----|-----------|------------------------------------|
|    | 943746-03 | LAYOUT                             |
| 1. | 602256-10 | ELBOW POLY .5 BARBH                |
| 2. | 601698-01 | E-PEX 1/2" TUBING                  |
| 3. | 602256-11 | TEE, POLY .5 BARB                  |
| 4. | 602256-02 | ADAPTER-MALE, POLY .5BARB X 5MPT   |
| 5. | 601698-15 | 1/2" CRIMP RING                    |
| 6. | 602256-05 | ELBOW—POLY .5BARB X .5FPT SWIVEL   |
| 7. | 602256-22 | VALVE, STRAIGHT .5"B X .5"B        |
| 8. | 602256-05 | ELBOW POLY .5 BARB X .5 FPT SWIVEL |
| 9. | 601659    | RISER 1/2" FPT X 12" CPVC          |



# 2014 INTERNATIONAL TRAVEL TRAILER

## PLUMBING, FRESHWATER

LAYOUT, COLD WATER, ROADSIDE, 27FB EDDIE BAUER

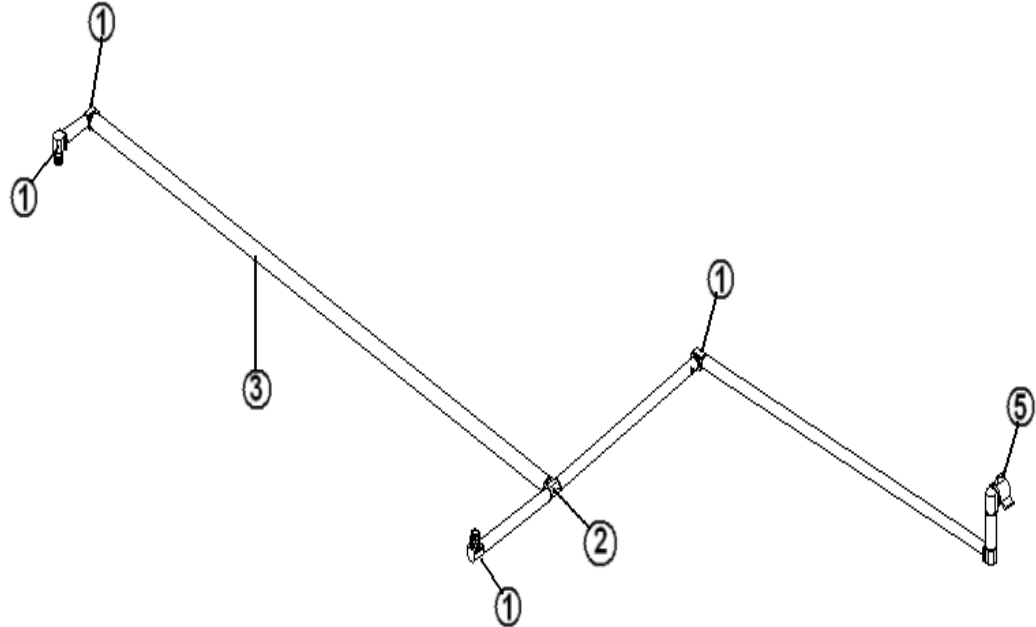


	943746-04	LAYOUT
1.	602256-10	ELBOW, POLY .5 BARB
2.	602256-11	TEE, POLY .5 BARB
3.	602256-05	ELBOW, POLY .5 BARB X .5 FPT SWIV
4.	601698-01	E-PEX 1/2" TUBING
5.	601698-15	1/2 CRIMP RING

# 2014 INTERNATIONAL TRAVEL TRAILER

## PLUMBING, FRESHWATER

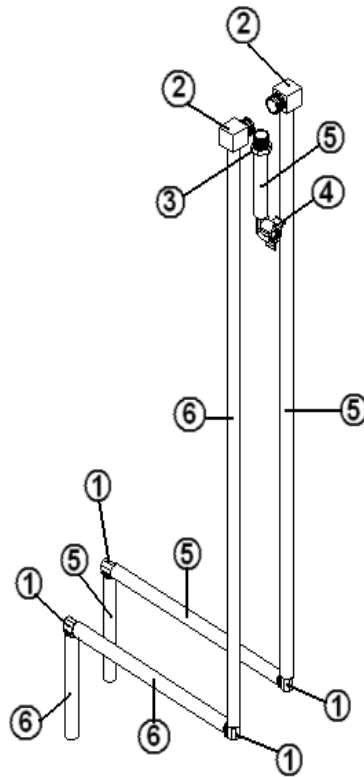
HOT WATER, ROADSIDE FORWARD, 27FB EDDIE BAUER



- 943746-05  
1. 602256-10  
2. 602256-11  
3. 601698-21  
4. 601698-15  
5. 602256-05

LAYOUT, HOT ROADSIDE FORWARD  
ELBOW, POLY .5 BARB  
TEE-POLY .5 BARB  
TUBING E-PEX 1/2" RED  
1/2 CRIMP RING #14785  
ELBOW, POLY .5 BARB X .5FPT SWVL

2014 INTERNATIONAL TRAVEL TRAILER  
 PLUMBING, FRESHWATER  
 SHOWER WATER LINES, 27FB EDDIE BAUER

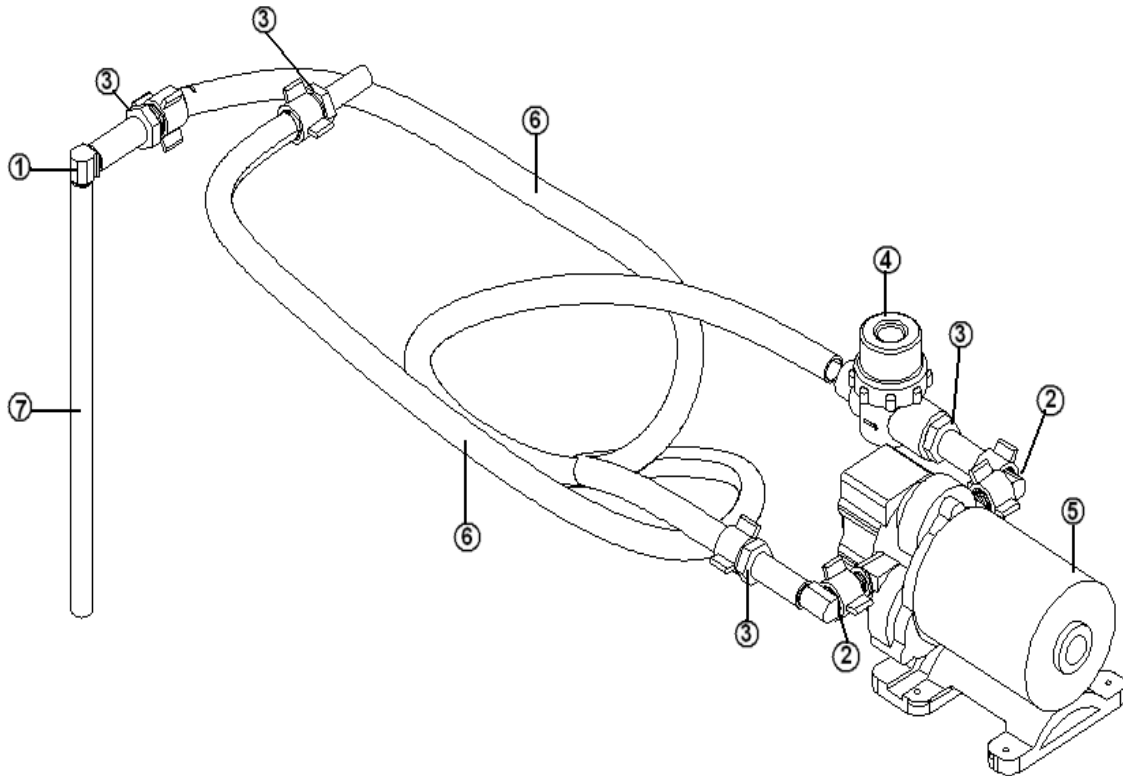


943746-06

SHOWER WATER LINES

- |                                                                                                                                                                                                    |                                                                                                                                                                                                                                                                                              |
|----------------------------------------------------------------------------------------------------------------------------------------------------------------------------------------------------|----------------------------------------------------------------------------------------------------------------------------------------------------------------------------------------------------------------------------------------------------------------------------------------------|
| <ul style="list-style-type: none"> <li>1. 602256-10</li> <li>2. 602256-04</li> <li>3. 602256-02</li> <li>4. 602256-05</li> <li>5. 601698-01</li> <li>6. 601698-21</li> <li>7. 601698-15</li> </ul> | <ul style="list-style-type: none"> <li>ELBOW, POLY 5 BARB</li> <li>ELBOW, POLY .5 BARB X .5 MPT</li> <li>ADAPTER, MALE POLY .5 BARB X .5 MPT</li> <li>ELBOW, POLY .5 BARB X .5 FPT SWVL</li> <li>E-PEX TUBING 1/2"</li> <li>TUBING, E-PEX 1/2" RED</li> <li>1/2 CRIMP RING #14785</li> </ul> |
|----------------------------------------------------------------------------------------------------------------------------------------------------------------------------------------------------|----------------------------------------------------------------------------------------------------------------------------------------------------------------------------------------------------------------------------------------------------------------------------------------------|

2014 INTERNATIONAL TRAVEL TRAILER  
PLUMBING, FRESHWATER  
WATER PUMP CONNECT, 27FB EDDIE BAUER



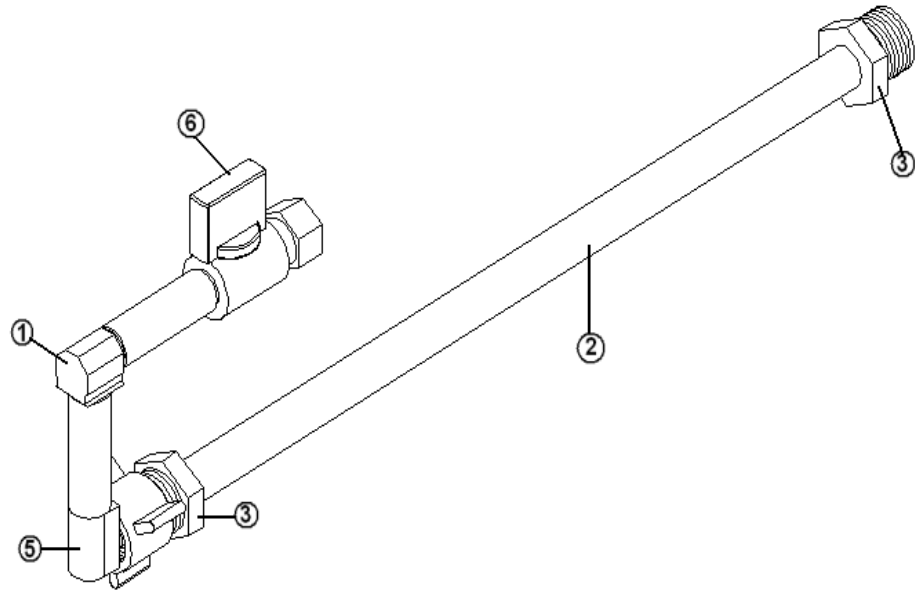
943746-07 WATER PUMP CONNECT

- |              |                                     |
|--------------|-------------------------------------|
| 1. 602256-10 | ELBOW, POLY .5 BARB                 |
| 2. 602256-05 | ELBOW, POLY .5 BARB X .5FPT SWVL    |
| 3. 602256-02 | ADAPTER, MALE POLY .5 BARB X .5 MPT |
| 4. 601668-01 | STRAINER, FRESH WATER PUMP          |
| 5. 602202    | WATER PUMP, MART SENSOR             |
| 6. 602204    | HOSE 1/2" FLEX                      |
| 7. 601698-01 | E-PEX 1/2" TUBING                   |

# 2014 INTERNATIONAL TRAVEL TRAILER

## PLUMBING, FRESHWATER

### COLD - GALLEY FILTER LAYOUT, 27FB EDDIE BAUER



- |              |                                      |
|--------------|--------------------------------------|
| 943746-09    | LAYOUT - COLD - GALLEY FILTER        |
| 1. 602256-10 | ELBOW, POLY .5 BARB                  |
| 2. 601698-01 | E-PEX 1/2" TUBING                    |
| 3. 602256-02 | ADAPTER, MALE POLY .5 BARB X .5 MPT  |
| 4. 601698-15 | 1/2" CRIMP RING #14785               |
| 5. 602256-05 | ELBOW, POLY .5BARB X .5FPT SWVL      |
| 6. 602137    | VALVE, SHUT OFF .5"B X 38"COMP       |
| 602256-02    | ADAPTER MALE POLY .5" BARB X .5" MPT |

# 2014 INTERNATIONAL TRAVEL TRAILER

## PLUMBING, FRESHWATER

### Fresh Water System, 30'

601864-01	TANK, FRESH WATER, 54.5 GALLON
601620	PAN, FRESH TANK
601243	DRAIN COCK, FRESH WATER
600155	PLUG, CLEANOUT 1-1/2
602256-02	ADAPTER-MALE POLY .5BARBX.5MPT
602256-10	ELBOW- POLY .5 BARB
600836	ELBOW 3/8 MPT X 1/2"BARB-COPPE
601237	ELBOW 90 D 1.25 MPT X 1.25 BAR
601239-01	TUBING-1.375"ID RIBBED W/FLATS
601698-01	E-PEX 1/2" TUBING
340086	MINIATURE SCREW TYPE HOSE CLAM
0260043-06	WORM CLAMP #6
0260043-28	WORM CLAMP #28
345853	SCREW PAN HD #8-32 X .25 PAN H
0250123-06	#8-32 X.25"PHILLIPS,RD.HD.MACH
345074-05	SCREW 5/16-18 X 7/8HEX WASHER
200152	STYROFOAM 1/2 X 6 X 42

### FRESH WATER CROSS OVER

601698-01	E-PEX 1/2" TUBING
602256-10	ELBOW- POLY .5 BARB
602256-11	TEE-POLY .5 BARB
601698-15	1/2 CRIMP RING #14785

### CROSSOVER LINE ASSY-FRESH

602256-10	ELBOW- POLY .5 BARB
602256-11	TEE-POLY .5 BARB
601698-15	1/2 CRIMP RING #14785
601698-21	TUBING E-PEX 1/2' RED

### DROP OUT ASSY-FRESH WATER

601698-01	E-EX 1/2" TUBING
602256-10	ELBOW- POLY .5 BARB
601698-15	1/2 CRIMP RING #14785
200507	STYROFOAM, 1 X 25 X 55-WATER T
601723	FILTER SCREEN, WATER
453712	SHIELD FRESH WATER TANK DRAIN

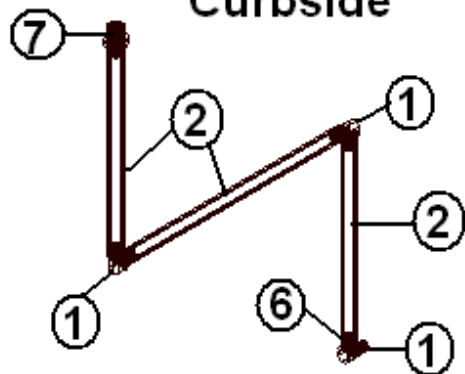
# 2014 INTERNATIONAL TRAVEL TRAILER

## PLUMBING, FRESHWATER

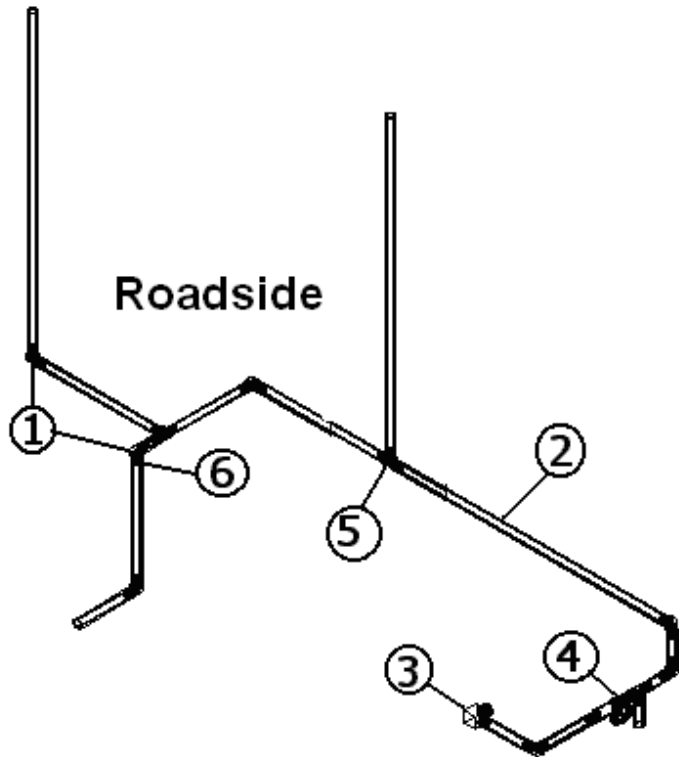
### Fresh Water Plumbing, Hot 28' Plastic Fittings

#### Hot Layout

##### Curbside



##### Roadside

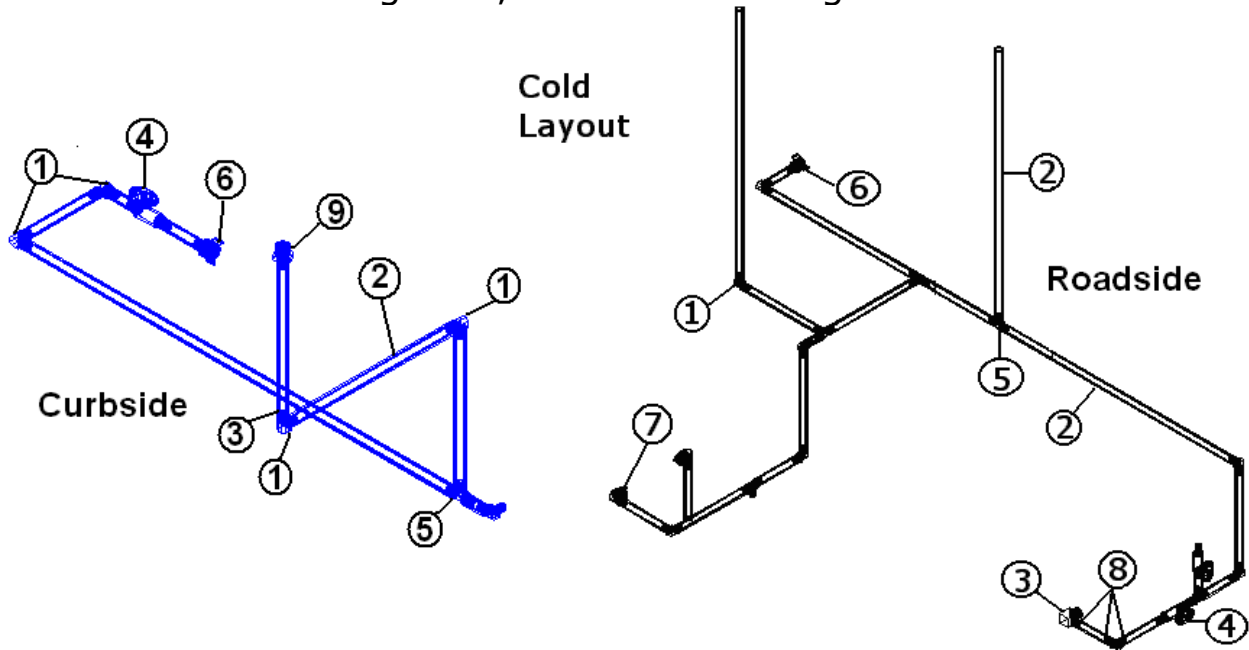


- |              |                                    |
|--------------|------------------------------------|
| 1. 602256-10 | ELBOW – POLY .5 BARB               |
| 2. 602256-21 | TUBING E-PEX 1/2' RED              |
| 3. 602256-04 | ELBOW – POLY .5 BARB X .5 MPT      |
| 4. 602256-22 | VALVE-STRAIGHT .5" B X .5" B #5364 |
| 5. 602256-11 | TEE-POLY .5 BARB                   |
| 6. 601698-15 | 1/2 CRIMP RING                     |
| 7. 602256-02 | ADAPTER-MALE POLY .5 BARB X .5 MPT |

# 2014 INTERNATIONAL TRAVEL TRAILER

## PLUMBING, FRESHWATER

### Fresh Water Plumbing Cold, 28' Plastic Fittings



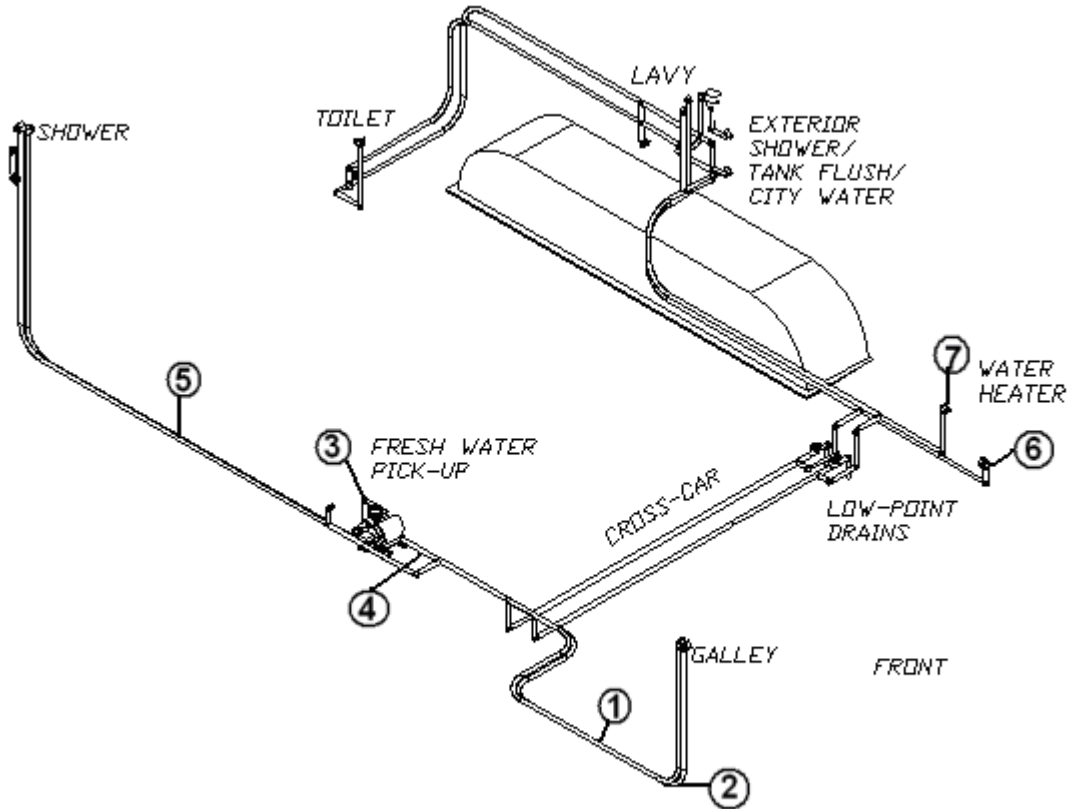
- |              |                                        |
|--------------|----------------------------------------|
| 1. 602256-10 | ELBOW-POLY .5 BARB                     |
| 2. 601698-01 | TUBING E-PEX 1/2" WHITE                |
| 3. 602256-04 | ELBOW-POLY .5BARB X 5MPT               |
| 4. 602256-22 | BALL VALVE 1/4 TURN                    |
| 5. 602256-11 | TEE-POLY .5 BARB                       |
| 6. 602256-03 | ADAP.POLY .5BARB X .5FPT SWIVEL        |
| 7. 602256-05 | ELBOW, POLY .5 BARB X .5 FPT SWIVEL    |
| 8. 601698-15 | 1/2" CRIMP RING                        |
| 9. 602256-02 | ADAPTER-MALE POLY .5BARB X .5MPT       |
| 601863-01    | TANK-FRESH WATER 39 GAL #W0199         |
| 601642       | PAN-TANK ROTOCAST                      |
| 453493       | HANGER STRAP-TANK PAN                  |
| 601243       | DRAIN COCK, FRESH WATER                |
| 600155       | PLUG, CLEANOUT 1-1/2                   |
| 601240-01    | TUBING 1/2" I.D. X 3/32 WALL THICKNESS |
| 453712       | SHIELD FRESH WATER TANK DRAIN          |
| 601239-01    | TUBING-1.375"ID RIBBED W/FLATS         |
| 453615       | TANK SUPPORT STRIP-62"                 |
| 601723       | FILTER SCREEN, WATER                   |



# 2014 INTERNATIONAL TRAVEL TRAILER

## PLUMBING, FRESHWATER

Fresh Water Plumbing Cold, 30' Plastic Fittings



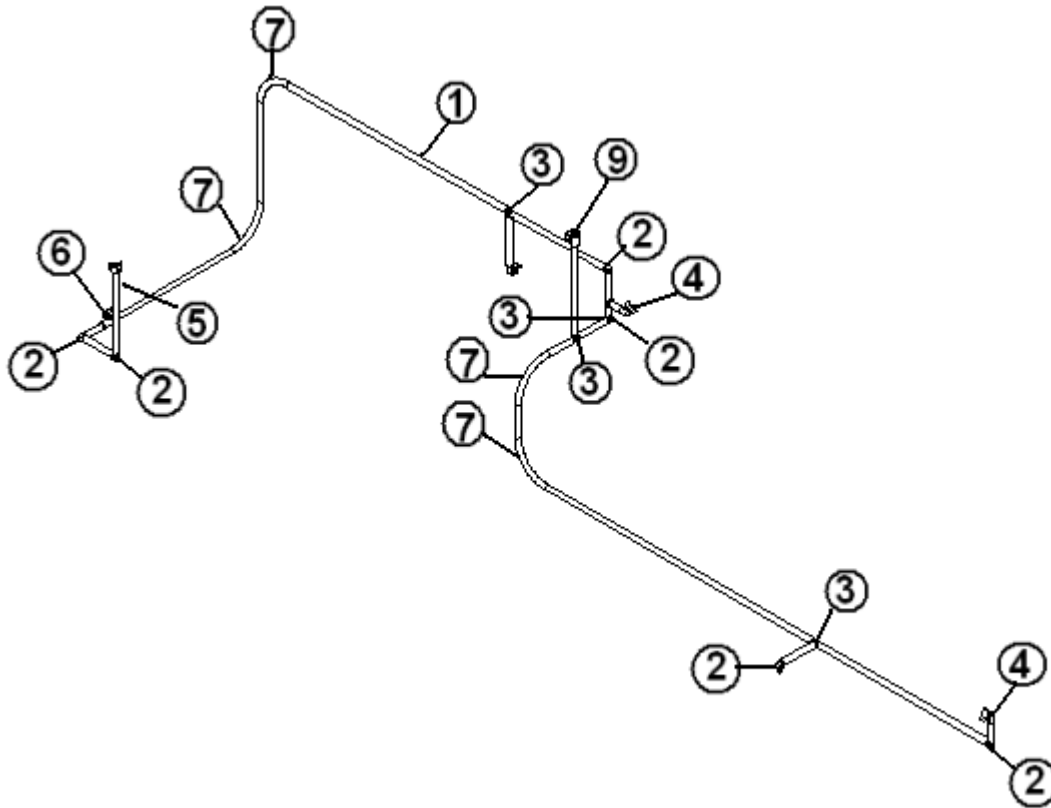
### 943721-101 FRESH WATER SYSTEM - 30 INT'L

- |              |                         |
|--------------|-------------------------|
| 1. 943721-01 | WATER LINES-GALLEY COLD |
| 2. 943721-02 | WATER LINES-GALLEY HOT  |
| 3. 943721-03 | WATER LINE-COLD PICK UP |
| 4. 943721-04 | WATER LINES-CS HOT      |
| 5. 943721-05 | WATER LINE-COLD SHOWER  |
| 6. 943721-08 | CROSS CAR WATER LINES-  |
| 7. 943721-09 | WATER LINES-TANK FLUSH  |

# 2014 INTERNATIONAL TRAVEL TRAILER

## PLUMBING, FRESHWATER

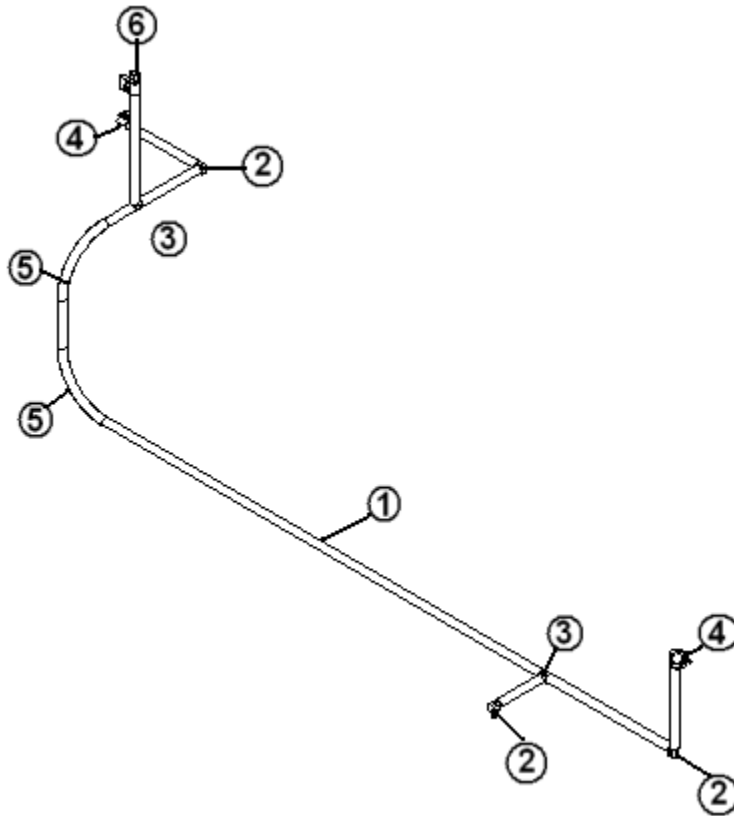
### WATER LINES-RS COLD 30 INTL



- |              |                                      |
|--------------|--------------------------------------|
| 1. 601698-01 | E-PEX 1/2" TUBING                    |
| 2. 602256-10 | ELBOW- POLY .5 BARB                  |
| 3. 602256-11 | TEE-POLY .5 BARB                     |
| 4. 602256-05 | ELBOW-POLY .5BARB X .5FPT SWIV       |
| 5. 602256-02 | ADAPTER-MALE POLY .5BARBX.5MPT       |
| 6. 602256-22 | VALVE-STRAIGHT.5"B X .5"B#5364       |
| 7. 601774    | ELBOW SUPPORT-90D 1/2"               |
| 8. 601698-15 | 1/2 CRIMP RING #14785                |
| 602256-02    | ADAPTER MALE POLY .5" BARB X .5" MPT |

# 2014 INTERNATIONAL TRAVEL TRAILER

## WATER LINES-RS HOT 30 INTL



- |    |           |                                     |
|----|-----------|-------------------------------------|
| 1. | 601698-21 | TUBING E-PEX 1/2' RED               |
| 2. | 602256-10 | ELBOW- POLY .5 BARB                 |
| 3. | 602256-11 | TEE-POLY .5 BARB                    |
| 4. | 602256-05 | ELBOW-POLY .5BARB X .5FPT SWIV      |
| 5. | 601774    | ELBOW SUPPORT-90D 1/2"              |
|    | 600008    | TUBING COPPER 3/8OD                 |
|    | 601698-01 | E-PEX 1/2" TUBING                   |
|    | 600435    | FORGED FLARE NUTS 3/8IN             |
|    | 380886    | GROMMET, FLOOR                      |
|    | 380887    | GROMMET, FLOOR                      |
|    | 340085-05 | CLAMP #COY 1109 5/8 IN. DIA.        |
|    | 600526    | FLANGE,4 IN                         |
|    | 601348    | TEE, HEAT DUCT, 4 X 4 X 2           |
|    | 601244-03 | REGISTER,ROTAIRE,BLACK              |
|    | 690429    | LOUVER-2" BLACK ROUND               |
|    | 203070    | REGISTER PLASTIC BROWN 2"X10"       |
|    | 114079    | ADAPTER-DUCT, 4.00" TO 2.00"        |
|    | 602256-02 | ADAPTER MALE POLY .5" BARB X .5"MPT |

# 2014 INTERNATIONAL TRAVEL TRAILER

## PLUMBING, FRESHWATER

### Tank Fittings/Shield

601243	DRAIN COCK, FRESH WATER
600155	PLUG, CLEANOUT, 1 1/2"
453712	SHIELD, FRESH WATER TANK DRAIN
602185-01	Drain Valve, 90 degree

### City Water Hook Up System

600336	PLUG WITH CHAIN
600315	PUMP GUARD FILTER
600362	CONNECTOR 3/4 X 1/2 HOSE
601689	DROP ELL 90 DEGREE FITTING
320098-02	SCREW,SMS,SS OVAL HD.PHIL
602256-01	NIPPLE-POLY .5"MPT X .5" MPT
601690	NIPPLE-1/2"MPT X 2.50" BRASS
601237	ELBOW 90 D 1.25 MPT X 1.25 Brass
600227	PLASTIC COUPLINGS

### Fresh Water Fill

601194	WATER FILL W/LOCK, GRAY, W/LABEL
601392-05	CITY WATER FILL W/REGULATOR
601392-06	CITY WATER FILL W/REGULATOR – C.S.A.
601239-01	TUBING 1.375 I.D. RIBBED
601240-01	TUBING, 3/8 UD W/3/32"

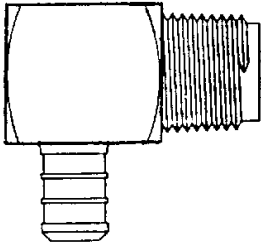
### Water Pump

602202	Water pump Smart Sensor 4.0–30', 28', 23D,23FB, 19',16'
601531	FITTING, 90 DEGREE, 3" H X ST
203085	PLUG, WATER LINE, 1/2" PLASTIC, BLACK
601659	RISER, 1/2" FPT X 12", CPVC
601668-01	Water pump, pre-filter, Shurflo

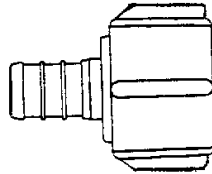
# 2014 INTERNATIONAL TRAVEL TRAILER

## PLUMBING, FRESHWATER

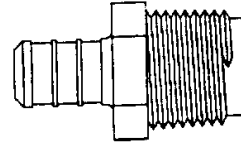
### FRESH WATERLINE/FITTINGS - PLASTIC



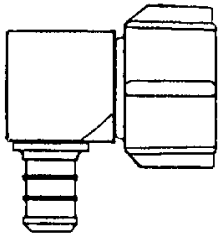
602256-04  
Elbow, 1/2" barb  
x 1/2" MPT



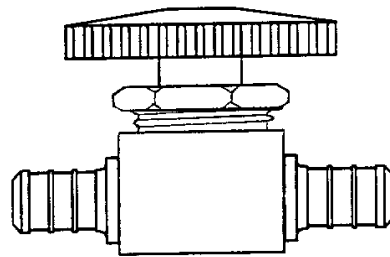
602256-03  
Coupler, 1/2" barb  
x 1/2" FPT



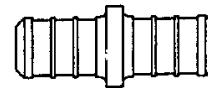
602256-02  
Coupler, 1/2" barb  
x 1/2" MPT



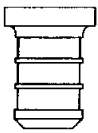
602256-05  
Elbow 1/2" barb x  
1/2" FPT



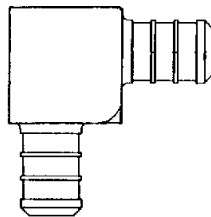
602256-22  
Shut-off, 1/2" barb x  
1/2" barb



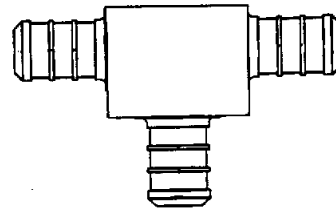
602256-08  
Coupler  
1/2" x 1/2" barb



602256-09  
Plug, 1/2" barb



602256-10  
Elbow 1/2" barb x  
1/2" barb



602256-11  
Tee, 1/2" x 1/2" x  
1/2" barb

# 2014 INTERNATIONAL TRAVEL TRAILER

## PLUMBING, FRESHWATER

### FRESH WATERLINE/FITTINGS



601698-15  
Crimp ring, 1/2



601698-01  
E-Pex, 1/2" (black)



601698-21  
E-Pex tube, 1/2" Red

# 2014 INTERNATIONAL TRAVEL TRAILER

## PLUMBING, FRESHWATER

602327	FAUCET, MOEN CAMERIST CHROME W/SPRAY
602277	SHURFLO IN-LINE WATER FILTER
602277-01	FITTINGS FOR SHURFLO WATER FILTER
601714-01	TAIL PIECE 1-1/2X4"
601714-02	1-1/2" SLIP NUT W/WINGS
601714-03	1-1/2" BLACK RUBBER WASHER
602137	VALVE, SHUT OFF

# 2014 INTERNATIONAL TRAVEL TRAILER

## PLUMBING, FRESHWATER

FAUCET, LAVATORY, 19', 23', 25', 27', 28', 30'

602352      FAUCET, SINGLE HOLE LAVY, CHROME, INT'L,  
SERENITY, STERLING, EDDIE BAUER

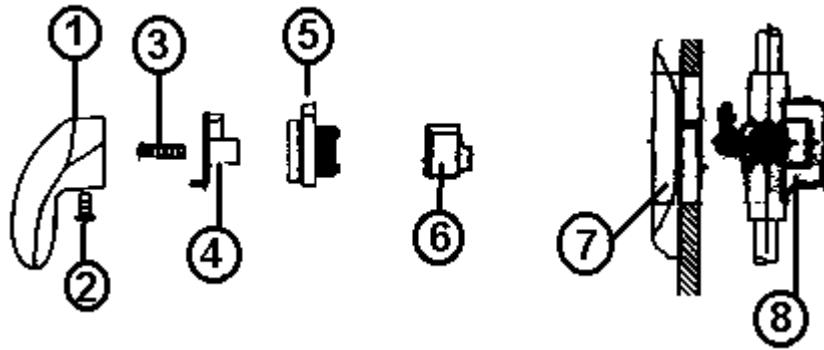


# 2014 INTERNATIONAL TRAVEL TRAILER

## PLUMBING, FRESHWATER

Faucet, Shower, 19', 25' 27' FB, 28', 30'

601829      Faucet, Shower, Chrome, Moen MDL TL2391



1. Lever handle
2. Set screw
3. Handle screw
4. Handle adaptor
5. Brake
6. Key stop
7. Escutcheon
8. 601831 4-port posi-temp valve  
600594 Strainer w/white rubber stopper  
601358 Shower kit, includes:

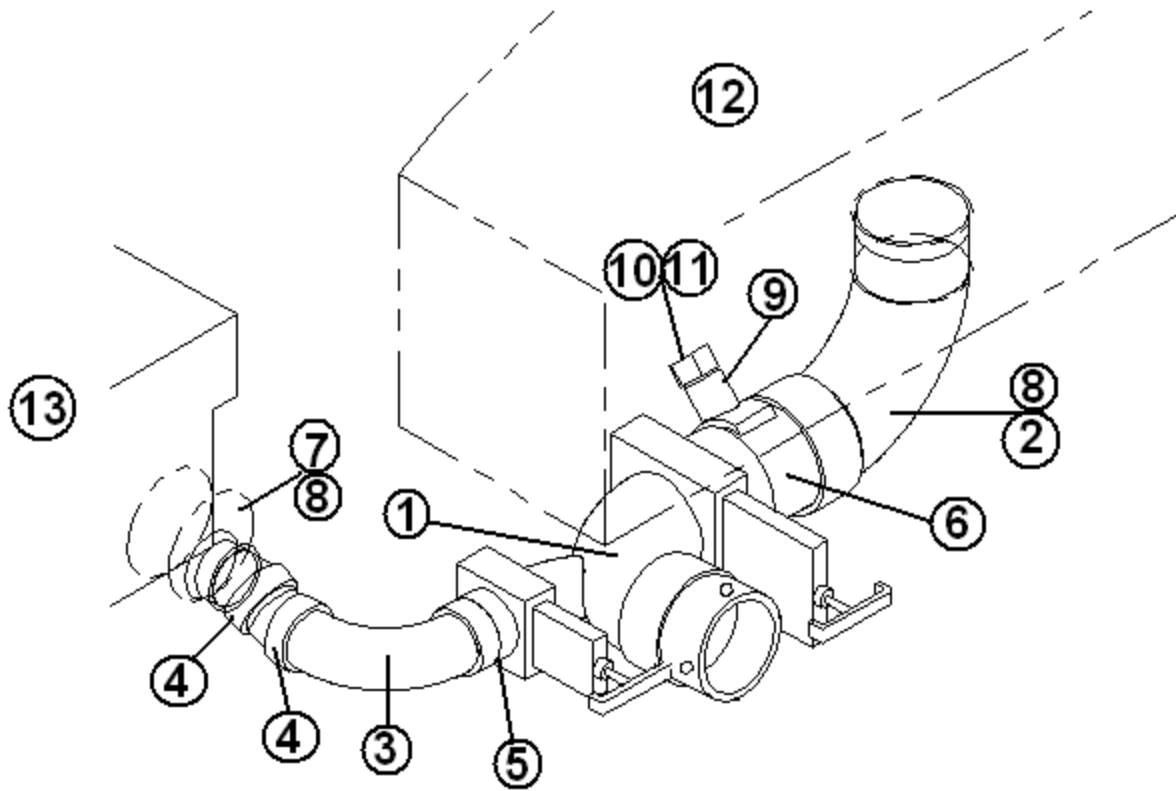
Shower hose, shower head,  
Vacuum breaker, wall mounts

- |           |                                 |
|-----------|---------------------------------|
| 601185-08 | PLUG, PIPE 1/2" MALE NPT, STEEL |
| 114969    | COVER, VENT PIPE                |
| 601592-04 | HOSE GUIDE, SHOWER HARDWARE     |
| 602256-01 | NIPPLE-POLY .5"MPT X .5"MPT     |

# 2014 INTERNATIONAL TRAVEL TRAILER

## PLUMBING, DRAIN

DRAIN SYSTEM, 19', 23'D



Part Numbers on the Next Page

# 2014 INTERNATIONAL TRAVEL TRAILER

## PLUMBING, DRAIN

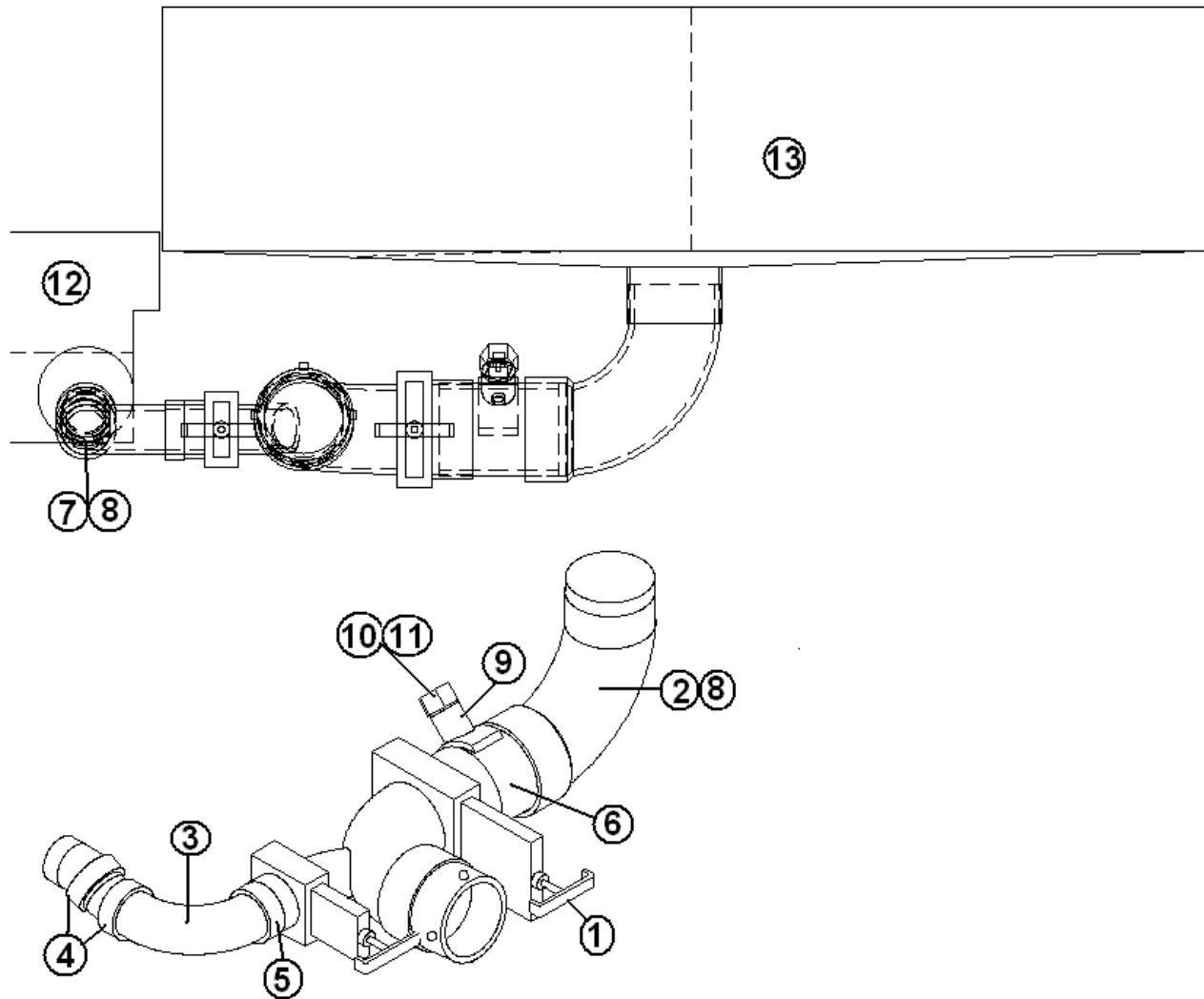
### DRAIN SYSTEM, 19', 23' D

1. 601482	DUMP VALVE ROTATING ASSY.
2. 600820	3"SINGLE SOCKET 90DEGREE
3. 600431	ELBOW, 90, 1-1/2 IN
4. 601800	ST ELL- 1.5" 22.5D ABS SPIGXHUB
5. 601160-02	PIPE, ABS DVW, 1-1/2"
6. 601160-04	PIPE, ABS DVW, 3"
7. 195329-229	Reducer adaptor, 3" to 1.5"
8. 601846	ADAPTOR-3"PIPE CATCON
9. 340092	CLAMP, WORM TYPE
10. 511789-01	BOOT-SENSOR
11. 511789	SENSOR-TANK MONITOR
12. 601854-01	TANK-BLACK HOLDING 17.3 GALLON
13. 601844-01	TANK-GRAY HOLDING 21 GAL #0910
511780	HEAT PAD 6.5" X 18" - BLACK TANK
601722	ADAPTER-1.5" MALE HUB X MIPT
600622	P-TRAP 1-1/2 W/SLIP NUT & WASH
602185-01	DRAIN VALVE 90 DEG TURN Lead Free
114916	BRACKET DUMP VALVE
601717	GRAY TANK PAN
601228	BLACK TANK PAN CLOSEOUT
453977	STRAP-BLACK TANK FWD
453978	STRAP-BLACK TANK AFT
964478	SLOPE PAD-BLACK TANK
453712	SHIELD, FRESH WATER TANK DRAIN
601846	ADAPTOR-3"PIPE CATCON
600033	ELBOW, VENT, 1.50 90 DEG.
600035	ELL ABS LONG SWEEP 1 1/2"
600156	TEE SANITARY
600030	ELL ABS 45 DEGREES LONG TURN
600538	VENT V-200 AUTOMATIC
601200	ADAPT, AUTO VENT W/EXT. #A-201
601318	TEE BI-DIRECTIONAL CLEANOUT 1 1/2"
600155	PLUG, CLEANOUT 1 1/2"
600094	WYE #2301
600378	CONTINUOUS WASTE 1-1/2
600431	ELBOW, 90, 1-1/2 IN
601424	FLANGE, CLOSET 4" X 3", THREAD
600822	ADAPTER P-TRAP
602164-01	P TRAP W/COMPRESSION NUT 1.5"
602164-02	TAILPIECE W/NUTS & WASHERS 1.5
380481-A	7 X 8 RUBBER BOOT 3-1/2 DIA HOLE

# 2014 INTERNATIONAL TRAVEL TRAILER

## PLUMBING, DRAIN

### DRAIN VALVES/TANKS, 23'FRONT BED



Part numbers on the next page.

# 2014 INTERNATIONAL TRAVEL TRAILER

## PLUMBING, DRAIN

### Drain Valves/Tanks, 23' Front Bed

- |               |                                     |
|---------------|-------------------------------------|
| 1. 601482     | Dump Valve Rotating assembly        |
| 2. 600183     | 3" Ell, long sweep                  |
| 3. 600431     | Elbow, 90, 1½"                      |
| 4. 604800     | Street Ell, 1.5", 22.5 Degrees, ABS |
| 5. 601160-02  | Pipe, ABS DVW, 1½"-2.00" Long       |
| 6. 601160-04  | Pipe, ABS DVW, 3"- 4" Long          |
| 7. 195329-229 | Reducer adaptor, 3" to 1.5"         |
| 8. 340092     | Clamp, worm type T40C-75-388-SB     |
| 9. 601846     | Adaptor, 3" pipe, Catcon            |
| 10. 511789    | Sensor, tank monitor                |
| 11. 511789-01 | Boot, Sensor                        |
| 12. 602173    | Tank, gray                          |
| 454649        | Pan, gray Tank                      |
| 601854-03     | Tank, Black Holding                 |
| 453963        | Strap, black tank FWD.              |
| 453964        | Strap, black tank AFT.              |
| 114916        | Bracket, dump valve                 |
| 200507        | Styrofoam, 1" X 25" X 55"           |
| 200152        | Styrofoam, ½ X 6 x 42               |
| 601266        | Flange, closet, 3 X 4, slip fit     |
| 600065        | Flange, floor threaded              |
| 454660        | Closeout, Septic pan                |

# 2014 INTERNATIONAL TRAVEL TRAILER

## PLUMBING, DRAIN

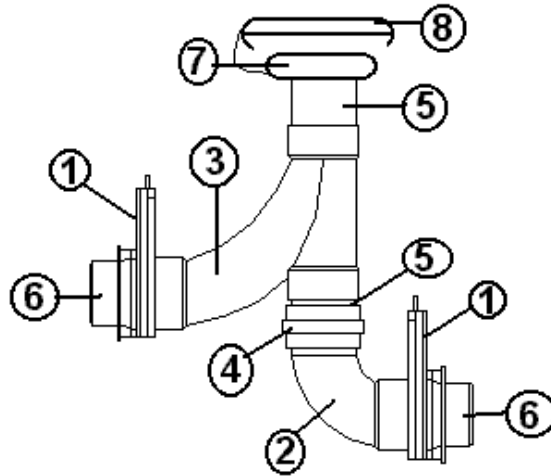
### DRAIN, ABOVE FLOOR 25'TWIN

601160-02	PIPE, ABS 1 1/2"
600622	P-TRAP 1 1/2 W/SLIP NUT & WASHER
600035	ELBOW, EXTRA LONG SWEEP
600156	TEE, SANITARY
600538	VENT V-200 AUTOMATIC
600308	ADAPTER ABS FEMALE
602164-01	P-TRAP W/COMPRESSION NUT 1.5"
602164-02	TAILPIECE W/NUTS & WASHERS 1.5"
600144	P-TRAP ABS 1 1/2"
601424	FLANGE, CLOSET 4" X 3" THREAD
600065	FLANGE, FLOOR THREADED
601318	Tee, Bi-Directional Cleanout
600155	Plug, Cleanout 1 1/2"

# 2014 INTERNATIONAL TRAVEL TRAILER

## PLUMBING, DRAIN

### DRAIN VALVES/TANKS, 25' Front Bed



- |              |                                        |
|--------------|----------------------------------------|
| 1. 601607-11 | Dump Valve Assy. 3" Spigot x 3" Spigot |
| 2. 600820    | 3" single socket, 90 Degree            |
| 3. 600187    | 3" Wye, combination & 1/8" bend        |
| 4. 600289    | Calder coupler, 3"                     |
| 5. 601160-04 | 3" ABS pipe                            |
| 6. 0310107   | WASTE VALVE ADAPTOR                    |
| 7. 01639     | Bayonet ring                           |
| 8. 01664     | Cap. Positive seal, Thetford           |
| 601850-04    | TANK-GRAY 37 GAL.                      |
| 601848-12    | TANK-BLACK 39 GAL.                     |
| 601626       | Pan assembly, Waste Tank               |
| 601228       | Closeout, Septic Pan                   |
| 04190        | DUMP VALVE HANDLE 19 EXT THETFORD      |
| 380481-A     | BOOT RUBBER 3" DRAIN LINE              |
| 385101       | TAG AUX TANK DUMP VALVE HANDLE         |
| 200152       | STYROFOAM 1/2" X 6" X 42"              |
| 385099       | TAG MAIN TANK DUMP VALVE HANDLE        |
| 114086       | BRACKET DUMP VALVE HANDLE              |
| 601242       | FLANGE, CLOSET, 3 X 4, threaded        |
| 453615       | TANK SUPPORT STRIP-61.50"              |
| 200954       | Slope Pad 22.75" x 55"                 |
| 511789       | Sensor, Tank Monitor                   |
| 511789-01    | Boot, Tank Monitor                     |

# 2014 INTERNATIONAL TRAVEL TRAILER

## PLUMBING, DRAIN

### Waste Tank Install, 25' & 25FB Int'l

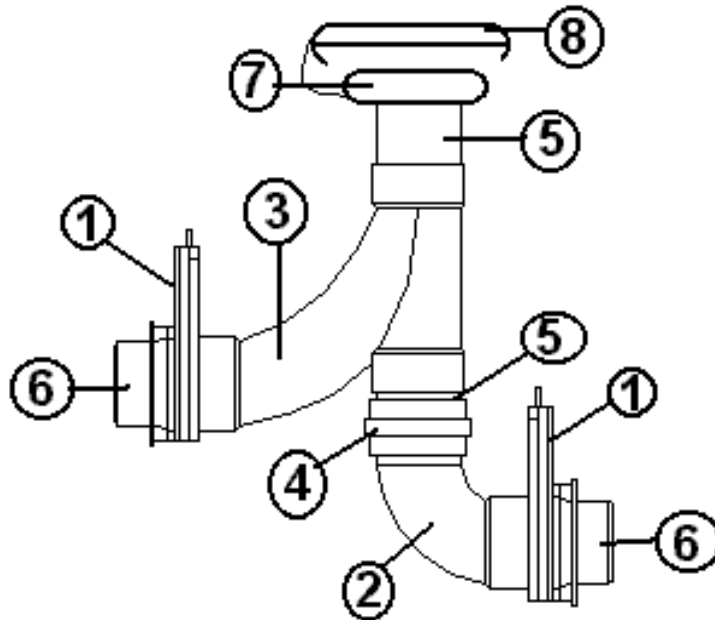
601889-02	Tank, Grey 35 Gallon
601890-03	Tank, Black 37 Gallon
601895	Pan, Black/Grey Tank
601607-13	Valve Assembly 3"HB X 3" Spigot
601607-06	Termination Adaptor
601607-07	Termination Cap 3"
601607-03	Extension Rod, 12" Threaded
380481-A	7" x 10" Rubber Boot 3 1/2" Dia.
385101	Tag Aux. Tank Dump Valve Handle
385099	Tag Main Tank Dump Valve Handle
114086	Bracket, Dump Valve Handle
600035	Ell ABS Long Sweep 1 1/2
195329-229	Reducer Adaptor 3" to 1.5"
601716	Ell 90 w/Low Heel 3" x 3" x 1.5"
601607-12	Valve Assy., 1.5" Spig. X 1.5"
200954	Slope pad, 22.75" x 55"
601482	Dump Valve Rotating Assy.
511789	Sensor, Tank Monitor
602072	Tee-Sanitary - Reducing 2" X 1.5"
601160-03	Pipe, ABS 2"966905



# 2014 INTERNATIONAL TRAVEL TRAILER

## PLUMBING, DRAIN

### DRAIN VALVES/TANKS, 27' FB

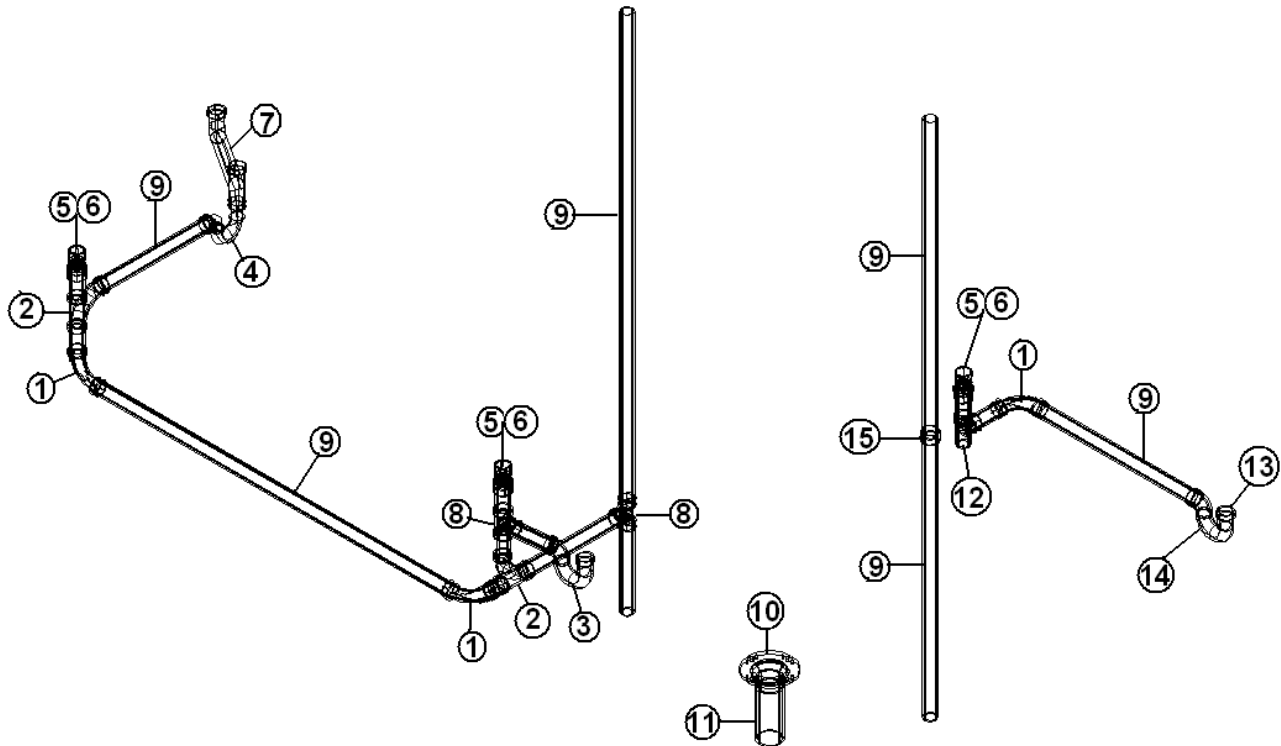


1. 601607-11 VALVE ASSY. 3" SPIGOT X 3"SPIGOT
2. 600820 3" SINGLE SOCKET 90DEGREE
3. 600187 3" WYE, COMB & 1/8 BEND
4. 600289 CALDER COUPLING 3IN (RUBBER)
5. 601160-04 PIPE, ABS DVW, 3"
6. 0310107 Adaptor, 3" tank valve
7. 601607-06 TERMINATION ADAPTOR - 3" HUB X 3"
8. 601607-07 TERMINATION CAP - 3" BAYONET
- 601850-04 TANK-GRAY 37 GAL.
- 601848-12 TANK-BLACK 39 GAL.
- 601626 PAN WASTE HOLDING TANKS
- 200954 SLOPE PAD, 22.75"X 55"
- 114086 BRACKET DUMP VALVE HANDLE
- 04190 DUMP VALVE HANDLE 19 EXT THETFORD
- 385101 TAG AUX TANK DUMP VALVE HANDLE
- 385099 TAG MAIN TANK DUMP VALVE HANDL
- 380481-A 7 X 8 RUBBER BOOT 3-1/2 DIA HOLE
- 200152 STYROFOAM 1/2 X 6 X 42
- 115361 DUMP VALVE MOUNTING PLATE

# 2014 INTERNATIONAL TRAVEL TRAILER

## PLUMBING, DRAIN

### DRAIN SYSTEM, 27' FB

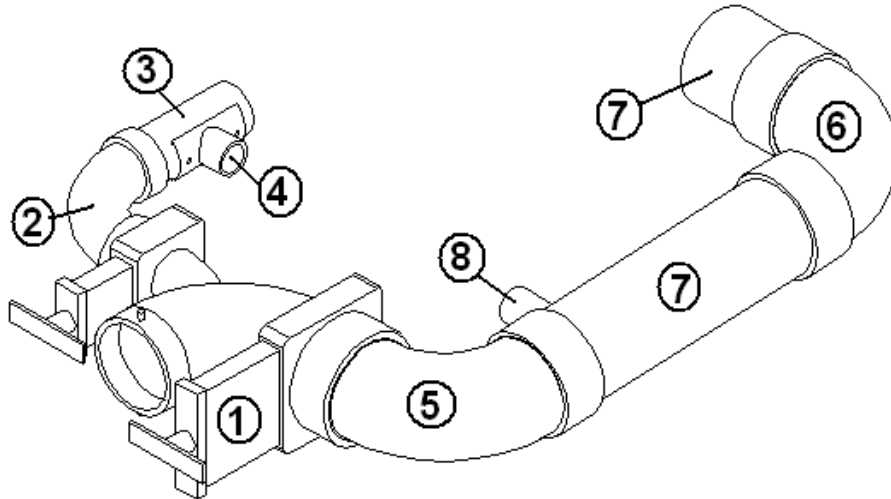


- |               |                                   |
|---------------|-----------------------------------|
| 1. 600035     | ELL ABS LONG SWEEP, 1-1/2         |
| 2. 600182     | WYE, 1.5" X 1.5" X 1.5", 1/8 BEND |
| 3. 600144     | P TRAP, ABS, 1-1/2 IN             |
| 4. 600822     | P-TRAP, 1-1/2 W/SLIP NUT & WASH   |
| 5. 600538     | VENT, V-200 AUTOMATIC             |
| 6. 600308     | ADAPTER, ABS, FEMALE SLOAN        |
| 7. 600378     | CONTINUOUS WASTE, 1-1/2           |
| 8. 600156     | TEE SANITARY                      |
| 9. 601160-02  | PIPE, ABS DVW, 1-1/2"             |
| 10. 601266    | FLANGE, CLOSET, 3 X 4, SLIP FIT   |
| 11. 601267-04 | NIPPLE, 3" DIA. THD ONE 10" LG    |
| 12. 601868    | SANITARY TEE, SPIG X HUB X HUB    |
| 13. 602164-02 | TAILPIECE W/NUTS & WASHERS, 1.5"  |
| 14. 602164-01 | P TRAP W/COMPRESSION NUT, 1.5"    |
| 15. 600227    | PLASTIC COUPLINGS                 |

# 2014 INTERNATIONAL TRAVEL TRAILER

## PLUMBING, DRAIN

### Dump Valves/Tanks, 28'

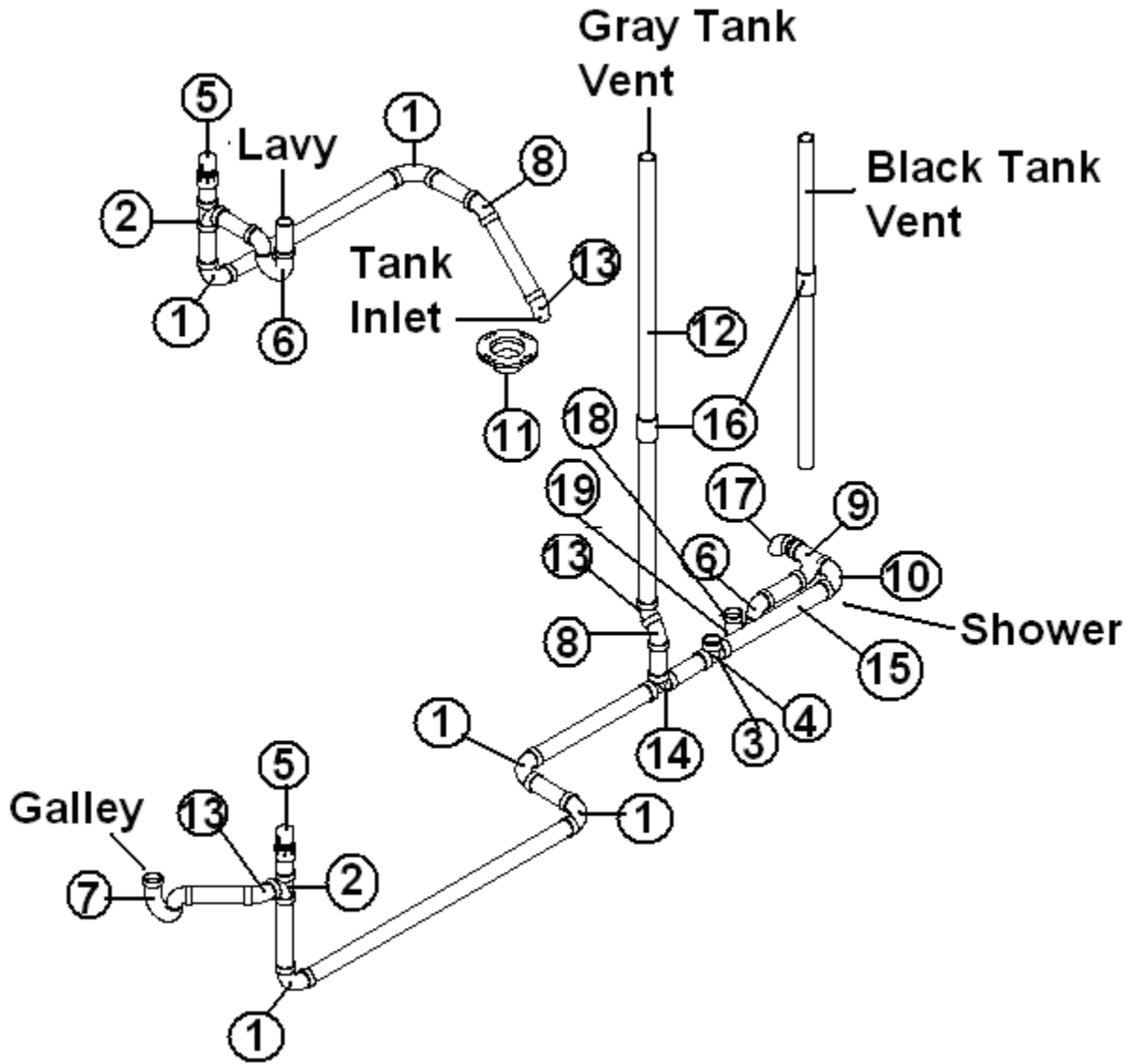


- |              |                                      |
|--------------|--------------------------------------|
| 1. 601482    | DUMP VALVE ROTATING ASSEMBLY         |
| 2. 600431    | ELBOW, 90, 1 1/2"                    |
| 3. 601160-02 | PIPE, ABS DVW, 1 1/2"                |
| 4. 601845    | ADAPTOR-1.5", PIPE CATCON            |
| 5. 600820    | 3" SINGLE SOCKET 90 DEGREE           |
| 6. 600183    | ELL LONG SWEEP ABS 3"                |
| 7. 601160-04 | PIPE, ABS DVW, 3"                    |
| 8. 601846    | ADAPTOR, 3" PIPE CATCON              |
| 0360494      | BOOT RUBBER                          |
| 601889-03    | TANK-BLACK                           |
| 601890-02    | TANK-GRAY 37 GALLON                  |
| 601895       | PAN-BLACK/GRAY TANK                  |
| 203149       | SLOPE PAD-HOLDING TANKS              |
| 200152       | STYROFOAM 1/2 X 6 X 42"              |
| 454178-01    | STRAP-BLACK/GRAY TANK 52.25"         |
| 454178-02    | STRAP-BLACK/GRAY TANK 5.25" H        |
| 454178-05    | STRAP-BLACK/GRAY TANK 4.25"          |
| 454155-01    | STRAP-BLACK/GRAY TANK, 5.75" X 49.00 |
| 454155-02    | STRAP-BLACK/GRAY TANK, 5.13" X 49.00 |
| 454178-06    | STRAP-BLACK/GRAY TANK 4.00" X 48.38" |

# 2014 INTERNATIONAL TRAVEL TRAILER

## PLUMBING, DRAIN

DRAIN SYSTEM, 28'



Part Number on the next page

# 2014 INTERNATIONAL TRAVEL TRAILER

## PLUMBING, DRAIN

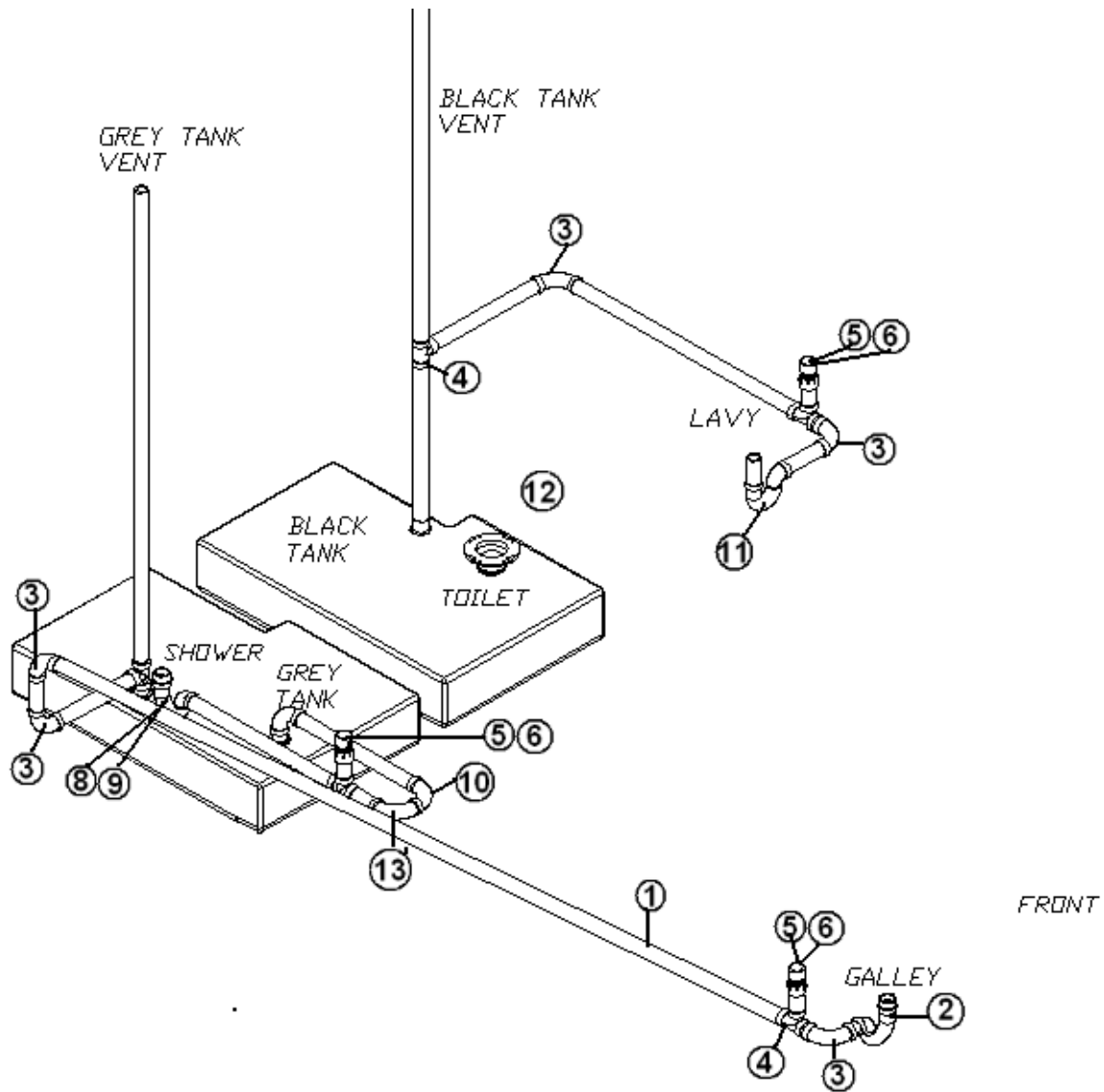
### DRAIN SYSTEM, 28'

- |               |                                    |
|---------------|------------------------------------|
| 1. 600035     | ELL ABS LONG SWEEP 1-1/2"          |
| 2. 600156     | TEE SANITARY                       |
| 3. 602073     | TEE-FIXTURE 2" HUB X 2" HUB X 1.5" |
| 4. 600155     | PLUG, CLEANOUT 1-1/2"              |
| 5. 600538     | VENT V-200 AUTOMATIC               |
| 6. 600144     | P TRAP ABS 1-1/2 INCH              |
| 7. 600622     | P-TRAP 1-1/2 W/SLIP NUT & WASHER   |
| 8. 600030     | ELL ABS 45 DEGREES LONG TURN       |
| 9. 600318     | WYE-1/8 BEND COMB, 2 X 2 X 1-1     |
| 10. 600372    | ELBOW-2"LONG TURN 90DEG STREET     |
| 11. 600065    | FLANGE, FLOOR THREADED             |
| 12. 601160-02 | PIPE, ABS DVW, 1-1/2"              |
| 13. 600027    | ELBOW ABS LONG ST 45 DEGREES       |
| 14. 602072    | TEE-SANITARY - REDUCING 2" X 1.5"  |
| 15. 601160-03 | PIPE, ABS DVW, 2"                  |
| 16. 600227    | PLASTIC COUPLINGS                  |
| 17. 602112    | ELBOW 90 DEG. SHORT STREET 2"      |
| 18. 602164-02 | 1.5" Tail piece                    |
| 19. 602164-01 | P-trap, 1.5"                       |

# 2014 INTERNATIONAL TRAVEL TRAILER

## PLUMBING, DRAIN

### DRAIN SYSTEM - ABOVE FLOOR 30'



PARTS LISTED ON NEXT PAGE

# 2014 INTERNATIONAL TRAVEL TRAILER

## PLUMBING, DRAIN

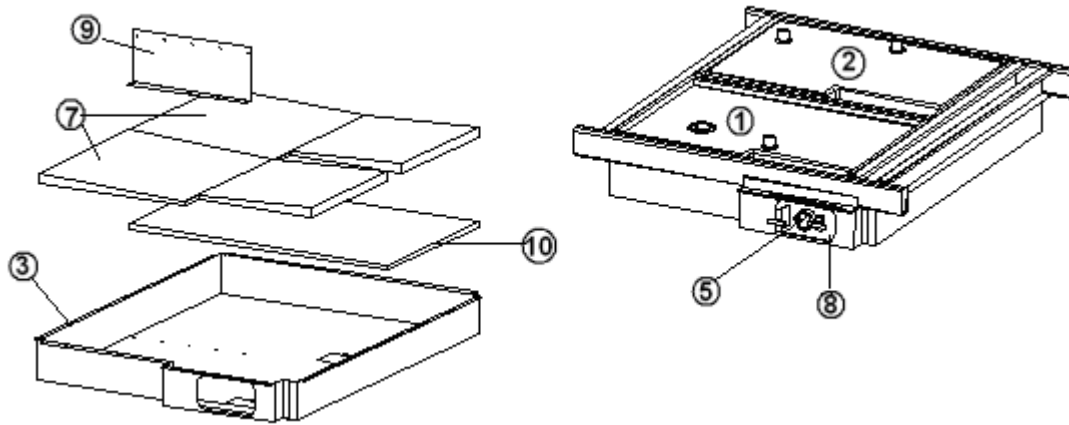
### DRAIN SYSTEM, ABOVE FLOOR, 30'

1. 601160-02 PIPE, ABS DWG, 1-1/2"
2. 600622 P-TRAP 1-1/2 W/SLIP NUT & WASH
3. 600035 ELL ABS LONG SWEEP 1-1/2
4. 600156 TEE SANITARY
5. 600538 VENT V-200 AUTOMATIC
6. 600308 ADAPTER ABS FEMALE SLOAN #2891
8. 602164-01 P TRAP W/COMPRESSION NUT 1.5"
9. 602164-02 TAILPIECE W/NUTS & WASHERS 1.5
10. 600035 ELL ABS LONG SWEEP 1-1/2
11. 600144 P TRAP 1 1/2" ABS
12. 600065 FLANGE, FLOOR, THREADED
13. 600431 ELBOW, 90, 1-1/2 IN
- 454155-01 STRAP-BLK/GRAY TANK 5.75"X 61.25"
- 454155-02 STRAP-BLK/GRAY TANK 5.13"X 60.00"
- 454178-01 STRAP-BLK/GRAY TANK 5.75" X 51.88"
- 454178-02 STRAP-BLK/GRAY TANK 5.25" X 50.63"
- 454178-05 STRAP-BLK/GRAY TNK 4.38" X49.13"
- 602306 VALVE 2" AIR ADMITTANCE

# 2014 INTERNATIONAL TRAVEL TRAILER

## PLUMBING, DRAIN

### PLUMBING, BLACK/GREY TANK 30'



- |     |           |                                       |
|-----|-----------|---------------------------------------|
| 1.  | 602245-01 | TANK-BLACK 39.3 GALLON                |
| 2.  | 602245-02 | TANK-GREY 39.3 GALLON                 |
| 3.  | 602248    | PAN ASSY-BLK/GREY TANK                |
| 5.  | 601607-16 | VALVE ASSY., 3" SPIG X 3" SPIG x 1.5" |
| 7.  | 203672    | PAD-SLOPE 31.5X51 30'                 |
| 8.  | 382113    | BOOT-RUBBER DUMP VALVE                |
| 9.  | 454739    | BRACKET-WASTE TANK SUPPORT            |
| 10. | 200507    | STYROFOAM, 1 X 25 X 55                |
|     | 602249    | BRACKET, TANK PAN SUPPORT             |



# 2014 INTERNATIONAL TRAVEL TRAILER

## PLUMBING, DRAIN

### Sinks/showers, 19', Signature

702937-06	SHOWER DOOR, ROLL AWAY 62 X 36 - WHITE
203114-02	SHOWER 2 PC. - WHITE
602250	SINK, S/S/ SINGLE BOWL 13 X 15
601714-01	TAIL PIECE, 1-1/2 X 4" (GALLEY DRAIN)
601714-02	1-1/2" SLIP NUT W/WINGS
601714-03	1-1/2" BLACK RUBBER WASHER
601714-04	TAIL PIECE 1-1/2 X 6" (GALLEY DRAIN)
600968	BASKET STRAINER
203673	SINK COVER 14.25 X 12.25
601804-01	SINK, 12" SS ROUND, BATH
601813	TAIL PIECE-LIFT/TURN DRAIN, BATH
602185-01	VALVE DRAIN 90D TURN - LEAD FREE

# 2014 INTERNATIONAL TRAVEL TRAILER

## PLUMBING, DRAIN

### Sinks/showers, 23' D, Signature

702937-06	SHOWER DOOR, ROLL AWAY 62 X 36 White
203114-02	SHOWER, 2 PC FIBERGLASS
601804-01	SINK, 12" SS ROUND, BATH
601813	TAIL PIECE-LIFT/TURN DRAIN, BATH
601714-01	Tail piece 1 1/2" x 4" - Galley Drain
601714-02	1-1/2" SLIP NUT W/WINGS
601714-03	1-1/2" BLACK RUBBER WASHER
601806	SINK, S.S. ROUND GALLEY
203483	COVER, SINK ROUND 17.75" NATURAL

### Sinks/showers, 23'FB, Signature

601806	SINK, S.S. ROUND GALLEY
601714-01	TAIL PIECE 1-1/2X4"(GALLEY DRAIN)
601714-02	1-1/2" SLIP NUT W/WINGS
703911-02	SHOWER DOOR BN 22 X 65 W/TRAVEL LATCH
203615	SHOWER STALL
967114	SHOWER SEAT SUPPORT
203692	BASE-SHOWER FIBERGLASS
601804-01	SINK 12" SS ROUND WITH STUDS
601813	TAIL PIECE-LIFT/TURN DRAIN
602294-01	FAUCET, LAVY, SINGLE LEVER BRUSHED NICKEL
602294-02	AERATOR 1.5 GPM FOR 602294-01 FAUCET
203483	SINK COVER - ROUND

# 2014 INTERNATIONAL TRAVEL TRAILER

## PLUMBING, DRAIN

Sinks/showers, 25', 25' Front Bed, Signature & EDDIE BAUER, STERLING

203081-02	SHOWER STALL, 2 PC. WHITE
601804-01	SINK, LAVATORY, 12" SS ROUND
601806	SINK, GALLEY, S.S. ROUND, 25, 25FB
203483	COVER, GALLEY SINK ROUND 17.75"
703911-01	SHOWER DOOR, BRUSHED.NICKEL
703989-01	SHOWER DOOR ADJ. CONT. HINGED REEDED GLASS
601714-01	TAIL PIECE 1 ½ X 4" (GALLEY DRAIN)
601714-02	1 ½" SLIP NUT W/WINGS
601714-03	1 ½" BLACK RUBBER WASHER
454727-01	ANGLE, SHOWER FRAME 27"
454727-02	ANGLE, SHOWER FRAME 64.75"

Sinks/Showers, 27' Front Bed, Signature, STERLING

601806	SINK-S.S. ROUND GALLEY
203483	COVER-SINK ROUND 17.75"
601714-01	TAIL PIECE 1-1/2X4"(GALLEY DRAIN)
601714-02	1-1/2" SLIP NUT W/WINGS
601714-03	1-1/2" BLACK RUBBER WASHER
601804-01	SINK, LAVATORY, 12" SS ROUND WITH STUDS
203081-02	SHOWER STALL, 2 PC.
703911-01	SHOWER DOOR, BRUSHED NICKEL
703989-01	SHOWER DOOR, ADJ. CONT. HINGE, REEDED GLASS
454727-01	ANGLE, SHOWER FRAME 27"
454727-02	ANGLE, SHOWER FRAME 64.75"
602185-01	DRAIN VALVE 90D TURN - LEAD FREE

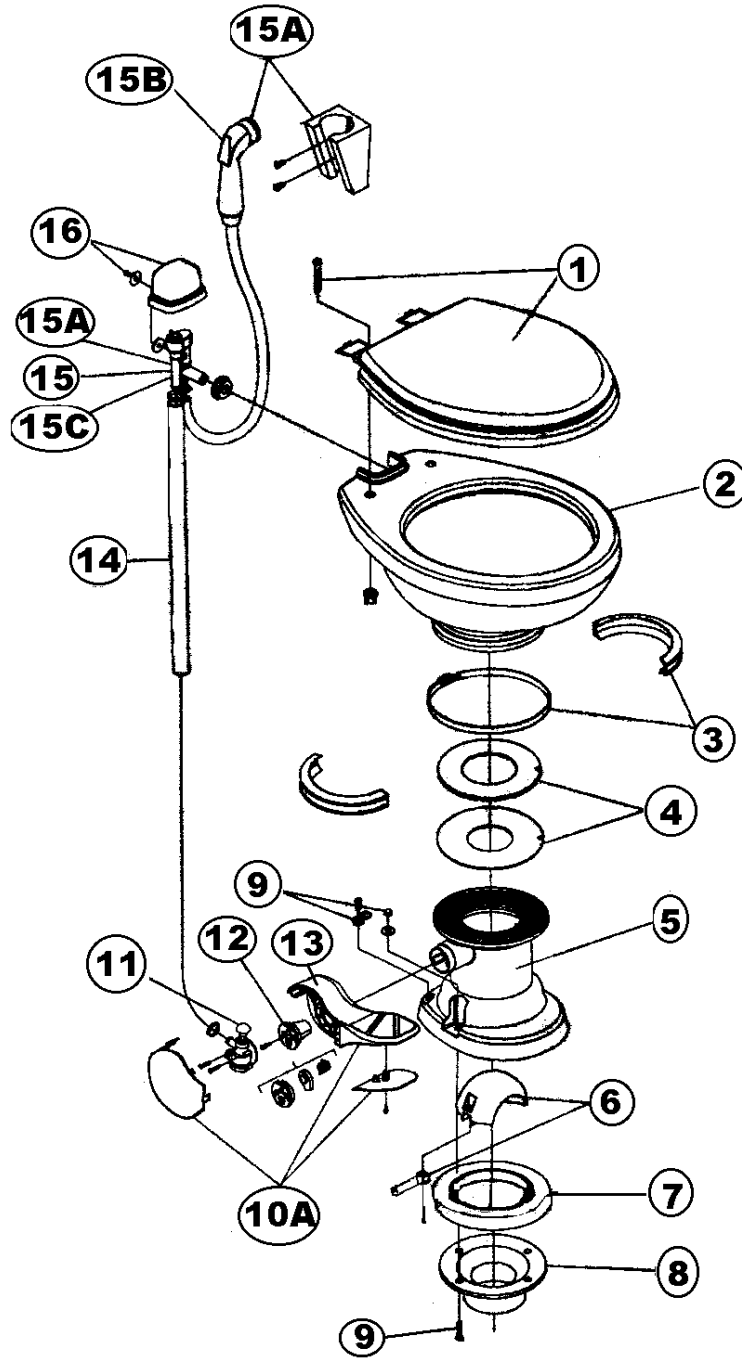
Sinks/Showers, 28', 30' Signature

601804-01	SINK 12" SS ROUND WITH STUDS, LAVATORY
203483	COVER-SINK ROUND 17.75"
601714-01	TAIL PIECE 1 ½" X 4"(GALLEY DRAIN)
601714-02	1 ½" SLIP NUT W/WINGS
601714-03	1 ½" BLACK RUBBER WASHER
203081-01	SHOWER STALL-2 PC FIBER 28'CCD, 30'
703911-01	SHOWER DOOR, BRUSHED NICKEL
454727-01	ANGLE, SHOWER FRAME 27" - 28' ONLY
454727-02	ANGLE, SHOWER FRAME 64.75" - 28' ONLY
601806	SINK-S.S. ROUND GALLEY
602185-01	DRAIN VALVE 90D TURN - LEAD FREE

# 2014 INTERNATIONAL TRAVEL TRAILER

## PLUMBING, DRAIN

Toilet, 19', 23, 23FB



P/N Next Page

# 2014 INTERNATIONAL TRAVEL TRAILER

## PLUMBING, DRAIN

Toilet, 19', 23', 23'FB

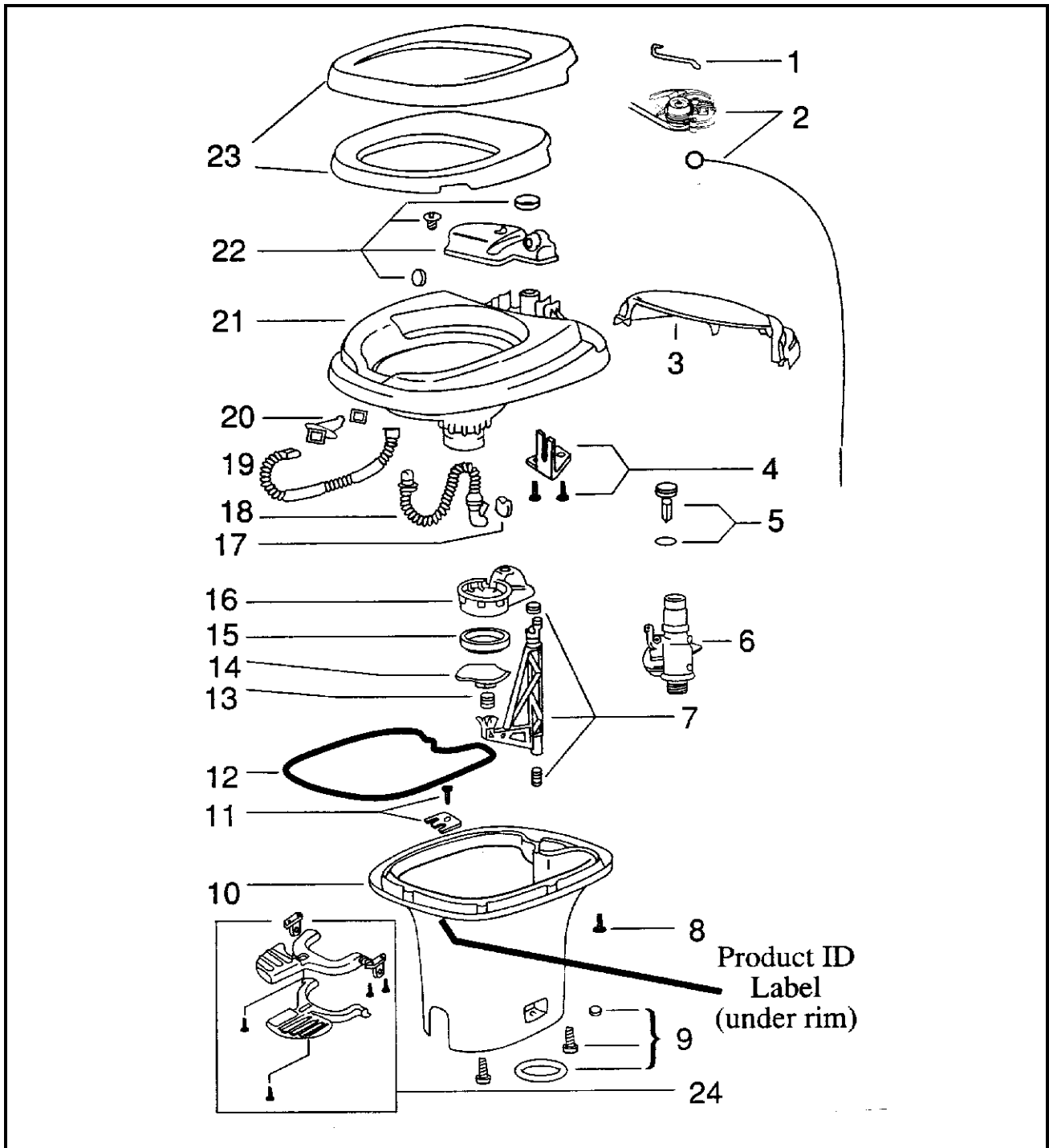
602334 TOILET, THETFORD AQUA MAGIC STYLE II CHINA  
REPLACEMENT FOR 690472. 1<sup>ST</sup> USAGE FEBRUARY 2013.

1. 344088 Seat Assembly
2. 310790 China bowl kit
3. 310025 Ring & half clamp kit
4. 316140 Teflon & rubber seal kit
5. 310792 Base kit, includes 3, 4, 6, 7, 9, 10A, 11 & 12
6. 310681 Ball, shaft, cartridge kit
7. 343938 Floor flange seal
8. 600065 Flange, floor, threaded, Airstream
- 8a. 601266 TOILET, FLANGE, CLOSET, 3" X 4", SLIP FIT
9. 310794 Floor bolt mounting kit
10. 310117 Pedal cover kit
- 10A. 310682 Flush pedal kit (includes 12)
11. 314349 Water valve kit
12. 310683 Spring cartridge kit
13. Pedal included w/Part 10A
14. 340177 Supply hose
15. 310687 Vacuum breaker kit
- 15A. 319054 Vacuum breaker kit w/spray
- 15B. 340683 Hand spray
- 15C. 230335 Vacuum breaker (used w/spray)
16. 310795 Vacuum breaker cover kit
- 601884 CENTER SET NUT, PLASTIC

# 2014 INTERNATIONAL TRAVEL TRAILER

## PLUMBING, DRAIN

Toilet, 25' Front Bed, 27' Front Bed, 30'



# 2014 INTERNATIONAL TRAVEL TRAILER

## PLUMBING, DRAIN

Toilet, 25' Front Bed, 27' Front Bed, 28', 30'

690621  
601266

TOILET-CHINA #302310041 DOMETIC  
TOILET, FLANGE, CLOSET, 3" X 4", SLIP FIT

# 2014 INTERNATIONAL TRAVEL TRAILER

## PLUMBING, DRAIN

### Black Tank Flush

601441	SYSTEM, TANK FLUSH
601392-01	Plastic Screw In Cap
602256-10	QQE33X 1/2" BARB EL (Plastic)
602256-05	QQE33BSXP 1/2" B X 1/2" FPT SWV EL (Plastic)
602256-03	QQSFC33XPXP 1/2" B X 1/2" FPT SW ADP (Plastic)
601698-15	1/2" CRIMP RING
602256-04	QQE33BTX 1/2" B X 1/2" MPT BARB EL (Plastic)
601698-01	E-PEX 1/2" TUBING
195329-229	REDUCER ADAPTOR 3" TO 1.5"
602185-01	DRAIN VALVE, 90D TURN, LEAD FREE

### Plumbing Loose Parts

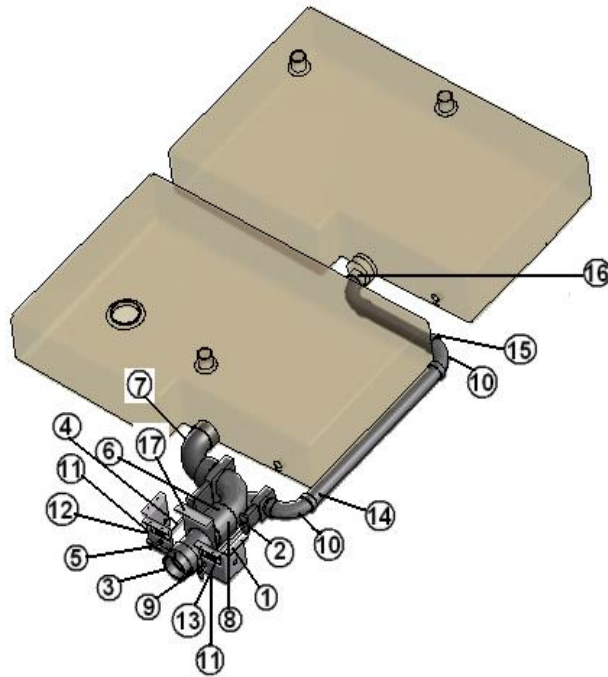
340084-52	CLAMP, HOSE SAE #52, for sewer hose
381647	KEY WATER FILL CH751
195329-240	SEWER HOSE ADAPTOR



# 2014 INTERNATIONAL TRAVEL TRAILER

## PLUMBING, DRAIN

### DUMP VALVE INSTALL, 30'



- |     |           |                                |
|-----|-----------|--------------------------------|
| 1.  | 600253    | COUPLING 3IN                   |
| 2.  | 601607-16 | VALVE ASSY-3"SPIGX3"SPIGX1.5"S |
| 3.  | 601607-06 | TERM. ADAPTOR - 3" HUB X 3" BA |
| 4.  | 601607-19 | EXTENSION-THREADED 6"          |
| 5.  | 601607-17 | HANDLE-DUMP VALVE BLACK        |
| 6.  | 601160-04 | PIPE, ABS DVW, 3"              |
| 7.  | 600820    | 3"SINGLE SOCKET 90DEGREE       |
| 8.  | 601607-20 | EXTENSION-THREADED 8"          |
| 9.  | 601607-18 | HANDLE-DUMP VALVE GREY         |
| 10. | 600035    | ELL ABS LONG SWEEP 1-1/2       |
| 11. | 454907    | BRKT-BLK TANK DUMP VALVE       |
| 12. | 385099    | TAG MAIN TANK DUMP VALVE HANDL |
| 13. | 385101    | TAG AUX TANK DUMP VALVE HANDLE |
| 14. | 601160-02 | PIPE, ABS DVW, 1-1/2"          |
| 15. | 601160-02 | PIPE, ABS DVW, 1-1/2"          |
| 16. | 600431    | ELBOW, 90, 1-1/2 IN            |
| 17. | 114916    | BRACKET DUMP VALVE BAMBI       |

# 2014 INTERNATIONAL TRAVEL TRAILER

## SAFETY EQUIPMENT

### Detectors/Fire Extinguishers

510781	Smoke detector
510891	Smoke Detector CSA only
511309	LPG detector
512318	HOLDER W/1 AMP FUSE, IN-LINE
510696	HOLDER, FUSE, IN-LINE
386019	LABEL 1 AMP FUSE MAX
512178	DETECTOR, CARBON MONOXIDE (FIRST ALERT)
512783	DETECTIRM CARBON MONOXIDE (BRK)
600162-01	Fire extinguisher
600162-02	Fire extinguisher, CSA
203387	POCKET-RECESSED FIRE EXT. BRACKET

# 2014 INTERNATIONAL TRAVEL TRAILER

## SEALER/GASKETS/PAINT

### SEALER

360001	Sealant, #884058
360002	Sealant, Vulkem 11.5 oz. tube
360209	Sealant, seam
360176	Sealant, Almond, kitchen and bath
360180-04	Sealant, Sikaflex #221, black
360180	Sealant, Sika-flex, gray
360210	Sealant, Paralastic 4334-014
360283-01	Sealant, silicone, G. White
360283-01	SEALANT SILICONE CORIAN G. WHITE
685510	SEAM TAPE, BLACK, RUBBER 1/32 X 7/8 X 2
365222	TAPE, DOUBLE COATED, .08 X 3/4"
365300	TAPE, SIKA, 95 .09" X .5", EXTERIOR ROOF
365330-01	SEAL-RTV SILICONE WHITE #4552
365233-01	SEALANT-100% SILICONE CLEAR
360255-04	SEALANT - ANTI-WICK #7720
28433W	Walbernize, Super Seal
360301-11	CAULK, SEAMFIL, ALUM. MIL
360301-06	CAULK, SEAMFIL, A. SAND
360301-07	CAULK, SEAMFIL, LIMBER MAPLE
360301-08	CAULK, SEAMFIL, A. NIGHT
360301-09	CAULK, SEAMFIL, NEW AGE OAK
360301-09	CAULK, SEAMFIL, EBONY

# 2014 INTERNATIONAL TRAVEL TRAILER

## SEALER/GASKETS/PAINT

### GASKETS/TAPE



365035, Gasket  
Access doorjamb



365013-01, Gasket  
screen door



365232, Gasket  
main door

365190 SEAL, RUBBER, 3/4" X 3/4", Refer, Range hood  
382117 Gasket, Window Seal  
365208 Gasket, window frame to glass  
365016 Tape, foam, double face, 1/2" wide  
685510-01 Seam tape, exterior metal, black rubber, 1/2"  
365001 TAPE DOUBLE COATED FOAM  
381830 Gasket wiper, L section, 1.12" x 2.00", seal around  
refer baffle  
382074 Gasket, grab handle, main door  
512477 Gasket, Neoprene, 1/8" Thick Black (Refg.  
Receptacle)  
365367 AUTOMOTIVE FOAM TAPE

# 2014 INTERNATIONAL TRAVEL TRAILER

## SEALER/GASKETS/PAINT

GASKET KITS – ITEMS IN KITS ARE NOT SOLD SEPERATELY.

365336 GASKET KIT #1 – CONSISTS OF:  
EXTERIOR SHOWER GASKET 1 EA.  
CITY WATER FILL GASKET 1 EA.  
STEP LIGHT GASKET 1 EA.  
AWNING LOCKDOWN (AS5 & AS7 KIT) 4 EA.  
LOWER AWNING FOOT (AS7 KIT) 4 EA.  
AWNING FOOT (REAR W/PAN KIT) 4 EA.  
LOWER AWNING FOOT (AS5 KIT) 4 EA.

365337 GASKET KIT #2 – CONSISTS OF:  
SMALL FURNACE EXHAUST/INTAKE – 1 EA.  
GRAVITY WATER FILL - 1 EA.  
RANGE VENT GASKET – 1 EA.  
AWNING LOCKDOWN (LW7 KIT) 4 EA.  
AWNING CLASSIC CENTER POST – 4 EA.  
AEU BBQ POINT – 1 EA.  
AEU UPPER INDICATOR LIGHT – 2 EA.  
AEU CITY WATER HOOKUP – 1 EA.

365338 GASKET KIT #3 – CONSISTS OF:  
SCARE LIGHT DOMESTIC UNITS – 1 EA.  
BLACK TANK FLUSH GASKET – 1 EA.  
AWNING TRAVEL LATCH GASKET – 4 EA.  
AEU FOG/BACKUP LAMP HOUSING 2 EA.  
AEU FOG/BACKUP LAMP BEZEL – 2 EA.  
SCARE LIGHT AEU UNITS – 1 EA.  
AWNING HOOK GASKET – 4 EA.  
AWNING PROP FOOT GASKET – 4 EA.

# 2014 INTERNATIONAL TRAVEL TRAILER

## SEALER/GASKETS/PAINT

### PAINT

360213	Paint, aluminum metallic
360151	Paint, gray metallic, Centari
360151-01	Paint, gray metallic, Centari, 16 oz. can
360260-100	Paint, Pewter, 16 oz. can
360346	Paint, Silver
360345	Paint, Charcoal

## 2014 INTERNATIONAL TRAVEL TRAILER

### UPHOLSTERY/FOAM/MATTRESS

Pillow Kits, 30', 28', 27' FB, 25' FB, 25,23FB, 23' D, 19',

703987	PILLOW, BED PLUMP POLY 20" x 30"
703678-047	Pillows, Cilantro/ESPRESSO, bedroom
703678-113	Pillows, Mojave
703678-104	Pillows, Flint
703849-04	Pillows – SERENITY 23D, 25, 25FB, 27FB, 28, 30' (Used for Cloth & UL Taupe & Espresso )
703849-05	Pillows – SERENITY 19', 23FB (Used for Cloth & UL Taupe & Espresso )
703887-03	Pillows – Ultra Leather 23D, 25, 25FB, 27FB, 28, 30' Taupe/Espresso
703887-04	Pillows – Ultra Leather, 19, 23FB, Taupe/Espresso
703939-04	Pillow Kit – Eddie Bauer
703994-03	Pillow Kit, Arctic Dijon, 25FB, 27FB Sterling
704001-06	Pillow Kit, Obsidian Violet,25FB, 27FB Sterling

Sheet Set & Mattress Pad, 28' Airstream 2 Go

704030	Custom Sheet Set, 28' Airstream 2 Go
704032	Mattress Pad, Waterproof 28' Airstream 2 Go
704036	Pillow Case, Queen 600TC, Dove White

# 2014 INTERNATIONAL TRAVEL TRAILER

## UPHOLSTERY/FOAM/MATTRESS

Mattress, 19', 23' D

703976            MATTRESS, PILLOWTOP FOAM CORE 48 X 76  
CORNER DBL

Mattress, 23' Front Bed, 25' Front Bed

703978            MATTRESS PILLOWTOP FOAM CORE 60 X 75 QUEEN  
"B"

Mattress, 27' FB, 28', 30'

703979            Mattress, Pillowtop, foam Core 60 x 75 Queen "J"



## 2014 INTERNATIONAL TRAVEL TRAILER

### UPHOLSTERY/FOAM/MATTRESS

#### Bedsread, 19', 23' D

- 703287-180 Bedsread, Mint Green, Taupe & Espresso
- 703287-113 Bedsread, Mojave
- 703287-104 Bedsread, Flint
- 703287-141 Bedsread, Soy Brown

#### Bedsread, 23' Front Bed

- 703301-180 Bedsread, Mint Green, Taupe & Espresso
- 703301-113 Bedsread, Mojave
- 703301-104 Bedsread, Flint
- 703301-141 Bedsread, Soy Brown

#### Bedsread, 25' & 27' Front Bed 28', 30'

- 703356-113 Bedsread, Mojave, 25 FB, 27' FB, 28', 30'  
Signature
- 703356-104 Bedsread, Flint
- 703356-180 Bedsread, Rev. Sham – Ultra Leather, Espresso &  
Taupe
- 703356-141 Bedsread, Soy Brown
- 703997 Duvet, Larch Plum Q94 x 90 – Obsidian Violet,  
Sterling, 25FB & 27FB Sterling
- 704002-01 Duvet, Fulton White, Arctic Dijon, 25FB & 27FB  
Sterling
- 704002-02 Sham, Pillow, Fulton White Arctic Dijon, 25FB &  
27FB Sterling
- 704002-03 Duvet Insert, Snow White, Arctic Dijon, 25FB &  
27FB Sterling

# 2014 INTERNATIONAL TRAVEL TRAILER

## UPHOLSTERY/FOAM/MATTRESS

Foldette Door Vinyl Strap, 28'

381581 STRAP CLEAR PLASTIC .75"W  
700811 BUTTON CAP, HANDY  
700812 BUTTON BOTTOM, HANDY, OAK

### ACCESSORIES, EDDIE BAUER

703928 PACKABLE DOWN THROW  
703934 DUFFEL, MEDIUM/BLACK  
703938 MAT, NON SKID, EDDIE BAUER  
703933 AIRSTREAM TRAILHEAD BACK PACK

### Bedding - 25'FB- EDDIE BAUER

703919 Comforter - Down  
703920 Pillows - Down  
703922 Duvet Cover - Basil  
703923 Pillow Shams - Basil  
703924 Pillow Shams - Midnight  
703928 Packable Down Throw  
703939-04 Pillow Kit  
704004-01 Sheet Set, 100% Egyptian Sateen Cotton 400 TC  
(For mattress #703978) 25 Eddie Bauer  
704004-02 Sheet Set, 100% Egyptian Sateen Cotton 400 TC  
(For mattress #703979) 27FB Eddie Bauer

# 2014 INTERNATIONAL TRAVEL TRAILER

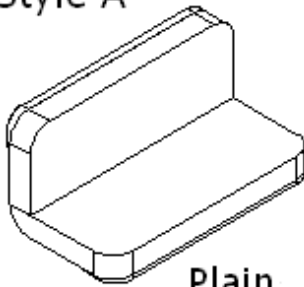
## UPHOLSTERY/FOAM/MATTRESS

### STYLE CHART

704074

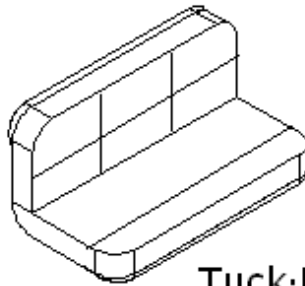
Chart - Cushion Style Sewing Detail

Style·A



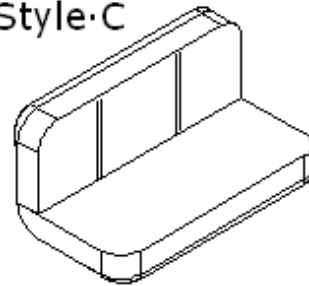
Plain

Style·B



Tuck·Design

Style·C



Serenity·Design

## 2014 INTERNATIONAL TRAVEL TRAILER

### UPHOLSTERY/FOAM/MATTRESS

Dinette Cushion Foam/Fabric Kits, Complete 25FB/27FB

704070-113	Kit, Din/Lnge Cushion Foam/Fabric Mojave
704070-104	Kit, Din/Lnge Cushion Foam/Fabric Flint
704070-180	Kit, Din/Lnge Cushion Foam/Fabric M.Green
704070-141	Kit, Din/Lnge Cushion Foam/Fabric S.Brown
703884	Kit, Din/Lnge Foam/Leather Taupe
703884BR	Kit, Din/Lnge Foam/Leather Espresso

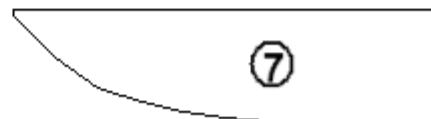
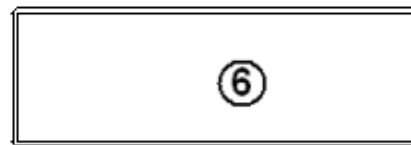
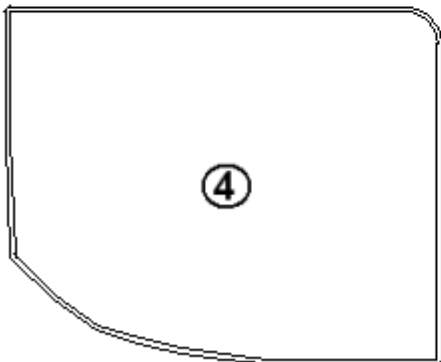
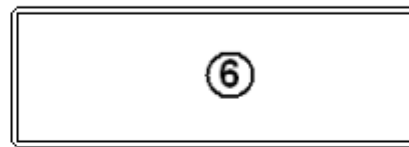
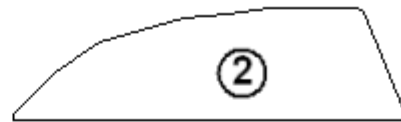
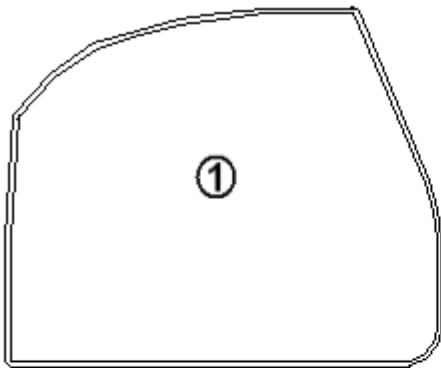
\*If special ordering piece parts to kit specify color scheme and Style. (See style chart.)

# 2014 INTERNATIONAL TRAVEL TRAILER

## UPHOLSTERY/FOAM/MATTRESS

Dinette Cushion Foam/Fabric Kits, Complete, 19'

704066-113	Kit, Din Cushion Foam/Fabric – Mojave
704066-104	Kit, Din Cushion Foam/Fabric – Flint
704066-180	Kit, Din Cushion Foam/Fabric – Mint Green (Serenity)
704066-141	Kit, Din Cushion Foam/Fabric – Soy Brown (Serenity)
703882	Kit, Din Cushion, Ultraleather, Taupe
703882BR	Kit, Din Cushion, Ultraleather, Espresso



Parts Listed on Next Page

# 2014 INTERNATIONAL TRAVEL TRAILER

## UPHOLSTERY/FOAM/MATTRESS

Dinette Cushion Foam/Fabric, 19'

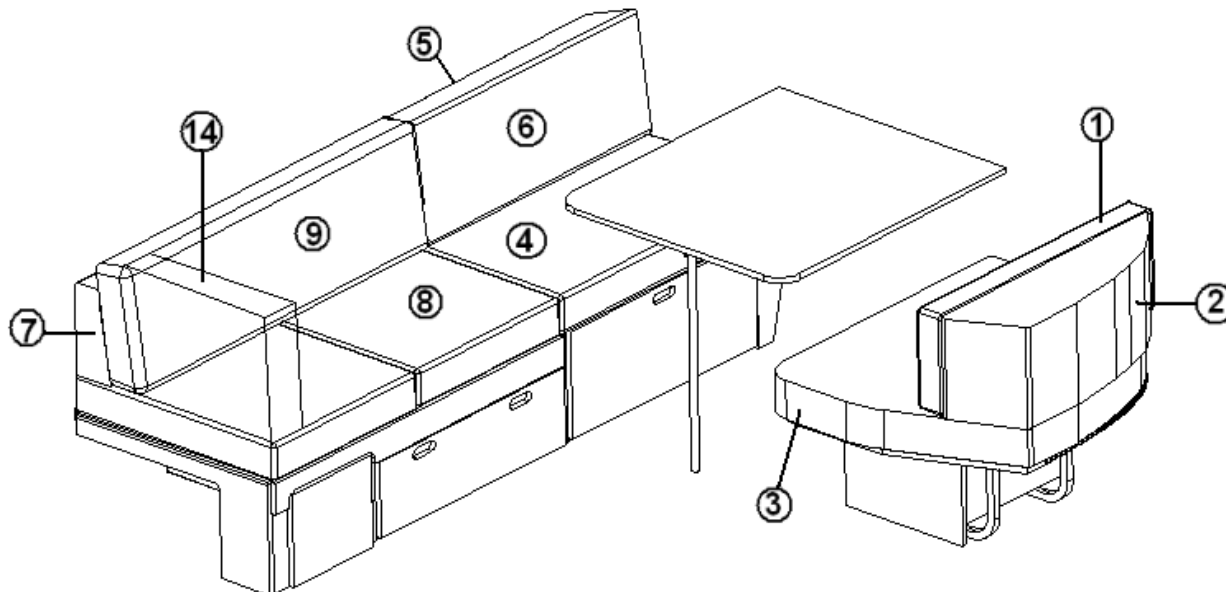
(Specify color scheme when ordering the Cushion/Fabric pieces separately.)

- |    |           |                                      |
|----|-----------|--------------------------------------|
| 1. | 704066-01 | Dinette Seat, Curbside – Fabric/Foam |
| 2. | 704066-02 | Back Filler, Curbside – Fabric/Foam  |
| 4. | 704066-04 | Dinette Seat, Roadside – Fabric/Foam |
| 5. | 704066-05 | Back Filler, Roadside – Fabric/Foam  |
| 6. | 704066-06 | Backrest, RS or CS – Fabric/Foam     |

# 2014 INTERNATIONAL TRAVEL TRAILER

## UPHOLSTERY/FOAM/MATTRESS

### Cushions/Fabric Assemblies, 23' D



### Kits, Complete, Dinette/Lnge. Cushion Foam/Fabric

704067-113	Kit, Din/Lnge Cushions, foam/fabric Mojave
704067-104	Kit, Din/Lnge Cushions, foam/fabric Flint
704067-180	Kit, Din/Lnge Cushions, foam/fabric Mint Green - Serenity
704067-141	Kit, Din/Lnge Cushions, foam/fabric Soy Brown, Serenity
703883T	Kit, Din/Lnge Cushions, foam/ultra leather, Taupe
703883BR	Kit, Din/Lnge Cushions, foam/ultra leather, Espresso

Continued on Next Page

## 2014 INTERNATIONAL TRAVEL TRAILER

### UPHOLSTERY/FOAM/MATTRESS

#### Cushions/Fabric Assemblies, 23'D (Specify Color Scheme)

1. 704067-01 Backrest, CS, Fabric/Foam
2. 704067-02 Wedge, Filler, CS Fabric/Foam
3. 704067-03 Seat, Dinette CS
4. 704067-04 Seat, Dinette RS
5. 704067-05 Wedge, Filler, RS
6. 704067-06 Backrest, RS
7. 704067-07 \*Wedge – Replaced by Items 704067-11 & 704067-12
8. 704067-08 Seat Cushions, Lounge (2 per Kit)
9. 704067-09 Backrest, Lounge
10. 704067-10 Side Arm Rest
11. 704067-11 Wedge, Filler Lounge/Bed
12. 704067-12 Wedge, Filler Lounge

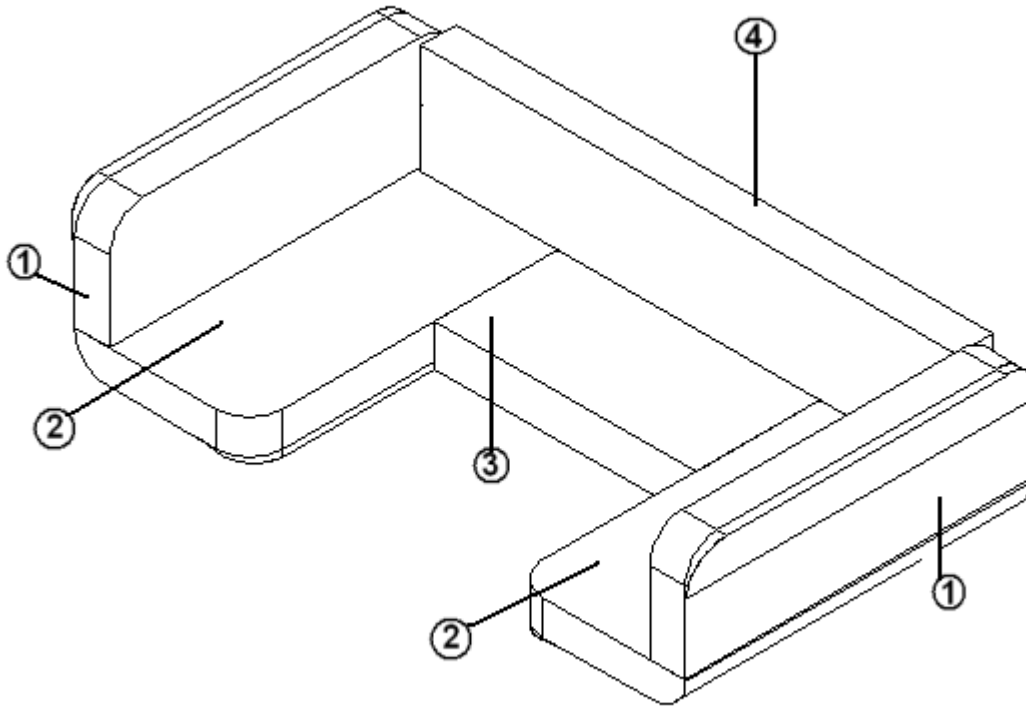
When ordering separate parts state Color Scheme and Style.  
See page IV-73 for Style Chart.



# 2014 INTERNATIONAL TRAVEL TRAILER

## UPHOLSTERY/FOAM/MATTRESS

U Dinette Cushion Kits Complete, 23 FB



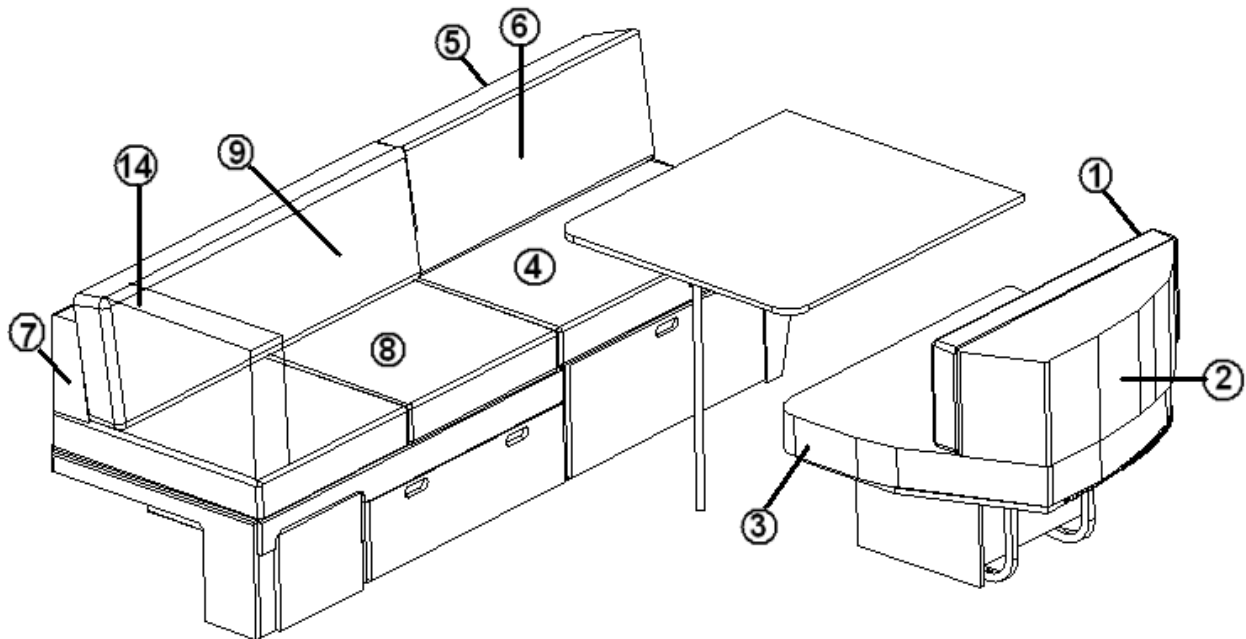
- |            |                                                                          |
|------------|--------------------------------------------------------------------------|
| 704051-113 | Kit, U Dinette Cushion, Foam/Fabric – Mojave<br>Style "A" – Plain        |
| 704051-104 | Kit, U Dinette Cushion, Foam/Fabric – Flint<br>Style "B" – Tuck          |
| 704051-180 | Kit, U Dinette Cushion, Foam/Fabric – Mint Green<br>Style "C" – Serenity |
| 704051-141 | Kit, U Dinette Cushion, Foam/Fabric – Soy Brown<br>Style "C" – Serenity  |
| 704052T    | Kit, U-Dinette, Taupe Ultra leather                                      |
| 704052BR   | Kit, U-Dinette, Espresso Ultra leather                                   |

(Style Chart – See page IV-73)

# 2014 INTERNATIONAL TRAVEL TRAILER

## UPHOLSTERY/FOAM/MATTRESS

Cushion/Fabric Kits Complete, 25 International



- |            |                                                                 |
|------------|-----------------------------------------------------------------|
| 704069-113 | Kit, Din/Lnge Cushion Foam/Fabric Mojave, Style A, Plain        |
| 704069-104 | Kit, Din/Lnge Cushion Foam/Fabric Flint, Style B, Tuck          |
| 704069-180 | Kit, Din/Lnge Cushion Foam/Fabric Mint Green, Style C, Serenity |
| 704069-141 | Kit, Din/Lnge Cushion Foam/Fabric, Soy Brown, Style C, Serenity |
| 703946     | Kit, Din/Lnge, Ultraleather , Taupe                             |
| 703946BR   | Kit, Din/Lnge, Ultraleather, Espresso                           |

Parts listed on Next Page

# 2014 INTERNATIONAL TRAVEL TRAILER

## UPHOLSTERY/FOAM/MATTRESS

### Cushion/Fabric Kits Complete, 25 International

1. 704069-01 Backrest, Curbside, Fabric/Foam
2. 704069-02 Wedge, Filler, Curbside, Fabric/Foam
3. 704069-03 Seat, Dinette, Curbside, Fabric/Foam
4. 704069-04 Seat, Dinette, Roadside, Fabric/Foam
5. 704069-05 Wedge, Filler, Roadside, Fabric/Foam
6. 704069-06 Backrest, Roadside, Fabric/Foam
7. 704069-07 Wedge, Filler, Lounge, Fabric/Foam
8. 704069-08 Seat Cushions, Lounge, Fabric/Foam
9. 704069-09 Backrest, Lounge, Fabric/Foam
10. 704069-10 Side Arm Rest, Fabric/Foam

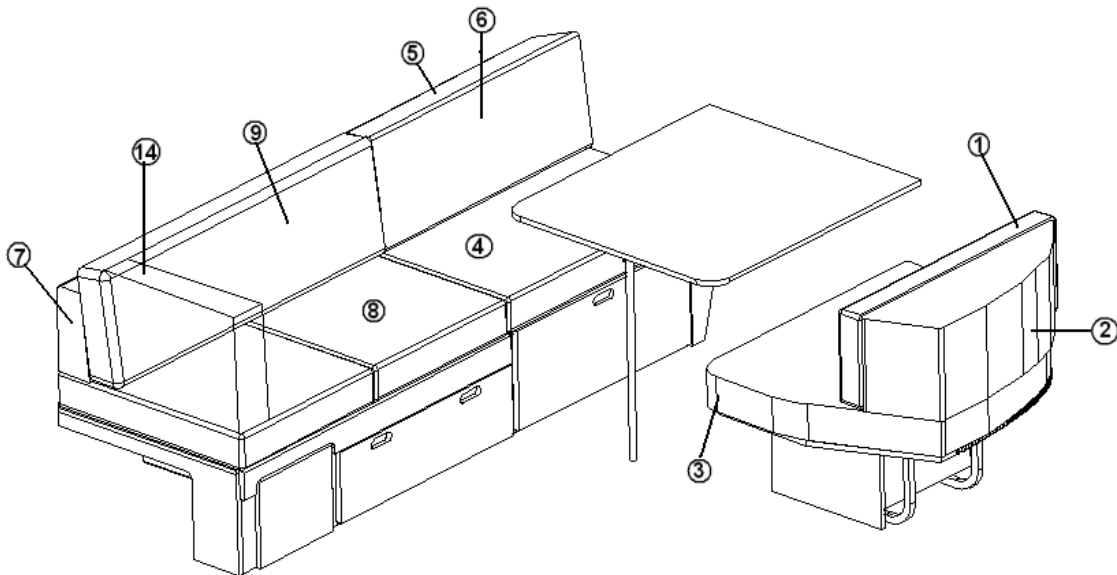
When ordering separate pieces please give Color Scheme and Style.  
See page IV-75 for Style Chart.

# 2014 INTERNATIONAL TRAVEL TRAILER

## UPHOLSTERY/FOAM/MATTRESS

### CUSHION KIT, DINETTE & LOUNGE, ULTRA LEATHER OPTION 25 INTERNATIONAL

703946            COMPLETE SET, ULTRA LEATHER (FOAM & COVER)  
703946BR        COMPLETE SET, ULTRA LEATHER - ESPRESSO

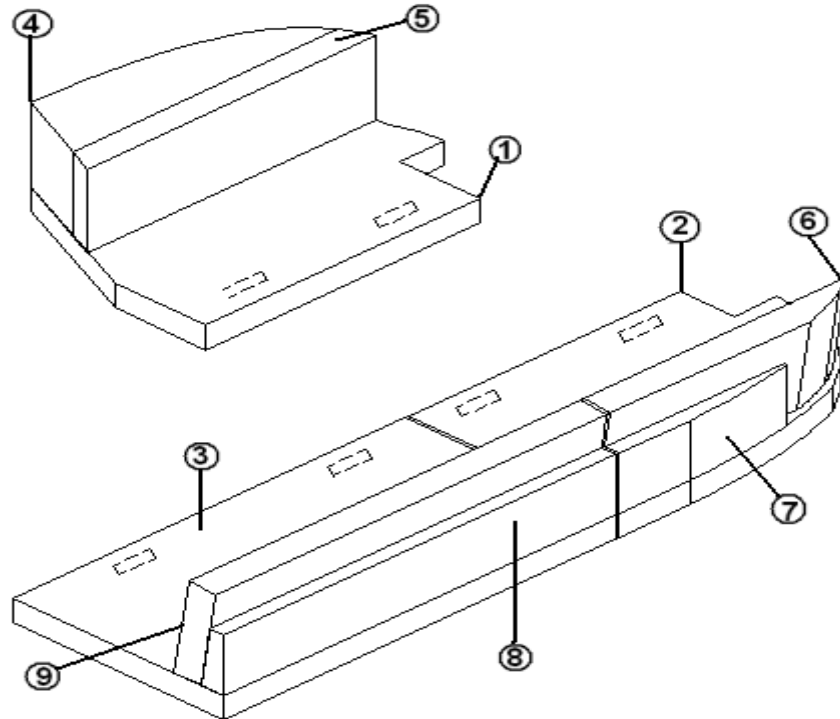


- |     |           |                                                 |
|-----|-----------|-------------------------------------------------|
| 1.  | 703946-01 | BACKREST, CS W/ULTRA LEATHER                    |
| 2.  | 703946-02 | WEDGE FILLER, CS W/ULTRA LEATHER                |
| 3.  | 703946-03 | SEAT, DINETTE, CS W/ULTRA LEATHER               |
| 4.  | 703946-04 | SEAT, DINETTE, RS W/ULTRA LEATHER               |
| 5.  | 703946-05 | WEDGE, FILLER RS W/ULTRA LEATHER                |
| 6.  | 703946-06 | BACKREST, RS W/ULTRA LEATHER                    |
| 7.  | 703946-07 | WEDGE, FILLER LOUNGE W/ULTRA LEATHER            |
| 8.  | 703946-08 | SEAT CUSHIONS, LOUNGE W/ULTRA LEATHER<br>(2 EA) |
| 9.  | 703946-09 | BACKREST, LOUNGE W/ULTRA LEATHER                |
| 14. | 703946-10 | SIDE ARM REST W/ULTRA LEATHER                   |

# 2014 INTERNATIONAL TRAVEL TRAILER

## UPHOLSTERY/FOAM/MATTRESS

Cushions/Fabric Assemblies, EDDIE BAUER

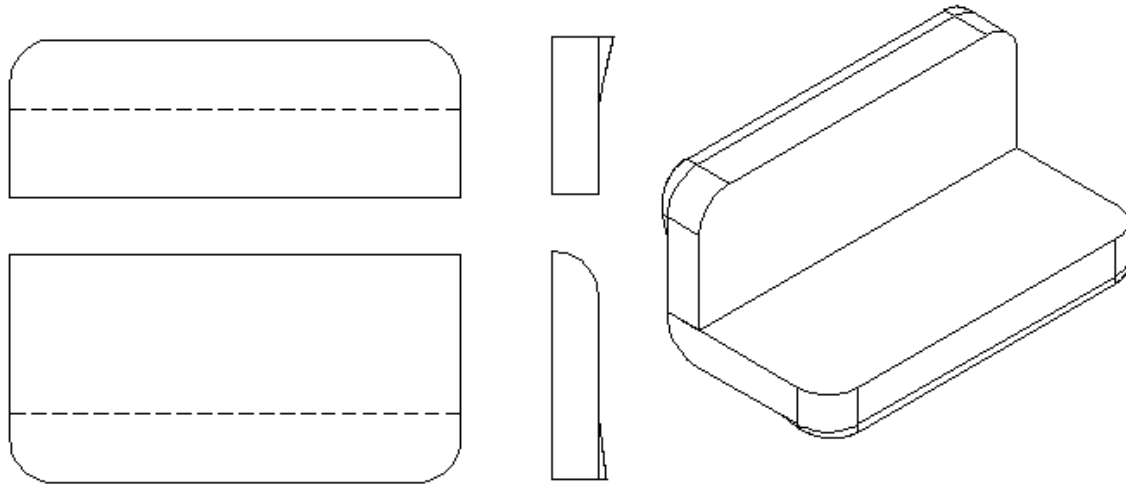


- |    |            |                                            |
|----|------------|--------------------------------------------|
|    | 703918-10  | Dinette/Lounge Cushions & Covers, Complete |
| 1. | 703918-1   | Foam Cushion, CS Dinette Seat              |
|    | 703918-010 | Cover only for 703918-1                    |
| 2. | 703918-2   | Foam Cushion, Roadside Dinette Seat        |
|    | 703918-020 | Cover Only for 703918-2                    |
| 3. | 703918-3   | Foam Cushion, Sofa Seat                    |
|    | 703918-030 | Cover Only for 703918-3                    |
| 4. | 703918-4   | Foam Cushion, CS Back Filler               |
|    | 703918-040 | Cover Only for 703918-4                    |
| 5. | 703918-5   | Foam Cushion, CS Back Rest                 |
|    | 703918-050 | Cover Only for 703918-5                    |
| 6. | 703918-6   | Foam Cushion, RS Back Rest                 |
|    | 703918-060 | Cover Only for 703918-6                    |
| 7. | 703918-7   | Foam Cushion, CS Back Wedge                |
|    | 703918-070 | Cover Only for 703918-7                    |
| 8. | 703918-8   | Foam Cushion, Sofa Back Wedge              |
|    | 703918-080 | Cover Only for 703918-8                    |
| 9. | 703918-9   | Foam Cushion, Sofa Back Rest               |
|    | 703918-090 | Cover Only for 703918-9                    |

# 2014 INTERNATIONAL TRAVEL TRAILER

## UPHOLSTERY/FOAM/MATTRESS

Dinette Cushion Kit, 28', 30' Signature

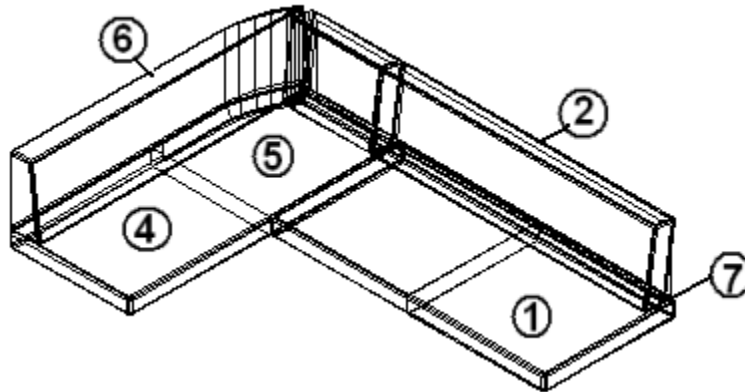


- 704071-113 Kit, Dinette Foam/Fabric – Mojave
- 704071-104 Kit, Dinette Foam/Fabric – Flint
- 704071-180 Kit, Dinette Foam/Fabric – Mint Green
- 704071-141 Kit, Dinette Foam/Fabric – Soy Brown
- 703886 Kit, Dinette Foam/Ultra Leather – Taupe
- 703886BR Kit, Dinette Foam/Ultra Leather - Espresso

# 2014 INTERNATIONAL TRAVEL TRAILER

## UPHOLSTERY/FOAM/MATTRESS

### CUSHION AND FOAM, L-LOUNGE, 30' INT'L



704073-113	KIT, FOAM/FABRIC COMPLETE - L-LOUNGE - MOJAVE
704073-104	KIT, FOAM/FABRIC COMPLETE - L-LOUNGE - FLINT
704073-141	KIT, FOAM/FABRIC COMPLETE- L-LOUNGE - SOY BROWN - SERENITY
704073-180	KIT, FOAM/FABRIC COMPLETE- L-LOUNGE - MINT GREEN - SERENITY
703909	KIT, L-LOUNGE ULTRA LEATHER - Taupe
703909BR	KIT, L-LOUNGE ULTRA LEATHER - ESPRESSO

1.	704073-01	COVER & FOAM ONLY CUSHION, BOTTOM
1.	704073-113-01	COVER ONLY, MAIN BOTTOM - MOJAVE
1.	704073-104-01	COVER ONLY, MAIN BOTTOM - FLINT
1.	704073-141-01	COVER ONLY, MAIN BOTTOM - SOY BROWN
1.	704073-180-01	COVER ONLY, MAIN BOTTOM - MINT GREEN
2.	704073-02	COVER & FOAM ONLY CUSHION, BACK
2.	704073-113-02	COVER ONLY, MAIN BACK - MOJAVE
2.	704073-104-02	COVER ONLY, MAIN BACK - FLINT
2.	704073-141-02	COVER ONLY, MAIN BACK - SOY BROWN
2.	704073-180-02	COVER ONLY, MAIN BACK - MINT GREEN

FOAM AND FABRIC CONTINUED ON NEXT PAGE

# 2014 INTERNATIONAL TRAVEL TRAILER

## UPHOLSTERY/FOAM/MATTRESS

### CUSHION AND FOAM – L-LOUNGE – 30' INT'L, CONTINUED

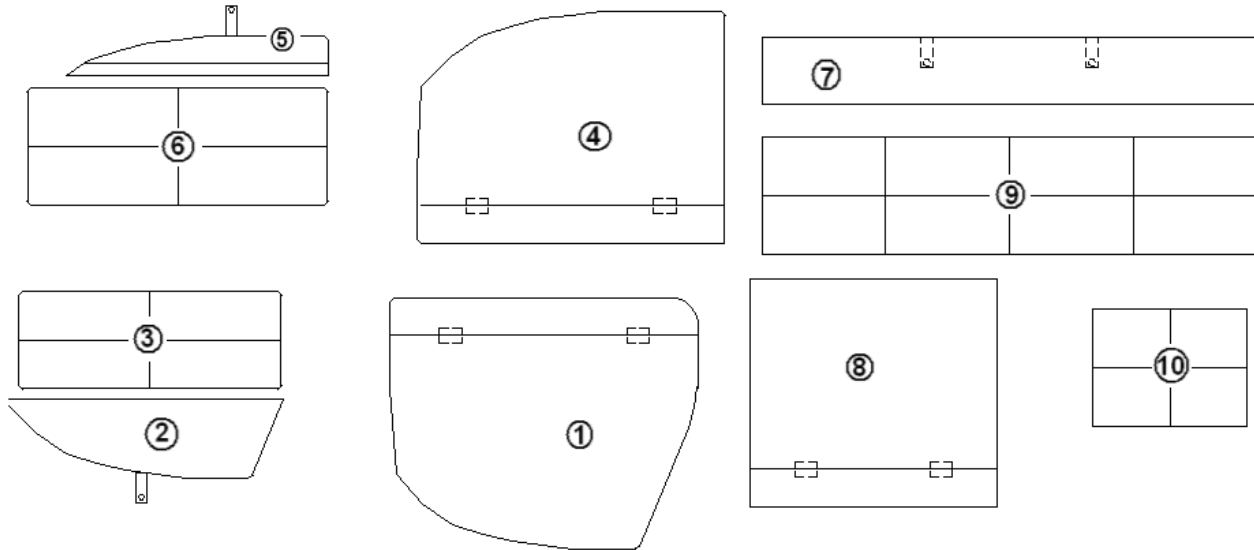
- |    |               |                                               |
|----|---------------|-----------------------------------------------|
| 3. | 704073-03     | COVER & FOAM ONLY CUSHION, SMALL BACK         |
| 3. | 704073-113-03 | COVER ONLY, SMALL BACK, ,MOJAVE               |
| 3. | 704073-104-03 | COVER ONLY, SMALL BACK, FLINT                 |
| 3. | 704073-141-03 | COVER ONLY, SMALL BACK, SOY BROWN             |
| 3. | 704073-180-03 | COVER ONLY, SMALL BACK, MINT GREEN            |
| 4. | 704073-04     | COVER & FOAM ONLY CUSHION, BASE SIDE – AFT    |
| 4. | 704073-113-04 | COVER ONLY, AFT SIDE BASE, MOJAVE             |
| 4. | 704073-104-04 | COVER ONLY, AFT SIDE BASE, FLINT              |
| 4. | 704073-141-04 | COVER ONLY, AFT SIDE BASE, SOY BROWN          |
| 4. | 704073-180-04 | COVER ONLY, AFT SIDE BASE, MINT GREEN         |
| 5. | 704073-05     | COVER & FOAM ONLY CUSHION, BASE SIDE – FWD    |
| 5. | 704073-113-05 | COVER ONLY, FWD. SIDE BASE, MOJAVE            |
| 5. | 704073-104-05 | COVER ONLY, FWD SIDE BASE, FLINT              |
| 5. | 704073-141-05 | COVER ONLY, FWD SIDE BASE, SOY BROWN          |
| 5. | 704073-180-05 | COVER ONLY, FWD SIDE BASE, MINT GREEN         |
| 6. | 704073-06     | COVER & FOAM ONLY CUSHION, BACK SIDE FRONT    |
| 6. | 704073-113-06 | COVER ONLY, BACK SIDE FRONT – MOJAVE          |
| 6. | 704073-104-06 | COVER ONLY, BACK SIDE FRONT – FLINT           |
| 6. | 704073-141-06 | COVER ONLY, BACK SIDE FRONT – SOY BROWN       |
| 6. | 704073-180-06 | COVER ONLY, BACK SIDE FRONT – MINT GREEN      |
| 7. | 704073-07     | FOAM CUSHION WEDGE<br>(Covered at Airstream). |



# 2014 INTERNATIONAL TRAVEL TRAILER

## UPHOLSTERY/FOAM/MATTRESS

KIT, FOAM/ULTRA LEATHER COMPLETE, 25/27 STERLING



703990W

KIT, WHITE ULTRA LEATHER – ARCTIC DIJON  
(11 PCS. TOTAL)

703990B

KIT, CAVIAR ULTRA LEATHER – OBSIDIAN  
VIOLET (11 PCS. TOTAL)

- |    |            |                                                  |
|----|------------|--------------------------------------------------|
| 1. | 703990W-01 | COVER ONLY, UL, ARCTIC DIJON, CS SEAT            |
| 1. | 703990B-01 | COVER ONLY, UL, OBSIDIAN VIOLET, CS SEAT         |
| 1. | 703486-01  | FOAM ONLY, CS SEAT                               |
| 2. | 703990W-02 | COVER ONLY, UL, ARCTIC DIJON, CS FILLER WEDGE    |
| 2. | 703990B-02 | COVER ONLY, UL, OBSIDIAN VIOLET, CS FILLER WEDGE |
| 2. | 703486-02  | FOAM ONLY, CS FILLER WEDGE                       |
| 3. | 703990W-03 | COVER ONLY, UL, ARCTIC DIJON, CS BACK REST       |
| 3. | 703990B-03 | COVER ONLY, UL, OBSIDIAN VIOLET, CS BACK REST    |
| 3. | 703486-03  | FOAM ONLY, CS BACK REST                          |

# 2014 INTERNATIONAL TRAVEL TRAILER

## UPHOLSTERY/FOAM/MATTRESS

KIT, FOAM/UL LEATHER COMPLETE, 25/27 STERLING, CONTINUED..

4.	703990W-04	COVER ONLY, UL, ARCTIC DIJON, RS DINETTE SEAT
4.	703990B-04	COVER ONLY, UL, OBSIDIAN VIOLET, RS DINETTE SEAT
4.	703486-04	FOAM ONLY, RS DINETTE SEAT
5.	703990W-05	COVER ONLY, UL, ARCTIC DIJON, RS FILLER WEDGE
5.	703990B-05	COVER ONLY, UL, OBSIDIAN VIOLET, RS FILLER WEDGE
5.	703486-05	FOAM ONLY, RS FILLER WEDGE
6.	703990W-06	COVER ONLY, UL, ARCTIC DIJON, RS BACK REST
6.	703990B-06	COVER ONLY, UL, OBSIDIAN VIOLET, RS BACK REST
6.	703486-06	FOAM ONLY, RS BACK REST
7.	703990W-07	COVER ONLY, UL, ARCTIC DIJON, LNGE FILLER PIECE
7.	703990B-07	COVER ONLY, UL, OBSIDIAN VIOLET, LNGE FILLER PIECE
7.	703486-07	FOAM ONLY, LNGE. FILLER PIECE
8.	703990W-08	COVER ONLY, UL, LNGE BOTTOM CUSHIONS (2 EA) ARCTIC DIJON
8.	703990B-08	COVER ONLY, UL, LNGE BOTTOM CUSHIONS (2 EA) OBSIDIAN VIOLET
8.	703486-08	FOAM ONLY, LNGE BOTTOM CUSHIONS (PR)
9.	703990W-09	COVER ONLY, LNGE BACK REST, ARCTIC DIJON
9.	703990B-09	COVER ONLY, LNGE BACK REST, OBSIDIAN VIOLET
9.	703486-09	FOAM ONLY, LNGE BACK REST
10.	703990W-10	COVER ONLY, UL, ARCTIC DIJON, SIDE ARM REST
10.	703990B-10	COVER ONLY, UL, OBSIDIAN VIOLET, SIDE ARM REST
10.	703850	FOAM ONLY, SIDE ARM REST

# 2014 INTERNATIONAL TRAVEL TRAILER

## FURNITURE - LOUNGE

### RECLINER, 30'

703840	RECLINER, LIFT W/BLACK BASE - TAUPE
703840-01	RECLINER, LIFT W/BLACK BASE - ESPRESSO
703840-02	RECLINER, LIFT W/BLACK BASE - GOLDEN NIGHT

# 2014 INTERNATIONAL TRAVEL TRAILER

## VENTS/FANS/ SKY LIGHTS

Refer Vent, Roof, 19', 25' FB, 27', 28', 30'

100341	Refrigerator, vent collar, roof, large
101394	Cover, refrigerator vent, roof, large
381042	MESH, galvanized for refer vent. .017 X 36"
380228	Wire Hardware Cloth

Refer Side Vent/Power Fan, 19' 23', 23FB

690470-01	VENT, SIDE WALL, REFER
115038-01	DOOR JAMB, REFRIGERATOR, CLOSEOUT, 16 Ft.
690394	Power ventilator, refrigerator
511997	SWITCH, REFER RED LED

Black Tank Roof Vent Pipe Cover

690264-03	Vent pipe cover
380228	Wire, hardware cloth

Vents, Non-Power

381606-01	Vent, roof, 14" x 14", non-power, white
381606-02	Trim ring, interior, roof vent, white

Vents, Power, Bath

690266-01	Ventilator, power, bath
690266-02	Ventilator, power, bath, CSA
690266-03	EXTENSION GARNISH 4", power vent
320139	SCREW #8X.75"W/#10 WASHER

Vents, Power, Roof

381841	VENT, ROOF FANTASTIC EXHAUST ONLY
--------	-----------------------------------

# 2014 INTERNATIONAL TRAVEL TRAILER

## VENTS/FANS/ SKY LIGHTS

### RAM AIR VENT, EDDIE BAUER

382020	Vent, Low Profile, Aluminum
365355-02	Gasket, Ram Air Vent
203590	Trim, Ram Air, 7.38" x 13"
320029-01	Screw, #8 x 1/2 PPH Type A SMS 18-8
320139	Screw, #8 x 1/2 PPH Type A SMS

## 2014 INTERNATIONAL TRAVEL TRAILER

### VENTS/FANS/ SKY LIGHTS

Skylight, 14 ½" X 22 ½"

114486	MOUNTING FRAME SKYLIGHT #1422
381318-06	SKYLIGHT 14-1/2 X 22-1/2 - TRL
201963	TRIM RING 14 X 22 SKYLIGHT WHI
702804-04	SHADE PLTD, SKYLIGHT, 14.50" X 22.75"
201666	MOLDING-J-3/16 PLASTIC, ALMOND
320139	Screw assembly w/rubber washer

Skylight, 19 ½" X 19 ½"

114485	MOUNTING FRAME SKYLIGHT
381318-05	SKYLIGHT 19 ½" X 19 ½"
201962	TRIM RING 19 X 19 SKYLIGHT, WHITE
702804-03	SHADE PLTD SKYLIGHT 19.25" X 20.00"
320139	Screw assembly w/rubber washer
382053-01	CORNER BRACE, 3/4" X 4", sky light

# 2014 INTERNATIONAL TRAVEL TRAILER

## WOOD TRIM /FORMICA/PANELING

### PLYWOOD

800506-03	PLYWOOD, 3/8" X 4' X 8'
800506-05	Plywood, 5/8" x 4' x 8'
800506-06	PLYWOOD, 3/4" X 4' X 8'
800506-04	PLYWOOD, 1/2" X 4' X 8'
801351	LITE PLY-18MM (.75") 4' X 8'

### Cabinet formed Radius Corners

801345	RADIUS PLYWOOD .75" X 3" X 8'
801348	RADIUS PLYWOOD-.75" X 8" X 6'

### PANELING, LAUAN

800507-01	Panel, lauan, 1/8 x 4' x 8'
800507-02	Panel, Lauan, 1/4" x 4' x 8', raw/raw
800507-03	Panel, Lauan, 3/8" x 4' x 8', raw/raw
800507-04	Panel, Lauan, 1/2" x 4' x 8', raw/raw
800507-06	LAUAN, .75" X 4' 8'

### MAIN DOOR THRESHOLD

115565	EXTRUSION, THRESHOLD, MAIN DOOR
100097	EXTRUSION, CURTAIN TRACK
320059-100	SCREW, #8 PAN HEAD PHIL 1" WHITE
330127-05	POP RIVET, DOME HD. ALUM., 1/8" DIA.

# 2014 INTERNATIONAL TRAVEL TRAILER

## WOOD TRIM /FORMICA/PANELING

### Trim, Wall, Paneling

203445	T molding, Flexible Poly Black
201673	Cove molding, plastic, white
201673-02	Cove molding, plastic, black
201673-03	Cove molding, plastic, ash grey
203138-01	Plastic wall extrusion, .5", white
203138-04	Plastic wall extrusion, .5", white
203138-05	Plastic wall extrusion, .5", black
203138-06	Plastic wall extrusion, .5", ash grey
203464	Plastic wall extrusion, .75", black
203464-03	Plastic wall extrusion, .75", white
203464-04	Plastic wall extrusion, .75", ash grey
203445	T-MOLDING BLK FLEXIBLE POLY .56"
203445-01	T-MOLDING - .5625" WHITE
801706-0024	CORNER TRIM 90 DEG, EBONY
801706-0025	CORNER TRIM 90 DEG, ALUM. MIL, STERLING
801706-WH	CORNER TRIM 90 DEG RAD PAINTED WHITE
801172-10	CORNER MOLDING, BUTLER WHITE VINYL (Use w/Frosty White)
801178-07	TRIM, FLAT FROSTY WHITE, 13/16" WIDE
801706-0023	CORNER TRIM 90 DEG 1" RADIUS, LIMBER MAPLE
800573-0125	HARDWOOD, FLT. MOLDING DOOR EDGE, ALUM. MILL
800638-0123	Molding, Quarter Round 1/2" - Limber Maple
800638-0124	Molding, Quarter Round 1/2" - Ebony woods
800638-0125	Molding, Quarter Round 1/2" - Aluminum Mill
801268-0118	Molding, Inside Corner Asian Sand
801268-0123	Molding, Inside Corner Limber Maple
801268-0124	Molding, Inside Corner Ebony Woods
801268-0125	Molding, Inside Corner Aluminum Mill
800571-0118	Hardwood Flat Molding .52 - Asian Sand
800571-0123	Hardwood Flat Molding .52 - Limber Maple
800571-0124	Hardwood Flat Molding .52 - Ebony woods
800571-0125	Hardwood Flat Molding .52 - Aluminum mill



# 2014 INTERNATIONAL TRAVEL TRAILER

## WOOD/LAMINATES/TRIM

### Edge banding

365238-04 EDGE BANDING TAPE PVC 5/8" C. WHITE  
365238-05 EDGE BANDING TAPE PVC 15/16" WHITE  
365278-03 EDGE BANDING-BLACK MAPLE .625"  
365268-03 EDGE BANDING-.024"X .63", TROPICAL OAK  
365363-01 EDGE BANDING, AMBER FUSION, 7/8"  
365364-01 EDGE BANDING, EBONY WOODS, .63"  
365364-02 EDGE BANDING, EBONY WOODS, 15/16"  
365364-03 EDGE BANDING, EBONY WOODS, 1 1/4"  
365305-01 EDGE BANDING, BRUSHED ALUMINUM  
365344-01 EDGE BANDING, PEARL BISQUE .63", Eddie Bauer  
365344-02 EDGE BANDING, PEARL BISQUE, .94", Eddie Bauer  
365352-01 EDGE BANDING, LIMBER MAPLE 5/8", Eddie Bauer  
365352-02 EDGE BANDING, LIMBER MAPLE 15/16", Eddie Bauer  
365352-03 EDGE BANDING, LIMBER MAPLE 1 1/4", Eddie Bauer  
365353-02 EDGE BANDING, OILED SOAPSTONE 15/16", Eddie Bauer

\*365366-TAB EDGE BANDING WAS USED ON STERLING UNITS BUILT 7/12 - 8/8. FIRST S/N #527448

.  
\*365366-01 EDGE BANDING, .030 BRUSHED ALUM. 5/8",  
\*365366-02 EDGE BANDING, .030 BRUSHED ALUM. 15/16"  
\*365366-03 EDGE BANDING, .030 BRUSHED ALUM. 1 1/4"

\*\*365368-TAB EDGE BANDING BEGAN USAGE ON STERLING UNITS BUILT 8/8 AND FORWARD. FIRST S/N #527547.

\*\* 365368-01 EDGE BANDING, 1MM AVI ALUM. 5/8"  
\*\* 365368-02 EDGE BANDING, 1MM AVI ALUM. 15/16"  
\*\* 365368-03 EDGE BANDING, 1MM AVI ALUM. 1 1/4"  
365377-02 \*EDGE BANDING, 1MM WESTERN STORM,  
\*1<sup>ST</sup> USAGE 11/13 REPLACEMENT FOR ORIGINAL USED ON  
\*LAVY, TABLE & NIGHT STAND - SERENITY

# 2014 INTERNATIONAL TRAVEL TRAILER

## WOOD TRIM /FORMICA/PANELING

### Panels, Pre-laminated

801355-01	Paneling, Frosty White, Vertical
801368	Panel, White/white
801369	Panel, Frosty white/white
801378	Panel, Rexel/raw
801392	Panel, WHITE LINER/WHITE LINER 12MM
801438	PANEL, FROST WHITE VINYL/RAW 2.7MM
801537	PANEL, 12MM w/SPECIAL GROOVES
801703	Paneling, Frosty White/White, 12MM
801924-01	Laminate, Ebony Woods, Vertical
801926	Paneling, EBONY WOODS/WHITELINER, 12MM
801927	Paneling, EBONY WOODS/FROSTY 12MM
801925	Paneling, EBONY/EBONY 12MM
801928	Paneling, EBONY WOODS/WHITE, 18MM, VERTICLE
801922	Paneling, Amber Fusion/White Liner 18MM
801929	Paneling, Ebony Woods/Frosty White 18MM
801931	Paneling, Ebony Woods/Ebony Woods 18MM
801724	Paneling, BRUSHED ALUMINUM/LINER, 18MM
801725	Paneling, KALIDESCOPE/RAW, 3MM
801697	Paneling, Frosty White/ Frosty White, 12MM
801698	Paneling, White/Raw, 12MM
801933	Paneling, Alum. Mill/Whiteliner, 12MM
801934	Paneling, Alum. Mill/Alum. Mill, 12MM
801935	Paneling, Alum. Mill/White Liner, 18MM
801936	Paneling, Alum. Mill/Alum. Mill, 18MM

# 2014 INTERNATIONAL TRAVEL TRAILER

## WOOD TRIM /FORMICA/PANELING

Panels, Pre-laminated – EDDIE BAUER

801893	PANEL, PRELAMINATE SOAPSTONE/LINER 18MM
801894-01	PANEL, PRELAMINATED MAPLE/LINER 18MM
801895-01	PANEL, PRELAMINATED MAPLE/FROSTY 18MM
801896-01	PANEL, PRELAMINATED MAPLE/LINER 12MM
801897-01	PANEL, PRELAMINATED MAPLE/MAPLE 12MM
801898-01	PANEL, PRELAMINATED MAPLE/FROSTY 12MM
801900	PANEL, PRELAMINATED MAPLE/LINER 18MM HORIZ
801904	PANEL, PRELAMINATED LINER RAW .25"
801938	PANEL, PRELAMINATED AMBER FUSION (AIRSTREAM 2 GO)

