

AIRSTREAM

INTERNATIONAL TRAVEL TRAILER

PARTS BOOK

2012

2012 INTERNATIONAL TRAVEL TRAILER

SECTION I

APPLIANCES

<u>Air Conditioner</u> ,.....	I-1
<u>Furnace, Microwave</u> ,.....	I-2
<u>Range/Cook Top, Refrigerator</u> ,.....	I-3
<u>Water Heater, Range Hood</u>	I-4

BODY

<u>End shell, aft</u>	I-6
<u>End shell, front</u>	I-20
<u>16 Ft. CCD RS Wall</u>	I-32
<u>16 Ft. CCD CS Wall</u>	I-34
<u>19 Ft. CCD RS Wall</u>	I-36
<u>19 Ft. CCD CS Wall</u>	I-38
<u>23 FT. D, RS Wall</u>	I-40
<u>23 Ft. D, CS Wall</u>	I-42
<u>23 Ft. Front Bed RS Wall</u>	I-44
<u>23 Ft. Front Bed CS Wall</u>	I-46
<u>25 Ft. Twin RS Wall</u>	I-48
<u>25 Ft. Twin CS Wall</u>	I-51
<u>25 Ft. Front Bed RS Wall</u>	I-52
<u>25 Ft. Front Bed CS Wall</u>	I-54
<u>25 Ft. Front Bed RS Wall, Eddie Bauer</u>	I-56
<u>25 Ft. Front Bed CS Wall, Eddie Bauer</u>	I-58
<u>27 Ft RS Wall</u>	I-60
<u>27 Ft CS Wall</u>	I-64
<u>27 Ft. Front Bed CS Wall, Eddie Bauer</u>	I-67
<u>27 Ft. Front Bed RS Wall, Eddie Bauer</u>	I-63
<u>28 Ft CCD RS Wall</u>	I-68
<u>28 Ft CCD CS Wall</u>	I-70
<u>30 Ft INT'L CS Wall</u>	I-72
<u>30 Ft INT'L RS Wall</u>	I-74
<u>Roof</u> ,.....	I-76
<u>Floor</u>	I-77
<u>Wrap Protectors</u>	I-78
<u>Body Interior</u>	I-79

2012 INTERNATIONAL TRAVEL TRAILER

SECTION I

CHASSIS

<u>Axles, Shocks, Tires, Wheels</u>	I-80
<u>Spare Tire Carrier, Step,</u>	I-82
<u>Hitch Jack, Safety Chains</u>	I-82
<u>Bumper/Bumper Storage</u>	I-83
<u>Jacks, Hose Carrier, Underbelly Metal</u>	I-85
<u>Diamond Plate, Compartment Bottom</u>	I-86
<u>Hitch Coupler</u>	I-86
<u>Rear Storage Bumper Slide Out (option)</u>	I-87

SECTION II

<u>DECAL/EXTERIOR TRIM</u>	II-1
----------------------------------	------

DOORS/WINDOWS/AWNING

<u>Exterior Doors</u>	II-2
<u>Windows, Window Trim & Screens</u>	I-11
<u>Window Rock Guard</u>	II-21
<u>Awnings</u>	II-22

DRAPES/BLINDS/VALANCES

<u>16 Ft. Signature</u>	II-24
<u>19 Ft. Signature</u>	II-26
<u>23 Ft. D Wenge</u>	II-28
<u>23 Ft. D Serenity</u>	II-29
<u>23 FT FB Wenge</u>	II-30
<u>23 FT FB Serenity</u>	II-31
<u>25 Ft. Front Bed Wenge</u>	II-34
<u>25 Ft. Front Bed Serenity</u>	II-35
<u>25 Ft FB Eddie Bauer</u>	II-36
<u>27 Ft. Front Bed Wenge</u>	II-37
<u>27 Ft. Front Bed Serenity</u>	II-38
<u>27 Ft. Front Bed, Eddie Bauer</u>	II-39
<u>28 Ft. Wenge</u>	II-40
<u>28 Ft. Serenity</u>	II-41
<u>30 Ft. Wenge</u>	II-42
<u>30 Ft. Serenity</u>	II-43
<u>Drape trim and track</u>	II-44
<u>Drape Parts/Material</u>	II-45

2012 INTERNATIONAL TRAVEL TRAILER

SECTION II

ELECTRICAL

<u>110 volt</u>	II-46
<u>12 volt</u>	II-49
<u>Exterior lights</u>	II-53

ENTERTAINMENT

<u>Television Antenna/Booster System</u>	II-56
<u>Audio/Video Packages</u>	II-57
<u>Flat Screen TV Installation</u>	II-58
<u>Blue Ray Disc/DVD Player</u>	II-56

SECTION III

FASTENERS

<u>Rivets</u>	III-1
---------------------	-------

<u>FLOOR COVERING</u>	III-3
-----------------------------	-------

FURNITURE DRAWINGS & CHARTS

<u>Drawer Slides/Boxes</u>	III-4
<u>Mirrors</u>	III-4
<u>Interior Doors</u>	III-5
<u>Bedroom</u>	III-7
<u>Lavatory</u>	III-108
<u>Retractable Clothes Line</u>	III-226
<u>Galley</u>	III-227
<u>Lounge</u>	III-441
<u>Magazine Rack, Optional Recliner, 30'</u>	III-531
<u>Bedroom Hangers</u>	III-107

2012 INTERNATIONAL TRAVEL TRAILER

SECTION III

HARDWARE

<u>Exterior locks/hinges</u>	III-532
<u>Window Hardware</u>	III-534
<u>Cabinet Hinge/Catch</u>	III-538
<u>Interior Trim</u>	III-539
<u>Lavatory Accessories</u>	III-540
<u>Interior Hinges</u>	III-540
<u>Dinette Table Hardware</u>	III-540
<u>Bed Gas Springs</u>	III-540
<u>Awning Hardware</u>	III-541
<u>Trailer Level</u>	III-542
<u>Key Hooks, Eddie Bauer</u>	III-542

SECTION IV

<u>LABELS and TAGS</u>	IV-1
------------------------------	------

PLUMBING

<u>LPG</u>	IV-4
<u>PROPANE PORT</u>	IV-22
<u>Fresh Water</u>	IV-23
<u>Freshwater Fittings</u>	IV-46
<u>Faucets</u>	IV-50
<u>Drain Water</u>	IV-55
<u>Toilet</u>	IV-74
<u>Black Tank Flush/Loose parts</u>	IV-78

<u>SAFETY EQUIPMENT</u>	IV-80
<u>SEALER/GASKETS</u>	IV-81
<u>PAINT</u>	IV-83

2012 INTERNATIONAL TRAVEL TRAILER

SECTION IV

UPHOLSTERY/FOAM/MATTRESS

<u>Pillows</u>	IV-84
<u>Mattresses</u>	IV-85
<u>Bedspreads</u>	IV-86
<u>Cushions/Fabric Assemblies</u>	IV-88
<u>Recliner</u>	IV-97

<u>VENTS/FANS</u>	IV-98
-------------------------	-------

<u>SKY LIGHTS</u>	IV-100
-------------------------	--------

<u>WOOD/LAMINATES/TRIM</u>	IV-101
----------------------------------	--------

2012 INTERNATIONAL TRAVEL TRAILER

APPLIANCES

Air Conditioner

*690323-32	AC 13,500 BTU W/HEAT PUMP
*690323-37	AIR CONDITIONER, 15,000 BTU w/Heat Pump
690323-03	AIR CONDITIONER, DOMETIC HEAT STRIP
*690323-31	COMFORT CONTROL CENTER
**690323-42	AIR CONDITIONER – 13,500 W/HEAT PUMP
**690323-43	AIR CONDITIONER 15,000 W/HEAT PUMP
**690323-44	COMFORT CONTROL CENTER II
511724	HARNESS-AMBIENT TEMP. SENSOR
690380-12	SENSOR CABLE 40' DUAL A/C
690323-10	HEAT PUMP A/C ELEC.PENQUIN 13,500
690380-10	INTAKE AIR BOX AND CEILING SHROUD, WHITE
690380-11	DUST ADAPTOR, USE WITH 690380-10
690380-03	AIR BOX, PENGUIN HEAT PUMP
511252	PLUG PHONE 4 CONDUCTOR
511260	COVER, WEATHERPROOF, SINGLE GANG
961270	Pan Assembly, drain, air conditioner
601240-01	TUBING 1/2ID X 5/8OD BLACK PLASTIC
195329-143	AIR CONDITIONER 11,000 BTU
690323-05	AIR BOX/RETURN GRILL MANUAL
690323-100	Shroud, exterior, Penquin air conditioner
690323-28	BOLT COVER KIT, A/C

* The comfort control center (-31) can only be used with air conditioner -32 & -37.

**The comfort control center (-44) can only be used with air conditioner -42 & -43, the 2nd AC option on the 30' Model.

2012 INTERNATIONAL TRAVEL TRAILER

APPLIANCES

Furnace

690573-04 FURNACE-12,000 BTU #7912-II 16'
690395-04 FURNACE 16,000 BTU #791611 19'
690613-01 BLACK FRAME - INTERIOR DOOR
690467-08 FURNACE, 18,000 BTU, #7920-11 23FB
690613-02 BROWN FURNACE DOOR, 23FB
690274-01 FURNACE, 30,000BTU, 28', 30'
690274-04 HYDROFLAME FURNACE, 23' D, 25', 27' FB
690274-09 Door exterior, Hydroflame
511228 THERMOSTAT ROOM #36684 OFF WHITE
600193 2" DUCT THERMAFLEX FLEXIBLE, DUCT
600247 4" HOSE, HEAT DUCT FLEX
203070 REGISTER PLASTIC BROWN 2" X 10"
601244-03 REGISTER, ROTAIRE, BLACK
690429 LOUVER-2" BLACK ROUND
600526 FLANGE, 4 IN
601348 TEE, HEAT DUCT, 4" X 4" X 2"

Microwave

*690610-01 MICROWAVE, CONTOURE SS, 27'FB
690610-02 Trim kit FOR 690610-01 SS, 27'FB
690345-01 MICROWAVE, CONVECTION SHARP R-820BK
690345-03 TRIM RING, CONVECTION MICROWAVE
690607-01 MICROWAVE-BLACK DOMETIC
690607-02 TRIM RING-CONVEC MICRO#B1116G
690407-01 MICROWAVE, DOMETIC, BLACK, 23D, 23'FB, 25'
690407-02 MICROWAVE TRIM KIT, BLACK, 23D, 23'FB, 25'
*690619-01 MICROWAVE ST. STEEL #PPM70710-Temporary
change.

*MICROWAVE TEMPORARILY REPLACED 690610-01. THE
TEMPORARY MICROWAVE WAS USED IN THE FOLLOWING UNITS:
#525668, #525666, #525664, #525673. 1st unit to go back to
690610-01 is #525686.

2012 INTERNATIONAL TRAVEL TRAILER

APPLIANCES

Range/Cook Top

690576	Smev cooktop, 2 BURNER 16'
690396-10	COOKTOP- AMANA - 3 BURNER S.S. TOP, 19', 25', 28', 30'
690631-01	RANGE-ATWOOD, 21" 3 BURNER BLK TOP
690396-09	RANGE, AMANA, 22" W/S.S. TOP/DOOR, 19', 23' D, 23'FB, 25, 25'FB, 27' FB, 28', 30'
690631-02	COOKTOP-ATWOOD, 21" BLK TOP/SS DR
690396-03	Range bi-fold cover, black
690631-03	Range bi-fold cover, Stainless Steel
690631-04	Range bi-fold cover, Black
382071	RUBBER GROMMET 1 1/2" DIA.

Refrigerator

690393-07	REFER-4CF 2-WAY RH RM2451RB, 19'
690470-02	REFER-3CF 2-WAY RH DR RM2352RB, 16'
690540	REFER, 5 CU FT AMERICANA, 23' D
690540-01	REFER, 5 CU FT RH #2551 2-WAY 23'FB
690574-02	REFER, 7CU FT RH #RM3762RB, 25' FB, 27' FB
690574-01	REFER, 7CU FT LH DR #RM3762LB, 25', 28'
690609-01	REFER, 8 CU FT LH DOOR #DM2862, 30'
965934-03	INSERT ASSY-REFER 20.62 X 38.62, 23FB
965934-05	INSERT ASSY-REFER UPPER 23.75" X 32", 25' FB, 28'
965934-06	INSERT ASSY-REFER LOWER, 23.75" X 32", 25' FB, 28'
965934-09	INSERT ASSY-REFER UPPER 20.69" X 15.81" 30'
965934-10	INSERT ASSY-REFER LOWER 20.69" X 38.69" 30'
801728-01	INSERT, REFER 23.75" X 17", 27' FB, 28'
801728-02	INSERT, REFER 23.75" X 32.38", 27' FB, 28'
801728-03	INSERT, REFER, 20.62" X 32.62", 19', 23'D, Wenge
801728-04	INSERT, REFER, 19.81 X 26.25H, 16'
690394	Power ventilator, refrigerator
511997	SWITCH, REFER RED LED

2012 INTERNATIONAL TRAVEL TRAILER

APPLIANCES

Water Heater

690602	WATER HEATER, 6 GAL. GAS/ELECTRIC
320006	SCREW, SHEET METAL, 8 X 3/4" BH PHIL
690209	BRUSHED ALUM ACCESS COVER
601671	ELBOW STREET 90DEG 1/2"
381648	COVER LATCH HOLE WATER HEATER
690417-05	SWITCH DUAL, WATER HEATER 30'
512480-01	SWITCH ASSY - WATER HEATER BLACK
512308	BOX, SHALLOW, SWITCH & OUTLET

Range Hood

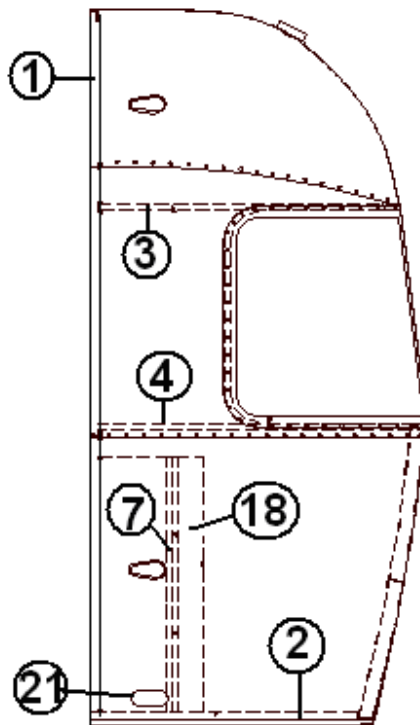
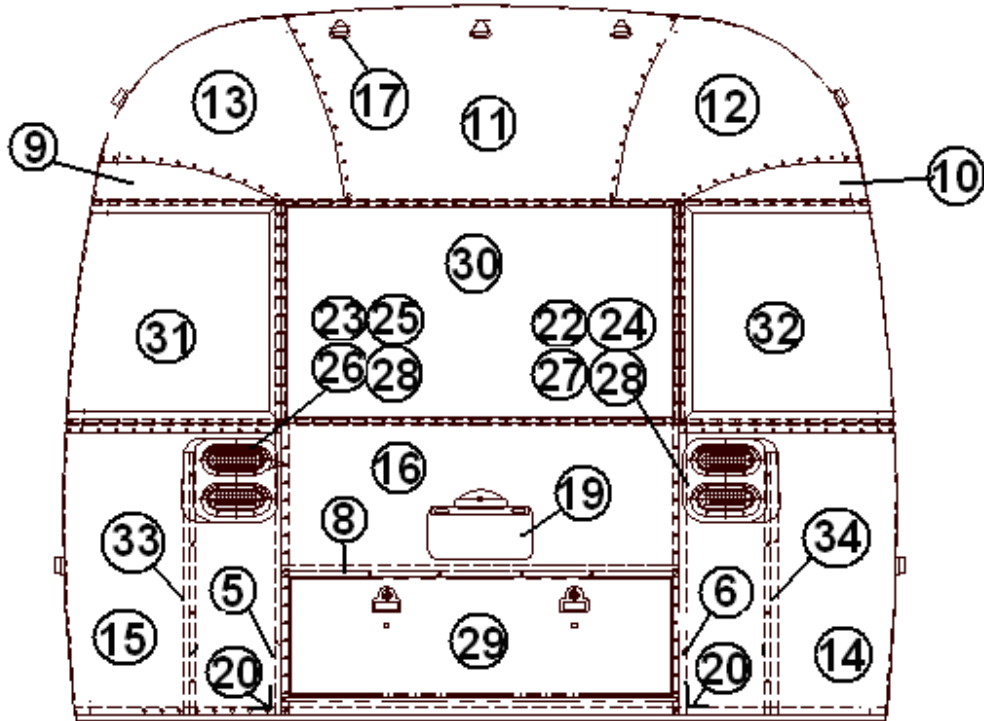
512210	RANGE HOOD, BARALDI, 12V
454590	EXTENSION-RANGE VENT BARALDI
511791-02	RANGE HOOD-VENTLINE SILVER, CSA
511017-11	EXTERIOR VENT GRAY
115175	DUCT-RANGE EXHAUST TRANSITION
114913	ANGLE RANGE HOOD
365016	TAPE FOAM DUBL-KOTE - 1/2"
365190	SEAL, RUBBER, ADHESIVE, 3/4" X 3/4"
203600	CAP COVER, SCREW, GRAY

2012 INTERNATIONAL TRAVEL TRAILER
NOTES

2012 INTERNATIONAL TRAVEL TRAILER

EXTERIOR SHELL

AFT END, 16' w/Rear Panoramic Windows



Part Numbers are on the Next Page

2012 INTERNATIONAL TRAVEL TRAILER

EXTERIOR SHELL

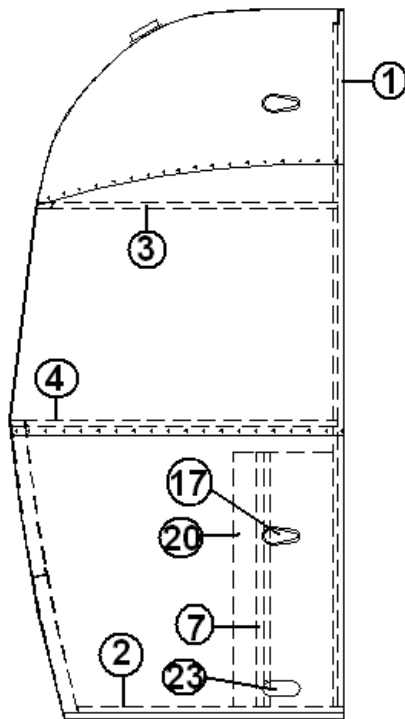
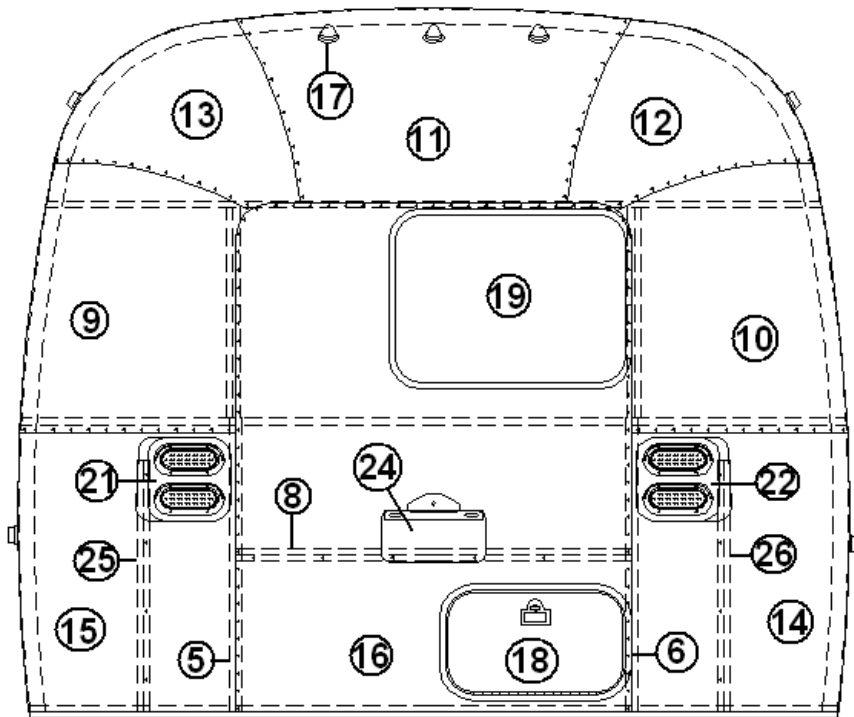
AFT END, 16' w/Rear Panoramic Windows

922729	Aft Shell, 16'
1. 114994	Weldment, zero bow
2. 104463	BOW FLOOR, NARROW BODY TRAILER
3. 115480	BOW-UPPER WINDOW-NARROW BODY
4. 104343	BOW-LOWER WINDOW-NARROW BODY
5. 114505-01	SUPPORT LOWER END SHELL LH
6. 114505-02	SUPPORT LOWER END RH
7. 101315	BRACE VERTICAL REAR
8. 104408	EXTRUSION, Z RIB
9. 114888	SEGMENT-CENTER LEFT "BRIGHT"
10. 114889	SEGMENT-CENTER RIGHT "BRIGHT"
11. 114892	SEGMENT #25 NARROW BRIGHT
12. 114890	SEGMENT-#26 "BRIGHT"
13. 114891	SEGMENT-#27 "BRIGHT"
14. 114894	SEGMENT-#28 "BRIGHT"
15. 114895	SEGMENT-#29 "BRIGHT"
16. 114880-201	ALUMINUM SHEET .040" X 51" X 201"
17. 512227	Light, clearance, red LED
18. 114849-03	ALUMINUM SHEET, .060 26"W X 8'
19. 512455	HOLDER-LICENSE PLATE LED BLK
20. 114813	ANGLE, 1" X 1.5"
21. 500095	REFLECTOR RED RECTANGULAR
22. 952696-02	TAIL LIGHT ASSEMBLY, CURBSIDE
23. 952696-01	TAIL LIGHT ASSEMBLY, ROADSIDE
26. 115073-01	BRACKET-R.S. TAILLIGHT
27. 115073-02	BRACKET-C.S. TAILLIGHT
28. 115074	BRACKET-CENTER TAILLIGHT
29. 922711	DOOR ASSY-TRUNK
30. 371328	Window, center, dark glass
31. 372089-101	Roadside, front wrap window
32. 372088-101	Curbside front wrap window
33. 101315-01	Vertical brace, rear, LH
34. 101315-02	Vertical brace, rear, RH

2012 INTERNATIONAL TRAVEL TRAILER

EXTERIOR SHELL

AFT END 19', 23' D



Part Numbers are on the Next Page

2012 INTERNATIONAL TRAVEL TRAILER

EXTERIOR SHELL

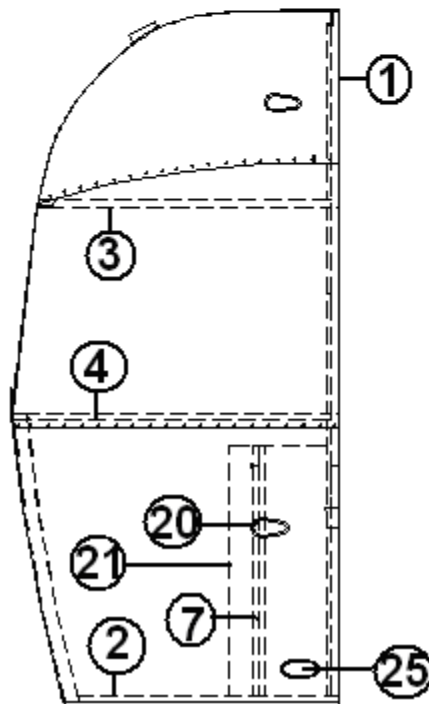
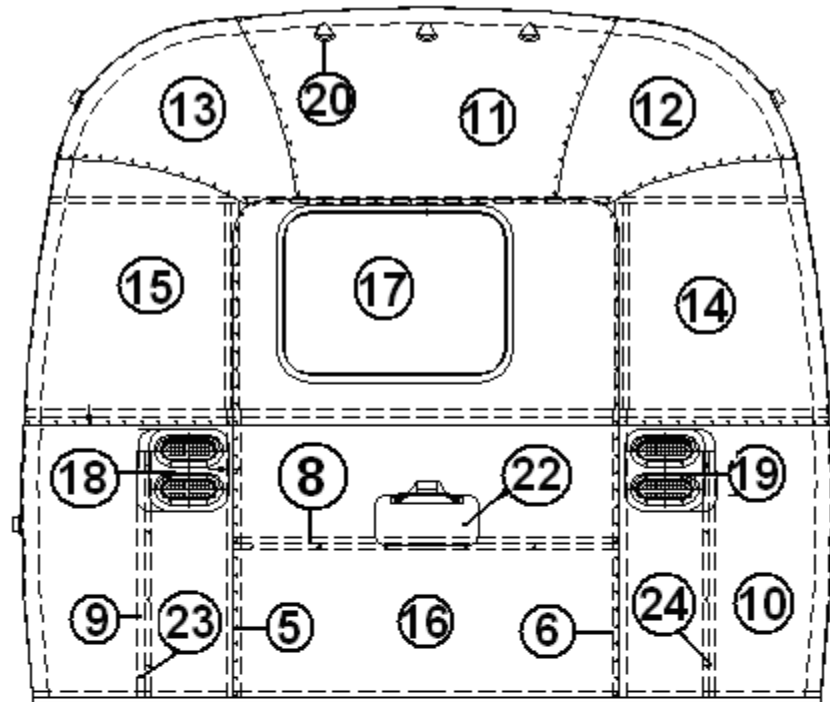
AFT END 19', 23' D

964513-08	AFT SHELL
1. 114994	End bow
2. 104463	Floor bow
3. 115480	Upper window bow
4. 104343	Lower window bow
5. 114505-01	Support, lower end, LH
6. 114505-02	Support, lower end, RH
7. 101315	Brace, vertical rear
8. 104408	Z-rib
9. 114888	Segment, center left
10. 114889	Segment, center right
11. 114892	Segment #25
12. 114890	Segment #26
13. 114891	Segment #27
14. 114894	Segment #28
15. 114895	Segment #29
16. 114880-201	Alum. Sheet, cut down to .040 x 19.0" x 51.0"
17. 512227	Light, clearance, red LED
18. 100679-01	Door assembly, side access
19. 372229	WINDOW, NON ARMS, REAR END
20. 114849-03	Aluminum sheet, gray
21. 952929-02	TAIL LIGHT ASSEMBLY, CURBSIDE
22. 952929-01	TAIL LIGHT ASSEMBLY, ROADSIDE
23. 500095	Red reflector, rectangular
24. 512455	HOLDER-LICENSE PLATE LED BLK
25. 101315-01	SUPPORT-LOWER END SHELL, LH
101315-02	SUPPORT LOWER END SHELL, RH

2012 INTERNATIONAL TRAVEL TRAILER

EXTERIOR SHELL

AFT END, 23' FRONT BED



Part Numbers are on the Next Page

2012 INTERNATIONAL TRAVEL TRAILER

EXTERIOR SHELL

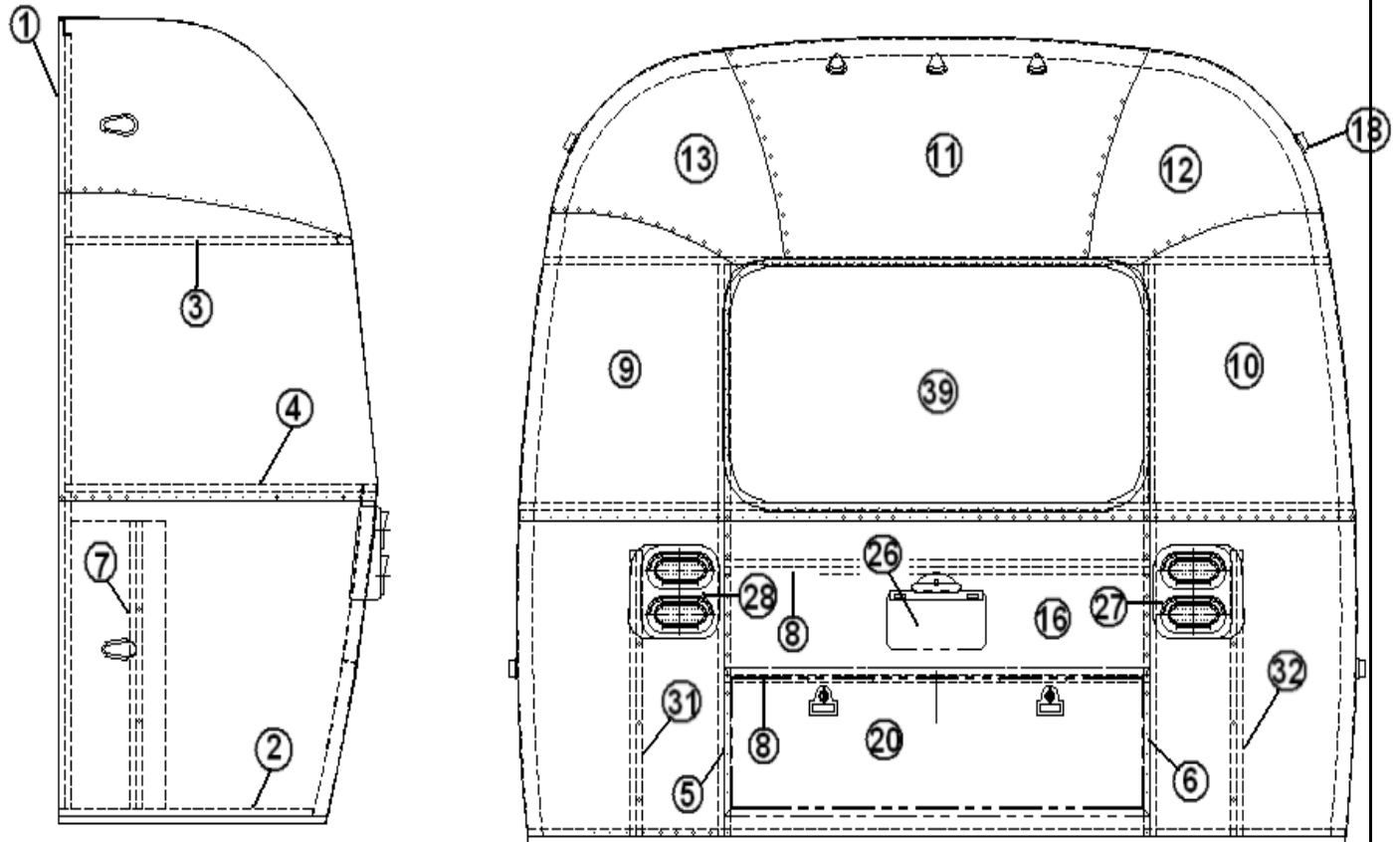
AFT END, 23' FRONT BED

967149-01	End shell complete
1. 114994	End bow
2. 104463	Floor bow
3. 115480	Upper window bow
4. 104343	Lower window bow
5. 114505-01	Support, lower end, LH
6. 114505-02	Support, lower end, RH
7. 101315	Brace, vertical rear
8. 104408	Extrusion rib
9. 114895	Segment #29
10. 114894	Segment #28
11. 114892	Segment #25(narrow body)
12. 114890	Segment #26
13. 114891	Segment #27
14. 114889	Segment, center right
15. 114888	Segment, center left
16. 114880-201	Alum. Sheet, cut down to 41" x 51"
17. 372218-01	21" x 28" opening window, emergency egress
18. 952929-01	RS tail light assembly
19. 952929-02	CS tail light assembly
20. 512227	Light, clearance, red LED
21. 114849-03	Alum. Sheet, 040 x 12.0" x 29.0"
22. 512455	License plate holder, LED black
23. 101315-01	Support, lower end shell, LH
24. 101315-02	Support, lower end shell, RH
25. 500095	Red reflector, rectangular
510446	Reflector, stick on, red

2012 INTERNATIONAL TRAVEL TRAILER

EXTERIOR SHELL

AFT END, 25 "A" Twin



Parts Listed On Next Page

2012 INTERNATIONAL TRAVEL TRAILER

EXTERIOR SHELL

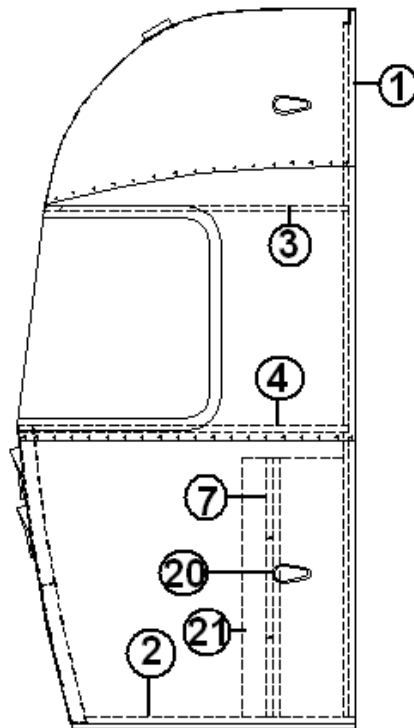
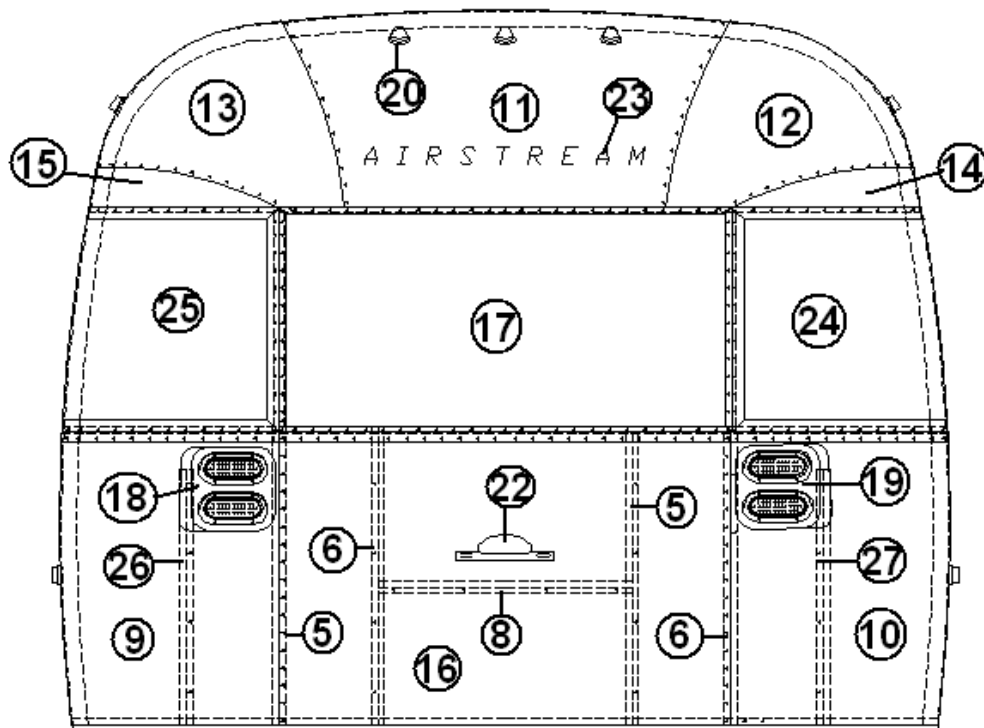
AFT END, 25 "A" Twin

	922677-02	Aft End Assembly
1.	114993	End bow
2.	114676	Floor bow
3.	114678	Upper window bow
4.	114677	Lower window bow
5.	114677	Support, lower end, LH
6.	114505-02	Support, lower end, RH
7.	101315	Brace, vertical rear
8.	104408	Z-rib
9.	114888	Segment, center left
10.	114889	Segment, center right
11.	114893	Segment #25
12.	114890	Segment #26
13.	114891	Segment #27
14.	114894	Segment #28
15.	114895	Segment #29
16.	114880-307	Alum. Sheet, .060 x 19.0" x 51.0"
18.	512227	Markerlight, red, LED
20.	921159	Trunk Door Assy. (Twin Only)
26.	512455	License Plate Holder w/Light
27.	952929-01	Taillight Assy., RS
28.	952929-02	Taillight Assy., CS
31.	101315-02	Brace Vertical Rear, LH
32.	101315-02	Brace Vertical Rear, RH
39.	371346-01	Window 48.97" Flat Rear Egress
	372088-101	Window, Corner Wrap RS Frt., CS Rear
	372089-101	Window, Corner Wrap CS Frt., RS Rear
	100029	Trim, Wrap Around Window

2012 INTERNATIONAL TRAVEL TRAILER

EXTERIOR SHELL

AFT END, 25' FB, 27' FB



Part Numbers are on the Next Page

2012 INTERNATIONAL TRAVEL TRAILER

EXTERIOR SHELL

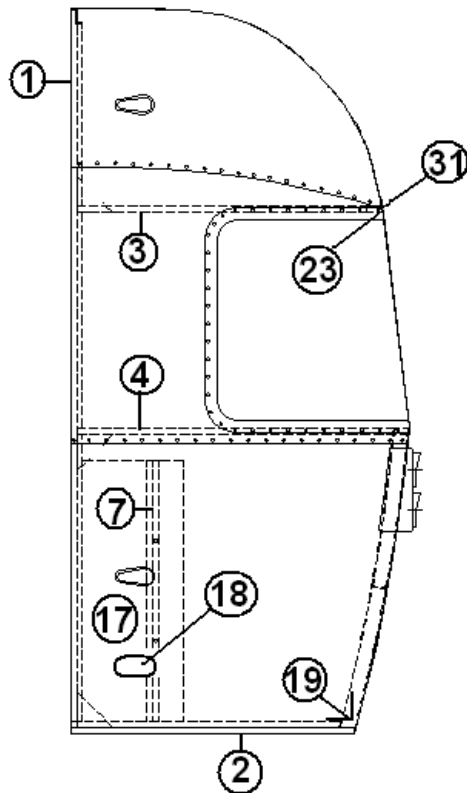
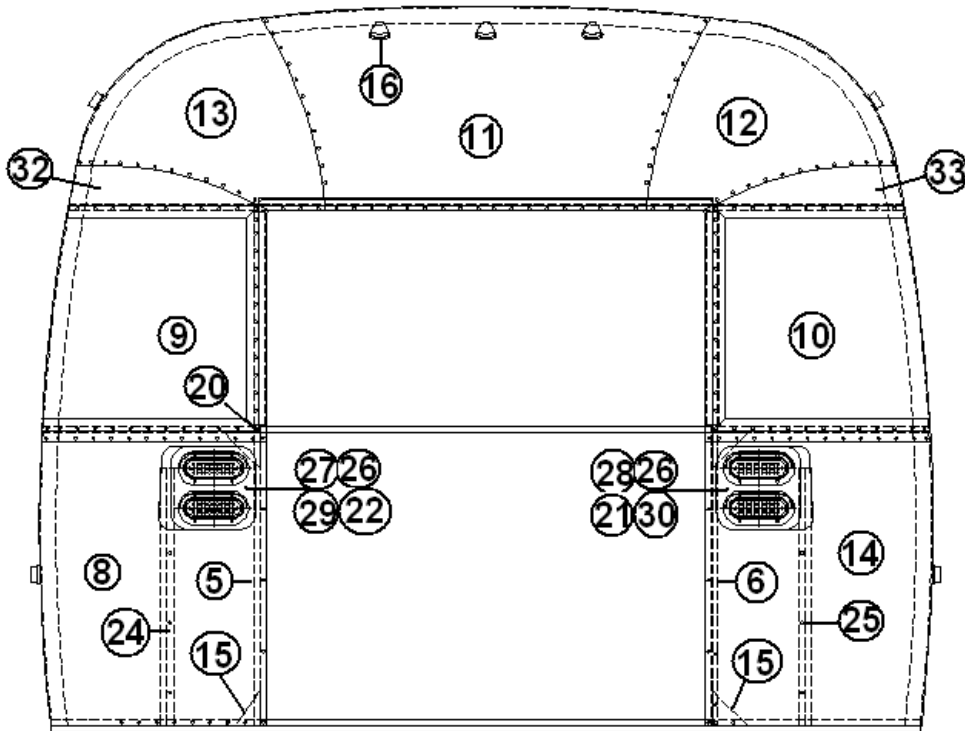
AFT END, 25' FB, 27' FB

921227-02	End shell complete, Aft
1. 114993	End bow
2. 114676	Floor bow
3. 114678	Upper window bow
4. 114677	Lower window bow
5. 114505-01	Support, lower end, LH
6. 114505-02	Support, lower end, RH
7. 101315-01	Brace, vertical rear
8. 104408	Extrusion rib
9. 114895	Segment #29
10. 114894	Segment #28
11. 114893	Segment #25
12. 114890	Segment #26
13. 114891	Segment #27
14. 114889	Segment, center right
15. 114888	Segment, center left
16. 114880-201	Alum. sheet, cut down to 040 x 45.25 x 51.0
17. 371346-02	WINDOW-48.97" FLAT FRT/WRAP
18. 952929-02	TAIL LIGHT ASSEMBLY, CURBSIDE
19. 952929-01	TAIL LIGHT ASSEMBLY, ROADSIDE
20. 512227	Light, clearance, red LED
21. 114849-03	Alum. Sheet, 040 x 12.0" x 29.0"
22. 512455	License plate holder w/LED Light
23. 386150	Decal, "AIRSTREAM"
24. 372088-101	WINDOW CORNER WRAP RS FRT, CS
25. 372089-101	WINDOW CORNER WRAP CS FRT, RS
26. 101315-01	SUPPORT-LOWER END SHELL, LH
27. 101315-02	SUPPORT LOWER END SHELL, RH

2012 INTERNATIONAL TRAVEL TRAILER

EXTERIOR SHELL

AFT END, 25' FB, 27FB, EDDIE BAUER



PART NUMBERS ARE ON NEXT PAGE

2012 INTERNATIONAL TRAVEL TRAILER

EXTERIOR SHELL

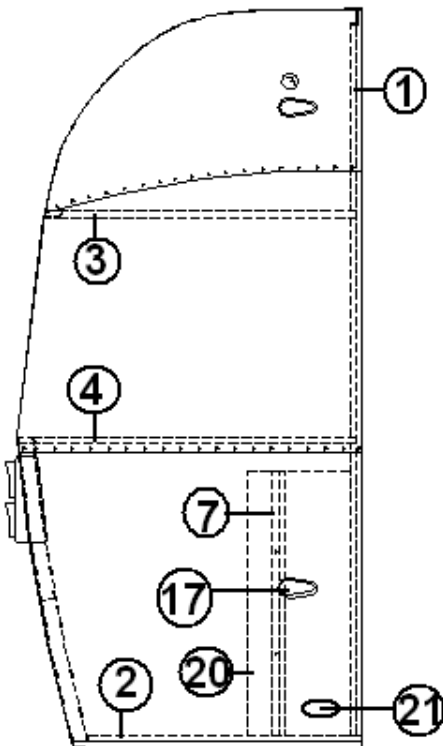
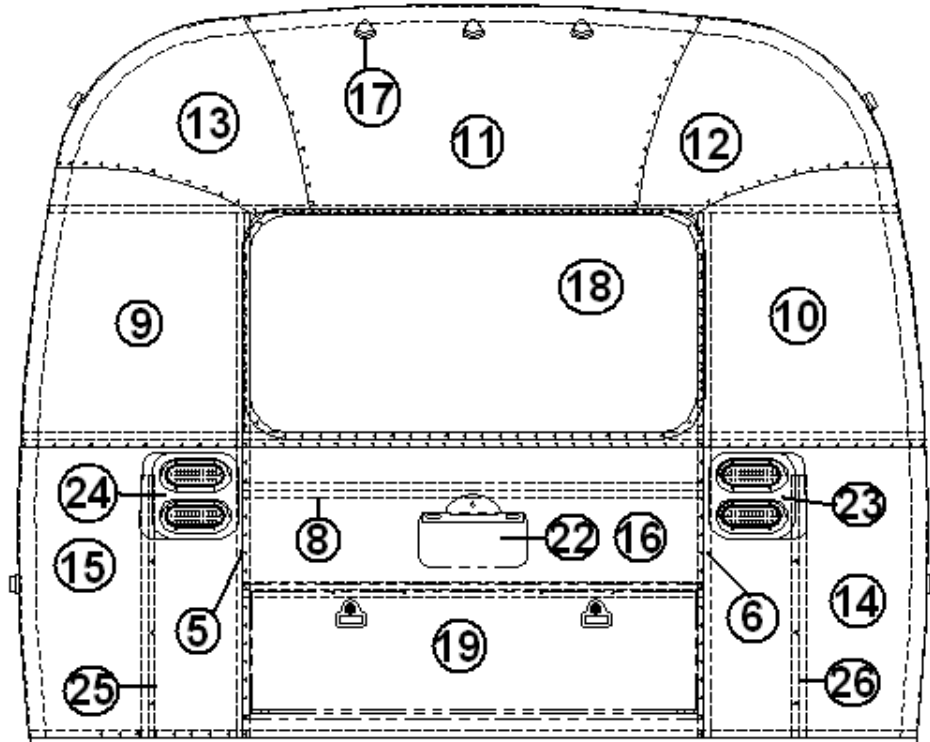
AFT END, 25' FB, 27'FB, EDDIE BAUER

	923059	END SHELL- REAR 25FB, 27FB, EDDIE BAUER
1.	114993	WELDMENT ZERO BOW "WB"
2.	114676	BOW, FLOOR ALTERED
3.	114678	BOW, UPPER WINDOW ALTERED
4.	114677	BOW, LOWER WINDOW ALTERED
5.	114505-01	BRACE,FRT VERTICAL CS
6.	114505-02	BRACE,FRT VERTICAL RS
7.	101315	BRACE,VERTICAL REAR
8.	114895	SEGMENT, #29 "BRIGHT"
9.	372089-101	WINDOW, ROADSIDE WRAP
10.	372088-101	WINDOW, CURBSIDE WRAP
11.	114893	SEGMENT ,#25 WIDE BODY "BRIGHT"
12.	114890	SEGMENT, #26 "BRIGHT"
13.	114891	SEGMENT, #27 "BRIGHT"
14.	114894	SEGMENT, #28 "BRIGHT"
15.	454711	GUSSET, REAR END SHELL PAN AM
16.	512227	LIGHT, CLEARANCE LED RED #L04-0
17.	114849-03	ALUMINUM SHEET, 12.00" X 29.00" PEWTER
18.	500095	REFLECTOR RED OBLONG OVAL
19.	114813	ALUMINUM ANGLE 1.00" X 1.50"
20.	454858	ANGLE-GALVANIZED 1.5" X 1.00"
21.	952929-01	TAILLIGHT ASSY R.S.
22.	952929-02	TAILLIGHT ASSY C.S.
23.	101041	EXTRUSION FRONT ROOFLOCKER, LOWER
24.	101315-01	SUPPORT-LOWER END SHELL
25.	101315-02	SUPPORT LOWER END SHELL RH
26.	115074	BRACKET-CENTER TAILLIGHT
27.	115073-01	BRACKET-R.S. TAILLIGHT
28.	115073-02	BRACKET-C.S. TAILLIGHT
29.	203386-01	POCKET-INNER TAILLIGHT LH
30.	203386-02	POCKET-INNER TAILLIGHT RH
31.	104837	ALUMINUM EXTRUSION, DRIP CAP
32.	114888	Segment, center left
33.	114889	Segment, center right
	967683	HATCH DOOR ASSY. (See exterior doors.)

2012 INTERNATIONAL TRAVEL TRAILER

EXTERIOR SHELL

AFT END, 28', 30'



Part Numbers are on the Next Page

2012 INTERNATIONAL TRAVEL TRAILER

EXTERIOR SHELL

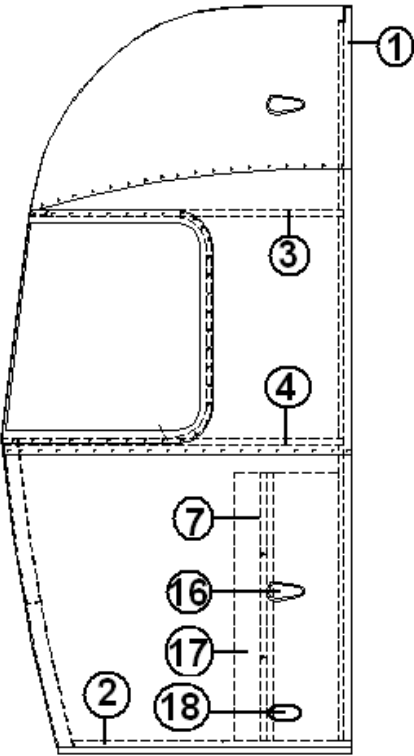
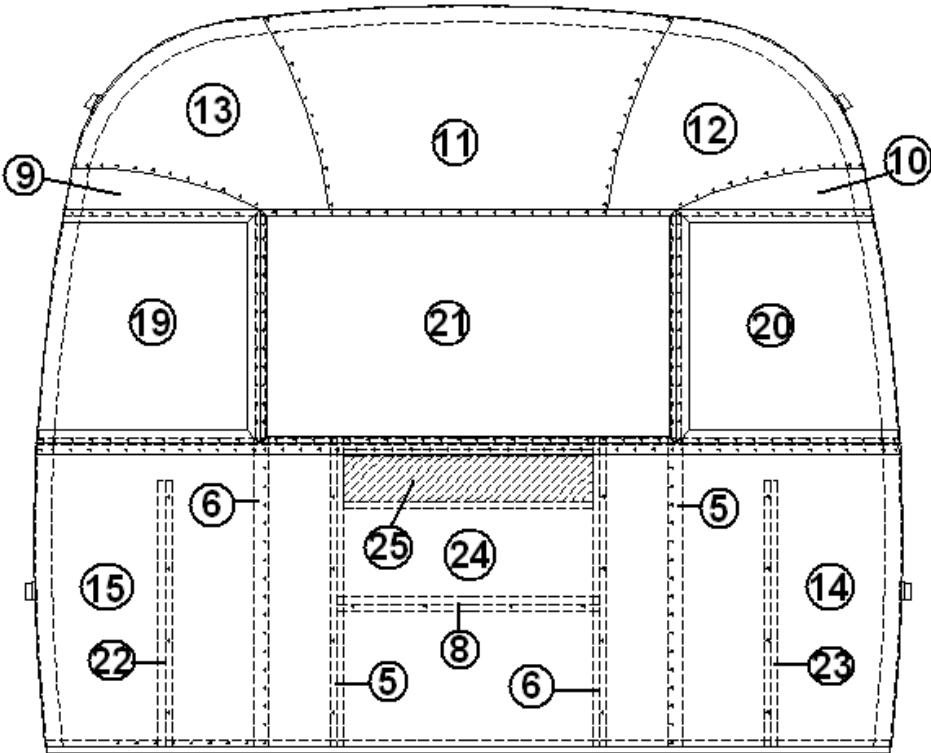
AFT END, 28', 30'

922677	Aft End Assembly
1. 114993	End bow
2. 114676	Floor bow
3. 114678	Upper window bow
4. 114677	Lower window bow
5. 114505-01	Support, lower end, LH
6. 114505-02	Support, lower end, RH
7. 101315	Brace, vertical rear
8. 104408	Z-rib
9. 114888	Segment, center left
10. 114889	Segment, center right
11. 114893	Segment #25
12. 114890	Segment #26
13. 114891	Segment #27
14. 114894	Segment #28
15. 114895	Segment #29
16. 114880-307	Alum. Sheet, .060 x 19.0" x 51.0"
17. 512227	Light, clearance, red LED
18. 371348-02	Window, Rear w/ red handles
19. 921159	Trunk door assembly
20. 114849-03	Alum. Sheet, 040 x 12.0" x 29.0"
21. 500095	Red reflector, rectangular
22. 512455	License Plate holder w/LED Light
23. 952929-02	TAIL LIGHT ASSEMBLY, CURBSIDE
24. 952929-01	TAIL LIGHT ASSEMBLY, ROADSIDE
25. 101315-01	Brace, vertical, rear, LH
26. 101315-02	Brace, vertical, rear, RH

2012 INTERNATIONAL TRAVEL TRAILER

EXTERIOR SHELL

FRONT END, 16'



Part Numbers are on the Next Page

2012 INTERNATIONAL TRAVEL TRAILER

EXTERIOR SHELL

FRONT END, 16'

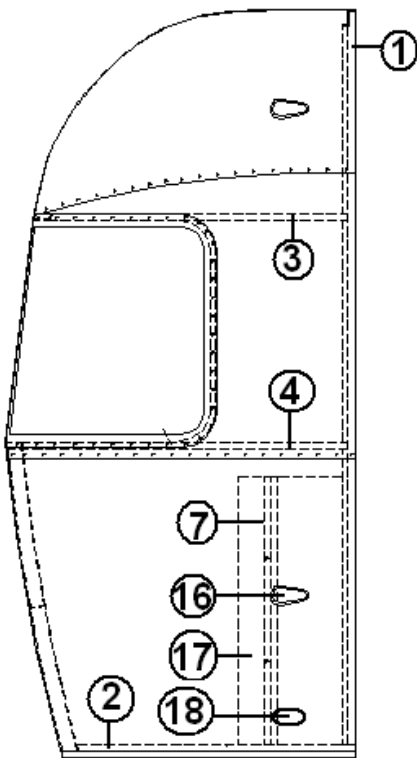
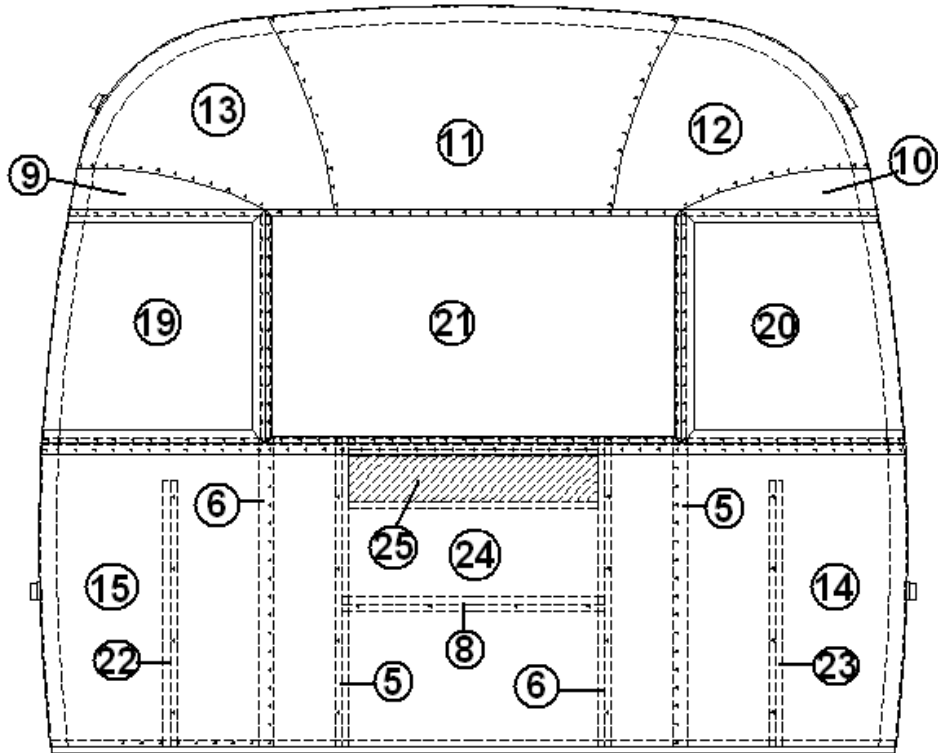
922626-01	Front End Shell
1. 114994	Weldment, end bow, NB
2. 104463	Floor bow, captive extrusion
3. 115480	Upper, window bow
4. 104343	Lower, window bow
5. 114505-01	Brace, vertical rear
6. 114505-02	Brace, vertical rear
7. 101315	Brace, vertical rear
8. 104408	Rib bow
9. 114888	Segment, center left, bright
10. 114889	Segment, center right, bright,
11. 114892	Segment, #25, NB, bright
12. 114890	Segment, #26, bright
13. 114891	Segment, #27, bright
14. 114894	Segment, #28, bright
15. 114895	Segment, #29, bright
16. 512226	Light, clearance, amber LED
17. 114849-03	Aluminum sheet, 060 x 12.00" x 29.00"
18. 500096	Reflector, amber
19. 372089-101	CS front panoramic window
20. 372088-101	RS front panoramic window
21. 371328	Front window,
21a. 371328-100	Front window glass only
22. 101315-01	Brace, vertical, rear, LH
23. 101315-02	Brace, vertical, rear, RH
24. 114880-307	Aluminum sheet, .040" x 5" x 307" "cut down"
25. 453629	Hat section, 27.25" long, Front dinette models only

16' Model has marker light, item 16, at 20.38" from floor for wrap protector, 19' and 23' D models are at 17.00"

2012 INTERNATIONAL TRAVEL TRAILER

EXTERIOR SHELL

FRONT END, 19', 23' D, 23 Front Bed



Part Numbers are on the Next Page

2012 INTERNATIONAL TRAVEL TRAILER

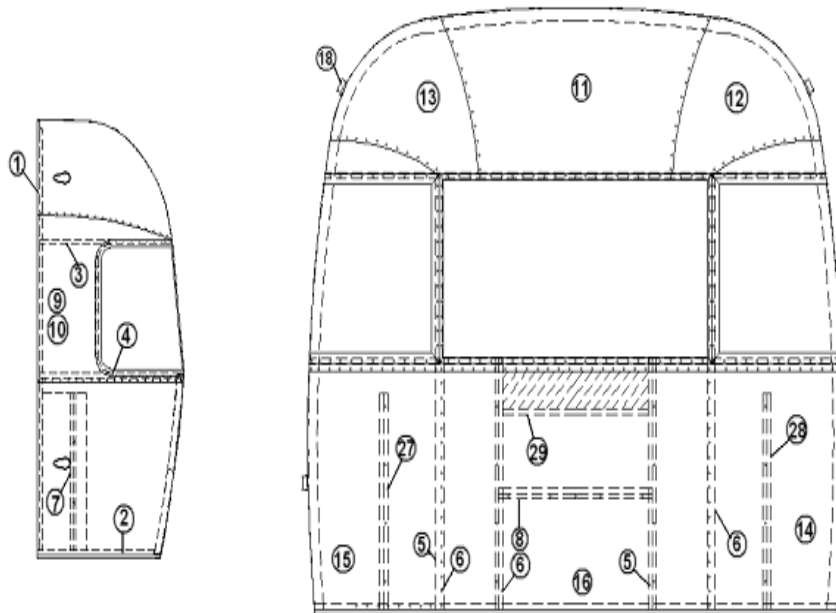
EXTERIOR SHELL

FRONT END, 19', 23' D, 23 Front Bed

922626	Front End Shell
1. 114994	Weldment, end bow, NB
2. 104463	Floor bow, captive extrusion
3. 115480	Upper, window bow
4. 104343	Lower, window bow
5. 114505-01	Support, lower end shell, left-hand
6. 114505-02	Brace, vertical rear
7. 101315	Brace, vertical rear
8. 104408	Rib bow
9. 114888	Segment, center left, bright
10. 114889	Segment, center right, bright
11. 114892	Segment, #25, NB, bright
12. 114890	Segment, #26, bright
13. 114891	Segment, #27, bright
14. 114894	Segment, #28, bright
15. 114895	Segment, #29, bright
16. 512226	Light, clearance, amber LED
17. 114849-03	Aluminum sheet, 060 x 12.00" x 29.00"
18. 500096	Reflector, amber
19. 372089-101	CS front panoramic window
20. 372088-101	RS front panoramic window
21. 371328	Front window, complete assembly
21. 371328-100	Front window glass w/Hardware only
22. 101315-01	Brace, vertical, rear, LH
23. 101315-02	Brace, vertical, rear, RH
24. 114880-307	Aluminum sheet, .040" x 5" x 307", cut down to size and hole punched"
25. 453629	Hat section, 27.25" long, Front dinette models only

19' and 23' D models have marker light, item 16, at 17.00" from floor for wrap protector, 16' model is at 20.38"

2012 INTERNATIONAL TRAVEL TRAILER
EXTERIOR SHELL
FRONT END, 25 INTERNATIONAL



Parts Listed on Next Page

2012 INTERNATIONAL TRAVEL TRAILER

EXTERIOR SHELL

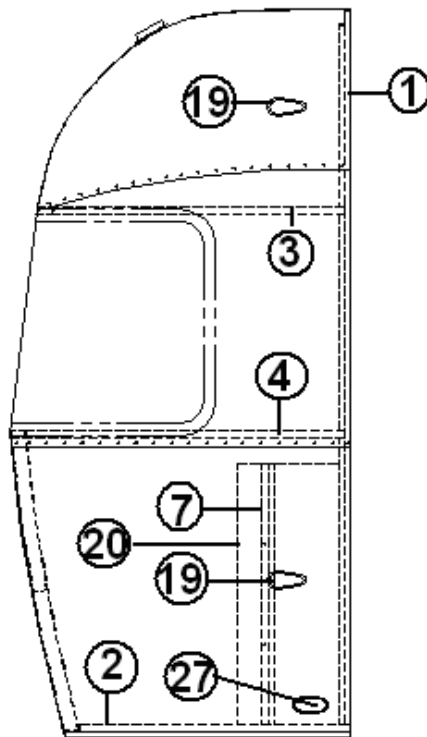
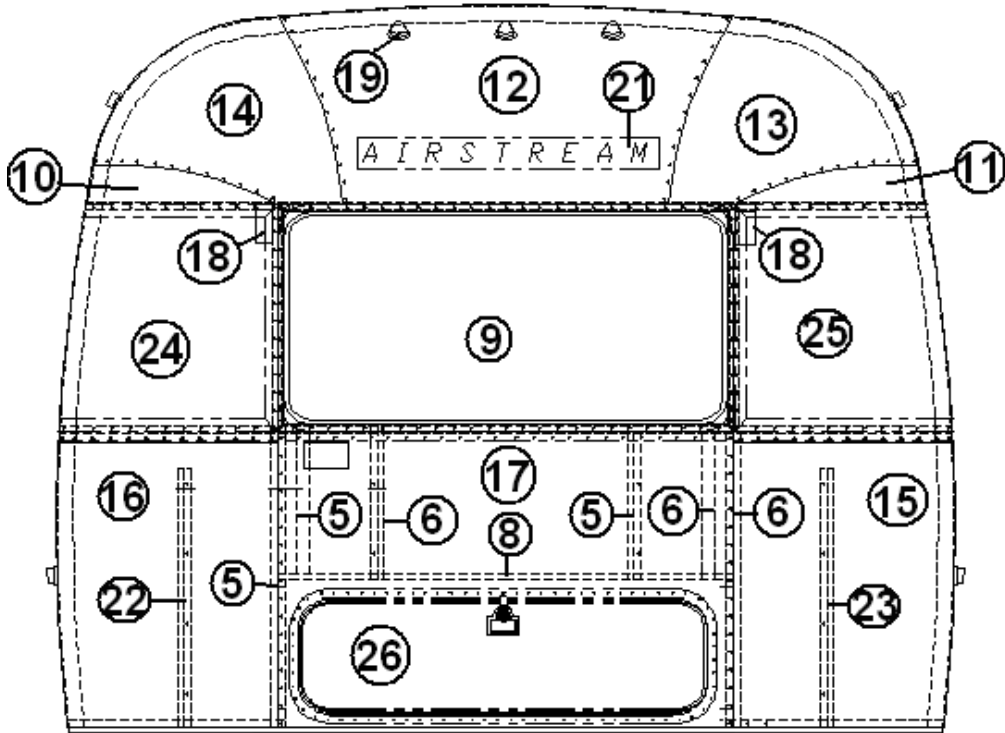
922676-01 FRONT END SHELL 25 INT'L

1. 114993 Weldment, Zero Bow
2. 114676 Bow, Floor Altered
3. 114678 Bow, Upper Window, Altered
4. 114677 Bow, Lower Window Altered
5. 114505-01 Support Lower End Shell, LH
6. 114505-02 Support Lower End Shell, RH
7. 101315 Brace, Vertical Rear
8. 104408 Extrusion Z Rib
9. 114888 Segment, Center Left, Bright
10. 114889 Segment, Center Right, Bright
11. 114893 Segment, #25, Bright
12. 114890 Segment, #26, Bright
13. 114891 Segment, #27 Bright
14. 114894 Segment, #28 Bright
15. 114895 Segment, #29 Bright
16. 114880-307 Aluminum Sheet .040 x 51 x 307
18. 511750 Marker Light, Amber teardrop
19. 101041 Extrusion, Frt. Rooflocker, Lower
21. 114849-03 Aluminum Sheeet .060 x 26 x 8' Pewter
23. 500096 Reflector, Amber
25. 114813 Angle, 1 x 1 ½
26. 100029 Trim, Wrap Around Window
27. 101315-01 Brace, Vertical Rear LH
28. 101315-02 Brace, Vertical Rear RH
29. 453629 Hat Section, Dinette Table Support
- 372089-101 Panoramic window, CS Front
- 372088-101 Panoramic window, RS Front
- 371346-02 Window, 48.97"

2012 INTERNATIONAL TRAVEL TRAILER

EXTERIOR SHELL

Front End Shell, 25' Front Bed, w/Panoramic Windows, & 30'



Part Numbers are on the Next Page

2012 INTERNATIONAL TRAVEL TRAILER

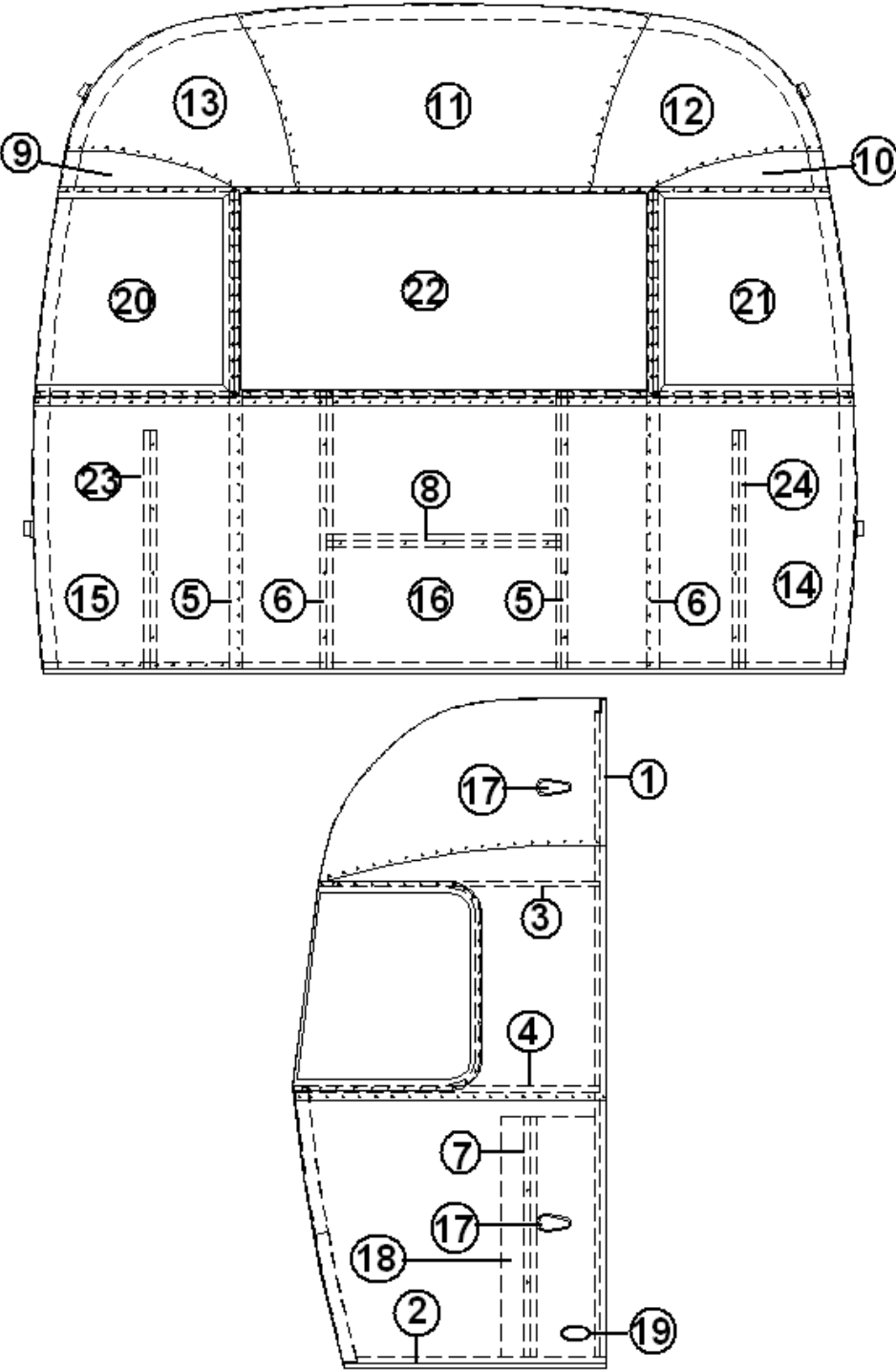
EXTERIOR SHELL

Front End Shell, 25' Front Bed, w/Panoramic Windows & 30'

921240-01	Front Shell 25' Front Bed, w/Panoramic Windows & 30'
1. 114993	End bow
2. 114676	Floor bow
3. 114678	Upper window bow
4. 114677	Lower window bow
5. 114505-01	Support, lower end, LH
6. 114505-02	Support, lower end, RH
7. 101315	Brace, vertical rear
8. 104408	Z-rib
9. 371346-02	Window, front, w/panoramic windows
10. 114888	Segment, center left
11. 114889	Segment, center right
12. 114893	Segment #25
13. 114890	Segment #26
14. 114891	Segment #27
15. 114894	Segment #28
16. 114895	Segment #29
17. 101115	Alum. sheet, .060" x 41.00" x 51"
18. 115316	Aluminum angle, end shell insert
19. 512226	Light, clearance, amber LED
20. 114849-03	Aluminum sheet, Pewter, 26" x 8"
21. 386150	Logo, "Airstream"
22. 101315-01	Brace, rear vertical, LH
23. 101315-02	Brace, rear vertical, RH
24. 372089-101	Panoramic window, CS front
25. 372088-101	Panoramic window, RS front
26. 922288-02	Trunk door assembly
27. 500096	Reflector, amber

2012 INTERNATIONAL TRAVEL TRAILER EXTERIOR SHELL

Front End, 28'



Part Numbers are on the Next Page

2012 INTERNATIONAL TRAVEL TRAILER

EXTERIOR SHELL

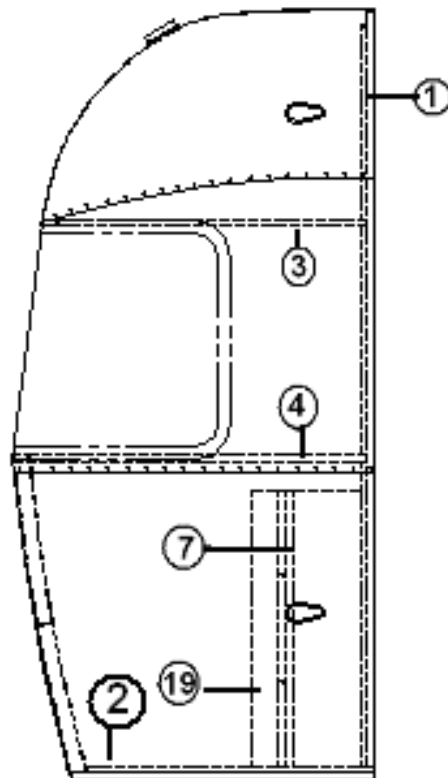
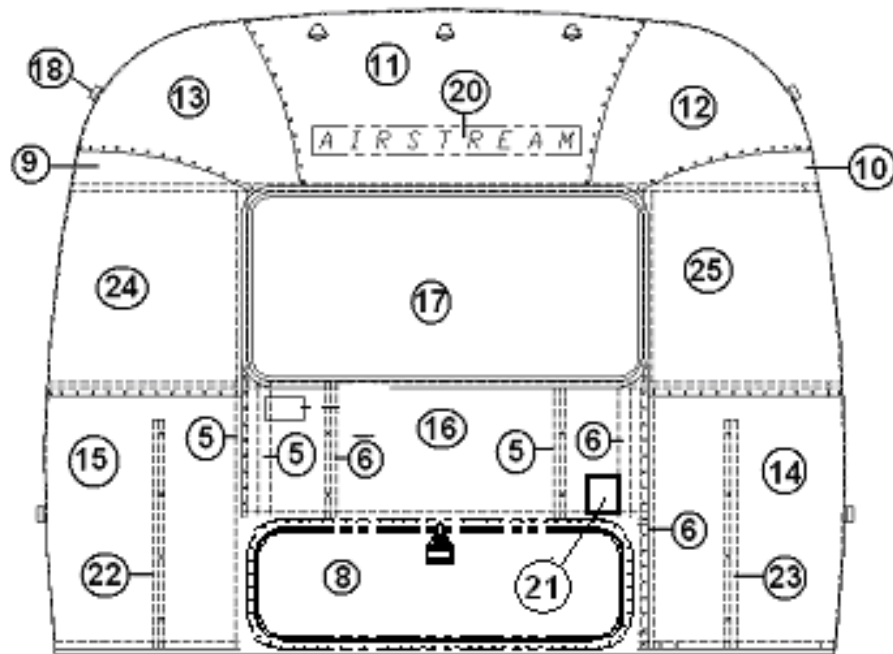
Front End, 28'

922676	Front end shell
1. 114993	End bow
2. 114676	Floor bow
3. 114678	Upper window bow
4. 114677	Lower window bow
5. 114505-01	Support, lower end, LH
6. 114505-02	Support, lower end, RH
7. 101315	Brace, vertical rear
8. 104408	Z-rib
9. 114888	Segment, center left
10. 114889	Segment, center right
11. 114893	Segment #25
12. 114890	Segment #26
13. 114891	Segment #27
14. 114894	Segment #28
15. 114895	Segment #29
16. 101115	Alum. sheet, .060" x 41.00" x 51"
17. 512226	Light, clearance, amber LED
18. 114849-03	Aluminum sheet, Pewter, 26" x 8"
19. 500096	Reflector, amber
20. 372089-101	Panoramic window, CS front
21. 372088-101	Panoramic window, RS front
22. 371346-02	WINDOW, 48.97" Front/Rear End
23. 101315-01	Brace, vertical, rear, LH
24. 101315-02	Brace, vertical, rear, RH

2012 INTERNATIONAL TRAVEL TRAILER

EXTERIOR SHELL

Front End, 27' FB, w/Panoramic Windows & 27FB EDDIE BAUER



Part Numbers are on the Next Page

2012 INTERNATIONAL TRAVEL TRAILER

EXTERIOR SHELL

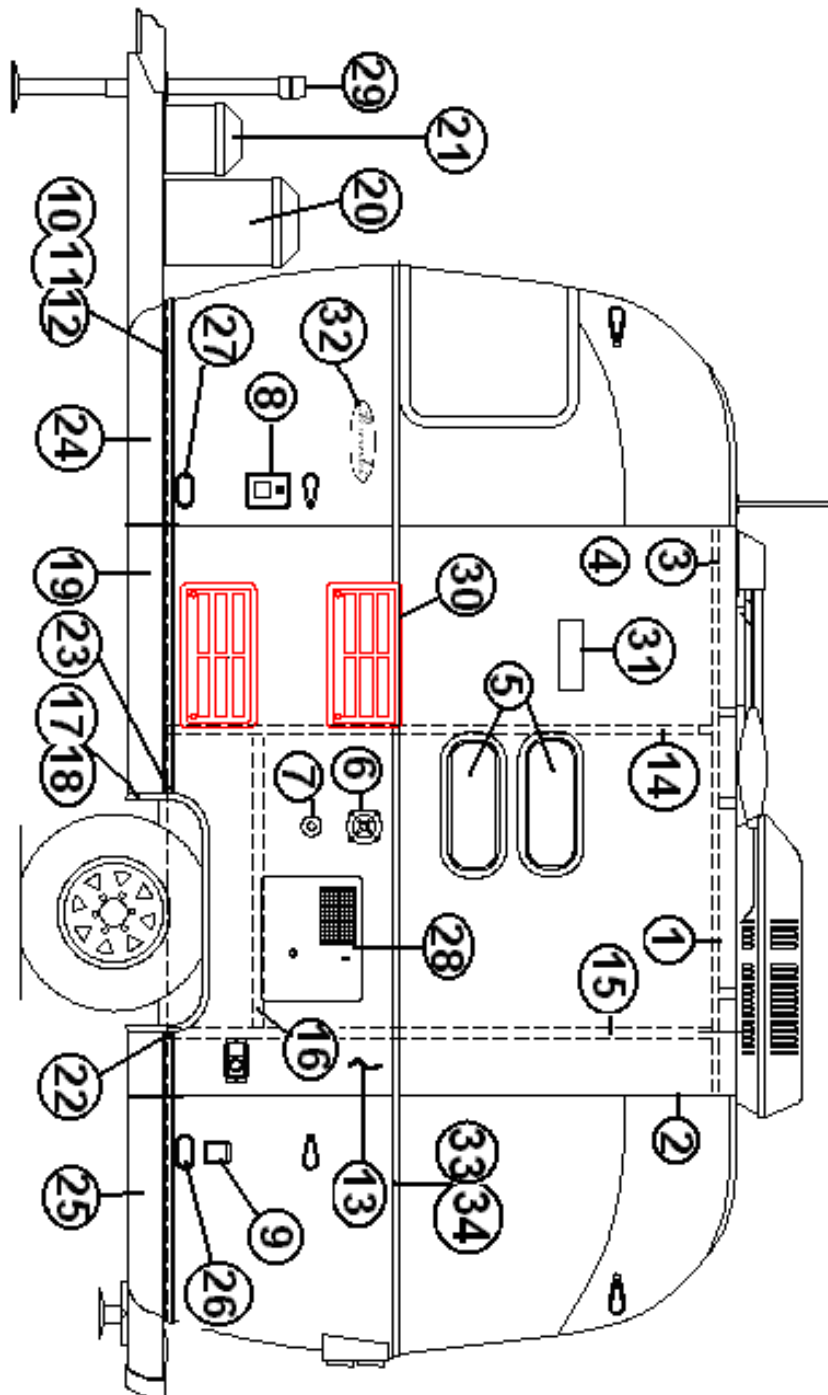
Front End, 27' FB, w/Panoramic Windows, 27FB EDDIE BAUER

921244-01	End shell, front w/Panoramic Windows, 27' FB
1. 114993	WELDMENT ZERO BOW "WB"
2. 114676	BOW FLOOR ALTERED
3. 114678	BOW UP WINDOW ALTERED
4. 114677	BOW LOWER WINDOW ALTERED
5. 114505-01	SUPPORT LOWER END SHELL LH
6. 114505-02	SUPPORT LOWER END RH
7. 101315	BRACE VERTICAL REAR
8. 922288-02	TRUNK DOOR ONLY W/ROUND CORNERS
9. 114888	SEGMENT-CENTER LEFT "BRIGHT"
10. 114889	SEGMENT-CENTER RIGHT "BRIGHT"
11. 114893	SEGMENT-#25 WIDE BODY "BRIGHT"
12. 114890	SEGMENT-#26 "BRIGHT"
13. 114891	SEGMENT-#27 "BRIGHT"
14. 114894	SEGMENT-#28 "BRIGHT"
15. 114895	SEGMENT-#29 "BRIGHT"
16. 114880-307	ALUMINUM, .040" X 51" X 307"
17. 371346-02	Window, 49.63 x 24.19", Silver handles
18. 512226	Light, clearance, amber LED
19. 114849-03	ALUMINUM, .060 26"W X 8' GRAY
20. 386150	AIRSTREAM LOGO, BLACK
21. 512401-02	Power inlet, generator prep
22. 101315-01	Vertical brace, LH
23. 101315-02	Vertical brace, RH
24. 372089-101	Panoramic window, CS front
25. 372088-101	Panoramic window, RS front

2012 INTERNATIONAL TRAVEL TRAILER

EXTERIOR SHELL

Roadside Wall, 16'



Part Numbers are on the Next Page

2012 INTERNATIONAL TRAVEL TRAILER

EXTERIOR SHELL

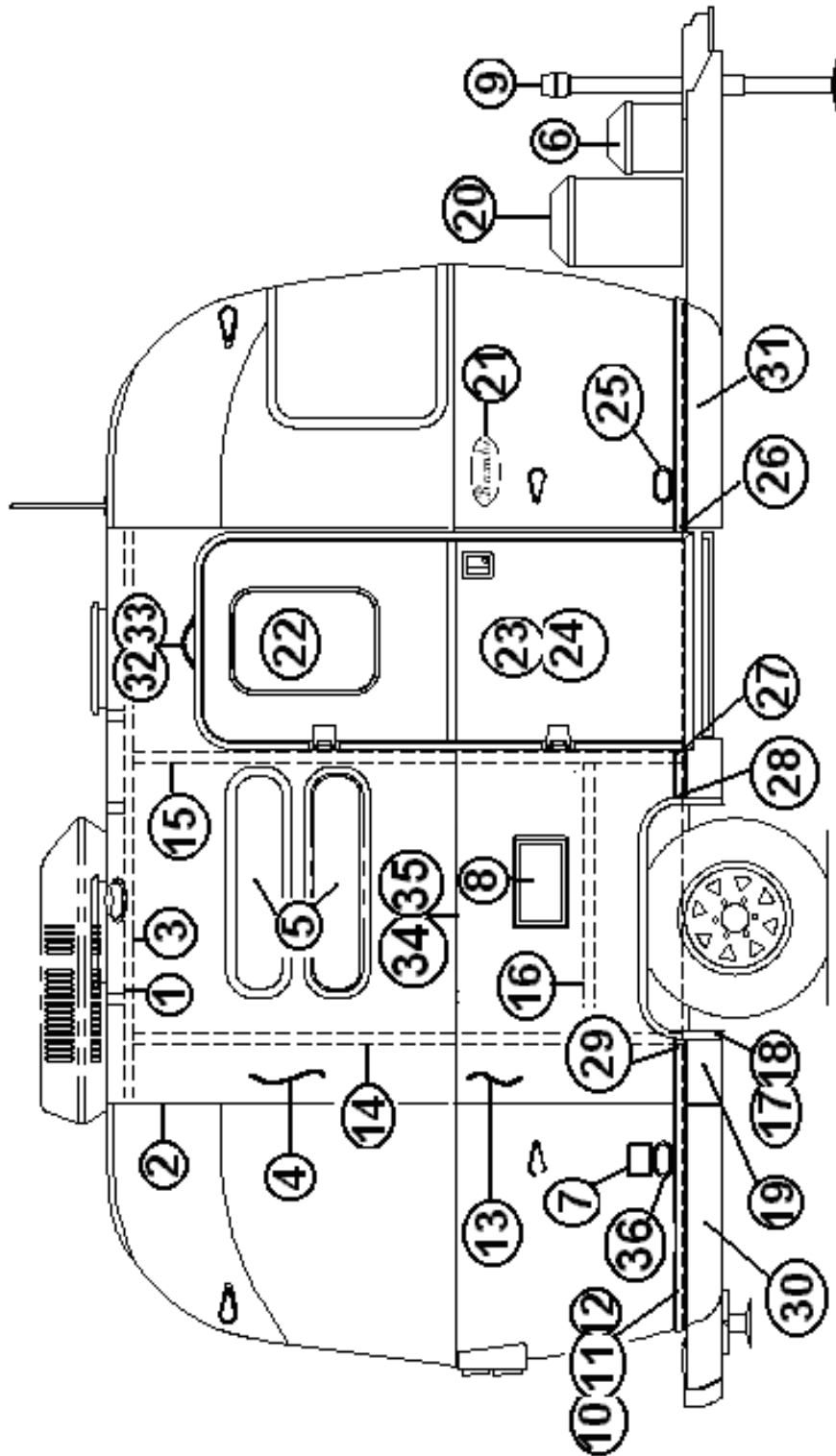
Roadside Wall, 16'

1. 114290-02 Extrusion, awning/drip rail
2. 114994 Rib, end bow
3. 104707-05 Extrusion, "I" beam
4. 114880-262 Aluminum sheet, .040 x 51 x 262"
5. 371269-01 Window, 18" stacked
6. 601392-05 City water hook up, chrome
7. 601441 SYSTEM, TANK FLUSH
8. 601194 WATER FILL W/LOCK, GRAY, W/LABEL
9. 512401-02 POWER INLET, 30A, 125V, MALE
10. 115546 Extrusion, rub rail
11. 201763-01 Insert, rub rail, chrome, 1"
12. 100986 Floor channel
13. 114879-262 Aluminum sheet, .040 x 33 x 262"
14. 114387-02 Bow, Z rib, LH
15. 114387-01 Bow, Z rib, RH
16. 100986 Wheel well stiffener (floor channel)
17. 114003-03 Wheel well trim, inner, single axle
18. 114004-03 Wheel well trim, outer, single axle
19. 203304 ROLL, UNDERBELLY, BLACK PLASTIC
20. 915778 COVER ASSY, LP BOTTLE
21. 511595 Battery box
22. 114466-01 Casting, rub rail end, wheel well, RH
23. 114466-02 Casting, rub rail end, wheel well, LH
24. 203303-01 BANANA WRAP BLACK RS FRONT
25. 203303-02 BANANA WRAP, BLACK RS REAR
26. 500095 Reflector, red, rectangular
27. 500096 Reflector, amber
28. 690209 BRUSHED ALUM ACCESS COVER
29. 400961 Jack, power
30. 690470-01 VENT-REFER-PLASTIC RADIUS CORNER
- 30a. 115038-01 Vent jamb
31. 511017-11 EXTERIOR VENT GRAY
32. 386125 NAMEPLATE, BAMBI, RED-WHITE-BLUE
33. 114328 Extrusion, beltline, chrome
34. 201912 Molding, beltline, chrome

2012 INTERNATIONAL TRAVEL TRAILER

EXTERIOR SHELL

Curbside Wall, 16'



Part Numbers are on the Next Page

2012 INTERNATIONAL TRAVEL TRAILER

EXTERIOR SHELL

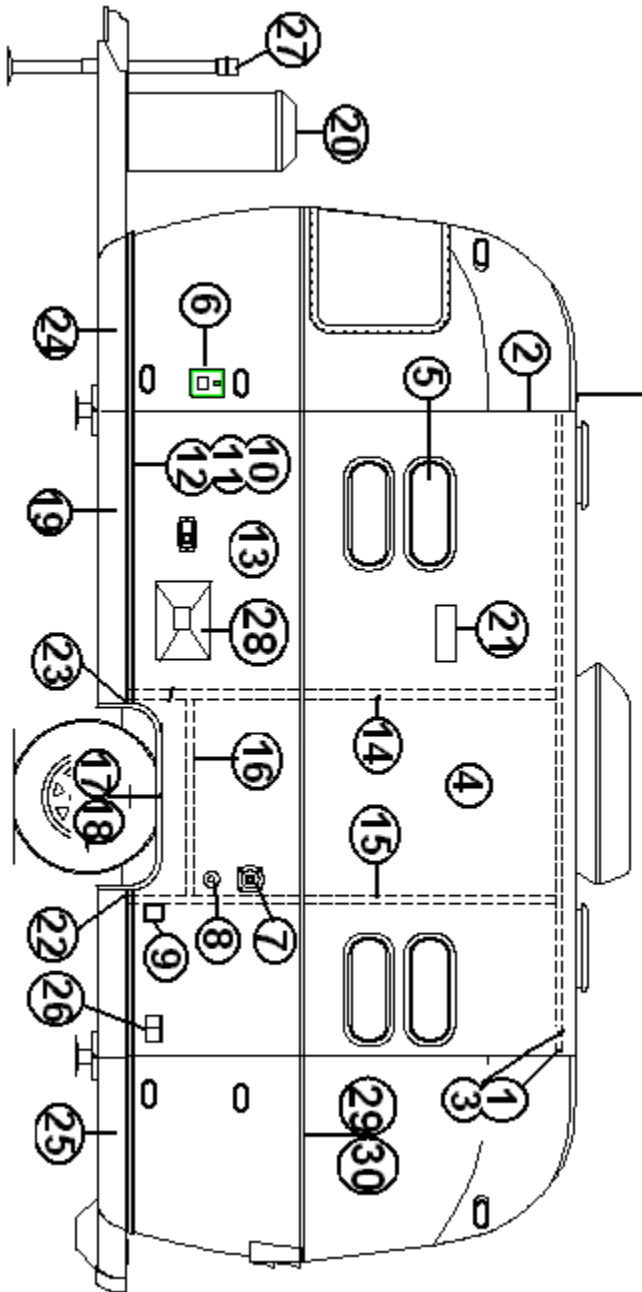
Curbside Wall, 16'

1. 114290-02 Extrusion, awning/drip rail
2. 114994 Rib, end bow
3. 104707-05 Extrusion, "I" beam
4. 114880-262 Aluminum sheet, .040 x 51 x 262"
5. 371270-01 WINDOW 30" STACK
6. 511595 Battery box
7. 500563-03 OUTLET, EXTERIOR, 120 VOLT, GREY
7. 512399 COVER, EXTERIOR OUTLET, GREY, W/P
8. 381766 HATCH, WATER SERVICE, 7.75" X 12.63"
9. 400961 Jack, power
10. 115546 Extrusion, rub rail
11. 201763-01 Insert, rub rail, chrome, 1"
12. 100986 Floor channel
13. 114879-262 Aluminum sheet, .040 x 33 x 262"
14. 114387-01 Bow, Z rib, RH
15. 114387-02 Bow, Z rib, LH
16. 100986 Wheel well stiffener (floor channel)
17. 114003-03 Wheel well trim, inner, single axle
18. 114004-03 Wheel well trim, outer, single axle
19. 203304 ROLL, UNDERBELLY, BLACK PLASTIC
20. 915778 COVER ASSY-LP BOTTLE
21. 386125 NAMEPLATE, BAMBI, RED-WHITE-BLUE
22. 371400-01 WINDOW-MAIN DOOR
23. 115207-04 Main door assembly
24. 114654 Screen door assembly
25. 114652 Jamb, main door, pre-formed
26. 114465-01 Casting, rub rail end, door, RH
27. 114465-02 Casting, rub rail end, door, LH
28. 114466-01 Casting, rub rail end, wheel well, RH
29. 114466-02 Casting, rub rail end, wheel well, LH
30. 203303-01 BANANA WRAP BLACK CS REAR
31. 203303-02 BANANA WRAP, BLACK CS FRONT
32. 101323 CASTING, ALUMINUM STEP, LIGHT POLISHED
33. 201185 LENS STEP LIGHT
34. 114328 Extrusion, beltline, chrome
35. 201912 Molding, beltline, chrome
36. 500095 Red reflector, rectangular

2012 INTERNATIONAL TRAVEL TRAILER

EXTERIOR SHELL

Roadside Wall, 19'



Part Numbers on the next page

2012 INTERNATIONAL TRAVEL TRAILER

EXTERIOR SHELL

Roadside Wall, 19'

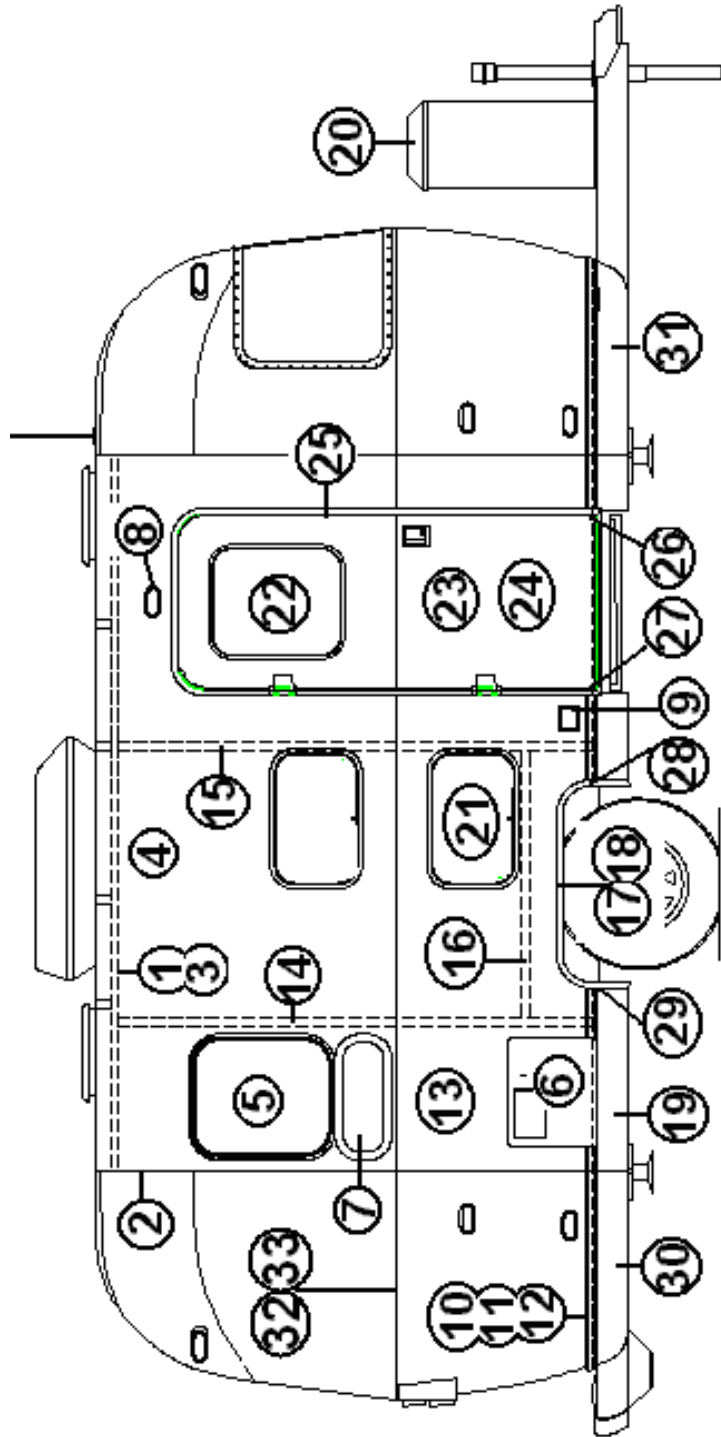
- | | |
|----------------|--|
| 1. 114290-02 | Extrusion, awning/drip rail |
| 2. 114994 | Rib, end bow |
| 3. 104707-05 | Extrusion, "I" beam |
| 4. 114880-201 | Aluminum sheet, upper, .040 x 51" x 201" |
| 5. 371269-01 | Window, 18" stacked |
| 6. 601194 | Water fill w/lock, gray |
| 6a. 381647 | CH 751 Key only |
| 7. 601392-05 | City water hook-up |
| 8. 601441 | System, Tank Flush |
| 9. 512401-02 | Power inlet, 30 amp. |
| 10. 115546 | Extrusion, rub rail |
| 11. 201763-01 | Insert, rub rail, chrome, 1" |
| 12. 100986 | Floor channel |
| 13. 114880-201 | Aluminum sheet, lower, .040 x 33" x 201" |
| 14. 114387-02 | Bow, Z rib, LH |
| 15. 114387-01 | Bow, Z rib, RH |
| 16. 100986 | Wheel well stiffener (floor channel) |
| 17. 114003-04 | Wheel well trim, inner, single axle |
| 18. 114004-04 | Wheel well trim, outer, single axle |
| 19. 101131-01 | Underbelly wrap, .024 x 22.5, pewter |
| 20. 921232 | Cover, 30# LPG bottles |
| 21. 511017-11 | Vent cover, range exhaust |
| 22. 114466-01 | Casting, rub rail end, wheel well, RH |
| 23. 114466-02 | Casting, rub rail end, wheel well, LH |
| 24.* 203251-01 | Banana wrap, RS front |
| 24. *203251-05 | Banana wrap, RS front - Haircell |
| 25. *203251-03 | Banana wrap, RS rear |
| 25. *203251-07 | Banana wrap RS rear - Haircell |
| 26. 512249 | TV cable hook up jack |
| 27. 400961 | Jack, power |
| 28. 601876 | Shower, exterior |
| 29. 114328 | Extrusion, beltline, chrome |
| 30. 201912 | Molding, beltline, chrome |

* Banana wraps went to Haircell on units in October of 2010.

2012 INTERNATIONAL TRAVEL TRAILER

EXTERIOR SHELL,

Curbside Wall, 19'



Part Numbers on the next page

2012 INTERNATIONAL TRAVEL TRAILER

EXTERIOR SHELL

Curbside Wall, 19'

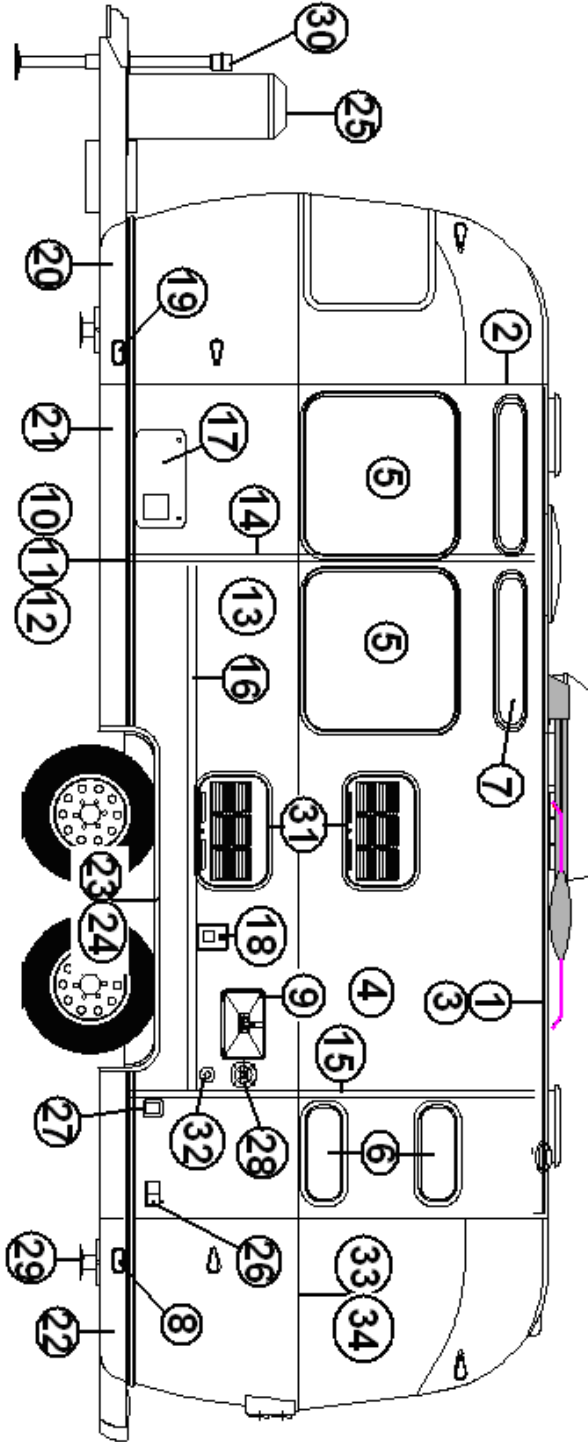
1. 114290-02	Extrusion, awning/drip rail
2. 114994	Rib, end bow
3. 104707-05	Extrusion, "I" beam
4. 114880-201	Aluminum sheet, upper, .040 x 51 x 201"
5. 371323-01	Window, 18" opening
6. 690259-03	Cover and mounting flange, Atwood
7. 371269-01	Window, 18" stacked
8. 101323	Casting, step light, polished
8. 201185	Lens, step light
9. 512401-02	30-amp, male power inlet
10. 115546	Extrusion, rub rail
11. 201763-01	Insert, rub rail, chrome, 1"
12. 100986	Floor channel
13. 114879-201	Aluminum sheet, lower, .040 x 33 x 201"
14. 114387-02	Bow, Z rib, LH
15. 114387-01	Bow, Z rib, RH
16. 100986	Wheel well stiffener (floor channel)
17. 114003-04	Wheel well trim, inner, single axle
18. 114004-04	Wheel well trim, outer, single axle
19. 101131-01	Underbelly wrap, .024 x 22.5,pewter
20. 921232	Cover, 30# LPG bottles
21. 922243	Door assembly, refrigerator assess
22. 371400-01	WINDOW-MAIN DOOR
23. 115207-04	Main door assembly
24. 114654	Screen door assembly
25. 114652	Jamb, main door, pre-formed
26. 114465-01	Casting, rub rail end, door, RH
27. 114465-02	Casting, rub rail end, door, LH
28. 114466-01	Casting, rub rail end, wheel well, RH
29. 114466-02	Casting, rub rail end, wheel well, LH
30. *203251-04	Banana wrap, CS rear
30.*203251-08	Banana wrap CS Rear – Haircell
31. *203251-02	Banana wrap, CS front
31.*203251-06	Banana wrap, CS front - Haircell
32. 114328	Extrusion, beltline, chrome
33. 201912	Molding, beltline, chrome

*Banana wraps changed to Haircell on units built October, 2010.

2012 INTERNATIONAL TRAVEL TRAILER

EXTERIOR SHELL

Roadside Wall, 23' D



Part Numbers on the next page

2012 INTERNATIONAL TRAVEL TRAILER

EXTERIOR SHELL

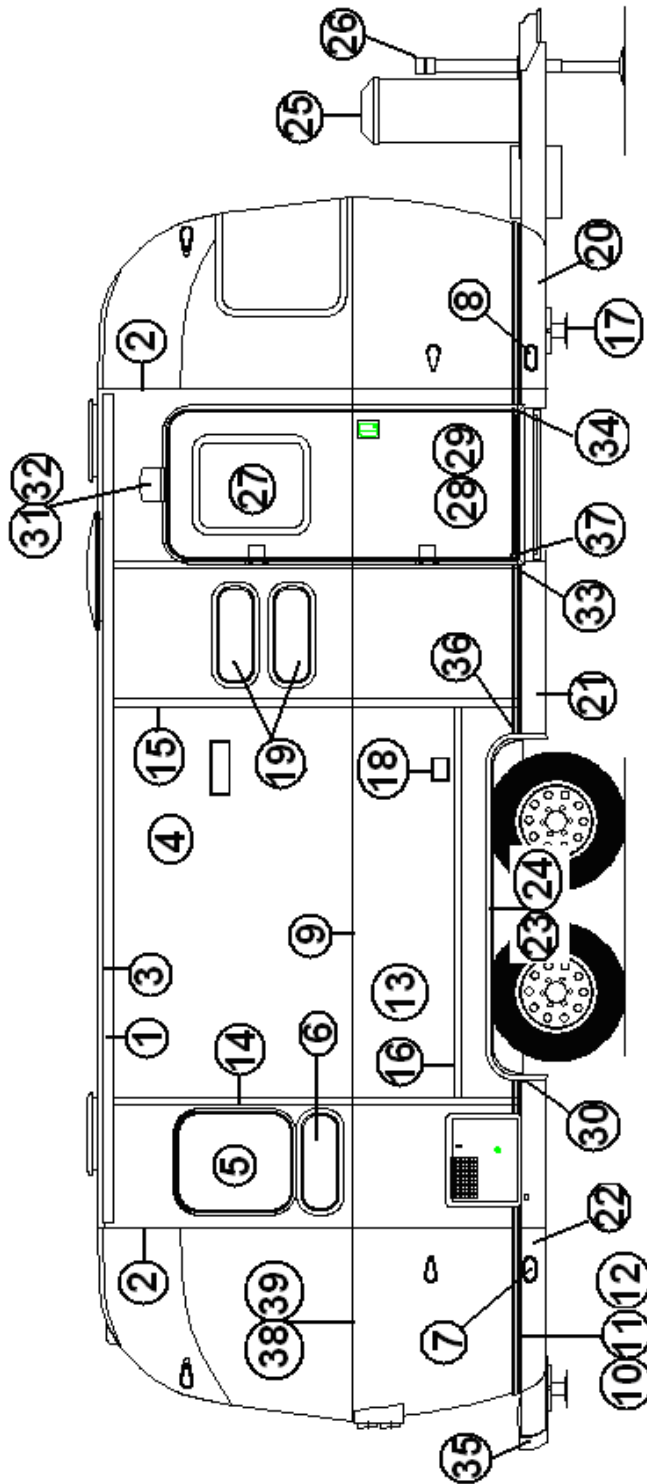
Roadside Wall, 23' D

1. 114290-01	Extrusion, awning/drip rail
2. 114994	Rib, end bow
3. 104707-05	Extrusion, "I" beam
4. 114880-201	Alum, sheet, upper, .040" x 51" x 201"
5. 371380	Window, 30" tall
6. 371269-01	Window, 18" fixed window
7. 922770-02	Vista View window, 30"
8. 500095	REFLECTOR RED
9. 601876	Shower, exterior
10. 115546	Extrusion, rub rail
11. 201763-01	Insert, rub rail, chrome, 1"
12. 100986	Floor channel
13. 114879-201	Alum. sheet, lower, .040" x 33" x 201"
14. 114387-01	Bow, Z rib, RH
15. 114387-02	Bow, Z rib, LH
16. 100986	Wheel well stiffener (floor channel)
17. 690274-09	Door exterior, Hydroflame
18. 601194	Water fill, exterior
19. 500096	REFLECTOR, AMBER
20. 200542-01	Banana wrap, RS front
21. 203304	ROLL, UNDERBELLY, BLACK PLASTIC
22. 200544-01	Banana wrap, RS rear
23. 684936	Wheel well trim, outer, tandem axle
24. 684937	Wheel well trim, inner, tandem axle
25. 921232	Bottle cover, LP
26. 512249	TV cable hook up jack
27. 512401-02	30-amp, male power inlet
27. *512401-02	30-amp, male power inlet
28. 601392-05	City water hook-up, chrome w/regulator
29. 400093	Stabilizer jack
29a. 400093-02	Handle, stabilizer jack
30. 400961	POWER JACK
31. 922243	Refer Access door
32. 601441	Black tank flush system
33. 114328	Extrusion, beltline, chrome
34. 201912	Molding, beltline, chrome

2012 INTERNATIONAL TRAVEL TRAILER

EXTERIOR SHELL

Curbside Wall, 23' D



Part Numbers on the next page

2012 INTERNATIONAL TRAVEL TRAILER

EXTERIOR SHELL

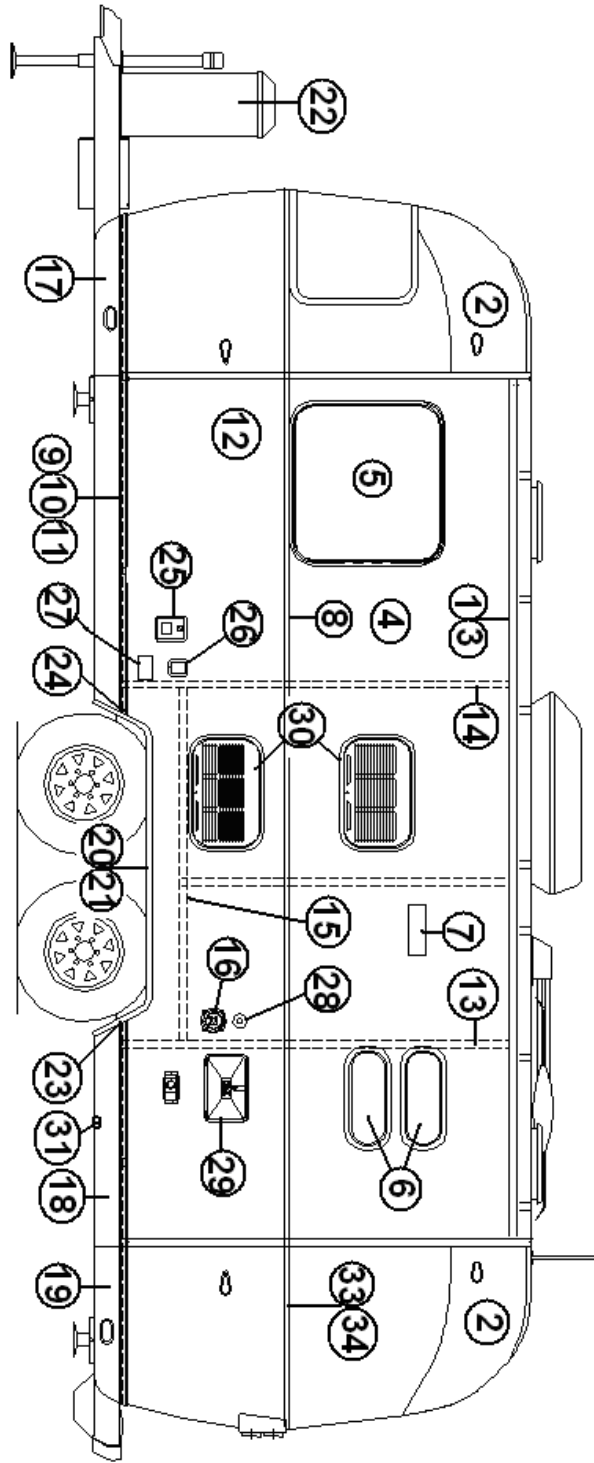
Curbside Wall, 23' D

1. 114290-01 Extrusion, awning/drip rail
2. 114994 Rib, end bow
3. 104707-05 Extrusion, "I" beam
4. 114880-201 Window sheet, .040" x 51" x 201"
5. 371323-01 Window, 18", opening window
6. 371269-01 Window, 18" stacked
7. 500096 REFLECTOR, AMBER
8. 500095 REFLECTOR RED
9. 100034 "Z" bar 48"
10. 115546 Extrusion, rub rail
11. 201763-01 Insert, rub rail, chrome, 1"
12. 100986 Floor channel
13. 114879-201 Side sheet, .040" x 33" x 201"
14. 114387-01 Bow, Z rib, RH
15. 114387-02 Bow, Z rib, LH
16. 100986 Wheel well stiffener (floor channel)
17. 400093 Stabilizer jack, 20"
17. 400093-02 Handle, stabilizer jack
18. 500563-03 Outlet, exterior, 120V gray
18. *512399 Cover, exterior outlet, gray, W/P
19. 371269-01 Window, 18" stacked
20. 200543-01 Banana wrap, CS front
21. 203304 ROLL, UNDERBELLY, BLACK PLASTIC
22. 200545-01 Banana wrap, CS rear
23. 684936 Wheel well trim, outer, tandem axle
24. 684937 Wheel well trim, inner, tandem axle
25. 921232 Bottle cover, LP
26. 400961 POWER JACK
26. 410598 FOOT PAD, POWER JACK
27. 371400-01 Window, main door
28. 115207-04 Main door assembly
29. 114654 Screen door assembly
30. 114466-02 Casting, rub rail end, wheel well, LH
31. 101323 Casting, main door light
32. 201185 Lens, main door light
33. 114465-02 Close out rub rail, LH
34. 114465-01 Close out rub rail, RH
35. 410932 Bumper, polished
36. 114466-01 Casting, rub rail end, wheel well, RH
37. 114466-02 Casting, rub rail end, wheel well
38. 114328 Extrusion, beltline, chrome
39. 201912 Molding, beltline, chrome

2012 INTERNATIONAL TRAVEL TRAILER

EXTERIOR BODY

Wall, Roadside, 23' Front Bed



Part numbers are on the next page

2012 INTERNATIONAL TRAVEL TRAILER

EXTERIOR BODY

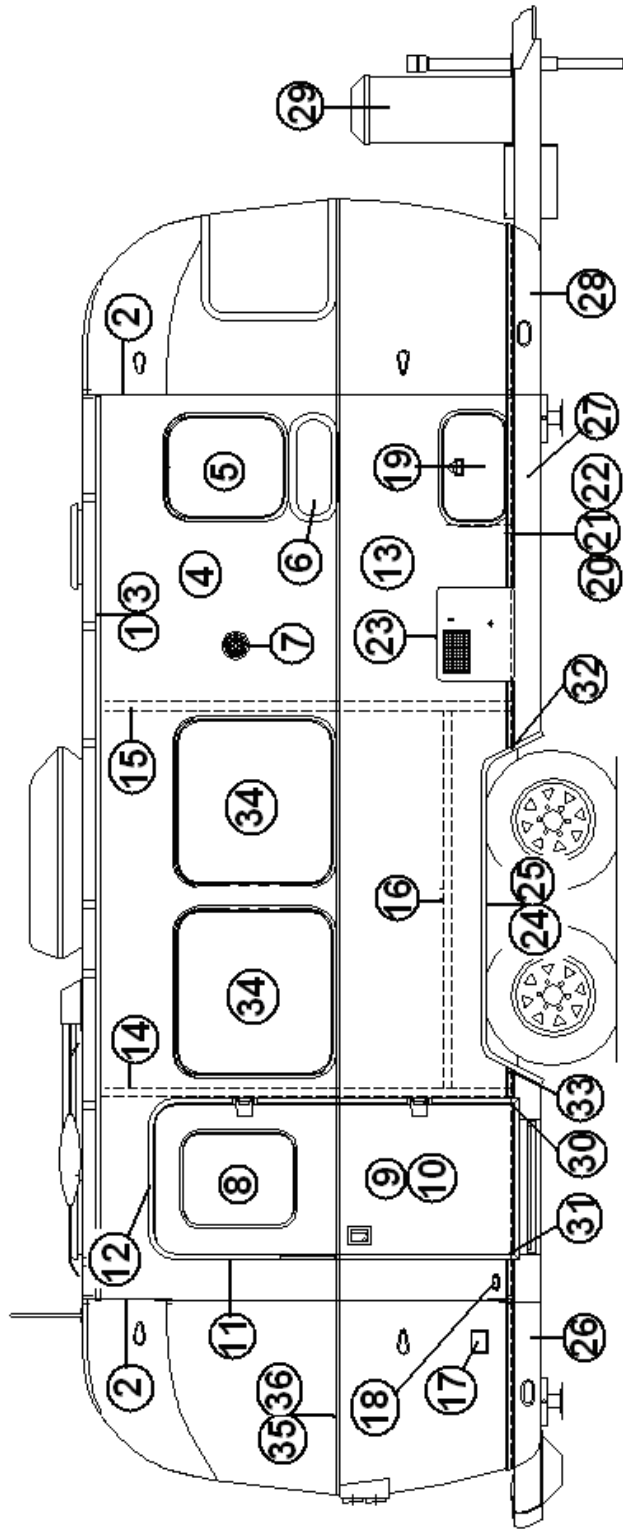
Wall, Roadside, 23' Front Bed

1. 114290-01 Extrusion, awning/drip rail
2. 114994 Rib, end bow
3. 104707-05 Extrusion, "I" beam
4. 114880-201 Sheet, upper, .040" x 51" x 201"
5. 371380-01 Window, 30" opening egress
6. 371269-01 Window 18" stack
7. 511017-11 Vent cover, range exhaust
8. 100034 "Z" bar, 48"
9. 115546 Extrusion, rub rail
10. 201763-01 Insert, rub rail, chrome, 1"
11. 100986 Floor channel
12. 114879-201 Sheet, lower, .040" x 33" x 201"
13. 114387-01 Bow, Z rib, RH
14. 114387-02 Bow, Z rib, LH
15. 100986 Wheel well stiffener (floor channel.
16. 601392-05 City, water hook up
17. 200542-01 Wrap, underbelly, RS front, haircell
18. 203304 Roll, underbelly, black plastic
19. 200544-01 Wrap, underbelly, RS rear, haircell
20. 684936 Wheel well trim, inner, tandem axle
21. 684937 Wheel well trim, outer, tandem axle
22. 921232 Cover, 30# LPG bottles
23. 114466-01 Casting, rub rail end, wheel well, RH
24. 114466-02 Casting, rub rail end, wheel well, LH
25. 601194 Water fill w/lock
26. 512401-02 Power inlet, 30A, 125V
27. 512249 TV cable hook up jack
28. 601197-02 Water hook-up for black tank FLUSH
29. 601876 Shower, exterior, white
30. 922243 Refer Access door
31. 510658 Switch, w/ weather proof boot
32. 511361 Light, flush mount, half moon, black (not shown)
33. 201912 Molding, belt line insert, chrome
34. 114328 Extrusion, belt line molding

2012 INTERNATIONAL TRAVEL TRAILER

EXTERIOR BODY

Wall, Curbside, 23' Front Bed



Part numbers are on the next page

2012 INTERNATIONAL TRAVEL TRAILER

EXTERIOR BODY

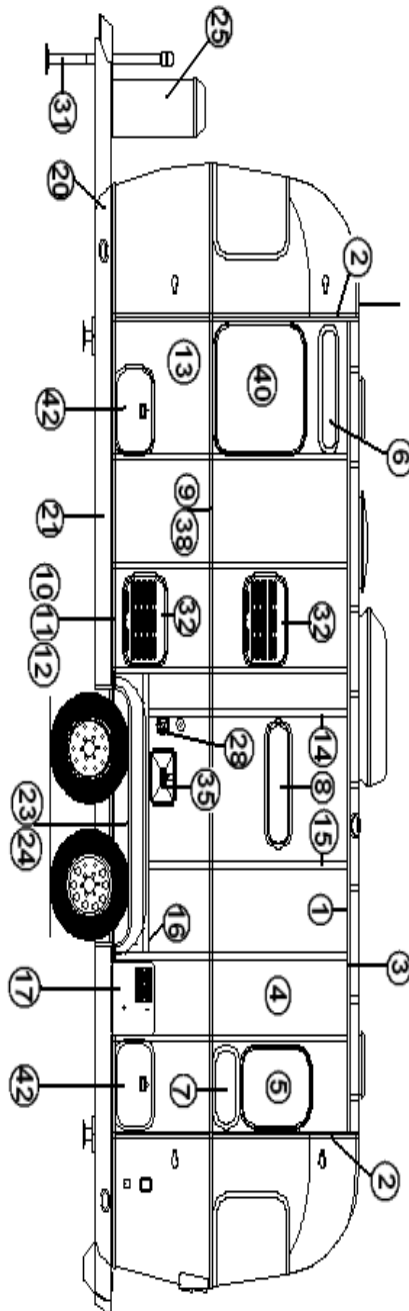
Wall, Curbside, 23' Front Bed

1. 114290-01 Extrusion, awning/drip rail
2. 114994 Rib, end bow
3. 104707-05 Extrusion, "I" beam
4. 114880-201 Sheet, upper, .040" x 51" x 201"
5. 371323-01 Window, 18" opening
6. 371269-01 Window 18" stack
7. 512532 Patio light, round, L.E.D.
8. 371400-01 Window, main door, etched
9. 115207-05 Main door assembly
10. 114654-01 Screen door assembly
11. 114652-01 Jamb, main door
12. 114363 Drip cap, main door
13. 114879-201 Sheet, lower, .040" x 33" x 201"
14. 114387-01 Bow, Z rib, RH
15. 114387-02 Bow, Z rib, LH
16. 100986 Wheel well stiffener(floor channel.
17. 500563-03 Recept, white, 15 A#WRDU15-WT
512399 Cover, ext. outlet, gray W/P
18. 512252 Step light, L.E.D., SS
19. 100679-01 Side access door assembly
20. 115546 Extrusion, rub rail
21. 201763-01 Insert, rub rail, chrome, 1"
22. 100986 Floor channel
23. 690209 Access door, Atwood
24. 684936 Wheel well trim, inner, tandem axle
25. 684937 Wheel well trim, outer, tandem axle
26. 200545-01 Wrap, underbelly, CS rear, haircell
27. 203304 Roll, underbelly, black plastic
28. 200543-01 Wrap, underbelly, CS front, haircell
29. 921232 Cover, 30# LPG bottles
30. 114465-01 Casting, rub rail end, door, RH
31. 114465-02 Casting, rub rail end, door, LH
32. 114466-01 Casting, rub rail end, wheel well, RH
33. 114466-02 Casting rub rail end, wheel well, LH
34. 371380 Window, 30" tall, opening
35. 201912 Molding, belt line insert, chrome
36. 114328 Extrusion, belt line molding

2012 INTERNATIONAL TRAVEL TRAILER

EXTERIOR BODY

Wall, Roadside, 25 International



Parts Listed on Next Page

2012 INTERNATIONAL TRAVEL TRAILER

EXTERIOR BODY

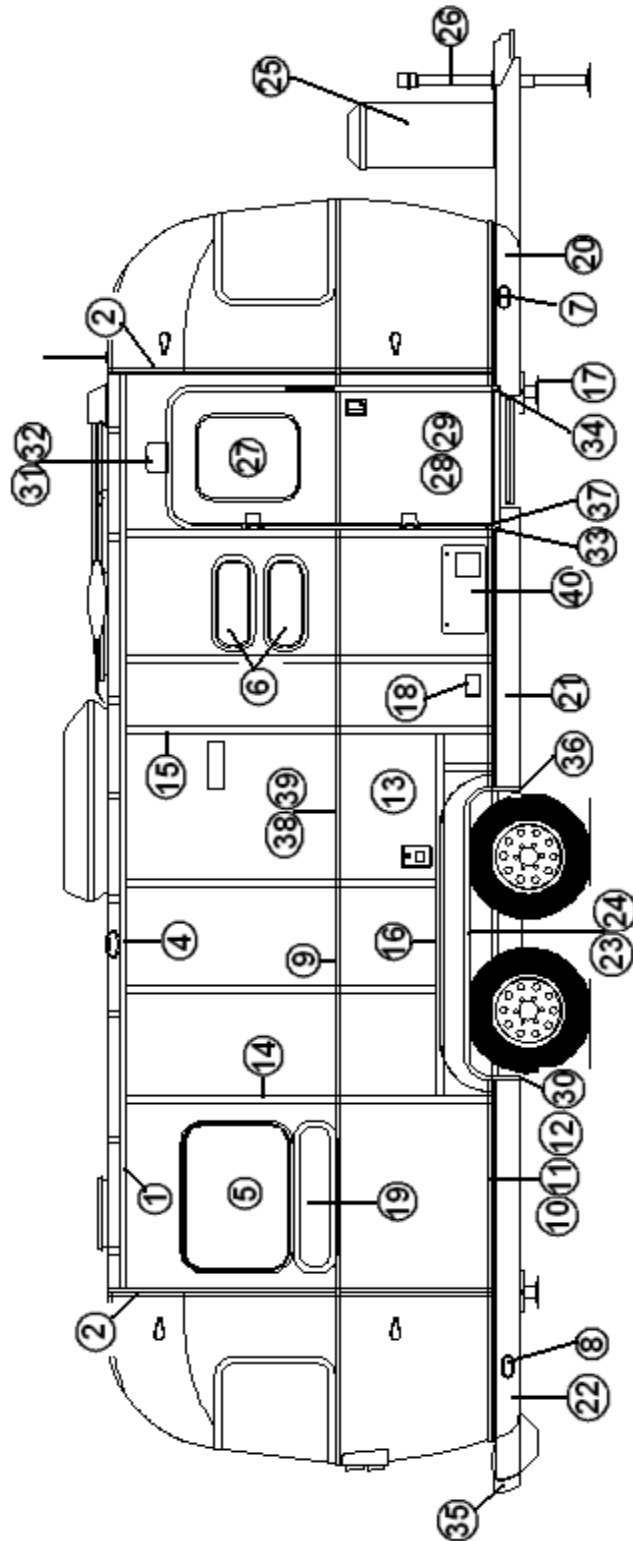
Wall, Roadside, 25 International

1.	114290-01	Extrusion, awning/drip rail
2.	114993	Rib, end bow
3.	104707-01	Extrusion, "1" beam
4.	114880-307	Alum, sheet, upper, .040" x 51" x307"
5.	371323-01	Window, 18", opening window
6.	922770-02	VISTA VIEW - 30"
7.	371269-01	Window, 18" stacked
8.	371270-01	Window, 30" stacked
9.	114328	Extrusion, beltline, chrome
10.	115546	Extrusion, rub rail
11.	201763-01	Insert, rub rail, chrome, 1"
12.	100986	Floor channel
13.	114879-262	Alum. sheet, lower, .040" x 33" x262"
14.	114387-01	Bow, Z rib, RH
15.	114387-02	Bow, Z rib, LH
16.	100986	Wheel well stiffener (floor channel)
17.	690209	Access door, Atwood water heater
20.	200542-01	Banana wrap, RS front
21.	101131-01	Underbelly wrap, .024" x 22.5", Pewter
22.	200544-01	Banana wrap, RS rear haircell
23.	684936	Wheel well trim, outer, tandem axle
24.	684937	Wheel well trim, inner, tandem axle
25.	921232	Bottle cover, LP
28.	601392-05	City water hook-up, chrome w/regulator
29.	400093-01	Stabilizer jack, each
29A.	400093-02	Handle, stabilizer jack
31.	400961	Jack, Power
32.	922243	Refer access door, 104417 Jamb
35.	601876	Shower, exterior, white
36.	601441	Black tank Flush
38.	201912	Molding, beltline, chrome
40.	371380	Window 30" Opening, Tall
42.	100679-01	Side Access Door
	512226	Clearance Light, Amber
	512227	Clearance Light, Red
	510446	Reflector, red stick on

2012 INTERNATIONAL TRAVEL TRAILER

EXTERIOR BODY

Wall, Curbside, 25 International



PARTS LISTED ON NEXT PAGE

2012 INTERNATIONAL TRAVEL TRAILER

EXTERIOR BODY

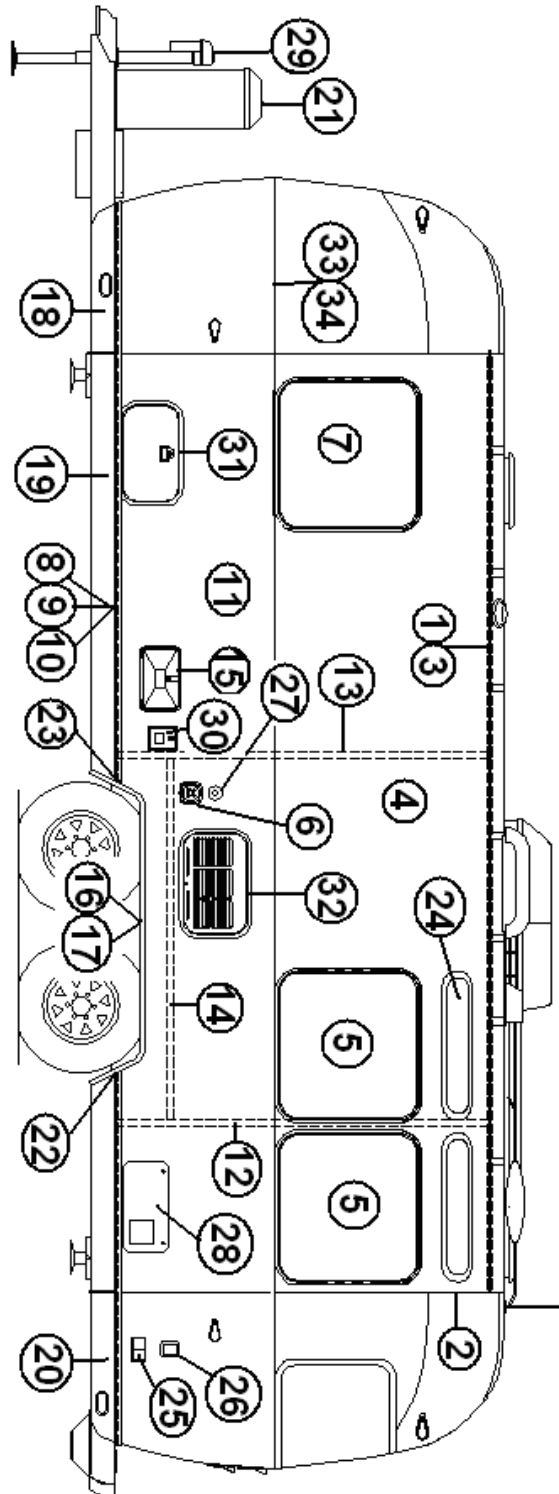
Wall, Curbside, 25 International

1. 114290-01 Extrusion, awning/drip rail
2. 114993 Rib, end bow
3. 104707-01 Extrusion "I" beam
4. 114880-201 Window sheet, .040" x 51" x 201"
5. 371323-01 Window, 18", opening window
6. 371269-01 Window, 18" stacked
7. 500096 REFLECTOR, AMBER
8. 500095 REFLECTOR RED
9. 100034 "Z" bar 48"
10. 115546 Extrusion, rub rail
11. 201763-01 Insert, rub rail, chrome, 1"
12. 100986 Floor channel
13. 114879-201 Side sheet, .040" x 33" x 201"
14. 114387-01 Bow, Z rib, RH
15. 114387-02 Bow, Z rib, LH
16. 100986 Wheel well stiffener (floor channel)
17. 400093 Stabilizer jack, 20"
17. 400093-02 Handle, stabilizer jack
18. 500563-03 Outlet, exterior, 120V gray
18. 512399 Cover, exterior outlet, gray, W/P
19. 371270-01 Window, 30" stacked
20. 200543-01 Banana wrap, CS front
21. 101131-01 UNDERBELLY, 22.5"wide, Pewter
22. 200545-01 Banana wrap, CS rear
23. 684936 Wheel well trim, outer, tandem axle
24. 684937 Wheel well trim, inner, tandem axle
25. 921232 Bottle cover, LP
26. 400961 POWER JACK
26. 410598 FOOT PAD, POWER JACK
27. 371400-01 Window, main door
28. 115207-04 Main door assembly
29. 114654 Screen door assembly
30. 114466-02 Casting, rub rail end, wheel well, LH
31. 101323 Casting, main door light
32. 201185 Lens, main door light
33. 114465-02 Close out rub rail, LH
34. 114465-01 Close out rub rail, RH
35. 410831 Bumper
36. 114466-01 Casting, rub rail end, wheel well, RH
37. 114466-02 Casting, rub rail end, wheel well
38. 114328 Extrusion, beltline, chrome
39. 201912 Molding, beltline, chrome
40. 690274-09 Door, Exterior Silver

2012 INTERNATIONAL TRAVEL TRAILER

EXTERIOR BODY

Roadside Wall, 25' Front Bed



Part Numbers are on the Next Page

2012 INTERNATIONAL TRAVEL TRAILER

EXTERIOR BODY

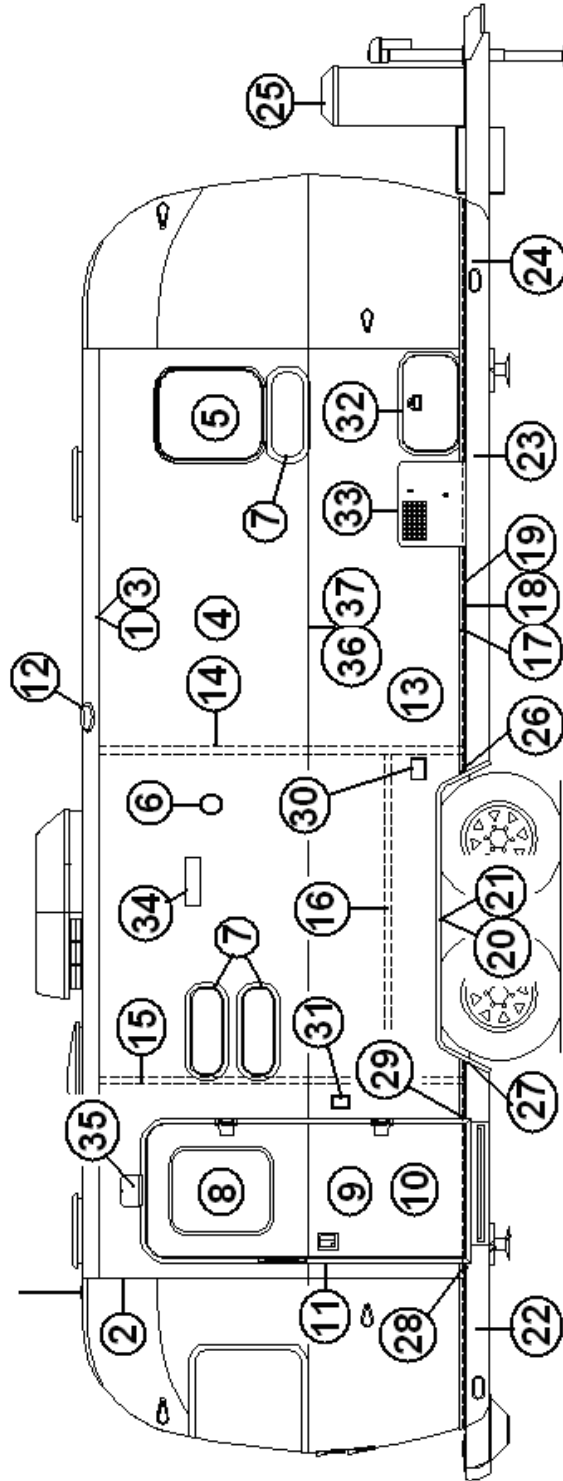
Roadside Wall, 25' Front Bed

1. 114290-01 Extrusion, awning/drip rail
2. 114993 Rib, end bow
3. 104707-01 Extrusion, "I" beam
4. 114880-201 Alum. sheet, upper, .040" x 51" x 201"
5. 371380 Window, 30" opening, tall
6. 601392-05 City water hook-up
7. 371380-01 30" egress window
8. 115546 Extrusion, rub rail
9. 201763-01 Insert, rub rail, chrome, 1"
10. 100986 Floor channel
11. 114879-201 Alum. sheet, lower, .040" x 33" x 201"
12. 114387-01 Bow, Z rib, RH
13. 114387-02 Bow, Z rib, LH
14. 100986 Wheel well stiffener (floor channel)
15. 601876 Shower, exterior, white
16. 684936 Wheel well trim, outer, tandem axle
17. 684937 Wheel well trim, inner, tandem axle
18. 200542-01 Banana wrap, RS front
19. 101131-01 Underbelly wrap, .024" x 22.5", Pewter
20. 200544-01 Banana wrap, RS rear
21. 921232 Cover, 30# LPG bottles
22. 114466-01 Casting, rub rail end, wheel well, RH
23. 114466-02 Casting, rub rail end, wheel well, LH
24. 922770-02 Vista View Window, 30"
25. 512249 TV cable hook up jack
26. 512401-02 POWER INLET, 30A, 125V, MALE. GRAY
27. 601441 Black tank Flush
28. 690274-09 Door exterior, Hydroflame
29. 400961 POWER JACK
30. 601194 Water fill w/lock, gray w/label
31. 100679-01 Side Access Door Assembly
32. 922243 Refer Access door
33. 114328 Extrusion, beltline, chrome
34. 201912 Molding, beltline, chrome

2012 INTERNATIONAL TRAVEL TRAILER

EXTERIOR BODY

Curbside Wall, 25' Front Bed



Part Numbers are on the Next Page

2012 INTERNATIONAL TRAVEL TRAILER

EXTERIOR BODY

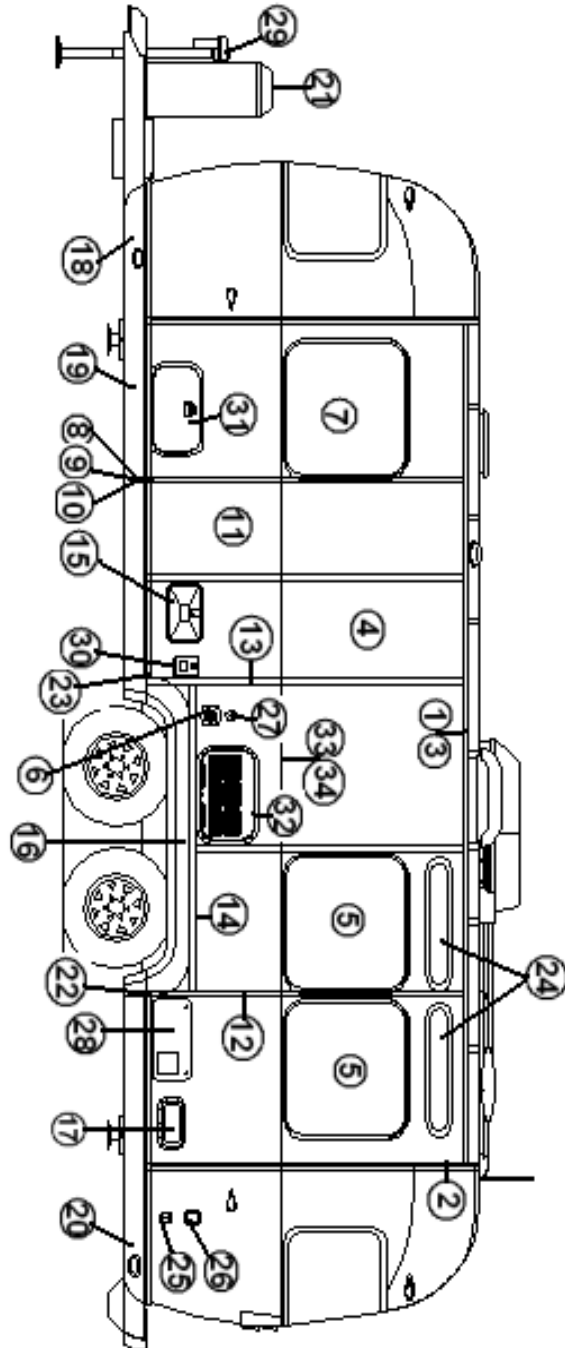
Curbside Wall, 25' Front Bed

1. 114290-01	Extrusion, awning/drip rail
2. 114993	Rib, end bow
3. 104707-05	Extrusion, "I" beam
4. 114880-201	Alum. sheet, upper, .040" x 51" x 201"
5. 371323-01	Window, 18" opening
6. 512532	Flood light and lens, L.E.D.
7. 371269-01	Window, 18" stack
8. 371400-01	Window, main door, etched
9. 114654-01	Screen door assembly, RH hinge
10. 115207-06	Main door assembly RH hinge
11. 114652-01	Jamb, main door, RH hinge
12. 690266-01	Shower roof vent
13. 114879-201	Alum. sheet, lower, .040" x 33 x 201"
14. 114387-01	Bow, Z rib, RH
15. 114387-02	Bow, Z rib, LH
16. 100986	Wheel well stiffener (floor channel.
17. 115546	Extrusion, rub rail
18. 201763-01	Insert, rub rail, chrome, 1"
19. 100986	Floor channel
20. 684936	Wheel well trim, outer, tandem axle
21. 684937	Wheel well trim, inner, tandem axle
22. 200545-01	Banana wrap, CS rear
23. 101131-01	Underbelly wrap, .024" x 22.5, Pewter
24. 200543-01	Banana wrap, CS front
25. 921232	Cover, 30# LPG bottles
26. 114466-01	Casting, rub rail end, wheel well, RH
27. 114466-02	Casting, rub rail end, wheel well, LH
28. 114465-02	CASTING CLOSEOUT, RUB RAIL LH
29. 114465-01	CASTING CLOSEOUT, RUB RAIL RH
30. 500563-03	RECEPT-WHITE 15 A#WRDU15-WT
30. 512399	COVER-EXT.OUTLET GREY W/P
31. 510732-02	UTILITY LIGHT #1327
32. 100679-01	Side Access Door Assembly
33. 690602	Water Heater
34. 511017-11	EXTERIOR VENT GRAY
35. 101323	CASTING, STEPLIGHT
36. 114328	Extrusion, beltline, chrome
37. 201912	Molding, beltline, chrome

2012 INTERNATIONAL TRAVEL TRAILER

EXTERIOR BODY

Roadside Wall, 25' Front Bed, EDDIE BAUER



Part Numbers are on the Next Page

2012 INTERNATIONAL TRAVEL TRAILER

EXTERIOR BODY

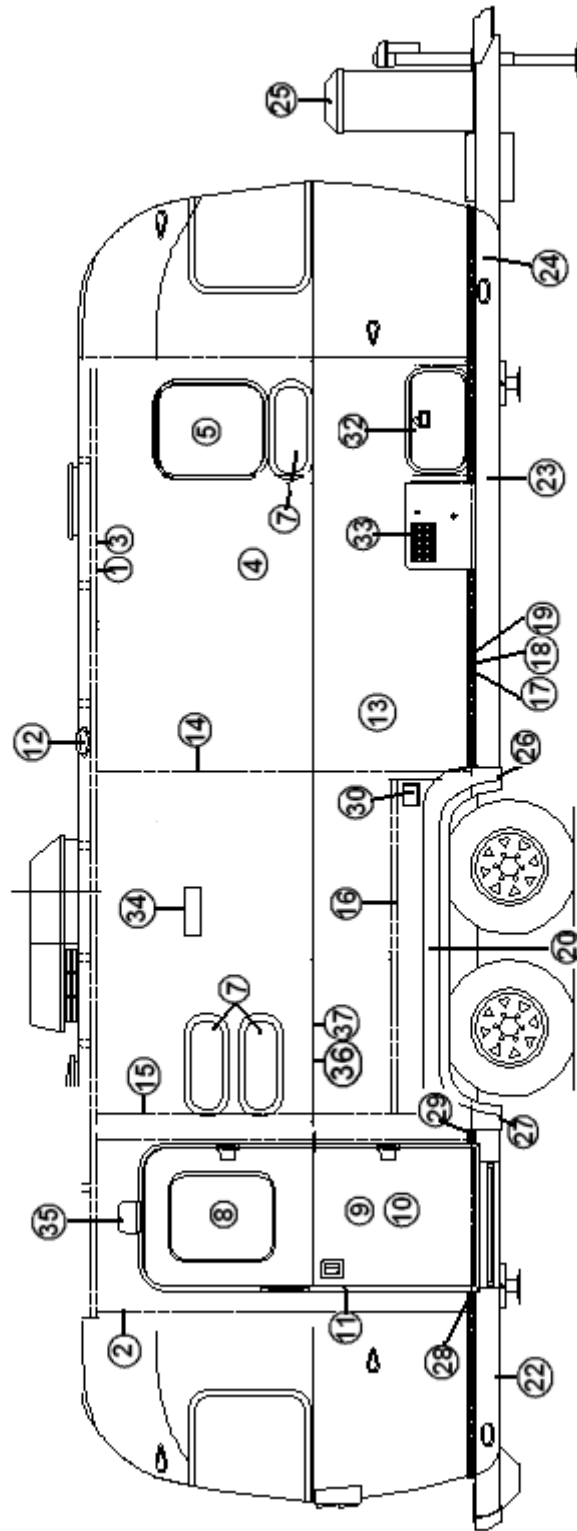
Roadside Wall, 25' Front Bed, EDDIE BAUER

1. 114290-01 Extrusion, awning/drip rail
2. 114993 Rib, end bow
3. 104707-01 Extrusion, "I" beam
4. 114880-201 Alum. sheet, upper, .040" x 51" x 201"
5. 371380 Window, 30" opening, tall
6. 601392-05 City water hook-up
7. 371380-01 30" egress window
8. 115546 Extrusion, rub rail
9. 201763-01 Insert, rub rail, chrome, 1"
10. 100986 Floor channel
11. 114879-201 Alum. sheet, lower, .040" x 33" x 201"
12. 114387-01 Bow, Z rib, RH
13. 114387-02 Bow, Z rib, LH
14. 100986 Wheel well stiffener (floor channel)
15. 601876 Shower, exterior, white
16. 203711 Fender Flare
17. 382020 Vent, Low Profile, Aluminum
18. 200542-01 Banana wrap, RS front
19. 101131-01 Underbelly wrap, .024" x 22.5", Pewter
20. 200544-01 Banana wrap, RS rear
21. 921232 Cover, 30# LPG bottles
22. 114466-01 Casting, rub rail end, wheel well, RH
23. 114466-02 Casting, rub rail end, wheel well, LH
24. 922770-02 Vista View Window, 30"
25. 512249 TV cable hook up jack
26. 512401-02 POWER INLET, 30A, 125V, MALE. GRAY
27. 601441 Black tank Flush
28. 690274-09 Door exterior, Hydroflame
29. 400961 Power Jack
30. 601194 Water fill w/lock, gray w/label
31. 100679-01 Side Access Door Assembly
32. 922243 Refer Access door
33. 114328 Extrusion, beltline, chrome
34. 203713 Beltline Molding, Moss

2012 INTERNATIONAL TRAVEL TRAILER

EXTERIOR BODY

Curbside Wall, 25' Front Bed, Eddie Bauer



Parts Listed On Next Page

2012 INTERNATIONAL TRAVEL TRAILER

EXTERIOR BODY

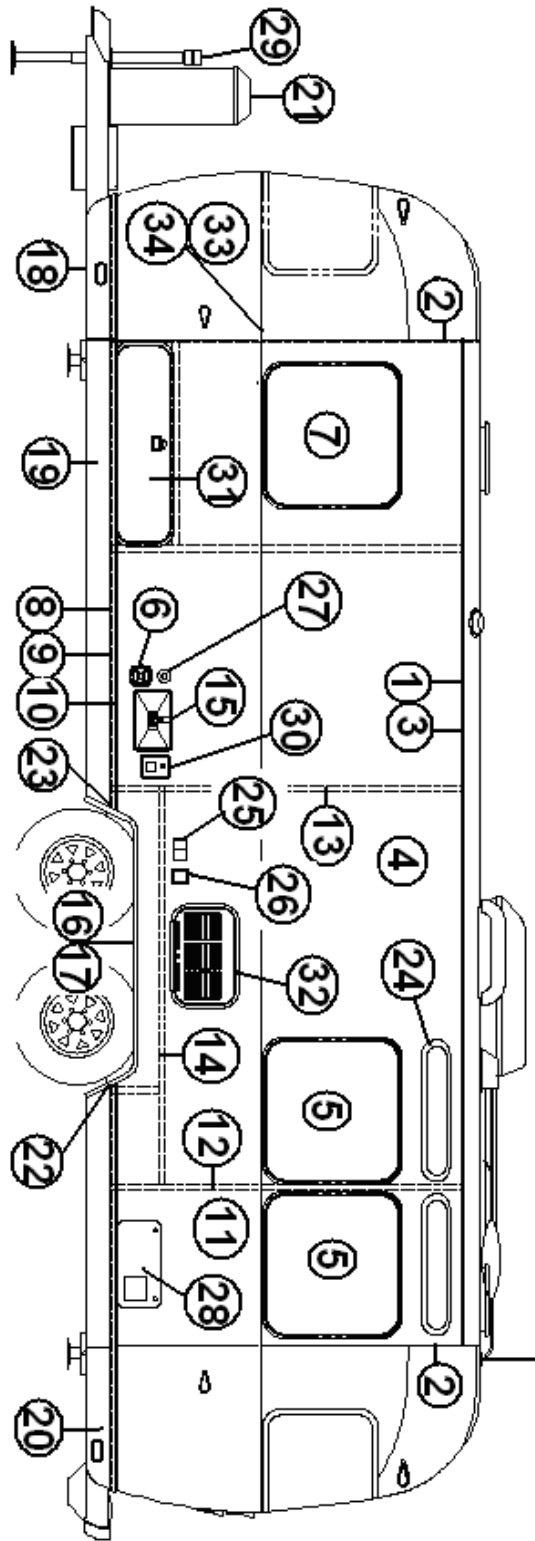
Curbside Wall, 25' Front Bed, Eddie Bauer

1. 114290-01 Extrusion, awning/drip rail
2. 114993 Rib, end bow
3. 104707-05 Extrusion, "I" beam
4. 114880-201 Alum. sheet, upper, .040" x 51" x 201"
5. 371323-01 Window, 18" opening
7. 371269-01 Window, 18" stack
8. 371400-01 Window, main door, etched
9. 114654-01 Screen door assembly, RH hinge
10. 115207-06 Main door assembly RH hinge
11. 114652-01 Jamb, main door, RH hinge
12. 690266-01 Shower roof vent
13. 114879-201 Alum. sheet, lower, .040" x 33 x 201"
14. 114387-01 Bow, Z rib, RH
15. 114387-02 Bow, Z rib, LH
16. 100986 Wheel well stiffener - floor channel.
17. 115546 Extrusion, rub rail
18. 201763-01 Insert, rub rail, chrome, 1"
19. 100986 Floor channel
20. 203711 Fender Flare
22. 200545-01 Banana wrap, CS rear
23. 101131-01 Underbelly wrap, .024" x 22.5, Pewter
24. 200543-01 Banana wrap, CS front
25. 921232 Cover, 30# LPG bottles
26. 114466-01 Casting, rub rail end, wheel well, RH
27. 114466-02 Casting, rub rail end, wheel well, LH
28. 114465-02 CASTING CLOSEOUT, RUB RAIL LH
29. 114465-01 CASTING CLOSEOUT, RUB RAIL RH
30. 500563-03 RECEIPT-WHITE 15 A#WRDU15-WT
30. 512399 COVER-EXT.OUTLET GREY W/P
32. 100679-01 Side Access Door Assembly
33. 690602 Water Heater
34. 511017-11 EXTERIOR VENT GRAY
35. 101323 CASTING, STEPLIGHT
36. 114328 Extrusion, beltline, chrome
- 37.203713 Molding, beltline, Moss

2012 INTERNATIONAL TRAVEL TRAILER

EXTERIOR BODY

Roadside Wall, 27' Front Bed



Part Numbers are on the Next Page

2012 INTERNATIONAL TRAVEL TRAILER

EXTERIOR BODY

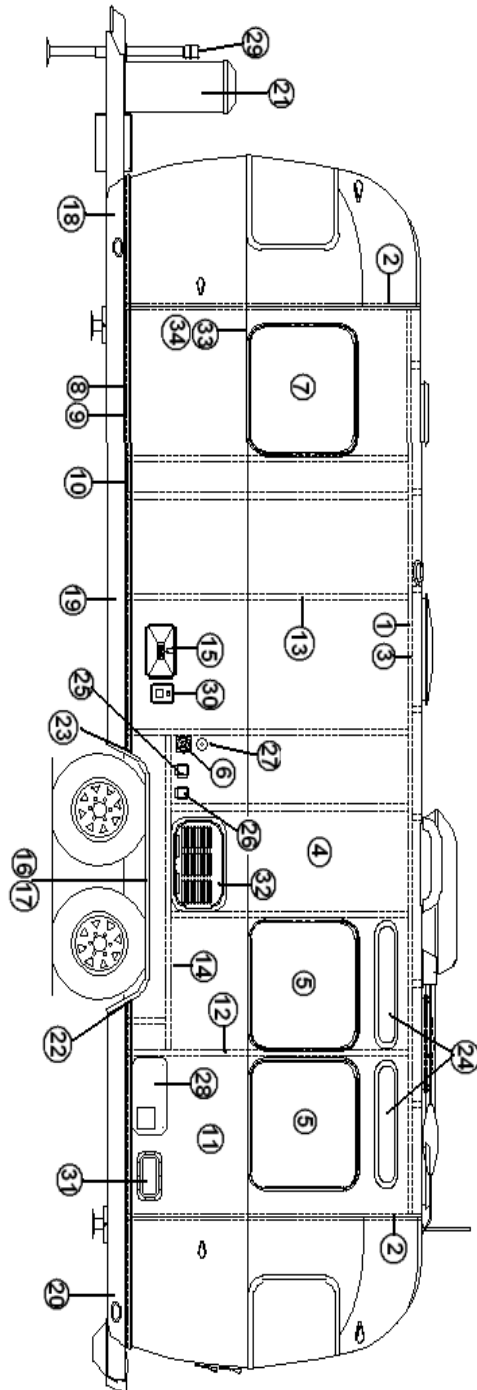
Roadside Wall, 27' Front Bed

1. 114290-01 Extrusion, awning/drip rail
2. 114993 Rib, end bow
3. 104707-06 Extrusion, "I" beam
4. 114880-238 Alum. sheet, upper, .040" x 51" x 238"
5. 371380 Window, 30" opening, tall
6. 601392-05 City water hook-up
6. 601392-06 City water hook up – C.S.A.
7. 371380-01 30" egress window
8. 115546 Extrusion, rub rail
9. 201763-01 Insert, rub rail, chrome, 1"
10. 100986 Floor channel
11. 114879-238 Alum. sheet, lower, .040" x 33" x 238"
12. 114387-01 Bow, Z rib, RH
13. 114387-02 Bow, Z rib, LH
14. 100986 Wheel well stiffener (floor channel)
15. 601876 Shower, exterior, white
16. 684936 Wheel well trim, outer, tandem axle
17. 684937 Wheel well trim, inner, tandem axle
18. 200542-01 Banana wrap, RS front
19. 101131-01 Underbelly wrap, .024" x 22.5", Pewter
20. 200544-01 Banana wrap, RS rear
21. 921232 Cover, 30# LPG bottles
22. 114466-01 Casting, rub rail end, wheel well, RH
23. 114466-02 Casting, rub rail end, wheel well, LH
24. 922770-02 Vista View Window, 30"
25. 512249 TV cable hook up jack
26. *512401-02 POWER INLET, 30A, 125V, MALE – GRAY
27. 601441 Black tank Flush
28. 690274-09 Door exterior, Hydroflame
29. 400961 POWER JACK
30. 601194 Water fill w/lock, gray w/label
31. 922228-02 Door, side access, large
32. 922243 Refer Access door
33. 114328 Extrusion, beltline, chrome
34. 201912 Molding, beltline, chrome

2012 INTERNATIONAL TRAVEL TRAILER

EXTERIOR BODY

Roadside Wall, 27' Front Bed, EDDIE BAUER



Parts Listed on Next Page

2012 INTERNATIONAL TRAVEL TRAILER

EXTERIOR BODY

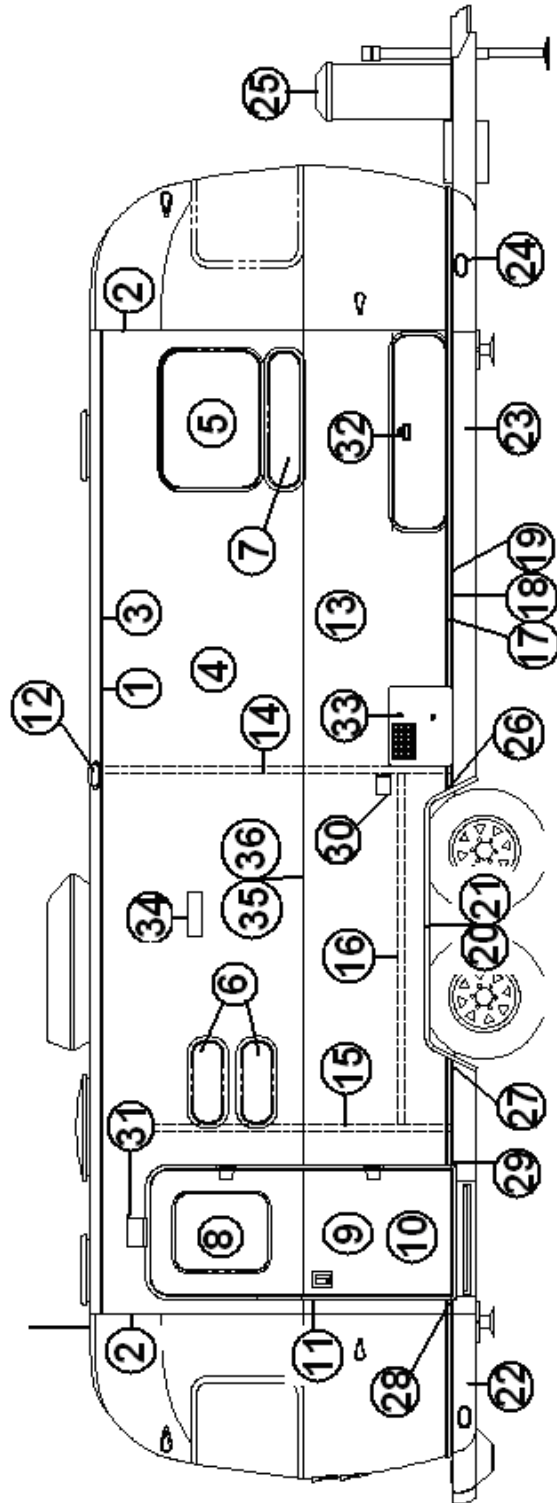
Roadside Wall, 27' Front Bed, EDDIE BAUER

1. 114290-01 Extrusion, awning/drip rail
2. 114993 Rib, end bow
3. 104707-01 Extrusion, "1" beam
4. 114880-238 Alum. sheet, upper, .040" x 51" x 238"
5. 371380 Window, 30" opening, tall
6. 601392-05 City water hook-up
6. 601392-06 City water hook up - C.S.A.
7. 371380-01 30" egress window
8. 115546 Extrusion, rub rail
9. 201763-01 Insert, rub rail, chrome, 1"
10. 100986 Floor channel
11. 114879-238 Alum. sheet, lower, .040" x 33" x 238"
12. 114387-01 Bow, Z rib, RH
13. 114387-02 Bow, Z rib, LH
14. 100986 Wheel well stiffener (floor channel)
15. 601876 Shower, exterior, white
16. 684936 Wheel well trim, outer, tandem axle
17. 684937 Wheel well trim, inner, tandem axle
18. 200542-01 Banana wrap, RS front
19. 101131-01 Underbelly wrap, .024" x 22.5", Pewter
20. 200544-01 Banana wrap, RS rear
21. 921232 Cover, 30# LPG bottles
22. 114466-01 Casting, rub rail end, wheel well, RH
23. 114466-02 Casting, rub rail end, wheel well, LH
24. 922770-02 Vista View Window, 30"
25. 512402 TV/SAT Inlet Titanium
26. 512401-02 POWER INLET, 30A, 125V, MALE - GRAY
27. 601441 Black tank Flush
28. 690274-09 Door exterior, Hydroflame
29. 400961 POWER JACK
30. 601194 Water fill w/lock, gray w/label
31. 382020 Ram Air Vent
32. 922243 Refer Access door
33. 114328 Extrusion, beltline, chrome
34. 203713 Molding, beltline, Moss

2012 INTERNATIONAL TRAVEL TRAILER

EXTERIOR BODY

Curbside Wall, 27' Front Bed



Part Numbers are on the Next Page

2012 INTERNATIONAL TRAVEL TRAILER

EXTERIOR BODY

Curbside Wall, 27' Front Bed

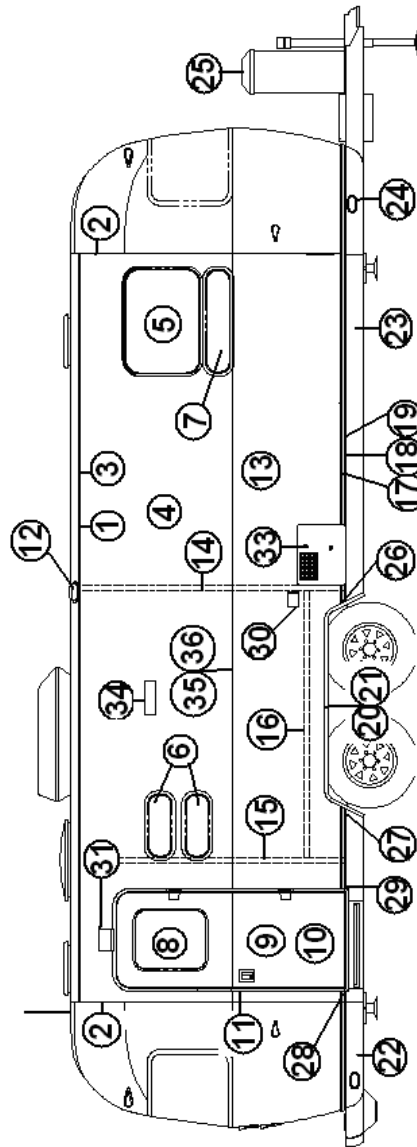
1. 114290-01 Extrusion, awning/drip rail
2. 114993 Rib, end bow
3. 104707-06 Extrusion, "I" beam
4. 114880-238 Alum. sheet, upper, .040" x 51" x 238"
5. 371324-02 Window, 30" opening
6. 371269-01 Window, 18" Stack
7. 371270-01 Window, 30" stack
8. 371400-01 Window, main door
9. 114654-01 Screen door assembly, RH hinge
10. 115207-06 Main door assembly RH hinge
11. 114652-01 Jamb, main door, RH hinge
12. 690266-01 Shower roof vent
13. 114879-238 Alum. sheet, lower, .040" x 33 x 238"
14. 114387-01 Bow, Z rib, RH
15. 114387-02 Bow, Z rib, LH
16. 100986 Wheel well stiffener (floor channel.
17. 115546 Extrusion, rub rail
18. 201763-01 Insert, rub rail, chrome, 1"
19. 100986 Floor channel
20. 684936 Wheel well trim, outer, tandem axle
21. 684937 Wheel well trim, inner, tandem axle
22. 200545-01 Banana wrap, CS rear
23. 101131-01 Underbelly wrap, .024" x 22.5, Pewter
24. 200543-01 Banana wrap, CS front
25. 921232 Cover, 30# LPG bottles
26. 114466-01 Casting, rub rail end, wheel well, RH
27. 114466-02 Casting, rub rail end, wheel well, LH
28. 114465-02 CASTING CLOSEOUT, RUB RAIL LH
29. 114465-01 CASTING CLOSEOUT, RUB RAIL RH
30. 500563-03 RECEPT-WHITE 15 A#WRDU15-WT
30. 512399 COVER-EXT.OUTLET GREY W/P
31. 101323 CASTING, STEPLIGHT
32. 922288-02 Door, side access, large
33. 690602 Water Heater
34. 511017-11 EXTERIOR VENT GRAY
35. 114328 Extrusion, beltline, chrome
36. 201912 Molding, beltline, chrome

.

2012 INTERNATIONAL TRAVEL TRAILER

EXTERIOR BODY

Curbside Wall, 27' Front Bed, Eddie Bauer



Parts Listed on Next Page

2012 INTERNATIONAL TRAVEL TRAILER

EXTERIOR BODY

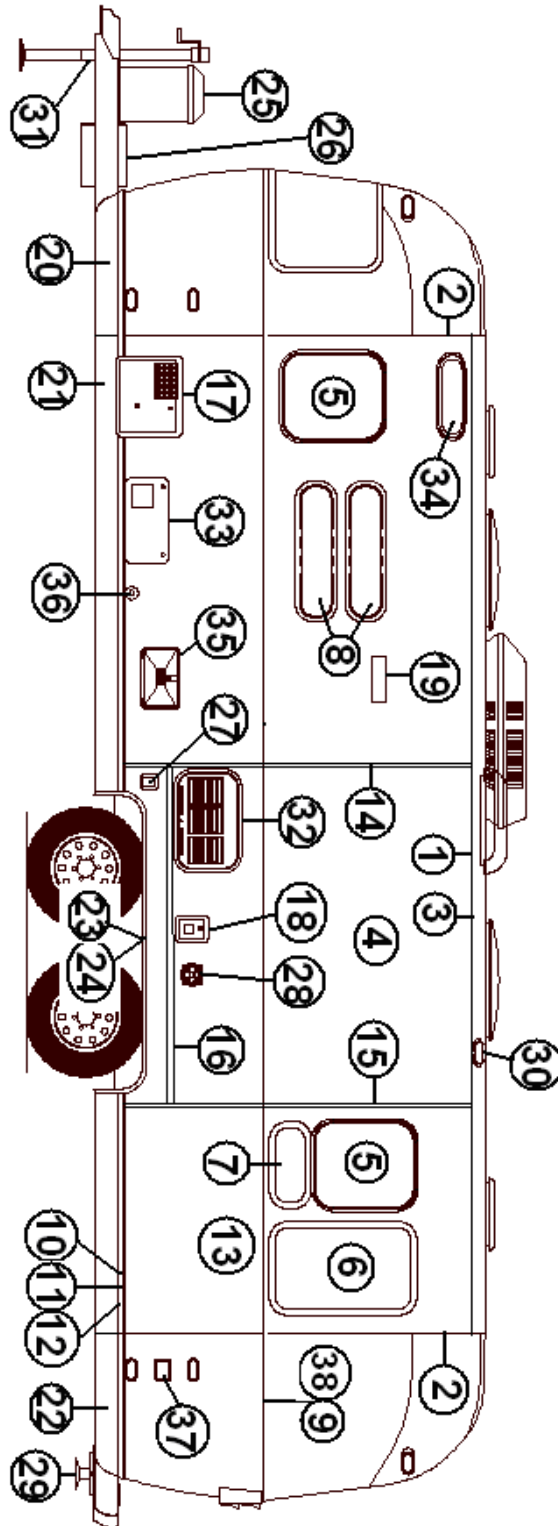
Curbside Wall, 27' Front Bed, Eddie Bauer

1. 114290-01 Extrusion, awning/drip rail
2. 114993 Rib, end bow
3. 104707-01 Extrusion, "1" beam
4. 114880-238 Alum. sheet, upper, .040" x 51" x 238"
5. 371324-02 Window, 30" opening
6. 371269-01 Window, 18" Stack
7. 371270-01 Window, 30" stack
8. 371400-01 Window, main door
9. 371400-01 Screen door assembly, RH hinge
10. 115207-06 Main door assembly RH hinge
11. 114652-01 Jamb, main door, RH hinge
12. 690266-01 Shower roof vent
13. 114879-238 Alum. sheet, lower, .040" x 33 x 238"
14. 114387-01 Bow, Z rib, RH
15. 114387-02 Bow, Z rib, LH
16. 100986 Wheel well stiffener (floor channel.
17. 115546 Extrusion, rub rail
18. 201763-01 Insert, rub rail, chrome, 1"
19. 100986 Floor channel
20. 684936 Wheel well trim, outer, tandem axle
21. 684937 Wheel well trim, inner, tandem axle
22. 200545-01 Banana wrap, CS rear
23. 101131-01 Underbelly wrap, .024" x 22.5, Pewter
24. 200543-01 Banana wrap, CS front
25. 921232 Cover, 30# LPG bottles
26. 114466-01 Casting, rub rail end, wheel well, RH
27. 114466-02 Casting, rub rail end, wheel well, LH
28. 114465-02 CASTING CLOSEOUT, RUB RAIL LH
29. 114465-01 CASTING CLOSEOUT, RUB RAIL RH
30. 500563-03 RECEPT-WHITE 15 A#WRDU15-WT
30. 512399 COVER-EXT.OUTLET GREY W/P
31. 101323 CASTING, STEPLIGHT
32. 922288-02 Door, side access, large
33. 690602 Water Heater
34. 511017-11 EXTERIOR VENT GRAY
35. 114328 Extrusion, beltline, chrome
36. 203713 Molding, beltline, Moss

2012 INTERNATIONAL TRAVEL TRAILER

EXTERIOR SHELL

Roadside Wall, 28'



P/N on the next page.

2012 INTERNATIONAL TRAVEL TRAILER

EXTERIOR SHELL

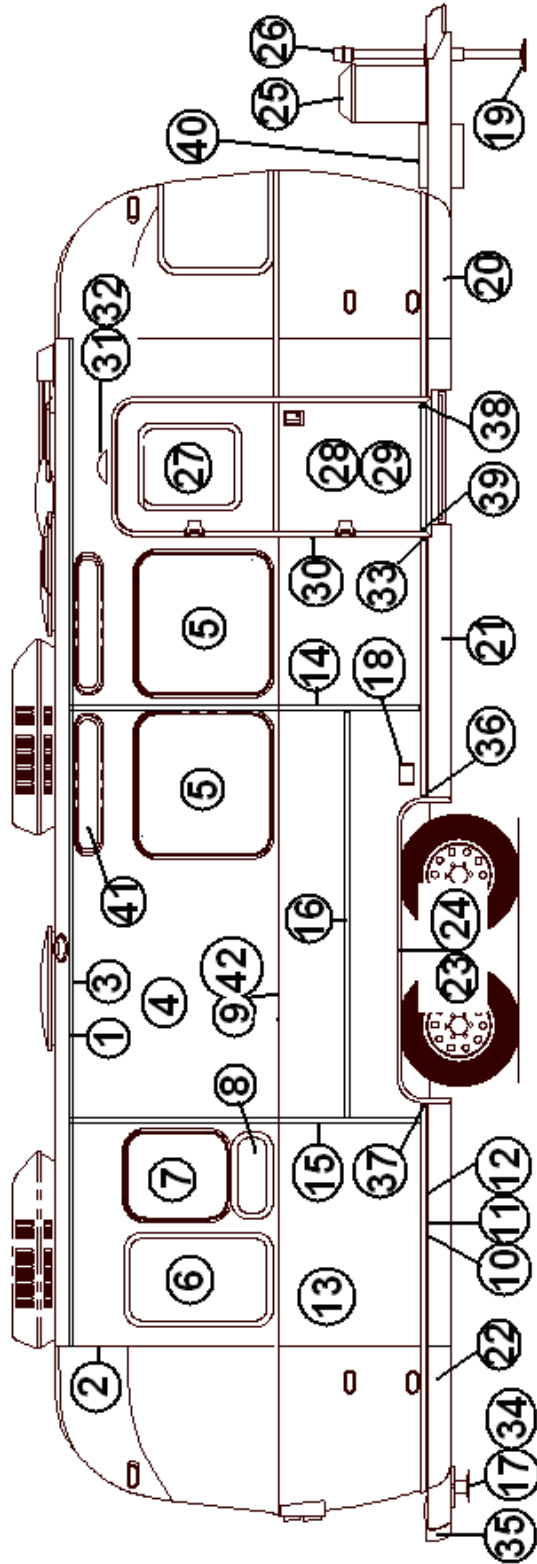
Roadside Wall, 28'

1. 114290-01	Extrusion, awning/drip rail
2. 114993	Rib, end bow
3. 104707-06	Extrusion, "I" beam
4. 114880-238	Alum, sheet, upper, .040" x 51" x 238"
5. 371323-01	Window, 18", opening window
6. 371286-01	Window, 18", curved fixed window
7. 371269-01	Window, 18" stacked
8. 371270-01	Window, 30" stacked
9. 114328	Extrusion, beltline, chrome
10. 115546	Extrusion, rub rail
11. 201763-01	Insert, rub rail, chrome, 1"
12. 100986	Floor channel
13. 114879-238	Alum. sheet, lower, .040" x 33" x 238"
14. 114387-01	Bow, Z rib, RH
15. 114387-02	Bow, Z rib, LH
16. 100986	Wheel well stiffener (floor channel)
17. 690209	Access door, Atwood water heater
18. 601194	Water fill, w/lock
19. 511017-11	Vent cover, exterior range exhaust
20. 200542-01	Banana wrap, RS front
21. 101131-01	Underbelly wrap, .024" x 22.5", Pewter
22. 200544-01	Banana wrap, RS rear
23. 684936	Wheel well trim, outer, tandem axle
24. 684937	Wheel well trim, inner, tandem axle
25. 921232	Bottle cover, LP
26. 410551-02	Lid, battery Box
27. 512401-02	POWER INLET, 30A, 125V, MALE - GRAY
28. 601392-05	City water hook-up, chrome w/regulator
29. 400093-01	Stabilizer jack, each
29A. 400093-02	Handle, stabilizer jack
30. 690266-01	Bath power ventilator
31. 400961	Jack, Power
32. 922243	Refer access door, 104417 Jamb
33. 690274-09	Door exterior, Hydroflame
34. 922770-01	Vista View Window, 18"
35. 601876	Shower, exterior, white
36. 601441	Black tank Flush
37. 500563-03	RECEPT-WHITE 15 A#WRDU15-WT
37. 512399	COVER-EXT.OUTLET GREY W/P
38. 201912	Molding, beltline, chrome

2012 INTERNATIONAL TRAVEL TRAILER

EXTERIOR SHELL

Curbside Wall, 28'



P/N on the next page.

2012 INTERNATIONAL TRAVEL TRAILER

EXTERIOR SHELL

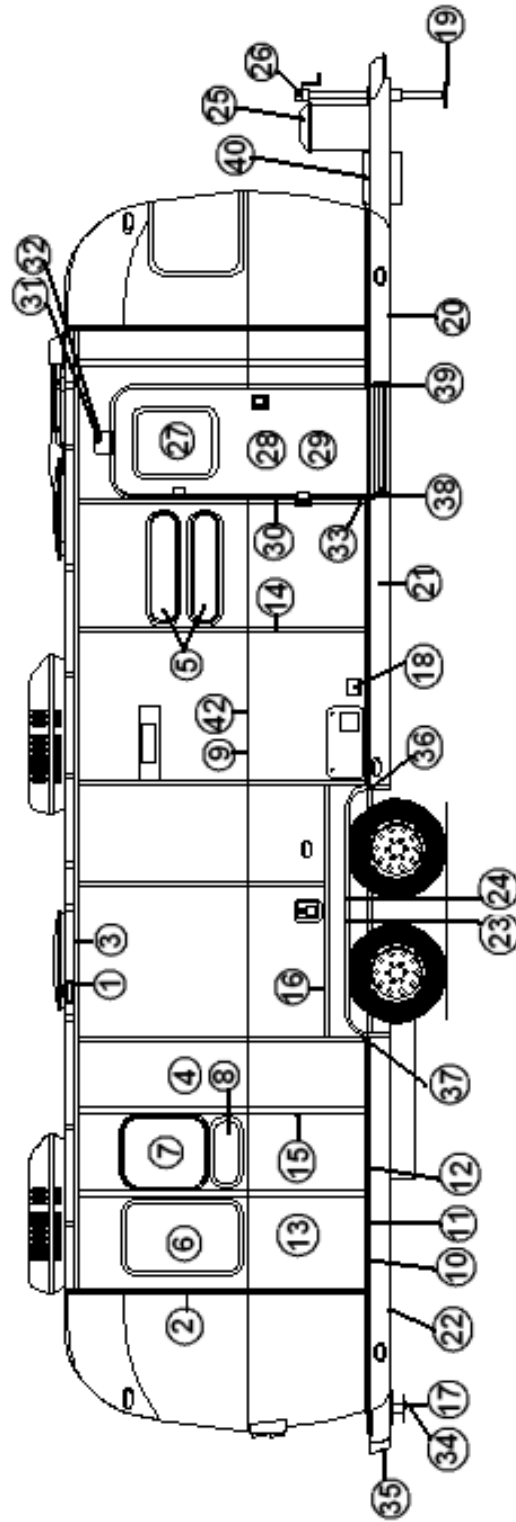
Curbside Wall, 28'

1. 114290-01 Extrusion, awning/drip rail
2. 114993 End bow
3. 104707-06 Extrusion, "I" beam
4. 114880-238 Window sheet, .040" x 51" x 238"
5. 371380 Window, Tall, 30"opening
6. 371286-01 Window, 18" X 30" curved fixed
7. 371323-01 Window, 18" opening
8. 371269-01 Window, 18" stacked
9. 114328 Extrusion, beltline, chrome
10. 115546 Extrusion, rub rail
11. 201763-01 Insert, rub rail, chrome, 1"
12. 100986 Floor channel
13. 114879-238 Side sheet, .040" x 33" x 238"
14. 114387-01 Bow, Z rib, RH
15. 114387-02 Bow, Z rib, LH
16. 100986 Wheel well stiffener (floor channel)
17. 400093-02 Handle, stabilizer jack
18. 500563-03 RECEIPT-WHITE 15 A#WRDU15-WT
18. 512399 COVER-EXT.OUTLET GREY W/P
19. 410598 Super Jack footpad
20. 200543-01 Banana wrap, CS front
21. 101131-01 Underbelly wrap, .024 x 22.5, Pewter
22. 200545-01 Banana wrap, CS rear
23. 684936 Wheel well trim, outer, tandem axle
24. 684937 Wheel well trim, inner, tandem axle
25. 921232 Bottle cover, LP
26. 400961 Jack, Super w/light
27. 371400-01 Window, main door
28. 115207-04 Main door assembly
29. 114654 Screen door assembly
30. 114652 Main door jamb, formed
31. 101323 Casting, main door light
32. 201185 Lens, main door light
33. 114465-02 Close out rub rail, LH
34. 400093-01 Stabilizer jack, each
35. 410831 Bumper, polished
36. 114466-01 Casting, rub rail end, wheel well, RH
37. 114466-02 Casting, rub rail end, wheel well, LH
38. 114465-01 Close out rub rail, RH
39. 114465-02 Close out rub rail, LH
40. 410551-02 LID BATTERY BOX
41. 922770-02 Vista View Window, 30"
42. 201912 Molding, beltline, chrome

2012 INTERNATIONAL TRAVEL TRAILER

EXTERIOR SHELL

Curbside Wall, 30'



Part Numbers on Next Page

2012 INTERNATIONAL TRAVEL TRAILER

EXTERIOR SHELL

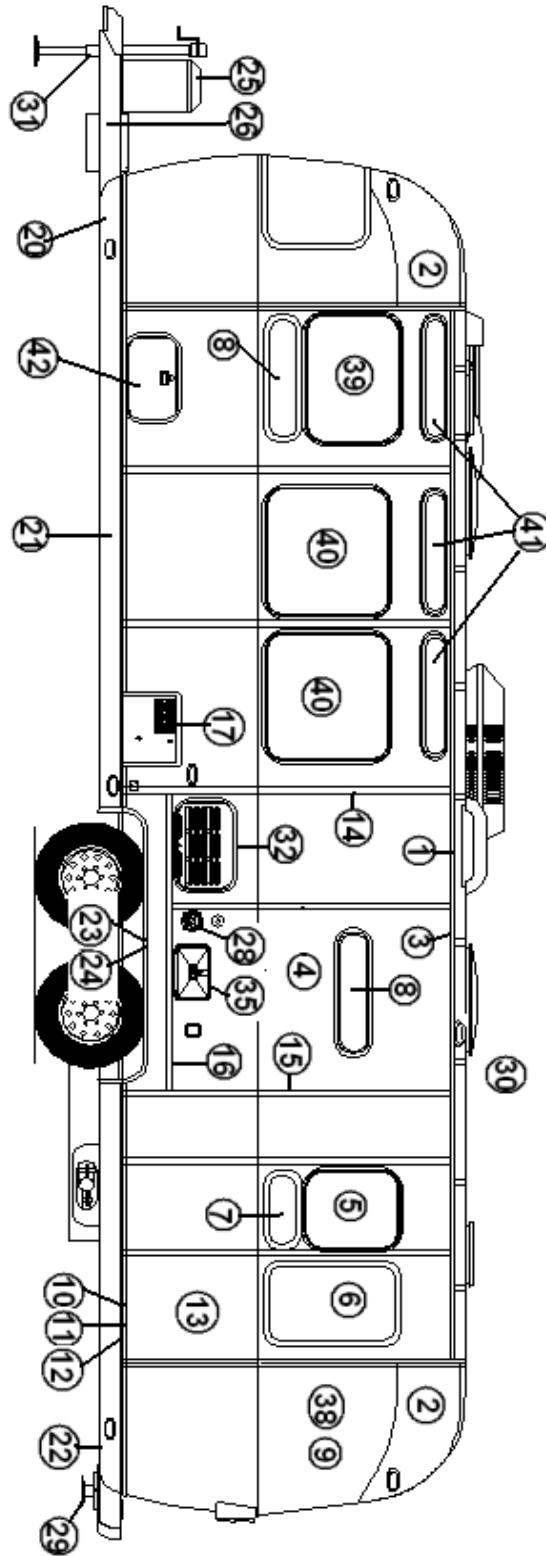
Curbside Wall, 30'

1. 114290-01 Extrusion, awning/drip rail
2. 114993 End bow
3. 104707-06 Extrusion, "I" beam
4. 114880-262 Window sheet, .040" x 51" x 262"
5. 371270-01 Window, 30" stack
6. 371286-01 Window, 18" X 30" curved fixed
7. 371323-01 Window, 18" opening
8. 371269-01 Window, 18" stacked
9. 114328 Extrusion, beltline, chrome
10. 115546 Extrusion, rub rail
11. 201763-01 Insert, rub rail, chrome, 1"
12. 100986 Floor channel
13. 114879-262 Side sheet, .040" x 33" x262"
14. 114387-01 Bow, Z rib, RH
15. 114387-02 Bow, Z rib, LH
16. 100986 Wheel well stiffener (floor channel)
17. 400093-02 Handle, stabilizer jack
18. 500563-03 RECEPT-WHITE 15 A#WRDU15-WT
- 18 512399 COVER-EXT.OUTLET GREY
19. 410598 Super Jack footpad
20. 200543-01 Banana wrap, CS front
21. 101131-01 Underbelly wrap, .024 x 22.5, Pewter
22. 200545-01 Banana wrap, CS rear
23. 684936 Wheel well trim, outer, tandem axle
24. 684937 Wheel well trim, inner, tandem axle
25. 921232 Bottle cover, LP
26. 400961 Jack, Super w/light
27. 371400-01 Window, main door
28. 115207-04 Main door assembly
29. 114654 Screen door assembly
30. 114652 Main door jamb, formed
31. 101323 Casting, main door light
32. 201185 Lens, main door light
33. 114465-02 Close out rub rail, LH
34. 400093-01 Stabilizer jack, each
35. 410831 Bumper, polished
36. 114466-01 Casting, rub rail end, wheel well, RH
37. 114466-02 Casting, rub rail end, wheel well, LH
38. 114465-01 Close out rub rail, RH
39. 114465-02 Close out rub rail, LH
40. 410551-02 LID BATTERY BOX
42. 201912 Molding, beltline, chrome

2012 INTERNATIONAL TRAVEL TRAILER

EXTERIOR SHELL

Roadside Wall, 30'



PARTS ON NEXT PAGE

2012 INTERNATIONAL TRAVEL TRAILER

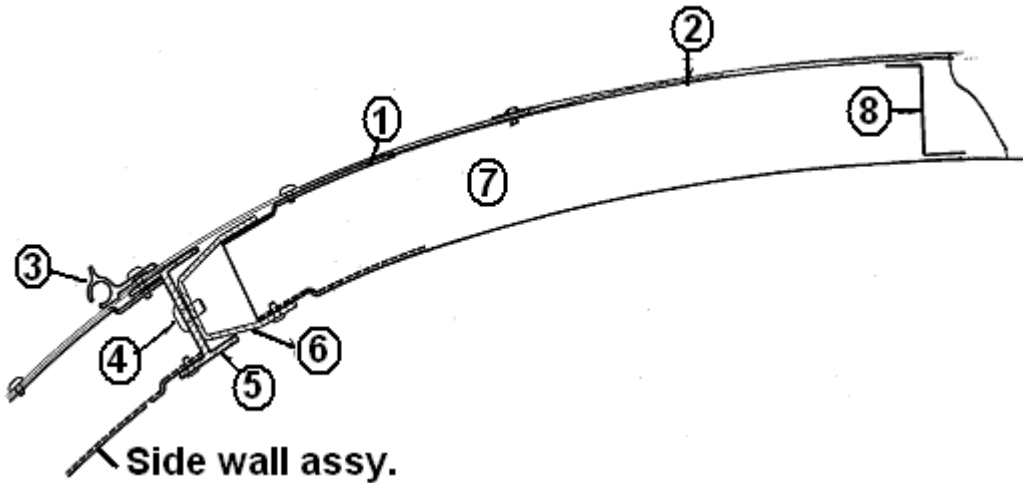
EXTERIOR SHELL

Roadside Wall, 30'

1.	114290-01	Extrusion, awning/drip rail
2.	114993	Rib, end bow
3.	104707-06	Extrusion, "I" beam
4.	114880-262	Alum, sheet, upper, .040" x 51" x262"
5.	371323-01	Window, 18", opening window
6.	371286-01	Window, 18", curved fixed window
7.	371269-01	Window, 18" stacked
8.	371270-01	Window, 30" stacked
9.	114328	Extrusion, beltline, chrome
10.	115546	Extrusion, rub rail
11.	201763-01	Insert, rub rail, chrome, 1"
12.	100986	Floor channel
13.	114879-262	Alum. sheet, lower, .040" x 33" x262"
14.	114387-01	Bow, Z rib, RH
15.	114387-02	Bow, Z rib, LH
16.	100986	Wheel well stiffener (floor channel)
17.	690209	Access door, Atwood water heater
18.	601194	Water fill, w/lock
19.	511017-11	Vent cover, exterior range exhaust
20.	200542-01	Banana wrap, RS front
21.	101131-01	Underbelly wrap, .024" x 22.5", Pewter
22.	200544-01	Banana wrap, RS rear haircell
23.	684936	Wheel well trim, outer, tandem axle
24.	684937	Wheel well trim, inner, tandem axle
25.	921232	Bottle cover, LP
26.	410551-02	Lid, battery Box
28.	601392-05	City water hook-up, chrome w/regulator
29.	400093-01	Stabilizer jack, each
29A.	400093-02	Handle, stabilizer jack
31.	400961	Jack, Power
32.	922243	Refer access door, 104417 Jamb
33.	690274-09	Door exterior, Hydroflame
35.	601876	Shower, exterior, white
36.	601441	Black tank Flush
37.	500563-03	RECEPT-WHITE 15 A#WRDU15-WT
37.	512399	COVER-EXT.OUTLET GREY W/P
38.	201912	Molding, beltline, chrome
39.	371324-02	Window 30" Opening
40.	371380	Window 30" Opening, Tall
41.	922770-02	Window 30" Vista View
42.	100679-01	Side Access Door

2012 INTERNATIONAL TRAVEL TRAILER

Roof End View



- | | | |
|----|------------|---|
| 1. | 114669-307 | Alum. Sheet, white, .032" x 12.69" x 307" |
| 2. | 114489-198 | Alum. Sheet, white, .032" x 60" x 198" |
| 2. | 114489-238 | Alum. Sheet, white, .032" x 60" x 238" |
| 2. | 114489-262 | Alum. Sheet, white, .032" x 60" x 262" |
| 2. | 114489-307 | Alum. Sheet, white, .032" x 60" x 307" |
| 3. | 114290-01 | Extrusion, awning/drip rail, 197" |
| 4. | 330139-01 | RIVET MAGNALOK SS 1/4" |
| 5. | 114515 | Extrusion, "I" beam, 258" |
| 6. | 114987-01 | Extrusion, roof corner, 194" |
| 7. | 114387-03 | N/B ROOF BOW, ASSEMBLY |
| 7. | 114668 | W/B ROOF BOW ASSEMBLY |
| 8. | 104408 | Extrusion, Z-bar, horizontal |
| | 330139-01 | RIVET, MAGNALOK SS 1/4" |
| | 325000-03 | RIVET ANODIZED WHITE 1/8" X 1/4" |
| | 330016-04 | POP RIVET, CLOSED END, 1/8" DIAMETER |
| | 330126-04 | RIVET, POP, S.S., .125" #45 |
| | 330127-03 | RIVET 1/8" (MILL) AD43ABS |

Air Conditioner Deflector, Roof



104948

AIR DEFLECTOR, A/C TO REFER VENT

2012 INTERNATIONAL TRAVEL TRAILER

EXTERIOR SHELL

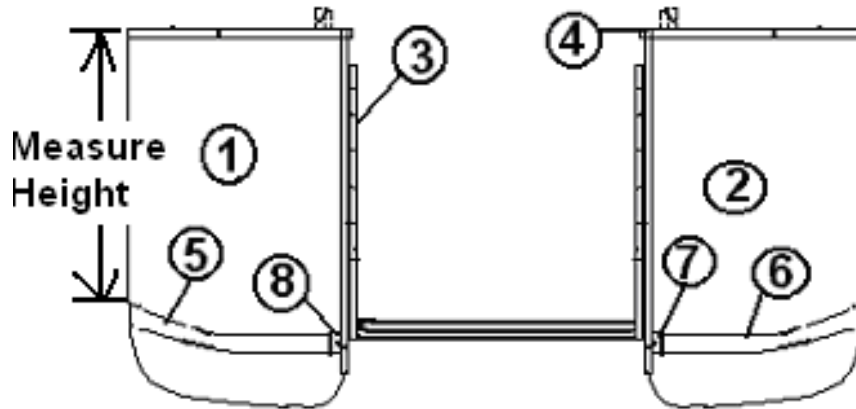
FLOORING, SUB STRUCTURE

800976-01	PLYWOOD TONGUE & GROOVE 19/32 X 97"
345073-21	1/4-20 X 3 SCREW WAFERHEAD
100986	EXTRUSION, FLOOR
300023-02	WASHER, HOLD DOWN-HOLE OFFSET
345084	SCREW-1/4-14X1 THREAD. CUTTING
320159	FLOOR SCREW M6 X 45 SELF DRILL
203239	FOIL, SINGLE BUBBLE FLEX

2012 INTERNATIONAL TRAVEL TRAILER

EXTERIOR SHELL

Wrap Protector/Holdbacks



109325-02	Wrap Protector, Complete Set, 16', 19', (23FB CSA)
109325-100	Wrap Protector, Complete Set, 23' D, 25', 27', 28'
1. 966276	Wrap Protector, CS, 28" Tall, 23' D, 23 FB, 25', 27', 28', 30'
1. 685365-100	Wrap Protector, CS, 28" Tall, 16, 19'
2. 966277	Wrap Protector, RS, 28" Tall, 23' D, 23FB, 25', 27', 28', 30'
2. 685366-100	Wrap Protector, RS, 28" Tall, 16, 19'
3. 381605-03	Hinge, stainless, wrap protector, 25"
4. 100742-01	Extrusion, mirror/wrap trim protector
5. 115546	Extrusion, rub rail
6. 201763-01	Insert, rub rail, chrome
7. 114465-01	CASTING CLOSEOUT RUB RAIL RH
8. 114465-02	CASTING CLOSE-OUT RUB RAIL LH
114819-01	Wrap protector hold back, 1.62"
114819-02	Wrap protector hold back, 2.50"
114819-03	Wrap protector hold back, 5.00"
101401	EXTRUSION, DOOR LATCH HOUSING/STONE
345417	NUT ACORN, HEX, LOCKING SS 1/4-
345376	NUT HEX HD 1/4-20 SS
345336-07	CAP SCREW HEX HD 1/4-20 HEX .75"
500096	REFLECTOR, AMBER

2012 INTERNATIONAL TRAVEL TRAILER

INTERIOR SHELL

SKIN

114879-201	ALUMINUM SHEET, .040" X 33"W X 201"
114880-201	ALUMINUM SHEET, .040" X 51"W X 201"
114879-238	ALUMINUM SHEET, .040" X 33" X 238"
114880-238	ALUMINUM SHEET, .040" X 51" X 238"
114879-262	ALUMINUM SHEET .040" X 33" X 262"
114880-262	ALUMINUM SHEET .040" X 51" X 262"
114880-307	ALUMINUM SHEET .040" X 51" X 307"
330128-05	RIVET 1/8 IN (WHITE) AD45ABS

INTERIOR SHELL TRIM

114507-03	TRIM, MAIN DOOR
381772	HEAD KNOCKER-ENTRANCE DOOR
201666	MOLDING-J 3/16" ALMOND PLASTIC, bath wall
110900-03	TRIM FORMED INT. FRONT WRAP ALUM.
110900-04	TRIM FORMED INTERIOR FRONT WRAP ALUM
114157-01	EXTRUSION END LINER UPPER WHITE
371319-06	TRIM RING-MAIN DOOR WINDOW
203138-01	EXTRUSION, PLASTIC WALL, WHITE
203138-03	EXTRUSION PLASTIC WALL BEIGE
203138-04	EXTRUSION, PLASTIC 1/2" OAK W
203138-05	EXTRUSION, PLASTIC 1/2", WALL, BLACK

INTERIOR WHEEL WELL LINER

200844	WHEEL WELL, TANDEM, 66.50", A.B.S, 25 FB, 28', 30'
203289	LINER, WHEEL WELL-ABS, 16'
200514	WHEEL WELL INSULATOR, PLASTIC, TANDEM

2012 INTERNATIONAL TRAVEL TRAILER

CHASSIS

Axles

410980-01	AXLE, 5000 lbs., 30'
410980-02	AXLE, 3800 lbs., 28', 27', 25', 25 & 27 FB EDDIE BAUER
410980-09	AXLE, 3000 lbs., 23'D, 23FB
410980-06	AXLE, 4300 lbs., 19'
410980-07	AXLE, 5000 lbs., 19' - CSA
410980-05	AXLE, 4300 lbs., 16'

Shocks

0220003	Shock assembly
0250173-15	Bolt, grade 5, 5/8"-18 x 1.5", shock mount
0130068-818	Nut, hex head flanged, 5/8"-18, shock mount

Tires/Wheels, 14", 23' D Models, 23FB

400996	Tire/Wheel assembly, 14", 10 hole pattern
400996-100	Wheel Only, 14"
400985	COVER, DUST, 4", STAINLESS STEEL
400923	LUG NUT-1/2" ACORN TYPE

Tires/Wheels 15", 16', 19', 25', 28', 27' FB Models, 30'

**410840-01	TIRE/WHEEL ASSY "D" RANGE
**410840-101	WHEEL ONLY FOR 410840-01. TEMPORARY CHANGE. (SEE BELOW NOTE)
400844	COVER, HUB DUST, 4", STAINLESS STEEL
400844-01	CAP, CENTER, STAINLESS STEEL, 25'
400923	LUG NUT-1/2" ACORN TYPE
410598	FOOT PAD

**THERE WAS A TEMPORARY CHANGE FOR WHEEL ONLY FOR 410840-01 USED ON UNITS 526377 (SEPT.2011) THRU 526504 (OCT, 2011).

THE ALTERNATE WHEEL HAS SMOOTH WINDOW HOLES.

2012 INTERNATIONAL TRAVEL TRAILER

Tires/Wheels 16" – Eddie Bauer

410991	TIRE/WHEEL ASSY- 16" ALUMINUM
400844-01	CAP-CENTER STAINLESS STEEL
400923	LUG NUT-1/2" ACORN TYPE

2012 INTERNATIONAL TRAVEL TRAILER

CHASSIS

Spare Tire and Carrier

410848-01	Tire & Wheel Assy. 14" Steel
410848-100	Wheel Only 14" Steel
410843-01	SPARE TIRE/WHEEL ASSEMBLY 15" "D"
410843-100	Wheel Only 15" Steel
450414	"A" frame spare tire carrier
994073	Bracket for spare tire carrier
410994	Spare Tire/Wheel Assy. 16", 25FB EDDIE BAUER

Step Assembly, 16', 19'

400962	STEP, MAIN DOOR STEEL 24"
0250175-03	SCREW HHCS GR5 3/8-16 X 3/4"
0260100	3/8-16 U-TYPE CAGE NUT

Step Assembly, 23' D, 23'FB, 25', 27' FB, 28', 30'

381863-01	STEP, DOUBLE W/DOUBLE TREAD
0250175-03	SCREW HHCS GR5 3/8-16 X 3/4"
0260100	3/8-16 U-TYPE CAGE NUT

Hitch Jack, Manual

3320028	FRONT-WIND MANUAL JACK, ATWOOD
410598	FOOT PAD #12231

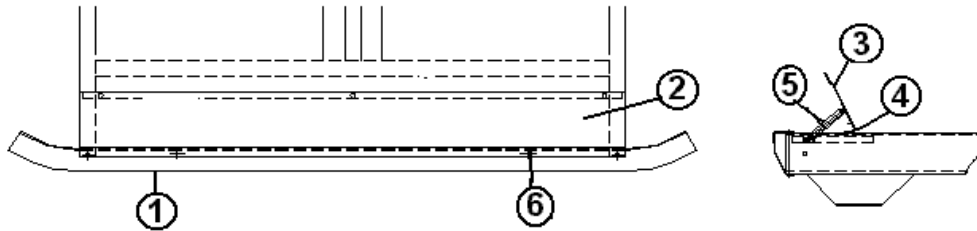
Safety Chains

400953	Safety Chain, 1/4" x 30"
400945	5/16" clevis, safety slip hook

2012 INTERNATIONAL TRAVEL TRAILER

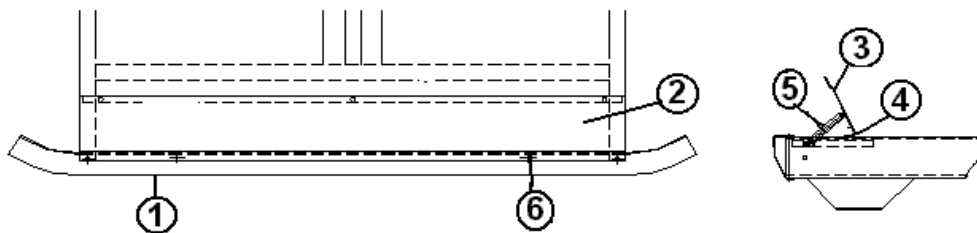
CHASSIS

Bumper/Bumper Storage Assembly, 16'



- | | |
|--------------|----------------------------------|
| 1. 410847 | BUMPER, 16' |
| 2. 453946 | BOTTOM-STORAGE COMPARTMENT, 16' |
| 3. 453948 | LID REAR BUMPER COMPARTMENT, 16' |
| 4. 380203-02 | HINGE PIANO 1/8 PIN |
| 5. 380024 | ARMS SUPPORT RIGHT HAND |
| 6. 380067 | LOCK CAM BUMPER LID LATCH |
| 365013-01 | TAPE CHARCOAL LOW DENSITY FOAM |

Bumper/Bumper Storage Assembly, 19'

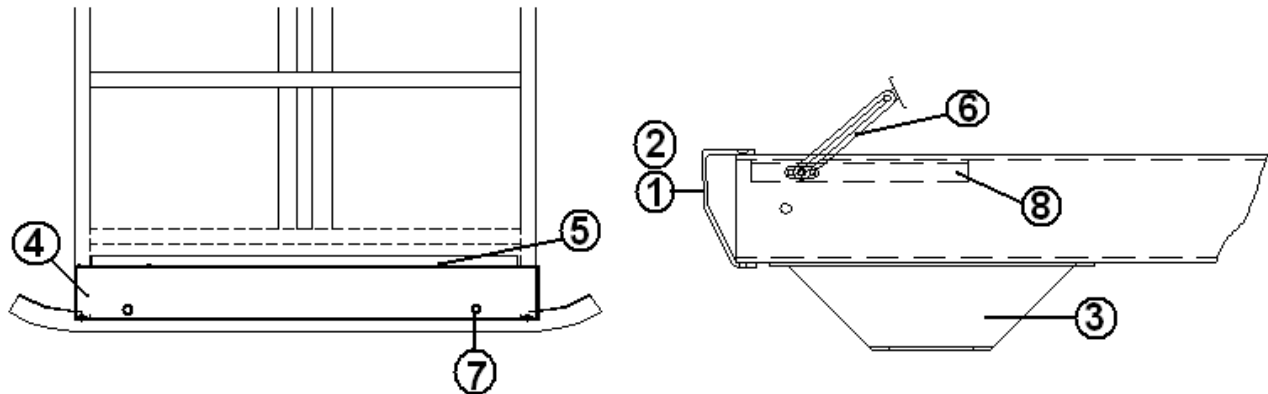


- | | |
|--------------|--------------------------------|
| 1. 410932 | BUMPER |
| 2. 453627 | BOTTOM-STORAGE COMPARTMENT |
| 3. 454214 | LID REAR BUMPER COMPARTMENT |
| 4. 380203-02 | HINGE PIANO 1/8 PIN |
| 5. 380024 | ARMS SUPPORT RIGHT HAND |
| 6. 380067 | LOCK CAM BUMPER LID LATCH |
| 365013-01 | TAPE CHARCOAL LOW DENSITY FOAM |

2012 INTERNATIONAL TRAVEL TRAILER

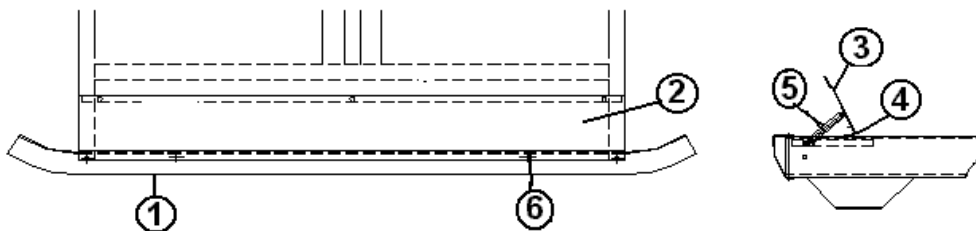
CHASSIS

Bumper/Bumper Storage Assembly, 23' D, 23FB



- | | |
|--------------|--------------------------------|
| 1. 410932 | BUMPER-REAR |
| 2. 345073-08 | SCREW 1/4-20 X 1 3/8 WAFER HD. |
| 3. 454314 | BOTTOM-SEWER HOSE COMPART |
| 4. 454315 | LID-REAR HOSE CARRIER |
| 5. 380203-02 | HINGE PIANO |
| 6. 380024 | ARMS SUPPORT RIGHT HAND |
| 7. 380067 | LOCK CAM |
| 8. 114812 | ALUMINUM ANGLE 1.00 X 1.00" |
| 365013-01 | TAPE CHARCOAL LOW DENSITY FOAM |
| 381435 | HATCH, ACCESS COVER 4" WHITE |

Bumper/Bumper Storage Assembly, 25', 25FB EB, 27' FB, 28', 30'



- | | |
|--------------|--------------------------------|
| 1. 410831 | REAR BUMPER |
| 2. 453538 | BOTTOM-SEWER HOSE COMPART |
| 3. 453497 | LID REAR BUMPER COMPARTMENT |
| 4. 380203-02 | HINGE PIANO 1/8 PIN |
| 5. 380024 | ARMS SUPPORT RIGHT HAND |
| 6. 380067 | LOCK CAM BUMPER LID LATCH |
| 365013-01 | TAPE CHARCOAL LOW DENSITY FOAM |
| 381435 | Hatch- Access Cover 4" White |

2012 INTERNATIONAL TRAVEL TRAILER

CHASSIS

Stabilizing Jacks, 16', 19',

400914-03	STABILIZER JACK 20"
400914-02	HANDLE-15"(STABILIZER JACK)
400914-04	Stabilizer jack footpad, set of 4
385020	STICKER SELF ADHERING, JACK
454425	SPACER-STABILIZER JACK

Stabilizing Jacks, 23'D, 23'FB, 25', 25' FB, 27' FB, 28',30'

400093	Stabilizing jacks, BAL w/handle, set of 4, 19'
400093-01	BAL jack, each
400093-02	CRANK, STABILIZER JACK (BAL)
400093-04	Foot pad, BAL jack
400093-05	BAL JACKS, BACK, W/FOOTPAD & CRANK
385020	STICKER SELF ADHERING, JACK

Power Jack

400961	POWER JACK
410598	FOOT PAD, POWER JACK

Hose Carrier

601544-02	EZ HOSE CARRIER-BLACK 45
601544-03	EZ HOSE CARRIER END CAP - BLACK
454422	SPACER-SEWER HOSE CARRIER, 16' model
104704-01	SHIM, 3" X 3"

Underbelly

101131-01	Aluminum, underbelly wrap, .024" x 22.5, gray
114679	ALUMINUM UNDERBELLY .019" X" 65.75"
200093	INSULATION, FIBERGLASS

2012 INTERNATIONAL TRAVEL TRAILER

CHASSIS

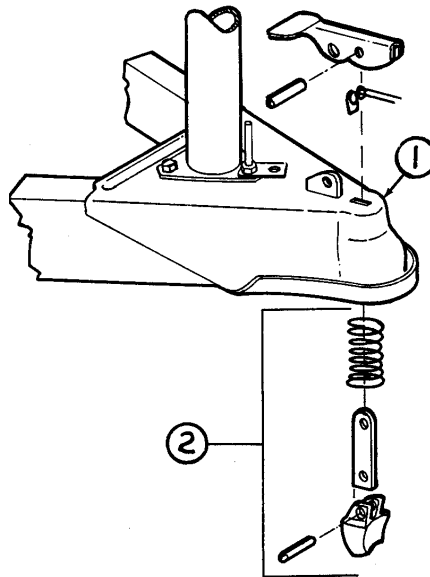
Compartment Bottom

- 115209-01 ALUMINUM DIAMOND PLATE, .025" X 4' X 90", 23', 19'
- 115209-02 ALUMINUM DIAMOND PLATE-.025" X 4' X 74", 30' 28'
- 115212-01 Tread plate, 28.16" X 53.25", 30', 28', 27'
- 115212-12 Tread plate- 43.75" x 50" ,23'FB, 25' FB
- 115212-04 Tread plate, under bed storage, 23' D, 19'

Cross Car Electrical Raceway, 30', 28', 27', 25'

- 453296 CROSSCAR ELECTRICAL RACEWAY

Hitch Coupler

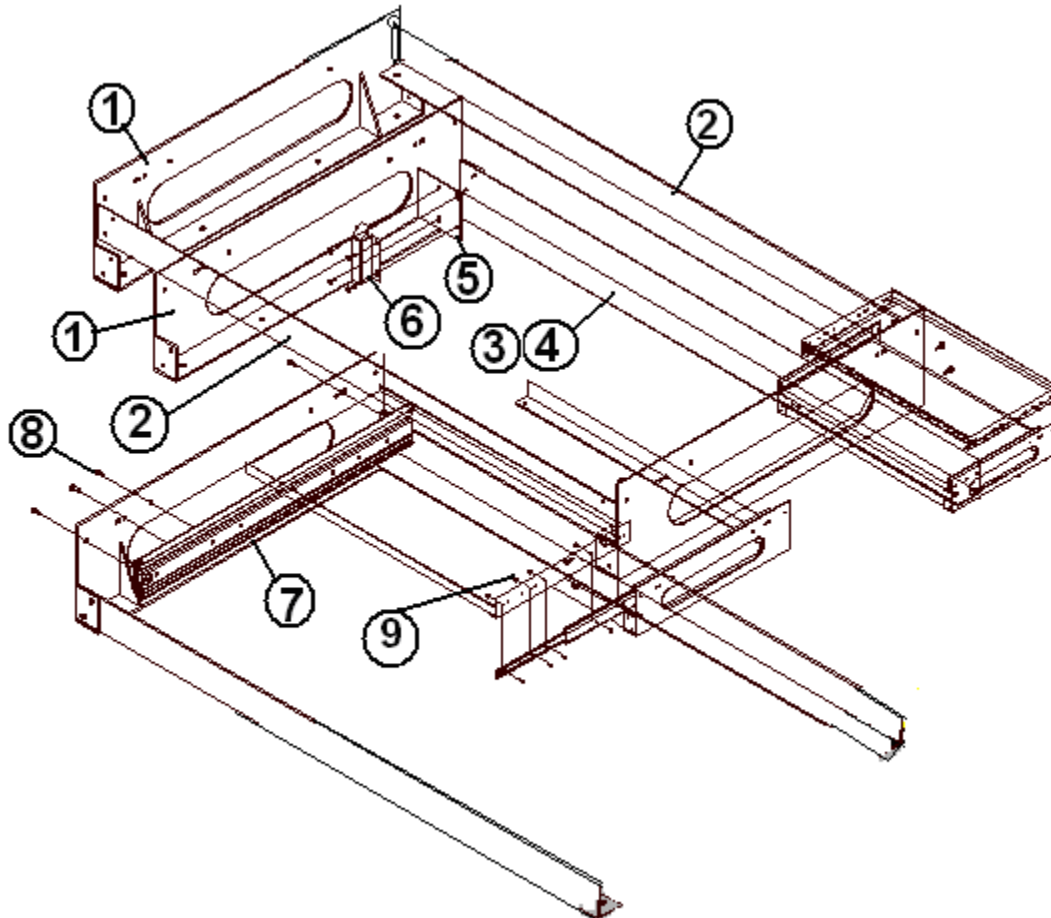


- 1. 680343 Coupler assembly, 2 5/16"
- 2. 680345 Repair kit, 2 5/16" coupler

2012 INTERNATIONAL TRAVEL TRAILER

CHASSIS

Rear Storage Slide, "W" Bed



- | | |
|---------------|--------------------------------------|
| 1. 454596 | FLOOR MOUNTING BRACKET, REAR STORAGE |
| 2. 454597 | ANGLE, CROSSMEMBER, REAR STOW |
| 3. 454598 | SLIDE BRACKET, REAR STOW |
| 4. 454599 | STORAGE BOX CROSSMEMBER |
| 5. 454600 | LATCH BRACKET |
| 6. 382035 | LATCH, SUNDECKER |
| 7. 382036 | SLIDE, 24" ACCURIDE END |
| 8. 320120-500 | SCREW, 10-32, FLAT HEAD |
| 9. 350029 | LOCK NUT, 10-32 |

2012 INTERNATIONAL TRAVEL TRAILER

EXTERIOR TRIM

Decal/Medallions

386068	MEDALLION 3" LOGO, AIRSTREAM, Main door
386125	NAMEPLATE, BAMBI, RED-WHITE-BLUE 16', 19'
386130-01	NAMEPLATE-CCD, BLACK, CHRIS DEAM
386108	NAMEPLATE-INTERNATIONAL
386247	NAMEPLATE - 80 YEAR LOGO
386152	DECAL-AIRSTREAM 2.4"X 28"
386239	BADGE - SERENITY 3" DIA.
386248	NAMEPLATE - EDDIE BAUER 3" X 10"
386196	DECAL, SIGNATURE SERIES
385964-02	"AIRSTREAM" DECAL, 1 5/16" X 32"
386150	DECAL, AIRSTREAM 2.4" X 28" BLACK
365354	DECAL, REFLECT 2" X 8" WHITE/SILVER

Beltline

114328	Extrusion, belt line molding
201912	Molding, belt line insert, chrome
114417	Casting, belt line close out
203713	Molding, belt line insert, Moss - Eddie Bauer

Rub Rail Trim

115546	Extrusion, rub rail
201763-01	Insert, rub rail, chrome, 1"
114466-01	Close out, casting, rub rail, angled RH
114466-02	Close out, casting, rub rail, angled LH
114465-01	Close out, casting, rub rail RH
114465-02	Close out, casting, rub rail LH

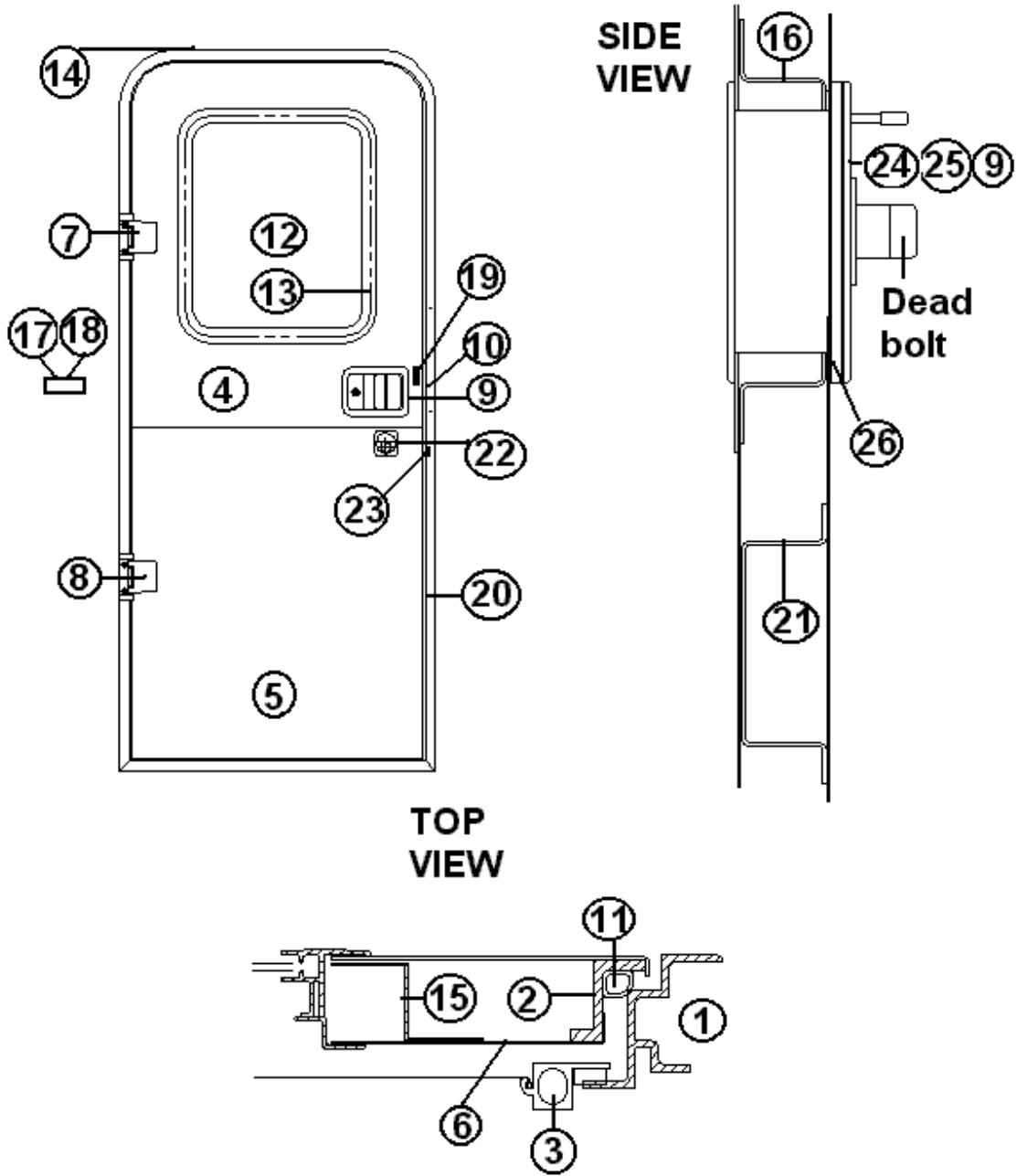
Reflectors

500095	REFLECTOR RED RECTANGULAR
500096	REFLECTOR, AMBER
510446	REFLECTOR, RED, STICK-ON

2012 INTERNATIONAL TRAVEL TRAILER

DOORS, EXTERIOR

Door, Main, LH Hinge



2012 INTERNATIONAL TRAVEL TRAILER

DOORS, EXTERIOR

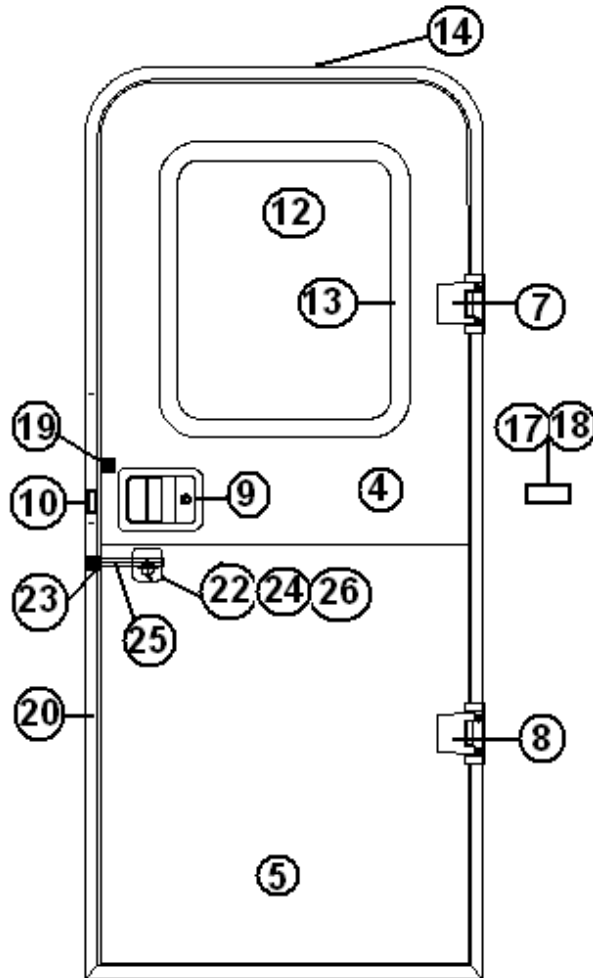
Main Door, LH Hinge

- 115207-04 Main door assembly
- 1. 114653 Frame, main door, pre-formed
- 2. 114652 Jamb, main door, pre-formed
- 3. 114654 Screen door assembly
- 4. 114448-03 Skin, exterior, upper main door
- 5. 114449-03 Skin, exterior, lower main door
- 6. 114475 MAIN DOOR SKIN INNER
- 7. 381552-03 HINGE ASSY. MAIN DOOR UPPER
- 8. 381552-04 HINGE ASSY. MAIN DOOR LOWER
- 9. See hardware section for door latch parts
- 10. 385595 Pocket strike, main door
- 11. 365232 Seal, main door
- 12. 371400-01 WINDOW, MAIN DOOR, ETCHED
- 13. 115208 TRIM RING- MAIN DR.WINDOW
- 14. 114363 Drip cap, main door
- 15. 114658 Inner door, "Z" bar, upper & lower
- 16. 114657 Hat section, formed, main door
- 17. 380290 Housing. Latch, mounted on side sheet
- 18. 380291 Latch assembly, mounted on side sheet
- 19. 201056 Striker, main door, black plastic
- 20. 114507-03 Trim, main door
- 21. 115415 Hat section assembly, round dead bolt
- 22. 382069 Deadbolt assembly, round, Trimark
- 23. 381326 Striker w/ Trimark deadbolt
- 24. 345321-12 Screw, flat head, black
- 25. 453851 Bolt, Trimark, deadbolt
- 26. 203370 Spacer, deadbolt assembly
- 203495 SPACER-DOOR STAY MAIN
- 203494 BASE PLATE DOOR LATCH
- 454898 Nut Plate, Main door hinge
- 365360 Gasket for the nut plate

2012 INTERNATIONAL TRAVEL TRAILER

DOORS, EXTERIOR

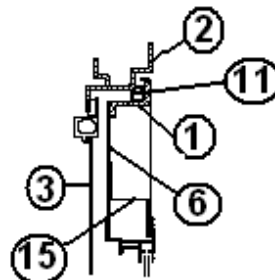
Main Door, RH Hinge



Latch Assembly



Top View



2012 INTERNATIONAL TRAVEL TRAILER

DOORS, EXTERIOR

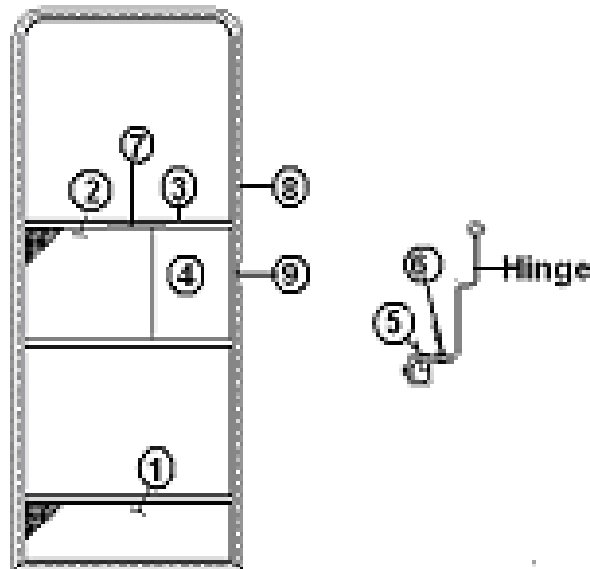
Main Door, RH Hinge

115207-05	Main door assembly, RH hinge, 23' FB
115207-06	Main door assembly, RH hinge, 25' FB, 27FB
1. 114652-01	Jamb, main door, pre-formed
2. 114653-01	Frame, main door, pre-formed
3. 114654-01	Screen door assembly, RH Hinge
4. 114448-03	Skin, exterior, upper main door
5. 114449-03	Skin, exterior, lower main door
6. 114475	MAIN DOOR SKIN INNER
7. 381552-02	HINGE ASSY. MAIN DOOR UPPER
8. 381552-01	HINGE ASSY. MAIN DOOR LOWER
9. Trimark latch assembly parts shown in hardware section	
10. 385595	Pocket strike, main door
11. 365232	Seal, main door
12. 371400-01	Window, main door, etched
13. 203370	Spacer, Trimark door Latch
14. 114363	Drip cap, main door
15. 114658	Inner door, "Z" bar, upper & lower
16. 114657	Hat section, formed, main door
17. 380290	Housing. Latch, mounted on side sheet
18. 380291	Latch assembly, mounted on side sheet
19. 201056	Striker, main door, black plastic
20. 114507-03	Trim, main door
21. 115413	Hat section assembly, round dead bolt
22. 382069	Deadbolt assembly, round, Trimark
23. 381326	Striker w/ Trimark deadbolt
24. 345321-12	Screw, flat head, black
25. 453851	Bolt, Trimark, deadbolt
26. 203370	Spacer, deadbolt assembly
203495	SPACER-DOOR STAY MAIN
203494	BASE PLATE DOOR LATCH
454898	Nut Plate, Main door hinge
365360	Gasket for the nut plate

2012 INTERNATIONAL TRAVEL TRAILER

DOORS, EXTERIOR

Main Door Screen Assembly



- | | |
|--------------|---|
| 114654 | SCREEN DOOR ASSY. LH HINGE |
| 114654-01 | SCREEN DOOR ASSY. RH HINGE |
| 1. 114648-01 | Kick panel screen door |
| 2. 114561-01 | Panel, slider, screen door |
| 3. 104784-78 | EXTR.SCREENDOOR STIFENER #VH-9 |
| 4. 203287-02 | Close out, plastic, screen door |
| 5. 330126-03 | RIVET POP SSD44SSBS |
| 6. 325122 | Rivet, hard, 5/32 |
| 7. 380004 | HANDLE WITH 8/32 X 1 SCREW |
| 8. 365013-01 | Gasket, screen door, foam tape |
| 9. 683946 | BUG SEAL, edge of screen door close out |
| 380079 | Screen, gray |
| 200518 | Spline, gray, screen insert |
| 701624 | VELCRO LOOP 5/8" WIDE |
| 701625 | VELCRO HOOK, 5/8" WIDE |
| 381454 | Screen door hold back latch, Bullet |
| 386068 | MEDALLION 3" LOGO, AIRSTREAM |

Screen Door Guard

- | | |
|-----------|----------------------------|
| 115171-01 | Guard, screen door, top |
| 115171-02 | Guard, screen door, bottom |

2012 INTERNATIONAL TRAVEL TRAILER

DOORS, EXTERIOR

Door, Refer Access

922243	ASSEMBLY, REFER ACCESS DOOR, 19', 25' FB, 28', 30'
104417	JAMB, REFRIGERATOR ACCESS
104439	LOUVERED PANEL, REFER ACCESS DOOR
380988	HINGE, CONTINUOUS .5IN LEAF 16IN
203225	TRIM LOCK WHITE #1375 1/8 W-3
381812	LATCH TWIST CHROME

Access Door, Small, Side/Rear End

100679-01	Small, access door assembly, rear or side
365035	Seal, side access door
380773	HINGE, ACCESS DOOR
380770	LOCK & CASTING ASSEMBLY
115295	SPACER, FORMED COMPARTMENT DOOR
115296	JAMB, FORMED COMPARTMENT DOOR

Access Door, Battery

410551-02	LID BATTERY BOX
381430	LOCK, TWIST, STRAIGHT CAM
380203-01	PIANO HINGE 1/8", Battery box lid
381814	NUT-WING 5/16 #1809
381613	PLASTISOL COVER-LP WING HANDLE

Furnace Door

690274-09	Door exterior, Hydroflame
-----------	---------------------------

2012 INTERNATIONAL TRAVEL TRAILER

DOORS, EXTERIOR

Access Door, Water Service, 16'

381766	HATCH-ACCESS 7.75" X 12.63"
115153	CLOSEOUT-UTILITY DOOR
115167	JAMB-INNER WALL UTILITY DOOR

Access Door, Side Assembly, 61.50"

921159	DOOR ASSY TRUNK
114673	PANEL OUTER TRUNK DOOR
114674	PANEL INNER TRUNK DOOR
114675	JAMB TRUNK DOOR
380774-02	PIANO HINGE 1/8" PIN
380770	LOCK & CASTING ASSEMBLY
360016	BUMP-ON RUBBER
365035	RUBBER SEAL ACCESS DOOR
381065-10	10" CABLE SUPPORT

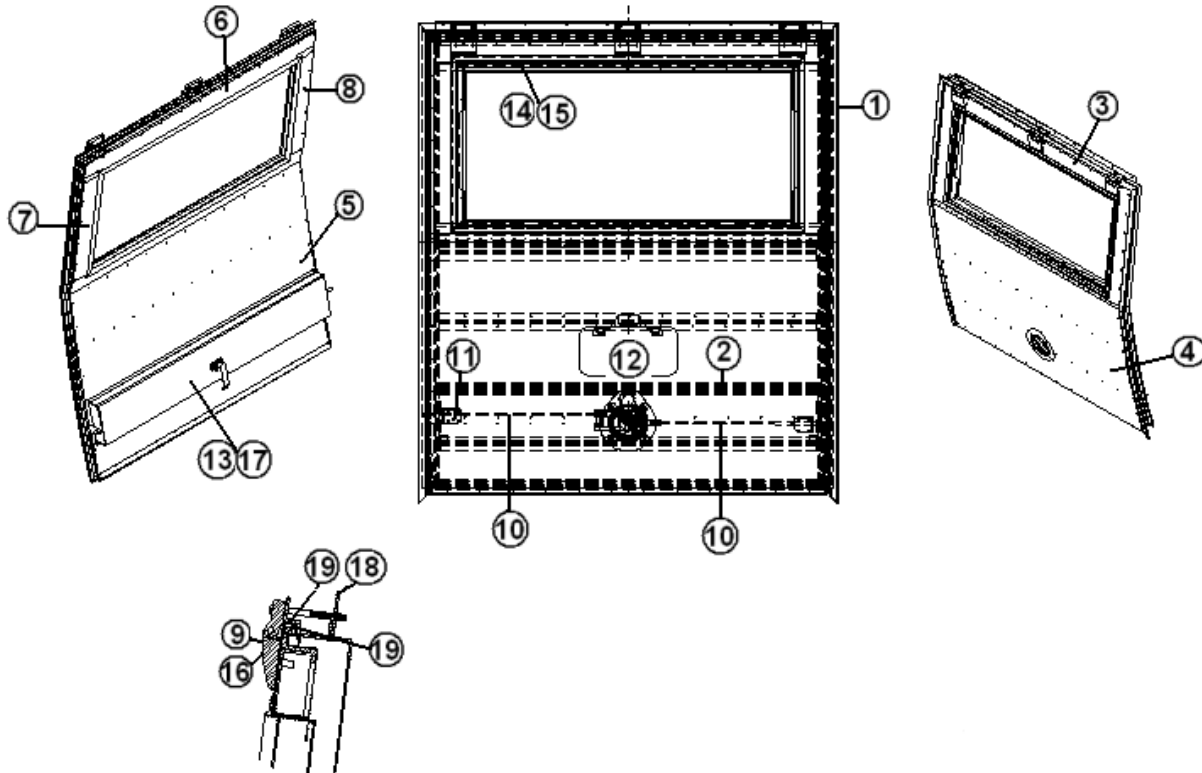
Access Door Assembly, Front & Rear End Shell

922288-02	DOOR ASSY, ROUND CORNERS
104831	JAMB, FRONT ACCESS DOOR
380774-02	HINGE COMPARTMENT DOOR, 48"
380770	LOCK & CASTING, BLACK
360016	BUMP-ON RUBBER
365035	RUBBER SEAL ACCESS DOOR
381065-10	10" CABLE SUPPORT

2012 INTERNATIONAL TRAVEL TRAILER

DOORS, EXTERIOR

HATCH DOOR ASSY. 25FB, 27FB EDDIE BAUER

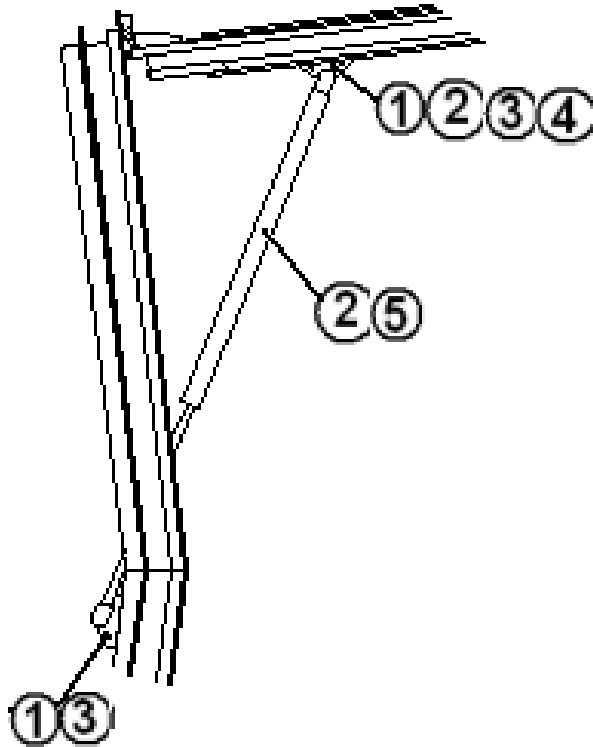


- | | |
|--------------|-------------------------------------|
| 967683 | HATCH DOOR ASSY. EDDIE BAUER |
| 1. 115517 | JAMB ASSY-HATCH DOOR |
| 2. 115518 | WELDMENT-FRAME HATCH DOOR |
| 3. 115523 | OUTER SKIN-UPPER HATCH DOOR |
| 4. 115524 | OUTER SKIN-LOWER HATCH DOOR |
| 5. 115525 | INNER SKIN-LOWER HATCH DOOR |
| 6. 115526-01 | INNER SKIN-3.71 X 47.3 UPPER HATCH |
| 7. 115526-02 | INNER SKIN-3.71 X 20 CS UPPER HATCH |
| 8. 115526-03 | INNER SKIN-3.71 X 20 RS UPPER HATCH |
| 9. 382065 | HINGE ASSY-REAR HATCH DOOR |
| 10.382018-07 | RODS-48" SQ.D RINGS#9020-6-ZN |
| 11.382018-06 | GROMMET ROD GUIDE |
| 12.512455 | HOLDER-LICENSE PLATE W/LED LIGHT |
| 13.115521 | CLOSEOUT-HATCH DOOR LATCH |
| 14.371430 | WINDOW-HATCH DOOR 40.97" |
| 15.372263 | SCREEN-HATCH DOOR 42"X20.5" |
| 16.365355-01 | GASKET-HATCH DOOR HINGE |
| 17.454862 | COVER-FINISH HATCH DOOR |
| 18.115529 | BACKER, HINGE, HATCH DOOR |
| 365232 | SEAL BAGGAGE DOOR |
| 512472 | KIT, DOOR JAMB CONTACT #S-30K |
| 203655 | BLOCK, ROD GUIDE |
| 382017 | GASKET, .60" BLULB SEAL |

2012 INTERNATIONAL TRAVEL TRAILER

DOORS, EXTERIOR

HATCH DOOR STRUTS, 25FB EDDIE BAUER



- | | |
|----------------|------------------------------------|
| 1. 381262 | BRACKET,PROP,W/BALL,#004002 AN |
| 2. **382084-03 | GAS SPRING- M8 125# |
| 2. **382084-04 | GAS SPRING - M8 MALE THREAD , 150# |
| 3. 330031-03 | RIVET DOME HEAD SSD64SSBS |
| 4. 330031-01 | RIVET,3/16 X 5/8,SSD68SSBS |
| 5. 382084-02 | SOCKET-GAS ROD #9416K76 |
| 6. 300012 | WASHER, ALUM 3/16 ID |

** 382084-04 - GAS SPRING. - REPLACEMENT
STARTED WITH S/N 526052 - APPX. 6/22/11.

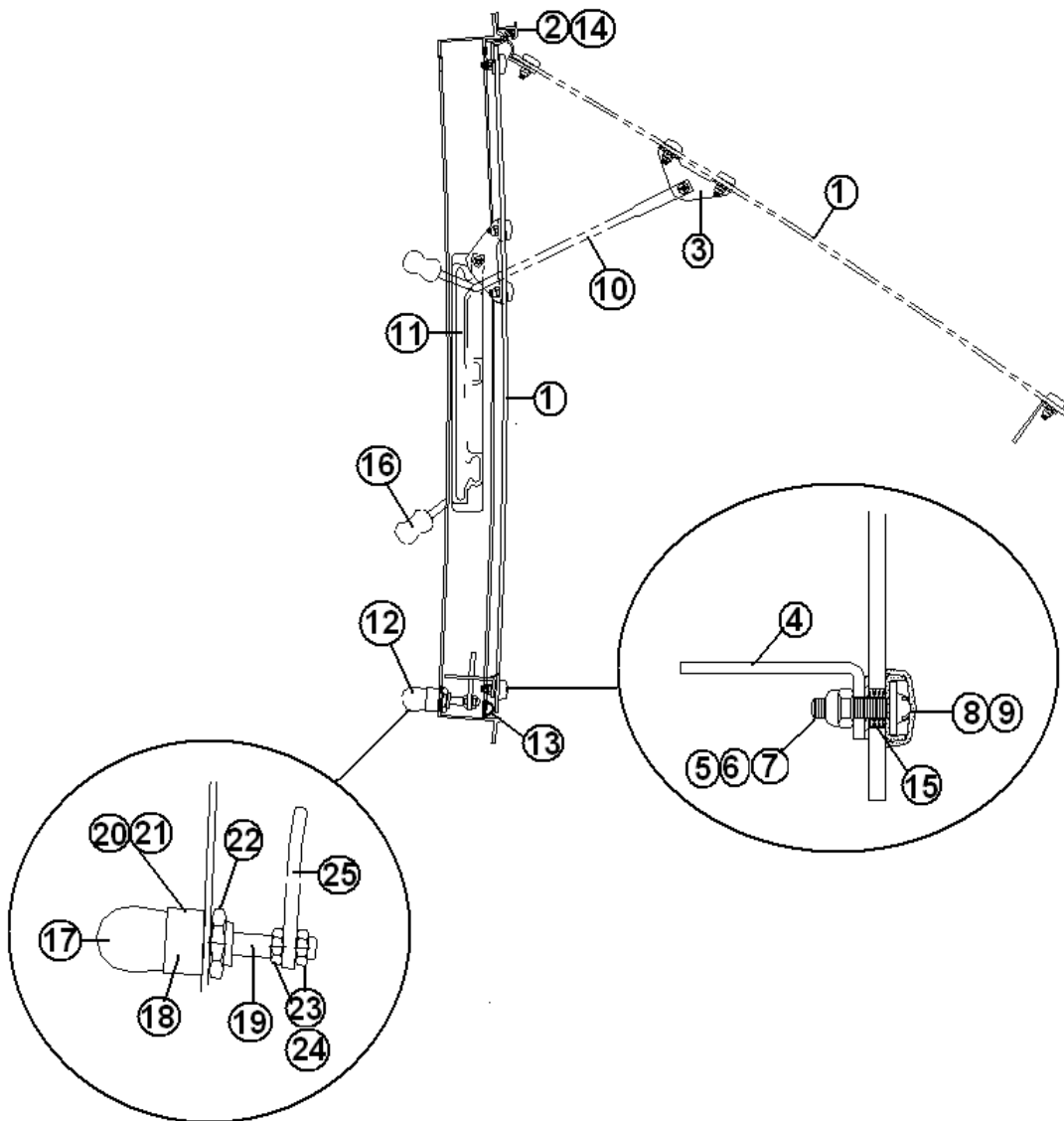
REAR SCREEN DOOR ASSY. EDDIE BAUER

- | | |
|-----------|-------------------------------|
| 382150 | SCREEN, PULL DOWN RETRACTABLE |
| 454859 | CLOSEOUT, REAR SCREEN DOOR |
| 203138-04 | EXTRUSION, PLASTIC 1/2" OAK |
| 365232 | SEAL, BAGGAGE DOOR |
| 382151 | PLUG, SNAP IN .5"DIA. BLACK |

2012 INTERNATIONAL TRAVEL TRAILER

WINDOWS/SCREENS

Opening Windows Diagram



Part numbers on next page

2012 INTERNATIONAL TRAVEL TRAILER

WINDOWS/SCREENS

1. 371323-100	Glass w/hardware, 18" window
1. 371324-100	Glass w/hardware, 30" window
2. 371323-101	Hinge, 18" window
2. 371324-101	Hinge, 30" window
3. 1101-0010	Bracket, window prop
4. 685124	Striker plate, window latch
5. 0706-0004	Flat washer
6. 0703-0001	Screw, #8-32 x .625", black, SS
7. 0702-0010	Nut, Nylox, #8-32, black SS
8. 0802-0004	Screw cover, 12-12 #100, black
9. 0802-0005	Washer, 12-12 screw cover bottom
10. 100903	Operating arm, RH
10. 100903-01	Operating arm, LH
11. 0802-0001	Guide, operating arm, RH
11. 0802-0002	Guide, operating arm, LH
12. 010020	Latch assembly, chrome
13. 382117	Gasket – window seal
14. 0101-0017	Male hinge extrusion, 1/2" pc.
15. 0706-0003	Bushing, window, acrylic
16. 380230-03	Window arm knob, silver
16. 380230-04	Window arm knob, red
17. 1101-0005	Latch handle, chrome
17. 195467-05	Latch handle, red
18. 1101-0007	Latch body
19. 1101-0008	Latch shaft
20. 1101-0009	Latch spring
21. 0707-0002	Pin, drive lock, 5/32" x 5/8", zinc
22. 0702-0001	Nut, hex panel, 5/8"-24, zinc
23. 0702-0002	Nut, jam, hex, 5/16-24
24. 385123	Washer, flat, .53" OD x .328" ID
25. 685123	Latch paw

2012 INTERNATIONAL TRAVEL TRAILER

WINDOWS/SCREENS

Windows and Screens, 16'

371400-01	WINDOW-MAIN DOOR
371269-01	WINDOW 18" STACK
371270-01	WINDOW 30" STACK
371328	WINDOW, CENTER FRONT AND REAR END SHELLS
372176-03	SCREEN REAR ESCAPE
372173-02	SCREEN-FRONT WINDOW CLEAR FRAME
372088-101	WINDOW CORNER WRAP RS FRT, CS
372089-101	WINDOW CORNER WRAP CS FRT, RS

Windows and Screens, 19'

371269-01	Window, 18" stacked
371400-01	WINDOW, MAIN DOOR ETCHED
371323-01	Window, 18" OPENING
371328	Window, FRONT END, DARK GLASS
372088-101	Window, CORNER WRAP RS FRT, CS
372089-101	Window, CORNER WRAP CS FRT, RS
372229	WINDOW, 21"X 28" OPENING
372174-03	SCREEN, 18"OPENING WINDOW RAW M
371347-03	SCREEN, SQUARE FRT WINDOW
372230	SCREEN-21"X 28" CLEAR 19'
372230-01	SCREEN - 21" X 28" EGRESS - NO ARMS

2012 INTERNATIONAL TRAVEL TRAILER

WINDOWS/SCREENS

Windows and Screens, 23' D

371323-01	Window, 18" opening
372174-03	SCREEN, 18" OPENING WINDOW
371269-01	WINDOW, 18" STACK
371380	WINDOW, OPENING, 30" TALL
372215-01	SCREEN, 30" OPENING WINDOW TALL
372220-01	SCREEN, 21" X 28", EGRESS WINDOW
371328	WINDOW, 43" FLAT, FRONT END
372173-02	WINDOW SCREEN, FRONT WINDOW
372088-101	CURBSIDE WRAP WINDOW
372089-101	ROADSIDE WARP WINDOW
371400-01	WINDOW, MAIN DOOR
922770-02	VISTA VIEW, 30"
372229	WINDOW, NON ARMS, REAR END

2012 INTERNATIONAL TRAVEL TRAILER

WINDOWS/SCREENS

Windows and Screens, 23' FB

371269-01	WINDOW 18" STACK - GRAY
371380	WINDOW 30" TALL SLIDE OUT
371400-01	WINDOW, MAIN DOOR
371384	WINDOW, BATH DOOR
372174-03	WINDOW SCREEN 18"
371347-03	FRT WB SILVER SCREEN
372215-01	WIN SCN 30" TALL MIL
372215-02	30" SILVER TALL SCREEN
372218-01	REAR WINDOW 21" X 28"
372220-02	SCRN RR MILL-NON EGRESS

2012 INTERNATIONAL TRAVEL TRAILER

WINDOWS/SCREENS

Windows and Screens, 25' Front Bed

371323-01	WINDOW, 18" OPENING
371380	WINDOW, OPENING 30" TALL
371380-01	WINDOW, 30" TALL, EGRESS
371269-01	WINDOW 18" STACK
922770-02	VISTA VIEW, 30"
372088-101	WINDOW, CORNER WRAP CS
372089-101	WINDOW, CORNER WRAP RS
371346-02	WINDOW, 48.97" FLAT, REAR
371400-01	WINDOW, MAIN DOOR, ETCHED
372174-03	SCREEN, 18"OPENING WINDOW
371347-03	SCREEN, SQUARE FRT WINDOW
372215-01	SCREEN, 30"OPENING WINDOW TALL
372215-02	SCREEN, 30" x 30", CURVED, ALTERNATE EGRESS
372215-03	SCREEN, 30" SILVER – TALL
371349-01	SCREEN, REAR ESCAPE

Windows and Screens, 27' FB

371324-02	WINDOW, 30" OPENING
371380	WINDOW, OPENING 30" TALL
371380-01	WINDOW, 30" TALL, EGRESS
371270-01	WINDOW, 30" STACK
371348-03	WINDOW-FRONT W/SILVER HANDLES
922770-02	VISTA VIEW, 30"
371269-01	WINDOW 18" STACK
372088-101	WINDOW CORNER WRAP RS FRT, CS
372089-101	WINDOW CORNER WRAP CS FRT, RS
371346-02	WINDOW, 48.97" FLAT FRT/WRAP RR
372175-02	SCREEN, 30"CURVED WINDOW
372176-02	SCREEN, FRONT, W/ROUND CORNERS
372234	SCREEN-REAR WINDOW (SQ.CORNERS)
372215-02	SCREEN, 30" x 30", CURVED, ALTERNATE EGRESS
372215-01	SCREEN, 30"OPENING WINDOW TALL

2012 INTERNATIONAL TRAVEL TRAILER

WINDOWS/SCREENS

Windows and Screens, 28'

371269-01	WINDOW 18" STACK
371270-01	WINDOW 30" STACK
371286-01	WINDOW 18 X 30 CURVED FIXED
371400-01	WINDOW-MAIN DOOR
371323-01	WINDOW-18" OPENING
371346-02	WINDOW FRONT DARK GLASS
371348-02	WINDOW-REAR W/RED HANDLES
371380	WINDOW-OPENING 30" TALL
922770-02	VISTA VIEW- 30"
922770-01	VISTA VIEW- 18"
195510-19	GLASS AND HARDWARE FOR 371380 WINDOW
372088-101	WINDOW, PANORAMIC, RS FRONT
372089-101	WINDOW, PANORAMIC, CS FRONT
372174-03	SCREEN-18"OPENING WINDOW
371347-03	SCREEN-SQUARE FRT WINDOW
371349-03	SCREEN-REAR ESCAPE
372215-01	SCREEN-30"OPENING WINDOW TALL

Windows and Screens, 30'

371323-01	WINDOW-18" OPENING
371286-01	WINDOW 18 X 30 CURVED FIXED
371269-01	WINDOW 18" STACK
371270-01	WINDOW 30" STACK
371324-02	Window, 30" opening
371380	WINDOW-OPENING 30" TALL
922770-02	VISTA VIEW- 30"
371347-01	FRONT WINDOW SCREEN
372215-01	WINDOW SCREENN 30" TALL
372175-04	SCREEN 30"OPENING WINDOW

2012 INTERNATIONAL TRAVEL TRAILER

WINDOWS/SCREENS

Window Screen Assembly

683946	SEAL, FUZZ GRY (SCREEN)
380079	Screen, gray
200518	Spline, gray, screen insert

Vista View Window, Trim, Shade, 18"

922770-01	VISTA VIEW, 18"
203490-03	TRIM RING, 18" VISTA VIEW
703462-03	SHADE, PULL 19.25" X 9.5", 18" VISTA VIEW
922772-01	BACKER, VISTA VIEW BLIND 18"

2012 INTERNATIONAL TRAVEL TRAILER

WINDOWS/SCREENS

Vista View Window, Trim, Shade, 30"

922770-02 VISTA VIEW, 30"
203490-04 TRIM RING, 30" VISTA VIEW
703462-04 SHADE, PULL 31.25" X 9.5", 30" VISTA VIEW
922772-02 BACKER, VISTA VIEW BLIND 30"

Main Door Window Trim Ring

371319-06 TRIM RING, MAIN DOOR WINDOW

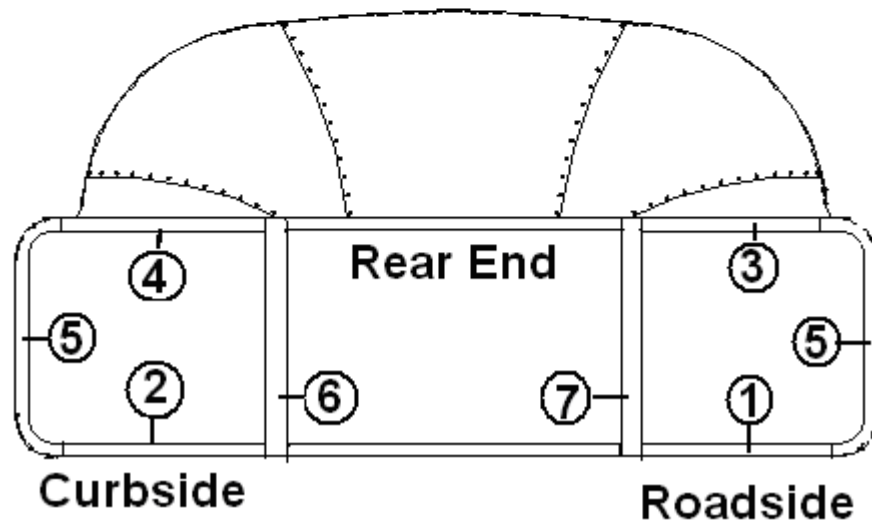
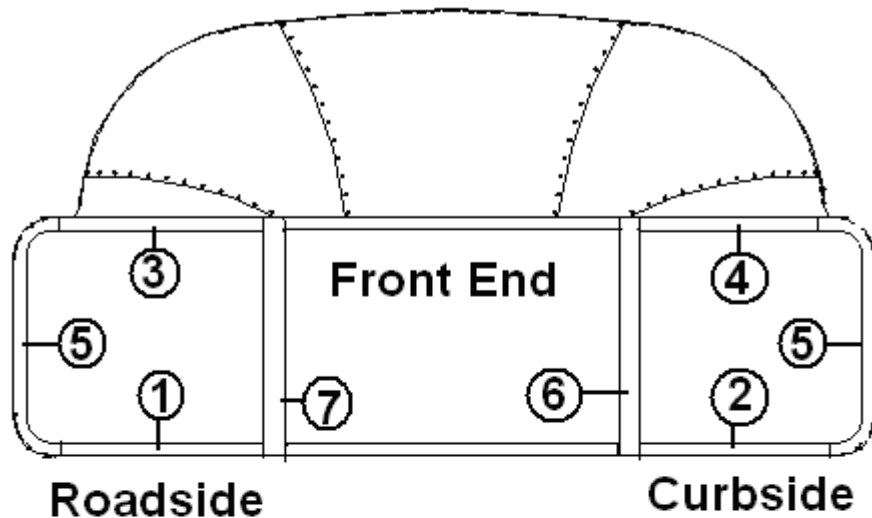
Stacked (Fixed) Window Trim

372225 TRIM RING INNER SUPPORT 30"
372226 TRIM RING INNER SUPPORT 18"
372228 TRIM RING-18"X 30" WINDOW
372227 TRIM RING-INNER SPACER 18" X 30"
372222 TRIM RING-30" STACK WINDOW CLEAR
372223 TRIM RING-18" STACK WINDOW CLEAR
203225-01 TRIM, gray flexible, goes around window rings

2012 INTERNATIONAL TRAVEL TRAILER

WINDOWS/SCREENS

Panoramic Window Trim



- | | |
|--------------|---------------------------|
| 1. 201579-02 | TRIM RING, LOWER, GRAY |
| 2. 201580-02 | TRIM RING, LOWER, GRAY |
| 3. 201581-05 | TRIM RING, UPPER, GRAY |
| 4. 201581-06 | TRIM RING, UPPER, GRAY |
| 5. 201578-02 | END CAP, TRIM RING GRAY |
| 6. 110900-03 | TRIM FORMED, ALUMINUM, RH |
| 7. 110900-04 | TRIM FORMED, ALUMINUM, LH |
| 203225-01 | TRIM LOK, GRAY .75" |

2012 INTERNATIONAL TRAVEL TRAILER

WINDOWS/SCREENS

Window Stone Guard

110102-01	Stone Guard, 1 piece, 27' FB, 25' FB
685275-100	3-Piece Stone, Panoramic Windows, Narrow Body
110188-01	3-Piece Stone, Panoramic Windows, Wide Body
685275-101	CS wrap window solar protector, stone guard
685275-102	RS wrap window solar protector, stone guard
685275-103	Stone guard, center piece only, 45.25", 16', 19'
110102	Stone guard, center piece only, Wide Body
685358	Turn fast stud
685362	Retainer, split ring
685359	Rubber receptacle
685361	Bracket, rubber receptacle
685361-01	Bracket for rubber receptacle
685363	Slip joint hinge, SS, CS per pair
683960	Arm support
683959	Arm support bracket
114749	HINGE "Y" ASSY. (ROCKGUARD ASSY.)
114750	HINGE "J" (ROCKGUARD ASSY.)
685364	BRKT, UPPER HINGE-45.375-STONEGUARD
381021-01	Latch, draw flexible
114815-01	Extrusion, frame aluminum
685354	Front window key, 90-degree angle riveted to inside corner of metal frame
685378-01	1/4" rubber spline
685351	Rubber frame, black
290812-01	Plexi-glass sheet, 1/8" x 28" x "84"
290812-02	Plexi-glass sheet, 1/8 X 28" X 10"
685355	SLIP JOINT S.S.HINGE
101401	Extrusion, door latch housing
381688	BUMP ON

2012 INTERNATIONAL TRAVEL TRAILER

AWNINGS

PATIO AWNINGS

702993-13	AWNING, PATIO, 6' 8.25", 16' Model
702993-09	AWNING, PATIO, 9' 8 ¼", 19' Model
702993-15	AWNING, PATIO, 13' 5.25", 23' D Model
702993-06	AWNING, PATIO, 16' 4.50", 25' FB Model
702993-17	AWNING, PATIO, 18' 4", 27' FB Model
702993-08	AWNING, PATIO, 18' 4 ½", 28' Model
702993-27	AWNING, PATIO, 14' 2.25", 23'FB Model
702993-28	AWNING, PATIO, 21' 4.5" #4607, 30'
702993-30	AWNING, PATIO, 16'4.5" #4961 25'FB Serenity
702993-31	AWNING, PATIO, 13'5.25" #4961 23' Serenity
702993-32	AWNING, PATIO, 9'8.5" #4961 - 19' Serenity
702993-33	AWNING, PATIO, 18'5.5" #4961 27'FB Serenity
702993-34	AWNING, PATIO, 6'8.25" #4961 16' Serenity
702993-35	AWNING, PATIO, 18' 4.5" #4961 28' Serenity
702993-38	AWNING, PATIO, 21' 4.5" #4961, 30' Serenity
702993-39	AWNING, PATIO, 14' 2.25" #4961, 23FB Serenity
702993-40	AWNING, PATIO, 16' 4.5" #4671 - EDDIE BAUER
702993-41	AWNING 18' 5.50" W/EDDIE BAUER SILKSCREEN
702993-37	CENTER SUPPORT, SATIN 30'
702993	HARDWARE, MOUTING, ZIP DEE #HE-AS7
385577	TAPE, CLEAR, WEAR STRIP, 3.5" WIDE

2012 INTERNATIONAL TRAVEL TRAILER

AWNINGS

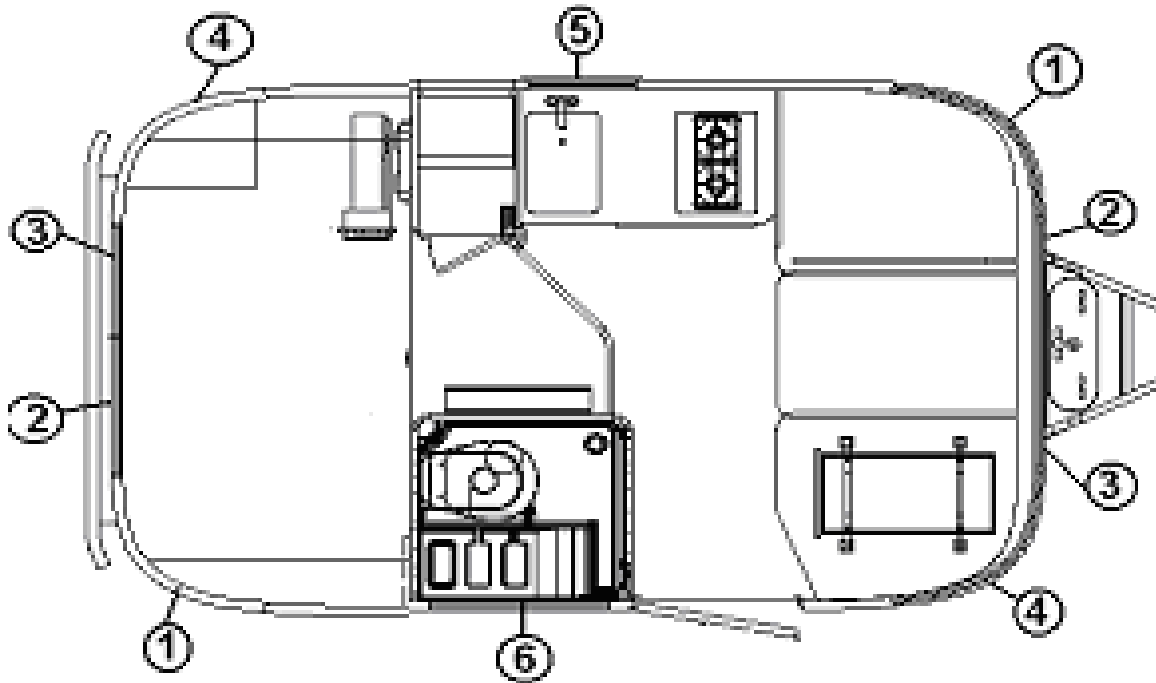
Window Awnings

- 703181-01 Awning, 47", rear window, Charcoal, 19', 23'D, 23'FB
- 703181-13 Awning, 9' 8" RS window, Charcoal, 19'
- 703181-16 AWNING, WINDOW, 13' 5.25", 23' D,
- 703181-05 Awning, 16' 4.5", RS Window, Charcoal, 25' FB
- 703181-15 Awning, 52.63", Rear window, Charcoal, 28'
- 703181-20 Awning, 52.63", Rear window, W/V Hardware, 27' FB, 25' FB
- 703181-21 AWNING, WINDOW, 18' 6.25", 27' FB
- 703181-29 AWNING, WINDOW 14'2.25" #4607 23'FB
- 703181-40 AWNING, WINDOW 18' 6.25" 27FB , Serenity
- 703181-12 Awning, 18' 4.5" RS window, Charcoal, 28'
- 703181-34 AWNING, WINDOW 52.63" #4961 - Serenity
- 703181-35 AWNING, WINDOW 52.63" V HDWE #4961 Serenity 25FB SERENITY
- 703181-36 AWNING, WINDOW 47" #4961 - Serenity, 19', 23D, 23FB
- 703181-37 AWNING, WINDOW 16'4.5" #4961 - Serenity 25FB
- 703181-38 AWNING, WINDOW 13'5.25" #4961-Serenity 23D
- 703181-39 AWNING, WINDOW 9'8" #4961 - Serenity, 19'
- 703181-41 AWNING, WINDOW 18'4.5" #4961 - Serenity
- 703181-42 AWNING, WINDOW 15' 11.5" #4607, 30'
- 703181-43 AWNING, WINDOW 49" #4607, 30'
- 703181-44 AWNING, WINDOW 15'11.5" #4961 - 30' Serenity
- 703181-45 AWNING, WINDOW 49" #4961 - 30' Serenity
- 703181-47 AWNING, WINDOW 14' 2 ¼" - 23'FB Serenity
- 703181-48 AWNING, WINDOW 52.63" #4671, 25FB, EDDIE BAUER
- 703181-49 AWNING, WINDOW 16'4.5" #4671, 25FB, EDDIE BAUER
- 703181-50 AWNING, WINDOW 18'6.25", EDDIE BAUER, 27FB
- 385577 TAPE, CLEAR, WEAR STRIP, 3.5" WIDE

2012 INTERNATIONAL TRAVEL TRAILER

DRAPES/BLINDS

Drape/Shades, 16' Wenge

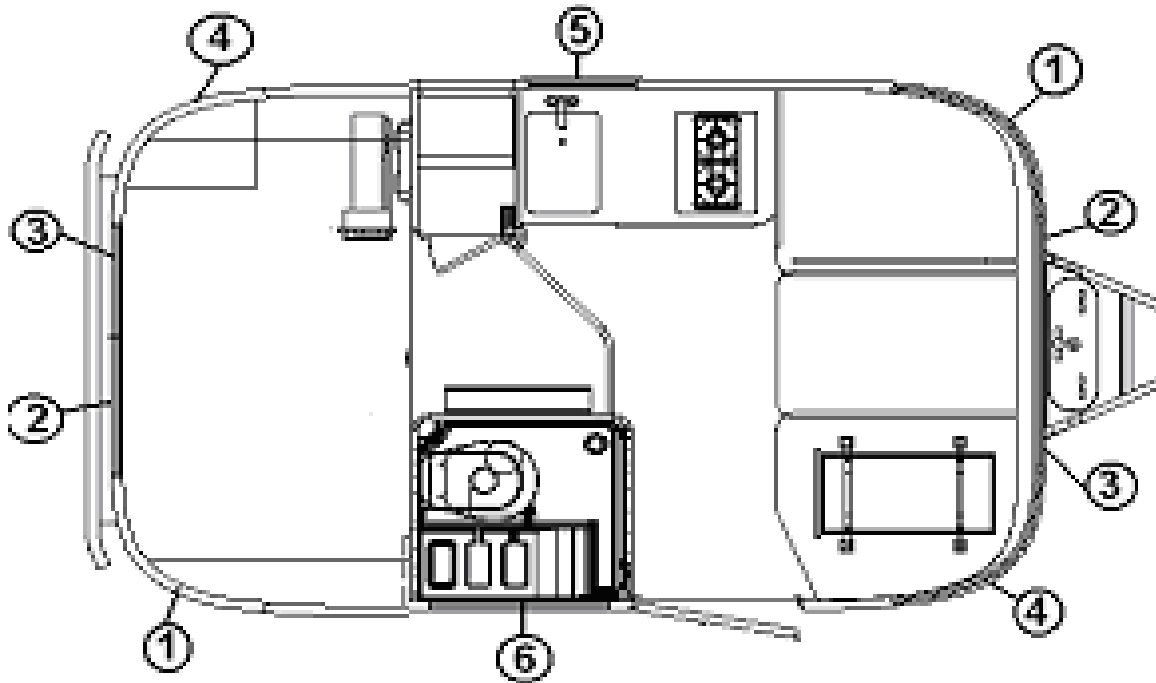


- | | |
|--------------|------------------------------------|
| 1. 998144-11 | DRAPE, RS SIDE PANEL, 37" X 25.5" |
| 2. 998144-12 | DRAPE, RS FRONT PANEL, 23" X 25.5" |
| 3. 998144-10 | DRAPE, CS FRONT PANEL, 23" X 25.5" |
| 4. 998144-09 | DRAPE, CS SIDE PANEL 37" X 25.5 |
| 5. 703700-07 | SHAD,E PULL 17.75" X 34.00" L |
| 6. 703700-04 | SHADE, PULL, 29.75" X 34.00"L |

2012 INTERNATIONAL TRAVEL TRAILER

DRAPES/BLINDS

Drape/Shades, 16' Serenity

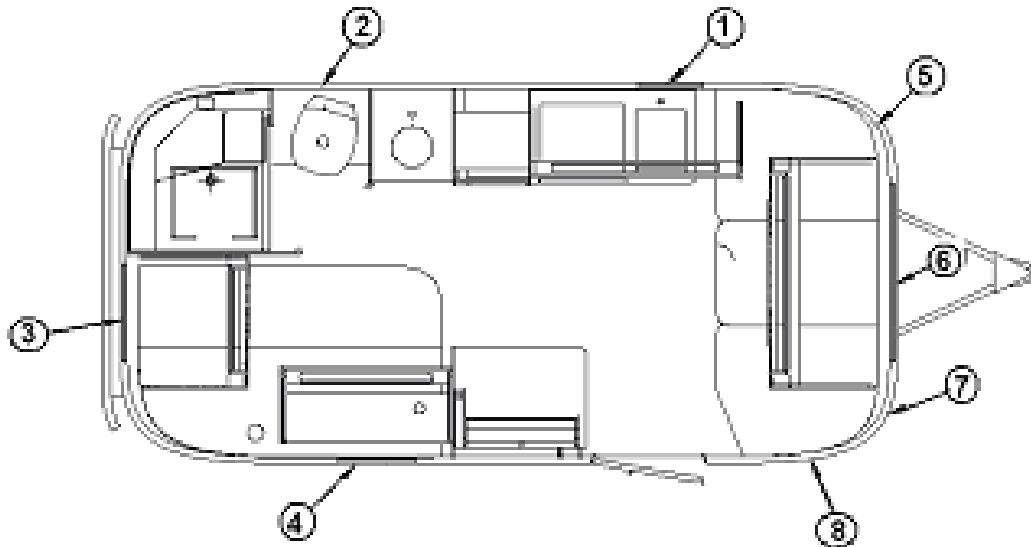


- | | |
|--------------|------------------------------------|
| 1. 998144-11 | DRAPE, RS SIDE PANEL, 40" X 25.5" |
| 2. 998144-12 | DRAPE, RS FRONT PANEL, 23" X 25.5" |
| 3. 998144-10 | DRAPE, CS FRONT PANEL, 23" X 25.5" |
| 4. 998144-09 | DRAPE, CS SIDE PANEL 40" X 25.5 |
| 5. 703700-07 | SHADE, PULL 17.75" X 34.00" L |
| 6. 703700-04 | SHADE, PULL, 29.75" X 34.00"L |

2012 INTERNATIONAL TRAVEL TRAILER

DRAPES/BLINDS

Drapes/Shades, 19' Wenge

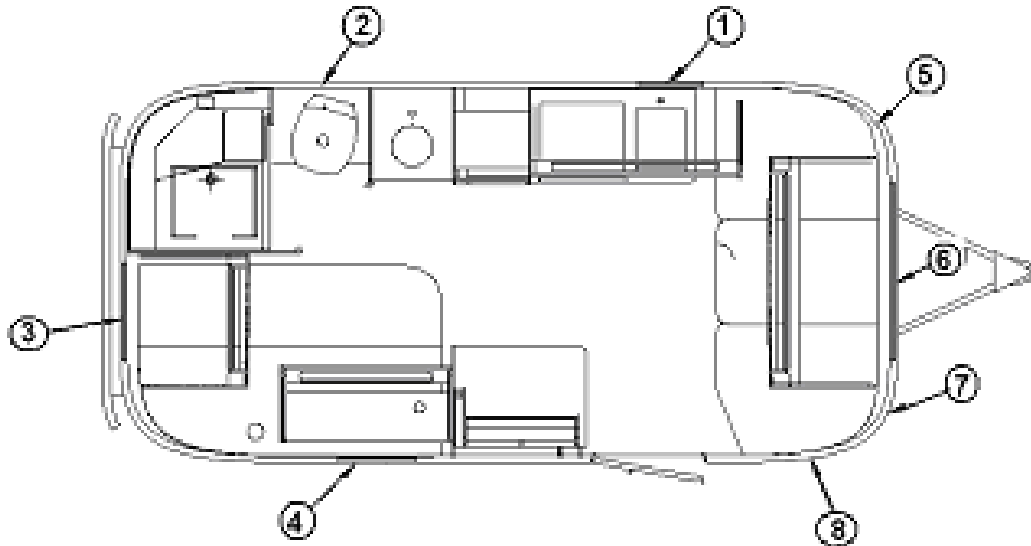


- | | |
|--------------|--|
| 1. 703700-01 | SHADE 19.00 X 24.00L |
| 2. 703700-07 | SHADE 17.75 X 34L |
| 3. 703700-05 | SHADE 19" X 34"L |
| 4. 703700-03 | SHADE 25.25 X 34L |
| 5. 998144-11 | DRAPE, ROADSIDE SIDE PANEL, 37" X 25.5" |
| 6. 998144-12 | DRAPE, CURBSIDE FRONT PANEL, 23" X 25.5" |
| 7. 998144-10 | DRAPE, CURBSIDE FRONT PANEL, 23" X 25.5" |
| 8. 998144-09 | DRAPE, CURBSIDE SIDE PANEL, 37" X 25.5" |

2012 INTERNATIONAL TRAVEL TRAILER

DRAPES/BLINDS

Drapes/Shades, 19' - SERENITY

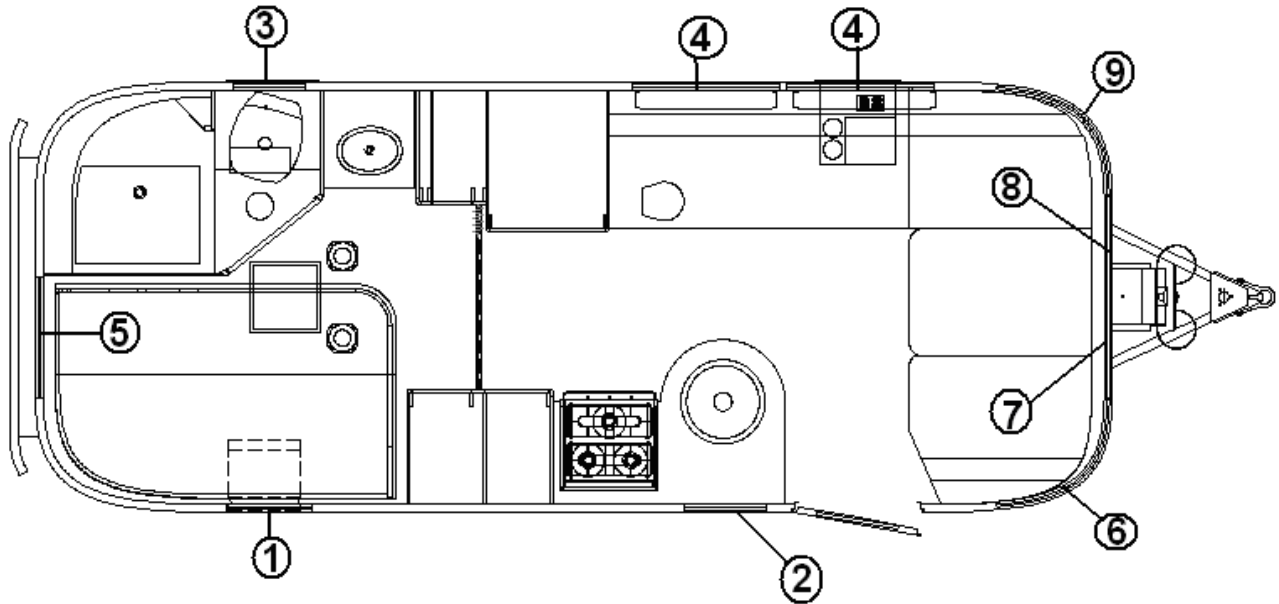


- | | |
|--------------|--|
| 1. 703700-01 | SHADE 19.00 X 24.00L |
| 2. 703700-07 | SHADE 17.75 X 34L |
| 3. 998171-17 | CURTAIN PANEL, 16.5" X 22" |
| 4. 998171-18 | CURTAIN PANEL, 14" X 34.5" |
| 5. 998144-11 | DRAPE, ROADSIDE SIDE PANEL, 37" X 25.5" |
| 6. 998144-12 | DRAPE, CURBSIDE FRONT PANEL, 23" X 25.5" |
| 7. 998144-10 | DRAPE, CURBSIDE FRONT PANEL, 23" X 25.5" |
| 8. 998144-09 | DRAPE, CURBSIDE SIDE PANEL, 37" X 25.5" |

2012 INTERNATIONAL TRAVEL TRAILER

DRAPES/BLINDS

Drapes/Shades, 23' D Wenge

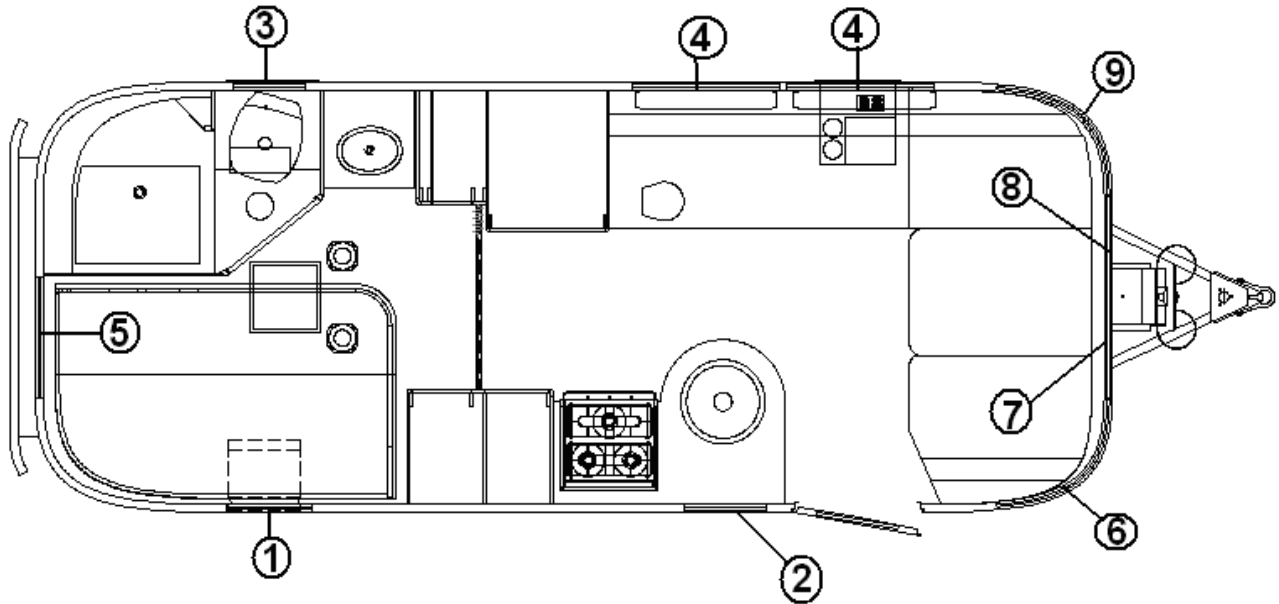


- | | |
|--------------|--|
| 1. 703700-05 | SHADE, PULL, 19.00W X 34.00L |
| 2. 703700-01 | SHADE, PULL, 19.00W X 24.00L |
| 3. 703700-07 | SHADE, PULL, 18.50W X 34.00L |
| 4. 703700-04 | SHADE, PULL, 29.75W X 34.00L |
| 5. 703700-03 | SHADE, PULL, 25.25W X 34.00L |
| 6. 998144-09 | DRAPE, CS SIDE PANEL, 37" X 25.5" |
| 7. 998144-10 | DRAPE, CS FRONT PANEL, 23" X 25.5" |
| 8. 998144-12 | DRAPE, CS FRONT PANEL, 23" X 25.5" |
| 9. 998144-11 | DRAPE, RS SIDE PANEL, 37" X 25.5" |
| 703462-04 | SHADE, PULL, 31.25 X 9.5, GRAY, VISTA VIEW |
| 702804-03 | SHADE, PLEATED, SKYLIGHT, 19.25" X 20.00" |

2012 INTERNATIONAL TRAVEL TRAILER

DRAPES/BLINDS

Drapes/Shades, 23' D - Serenity

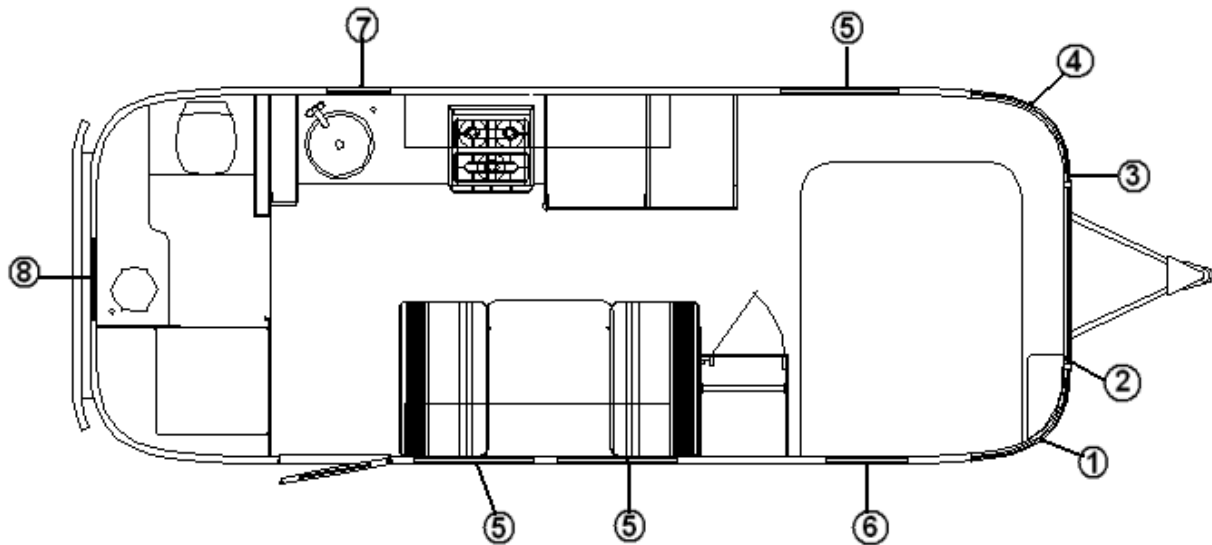


- | | |
|--------------|--|
| 1. 998171-18 | PANEL, CURTAIN, 14"W X 34.5" |
| 2. 703700-01 | SHADE, PULL, 19.00W X 24.00L |
| 3. 703700-07 | SHADE, PULL, 17.75W X 34.00L |
| 4. 703700-04 | SHADE, PULL, 29.75W X 34.00L |
| 5. 998171-17 | PANEL, CURTAIN, 16.5" X 22" |
| 6. 998144-09 | DRAPE, CS SIDE PANEL, 37" X 25.5" |
| 7. 998144-10 | DRAPE, CS FRONT PANEL, 23" X 25.5" |
| 8. 998144-12 | DRAPE, RS FRONT PANEL, 23" X 25.5" |
| 9. 998144-11 | DRAPE, CS SIDE PANEL, 37" X 25.5" |
| 703462-04 | SHADE, PULL, 31.25 X 9.5, GRAY, VISTA VIEW |
| 702804-03 | SHADE, PLEATED, SKYLIGHT, 19.25" X 20.00" |

2012 INTERNATIONAL TRAVEL TRAILER

DRAPES/BLINDS

Drapes/Shades, 23' FRONT BED, Wenge



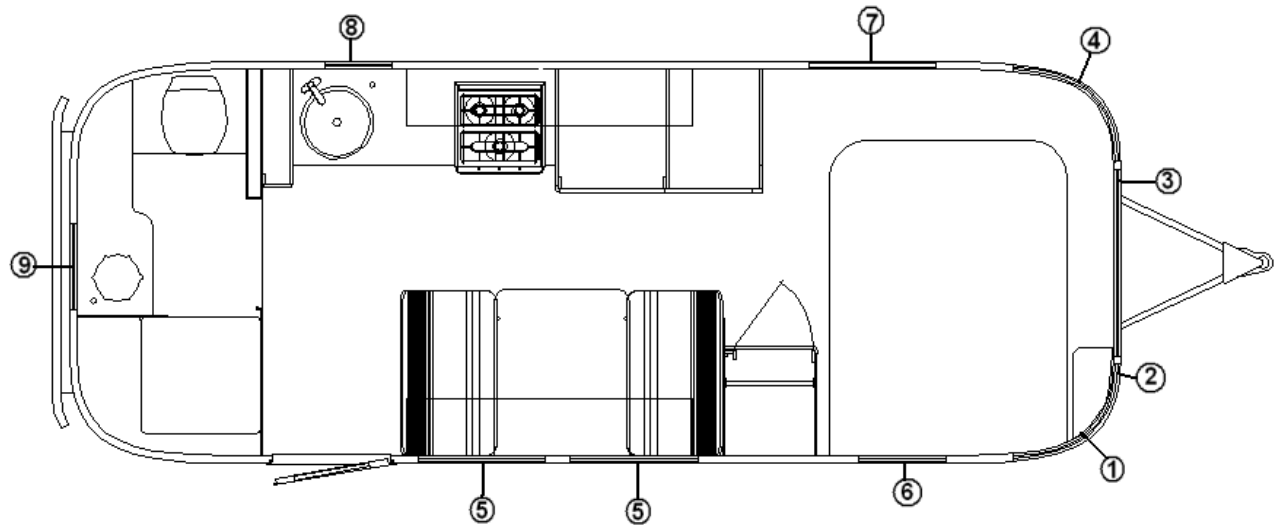
WINDOW COVERINGS – 23' FRONT BED – SIGNATURE SERIES

- | | |
|--------------|--------------------------------|
| 1. 998144-09 | DRAPE-CS SIDE PANEL 37" X 25.5 |
| 2. 998144-10 | DRAPE-CS FRT PANEL 23"X 25.5" |
| 3. 998144-12 | DRAPE-RS FRT PANEL 23"X 25.5" |
| 4. 998144-11 | DRAPE-RS SIDE PANEL 37" X 25.5 |
| 5. 703700-04 | SHADE 29.75" X 34"L OCEANAIR |
| 6. 703700-07 | SHADE 17.75 X 34L OCEANAIR |
| 7. 703700-01 | SHADE 19.00 X 24.00L OCEANAIR |
| 8. 703700-03 | SHADE 25.25 X 34L OCEANAIR |

2012 INTERNATIONAL TRAVEL TRAILER

DRAPES/BLINDS

Drapes/Shades, 23' FRONT BED, SERENITY



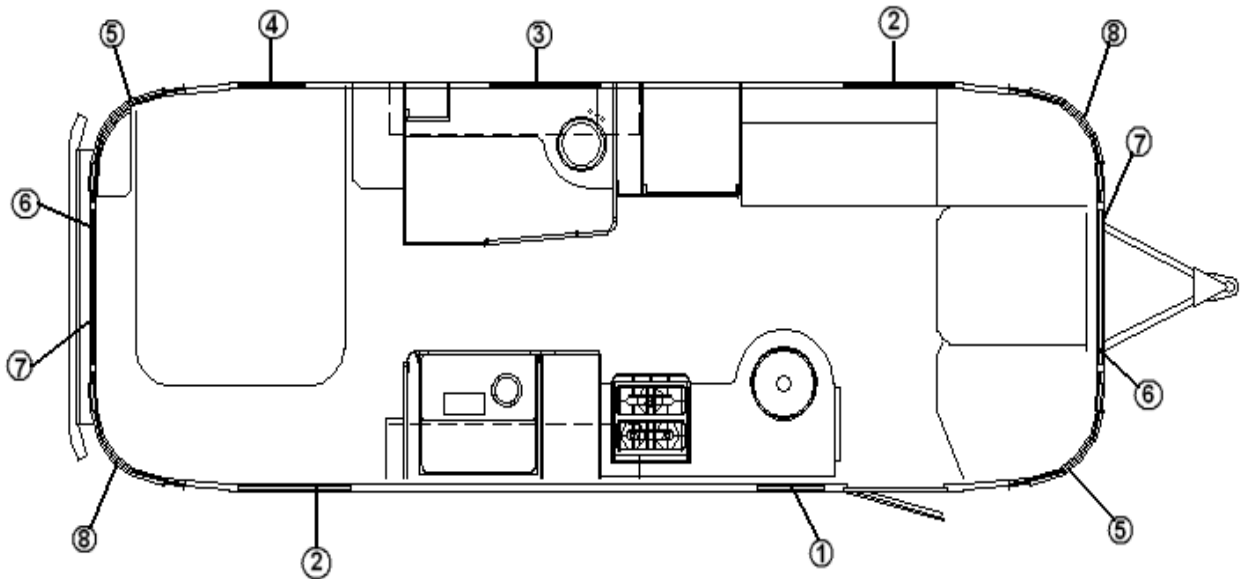
WINDOW COVERINGS - 23' FRONT BED - SERENITY

- | | |
|--------------|--------------------------------|
| 1. 998144-09 | DRAPE-CS SIDE PANEL 37" X 25.5 |
| 2. 998144-10 | DRAPE-CS FRT PANEL 23"X 25.5" |
| 3. 998144-12 | DRAPE-RS FRT PANEL 23"X 25.5" |
| 4. 998144-11 | DRAPE-RS SIDE PANEL 37" X 25.5 |
| 5. 703700-04 | SHADE 29.75" X 34"L OCEANAIR W |
| 6. 998171-18 | DRAPE CS 14"W X 34.5" |
| 7. 998171-20 | DRAPE PANEL 19" X 34.5" |
| 8. 703700-01 | SHADE 19.00 X 24.00L OCEANAIR |
| 9. 703700-03 | SHADE 25.25 X 34L OCEANAIR |

2012 INTERNATIONAL TRAVEL TRAILER

DRAPES/BLINDS

Drapes/Shades, 25' International, Wenge

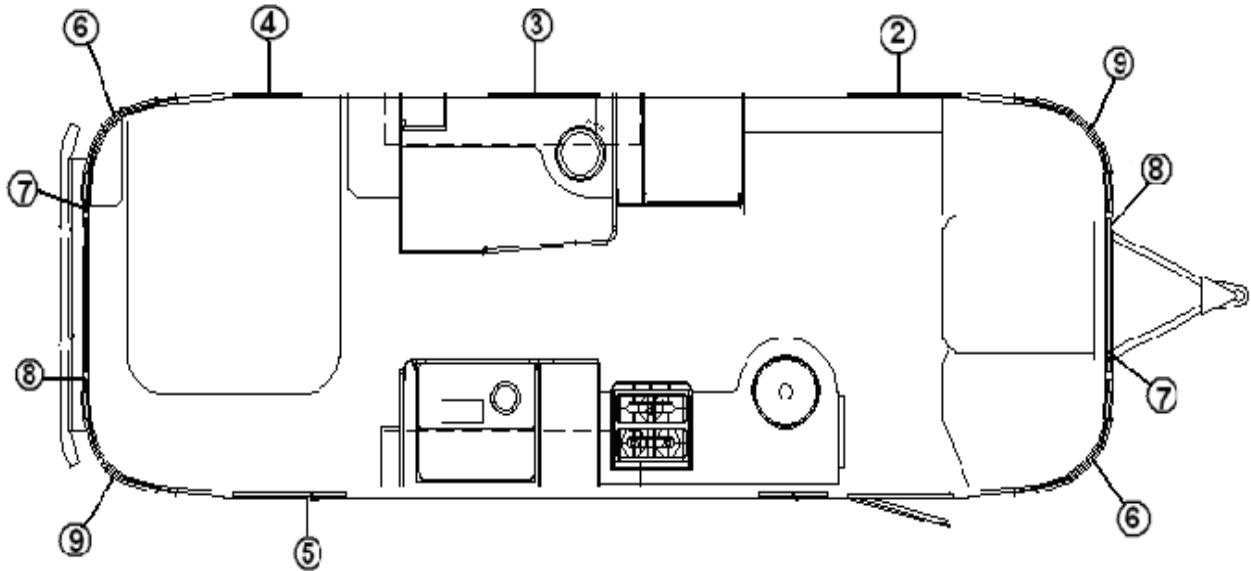


- | | |
|--------------|--------------------------------|
| 1. 703700-05 | Shade, 19" x 34"L Oceanair |
| 2. 703700-04 | Shade, 29.75" x 34"L Oceanair |
| 3. 703700-02 | Shade, 32.5" x 24"L Oceanair |
| 4. 703700-07 | Shade, 17.75" X 34"L Oceanair |
| 5. 998144-09 | Drape, Side Panel 37" x 25.5" |
| 6. 998144-05 | Drape, Front Panel 27" x 25.5" |
| 7. 998144-07 | Drape, Front Panel 27" x 25.5" |
| 8. 998144-11 | Drape, Side Panel 37" x 25.5" |

2012 INTERNATIONAL TRAVEL TRAILER

DRAPES/BLINDS

Drapes/Shades, 25' Serenity

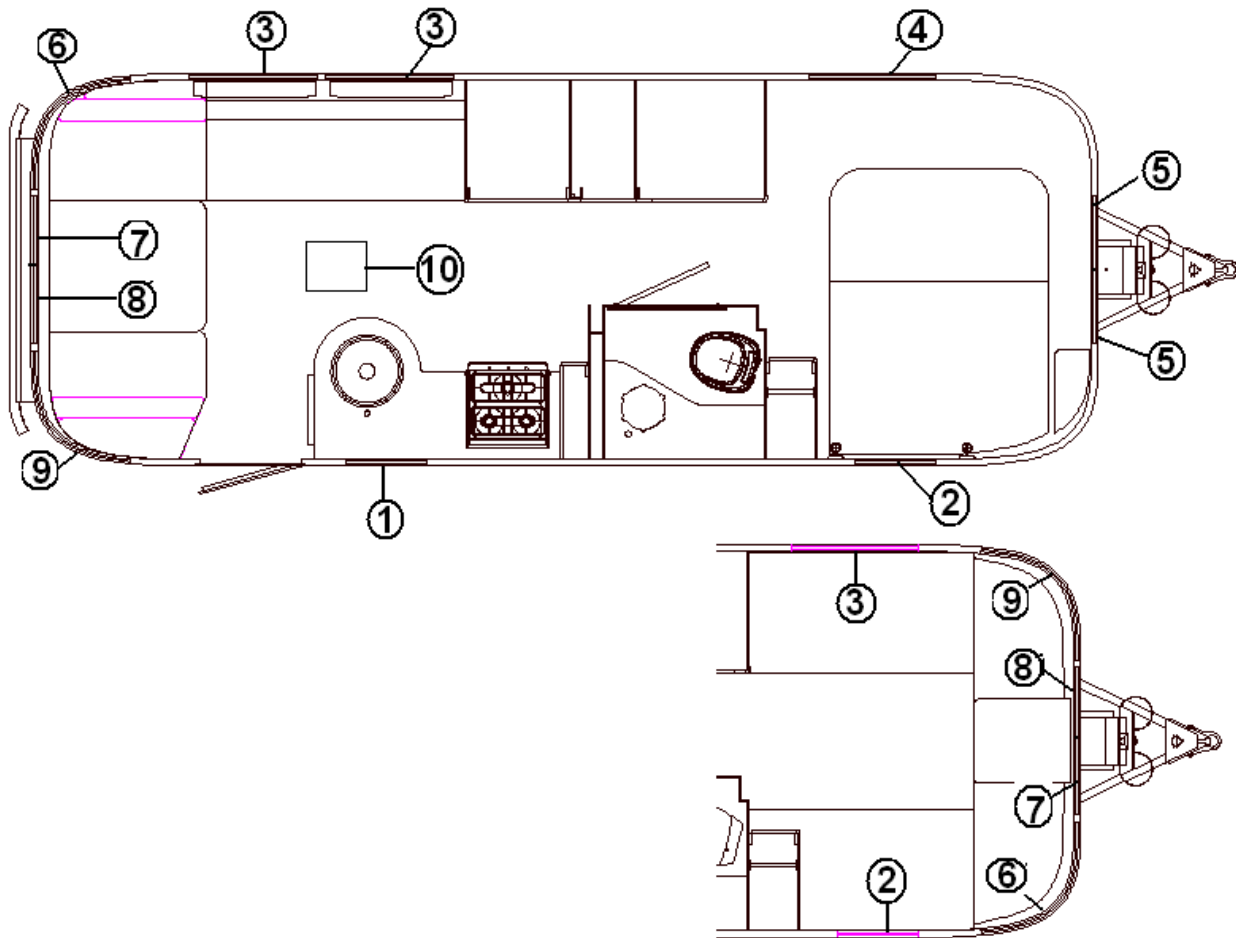


- | | |
|--------------|--------------------------------|
| 1. 703700-04 | Shade, 29.75" x 34"L Oceanair |
| 2. 703700-02 | Shade, 32.5" x 24"L Oceanair |
| 3. 998171-18 | Drape, Curbside 14"W x 34.5" |
| 4. 998171-20 | Drape, 19" x 34.5" |
| 5. 998144-09 | Drape, Side Panel 37" x 25.5" |
| 6. 998144-05 | Drape, Front Panel 27" x 25.5" |
| 7. 998144-07 | Drape, Front Panel 27" x 25.5" |
| 8. 998144-11 | Drape, Side Panel 37" x 25.5" |
| 9. 703700-05 | Shade, 19" x 34"L Oceanair |

2012 INTERNATIONAL TRAVEL TRAILER

DRAPES/BLINDS

Drapes/Shades, 25' Front Bed Wenge

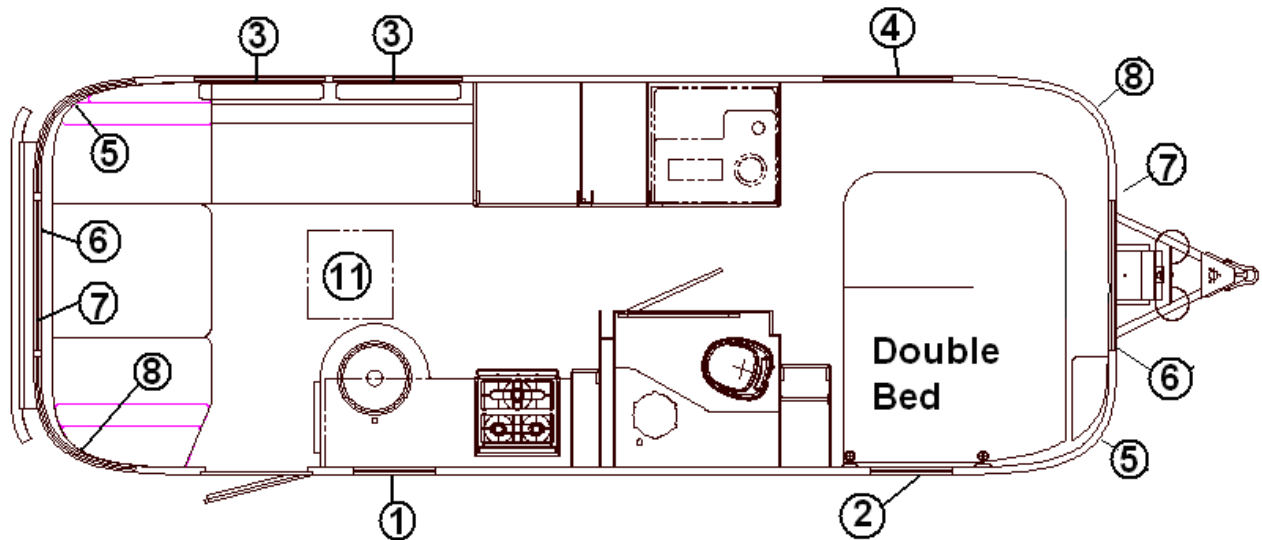


- | | |
|---------------|--|
| 1. 703700-05 | SHADE, PULL, 19.00W X 34.00L |
| 2. 703700-07 | SHADE, PULL, 17.75W X 34.00L |
| 3. 703700-04 | SHADE, PULL, 29.75W X 34.00L |
| 4. 703700-04 | SHADE, PULL, 29.75W X 34.00L |
| 5. 998171-09 | CURTAIN, 28.5" X 25.5" |
| 6. 998144-11 | DRAPE, ROADSIDE SIDE PANEL, 37" X 25.5 |
| 7. 998144-05 | DRAPE, CS FRONT PANEL, 27" X 29" |
| 8. 998144-07 | DRAPE, RS FRONT PANEL, 27" X 29" |
| 9. 998144-09 | DRAPE, CS SIDE PANEL, 37" X 25.5" |
| 10. 702804-03 | SHADE, PLEATED, SKYLIGHT |

2012 INTERNATIONAL TRAVEL TRAILER

DRAPES/BLINDS

Drapes/Shades, 25' Front Bed - SERENITY

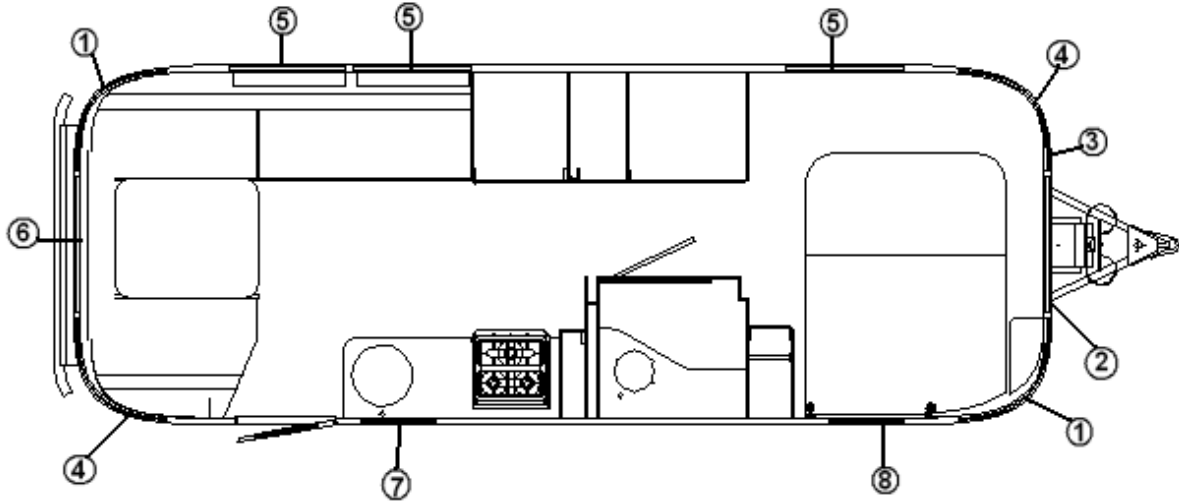


- | | |
|---------------|--|
| 1. 703700-05 | SHADE, PULL, 19.00W X 34.00L |
| 2. 998171-18 | CURTAIN, 14" X 34.5" |
| 3. 998171-04 | CURTAIN, 18" X 34.5" |
| 4. 998171-20 | CURTAIN, 18" X 34.5" |
| 5. 998144-11 | DRAPE, ROADSIDE SIDE PANEL, 37" X 25.5 |
| 6. 998144-05 | DRAPE, CS FRONT PANEL, 27" X 29" |
| 7. 998144-07 | DRAPE, RS FRONT PANEL, 27" X 25.5" |
| 8. 998144-09 | DRAPE, CS SIDE PANEL, 37" X 25.5" |
| 11. 702804-03 | SHADE, PLEATED, SKYLIGHT |

2012 INTERNATIONAL TRAVEL TRAILER

DRAPES/BLINDS

Drapes/Shades, 25' Front Bed, EDDIE BAUER



115527

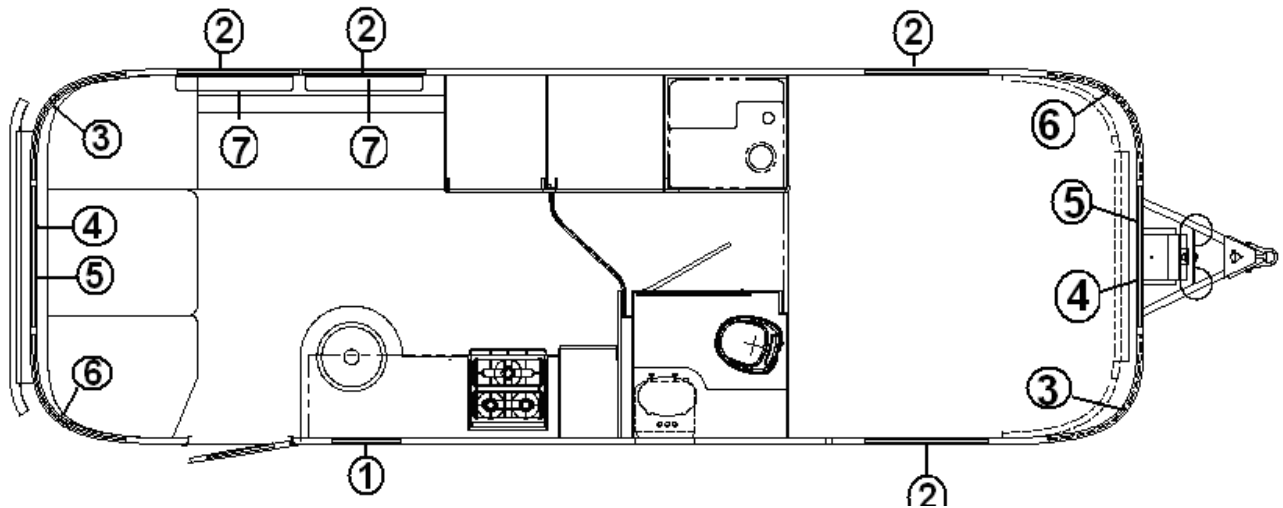
WINDOW COVERINGS- 25FB EDDIE BAUER

- | | |
|--------------|---------------------------------|
| 1. 998144-11 | DRAPE-RS SIDE PANEL 37" X 25.5" |
| 2. 998144-05 | DRAPE-CS FRT PANEL 27"X 29" |
| 3. 998144-07 | DRAPE-RS FRT PANEL 27"X 29" |
| 4. 998144-09 | DRAPE-CS SIDE PANEL 37" X 25.5 |
| 5. 703700-04 | SHADE 29.75" X 34"L OCEANAIR |
| 6. 703700-08 | SHADE- 41.5"X34"L OCEANAIR |
| 7. 703700-05 | SHADE 19" X 34"L OCEANAIR |
| 8. 703700-07 | SHADE 17.75 X 34L OCEANAIR |

2012 INTERNATIONAL TRAVEL TRAILER

DRAPES/BLINDS

Drapes/Shades, 27' Front Bed, Wenge

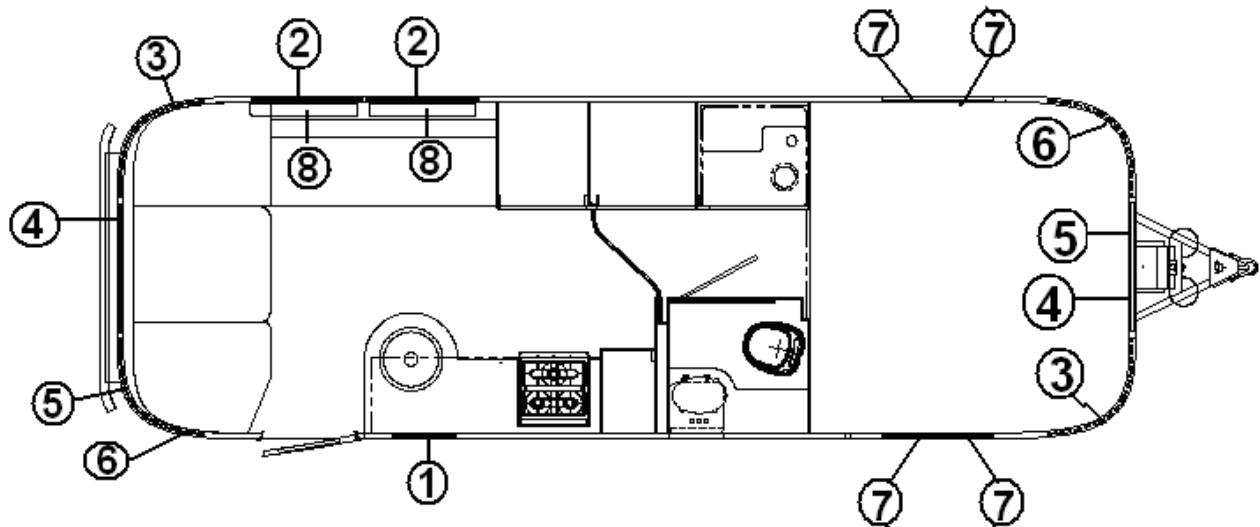


- | | |
|--------------|---------------------------------------|
| 1. 703700-05 | SHADE, 19.00"W X 34.00"L |
| 2. 703700-04 | SHADE, 29.75"W X 34.00"L |
| 3. 998144-09 | DRAPE, CS SIDE PANEL, 37" X 25.5" |
| 4. 998144-05 | DRAPE, CS FRONT PANEL, 27"X 29" |
| 5. 998144-07 | DRAPE, RS FRONT PANEL, 27"X 29" |
| 6. 998144-11 | DRAPE, RS SIDE PANEL, 37" X 25.5" |
| 7. 703462-04 | SHADE, 31.25" X 9.5", Gray Vista View |

2012 INTERNATIONAL TRAVEL TRAILER

DRAPES/BLINDS

Drapes/Shades, 27' Front Bed - SERENITY

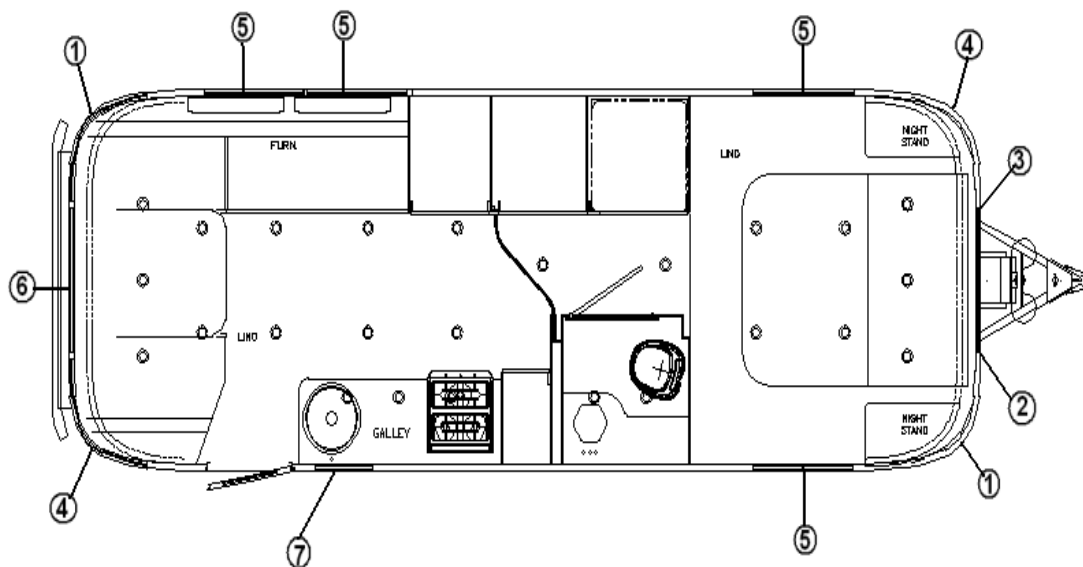


- | | |
|--------------|---------------------------------------|
| 1. 703700-01 | SHADE, 19.00"W X 24.00"L WHITE |
| 2. 703700-04 | SHADE, 29.75"W X 34.00"L WHITE |
| 3. 998144-09 | DRAPE, CS SIDE PANEL, 37" X 25.5" |
| 4. 998144-05 | DRAPE, CS FRONT PANEL, 27"X 29" |
| 5. 998144-07 | DRAPE, RS FRONT PANEL, 27"X 29" |
| 6. 998144-11 | DRAPE, RS SIDE PANEL, 37" X 25.5" |
| 7. 998171-20 | DRAPE, CS REAR PNL, 19"X 35.50" |
| 8. 703462-04 | SHADE, 31.25" X 9.5", Gray Vista View |

2012 INTERNATIONAL TRAVEL TRAILER

DRAPES/BLINDS

Drapes/Shades, 27' Front Bed – EDDIE BAUER

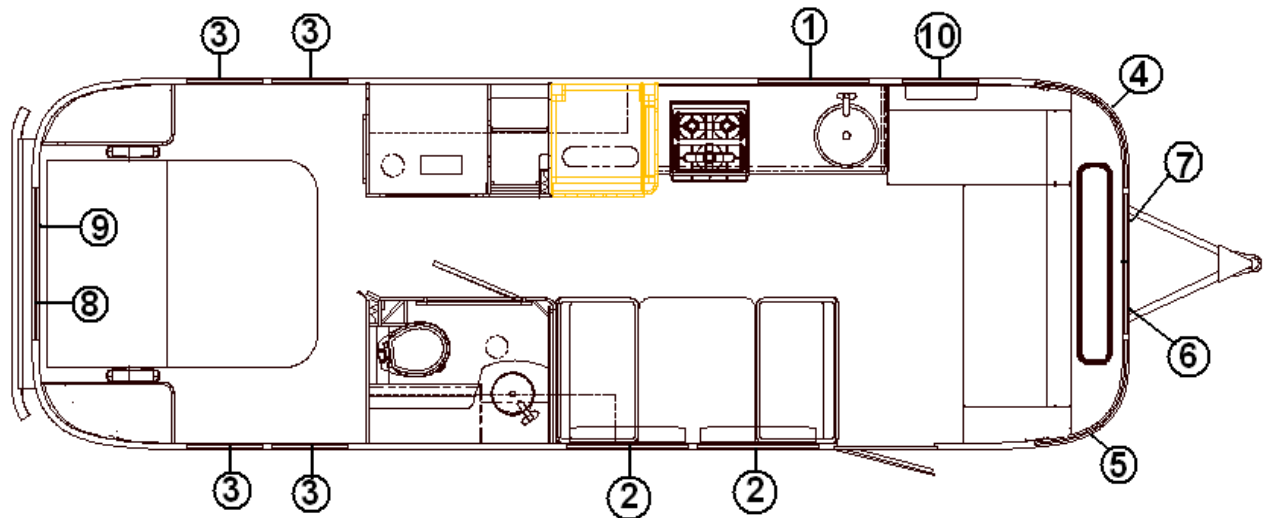


1. 998144-11 DRAPE-RS SIDE PANEL 37" X 25.5"
2. 998144-05 DRAPE-CS FRT PNL 27"X 29"
3. 998144-07 DRAPE-RS FRT PNL 27"X 29"
4. 998144-09 DRAPE-CS SIDE PANEL 37" X 25.5"
5. 703700-04 SHADE 29.75" X 34"L OCEANAIR
6. 703700-08 SHADE-OCEANAIR 40.5"X34"L
7. 703700-05 SHADE 19" X 34"L OCEANAIR

2012 INTERNATIONAL TRAVEL TRAILER

DRAPES/BLINDS

Drapes/Shades, 28' Wenge

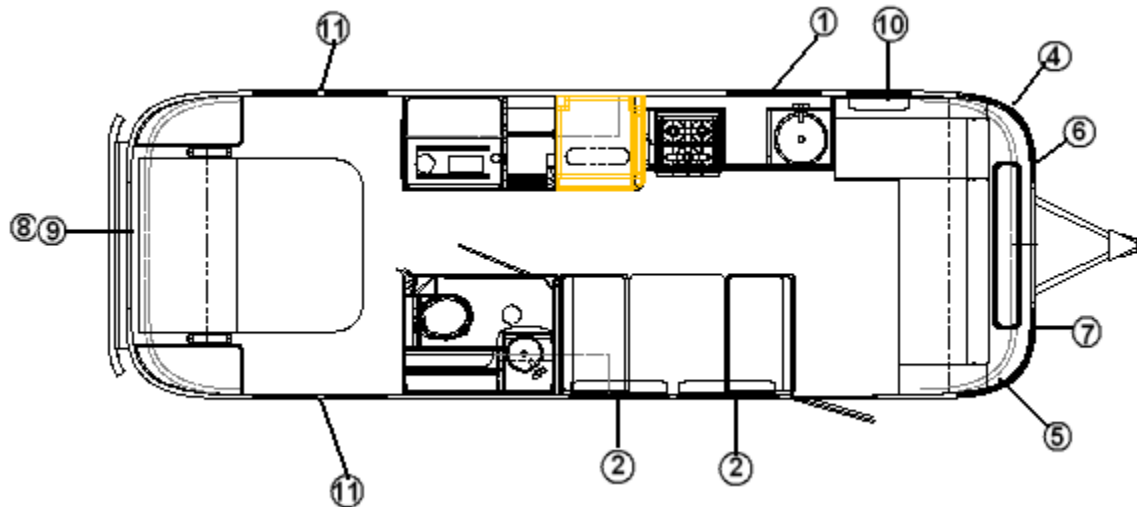


- | | |
|---------------|----------------------------------|
| 1. 703700-02 | SHADE, 32.5" X 24L |
| 2. 703700-04 | SHADE, 29.75" X 34"L |
| 3. 703700-05 | SHADE, 19" X 34"L |
| 4. 998144-11 | DRAPE, RS SIDE PANEL 37" X 25.5" |
| 5. 998144-09 | DRAPE, CS SIDE PANEL 37" X 25.5" |
| 6. 998144-07 | DRAPE, RS FRONT PANEL, 27" X 29" |
| 7. 998144-05 | DRAPE, CS FRONT PANEL, 27" X 29" |
| 8. 998144-06 | DRAPE, CS REAR PANEL, 30" X 29" |
| 9. 998144-08 | DRAPE, RS REAR PANEL, 30" X 29" |
| 10. 703700-07 | SHADE, 17.75" X 34"L |

2012 INTERNATIONAL TRAVEL TRAILER

DRAPES/BLINDS

Drapes/Shades, 28' – SERENITY

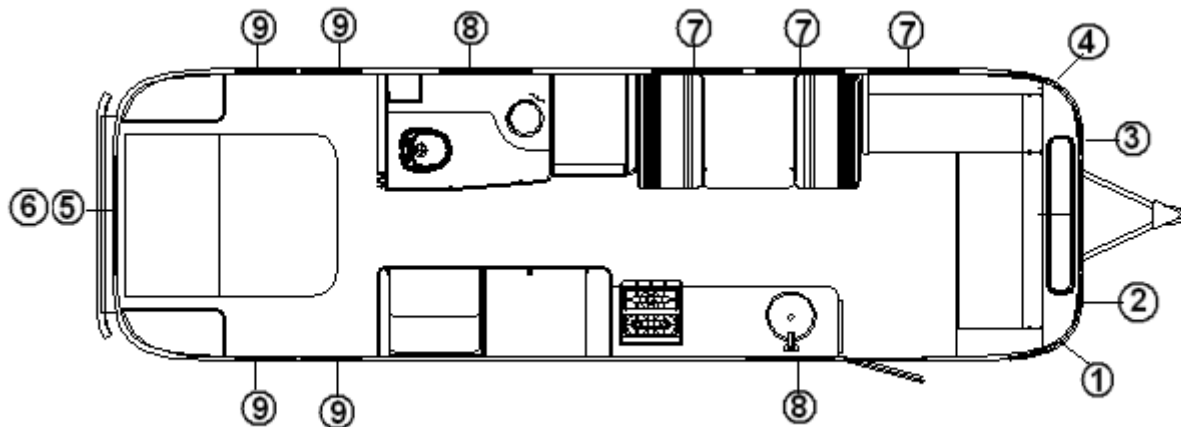


- | | |
|--------------|--------------------------------|
| 1.703700-02 | SHADE32.5 X 24L OCEANAIR |
| 2.703700-04 | SHADE 29.75" X 34"L OCEANAIR |
| 4.998144-11 | DRAPE-RS SIDE PANEL 37" X 25.5 |
| 5.998144-09 | DRAPE-CS SIDE PANEL 37" X 25.5 |
| 6.998144-07 | DRAPE-RS FRT PNL 27"X 29" |
| 7.998144-05 | DRAPE-CS FRT PNL 27"X 29" |
| 8.998144-06 | DRAPE-CS REAR PNL 30"X 29" |
| 9.998144-08 | DRAPE-RS REAR PNL 30"X 29" |
| 10.703700-07 | SHADE 17.75 X 34L OCEANAIR |
| 11.998171-24 | DRAPE, 27.00W X 34.50"L |

2012 INTERNATIONAL TRAVEL TRAILER

DRAPES/BLINDS

Drapes/Shades, 30', Wenge

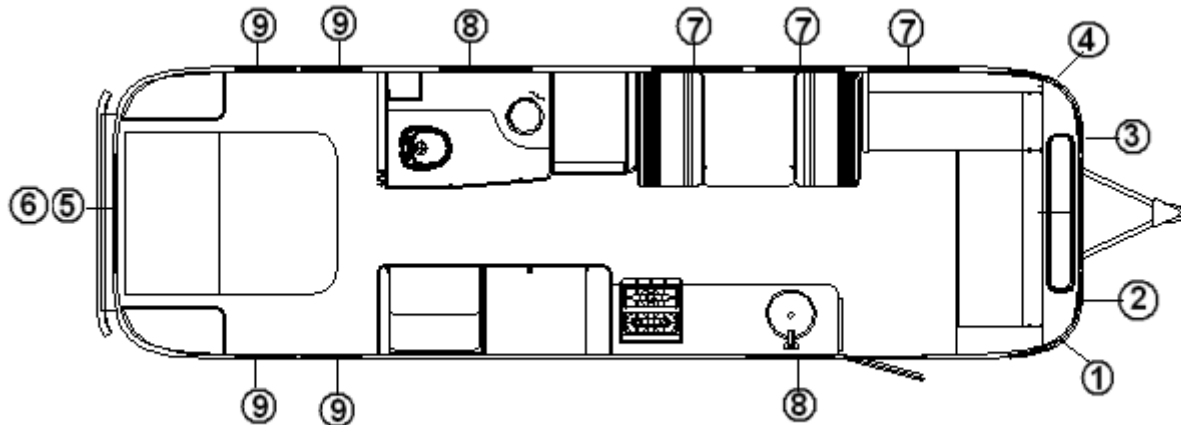


- | | |
|--------------|--------------------------------|
| 1. 998144-09 | DRAPE-CS SIDE PANEL 37" X 25.5 |
| 2. 998144-05 | DRAPE-CS FRONT PANEL 27"X 29" |
| 3. 998144-07 | DRAPE-RS FRONT PANEL 27"X 29" |
| 4. 998144-11 | DRAPE-RS SIDE PANEL 37" X 25.5 |
| 5. 998144-06 | DRAPE-CS REAR PANEL 30"X 29" |
| 6. 998144-08 | DRAPE-RS REAR PANEL 30"X 29" |
| 7. 703700-04 | SHADE 29.75" X 34"L OCEANAIR |
| 8. 703700-02 | SHADE 32.5 X 24L OCEANAIR |
| 9. 703700-05 | SHADE 19" X 34"L OCEANAIR |

2012 INTERNATIONAL TRAVEL TRAILER

DRAPES/BLINDS

Drapes/Shades, 30', SERENITY

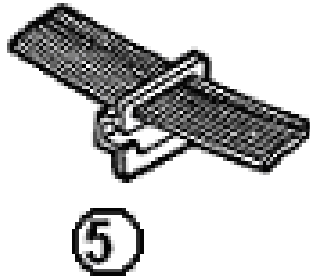
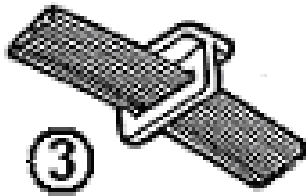


- | | |
|--------------|----------------------------------|
| 1. 998144-09 | DRAPE, CS SIDE PANEL 37" X 25.5 |
| 2. 998144-05 | DRAPE, CS FRONT PANEL 27"X 29" |
| 3. 998144-07 | DRAPE, RS FRONT PANEL 27"X 29" |
| 4. 998144-11 | DRAPE, RS SIDE PANEL 37" X 25.5" |
| 5. 998144-06 | DRAPE, CS REAR PANEL 30"X 29" |
| 6. 998144-08 | DRAPE, RS REAR PANEL 30"X 29" |
| 7. 703700-04 | SHADE, 29.75" X 34"L OCEAN AIR |
| 8. 703700-02 | SHADE, 32.5 X 24L OCEAN AIR |
| 9. 998171-24 | DRAPE, 27" X 34"L |

2012 INTERNATIONAL TRAVEL TRAILER

DRAPES/BLINDS

Drape Hardware



- | | |
|-----------|-------------------------------|
| 1. 101220 | Bracket, curtain stand off |
| 2. 101217 | Track, curtain |
| 3. 700044 | Glides, w/elastic, T" type |
| 4. 101225 | Bracket, curtain, stand off |
| 5. 700045 | Glides, w/elastic, "G" type |
| 6. 200785 | End, curtain track, LH |
| 7. 200784 | End, curtain track, RH |
| 100099 | EXTR, ALUM. CURTAIN TRACK TOP |

2012 INTERNATIONAL TRAVEL TRAILER

DRAPES/BLINDS

Drape Parts/Material

703848	FABRIC, POPCORN SHEER, SERENITY
703903	FABRIC, DRAPERY – WYETH OFF WHITE
703905	DRAPERY LINING – MICHELLE WHITE
700013	PERMA TAPE #4813-3IN 100 YD ROLL
700045	GLIDES, CURTAIN, G3 W/ELASTIC
700005	FASTENER, CAP
700006	FASTENER SOCKET
700020	PILE VELCRO
700021	HOOK, VELCRO, WHITE
340030	FASTENER STUD NICKEL PLATED

2012 INTERNATIONAL TRAVEL TRAILER

ELECTRICAL, 110 VOLT

Shoreline Cord/Converter

512401-02	INLET, MALE 30 A, 125V TITANIUM
512401-01	POWER CORD 30 A, 30' TITANIUM
511654-01	POWER CENTER-110V/12V MAGNATEK, BROWN
511654-03	POWER CENTER, MAGNETEK, BLACK W/30 AMP A/C TRANSFER SWITCH
510741	BOX/ELECTRICAL, 1-1/2" X 2" X 3"
500563-03	Receptacle, White, Self contained
500563-04	Wall plate, White w/screws for 500563-03
511814-01	RECEPTACLE, DUPLEX, GRAY SELF CONTAINED
511814-02	PLATE, DECORATOR, 1 GANG, GRAY

Breakers/Breaker Box

453573	MOUNTING BRACKET-BREAKER BOX
510564-03	Breaker, Bryant, 15-15
510564-04	Breaker 20-20, Bryant, CSA
510564-05	Breaker 30-20, Bryant
510564-06	Breaker 20 GFI, Bryant, CSA

Interior/Exterior Receptacles

500563-03	Receptacle, White, Self contained
500563-04	Wall plate, White w/screws for 500563-03
382070	Non-skid rubber dot for 500563-03
511287	Receptacle, 15 amp, single
512399	Cover, ext. outlet, gray, W/P
511023	Circuit tester (loose item)
512481-01	RECEPTACLE 20A SINGLE WHITE
512481-02	RECEPTABLE 20A SINGLE BROWN
512481-03	DECORATOR COVER PLATE W/SCREWS, BROWN
511534	DUAL COAX PLATE WHITE
511375	JACK MODULAR TELEPHONE
512398	POWER SUPPLY, WALL PLATE, WHITE

2012 INTERNATIONAL TRAVEL TRAILER

ELECTRICAL, 110 VOLT

Junction Box

510014	BOX JUNCTION OCTAGON #54151-C
510015	BOX COVER #54C-1
510475	CLIP, GROUND
510110	CLAMPS ADHESIVE BACKED

Generator Prep

512401-02	INLET, MALE 125V 30A
385062	DECAL 110-125 VOLTAGE AC
115155-01	GEN PREP-REMOTE W/O SWITCH

50 Amp Service, 2nd AC, 30' Model

511149-03	POWER CORD, 50 AMP, 36 FT.
511149-02	POWER INLET W/STRAIN RELIEF
690380-11	ADAPTER DUCT USE W/690380-10
511260	WEATHERPROOF COVER, SINGLE
511885	CIRCUIT BREAKER
512285	POWER CENTER AC/DC
512408	CABLE CONNECTOR 1"

Microwave Switch, 27' Front Bed

512221	SWITCH-LEVER 300V 10A
511283	BOX HANDY, 2" X 4", METAL
512369	RECEPTACLE, 15A SLG WHITE UL/CS
512370	WALLPLATE, 1 GANG, SINGLE RECEPTACLE
386230	LABEL, MICROWAVE 120VAC 60HZ 70

2012 INTERNATIONAL TRAVEL TRAILER

ELECTRICAL, 110 VOLT

Inverter, 600 Watt

511968	INVERTER 600W W/REMOTE
511969-01	110A FUSE & FUSE BLACK
500039	GROUND LUG
500563-03	Receptacle, White, Self contained
500563-04	Wall plate, White w/screws for 500563-03
382070	Non-skid rubber dot for 500563-03
512481-01	RECEPTACLE 20A SINGLE WHITE
511286-03	WIRE, TELE.26GA FLAT RED#191824
512052	POWER CONNECTOR, 2 WIRES
512053	POWER CONNECTOR, 3 WIRES

Tester, 110 Volt Circuit Analyzer

511023	TESTER CIRCUIT ANALYZER 3 WIRE
--------	--------------------------------

2012 INTERNATIONAL TRAVEL TRAILER

ELECTRICAL, 12 VOLT

Battery

511596	Battery, deep cycle, lead acid
511595	Battery box
500836	Positive battery cable, 55"
500836-01	Positive battery cable, 91"
500836-02	Positive battery cable, 72"
500837	Negative Battery cable
203415	BATTERY TRAY
340023-01	CATCH, ASSEMBLY
512049-01	CABLE-RED JUMPER BAT. 6GA 7.75
512049-02	CABLE-BLK JUMPER BAT.6GA 7.75"
510946-04	BRACKET, 4-POSITION, CIRCUIT BREAKER, 12V
500475-20	BREAKER, CIRCUIT, 12 VDC, EARS, 20 AMP
500475-30	BREAKER, CIRCUIT, 12 VDC, EARS, 30 AMP
500475-50	BREAKER, CIRCUIT, 12 VDC, EARS, 50 AMP
510947-20	BREAKER, 12V DC, TYPE II, #12V, 20 Amp
510947-50	BREAKER, 12V DC, TYPE II, #12V, 50 Amp

Battery Disconnect

511655-01	BEZEL ASSY-BLACK/SILVER
511655-02	RELAY 100 AMP 12VOLT
511655-03	CABLE, 20 Ft.
511655-05	CABLE, BDO, 30'

Interior Lights

512442	Light w/ Switch, L.E.D. Double
512441	Light W/switch L.E.D. - Single- Incandescent
512438	Reading light, L.E.D., Nickel
512462	Reading light, L.E.D. Nickel
512463	Spot Light L.E.D. - Recessed - Frost
512464	Spot Light L.E.D. - Surface Mount - Frost
512478	Light - Wet Location L.E.D.
512478	LIGHT, SHOWER INCANDESCENT SINGLE 12V
512403	SCONCE-SATIN NICKEL W/BLK-SERENITY
512403-01	BULB-LED SCONCE #B7038-SERENITY
512404	SHADE-CREAM W/BLK #EX1183-SERENITY

2012 INTERNATIONAL TRAVEL TRAILER

ELECTRICAL, 12 VOLT

Monitor System

511788-01 Monitor panel, CATCON Micropulse
511252 PLUG PHONE 4 CONDUCTOR
511789 SENSOR-TANK MONITOR #500-10050
511393 COUPLER-MODULAR EXTENSION 4 CONDUCTOR
511286-01 WIRE-TELEPHONE 26GA FLAT BACK
511286-02 WIRE-TELEPHONE 26GA FLAT IVORY
511789-01 BOOT-SENSOR #500-20010-05

Solar Panel System

511828 BATTERY-12V DEEP CYCLE AGM
511142-01 PANEL-SOLAR 53 WATT VLX-53
511142-02 BRACKET-MOUNTING KIT SOLAR PANEL
512318 HOLDER W/1 AMP FUSE, IN-LINE
510328 FUSE, AGC 10
385947 LABEL-10 AMP FUSE MAX
511846 KIT-CHARGE CONTROLLER DISPLAY
511851 CABLE- CAT 5E BLUE
511852 CONNECTOR- RJ45E
512049-03 JUMPER CABLE, BATTERY, W/.38 ENDS

7-Way Cable/Breakaway Switch

500886-01 7-Way cable w/plug
512401-01 CORD-POWER 30A 30' #F30R30-SS
512401-02 INLET-MALE 125V 30A #F30INS-GS
510743 Ground bar, 3 1/2" long
511411 Junction box, 7 terminals
0300027 Break away switch, Bargman
454526 Bracket, breakaway switch

512537-01 RACEWAY W/ LATCH, ELECTRICAL, IVORY
512537-02 RACEWAY END CAP, IVORY

2012 INTERNATIONAL TRAVEL TRAILER

ELECTRICAL, 12 VOLT

Switches

512496-01	SLIDE DIMMER SWITCH, 12V Black
500913-03	SWITCH T & B WHITE
500933	SWITCH-WATER HEATER ELECTRONIC
502056	Mounting plate, 12 volt switch
510947-20	BREAKER, 12V DC, TYPE II, #12V 20APP
511100	SWITCH BODY WITH SWITCHES
511327	Switch body w/rocker, single, white
511658	SWITCH BODY W/COVER 3-GANG
511665	SWITCH ASSY-CEILING WHITE
511566-01	SWITCH COVER-2 GANG BLK-#10072
511566-02	Cover, switch, Printed, Two Gang, White
511567-01	SWITCH BODY W/ROCKER SW 2 GANG BLACK
511567-02	Switch body w/Rocker switches two gang white
511669	SWITCH ASSY-SHOWER WHITE
511672-01	SWITCH BEZEL - BLACK
511672-02	FLOOR MOUNT - BLACK
511672-03	SWITCH, BLACK SPST ON/OFF
511673	SWITCH COVER-TWO GANG BLACK
511674	SWITCH COVER-ONE GANG BLACK
511731-01	SWITCH, WATER HEATER, BLACK
511763	SWITCH W/COVER & INDICATOR, LOUNGE/PATIO
511781	SWITCH ASSY, LIGHTED, 2 GANG, ROCKER
511784	SWITCH BODY W/COVER 4-GANG BLACK
511785	COVER-SWITCH SPDT INDIRECT BLACK
511799	SWITCH-W/COVER VANITY/INDIRECT
511809	SWITCH BODY W/COVER 4-GANG
511844	SWITCH BODY W/COVER 4-GANG

Continued on Next Page

2012 INTERNATIONAL TRAVEL TRAILER

ELECTRICAL, 12 VOLT

Switches

510888-05	RECEPTACLE W/COVER GFI WHITE
510888-06	SPACER, RECEPTACLE GFI WHITE
510888-07	RECEPTACLE COVER WHITE
511975	SWITCH ASSY, 4 GANG BLACK
511977	SWITCH ASSY-SPDT BLACK 28' INT, 30' INT
511976	SWITCH ASSY SPST 1 GANG BLACK
511979	SWITCH ASSY-3 GANG BLACK
511980	SWITCH ASSY-4 GANG BLACK
511999	SWITCH ASSY-2 GANG BLACK
510658	SWITCH W/WEATHER-PROOF BOOT #1
511288	FACE PLATE, ON/OFF TOGGLE SWITCH
500563-04	DECORATIVE PLATE, 1 GANG, FOR 600W INVERTER
512481-01	RECEPTACLE, 20A SINGLE, WHITE, FOR 600W INVERTER

2012 INTERNATIONAL TRAVEL TRAILER

ELECTRICAL, 12 VOLT

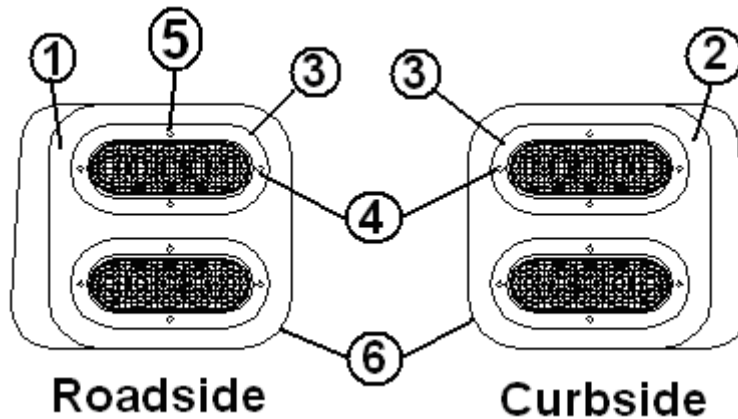
Exterior Lights

512532	Patio light, 4" round, L.E.D.
510732-02	Utility light (by main door)
512455	Holder, License plate w/LED light
512227	Red LED clearance light
512227-01	Chrome base, red LED clearance light
512227-02	Sealed light bezel, red LED clearance light
512227-03	Foam gasket, red LED clearance light
512226	Amber LED clearance light
512226-01	Chrome base, amber LED clearance light
512226-02	Sealed light bezel, amber LED clearance light
512226-03	Foam gasket, amber LED clearance light
510112	AMBER CLEARANCE LIGHT, DOUBLE BULB, CSA
511294	LIGHT LICENSE PLATE
512533	AUXILIARY LIGHT, L.E.D. SURFACE MOUNT
994165	Entrance light assembly above main door
101323	CASTING, ALUM STEP LIGHT, POLISHED
201185	LENS STEP LIGHT
512490	Bulb, 25 Diode, Entry Light

2012 INTERNATIONAL TRAVEL TRAILER

ELECTRICAL, 12 VOLT

Taillight Assembly



952929-01	TAIL LIGHT ASSEMBLY, LED, ROADSIDE
952929-02	TAIL LIGHT ASSEMBLY, LED, CURBSIDE
1. 511664-01	TAIL LIGHT CASTING, ROADSIDE
2. 511664-02	TAIL LIGHT CASTING, CURBSIDE
3. *512425	6" OVAL LED TAIL LIGHT KIT
4. 512425-02	TRIM RING
5. 345473	SCREW, #6 X 3/4" SELF DRILLING
6. 512425-03	GASKET, TAILLIGHT
115073-01	BRACKET, ROADSIDE, TAILLIGHT
115073-02	BRACKET, CURBSIDE, TAILLIGHT
115074	BRACKET, CENTER, TAILLIGHT

*512425 TAIL LIGHT KIT INCLUDES TAIL LIGHT, TRIM RING & GASKET. (2 KITS PER TAILLIGHT ASSY.)

2012 INTERNATIONAL TRAVEL TRAILER

ELECTRICAL, 12 VOLT

12 Volt Outlet/Breaker

452412-01	BRACKET FUSE BLOCK 12V
510807	Outlet, 12 volt
511121	Mounting plate, 12 volt receptacle
512451	PANEL ASSY., 12VDC

FUSE BLOCK ASSY. 12V CSA

964082	FUSE BLOCK ASSY. 12V CSA
452412-01	BRACKET, FUSE BLOCK, 12V, CSA
511313	BLOCK, FUSE, ATC, 12V, 6 POSITION
511314	BUSHING, UNIVERSAL, 1" I.D. BLACK
511345	FUSE, 30A AGU GLASS TUBE, BUSSMAN

2012 INTERNATIONAL TRAVEL TRAILER

ENTERTAINMENT

TV Antenna/Booster System

510788-07	Antenna, TV Wineguard, w/RV Wing, White
510788-09	ANTENNA, SHORT BOOM W/RV WING - 16'
500484-05	Antenna lead & extension, 72"
500484-04	ANTENNA LEAD & EXTENSION 48"
500484-07	ANTENNA LEAD & EXTENSION 144"
510788-03	Amplifier, TV antenna
510788-04	Hardware package, interior, Winegard
510612	Coax, 75 ohm, standard
510623	Connector, coax, male to male
510616	F CONNECTOR, COAX, 75 OHM
114396	Trough, TV antenna, roof
511827	WALL PLATE FLUSH MOUNT COAX-WH
510614	TV JACK, 12 VOLT, COAX
510614-01	TV JACK, 12 VOLT, COAX, WHITE
512249	TV exterior cable hook up jack
510654-01	TV jack/12 volt w/splitter, white
512181	BOX, SHALLOW, SWITCH & OUTLET, 16'
511534	DUAL COAX PLATE, WHITE, TT
690266-03	EXTENSION GARNISH 4" ROOF

Blue Ray Disc/DVD Player

512494	Blue Ray Disc/DVD Player, Samsung
512499	Mini Coax Cable, 48"
203718	Face Plate, Blue Ray Player
511862	Switch, Source Selector, Sony
512366-30	Cable, HDMI Male to Male, 30'
512366-35	Cable, HDMI Male to Male, 35'
512500-25	Optical Cable, Toslink, 25' (Narrow Body Trailers)
512500-35	Optical Cable, Toslink, 35' (Wide Body Trailers)
195466-250	Outlet w/cover 12 Volt

2012 INTERNATIONAL TRAVEL TRAILER

ENTERTAINMENT

TV Hookup Blank Plate

512025-01 V JUNCTION DEVICE, SELF CONTAINED, WHITE
512025-02 PLATE, SNAP ON, ONE GANG SCD, WHITE

Audio/Video Package

512505 AM/FM Digital Media Player, Sony
511807 ANTENNA, AM/FM RUBBER 13"
511835 PATCH CORD 30' 3-WAY MALE TO MALE
511834 PATCH CORD 30' DUAL MALE TO MALE
511646 PATCH CORD 3-WAY 20" RCA
511703 CORD-PATCH MALE/MALE 2-WAY 20'
500913-03 SWITCH T & B WHITE
512215-01 SPEAKER, 6.5", model SP65CO
512215-02 GRILL, 6.5", WHITE
203599 Speaker, Spacer, 5/8"
511856 WIRING KIT- 4 WAY FLAT EXT.SPEAKER
690626 TV, L.E.D. HD COLOR 22" SAMSUNG
511863-02 A/B Selector Switch Kit
511863-01 MODULE, SPEAKER CONTROL #AT-RLM
512024 Jack, Audio Prep
511822 SUB WOOFER-POWERED 6.5" WEDGE
511645 Y' ADAPTER MALE TO 2-FEMALE
386159 LABEL-FLAT SCREEN TV
511829 CONNECTOR, 'F' MALE/MALE ADAPTER
511862 SWITCH, SOURCE SELECTOR, #XA-300
511608 ISOLATION TRANSFORMER, 15 AMP
512056 BARREL COUPLER, RCA GOLD F/F
512379 COUPLER BARREL, RCA GOLD M/M
512503 CONVERTER, DIGITAL TO ANALOG

2012 INTERNATIONAL TRAVEL TRAILER

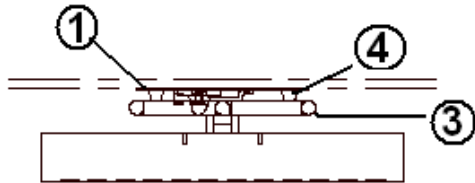
ENTERTAINMENT

Flat Screen TV & Bracket Installation, 19", TV

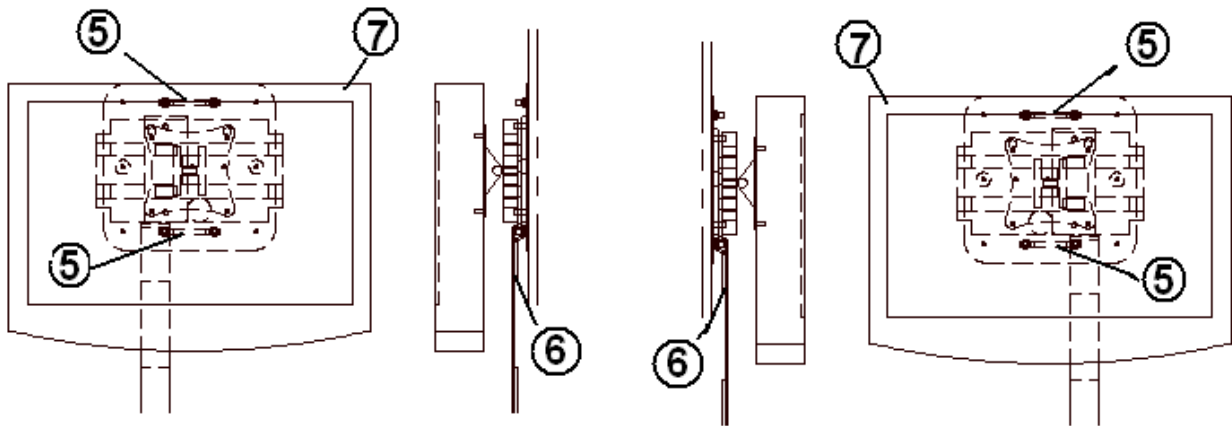
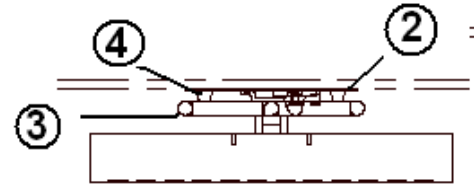
Right hand used on 16', 23'

Left hand used on 19'

Right Hand Installation



Left Hand Installation

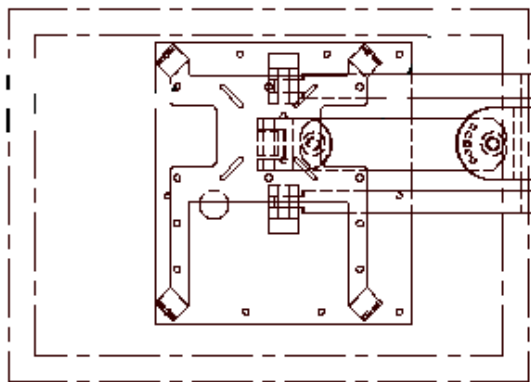
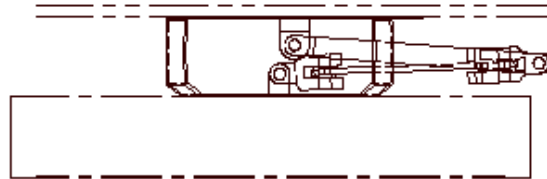


- | | |
|--------------|-------------------------------------|
| 3. 512400 | Articulating Arm, Moview |
| 4. 381136 | Rubber bumper |
| 5. 381566 | Loop, footman steel |
| 6. 703455-03 | Strap, 46" |
| 690626 | TV, LED HD COLOR 22" SAMSUNG |
| 512268 | LEAD, TV ANTENNA, COAXIAL CABLE |
| 510621-02 | SPLITTER, COAX, 2 OUTPUTS |
| 510621-03 | SPLITTER, COAX, 1 INPUT/4 OUTPUTS |
| 967131 | TV SUPPORT/SPICE RACK, 19' Only |
| 967131-15 | TV SUPPORT/SPICE RACK, 19' SERENITY |

2012 INTERNATIONAL TRAVEL TRAILER

ENTERTAINMENT

Flat Screen TV & Bracket Installation, 22" TV, 16, 19, 23FB, 23D



512400	Articulating Arm
345459	SCREW M4 X 16 PHIL PAN HEAD
381136	Bumper, rubber
512265	Adaptor right angle, RCA OUT
512268	TV antenna coaxial cable lead, 9'
512499	CABLE-MINI COAX 48" TRL
512501	Splitter, HDMI Pass Through 1 X 2
690626	22" L.E.D. HD Color Samsung
320157	Screw, PH M4 x 12MM Steel
381609-02	Screw, Hafele European #9, 1"
345468-01	Screw, #12 x .625" PH Black Head
512273	POWER CORD, 8', SAMSUNG TV
381136	Spacer bumpers, TV bracket
512537-02	Raceway end cap, Ivory
967130	TV Support/Spice Rack, (19'Intl.)

2012 INTERNATIONAL TRAVEL TRAILER

ENTERTAINMENT

Flat Screen & Bracket Installation, 26" TV, 25FB, 25FB Eddie Bauer, 27FB

512400	Wall Bracket, Articulating Arm
690627-01	TV 26" LED HD Color Samsung
345502	Screw, M8 x 16MM Pan Phil
512499	Cable, Mini Coax 48"
500132	Grommet, 1" (1 3/16ID) #2182
511608	Noise suppressor, 15 Amp
512528	HDMI Angle Adapter
690627-02	POWER CORD- 6' NON POLARIZED LED

Flat Screen & Bracket Installation, 26" TV, 28', 30'

512400	Wall Bracket, Articulating Arm
690627-01	TV 26" LED HD Color Samsung
345502	Screw, M8 x 16MM Pan Phil
512499	Cable, Mini Coax 48"
500132	Grommet, 1" (1 3/16ID) #2182
690627-02	POWER CORD- 6' NON POLARIZED LED
511608	Noise Suppressor, 15 Amp
512528	HDMI Angle Adapter

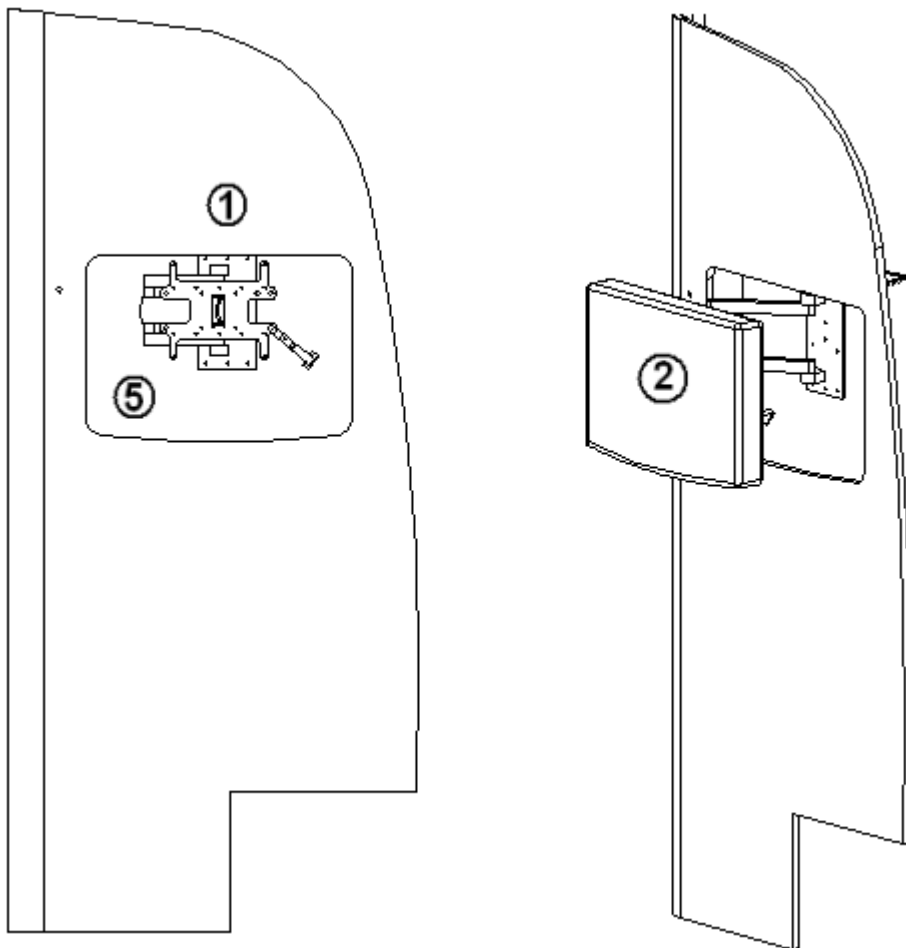
22" LED TV, 16' Int'l

690626	TV, 22" LED HD Color, Samsung
512400	Wall bracket, Articulating Arm
320157	Screw, PH M4 x 12MM Steel
512499	Lead, 48" Mini Coax Cable, TV Antenna

2012 INTERNATIONAL TRAVEL TRAILER

ENTERTAINMENT

Flat Screen TV & Bracket Installation, 22" TV, 30' Model



- | | |
|--------------|--------------------------------|
| 1. 512400 | ARM-ARTICULATING MOVIE#18727 |
| 2. 690588 | TV-COLOR LCD 22" SAMSUNG |
| 3. 345468-01 | SCREW-#12 X.625"PH PHIL BLK HD |
| 4. 345459 | SCREW M4 X 16 PHIL PAN HEAD ST |
| 5. 381136 | RUBBER BUMPER |
| 320059 | SCREW #8 X 1 PH PHILLIPS WHITE |
| 512481-01 | RECEPTACLE 20A SINGLE WHITE |
| 511856 | WIRING KIT- 4 WAY FLAT EXT.SPE |
| 511645 | 'Y' ADAPTER MALE TO 2-FEMALE R |
| 386159 | LABEL-FLAT SCREEN TV |
| 511286 | WIRE FLAT TELEPHONE 26 GA. |

2012 INTERNATIONAL TRAVEL TRAILER

ENTERTAINMENT

Bedroom TV Option, 22" TV, 30' Intl., 27FB EB

690622	TV, LED 22" Samsung
512457	Articulating Arm, Moview MSDSL
320157	Screw PH M4 x 12mm Steel
345468-01	Screw #12 x .625" PH Phil Black Head
511314	Bushing, Universal 1" I.D. Black
512499	Cable, Mini Coax 48"
511862	SWITCH-SOURCE SELECTOR #XA-300
512510	A/V Plate, Coax w/HDMI Pass Through Grommet

Bedroom TV Option, 22", 28', 27FB, 25FB, 25'

690622	TV, LED 22" Samsung
512457	Mount, Wall TV Articulating, Black
345468-01	Screw, #12 x .625"PH Black Hd.
320157	Screw, PH M4 x 12MM Steel
512499	Cable, Mini Coax 48"
512501	Splitter, HDMI Pass through 1 x 2
512510	A/V Plate, Coax w/HDMI Pass Through Grommet

2012 INTERNATIONAL TRAVEL TRAILER

ENTERTAINMENT

BEDROOM T.V. INSTALLATION, 27'FB, 30' models

690624 TV W/DVD L.E.D. 19" SANSUI
512355 MOUNT-WALL TV TILT/PIVOT BLK #
320162 SCREW - TAPPING #14 X .875 PH

BEDROOM T.V. INSTALLATION, 25'FB model

690624 TV W/DVD L.E.D. 19" SANSUI
512457 ARTICULATING ARM - MOVIEVIEW
345468-01 SCREW #12 X .625" PH BLK
345459 SCREW M4 X 16 PHIL PAN HEAD

2012 INTERNATIONAL TRAVEL TRAILER

FASTENERS

Rivets



325043(hard)
325000 (soft)
Rivet, buck type
dia. 1/8"
length 1/4"



325000-01
Rivet, buck type
dia. 1/8"
length 1/4"
anodized clear



325000-03
Rivet, buck type
dia. 1/8"
length 1/4"
anodized white



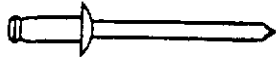
325001-01
Rivet, buck type
dia. 1/8"
length 5/16"
anodized clear



325002
Rivet, buck type
dia. 1/8"
length 3/8"
anodized clear



325004-01
Rivet, buck type
dia. 1/8"
length 1/2"
anodized clear



330129-08 Brown
dia. 1/8"
grip range .063-.125
aluminum body
aluminum mandrel



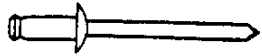
300101
1/8" I.D.
washer, aluminum

*Common bolts and screws readily available at local hardware outlets have not been listed.

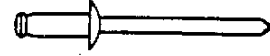
2012 INTERNATIONAL TRAVEL TRAILER

*FASTENERS

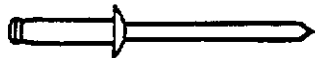
Rivets



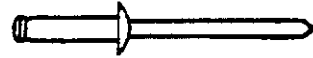
330126-02
rivet, pop
dia. 1/8 "
grip range .126-.187
stainless steel
stainless steel mandrel



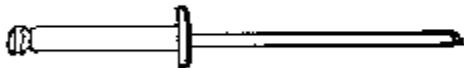
330126-03
rivet, pop
dia. 1/8 "
grip range .126-.250
body stainless steel
stainless steel mandrel



330148
rivet, pop
AD43-45ABS
grip range .251-.312
aluminum body
aluminum mandrel



330128-050
rivet, pop
dia. 1/8"
grip range .251-.312
aluminum body, white
aluminum mandrel



330038
rivet, pop
dia. .150 (#20 bit)
grip range .126-.250
Aluminum body
aluminum mandrel
(used-screen door hinge)



325103
dia. 1/4"
grip range .080-.325
SS body, steel mandrel

*Common bolts and screws not listed.

2012 INTERNATIONAL TRAVEL TRAILER

FURNITURE

Floor Covering

*703856 NLA - FLOORING, VINYL , BEAU GOLDEN OAK,
WENGE
*703944 FLOORING, VINYL BEAU WHITE OILED ASH 01S
703766-01 ADHESIVE AAT 272 SUPER PREMIUM
703841 FLOORING, VINYL BEAU JUTA – SERENITY
703835 FLOORING, VINYL YASMINE – EDDIE BAUER
702665 Rug cushion, non-slip
703852 MATT ENTRANCE W/AIRSTREAM LOGO
203594-02 FLOOR TRIM, UN7021 ASH GREY
703938 MAT, AIRSTREAM, REAR DOOR – EDDIE BAUER

* VINYL FLOORING CHANGE TOOK PLACE APPX. 6/6/2011.

Furniture/Cushion Batting

701538-01 CARPET, ECONOLIER W/PSA BACKING, used on
furniture

2012 INTERNATIONAL TRAVEL TRAILER

FURNITURE

Drawer Slides

381192	SLIDE, DRAWER, 18"
381833-01	DRAWER SLIDE-UNDER SHELF 18" (PAIR)
381773-03	DRAWER SLIDE 15.75"
381773-09	DRAWER SLIDE, 4.625"H X 15.75"L
381773-15	DRAWER SLIDE-5.875"X 15.75"(PAIR)
381773-16	DRAWER SLIDE-5.88"X 17.38"(PAIR)
381944-01	SLIDE, 18", PER SET, PANTRY
381925	SLIDE, DRAWER, 24", 23'D PANTRY
381833-01	SLIDE, 18" UNDER SHELF, 23', 19' DINETTE SEAT

Drawer Boxes

964909-11	DRAWER BOX, 10" X 14.00" X 19"
965955-02	DRAWER BOX, 16.46" X 10.88" X 12"
965560-05	DRAWER BOX, 5.63" X 16.5" X 15.25"
965642-01	DRAWER BOX, 19.75"
967145-01	DRAWER BOX, 4.63H X 15.75"L
965584-01	DRAWER BOX ASSY 3.38"X 13.75"X11 -E.Bauer.

Mirrors

372203-05	MIRROR, POLISHED EDGES, 19.00" X 14"
372203-09	GLASS SAFETY MIRRORED 14" X 22"
372203-15	MIRROR- POL EDGES- 17.00" X 25.25"
372203-24	MIRROR, POLISHED EDGES, 9.50" X 20"
372203-26	MIRROR, POLISHED EDGES 13.62" X 58"
372203-30	MIRROR, SAFETY 14"H X 30"W, 28' Medicine cabinet
372203-33	MIRROR, SAFETY .125" X 14" X 40"
381220-01	MIRROR CLIP, #309NP NICKEL PLATE
381220-02	MIRROR CLIP, #318NP NICKEL PLATE

2012 INTERNATIONAL TRAVEL TRAILER

FURNITURE

Doors, Roof Lockers, Wenge

965563-01	DOOR, SLIDING, PLEXIGLASS, 17.50" x 11.31"
965563-05	DOOR, SLIDING, PLEXIGLASS 11.75 x 11.31"
965563-08	DOOR, PLEXIGLASS SLIDING 11.31" X 30"
965563-09	DOOR-SLIDING PLEXIGLASS 26" x 11.31"

Doors, Roof Lockers, Serenity

203677-01	Door, sliding, Mari 11.31" x 17.50", Serenity
203677-02	Door, sliding, Mari 11.31" x 26.25", Serenity
203677-03	Door, sliding, Mari 11.31" x 30", Serenity
203677-04	Door, sliding, Mari 11.31" x 15.00" Serenity
203677-05	Door, sliding, Mari 11.31" x 11.75", Serenity

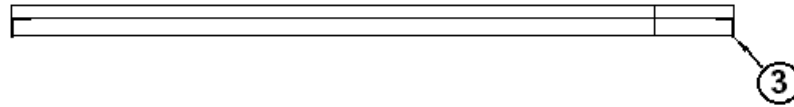
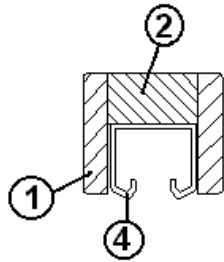
Doors, Roof Lockers, Eddie Bauer

203708-01	DOOR-PLEXIGLASS 11.31X30
203708-02	DOOR-PLEXIGLASS 11.31 X 24.75

2012 INTERNATIONAL TRAVEL TRAILER

FURNITURE

Doors, Foldette

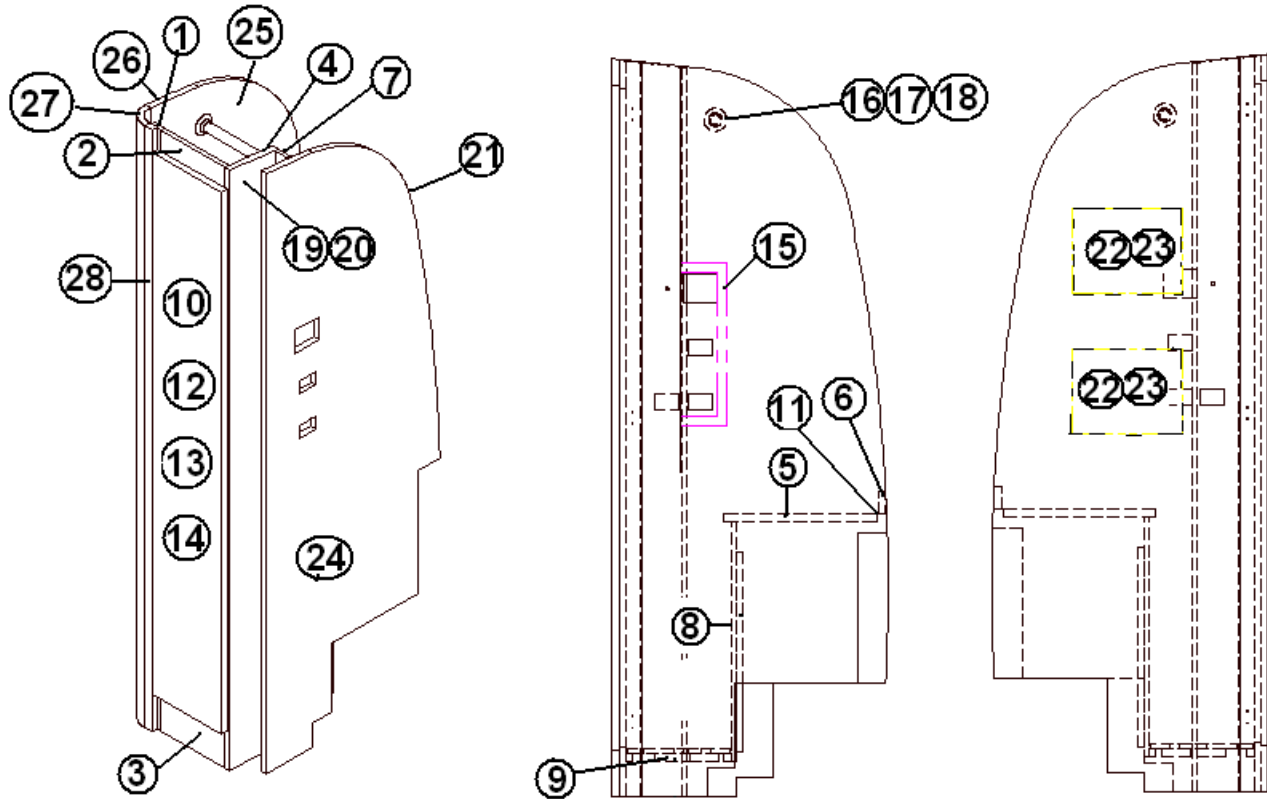


- | | |
|--------------|---|
| 702681-07 | DOOR-FOLDETTTE 60"X 73" GREY,
LAMINATE, WENGE VERTICAL 4'X8' |
| 1. 801804-01 | |
| 2. 800304 | PINE, 5/8" X 2 1/2" |
| 3. 452258 | BRACKET, MTG. FOLDETTTE DOOR |
| 4. 381769 | TRACK, FOLDETTTE DOOR, 23' D |
| 4. 381838-01 | TRACK, FOLDETTTE DOOR METAL 16'TRL |
| 4. 381563-01 | TRACK, FORMED FOLDETTTE DOOR, 19', 28', 30' |
| 4. 381890-01 | TRACK, FORMED FOLDETTTE, 23' FB, 25' FB,
27' FB |
| 4. 381890-02 | TRACK, STRAIGHT FOLDETTTE, 25' FB,
27' FB, 23' D, 23'FB |
| 4. 382112 | TRACK, FOLDETTTE DOOR, 35.36" - 30' |
| 701342-01 | STRAP, VINYL, HOLD-BACK, 7.0"LONG |
| 200003-01 | END CAP MOUNTING, BLACK |
| 350178-01 | NUT, ACORN, 6-32, NICKEL PLATED |
| 101038 | EXTRUSION, HEADER, 110" BROWN |

2012 INTERNATIONAL TRAVEL TRAILER

FURNITURE, BEDROOM

Wardrobe, 16' Signature, Roadside, Wenge



Part numbers are on the next page.

2012 INTERNATIONAL TRAVEL TRAILER

FURNITURE, BEDROOM

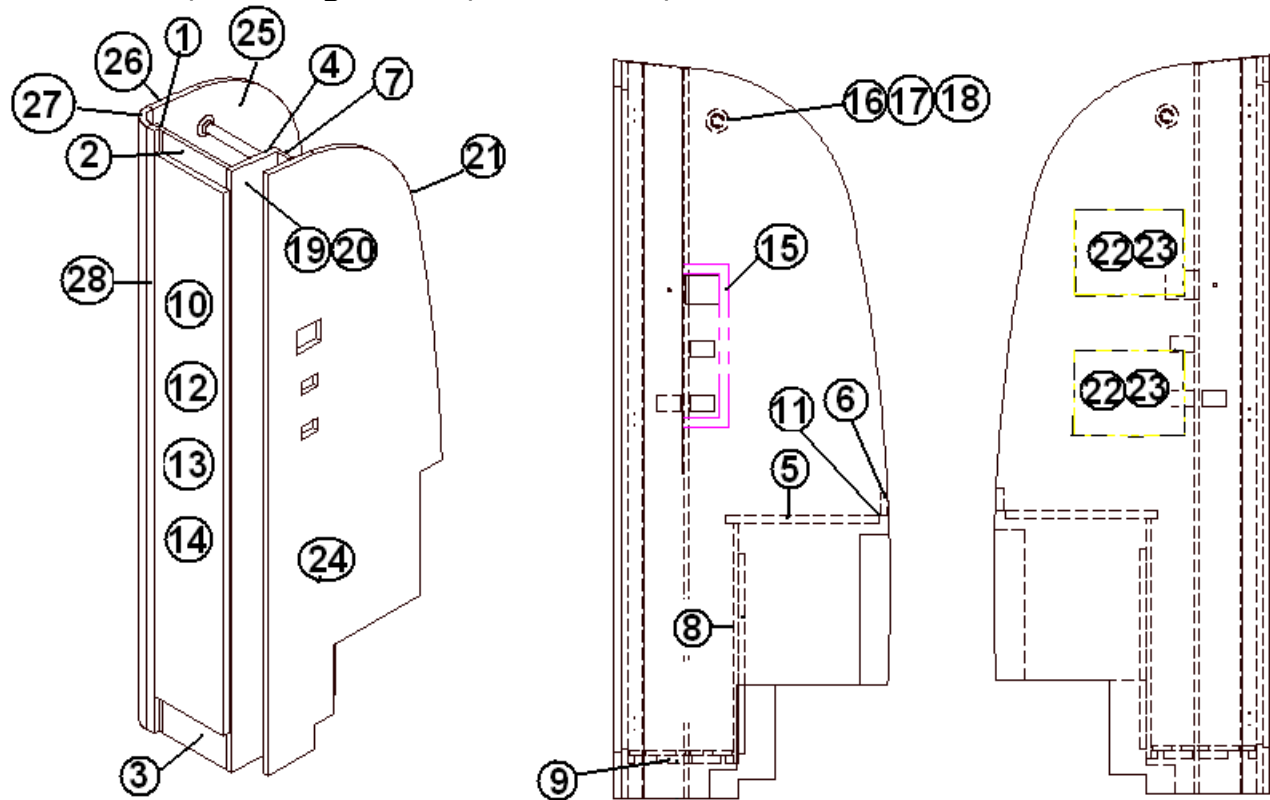
Wardrobe, 16' Signature, Roadside, Wenge

- | | |
|---------------|---------------------------------|
| 967020 | ROADSIDE WARDROBE |
| 1. 967020-1 | PANEL, 1.5 X 78.28 |
| 2. 967020-2 | PANEL, 9.75 X 3.50 |
| 3. 967020-3 | PANEL, 9.75 X 5.25 |
| 4. 967020-4 | PANEL, 7.25 X 78.28 |
| 5. 967020-5 | PANEL, 16.25 X 16.25 |
| 6. 967020-6 | PANEL, 2.5 X 16.25 |
| 7. 967020-7 | PANEL, 2.25 X 77.55 |
| 8. 967020-8 | PANEL, 16.5 X 25.5 |
| 9. 967020-9 | PANEL, 16.25 X 10.92 |
| 10. 967020-11 | DOOR, 10.44X70.66 |
| 11. 380203-01 | PIANO HINGE |
| 12. 381607-01 | HINGE, GRASS EURO |
| 13. 382029-05 | HANDLE, BAR 21.33" |
| 14. 381228-01 | CATCH GRABBER DOOR |
| 15. 200773 | CLOSEOUT, READING LIGHT |
| 16. 380045 | TUBING ¾", ELECTRICAL, METALLIC |
| 17. 380046 | FLANGE CHROME |
| 18. 200975-04 | CONDUIT, FLEXIBLE BLACK PLASTIC |
| 19. 381838-01 | TRACK, FOLDETTE DOOR |
| 20. 702681-07 | DOOR, FOLDETTE 60" X 73" GREY |
| 21. 203464 | TRIM, PANEL, BLACK, ¾" |
| 22. 386106-01 | RACK-MAGAZINE WHITE |
| 23. 386107 | ROD-MAGAZINE RACK |
| 24. 967020-26 | PANEL, 26.25 X 78.17 |
| 25. 967026 | PANEL, SUB ASSY, AFT WARDROBE |
| 26. 967026-1 | PANEL, AFT WARDROBE |
| 27. 801345 | RADIUS PLYWOOD, .75" X 3' X 8' |
| 28. 967026-2 | PANEL, 1 X 78.5 |

2012 INTERNATIONAL TRAVEL TRAILER

FURNITURE, BEDROOM

Wardrobe, 16' Signature, Roadside, SERENITY



Part numbers are on the next page.

2012 INTERNATIONAL TRAVEL TRAILER

FURNITURE, BEDROOM

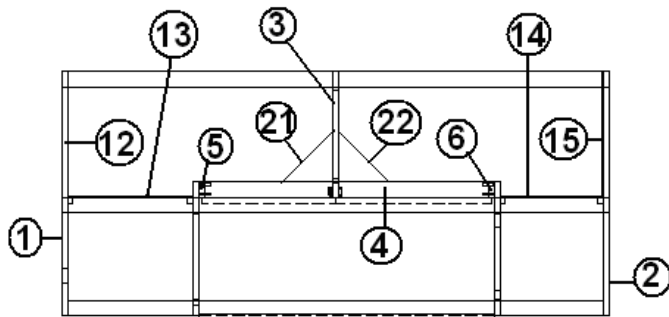
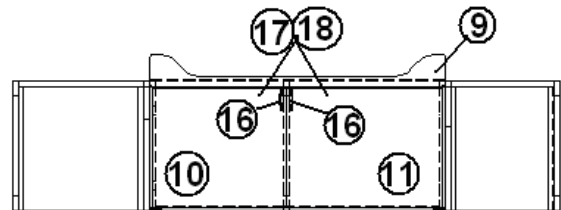
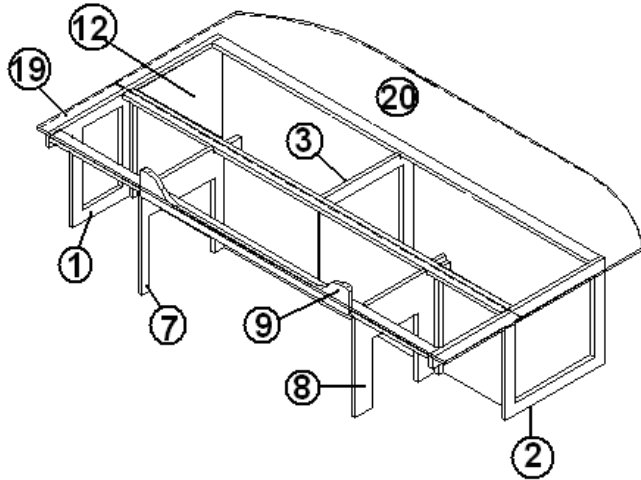
Wardrobe, 16' Signature, Roadside, SERENITY

967020-15	ROADSIDE WARDROBE
1. 967020-151	PANEL, 1.5 X 78.28
2. 967020-152	PANEL, 9.75 X 3.5
3. 967020-153	PANEL, 9.75 X 5.25
4. 967020-4	PANEL, 7.25X 78.50
5. 967020-5	PANEL, 16.25 X 16.25
6. 967020-6	PANEL, 2.5 X 16.25
7. 967020-7	PANEL, 2.25 X 77.55
8. 967020-8	PANEL, 16.5 X 25.5
9. 967020-9	PANEL, 16.25 X 10.92
10. 967020-1511	DOOR, 10.44X70.66
11. 380203-01	PIANO HINGE
12. 381607-01	HINGE, GRASS EURO
13. 382115	PULL, FLAT BLACK #M575
14. 381228-01	CATCH GRABBER DOOR
15. 200773	CLOSEOUT, READING LIGHT
16. 380045	TUBING 3/4", ELECTRICAL, METALLIC
17. 380046	FLANGE CHROME
18. 200975-04	CONDUIT, FLEXIBLE BLACK PLASTIC
19. 381838-01	TRACK, FOLDETTTE DOOR
20. 702681-07	DOOR, FOLDETTTE 60" X 73" GREY
21. 203464-03	TRIM, PANEL, WHITE, 3/4"
22. 386106-01	RACK, MAGAZINE WHITE
23. 386107	ROD, MAGAZINE RACK
24. 967020-1526	PANEL, 26.25 X 78.17
25. 967026	PANEL, SUB ASSY, AFT WARDROBE
26. 967026-2	PANEL, AFT WARDROBE
27. 801345	RADIUS PLYWOOD, .75X 3X 8'
28. 967026-2	PANEL, AFT WARDROBE 1" X 78.5"

2012 INTERNATIONAL TRAVEL TRAILER

FURNITURE, BEDROOM

Bed, 16' Signature, Wenge



Part numbers on the next page

2012 INTERNATIONAL TRAVEL TRAILER

FURNITURE, BEDROOM

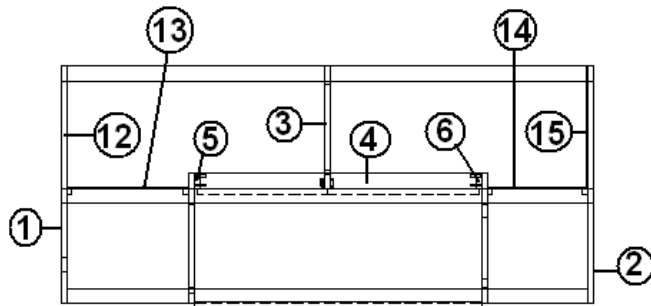
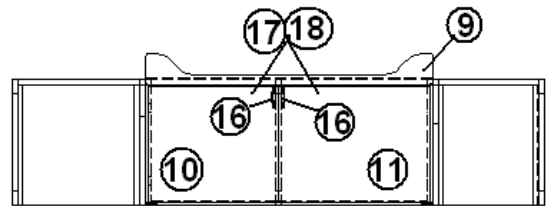
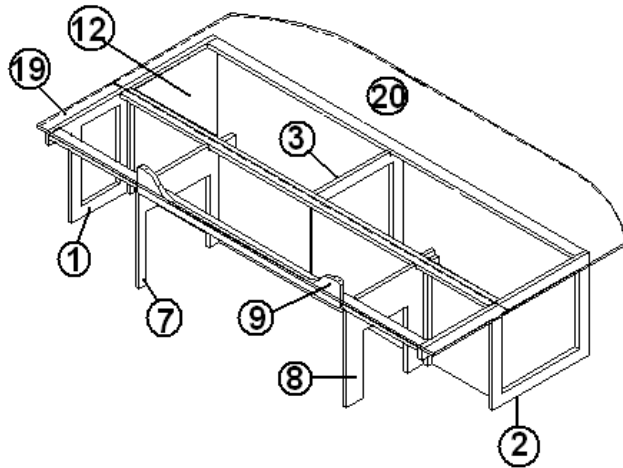
Bed, 16' Signature, Wenge

967008	BED ASSY
1. 967008-1	PANEL, BED 33 X 17.5
2. 967008-2	PANEL, BED 33 X 17.5
3. 967008-3	PANEL, BED 17 X 17.5
4. 967008-4	PANEL, BED 2.25 X 38.5
5. 967008-5	PANEL, BED 2.25 X 17.5
6. 967008-6	PANEL, BED 2.25 X 17.5
7. 967008-7	PANEL, BED 18.25 X 17.5
8. 967008-8	PANEL, BED 18.25 X 17.5
9. 967008-9	PANEL, BED 4.5 X 40
10. 967008-10	DOOR, BED 18 X 16
11. 967008-11	DOOR, BED 21 X 16
12. 967008-12	PANEL, BED 16.88 X 16.75
13. 967008-13	PANEL, BED 16.88 X 17.5
14. 967008-14	PANEL, BED 13.88 X 17.5
15. 967008-15I	PANEL, BED 16.88 X 16.75
16. 381228-01	CATCH, GRABBER DOOR
17. 381607-01	HINGE, GRASS EURO
18. 382029-00	HANDLE-BAR 7.48"
19. 967008-22	PANEL, BED TOP 15 X 78
20. 967008-23	PANEL, BED TOP 30.24 X 78
21. 967008-25	PANEL, BED, 8.00 X 8.00, BED BASE
22. 967008-26	PANEL, BED, 8.00 X 8.00, BED BASE
703695	MATTRESS, 48" X 78" W/DOUBLE RADIUS CORNER

2012 INTERNATIONAL TRAVEL TRAILER

FURNITURE, BEDROOM

Bed, 16' Signature, SERENITY



Part numbers on the next page

2012 INTERNATIONAL TRAVEL TRAILER

FURNITURE, BEDROOM

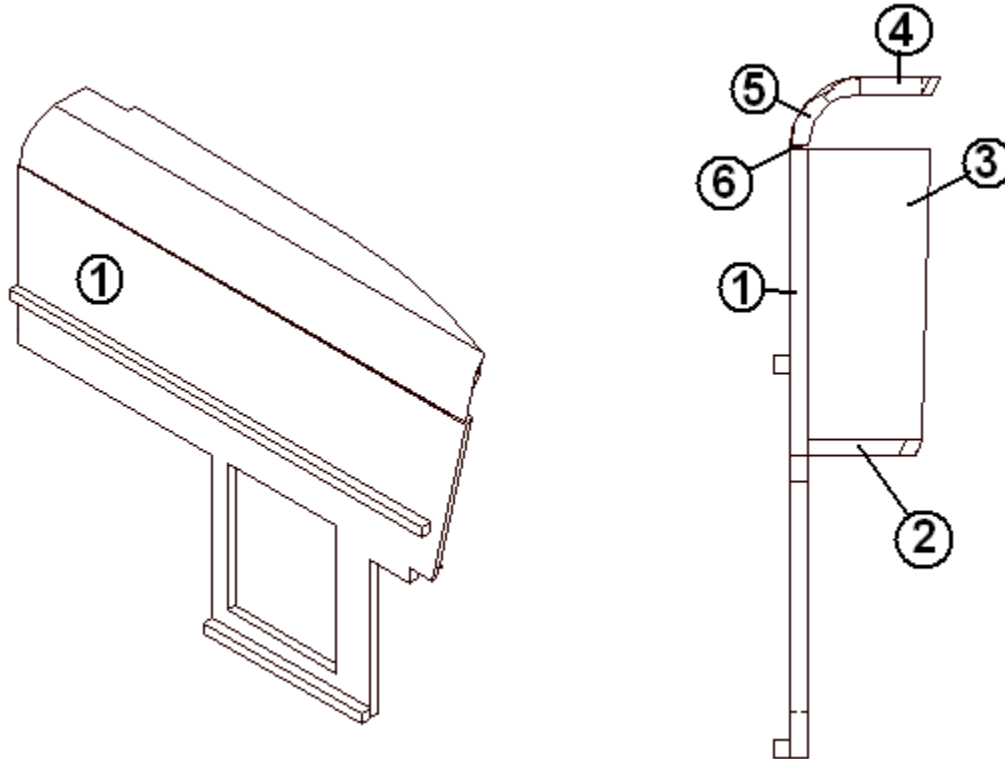
Bed, 16' Signature, SERENITY

967008-15	BED ASSY
1. 967008-1	PANEL, BED 33 X 17.5
2. 967008-2	PANEL, BED 33 X 17.5
3. 967008-3	PANEL, BED 17 X 17.5
4. 967008-4	PANEL, BED 2.25 X 38.5
5. 967008-5	PANEL, BED 2.25 X 17.5
6. 967008-6	PANEL, BED 2.25 X 17.5
7. 967008-157	PANEL, BED 16.25 X 17.5
8. 967008-158	PANEL, BED 16.25 X 17.5
9. 967008-159	PANEL, BED 4.5 X 40
10. 967008-1510	DOOR, BED 18 X 16
11. 967008-1511	DOOR, BED 21 X 16
12. 967008-12	PANEL, BED 16.88 X 16.75
13. 967008-13	PANEL, BED 16.88 X 17.5
14. 967008-14	PANEL, BED 13.88 X 17.5
15. 967008-1515	PANEL, BED 16.88 X 16.75
16. 381228-01	CATCH, GRABBER DOOR
17. 381607-01	HINGE, GRASS EURO
18. 382115	PULL, FLAT BLACK #M575
19. 967008-22	PANEL, BED TOP 15 X 78
20. 967008-23	PANEL, BED TOP 30.24 X 78
703695	MATTRESS, 48 X 78 W/DLB RC

2012 INTERNATIONAL TRAVEL TRAILER

FURNITURE, BEDROOM

Bed, 16' Signature, Hamper-Headboard LH, Wenge

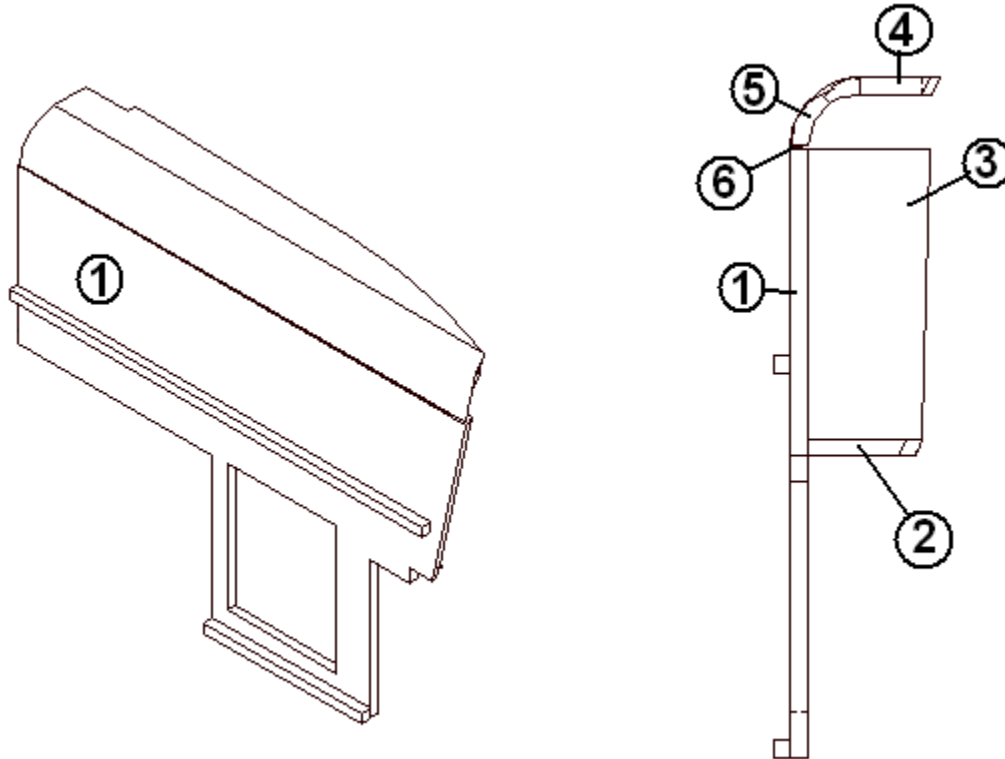


967017	HAMPER/HEADBOARD-LH
1. 967017-1	PANEL, HAMPER/HEAD 39.25 X 25.5
2. 967017-2	PANEL, HAMPER/HEAD 4.96 X33.24
3. 967017-3	PANEL, HAMPER/HEAD 5.35 X 12.63
4. 967017-4	PANEL, HAMPER/HEAD 3.47 X 37.68
5. 801345	RADIUS PLYWOOD, .75" X 3" X 8'
6. 380458	HINGE, PIANO COPPER
702482-03	HEADLINER SPECTRA OPAL

2012 INTERNATIONAL TRAVEL TRAILER

FURNITURE, BEDROOM

Bed, 16' Signature, Hamper-Headboard LH, SERENITY

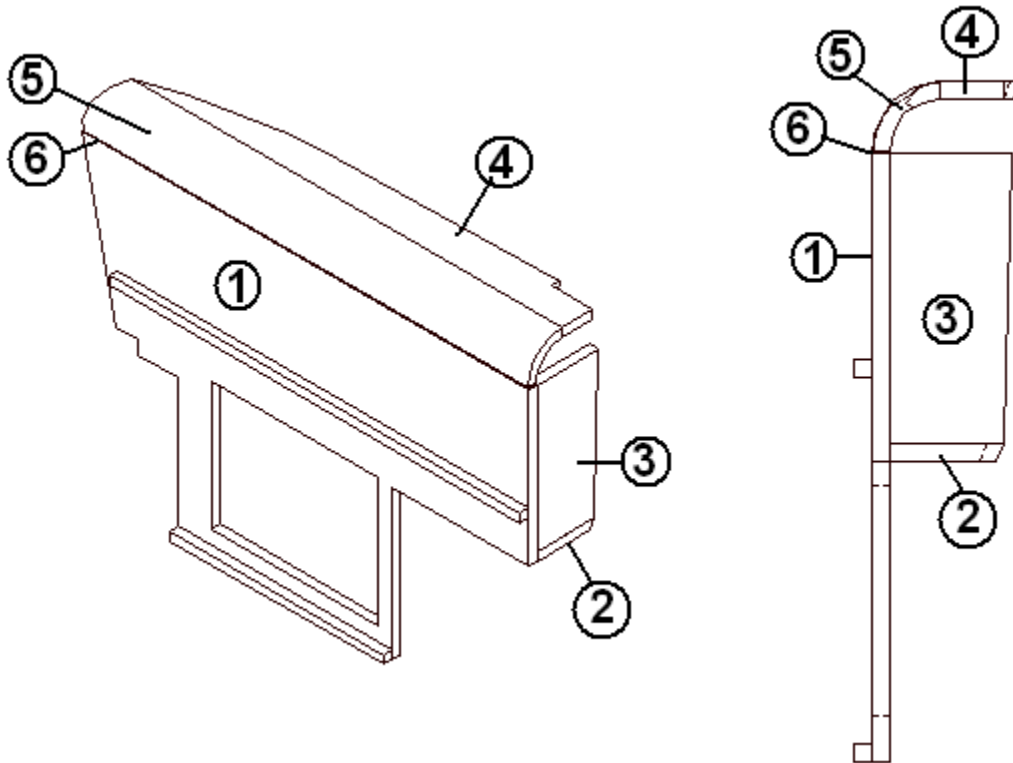


967017-15	HAMPER/HEADBOARD-LH
1. 967017-1	PANEL, HAMPER/HEAD 39.25 X 26.5
2. 967017-2	PANEL, HAMPER/HEAD 4.96 X33.24
3. 967017-3	PANEL, HAMPER/HEAD 5.35 X 12.63
4. 967017-4	PANEL, HAMPER/HEAD 3.47 X 37.68
5. 801345	RADIUS PLYWOOD, .75" X 3" X 8'
6. 380458	HINGE, PIANO COPPER
702482-03	HEADLINER SPECTRA OPAL

2012 INTERNATIONAL TRAVEL TRAILER

FURNITURE, BEDROOM

Bed, 16' Signature, Hamper-Headboard RH, Wenge

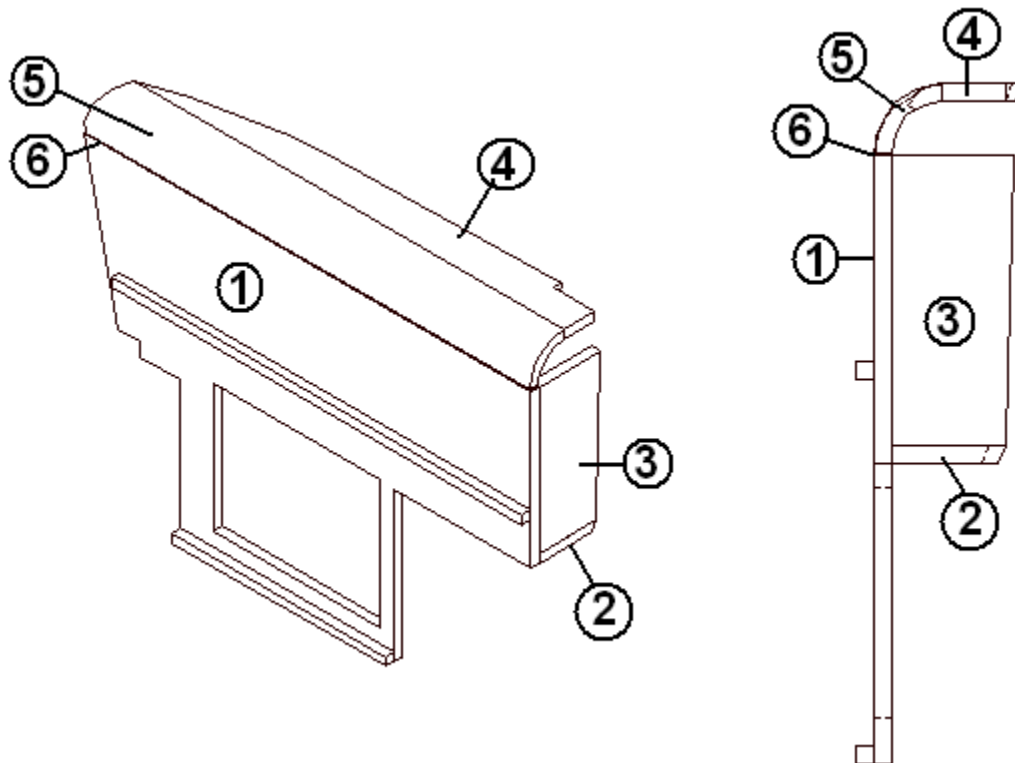


967018	HAMPER/HEADBOARD, RH
1. 967018-1	PANEL, HAMPER/HEAD RH 39.25 X 26.5
2. 967018-2	PANEL, HAMPER/HEAD RH 4.96 X 36.24
3. 967018-3	PANEL, HAMPER/HEAD RH 5.35 X 12.63
4. 967018-4	PANEL, HAMPER/HEAD RH 3.47 X 37.68
5. 801345	RADIUS PLYWOOD .75"X 3"X 8'
6. 380458	HINGE, PIANO COPPER
702482-03	HEADLINER SPECTRA OPAL

2012 INTERNATIONAL TRAVEL TRAILER

FURNITURE, BEDROOM

Bed, 16' Signature, Hamper-Headboard RH, SERENITY

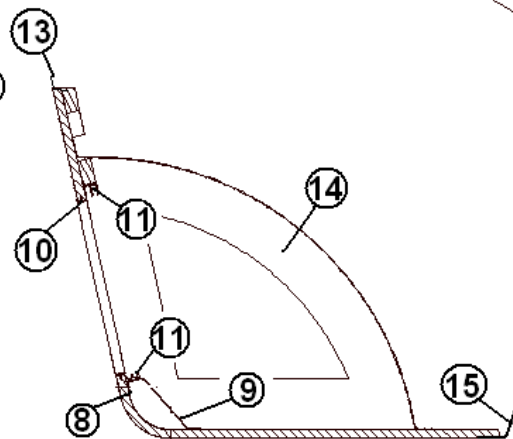
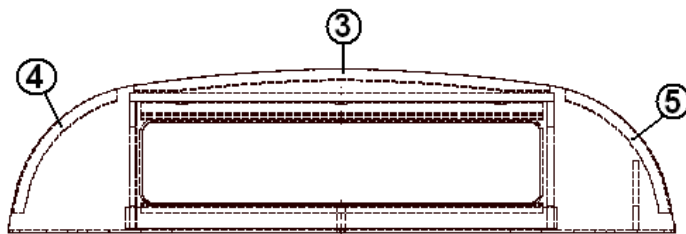
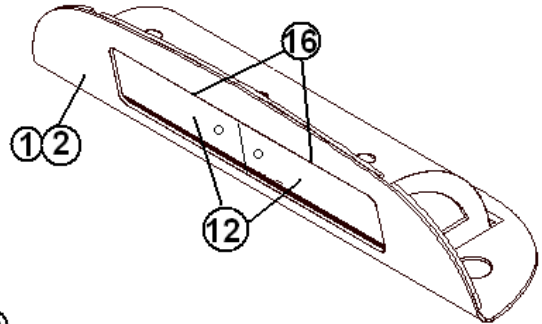
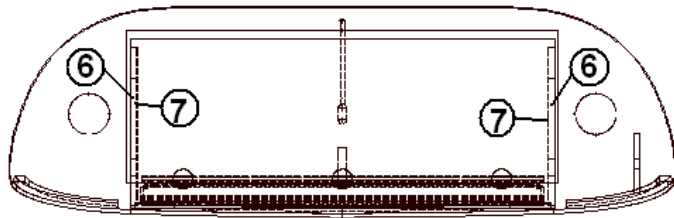


- | | |
|-------------|------------------------------------|
| 967018-15 | HAMPER/HEADBOARD, RH |
| 1. 967018-1 | PANEL, HAMPER/HEAD RH 39.25 X 26.5 |
| 2. 967018-2 | PANEL, HAMPER/HEAD RH 4.96 X 36.24 |
| 3. 967018-3 | PANEL, HAMPER/HEAD RH 5.35 X 12.63 |
| 4. 967018-4 | PANEL, HAMPER/HEAD RH 3.47 X 37.68 |
| 5. 801345 | RADIUS PLYWOOD .75"X 3"X 8' |
| 6. 380458 | HINGE, PIANO COPPER |
| 702482-03 | HEADLINER SPECTRA OPAL |

2012 INTERNATIONAL TRAVEL TRAILER

FURNITURE, BEDROOM

Roof Locker, 16' Signature, Rear End Liner, Wenge



Part numbers on the next page

2012 INTERNATIONAL TRAVEL TRAILER

FURNITURE, BEDROOM

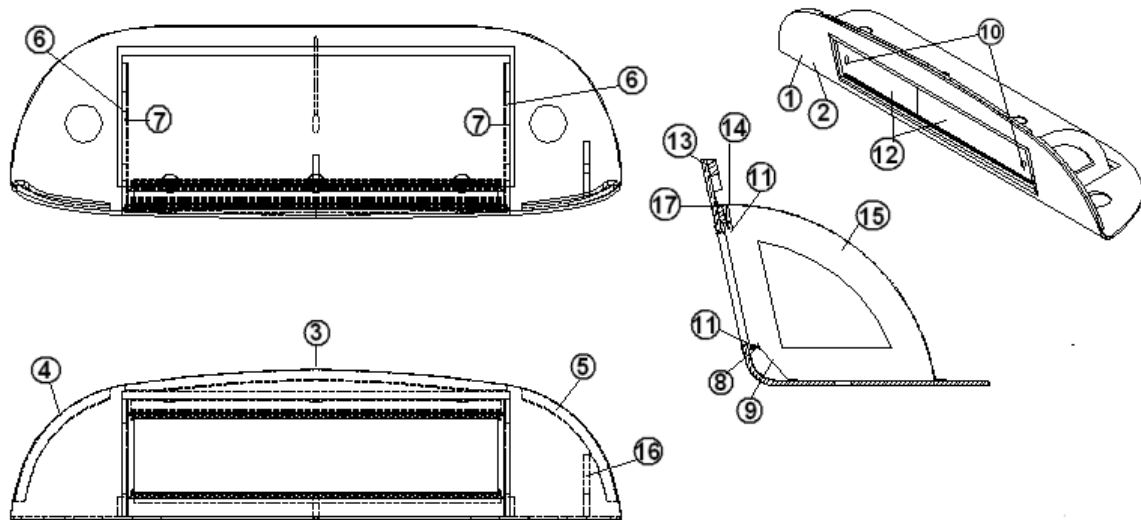
Roof Locker, 16' Signature, Rear End Liner, Wenge

967025	R/L ASSY-NB REAR
1. 801739	FACE, R/L NB REAR
2. 801716	PANEL, PRELAMINATED, WENGE/LINER
3. 801596-01	BACKER W/B LINER LOCKER CENTER
4. 801596-02	BACKER LINER LOCKER LH
5. 801596-03	BACKER, LINER LOCKER RH
6. 801594	DIVIDER, LINER LOCKER
7. 801595	DIVIDER, LINER LOCKER
8. 115261-02	ANGLE FORMED LOCKER TRACK SUPPORT
9. 115226-01	BRACKET, LOCKER CENTER SUPPORT
10. 203445-01	T-MOLDING, 5625" WHITE
11. 203388	TRACK, SLIDING DOOR
12. 965563-05	DOOR, 11.31" x 11.75"
13.201673	REVERSE COVE MOLDING, WHITE
14.115264-02	PAN-LINER LOCKER N/B
15.801710	SUPPORT DIVIDER-R/L
16.454613	SPRING-LEAF R/L

2012 INTERNATIONAL TRAVEL TRAILER

FURNITURE, BEDROOM

Roof Locker, 16' Signature, Rear End Liner, SERENITY

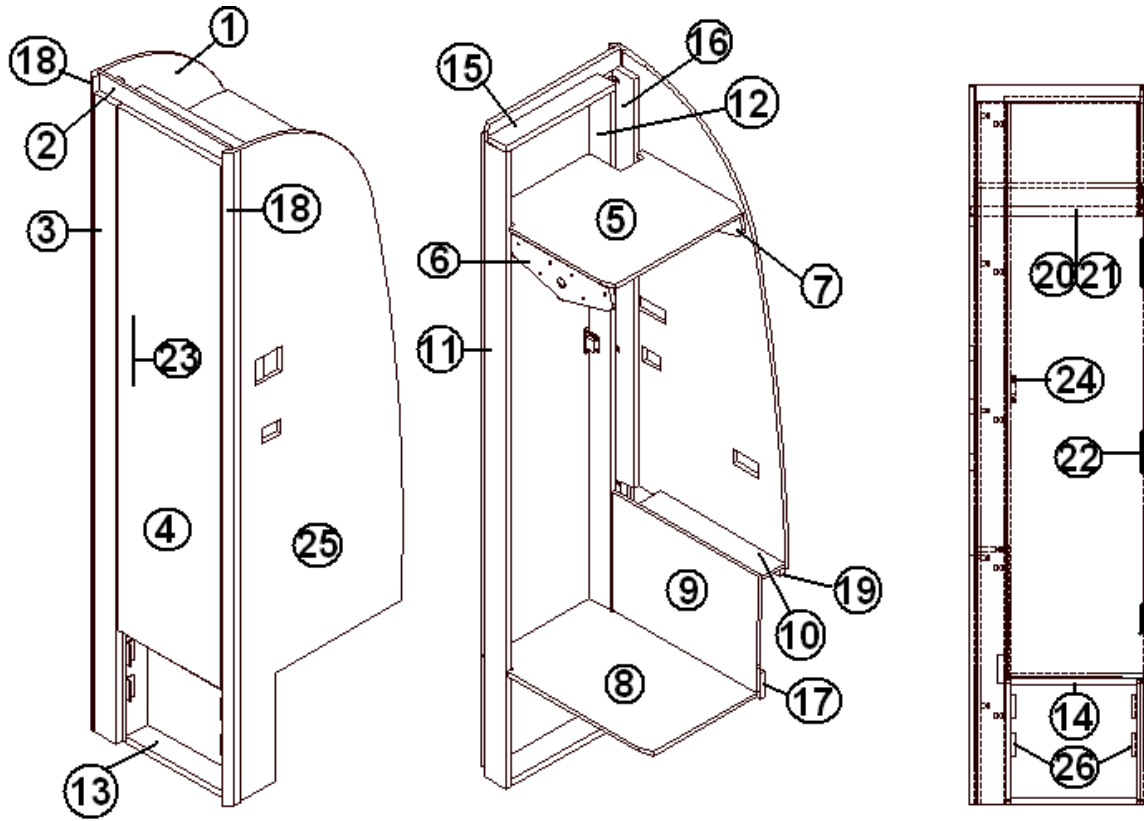


967551-15	ROOFLOCKER ASSY-REAR 16' SERENITY
1. 801845	FACE-R/L NB REAR SER
2. 801355-01	LAMINATE-FROST WHITE
3. 801596-01	BACKER W/B LINER LOCKER CTR
4. 801596-02	BACKER LINER LOCKER LH
5. 801596-03	BACKER, LINER LOCKER RH
6. 801594	DIVIDER-LINER LOCKER
7. 801595	DIVIDER LINER LOCKER CCD
8. 114812	ALUM. ANGLE 1.00 X 1.00
9. 115226-01	BRACKET, FORMED LOCKER CTR SUP
10. 382114	KNOB-BRUSH.SATIN NICKEL #M576
11. 203388	TRACK-SLIDING DOOR
12. 203677-03	DOOR-MARI 11.31X30
13. 201673	REVERSE COVE MOLDING, WHITE
14. 115264-02	PAN-LINER LOCKER N/B
15. 801710	SUPPORT DIVIDER-R/L INT II
16. 801710	SUPPORT DIVIDER-R/L INT II
17. 800506-06	PLYWOOD 1/2"
454613	SPRING-LEAF R/L INT

2012 INTERNATIONAL TRAVEL TRAILER

FURNITURE, BEDROOM

Wardrobe, 19' Signature, Roadside, Wenge



Part Number on the next page

2012 INTERNATIONAL TRAVEL TRAILER

FURNITURE, BEDROOM

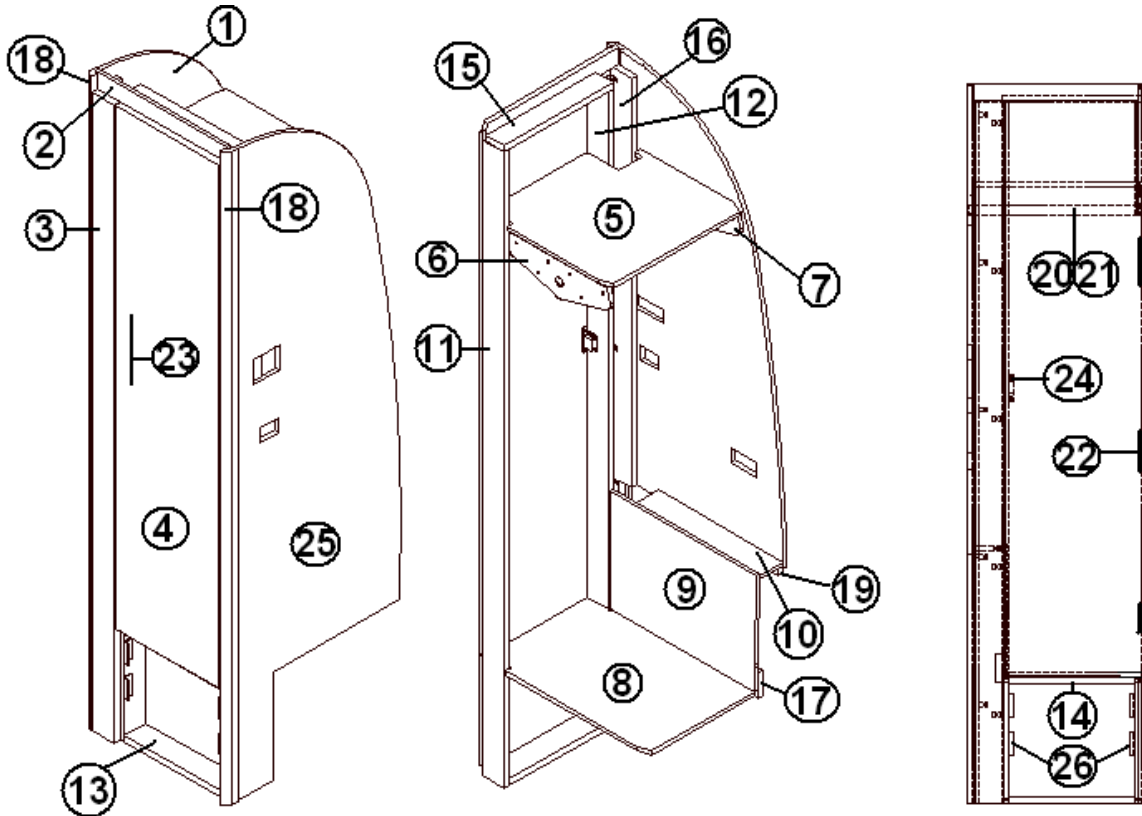
Wardrobe, 19' Signature, Roadside, Wenge

966957	WARDROBE ASSEMBLY
1. 966957-1	PANEL, 22.38" X 77.76"
2. 966957-2	PANEL, 2.06" X 18.38"
3. 966957-3	PANEL, 3.13" X 76.19"
4. 966957-4	DOOR, 14.25" X 62.38"
5. 966957-5	PANEL, 17.50" X 18.38"
6. 966957-6	PANEL, 14.00" X 4.50"
7. 966957-7	PANEL, 14.00" X 4.50"
8. 966957-8	PANEL, 15.12" X 22.88"
9. 966957-9	PANEL, 14.00" X 20.17"
10. 966957-10	PANEL, 3.25" X 17.13"
11. 966957-11	PANEL, 3.00" X 75.88"
12. 966957-12	PANEL, 3.00" X 75.88"
13. 966957-13	PANEL, 3.00" X 13.63"
14. 966957-14	PANEL, 3.00" X 13.63"
15. 966957-15I	PANEL, 2.50" X 15.13"
16. 966957-16	PANEL, 3.00" X 75.88"
17. 801351	PANEL, 3.00" X 18.00", LITE PLY
18. 801706-0016	CORNER TRIM, 90 DGREE
19. 800025-01	PINE, 3/4" X 3/4"
20. 380045	TUBING 3/4", METALLIC
21. 200975-04	CONDUIT, FLEXIBLE BLACK PLASTIC
22. 381607	HINGE ASSY
23. 382029-03	HANDLE-BAR 11.25"
24. 381228-01	GRABBER CATCH, DOOR
25. 966957-30	PANEL, 77.78" X 22.50"
26. 114811	ALUMINUM ANGLE .50 X .50

2012 INTERNATIONAL TRAVEL TRAILER

FURNITURE, BEDROOM

Wardrobe, 19' Signature, Roadside, Serenity



Part Number on the next page

2012 INTERNATIONAL TRAVEL TRAILER

FURNITURE, BEDROOM

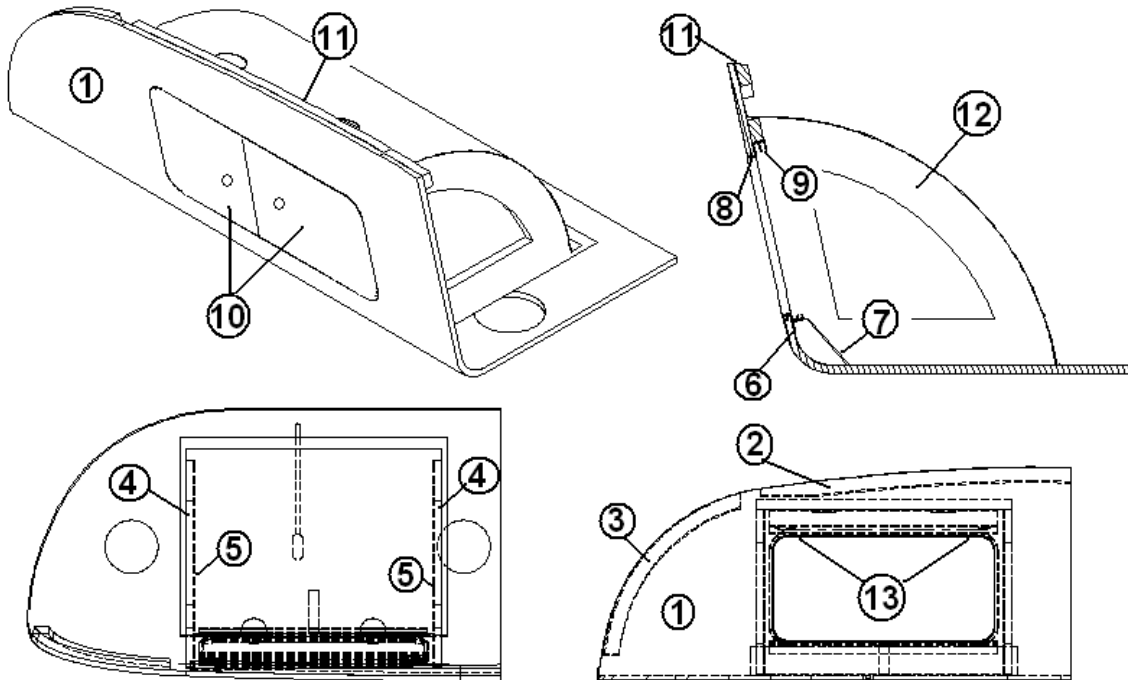
Wardrobe, 19' Signature, Roadside, Serenity

966957-15	WARDROBE ASSEMBLY
1. 966957-151	PANEL, 22.38" x 77.75"
2. 966957-152	PANEL, 2.06" X 18.38"
3. 966957-153	PANEL, 3.13" X 77.19"
4. 966957-154	DOOR, 14.25" X 62.38"
5. 966957-5	PANEL, 17.50" X 18.38"
6. 96957-6	PANEL, 14.00" X 4.50"
7. 966957-7	PANEL, 14.00" X 4.50"
8. 966957-8	PANEL, 15.12" X 22.88"
9. 966957-9	PANEL, 14.00" X 20.17"
10. 966957-10	PANEL, 3.25" X 17.13"
11. 966957-11	PANEL, 3.00" X 75.88"
12. 966957-12	PANEL, 3.00" X 75.88"
13. 966957-13	PANEL, 3.00" X 13.63"
14. 966957-14	PANEL, 3.00" X 13.63"
15. 966957-15I	PANEL, 2.50" X 15.13"
16. 966957-16	PANEL, 3.00" X 75.88"
17. 801351	PANEL, 3.00" X 18.00", LITE PLY N
18. 801706-0018	CORNER TRIM, 90 DGREE ASIAN SAND
19. 800025-01	PINE, 3/4" X 3/4"
20. 380045	TUBING 3/4", METALLIC
21. 200975-04	CONDUIT, BLACK PLASTIC
22. 381607	HINGE ASSY
23. 382115	PULL, FLAT BLACK #M575
24. 381228-01	GRABBER CATCH, DOOR
25. 966957-1530	PANEL, 77.78" X 22.50"
26. 114811	ALUMINUM ANGLE .50 X .50

2012 INTERNATIONAL TRAVEL TRAILER

FURNITURE, BEDROOM

Roof Locker, 19', 23' D Signature, Rear End Liner, Wenge

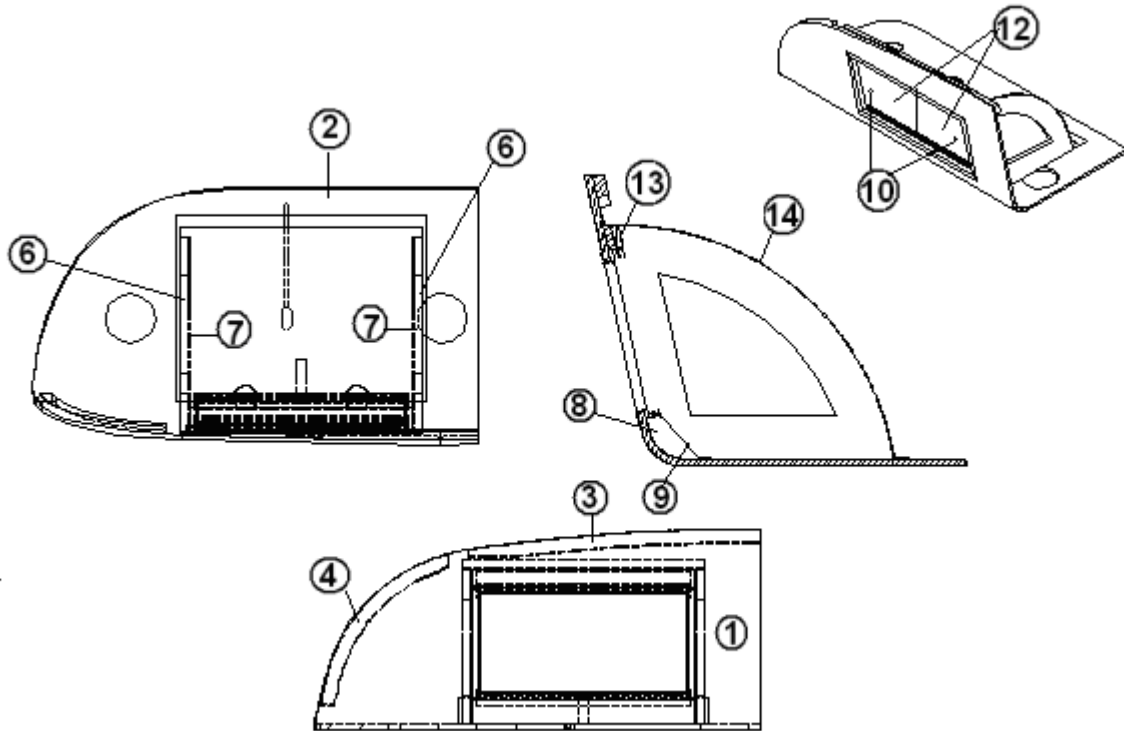


966933	LINER LOCKER ASSY NB REAR CORNER
1. 801730	FACE-LINER LOCKER NB REAR CORNER
2. 801596-01	BACKER W/B LINER LOCKER CENTER
3. 801596-02	BACKER LINER LOCKER LH
4. 801594	DIVIDER-LINER LOCKER
5. 801595	DIVIDER LINER LOCKER CCD
6. 115261-04	ANGLE, FORMED LCKR TRACK SUPPORT
7. 115226-01	BRACKET, FORMED, CENTER SUPPORT
8. 203508-01	PLY T-TRIM 9/16"
9. 203388	SLIDING DOOR TRACK, 56-1/5"
10. 965563-05	DOOR, PLEXIGLASS, 11.31" x 11.75"
11. 201673	REVERSE COVE MOLDING, WHITE
12. 115264-04	PAN-LINER LOCKER N/B REAR
13. 454613	SPRING, LEAF ROOF LOCKER

2012 INTERNATIONAL TRAVEL TRAILER

FURNITURE, BEDROOM

Roof Locker, 19', 23' D Signature, Rear Corner- SERENITY



967550-15

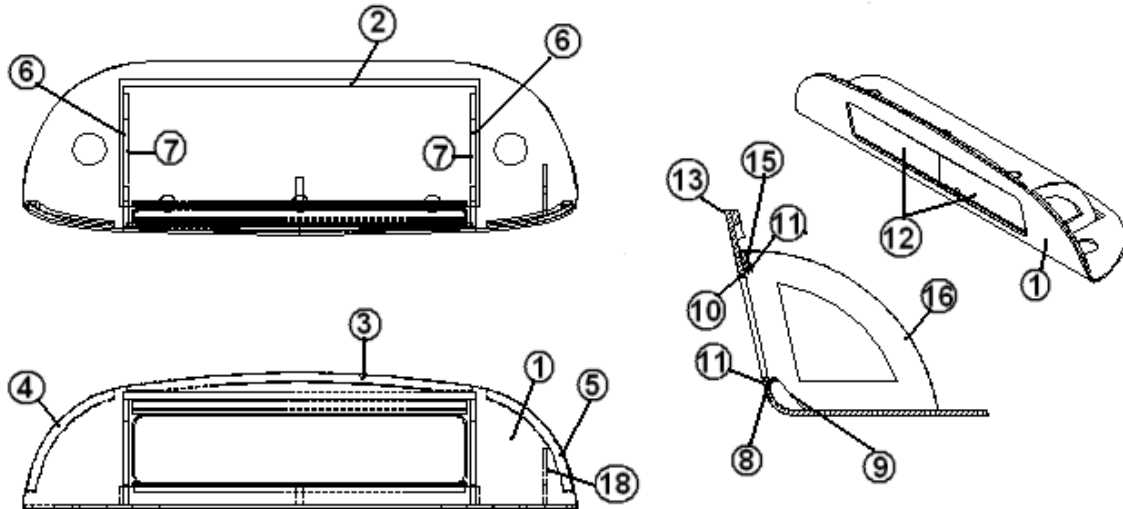
ROOFLOCKER ASSY.-NB Rear Corner 19/23 SERENITY

- | | | |
|-----|-----------|-----------------------------------|
| 1. | 801825 | FACE-REAR R/L |
| 2. | 801355-01 | LAM-FROST WHT 4'X8'VERT #1573- |
| 3. | 801596-01 | BACKER W/B LINER LOCKER CTR |
| 4. | 801596-02 | BACKER LINER LOCKER LH |
| 5. | 801594 | DIVIDER-LINER LOCKER |
| 6. | 801595 | DIVIDER LINER LOCKER |
| 7. | 114812 | FORMED ANGLE 1" X 1" X 22.00" |
| 8. | 115226-01 | BRACKET, FORMED LOCKER CTR SUPORT |
| 9. | 382114 | KNOB-BRUSH.SATIN NICKEL #M576 |
| 10. | 381245 | SLIDING DOOR TRACK, 56-1/5" |
| 11. | 203677-05 | DOOR-MARI 11.31 X 11.75 |
| 12. | 800506-04 | PLYWOOD,1/2" X 4'X8' |
| 13. | 115264-04 | PAN-LINER LOCKER N/B REAR |
| | 454613 | SPRING, LEAF R/L INT |
| | 201673 | COVE MOLDING, WHITE |

2012 INTERNATIONAL TRAVEL TRAILER

FURNITURE, BEDROOM

Roof Locker, Front Bedroom 23 FB



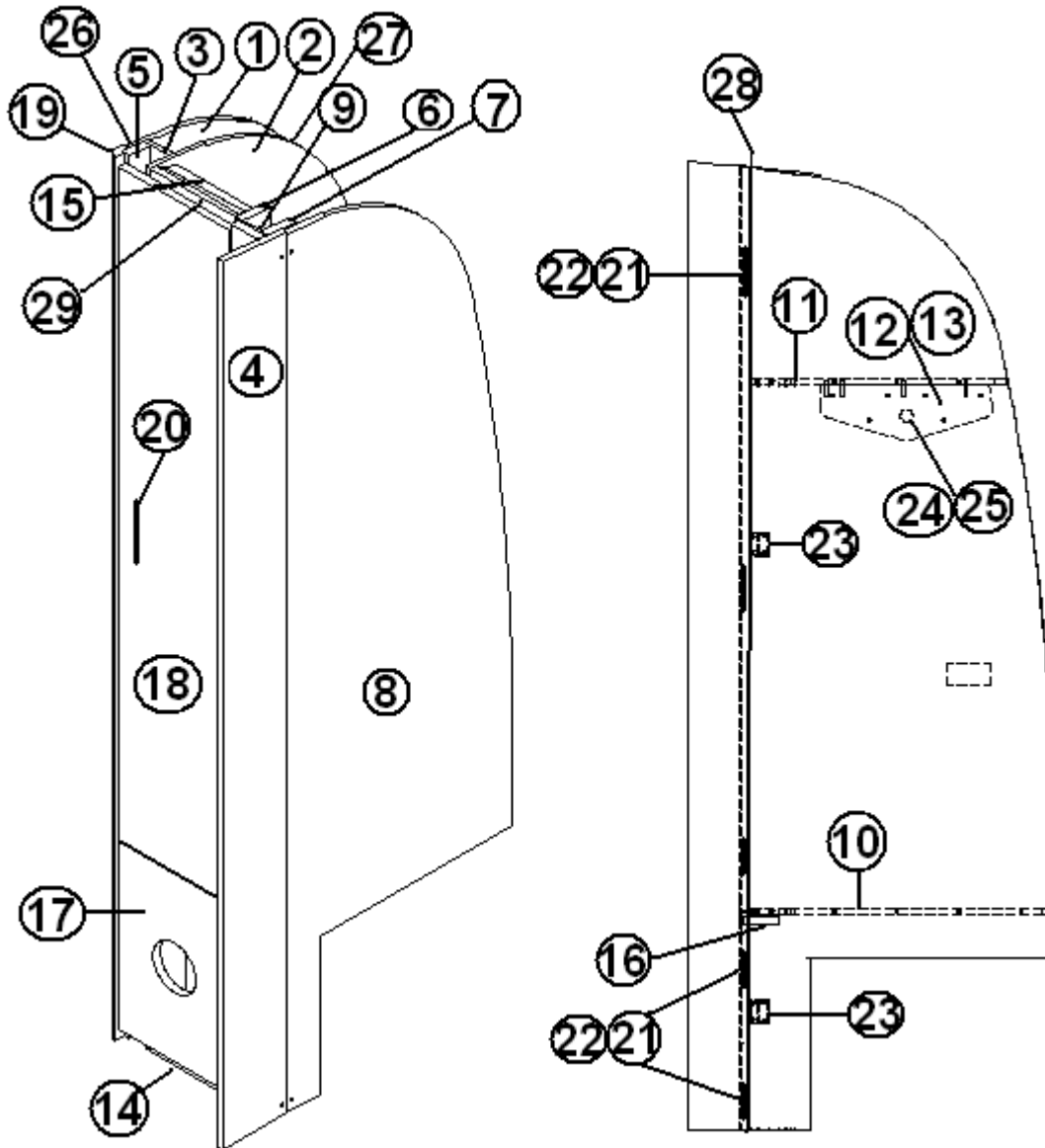
967645 ROOFLOCKER ASSY, FRONT, 23FB

- | | | |
|-----|------------|------------------------------------|
| 1. | 801887 | FACE, FRONT ROOFLOCKER |
| 2. | 801716 | PANEL, PRELAM WENGE/LINER 18MM |
| 3. | 801596-01 | BACKER, W/B LINER LOCKER CTR |
| 4. | 801596-02 | BACKER, LINER LOCKER LH |
| 5. | 801596-03 | BACKER, LINER LOCKER RH |
| 6. | 801594 | DIVIDER, LINER LOCKER |
| 7. | 801595 | DIVIDER, LINER LOCKER |
| 8. | 115261-02 | ANGLE FORMED LCKR TRACK SUPPORT |
| 9. | 101115-01 | ALUM.SHEET 30"X8"W/PROTECTIVE |
| 10. | 115226-01 | BRACKET, FORMED LOCKER CTR SUPPORT |
| 11. | 203445-01 | T-MOLDING, .5625" WHITE |
| 12. | 203388 | TRACK, SLIDING DOOR |
| 13. | 965563-05 | DOOR, PLEXIGLASS 11.31" x 11.75" |
| 14. | 201673 | REVERSE COVE MOLDING, WHITE |
| 15. | 365215 | TAPE ADHESIVE TRANSFER #950 5M |
| 16. | 800028 | PINE, 3/4" X 1-1/2" |
| 17. | 115264-02 | PAN-LINER LOCKER N/B |
| 18. | 114879-238 | ALUM.SHEET .040"X33"X238" |
| | 801710 | SUPPORT DIVIDER-R/L INT II |
| | 454613 | SPRING-LEAF R/L INT |

2012 INTERNATIONAL TRAVEL TRAILER

FURNITURE, BEDROOM

Wardrobe, 23' D Signature, Roadside, Wenge



Part Numbers on the Next Page

2012 INTERNATIONAL TRAVEL TRAILER

FURNITURE, BEDROOM

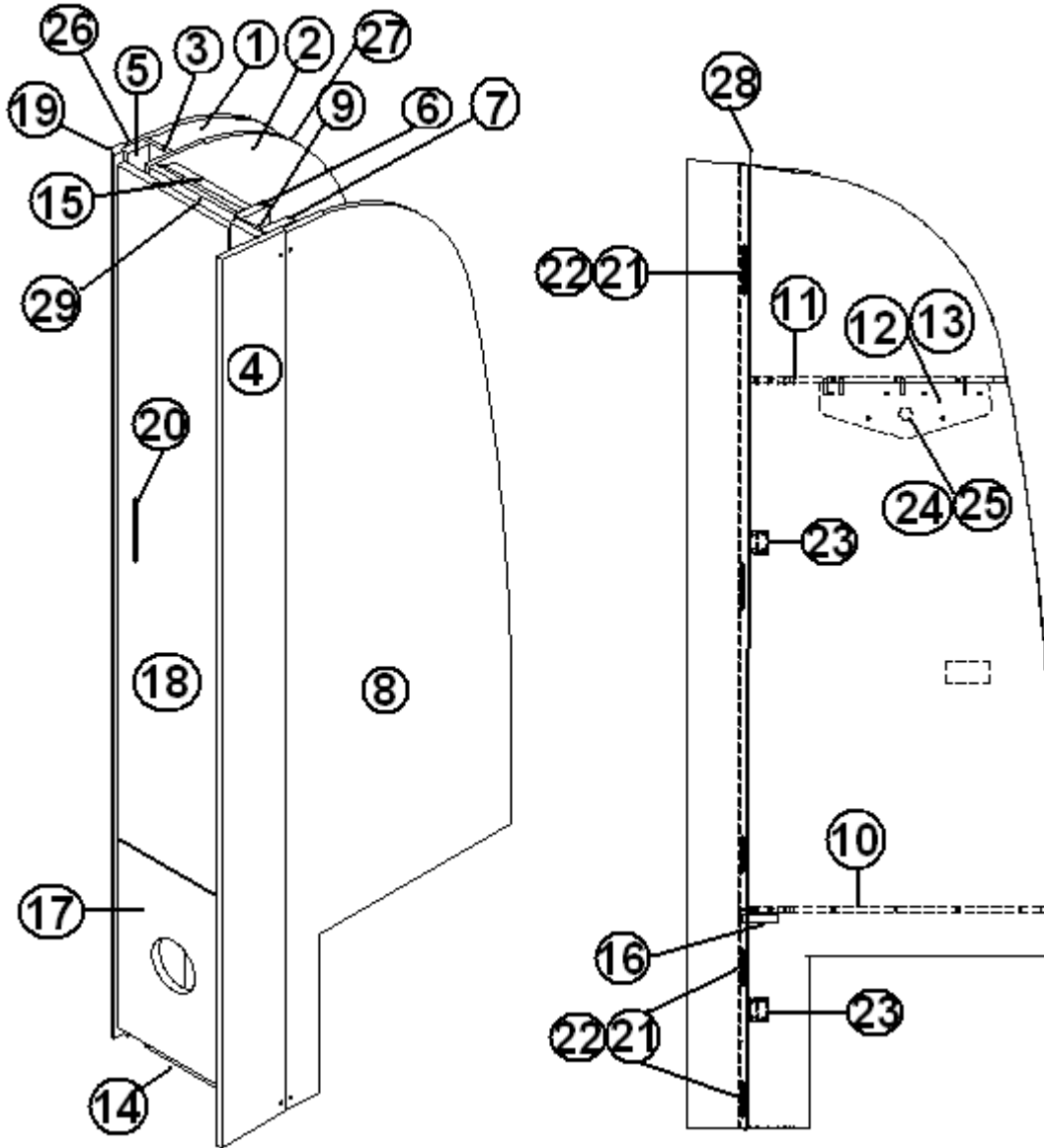
Wardrobe, 23' D Signature, Roadside, Wenge

966949	WARDROBE ASSY, R.S.
1. 966949-1	PANEL, RS W/R, 23.78 X 77.82
2. 966949-2	PANEL, RS W/R, 24.56 X 78.06
3. 966949-3	PANEL, RS W/R, 2.5 X 77.8
4. 966949-4	PANEL, RS W/R, 6.60 X 78.53
5. 966949-5	PANEL, RS W/R, 2.25 X 78.06
6. 966949-6	PANEL, RS W/R, 3.0 X 78.06
7. 966949-7	PANEL, RS W/R, 3.0 X 78.06
8. 966949-8	PANEL, RS W/R, 23.05 X 77.83
9. 966949-9	PANEL, RS W/R, 1.87 X 12.0
10. 966949-11	PANEL, RS W/R, 11.89 X 24.59
11. 966949-12	PANEL, RS W/R, 11.89 X 20.74
12. 966949-13	PANEL, RS W/R, 14.0 X 4.49
13. 966949-14	PANEL, RS W/R, 14.0 X 4.49
14. 966949-15I	PANEL, RS W/R, 8.51 X 2.25
15. 966949-16	PANEL, RS W/R, 8.51 X 2.25
16. 966949-17	PANEL, RS W/R, 2.25 X 8.51
17. 966949-18	DOOR RS W/R, 11.38 X 16.68
18. 966949-19	DOOR R/S W/R, 11.38 X 59.5
19. 801706-0016	CORNER TRIM 90 DEG
20. 382029-03	HANDLE BAR, 11.25"
21. 381607	HINGE ASSY
22. 320006	SCREW, SHEET METAL, 8 X 3/4 BH PHI
23. 381228	CATCH, GRABBER, DOOR
24. 380045	TUBING 3/4", METAL
25. 200975-04	CONDUIT, FLEXIBLE BLACK PLASTIC
26. 203138-05	EXTRUSION, PLASTIC 1/2" WALL BLACK
27. 203138-01	EXTRUSION, PLASTIC WALL-WHITE
28. 115085	ANGLE ALUMINUM, ROOFLOCKERS
29. 966949-35	PANEL, RS W/R, 2.94 X 78.00

2012 INTERNATIONAL TRAVEL TRAILER

FURNITURE, BEDROOM

Wardrobe, 23' D Signature, Roadside, SERENITY



Part Numbers on the Next Page

2012 INTERNATIONAL TRAVEL TRAILER

FURNITURE, BEDROOM

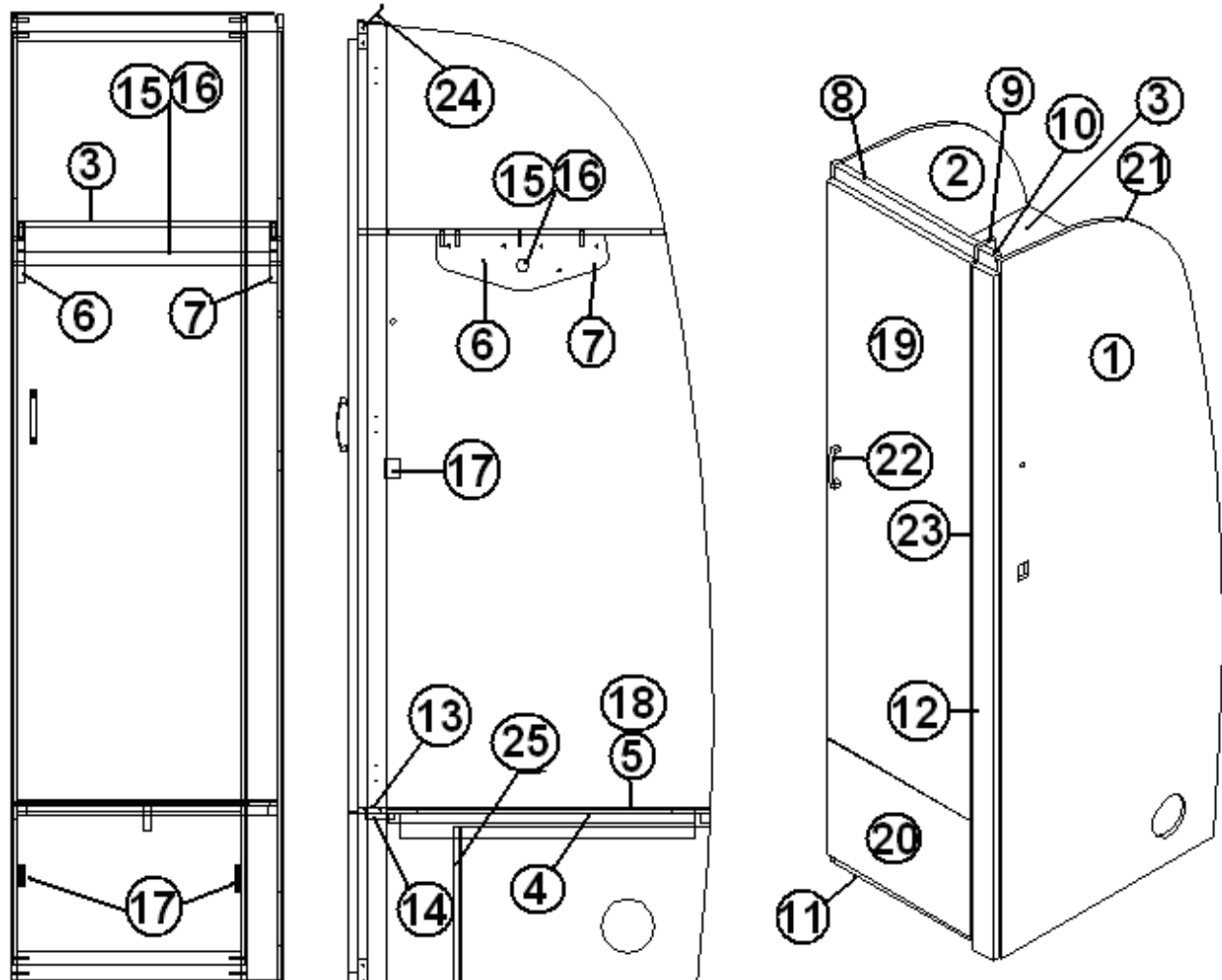
Wardrobe, 23' D Signature, Roadside, Serenity

966949-15	WARDROBE ASSY, R.S.,
1. 966949-151	PANEL, RS W/R, 23.78 X 77.82
2. 966949-152	PANEL, RS W/R, 24.56 X 78.06
3. 966949-153	PANEL, RS W/R, 2.5 X 77.8
4. 966949-154	PANEL, RS W/R, 6.60 X 78.53
5. 966949-5	PANEL, RS W/R, 1.75X 78.06
6. 966949-6	PANEL, RS W/R, 3.0 X 78.06
7. 966949-7	PANEL, RS W/R, 3.0 X 78.06
8. 966949-8	PANEL, RS W/R, 23.05 X 77.83
9. 966949-9	PANEL, RS W/R, 1.87 X 77.69
10. 966949-11	PANEL, RS W/R, 11.89 X 24.59
11. 966949-12	PANEL, RS W/R, 11.89 X 20.74
12. 966949-13	PANEL, RS W/R, 14.0 X 4.49
13. 966949-14	PANEL, RS W/R, 14.0 X 4.49
14.966949-1515	PANEL, RS W/R, 8.51 X 2.25
15.966949-1516	PANEL, RS W/R, 8.51 X 2.25
16.966949-17	PANEL, RS W/R, 2.25 X 8.51
17.966949-1518	DOOR RS W/R, 11.38 X 16.68
18.966949-1519	DOOR R/S W/R, 11.38 X 59.5
19.801706-0018	CORNER TRIM 90 DEG ASIAN SAND
20.382115	PULL, FLAT BLACK #M575
21.381607	HINGE ASSY
22.320006	SCREW, METAL, 8 X 3/4 BH PHI
23.381228	CATCH, GRABBER, DOOR
24.380045	TUBING 3/4", METAL
25.200975-04	CONDUIT, BLACK PLASTIC
26.203138-03	EXTRUSION, PLASTIC WALL-BEIGE
27.203138-03	EXTRUSION, PLASTIC WALL-BEIGE
28.115085	ANGLE ALUMINUM, ROOFLOCKERS
29.966949-1535	PANEL, RS W/R, 2.94 X 78.00

2012 INTERNATIONAL TRAVEL TRAILER

FURNITURE, BEDROOM

Wardrobe, Roadside, 23' Front Bed, WENGE



PART NUMBERS ARE ON THE NEXT PAGE

2012 INTERNATIONAL TRAVEL TRAILER

FURNITURE, BEDROOM

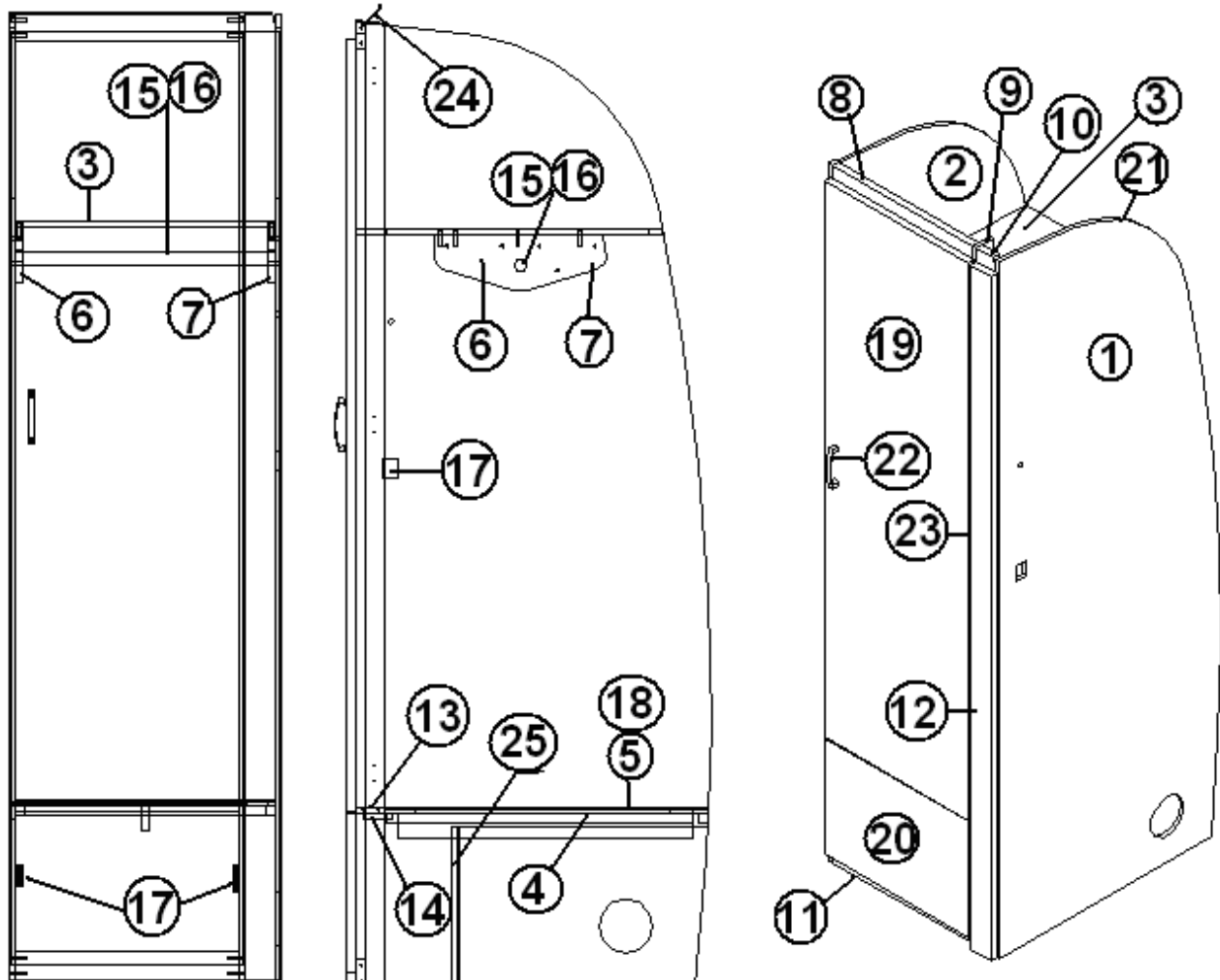
Wardrobe, Roadside, 23' Front Bed, WENGE

967308	Wardrobe assembly
1. 967308-1	Panel, 28.79 X 78.24
2. 967308-2	Panel, 28.79 X 78.24
3. 967308-3	Panel, 24.88 X 21.00
4. 967308-4	Panel, 21.00 X 26.25
5. 967308-5	Panel, 21.00 X 26.25
6. 967308-6	Panel, 14.00 X 4.50
7. 967308-7	Panel, 14.00 X 4.50
8. 967308-8	Panel, 2.25 X 18.06
9. 967308-9	Panel, 2.25 X 78.38
10. 967308-10	Panel, 2.44 X 78.38
11. 967308-11	Panel, 2.25 X 18.06
12. 967308-12	Panel, 2.69 X 76.88
13. 967308-13	Panel, 2.25 X 18.06
14. 967308-14	Panel, 2.25 X 18.06
15. 380045	Tubing, 3/4"
16. 200975-04	Conduit, flexible black plastic
17. 381228-01	Catch, grabber door
18. 701538	Carpet, Econolier, Velour Black
19. 967308-21	Door, 18.69 X 62.56
20. 381607	Hinge
21. 382029-04	Handle, 15"
22. 967308-22	Door, 18.69 X 13.75"
23. 203138-05	Extrusion, plastic 1/2"
24. 104821	Roof locker support
25. 967308-29	Panel, 14.13 X 21.00

2012 INTERNATIONAL TRAVEL TRAILER

FURNITURE, BEDROOM

Wardrobe, Roadside, 23' Front Bed, SERENITY



PART NUMBERS ARE ON THE NEXT PAGE

2012 INTERNATIONAL TRAVEL TRAILER

FURNITURE, BEDROOM

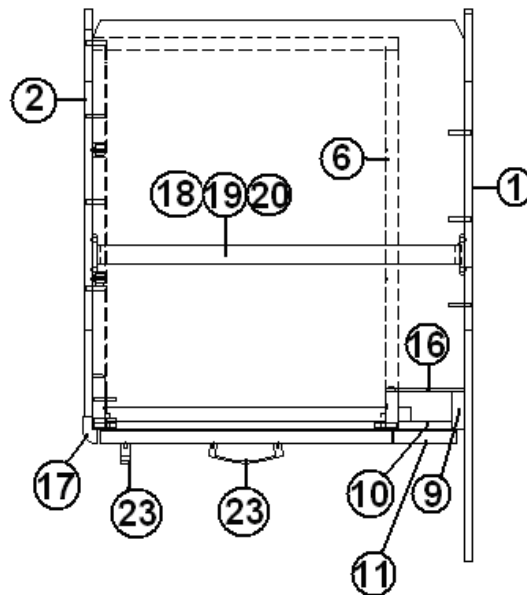
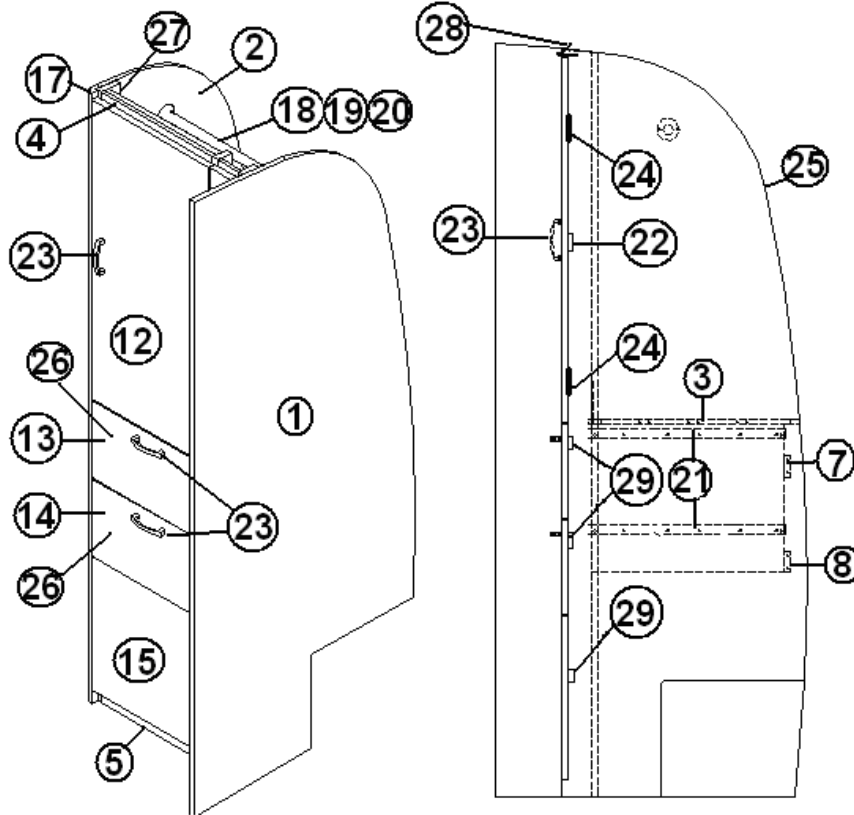
Wardrobe, Roadside, 23' Front Bed, SERENITY

967308-15	Wardrobe assembly
1. 967308-151	Panel, 28.79 X 78.24
2. 967308-152	Panel, 28.79 X 78.24
3. 967308-3	Panel, 24.88 X 21.00
4. 967308-4	Panel, 21.00 X 26.25
5. 967308-5	Panel, 21.00 X 26.25
6. 967308-6	Panel, 14.00 X 4.50
7. 967308-7	Panel, 14.00 X 4.50
8. 967308-158	Panel, 2.25 X 18.06
9. 967308-9	Panel, 2.25 X 78.38
10. 967308-1510	Panel, 2.44 X 78.38
11. 967308-11	Panel, 2.25 X 18.06
12. 967308-1512	Panel, 2.69 X 76.88
13. 967308-13	Panel, 2.25 X 18.06
14. 967308-14	Panel, 2.25 X 18.06
15. 380045	Tubing, 3/4"
16. 200975-04	Conduit, flexible black plastic
17. 381228-01	Catch, grabber door
18. 701538-01	Carpet, Econolier, Velour Black
19. 967308-21	Door, 18.69 X 62.56
20. 381607	Hinge
21. 382115	PULL, FLAT BLACK #M575
22. 967308-1522	Door, 18.69 X 13.75"
23. 203138-03	Extrusion, plastic 1/2", Beige
24. 104821	Roof locker support
25. 967308-29	Panel, 14.13 X 21.00

2012 INTERNATIONAL TRAVEL TRAILER

FURNITURE, BEDROOM

Wardrobe, Bedroom, 23' Front Bed



PART NUMBERS ARE ON THE NEXT PAGE

2012 INTERNATIONAL TRAVEL TRAILER

FURNITURE, BEDROOM

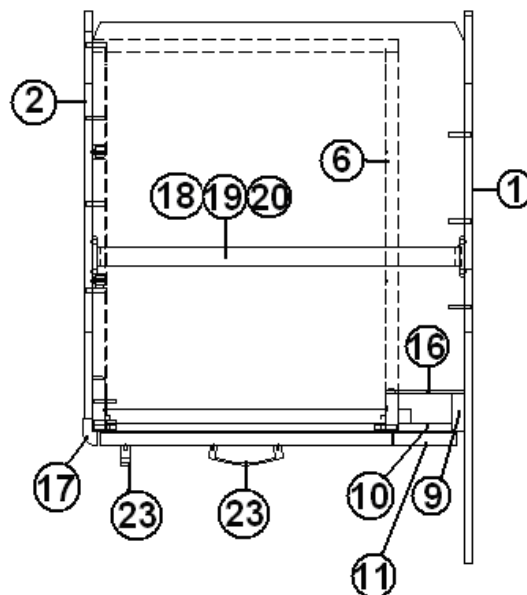
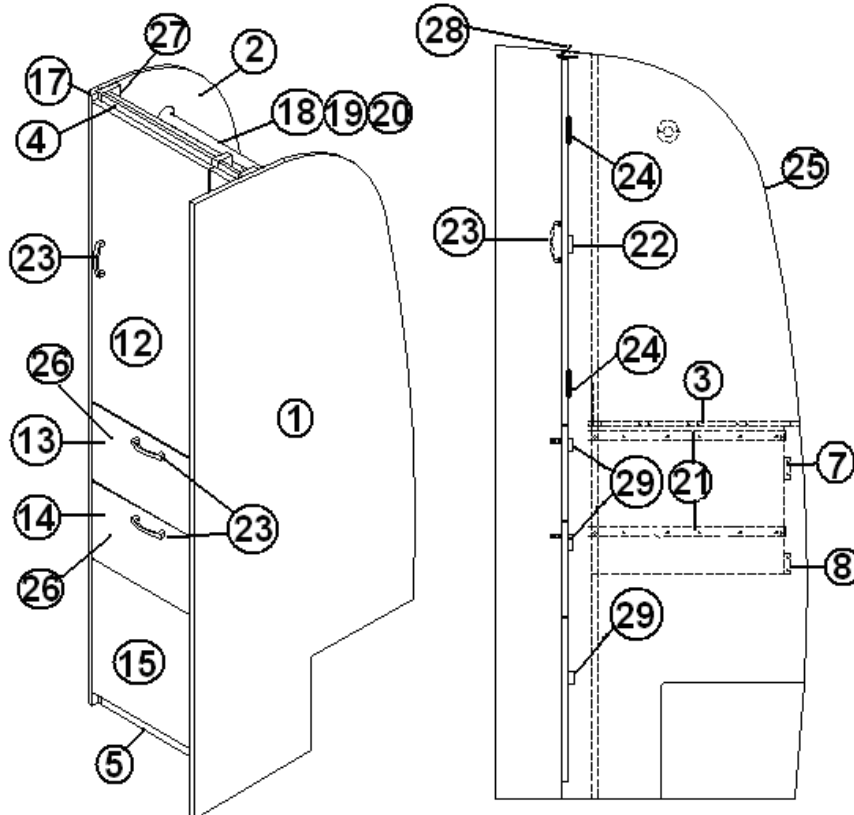
Wardrobe, Bedroom, 23' Front Bed, Wenge

967307	Wardrobe, bedroom
1. 967307-1	Panel, 32.47 X 78.51
2. 967307-2	Panel, 23.98 X 77.77
3. 967307-3	Panel, 24.00 X 21.75
4. 967307-4	Panel, 2.25 X 16.44
5. 967307-5	Panel, 2.25 X 16.44
6. 967307-6	Panel, 22.25 X 77.96
7. 967307-7	Panel, 17.94 X 2.25
8. 967307-8	Panel, 17.94 X 2.25
9. 967307-9	Panel, 2.25 X 77.96
10. 967307-10	Panel, 3.06 X 77.96
11. 967307-11	Panel, 3.19 X 75.25
12. 967307-12	Door, 17.06 X 38.13
13. 967307-13	Door, 17.06 X 9.88
14. 967307-14	Door, 17.06 X 9.88
15. 967307-15I	Door, 17.06 X 17.00
16. 967307-16	Panel, 4 X 4.56
17. 801706-0016	Corner trim, 90 DEG. 1" radius, Wenge
18. 380045	Tubing, ¾"
19. 200975-04	Conduit, flexible black plastic
20. 380046	Flange, chrome
21. 381773-25	Drawer slide, 8.38"X 21.63" (PR)
22. 381228-01	Catch, grabber door
23. 382029-04	Handle Bar, 15"
24. 381607	Hinge
25. 203138-05	Extrusion, plastic ½" Black
26. 965555-04	Drawer box, 8.00 X 15.00" X 20.00"
27. 967307-30	Panel, 3.00 X 77.96
28. 104821	Roof locker support
29. 381228	Catch, grabber door

2012 INTERNATIONAL TRAVEL TRAILER

FURNITURE, BEDROOM

Wardrobe, Bedroom, 23' Front Bed - Serenity



PART NUMBERS ARE ON THE NEXT PAGE

2012 INTERNATIONAL TRAVEL TRAILER

FURNITURE, BEDROOM

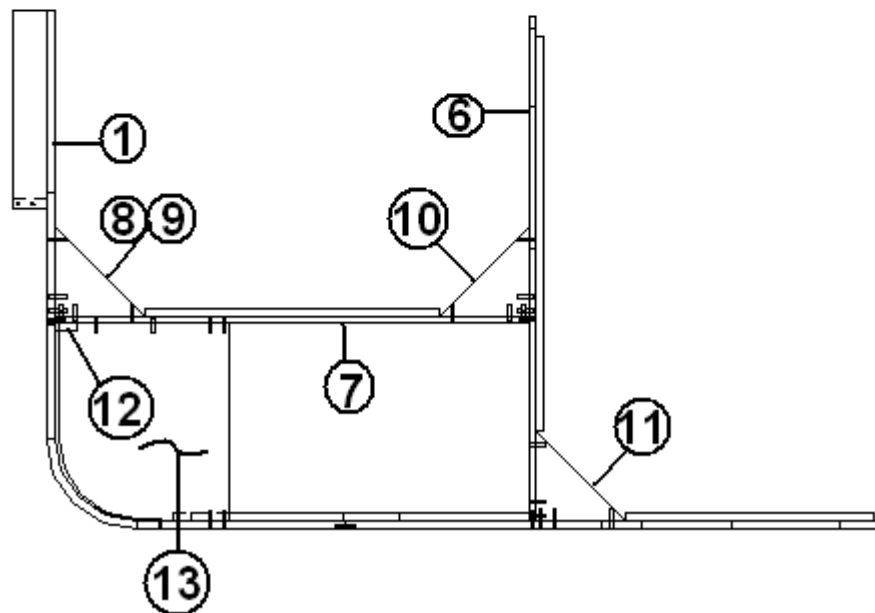
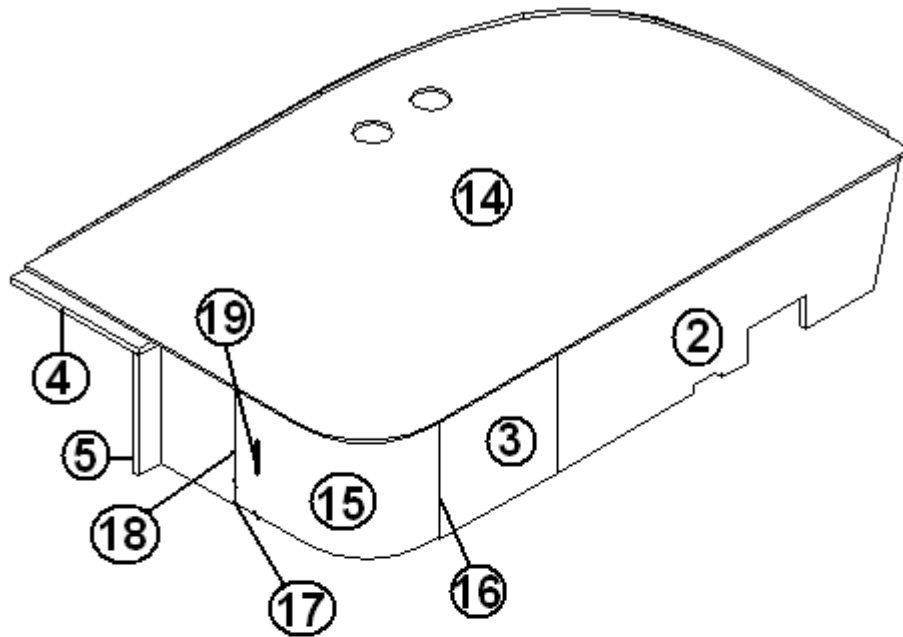
Wardrobe, Bedroom, 23' Front Bed, Serenity

967307-15	Wardrobe, bedroom
1. 967307-151	Panel, 32.47 X 78.51
2. 967307-152	Panel, 23.98 X 77.77
3. 967307-3	Panel, 24.00 X 21.75
4. 967307-154	Panel, 2.25 X 16.44
5. 967307-155	Panel, 2.25 X 16.44
6. 967307-6	Panel, 22.25 X 77.96
7. 967307-7	Panel, 17.94 X 2.25
8. 967307-8	Panel, 17.94 X 2.25
9. 967307-9	Panel, 2.25 X 77.96
10. 967307-1510	Panel, 3.06 X 77.96
11. 967307-1511	Panel, 3.19 X 75.25
12. 967307-1512	Door, 17.06 X 38.13
13. 967307-1513	Door, 17.06 X 9.88
14. 967307-1514	Door, 17.06 X 9.88
15. 967307-1515	Door, 17.06 X 17.00
16. 967307-1516	Panel, 4 X 4.56
17. 801706-0018	Corner trim, 90 DEG. 1" radius, Asian Sand
18. 380045	Tubing, ¾"
19. 200975-04	Conduit, flexible black plastic
20. 380046	Flange, chrome
21. 381773-25	Drawer slide, 8.38"X 21.63" (PR)
22. 381228-01	Catch, grabber door
23. 382115	Pull, Flat Black, #M575
24. 381607	Hinge
25. 203138-03	Extrusion, plastic ½" Beige
26. 965555-04	Drawer box, 8.00 X 15.00" X 20.00"
27. 967307-30	Panel, 3.00 X 77.96
28. 104821	Roof locker support
29. 381228	Catch, grabber door

2012 INTERNATIONAL TRAVEL TRAILER

FURNITURE, BEDROOM

Bed, 19', 23' D Signature, Wenge



Part Numbers on the Next Page

2012 INTERNATIONAL TRAVEL TRAILER

FURNITURE, BEDROOM

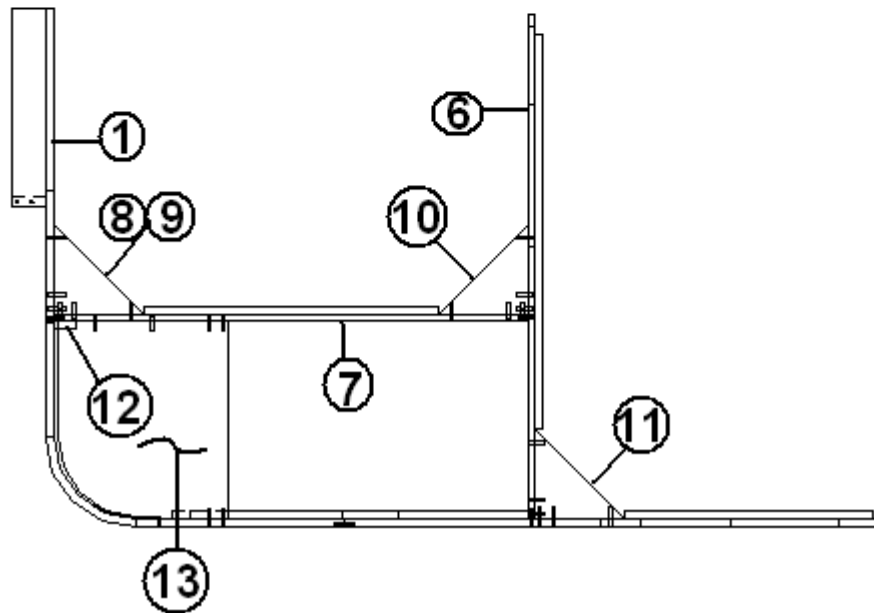
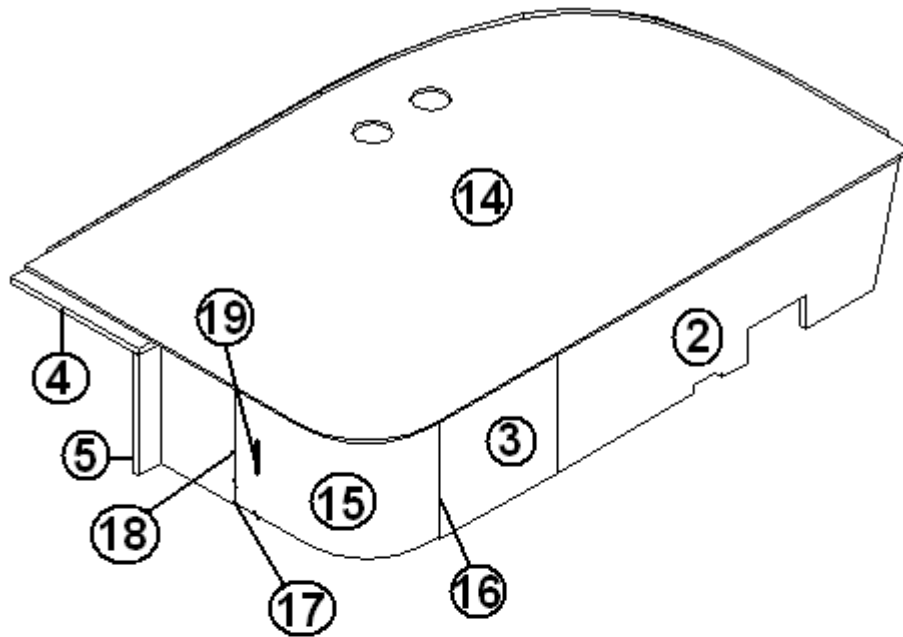
Bed, 19', 23' D Signature, Wenge

966926	BED ASSY, CORNER
1. 966926-1	PANEL, CORNER BED, 27.75 X 15.125
2. 966926-2	PANEL, CORNER BED, 47.63 X 15.125
3. 966926-3	PANEL, CORNER BED, 16.19 X 15.125
4. 966926-4	PANEL, CORNER BED, 17.5 X 3.0
5. 966926-5	PANEL, CORNER BED, 3.0 X 14.36
6. 966926-6	PANEL, CORNER BED, 44.75 X 15.125
7. 966926-7	PANEL, CORNER BED, 42.0 X 15.125
8. 966926-8	PANEL, CORNER BED, 8.0 X 8.0
9. 966926-9	PANEL, CORNER BED, 8.0 X 8.0
10. 966926-10	PANEL, CORNER BED, 8.0 X 8.0
11. 966926-11	PANEL, CORNER BED, - 8.0 X 8.0
12. 966926-12	PANEL, CORNER BED, 2.0 X 13.5
13. 966926-13	PANEL, CORNER BED, 15.19 X 17.625
14. 966926-14	PANEL, CORNER BED, 47.14 X 75.12
15. 966925	DOOR ASSY, RADIUS, BED
16. 381853	HINGE, CONTINUOUS ALUM PIANO
17. 203587	WEDGE, RADIUS BED BASE DOOR
18. 381948	K-CATCH
19. 382029-00	HANDLE, BAR 7.48"
203667	BIN STORAGE, 23"L X 16.75"W X 12.38"
203439	STORAGE BOX, 17"L X 11.13"W X 6.38"
701538-01	CARPET, ECONOLIER W/PSA BACK

2012 INTERNATIONAL TRAVEL TRAILER

FURNITURE, BEDROOM

Bed, 19', 23' D Signature, SERENITY



Part Numbers on the Next Page

2012 INTERNATIONAL TRAVEL TRAILER

FURNITURE, BEDROOM

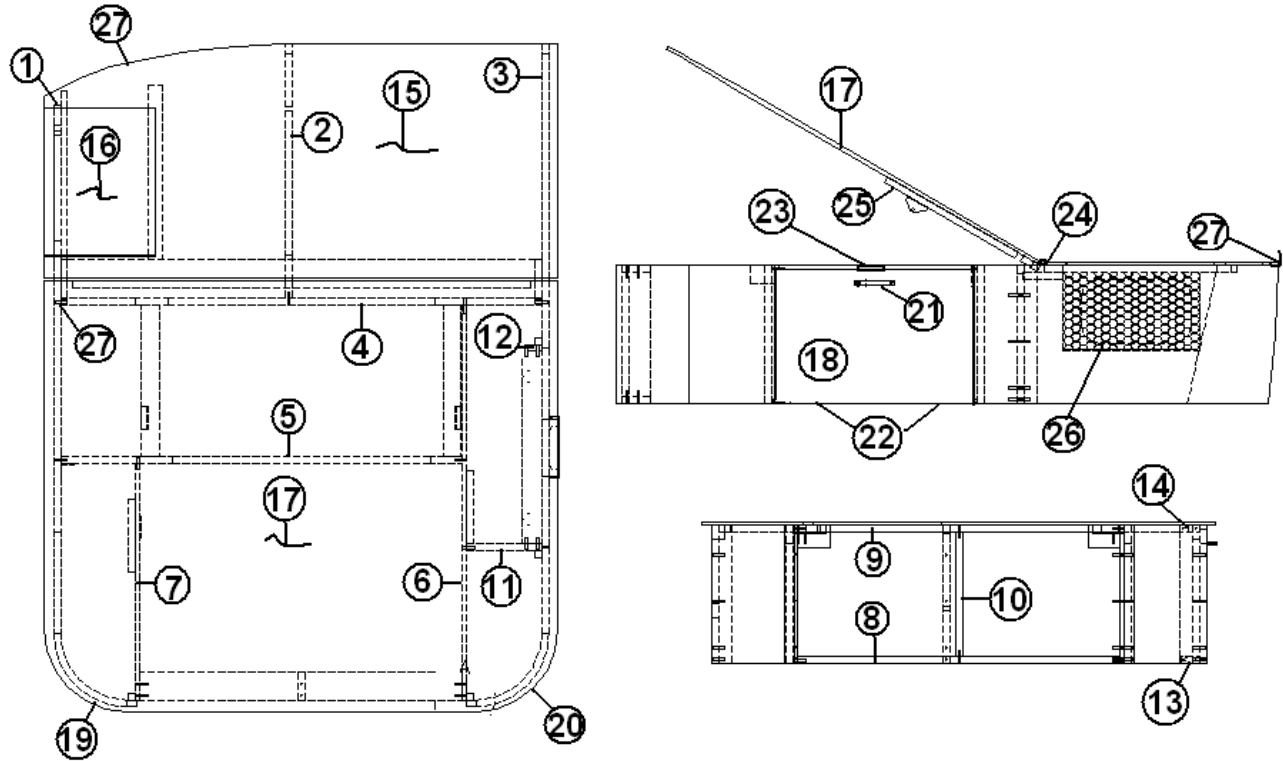
Bed, 19', 23' D Signature, SERENITY

966926-15	BED ASSY, CORNER
1. 966926-151	PANEL, BED, 27.75 X 15.125
2. 966926-152	PANEL, BED, 47.63 X 15.125
3. 966926-153	PANEL, BED, 16.19 X 15.125
4. 966926-154	PANEL, BED, 17.5 X 3.0
5. 966926-155	PANEL, BED, 3.0 X 14.36
6. 966926-6	PANEL, BED, 44.75 X 15.125
7. 966926-7	PANEL, BED, 42.0 X 15.125
8. 966926-8	PANEL, BED, 8.0 X 8.0
9. 966926-9	PANEL, BED, 8.0 X 8.0
10. 966926-10	PANEL, BED, 8.0 X 8.0
11. 966926-11	PANEL, BED, 8.0 X 8.0
12. 966926-12	PANEL, BED, 2.0 X 13.5
13. 966926-13	PANEL, BED, 15.19 X 17.625
14. 966926-14	PANEL, BED, 47.14 X 75.12
15. 966925-15	DOOR ASSY, RADIUS, BED
16. 381853	HINGE, CONTINUOUS ALUM PIANO
17. 203587	WEDGE, RADIUS BED BASE DOOR
18. 381948	K-CATCH
19. 382115	PULL FLAT BLACK #M575
203667	BIN STORAGE, 23"L X 16.75"W X 12.38
203439	STORAGE BOX, 17"L X 11.13"W X 6.38"
701538-01	CARPET, ECONOLIER W/PSA BACK

2012 INTERNATIONAL TRAVEL TRAILER

FURNITURE, BEDROOM

Bed, 23' Front Bed, Wenge



PART NUMBERS ARE ON THE NEXT PAGE

2012 INTERNATIONAL TRAVEL TRAILER

FURNITURE, BEDROOM

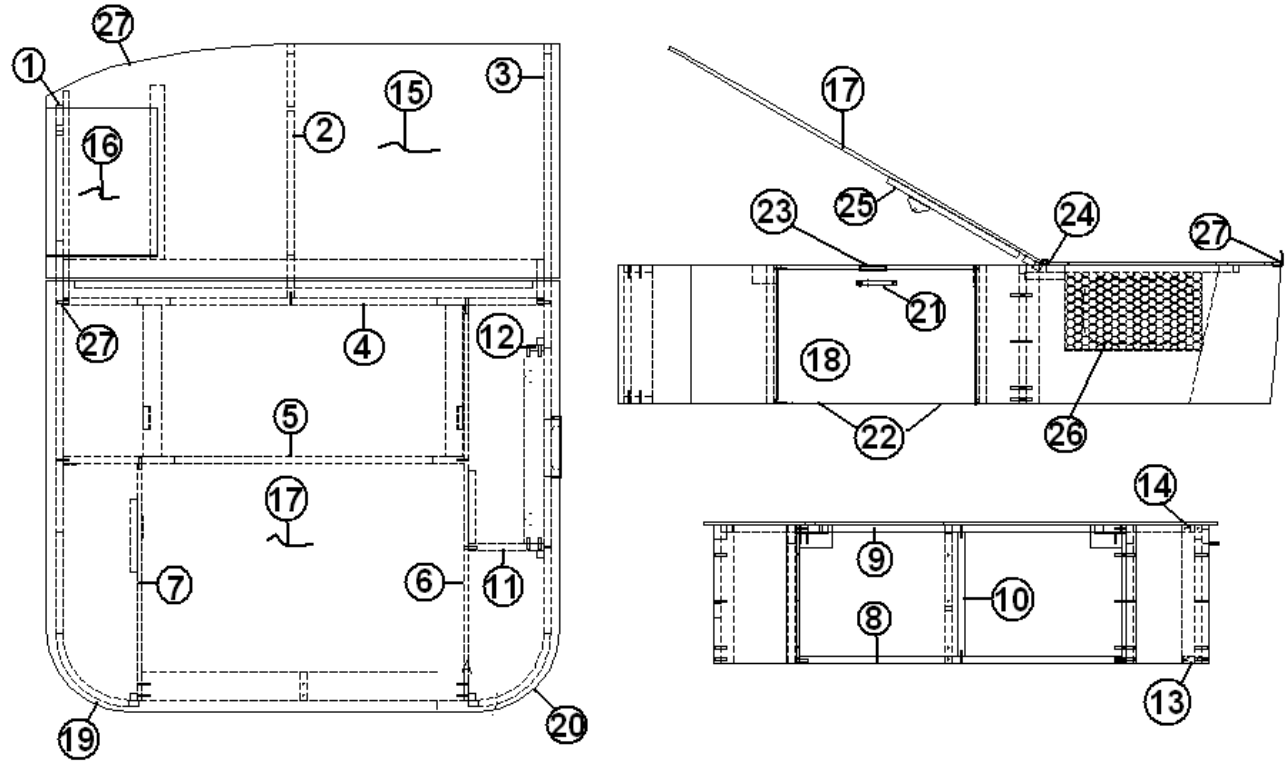
Bed, 23' Front Bed, Wenge

967264	Bed base assembly
1. 967264-1	Panel, bed base assembly, 15.13 X 46.62
2. 967264-2	Panel, bed base, 15.13 X 33.11
3. 967264-3	Panel, bed base, 15.13 X 33.11
4. 967264-4	Panel, bed base, 15.13 X 52.50
5. 967264-5	Panel, bed base, 15.13 X 43.81
6. 967264-6	Panel, bed base, 15.13 X 43.00
7. 967264-7	Panel, bed base, 15.13 X 25.75
8. 967264-8	Panel, bed base, 3.00 X 35.13
9. 967264-9	Panel, bed base, 3.00 X 35.13
10. 967264-10	Panel, bed base, 3.00 X 13.63
11. 967264-11	Panel, bed base, 8.19 X 15.13
12. 967264-12	Panel, bed base, 2.25 X 15.13
13. 967264-13	Panel, bed base, 21.00 X 2.25
14. 967264-14	Panel, bed base, 21.00 X 2.25
15. 967264-15I	Panel, bed base, 56.00 X 25.63
16. 967264-16	Panel, bed base, 16.00 X 12.00
17. 967264-17	Panel, bed base, 56.00 X 47.00
18. 967264-18	Door, 14.25" X 21.63"
19. 967200	Sub assembly, bed corner
20. 967265	Sub assembly, bed corner
21. 382029-03	Handle, 11.25"
22. 381607	Hinge, Grass Euro
23. 381228-01	Catch, grabber door
24. 380203-01	Piano hinge
25. 114812	Aluminum angle, 1.00" X 1.00"
26. 203664-01	Grille screen, plastic
27. 115151	Angle, bed support
703698	Mattress 60"X75" Queen, B
203667	Bin, storage, 23" X 16.75" X 12.38"
381067-09	Spring, Gas 90 LBS.
381262	Bracket, prop w/ball
381310	Gas prop bracket assembly, upper
381084	Ball, stud

2012 INTERNATIONAL TRAVEL TRAILER

FURNITURE, BEDROOM

Bed, 23' Front Bed, SERENITY



PART NUMBERS ARE ON THE NEXT PAGE

2012 INTERNATIONAL TRAVEL TRAILER

FURNITURE, BEDROOM

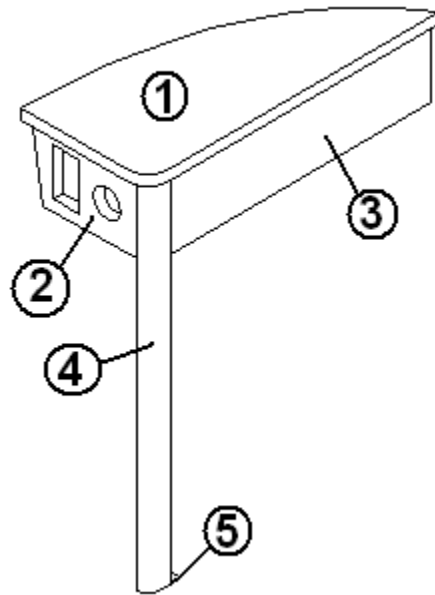
Bed, 23' Front Bed, SERENITY

967264-15	Bed base assembly
1. 967264-151	Panel, bed base assembly, 15.13 X 46.62
2. 967264-2	Panel, bed base, 15.13 X 33.11
3. 967264-153	Panel, bed base, 15.13 X 33.11
4. 967264-4	Panel, bed base, 15.13 X 52.50
5. 967264-5	Panel, bed base, 15.13 X 43.81
6. 967264-6	Panel, bed base, 15.13 X 43.00
7. 967264-7	Panel, bed base, 15.13 X 25.75
8. 967264-8	Panel, bed base, 3.00 X 35.13
9. 967264-9	Panel, bed base, 3.00 X 35.13
10. 967264-10	Panel, bed base, 3.00 X 13.63
11. 967264-11	Panel, bed base, 8.19 X 15.13
12. 967264-12	Panel, bed base, 2.25 X 15.13
13. 967264-13	Panel, bed base, 21.00 X 2.25
14. 967264-14	Panel, bed base, 21.00 X 2.25
15. 967264-15I	Panel, bed base, 56.00 X 25.63
16. 967264-16	Panel, bed base, 16.00 X 12.00
17. 967264-17	Panel, bed base, 56.00 X 47.00
18. 967264-1518	Door, 14.25" X 21.63"
19. 967200-15	Sub assembly, bed corner
20. 967265-15	Sub assembly, bed corner
21. 382115	Pull, Flat Black #M575
22. 381607	Hinge, Grass Euro
23. 381228-01	Catch, grabber door
24. 380203-01	Piano hinge
25. 114812	Aluminum angle, 1.00" X 1.00"
26. 203664-01	Grille screen, plastic
27. 115151	Angle, bed support
703698	Mattress 60"X75" Queen, B
203667	Bin, storage,23" X 16.75" X 12.38"
381067-09	Spring, Gas 90 LBS.
381262	Bracket, prop w/ball
381310	Gas prop bracket assembly, upper
381084	Ball, stud

2012 INTERNATIONAL TRAVEL TRAILER

FURNITURE, BEDROOM

Nightstand, 23' Front Bed

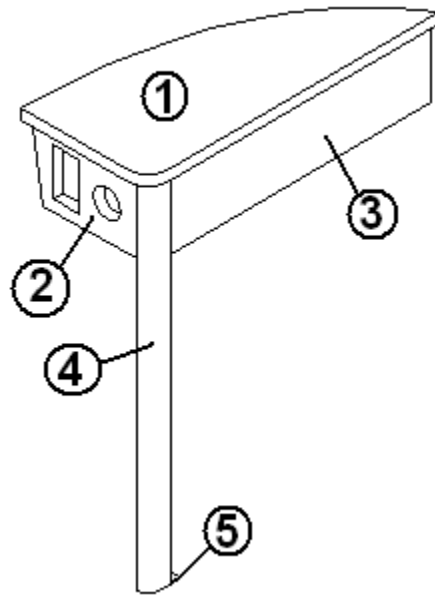


967318	Nightstand
1. 967318-1	Top, 9.28 X 21.19
967318-2	Panel, 7.63 X 5.00
2. 967318-3	Panel, 18.75 X 5.00
3. 801706-0016	Corner trim, 90 DEG. 1" radius
4. 380041	Brace, 1", Stanley, corner

2012 INTERNATIONAL TRAVEL TRAILER

FURNITURE, BEDROOM

Nightstand, 23' Front Bed - SERENITY



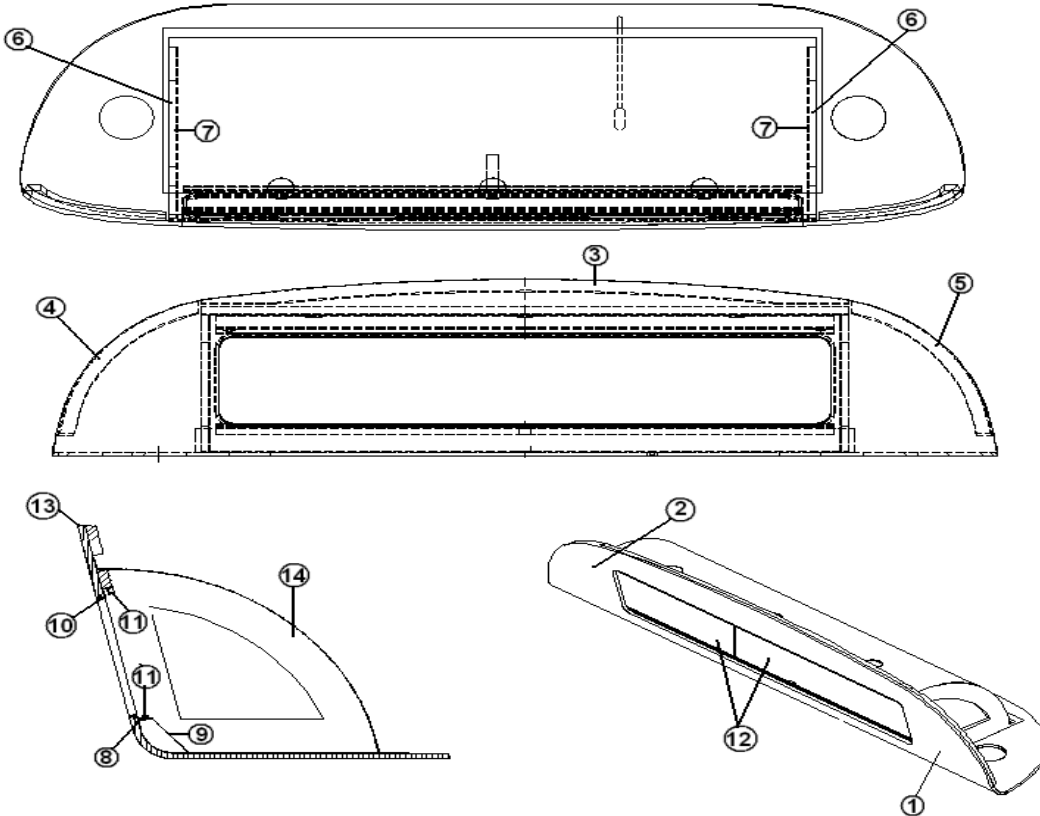
- 967318-15
- 1. 967318-151
- 2. 967318-152
- 3. 967318-153
- 4. 801706-0018
380041

- Nightstand
- Top, 9.28 X 21.19
- Panel, 7.63 X 5.00
- Panel, 18.75 X 5.00
- Corner trim, 90 DEG. 1" radius
- Brace, 1", Stanley, corner

2012 INTERNATIONAL TRAVEL TRAILER

FURNITURE, BEDROOM

Roof Locker, Rear Endliner, "B" Queen, 25' International

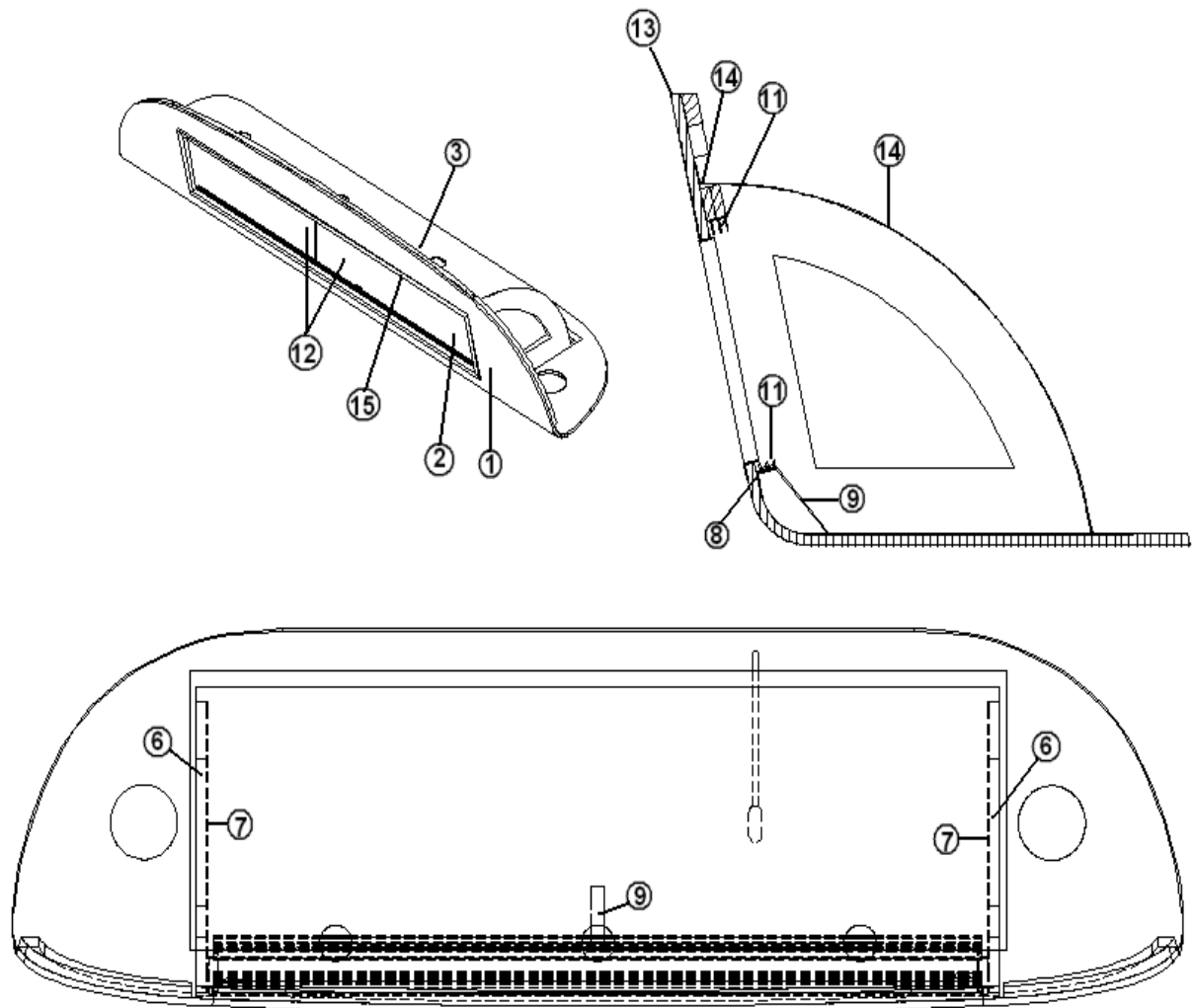


	967765	LINER LOCKER ASSEMBLY
1.	801910	FACE, LINER LOCKER
2.	967765-2	PANEL LAMINATE 21.00 X 62.25
3.	801596-01	BACKER W/B LINER LOCKER CTR
4.	801596-02	BACKER LINER LOCKER LH
5.	801596-03	BACKER, LINER LOCKER RH
6.	801594	DIVIDER-LINER LOCKER
7.	801595	DIVIDER LINER LOCKER
8.	115261-01	ANGLE FORMED LOCKER TRACK SUPP
9.	115226-01	BRACKET, FORMED LOCKER CTR SUP
10.	203508-01	PLY T-TRIM 9/16"
11.	203388	TRACK-SLIDING DOOR
12.	965563-08	DOOR-PLEX.SLIDING 11.31"X 30"
13.	203445-01	T-MOLDING - .5625" WHITE
14.	115264-01	PAN, LINER LOCKER W/B FRONT
	454613	SPRING-LEAF R/L

2012 INTERNATIONAL TRAVEL TRAILER

FURNITURE, BEDROOM

Roof Locker, Rear Endliner, Serenity



Parts Listed on Next Page

2012 INTERNATIONAL TRAVEL TRAILER

FURNITURE, BEDROOM

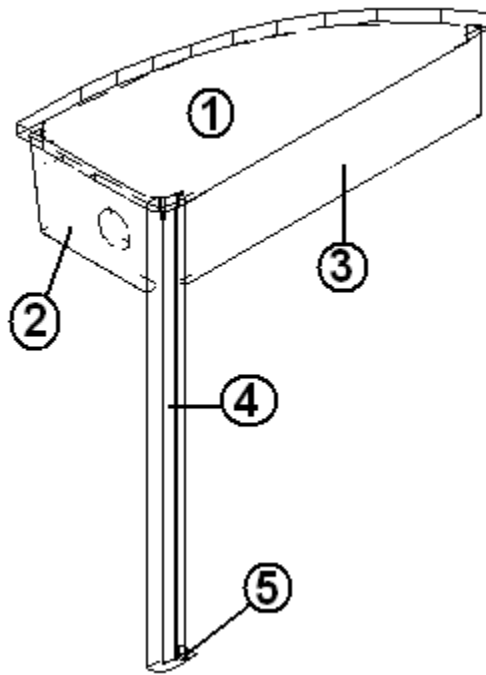
Roof Locker, Rear Endliner, Serenity, 25 International

	967780-15	LINER LOCKER ASSEMBLY, SERENITY
1.	801913-15	FACE-LINER LOCKER 25SER
2.	967780-152	PNL-LINER LOCKER 21 X 62.25
3.	801596-01	BACKER W/B LINER LOCKER CTR
4.	801596-02	BACKER LINER LOCKER LH
5.	801596-03	BACKER, LINER LOCKER RH
6.	801594	DIVIDER-LINER LOCKER
7.	801595	DIVIDER LINER LOCKER
8.	114812	ALUM. ANGLE 1.00 X 1.00
9.	115226-01	BRACKET, FORMED LOCKER CTR
10.	382114	KNOB-BRUSH.SATIN NICKEL #M576 (not shown)
11.	203388	TRACK-SLIDING DOOR
12.	203677-03	DOOR-MARI 11.31X30
13.	201673	REVERSE COVE MOLDING, WHITE,
14.	115264-01	PAN, LINER LOCKER W/B FRONT
15.	115483	ANGLE-ALUM .06X.75"X.75"X6'
	454613	SPRING-LEAF R/L INT
	320035	SCREW 8X1/2 PH TYPE A PHIL WD

2012 INTERNATIONAL TRAVEL TRAILER

FURNITURE, BEDROOM

Nightstand, 25, 25' Front Bed Signature, Double Bed, Wenge

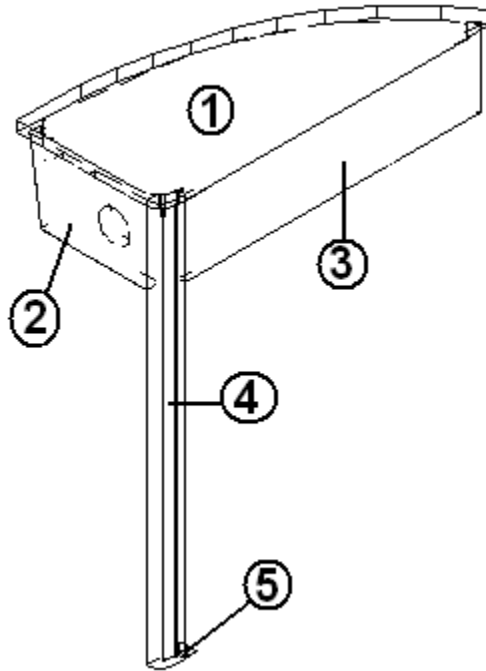


- | | |
|----------------|--------------------------------------|
| 966899 | Nightstand, 25' FB Double Bed, Wenge |
| 1. 966899-1 | Panel, 9.25 x 21.39 |
| 2. 966899-2 | Panel, 7.63 x 5.00 |
| 3. 966899-3 | Panel, 18.95 x 5.00 |
| 4. 801706-0016 | Corner trim, 90 degree radius |
| 5. 380041 | Corner bracer |

2012 INTERNATIONAL TRAVEL TRAILER

FURNITURE, BEDROOM

Nightstand, 25, 25' Front Bed Signature, Double Bed, Serenity

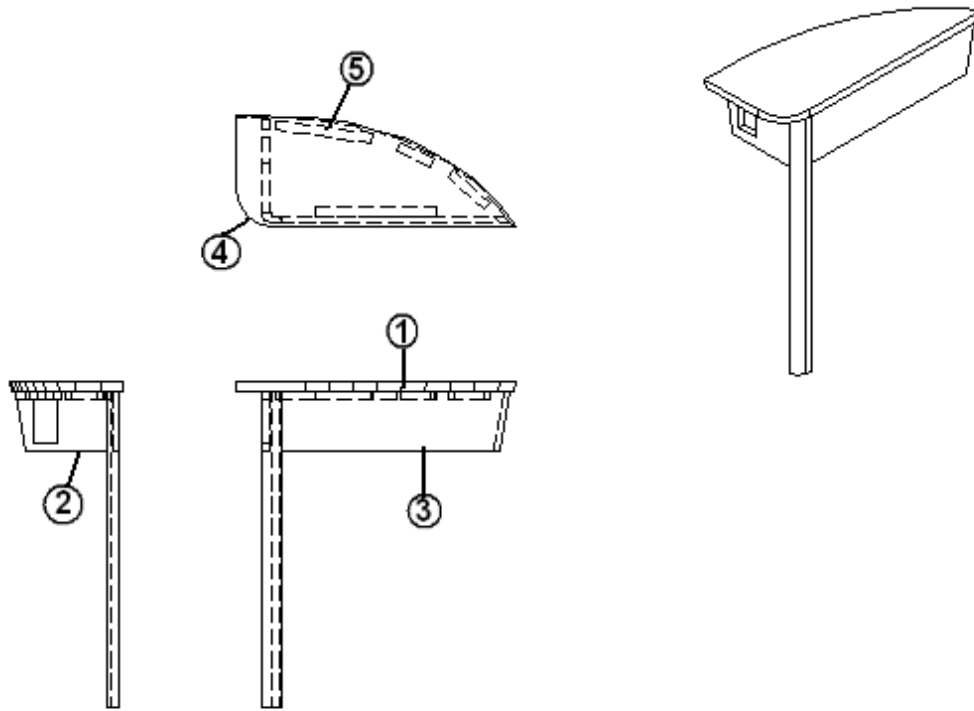


- | | |
|----------------|--|
| 966899-15 | Nightstand, 25' FB Double Bed, SERENITY |
| 1. 966899-151 | Panel, 9.25 x 21.39 |
| 2. 966899-152 | Panel, 7.63 x 5.00 |
| 3. 966899-153 | Panel, 18.95 x 5.00 |
| 4. 801706-0018 | Corner trim, 90 degree radius Asian Sand |
| 5. 380041 | Corner brace |

2012 INTERNATIONAL TRAVEL TRAILER

FURNITURE, BEDROOM

Nightstand, 25' Front Bed - EDDIE BAUER



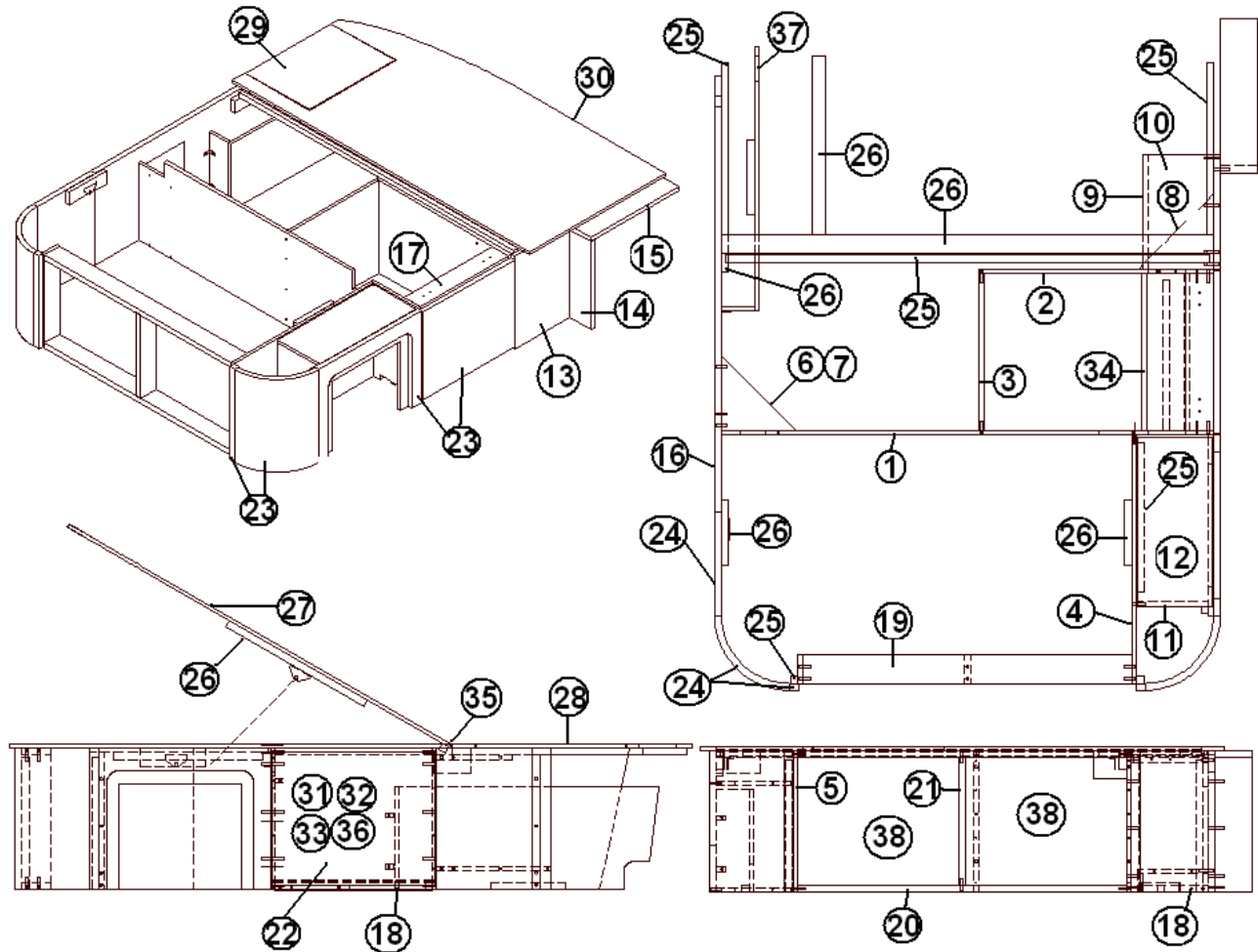
- 967679-19
- 1. 967679-191
- 2. 967679-192
- 3. 801706-0023
- 4. 800025-01
- 5. 380041
- 365352-02
- 115472

- NIGHTSTAND ASSY
- PANEL- 9.3X23.01
- PANEL- 18.95X5
- CORNER TRIM-90D 1"RAD L.MAPLE
- PINE 3/4" X 3/4" STAINED
- BRACE 1" STANLEY CORNER
- EDGEBANDING- 1MM X .94" MAPLE
- TRIM-ALUM COUNTER TOP

2012 INTERNATIONAL TRAVEL TRAILER

FURNITURE, BEDROOM

Bed, 25' Front Bed Signature, Double, Wenge



967072	BASE ASSY BED
1. 967072-1	PANEL, 15.13 X 52.50
2. 967072-2	PANEL, 25.00 X 15.13
3. 967072-3	PANEL, 16.75 X 15.13
4. 967072-4	PANEL, 26.50 X 15.13
5. 967072-5	PANEL, 3.00 X 15.13
6. 967072-6	PANEL, 8.00 X 8.00,, TRIANGLE
7. 967072-7	PANEL, 8.00 X 8.00, TRIANGLE
8. 967072-8	PANEL, 8.00 X 8.00, TRIANGLE
9. 967072-9	PANEL, 2.00 X 12.25

Part Numbers continued on the next page

2012 INTERNATIONAL TRAVEL TRAILER

FURNITURE, BEDROOM

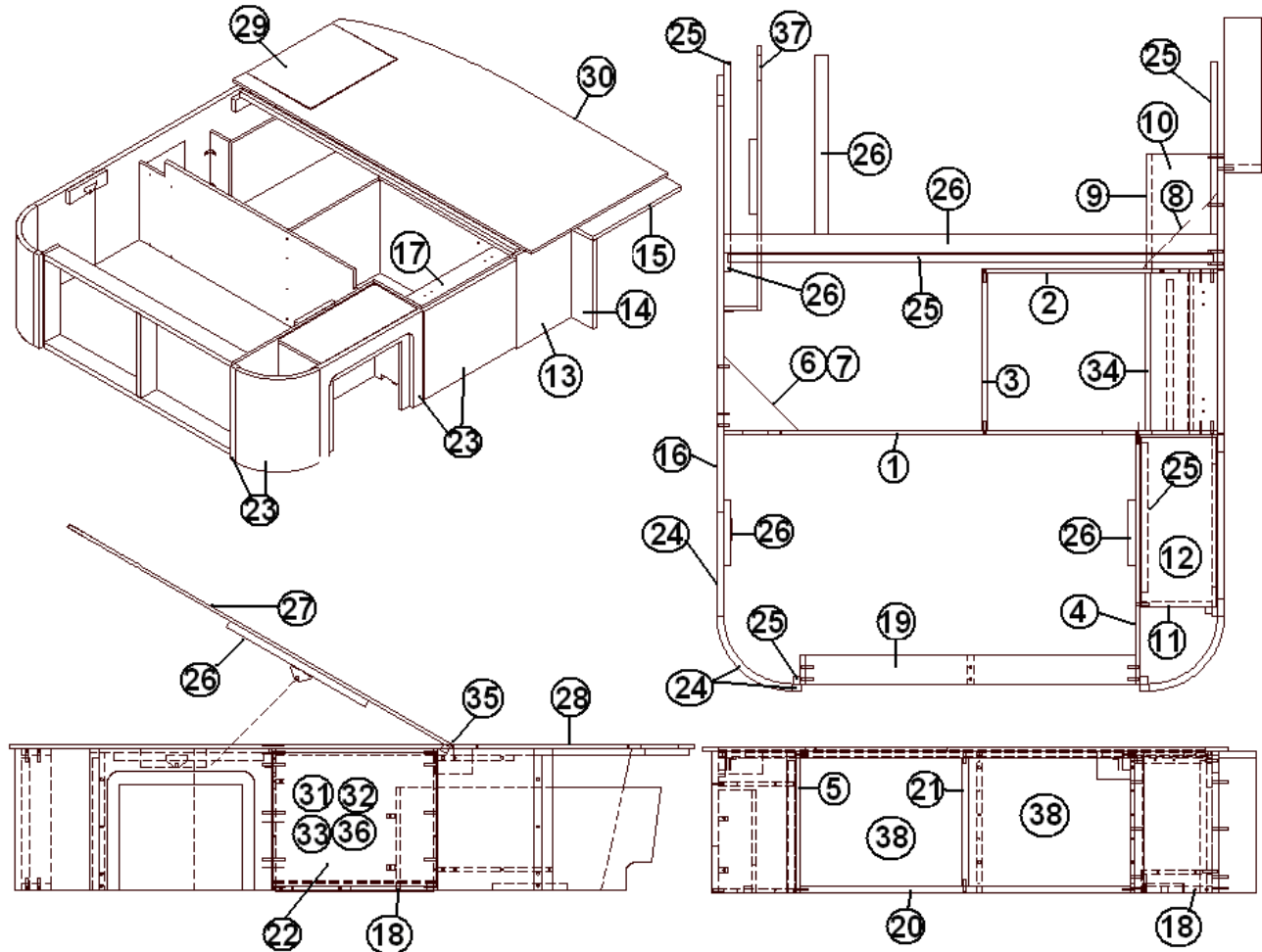
Bed, 25' Front Bed Signature, Double, Wenge

10.	967072-10	PANEL, 7.5 X 12.25
11.	967072-11	PANEL, 8.19X 15.13
12.	967072-12	PANEL, 8.06 X 17.81
13.	967072-13	PANEL, 10.31 X 15.13
14.	967072-14	PANEL, 4.00 X 14.38
15.	967072-15I	PANEL, 4.00 X 18.25
16.	967072-16	PANEL, 46.62 X 15.13
17.	967072-17	PANEL, 3.00 X 16.75
18.	967072-18	PANEL, 3.00 X 16.75
19.	967072-19	PANEL, 3.00 X 35.13
20.	967072-20	PANEL, 3.00 X 35.13
21.	967072-21	PANEL, 3.00 X 13.63
22.	967072-22	DOOR 17.38 X 14.25
23.	967069	RADIUS ASSY
24.	967070	RADIUS ASSY FWD
25.	800025-01	PINE 3/4" X 3/4" STAINED
26.	850082	POPLAR, .75 X 2.00
27.	800507-03	LAUAN, 3/8" X 47.00 X 56.00
28.	800507-03	LAUAN, 3/8" X 25.62 x 56.00
29.	800507-03	LAUAN, 3/8" x 12 x 16
30.	115151	ANGLE, BED SUPPORT, 43"
31.	381607	HINGE ASSY
32.	382029-04	HANDLE, BAR 15"
33.	381228-01	CATCH, GRABBER, DOOR
34.	115101	CLOSEOUT, BED BASE, WIRES, 17.19"
35.	380203-01	HINGE, PIANO
36.	201016	DRAWER, 16 X 22
37.	967071	WIRING CLOSEOUT
38.	203419	BOX STORAGE, 23"L X 16.75"W X 11.88"
	203439	STORAGE BOX, 17"L X 11.13"W X 6.38"

2012 INTERNATIONAL TRAVEL TRAILER

FURNITURE, BEDROOM

Bed, 25' Front Bed Signature, Double, - Serenity



- | | |
|-------------|-------------------------------|
| 967072-15 | BASE ASSY BED |
| 1. 967072-1 | PANEL, 15.13 X 52.50 |
| 2. 967072-2 | PANEL, 25.00 X 15.13 |
| 3. 967072-3 | PANEL, 16.75 X 15.13 |
| 4. 967072-4 | PANEL, 26.50 X 15.13 |
| 5. 967072-5 | PANEL, 3.00 X 15.13 |
| 6. 967072-6 | PANEL, 8.00 X 8.00,, TRIANGLE |
| 7. 967072-7 | PANEL, 8.00 X 8.00, TRIANGLE |
| 8. 967072-8 | PANEL, 8.00 X 8.00, TRIANGLE |
| 9. 967072-9 | PANEL, 2.00 X 12.25 |

Part Numbers continued on the next page

2012 INTERNATIONAL TRAVEL TRAILER

FURNITURE, BEDROOM

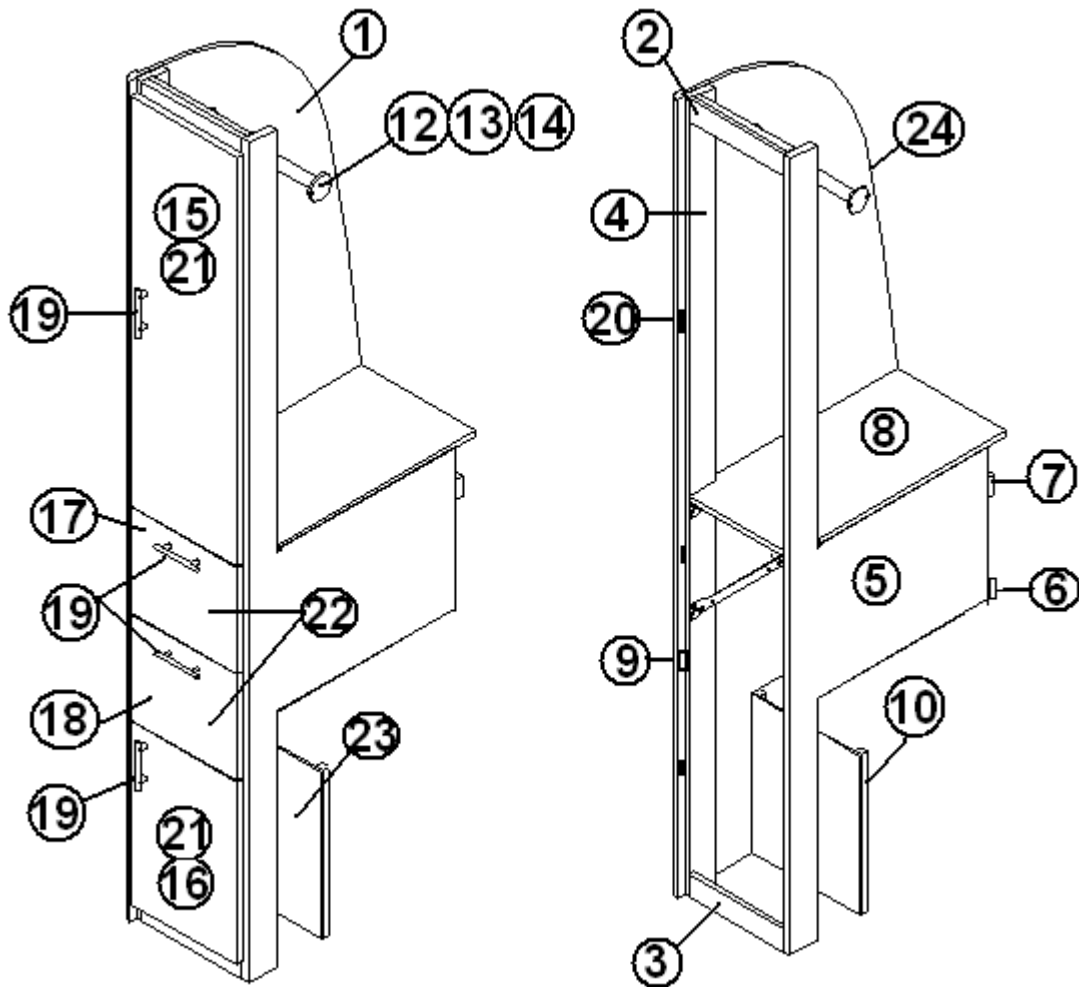
Bed, 25' Front Bed Signature, Double, Serenity

10. 967072-10	PANEL, 7.5 X 12.25
11. 967072-11	PANEL, 8.19X 15.13
12. 967072-12	PANEL, 8.06 X 17.81
13. 967072-1513	PANEL, 10.31 X 15.13
14. 967072-1514	PANEL, 4.00 X 14.38
15. 967072-1515	PANEL, 4.00 X 18.25
16. 967072-1516	PANEL, 46.62 X 15.13
17. 967072-17	PANEL, 3.00 X 16.75
18. 967072-18	PANEL, 3.00 X 16.75
19. 967072-19	PANEL, 3.00 X 35.13
20. 967072-20	PANEL, 3.00 X 35.13
21. 967072-21	PANEL, 3.00 X 13.63
22. 967072-1522	DOOR 17.38 X 14.25
23. 967069-15	RADIUS ASSY
24. 967070-15	RADIUS ASSY FWD
25. 800025-01	PINE 3/4" X 3/4" STAINED
26. 850082	POPLAR, .75 X 2.00
27. 800507-03	LAUAN, 3/8" X 47.00 X 56.00
28. 800507-03	LAUAN, 3/8" X 25.62 x 56.00
29. 800507-03	LAUAN, 3/8" x 12 x 16
30. 115151	ANGLE, BED SUPPORT, 43"
31. 381607	HINGE ASSY
32. 382115	PULL FLAT BLACK #M575
33. 381228-01	CATCH, GRABBER, DOOR
34. 115101	CLOSEOUT, BED BASE, WIRES, 17.19"
35. 380203-01	HINGE, PIANO
36. 201016	DRAWER, 16 X 22
37. 967071	WIRING CLOSEOUT
38. 203667	BOX STORAGE, 23"L X 16.75"W X 11.88"
203439	STORAGE BOX, 17"L X 11.13"W X 6.38"

2012 INTERNATIONAL TRAVEL TRAILER

FURNITURE, BEDROOM

Wardrobe, 25' Front Bed Signature, Double Bedroom, Wenge



Part Numbers on the next page

2012 INTERNATIONAL TRAVEL TRAILER

FURNITURE, BEDROOM

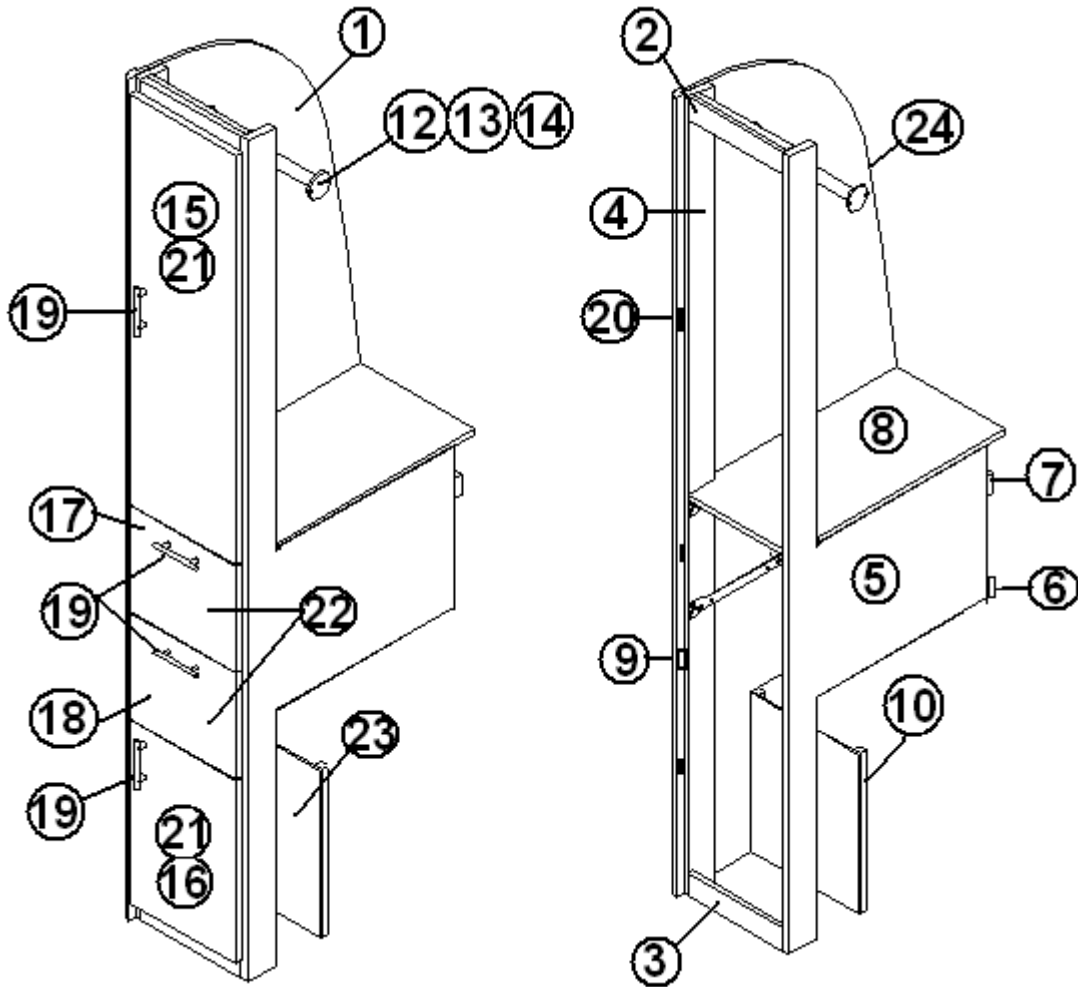
Wardrobe, 25' Front Bed Signature, Double Bedroom, Wenge

966901	Wardrobe, Double Bedroom
1. 966901-1	PANEL, 24.09 X 77.95
2. 966901-2	PANEL, 10.75 X 2.25
3. 966901-3	PANEL, 10.75 X 2.13
4. 966901-4	PANEL, 3 X 78.31
5. 966901-5	PANEL, 22.25 X 78.18
6. 966901-6	PANEL, 2.25 X 12.25
7. 966901-7	PANEL, 2.25 X 12.25
8. 966901-8	PANEL, 24.31 X 12.25
9. 801706-0016	CORNER TRIM-90D 1"RADIUS
10. 800025-01	PINE, 3/4" X 3/4", STAINED
11.800030	PINE, 3/4" X 2"
12.380046	FLANGE CHROME
13.380045	TUBING, 3/4", METALLIC
14.200975-04	CONDUIT, FLEXIBLE BLACK PLASTIC
15.966901-15I	DOOR, BED W/R 11.38" X 38.13"
16.966901-16	DOOR, BED W/R 11.38" X 17"
17.966901-17	DOOR, BED W/R 11.38" X 9.88"
18.966901-18	DOOR, BED W/R 11.38" X 9.88"
19.382029-00	HANDLE-BAR 7.48"
20.381228-01	CATCH GRABBER DOOR
21.381607	HINGE ASSY
22.965555-02	DRAWER BOX ASSY, 8.00" X 9.5" X 20
23.966901-26	PANEL, 11.38 X 14.00
24.203138-05	EXTRUSION, PLASTIC 1/2" WALL, BLACK
381773-25	DRAWER SLIDE, 8.38"X 21.63" (PAIR)
203434	SPACER, PLASTIC .75" DOOR SLIDE

2012 INTERNATIONAL TRAVEL TRAILER

FURNITURE, BEDROOM

Wardrobe, 25' Front Bed Signature, Double Bedroom, Serenity



Part Numbers on the next page

2012 INTERNATIONAL TRAVEL TRAILER

FURNITURE, BEDROOM

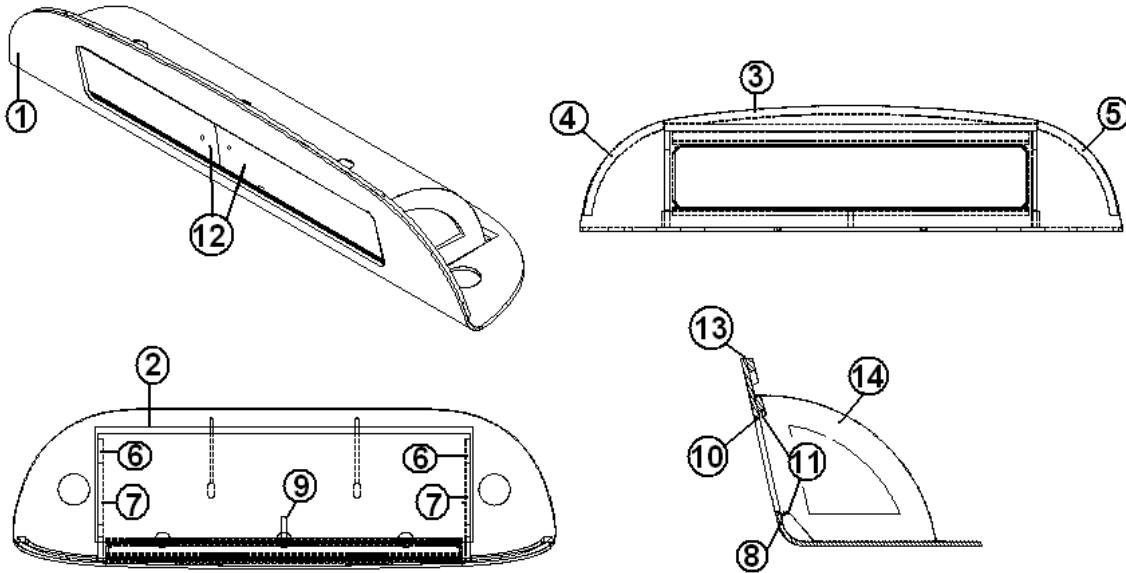
Wardrobe, 25' Front Bed Signature, Double Bedroom, SERENITY

966901-15	Wardrobe, Double Bedroom
1. 966901-151	PANEL, 24.09 5 X 77.95
2. 966901-152	PANEL, 10.75 X 2.25
3. 966901-153	PANEL, 10.75 X 2.25
4. 966901-4	PANEL, 3 X 78.31
5. 966901-5	PANEL, 22.25 X 78.18
6. 966901-6	PANEL, 2.25 X 12.25
7. 966901-7	PANEL, 2 X 12.25
8. 966901-8	PANEL, 24.31 X 12.25
9. 801706-0018	CORNER TRIM-90D 1"RADIUS ASIAN SAND
10. 800025-01	PINE, 3/4" X 3/4", STAINED
11. 800030	PINE, 3/4" X 2"
12. 380046	FLANGE CHROME
13. 380045	TUBING, 3/4", METALLIC
14. 200975-04	CONDUIT, FLEXIBLE BLACK PLASTIC
15. 966901-1515	DOOR, BED W/R 11.38" X 38.13"
16. 966901-1516	DOOR, BED W/R 11.38" X 17"
17. 966901-1517	DOOR, BED W/R 11.38" X 9.88"
18. 966901-1518	DOOR, BED W/R 11.38" X 9.88"
19. 382115	PULL, FLAT BLACK #M575
20. 381228-01	CATCH GRABBER DOOR
21. 381607	HINGE ASSY
22. 965555-02	DRAWER BOX ASSY, 8.00" X 9.5" X 20
23. 966901-26	PANEL, 12.125 X 14
24. 203138-03	EXTRUSION, PLASTIC 1/2" WALL, BEIGE
381773-25	DRAWER SLIDE, 8.38"X 21.63" (PAIR)

2012 INTERNATIONAL TRAVEL TRAILER

FURNITURE, BEDROOM

Roof Locker, 25' FB, 27' FB Signature, "J" Queen Bed, Front End Liner, Wenge

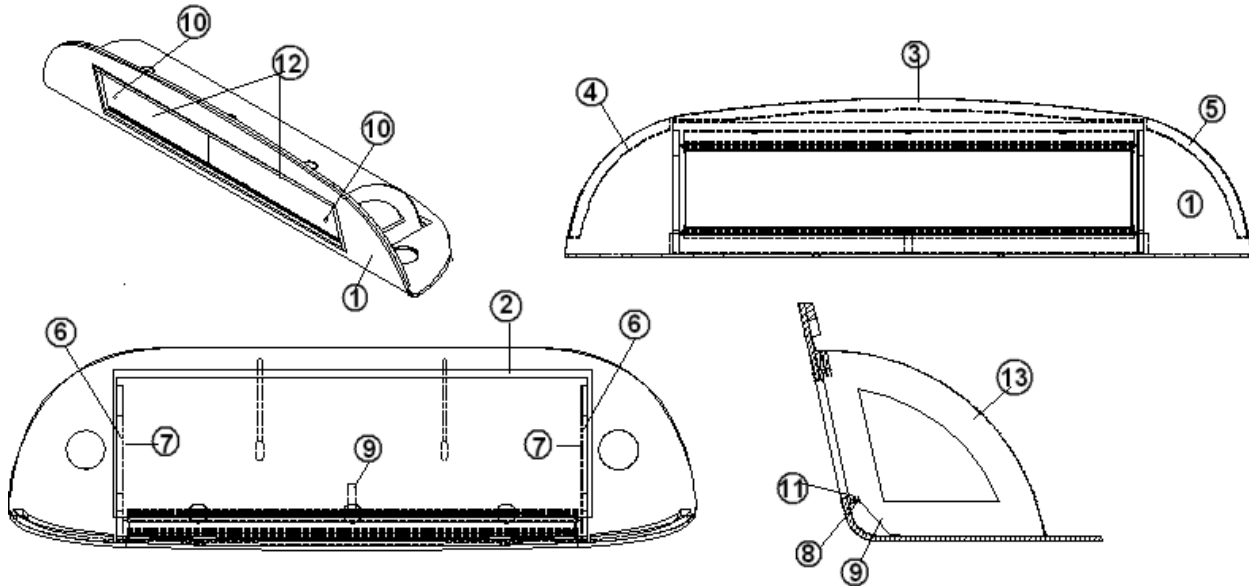


966870	ROOF LOCKER, FRONT END, 27' FB
1. 801723	FACE-FRONT R/L
2. 801355-01	LAMINATE, 21" X 62.25"
3. 801596-01	BACKER W/B LINER LOCKER CTR
4. 801596-02	BACKER W/B LINER LOCKER LH
5. 801596-03	BACKER, LINER LOCKER RH
6. 801594	DIVIDER, LINER LOCKER
7. 801595	DIVIDER, LINER LOCKER
8. 115261-01	ANGLE, LOCKER TRACK SUPPORT
9. 115226-01	BRACKET, LOCKER CTR SUPPORT
10. 203508-01	PLY T-TRIM 9/16"
11. 203388	TRACK, SLIDING DOOR
12. 965563-08	DOOR, SLIDING 11.31" X 30"
13. 201673	REVERSE COVE MOLDING, WHITE
14. 115264-01	PAN, LINER LOCKER W/B FRONT
454613	SPRING, LEAF R/L

2012 INTERNATIONAL TRAVEL TRAILER

FURNITURE, BEDROOM

Roof Locker, 25' FB, 27' FB Signature, "J" Queen Bed, Front End Liner, Serenity

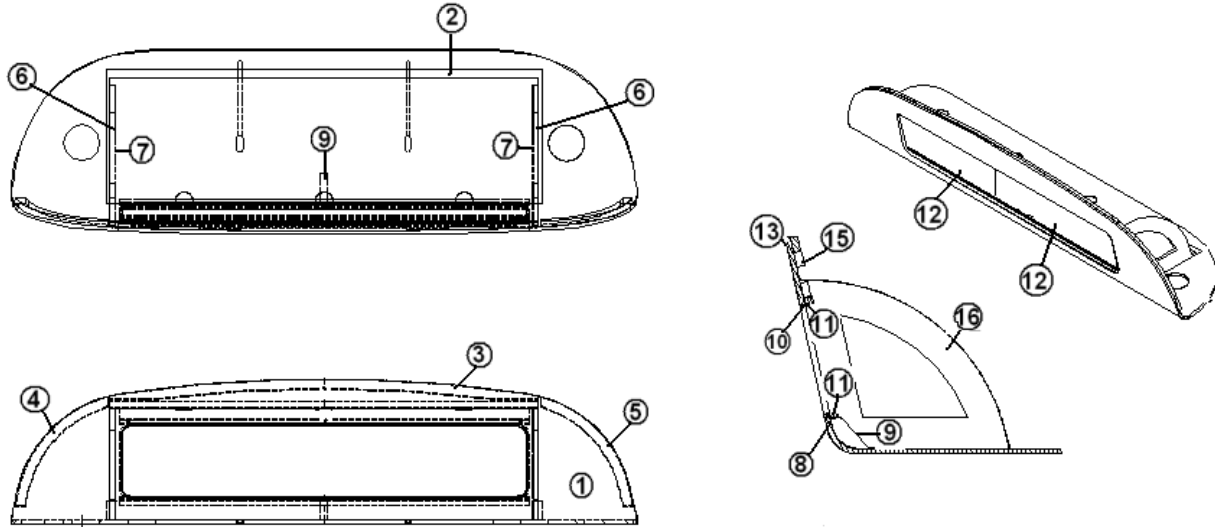


	967555-15	ROOFLOCKER ASSY-LINER - SERENITY
1.	801848	FACE-ROOFLOCKER
2.	801355-01	LAMINATE 21.00 X 62.25
3.	801596-01	BACKER LINER LOCKER CTR
4.	801596-02	BACKER LINER LOCKER LH
5.	801596-03	BACKER, LINER LOCKER RH
6.	801594	DIVIDER-LINER LOCKER
7.	801595	DIVIDER LINER LOCKER
8.	114812	ANGLE, FORMED 1" X 1" 58.50"
9.	115226-01	BRACKET, FORMED LOCKER CENTER SUPPORT,
10.	382114	KNOB-BRUSH.SATIN NICKEL #M576
11.	203388	TRACK-SLIDING DOOR
12.	203677-03	DOOR-MARI 11.31X30
13.	115264-01	PAN, LINER LOCKER W/B FRONT
	454613	SPRING LEAF, ROOFLOCKER
	201673	COVE MOLDING, WHITE

2012 INTERNATIONAL TRAVEL TRAILER

FURNITURE, BEDROOM

ROOFLOCKER, FRONT ENDLINER - 25' FB, 27FB, EDDIE BAUER



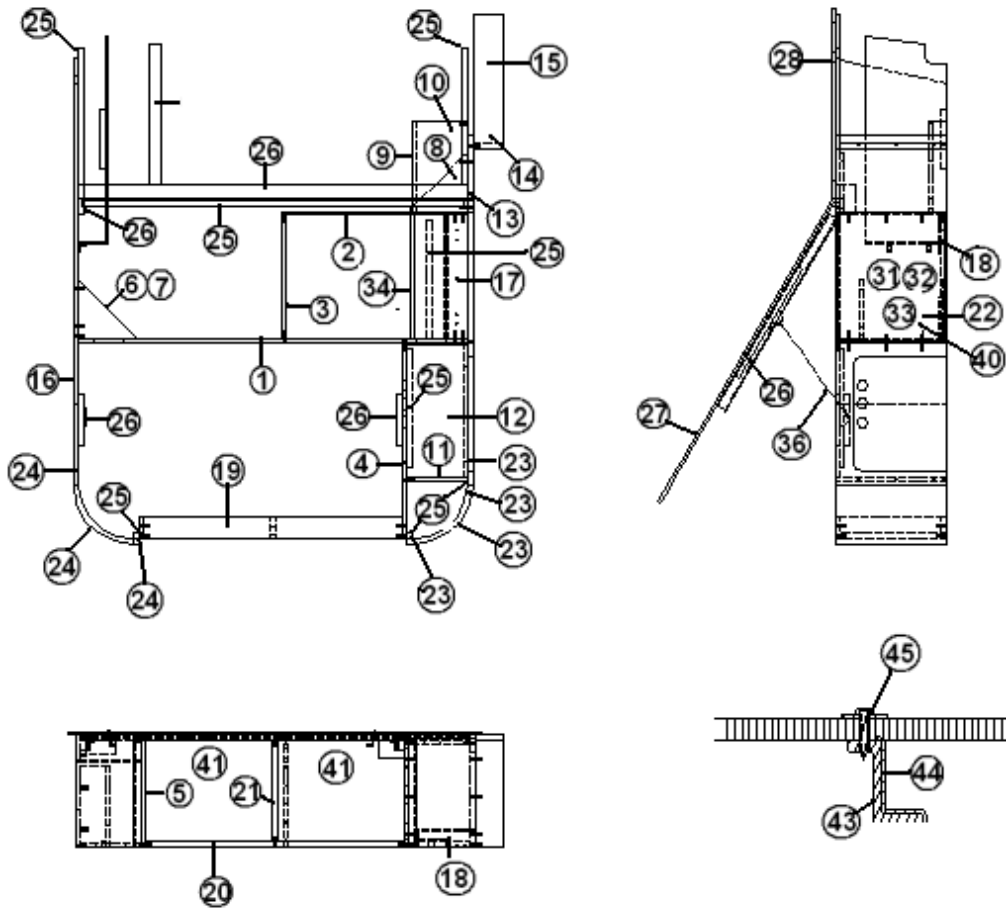
967681-19 ROOFLOCKER ASSY - FRONT - EDDIE BAUER

- | | | |
|-----|------------|------------------------------------|
| 1. | 801902 | FACE- FRONT ROOFLOCKER |
| 2. | 967681-192 | PANEL, 21" X 62.25" |
| 3. | 801596-01 | BACKER, LINER LOCKER CENTER |
| 4. | 801596-02 | BACKER, LINER LOCKER LH |
| 5. | 801596-03 | BACKER, LINER LOCKER RH |
| 6. | 801594 | DIVIDER, LINER LOCKER |
| 7. | 801595 | DIVIDER, LINER LOCKER CCD |
| 8. | 115261-01 | ANGLE FORMED LOCKER TRACK SUPPORT |
| 9. | 115226-01 | BRACKET, FORMED LOCKER CTR SUPPORT |
| 10. | 203710 | T MOLDING-ALMOND .56" X 250' |
| 11. | 203388 | TRACK-SLIDING DOOR |
| 12. | 203708-01 | DOOR, PLEXIGLASS 11.31X30 |
| 13. | 201673-01 | MOLDING, OAK COVE .43" OAK |
| 14. | 365215 | TAPE ADHESIVE TRANSFER #950 5M |
| 15. | 800028 | PINE, 3/4" X 1-1/2" |
| 16. | 115264-01 | PAN, LINER LOCKER W/B FRONT |
| | 454613 | SPRING-LEAF R/L INT |
| | 382149 | PULL-FINGER SATIN NICKEL#35120 |

2012 INTERNATIONAL TRAVEL TRAILER

FURNITURE, BEDROOM

BED BASE ASSY. "B" - EDDIE BAUER



PARTS ON NEXT PAGE

2012 INTERNATIONAL TRAVEL TRAILER

FURNITURE, BEDROOM

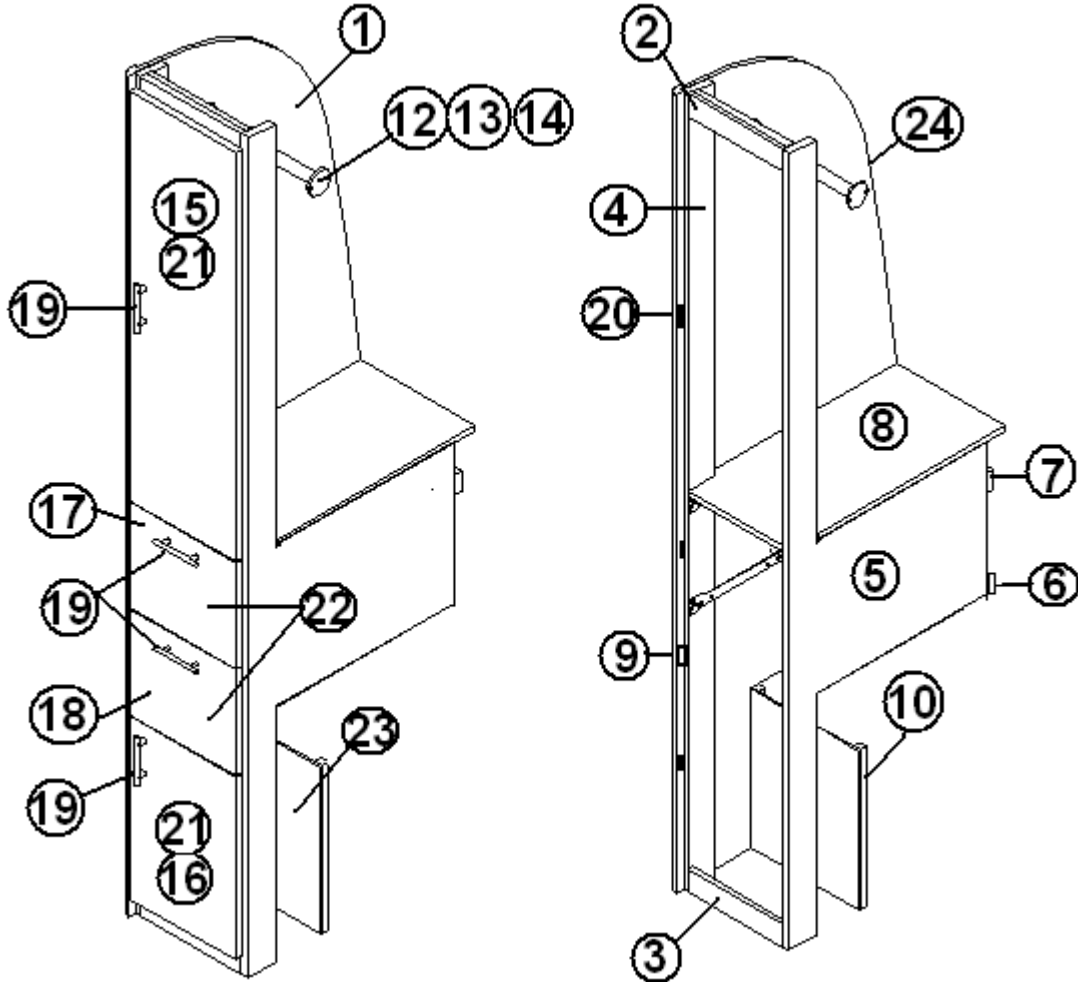
BED BASE ASSY. "B" – EDDIE BAUER

	967694-19	BED ASSY- 25FB EB
1.	967694-1	PANEL-BED 15.13X52.5
2.	967694-2	PANEL-BED 25X15.13
3.	967694-3	PANEL-BED 16.75X12.63
4.	967694-4	PANEL-BED 26.5X15.13
5.	967694-5	PANEL-BED 3X15.13
6.	967694-6	PANEL-BED 8X8
7.	967694-7	PANEL-BED 8X8
8.	967694-8	PANL-BED 8X8
9.	967694-9	PANEL-BED 2X12.25
10.	967694-10	PANEL-BED 7.5X12.25
11.	967694-11	PANEL-BED 8.19X15.13
12.	967694-12	PANEL-BED 8.06X17.81
13.	967694-1913	PANEL-BED 10.31X15.13
14.	967694-1914	PANEL-BED 4X14.38
15.	967694-1915	PANEL-BED 4X18.25
16.	967694-1916	PANEL-BED 46.62X15.13
17.	967694-17	PANEL-BED 3X16.75
18.	967694-18	PANEL-BED 3X16.75
19.	967694-1919	PANEL-BED 3X35.13
20.	967694-20	PANEL-BED 3X35.13
21.	967694-21	PANEL-BED 3X13.63
22.	967694-1922	PANEL-BED 17.38X14.25
23.	967069-19	BED SUB ASSY-LH FWD RAD.
24.	967070-19	BED SUB ASSY-RH FWD RAD
25.	800025-01	PINE 3/4" X 3/4" STAINED
26.	850082	POPLAR,.75X2.00
27.	800507-03	LAUAN,3/8"X 4'X 8'
28.	800507-03	LAUAN,3/8"X 4'X 8'
29.	800507-03	LAUAN,3/8"X 4'X 8'
30.	115151	ANGLE-BED SUPPORT 43"
31.	381607	HINGE ASSY-GRASS EURO-SAFARI
32.	382029-00	HANDLE-BAR 7.48" #3701-128-CR
33.	381228-01	CATCH GRABBER DOOR C3-803
34.	115101	CLOSEOUT BED BASE WIRES 16.63
35.	380203-01	PIANO HINGE 1/8" PIN CLR ANODI
36.	381067-09	GAS SPRING, 90#
37.	365352-02	EDGEBANDING- 1MM X .94" MAPLE
38.	365352-01	EDGEBANDING-1MM X .63" MAPLE
39.	703698	MATTRESS 60 X 75 QUEEN "B"
40.	201016	DRAWER 16 X 22
41.	203419	BOX STORAGE 23"LX16.75"WX11.88
42.	967071	CLOSEOUT - BED BASE WIRES
43.	454872	SUPPORT-PED TABLE STORAGE EB
44.	701538-01	ECONOLIER W/PSA BACK
45.	320006	SCREW SHEET METAL 8X3/4 BH PHI
46.	300166	WASHER-#8 STEEL ROUND
	203667	BIN-STORAGE 23"X16.75"X12.38"
	201016	DRAWER 16 X 22
	115212-12	TREAD PLATE INSTALL-25FB
	115209-01	DIAMOND PLATE- .025"X 48"X 90"

2012 INTERNATIONAL TRAVEL TRAILER

FURNITURE, BEDROOM

Wardrobe, 25' Front Bed Signature, Double Bedroom – EDDIE BAUER



Part Numbers on the next page

2012 INTERNATIONAL TRAVEL TRAILER

FURNITURE, BEDROOM

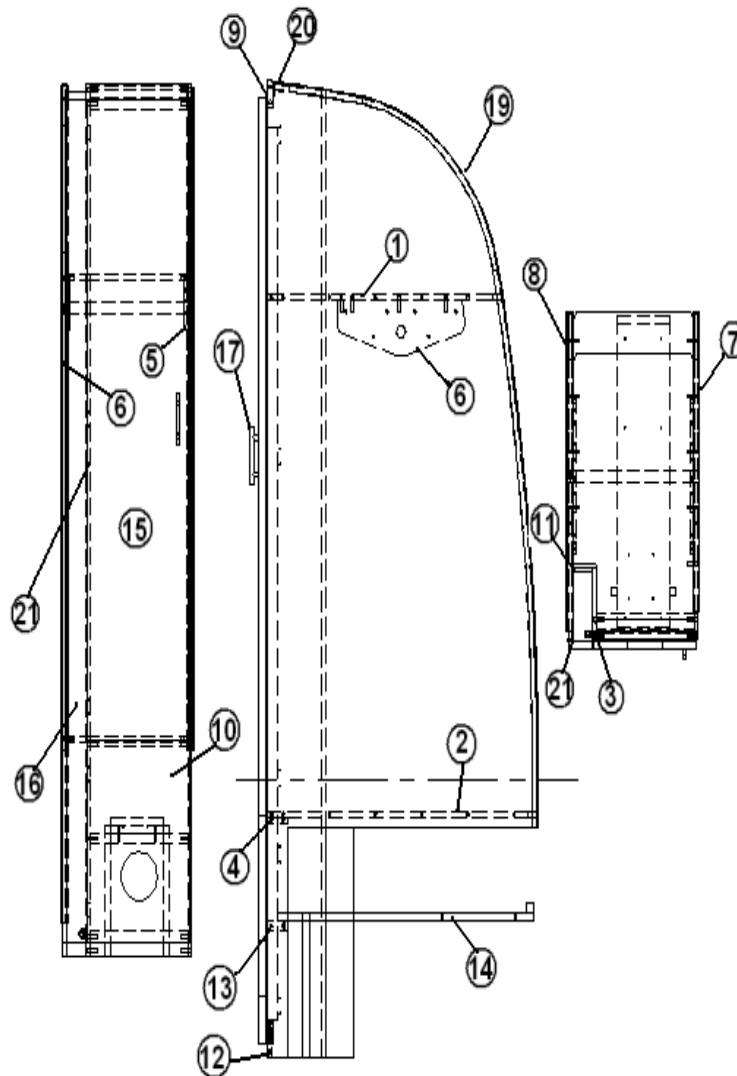
Wardrobe, 25' Front Bed Signature, Double Bedroom – EDDIE BAUER

966901-19	WARDROBE ASSEMBLY – EDDIE BAUER
1. 966901-191	PANEL-WARDROBE 24.09X77.95
2. 966901-192	PANEL-WARDROBE 2.25X10.75
3. 966901-193	PANEL-WARDROBE 2.25X10.75
4. 966901-194	PANEL-WARDROBE 3X78.18
5. 966901-195	PANEL-WARDROBE 22.25X78.18
6. 966901-196	PANEL-WARDROBE 2.25X12.25
7. 966901-197	PANEL-WARDROBE 2.25X12.25
8. 966901-198	PANEL-WARDROBE 24.31X12.25
9. 801706-0023	CORNER TRIM-90D 1"RAD L.MAPLE
10. 800025-01	PINE 3/4" X 3/4" STAINED
11. 800030	PINE, 3/4" X 2"
12. 380046	FLANGE CHROME
13. 380045	TUBING 3/4" ELEC METALLIC
14. 200975-04	CONDUIT,FLEXIBLE BLACK PLASTIC
15. 966901-1915	PANEL-WARDROBE 11.38X38.13
16. 966901-1916	PANEL-WARDROBE 11.38X17
17. 966901-1917	PANEL-WARDROBE 11.38X9.88
18. 966901-1918	PANEL-WARDROBE 11.38X9.88
19. 382029-00	HANDLE-BAR 7.48" #3701-128-CR
20. 381228-01	CATCH GRABBER DOOR C3-803
21. 381607	HINGE ASSY-GRASS EURO-SAFARI
22. 966901-1926	PANEL-WARDROBE 11.38X14
23. 965555-02	DWR BOX ASSY-8.00"X 9.5" X 20.
24. 203138-04	EXTRUSION - PLASTIC 1/2" OAK
203138-05	EXTRUSION - PLASTIC 1/2" WALL BLACK
381773-25	DRAWER SLIDE-8.38"X 21.63"

2012 INTERNATIONAL TRAVEL TRAILER

FURNITURE, BEDROOM

Wardrobe, 25' International, Wenge



Parts Listed on Next Page

2012 INTERNATIONAL TRAVEL TRAILER

FURNITURE, BEDROOM

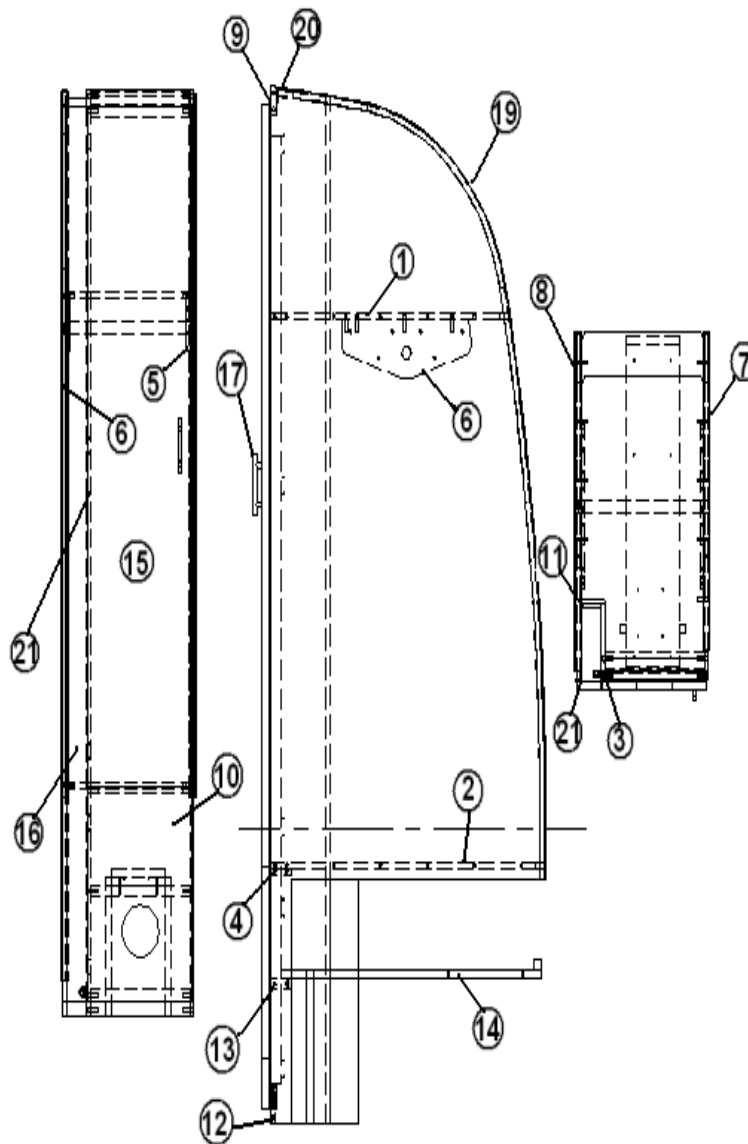
Wardrobe , 25' International

- | | | |
|-----|------------|-----------------------------------|
| | 967738 | WARDROBE ASSEMBLY |
| 1. | 967738-1 | PANEL-W/R 14.88X25.72 |
| 2. | 967738-2 | PANEL-W/R 14.88X29.56 |
| 3. | 967738-3 | PANEL-W/R 6.5X78.74 |
| 4. | 967738-4 | PANEL-W/R 2.25X11.94 |
| 5. | 967738-5 | PANEL-W/R 4.49X14 |
| 6. | 967738-6 | PANEL-W/R 4.49X14 |
| 7. | 967738-7 | PANEL-W/R 29.44X78.74 |
| 8. | 967738-8 | PANEL-W/R 29.44X78.74 |
| 9. | 967738-9 | PANEL-W/R 2.25X11.94 |
| 10. | 967738-10 | PANEL-W/R 12.56X18.25 |
| 11. | 967738-11 | PANEL-W/R 2.44X78.08 |
| 12. | 967738-12 | PANEL-W/R 2.25X11.94 |
| 13. | 967738-13 | PANEL-W/R 2.25X11.94 |
| 14. | 967738-14 | PANEL-W/R 6.44X27 |
| 15. | 967738-15I | PANEL-W/R 12.56X57.81 |
| 16. | 967738-16 | PANEL-W/R 3.06X76.19 |
| 17. | 382029-05 | HANDLE-BAR 21.33" #3701-480-CR |
| 18. | 381607 | HINGE ASSY-GRASS EURO (NOT SHOWN) |
| 19. | 203138-05 | EXTRUSION-PLASTIC 1/2" WALL BL |
| 20. | 104821 | SUPPORT, ROOFLOCKER, 74" |
| 21. | 381847 | HINGE-PIANO ANGLE .88" X 72" |
| | 381074 | CATCH BULL DOG #65S (COPPER) |
| | 381228-01 | CATCH GRABBER DOOR C3-803 |
| | 380045 | TUBING 3/4" ELEC METALLIC |
| | 200975-04 | CONDUIT,FLEXIBLE BLACK PLASTIC |

2012 INTERNATIONAL TRAVEL TRAILER

FURNITURE, BEDROOM

Wardrobe , 25' Serenity



Parts Listed on Next Page

2012 INTERNATIONAL TRAVEL TRAILER

FURNITURE, BEDROOM

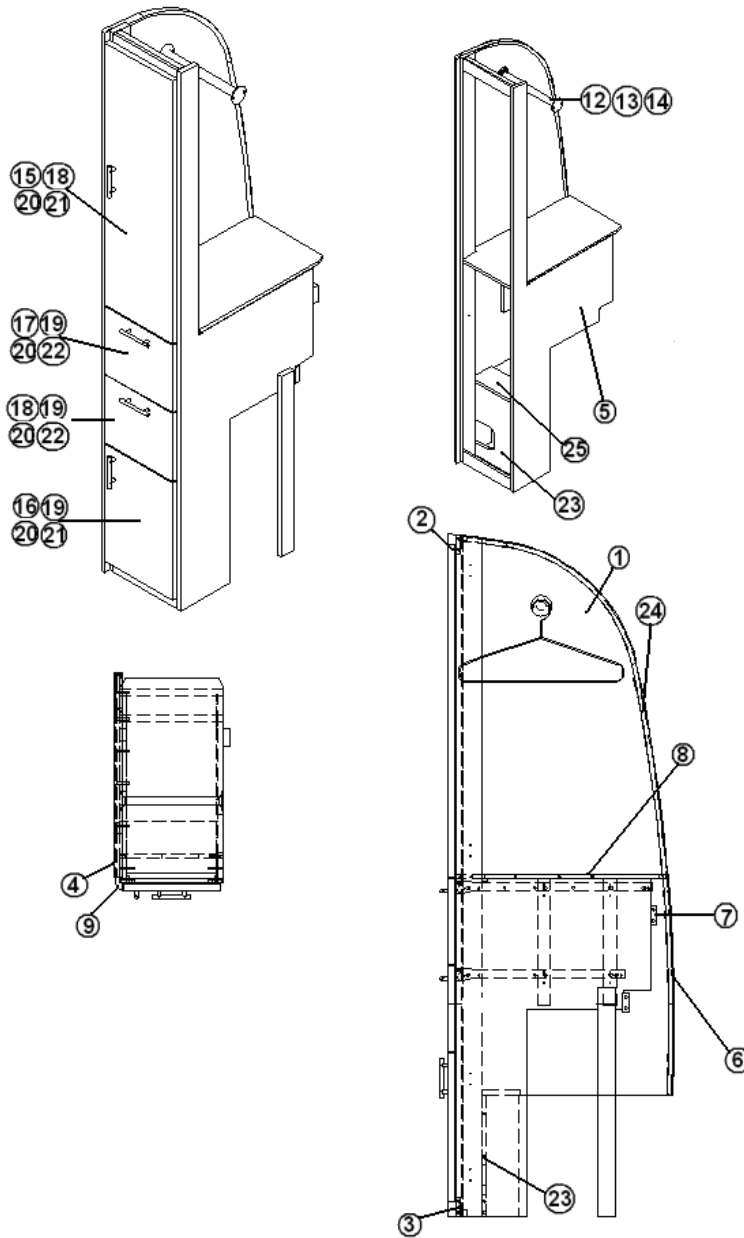
Wardrobe , 25' Serenity

	967738-15	WARDROBE ASSEMBLY, 25 SERENITY
1.	967738-1	PNL-W/R 14.88X25.72
2.	967738-2	PNL-W/R 14.88X29.56
3.	967738-3	PNL-W/R 6.5X78.74
4.	967738-4	PNL-W/R 2.25X11.94
5.	967738-5	PNL-W/R 4.49X14
6.	967738-6	PNL-W/R 4.49X14
7.	967738-7	PNL-W/R 29.44X78.74
8.	967738-158	PNL-W/R 29.44X78.74
9.	967738-159	PNL-W/R 2.25X11.94
10.	967738-1510	PNL-W/R 12.56X18.25
11.	967738-11	PNL-W/R 2.44X78.08
12.	967738-1512	PNL-W/R 2.25X11.94
13.	967738-13	PNL-W/R 2.25X11.94
14.	967738-14	PNL-W/R 6.44X27
15.	967738-1515	PNL-W/R 12.56X57.81
16.	967738-1516	PNL-W/R 3.06X76.19
17.	382029-05	HANDLE-BAR 21.33" #3701-480-CR
18.	381607	HINGE ASSY-GRASS EURO (NOT SHOWN)
19.	381228-01	CATCH GRABBER DOOR C3-803
20.	203138-03	EXTRUSION PLASTIC WALL BEIGE
21.	104821	SUPPORT, ROOFLOCKER, 74"
22.	381847	HINGE-PIANO ANGLE .88" X 72"
23.	381074	CATCH BULL DOG #65S (COPPER)
	380045	TUBING 3/4" ELEC METALLIC
	200975-04	CONDUIT,FLEXIBLE BLACK PLASTIC

2012 INTERNATIONAL TRAVEL TRAILER

FURNITURE, BEDROOM

Wardrobe , 25', Roadside, Wenge



Parts Listed on Next Page

2012 INTERNATIONAL TRAVEL TRAILER

FURNITURE, BEDROOM

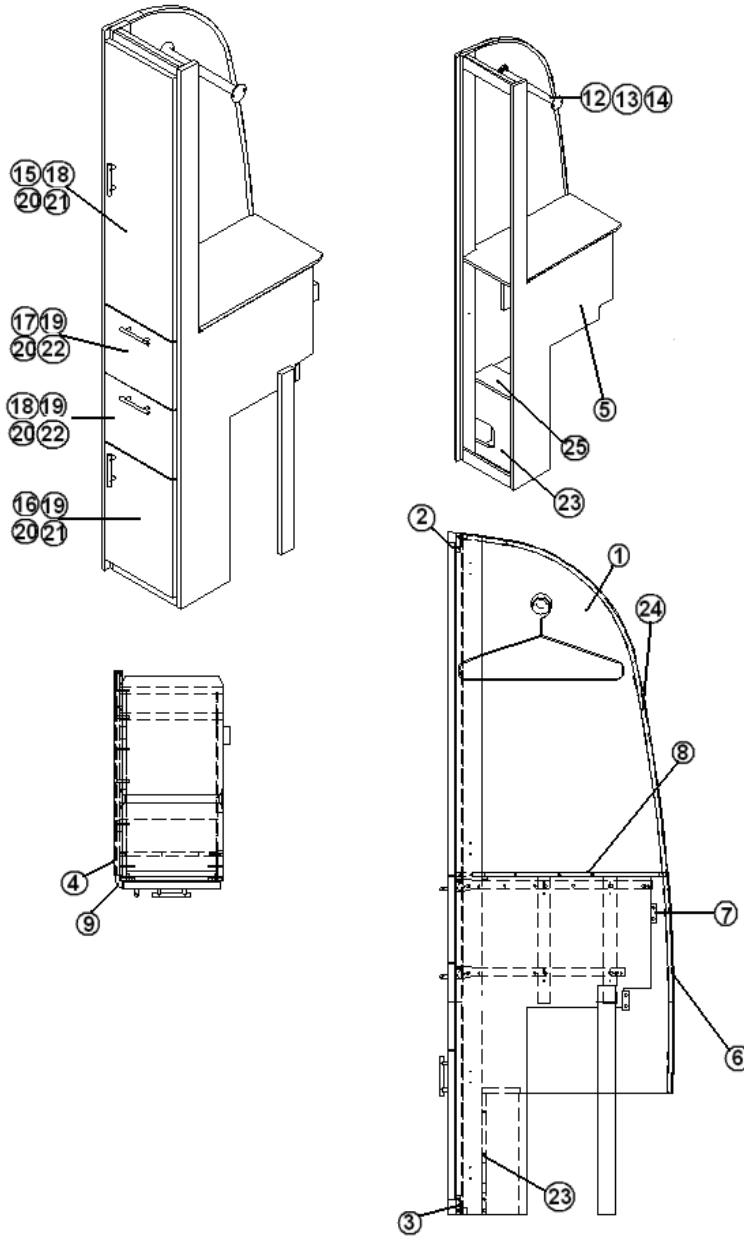
Wardrobe , 25, Roadside, WENGE

	967739	WARDROBE ASSY
1.	967739-1	PANEL-W/R 24.09X77.95
2.	967739-2	PANEL-W/R 2.25X10.75
3.	967739-3	PANEL-W/R 2.25X10.75
4.	967739-4	PANEL-W/R 3X78.18
5.	967739-5	PANEL-W/R 22.25X78.18
6.	967739-6	PANEL-W/R 2.25X12.25
7.	967739-7	PANEL-W/R 2.25X12.25
8.	967739-8	PANEL-W/R 24.31X12.25
9.	801706-0016	CORNER TRIM 90 DEG 1" RAD WENGE
12.	380046	FLANGE CHROME
13.	380045	TUBING 3/4" ELEC METALLIC
14.	200975-04	CONDUIT,FLEXIBLE BLACK PLASTIC
15.	967739-15I	PANEL-W/R 11.38X38.13
16.	967739-16	PANEL-W/R 11.38X17
17.	967739-17	PANEL-W/R 11.38X9.88
18.	967739-18	PANEL-W/R 11.38X9.88
20.	381228-01	CATCH GRABBER DOOR C3-803
21.	381607	HINGE ASSY-GRASS EURO
22.	965555-02	DWR BOX ASSY-8.00"X 9.5" X 20.
23.	967739-26	PANEL-W/R 11.50X14
24.	203138-05	EXTRUSION-PLASTIC 1/2" WALL BLK
25.	967739-29	PANEL-W/R 11.50X4.38
	965957-02	DWR BOX ASSY-8.38 X 18.5 X 10.75

2012 INTERNATIONAL TRAVEL TRAILER

FURNITURE, BEDROOM

Wardrobe , 25', Roadside - SERENITY



Parts Listed on Next Page

2012 INTERNATIONAL TRAVEL TRAILER

FURNITURE, BEDROOM

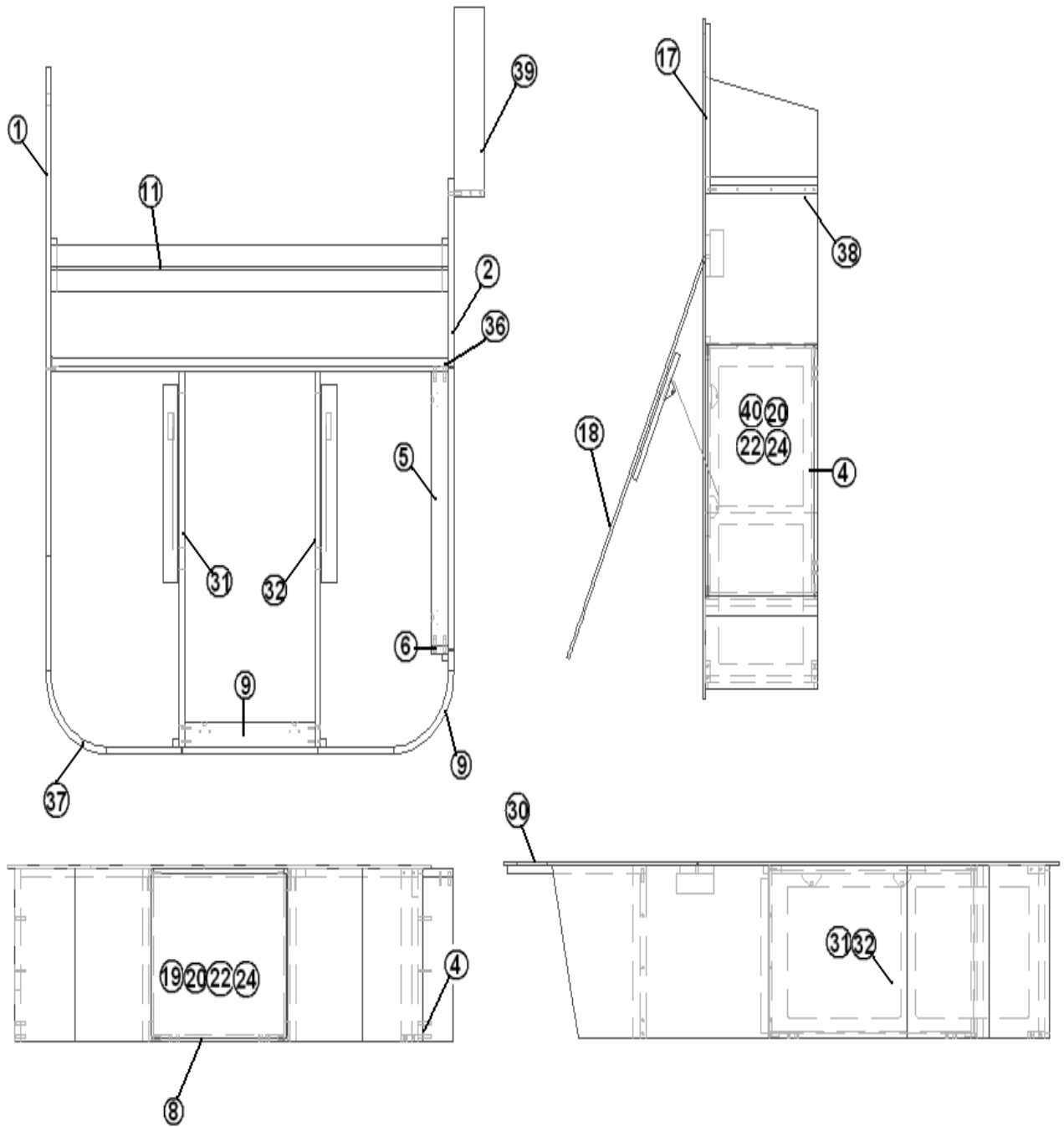
Wardrobe , 25' Serenity, Roadside

	967739-15	WARDROBE ASSY-
1.	967739-151	PANEL-W/R 24.09X77.95
2.	967739-152	PANEL-W/R 2.25X10.75
3.	967739-153	PANEL-W/R 2.25X10.75
4.	967739-4	PANEL-W/R 3X78.18
5.	967739-5	PANEL-W/R 22.25X78.18
6.	967739-6	PANEL-W/R 2.25X12.25
7.	967739-7	PANEL-W/R 2.25X12.25
8.	967739-8	PANEL-W/R 24.31X12.25
9.	801706-0018	CORNER TRIM 90 DEG 1" RAD ASIAN
12.	380046	FLANGE CHROME
13.	380045	TUBING 3/4" ELEC METALLIC
14.	200975-04	CONDUIT,FLEXIBLE BLACK PLASTIC
15.	967739-1515	PANEL-W/R 11.38X38.13
16.	967739-1516	PANEL-W/R 11.38X17
17.	967739-1517	PANEL-W/R 11.38X9.88
18.	967739-1518	PANEL-W/R 11.38X9.88
20.	381228-01	CATCH GRABBER DOOR C3-803
21.	381607	HINGE ASSY-GRASS EURO
22.	965555-02	DWR BOX ASSY-8.00"X 9.5" X 20.
23.	967739-26	PANEL-W/R 11.50X14
24.	203138-03	EXTRUSION-PLASTIC 1/2" WALL BEIGE
25.	967739-29	PANEL-W/R 11.50X4.38

2012 INTERNATIONAL TRAVEL TRAILER

FURNITURE, BEDROOM

Bed Assembly, 25 International, Wenge



Parts on Next Page

2012 INTERNATIONAL TRAVEL TRAILER

FURNITURE, BEDROOM

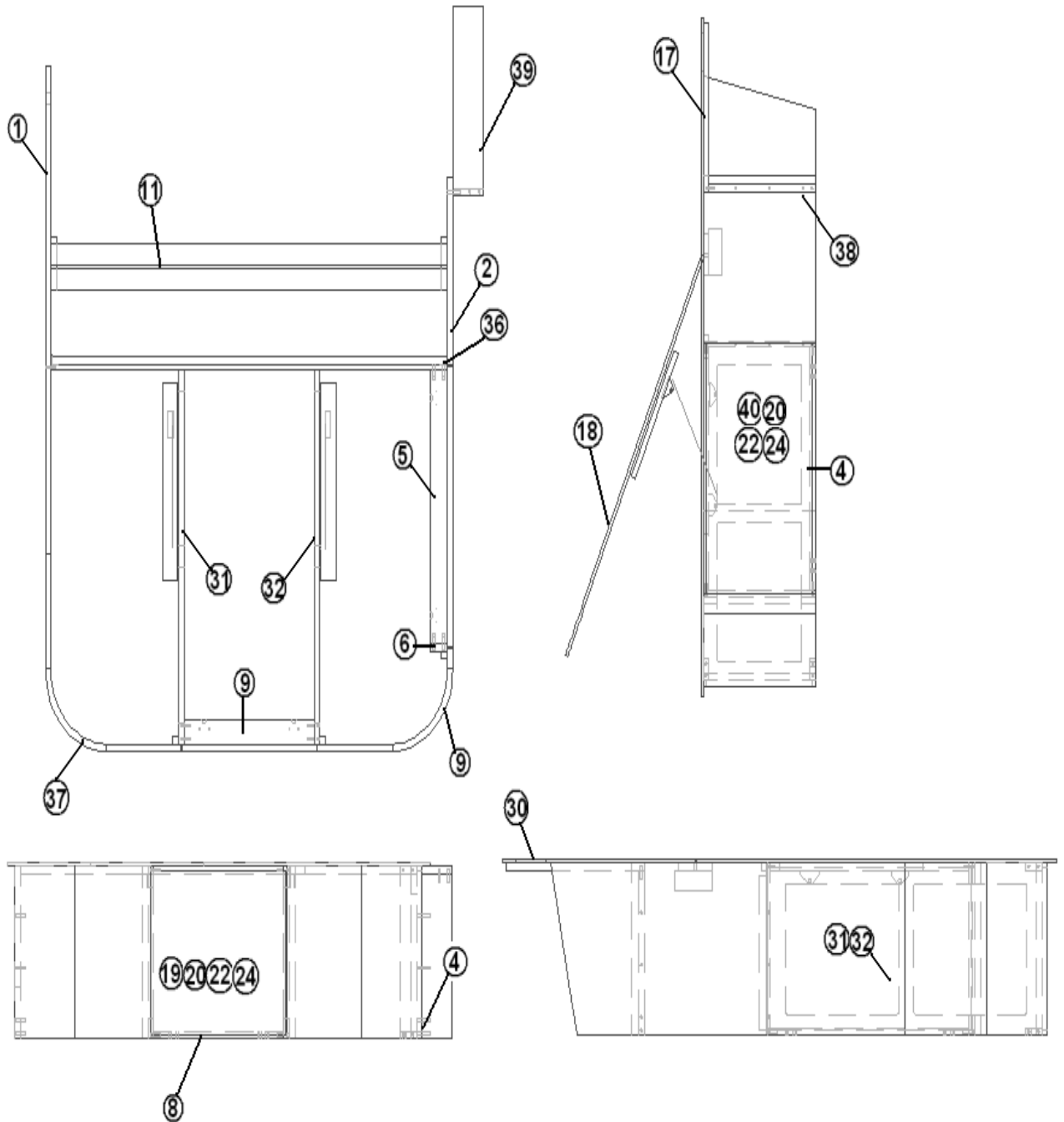
Bed Assembly, 25 International, Wenge

	967740	BED ASSEMBLY
1.	967740-1	PANEL-BED 43.94X16.63
2.	967740-2	PANEL-BED 18.5X16.63
4.	967740-4	PANEL-BED 2.25X26
5.	967740-5	PANEL-BED 2.25X26
6.	967740-6	PANEL-BED 16.63X2.25
7.	967740-7	PANEL-BED 2.25X17.25 (NOT SHOWN)
8.	967740-8	PANEL-BED 2.25X17.25
9.	966864	CORNER ASSY-BED SUB
11.	967740-11	PANEL-BED 16.63X52.5
17.	800507-03	LAUAN, 23.25 X 56.00
18.	800507-03	LAUAN,47.75 X 56.00
19.	967740-19	DOOR-BED 17.88X15.75
20.	382029-05	HANDLE-BAR 21.33" #3701-480-CR
21.	345001-08	MACH SCREW #8-32 X 1"
22.	381607	HINGE ASSY-GRASS EURO
23.	381607-04	HINGE SCREW-GRASS #6X5/8 FHP
24.	381228-01	CATCH GRABBER DOOR C3-803
29.	380203	NLA USE 380203-01----HINGE PIANO
30.	381067-09	SPRING-GAS 90 LBS.
30.	381262	BRACKET,PROP,W/BALL,#004002
30.	381310	GAS PROP BRKT. ASSY-UPPER
30.	381084	BALL, STUD
31.	967740-31	PANEL-BED 36X16.63
32.	967740-32	PANEL-BED 36X16.63
35.	967740-35	PANEL-BED 11X31.44
36.	114812	ALUM. ANGLE 1.00 X 1.00
37.	967759	RADIUS ASSY., FORWARD
38.	967740-38	PANEL-BED 4X15.88
39.	967740-39	PANEL-BED 4X18.25
40.	967740-40	DOOR 26.63 X 15.75 - BED BASE
	703698	MATTRESS 60 X 75 QUEEN "B"
	203419	BOX STORAGE 23"LX16.75"WX11.88
	203439	STORAGE BOX-17"LX11.13"WX6.38"

2012 INTERNATIONAL TRAVEL TRAILER

FURNITURE, BEDROOM

Bed Assembly, 25 International, Serenity



Parts on Next Page

2012 INTERNATIONAL TRAVEL TRAILER

FURNITURE, BEDROOM

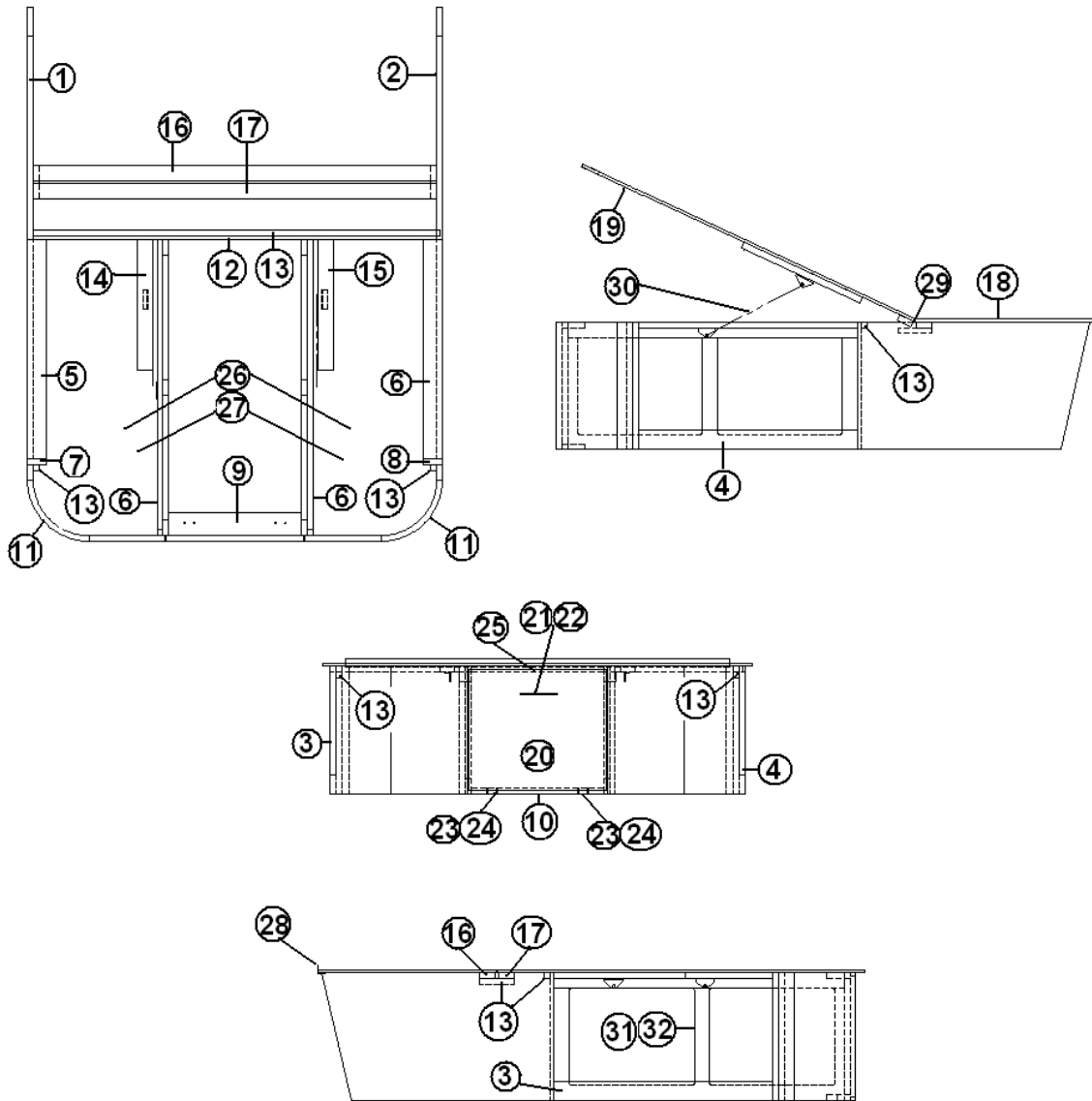
Bed Assembly, 25 International, Serenity

	967740-15	BED ASSEMBLY
1.	967740-151	PANEL-BED 43.94X16.63
2.	967740-152	PANEL-BED 18.5X16.63
4.	967740-4	PANEL-BED 2.25X26
5.	967740-5	PANEL-BED 2.25X26
6.	967740-6	PANEL-BED 16.63X2.25
7.	967740-7	PANEL-BED 2.25X17.25 (NOT SHOWN)
8.	967740-8	PANEL-BED 2.25X17.25
9.	966864	CORNER ASSY-BED SUB
11.	967740-11	PANEL-BED 16.63X52.5
17.	800507-03	LAUAN, 23.25 X 56.00
18.	800507-03	LAUAN,47.75 X 56.00
19.	967740-1519	DOOR-BED 17.88X15.75
20.	382115	PULL, FLAT BLACK
21.	345001-08	MACH SCREW #8-32 X 1"
22.	381607	HINGE ASSY-GRASS EURO
23.	381607-04	HINGE SCREW-GRASS #6X5/8 FHP
24.	381228-01	CATCH GRABBER DOOR C3-803
29.	380203	NLA USE 380203-01----HINGE PIANO
30.	381067-09	SPRING-GAS 90 LBS.
30.	381262	BRACKET,PROP,W/BALL,#004002
30.	381310	GAS PROP BRKT. ASSY-UPPER
30.	381084	BALL, STUD
31.	967740-31	PANEL-BED 36X16.63
32.	967740-32	PANEL-BED 36X16.63
35.	967740-35	PANEL-BED 11X31.44
36.	114812	ALUM. ANGLE 1.00 X 1.00
37.	967759	RADIUS ASSY., FORWARD
38.	967740-1538	PANEL-BED 4X15.88
39.	967740-1539	PANEL-BED 4X18.25
40.	967740-1540	DOOR 26.63 X 15.75 - BED BASE
	703698	MATTRESS 60 X 75 QUEEN "B"
	203419	BOX STORAGE 23"LX16.75"WX11.88
	203439	STORAGE BOX-17"LX11.13"WX6.38"

2012 INTERNATIONAL TRAVEL TRAILER

FURNITURE, BEDROOM

Bed, 27' Front Bed, 28', 30' Signature, "J" & "W" Queen, Wenge



Part numbers on the next page

2012 INTERNATIONAL TRAVEL TRAILER

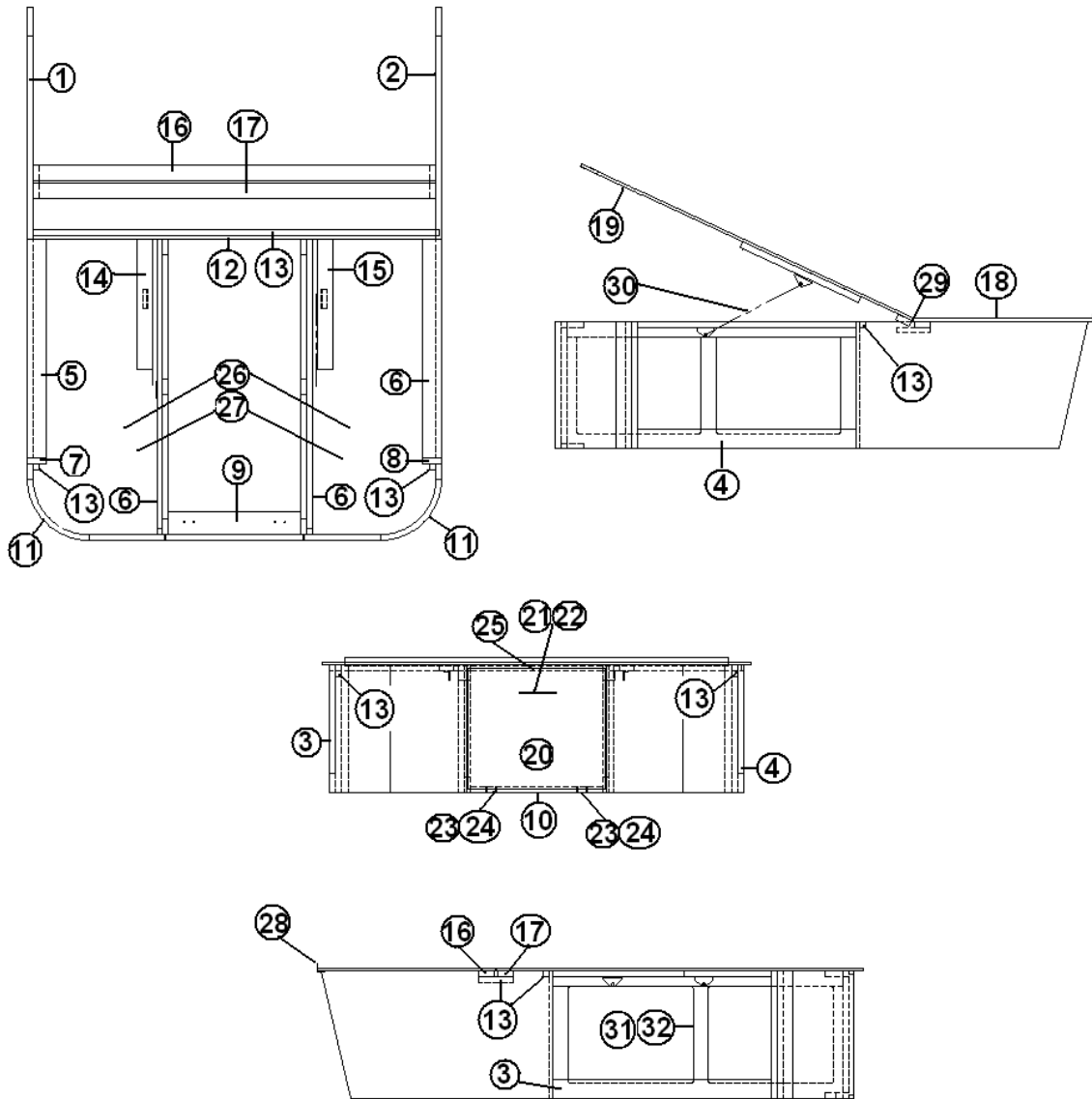
FURNITURE, BEDROOM

Bed, 27' Front Bed, 28', 30' Signature, "J" & "W" Queen, Wenge 966863	BED ASSEMBLY, "J" & "W"
1. 966863-1	PANEL, 32.75" X 16.63"
2. 966863-2	PANEL, 32.75" X 16.63"
3. 966863-3	PANEL, 2.25" X 26.00"
4. 966863-4	PANEL, 2.25" X 26.00"
5. 966863-5	PANEL, 2.25" X 26.00"
6. 966863-6	PANEL, 2.25" X 26.00"
7. 966863-7	PANEL, 16.63" X 2.50"
8. 966863-8	PANEL, 16.63" X 2.50"
9. 966863-9	PANEL, 2.25" X 7.25"
10. 966863-10	PANEL, 2.25" X 17.25"
11. 966864	CORNER SUB-ASSY, BED
12. 966863-13	PANEL, 52.50" X 16.63"
13. 800025-01	PINE 3/4" X 3/4" STAINED, 8.72' LONG
14. 850082	POPLAR, .75" X 2.00"
15. 850082	POPLAR, .75" X 2.00"
16. 850082	POPLAR, .75" X 2.00"
17. 850082	POPLAR, .75" X 2.00"
18. 966863-19	LAUAN, 56" X 23.25"
19. 966863-20	LAUAN, 56" X 47.75"
20. 966863-17	DOOR, "J" & "W", 15.75" X 17.88"
21. 382029-04	HANDLE-BAR 15"
22. 345001-08	SCREW #8-32 X 1"
23. 381607	HINGE-ASSEMBLY
24. 381607-04	HINGE SCREW-GRASS
25. 381228-01	CATCH GRABBER DOOR
26. 203667	BOX STORAGE, 23"L x 16.75"W x 12.38"
27. 203439	STORAGE BOX, 17"L X 11.13"W X 6.38"
28. 114812	ALUMINUM ANGLE 1.00" X 1.00"
29. 380203-01	HINGE PIANO
30. SPRING-GAS 90 LBS, SEE HARDWARE SECTION 966863-33	PANEL, 36.00 X 16.63"
966863-34	PANEL, 36.00 X 16.63"
966863-37	PANEL, 11.00 X 31.44"
201016	DRAWER 16 X 22

2012 INTERNATIONAL TRAVEL TRAILER

FURNITURE, BEDROOM

Bed, 27' Front Bed, 28' Signature, "J" & "W" Queen, Serenity



Part numbers on the next page

2012 INTERNATIONAL TRAVEL TRAILER

FURNITURE, BEDROOM

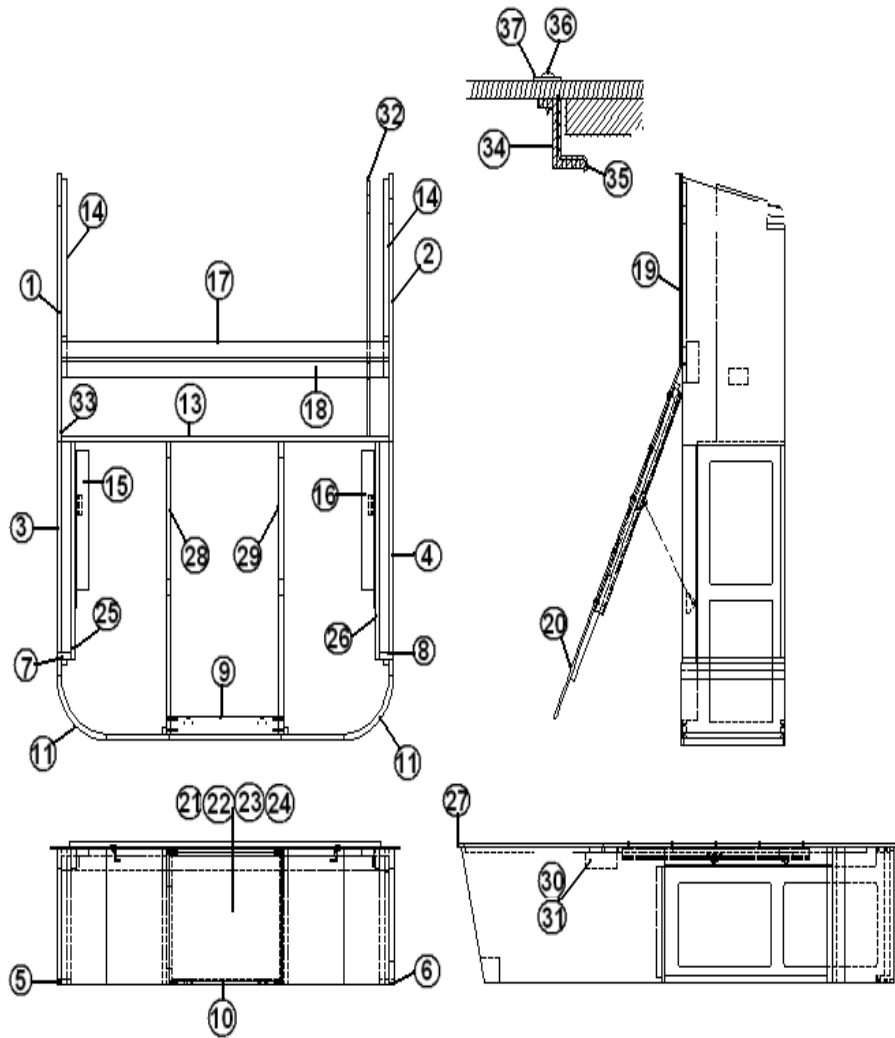
Bed, 27' Front Bed, 28' Signature, 30' "J" & "W" Queen, Serenity

966863-15	BED ASSEMBLY, "J" & "W"
1. 966863-151	PANEL, 32.75" X 16.63"
2. 966863-152	PANEL, 32.75" X 16.63"
3. 966863-153	PANEL, 2.25" X 26.00"
4. 966863-154	PANEL, 2.25" X 26.00"
5. 966863-5	PANEL, 2.25" X 26.00"
6. 966863-6	PANEL, 2.25" X 26.00"
7. 966863-7	PANEL, 16.63" X 2.50"
8. 966863-8	PANEL, 16.63" X 2.50"
9. 966863-9	PANEL, 2.25" X 7.25"
10. 966863-10	PANEL, 2.25" X 17.25"
11. 966864-15	CORNER SUB-ASSY, BED
12. 966863-13	PANEL, 52.50" X 16.63"
13. 800025-01	PINE 3/4" X 3/4" STAINED, 8.72' LONG
14. 850082	POPLAR, .75" X 2.00"
15. 850082	POPLAR, .75" X 2.00"
16. 850082	POPLAR, .75" X 2.00"
17. 850082	POPLAR, .75" X 2.00"
18. 966863-19	LAUAN, 56" X 23.25"
19. 966863-20	LAUAN, 56" X 47.75"
20. 966863-1521	DOOR-BED BASE 17.88X15.75
21. 382115	PULL - FLAT BLACK #M575
22. 345001-08	SCREW #8-32 X 1"
23. 381607	HINGE, DOOR
24. 381607-04	HINGE SCREW-GRASS
25. 381228-01	CATCH GRABBER DOOR
26. 203667	STORAGE BIN 23" X 16.75" X 12.38"
27. 203439	STORAGE BOX, 17"L X 11.13"W X 6.38"
28. 114812	ALUMINUM ANGLE 1.00" X 1.00"
29. 380203-01	HINGE PIANO
30. SPRING-GAS 90 LBS, SEE HARDWARE SECTION	
31. 966863-33	PANEL, 36.00X16.63"
32. 966863-34	PANEL, 36.00X6.63"

2012 INTERNATIONAL TRAVEL TRAILER

FURNITURE, BEDROOM

Bed, 27' Front Bed Eddie Bauer



Parts Listed On Next Page

2012 INTERNATIONAL TRAVEL TRAILER

FURNITURE, BEDROOM

Bed, 27' Front Bed Eddie Bauer

	967797-19	BED BASE ASSEMBLY
1.	967797-191	PNL-BED 32.75X16.63
2.	967797-192	PNL-BED 32.75X16.63
3.	967797-193	PNL-BED 2.25X26
4.	967797-194	PNL-BED 2.25X26
5.	967797-5	PNL-BED 2.25X26
6.	967797-6	PNL-BED 2.25X26
7.	967797-7	PNL-BED 16.63X2.25
8.	967797-8	PNL-BED 16.63X2.25
9.	967797-9	PNL-BED 2.25X17.25
10.	967797-10	PNL-BED 2.25X17.25
11.	966864	CORNER ASSY-BED SUB 27FB INT
12.	365352-02	EDGEBANDING- 1MM X .94" MAPLE
13.	967797-13	PNL-BED 14.13X52.5
14.	800025-01	PINE 3/4" X 3/4" STAINED
15.	850082	POPLAR, .17.00 X 2.00
16.	850082	POPLAR, 17.00 X 2.00
17.	850082	POPLAR, 52.50 X 2.00
18.	850082	POPLAR, 52.50 X 2.00
19.	800507-03	LAUAN, 23.25 X 56.00
20.	800507-03	LAUAN, 47.75 X 56.00
21.	967797-1921	DOOR- BED 17.88X15.75
22.	381865	PULL-BAR BRUSH NICKEL #3489
23.	381607	ASSY-GRASS EURO-
24.	381228-01	CATCH GRABBER DOOR C3-803
25.	967797-25	PNL-BED 2.25X26.75
26.	967797-26	PNL-BED 2.25X26.75
27.	114812	ALUM. ANGLE 1.00 X 1.00
28.	967797-33	PNL-BED 36X16.63
29.	967797-34	PNL-BED 16.63
30.	850082	POPLAR, 5.00 X 2.00
31.	850082	POPLAR, 5.00 X 2.00
32.	967797-37	PNL-BED 11X31.44
33.	114812	ALUM. ANGLE 1.00 X 1.00
34.	454872	SUPPORT-PED TABLE STORAGE EB
35.	701538-01	CARPET-ECONOLIER W/PSA BACK
36.	320006	SCREW SHEET METAL 8X3/4 BH PHI
37.	300166	WASHER-#8 STEEL ROUND

Parts Continued on Next Page

2012 INTERNATIONAL TRAVEL TRAILER

FURNITURE, BEDROOM

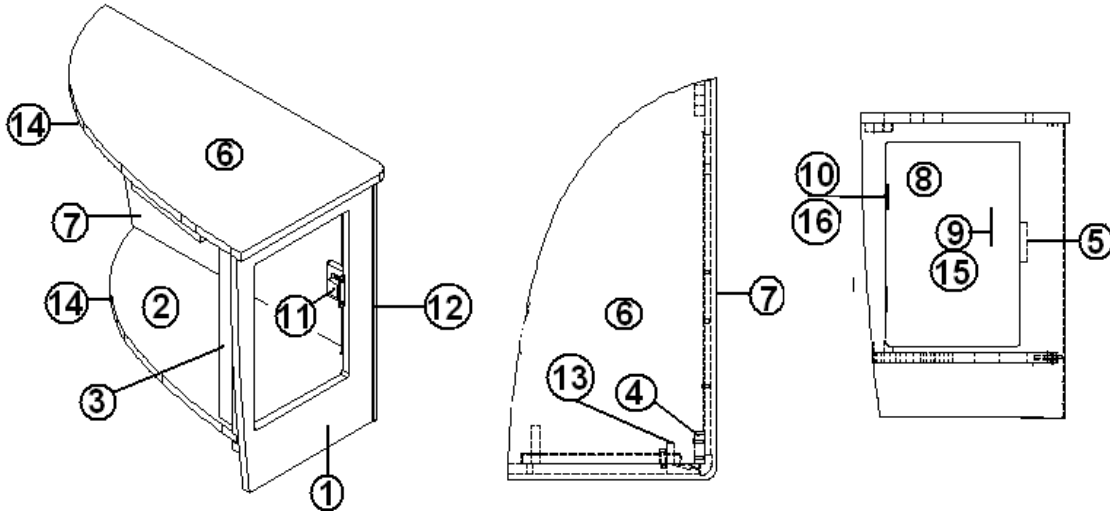
Bed, 27' Front Bed Eddie Bauer

381067-09	SPRING-GAS 90 LBS
381262	BRACKET,PROP,W/BALL,#004002 AN
381310	GAS PROP BRKT. ASSY-UPPER
381084	BALL, STUD
203667	BIN-STORAGE 23"X16.75"X12.38"
201016	DRAWER 16 X 22
703699	MATTRESS 60X75 QUEEN "J"
380203-01	PIANO HINGE 1/8" PIN CLR ANODIZED

2012 INTERNATIONAL TRAVEL TRAILER

FURNITURE, BEDROOM

Nightstand, 27' Front Bed Signature "J" Bedroom, LH, Wenge

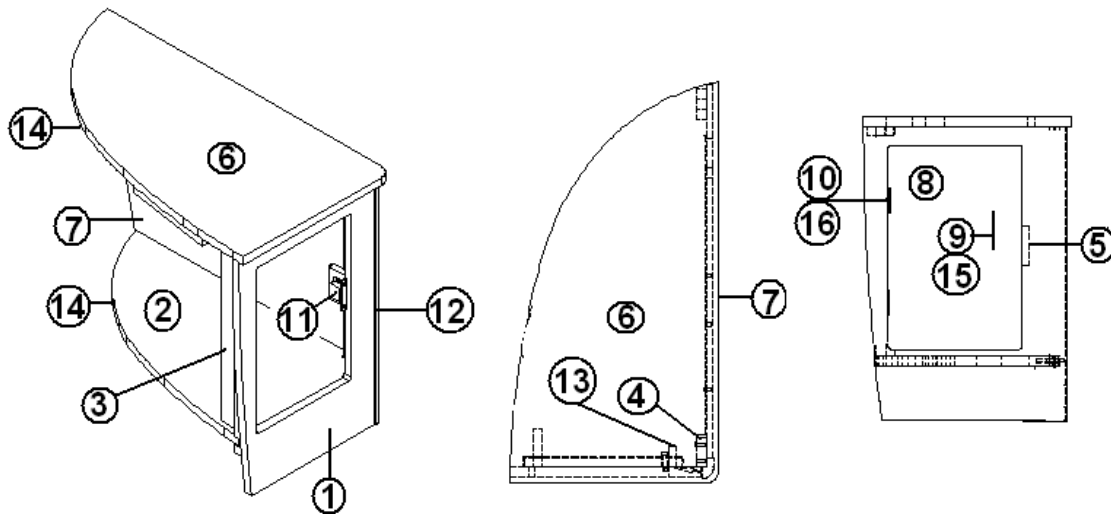


- | | |
|-----------------|-----------------------------|
| 966868 | NIGHTSTAND ASSY, LH |
| 1. 966868-1 | PANEL, 1.78" X 22.75" |
| 2. 966868-2 | PANEL, 27.69" X 14.13" |
| 3. 966868-3 | PANEL, 3.00" X 17.75" |
| 4. 966868-4 | PANEL, 2.25" X 22.75" |
| 5. 966868-5 | PANEL, 17.75" X 1.63" |
| 6. 966868-6 | PANEL, 16.09" X 31.06", |
| 7. 966868-7 | PANEL, 28.84" X 22.75" |
| 8. 966868-8 | DOOR, 10" X 15.44" |
| 9. 382029-00 | HANDLE-BAR 7.48" |
| 10. 381607 | HINGE-ASSEMBLY |
| 11. 381228-01 | CATCH GRABBER DOOR |
| 12. 801706-0016 | CORNER TRIM 90D 1" |
| 13. 800025-01 | PINE 3/4" X 3/4" STAINED |
| 14. 201673 | REVERSE COVE MOLDING, WHITE |
| 15. 345001-08 | SCREW #8-32 X 1" |
| 16. 381607-04 | HINGE SCREW-GRASS |

2012 INTERNATIONAL TRAVEL TRAILER

FURNITURE, BEDROOM

Nightstand, 27' Front Bed Signature "J" Bedroom, LH, SERENITY

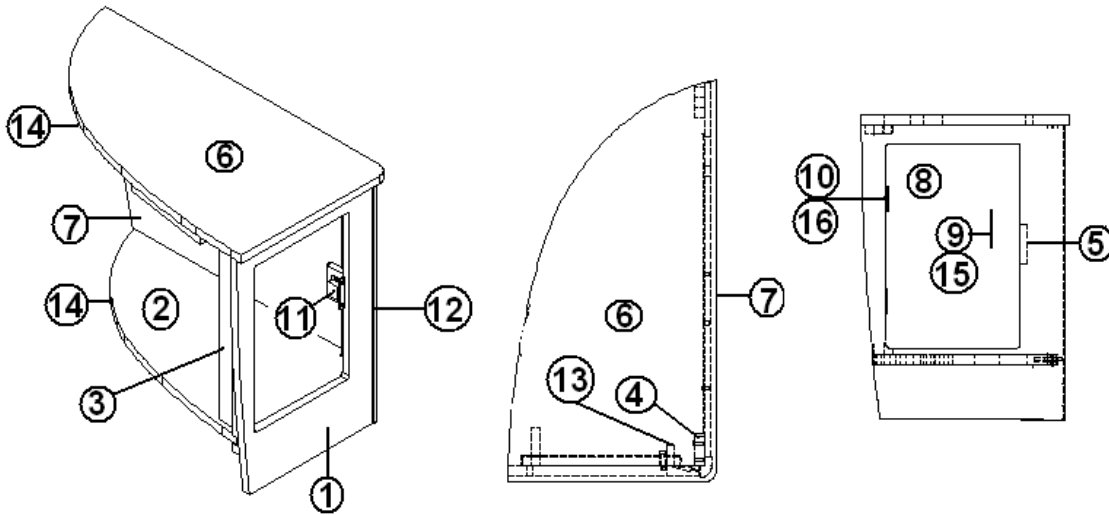


966868-15	NIGHTSTAND ASSY, LH
1. 966868-151	PANEL, 14.78" X 22.75"
2. 966868-2	PANEL, 27.69" X 14.13"
3. 966868-3	PANEL, 3.00" X 17.75"
4. 966868-4	PANEL, 2.25" X 27.75"
5. 966868-5	PANEL, 17.75" x 1.63"
6. 966868-156	PANEL, 16.09"X31.06"
7. 966868-157	PANEL, 28.84" X 22.75"
8. 966868-158	DOOR, 9.88" X 15.31"
9. 382115	PULL, FLAT BLACK #M575
10. 381228-01	CATCH GRABBER DOOR
11. 801706-0018	CORNER TRIM 90D 1" ASIAN SAND
12. 800025-01	PINE 3/4" X 3/4" STAINED
13. 201673	REVERSE COVE MOLDING, WHITE
14. 345001-08	SCREW #8-32 X 1"
15. 381607-04	HINGE SCREW-GRASS

2012 INTERNATIONAL TRAVEL TRAILER

FURNITURE, BEDROOM

Nightstand, 27' Front Bed Signature "J" Bedroom, LH, EDDIE BAUER

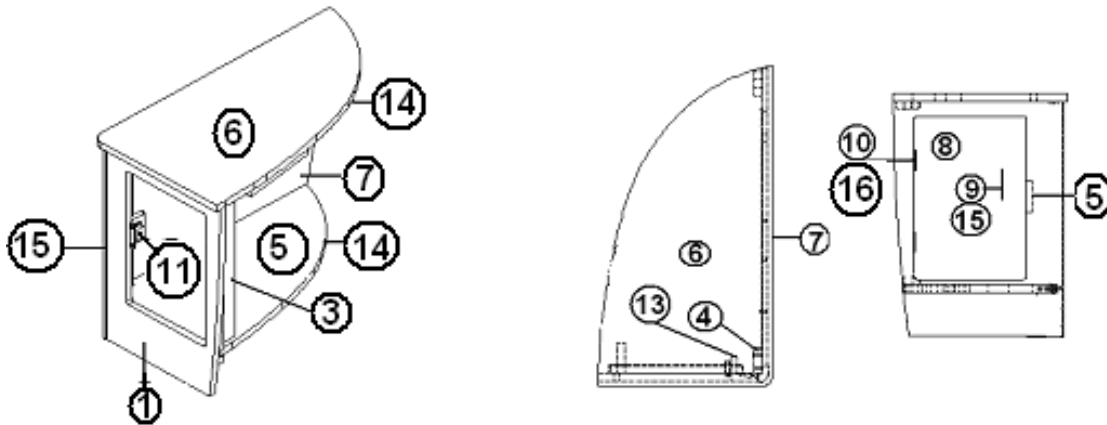


966868-19	NIGHTSTAND ASSY, LH
1. 966868-191	PANEL, 14.78" X 22.75"
2. 966868-2	PANEL, 27.69" X 14.13"
3. 966868-3	PANEL, 3.00" X 17.75"
4. 966868-4	PANEL, 2.25" X 27.75"
5. 966868-5	PANEL, 17.75" x 1.63"
6. 966868-196	PANEL, 16.09"X31.06"
7. 966868-197	PANEL, 28.84" X 22.75"
8. 966868-198	DOOR, 9.88" X 15.31"
9. 381865	PULL, BAR BRUSH NICKEL-
10. 381228-01	CATCH GRABBER DOOR
11. 801706-0023	CORNER TRIM 90D 1" L.MAPLE
12. 800025-01	PINE 3/4" X 3/4" STAINED
13. 201673-01	REVERSE COVE MOLDING, OAK
14. 345001-08	SCREW #8-32 X 1"
15. 381607-04	HINGE SCREW-GRASS

2012 INTERNATIONAL TRAVEL TRAILER

FURNITURE, BEDROOM

Nightstand, 27' Front Bed Signature, RH "J" Bedroom, Wenge

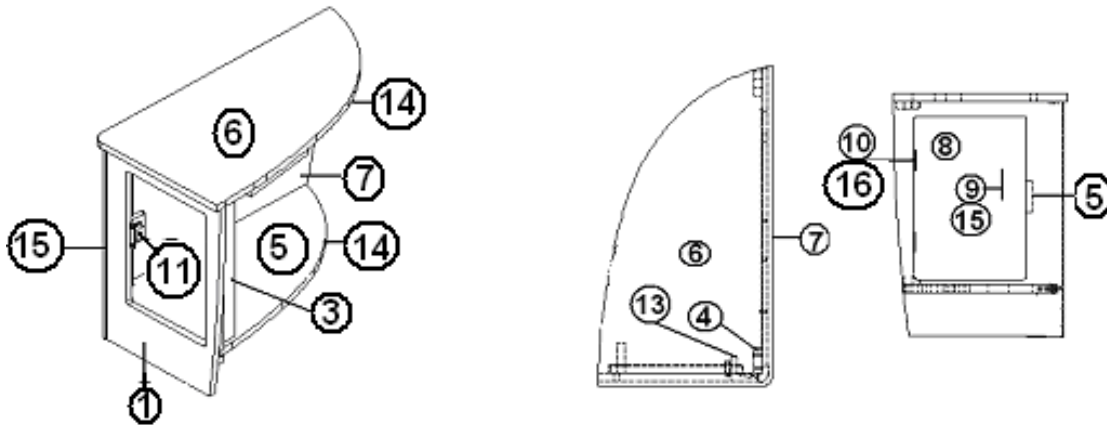


966851	NIGHTSTAND ASSY, RH
1. 966851-1	PANEL, 14.78" X 22.75"
2. 966851-2	PANEL, 27.69" X 14.13
3. 966851-3	PANEL, 3.00" X 17.75"
4. 966851-4	PANEL, 2.25" X 27.75"
5. 966851-5	PANEL, 17.75" X 1.63",
6. 966851-6	PANEL, 16.09" X 31.06"
7. 966851-7	PANEL, 28.84" X 22.75"
8. 966851-08	DOOR, 9.88" X 15.31"
9. 382029-00	HANDLE-BAR 7.48"
10. 381607	HINGE-ASSEMBLY
11. 381228-01	CATCH GRABBER DOOR
12. 801706-0016	CORNER TRIM 90D 1"
13. 800025-01	PINE 3/4" X 3/4" STAINED
14. 201673	REVERSE COVE MOLDING, WHITE
15. 345001-08	SCREW #8-32 X 1"
16. 381607-04	HINGE SCREW-GRASS

2012 INTERNATIONAL TRAVEL TRAILER

FURNITURE, BEDROOM

Nightstand, 27' Front Bed Signature, RH "J" Bedroom, SERENITY

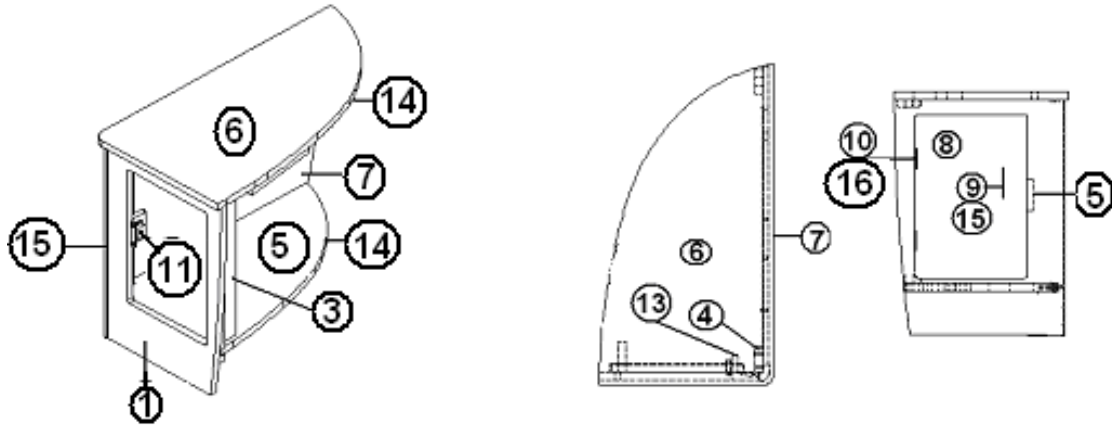


966851-15	NIGHTSTAND ASSY, RH
1. 966851-151	PANEL, 14.78 X 22.75"
2. 966851-2	PANEL, 27.69" X 22.75"
3. 966851-3	PANEL, 3.00" X 17.75"
4. 966851-4	PANEL, 2.25" X 22.75"
5. 966851-5	PANEL, 17.75 X 1.63
6. 966851-156	PANEL, 16.09"X31.09"
7. 966851-157	PANEL, 28.84" X 22.75"
8. 966851-158	DOOR, 9.88" X 15.31"
9. 382115	PULL, FLAT BLACK #M575
10. 381607	HINGE, DOOR
11. 381228-01	CATCH GRABBER DOOR
12. 801706-0018	CORNER TRIM 90D 1 ASIAN "
13. 800025-01	PINE 3/4" X 3/4" STAINED
14. 201673	REVERSE COVE MOLDING, WHITE
15. 345001-08	SCREW #8-32 X 1"
16. 381607-04	HINGE SCREW-GRASS

2012 INTERNATIONAL TRAVEL TRAILER

FURNITURE, BEDROOM

Nightstand, 27' Front Bed Signature, RH "J" Bedroom, EDDIE BAUER

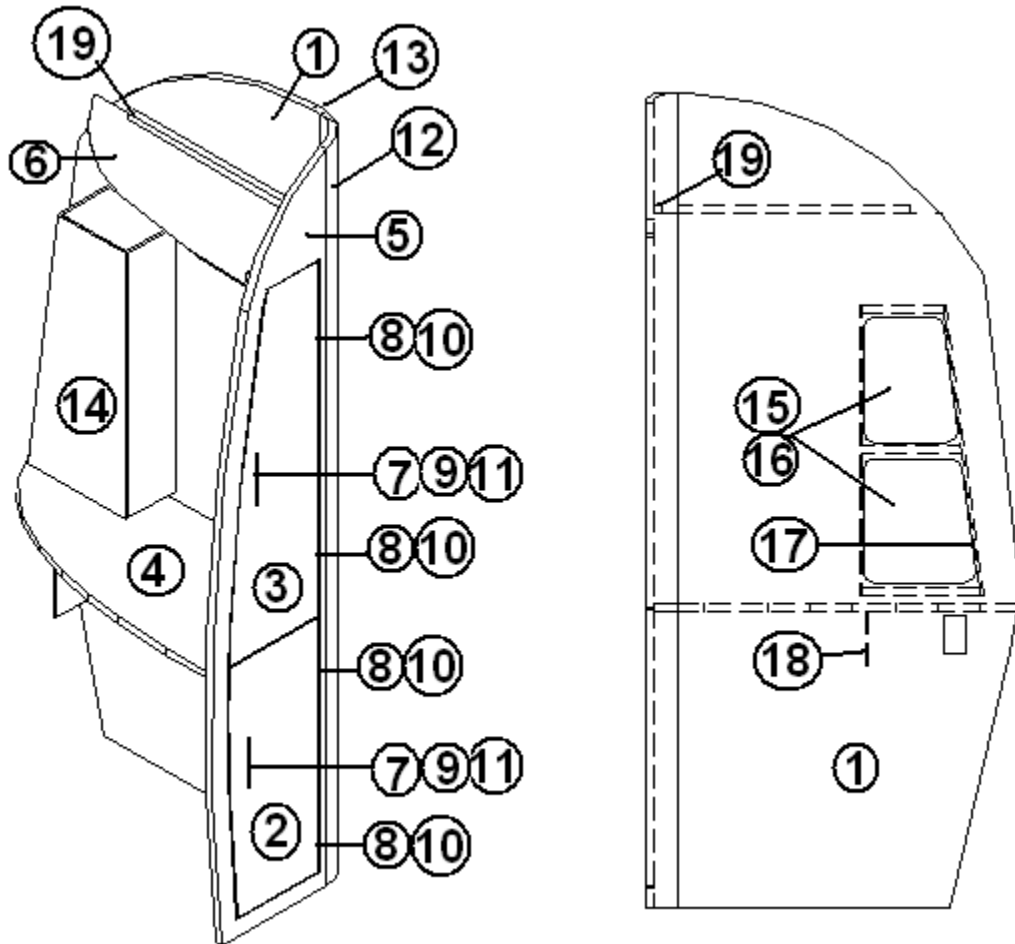


966851-19	NIGHTSTAND ASSY, RH
1. 966851-191	PANEL, 14.78 X 22.75"
2. 966851-2	PANEL, 27.69" X 22.75"
3. 966851-3	PANEL, 3.00" X 17.75"
4. 966851-4	PANEL, 2.25" X 22.75"
5. 966851-5	PANEL, 17.75 X 1.63
6. 966851-196	PANEL, 16.09"X31.09"
7. 966851-197	PANEL, 28.84" X 22.75"
8. 966851-198	DOOR, 9.88" X 15.31"
9. 381865	PULL BAR BRUSH NICKEL
10. 381607	HINGE, DOOR
11. 381228-01	CATCH GRABBER DOOR
12. 801706-0023	CORNER TRIM 90D 1 L.MAPLE
13. 800025-01	PINE 3/4" X 3/4" STAINED
14. 201673-01	REVERSE COVE MOLDING, OAK
15. 345001-08	SCREW #8-32 X 1"
16. 381607-04	HINGE SCREW-GRASS

2012 INTERNATIONAL TRAVEL TRAILER

FURNITURE, BEDROOM

Closet, Left, 28', 30' Signature, "W" Bedroom, Wenge



Part numbers on the next page

2012 INTERNATIONAL TRAVEL TRAILER

FURNITURE, BEDROOM

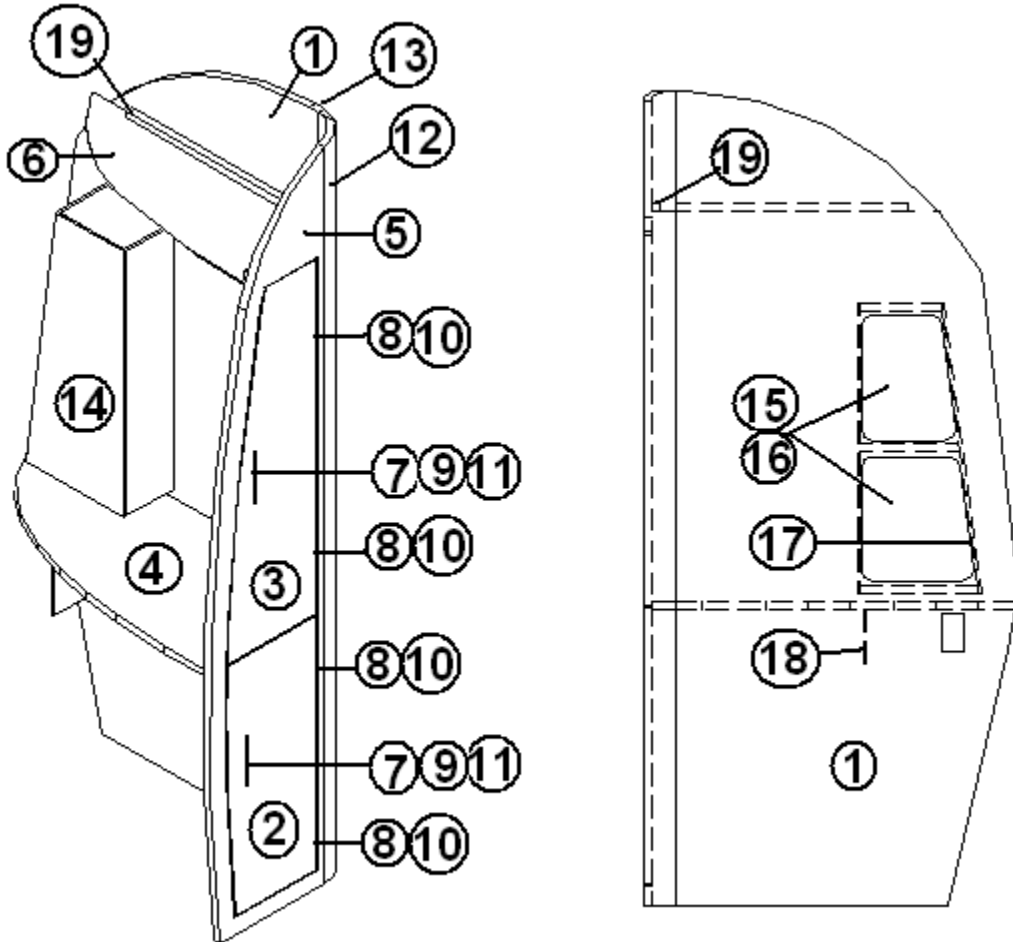
Closet, Left, 28', 30' Signature, "W" Bedroom, Wenge

966871	Closet, Left, "W" Bedroom
1. 966871-1	PANEL, 32.25" X 76.61"
2. 966871-02	DOOR, 10.06" X 26.06"
3. 966871-03	DOOR, 10.06" X 36.50"
4. 966871-4	PANEL, 34.35" X 15.92"
5. 966871-5	PANEL, 13.69" X 75.7", BACKER
6. 966871-6	PANEL, 29" X 10.81", BACKER
7. 382029-00	HANDLE-BAR 7.48"
8. 381607	HINGE-ASSEMBLY
9. 345001-08	SCREW #8-32 X 1"
10. 381607-04	HINGE SCREW-GRASS
11. 381228-01	CATCH, GRABBER DOOR
12. 801345	RADIUS PLYWOOD, .75"X 3"X 8'
13. 801804-01	LAMINATE, WENGE VERTICAL
14. 966875	BOOKSHELF ASSY, CS
15. 386106-01	RACK, MAGAZINE WHITE
16. 386107	ROD, MAGAZINE RACK
17. 203440	T MOLDING, BLACK EMBOSSED .8125
18. 966871-19	PANEL, 5" X 13.78", WHITE/RAW
19. 800025-01	PINE 3/4" X 3/4" STAINED

2012 INTERNATIONAL TRAVEL TRAILER

FURNITURE, BEDROOM

Closet, Left, 28' Signature, "W" Bedroom, SERENITY



Part numbers on the next page

2012 INTERNATIONAL TRAVEL TRAILER

FURNITURE, BEDROOM

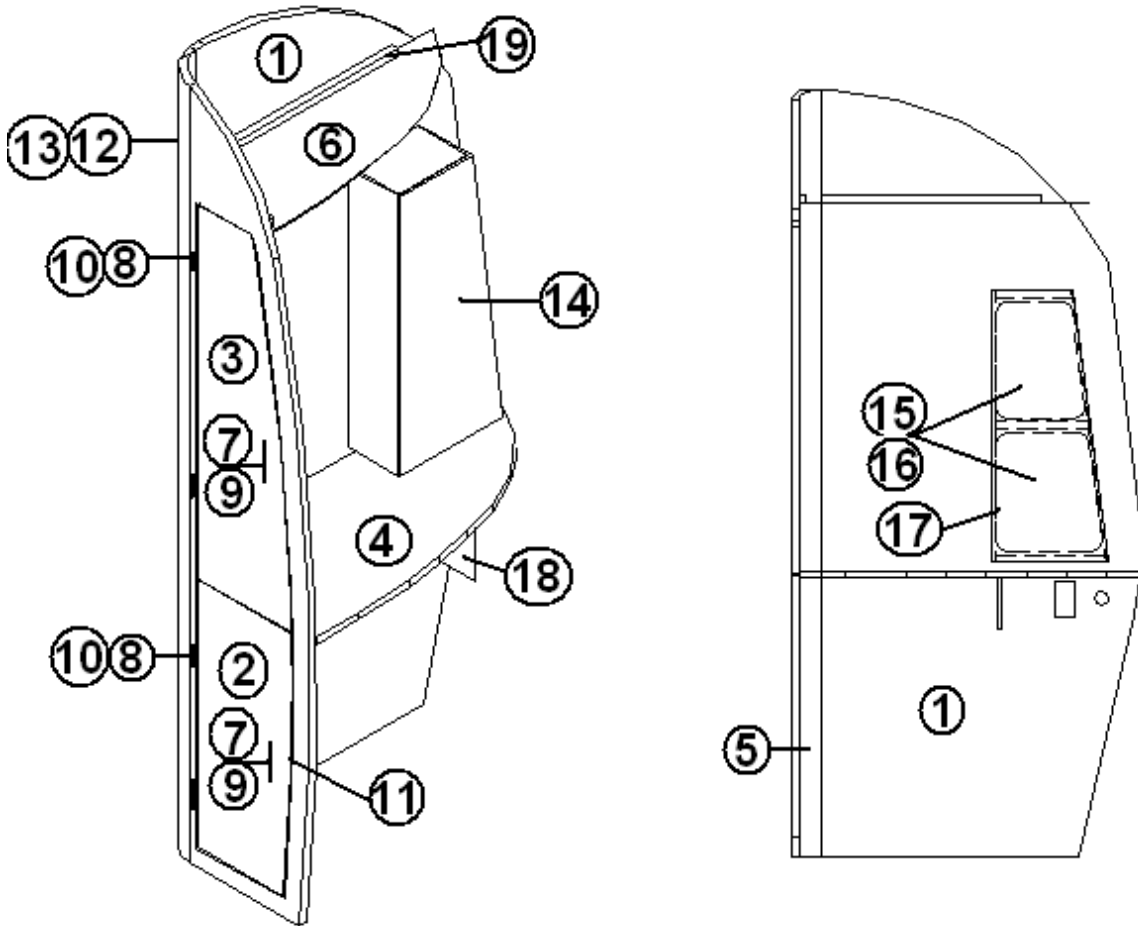
Closet, Left, 28' Signature, 30'SIGNATURE "W" Bedroom, SERENITY

966871-15	CLOSET, LEFT, "W" Bedroom
1. 966871-151	PANEL, 32.25" X 76.61"
2. 966871-152	DOOR, 10.49" X 25.88
3. 966871-153	DOOR, 10.41" X 36.31"
4. 966871-4	PANEL, 34.35" X 15.92"
5. 966871-155	PANEL, 13.69" X 75.7"
6. 966871-156	PANEL, 29" X 10.81"
7. 382115	PULL FLAT BLACK #M575
8. 381607	HINGE, DOOR
9. 345001-08	SCREW #8-32 X 1"
10. 381607-04	HINGE SCREW-GRASS
11. 381228-01	CATCH, GRABBER DOOR
12. 801345	RADIUS PLYWOOD, .75"X 3"X 8'
13. 966871-1513	PANEL 18.5 X 76"
14. 966875-15	BOOKSHELF ASSY, CS
15. 386106-01	RACK, MAGAZINE WHITE
16. 386107	ROD, MAGAZINE RACK
17. 203693	T MOLDING, BEIGE EMBOSSED .8125
18. 966871-1519	PANEL, 5" X 13.78", WHITE/RAW
19. 800025-01	PINE 3/4" X 3/4" STAINED
380046	FLANGE, CHROME
380045	TUBING 3/4"
200975-04	FLEXIBLE BLACK PLASTIC CONDUIT

2012 INTERNATIONAL TRAVEL TRAILER

FURNITURE, BEDROOM

Closet, Right Rear, 28', 30' Signature, "W" Bedroom, Wenge



Part numbers on the next page

2012 INTERNATIONAL TRAVEL TRAILER

FURNITURE, BEDROOM

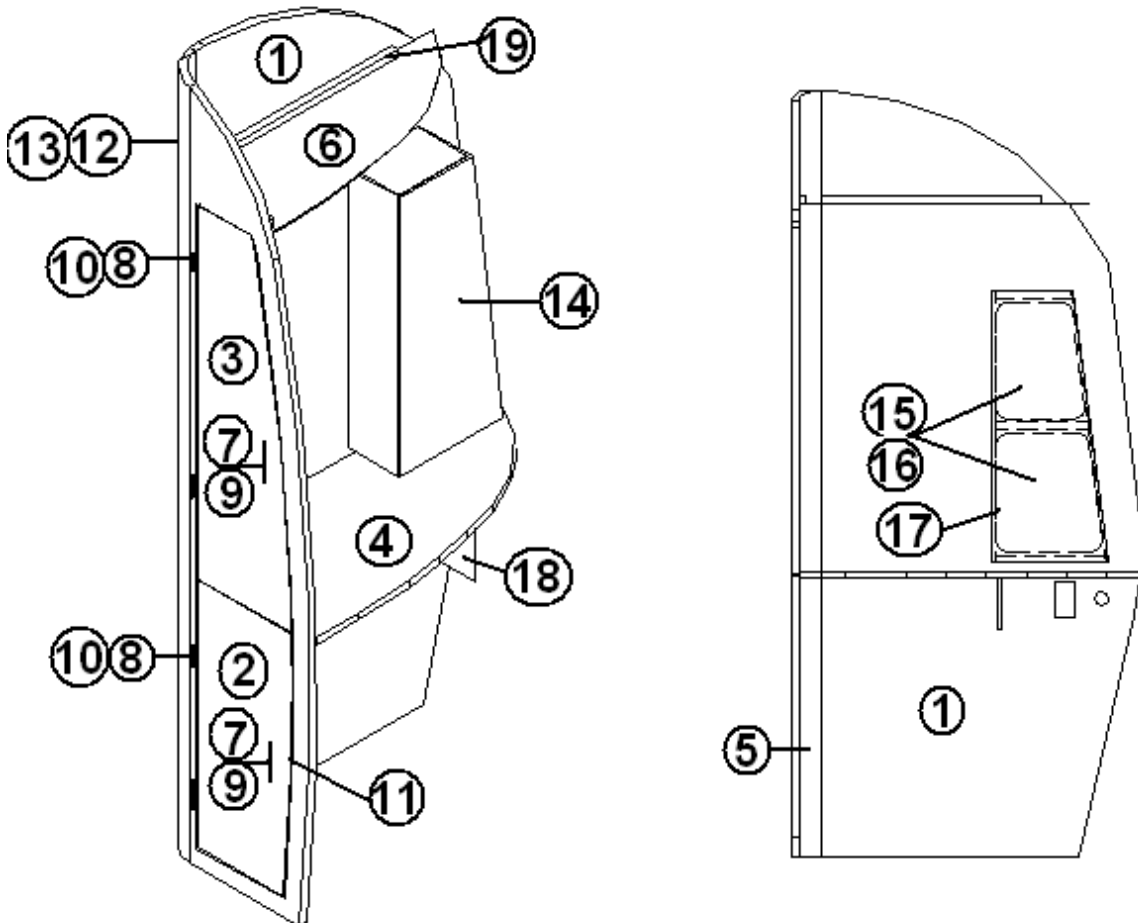
Closet, Right Rear, 28', 30' Signature, "W" Bedroom, Wenge

966872	Closet, Right Rear
1. 966872-1	PANEL, 32.25" X 76.61"
2. 966872-02	DOOR, 10.06" X 26.06"
3. 966872-03	DOOR, 10.06" X 36.50"
4. 966872-4	PANEL, 34.35" X 15.92"
5. 966872-5	PANEL, 13.69" X 75.7", BACKER
6. 966872-6	PANEL, 29" X 10.81", BACKER
7. 382029-00	HANDLE-BAR 7.48"
8. 381607	HINGE-ASSEMBLY
9. 345001-08	SCREW #8-32 X 1"
10. 381607-04	HINGE SCREW-GRASS
11. 381228-01	CATCH, GRABBER DOOR
12. 801345	RADIUS PLYWOOD, .75"X 3"X 8'
13. 801804-01	LAMINATE, WENGE VERTICAL
14. 966874	BOOKSHELF ASSY, CS
15. 386106-01	RACK, MAGAZINE WHITE
16. 386107	ROD, MAGAZINE RACK
17. 203440	T MOLDING, BLACK EMBOSSED .8125
18. 966872-19	PANEL, 5" X 13.78", WHITE/RAW
19. 800025-01	PINE 3/4" X 3/4" STAINED
380046	CHROME FLANGE
380045	TUBING, 3/4"
200975-04	BLACK PLASTIC FLEXIBLE CONDUIT

2012 INTERNATIONAL TRAVEL TRAILER

FURNITURE, BEDROOM

Closet, Right Rear, 28', 30', Signature, "W" Bedroom, SERENITY



Part numbers on the next page

2012 INTERNATIONAL TRAVEL TRAILER

FURNITURE, BEDROOM

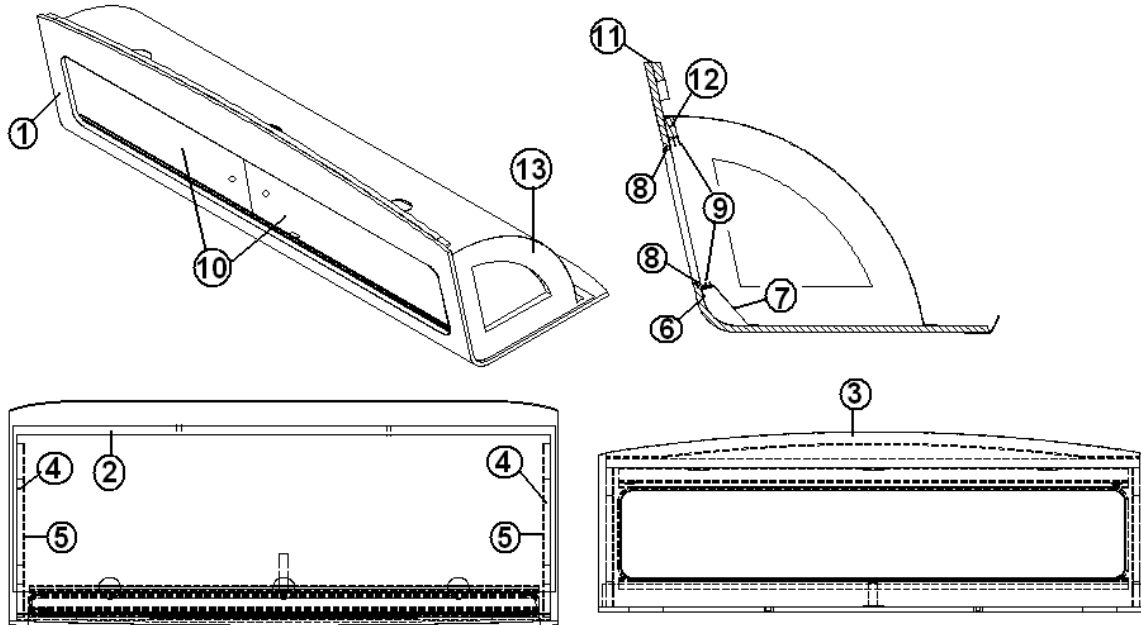
Closet, Right Rear, 28' Signature, 30' "W" Bedroom, SERENITY

966872-15	CLOSET, RIGHT REAR
1. 966872-151	PANEL, 32.25" X 76.61"
2. 966872-152	WARDROBE DOOR 10.49 X 25.88
3. 966872-153	WARDROBE DOOR 10.41 X 36.31
4. 966872-4	PANEL, 34.35" X 15.92"
5. 966872-155	PANEL 13.69 X 75.65"
6. 966872-156	PANEL, 29" X 10.81"
7. 382115	PULL - FLAT BLACK #M575
8. 381607	HINGE, DOOR
9. 345001-08	SCREW #8-32 X 1"
10. 381607-04	HINGE SCREW-GRASS
11. 381228-01	CATCH, GRABBER DOOR
12. 801345	RADIUS PLYWOOD, .75"X 3"X 8'
13. 966872-1513	PANEL - 18.5 X 76"
14. 966874-15	BOOKSHELF ASSY, RS
15. 386106-01	RACK, MAGAZINE WHITE
16. 386107	ROD, MAGAZINE RACK
17. 203693	T MOLDING, BEIGE EMBOSSED .8125
18. 966872-1519	PANEL, 5" X 13.78", WHITE/RAW
19. 800025-01	PINE 3/4" X 3/4" STAINED
380046	CHROME FLANGE
380045	TUBING 3/4"
200975-04	CONDUIT, FLEXIBLE BLK PLASTIC

2012 INTERNATIONAL TRAVEL TRAILER

FURNITURE, BEDROOM

Roof Locker, 28', 30' Signature Rear End Liner, "W" Bedroom, Wenge

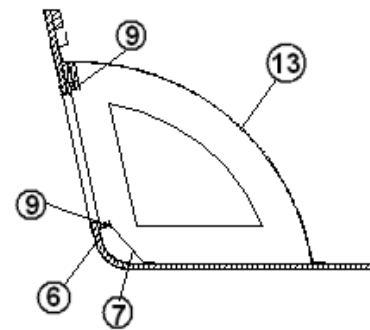
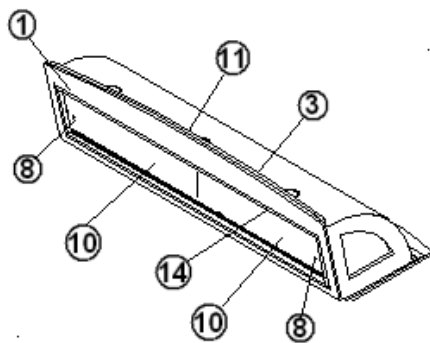
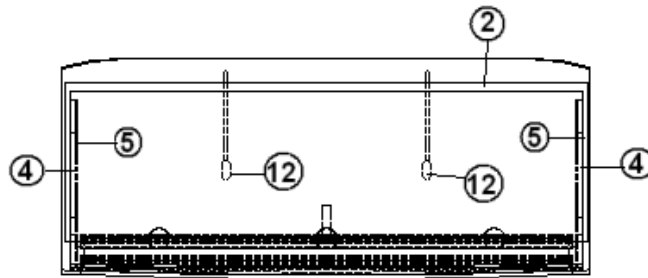


966862	Roof Locker, Front End Liner
1. 801720	ROOF LOCKER FACE
2. 966862-1	LAMINATE, 21" X 62.25", WHITE
3. 801596-01	BACKER W/B LINER LOCKER CTR
4. 801594	DIVIDER, LINER LOCKER
5. 801721	DIVIDER, R/L
6. 115261-01	ANGLE, LOCKER TRACK SUPPORT
7. 115226-01	BRACKET, LOCKER CTR SUPPORT
8. 203445-01	T-MOLDING, .5625" WHITE
9. 203388	TRACK, SLIDING DOOR
10. 965563-08	DOOR, SLIDING 11.31" X 30"
11. 201673	REVERSE COVE MOLDING, WHITE
12. 800028	PINE, 3/4" X 1-1/2"
13. 115264-01	PAN, LINER LOCKER W/B FRONT
454613	SPRING-LEAF R/L

2012 INTERNATIONAL TRAVEL TRAILER

FURNITURE, BEDROOM

Roof Locker, 28', 30' Signature, Front EndLiner, "W" Bedroom, Serenity



967557-15	ROOFLOCKER ASSY-"W" BEDROOM
1.801850	FACE-ROOFLOCKER "W"
2.801355-01	LAM-FROST WHT 4' X 8'
3.801596-01	BACKER W/B LINER LOCKER CTR
4.801594	DIVIDER-LINER LOCKER
5.801721	DIVIDER-R/L W/LAM.27FB INT II
6.114812	ALUM. ANGLE 1.00 X 1.00
7.115226-01	BRACKET, FORMED LOCKER CTR SUPPORT
8.382114	KNOB-BRUSH.SATIN NICKEL #M576
9.381245	SLIDING DOOR TRACK, 56-1/5"
10.203677-03	DOOR 11.31X30
11.201673	REVERSE COVE MOLDING, WHITE
12.512464	SPOTLIGHT, L.E.D.FROSTED LENS SURFACE MT.
13.115264-01	PAN, LINER LOCKER FRONT
14.115483	ANGLE, ALUMINUM- 3/4" X 3/4"
454613	SPRING-LEAF ROOFLOCKER

2012 INTERNATIONAL TRAVEL TRAILER

FURNITURE, BEDROOM

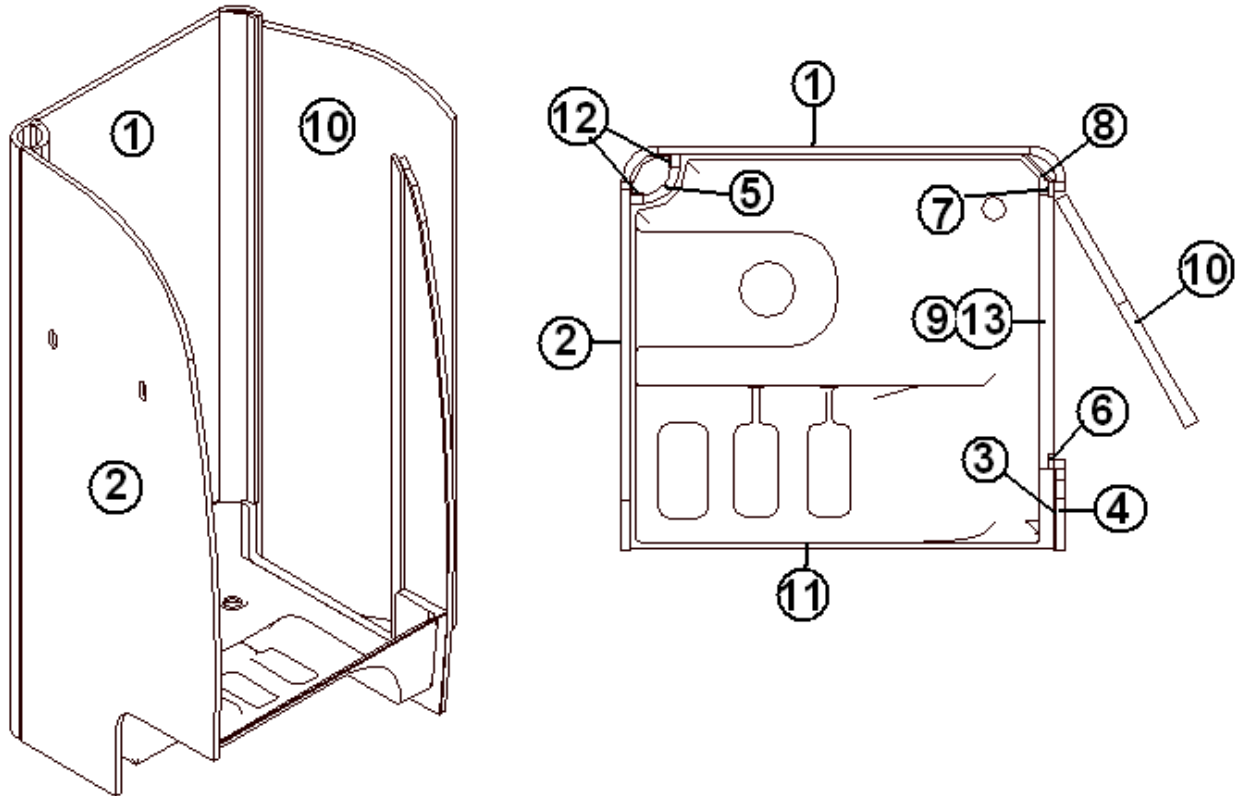
Bedroom Hangers

382098	Handle, Gloss Chrome, 14.25" Towel
300140-01	Washer, 1 1/2" OD, 3 Hole
330142	Rivet, Pop, Open end aluminum 3/16"

2012 INTERNATIONAL TRAVEL TRAILER

FURNITURE, BATH

Bath Layout, 16' Signature, Wenge

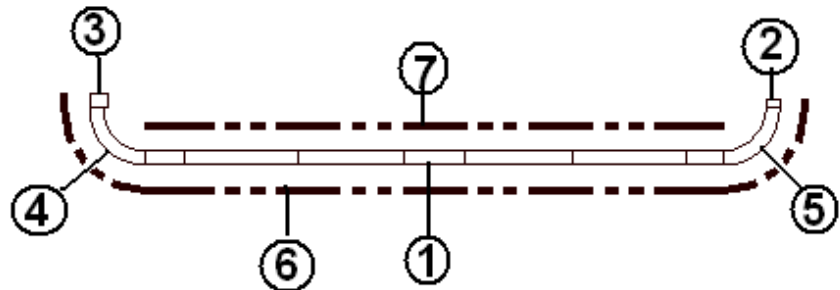
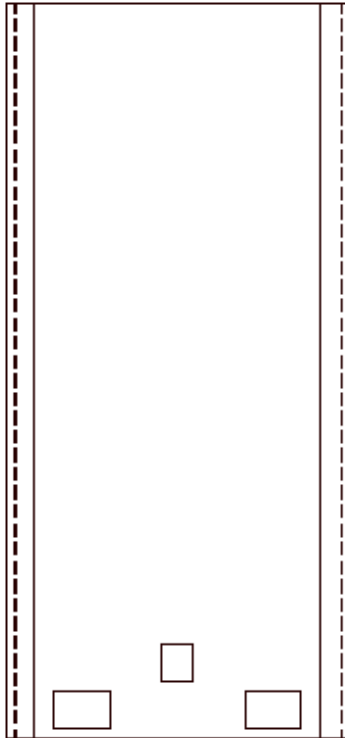


- | | |
|---------------|--------------------------------------|
| 1. 967011 | WALL ASSY-WET BATH |
| 2. 111588-2 | PANEL, WET BATH 29.74 X 78.61 |
| 3. 111588-3 | PANEL, WET BATH 6.74 X 69.35 |
| 4. 967012 | PANEL, SUB ASSY, WET BATH |
| 5. 967013 | CLOSEOUT-WET BATH |
| 6. 111588-6 | PANEL, WET BATH, 1.25 X 64 |
| 7. 111588-7 | PANEL, WET BATH, 1.25 X 64.47 |
| 8. 111588-8 | PANEL, WET BATH, 3.43 X 70.44 |
| 9. 111588-9 | PANEL, WET BATH, 24.5 X 6.25 |
| 10. 967495 | DOOR ASSY. w/PORTHOLE WINDOW, WENGE |
| 11. 203444-01 | BASE, SHOWER, FIBERGLASS, WHITE |
| 12. 104913 | EXTRUSION, ANGLE, 1" X 1" X 1/16" |
| 13. 201666-01 | MOLDING, J-3/16 PLASTIC, WHITE |
| 601847 | CABINET, MEDICINE W/MIRROR, 16"X 22" |
| 382063 | RETRACTABLE CLOTHES LINE |

2012 INTERNATIONAL TRAVEL TRAILER

FURNITURE, BATH

Bath Wall Assembly, 16' Signature, Wenge, Serenity

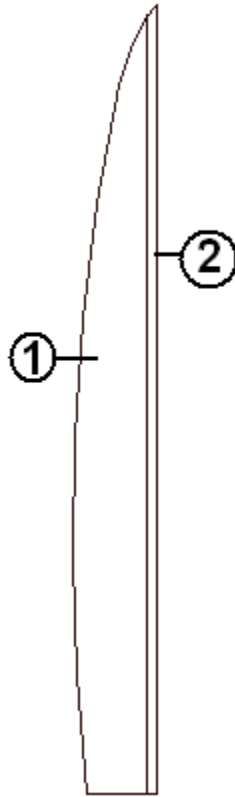


- | | |
|---------------|-----------------------------------|
| 967011 | WALL ASSY, WET BATH |
| 967011-15 | WALL ASSY, WET BATH, SERENITY |
| 1. 967011-1 | PANEL, WET BATH, 30.50 X 78.86 |
| 2. 967011-2 | PANEL, WET BATH, .5 X 78.6 |
| 3. 967011-3 | PANEL, WET BATH, 1 X 78.6 |
| 3. 967011-153 | PANEL, WET BATH 1 X 78.6 SERENITY |
| 4. 801345 | RADIUS PLYWOOD, .75" X 3" X 8' |
| 5. 801345 | RADIUS PLYWOOD, .75" X 3" X 8' |
| 6. 801355-01 | LAMINATE, FROSTY WHITE |
| 7. 801635-01 | LAMINATE, ALMOND VERTICAL |

2012 INTERNATIONAL TRAVEL TRAILER

FURNITURE, BATH

Bath, 16' Signature, Forward Panel Sub-Assembly, Wenge

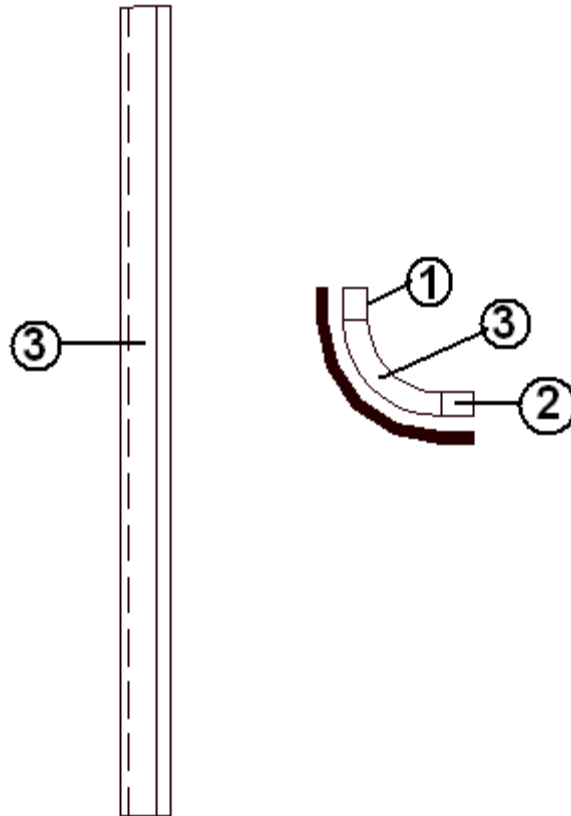


- | | |
|-------------|-------------------------------|
| 967012 | PANEL, SUB ASSY, WET BATH |
| 1. 967012-1 | PANEL, WET BATH, 6.75,X 69.37 |
| 2. 967012-2 | PANEL, WET BATH, 1 X 70.42 |
| 967012-3 | PANEL, BATH WALL 7.5 X 70.42 |

2012 INTERNATIONAL TRAVEL TRAILER

FURNITURE, BATH

Bath, 16' Signature, Closeout, Wenge

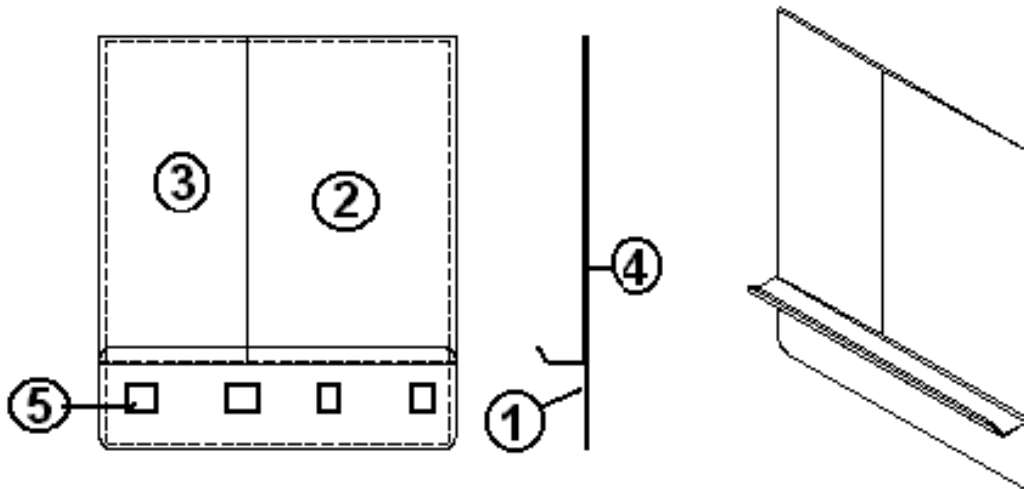


- | | |
|-------------|------------------------------|
| 967013 | CLOSEOUT, WET BATH |
| 1. 967013-1 | PANEL, WET BATH 1 X 64.57 |
| 2. 967013-2 | PANEL, WET BATH 1 X 64.36 |
| 3. 801345 | RADIUS PLYWOOD .75" X 3" X 8 |
| 967013-4 | BATH CLOSEOUT PANEL' |

2012 INTERNATIONAL TRAVEL TRAILER

FURNITURE, BATH

Mirror/Coat Hanger, 16' Signature

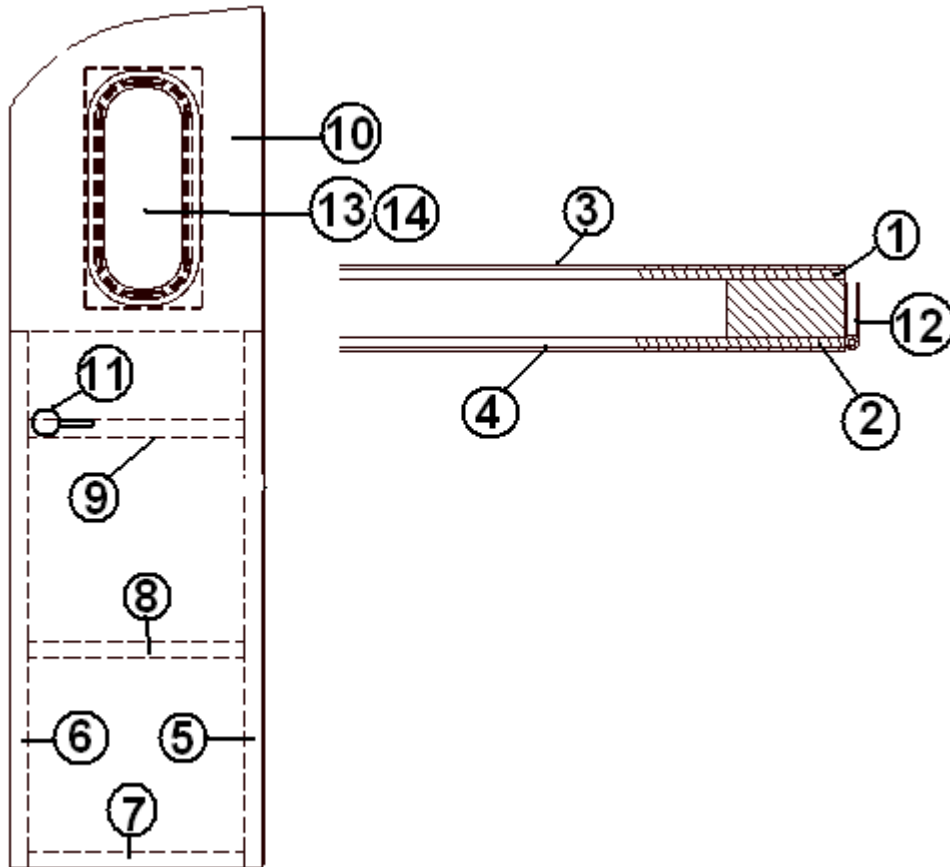


- | | |
|--------------|---------------------------------|
| 1. 203446-01 | SHELF-7.04" X 24" WHITE |
| 2. 372203-09 | GLASS SAFETY MIRRORED 14" X 22" |
| 3. 801468 | CORK BOARD-.25" X 10" X 22" |
| 4. 101115 | SHEET, ALUM .060" X 48" X 120" |
| 5. 381384 | HOOK-ALUMINUM, COAT 1.68" |

2012 INTERNATIONAL TRAVEL TRAILER

FURNITURE, BATH

Door, Bath, 16' Signature, Wenge

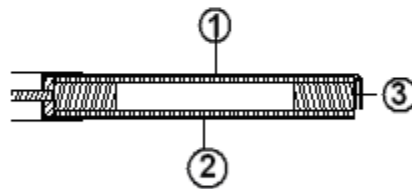
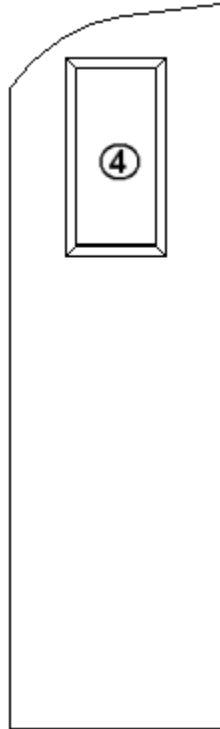


- | | |
|---------------|-----------------------------------|
| 967495 | DOOR ASSY, WET BATH |
| 1. 967495-1 | PANEL, DOOR, WET BATH 23.5 X 75.5 |
| 2. 967495-2 | PANEL, WET BATH DR. 23.5 X 75.5 |
| 3. 801635-01 | LAMINATE, ALMOND VERTICAL |
| 4. 801711-01 | LAMINATE, WENGE, VERTICLE |
| 5. 967495-5 | PANEL, LAUAN, 1.50 X 19.25 |
| 6. 967495-6 | PANEL, LAUAN, 1.50 X 19.25 |
| 7. 967495-7 | PANEL, LAUAN, 1.50 X 19.25 |
| 8. 967495-8 | PANEL, LAUAN, 1.50 X 45.78 |
| 9. 967495-9 | PANEL, LAUAN, 1.50 X 45.78 |
| 10. 967495-10 | PANEL, LAUAN, 22.20 X 27.75 |
| 11. 381771 | LATCH-LEVER LOCKSET PRIVACY |
| 12. 380203-01 | PIANO HINGE 1/8" PIN CLR ANODI |
| 13. 371269-01 | WINDOW, 18", STACKED |
| 14. 203475 | TRIM, 18" STACK WINDOW |
| 454320 | DOOR HANDLE COVER |

2012 INTERNATIONAL TRAVEL TRAILER

FURNITURE, BATH

Door, Bath, 16' Signature, SERENITY



967547-15 DOOR-BATH W/WINDOW 16 SER

- | | |
|--------------|--------------------------------|
| 1. 801833-01 | LAMINATE-ASIAN SAND VERTICAL |
| 2. 801355-01 | LAM-FROST WHT 4'X8'VERT #1573- |
| 3. 380203-01 | PIANO HINGE 1/8" PIN CLR ANODI |
| 4. 203676 | WINDOW-BATH DR GINGKO THATCH |
| 381771 | LATCH-LEVER LOCKSET PRIVACY |
| 454320 | DOOR HANDLE COVER-SAF/CCD |

2012 INTERNATIONAL TRAVEL TRAILER

FURNITURE, BATH

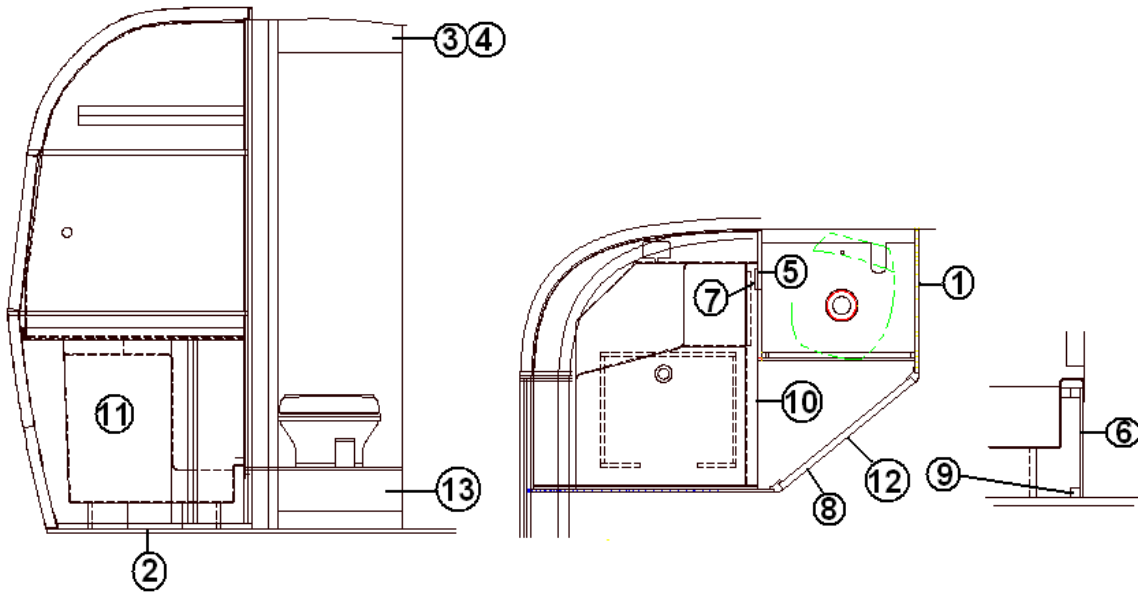
Shower Curtain, 16' Signature

703467-01	SHOWER CURTAIN, SQUARE CORNER
703467-02	SHOWER CURTAIN, CONTOURED
703760	FABRIC, SHOWER SHIELD, SNOW
700103	WEBBING 1/2IN FOR SHOWER CURTAIN
700045	GLIDES CURTAIN G3 W/ELASTIC
700021	HOOK, VELCRO, WHITE
700020	PILE VELCRO
703467-03	STRAP-SHOWER CURTAIN
703467-03	STRAP, SHOWER CURTAIN

2012 INTERNATIONAL TRAVEL TRAILER

FURNITURE, BATH

Bath Lay Out, 19' Signature, Wenge

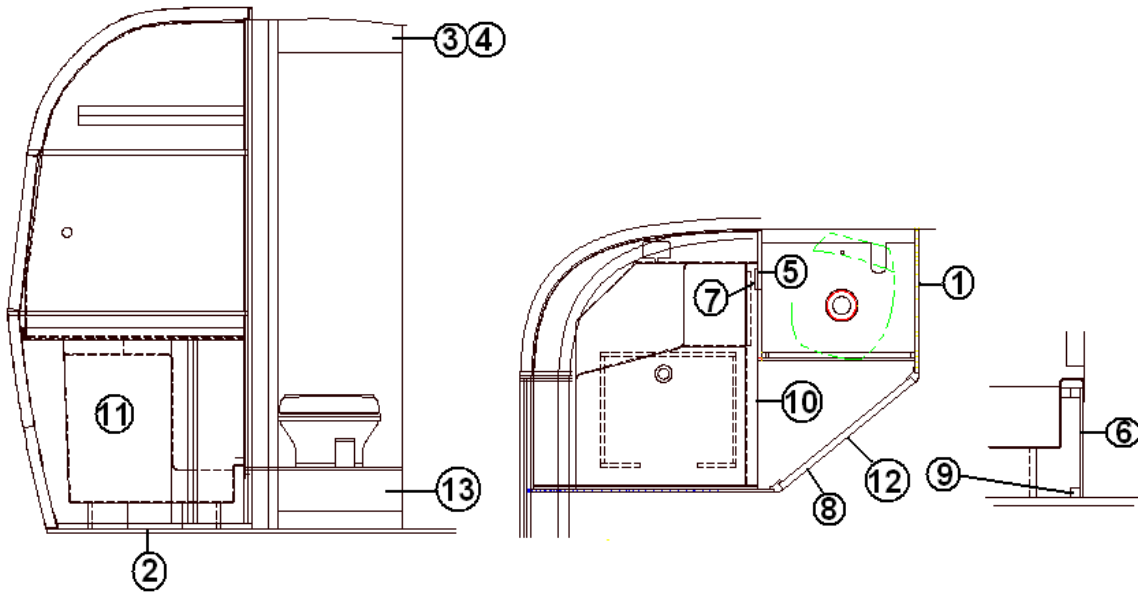


- | | | |
|-----|-----------|-----------------------------------|
| 1. | 111563-1 | PANEL, 23 X 77.84 |
| 2. | 111563-2 | PANEL, 38.34 X 79.48 |
| 3. | 111563-3 | PANEL, 26.13 X 4.75 |
| 4. | 111563-4 | PANEL, 26.13 X 4.75 |
| 5. | 111563-5 | PANEL, 12 X 66.63 |
| 6. | 111563-6 | PANEL, 9 X 23 |
| 7. | 111563-7 | PANEL, 63 X 3 |
| 8. | 801394-OB | CORNER TRIM, 45 DEGREE, 2" RADIUS |
| 9. | 800025-01 | PINE 3/4" X 3/4" STAINED |
| 10. | 702937-03 | SHOWER DOOR, ROLL AWAY 62 X 36 |
| 11. | 203114-02 | SHOWER 2 PC FIBERGLASS, WHITE |
| 12. | 966940 | DOOR, BATH, 25.50 X 72.00 |
| 13. | 966941 | STAND ASSY, TOILET |
| | 386106-01 | Rack, Magazine, White |
| | 386107 | Rod, Magazine Rack |

2012 INTERNATIONAL TRAVEL TRAILER

FURNITURE, BATH

Bath Lay Out, 19' Signature, SERENITY

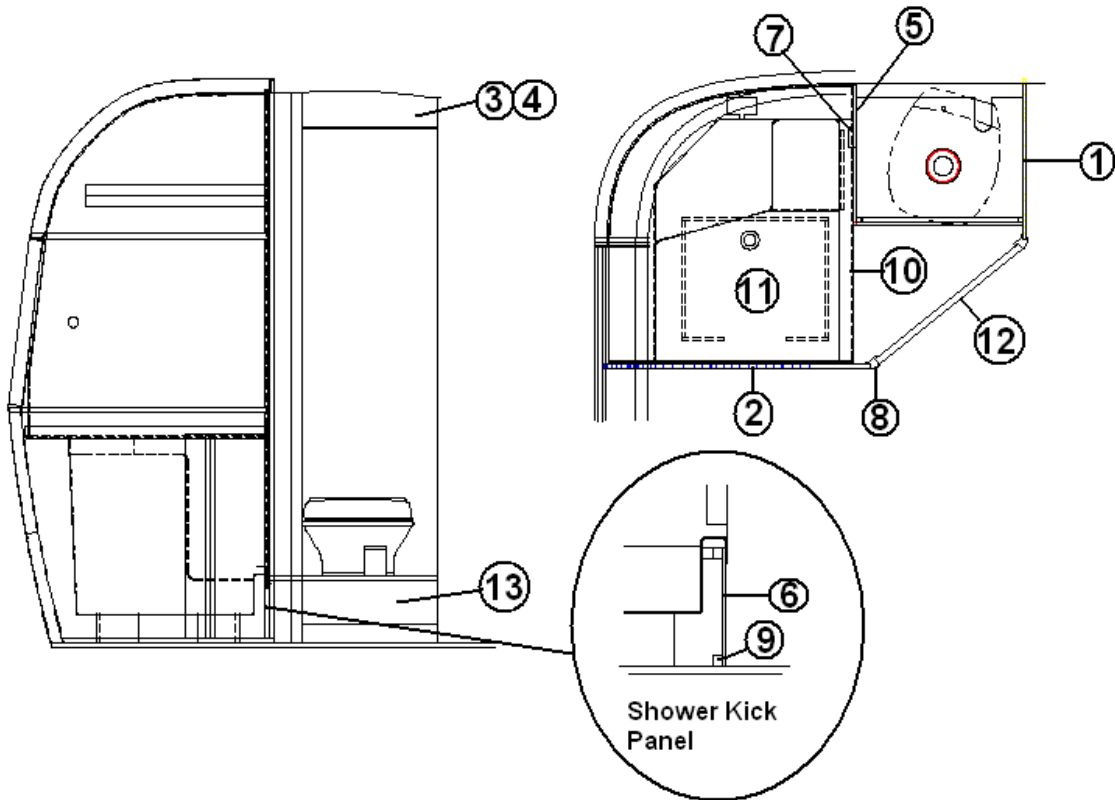


1.111563-151	PANEL, 23 X 77.84
2.111563-152	PANEL, 38.34 X 79.48
3.111563-153	PANEL, 26.13 X 4.75
4.111563-154	PANEL, 26.13 X 4.75
5.111563-5	PANEL, 12 X 66.63
6.111563-6	PANEL, 9 X 23
7.111563-7	PANEL, 63 X 3
8.801394-0018	CORNER TRIM, ASIAN SAND 45 DEGREE, 2" RADIUS
9.800025-01	PINE 3/4" X 3/4" STAINED
10.702937-06	SHOWER DOOR, ROLL AWAY WHITE 62 X 36
11.203114-02	SHOWER 2 PC FIBERGLASS, WHITE
12.967544-15	DOOR, BATH, WITH WINDOW
13.966941	STAND ASSY, TOILET

2012 INTERNATIONAL TRAVEL TRAILER

FURNITURE, BATH

Shower Compartment, 23' D, Signature, Wenge

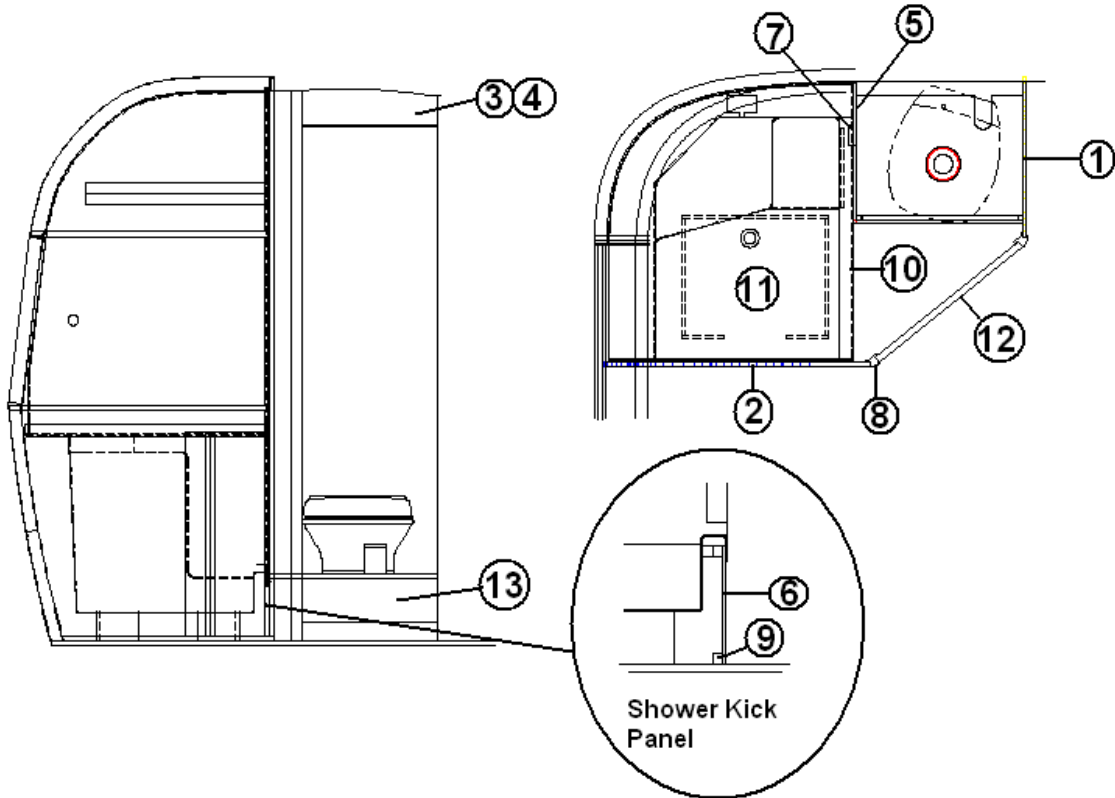


1.111557-1	PANEL, SHOWER, 23.00" X 77.84"
2.111557-2	PANEL, SHOWER, 38.34" X 79.48"
3.111557-3	PANEL, SHOWER, 26.13" X 4.75"
4.111557-4	PANEL, SHOWER, 26.13 X 4.75"
5.111557-5	PANEL, SHOWER, 12.00" X 66.63"
6.111557-6	PANEL, SHOWER, 9.00" X 23.00"
7.111557-7	PANEL, SHOWER, 63.00" X 3.00"
8.801394-0016	CORNER TRIM 45 DEGREE, 2" RADIUS
9.800025-01	PINE, 3/4" X 3/4" STAINED
10.702937-06	SHOWER DOOR, ROLL AWAY 62" X 36" WHITE
11.203114-02	SHOWER, 2 PC FIBERGLASS WHITE
12.966940	DOOR BATH, W/PORTHOLE, 25.50" X 72.00"
13.966941	STAND ASSY, TOILET
386106-01	Rack, Magazine, White
386107	Rod, Magazine Rack

2012 INTERNATIONAL TRAVEL TRAILER

FURNITURE, BATH

Shower Compartment, 23' D, Signature, SERENITY

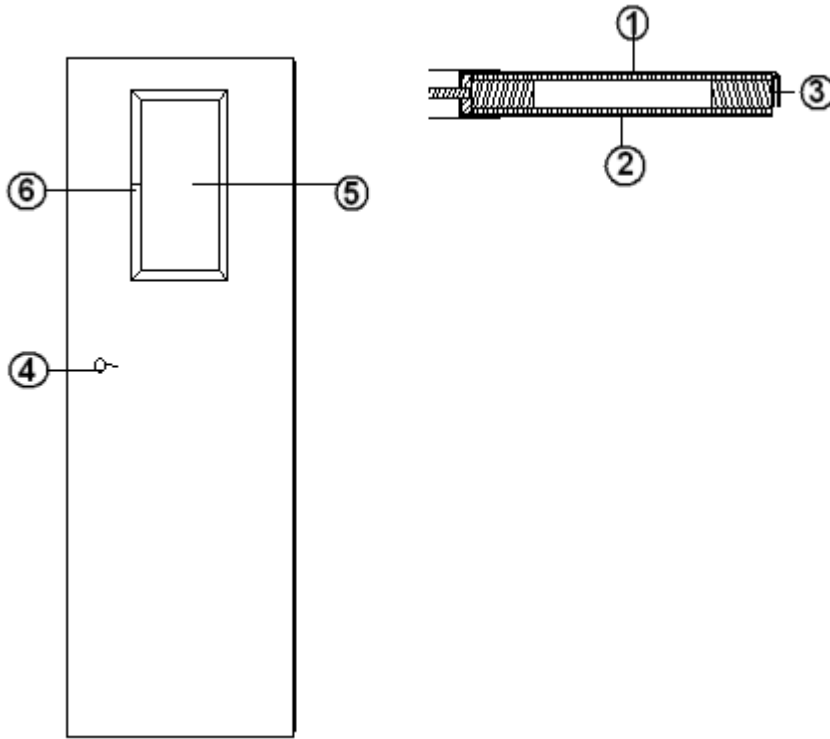


- | | | |
|-----|-------------|---|
| 1. | 111557-151 | PANEL, SHOWER, 23.00" X 77.84" |
| 2. | 111557-152 | PANEL, SHOWER, 38.34" X 79.48" |
| 3. | 111557-153 | PANEL, SHOWER, 26.13" X 4.75" |
| 4. | 111557-154 | PANEL, SHOWER, 26.13 X 4.75" |
| 5. | 111557-5 | PANEL, SHOWER, 12.00" X 66.63" |
| 6. | 111557-6 | PANEL, SHOWER, 9.00" X 23.00" |
| 7. | 111557-7 | PANEL, SHOWER, 63.00" X 3.00" |
| 8. | 801394-0018 | CORNER TRIM 45 DEGREE, 2" RADIUS ASIAN SAND |
| 9. | 800025-01 | PINE, 3/4" X 3/4" STAINED |
| 10. | 702937-06 | SHOWER DOOR, ROLL AWAY 62" X 36" |
| 11. | 203114-02 | SHOWER, 2 PC FIBERGLASS WHITE |
| 12. | 967544-15 | DOOR ASSY, BATH W/WINDOW |
| 13. | 966941 | STAND ASSY, TOILET |
| | 386106-01 | Rack, Magazine, White |
| | 386107 | Rod, Magazine Rack |

2012 INTERNATIONAL TRAVEL TRAILER

FURNITURE, BATH

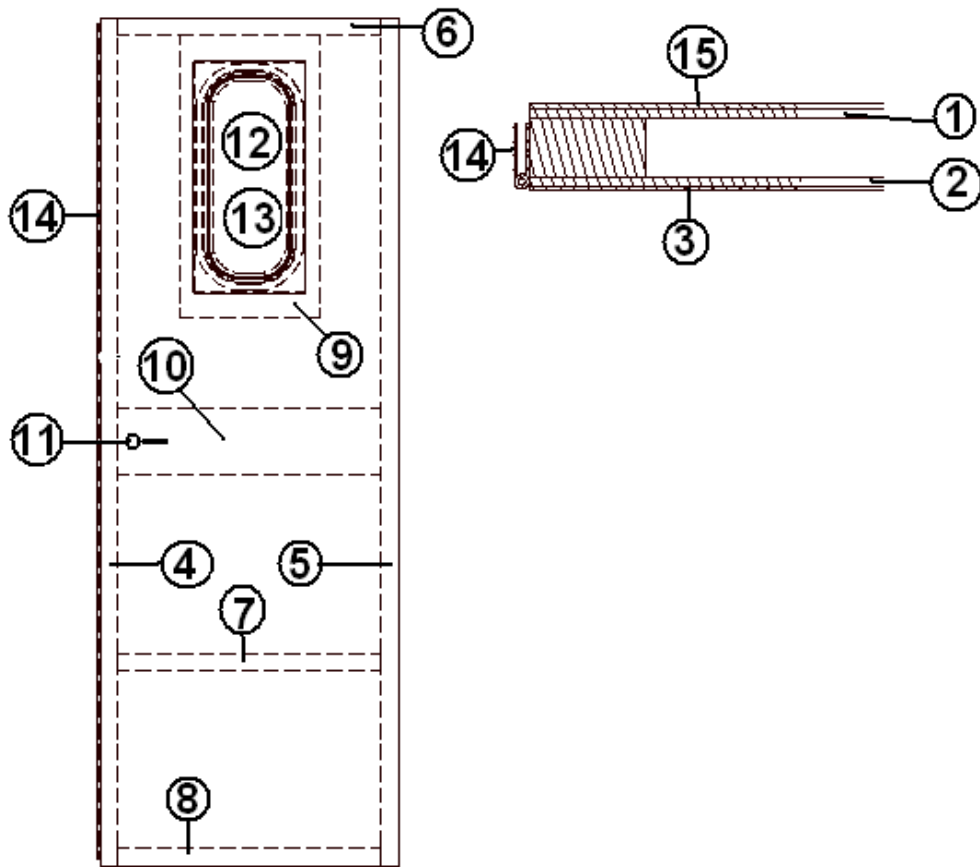
BATH DOOR, 19', 23' - SERENITY



- | | |
|--------------|-----------------------------------|
| 967544-15 | DOOR-BATH W/WINDOW 19-23 SERENITY |
| 1. 801833-01 | LAMINATE-ASIAN SAND VERTICAL |
| 2. 801355-01 | LAM-FROST WHT 4'X8'VERT #1573- |
| 3. 380203-01 | PIANO HINGE 1/8" PIN CLR ANODI |
| 4. 382034 | LATCH-FLUSH MOUNT |
| 5. 203676 | WINDOW-BATH DR GINGKO THATCH |
| 6. 115488 | ANGLE-ALUM. .06" X .5" X 1" |

2012 INTERNATIONAL TRAVEL TRAILER

Door, Bath, 19', 23' D, 30' Signature, WENGE

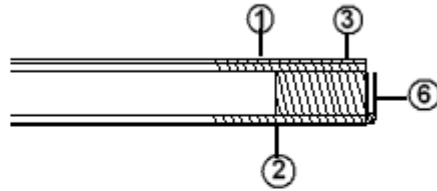


966940	Bath door
1. 966940-1	PANEL, 1/8" X 27.50" X 74"
2. 966940-2	PANEL, 1/8" X 27.50" X 74"
3. 801355-01	LAMINATE, FROSTY WHITE
4. 966940-4	PANEL, 1.50" x 72.5"
5. 966940-5	PANEL, 1.50" x 72.5"
6. 966940-6	PANEL, 1.50" x 23.25"
7. 966940-7	PANEL, 1.50" x 23.25"
8. 966940-8	PANEL, 1.50" x 23.25"
9. 966940-9	PANEL, 12.00" x 24.00
10. 966940-10	PANEL, 5.69" x 23.25"
11. 382034	LATCH, FLUSH MOUNT
12. 371384	BATH WINDOW 18"
13. 203475	TRIM, 18" STACK WINDOW
14. 380203-01	PIANO HINGE 1/8" PIN CEAR ANODIZED
15. 801355-01	LAMINATE, WHITE VERTICLE

2012 INTERNATIONAL TRAVEL TRAILER

FURNITURE, BATH

Door, Bath, W/PORT HOLE - 25FB EDDIE BAUER



967678-19

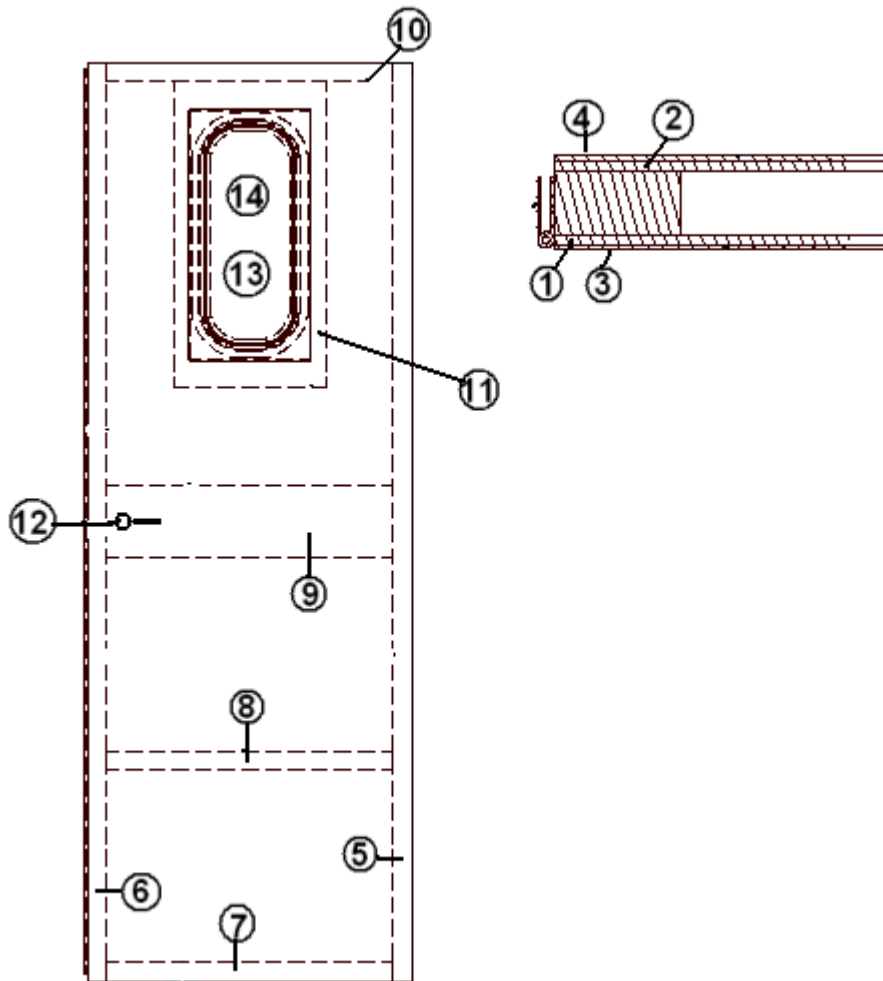
BATH DOOR W/PORTHOLE - EDDIE
BAUER

- | | |
|---------------|--------------------------------|
| 1. 800507-01 | PANEL, 27.50 X 74.00 |
| 2. 800507-01 | PANEL, 27.50 X 74.00 |
| 3. 967678-193 | PANEL-BATH DR 24 X 72 |
| 4. 800507-06 | LAUAN-.75" |
| 5. 382034 | LATCH-FLUSH MOUNT |
| 6. 380203-01 | PIANO HINGE 1/8" PIN CLR ANODI |
| 7. 371384 | BATH WINDOW 18" |
| 8. 203475 | TRIM- 18" STACK WINDOW |
| 365352-03 | EDGEBANDING, 1MM X 1.25" MAPLE |

2012 INTERNATIONAL TRAVEL TRAILER

FURNITURE, BATH

Door, Bath, 23'FB, Signature, Wenge



PART LISTED ON NEXT PAGE

2012 INTERNATIONAL TRAVEL TRAILER

FURNITURE, BATH

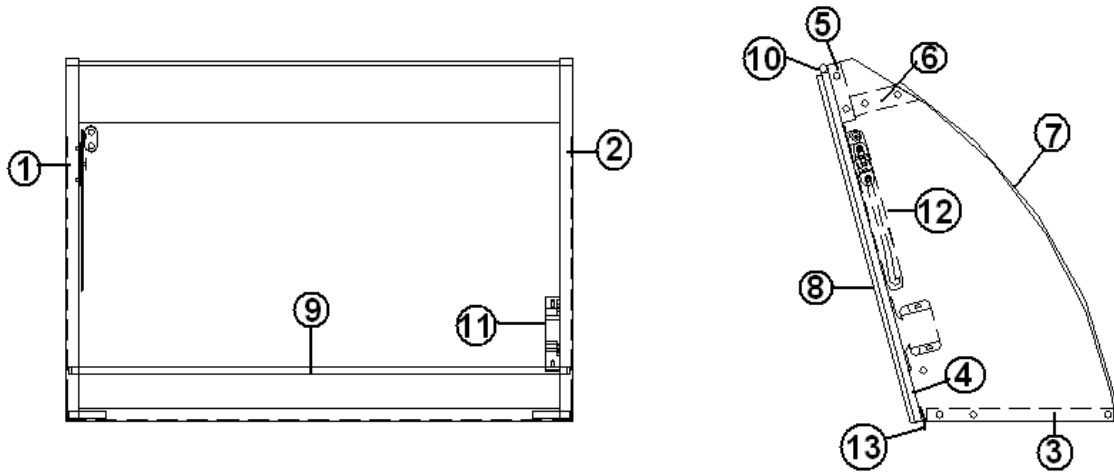
967637 BATH DOOR - 23FB INTERNATIONAL, Wenge

1. 967637-1 PANEL, DOOR 27.5 X 77.13
2. 967637-2 PANEL, DOOR 27.5 X 77.13
3. 967637-3 PANEL, DOOR 25.5 X 75.13
4. 801355-01 LAMINATE-FROST WHT
5. 800507-06 LAUAN-.75" X 4' 8'
6. 800507-06 LAUAN-.75" X 4' 8'
7. 800507-06 LAUAN-.75" X 4' 8'
8. 800507-06 LAUAN-.75" X 4' 8'
9. 800507-06 LAUAN-.75" X 4' 8'
10. 800507-06 LAUAN-.75" X 4' 8'
11. 800507-06 LAUAN-.75" X 4' 8'
12. 381771 LATCH, LEVER LOCKSET
13. 371384 BATH WINDOW 18"
14. 203475 TRIM- 18" STACK WINDOW 16'/22'
- 380203-01 PIANO HINGE 1/8" PIN CLR ANODI
- 454320 DOOR HANDLE COVER-SAF/CCD
- 365341-02 EDGE BANDING- .94" WENGE

2012 INTERNATIONAL TRAVEL TRAILER

FURNITURE, BATH

Medicine Cabinet, Upper, 19', 23' D, Signature, Wenge & SERENITY

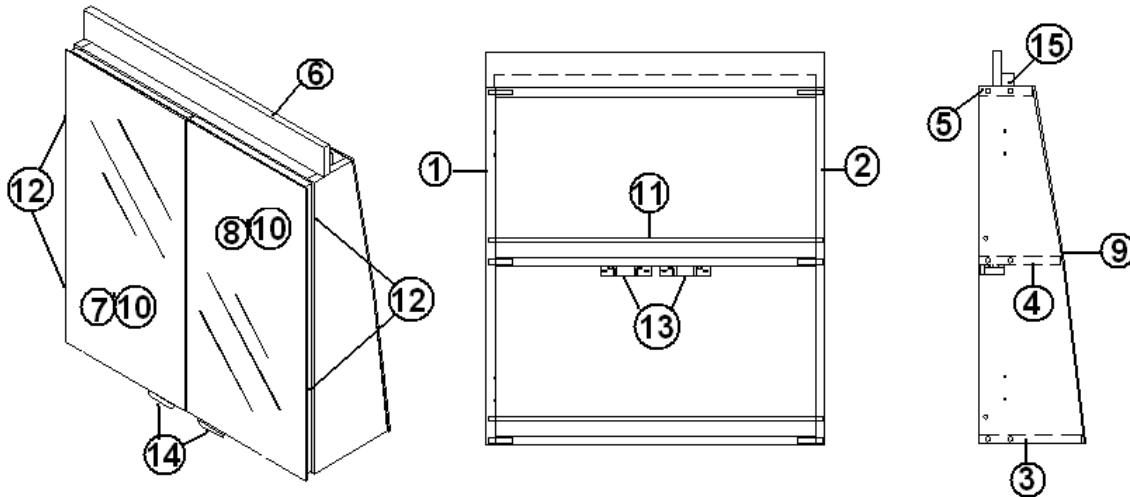


966921		CABINET, UPPER MEDICINE
1.	966921-1	PANEL, UPPER CABINET 10.44 X 13.5
2.	966921-2	PANEL, UPPER CABINET 10.44 X 13.50
3.	966921-3	PANEL, UPPER CABINET 7.00 X 17.97
4.	966921-4	PANEL, UPPER CABINET 13.88 X 18.88
5.	966921-5	PANEL, UPPER CABINET 2.25 X 17.97
6.	966921-6	PANEL, UPPER CABINET 2.50 X 17.97
7.	966921-7	PANEL, UPPER CABINET 16.25 X 19.0
8.	372203-05	MIRROR- POL EDGES- 19.00 X 14.00
9.	115042	ROD, .25" ALUMINUM, 6' LENGTH
10.	385935-01	HINGE, PIVOT ZINC PLATED
11.	381228-01	CATCH, GRABBER DOOR
12.	382126	LID STAY, CHROME #263 PC
13.	385940-02	MIRROR PULL, CHROME

2012 INTERNATIONAL TRAVEL TRAILER

FURNITURE, BATH

Medicine Cabinet, Lower, 19', 23' D, Signature, Wenge & SERENITY

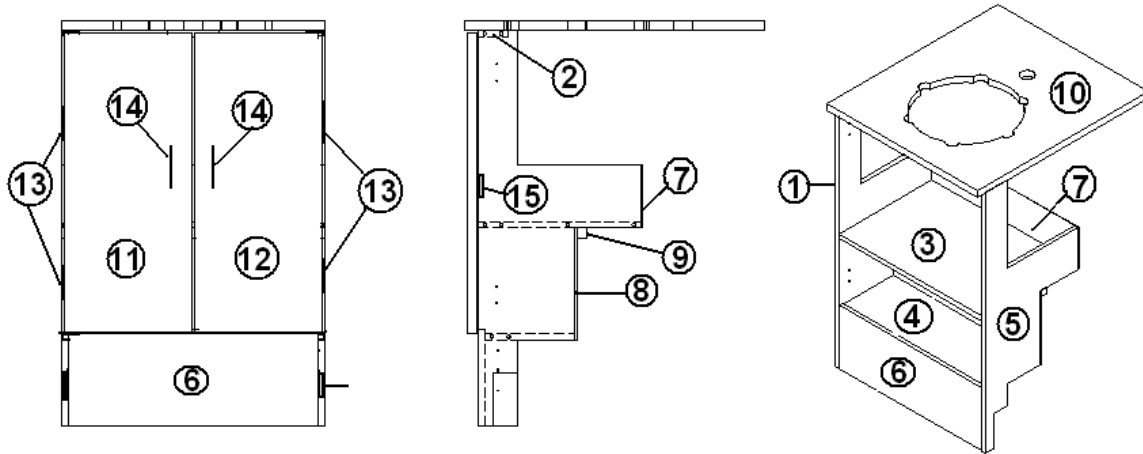


966922	CABINET ASSY-LOWER MED 19"
1. 966922-1	PANEL, LOWER CABINET, 5.89 X 20.00
2. 966922-2	PANEL, LOWER CABINET, 5.89 X 20.00
3. 966922-3	PANEL, LOWER CABINET, 5.75 X 17.97
4. 966922-4	PANEL, LOWER CABINET, 4.56 X 17.97
5. 966922-5	PANEL, LOWER CABINET, 3.00 X 17.97
6. 966922-6	PANEL, LOWER CABINET, 2.00 X 19.00
7. 966922-7	PANEL, LOWER CABINET, 9.25 X 19.75
8. 966922-8	PANEL, LOWER CABINET, 9.25 X 19.75
9. 966922-9	PANEL, LOWER CABINET, 20.25 X 19.00
10. 372203-24	MIRROR, 9.50 X 20.00
11. 115042	ROD, .25" ALUMINUM, 6' LENGTH
12. 385935-01	HINGE, PIVOT, ZINC PLATED
13. 381228-01	CATCH, GRABBER DOOR
14. 385940-02	MIRROR, PULL CHROME
15. 800025-01	PINE, 3/4" X 3/4" STAINED

2012 INTERNATIONAL TRAVEL TRAILER

FURNITURE, BATH

Lavatory Cabinet, 19', 23' D, Signature, Wenge

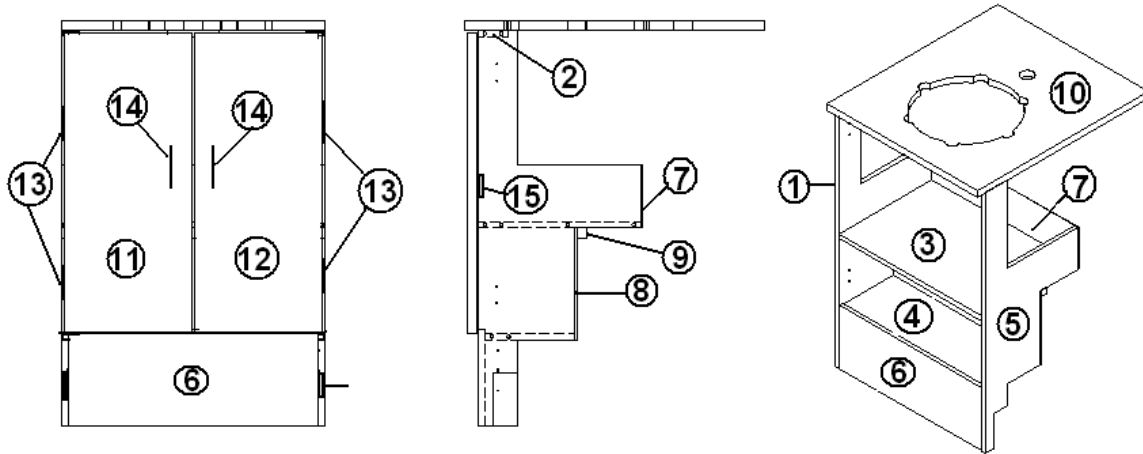


966919	CABINET ASSY. LAVATORY
1. 966919-1	PANEL, LAVY CABINET, 12.38 X 30.00
2. 966919-2	PANEL, LAVY CABINET, 2.25 X 19.00
3. 966919-3	PANEL, LAVY CABINET, 12.38 X 19.00
4. 966919-4	PANEL, LAVY CABINET, 6.81 X 19.00
5. 966919-5	PANEL, LAVY CABINET, 12.38 X 30.00
6. 966919-6	PANEL, LAVY CABINET, 19.00 X 7.25
7. 966919-7	PANEL, LAVY CABINET, 4.75 X 20.00
8. 966919-8	PANEL, LAVY CABINET, 6.50 X 20.00
9. 800025-01	PINE 3/4" X 3/4" STAINED
10. 966920	TOP ASSY. LAVY
11. 966919-13	DOOR, LAVY 9.75" X 22.88"
12. 966919-14	DOOR, LAVY 9.75" X 22.88"
13. 381607	HINGE ASSY
14. 382029-00	HANDLE BAR, 7.48"
15. 381228-01	CATCH GRABBER DOOR

2012 INTERNATIONAL TRAVEL TRAILER

FURNITURE, BATH

Lavatory Cabinet, 19', 23' D, Signature, SERENITY



966919-15

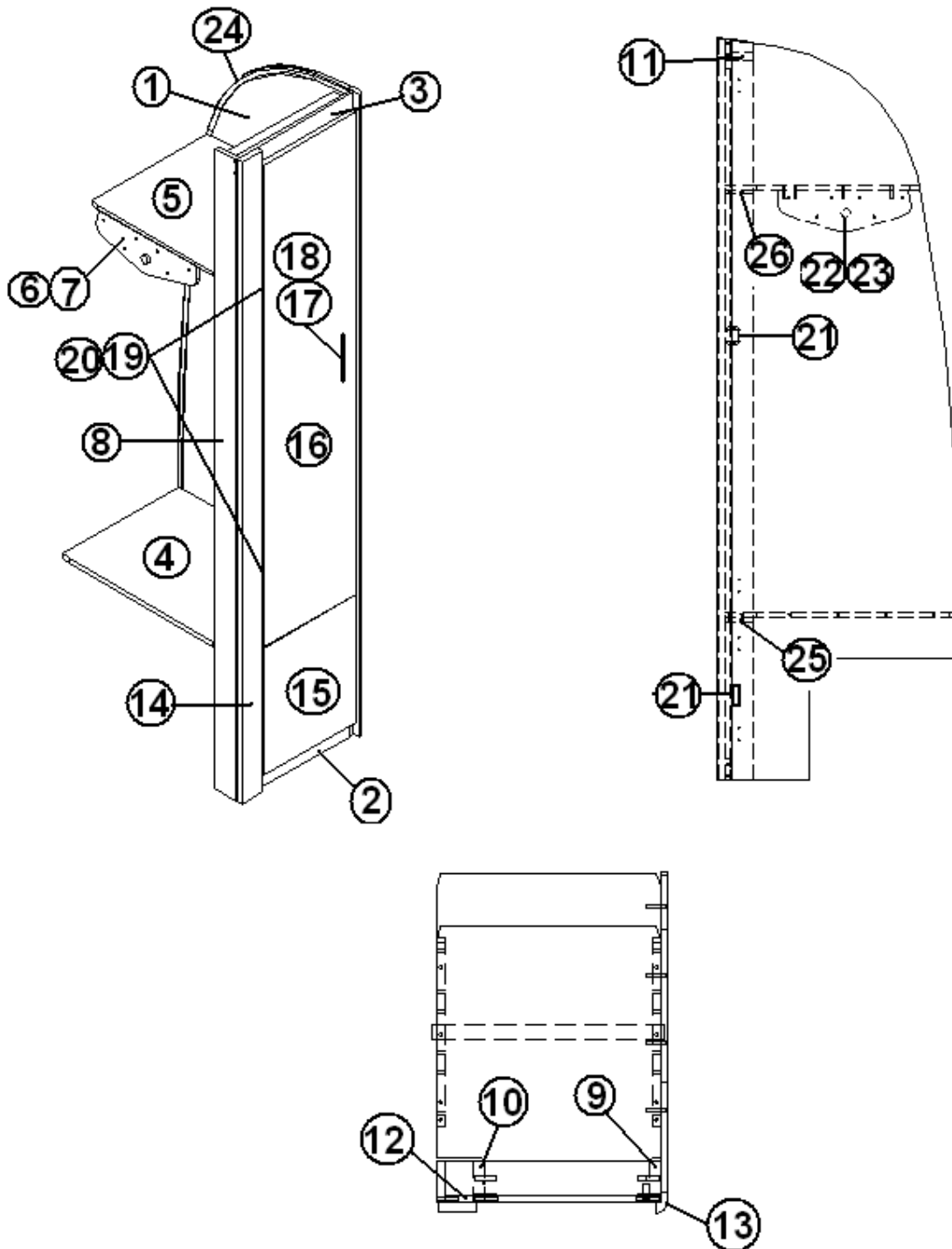
CABINET ASSY. LAVATORY

- | | |
|-----------------|------------------------------------|
| 1. 966919-1 | PANEL, LAVY CABINET, 12.38 X 30.00 |
| 2. 966919-2 | PANEL, LAVY CABINET, 2.25 X 19.00 |
| 3. 966919-3 | PANEL, LAVY CABINET, 12.38 X 19.00 |
| 4. 966919-4 | PANEL, LAVY CABINET, 6.81 X 19.00 |
| 5. 966919-5 | PANEL, LAVY CABINET, 12.38 X 30.00 |
| 6. 966919-156 | PANEL, LAVY CABINET, 19.00 X 7.25 |
| 7. 966919-7 | PANEL, LAVY CABINET, 4.715 X 20.00 |
| 8. 966919-8 | PANEL, LAVY CABINET, 6.50 X 20.00 |
| 9. 800025-01 | PINE 3/4" X 3/4" STAINED |
| 10. 966920-15 | TOP ASSY. LAVY |
| 11. 966919-1513 | DOOR, LAVY 9.75" X 22.88" |
| 12. 966919-1514 | DOOR, LAVY 9.75" X 22.88" |
| 13. 381607 | HINGE ASSY |
| 14. 382115 | PULL, FLAT BLACK #M575 |
| 15. 381228-01 | CATCH GRABBER DOOR |

2012 INTERNATIONAL TRAVEL TRAILER

FURNITURE, BATH

Wardrobe, 23' D Signature, Curbside, Wenge



Part Numbers are on the Next page

2012 INTERNATIONAL TRAVEL TRAILER

FURNITURE, BATH

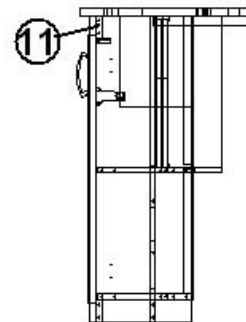
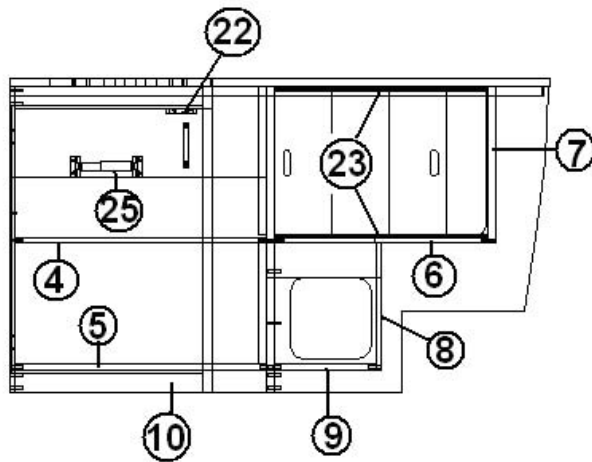
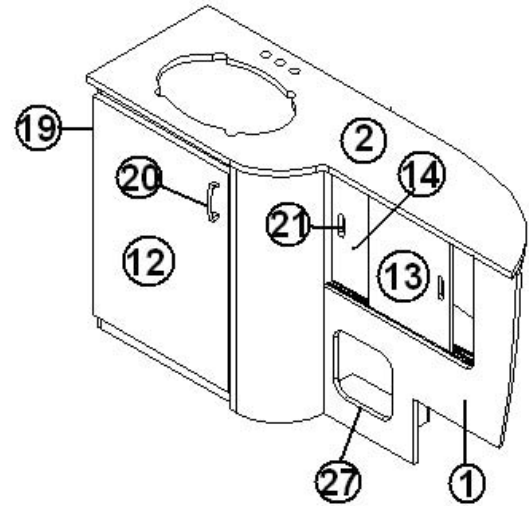
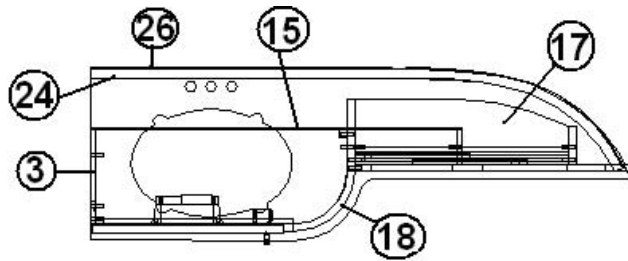
Wardrobe, 23' D Signature, Curbside, Wenge

966934	WARDROBE ASSY CS
1. 966934-1	PANEL, CS W/R, 23.8 X 77.9
2. 966934-2	PANEL, CS W/R, 12.315 X 2.25
3. 966934-3	PANEL, CS W/R, 16.0X 2.25
4. 966934-4	PANEL, CS W/R, 16.5 X 24.47
5. 966934-5	PANEL, CS W/R, 16.5 X 20.47
6. 966934-6	PANEL, CS W/R, 4.48 X 14.0
7. 966934-7	PANEL, CS W/R, 4.48 X 14.0
8. 966934-8	PANEL, CS W/R, 3.0 X 78.14
9. 966934-9	PANEL, CS W/R, 3.0 X 75.88
10. 966934-10	PANEL, CS W/R, 3.0 X 75.88
11. 966934-11	PANEL, CS W/R, 2.5 X 16.0
12. 966934-12	PANEL, CS W/R, 2.18 X 12.0
13. 801706-0016	CORNER TRIM 90 DEG 1"
14. 966934-15I	PANEL, CS W/R 2.88 X 78.14
15. 966934-16	DOOR CS W/R 12.94" X 15.50"
16. 966934-17	DOOR CS W/R 12.94 X 58.63
17. 382029-03	HANDLE, BAR 11.25"
18. 345001-08	MACH SCREW #8-32 X 1"
19. 381607	HINGE ASSY
20. 320006	SCREW SHEET METAL 8X3/4 BH PHI
21. 381228	CATCH GRABBER DOOR
22. 380045	TUBING 3/4", METALLIC
23. 200975-04	CONDUIT, FLEXIBLE BLACK PLASTIC
24. 203138-05	EXTRUSION, PLASTIC 1/2" WALL BLACK
25. 966934-30	PANEL, CS W/R, 3.0 X 12.31
26. 966934-31	PANEL, CS W/R, 3.0 X 12.31

2012 INTERNATIONAL TRAVEL TRAILER

FURNITURE, BATH

Lavatory Cabinet, 23' Front Bed



Part Numbers are on the next page

2012 INTERNATIONAL TRAVEL TRAILER

FURNITURE, BATH

Lavatory Cabinet, 23' Front Bed

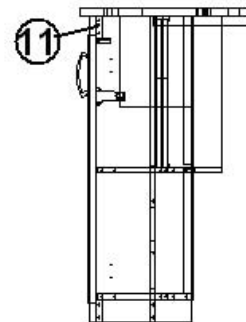
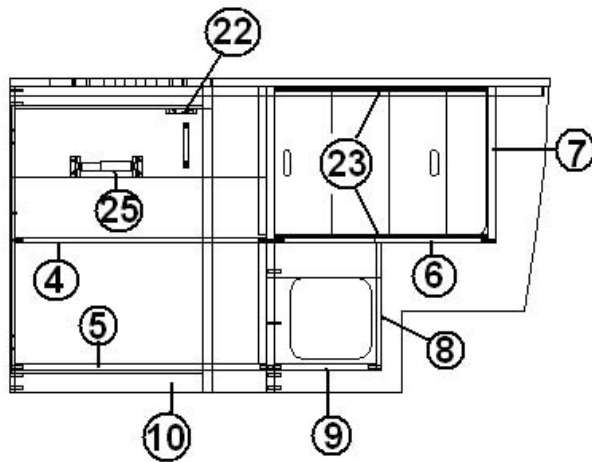
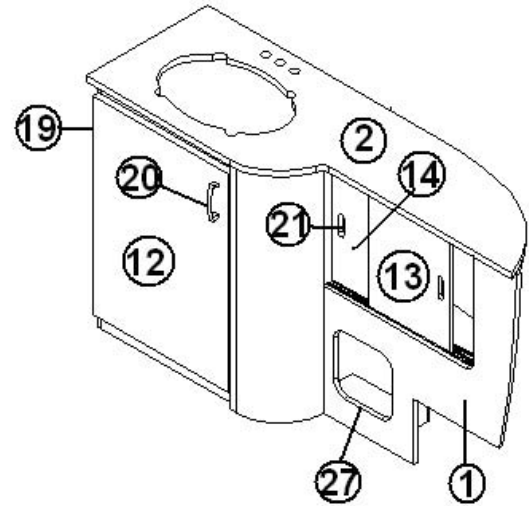
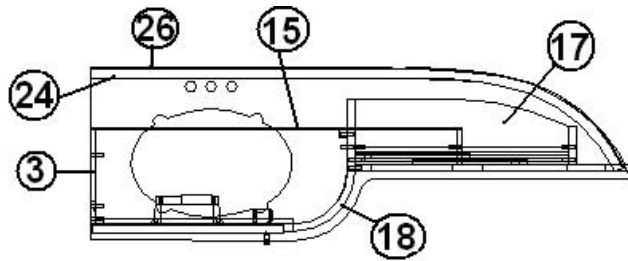
967321	Lavy assembly
1. 967321-1	Panel, 28.89 X 30.00
2. 967321-2	Top, Oak
3. 967321-3	Panel, 9.27 X 30.00
4. 967321-4	Panel, 9.27 X 24.64
5. 967321-5	Panel, 9.27 X 24.64
6. 967321-6	Panel, 7.02 X 20.85
7. 967321-7	Panel, 3.75 X 15.38
8. 967321-8	Panel, 3.5 X 12.88
9. 967321-9	Panel, 3.50 X 10.00
10. 967321-10	Panel, 2.25 X 19.42
11. 967321-11	Panel, 2.25 X 19.42
12. 967321-12	Door, lavy 18.67 X 26.13
13. 967321-13	Door, lavy 11.25 X 14.50
14. 967321-14	Door, lavy 11.25 X 14.50
15. 967321-14	Panel, 36.42 X 18.75
17. 967321-17	Panel, 22.38 X 7.50
18. 967198	Sub assembly, radius, lavy
19. 381607	Hinge assembly, Grass
20. 382030	PULL, recessed finger
21. 382030	Pull, recessed finger
22. 381228-01	Catch, grabber door
23. 115374	Extrusion, sliding door track, .5"
24. 114812	Aluminum angle, 1.00 X 1.00
25. 380034	Toilet paper holder, chrome
26. 201673	Reverse cove molding, white,
27. 203445	Molding black, flexible poly .5
454853	Leaf spring - Lavy Door

NOTE: Item 16 omitted.

2012 INTERNATIONAL TRAVEL TRAILER

FURNITURE, BATH

Lavatory Cabinet, 23' Front Bed, Serenity



Part Numbers are on the next page

2012 INTERNATIONAL TRAVEL TRAILER

FURNITURE, BATH

Lavatory Cabinet, 23' Front Bed, Serenity

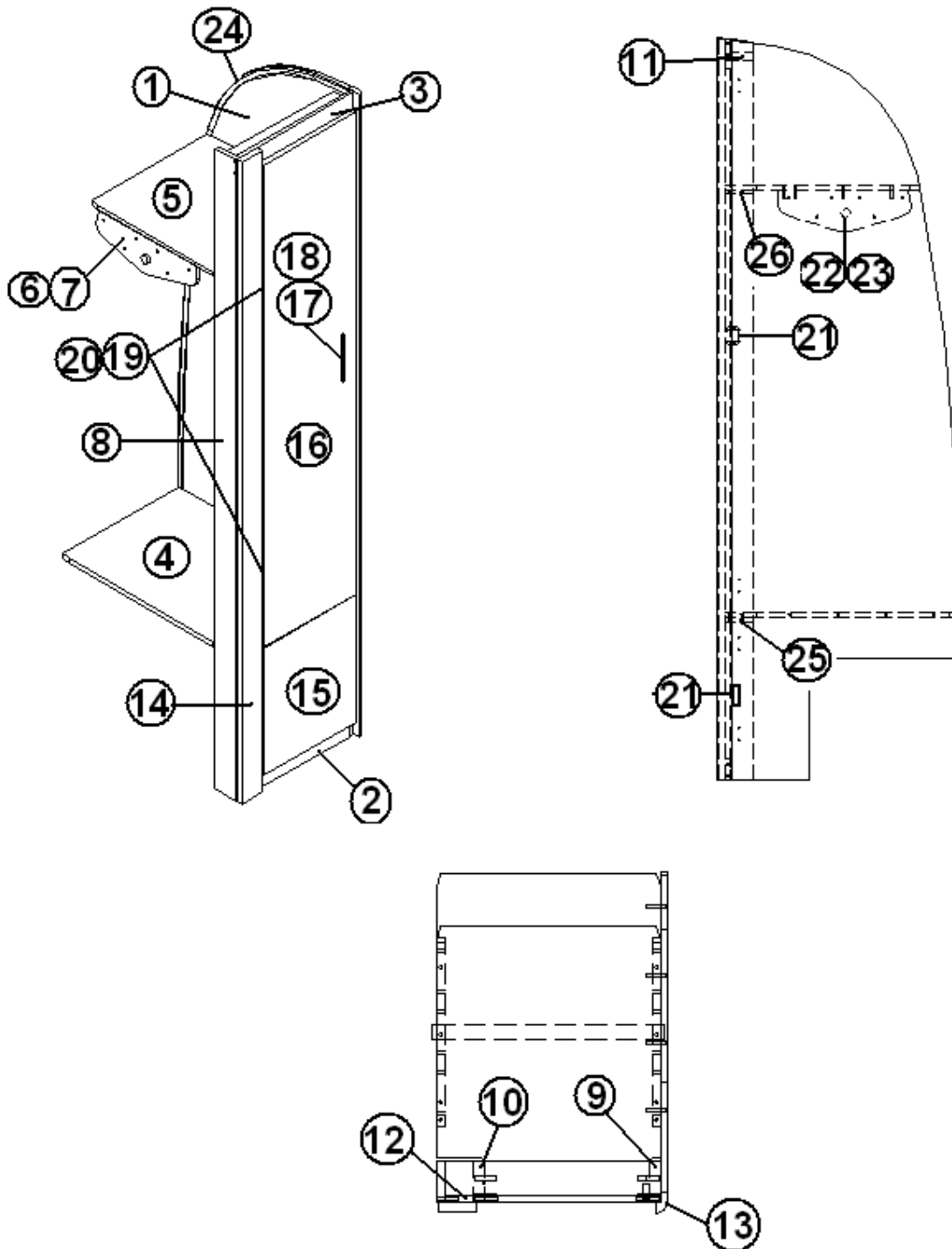
967321-15	Lavy assembly
1.967321-151	Panel, 28.89 X 30.00
2.967321-152	Top, Serenity
3.967321-3	Panel, 9.27 X 30.00
4.967321-4	Panel, 9.27 X 24.64
5.967321-5	Panel, 9.27 X 24.64
6.967321-6	Panel, 7.02 X 20.85
7.967321-7	Panel, 3.75 X 15.38
8.967321-8	Panel, 3.5 X 12.88
9.967321-9	Panel, 3.50 X 10.00
10.967321-1510	Panel, 2.25 X 19.42
11.967321-1511	Panel, 2.25 X 19.42
12.967321-1512	Door, lavy 18.67 X 26.13
13.96721-1513	Door, lavy 11.25 X 14.50
14.967321-1514	Door, lavy 11.25 X 14.50
15.967321-15I	Panel, 36.42 X 18.75
16.967321-17	Panel, 22.38 X 7.50
17.967198	Sub assembly, radius, lavy
18.381607	Hinge assembly, Grass
19.382030	PULL, recessed finger
20.382030	Pull, recessed finger
21.381228-01	Catch, grabber door
22.115374	Extrusion, sliding door track, .5"
23.114812	Aluminum angle, 1.00 X 1.00
24.380034	Toilet paper holder, chrome
25.201673	Reverse cove molding, white,
26.203445	Molding black, flexible poly .5
454853	Leaf spring – Lavy Door

NOTE: Item 16 omitted.

2012 INTERNATIONAL TRAVEL TRAILER

FURNITURE, BATH

Wardrobe, 23' D Signature, Curbside, SERENITY



Part Numbers are on the Next page

2012 INTERNATIONAL TRAVEL TRAILER

FURNITURE, BATH

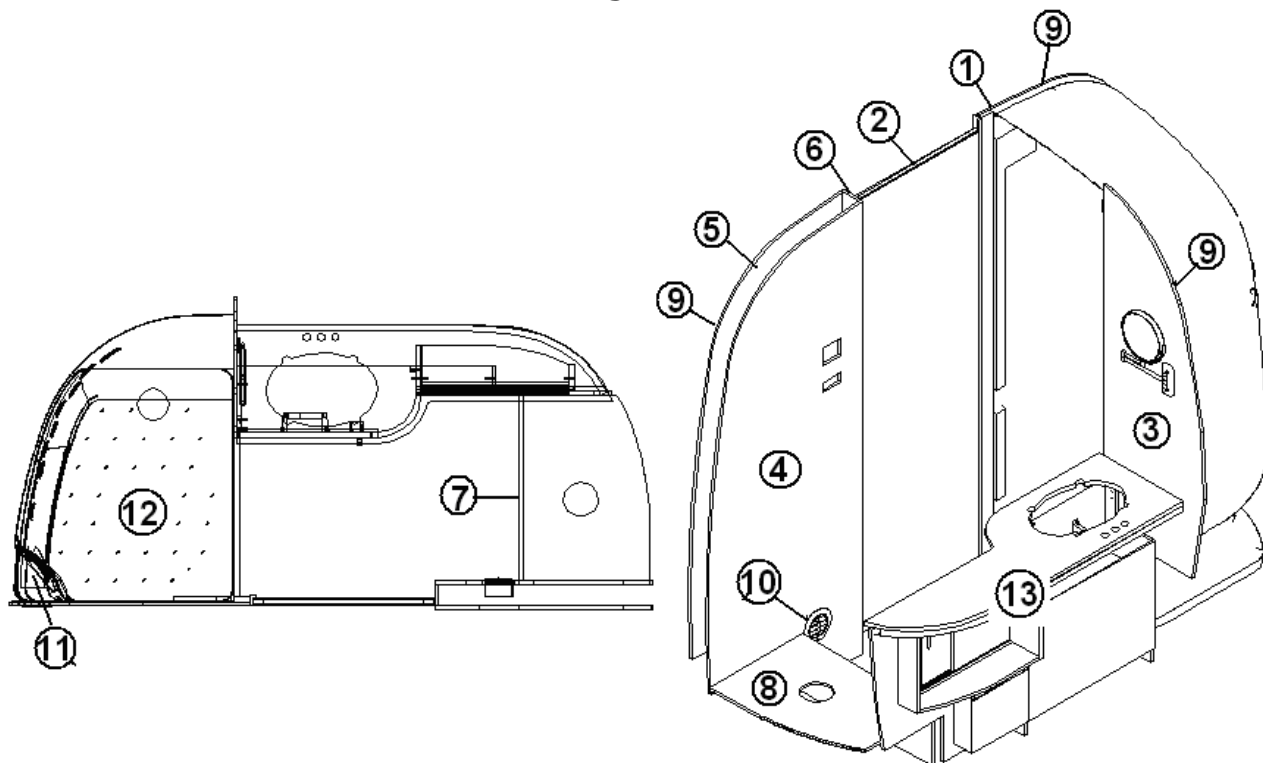
Wardrobe, 23' D Signature, Curbside, SERENITY

966934-15	WARDROBE ASSY CS
1. 966934-151	PANEL, CS W/R, 23.8 X 77.9
2. 966934-152	PANEL, CS W/R, 12.315 X 2.25
3. 966934-153	PANEL, CS W/R, 16.0X 2.25
4. 966934-4	PANEL, CS W/R, 16.5 X 24.47
5. 966934-5	PANEL, CS W/R, 16.5 X 20.47
6. 966934-6	PANEL, CS W/R, 4.48 X 14.0
7. 966934-7	PANEL, CS W/R, 4.48 X 14.0
8. 966934-158	PANEL, CS W/R, 3.0 X 78.14
9. 966934-9	PANEL, CS W/R, 3.0 X 75.88
10. 966934-10	PANEL, CS W/R, 3.0 X 75.88
11. 966934-11	PANEL, CS W/R, 2.5 X 16.0
12. 966934-12	PANEL, CS W/R, 2.18 X 75.00
13. 801706-0018	CORNER TRIM 90 DEG 1"Asian Sand
14. 966934-1515	PANEL, CS W/R 2.88 X 78.14
15. 966934-1516	DOOR CS W/R 12.94" X 15.50"
16. 966934-1517	DOOR CS W/R 12.94 X 58.63
17. 382115	PULL, FLAT BLACK #M575
18. 345001-08	MACH SCREW #8-32 X 1"
19. 381607	HINGE ASSY
20. 320006	SCREW, METAL 8X3/4 BH PHI
21. 381228	CATCH GRABBER DOOR
22. 380045	TUBING 3/4", METALLIC
23. 200975-04	CONDUIT, BLACK PLASTIC
24. 203138-03	EXTRUSION, PLASTIC 1/2" BEIGE
25. 966934-30	PANEL, CS W/R, 3.0 X 12.31
26. 966934-31	PANEL, CS W/R, 3.0 X 12.31

2012 INTERNATIONAL TRAVEL TRAILER

FURNITURE, BATH

Bath Module, 23' Front Bed, Wenge

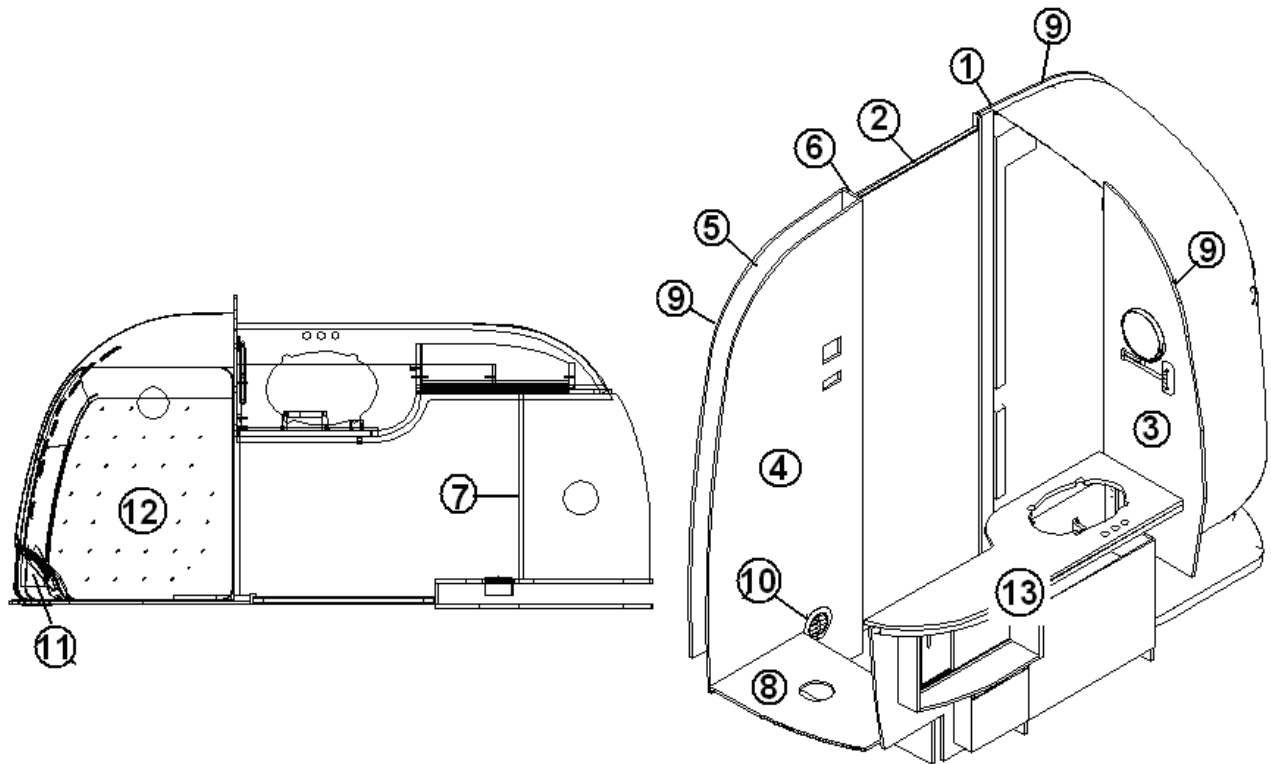


- | | | |
|-----|-------------|-------------------------------|
| 1. | 967325 | Forward panel sub assembly |
| 2. | 967637 | Bath Door |
| 3. | 111730-3 | Panel, 20.92 x 78.08 |
| 4. | 111730-4 | Panel, 30.76 X 78.39 |
| 5. | 111730-5 | Panel, 30.76 X 78.39 |
| 6. | 111730-6 | Panel, 3.00 X 78.55 |
| 7. | 111730-7 | Panel, 20.5 x 7.25 |
| 8. | 967455 | Toilet Stand |
| 9. | 203138-05 | Wall extrusion, Black |
| 10. | 601244-01 | Register, round, brown |
| 11. | 111730-13 | Panel, 5.5 X 5.5 |
| 12. | 203615 | Shower |
| 13. | 967321 | Lavatory assembly |
| | 801665-0016 | Molding "L", door jamb, Wenge |
| | 381945 | Dry Erase Board, 11" x 14" |
| | 381834 | Coat Hook, Aluminum |
| | 382063 | Retractable Clothes Line |

2012 INTERNATIONAL TRAVEL TRAILER

FURNITURE, BATH

Bath Module, 23' Front Bed - SERENITY

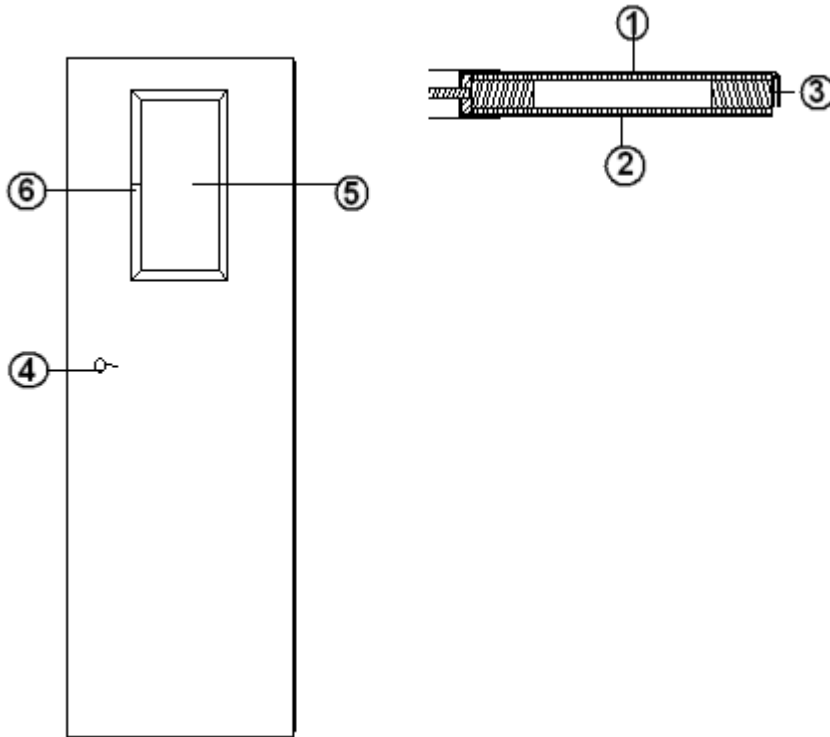


- | | | |
|-----|-------------|------------------------------------|
| 1. | 967325-15 | Sub Assy., FWD SHOWER PANEL |
| 2. | 967647 | BATH DOOR W/WINDOW |
| 3. | 111730-153 | Panel, 20.92 x 78.08 |
| 4. | 111730-154 | Panel, 30.76 X 78.39 |
| 5. | 111730-155 | Panel, 30.76 X 78.39 |
| 6. | 111730-156 | Panel, 3.00 X 78.55 |
| 7. | 111730-157 | Panel, 20.5 x 7.25 |
| 8. | 967455 | Toilet Stand |
| 9. | 203138-03 | Wall extrusion, Beige |
| 10. | 601244-01 | Register, round, brown |
| 11. | 111730-1513 | Panel, 5.5 X 5.5 |
| 12. | 203615 | Shower |
| 13. | 967321-15 | Lavatory assembly |
| | 801665-0018 | Molding "L", door jamb, ASIAN SAND |
| | 381945 | Dry Erase Board, 11" x 14" |
| | 703911-02 | Shower Door 22 x 65 Brush Nickel |
| | 381834 | Coat Hook, Aluminum |
| | 382063 | Retractable Clothes Line |

2012 INTERNATIONAL TRAVEL TRAILER

FURNITURE, BATH

BATH DOOR W/WINDOW, 23'FB, SERENITY



967647

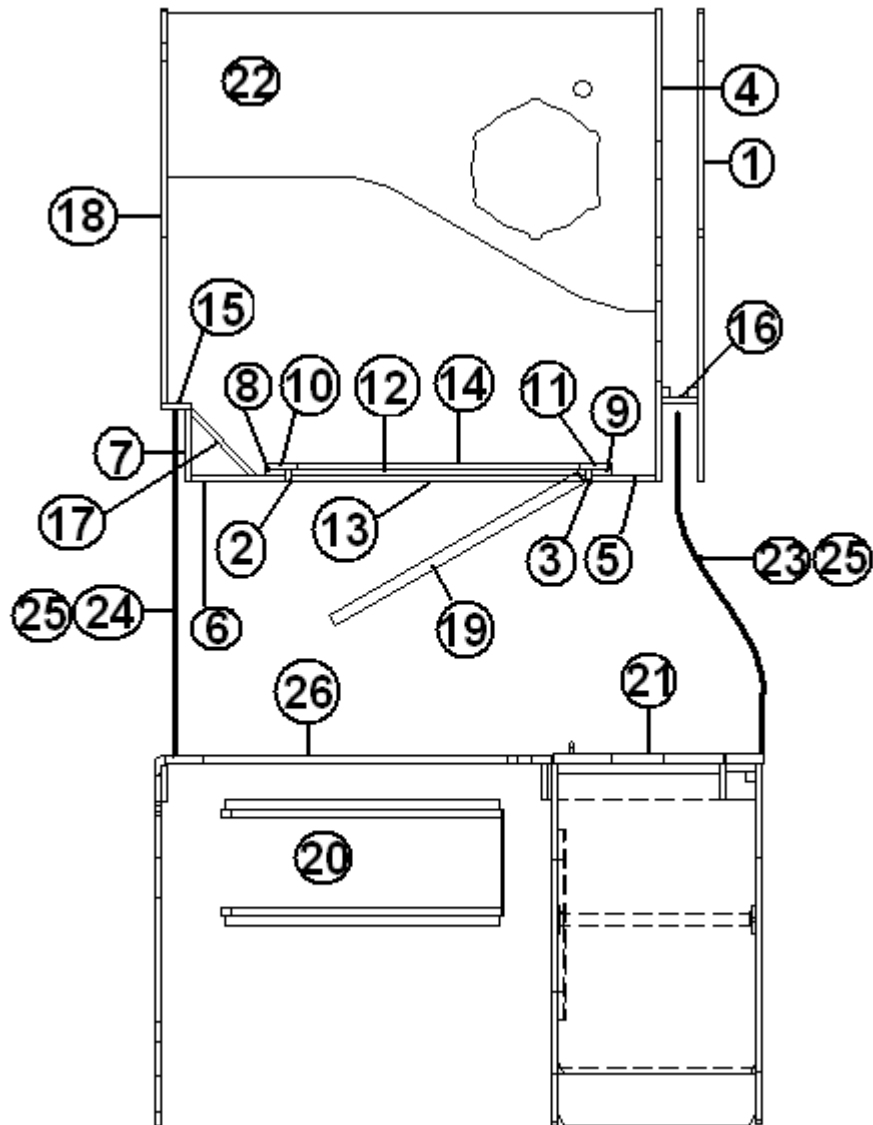
DOOR-BATH W/WINDOW 23'FB SERENITY

- | | |
|--------------|--------------------------------|
| 1. 967647-1 | PANEL-DOOR 25.50X75.13 |
| 2. 967647-2 | PANEL-DOOR 25.50X75.13 |
| 3. 380203-01 | PIANO HINGE 1/8" PIN CLR ANODI |
| 4. 381771 | LATCH-LEVER LOCKSET |
| 5. 203676 | WINDOW-BATH DR GINGKO THATCH |
| 6. 115488 | ANGLE-ALUM. .06" X .5" X 1" |

2012 INTERNATIONAL TRAVEL TRAILER

FURNITURE, BATH

Bath Lay Out, 25' Signature, Front Bed, Wenge



Part Numbers on the Next Page

2012 INTERNATIONAL TRAVEL TRAILER

FURNITURE, BATH

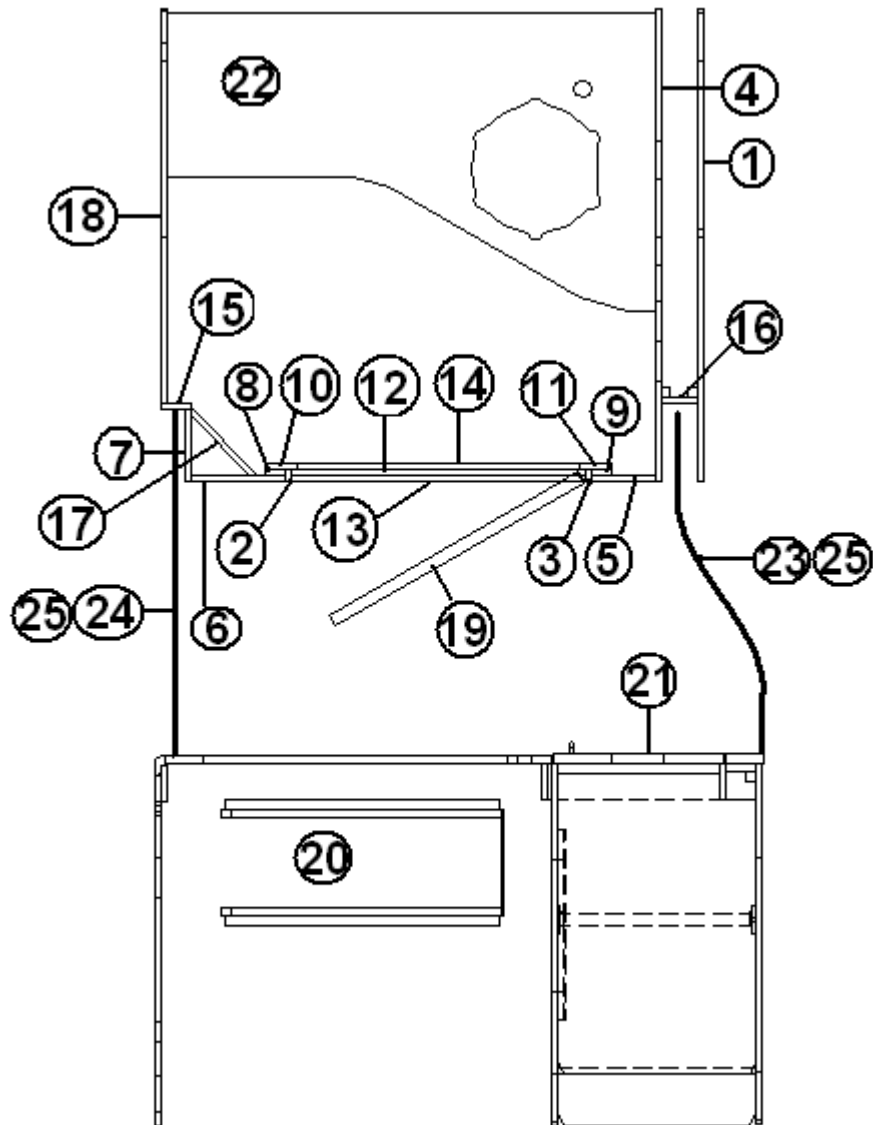
Bath Lay Out, 25' Signature, Front Bed, Wenge

1. 111565-1	PANEL, BATH, 79.44" X 39.50"
2. 111565-2	PANEL, BATH, 1.13" X 79.50"
3. 111565-3	PANEL, BATH, 1.13" X 79.50 "
4. 111565-4	PANEL, BATH, 79.44" X 39.50"
5. 111565-5	PANEL, BATH, 5.375" X 79.5"
6. 111565-6	PANEL, BATH, 8.00" X 79.5"
7. 111565-7	PANEL, BATH, 6.00" X 79.5"
8. 111565-8	PANEL, BATH, 1.69 " X 79.5"
9. 111565-9	PANEL, BATH, 1.69 " X 79.5"
10. 111565-10	PANEL, BATH, 2.75" X 79.5"
11. 111565-11	PANEL, BATH, 2.75" X 79.5"
12. 111565-12	PANEL, BATH, 24.625" X 3.50"
13. 111565-13	PANEL, BATH, 24.625" X 3.50"
14. 111565-14	PANEL, BATH, 23.625" X 3.75"
15. 111565-15I	PANEL, BATH, 2.50" X 79.04 "
16. 111565-16	PANEL, BATH, 3.00" X 79.25"
17. 111565-17	PANEL, BATH, 8.00" X 79.13"
18. 111565-18	PANEL, BATH, 79.00" X 33.00"
19. 966895	DOOR ASSY, BATH, 24" X 72"
20. 966879	SHOWER COMPARTMENT ASSY
21. 966905	WARDROBE ASSY.
22. 966902	LAVATORY CABINET ASSY
23. 381890-01	TRACK, FORMED FOLDETTTE
24. 381890-02	TRACK, STRAIGHT FOLDETTTE
25. 702681-07	DOOR, FOLDETTTE 60"X 73" GREY
26. 703911-01	SHOWER DOOR-BRUSHED NICKEL

2012 INTERNATIONAL TRAVEL TRAILER

FURNITURE, BATH

Bath Lay Out, 25' Signature, Front Bed, SERENITY



Part Numbers on the Next Page

2012 INTERNATIONAL TRAVEL TRAILER

FURNITURE, BATH

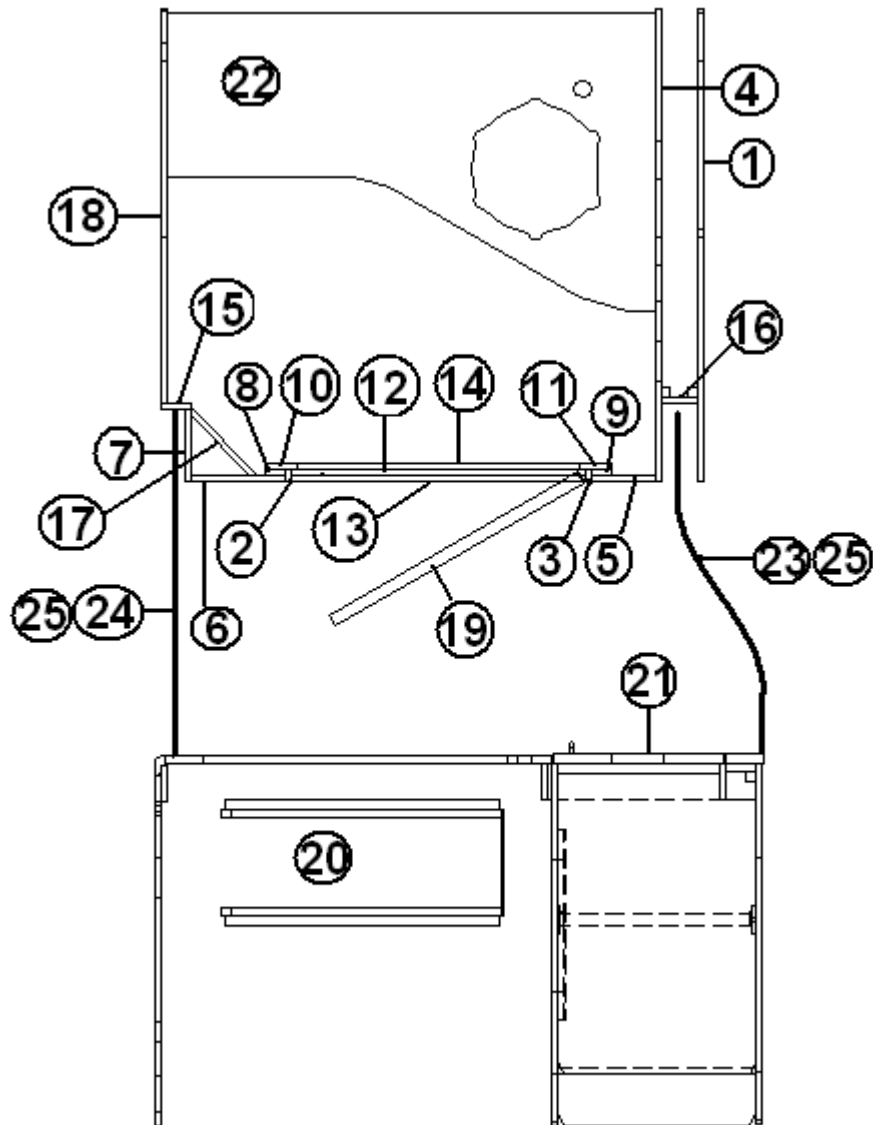
Bath Lay Out, 25' Signature, Front Bed, SERENITY

1. 111565-151	PANEL, BATH, 79.44" X 39.50"
2. 111565-152	PANEL, BATH, 1.13" X 79.50 "
3. 111565-153	PANEL, BATH, 1.13"X 79.50 "
4. 111565-154	PANEL, BATH, 79.44" X 39.50"
5. 111565-155	PANEL, BATH, 5.375" X 79.5"
6. 111565-156	PANEL, BATH, 8.00" X 79.5"
7. 111565-157	PANEL, BATH, 6.00" X 79.5"
8. 111565-158	PANEL, BATH, 1.69 " X 79.5"
9. 111565-159	PANEL, BATH, 1.69 " X 79.36 "
10. 111565-1510	PANEL, BATH, 2.75" X 79.5"
11. 111565-1511	PANEL, BATH, 2.75" X 79.5"
12.111565-1512	PANEL, BATH, 24.625" X 3.50"
13.111565-1513	PANEL, BATH, 24.625" X 3.50"
14.111565-1514	PANEL, BATH, 23.625" X 3.75"
15.111565-1515	PANEL, BATH, 2.50" X 79.04 "
16.111565-16	PANEL, BATH, 3.00" X 79.25"
17.111565-17	PANEL, BATH, 8.00" X 79.13"
18.111565-1518	PANEL, BATH, 79.00" X 33.00"
19.967546-15	DOOR ASSY, BATH, 24" X 72",W/WINDOW
20.966879-15	SHOWER COMPT ASSY
21.966905-15	WARDROBE ASSY.
22.966902-15	LAVATORY CABINET ASSY
23.381890-01	TRACK, FORMED FOLDETTE
24.381890-02	TRACK, STRAIGHT FOLDETTE
25.702681-07	DOOR-FOLDETTE 60""X 73"" GREY
26.703911-01	SHOWER DOOR-BRUSHED NICKEL

2012 INTERNATIONAL TRAVEL TRAILER

FURNITURE, BATH

Bath Lay Out, 25' Signature, Front Bed - EDDIE BAUER



Part Numbers on the Next Page

2012 INTERNATIONAL TRAVEL TRAILER

FURNITURE, BATH

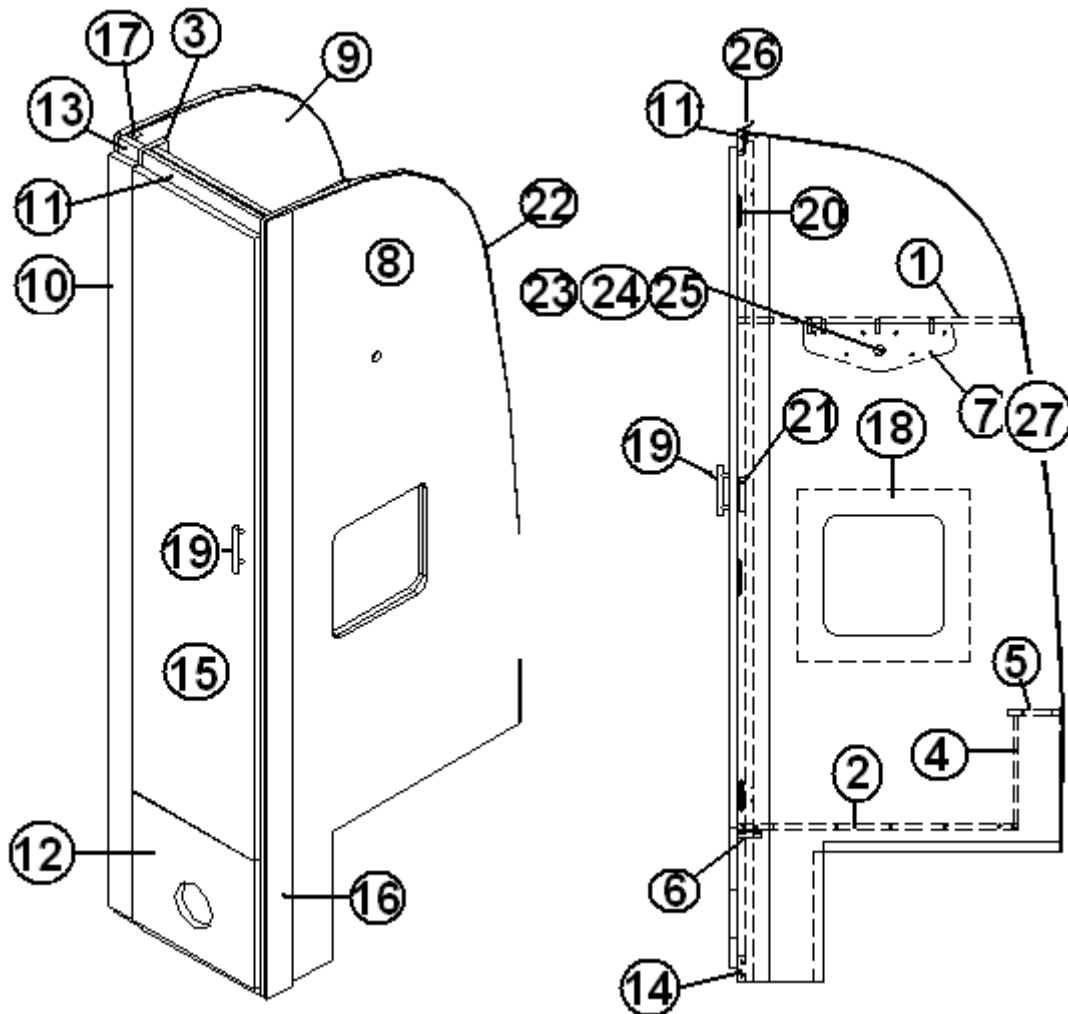
Bath Lay Out, 25' Signature, Front Bed, EDDIE BAUER

1. 111565-191 PANEL, BATH, 79.44" X 39.50"
2. 111565-192 PANEL, BATH, 1.13" X 79.50 "
3. 111565-193 PANEL, BATH, 1.13"X 79.50 "
4. 111565-194 PANEL, BATH, 79.44" X 39.50"
5. 111565-195 PANEL, BATH, 5.375" X 79.5"
6. 111565-196 PANEL, BATH, 8.00" X 79.5"
7. 111565-197 PANEL, BATH, 6.00" X 79.5"
8. 111565-198 PANEL, BATH, 1.69 " X 79.5"
9. 111565-199 PANEL, BATH, 1.69 " X 79.36 "
10. 111565-1910 PANEL, BATH, 2.75" X 79.5"
11. 111565-1911 PANEL, BATH, 2.75" X 79.5"
12. 111565-1912 PANEL, BATH, 24.625" X 3.50"
13. 111565-1913 PANEL, BATH, 24.625" X 3.50"
14. 111565-1914 PANEL, BATH, 23.625" X 3.75"
15. 111565-1915 PANEL, BATH, 2.50" X 79.04 "
16. 111565-16 PANEL, BATH, 3.00" X 79.25"
17. 111565-17 PANEL, BATH, 8.00" X 79.13"
18. 111565-1918 PANEL, BATH, 79.00" X 33.00"
19. 966895-19 DOOR ASSY, BATH, 24" X 72"
20. 966879-19 SHOWER COMPT ASSY
21. 966905-19 WARDROBE ASSY.
22. 966902-19 LAVATORY CABINET ASSY
23. 381890-01 TRACK, FORMED FOLDETTTE
24. 381890-02 TRACK, STRAIGHT FOLDETTTE
25. 702681-07 DOOR-FOLDETTTE 60""X 73"" GREY
26. 703911-01 SHOWER DOOR-BRUSHED NICKEL

2012 INTERNATIONAL TRAVEL TRAILER

FURNITURE, BATH

Wardrobe, 25' Signature, Front Bed, Wenge



Part Numbers on the Next Page

2012 INTERNATIONAL TRAVEL TRAILER

FURNITURE, BATH

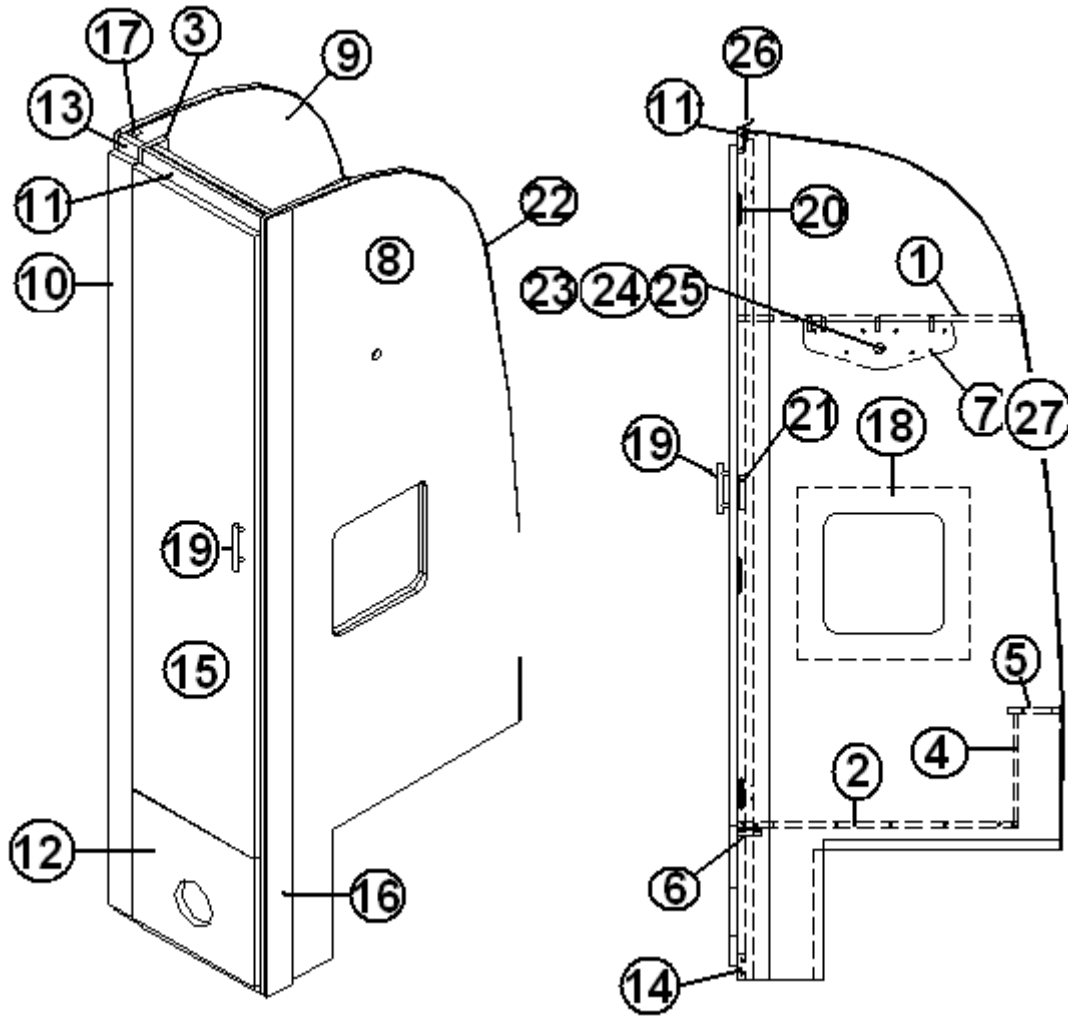
Wardrobe, 25' Signature, Front Bed, Wenge

966905	Wardrobe, 25' Front Bed, Wenge
1. 966905-1	PANEL, 16.56" X 26.50"
2. 966905-2	PANEL, 16.56" X 26.00"
3. 966905-3	PANEL, 3" X 78.88"
4. 966905-4	PANEL, 10" X 16.56"
5. 966905-5	PANEL, 5.25" X 16.56"
6. 966905-6	PANEL, 2.5" X 13.63"
7. 966905-7	PANEL, 4.5" X 14.00"
8. 966905-8	PANEL, 30.09" X 78.88"
9. 966905-9	PANEL 30.09" X 78.88"
10. 966905-10	PANEL, 2.69" X 76.19"
11. 966905-11	PANEL, 13.63" X 2.5"
12. 966905-12	PANEL, 14.25" X 13.00"
13. 966905-13	PANEL, 2.44" X 78.88"
14. 966905-14	PANEL, 2.5" X 13.63"
15. 966905-15I	DOOR, 14.25" X 63.06"
16. 800507-02	PANEL, 3.0" X 78.88", LAUAN
17. 800025-01	PINE, 3/4" X 3/4" STAINED
18. 966883	CLOSEOUT
19. 382029-03	HANDLE, BAR 11.25"
20. 381228-01	CATCH GRABBER DOOR
21. 381607	HINGE ASSY, GRASS EURO
22. 203138-05	EXTRUSION, PLASTIC, 1/2" BLACK
23. 380045	TUBING 3/4", METAL
24. 200975-04	CONDUIT, FLEXIBLE BLACK PLASTIC
25. 380046	FLANGE CHROME
26. 104821	SUPPORT, ROOFLOCKER, 74"
27. 966905-30	Panel, 4.5 x 14.00

2012 INTERNATIONAL TRAVEL TRAILER

FURNITURE, BATH

Wardrobe, 25' Signature, Front Bed, Serenity



Part Numbers on the Next Page

2012 INTERNATIONAL TRAVEL TRAILER

FURNITURE, BATH

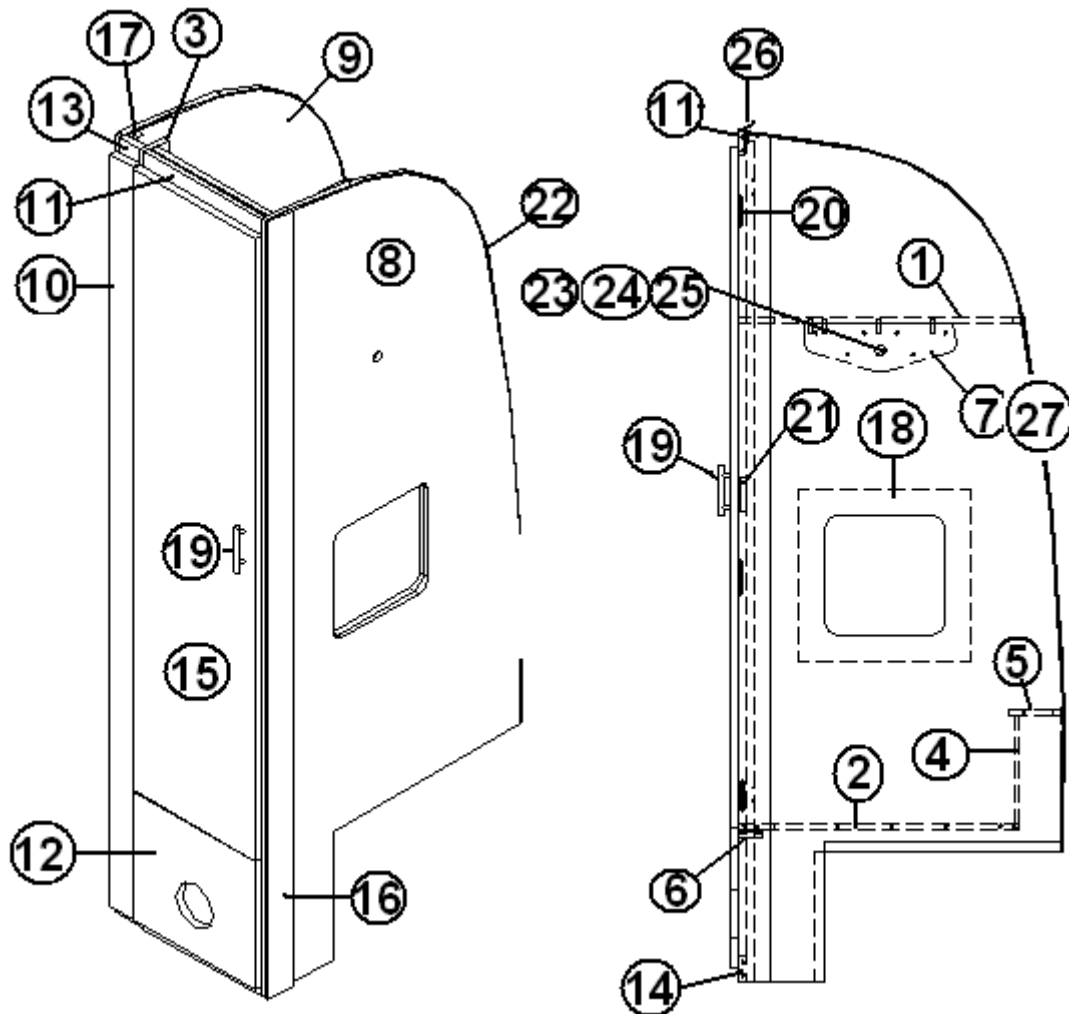
Wardrobe, 25' Signature, Front Bed, Serenity

966905-15	Wardrobe, 25' Front Bed, SERENITYWenge
1. 966905-1	PANEL, 16.56" X 26.50"
2. 966905-2	PANEL, 16.56" X 26.00"
3. 966905-3	PANEL, 3" X 78.88"
4. 966905-4	PANEL, 10" X 16.56"
5. 966905-5	PANEL, 5.25" X 16.56"
6. 966905-6	PANEL, 2.25" X 13.63"
7. 966905-7	PANEL, 4.5" X 14.00"
8. 966905-8	PANEL, 30.09" X 78.88"
9. 966905-9	PANEL 30.09" X 78.88"
10. 966905-1510	PANEL, 2.69" X 76.19"
11. 966905-1511	PANEL, 13.63" X 2.5"
12. 966905-1512	PANEL, 14.25" X 13.00"
13. 966905-1513	PANEL, 2.44" X 78.88"
14. 966905-1514	PANEL, 2.5" X 13.63"
15. 966905-1515	DOOR, 14.25" X 63.06"
16. 800507-02	PANEL, 3.0" X 78.88", LAUAN
17. 800025-01	PINE, 3/4" X 3/4" STAINED
18. 966883	CLOSEOUT
19. 382115	PULL, FLAT BLACK #M575
20. 381607	HINGE ASSY, GRASS EURO
21. 381228-01	CATCH GRABBER DOOR
22. 203138-03	EXTRUSION, PLASTIC, BEIGE
23. 380045	TUBING 3/4", METAL
24. 200975-04	CONDUIT, BLACK PLASTIC
25. 380046	FLANGE CHROME
26. 104821	SUPPORT, ROOFLOCKER, 74"
27. 966905-30	Panel, 4.5 x 14.00

2012 INTERNATIONAL TRAVEL TRAILER

FURNITURE, BATH

Wardrobe, 25' Front Bed, EDDIE BAUER



Part Numbers on the Next Page

2012 INTERNATIONAL TRAVEL TRAILER

FURNITURE, BATH

Wardrobe, 25' Front Bed, EDDIE BAUER

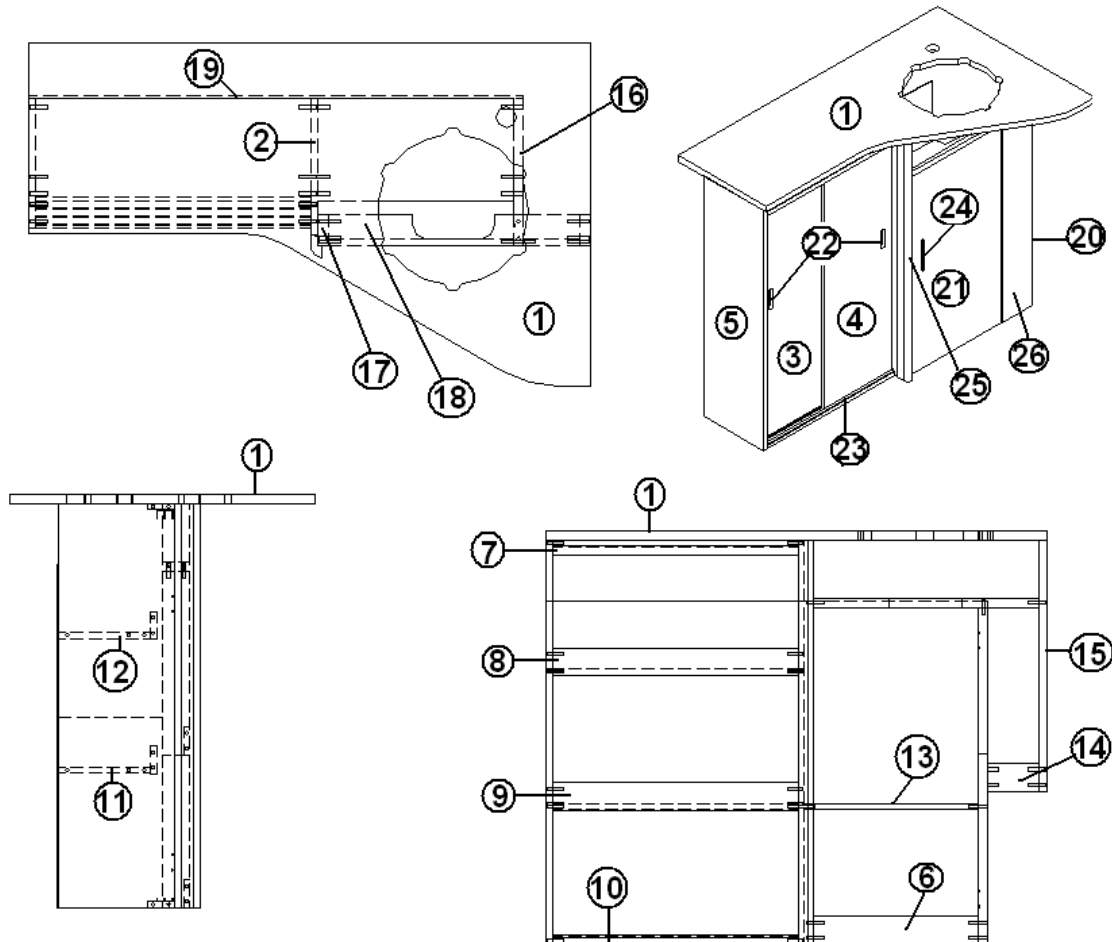
966905-19 Wardrobe, 25'FB, EDDIE BAUER

1. 966905-191	PANEL, 16.56" X 26.50"
2. 966905-192	PANEL, 16.56" X 26.00"
3. 966905-193	PANEL, 3" X 78.88"
4. 966905-194	PANEL, 10" X 16.56"
5. 966905-195	PANEL, 5.25" X 16.56"
6. 966905-195	PANEL, 2.25" X 13.63"
7. 966905-197	PANEL, 4.5" X 14.00"
8. 966905-198	PANEL, 30.09" X 78.88"
9. 966905-199	PANEL 30.09" X 78.88"
10. 966905-1910	PANEL 2.69" X 76.19"
11. 966905-1911	PANEL, 13.63" X 2.5"
12. 966905-1912	PANEL, 14.25" X 13.00"
13. 966905-1913	PANEL, 2.44" X 78.88"
14. 966905-1914	PANEL, 2.5" X 13.63"
15. 966905-1915	DOOR, 14.25" X 63.06"
16. 800507-02	PANEL, 3.0" X 78.88", LAUAN
17. 800025-01	PINE, 3/4" X 3/4" STAINED
18. 966883	CLOSEOUT
19. 382029-00	HANDLE BAR, 7.48" #4701-128-CR
20. 381607	HINGE ASSY, GRASS EURO
21. 381228-01	CATCH GRABBER DOOR
22. 203138-04	EXTRUSION, PLASTIC 1/2" OAK
23. 380045	TUBING 3/4", METAL
24. 200975-04	CONDUIT, BLACK PLASTIC
25. 380046	FLANGE CHROME
26. 104821	SUPPORT, ROOFLOCKER, 74"
27. 966905-1930	PANEL, 4.5 X 14.00

2012 INTERNATIONAL TRAVEL TRAILER

FURNITURE, BATH

Lavatory Cabinet, 25' Front Bed, Signature, Wenge



Part Numbers on the Next Page

2012 INTERNATIONAL TRAVEL TRAILER

FURNITURE, BATH

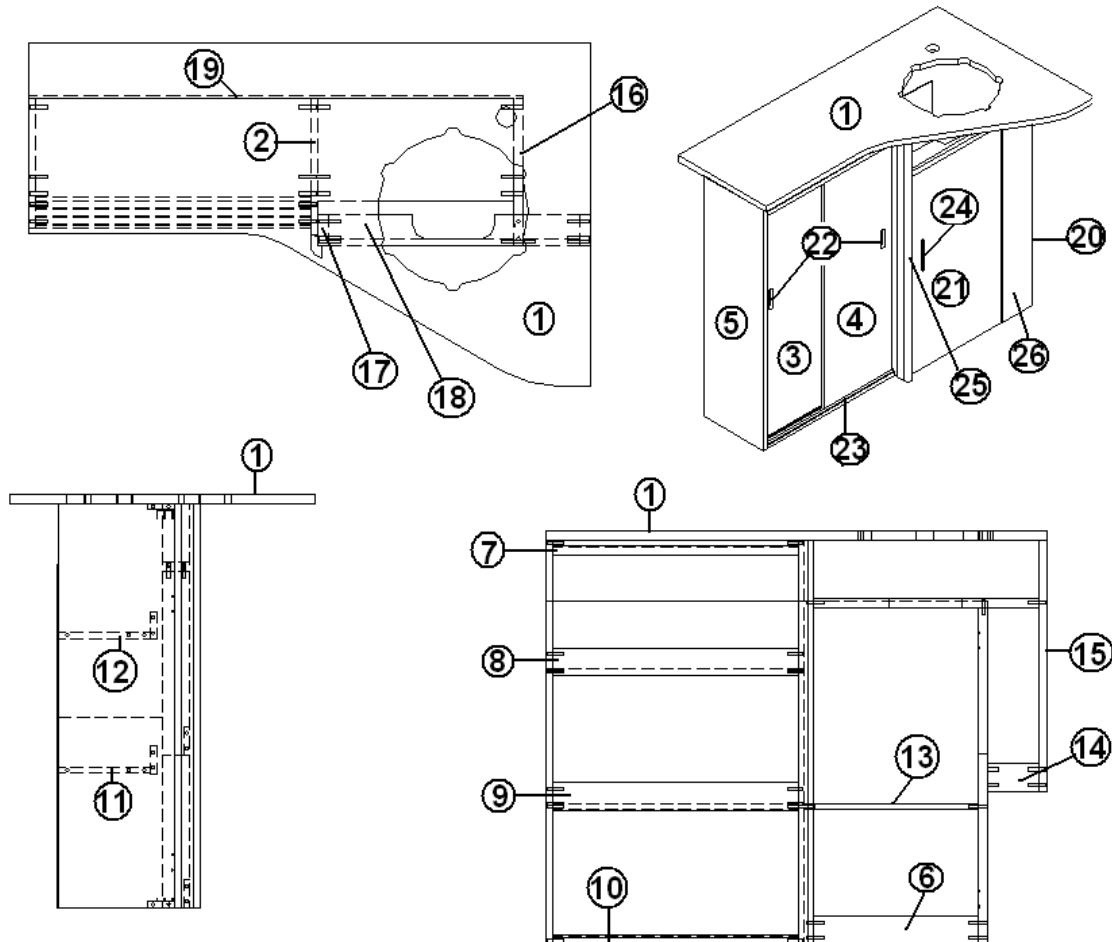
Lavatory Cabinet, 25' Front Bed, Signature, Wenge

966902	LAVATORY CABINET
1. 966903	LAVATORY TOP
2. 966902-01	PANEL, LAVY 10 X 33
3. 966902-3	PANEL, LAVY 10.81 X 15.38
4. 966902-4	PANEL, LAVY 10.81 X 15.38
5. 966902-5	PANEL, LAVY 9.5 X 33
6. 966902-6	PANEL, LAVY 2.25 X 13.5
7. 966902-7	PANEL, LAVY 2.25 X 20.12
8. 966902-8	PANEL, LAVY 10.81 X 15.38"
9. 966902-9	PANEL, LAVY 10.81 X 15.38
10. 966902-10	PANEL, LAVY 2.25 X 20.12
11. 966902-11	PANEL, LAVY 9.5 X 20.13
12. 966902-12	PANEL, LAVY 7.5 X 20.12
13. 966902-13	PANEL, LAVY 7.5 X 14.25
14. 966902-14	PANEL, LAVY 2.25 X 4.12
15. 966902-15I	PANEL, LAVY 2.25 X 33.00
16. 966902-16	PANEL, LAVY 10.75 X 27.5
17. 966902-17	PANEL, LAVY 2.25 X 33.00
18. 966902-18	PANEL, LAVY, 2.25 X 18.38
19. 966902-19	PANEL, LAVY 28 X 36.12
20. 801706-0016	CORNER TRIM, 90D, 1"RADIUS
21. 966902-23	DOOR, LAVY, 14.13" X 27.13"
22. 382030	PULL, RECESSED FINGER
23. 115374	EXTRUSION, SLIDING DR TRACK .5"
24. 382029-03	HANDLE BAR 11.25"
25. 381228-01	CATCH, GRABBER DOOR
26. 966902-31	PANEL, LAVY 4.75 X 27.12
381607	HINGE ASSY.
114070	EXTRUSION, J-TRIM, ALUMINUM

2012 INTERNATIONAL TRAVEL TRAILER

FURNITURE, BATH

Lavatory Cabinet, 25' Front Bed, Signature, Serenity



Part Numbers on the Next Page

2012 INTERNATIONAL TRAVEL TRAILER

FURNITURE, BATH

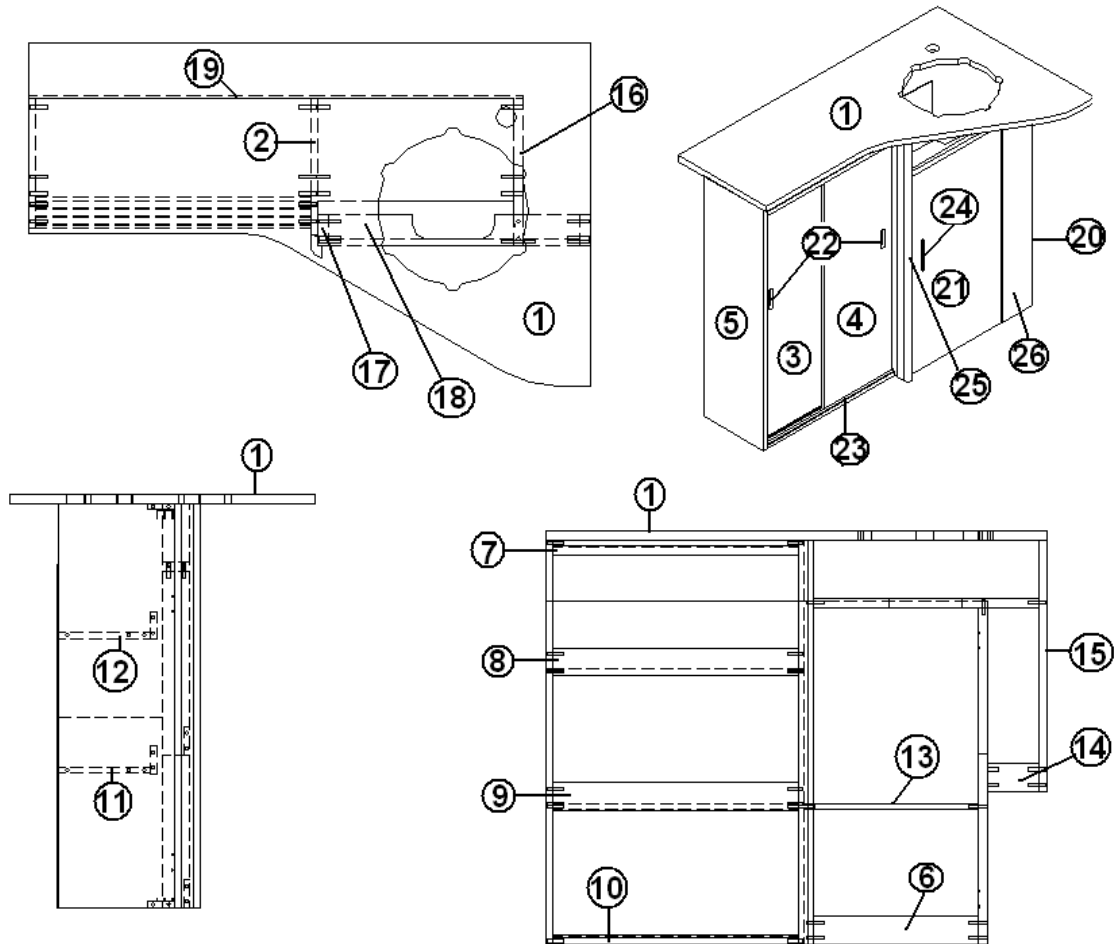
Lavatory Cabinet, 25' Front Bed, Signature, Serenity

966902-15	LAVATORY CABINET
1. 966903-15	LAVATORY TOP
2. 966902-152	PANEL, LAVY 10 X 33
3. 966902-153	PANEL, LAVY 10.81 X 15.38
4. 966902-154	PANEL, LAVY 10.81 X 15.38
5. 966902-155	PANEL, LAVY 9.5 X 33
6. 966902-156	PANEL, LAVY 2.25 X 13.5
7. 966902-7	PANEL, LAVY 2.25 X 20.12
8. 966902-158	PANEL, LAVY 10.81 X 15.38
9. 966902-159	PANEL, LAVY 10.81 X 15.38
10. 966902-10	PANEL, LAVY 2.25 X 20.12
11. 966902-11	PANEL, LAVY 9.5 X 20.13
12. 966902-12	PANEL, LAVY 7.5 X 20.12
13. 966902-13	PANEL, LAVY 7.5 X 14.25
14. 966902-14	PANEL, LAVY 2.25 X 4.12
15. 966902-1515	PANEL, LAVY 2.25 X 33
16. 966902-16	PANEL, LAVY 10.75 X 27.5
17. 966902-17	PANEL, LAVY 2.25 X 33
18. 966902-18	PANEL, LAVY 2.25 X 18.38
19. 966902-19	PANEL, LAVY 28 X 36.12
20. 801706-0018	CORNER TRIM, 90D, 1"RADIUS ASIAN SAND
21. 966902-1523	DOOR, LAVY, 14.13" X 27.13"
22. 382030	PULL, RECESSED FINGER
23. 115374	SLIDING DOOR TRACK, .5"
24. 382115	PULL, FLAT BLACK #M575
25. 381228-01	CATCH, GRABBER DOOR
26. 966902-1531	PANEL, LAVY 4.75 X 27.12
381607	HINGE ASSY.

2012 INTERNATIONAL TRAVEL TRAILER

FURNITURE, BATH

Lavatory Cabinet, 25' Front Bed, EDDIE BAUER



Part Numbers on the Next Page

2012 INTERNATIONAL TRAVEL TRAILER

FURNITURE, BATH

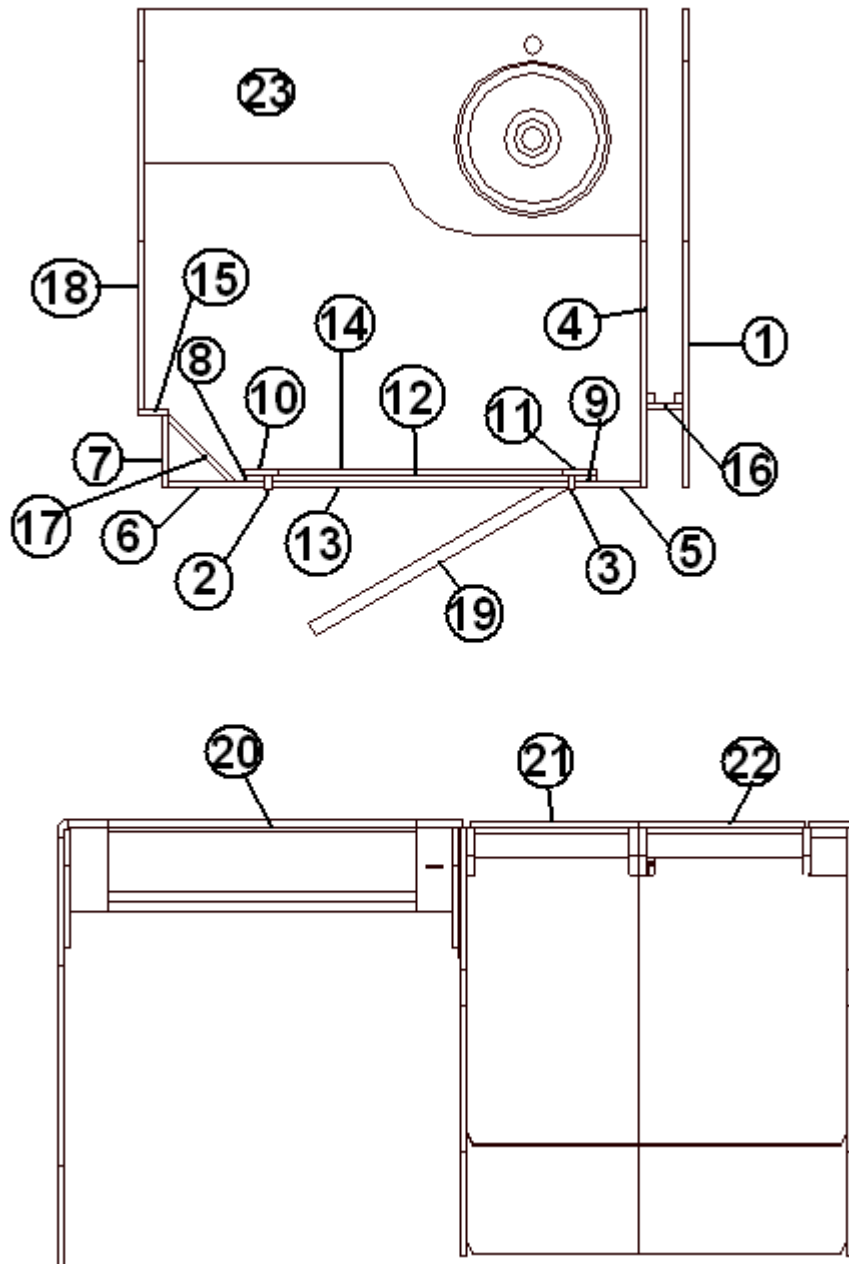
Lavatory Cabinet, 25' Front Bed, EDDIE BAUER

966902-19	LAVATORY CABINET
1. 966903-191	LAVATORY TOP
2. 966902-192	PANEL, LAVY 10 X 33
3. 966902-193	PANEL, LAVY 10.81 X 15.38
4. 966902-194	PANEL, LAVY 10.81 X 15.38
5. 966902-195	PANEL, LAVY 9.5 X 33
6. 966902-196	PANEL, LAVY 2.25 X 13.5
7. 966902-197	PANEL, LAVY 2.25 X 20.12
8. 966902-198	PANEL, LAVY 10.81 X 15.38
9. 966902-199	PANEL, LAVY 10.81 X 15.38
10. 966902-1910	PANEL, LAVY 2.25 X 20.12
11. 966902-1911	PANEL, LAVY 9.5 X 20.13
12. 966902-12	PANEL, LAVY 7.5 X 20.12
13. 966902-1913	PANEL, LAVY 7.5 X 14.25
14. 966902-1914	PANEL, LAVY 2.25 X 4.12
15. 966902-1915	PANEL, LAVY 2.25 X 33
16. 966902-1916	PANEL, LAVY 10.75 X 27.5
17. 966902-1917	PANEL LAVY 2.25 X 33
18. 966902-1918	PANEL, LAVY 2.25 X 13.38
19. 966902-1919	PANEL, LAVY 28 X 36.12
20. 801706-0023	CORNER TRIM 90D 1" RADIUS MAPLE
21. 966902-1923	DOOR LAVY, 14.13" X 27.13"
22. 382030	PULL, RECESSED FINGER 7" X 2.7"
23. 115374	SLIDING DOOR TRACK, .5"
24. 382029-00	HANDLE BAR 7.48" #3701-128 CR
25. 381228-01	CATCH, GRABBER DOOR
26. 966902-1931	PANEL, LAVY 4.75 X 27.12
381607	HINGE ASSY.

2012 INTERNATIONAL TRAVEL TRAILER

FURNITURE, BATH

Bath Lay Out, 27' Signature, Double Front Bed, Wenge



Part number save on the next page

2012 INTERNATIONAL TRAVEL TRAILER

FURNITURE, BATH

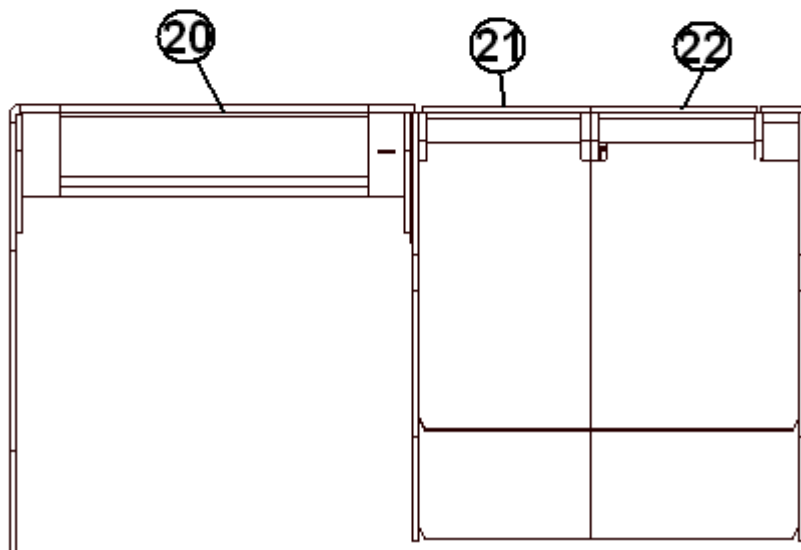
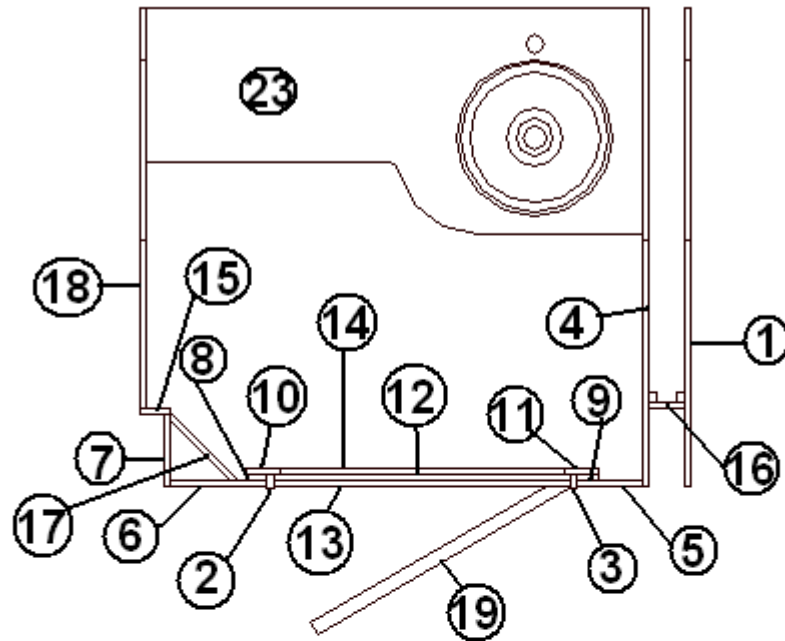
Bath Lay Out, 27' Signature, Double Front Bed, Wenge

1. 111533-1	PANEL, 79.25 X 39.5
2. 111533-2	PANEL, 1.13 X 79.38
3. 111533-3	PANEL, 1.13 X 79.38
4. 111533-4	PANEL, 79.25 X 39.5
5. 111533-5	PANEL, 5.375 X 79.38
6. 111533-6	PANEL, 8 X 79.38
7. 111533-7	PANEL, 6 X 79.38
8. 111533-8	PANEL, 1.69 X 79.36
9. 111533-9	PANEL, 1.69 X 79.36
10. 111533-10	PANEL, 2.75 X 79.33
11. 111533-11	PANEL, 2.75 X 79.33
12. 111533-12	PANEL, 24.625 X 3.5
13. 111533-13	PANEL, 24.625 X 3.5
14. 111533-14	PANEL, 23.625 X 3.75
15. 111533-15I	PANEL, 2.5 X 79.02
16. 111533-16	PANEL, 3 X 78.94
17. 111533-17	PANEL, 8 X 79.36
18. 111533-18	PANEL, 78.85X33
19. 966895	DOOR ASSY, BATH, 24" X 72"
20. 966879	SHOWER COMPARTMENT
21. 966880	WARDROBE, FORWARD
22. 966881	WARDROBE, AFT
23. 966884	LAVATORY CABINET
203138-05	EXTRUSION, PLASTIC, 1/2" WALL, BLACK
381890-01	TRACK, FORMED FOLDETTTE
381890-02	TRACK, STRAIGHT FOLDETTTE
702681-07	DOOR, FOLDETTTE 60"X 73" GREY

2012 INTERNATIONAL TRAVEL TRAILER

FURNITURE, BATH

Bath Lay Out, 27' Signature, Double Front Bed, Serenity



Part number save on the next page

2012 INTERNATIONAL TRAVEL TRAILER

FURNITURE, BATH

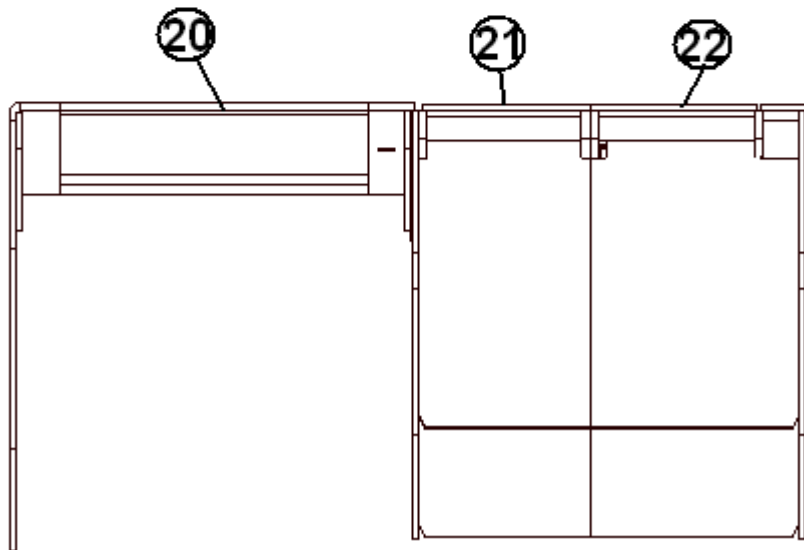
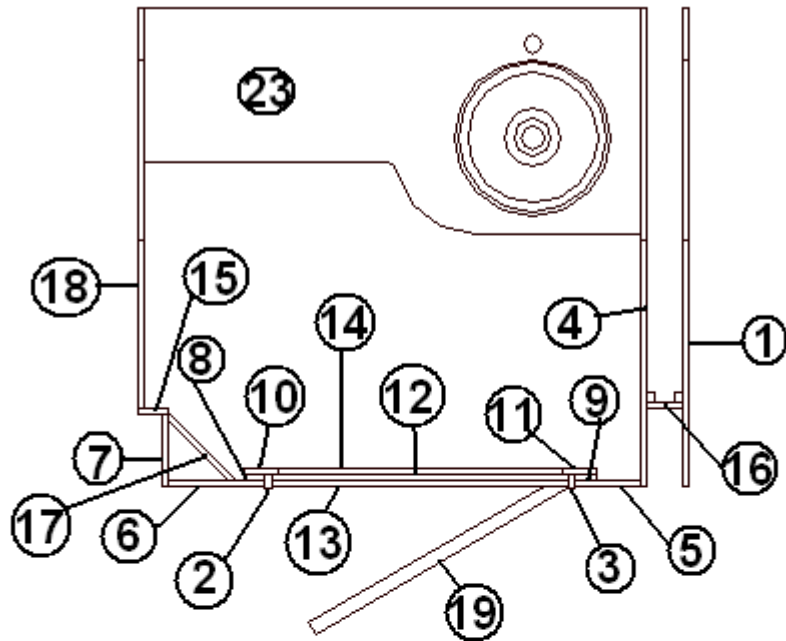
Bath Lay Out, 27' Signature, Double Front Bed, Serenity

1. 111533-151	PANEL, 79.25 X 39.5
2. 111533-152	PANEL, 1.13 X 79.38
3. 111533-153	PANEL, 1.13 X 79.38
4. 111533-154	PANEL, 79.25 X 39.5
5. 111533-155	PANEL, 5.375 X 79.38
6. 111533-156	PANEL, 8 X 79.38
7. 111533-157	PANEL, 6 X 79.38
8. 111533-158	PANEL, 1.69 X 79.36
9. 111533-159	PANEL, 1.69 X 79.36
10. 111533-1510	PANEL, 2.75 X 79.33
11. 111533-1511	PANEL, 2.75 X 79.33
12. 111533-1512	PANEL, 24.625 X 3.5
13. 111533-1513	PANEL, 24.625 X 3.5
14. 111533-1514	PANEL, 23.625 X 3.75
15. 111533-1515	PANEL, 2.5 X 79.02
16. 111533-1516	PANEL, 3 X 78.94
17. 111533-1517	PANEL, 8 X 79.36
18. 111533-1518	PANEL, 78.85 X 33
19. 967546-15	DOOR ASSY, BATH, 24" X 72"
20. 966879-15	SHOWER COMPARTMENT
21. 966880-15	WARDROBE, FORWARD
22. 966881-15	WARDROBE, AFT
23. 966884-15	LAVATORY CABINET
203138-05	EXTRUSION, PLASTIC, 1/2" WALL, BLACK
381890-01	TRACK, FORMED FOLDETTE
381890-02	TRACK, STRAIGHT FOLDETTE
702681-07	DOOR, FOLDETTE 60"X 73" GREY

2012 INTERNATIONAL TRAVEL TRAILER

FURNITURE, BATH

Bath Lay Out, 27' Signature, Double Front Bed, Eddie Bauer



Part number save on the next page

2012 INTERNATIONAL TRAVEL TRAILER

FURNITURE, BATH

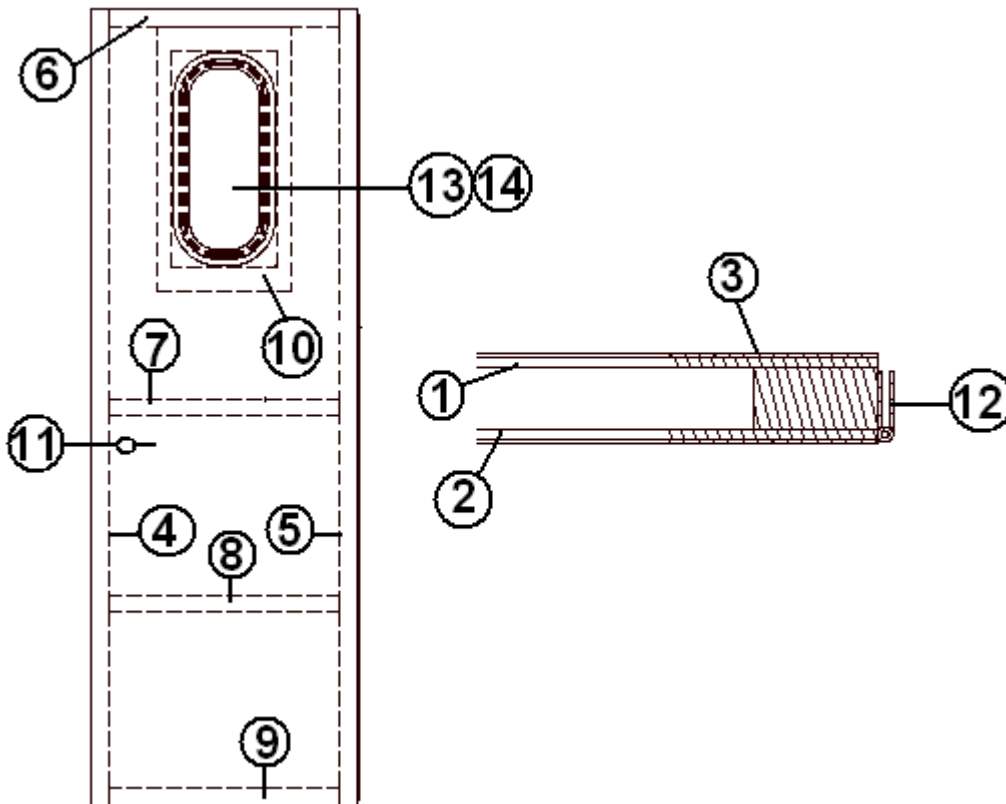
Bath Lay Out, 27' Signature, Double Front Bed, Eddie Bauer

	111533-19	Bath Layout 27FB EB
1.	111533-191	PANEL, 79.25 X 39.5
2.	111533-192	PANEL, 1.13 X 79.38
3.	111533-193	PANEL, 1.13 X 79.38
4.	111533-194	PANEL, 79.25 X 39.5
5.	111533-195	PANEL, 5.375 X 79.38
6.	111533-196	PANEL, 8 X 79.38
7.	111533-197	PANEL, 6 X 79.38
8.	111533-198	PANEL, 1.69 X 79.36
9.	111533-199	PANEL, 1.69 X 79.36
10.	111533-1910	PANEL, 2.75 X 79.33
11.	111533-1911	PANEL, 2.75 X 79.33
12.	111533-1912	PANEL, 24.625 X 3.5
13.	111533-1913	PANEL, 24.625 X 3.5
14.	111533-1914	PANEL, 23.625 X 3.75
15.	111533-1915	PANEL, 2.5 X 79.02
16.	111533-1916	PANEL, 3 X 78.94
17.	111533-1917	PANEL, 8 X 79.36
18.	111533-1918	PANEL, 78.85 X 33
19.	967678-19	DOOR-BATH W/PORHOLE
20.	966879-19	SHOWER COMPARTMENT
21.	966880-19	WARDROBE, FORWARD
22.	966881-19	WARDROBE, AFT
23.	966884-19	LAVATORY CABINET
	203138-04	EXTRUSION, PLASTIC, 1/2" WALL, OAK
	381890-02	TRACK, STRAIGHT FOLDETTTE
	381299	HOLDER-RECESSED TOILET PAPER
	381778	ROBE HOOK, DOUBLE, CHROME

2012 INTERNATIONAL TRAVEL TRAILER

FURNITURE, BATH

Door, Bath, 25' Front Bed, 27' Front Bed

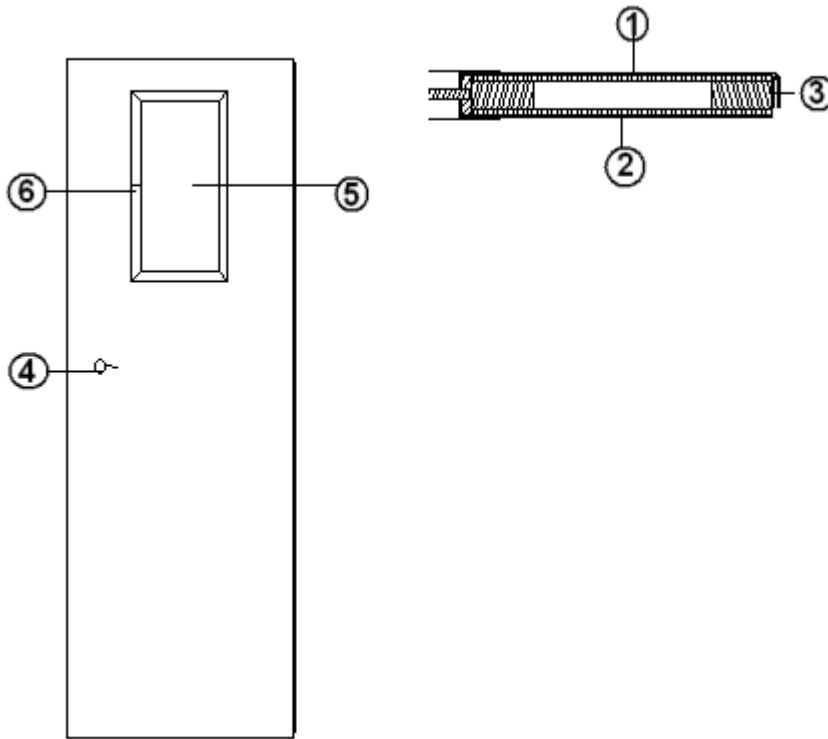


966895	Bath door
1. 966895-1	PANEL, .125", "LAUAN 27.5 X 74
2. 966895-2	PANEL, .125", "LAUAN 27.5 X 74
3. 966895-3	LAMINATE, 27.5 X 74
4. 966895-4	PANEL, .75 LAUAN, 1.5 X 72.5
5. 966895-5	PANEL, .75 LAUAN, 1.5 X 72.5
6. 966895-6	PANEL, .75 LAUAN, 1.5 X 21.75
7. 966895-7	PANEL, .75 LAUAN, 1.5 X 21.75
8. 966895-8	PANEL, .75 LAUAN, 1.5 X 21.75
9. 966895-9	PANEL, .75 LAUAN, 1.5 X 21.75
10. 966895-10	PANEL, .75 LAUAN, 12 X 24
11. 381771	LATCH-LEVER LOCKSET PRIVACY
12. 380203-01	PIANO HINGE
13. 371384	BATH WINDOW, 18"
14. 203475	TRIM, 18" STACK WINDOW
454320	DOOR HANDLE COVER

2012 INTERNATIONAL TRAVEL TRAILER

FURNITURE, BATH

Door, Bath, 25' Front Bed, 27' Front Bed – SERENITY



967546-15

DOOR-BATH W/WINDOW

1. 801833-01

LAMINATE-ASIAN SAND VERTICAL

2. 801355-01

LAM-FROST WHT 4'X8'VERT #1573-

3. 380203-01

PIANO HINGE 1/8" PIN CLR ANODI

4. 381771

LATCH-LEVER LOCKSET PRIVACY

5. 203676

WINDOW-BATH DR GINGKO THATCH

6. 115488

ANGLE-ALUM. .06" X .5" X 1"

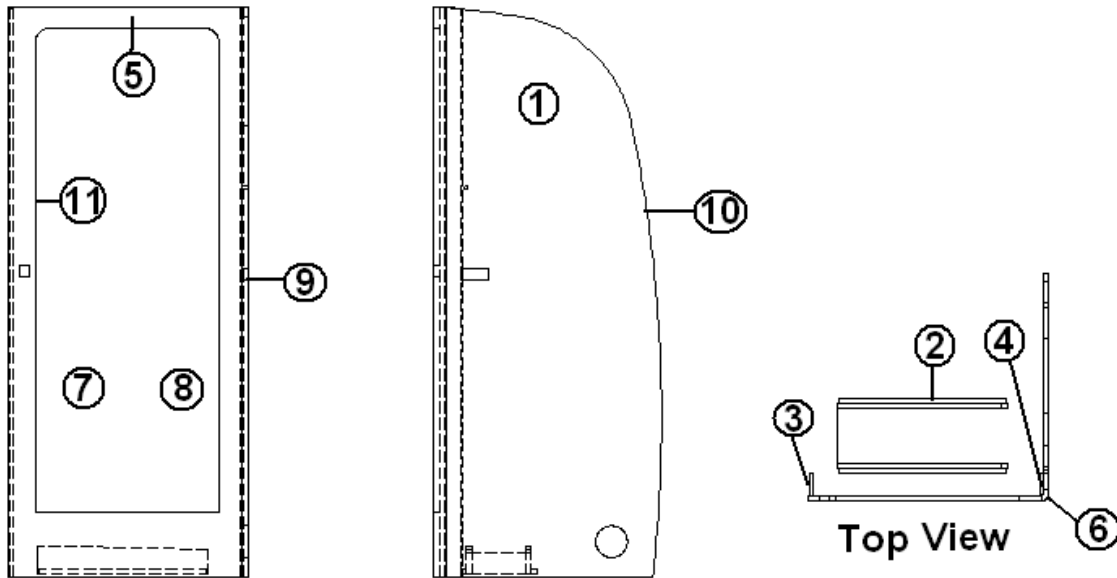
454320

DOOR HANDLE COVER

2012 INTERNATIONAL TRAVEL TRAILER

FURNITURE, BATH

Shower Compartment Assembly, 25' FB Double Bed, 27' FB Double Bed, Signature, Wenge

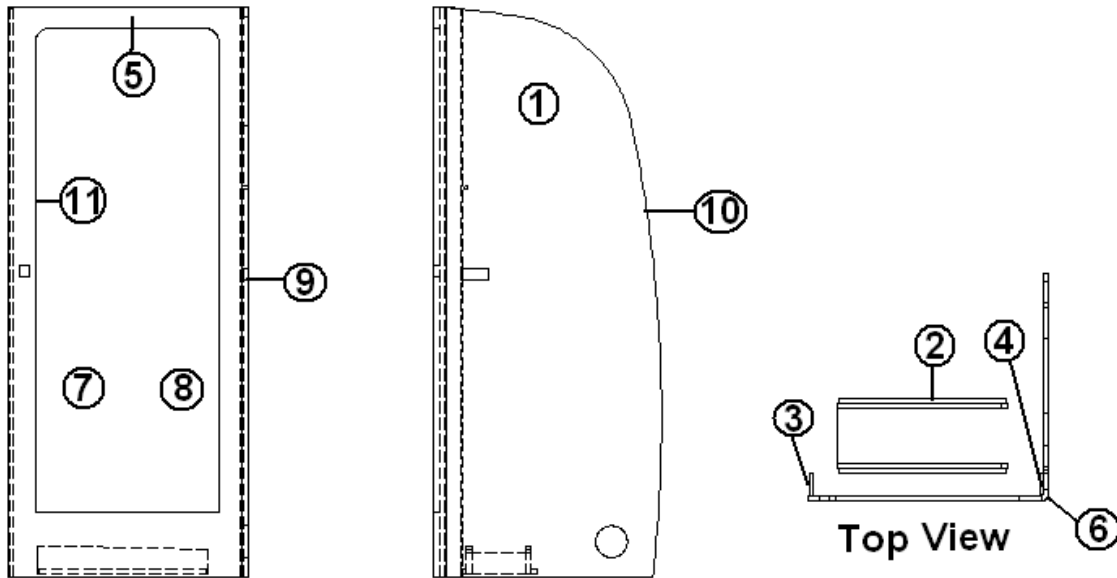


- | | |
|----------------|------------------------------------|
| 966879 | Shower Compartment Assembly, Wenge |
| 1. 966879-1 | PANEL, AFT SHOWER, WENGE |
| 2. 961916-01 | STAND ASSY-SHOWER |
| 3. 966879-3 | PANEL, 3" X 79.00" |
| 4. 966879-4 | PANEL, 3" X 79.00" |
| 5. 966879-5 | PANEL REXEL |
| 6. 801706-0016 | CORNER TRIM, 90D 1"RADIUS, 84" |
| 7. 203081-02 | SHOWER STALL, WHITE 2 PC. |
| 8. 703911-01 | SHOWER DOOR, BRUSHED NICKEL |
| 9. 365303-02 | EDGE BANDING, WENGE 1.125" |
| 10. 203138-05 | EXTRUSION, PLASTIC 1/2" WALL |
| 11. 203445 | T-MOLDING BLACK, FLEXIBLE POLY .5" |

2012 INTERNATIONAL TRAVEL TRAILER

FURNITURE, BATH

Shower Compartment Assembly, 25' FB Double Bed, 27' FB Double Bed, Signature, SERENITY

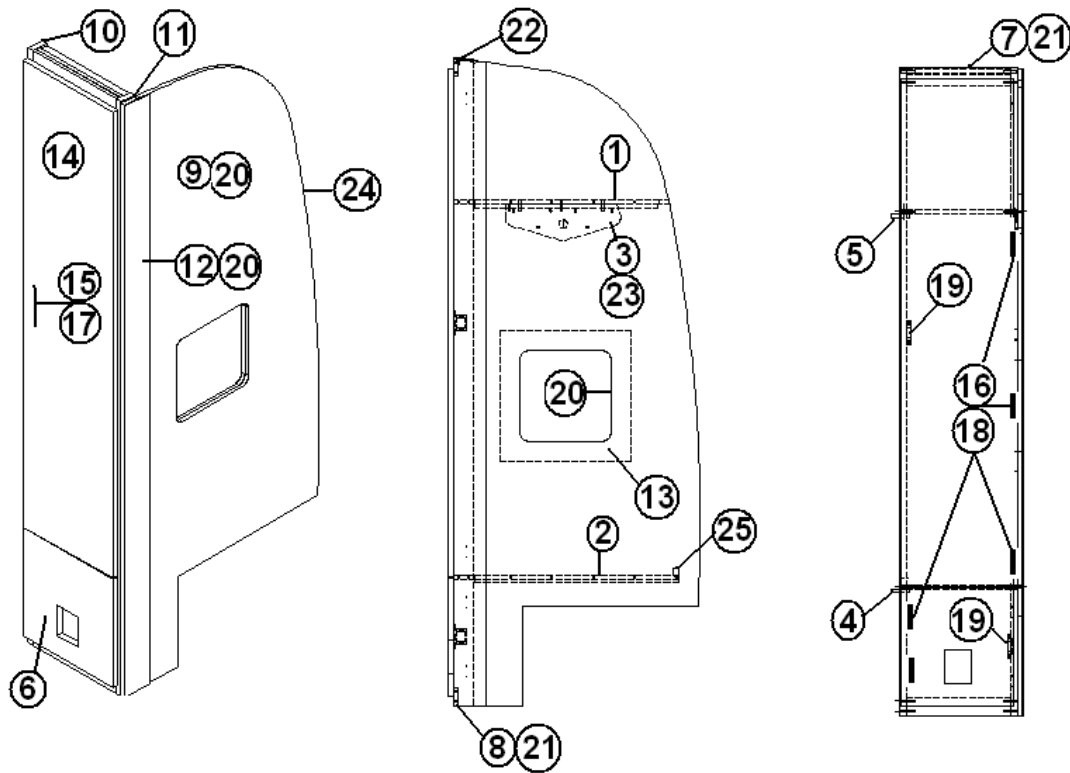


- | | |
|----------------|----------------------------------|
| 966879-15 | Shower Compartment Assembly |
| 1. 966879-151 | PANEL, AFT SHOWER, WHITE |
| 2. 961916-01 | STAND ASSY-SHOWER |
| 3. 966879-3 | PANEL, 3" X 54.00" |
| 4. 966879-4 | PANEL, 3" X 54.00" |
| 5. 966879-155 | PANEL, AFT SHOWER, 32.50 x 79.00 |
| 6. 801706-0018 | CORNER TRIM, 90D 1"RADIUS, 84" |
| 7. 203081-02 | SHOWER STALL - WHITE , 2 PC. |
| 8. 703911-01 | SHOWER DOOR, BRUSHED NICKEL |
| 9. 365326-02 | EDGE BANDING, PEARL BISQUE .94" |
| 10. 203138-03 | EXTRUSION, PLASTIC BEIGE |
| 11. 203693 | T-MOLDING, BEIGE, EMBOSSED |

2012 INTERNATIONAL TRAVEL TRAILER

FURNITURE, BATH

Wardrobe, Forward, 27' FB, Signature, Wenge



Part numbers are on the next page.

2012 INTERNATIONAL TRAVEL TRAILER

FURNITURE, BATH

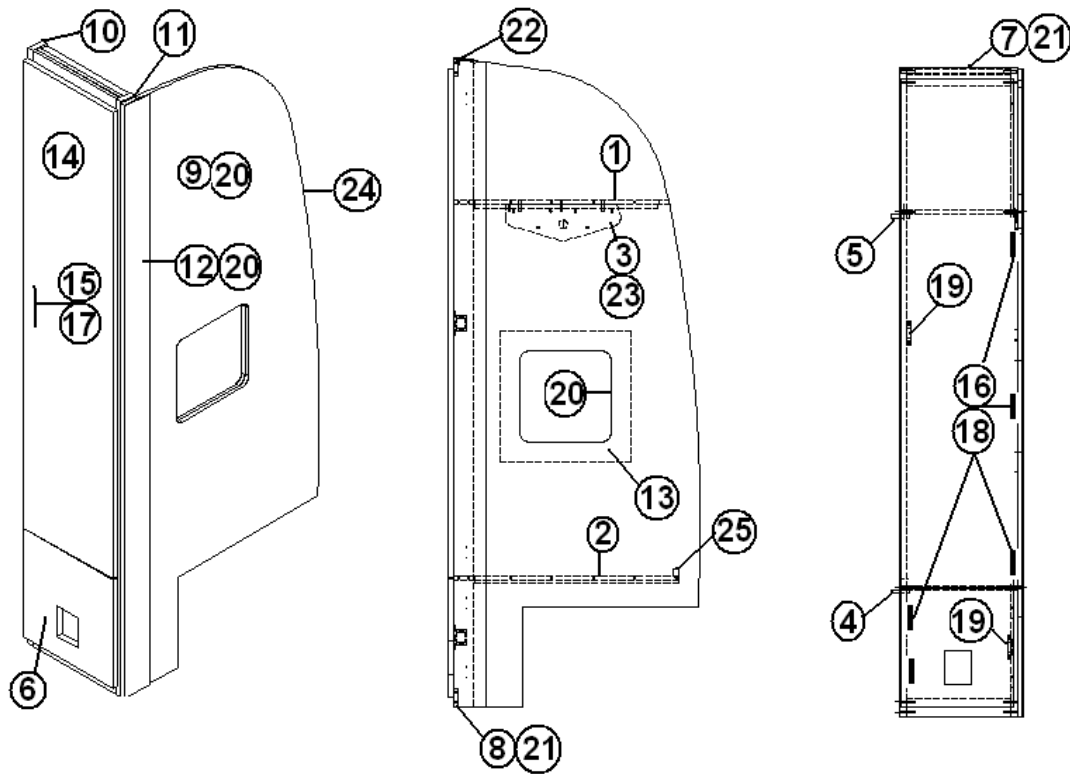
Wardrobe, Forward, 27' FB, Signature, Wenge

966880	Wardrobe, forward, Wenge
1. 966880-1	Panel, 26" x 14.25"
2. 966880-2	Panel, 27.25" x 14.25"
3. 966880-3	Panel, 14" x 7"
4. 966880-4	Panel, 2.25" x 24.75"
5. 966880-5	Panel, 2.25" x 22.25"
6. 966880-6	Door, 13.75" x 14.38"
7. 966880-7	Panel, 12.75" x 2.25"
8. 966880-8	Panel, 12.75" x 2.25"
9. 966880-9	Panel, 29.87" x 78.54"
10. 966880-10	Panel, 78.69" x 2.25"
11. 966880-11	Panel, 78.69" x 2.25"
12. 966880-12	Panel, Forward, ¼" x 78.54" x 3.81"
13. 966883	CLOSEOUT, WARDROBE
14. 966880-14	DOOR, 13.75" X 61.75"
15. 382029-03	HANDLE, BAR, 11.25"
16. 381607	HINGE-ASSEMBLY
17. 345001-08	SCREW #8-32 X 1" REC TRUS
18. 381607-04	HINGE SCREW-GRASS
19. 381228-01	CATCH GRABBER DOOR C3-803
20. 365303-02	EDGEBANDING, WENGE, 1.125"
21. 365303-01	EDGEBANDING, WENGE, .63"
22. 104821	SUPPORT, ROOFLOCKER, 74"
23. 365238-04	EDGEBANDING, WHITE, .50"
24. 203138-04	EXTRUSION - PLASTIC 1/2" OAK
25. 800025-01	PINE, ¾" X ¾", STAINED

2012 INTERNATIONAL TRAVEL TRAILER

FURNITURE, BATH

Wardrobe, Forward, 27' FB, Signature, Serenity



Part numbers are on the next page.

2012 INTERNATIONAL TRAVEL TRAILER

FURNITURE, BATH

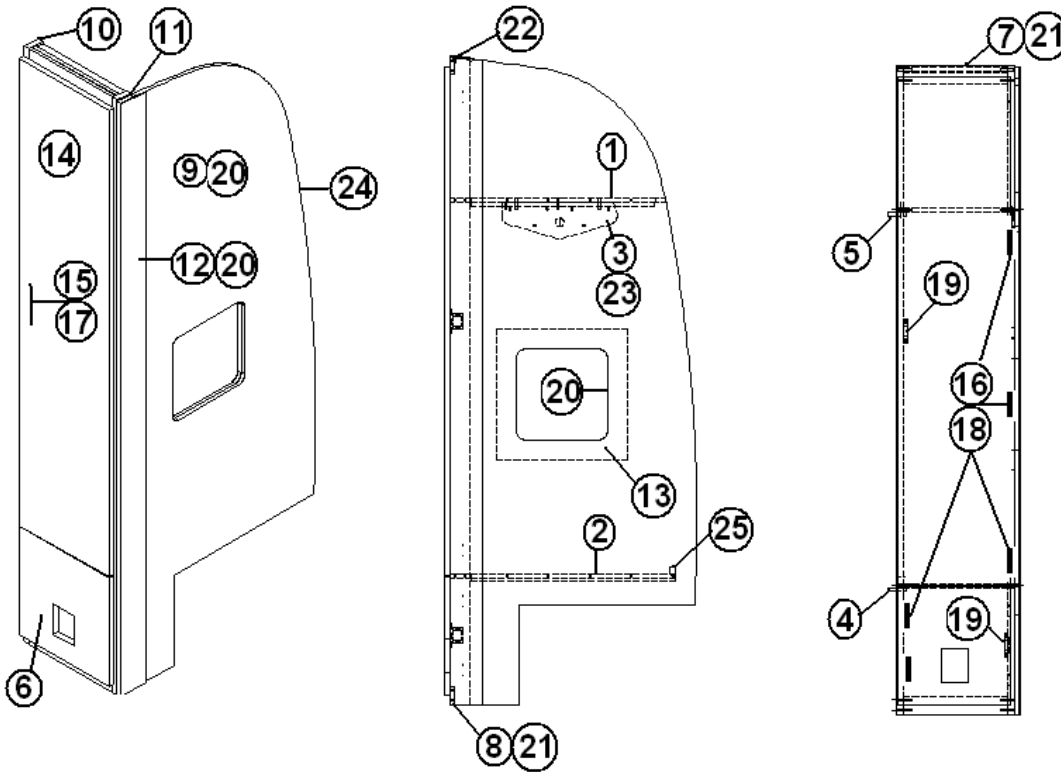
Wardrobe, Forward, 27' FB, Signature, Serenity

966880-15	Wardrobe, forward
1. 966880-1	Panel, 26" x 14.25"
2. 966880-2	Panel, 27.25" x 14.25"
3. 966880-3	Panel, 14" x 7"
4. 966880-4	Panel, 2.25" x 24.75"
5. 966880-5	Panel, 2.25" x 22.25"
6. 966880-156	Door, 13.75" x 14.38"
7. 966880-157	Panel, 12.75" x 2.25"
8. 966880-158	Panel, 12.75" x 2.25"
9. 966880-9	Panel, 30.11" x 78.54"
10. 966880-10	Panel, 78.74" x 2.25"
11. 966880-11	Panel, 78.74" x 2.25"
12. 966880-12	Lauan, ¼" x 78.54" x 3.81"
13. 966883-15	CLOSEOUT, WARDROBE
14. 966880-1514	DOOR, 13.75" X 61.75"
15. 382115	PULL, FLAT BLACK #M575
16. 381607	HINGE, DOOR
17. 345001-08	SCREW #8-32 X 1" REC TRUS
18. 381607-04	HINGE SCREW-GRASS
19. 381228-01	CATCH GRABBER DOOR C3-803
20. 365344-02	EDGE BANDING, PEARL BISQUE .94"
21. 365344-01	EDGE BANDING, PEARL BISQUE, .63"
22. 104821	SUPPORT, ROOFLOCKER, 74"
23. 365340-01	EDGE BANDING .63" FROSTY WHITE
24. 203138-03	EXTRUSION, PLASTIC WALL BEIGE
25. 800025-01	PINE, ¾" X ¾", STAINED

2012 INTERNATIONAL TRAVEL TRAILER

FURNITURE, BATH

Wardrobe, Forward, 27' FB, Signature, EDDIE BAUER



Part numbers are on the next page.

2012 INTERNATIONAL TRAVEL TRAILER

FURNITURE, BATH

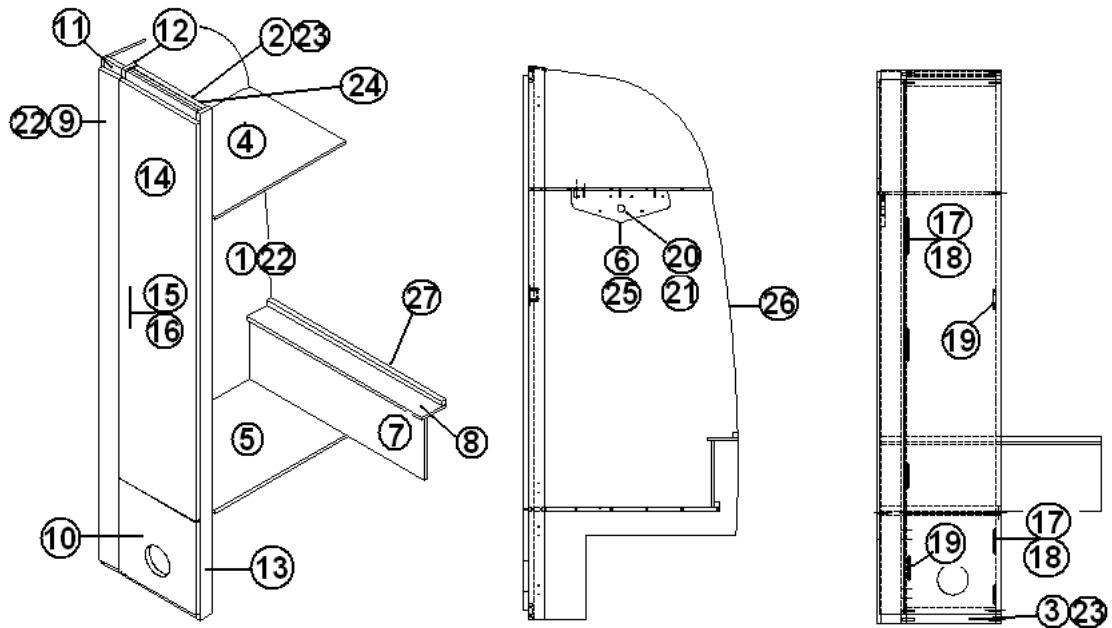
Wardrobe, Forward, 27' FB, Signature, EDDIE BAUER

	966880-19	Wardrobe, forward
1.	966880-191	Panel, 26" x 14.25"
2.	966880-192	Panel, 27.25" x 14.25"
3.	966880-193	Panel, 14" x 7"
4.	966880-194	Panel, 2.25" x 24.75"
5.	966880-195	Panel, 2.25" x 22.25"
6.	966880-196	Door, 13.75" x 14.38"
7.	966880-197	Panel, 12.75" x 2.25"
8.	966880-198	Panel, 12.75" x 2.25"
9.	966880-199	Panel, 30.11" x 78.54"
10.	966880-1910	Panel, 78.74" x 2.25"
11.	966880-1911	Panel, 78.74" x 2.25"
12.	966880-12	Lauan, ¼" x 78.54" x 3.81"
13.	966883-19	CLOSEOUT, WARDROBE
14.	966880-1914	DOOR, 13.75" X 61.75"
15.	381865	PULL, BAR BRUSH NICKEL
16.	381607	HINGE, DOOR
17.	345001-08	SCREW #8-32 X 1" REC TRUS
18.	381607-04	HINGE SCREW-GRASS
19.	381228-01	CATCH GRABBER DOOR C3-803
20.	365352-02	EDGE BANDING, MAPLE .94"
21.	365352-01	EDGE BANDING, MAPLE, .63"
22.	104821	SUPPORT, ROOFLOCKER, 74"
23.	365340-01	EDGE BANDING .63" FROSTY WHITE
24.	203138-04	EXTRUSION, PLASTIC WALL OAK
25.	800025-01	PINE, ¾" X ¾", STAINED

2012 INTERNATIONAL TRAVEL TRAILER

FURNITURE, BATH

Wardrobe, Aft, 27' FB, Signature, Wenge



Part numbers are on the next page.

2012 INTERNATIONAL TRAVEL TRAILER

FURNITURE, BATH

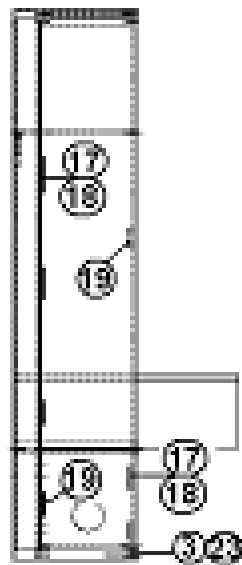
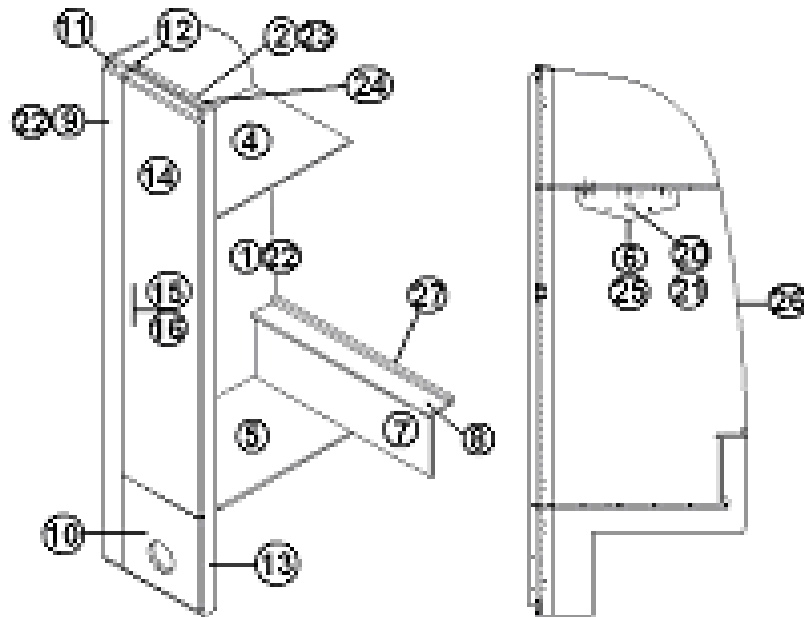
Wardrobe, Aft, 27' FB, Signature, Wenge

966881	WARDROBE, AFT
1. 966881-1	Panel, 30.11" x 78.74"
2. 966881-2	Panel, 12.75" x 2.25"
3. 966881-3	Panel, 12.75" x 2.25"
4. 966881-4	Panel, 26" x 17.19"
5. 966881-5	Panel, 27.25" x 17.19"
6. 966881-6	Door, 14" x 7"
7. 966881-7	Panel, 9.5" x 31.44"
8. 966881-8	Panel, 4.31 x 31.44"
9. 966881-9	Panel, 3.44 x 76.29"
10. 966881-10	Door, aft wardrobe bottom
11. 966881-11	Panel, 2.94" x 78.74"
12. 966881-12	Panel, 78.74 x 2.25"
13. 966881-13	Panel, 78.74" x 2.25"
14. 966881-14	Door, aft wardrobe
15. 382029-03	HANDLE, BAR, 11.25"
16. 345001-08	SCREW #8-32 X 1"
17. 381607	HINGE-ASSEMBLY
18. 381607-04	HINGE SCREW-GRASS
19. 381228-01	CATCH GRABBER DOOR C3-803
20. 380045	TUBING, 3/4"
21. 200975-04	CONDUIT, FLEXIBLE, BLACK
22. 365303-02	EDGE BANDING, WENGE, 1.125"
23. 365303-01	EDGE BANDING, WENGE, .63"
24. 104821	SUPPORT, ROOFLOCKER, 74"
25. 365238-04	EDGE BANDING, WHITE, .50"
26. 203138-04	EXTRUSION - PLASTIC 1/2" OAK
27. 800025-01	PINE, 3/4" X 3/4", STAINED

2012 INTERNATIONAL TRAVEL TRAILER

FURNITURE, BATH

Wardrobe, Aft, 27' FB, Signature, Serenity



Part numbers are on the next page.

2012 INTERNATIONAL TRAVEL TRAILER

FURNITURE, BATH

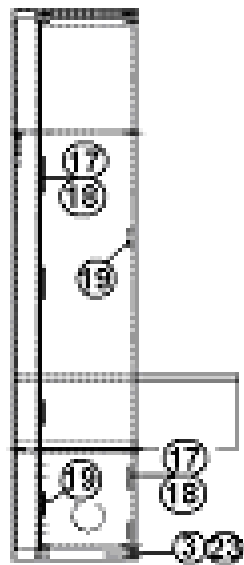
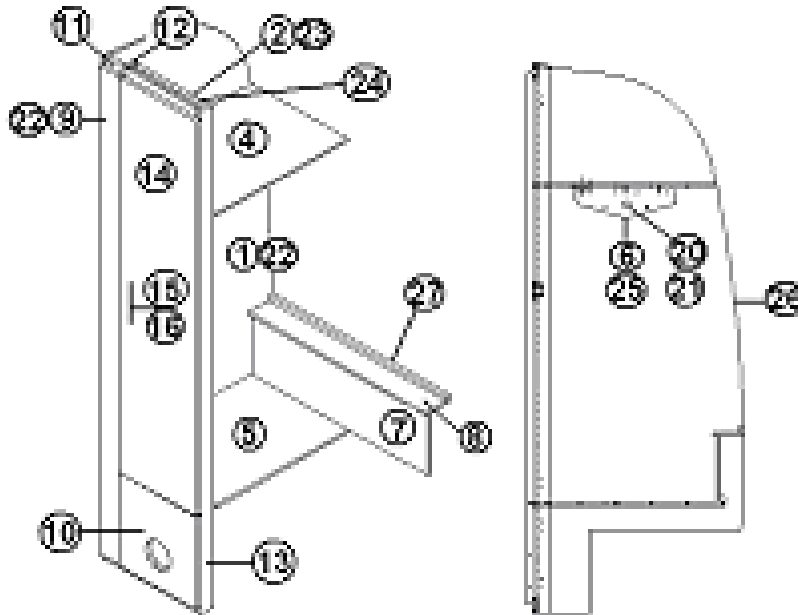
Wardrobe, Aft, 27' FB, Signature, Serenity

- | | | |
|-----|-------------|------------------------------------|
| | 966881-15 | WARDROBE, AFT |
| 1. | 966881-1 | Panel, 78.74" x 30.11" |
| 2. | 966881-152 | Panel, 12.75" x 2.25" |
| 3. | 966881-153 | Panel, 12.75" x 2.25" |
| 4. | 966881-4 | Panel, 26" x 17.19" |
| 5. | 966881-5 | Panel, 27.25" x 17.19" |
| 6. | 966881-6 | Door, 14" x 7" |
| 7. | 966881-7 | Panel, 9.5" x 31.44" |
| 8. | 966881-8 | Panel, 4.31 x 31.44" |
| 9. | 966881-159 | Panel, 3.44 x 76.25" |
| 10. | 966881-1510 | Door, aft wardrobe bottom |
| 11. | 966881-1511 | Panel, 2.94" x 78.88" |
| 12. | 966881-12 | Panel, 78.74 x 2.25" |
| 13. | 966881-13 | Panel, 78.74" x 2.25" |
| 14. | 966881-1514 | Door, aft wardrobe |
| 15. | 382115 | PULL, FLAT BLACK, #M575 |
| 16. | 345001-08 | SCREW #8-32 X 1" |
| 17. | 381607 | HINGE, DOOR |
| 18. | 381607-04 | HINGE, SCREW |
| 19. | 381228-01 | CATCH GRABBER DOOR C3-803 |
| 20. | 380045 | TUBING, 3/4" |
| 21. | 200975-04 | CONDUIT, FLEXIBLE, BLACK |
| 22. | 365326-02 | EDGE BANDING, PEARL BISQUE, .94" |
| 23. | 365326-01 | EDGE BANDING, PEARL BISQUE, .63" |
| 24. | 104821 | SUPPORT, ROOFLOCKER, 74" |
| 25. | 365238-04 | EDGE BANDING, PVC 5/8", |
| 26. | 203138-03 | EXTRUSION, PLASTIC - WALL- BEIGE - |
| 27. | 800025-01 | PINE, 3/4" X 3/4", STAINED |

2012 INTERNATIONAL TRAVEL TRAILER

FURNITURE, BATH

Wardrobe, Aft, 27' FB, EDDIE BAUER



Part numbers are on the next page.

2012 INTERNATIONAL TRAVEL TRAILER

FURNITURE, BATH

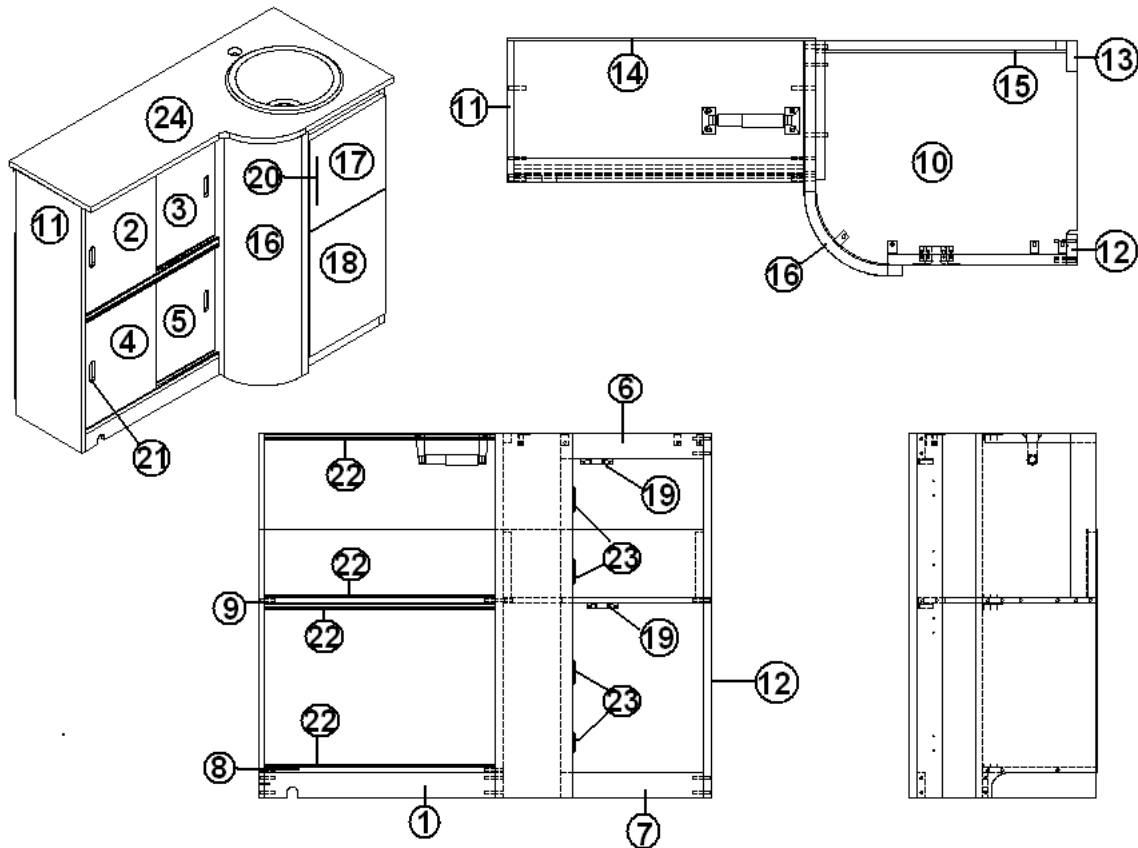
Wardrobe, Aft, 27' FB, EDDIE BAUER

	966881-19	WARDROBE, AFT
1.	966881-1	Panel, 78.74" x 30.11"
2.	966881-192	Panel, 12.75" x 2.25"
3.	966881-193	Panel, 12.75" x 2.25"
4.	966881-4	Panel, 26" x 17.19"
5.	966881-5	Panel, 27.25" x 17.19"
6.	966881-6	Door, 14" x 7"
7.	966881-7	Panel, 9.5" x 31.44"
8.	966881-8	Panel, 4.31 x 31.44"
9.	966881-199	Panel, 3.44 x 76.25"
10.	966881-1910	Door, aft wardrobe bottom
11.	966881-1911	Panel, 2.94" x 78.88"
12.	966881-12	Panel, 78.74 x 2.25"
13.	966881-13	Panel, 78.74" x 2.25"
14.	966881-1914	Door, aft wardrobe
15.	381865	PULL, BAR BRUSH NICKEL
16.	345001-08	SCREW #8-32 X 1"
17.	381607	HINGE, DOOR
18.	381607-04	HINGE, SCREW
19.	381228-01	CATCH GRABBER DOOR C3-803
20.	380045	TUBING, 3/4"
21.	200975-04	CONDUIT, FLEXIBLE, BLACK
22.	365352-02	EDGE BANDING, MAPLE, .94"
23.	365352-01	EDGE BANDING, MAPLE, .63"
24.	104821	SUPPORT, ROOFLOCKER, 74"
25.	365340-01	EDGE BANDING, .63 FROSTY
26.	203138-04	EXTRUSION, PLASTIC - WALL- OAK
27.	800025-01	PINE, 3/4" X 3/4", STAINED

2012 INTERNATIONAL TRAVEL TRAILER

FURNITURE, BATH

Lavatory Cabinet, 27' FB, Signature, Wenge



Part numbers are on the next page.

2012 INTERNATIONAL TRAVEL TRAILER

FURNITURE, BATH

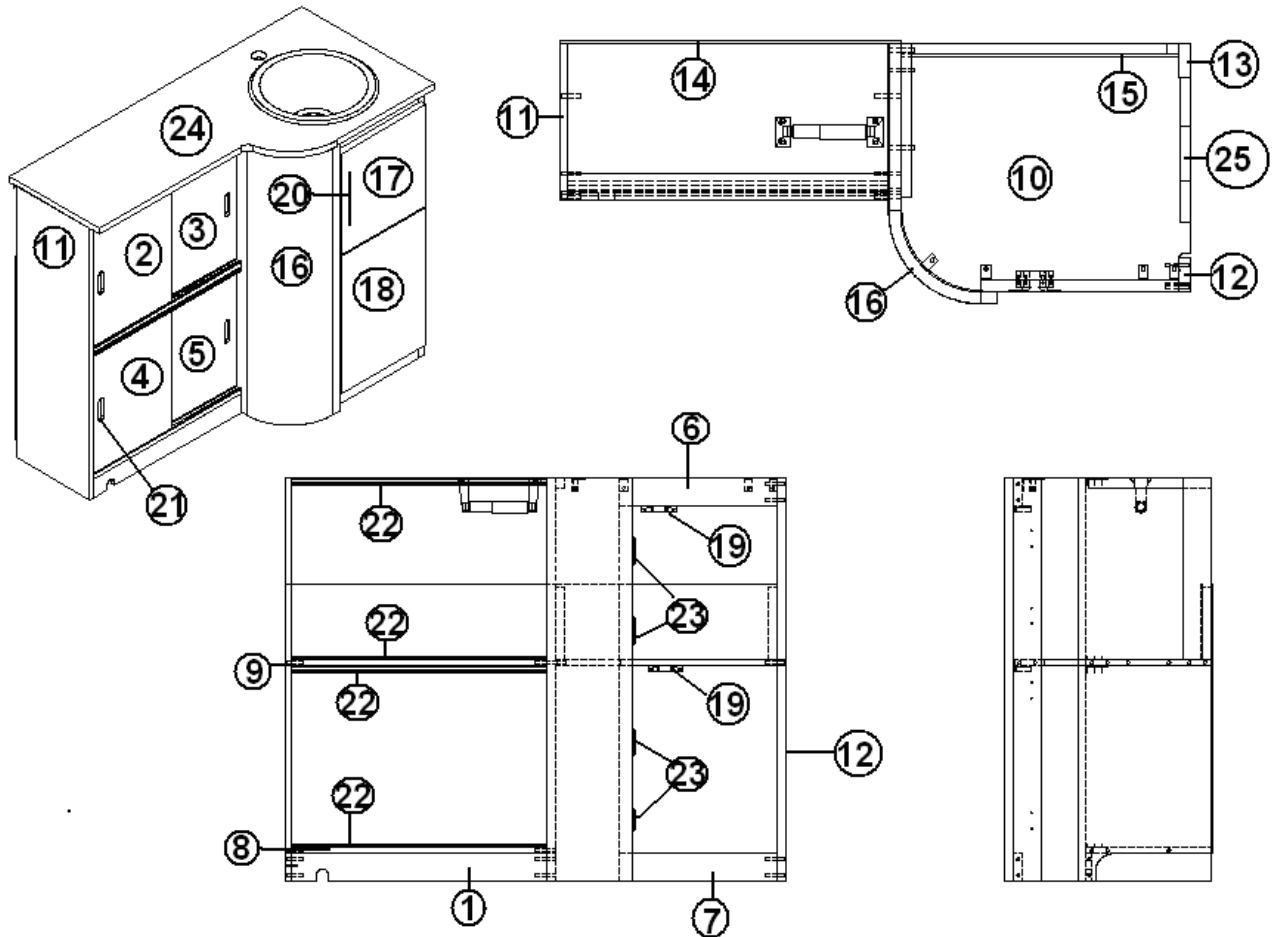
Lavatory Cabinet, 27' FB, Signature, Wenge

966884	CABINET ASSEMBLY, LAVY
1. 966884-1	Panel, 20.85" x 2.25"
2. 966884-02	DOOR, 11.25" X 14"
3. 966884-03	DOOR, 11.25" X 14"
4. 966884-04	DOOR, 11.25" X 14"
5. 966884-05	DOOR, 11.25" X 14"
6. 966884-6	PANEL, 12.87" X 2.25"
7. 966884-7	PANEL, 12.87" X 2.25"
8. 966884-8	PANEL, 10.25" X 20.85"
9. 966884-9	PANEL, 10.25" X 20.85"
10. 966884-10	PANEL, 18.87" X 16.19"
11. 966884-11	PANEL, 10.25" X 33"
12. 966884-12	PANEL, 2.25" X 33"
13. 966884-13	PANEL, 2.25" X 14.87"
14. 966884-14	PANEL, 22.13" X 22.13" WHITE/RAW
15. 966884-15I	PANEL, 18.12" X 6.25", WHITE/RAW
16. 966893	RADIUS SUB-ASSEMBLY
17. 966884-17	DOOR, 11.87" X 16.69"
18. 966884-18	DOOR, 11.87" X 12.31"
19. 381228-01	CATCH GRABBER DOOR C3-803
20. 382029-00	HANDLE, BAR 7.48"
21. 382030	PULL-RECESSED FINGER .7 X 2.7
22. 115374	SLIDING DOOR TRACK .5"
23. 381607	HINGE-ASSEMBLY
24. 966885	TOP ASSY, LAVY

2012 INTERNATIONAL TRAVEL TRAILER

FURNITURE, BATH

Lavatory Cabinet, 27' FB, Signature, SERENITY



Part numbers are on the next page.

2012 INTERNATIONAL TRAVEL TRAILER

FURNITURE, BATH

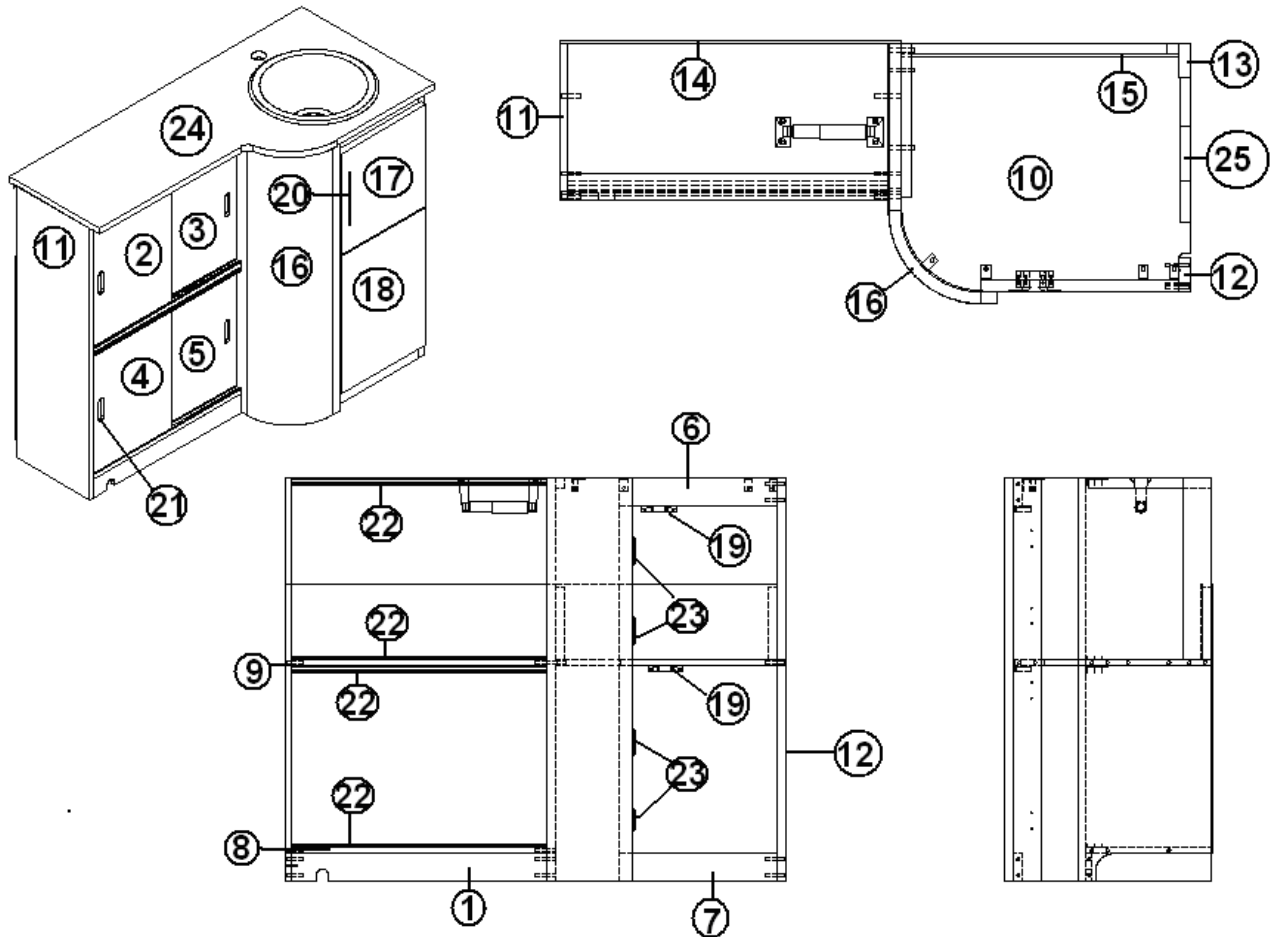
Lavatory Cabinet, 27' FB, Signature, SERENITY

966884-15	CABINET ASSEMBLY, LAVY
1. 966884-151	PANEL, 20.85" x 2.25"
2. 966884-152	DOOR, 11.25" X 14.5"
3. 966884-153	DOOR, 11.25" X 14.5"
4. 966884-154	DOOR, 11.25" X 14.25"
5. 966884-155	DOOR, 11.25" X 14.5"
6. 966884-156	PANEL, 12.87" X 2.25"
7. 966884-157	PANEL, 12.87" X 2.25"
8. 966884-8	PANEL, 10.25" X 20.85"
9. 966884-9	PANEL, 10.25" X 20.85"
10. 966884-10	PANEL, 18.87" X 16.19"
11. 966884-11	PANEL, 10.25" X 33"
12. 966884-12	PANEL, 2.25" X 33"
13. 966884-13	PANEL, 2.25" X 14.87"
14. 966884-14	PANEL, 22.13" X 22.13"
15. 966884-1515	PANEL, 18.12" X 6.25",
16. 966893-15	LAVY SUB ASSY. RADIUS
17. 966884-1517	DOOR, 11.87" X 16.69"
18. 966884-1518	DOOR, 11.87" X 12.31"
19. 381228-01	CATCH GRABBER DOOR C3-803
20. 382115	PULL FLAT BLACK M575
21. 382030	PULL, RECESSED FINGER .7 X 2.7
22. 115374	EXTRUSION - SLIDING DOOR TRACK
23. 381607	HINGE, DOOR
24. 966885-15	TOP ASSY, LAVY
25. 966884-31	PANEL, 7.00 X 8.50

2012 INTERNATIONAL TRAVEL TRAILER

FURNITURE, BATH

Lavatory Cabinet, 27' FB, Eddie Bauer



Part numbers are on the next page.

2012 INTERNATIONAL TRAVEL TRAILER

FURNITURE, BATH

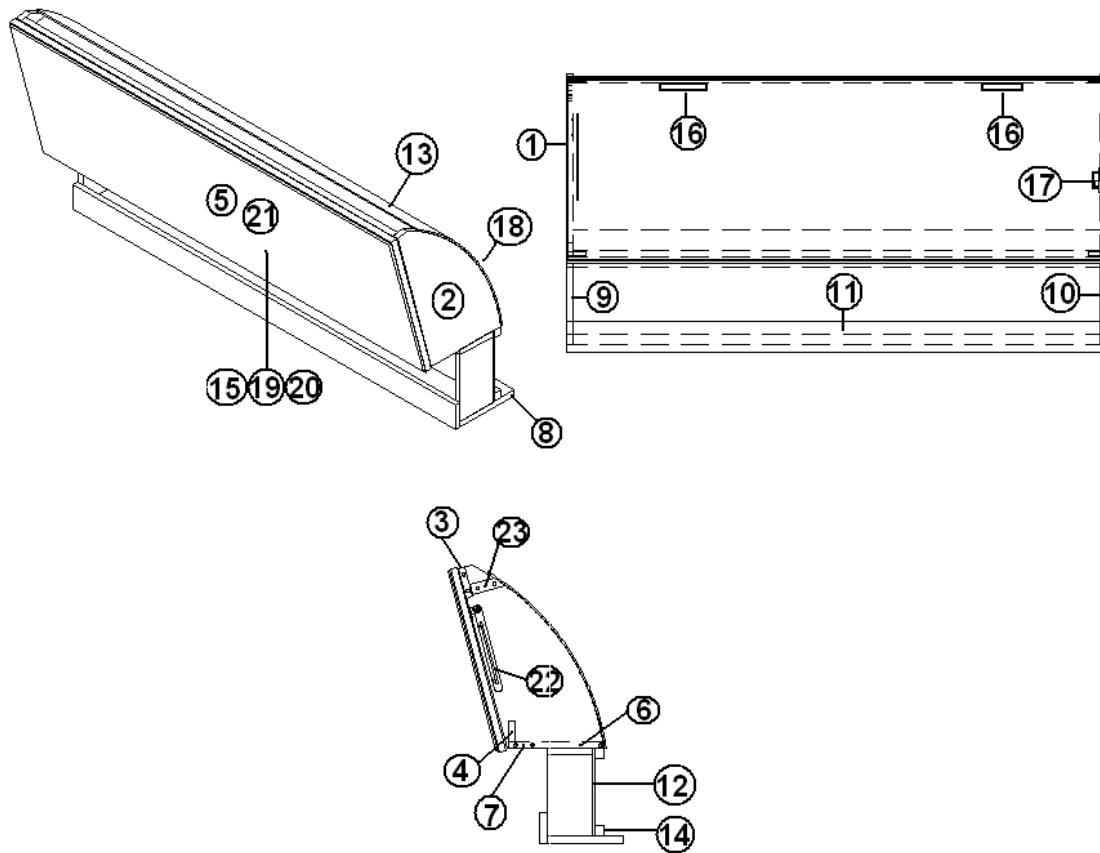
Lavatory Cabinet, 27' FB, EDDIE BAUER

	966884-19	CABINET ASSEMBLY, LAVY
1.	966884-191	PANEL, 20.85" x 2.25"
2.	966884-192	DOOR, 11.25" X 14.5"
3.	966884-193	DOOR, 11.25" X 14.5"
4.	966884-194	DOOR, 11.25" X 14.25"
5.	966884-195	DOOR, 11.25" X 14.5"
6.	966884-196	PANEL, 12.87" X 2.25"
7.	966884-197	PANEL, 12.87" X 2.25"
8.	966884-8	PANEL, 10.25" X 20.85"
9.	966884-9	PANEL, 10.25" X 20.85"
10.	966884-10	PANEL, 18.87" X 16.19"
11.	966884-11	PANEL, 10.25" X 33"
12.	966884-12	PANEL, 2.25" X 33"
13.	966884-13	PANEL, 2.25" X 14.87"
14.	966884-1914	PANEL, 22.13" X 22.13"
15.	966884-1915	PANEL, 18.12" X 6.25",
16.	966893-19	LAVY SUB ASSY. RADIUS
17.	966884-1917	DOOR, 11.87" X 16.69"
18.	966884-1918	DOOR, 11.87" X 12.31"
19.	381228-01	CATCH GRABBER DOOR C3-803
20.	381865	PULL BRUSH NICKEL
21.	382030	PULL, RECESSED FINGER .7 X 2.7
22.	115374	EXTRUSION - SLIDING DOOR TRACK
23.	381607	HINGE, DOOR
24.	966885-19	TOP ASSY, LAVY
25.	966884-31	PANEL, 7.00 X 8.50

2012 INTERNATIONAL TRAVEL TRAILER

FURNITURE, BATH

Medicine Cabinet, 25' FB, 27' FB, Signature, Wenge, Serenity, Eddie Bauer



Part numbers are on the next page.

2012 INTERNATIONAL TRAVEL TRAILER

FURNITURE, BATH

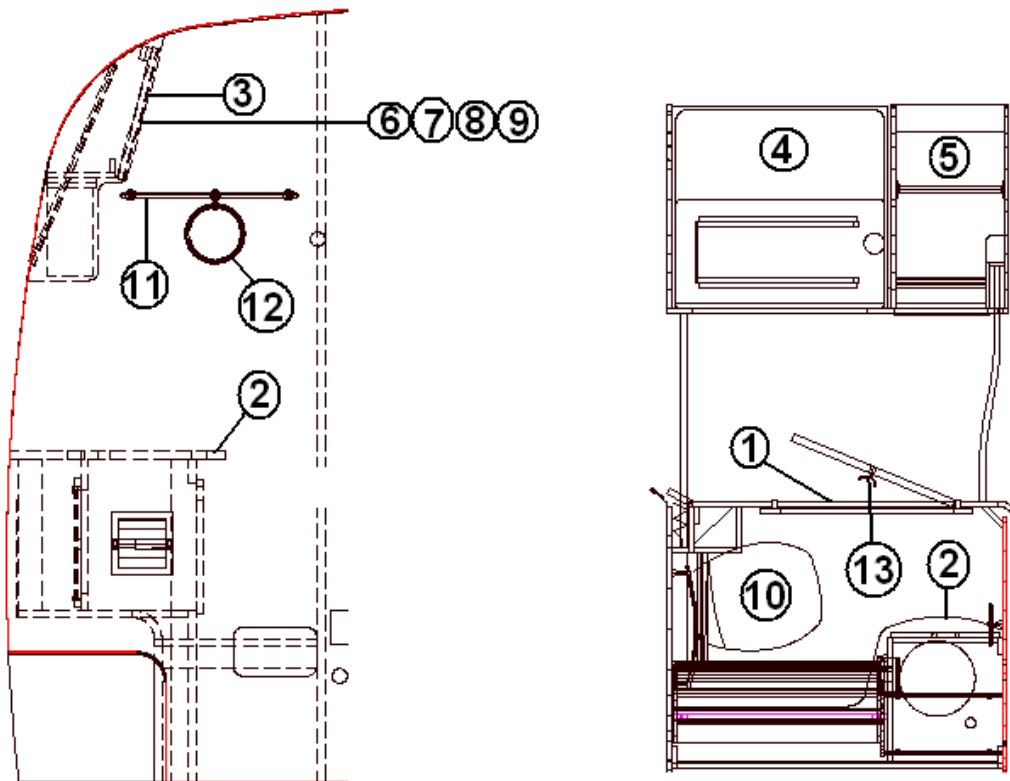
Medicine Cabinet, 25' FB, 27' FB, Signature, Wenge, Serenity, and Eddie Bauer

966896	MEDICINE CABINET ASSY.
1. 966896-1	PANEL, 10.81. 13.56"
2. 966896-2	PANEL, 10.81. 13.56"
3. 966896-3	PANEL, 2.25" X 39"
4. 966896-4	PANEL, 1.50" X 39"
5. 966896-5	PANEL, 13.88" X 39.88"
6. 966896-6	PANEL, 7" X 39"
7. 966896-7	PANEL, 3.42" X 40"
8. 966896-8	PANEL, 5.67" X 40"
9. 966896-9	PANEL, 3.42" X 6"
10. 966896-10	PANEL, 3.42" X 6"
11. 966896-11	PANEL, 2.25" X 40"
12. 966896-12	PANEL, 6.5" X 40"
13. 966896-13	PANEL, 16.25" X 40"
14. 800025-01	PINE, 3/4" X 3/4", STAINED
15. 372203-33	MIRROR, SAFETY .125" X 14" X 40"
16. 385935-01	HINGE, PIVOT ZINC PLATED
17. 381228-01	CATCH GRABBER DOOR
18. 365238-04	EDGE BANDING. .5, WHITE
19. 365001	TAPE, DOUBLE COATED FOAM
20. 360180	ADHESIVE SEAL, SIKAFLEX 221, GRAY
21. 385940-02	MIRROR, PULL CHROME
22. 380024	ARMS SUPPORT, RIGHT HAND
23. 966896-23	PANEL, 2.50" X 19"

2012 INTERNATIONAL TRAVEL TRAILER

FURNITURE, BATH

Bath Lay Out, 28', Signature, Wenge

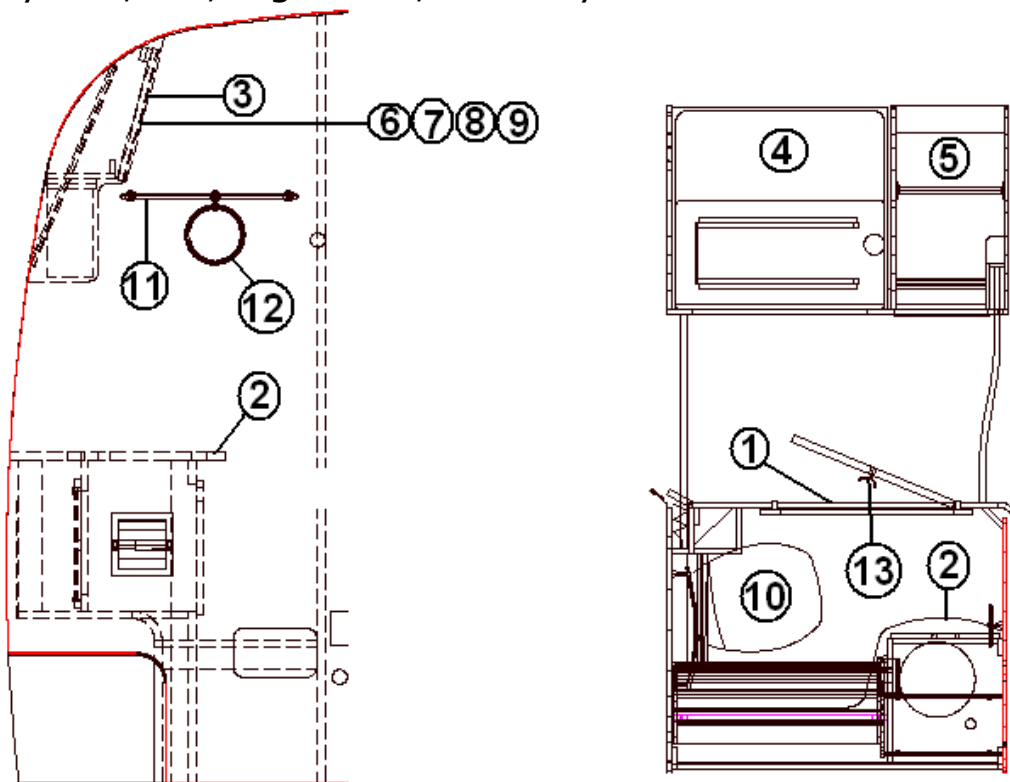


- | | |
|--------------|-----------------------------|
| 1. 966990 | FRONT WALL ASSY, LATRINE |
| 2. 967394 | CABINET ASSY - LAVATORY |
| 3. 967003 | MEDICINE CABINET, UPPER 30" |
| 4. 966967 | SHOWER COMPT ASSY |
| 5. 966969 | WARDROBE ASSY ROADSIDE |
| 6. 372203-26 | MIRROR, 17.00 X 25.25 |
| 7. 800507-02 | LAUAN, 1/4"X 4' X 8' |
| 8. 381220-01 | MIRROR CLIP |
| 9. 381220-02 | MIRROR CLIP |
| 10.690472 | TOILET, CHINA, WHITE |
| 11.381776 | TOWEL BAR, CHROME, 18" |
| 12.381777 | TOWEL RING, CHROME |
| 13.381778 | ROBE HOOK, DOUBLE CHROME |

2012 INTERNATIONAL TRAVEL TRAILER

FURNITURE, BATH

Bath Lay Out, 28', Signature, Serenity



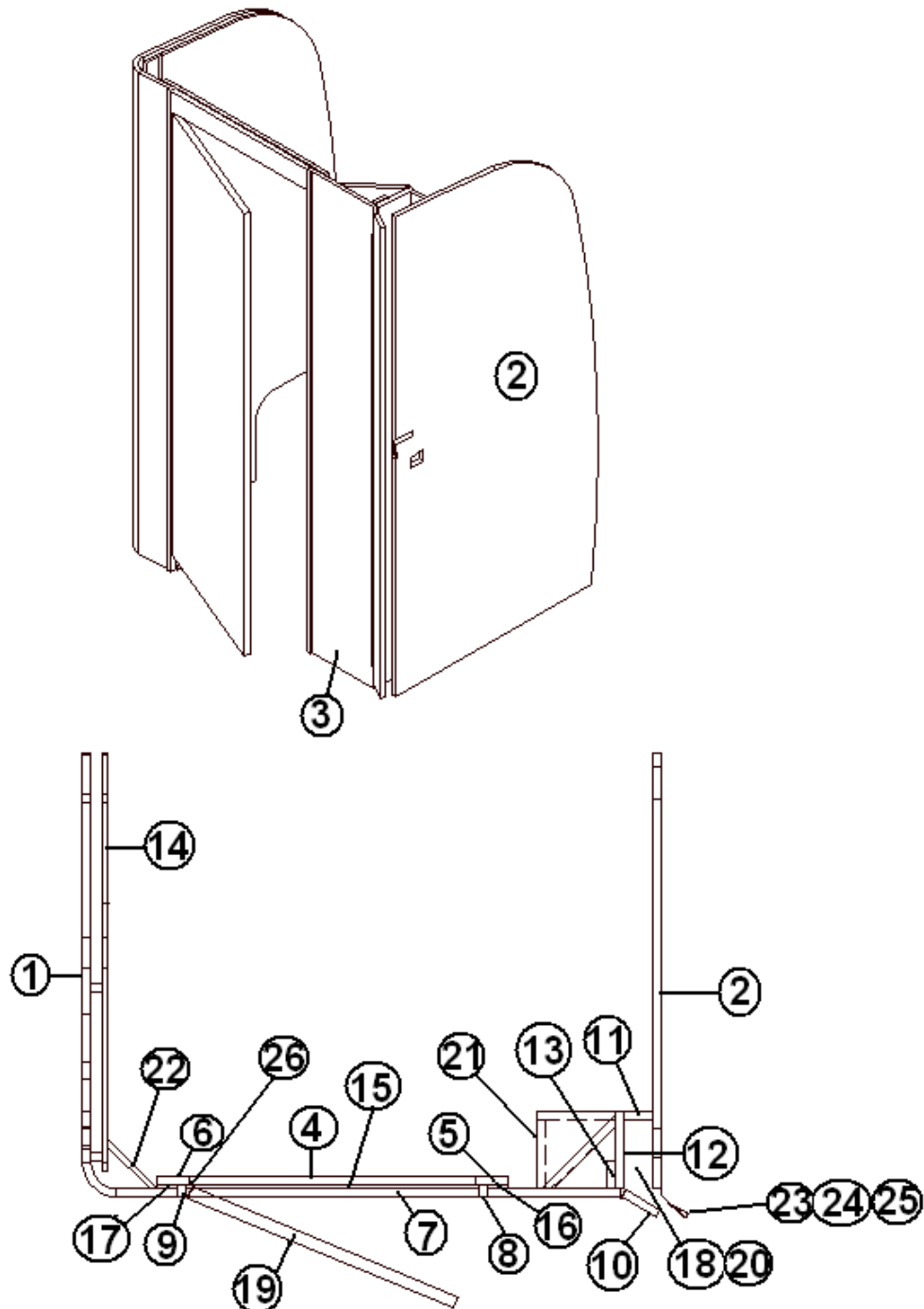
- 966990-15
- 1. 967394-15
- 2. 967003
- 3. 966967-15
- 4. 966969-15
- 5. 372203-26
- 6. 800507-02
- 7. 381220-01
- 8. 381220-02
- 9. 690472
- 10. 381776
- 11. 381777
- 12. 381778

- FRONT WALL ASSY, LATRINE
- LAVY CABINET ASSY.
- MEDICINE CABINET, UPPER 30"
- SHOWER COMPT ASSY
- WARDROBE ASSY ROADSIDE
- MIRROR, 13.62 X 58.
- LAUAN, 1/4"X 4' X 8'
- MIRROR CLIP
- MIRROR CLIP
- TOILET, CHINA, WHITE
- TOWEL BAR, CHROME, 18"
- TOWEL RING, CHROME
- ROBE HOOK, DOUBLE CHROME

2012 INTERNATIONAL TRAVEL TRAILER

FURNITURE, BATH

Latrine Front Wall Assembly, 28', Signature, Wenge



Part Number on the Next Page

2012 INTERNATIONAL TRAVEL TRAILER

FURNITURE, BATH

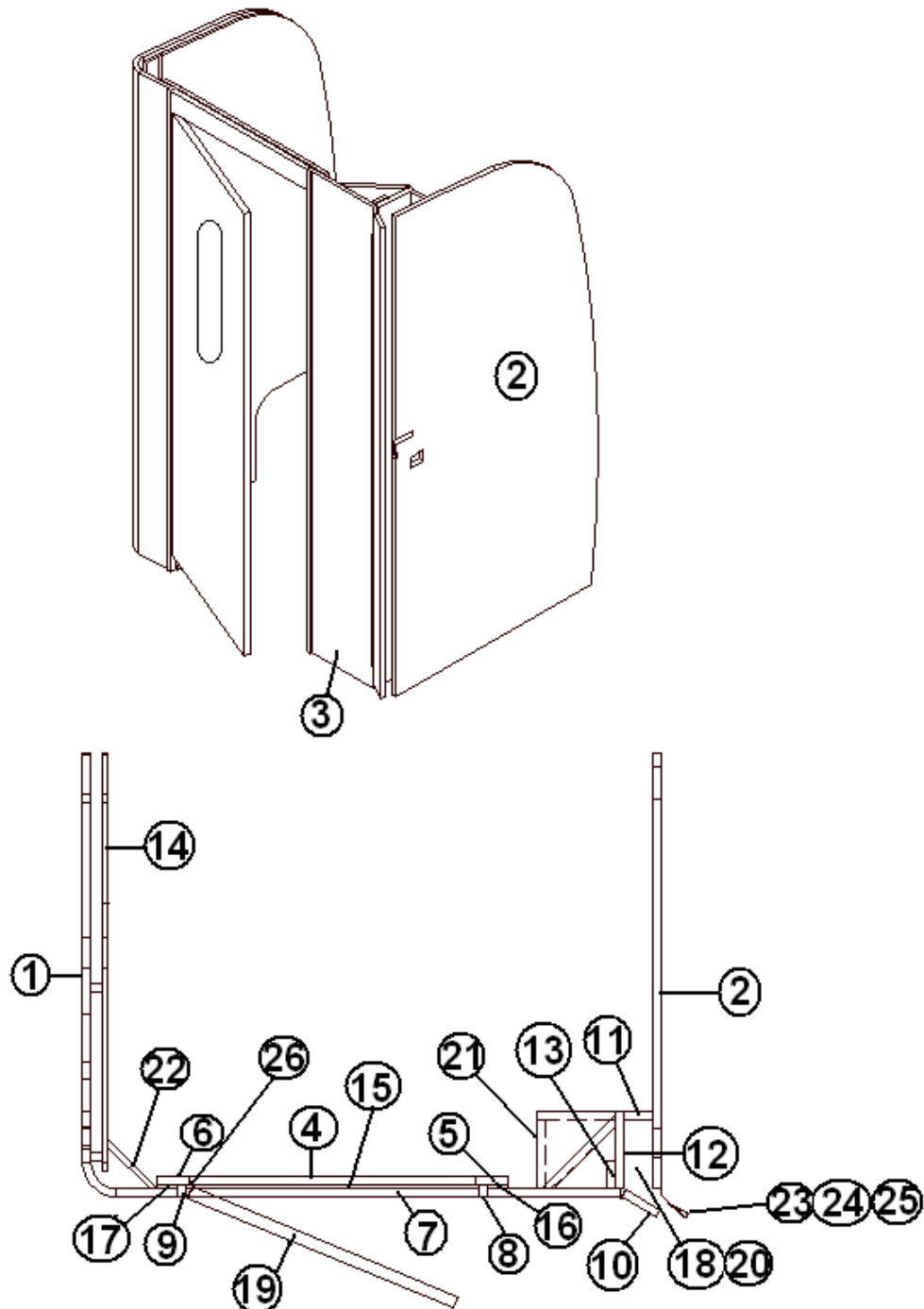
Latrine Front Wall Assembly, 28', Signature, Wenge

966990	FRONT WALL ASSY, LATRINE
1. 966991	WALL ASSY FWD BATH
2. 966990-2	PANEL, BATH, 38.58 X 79.22
3. 966990-3	PANEL, BATH, 11.69 X 79.50
4. 966990-4	PANEL, BATH, 25.25 X 3.75
5. 966990-5	PANEL, BATH, 2.88 X 79.32
6. 966990-6	PANEL, BATH, 2.88 X 79.32
7. 966990-7	PANEL, BATH, 26.00 X 3.41
8. 966990-8	PANEL, BATH, 1.06 X 79.42
9. 966990-9	PANEL, BATH, 1.06 X 79.42
10. 966990-10	DOOR, BATH, FRONT WALL, 3.44 X 77.4
11. 966990-11	PANEL, BATH, 2.5 X 78.82
12. 966990-12	PANEL, BATH, 6.75 X 79.34
13. 966990-13	PANEL, BATH, 2.5 X 79.38
14. 966990-14	PANEL, BATH, 37.08 X 79.15
15. 800507-02	LAUAN, 1/4" X 4' X 8'
16. 800507-02	LAUAN, 1/4" X 4' X 8'
17. 800507-02	LAUAN, 1/4" X 4' X 8'
18. 702681-07	DOOR, FOLDETTE 60"X 73" GREY
19. 966995	BATH DOOR ASSY W/PORHOLE
20. 381802-01	TAP CAP #2 WHITE
21. 966996	CLOSEOUT, BLACK TANK VENT ASSY.
22. 966990-22	PANEL, BATH, 6.18 X 79.34
23. 381581	STRAP CLEAR PLASTIC .75"W
24. 700811	BUTTON CAP, HANDY
25. 700812	BUTTON BOTTOM, OAK
26. 380203-01	PIANO HINGE 1/8" PIN

2012 INTERNATIONAL TRAVEL TRAILER

FURNITURE, BATH

Latrine Front Wall Assembly, 28', Signature, Serenity



Part Number on the Next Page

2012 INTERNATIONAL TRAVEL TRAILER

FURNITURE, BATH

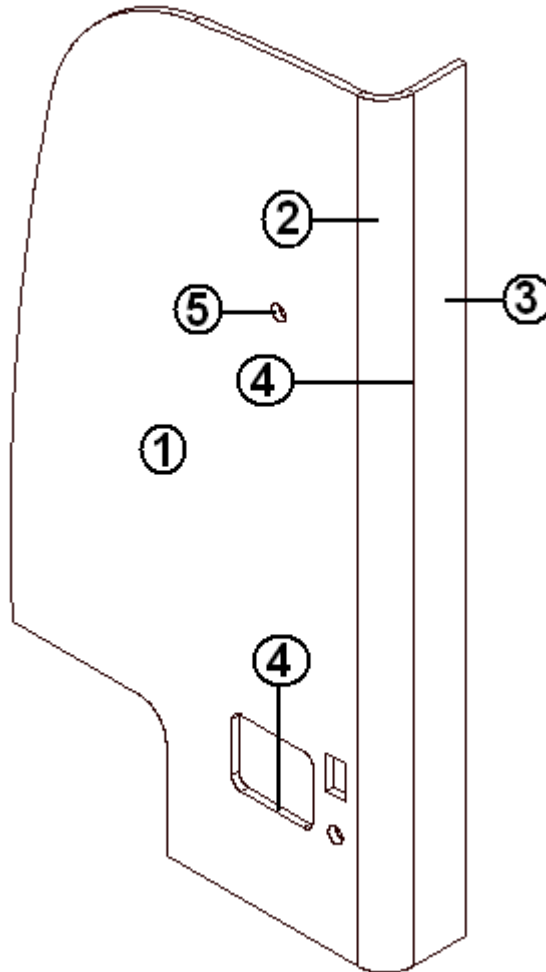
Latrine Front Wall Assembly, 28', Signature, SERENITY

	966990-15	FRONT WALL ASSY, LATRINE
1.	966991-15	WALL ASSY FWD BATH
2.	966990-152	PANEL, BATH, 38.58 X 79.22
3.	966990-153	PANEL, BATH, 11.69 X 79.50
4.	966990-154	PANEL, BATH, 25.25 X 3.75
5.	966990-155	PANEL, BATH, 2.88 X 79.32
6.	966990-156	PANEL, BATH, 2.88 X 79.32
7.	966990-157	PANEL, BATH, 26.00 X 3.41
8.	966990-158	PANEL, BATH, 1.06 X 79.42
9.	966990-159	PANEL, BATH, 1.06 X 79.42
10.	966990-1510	DOOR, BATH, FRONT WALL, 3.44 X 77.4
11.	966990-1511	PANEL, BATH, 2.5 X 78.82
12.	966990-1512	PANEL, BATH, 6.75 X 79.34
13.	966990-1513	PANEL, BATH, 2.5 X 79.38
14.	966990-1514	PANEL, BATH, 37.08 X 79.15
15.	800507-02	LAUAN, 1/4" X 4' X 8'
16.	800507-02	LAUAN, 1/4" X 4' X 8'
17.	800507-02	LAUAN, 1/4" X 4' X 8'
18.	702681-07	DOOR, FOLDETTE 60"X 73" GREY
19.	967545-15	DOOR ASSY. W/WINDOW BATH
20.	381802-01	TAP CAP #2 WHITE
21.	966996	CLOSEOUT, BLACK TANK VENT ASSY.
22.	966990-22	PANEL, BATH, 6.18 X 79.34
23.	381581	STRAP CLEAR PLASTIC .75"W
24.	700811	BUTTON CAP, HANDY
25.	700812	BUTTON BOTTOM, OAK
26.	380203-01	PIANO HINGE 1/8" PIN

2012 INTERNATIONAL TRAVEL TRAILER

FURNITURE, BATH

Latrine Wall, Forward, 28', Signature Wenge

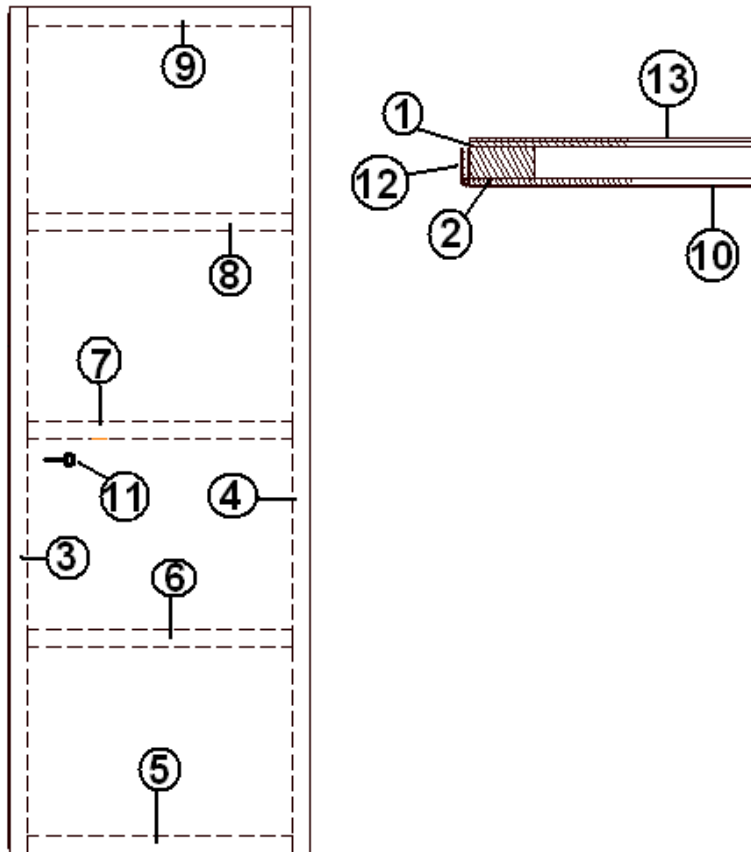


- | | |
|--------------|----------------------------------|
| 966991 | WALL ASSY FWD BATH |
| 1. 966991-1 | PANEL, 36.33 X 79.15 |
| 2. 801345 | RADIUS PLYWOOD, .75"X 3"X 8' |
| 3. 966991-3 | PANEL, 5.375 X 79.4 |
| 4. 203440 | T MOLDING, BLACK EMBOSSED, .8125 |
| 5. 381209-01 | GROMMET, W/CAP BLACK 1.5"HOLE |

2012 INTERNATIONAL TRAVEL TRAILER

FURNITURE, BATH

Door, Bath, 28' Signature, Wenge

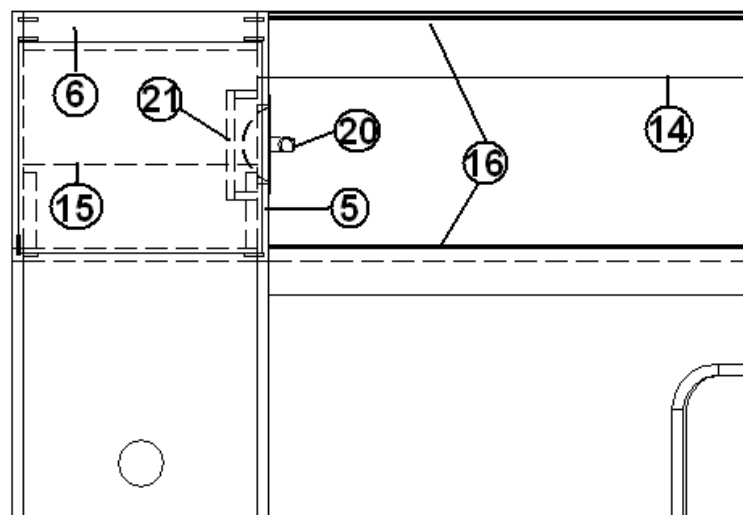
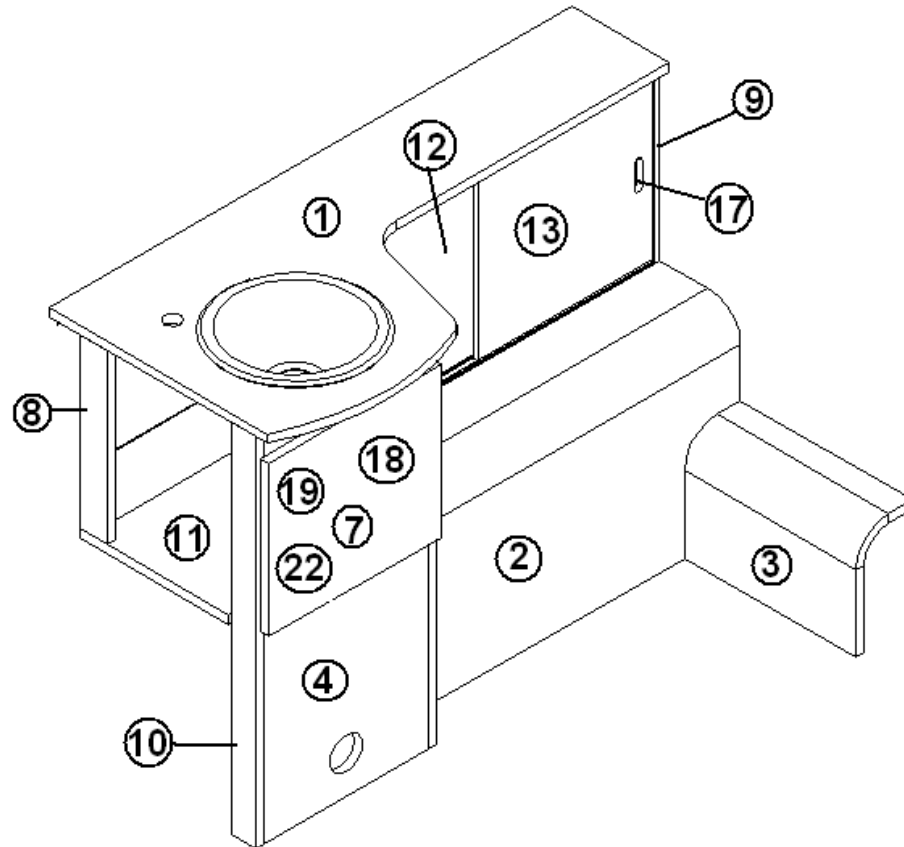


966994	Bath door
1. 966994-1	PANEL, LAUAN, 27" X 74"
2. 966994-2	PANEL, LAUAN, 27" X 74"
3. 966994-3	PANEL, LAUAN, 1.50" X 72.50"
4. 966994-4	PANEL, LAUAN, 1.50" X 72.50"
5. 966994-5	PANEL, LAUAN, 1.50" X 22.50"
6. 966994-6	PANEL, LAUAN, 1.50" X 22.50"
7. 966994-7	PANEL, LAUAN, 1.50" X 22.50"
8. 966994-8	PANEL, LAUAN, 1.50" X 22.50"
9. 966994-9	PANEL, LAUAN, 1.50" X 22.50"
10. 801804-01	LAMINATE, WENGE VERTICAL
11. 381771	LATCH, FLUSH MOUNT
12. 380203-01	PIANO HINGE 1/8" PIN
13. 801355-01	LAMINATE, WHITE VERTICLE
454320	DOOR HANDLE COVER

2012 INTERNATIONAL TRAVEL TRAILER

FURNITURE, BATH

Lavatory Cabinet, 28' Signature, Wenge



Part Number on the Next Page

2012 INTERNATIONAL TRAVEL TRAILER

FURNITURE, BATH

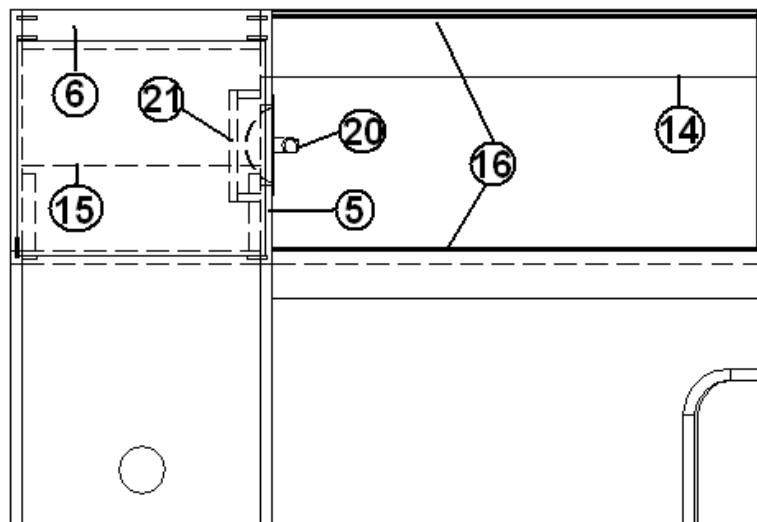
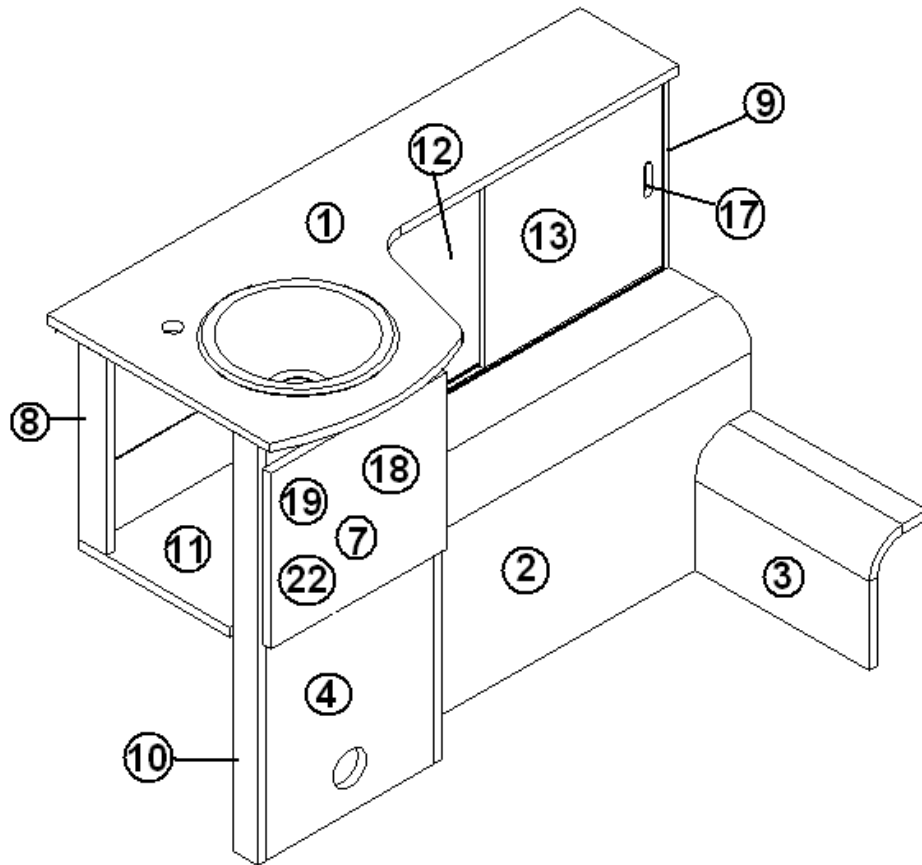
Lavatory Cabinet, 28' Signature, Wenge

967394	LAVY CABINET ASSY
1. 966998	LAVY TOP ASSY
2. 966999	BASE, CLOSE OUT, LAVY
3. 967002	PLUMBING, CLOSE OUT, LAVY
4. 967394-4	PANEL, LAVY CAB 15.25 X 17.50
5. 967394-5	PANEL, LAVY CAB 18.25 X 33.00
6. 967394-6	PANEL, LAVY CAB 2.25 X 15.25
7. 967394-7	DOOR, LAVY CAB 15.00 X 13.00
8. 967394-8	PANEL, LAVY CAB 2.25 X 15.50
9. 967394-9	PANEL, LAVY CAB 7.25 X 15.50
10. 967394-10	PANEL, LAVY CAB 2.25 X 33.00
11. 967394-11	PANEL, CAB 16.00 X 15.50
12. 967394-12	DOOR, LAVY CAB 16.00 X 15.13
13. 967394-13	DOOR, LAVY CAB 16.00 X 15.13
14. 967394-14	PANEL, LAVY CAB 12.00 X 32.13
15. 967394-15	PANEL, LAVY CAB 15.25 X 15.50
16. 115374	EXTRUSION, SLIDING DOOR TRACK, .5"
17. 382030	PULL, RECESSED FINGER, .7 X 2.75
18. 381607	HINGE ASSY
19. 381228-01	CATCH GRABBER DOOR
20. 381299	HOLDER RECESSED TOILET PAPER
21. 967006	CLOSEOUT PAPER HOLDER
22. 382029-00	HANDLE-BAR 7.48"
381607-04	HINGE SCREW, GRASS #6X5/8 FHP,N
114812	ALUMINUM ANGLE, 1.00" X 1.00"

2012 INTERNATIONAL TRAVEL TRAILER

FURNITURE, BATH

Lavatory Cabinet, 28' Signature, Serenity



Part Number on the Next Page

2012 INTERNATIONAL TRAVEL TRAILER

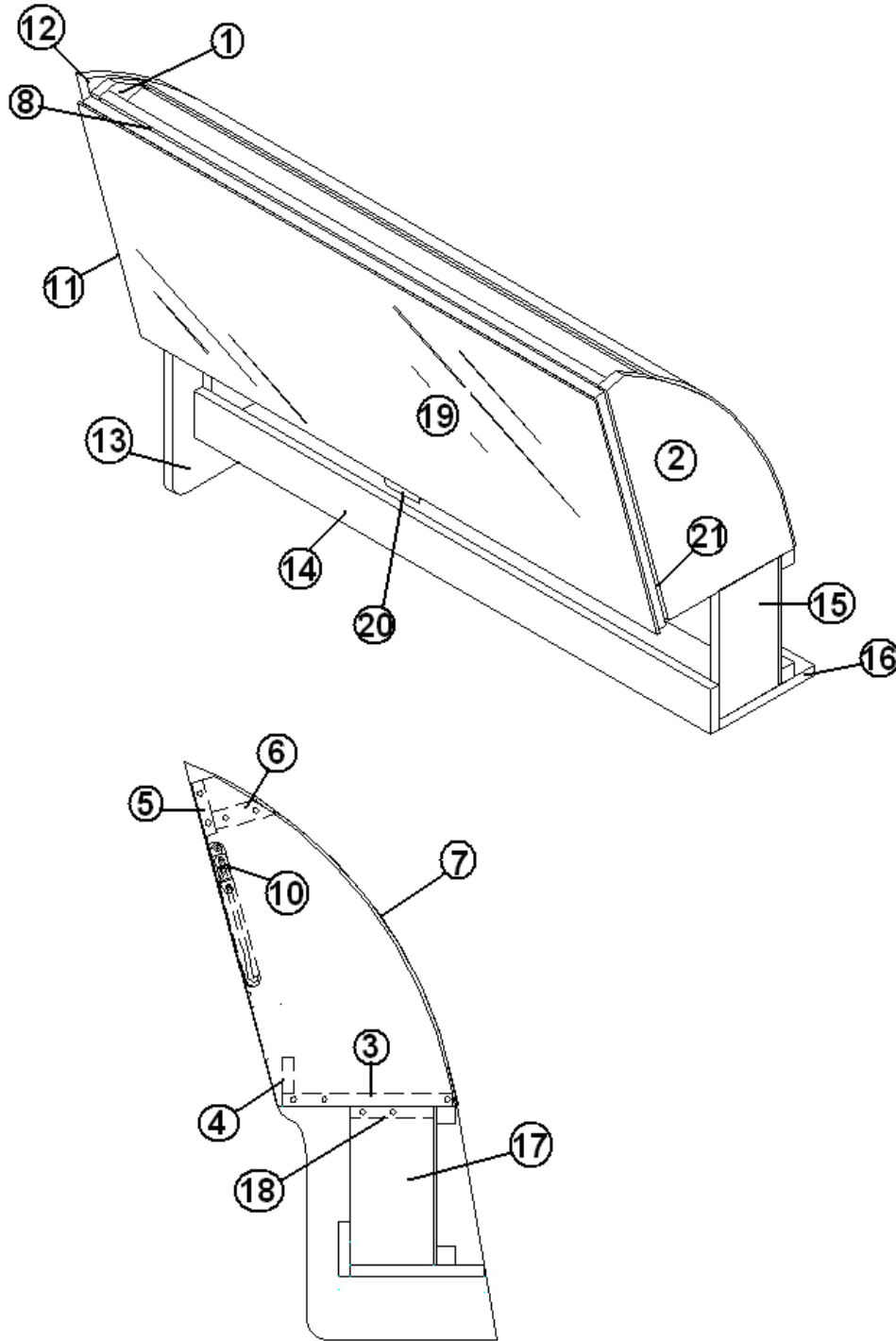
FURNITURE, BATH

Lavatory Cabinet, 28' Signature, Serenity

967394-15	LAVY CABINET ASSY
1. 966998-15	LAVY TOP ASSY
2. 966999	BASE, CLOSE OUT, LAVY
3. 967002	PLUMBING, CLOSE OUT, LAVY
4. 967394-154	PANEL, LAVY CAB 15.25 X 17.50
5. 967394-155	PANEL, LAVY CAB 18.25 X 33.00
6. 967394-156	PANEL, LAVY CAB 2.5 X 15.25
7. 967394-157	DOOR, LAVY CAB 15.88 X 13.63
8. 967394-8	PANEL, LAVY CAB 2.5 0 X 15.50
9. 967394-159	PANEL, LAVY CAB 2.50 X 15.50
10. 967394-10	PANEL, LAVY CAB 2.50 X 33.00
11. 967394-11	PANEL, CAB 16.00 X 15.50
12. 967394-1512	PANEL, LAV CAB 15.50 X 31.50
13. 967394-1513	DOOR - 15.88"X13.88"
14. 967394-1514	PANEL, LAVY CAB 15.25 X 5.50
15. 967394-1515	PANEL, LAVY CAB 15.25 X 15.50
16. 115374	EXTRUSION, SLIDING DOOR TRACK, .5"
17. 382030	PULL, RECESSED FINGER, .7 X 2.75
18. 381607	HINGE ASSY
19. 381228-01	CATCH GRABBER DOOR
20. 381299	HOLDER RECESSED TOILET PAPER
21. 967006	CLOSEOUT PAPER HOLDER
22. 382115	PULL, FLAT BLACK #M575
381607-04	HINGE SCREW, GRASS #6X5/8 FHP,N
114812	ALUMINUM ANGLE, 1.00" X 1.00"

2012 INTERNATIONAL TRAVEL TRAILER FURNITURE, BATH

Medicine Cabinet, 28' Signature, Wenge & Serenity



Part Number on the Next Page

2012 INTERNATIONAL TRAVEL TRAILER

FURNITURE, BATH

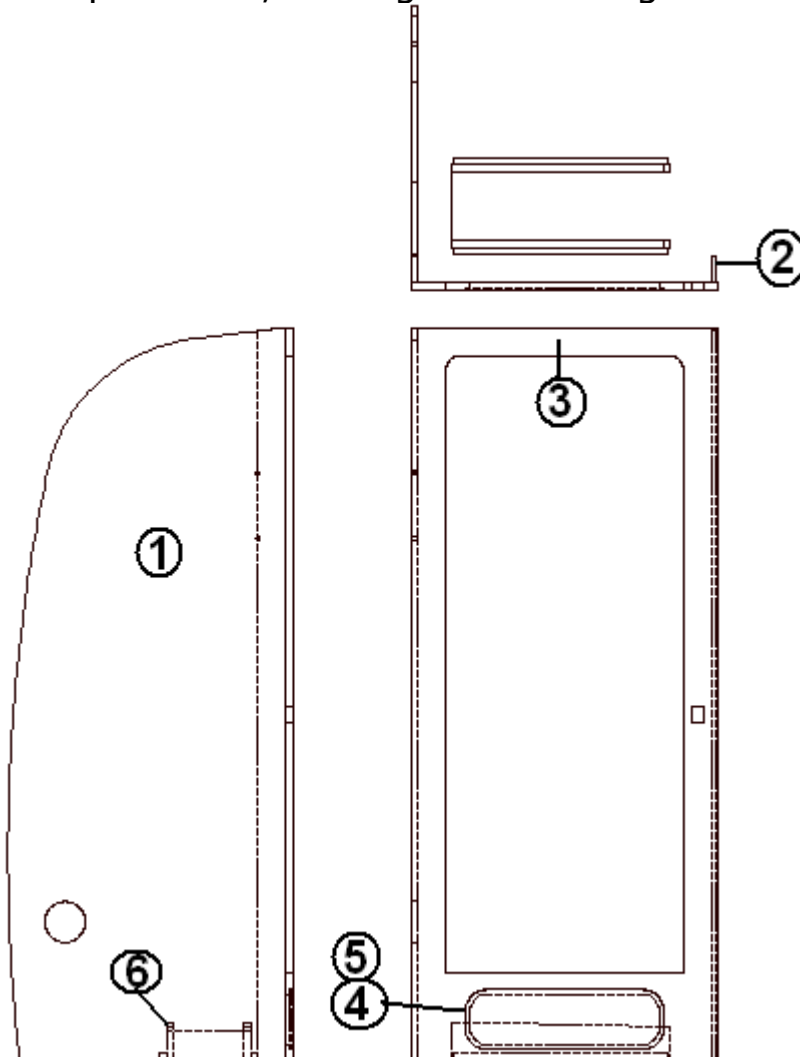
Medicine Cabinet, 28' Signature, Wenge & SERENITY

967003	MEDICINE CABINET, UPPER 30"
1. 967003-1	PANEL, 10.81 X 13.56
2. 967003-2	PANEL, 30" 10.81 X 13.56
3. 967003-3	PANEL, 7.00 X 28.97
4. 967003-4	PANEL, 1.50 X 28.97
5. 967003-5	PANEL, 2.25 X 28.97
6. 967003-6	PANEL, 30" 2.50 X 28.97
7. 967003-7	PANEL, 30" 16.125 X 30
8. 385935-01	HINGE, PIVOT, ZINC PLATED
10.382126	LID STAY CHROME
11. 967004	DOOR, MEDICINE, 30"
12.967005	CLOSE OUT, MEDICINE, CABINET
13.967003-15	PANEL, 3.42 X 6.50
14.967003-16	PANEL, 2.25 X 29.97
15.967003-17	PANEL, 3.42 X 6.50
16.967003-18	PANEL, 5.50 X 29.97
17.967003-20	PANEL, 6.50 X 29.97
18.967003-21	PANEL, 3.42 X 28.97
19.372203-30	MIRROR, SAFETY, 14"H X 30"W
20.385940-02	MIRROR, PULL, CHROME
21.195329-202	HEMISPHERE, CLEAR, BUMP-ON

2012 INTERNATIONAL TRAVEL TRAILER

FURNITURE, BATH

Shower Compartment, 28' Signature Wenge

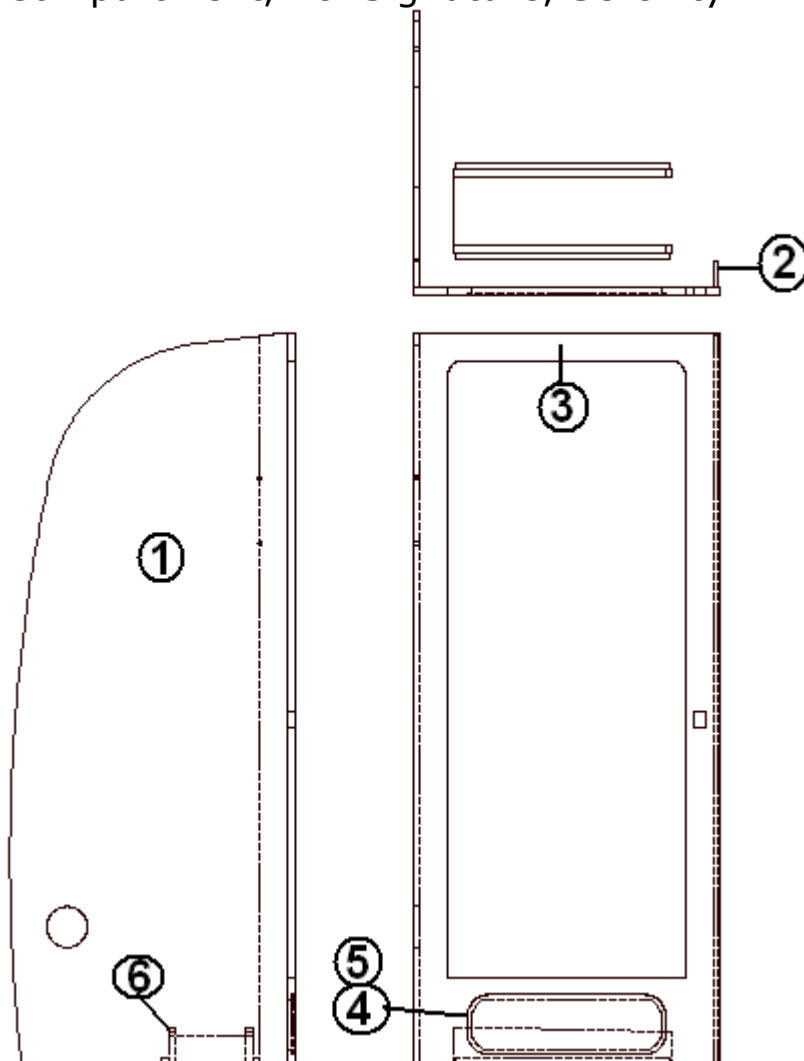


966967	SHOWER COMPARTMENT
1. 966967-1	PANEL, SHOWER, 29.89 X 78.65
2. 966967-2	PANEL, SHOWER, 3.0 X 78.71
3. 966967-3	PANEL SHOWER, 33.06 X 78.71
4. 966967-4	PANEL SHOWER, 21.44 X 6.44
5. 203440	T MOLDING, BLACK EMBOSSED .8125
6. 965816	STAND ASSY, SHOWER
203081-01	SHOWER STALL, 2 PC FIBERGLASS
703911-01	SHOWER DOOR, BRUSHED NICKEL

2012 INTERNATIONAL TRAVEL TRAILER

FURNITURE, BATH

Shower Compartment, 28' Signature, Serenity

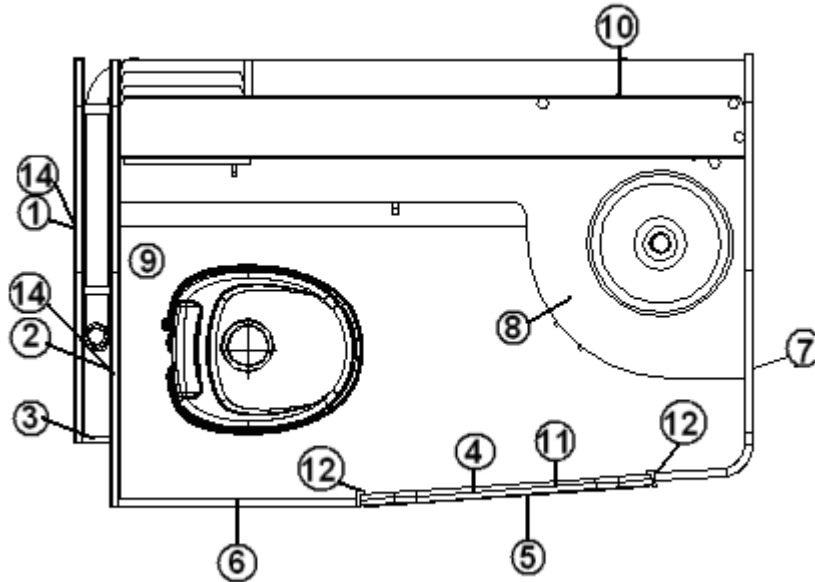


- | | |
|---------------|---------------------------------|
| 966967-15 | SHOWER COMPARTMENT |
| 1. 966967-151 | PANEL, SHOWER, 29.89 X 78.65 |
| 2. 966967-2 | PANEL, SHOWER, 3.0 X 78.71 |
| 3. 966967-153 | PANEL SHOWER, 33.06 X 78.71 |
| 4. 966967-154 | PANEL SHOWER, 21.44 X 6.44 |
| 5. 203693 | T MOLDING, BEIGE EMBOSSED .8125 |
| 6. 965816 | STAND ASSY, SHOWER |
| 203081-01 | SHOWER STALL, 2 PC FIBERGLASS |
| 703911-01 | SHOWER DOOR, BRUSHED NICKEL |

2012 INTERNATIONAL TRAVEL TRAILER

FURNITURE, BATH

BATH MODULE - 30', Wenge

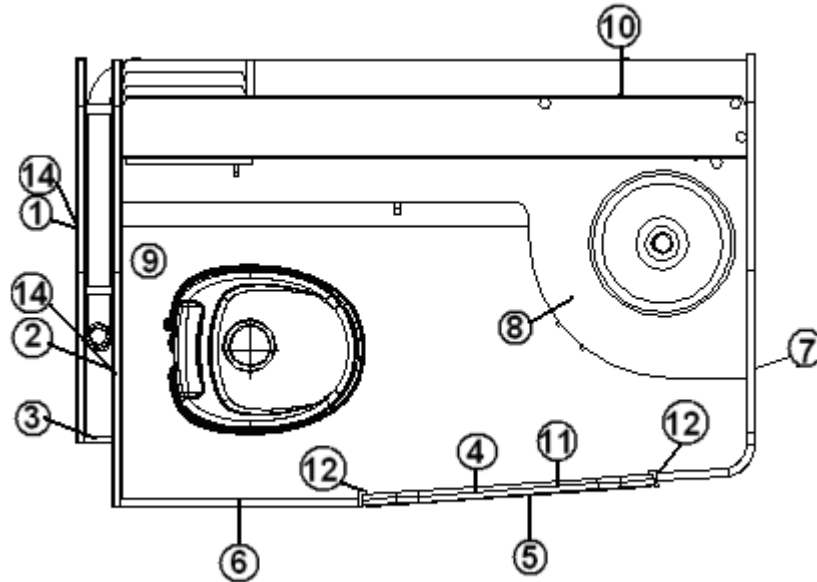


1.111838-1	PANEL, BATH 34.06 X 78.99
2.111838-2	PANEL, BATH 39.58 X 79.32
3.111838-3	PANEL, BATH 2.75 X 79
4.111838-4	PANEL, BATH 4.01 X 26
5.111838-5	PANEL, BATH 4.01 X 26
6.111838-6	PANEL, BATH 21.15 X 79.32
7.967524	SUB ASSY-RAD.BATH PNL
8.967521	CABINET ASSY-LAVY
9.967525	CABINET .ASSY-UPPER LAVY
10.967526	SHELF ASSY-UPPER LAVY 30INTL
11.966940	DOOR W/PORHOLE BATH 25.5 X 72
12.801665-0016	MOLDING-DR JAMB WENGE 80"
13.203138-05	EXTRUSION-PLASTIC 1/2" WALL BLACK
14.365341-01	EDGE BANDING- .63" WENGE
15.967527	SHOWER COMPARTMENT

2012 INTERNATIONAL TRAVEL TRAILER

FURNITURE, BATH

BATH MODULE, 30' INT'L, SERENITY

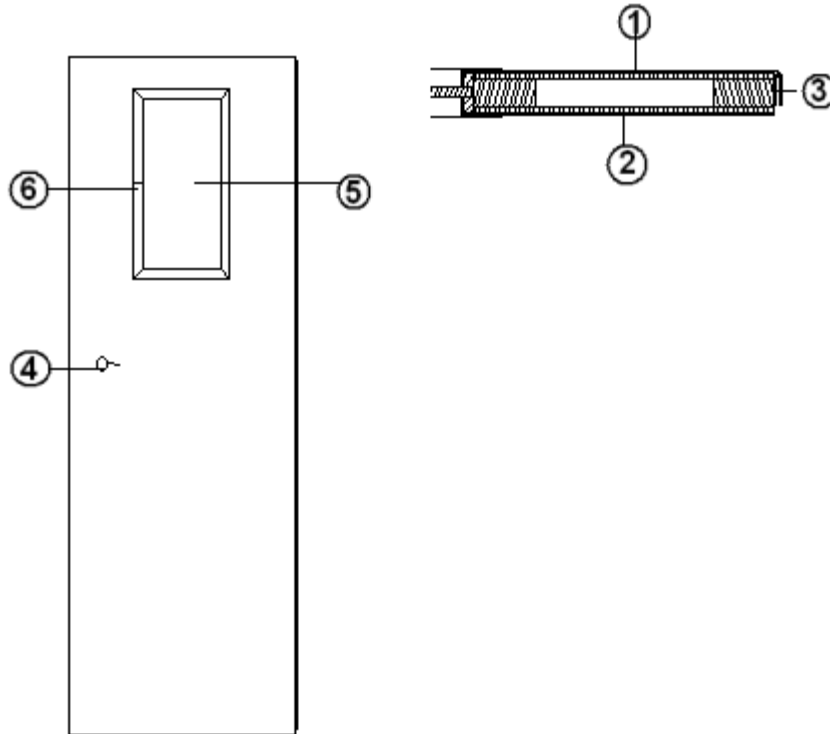


1.111838-151	PANEL, BATH 34.06 X 79
2.111838-152	PANEL, BATH 39.58 X 79.32
3.111838-153	PANEL, BATH 2.75 X 79
4.111838-154	PANEL, BATH 4.01 X 26
5.111838-155	PANEL, BATH 4.01 X 26
6.111838-156	PANEL, BATH 21.15 X 79.32
7.967524-15	SUB ASSY-RAD.BATH PNL
8.967521-15	CABINET ASSY-LAVY
9.967525-15	CABINET .ASSY-UPPER LAVY 30INTL
10.967526	SHELF ASSY-UPPER LAVY 30 INTL
11.967545-15	DOOR W/WINDOW
12.801665-0018	MOLDING-DR JAMB ASIAN SAND
13.203138-03	EXTRUSION-PLASTIC 1/2" WALL BEIGE
14.365344-01	EDGEBANDING- .63" PEARL BISQUE
15.967527-15	SHOWER COMPARTMENT- 30INTL
966996	CLOSEOUT BLACK TANK VENT ASSY.

2012 INTERNATIONAL TRAVEL TRAILER

FURNITURE, BATH

BATH DOOR W/WINDOW, 30' SERENITY

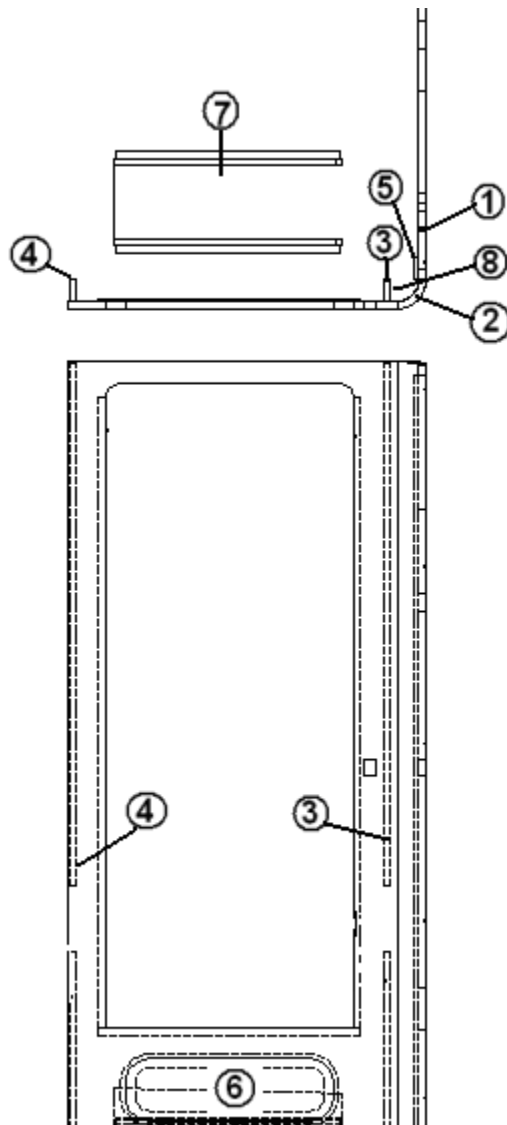


- | | |
|--------------|---------------------------------|
| 967545-15 | DOOR-BATH W/WINDOW 30' SERENITY |
| 1. 801833-01 | LAMINATE-ASIAN SAND VERTICAL |
| 2. 801355-01 | LAM-FROST WHT 4'X8'VERT #1573- |
| 3. 380203-01 | PIANO HINGE 1/8" PIN CLR ANODI |
| 4. 381771 | LATCH-LEVER LOCKSET |
| 5. 203676 | WINDOW-BATH DR GINGKO THATCH |
| 6. 115488 | ANGLE-ALUM. .06" X .5" X 1" |

2012 INTERNATIONAL TRAVEL TRAILER

FURNITURE, BATH

SHOWER COMPARTMENT, 30' INT, SERENITY



PARTS LISTED ON NEXT PAGE

2012 INTERNATIONAL TRAVEL TRAILER

FURNITURE, BATH

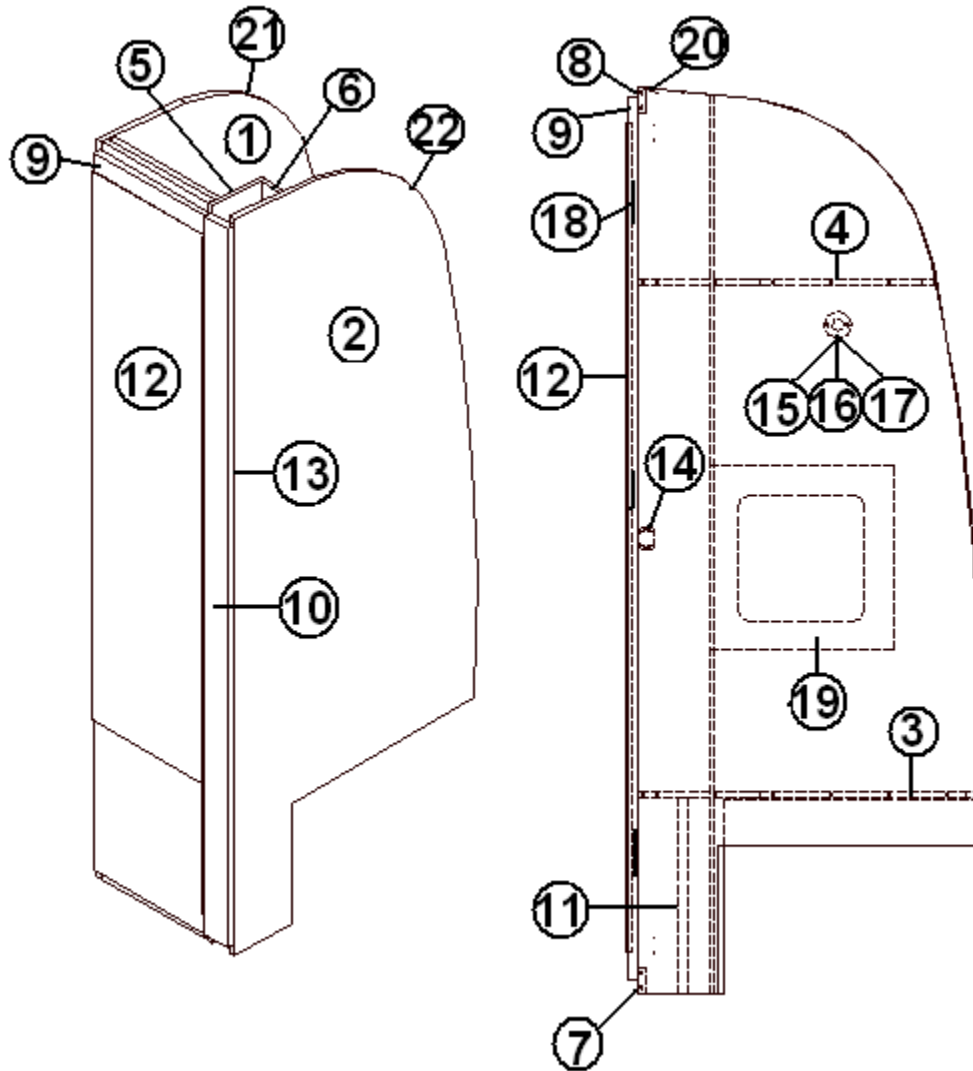
SHOWER COMPARTMENT, 30' INT, SERENITY

967527-15	SHOWER COMPARTMENT- 30 SERENITY
1.967527-151	PANEL 26.98" X 78.48"
2.967528-15	SUB ASSY-SHOWER COMPT.
3.967527-3	PANEL-SHOWER 2.25X78.88
4.967527-4	PANEL-SHOWER 2.25X78.88
5.967527-5	PANEL-SHOWER 2.25X77.5
6.967527-156	PANEL-SHOWER 21.44X6.44
7.965816	STAND ASSY-SHOWER
8.800025-01	PINE 3/4" X 3/4" STAINED
203081-01	SHOWER STALL-2 PC FIBER
703911-01	SHOWER DOOR - BRUSHED NICKEL

2012 INTERNATIONAL TRAVEL TRAILER

FURNITURE, BATH

Wardrobe, 28', 30' Signature, Roadside, Wenge



Part Number on the Next Page

2012 INTERNATIONAL TRAVEL TRAILER

FURNITURE, BATH

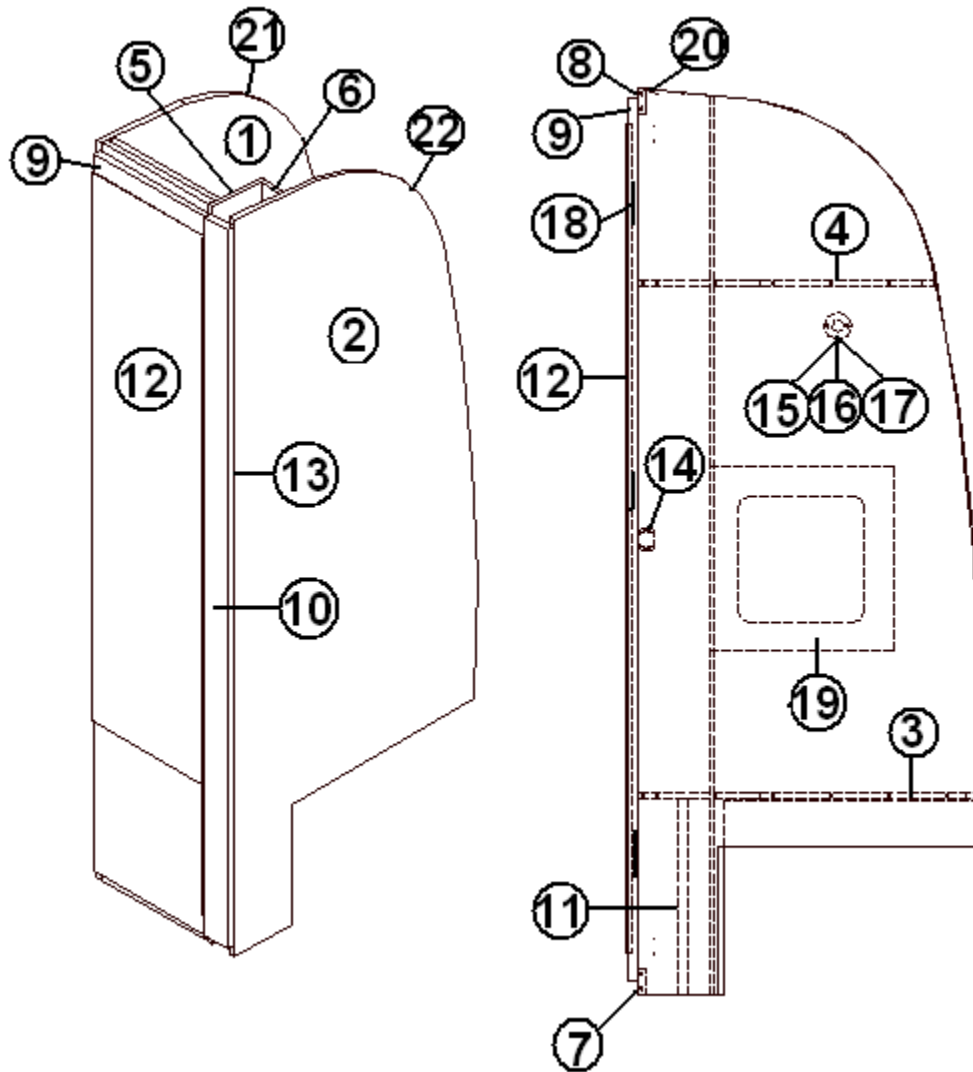
Wardrobe, 28', 30' Signature, Roadside, Wenge

966969	WARDROBE ASSY R/S
1. 966969-1	PANEL, 29.85 X 78.65
2. 966969-2	PANEL, 29.58 X 78.65
3. 966969-3	PANEL, 29.73 X 15.81
4. 966969-4	PANEL, 25.79 X 15.81
5. 966969-5	PANEL, 6.75 X 78.65
6. 966969-6	PANEL, 2.31 X 77.94
7. 966969-7	PANEL, 2.25 X 13.00
8. 966969-8	PANEL, 2.25 X 13.00
9. 966969-9	DOOR RS W/R 13.62 X 76.56
10. 966969-10	DOOR RS W/R 2.77 X 76.56
11. 966969-11	PNL W/R RS 17.00 X 13.00
12.372203-26	MIRROR, 13.62" X 58.50"
13.380203-01	PIANO HINGE 1/8" PIN
14.381228	CATCH GRABBER DOOR
15.380046	FLANGE CHROME
16.380045	TUBING 3/4", METALLIC
17.200975-04	CONDUIT, FLEXIBLE BLACK PLASTIC
18.381607	HINGE ASSY.
19.966883	CLOSEOUT, W/R
20.104821	SUPPORT, ROOFLOCKER, 74"
21.203464	TRIM, PANEL BLACK 3/4"
22.203138-05	EXTRUSION, 1/2", WALL, BLACK
381220-01	MIRROR CLIP
381220-02	MIRROR CLIP

2012 INTERNATIONAL TRAVEL TRAILER

FURNITURE, BATH

Wardrobe, 28' Signature, Roadside, SERENITY



Part Number on the Next Page

2012 INTERNATIONAL TRAVEL TRAILER

FURNITURE, BATH

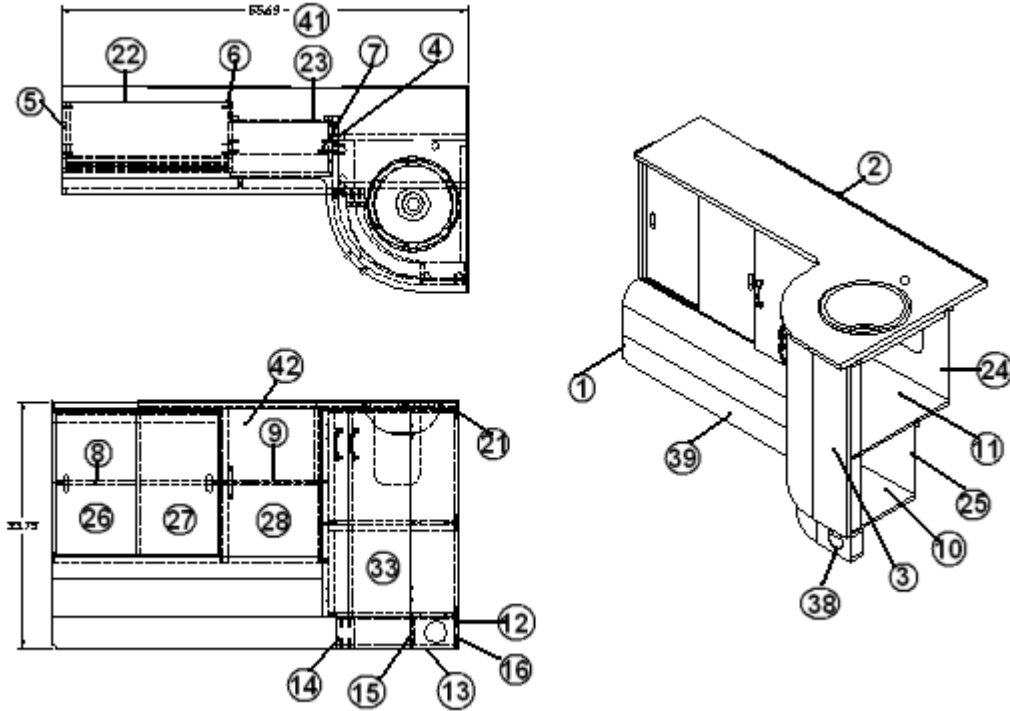
Wardrobe, 28' Signature, Roadside, Serenity

966969-15	WARDROBE ASSY R/S
1. 966969-1	PANEL, 29.85 X 78.65
2. 966969-2	PANEL, 29.58 X 78.65
3. 966969-3	PANEL, 29.73 X 15.81
4. 966969-4	PANEL, 25.79 X 15.81
5. 966969-5	PANEL, 6.75 X 78.65
6. 966969-6	PANEL, 2.31 X 77.94
7. 966969-157	PANEL, 2.25 X 13.00
8. 966969-158	PANEL, 2.25 X 13.00
9. 966969-159	DOOR RS W/R 13.62 X 76.56
10. 966969-1510	DOOR RS W/R 2.77 X 76.56
11. 966969-1511	PANEL, 17.00 X 13.00
12.372203-26	MIRROR, 13.62" X 58.50"
13.380203-01	PIANO HINGE 1/8" PIN
14.381228	CATCH GRABBER DOOR
15.380046	FLANGE CHROME
16.380045	TUBING 3/4", METALLIC
17.200975-04	CONDUIT, BLACK PLASTIC
18.381607	HINGE ASSY.
19.966883	CLOSEOUT, W/R
20.104821	SUPPORT, ROOFLOCKER, 74"
21.203464-02	TRIM, PANEL BEIGE, 3/4"
22.203138-03	EXTRUSION, 1/2", WALL, BEIGE
382115	PULL-FLAT BLACK #M575

2012 INTERNATIONAL TRAVEL TRAILER

FURNITURE, BATH

LAVATORY CABINET, 30', Wenge



967521	LAVATORY CABINET ASSY. 30'
1.967522	SUB ASSY-LAVY BASE 30INTL
2.967618	LAVY TOP - 30 SIG
3.967521-3	PANEL, LAVY CAB. 6.44X28.5
4.967521-4	PANEL, LAVY CAB. 10.3X28.5
5.967521-5	PANEL, LAVY CAB. 9.5X20.5
6.967521-6	PANEL, LAVY CAB. 9.5X20.5
7.967521-7	PANEL, LAVY CAB. 7.55X20.5
8.967521-8	PANEL, LAVY CAB. 7.5X22.19
9.967521-9	PANEL, LAVY CAB. 4.49X13.25
10.967521-10	PANEL, LAVY CAB. 12.5X17.75
11.967521-11	PANEL, LAVY CAB. 19X17.75
12.967521-12	PANEL, LAVY CAB. 11.56X16.5
13.967521-13	PANEL, LAVY CAB. 11.56X16.5
14.967521-14	PANEL, LAVY CAB. 2.25X3.5
15.967521-0915	PANEL, LAVY 2.25Z3.5
16.967521-16	PANEL, LAVY CAB. 2.25 X 3.5

2012 INTERNATIONAL TRAVEL TRAILER

17.

FURNITURE, BATH

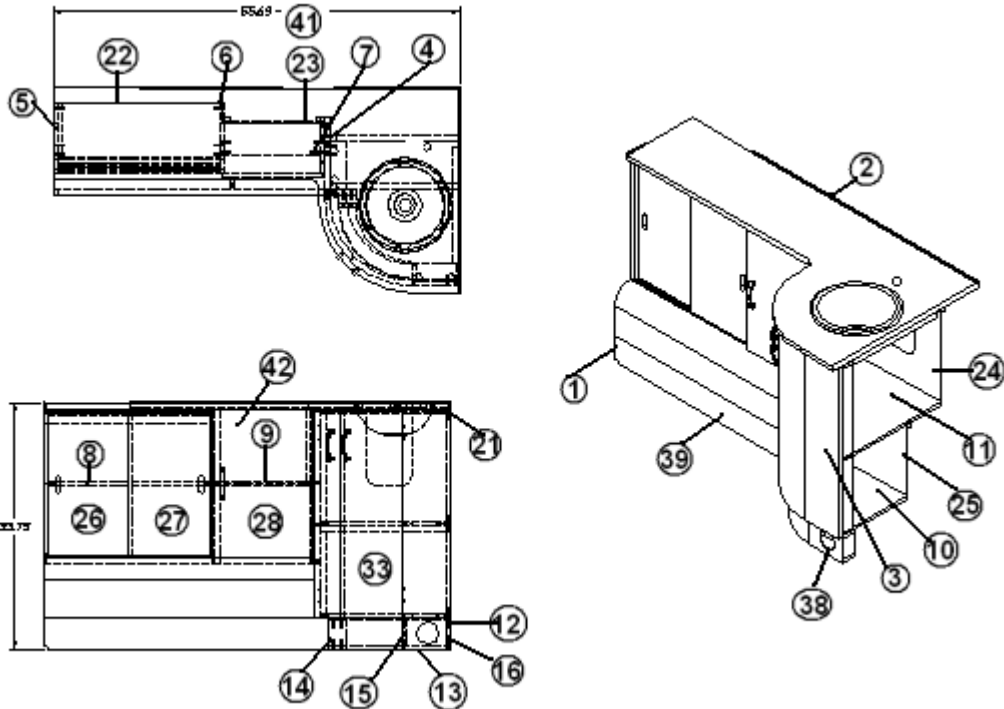
LAVATORY CABINET, 30', Wenge, Continued

18.967521-21	PANEL, LAVY CAB. 19X17.75
19.967521-22	PANEL, LAVY CAB. 23.44X19.25
20.967521-23	PANEL, LAVY CAB. 13.75X11
21.967521-24	PANEL, LAVY CAB. 16X17.75
22.967521-25	PANEL, LAVY CAB. 17.75X12.5
23.967521-26	DOOR-LAVY CAB. 11.34X20.13
24.967521-27	DOOR-LAVY CAB. 11.34X20.13
25.967521-28	DOOR-LAVY CAB. 13.88X20.25
26.365343-01	EDGEBANDING-.63" GOLD ALCHEMY
27.365343-02	EDGEBANDING- .94" GOLD ALCHEMY
28.365329	EDGEBANDING-LUNA FROST
29.800025-01	PINE 3/4" X 3/4" STAINED
30.801788-0116	DR-PLYFORM 9.18X28.25 WENGE
31.381607	HINGE ASSY-GRASS EURO-SAFARI
32.382044	HANDLE-BRUSHED NICKEL
33.381228-01	CATCH GRABBER DOOR C3-803
34.115374	EXTRUSION-SLIDING DR TRACK .5"
35.115438-03	TOEKICK-ALUM LAVY 23.75"
36.115438-04	TOEKICK-ALUM.LAVY 39.13"
37.967521-41	PANEL, LAVY 10X13.22
38.800030	PINE
39.382057	KNOCKDOWN
40.382057-04	CAP-KNOCKDOWN WHT #16387
41.320151	SCREW #6 X 3/4" ROUND WASHER
454853	LEAF SPRING - SS 22 GA.LAVY DR

2012 INTERNATIONAL TRAVEL TRAILER

FURNITURE, BATH

LAVATORY CABINET, 30' SERENITY



967521-15	LAVATORY CABINET ASSY. 30'
1.967522	SUB ASSY-LAVY BASE 30INTL
2.967618-15	LAVY TOP - 30 SIG
3.967521-153	PANEL, LAVY CAB. 6.44X28.5
4.967521-154	PANEL, LAVY CAB. 10.3X28.5
5.967521-155	PANEL, LAVY CAB. 9.5X20.5
6.967521-156	PANEL, LAVY CAB. 9.5X20.5
7.967521-7	PANEL, LAVY CAB. 7.55X20.5
8.967521-8	PANEL, LAVY CAB. 7.5X22.19
9.967521-9	PANEL, LAVY CAB. 4.49X13.25
10.967521-10	PANEL, LAVY CAB. 12.5X17.75
11.967521-11	PANEL, LAVY CAB. 19X17.75
12.967521-12	PANEL, LAVY CAB. 11.56X16.5
13.967521-13	PANEL, LAVY CAB. 11.56X16.5
14.967521-14	PANEL, LAVY CAB. 2.25X3.5
15.967521-15I	PANEL, LAVY 2.25 X 3.5
16.967521-16	PANEL, LAVY CAB. 2.25X3.5
17.967521-21	PANEL, LAVY CAB. 19X17.75

2012 INTERNATIONAL TRAVEL TRAILER

18.

FURNITURE, BATH

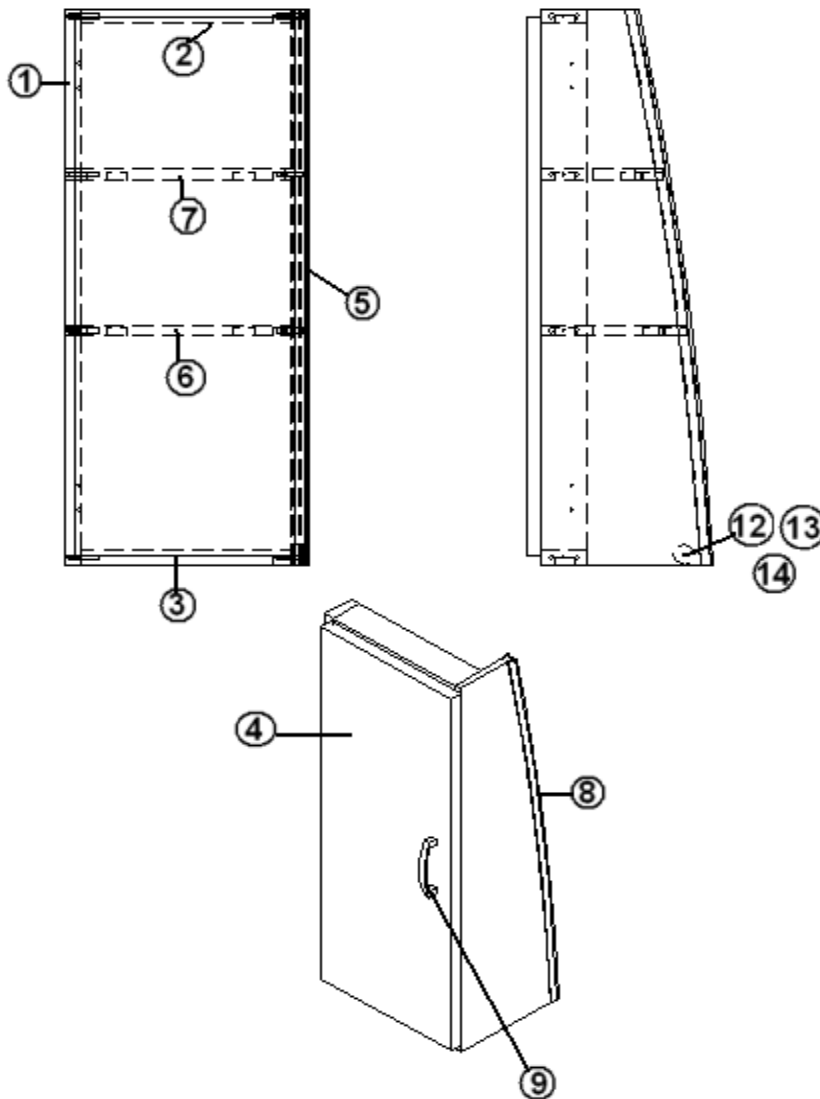
LAVATORY CABINET, 30' SERENITY, Continued

19.967521-22	PANEL, LAVY CAB. 23.44X19.25
20.967521-23	PANEL, LAVY CAB. 13.75X11
21.967521-24	PANEL, LAVY CAB. 16X17.75
22.967521-25	PANEL, LAVY CAB. 17.75X12.5
23.967521-1526	DOOR-LAVY CAB. 11.34X20.13
24.967521-1527	DOOR-LAVY CAB. 11.34X20.13
25.967521-1528	DOOR-LAVY CAB. 13.88X20.25
26.365344-01	EDGEBANDING-.63" PEARL BISQUE
27.365344-02	EDGEBANDING- .94" PEARL BISQUE
28.365345-02	EDGEBANDING-MEDALLION
29.800025-01	PINE 3/4" X 3/4" STAINED
30.801788-0118	DR-PLYFORM 9.18X28.25 ASIAN SAND
31.381607	HINGE ASSY-GRASS EURO-SAFARI
32.382115	PULL - FLAT BLACK #M575
33.381228-01	CATCH GRABBER DOOR C3-803
34.115374	EXTRUSION-SLIDING DR TRACK .5"
35.115438-03	TOEKICK-ALUM LAVY 23.75"
36.115438-04	TOEKICK-ALUM.LAVY 39.13"
37.967521-41	PANEL, LAVY 10X13.22
38.800030	PINE
39.382057	KNOCKDOWN
40.382057-04	CAP-KNOCKDOWN WHT #16387
41.320151	SCREW #6 X 3/4" ROUND WASHER
454853	LEAF SPRING - SS 22 GA.LAVY DR

2012 INTERNATIONAL TRAVEL TRAILER

FURNITURE, BATH

LAVATORY CABINET ASSEMBLY - UPPER 30'

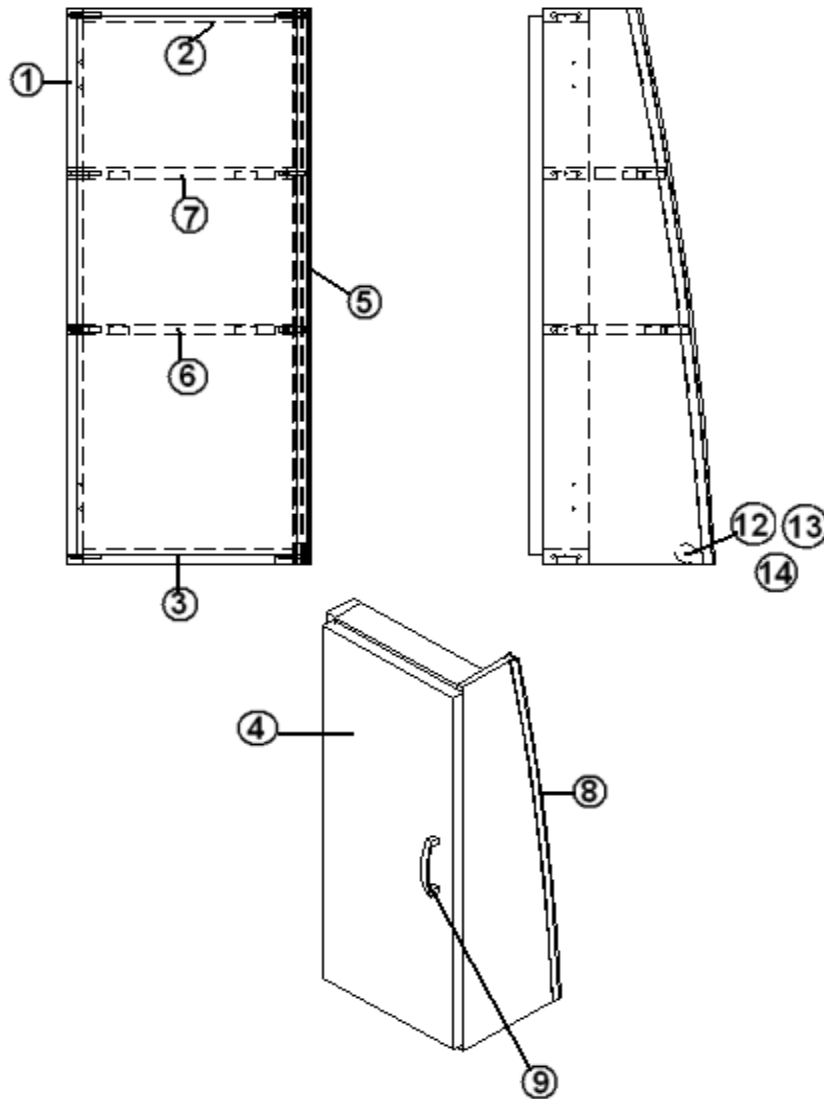


967525	CAB.ASSY-UPPER LAVY 30INTL
1. 967525-1	PANEL, LAVY CAB 2.25X28.5
2. 967525-2	PANEL, LAVY CAB 2.25X10.5
3. 967525-3	PANEL, LAVY CAB 2.25X10.5
4. 967525-4	PANEL, LAVY CAB 11.31X27.63
5. 967525-5	PANEL, LAVY CAB 8.29X28.5
6. 967525-6	PANEL, LAVY CAB 11.25X7.13
7. 967525-7	PANEL, LAVY CAB 11.25X6
8. 203138-05	EXTRUSION-PLASTIC 1/2" WALL BL
9. 382029-00	HANDLE-BAR 7.48" #3701-128-CR
10.381607	HINGE ASSY-GRASS EURO-SAFARI
11.381228-01	CATCH GRABBER DOOR C3-803
12.382057	KNOCKDOWN FASTENER
13.320151	SCREW #6 X 3/4" ROUND WASHER H
14.382057-04	CAP-KNOCKDOWN WHT #16387

2012 INTERNATIONAL TRAVEL TRAILER

FURNITURE, BATH

LAVATORY CABINET ASSEMBLY, UPPER 30', Serenity



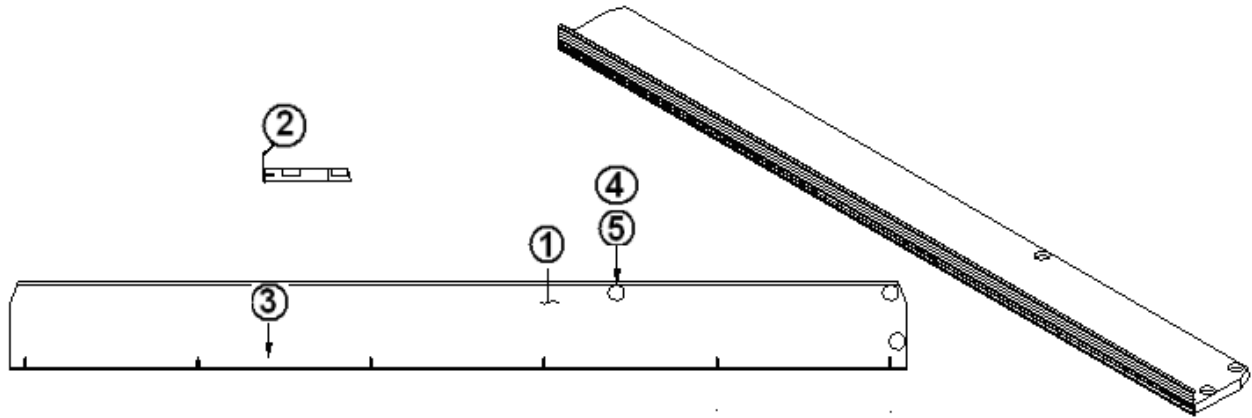
967525-15	CAB.ASSY-UPPER LAVY 30INTL - SERENITY
1. 967525-1	PANEL, LAVY CAB 2.25X28.5
2. 967525-2	PANEL, LAVY CAB 2.25X10.5
3. 967525-3	PANEL, LAVY CAB 2.25X10.5
4. 967525-154	PANEL, LAVY CAB 11.31X27.63
5. 967525-155	PANEL, LAVY CAB 8.29X28.5
6. 967525-6	PANEL, LAVY CAB 11.25X7.13
7. 967525-7	PANEL, LAVY CAB 11.25X6
8. 203138-03	EXTRUSION-PLASTIC 1/2" WALL BEIGE
9. 382115	PULL - FLAT BLACK #M575
10.381607	HINGE ASSY-GRASS EURO-SAFARI
11.381228-01	CATCH GRABBER DOOR C3-803
12.382057	KNOCKDOWN FASTENER
13.320151	SCREW #6 X 3/4" ROUND WASHER H
14.382057-04	CAP-KNOCKDOWN WHT #16387

2012 INTERNATIONAL TRAVEL TRAILER

15.

FURNITURE, BATH

UPPER SHELF ASSEMBLY 30', Wenge & Serenity

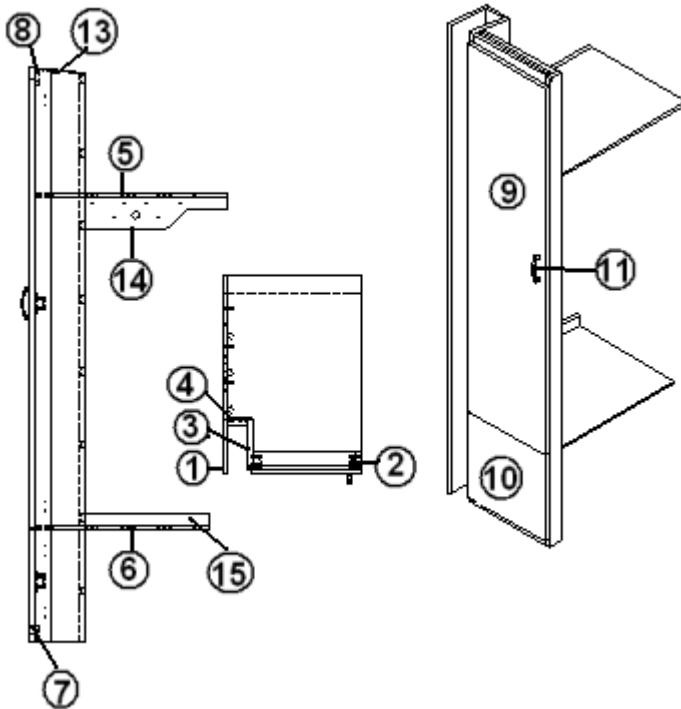


- | | |
|--------------|--------------------------------|
| 967526 | SHELF ASSY-UPPER LAVY 30 INTL |
| 1. 967526-1 | PANEL, LAVY SHELF 55.69X5.38 |
| 2. 114869 | EXTRU THRESHOLD COMPT CLR ANOD |
| 3. 345353-03 | SCREW- #6 X 0.75 FLAT HD- PHIL |
| 4. 382057 | KNOCKDOWN-8MM #16289B |
| 5. 382057-01 | CAP-KNOCKDOWN LT BRN #16289C |

2012 INTERNATIONAL TRAVEL TRAILER

FURNITURE, BATH

WARDROBE ASSEMBLY, FORWARD, 30', Wenge

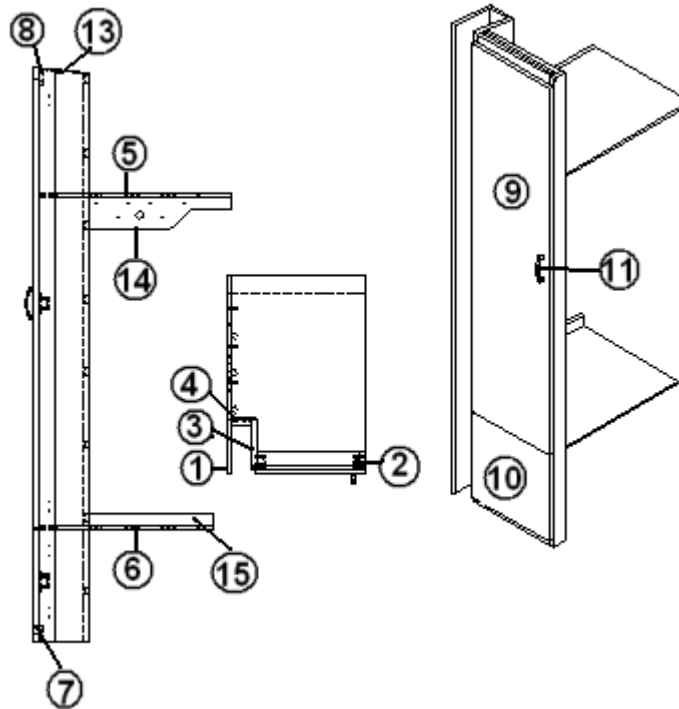


967533	WARDROBE ASSY, FORWARD 30' Wenge
1.967533-1	PANEL 78.72X7.5
2.967533-2	PANEL 78.64X2.25
3.967533-3	PANEL 78.64X6.75
4.967533-4	PANEL 77.96X2.94
5.967533-5	PANEL 18.5X26.38
6.967533-6	PANEL 18.5X24
7.967533-7	PANEL 2.25X14.06
8.967533-8	PANEL 2.25X14.06
9.967533-9	DOOR- 15.06X61.5
10.967533-10	DOOR- 15.06X14.41
11.382029-03	HANDLE-BAR 11.25" #3701-224-CR
12.381607	HINGE ASSY-GRASS EURO-SAFARI
13.104821	SUPPORT, ROOFLOCKER, 74"
14.967533-17	PNL, W/R 5X19.63
15.967533-18	PANEL, W/R 2.25X17.25
381228	CATCH GRABBER DOOR C3-810

2012 INTERNATIONAL TRAVEL TRAILER

FURNITURE, BATH

WARDROBE ASSEMBLY, FORWARD, 30' SERENITY

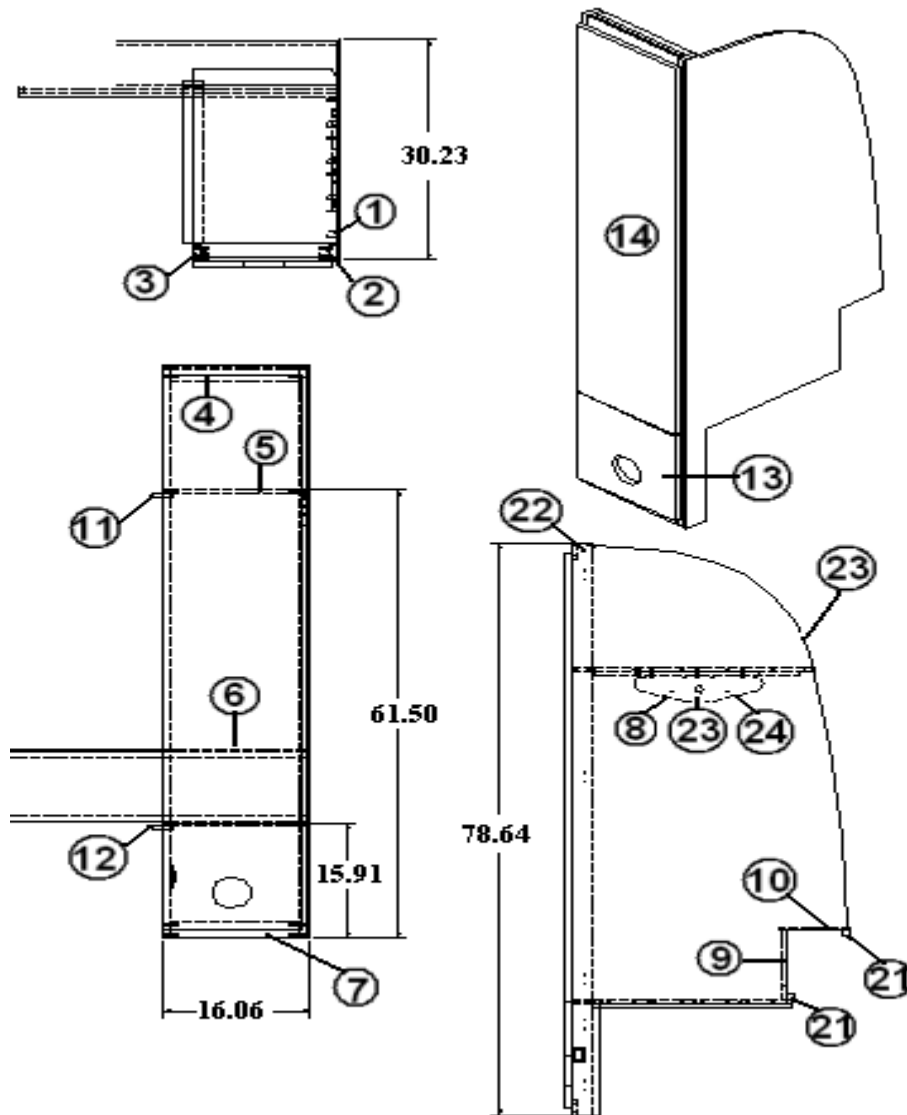


967533-15	WARDROBE ASSY - FORWARD 30' SERENITY
1.967533-151	PANEL 78.72X7.5
2.967533-2	PANEL 78.64X2.25
3.967533-153	PANEL 78.64X6.75
4.967533-154	PANEL 77.96X2.94
5.967533-5	PANEL 18.5X26.38
6.967533-6	PANEL 18.5X24
7.967533-157	PANEL 2.25X14.06
8.967533-158	PANEL 2.25X14.06
9.967533-159	DOOR- 15.06X61.5
10.967533-1510	DOOR- 15.06X14.41
11.382115	PULL, FLAT BLACK #M575
12.381607	HINGE ASSY-GRASS EURO-SAFARI
13.104821	SUPPORT, ROOFLOCKER, 74"
14.967533-17	PANEL, W/R 5X19.63
15.967533-18	PANEL, W/R 2.25X17.25
381228	CATCH GRABBER DOOR C3-810

2012 INTERNATIONAL TRAVEL TRAILER

FURNITURE, BATH

WARDROBE ASSEMBLY, REAR 30', Wenge



PARTS LISTED ON NEXT PAGE

2012 INTERNATIONAL TRAVEL TRAILER

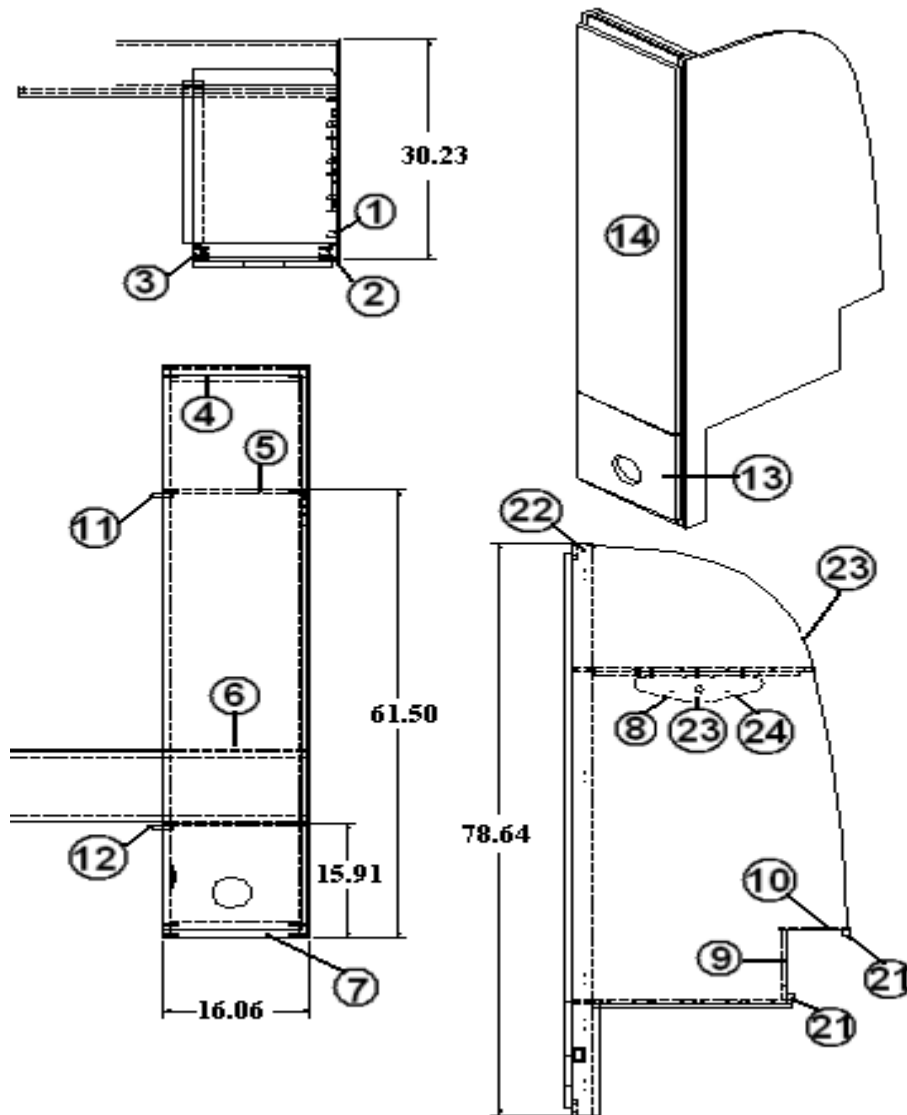
FURNITURE, BATH

967534	WARDROBE ASSEMBLY REAR, 30' Wenge
1.967534-1	PANEL 78.64X30.07
2.967534-2	PANEL 78.64X2.25
3.967534-3	PANEL 78.64X2.25
4.967534-4	PANEL 2.25X14.06
5.967534-5	PANEL 15.56X26.38
6.967534-6	PANEL 15.56X24
7.967534-7	PANEL 2.25X14.06
8.967534-8	PANEL 14X4.5
9.967534-9	PANEL 9.5X34.56
10.967534-10	PANEL 7.75X34.56
11.967534-11	PANEL 2.25X22.25
12.967534-12	PANEL 2.25X21.5
13.967534-13	DOOR-W/R 15.06X14.41
14.967534-14	DOOR-W/R 15.06X61.5
15.365341-01	EDGE BANDING- .63" WENGE
16.365341-02	EDGE BANDING- .94" WENGE
17.365340-01	EDGE BANDING- .63" FROSTY WHITE
18.382029-03	HANDLE-BAR 11.25" #3701-224-CR
19.381607	HINGE ASSY-GRASS EURO-SAFARI
20.381228	CATCH GRABBER DOOR C3-810
21.800025-01	PINE 3/4" X 3/4" STAINED
22.104821	SUPPORT, ROOFLOCKER, 74"
23.380045	TUBING 3/4" ELEC METALLIC
24.200975-04	CONDUIT, FLEXIBLE BLACK PLASTIC
25.203138-01	EXTRUSION-PLASTIC WALL-WHITE

2012 INTERNATIONAL TRAVEL TRAILER

FURNITURE, BATH

WARDROBE ASSEMBLY, REAR 30', Serenity



PARTS LISTED ON NEXT PAGE

2012 INTERNATIONAL TRAVEL TRAILER

FURNITURE, BATH

WARDROBE ASSEMBLY REAR, 30', SERENITY

967534-15	WARDROBE ASSEMBLY REAR, 30', SERENITY
1.967534-1	PANEL 78.64X30.07
2.967534-2	PANEL 78.64X2.25
3.967534-3	PANEL 78.64X2.25
4.967534-1542	PANEL 2.25X14.06
5.967534-5	PANEL 15.56X26.38
6.967534-6	PANEL 15.56X24
7.967534-157	PANEL 2.25X14.06
8.967534-8	PANEL 14X4.5
9.967534-9	PANEL 9.5X34.56
10.967534-10	PANEL 7.75X34.56
11.967534-11	PANEL 2.25X22.25
12.967534-12	PANEL 2.25X21.5
13.967534-1513	DOOR-W/R 15.06 X 14.41"
14.967534-1514	DOOR-W/R 15.06 X 61.5"
15.365344-01	EDGE BANDING .63" PEARL BISQUE
16.365344-02	EDGE BANDING .94" PEARL BISQUE
17.365340-01	EDGE BANDING- .63" FROSTY WHITE
18.382115	PULL, FLAT BLACK #M575
19.381607	HINGE ASSY-GRASS EURO-SAFARI
20.381228	CATCH GRABBER DOOR C3-810
21.800025-01	PINE 3/4" X 3/4" STAINED
22.104821	SUPPORT, ROOFLOCKER, 74"
23.380045	TUBING 3/4" ELEC METALLIC
24.200975-04	CONDUIT, FLEXIBLE BLACK PLASTIC
25.203138-01	EXTRUSION-PLASTIC WALL-WHITE

2012 INTERNATIONAL TRAVEL TRAILER

FURNITURE, BATH

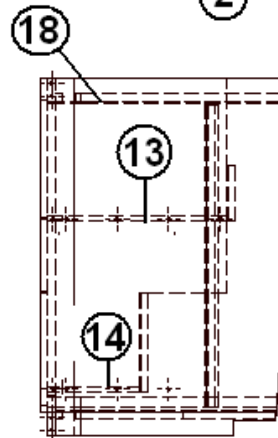
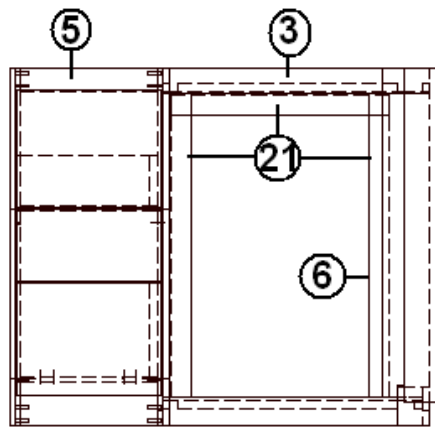
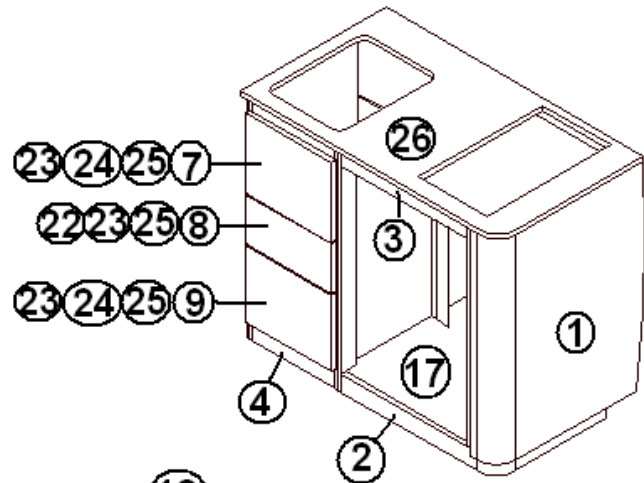
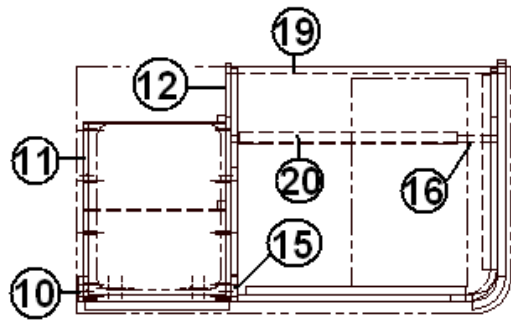
Clothes Line, Retractable, All models

382063 Retractable Clothes Line

2012 INTERNATIONAL TRAVEL TRAILER

FURNITURE, GALLEY

Galley, 16' Signature, Wenge



Part Numbers are on the next page.

2012 INTERNATIONAL TRAVEL TRAILER

FURNITURE, GALLEY

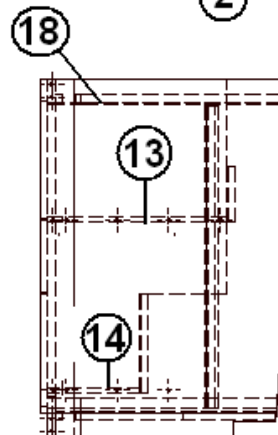
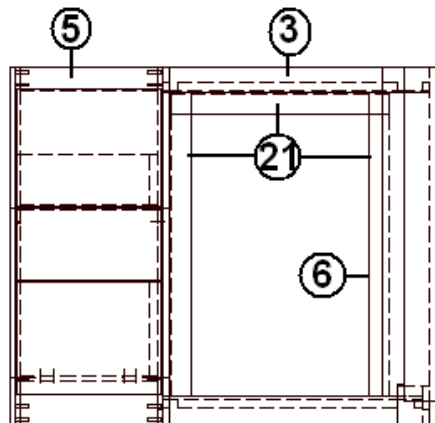
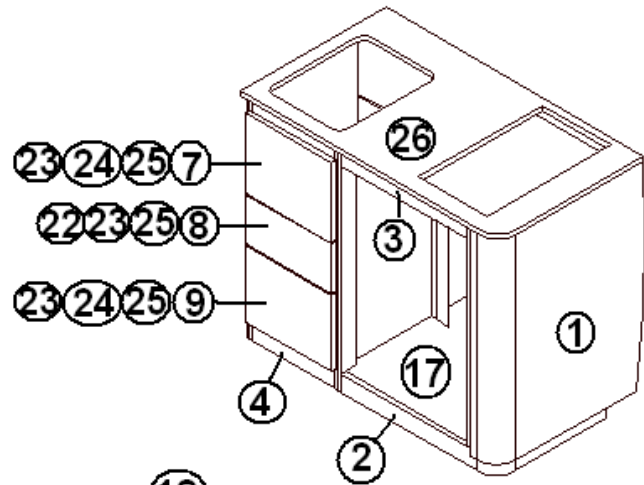
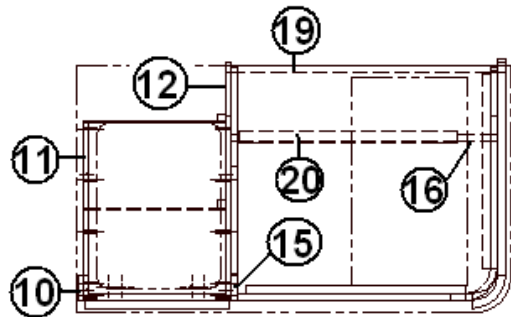
Galley, 16' Signature, Wenge

967021	GALLEY ASSY
1. 967022	PANEL, SUB ASSY, GALLEY
2. 967023	TOE KICK SUB ASSY
3. 967021-3	PANEL, GALLEY 20.75 X 2.5
4. 967021-4	PANEL, GALLEY 13.5 X 4.25
5. 967021-5	PANEL, GALLEY 13.5 X 2.5
6. 967021-6	PANEL, GALLEY 2.25 X 32.25
7. 967021-7	DR-GALLEY 14.13 X 13.44
8. 967021-8	DR-GALLEY 14.13 X 6.19
9. 967021-9	DR-GALLEY 14.13 X 9.94
10. 967021-10	PANEL, GALLEY 2.5 X 35
11. 967021-11	PANEL, GALLEY 17.5 X 35
12. 967021-12	PANEL, GALLEY 23.46 X 35
13. 967021-13	PANEL, GALLEY 17.5 X 13.5
14. 967021-14	PANEL, GALLEY 13.5 X 9
12. 967021-15I	PANEL, GALLEY 2.5 X 35
13. 967021-16	PANEL, GALLEY 4 X 29.75
14. 967021-17	PANEL, LAUAN, 3/8" x 21.69 x 25.50
15. 967021-18	PANEL, LAUAN, 1/8" x 22.38 x 26.25
16. 967021-20	PANEL, GALLEY 13.5 X 5.5
17. 967021-21	PANEL, GALLEY 14 X 8.75
18. 381830	WIPER-RUBBER 1.125" X 2"
19. 967145-01	Drawer box, 4.63" x 13.50" x 14.88"
20. 382029-03	HANDLE, BAR 11.25"
21. 381607-01	HINGE, GRASS EURO
22. 381228-01	CATCH GRABBER DOOR
23. 967024	TOP ASSY, GALLEY
381773-09	DRAWER SLIDE, 4.625" X 15.75"
115064	TRIM, ALUMINUM. COUNTER TOP

2012 INTERNATIONAL TRAVEL TRAILER

FURNITURE, GALLEY

Galley, 16' Signature, Serenity



Part Numbers are on the next page.

2012 INTERNATIONAL TRAVEL TRAILER

FURNITURE, GALLEY

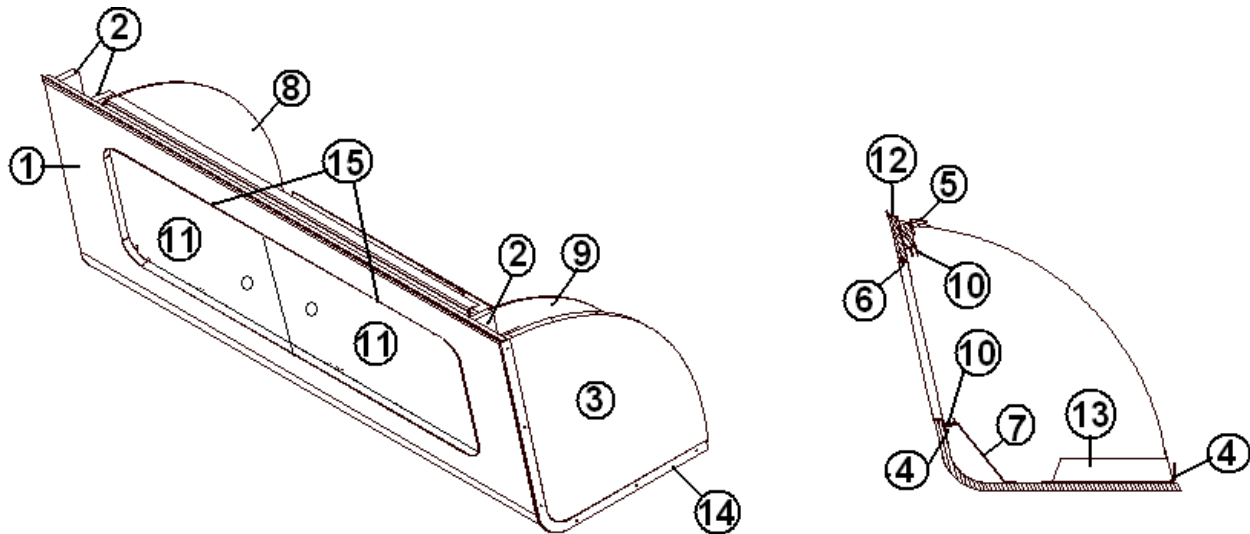
Galley, 16' Signature, SERENITY

967021-15	GALLEY ASSY
1. 967022	PANEL, SUB ASSY, GALLEY
2. 967023	TOE KICK SUB ASSY
3. 967021-153	PANEL, GALLEY 20.75 X 2.5
4. 967021-154	PANEL, GALLEY 13.5 X 4.25
5. 967021-155	PANEL, GALLEY 13.5 X 2.25
6. 967021-156	PANEL, GALLEY 2.25 X 32.25
7. 967021-157	DOOR, GALLEY 14.13 X 13.44
8. 967021-158	DOOR, GALLEY 14.13 X 6.19
9. 967021-159	DOOR, GALLEY 14.13 X 9.94
10. 967021-10	PANEL, GALLEY 2.5 X 35
11. 967021-11	PANEL, GALLEY 17.5 X 35
12. 967021-12	PANEL, GALLEY 23.46 X 35
13. 967021-13	PANEL, GALLEY 17.5 X 13.5
14. 967021-14	PANEL, GALLEY 13.5 X 9
15. 967021-1515	PANEL, GALLEY 2.5 X 35
16. 967021-16	PANEL, GALLEY 4 X 29.75
17. 967021-17	PANEL, LAUAN, 3/8" x 21.69 x 25.50
18. 967021-18	PANEL, LAUAN, 1/8" x 22.38 x 26.25
19. 967021-20	PANEL, GALLEY 13.5 X 5.5
20. 967021-21	PANEL, GALLEY 14 X 8.75
21. 381830	WIPER-RUBBER 1.125" X 2"
22. 967145-01	Drawer box, 4.63H X 15.75"L
23. 382115	PULL, FLAT BLACK #M575
24. 381607-01	HINGE, GRASS EURO
25. 381228-01	CATCH GRABBER DOOR
26. 967024-15	TOP ASSY, GALLEY
381773-09	DRAWER SLIDE 4-5/8"HX15-3/4"L
115064	TRIM, ALUMINUM. COUNTER TOP

2012 INTERNATIONAL TRAVEL TRAILER

FURNITURE, GALLEY

Roof Locker, 16' Signature, Galley, Wenge

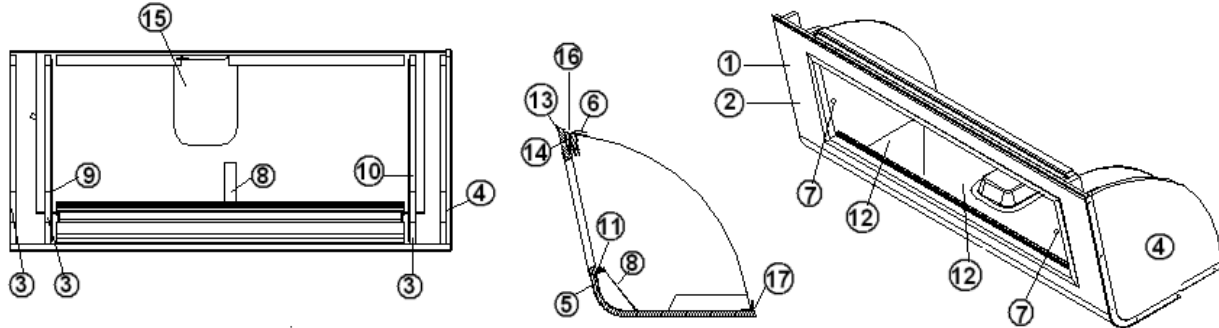


- | | |
|---------------|--------------------------------|
| 967019 | GALLEY ROOF LOCKER |
| 1. 801738 | FACE-R/L GALLEY |
| 2. 801545-05 | DIVIDER (PARTIAL) W/RANGE VENT |
| 3. 967019-4 | PANEL, 17.15 X 18.21 |
| 4. 115227-03 | ANGLE, LOCKER TRACK SUPPORT |
| 5. 104821 | SUPPORT, ROOFLOCKER, 74" |
| 6. 203445-01 | T-MOLDING, .5625" WHITE |
| 7. 115226 | BRACKET, LOCKER CENTER SUPPORT |
| 8. 801539-01 | DIVIDER, GALLEY LOCKER LH |
| 9. 801539-02 | DIVIDER, GALLEY LOCKER |
| 10. 203388 | SLIDING DOOR TRACK |
| 11. 965563-01 | DOOR SLIDING, 17.50" |
| 12. 201673 | REVERSE COVE MOLDING, WHITE |
| 13. 200772 | PAN, DEADBOLT, TRI-MARK |
| 14. 115375 | EXTRUSION FORMED R/L END |
| 15. 454613 | SPRING, LEAF R/L |

2012 INTERNATIONAL TRAVEL TRAILER

FURNITURE, GALLEY

Roof Locker, 16' Galley, Serenity

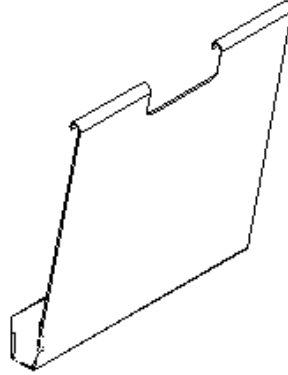


967553-15	ROOFLOCKER ASSY-GALLEY 16' SERENITY
1.801846	FACE-GALLEY R/L 16 SER
2.801355-01	LAM-FROST WHT 4'X8'VERT #1573-
3.801545-05	DIVIDER(PARTIAL) W/RANGE VENT
4.967553-154	PANEL, GAL R/L 17.15X18.21
5.114812	ALUM. ANGLE 1.00 X 1.00
6.104821	SUPPORT, ROOFLOCKER, 74"
7.382114	KNOB-BRUSH.SATIN NICKEL #M576
8.115226	BRACKET-FORMED-LOCKER CTR SUPP
9.801539-01	DIVIDER-GALLEY LOCKER LH
10.801539-02	DIVIDER-GALLEY LOCKER
11.381245	SLIDING DOOR TRACK, 56-1/5"
12.203677-01	DOOR MARI 11.31X17.5
13.201673	REVERSE COVE MOLDING, WHITE, P
14.800506-04	PLYWOOD,1/2"X4'X8'
15.200772	PAN,DEADBOLT,TRI-MARK
16.800506-04	PLYWOOD,1/2"X4'X8'
17.114812	ALUM. ANGLE 1.00 X 1.00
454613	SPRING-LEAF R/L INT

2012 INTERNATIONAL TRAVEL TRAILER

FURNITURE, GALLEY

Magazine Rack, Signature, White



386106-01
386107
115064

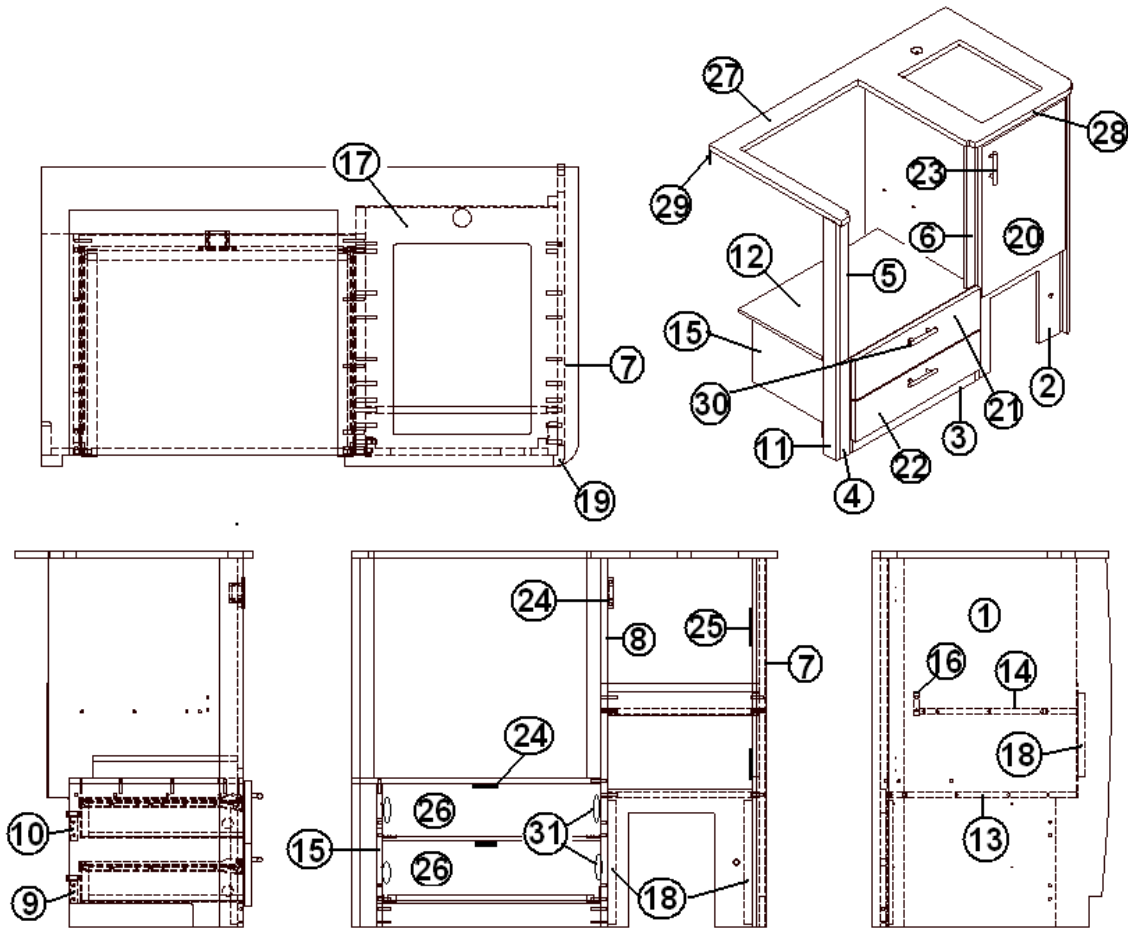
RACK-MAGAZINE WHITE
ROD-MAGAZINE RACK
TRIM-ALUM COUNTER TOP

2012 INTERNATIONAL TRAVEL TRAILER

FURNITURE, GALLEY

For Units manufactured prior to 1/2/2012 except for unit 526765.

Galley, 19' Signature w/Oven, Wenge



Part number on the next page

2012 INTERNATIONAL TRAVEL TRAILER

FURNITURE, GALLEY

For Units manufactured prior to 1/2/2012 except for unit 526765.

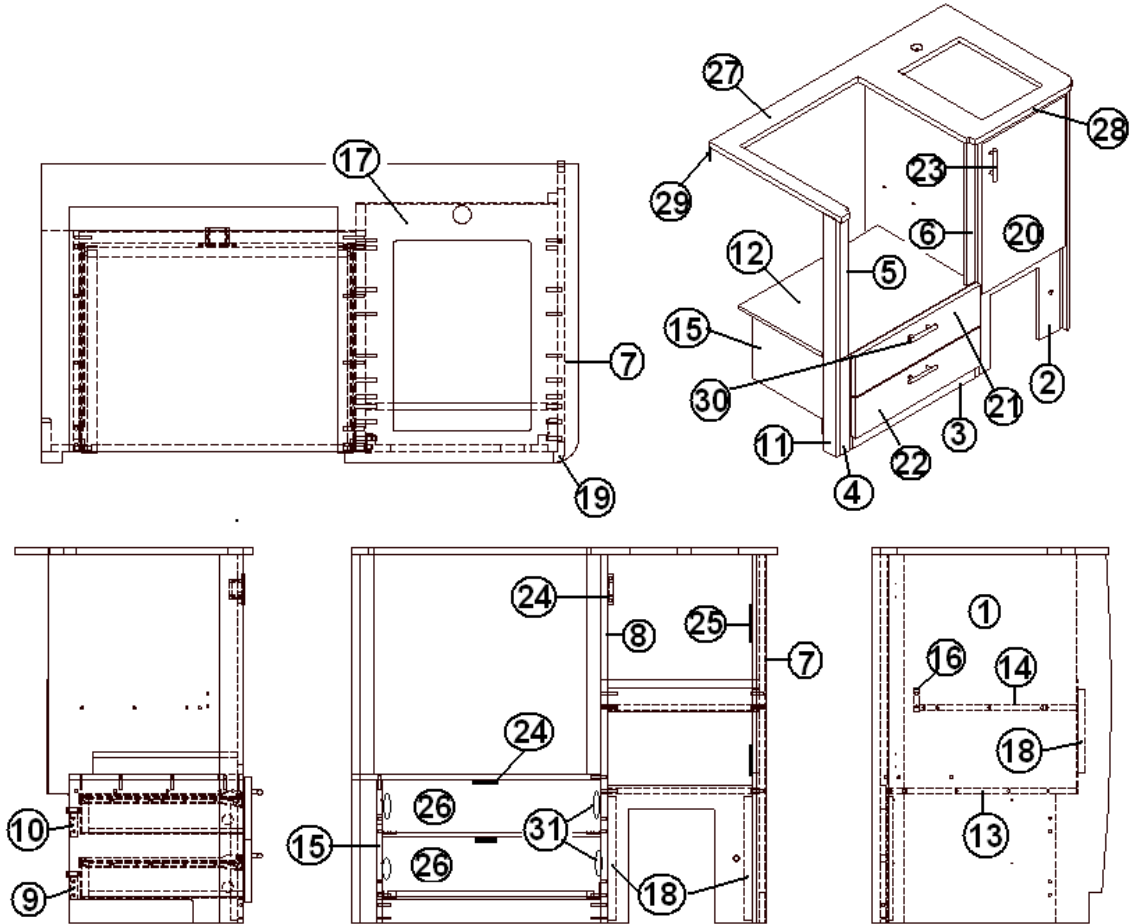
Galley, 19' Signature w/Oven, Wenge

966959	GALLEY, STANDARD OVEN
1. 966959-1	PANEL, 21.43" X 35.50"
2. 966959-2	PANEL, 13.88" X 13.25"
3. 966959-3	PANEL, 2.25" X 21"
4. 966959-4	PANEL, 1.62" X 13.81"
5. 966959-5	PANEL, 1.31" X 21.19"
6. 966959-6	PANEL, 1.31" X 21.19"
7. 966959-8	PANEL, 2.25" X 35.50"
8. 966959-9	PANEL, 18.81" X 35.50"
9. 966959-10	PANEL, 2.25" X 21"
10. 966959-11	PANEL, 2.25" X 21"
11. 966959-12	PANEL, 2.25" X 35.50"
12. 966959-13	PANEL, 16.81" X 23.88"
13. 966959-14	PANEL, 18.31" X 14.62"
14. 966959-15I	PANEL, 15.12" X 14.62"
15. 966959-16	PANEL, 16.81" X 13.81"
16. 966959-17	PANEL, 2.25" X 14.62"
17. 966959-22	PANEL, 11" X 15.38"
18. 800025-01	PINE 3/4" X 3/4" STAINED
19. 801706-0016	CORNER TRIM, 90 DEGREE RADIUS
20. 966959-25	DOOR, GALLEY 14.5" X 22.38"
21. 966959-26	FACE, DRAWER, GALLEY, 21.62" X 6"
22. 966959-27	FACE, DRAWER, GALLEY, 21.62" X 6"
23. 382029-03	HANDLE, BAR 11.25"
24. 381228-01	GRABBER CATCH, DOOR
25. 381607	HINGE ASSY
26. 965642-01	BOX ASSY. DRAWER 21.00"
27. 966965	GALLEY TOP ASSY
28. 115064	TRIM, ALUM COUNTER TOP
29. 114812	ALUMINUM ANGLE, 1.00" X 1.00"
30. 382029-05	HANDLE, BAR 21.33"
31. 381773-03	DRAWER SLIDE 15.75"

2012 INTERNATIONAL TRAVEL TRAILER

FURNITURE, GALLEY

For Units manufactured prior to 1/2/2012 except for unit 526765.
19' Serenity



Part number on the next page

2012 INTERNATIONAL TRAVEL TRAILER

FURNITURE, GALLEY

For Units manufactured prior to 1/2/2012 except for unit 526765.

966959-15

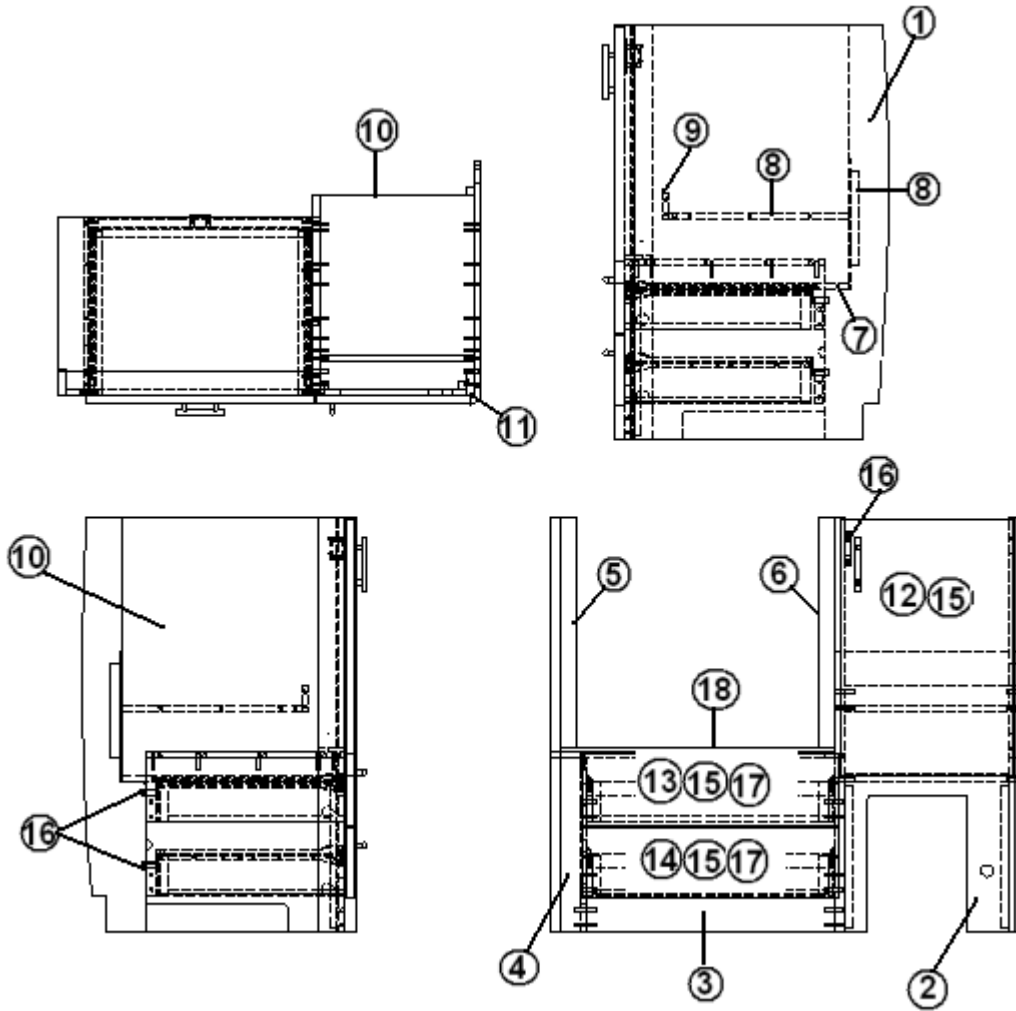
GALLEY, STANDARD OVEN, 19' Serenity

1. 966959-151 PANEL, 21.43" X 35.50"
2. 966959-152 PANEL, 13.88" X 13.25"
3. 966959-153 PANEL, 2.25" X 21"
4. 966959-154 PANEL, 1.62" X 13.81"
5. 966959-155 PANEL, 1.31" X 21.19"
6. 966959-156 PANEL, 1.31 X 21.19"
7. 966959-8 PANEL, 2.25" X 35.50"
8. 966959-9 PANEL, 18.81" X 35.50"
9. 966959-10 PANEL, 2.25" X 21"
10. 966959-11 PANEL, 2.25" X 21"
11. 966959-12 PANEL, 2.25" X 35.50"
12. 966959-13 PANEL, 16.81" X 23.88"
13. 966959-14 PANEL, 18.31" X 14.62"
14. 966959-15I PANEL, 15.12" X 14.62"
15. 966959-16 PANEL, 16.81" X 13.81"
16. 966959-17 PANEL, 2.25" X 14.62"
17. 966959-22 PANEL, 11" X 15.38"
18. 800025-01 PINE 3/4" X 3/4" STAINED
19. 801706-0018 CORNER TRIM, 90 DEGREE RADIUS
20. 966959-1525 DOOR, GALLEY 14.5" X 22.38"
21. 966959-1526 FACE, DRAWER, 21.62" X 6"
22. 966959-1527 FACE, DRAWER, , 21.62" X 6"
23. 382115 PULL, FLAT BLACK #M575
24. 381228-01 GRABBER CATCH, DOOR
25. 381607 HINGE ASSY
26. 965642-01 BOX ASSY. DRAWER 21.00"
27. 966965-15 GALLEY TOP ASSY
28. 115064 TRIM, ALUM COUNTER TOP
29. 114812 ALUMINUM ANGLE, 1.00" X 1.00"
30. 382115 PULL, FLAT BLACK #M575
31. 381773-03 DRAWER SLIDE 15.75"

2012 INTERNATIONAL TRAVEL TRAILER

FURNITURE, GALLEY

Galley, 19' Signature, W/Oven, Wenge, Use on units manufactured on or after 1/2/2012 including serial number 526765.



Parts Listed On Next Page

2012 INTERNATIONAL TRAVEL TRAILER

FURNITURE, GALLEY

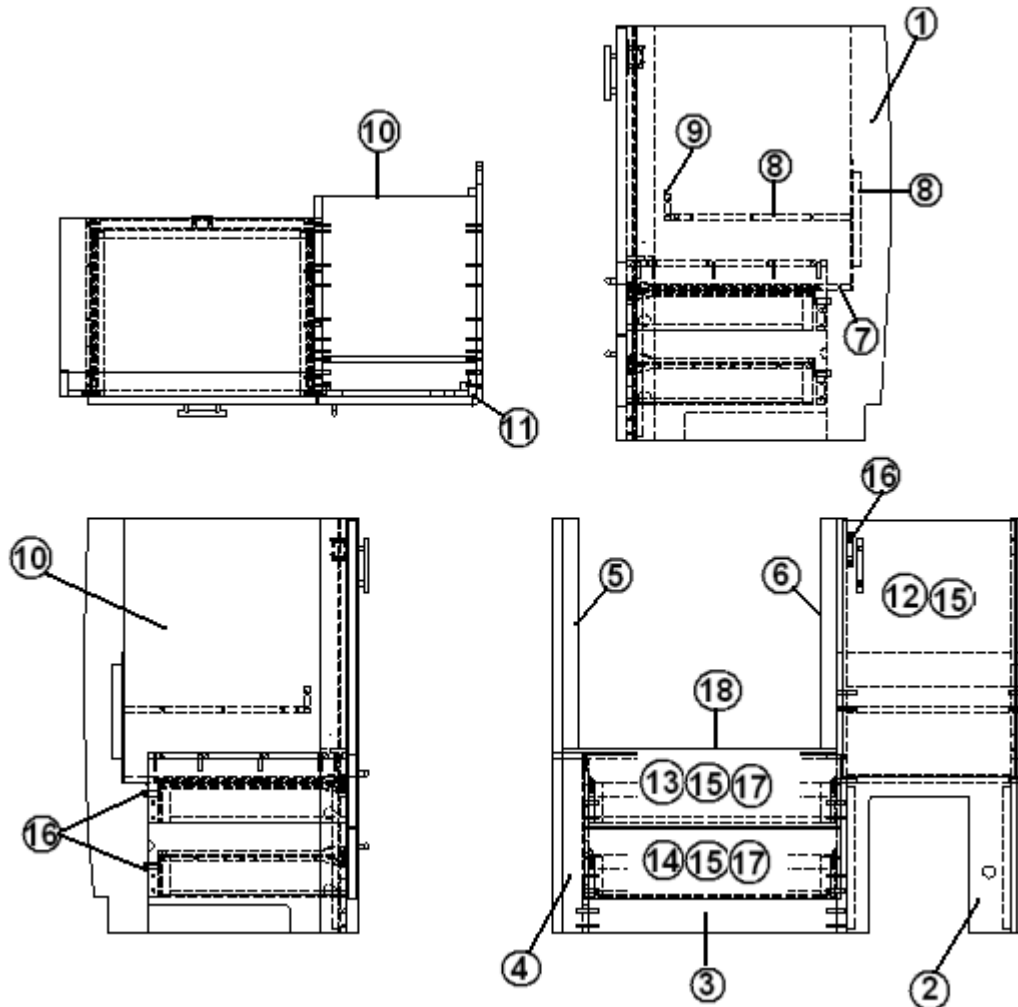
Galley, 19' Signature, W/Oven, Wenge, Use on units manufactured on or after 1/2/2012 including serial number 526765.

	967799	Galley, Base Assembly
1.	967799-1	PANEL 21.43 X 34.75
2.	967799-2	PANEL 13.88 X 13.25 GAL
3.	967799-3	PANEL 3.00 X 21.00 GAL
4.	967799-4	PANEL 2.13 X 14.50 GAL
5.	967799-5	PANEL 1.31 X 19.25 - GAL
6.	967799-6	PANEL 1.31 X 19.25 GAL
7.	967799-14	PANEL 18.31 X 14.62 GALLEY
8.	967799-15I	PANEL 15.12 X 14.62 GALLEY
9.	967799-17	PANEL 2.25 X 14.62 GALLEY
10.	967799-22	PANEL 11.00 X 15.38 GALLEY
11.	801706-0016	CORNER TRIM 90 DEG 1" RAD WENG
12.	967799-25	DOOR 14.50 X 21.63
13.	967799-26	DRAWER FACE 21.62 X 6.00 GALLEY
14.	967799-27	DRAWER FACE 21.62 X 6.00 GALLEY
15.	382029-00	PULL
16.	381228-01	CATCH GRABBER DOOR C3-803
17.	965642-01	BOX ASSY. DRAWER 21.00"
18.	967799-36	PANEL 23.13 X 2.25 GALLEY
	381773-03	DRAWER SLIDE 15.75"
	381607	HINGE ASSY-GRASS EURO-SAFARI
	967801	GALLEY TOP

2012 INTERNATIONAL TRAVEL TRAILER

FURNITURE, GALLEY

Galley, 19' Signature, W/Oven, SERENITY, Use on units manufactured on or after 1/2/2012 including serial number 526765.



Parts Listed On Next Page

2012 INTERNATIONAL TRAVEL TRAILER

FURNITURE, GALLEY

Galley, 19' Signature, W/Oven, SERENITY, Use on units manufactured on or after 1/2/2012 including serial number 526765.

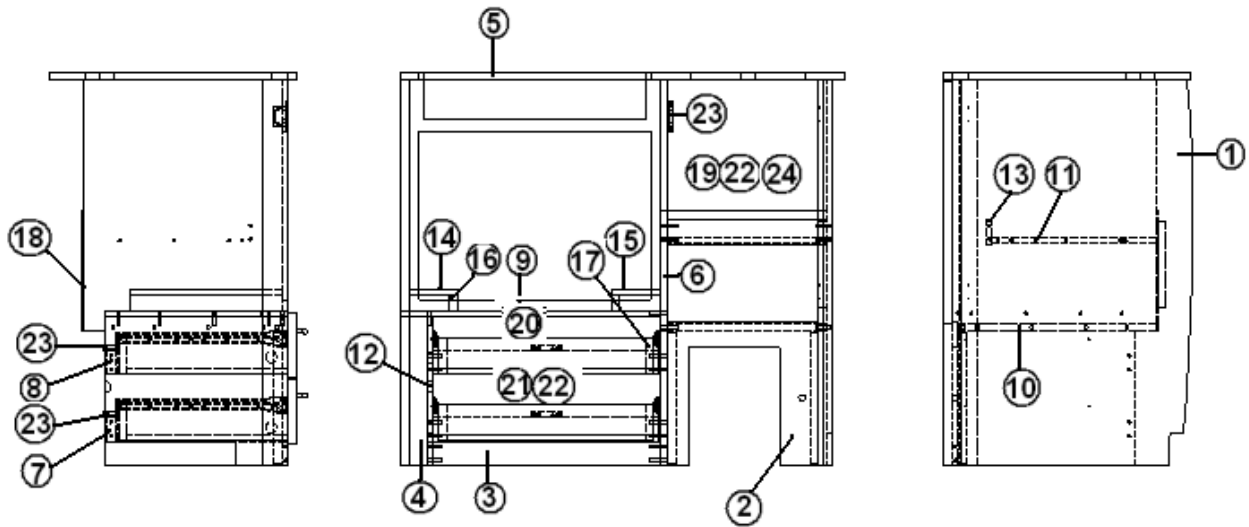
	967799-15	Galley, Base Assembly
1.	967799-151	PANEL 21.43 X 34.75
2.	967799-152	PANEL 13.88 X 13.25 GALLEY
3.	967799-153	PANEL 3.00 X 21.00 GALLEY
4.	967799-154	PANEL 2.13 X 14.50 GALLEY
5.	967799-155	PANEL 1.31 X 19.25 - GALLEY
6.	967799-156	PANEL 1.31 X 19.25 GALLEY
7.	967799-14	PANEL 18.31 X 14.62 GALLEY
8.	967799-15I	PANEL 15.12 X 14.62 GALLEY
9.	967799-17	PANEL 2.25 X 14.62 GALLEY
10.	967799-1522	PANEL 11.00 X 15.38 GALLEY
11.	801706-0018	CORNER TRIM 90 DEG 1" RAD A.SAND
12.	967799-25	DOOR 14.50 X 21.63
13.	967799-26	DRAWER FACE 21.62 X 6.00 GALLEY
14.	967799-27	DRAWER FACE 21.62 X 6.00 GALLEY
15.	382115	PULL FLAT BLACK
16.	381228-01	CATCH GRABBER DOOR C3-803
17.	965642-01	BOX ASSY. DRAWER 21.00"
18.	967799-36	PANEL 23.13 X 2.25 GALLEY
	381773-03	DRAWER SLIDE 15.75"
	381607	HINGE ASSY-GRASS EURO-SAFARI
	967801-15	GALLEY TOP

2012 INTERNATIONAL TRAVEL TRAILER

FURNITURE, GALLEY

Galley, 19' Signature w/Microwave Option Wenge

Use on units manufactured before 1/2/2012 except for units 526730, 526748, 526746, 526749, 526152, 526757, and 526763.



Part number on the next page

2012 INTERNATIONAL TRAVEL TRAILER

FURNITURE, GALLEY

GALLEY, 19' Signature w/Microwave Option

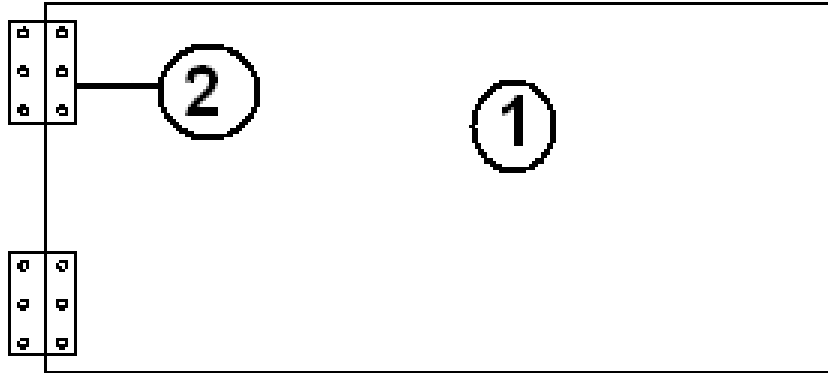
Use on units manufactured before 1/2/2012 except for units 526730, 526748, 526746, 526749, 526152, 526757, and 526763.

966960	GALLEY, W/MICROWAVE OPTION
1. 966960-1	PANEL, 21.68" X 35.50"
2. 966960-2	PANEL, 13.88" X 13.25"
3. 966960-3	PANEL, 2.25" X 21"
4. 966960-4	PANEL, 1.62" X 13.81"
5. 966960-7	PANEL, 23.12" X 21.19"
6. 966960-9	PANEL, 18.81" X 35.50"
7. 966960-10	PANEL, 2.25" X 21"
8. 966960-11	PANEL, 2.25" X 21"
9. 966960-13	PANEL, 16.81" X 23.88"
10. 966960-14	PANEL, 18.31" X 14.62"
11. 966960-15I	PANEL, 15.12" X 14.62"
12. 966960-16	PANEL, 16.81" X 13.81"
13. 966960-17	PANEL, 2.25" X 14.62"
14. 966960-18	PANEL, 4.50" X 14.00"
15. 966960-19	PANEL, 4.50" X 14.00"
16. 966960-20	PANEL, 1.44" X 14.00"
17. 966960-21	PANEL, 1.44" X 14.00"
18. 966960-22	PANEL, 11.00" X 15.38"
19. 966960-25	DOOR, GALLEY 14.5" X 22.38"
20. 966960-26	FACE, DRAWER, GALLEY, 21.62" X 6"
21. 966960-27	FACE, DRAWER, GALLEY, 21.62" X 6"
22. 382029-03	HANDLE, BAR 11.25"
23. 381228-01	GRABBER CATCH, DOOR
24. 381607	HINGE ASSY
965642-01	BOX ASSY. DRAWER 21.00"
966965	GALLEY TOP ASSY
382029-05	HANDLE, BAR, 21.33"
381773-03	DRAWER SLIDE 15.75"
115064	TRIM, ALUM COUNTER TOP
801706-0016	CORNER TRIM, 90 DEGREE RADIUS

2012 INTERNATIONAL TRAVEL TRAILER

FURNITURE, GALLEY

Galley, 19' Signature, Close Out shelf, Wenge & SERENITY

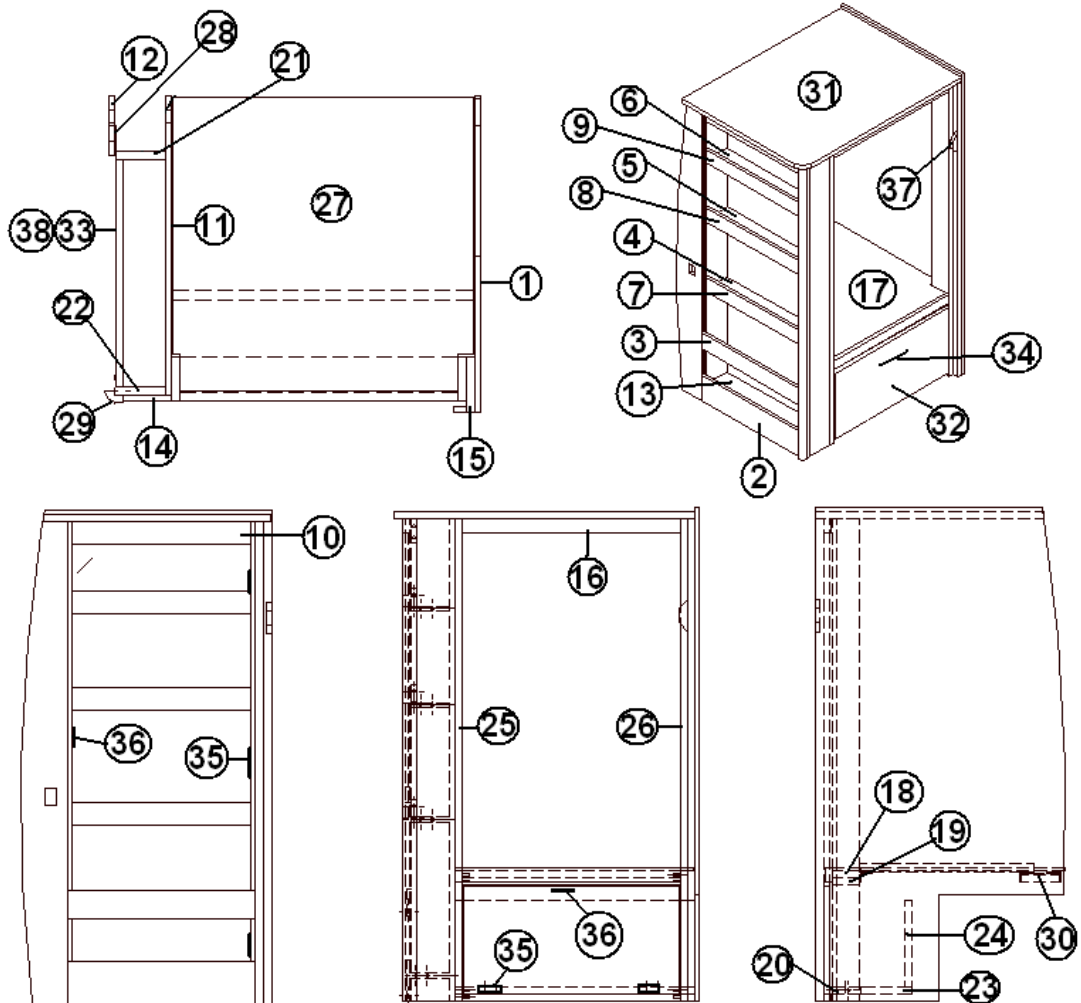


- | | |
|---------------|--|
| 966956 | GALLEY CABINET CLOSEOUT SHELF, 19' |
| 966956-15 | GALLEY CABINET CLOSEOUT SHELF, 19'
SERENITY |
| 1. 966956-151 | PANEL , 10.75 X 23.00, 19' - SERENITY |
| 2. 381479-02 | HINGE, BRIGHT ZINC CABINET, 2" X 1.563" |
| 381688 | BUMP ON |
| 381074 | CATCH BULL DOG #65S (COPPER) |
| 320114-04 | SCREW, .5" WOOD PH OVAL ZINC |

2012 INTERNATIONAL TRAVEL TRAILER

FURNITURE, GALLEY

Refrigerator Cabinet, 19' Signature, Wenge



Part number on the next page

2012 INTERNATIONAL TRAVEL TRAILER

FURNITURE, GALLEY

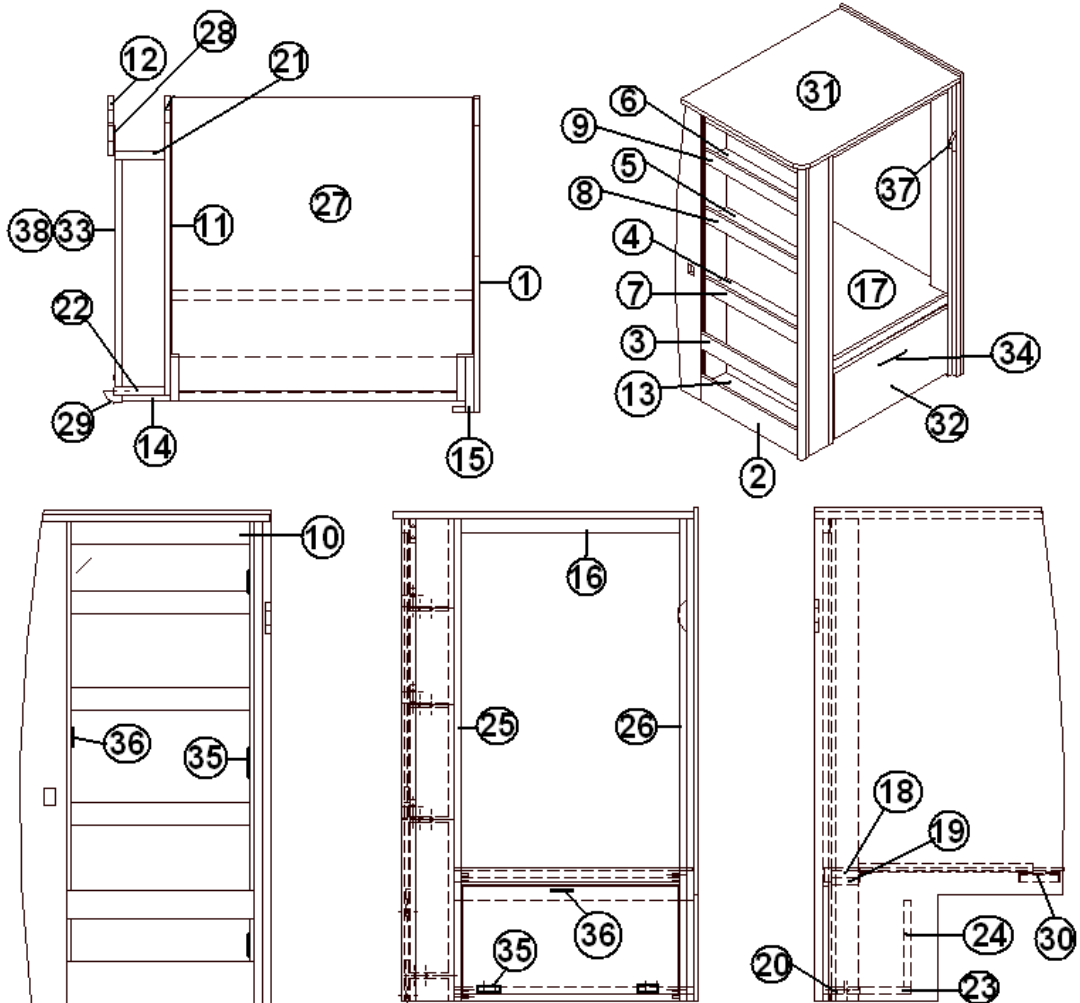
Refrigerator Cabinet, 19' Signature, Wenge

966952	Refrigerator Cabinet
1. 966952-1	PANEL, 27.33" X 53.75"
2. 966952-2	PANEL, 4.50" X 20.50"
3. 966952-3	PANEL, 3" X 20.50"
4. 966952-4	PANEL, 3.68" X 19.50"
5. 966952-5	PANEL, 3.68" X 19.50"
6. 966952-6	PANEL, 3.68" X 19.50"
7. 966952-7	PANEL, 2.25" X 19.50"
8. 966952-8	PANEL, 2.25" X 19.50"
9. 966952-9	PANEL, 2.25" X 19.50"
10. 966952-10	PANEL, 2.25" X 19.50"
11. 966952-11	PANEL, 25.83" X 52.50"
12. 966952-12	PANEL, 5.14" X 52.50"
13. 966952-13	PANEL, 4.25" X 19.50"
14. 966952-14	PANEL, 4.12" X 52.50"
15. 966952-15I	PANEL, 4.75" X 52.50"
16. 966952-16	PANEL, 1.44" X 23.94"
17. 966952-17	PANEL, 1.50" X 23.94"
18. 966952-18	PANEL, 2.94" X 23.94"
19. 966952-19	PANEL, 2.94" X 23.94"
20. 966952-20	PANEL, 2.94" X 23.94"
21. 966952-21	PANEL, 4.25" X 52.50"
22. 966952-22	PANEL, 4.25" X 52.50"
23. 966952-23	PANEL, 8.69" X 26.19"
24. 966952-24	PANEL, 9.50" X 26.19"
25. 966952-25	PANEL, 3.75" X 52.50"
26. 966952-26	PANEL, 3.75" X 52.50"
27. 800507-03	PANEL, Luan, 3/8" x 25.94" x 25.37"
28. 800507-01	PANEL, Luan, 1/8" x 2.50" x 52.50"
29. 801706-0016	CORNER TRIM
30. 965630	STAND ASSY. REFER
31. 966952-31	PANEL, 3.75" X 24.88"
32. 966952-32	DOOR, 23.63" X 11.56"
33. 966952-33	DOOR, 20.00" X 31.31"
34. 382029-04	HANDLE-BAR 15"
35. 381607	HINGE ASSY
36. 381228-01	CATCH GRABBER DOOR
37. 964519-0016	BLOCK, POCKET DOOR LATCH
38. 382029-04	HANDLE-BAR 15"

2012 INTERNATIONAL TRAVEL TRAILER

FURNITURE, GALLEY

Refrigerator Cabinet, 19' Signature, Serenity



Part number on the next page

2012 INTERNATIONAL TRAVEL TRAILER

FURNITURE, GALLEY

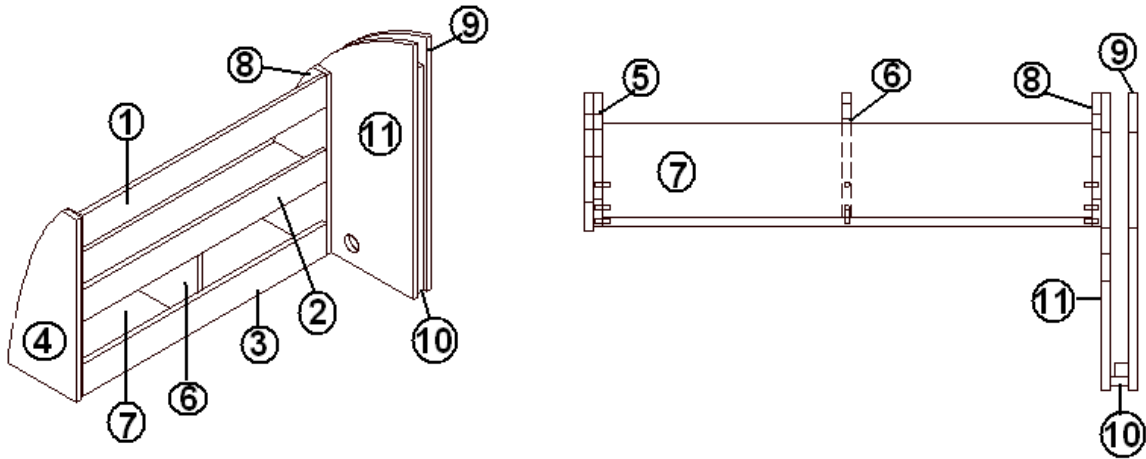
Refrigerator Cabinet, 19' Signature, Serenity

966952-15	Refrigerator Cabinet
1. 966952-151	PANEL, 27.33" X 53.75"
2. 966952-152	PANEL, 4.50" X 20.50"
3. 966952-153	PANEL, 3" X 20.50"
4. 966952-154	PANEL, 3.68" X 19.50"
5. 966952-155	PANEL, 3.68" X 19.50"
6. 966952-156	PANEL, 3.68" X 19.50"
7. 966952-157	PANEL, 2.25" X 19.50"
8. 966952-158	PANEL, 2.25" X 19.50"
9. 966952-159	PANEL, 2.25" X 19.50"
10. 966952-1510	PANEL, 2.25" X 19.50"
11. 966952-1511	PANEL, 25.83" X 52.50"
12. 966952-1512	PANEL, 5.14" X 52.50"
13. 966952-1513	PANEL, 4.25" X 19.50"
14. 966952-1514	PANEL, 4.12" X 52.50"
15. 966952-1515	PANEL, 4.75" X 52.50"
16. 966952-1516	PANEL, 1.44" X 23.94"
17. 966952-1517	PANEL, 1.50" X 23.94"
18. 966952-18	PANEL, 2.94" X 23.94"
19. 966952-19	PANEL, 2.94" X 23.94"
20. 966952-20	PANEL, 2.94" X 23.94"
21. 966952-1521	PANEL, 4.25" X 52.50"
22. 966952-1522	PANEL, 4.25" X 52.50"
23. 966952-23	PANEL, 8.69" X 26.19"
24. 966952-24	PANEL, 9.50" X 26.19"
25. 966952-25	PANEL, 3.75" X 52.50"
26. 966952-26	PANEL, 3.75" X 52.50"
27. 800507-03	PANEL, Lauan, 3/8" x 25.94" x 25.37"
28. 800507-01	PANEL, Luan, 1/8" x 2.50" x 52.50"
29. 801706-0018	CORNER TRIM – Asian Sand
30. 965630	STAND ASSY. REFER
31. 966952-1531	PANEL, 24.98" X 32.75"
32. 966952-1532	DOOR, 23.63" X 11.56"
33. 966952-1533	DOOR, 20.00" X 31.31"
34. 382115	PULL, FLAT BLACK #M575
35. 381607	HINGE ASSY
36. 381228-01	CATCH GRABBER DOOR
37. 964519-0016	BLOCK, POCKET DOOR LATCH
38. 382115	PULL, FLAT BLACK #M575

2012 INTERNATIONAL TRAVEL TRAILER

FURNITURE, GALLEY

Spice Rack, 19' Signature, Wenge

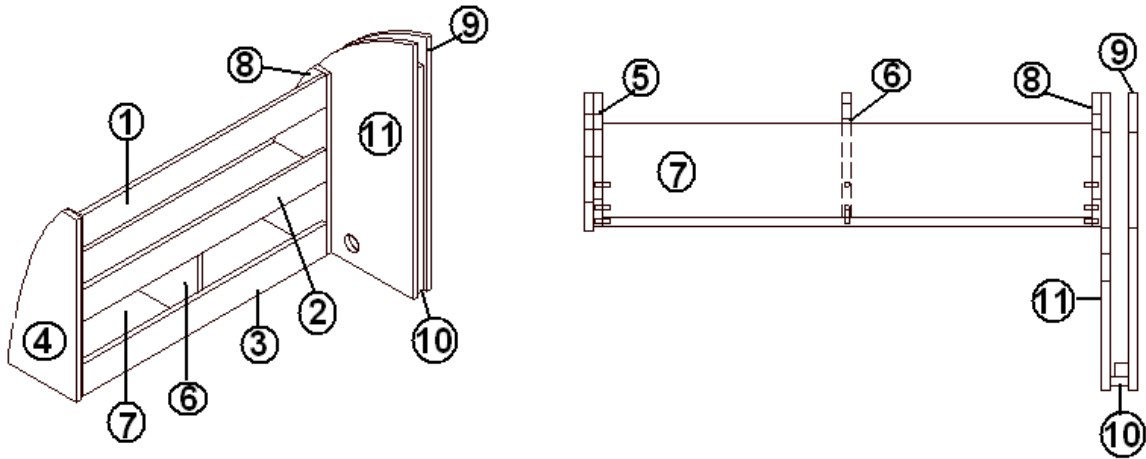


966954		SPICE RACK	
1.	966954-1	PANEL, 3.00" X 26.00"	
2.	966954-2	PANEL, 3.00" X 26.00"	
3.	966954-3	PANEL, 3.00" X 26.00"	
4.	966954-4	PANEL, 7.88" X 18.00"	
5.	966954-5	PANEL, 7.63" X 17.75"	
6.	966954-6	PANEL, 7.00" X 7.38"	
7.	966954-7	PANEL, 5.56" X 26.50"	
8.	966954-8	PANEL, 7.63" X 17.75"	
9.	966954-9	PANEL, 23.92" X 16.12"	
10.	966954-11	PANEL, 1.00" X 21.25"	
11.	966954-12	PANEL, 23.92" X 16.12"	

2012 INTERNATIONAL TRAVEL TRAILER

FURNITURE, GALLEY

Spice Rack, 19' Signature, Serenity

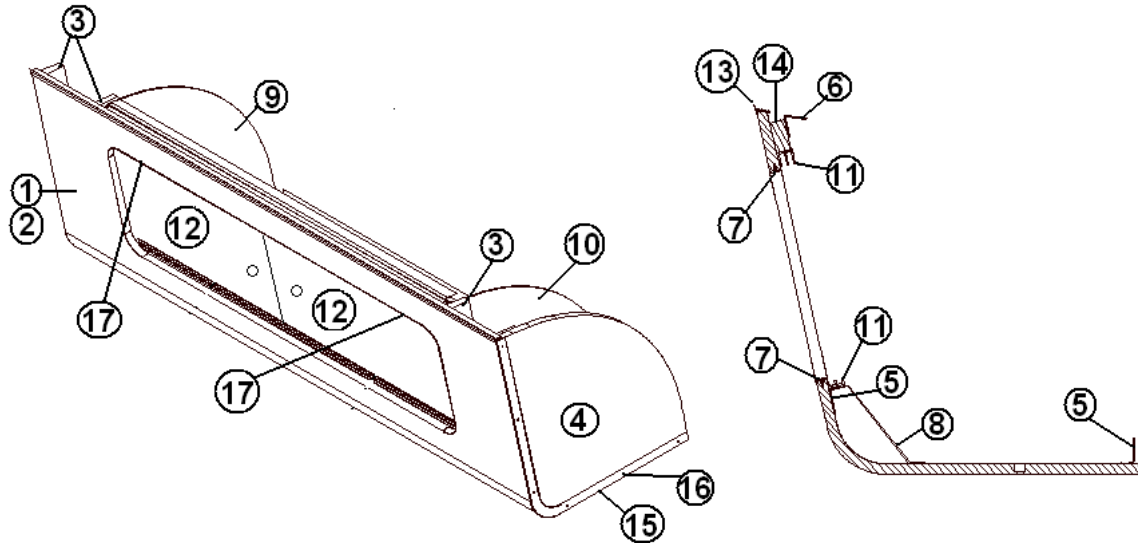


966954-15	SPICE RACK
1. 966954-151	PANEL, 3.00" X 26.50"
2. 966954-152	PANEL, 3.00" X 26.50"
3. 966954-153	PANEL, 3.00" X 26.50"
4. 966954-154	PANEL, 7.88" X 18.00"
5. 966954-155	PANEL, 7.63" X 17.75"
6. 966954-156	PANEL, 7.00" X 7.38"
7. 966954-157	PANEL, 5.56" X 26.50"
8. 966954-158	PANEL, 7.63" X 17.75"
9. 966954-159	PANEL, 16.12" X 23.92"
10. 966954-1511	PANEL, 1.00" X 21.25"
11. 966954-1512	PANEL, 23.92" X 16.12"

2012 INTERNATIONAL TRAVEL TRAILER

FURNITURE, GALLEY

Roof Locker, 19' Signature Galley, Wenge

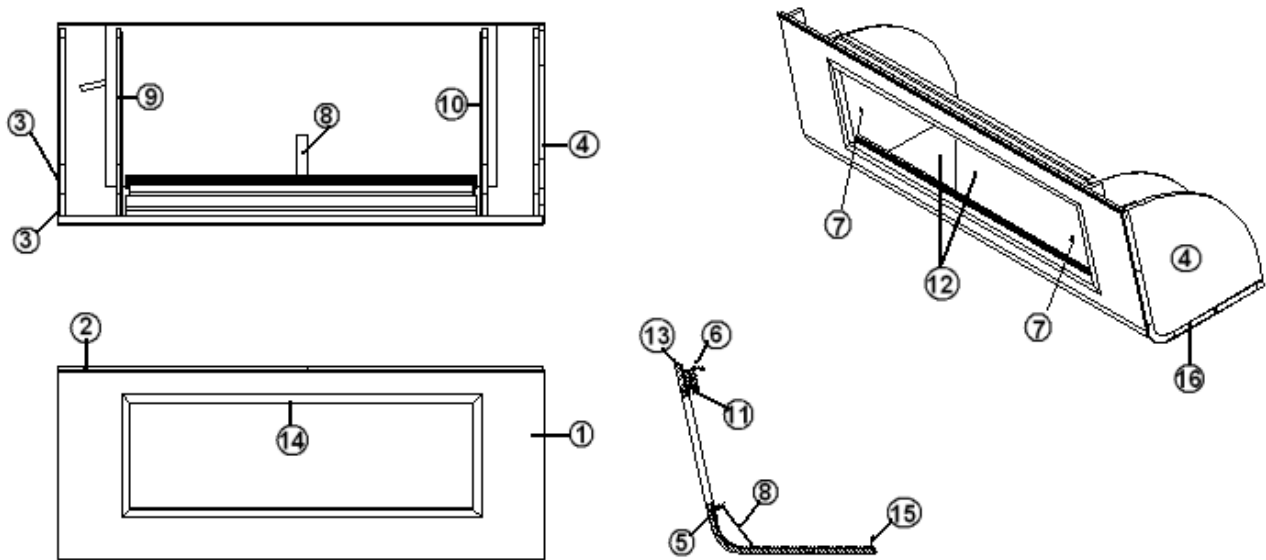


966958	LOCKER ASSY, GALLEY
1. 801733	LOCKER FACE, GALLEY
2. 801716	LAMINATE, WENGE/LINER, 17.25 X 36.75
3. 801545-02	DIVIDER (PARTIAL)
4. 966958-4	PANEL, 17.15 X 18.21
5. 115227-03	ANGLE, FORMED, 33"
6. 104821	SUPPORT, ROOFLOCKER, 74"
7. 203445-01	T-MOLDING, .5625" WHITE
8. 115226	BRACKET, FORMED, LOCKER CENTER
9. 801539-01	DIVIDER, GALLEY LOCKER LH
10. 801539-02	DIVIDER, GALLEY LOCKER
11. 203388	SLIDING DOOR TRACK, 56-1/5"
12. 965563-01	DOOR, PLEXGLASS 17.50"
13. 201673	COVE MOLDING, WHITE
14. 800028	PINE, 3/4" X 1-1/2"
15. 320006	SCREW, SHEET METAL 8X3/4 BH PHILIP
16. 115375	EXTRUSION, FORMED R/L END
17. 454613	SPRING, LEAF

2012 INTERNATIONAL TRAVEL TRAILER

FURNITURE, GALLEY

Roof Locker, 19' Signature Galley - SERENITY

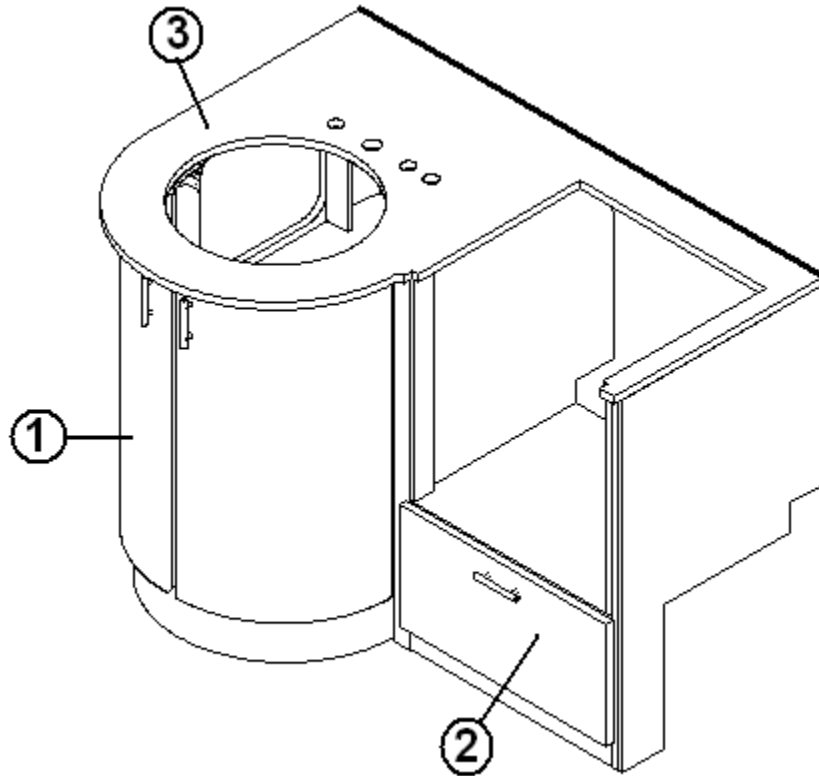


967552-15	ROOFLOCKER ASSY-GALLEY - 19' SERENITY
1.801827	FACE - GALLEY ROOFLOCKER
2.801355-01	LAMINATE FROST WHITE 17.25 X 36.75
3.801545-02	DIVIDER PARTIAL
4.967552-154	PANEL, GAL R/L 18.21X17.15
5.114812	ALUM. ANGLE 1.00 X 1.00
6.104821	SUPPORT, ROOFLOCKER, 74"
7.382114	KNOB-BRUSH.SATIN NICKEL #M576
8.115226	BRACKET-FORMED-LOCKER CTR SUPP
9.801539-01	DIVIDER-GALLEY LOCKER LH
10.801539-02	DIVIDER-GALLEY LOCKER
11.381245	SLIDING DOOR TRACK, 56-1/5"
12.203677-01	DOOR MARI 11.31X17.5
13.201673	REVERSE COVE MOLDING, WHITE, P
14.115375	EXTR.-FORMED R/L END INT
15.114812	ALUM. ANGLE 1.00 X 1.00
16.115375	Extrusion, RH formed, R/L end
454613	LEAF SPRING - ROOFLOCKER

2012 INTERNATIONAL TRAVEL TRAILER

FURNITURE, GALLEY

Galley, 23' D Signature, Wenge - For Units manufactured prior to 1/2/2012 except for unit 526765.



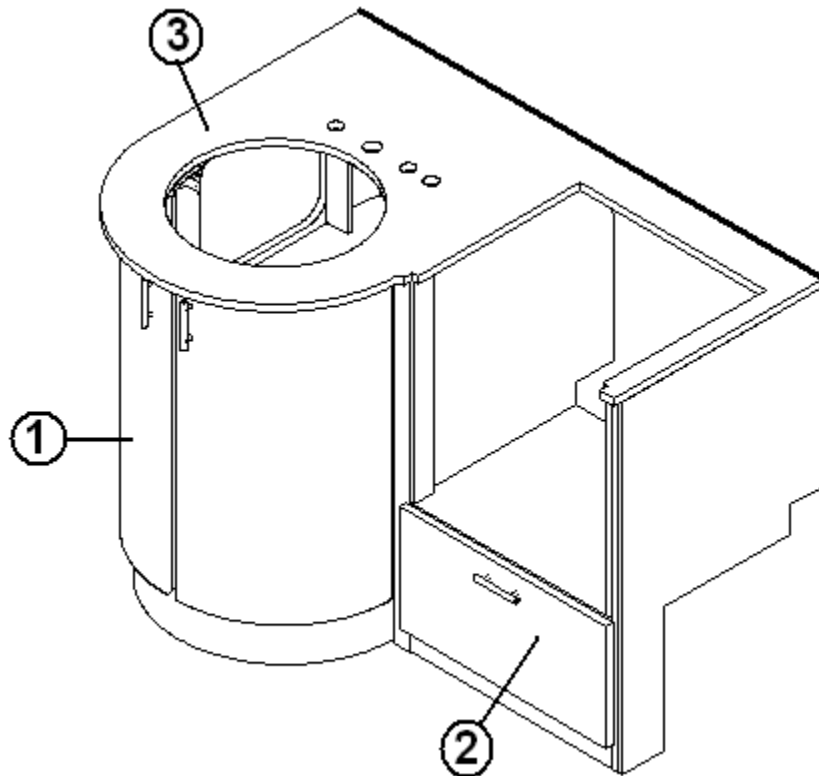
966946	GALLEY ASSY 23D
1. 966943	GALLEY, FWD SECTION
2. 966944	GALLEY, AFT SECTION
3. 966945	TOP ASSY, GALLEY
601806	SINK, S.S. ROUND GALLEY
*602310	FAUCET, GALLEY 1 HANDLE, PULL OUT
*602137	SHUT OFF VALVE
601714-01	TAIL PIECE, 1-1/2X4"(GALLEY DRAIN)
601714-02	1½" SLIP NUT W/WINGS
601714-03	1½" BLACK RUBBER WASHER
203483	COVER, SINK ROUND 17.75" NATURA

*602310 is the replacement for the original faucet 602158 – No longer available.

2012 INTERNATIONAL TRAVEL TRAILER

FURNITURE, GALLEY

Galley, 23' D Signature, SERENITY- For Units manufactured prior to 1/2/2012 except for unit 526765.

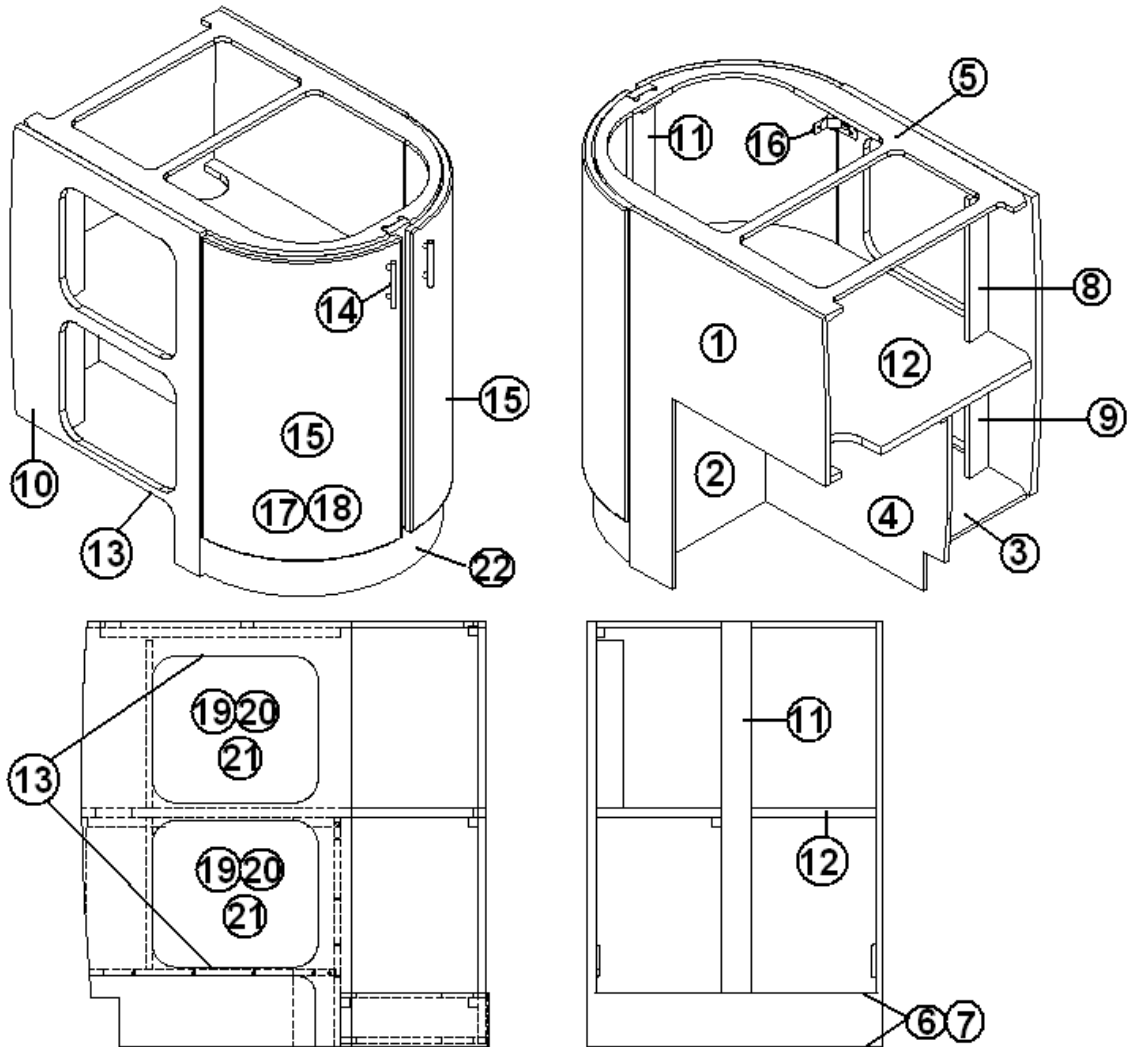


966946-15	GALLEY ASSY 23' D
1. 966943-15	GALLEY, FWD SECTION
2. 966944-15	GALLEY, AFT SECTION
3. 966945-15	TOP ASSY, GALLEY
601806	SINK, S.S. ROUND GALLEY
602158	NLA - FAUCET, GALLEY ELKAY
602310	FAUCET, REPLACEMENT FOR 602158
602137	SHUT OFF VALVE
601714-01	TAIL PIECE, 1-1/2X4"(GALLEY DRAIN)
601714-02	1½" SLIP NUT W/WINGS
601714-03	1½" BLACK RUBBER WASHER
203483	COVER, SINK ROUND 17.75" NATURA

2012 INTERNATIONAL TRAVEL TRAILER

FURNITURE, GALLEY

Galley, 23' D Signature, Forward Section, Wenge, For Units manufactured prior to 1/2/2012 except for unit 526765.



Part Numbers are on the Next page

2012 INTERNATIONAL TRAVEL TRAILER

FURNITURE, GALLEY

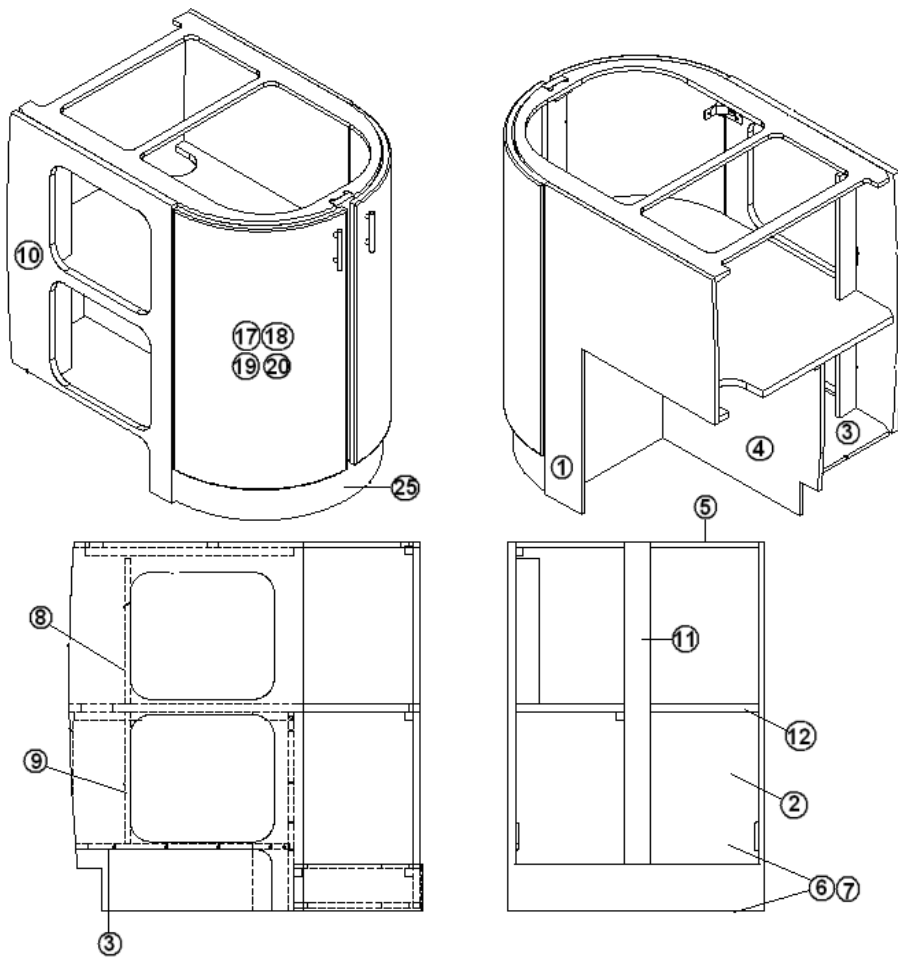
Galley, 23' D Signature, Forward Section, Wenge - For Units manufactured prior to 1/2/2012 except for unit 526765.

966943	GALLEY, FORWARD SECTION
1. 966943-1	PANEL, 35.5 X 22.14
2. 966943-2	PANEL, 23.83 X 19.13
3. 966943-3	PANEL, 20.5 X 9.25
4. 966943-4	PANEL, 19.13 X 20.82
5. 966943-5	PANEL, 24.91X33.87
6. 966943-6	PANEL, 23.5 X 12.19
7. 966943-7	PANEL, 23.5 X 12.19
8. 966943-8	PANEL, 14.13 X 2.25
9. 966943-9	PANEL, 12.75 X 2.25
10. 966943-10	PANEL, 35.5 X 22.57
11.966943-11	PANEL, 2.44 X 35.5
12.966943-12	PANEL, 24.91 X 33.87
13.203445	T-MOLDING, BLACK FLEXIBLE POLY .5
14.382029-00	HANDLE-BAR 7.48"
15.966474-01	DOOR, RADIUS FOAM, 16.26" X 31"
16.381607	HINGE ASSY
17.381808	BRACKET, FACE, MOUNT HINGE
18.381856	CATCH-TENSION 2-BALL
19.381654	HINGE-NON BORE GLASS DOOR, BLACK
20.381707	STRIKE W/PULL, GLASS DOOR, BLACK
21.371391	DOOR, GLASS, 11.56" X 13.06"
22.115309	TOE KICK, GALLEY ALUMINUM

2012 INTERNATIONAL TRAVEL TRAILER

FURNITURE, GALLEY

Galley, 23' D Signature, Forward Section, Wenge, Used on Units 526730, 526748, 526746, 526749, 526152, 526757, 526763, 526765, and all units manufactured on or after 1/2/2012.



Parts Listed on Next Page

2012 INTERNATIONAL TRAVEL TRAILER

FURNITURE, GALLEY

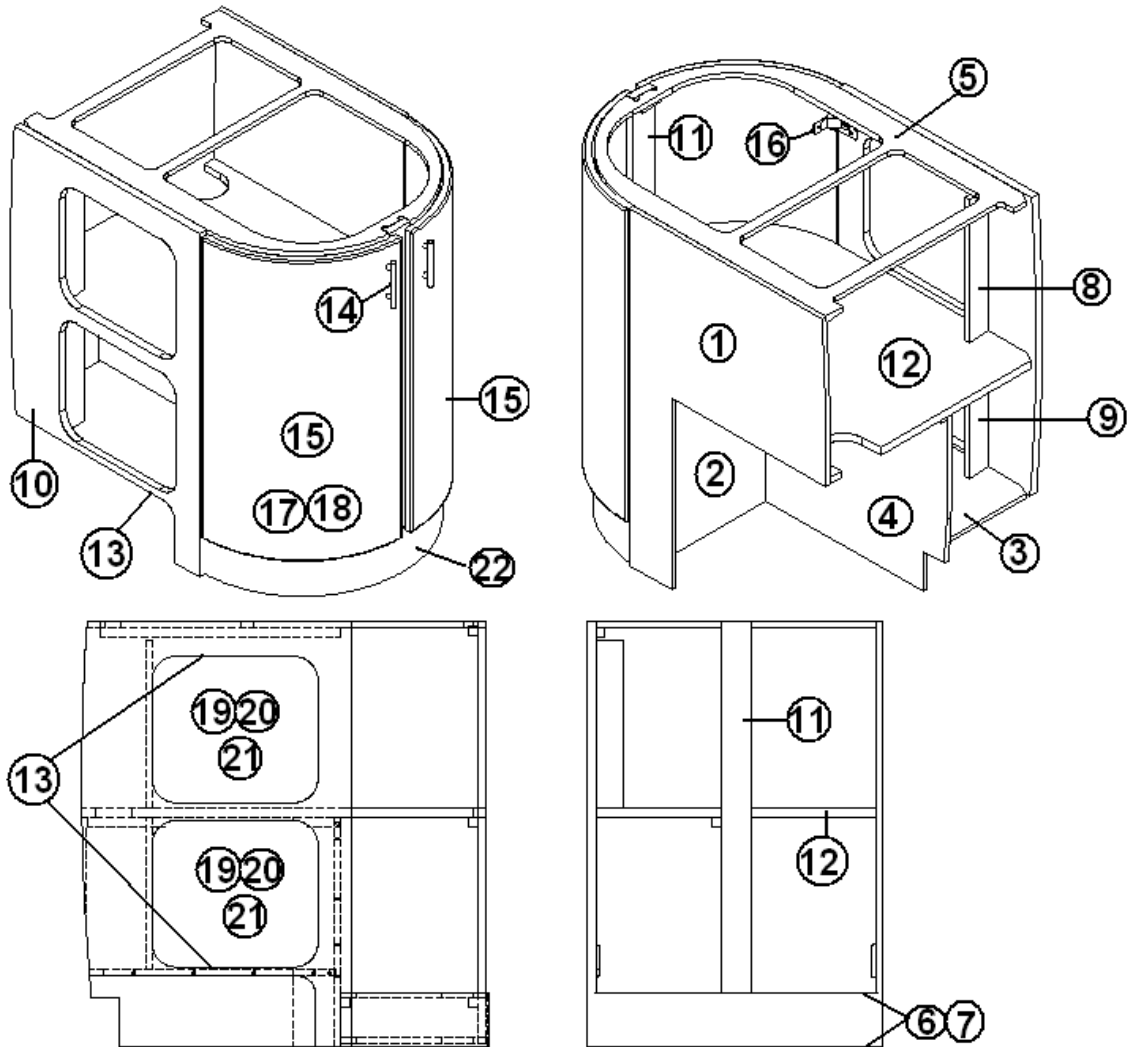
23' D Signature, Forward Section, Wenge, Used on Units 526730, 526748, 526746, 526749, 526152, 526757, 526763, 526765, and all units manufactured on or after 1/2/2012.

	967814	GALLEY, FORWARD SECTION
1.	967814-1	PANEL 22.58 X 34.75 GAL FWD SEC
2.	967814-2	PANEL 23.54 X 18.38 GAL FWD SEC
3.	967814-3	PANEL 20.60 X 9.25 GAL FWD SEC 2
4.	967814-4	PANEL 18.38 X 20.82 GAL FWD SEC
5.	967814-5	PANEL 24.91 X 33.87 GAL FWD SEC
6.	967814-6	PANEL 23.27 X 12.19 GAL FWD SEC
7.	967814-7	PANEL 23.27 X 12.19 GAL FWD SEC
8.	967814-8	PANEL 2.25 X 14.13 GAL FWD SEC 2
9.	967814-9	PANEL 2.25 X 12.75 GAL FWD SEC 2
10.	967814-10	PANEL 22.57 X 34.75 GAL FWD SEC
11.	967814-11	PANEL 2.44 X 35.50 GAL FWD SEC
12.	967814-12	PANEL 24.91 X 33.87 GAL FWD SEC
13.	203445	T-MOLDING BLK FLEXIBLE POLY .5
14.	365341-02	EDGE BANDING- .94" WENGE
15.	365341-01	EDGE BANDING- .63" WENGE
16.	365340-01	EDGE BANDING- .63" FROSTY WHITE
17.	382029-00	HANDLE-BAR 7.48" #3701-128-CR
18.	801787-0116	DOOR-RAD.FOAM 16.97X31 WENGE
19.	381607	HINGE ASSY-GRASS EURO-SAFARI
20.	381808	BRKT-FACE MOUNT HINGE #39184
21.	381856	CATCH-TENSION 2-BALL CHROME
22.	381654	HINGE-NON BORE GLASS DR.BLACK
23.	381707	STRIKE W/PULL-GLASS DOOR BLACK
24.	371432	DOOR-GLASS GALLEY 12.06X9.81
25.	115309	TOE KICK - GALLEY ALUMINUM
26.	320035-01	SCREW 5/8" #8 PAN TYPE A PHIL

2012 INTERNATIONAL TRAVEL TRAILER

FURNITURE, GALLEY

Galley, 23' D Signature, Forward Section, Serenity - For Units manufactured prior to 1/2/2012 except for unit 526765.



Part Numbers are on the Next page

2012 INTERNATIONAL TRAVEL TRAILER

FURNITURE, GALLEY

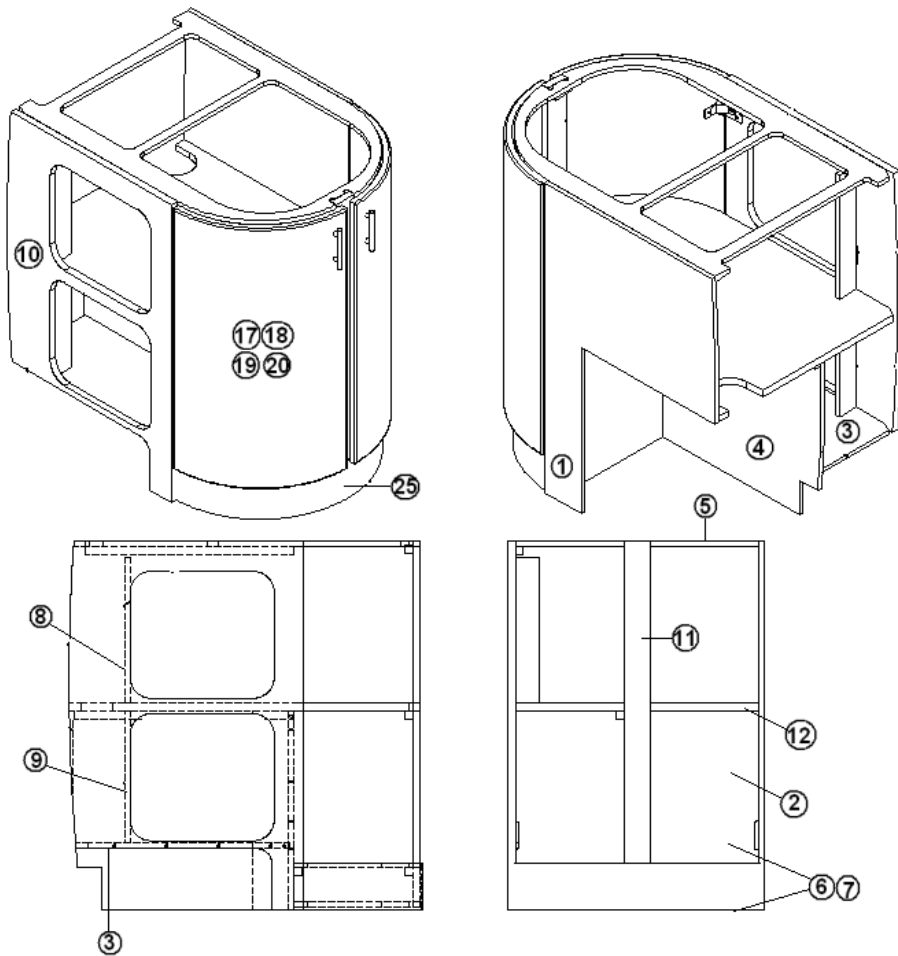
Galley, 23' D Signature, Forward Section, Serenity – For Units manufactured prior to 1/2/2012 except for unit 526765.

966943-15	GALLEY FWD SECTION
1. 966943-1	PANEL, 35.5 X 22.14
2. 966943-2	PANEL, 23.83 X 19.13
3. 966943-3	PANEL, 20.5 X 9.25
4. 966943-4	PANEL, 19.13 X 20.82
5. 966943-5	PANEL, 24.91X33.87
6. 966943-6	PANEL, 23.5 X 12.19
7. 966943-7	PANEL, 23.5 X 12.19
8. 966943-8	PANEL, 14.13 X 2.25
9. 966943-9	PANEL, 12.75 X 2.25
10. 966943-1510	PANEL, 35.5 X 22.57
11. 966943-1511	PANEL, 2.44 X 35.5
12.966943-12	PANEL, 24.91 X 33.87
13.203445	T-MOLDING, BLK. FLEXIBLE POLY .5"
14.382115	PULL, FLAT BLACK #M575
15.801787-0118	DOOR, RADIUS FOAM, 16.97 " X 31" ASIAN SAND
16.381607	HINGE ASSY
17.381607-07	BRACKET-BLIND CORNER 90D
18.381856	CATCH-TENSION 2-BALL
19.381654	HINGE, GLASS DOOR, BLACK
20.381707	STRIKE, GLASS DOOR, BLACK
21.371391	DOOR, GLASS, 11.56" X 13.06"
22.115309	TOE KICK, GALLEY ALUMINUM

2012 INTERNATIONAL TRAVEL TRAILER

FURNITURE, GALLEY

Galley, 23' D Signature, Forward Section, Serenity, Used on Units 526730, 526748, 526746, 526749, 526152, 526757, 526763, 526765, and all units manufactured on or after 1/2/2012.



Parts Listed on Next Page

2012 INTERNATIONAL TRAVEL TRAILER

FURNITURE, GALLEY

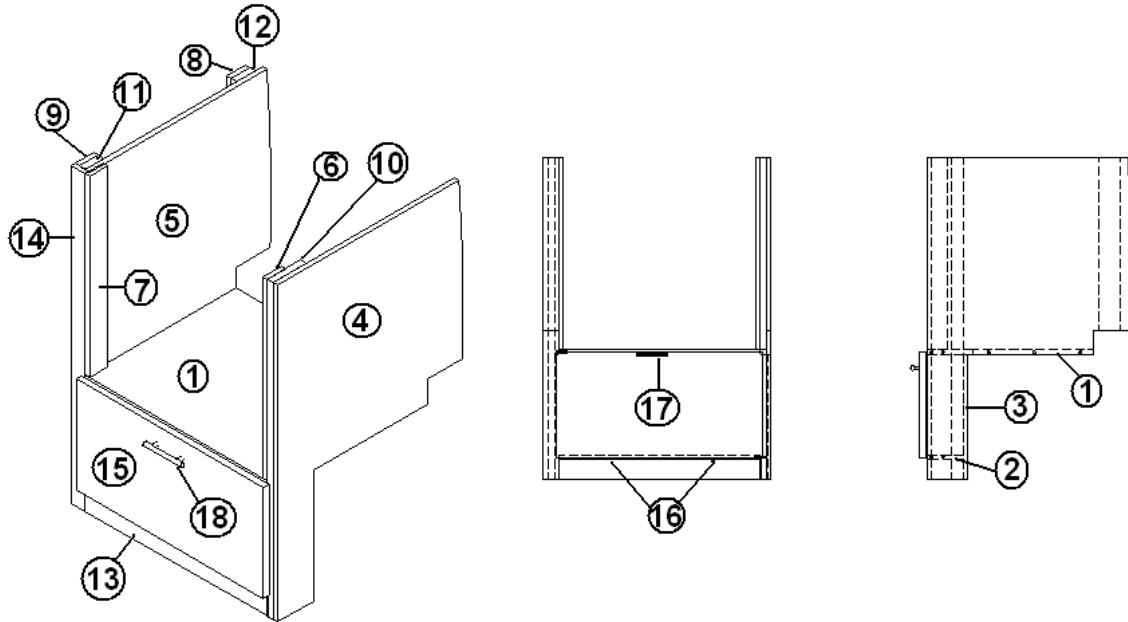
Galley, 23' D Signature, Forward Section, Serenity, Used on Units 526730, 526748, 526746, 526749, 526152, 526757, 526763, 526765, and all units manufactured on or after 1/2/2012.

	967814-15	GALLEY, FORWARD SECTION
1.	967814-1	PANEL 22.58 X 34.75 GAL FWD SEC
2.	967814-2	PANEL 23.54 X 18.38 GAL FWD SEC
3.	967814-3	PANEL 20.60 X 9.25 GAL FWD SEC 2
4.	967814-4	PANEL 18.38 X 20.82 GAL FWD SEC
5.	967814-5	PANEL 24.91 X 33.87 GAL FWD SEC
6.	967814-6	PANEL 23.27 X 12.19 GAL FWD SEC
7.	967814-7	PANEL 23.27 X 12.19 GAL FWD SEC
8.	967814-8	PANEL 2.25 X 14.13 GAL FWD SEC 2
9.	967814-9	PANEL 2.25 X 12.75 GAL FWD SEC 2
10.	967814-1510	PANEL 22.57 X 34.75 GAL FWD SEC
11.	967814-1511	PANEL 2.44 X 35.50 GAL FWD SEC
12.	967814-12	PANEL 24.91 X 33.87 GAL FWD SEC
13.	203445	T-MOLDING BLK FLEXIBLE POLY .5
14.	365344-02	EDGE BANDING- .94" PEARL BISQUE
15.	365344-01	EDGE BANDING- .63" PEARL BISQUE
16.	365340-01	EDGE BANDING- .63" FROSTY WHITE
17.	382029-00	HANDLE-BAR 7.48" #3701-128-CR
18.	801787-0118	DOOR-RAD.FOAM 16.97X31 A.SAND
19.	381607	HINGE ASSY-GRASS EURO-SAFARI
20.	381808	BRKT-FACE MOUNT HINGE #39184
21.	381856	CATCH-TENSION 2-BALL CHROME
22.	381654	HINGE-NON BORE GLASS DR.BLACK
23.	381707	STRIKE W/PULL-GLASS DOOR BLACK
24.	371432	DOOR-GLASS GALLEY 12.06X9.81
25.	115309	TOE KICK - GALLEY ALUMINUM
26.	320035-01	SCREW 5/8" #8 PAN TYPE A PHIL

2012 INTERNATIONAL TRAVEL TRAILER

FURNITURE, GALLEY

Galley, 23' D Signature, Aft Section, Wenge – For Units manufactured prior to 1/2/2012 except for unit 526765.

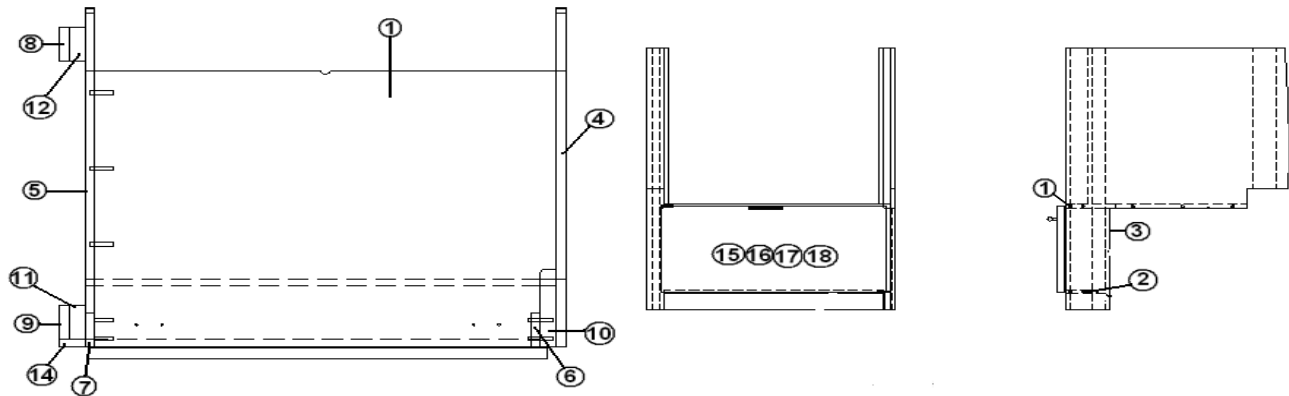


966944	GALLEY AFT SECTION
1. 966944-1	PANEL, 18.36 X 22.87
2. 966944-2	PANEL, 22.13 X 4.00
3. 966944-3	PANEL, 23.46 X 13.81
4. 966944-4	PANEL, 22.58 X 35.5
5. 966944-5	PANEL, 22.08 X 35.5
6. 966944-6	PANEL, 2.25 X 21.19
7. 966944-7	PANEL, 2.25 X 21.19
8. 966944-8	PANEL, 2.25 X 19.00
9. 966944-9	PANEL, 2.25 X 35.5
10. 966944-10	PANEL, 4.00 X 35.5
11. 966944-11	PANEL, 2.25 X 35.50
12. 966944-12	PANEL, 2.25 X 19.00
13. 966944-13	PANEL, 2.25 X 22.13
14. 966944-14	PANEL, 1.81 X 35.50
15. 966944-15I	DOOR, GALLEY 22.81 X 11.69
16. 381607	HINGE ASSY
17. 381228-01	CATCH, GRABBER, DOOR
18. 382029-05	HANDLE BAR, 21.33"

2012 INTERNATIONAL TRAVEL TRAILER

FURNITURE, GALLEY

Galley, 23' D Signature, Aft Section, Wenge - Used on units manufactured on or after 1/2/2012 including serial number 526765.

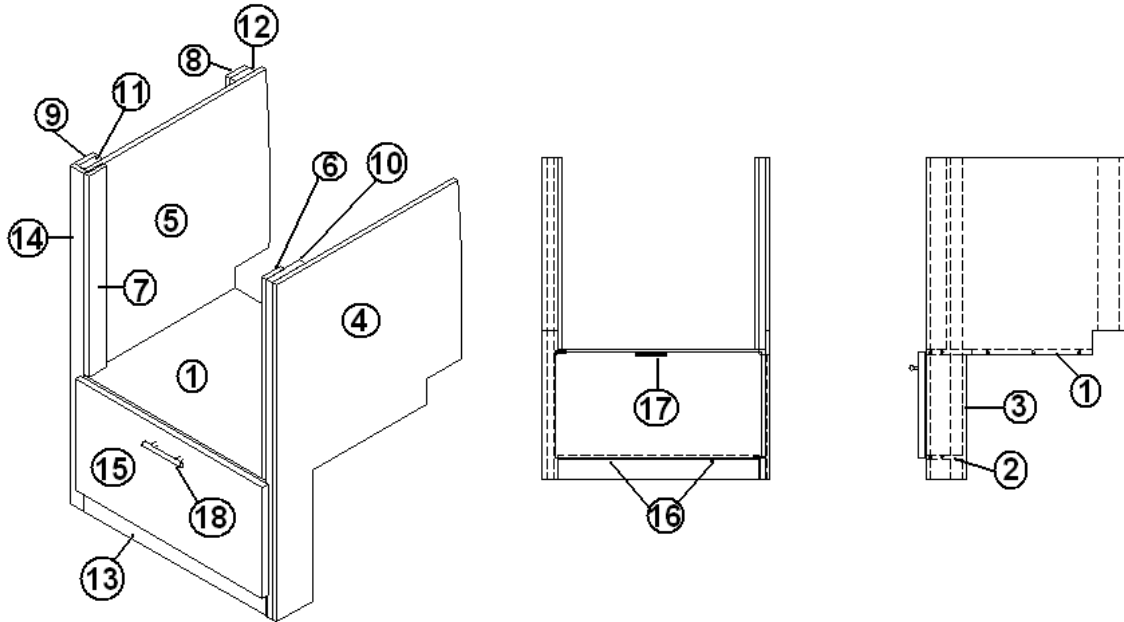


967815		Galley, Aft Section
1.	967815-1	Panel, 18.36 x 22.87
2.	967815-2	Panel, 4.00 x 22.13
3.	967815-3	Panel, 23.38 x 15.00
4.	967815-4	Panel, 22.58 x 34.75
5.	967815-5	Panel, 22.08 x 34.75
6.	967815-6	Panel, 2.25 x 19.25
7.	967815-7	Panel, 2.25 x 19.25
8.	967815-8	Panel, 2.25 x 18.25
9.	967815-9	Panel, 2.25 x 34.75
10.	967815-10	Panel, 4.00 x 34.75
11.	967815-11	Panel, 2.25 x 34.75
12.	967815-12	Panel, 2.25 x 18.25
13.	967815-13	Panel, 2.25 x 22.13
14.	967815-14	Panel, 1.75 x 34.75
15.	967815-15I	Door, 22.81 x 12.88
16.	381607	Grass Hinge Assy.
17.	381228-01	Catch, Grabber Door C3-803
18.	382029-05	Handle Bar

2012 INTERNATIONAL TRAVEL TRAILER

FURNITURE, GALLEY

Galley, 23' D Signature, Aft Section, Serenity-For Units
manufactured prior to 1/2/2012 except for unit 526765.

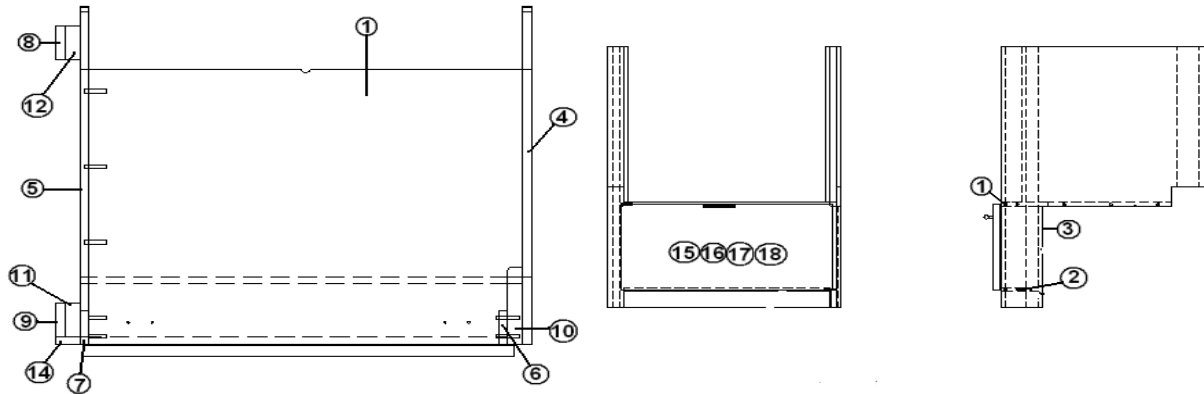


966944-15	GALLEY AFT SECTION
1. 966944-1	PANEL, 18.36 X 22.87
2. 966944-2	PANEL, 22.13 X 4.00
3. 966944-3	PANEL, 23.46 X 13.81
4. 966944-4	PANEL, 22.58 X 35.5
5. 966944-5	PANEL, 22.08 X 35.5
6. 966944-6	PANEL, 2.25 X 21.19
7. 966944-7	PANEL, 2.25 X 21.19
8. 966944-8	PANEL, 2.25 X 19.00
9. 966944-9	PANEL, 2.25 X 35.5
10. 966944-10	PANEL, 4.00 X 35.5
11. 966944-11	PANEL, 2.25 X 35.50
12. 966944-12	PANEL, 2.25 X 19.00
13. 966944-1513	PANEL, 2.25 X 22.13
14. 966944-1514	PANEL, 1.81 X 35.50
15. 966944-1515	DOOR, GALLEY 22.81 X 11.69
16. 381607	HINGE ASSY
17. 381228-01	CATCH, GRABBER, DOOR
18. 382115	PULL - FLAT BLACK #M575

2012 INTERNATIONAL TRAVEL TRAILER

FURNITURE, GALLEY

Galley, 23' D Signature, Aft Section, Serenity - Used on units manufactured 1/2/2012 including serial number 526765.

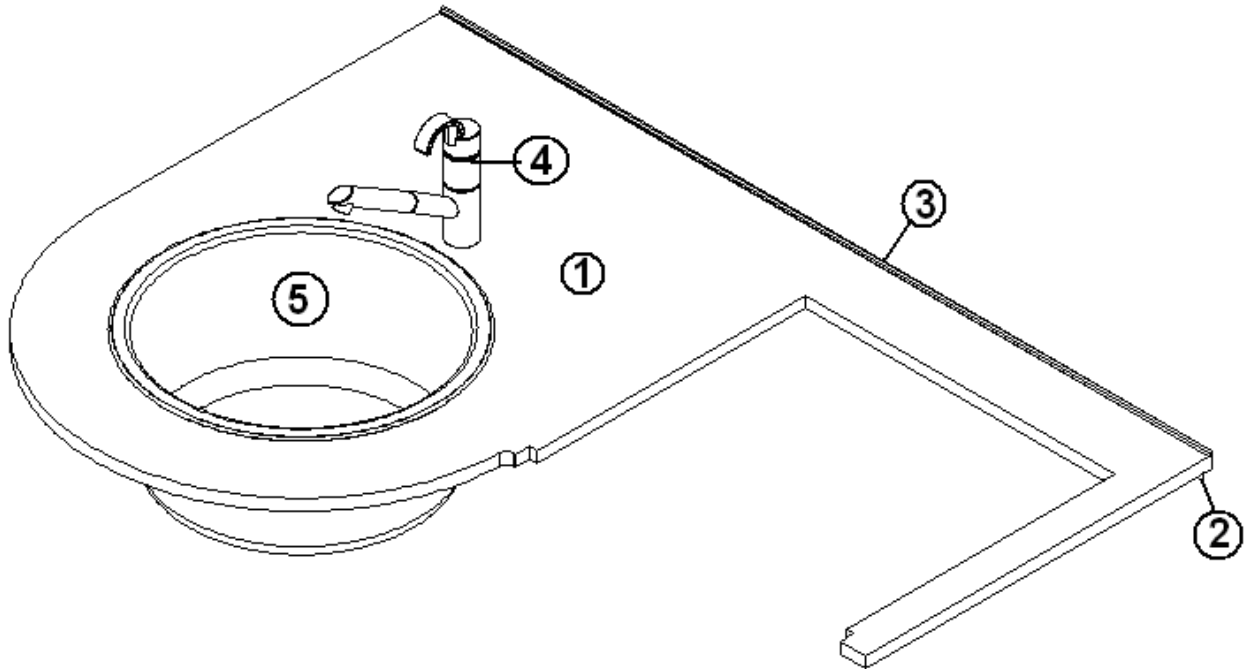


	967815-15	Galley, Aft Section
1.	967815-1	Panel, 18.36 x 22.87
2.	967815-2	Panel, 4.00 x 22.13
3.	967815-3	Panel, 23.38 x 15.00
4.	967815-4	Panel, 22.58 x 34.75
5.	967815-5	Panel, 22.08 x 34.75
6.	967815-6	Panel, 2.25 x 19.25
7.	967815-7	Panel, 2.25 x 19.25
8.	967815-8	Panel, 2.25 x 18.25
9.	967815-9	Panel, 2.25 x 34.75
10.	967815-10	Panel, 4.00 x 34.75
11.	967815-11	Panel, 2.25 x 34.75
12.	967815-12	Panel, 2.25 x 18.25
13.	967815-1513	Panel, 2.25 x 22.13
14.	967815-1514	Panel, 1.75 x 34.75
15.	967815-1515I	Door, 22.81 x 12.88
16.	381607	Grass Hinge Assy.
17.	381228-01	Catch, Grabber Door C3-803
18.	382029-05	Handle Bar

2012 INTERNATIONAL TRAVEL TRAILER

FURNITURE, GALLEY

Galley, 23' D Signature, Top, Wenge, For Units manufactured prior to 1/2/2012 except for unit 526765.



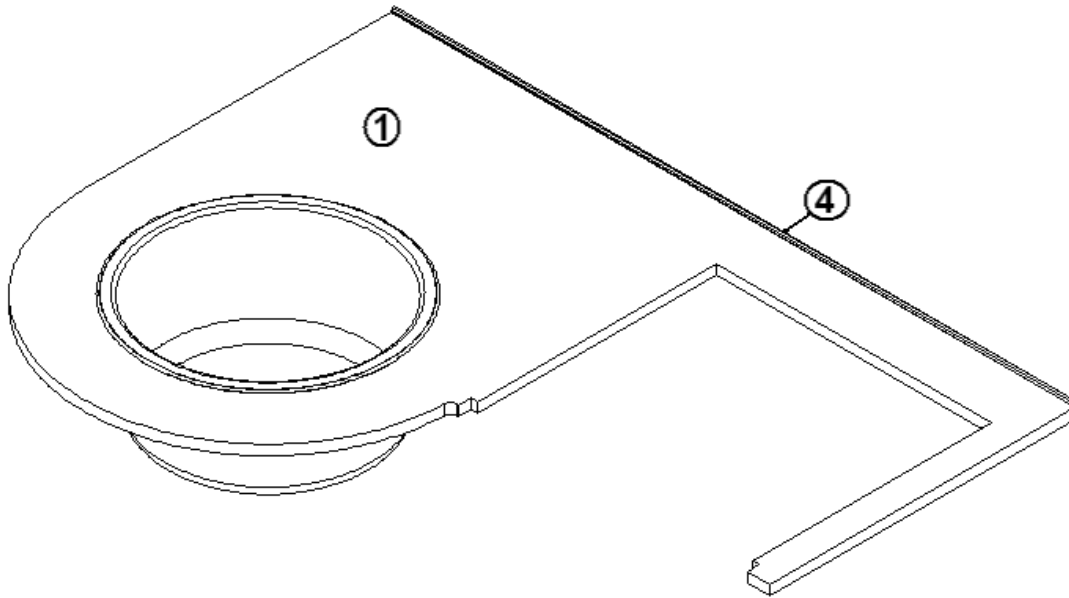
- | | |
|-------------|--------------------------------------|
| 966945 | TOP ASSY, GALLEY |
| 1. 966945-1 | PANEL, GALLEY TOP, 36.61 X 51.0 |
| 2. 114812 | ALUM.INUM ANGLE, 1.00 X 1.00 |
| 3. 115064 | TRIM, ALUMINUM COUNTER TOP |
| 4. **602158 | NLA - FAUCET, GALLEY, ELKAY #LK-7120 |
| 5. 601806 | SINK, S.S., ROUND, GALLEY |

- | | |
|----------|--------------------------------|
| **602310 | FAUCET, REPLACEMENT FOR 602158 |
| **602137 | SHUT OFF VALVE |

2012 INTERNATIONAL TRAVEL TRAILER

FURNITURE, GALLEY

Galley, 23' D Signature, Top - Used on units manufactured on or after 1/2/2012 including serial number 526765.

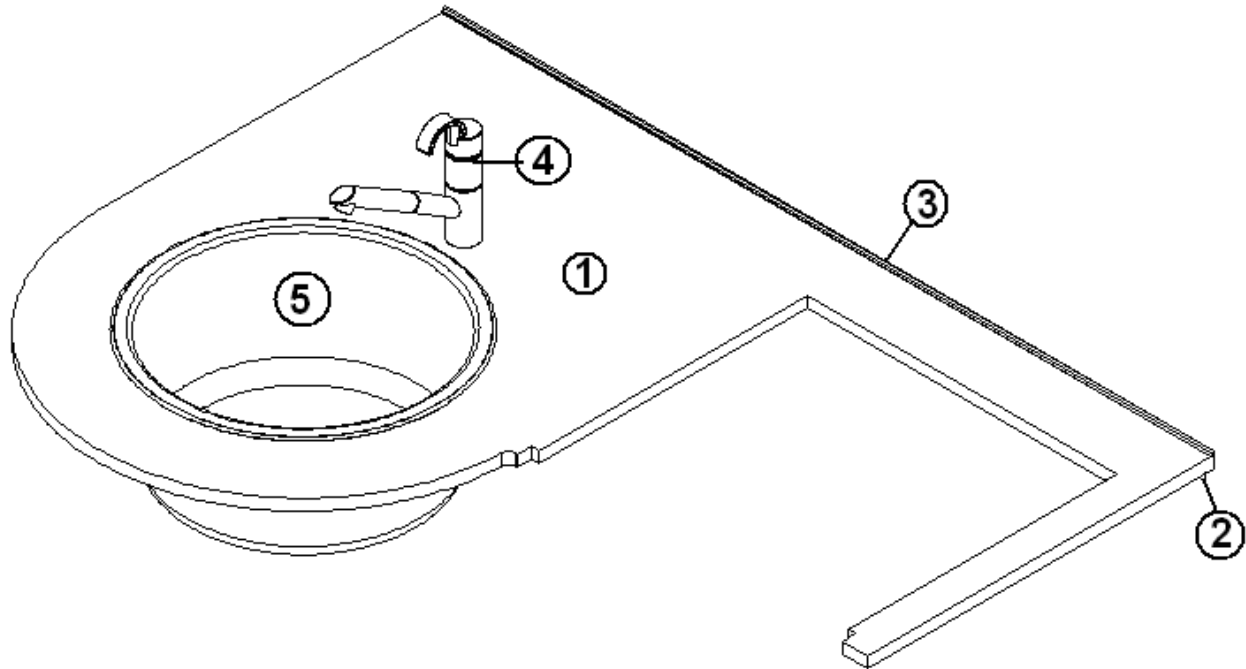


967813	GALLEY TOP ASSEMBLY, WENGE
967813-15	GALLEY TOP ASSEMBLY, SERENITY
1. 967813-1	TOP PANEL, 36.61 X 51.0, WENGE
1. 967813-151	TOP PANEL, 36.61 X 51.0 - SERENITY
365342-01	EDGE BANDING 1.13" - WENGE
365345-02	EDGE BANDING 1.13" - SERENITY
114812	ALUMINUM ANGLE 1.00 X 1.00
4. 115064	TRIM, ALUMINUM COUNTER TOP
601806	SINK, STAINLESS STEEL, ROUND
602310	FAUCET, GALLEY ELKAY
601714-01	TAIL PIECE 1 1/2 X 4"
601714-02	SLIP NUT W/ WINGS 1 1/2"
601714-03	WASHER, 1 1/2" BLACK RUBBER

2012 INTERNATIONAL TRAVEL TRAILER

FURNITURE, GALLEY

Galley, 23' D Signature, Serenity, Units manufactured prior to 1/2/2012 except for unit 526765.



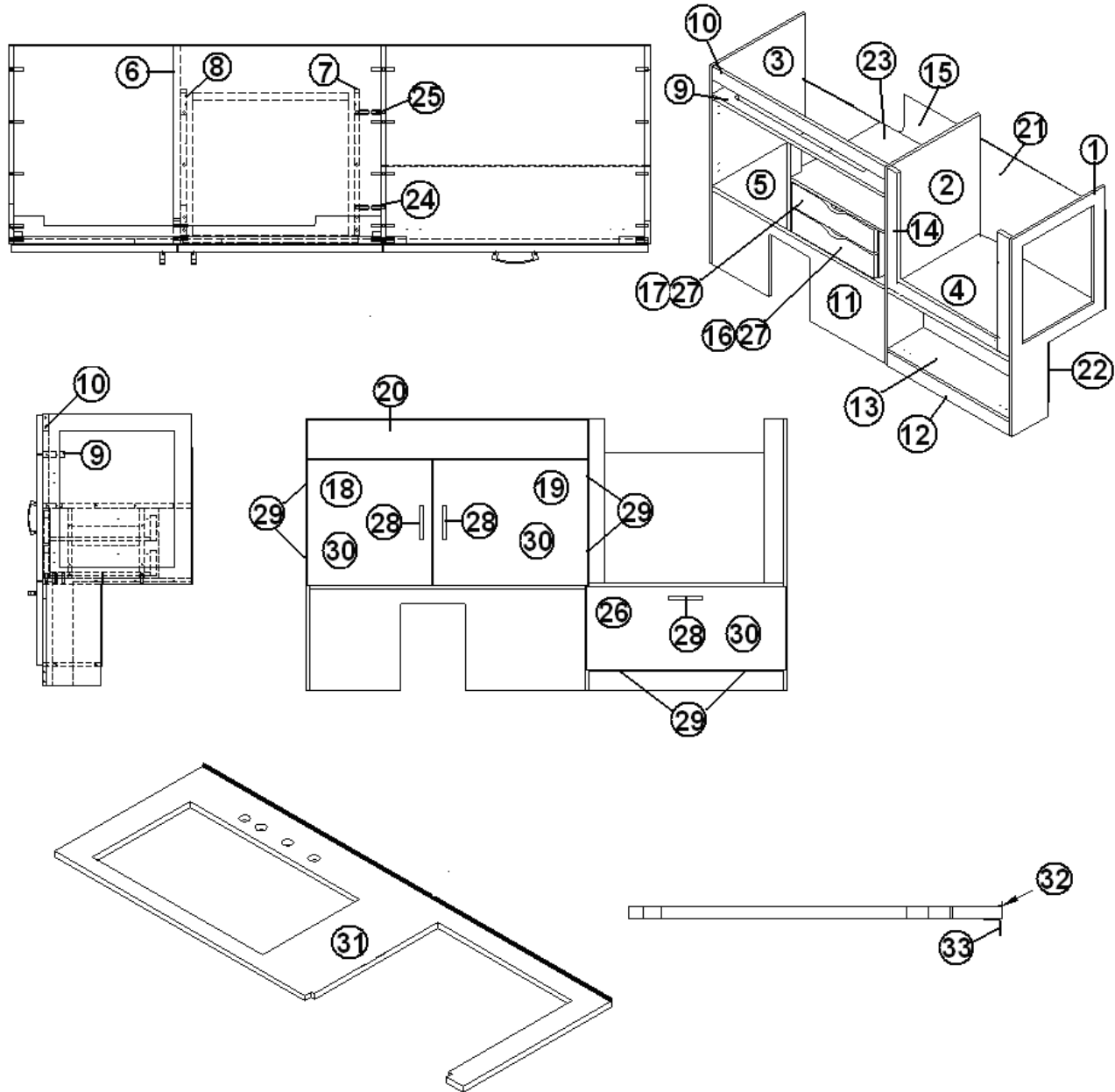
- | | |
|---------------|--------------------------------------|
| 966945-15 | TOP ASSY, GALLEY |
| 1. 966945-151 | PANEL, GALLEY TOP, 36.61 X 51.0 |
| 2. 114812 | ALUM.INUM ANGLE, 1.00 X 1.00 |
| 3. 115064 | TRIM, ALUMINUM COUNTER TOP |
| 4. **602158 | NLA - FAUCET, GALLEY, ELKAY #LK-7120 |
| 5. 601806 | SINK, S.S., ROUND, GALLEY |
| **602310 | FAUCET, REPLACEMENT FOR 602158 |
| **602137 | SHUT OFF VALVE |

**1st replacement faucet was used on #526402, September 2011.

2012 INTERNATIONAL TRAVEL TRAILER

FURNITURE, GALLEY

Galley, 23' Front Bed, Wenge, For Units manufactured prior to 1/2/2012 except for unit 526765.



Part numbers are on the next page.

2012 INTERNATIONAL TRAVEL TRAILER

FURNITURE, GALLEY

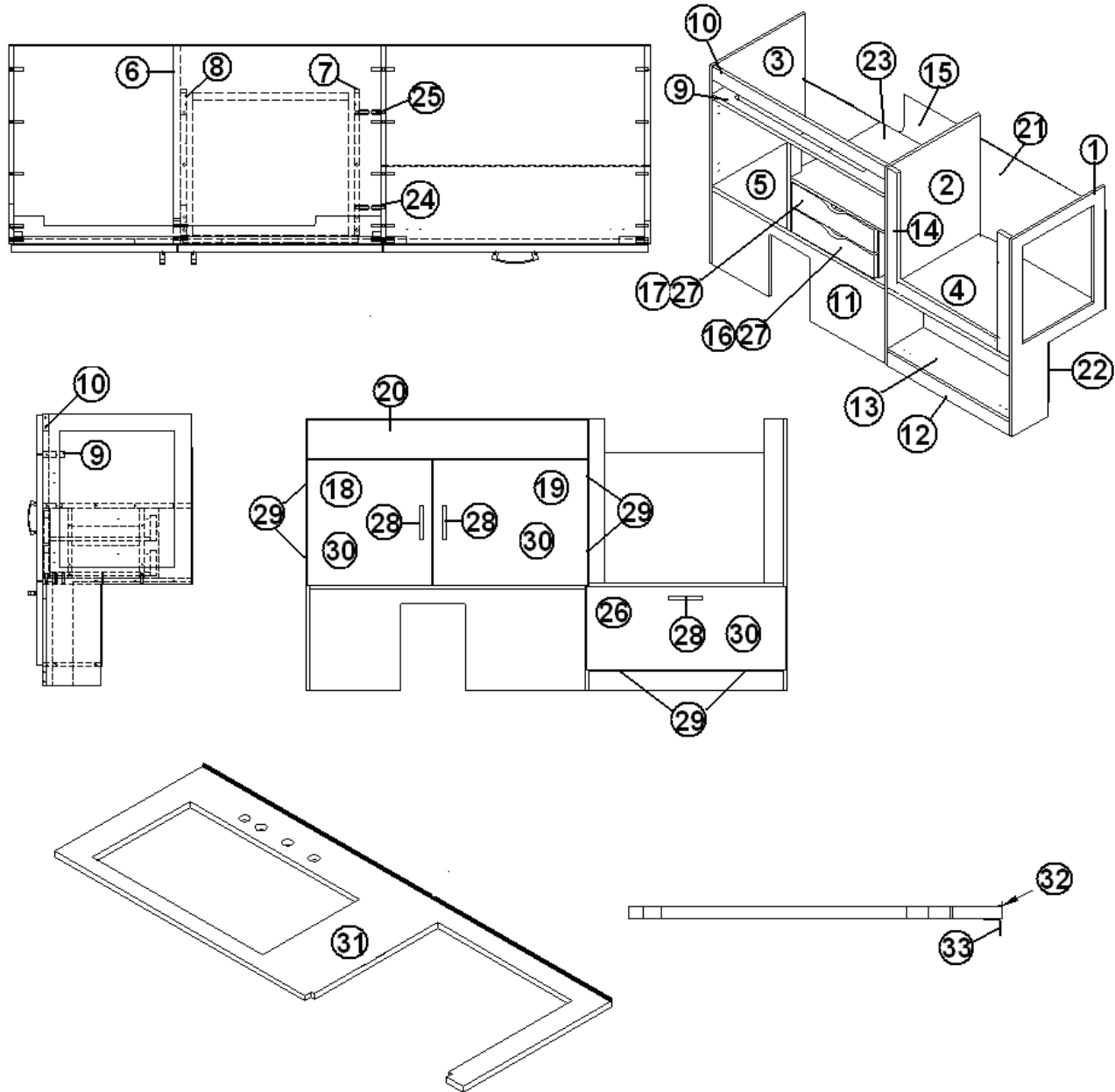
Galley, 23' Front Bed, Wenge – For Units manufactured prior to 1/2/2012 except for unit 526765.

967313	Galley Assembly
1. 967313-1	Panel, galley, 19.13 X 35.00
2. 967313-2	Panel, galley, 19.13 X 35.00
3. 967313-3	Panel, galley, 19.13 X 35.00
4. 967313-4	Panel, galley, 19.13 X 25.00
5. 967313-5	Panel, galley, 19.13 X 35.38
6. 967313-6	Panel, galley, 19.13 X 15.56
7. 967313-7	Panel, galley, 14.13 X 9.09
8. 967313-8	Panel, galley, 14.13 X 9.09
9. 967313-9	Panel, galley, 2.75 X 35.38
10. 967313-10	Panel, galley, 35.38 X 2.25
11. 967313-11	Panel, galley, 35.38 X 13.06
12. 967313-12	Panel, galley, 25.00 X 2.44
13. 967313-13	Panel, galley, 7.50 X 25.00
14. 967313-33	Panel, galley, 25.00 X 23.44
15. 967313-34	Panel, galley, 35.88 X 13.63
16. 967313-16	Panel, galley, 16.88 X 4.13
17. 967313-17	Panel, galley, 16.88 X 4.13
18. 967313-18	Panel, galley, 16.00 X 16.18
19. 967313-19	Panel, galley, 19.88 X 16.18
20. 967313-20	Panel, galley, 36.00 X 5.00
21. 967313-21	Panel, galley, 17.62 X 61.88
22. 967313-22	Panel, galley, 10.62 X 26.00
23. 967313-23	Panel, galley, 19.13 X 20.00
24. 967313-24	Panel, galley, 2.00 X 9.09
25. 967313-25	Panel, galley, 2.00 X 9.09
26. 967313-26	Door, galley, 25.63 X 10.75
27. 965584-02	Drawer box, 3.38" X 13.75" X 13.0
28. 382029-04	Handle, 15"
29. 381607	Hinge assembly
30. 381228-01	Catch, grabber door
31. 967644	Galley top
32. 115064	Trim, aluminum, counter top
33. 114812	Aluminum angle, 1.00 X 1.00
381773-02	Slide, drawer
382029-05	Handle, 21.33"
115309	Toe Kick, Galley, Aluminum
381708	Waste Basket

2012 INTERNATIONAL TRAVEL TRAILER

FURNITURE, GALLEY

Galley, 23' Front Bed, Wenge, Used on units manufactured on or after 1/2/2012 including serial number 526765.



Part numbers are on the next page.

2012 INTERNATIONAL TRAVEL TRAILER

FURNITURE, GALLEY

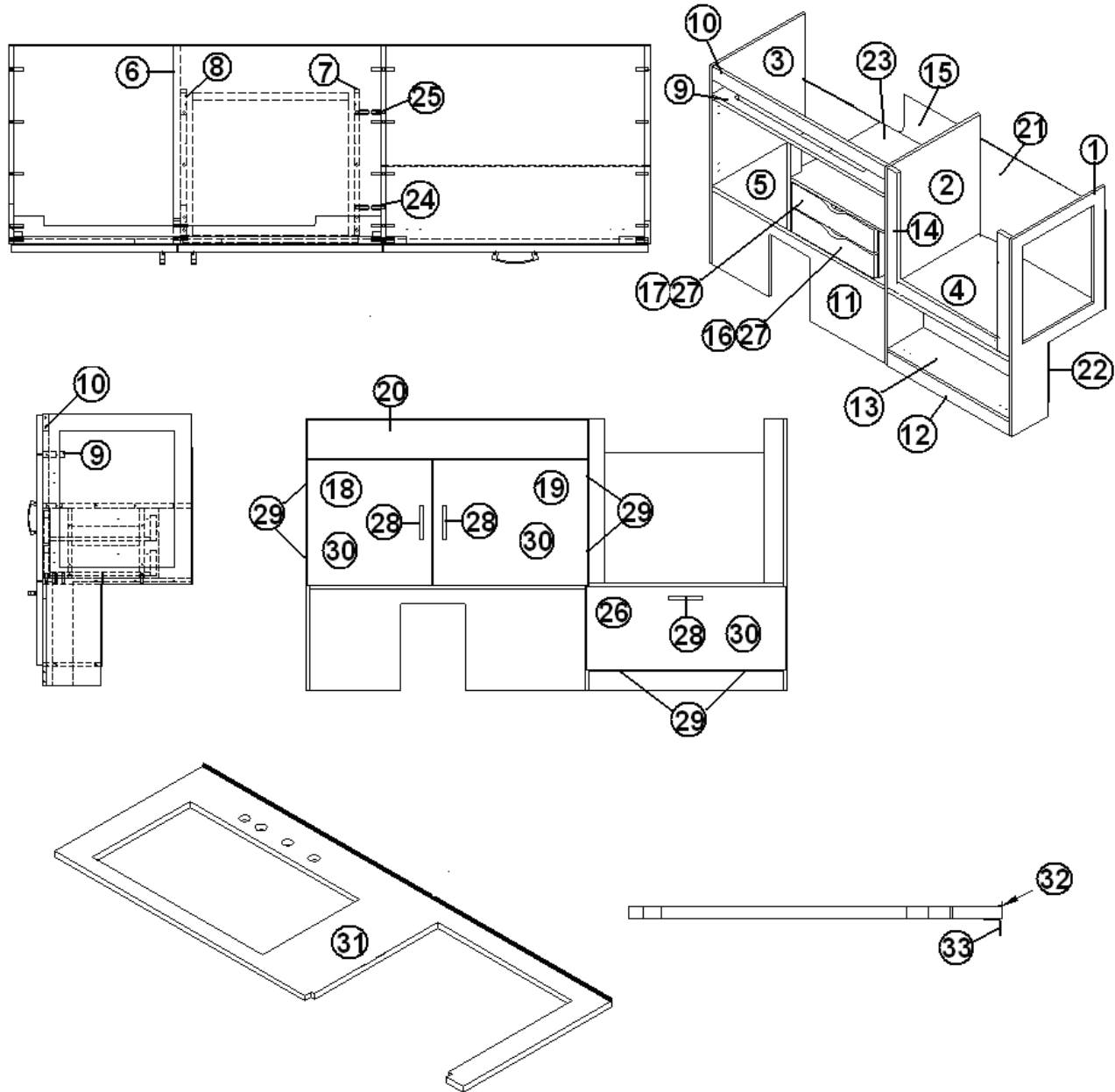
Galley, 23' Frt. Bed, Wenge – Used on units manufactured on or after 1/2/2012 including serial number 526765.

967819	Galley Assembly
1. 967819-1	Panel, galley, 19.13 X 35.00
2. 967819-2	Panel, galley, 19.13 X 35.00
3. 967819-3	Panel, galley, 19.13 X 35.00
4. 967819-4	Panel, galley, 19.13 X 25.00
5. 967819-5	Panel, galley, 19.13 X 35.38
6. 967819-6	Panel, galley, 19.13 X 15.56
7. 967819-7	Panel, galley, 14.13 X 9.09
8. 967819-8	Panel, galley, 14.13 X 9.09
9. 967819-9	Panel, galley, 2.75 X 35.38
10. 967819-10	Panel, galley, 35.38 X 2.25
11. 967819-11	Panel, galley, 35.38 X 13.06
12. 967819-12	Panel, galley, 25.00 X 2.44
13. 967819-13	Panel, galley, 7.50 X 25.00
14. 967819-33	Panel, galley, 25.00 X 23.44
15. 967819-34	Panel, galley, 35.88 X 13.63
16. 967819-16	Panel, galley, 16.88 X 4.13
17. 967819-17	Panel, galley, 16.88 X 4.13
18. 967819-18	Panel, galley, 16.00 X 16.18
19. 967819-19	Panel, galley, 19.88 X 16.18
20. 967819-20	Panel, galley, 36.00 X 5.00
21. 967819-21	Panel, galley, 17.62 X 61.88
22. 967819-22	Panel, galley, 10.62 X 26.00
23. 967819-23	Panel, galley, 19.13 X 20.00
24. 967819-24	Panel, galley, 2.00 X 9.09
25. 967819-25	Panel, galley, 2.00 X 9.09
26. 967819-26	Door, galley, 25.63 X 10.75
27. 965584-02	Drawer box, 3.38" X 13.75" X 13.0
28. 382029-04	Handle, 15"
29. 381607	Hinge assembly
30. 381228-01	Catch, grabber door
31. 967818	Galley top
32. 115064	Trim, aluminum, counter top
33. 114812	Aluminum angle, 1.00 X 1.00
381773-02	Slide, drawer
382029-05	Handle, 21.33"
115309	Toe Kick, Galley, Aluminum
381708	Waste Basket

2012 INTERNATIONAL TRAVEL TRAILER

FURNITURE, GALLEY

Galley, 23' Front Bed, Serenity, For Units manufactured prior to 1/2/2012 except for unit 526765.



Part numbers are on the next page.

2012 INTERNATIONAL TRAVEL TRAILER

FURNITURE, GALLEY

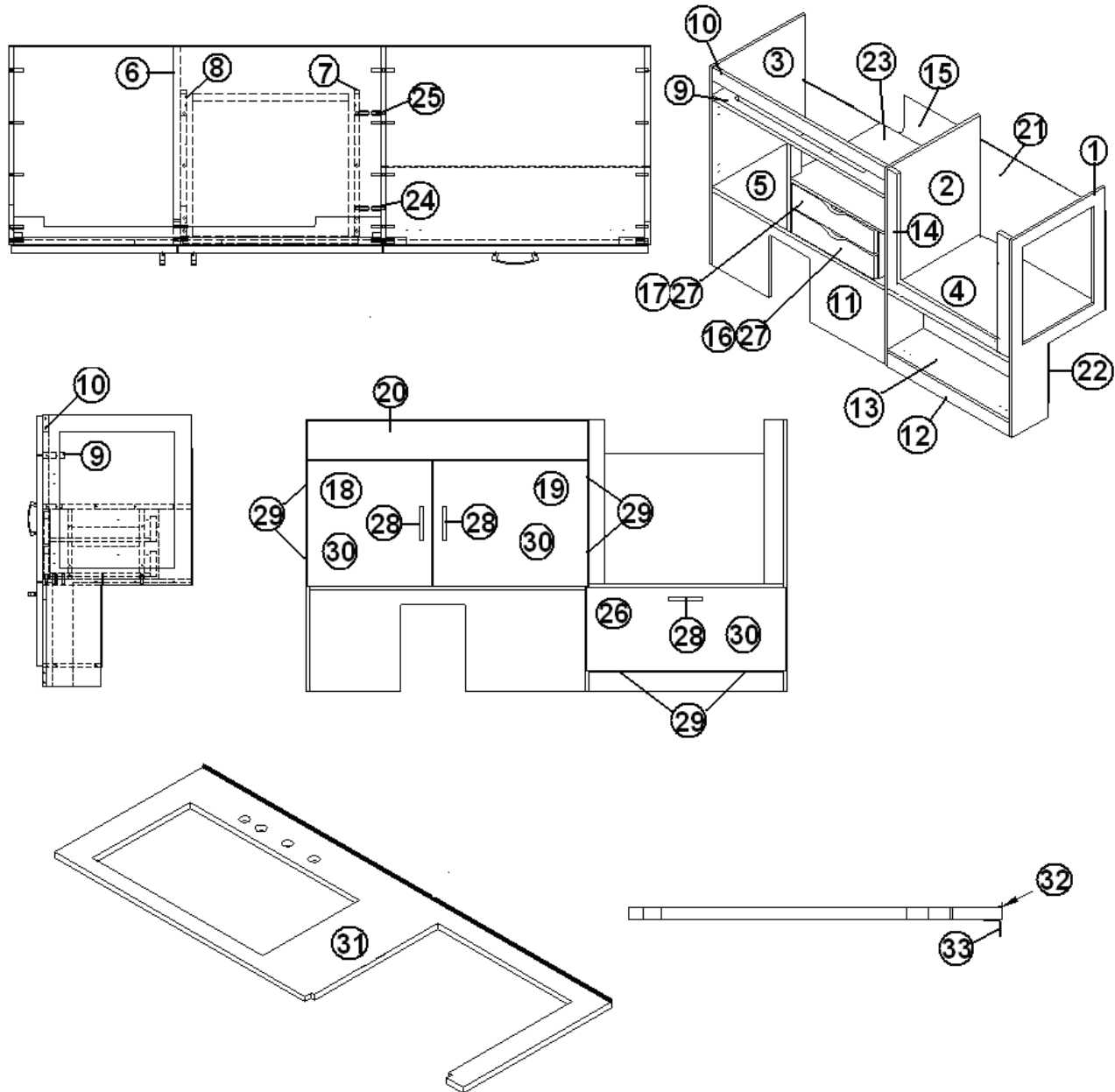
Galley, 23' Front Bed, SERENITY – For Units manufactured prior to 1/2/2012 except for unit 526765.

967313-15	Galley Assy., Serenity
1.967313-1	Panel, galley, 19.13 X 35.00
2.967313-2	Panel, galley, 19.13 X 35.00
3.967313-3	Panel, galley, 19.13 X 35.00
4.967313-4	Panel, galley, 19.13 X 25.00
5.967313-5	Panel, galley, 19.13 X 35.38
6.967313-6	Panel, galley, 19.13 X 15.56
7.967313-7	Panel, galley, 14.13 X 9.09
8.967313-8	Panel, galley, 14.13 X 9.09
9.967313-9	Panel, galley, 2.75 X 35.38
10.967313-1510	Panel, galley, 35.38 X 2.25
11.967313-1511	Panel, galley, 35.38 X 13.06
12.967313-1512	Panel, galley, 25.00 X 2.44
13.967313-13	Panel, galley, 7.50 X 25.00
14.967313-1533	Panel, galley, 25.00 X 23.44
15.967313-1534	Panel, galley, 35.88 X 13.63
16.967313-1516	Panel, galley, 16.88 X 4.13
17.967313-1517	Panel, galley, 16.88 X 4.13
18.967313-1518	Panel, galley, 16.00 X 16.18
19.967313-1519	Panel, galley, 19.88 X 16.18
20.967313-1520	Panel, galley, 36.00 X 5.00
21.967313-1521	Panel, galley, 17.62 X 61.88
22.967313-1522	Panel, galley, 10.62 X 26.00
23.967313-23	Panel, galley, 19.13 X 20.00
24.967313-24	Panel, galley, 2.00 X 9.09
25.967313-25	Panel, galley, 2.00 X 9.09
26.967313-1526	Door, galley, 25.63 X 10.75
27.965584-02	Drawer box, 3.38" X 13.75" X 13.0
28.382115	PULL, FLAT BLACK #M575
29.381607	Hinge assembly
30.381228-01	Catch, grabber door
31.967644-15	Galley top
32.115064	Trim, aluminum, counter top
33.114812	Aluminum angle, 1.00 X 1.00
381773-02	Slide, drawer
382115	PULL, FLAT BLACK #M575
115309	Toe Kick, Galley, Aluminum
381708	Waste Basket

2012 INTERNATIONAL TRAVEL TRAILER

FURNITURE, GALLEY

Galley, 23' Front Bed, Serenity, Used on units manufactured on or after 1/2/2012 including serial number 526765.



Part numbers are on the next page.

2012 INTERNATIONAL TRAVEL TRAILER

FURNITURE, GALLEY

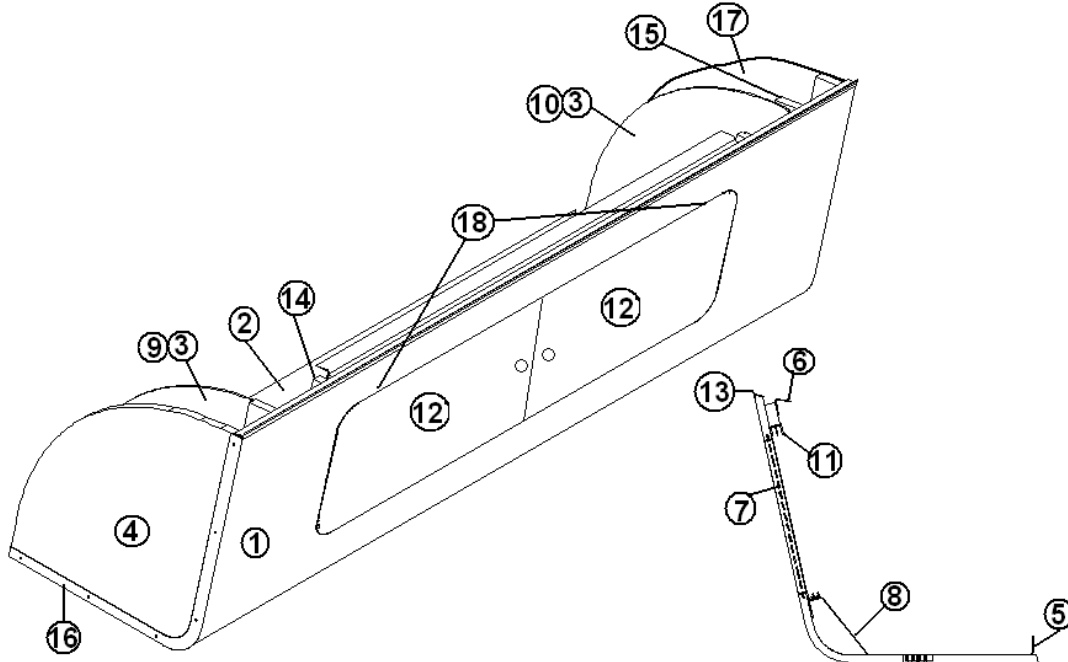
Galley, 23' Front Bed, Serenity – Used on units manufactured on or after 1/2/2012 including serial number 526765.

967819-15	Galley Assembly
1. 967819-1	Panel, galley, 19.13 X 35.00
2. 967819-2	Panel, galley, 19.13 X 35.00
3. 967819-3	Panel, galley, 19.13 X 35.00
4. 967819-4	Panel, galley, 19.13 X 25.00
5. 967819-5	Panel, galley, 19.13 X 35.38
6. 967819-6	Panel, galley, 19.13 X 15.56
7. 967819-7	Panel, galley, 14.13 X 9.09
8. 967819-8	Panel, galley, 14.13 X 9.09
9. 967819-9	Panel, galley, 2.75 X 35.38
10. 967819-1510	Panel, galley, 35.38 X 2.25
11. 967819-1511	Panel, galley, 35.38 X 13.06
12. 967819-1512	Panel, galley, 25.00 X 2.44
13. 967819-13	Panel, galley, 7.50 X 25.00
14. 967819-33	Panel, galley, 25.00 X 23.44
15. 967819-34	Panel, galley, 35.88 X 13.63
16. 967819-1516	Panel, galley, 16.88 X 4.13
17. 967819-1517	Panel, galley, 16.88 X 4.13
18. 967819-1518	Panel, galley, 16.00 X 16.18
19. 967819-1519	Panel, galley, 19.88 X 16.18
20. 967819-1520	Panel, galley, 36.00 X 5.00
21. 967819-21	Panel, galley, 17.62 X 61.88
22. 967819-22	Panel, galley, 10.62 X 26.00
23. 967819-23	Panel, galley, 19.13 X 20.00
24. 967819-24	Panel, galley, 2.00 X 9.09
25. 967819-25	Panel, galley, 2.00 X 9.09
26. 967819-1526	Door, galley, 25.63 X 10.75
27. 965584-02	Drawer box, 3.38" X 13.75" X 13.0
28. 382029-04	Handle, 15"
29. 381607	Hinge assembly
30. 381228-01	Catch, grabber door
31. 967818-15	Galley top
32. 115064	Trim, aluminum, counter top
33. 114812	Aluminum angle, 1.00 X 1.00
381773-02	Slide, drawer
382029-05	Handle, 21.33"
115309	Toe Kick, Galley, Aluminum
381708	Waste Basket

2012 INTERNATIONAL TRAVEL TRAILER

FURNITURE, GALLEY

Roof Locker, 23' D Signature, Galley, Wenge

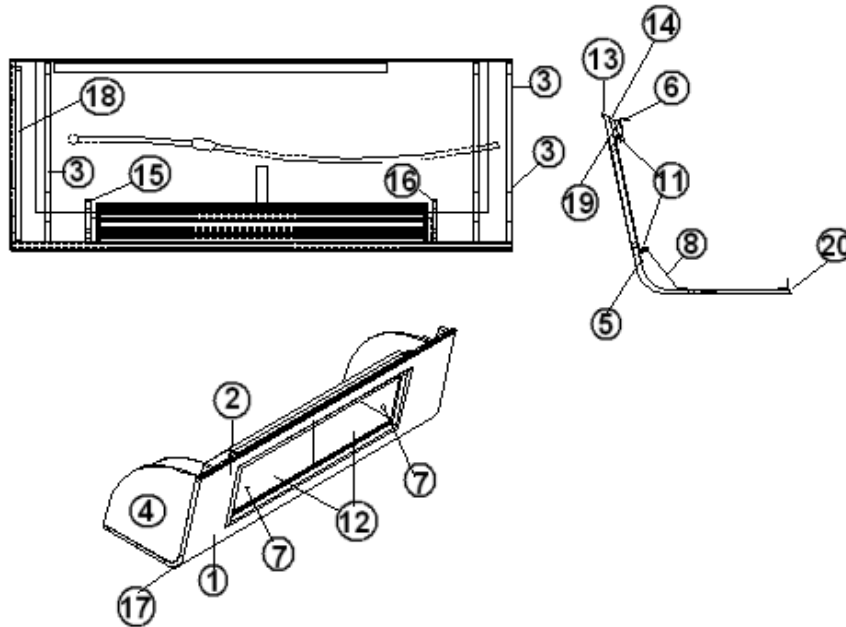


- | | |
|---------------|-----------------------------------|
| 966947 | LOCKER ASSY, GALLEY |
| 1. 801542-13 | LOCKER FACE, GALLEY |
| 2. 966947-1 | PANEL, 17.25 X 45.00 |
| 3. 801545-05 | DIVIDER (PARTIAL) W/RANGE VENT |
| 4. 966891 | END CAP ASSY, R/L |
| 5. 115227-03 | ANGLE, FORMED, 41" |
| 6. 104821 | SUPPORT, ROOFLCKER, 74" |
| 7. 203445-01 | T-MOLDING, .5625" WHITE |
| 8. 115226 | BRACKET, FORMED, LOCKER CENTER |
| 9. 801539-01 | DIVIDER, GALLEY LOCKER LH |
| 10. 801539-02 | DIVIDER, GALLEY LOCKER |
| 11. 203388 | SLIDING DOOR TRACK, 56-1/5" |
| 12. 965563-01 | DOOR, PLEXGLASS 17.50" |
| 13. 201673 | COVE MOLDING, WHITE |
| 11.966947-16 | PANEL, GALLEY LOCKER 1.00 X 15.56 |
| 12.966947-17 | PANEL, GALLEY LOCKER 1.00 X 15.56 |
| 13.201173 | WHITE ROOFLCOKER END CAP |
| 14.801545-01 | DIVIDER, ROOF LOCKER, FULL |
| 15.454613 | SPRING, LEAF |

2012 INTERNATIONAL TRAVEL TRAILER

FURNITURE, GALLEY

Roof Locker, 23' D Signature, Galley, Serenity

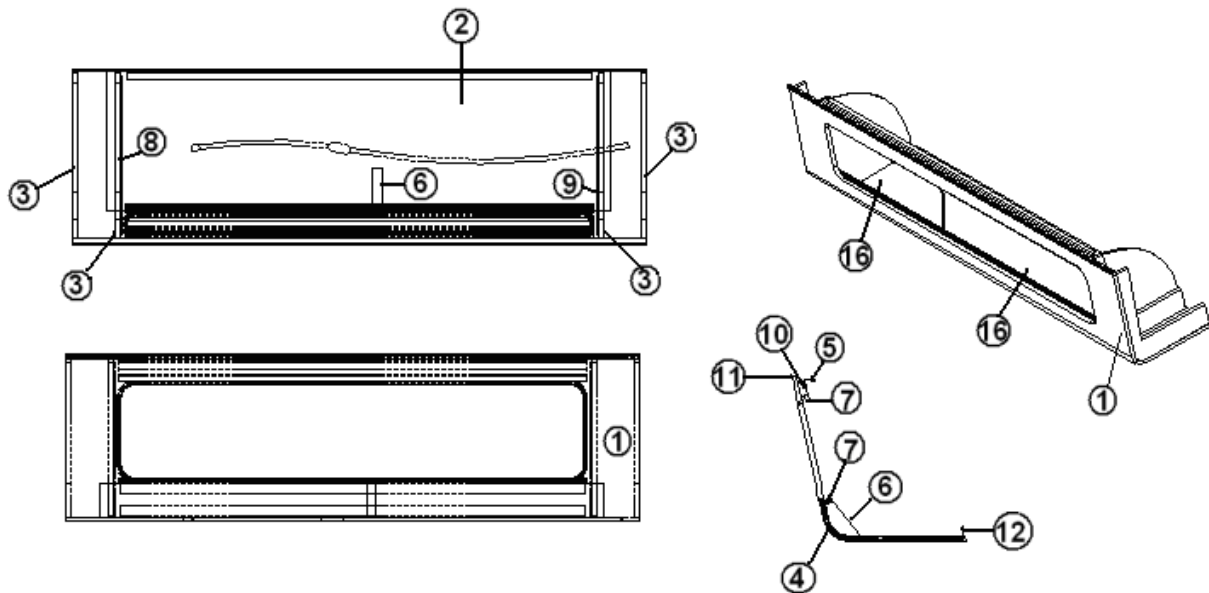


967554-15	ROOFLOCKER ASSY-GALLEY 23 SERENITY
1.801847	FACE-GALLEY R/L 23 SER
2.801355-01	LAMINATE 17.25 X 45" FROST WHITE-
3.801545-05	DIVIDER(PARTIAL) W/RA16NGE VENT
4.967554-154	PANEL, GAL R/L 18.21X17.15
5.114812	ALUM. ANGLE 1.00 X 1.00
6.104821	SUPPORT, ROOFLOCKER, 74"
7.382114	KNOB-BRUSH.SATIN NICKEL #M576
8.115226	BRACKET-FORMED-LOCKER CTR SUPP
9.801539-01	DIVIDER-GALLEY LOCKER LH
10.801539-02	DIVIDER-GALLEY LOCKER
11.381245	SLIDING DOOR TRACK, 56-1/5"
12.203677-01	DOOR MARI 11.31X17.5
13.201673	REVERSE COVE MOLDING, WHITE, P
14.800506-04	PLYWOOD,1/2"X4'X8'
15.801392	PANEL, PRELAM WHTLIN/WHTLIN 12MM
16.801809	LAMINATE-WHT LINER 4'X8' VERTI
17.115375	EXTR.-FORMED R/L END INT.
18.801545-01	DIVIDER-FULL
19.800506-04	PLYWOOD, 1.5" X 33.00"
20.114812	ALUM. ANGLE 1.00 X 1.00
21.454613	SPRING-LEAF R/L INT

2012 INTERNATIONAL TRAVEL TRAILER

FURNITURE, GALLEY

Roof Locker, 23' FB Signature, Galley, Wenge

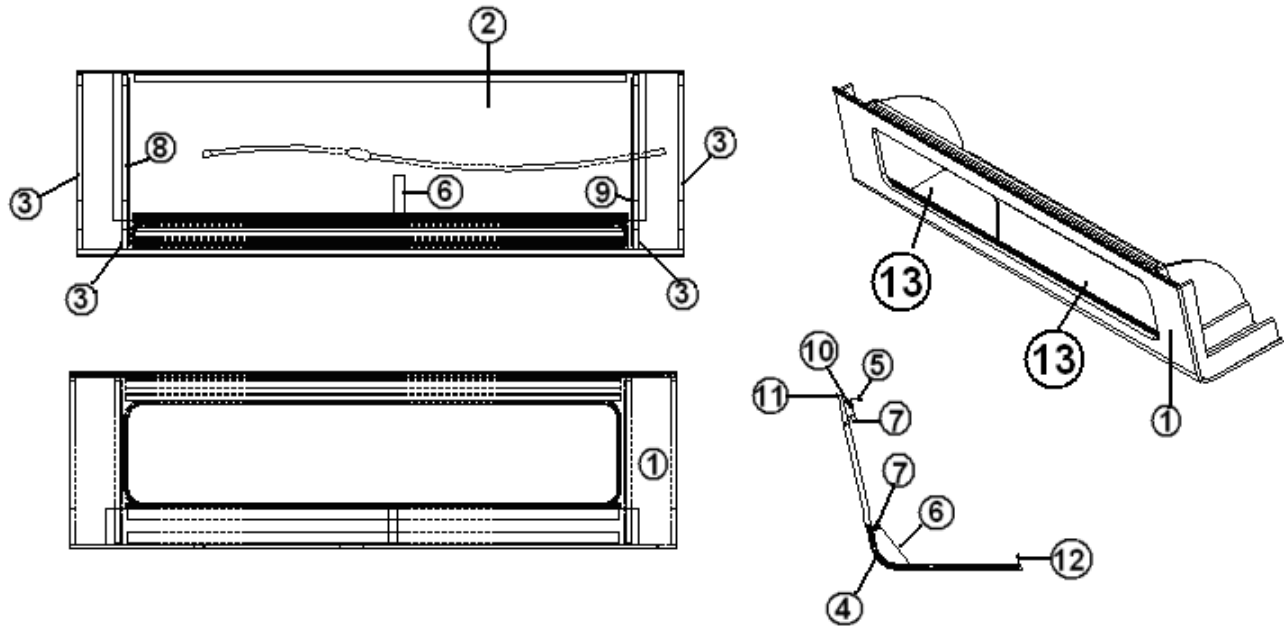


967642	ROOFLOCKER ASSY - GALLEY
1. 801884	FACE-GALLEY R/L 23FB SIG
2. 801716	PANEL, PRELAM WENGE/LINER 18MM
3. 801884-02	DIVIDER-GAL ROOFLOCKER
4. 114812	ALUMINUM. ANGLE 1.00 X 1.00
5. 104821	SUPPORT, ROOFLOCKER 74"
6. 115226	BRACKET-FORMED-LOCKER CTR SUPP
7. 203388	TRACK-SLIDING DOOR
8. 801539-01	DIVIDER-GALLEY LOCKER LH
9. 801539-02	DIVIDER-GALLEY LOCKER
10.800028	PINE, 3/4" X 1-1/2"
11.201673	REVERSE COVE MOLDING, WHITE, P
12.114812	ALUMINUM. ANGLE 1.00 X 1.00
13.454613	SPRING-LEAF R/L INT
14.203445-01	T-MOLDING - .5625" WHITE
15.965563-09	DOOR-PLEX.SLIDING 11.31X26.25

2012 INTERNATIONAL TRAVEL TRAILER

FURNITURE, GALLEY

Roof Locker, Galley, 23' Front Bed Signature, Serenity

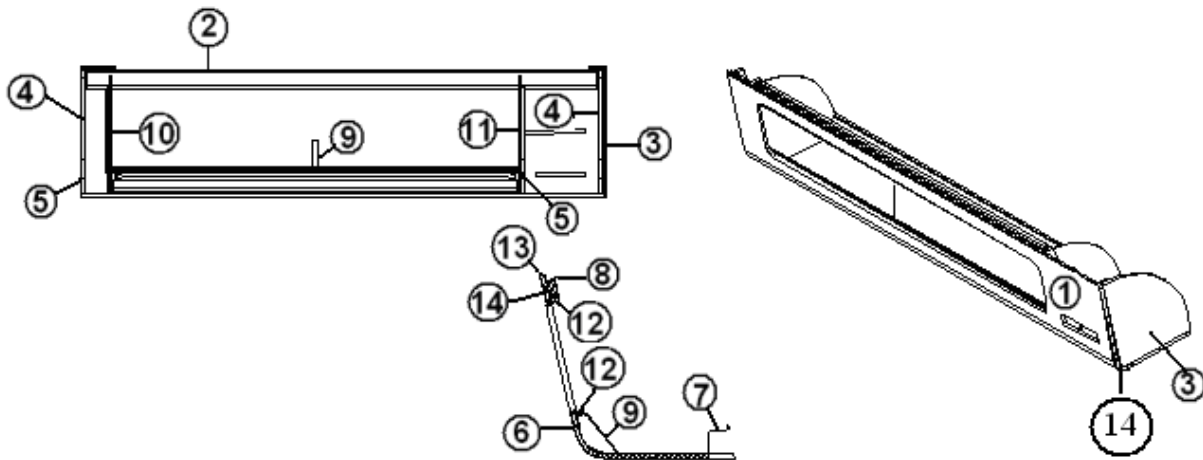


967643	ROOFLOCKER ASSY - GALLEY - SERENITY
1. 801885	FACE-GALLEY R/L 23FB SERENITY
2. 801438	PANEL, FRT WHT VINYL/RAW 2.7MM LAUAN
3. 801884-02	DIVIDER-GALLEY ROOFLOCKER
4. 114812	ALUMINUM. ANGLE 1.00 X 1.00
5. 104821	SUPPORT, ROOFLOCKER 74"
6. 115226	BRACKET-FORMED-LOCKER CTR SUPPORT
7. 203388	TRACK-SLIDING DOOR
8. 801539-01	DIVIDER-GALLEY LOCKER LH
9. 801539-02	DIVIDER-GALLEY LOCKER
10.800028	PINE, 3/4" X 1-1/2"
11.201673	REVERSE COVE MOLDING, WHITE,
12.114812	ALUMINUM. ANGLE 1.00 X 1.00
13.203677-02	DOOR- MARI - SLIDING 11.31X26.25
454613	SPRING-LEAF R/L INT
203445-01	T-MOLDING - .5625" WHITE
382114	KNOB, BRUSH SATIN NICKEL #M576

2012 INTERNATIONAL TRAVEL TRAILER

FURNITURE, GALLEY

Roof Locker, DINETTE - 23 FB, Wenge

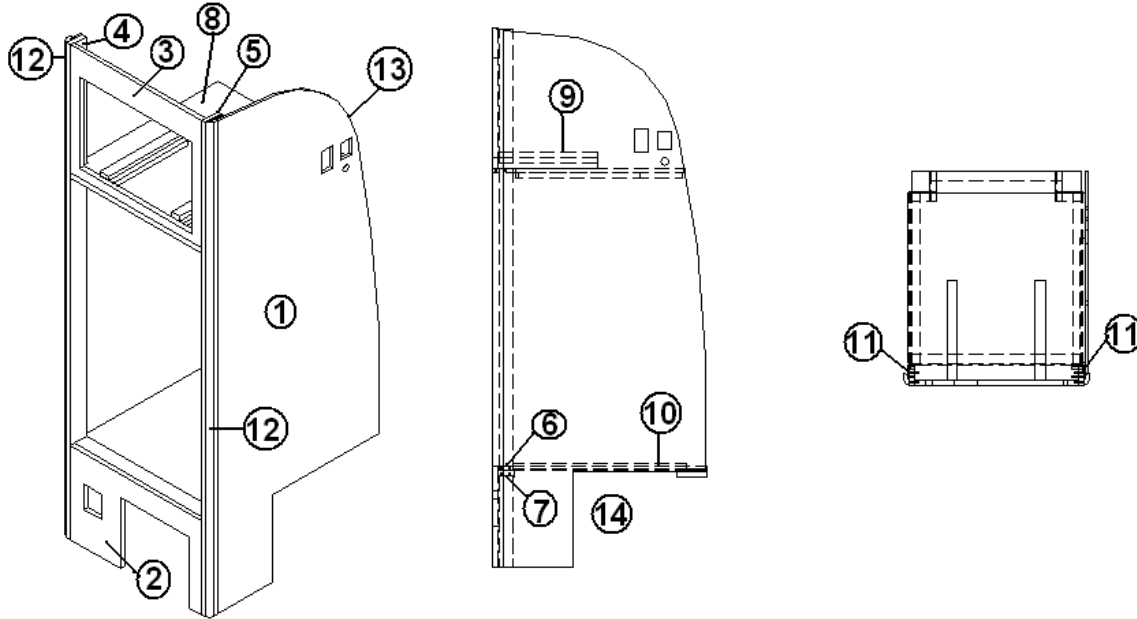


967635	ROOFLOCKER ASSY - DINETTE
1.801882	FACE - DINETTE R/L 23FB SIG
2.801438	PANEL, FRT WHT VINYL/RAW 2.7MM LAUAN
3.801882-02	DIVIDER - DINETTE R/L LH
4.801882-03	DIVIDER - DINETTE R/L LH SHORT
5.115227-01	ANGLE-FORMED-LOCKER TRACK SUPP
6.115228-04	CLOSEOUT-BLIND 74"
7.104821	SUPPORT, ROOFLOCKER, 74"
8.115226	BRACKET-FORMED-LOCKER CTR SUPP
9.801540-01	DIVIDER-DINETTE LOCKER LH
10.801540-05	Divider, RH Dinette
11.203388	TRACK-SLIDING DOOR
12.201673	REVERSE COVE MOLDING, WHITE
13.800028	PINE, 3/4" X 1-1/2"
14.115375	EXTRUSION.-FORMED R/L END.
454613	SPRING-LEAF R/L INT
965563-08	DOOR-PLEX.SLIDING 11.31"X 30"
115064	TRIM-ALUM COUNTER TOP INT
967752	Blue Ray Shelf Assy.

2012 INTERNATIONAL TRAVEL TRAILER

FURNITURE, GALLEY

Refrigerator/Microwave Cabinet, 23' D Signature, Wenge

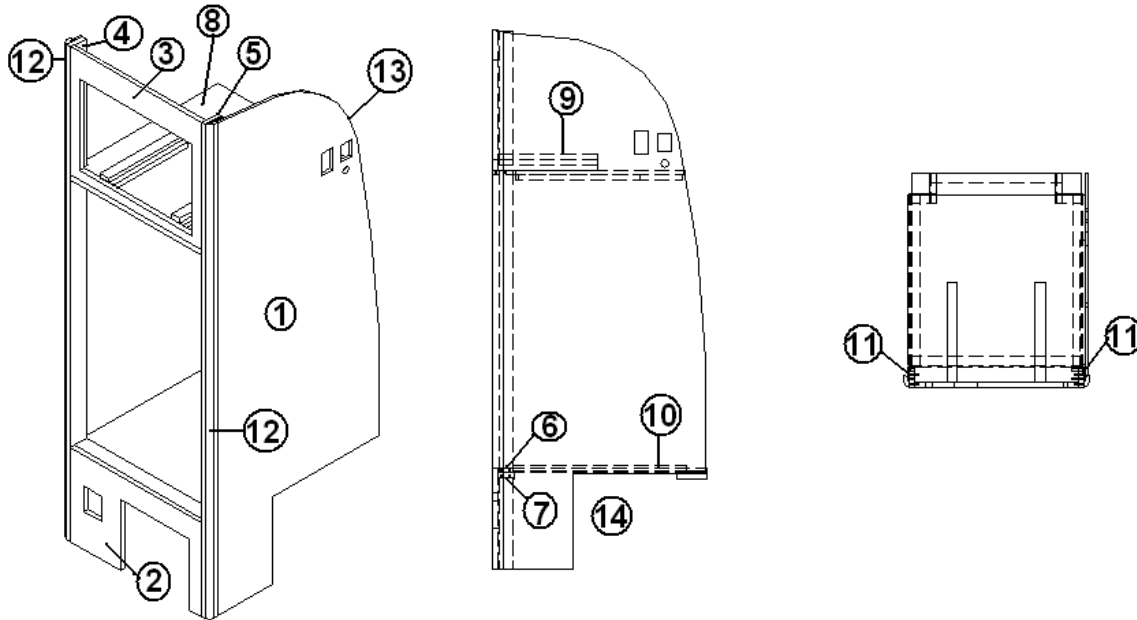


966948	CABINET ASSY REFER/MICRO
1. 966948-1	PANEL, 29.65 X 78
2. 966948-2	PANEL, 23.94 X 14.88
3. 966948-3	PANEL, 23.94 X 20.39
4. 966948-4	PANEL, 3.0 X 78.65
5. 966948-5	PANEL, 3.0 X 78.65
6. 966948-6	PANEL, 2.25 X 23.94
7. 966948-7	PANEL, 2.25 X 23.94
8. 966948-8	PANEL, 25.94 X 28.05
9. 800506-06	PANEL, PLYWOOD, 3/4" X 1.5 X 14.50
10. 800506-04	PANEL, PLYWOOD, 1/2" X 24.75 X 28.25
11. 800507-02	PANEL, LAUAN, 1/4" X 2.125 X 78.53
12. 801706-0016	CORNER TRIM 90 DEGREE, 1" RADIUS
13. 203138-05	EXTRUSION, PLASTIC, 1/2" WALL BLACK
14. 966811	STAND, REFRIGERATOR
381209-01	GROMMET W/CAP BLACK, 1.5" HOLE

2012 INTERNATIONAL TRAVEL TRAILER

FURNITURE, GALLEY

Refrigerator/Microwave Cabinet, 23' D Signature, Serenity

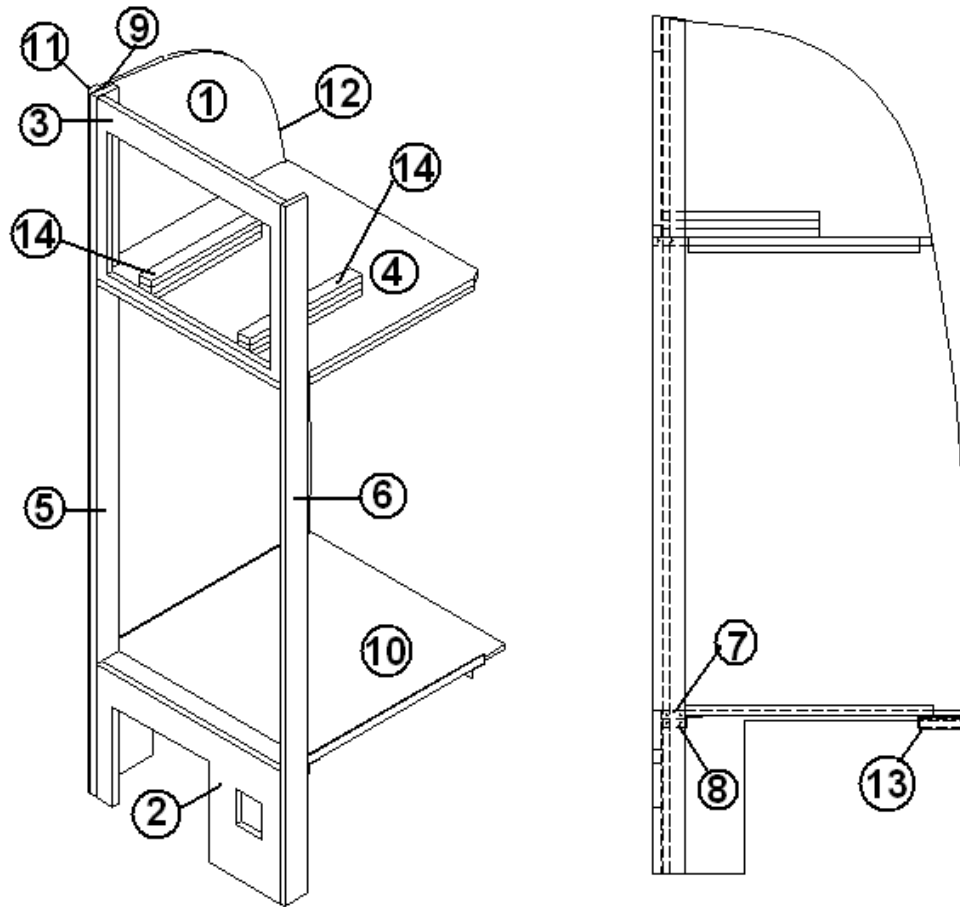


966948-15	CABINET ASSY REFER/MICRO
1. 966948-151	PANEL, 29.65 X 78.37
2. 966948-152	PANEL, 23.94 X 14.88
3. 966948-153	PANEL, 23.94 X 20.39
4. 966948-4	PANEL, 3.0 X 78.65
5. 966948-5	PANEL, 3.0 X 78.65
6. 966948-6	PANEL, 2.25 X 23.94
7. 966948-7	PANEL, 2.25 X 23.94
8. 966948-8	PANEL, 25.94 X 28.05
9. 800506-06	PANEL, PLYWOOD, 3/4" X 1.5 X 14.50
10. 800506-04	PANEL, PLYWOOD, 1/2" X 24.75 X 28.25
11. 800507-02	PANEL, LAUAN, 1/4" X 2.125 X 78.53
12. 801706-0018	CORNER TRIM, 90 DEGREE, 1" RADIUS
13. 203138-03	EXTRUSION, PLASTIC, 1/2" BEIGE
14. 966811	STAND, REFRIGERATOR
381209-01	GROMMET, BLACK, 1.5" HOLE

2012 INTERNATIONAL TRAVEL TRAILER

FURNITURE, GALLEY

Refrigerator/Microwave Cabinet, 23' Front Bed - Wenge

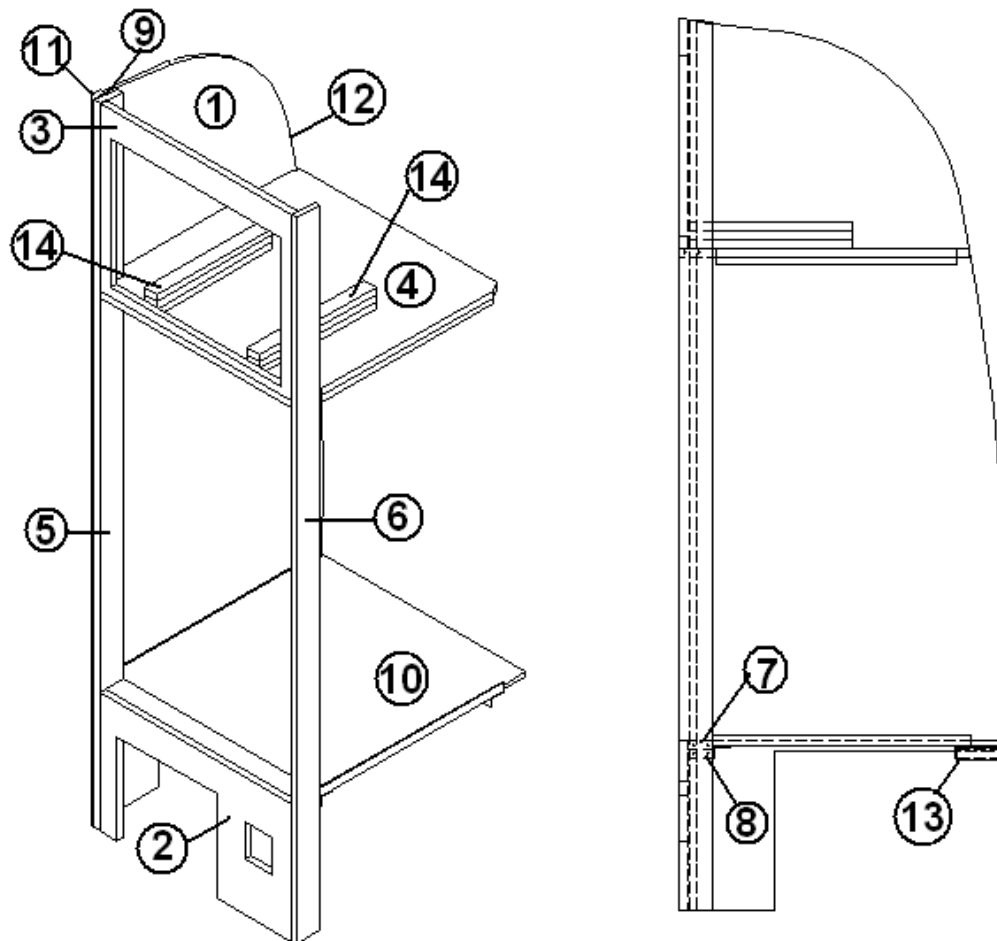


967309	Refer/Convection Microwave Cabinet
1. 967309-1	Panel, 27.22 X 78.10
2. 967309-2	Panel, 23.94 X 14.88
3. 967309-3	Panel, 23.94 X 20.16
4. 967309-4	Panel, 25.56 X 25.44
5. 967309-5	Panel, 3.00 X 78.39
6. 967309-6	Panel, 3.00 X 78.39
7. 967309-7	Panel, 2.25 X 23.94
8. 967309-8	Panel, 2.25 X 23.94
9. 800507-02	Panel, 2.125 X 78.32
10. 800506-04	Panel, 25.25 X 25.75
11. 801706-0016	Corner trim 90 degree 1" radius - Wenge
12. 203138-05	Extrusion, plastic 1/2"
13. 967176	Refrigerator stand assembly
14. 800506-06	Panel, 1.50 X 14.50

2012 INTERNATIONAL TRAVEL TRAILER

FURNITURE, GALLEY

Refrigerator/Microwave Cabinet, 23' Front Bed - Serenity

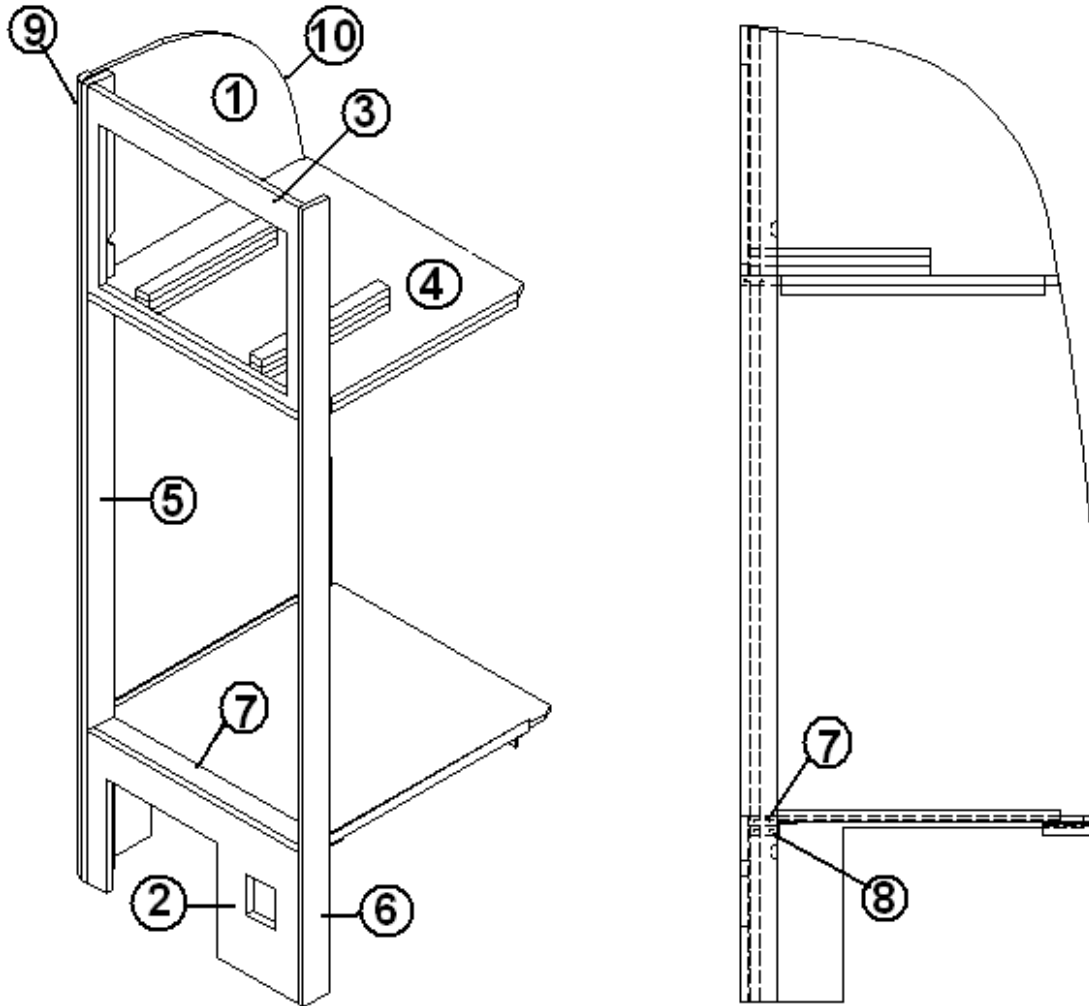


967309-15	Refer/Convection Microwave Cabinet, Serenity
1. 967309-151	Panel, 27.22 X 78.10
2. 967309-152	Panel, 23.94 X 14.88
3. 967309-153	Panel, 23.94 X 20.16
4. 967309-4	Panel, 25.56 X 25.44
5. 967309-5	Panel, 3.00 X 78.39
6. 967309-6	Panel, 3.00 X 78.39
7. 967309-7	Panel, 2.25 X 23.94
8. 967309-8	Panel, 2.25 X 23.94
9. 800507-02	Lauan, 1/4"
10. 800507-04	Lauan, 1/2", 25.25 X 25.75
11. 801706-0018	Corner trim 90 degree 1" radius - Asian Sand
12. 203138-03	Extrusion, plastic 1/2", Beige
13. 967176	Refrigerator stand assembly
14. 800506-06	Panel, 1.50 X 14.50

2012 INTERNATIONAL TRAVEL TRAILER

FURNITURE, GALLEY

Refrigerator/Convection Microwave Cabinet, 23' Front Bed, Wenge

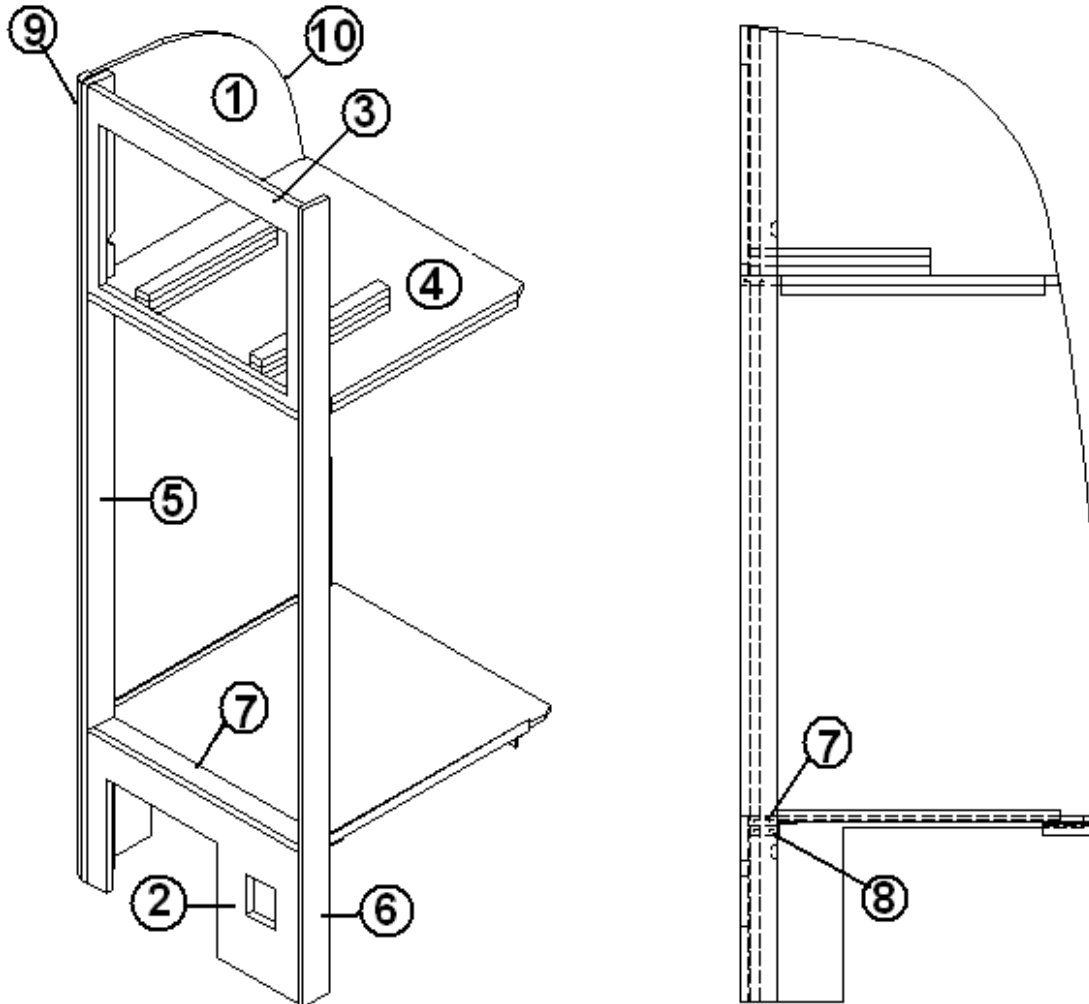


967310	Refrigerator Cabinet w/Convection Microwave
1. 967310-1	Panel, refer/conv. micro., 27.22 X 78.10
2. 967310-2	Panel, refer/conv. micro., 23.94 X 14.88
3. 967310-3	Panel, refer/conv. micro., 23.94 X 20.16
4. 967310-4	Panel, refer/conv. micro., 25.56 X 25.50
5. 967310-5	Panel, refer/conv. micro., 3.00 X 78.39
6. 967310-6	Panel, refer/conv. micro., 3.00 X 78.39
7. 967310-7	Panel, refer/conv. micro., 2.25 X 23.94
8. 967310-8	Panel, refer/conv. micro., 2.25 X 23.94
9. 801706-0016	Corner trim, 90 D, 1" radius, Wenge
10. 203138-05	Extrusion, plastic 1/2" Black
11. 967176	Stand, refrigerator

2012 INTERNATIONAL TRAVEL TRAILER

FURNITURE, GALLEY

Refrigerator/Convection Microwave Cabinet, 23' FB, SERENITY

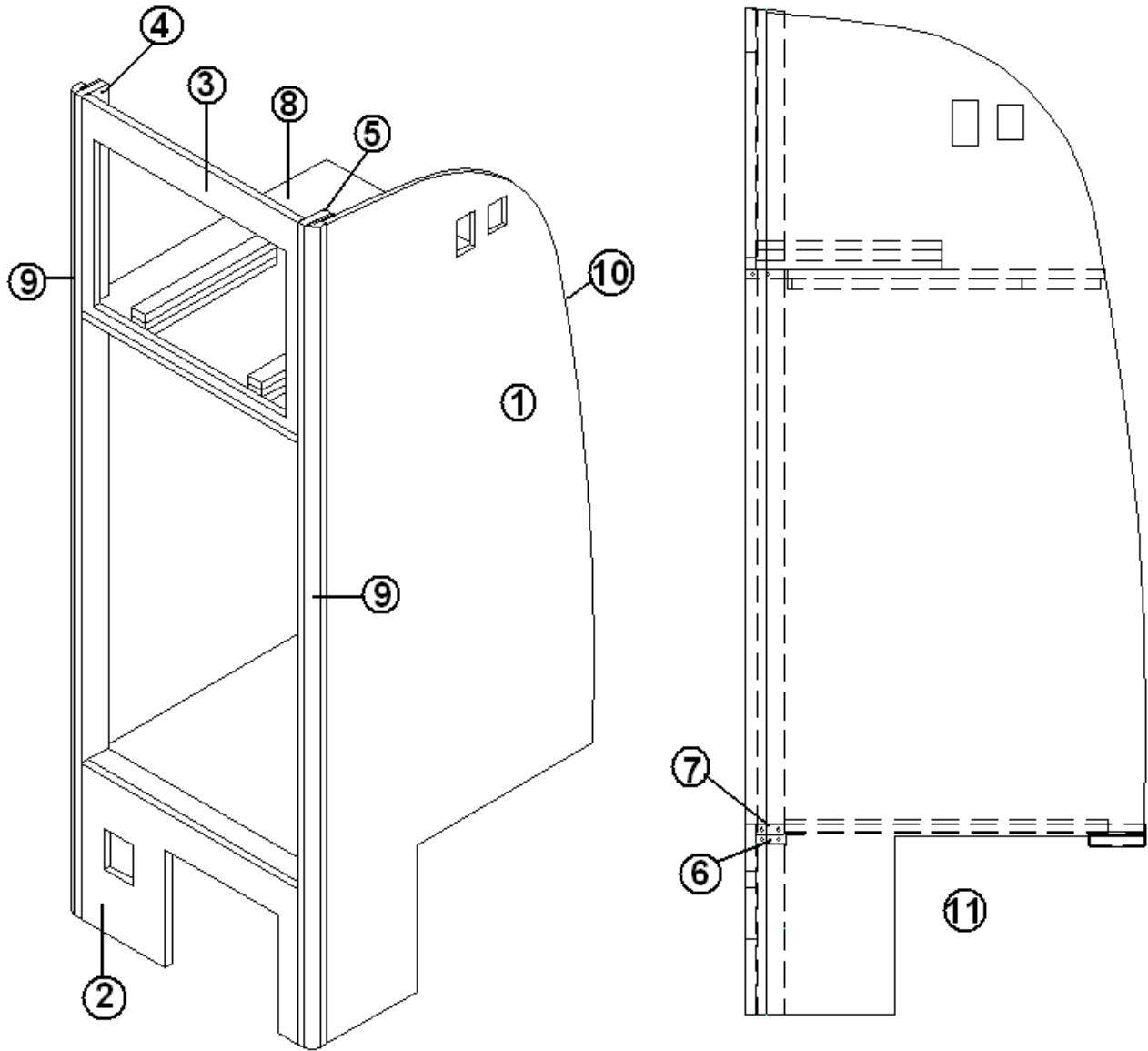


967310-15	Refrigerator Cabinet w/Convection Microwave
1. 967310-151	Panel, refer/conv. micro., 27.22 X 78.10
2. 967310-152	Panel, refer/conv. micro., 23.94 X 14.88
3. 967310-153	Panel, refer/conv. micro., 23.94 X 20.16
4. 967310-4	Panel, refer/conv. micro., 25.56 X 25.50
5. 967310-5	Panel, refer/conv. micro., 3.00 X 78.39
6. 967310-6	Panel, refer/conv. micro., 3.00 X 78.39
7. 967310-7	Panel, refer/conv. micro., 2.25 X 23.94
8. 967310-8	Panel, refer/conv. micro., 2.25 X 23.94
9. 801393-0018	Corner trim, 90 D, 1" radius, ASIAN SAND
10. 203138-03	Extrusion, plastic 1/2" Beige
11. 967176	Stand, refrigerator

2012 INTERNATIONAL TRAVEL TRAILER

FURNITURE, GALLEY

Refrigerator/Convection Microwave Cabinet, 23' D Signature,
Wenge



2012 INTERNATIONAL TRAVEL TRAILER

FURNITURE, GALLEY

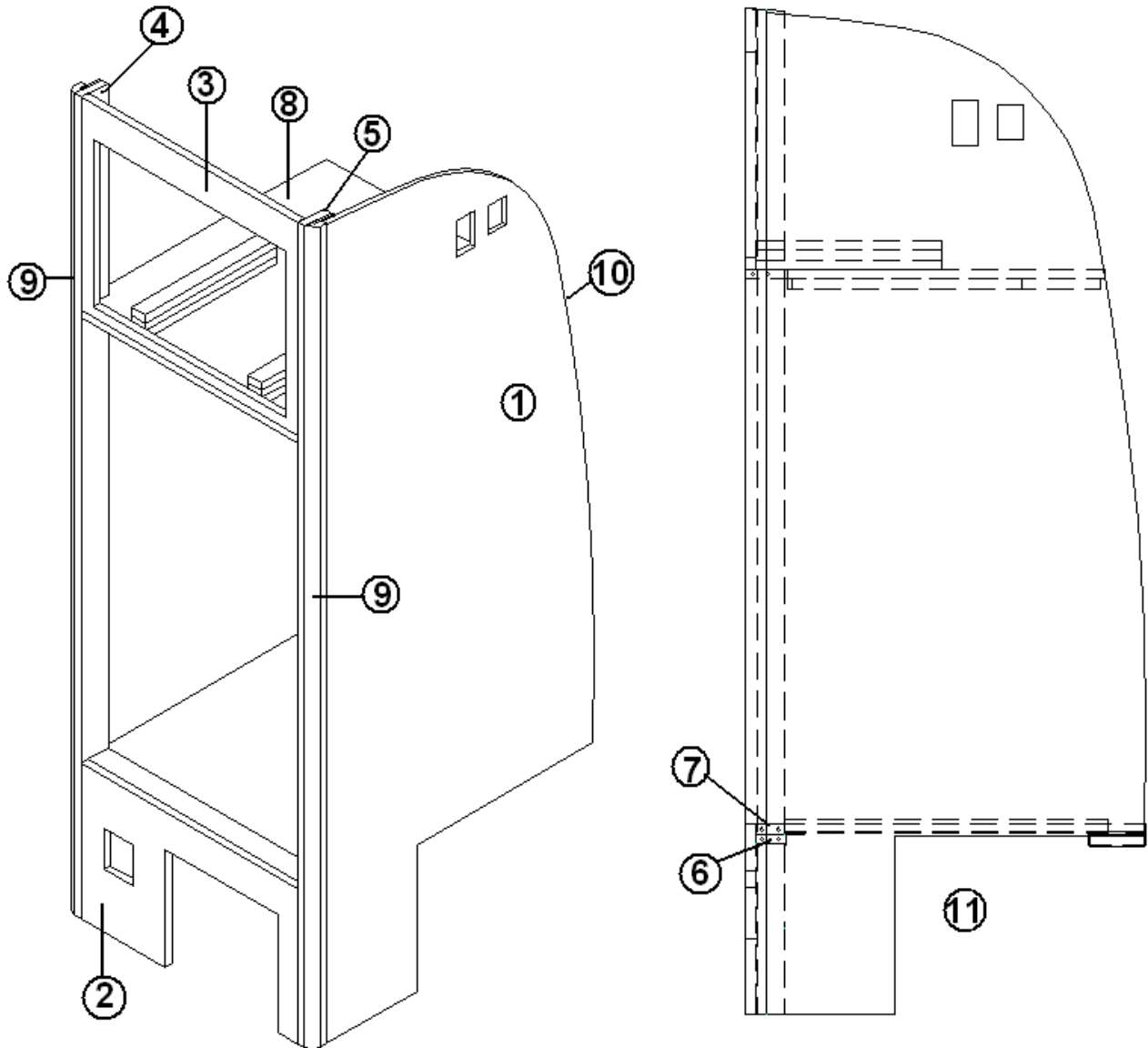
Refrigerator/Convection Microwave Cabinet, 23' D Signature,
Wenge

967226	CABINET, REFER/CONVECTION MICROWAVE
1. 967226-1	PANEL, 29.65 X 78.37, REFER/CONV. MW
2. 967226-2	PANEL, 23.94X14.88, REFER/CONV. MW
3. 967226-3	PANEL, 23.94X20.39, REFER/CONV. MW
4. 967226-4	PANL, 3.0X78.65, REFER/CONV. MW
5. 967226-5	PANEL, 3.0X78.65, REFER/CONV. MW
6. 967226-6	PANEL, 2.25X23.94, REFER/CONV. MW
7. 967226-7	PANEL, 2.25X23.94, REFER/CONV. MW
8. 967226-8	PANEL, 25.94X28.05, REFER/CONV. MW
9. 203138-05	EXTRUSION, PLASTIC, 1/2" WALL BLACK
10. 801706-0016	CORNER TRIM, 90 DEGREE, 1" RADIUS
11. 966811	STAND ASSY.,REFRIGERATOR
381209-01	GROMMET-W/CAP BLACK 1.5"HOLE

2012 INTERNATIONAL TRAVEL TRAILER

FURNITURE, GALLEY

Refrigerator/Convection Microwave Cabinet, 23' D Signature,
SERENITY



Part numbers are on the next page

2012 INTERNATIONAL TRAVEL TRAILER

FURNITURE, GALLEY

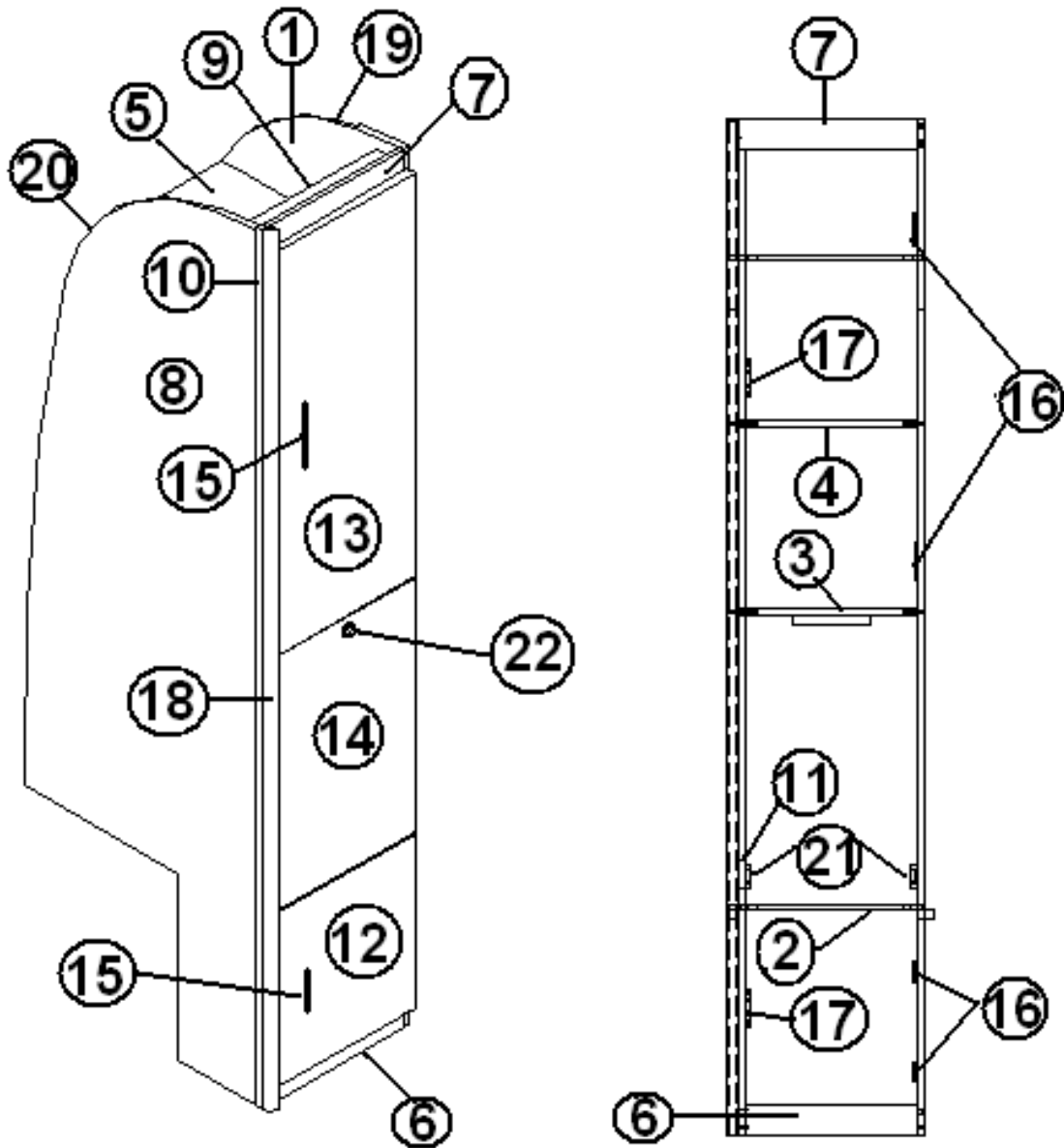
Refrigerator/Convection Microwave Cabinet, 23' D Signature,
Serenity

967226-15	CABINET, REFER/CONVECTION MICROWAVE
1. 967226-151	PANEL, 29.65 X 78.37, REFER/CONV. MW
2. 967226-152	PANEL, 23.94X14.88, REFER/CONV. MW
3. 967226-153	PANEL, 23.94X20.39, REFER/CONV. MW
4. 967226-154	PANEL, 3.0X78.65, REFER/CONV. MW
5. 967226-155	PANEL, 3.0X78.65, REFER/CONV. MW
6. 967226-156	PANEL, 2.25X23.94, REFER/CONV. MW
7. 967226-157	PANEL, 2.25X23.94, REFER/CONV. MW
8. 967226-158	PANEL, 25.94X28.05, REFER/CONV. MW
9. 203138-03	EXTRUSION, PLASTIC, 1/2" WALL BEIGE
10. 801393-0018	CORNER TRIM, 1" RADIUS
11. 966811	STAND ASSY.,REFRIGERATOR
381209-01	GROMMET-W/CAP BLACK 1.5"HOLE

2012 INTERNATIONAL TRAVEL TRAILER

FURNITURE, GALLEY

Pantry, 23' D Signature, Wenge



Part Numbers are on the Next page

2012 INTERNATIONAL TRAVEL TRAILER

FURNITURE, GALLEY

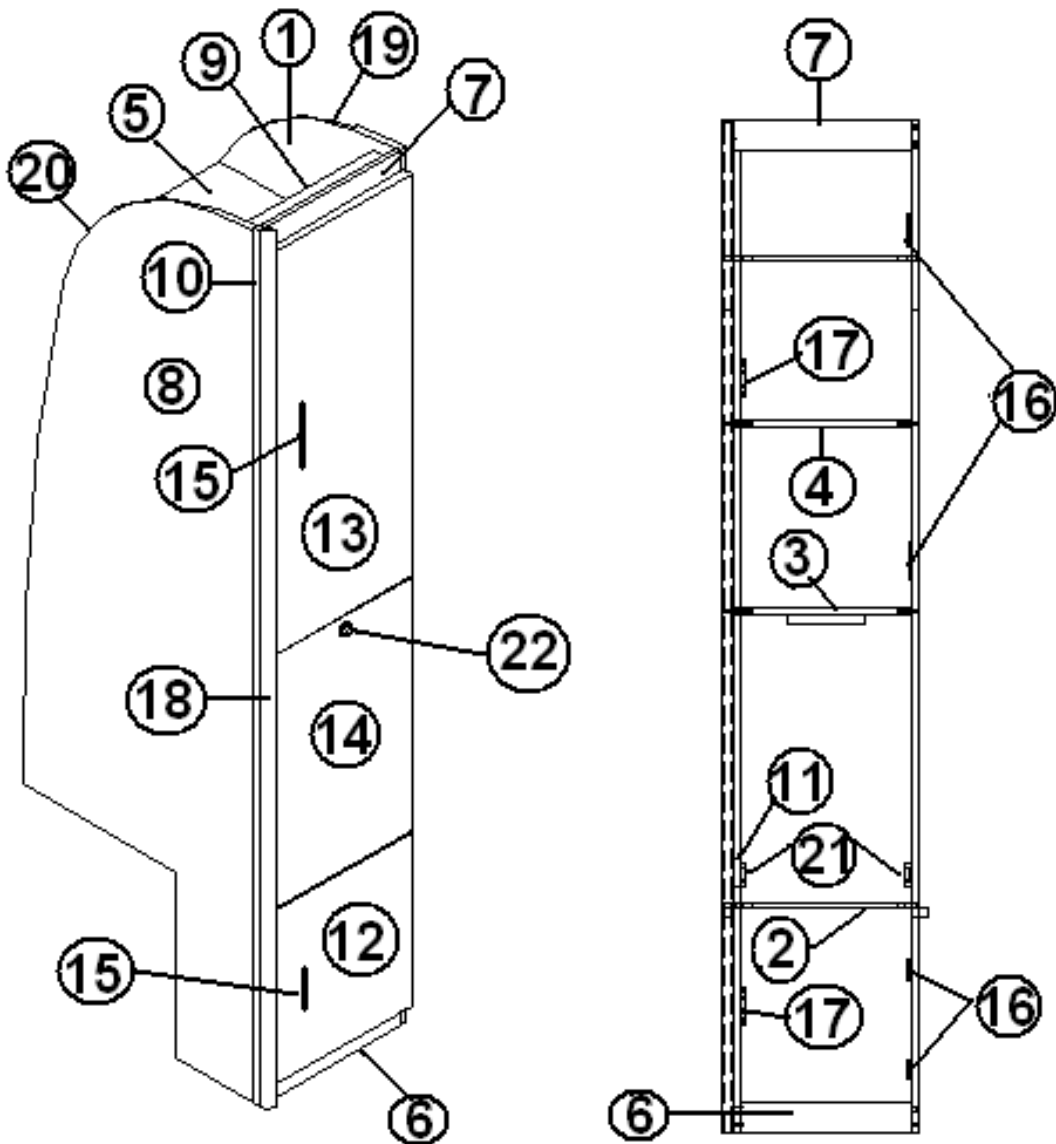
Pantry, 23' D Signature, Wenge

966936	PANTRY ASSY.
1. 966936-1	PANEL, PANTRY 24.55 X 78.14
2. 966936-2	PANEL, PANTRY 14.01 X 24.27
3. 966936-3	PANEL, PANTRY 14.01 X 23.84
4. 966936-4	PANEL, PANTRY 14.01 X 21.96
5. 966936-5	PANEL, PANTRY 14.01 X 18.71
6. 966936-6	PANEL, PANTRY 13.26 X 2.25
7. 966936-7	PANEL, PANTRY 14.01 X 2.26
8. 966936-8	PANEL, PANTRY 23.79 X 77.9
9. 966936-9	PANEL, PANTRY 2.5 X 14.01
10. 966936-10	PANEL, PANTRY 3.0 X 75.88
11. 966936-11	PANEL, PANTRY 2.5 X 20.0
12. 966936-12	DOOR, PANTRY 13.88 X 15.5
13. 966936-13	DOOR, PANTRY 13.88 X 35.88
14. 966935	PANTRY ASSY S/O
15. 382029-03	HANDLE BAR, 11.25"
16. 381607	HINGE ASSY.
17. 381228-01	CATCH GRABBER DOOR
18. 801706-0016	CORNER TRIM, 90 DEGREE, 1" RADIUS
19. 203138-01	EXTRUSION-PLASTIC WALL, WHITE
20. 203138-05	EXTRUSION, PLASTIC 1/2" WALL BLACK
21. 381925	DRAWER SLIDE, 24"
22. 381408	LOCK, PUSH, BUTTON STYLE, BLACK

2012 INTERNATIONAL TRAVEL TRAILER

FURNITURE, GALLEY

Pantry, 23' D Signature, Serenity



Part Numbers are on the Next page

2012 INTERNATIONAL TRAVEL TRAILER

FURNITURE, GALLEY

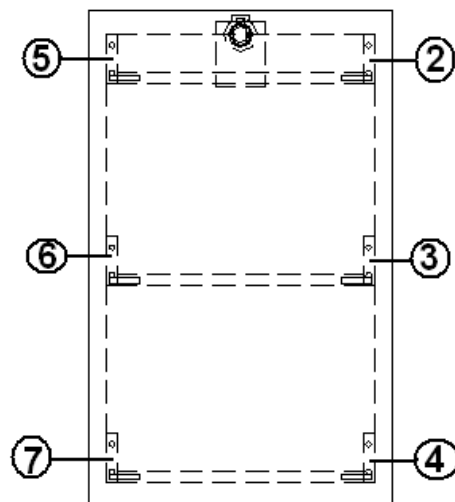
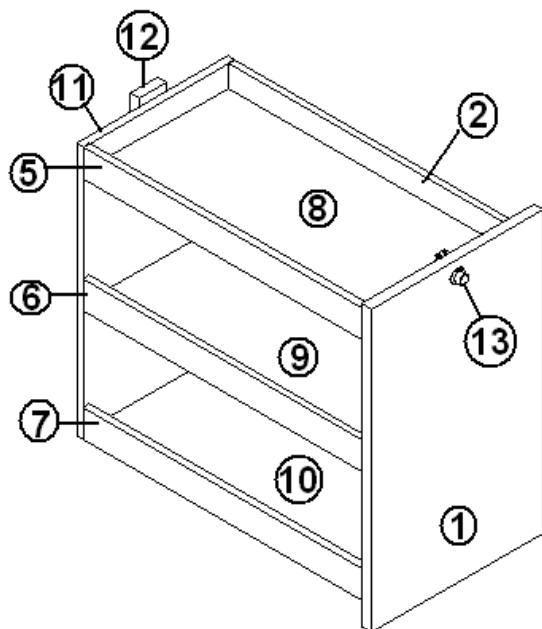
Pantry, 23' D Signature, Serenity

966936-15	PANTRY ASSY.
1. 966936-1	PANEL, PANTRY 24.55 X 78.14
2. 966936-2	PANEL, PANTRY 14.01 X 24.27
3. 966936-3	PANEL, PANTRY 14.01 X 23.84
4. 966936-4	PANEL, PANTRY 14.01 X 21.96
5. 966936-5	PANEL, PANTRY 14.01 X 18.71
6. 966936-156	PANEL, PANTRY 13.26 X 2.25
7. 966936-157	PANEL, PANTRY 14.01 X 2.26
8. 966936-158	PANEL, PANTRY 23.79 X 77.9
9. 966936-9	PANEL, PANTRY 2.5 X 14.01
10. 966936-10	PANEL, PANTRY 3.0 X 75.88
11. 966936-11	PANEL, PANTRY 2.5 X 20.0
12. 966936-1512	DOOR, PANTRY 13.88 X 15.5
13. 966936-1513	DOOR, PANTRY 13.88 X 35.88
14. 966935	PANTRY ASSY S/O
15. 382115	PULL, FLAT BLACK #M575
16. 381607	HINGE ASSY.
17. 381228-01	CATCH GRABBER DOOR
18. 801706-0018	CORNER TRIM, 90 DEGREE, 1" RAD
19. 203138-03	EXTRUSION-PLASTIC WALL, BEIGE
20. 203138-03	EXTRUSION-PLASTIC WALL, BEIGE
21. 381925	DRAWER SLIDE, 24"
22. 381408	LOCK, PUSH BUTTON, BLACK

2012 INTERNATIONAL TRAVEL TRAILER

FURNITURE, GALLEY

Pantry, 23' D Signature, Slide Out, Wenge & Serenity

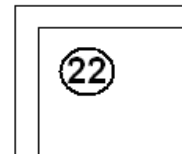
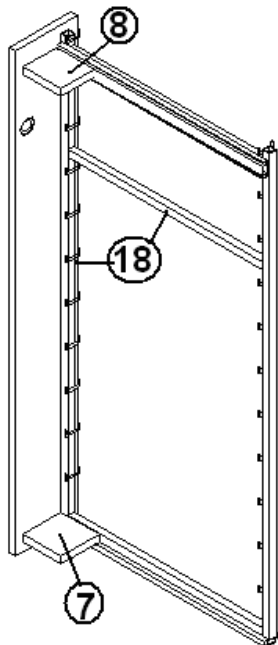
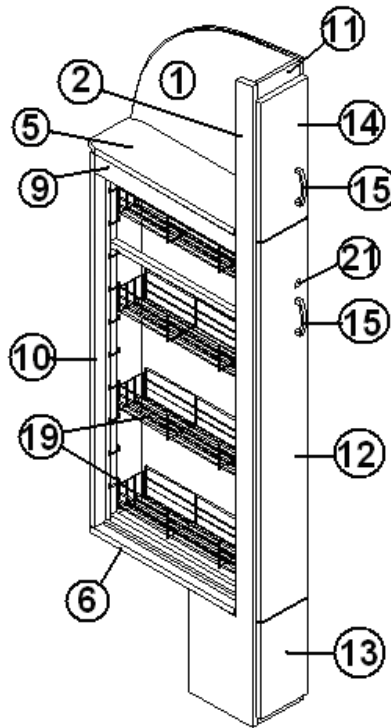
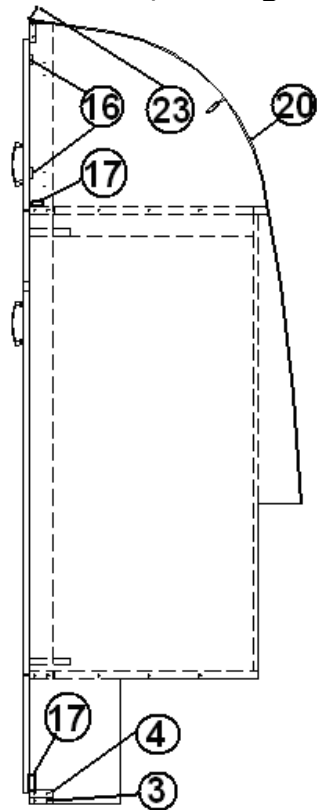


966935	PANTRY ASSY S/O
1. 966935-1	PANEL, S/O PANTRY, 12.25 X 20.5
2. 966935-2	PANEL, S/O PANTRY, 2.25 X 23.38
3. 966935-3	PANEL, S/O PANTRY, 2.25 X 23.38
4. 966935-4	PANEL, S/O PANTRY, 2.25 X 23.38
5. 966935-5	PANEL, S/O PANTRY, 2.25 X 23.38
6. 966935-6	PANEL, S/O PANTRY, 2.25 X 23.38
7. 966935-7	PANEL, S/O PANTRY, 2.25 X 23.38
8. 966935-8	PANEL, S/O PANTRY, 11.25 X 23.38
9. 966935-9	PANEL, S/O PANTRY, 11.25 X 23.38
10. 966935-10	PANEL, S/O PANTRY, 11.25 X 23.38
11. 966935-11	PANEL, S/O PANTRY, 13.88 X 22.62
12. 966935-12	PANEL, S/O PANTRY, 3.0 X 2.25
13. 381408	LOCK, PUSH, BUTTON STYLE, BLACK

2012 INTERNATIONAL TRAVEL TRAILER

FURNITURE, GALLEY

Pantry, 23' Front Bed, Wenge



Part numbers are on the next page.

2012 INTERNATIONAL TRAVEL TRAILER

FURNITURE, GALLEY

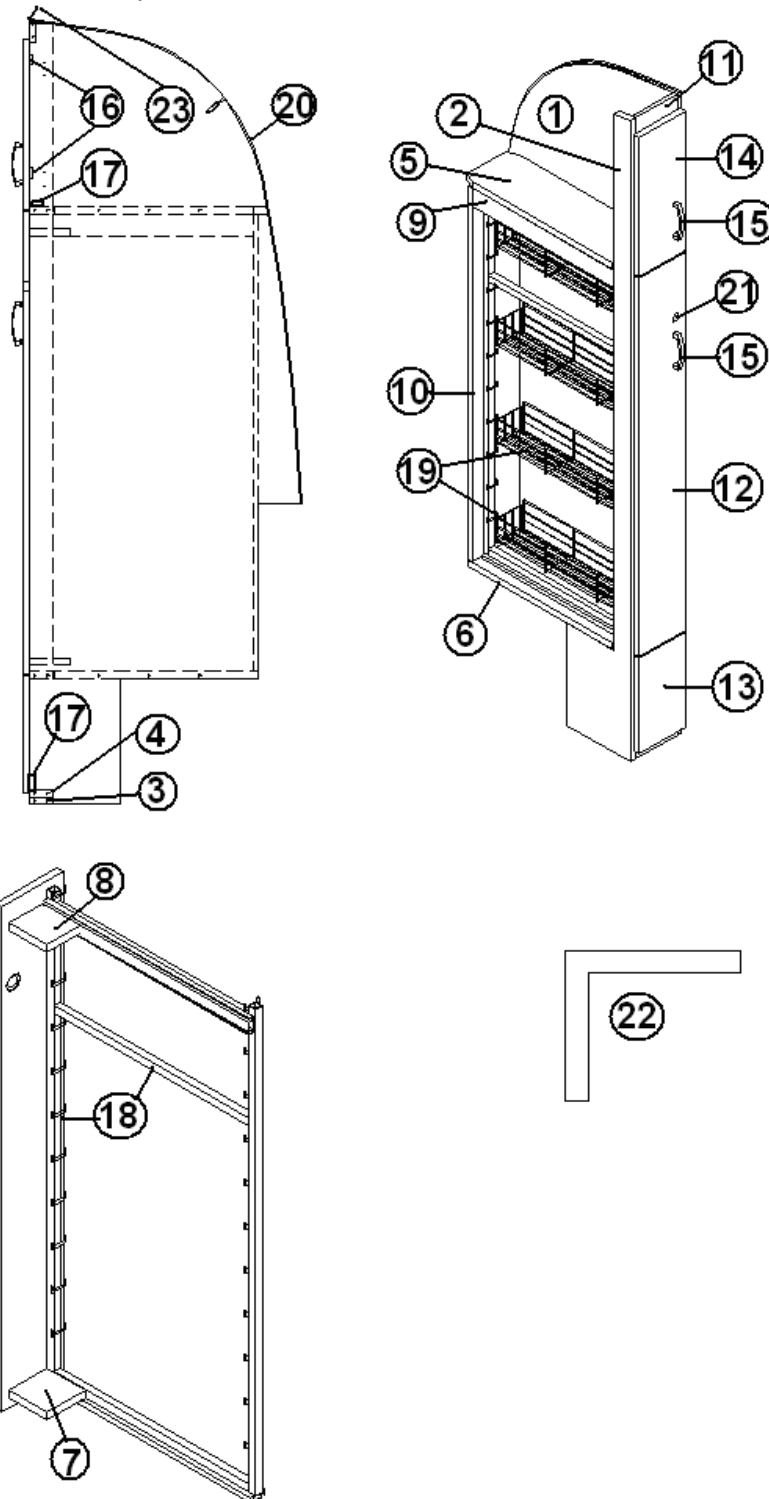
Pantry, 23' Front Bed - Wenge

	967317	Pantry Assembly
1.	967317-1	Panel, 26.87 X 78.09
2.	967317-2	Panel, 4.50 X 78.25
3.	967317-3	Panel, 5.88 X 2.25
4.	967317-4	Panel, 5.88 X 2.25
5.	967317-5	Panel, 23.63 X 6.63
6.	967317-6	Panel, 22.75 X 6.63
7.	967317-7	Panel, 4.00 X 4.00
8.	967317-8	Panel, 4.00 X 4.00
9.	967317-9	Panel, 20.00 X 2.25
10.	967317-10	Panel, 6.63 X 45.63
11.	967317-11	Panel, 5.88 X 2.25
12.	967317-12	Door, 6.50 X 46.25, pantry
13.	967317-13	Door, 6.50 X 11.63, pantry
14.	967317-14	Door, 6.50 X 17.00, pantry
15.	382029-00	Handle Bar, 7.48"
16.	381607	Hinge assembly
17.	381228-01	Catch, grabber door, C3-803
18.	381551-01	Pantry rack 1.5"W X 45"H white
19.	381551-02	Wire basket, 4" wide, white
20.	203138-05	Extrusion, plastic 1/2", Black
21.	381408	Lock, push button style, black
22.	966503	Spacer, bed/pantry
23.	104821	Roof locker support, 74"
	203636	Storage box, 24.5" X 17.75" X 7.25"

2012 INTERNATIONAL TRAVEL TRAILER

FURNITURE, GALLEY

Pantry, 23' Front Bed, SERENITY



Part numbers are on the next page.

2012 INTERNATIONAL TRAVEL TRAILER

FURNITURE, GALLEY

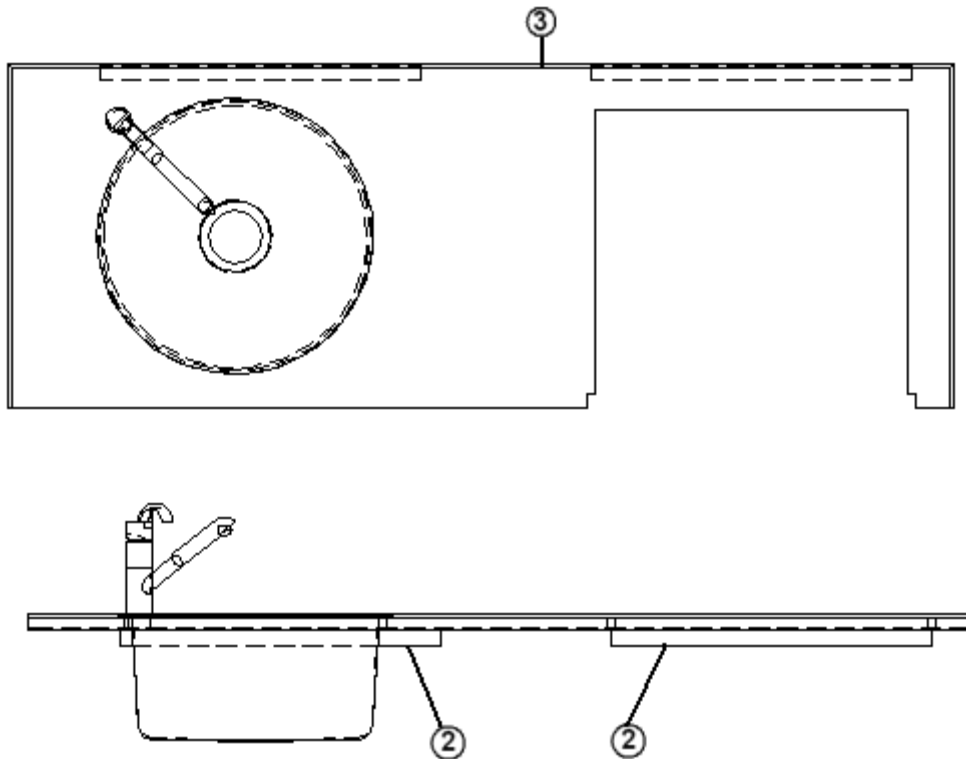
Pantry, 23' Front Bed – SERENITY

967317-15	Pantry
1.967317-151	Panel, 26.87 X 78.09
2.967317-12	Panel, 4.50 X 78.25
3.967317-3	Panel, 5.88 X 2.25
4.967317-4	Panel, 5.88 X 2.25
5.967317-5	Panel, 23.63 X 6.63
6.967317-6	Panel, 22.75 X 6.63
7.967317-7	Panel, 4.00 X 4.00
8.967317-8	Panel, 4.00 X 4.00
9.967317-9	Panel, 20.00 X 2.25
10.967317-10	Panel, 6.63 X 45.63
11.967317-1511	Panel, 5.88 X 2.25
12.967317-1512	Door, 6.50 X 46.25, pantry
13.967317-1513	Door, 6.50 X 11.63, pantry
14.967317-1514	Door, 6.50 X 17.00, pantry
15.382115	Pull, Flat Black #M575
16.381607	Hinge assembly
17.381228-01	Catch, grabber door, C3-803
18.381551-01	Pantry rack 1.5"W X 45"H white
19.381551-02	Wire basket, 4" wide, white
20.203138-03	Extrusion, plastic ½", Beige
21.381408	Lock, push button style, black
22.966503	Spacer, bed/pantry
23.104821	Roof locker support, 74"
203636	Storage box, 24.5" X 17.75" X 7.25"

2012 INTERNATIONAL TRAVEL TRAILER

FURNITURE, GALLEY

GALLEY TOP, 23' Front Bed – WENGE, For Units manufactured prior to 1/2/2012 except for unit 526765.



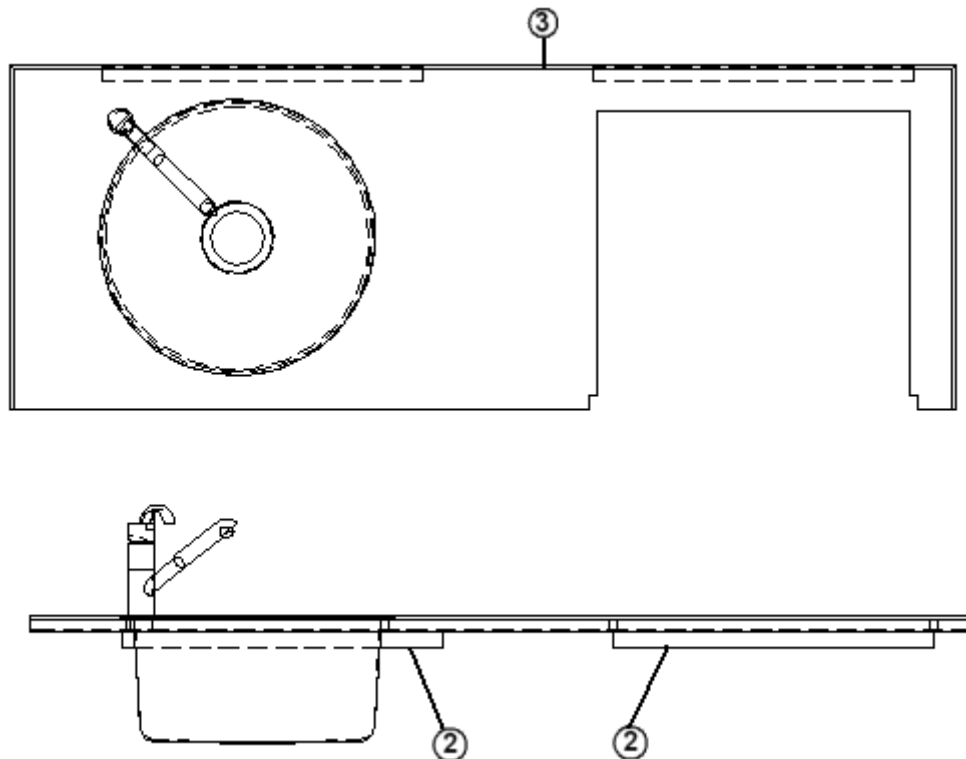
967644 TOP ASSY-GALLEY

- 1.967644-1 PANEL-TOP 22.5X61.75
- 2.114812 ALUMINUM. ANGLE 1.00 X 1.00
- 3.115064 TRIM-ALUM COUNTER TOP INT
- 601806 SINK-S.S. ROUND GALLEY
- 602158 NLA - FAUCET-GALLEY ELKAY #LK-7120
- 602310 FAUCET, REPLACEMENT FOR 602158
- 602137 SHUT OFF VALVE
- 601714-01 TAIL PIECE 1-1/2X4"(GALLEY DRA
- 601714-02 1-1/2" SLIP NUT W/WINGS
- 601714-03 1-1/2" BLACK RUBBER WASHER

2012 INTERNATIONAL TRAVEL TRAILER

FURNITURE, GALLEY

GALLEY TOP, 23' FB - SERENITY - For Units manufactured prior to 1/2/2012 except for unit 526765.

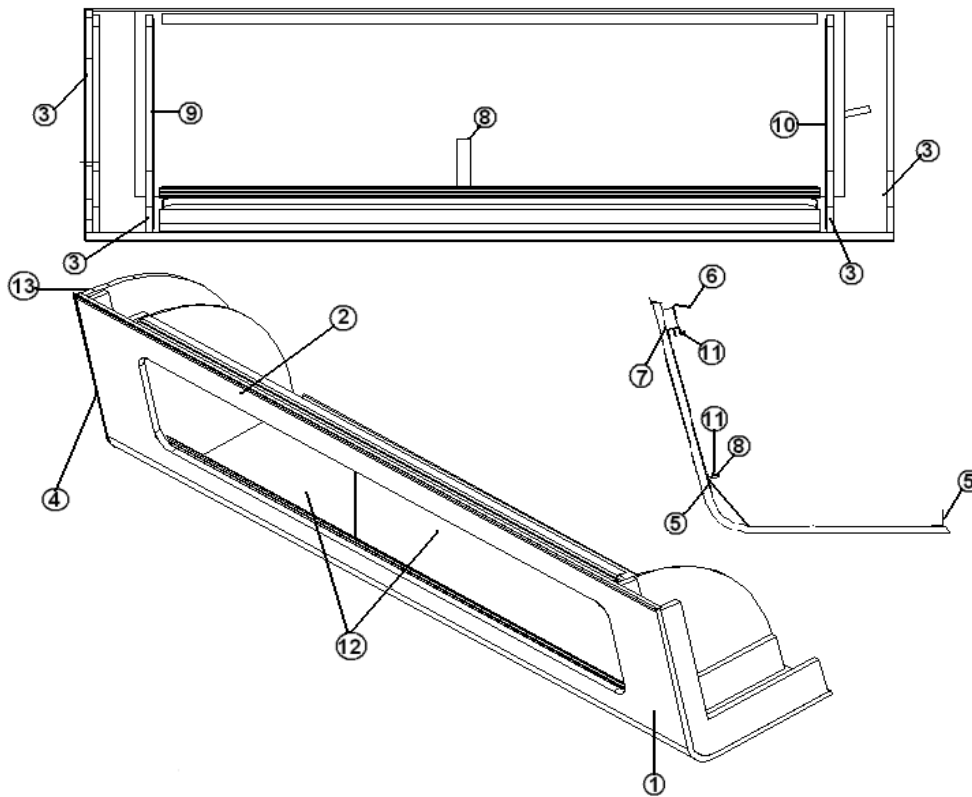


- | | |
|---------------|------------------------------------|
| 967644-15 | TOP ASSY-GALLEY |
| 1. 967644-151 | PANEL-TOP 22.5X61.75 |
| 2. 114812 | ALUMINUN. ANGLE 1.00 X 1.00 |
| 3. 115064 | TRIM-ALUM COUNTER TOP INT |
| 601806 | SINK-S.S. ROUND GALLEY |
| 602158 | NLA - FAUCET-GALLEY ELKAY #LK-7120 |
| 602310 | FAUCET, REPLACEMENT FOR 602158 |
| 602137 | SHUT OFF VALVE |
| 601714-01 | TAIL PIECE 1-1/2X4"(GALLEY DRA |
| 601714-02 | 1-1/2" SLIP NUT W/WINGS |
| 601714-03 | 1-1/2" BLACK RUBBER WASHER |

2012 INTERNATIONAL TRAVEL TRAILER

FURNITURE, GALLEY

Galley Locker Assembly, 25 Int'l., Wenge

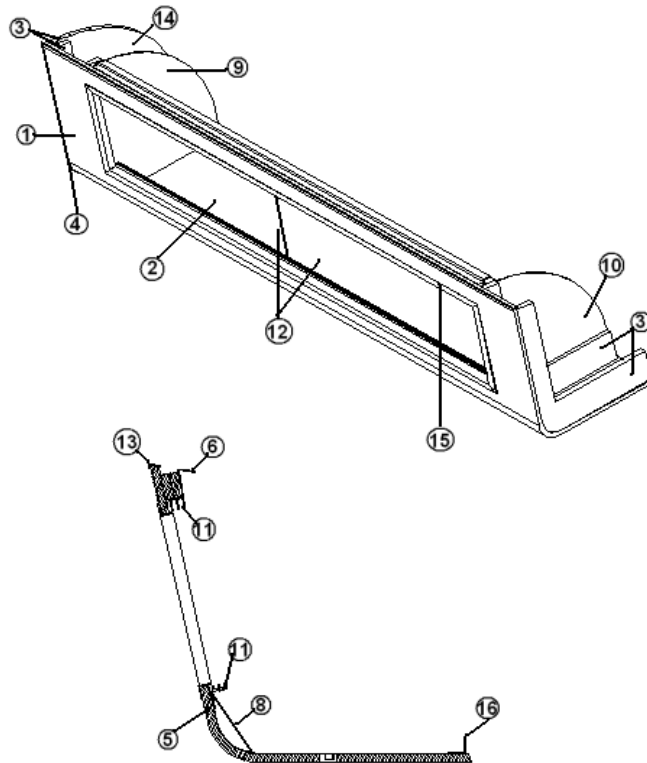


- | | | |
|-----|-----------|------------------------------------|
| | 967764 | GALLEY LOCKER ASSY. INT'L |
| 1. | 801909 | LOCKER FACE, GALLEY 25 INTL |
| 2. | 801716-01 | PANEL-PRELAM WENGE/LINER 18MM |
| 3. | 801909-02 | DIVIDER-PARTIAL - GAL LOCKER |
| 4. | 115375 | EXTRUSION-FORMED R/L END |
| 5. | 115227-02 | ANGLE-FORMED, LOCKER TRACK SUPPORT |
| 6. | 104821 | SUPPORT, ROOFLOCKER, 74" |
| 7. | 203508-01 | PLY T-TRIM 9/16" |
| 8. | 115226 | BRACKET-FORMED-LOCKER CTR SUPPORT |
| 9. | 801539-01 | DIVIDER-GALLEY LOCKER LH |
| 10. | 801539-02 | DIVIDER-GALLEY LOCKER |
| 11. | 203388 | TRACK-SLIDING DOOR |
| 11. | 381245 | NLA - TRACK-SLIDING DOOR |
| 12. | 965563-09 | DOOR-PLEX.SLIDING 11.31X26.25 |
| 13. | 967764-17 | PNL-GAL LOCKER 18.21 X 17.15 |
| | 201673 | REVERSE COVE MOLDING, WHITE |
| | 454613 | SPRING-LEAF R/L INT |

2012 INTERNATIONAL TRAVEL TRAILER

FURNITURE, GALLEY

Galley Locker Assembly, 25 Int'l., Serenity

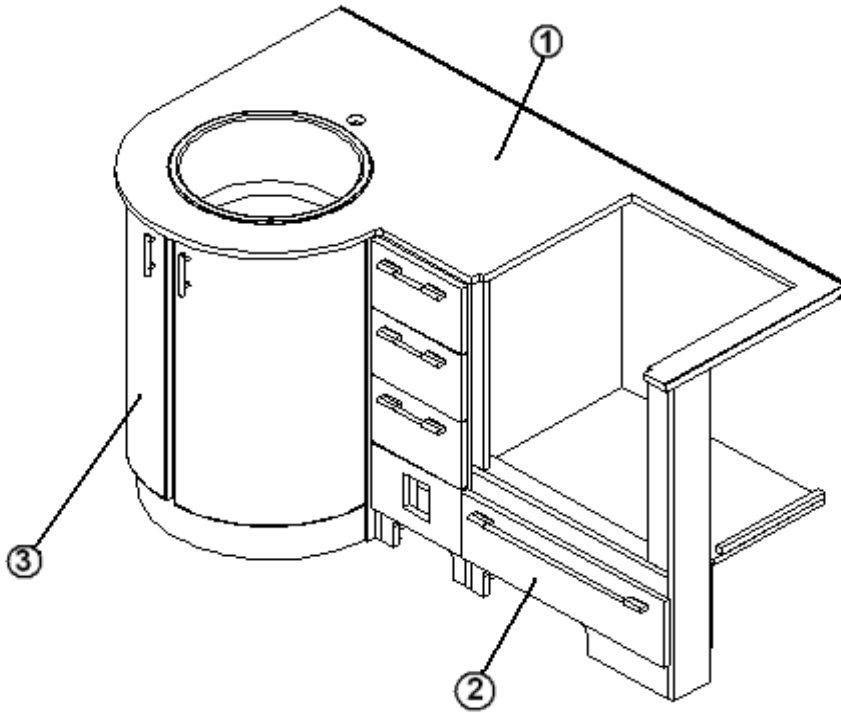


	967779-15	GALLEY LOCKER ASSY., SERENITY
1.	801912-15	LOCKER FACE, GALLEY SERENITY
2.	967779-152	PNL LAMINATE 17.25 X 54.25 GAL
3.	801912-02	DIVIDER-PARTIAL GAL LOCKER SER
4.	115375-01	EXTR.-LH FORMED R/L END INT
5.	114812	ALUM. ANGLE 1.00 X 1.00
6.	104821	SUPPORT, ROOFLOCKER, 74"
7.	382114	KNOB-BRUSH.SATIN NICKEL #M576 (not shown)
8.	115226	BRACKET-FORMED-LOCKER CTR SUPP
9.	801539-01	DIVIDER-GALLEY LOCKER LH
10.	801539-02	DIVIDER-GALLEY LOCKER
11.	203388	TRACK-SLIDING DOOR
12.	203677-02	DOOR-MARI 11.31X26.25
13.	201673	REVERSE COVE MOLDING, WHITE, P
14.	801856-01	PNL-PRELAM A.NIGHT/A.NIGHT 12M
15.	115483	ANGLE-ALUM .06X.75"X.75"X6'
16.	114812	ALUM. ANGLE 1.00 X 1.00
	454613	SPRING-LEAF R/L INT

2012 INTERNATIONAL TRAVEL TRAILER

FURNITURE, GALLEY

Galley Assembly, 25' International, Wenge and Serenity



Part Numbers Listed on Next Page

2012 INTERNATIONAL TRAVEL TRAILER

FURNITURE, GALLEY

Galley Assembly, 25' International, Wenge and Serenity

- 1. * 967754 Galley Top Assembly, Wenge (See note)
- 1. * 967754-15 Galley Top Assembly, Serenity (See note)
- 1. **967827 Galley Top Assembly, Wenge (See note)
- 1. **967827-15 Galley Top Assembly, Serenity (See note)
- 2. * 967716 Galley Assy., Oven Section, Wenge (See note)
- 2. * 967716-15 Galley Assy., Oven Section, Serenity(See note)
- 2. **967829 Galley Assy., Oven Section, Wenge (See note)
- 2. **967829-15 Galley Assy., Oven Section, Wenge (See note)
- 3. * 967717 Galley Assy., Forward Section, Wenge (See note)
- 3. *967717-15 Galley Assy., Forward Section, Serenity (See note)
- 3. **967828 Galley Assy., Forward Section, Wenge (See note)
- 3. **967828-15 Galley Assy., Forward Section, Wenge (See note)
- 966910 Galley Flip Shelf Assy., Wenge
- 966910-15 Flip Shelf Assy., Serenity

*For Units manufactured prior to 1/2/2012 except for unit 526765.

** Used on units manufactured on or after 1/2/2012 including serial number 526765.

2012 INTERNATIONAL TRAVEL TRAILER

FURNITURE, GALLEY

Galley Top Assembly, 25 International – For Units manufactured prior to 1/2/2012 except for unit 526765.

*967755	Galley Top Assembly
*967755-15	Galley Top Assembly, Serenity
1. 967755-1	Galley Top Cutout
1. 967755-151	Galley Top Cutout, Serenity
2. 601806	Sink, St. St. Round
3. **602237	Faucet, Moen w/Filter & Spray (Not Shown)
3. **602310	Faucet, Faucet, Galley, 1 handle
4. 114812	Angle, 1.00 X 1.00
5. 115064	Trim, Aluminum Counter Top
601714-01	Tail Piece 1 ½ x 4"
601714-02	1 ½" Slip Nut w/Wings
601714-03	1 ½" Black Rubber Washer

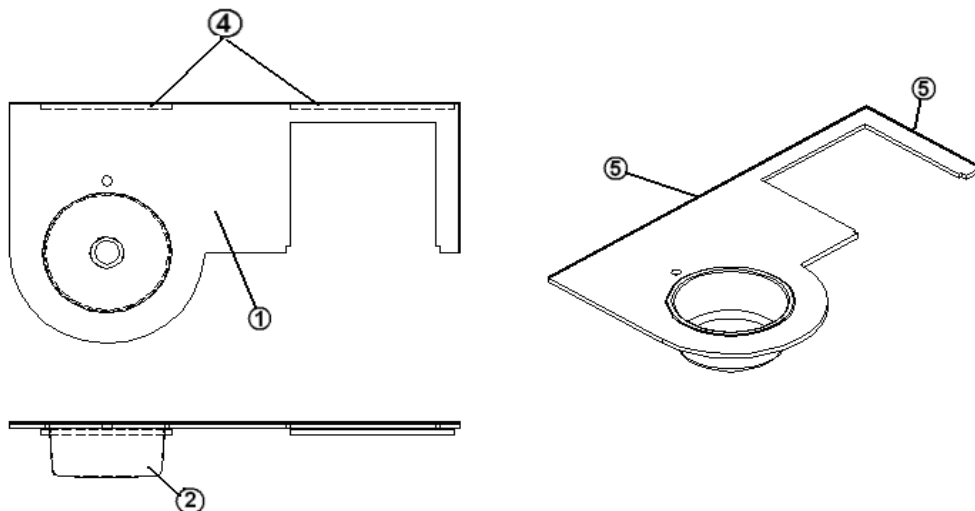
* For Units manufactured prior to 1/2/2012 except for unit 526765.

** Faucet changed in August 2011.

2012 INTERNATIONAL TRAVEL TRAILER

FURNITURE, GALLEY

Galley Top Assembly, 25 International – Used on units manufactured on or after 1/2/2012 including serial number 526765.

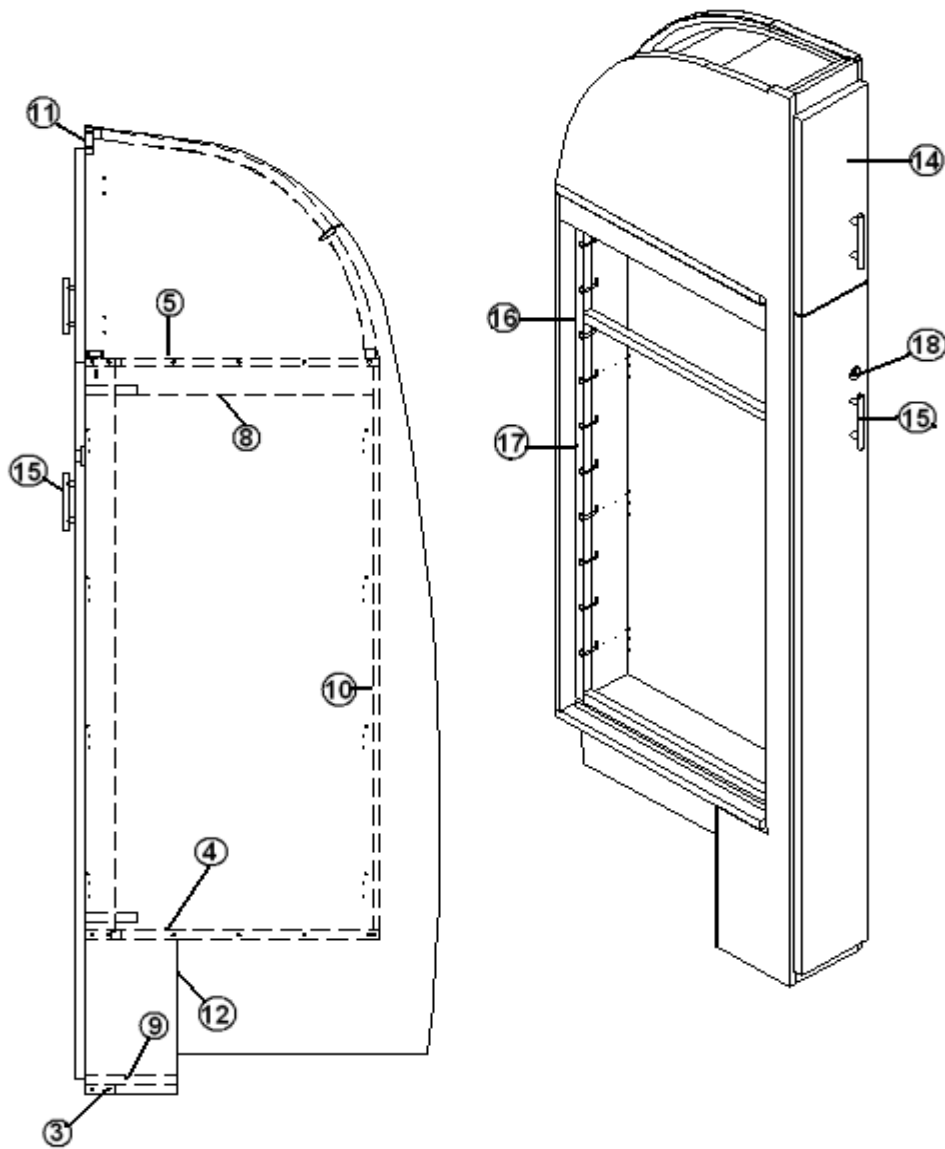


- | | | |
|----|------------|---|
| | *967827 | Galley Top Assembly |
| | *967827-15 | Galley Top Assembly, Serenity |
| 1. | 967827-1 | Galley Top Cutout |
| 1. | 967827-151 | Galley Top Cutout, Serenity |
| 2. | 601806 | Sink, St. St. Round |
| 3. | **602237 | Faucet, Moen w/Filter & Spray (Not Shown) |
| 3. | **602310 | Faucet, Faucet, Galley, 1 handle |
| 4. | 114812 | Angle, 1.00 X 1.00 |
| 5. | 115064 | Trim, Aluminum Counter Top |
| | 601714-01 | Tail Piece 1 ½ x 4" |
| | 601714-02 | 1 ½" Slip Nut w/Wings |
| | 601714-03 | 1 ½" Black Rubber Washer |
- ** Faucet changed in August 2011.

2012 INTERNATIONAL TRAVEL TRAILER

FURNITURE, GALLEY

Pantry, 25' Signature, Wenge

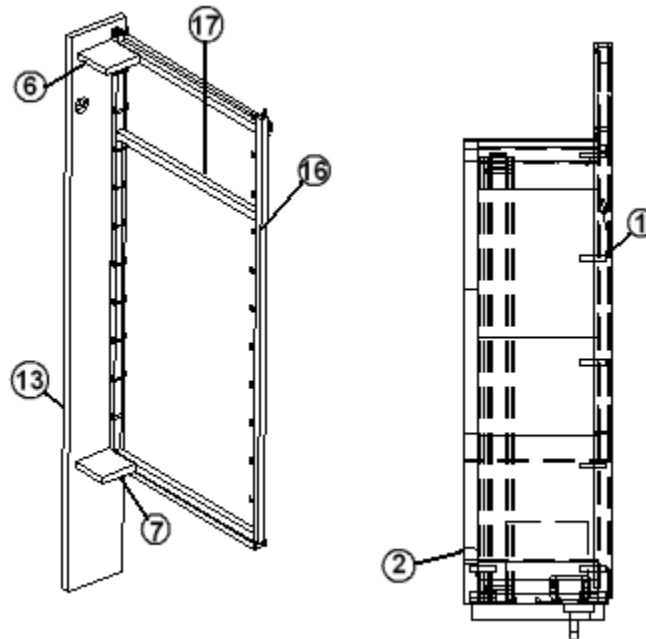


Drawing Continued on next page.

2012 INTERNATIONAL TRAVEL TRAILER

FURNITURE, GALLEY

Pantry, 25' Signature, Wenge

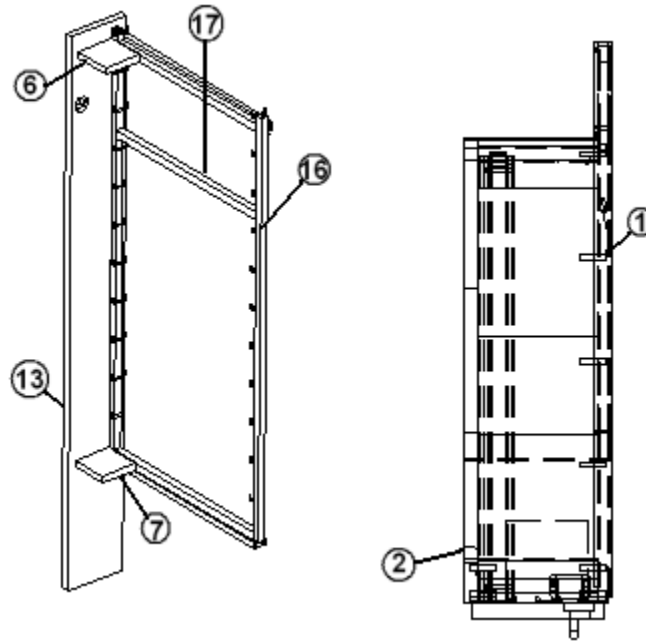


- 967726 PANTRY CABINET ASSY.
1. 967726-1 PANEL-PANTRY 27.25 X 78.39
 2. 967726-2 PANEL-PANTRY 22.63 X 78.43
 3. 967726-3 PANEL-PANTRY 2.25 X 5.88
 4. 967726-4 PANEL-PANTRY 6.63 X 22.75
 5. 967726-5 PANEL-PANTRY 6.63 X 22.63
 6. 967726-6 PANEL-PANTRY 4 X 4
 7. 967726-7 PANEL-PANTRY 4 X 4
 8. 967726-8 PANEL-PANTRY 2.25 X 20
 9. 967726-9 PANEL-PANTRY 7 X 5.88
 10. 967726-10 PANEL-PANTRY 6.63 X 45.63
 11. 967726-11 PANEL-PANTRY 2.25 X 5.88
 12. 967726-12 PANEL-PANTRY 6.63 X 12.5
 13. 967726-13 DOOR-PANTRY 6.5 X 58
 14. 967726-14 DOOR-PANTRY 6.5 X 17.25
 15. 382029-05 HANDLE-BAR 21.33" #3701-480-CR
 16. 381228-01 CATCH GRABBER DOOR C3-803
 17. 381551-01 PANTRY RACK 1.5"W X 45"H WHITE
 18. 381408 LOCK PUSH BUTTON STYLE, BLACK
 - 381551-02 WIRE BASKET 4" WIDE WHITE
 - 203138-05 EXTRUSION-PLASTIC 1/2" WALL BLK
 - 381607 HINGE ASSY-GRASS EURO

2012 INTERNATIONAL TRAVEL TRAILER

FURNITURE, GALLEY

Pantry, 25', SERENITY

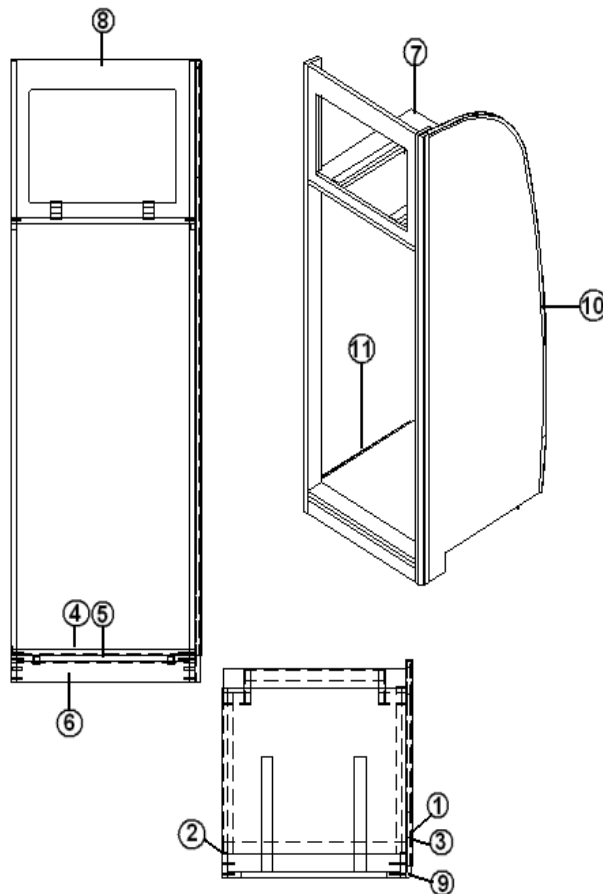


	967726-15	PANTRY CABINET ASSY.
1.	967726-151	PANEL-PANTRY 27.25 X 78.39
2.	967726-2	PANEL-PANTRY 22.63 X 78.43
3.	967726-3	PANEL-PANTRY 2.25 X 5.88
4.	967726-4	PANEL-PANTRY 6.63 X 22.75
5.	967726-5	PANEL-PANTRY 6.63 X 22.63
6.	967726-6	PANEL-PANTRY 4 X 4
7.	967726-7	PANEL-PANTRY 4 X 4
8.	967726-8	PANEL-PANTRY 2.25 X 20
9.	967726-9	PANEL-PANTRY 7 X 5.88
10.	967726-10	PANEL-PANTRY 6.63 X 45.63
11.	967726-1511	PANEL-PANTRY 2.25 X 5.88
12.	967726-1512	PANEL-PANTRY 6.63 X 12.5
13.	967726-1513	DOOR-PANTRY 6.5 X 58
14.	967726-1514	DOOR-PANTRY 6.5 X 17.25
15.	382115	PULL - FLAT BLACK
16.	381228-01	CATCH GRABBER DOOR C3-803
17.	381551-01	PANTRY RACK 1.5"W X 45"H WHITE
18.	381408	LOCK PUSH BUTTON STYLE, BLACK
	381551-02	WIRE BASKET 4" WIDE WHITE
	203138-03	EXTRUSION-PLASTIC 1/2" WALL BEIGE
	381607	HINGE ASSY-GRASS EURO

2012 INTERNATIONAL TRAVEL TRAILER

FURNITURE, GALLEY

REFRIGERATOR CABINET ASSEMBLY, 25 WENGE

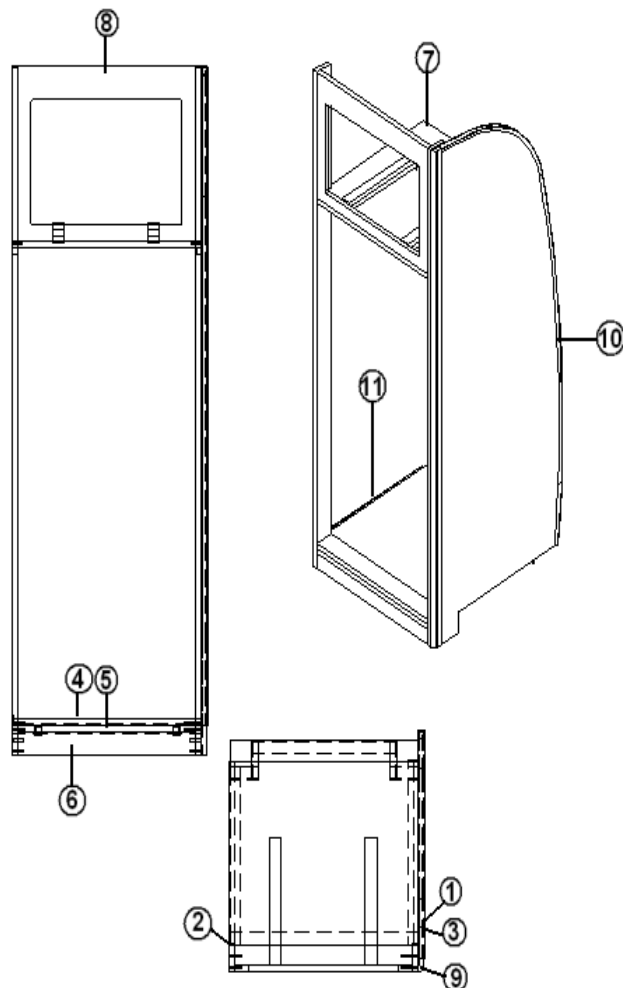


	967724	REFER CABINET
1.	967724-1	PANEL-REFER 25.75X78.15
2.	967724-2	PANEL-REFER 3X78.39
3.	967724-3	PANEL-REFER 3X78.39
4.	967724-4	PANEL-REFER 3X23.81
5.	967724-5	PANEL-REFER 3X23.81
6.	967724-6	PANEL-REFER 2.5X23.81
7.	967724-7	PANEL-REFER 23.86X25.56
8.	967724-10	PANEL-REFER 23.81X20.14
9.	801706-0016	CORNER TRIM 90 DEG 1" RAD WENGE
10.	203138-05	EXTRUSION-PLASTIC 1/2" WALL BLK
	967725	STAND ASSY- REFER

2012 INTERNATIONAL TRAVEL TRAILER

FURNITURE, GALLEY

REFRIGERATOR CABINET ASSEMBLY, 25 SERENITY

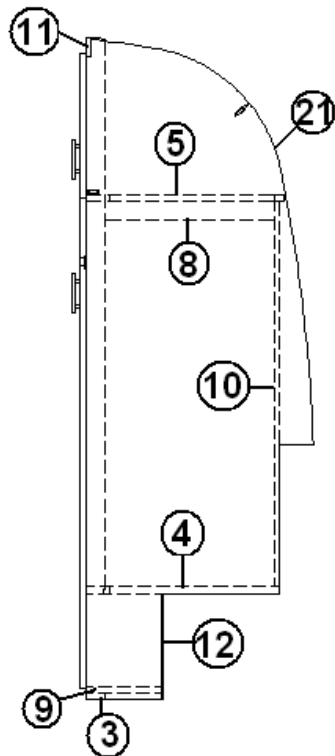
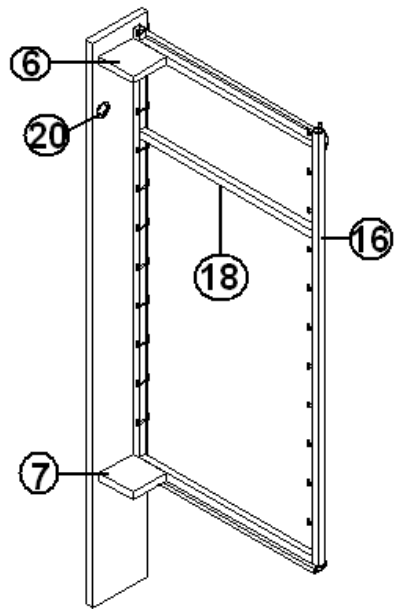
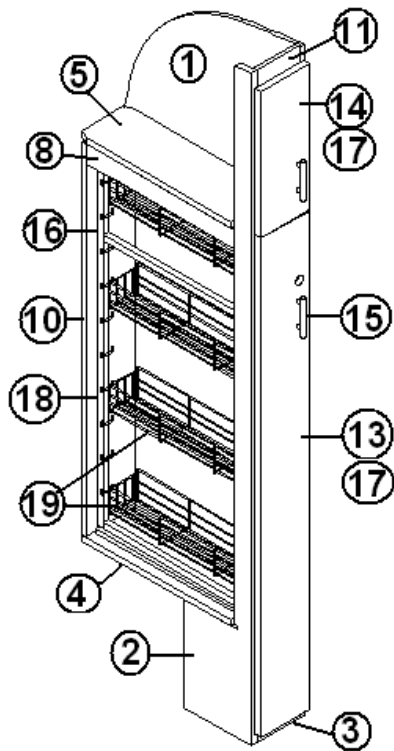


	967724-15	REFER CABINET, SERENITY
1.	967724-151	PANEL-REFER 25.75X78.15
2.	967724-2	PANEL-REFER 3X78.39
3.	967724-3	PANEL-REFER 3X78.39
4.	967724-154	PANEL-REFER 3X23.81
5.	967724-155	PANEL-REFER 3X23.81
6.	967724-6	PANEL-REFER 2.5X23.81
7.	967724-7	PANEL-REFER 23.86X25.56
8.	967724-1510	PANEL-REFER 23.81X20.14
9.	801706-0018	CORNER TRIM 90 DEG 1" RAD ASIAN
10.	203138-03	EXTRUSION-PLASTIC 1/2" WALL BEIGE
11.	967725	STAND ASSY- REFER

2012 INTERNATIONAL TRAVEL TRAILER

FURNITURE, GALLEY

Pantry, 25' Front Bed Signature, Wenge



Part Numbers on the Next Page

2012 INTERNATIONAL TRAVEL TRAILER

FURNITURE, GALLEY

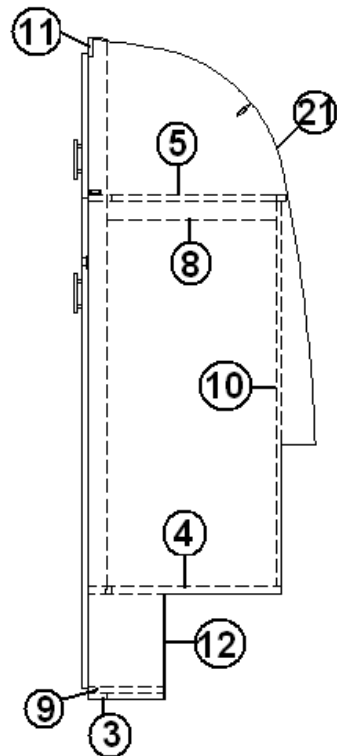
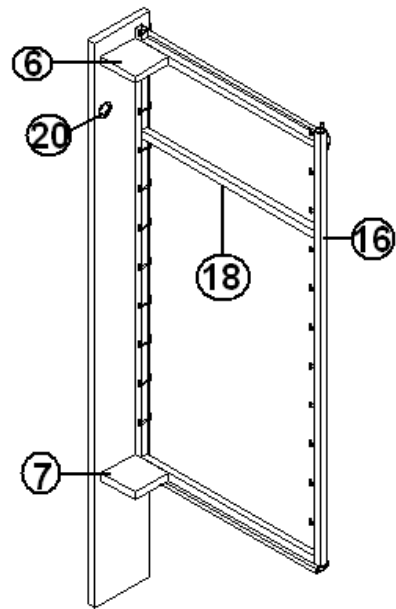
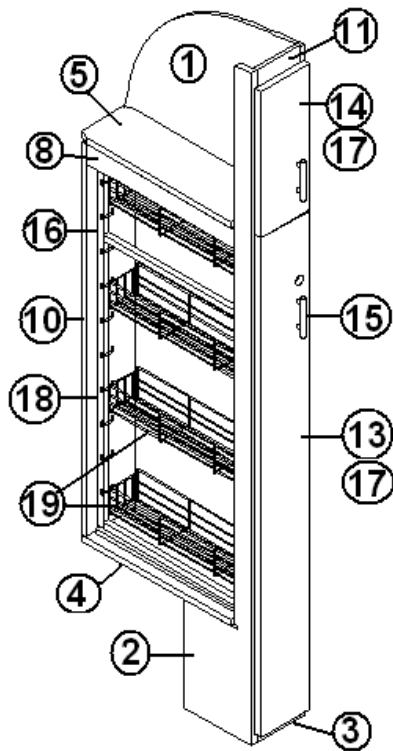
Pantry, 25' Front Bed Signature, Wenge

966904	PANTRY CABINET, 25' FB, WENGE
1. 966904-1	PANEL, PANTRY, 26.88" X 78.29"
2. 966904-2	PANEL, PANTRY, 9" X 78.43"
3. 966904-3	PANEL, PANTRY, 2.25" X 5.88"
4. 966904-4	PANEL, PANTRY, 6.63" X 22.75"
5. 966904-5	PANEL, PANTRY, 6.63" X 23.38"
6. 966904-6	PANEL, PANTRY, 4" X 4"
7. 966904-7	PANEL, PANTRY, 4" X 4"
8. 966904-8	PANEL, PANTRY, 2.25" X 20"
9. 966904-9	PANEL, PANTRY, 9" X 5.88"
10. 966904-10	PANEL, PANTRY, 6.63" X 45.63"
11. 966904-11	PANEL, PANTRY, 5.88" X 2.25"
12. 966904-12	PANEL, PANTRY, 7.13" X 12.50"
13. 966904-13	DOOR, PANTRY 6.5" X 58"
14. 966904-14	DOOR, PANTRY 6.5" X 17.25"
15. 382029-00	HANDLE BAR, 7.48"
16. 381228-01	CATCH GRABBER DOOR
17. 381607	HINGE, GRASS EURO
18. 381551-01	PANTRY RACK, 1.5"W X 45"H WHITE
19. 381551-02	WIRE BASKET, 4" WIDE WHITE
20. 381408	LOCK, PUSH, BUTTON STYLE, BLACK
21. 203138-05	EXTRUSION, PLASTIC, ½" WALL

2012 INTERNATIONAL TRAVEL TRAILER

FURNITURE, GALLEY

Pantry, 25' Front Bed Signature, SERENITY



Part Numbers on the Next Page

2012 INTERNATIONAL TRAVEL TRAILER

FURNITURE, GALLEY

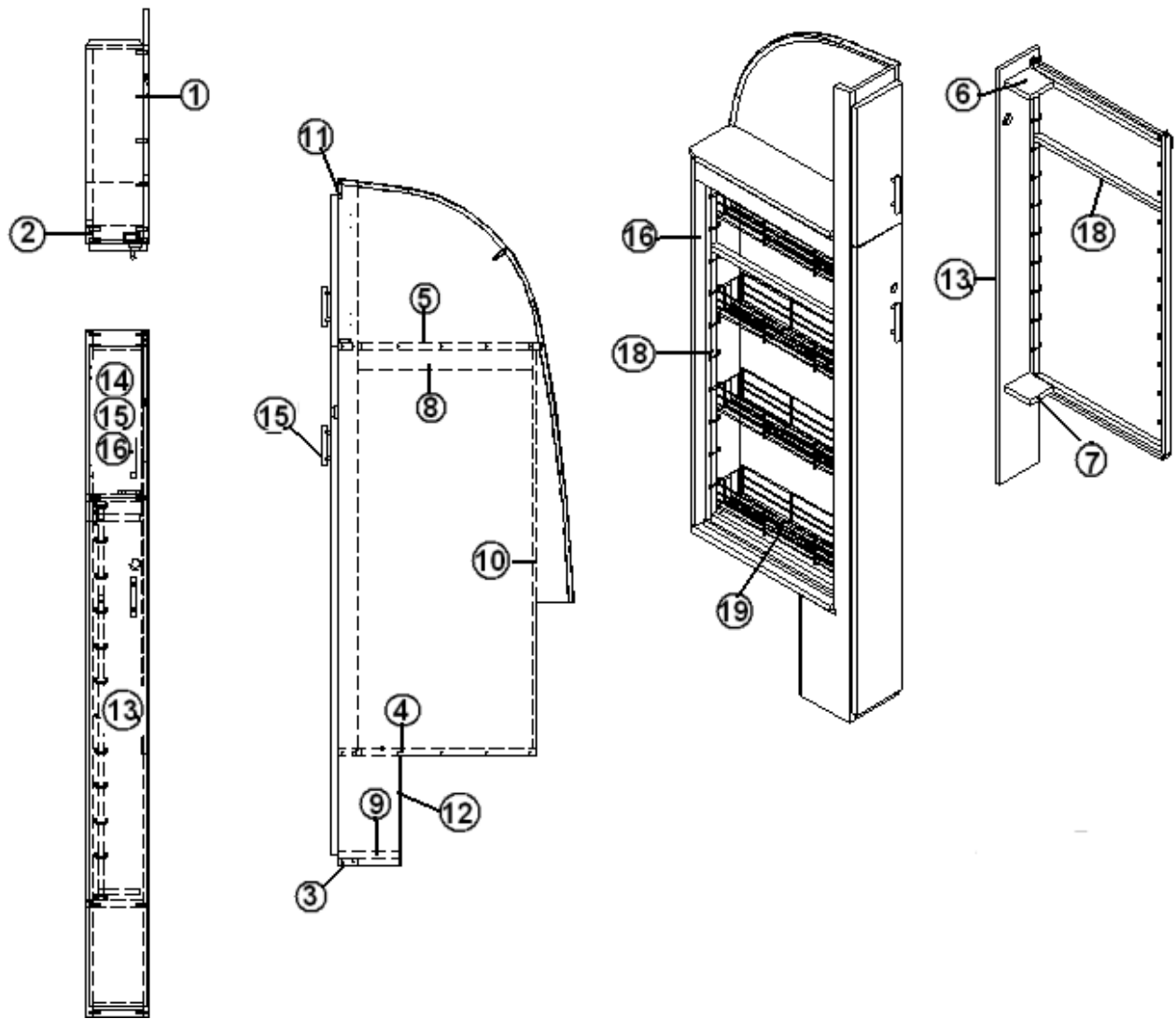
Pantry, 25' Front Bed Signature, SERENITY

966904-15	PANTRY CABINET, 25' FB, SERENITY
1. 966904-151	PANEL, PANTRY, 26.88" X 78.29"
2. 966904-2	PANEL, PANTRY, 9" X 78.43"
3. 966904-3	PANEL, PANTRY, 2.25" X 5.88"
4. 966904-4	PANEL, PANTRY, 6.63" X 22.75"
5. 966904-5	PANEL, PANTRY, 6.63" X 23.38"
6. 966904-6	PANEL, PANTRY, 4" X 4"
7. 966904-7	PANEL, PANTRY, 4" X 4"
8. 966904-8	PANEL, PANTRY, 2.25" X 20"
9. 966904-9	PANEL, PANTRY, 9" X 5.88"
10. 966904-10	PANEL, PANTRY, 6.63" X 45.63"
11. 966904-1511	PANEL, PANTRY, 5.88" X 2.25"
12. 966904-1512	PANEL, PANTRY, 7.13" X 12.50"
13. 966904-1513	DOOR, PANTRY 6.5" X 58"
14. 966904-1514	DOOR, PANTRY 6.5" X 17.25"
15. 382115	PULL, FLAT BLACK #M575
16. 381228-01	CATCH GRABBER DOOR
17. 381607	HINGE, GRASS EURO
18. 381551-01	PANTRY RACK, 1.5"W X 45"H WHITE
19. 381551-02	WIRE BASKET, 4" WIDE WHITE
20. 381408	LOCK, PUSH, BUTTON STYLE, BLACK
21. 203138-03	EXTRUSION, PLASTIC, ½" WALL BEIGE

2012 INTERNATIONAL TRAVEL TRAILER

FURNITURE, GALLEY

Pantry, 25' Front Bed Signature, Eddie Bauer



Part Numbers on the Next Page

2012 INTERNATIONAL TRAVEL TRAILER

FURNITURE, GALLEY

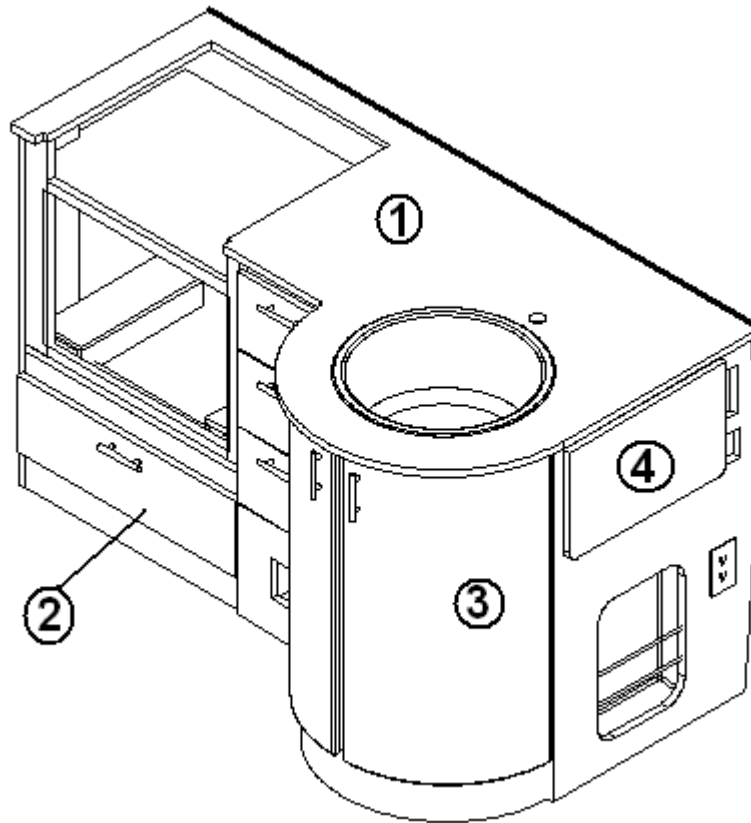
Pantry, 25' Front Bed Signature, Eddie Bauer

967697-19	PANTRY CABINET ASSEMBLY – 25FB EDDIE BAUER
1. 967697-191	PANEL-PANTRY 26.88X78.29
2. 967697-192	PANEL-PANTRY 7X78.43
3. 967697-193	PANEL-PANTRY 2.25X5.88
4. 967697-194	PANEL-PANTRY 6.63X22.75
5. 967697-195	PANEL-PANTRY 6.63X23.38
6. 967697-196	PANEL-PANTRY 4X4
7. 967697-197	PANEL-PANTRY 4X4
8. 967697-198	PANEL-PANTRY 2.25X20
9. 967697-199	PANEL-PANTRY 7X5.88
10.967697-1910	PANEL-PANTRY 6.63X45.63
11.967697-1911	PANEL-PANTRY 2.25X5.88
12.967697-1912	PANEL-PANTRY 7.13X12.5
13.967697-1913	DOOR-PANTRY 6.5X58
14.967697-1914	DOOR-PANTRY 6.5X17.25
15.382029-00	HANDLE-BAR 7.48" #3701-128-CR
16.381228-01	GRABBER DOOR CATCH
17.381607	HINGE
18.381551-01	PANTRY RACK 1.5"W X 45"H WHITE
19.381551-02	WIRE BASKET 4" WIDE WHITE
20.365352-01	EDGE BANDING-1MM X .63" MAPLE
21.365352-02	EDGE BANDING- 1MM X .94" MAPLE
22.381408	LOCK, PUSH, BUTTON STYLE, BLAC
23.203138-04	EXTRUSION - PLASTIC 1/2" OAK
24.365352-01	EDGE BANDING-1MM X .63" MAPLE

2012 INTERNATIONAL TRAVEL TRAILER

FURNITURE, GALLEY

Galley, 25' Front Bed Signature, Wenge, Serenity - Use on units manufactured before 1/2/2012 except for units 526765, 526730, 526748, 526746, 526749, 526152, 526757, and 526763.

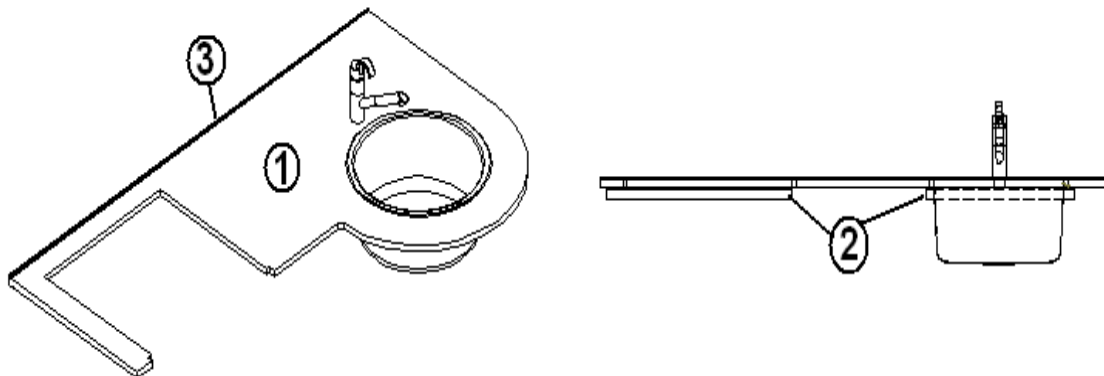


- | | | |
|----|-----------|---|
| | 966906 | Galley Assembly, Wenge |
| | 966906-15 | Galley Assembly, Serenity |
| | 966906-02 | Galley Assembly, w/Microwave, Wenge |
| | 966906-15 | Galley Assembly, w/Microwave, Serenity |
| 1. | 966909 | Top, Galley, Wenge |
| 1. | 966909-15 | Top, Galley, Serenity |
| 2. | 966908 | Galley Oven Section, Wenge |
| 2. | 966950 | Galley Oven Section, w/Microwave, Wenge |
| 2. | 966908-15 | Galley Oven Section, Serenity |
| 3. | 966907 | Galley, Aft Section, Wenge |
| 3. | 966907-15 | Galley, Aft Section, Serenity |
| 4. | 966910 | Flip Up Shelf, Galley, Wenge |
| 4. | 966910-15 | Flip Up Shelf, Galley, Serenity |

2012 INTERNATIONAL TRAVEL TRAILER

FURNITURE, GALLEY

Galley Top, 25' Front Bed Signature, Wenge, Serenity –
Used on units manufactured on or after 1/2/2012 including serial
number 526765.



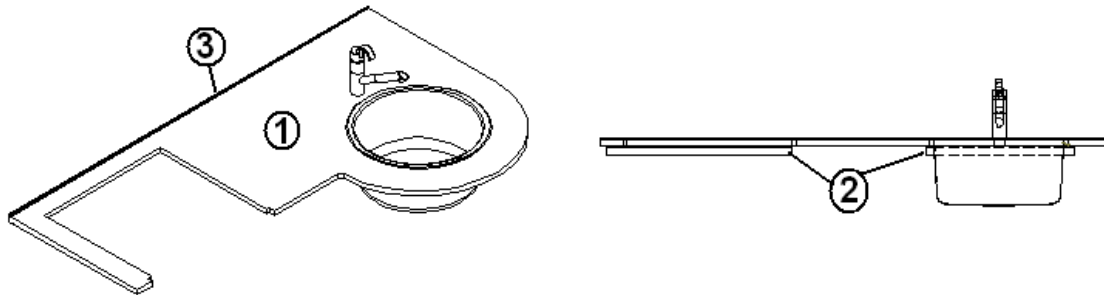
- | | |
|-------------|------------------------------------|
| 967831 | TOP ASSY, GALLEY 25' FB, WENGE |
| 1. 967831-1 | PANEL, GALLEY TOP, 36.13" X 63.04" |
| 2. 114812 | ALUMINUM ANGLE, 1.00" X 1.00" |
| 3. 115064 | TRIM, ALUMINUM COUNTER TOP |
| 601714-01 | TAIL PIECE 1-1/2X4"(GALLEY DRAIN) |
| 601714-02 | 1.5" SLIP NUT W/WINGS |
| 601714-03 | 1.5" BLACK RUBBER WASHER |
| 115064 | ALUMINUM COVE MOLDING |

- | | |
|---------------|------------------------------------|
| 967831-15 | TOP ASSY, GALLEY 25' FB, SERENITY |
| 1. 967831-151 | PANEL, GALLEY TOP, 36.13" X 63.04" |
| 2. 114812 | ALUMINUM ANGLE, 1.00" X 1.00" |
| 3. 115064 | TRIM, ALUMINUM COUNTER TOP |
| 601714-01 | TAIL PIECE 1-1/2X4"(GALLEY DRAIN) |
| 601714-02 | 1.5" SLIP NUT W/WINGS |
| 601714-03 | 1.5" BLACK RUBBER WASHER |
| 115064 | ALUMINUM COVE MOLDING |

2012 INTERNATIONAL TRAVEL TRAILER

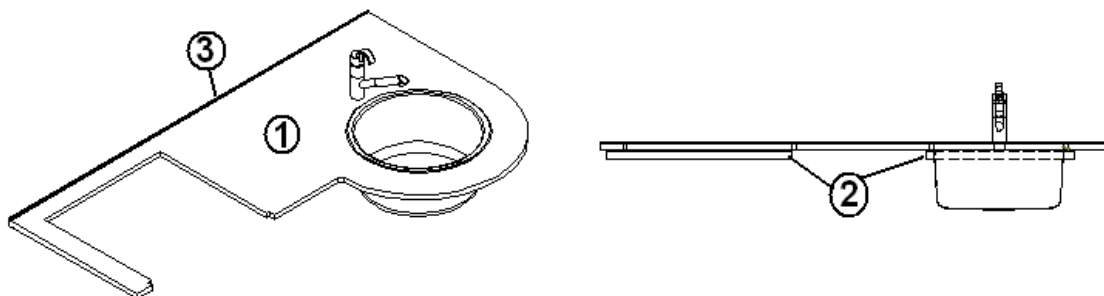
FURNITURE, GALLEY

Galley Top, 25' Front Bed Signature, Wenge, For Units manufactured prior to 1/2/2012 except for unit 526765.



- | | |
|-------------|------------------------------------|
| 966909 | TOP ASSY, GALLEY 25' FB |
| 4. 966909-1 | PANEL, GALLEY TOP, 36.13" X 63.04" |
| 5. 114812 | ALUMINUM ANGLE, 1.00" X 1.00" |
| 6. 115064 | TRIM, ALUMINUM COUNTER TOP |
| 601714-01 | TAIL PIECE 1-1/2X4"(GALLEY DRAIN) |
| 601714-02 | 1.5" SLIP NUT W/WINGS |
| 601714-03 | 1.5" BLACK RUBBER WASHER |

Galley Top, 25' Front Bed Signature, Serenity, For Units manufactured prior to 1/2/2012 except for unit 526765.

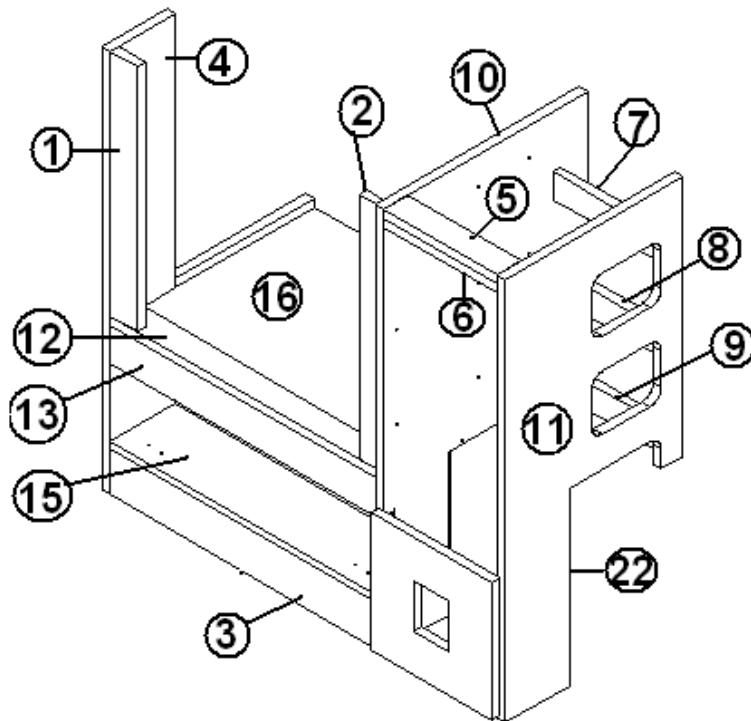
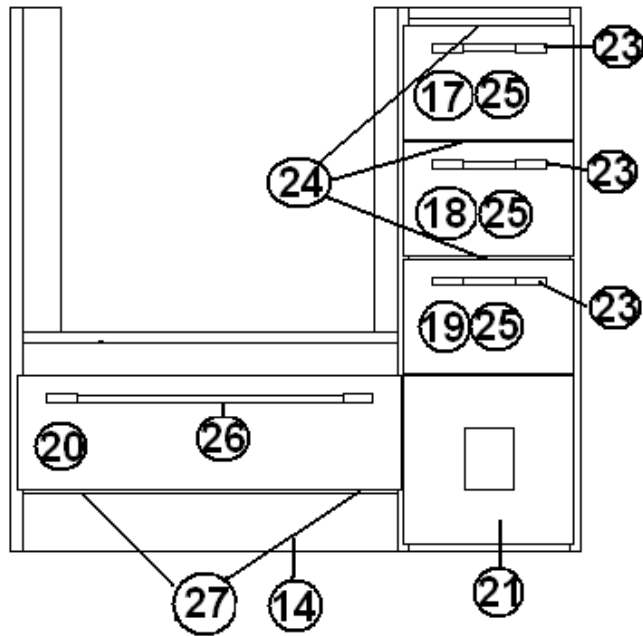


- | | |
|---------------|------------------------------------|
| 966909-15 | TOP ASSY, GALLEY 25' FB |
| 1. 966909-151 | PANEL, GALLEY TOP, 36.13" X 63.04" |
| 2. 114812 | ALUMINUM ANGLE, 1.00" X 1.00" |
| 3. 115064 | TRIM, ALUMINUM COUNTER TOP |

2012 INTERNATIONAL TRAVEL TRAILER

FURNITURE, GALLEY

Galley, 25' Front Bed Signature, Oven Section, Wenge, For Units manufactured prior to 1/2/2012 except for unit 526765.



Part Numbers on the Next Page

2012 INTERNATIONAL TRAVEL TRAILER

FURNITURE, GALLEY

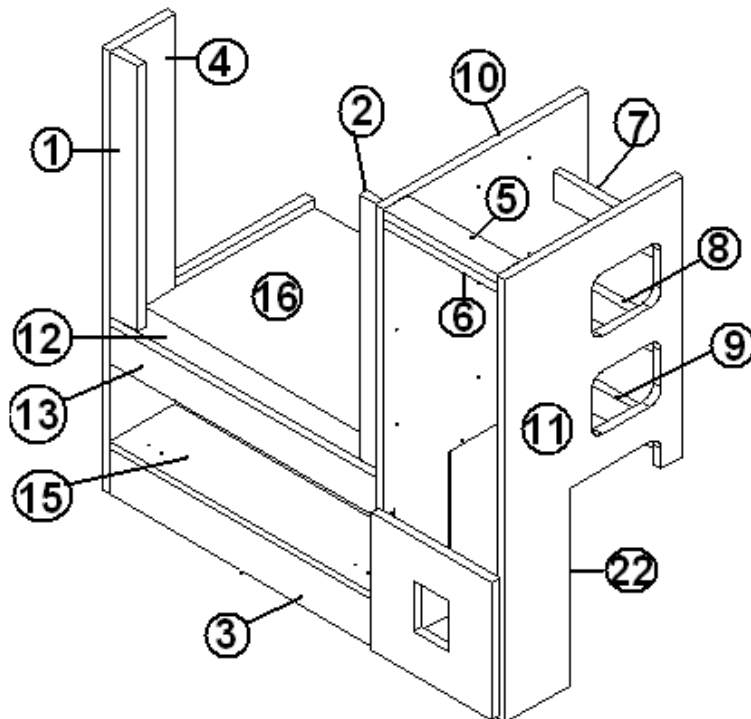
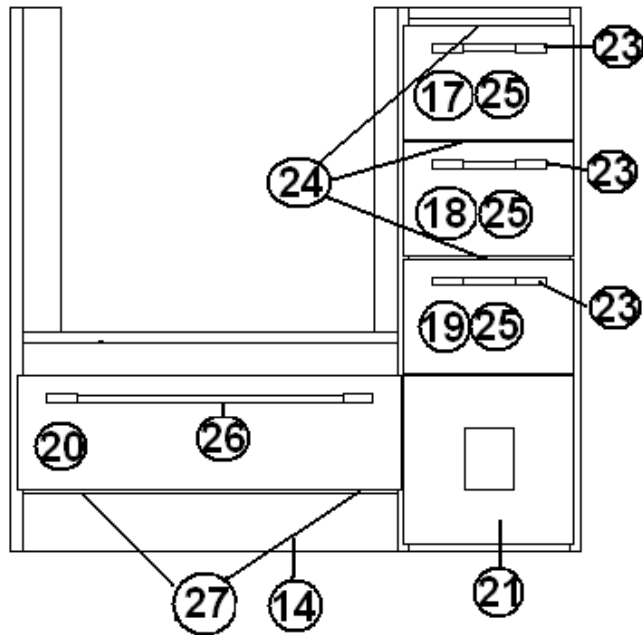
Galley, 25' Front Bed Signature, Oven Section, Wenge- For Units manufactured prior to 1/2/2012 except for unit 526765.

966908	GALLEY, OVEN SECTION
1. 966908-1	PANEL, GALLEY 2.5 X 21.19"
2. 966908-2	PANEL, GALLEY 1.5 X 21.19"
3. 966908-3	PANEL, GALLEY 10.5 X 2.25"
4. 966908-4	PANEL, GALLEY 6 X 35.5"
5. 966908-5	PANEL, GALLEY 3 X 10.5"
6. 966908-6	PANEL, GALLEY 3" X 10.5"
7. 966908-7	PANEL, GALLEY 2.25" X 10.5"
8. 966908-8	PANEL, GALLEY 2.25" X 10.5"
9. 966908-9	PANEL, GALLEY 2.25" X 10.5"
10. 966908-10	PANEL, GALLEY 18.88" X 35.5"
11. 966908-11	PANEL, GALLEY 16.44" X 35.5"
12. 966908-12	PANEL, GALLEY 2.25" X 24.5"
13. 966908-13	PANEL, GALLEY 24.5" X 3"
14. 966908-14	PANEL, GALLEY 24.5" X 3.75"
15. 966908-15I	PANEL, GALLEY 6" X 24.5"
16. 966908-16	PANEL, GALLEY 18.38" X 25.25"
17. 966908-17	DOOR, GALLEY, 11.13" X 7.5"
18. 966908-18	DOOR, GALLEY 11.13" X 7.5"
19. 966908-19	DOOR, GALLEY 11.13" X 7.5"
20. 966908-20	DOOR, GALLEY 25.13" X 7.5"
21. 966908-21	PANEL, GALLEY
22. 966908-22	PANEL, GALLEY
23. 382029-00	HANDLE-BAR 7.48"
24. 381228-01	CATCH GRABBER DOOR
25. 965560-02	DRAWER BOX, 5.63" X 9.25" X 14"
26. 382029-05	HANDLE, BAR 21.33"
27. 381607	HINGE ASSY-GRASS EURO
381773-15	DRAWER SLIDE-5.875"X 15.75" (PAIR)

2012 INTERNATIONAL TRAVEL TRAILER

FURNITURE, GALLEY

Galley, 25' Front Bed Signature, Oven Section, Wenge-Units manufactured on or after 1/2/2012.



Part Numbers on the Next Page

2012 INTERNATIONAL TRAVEL TRAILER

FURNITURE, GALLEY

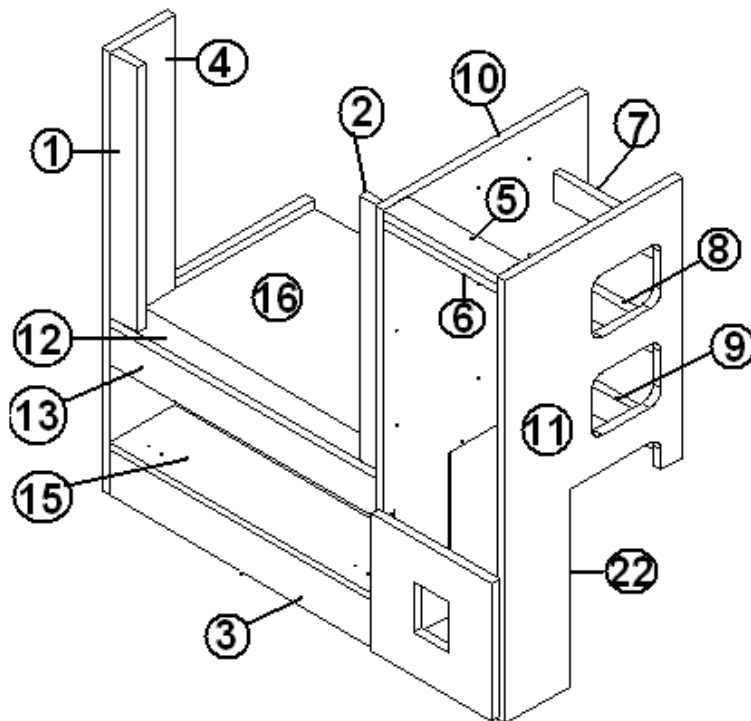
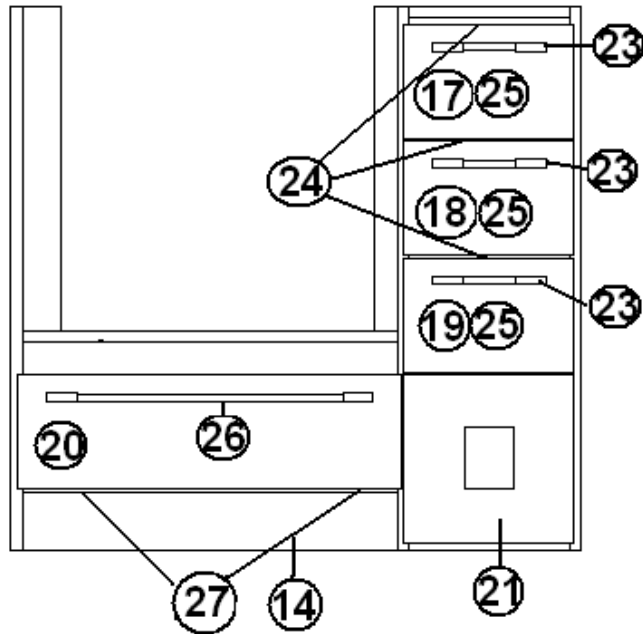
Galley, 25' Front Bed Signature, Oven Section, Wenge - Used on units manufactured on or after 1/2/2012 including serial number 526765.

	967834	GALLEY, OVEN SECTION
1.	967834-1	PANEL, GALLEY 2.63 X 19.25
2.	967834-2	PANEL, GALLEY 1.63 X 19.25
3.	967834-3	PANEL, GALLEY 10.5 X 2.25"
4.	967834-4	PANEL, GALLEY 6 X 35.5"
5.	967834-5	PANEL, GALLEY 2.25 X 10.5"
6.	967834-6	PANEL, GALLEY 2.25 X 10.5"
7.	967834-7	PANEL, GALLEY 2.25" X 10.5"
8.	967834-8	PANEL, GALLEY 2.25" X 10.5"
9.	967834-9	PANEL, GALLEY 2.25" X 10.5"
10.	967834-10	PANEL, GALLEY 18.88" X 35.5"
11.	967834-11	PANEL, GALLEY 16.44" X 35.5"
12.	967834-12	PANEL, GALLEY 2.25" X 24.5"
13.	967834-13	PANEL, GALLEY 24.5" X 3"
14.	967834-14	PANEL, GALLEY 24.5" X 3.75"
15.	967834-15I	PANEL, GALLEY 6" X 24.5"
16.	967834-16	PANEL, GALLEY 18.88" X 25.25"
17.	967834-17	DOOR, GALLEY, 11.13" X 7.5"
18.	967834-18	DOOR, GALLEY 11.13" X 7.5"
19.	967834-19	DOOR, GALLEY 11.13" X 7.5"
20.	967834-20	DOOR, GALLEY 25.13" X 7.5"
21.	967834-21	PANEL, GALLEY
22.	967834-22	PANEL, GALLEY
23.	382029-00	HANDLE-BAR 7.48"
24.	381228-01	CATCH GRABBER DOOR
25.	965560-02	DRAWER BOX, 5.63" X 9.25" X 14"
26.	382029-05	HANDLE, BAR 21.33"
27.	381607	HINGE ASSY-GRASS EURO
	381773-15	DRAWER SLIDE-5.875"X 15.75" (PAIR)

2012 INTERNATIONAL TRAVEL TRAILER

FURNITURE, GALLEY

Galley, 25' Front Bed Signature, Oven Section, SERENITY - Units manufactured on or after 1/2/2012.



Part Numbers on the Next Page

2012 INTERNATIONAL TRAVEL TRAILER

FURNITURE, GALLEY

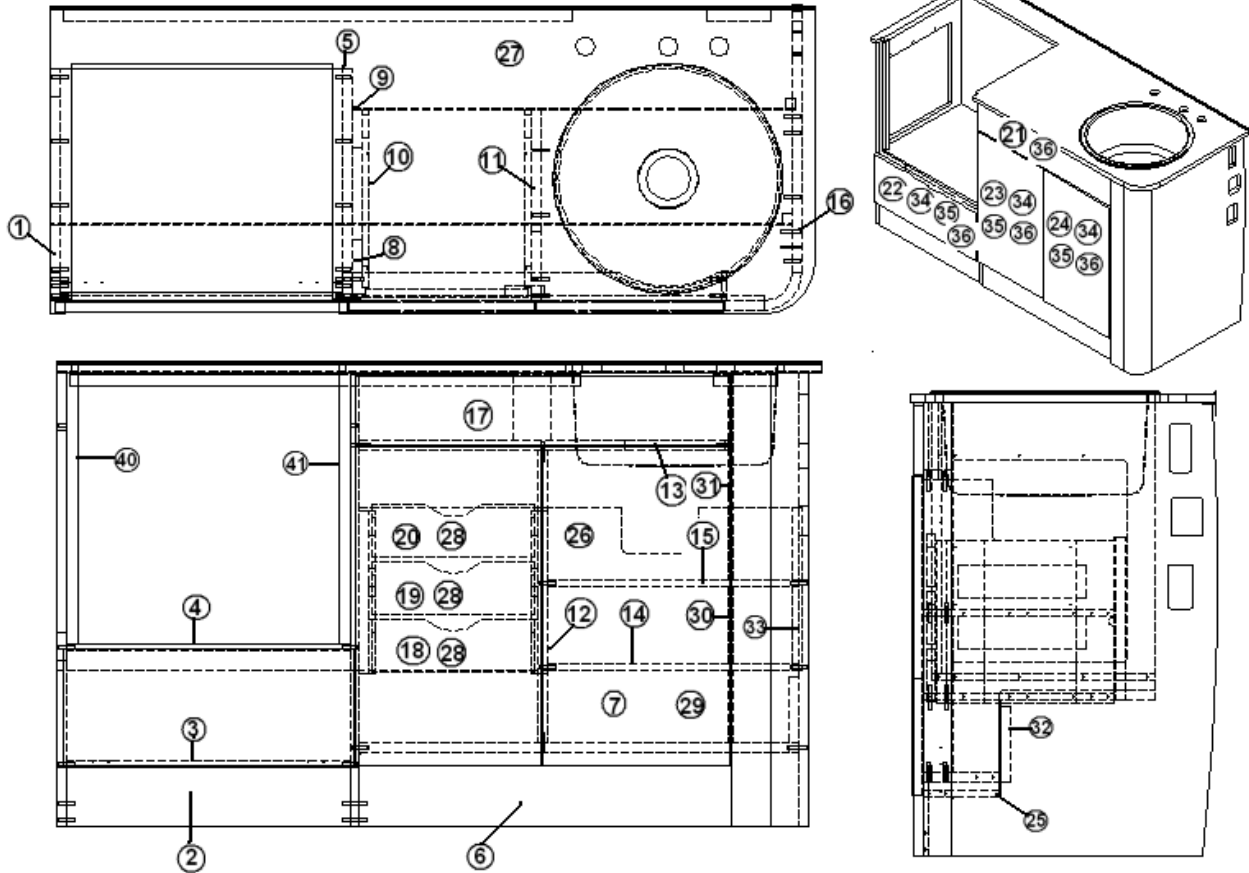
Galley, 25' Front Bed Signature, Oven Section, SERENITY - Used on units manufactured on or after 1/2/2012 including serial number 526765.

	967834-15	GALLEY, OVEN SECTION
1.	967834-151	PANEL, GALLEY 2.63 X 19.25
2.	967834-152	PANEL, GALLEY 1.63 X 19.25
3.	967834-153	PANEL, GALLEY 10.5 X 2.25"
4.	967834-4	PANEL, GALLEY 6 X 35.5"
5.	967834-5	PANEL, GALLEY 2.25 X 10.5"
6.	967834-6	PANEL, GALLEY 2.25 X 10.5"
7.	967834-7	PANEL, GALLEY 2.25" X 10.5"
8.	967834-8	PANEL, GALLEY 2.25" X 10.5"
9.	967834-9	PANEL, GALLEY 2.25" X 10.5"
10.	967834-10	PANEL, GALLEY 18.88" X 35.5"
11.	967834-11	PANEL, GALLEY 16.44" X 35.5"
12.	967834-12	PANEL, GALLEY 2.25" X 24.5"
13.	967834-13	PANEL, GALLEY 24.5" X 3"
14.	967834-1514	PANEL, GALLEY 24.5" X 3.75"
15.	967834-15I	PANEL, GALLEY 6" X 24.5"
16.	967834-16	PANEL, GALLEY 18.88" X 25.25"
17.	967834-1517	DOOR, GALLEY, 11.13" X 7.5"
18.	967834-1518	DOOR, GALLEY 11.13" X 7.5"
19.	967834-1519	DOOR, GALLEY 11.13" X 7.5"
20.	967834-1520	DOOR, GALLEY 25.13" X 7.5"
21.	967834-1521	PANEL, GALLEY
22.	967834-1522	PANEL, GALLEY
23.	382029-00	HANDLE-BAR 7.48"
24.	381228-01	CATCH GRABBER DOOR
25.	965560-02	DRAWER BOX, 5.63" X 9.25" X 14"
26.	382029-05	HANDLE, BAR 21.33"
27.	381607	HINGE ASSY-GRASS EURO
	381773-15	DRAWER SLIDE-5.875"X 15.75" (PAIR)

2012 INTERNATIONAL TRAVEL TRAILER

FURNITURE, GALLEY

Galley, 25' Front Bed Signature – EDDIE BAUER, For Units manufactured prior to 1/2/2012 except for unit 526765.



PARTS ON FOLLOWING PAGE

2012 INTERNATIONAL TRAVEL TRAILER

FURNITURE, GALLEY

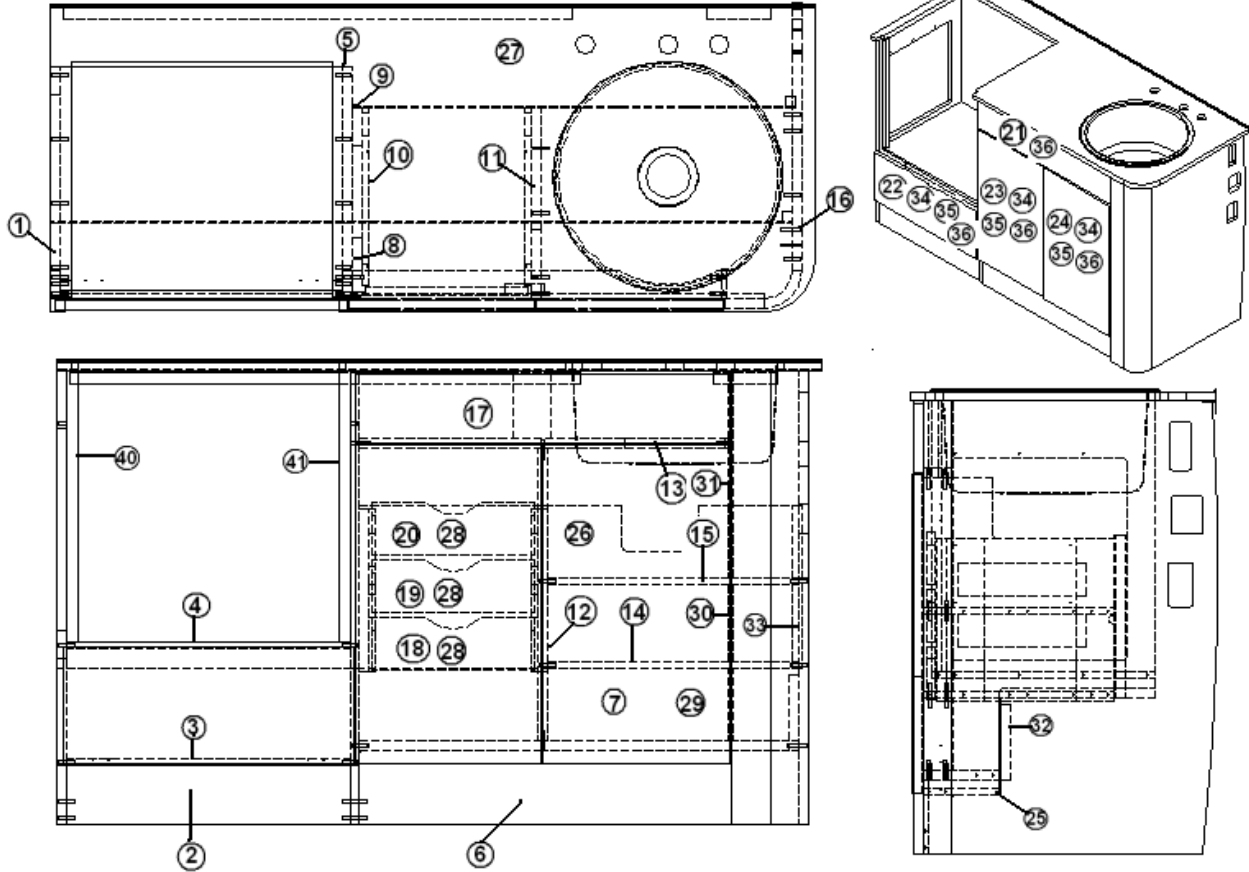
Galley, 25' Front Bed Signature – EDDIE BAUER-For Units manufactured prior to 1/2/2012 except for unit 526765.

967684-19	GALLEY ASSY 25' FB EDDIE BAUER
1. 967684-191	PANEL- 35.5 X 18.25
2. 967684-192	PANEL- 4.63 X22.25
3. 967684-193	PANEL- 6 X 22.25
4. 967684-194	PANEL- 18.25 X 22.25
5. 967684-195	PANEL- 18.25 X 35.5
6. 967684-196	PANEL- 5.75 X 32.25
7. 967684-197	PANEL- 5.96 X 34.5
8. 967684-198	PANEL- 3 X 12.75
9. 967684-199	PANEL- 3 X 12.75
10.967684-1910	PANEL- 14.25 X 12.75
11.967684-1911	PANEL- 14.25 X 12.75
12.967684-1912	PANEL- 15 X 23
13.967684-1913	PANEL- 2.25 X 28.89
14.967684-1914	PANEL- 15.09 X 19.75
15.967684-1915	PANEL- 14.96 X 19.75
16.967654-19	SUB ASSY-GALLEY 25FB EB
17.967684-1917	PANEL- 5.25 X 3
18.967684-1918	PANEL- 12.75 X 4.13
19.967684-1919	PANEL- 12.75 X 4.13
20.967684-1920	PANEL- 12.75 X 4.13
21.967684-1921	PANEL- 29.38 X 5.38
22.967684-1922	PANEL- 22.88 X 9.31
23.967684-1923	PANEL- 14.63 X 25
24.967684-1924	PANEL- 14.63 X 25
25.967684-1925	PANEL- 7.38 X 58.25
26.967684-1926	PANEL- 12.75 X34.50
27.967655-19	TOP ASSY-GALLEY 25FB EB
28.965584-01	DRW BOX ASSY 3.38"X 13.75"X11.
29.967684-1929	PANEL- 2.25 X 5.75
30.967684-1930	PANEL- 2.25 X 6
31.967684-1931	PANEL- 2.25 X 16.25
32.800025-01	PINE ¾" X ¾" STAINED
33.800025-01	PINE ¾" X ¾" STAINED
34.381607	HINGE ASSY-GRASS EURO-SAFARI
35.382029-00	HANDLE-BAR 7.48" #3701-128-CR
36.381228-01	CATCH GRABBER DOOR C3-803
37.381228-01	EDGE BANDING- 1MM X .94" MAPLE
38.365352-01	EDGE BANDING-1MM X .63" MAPLE
39.967656-19	SHELF-GALLEY FLIP UP
40.967684-1940	PANEL, GAL .88X21.19
41.967684-1941	PANEL, GAL .88X21.19

2012 INTERNATIONAL TRAVEL TRAILER

FURNITURE, GALLEY

Galley, 25' Front Bed Signature – EDDIE BAUER, For Units manufactured prior to 1/2/2012 except for unit 526765.



2012 INTERNATIONAL TRAVEL TRAILER

FURNITURE, GALLEY

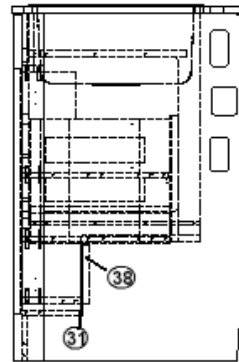
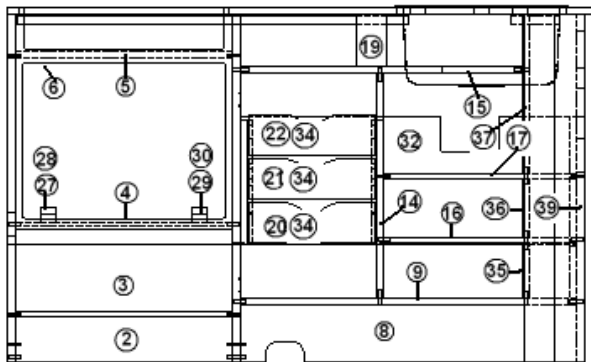
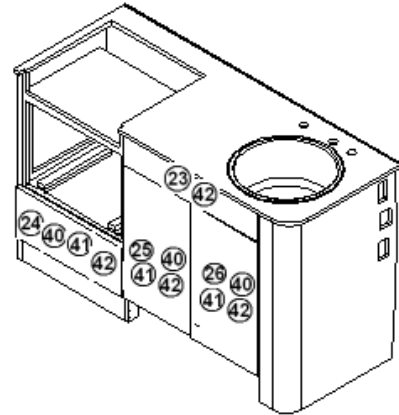
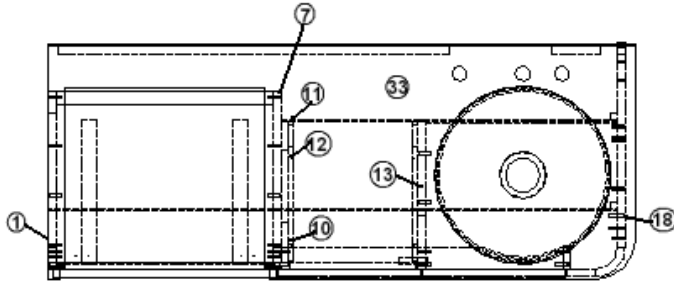
Galley, 25' Front Bed Signature – EDDIE BAUER- Used on units manufactured on or after 1/2/2012 including serial number 526765.

967836	GALLEY ASSY 25' FB EDDIE BAUER
1. 967836-1	PANEL- 35.5 X 18.25
2. 967836-2	PANEL- 4.63 X22.25
3. 967836-3	PANEL- 6 X 22.25
4. 967836-4	PANEL- 18.25 X 22.25
5. 967836-5	PANEL- 18.25 X 35.5
6. 967836-6	PANEL- 5.75 X 32.25
7. 967836-7	PANEL- 5.96 X 34.5
8. 967836-8	PANEL- 3 X 12.75
9. 967836-9	PANEL- 3 X 12.75
10.967836-10	PANEL- 14.25 X 12.75
11.967836-11	PANEL- 14.25 X 12.75
12.967836-12	PANEL- 15 X 23
13.967836-13	PANEL- 2.25 X 28.89
14.967836-14	PANEL- 15.09 X 19.75
15.967836-15	PANEL- 14.96 X 19.75
16.967837	SUB ASSY-GALLEY 25FB EB
17.967836-17	PANEL- 5.25 X 3
18.967836-18	PANEL- 12.75 X 4.13
19.967836-19	PANEL- 12.75 X 4.13
20.967836-20	PANEL- 12.75 X 4.13
21.967836-21	PANEL- 29.38 X 5.38
22.967836-22	PANEL- 22.88 X 9.31
23.967836-23	PANEL- 14.63 X 25
24.967836-24	PANEL- 14.63 X 25
25.967836-25	PANEL- 7.38 X 58.25
26.967836-26	PANEL- 12.75 X34.50
27.967835	TOP ASSY-GALLEY 25FB EB
28.965584-01	DRW BOX ASSY 3.38"X 13.75"X11.
29.967836-29	PANEL- 2.25 X 5.75
30.967836-30	PANEL- 2.25 X 6
31.967836-31	PANEL- 2.25 X 16.25
32.800025-01	PINE ¾" X ¾" STAINED
33.800025-01	PINE ¾" X ¾" STAINED
34.381607	HINGE ASSY-GRASS EURO-SAFARI
35.382029-00	HANDLE-BAR 7.48" #3701-128-CR
36.381228-01	CATCH GRABBER DOOR C3-803
37.365352-02	EDGE BANDING- 1MM X .94" MAPLE
38.365352-01	EDGE BANDING-1MM X .63" MAPLE
39.967656-19	SHELF-GALLEY FLIP UP
40.967836-40	PANEL, GAL .88X21.19
41.967836-41	PANEL, GAL .88X21.19

2012 INTERNATIONAL TRAVEL TRAILER

FURNITURE, GALLEY

GALLEY- OPTIONAL CONVECTION MICROWAVE 25' Front Bed - EDDIE BAUER
Use on units manufactured before 1/2/2012 except for units
526730, 526748, 526746, 526749, 526152, 526757, and 526763.



PARTS LISTED ON NEXT PAGE

2012 INTERNATIONAL TRAVEL TRAILER

FURNITURE, GALLEY

CONV. M/W 25' Front Bed-EDDIE BAUER- Use on units manufactured before 1/2/2012 except for units 526730, 526748, 526746, 526749, 526152, 526757, and 526763.

967652-19	GALLEY, CONVECTION MICROWAVE
1. 967652-191	PANEL, GAL 35.5X18.25
2. 967652-192	PANEL, GAL 4.63X22.25
3. 967652-193	PANEL, GAL 6X22.25
4. 967652-194	PANEL, GAL 17.5X22.25
5. 967652-195	PANEL, GAL 16.13X22.25
6. 967652-196	PANEL, GAL 22.25X21.94
7. 967652-197	PANEL, GAL 18.25X35.5
8. 967652-198	PANEL, GAL 5.75X32.25
9. 967652-199	PANEL, GAL 5.96X34.5
10. 967652-1910	PANEL, GAL 3X12.75
11. 967652-1911	PANEL, GAL 3X12.75
12. 967652-1912	PANEL, GAL 14.25X12.75
13. 967652-1913	PANEL, GAL 14.25X12.75
14. 967652-1914	PANEL, GAL 15.09X23
15. 967652-1915	PANEL, GAL 2.25X28.89
16. 967652-1916	PANEL, GAL 15.09X19.75
17. 967652-1917	PANEL, GAL 15X19.75
18. 967654-19	SUB ASSY-GALLEY 25FB EB
19. 967652-1919	PANEL, GAL 5.25X3
20. 967652-1920	PANEL, GAL 12.75X4.13
21. 967652-1921	PANEL, GAL 12.75X4.13
22. 967652-1922	PANEL, GAL 12.75X4.13
23. 967652-1923	PANEL, GAL 29.38X5.38
24. 967652-1924	PANEL, GAL 22.88X9.31
25. 967652-1925	PANEL, GAL 14.63X25
26. 967652-1926	GAL 14.63X25
27. 800506-06	PLYWOOD,3/4"X4'X8'
28. 800506-06	PLYWOOD,3/4"X4'X8'
29. 800506-06	PLYWOOD,3/4"X4'X8'
30. 800506-06	PLYWOOD,3/4"X4'X8'
31. 967652-1931	PANEL, GAL 7.38X58.25
32. 967652-1932	PANEL, GAL 12.75X34.5
33. 967655-19	TOP ASSY-GALLEY 25FB EB.
34. 965584-01	DRW BOX ASSY 3.38"X 13.75"X11.
35. 967652-1935	PANEL, GAL 2.25X5.75
36. 967652-1936	PANEL, GAL 2.25X6
37. 967652-1937	PANEL, GAL 2.25X16.25
38. 800025-01	PINE 3/4" X 3/4" STAINED
39. 800025-01	PINE 3/4" X 3/4" STAINED
40. 381607	HINGE ASSY-GRASS EURO-SAFARI
41. 382029-00	HANDLE-BAR 7.48" #3701-128-CR
42. 381228-01	CATCH GRABBER DOOR C3-803
43. 365352-01	EDGE BANDING-1MM X .63" MAPLE

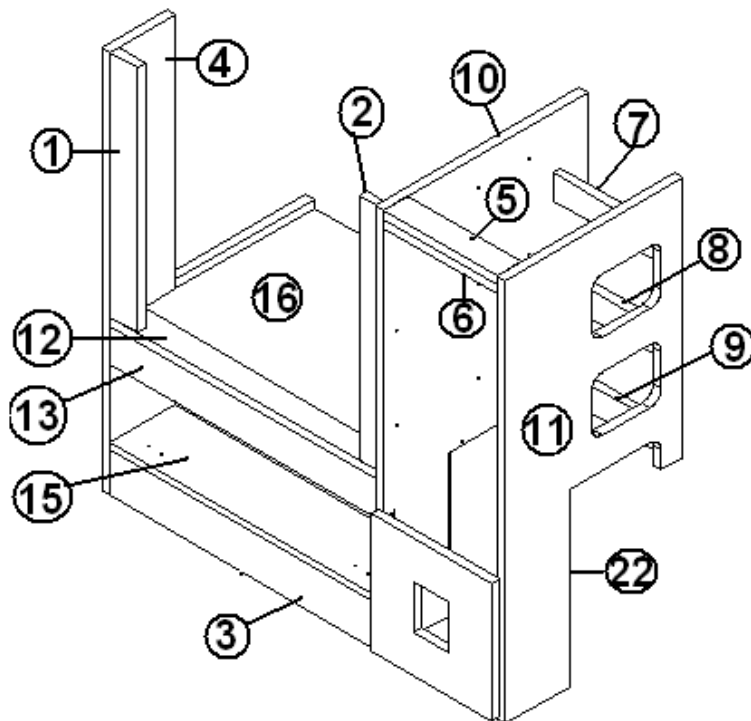
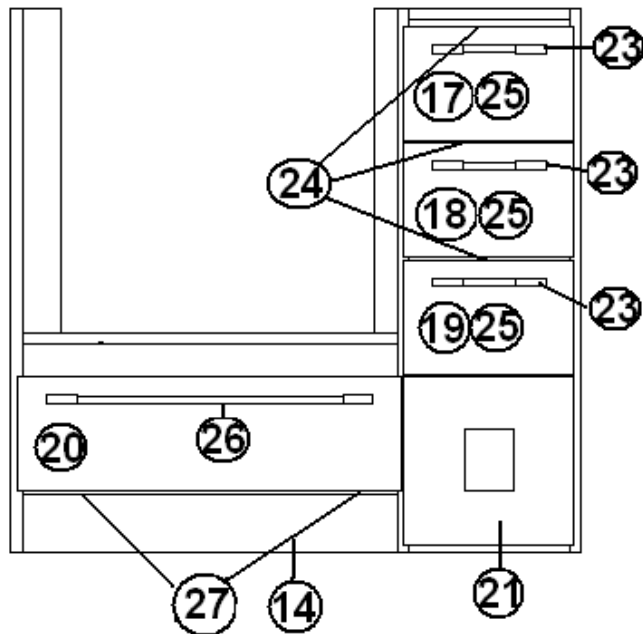
2012 INTERNATIONAL TRAVEL TRAILER

- 44. 365352-02 EDGEBANDING- 1MM X .94" MAPLE
- 45. 967656-19 SHELF-GALLEY FLIP UP 25FB EB

2012 INTERNATIONAL TRAVEL TRAILER

FURNITURE, GALLEY

Galley, 25' Front Bed Signature, Oven Section, Serenity, For Units manufactured prior to 1/2/2012 except for unit 526765.



Part Numbers on the Next Page

2012 INTERNATIONAL TRAVEL TRAILER

FURNITURE, GALLEY

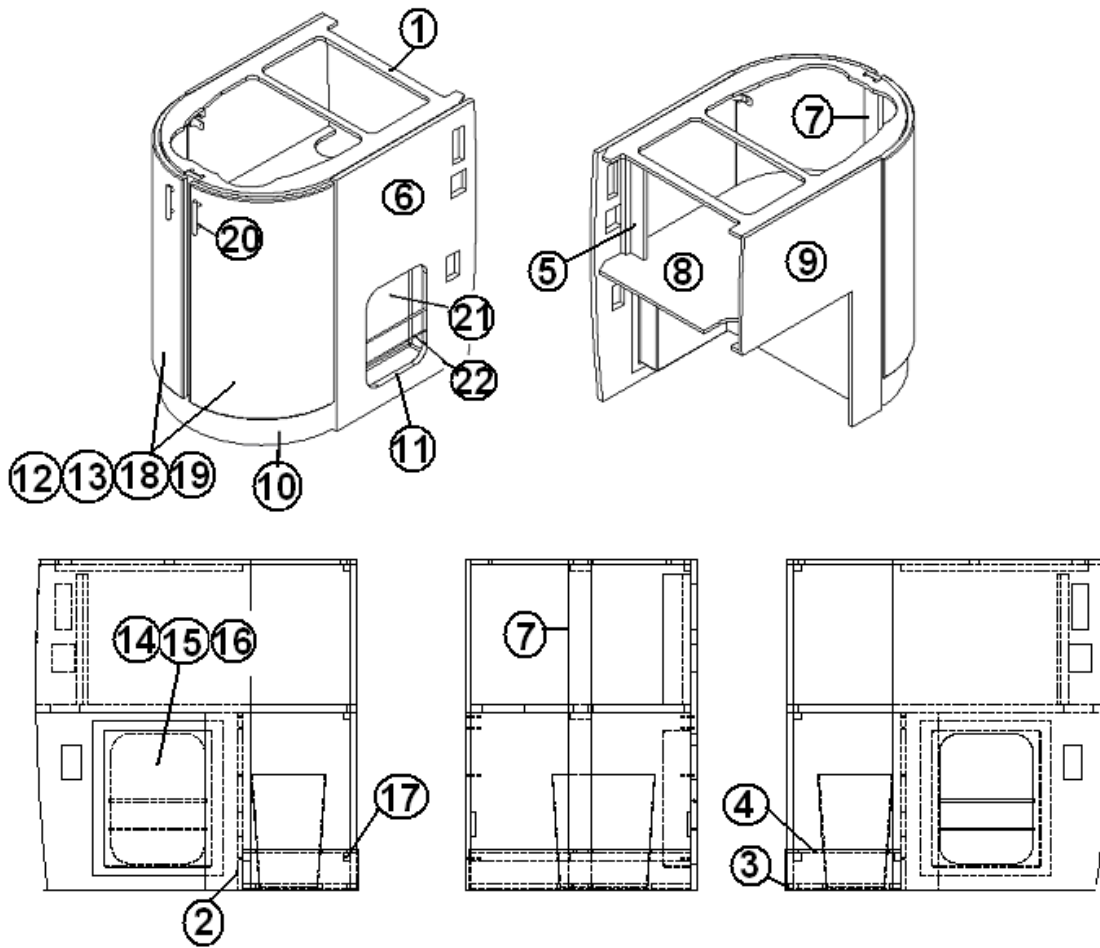
Galley, 25' Front Bed Signature, Oven Section, SERENITY – For Units manufactured prior to 1/2/2012 except for unit 526765.

966908-15	GALLEY, OVEN SECTION
1. 966908-151	PANEL, GALLEY 2.5 X 21.19"
2. 966908-152	PANEL, GALLEY 1.5 X 21.19"
3. 966908-153	PANEL, GALLEY 10.5 X 2.25"
4. 966908-4	PANEL, GALLEY 6 X 35.5"
5. 966908-5	PANEL, GALLEY 3 X 10.5"
6. 966908-6	PANEL, GALLEY 3" X 10.5"
7. 966908-7	PANEL, GALLEY 2.25" X 10.5"
8. 966908-8	PANEL, GALLEY 2.25" X 10.5"
9. 966908-9	PANEL, GALLEY 2.25" X 10.5"
10. 966908-10	PANEL, GALLEY 18.88" X 35.5"
11. 966908-11	PANEL, GALLEY 16.44" X 35.5"
12. 966908-12	PANEL, GALLEY 2.25" X 24.5"
13. 966908-1513	PANEL, GALLEY 24.5" X 3"
14. 966908-1514	PANEL, GALLEY 24.5" X 3.75"
15. 966908-15I	PANEL, GALLEY 6" X 24.5"
16. 966908-16	PANEL, GALLEY 18.38" X 25.25"
17. 966908-1517	DOOR, GALLEY, 11.13" X 7.5"
18. 966908-1518	DOOR, GALLEY 11.13" X 7.5"
19. 966908-1519	DOOR, GALLEY 11.13" X 7.5"
20. 966908-1520	DOOR, GALLEY 25.13" X 7.5"
21. 966908-1521	PANEL, GALLEY, 11.13" X 11"
22. 966908-1522	PANEL, GALLEY, 26.00" X 9.31"
23. 382115	PULL – FLAT BLACK #M575
24. 381228-01	CATCH GRABBER DOOR
25. 965560-02	DRAWER BOX, 5.63" X 9.25" X 14"
26. 382115	PULL – FLAT BLACK #M575
27. 381607	HINGE ASSY-GRASS EURO
381773-15	DRAWER SLIDE-5.875"X 15.75"

2012 INTERNATIONAL TRAVEL TRAILER

FURNITURE, GALLEY

Galley, 25' Front Bed Signature, Aft Section, Wenge, Use on units manufactured before 1/2/2012 except for units 526730, 526748, 526746, 526749, 526152, 526757, 526763 & 526765.



Part Numbers on the Next Page

2012 INTERNATIONAL TRAVEL TRAILER

FURNITURE, GALLEY

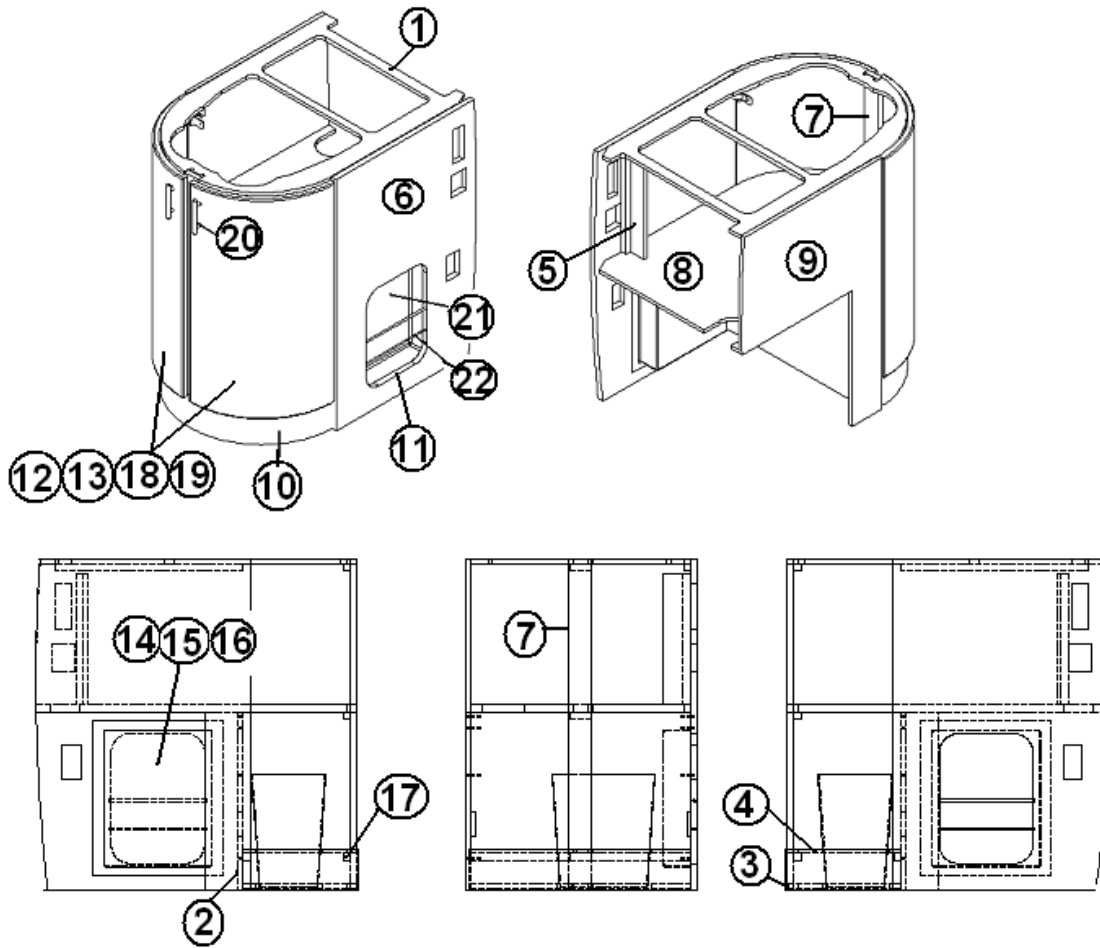
Galley, 25' Front Bed Signature, Aft Section, Wenge, Use on units manufactured before 1/2/2012 except for units 526730, 526748, 526746, 526749, 526152, 526757, 526763 & 526765.

966907	GALLEY AFT SECTION
1. 966907-1	PANEL, 23.5 X 33.94
2. 966907-2	PANEL, 23.54 X 19.13
3. 966907-3	PANEL, 23.5 X 12.21
4. 966907-4	PANEL, 23.5 X 12.21
5. 966907-5	PANEL, 3 X 14
6. 966907-6	PANEL, 35.5 X 23.04
7. 966907-7	PANEL, 2.44 X 35.5
8. 966907-8	PANEL, 24.91 X 34.4
9. 966907-9	PANEL, 23.06 X 35.5
10. 115309	TOE KICK, GALLEY ALUMINUM
11. 203440	T MOLDING, BLACK EMBOSSED .8125
12.381856	CATCH, TENSION 2-BALL
13.966474-01	DOOR, RADIUS, 16.26"X 31", WENGE
14.381654	HINGE, GLASS DOOR, BLACK
15.381707	STRIKE W/PULL, GLASS DOOR, BLACK
16.371391	DOOR, GLASS 11.56"X 13.06"
17.800025-01	PINE 3/4" X 3/4" STAINED
18.381607-07	BRACKET, BLIND CORNER 90D
19.381607	HINGE ASSY
20.382029-00	HANDLE BAR 7.48"
21.203383	RACK, MAGAZINE RACK
22.115042	ROD, .25" ALUMNUM
203483	COVER, ROUND SINK, 17.75"
381708	WASTEBASKET, 11.38" X 8.25" X 12"
966910	SHELF, GALLEY FLIP UP
381614	FOLDING SHELF BRACKET
381808	BRACKET, FACE MOUNT, HINGE

2012 INTERNATIONAL TRAVEL TRAILER

FURNITURE, GALLEY

Galley, 25' Front Bed Signature, Aft Section, Wenge,
Used on units manufactured on or after 1/2/2012 including serial
number 526765.



Part Numbers on the Next Page

2012 INTERNATIONAL TRAVEL TRAILER

FURNITURE, GALLEY

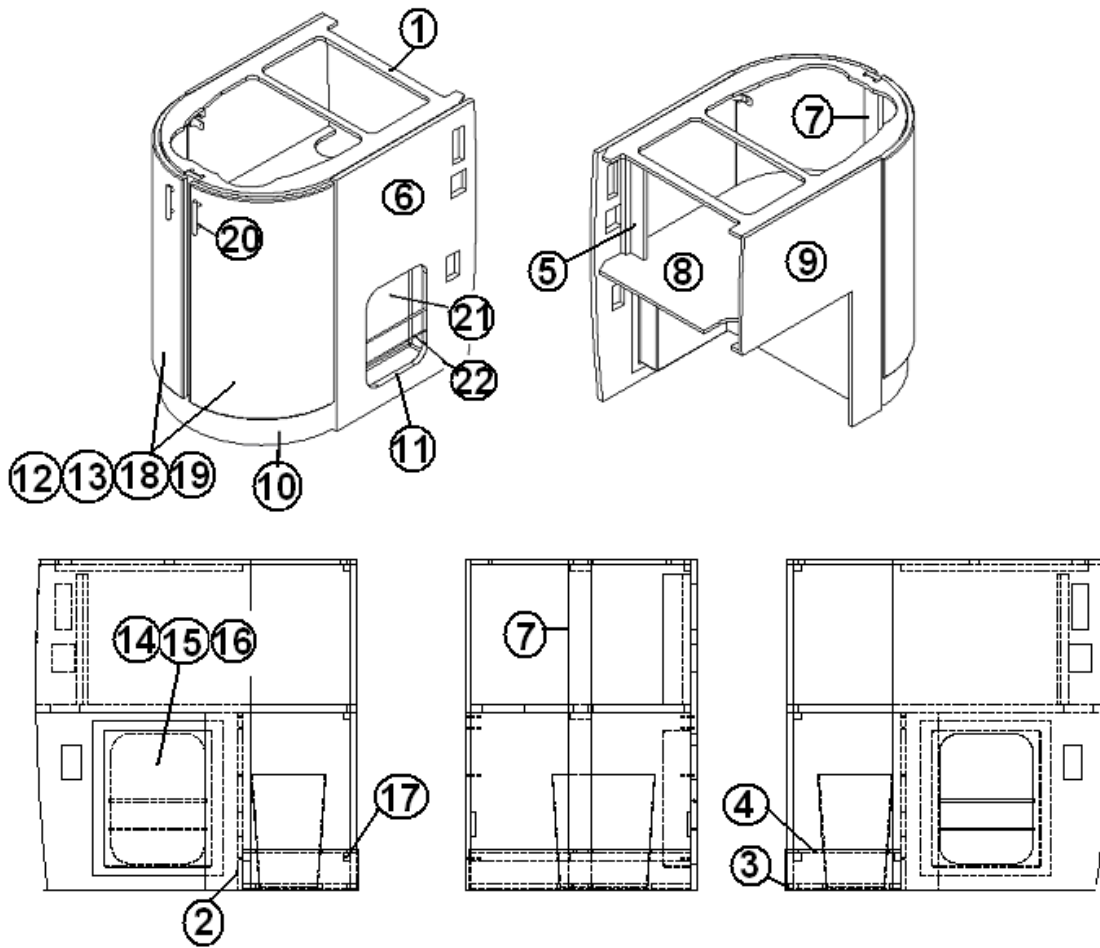
Galley, 25' Front Bed Signature, Aft Section, Wenge,
Used on units manufactured on or after 1/2/2012 including serial
number 526765.

	967833	GALLEY AFT SECTION
1.	967833-1	PANEL, 23.5 X 33.94
2.	967833-2	PANEL, 23.54 X 19.13
3.	967833-3	PANEL, 23.5 X 12.21
4.	967833-4	PANEL, 23.5 X 12.21
5.	967833-5	PANEL, 3 X 14
6.	967833-6	PANEL, 35.5 X 23.04
7.	967833-7	PANEL, 2.44 X 35.5
8.	967833-8	PANEL, 24.91 X 34.4
9.	967833-9	PANEL, 23.06 X 35.5
10.	115309	TOE KICK, GALLEY ALUMINUM
11.	203440	T MOLDING, BLACK EMBOSSED .8125
12.	381856	CATCH, TENSION 2-BALL
13.	801787-01Z	DOOR, RADIUS, 16.26"X 31", WENGE
14.	381607	HINGE, GLASS DOOR, BLACK
15.	381707	STRIKE W/PULL, GLASS DOOR, BLACK
16.	371391	DOOR, GLASS 11.56"X 13.06"
17.	800025-01	PINE 3/4" X 3/4" STAINED
18.	381607-07	BRACKET, BLIND CORNER 90D
19.	381607	HINGE ASSY
20.	382029-00	HANDLE BAR 7.48"
21.	203383	RACK, MAGAZINE RACK
22.	115042	ROD, .25" ALUMNUM
	203483	COVER, ROUND SINK, 17.75"
	381708	WASTEBASKET, 11.38" X 8.25" X 12"
	966910	SHELF, GALLEY FLIP UP
	381614	FOLDING SHELF BRACKET
	381808	BRACKET, FACE MOUNT, HINGE

2012 INTERNATIONAL TRAVEL TRAILER

FURNITURE, GALLEY

Galley, 25' Front Bed Signature, Aft Section, Serenity. Use on units manufactured before 1/2/2012 except for units 526730, 526748, 526746, 526749, 526152, 526757, 526763 & 526765.



Part Numbers on the Next Page

2012 INTERNATIONAL TRAVEL TRAILER

FURNITURE, GALLEY

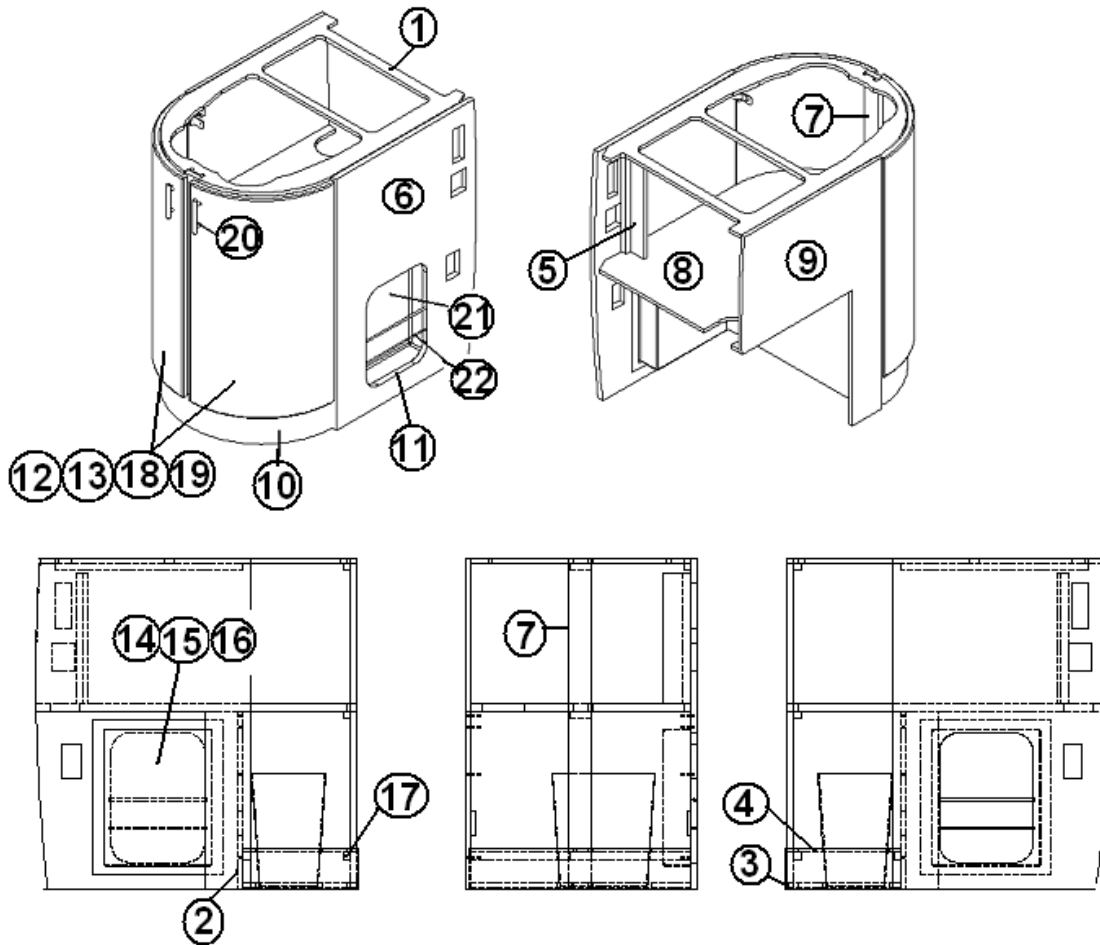
Galley, 25' Front Bed Signature, Aft Section, Serenity – Use on units manufactured before 1/2/2012 except for units 526730, 526748, 526746, 526749, 526152, 526757, 526763 & 526765.

966907-15	GALLEY AFT SECTION
1. 966907-1	PANEL, 23.5 X 33.94
2. 966907-2	PANEL, 23.54 X 19.13
3. 966907-3	PANEL, 23.5 X 12.21
4. 966907-4	PANEL, 23.5 X 12.21
5. 966907-5	PANEL, 3 X 14
6. 966907-156	PANEL, 35.5 X 23.04
7. 966907-157	PANEL, 2.44 X 35.5
8. 966907-8	PANEL, 24.91 X 34.4
9. 966907-159	PANEL, 23.06 X 35.5
10. 115309	TOE KICK, GALLEY ALUMINUM
11.203693	T MOLDING, BEIGE - EMBOSSED
12.381856	CATCH, TENSION 2-BALL
13.801787-0118	DOOR RADIUS FOAM 16.97 X 31 ASIAN SAND
14.381654	HINGE, GLASS DOOR, BLACK
15.381707	STRIKE W/PULL, GLASS DOOR
16.371391	DOOR, GLASS 11.56"X 13.06"
17.800025-01	PINE 3/4" X 3/4" STAINED
18.381808	BRACKET, FACE MOUNT HINGE #39184
19.381607	HINGE ASSY
20.382115	PULL, FLAT BLACK #M575
21.203383	RACK, MAGAZINE RACK
22.115042	ROD, .25" ALUMNUM
203483	COVER, ROUND SINK, 17.75"
381708	WASTEBASKET, 11.38" X 8.25" X 12"
966910-15	SHELF, GALLEY FLIP UP
381614	FOLDING SHELF BRACKET
203464-02	TRIM PANEL, BEIGE 3/4"

2012 INTERNATIONAL TRAVEL TRAILER

FURNITURE, GALLEY

Galley, 25' Front Bed Signature, Aft Section, SERENITY, Used on units manufactured on or after 1/2/2012 including serial number 526765.



Part Numbers on the Next Page

2012 INTERNATIONAL TRAVEL TRAILER

FURNITURE, GALLEY

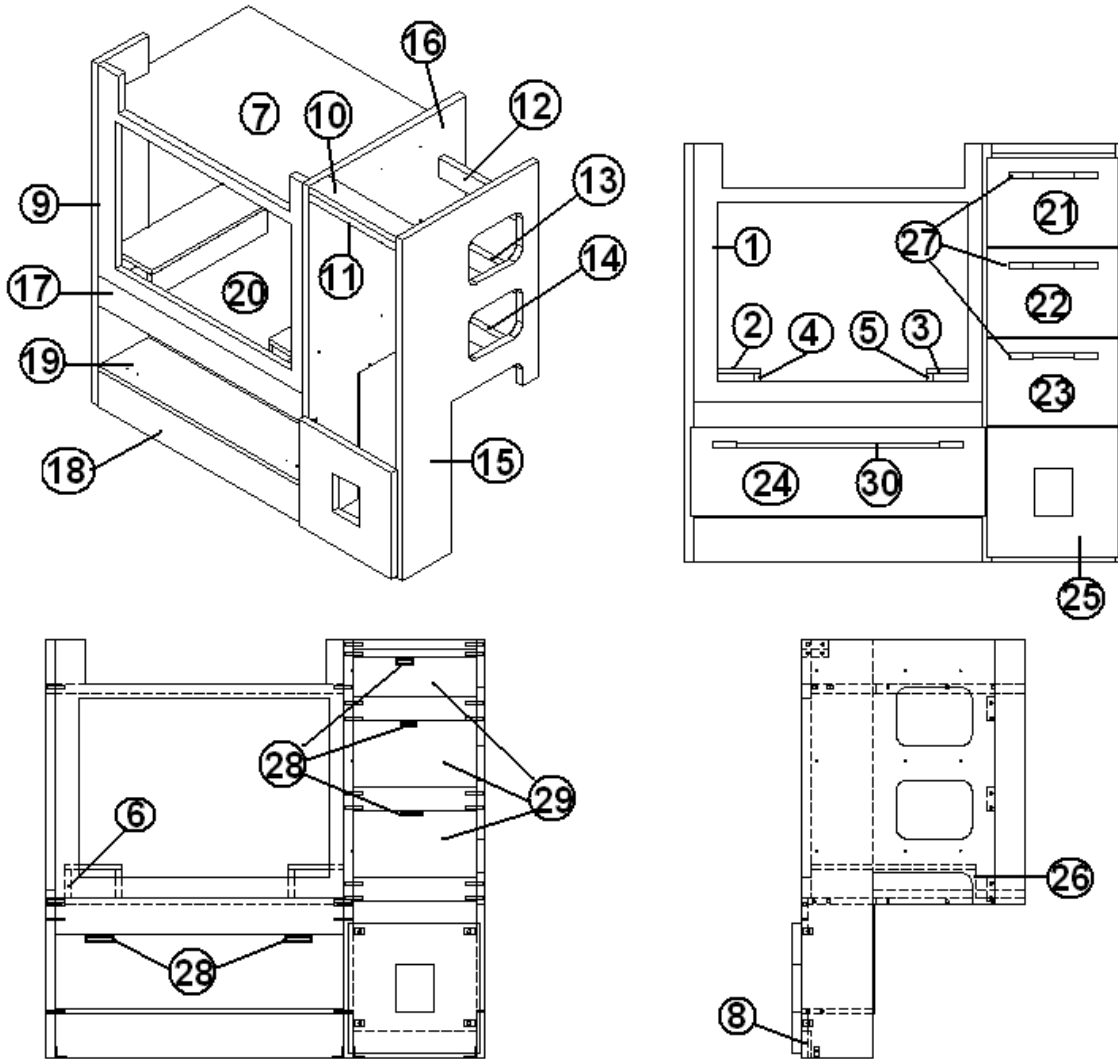
Galley, 25' Front Bed Signature, Aft Section, SERENITY, Used on units manufactured on or after 1/2/2012 including serial number 526765.

	967833-15	GALLEY AFT SECTION
1.	967833-1	PANEL, 23.5 X 33.94
2.	967833-2	PANEL, 23.54 X 19.13
3.	967833-3	PANEL, 23.5 X 12.21
4.	967833-4	PANEL, 23.5 X 12.21
5.	967833-5	PANEL, 3 X 14
6.	967833-156	PANEL, 35.5 X 23.04
7.	967833-157	PANEL, 2.44 X 35.5
8.	967833-8	PANEL, 24.91 X 34.4
9.	967833-159	PANEL, 23.06 X 35.5
10.	115309	TOE KICK, GALLEY ALUMINUM
11.	203693	T MOLDING, BEIGE EMBOSSED .8125
12.	381856	CATCH, TENSION 2-BALL
13.	801787-0118	DOOR, RADIUS, 16.26"X 31", WENGE
14.	381607	HINGE, GLASS DOOR, BLACK
15.	381707	STRIKE W/PULL, GLASS DOOR, BLACK
16.	371391	DOOR, GLASS 11.56"X 13.06"
17.	800025-01	PINE 3/4" X 3/4" STAINED
18.	381607-07	BRACKET, BLIND CORNER 90D
19.	381607	HINGE ASSY
20.	382115	PULL - BLACK
21.	203383	RACK, MAGAZINE RACK
22.	115042	ROD, .25" ALUMNUM
	203483	COVER, ROUND SINK, 17.75"
	381708	WASTEBASKET, 11.38" X 8.25" X 12"
	966910	SHELF, GALLEY FLIP UP
	381614	FOLDING SHELF BRACKET
	381808	BRACKET, FACE MOUNT, HINGE

2012 INTERNATIONAL TRAVEL TRAILER

FURNITURE, GALLEY

Galley, 25' Front Bed Signature, Oven Section, Microwave Option, Wenge ,Use on units manufactured before 1/2/2012 except for units 526730, 526748, 526746, 526749, 526152, 526757, and 526763.



Part Numbers on the Next Page

2012 INTERNATIONAL TRAVEL TRAILER

FURNITURE, GALLEY

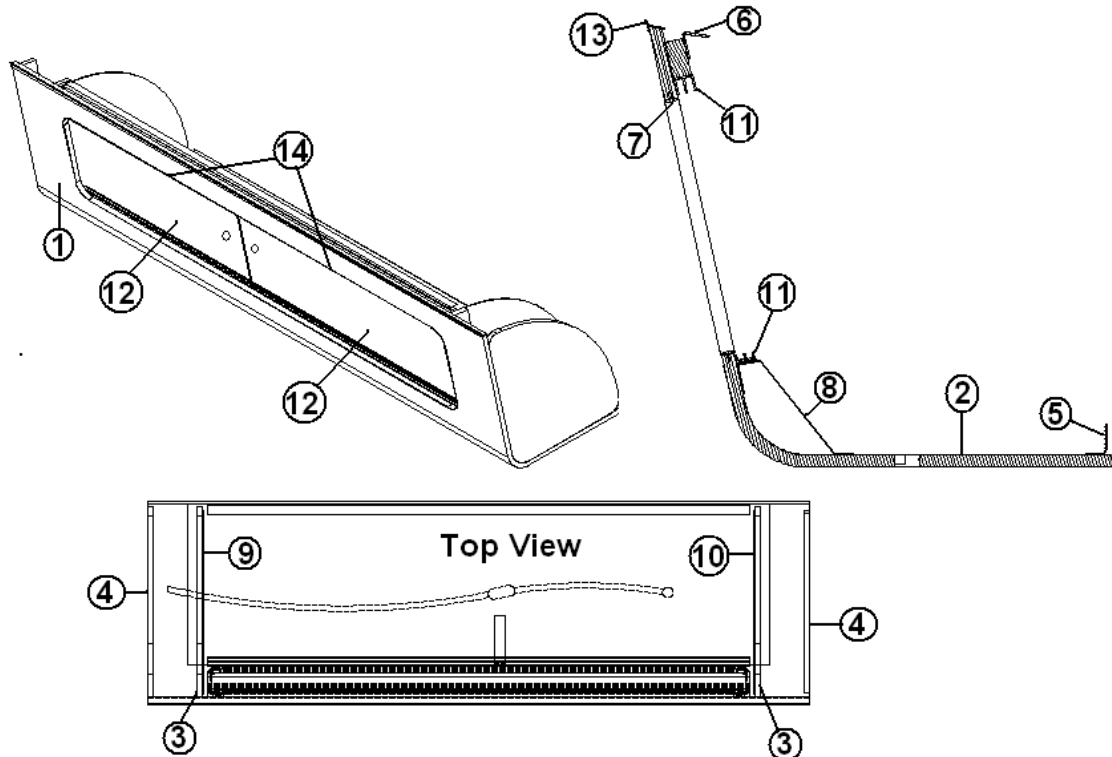
Galley, 25' Front Bed Signature, Oven Section, Use on units manufactured before 1/2/2012 except for units 526730, 526748, 526746, 526749, 526152, 526757, and 526763.

966950	GALLEY, OVEN SECTION
1. 966950-1	PANEL, GALLEY 2.5 X 21.94"
2. 966950-2	PANEL, GALLEY 4.75 X 14.00"
3. 966950-3	PANEL, GALLEY 4.75 X 14.00"
4. 966950-4	PANEL, GALLEY 2.44 X 14.00"
5. 966950-5	PANEL, GALLEY 2.44 X 14.00"
6. 966950-6	PANEL, GALLEY 2.44 X 14.00"
7. 966950-7	PANEL, GALLEY 18.13" X 25.25"
8. 966950-8	PANEL, GALLEY 2.25" X 10.5"
9. 966950-9	PANEL, GALLEY 6.00" X 35.5"
10. 966950-10	PANEL, GALLEY 2.25" X 10.5"
11. 966950-11	PANEL, GALLEY 2.25" X 10.5"
12. 966950-12	PANEL, GALLEY 2.25" X 10.5"
13. 966950-13	PANEL, GALLEY 2.25" X 10.5"
14. 966950-14	PANEL, GALLEY 2.25" X 10.5"
15. 966950-15	PANEL, GALLEY 18.88" x 35.50"
16. 966950-16	PANEL, GALLEY 16.44" X 35.50"
17. 966950-17	PANEL, GALLEY, 3" X 24.50"
18. 966950-18	PANEL, GALLEY 3.75" X 24.5"
19. 966950-19	PANEL, GALLEY 6" X 24.5"
20. 966950-20	PANEL, GALLEY 18.38" X 25.25"
21. 966950-21	DOOR, GALLEY 11.13" X 7.5"
22. 966950-22	DOOR, GALLEY 11.13" X 7.5"
23. 966950-23	DOOR, GALLEY 11.13" X 7.5"
24. 966950-24	DOOR, GALLEY 25.13" X 7.5"
25. 966950-25	PANEL, GALLEY 11.13" X 11"
26. 966950-26	PANEL, GALLEY 26" X 9.31"
27. 382029-00	HANDLE-BAR 7.48"
28. 381228-01	CATCH GRABBER DOOR
29. 965560-02	DRAWER BOX, 5.63" X 9.25" X 14"
30. 382029-05	HANDLE, BAR 21.33"
381607	HINGE ASSY-GRASS EURO
381773-15	DRAWER SLIDE-5.875"X 15.75" (PAIR)

2012 INTERNATIONAL TRAVEL TRAILER

FURNITURE, GALLEY

Roof Locker, Galley, 25' Front Bed Signature, Wenge

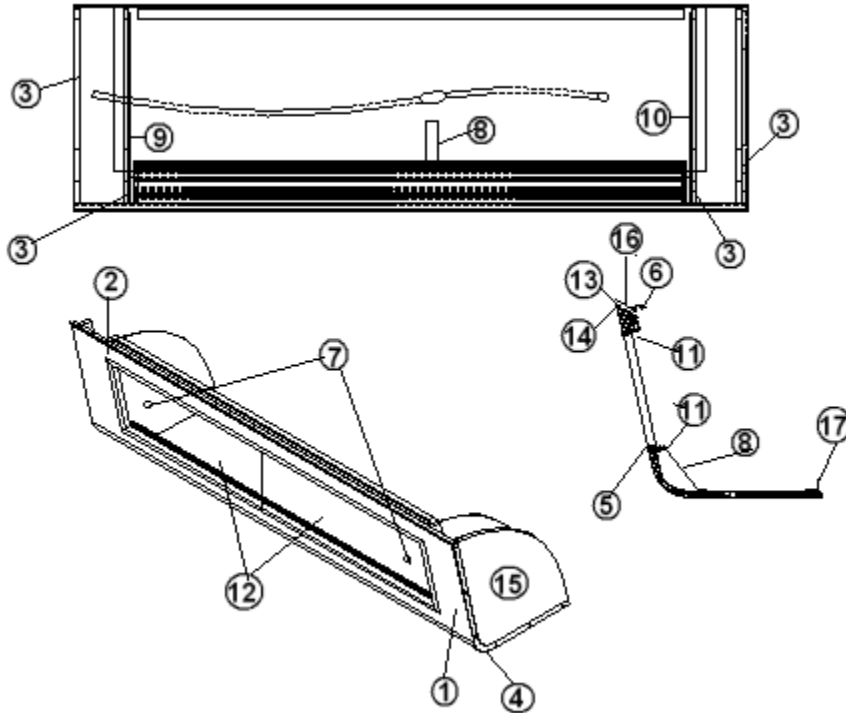


- | | |
|---------------|----------------------------------|
| 966911 | ROOF LOCKER, GALLEY 25FB |
| 1. 801726 | LOCKER FACE, GALLEY |
| 2. 801537 | PANEL, 12mm w/SPECIAL GROOVES F. |
| 3. 801545-02 | DIVIDER PARTIAL |
| 4. 115375 | EXTRUSION, FORMED R/L END |
| 5. 115227-02 | ANGLE, LOCKER TRACK SUPPORT |
| 6. 104821 | SUPPORT, ROOFLOCKER, 74" |
| 7. 203445-01 | T-MOLDING, .5625" WHITE |
| 8. 115226 | BRACKET, LOCKER CENTER SUPPORT |
| 9. 801539-01 | DIVIDER, GALLEY LOCKER LH |
| 10. 801539-02 | DIVIDER, GALLEY LOCKER |
| 11. 203388 | SLIDING DOOR TRACK, 56-1/5" |
| 12. 965563-09 | DOOR, SLIDING 11.31" X 26.25" |
| 13. 201673 | REVERSE COVE MOLDING, WHITE |
| 14. 454613 | SPRING-LEAF R/L |

2012 INTERNATIONAL TRAVEL TRAILER

FURNITURE, GALLEY

Roof Locker, Galley, 25' Front Bed Signature, Serenity

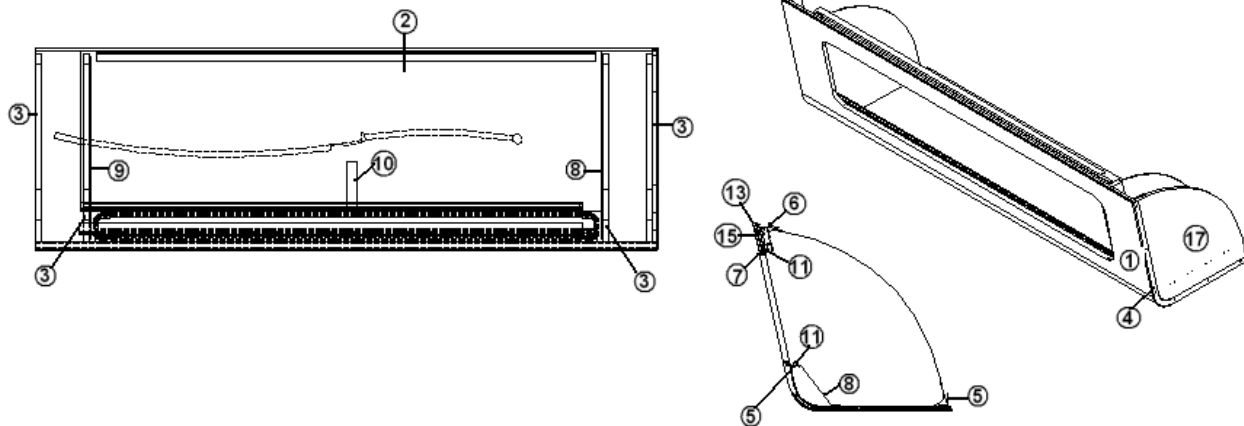


967558-15	ROOFLOCKER ASSY-GALLEY
1. 801851-01	FACE-GALLEY ROOFLOCKER
2. 801355-01	LAMINATE-FROST WHT
3. 801851-02	DIVIDER-GALLEY ROOFLOCKER
4. 115375	EXTR.-FORMED R/L END INT.
5. 114812	ALUM. ANGLE 1.00 X 1.00
6. 104821	SUPPORT, ROOFLOCKER, 74"
7. 382114	KNOB-BRUSH.SATIN NICKEL #M576
8. 115226	BRACKET-FORMED-LOCKER CTR SUPP
9. 801539-01	DIVIDER-GALLEY LOCKER LH
10. 801539-02	DIVIDER-GALLEY LOCKER RH
11. 203388	TRACK-SLIDING DOOR
12. 203677-02	DOOR-MARI 11.31X26.25
13. 201673	REVERSE COVE MOLDING, WHITE, P
14. 800506-04	PLYWOOD,1/2"X4'X8'
15. 967558-1517	PANEL, GAL R/L 18.21X17.15
16. 115483	ANGLE-ALUM .06X.75"X.75"X6'
17. 800506-04	PLYWOOD,1/2"X4'X8'
18. 114812	ALUM. ANGLE 1.00 X 1.00
454613	LEAF SPRING

2012 INTERNATIONAL TRAVEL TRAILER

FURNITURE, GALLEY

Roof Locker, Galley, 25' Front Bed - EDDIE BAUER

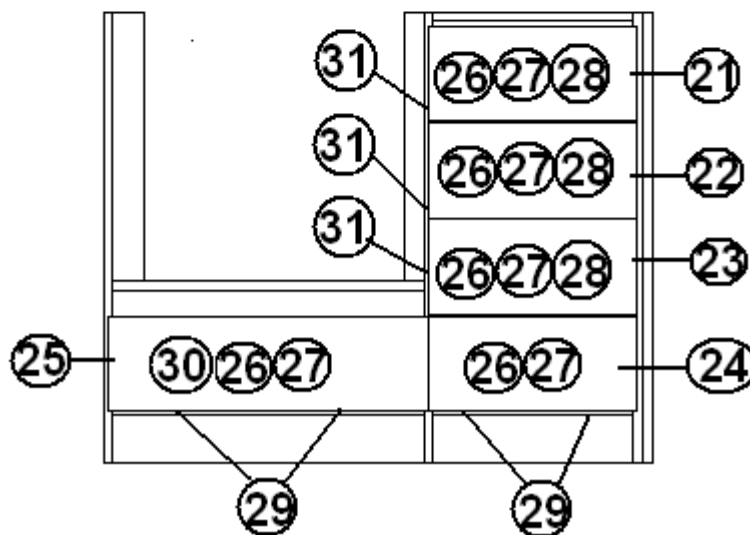
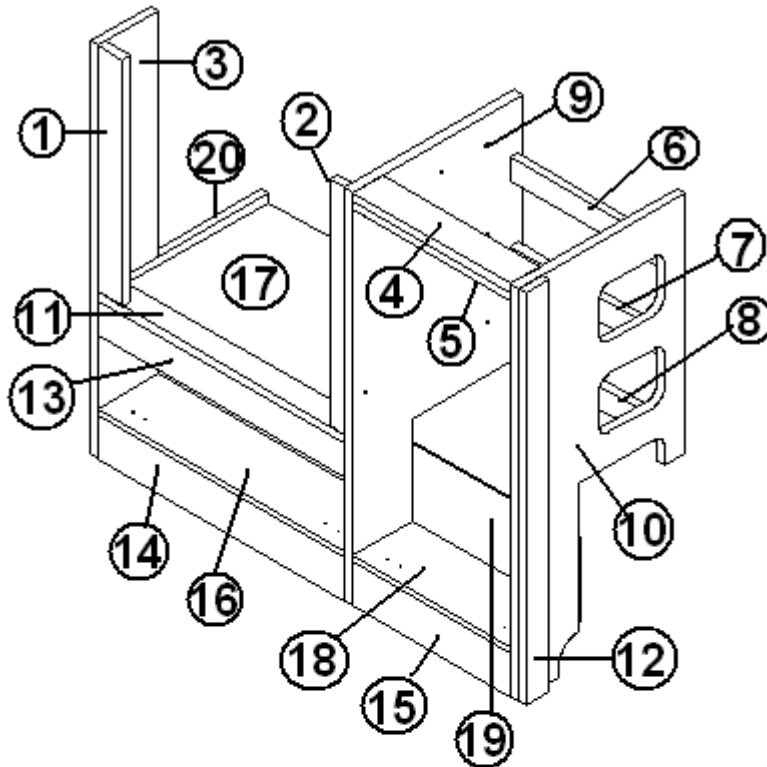


- | | |
|-----------------|---|
| 967653-19 | ROOFLOCKER ASSY-GALLEY |
| 1. 801899 | PANEL- W/GROOVES MAPLE 12MM |
| 2. 967653-192 | PANEL 17.25 X 51.25 |
| 3. 801889-02 | DIVIDER |
| 4. 115375 | EXTRUSION.-FORMED R/L END |
| 5. 115227-02 | ANGLE-FORMED-LOCKER TRACK SUPPORT |
| 6. 104821 | SUPPORT, ROOFLOCKER, 74" |
| 7. 203710 | T MOLDING-ALMOND .56" X 250' |
| 8. 115226 | BRACKET-FORMED-LOCKER CTR SUPP |
| 9. 801539-01 | DIVIDER-GALLEY LOCKER LH |
| 10. 801539-02 | DIVIDER-GALLEY LOCKER |
| 11. 203388 | TRACK-SLIDING DOOR |
| 12. 203708-02 | DOOR, SLIDING PLEXIGLASS 24.79" (Not shown) |
| 13. 201673-01 | MOLDING-OAK COVE .43" OAK |
| 14. 365215 | TAPE ADHESIVE TRANSFER #950 5M |
| 15. 800028 | PINE, 3/4" X 1-1/2" |
| 16. 454613 | SPRING-LEAF R/L INT |
| 17. 967653-1917 | PANEL, GAL R/L 18.21X17.15 |
| 18. 381245 | SLIDING DOOR TRACK, 56-1/5" |
| 382149 | PULL-FINGER SATIN NICKEL#35120 |
| 382152 | HOOK-HAMMOCK SS #671460 |

2012 INTERNATIONAL TRAVEL TRAILER

FURNITURE, GALLEY

Galley, 27' FB Signature, Standard Oven Section, Wenge, For Units manufactured prior to 1/2/2012 except for unit 526765.



Part numbers are on the next page

2012 INTERNATIONAL TRAVEL TRAILER

FURNITURE, GALLEY

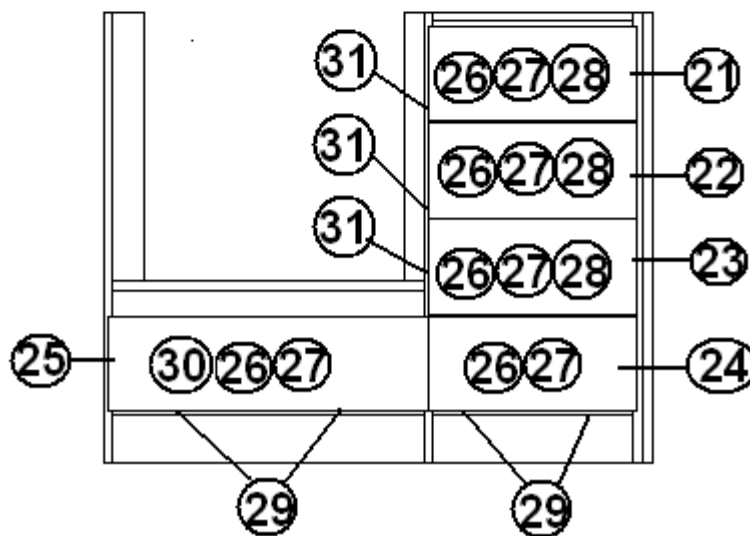
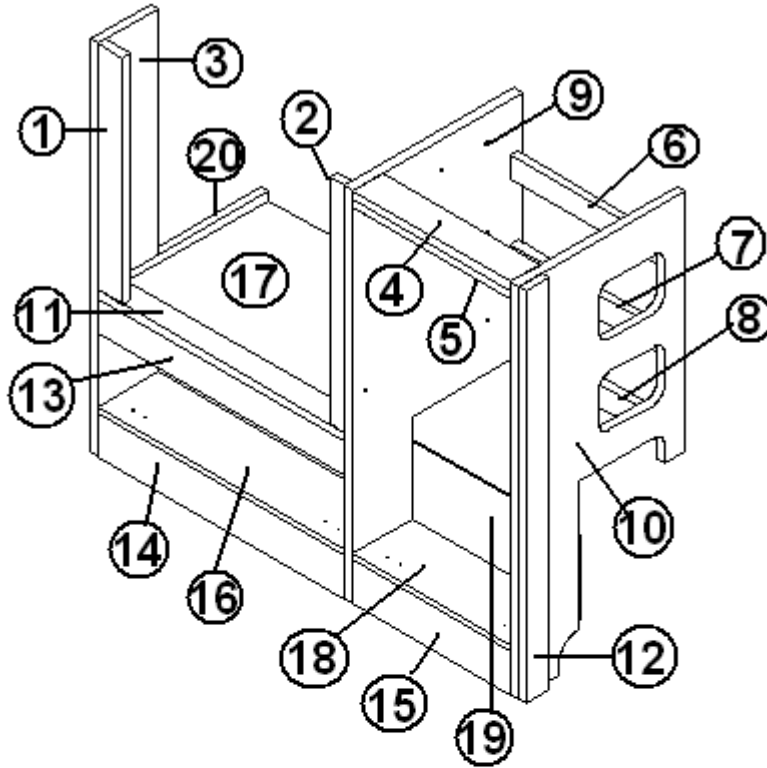
Galley, 27' FB Signature, Standard Oven Section, Wenge – For Units manufactured prior to 1/2/2012 except for unit 526765.

966877	Galley, Standard Oven Section, Wenge
1. 966877-1	PANEL, 2.50" x 21.19"
2. 966877-2	PANEL, 1.50" x 21.19"
3. 966877-3	PANEL, 6" x 35.5"
4. 966877-4	PANEL, 15.75" x 3"
5. 966877-5	PANEL, 15.75" x 3"
6. 966877-6	PANEL, 2.25" x 15.75"
7. 966877-7	PANEL, 2.25" x 15.75"
8. 966877-8	PANEL, 2.25" x 15.75"
9. 966877-9	PANEL, 18.88" x 35.50"
10. 966877-10	PANEL, 16.44" x 35.50"
11. 966877-11	PANEL, 2.25" x 24.50"
12. 966877-12	PANEL, 2.25" x 35.50"
13. 966877-13	PANEL, 24.50" x 3.00"
14. 966877-14	PANEL, 24.50" x 3.75"
15. 966877-15I	PANEL, 15.75" x 3.75"
16. 966877-16	PANEL, 6" x 24.50"
17. 966877-17	PANEL, 16.38" x 25.25"
18. 966877-18	PANEL, 6" 15.75"
19. 966877-19	PANEL, 42.50" x 7.25", WHITE/RAW
20. 800025-01	PINE, ¾" X ¾", STAINED
21. 966877-21	DOOR, GALLEY, 16.38" X 7.5"
22. 966877-22	DOOR, GALLEY, 16.38" X 7.5"
23. 966877-23	DOOR, GALLEY, 16.38" X 7.5"
24. 966877-24	DOOR, GALLEY, 16.38" X 7.5"
25. 966877-25	DOOR, GALLEY, 25.13" X 7.5"
26. 382029-04	HANDLE-BAR 15"
27. 381228-01	CATCH GRABBER DOOR
28. 965560-05	DRAWER BOX, 5.63" X 16.5" X 15.25"
29. 381607	HINGE, ASSEMBLY
30. 382029-05	HANDLE, BAR 21.33"
31. 381773-15	DRAWER SLIDE, 5.875" X 15.75"(PAIR)
115376	TOE KICK, ALUMINUM, GALLEY

2012 INTERNATIONAL TRAVEL TRAILER

FURNITURE, GALLEY

Galley, 27' FB Signature, Standard Oven Section, Wenge, Used on units manufactured on or after 1/2/2012 including serial number 526765.



Part numbers are on the next page

2012 INTERNATIONAL TRAVEL TRAILER

FURNITURE, GALLEY

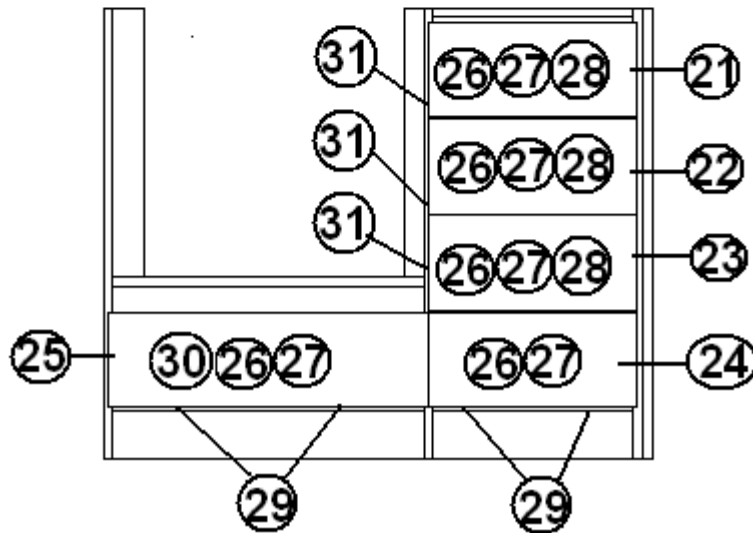
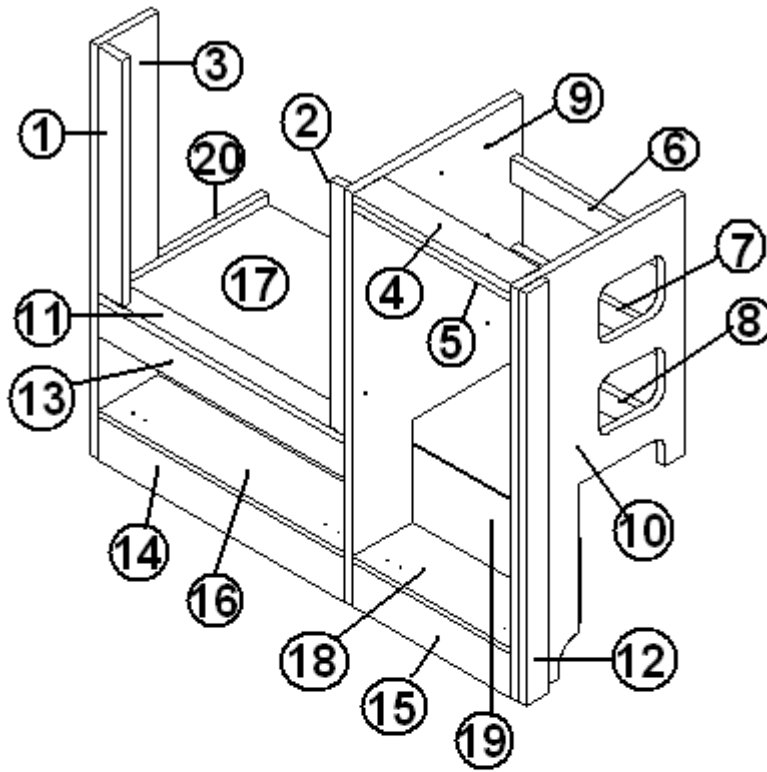
Galley, 27' FB Signature, Standard Oven Section, Wenge, Used on units manufactured on or after 1/2/2012 including serial number 526765.

967841	Galley, Standard Oven Section, Wenge
1. 967841-1	PANEL, 2.65 x 19.25
2. 967841-2	PANEL, 1.63 x 19.25
3. 967841-3	PANEL, 6" x 34.75"
4. 967841-4	PANEL, 15.75" x 3"
5. 967841-5	PANEL, 15.75" x 3"
6. 967841-6	PANEL, 2.25" x 15.75"
7. 967841-7	PANEL, 2.25" x 15.75"
8. 967841-8	PANEL, 2.25" x 15.75"
9. 967841-9	PANEL, 16.88" x 34.75"
10. 967841-10	PANEL, 16.44" x 34.75"
11. 967841-11	PANEL, 2.25" x 24.50"
12. 967841-12	PANEL, 2.25" x 34.75"
13. 967841-13	PANEL, 24.50" x 2.75"
14. 967841-14	PANEL, 24.50" x 3.00"
15. 967841-15I	PANEL, 15.75" x 3.00"
16. 967841-16	PANEL, 6" x 24.50"
17. 967841-17	PANEL, 16.88" x 25.25"
18. 967841-18	PANEL, 6" 15.75"
19. 967841-19	PANEL, 42.50" x 10.00", WHITE/RAW
20. 800025-01	PINE, 3/4" X 3/4", STAINED
21. 967841-21	DOOR, GALLEY, 16.38" X 7.5"
22. 967841-22	DOOR, GALLEY, 16.38" X 7.5"
23. 967841-23	DOOR, GALLEY, 16.38" X 7.5"
24. 967841-24	DOOR, GALLEY, 16.38" X 7.5"
25. 967841-25	DOOR, GALLEY, 25.13" X 11.63"
26. 382029-04	HANDLE-BAR 15"
27. 381228-01	CATCH GRABBER DOOR
28. 965560-05	DRAWER BOX, 5.63" X 16.5" X 15.25"
29. 381607	HINGE, ASSEMBLY
30. 382029-05	HANDLE, BAR 21.33"
31. 381773-15	DRAWER SLIDE, 5.875" X 15.75"(PAIR)
115558	TOE KICK, ALUMINUM, GALLEY

2012 INTERNATIONAL TRAVEL TRAILER

FURNITURE, GALLEY

Galley, 27' FB Signature, Standard Oven Section, Serenity, For Units manufactured prior to 1/2/2012 except for unit 526765.



Part numbers are on the next page

2012 INTERNATIONAL TRAVEL TRAILER

FURNITURE, GALLEY

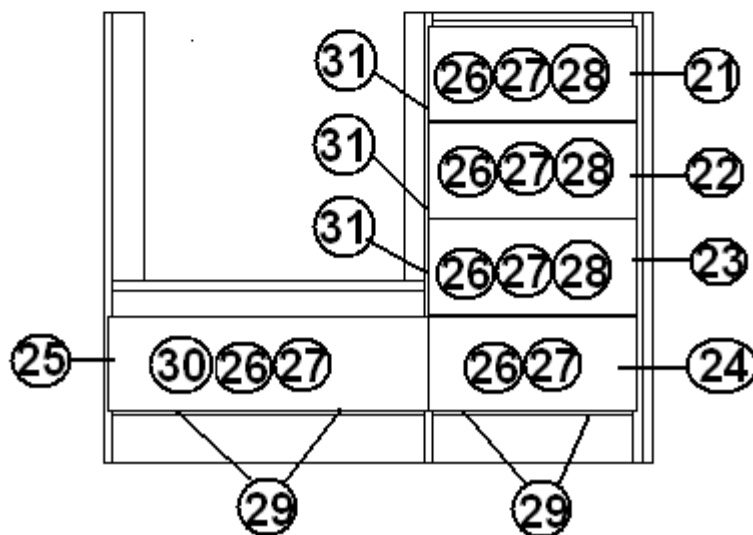
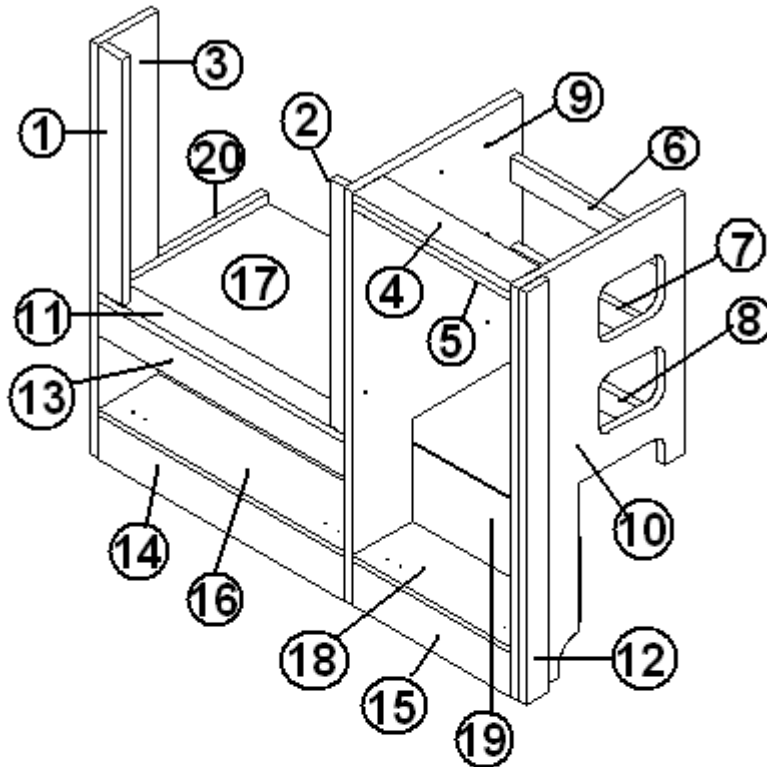
Galley, 27' FB Signature, Standard Oven Section, Serenity For Units manufactured prior to 1/2/2012 except for unit 526765.

966877-15	Galley, Standard Oven Section
1. 966877-151	PANEL, 2.50" x 21.19"
2. 966877-152	PANEL, 1.50" x 21.19"
3. 966877-3	PANEL, 6" x 35.5"
4. 966877-4	PANEL, 15.75" x 3"
5. 966877-5	PANEL, 15.75" x 3"
6. 966877-6	PANEL, 2.25" x 15.75"
7. 966877-7	PANEL, 2.25" x 15.75"
8. 966877-8	PANEL, 2.25" x 15.75"
9. 966877-9	PANEL, 18.88" x 35.50"
10. 966877-10	PANEL, 16.44" x 35.50"
11. 966877-11	PANEL, 2.25" x 24.50"
12. 966877-12	PANEL, 2.25" x 35.5"
13. 966877-1513	PANEL, 24.50" x 3.00"
14. 966877-1514	PANEL, 24.50" x 3.75"
15. 966877-1515	PANEL, 15.75" x 3.75"
16. 966877-16	PANEL, 6" x 24.50"
17. 966877-17	PANEL, 16.38" x 25.25"
18. 966877-18	PANEL, 6" x 15.75"
19. 966877-1519	PANEL, 42.50" x 7.25", WHITE/RAW
20. 800025-01	PINE, 3/4" X 3/4", STAINED
21. 966877-1521	DOOR, GALLEY, 16.38" X 7.5
22. 966877-1522	DOOR, GALLEY, 16.38" X 7.5",
23. 966877-1523	DOOR, GALLEY, 16.38" X 7.5",
24. 966877-1524	DOOR, GALLEY, 16.38" X 7.5",
25. 966877-1525	DOOR, GALLEY, 25.13" X 7.5",
26. 382115	PULL, FLAT BLACK #M575
27. 381228-01	CATCH GRABBER DOOR
28. 965560-05	DRAWER BOX, 5.63" X 16.5" X 15.25"
29. 381607	HINGE, DOOR
30. 382115	PULL FLAT BLACK #M575
31. 381773-15	DRAWER SLIDE, 5.875" X 15.75"(PAIR)
115376	TOE KICK, ALUMINUM, GALLEY

2012 INTERNATIONAL TRAVEL TRAILER

FURNITURE, GALLEY

Galley, 27' FB Signature, Standard Oven Section, Serenity, Used on units manufactured on or after 1/2/2012 including serial number 526765.



Part numbers are on the next page

2012 INTERNATIONAL TRAVEL TRAILER

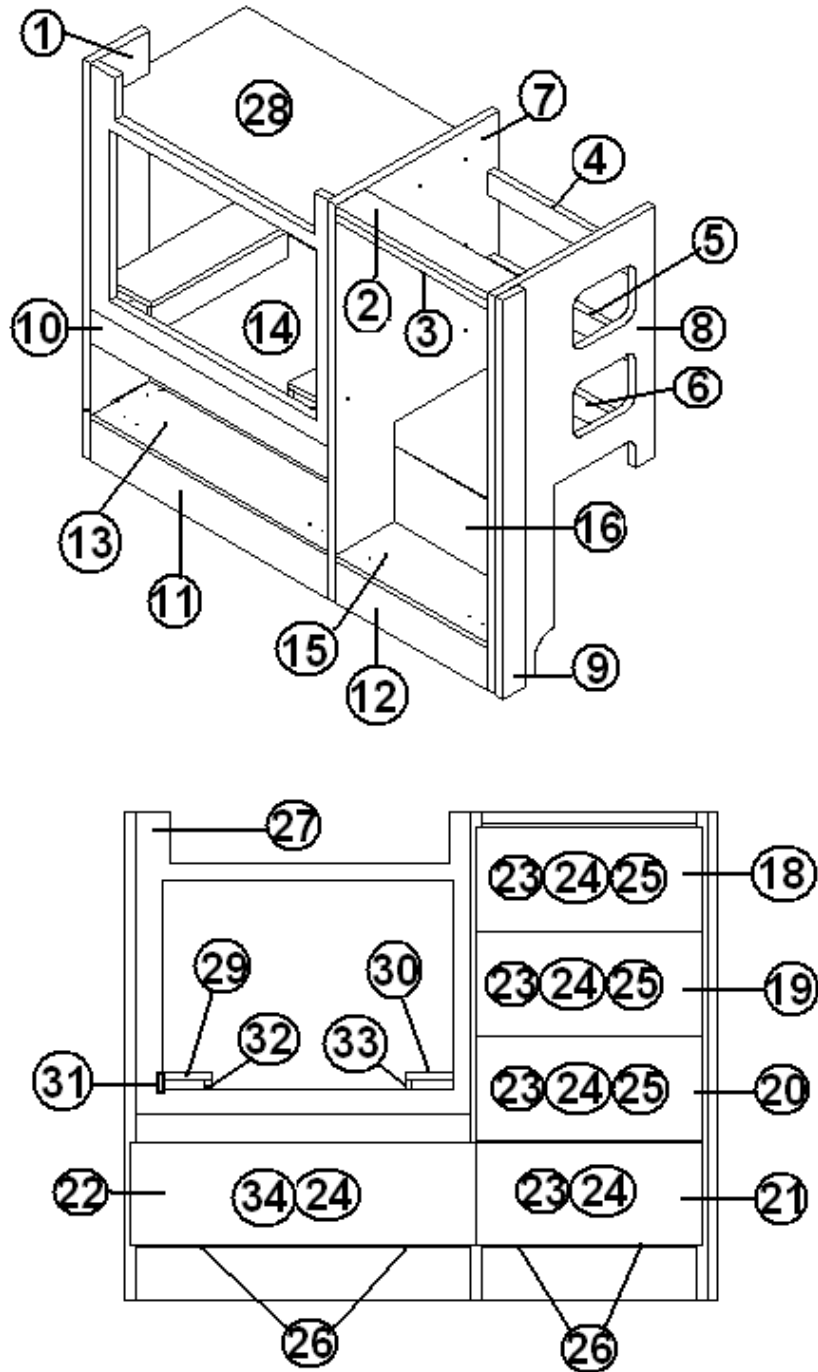
Galley, 27' FB Signature, Standard Oven Section, Serenity- Used on units manufactured on or after 1/2/2012 including serial number 526765.

	967841-15	Galley, Standard Oven Section
1.	967841-151	PANEL, 2.63" x 19.25"
2.	967841-152	PANEL, 1.63" x 19.25"
3.	967841-3	PANEL, 6" x 34.75"
4.	967841-4	PANEL, 15.75" x 3"
5.	967841-5	PANEL, 15.75" x 3"
6.	967841-6	PANEL, 2.25" x 15.75"
7.	967841-7	PANEL, 2.25" x 15.75"
8.	967841-8	PANEL, 2.25" x 15.75"
9.	967841-9	PANEL, 16.88" x 34.75"
10.	967841-10	PANEL, 16.44" x 34.75"
11.	967841-11	PANEL, 2.25" x 24.50"
12.	967841-12	PANEL, 2.25" x 34.75"
13.	967841-1513	PANEL, 24.50" x 2.25"
14.	967841-1514	PANEL, 24.50" x 3.00"
15.	967841-1515	PANEL, 15.75" x 3.00"
16.	967841-16	PANEL, 6" x 15.75"
17.	967841-17	PANEL, 16.88" x 25.25"
18.	967841-18	PANEL, 6" x 15.75"
19.	967841-1519	PANEL, 42.50" x 10.00", WHITE/RAW
20.	800025-01	PINE, ¾" X ¾", STAINED
21.	967841-1521	DOOR, GALLEY, 16.38" X 7.5
22.	967841-1522	DOOR, GALLEY, 16.38" X 7.5",
23.	967841-1523	DOOR, GALLEY, 16.38" X 7.5",
24.	967841-1524	DOOR, GALLEY, 16.38" X 7.5",
25.	967841-1525	DOOR, GALLEY, 25.13" X 11.63",
26.	382115	PULL, FLAT BLACK #M575
27.	381228-01	CATCH GRABBER DOOR
28.	965560-05	DRAWER BOX, 5.63" X 16.5" X 15.25"
29.	381607	HINGE, DOOR
30.	382115	PULL FLAT BLACK #M575
31.	381773-15	DRAWER SLIDE, 5.875" X 15.75"(PAIR)
	115558	TOE KICK, ALUMINUM, GALLEY

2012 INTERNATIONAL TRAVEL TRAILER

FURNITURE, GALLEY

Galley, 27' FB Signature, Oven Section, Microwave Option, Wenge
Use on units manufactured before 1/2/2012 except for units
526730, 526748, 526746, 526749, 526152, 526757, and 526763.



Part numbers are on the next page

2012 INTERNATIONAL TRAVEL TRAILER

FURNITURE, GALLEY

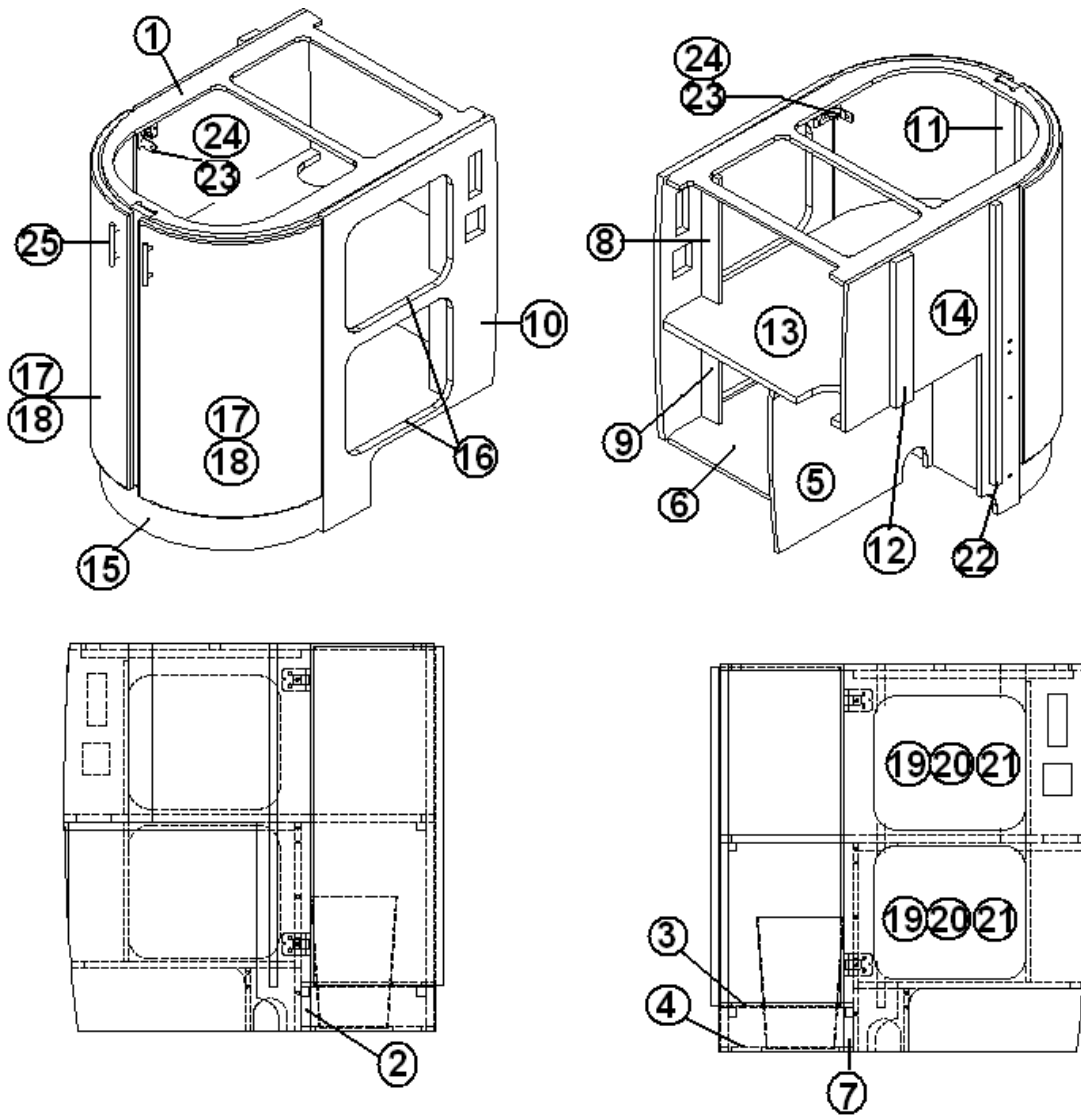
Galley, 27' FB Signature, Oven Section, Microwave Option, Wenge, Use on units manufactured before 1/2/2012 except for units 526730, 526748, 526746, 526749, 526152, 526757, and 526763.

966878	GALLEY, OVEN SECTION, MICROWAVE OPTION
1. 966878-3	PANEL, 6" x 35.5"
2. 966878-4	PANEL, 15.75" x 3"
3. 966878-5	PANEL, 15.75" x 3"
4. 966878-6	PANEL, 2.25" x 15.75"
5. 966878-7	PANEL, 2.25" x 15.75"
6. 966878-8	PANEL, 2.25" x 15.75"
7. 966878-9	PANEL, 18.88" x 35.50"
8. 966878-10	PANEL, 16.44" x 35.50"
9. 966878-12	PANEL, 24.25" x 35.50"
10. 966878-13	PANEL, 24.50" x 3.00"
11. 966878-14	PANEL, 24.50" x 3.75"
12. 966878-15I	PANEL, 15.75" x 3.75"
13. 966878-16	PANEL, 6" x 24.50"
14. 966878-17	PANEL, 16.38" x 25.25"
15. 966878-18	PANEL, 6" x 15.75"
16. 966878-19	PANEL, 42.50" x 7.25", WHITE/RAW
17. 800025-01	PINE, ¾" X ¾", STAINED
18. 966878-21	DOOR, GALLEY, 16.38" X 7.5"
19. 966878-22	DOOR, GALLEY, 16.38" X 7.5"
20. 966878-23	DOOR, GALLEY, 16.38" X 7.5"
21. 966878-24	DOOR, GALLEY, 16.38" X 7.5"
22. 966878-25	DOOR, GALLEY, 16.38" X 7.5"
23. 382029-04	HANDLE-BAR 15"
24. 381228-01	CATCH GRABBER DOOR
25. 965560-05	DRAWER BOX, 5.63" X 16.5" X 15.25"
26. 381607	HINGE, ASSEMBLY
27. 966878-33	PANEL, 24.50" x 21.94"
28. 966878-34	PANEL, 16.13" x 25.25"
29. 966878-35	PANEL, 4.75" x 14"
30. 966878-36	PANEL, 4.75" x 14"
31. 966878-37	PANEL, 2.44" x 14"
32. 966878-38	PANEL, 2.44" x 14"
33. 966878-39	PANEL, 2.44" x 14"
34. 382029-05	HANDLE, BAR 21.33"
381773-15	DRAWER SLIDE, 5.875" X 15.75"(PAIR)
115376	TOE KICK, ALUMINUM, GALLEY

2012 INTERNATIONAL TRAVEL TRAILER

FURNITURE, GALLEY

Galley, 27' FB Signature, Aft Section, Wenge, Use on units manufactured before 1/2/2012 except for units 526730, 526748, 526746, 526749, 526152, 526757, 526763 & 526765.



Part numbers are on the next page

2012 INTERNATIONAL TRAVEL TRAILER

FURNITURE, GALLEY

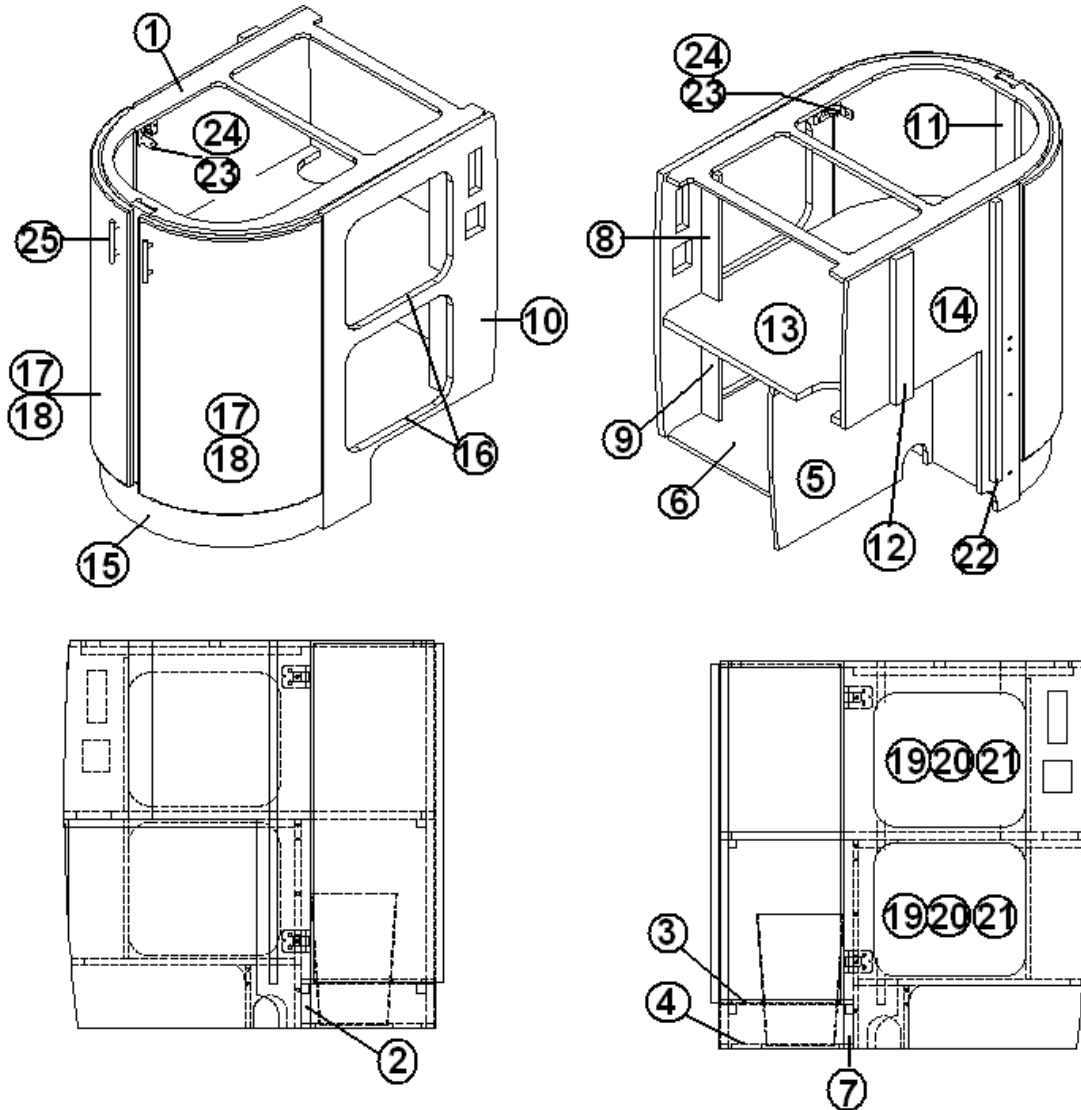
Galley, 27' FB Signature, Aft Section, Wenge, Use on units manufactured before 1/2/2012 except for units 526730, 526748, 526746, 526749, 526152, 526757, 526763 & 526765.

966873	GALLEY, AFT SECTION
1. 966873-1	PANEL, 23.5" x 33.44"
2. 966873-2	PANEL, 23.54" x 19.13"
3. 966873-3	PANEL, 23.50" x 12.21"
4. 966873-4	PANEL, 23.50" x 12.21"
5. 966873-5	PANEL, 19.13" x 20.82"
6. 966873-6	PANEL, 20.48" x 13.75"
7. 966873-7	PANEL, 5.88" x 13.75"
8. 966873-8	PANEL, 12.75" x 2.25"
9. 966873-9	PANEL, 14.13" x 2.25"
10. 966873-10	PANEL, 35.5" x 22.57"
11. 966873-11	PANEL, 2.44" x 35.50"
12. 966873-12	PANEL, 2.25" x 16.38"
13. 966873-13	PANEL, 24.91" X 33.88"
14. 966873-14	PANEL, 22.14" x 35.50"
15. 115309	TOE KICK, GALLEY ALUMINUM
16. 203440	T MOLDING, BLACK EMBOSSED .8125
17. 381856	CATCH, TENSION, 2-BALL
18. 966474-01	DOOR, RADIUS, 16.26" X 31", WENGE
19. 381654	HINGE, GLASS DOOR, BLACK
20. 381707	STRIKE W/PULL, GLASS DOOR BLACK
21. 371391	DOOR, GLASS 11.56" X 13.06"
22. 800025-01	PINE, 3/4" X 3/4", STAINED
23. 381808	BRACKET, FACE MOUNT, HINGE
24. 381607	HINGE, ASSEMBLY
25. 382029-05	HANDLE, BAR 21.33"
381708	WASTEBASKET
203483	Sink cover, round

2012 INTERNATIONAL TRAVEL TRAILER

FURNITURE, GALLEY

Galley, 27' FB Signature, Aft Section, Wenge, Used on units manufactured on or after 1/2/2012 including serial number 526765.



Part numbers are on the next page

2012 INTERNATIONAL TRAVEL TRAILER

FURNITURE, GALLEY

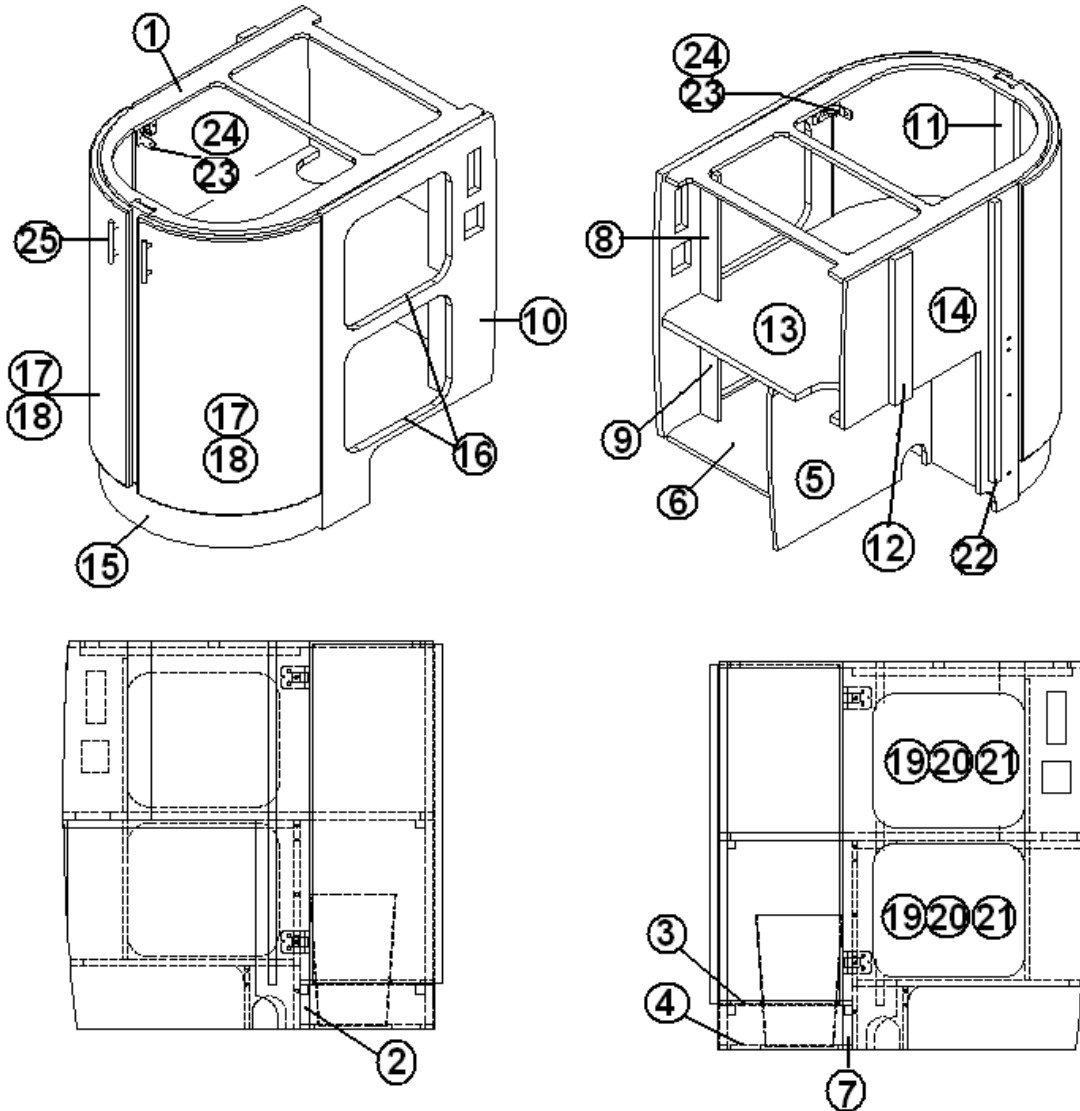
Galley, 27' FB Signature, Aft Section, Wenge, Used on units manufactured on or after 1/2/2012 including serial number 526765.

	967842	GALLEY, AFT SECTION
1.	967842-1	PANEL, 23.5" x 33.44"
2.	967842-2	PANEL, 23.54" x 19.13"
3.	967842-3	PANEL, 23.50" x 12.21"
4.	967842-4	PANEL, 23.50" x 12.21"
5.	967842-5	PANEL, 19.13" x 20.82"
6.	967842-6	PANEL, 20.48" x 13.75"
7.	967842-7	PANEL, 5.88" x 13.75"
8.	967842-8	PANEL, 12.75" x 2.25"
9.	967842-9	PANEL, 14.13" x 2.25"
10.	967842-10	PANEL, 35.5" x 22.57"
11.	967842-11	PANEL, 2.44" x 35.50"
12.	967842-12	PANEL, 2.25" x 16.38"
13.	967842-13	PANEL, 24.91" X 33.88"
14.	967842-14	PANEL, 22.14" x 35.50"
15.	115309	TOE KICK, GALLEY ALUMINUM
16.	203440	T MOLDING, BLACK EMBOSSED .8125
17.	381856	CATCH, TENSION, 2-BALL
18.	801787-0116	DOOR, RADIUS, 16.81" X 31", WENGE
19.	381654	HINGE, GLASS DOOR, BLACK
20.	381707	STRIKE W/PULL, GLASS DOOR BLACK
21.	371432	DOOR, GLASS 11.56" X 13.06"
22.	800025-01	PINE, 3/4" X 3/4", STAINED
23.	381808	BRACKET, FACE MOUNT, HINGE
24.	381607	HINGE, ASSEMBLY
25.	382029-05	HANDLE, BAR 21.33"
	381708	WASTEBASKET
	203483	Sink cover, round

2012 INTERNATIONAL TRAVEL TRAILER

FURNITURE, GALLEY

Galley, 27' FB Signature, Aft Section, Serenity, Use on units manufactured before 1/2/2012 except for units 526730, 526748, 526746, 526749, 526152, 526757, 526763 & 526765.



Part numbers are on the next page

2012 INTERNATIONAL TRAVEL TRAILER

FURNITURE, GALLEY

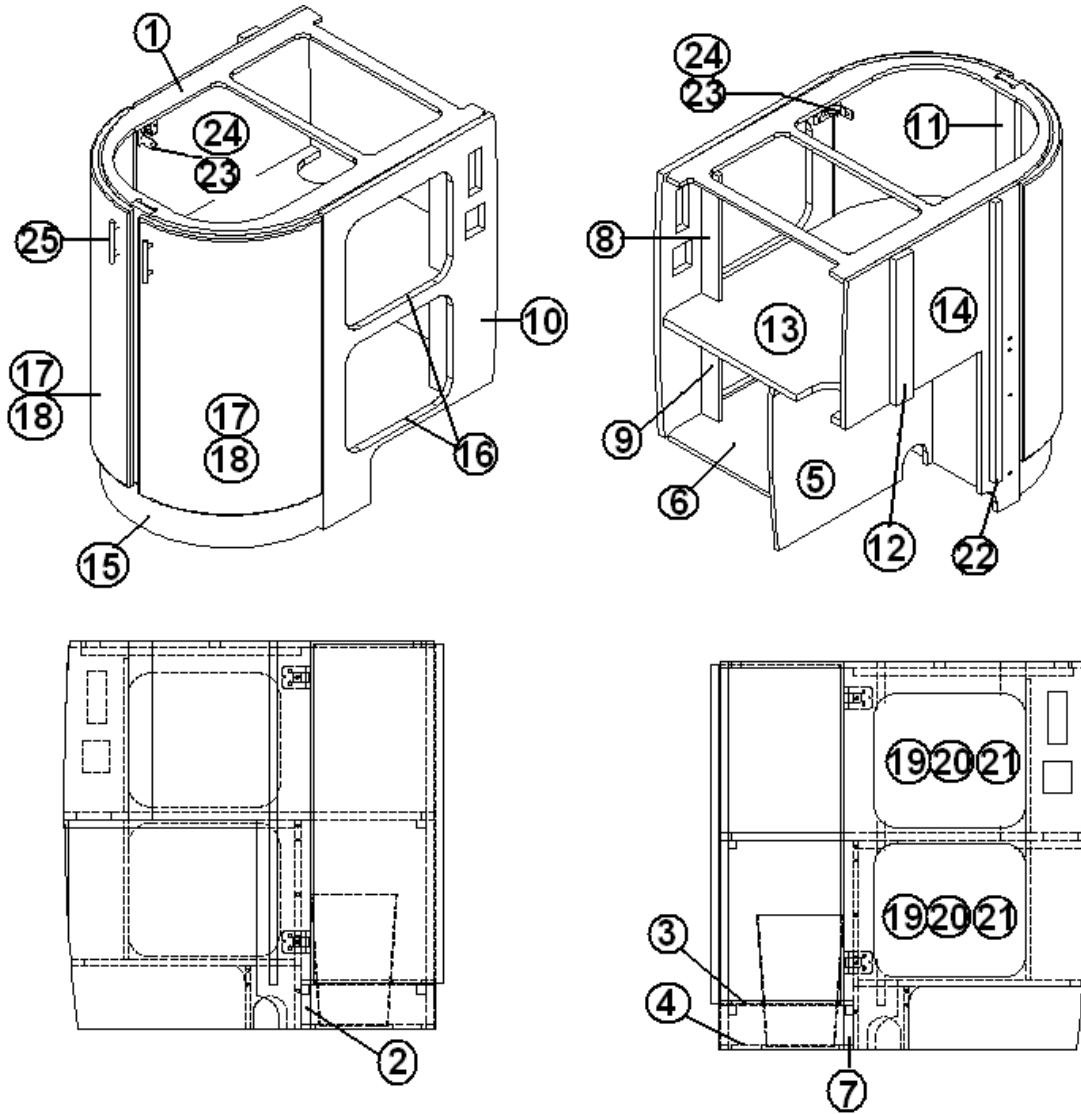
Galley, 27' FB Signature, Aft Section, Serenity, Use on units manufactured before 1/2/2012 except for units 526730, 526748, 526746, 526749, 526152, 526757, 526763 & 526765.

966873-15	GALLEY, AFT SECTION
1. 966873-1	PANEL, 23.5" x 33.44"
2. 966873-2	PANEL, 23.54" x 19.13"
3. 966873-3	PANEL, 23.50" x 12.21"
4. 966873-4	PANEL, 23.50" x 12.21"
5. 966873-5	PANEL, 19.13" x 20.82"
6. 966873-6	PANEL, 20.48" x 13.75"
7. 966873-7	PANEL, 5.88" x 13.75"
8. 966873-8	PANEL, 12.75" x 2.25"
9. 966873-9	PANEL, 14.13" x 2.25"
10. 966873-1510	PANEL, 35.5" x 22.57"
11. 966873-1511	PANEL, 2.44" x 35.50"
12. 966873-1512	PANEL, 2.25" x 16.38"
13. 966873-13	PANEL, 24.91" X 33.88"
14. 966873-1514	PANEL, 22.14" x 35.50"
15. 115309	TOE KICK, GALLEY ALUMINUM
16. 203693	T MOLDING, BEIGE EMBOSSED, .8125
17. 381856	CATCH, TENSION, 2-BALL
18. 801787-0118	DOOR RADIUS FOAM 16.97 X 31 ASIAN SAND
19. 381654	HINGE, GLASS DOOR, BLACK
20. 381707	STRIKE W/PULL, GLASS DOOR BLACK
21. 371391	DOOR, GLASS 11.56" X 13.06"
22. 800025-01	PINE, 3/4" X 3/4", STAINED
23. 381808	BRACKET, FACE MOUNT, HINGE
24. 371391	HINGE, DOOR
25. 382115	PULL FLAT BLACK #M575
381708	WASTEBASKET
203483	Sink cover, round

2012 INTERNATIONAL TRAVEL TRAILER

FURNITURE, GALLEY

Galley, 27' FB Signature, Aft Section, Serenity, Used on units manufactured on or after 1/2/2012 including serial number 526765.



Part numbers are on the next page

2012 INTERNATIONAL TRAVEL TRAILER

FURNITURE, GALLEY

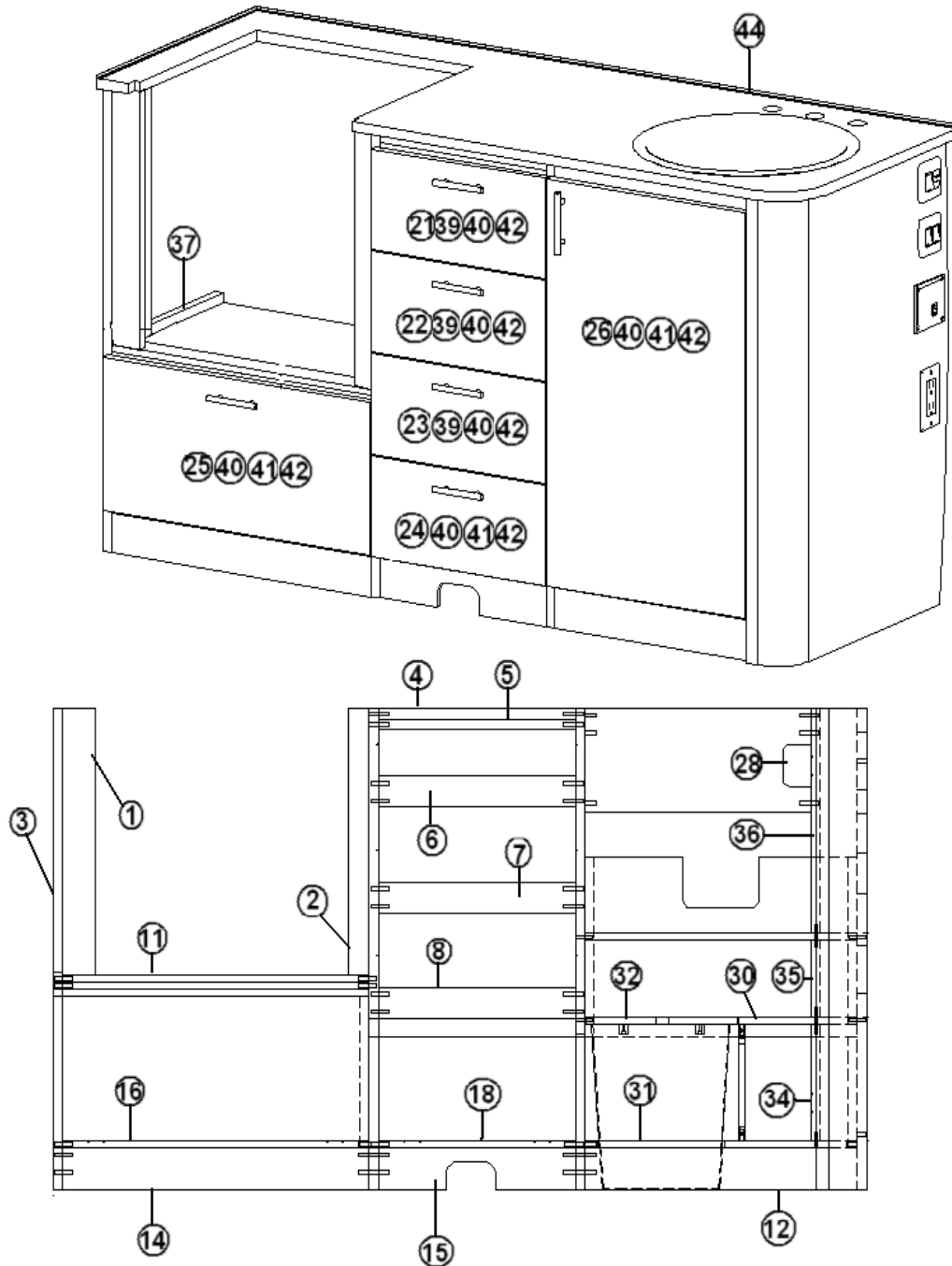
Galley, 27' FB Signature, Aft Section, Serenity, Used on units manufactured on or after 1/2/2012 including serial number 526765.

	967842-15	GALLEY, AFT SECTION
1.	967842-1	PANEL, 23.5" x 33.44"
2.	967842-2	PANEL, 23.54" x 19.13"
3.	967842-3	PANEL, 23.50" x 12.21"
4.	967842-4	PANEL, 23.50" x 12.21"
5.	967842-5	PANEL, 19.13" x 20.82"
6.	967842-6	PANEL, 20.48" x 13.75"
7.	967842-7	PANEL, 5.88" x 13.75"
8.	967842-8	PANEL, 12.75" x 2.25"
9.	967842-9	PANEL, 14.13" x 2.25"
10.	967842-1510	PANEL, 35.5" x 22.57"
11.	967842-1511	PANEL, 2.44" x 35.50"
12.	967842-1512	PANEL, 2.25" x 16.38"
13.	967842-13	PANEL, 24.91" X 33.88"
14.	967842-1514	PANEL, 22.14" x 35.50"
15.	115309	TOE KICK, GALLEY ALUMINUM
16.	203693	T MOLDING, BEIGE EMBOSSED, .8125
17.	381856	CATCH, TENSION, 2-BALL
18.	801787-0118	DOOR RADIUS FOAM 16.97 X 31 ASIAN SAND
19.	381654	HINGE, GLASS DOOR, BLACK
20.	381707	STRIKE W/PULL, GLASS DOOR BLACK
21.	371391	DOOR, GLASS 11.56" X 13.06"
22.	800025-01	PINE, 3/4" X 3/4", STAINED
23.	381808	BRACKET, FACE MOUNT, HINGE
24.	371391	HINGE, DOOR
25.	382115	PULL FLAT BLACK #M575
	381708	WASTEBASKET
	203483	Sink cover, round

2012 INTERNATIONAL TRAVEL TRAILER

FURNITURE, GALLEY

Galley Cabinet, Standard Oven, 27' FB Eddie Bauer



Parts Listed on Next Page

2012 INTERNATIONAL TRAVEL TRAILER

FURNITURE, GALLEY

	967792-19	CABINET, STANDARD OVEN, 27'FB EDDIE BAUER
1.	967792-191	PNL GAL 2.63X19.25
2.	967792-192	PNL GAL 1.63X19.25
3.	967792-193	PNL GAL 6X34.75
4.	967792-194	PNLGAL 15.75X3
5.	967792-195	PNL GAL 15.75X3
6.	967792-196	PNL GAL 2.25X15.75
7.	967792-197	PNL GAL 2.25X15.75
8.	967792-198	PNL GAL 2.25X15.75
9.	967792-199	PNL GAL 16.88X34.75
10.	967792-1910	PNL - GAL 16.44X34.75
11.	967792-1912	PNL- GAL 19.5X3.00
12.	967792-1913	PNL- GAL 24.5X13
13.	967792-1914	PNL - GAL 24.5X3
14.	967792-1915	PNL - GAL 15.75X3.75
15.	967792-1916	PNL - GAL 6X24.5
16.	967792-1917	PNL - GAL 16.88X25.25
17.	967792-1918	PNL - GAL 9.13X15.75
18.	967792-1919	PNL - GAL 25.25X8
19.	967792-1920	PNL - GAL 39X8
20.	967792-1921	PNL - GAL 16.38X7.5
21.	967792-1922	PNL - GAL 16.38X7.5
22.	967792-1923	PNL - GAL 16.38X7.5
23.	967792-1924	PNL - GAL 16.38X7.5
24.	967792-1925	PNL - GAL 25.13X7.5
25.	967792-1926	PNL - GAL 18.69X30.38
26.	967792-1927	PNL - GAL 21.75X12.75
27.	967792-1928	PNL - GAL 18.06X7.5
28.	967792-1929	PNL - GAL 21.75X15.06
29.	967792-1930	PNL - GAL 21.75X15.06
30.	967792-1931	PNL - GAL 21.75X9.13
31.	967792-1932	PNL - GAL 12.13X9.13
32.	967792-1933	PNL - GAL 9.25X8.5
33.	967792-1934	PNL - GAL 2.25X8.5
34.	967792-1935	PNL - 2.25 X 5.50
35.	967792-1936	PNL- GAL 2.25X16.25
36.	800025-01	PINE ¾" X ¾"STAINED

Parts Continued on Next Page

2012 INTERNATIONAL TRAVEL TRAILER

FURNITURE, GALLEY

37.	967793-19	PNL ASSY- GAL SUB MAPLE
38.	965560-05	WR.BOX ASSY-5.63"X16.5"X15.25
39.	381865	PULL BAR BRUSH NICKEL #3489
40.	381607	HINGE ASSY-GRASS EURO
41.	345001-08	MACH SCREW #8 X 1" REC TRUS
42.	381228-01	CATCH GRABBER DOOR C3-803
43.	380041	BRACE 1" STANLEY CORNER
44.	967794-19	TOP ASSY- GALLEY
45.	967656-19	SHELF-GALLEY FLIP UP
	381708	WASTEBASKET-11.38 X 8.25 X 12.
	381136	RUBBER BUMPER
	365352-02	EDGEBANDING- 1MM X .94" MAPLE
	365352-01	EDGEBANDING-1MM X .63" MAPLE

2012 INTERNATIONAL TRAVEL TRAILER

FURNITURE, GALLEY

CONVECTION MICROWAVE, 27 FB SIGNATURE, STANDARD & CSA
Used on Units 526730, 526748, 526746, 526749, 526152, 526757,
526763 and all units manufactured on or after 1/2/2012.

967792-01 CONVECTION MICROWAVE SECTION

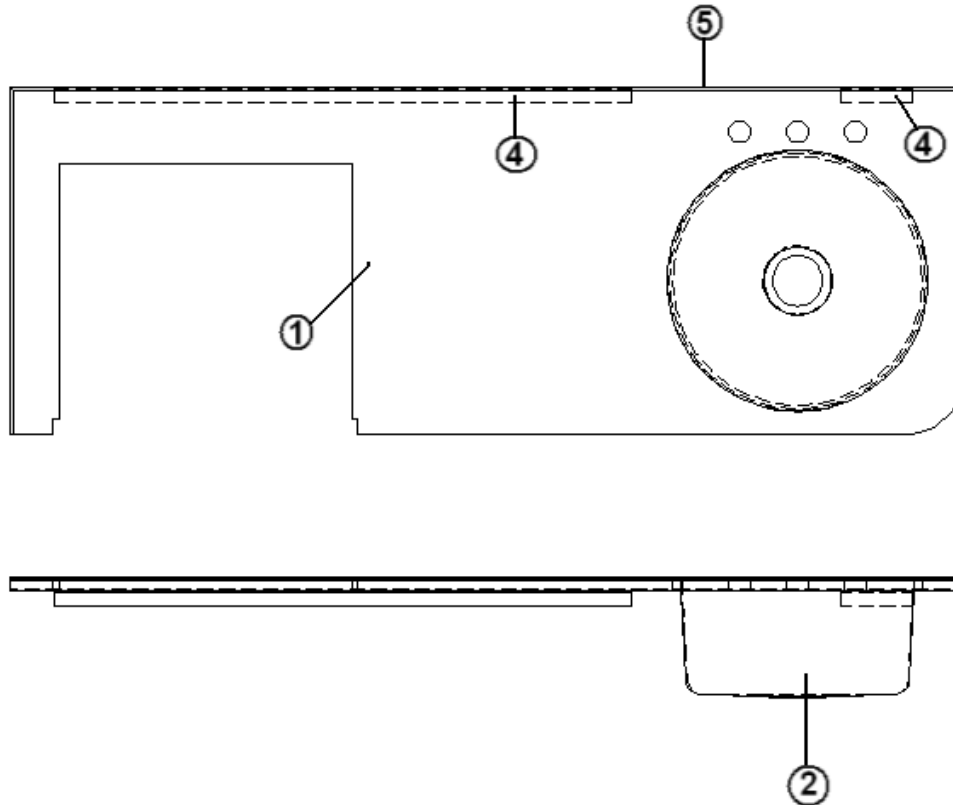
50.	967792-0150	PANEL-GAL 24.5 X 21.94
51.	967792-0151	PANEL-GAL 16.13 X 25.25
52.	967792-0152	PANEL-GAL 4.75 X 14.00
53.	967792-0153	PANEL-GAL 4.75 X 14.00
54.	967792-0154	PANEL-GAL 1.44 X 14.00
55.	967792-0155	PANEL-GAL 1.44 X14.00
56.	967792-0156	PANEL-GAL 1.44 X 14.00

FOR THE CONVECTION MICROWAVE ITEMS 1, 2, & 11 ARE REMOVED FROM
THE STANDARD GALLEY ASSEMBLY 967792-19.
(STANDARD GALLEY SHOWN ON PAGE III-333.)

2012 INTERNATIONAL TRAVEL TRAILER

FURNITURE, GALLEY

GALLEY, TOP, 27FB EDDIE BAUER



967794-19

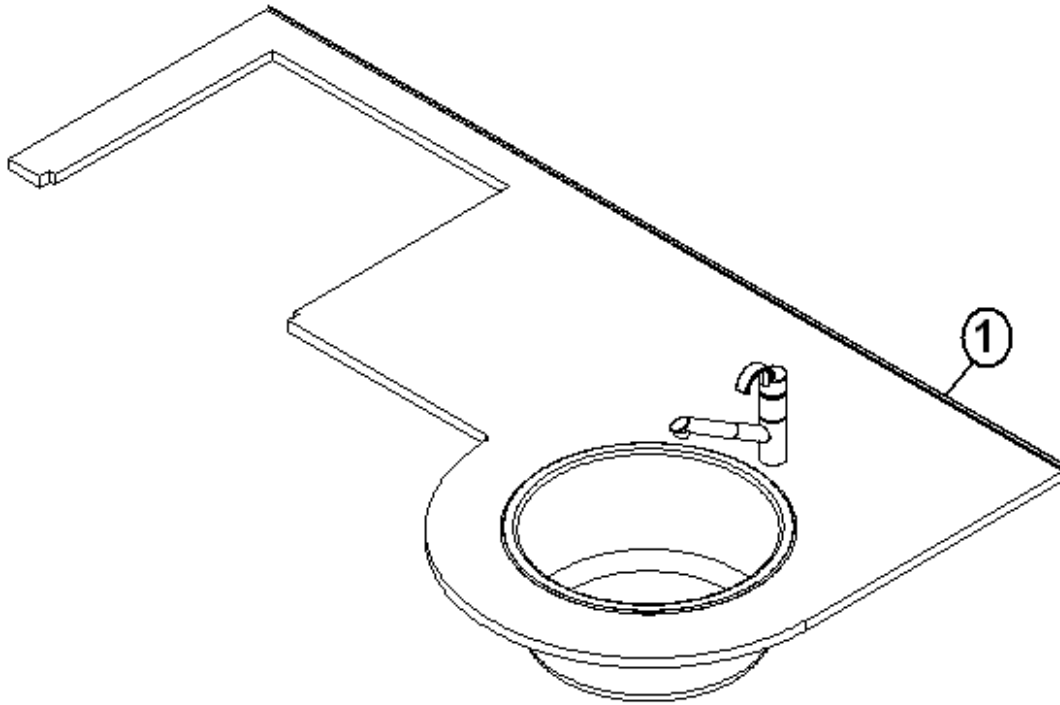
GALLEY TOP ASSEMBLY

- | | |
|---------------|---|
| 1. 967794-191 | TOP CUTOUT 24 X 66 |
| 2. 601806 | SINK, STAINLESS STEEL, ROUND GALLEY |
| 3. 602309 | FAUCET, MOEN, TORRANCE W/SIDE SPRAY (NOT SHOWN) |
| 4. 114812 | ALUMINUM ANGLE 1.00 X 1.00 |
| 5. 115064 | TRIM, ALUMINUM COUNTER TOP |
| 6. 601714-01 | TAILPIECE 1 1/2 X 4" |
| 7. 601714-02 | 1 1/2 SLIP NUT W/WINGS |
| 8. 601714-03 | 1 1/2 BLACK RUBBER WASHER |
| 365353-02 | EDGEBANDING 1MM X .94" SOAPSTONE |

2012 INTERNATIONAL TRAVEL TRAILER

FURNITURE, GALLEY

Galley Top, 27' FB Signature, Used on Units 526730, 526748, 526746, 526749, 526152, 526757, 526763, 526765, and all units manufactured on or after 1/2/2012.



*966876 TOP, GALLEY, WENGE

*966876-15 TOP, GALLEY, SERENITY

Used on units manufactured 1/2/2012 excluding serial number 526765.

**967839 TOP, GALLEY, WENGE

**967839-15 TOP, GALLEY, SERENITY

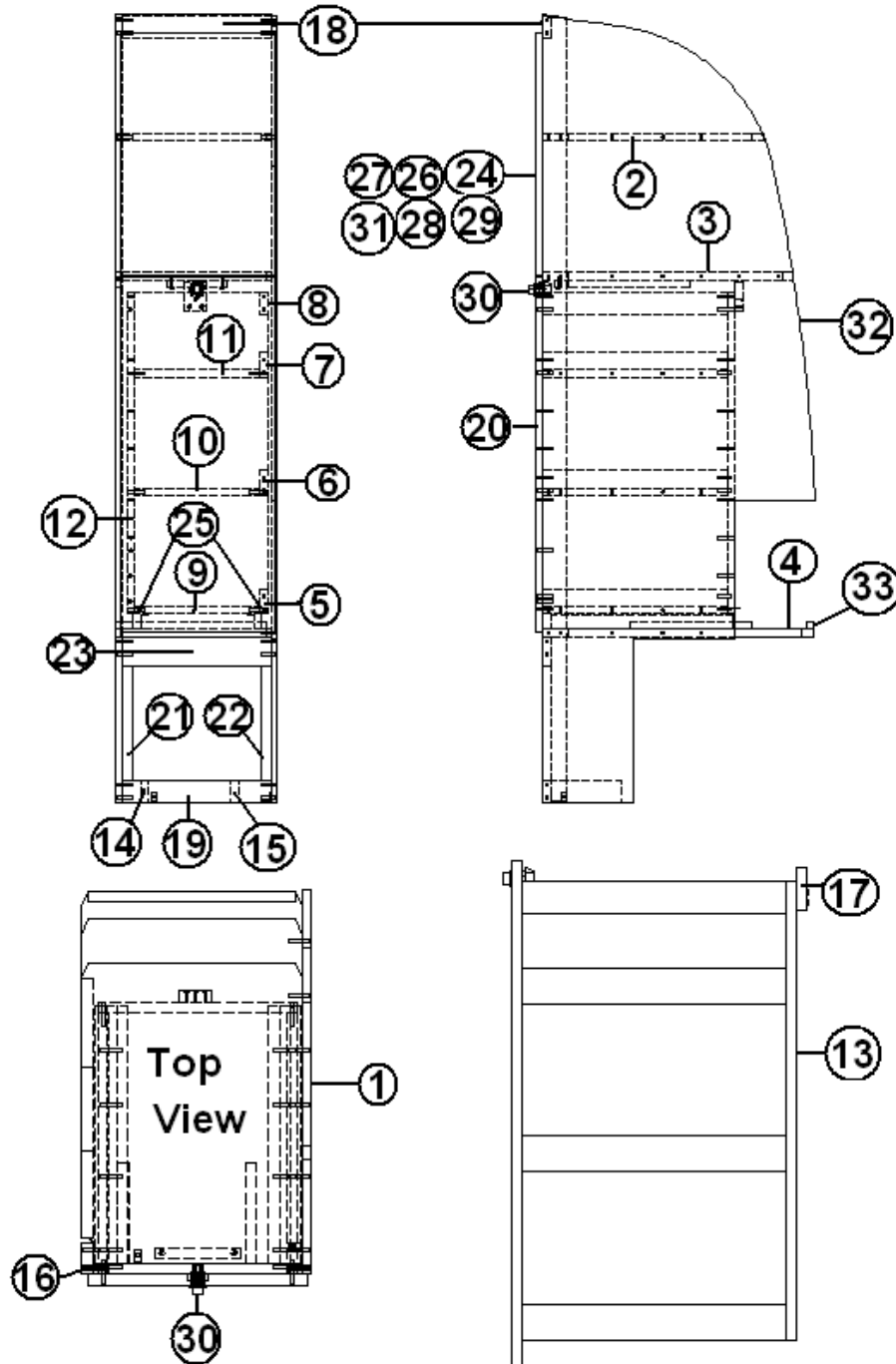
Used on units manufactured 1/2/2012 including serial number 526765.

1. 115064 TRIM, ALUMINUM, COUNTER TOP

2012 INTERNATIONAL TRAVEL TRAILER

FURNITURE, GALLEY

Pantry, 27' FB Signature, Wenge



Part numbers are on the next page

2012 INTERNATIONAL TRAVEL TRAILER

FURNITURE, GALLEY

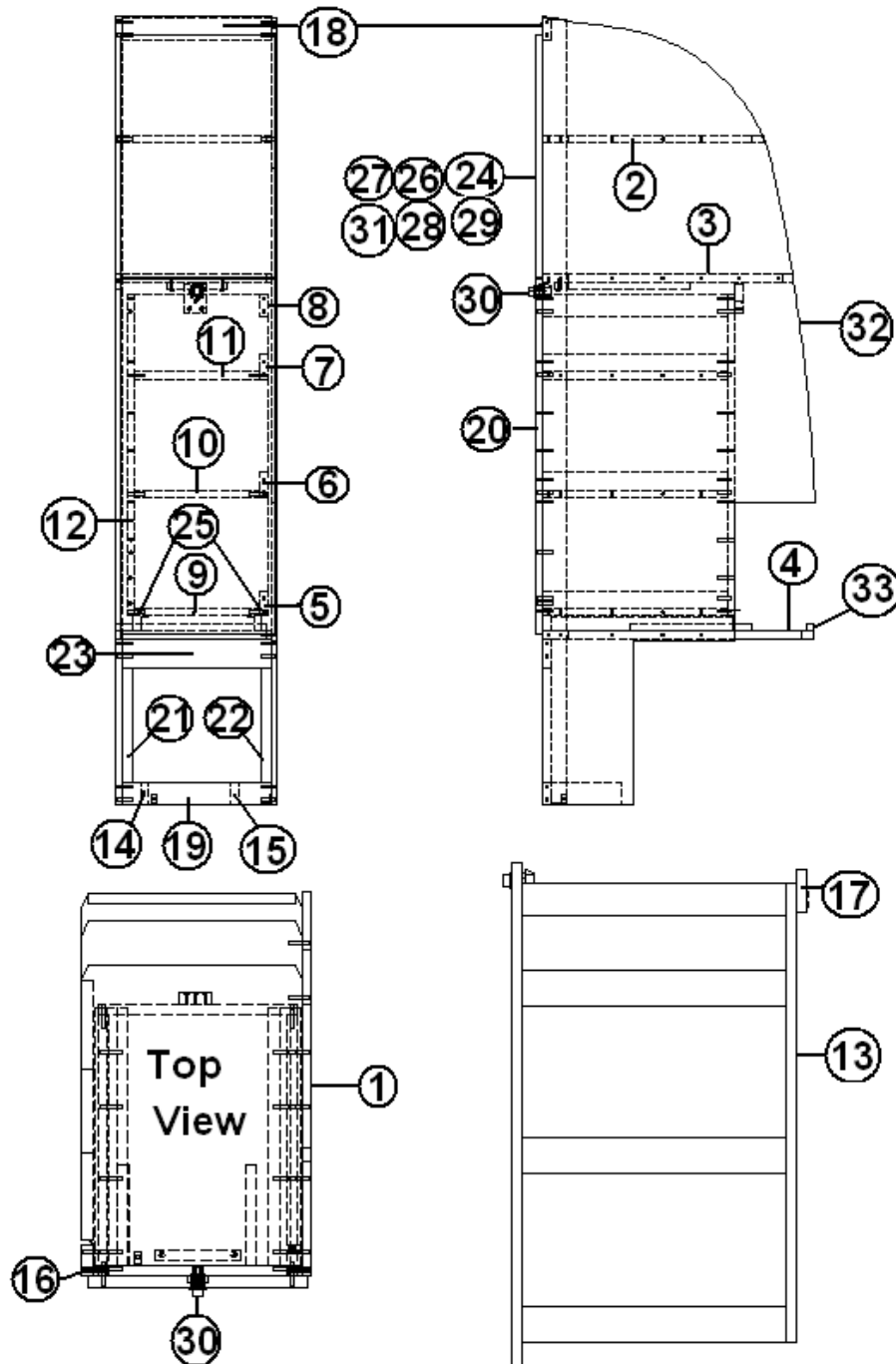
Pantry, 27' FB Signature, Wenge

966886	PANTRY ASSY
1.966886-1	PANEL, 26.87" x 78.09"
2.966886-2	PANEL, 21.75" x 15.38"
3.966886-3	PANEL, 24.75" x 15.38"
4.966886-4	PANEL, 26.75" x 15.38"
5.966886-5	PANEL, 2.50" x 18.25"
6.966886-6	PANEL, 2.50" x 18.25"
7.966886-7	PANEL, 2.50" x 18.25"
8.966886-8	PANEL, 2.50" x 18.25"
9.966886-9	PANEL, 18.25" x 12.38"
10.966886-10	PANEL, 18.25" x 12.38"
11.966886-11	PANEL, 18.25" x 12.38"
12.966886-12	PANEL, 18.25" x 32"
13.966886-13	PANEL, 13.88" X 32"
14.966886-14	PANEL, 2.25" x 7.00"
15.966886-15I	PANEL, 2.25" x 7.00"
16.966886-16	PANEL, 2.25" x 78.25"
17.966886-17	PANEL, 2.25" x 3.00"
18.966886-18	PANEL, 14.63" x 2.25"
19.966886-19	PANEL, 14.63" x 2.25""
20.966886-20	PANEL, 15.25" x 35.31"
21.966886-21	PANEL, 1.00" x 11.31"
22.966886-22	PANEL, 1.00" x 11.31"
23.966886-23	PANEL, 2.91" x 14.63"
24.966886-24	DOOR, PANTRY 15.25" X 24.13
25.381944-01	SLIDE 18", PER SET
26.382029-04	HANDLE, BAR 15"
27.381607	HINGE, ASSEMBLY
28.345001-08	SCREW #8-32 X 1" REC TRUS
29.381607-04	HINGE SCREW-GRASS
30.381408	LOCK, PUSH, BUTTON STYLE, BLACK
31.381228-01	CATCH GRABBER DOOR
32.203445	T-MOLDING BLACK
33.800025-01	PINE, 3/4" X 3/4", STAINED

2012 INTERNATIONAL TRAVEL TRAILER

FURNITURE, GALLEY

Pantry, 27' FB Signature, Serenity



Part numbers are on the next page

2012 INTERNATIONAL TRAVEL TRAILER

FURNITURE, GALLEY

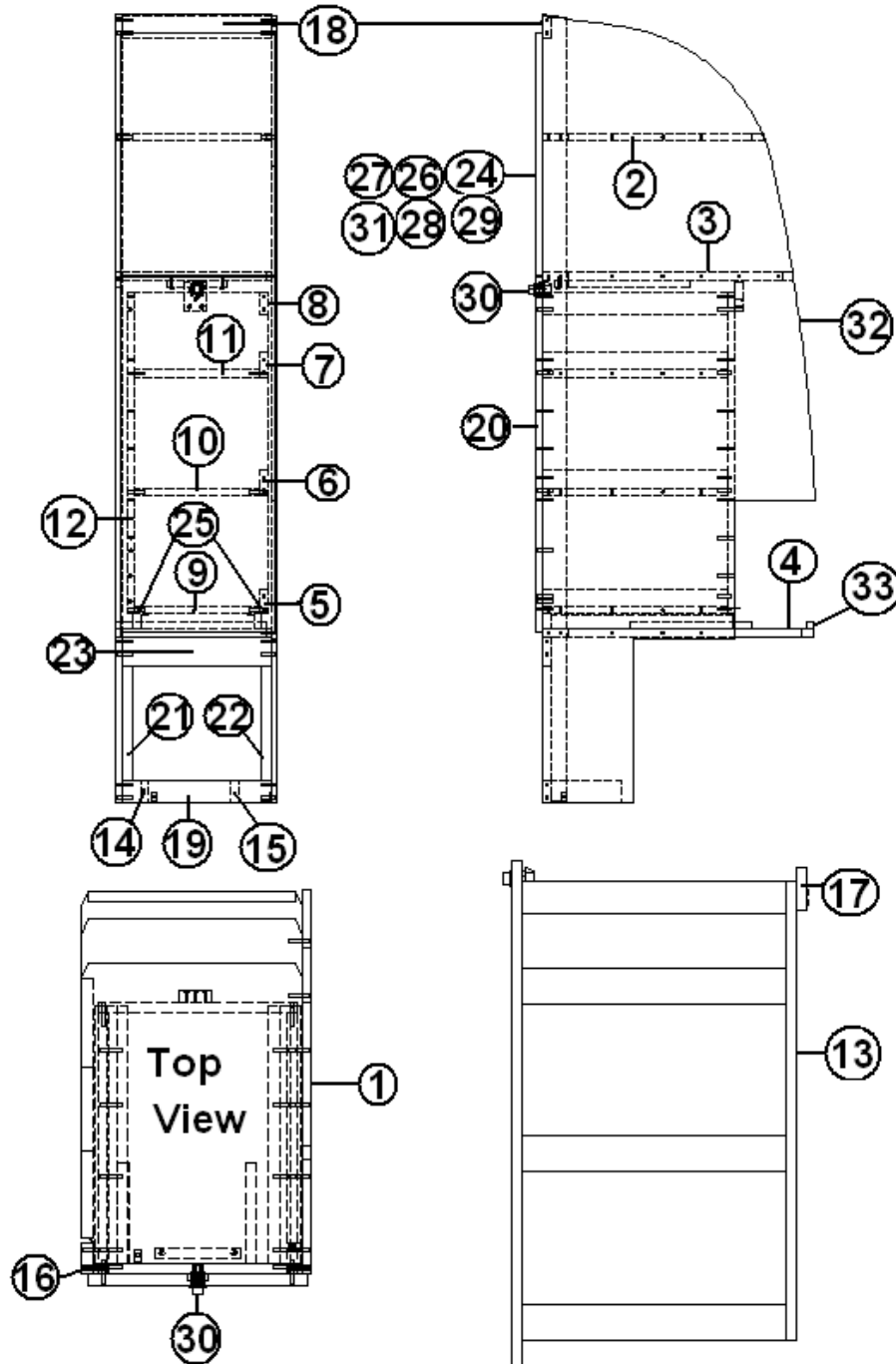
Pantry, 27' FB Signature, Serenity

966886-15	PANTRY ASSY
1. 966886-151	PANEL, 26.87" x 78.29"
2. 966886-2	PANEL, 21.75" x 15.38"
3. 966886-3	PANEL, 24.75" x 15.38"
4. 966886-4	PANEL, 26.75" x 15.38"
5. 966886-5	PANEL, 2.50" x 18.25"
6. 966886-6	PANEL, 2.50" x 18.25"
7. 966886-7	PANEL, 2.50" x 18.25"
8. 966886-8	PANEL, 2.50" x 18.25"
9. 966886-9	PANEL, 18.25" x 12.38"
10. 966886-10	PANEL, 18.25" x 12.38"
11. 966886-11	PANEL, 18.25" x 12.38"
12. 966886-12	PANEL, 18.25" x 32"
13. 966886-13	PANEL, 13.88" X 32"
14. 966886-14	PANEL, 2.25" x 7.00"
15. 966886-15I	PANEL, 2.25" x 7.00"
16. 966886-16	PANEL, 2.25" x 78.43"
17. 966886-17	PANEL, 2.25" x 3.00"
18. 966886-1518	PANEL, 14.63" x 3"
19. 966886-1519	PANEL, 14.63" x 2.25"
20. 966886-1520	PANEL, 15.25" x 35.31"
21. 966886-1521	PANEL, 1.00" x 11.31"
22. 966886-1522	PANEL, 1.00" x 11.31"
23. 966886-1523	PANEL, 2.91" x 14.63"
24. 966886-1524	DOOR, PANTRY 15.25" X 24.13
25. 381944-01	SLIDE 18", PER SET
26. 382115	PULL - FLAT BLACK #M575
27. 381607	HINGE, DOOR
28. 345001-08	SCREW #8-32 X 1" REC TRUS
29. 381607-04	HINGE SCREW-GRASS
30. 381408	LOCK, PUSH, BUTTON STYLE, BLACK
31. 381228-01	CATCH GRABBER DOOR
32. 203445	T MOLDING BLK FLEXIBLE
33. 800025-01	PINE, 3/4" X 3/4", STAINED

2012 INTERNATIONAL TRAVEL TRAILER

FURNITURE, GALLEY

Pantry, 27' FB Signature, EDDIE BAUER



Part numbers are on the next page

2012 INTERNATIONAL TRAVEL TRAILER

FURNITURE, GALLEY

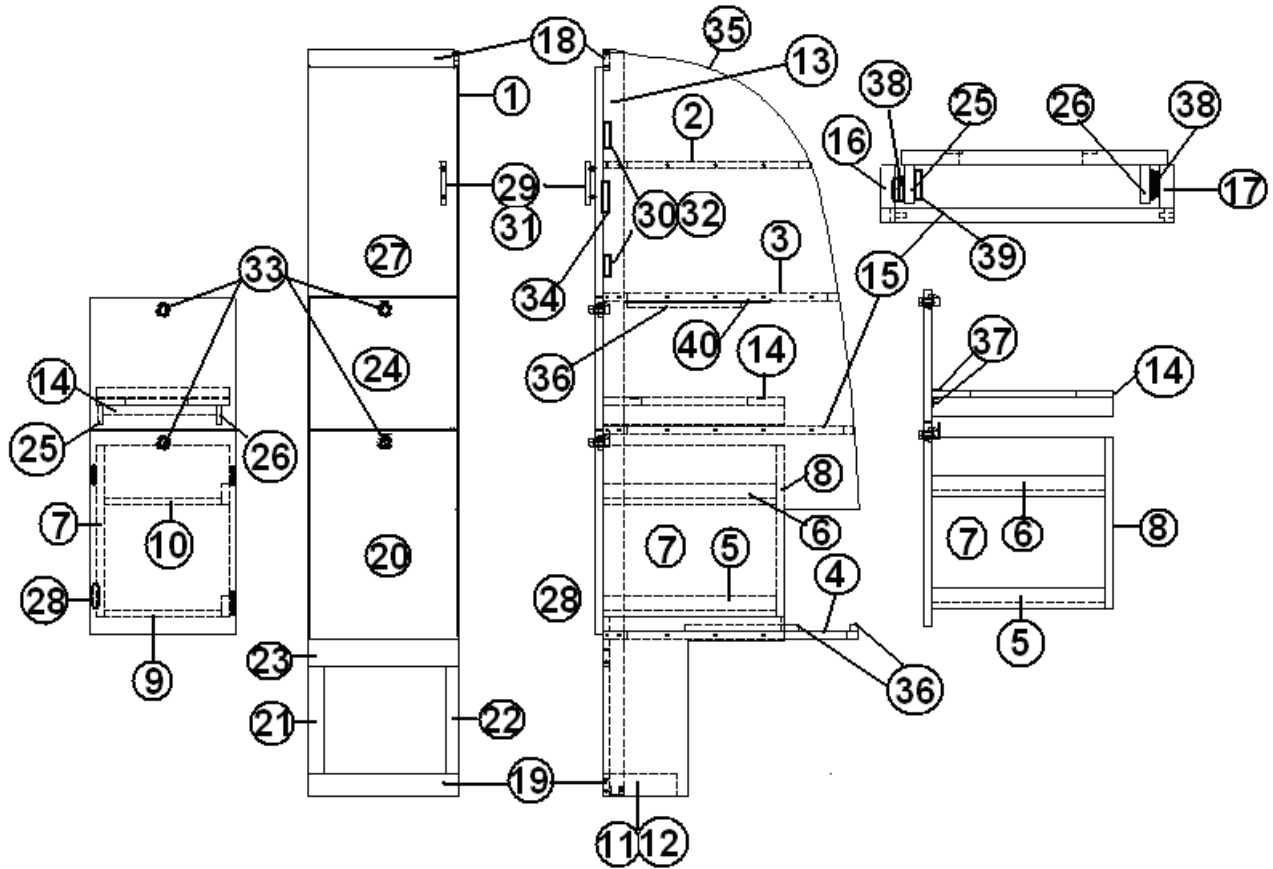
Pantry, 27' FB Signature, EDDIE BAUER

	966886-19	PANTRY ASSY
1.	966886-191	PANEL, 26.87" x 78.29"
2.	966886-192	PANEL, 21.75" x 15.38"
3.	966886-193	PANEL, 24.75" x 15.38"
4.	966886-194	PANEL, 26.75" x 15.38"
5.	966886-195	PANEL, 2.50" x 18.25"
6.	966886-196	PANEL, 2.50" x 18.25"
7.	966886-197	PANEL, 2.50" x 18.25"
8.	966886-198	PANEL, 2.50" x 18.25"
9.	966886-199	PANEL, 18.25" x 12.38"
10.	966886-1910	PANEL, 18.25" x 12.38"
11.	966886-1911	PANEL, 18.25" x 12.38"
12.	966886-1912	PANEL, 18.25" x 32"
13.	966886-1913	PANEL, 13.88" X 32"
14.	966886-1914	PANEL, 2.25" x 7.00"
15.	966886-1915	PANEL, 2.25" x 7.00"
16.	966886-1916	PANEL, 2.25" x 78.43"
17.	966886-1917	PANEL, 2.25" x 3.00"
18.	966886-1918	PANEL, 14.63" x 3"
19.	966886-1919	PANEL, 14.63" x 2.25"
20.	966886-1920	PANEL, 15.25" x 35.31"
21.	966886-1921	PANEL, 1.00" x 11.31"
22.	966886-1922	PANEL, 1.00" x 11.31"
23.	966886-1923	PANEL, 2.91" x 14.63"
24.	966886-1924	DOOR, PANTRY 15.25" X 24.13
25.	381944-01	SLIDE 18", PER SET
26.	381865	PULL - BAR BRUSH NICKEL
27.	381607	HINGE, DOOR
28.	345001-08	SCREW #8-32 X 1" REC TRUS
29.	381607-04	HINGE SCREW-GRASS
30.	381408	LOCK, PUSH, BUTTON STYLE, BLACK
31.	381228-01	CATCH GRABBER DOOR
32.	203710	T MOLDING ALMOND
33.	800025-01	PINE, 3/4" X 3/4", STAINED

2012 INTERNATIONAL TRAVEL TRAILER

FURNITURE, GALLEY

Pantry, 27' FB Signature, Slide out Microwave option, Wenge



- | | |
|---------------|------------------------------------|
| 966898 | PANTRY, Slide out Microwave option |
| 1. 966898-1 | PANEL, 78.29" x 26.87" |
| 2. 966898-2 | PANEL, 15.38" x 24.75" |
| 3. 966898-3 | PANEL, 24.38" x 15.38" |
| 4. 966898-4 | PANEL, 26.75" x 15.38" |
| 5. 966898-5 | PANEL, 2.25" x 18.25" |
| 6. 966898-6 | PANEL, 2.25" x 18.25" |
| 7. 966898-7 | PANEL, 18.00" x 18.25" |
| 8. 966898-8 | PANEL, 18.00" x 13.88" |
| 9. 966898-9 | PANEL, 12.38" x 18.25" |
| 10. 966898-10 | PANEL, 12.38" x 18.25" |
| 11. 966898-11 | PANEL, 2.25" x 7.00" |
| 12. 966898-12 | PANEL, 2.25" x 7.00" |

Continued on next page

2012 INTERNATIONAL TRAVEL TRAILER

FURNITURE, GALLEY

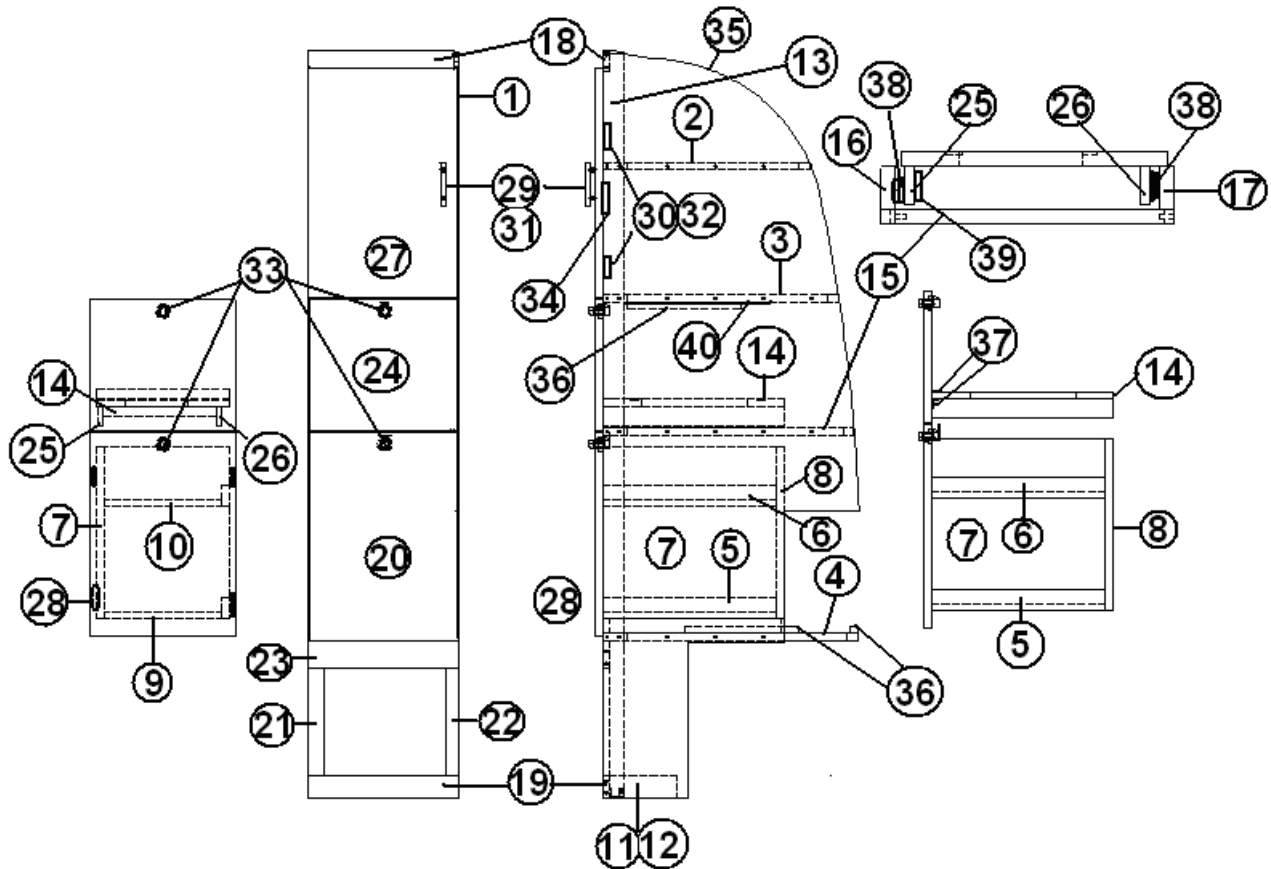
Pantry, Slide out Microwave option, 27' FB Signature, Wenge

13.966898-13	PANEL, 2.25" X 78.43"
14.966898-14	PANEL, 19.00" x 13.88"
15.966898-15	PANEL, 26.31" x 15.38"
16.966898-16	PANEL, 2.00" x 19.00"
17.966898-17	PANEL, 2.00" x 19.00"
18.966898-18	PANEL, 14.63" x 3.00"
19.966898-19	PANEL, 14.63" x 3.00"
20.966898-20	PANEL, 21.38" x 15.25"
21.966898-21	PANEL, 1.00" x 11.31"
22.966898-22	PANEL, 1.00" x 11.31"
23.966898-23	PANEL, 2.91" x 14.63"
24.966898-24	DOOR, PANTRY 13.81" X 15.25, WENGE
25.966898-25	PANEL, 2.00" x 19.00"
26.966898-26	PANEL, 2.00" x 19.00"
27.966898-27	DOOR, 15.25" X 24.13", WENGE
28.381944-01	SLIDE 18", PER SET
29.382029-04	HANDLE, BAR, 15.00"
30.381607	HINGE, ASSEMBLY
31.345001-08	SCREW #8-32 X 1" REC TRUS
32.381607-04	HINGE SCREW-GRASS
33.381408	LOCK, PUSH, BUTTON STYLE, BLACK
34.381228-01	CATCH GRABBER DOOR
35.203445	EXTRUSION, PLASTIC 1/2", OAK
36.800025-01	PINE, 3/4" X 3/4", STAINED
37.114812	ALUMINUM ANGLE, 1" X 1"
38.381192	SLIDE, DRAWER, 18", PAIR
39.800507-01	LAUAN, 2.00 x 19.00
40.966898-42	PANEL, 2.00 X 17.00

2012 INTERNATIONAL TRAVEL TRAILER

FURNITURE, GALLEY

Pantry, 27' FB Signature, Slide out, Microwave Option, Serenity



- | | |
|-----------------|------------------------------------|
| 966898-15 | PANTRY, Slide out Microwave option |
| 1. 966898-151 | PANEL, 78.09" x 26.87" |
| 2. 966898-152 | PANEL, 15.38" x 24.75" |
| 3. 966898-153 | PANEL, 21.75" x 15.38" |
| 4. 966898-154 | PANEL, 26.75" x 15.38" |
| 5. 966898-155 | PANEL, 2.25" x 18.25" |
| 6. 966898-156 | PANEL, 2.25" x 18.25" |
| 7. 966898-157 | PANEL, 18.00" x 18.25" |
| 8. 966898-158 | PANEL, 18.00" x 13.88" |
| 9. 966898-159 | PANEL, 12.38" x 18.25" |
| 10. 966898-1510 | PANEL, 12.38" x 18.25" |
| 11. 966898-1511 | PANEL, 2.25" x 7.00" |
| 12. 966898-1512 | PANEL, 2.25" x 7.00" |

Continued on next page

2012 INTERNATIONAL TRAVEL TRAILER

FURNITURE, GALLEY

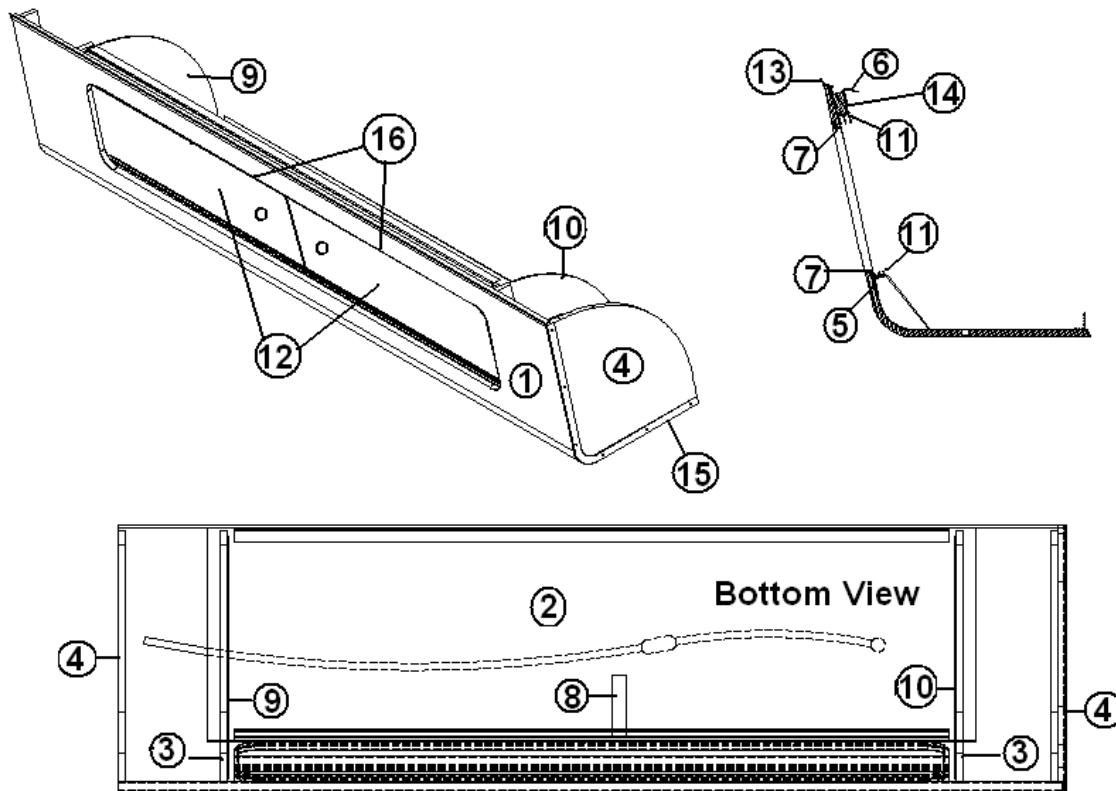
Pantry, Slide out Microwave option, 27' FB Signature, SERENITY

13.966898-1513	PANEL, 2.25" X 78.25"
14.966898-1514	PANEL, 19.00" x 13.88"
15.966898-1515I	PANEL, 26.31" x 15.38"
16.966898-1516	PANEL, 2.25" x 19.00"
17.966898-1517	PANEL, 2.25" x 19.00"
18.966898-1518	PANEL, 14.63" x 2.25"
19.966898-1519	PANEL, 14.63" x 2.25""
20.966898-1520	PANEL, 21.38" x 15.25"
21.966898-1521	PANEL, 1.00" x 11.31"
22.966898-1522	PANEL, 1.00" x 11.31"
23.966898-1523	PANEL, 2.91" x 14.63"
24.966898-1524	DOOR, PANTRY 13.81" X 15.25, WHITE
25.966898-1525	PANEL, 2.00" x 19.00"
26.966898-1526	PANEL, 2.00" x 19.00"
27.966898-1527	DOOR, 15.25" X 24.13", WHITE
28.381944-01	SLIDE 18", PER SET
29.382115	PULL, FLAT BLACK #M575
30.381607	HINGE, DOOR
31.345001-08	SCREW #8-32 X 1" REC TRUS
32.381607-04	HINGE SCREW-GRASS
33.381408	LOCK, PUSH, BUTTON STYLE, BLACK
34.381228-01	CATCH GRABBER DOOR
35.203445	EXTRUSION, PLASTIC 1/2", PLY
36.800025-01	PINE, 3/4" X 3/4", STAINED
37.114812	ALUMINUM ANGLE, 1" X 1"
38.381192	SLIDE, DRAWER, 18", PAIR
40.966898-42	PANEL, 2.00 x 17.00

2012 INTERNATIONAL TRAVEL TRAILER

FURNITURE, GALLEY

Roof Locker, 27' FB Signature Galley, Wenge

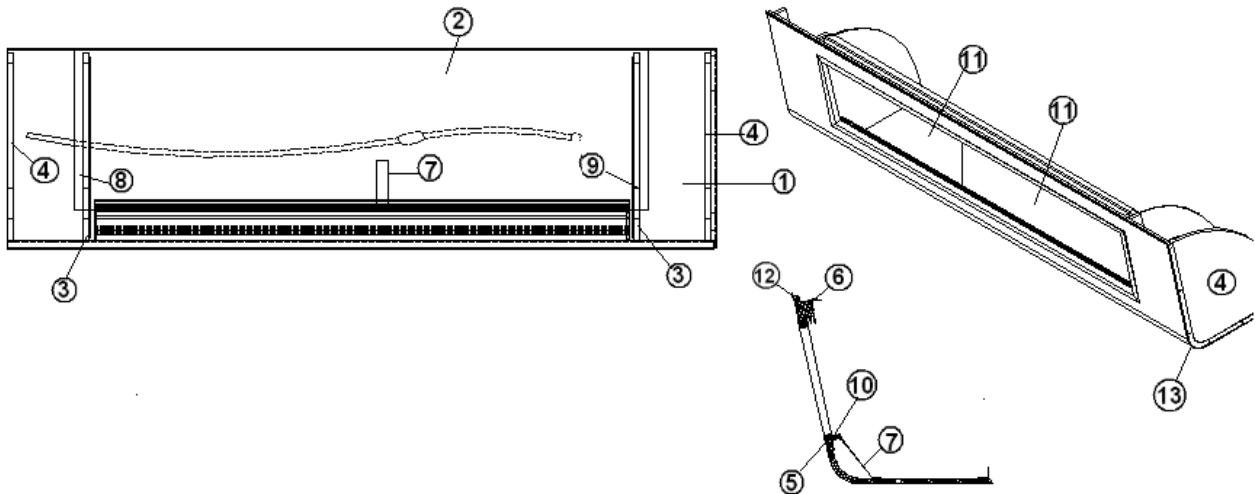


966854	R/L ASSY-GALLEY 27FB"
1. 801542-12	LOCKER FACE, GALLEY 32.31" X 67"
2. 801716	Laminate, CCD
3. 801545-02	DIVIDER PARTIAL
4. 966891	END CAP ASSY- GAL R/L
5. 115227-02	ANGLE, LOCKER TRACK SUPPORT
6. 104821	SUPPORT, ROOFLOCKER, 74"
7. 203445-01	T-MOLDING, 5625" WHITE
8. 115226	BRACKET, LOCKER CTR SUPPORT
9. 801539-01	DIVIDER-GALLEY LOCKER LH
10. 801539-02	DIVIDER-GALLEY LOCKER
11. 203388	SLIDING DOOR TRACK, 56-1/5"
12. 965563-09	DOOR-PLEX.SLIDING 11.31"X 26"
13. 201673	REVERSE COVE MOLDING, WHITE
14. 800028	PINE, 3/4" X 3/4", STAINED
15. 454587	Formed extrusion, roof locker
16. 454613	SPRING, LEAF R/L

2012 INTERNATIONAL TRAVEL TRAILER

FURNITURE, GALLEY

Roof Locker, 27' FB Signature, Galley, Serenity

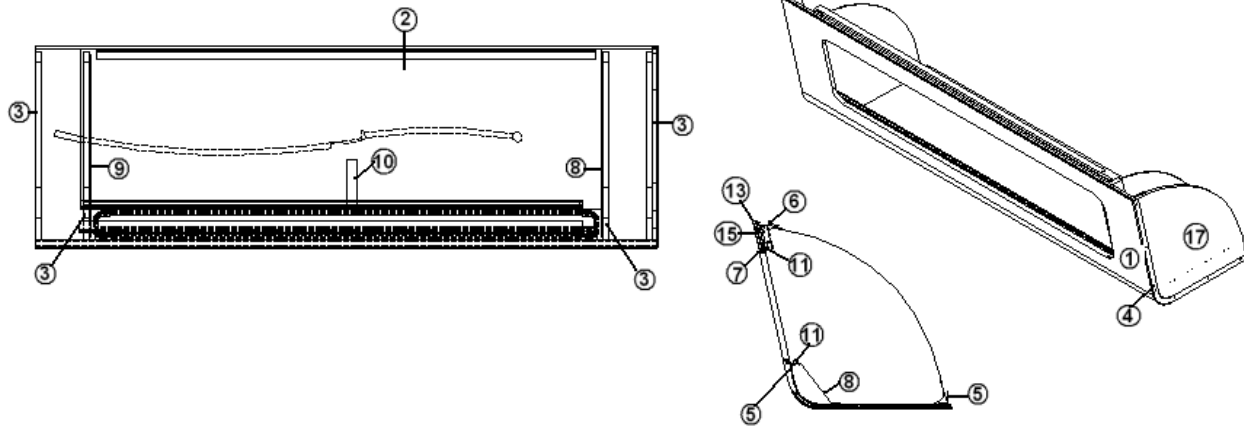


967559-15	Roof Locker, GALLEY, 27FB, Serenity
1. 801852-01	FACE-GALLEY ROOFLOCKER
2. 801355-01	LAM-FROST WHT 4'X8'VERT #1573-
3. 801852-02	DIVIDER-GALLEY ROOFLOCKER
4. 801852-02	DIVIDER - 17.15 X 18.21
5. 114812	ALUM. ANGLE 1.00 X 1.00
6. 104821	SUPPORT, ROOFLOCKER, 74"
7. 115226	BRACKET-FORMED-LOCKER CTR SUPP
8. 801539-01	DIVIDER-GALLEY LOCKER LH
9. 801539-02	DIVIDER-GALLEY LOCKER
10. 381245	SLIDING DOOR TRACK, 56-1/5"
11. 203677-02	DOOR-MARI 11.31X26.25
12. 201673	REVERSE COVE MOLDING, WHITE, P
13. 115375	EXTR.-FORMED R/L END
382114	KNOB-BRUSH.SATIN NICKEL #M576
454613	LEAF SPRING - ROOFLOCKER

2012 INTERNATIONAL TRAVEL TRAILER

FURNITURE, GALLEY

Roof Locker, Galley, 27 Front Bed - EDDIE BAUER

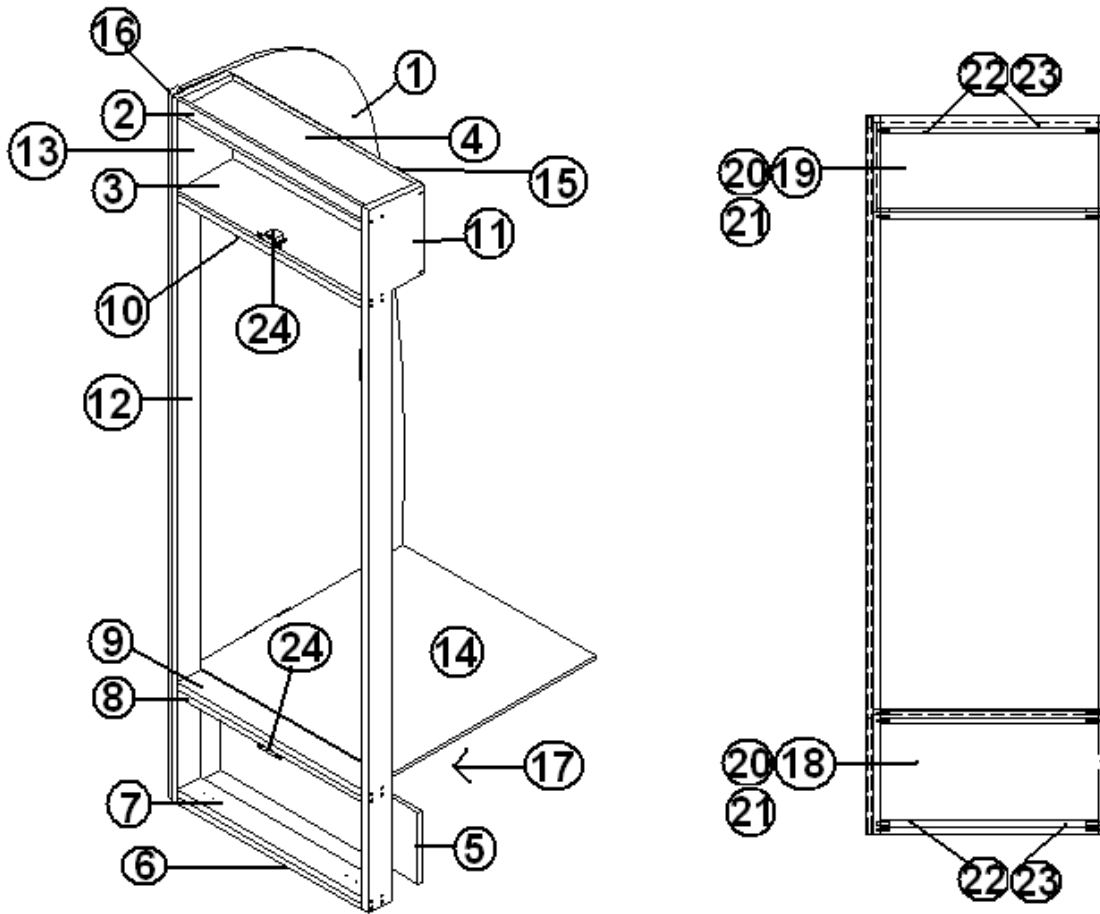


	967796-19	ROOFLOCKER ASSY-GALLEY
1.	801914	FACE, GALLEY ROOFLOCKER
2.	967796-192	PANEL 17.25 X 61.5
3.	801914-02	DIVIDER
4.	115375	EXTRUSION.-FORMED R/L END
5.	115227-02	ANGLE-FORMED-LOCKER TRACK SUPPORT
6.	104821	SUPPORT, ROOFLOCKER, 74"
7.	203710	T MOLDING-ALMOND .56" X 250'
8.	115226	BRACKET-FORMED-LOCKER CTR SUPP
9.	801539-01	DIVIDER-GALLEY LOCKER LH
10.	801539-02	DIVIDER-GALLEY LOCKER
11.	203388	TRACK-SLIDING DOOR
12.	203708-02	DOOR, SLIDING PLEXIGLASS 24.79" (Not shown)
13.	201673-01	MOLDING-OAK COVE .43" OAK
14.	365215	TAPE ADHESIVE TRANSFER #950 5M
15.	800028	PINE, 3/4" X 1-1/2"
16.	454613	SPRING-LEAF R/L INT
17.	967796-1917	PANEL, GAL R/L 18.21X17.15
18.	382149	PULL-FINGER SATIN NICKEL#35120

2012 INTERNATIONAL TRAVEL TRAILER

FURNITURE, GALLEY

Refrigerator Cabinet, 25' FB, 27' FB, Signature, Wenge



Part numbers are on the next page

2012 INTERNATIONAL TRAVEL TRAILER

FURNITURE, GALLEY

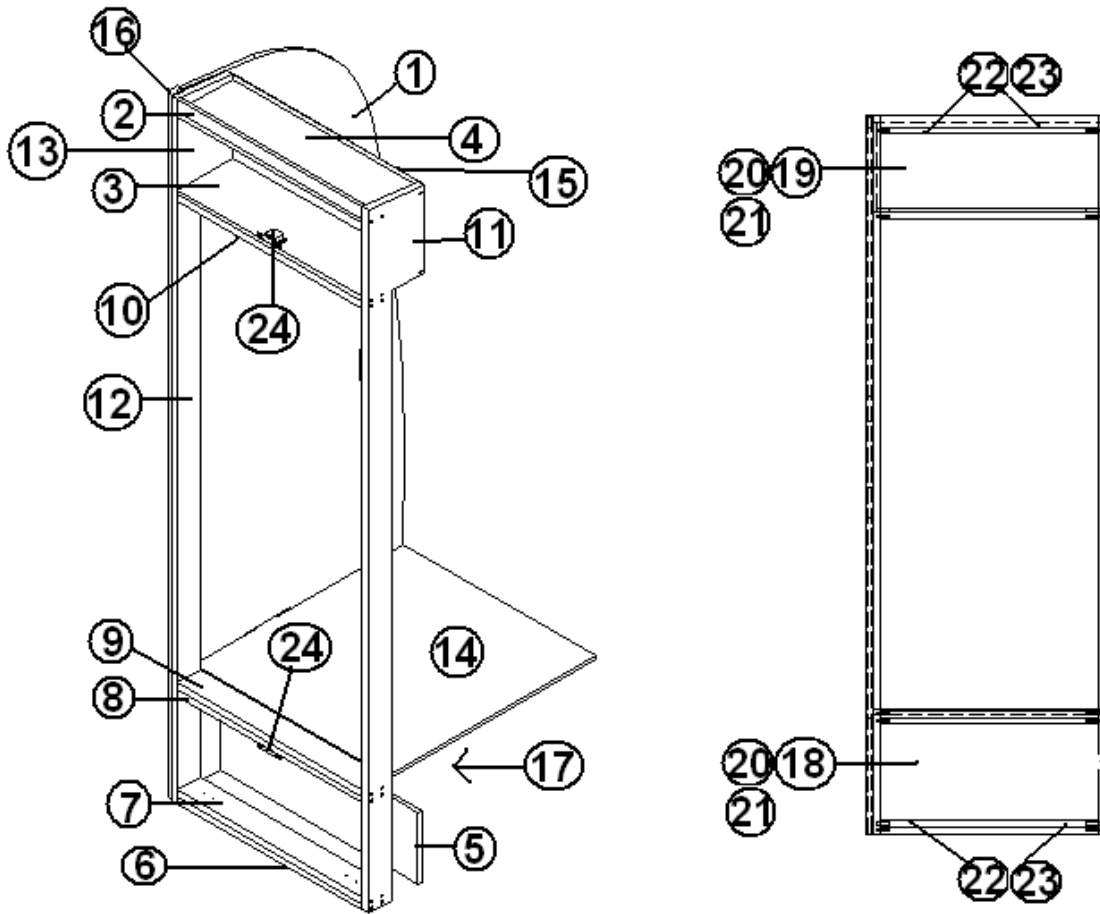
Refrigerator Cabinet, 25' FB, 27' FB, Signature, Wenge

966853	REFER CABINET
1. 966853-1	PANEL, 28.64" x 78.46"
2. 966853-2	PANEL, 23.81" x 1.49"
3. 966853-3	PANEL, 7.25" x 23.81"
4. 966853-4	PANEL, 7.25" x 23.81"
5. 966853-5	PANEL, 8" x 25.5"
6. 966853-6	PANEL, 3" x 23.81"
7. 966853-7	PANEL, 3" x 23.81"
8. 966853-8	PANEL, 3" x 23.81"
9. 966853-9	PANEL, 3" x 23.81"
10. 966853-10	PANEL, 3" x 23.81"
11. 966853-11	PANEL, 7.25" x 78.74"
12. 966853-12	PANEL, 7.25" x 78.74"
13. 966853-13	PANEL, LAUAN, 2.00 x 78.74
14. 966853-14	PANEL, PLYWOOD, 24.81" X 26.88
15. 966853-15I	PANEL, 9.92" X 24.81, WHITE/RAW
16. 801706-0016	CORNER TRIM 90 DEG. 1"RADIUS
17. 966812	STAND, REFRIGERATOR
18. 966853-18	DOOR, 24.44"X11.69"
19. 966853-19I	DOOR, 24.44" X 8.88"
20. 382029-05	HANDLE, BAR, 21.33"
21. 345001-08	SCREW, #8-32 X 1"
22. 381607	HINGE, ASSEMBLY
23. 381607-04	HINGE SCREW-GRASS
24. 381228-01	CATCH GRABBER DOOR

2012 INTERNATIONAL TRAVEL TRAILER

FURNITURE, GALLEY

Refrigerator Cabinet, 25' FB, 27' FB, Signature, Serenity



Part numbers are on the next page

2012 INTERNATIONAL TRAVEL TRAILER

FURNITURE, GALLEY

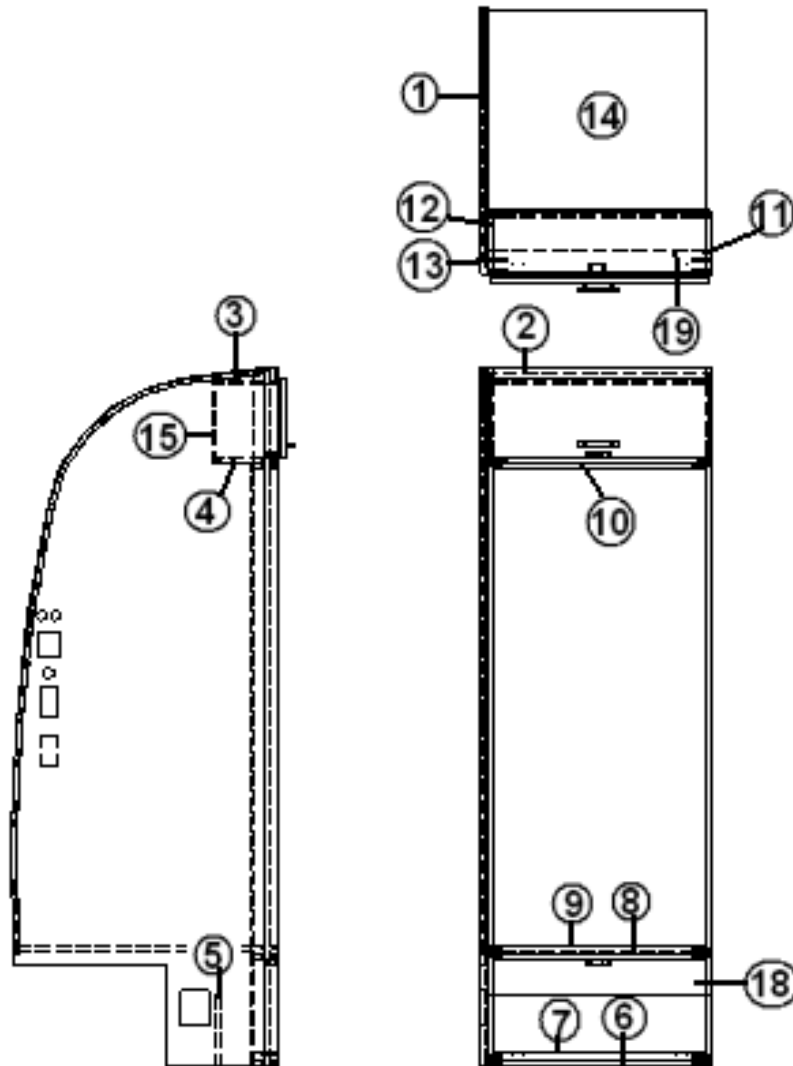
Refrigerator Cabinet, 25' FB, 27' FB, Signature, Serenity

966853-15	REFER CABINET
1. 966853-151	PANEL, 28.64"x 78.45"
2. 966853-152	PANEL, 23.81" x 1.49"
3. 966853-3	PANEL, 7.25" x 23.81"
4. 966853-4	PANEL, 7.25" x 23.81""
5. 966853-5	PANEL, 8" x 25.06"
6. 966853-6	PANEL, 3" x 23.81"
7. 966853-7	PANEL, 3" x 23.81"
8. 966853-8	PANEL, 3" x 23.81"
9. 966853-9	PANEL, 3" x 23.81"
10. 966853-10	PANEL, 3" x 23.81"
11. 966853-11	PANEL, 7.25" x 78.74"
12. 966853-12	PANEL, 7.25" x 78.74"
13. 800507-02	PANEL, LAUAN, 2.00 x 78.63
14. 800506-04	PANEL, PLYWOOD, 24.81" X 26.88
15. 966853-0115	PANEL, 24.81" X 26.88, WHITE/RAW
16. 801706-0018	CORNER TRIM 90 DEG. 1"RADIUS ASIAN SAND
17. 966812	STAND, REFRIGERATOR
18. 966853-1518	DOOR, 24.44" X 11.69"
19. 966853-1519	DOOR, 24.44" X 8.88"
20. 382115	PULL, FLAT BLACK #M575
21. 345001-08	SCREW, #8-32 X 1"
22. 381607	HINGE, DOOR
23. 381607-04	HINGE SCREW-GRASS
24. 381228-01	CATCH GRABBER DOOR

2012 INTERNATIONAL TRAVEL TRAILER

FURNITURE, GALLEY

Refrigerator Cabinet, 25' FB, EDDIE BAUER



PARTS LISTED ON NEXT PAGE

2012 INTERNATIONAL TRAVEL TRAILER

FURNITURE, GALLEY

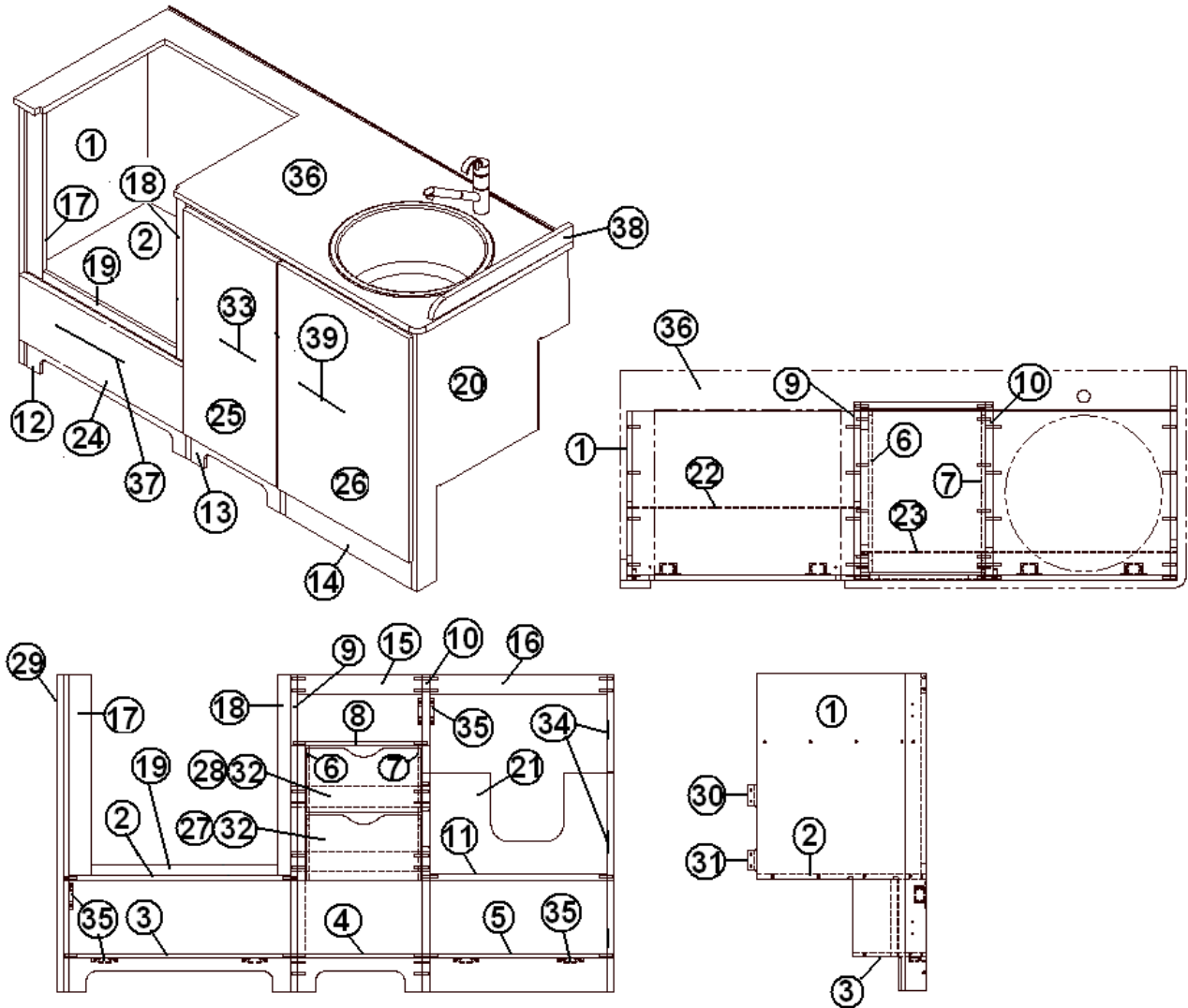
Refrigerator Cabinet, 25' FB, EDDIE BAUER

967682-19	REFRIGERATOR CABINET ASSY.
1. 967682-191	PANEL-REFER 28.64X78.45
2. 967682-192	PANEL-REFER 1.49X23.8
3. 967682-193	PANEL-REFER 7.25X23.81
4. 967682-194	PANEL-REFER 7.25X23.81
5. 967682-195	PANEL-REFER 8X25.5
6. 967682-196	PANEL-REFER 3X23.81
7. 967682-197	PANEL-REFER 3X23.81
8. 967682-198	PANEL-REFER 3X23.81
9. 967682-199	PANEL-REFER 3X23.81
10. 967682-1910	PANEL-REFER 3X23.81
11. 967682-1911	PANEL-REFER 7.25X78.74
12. 967682-1912	PANEL-REFER 7.25X78.74
13. 800507-02	LAUAN,1/4"X 4'X 8'
14. 800506-04	PLYWOOD,1/2"X4'X8'
15. 801438	PANEL, FRT WHT VINYL 9.92 X 24.81
16. 801706-0023	CORNER TRIM-90D 1"RAD L.MAPLE
17. 966812	STAND ASSY -NOT SHOWN
18. 967682-1918	DOOR- 24.44 X 11.69
19. 967682-1919	DOOR- 24.44 X 8.88
382029-00	HANDLE-BAR 7.48" #3701-128-CR
345001-08	MACH SCREW #8-32 X 1" REC TRUS
381607	HINGE ASSY-GRASS EURO-SAFARI
320006	SCREW SHEET METAL 8X3/4 BH PHI
381228-01	CATCH GRABBER DOOR C3-803
365352-03	EDGEBANDING- 1MM X 1.25" MAPLE
365352-01	EDGEBANDING-1MM X .63" MAPLE
800025-01	PINE 3/4" X 3/4" STAINED
365352-02	EDGEBANDING- 1MM X .94" MAPLE

2012 INTERNATIONAL TRAVEL TRAILER

FURNITURE, GALLEY

Galley, 28' Signature, Standard Oven, Wenge, For Units manufactured prior to 1/2/2012 except for unit 526765.



Part Number on the Next page

2012 INTERNATIONAL TRAVEL TRAILER

FURNITURE, GALLEY

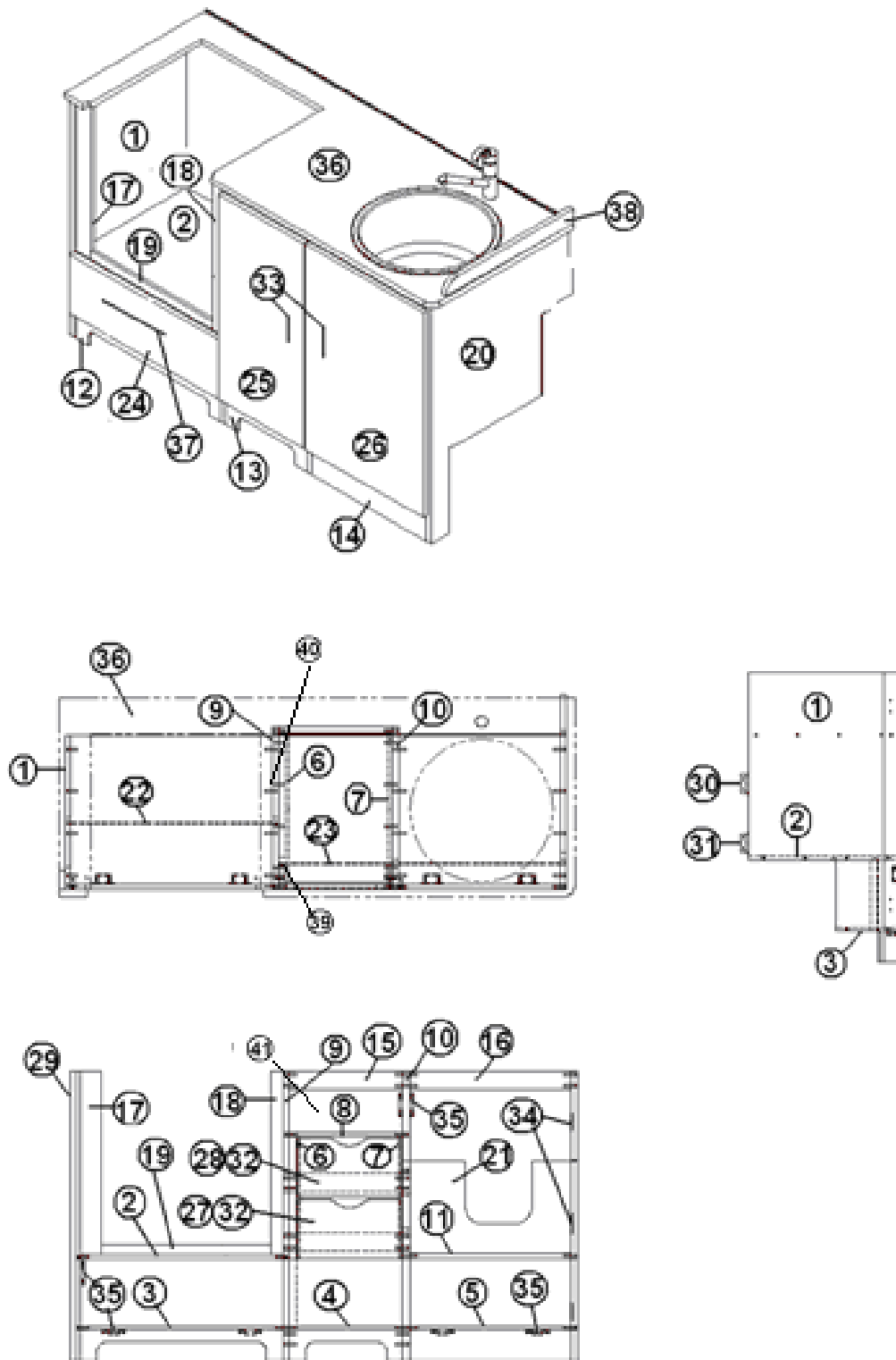
Galley, 28' Signature, Standard Oven, Wenge, For Units manufactured prior to 1/2/2012 except for unit 526765.

966983	GALLEY ASSY.
1. 966983-1	PANEL, 18.63 X 35.00
2. 966983-2	PANEL, 18.63 X 24.50
3. 966983-3	PANEL, 8.00 X 24.50
4. 966983-4	PANEL, 3.00 X 13.75
5. 966983-5	PANEL, 3.0 X 19.50
6. 966983-6	PANEL, 17.75 X 14.84
7. 966983-7	PANEL, 17.75 X 14.84
8. 966983-8	PANEL, 17.75 X 13.75
9. 966983-9	PANEL, 19.63 X 35.00
10. 966983-10	PANEL, 19.63 X 35.00
11. 966983-11	PANEL, 18.63 X 19.50
12. 966983-12	PANEL, 3.75 X 24.50
13. 966983-13	PANEL, 3.75 X 13.75
14. 966983-14	PANEL, 3.75 X 19.50
15. 966983-15I	PANEL, 2.25 X 13.75
16. 966983-16	PANEL, 2.25 X 19.50
17. 966983-17	PANEL, 2.50 X 22.19
18. 966983-18	PANEL, 1.50 X 22.19
19. 966983-19	PANEL, 1.25 X 20.50
20. 966983-20	PANEL, 23.52 X 35.00
21. 966983-21	PANEL, 21.00 X 11.75
22. 966983-22	PANEL, 8.56 X 25.75
23. 966983-23	PANEL, 8.56 X 34.75
24. 966983-24	DOOR 25.12 X 8.69
25. 966983-25	DOOR 14.38 X 30.00
26. 966983-26	DOOR 20.13 X 30.00
27. 966983-27	DRAWER FACE 12.63 X 7.17
28. 966983-28	DRAWER FACE 12.63 X 7.17
29. 801351	LITE PLY, .75" X 2.25 X 35.00
30. 801351	LITE PLY, .75" X 2.25 X 13.75
31. 801351	LITE PLY, .75" X 2.25 X 13.75
32. 965955-02	DRAWER BOX ASSEMBLY
33. 382029-03	HANDLE BAR, 11.25"
34. 381607	HINGE ASSY
35. 381228-01	CATCH GRABBER DOOR
36. 966985	GALLEY TOP ASSY
37. 382029-05	HANDLE BAR 21.33"
38. 967007	BACKSPLASH ASSY, 21.15"
39. 382029-04	HANDLE BAR, 15"
381773-16	DRAWER SLIDE, 5.88" X 17.38"

2012 INTERNATIONAL TRAVEL TRAILER

FURNITURE, GALLEY

Galley, 28' Signature, Standard Oven, SERENITY, For Units manufactured prior to 1/2/2012 except for unit 526765.



Part Number on the Next page

2012 INTERNATIONAL TRAVEL TRAILER

FURNITURE, GALLEY

Galley, 28' Signature, Standard Oven, Serenity, For Units manufactured prior to 1/2/2012 except for unit 526765.

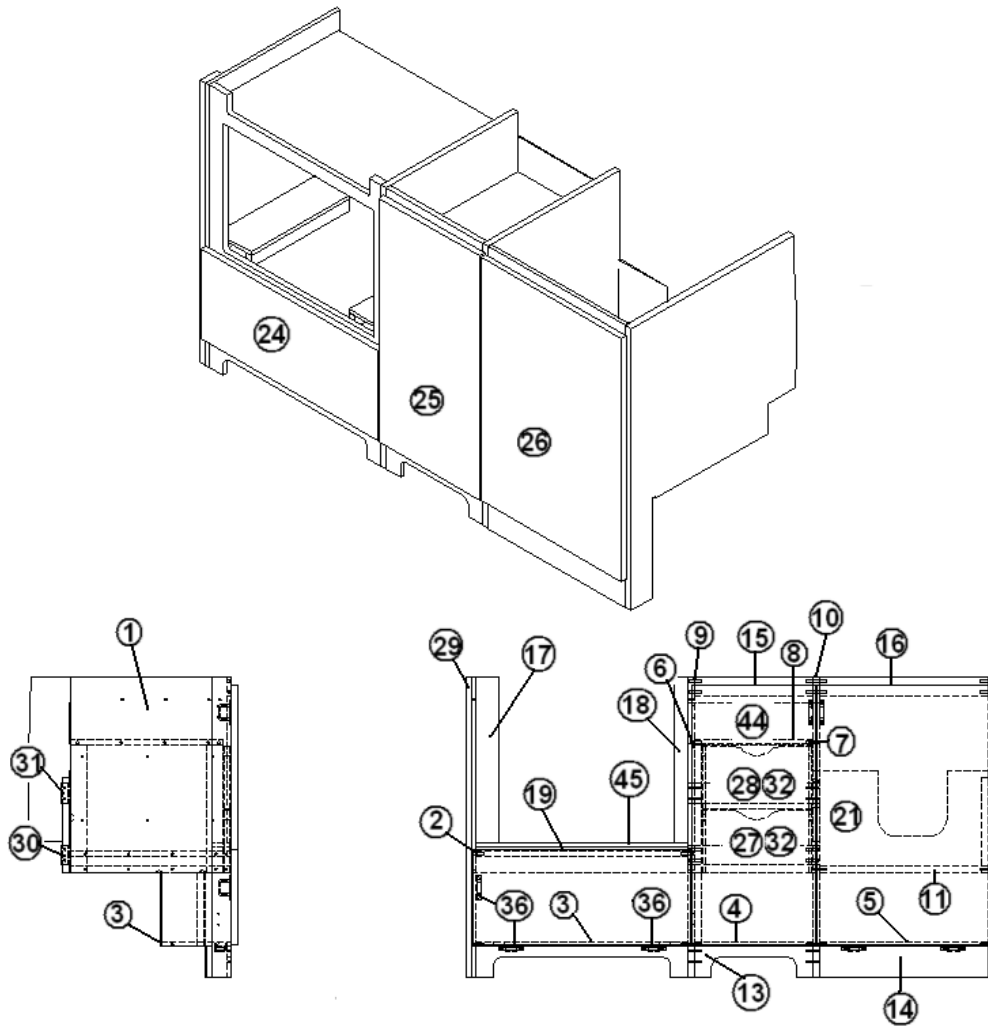
966983-15 GALLEY ASSY.

1. 966983-1 PANEL, 18.63 X 35.00
2. 966983-2 PANEL, 18.63 X 24.50
3. 966983-3 PANEL, 8.00 X 24.5029
4. 966983-4 PANEL, 3.00 X 13.75
5. 966983-5 PANEL, 3.0 X 19.50
6. 966983-6 PANEL, 17.75 X 14.84
7. 966983-7 PANEL, 17.75 X 14.84
8. 966983-8 PANEL, 17.75 X 13.75
9. 966983-9 PANEL, 19.63 X 35.00
10. 966983-10 PANEL, 19.63 X 35.00
11. 966983-11 PANEL, 18.63 X 19.50
12. 966983-1512 PANEL, 3.75 X 24.50
13. 966983-1513 PANEL, 3.75 X 13.75
14. 966983-1514 PANEL, 3.75 X 19.50
15. 966983-1515 PANEL, 2.25 X 13.75
16. 966983-1516 PANEL, 2.25 X 19.50
17. 966983-1517 PANEL, 2.50 X 22.19
18. 966983-1518 PANEL, 1.50 X 22.19
19. 966983-1519 PANEL, 1.25 X 20.50
20. 966983-1520 PANEL, 23.52 X 35.00
21. 966983-1521 PANEL, GALLEY 20.25X11.75
22. 966983-1522 PANEL, 8.56 X 25.75
23. 966983-1523 PANEL, 8.56 X 34.75
24. 966983-1524 DOOR 25.12 X 8.69
25. 966983-1525 DOOR 14.38 X 30.00
26. 966983-1526 DOOR 20.13 X 30.00
27. 966983-1527 DRAWER FACE 12.63 X 7.17
28. 966983-1528 DRAWER FACE 12.63 X 7.17
29. 801351 LITE PLY, .75" X 2.25 X 35.00
30. 801351 LITE PLY, .75" X 2.25 X 13.75
31. 801351 LITE PLY, .75" X 2.25 X 13.75
32. 965955-02 DRAWER BOX ASSEMBLY
33. 382115 PULL FLAT BLACK #M575
34. 381607 HINGE ASSY
35. 381228-01 CATCH GRABBER DOOR
36. 966985-15 GALLEY TOP ASSY
37. 382115 PULL-FLAT BLACK #M575
38. 967007-15 BACKSPLASH ASSY, 21.15"
39. 966983-1542 PANEL, GALLEY 2X14.84
40. 966983-1543 PANEL, GALLEY 2X14.84
41. 966983-1544 PANEL, GALLEY 4.75X15.25

2012 INTERNATIONAL TRAVEL TRAILER

FURNITURE, GALLEY

Galley, 28' Signature, Standard Oven, Wenge, Used on units manufactured on or after 1/2/2012 including serial number 526765.



Parts Listed on Next Page

2012 INTERNATIONAL TRAVEL TRAILER

FURNITURE, GALLEY

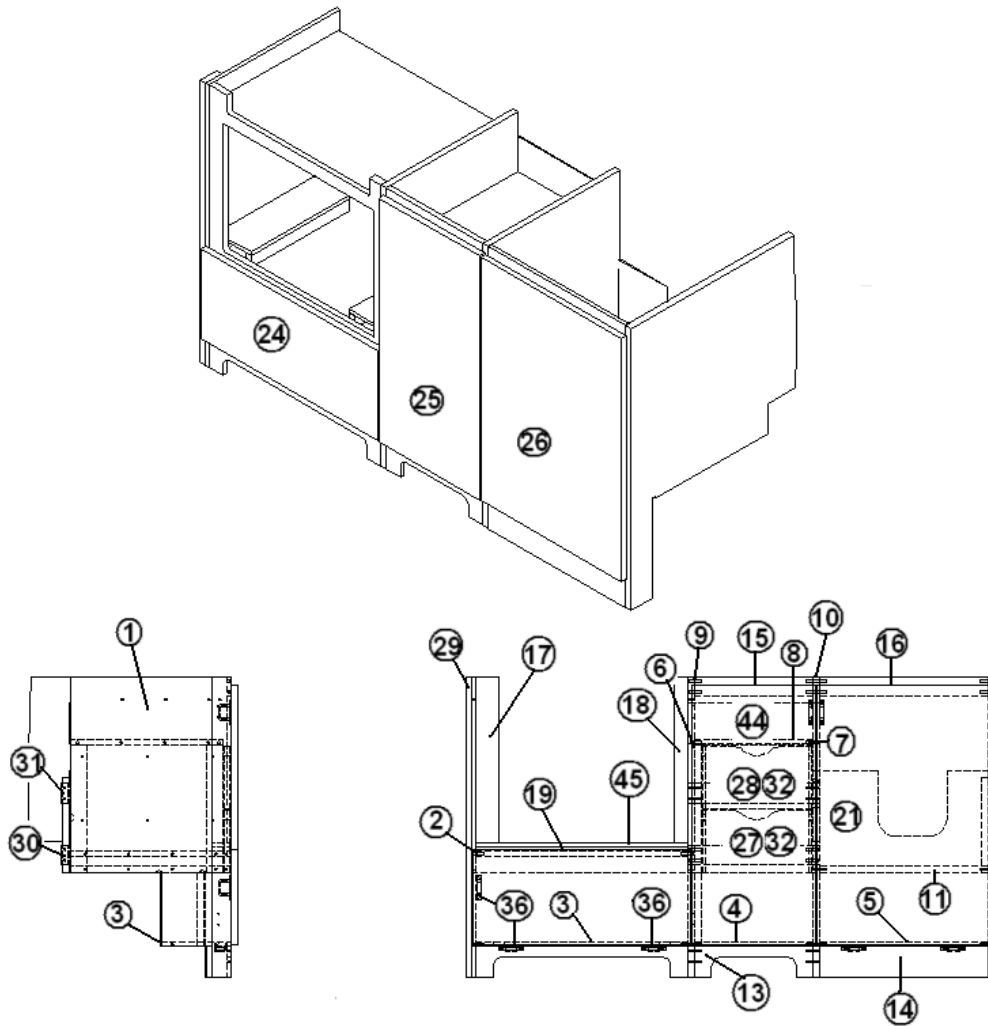
Galley, 28' Signature, Standard Oven, Wenge, Used on units manufactured on or after 1/2/2012 including serial number 526765.

	967853	Galley Base Assembly
1.	967853-1	PANEL-GALLEY 18.63X34.75
2.	967853-2	PANEL-GALLEY 18.63X24.5
3.	967853-3	PANEL-GALLEY 8X24.5
4.	967853-4	PANEL-GALLEY 3X13.75 (Not shown)
5.	967853-5	PANEL-GALLEY 3X19.5
6.	967853-6	PANEL-GALLEY 17.75X14.84
7.	967853-7	PANEL-GALLEY 17.75X14.84
8.	967853-8	PANEL-GALLEY 19.63X13.75
9.	967853-9	PANEL-GALLEY 19.63X34.75
10.	967853-10	PANEL-GALLEY 19.63X34.75
11.	967853-11	PANEL-GALLEY 18.63X19.5
12.	967853-12	PANEL-GALLEY 3.5X24.5
13.	967853-13	PANEL-GALLEY 3.5X13.75
14.	967853-14	PANEL-GALLEY 3.5X19.5
15.	967853-15I	PANEL-GALLEY 2.25X13.75
16.	967853-16	PANEL-GALLEY 2.25X19.5
17.	967853-17	PANEL-GALLEY 2.63X19.25
18.	967853-18	PANEL-GALLEY 1.63X19.25
19.	967853-19	PANEL-GALLEY 2.25X24.5
20.	967853-20	PANEL-GALLEY 23.51X34.75 (Not shown)
21.	967853-21	PANEL-GALLEY 20.25X11.75
22.	967853-22	PANEL-GALLEY 8.56X25.75 (Not shown)
23.	967853-23	PANEL-GALLEY 8.56X34.75 (Not shown)
24.	967853-24	DOOR-GALLEY 25.12X8.69
25.	967853-25	DOOR-GALLEY 14.38X30
26.	967853-26	DOOR-GALLEY 20.13X30
27.	967853-27	DWR FACE- GAL12.63X7.17
28.	967853-28	DWR FACE- 12.63X7.17
29.	801351	LITE PLY-18MM (.75") 2.25" X 34.75"
30.	801351	LITE PLY-18MM (.75") 2.25" X 13.75"
31.	801351	LITE PLY-18MM (.75") 2.25 X 13.75"
32.	965955-02	DWR BOX ASSY 5.75x16.46x10.63
36.	381228-01	CATCH GRABBER DOOR C3-80
44.	967853-44	PANEL-GALLEY 4.75X15.25
45.	967853-45	PANEL-GALLEY 2.25X24.5
	967853-42	PANEL-GALLEY 2X14.84 (Not shown)
	967853-43	PANEL-GALLEY 2X14.84 (Not shown)
	382029-05	HANDLE-BAR 21.33" #3701-480-CR
	380041	BRACE 1" STANLEY CORNER
	381607	HINGE ASSY-GRASS EURO-SAFARI

2012 INTERNATIONAL TRAVEL TRAILER

FURNITURE, GALLEY

Galley, 28' Signature, Standard Oven, Serenity, Used on units manufactured on or after 1/2/2012 including serial number 526765.



Parts Listed on Next Page

2012 INTERNATIONAL TRAVEL TRAILER

FURNITURE, GALLEY

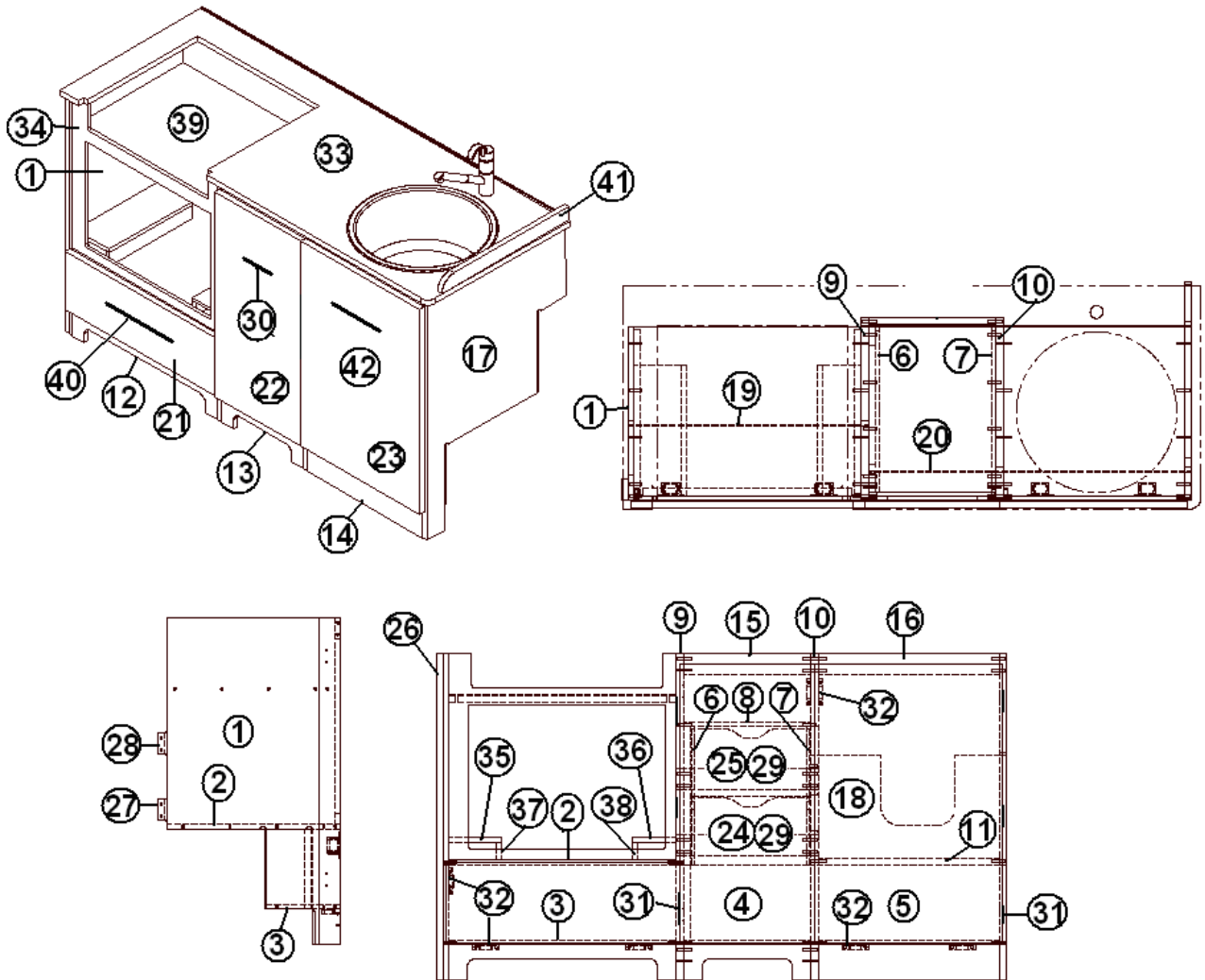
Galley, 28' Signature, Standard Oven, Serenity, Used on units manufactured on or after 1/2/2012 including serial number 526765.

	967853-15	Galley Base Assembly
1.	967853-1	PANEL-GALLEY 18.63X34.75
2.	967853-2	PANEL-GALLEY 18.63X24.5
3.	967853-3	PANEL-GALLEY 8X24.5
4.	967853-4	PANEL-GALLEY 3X13.75 (Not shown)
5.	967853-5	PANEL-GALLEY 3X19.5
6.	967853-6	PANEL-GALLEY 17.75X14.84
7.	967853-7	PANEL-GALLEY 17.75X14.84
8.	967853-8	PANEL-GALLEY 19.63X13.75
9.	967853-9	PANEL-GALLEY 19.63X34.75
10.	967853-10	PANEL-GALLEY 19.63X34.75
11.	967853-11	PANEL-GALLEY 18.63X19.5
12.	967853-1512	L-GAL 3.5X24.5
13.	967853-1513	PANEL-GALLEY 3.5X13.75
14.	967853-1514	PANEL-GALLEY 3.5X19.5
15.	967853-1515	PANEL-GALLEY 2.25X13.75
16.	967853-1516	PANEL-GALLEY 2.25X19.5
17.	967853-1517	PANEL-GALLEY 2.63X19.25
18.	967853-1518	PANEL-GALLEY 1.63X19.25
19.	967853-19	PANEL-GALLEY 2.25X24.5
20.	967853-1520	PANEL-GALLEY 23.51X34.75
21.	967853-21	PANEL-GALLEY 20.25X11.75
22.	967853-22	PANEL-GALLEY 8.56X25.75
23.	967853-23	PANEL-GAL 8.56X34.75 (Not shown)
24.	967853-1524	DOOR-GALLEY 25.12X8.69
25.	967853-1525	DOOR-GALLEY 14.38X30
26.	967853-1526	DOOR-GALLEY 20.13X30
27.	967853-1527	DWR FACE- GALLEY 12.63X7.17
28.	967853-1528	DWR FACE- 12.63X7.17
29.	801351	LITE PLY-18MM (.75") 2.25" X 34.75"
30.	801351	LITE PLY-18MM (.75") 2.25" X 13.75"
31.	801351	LITE PLY-18MM (.75") 2.25 X 13.75"
32.	965955-02	DWR BOX ASSY 5.75x16.46x10.63
36.	382029-05	PULL, FLAT BLACK
44.	967853-44	PANEL-GALLEY 4.75X15.25
45.	967853-45	PANEL-GALLEY 2.25X24.5
	967853-1542	PANEL-GALLEY 2X14.84 (Not shown)
	967853-4843	PANEL-GALLEY 2X14.84 (Not shown)
	380041	BRACE 1" STANLEY CORNER
	381607	HINGE ASSY-GRASS EURO-SAFARI
	381228-01	CATCH GRABBER DOOR C3-803

2012 INTERNATIONAL TRAVEL TRAILER

FURNITURE, GALLEY

Galley, 28' Signature, Microwave Option, Wenge, Use on units manufactured before 1/2/2012 except for units 526730, 526748, 526746, 526749, 526152, 526757, and 526763.



Part Number on the Next page

2012 INTERNATIONAL TRAVEL TRAILER

FURNITURE, GALLEY

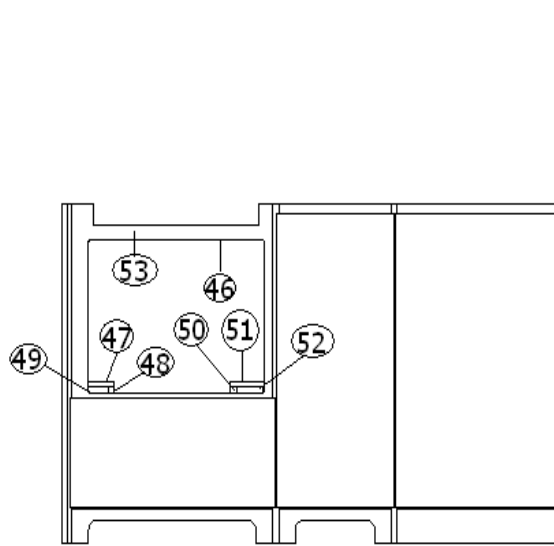
Galley, 28' Signature, Microwave Option, Wenge, Use on units manufactured before 1/2/2012 except for units 526730, 526748, 526746, 526749, 526152, 526757, and 526763.

966984	GALLEY ASSY.
1. 966984-1	PANEL, 18.63 X 35.00
2. 966984-2	PANEL, 18.63 X 24.50
3. 966984-3	PANEL, 8.00 X 24.50
4. 966984-4	PANEL, 3.00 X 13.75
5. 966984-5	PANEL, 3.0 X 19.50
6. 966984-6	PANEL, 17.75 X 14.84
7. 966984-7	PANEL, 17.75 X 14.84
8. 966984-8	PANEL, 17.75 X 13.75
9. 966984-9	PANEL, 19.63 X 35.00
10. 966984-10	PANEL, 19.63 X 35.00
11. 966984-11	PANEL, 18.63 X 19.50
12. 966984-12	PANEL, 3.75 X 24.50
13. 966984-13	PANEL, 3.75 X 13.75
14. 966984-14	PANEL, 3.75 X 19.50
15. 966984-15I	PANEL, 2.25 X 13.75
16. 966984-16	PANEL, 2.25 X 19.50
17. 966984-20	PANEL, 23.52 X 35.00
18. 966984-21	PANEL, 21.00 X 11.75
19. 966984-22	PANEL, 8.56 X 25.75
20. 966984-23	PANEL, 8.56 X 34.75
21. 966984-24	DOOR, 25.12 X 8.69
22. 966984-25	DOOR, 14.38 X 30.00
23. 966984-26	DOOR, 20.13 X 30.00
24. 966984-27	DRAWER FACE, 12.63 X 7.17
25. 966984-28	DRAWER FACE, 12.63 X 7.17
26. 801351	LITE PLY, .75" X 2.25 X 35.00
27. 801351	LITE PLY, .75" X 2.25 X 13.75
28. 801351	LITE PLY, .75" X 2.25 X 13.75
29. 965955-02	DRAWER BOX ASSEMBLY
30. 382029-03	HANDLE BAR, 7.5"
31. 381607	HINGE ASSY
32. 381228-01	CATCH GRABBER DOOR
33. 966985	GALLEY TOP ASSY
34. 966984-42	PANEL, 24.50 X 22.19
35. 966984-43	PANEL, 5.69 X 14.00
36. 966984-44	PANEL, 4.69 X 14.00
37. 966984-45	PANEL, 1.94 X 14.00
38. 966984-46	PANEL, 1.94 X 14.00
39. 966984-47	PANEL, 18.12 X 24.50
40. 382029-05	HANDLE BAR 21.33"
41. 967007	BACKSPLASH ASSY, 21.15"
42. 382029-04	HANDLE BAR 8.36"

2012 INTERNATIONAL TRAVEL TRAILER

FURNITURE, GALLEY

Galley, 28' Signature, Microwave Option, Wenge, Units built on or after 1/2/2012.



Parts Listed On Next Page

2012 INTERNATIONAL TRAVEL TRAILER

FURNITURE, GALLEY

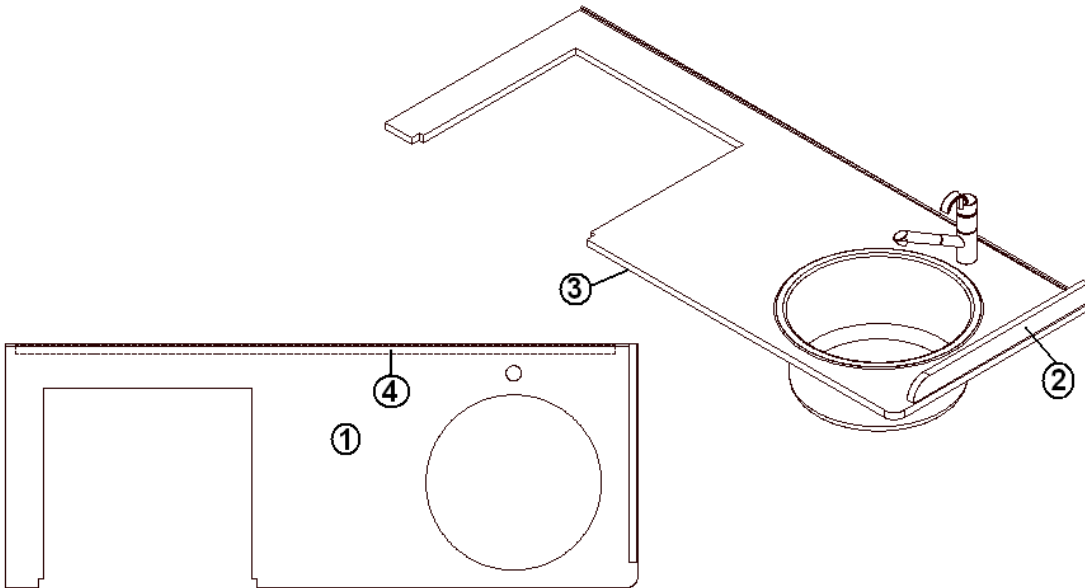
Galley, 28' Signature, Microwave Option, Wenge, Units built on or after 1/2/2012.

	967853-01	Galley Base Assembly, Microwave Option
1.	967853-1	PANEL-GALLEY 18.63X34.75
2.	967853-2	PANEL-GALLEY 18.63X24.5
3.	967853-3	PANEL-GALLEY 8X24.5
4.	967853-4	PANEL-GALLEY 3X13.75 (Not shown)
5.	967853-5	PANEL-GALLEY 3X19.5
6.	967853-6	PANEL-GALLEY 17.75X14.84
7.	967853-7	PANEL-GALLEY 17.75X14.84
8.	967853-8	PANEL-GALLEY 19.63X13.75
9.	967853-9	PANEL-GALLEY 19.63X34.75
10.	967853-10	PANEL-GALLEY 19.63X34.75
11.	967853-11	PANEL-GALLEY 18.63X19.5
12.	967853-12	PANEL-GALLEY 3.5X24.5
13.	967853-13	PANEL-GALLEY 3.5X13.75
14.	967853-14	PANEL-GALLEY 3.5X19.5
15.	967853-15I	PANEL-GALLEY 2.25X13.75
16.	967853-16	PANEL-GALLEY 2.25X19.5
20.	967853-20	PANEL-GALLEY 23.51X34.75 (Not shown)
21.	967853-21	PANEL-GALLEY 20.25X11.75
22.	967853-22	PANEL-GALLEY 8.56X25.75 (Not shown)
23.	967853-23	PANEL-GALLEY 8.56X34.75 (Not shown)
24.	967853-24	DOOR-GALLEY 25.12X8.69
25.	967853-25	DOOR-GALLEY 14.38X30
26.	967853-26	DOOR-GALLEY 20.13X30
27.	967853-27	DWR FACE- GAL12.63X7.17
28.	967853-28	DWR FACE- 12.63X7.17
29.	801351	LITE PLY-18MM (.75") 2.25" X 34.75"
30.	801351	LITE PLY-18MM (.75") 2.25" X 13.75"
31.	801351	LITE PLY-18MM (.75") 2.25 X 13.75"
32.	965955-02	DWR BOX ASSY 5.75x16.46x10.63
36.	381228-01	CATCH GRABBER DOOR C3-803
44.	967853-44	PANEL-GALLEY 4.75X15.25
46.	967853-0146	PANEL-GALLEY 24.50 X 20.25
47.	967853-0147	PANEL-GALLEY 4.75" X 14.00
48.	967853-0148	PANEL-GALLEY 1.44" X 14.00
49.	967853-0149	PANEL-GALLEY 1.44" X 14.00
50.	967853-0150	PANEL-GALLEY 1.44" X 14.00
51.	967853-0151	PANEL-GALLEY 4.75" X 14.00
52.	967853-0152	PANEL-GALLEY 1.44" X 14.00
53.	967853-0153	PANEL-GALLEY 24.50" X 17.62
	382029-05	HANDLE-BAR 21.33" #3701-480-CR
	380041	BRACE 1" STANLEY CORNER
	381607	HINGE ASSY-GRASS EURO-SAFARI

2012 INTERNATIONAL TRAVEL TRAILER

FURNITURE, GALLEY

Galley, 28' Signature, Top, Wenge, Serenity, For Units manufactured prior to 1/2/2012 except for unit 526765.

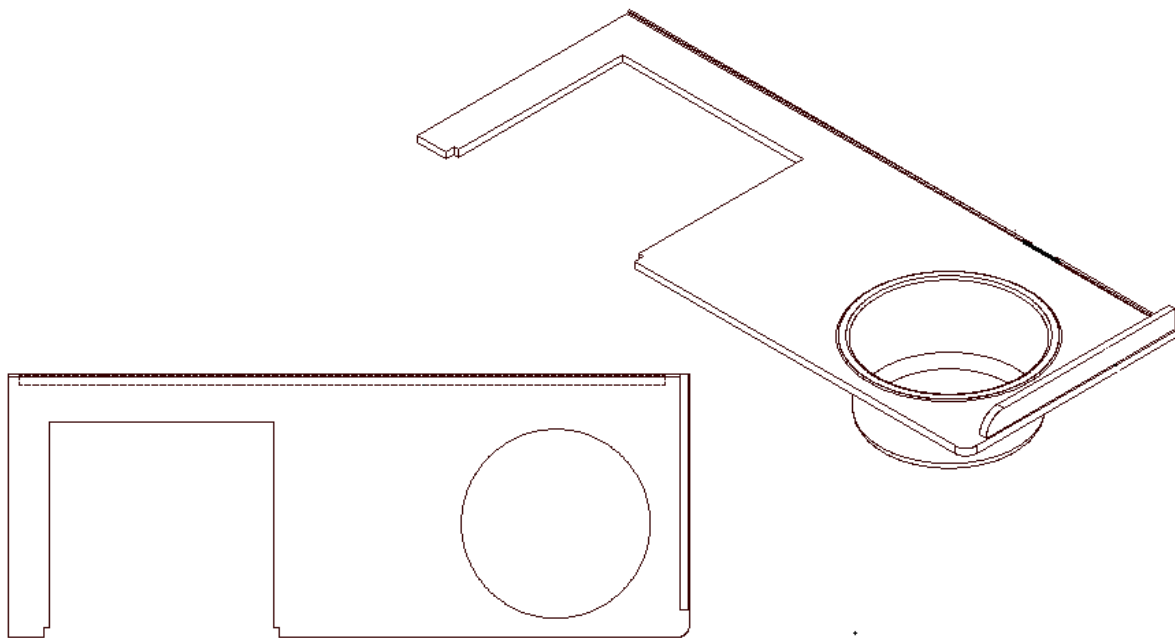


- | | |
|---------------|-------------------------------|
| *966985 | GALLEY TOP ASSY, WENGE |
| *966985-15 | GALLEY TOP ASSY, SERENITY |
| 1. 966985-1 | PANEL, 24.0 X 62.25, WENGE |
| 1. 966985-151 | PANEL, 24.0 X 62.25, SERENITY |
| 2. 967007 | BACKSPLASH, 21.15", WENGE |
| 2. 967007-15 | BACKSPLASH, 21.15", SERENITY |
| 3. 114812 | ALUMINUM ANGLE 1.00" X 1.00" |
| 4. 115064 | TRIM, ALUMINUM, COUNTER TOP |

2012 INTERNATIONAL TRAVEL TRAILER

FURNITURE, GALLEY

Galley, 28' Signature, Top, Wenge, Serenity, For Units manufactured prior to 1/2/2012 except for unit 526765.



967852 Galley Top Assy., Wenge,
967852-15 Galley Top Assy., Serenity,

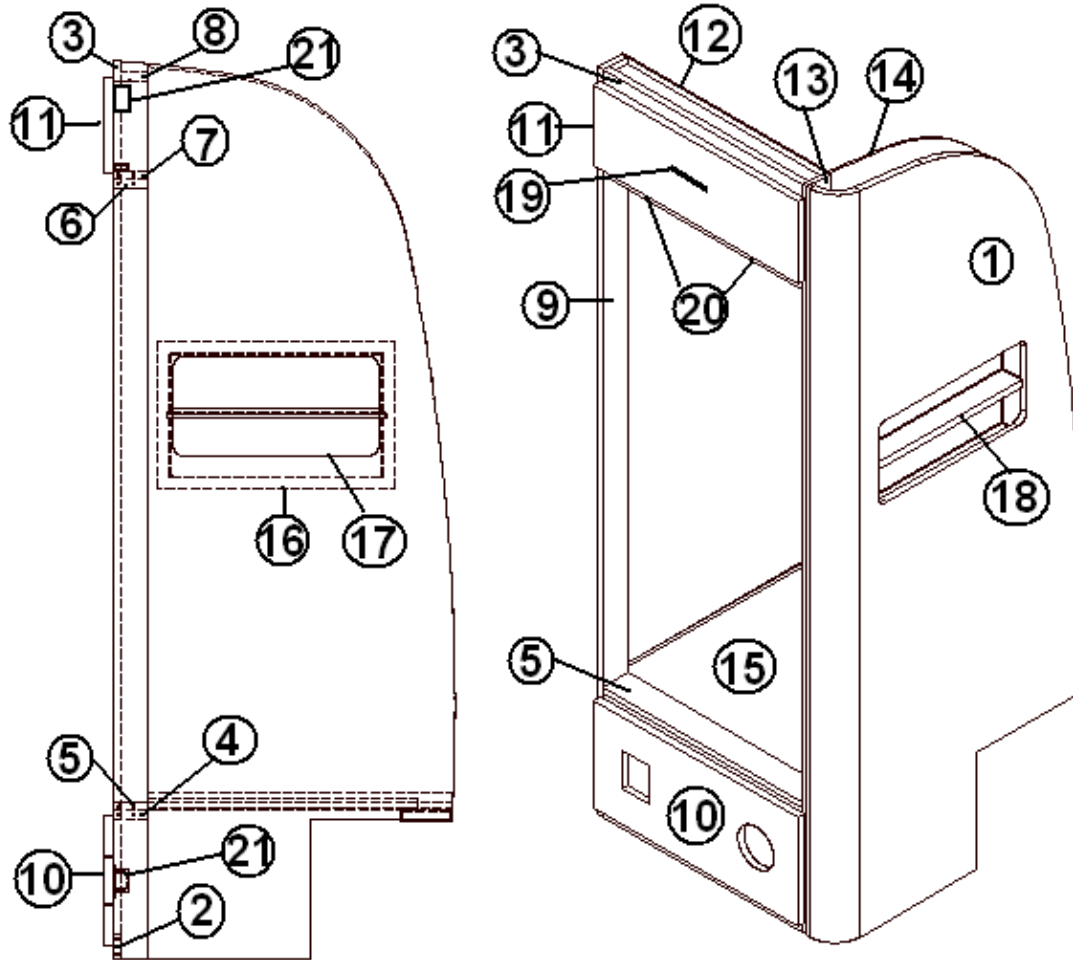
967007 Backsplash Assy., 21.5" Wenge
967007-15 Backsplash Assy., 21.5", Serenity

115064 Trim, Aluminum Counter Top

2012 INTERNATIONAL TRAVEL TRAILER

FURNITURE, GALLEY

Refrigerator Cabinet, 28' Signature, Wenge



Part Number on the Next page

2012 INTERNATIONAL TRAVEL TRAILER

FURNITURE, GALLEY

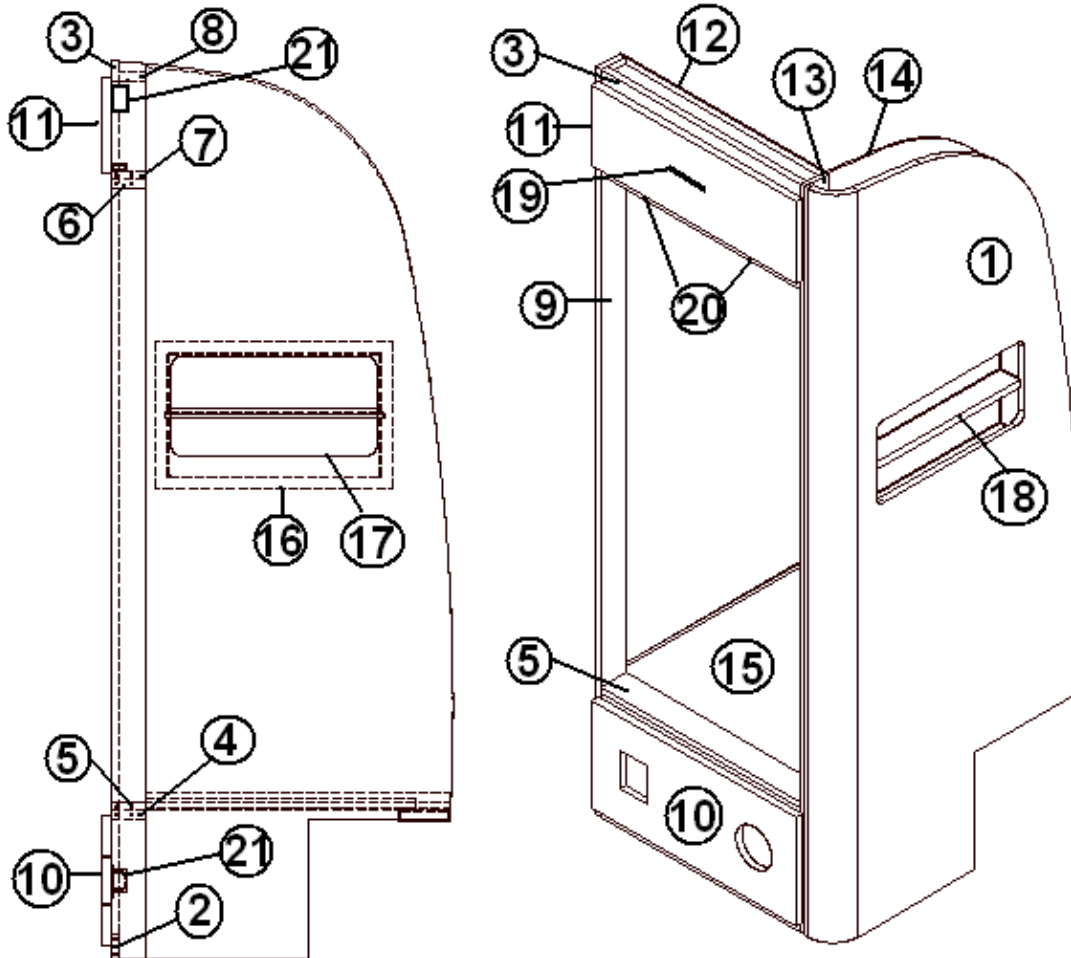
Refrigerator Cabinet, 28' Signature, Wenge

966992	CABINET ASSY, REFRIGERATOR
1. 966993	PANEL, ASSY, REFRIGERATOR
2. 966992-2	PANEL, 24.06 X 1.75
3. 966992-3	PANEL, 24.06 X 1.75
4. 966992-4	PANEL, 3.0 X 24.06
5. 966992-5	PANEL, 3.0 X 24.06
6. 966992-6	PANEL, 3.0 X 24.06
7. 966992-7	PANEL, 30 X 24.06
8. 966992-8	PANEL, 2.25 X 24.06
9. 966992-9	PANEL, 3.0 X 78.62
10. 966992-10	PANEL 24.69 X 11.38
11. 966992-11	DOOR 24.69 X 8.50
12. 966992-12	PANEL 10.86 X 25.31
13. 966992-13	PANEL 3.0 X 78.62
14. 800507-02	LAUAN, ¼" X 64.33" X 29.13"
15. 800507-04	LAUAN, ½" X 27.81" X 26.25
16. 203384	RACK, SPICE ABS
17. 203385	TRIM, "F", SELF EDGING
18. 203476	SHELF-REFRIGERATOR
19. 382029-05	HANDLE BAR 21.33"
20. 381607	HINGE ASSY.
21. 381228-01	CATCH GRABBER DOOR
966808	STAND ASSY, REFRIGERATOR

2012 INTERNATIONAL TRAVEL TRAILER

FURNITURE, GALLEY

Refrigerator Cabinet, 28' Signature, SERENITY



Part Number on the Next page

2012 INTERNATIONAL TRAVEL TRAILER

FURNITURE, GALLEY

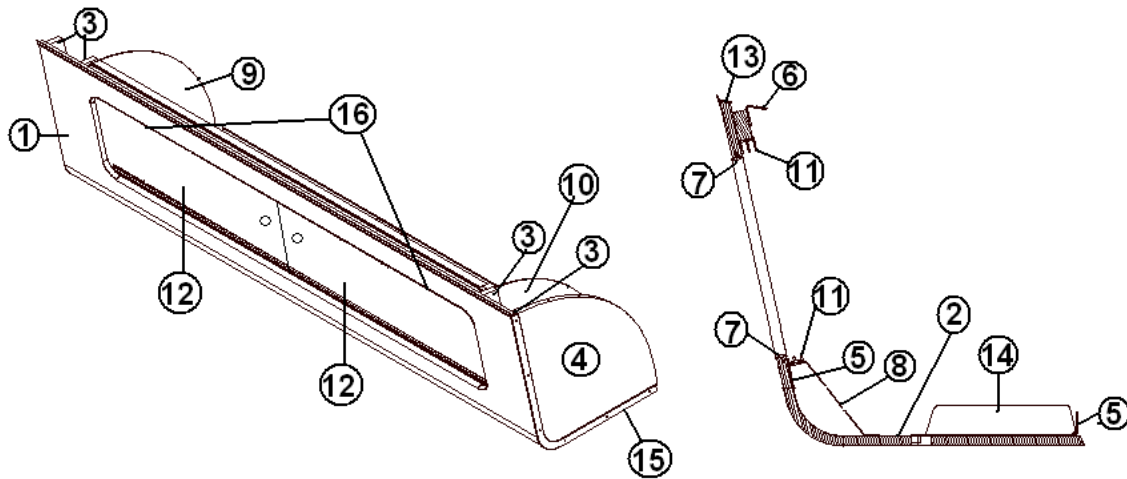
Refrigerator Cabinet, 28' Signature, SERENITY

966992-15	CABINET ASSY, REFRIGERATOR
1. 966993-15	PANEL, ASSY, REFRIGERATOR
2. 966992-152	PANEL, 24.06 X 2.75
3. 966992-153	PANEL, 24.06 X 1.75
4. 966992-4	PANEL, 3.0 X 24.06
5. 966992-5	PANEL, 3.0 X 24.06
6. 966992-6	PANEL, 3.0 X 24.06
7. 966992-7	PANEL, 30 X 24.06
8. 966992-8	PANEL, 2.25 X 24.06
9. 966992-9	PANEL, 3.0 X 78.62
10.966992-1510	PANEL 24.69 X 11.38
11.966992-1511	DOOR 24.69 X 8.50
12.966992-1512	PANEL 10.86 X 25.31
13.966992-13	PANEL 3.0 X 78.62
14.800507-02	LAUAN, ¼" X 64.33" X 29.13"
15.800507-04	LAUAN, ½" X 27.81" X 26.25
16.203384	RACK, SPICE ABS
17.203385	TRIM, "F", SELF EDGING
18.203476	SHELF, REFRIGERATOR
19. 382115	PULL-FLAT BLACK #M575
20.381607	HINGE ASSY.
21.381228-01	CATCH GRABBER DOOR
966808	STAND ASSY, REFRIGERATOR

2012 INTERNATIONAL TRAVEL TRAILER

FURNITURE, GALLEY

Roof Locker, 28' Signature Galley, Wenge



966968

LOCKER ASSY, GALLEY

1. 801542-03

LOCKER FACE. GALLEY

2. 801716

PANEL, WENGE/LINER 18MM

3. 801545-02

DIVIDER PARTIAL

4. 966968-4

PANEL, 17.15 X 18.21

5. 115227-02

ANGLE, LOCKER TRACK SUPPORT

6. 104821

SUPPORT, ROOFLOCKER, 74"

7. 203445-01

T-MOLDING, .5625" WHITE

8. 115226

BRACKET, LOCKER, CENTER SUPPORT

9. 801539-01

DIVIDER, GALLEY LOCKER LH

10. 801539-02

DIVIDER, GALLEY LOCKER

11. 203388

SLIDING DOOR TRACK, 56-1/5"

12. 965563-09

DOOR-PLEX.SLIDING 11.31" X 26"

13. 201673

REVERSE COVE MOLDING, WHITE

14. 200772

PAN, DEADBOLT

15. 115375

EXTRUSION, FORMED, R/L END

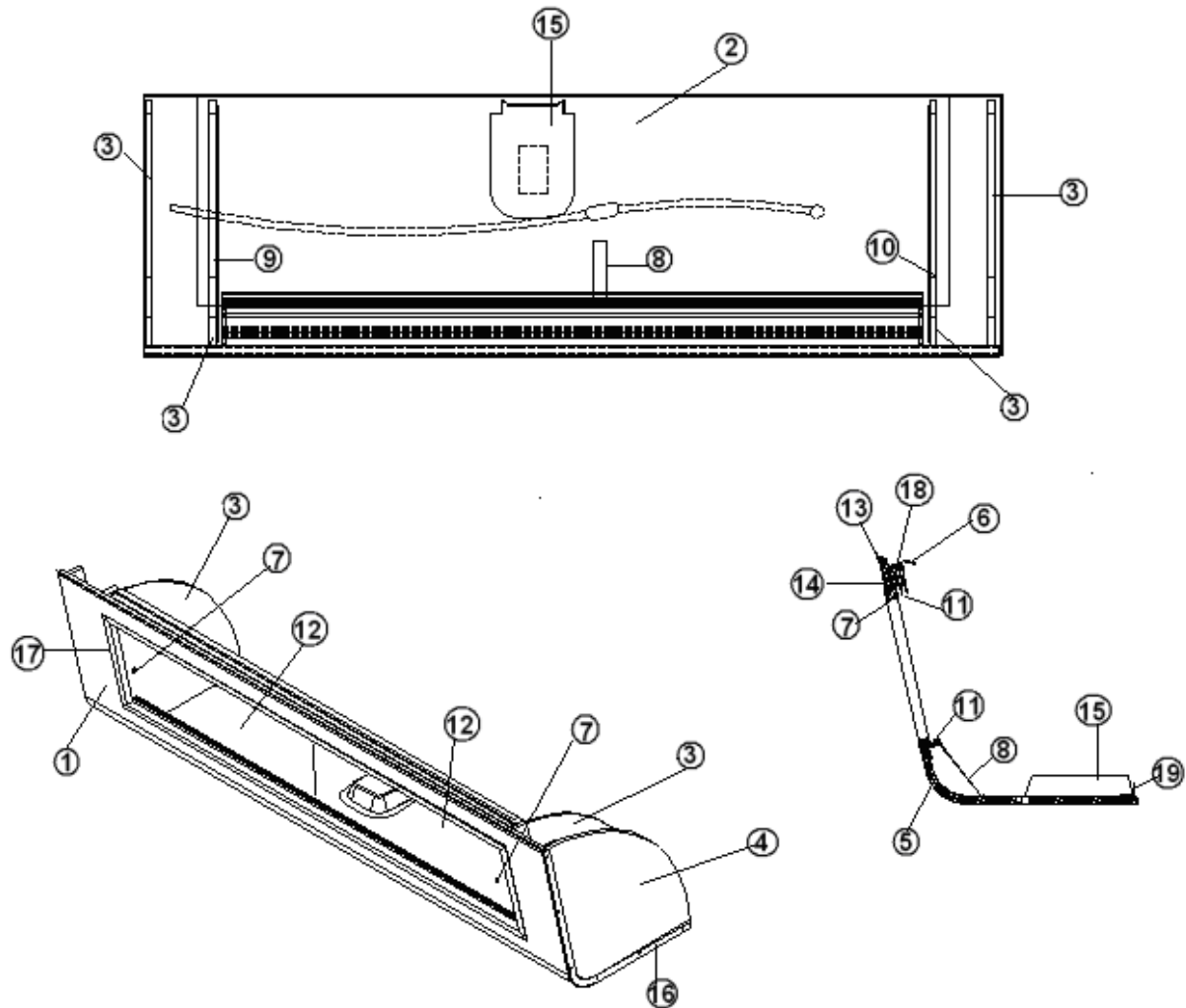
16. 454613

SPRING-LEAF R/L

2012 INTERNATIONAL TRAVEL TRAILER

FURNITURE, GALLEY

Roof Locker, 28' Signature Galley, Serenity



2012 INTERNATIONAL TRAVEL TRAILER

FURNITURE, GALLEY

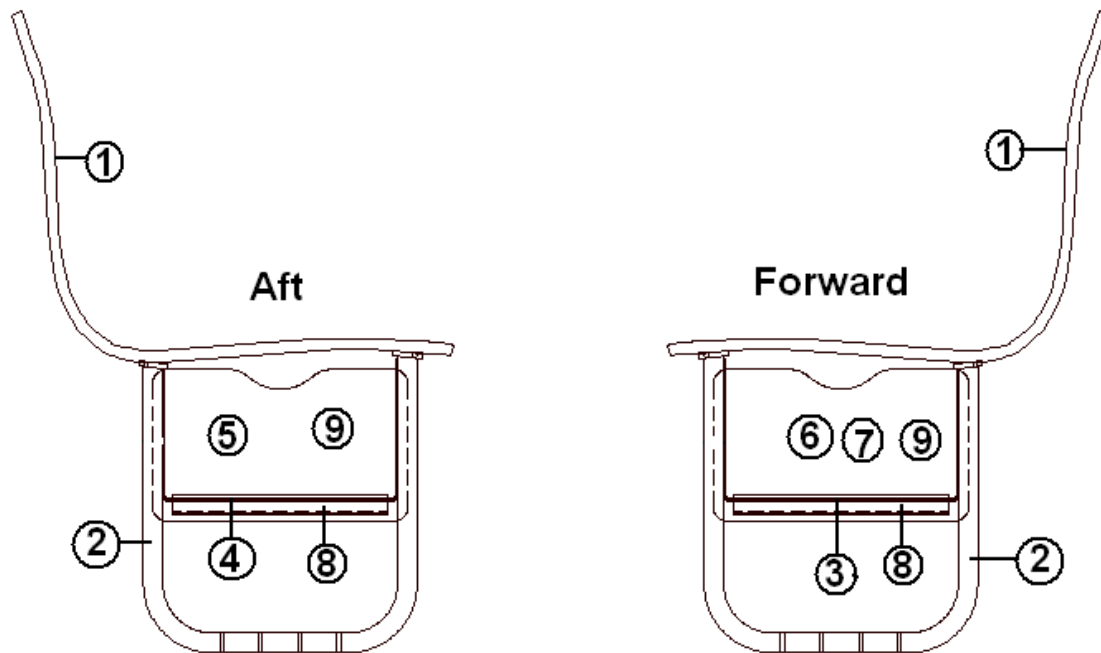
Roof Locker, 28' Signature Galley, Serenity

967560-15	Roof Locker ASSY., Galley, 28', Serenity
1.801853-01	FACE-GALLEY R/L SERENITY
2.801355-01	LAM-FROST WHT 4'X8'VERT #1573-
3.801853-02	DIVIDER-GALLEY ROOFLOCKER
4.967560-154	PANEL, GAL R/L 17.15X18.21
5.114812	ALUM. ANGLE 1.00 X 1.00
6.104821	SUPPORT, ROOFLOCKER, 74"
7.382114	KNOB-BRUSH.SATIN NICKEL #M576
8.115226	BRACKET-FORMED-LOCKER CTR SUPPORT
9.801539-01	DIVIDER-GALLEY LOCKER LH
10.801539-02	DIVIDER-GALLEY LOCKER RH
11.381245	SLIDING DOOR TRACK, 56-1/5"
12.203677-02	DOOR-MARI 11.31X26.25
13.201673	COVE MOLDING, WHITE
14.800506-04	PLYWOOD,1.5"X50.50"
15.200772	PAN,DEADBOLT,TRI-MARK
16.115375	EXTR., FORMED ROOFLOCKER END CAP
17.115483	ANGLE-ALUM .06X.75"X.75"
18.800506-04	PLYWOOD,1/2" 1.5"X 50.50"
454613	SPRING-LEAF R/L INT

2012 INTERNATIONAL TRAVEL TRAILER

FURNITURE, GALLEY

Dinette Seats, 28' Signature, Wenge

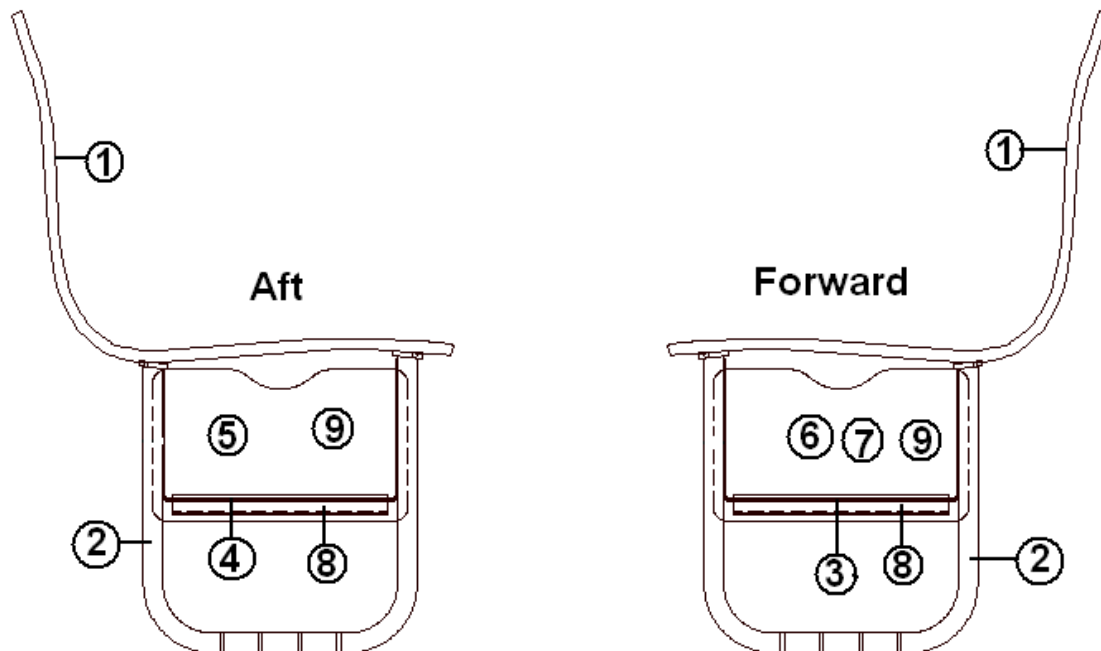


966986	SEAT ASSY, FORWARD BOOTH
966987	SEAT ASSY, AFT BOOTH, WENGE
1. 801446	SEAT, DINETTE, CONTOURED
2. 115140	LEG-DINETTE BASE
3. 115141	CLOSEOUT, BOTTOM, SEAT, 37"
4. 115141-02	CLOSEOUT, UNDER BOOTH SEAT, 15"
5. 966987-6	DOOR, 13.06 X 7.75, BOOTH SEAT
6.	ITEM 6 NO LONGER NEEDED
7. 966986-7	DOOR, 13.07 X 7.75 BOOTH SEAT
8. 381847-01	HINGE PIANO ANGLE, 46"
9. 381228-01	CATCH GRABBER DOOR
114070	EXTRUSION, J-TRIM
114812	ALUMINUM ANGLE, 1.00" X 1.00"
966988	CLOSEOUT UNDER DINETTE SEAT

2012 INTERNATIONAL TRAVEL TRAILER

FURNITURE, GALLEY

Dinette Seats, 28' Signature, Serenity

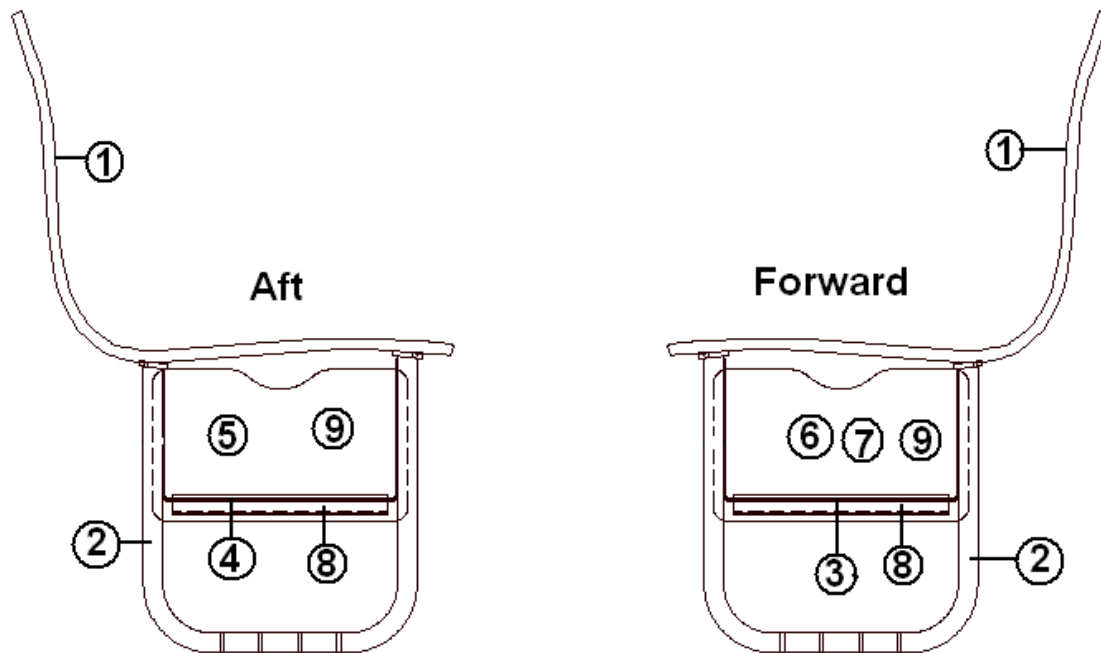


966986-15	SEAT ASSY, FORWARD BOOTH, SERENITY
966987-15	SEAT ASSY, AFT BOOTH, SERENITY
1. 801446	SEAT, DINETTE, CONTOURED
2. 115140	LEG-DINETTE BASE
3. 115141	CLOSEOUT, BOTTOM, SEAT, 37"
4. 115141-02	CLOSEOUT, UNDER BOOTH SEAT, 15"
5. 966987-156	DOOR, 13.06 X 7.75, BOOTH SEAT, SERENITY
6. 203439	STORAGE BOX, 17"L X 11.13"W X 6.38"
7. 966986-157	DOOR, 13.07 X 7.75 BOOTH SEAT, SERENITY
8. 381847-01	HINGE PIANO ANGLE, 46"
9. 381228-01	CATCH GRABBER DOOR
114070	EXTRUSION, J-TRIM
114812	ALUMINUM ANGLE, 1.00" X 1.00"
966988-15	CLOSEOUT UNDER DINETTE SEAT

2012 INTERNATIONAL TRAVEL TRAILER

FURNITURE, GALLEY

Dinette Seats, 23' Front Bed, Signature, Wenge

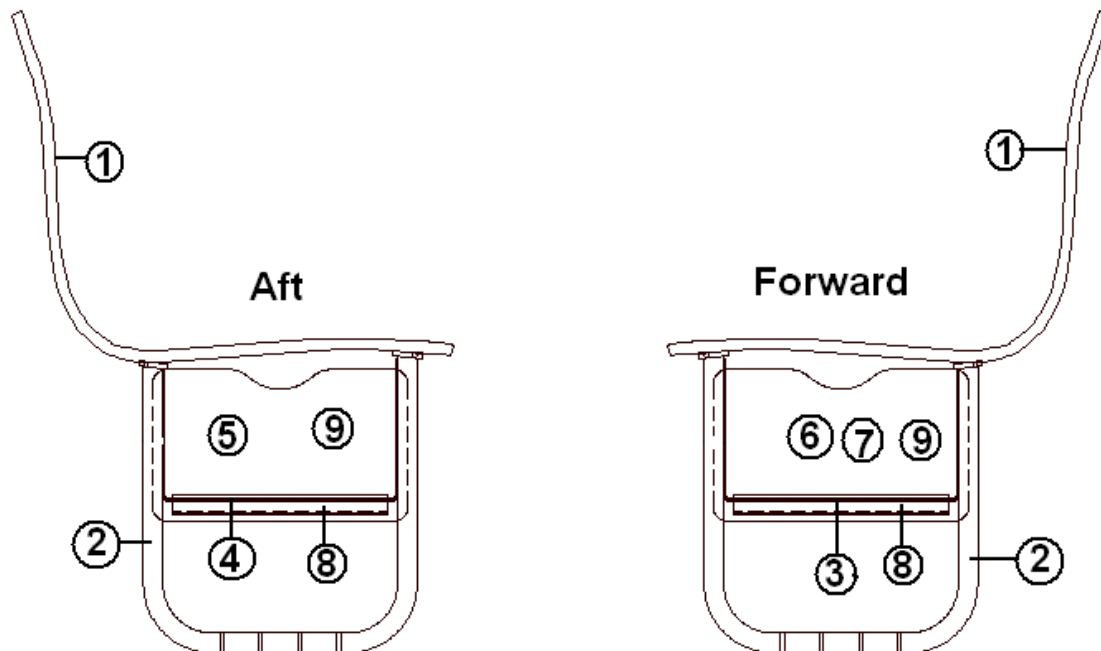


967631	SEAT ASSY, AFT, FWD SEAT ON 23'FB
966987	SEAT ASSY, AFT BOOTH, WENGE,
1. 801446	SEAT, DINETTE, CONTOURED
2. 115140	LEG-DINETTE BASE
3. 115141	CLOSEOUT, BOTTOM, SEAT, 37"
4. 115141-02	CLOSEOUT, UNDER BOOTH SEAT, 15"
5. 966987-6	DOOR, 13.06 X 7.75, BOOTH SEAT
6. 203439	STORAGE BOX, 17"L X 11.13"W X 6.38"
7. 966986-7	DOOR, 13.07 X 7.75 BOOTH SEAT
8. 381847-01	HINGE PIANO ANGLE, 46"
9. 381228-01	CATCH GRABBER DOOR
114070	EXTRUSION, J-TRIM
114812	ALUMINUM ANGLE, 1.00" X 1.00"
966988	CLOSEOUT UNDER DINETTE SEAT
967638	WHEEL WELL COVER ASSY.
967639	WIRE COVER ASSY.

2012 INTERNATIONAL TRAVEL TRAILER

FURNITURE, GALLEY

Dinette Seats, 23' Front Bed, Signature, Serenity

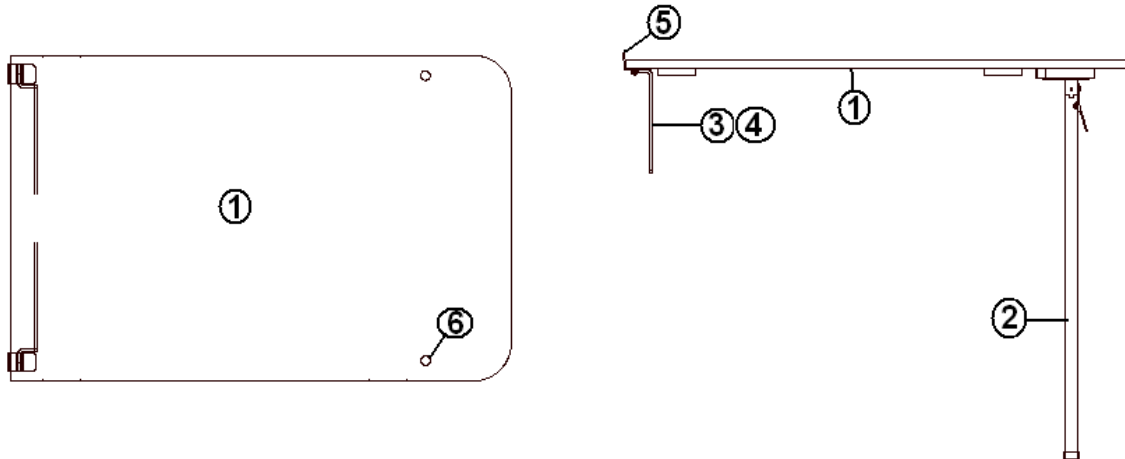


967631-15	SEAT ASSY, AFT, FWD SEAT ON 23'FB
966987-15	SEAT ASSY, AFT BOOTH, WENGE,
1.801446	SEAT, DINETTE, CONTOURED
2.115140	LEG-DINETTE BASE
3.115141	CLOSEOUT, BOTTOM, SEAT, 37"
4.115141-02	CLOSEOUT, UNDER BOOTH SEAT, 15"
5.966987-156	DOOR, AFT, 13.06 X 7.75, BOOTH SEAT
6.203439	STORAGE BOX, 17"L X 11.13"W X 6.38"
7.966986-157	DOOR, FWD 13.07 X 7.75 BOOTH SEAT
8.381847-01	HINGE PIANO ANGLE, 46"
9.381228-01	CATCH GRABBER DOOR
114070	EXTRUSION, J-TRIM
114812	ALUMINUM ANGLE, 1.00" X 1.00"
966988	CLOSEOUT UNDER DINETTE SEAT
967638	WHEEL WELL COVER ASSY.
967639	WIRE COVER ASSY.

2012 INTERNATIONAL TRAVEL TRAILER

FURNITURE, GALLEY

Dinette Table, 23'FB, 28', 30', Signature, Sand Crystal

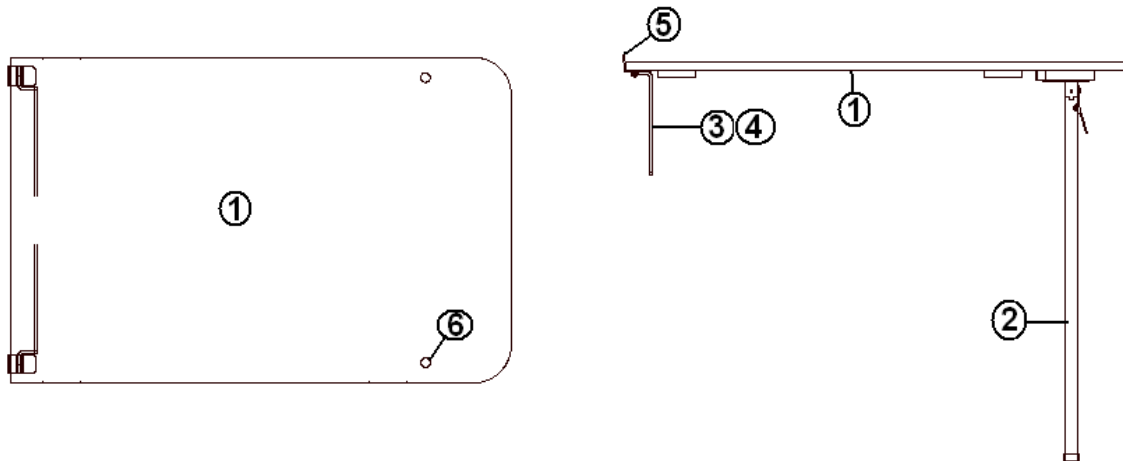


- | | |
|--------------|-------------------------|
| 967155 | TABLE ASSY, DINETTE |
| 1. 967155-1 | TABLE TOP, SAND CRYSTAL |
| 2. 381881-04 | LEG-FOLDING TABLE 30.5" |
| 3. 380284-02 | TABLE HINGE BRACKET |
| 4. 380284-03 | TABLE HINGE BRACKETS |
| 5. 340018 | CATCH PLATE J-1 |
| 6. 381136 | RUBBER BUMPER |

2012 INTERNATIONAL TRAVEL TRAILER

FURNITURE, GALLEY

Dinette Table, 23'FB, 28', Signature, Serenity



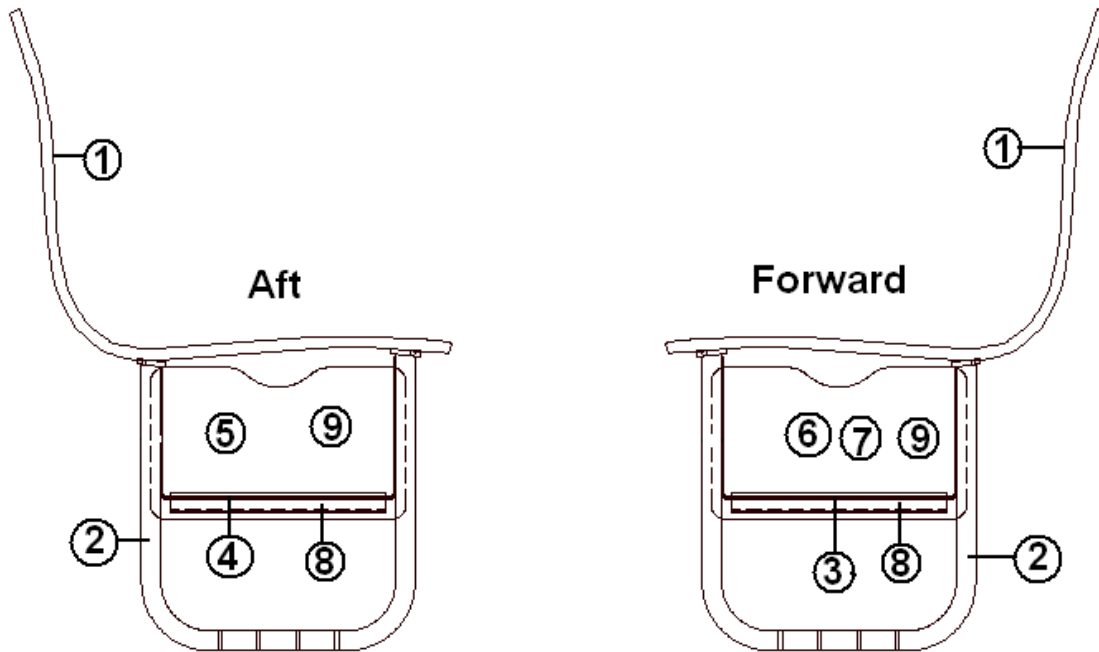
- 967155-15
1. 967155-151
2. 381881-04
3. 380284-02
4. 380284-03
5. 340018
6. 381136

- TABLE ASSY, DINETTE SERENITY
TABLE TOP, SERENITY
LEG, FOLDING TABLE 30.5"
TABLE HINGE BRACKET
TABLE HINGE BRACKETS
CATCH PLATE J-1
RUBBER BUMPER

2012 INTERNATIONAL TRAVEL TRAILER

FURNITURE, GALLEY

Dinette Seats, 30' Signature, Wenge

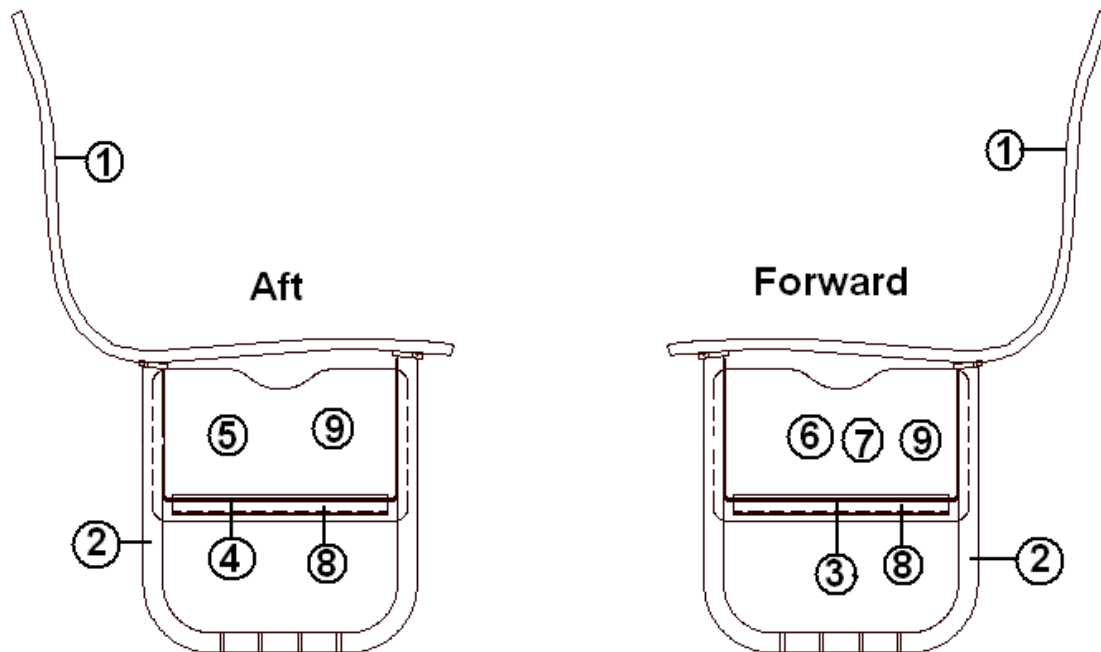


967631	AFT DINETTE SEAT BASE ASSY., 30'
967632	FORWARD DINETTE SEAT BASE ASSY. 30'
1. 801446	SEAT-DINETTE PLYMOLD CONTOURED
2. 115140	LEG-DINETTE BASE
3. 115141	CLOSEOUT-BOTTOM DIN SEAT 37"
4. 115141-02	CLOSEOUT-UNDER BOOTH SEAT
5. 967631-6	DOOR- 13.06X7.75 - AFT DINETTE
6. 203439	STORAGE BOX 17"L X 11.13"W X 6.38"
7. 967632-156	DOOR- 13.06X7.75 - FORWARD DINETTE
8. 381847-01	HINGE PIANO ANGLE 46"
9. 381228-01	CATCH GRABBER DOOR C3-803

2012 INTERNATIONAL TRAVEL TRAILER

FURNITURE, GALLEY

Dinette Seats, 30' Signature, Serenity

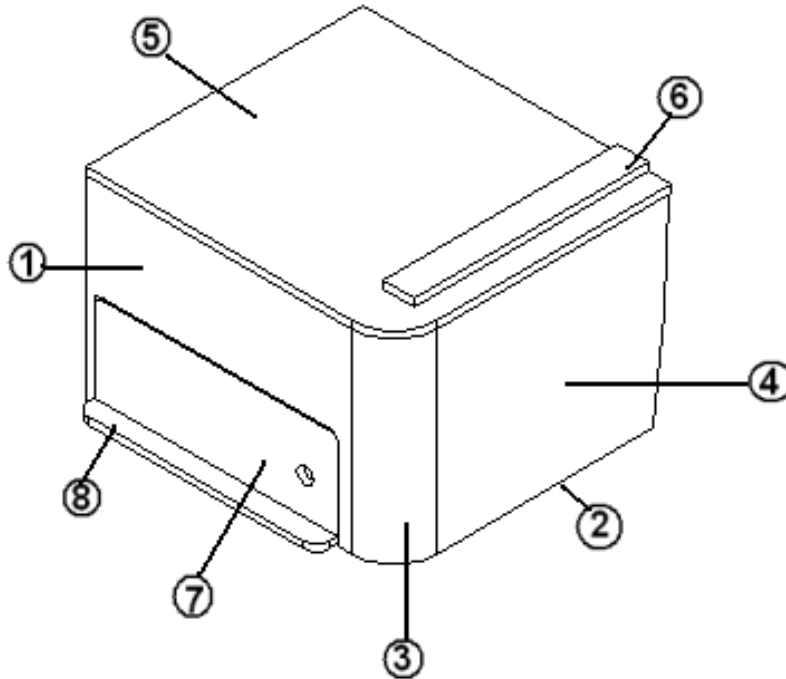


967631-15	AFT DINETTE SEAT BASE ASSY. 30'
967632-15	FORWARD DINETTE SEAT BASE ASSY. 30'
1. 801446	SEAT-DINETTE PLYMOLD CONTOURED
2. 115140	LEG-DINETTE BASE
3. 115141	CLOSEOUT-BOTTOM DIN SEAT 37"
4. 115141-02	CLOSEOUT-UNDER BOOTH SEAT
5. 967631-156	DOOR- 13.06X7.75 - AFT DINETTE
6. 203439	STORAGE BOX 17"L X 11.13"W X 6.38"
7. 967632-156	DOOR- 13.06X7.75 - FORWARD DINETTE
8. 381847-01	HINGE PIANO ANGLE 46"
9. 381228-01	CATCH GRABBER DOOR C3-803

2012 INTERNATIONAL TRAVEL TRAILER

FURNITURE, GALLEY

WATER HEATER COVER ASSEMBLY 30', Wenge

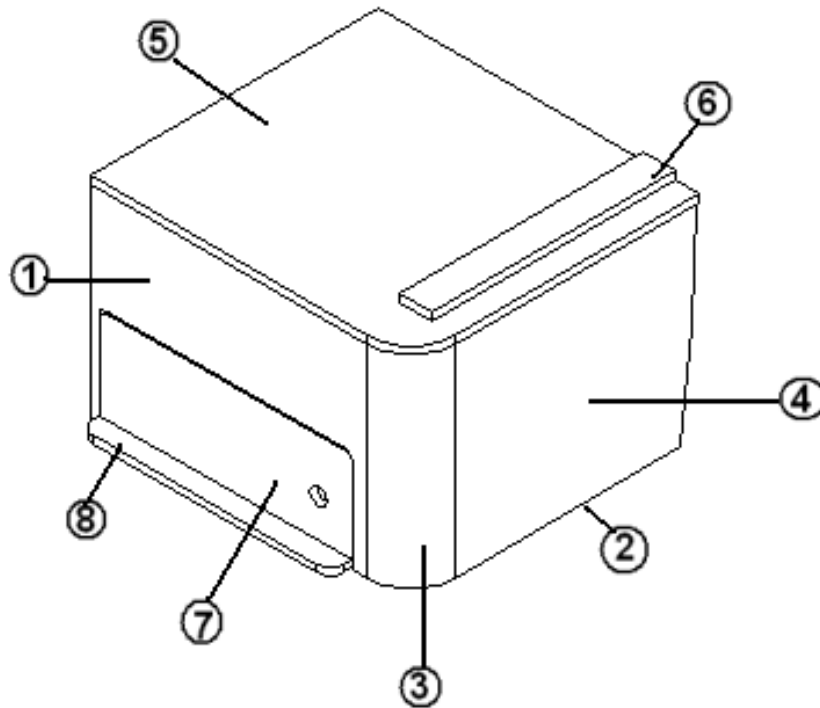


967630	COVER ASSEMBLY - WATER HEATER 30'
1. 801351	LITE PLY-18MM 14.25" X 19.25"
2. 801351	LITE PLY 18MM 14.25" X 16.92"
3. 801345	RADIUS .PLYWOOD .75"
4. 967630-4	PANEL-WATER COVER
5. 967630-5	PANEL-WATER COVER 22.38" X 20.13"
6. 967630-6	PANEL-WATER COVER 2.25" X 17"
7. 967630-7	PANEL-WATER COVER 4.62" X 9.62"
8. 967630-11	PANEL-COVER 2.5" X 17.52"
381228-01	CATCH GRABBER DOOR C3-803
365341-01	EDGE BANDING- .63" WENGE
800025-01	PINE 3/4" X 3/4" STAINED

2012 INTERNATIONAL TRAVEL TRAILER

FURNITURE, GALLEY

WATER HEATER COVER ASSEMBLY 30' - Serenity



967630-15

1. 801351

2. 801351

3. 801345

4. 967630-154

5. 967630-155

6. 967630-156

7. 967630-157

8. 967630-1511

381228-01

365344-01

800025-01

COVER ASSEMBLY, WATER HEATER

LITE PLY-18MM 14.25" X 19.25"

LITE PLY 18MM 14.25" X 16.92"

RADIUS .PLYWOOD .75"

PANEL-WATER COVER

PANEL-WATER COVER 22.38" X 20.13"

PANEL-WATER COVER 2.25" X 17"

PANEL-WATER COVER 4.62" X 9.62"

PANEL-COVER 2.5" X 17.52"

CATCH GRABBER DOOR C3-803

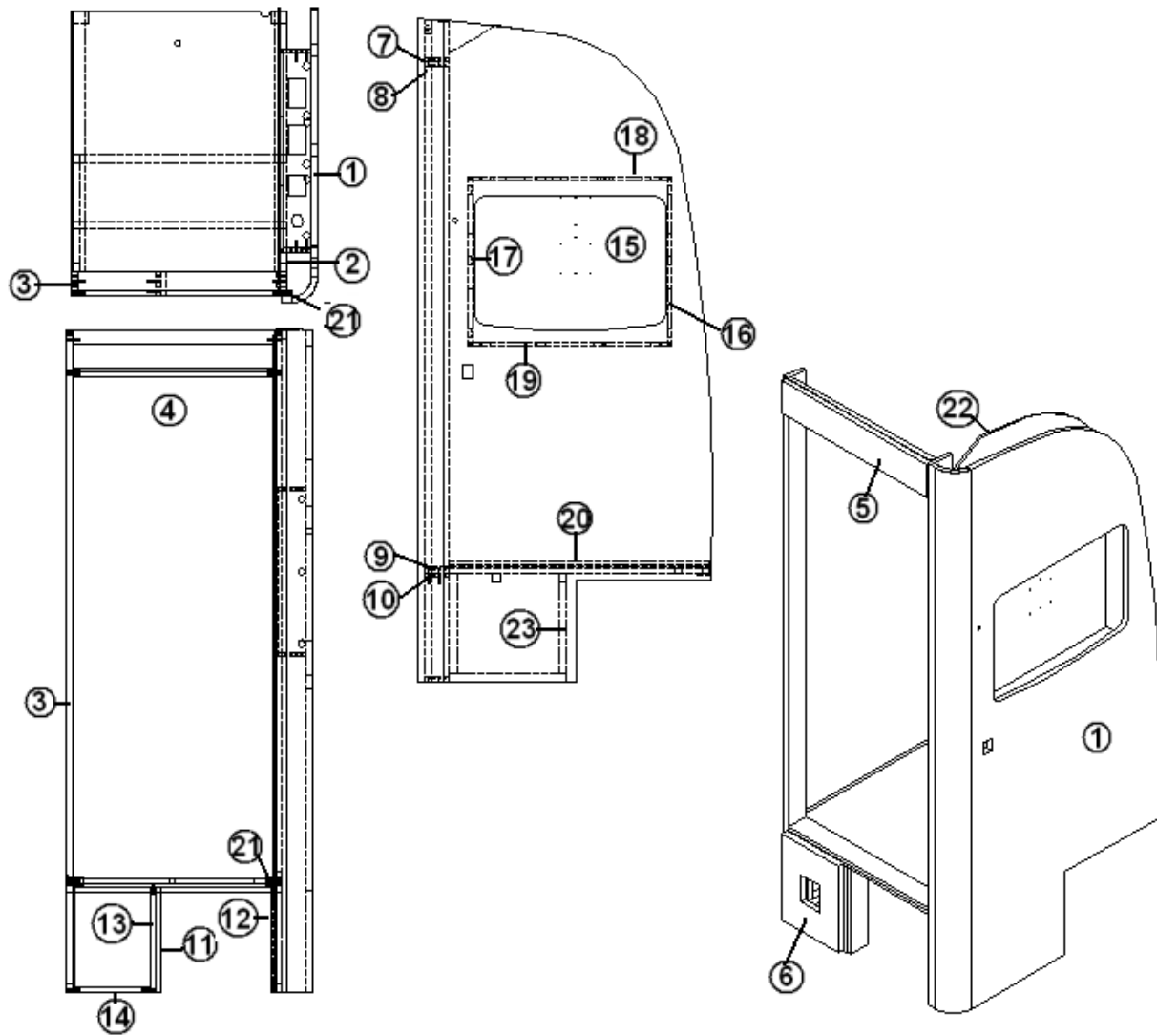
EDGE BANDING- .63" PEARL BISQUE

PINE 3/4" X 3/4" STAINED

2012 INTERNATIONAL TRAVEL TRAILER

FURNITURE, GALLEY

REFRIGERATOR CABINET ASSEMBLY, 30' Wenge



PARTS LISTED ON NEXT PAGE

2012 INTERNATIONAL TRAVEL TRAILER

FURNITURE, GALLEY

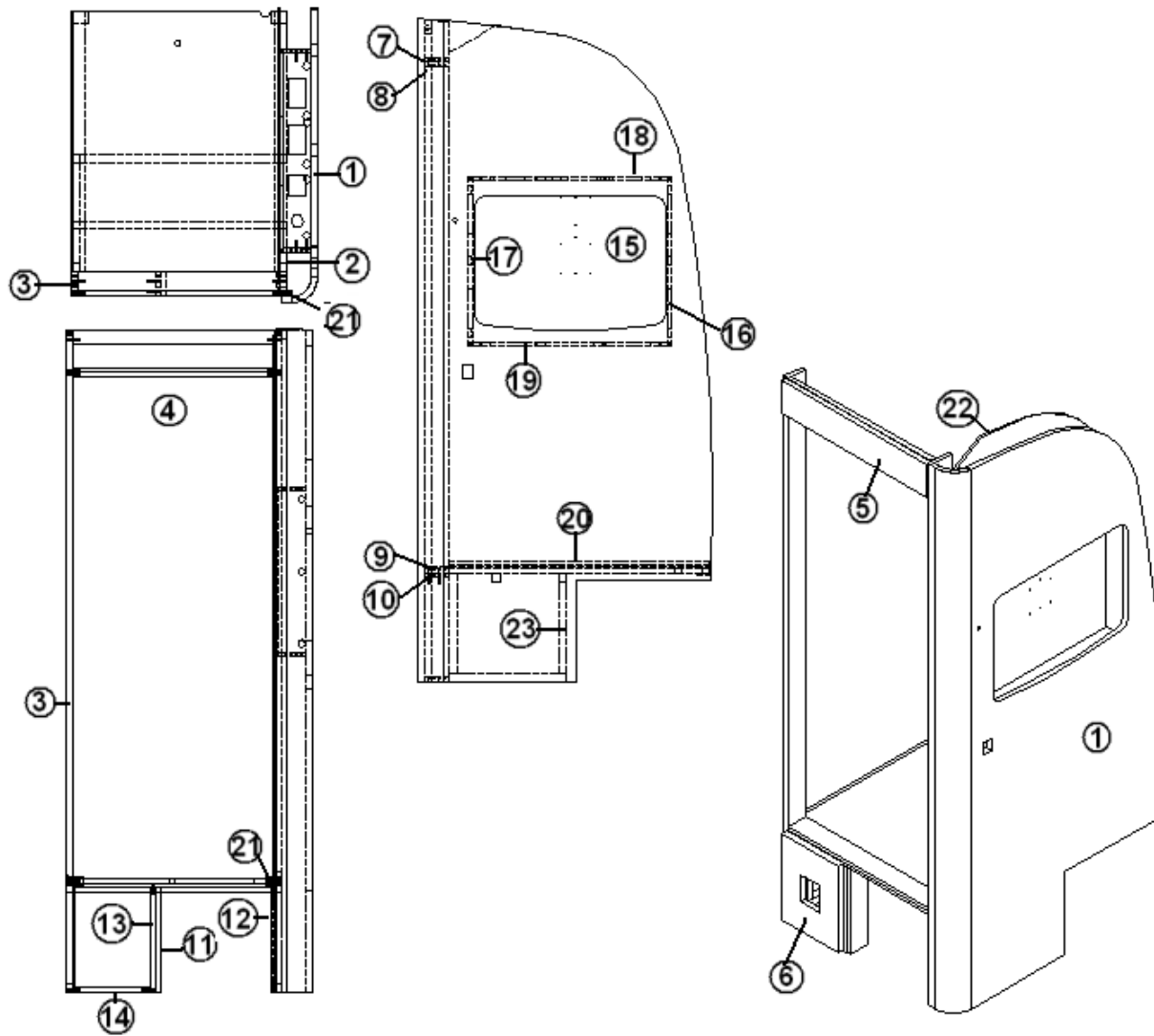
REFRIGERATOR CABINET ASSEMBLY, 30' Wenge

967520	Refrigerator Cabinet Assembly, 30' Wenge
1.967523	SUB ASSY-REFER PNL 30INTL
2.967520-2	PANEL 3X79.12
3.967520-3	PANEL 3X79.12
4.967520-4	PANEL 24.06X1.75
5.967520-5	PANEL 24.5X4.75
6.967520-6	PANEL 10.06X12.63
7.967520-7	PANEL 3X24.06
8.967520-8	PANEL 3X24.06
9.967520-9	PANEL 3X24.06
10.967520-10	PANEL 3X24.06
11.967520-11	PANEL 3X12.5
12.967520-12	PANEL 3X12.5
13.967520-13	PANEL 3X12.5
14.967520-14	PANEL 3X9.44
15.	NO USAGE
16.	NO USAGE
17.	NO USAGE
18.	NO USAGE
19.	NO USAGE
20.800507-04	LAUAN 1/2" 25.44 X 31.00
21.800025-01	PINE 3/4" X 3/4" STAINED
22.800507-02	LAUAN, 1/4" 33.75 X 64.57
23.967519	STAND-REFER 30' INT'L
24.365341-01	EDGE BANDING- .63" WENGE
25.365341-02	EDGE BANDING- .94" WENGE
26.454736	REFER BAFFLE

2012 INTERNATIONAL TRAVEL TRAILER

FURNITURE, GALLEY

REFRIGERATOR CABINET ASSEMBLY, 30' Serenity



PARTS LISTED ON NEXT PAGE

2012 INTERNATIONAL TRAVEL TRAILER

FURNITURE, GALLEY

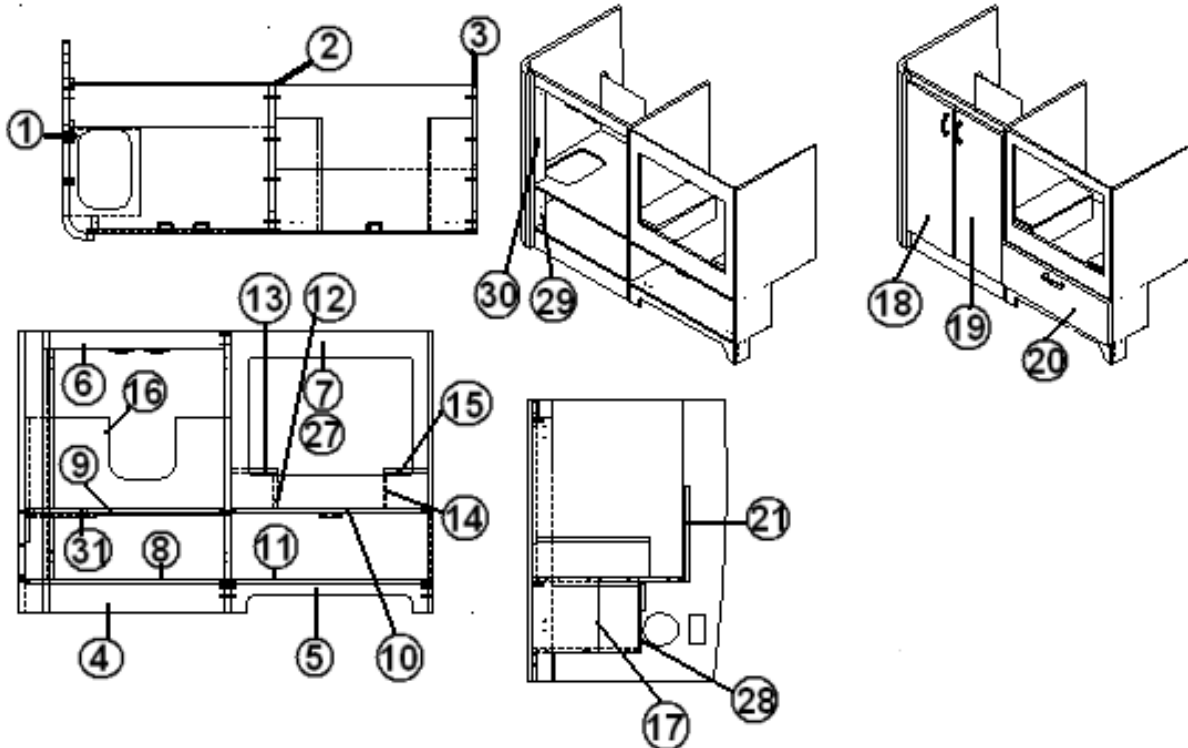
REFRIGERATOR CABINET ASSEMBLY, 30' Serenity

967520-15	Refrigerator Cabinet Assy., 30', Serenity
1.967523	SUB ASSY-REFER PNL 30INTL
2.967520-2	PANEL 3X79.12
3.967520-3	PANEL 3X79.12
4.967520-154	PANEL 24.06X1.75- SERENITY
5.967520-155	PANEL 24.5X4.75
6.967520-156	PANEL 10.06X12.63
7.967520-7	PANEL 3X24.06
8.967520-8	PANEL 3X24.06
9.967520-9	PANEL 3X24.06
10.967520-10	PANEL 3X24.06
11.967520-11	PANEL 3X12.5
12.967520-12	PANEL 3X12.5
13.967520-13	PANEL 3X12.5
14.967520-14	PANEL 3X9.44
15.	NO USAGE
16.	NO USAGE
17.	NO USAGE
18.	NO USAGE
19.	NO USAGE
20.800507-04	LAUAN 1/2" 25.44 X 31.00
21.800025-01	PINE 3/4" X 3/4" STAINED
22.800507-02	LAUAN, 1/4" 33.75 X 64.57
23.967519	STAND-REFER 30' INT'L
24.365341-01	EDGE BANDING- .63" PEARL BISQUE
25.365341-02	EDGE BANDING- .94" PEARL BISQUE
26.454736	REFER BAFFLE

2012 INTERNATIONAL TRAVEL TRAILER

FURNITURE, GALLEY

GALLEY ASSEMBLY - FORWARD SECTION, 30', Wenge, Use on units manufactured before 1/2/2012 except for units 526730, 526748, 526746, 526749, 526152, 526757, and 526763 & 526765.



PARTS LISTED ON NEXT PAGE

2012 INTERNATIONAL TRAVEL TRAILER

FURNITURE, GALLEY

GALLEY ASSEMBLY – FORWARD SECTION, 30' – Use on units manufactured before 1/2/2012 except for units 526730, 526748, 526746, 526749, 526152, 526757, and 526763 & 526765.

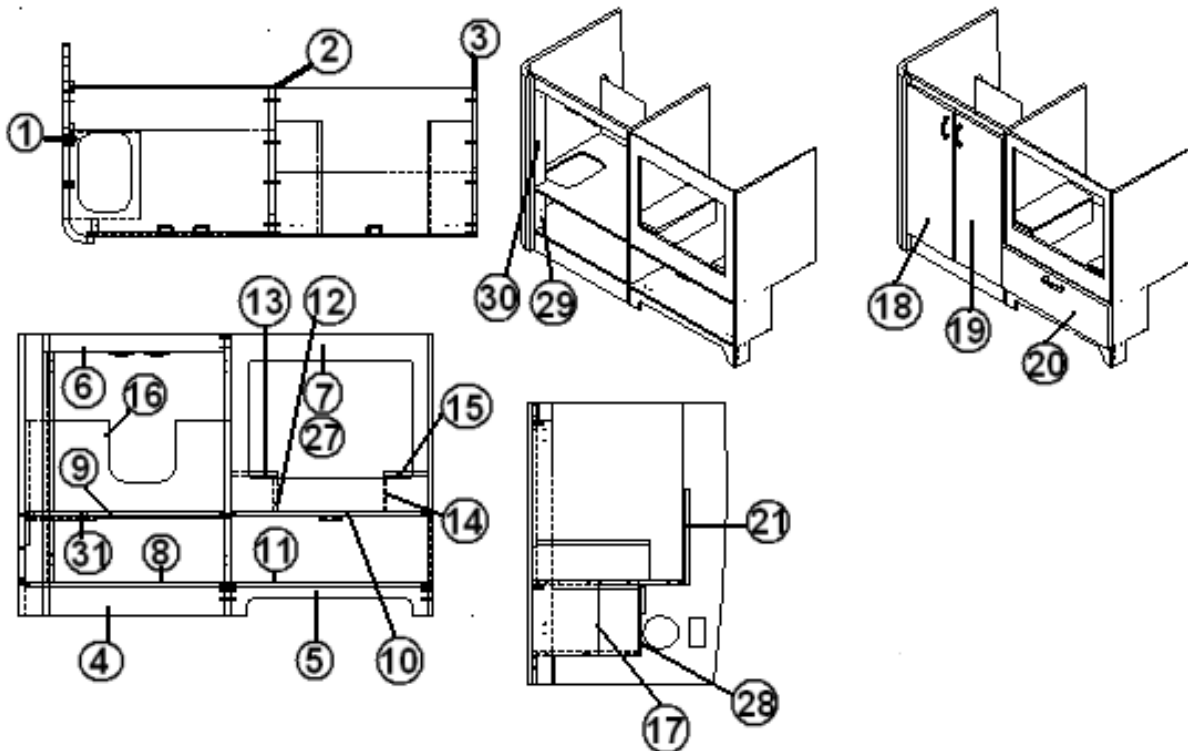
967507	GALLEY ASSY-FORWARD SECTION – STANDARD OVEN
967508	GALLEY ASSY-FORWARD SECTION – CONV.M/W OPTION
1.967515	FORWARD GALLEY PANEL
2.967507-2	PANEL 18.63 X 35
3.967507-3	PANEL 18.63 X 35
4.967507-4	PANEL 3.75 X 22.63
5.967507-5	PANEL 3.75 X 24.5
6.967507-6	PANEL 2.25 X 22.63
7.*967508-7	PANEL 24.5 X 22.19 (CONVECTION M/W OPTION)
8.967507-8	PANEL 13.17 X 24.88
9.967507-9	PANEL 18.63 X 24.88
10.967507-10	PANEL 18.63 X 24.5
11.967507-11	PANEL 8 X 24.5
12.967507-12	PANEL 4.44 X 14
13.967507-13	PANEL 5.69 X 14
14.967507-14	PANEL 4.44 X 14
15.967507-15I	PANEL 5.69 X 14
16.967507-16	PANEL 25.63 X 11.75
17.967507-17	PANEL 24.75 X 8.56
18.967507-18	GALLEY DOOR 10.88 X 30
19.967507-19	GALLEY DOOR 10.88 X 30
20.967507-20	GALLEY DOOR 25.13 X 8.69
21.800025-01	PINE 3/4" X 3/4"
22.381228-01	GRABBER DOOR CATCH (NOT SHOWN)
23.382029-00	HANDLE-BAR 7.48"
24.382029-05	HANDLE-BAR 21.33"
25.381607	HINGE ASSY-GRASS EURO-SAFARI
26.365341-01	EDGEBANDING- .63" WENGE
27.365341-02	EDGEBANDING- .94" WENGE
28.*967508-27	PANEL 24.5 X 22.19 (CONVECTION M/W OPTION)
29.967507-28	PANEL 25.63 X 8.31
30.967507-29	PANEL 2.25 X 8.06
31.967507-30	PANEL 2.25 X 19.94
32.967507-31	PANEL 10.88 X 9
966910	GALLEY FLIP SHELF

*ITEM NUMBER 7 -967508-7 AND LINE #27 - 967508-27 ARE ADDED TO THE CONVECTION MICROWAVE CABINET ONLY.

2012 INTERNATIONAL TRAVEL TRAILER

FURNITURE, GALLEY

GALLEY ASSEMBLY - FORWARD SECTION, 30', Wenge, Used on Units 526730, 526748, 526746, 526749, 526152, 526757, 526763, 526765, and all units manufactured on or after 1/2/2012.



PARTS LISTED ON NEXT PAGE

2012 INTERNATIONAL TRAVEL TRAILER

FURNITURE, GALLEY

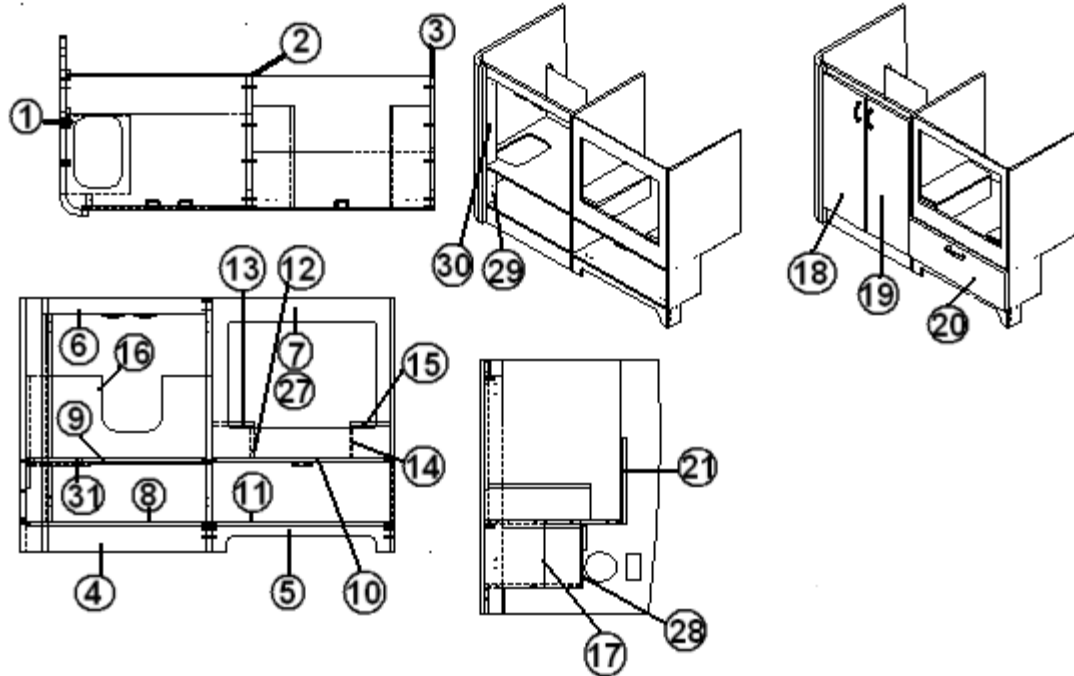
GALLEY ASSEMBLY – FORWARD SECTION, 30' – Used on Units 526730, 526748, 526746, 526749, 526152, 526757, 526763, 526765, and all units manufactured on or after 1/2/2012.

967846	GALLEY ASSY-FORWARD SECTION – STANDARD OVEN
967846-01	GALLEY ASSY-FORWARD SECTION – CONV.M/W OPTION
1.967515	FORWARD GALLEY PANEL
2.967846-2	PANEL 18.63 X 35
3.967846-3	PANEL 18.63 X 35
4.967846-4	PANEL 3.75 X 22.63
5.967846-5	PANEL 3.75 X 24.5
6.967846-6	PANEL 2.25 X 22.63
7.*967846-017	PANEL 24.5 X 22.19 (CONVECTION M/W OPTION)
8.967846-8	PANEL 13.17 X 24.88
9.967846-9	PANEL 18.63 X 24.88
10.967846-10	PANEL 18.63 X 24.5
11.967846-11	PANEL 8 X 24.5
12.967846-12	PANEL 4.44 X 14
13.967846-13	PANEL 5.69 X 14
14.967846-14	PANEL 4.44 X 14
15.967846-15I	PANEL 5.69 X 14
16.967846-16	PANEL 25.63 X 11.75
17.967846-17	PANEL 24.75 X 8.56
18.967846-18	GALLEY DOOR 10.88 X 30
19.967846-19	GALLEY DOOR 10.88 X 30
20.967846-20	GALLEY DOOR 25.13 X 8.69
21.800025-01	PINE 3/4" X 3/4"
22.381228-01	GRABBER DOOR CATCH (NOT SHOWN)
23.382029-00	HANDLE-BAR 7.48"
24.382029-05	HANDLE-BAR 21.33"
25.381607	HINGE ASSY-GRASS EURO-SAFARI
26.365341-01	EDGEBANDING- .63" WENGE
27.365341-02	EDGEBANDING- .94" WENGE
28.*967846-0127	PANEL 24.5 X 22.19 (CONVECTION M/W OPTION)
29.967846-28	PANEL 25.63 X 8.31
30.967846-29	PANEL 2.25 X 8.06
31.967846-30	PANEL 2.25 X 19.94
32.967507-31	PANEL 10.88 X 9
966910	GALLEY FLIP SHELF

2012 INTERNATIONAL TRAVEL TRAILER

FURNITURE, GALLEY

GALLEY ASSEMBLY - FORWARD SECTION, 30' Serenity, Use on units manufactured before 1/2/2012 except for units 526730, 526748, 526746, 526749, 526152, 526757, and 526763 & 526765.



PARTS LISTED ON NEXT PAGE

2012 INTERNATIONAL TRAVEL TRAILER

FURNITURE, GALLEY

GALLEY ASSEMBLY – FORWARD SECTION, 30' – SERENITY – Use on units manufactured before 1/2/2012 except for units 526730, 526748, 526746, 526749, 526152, 526757, and 526763 & 526765.

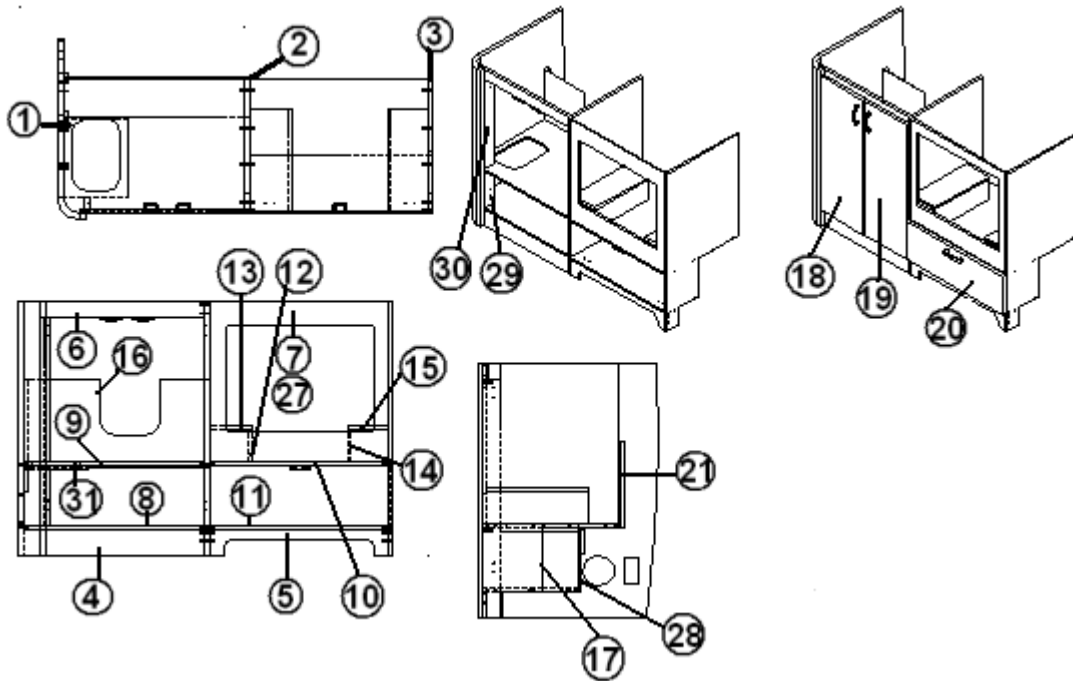
967507-15	GALLEY, FORWARD SECTION, STD OVEN, SERENITY
967508-15	GALLEY, FORWARD SECTION, CONV.M/W, SERENITY
1.967515-15	FORWARD GALLEY PANEL
2.967507-2	PANEL 18.63 X 35
3.967507-3	PANEL 18.63 X 35
4.967507-154	PANEL 3.75 X 22.63
5.967507-155	PANEL 3.75 X 24.5
6.967507-156	PANEL 2.25 X 22.63
7.*967508-7	PANEL 24.5 X 22.19 (CONVECTION M/W OPTION)
8.967507-8	PANEL 13.17 X 24.88
9.967507-9	PANEL 18.63 X 24.88
10.967507-10	PANEL 18.63 X 24.5
11.967507-11	PANEL 8 X 24.5
12.967507-12	PANEL 4.44 X 14
13.967507-13	PANEL 5.69 X 14
14.967507-14	PANEL 4.44 X 14
15.967507-15I	PANEL 5.69 X 14
16.967507-16	PANEL 25.63 X 11.75
17.967507-17	PANEL 24.75 X 8.56
18.967507-1518	GALLEY DOOR 10.88 X 30
19.967507-1519	GALLEY DOOR 10.88 X 30
20.967507-1520	GALLEY DOOR 25.13 X 8.69
21.800025-01	PINE 3/4" X 3/4"
22.381228-01	GRABBER DOOR CATCH (NOT SHOWN)
23.382115	PULL, FLAT BLACK #M575
24.381607	HINGE ASSY-GRASS EURO-SAFARI
25.365344-01	EDGEBANDING- .63"PEARL BISQUE
26.365344-02	EDGEBANDING- .94"PEARL BISQUE
27.*967508-1527	PANEL 24.5 X 22.19 (CONVECTION M/W OPTION)
28.967507-28	PANEL 25.63 X 8.31
29.967507-29	PANEL 2.25 X 8.06
30.967507-30	PANEL 2.25 X 19.94
31.967507-31	PANEL 10.88 X 9
966910	GALLEY FLIP SHELF

*ITEM NUMBER 7 - 967508-7 AND LINE #27 - 967508-1527 ARE ADDED TO THE CONVECTION MICROWAVE CABINET ONLY.

2012 INTERNATIONAL TRAVEL TRAILER

FURNITURE, GALLEY

GALLEY ASSEMBLY - FORWARD SECTION, 30' Serenity, Used on Units 526730, 526748, 526746, 526749, 526152, 526757, 526763, 526765, and all units manufactured on or after 1/2/2012.



PARTS LISTED ON NEXT PAGE

2012 INTERNATIONAL TRAVEL TRAILER

FURNITURE, GALLEY

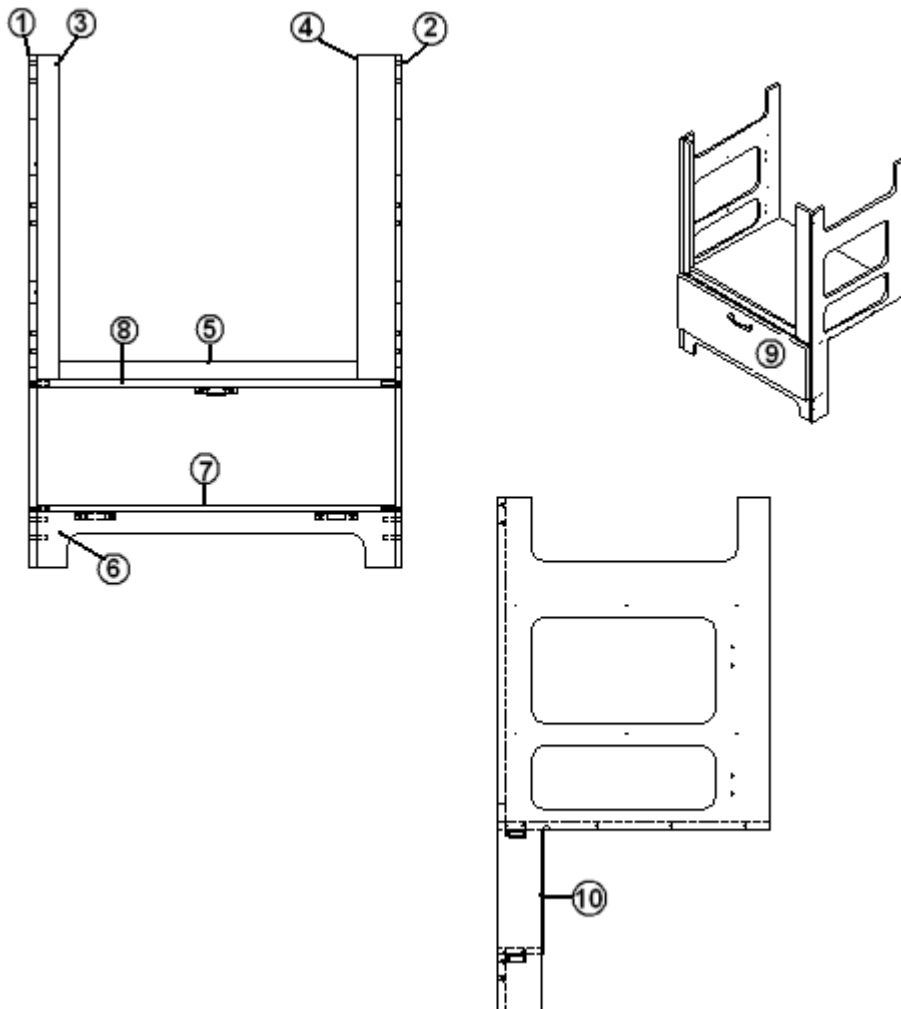
GALLEY ASSEMBLY – FORWARD SECTION, 30' – SERENITY – Used on Units 526730, 526748, 526746, 526749, 526152, 526757, 526763, 526765, and all units manufactured on or after 1/2/2012.

967846-15	GALLEY, FORWARD SECTION, STD OVEN, SERENITY
967846-0115	GALLEY, FORWARD SECTION, CONV.M/W, SERENITY
1.967515-15	FORWARD GALLEY PANEL
2.967846-2	PANEL 18.63 X 35
3.967846-3	PANEL 18.63 X 35
4.967846-154	PANEL 3.75 X 22.63
5.967846-155	PANEL 3.75 X 24.5
6.967846-156	PANEL 2.25 X 22.63
7.*967846-01157	PANEL 24.5 X 22.19 (CONVECTION M/W OPTION)
8.967846-8	PANEL 13.17 X 24.88
9.967846-9	PANEL 18.63 X 24.88
10.967846-10	PANEL 18.63 X 24.5
11.967846-11	PANEL 8 X 24.5
12.967846-12	PANEL 4.44 X 14
13.967846-13	PANEL 5.69 X 14
14.967846-14	PANEL 4.44 X 14
15.967846-15I	PANEL 5.69 X 14
16.967846-16	PANEL 25.63 X 11.75
17.967846-17	PANEL 24.75 X 8.56
18.967846-1518	GALLEY DOOR 10.88 X 30
19.967846-1519	GALLEY DOOR 10.88 X 30
20.967846-1520	GALLEY DOOR 25.13 X 8.69
21.800025-01	PINE 3/4" X 3/4"
22.381228-01	GRABBER DOOR CATCH (NOT SHOWN)
23.382115	PULL, FLAT BLACK #M575
24.381607	HINGE ASSY-GRASS EURO-SAFARI
25.365344-01	EDGEBANDING- .63"PEARL BISQUE
26.365344-02	EDGEBANDING- .94"PEARL BISQUE
27.*967846-011527	PANEL 24.5 X 22.19 (CONVECTION M/W OPTION)
28.967846-28	PANEL 25.63 X 8.31
29.967846-29	PANEL 2.25 X 8.06
30.967846-30	PANEL 2.25 X 19.94
31.967846-31	PANEL 10.88 X 9
966910	GALLEY FLIP SHELF

2012 INTERNATIONAL TRAVEL TRAILER

FURNITURE, GALLEY

GALLEY ASSEMBLY, AFT WITH OVEN 30', Wenge Used on units manufactured on or after 1/2/2012 including serial number 526765.



PARTS LISTED ON NEXT PAGE

2012 INTERNATIONAL TRAVEL TRAILER

FURNITURE, GALLEY

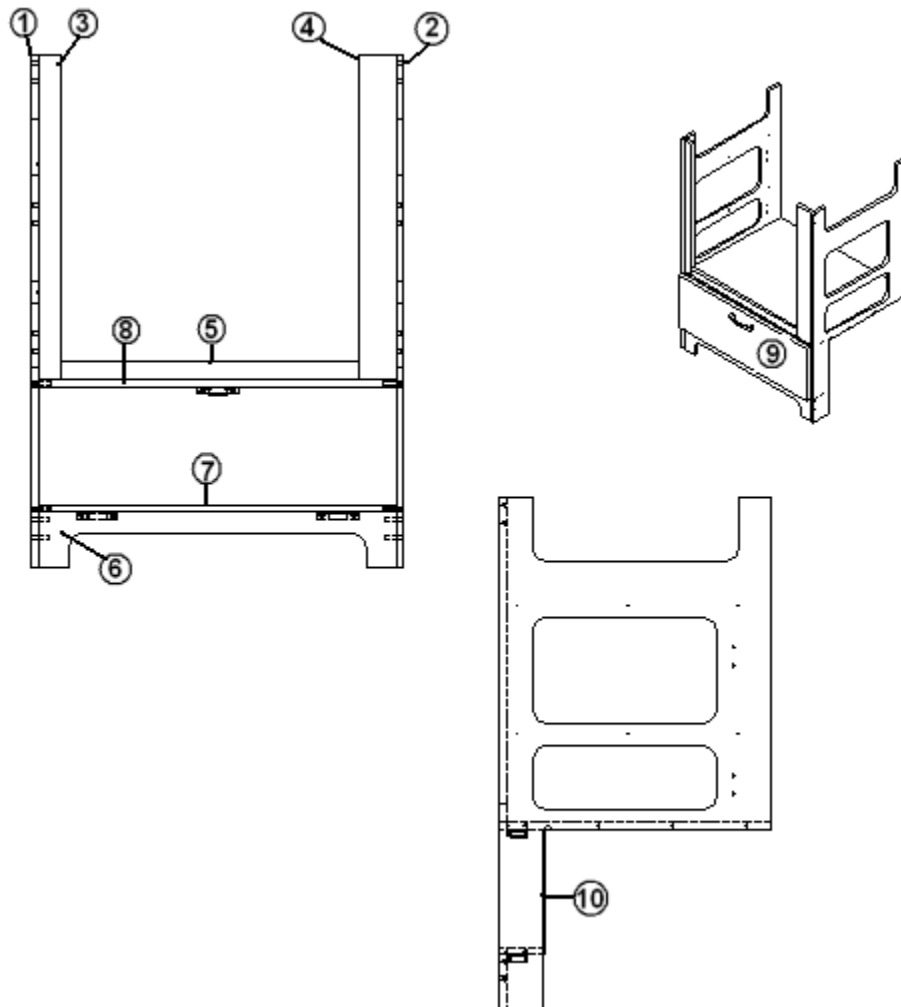
GALLEY ASSEMBLY, AFT WITH OVEN 30', Wenge Used on units manufactured on or after 1/2/2012 including serial number 526765.

- 967847 GALLEY ASSY-AFT W/OVEN - 30'
- 1. 967847-1 PANEL 18.63 X 35
- 2. 967847-2 PANEL 18.63 X 35
- 3. 967847-3 PANEL 1.5 X 22.19
- 4. 967847-4 PANEL 2.5 X 22.19
- 5. 967847-5 PANEL 20.5 X 1.25
- 6. 967847-6 PANEL 3.75 X 24.50
- 7. 967847-7 PANEL 3 X 24.5
- 8. 967847-8 PANEL 18.63 X 24.5
- 9. 967847-9 DOOR 25.13 X 8.69
- 10. 967847-10 PANEL 8.56 X 25.5
- 381228-01 CATCH GRABBER DOOR C3-803
- 382029-05 HANDLE-BAR 21.33" #3701-480-CR
- 381607 HINGE ASSY-GRASS EURO-SAFARI
- 365341-01 EDGE BANDING- .63" WENGE
- 365341-02 EDGE BANDING- .94" WENGE

2012 INTERNATIONAL TRAVEL TRAILER

FURNITURE, GALLEY

GALLEY ASSEMBLY, AFT WITH OVEN 30', SERENITY, Used on units manufactured on or after 1/2/2012 including serial number 526765.



PARTS LISTED ON NEXT PAGE

2012 INTERNATIONAL TRAVEL TRAILER

FURNITURE, GALLEY

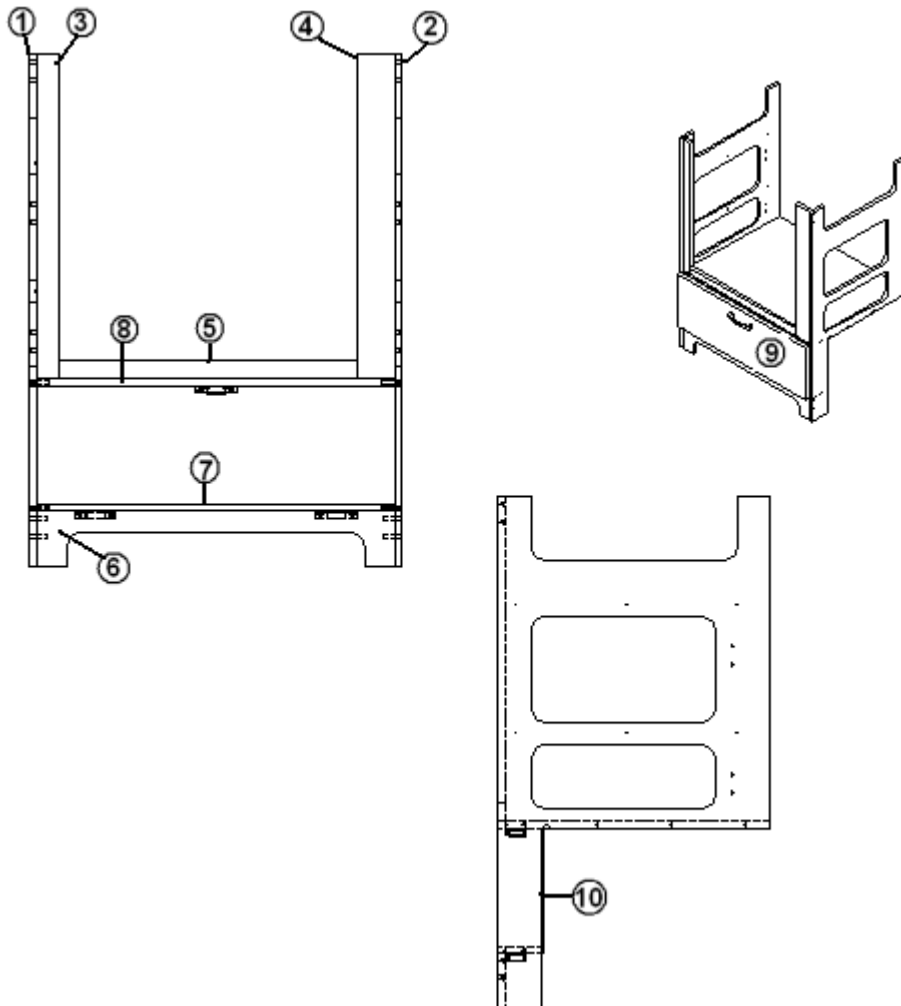
GALLEY ASSEMBLY, AFT WITH OVEN 30', SERENITY – Used on units manufactured on or after 1/2/2012 including serial number 526765.

	967847-15	GALLEY ASSY-AFT W/OVEN
1.	967847-1	PANEL 18.63 X 35
2.	967847-2	PANEL 18.63 X 35
3.	967847-153	PANEL 1.5 X 22.19
4.	967847-154	PANEL 2.5 X 22.19
5.	967847-155	PANEL 20.5 X 1.25
6.	967847-156	PANEL 3.75 X 24.50
7.	967847-7	PANEL 3 X 24.5
8.	967847-8	PANEL 18.63 X 24.5
9.	967847-159	DOOR 25.13 X 8.69
10.	967847-10	PANEL, 8.56 X 25.5
	381228-01	CATCH GRABBER DOOR C3-803
	382029-05	HANDLE-BAR 21.33" #3701-480-CR
	381607	HINGE ASSY-GRASS EURO-SAFARI
	365344-01	EDGE BANDING- .63" PEARL BISQUE
	365344-02	EDGE BANDING- .94" PEARL BISQUE

2012 INTERNATIONAL TRAVEL TRAILER

FURNITURE, GALLEY

GALLEY ASSEMBLY, AFT WITH OVEN 30', SERENITY, Used on units manufactured on or after 1/2/2012 including serial number 526765.



PARTS LISTED ON NEXT PAGE

2012 INTERNATIONAL TRAVEL TRAILER

FURNITURE, GALLEY

GALLEY ASSEMBLY, AFT WITH OVEN 30', SERENITY, Used on units manufactured on or after 1/2/2012 including serial number 526765.

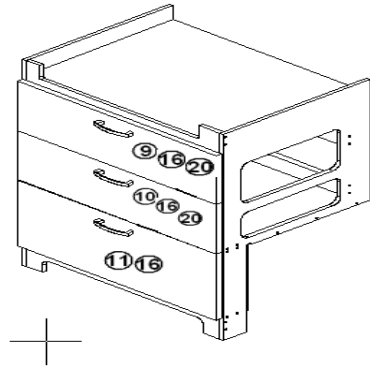
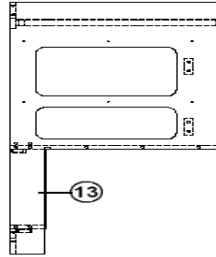
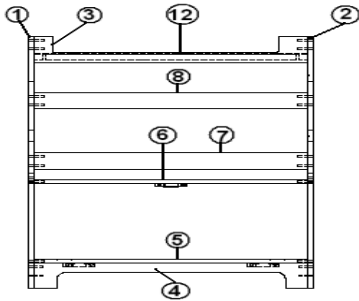
	967847-15	GALLEY ASSY-AFT W/OVEN
1.	967847-1	PANEL 18.63 X 35
2.	967847-2	PANEL 18.63 X 35
3.	967847-153	PANEL 1.5 X 22.19
4.	967847-154	PANEL 2.5 X 22.19
5.	967847-155	PANEL 20.5 X 1.25
6.	967847-156	PANEL 3.75 X 24.50
7.	967847-7	PANEL 3 X 24.5
8.	967847-8	PANEL 18.63 X 24.5
9.	967847-159	DOOR 25.13 X 8.69
10.	967847-10	PANEL, 8.56 X 25.5
	381228-01	CATCH GRABBER DOOR C3-803
	382029-05	HANDLE-BAR 21.33" #3701-480-CR
	381607	HINGE ASSY-GRASS EURO-SAFARI
	365344-01	EDGE BANDING- .63" PEARL BISQUE
	365344-02	EDGE BANDING- .94" PEARL BISQUE

2012 INTERNATIONAL TRAVEL TRAILER

FURNITURE, GALLEY

GALLEY ASSEMBLY, AFT W/DRAWERS, 30' CONV. M/W OPTION - WENGE

Used on Units 526730, 526748, 526746, 526749, 526152, 526757, 526763 and all units manufactured on or after 1/2/2012.



967848

Galley, Aft w/Drawers, Conv. M/W Option 30'
Wenge

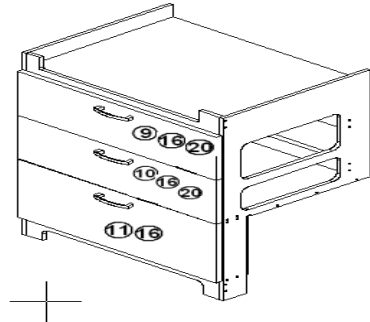
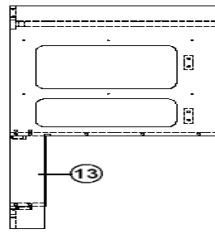
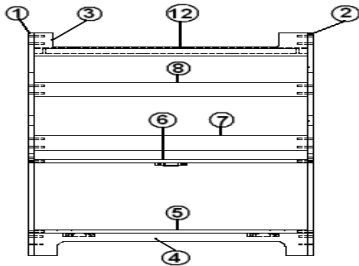
- | | | |
|-----|-----------|--------------------------------|
| 1. | 967848-1 | PNL-GAL 18.63X34.75 |
| 2. | 967848-2 | PNL-GAL 18.63X34.75 |
| 3. | 967848-3 | PNL-GAL 5.88X24.5 |
| 4. | 967848-4 | PNL-GAL 3.5X24.5 |
| 5. | 967848-5 | PNL-GAL 3X24.5 |
| 6. | 967848-6 | PNL-GAL 18.63X24.5 |
| 7. | 967848-7 | PNL-GAL 2.25X24.5 |
| 8. | 967848-8 | PNL-GAL 2.25X24.5 |
| 9. | 967848-9 | DOOR-GAL 25.13X8.25 |
| 10. | 967848-10 | DOOR-GAL 25.13X8.25 |
| 11. | 967848-11 | PNL-GAL 25.13X11.13 |
| 12. | 967848-12 | PNL-GAL 18.13X24.5 |
| 13. | 967848-13 | PNL-GAL 11X25.5 |
| 14. | 800025-01 | PINE 3/4" X 3/4" STAINED |
| 15. | 381228-01 | CATCH GRABBER DOOR C3-803 |
| 16. | 382029-05 | HANDLE-BAR 21.33" #3701-480-CR |
| 17. | 381607 | HINGE ASSY-GRASS EURO-SAFARI |
| 18. | 320006 | SCREW SHEET METAL 8X3/4 BH PHI |
| 19. | 345001-08 | MACH SCREW #8-32 X 1" REC TRUS |
| 20. | 365341-01 | EDGE BANDING- .63" WENGE |
| 21. | 365341-02 | EDGE BANDING- .94" WENGE |
| 22. | 965560-06 | DWR BOX ASSY-5.75X23.28X14.88 |

2012 INTERNATIONAL TRAVEL TRAILER

FURNITURE, GALLEY

GALLEY ASSEMBLY, AFT W/DRAWERS, 30' CONV. M/W OPTION - SERENITY

Used on Units 526730, 526748, 526746, 526749, 526152, 526757, 526763 and all units manufactured on or after 1/2/2012.



	967848-15	Galley, Aft w/Drawers, Conv. M/W Opt. 30' Serenity
1.	967848-1	PNL-GAL 18.63X34.75
2.	967848-2	PNL-GAL 18.63X34.75
3.	967848-1532	PNL-GAL 5.88X24.5
4.	967848-154	PNL-GAL 3.5X24.5
5.	967848-5	PNL-GAL 3X24.5
6.	967848-6	PNL-GAL 18.63X24.5
7.	967848-7	PNL-GAL 2.25X24.5
8.	967848-8	PNL-GAL 2.25X24.5
9.	967848-159	DOOR-GAL 25.13X8.25
10.	967848-1510	DOOR-GAL 25.13X8.25
11.	967848-1511	PNL-GAL 25.13X11.13
12.	967848-12	PNL-GAL 18.13X24.5
13.	967848-13	PNL-GAL 11X25.5
14.	800025-01	PINE 3/4" X 3/4" STAINED
15.	381228-01	CATCH GRABBER DOOR C3-803
16.	382115	PULL, FLAT BLACK
17.	381607	HINGE ASSY-GRASS EURO-SAFARI
18.	320006	SCREW SHEET METAL 8X3/4 BH PHI
19.	345001-08	MACH SCREW #8-32 X 1" REC TRUS
20.	365344-01	EDGEBANDING- .63" PEARL BISQUE
21.	365344-02	EDGEBANDING- .94" PEARL BISQUE
22.	965560-06	DWR BOX ASSY-5.75X23.28X14.88

2012 INTERNATIONAL TRAVEL TRAILER

FURNITURE, GALLEY

GALLEY TOP ASSEMBLY, 30' Wenge - Used on units manufactured 1/2/2012 excluding serial number 526765.



967619	GALLEY TOP ASSEMBLY - 30'
967619-1	PANEL 24 X 77.69
114812	ALUM. ANGLE 1.00 X 1.00
115064	TRIM-ALUM COUNTER TOP
601806	SINK STAINLESS STEEL - ROUND
*602158	NLA -FAUCET - ELKAY
*602310	FAUCET, GALLEY, 1 HANDLE, PULL OUT
*602147	SHUT OFF VALVE (2 PER USED WITH 602310 FAUCET)
601714-01	TAIL PIECE 1 1/2 X 4" (GALLEY DRAIN)
601714-02	1 1/2" SLIP NUT W/WINGS
601714-03	1 1/2" BLACK RUBBER WASHER

*FAUCET WAS CHANGED DURING MODEL YEAR. UNITS BUILT IN AUGUST FORWARD WILL HAVE THE REPLACEMENT FAUCET.

2012 INTERNATIONAL TRAVEL TRAILER

GALLEY TOP ASSEMBLY, 30' Wenge - Used on units manufactured 1/2/2012 including serial number 526765 and forward.



967844	GALLEY TOP ASSEMBLY - 30'
967844-1	PANEL 24 X 77.69
114812	ALUM. ANGLE 1.00 X 1.00
115064	TRIM-ALUM COUNTER TOP
601806	SINK STAINLESS STEEL - ROUND
*602158	NLA -FAUCET - ELKAY
*602310	FAUCET, GALLEY, 1 HANDLE, PULL OUT
*602137	SHUT OF VALVE (2 PER USED WITH 602310 FAUCET)
601714-01	TAIL PIECE 1 ½ X 4" (GALLEY DRAIN)
601714-02	1 ½" SLIP NUT W/WINGS
601714-03	1 ½" BLACK RUBBER WASHER

*FAUCET WAS CHANGED DURING MODEL YEAR. UNITS BUILT IN AUGUST FORWARD WILL HAVE THE REPLACEMENT FAUCET.

2012 INTERNATIONAL TRAVEL TRAILER

FURNITURE, GALLEY

GALLEY TOP ASSEMBLY, 30' SERENITY, Used on units manufactured 1/2/2012 excluding serial number 526765 & forward.



967619-15	GALLEY TOP ASSEMBLY - 30' SERENITY -
967619-151	PANEL 24 X 77.69
114812	ALUM. ANGLE 1.00 X 1.00
115064	TRIM-ALUM COUNTER TOP
601806	SINK STAINLESS STEEL - ROUND
*602158	NLA - FAUCET - ELKAY
*602310	FAUCET, GALLEY, 1 HANDLE, PULL OUT
*602137	SHUT OFF VALVE (2 PER USED WITH 602310 FAUCET)
601714-01	TAIL PIECE 1 1/2 X 4" (GALLEY DRAIN)
601714-02	1 1/2" SLIP NUT W/WINGS
601714-03	1 1/2" BLACK RUBBER WASHER

*FAUCET WAS CHANGED DURING MODEL YEAR. UNITS BUILT IN AUGUST FORWARD WILL HAVE THE REPLACEMENT FAUCET.

2012 INTERNATIONAL TRAVEL TRAILER

GALLEY TOP ASSEMBLY, 30' SERENITY, Used on units manufactured on or after 1/2/2012 including serial number 526765.

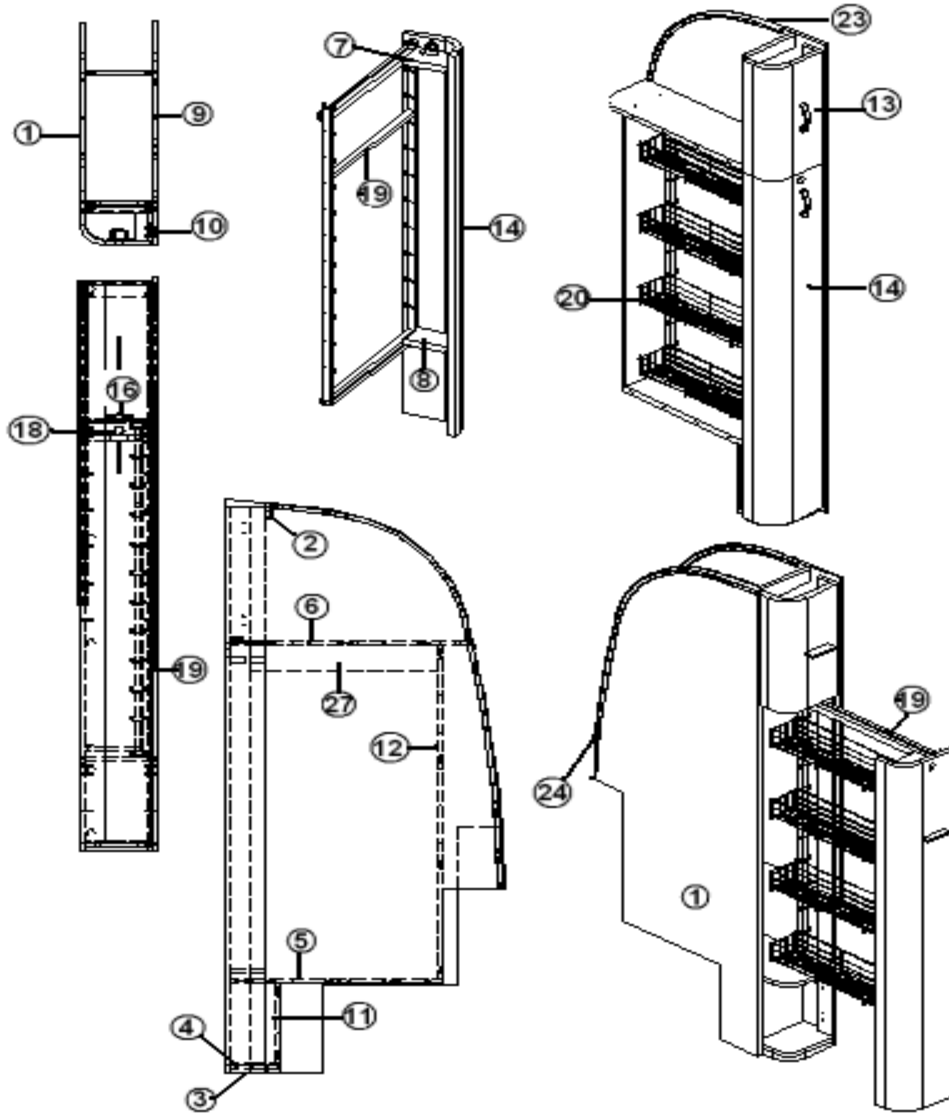


967844-15	GALLEY TOP ASSEMBLY – 30' SERENITY
967844-151	PANEL 24 X 77.69
114812	ALUM. ANGLE 1.00 X 1.00
115064	TRIM-ALUM COUNTER TOP
601806	SINK STAINLESS STEEL – ROUND
*602158	NLA - FAUCET – ELKAY
*602310	FAUCET, GALLEY, 1 HANDLE, PULL OUT
*602137	SHUT OF VALVE (2 PER USED WITH 602310 FAUCET)
601714-01	TAIL PIECE 1 ½ X 4" (GALLEY DRAIN)
601714-02	1 ½" SLIP NUT W/WINGS
601714-03	1 ½" BLACK RUBBER WASHER

*FAUCET WAS CHANGED DURING MODEL YEAR. UNITS BUILT IN AUGUST FORWARD WILL HAVE THE REPLACEMENT FAUCET.

2012 INTERNATIONAL TRAVEL TRAILER FURNITURE, GALLEY

PANTRY ASSEMBLY, SLIDE-OUT, 30' Wenge



PARTS LISTED ON NEXT PAGE

2012 INTERNATIONAL TRAVEL TRAILER

FURNITURE, GALLEY

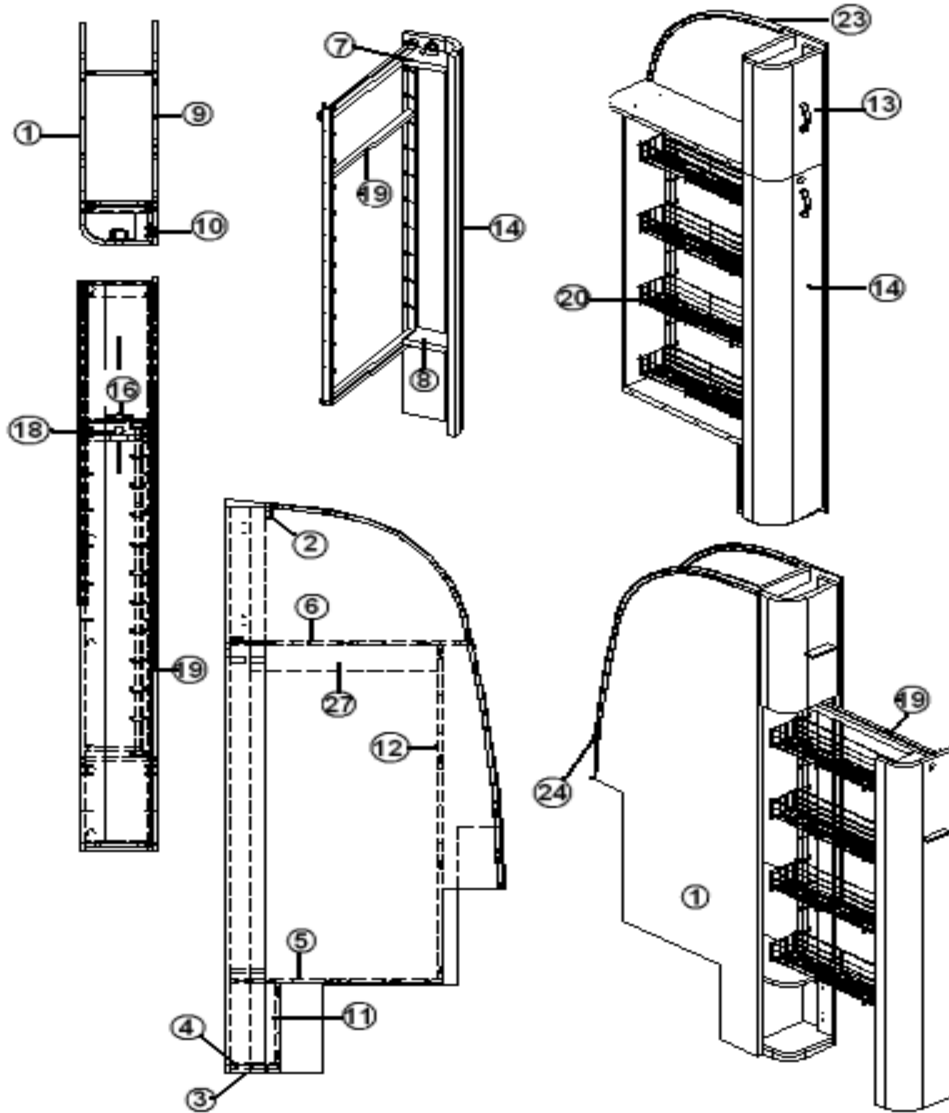
PANTRY ASSEMBLY, SLIDE-OUT, 30' Wenge

967529	PANTRY ASSY - SLIDEOUT
1. 967529-1	PANEL PANTRY 25.88 X 78.26
2. 967529-2	PANEL PANTRY 7.25 X 2.25
3. 967529-3	PANEL PANTRY 4 X 6.75
4. 967529-4	PANEL PANTRY 13.5 X 7.25
5. 967529-5	PANEL PANTRY 23.25 X 7.25
6. 967529-6	PANEL PANTRY 25.5 X 7.25
7. 967529-7	PANEL PANTRY 5.38 X 3.75
8. 967529-8	PANEL PANTRY 5.38 X 3.75
9. 967529-9	PANEL PANTRY 30.82 X 78.87
10. 967529-10	PANEL PANTRY 2.25 X 77.75
11. 967529-11	PANEL PANTRY 7.25 X 10.88
12. 967529-12	PANEL PANTRY 7.25 X 45.63
13. 967304-01	DOOR ASSY-RADIUS 18.75"
14. 967304-02	DOOR ASSY-RADIUS 58"
15. 382044	HANDLE-BRUSHED NICKEL
16. 381228-01	CATCH GRABBER DOOR C3-803
17. 381607	HINGE ASSY-GRASS EURO-SAFARI
18. 381408	LOCK, PUSH, BUTTON STYLE, BLAC
19. 381551-01	PANTRY RACK 1.5"W X 45"H WHITE
20. 381551-02	WIRE BASKET 4" WIDE WHITE
21. 365341-01	EDGE BANDING- .63" WENGE
22. 365341-02	EDGE BANDING- .94" WENGE
23. 203138-05	EXTRUSION-PLASTIC 1/2" WALL BLACK
24. 203464	TRIM, PANEL BLACK 3/4"
25. 382057	KNOCKDOWN-8MM #16289B
26. 320151	SCREW #6 X 3/4" ROUND WASHER H
27. 967529-27	PANEL PANTRY 3.5 X 20.5

2012 INTERNATIONAL TRAVEL TRAILER

FURNITURE, GALLEY

PANTRY ASSEMBLY, SLIDE-OUT, 30', Serenity



PARTS LISTED ON NEXT PAGE

2012 INTERNATIONAL TRAVEL TRAILER

FURNITURE, GALLEY

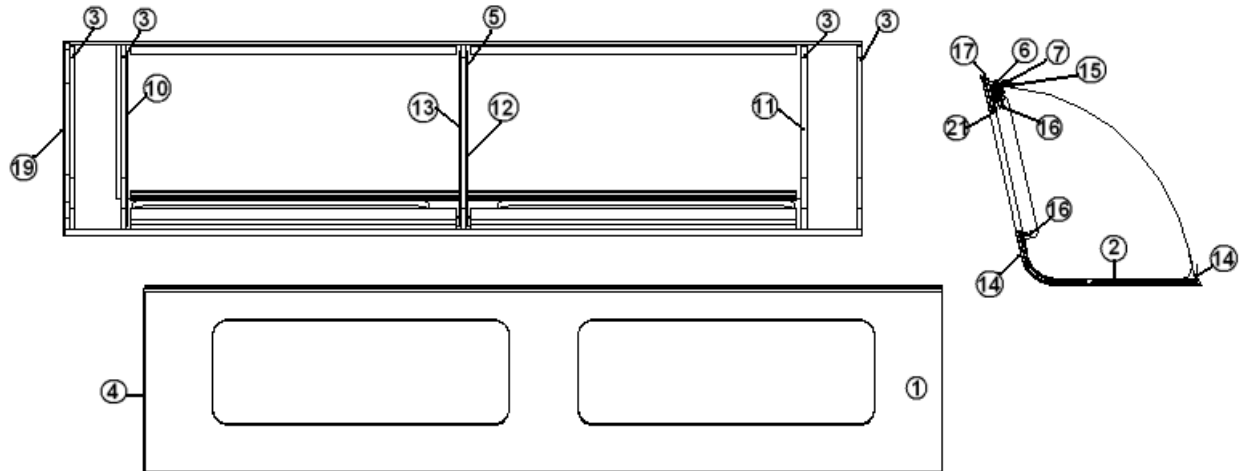
PANTRY ASSEMBLY, SLIDE-OUT, 30', Serenity

967529-15	PANTRY ASSY - SLIDEOUT
1. 967529-151	PANEL PANTRY 25.88 X 78.26
2. 967529-152	PANEL PANTRY 7.25 X 2.25
3. 967529-3	PANEL PANTRY 4 X 6.75
4. 967529-4	PANEL PANTRY 13.5 X 7.25
5. 967529-5	PANEL PANTRY 23.25 X 7.25
6. 967529-6	PANEL PANTRY 25.5 X 7.25
7. 967529-7	PANEL PANTRY 5.38 X 3.75
8. 967529-8	PANEL PANTRY 5.38 X 3.75
9. 967529-159	PANEL PANTRY 30.82 X 78.87
10. 967529-10	PANEL PANTRY 2.25 X 77.75
11. 967529-11	PANEL PANTRY 7.25 X 10.88
12. 967529-12	PANEL PANTRY 7.25 X 45.63
13. 967304-01	DOOR ASSY-RADIUS 18.75"
14. 967304-02	DOOR ASSY-RADIUS 58"
15. 382115	PULL, FLAT BLACK #M575
16. 381228-01	CATCH GRABBER DOOR C3-803
17. 381607	HINGE ASSY-GRASS EURO-SAFARI
18. 381408	LOCK, PUSH, BUTTON STYLE, BLAC
19. 381551-01	PANTRY RACK 1.5"W X 45"H WHITE
20. 381551-02	WIRE BASKET 4" WIDE WHITE
21. 365344-01	EDGEBANDING- .63" PEARL BISQUE
22. 365344-02	EDGEBANDING- .94"PEARL BISQUE
23. 203138-03	EXTRUSION-PLASTIC 1/2" WALL BEIGE
24. 203464	TRIM, PANEL BLACK 3/4"
25. 382057	KNOCKDOWN-8MM #16289B
26. 320151	SCREW #6 X 3/4" ROUND WASHER H
27. 967529-27	PANEL PANTRY 3.5 X 20.5

2012 INTERNATIONAL TRAVEL TRAILER

FURNITURE, GALLEY

GALLEY ROOFLOCKER ASSEMBLY, 30' Wenge

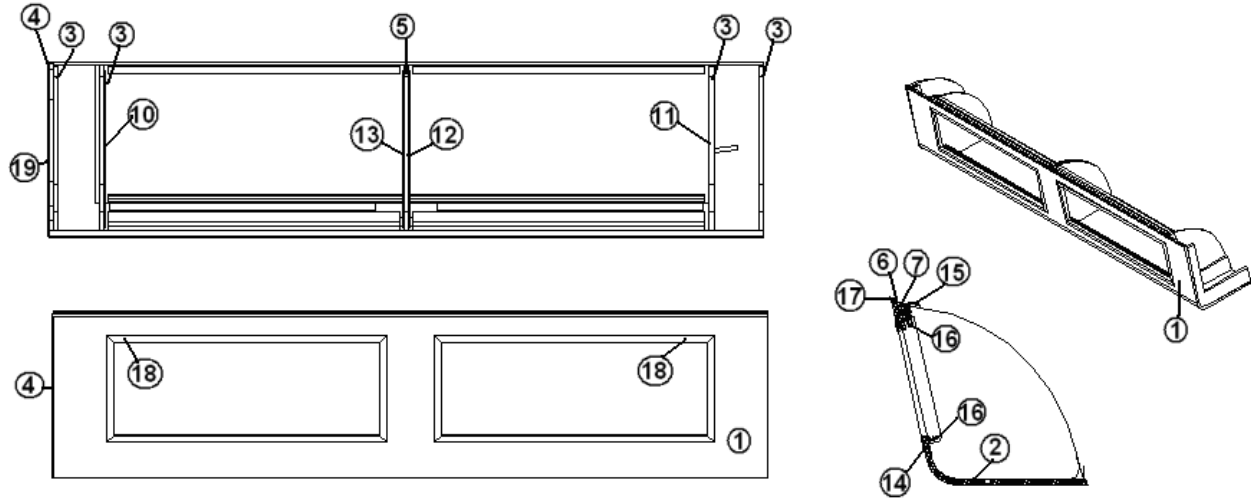


967626	ROOFLOCKER ASSY. - GALLEY 30' Wenge
1. 801878	FACE - GALLEY ROOFLOCKER
2. 967626-2	PANEL- 17.25 X 67.25
3. 801878-02	DIVIDER-PARTIAL
4. 967626-4	PANEL 17.15 X 18.21
5. 967626-5	PANEL 16.9 X 17.78
6. 800506-04	PLYWOOD, 1/2"- 1.5 X 31.67
7. 800506-04	PLYWOOD, 1/2"- 1.5 X 31.67
8. 800506-04	PLYWOOD, 1/2"- 1.5 X 31.67
9. 800506-04	PLYWOOD, 1/2"- 1.5 X 31.67
10. 801539-01	DIVIDER-GALLEY LOCKER LH
11. 801539-02	DIVIDER-GALLEY LOCKER RH
12. 801539-07	DIVIDER-.LH CNT
13. 801539-08	DIVIDER-.RH CNT
14. 115227-05	ANGLE-FORMED R/L SUPP. 31.67"
15. 104821	SUPPORT, ROOFLOCKER, 74"
16. 203388	TRACK-SLIDING DOOR
17. 201673	REVERSE COVE MOLDING, WHITE, P
965563-08	DOOR-PLEX.SLIDING 11.31"X 30"
454613	SPRING-LEAF R/L INT

2012 INTERNATIONAL TRAVEL TRAILER

FURNITURE, GALLEY

GALLEY ROOFLOCKER ASSEMBLY 30' Serenity



967627	ROOFLOCKER ASSY - GALLEY 30' SERENITY
1. 801879	FACE - GALLEY R/L
2. 967627-2	PANEL-GALLLEY R/L 17.25X67.25
3. 3801879-02	DIVIDER-PARTIAL GAL R/L
4. 967627-4	PANEL-GAL R/L 17.15X18.21
5. 967627-5	PANEL-GAL R/L 16.9X17.78
6. 800506-04	PLYWOOD, 1/2"X4'X8'
7. 800506-04	PLYWOOD, 1/2"X4'X8'
8. 801539-01	DIVIDER-GALLEY LOCKER LH
9. 801539-02	DIVIDER-GALLEY LOCKER
10. 801539-07	DIVIDER-R/L GAL.LH CNT
11. 801539-08	DIVIDER-R/L GAL.RH CNT
12. 115227-05	ANGLE-FORMED R/L SUPP. 31.67"
13. 104821	SUPPORT, ROOFLOCKER, 74"
14. 203388	TRACK-SLIDING DOOR
15. 201673	REVERSE COVE MOLDING, WHITE,
16. 454613	SPRING-LEAF R/L INT
382114	KNOB-BRUSH.SATIN NICKEL #M576
203677-03	DOOR-MARI 11.31X30

2012 INTERNATIONAL TRAVEL TRAILER
FURNITURE, GALLEY

SILVERWARE TRAY

200980-01 TRAY, SILVERWARE, ALMOND, 9" X 13"

MAGAZINE RACK

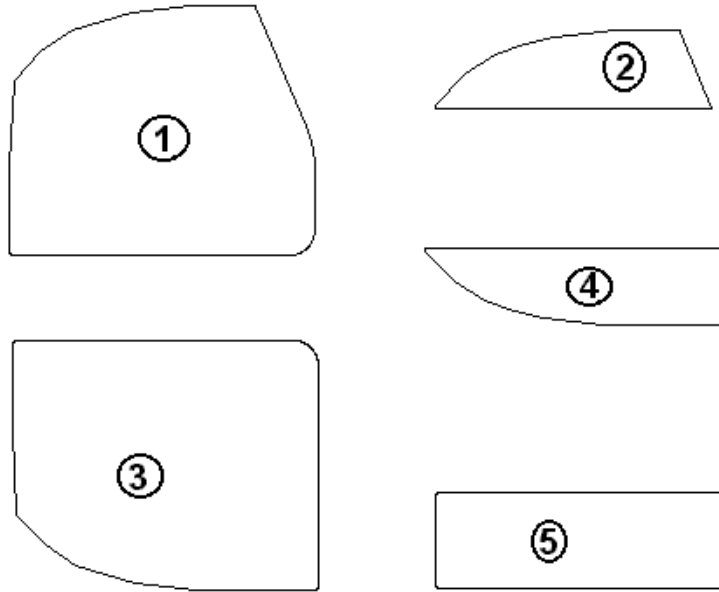
386106-01 Magazine rack

386107 Magazine rack rod

2012 INTERNATIONAL TRAVEL TRAILER

FURNITURE, LOUNGE

Dinette Seat Cushions, 16', 19', Signature, Wenge, Serenity



Part Numbers Listed on Next Page

2012 INTERNATIONAL TRAVEL TRAILER

FURNITURE, LOUNGE

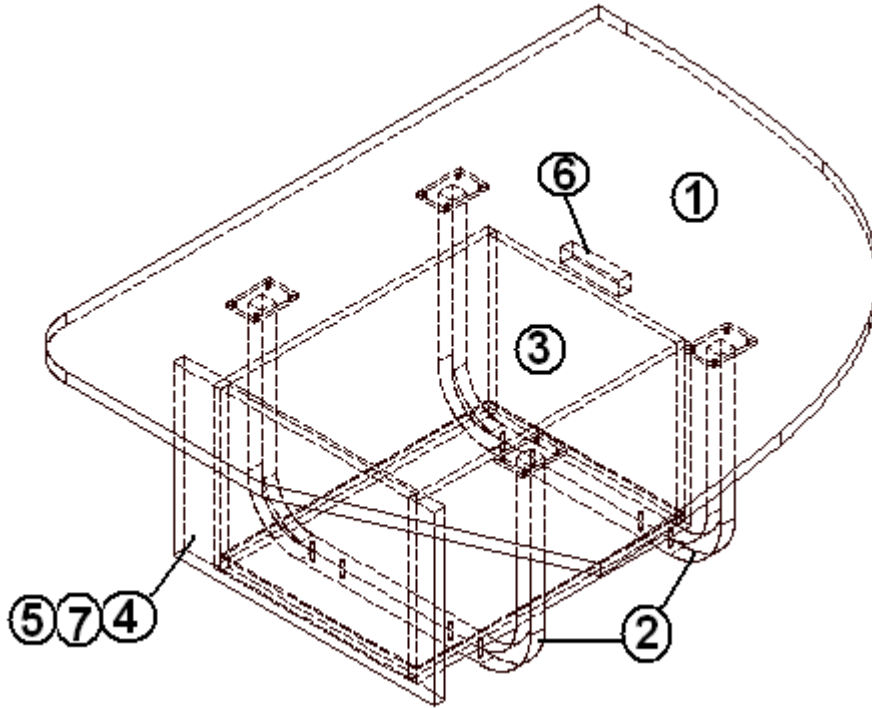
Dinette Seat Cushions, 16', 19', Signature, Wenge, Serenity

1.	998150-01	SEAT ASSEMBLY-CS DINETTE
1a.	703368-01	FOAM-SEAT CS DINETTE
1b.	998150-101	COVER, CS DINETTE SEAT
1c.	998150-01SER	SEAT ASSY - CS DINETTE SERENITY
2.	998150-02	FILLER ASSEMBLY-CS DINETTE BACK
2a.	703368-02	CS BACK FILLER
2b.	998150-102	COVER, CS DINETTE BACK
2c.	998150-02SER	COVER CS DINETTE BACK
3.	998150-04	SEAT ASSEMBLY-RS DINETTE
3a.	703368-04	FOAM-RS DINETTE SEAT
3b.	998150-104	COVER, RS DINETTE SEAT
3c.	998150-04SER	SEAT ASSEMBLY - RS DINETTE
4.	998150-05	FILLER ASSEMBLY-RS DINETTE SEAT
4a.	703368-05	FOAM-RS BACK FILLER
4b.	998150-05SER	FILLER ASSY. R.S. BACK
4b.	998150-106	COVER, RS DINETTE SEAT FILLER
5.	998150-06	BACK REST ASSEMBLY-RS DINETTE
5a.	703368-06	FOAM-RS BACK REST
5b.	998150-06SER	BACK REST ASSY. - R.S.
5b.	998150-106	COVER, BACK REST ASSEMBLY
	703703	ZIPPER, BLACK
	703703-01	ZIPPER SLIDE, BLACK
	700020	PILE VELCRO
	700021	HOOK, VELCRO, WHITE
	703446	SILK FILM SHEETING #SFS 36 AIR
	703882	KIT-DIN FOAM/LEATHER

2012 INTERNATIONAL TRAVEL TRAILER

FURNITURE, LOUNGE

Dinette Seat, 16', 19', Signature, Curbside, Wenge

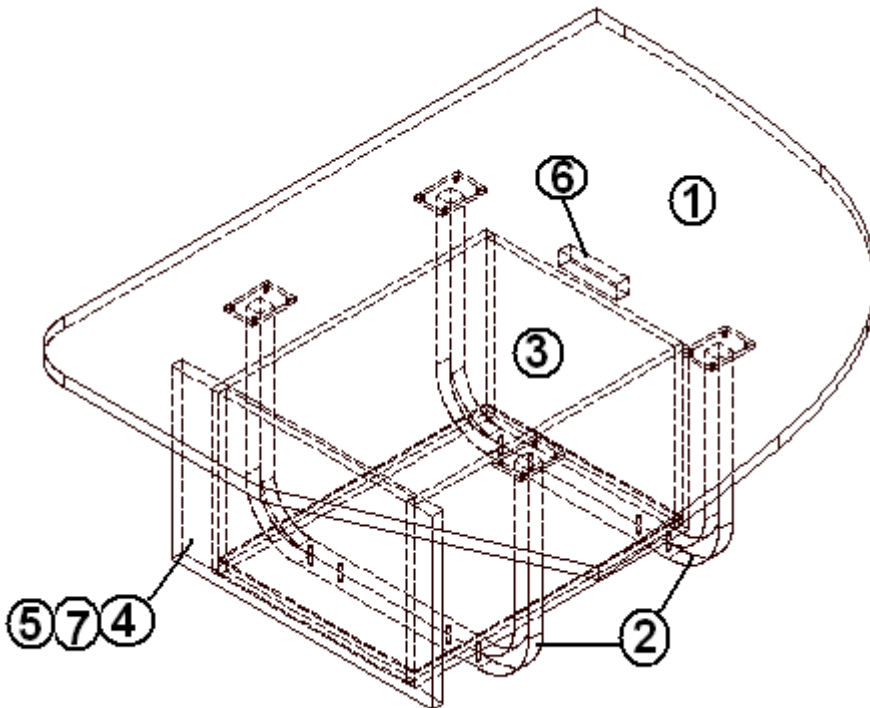


- | | |
|--------------|-----------------------------------|
| 966961 | SEAT ASSY, CS DINETTE |
| 1. 966961-1 | PANEL, 32.88 X 39.68" |
| 2. 454177 | LEG, DINETTE ALUM |
| 3. 964909-11 | DRAWER BOX ASSY, 10" X 14.00 X 19 |
| 4. 966961-4 | PANEL, 18 X 11.5 |
| 5. 381833-01 | DRAWER SLIDE, UNDER SHELF 18"PR |
| 6. 800581-01 | LUMBER, OAK, 13/16 X 1.5 |
| 7. 381074 | CATCH BULL DOG |

2012 INTERNATIONAL TRAVEL TRAILER

FURNITURE, LOUNGE

Dinette Seat, 16', 19', Signature, Curbside, Serenity

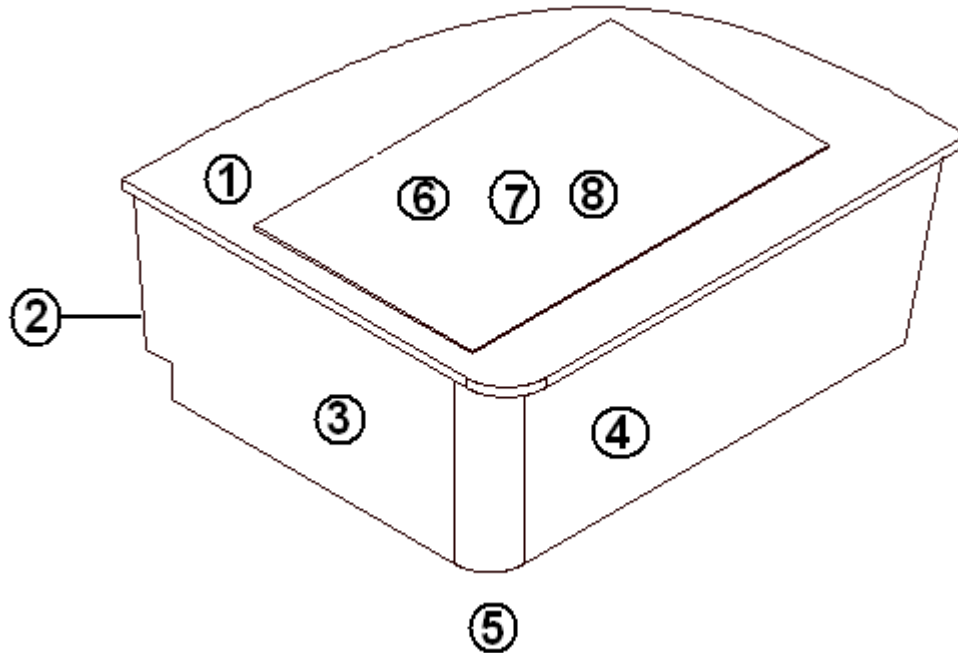


- | | |
|---------------|--|
| 966961-15 | SEAT ASSY, CS DINETTE |
| 1. 966961-151 | PANEL, 32.88 X 39.68 |
| 2. 454177 | LEG, DINETTE ALUM |
| 3. 964909-11 | DRAWER BOX ASSY, 10" X 14.00 X 19 |
| 4. 966961-154 | PANEL, 18 X 11.5 |
| 5. 381833-01 | DRAWER SLIDE, UNDER SHELF 18"PR |
| 6. 800025-01 | PINE $\frac{3}{4}$ " X $\frac{3}{4}$ " |
| 7. 381074 | CATCH BULL DOG |

2012 INTERNATIONAL TRAVEL TRAILER

FURNITURE, LOUNGE

Dinette Seat, 16', 19', Signature, Roadside, Wenge

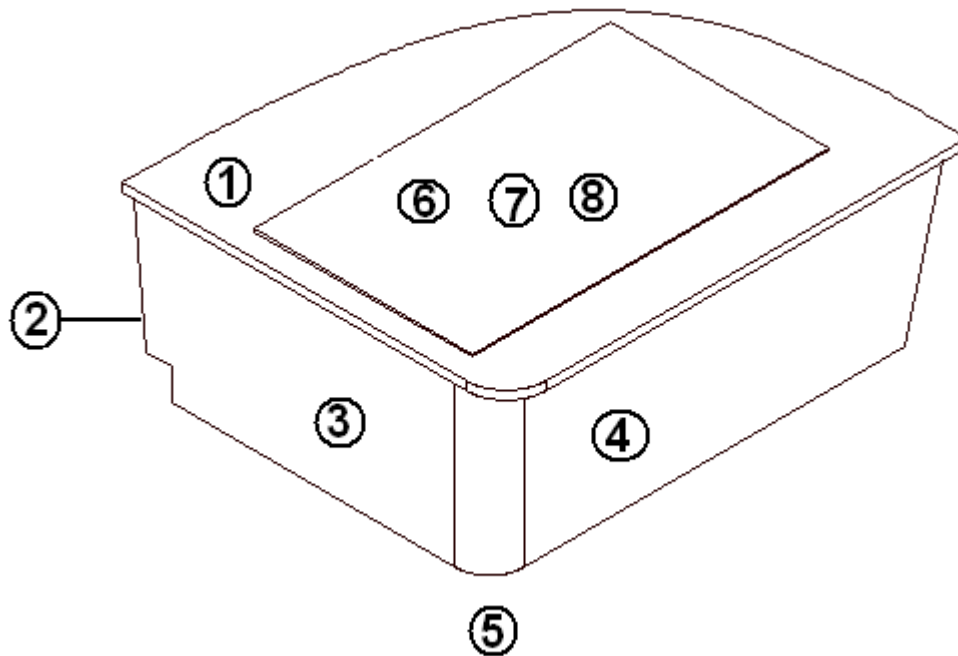


966962	SEAT, ROADSIDE DINETTE
1. 966962-1	PANEL, 33.44 X 40.19
2. 966964	SUB ASSY-RS DINETTE
3. 966964-1	RS DIN SUB ASSY, 28 X 13.88
4. 966964-2	RS DIN SUB ASSY-37.03 X 13.88
5. 801345	RADIUS PLYWOOD, .75"X 3"X 8'
6. 966962-5	LUAN PANEL, 31.13 X 19
7. 966962-6	LUAN PANEL, 28.75 X 16.88
8. 701538-01	CARPET-ECONOLIER

2012 INTERNATIONAL TRAVEL TRAILER

FURNITURE, LOUNGE

Dinette Seat, 16', 19', Signature, Roadside, Serenity

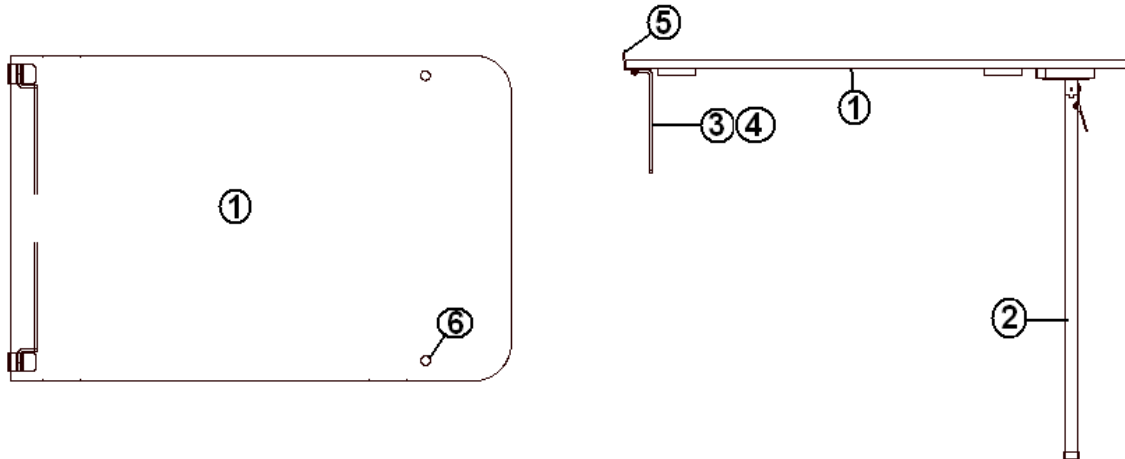


966962-15	SEAT, ROADSIDE DINETTE
1. 966962-1	PANEL, 33.44 X 40.19
2. 966964	SUB ASSY-RS DINETTE
3. 966964-1	RS DIN SUB ASSY, 28 X 13.88
4. 966964-2	RS DIN SUB ASSY-37.03 X 13.88
5. 801345	RADIUS PLYWOOD, .75"X 3"X 8'
6. 966962-5	LUAN PANEL, 31.13 X 19
7. 966962-6	LUAN PANEL, 28.75 X 16.88
8. 701538-01	CARPET-ECONOLIER

2012 INTERNATIONAL TRAVEL TRAILER

FURNITURE, LOUNGE

Dinette Table, 16', 19', Signature, Sand Crystal

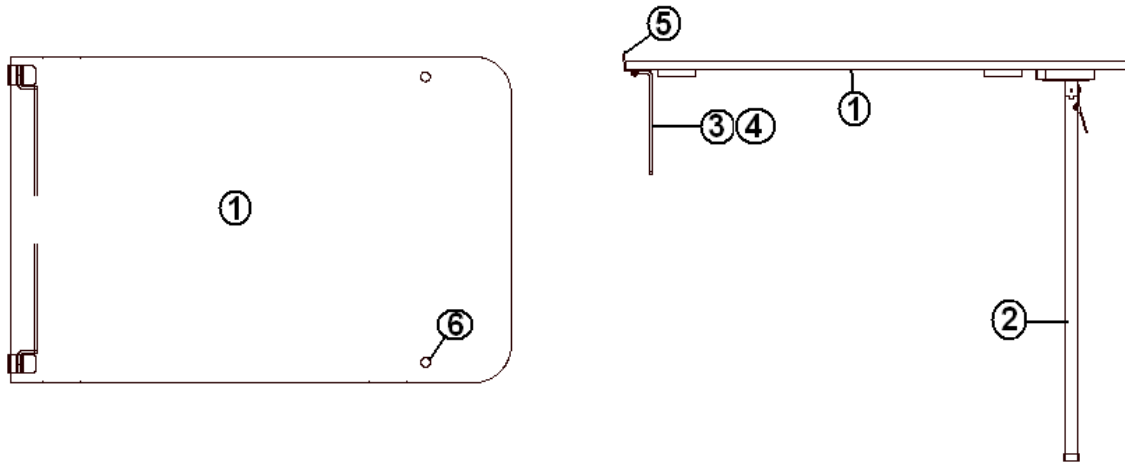


- | | |
|--------------|------------------------------------|
| 967153 | TABLE ASSY, DINETTE |
| 1. 967153-1 | TABLE TOP, 26" X 40", SAND CRYSTAL |
| 2. 381881-04 | LEG, FOLDING TABLE |
| 3. 380284-02 | TABLE HINGE BRACKET |
| 4. 380284-03 | TABLE HINGE BRACKETS |
| 5. 340018 | CATCH PLATE J-1 |
| 6. 381136 | RUBBER BUMPER |

2012 INTERNATIONAL TRAVEL TRAILER

FURNITURE, LOUNGE

Dinette Table, 16', 19', Signature, Serenity

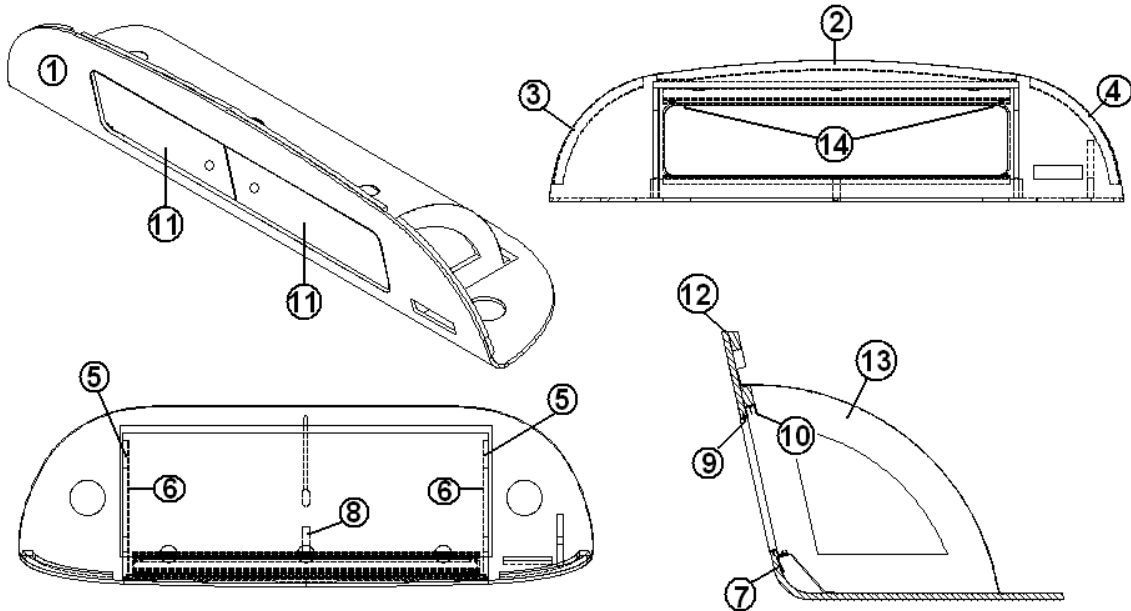


- | | |
|---------------|--------------------------------|
| 967153-15 | TABLE ASSY, DINETTE, SERENITY |
| 1. 967153-151 | TABLE TOP, 26" X 40", SERENITY |
| 2. 381881-04 | LEG, FOLDING TABLE |
| 3. 380284-02 | TABLE HINGE BRACKET |
| 4. 380284-03 | TABLE HINGE BRACKETS |
| 5. 340018 | CATCH PLATE J-1 |
| 6. 381136 | RUBBER BUMPER |

2012 INTERNATIONAL TRAVEL TRAILER

FURNITURE, LOUNGE

Roof Locker, 16', 19', 23' D, Signature, Front End, Wenge

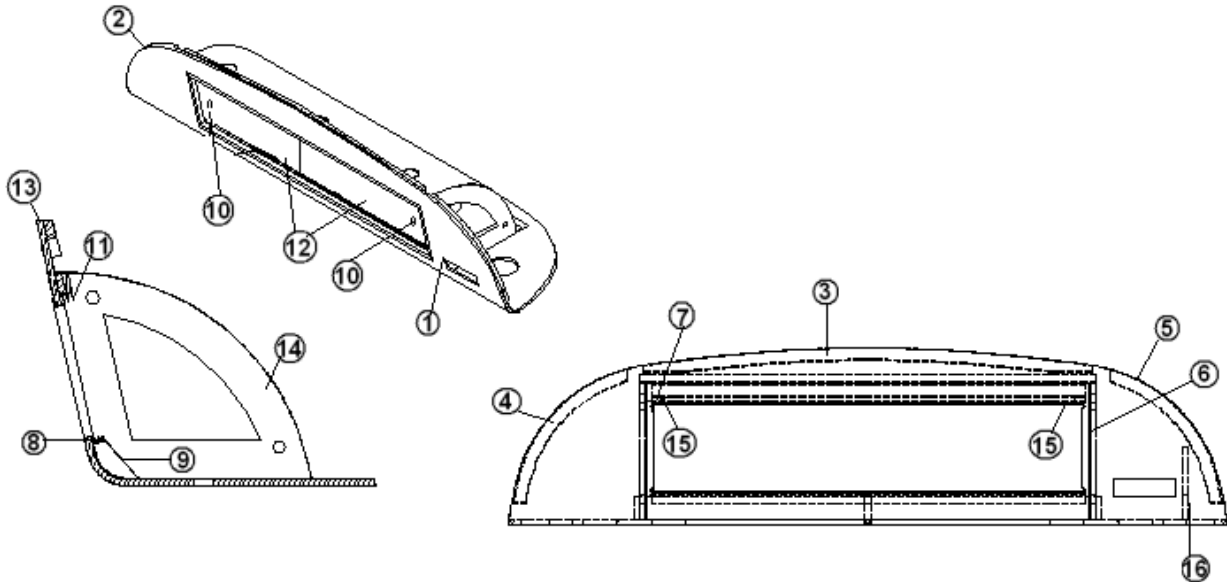


	966942	LINER LOCKER ASSY
1.	801731	FACE-LINER LOCKER NB FRONT
2.	801596-01	BACKER, LINER LOCKER CENTER
3.	801596-02	BACKER, LINER LOCKER LH
4.	801596-03	BACKER, LINER LOCKER RH
5.	801594	DIVIDER, LINER LOCKER
6.	801595	DIVIDER LINER LOCKER
7.	115261-02	ANGLE FORMED, TRACK SUPPORT
8.	115226-01	BRACKET, FORMED LOCKER SUPPORT
9.	203445-01	T-MOLDING, 5625", WHITE
10.	203388	TRACK, SLIDING DOOR
11.	965563-09	DOOR, PLEXIGLASS, 11.31" x 26.25
12.	201673	REVERSE COVE MOLDING, WHITE
13.	115264-02	PAN, LINER LOCKER
14.	454613	SPRING, LEAF
	801595-10	DIVIDER, LINER W/BLUERAY PLAYER
	511314	BUSHING UNIVERSAL 1" I.D. BLK
	967741	BLUE RAY SHELF ASSY.

2012 INTERNATIONAL TRAVEL TRAILER

FURNITURE, LOUNGE

Roof Locker, 16', 19', 23' D, Signature, Front End, SERENITY

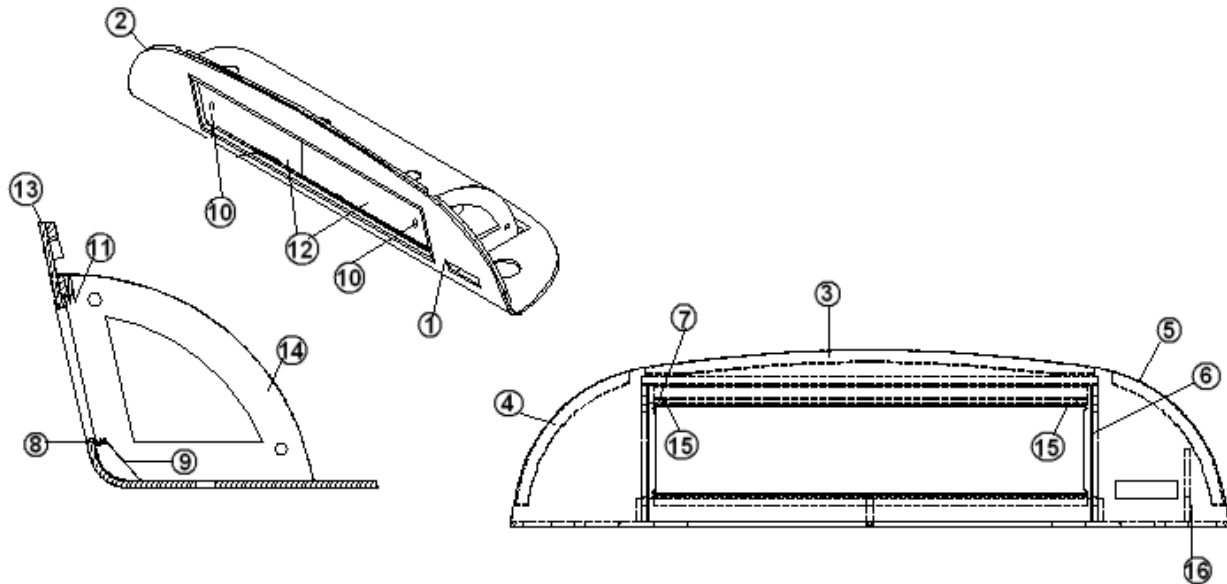


967549-15	ROOFLOCKER ASSY-NB FRONT
1. 801826	FACE- FRT R/L I19VE
2. 801355-01	LAM-FROST WHT 4'X8'VERT #1573-
3. 801596-01	BACKER W/B LINER LOCKER CTR
4. 801596-02	BACKER LINER LOCKER LH
5. 801596-03	BACKER, LINER LOCKER RH
6. 801594	DIVIDER-LINER LOCKER
7. 801595	DIVIDER LINER LOCKER CCD
8. 114812	ALUM. ANGLE 1.00 X 1.00
9. 115226-01	BRACKET, FORMED LOCKER CTR SUP
10. 382114	KNOB-BRUSH.SATIN NICKEL #M576
11. 203388	TRACK-SLIDING DOOR
12. 203677-02	DOOR-MARI 11.31X26.25
13. 201673	REVERSE COVE MOLDING, WHITE, P
14. 115264-02	PAN-LINER LOCKER N/B
15. 454613	SPRING-LEAF R/L INT
16. 801595-10	DIVIDER-LINER W/BLUERAY PLAYER
967741	BLUERAY SHELF ASSEMBLY

2012 INTERNATIONAL TRAVEL TRAILER

FURNITURE, LOUNGE

Roof Locker, 23FB, Front End, SERENITY

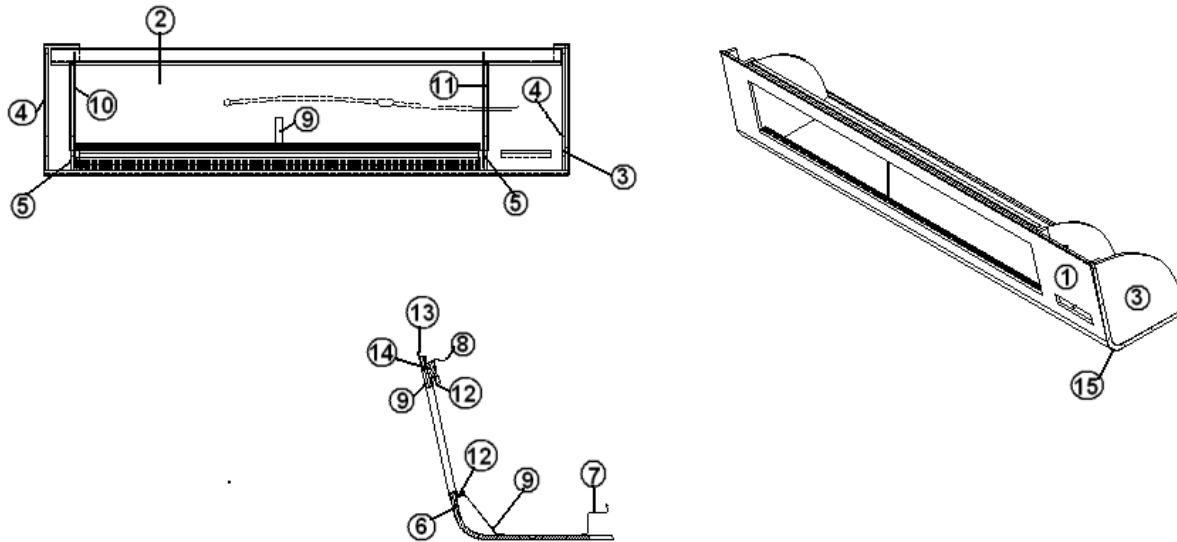


- | | |
|---------------|----------------------------------|
| 967646 | ROOFLOCKER ASSY, FRONT 23 FB |
| 1. 801888 | FACE- FRONT ROOFLOCKER |
| 2. 801355-01 | LAMINATE, FROSTY WHITE, VERTICAL |
| 3. 801596-01 | BACKER W/B LINER LOCKER CTR |
| 4. 801596-02 | BACKER LINER LOCKER LH |
| 5. 801596-03 | BACKER, LINER LOCKER RH |
| 6. 801594 | DIVIDER-LINER LOCKER |
| 7. 801595 | DIVIDER LINER LOCKER CCD |
| 8. 114812 | ALUM. ANGLE 1.00 X 1.00 |
| 9. 115226-01 | BRACKET, FORMED LOCKER CTR SUP |
| 10. 382114 | KNOB-BRUSH.SATIN NICKEL #M576 |
| 11. 203388 | TRACK-SLIDING DOOR |
| 12. 203677-03 | DOOR-MARI 11.31X30.00' |
| 13. 201673 | REVERSE COVE MOLDING, WHITE, |
| 14. 115264-02 | PAN-LINER LOCKER N/B |
| 15. 454613 | SPRING-LEAF R/L INT |
| 16. 801710 | SUPPORT DIVIDER |

2012 INTERNATIONAL TRAVEL TRAILER

FURNITURE, LOUNGE

Roof Locker, 23FB, Dinette, SERENITY

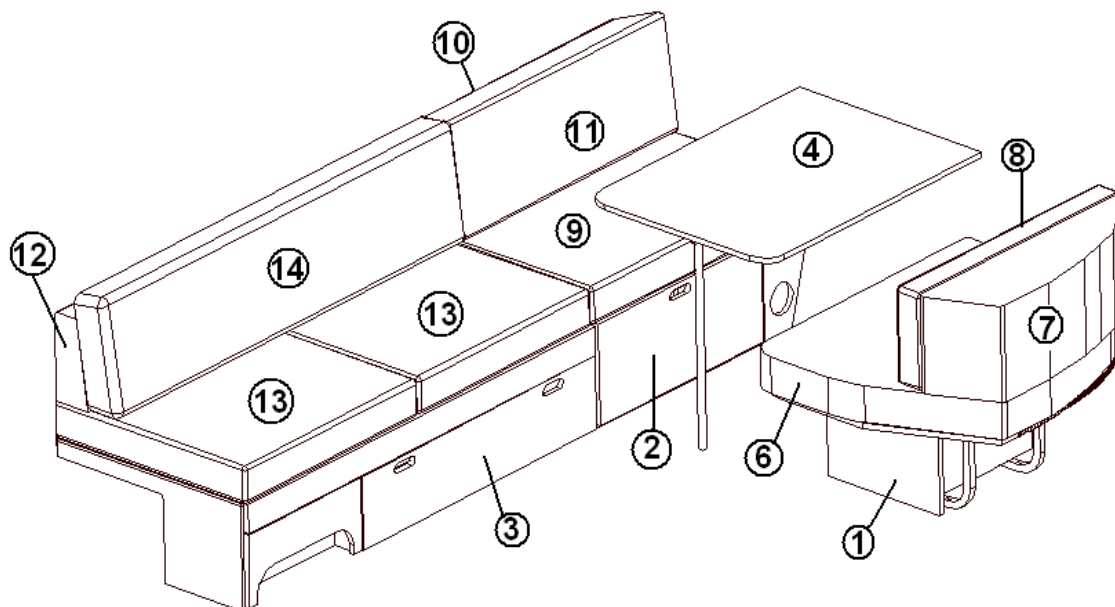


967636	ROOFLOCKER ASSY- DINETTE 23 Frt. Bed, SERENITY
1. 801883	FACE - DINETTE ROOFLOCKER
2. 801438	LAMINATE-WHITELINER
3. 967636-3	PANEL-DINNETT R/L 17.15" X 18.21"
4. 801883-02	DIVIDER - DIN R/L RH
5. 801883-03	DIVIDER - DIN R/L RH
6. 115227-01	ANGLE-FORMED-LOCKER TRACK SUPPORT
7. 115228-04	CLOSEOUT-BLIND 74"
8. 104821	SUPPORT, ROOFLOCKER, 74"
9. 115226	BRACKET-FORMED-LOCKER CTR SUPP
10. 801540-01	DIVIDER-DINETTE LOCKER LH
11. 801540-05	DIVIDER-DINETTE LOCKER W/RADIO, RH
12. 203388	TRACK-SLIDING DOOR
13. 201673	REVERSE COVE MOLDING, WHITE
14. 800028	PINE, 3/4" X 1-1/2"
115375	EXTR.-FORMED ROOFLOCKER END
454613	SPRING-LEAF ROOFLOCKER
382114	KNOB-BRUSH.SATIN NICKEL #M576
203677-03	DOOR-MARI 11.31X30
115064	TRIM-ALUM COUNTER TOP INT
967752	BLUE RAY SHELF ASSY.

2012 INTERNATIONAL TRAVEL TRAILER

FURNITURE, LOUNGE

Dinette/Sofa Assembly, 23' D Signature

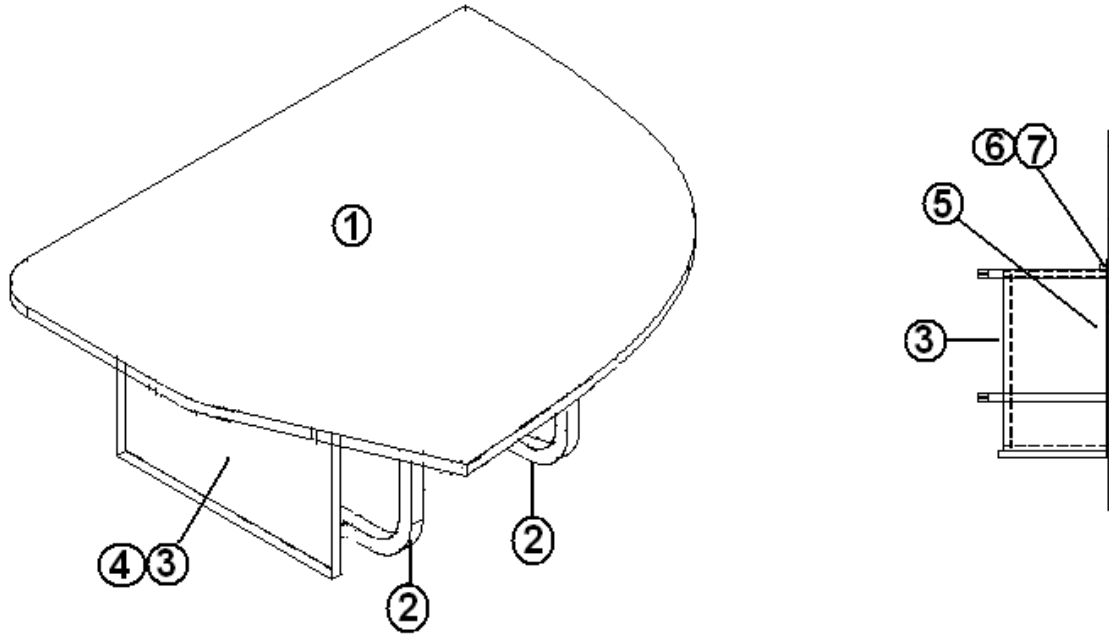


1. 966928 SEAT ASSY. CS DINETTE, WENGE
1. 966928-15 SEAT ASSY. CS DINETTE, SERENITY
2. 966930 SEAT ASSY., RS DINETTE, WENGE
2. 966930-15 SEAT ASSY. RS DINETTE - 23D, SERENITY
3. 966929 SOFA ASSY., WENGE
3. 966929-15 SOFA ASSY, SERENITY
4. 967154 TABLE ASSY., DINETTE, WENGE
4. 967154-15 TABLE ASSY., DINETTE, SERENITY 23'
5. 703682 FOAM KIT, DINETTE/LOUNGE CUSHION
5. 703854-141 FOAM KIT/FABRIC - SOY BROWN
5. 703854-180 FOAM KIT/FABRIC - MINT GREEN
5. 703883 KIT DINETTE/LOUNGE FOAM - ULTRA LEATHER 23D
6. 998192-01 SEAT ASSY, FABRIC, CS DINETTE
7. 998192-02 FABRIC ASSY, CS BACK FILLER
8. 998192-03 FABRIC ASSY, CS BACK REST
9. 998192-04 FABRIC ASSY, RS DINETTE SEAT
10. 998192-05 FABRIC ASSY, RS BACK FILLER
11. 998192-06 FABRIC ASSY, RS BACK REST
12. 998192-07 FABRIC, CUSHION WEDGE
13. 998192-08 FABRIC ASSY, CUSHION LOUNGE BOTTOM
14. 998192-09 FABRIC ASSY, CUSHION BACK REST

2012 INTERNATIONAL TRAVEL TRAILER

FURNITURE, LOUNGE

Dinette Seat, 23' D Signature, Curbside, Wenge

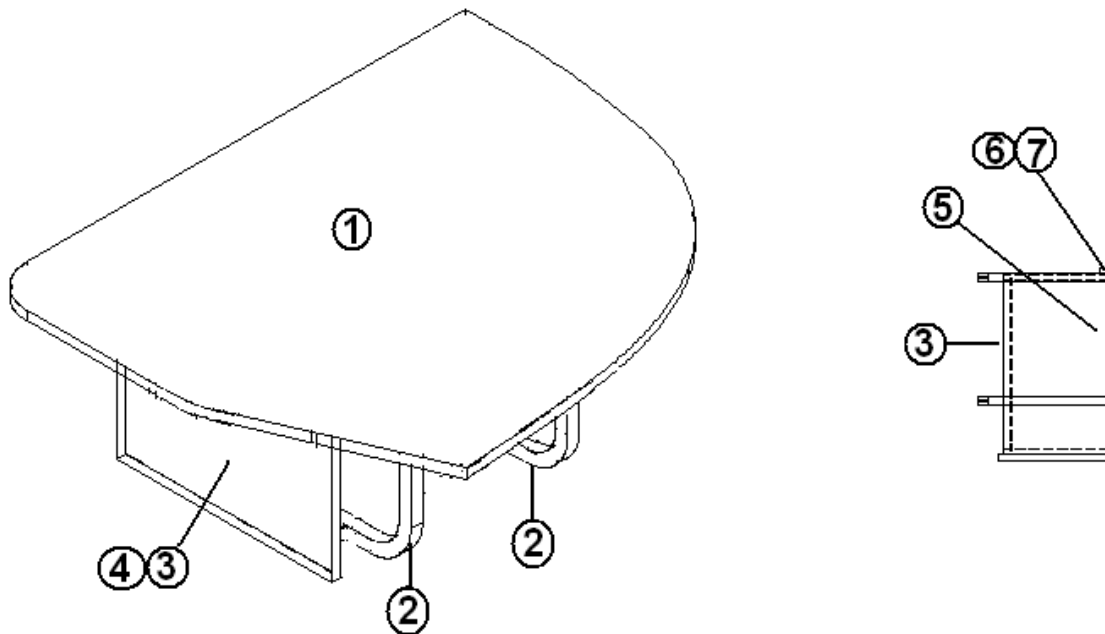


966928	SEAT ASSY CS DINETTE
1. 966928-1	PANEL, CS SEAT 33.38 X 40.18
2. 454177	LEG, DINETTE
3. 964909-11	DRAWER BOX ASSY, 10" X 14.00 X 19.
4. 966928-4	DOOR, CS SEAT, 11.50 X 18.00
5. 381833-01	DRAWER SLIDE, UNDER SHELF 18"PR
6. 800581-01	LUMBER, OAK, 13/16 X 1.5"
7. 381074	CATCH BULL DOG #65S (COPPER)

2012 INTERNATIONAL TRAVEL TRAILER

FURNITURE, LOUNGE

Dinette Seat, 23' D Signature, Curbside, Serenity

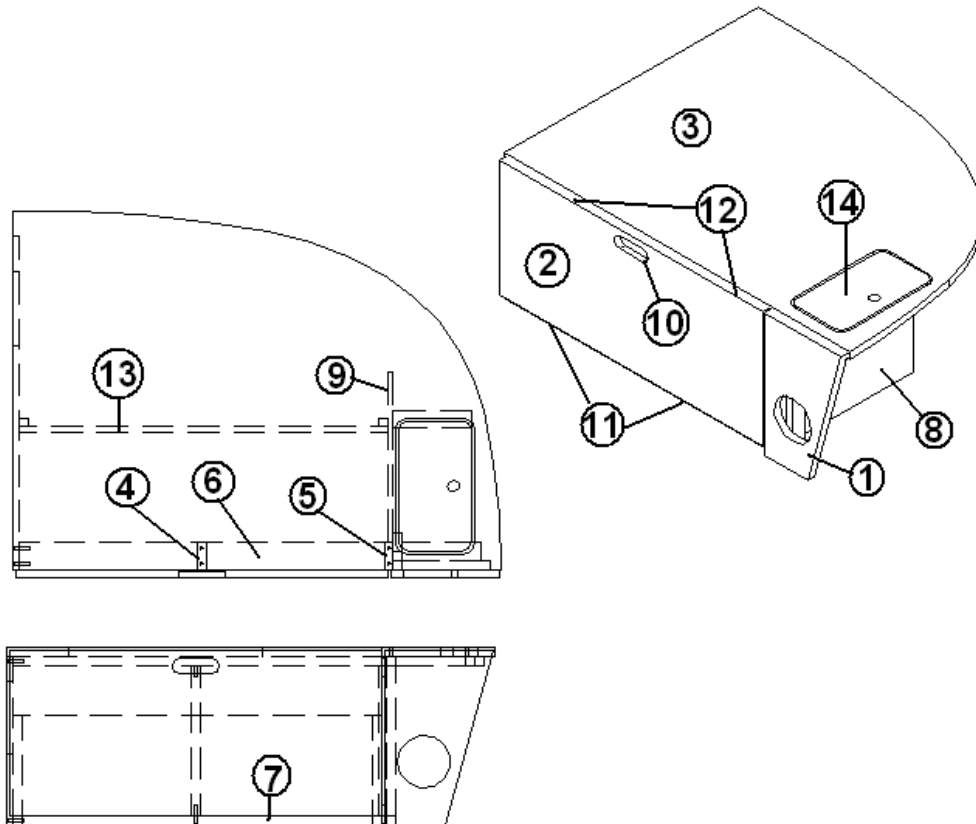


- | | |
|---------------|------------------------------------|
| 966928-15 | SEAT ASSY CS DINETTE |
| 1. 966928-1 | PANEL, CS SEAT 33.38 X 40.18 |
| 2. 454177 | LEG, DINETTE |
| 3. 964909-11 | DRAWER BOX ASSY, 10" X 14.00 X 19. |
| 4. 966928-154 | DOOR, CS SEAT, 11.50 X 18.00 |
| 5. 381833-01 | DRAWER SLIDE, UNDER SHELF 18"PR |
| 6. 800581-01 | LUMBER, OAK, 13/16 X 1.5" |
| 7. 381074 | CATCH BULL DOG #65S (COPPER) |

2012 INTERNATIONAL TRAVEL TRAILER

FURNITURE, LOUNGE

Dinette Seat, 23' D Signature, Roadside, Wenge

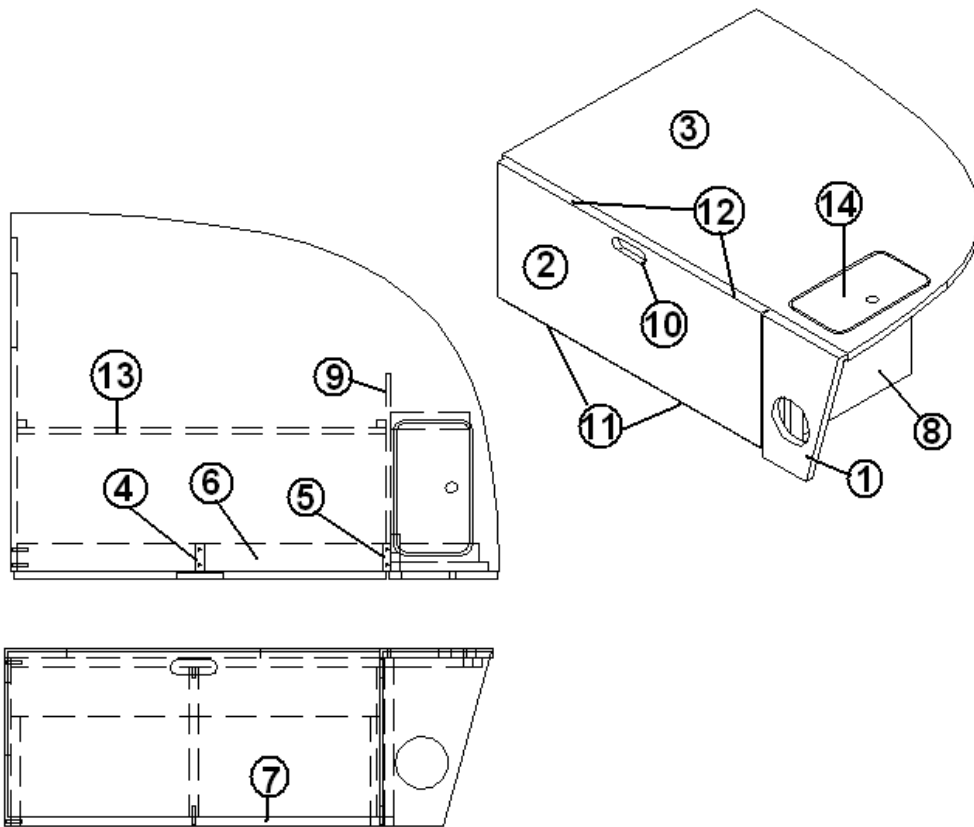


966930	SEAT ASSY RS DINETTE
1. 966930-1	PANEL, RS DIN SEAT 8.88 X 14.38
2. 966930-2	PANEL, RS DIN SEAT 30.63 X 13.63
3. 966930-3	PANEL, RS DIN SEAT 29.5 X 40.19
4. 966930-4	PANEL, RS DIN SEAT 2.25 X 12.38
5. 966930-5	PANEL, RS DIN SEAT 2.25 X 12.38
6. 966930-6	PANEL, RS DIN SEAT 2.25 X 30.75
7. 966930-7	PANEL, RS DIN SEAT 2.25 X 30.75
8. 966930-8	PANEL, RS DIN SEAT 27.5 X 13.88
9. 966930-15I	PANEL, RS DIN SEAT 14.00 X 13.88
10. 381775	DRAWER PULL
11. 381072	HINGE 3" X 1 7/8" OPEN GOLD
12. 381228-01	CATCH GRABBER DOOR
13. 966930-17	PANEL, RS DIN SEAT 9.00 X 30.25
14. 966930-18	PANEL, RS DIN SEAT 6.00 X 10.75

2012 INTERNATIONAL TRAVEL TRAILER

FURNITURE, LOUNGE

Dinette Seat, 23' D Signature, Roadside, Serenity

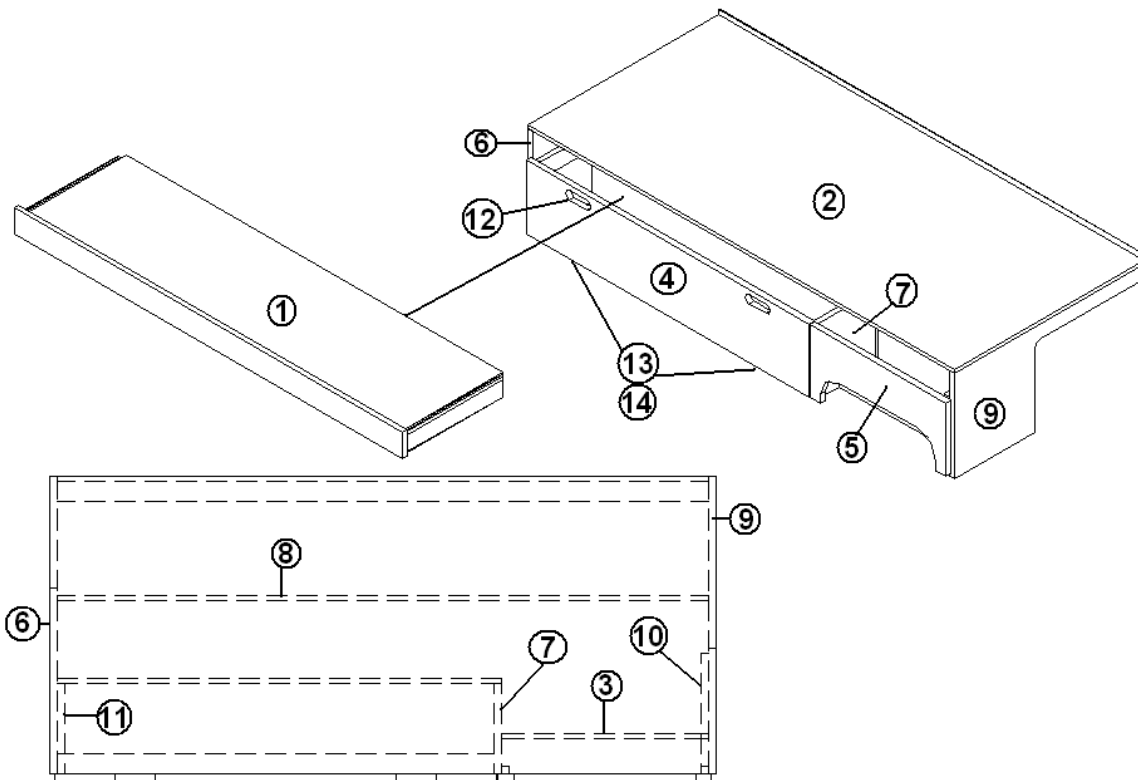


966930-15	SEAT ASSY RS DINETTE
1. 966930-151	PANEL, RS DIN SEAT 8.88 X 14.38
2. 966930-152	PANEL, RS DIN SEAT 30.63 X 13.63
3. 966930-3	PANEL, RS DIN SEAT 29.5 X 40.19
4. 966930-4	PANEL, RS DIN SEAT 2.25 X 12.38
5. 966930-5	PANEL, RS DIN SEAT 2.25 X 12.38
6. 966930-6	PANEL, RS DIN SEAT 2.25 X 30.75
7. 966930-7	PANEL, RS DIN SEAT 2.25 X 30.75
8. 966930-8	PANEL, RS DIN SEAT 27.5 X 13.88
9. 966930-15I	PANEL, RS DIN SEAT 14.00 X 13.88
10. 381775	DRAWER PULL
11. 381072	HINGE 3" X 1 7/8" OPEN GOLD
12. 381228-01	CATCH GRABBER DOOR
13. 966930-17	PANEL, RS DIN SEAT 9.00 X 30.25
14. 966930-18	PANEL, RS DIN SEAT 6.00 X 10.75

2012 INTERNATIONAL TRAVEL TRAILER

FURNITURE, LOUNGE

Sofa, 23' D Signature, Wenge

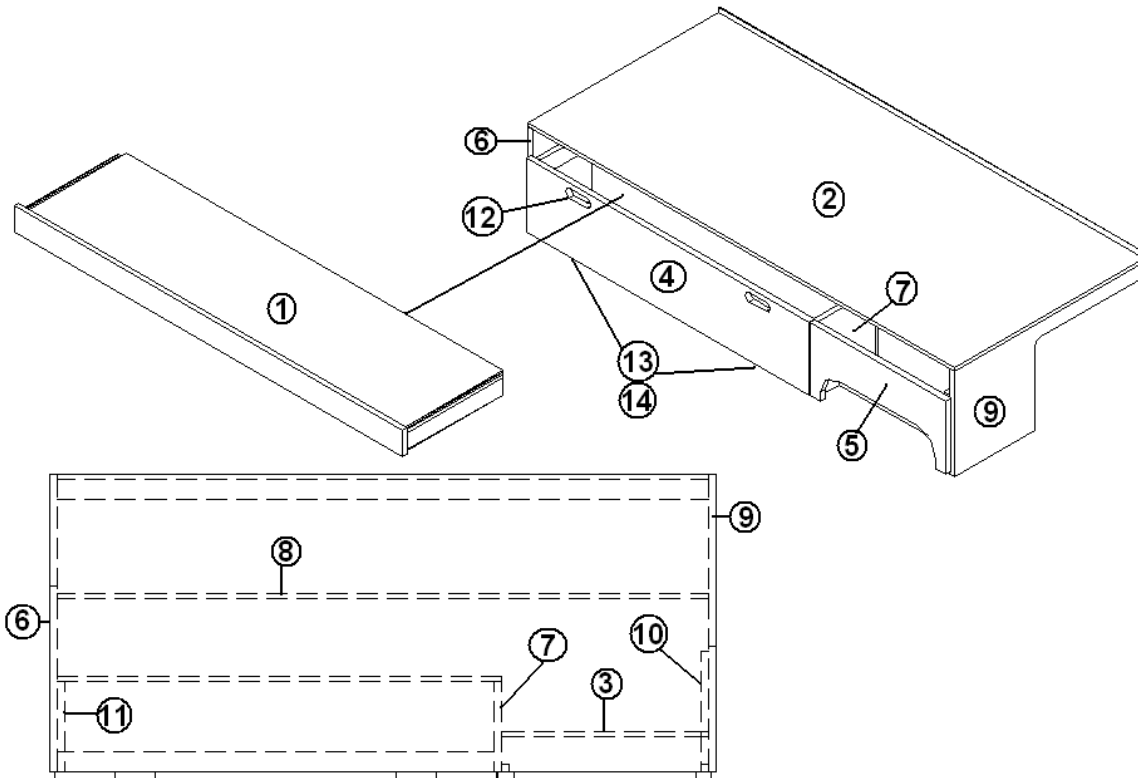


966929	SOFA ASSY.
1. 966888	SOFA BED ASSY.
1. 915811	WELDMENT, SOFA BED
2. 966929-2	PANEL, SOFA, 66.00 X 29.50
3. 966929-3	PANEL, SOFA, 20.5 X 5
4. 966929-4	PANEL, SOFA, 43.88 X 9.88
5. 966929-5	PANEL, SOFA, 21.13 X 9.88
6. 966929-6	PANEL, SOFA, 14.13 X 29.5
7. 966929-7	PANEL, SOFA, 10.13 X 9.00
8. 966929-8	PANEL, SOFA, 10.13 X 44.00
9. 966929-9	PANEL, SOFA, 14.13 X 29.5
10. 966929-10	PANEL, SOFA, 2.25 X 12.00
11. 966929-11	PANEL, SOFA, 2.25 X 9.00
12.381775	DRAWER PULL
13.381072	HINGE 3" X 1 7/8" OPEN GOLD
14.381228-01	CATCH GRABBER DOOR
203636	STORAGE BOX 24.5 X 17.75 X 7.25

2012 INTERNATIONAL TRAVEL TRAILER

FURNITURE, LOUNGE

Sofa, 23' D Signature, Serenity

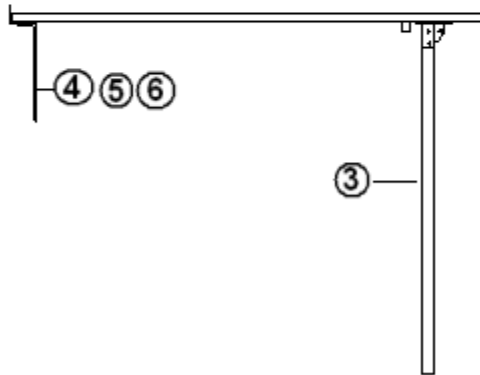
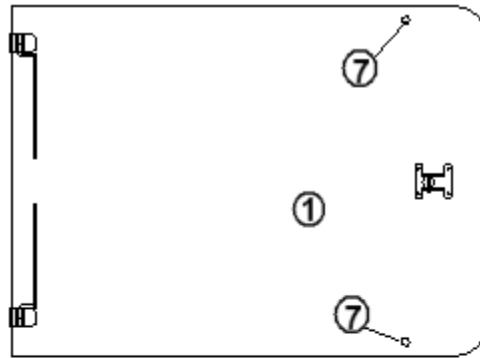


966929-15	SOFA ASSY.
1. 966888-15	SOFA BED ASSY.
1. 915811	WELDMENT, SOFA BED
2. 966929-012	PANEL, SOFA, 66.00 X 29.50
3. 966929-153	PANEL, SOFA, 20.5 X 5
4. 966929-154	PANEL, SOFA, 43.88 X 9.88
5. 966929-155	PANEL, SOFA, 21.13 X 9.88
6. 966929-6	PANEL, SOFA, 14.13 X 29.5
7. 966929-157	PANEL, SOFA, 10.13 X 9.00
8. 966929-8	PANEL, SOFA, 10.13 X 44.00
9. 966929-159	PANEL, SOFA, 14.13 X 29.5
10. 966929-10	PANEL, SOFA, 2.25 X 12.00
11. 966929-11	PANEL, SOFA, 2.25 X 9.00
1. 381775	DRAWER PULL
2. 381072	HINGE 3" X 1 7/8" OPEN GOLD
3. 381228-01	CATCH GRABBER DOOR
203636	Storage Box 24.5" x 17.75" x 7.25"

2012 INTERNATIONAL TRAVEL TRAILER

FURNITURE, LOUNGE

Dinette Table, 23' D Signature, Serenity

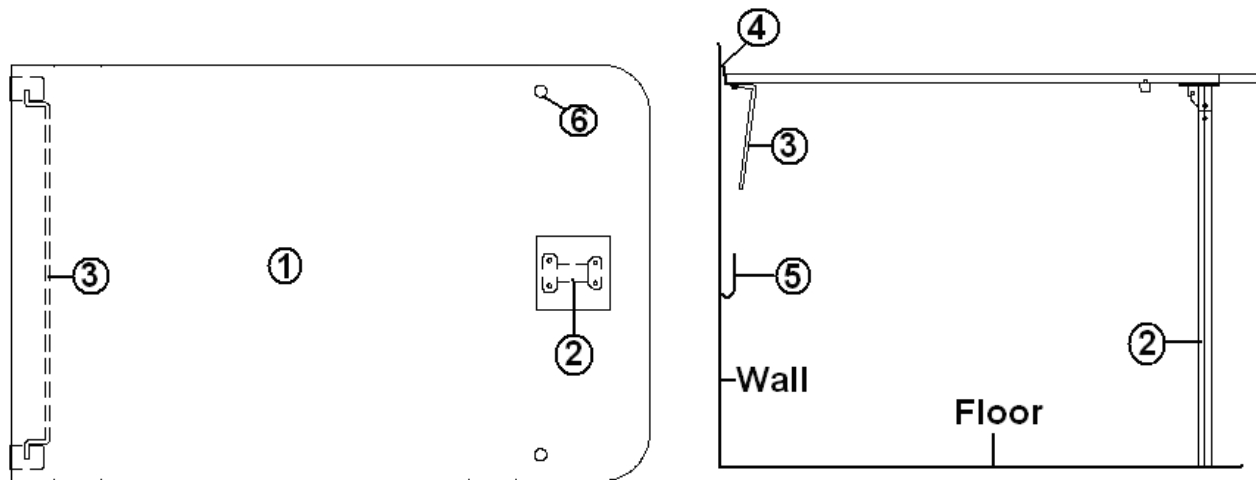


- | | |
|---------------|---------------------------------|
| 967154-15 | TABLE ASSY 23 SERENITY |
| 1. 967154-151 | TOP-ASSY. DINETTE TABLE 29.5X40 |
| 2. 365345-02 | EDGEBANDING- .94" MEDALLION |
| 3. 381881-04 | LEG-FOLDING TABLE 30.5" #FL3400 |
| 4. 380284-02 | TABLE HINGE BRACKET |
| 5. 380284-03 | TABLE HINGE BRACKETS |
| 6. 340018 | CATCH PLATE J-1 |
| 7. 381136 | RUBBER BUMPER |

2012 INTERNATIONAL TRAVEL TRAILER

FURNITURE, LOUNGE

Dinette Table, 23' D Signature, Sand Crystal

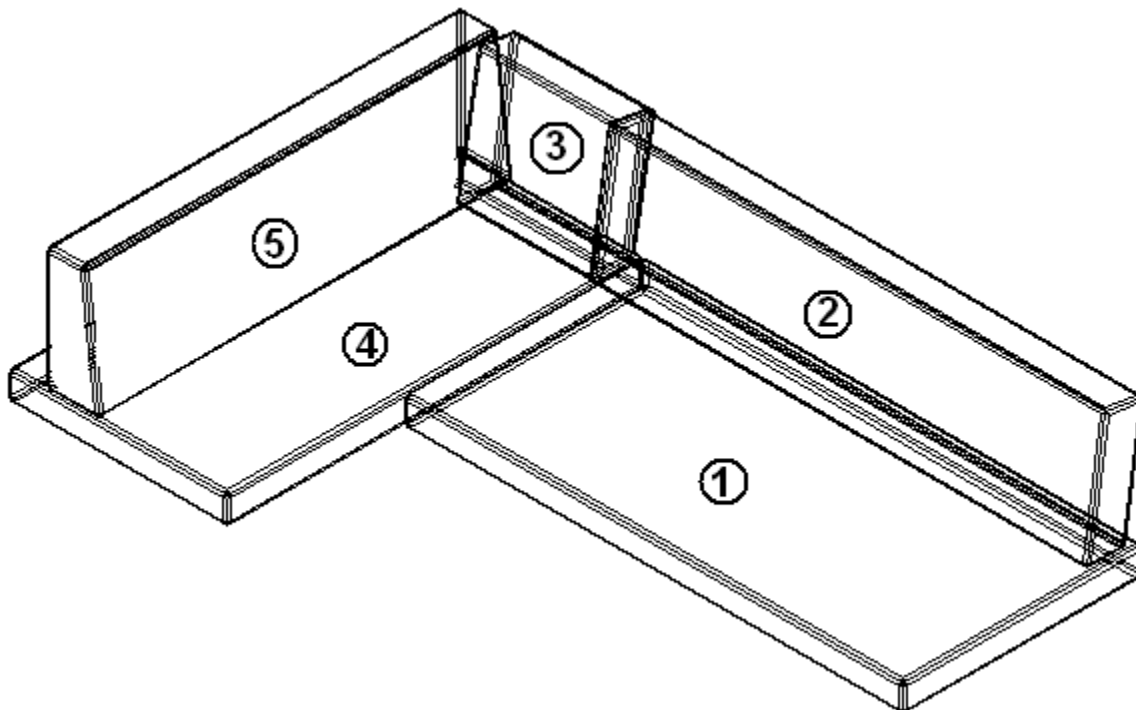


- | | |
|--------------|--|
| 967154 | TABLE ASSY, DINETTE, SAND CRYSTAL |
| 1. 967154-1 | TOP, TABLE 29.31 X 40.00, SAND CRYSTAL |
| 2. 381881-04 | LEG-FOLDING TABLE 30.5" |
| 3. 380284-02 | TABLE HINGE BRACKET |
| 4. 380284-03 | TABLE HINGE BRACKETS |
| 5. 340018 | CATCH PLATE J-1 |
| 6. 381136 | RUBBER BUMPER |

2012 INTERNATIONAL TRAVEL TRAILER

FURNITURE, LOUNGE

Sofa Cushions, 28', Signature

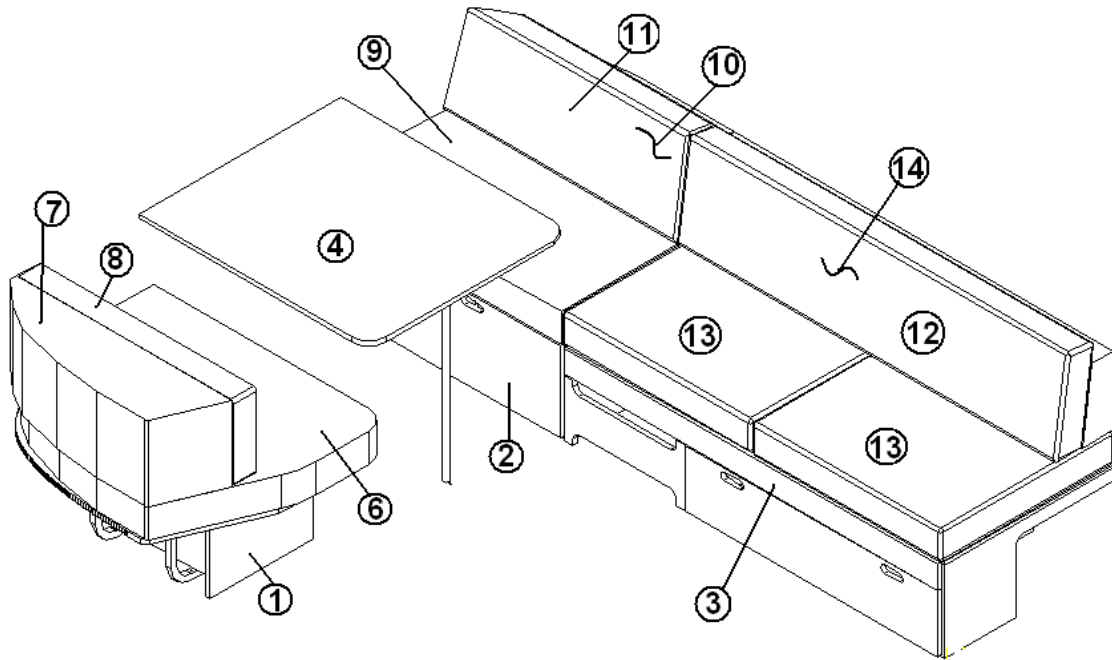


703340-047	Cushion Kit, sofa – Cilantro
703340-057	Cushion Kit, sofa – Paprika
703340-141	Cushion Kit, sofa – Soy Brown – Serenity
703340-180	Cushion Kit, sofa – Mint Green – Serenity
703885	Cushion Kit, Sofa, Foam/Ultra Leather- Taupe - Serenity
703886	Cushion Kit, Dinette, Foam/Ultra-Leather- Taupe - Serenity
703340-261	Cushion Kit, sofa – Yellowstone
1. 703340-01	Foam cushion & cover, bottom main
2. 703340-02	Foam cushion & cover, back, main
3. 703340-03	Foam cushion & cover, Small Back Rest
4. 703340-04	Foam cushion & cover, Base side
5. 703340-05	Foam cushion & cover, Back Rest Side
703340-06	FOAM-CUSHION & cover WEDGE 78"
965812	CUSHION ASSY-FOAM WEDGE L LOUNGE

2012 INTERNATIONAL TRAVEL TRAILER

FURNITURE, LOUNGE

Dinette/Sofa Assembly, 25' FB, 27' FB, Signature, Wenge, Sand Crystal



Parts numbers are on the next page

2012 INTERNATIONAL TRAVEL TRAILER

FURNITURE, LOUNGE

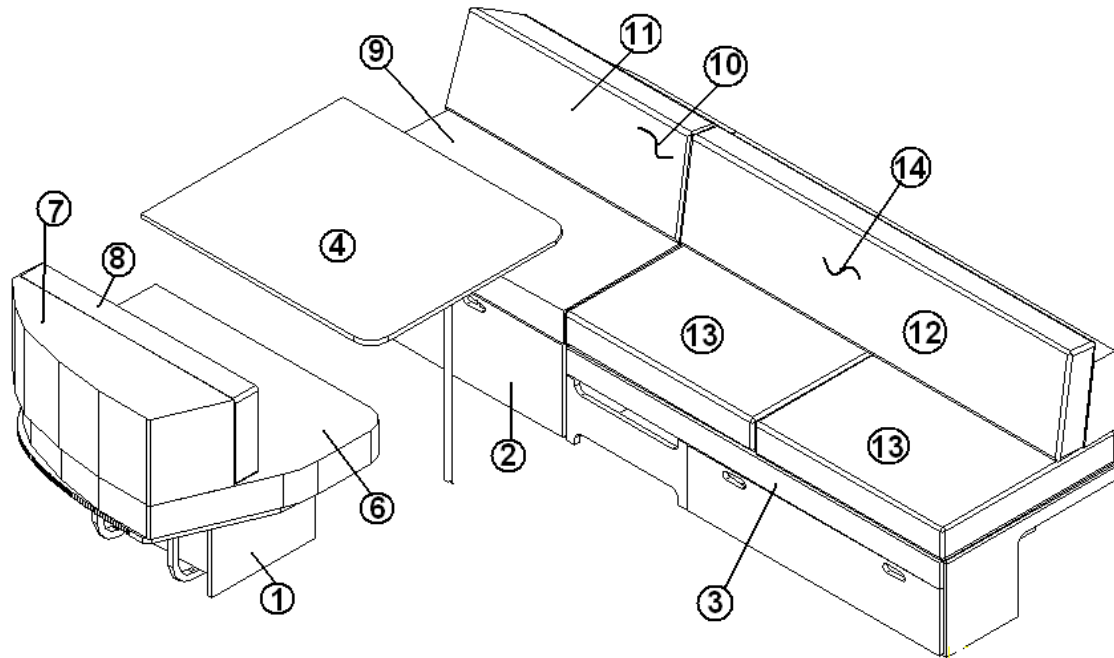
Dinette/Sofa Assembly, 25' FB, 27' FB, Signature, Wenge, Sand Crystal

1. 966889	SEAT ASSY, CS DINETTE
2. 966890	SEAT ASSY, RS DINETTE
3. 966887	SOFA ASSY
4. 967156	TABLE ASSY, DINETTE, SAND CRYSTAL
5. 703486	FOAM KIT, LOUNGE/DINETTE
6. 998173-01	FABRIC ASSY, CS DINETTE SEAT
6. 703486-01	Foam, Curbside dinette seat
7. 998173-02	FABRIC ASSY, CS BACK FILL
7. 703486-02	Foam, curbside back filler
8. 998173-03	FABRIC ASSY, CS BACK REST
8. 703486-03	Foam, curbside back rest
9. 998173-04	FABRIC ASSY, RS DINETTE SEAT
9. 703486-04	Foam, roadside dinette
10. 998173-05	FABRIC ASSY, RS BACK FILL
10. 703486-05	Foam, roadside back filler
11. 998173-06	FABRIC ASSY, RS BACK REST
11. 703486-06	Foam roadside backrest
12. 998173-07	FABRIC ASSY, DINETTE WEDGE
12. 703486-07	Foam cushion, lounge wedge
13. 998173-08	FABRIC ASSY, BOTTOM, CUSHION
13. 703486-08	Foam, cushion, lounge bottom
14. 998173-09	FABRIC ASSY, CUSHION BACK REST
14. 703486-09	Foam, cushion, backrest
703884	Cushion Kit, foam/Ultra Leather – Lounge 25'/27'
703884-100	ULTRA LEATHER COVERS ONLY, TAUPE

2012 INTERNATIONAL TRAVEL TRAILER

FURNITURE, LOUNGE

Dinette/Sofa Assembly, 25' FB, 27' FB, Signature, SERENITY



Parts numbers are on the next page

2012 INTERNATIONAL TRAVEL TRAILER

FURNITURE, LOUNGE

Dinette/Sofa Assembly, 25' FB, 27' FB, Signature, SERENITY

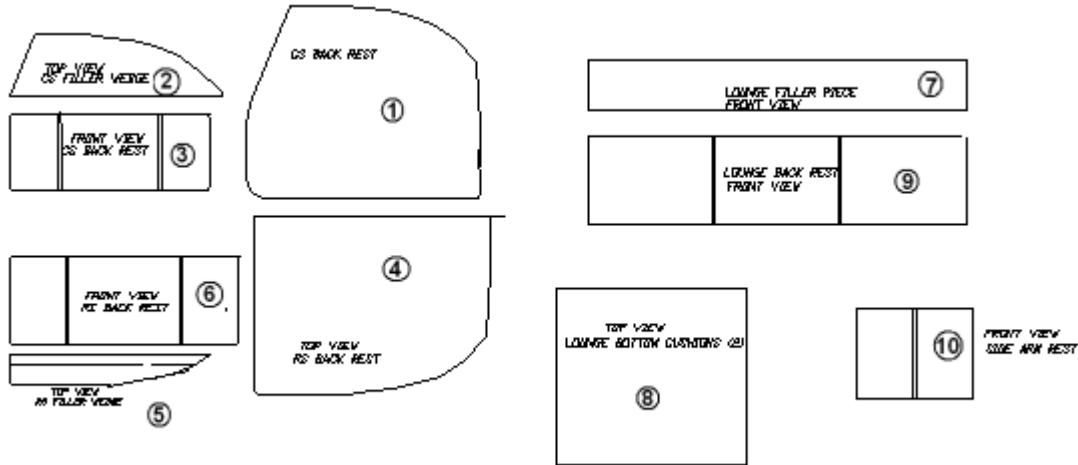
- | | |
|---------------|---------------------------------------|
| 1. 966889-15 | SEAT ASSY, RS DINETTE |
| 2. 966890-15 | SEAT ASSY, CS DINETTE |
| 3. 966887-15 | SOFA ASSY |
| 4. 967156-15 | DINETTE TABLE ASSEMBLY |
| 5. 703853-141 | FOAM/FABRIC KIT COMPLETE – SOY BROWN |
| 5. 703853-180 | FOAM/FABRIC KIT COMPLETE – MINT GREEN |
| 6. 703486-01 | Foam Only, Curbside dinette seat |
| 7. 703486-02 | Foam Only, curbside back filler |
| 8. 703486-03 | Foam Only, curbside back rest |
| 9. 703486-04 | Foam Only, roadside dinette |
| 10. 703486-05 | Foam Only, roadside back filler |
| 11. 703486-06 | Foam Only, roadside backrest |
| 12. 703486-07 | Foam Only, cushion, lounge wedge |
| 13. 703486-08 | Foam Only, cushion, lounge bottom |
| 14. 703486-09 | Foam Only, cushion, backrest |

See next page for Covers and Foam information.

2012 INTERNATIONAL TRAVEL TRAILER

FURNITURE, LOUNGE

Dinette/Sofa Assembly, 25' FB, 27' FB, Signature, SERENITY –
COVERS AND FOAM



- | | |
|-------------------|--|
| 1. 703853-141-01 | CS Backrest Cover & Foam – Soy Brown |
| 1. 703853-180-01 | CS Backrest Cover & Foam – Mint Green |
| 1. 703853-141-101 | CS Backrest Cover Only – Soy Brown |
| 1. 703853-180-101 | CS Backrest Cover Only – Mint Green |
| 2. 703853-141-02 | CS Filler Wedge Cover & Foam, Soy Brown |
| 2. 703853-180-02 | CS Filler Wedge Cover & Foam, Mint Green |
| 2. 703853-141-102 | CS Filler Wedge Cover Only – Soy Brown |
| 2. 703858-180-102 | CS Filler Wedge Cover Only – Mint Green |
| 3. 703853-141-03 | CS Back Rest Cover & Foam – Soy Brown |
| 3. 703853-180-03 | CS Back Rest Cover & Foam – Mint Green |
| 3. 703853-141-103 | CS Back Rest Cover Only – Soy Brown |
| 3. 703853-180-103 | CS Back Rest Cover Only – Mnt Green |
| 4. 703853-141-04 | RS Back Rest Cover & Foam – Soy Brown |
| 4. 703853-180-04 | RS Back Rest Cover & Foam – Mint Green |
| 4. 703853-141-104 | RS Back Rest Cover Only – Soy Brown |
| 4. 703853-180-104 | RS Back Rest Cover Only – Mint Green |
| 5. 703853-141-05 | RS Filler Wedge Cover & Foam, Soy Brown |
| 5. 703853-180-05 | RS Filler Wedge Cover & Foam, Mint Green |
| 5. 703853-141-105 | RS Filler Wedge Cover Only – Soy Brown |
| 5. 703853-180-105 | RS Filler Wedge Cover Only – Mint Green |

Continued on next page

2012 INTERNATIONAL TRAVEL TRAILER

FURNITURE, LOUNGE

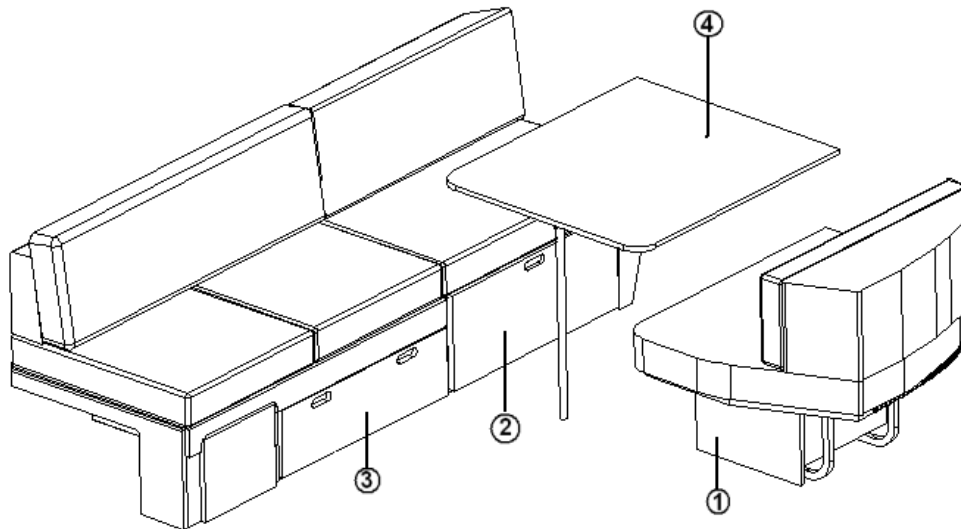
Dinette/Sofa Assembly, 25' FB, 27' FB, Signature, SERENITY

6. 703853-141-06	RS Back Rest Cover & Foam – Soy Brown
6. 703853-180-06	RS Back Rest Cover & Foam – Mint Green
6. 703853-141-106	RS Back Rest Cover Only – Soy Brown
6. 703853-180-106	RS Back Rest Cover Only – Mint Green
7. 703853-141-07	Lounge Filler Cover & Foam – Soy Brown
7. 703853-180-07	Lounge Filler Cover & Foam – Mint Green
7. 703853-141-107	Lounge Filler Cover Only – Soy Brown
7. 703853-180-107	Lounge Filler Cover Only – Mint Green
8. 703853-141-08	Lounge Bottom Cushion & Cover, Soy Brown
8. 703853-180-08	Lounge Bottom Cushion & Cover – Mint Green
8. 703853-141-108	Lounge Bottom Cover Only – Soy Brown
8. 703853-180-108	Lounge Bottom Cover Only – Mint Green
9. 703853-141-09	Lounge Back Rest Cover & Foam – Soy Brown
9. 703853-180-09	Lounge Back Rest Cover & Foam – Mint Green
9. 703853-141-109	Lounge Back Rest Cover Only – Soy Brown
9. 703853-180-109	Lounge Back Rest Cover Only – Mint Green
10.703853-141-10	Side Armrest Cover & Foam – Soy Brown
10.703853-180-10	Side Armrest Cover & Foam – Mint Green
10.703853-141-1010	Side Armrest Cover Only – Soy Brown
10.703853-180-1010	Side Armrest Cover Only – Mint Green

2012 INTERNATIONAL TRAVEL TRAILER

FURNITURE, LOUNGE

Dinette/Sofa Assembly, 25 International

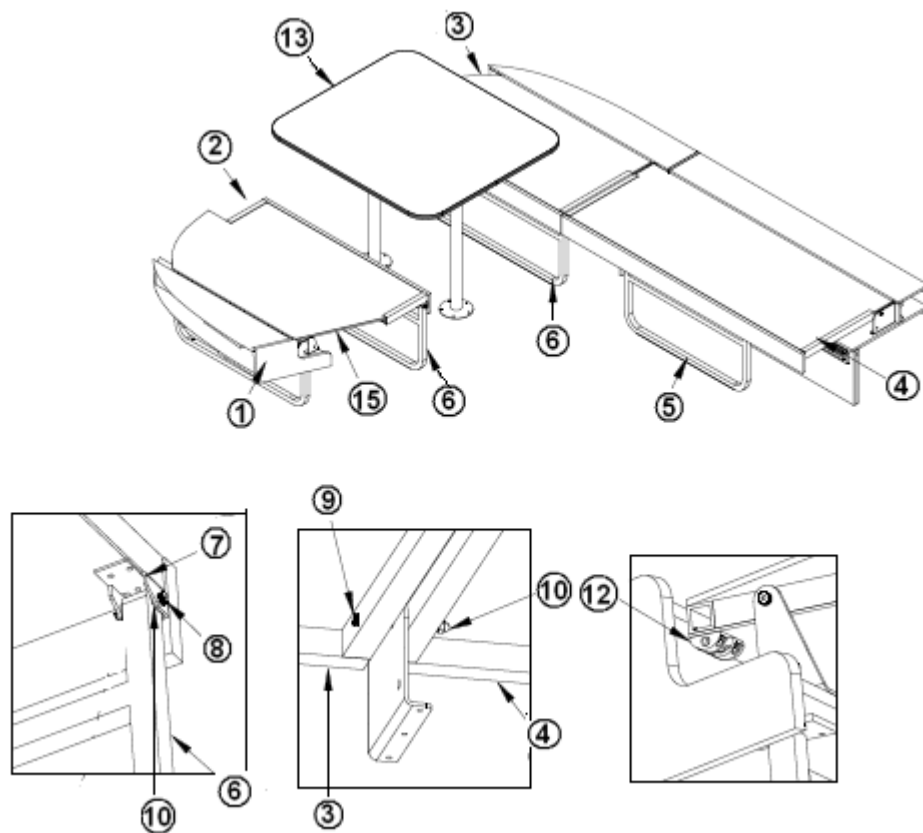


- | | | |
|----|-----------|-------------------------------------|
| 1. | 966928 | SEAT ASSEMBLY, CS DINETTE |
| 1. | 966928-15 | SEAT ASSEMBLY, CS DINETTE, SERENITY |
| 2. | 967730 | SEAT ASSEMBLY, RS DINETTE |
| 2. | 967730-15 | SEAT ASSEMBLY, RS DINETTE, SERENITY |
| 3. | 967731 | SOFA ASSEMBLY |
| 3. | 967731-15 | SOFA ASSEMBLY, SERENITY |
| 4. | 967156 | TABLE ASSEMBLY |
| 4. | 967156-15 | TABLE ASSEMBLY, SERENITY |

2012 INTERNATIONAL TRAVEL TRAILER

FURNITURE, LOUNGE

SEAT BASES INSTALLATION - 25FB EDDIE BAUER

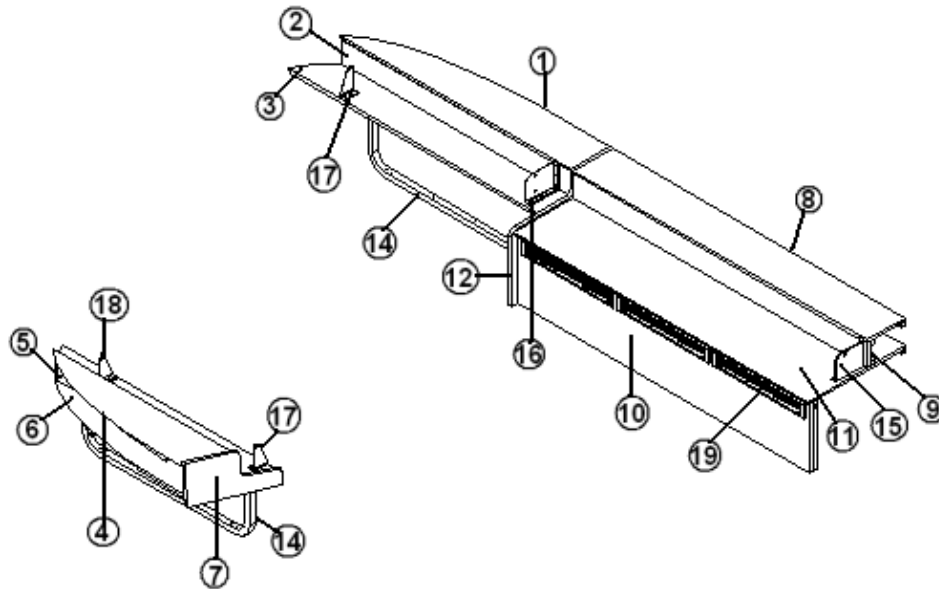


- | | |
|---------------|--------------------------------------|
| 111936 | SEAT BASES INSTALL- 25FB EDDIE BAUER |
| 1. 967686-19 | FURNITURE BASES ASSY-LOUNGE |
| 2. 967687-19 | BASE - CS DINETTE SEAT |
| 3. 967688-19 | BASE - RS DINETTE SEAT |
| 4. 967689-19 | BASE- SOFA SEAT |
| 5. 454856 | WELDMENT-SOFA LEG |
| 6. 454855 | WELDMENT-DINETTE LEG |
| 7. 454870 | BRKT-LEG HINGE LH CLAMPING EB |
| 8. 345435-02 | BOLT-SHOULDER 1/4-20 X 2" |
| 9. 345435-04 | BOLT-SHOULDER 5/16"1/4-20X2.75 |
| 10. 300162 | WASHER-NYLON 6/6 5/16 ID |
| 11. 360016 | BUMP-ON RUBBER |
| 12. 382157 | BARREL BOLT-LOCKING CHROME#124 |
| 13. 967690-19 | PEDESTAL TABLE ASSY. |
| 203712 | TRIM-PNL BLACK STYRENE |

2012 INTERNATIONAL TRAVEL TRAILER

FURNITURE, LOUNGE

FURNITURE BASES ASSEMBLY - LOUNGE - 25'FB EDDIE BAUER

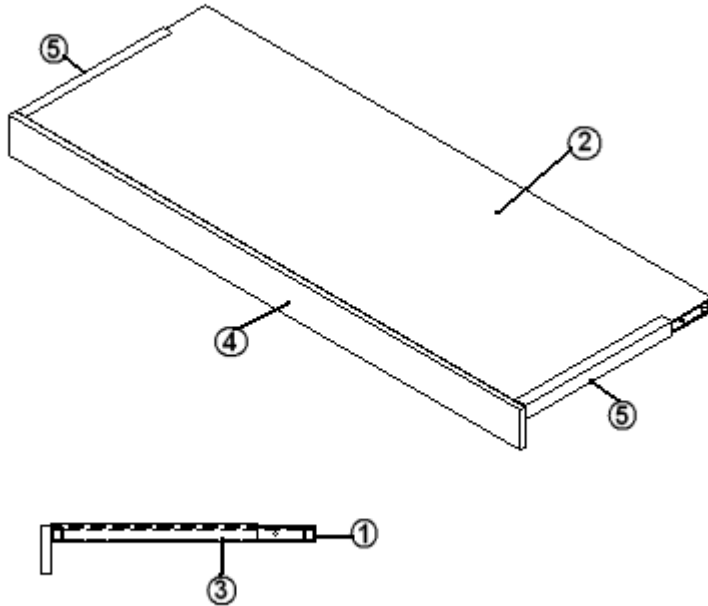


967686-19	FURNITURE BASES ASSY-LOUNGE 25'FB, 27FB
1. 967686-191	PANEL-BASE 7.38" X 43.92"
2. 967686-192	PANEL-BASE 4" X 43.92"
3. 967686-193	PANEL-BASE 13.13" X 48.07"
4. 967686-194	PANEL-BASE 7.38" X 35.05"
5. 967686-195	PANEL-BASE 4" X 34.81"
6. 967686-196	PANEL-BASE 12.94" X 41.5"
7. 967686-197	PANEL-BASE 14.49" X 7.47"
8. 967686-198	PANEL-BASE 7.38" X 56"
9. 967686-199	PANEL-BASE 4" X 56"
10. 967686-1910	PANEL-BASE 11.5" X 56"
11. 967686-1911	PANEL-BASE 18.5" X 56"
12. 967686-1912	PANEL-BASE 19.19" X 16.5"
13. 800025-01	PINE 3/4" X 3/4" STAINED
14. 454860	WELDMENT-LEG FURNITURE
15. 454863	BRKT-SOFA HINGE PT RH
16. 454861	BRKT-SOFA HINGE PT LH LOCKING
17. 454864	BRKT-DIN HINGE PT LH LOCKING
18. 454865	BRKT-DINETTE HINGE PT RH
19. 386206	VENT-LOUVERED 2.63X17.5 BLK #3

2012 INTERNATIONAL TRAVEL TRAILER

FURNITURE, LOUNGE

SOFA SEAT BASE – 25'FB, 27'FB EDDIE BAUER

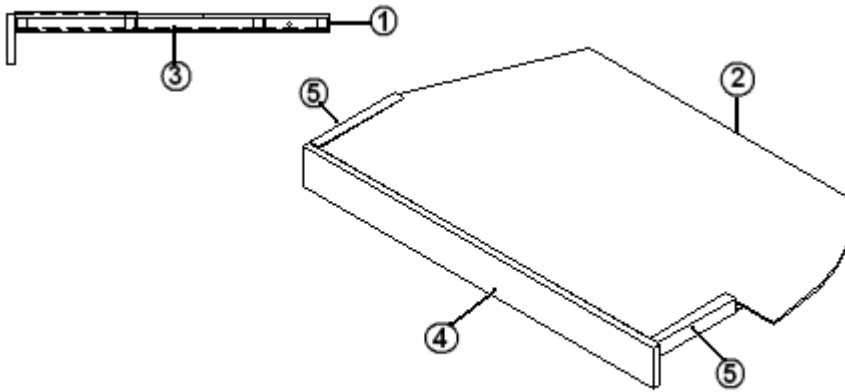


967689-19	BASE- SOFA SEAT – EDDIE BAUER
1. 916029	WELDMENT - SOFA
2. 967689-192	PANEL-BASE 58.5 X 21.63
3. 967689-193	PANEL-BASE 58.5 X 21.63
4. 967689-194	PANEL-BASE 4 X 58.5
5. 101134	ANGLE ALUM, 1/8 X 1 X 1-1/2
6. 365352-02 454856	EDGEBANDING- 1MM X .94" MAPLE WELDMENT, SOFA LEG

2012 INTERNATIONAL TRAVEL TRAILER

FURNITURE, LOUNGE

BASE ASSY., CURBSIDE DINETTE SEAT- 25'FB, 27FB, EDDIE
BAUER



967687-19

BASE ASSY.-CURBSIDE DINETTE SEAT

1. 916031

WELDMENT- CS DINETTE 25FB EB

2. 967687-192

PANEL-BASE 44.65" X 25.63"

3. 967687-193

PANEL-BASE 40" X 25.63"

4. 967687-194

PANEL-BASE 4" X 40.5"

5. 101134

ANGLE ALUM, 1/8 X 1 X 1-1/2

6. 365352-02

EDGEBANDING- 1MM X .94" MAPLE

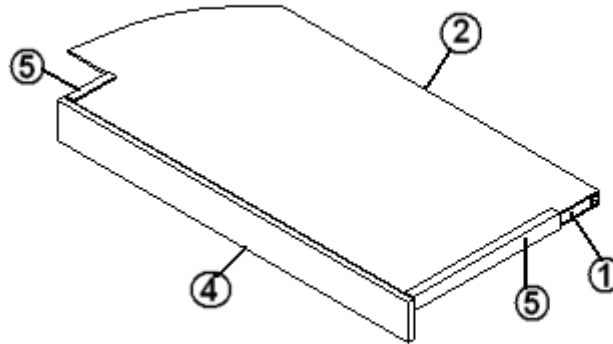
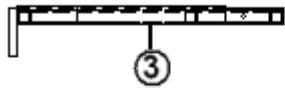
454855

WELMENT, DINETTE LEG

2012 INTERNATIONAL TRAVEL TRAILER

FURNITURE, LOUNGE

BASE ASSY., ROADSIDE DINETTE SEAT- 25'FB, 27FB, EDDIE
BAUER

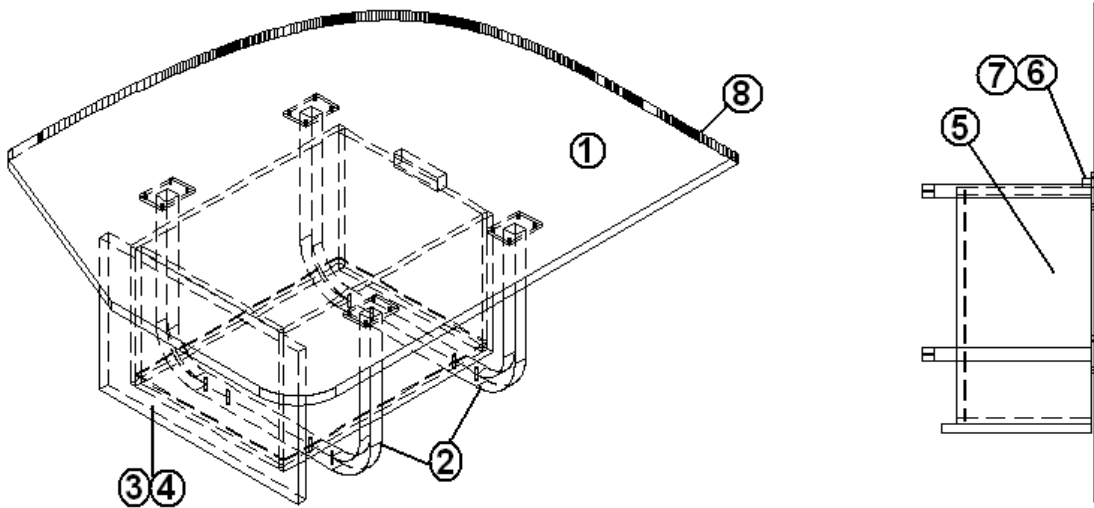


967688-19	BASE ASSY. - ROADSIDE DINETTE SEAT
1. 916030	WELDMENT - ROADSIDE DINETTE
2. 967688-192	PANEL-BASE 44.65" X 21.63"
3. 967688-193	PANEL-BASE 40" X 21.63"
4. 967688-194	PANEL-BASE 4" X 40.5"
5. 101134	ANGLE ALUM, 1/8 X 1 X 1-1/2
6. 365352-02	EDGE BANDING- 1MM X .94" MAPLE
454856	WELDMENT, DINETTE LEG

2012 INTERNATIONAL TRAVEL TRAILER

FURNITURE, LOUNGE

Dinette Seat, 25' FB, 27' FB Signature, Curbside, Wenge

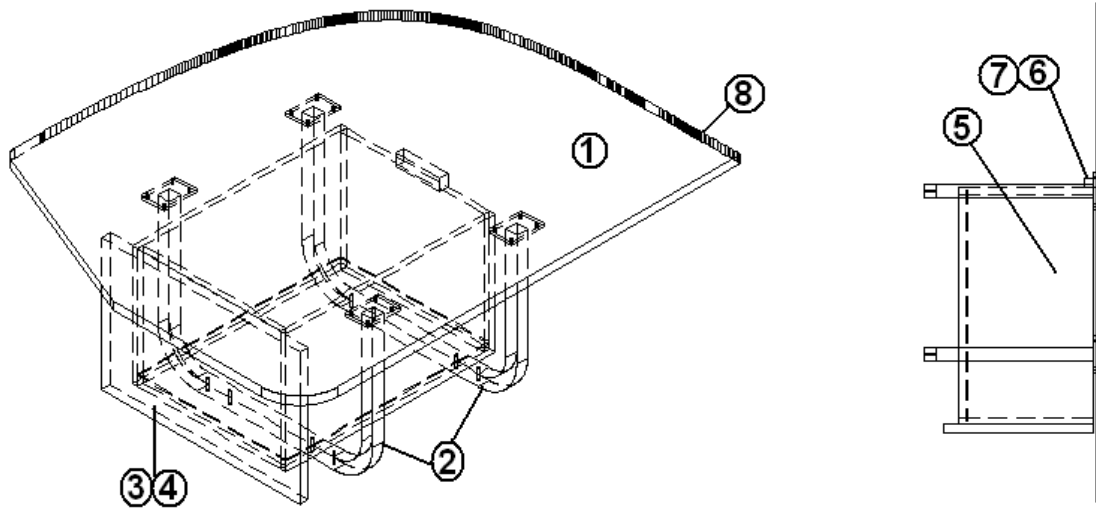


- | | |
|--------------|-------------------------------------|
| 966889 | SEAT, CS DINETTE |
| 1. 966889-1 | PANEL |
| 2. 454177 | LEG, DINETTE ALUM |
| 3. 964909-11 | DRAWER BOX ASSY, 10" X 14.00" X 19" |
| 4. 966889-04 | DOOR, DINETTE, 11.5"X 18" |
| 5. 381833-01 | DRAWER SLIDE-UNDER SHELF 18"PR |
| 6. 800581-01 | OAK, 13/16 X 1.5" X 4' |
| 7. 381074 | CATCH BULL DOG #65S (COPPER) |
| 8. 365303-02 | EDGE BANDING, WENGE 1.125" |
| 203439 | STORAGE BOX, 17"L X 11.13"W X 6.38" |

2012 INTERNATIONAL TRAVEL TRAILER

FURNITURE, LOUNGE

Dinette Seat, 25' FB, 27' FB Signature, Curbside, SERENTITY

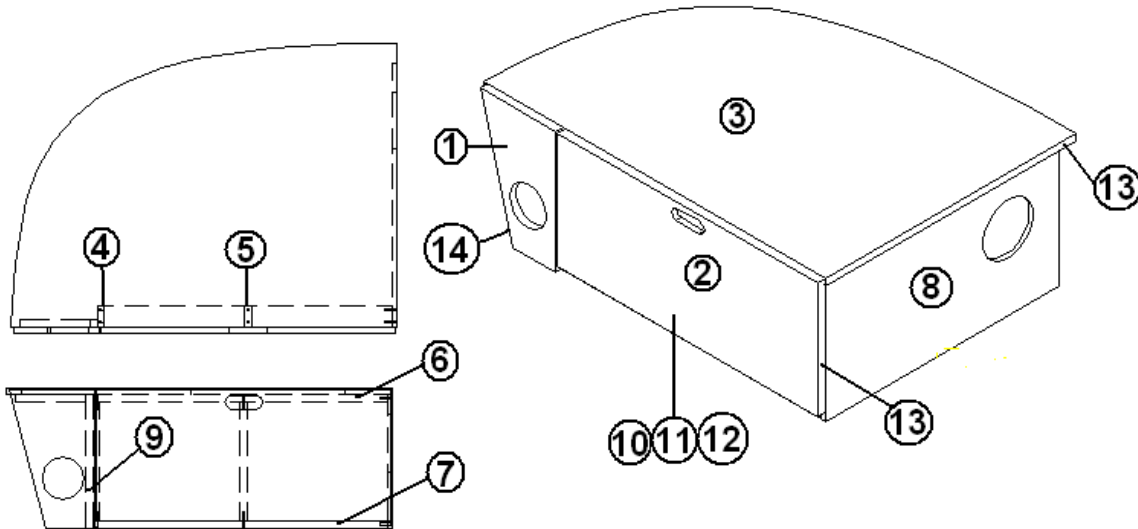


- | | |
|---------------|-------------------------------------|
| 966889-15 | SEAT, CS DINETTE |
| 1. 966889-1 | PANEL |
| 2. 454177 | LEG, DINETTE ALUM |
| 3. 964909-11 | DRAWER BOX ASSY, 10" X 14.00" X 19" |
| 4. 966889-154 | DOOR, DINETTE, 11.5"X 18" |
| 5. 381833-01 | DRAWER SLIDE-UNDER SHELF 18"PR |
| 6. 800581-01 | OAK, 13/16 X 1.5" |
| 7. 381074 | CATCH BULL DOG #65S (COPPER) |
| 8. 365326-02 | EDGEBANDING PEARL BISQUE .94" |
| 203439 | STORAGE BOX, 17"L X 11.13"W X6.38" |

2012 INTERNATIONAL TRAVEL TRAILER

FURNITURE, LOUNGE

Dinette Seat, 25' FB, 27' FB, Signature, Roadside, Wenge

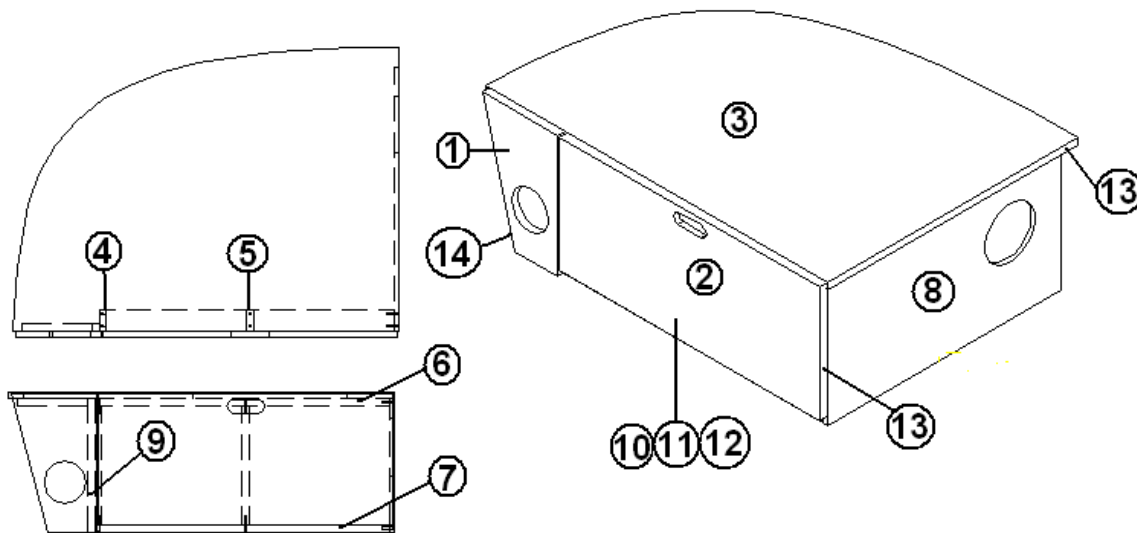


966890	SEAT, RS DINETTE
1. 966890-1	PANEL, 18MM
2. 966890-2	PANEL, 18MM
3. 966890-3	PANEL, 18MM
4. 966890-4	PANEL, 18MM
5. 966890-5	PANEL, 18MM
6. 966890-6	PANEL, 18MM
7. 966890-7	PANEL, 18MM
8. 966890-8	PANEL 12MM
9. 800025-01	Pine, 3/4" x 3/4", stained
10. 381775	DRAWER PULL
11. 381072	HINGE 3" X 1 7/8" OPEN GOLD
12. 381228-01	CATCH GRABBER DOOR
13. 365303-02	EDGE BANDING-WENGE 1.125"
14. 365303-01	EDGE BANDING-WENGE .63"
203439	STORAGE BOX, 17"L X 11.13"W X 6.38"

2012 INTERNATIONAL TRAVEL TRAILER

FURNITURE, LOUNGE

Dinette Seat, 25' FB, 27' FB, Signature, Roadside, SERENITY

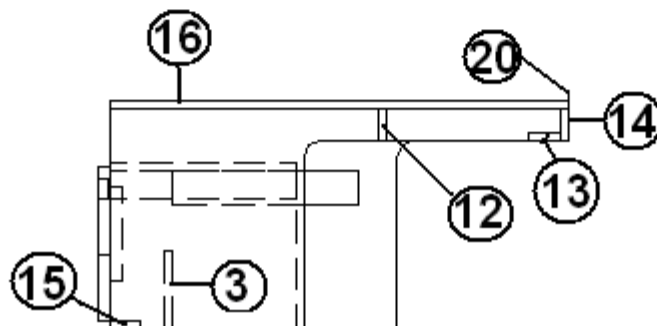
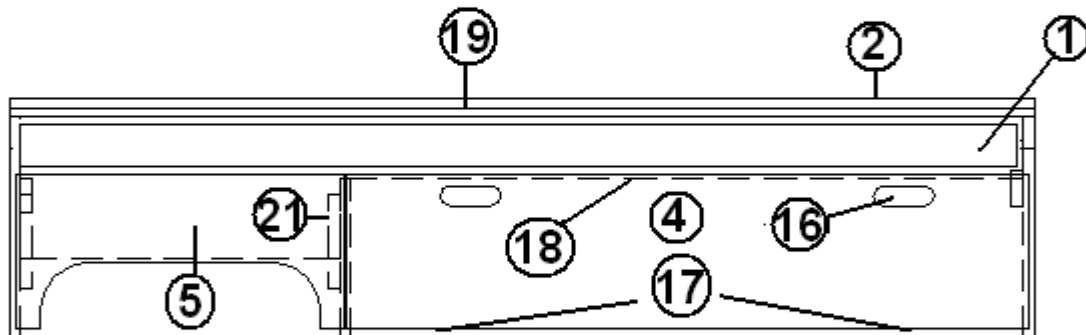
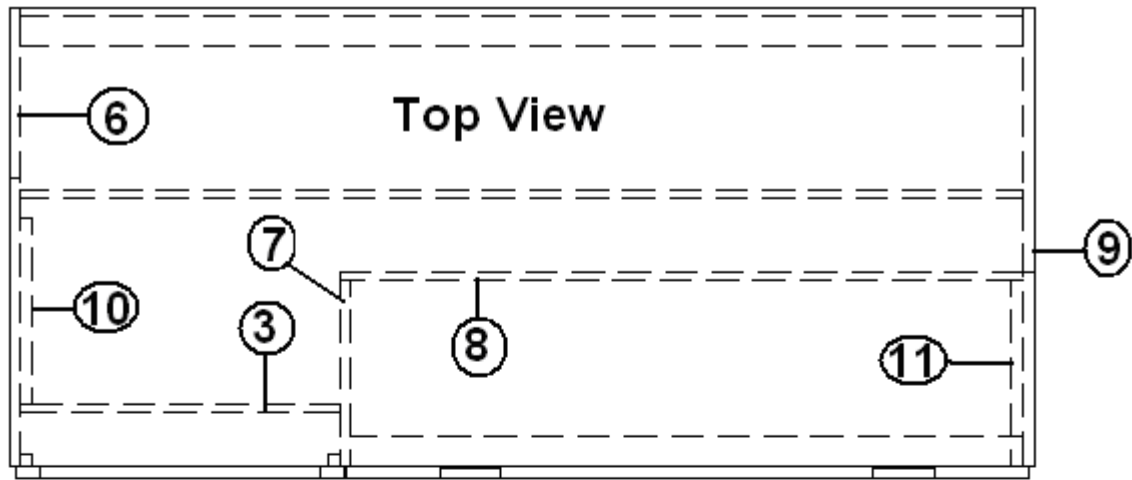


966890-15	SEAT, RS DINETTE
1. 966890-151	PANEL 14.38 X 8.88
2. 966890-152	PANEL RH DINETTE SEAT 13.63 X 30.63
3. 966890-3	PANEL, RH DINETTE 29.5 X 40.19
4. 966890-4	PANEL, RH DINETTE 2.25 X 12.39
5. 966890-5	PANEL, RH DINETTE 2.25 X 12.38
6. 966890-6	PANEL, RH DINETTE 2.25 X 30.75
7. 966890-7	PANEL, RH DINETTE 2.25 X 30.75
8. 966890-8	PANEL RH DINETTE 27.5 X 13.88
9. 800025-01	Pine, 3/4" x 3/4", stained
10. 381775	DRAWER PULL
11. 381072	HINGE 3" X 1 7/8" OPEN GOLD
12. 381228-01	CATCH GRABBER DOOR
13. 365326-02	EDGE BANDING, PEARL BISQUE .94"
14. 365326-01	EDGE BANDING, PEARL BISQUE .63"
203439	STORAGE BOX, 17"L X 11.13"W X 6.38"

2012 INTERNATIONAL TRAVEL TRAILER

FURNITURE, LOUNGE

Sofa, 25' FB, 27' FB, Signature, Wenge



Part numbers on the next page

2012 INTERNATIONAL TRAVEL TRAILER

FURNITURE, LOUNGE

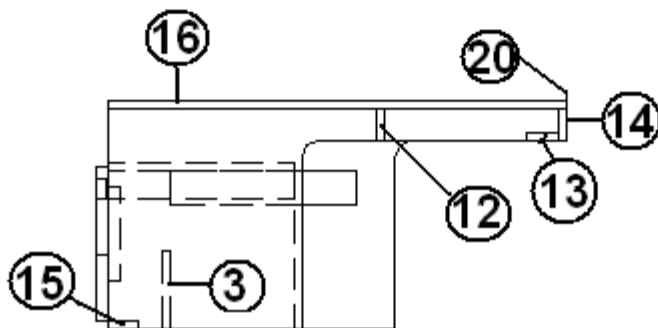
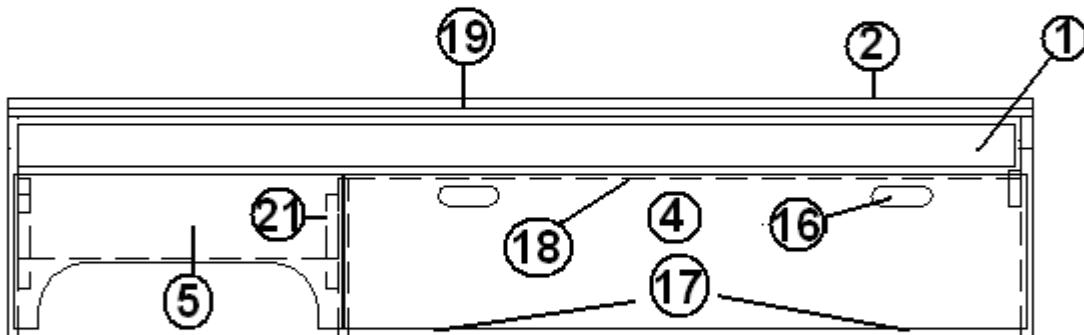
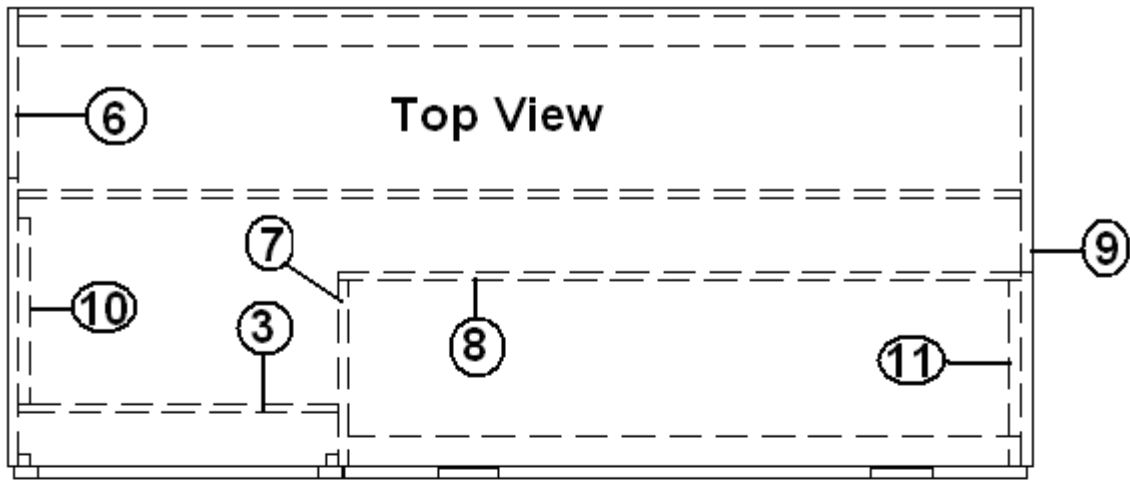
Sofa, 25' FB, 27' FB, Signature, Wenge

966887	SOFA ASSY
1. 966888	SOFA BED UPPER ASSY
2. 966887-2	PANEL-SOFA TOP 29.5 X 66
3. 966887-3	PANEL REXEL, 12MM
4. 966887-4	PANEL, 18MM
5. 966887-5	PANEL, 18MM
6. 966887-6	PANEL, 18MM
7. 966887-7	PANEL, 18MM
8. 966887-8	PANEL 12MM
9. 966887-9	PANEL, 18MM
10. 966887-10	PANEL, 18MM
11. 966887-11	PANEL, 18MM
12. 850082	Poplar, .75" x 2.00", 64.5" long
13. 850082	Poplar, .75" x 2.00", 64.5" long
14. 850082	Poplar, .75" x 2.00", 64.5" long
15. 966887-15I	PANEL 2.25 X 43.25
16. 381775	DRAWER PULL – FLUSH SATIN
17. 381072-01	HINGE 3" X 2" FIXED PIN – PER PR.
18. 381228-01	CATCH GRABBER DOOR
19. 801804-01	LAMINATE, WENGE
20. 101115	Sheet, aluminum, .060" x 3.25" x 66"
21. 800025-01	Pine ¾" x ¾", stained, 6" long
915811	WELDMENT-SOFA BED
381826	SLIDE-BALL BEARING
330031-03	RIVET DOME HEAD SSD64SSBS

2012 INTERNATIONAL TRAVEL TRAILER

FURNITURE, LOUNGE

Sofa, 25' FB, 27' FB, Signature, Serenity



Part numbers on the next page

2012 INTERNATIONAL TRAVEL TRAILER

FURNITURE, LOUNGE

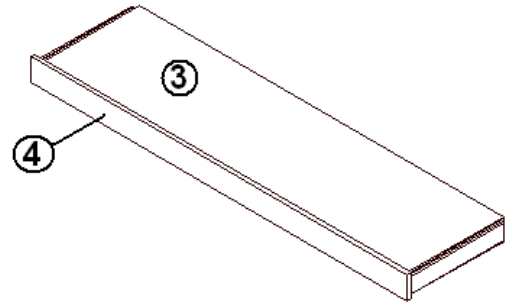
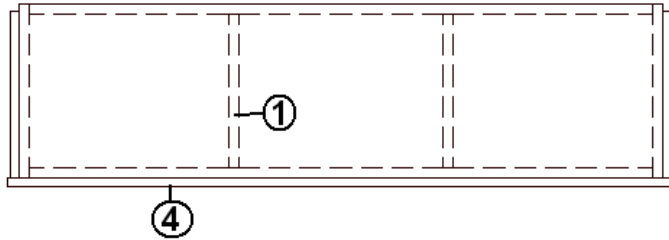
Sofa, 25' FB, 27' FB, Signature, Serenity

966887-15	SOFA ASSY
1. 966888-15	SOFA BED UPPER ASSY.
2. 966888-3	PANEL, SOFA TOP, 17 X 63
3. 966887-153	PANEL, SOFA 20.5 X 5
4. 966887-154	PANEL SOFA 9.88 X 43.88
5. 966887-155	PANEL, SOFA 9.88 X 21.13
6. 966887-156	PANEL, SOFA 14.13 X 29.5
7. 966887-157	PANEL, PANEL SOFA 10.13 X 12
8. 966887-8	PANEL, SOFA 10.13 X 44
9. 966887-9	PANEL, SOFA 14.13 X 29.5
10. 966887-10	PANEL, SOFA 2.25 X 12
11. 966887-11	PANEL, SOFA 2.25 X 12
12. 850082	Poplar, .75" x 2.00", 64.5" long
13. 850082	Poplar, .75" x 2.00", 64.5" long
14. 850082	Poplar, .75" x 2.00", 64.5" long
15. 966887-15I	PANEL SOFA, 2.25 X 43.25
16. 381775	PULL-FLUSH - SATIN
17. 381072-01	HINGE 3" X 1 7/8" OPEN GOLD
18. 381228-01	CATCH GRABBER DOOR
19. 801833-01	Laminate, Asian Sand
20. 101115	Sheet, aluminum, .060" x 3.25" x 66"
21. 800025-01	Pine 3/4" x 3/4", stained, 6" long
915811	WELDMENT-SOFA BED
381826	SLIDE-BALL BEARING
330031-03	RIVET DOME HEAD SSD64SSBS

2012 INTERNATIONAL TRAVEL TRAILER

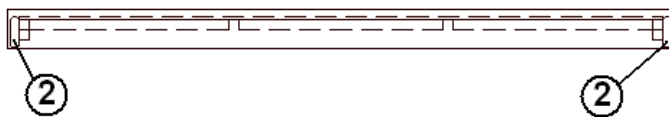
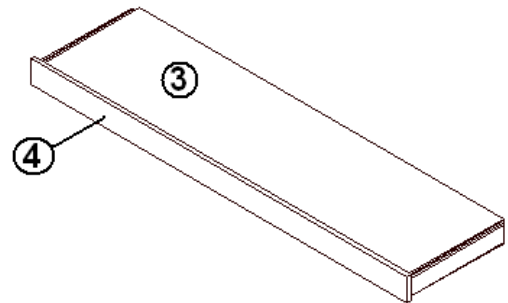
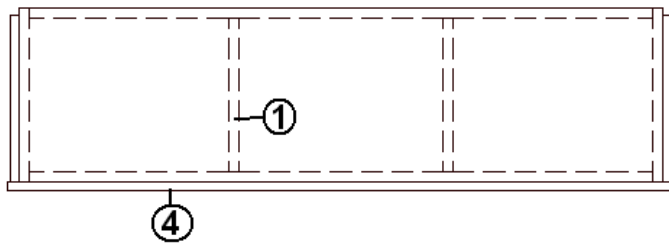
FURNITURE, LOUNGE

Sofa Bed, 25' FB, 27' FB, 23' D, Signature, Wenge,



- | | |
|-------------|--------------------------------|
| 966888 | SOFA BED ASSY |
| 1. 915811 | WELDMENT, SOFA BED |
| 2. 381826 | SLIDE, BALL BEARING 16" |
| 3. 966888-3 | PANEL, SOFA TOP, 17.00 X 63.00 |
| 4. 966888-4 | PANEL, SOFA TOP, 3.88 x 65.13 |

Sofa Bed, 25' FB, 27' FB, 23' D, Signature, SERENITY

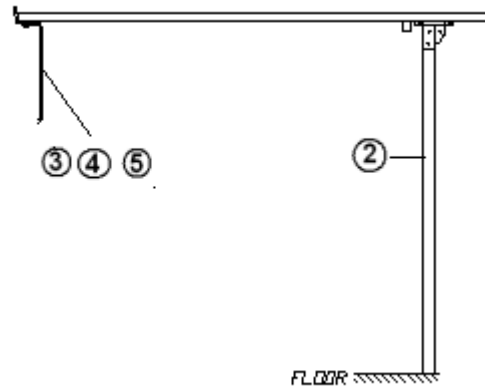
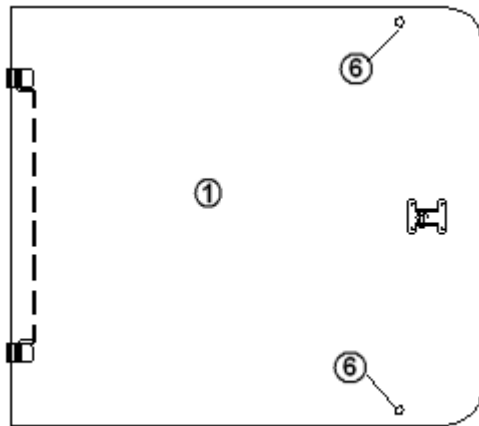


- | | |
|---------------|--------------------------------|
| 966888-15 | SOFA BED ASSY |
| 1. 915811 | WELDMENT, SOFA BED |
| 2. 381826 | SLIDE, BALL BEARING 16" |
| 3. 966888-3 | PANEL, SOFA TOP, 17.00 X 63.00 |
| 4. 966888-154 | PANEL, SOFA TOP, 3.88 x 65.13 |

2012 INTERNATIONAL TRAVEL TRAILER

FURNITURE, LOUNGE

Dinette Table 25', 25' FB, 27' FB, Signature, Serenity



967156-15

TABLE ASSY-DINETTE 25/27 SERENTY

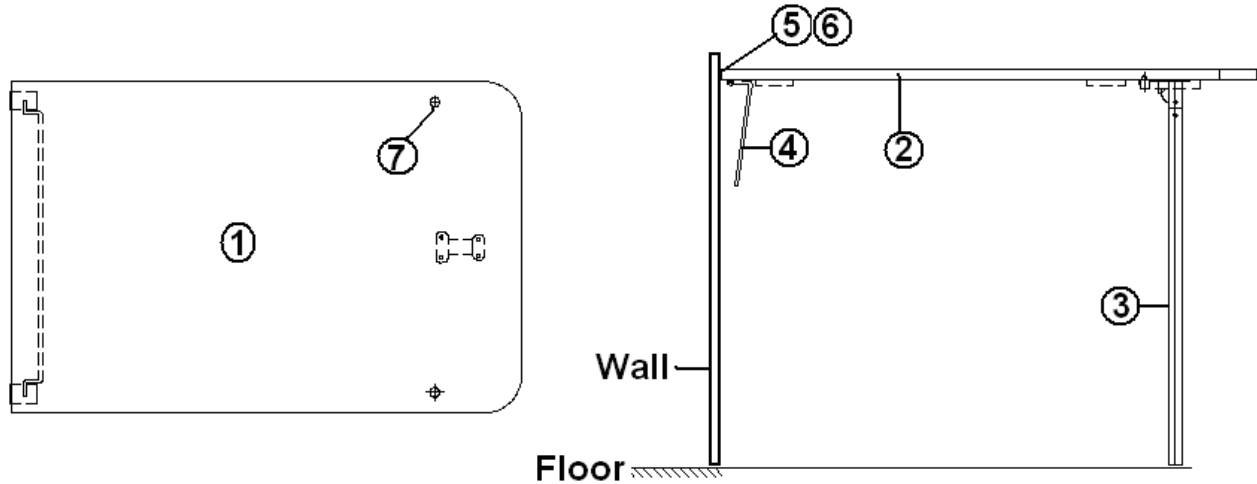
1. 967156-151
2. 381881-04
3. 380284-02
4. 380284-03
5. 340018
6. 381136

DINETTE TABLE TOP 35X40
LEG-FOLDING TABLE 30.5" #FL3400
TABLE HINGE BRACKET
TABLE HINGE BRACKETS
CATCH PLATE J-1
RUBBER BUMPER

2012 INTERNATIONAL TRAVEL TRAILER

FURNITURE, LOUNGE

Dinette Table, 25', 25' FB, 27' FB, Signature, Sand Crystal

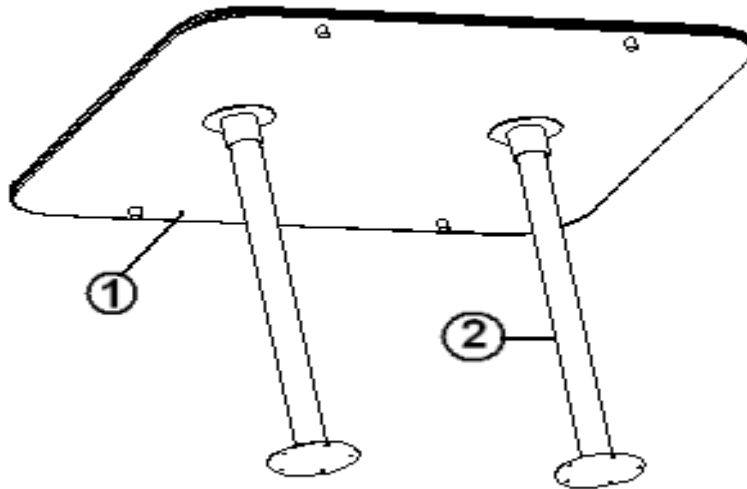


- | | |
|--------------|------------------------------------|
| 967156 | TABLE, DINETTE, SAND CRYSTAL |
| 1. 967156-1 | TABLE TOP, SAND CRYSTAL/LINER 18MM |
| 2. 365304-01 | EDGE BANDING, SAND CRYSTAL, 7/8" |
| 3. 381881-04 | LEG-SNAPO FOLDING, 30.5" CHROME |
| 4. 380284-02 | CENTER HINGE |
| 5. 380284-03 | TABLE HINGE BRACKET |
| 6. 340018 | CATCH PLATE J-1 |
| 7. 381136 | RUBBER BUMPER |

2012 INTERNATIONAL TRAVEL TRAILER

FURNITURE, LOUNGE

PEDESTAL TABLE ASSEMBLY - 25'FB, 27FB, EDDIE BAUER



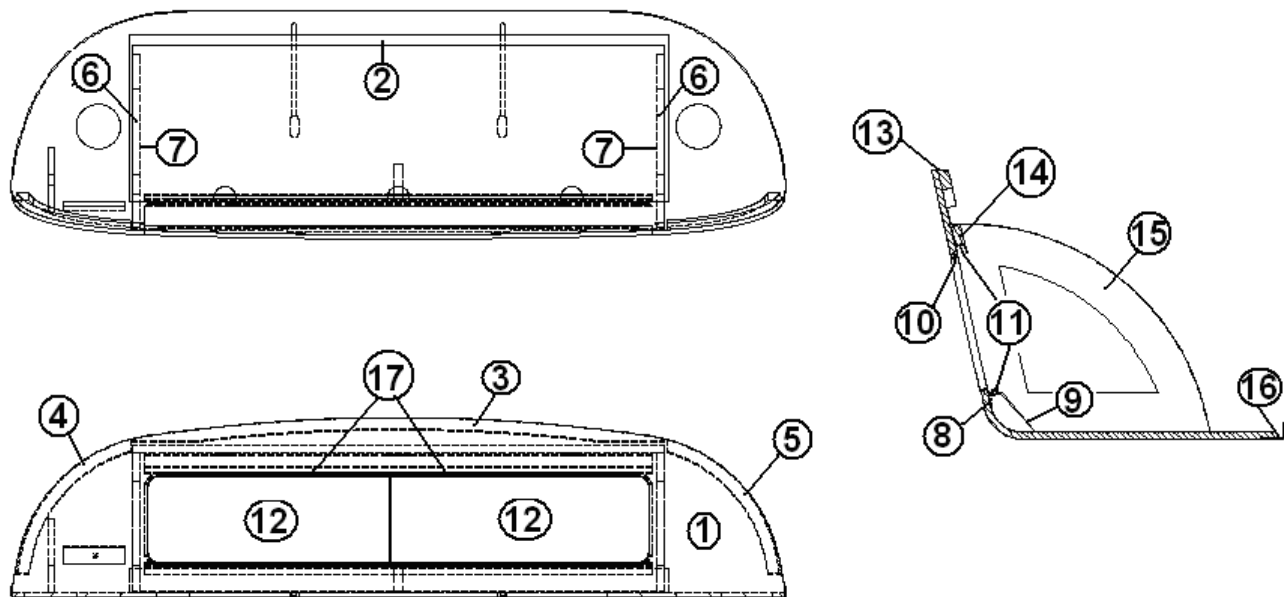
967690-19 PEDESTAL TABLE ASSY.- DINETTE - EDDIE BAUER

- | | |
|---------------|-------------------------------|
| 1. 967690-191 | PANEL-DINETTE TABLE 35" X 40" |
| 2. 382154 | LEG-DINETTE PEDESTAL 31.5" |
| 381136 | RUBBER BUMPER |
| 115472 | TRIM-ALUM COUNTER TOP |
| 382077 | CLIP, TABLE POST STORAGE |

2012 INTERNATIONAL TRAVEL TRAILER

FURNITURE, LOUNGE

Roof Locker, End Liner, 25' FB Aft, 27' FB Aft, Signature, Wenge

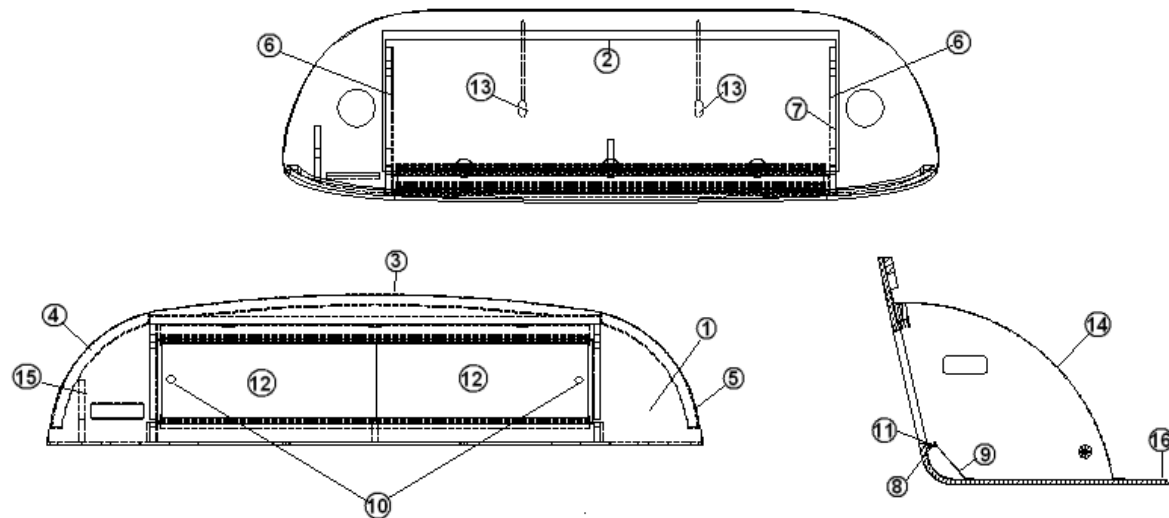


966869	ROOFLOCKER, FRONT/AFT W/RADIO
1. 801722	FACE, FRONT/AFT R/L W/RADIO
2. 801355-01	LAMINATE, FROSTY WHITE
3. 801596-01	BACKER, LINER LOCKER CENTER
4. 801596-02	BACKER LINER LOCKER, LH
5. 801596-03	BACKER, LINER LOCKER, RH
6. 801594	DIVIDER-LINER LOCKER
7. 801595	DIVIDER LINER LOCKER
7. 801595-01	Divider, liner locker, w Audio Switch Holes
8. 115261-01	ANGLE, LOCKER TRACK SUPPORT
9. 115226-01	BRACKET, LOCKER, CENTER SUPPORT
10. 203508-01	T-TRIM, 9/16"
11. 203388	TRACK, SLIDING DOOR
12. 965563-08	DOOR, SLIDING, 11.31" X 30"
13. 201673	REVERSE COVE MOLDING, WHITE
14. 800028	PINE, 3/4" X 1.5"
15. 115264-01	PAN, LINER LOCKER W/B FRONT
16. 801710	SUPPORT DIVIDER-R/L
17. 454613	LEAF SPRING, ROOF LOCKER
967741	BLUE RAY SHELF ASSY.
801595-11	DIVIDER, LINER ROOFLOCKER W/AUDIO SWITCH

2012 INTERNATIONAL TRAVEL TRAILER

FURNITURE, LOUNGE

Roof Locker, End Liner, 25' FB Aft, 27' FB Aft, 28' Front Serenity

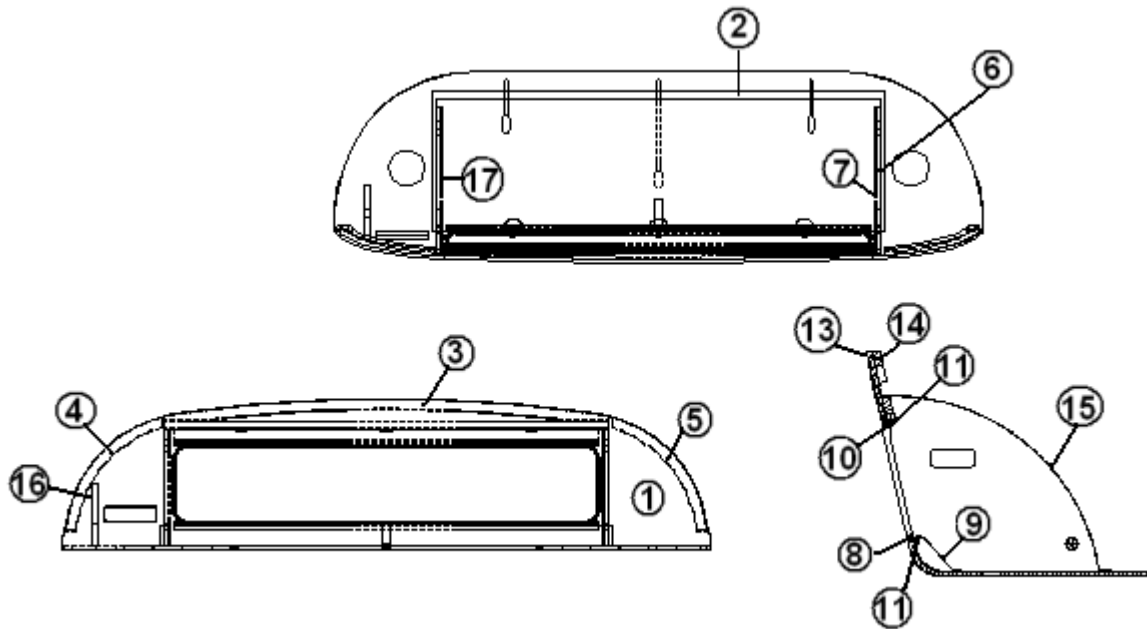


- | | |
|---------------|--------------------------------|
| 967556-15 | ROOFLOCKER ASSY-REAR W/RADIO |
| 1. 801849 | FACE-R/L W/RADIO SER |
| 2. 801355-01 | LAM-FROST WHT 4'X8'VERT #1573 |
| 3. 801596-01 | BACKER W/B LINER LOCKER CTR |
| 4. 801596-02 | BACKER LINER LOCKER LH |
| 5. 801596-03 | BACKER, LINER LOCKER RH |
| 6. 801594 | DIVIDER-LINER LOCKER |
| 7. 801595 | DIVIDER LINER LOCKER CCD |
| 8. 114812 | ALUM. ANGLE 1.00 X 1.00 |
| 9. 115226-01 | BRACKET, FORMED LOCKER CTR SUP |
| 10. 382114 | KNOB-BRUSH.SATIN NICKEL #M576 |
| 11. 203388 | TRACK-SLIDING DOOR |
| 12. 203677-03 | DOOR-MARI 11.31X30 |
| 13. ** | SPOTLIGHT - SEE 12V ELECTRICAL |
| 14. 115264-01 | PAN, LINER LOCKER W/B FRONT |
| 15. 801710 | SUPPORT DIVIDER-R/L INT II |
| 16. 801595-11 | DIVIDER-LINER LOCKER W/AUDIO S |
| 967741 | BLUE RAY SHELF ASSEMBLY |

2012 INTERNATIONAL TRAVEL TRAILER

FURNITURE, LOUNGE

Roof Locker, End Liner, 25' FB Aft, EDDIE BAUER

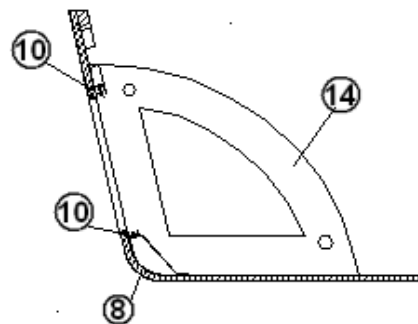
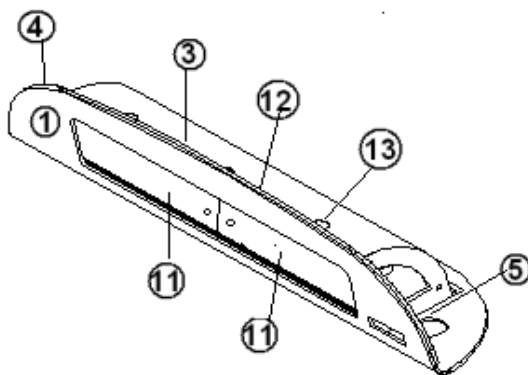
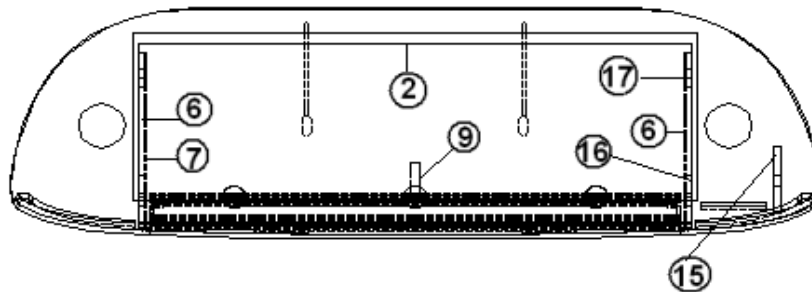


- | | |
|---------------|--|
| 967677-19 | ROOFLOCKER, REAR, W/RADIO 25'FB., 27FB |
| 1. 801901 | FACE- ROOFLOCKER REAR W/RADIO |
| 2. 967677-192 | PANEL - 21X62.25 |
| 3. 801596-01 | BACKER LINER LOCKER CTR |
| 4. 801596-02 | BACKER LINER LOCKER LH |
| 5. 801596-03 | BACKER, LINER LOCKER RH |
| 6. 801594 | DIVIDER-LINER LOCKER |
| 7. 801595 | DIVIDER LINER LOCKER CCD |
| 8. 115261-01 | ANGLE FORMED LOCKER TRACK SUPP |
| 9. 115226-01 | BRACKET, FORMED LOCKER CTR SUP |
| 10. 203710 | T MOLDING-ALMOND .56" X 250' |
| 11. 203388 | TRACK-SLIDING DOOR |
| 12. 203708-01 | DOOR-PLEXIGLASS 11.31X30 |
| 13. 201673-01 | MOLDING-OAK COVE .43" OAK |
| 14. 800028 | PINE, 3/4" X 1-1/2" |
| 15. 115264-01 | PAN, LINER LOCKER W/B FRONT |
| 16. 801710 | SUPPORT DIVIDER-R/L INT II |
| 17. 801595-11 | DIVIDER-R/L W/AUDIO SWITH HOLE |
| 18. 454613 | SPRING-LEAF R/L INT |
| 382149 | PULL-FINGER SATIN NICKEL#35120 |
| 967741 | BLUE RAY SHELF ASSY. |

2012 INTERNATIONAL TRAVEL TRAILER

FURNITURE, LOUNGE

Roof Locker, End Liner, 25, 28' Front, 30' Signature, Wenge

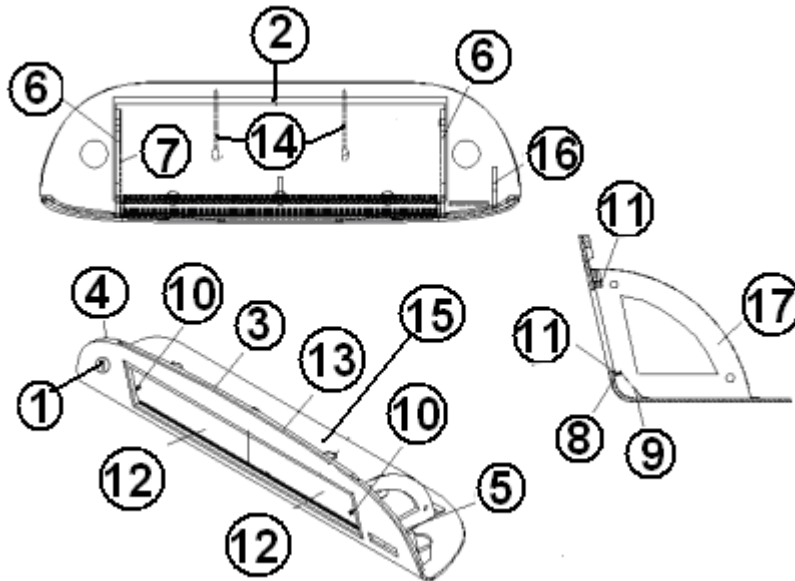


- | | |
|---------------|--------------------------------|
| 967502 | ROOFLOCKER ASSY, FRONT |
| 1. 801593-01 | FACE-LINER LOCKER W/B FRONT |
| 2. 801804-01 | LAMINATE, WENGE |
| 3. 801596-01 | BACKER W/B LINER LOCKER CTR |
| 4. 801596-02 | BACKER LINER LOCKER LH |
| 5. 801596-03 | BACKER, LINER LOCKER RH |
| 6. 801594 | DIVIDER-LINER LOCKER |
| 7. 801595 | DIVIDER LINER LOCKER CCD |
| 8. 115261-01 | ANGLE FORMED LOCKER TRACK SUPP |
| 9. 115226-01 | BRACKET, FORMED LOCKER CTR SUP |
| 10. 203388 | TRACK-SLIDING DOOR |
| 11. 965563-08 | DOOR-PLEX.SLIDING 11.31"X 30" |
| 12. 201673 | COVE MOLDING, WHITE |
| 13. 512464 | SPOTLIGHT - SURFACE MOUNT |
| 14. 115264-01 | PAN, LINER LOCKER W/B FRONT |
| 15. 801710 | SUPPORT DIVIDER-R/L INT II |
| 16. 801595-10 | DIVIDER-LINER LOCKER |
| 967741 | BLUE RAY SHELF ASSY. |

2012 INTERNATIONAL TRAVEL TRAILER

FURNITURE, LOUNGE

Roof Locker, End Liner, 25, 28' Front, 30' Signature, Serenity

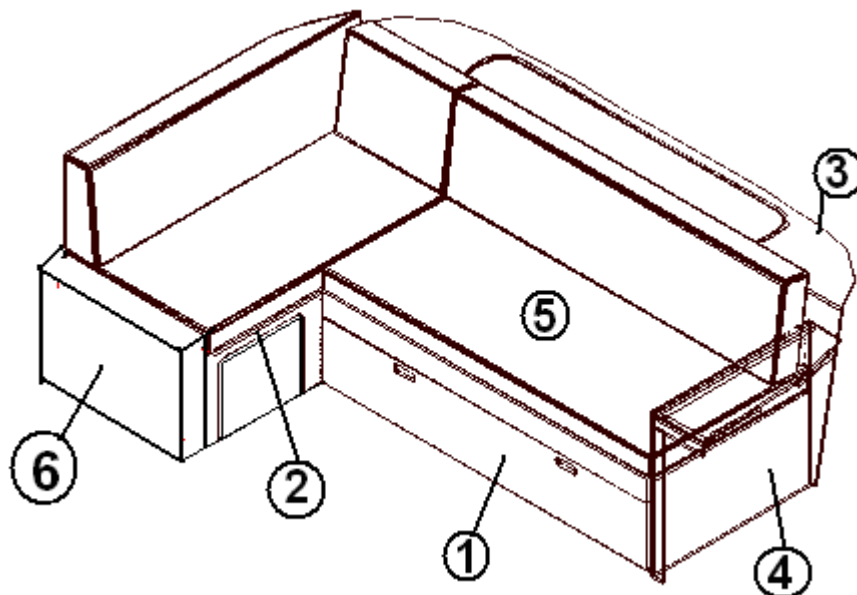


- | | |
|---------------|--|
| 967568-15 | ROOFLOCKER ASSY. W/RADIO |
| 1. 801859 | FACE-R/L W/RADIO 28 SER |
| 2. 967568-152 | PANEL, R/L 21X62.25 |
| 3. 801596-01 | BACKER W/B LINER LOCKER CTR |
| 4. 801596-02 | BACKER LINER LOCKER LH |
| 5. 801596-03 | BACKER, LINER LOCKER RH |
| 6. 801594 | DIVIDER-LINER LOCKER |
| 7. 801595 | DIVIDER LINER LOCKER CCD |
| 8. 114812 | ALUM. ANGLE 1.00 X 1.00 |
| 9. 115226-01 | BRACKET, FORMED LOCKER CTR SUP |
| 10. 382114 | KNOB-BRUSH.SATIN NICKEL #M576 |
| 11. 203388 | TRACK-SLIDING DOOR |
| 12. 203677-03 | DOOR-11.31X30 |
| 13. 201673 | COVE MOLDING, WHITE, P |
| 14. 512464 | SPOTLIGHT -FROST LENS LED. SURFACE MT. |
| 15. 115264-01 | PAN, LINER LOCKER W/B FRONT |
| 16. 801710 | SUPPORT DIVIDER-R/L INT II |
| 17. 801595-10 | DIVIDER-R/L W/AUDIO SWITH HOLE |
| 454613 | SPRING-LEAF, ROOFLOCKER |
| 967741 | BLUERAY SHELF ASSEMBLY |

2012 INTERNATIONAL TRAVEL TRAILER

FURNITURE, LOUNGE

Sofa, 28' Signature, Wenge

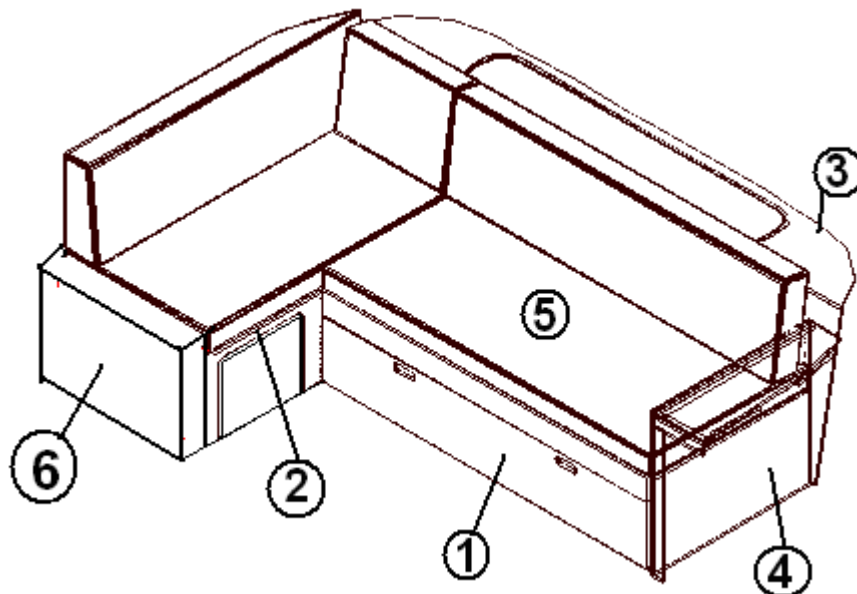


- | | |
|---------------|-------------------------------------|
| 1. 966970 | SOFA ASSY. |
| 2. 966972 | SOFA ASSY, L SECTION |
| 3. 966973 | BACK ASSY, SOFA |
| 4. 966974 | ARMREST ASSY, SOFA |
| 5. 703340-047 | CUSHION KIT, CILANTRO |
| 5. 703340-057 | CUSHION KIT, PAPRIKA |
| 6. 967230 | ARMREST ASSY, L-LOUNGE |
| 965812 | CUSHION ASSY, FOAM WEDGE, L LOUNGE |
| 203622 | TUB, STORAGE, L-LOUNGE |
| 203636 | STORAGE BOX, 24.5" X 17.75" X 7.25" |

2012 INTERNATIONAL TRAVEL TRAILER

FURNITURE, LOUNGE

Sofa, 28' Signature, "L", Serenity

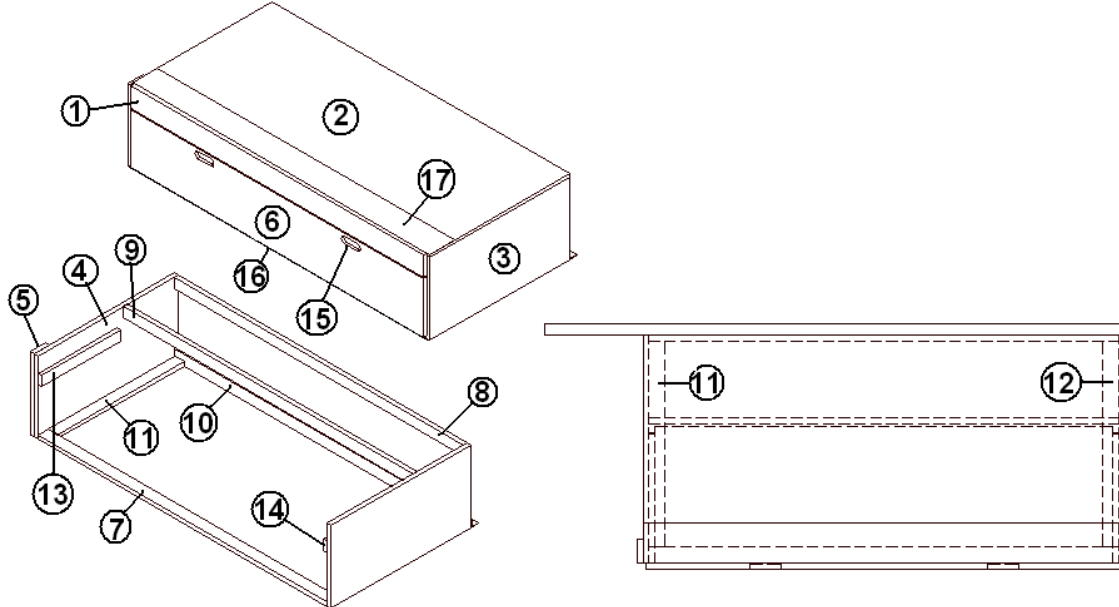


- | | |
|---------------|------------------------------------|
| 1. 966970-15 | SOFA ASSY. |
| 2. 966972-15 | SOFA ASSY, L SECTION |
| 3. 966973 | BACK ASSY, SOFA |
| 4. 966974 | ARMREST ASSY, SOFA |
| 5. 703340-180 | CUSHION KIT - MINT GREEN |
| 5. 703340-141 | CUSHION KIT - SOY BROWN |
| 6. 967230 | ARMREST ASSY, L-LOUNGE |
| 965812 | CUSHION ASSY, FOAM WEDGE, L LOUNGE |

2012 INTERNATIONAL TRAVEL TRAILER

FURNITURE, LOUNGE

Sofa, 28', 30' Signature, Assembly, Wenge

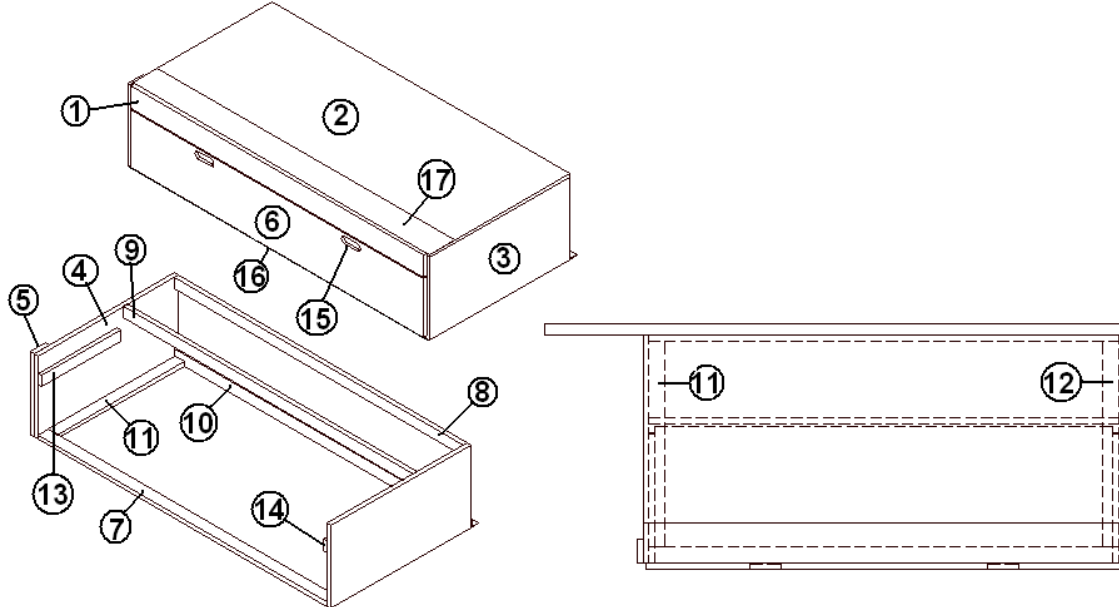


966970	SOFA ASSY.
1. 966971	SOFA BED ASSY.
2. 800506-04	PLYWOOD, 1/2" X 4' X 8'
3. 801351	LITE PLY, 18MM (.75") 4'X 8'
4. 801351	LITE PLY, 18MM (.75") 4'X 8'
5. 801351	LITE PLY, 18MM (.75") 4'X 8'
6. 966970-6	DOOR, 10.25" X 59.13"
7. 850082	POPLAR, .75 X 2.00
8. 850082	POPLAR, .75 X 2.00
9. 850082	POPLAR, .75 X 2.00
10. 850082	POPLAR, .75 X 2.00
11. 850082	POPLAR, .75 X 2.00
12. 850082	POPLAR, .75 X 2.00
13. 850082	POPLAR, .75 X 2.00
14. 850082	POPLAR, .75 X 2.00
15. 381775	DRAWER PULL, FLUSH SATIN
16. 381072-01	HINGE, 3" X 2" FIXED PIN
17. 801711-01	LAMINATE-WENGE VERTICAL
801804-01	LAMINATE-WENGE VERTICAL
381228-01	CATCH GRABBER DOOR
114809	ALUM. ANGLE 1.50 X 1.50

2012 INTERNATIONAL TRAVEL TRAILER

FURNITURE, LOUNGE

Sofa, 28', 30' Signature, Assembly, Serenity

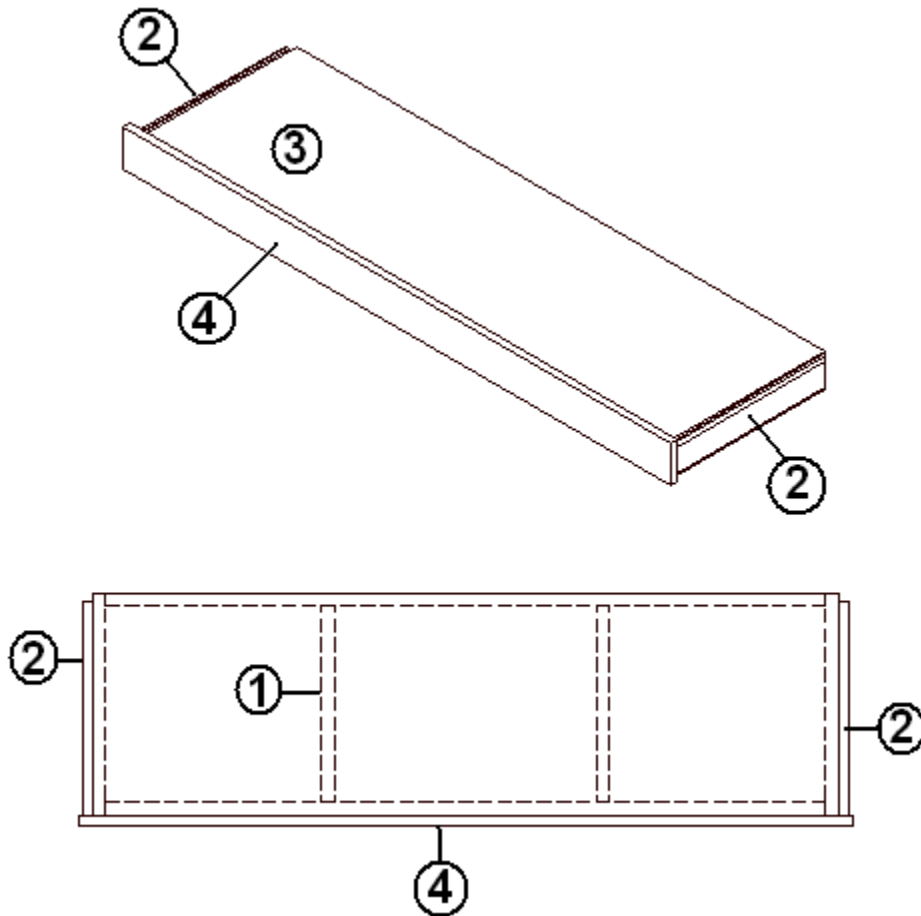


966970-15	SOFA ASSY.
1. 966971-15	SOFA BED ASSY.
2. 800506-04	PLYWOOD, 1/2" X 4' X 8'
3. 801351	LITE PLY, 18MM (.75") 4'X 8'
4. 801351	LITE PLY, 18MM (.75") 4'X 8'
5. 801351	LITE PLY, 18MM (.75") 4'X 8'
6. 966970-156	DOOR, 10.25" X 59.13"
7. 850082	POPLAR, .75 X 2.00
8. 850082	POPLAR, .75 X 2.00
9. 850082	POPLAR, .75 X 2.00
10. 850082	POPLAR, .75 X 2.00
11. 850082	POPLAR, .75 X 2.00
12. 850082	POPLAR, .75 X 2.00
13. 850082	POPLAR, .75 X 2.00
14. 850082	POPLAR, .75 X 2.00
15. 382115	DRAWER PULL-BLACK
16. 381607	HINGE ASSY.
17. 966970-1521	PANEL, SOFA 5" X 60"
381228-01	CATCH GRABBER DOOR
114809	ALUM. ANGLE 1.50 X 1.50

2012 INTERNATIONAL TRAVEL TRAILER

FURNITURE, LOUNGE

Sofa Bed, 28', 30', Signature, Wenge

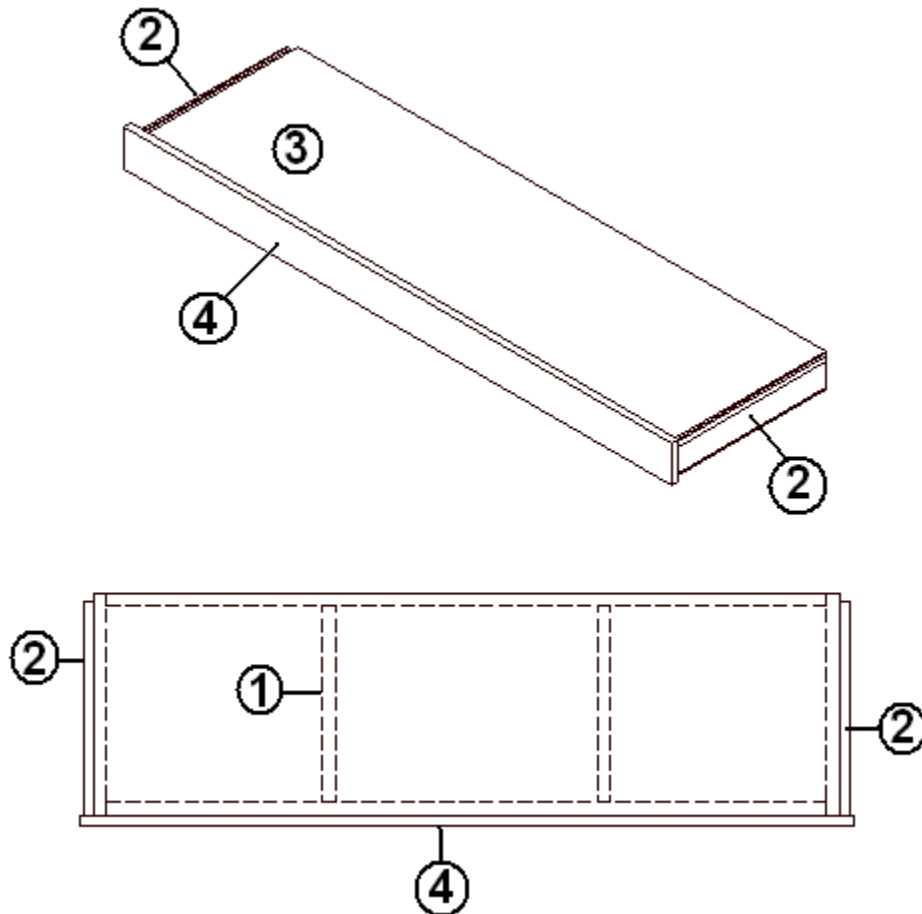


- | | |
|--------------|------------------------------|
| 966971 | SOFA BED ASSY |
| 1. 915708 | WELDMENT, SOFA BED |
| 2. 381826 | SLIDE, BALL BEARING, 16" |
| 3. 800507-02 | LAUAN, 1/4" X 4' X 8' |
| 4. 966971-4 | PANEL, SOFA BED 3.88 X 59.13 |
| 330031-03 | RIVET DOME HEAD SSD64SSBS |
| 320117-03 | SCREW, DRYWALL, #6 X 1.625" |

2012 INTERNATIONAL TRAVEL TRAILER

FURNITURE, LOUNGE

Sofa Bed, 28', Signature, Serenity

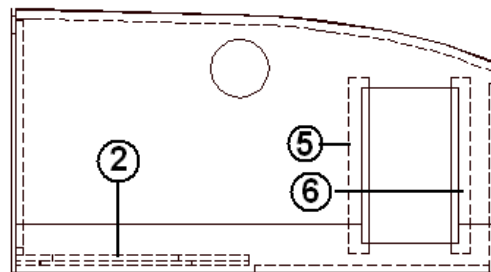
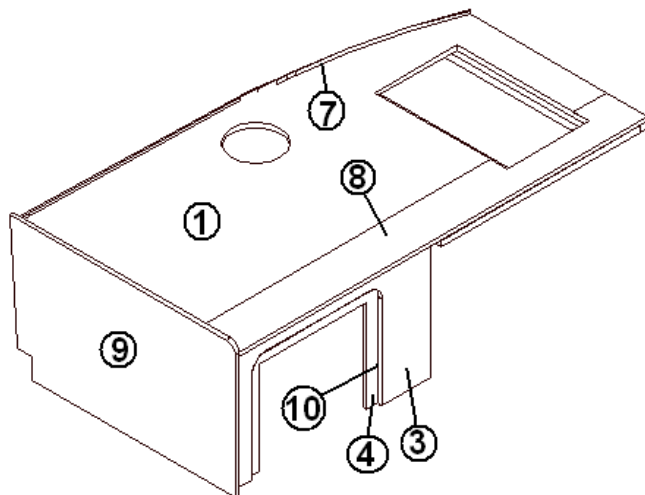


966971-15	SOFA BED ASSY
1. 915708	WELDMENT, SOFA BED
2. 381826	SLIDE, BALL BEARING, 16"
3. 800507-02	LAUAN, 1/4" X 4' X 8'
4. 966971-154	PANEL, SOFA BED 3.88 X 59.13
330031-03	RIVET DOME HEAD SSD64SSBS
320117-03	SCREW, DRYWALL, #6 X 1.625"

2012 INTERNATIONAL TRAVEL TRAILER

FURNITURE, LOUNGE

Sofa, 28' Signature, L-Section, Wenge

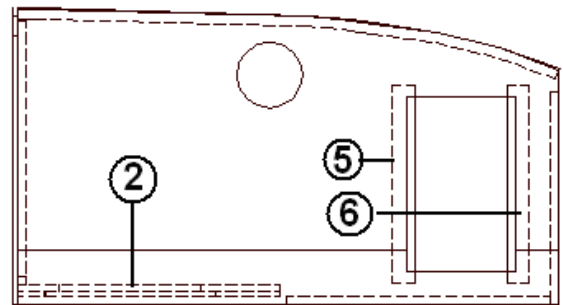
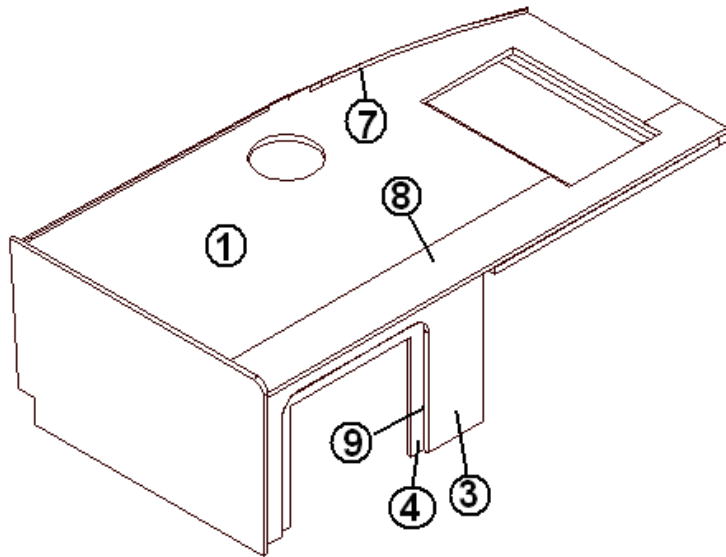


966972	SOFA ASSY L SECTION
1. 966972-1	TOP ASSY SOFA L SECTION
2. 966972-2	PANEL, 9.88 X 15.88 SOFA L SECTION
3. 966972-3	PANEL, 24.00" X 14.50"
4. 966972-4	PANEL, 24.00 X 14.50
5. 850082	POPLAR, .75" X 2.00"
6. 850082	POPLAR, .75" X 2.00"
7. 114812	ALUMINUM ANGLE, 1.00" X 1.00"
8. 801804-01	LAMINATE, WENGE VERTICAL
9. 966972-11	PANEL, 16.00 X 27.29
10. 203445	T-MOLDING BLACK, FLEXIBLE POLY .5

2012 INTERNATIONAL TRAVEL TRAILER

FURNITURE, LOUNGE

Sofa, 28' Signature, L-Section, Serenity

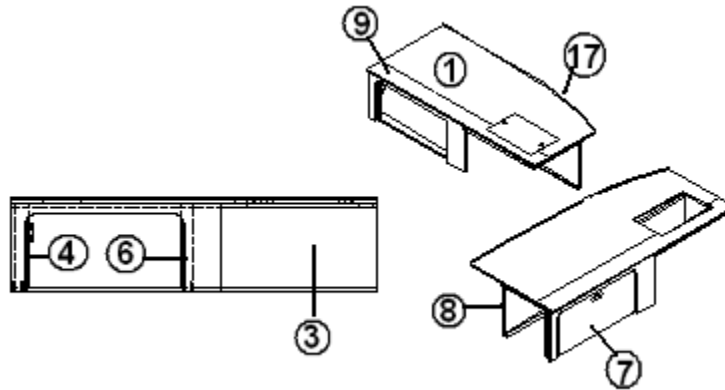


- | | |
|----------------|------------------------------------|
| 966972-15 | SOFA ASSY L SECTION |
| 1. 966972-01 | TOP ASSY SOFA L SECTION |
| 2. 966972-02 | PANEL, 9.88 X 15.88 SOFA L SECTION |
| 3. 966972-153 | PANEL, 24.00" X 14.50" |
| 4. 966972-154 | PANEL, 24.00 X 14.50 |
| 5. 850082 | POPLAR, .75" X 2.00" |
| 6. 850082 | POPLAR, .75" X 2.00" |
| 7. 114812 | ALUMINUM ANGLE, 1.00" X 1.00" |
| 8. 966972-1510 | PANEL, SOFA 5" X 49.5" |

2012 INTERNATIONAL TRAVEL TRAILER

FURNITURE, LOUNGE

Sofa, 30' Signature, L-Section, Wenge

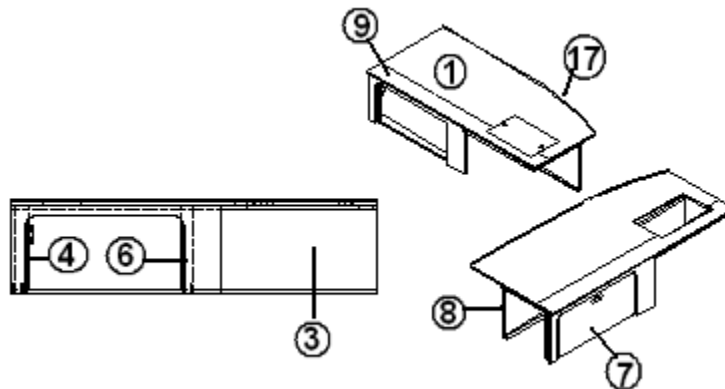


	967621	SOFA ASSY- L SECTION
1.	967621-1	PANEL, SOFA 27X59.5
2.	967621-2	PANEL, SOFA 9.88X15.88 (NOT SHOWN)
3.	967621-3	PANEL, SOFA 14.5X34 (NOT SHOWN)
4.	967621-4	PANEL, SOFA 3X13.75
6.	967621-6	PANEL, SOFA 2.25X13.75
7.	967621-7	DOOR-SOFA 11.56X25.13
8.	967621-8	PANEL, SOFA 14.5X59.5
9.	967621-9	PANEL, SOFA 5X59.5
10.	967621-10	PANEL, SOFA 2.25X29.75(NOT SHOWN)
17.	114812	ALUMINUM ANGLE 1.00 X 1.00
	850082	POPLAR 2" X 18"
	850082	POPLAR 2" X 18"
	800025-01	PINE 3/4" X 3/4" STAINED
	381228-01	CATCH GRABBER DOOR C3-803
	381775	DRAWER PULL-FLUSH SATIN #UT-10
	381072-01	HINGE-3" X 2" FIXED PIN (PR)#V
	365341-01	EDGE BANDING- .63" WENGE
	365341-02	EDGE BANDING- .94" WENGE
	203440	T MOLDING-BLACK EMBOSSED

2012 INTERNATIONAL TRAVEL TRAILER

FURNITURE, LOUNGE

Sofa, 30' Signature, L-Section - Serenity

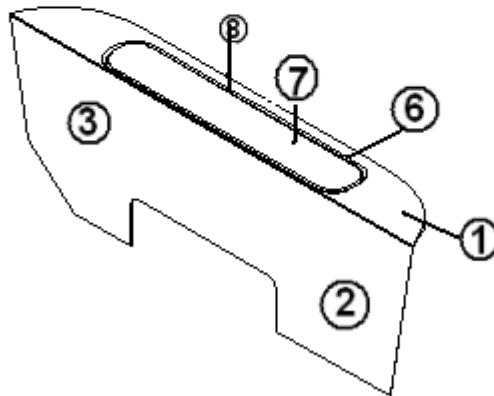
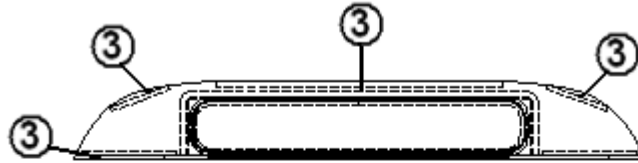


	967621-15	SOFA ASSY- L SECTION - SERENITY
1.	967621-1	PANEL, SOFA 27X59.5
2.	967621-2	PANEL, SOFA 9.88X15.88 (NOT SHOWN)
3.	967621-153	PANEL, SOFA 14.5X34 (NOT SHOWN)
4.	967621-154	PANEL, SOFA 3X13.75
6.	967621-156	PANEL, SOFA 2.25X13.75
7.	967621-157	DOOR-SOFA 11.56X25.13
8.	967621-8	PANEL, SOFA 14.5X59.5
9.	967621-159	PANEL, SOFA 5X59.5
10.	967621-10	PANEL, SOFA 2.25X29.75(NOT SHOWN)
17.	114812	ALUMINUM ANGLE 1.00 X 1.00
	850082	POPLAR 2" X 18"
	800025-01	PINE 3/4" X 3/4" STAINED
	381228-01	CATCH GRABBER DOOR C3-803
	381775	DRAWER PULL-FLUSH SATIN #UT-10
	381072-01	HINGE-3" X 2" FIXED PIN (PR)#V
	365344-01	EDGEBANDING- .63" PEARL BISQUE
	365344-02	EDGEBANDING- .94" PEARL BISQUE
	203440	T MOLDING-BLACK EMBOSSED

2012 INTERNATIONAL TRAVEL TRAILER

FURNITURE, LOUNGE

Sofa, 30' Signature - Back Assembly Wenge & Serenity



967625

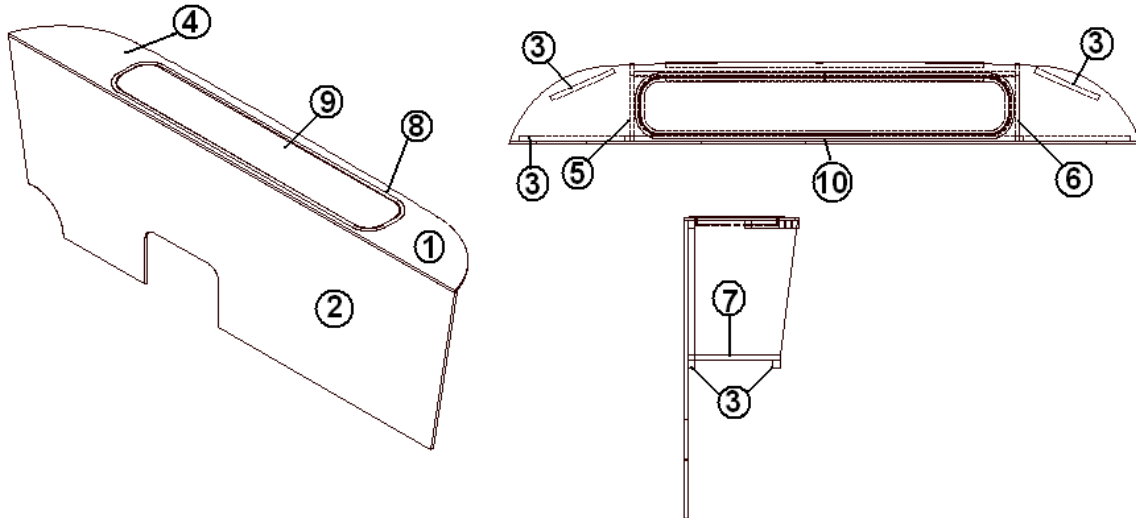
BACK ASSY-SOFA 30 INTL

- | | |
|--------------|--------------------------|
| 1. 800507-03 | LAUAN 12.25 X 91.0 |
| 2. 800507-03 | LAUAN 31.63 X 91.0 |
| 3. 800025-01 | PINE 3/4" X 3/4" STAINED |
| 4. 701764 | FOAM-.25" |
| 5. 090467-C | FABRIC |
| 6. 115203 | JAMB-SOFA BACK DOOR |
| 7. 966134 | DOOR ASSY-SOFA BACK |
| 8. 381847-01 | HINGE PIANO ANGLE 46" |
| 203622 | TUB-STORAGE L-LOUNGE |

2012 INTERNATIONAL TRAVEL TRAILER

FURNITURE, LOUNGE

Sofa Back, 28', Signature, Wenge

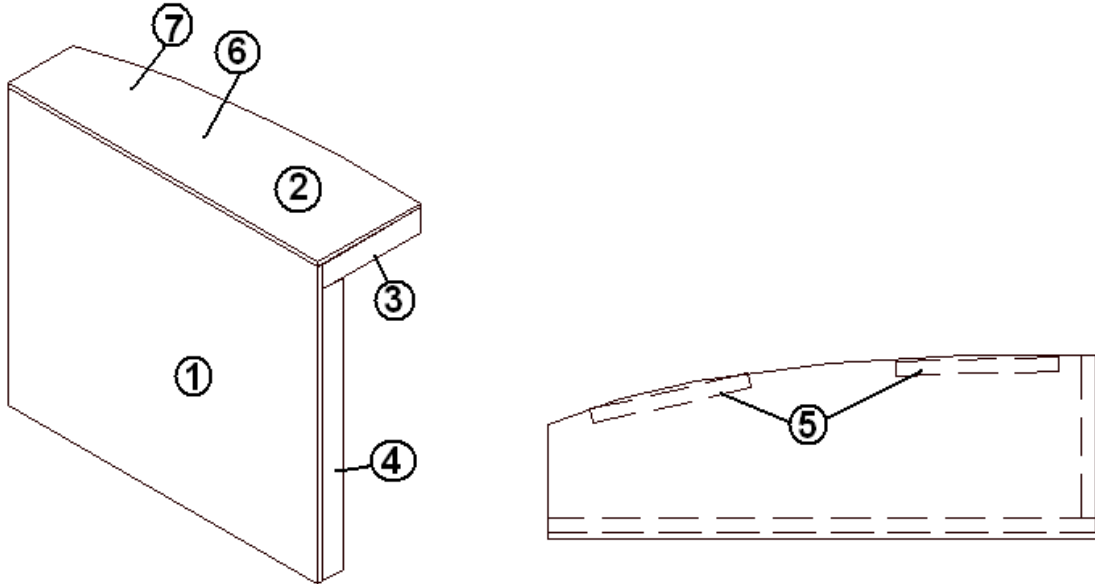


966973	BACK ASSY, SOFA
1. 800507-03	LAUAN, 3/8" X 4' X 8'
2. 800507-03	LAUAN, 3/8" X 4' X 8'
3. 800025-01	PINE, 3/4 X 3/4' STAINED
4. 701764	FOAM, 1/4"
4. 703896	FABRIC-SPECTRUM GRAPHITE #48030
5. 966973-6	PANEL, 11.13 X 13.63
6. 966973-7	PANEL, 11.13 X 13.63
7. 966973-8	PANEL, 9.38 X 56.00
8. 115203	JAMB, SOFA BACK DOOR
9. 966134	DOOR, SOFA BACK
10. 381847-01	HINGE PIANO ANGLE, 46"
365013-01	TAPE CHARCOAL LOW DENSITY FOAM
381581	STRAP CLEAR PLASTIC .75"W

2012 INTERNATIONAL TRAVEL TRAILER

FURNITURE, LOUNGE

Sofa, 28', 30' Signature, Armrest, Wenge & Serenity

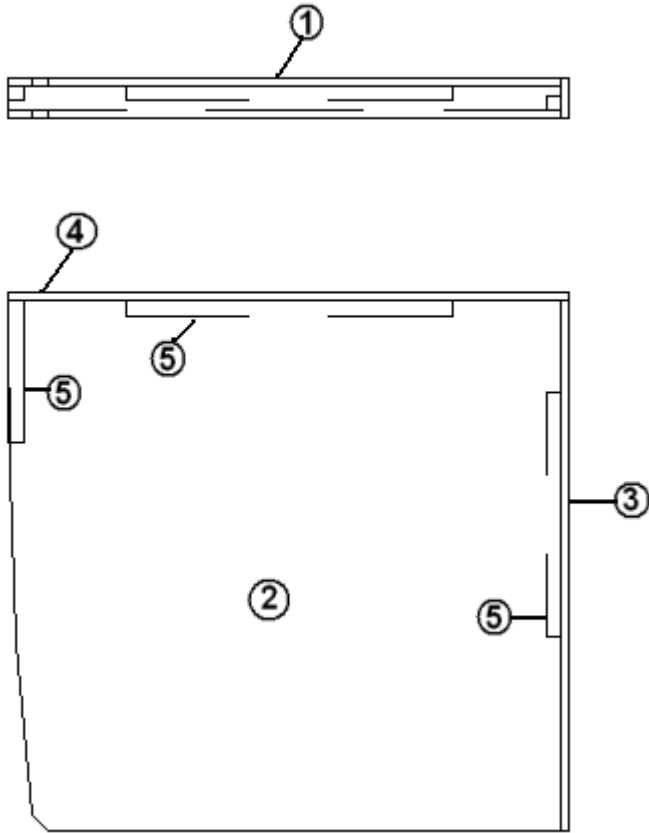


966974	ARMREST ASSY SOFA
1. 966974-1	LAUAN, 3/8" X 4'X 8'
2. 966974-2	LAUAN, 3/8" X 4'X 8'
3. 966974-3	LAUAN, 3/8" X 4'X 8'
4. 966974-4	LAUAN, .75" X 4' 8'
5. 800025-01	PINE 3/4" X 3/4" STAINED
6. 701764	FOAM, 1/4"

2012 INTERNATIONAL TRAVEL TRAILER

FURNITURE, LOUNGE

ARMREST - L-LOUNGE 30' Sofa, Wenge & Serenity



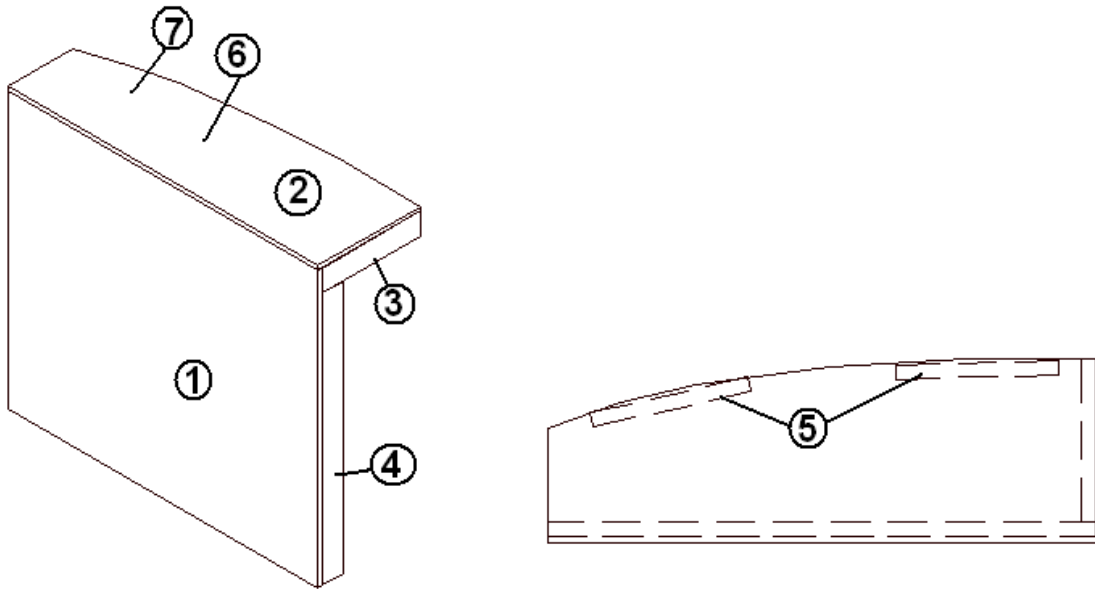
967623 ARMREST ASSY., ROADSIDE L- LNG 30' INTL, Wenge & Serenity

1. 800507-03	LAUAN, 3/8" X 27.16" X 26"
2. 800507-03	LAUAN, 3/8" X 27.16" X 26"
3. 800507-03	LAUAN, 3/8" X 2" X 26"
4. 800507-03	LAUAN, 3/8" X 2" X 27"
5. 800025-01	PINE 3/4" X 3/4" STAINED
6. 701764	FOAM-.25"

2012 INTERNATIONAL TRAVEL TRAILER

FURNITURE, LOUNGE

Sofa, 28', Signature, Armrest, WENGE & SERENITY

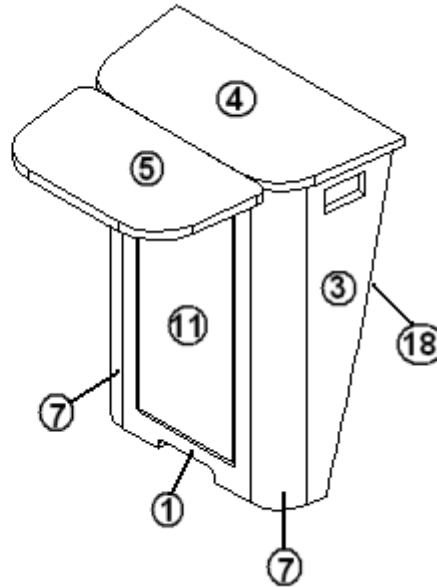
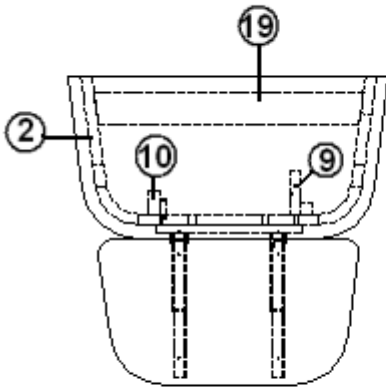


966974	ARMREST ASSY SOFA
1. 800507-03	LAUAN, 3/8" X 4'X 8'
2. 800507-03	LAUAN, 3/8" X 4'X 8'
3. 800507-03	LAUAN, 3/8" X 4'X 8'
4. 800507-06	LAUAN, .75" X 4' 8'
5. 800025-01	PINE 3/4" X 3/4" STAINED
6. 701764	FOAM, 1/4"
7. 090467-C	FABRIC

2012 INTERNATIONAL TRAVEL TRAILER

FURNITURE - LOUNGE

CENTER CONSOLE ASSEMBLY - 30'

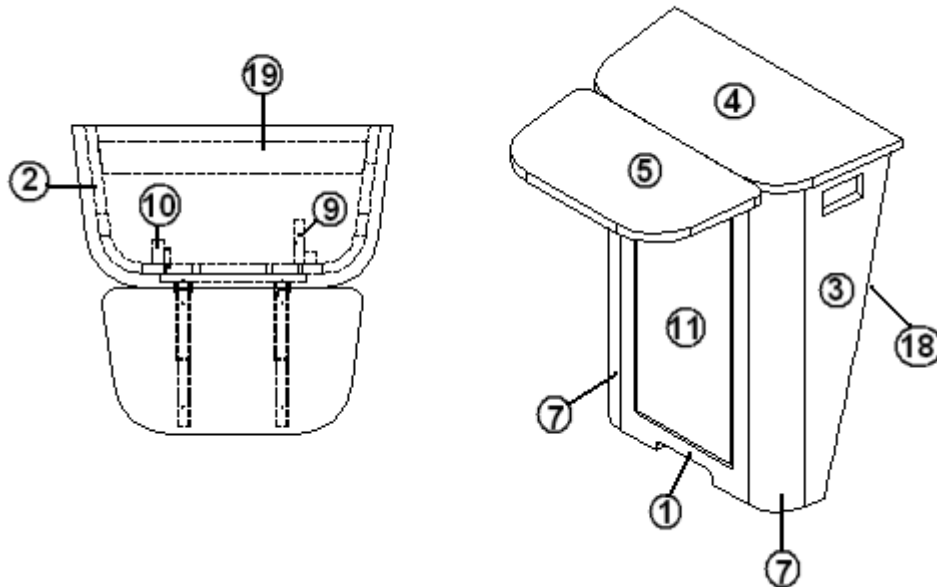


	967536	CONSOLE ASSY, CENTER 30
1.	967536-1	PANEL-CONSOLE 12.31X27.25
2.	967536-2	PANEL-CONSOLE 7.58X27.25
3.	967536-3	PANEL-CONSOLE 7.58X27.25
4.	967536-4	PANEL-CONSOLE 22X11
5.	967536-5	PANEL-CONSOLE 17.57X10
6.	967536-6	PANEL-CONSOLE 10X3.25 (NOT SHOWN)
7.	801345	RAD.PLYWOOD .75"X 3"X 8'
8.	967536-8	PANEL-CONSOLE 37X28 (NOT SHOWN)
9.	967536-9	PANEL-CONSOLE 25X3
10.	967536-10	PANEL-CONSOLE 25X1.63
11.	967536-11	DOOR-CONSOLE 9.06X21
12.	800025-01	PINE ¾ X ¾
13.	381228-01	CATCH GRABBER DOOR C3-803 (NOT SHOWN)
14.	382092	BRKT-HINGED SPRING 88 LB CAP.(NOT SHOWN)
15.	365341-01	EDGEBANDING- .63" WENGE (NOT SHOWN)
16.	365341-02	EDGEBANDING- .94" WENGE (NOT SHOWN)
17.	365342-02	EDGEBANDING- .94" SAND CRYSTAL (NOT SHOWN)
18.	203464-03	TRIM PANEL WHITE ¾"
19.	967536-19	PANEL, CONSOLE 18.46X2.25

2012 INTERNATIONAL TRAVEL TRAILER

FURNITURE - LOUNGE

CENTER CONSOLE ASSEMBLY - 30 SERENITY

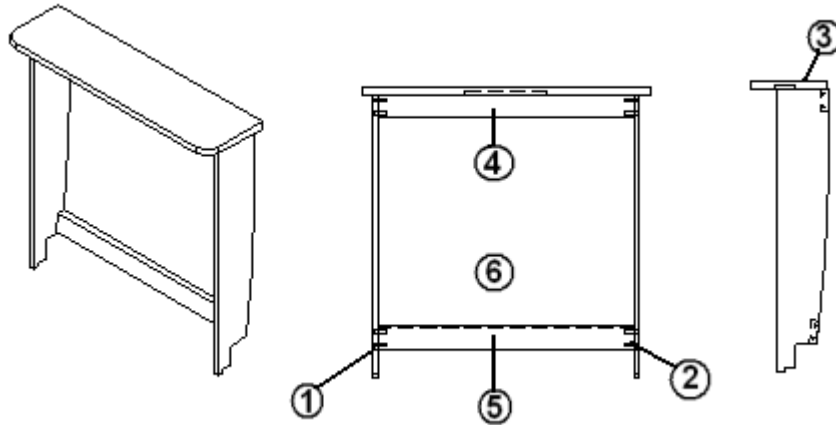


- | | | |
|-----|------------|--|
| | 967536-15 | CONSOLE ASSY, CENTER 30 SERENITY |
| 1. | 967536-1 | PANEL-CONSOLE 12.31X27.25 |
| 2. | 967536-2 | PANEL-CONSOLE 7.58X27.25 |
| 3. | 967536-3 | PANEL-CONSOLE 7.58X27.25 |
| 4. | 967536-154 | PANEL-CONSOLE 22X11 |
| 5. | 967536-155 | PANEL-CONSOLE 17.57X10 |
| 6. | 967536-156 | PANEL-CONSOLE 10X3.25 (NOT SHOWN) |
| 7. | 801345 | RAD.PLYWOOD .75"X 3"X 8' |
| 8. | 967536-158 | PANEL-CONSOLE 37X28 (NOT SHOWN) |
| 9. | 967536-9 | PANEL-CONSOLE 25X3 |
| 10. | 967536-10 | PANEL-CONSOLE 25X1.63 |
| 11. | 967536-11 | DOOR-CONSOLE 9.06X21 |
| 12. | 800025-01 | PINE ¾ X ¾ |
| 13. | 381228-01 | CATCH GRABBER DOOR C3-803 (NOT SHOWN) |
| 14. | 382092 | BRKT-HINGED SPRING 88 LB CAP.(NOT SHOWN) |
| 15. | 365344-01 | EDGEBANDING- .63" PEARL BISQUE (NOT SHOWN) |
| 16. | 365344-02 | EDGEBANDING- .94" PEARL BISQUE (NOT SHOWN) |
| 17. | 365345-02 | EDGEBANDING- .94" MEDALLION (NOT SHOWN) |
| 18. | 203464-02 | TRIM PANEL BEIGE ¾" |
| 19. | 967536-19 | PANEL, CONSOLE 18.46X2.25 |

2012 INTERNATIONAL TRAVEL TRAILER

FURNITURE - LOUNGE

LIFT UP TABLE CABINET ASSEMBLY



967537

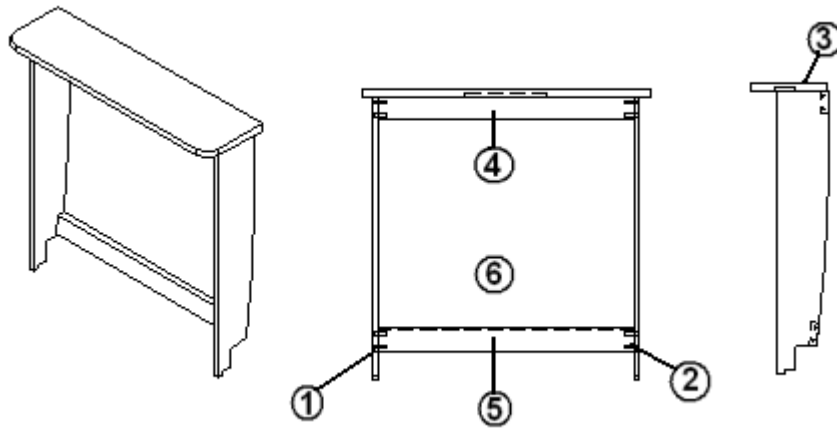
CABINET ASSY-LIFT UP TABLE 30'

- | | |
|-------------|--------------------------------|
| 1. 967537-1 | PANEL, TABLE CAB 5X27.75 |
| 2. 967537-2 | PANEL, TABLE CAB. 5X27.75 |
| 3. 967537-3 | PANEL, TABLE CAB. 7.5X28.25 |
| 4. 967537-4 | PANEL, TABLE CAB. 2.25X25.13 |
| 5. 967537-5 | PANEL, TABLE CAB. 2.25X25.13 |
| 6. 967381 | TABLE ASSY - LIFT UP 30 SIG |
| 381074 | CATCH BULL DOG #65S (COPPER) |
| 800025-01 | PINE 3/4" X 3/4" STAINED |
| 380203-01 | PIANO HINGE |
| 101253 | EXTR. CREDENZA HINGE MOVABLE |
| 385963 | BRACKET MTG. ANGLE LAMBREQUIN |
| 365341-01 | EDGE BANDING- .63" WENGE |
| 365341-02 | EDGE BANDING- .94" WENGE |
| 454740 | BRACKET-RECLINER RETENSION |
| 382095 | KNOB-KNURLED 1/4-20 X .50" |
| 350189 | NUT - TEE 6 PRONG 1/4-20 |
| 365343-01 | EDGE BANDING-.63" GOLD ALCHEMY |

2012 INTERNATIONAL TRAVEL TRAILER

FURNITURE - LOUNGE

LIFT UP TABLE CABINET ASSEMBLY SERENITY 30



967537-15

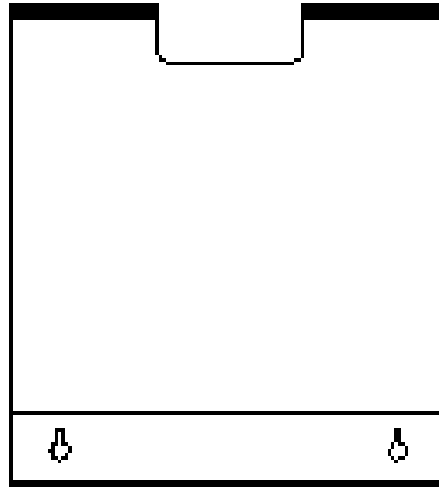
CABINET ASSY-LIFT UP TABLE 30' SERENITY

1. 967537-151 PANEL, TABLE CAB 5X27.75
2. 967537-152 PANEL, TABLE CAB. 5X27.75
3. 967537-153 PANEL, TABLE CAB. 7.5X28.25
4. 967537-154 PANEL, TABLE CAB. 2.25X25.13
5. 967537-155 PANEL, TABLE CAB. 2.25X25.13
6. 967381 TABLE ASSY - LIFT UP 30 SIG
- 381074 CATCH BULL DOG #65S (COPPER)
- 800025-01 PINE 3/4" X 3/4" STAINED
- 380203-01 PIANO HINGE
- 101253 EXTR. CREDENZA HINGE MOVABLE
- 385963 BRACKET MTG. ANGLE LAMBREQUIN
- 365344-01 EDGE BANDING- .63" PEARL BISQUE
- 365344-02 EDGE BANDING- .94" PEARL BISQUE
- 454740 BRACKET-RECLINER RETENSION
- 382095 KNOB-KNURLED 1/4-20 X .50"
- 350189 NUT - TEE 6 PRONG 1/4-20
- 365344-02 EDGE BANDING-.63" PEARL BISQUE

2012 INTERNATIONAL TRAVEL TRAILER

FURNITURE - LOUNGE

MAGAZINE RACK, RECLINER OPTION



386106-01

Rack, Magazine, White

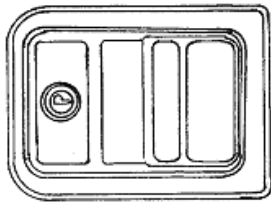
386107

Rod, Magazine Rack

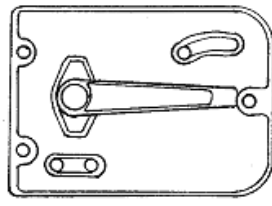
2012 INTERNATIONAL TRAVEL TRAILER

HARDWARE

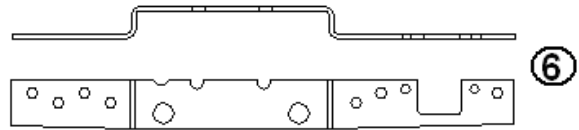
Main Door Latch/Deadbolt



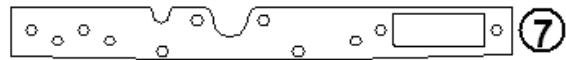
①



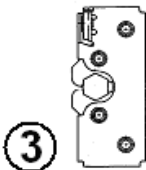
②



⑥



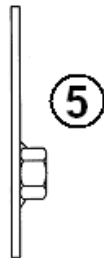
⑦



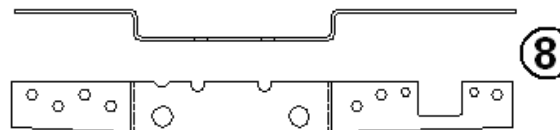
③



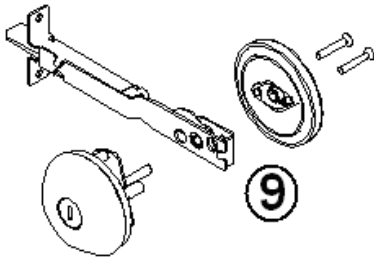
④



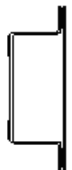
⑤



⑧



⑨



⑩



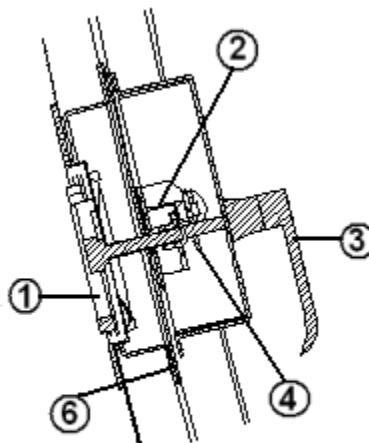
⑪

- | | |
|--------------|--|
| 1. 381547-01 | Main door lock, outside housing LH Hinge |
| 1.381547-09 | Main door lock/outside housing - RH Hinge |
| 2. 381547-07 | Main door lock, inside plate - LH Hinge |
| 2. 381547-11 | Main door lock inside plate - RH Hinge |
| 3. 381547-03 | Double rotary latch, main door LH Hinge |
| 3.381547-10 | Double rotary latch, main door RH Hinge |
| 4. 381547-04 | Striker bolt w/washer, main door lock |
| 5. 381550 | Plate, striker bolt mounting |
| 6. 382066 | Inner reinforcement plate, LH hinged door |
| 7. 382067 | Outer reinforcement plate, RH/LH hinged door |
| 8. 382068 | Inner reinforcement plate, RH hinged door |
| 9. 382069 | Deadbolt assembly, round, Trimark |
| 10. 115413 | Door hat section |
| 11. 115415 | Door hat section assembly |
| 381547-08 | Screw package, main door lock |
| 385595 | Pocket strike, #10-10-810 |
| 201787-01 | POCKET DEADBOLT INTERIOR 2.25D |

2012 INTERNATIONAL TRAVEL TRAILER

HARDWARE

LOCK ASSY. FOR HATCH DOOR ASSY. - EDDIE BAUER

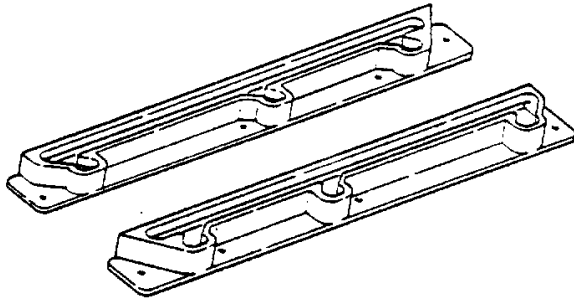


- | | |
|--------------|---------------------------------|
| 1. 382018-10 | HANDLE-LOCKING D RING# 16900-CH |
| 2. 382018-04 | CENTER CASE-W/OVERRIDE# 5644-50 |
| 3. 382018-08 | HANDLE-L NON LOCK # 5646-54-ZN |
| 4. 454577 | ADAPTOR-LATCH RELEASE |
| 5. 454578 | BRACKET, ROD GUIDE - NOT SHOWN |
| 6. 115522 | PLATE-LATCH COVER 45.81" |

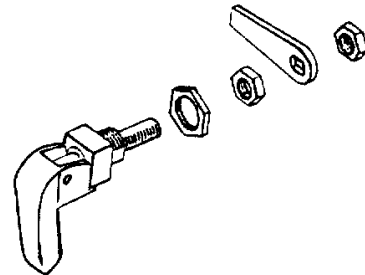
2012 INTERNATIONAL TRAVEL TRAILER

HARDWARE

WINDOW HARDWARE



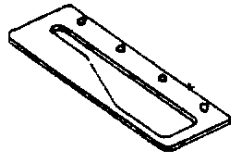
0802-0001 Window guide, RH
0802-0002 Window guide, LH



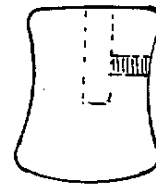
010020 Lower window latch
381088 Latch w/red handle



685123 Pawl,
window latch,
straight



685124 Striker
plate, window
latch



380230-03 Knob,
window arm
380230-04 Knob,
window arm, red

0703-0001
0703-0010
0706-0003
0706-0004
0802-0004
0802-0005

Screw 8-32 x 1/2", black
Screw 8-32 x 1/2", stainless
Washer, flat, nylon, clear
Washer, flat, nylon, black
Screw cap, black
Snap cap washer, clear

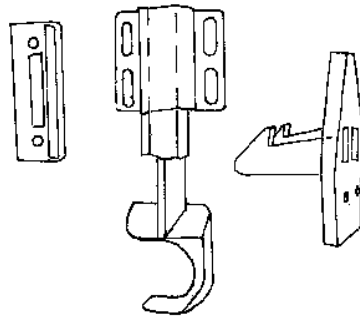
2012 INTERNATIONAL TRAVEL TRAILER

HARDWARE

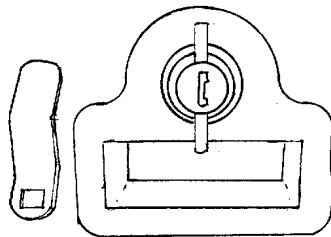
EXTERIOR LATCHES/LOCKS



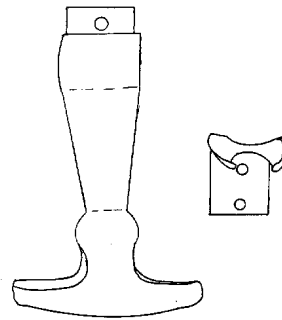
101171 Grab
Handle, main door



381454 Latch,
screen door, Bullet



380770-102 Twist lock, black

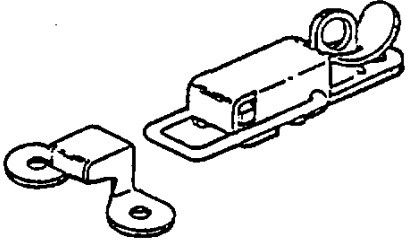


381021-01 Rubber T
handle

2012 INTERNATIONAL TRAVEL TRAILER

HARDWARE

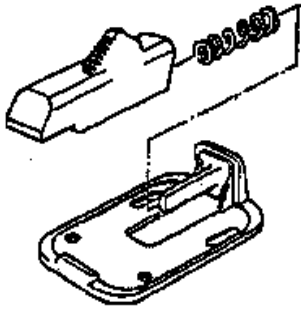
EXTERIOR LATCHES/LOCKS



340023-01 Catch
w/strike, battery box



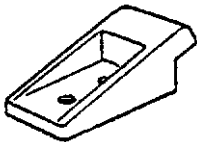
092609 Lock cam,
bumper lid



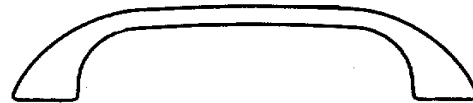
380291 Main door holdback,
(use w/housing #380290)



380290 Latch housing,



201056 Catch, main door
holdback

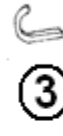
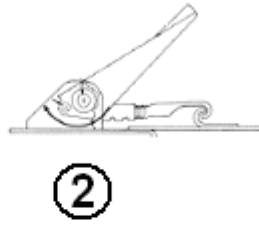
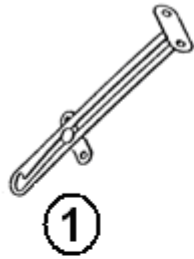


380004 Handle, screen door

2012 INTERNATIONAL TRAVEL TRAILER

HARDWARE

EXTERIOR LATCHES/LOCKS



- | | |
|--------------|--|
| 1. 380024 | Support arm, bumper lid |
| 2. 382091-01 | Tension latch, stainless steel |
| 3. 382091-02 | Strike, tension latch, stainless steel |
| 4. 685359 | Rubber receptacle, 1/4 turn latch, Southco |
| 5. 685348 | Stud, 1/4 turn latch, Southco |
| 6. 685362 | Retaining ring, 1/4 turn stud |

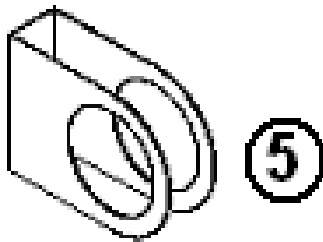
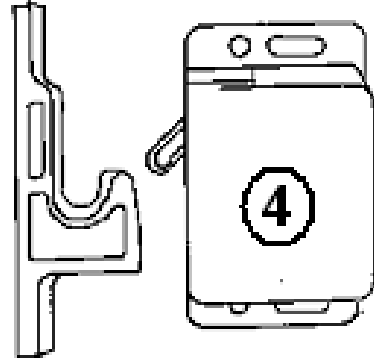
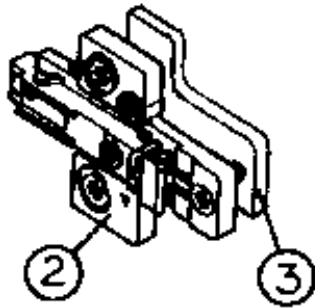
EXTERIOR HINGES

- | | |
|-----------|--|
| 381552-03 | Hinge assembly, main door, upper |
| 381552-04 | Hinge assembly, main door, lower |
| 381531-01 | Hinge, screen door, upper |
| 381531-02 | Hinge, screen door, lower |
| 380773 | Hinge, exterior access door, 13¼, gas bottle cover |
| 380203-01 | Piano hinge, 1/8" pin, Battery box lid, access doors |
| 380203-02 | PIANO HINGE, BLACK, HOSE CARRIER LID, 72" |
| 380988 | HINGE, CONTINUOUS, REFER ACCESS DOOR |

2012 INTERNATIONAL TRAVEL TRAILER

HARDWARE

INTERIOR CABINET HINGE/CATCH

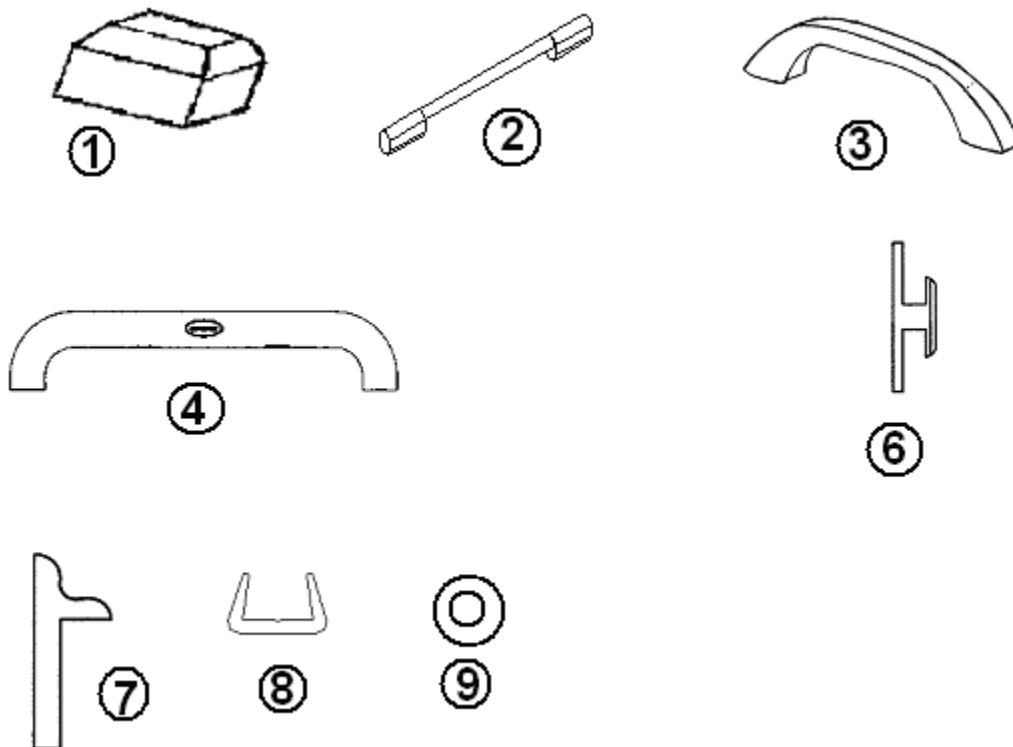


- | | |
|--------------|--------------------|
| 381607 | Hinge assembly |
| 1) 381607-01 | Hinge, cabinet |
| 2) 381607-02 | Base, metal |
| 3)*381607-03 | Base, plastic |
| 3) 381608-04 | Screw #6 x 5/8" |
| 4) 381228-01 | Grabber door latch |
| 5) 454320 | Door latch cover |
- *Not used in all applications

2012 INTERNATIONAL TRAVEL TRAILER

HARDWARE

INTERIOR TRIM



- | | |
|--------------|---|
| 1. 360016 | Bumper, rubber |
| 2. 382029-03 | HANDLE, BAR 11.25" |
| 2. 382029-05 | HANDLE, BAR 21.33" |
| 2. 382029-04 | HANDLE, BAR 15" |
| 2. 382029-00 | HANDLE, BAR 7.48 |
| 3. 381737 | Grab bar, interior, mounts on interior doorjamb |
| 4. 381772 | Head knocker, white |
| 5. 382115 | PULL, Flat Black (Not Shown) |
| 6. 203385 | "F" Trim Black plastic |
| 7. 115064 | Molding Aluminum cove |
| 8. 203138-05 | EXTRUSION, PLASTIC WALL BLACK |
| 8. 203138-01 | EXTRUSION, PLASTIC WALL WHITE |
| 9. 381610-04 | SCREW CAP, BLACK |

2012 INTERNATIONAL TRAVEL TRAILER

HARDWARE

BATHROOM ACCESSORIES

- 381776 TOWEL BAR, CHROME 18", 19', 25', 23' D, 23FB, 27' FB, 28',30'
- 381777 TOWEL RING, CHROME, 19', 25', 23' D, 23FB, 27' FB, 28', 30'
- 381778 ROBE HOOK, CHROME, 19', 25', 23' D, 23FB, 27' FB, 28'
- 381299 Recessed toilet paper holder, 19', 25', 27' FB, 28'
- 380034 TOILET PAPER HOLDER, CHROME, 27' FB, 30'
- 380017 TUMBLER & TOOTHBRUSH HOLDER, CHROME
- 602285 TOWEL RING - STAINLESS STEEL POLISHED, 30'
- 602284 TOWEL BAR - 18" STAINLESS STEEL POLISHED , 30'
- 371423 MIRROR - WALL MOUNT NICKEL, 30'
- 371423-02 MIRROR - WALL MOUNT 8" CHROME, 23'FB, 30'
- 371423-01 RETAINER CLIP FOR MIRROR 1.88" 30'
- 381299 HOLDER-RECESSED TOILET PAPER , EDDIE BAUER
- 381626-02 TOWEL BAR 18" CHROME & BRASS, EDDIE BAUER
- 601830 TRIM KIT SHOWER VLV BRASS/CHROME, EDDIE BAUER
- 601358 SHOWER HDW UNIT,CHROME, EDDIE BAUER
- 600594 STRAINER W/WHT RUBR STOPPER, EDDIE BAUER
- 601767-02 TAILPIECE-CHROME LAVY, EDDIE BAUER
- 601831 VALVE 4 PORT POSI-TEMP #6200, EDDIE BAUER
- 382098 TOWEL BAR, 14.25" CHROME, EDDIE BAUER

MISCELLANEOUS INTERIOR HINGES

- 380203-01 Hinge, Bath Door, Wardrobe, clear
- 380458 HINGE PIANO BROWN, 16'

DINETTE TABLE HARDWARE

- 380284-02 TABLE HINGE BRACKET
- 380284-03 CENTER HINGE J-4
- 340018 CATCH PLATE J-1
- 381881-04 LEG, FOLDING TABLE, 30.5"

BED GAS SPRINGS, 30', 28', 25' Front Bed, 27 Front Bed

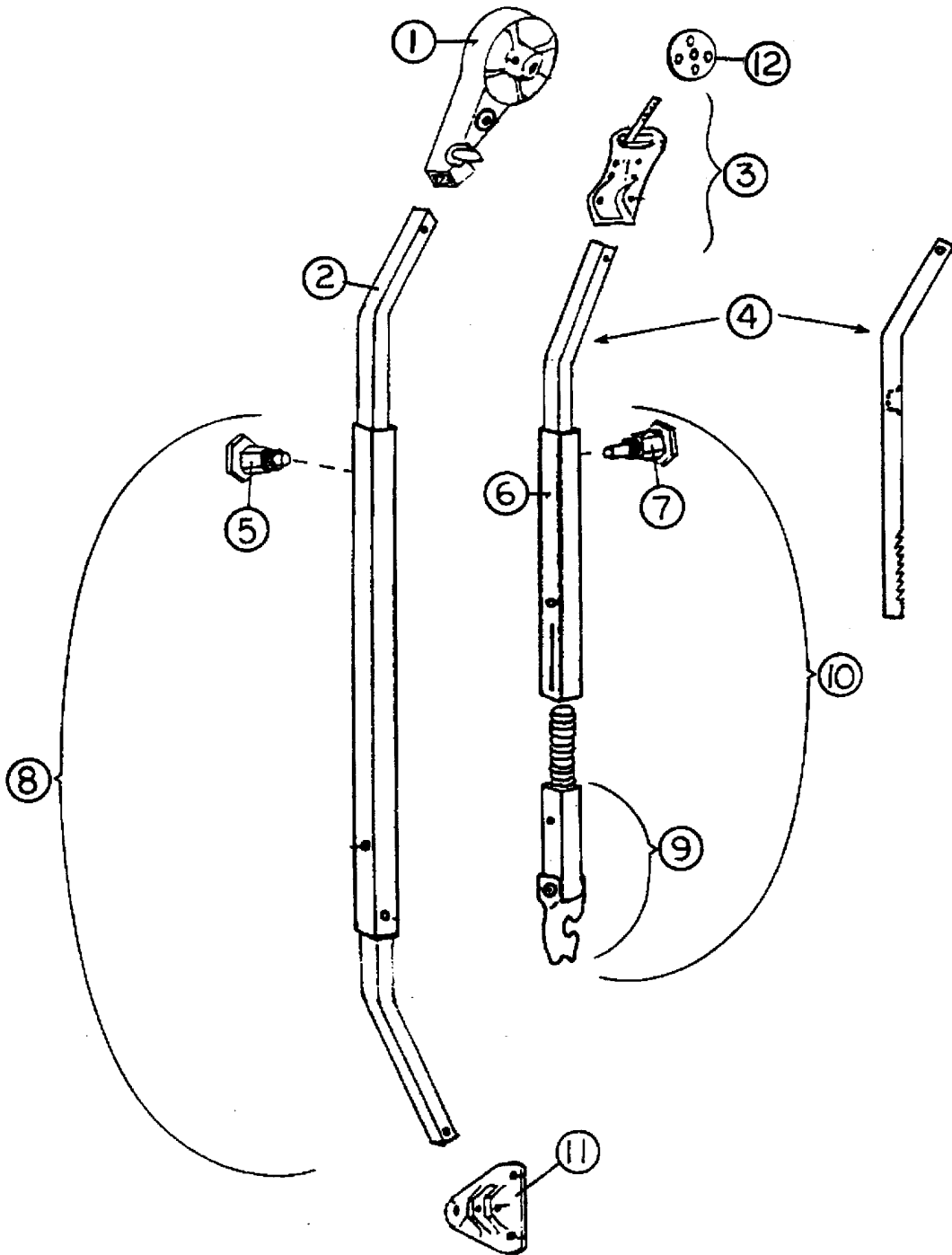
- 381067-09 SPRING, GAS 90 LBS.
- 381262 BRACKET, PROP, W/BALL
- 381310 GAS PROP BRKT. ASSY-UPPER
- 381084 BALL, STUD

2012 INTERNATIONAL TRAVEL TRAILER

HARDWARE

AWNING HARDWARE

See next page for P/N



2012 INTERNATIONAL TRAVEL TRAILER

HARDWARE

AWNING HARDWARE

702993	Awning Hardware, complete Assembly
1. 74043W-06	Front head assembly
1. 74043W-07	Rear head assembly
2. 74047W-11	Front main arm bar
2. 74047W-12	Rear main arm bar
3. 74056W	Clamp assembly, front, curved
3. 74056W-01	Clamp assembly, rear, curved
4. 74061WS-08	Rafter arm bar, satin
5. 74054W	Snap stud assembly
6. 74063W-04	Rafter arm tube, satin
7. 74072W	Ratchet stud
8. 74048WS-15	Front main arm tube assembly
8. 74048WS-16	Rear main arm tube assembly
9. 74068W-04	Claw bar assembly
10. 74048WS-17	Rafter arm assembly
11. 74055W	Base hinge, rib mount
12. 74060W	Clamp wheel

Trailer Level

381269 TRAILER LEVEL

KEY HOOKS – EDDIE BAUER

382152 HOOK, HAMMOCK, STAINLESS
320037-00 SCREW, #6 FH PHILLIPS HEAD 3/8" ZINC

2012 INTERNATIONAL TRAVEL TRAILER

LABELS AND TAGS

Labels and Tags

385193	Label, "12V distribution panel inside"
386119	Label, "DON'T USE AREA FOR STORAGE"
385068	Tag, cooking appliance warning
386118	Label, LP gas warning/fill
385517	Label, kill switch warning
385521	Label, emergency egress window
386122	Warning label/cooking appliance
386121	Label, LP gas warning label (odor)
385465	Exit label, English
385560	Label, air conditioner rating
385812	Label, Calif. hazardous substance
386120	Label, smoke detector
385359	Label, microwave or air conditioner
385837	Label, refrigeration ignition
386012	Label warning, water heater
386123	LABEL "POTABLE WATER ONLY"
386114	LABEL-RVIA SILVER
385062	Decal, 110-125 voltage AC
385565	Label, holding tank flushing
386142	CHECK WHEEL LUG LABEL
386082	LABEL THOR, 5.25" X .75'
386097	LABEL FUSE 12 V. Fuse Block Circuits
386019	LABEL 1 AMP FUSE MAX
385101	TAG AUX TANK DUMP VALVE HANDLE
385099	TAG MAIN TANK DUMP VALVE HANDLE
386111	LABEL 30 AMP FUSE MAX
386192	HANG TAG, SMOKE/CO DETECTOR BATTERY
386193	LABEL, WHEEL TORQUE WARNING
385020	Sticker, Self adhering, "JACK"
386098	LABEL, FUSE, 12 V.
386226	LABEL, RV MASTER WEIGHT LABEL
386110	LABEL-OK TO SHIP INSPECTED
386121	LABEL - "IF YOU SMELL GAS"
386194	LABEL, STORAGE, EDDIE BAUER

2012 INTERNATIONAL TRAVEL TRAILER

LABELS AND TAGS

Labels and Tags, CSA

385949	LABEL "POTABLE WATER" CSA
385950	LABEL "SMOKE DETECTOR CSA
385951	LABEL "RANGE FRESH AIR" CSA
385952	LABEL "LP WARNING" CSA
385953	LABEL "IF YOU SMELL GAS" CSA
385954	LABEL "RANGE WARNING" CSA
385466	LABEL, EXIT, FRENCH
386105	LABEL, TV/VCR RECEPTABLE, CSA
385971	LABEL, FUSE, EXTERIOR LIGHT
386120	LABEL, SMOKE ALARM WARNING
386118	LABEL LP GAS TRIWARNING
386121	LABEL "IF YOU SMELL GAS"
386122	LABEL "COMFORT HEATING"
385466	LABEL, EXIT LABEL (FRENCH)

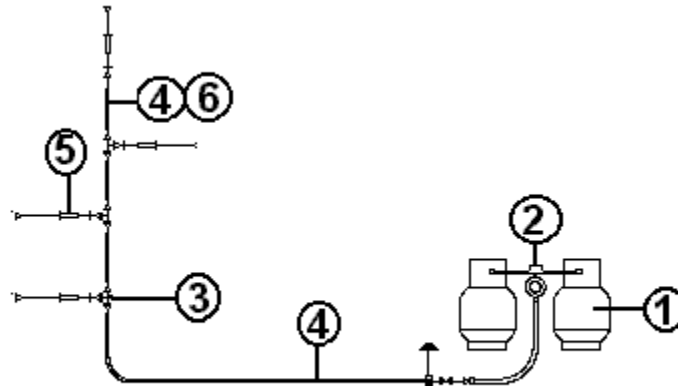
2012 INTERNATIONAL TRAVEL TRAILER

NOTES:

2012 INTERNATIONAL TRAVEL TRAILER

PLUMBING, LPG

LPG SYSTEM, 16' – Units manufactured prior to 1/2/2012.

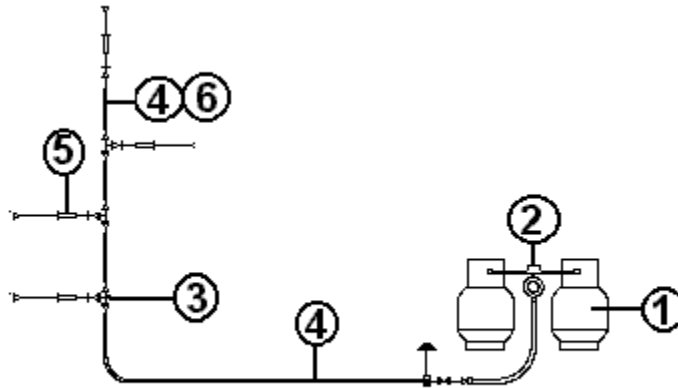


- | | |
|---------------|----------------------------------|
| 1. 601781 | LP TANK-20LB STEEL |
| 1A. 601781-01 | LP TANK-20LB STEEL, CSA |
| 2. 601731 | LP REGULATOR W/MTG. BRACKET |
| 3. 600000 | TEE BRASS 5/8 X 5/8 X 3/8 |
| 4. 600004 | TUBING COPPER 5/8 OD |
| 5. 600008 | TUBING COPPER 3/8OD |
| 6. 601698-01 | TUBING, .50IN,POLY. CSA APPROVE |
| 601686 | BASE PLATE - LP TANK |
| 601687 | HOLD DOWN KIT - LP TANK SAFARI |
| 601685-02 | LP HOSE 1/2"FPT X 3/8"FL-36, CSA |
| 381613 | PLASTISOL COVER-LP WING HANDLE |
| 600003 | TEE 5/8 X 3/8 X 3/8 |
| 600436 | FORGED FLARE NUTS 5/8IN |
| 600435 | FORGED FLARE NUTS 3/8IN |
| 380887 | GROMMET, FLOOR |
| 380886 | GROMMET, FLOOR |
| 600661 | GROUNDING CLAMP 1/2 TO 1 SIZE |
| 500839 | WIRE, BARE COPPER 8 GA. |
| 500038 | LUG GROUND |
| 340085-05 | CLAMP #COY 1109 5/8 IN. |
| 601734 | FITTING-BRASS 5/8 OD FLARE X 1 |

2012 INTERNATIONAL TRAVEL TRAILER

PLUMBING, LPG

LPG SYSTEM, 16' - Units manufactured on or after 1/2/2012.

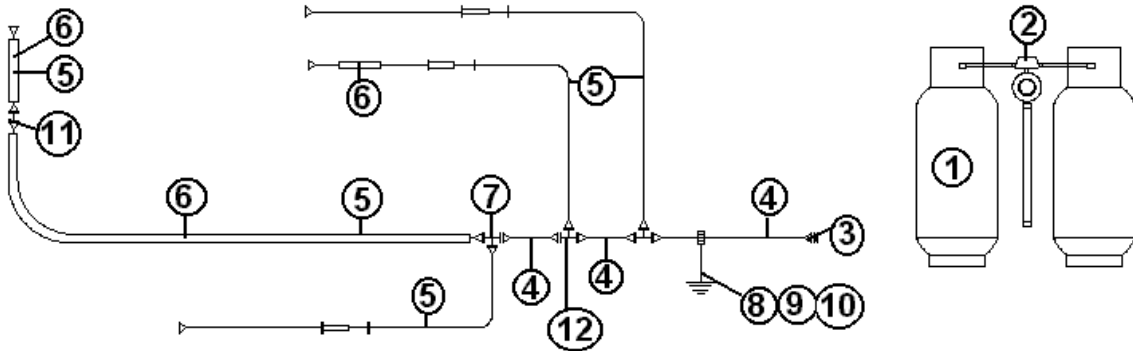


- | | |
|--------------|--------------------------------------|
| 1. 602319 | LP TANK-20LB STEEL |
| 2. 602321 | KIT, REGULATOR/HOLDOWN HDWE. |
| 602321-02 | BASE PLATE |
| 3. 600000 | TEE BRASS 5/8 X 5/8 X 3/8 |
| 4. 600004 | TUBING COPPER 5/8 OD |
| 5. 600008 | TUBING COPPER 3/8OD |
| 6. 601698-01 | TUBING, .50IN,POLY. CSA APPROVE |
| 601685-02 | LP HOSE 1/2"FPT X 3/8"FL-36, CSA |
| 381613 | PLASTISOL COVER-LP WING HANDLE |
| 600003 | TEE 5/8 X 3/8 X 3/8 |
| 600436 | FORGED FLARE NUTS 5/8IN |
| 600435 | FORGED FLARE NUTS 3/8IN |
| 380887 | GROMMET, FLOOR |
| 380886 | GROMMET, FLOOR |
| 600661 | GROUNDING CLAMP 1/2 TO 1 SIZE |
| 500839 | WIRE, BARE COPPER 8 GA. |
| 500038 | LUG GROUND |
| 340085-05 | CLAMP #COY 1109 5/8 IN. |
| 601734 | FITTING-BRASS 5/8 OD FLARE X 1 |
| 602314 | FITTING 5/8 FLR X 5/8 FLR UNION |
| 602312 | FITTING 5/8 FLR X 1/2 FLR 90 DEGREES |
| 601281 | TEE BRASS UNION 5/8 X 5/8 X 5/8 |

2012 INTERNATIONAL TRAVEL TRAILER

PLUMBING, LPG

LPG SYSTEM, 19' UNITS MANUFACTURED PRIOR TO 1/2/2012.

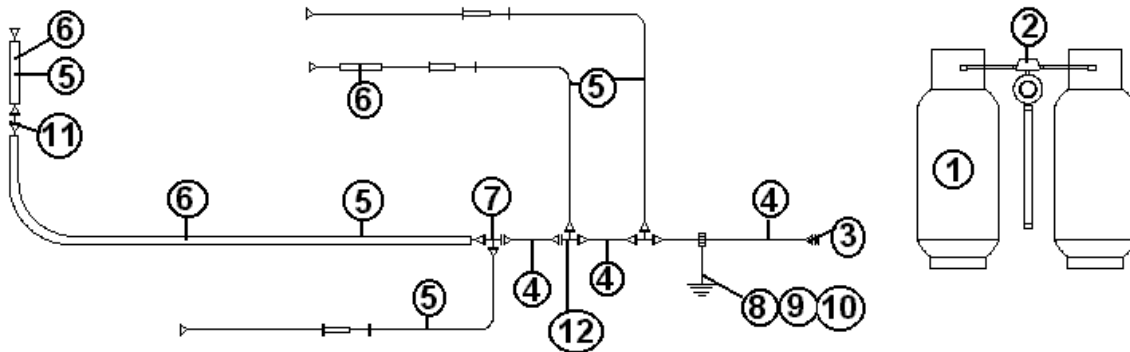


- | | |
|--------------|--|
| 1. 601710-01 | CYLINDER 30# STEEL LP |
| 2. 601731 | LP REGULATOR W/MTG. BRACKET |
| 3. 600468 | UNION FLARE 5/8 X 5/8 |
| 4. 600004 | TUBING COPPER 5/8 OD |
| 5. 600008 | TUBING COPPER 3/8OD |
| 6. 601698-01 | TUBING, 1/2" E-PEX |
| 7. 600003 | TEE 5/8 X 3/8 X 3/8 |
| 8. 600661 | GROUNDING CLAMP 1/2" TO 1 |
| 9. 500839 | WIRE, BARE COPPER 8 GA. |
| 10. 500038 | LUG GROUND |
| 11. 600238 | 3/8IN FLARE UNION |
| 12. 600000 | TEE BRASS 5/8 X 5/8 X 3/8 |
| 601686 | BASE PLATE - LP TANK |
| 601687 | HOLD DOWN KIT - LP TANK |
| 601685-02 | LP HOSE 1/2"FPT X 3/8" FLARE X 36"LONG |
| 381613 | PLASTISOL COVER-LP WING HANDLE |
| 600436 | FORGED FLARE NUTS 5/8" |
| 600435 | FORGED FLARE NUTS 3/8" |

2012 INTERNATIONAL TRAVEL TRAILER

PLUMBING, LPG

LPG SYSTEM, 19' UNITS MANUFACTURED ON OR AFTER 1/2/2012.

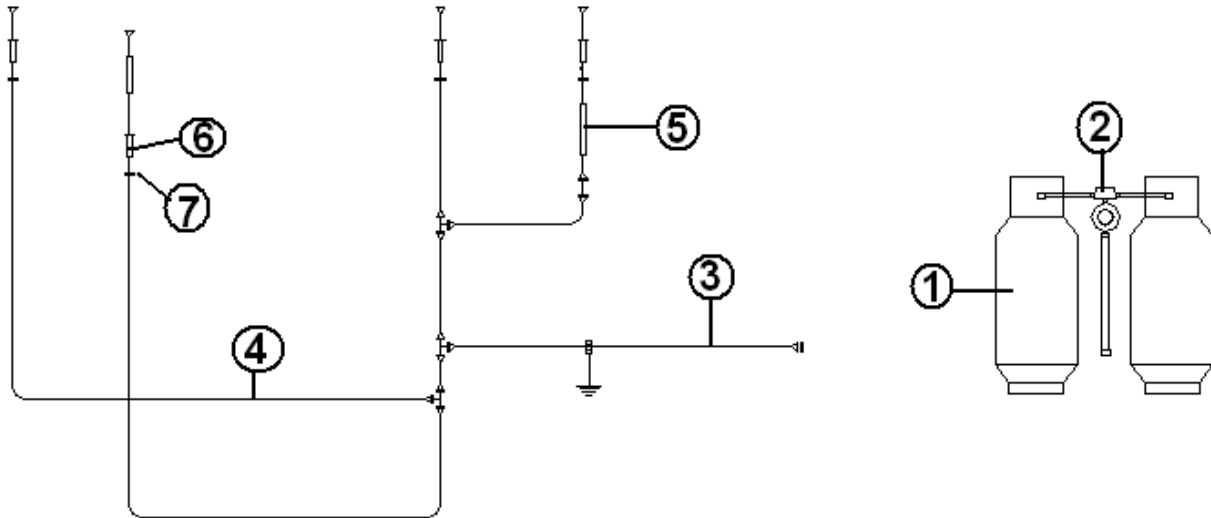


- | | |
|--------------|--|
| 1. 602320 | CYLINDER 30# STEEL LP |
| 2. 602321 | KIT-REGULATOR/HOLDDOWN HDWE. |
| 602321-02 | BASE PLATE |
| 3. 600468 | UNION FLARE 5/8 X 5/8 |
| 4. 600004 | TUBING COPPER 5/8 OD |
| 5. 600008 | TUBING COPPER 3/8OD |
| 6. 601698-01 | TUBING, 1/2" E-PEX |
| 7. 600003 | TEE 5/8 X 3/8 X 3/8 |
| 8. 600661 | GROUNDING CLAMP 1/2" TO 1 |
| 9. 500839 | WIRE, BARE COPPER 8 GA. |
| 10. 500038 | LUG GROUND |
| 11. 600238 | 3/8IN FLARE UNION |
| 12. 600000 | TEE BRASS 5/8 X 5/8 X 3/8 |
| 601685-02 | LP HOSE 1/2"FPT X 3/8" FLARE X 36"LONG |
| 381613 | PLASTISOL COVER-LP WING HANDLE |
| 600436 | FORGED FLARE NUTS 5/8" |
| 600435 | FORGED FLARE NUTS 3/8" |
| 380887 | FLOOR GROMMET |
| 380886 | FLOOR GROMMET |
| 602314 | FITTING 5/8 FLR X 5/8 FLR UNION |
| 602312 | FITTING 5/8 FLR X 1/2 FLR 90 DEGREE |
| 601281 | TEE BRASS UNION 5/8 X 5/8 X 5/8 |

2012 INTERNATIONAL TRAVEL TRAILER

PLUMBING, LPG

LPG SYSTEM, 23' – UNITS MANUFACTURED PRIOR TO 1/2/2012.

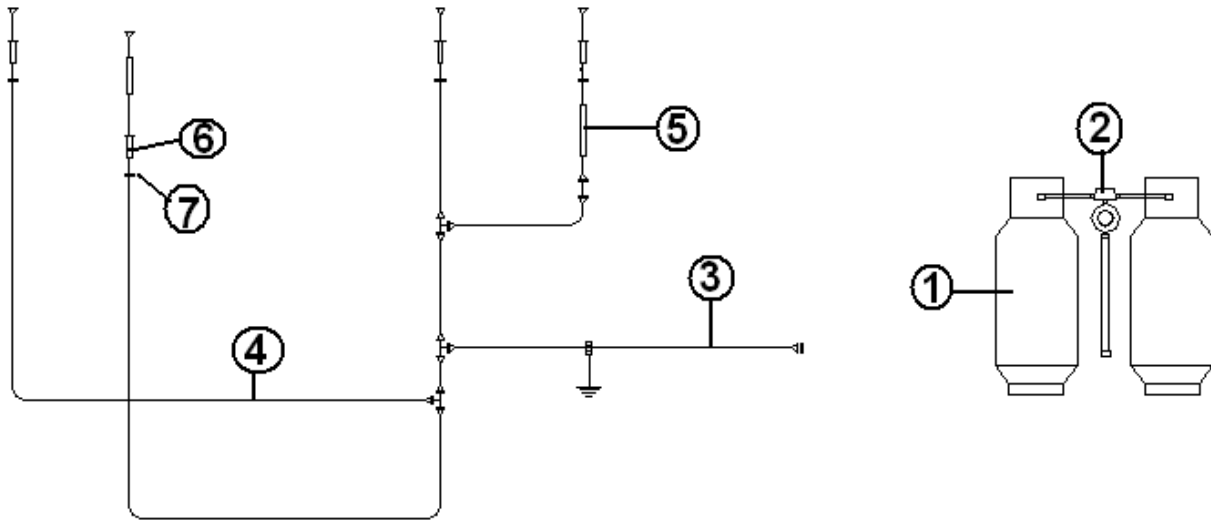


- | | |
|--------------|---------------------------------|
| 1. 601710-01 | CYLINDER 30# STEEL LP |
| 2. 601731 | LP REGULATOR W/MTG. BRACKET |
| 3. 600008 | TUBING COPPER 3/8" OD |
| 4. 600008 | TUBING COPPER 3/8" OD |
| 5. 601698-01 | SHEATHING |
| 6. 380887 | GROMMET, FLOOR |
| 7. 380886 | GROMMET, UNDERBELLY |
| 340085-05 | CLAMP #COY 1109 5/8 IN. DIA. |
| 600238 | 3/8 IN FLARE UNION |
| 600435 | FORGED FLARE NUTS 3/8IN. |
| 600436 | FORGED FLARE NUTS 5/8 IN. |
| 601686 | BASE PLATE - LP TANK MTG SAFAR |
| 601687 | HOLD DOWN KIT - LP TANK SAFARI |
| 601685-02 | LP HOSE-1/2"FPT X 3/8F-36", CSA |
| 381613 | PLASTISOL COVER-LP WING HANDLE |
| 345084 | SCREW-1/4-14X1 THD.CUTTING |
| 350005 | NUT 3/8-16 UNC HEX HD PLATED |

2012 INTERNATIONAL TRAVEL TRAILER

PLUMBING, LPG

LPG SYSTEM, 23' – UNITS MANUFACTURED on or AFTER
1/2/2012.

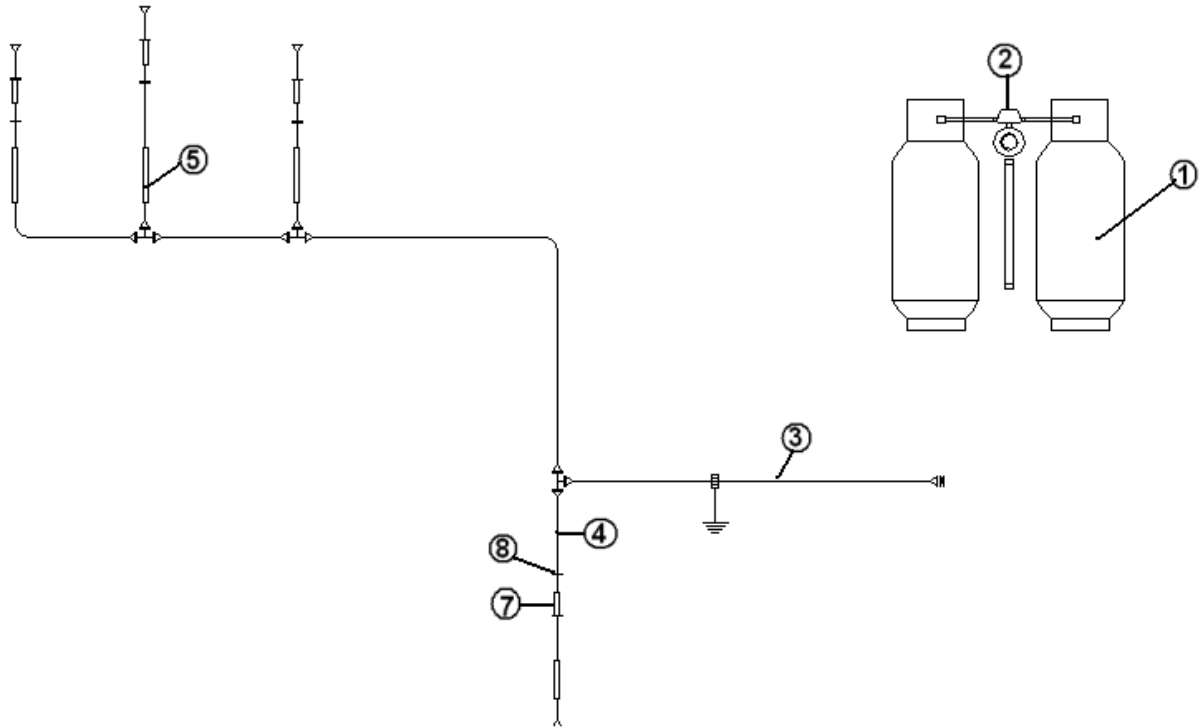


- | | |
|--------------|-------------------------------------|
| 1. 602320 | CYLINDER 30# STEEL LP |
| 2. 602321 | KIT-REGULATOR/HOLD DOWN HDWE |
| 602321-02 | BASE PLATE |
| 3. 600008 | TUBING COPPER 3/8" OD |
| 4. 600008 | TUBING COPPER 3/8" OD |
| 5. 601698-01 | SHEATHING |
| 6. 380887 | GROMMET, FLOOR |
| 7. 380886 | GROMMET, UNDERBELLY |
| 340085-05 | CLAMP #COY 1109 5/8 IN. DIA. |
| 600238 | 3/8 IN FLARE UNION |
| 600435 | FORGED FLARE NUTS 3/8IN. |
| 600436 | FORGED FLARE NUTS 5/8 IN. |
| 601685-02 | LP HOSE-1/2"FPT X 3/8F-36", CSA |
| 381613 | PLASTISOL COVER-LP WING HANDLE |
| 345084 | SCREW-1/4-14X1 THD.CUTTING |
| 350005 | NUT 3/8-16 UNC HEX HD PLATED |
| 380887 | FLOOR GROMMET |
| 380886 | FLOOR GROMMET |
| 602314 | FITTING 5/8 FLR X 5/8 FLR UNION |
| 602312 | FITTING 5/8 FLR X 1/2 FLR 90 DEGREE |
| 601281 | TEE BRASS UNION 5/8 X 5/8 X 5/8 |

2012 INTERNATIONAL TRAVEL TRAILER

PLUMBING, LPG

LPG SYSTEM, 23' FB - UNITS MANUFACTURED PRIOR TO 1/2/2012.

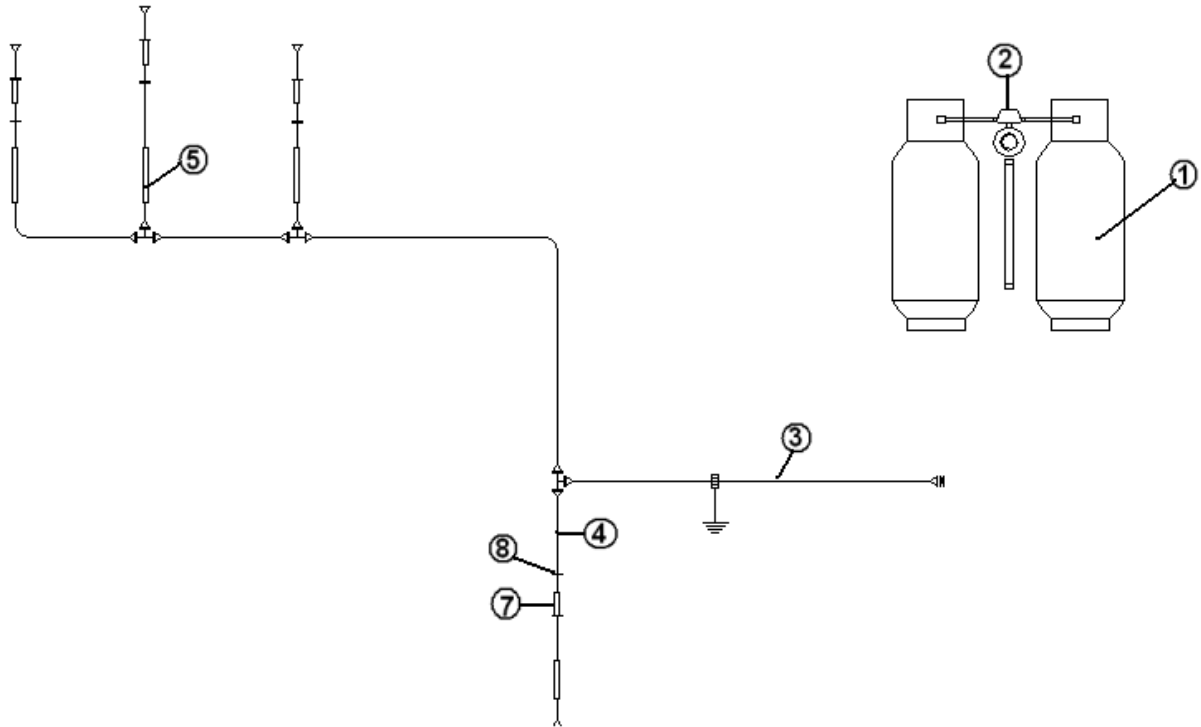


- | | |
|--------------|---------------------------------|
| 1. 601710-01 | CYLINDER 30# STEEL LP A/S TT |
| 2. 601731 | LP REGULATOR W/MTG. BRACKET |
| 3. 600008 | TUBING COPPER 3/8OD |
| 4. 600008 | TUBING COPPER 3/8 OD |
| 5. 601159-02 | 1/2" SHEATHING |
| 6. 600435 | FORGED FLARE NUTS 3/8IN |
| 7. 380887 | GROMMET, FLOOR |
| 8. 380886 | GROMMET, UNDERBELLY |
| 9. 340085-05 | CLAMP #COY 1109 5/8 IN. DIA. |
| 600238 | 3/8IN FLARE UNION |
| 601687 | HOLD DOWN KIT, LP TANK |
| 601685-02 | LPHOSE 1/2"FPT X 3/8F 36" |
| 381613 | PLASTISOL COVER, LP WING HANDLE |

2012 INTERNATIONAL TRAVEL TRAILER

PLUMBING, LPG

LPG SYSTEM, 23' FB UNITS MANUFACTURED ON OR AFTER 1/2/2012.



- | | |
|--------------|---------------------------------|
| 1. 602320 | CYLINDER 30# STEEL LP |
| 2. 602321 | KIT-REGULATOR/HOLD DOWN HDWE |
| 602321-02 | BASE PLATE |
| 3. 600008 | TUBING COPPER 3/8OD |
| 4. 600008 | TUBING COPPER 3/8 OD |
| 5. 601159-02 | 1/2" SHEATHING |
| 6. 600435 | FORGED FLARE NUTS 3/8IN |
| 7. 380887 | GROMMET, FLOOR |
| 8. 380886 | GROMMET, UNDERBELLY |
| 9. 340085-05 | CLAMP #COY 1109 5/8 IN. DIA. |
| 600238 | 3/8IN FLARE UNION |
| 601685-02 | LPHOSE 1/2"FPT X 3/8F 36" |
| 381613 | PLASTISOL COVER, LP WING HANDLE |

2012 INTERNATIONAL TRAVEL TRAILER

PLUMBING, LPG

LPG SYSTEM, 25' - UNITS MANUFACTURED PRIOR TO 1/2/2012.

601710-01	CYLINDER 30# STEEL LP
601731	LP REGULATOR W/MTG. BRACKET
201649	ACCESS COVER LP REGULATOR
601687	HOLD DOWN KIT - LP TANK
601685-02	LP HOSE 1/2" FPT X 3/8" FLARE X 36" LONG
381613	PLASTISOL COVER-LP WING HANDLE
601686	BASE PLATE-LP TANK MOUNTING
600004	TUBING COPPER 5/8 OD
600003	TEE 5/8 X 3/8 X 3/8
600008	TUBING COPPER 3/8OD
600436	FORGED FLARE NUTS 5/8IN
600661	GROUNDING CLAMP 1/2 TO 1 SIZE
345084	SCREW-1/4-14X1 THD.CUTTING
350005	NUT 3/8-16 UNC HEX HD PLATED
500038	LUG GROUND
340085-05	CLAMP #COY 1109 5/8 IN. DIA.
601698-01	E-PEX, 1/2", TUBING
601281	TEE BRASS UNION 5/8 X 5/8 X 5/8

2012 INTERNATIONAL TRAVEL TRAILER

PLUMBING, LPG

LPG SYSTEM, 25' - UNITS MANUFACTURED ON OR AFTER 1/2/2012.

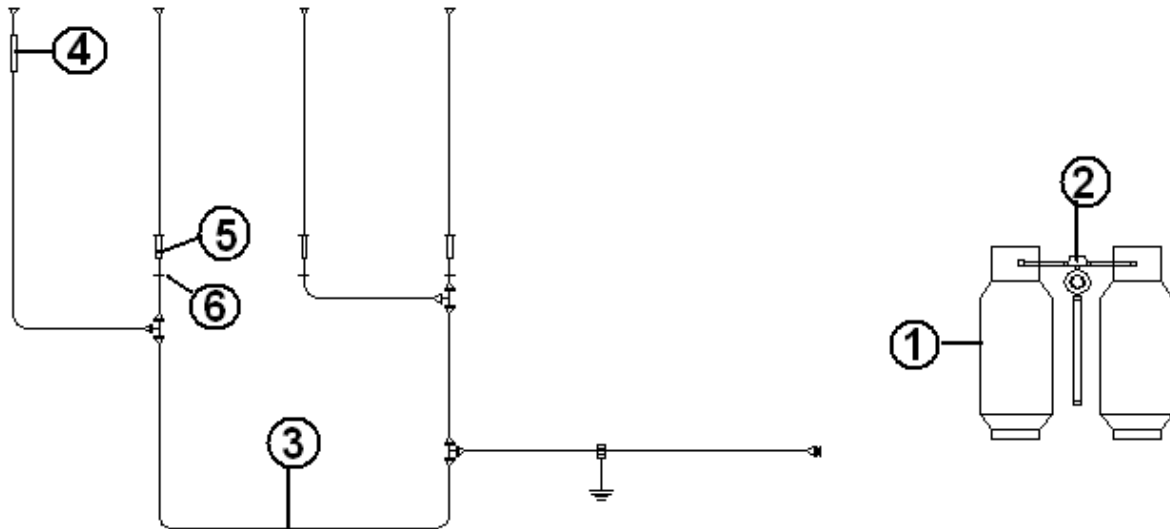
602320	CYLINDER 30# STEEL LP
602321	KIT-REGULATOR/HOLD DOWN HDWE
602321-02	BASE PLATE
201649	ACCESS COVER LP REGULATOR
601685-02	LP HOSE 1/2" FPT X 3/8" FLARE X 36" LONG
381613	PLASTISOL COVER-LP WING HANDLE
601686	BASE PLATE-LP TANK MOUNTING
600004	TUBING COPPER 5/8 OD
600003	TEE 5/8 X 3/8 X 3/8
600008	TUBING COPPER 3/8OD
600436	FORGED FLARE NUTS 5/8IN
600661	GROUNDING CLAMP 1/2 TO 1 SIZE
345084	SCREW-1/4-14X1 THD.CUTTING
350005	NUT 3/8-16 UNC HEX HD PLATED
500038	LUG GROUND
340085-05	CLAMP #COY 1109 5/8 IN. DIA.
601698-01	E-PEX, 1/2", TUBING
601281	TEE BRASS UNION 5/8 X 5/8 X 5/8

2012 INTERNATIONAL TRAVEL TRAILER

PLUMBING, LPG

LPG SYSTEM, 27' FB – UNITS MANUFACTURED PRIOR TO 1/2/2012.

Range WH Furn. Refer.



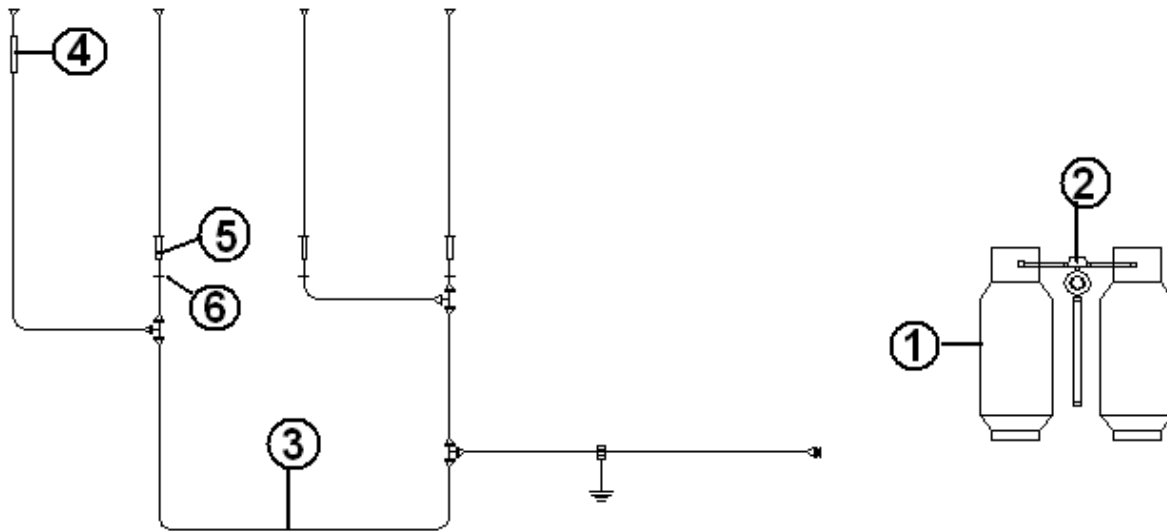
- | | |
|--------------|--------------------------------------|
| 1. 601710-01 | CYLINDER 30# STEEL LP |
| 2. 601731 | LP REGULATOR W/MTG. BRACKET |
| 3. 600008 | TUBING COPPER 3/8" OD |
| 4. 601698-01 | SHEATHING |
| 5. 380887 | GROMMET, FLOOR |
| 6. 380886 | GROMMET, UNDERBELLY |
| 340085-05 | CLAMP #COY 1109 5/8 IN. DIA. |
| 600238 | 3/8IN FLARE UNION |
| 600435 | FORGED FLARE NUTS 3/8 IN. |
| 601686 | BASE PLATE, LP TANK MTG SAFAR |
| 601687 | HOLD DOWN KIT LP TANK SAFARI |
| 601685-01 | NLA - LP HOSE-1/2"FPT X 3/8F-36" #19 |
| 601685-02 | LP HOSE 1/2" FPT x 3/8"F 36" #19 CSA |
| 381613 | PLASTISOL COVER-LP WING HANDLE |
| 345084 | SCREW-1/4-14X1 THD.CUTTING |
| 350005 | NUT 3/8-16 UNC HEX HD PLATED |

2012 INTERNATIONAL TRAVEL TRAILER

PLUMBING, LPG

LPG SYSTEM, 27' FB – UNITS MANUFACTURED ON OR AFTER 1/2/2012.

Range WH Furn. Refer.

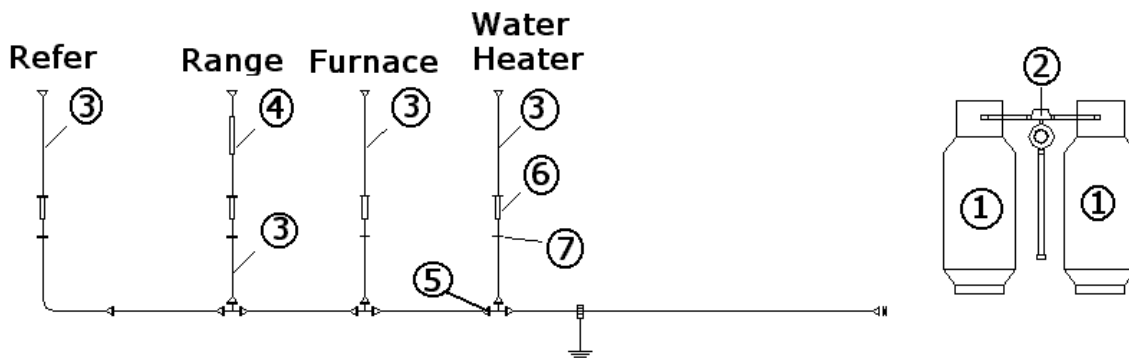


- | | |
|--------------|--------------------------------------|
| 1. 602320 | CYLINDER 30# STEEL LP |
| 2. 602321 | KIT-REGULATOR/HOLD DOWN HDWE |
| 602321-02 | BASE PLATE |
| 3. 600008 | TUBING COPPER 3/8" OD |
| 4. 601698-01 | SHEATHING |
| 5. 380887 | GROMMET, FLOOR |
| 6. 380886 | GROMMET, UNDERBELLY |
| 340085-05 | CLAMP #COY 1109 5/8 IN. DIA. |
| 600238 | 3/8IN FLARE UNION |
| 600435 | FORGED FLARE NUTS 3/8 IN. |
| 601685-01 | NLA - LP HOSE-1/2"FPT X 3/8F-36" #19 |
| 601685-02 | LP HOSE 1/2" FPT x 3/8"F 36" #19 CSA |
| 381613 | PLASTISOL COVER-LP WING HANDLE |
| 345084 | SCREW-1/4-14X1 THD.CUTTING |
| 350005 | NUT 3/8-16 UNC HEX HD PLATED |

2012 INTERNATIONAL TRAVEL TRAILER

PLUMBING, LPG

LPG SYSTEM 28'- UNITS MANUFACTURED PRIOR TO 1/2/2012



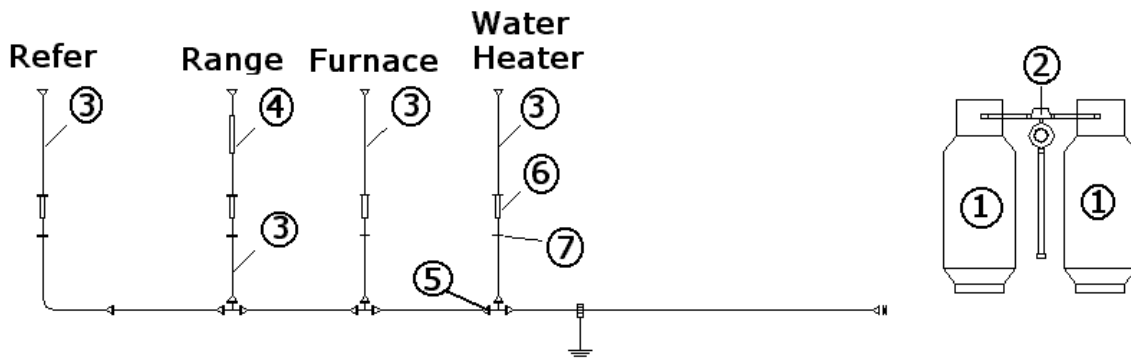
- | | |
|--------------|--------------------------------------|
| 1. 601710-01 | Bottle, LP, 30 LBS. |
| 2. 601731 | LP REGULATOR W/MTG. BRACKET |
| 3. 600008 | TUBING COPPER 3/8 OD |
| 4. 601698-01 | TUBING, 1/2", E-Pex |
| 5. 600435 | FORGED FLARE NUTS 3/8IN |
| 6. 380887 | GROMMET, FLOOR |
| 7. 380886 | GROMMET, FLOOR |
| 601685-01 | NLA - LP HOSE-1/2"FPT X 3/8F-36" #19 |
| 601685-02 | LP HOSE 1/2"FPT X 3/8" FLARE #1956 |

Below Floor Assembly

- | | |
|-----------|--------------------------|
| 600001 | Flare nut, 5/8" |
| 600661 | Ground Clamp |
| 500038 | Ground Clamp |
| 500839 | Wire, copper, #8 |
| 600004 | Copper line, 5/8" |
| 600000 | 5/8" x 5/8" x 3/8" Tee |
| 600436 | Forged Flare Nuts - 5/8" |
| 601698-01 | TUBING, 1/2", E-Pex |

2012 INTERNATIONAL TRAVEL TRAILER

LPG SYSTEM 28'- UNITS MANUFACTURED ON OR AFTER 1/2/2012



- | | |
|--------------|--------------------------------------|
| 1. 602320 | CYLINDER 30# STEEL LP |
| 2. 602321 | KIT-REGULATOR/HOLD DOWN HDWE |
| 602321-02 | BASE PLATE |
| 3. 600008 | TUBING COPPER 3/8 OD |
| 4. 601698-01 | TUBING, 1/2", E-Pex |
| 5. 600435 | FORGED FLARE NUTS 3/8IN |
| 6. 380887 | GROMMET, FLOOR |
| 7. 380886 | GROMMET, FLOOR |
| 601685-01 | NLA - LP HOSE-1/2"FPT X 3/8F-36" #19 |
| 601685-02 | LP HOSE 1/2"FPT X 3/8" FLARE #1956 |

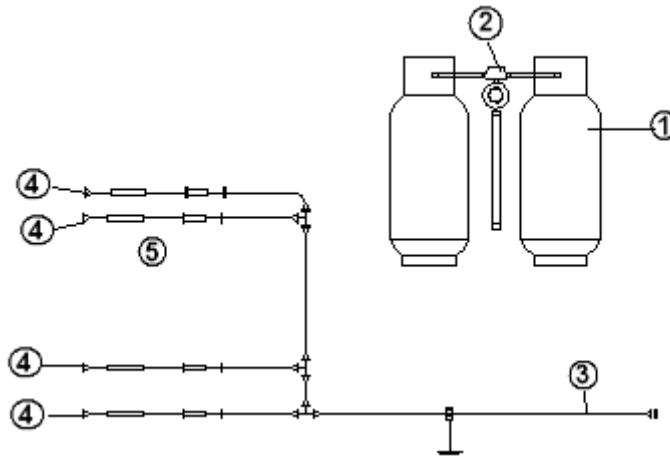
Below Floor Assembly

- | | |
|-----------|-------------------------------------|
| 600661 | Ground Clamp |
| 500038 | Ground Clamp |
| 500839 | Wire, copper, #8 |
| 600004 | Copper line, 5/8" |
| 600000 | 5/8" x 5/8" x 3/8" Tee |
| 600436 | Forged Flare Nuts - 5/8" |
| 601421-11 | Flare Union - 3/8"MPT x 5/8"MPT |
| 601281 | Tee, Brass Union 5/8" x 5/8" x 5/8" |

2012 INTERNATIONAL TRAVEL TRAILER

PLUMBING, LPG

LPG SYSTEM 30' UNITS MANUFACTURED PRIOR TO 1/2/2012.



- | | |
|--------------|------------------------------|
| 1. 601710-01 | CYLINDER 30# STEEL LP |
| 2. 601731 | LP REGULATOR W/MTG. BRACKET |
| 3. 943718 | LP SUB ASSY (Listed Below) |
| 4. 600008 | TUBING COPPER 3/8OD - 94" |
| 4. 600008 | TUBING COPPER 3/8 OD - 33" |
| 4. 600008 | TUBING COPPER 3/8 OD - 84" |
| 4. 600008 | TUBING COPPER 3/8 OD - 32" |
| 5. 601698-01 | E-PEX 1/2" TUBING |
| 600435 | FORGED FLARE NUTS 3/8IN |
| 380887 | GROMMET, FLOOR |
| 380886 | GROMMET, FLOOR |
| 340085-05 | CLAMP #COY 1109 5/8 IN. DIA. |

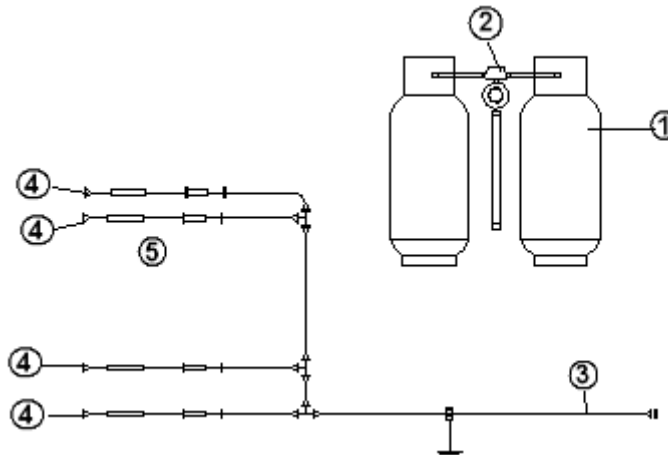
LP SUB - ASSY.

- | | |
|-----------|--------------------------------|
| 600661 | GROUND FITTING .5" TO 1" DIE C |
| 500038 | LUG GROUND |
| 500839 | WIRE, BARE COPPER 8 GA. |
| 600004 | TUBING COPPER 5/8 OD |
| 600000 | TEE BRASS 5/8 X 5/8 X 3/8 |
| 601698-01 | E-PEX 1/2" TUBING |

2012 INTERNATIONAL TRAVEL TRAILER

PLUMBING, LPG

LPG SYSTEM 30' UNITS MANUFACTURED ON OR AFTER 1/2/2012.



- | | |
|--------------|------------------------------|
| 1. 602320 | CYLINDER 30# STEEL LP |
| 2. 602321 | KIT-REGULATOR/HOLD DOWN HDWE |
| 602321-02 | BASE PLATE |
| 3. 943718 | LP SUB ASSY (Listed Below) |
| 4. 600008 | TUBING COPPER 3/8OD - 94" |
| 4. 600008 | TUBING COPPER 3/8 OD - 33" |
| 4. 600008 | TUBING COPPER 3/8 OD - 84" |
| 4. 600008 | TUBING COPPER 3/8 OD - 32" |
| 5. 601698-01 | E-PEX 1/2" TUBING |
| 600435 | FORGED FLARE NUTS 3/8IN |
| 380887 | GROMMET, FLOOR |
| 380886 | GROMMET, FLOOR |
| 340085-05 | CLAMP #COY 1109 5/8 IN. DIA. |

LP SUB - ASSY.

- | | |
|-----------|--------------------------------|
| 600436 | FORGED FLARE NUTS 5/8" |
| 600661 | GROUND FITTING .5" TO 1" DIE C |
| 500038 | LUG GROUND |
| 500839 | WIRE, BARE COPPER 8 GA. |
| 600004 | TUBING COPPER 5/8 OD |
| 600000 | TEE BRASS 5/8 X 5/8 X 3/8 |
| 601698-01 | E-PEX 1/2" TUBING |

2012 INTERNATIONAL TRAVEL TRAILER

PLUMBING, LPG

LP BOTTLES AND FITTINGS

601781	LP TANK, 20LB STEEL - PRIOR TO 1/2/2012
601781-01	LP TANK, 20LB STEEL, CSA - PRIOR TO 1/2/2012
602319	LP TANK, 20# STEEL -1/2/2012 FORWARD.
601710-01	Bottle, LP, steel, 30# - PRIOR TO 1/2/2012.
601710-02	Bottle, LP, steel, CSA- PRIOR TO 1/2/2012.
602320	Bottle LP, steel 30# - 1/2/2012 FORWARD.
601731	Regulator and hose assembly, Marshall Brass
601685-02	LP HOSE 1/2"FPT X 3/8"FL-36, CSA
601685-03	LP HOSE 40" 1/2"FPT X 3/8" FLARE 36" LONG - ON OR AFTER 1/2/2012
602321	KIT-REGULATOR/HOLD DOWN HDWE- ON OR AFTER 1/2/2012.
602321-02	BASE PLATE - ON OR AFTER 1/2/2012.
601687	HOLD DOWN KIT - LP TANK PRIOR TO 1/2/2012.
381613	PLASTISOL COVER-LP WING HANDLE
601686	BASE PLATE - LP TANK PRIOR TO 1/2/2012.

2012 INTERNATIONAL TRAVEL TRAILER

PLUMBING, LPG

LP BOTTLE COVER 19', 23' D, 23'FB, 27' FB, 25'FB, 28', 30'
UNITS MANUFACTURED PRIOR TO 1/2/2012.

921232	Bottle cover, LP
382091-01	Tension latch, stainless steel
382091-02	Strike, tension latch, stainless steel
200841	Lid, plastic, bottle cover
380773	Hinge, access door
114070	J-trim, extrusion, aluminum

LP BOTTLE COVER 19', 23'D, 23'FB,27'FB, 25'FB, 28', 30' -UNITS
MANUFACTURED ON OR AFTER 1/2/2012.

921246	LP BOTTLE COVER
115288-01	WRAPPER-LP BOTTLE COVER SHORT
115289-04	CROSS BAR LP BOTTLE COVER
200841	LID-LP BOTTLE COVER
382091-01	LATCH
382091-02	STRIKE
380773	PIANO HINGE

LP BOTTLE COVER, 16' - UNITS MANUFACTURED PRIOR TO
1/2/2012.

915778	COVER ASSY-LP BOTTLE, 16'
115202	LID LP BOTTLE COVER
115201	WRAP, LP BOTTLE COVER
381136	RUBBER BUMPER
114070	EXTRUSION. J-TRIM, MILL FINISH

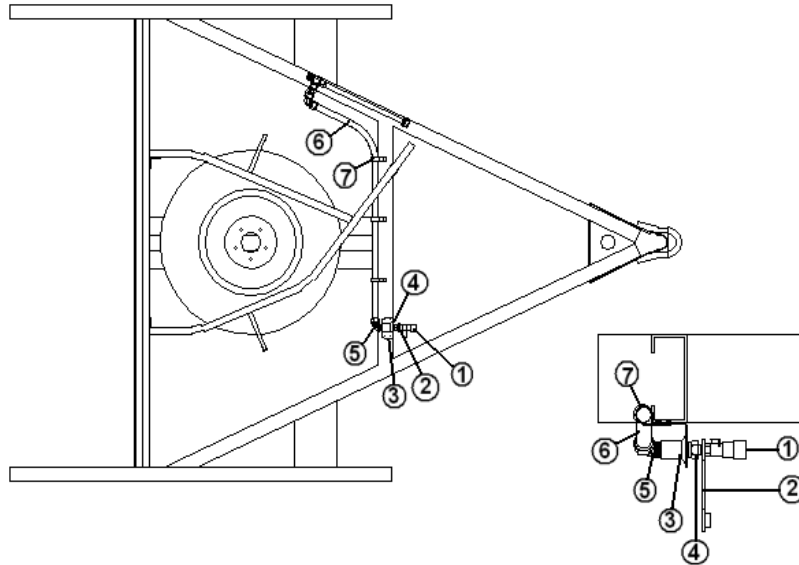
LP BOTTLE COVER, 16' - UNITS MFG. ON OR AFTER 1/2/2012.

921247	COVER ASSY LP BOTTLE, 16'
115559	LID-LP BOTTLE COVER
115560	WRAP-LP BOTTLE COVER
381136	RUBBER BUMPER
114070	EXTRUSION-J TRIM-MILL FINISH

2012 INTERNATIONAL TRAVEL TRAILER

PLUMBING, LPG

PROPANE PORT – EXTERIOR



112008 EXTERIOR PROPANE PORT
*112008-01 EXTERIOR PROPANE PORT – 16'

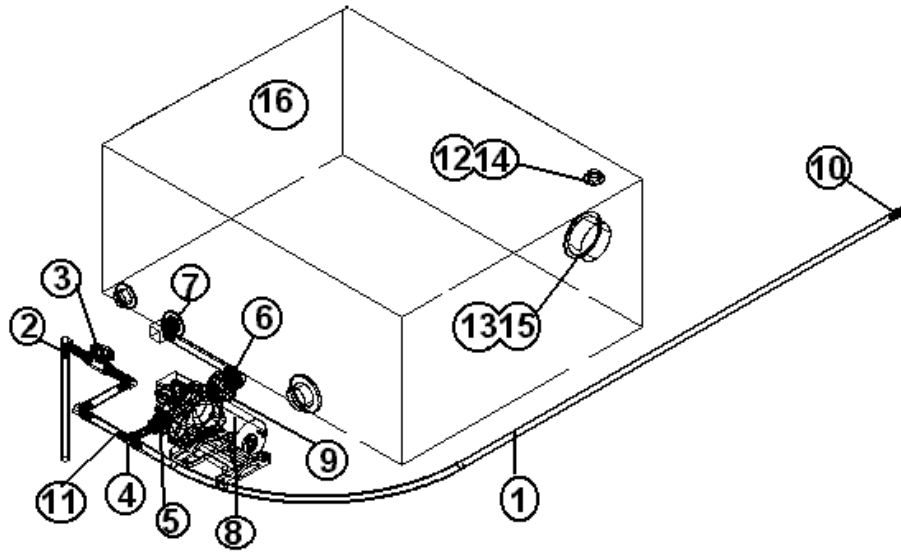
1.	602109-01	COUPLER, QUICK DISCONNECT
2.	602109-03	DUST PLUG
3.	454901	BRACKET – LP QUICK DISCONNECT PORT
4.	602286	NIPPLE, 1/2" MNPT – 1/4" MNPT
5.	602313	FITTING 1/2" MPT X 1/2" FLR 90 DEGREE
*6.	602315	LP HOSE 1/2" FLR SWV 36.00"
7.	340085-07	CLAMP, LOOP, STEEL W/RUB 1"
8.	201267-11	CONDUIT CONVOLUTED 1.00" DIA
	386250	LABEL-LPG SERVICE PORT

*112008-01 ITEM #6 IS REPLACED WITH PART NUMBER 602315-01 – 18"
HOSE. 16' TRAILER

2012 INTERNATIONAL TRAVEL TRAILER

PLUMBING, FRESHWATER

Fresh Water System, 16'



- | | | |
|-----|------------|---|
| 1. | 601698-01 | E-PEX 1/2" TUBING |
| 2. | *601698-10 | QQE33X 1/2" BARB EL |
| 2. | 602256-10 | ELBOW, .5 BARB - PLASTIC |
| 3. | *601698-22 | BALL VALVE 1/4" TURN |
| 3. | *602256-22 | BALL VALVE 1/4" TURN PLASTIC |
| 4. | *601698-11 | QQT333X 1/2" BARB TEE |
| 4. | *602256-11 | QQT333X 1/2" BARB TEE PLASTIC |
| 5. | *601698-03 | QQSFC33XPXP 1/2B X 1/2FPT SW ADPT |
| 5. | *602256-03 | ADAPTER, POLY .5 BARB X .5 FPT SWIVEL PLASTIC |
| 6. | *601698-05 | QQE33BSXP 1/2" B X 1/2" FPT SWIVEL |
| 6. | *602256-05 | QQE33BSXP 1/2" B X 1/2" FPT SWIVEL PLASTIC |
| 7. | *601698-04 | QQE33BTX 1/2" B X 1/2" MPT BARB EL |
| 7. | *602256-04 | QQE33BTX 1/2" BX1/2" MPT BARB EL PLASTIC |
| 8. | 601061-03 | PUMP WATER SHURFLO |
| 9. | 601668-01 | WATER PUMP PRE-FILTER |
| 10. | 601698-08 | QQC33X1/2"BARB COUPLING |
| 10. | 602256-08 | QQC33X 1/2" BARB COUPLING PLASTIC |
| 11. | 601698-15 | 1/2" CRIMP RING |
| 12. | 601240-01 | TUBING 1/2" I.D. X 3/32 WALL |
| 13. | 601239-01 | TUBING 1.375" I.D. RIBBED |
| 14. | 340084-12 | CLAMP, HOSE |
| 15. | 340084-20 | CLAMP, HOSE |
| 16. | 601861-01 | Fresh water tank |
| | 602308 | CHECK VALVE, LEAD FREE |
| | 601531 | FITTING-90 DEGREE 3" H X ST |
| | 203085 | PLUG WATER LINE 1/2" PLASTIC BLACK |
| | 601658 | VALVE 1/2" STOP CPVC |
| | 601659 | RISER 1/2" FPT X 12" CPVC |
| | 602185-01 | DRAIN VALVE 90 DEG TURN, Lead Free |

* METAL FITTINGS WERE REPLACED BY PLASTIC FITTINGS ON UNITS MANUFACTURED IN MARCH , 2010 AND AFTER.

2012 INTERNATIONAL TRAVEL TRAILER

PLUMBING, FRESHWATER

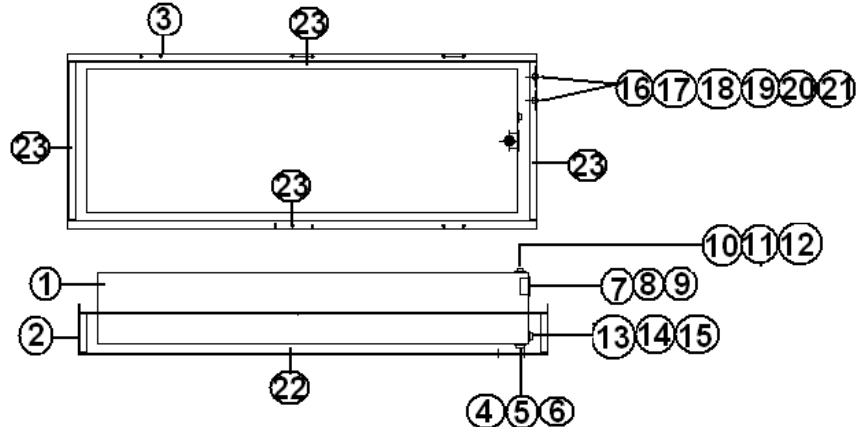
Water Fill/Tank System, 19'

203085	PLUG WATER LINE 1/2" PLASTIC B
601861-01	Tank, fresh water
454065	Fresh water tank aluminum strap
964478	SLOPE PAD-Fresh tank
453712	SHIELD FRESH WATER TANK DRAIN
602185-01	Drain Valve, 90 degree turn, Lead Free
601469	VACUUM BREAKER, 3/4IN GARDEN HOSE
602202	PUMP – WATER SMART SENSOR 4.0
601668-01	WATER PUMP PRE-FILTER
601194	WATER FILL W/LOCK, GRAY, W/LABEL
601267-04	NIPPLE 3" DIA. THD ONE 10" LG
601531	FITTING-90 DEGREE 3" H X ST
601658	VALVE 1/2" STOP CPVC
601659	RISER 1/2" FPT X 12" CPVC
601467	SILLCOCK, 1/2" FEMALE W/WHEEL HANDLE
601588	DRAIN COCK RADIATOR BRASS

2012 INTERNATIONAL TRAVEL TRAILER

PLUMBING, FRESHWATER

Fresh Water Tank Layout, Metal Fittings 23' D



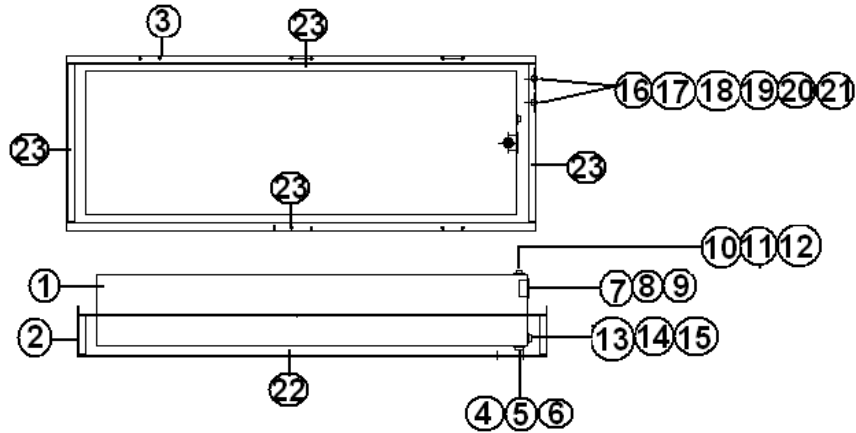
- | | |
|---------------|--|
| 1. 601863-02 | TANK, FRESH WATER 39 GALLON |
| 2. 966288 | TANK PAN |
| 3. 345074-05 | SCREW 5/16-18 X 7/8 HEX WASHER |
| 4. 601810 | VALVE, 1/2" FPT X 1/2" FPT KBI |
| 5. 601811 | ELBOW, 1/2" MPT X 1/2" FPT STREET |
| 6. 601812 | NIPPLE-BRASS 1/2" X 2.0" |
| 7. 601237 | ELBOW 90 D 1.25 MPT X 1.25 BAR |
| 8. 601239-01 | TUBING 1.375 I.D. RIBBED |
| 9. 0260043-20 | WORM CLAMP #20 |
| 10. 601698-04 | QQE33BTX 1/2" B X 1/2" MPT BARB EL |
| 11. 601240-01 | TUBING 1/2" I.D. X 3/32" WALL THREADED |
| 12. 340086 | MINIATURE SCREW TYPE HOSE CLAMP |
| 13. 601698-04 | QQE33BTX 1/2" B X 1/2" MPT BARB EL |
| 14. 601698-01 | E-PEX 1/2" TUBING |
| 15. 601698-15 | 1/2" CRIMP RING |
| 16. 602185-01 | Drain Valve, 90 degree - Lead Free |
| 17. 300124 | WASHER 1.25OD X.69ID X.09 TH Z |
| 18. 602185-01 | Drain Valve, 90 degree - Lead Free |
| 19. 602256-03 | QQSFC33XPXP 1/2" B X 1/2" FPT SW ADAPTOR |
| 20. 601698-01 | E-PEX 1/2" TUBING |
| 21. 601698-15 | 1/2" CRIMP RING |
| 22. 200507 | STYROFOAM, 1 X 25 X 55 |
| 23. 200152 | STYROFOAM, 1/2" X 6 X 42 |

* METAL FITTINGS WERE REPLACED BY PLASTIC ON UNITS MANUFACTURED IN MARCH OF 2010 AND AFTER.

2012 INTERNATIONAL TRAVEL TRAILER

PLUMBING, FRESHWATER

Fresh Water Tank Layout, Plastic Fittings 23' D



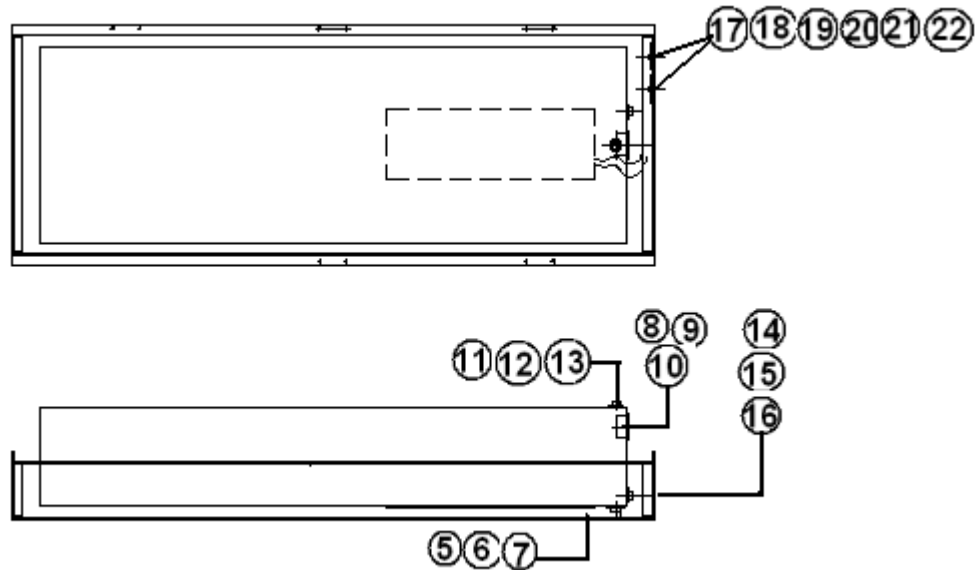
- | | | |
|------|------------|--|
| 1. \ | 601863-02 | TANK, FRESH WATER 39 GALLON |
| 2. \ | 966288 | TANK PAN |
| 3. \ | 345074-05 | SCREW 5/16-18 X 7/8 HEX WASHER |
| 4. \ | 601810 | VALVE, 1/2" FPT X 1/2" FPT KBI |
| 5. \ | 601811 | ELBOW, 1/2" MPT X 1/2" FPT STREET |
| 6. \ | 601812 | NIPPLE-BRASS 1/2" X 2.0" |
| 7. \ | 601237 | ELBOW 90 D 1.25 MPT X 1.25 BAR |
| 8. \ | 601239-01 | TUBING 1.375 I.D. RIBBED |
| 9. \ | 0260043-20 | WORM CLAMP #20 |
| 10. | 602256-04 | QQE33BTX 1/2" B X 1/2" MPT BARB EL |
| 11. | 601240-01 | TUBING 1/2" I.D. X 3/32" WALL THREADED |
| 12. | 340086 | MINIATURE SCREW TYPE HOSE CLAMP |
| 13. | 602256-04 | QQE33BTX 1/2" B X 1/2" MPT BARB EL |
| 14. | 601698-01 | E-PEX 1/2" TUBING |
| 15. | 601698-15 | 1/2" CRIMP RING |
| 16. | 602185-01 | Drain Valve, 90 degree, Lead Free |
| 17. | 300124 | WASHER 1.25OD X.69ID X.09 TH Z |
| 18. | 602185-01 | Drain Valve, 90 degree, Lead Free |
| 19. | 602256-03 | QQSFC33XPXP 1/2" B X 1/2" FPT SW ADAPTOR |
| 20. | 601698-01 | E-PEX 1/2" TUBING |
| 21. | 601698-15 | 1/2" CRIMP RING |
| 22. | 200507 | STYROFOAM, 1 X 25 X 55 |
| 23. | 200152 | STYROFOAM, 1/2" X 6 X 42 |

* METAL FITTINGS WERE REPLACED BY PLASTIC ON UNITS MANUFACTURED IN MARCH OF 2010 AND AFTER.

2012 INTERNATIONAL TRAVEL TRAILER

PLUMBING, FRESHWATER

Fresh Water Tank Layout, 23FB



- | | | |
|-----|------------|----------------------------------|
| 1. | 601863-02 | TANK-FRESH WATER 39 GAL #WO199 |
| 2. | 966288 | TANK PAN |
| 3. | 511789 | Sensor, Tank Monitor |
| 4. | 345074-05 | SCREW 5/16-18 X 7/8 HEX WASHER |
| 5. | 601810 | VALVE-1/2"FPT X 1/2"FPT KBI |
| 6. | 601811 | ELBOW-1/2"MPT X 1/2"FPT STREET |
| 7. | 601812 | NIPPLE-BRASS 1/2" X 2.0" |
| 8. | 601237 | ELBOW 90 D 1.25 MPT X 1.25 BAR |
| 9. | 601239-01 | TUBING 1.375 I.D. RIBBED w/FLATS |
| 10. | 0260043-20 | WORM CLAMP #20 |
| 11. | 602256-04 | ELBOW-POLY .5BARB X .5MPT |
| 12. | 601240-01 | TUBING 1/2 I.D. X 3/32 WALL TH |
| 13. | 340086 | MINIATURE SCREW TYPE HOSE CLAM |
| 14. | 602256-04 | ELBOW-POLY .5BARB X .5MPT |
| 15. | 601698-01 | E-PEX 1/2" TUBING |
| 16. | 601698-15 | 1/2 CRIMP RING #14785 |
| 17. | 601588 | DRAIN COCK RADIATOR BRASS |
| 18. | 300124 | WASHER 1.25OD X.69ID X.09 TH Z |
| 19. | 602185-01 | DRAIN VALVE 90D TURN, LEAD FREE |
| 20. | 602256-03 | ADAP.-POLY .5BARBX.5FPT SWIVEL |
| 21. | 601698-01 | E-PEX 1/2" TUBING |
| 22. | 601698-15 | 1/2 CRIMP RING #14785 |
| 23. | 200507 | STYROFOAM, 1 X 25 X 55-WATER T |
| 24. | 200152 | STYROFOAM 1/2 X 6 X 42 |

2012 INTERNATIONAL TRAVEL TRAILER

PLUMBING, FRESHWATER

Fresh Water System, 25' FB

601863-01	TANK-FRESH WATER 39 GAL #W0199
601642	PAN-TANK ROTOCAST 25'SAFARI
453493	HANGER STRAP-TANK PAN SAFARI
601243	DRAIN COCK, FRESH WATER
600155	PLUG, CLEANOUT 1-1/2"
453712	SHIELD FRESH WATER TANK DRAIN
511252	PLUG PHONE 4 CONDUCTOR
511789	SENSOR-TANK MONITOR
511393	COUPLER-MODULAR EXTEN 4 CONDUCTOR
511789-01	BOOT, SENSOR
200152	STYROFOAM 1/2 X 6 X 42
453615	TANK SUPPORT STRIP-62" SAFARI
601239-01	TUBING, 1.375" ID, RIBBED W/FLATS
601240-01	TUBING, 1/2" I.D. X 3/32 WALL

Fresh, Water System, 25'

601863-01	TANK-FRESH WATER 39 GAL #W0199
601642	PAN-TANK ROTOCAST 25'SAFARI
453493	HANGER STRAP-TANK PAN SAFARI
601243	DRAIN COCK, FRESH WATER
600155	PLUG, CLEANOUT 1-1/2"
453615	TANK SUPPORT STRIP-62" SAFARI
453712	SHIELD FRESH WATER TANK DRAIN

2012 INTERNATIONAL TRAVEL TRAILER

PLUMBING, FRESHWATER

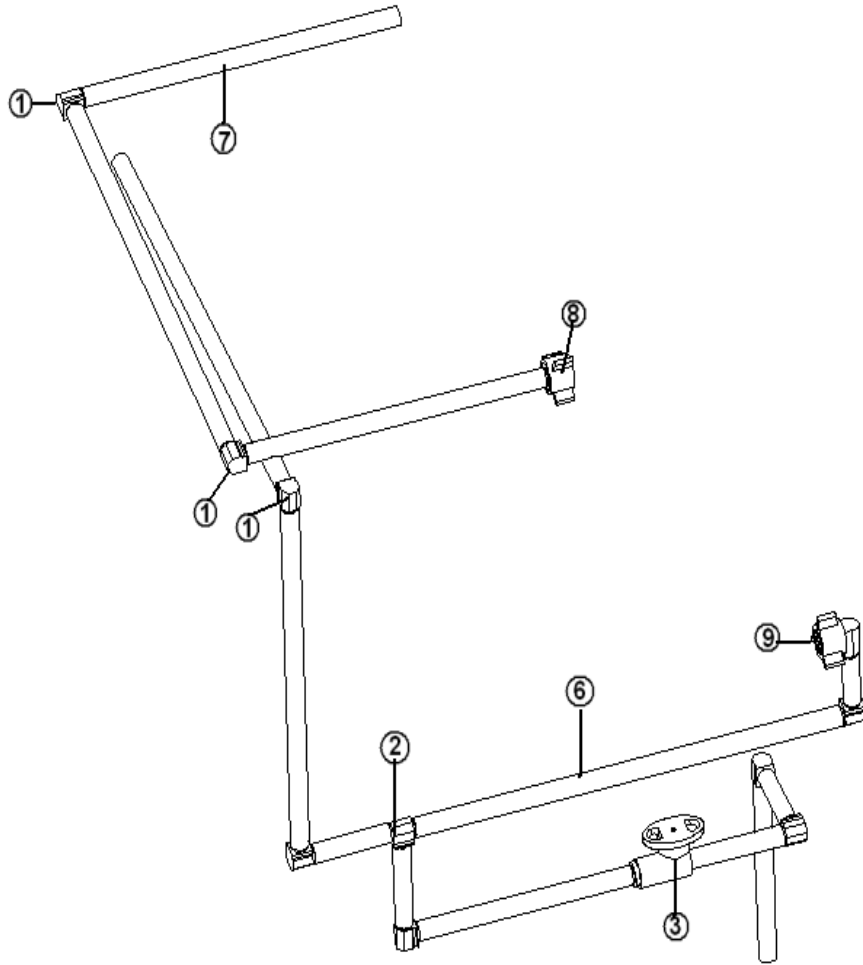
Fresh Water System, 27' FB

601863-01	TANK-FRESH WATER 39 GALLON
601863-02	TANK-FRESH WATER, 27 EDDIE BAUER
601620	PAN FRESH TANK
601243	DRAIN COCK, FRESH WATER
600155	PLUG, CLEANOUT 1-1/2
601004	COUPLING 1/2" BARB X 3/8 MPT
600836	ELBOW 3/8 MPT X 1/2"BARB-COPPE
601237	ELBOW 90 D 1.25 MPT X 1.25 BAR
601239-01	TUBING 1.375 I.D. RIBBED
601698-01	E-PEX 1/2" TUBING
601240-01	TUBING, 3/8 UD W/3/32"
340086	MINIATURE SCREW TYPE HOSE CLAMP
0260043-06	WORM CLAMP #6
0260043-28	WORM CLAMP #28
345853	SCREW PAN HD #8-32 X .25 PAN H
0250123-06	#8-32 X.25"PHILLIPS ,RD.HD.MACH
345074-05	SCREW 5/16-18 X 7/8HEX WASHER
200152	STYROFOAM 1/2 X 6 X 42
511018	HARNESS, TANK VENTLINE L7452
600309	REGULATOR, WATTS 1/2"

2012 INTERNATIONAL TRAVEL TRAILER

PLUMBING, FRESHWATER

WATER HEATER BY-PASS, 27FB EDDIE BAUER

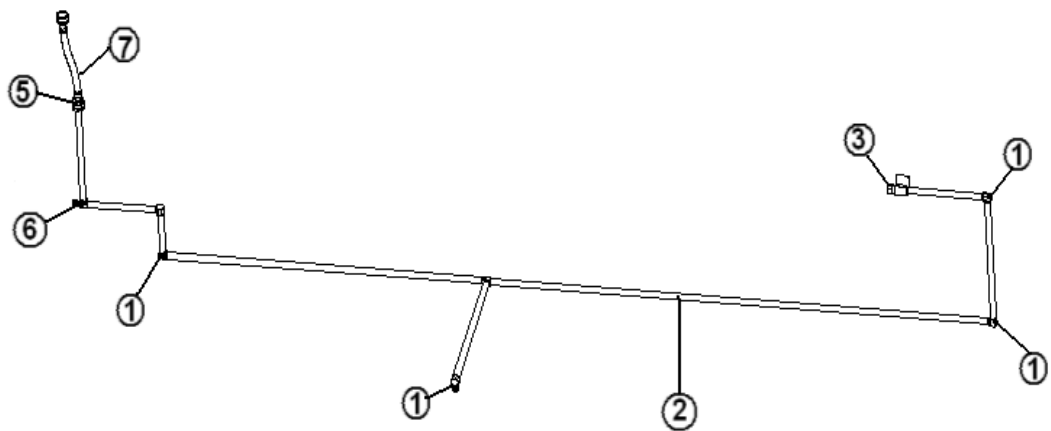


- | | | |
|----|-----------|-----------------------------------|
| | 943746-01 | LAYOUT |
| 1. | 602256-10 | ELBOW-POLY .5 BARB |
| 2. | 602256-11 | TEE-POLY .5 BARB |
| 3. | 602256-22 | Valve, straight .5B |
| 5. | 601698-15 | 1/2" Crimp Ring |
| 6. | 601698-01 | TUBING, E-PEX 1/2" |
| 7. | 601698-21 | TUBING, E-PEX 1/2" RED |
| 8. | 602256-03 | ADAPTER, POLY .5BARBX.5FPT SWIVEL |
| 9. | 602256-05 | ELBOW-POLY .5BARB X .5FPT SWIVEL |

2012 INTERNATIONAL TRAVEL TRAILER

PLUMBING, FRESHWATER

LAYOUT – HOT WATER – CURBSIDE, 27FB EDDIE BAUER

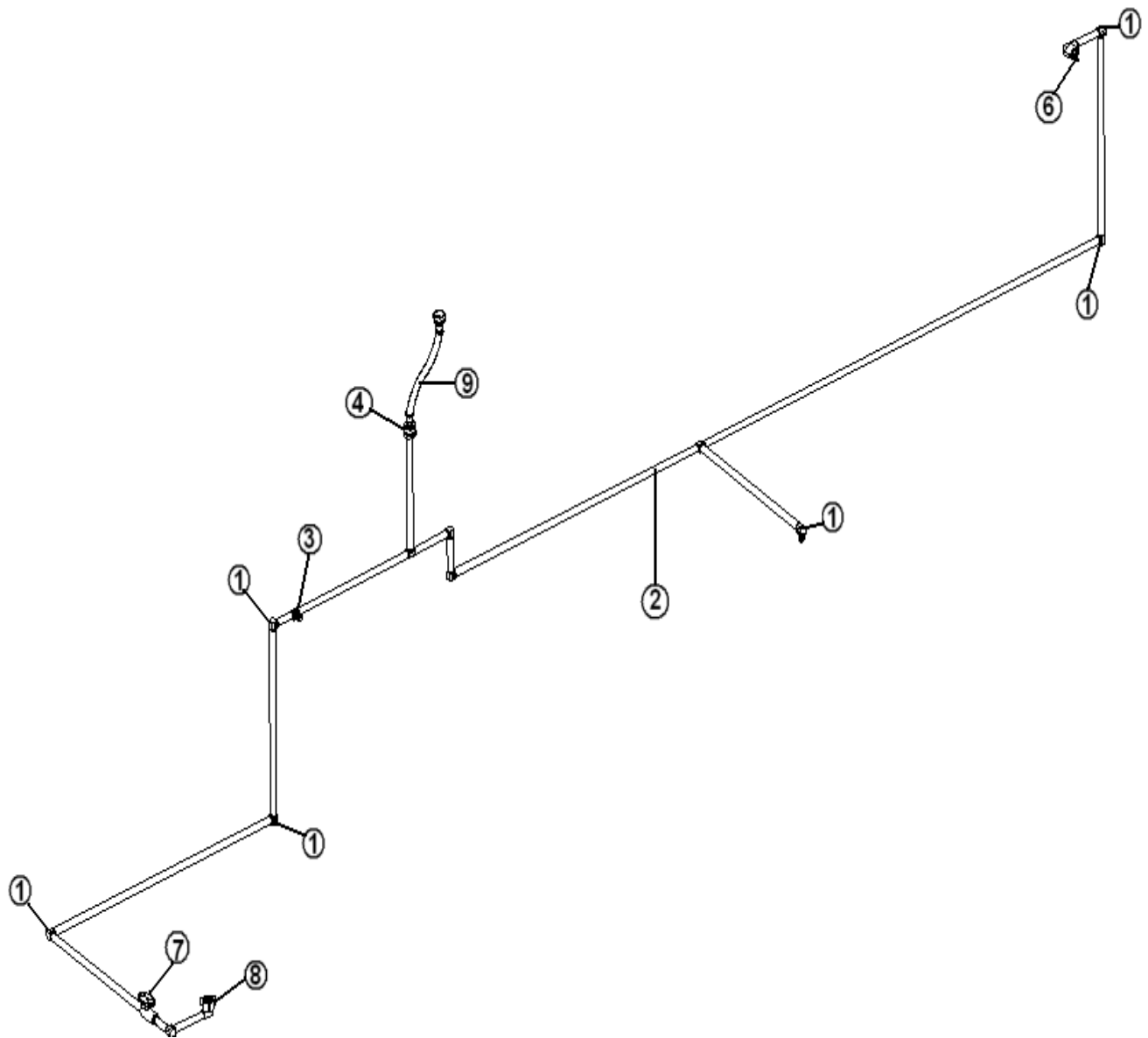


943746-02	LAYOUT
1. 602256-10	ELBOW – POLY .5 BARB
2. 601698-21	TUBING E-PEX ½" RED
3. 602137	VALVE-SHUT OFF .5B X .38" COMP
4. 601698-15	CRIMP RING #14785
5. 602256-02	ADAPTER-MALE POLY .5BARB X .5MPT
6. 602256-11	TEE-POLY .5 BARB
7. 601659	RISER ½" FPT X 12" CPVC

2012 INTERNATIONAL TRAVEL TRAILER

PLUMBING, FRESHWATER

LAYOUT, COLD WATER, CURBSIDE, 27FB EDDIE BAUER

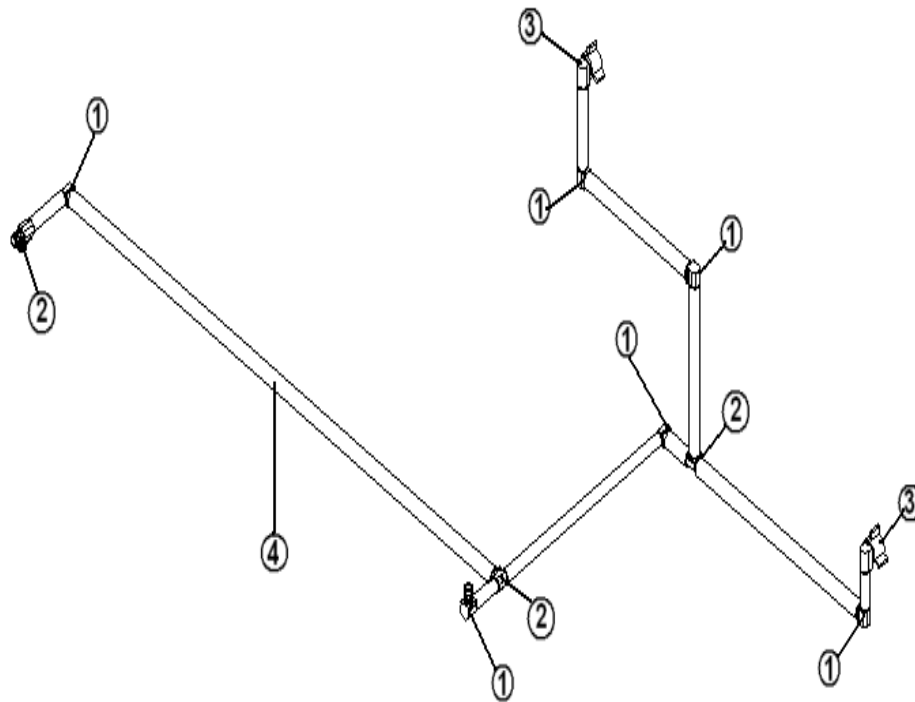


- | | | |
|----|-----------|------------------------------------|
| | 943746-03 | LAYOUT |
| 1. | 602256-10 | ELBOW POLY .5 BARBH |
| 2. | 601698-01 | E-PEX 1/2" TUBING |
| 3. | 602256-11 | TEE, POLY .5 BARB |
| 4. | 602256-02 | ADAPTER-MALE, POLY .5BARB X 5MPT |
| 5. | 601698-15 | 1/2" CRIMP RING |
| 6. | 602256-05 | ELBOW—POLY .5BARB X .5FPT SWIVEL |
| 7. | 602256-22 | VALVE, STRAIGHT .5"B X .5"B |
| 8. | 602256-05 | ELBOW POLY .5 BARB X .5 FPT SWIVEL |
| 9. | 601659 | RISER 1/2" FPT X 12" CPVC |

2012 INTERNATIONAL TRAVEL TRAILER

PLUMBING, FRESHWATER

LAYOUT, COLD WATER, ROADSIDE, 27FB EDDIE BAUER

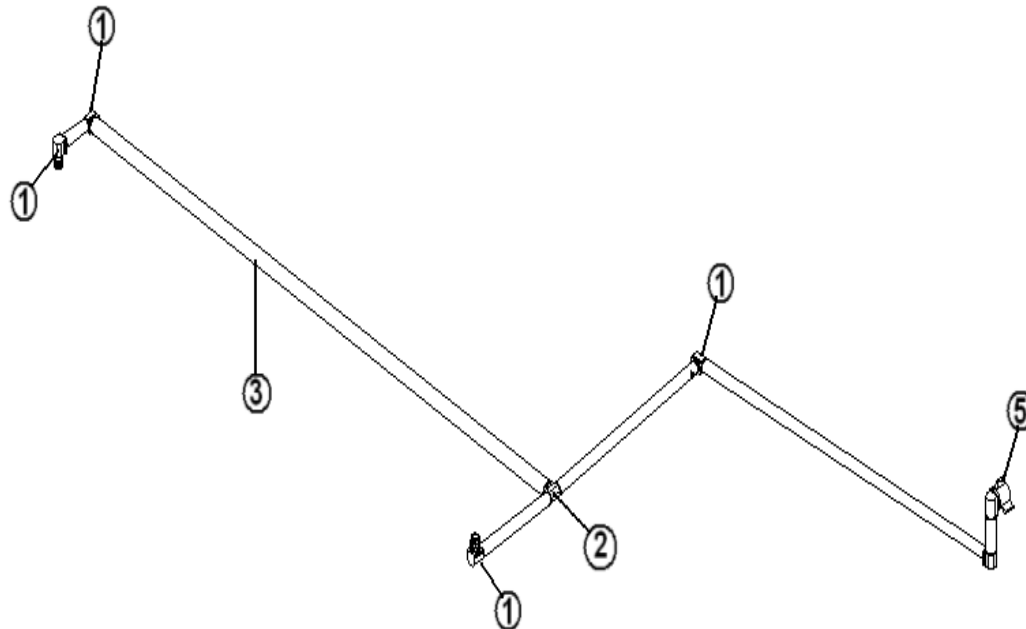


	943746-04	LAYOUT
1.	602256-10	ELBOW, POLY .5 BARB
2.	602256-11	TEE, POLY .5 BARB
3.	602256-05	ELBOW, POLY .5 BARB X .5 FPT SWIV
4.	601698-01	E-PEX 1/2" TUBING
5.	601698-15	1/2 CRIMP RING

2012 INTERNATIONAL TRAVEL TRAILER

PLUMBING, FRESHWATER

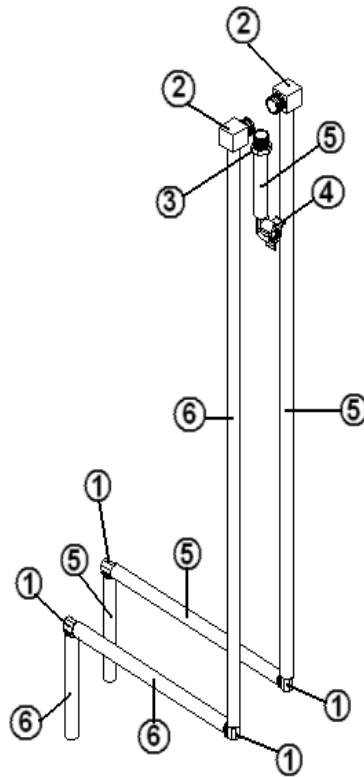
HOT WATER, ROADSIDE FORWARD, 27FB EDDIE BAUER



- 943746-05
1. 602256-10
2. 602256-11
3. 601698-21
4. 601698-15
5. 602256-05

LAYOUT, HOT ROADSIDE FORWARD
ELBOW, POLY .5 BARB
TEE-POLY .5 BARB
TUBING E-PEX 1/2" RED
1/2 CRIMP RING #14785
ELBOW, POLY .5 BARB X .5FPT SWVL

2012 INTERNATIONAL TRAVEL TRAILER
 PLUMBING, FRESHWATER
 SHOWER WATER LINES, 27FB EDDIE BAUER



943746-06

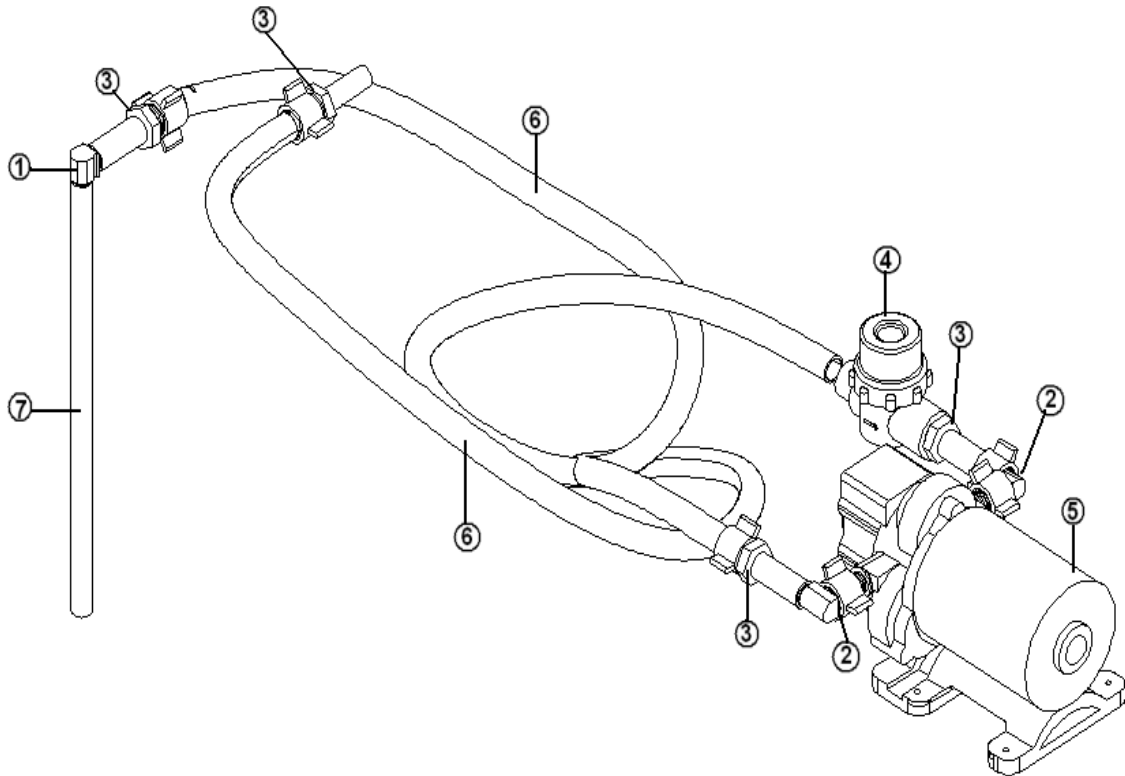
SHOWER WATER LINES

- | | |
|--|--|
| <ul style="list-style-type: none"> 1. 602256-10 2. 602256-04 3. 602256-02 4. 602256-05 5. 601698-01 6. 601698-21 7. 601698-15 | <ul style="list-style-type: none"> ELBOW, POLY 5 BARB ELBOW, POLY .5 BARB X .5 MPT ADAPTER, MALE POLY .5 BARB X .5 MPT ELBOW, POLY .5 BARB X .5 FPT SWVL E-PEX TUBING 1/2" TUBING, E-PEX 1/2" RED 1/2 CRIMP RING #14785 |
|--|--|

2012 INTERNATIONAL TRAVEL TRAILER

PLUMBING, FRESHWATER

WATER PUMP CONNECT, 27FB EDDIE BAUER



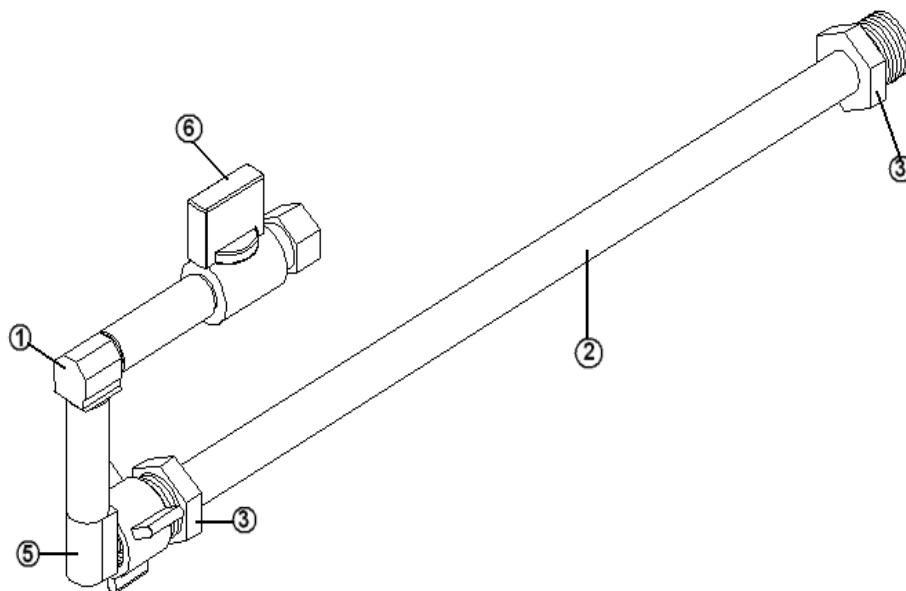
943746-07 WATER PUMP CONNECT

- | | |
|--------------|-------------------------------------|
| 1. 602256-10 | ELBOW, POLY .5 BARB |
| 2. 602256-05 | ELBOW, POLY .5 BARB X .5FPT SWVL |
| 3. 602256-02 | ADAPTER, MALE POLY .5 BARB X .5 MPT |
| 4. 601668-01 | STRAINER, FRESH WATER PUMP |
| 5. 602202 | WATER PUMP, MART SENSOR |
| 6. 602204 | HOSE 1/2" FLEX |
| 7. 601698-01 | E-PEX 1/2" TUBING |

2012 INTERNATIONAL TRAVEL TRAILER

PLUMBING, FRESHWATER

COLD - GALLEY FILTER LAYOUT, 27FB EDDIE BAUER



- | | |
|--------------|-------------------------------------|
| 943746-09 | LAYOUT - COLD - GALLEY FILTER |
| 1. 602256-10 | ELBOW, POLY .5 BARB |
| 2. 601698-01 | E-PEX 1/2" TUBING |
| 3. 602256-02 | ADAPTER, MALE POLY .5 BARB X .5 MPT |
| 4. 601698-15 | 1/2" CRIMP RING #14785 |
| 5. 602256-05 | ELBOW, POLY .5BARB X .5FPT SWVL |
| 6. 602137 | VALVE, SHUT OFF .5"B X 38"COMP |

2012 INTERNATIONAL TRAVEL TRAILER

PLUMBING, FRESHWATER

Fresh Water System, 30'

601864-01	TANK, FRESH WATER, 54.5 GALLON
601620	PAN, FRESH TANK
601243	DRAIN COCK, FRESH WATER
600155	PLUG, CLEANOUT 1-1/2
602256-02	ADAPTER-MALE POLY .5BARBX.5MPT
602256-10	ELBOW- POLY .5 BARB
600836	ELBOW 3/8 MPT X 1/2"BARB-COPPE
601237	ELBOW 90 D 1.25 MPT X 1.25 BAR
601239-01	TUBING-1.375"ID RIBBED W/FLATS
601698-01	E-PEX 1/2" TUBING
340086	MINIATURE SCREW TYPE HOSE CLAM
0260043-06	WORM CLAMP #6
0260043-28	WORM CLAMP #28
345853	SCREW PAN HD #8-32 X .25 PAN H
0250123-06	#8-32 X.25"PHILLIPS,RD.HD.MACH
345074-05	SCREW 5/16-18 X 7/8HEX WASHER
200152	STYROFOAM 1/2 X 6 X 42

FRESH WATER CROSS OVER

601698-01	E-PEX 1/2" TUBING
602256-10	ELBOW- POLY .5 BARB
602256-11	TEE-POLY .5 BARB
601698-15	1/2 CRIMP RING #14785

CROSSOVER LINE ASSY-FRESH

602256-10	ELBOW- POLY .5 BARB
602256-11	TEE-POLY .5 BARB
601698-15	1/2 CRIMP RING #14785
601698-21	TUBING E-PEX 1/2' RED

DROP OUT ASSY-FRESH WATER

601698-01	E-EX 1/2" TUBING
602256-10	ELBOW- POLY .5 BARB
601698-15	1/2 CRIMP RING #14785
200507	STYROFOAM, 1 X 25 X 55-WATER T
601723	FILTER SCREEN, WATER
453712	SHIELD FRESH WATER TANK DRAIN

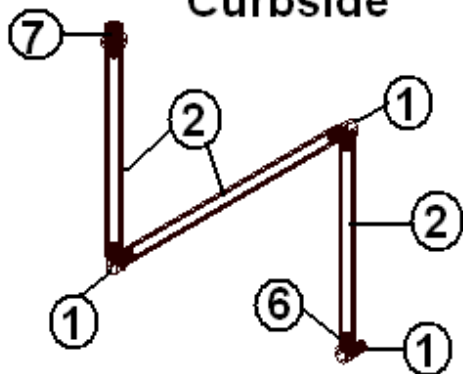
2012 INTERNATIONAL TRAVEL TRAILER

PLUMBING, FRESHWATER

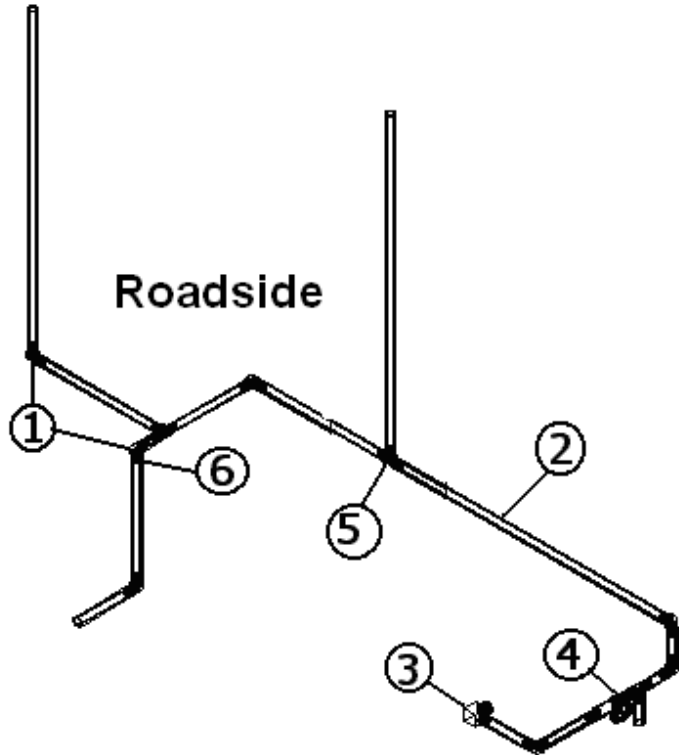
Fresh Water Plumbing, Hot 28' Metal Fittings

Hot Layout

Curbside



Roadside



- | | |
|---------------|----------------------------------|
| 1. 601698-10` | QQE33X 1/2 BARB EL #14722 |
| 2. 601698-21` | TUBING E-PEX 1/2' RED |
| 3. 601698-04 | QQE33BTX 1/2 BX 1/2 MPT BAR EL |
| 4. 601698-22` | BALL VALVE 1/4 TURN |
| 5. 601698-11` | TEE-.5 BARB |
| 6. 601698-15` | 1/2 CRIMP RING |
| 7. 601698-02` | QQMC33X 1/2B X 1/2 MPT ADPT #147 |

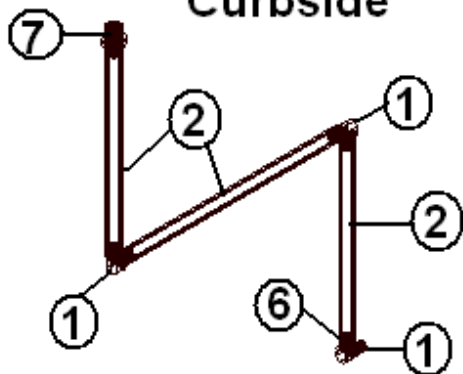
2012 INTERNATIONAL TRAVEL TRAILER

PLUMBING, FRESHWATER

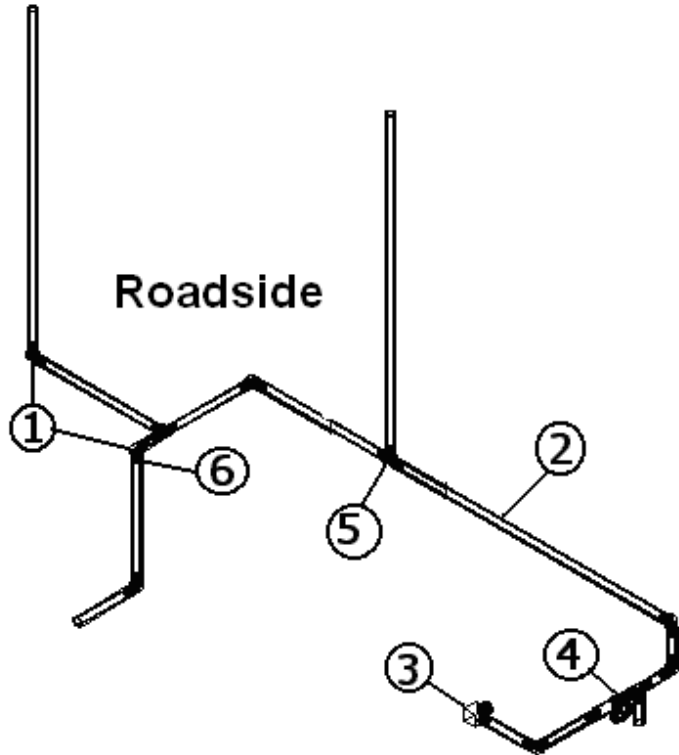
Fresh Water Plumbing, Hot 28' Plastic Fittings

Hot Layout

Curbside



Roadside

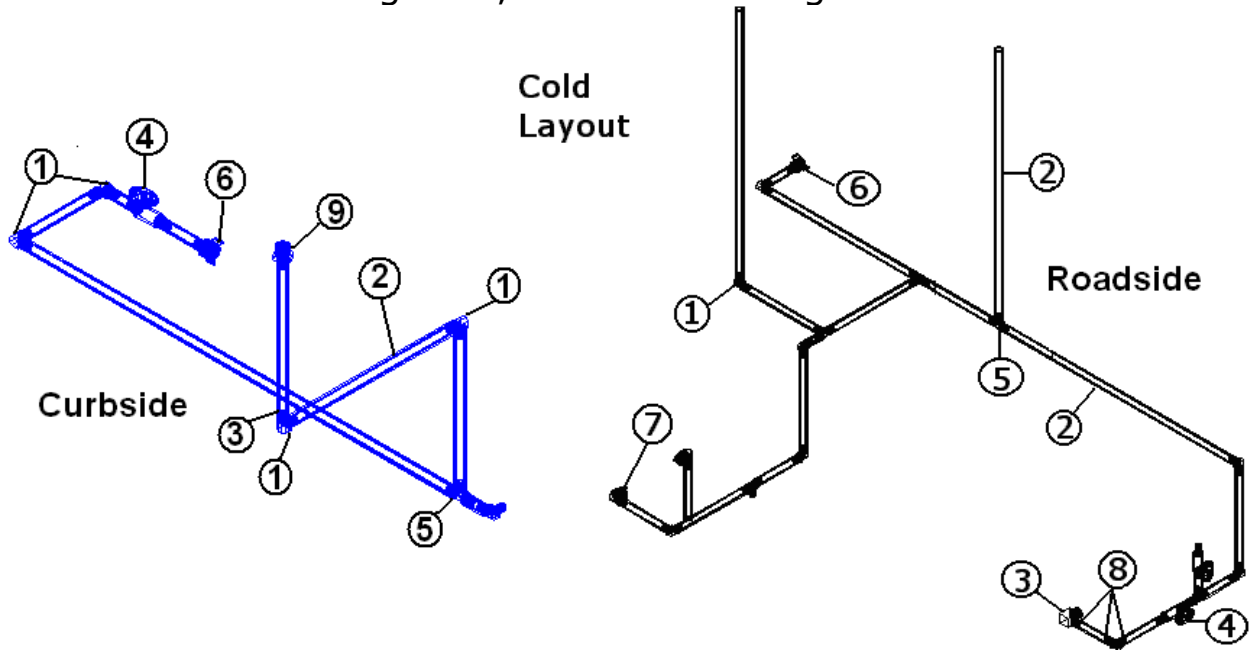


- | | |
|--------------|----------------------------------|
| 1. 602256-10 | ELBOW - POLY .5 BARB |
| 2. 602256-21 | TUBING E-PEX 1/2' RED |
| 3. 602256-04 | ELBOW - POLY .5 BARB X .5 MPT |
| 4. 602256-22 | VALVE-STRAIGHT .5"B X .5"B #5364 |
| 5. 602256-11 | TEE-POLY .5 BARB |
| 6. 601698-15 | 1/2 CRIMP RING |
| 7. 602256-02 | ADAPTER-MALE POLY .5BARBX.5MPT |

2012 INTERNATIONAL TRAVEL TRAILER

PLUMBING, FRESHWATER

Fresh Water Plumbing Cold, 28' Metal Fittings

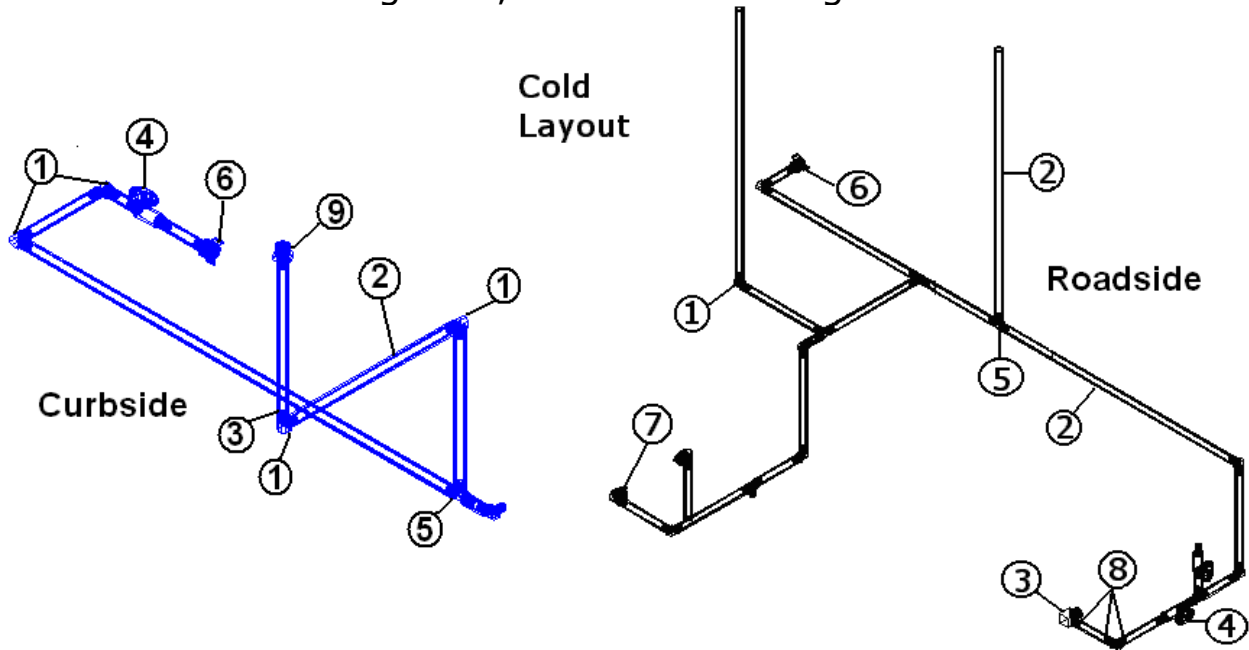


- | | |
|--------------|--|
| 1. 601698-10 | ELBOW-.5 BARB |
| 2. 601698-01 | TUBING E-PEX 1/2" WHITE |
| 3. 601698-04 | ELBOW-.5BARB X 5MPT |
| 4. 601698-22 | BALL VALVE 1/4 TURN |
| 5. 601698-11 | TEE-POLY .5 BARB |
| 6. 601698-03 | ADAP. .5BARB X .5FPT SWIVEL |
| 7. 601698-05 | ELBOW, .5 BARB X .5 FPT SWIVEL |
| 8. 601698-15 | 1/2" CRIMP RING |
| 9. 601698-02 | ADAPTER-MALE .5BARB X .5MPT |
| 601863-01 | TANK-FRESH WATER 39 GAL #W0199 |
| 601642 | PAN-TANK ROTOCAST |
| 453493 | HANGER STRAP-TANK PAN |
| 601243 | DRAIN COCK, FRESH WATER |
| 600155 | PLUG, CLEANOUT 1-1/2 |
| 601240-01 | TUBING 1/2" I.D. X 3/32 WALL THICKNESS |
| 453712 | SHIELD FRESH WATER TANK DRAIN |
| 601239-01 | TUBING-1.375"ID RIBBED W/FLATS |
| 453615 | TANK SUPPORT STRIP-62" |
| 601723 | FILTER SCREEN, WATER |

2012 INTERNATIONAL TRAVEL TRAILER

PLUMBING, FRESHWATER

Fresh Water Plumbing Cold, 28' Plastic Fittings

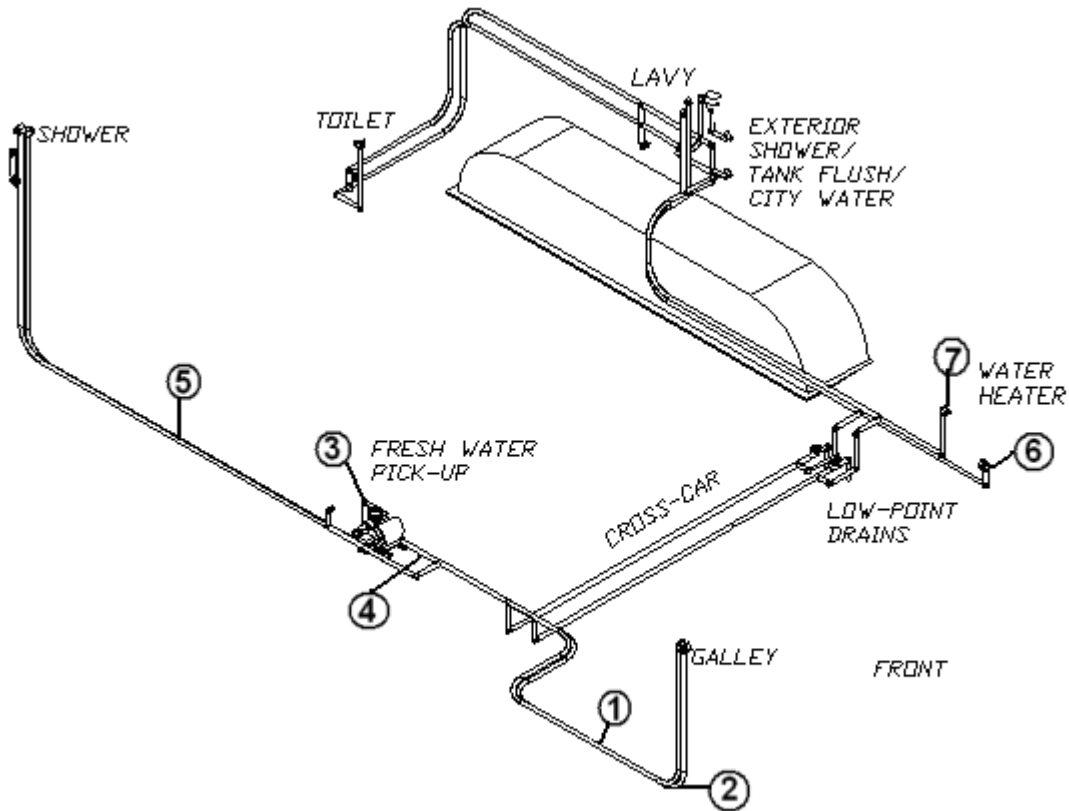


- | | |
|--------------|--|
| 1. 602256-10 | ELBOW-POLY .5 BARB |
| 2. 601698-01 | TUBING E-PEX 1/2" WHITE |
| 3. 602256-04 | ELBOW-POLY .5BARB X 5MPT |
| 4. 602256-22 | BALL VALVE 1/4 TURN |
| 5. 602256-11 | TEE-POLY .5 BARB |
| 6. 602256-03 | ADAP.POLY .5BARB X .5FPT SWIVEL |
| 7. 602256-05 | ELBOW, POLY .5 BARB X .5 FPT SWIVEL |
| 8. 601698-15 | 1/2" CRIMP RING |
| 9. 602256-02 | ADAPTER-MALE POLY .5BARB X .5MPT |
| 601863-01 | TANK-FRESH WATER 39 GAL #W0199 |
| 601642 | PAN-TANK ROTOCAST |
| 453493 | HANGER STRAP-TANK PAN |
| 601243 | DRAIN COCK, FRESH WATER |
| 600155 | PLUG, CLEANOUT 1-1/2 |
| 601240-01 | TUBING 1/2" I.D. X 3/32 WALL THICKNESS |
| 453712 | SHIELD FRESH WATER TANK DRAIN |
| 601239-01 | TUBING-1.375"ID RIBBED W/FLATS |
| 453615 | TANK SUPPORT STRIP-62" |
| 601723 | FILTER SCREEN, WATER |

2012 INTERNATIONAL TRAVEL TRAILER

PLUMBING, FRESHWATER

Fresh Water Plumbing Cold, 30' Plastic Fittings



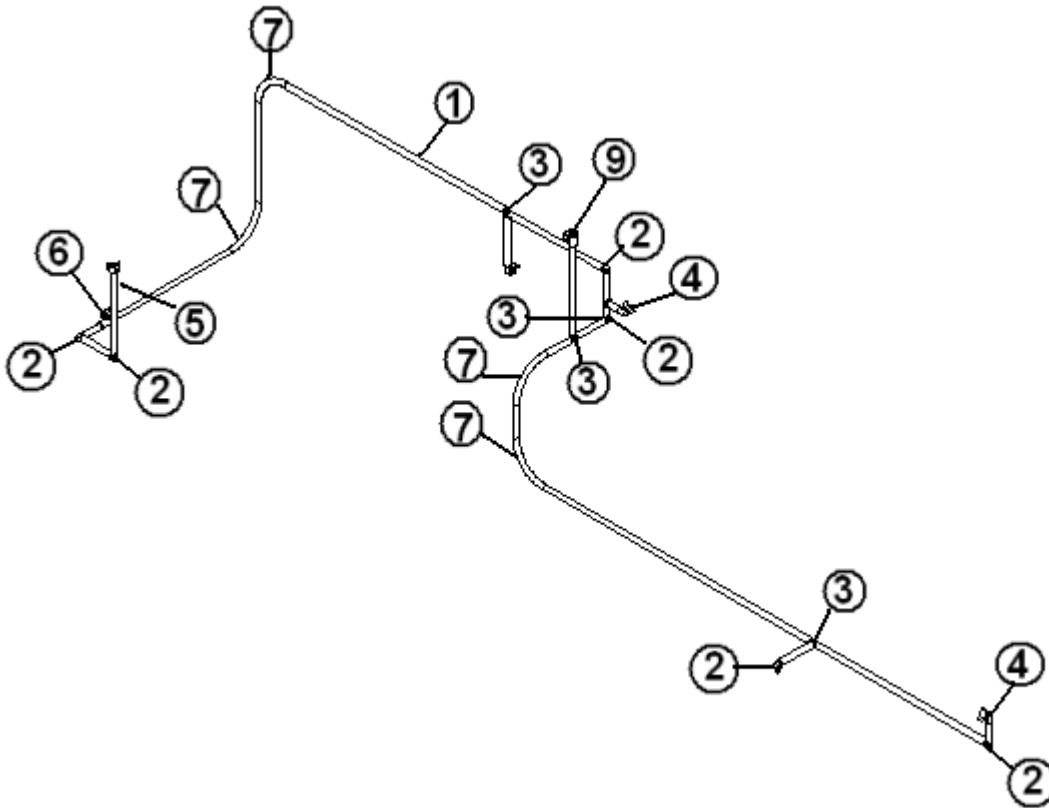
943721-101 FRESH WATER SYSTEM - 30 INT'L

- | | |
|--------------|-------------------------|
| 1. 943721-01 | WATER LINES-GALLEY COLD |
| 2. 943721-02 | WATER LINES-GALLEY HOT |
| 3. 943721-03 | WATER LINE-COLD PICK UP |
| 4. 943721-04 | WATER LINES-CS HOT |
| 5. 943721-05 | WATER LINE-COLD SHOWER |
| 6. 943721-08 | CROSS CAR WATER LINES- |
| 7. 943721-09 | WATER LINES-TANK FLUSH |

2012 INTERNATIONAL TRAVEL TRAILER

PLUMBING, FRESHWATER

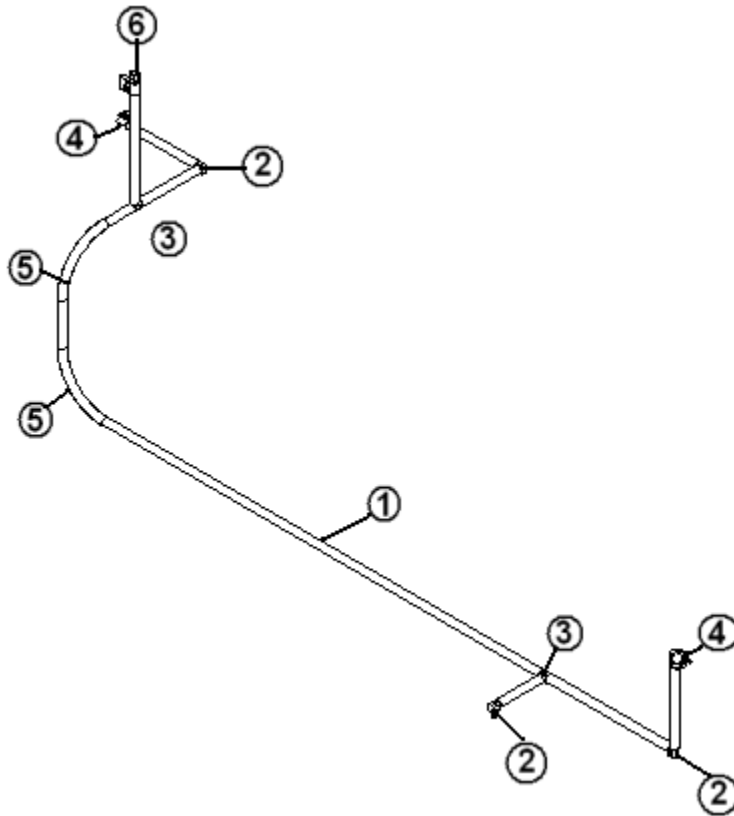
WATER LINES-RS COLD 30 INTL



- | | |
|--------------|--------------------------------|
| 1. 601698-01 | E-PEX 1/2" TUBING |
| 2. 602256-10 | ELBOW- POLY .5 BARB |
| 3. 602256-11 | TEE-POLY .5 BARB |
| 4. 602256-05 | ELBOW-POLY .5BARB X .5FPT SWIV |
| 5. 602256-02 | ADAPTER-MALE POLY .5BARBX.5MPT |
| 6. 602256-22 | VALVE-STRAIGHT.5"B X .5"B#5364 |
| 7. 601774 | ELBOW SUPPORT-90D 1/2" |
| 8. 601698-15 | 1/2 CRIMP RING #14785 |
| 9. 602137 | VALVE-SHUT OFF .5"BX.38"COMP |

2012 INTERNATIONAL TRAVEL TRAILER

WATER LINES-RS HOT 30 INTL



- | | | |
|----|-----------|--------------------------------|
| 1. | 601698-21 | TUBING E-PEX 1/2' RED |
| 2. | 602256-10 | ELBOW- POLY .5 BARB |
| 3. | 602256-11 | TEE-POLY .5 BARB |
| 4. | 602256-05 | ELBOW-POLY .5BARB X .5FPT SWIV |
| 5. | 601774 | ELBOW SUPPORT-90D 1/2" |
| 6. | 602137 | VALVE-SHUT OFF .5"BX.38"COMP |
| | 600008 | TUBING COPPER 3/8OD |
| | 601698-01 | E-PEX 1/2" TUBING |
| | 600435 | FORGED FLARE NUTS 3/8IN |
| | 380886 | GROMMET, FLOOR |
| | 380887 | GROMMET, FLOOR |
| | 340085-05 | CLAMP #COY 1109 5/8 IN. DIA. |
| | 600526 | FLANGE,4 IN |
| | 601348 | TEE, HEAT DUCT, 4 X 4 X 2 |
| | 601244-03 | REGISTER,ROTAIRE,BLACK |
| | 690429 | LOUVER-2" BLACK ROUND |
| | 203070 | REGISTER PLASTIC BROWN 2"X10" |
| | 114079 | ADAPTER-DUCT, 4.00" TO 2.00" |

2012 INTERNATIONAL TRAVEL TRAILER

PLUMBING, FRESHWATER

Tank Fittings/Shield

601243	DRAIN COCK, FRESH WATER
600155	PLUG, CLEANOUT, 1 1/2"
453712	SHIELD, FRESH WATER TANK DRAIN
602185-01	Drain Valve, 90 degree

City Water Hook Up System

600336	PLUG WITH CHAIN
600315	PUMP GUARD FILTER
600362	CONNECTOR 3/4 X 1/2 HOSE
601689	DROP ELL 90 DEGREE FITTING
320098-02	SCREW,SMS,SS OVAL HD.PHIL
602256-01	NIPPLE-POLY .5"MPT X .5" MPT
601690	NIPPLE-1/2"MPT X 2.50" BRASS
601237	ELBOW 90 D 1.25 MPT X 1.25 Brass
600227	PLASTIC COUPLINGS

Fresh Water Fill

601194	WATER FILL W/LOCK, GRAY, W/LABEL
601392-05	CITY WATER FILL W/REGULATOR
601392-06	CITY WATER FILL W/REGULATOR – C.S.A.
601239-01	TUBING 1.375 I.D. RIBBED
601240-01	TUBING, 3/8 UD W/3/32"

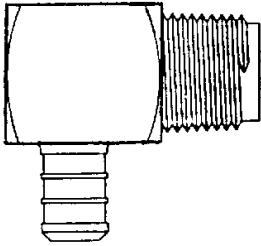
Water Pump

601061-03	Water pump, Shurflo, 2088-404-14
602202	Water pump Smart Sensor 4.0-30', 28', 23D,23FB, 19',16'
601531	FITTING, 90 DEGREE, 3" H X ST
203085	PLUG, WATER LINE, 1/2" PLASTIC, BLACK
601659	RISER, 1/2" FPT X 12", CPVC
601668-01	Water pump, pre-filter, Shurflo

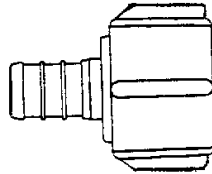
2012 INTERNATIONAL TRAVEL TRAILER

PLUMBING, FRESHWATER

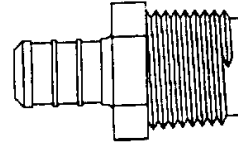
FRESH WATERLINE/FITTINGS - METAL



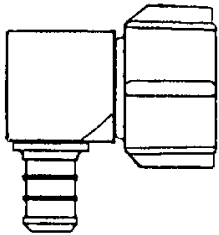
601698-04
Elbow, 1/2" barb
x 1/2" MPT



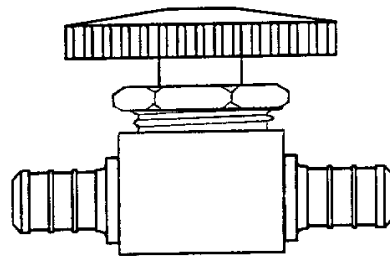
601698-03
Coupler, 1/2" barb
x 1/2" FPT



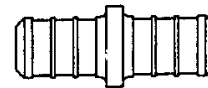
601698-02
Coupler, 1/2" barb
x 1/2" MPT



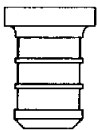
601698-05
Elbow 1/2" barb x
1/2" FPT



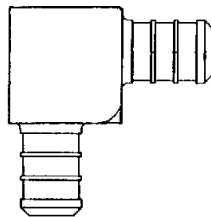
601698-22
Shut-off, 1/2" barb x
1/2" barb



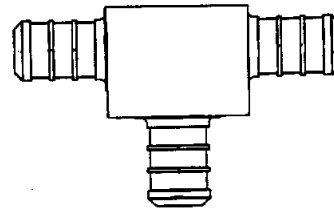
601698-08
Coupler
1/2" x 1/2" barb



601698-09
Plug, 1/2" barb



601698-10
Elbow 1/2" barb x
1/2" barb



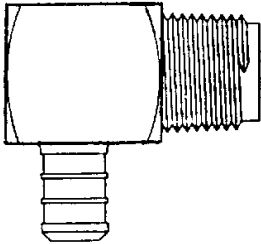
601698-11
Tee, 1/2" x 1/2" x
1/2" barb

METAL FITTINGS WERE REPLACED BY PLASTIC DURING MODEL YEAR.

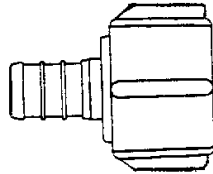
2012 INTERNATIONAL TRAVEL TRAILER

PLUMBING, FRESHWATER

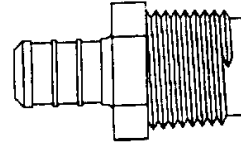
FRESH WATERLINE/FITTINGS - PLASTIC



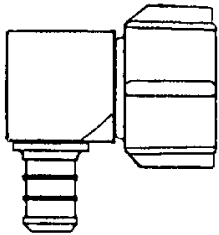
602256-04
Elbow, 1/2" barb
x 1/2" MPT



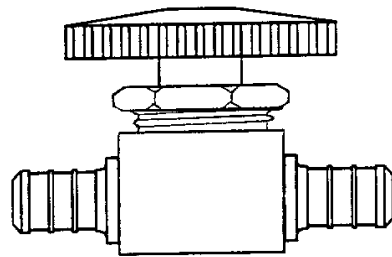
602256-03
Coupler, 1/2" barb
x 1/2" FPT



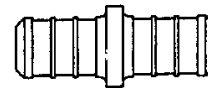
602256-02
Coupler, 1/2" barb
x 1/2" MPT



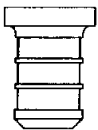
602256-05
Elbow 1/2" barb x
1/2" FPT



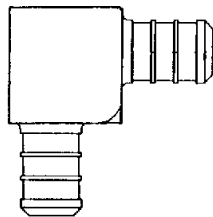
602256-22
Shut-off, 1/2" barb x
1/2" barb



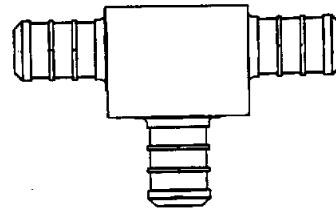
602256-08
Coupler
1/2" x 1/2" barb



602256-09
Plug, 1/2" barb



602256-10
Elbow 1/2" barb x
1/2" barb



602256-11
Tee, 1/2" x 1/2" x
1/2" barb

METAL FITTINGS WERE REPLACED BY PLASTIC DURING MODEL YEAR.

2012 INTERNATIONAL TRAVEL TRAILER

PLUMBING, FRESHWATER

FRESH WATERLINE/FITTINGS



601698-15
Crimp ring, 1/2



601698-01
E-Pex, 1/2" (black)

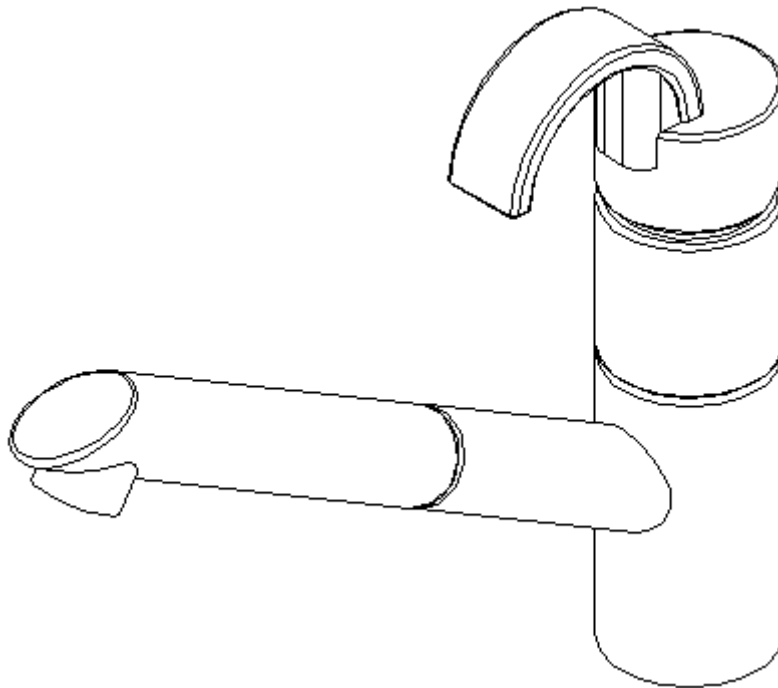


601698-21
E-Pex tube, 1/2" Red

2012 INTERNATIONAL TRAVEL TRAILER

PLUMBING, FRESHWATER

Faucet, Galley, Elkay, Model #LK-7120, Signature Series



*602158 NLA - FAUCET, GALLEY ELKAY #LK-7120 -
DISCONTINUED IN AUGUST, 2011, REPLACED BY:

602310 FAUCET, GALLEY, 1 HANDLE, PULL OUT
602137 SHUT OFF VALVE (2 REQUIRED W/FAUCET)

*602237 NLA -FAUCET, MOEN WICKSTON W/ FILTER &
SPRAY -
DISCONTINUED IN AUGUST, 2011, REPLACED BY:

*602309 FAUCET, MOEN TORRANCE W/SPRAY -
(REPLACEMENT) - **EDDIE BAUER**
602277 SHURFLO IN-LINE WATER FILER
602277-01 FITTINGS FOR SHURFLO WATER FILTER

2012 INTERNATIONAL TRAVEL TRAILER

PLUMBING, FRESHWATER

FAUCET, LAVATORY

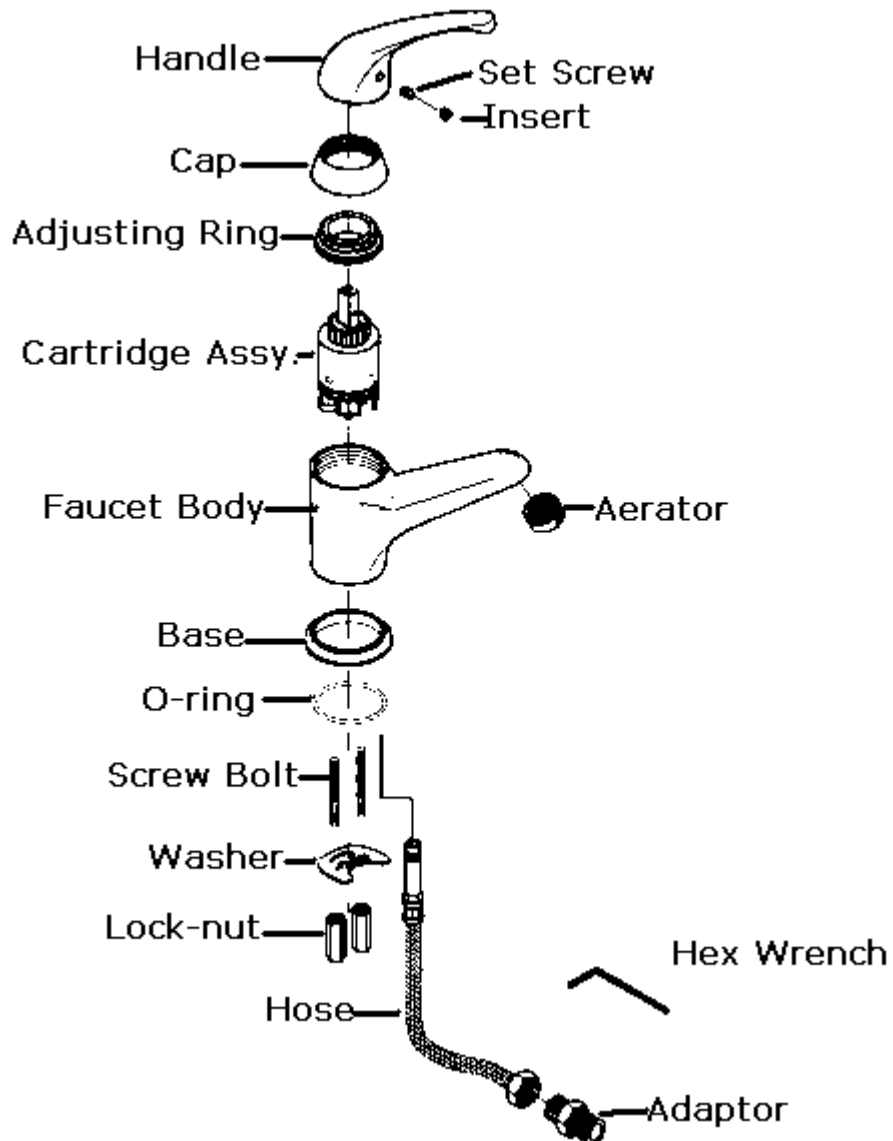
Model 97155BR

ITC Inc.

230 East Lakewood Blvd.

Holland, MI 49424

Tel. 616-396-1355



601842 FAUCET-SMALL LEVER HANDLE BATH

2012 INTERNATIONAL TRAVEL TRAILER

PLUMBING, FRESHWATER

FAUCET, LAVATORY, 19', 23', 25', 27', 28', 30'

602294-01 LAVATORY FAUCET SINGLE LEVER SINGLE
HOLE - BRUSHED NICKEL FINISH

602294-02 AERATOR - 1.5 GAL PER MINUTE FOR
FAUCET 602294-01

FAUCET LAVATORY, 25'FB - EDDIE BAUER

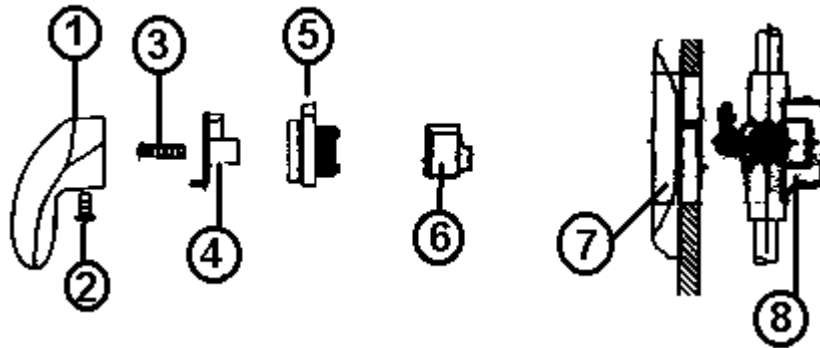
601892 MOEN VELETTA, CHROME/BRASS

2012 INTERNATIONAL TRAVEL TRAILER

PLUMBING, FRESHWATER

Faucet, Shower, 19', 25' 27' FB, 28', 30'

601829 Faucet, Shower, Chrome, Moen MDL TL2391



1. Lever handle
2. Set screw
3. Handle screw
4. Handle adaptor
5. Brake
6. Key stop
7. Escutcheon
8. 601831 4-port posi-temp valve
600594 Strainer w/white rubber stopper
601358 Shower kit, includes:

Shower hose, shower head,
Vacuum breaker, wall mounts

- 601185-08 PLUG, PIPE 1/2" MALE NPT, STEEL
- 114969 COVER, VENT PIPE
- 601592-04 HOSE GUIDE, SHOWER HARDWARE
- *601661 NIPPLE 1/2" BRASS HEX
- *602256-01 NIPPLE-POLY .5"MPT X .5"MPT

*Metal fitting was replaced by plastic fitting during model year.

2012 INTERNATIONAL TRAVEL TRAILER

PLUMBING, FRESHWATER

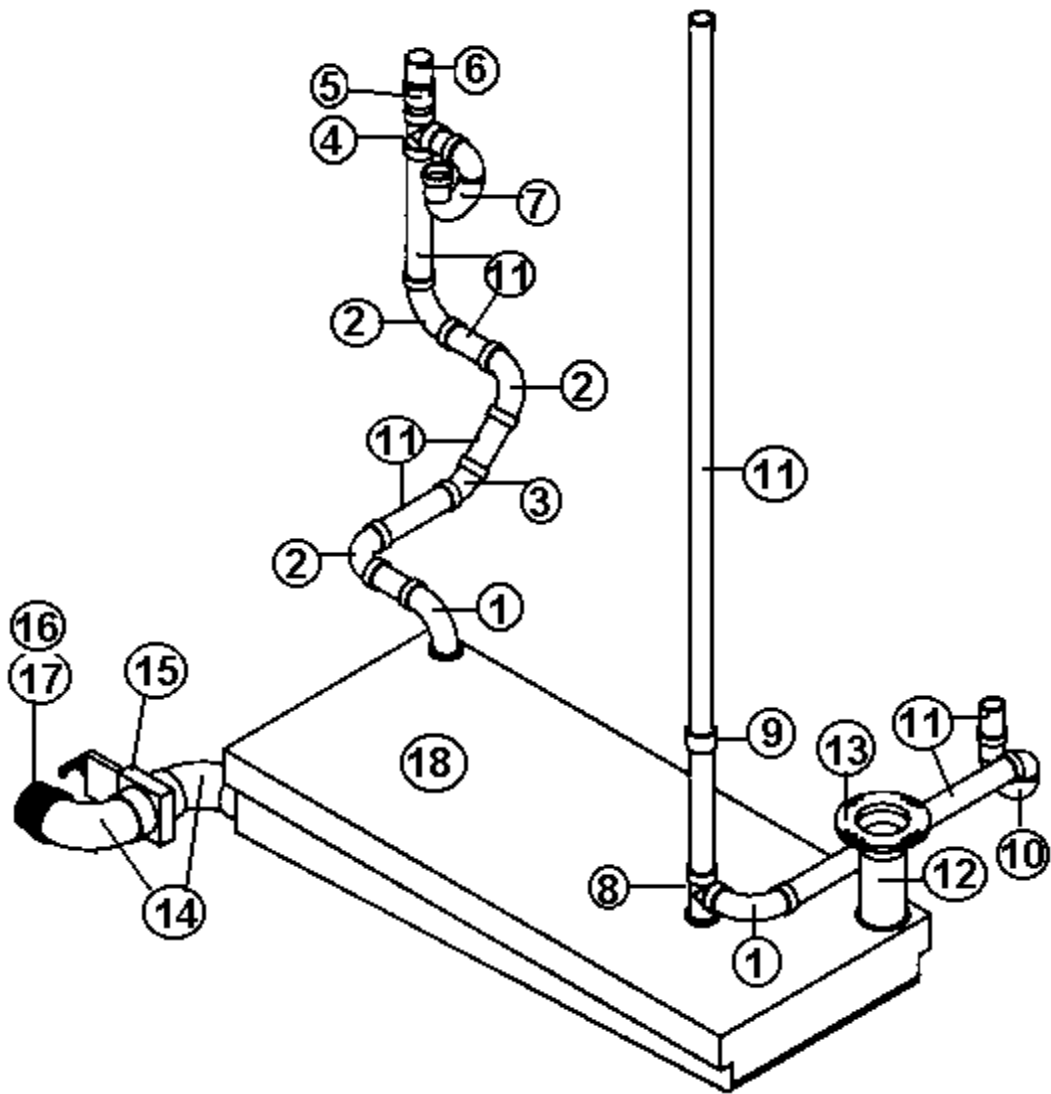
Faucet, Shower, 16'

604877-01	4 cp SHOWER VALVE W/FELT WASHER
604877-02	NLA - CP HANDSET HOSE W/WALL BRACKET
604877-03	1/2' CHROME SUPPLY ELBOW
604877-04	CP BRASS VACUUM BREAKER
604877-05	AMCOR CHROME 4-POS HH SHOWER HEAD
604877-06	AMCOR MET/FLEX BLACK & CHROME 59" HOSE
604877-07	AMCOR CHROME WALL BRKT FOR HH SHOWER
601884	CENTER SET NUT - PLASTIC
360258-03	SEALANT-LATEX CAULK CLEAR 10.3
365330-04	Adseal RTV Silicone Sealant - Black (Eddie Bauer wheel flares & black exterior Shower caps).

2012 INTERNATIONAL TRAVEL TRAILER

PLUMBING, DRAIN

DRAIN SYSTEM, 16'



P/N on Next Page

2012 INTERNATIONAL TRAVEL TRAILER

PLUMBING, DRAIN

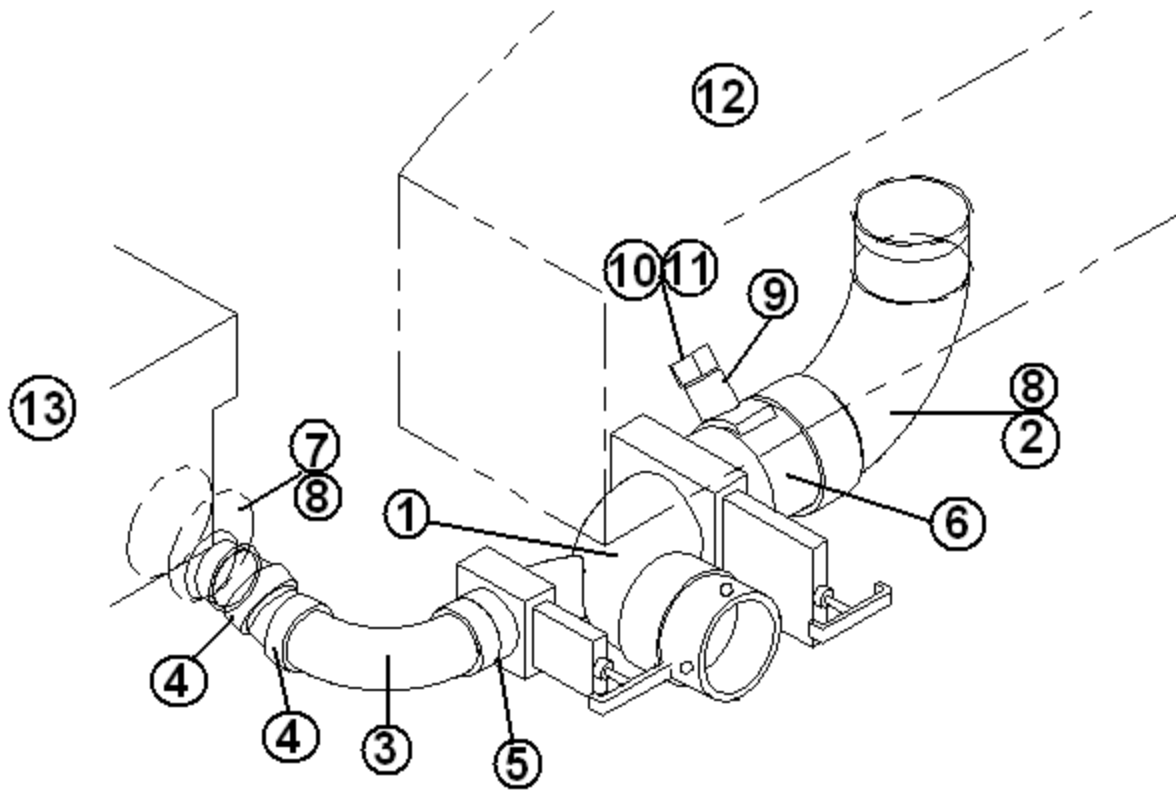
DRAIN SYSTEM, 16'

1. 600431 Elbow, 90, 1.5"
2. 600035 Ell, ABS, Long sweep, 1.5"
3. 600030 Ell. 45 degrees, long turn
4. 600156 Tee, sanitary
5. 600308 Adaptor, ABS, female, Sloan #2891
6. 600538 Vent, V-200 automatic
7. 600622 P-trap, 1.5" w/slip nut & washer
8. 601868 Sanitary tee, spig x hub x hub
9. 600227 Plastic couplings
10. 600144 P-trap, ABS DVW, 1.5"
11. 601160-02 Pipe, ABS, DVW, 1.5"
12. 601267-04 Nipple, 3" Dia. THD one, 10" long
13. 601266 Flange, closet, 3' x4", slip fit
14. 600820 3" single socket, 90 degree
15. 601607-14 Dump valve, 3"
16. 601607-06 Termination adaptor, 3" hub x 3" bay
17. 601607-07 Termination cap, 3" bay
18. 601844-05 Tank, black/gray combination
- 511789 SENSOR-TANK MONITOR #500-10050
- 453945-07 Close off, plumbing, black
- 601869 Tank pan
- 200507 STYROFOAM, 1 X 25 X 55"
- 200152 STYROFOAM 1/2 X 6 X 42"
- 600822 ADAPTER P-TRAP
- 602164-01 P TRAP W/COMPRESSION NUT 1.5"
- 602164-02 TAILPIECE W/NUTS & WASHERS 1.5
- 601727 Shower drain w/grid top
- 511789-01 Boot, Tank Sensor

2012 INTERNATIONAL TRAVEL TRAILER

PLUMBING, DRAIN

DRAIN SYSTEM, 19', 23'D



Part Numbers on the Next Page

2012 INTERNATIONAL TRAVEL TRAILER

PLUMBING, DRAIN

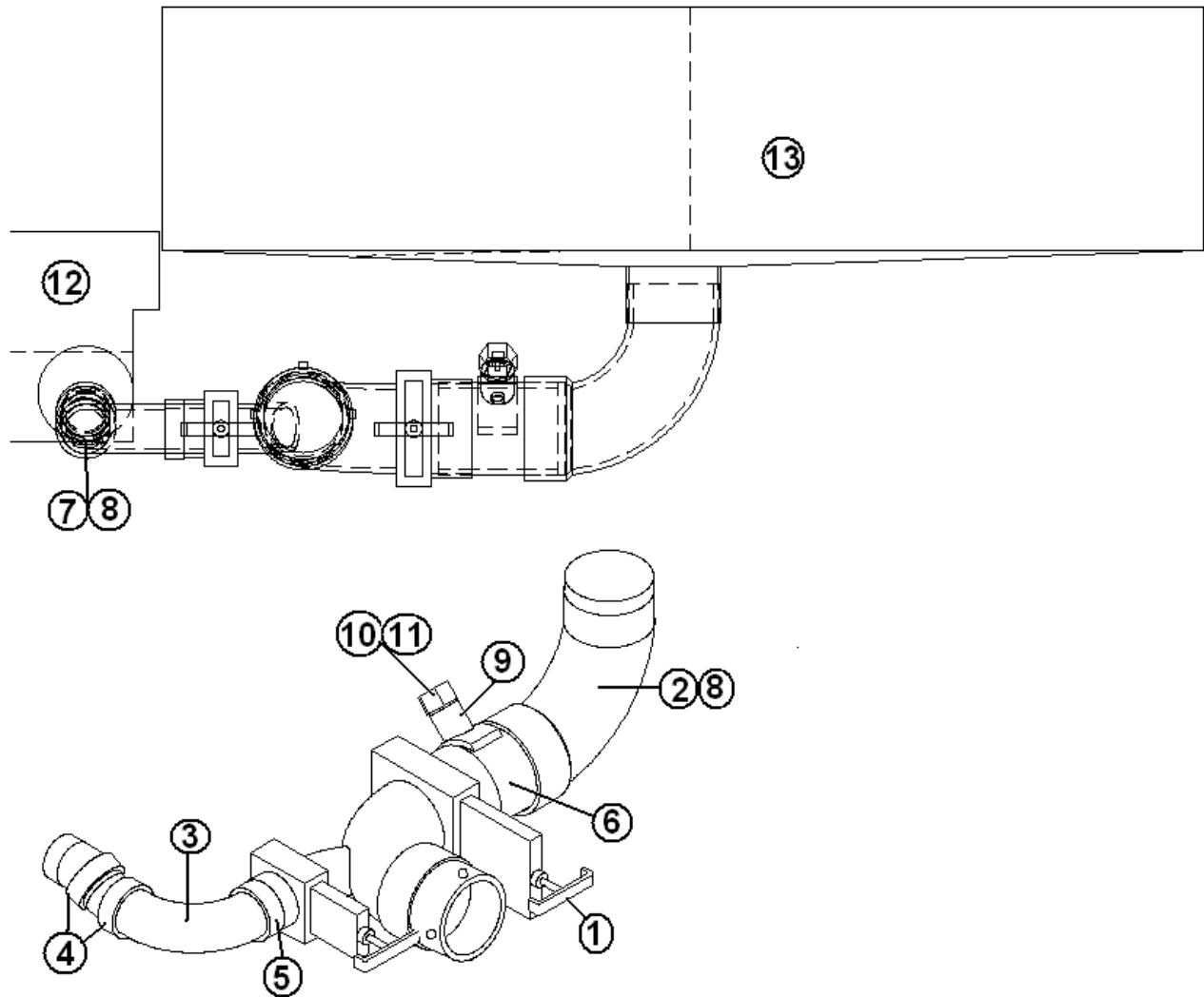
DRAIN SYSTEM, 19', 23' D

1. 601482	DUMP VALVE ROTATING ASSY.
2. 600820	3"SINGLE SOCKET 90DEGREE
3. 600431	ELBOW, 90, 1-1/2 IN
4. 601800	ST ELL- 1.5" 22.5D ABS SPIGXHUB
5. 601160-02	PIPE, ABS DVW, 1-1/2"
6. 601160-04	PIPE, ABS DVW, 3"
7. 195329-229	Reducer adaptor, 3" to 1.5"
8. 601846	ADAPTOR-3"PIPE CATCON
9. 340092	CLAMP, WORM TYPE
10. 511789-01	BOOT-SENSOR
11. 511789	SENSOR-TANK MONITOR
12. 601854-01	TANK-BLACK HOLDING 17.3 GALLON
13. 601844-01	TANK-GRAY HOLDING 21 GAL #0910
511780	HEAT PAD 6.5" X 18" - BLACK TANK
601722	ADAPTER-1.5" MALE HUB X MIPT
600622	P-TRAP 1-1/2 W/SLIP NUT & WASH
602185-01	DRAIN VALVE 90 DEG TURN Lead Free
114916	BRACKET DUMP VALVE
601717	GRAY TANK PAN
601228	BLACK TANK PAN CLOSEOUT
453977	STRAP-BLACK TANK FWD
453978	STRAP-BLACK TANK AFT
964478	SLOPE PAD-BLACK TANK
453712	SHIELD, FRESH WATER TANK DRAIN
601846	ADAPTOR-3"PIPE CATCON
600033	ELBOW, VENT, 1.50 90 DEG.
600035	ELL ABS LONG SWEEP 1 1/2"
600156	TEE SANITARY
600030	ELL ABS 45 DEGREES LONG TURN
600538	VENT V-200 AUTOMATIC
601200	ADAPT, AUTO VENT W/EXT. #A-201
601318	TEE BI-DIRECTIONAL CLEANOUT 1 1/2"
600155	PLUG, CLEANOUT 1 1/2"
600094	WYE #2301
600378	CONTINUOUS WASTE 1-1/2
600431	ELBOW, 90, 1-1/2 IN
601424	FLANGE, CLOSET 4" X 3", THREAD
600822	ADAPTER P-TRAP
602164-01	P TRAP W/COMPRESSION NUT 1.5"
602164-02	TAILPIECE W/NUTS & WASHERS 1.5
380481-A	7 X 8 RUBBER BOOT 3-1/2 DIA HOLE

2012 INTERNATIONAL TRAVEL TRAILER

PLUMBING, DRAIN

DRAIN VALVES/TANKS, 23'FRONT BED



Part numbers on the next page.

2012 INTERNATIONAL TRAVEL TRAILER

PLUMBING, DRAIN

Drain Valves/Tanks, 23' Front Bed

- | | |
|---------------|-------------------------------------|
| 1. 601482 | Dump Valve Rotating assembly |
| 2. 600183 | 3" Ell, long sweep |
| 3. 600431 | Elbow, 90, 1½" |
| 4. 601800 | Street Ell, 1.5", 22.5 Degrees, ABS |
| 5. 601160-02 | Pipe, ABS DVW, 1½"-2.00" Long |
| 6. 601160-04 | Pipe, ABS DVW, 3"- 4" Long |
| 7. 195329-229 | Reducer adaptor, 3" to 1.5" |
| 8. 340092 | Clamp, worm type T40C-75-388-SB |
| 9. 601846 | Adaptor, 3" pipe, Catcon |
| 10. 511789 | Sensor, tank monitor |
| 11. 511789-01 | Boot, Sensor |
| 12. 602173 | Tank, gray |
| 454649 | Pan, gray Tank |
| 601854-03 | Tank, Black Holding |
| 453963 | Strap, black tank FWD. |
| 453964 | Strap, black tank AFT. |
| 114916 | Bracket, dump valve |
| 200507 | Styrofoam, 1" X 25" X 55" |
| 200152 | Styrofoam, ½ X 6 x 42 |
| 601266 | Flange, closet, 3 X 4, slip fit |
| 454660 | Closeout, Septic pan |

2012 INTERNATIONAL TRAVEL TRAILER

PLUMBING, DRAIN

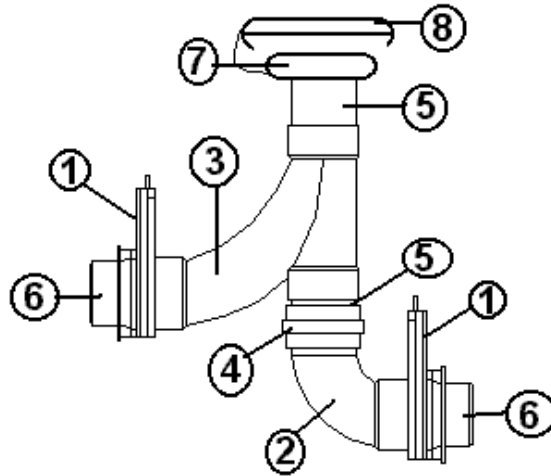
DRAIN, ABOVE FLOOR 25'TWIN

601160-02	PIPE, ABS 1 ½"
600622	P-TRAP 1 ½ W/SLIP NUT & WASHER
600035	ELBOW, EXTRA LONG SWEEP
600156	TEE, SANITARY
600538	VENT V-200 AUTOMATIC
600308	ADAPTER ABS FEMALE
602164-01	P-TRAP W/COMPRESSION NUT 1.5"
602164-02	TAILPIECE W/NUTS & WASHERS 1.5"
600144	P-TRAP ABS 1 ½"
601424	FLANGE, CLOSET 4" X 3" THREAD

2012 INTERNATIONAL TRAVEL TRAILER

PLUMBING, DRAIN

DRAIN VALVES/TANKS, 25' Front Bed



- | | |
|--------------|--|
| 1. 601607-11 | Dump Valve Assy. 3" Spigot x 3" Spigot |
| 2. 600820 | 3" single socket, 90 Degree |
| 3. 600187 | 3" Wye, combination & 1/8" bend |
| 4. 600289 | Calder coupler, 3" |
| 5. 601160-04 | 3" ABS pipe |
| 6. 0310107 | WASTE VALVE ADAPTOR |
| 7. 01639 | Bayonet ring |
| 8. 01664 | Cap. Positive seal, Thetford |
| 601850-04 | TANK-GRAY 37 GAL. |
| 601848-12 | TANK-BLACK 39 GAL. |
| 601626 | Pan assembly, Waste Tank |
| 601228 | Closeout, Septic Pan |
| 04190 | DUMP VALVE HANDLE 19 EXT THETFORD |
| 380481-A | BOOT RUBBER 3" DRAIN LINE |
| 385101 | TAG AUX TANK DUMP VALVE HANDLE |
| 200152 | STYROFOAM 1/2" X 6" X 42" |
| 385099 | TAG MAIN TANK DUMP VALVE HANDLE |
| 114086 | BRACKET DUMP VALVE HANDLE |
| 601242 | FLANGE, CLOSET, 3 X 4, threaded |
| 453615 | TANK SUPPORT STRIP-61.50" |
| 200954 | Slope Pad 22.75" x 55" |
| 511789 | Sensor, Tank Monitor |
| 511789-01 | Boot, Tank Monitor |

2012 INTERNATIONAL TRAVEL TRAILER

PLUMBING, DRAIN

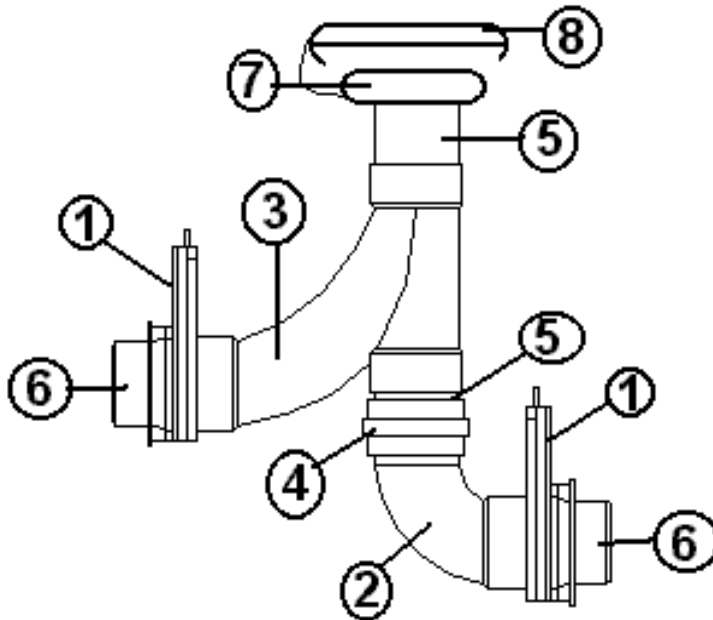
Waste Tank Install, 25' Int'l

601889-02	Tank, Grey 35 Gallon
601890-03	Tank, Black 37 Gallon
601895	Pan, Black/Grey Tank
601607-13	Valve Assembly 3"HB X 3" Spigot
601607-06	Termination Adaptor
601607-07	Termination Cap 3"
601607-03	Extension Rod, 12" Threaded
380481-A	7" x 10" Rubber Boot 3 1/2" Dia.
385101	Tag Aux. Tank Dump Valve Handle
385099	Tag Main Tank Dump Valve Handle
114086	Bracket, Dump Valve Handle
600035	Ell ABS Long Sweep 1 1/2
195329-229	Reducer Adaptor 3" to 1.5"
601716	Ell 90 w/Low Heel 3" x 3" x 1.5"
601607-12	Valve Assy., 1.5" Spig. X 1.5"
200954	Slope pad, 22.75" x 55"
601482	Dump Valve Rotating Assy.
511789	Sensor, Tank Monitor

2012 INTERNATIONAL TRAVEL TRAILER

PLUMBING, DRAIN

DRAIN VALVES/TANKS, 27' FB

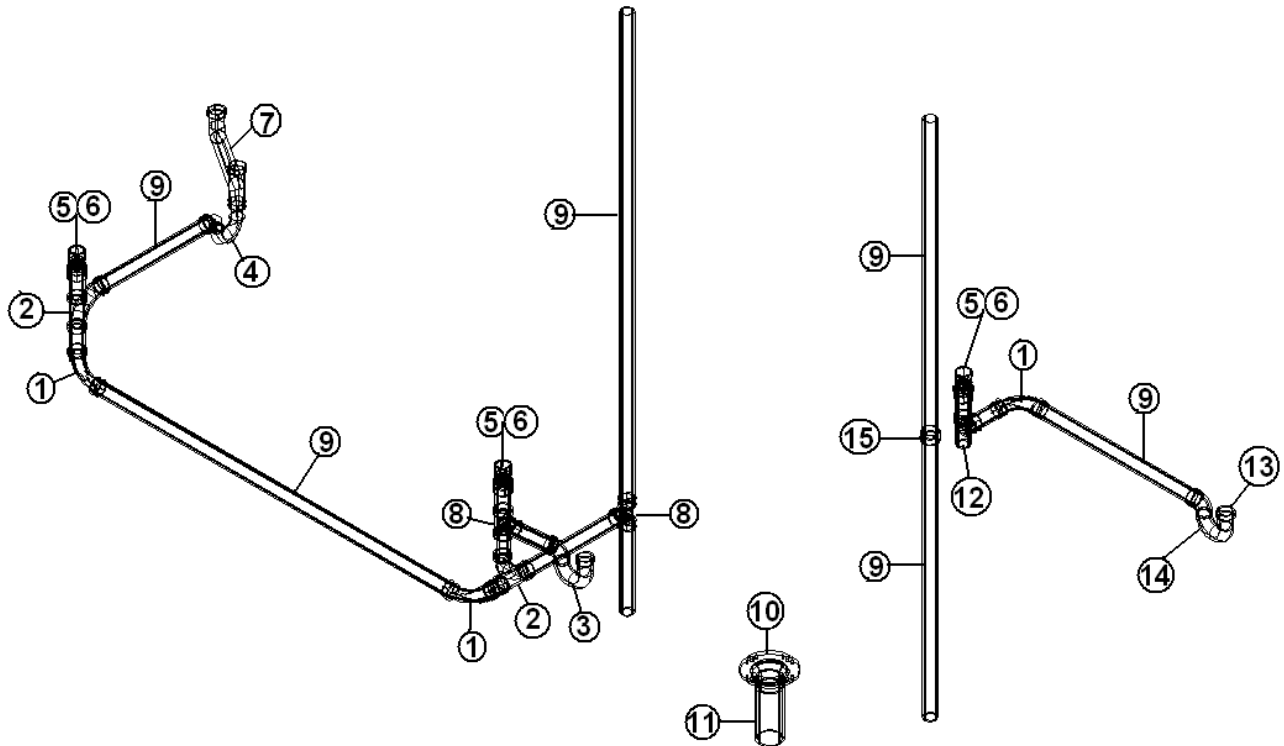


1. 601607-11 VALVE ASSY. 3" SPIGOT X 3"SPIGOT
2. 600820 3" SINGLE SOCKET 90DEGREE
3. 600187 3" WYE, COMB & 1/8 BEND
4. 600289 CALDER COUPLING 3IN (RUBBER)
5. 601160-04 PIPE, ABS DVW, 3"
6. 0310107 Adaptor, 3" tank valve
7. 601607-06 TERMINATION ADAPTOR - 3" HUB X 3"
8. 601607-07 TERMINATION CAP - 3" BAYONET
- 601850-04 TANK-GRAY 37 GAL.
- 601848-12 TANK-BLACK 39 GAL.
- 601626 PAN WASTE HOLDING TANKS
- 200954 SLOPE PAD, 22.75"X 55"
- 114086 BRACKET DUMP VALVE HANDLE
- 04190 DUMP VALVE HANDLE 19 EXT THETFORD
- 385101 TAG AUX TANK DUMP VALVE HANDLE
- 385099 TAG MAIN TANK DUMP VALVE HANDL
- 380481-A 7 X 8 RUBBER BOOT 3-1/2 DIA HOLE
- 200152 STYROFOAM 1/2 X 6 X 42
- 115361 DUMP VALVE MOUNTING PLATE

2012 INTERNATIONAL TRAVEL TRAILER

PLUMBING, DRAIN

DRAIN SYSTEM, 27' FB

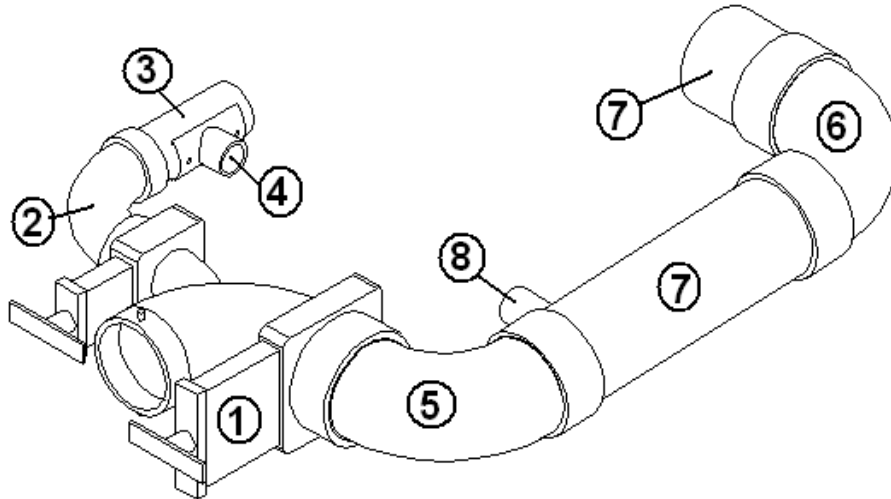


- | | |
|---------------|-----------------------------------|
| 1. 600035 | ELL ABS LONG SWEEP, 1-1/2 |
| 2. 600182 | WYE, 1.5" X 1.5" X 1.5", 1/8 BEND |
| 3. 600144 | P TRAP, ABS, 1-1/2 IN |
| 4. 600822 | P-TRAP, 1-1/2 W/SLIP NUT & WASH |
| 5. 600538 | VENT, V-200 AUTOMATIC |
| 6. 600308 | ADAPTER, ABS, FEMALE SLOAN |
| 7. 600378 | CONTINUOUS WASTE, 1-1/2 |
| 8. 600156 | TEE SANITARY |
| 9. 601160-02 | PIPE, ABS DVW, 1-1/2" |
| 10. 601266 | FLANGE, CLOSET, 3 X 4, SLIP FIT |
| 11. 601267-04 | NIPPLE, 3" DIA. THD ONE 10" LG |
| 12. 601868 | SANITARY TEE, SPIG X HUB X HUB |
| 13. 602164-02 | TAILPIECE W/NUTS & WASHERS, 1.5" |
| 14. 602164-01 | P TRAP W/COMPRESSION NUT, 1.5" |
| 15. 600227 | PLASTIC COUPLINGS |

2012 INTERNATIONAL TRAVEL TRAILER

PLUMBING, DRAIN

Dump Valves/Tanks, 28'

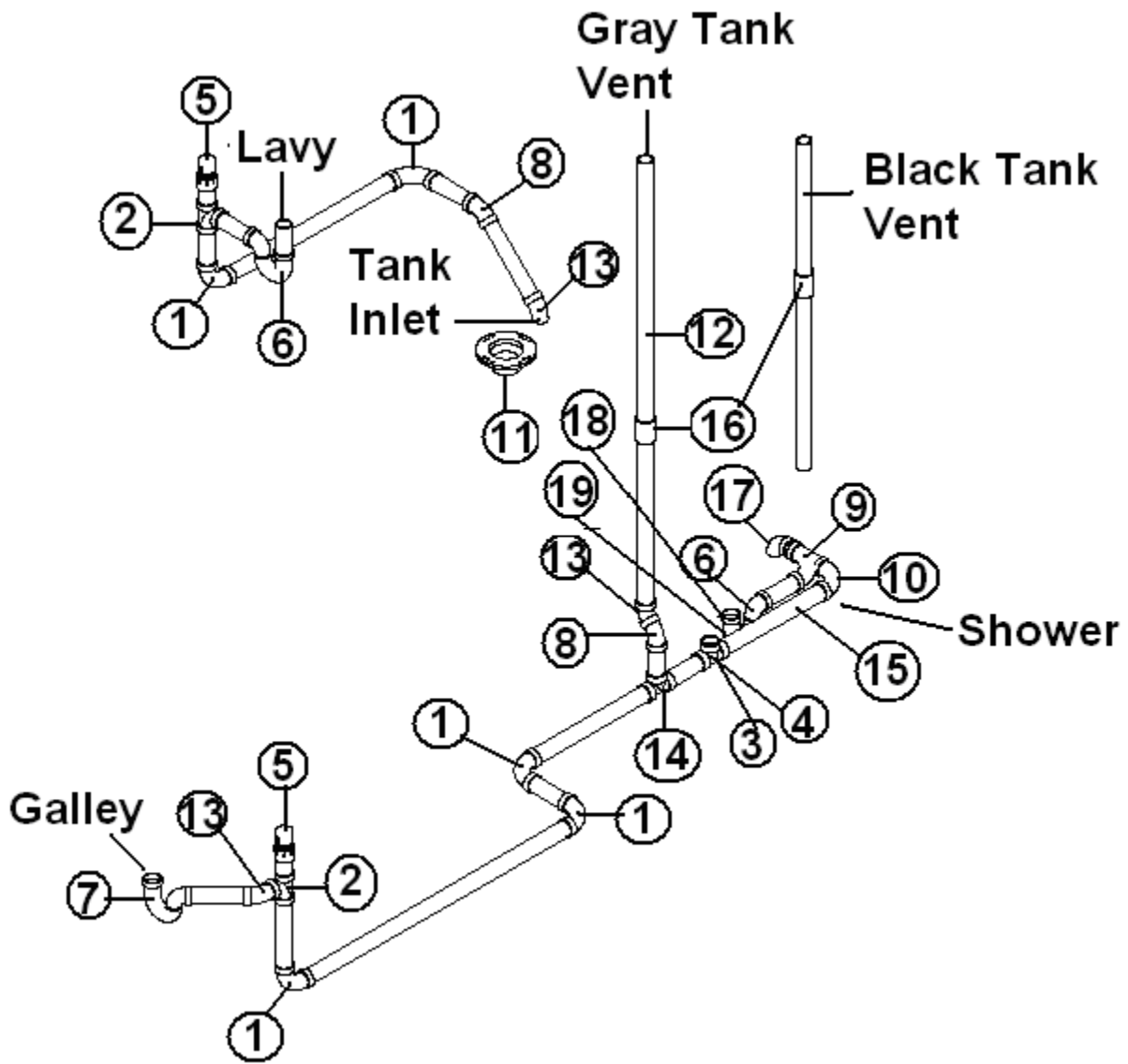


- | | |
|--------------|--------------------------------------|
| 1. 601482 | DUMP VALVE ROTATING ASSEMBLY |
| 2. 600431 | ELBOW, 90, 1 1/2" |
| 3. 601160-02 | PIPE, ABS DVW, 1 1/2" |
| 4. 601845 | ADAPTOR-1.5", PIPE CATCON |
| 5. 600820 | 3"SINGLE SOCKET 90DEGREE |
| 6. 600183 | ELL LONG SWEEP ABS 3" |
| 7. 601160-04 | PIPE, ABS DVW, 3" |
| 8. 601846 | ADAPTOR, 3" PIPE CATCON |
| 0360494 | BOOT RUBBER |
| 601889-03 | TANK-BLACK |
| 601890-02 | TANK-GRAY 37 GALLON |
| 601895 | PAN-BLACK/GRAY TANK |
| 203149 | SLOPE PAD-HOLDING TANKS |
| 200152 | STYROFOAM 1/2 X 6 X 42" |
| 454178-01 | STRAP-BLACK/GRAY TANK 52.25" |
| 454178-02 | STRAP-BLACK/GRAY TANK 5.25" H |
| 454178-05 | STRAP-BLACK/GRAY TANK 4.25" |
| 454155-01 | STRAP-BLACK/GRAY TANK, 5.75"X 49.00 |
| 454155-02 | STRAP-BLACK/GRAY TANK, 5.13"X 49.00 |
| 454178-06 | STRAP-BLACK/GRAY TANK 4.00" X 48.38" |

2012 INTERNATIONAL TRAVEL TRAILER

PLUMBING, DRAIN

DRAIN SYSTEM, 28'



Part Number on the next page

2012 INTERNATIONAL TRAVEL TRAILER

PLUMBING, DRAIN

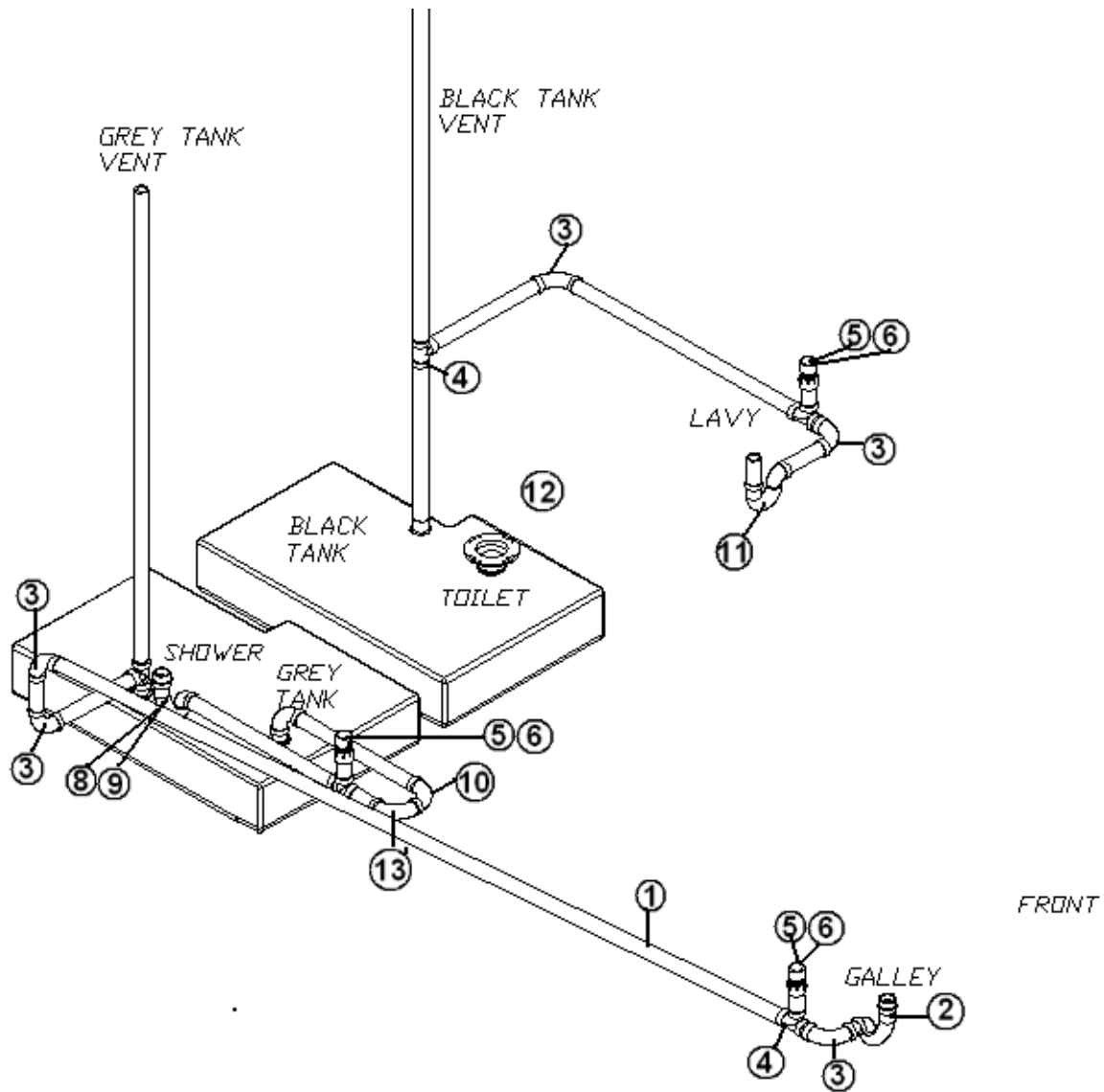
DRAIN SYSTEM, 28'

1. 600035 ELL ABS LONG SWEEP 1-1/2"
2. 600156 TEE SANITARY
3. 602073 TEE-FIXTURE 2" HUB X 2" HUB X 1.5"
4. 600155 PLUG, CLEANOUT 1-1/2"
5. 600538 VENT V-200 AUTOMATIC
6. 600144 P TRAP ABS 1-1/2 INCH
7. 600622 P-TRAP 1-1/2 W/SLIP NUT & WASHER
8. 600030 ELL ABS 45 DEGREES LONG TURN
9. 600318 WYE-1/8 BEND COMB, 2 X 2 X 1-1
10. 600372 ELBOW-2"LONG TURN 90DEG STREET
11. 601424 FLANGE, CLOSET 4" X 3", THREAD
12. 601160-02 PIPE, ABS DVW, 1-1/2"
13. 600027 ELBOW ABS LONG ST 45 DEGREES
14. 602072 TEE-SANITARY - REDUCING 2" X 1.5"
15. 601160-03 PIPE, ABS DVW, 2"
16. 600227 PLASTIC COUPLINGS
17. 602112 ELBOW 90 DEG. SHORT STREET 2"
18. 602164-02 1.5" Tail piece
19. 602164-01 P-trap, 1.5"

2012 INTERNATIONAL TRAVEL TRAILER

PLUMBING, DRAIN

DRAIN SYSTEM - ABOVE FLOOR 30'



PARTS LISTED ON NEXT PAGE

2012 INTERNATIONAL TRAVEL TRAILER

PLUMBING, DRAIN

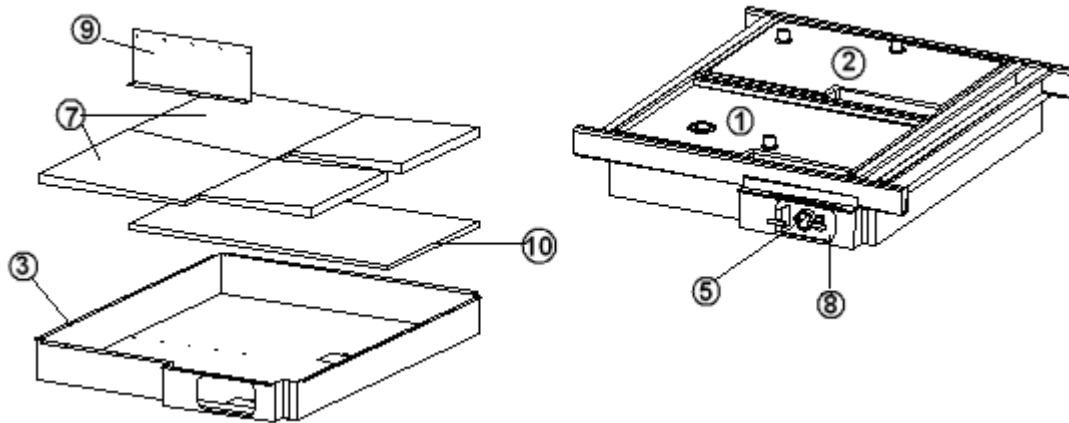
DRAIN SYSTEM, ABOVE FLOOR, 30'

1. 601160-02 PIPE, ABS DWG, 1-1/2"
2. 600622 P-TRAP 1-1/2 W/SLIP NUT & WASH
3. 600035 ELL ABS LONG SWEEP 1-1/2
4. 600156 TEE SANITARY
5. 600538 VENT V-200 AUTOMATIC
6. 600308 ADAPTER ABS FEMALE SLOAN #2891
8. 602164-01 P TRAP W/COMPRESSION NUT 1.5"
9. 602164-02 TAILPIECE W/NUTS & WASHERS 1.5
10. 600035 ELL ABS LONG SWEEP 1-1/2
11. 600144 P TRAP 1 1/2" ABS
12. 601424 CH FLANGE, CLOSET 4" X 3", THREAD
13. 600431 ELBOW, 90, 1-1/2 IN
- 454155-01 STRAP-BLK/GRAY TANK 5.75"X 61.25"
- 454155-02 STRAP-BLK/GRAY TANK 5.13"X 60.00"
- 454178-01 STRAP-BLK/GRAY TANK 5.75" X 51.88"
- 454178-02 STRAP-BLK/GRAY TANK 5.25" X 50.63"
- 454178-05 STRAP-BLK/GRAY TNK 4.38" X49.13"
- 602306 VALVE 2" AIR ADMITTANCE

2012 INTERNATIONAL TRAVEL TRAILER

PLUMBING, DRAIN

PLUMBING, BLACK/GREY TANK 30'



- | | | |
|-----|-----------|---------------------------------------|
| 1. | 602245-01 | TANK-BLACK 39.3 GALLON |
| 2. | 602245-02 | TANK-GREY 39.3 GALLON |
| 3. | 602248 | PAN ASSY-BLK/GREY TANK |
| 5. | 601607-16 | VALVE ASSY., 3" SPIG X 3" SPIG x 1.5" |
| 7. | 203672 | PAD-SLOPE 31.5X51 30' |
| 8. | 382113 | BOOT-RUBBER DUMP VALVE |
| 9. | 454739 | BRACKET-WASTE TANK SUPPORT |
| 10. | 200507 | STYROFOAM, 1 X 25 X 55 |
| | 602249 | BRACKET, TANK PAN SUPPORT |

2012 INTERNATIONAL TRAVEL TRAILER

PLUMBING, DRAIN

Sinks/showers, 16', Signature

602250	SINK, S/S SINGLE BOWL 13 X 15
600968	BASKET STRAINER
601714-01	TAIL PIECE, 1-1/2 X 4" (GALLEY DRAIN)
601714-02	1-1/2" SLIP NUT W/WINGS
601714-03	1-1/2" BLACK RUBBER WASHER
203673	SINK COVER 14.25 X 12.25
203444-01	BASE-SHOWER FIBERGLASS WHITE
601727	Shower drain w/grid top

Sinks/showers, 19', Signature

702937-06	SHOWER DOOR, ROLL AWAY 62 X 36 - WHITE
203114-02	SHOWER 2 PC. - WHITE
602250	SINK, S/S/ SINGLE BOWL 13 X 15
601714-01	TAIL PIECE, 1-1/2 X 4" (GALLEY DRAIN)
601714-02	1-1/2" SLIP NUT W/WINGS
601714-03	1-1/2" BLACK RUBBER WASHER
601714-04	TAIL PIECE 1-1/2 X 6" (GALLEY DRAIN)
600968	BASKET STRAINER
203673	SINK COVER 14.25 X 12.25
601804-01	SINK, 12" SS ROUND, BATH
601813	TAIL PIECE-LIFT/TURN DRAIN, BATH
602185-01	VALVE DRAIN 90D TURN - LEAD FREE

2012 INTERNATIONAL TRAVEL TRAILER

PLUMBING, DRAIN

Sinks/showers, 23' D, Signature

702937-06	SHOWER DOOR, ROLL AWAY 62 X 36 White
203114-02	SHOWER, 2 PC FIBERGLASS
601804-01	SINK, 12" SS ROUND, BATH
601813	TAIL PIECE-LIFT/TURN DRAIN, BATH
601714-01	Tail piece 1 1/2" x 4" - Galley Drain
601714-02	1-1/2" SLIP NUT W/WINGS
601714-03	1-1/2" BLACK RUBBER WASHER
601806	SINK, S.S. ROUND GALLEY
203483	COVER, SINK ROUND 17.75" NATURAL

Sinks/showers, 23'FB, Signature

601806	SINK, S.S. ROUND GALLEY
601714-01	TAIL PIECE 1-1/2X4"(GALLEY DRAIN)
601714-02	1-1/2" SLIP NUT W/WINGS
703911-02	SHOWER DOOR BN 22 X 65 W/TRAVEL LATCH
203615	SHOWER STALL
967114	SHOWER SEAT SUPPORT
203692	BASE-SHOWER FIBERGLASS
601804-01	SINK 12" SS ROUND WITH STUDS
601813	TAIL PIECE-LIFT/TURN DRAIN
602294-01	FAUCET, LAVY, SINGLE LEVER BRUSHED NICKEL
602294-02	AERATOR 1.5 GPM FOR 602294-01 FAUCET
203483	SINK COVER - ROUND

2012 INTERNATIONAL TRAVEL TRAILER

PLUMBING, DRAIN

Sinks/showers, 25', 25' Front Bed, Signature & EDDIE BAUER

203081-02	SHOWER STALL, 2 PC. WHITE
601804-01	SINK, LAVATORY, 12" SS ROUND
601806	SINK, GALLEY, S.S. ROUND, 25, 25FB
203483	COVER, GALLEY SINK ROUND 17.75"
703911-01	SHOWER DOOR, BRUSHED.NICKEL
601714-01	TAIL PIECE 1 ½ X 4" (GALLEY DRAIN)
601714-02	1 ½" SLIP NUT W/WINGS
601714-03	1 ½" BLACK RUBBER WASHER
454727-01	ANGLE, SHOWER FRAME 27"
454727-02	ANGLE, SHOWER FRAME 64.75"

Sinks/Showers, 27' Front Bed, Signature

601806	SINK-S.S. ROUND GALLEY
203483	COVER-SINK ROUND 17.75"
601714-01	TAIL PIECE 1-1/2X4"(GALLEY DRAIN)
601714-02	1-1/2" SLIP NUT W/WINGS
601714-03	1-1/2" BLACK RUBBER WASHER
601804-01	SINK, LAVATORY, 12" SS ROUND WITH STUDS
203081-02	SHOWER STALL, 2 PC.
703911-01	SHOWER DOOR, BRUSHED NICKEL
454727-01	ANGLE, SHOWER FRAME 27"
454727-02	ANGLE, SHOWER FRAME 64.75"
602185-01	DRAIN VALVE 90D TURN - LEAD FREE

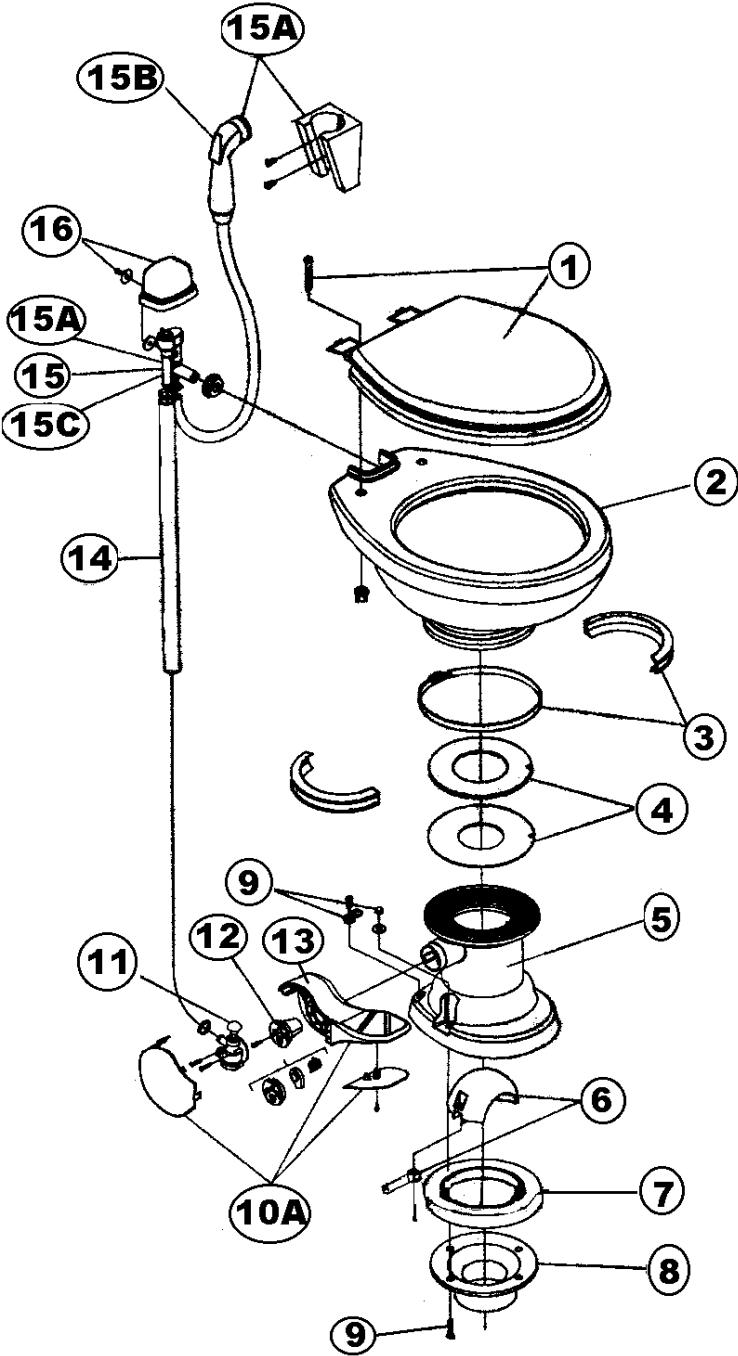
Sinks/Showers, 28', 30' Signature

601804-01	SINK 12" SS ROUND WITH STUDS, LAVATORY
203483	COVER-SINK ROUND 17.75"
601714-01	TAIL PIECE 1 ½" X 4"(GALLEY DRAIN)
601714-02	1 ½" SLIP NUT W/WINGS
601714-03	1 ½" BLACK RUBBER WASHER
203081-01	SHOWER STALL-2 PC FIBER 28'CCD, 30'
703911-01	SHOWER DOOR, BRUSHED NICKEL
454727-01	ANGLE, SHOWER FRAME 27" - 28' ONLY
454727-02	ANGLE, SHOWER FRAME 64.75" - 28' ONLY
601806	SINK-S.S. ROUND GALLEY
602185-01	DRAIN VALVE 90D TURN - LEAD FREE
602294-01	FAUCET - LAVY SINGLE LEVER - BRUSHED, 30'
602294-02	AERATOR 1.5 GPM FOR 602294-01, 30'

2012 INTERNATIONAL TRAVEL TRAILER

PLUMBING, DRAIN

Toilet, 16', 19', 28'



P/N Next Page

2012 INTERNATIONAL TRAVEL TRAILER

PLUMBING, DRAIN

Toilet, 16', 19', 23' D, 23'FB, 28'

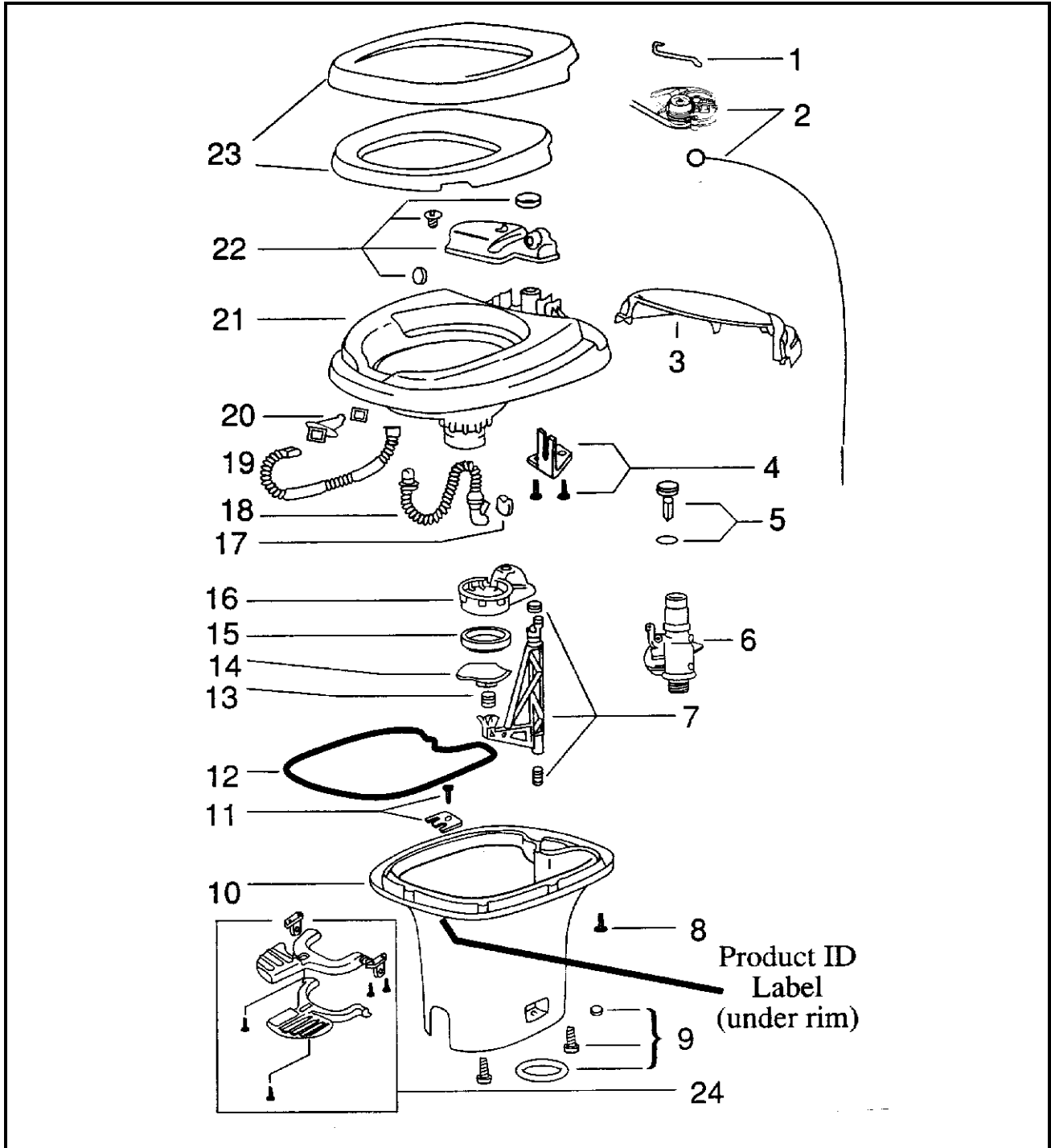
690472 Sealand, Traveler Lite, White, HIGH PROFILE, 16', 28'
690472-01 Sealand, Traveler Lite, White LOW PROFILE, 19', 23' D, 23'FB

1. 344088 Seat Assembly
2. 310790 China bowl kit
3. 310025 Ring & half clamp kit
4. 316140 Teflon & rubber seal kit
5. 310792 Base kit, includes 3, 4, 6, 7, 9, 10A, 11 & 12
6. 310681 Ball, shaft, cartridge kit
7. 343938 Floor flange seal
8. 600065 Flange, floor, threaded, Airstream
- 8a. 601266 TOILET, FLANGE, CLOSET, 3" X 4", SLIP FIT
9. 310794 Floor bolt mounting kit
10. 310117 Pedal cover kit
- 10A. 310682 Flush pedal kit (includes 12)
11. 314349 Water valve kit
12. 310683 Spring cartridge kit
13. Pedal included w/Part 10A
14. 340177 Supply hose
15. 310687 Vacuum breaker kit
- 15A. 319054 Vacuum breaker kit w/spray
- 15B. 340683 Hand spray
- 15C. 230335 Vacuum breaker (used w/spray)
16. 310795 Vacuum breaker cover kit
- 601884 CENTER SET NUT, PLASTIC

2012 INTERNATIONAL TRAVEL TRAILER

PLUMBING, DRAIN

Toilet, 25' Front Bed, 27' Front Bed, 30'



2012 INTERNATIONAL TRAVEL TRAILER

PLUMBING, DRAIN

Toilet, 25' Front Bed, 27' Front Bed, 28', 30'

690621
601266

TOILET-CHINA #302310041 DOMETIC
TOILET, FLANGE, CLOSET, 3" X 4", SLIP FIT

2012 INTERNATIONAL TRAVEL TRAILER

PLUMBING, DRAIN

Black Tank Flush

601441	SYSTEM, TANK FLUSH
601698-10	QQE33x1/2 BARB EL #14722 (Metal)
602256-10	QQE33X 1/2" BARB EL (Plastic)
601698-05	QQE33BSXP 1/2BX1/2FPT SWV EL (Metal)
602256-05	QQE33BSXP 1/2" B X 1/2" FPT SWV EL (Plastic)
601698-03	QQSFC33XPXP 1/2"B X 1/2" FPT SW ADP (Metal)
602256-03	QQSFC33XPXP 1/2" B X 1/2" FPT SW ADP (Plastic)
601698-15	1/2" CRIMP RING
601698-04	QQE33BTX 1/2"B X 1/2"MPT BARB EL (Metal)
602256-04	QQE33BTX 1/2" B X 1/2" MPT BARB EL (Plastic)
601698-01	E-PEX 1/2" TUBING
195329-229	REDUCER ADAPTOR 3" TO 1.5"
602185-01	DRAIN VALVE, 90D TURN, LEAD FREE

*Metal fittings changed to plastic during model year.

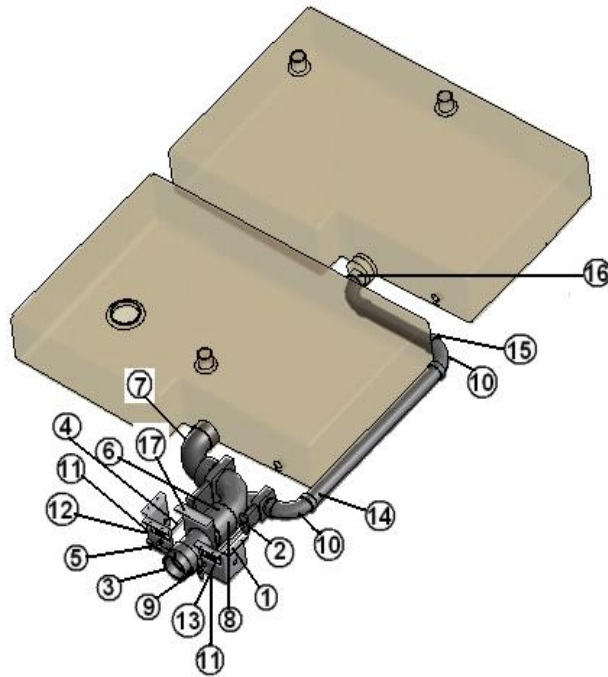
Plumbing Loose Parts

340084-52	CLAMP, HOSE SAE #52, for sewer hose
381647	KEY WATER FILL CH751
195329-240	SEWER HOSE ADAPTOR

2012 INTERNATIONAL TRAVEL TRAILER

PLUMBING, DRAIN

DUMP VALVE INSTALL, 30'



- | | | |
|-----|-----------|--------------------------------|
| 1. | 600253 | COUPLING 3IN |
| 2. | 601607-16 | VALVE ASSY-3"SPIGX3"SPIGX1.5"S |
| 3. | 601607-06 | TERM. ADAPTOR - 3" HUB X 3" BA |
| 4. | 601607-19 | EXTENSION-THREADED 6" |
| 5. | 601607-17 | HANDLE-DUMP VALVE BLACK |
| 6. | 601160-04 | PIPE, ABS DVW, 3" |
| 7. | 600820 | 3"SINGLE SOCKET 90DEGREE |
| 8. | 601607-20 | EXTENSION-THREADED 8" |
| 9. | 601607-18 | HANDLE-DUMP VALVE GREY |
| 10. | 600035 | ELL ABS LONG SWEEP 1-1/2 |
| 11. | 454907 | BRKT-BLK TANK DUMP VALVE |
| 12. | 385099 | TAG MAIN TANK DUMP VALVE HANDL |
| 13. | 385101 | TAG AUX TANK DUMP VALVE HANDLE |
| 14. | 601160-02 | PIPE, ABS DVW, 1-1/2" |
| 15. | 601160-02 | PIPE, ABS DVW, 1-1/2" |
| 16. | 600431 | ELBOW, 90, 1-1/2 IN |
| 17. | 114916 | BRACKET DUMP VALVE BAMBI |

2012 INTERNATIONAL TRAVEL TRAILER

SAFETY EQUIPMENT

Detectors/Fire Extinguishers

510781	Smoke detector
510891	Smoke Detector CSA only
511309	LPG detector
512318	HOLDER W/1 AMP FUSE, IN-LINE
510696	HOLDER, FUSE, IN-LINE
386019	LABEL 1 AMP FUSE MAX
512178	DETECTOR, CARBON MONOXIDE
600162-01	Fire extinguisher
600162-02	Fire extinguisher, CSA
203387	POCKET-RECESSED FIRE EXT. BRACKET

2012 INTERNATIONAL TRAVEL TRAILER

SEALER/GASKETS/PAINT

SEALER

360001	Sealant, #884058
360002	Sealant, Vulkem 11.5 oz. tube
360209	Sealant, seam
360176	Sealant, Almond, kitchen and bath
360180-04	Sealant, Sikaflex #221, black
360180	Sealant, Sika-flex, gray
360210	Sealant, Paralastic 4334-014
360283-01	Sealant, silicone, G. White
360283-01	SEALANT SILICONE CORIAN G. WHITE
685510	SEAM TAPE, BLACK, RUBBER 1/32 X 7/8 X 2
365222	TAPE, DOUBLE COATED, .08 X 3/4"
365300	TAPE, SIKA, 95 .09" X .5", EXTERIOR ROOF
365330-01	SEAL-RTV SILICONE WHITE #4552
365233-01	SEALANT-100% SILICONE CLEAR
360255-04	SEALANT - ANTI-WICK #7720

GASKETS/TAPE



365035, Gasket
Access doorjamb

365013-01, Gasket
screen door

365232, Gasket
main door

365190	SEAL, RUBBER, 3/4" X 3/4", Refer, Range hood
382117	Gasket, Window Seal
365208	Gasket, window frame to glass
365016	Tape, foam, double face, 1/2" wide
685510-01	Seam tape, exterior metal, black rubber, 1/2"
365001	TAPE DOUBLE COATED FOAM
381830	Gasket wiper, L section, 1.12" x 2.00", seal around refer baffle
382074	Gasket, grab handle, main door
512477	Gasket, Neoprene, 1/8" Thick Black (Refg. Receptacle)

2012 INTERNATIONAL TRAVEL TRAILER

SEALER/GASKETS/PAINT

GASKET KITS – ITEMS IN KITS ARE NOT SOLD SEPERATELY.

365336 GASKET KIT #1 – CONSISTS OF:
EXTERIOR SHOWER GASKET 1 EA.
CITY WATER FILL GASKET 1 EA.
STEP LIGHT GASKET 1 EA.
AWNING LOCKDOWN (AS5 & AS7 KIT) 4 EA.
LOWER AWNING FOOT (AS7 KIT) 4 EA.
AWNING FOOT (REAR W/PAN KIT) 4 EA.
LOWER AWNING FOOT (AS5 KIT) 4 EA.

365337 GASKET KIT #2 – CONSISTS OF:
SMALL FURNACE EXHAUST/INTAKE – 1 EA.
GRAVITY WATER FILL - 1 EA.
RANGE VENT GASKET – 1 EA.
AWNING LOCKDOWN (LW7 KIT) 4 EA.
AWNING CLASSIC CENTER POST – 4 EA.
AEU BBQ POINT – 1 EA.
AEU UPPER INDICATOR LIGHT – 2 EA.
AEU CITY WATER HOOKUP – 1 EA.

365338 GASKET KIT #3 – CONSISTS OF:
SCARE LIGHT DOMESTIC UNITS – 1 EA.
BLACK TANK FLUSH GASKET – 1 EA.
AWNING TRAVEL LATCH GASKET – 4 EA.
AEU FOG/BACKUP LAMP HOUSING 2 EA.
AEU FOG/BACKUP LAMP BEZEL – 2 EA.
SCARE LIGHT AEU UNITS – 1 EA.
AWNING HOOK GASKET – 4 EA.
AWNING PROP FOOT GASKET – 4 EA.

2012 INTERNATIONAL TRAVEL TRAILER

SEALER/GASKETS/PAINT

PAINT

360213	Paint, aluminum metallic
360151	Paint, gray metallic, Centari
360151-01	Paint, gray metallic, Centari, 16 oz. can
360260-100	Paint, Pewter, 16 oz. can
360346	Paint, Silver
360345	Paint, Charcoal

2012 INTERNATIONAL TRAVEL TRAILER

UPHOLSTERY/FOAM/MATTRESS

Pillow Kits, 30', 28', 27' FB, 25' FB, 25, 23' D, 19', 16'

701611	PILLOW, 21 X 31
703678-047	Pillows, Cilantro, bedroom
703678-057	Pillows, Paprika, bedroom
703678-108	Pillows, Aquamarine
703898-03	Pillows, Yellowstone
703849-04	Pillows – SERENITY 23D, 25, 25FB, 27FB, 28, 30'
703849-05	Pillows – SERENITY 16', 19', 23FB
703887-03	Pillows – Ultra Leather 23D, 25, 25FB, 27FB, 28, 30'
703887-04	Pillows – Ultra Leather 16, 19, 23FB
703939-04	Pillow Kit – Eddie Bauer

2012 INTERNATIONAL TRAVEL TRAILER

UPHOLSTERY/FOAM/MATTRESS

Mattress, 16'

- *703695 MATTRESS, 48" X 78" W/DOULBLE RADIUS CORNER
- *703975 MATTRESS PILLOWTOP, FOAM CORE 47 ½ X 78"

Mattress, 19', 23' D

- *703696 MATTRESS, 48" X76" W/10"RADIUS
- *703976 MATTRESS, PILLOWTOP FOAM CORE 48 X 76
CORNER DBL

Mattress,23' Front Bed, 25' Front Bed

- *703698 MATTRESS, 60" X 75" queen
- *703978 MATTRESS PILLOWTOP FOAM CORE 60 X 75 QUEEN
"B"

Mattress, 27' FB, 28', 30'

- *703699 Mattress, 60" x 75" w/11" Radius corner
- *703979 Mattress, Pillowtop, foam Core 60 x 75 Queen "J"

*UNITS WITH A START DATE OF DECEMBER 2011 AND ON WILL
HAVE THE NEW PILLOW TOP MATTRESS.

2012 INTERNATIONAL TRAVEL TRAILER

UPHOLSTERY/FOAM/MATTRESS

Bedsread, 16'

703363-047	Bedsread, 16', Cilantro
703363-057	Bedsread, 16', Paprika
703363-261	Bedsread, Yellowstone
703363-180	Bedsread, Mint Green
703363-141	Bedsread, Soy Brown

Bedsread, 19', 23' D

703287-047	Bedsread, Cilantro
703287-057	Bedsread, Paprika
703287-141	Bedsread, Soy Brown
703287-180	Bedsread, Mint Green
703287-261	Bedsread, Yellowstone

Bedsread, 23' Front Bed

703301-047	Bedsread, Cilantro
703301-057	Bedsread, Paprika
703301-141	Bedsread, Soy Brown
703301-180	Bedsread, Mint Green
703301-261	Bedsread, Yellowstone

Bedsread, 25' & 27' Front Bed 28', 30'

703356-047	Bedsread, 27' FB, 28', 30' Signature, Cilantro
703356-057	Bedsread, 27' FB, 28', 30' Signature, Paprika
703356-141	Bedsread, 27' FB, 28', 30' Signature, Soy Brown (Serenity)
703356-180	Bedsread, 25, 27' FB, 28', 30' Signature, Mint Green (Serenity)
703356-261	Bedsread, 25 FB, 27' FB, 28', 30' Signature, Yellowstone
703356-UL	Bedsread, Rev. Sham – Ultra Leather 30 Serenity

2012 INTERNATIONAL TRAVEL TRAILER

UPHOLSTERY/FOAM/MATTRESS

Net, Storage Bag, 16'

703364 NET, STORAGE BAG BLACK 10"X 14"

Foldette Door Vinyl Strap, 28'

381581 STRAP CLEAR PLASTIC .75"W

700811 BUTTON CAP, HANDY

700812 BUTTON BOTTOM, HANDY, OAK

ACCESSORIES, EDDIE BAUER

703928 PACKABLE DOWN THROW

703934 DUFFEL, MEDIUM/BLACK

703938 MAT, NON SKID, EDDIE BAUER

703933 AIRSTREAM TRAILHEAD BACK PACK

Bedding - 25'FB - EDDIE BAUER

703919 Comforter - Down

703920 Pillows - Down

703921 Sheet Set - Bone

703922 Duvet Cover - Basil

703923 Pillow Shams - Basil

703924 Pillow Shams - Midnight

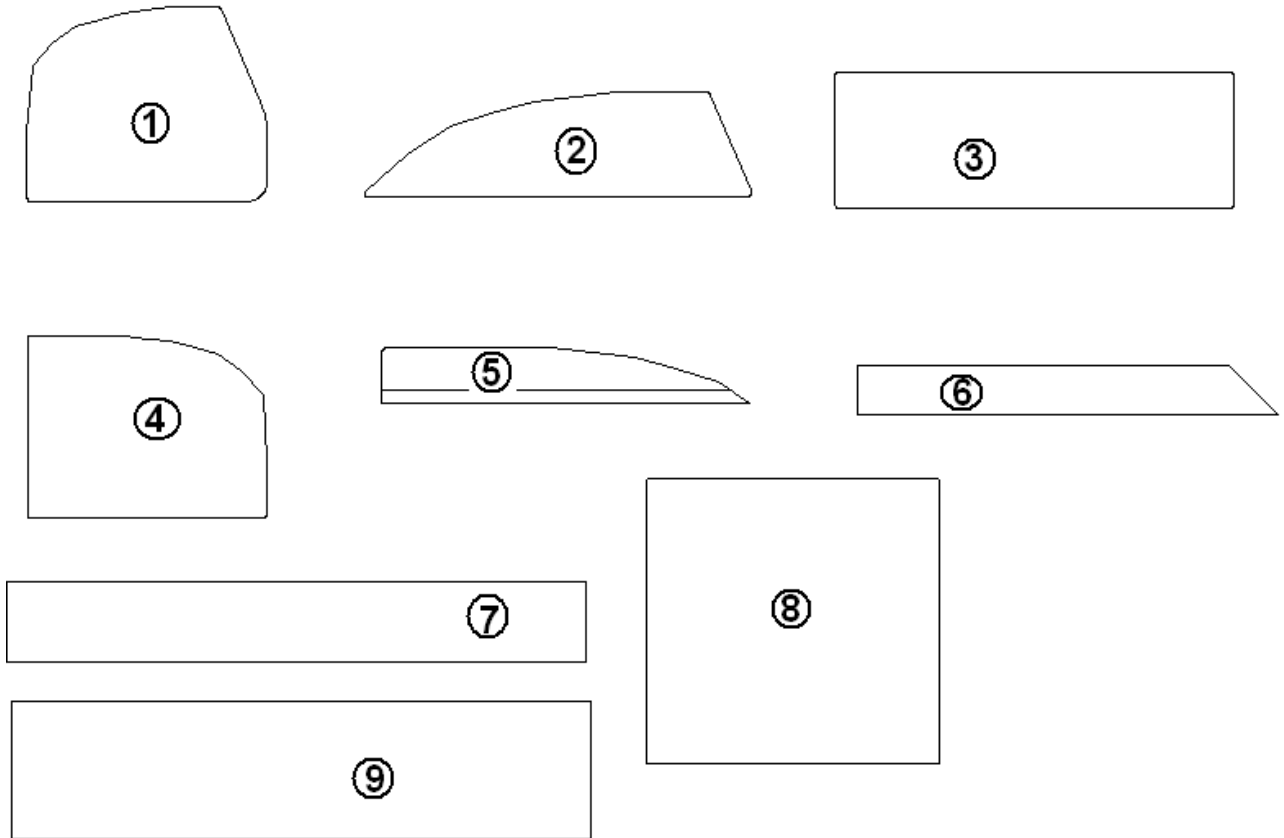
703928 Packable Down Throw

703939-04 Pillow Kit

2012 INTERNATIONAL TRAVEL TRAILER

UPHOLSTERY/FOAM/MATTRESS

Cushions/Fabric Assemblies, 23' D Sofa



Part Numbers on the Next Page

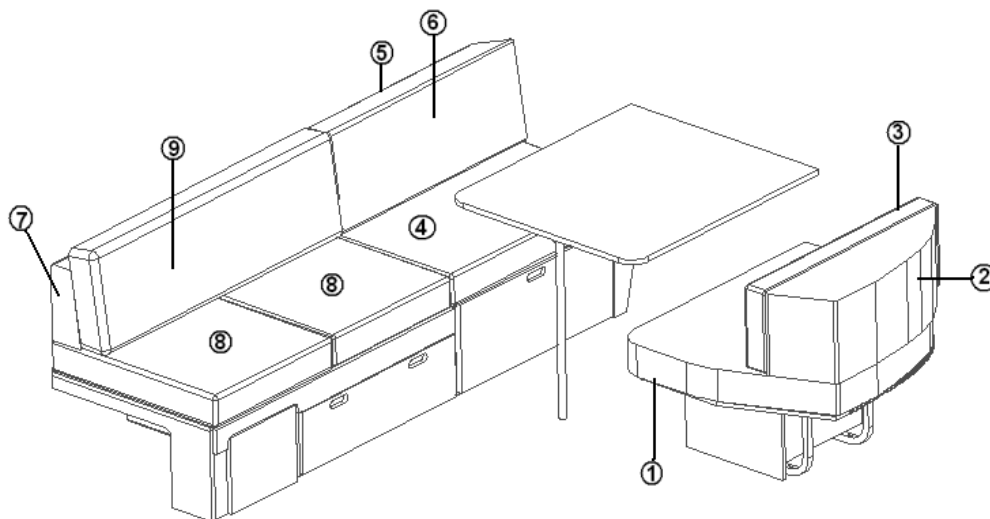
2012 INTERNATIONAL TRAVEL TRAILER

UPHOLSTERY/FOAM/MATTRESS

Cushions/Fabric Assemblies, 23' D Sofa

703682	FOAM KIT DINETTE/LOUNGE CUSHION
1. 703682-01	FOAM, CS DINETTE SEAT
1. 998192-01	FABRIC ASSY, CS DINETTE SEAT
2. 703682-02	FOAM, CS BACK FILLER
2. 998192-02	FABRIC ASSY, CS BACK FILLER
3. 703682-03	FOAM, CS BACKREST
3. 998192-03	FABRIC ASSY, CS BACK REST
4. 703682-04	FOAM, RS DINETTE SEAT
4. 998192-04	FABRIC ASSY, RS DINETTE SEAT
5. 703682-05	FOAM, RS BACK FILLER
5. 998192-05	FABRIC ASSY, RS BACK FILLER
6. 703682-06	FOAM, RS BACK REST
6. 998192-06	FABRIC ASSY, RS BACK REST
7. 703682-07	FOAM, CUSHION WEDGE
7.998192-07	FABRIC ASSY, CUSHION WEDGE
8. 998192-08	FABRIC ASSY, CUSHION LNGE BOT
8. 703682-08	FOAM, LOUNGE BOTTOM
9. 998192-09	FABRIC ASSY, CUSHION BACK REST
9. 703682-09	FOAM, BACKREST

2012 INTERNATIONAL TRAVEL TRAILER
UPHOLSTERY/FOAM/MATTRESS
SOFA/DINETTE COVER ASSYS., (FABRIC) 25'INTL.



- | | |
|--------------|------------------------------------|
| 1. 998213-01 | CS DINETTE SEAT FABRIC ASSY. |
| 2. 998213-02 | CS BACK FILLER FABRIC ASSY. |
| 3. 998213-03 | CS BACK REST FABRIC ASSY. |
| 4. 998213-04 | RS DINETTE SEAT FABRIC ASSY. |
| 5. 998213-05 | RS BACK FILLER FABRIC ASSY. |
| 6. 998213-06 | RS BACK REST FABRIC ASSY. |
| 7. 998213-07 | CUSHION WEDGE FABRIC ASSY. |
| 8. 998213-08 | CUSHION LOUNGE BOTTOM FABRIC ASSY. |
| 9. 998213-09 | LOUNGE BACK REST FABRIC ASSY. |

703942

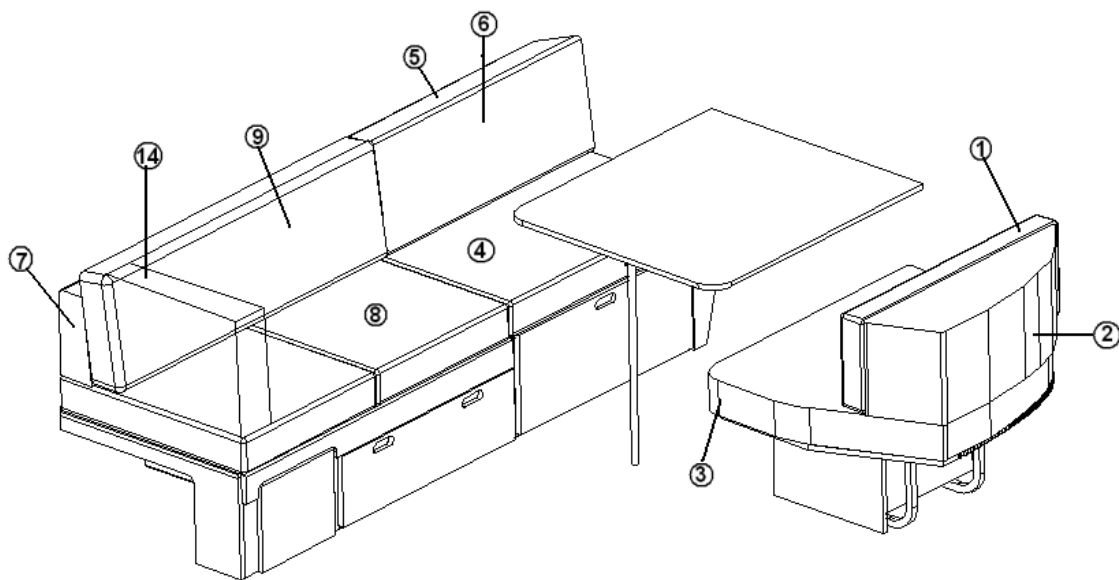
COMPLETE FOAM KIT, LNG/DINETTE

2012 INTERNATIONAL TRAVEL TRAILER

UPHOLSTERY/FOAM/MATTRESS

CUSHION KIT, DINETTE & LOUNGE, ULTRA LEATHER OPTION
25 INTERNATIONAL

703946 COMPLETE SET, ULTRA LEATHER (FOAM & COVER)



1. 703946-01 BACKREST, CS W/ULTRA LEATHER
2. 703946-02 WEDGE FILLER, CS W/ULTRA LEATHER
3. 703946-03 SEAT, DINETTE, CS W/ULTRA LEATHER
4. 703946-04 SEAT, DINETTE, RS W/ULTRA LEATHER
5. 703946-05 WEDGE, FILLER RS W/ULTRA LEATHER
6. 703946-06 BACKREST, RS W/ULTRA LEATHER
7. 703946-07 WEDGE, FILLER LOUNGE W/ULTRA LEATHER
8. 703946-08 SEAT CUSHIONS, LOUNGE W/ULTRA LEATHER
(2 EA)
9. 703946-09 BACKREST, LOUNGE W/ULTRA LEATHER
14. 703946-10 SIDE ARM REST W/ULTRA LEATHER

2012 INTERNATIONAL TRAVEL TRAILER

UPHOLSTERY/FOAM/MATTRESS

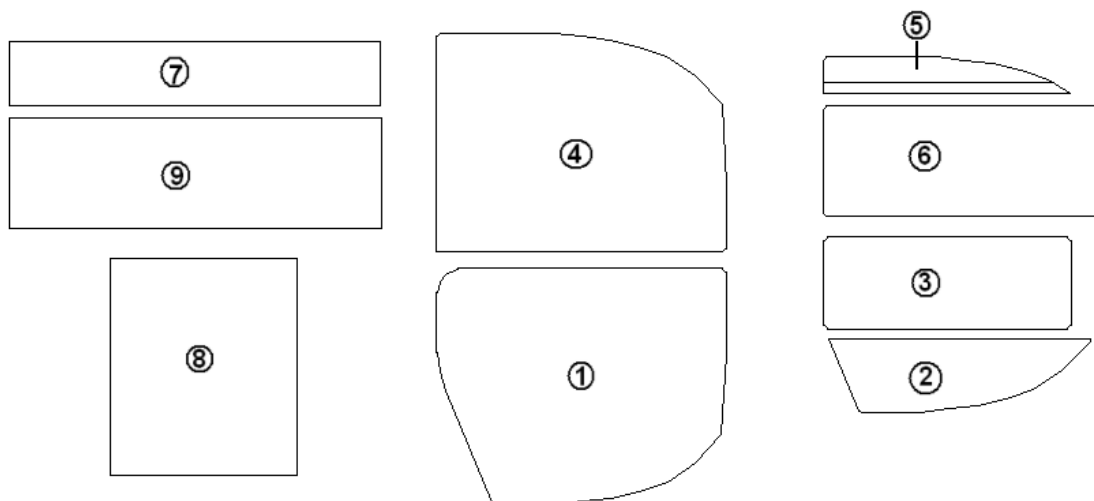
FOAM ONLY, 25 INTERNATIONAL

703942

FOAM ONLY KIT

703850

FOAM ONLY FOR ARMREST



1. 703942-01 FOAM, CS DINETTE SEAT
2. 703942-02 FOAM, CS BACK FILLER
3. 703942-03 FOAM, CS BACK REST
4. 703942-04 FOAM, RS DINETTE SEAT
5. 703942-05 FOAM, RS BACK FILLER
6. 703942-06 FOAM, RS BACK REST
7. 703942-07 FOAM CUSHION, LOUNGE WEDGE
8. 703942-08 FOAM CUSHION, LOUNGE BOTTOM
9. 703942-09 FOAM CUSHION BACK REST

2012 INTERNATIONAL TRAVEL TRAILER

UPHOLSTERY/FOAM/MATTRESS

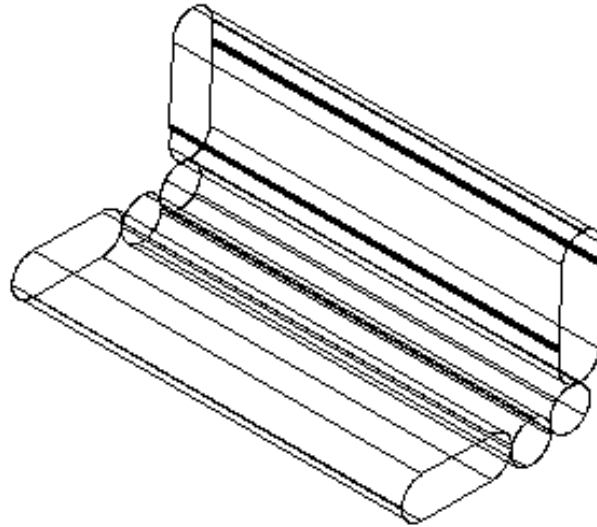
Cushions/Fabric Assemblies, EDDIE BAUER

703918-10 Dinette/Lounge Cushions & Covers, Complete

2012 INTERNATIONAL TRAVEL TRAILER

UPHOLSTERY/FOAM/MATTRESS

Dinette Cushion Kit, 23FB, 28', 30' Signature

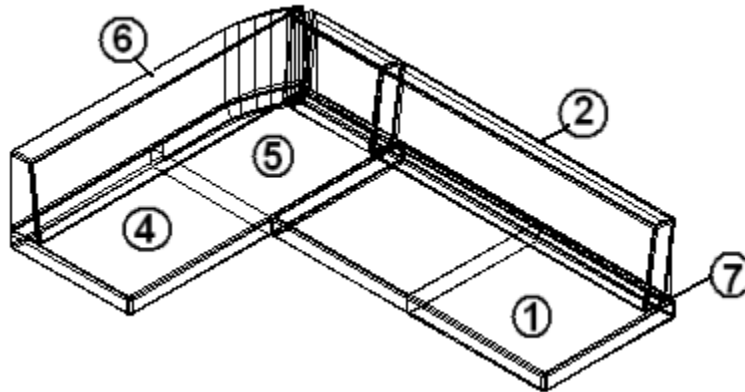


703352-047	CILANTRO
703352-057	PAPRIKA
703352-261	YELLOWSTONE
703352-141	SOY BROWN – SERENITY ONLY
703352-180	MINT GREEN – SERENITY ONLY
703886	KIT, DINETTE FOAM/LEATHER - SERENITY

2012 INTERNATIONAL TRAVEL TRAILER

UPHOLSTERY/FOAM/MATTRESS

CUSHION AND FOAM, L-LOUNGE, 30' INT'L



703908-047	KIT, FOAM/FABRIC COMPLETE - L-LOUNGE - CILANTRO
703908-057	KIT, FOAM/FABRIC COMPLETE - L-LOUNGE - PAPRIKA
703908-141	KIT, FOAM/FABRIC COMPLETE- L-LOUNGE - SOY BROWN - SERENITY
703908-180	KIT, FOAM/FABRIC COMPLETE- L-LOUNGE - MINT GREEN - SERENITY
703908-261	KIT, FOAM/FABRIC COMPLETE- L-LOUNGE - YELLOWSTONE
703909	KIT, L-LOUNGE ULTRAL LEATHER - 30' INT'L

1.	703908-01	FOAM ONLY CUSHION, BOTTOM - MAIN
1.	703908-047-01	COVER ONLY, MAIN BOTTOM - CILANTRO
1.	703908-057-01	COVER ONLY, MAIN BOTTOM - PAPRIKA
1.	703908-141-01	COVER ONLY, MAIN BOTTOM - SOY BROWN
1.	703908-180-01	COVER ONLY, MAIN BOTTOM - MINT GREEN
1.	703908-261-01	COVER ONLY, MAIN BOTTOM - YELLOWSTONE
2.	703908-02	FOAM ONLY CUSHION, BACK - MAIN
2.	703908-047-02	COVER ONLY, MAIN BACK - CILANTRO
2.	703908-057-02	COVER ONLY, MAIN BACK - PAPRIKA
2.	703908-141-02	COVER ONLY, MAIN BACK - SOY BROWN
2.	703908-180-02	COVER ONLY, MAIN BACK - MINT GREEN
2.	703908-261-02	COVER ONLY, MAIN BACK - YELLOWSTONE

FOAM AND FABRIC CONTINUED ON NEXT PAGE

2012 INTERNATIONAL TRAVEL TRAILER

UPHOLSTERY/FOAM/MATTRESS

CUSHION AND FOAM – L-LOUNGE – 30' INT'L, CONTINUED

- | | | |
|----|---------------|--|
| 3. | 703908-03 | FOAM ONLY CUSHION, SMALL BACK |
| 3. | 703908-047-03 | COVER ONLY, SMALL BACK, CILANTRO |
| 3. | 703908-057-03 | COVER ONLY, SMALL BACK, PAPRIKA |
| 3. | 703908-141-03 | COVER ONLY, SMALL BACK, SOY BROWN |
| 3. | 703908-180-03 | COVER ONLY, SMALL BACK, MINT GREEN |
| 3. | 703908-261-03 | COVER ONLY, SMALL BACK, YELLOWSTONE |
| 4. | 703908-04 | FOAM ONLY CUSHION, BASE SIDE – AFT |
| 4. | 703908-047-04 | COVER ONLY, AFT SIDE BASE, CILANTRO |
| 4. | 703908-057-04 | COVER ONLY, AFT SIDE BASE, PAPRIKA |
| 4. | 703908-141-04 | COVER ONLY, AFT SIDE BASE, SOY BROWN |
| 4. | 703908-180-04 | COVER ONLY, AFT SIDE BASE, MINT GREEN |
| 4. | 703908-261-04 | COVER ONLY, AFT SIDE BASE, YELLOWSTONE |
| 5. | 703908-05 | FOAM ONLY CUSHION, BASE SIDE – FWD |
| 5. | 703908-047-05 | COVER ONLY, FWD. SIDE BASE, CILANTRO |
| 5. | 703908-057-05 | COVER ONLY, FWD SIDE BASE, PAPRIKA |
| 5. | 703908-141-05 | COVER ONLY, FWD SIDE BASE, SOY BROWN |
| 5. | 703908-180-05 | COVER ONLY, FWD SIDE BASE, MINT GREEN |
| 5. | 703908-261-05 | COVER ONLY, FWD SIDE BASE, YELLOWSTONE |
| 6. | 703908-06 | FOAM ONLY CUSHION, BACK SIDE FRONT |
| 6. | 703908-047-06 | COVER ONLY, BACK SIDE FRONT – CILANTRO |
| 6. | 703908-057-06 | COVER ONLY, BACK SIDE FRONT – PAPRIKA |
| 6. | 703908-141-06 | COVER ONLY, BACK SIDE FRONT – SOY BROWN |
| 6. | 703908-180-06 | COVER ONLY, BACK SIDE FRONT – MINT GREEN |
| 6. | 703908-261-06 | COVER ONLY, BACK SIDE FRONT – YELLOWSTONE |
| 7. | 703340-06 | FOAM ONLY CUSHION WEDGE – PURCHASE SEPARATE-NOT INCLUDED WITH FOAM KIT. TO BE COVERED AT AIRSTREAM |
| 7. | 965812 | COVERED CUSHION ASSEMBLY – FOAM – WEDGE |

2012 INTERNATIONAL TRAVEL TRAILER

FURNITURE - LOUNGE

RECLINER, 30'

703840	RECLINER, LIFT W/BLACK BASE - TAUPE
703840-01	RECLINER, LIFT W/BLACK BASE - ESPRESSO
703840-02	RECLINER, LIFT W/BLACK BASE - GOLDEN NIGHT

2012 INTERNATIONAL TRAVEL TRAILER

VENTS/FANS/ SKY LIGHTS

Refer Vent, Roof, 19', 25' FB, 27', 28', 30'

100341 Refrigerator, vent collar, roof, large
101394 Cover, refrigerator vent, roof, large
381042 MESH, galvanized for refer vent. .017 X 36"

Refer Side Vent/Power Fan, 16', 19' 23', 23FB

690470-01 VENT, SIDE WALL, REFER
115038-01 DOOR JAMB, REFRIGERATOR, CLOSEOUT, 16 Ft.
690394 Power ventilator, refrigerator
511997 SWITCH, REFER RED LED

Black Tank Roof Vent Pipe Cover

690264-03 Vent pipe cover
380228 Wire, hardware cloth

Vents, Non-Power

381606-01 Vent, roof, 14" x 14", non-power, white
381606-02 Trim ring, interior, roof vent, white

Vents, Power, Bath

690266-01 Ventilator, power, bath
690266-02 Ventilator, power, bath, CSA
690266-03 EXTENSION GARNISH 4", power vent
320139 SCREW #8X.75"W/#10 WASHER

Vents, Power, Roof

381841 VENT, ROOF FANTASTIC EXHAUST ONLY

2012 INTERNATIONAL TRAVEL TRAILER

VENTS/FANS/ SKY LIGHTS

RAM AIR VENT, EDDIE BAUER

382020	Vent, Low Profile, Aluminum
365355-02	Gasket, Ram Air Vent
203590	Trim, Ram Air, 7.38" x 13"
320029-01	Screw, #8 x 1/2 PPH Type A SMS 18-8
320139	Screw, #8 x 1/2 PPH Type A SMS

2012 INTERNATIONAL TRAVEL TRAILER

VENTS/FANS/ SKY LIGHTS

Skylight, 14 ½" X 22 ½"

114486	MOUNTING FRAME SKYLIGHT #1422
381318-06	SKYLIGHT 14-1/2 X 22-1/2 - TRL
201963	TRIM RING 14 X 22 SKYLIGHT WHI
702804-04	SHADE PLTD, SKYLIGHT, 14.50" X 22.75"
201666	MOLDING-J-3/16 PLASTIC, ALMOND
320139	Screw assembly w/rubber washer

Skylight, 19 ½" X 19 ½"

114485	MOUNTING FRAME SKYLIGHT
381318-05	SKYLIGHT 19 ½" X 19 ½"
201962	TRIM RING 19 X 19 SKYLIGHT, WHITE
702804-03	SHADE PLTD SKYLIGHT 19.25" X 20.00"
320139	Screw assembly w/rubber washer
382053-01	CORNER BRACE, 3/4" X 4", sky light

2012 INTERNATIONAL TRAVEL TRAILER

WOOD TRIM /FORMICA/PANELING

PLYWOOD

800506-03	PLYWOOD, 3/8" X 4' X 8'
800506-05	Plywood, 5/8" x 4' x 8'
800506-06	PLYWOOD, 3/4" X 4' X 8'
800506-04	PLYWOOD, 1/2" X 4' X 8'
801351	LITE PLY-18MM (.75") 4' X 8'

Cabinet formed Radius Corners

801345	RADIUS PLYWOOD .75" X 3" X 8'
801348	RADIUS PLYWOOD-.75" X 8" X 6'

PANELING, LAUAN

800507-01	Panel, lauan, 1/8 x 4' x 8'
800507-02	Panel, Lauan, 1/4" x 4' x 8', raw/raw
800507-03	Panel, Lauan, 3/8" x 4' x 8', raw/raw
800507-04	Panel, Lauan, 1/2" x 4' x 8', raw/raw
800507-06	LAUAN, .75" X 4' 8'

MAIN DOOR THRESHOLD

702963	VINYL EMBOSSSED 1.75W THRESHOLD
--------	---------------------------------

2012 INTERNATIONAL TRAVEL TRAILER

WOOD TRIM /FORMICA/PANELING

Trim, Wall, Paneling

203508-01	T-trim, ply
201673	Cove molding, plastic, white
201673-02	Cove molding, plastic, black
203138-01	Plastic wall extrusion, .5", white
203138-04	Plastic wall extrusion, .5", white
203138-05	Plastic wall extrusion, .5", black
203464	Plastic wall extrusion, .75", black
203464-03	Plastic wall extrusion, .75", white
203445	T-MOLDING BLK FLEXIBLE POLY .56"
203445-01	T-MOLDING - .5625" WHITE
801706-0016	CORNER TRIM 90 DEG, WENGE
801706-WH	CORNER TRIM 90 DEG RAD PAINTED WHITE
801172-10	CORNER MOLDING, BUTLER WHITE VINYL (Use w/Frosty White)
801178-07	TRIM, FLAT FROSTY WHITE, 13/16" WIDE
801706-0023	CORNER TRIM 90 DEG 1" RADIUS, LIMBER MAPLE

2012 INTERNATIONAL TRAVEL TRAILER

WOOD/LAMINATES/TRIM

Edge banding

365267	EDGE BANDING, 1.13" .024 PLY
365238-04	EDGE BANDING TAPE PVC 5/8" C. WHITE
365238-05	EDGE BANDING TAPE PVC 15/16" WHITE
365278-03	EDGE BANDING-BLACK MAPLE .625"
365268-03	EDGE BANDING-.024"X .63", TROPICAL OAK
365304-01	EDGE BANDING, SAND CRYSTAL, 7/8"
365303-01	EDGE BANDING, WENGE .63"
365303-02	EDGE BANDING, WENGE, 1.125"
365303-03	EDGE BANDING, WENGE, 1.25"
365305-01	EDGE BANDING, BRUSHED ALUMINUM
365326-01	EDGE BANDING, PEARL BISQUE .63", Eddie Bauer
365326-02	EDGE BANDING, PEARL BISQUE, .94", Eddie Bauer
365352-01	EDGE BANDING, LIMBER MAPLE 5/8", Eddie Bauer
365352-02	EDGE BANDING, LIMBER MAPLE 15/16", Eddie Bauer
365352-03	EDGE BANDING, LIMBER MAPLE 1 1/4", Eddie Bauer
365353-02	EDGE BANDING, OILED SOAPSTONE 15/16", Eddie Bauer

2012 INTERNATIONAL TRAVEL TRAILER

WOOD TRIM /FORMICA/PANELING

Panels, Pre-laminated

801355-01	Paneling, Frosty White, Vertical
801368	Panel, White/white
801369	Panel, Frosty white/white
801378	Panel, Rexel/raw
801392	Panel, WHITE LINER/WHITE LINER 12MM
801438	PANEL, FROST WHITE VINYL/RAW 2.7MM
801537	PANEL, 12MM w/SPECIAL GROOVES
801703	Paneling, Frosty White/White, 12MM
801804-01	Laminate, Wenge, Vertical Grain
801712	Paneling, WENGE/RAW, ¼"
801713-01	Paneling, WENGE/WHITELINER, 12MM
801714-01	Paneling, WENGE/FROSTY 12MM
801715-01	Paneling, WENGE/WENGE 12MM
801716-01	Paneling, WENGE/WHITE, 18MM, VERTICLE
801719	Paneling, SOFT ROCK/WHITE, 18MM
801724	Paneling, BRUSHED ALUMINUM/LINER, 18MM
801725	Paneling, KALIDESCOPE/RAW, 3MM
801697	Paneling, Frosty White/ Frosty White, 12MM
801698	Paneling, White/Raw, 12MM

2012 INTERNATIONAL TRAVEL TRAILER

WOOD TRIM /FORMICA/PANELING

Panels, Pre-laminated – EDDIE BAUER

801893	PANEL, PRELAMINATE SOAPSTONE/LINER 18MM
801894-01	PANEL, PRELAMINATED MAPLE/LINER 18MM
801895-01	PANEL, PRELAMINATED MAPLE/FROSTY 18MM
801896-01	PANEL, PRELAMINATED MAPLE/LINER 12MM
801897-01	PANEL, PRELAMINATED MAPLE/MAPLE 12MM
801898-01	PANEL, PRELAMINATED MAPLE/FROSTY 12MM
801900	PANEL, PRELAMINATED MAPLE/LINER 18MM HORIZ
801904	PANEL, PRELAMINATED LINER RAW .25"

