

INTERSTATE MOTORHOME

***PARTS
BOOK***

2012



2012 INTERSTATE MOTORHOME TABLE OF CONTENTS

SECTION I A through C

APPLIANCES

| | |
|---|-----|
| Air Conditioner/Furnace | I-1 |
| Microwave/Cook Top | I-1 |
| Refrigerator | I-1 |
| Water Heater/Generator | I-2 |

EXTERIOR SHELL

| | |
|---|------|
| Curbside Wall | I-3 |
| Roadside Wall | I-5 |
| Medallions | I-7 |
| Window Blackouts | I-7 |
| Body Kits | I-8 |
| Storage Box, Below Floor, Lounge Extended | I-14 |

INTERIOR BODY

| | |
|--|------|
| Interior Panels, Rear Door | I-15 |
| Interior Trim/Skin | I-15 |
| Closeouts, Windows, Pillars, Roof | I-18 |
| Floor Assembly | I-19 |
| Ceiling Panels | I-20 |
| Interior Aluminum Wall & Door Panels | I-23 |

CHASSIS

| | |
|---|------|
| Spare Tire Carrier | I-32 |
| Aluminum Wheels | I-33 |
| Step/Step Well | I-33 |
| Exhaust System/Skid Bar | I-34 |
| Parktronic Sensor | I-34 |

2012 INTERSTATE MOTORHOME TABLE OF CONTENTS

SECTION II D through E

DOOR/WINDOWS/AWNING

| | |
|-------------------------------------|------|
| Exterior Door | II-1 |
| Windows | II-2 |
| Awning | II-3 |

| | |
|--|------|
| DRAPES/SHADES/VALANCES | II-4 |
|--|------|

ELECTRICAL, 110 VOLT

| | |
|--|------|
| Energy Management System | II-7 |
| Shoreline Hookup | II-7 |
| Inverter | II-8 |
| Receptacles | II-8 |
| Breaker | II-8 |

Electrical, 12 volt

| | |
|---|-------|
| Battery Box/Vent | II-9 |
| Battery System, Coach | II-13 |
| Lights | II-13 |
| Switches | II-14 |
| Distribution Panel, 12 Volt | II-15 |
| Dump Valve/Heating Pad, Holding Tanks | II-15 |
| Monitor Panel | II-15 |
| Rear View Monitor | II-15 |

ENTERTAINMENT

| | |
|---|-------|
| Radio Wiring | II-16 |
| Television Reception System | II-16 |
| Navigation System | II-17 |
| Television Systems | II-18 |

2012 INTERSTATE MOTORHOME
TABLE OF CONTENTS
SECTION III
F through H

FASTENER (common fastener available locally are not listed)

[Rivets](#)..... III-1

[FLOOR COVERING](#) III-2

FURNITURE

[Lavatory](#) III-3

[Galley](#)..... III-21

[Cargo Net](#) III-42

[Lounge](#) III-43

[Bedroom](#)..... III-83

[Interior Door/Mirror](#) III-98

[Pedestal Table Leg Storage Wrap](#)..... III-83

[Edge Banding](#) III-99

[Trim, Wood/Plastic](#) III-100

[Panels, Wood/Laminated](#) III-100

HARDWARE

[Captains Chair, 2nd Row](#)..... III-101

[Lounge](#) III-102

[Clothes Line](#) III-103

[Interior Handles, Fastener, Latches](#) III-104

[Hinges](#)..... III-104

[Bath Accessories](#) III-104

[Bracket, Slide Door](#)..... III-105

[Labels and Tags](#) III-106

[Safety Equipment](#).... III-106

2012 INTERSTATE MOTORHOME TABLE OF CONTENTS

SECTION IV L through Z

PLUMBING

| | |
|--|-------|
| LPG Tank/Mounting Hardware/Heat Shield | IV-1 |
| LPG System | IV-2 |
| Fresh Water Tank/Gravity Fill | IV-4 |
| Fresh Water Pump/Lines | IV-5 |
| Faucet & Sink, Galley | IV-8 |
| Faucet, Wet Bath | IV-8 |
| Shower, Exterior | IV-8 |
| City Water Hookup | IV-8 |
| Freshwater Fittings | IV-9 |
| Tanks/Valves/Heating Pad, Gray/Black | IV-10 |
| Black Tank Support and Cover | IV-11 |
| Gray Tank Support Rods/Brackets | IV-14 |
| Plumbing Closeouts | IV-14 |
| Macerator Pump | IV-15 |
| Drain System | IV-16 |
| Toilet | IV-22 |

| | |
|---|-------|
| SEALER/GASKETS/UNDERCOATING | IV-24 |
|---|-------|

UPHOLSTERY/FOAM/MATTRESS

| | |
|---|-------|
| Cab Seats | IV-25 |
| Chair, Captains, 2nd Row | IV-25 |
| Mattresses, Bedspreads, Sheets, Pillows | IV-26 |
| Lounge Sofa | IV-27 |
| Shower Curtain | IV-27 |

| | |
|----------------------------------|-------|
| VENTS/FANS | IV-28 |
|----------------------------------|-------|

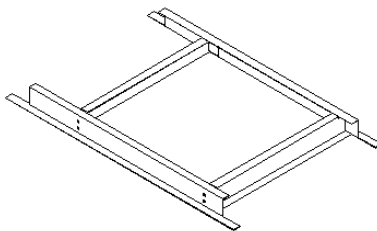
2012 INTERSTATE MOTORHOME

APPLIANCES

Air Conditioner

| | |
|---------------|---|
| 690323-45 | AIR CONDITIONER, 13,500 BTU W/LOAD SHED |
| 690323-44 | COMFORT CONTROL CENTER |
| 690380-10 | INTERIOR AIR BOX/SHROUD |
| 690380-11 | DUCT ADAPTER |
| 340086 | MINIATURE SCREW TYPE HOSE CLAM |
| 601240-01 | TUBING 1/2 I.D. |
| 690323-SHDWH | SHROUD, A/C PAINTED WHITE |
| 690323-SHDSL | SHROUD, A/C PAINTED SILVER |
| 690323-SHDBLK | SHROUD, A/C PAINTED BLACK |

Roof Air Conditioner Frame



115397 Roof AC frame

Furnace

| | |
|-----------|-----------------------------------|
| 690395-04 | FURNACE, 16,000 BTU, w/BLACK DOOR |
| 454674 | VENT BACKER PLATE, FURNACE, |
| 511228 | THERMOSTAT, ROOM, OFF WHITE |
| 690608-01 | VENT, FURNACE EXTENSION |
| 690613-01 | DOOR, FURNACE, BLACK INTERIOR |

Microwave/Cook Top

| | |
|--------|-----------------------------------|
| 690597 | MICROWAVE, 1.2 CONVECTION, APOLLO |
| 690576 | COOK TOP, 2-BURNER, SMEV |

Refrigerator

| | |
|-----------|--------------------------------------|
| 690599 | REFRIGERATOR, NOVAKOOL, 3.1 LH DOOR |
| 690599-01 | REFRIGERATOR, NOVAKOOL, 3.1 RH DOOR |
| 115166-08 | INSERT, REFER PANEL, 16.56" X 28.00" |

2012 INTERSTATE MOTORHOME

APPLIANCES

Water Heater

| | |
|-----------|--|
| 690602 | WATER HEATER, 6 GALLON, GAS |
| 690209 | Water heater exterior door, brushed aluminum |
| 690209W | Water heater exterior door, White |
| 690209S | Water heater exterior door, Silver |
| 690209B | Water heater exterior door, Black |
| 381648 | COVER, LATCH HOLE, WATER HEATER |
| 690417-05 | SWITCH, WATER HEATER, DUAL |
| 967295 | STAND-WATER HEATER |
| 452652 | FRAME ASSEMBLY, EXTERIOR |
| 454653 | CLOSEOUT, INSIDE LOWER WATER HEATER FRAME |
| 454654 | CLOSEOUT, UPPER WATER HEATER |
| 365335 | Foam Tape .75" (Sold in 50' Roll) |

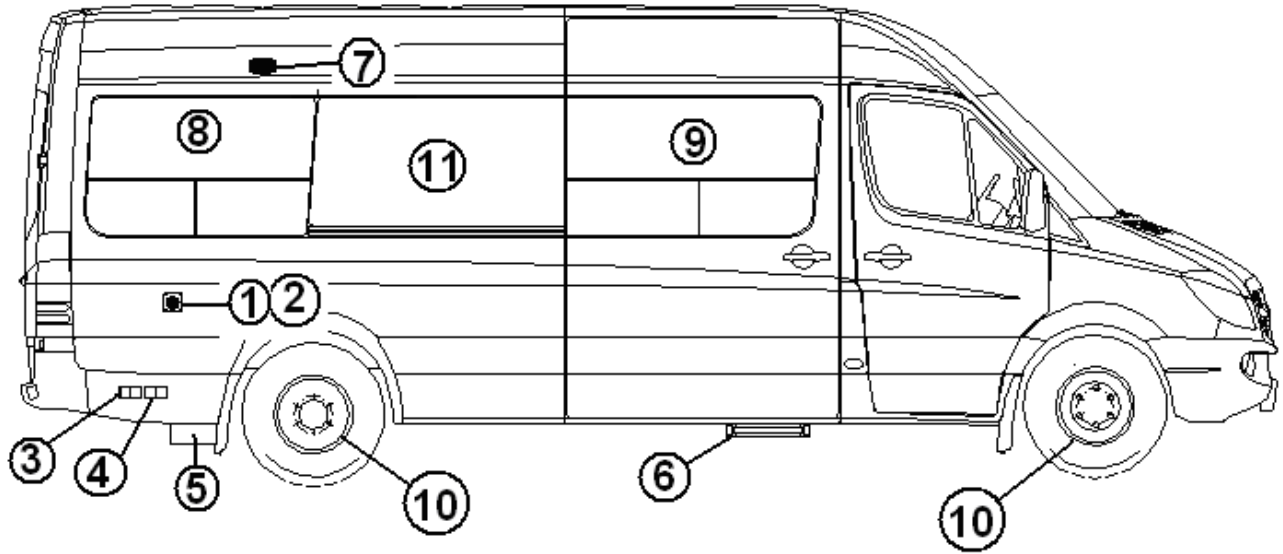
Generator, LP

| | |
|------------|--|
| 511811-01 | GENERATOR, ONAN, 2.5KV-FA LP VAPOR |
| 511811-02 | SWITCH, REMOTE, W/HR METER ONAN |
| 511811-04 | MOUNTING, KIT, UNDER FLOOR, ONAN, 2.5KV |
| 511811-09 | PIPE, GENERATOR EXHAUST |
| *511811-10 | PIPE, GENERATOR EXHAUST (First Usage on VIN # 302404, November, 2011.) |
| 511811-08 | HARNESS, MATING PIGTAIL |
| 454670 | Support, generator switchover box |
| 454663 | Mounting bracket, generator, complete set |
| 454663-01 | BRACKET, ROADSIDE GENERATOR MOUNTING |
| 454663-02 | BRACKET, CURBSIDE-AFT GEN MOUNTING |
| 454705 | SHIELD, GENERATOR EXHAUST |
| 0451204 | HANGER, EXHAUST, ONAN GENERATOR |
| 510562 | SWITCH, GENERATOR SWITCH |
| 510817-01 | SINGLE GANG, WEATHER PROOF BOX |
| 510817-02 | SINGLE GANG, WEATHER PROOF EXTENTION RING |
| 500836 | POSITIVE BATTERY CABLE |

2012 INTERSTATE MOTORHOME

EXTERIOR SHELL

Curbside Wall



Part numbers are on the next page.

2012 INTERSTATE MOTORHOME

EXTERIOR SHELL

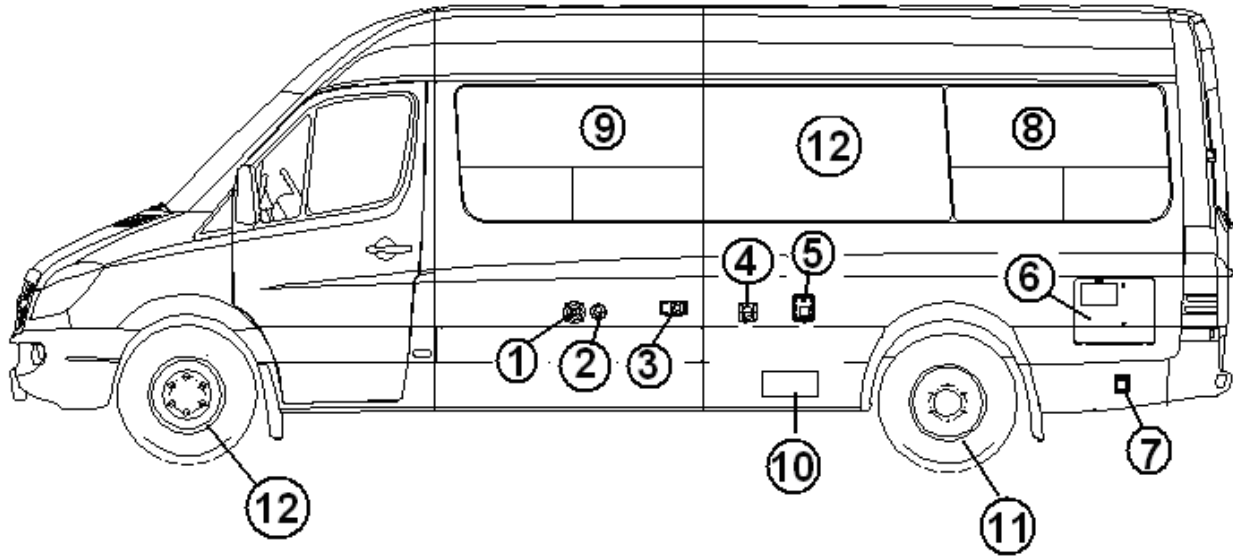
Curbside Wall

1. 203638-01W Cone vent, white
1. 203638-01S Cone vent, silver
1. 203638-01B Cone vent, black
2. 203638-02W Grille, white
2. 203638-02S Grille, silver
2. 203638-02B Grille, black
3. 512399S Cover, Outlet, 10 Volt, exterior, silver
3. 512399W Cover, Outlet, 10 Volt, exterior, white
3. 512399B Cover, Outlet, 10 Volt, exterior, Black
3. 500563-03 RECEPTACLE, WHITE
3. 500563-04 PLATE, 1-GANG WHITE
4. 511796W CABLE-EXT. TV/12V POWER PORT WHITE
- 511796S CABLE-EXT. TV/12V POWER PORT SILVER
- 511796B CABLE-EXTX TV/12V POWER PORT, BLACK
5. 454680 LPG remote fill assembly, (includes bracket, switch, hose # 602109-02, and valves)
5. 386147 DECAL-ON/OFF LP REMOTE FILL
5. 602207 LP hose, 1/2" x 120" long
5. 602206 LP hose, 1/4" x 120" long
5. 454676 Bracket, LPG remote fill
5. 203650 Cover, remote fill
6. 512450 STEP, POWER, Project 2000
7. 512288 Light, patio, black
8. 372260-05 WINDOW, RIGHT HAND REAR, W/VENTS
9. 372260 WINDOW, RIGHT HAND MIDDLE, FIXED
10. 401000 Wheel simulator, set of 4
11. 372260-06 WINDOW, SLIDING DOOR, W/VENT

2012 INTERSTATE MOTORHOME

EXTERIOR SHELL

Roadside Wall



Part numbers are on the next page.

2012 INTERSTATE MOTORHOME

EXTERIOR SHELL

Roadside Wall

- | | |
|---------------|---------------------------------------|
| 1. 601392-05 | City water fill w/regulator, chrome |
| 2. 602190 | Water fill, gravity |
| 3. 690395-04 | Furnace 16,000 BTU |
| 4. 602189-01 | Outlet, exterior shower |
| 5. 382083-W | Hatch, electrical switches – White |
| 382083-S | Hatch, electrical switches – Silver |
| 382083-B | Hatch, electrical switches – Black |
| 6. 690602 | Water heater |
| 7. 512099 | Power inlet, 30 amp, stainless steel |
| 8. 372260-04 | Window, rear left hand, vented |
| 9. 372260-01 | Window, front left hand, vented |
| 10. 381766W | Access hatch, 7.75" X 12.63" – White |
| 381766S | Access hatch, 7.75" X 12.63" – Silver |
| 381766B | Access hatch, 7.75" X 12.63" – Black |
| 11. 401000 | Wheel simulator |
| 12. 372260-02 | Window, left hand middle, fixed |

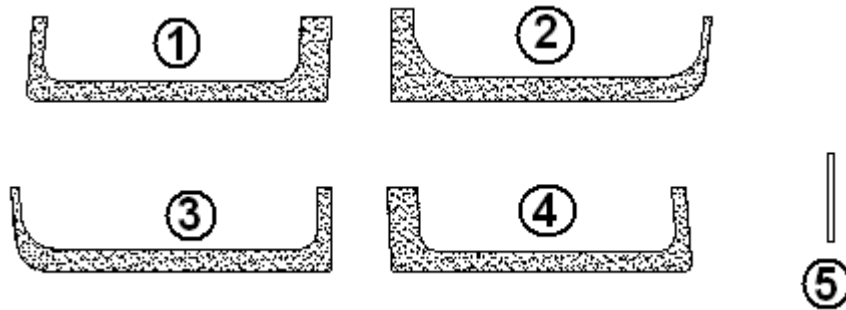
2012 INTERSTATE MOTORHOME

EXTERIOR SHELL

Medallions

- 386213 NAMEPLATE-INTERSTATE 3" X 10"
386211 MEDALLION, "AIRSTREAM", 1.69" X 12.69" BLACK INLAY

Window Blackouts, Exterior

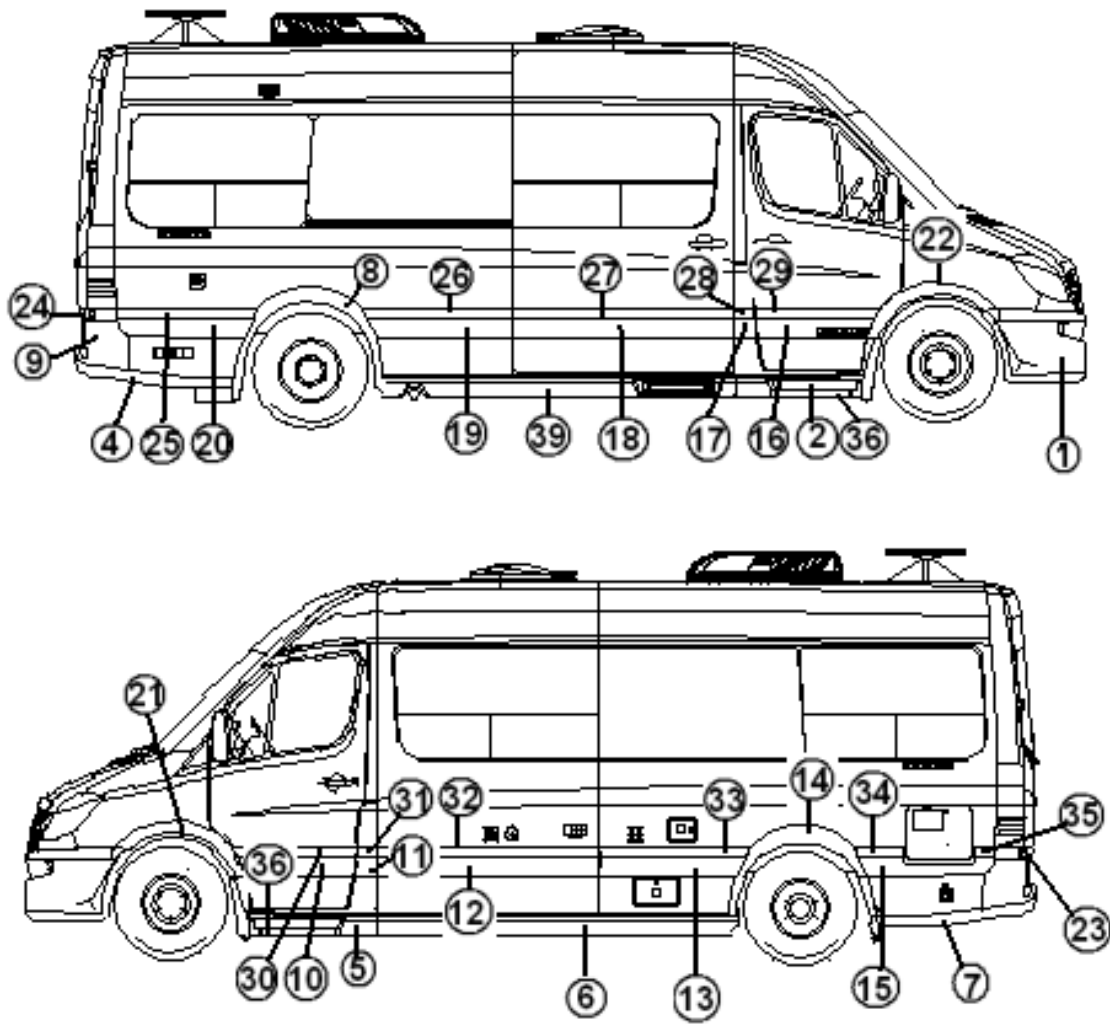


- 386215 KIT, WINDOW BLACKOUT
1. 386215-01 Curbside rear blackout
2. 386215-02 Curbside front blackout
3. 386215-03 Roadside front blackout
4. 386215-04 Roadside rear blackout
5. 386215-05 Filler strip, 1.5"x 17"

2012 INTERSTATE MOTORHOME

EXTERIOR SHELL

Body Kit, Silver



Part numbers are on the next page

2012 INTERSTATE MOTORHOME

EXTERIOR SHELL

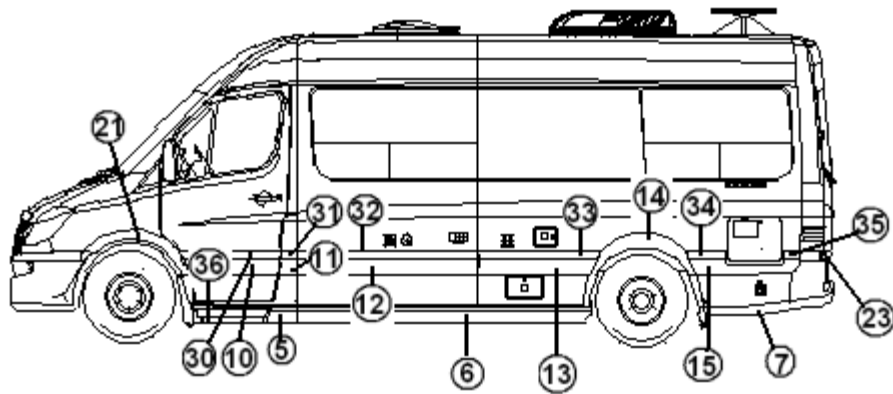
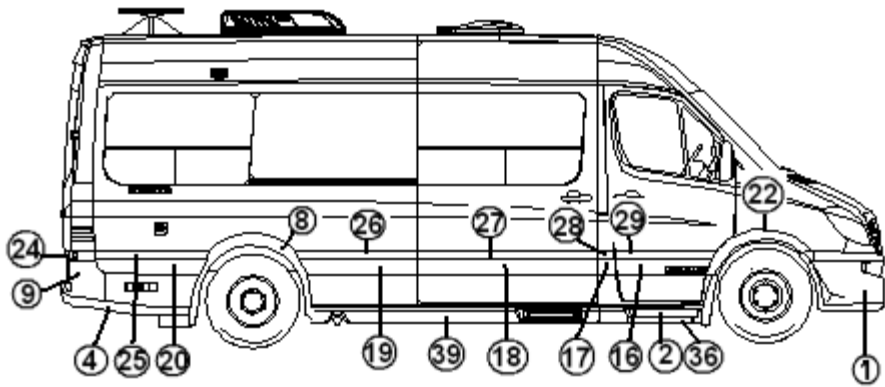
Body Kit, Silver

| | | |
|-----|-----------|--|
| 1. | 203624-01 | BUMPER, FRONT-Silver |
| 2. | 203624-02 | STEP, PASSENGER |
| 3. | 203624-03 | NLA - Use 203624-39 ROCKER, PASS SIDE |
| 4. | 203624-04 | TRANSION, PASSENGER REAR |
| 5. | 203624-05 | STEP, DRIVER |
| 6. | 203624-06 | ROCKER, DRIVER SIDE |
| 7. | 203624-07 | TRANSION, DRIVER SIDE |
| 8. | 203624-08 | FLARE, PASSENGER REAR |
| 9. | 203624-09 | BUMPER, REAR |
| 10. | 203624-10 | PANEL, DRIVER FRONT DOOR |
| 11. | 203624-11 | PILLAR, B-PILLAR, DRIVER SIDE |
| 12. | 203624-12 | PANEL, DRIVER SIDE BODY, |
| 13. | 203624-13 | PANEL, DRIVER SIDE MIDDLE REAR |
| 14. | 203624-14 | FLARE, DRIVER REAR |
| 15. | 203624-15 | PANEL, DRIVER SIDE, REAR QUARTER PANEL |
| 16. | 203624-16 | PANEL, PASSENGER SIDE, FRONT DOOR |
| 17. | 203624-17 | PILLAR, B-PILLAR, PASSENGER SIDE |
| 18. | 203624-18 | PANEL, PASSENGER, SLIDER DOOR |
| 19. | 203624-19 | PANEL, PASSENGER SIDE MIDDLE REAR |
| 20. | 203624-20 | PANEL, PASSENGER REAR QUARTER PANEL |
| 21. | 203624-21 | FLARE, DRIVER FRONT |
| 22. | 203624-22 | FLARE, PASSENGER, FRONT |
| 23. | 203624-23 | DRIVER SIDE TOP CLOSE OUT REAR BUMPER |
| 24. | 203624-24 | PASSENGER SIDE TOP CLOSE OUT REAR BUMPER |
| 25. | 203624-25 | TRIM, PASSENGER SIDE QUARTER, CHROME |
| 26. | 203624-26 | TRIM, PASSENGER MIDDLE REAR, CHROME |
| 27. | 203624-27 | TRIM, PASSENGER SLIDE DOOR, CHROME |
| 28. | 203624-28 | TRIM, B-PILLAR PASSENGER SIDE, CHROME |
| 29. | 203624-29 | TRIM, PASSENGER, FRONT DOOR, CHROME |
| 30. | 203624-30 | TRIM, DRIVER SIDE DOOR, CHROME |
| 31. | 203624-31 | TRIM, B PILLAR DRIVER SIDE, CHROME |
| 32. | 203624-32 | TRIM, DRIVER SIDE BODY, CHROME |
| 33. | 203624-33 | TRIM, DRIVER SIDE MIDDLE REAR CHROME |
| 34. | 203624-34 | TRIM, DRIVER'S REAR QTR, FRONT CHROME |
| 35. | 203624-35 | TRIM, DRIVER'S REAR QTR REAR, CHROME |
| 39. | 203624-39 | PASSENGER SIDE TOP CLOSEOUT REAR BUMPER |
| | 203624-36 | STEP TREAD, CURBSIDE AND ROADSIDE |
| | 203624-37 | STEP BRACKET KIT, CURBSIDE AND ROADSIDE |
| | 203624-38 | MOUNTING HARDWARE KIT |

2012 INTERSTATE MOTORHOME

EXTERIOR SHELL

Body Kit, Black



Part numbers are on the next page

2012 INTERSTATE MOTORHOME

EXTERIOR SHELL

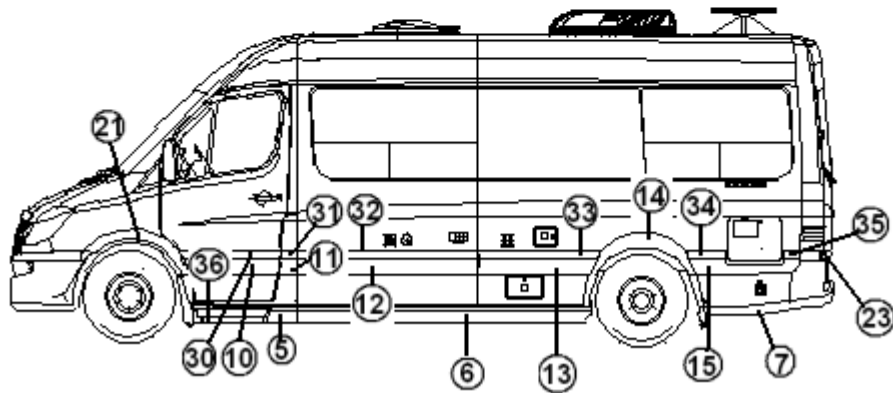
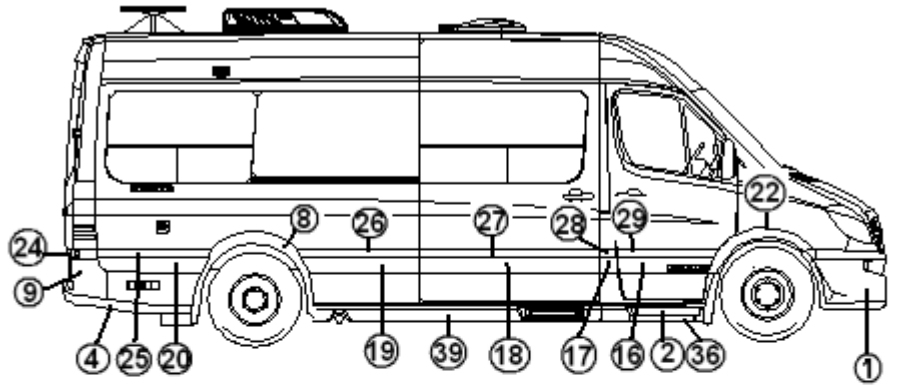
Body Kit, Black

| | | |
|-----|------------|--|
| 1. | 203624-01B | BUMPER, FRONT-Black |
| 2. | 203624-02B | STEP, PASSENGER |
| 3. | 203624-03 | NLA – Use 203624-39 ROCKER, PASS SIDE |
| 4. | 203624-04B | TRANSION, PASSENGER REAR |
| 5. | 203624-05B | STEP, DRIVER |
| 6. | 203624-06B | ROCKER, DRIVER SIDE |
| 7. | 203624-07B | TRANSION, DRIVER SIDE |
| 8. | 203624-08B | FLARE, PASSENGER REAR |
| 9. | 203624-09B | BUMPER, REAR |
| 10. | 203624-10B | PANEL, DRIVER FRONT DOOR |
| 11. | 203624-11B | PILLAR, B-PILLAR, DRIVER SIDE |
| 12. | 203624-12B | PANEL, DRIVER SIDE BODY, |
| 13. | 203624-13B | PANEL, DRIVER SIDE MIDDLE REAR |
| 14. | 203624-14B | FLARE, DRIVER REAR |
| 15. | 203624-15B | PANEL, DRIVER SIDE, REAR QUARTER PANEL |
| 16. | 203624-16B | PANEL, PASSENGER SIDE, FRONT DOOR |
| 17. | 203624-17B | PILLAR, B-PILLAR, PASSENGER SIDE |
| 18. | 203624-18B | PANEL, PASSENGER, SLIDER DOOR |
| 19. | 203624-19B | PANEL, PASSENGER SIDE MIDDLE REAR |
| 20. | 203624-20B | PANEL, PASSENGER REAR QUARTER PANEL |
| 21. | 203624-21B | FLARE, DRIVER FRONT |
| 22. | 203624-22B | FLARE, PASSENGER, FRONT |
| 23. | 203624-23B | DRIVER SIDE TOP CLOSE OUT REAR BUMPER |
| 24. | 203624-24B | PASSENGER SIDE TOP CLOSE OUT REAR BUMPER |
| 25. | 203624-25 | TRIM, PASSENGER SIDE QUARTER, CHROME |
| 26. | 203624-26 | TRIM, PASSENGER MIDDLE REAR, CHROME |
| 27. | 203624-27 | TRIM, PASSENGER SLIDE DOOR, CHROME |
| 28. | 203624-28 | TRIM, B-PILLAR PASSENGER SIDE, CHROME |
| 29. | 203624-29 | TRIM, PASSENGER, FRONT DOOR, CHROME |
| 30. | 203624-30 | TRIM, DRIVER SIDE DOOR, CHROME |
| 31. | 203624-31 | TRIM, B PILLAR DRIVER SIDE, CHROME |
| 32. | 203624-32 | TRIM, DRIVER SIDE BODY, CHROME |
| 33. | 203624-33 | TRIM, DRIVER SIDE MIDDLE REAR CHROME |
| 34. | 203624-34 | TRIM, DRIVER'S REAR QTR, FRONT CHROME |
| 35. | 203624-35 | TRIM, DRIVER'S REAR QTR REAR, CHROME |
| 39. | 203624-39 | PASSENGER SIDE TOP CLOSEOUT REAR BUMPER |
| | 203624-36 | STEP TREAD, CURBSIDE AND ROADSIDE |
| | 203624-37 | STEP BRACKET KIT, CURBSIDE AND ROADSIDE |
| | 203624-38 | MOUNTING HARDWARE KIT |
| | 203624-39B | ROCKER-PASSENGER SIDE BLACK |

2012 INTERSTATE MOTORHOME

EXTERIOR SHELL

Body Kit, White



Part numbers are on the next page

2012 INTERSTATE MOTORHOME

EXTERIOR SHELL

Body Kit, White

| | |
|----------------|--|
| 1. 203624-01W | BUMPER, FRONT |
| 2. 203624-02W | STEP, PASSENGER |
| 3. 203624-03W | NLA - USE 203624-39W |
| 4. 203624-04W | TRANSION, PASSENGER REAR |
| 5. 203624-05W | STEP, DRIVER |
| 6. 203624-06W | ROCKER, DRIVER SIDE |
| 7. 203624-07W | TRANSION, DRIVER SIDE |
| 8. 203624-08W | FLARE, PASSENGER REAR |
| 9. 203624-09W | BUMPER, REAR |
| 10. 203624-10W | PANEL, DRIVER FRONT DOOR |
| 11. 203624-11W | PILLAR, B-PILLAR, DRIVER SIDE |
| 12. 203624-12W | PANEL, DRIVER SIDE BODY, |
| 13. 203624-13W | PANEL, DRIVER SIDE MIDDLE REAR |
| 14. 203624-14W | FLARE, DRIVER REAR |
| 15. 203624-15W | PANEL, DRIVER SIDE, REAR QUARTER PANEL |
| 16. 203624-16W | PANEL, PASSENGER SIDE, FRONT DOOR |
| 17. 203624-17W | PILLAR, B-PILLAR, PASSENGER SIDE |
| 18. 203624-18W | PANEL, PASSENGER, SLIDER DOOR |
| 19. 203624-19W | PANEL, PASSENGER SIDE MIDDLE REAR |
| 20. 203624-20W | PANEL, PASSENGER REAR QUARTER PANEL |
| 21. 203624-21W | FLARE, DRIVER FRONT |
| 22. 203624-22W | FLARE, PASSENGER, FRONT |
| 23. 203624-23W | DRIVER SIDE TOP CLOSEOUT REAR BUMPER |
| 24. 203624-24W | PASSENGER SIDE TOP CLOSE OUT REAR BUMPER |
| 25. 203624-25 | TRIM, PASSENGER SIDE QUARTER, CHROME |
| 26. 203624-26 | TRIM, PASSENGER MIDDLE REAR, CHROME |
| 27. 203624-27 | TRIM, PASSENGER SLIDE DOOR, CHROME |
| 28. 203624-28 | TRIM, B-PILLAR PASSENGER SIDE, CHROME |
| 29. 203624-29 | TRIM, PASSENGER, FRONT DOOR, CHROME |
| 30. 203624-30 | TRIM, DRIVER SIDE DOOR, CHROME |
| 31. 203624-31 | TRIM, B PILLAR DRIVER SIDE, CHROME |
| 32. 203624-32 | TRIM, DRIVER SIDE BODY, CHROME |
| 33. 203624-33 | TRIM, DRIVER SIDE MIDDLE REAR CHROME |
| 34. 203624-34 | TRIM, DRIVER'S REAR QTR, FRONT CHROME |
| 35. 203624-35 | TRIM, DRIVER'S REAR QTR REAR, CHROME |
| 36. 203624-39W | Rocker, Passenger Side, White |
| 203624-36 | STEP TRAD, CURBSIDE AND ROADSIDE |
| 203624-37 | STEP BRACKET KIT, CURBSIDE AND ROADSIDE |
| 203624-38 | MOUNTING HARDWARE KIT |

2012 INTERSTATE MOTORHOME

EXTERIOR SHELL

Storage Box, Below Floor, Lounge Extended

454903 Compartment, Rear Storage

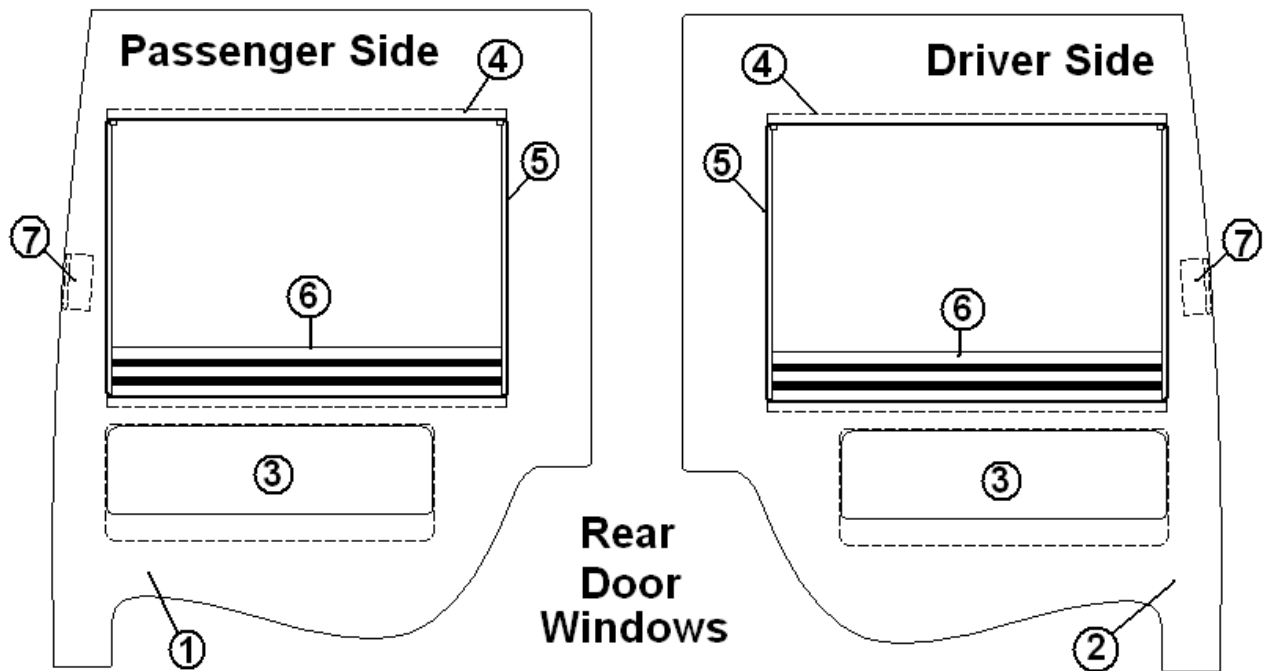
203730 Lid, Storage Box, Plastic

381985 Plug, Quick Nap

2012 INTERSTATE MOTORHOME

INTERIOR SHELL

Interior Panels, Rear Door



- | | |
|--------------|--|
| 1. 203626-01 | Close off, rear curbside window |
| 2. 203626-02 | Close off, rear roadside window |
| 3. 203627 | Bucket, rear window |
| 4. 800506-04 | Plywood |
| 5. 203225-01 | Trim lok, gray |
| 6. 703859-01 | Shade, Day/Night 21.38 x 14.88, Oatmeal/Ala. |
| 7. 115421 | Angle bracket, rear door panel |

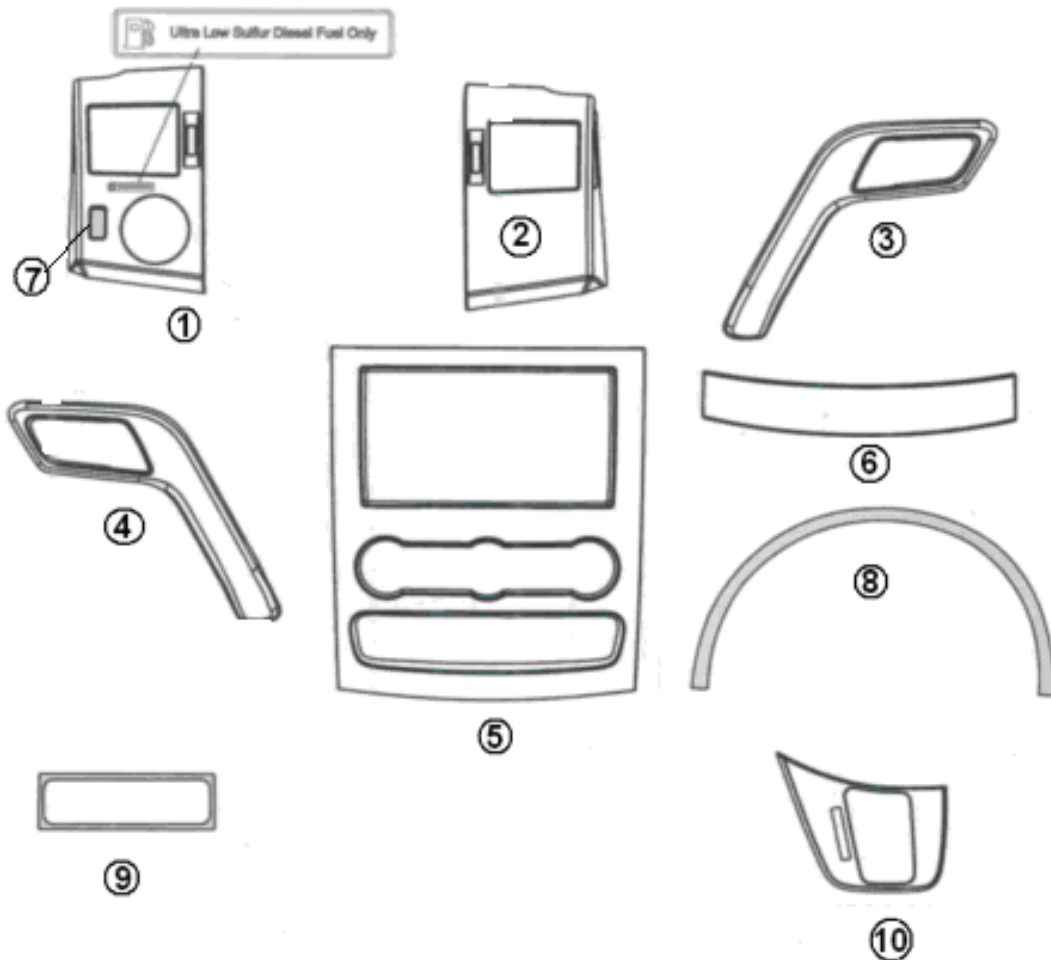
Interior Skin/Trim

- | | |
|-----------|--|
| 203628 | Closeout, Roadside "B" pillar, bottom |
| 203629 | Close out, sliding door header |
| 203631-01 | Closeout, roadside wheel well |
| 203631-02 | Closeout, curbside wheel well |
| 203637 | Pads, sound dampener, rear wheel wells |
| 203632 | Close off, step |

2012 INTERSTATE MOTORHOME

INTERIOR SHELL

Dash Trim Kit – Onyx Color Scheme

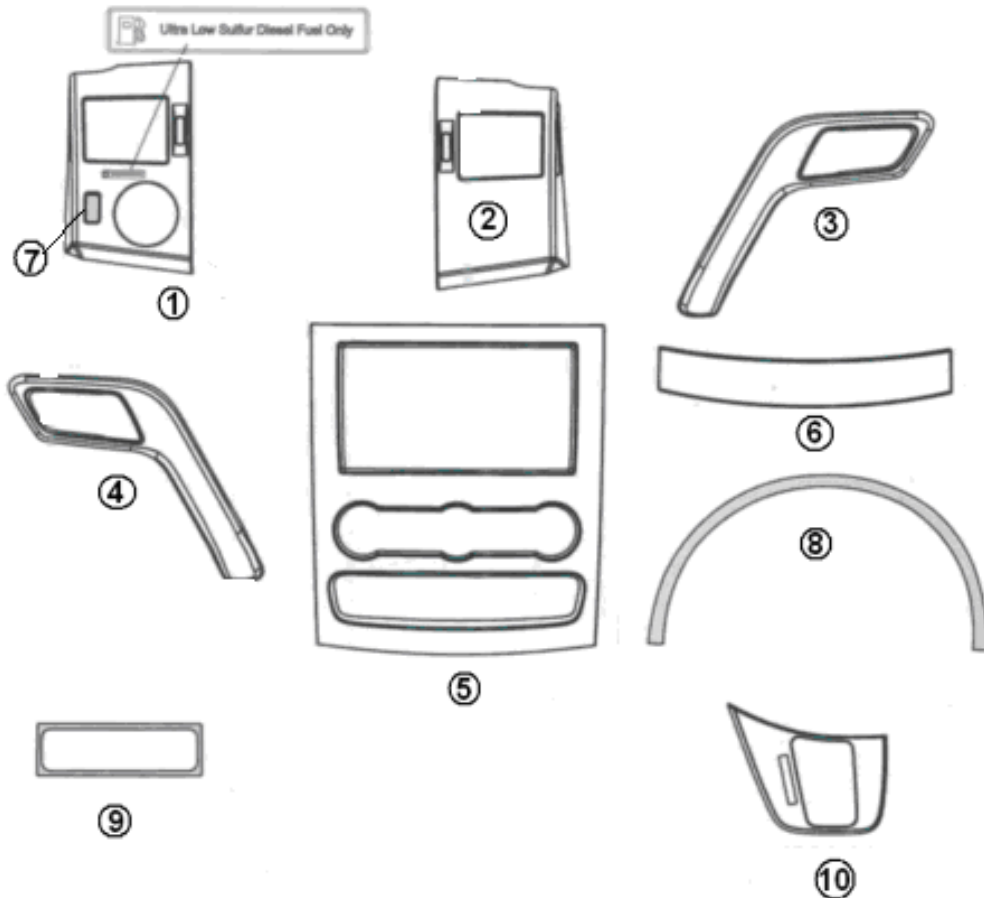


- | | |
|----------------|---|
| 365319 | Kit, Dash Trim Combo – Ash Burl |
| 1. 365319-100 | Decal, Driver Vent, Ash Burl |
| 2. 365319-101 | Decal, Passenger Vent Ash Burl |
| 3. 365319-102 | Decal, Driver Door Pull Ash Burl |
| 4. 365319-103 | Decal, Passenger Door Pull Ash Burl |
| 5. 365319-104 | Decal, Radio/AC Control Surround, Ash Burl |
| 6. 365319-105 | Decal, Above Radio Center Storage, Ash Burl |
| 7. 365319-106 | Decal, Plug for Driver Vent, Ash Burl |
| 8. 365319-107 | Decal, Speedometer, Ash Burl |
| 9. 365319-108 | Decal, Below Main Dash, Ash Burl |
| 10. 365319-109 | Decal, Auto Shifter, Ash Burl |

2012 INTERSTATE MOTORHOME

INTERIOR SHELL

Dash Trim Kit – Lt. Camel Color Scheme



- 365320 Kit, Dash Trim Combo – Majestic Burl
1. 365320-100 Decal, Driver Vent, Majestic Burl
 2. 365320-101 Decal, Passenger Vent Majestic Burl
 3. 365320-102 Decal, Driver Door Pull Majestic Burl
 4. 365320-103 Decal, Passenger Door Pull Majestic Burl
 5. 365320-104 Decal, Radio/AC Control Surround, Majestic Burl
 6. 365320-105 Decal, Above Radio Center Storage, Majestic Burl
 7. 365320-106 Decal, Plug for Driver Vent, Majestic Burl
 8. 365320-107 Decal, Speedometer, Majestic Burl
 9. 365320-108 Decal, Below Main Dash, Majestic Burl
 10. 365320-109 Decal, Auto Shifter, Majestic Burl

2012 INTERSTATE MOTORHOME

INTERIOR SHELL

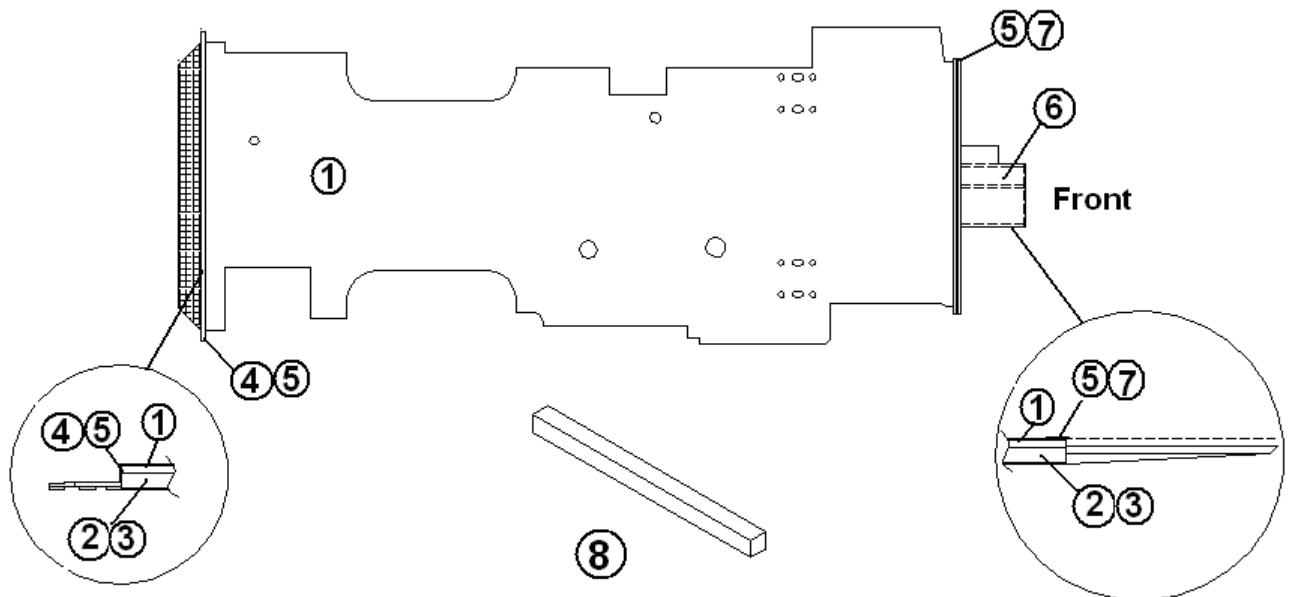
Closeouts, Windows, Pillar, & Roof

| | |
|-----------|---------------------------------------|
| 203651-01 | CLOSEOUT, CURBSIDE, "C" PILLAR |
| 203651-02 | CLOSEOUT, CURBSIDE, FRONT WINDOW |
| 203651-03 | CLOSEOUT, CURBSIDE, REAR WINDOW |
| 203651-04 | CLOSEOUT, CURBSIDE, LOWER PILLAR |
| 203651-05 | CLOSEOUT, CURBSIDE, REAR UPPER PILLAR |
| 203651-06 | CLOSEOUT, ROADSIDE, FRONT WINDOW |
| 203651-07 | CLOSEOUT, ROADSIDE, FRONT WINDOW, AFT |
| 203651-08 | CLOSEOUT, ROADSIDE, MIDDLE WINDOW |
| 203651-09 | CLOSEOUT, ROADSIDE, REAR WINDOW |
| 203651-10 | CLOSEOUT, ROADSIDE, REAR LOWER PILLAR |
| 203651-11 | CLOSEOUT, ROADSIDE, REAR UPPER PILLAR |
| 203651-12 | CLOSEOUT, ROOF, CENTER |

2012 INTERSTATE MOTORHOME

INTERIOR SHELL

Floor Assembly

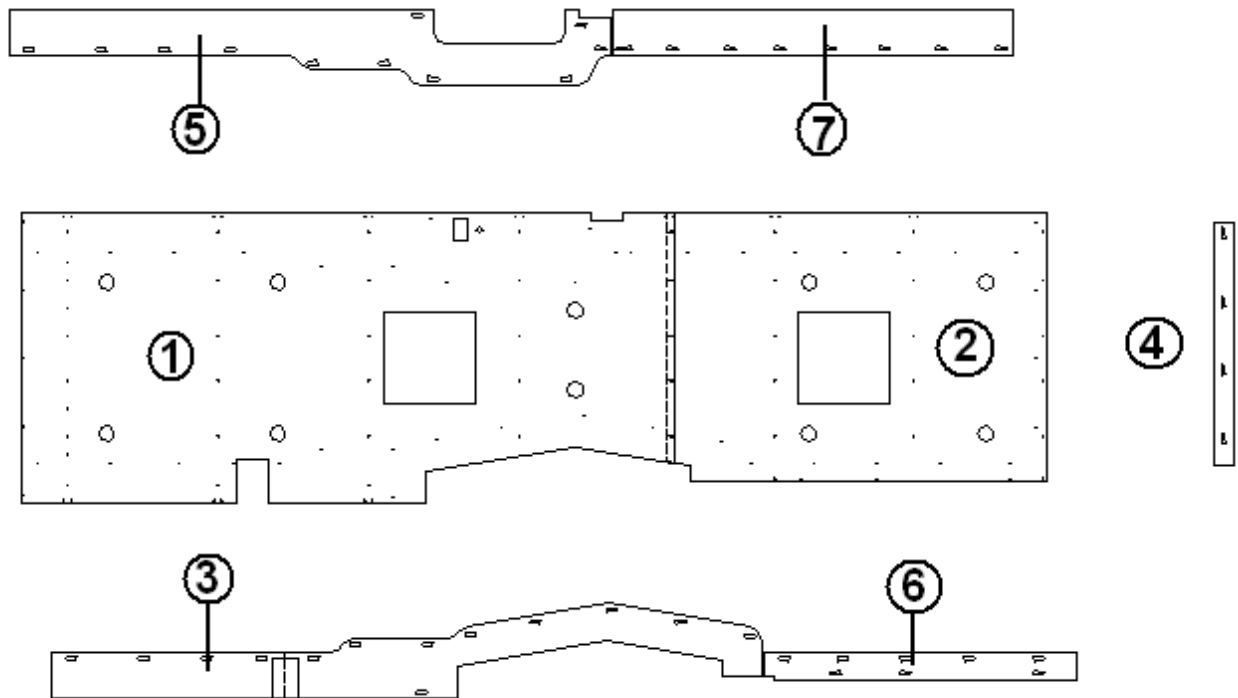


- 1. 703944 Vinyl flooring, White oiled ash
- 1. 703841 Vinyl flooring, Beau Junta, Onyx option
- 1. 703841 Vinyl flooring, Beau Jutta - LT. Camel Color Scheme
- 1. 932009 Floor assembly
- 2. 345330-09 Screw, 1/4 x 20 x 3", self tapping
- 3. 454678 Angle rear transition cap
- 4. 345353-03 Screw, #6 flat head
- 5. 923012 Cab to main floor transition assembly
- 6. 114869 Extrusion, threshold compartment
- 7. 801807 FILLER, FLOOR TRANSITION
- 702754 UNDERBELLY, DARCO 102" WIDE BLACK

2012 INTERSTATE MOTORHOME

INTERIOR SHELL

Ceiling Panels, Twin

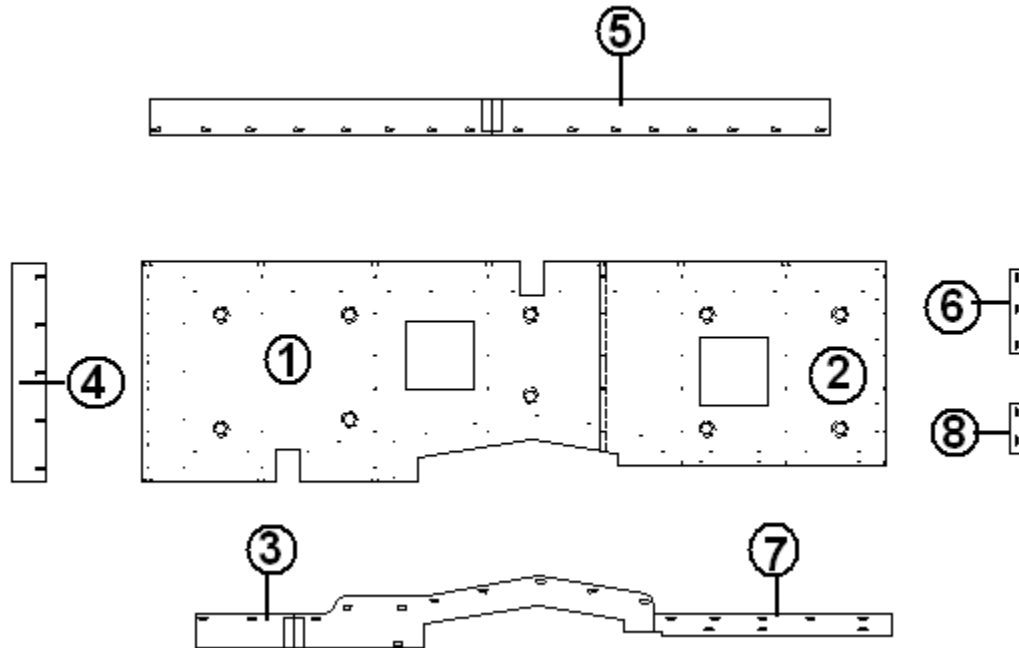


1. 923038-01 Aluminum ceiling panel, rear
 2. 923038-02 Aluminum ceiling panel, front
 3. 923038-03 Aluminum ceiling panel, curbside, padded
 4. 923038-04 Luan ceiling panel, rear, padded
 5. 923038-05 Luan ceiling panel, roadside, padded
 6. 923038-06 Luan ceiling panel, front, padded
 7. 923038-07 Luan ceiling panel, door, padded
- 701764 FOAM, 1/4"
703860 SUEDE ASPEN #011 ALABASTER
382062 FASTENER, FINNED, .25"

2012 INTERSTATE MOTORHOME

INTERIOR SHELL

Ceiling Panels, Lounge

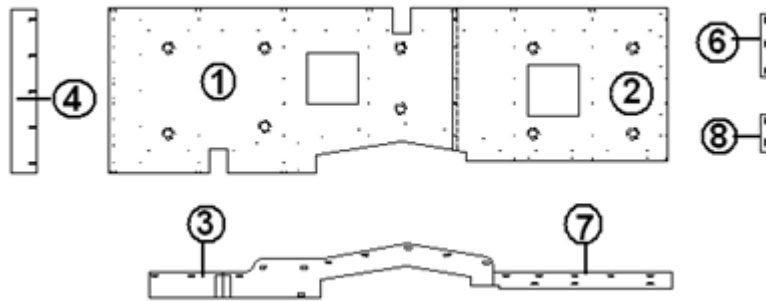


1. 920039-01 Aluminum ceiling panel, rear
 2. 920039-02 Aluminum ceiling panel, front
 3. 920039-03 Aluminum ceiling panel, curbside, padded
 4. 920039-04 Luan ceiling panel, rear, padded
 5. 920039-05 Luan ceiling panel, roadside, padded
 6. 920039-06 Luan ceiling panel, front, padded
 7. 920039-07 Luan ceiling panel, door, padded
 8. 920039-08 Luan ceiling panel, door, padded
- 701764 FOAM, 1/4"
- 703750 SUEDE, D'ORO, DOVE GREY
- 382062 FASTENER, FINNED, .25

2012 INTERSTATE MOTORHOME

INTERIOR SHELL

Ceiling Panels, Dual Wardrobe Option

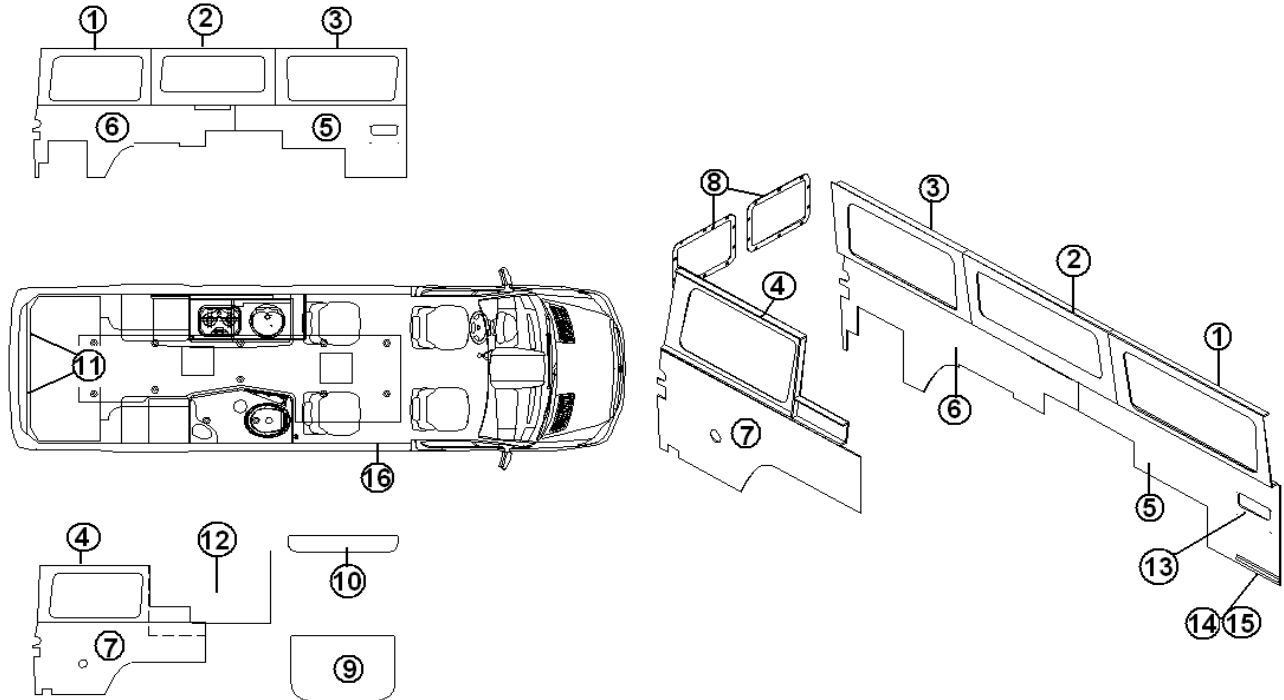


- | | | |
|----|-----------|---------------------------------|
| 1. | 923076-01 | Ceiling Panel – Rear, Aluminum |
| 2. | 923076-02 | Ceiling Panel, Front, Aluminum |
| 3. | 923076-03 | Ceiling Panel, Curbside |
| 4. | 923076-04 | Ceiling Panel, Front |
| 5. | 923076-05 | Ceiling Panel, Roadside |
| 6. | 923076-06 | Ceiling Panel, Door |
| 7. | 923076-07 | Ceiling Panel, Roadside Forward |
| 8. | 923076-08 | Ceiling Panel, Rear |

2012 INTERSTATE MOTORHOME

INTERIOR SHELL

Interior Panel w/Window Boxes, Lounge

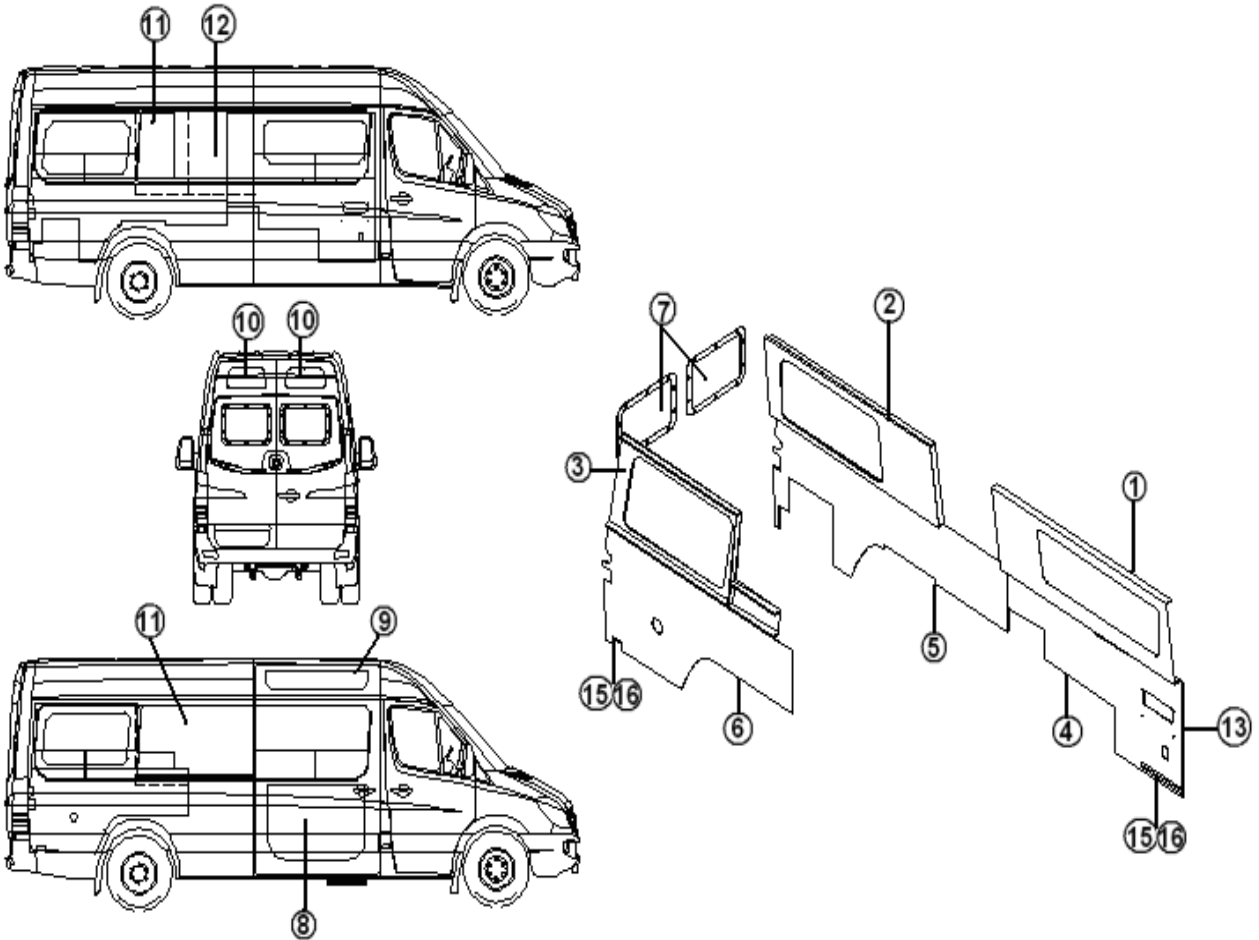


- | | |
|-----------------|--|
| 1. 967563-0116 | BOX ASSEMBLY, ROADSIDE FWD. ONYX |
| 967563-0117 | BOX ASSEMBLY, ROADSIDE FWD. LT.CAMEL |
| 2. 967563-0216 | BOX ASSEMBLY, ROADSIDE MIDDLE, ONYX |
| 967563-0217 | BOX ASSEMBLY, ROADISE MIDDLE, LT.CAMEL |
| 3. 967563-0316 | BOX ASSEMBLY, ROADSIDE AFT, ONYX |
| 967563-0317 | BOX ASSEMBLY, ROADSIDE AFT, LT. CAMEL |
| 4. 967563-0416 | BOX ASSEMBLY, CURBSIDE AFT, ONYX |
| 967563-0417 | BOX ASSEMBLY, CURBSIDE AFT, LT. CAMEL |
| 5. 967563-05 | PANEL, ROADSIDE FORWARD |
| 6. 967563-06 | PANEL, ROADSIDE AFT |
| 7. 967563-07 | PANEL, CURBSIDE AFT |
| 8. 967563-08 | PANEL, REAR DOOR, WINDOW |
| 9. 998206-01 | PANEL, LOWER SLIDING DOOR |
| 10. 998206-02 | PANEL, UPPER SLIDING DOOR |
| 11. 998206-03 | PANEL, ROADSIDE/CURBSIDE AFT DOOR |
| 12. 195389-01 | .63 grey aluminum sheet, cut to fit. |
| 13. 203644-01 | POCKET, BLACK TANK VENT |
| 14. 800573-0119 | MOLDING, FLAT DOOR, EDGE ASIAN NIGHT |
| 15. 800638-0119 | MOLDING, QUARTER RD .5" ASIAN NIGHT |
| 16. 998201 | CURTAIN ASSEMBLY, SLIDING DOOR |
| 800573-0118 | MOLDING, FLAT DOOR EDGE ASIAN SAND |
| 800573-0119 | MOLDING, FLAT DOOR EDGE ASIAN NIGHT |
| 800638-0118 | MOLDING, QUARTER RD .5" ASIAN SAND |
| 800638-0119 | MOLDING, FLAT DOOR EDGE ASIAN NIGHT |

2012 INTERSTATE MOTORHOME

INTERIOR SHELL

Interior Panel w/Window Boxes, Lounge w/wardrobe Option, Onyx



Parts Listed on Next Page

2012 INTERSTATE MOTORHOME

INTERIOR SHELL

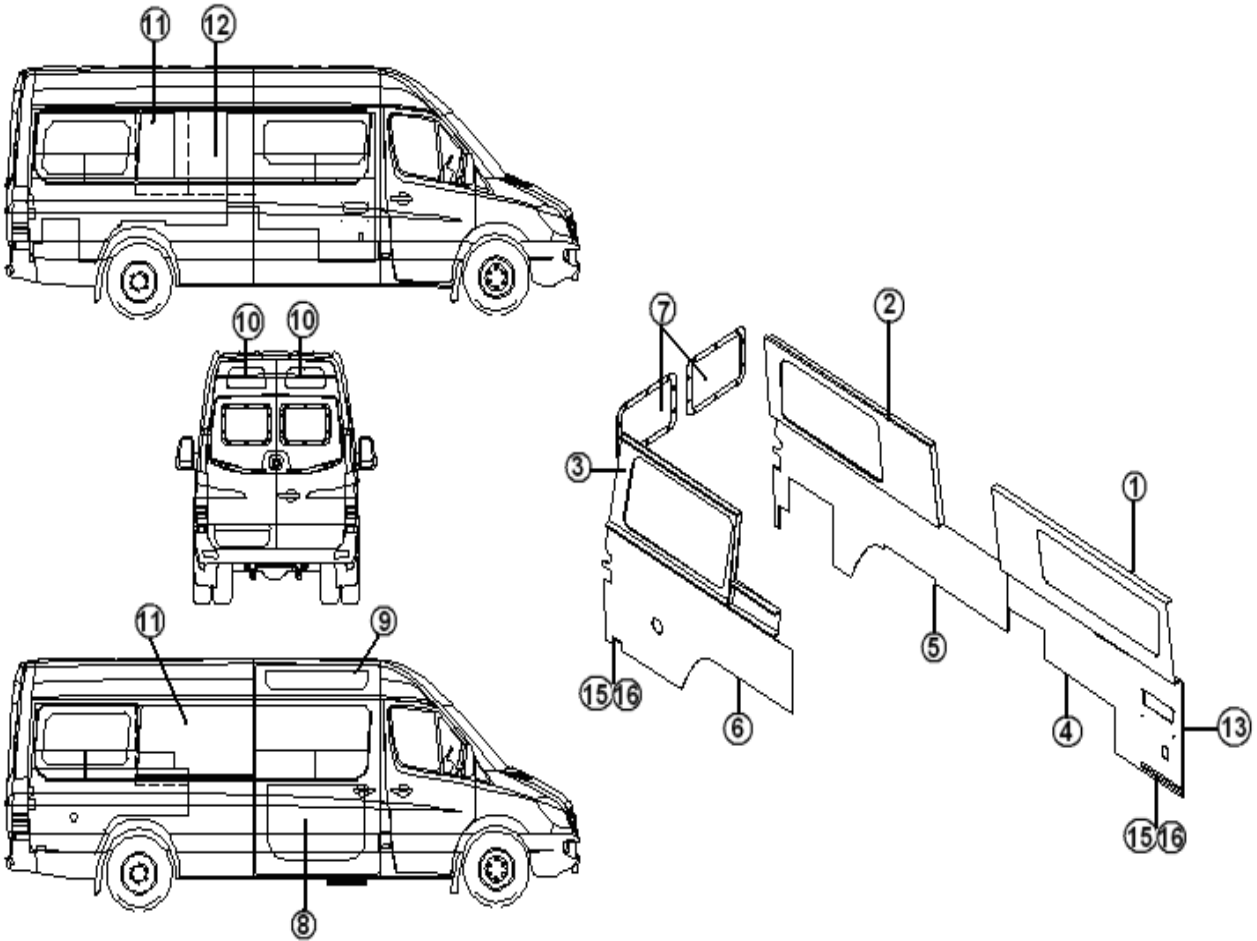
Interior Panel w/Window Boxes, Lounge w/wardrobe Option, Onyx

1. 967651-0116 BOX-WINDOW RS FWD LNG W/R, ONYX
2. 967651-0216 BOX WINDOW RS FWD LNG W/R, ONYX
3. 967651-0316 BOX-WIND CS REAR LNG W/R, ONYX
4. 967651-04 PANEL, ASSY-RS FWD LNG W/R, ONYX
5. 967651-05 PANEL, ASSY-RS REAR LNG W/R, ONYX
6. 967651-06 PANEL, ASSY-CS REAR LNG W/R, ONYX
7. 967651-07 PANEL,REAR DR WINDOW LNG W/R, ONYX
8. 998206-01 PANEL, ASSY-DR LOWER SLD
9. 998206-02 PANEL, ASSY-DR UPPER SLD
10. 998206-03 PANEL, ASSY-DR RS/CS AFT
11. 195389-01 PANEL, 25 X 36 - PLATINUM GRAY ALUMINUM
12. 454741 PANEL,GAL/WR CLOSEOUT TWIN
13. 203644-01 POCKET-BLACK TANK VENT
14. 385963 BRACKET MTG. ANGLE LAMBREQUIN (NOT SHOWN)
15. 800573-0119 MOLDING-FLAT A.NIGHT 1.09"X80"
16. 800638-0119 MOLDING-QUARTER RD .5" A.NIGHT
- 998206-03 PANEL, ASSY-DOOR, RS/CS AFT
- 703859-02 SHADE, DAY/NIGHT 44 X 26 OATMEAL
- 703859-04 SHADE, DAY/NIGHT 51.25 X 26 OATMEAL
- 111857 WINDOW BOX/BLIND INSTALL
- 998201-400 CURTAIN ASSY - SLDG DOOR - ONYX

2012 INTERSTATE MOTORHOME

INTERIOR SHELL

Interior Panel w/Window Boxes, Lounge w/wardrobe Option, Lt. Camel



Parts Listed on Next Page

2012 INTERSTATE MOTORHOME

INTERIOR SHELL

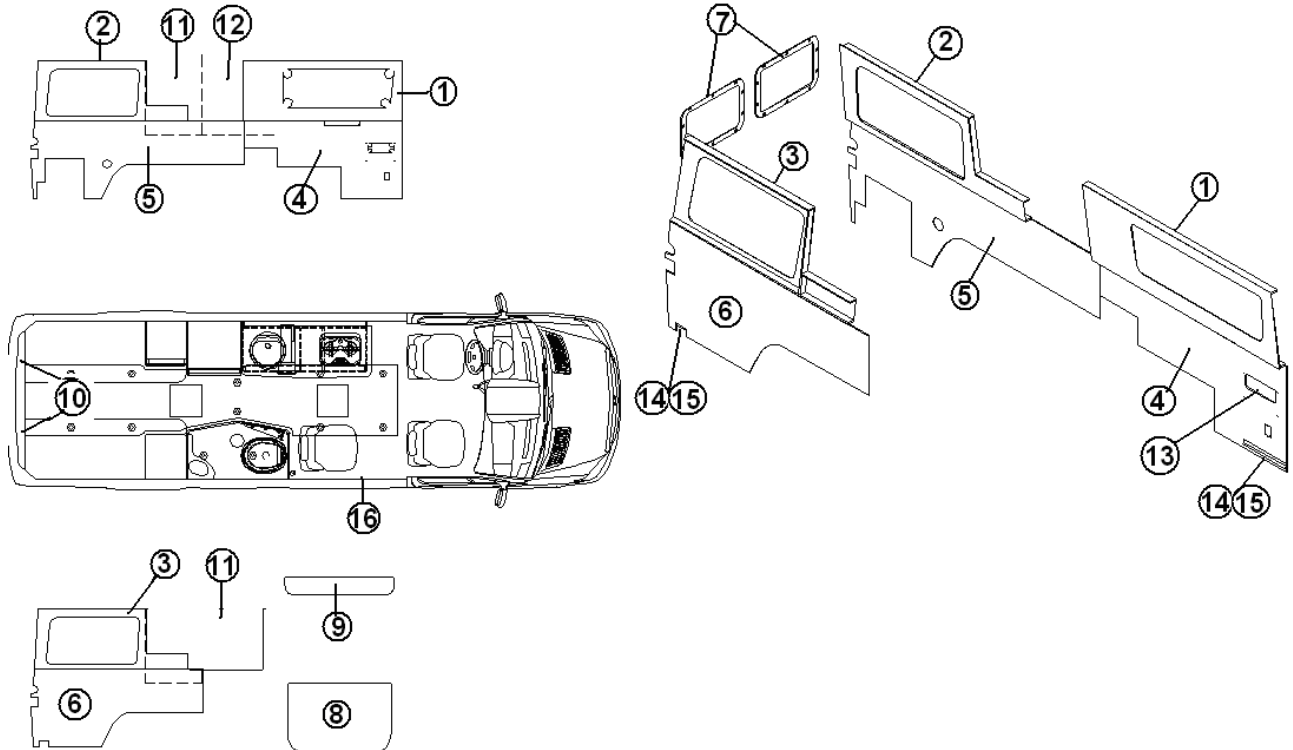
Interior Panel w/Window Boxes, Lounge w/wardrobe Option, Lt. Camel

1. 967651-0117 BOX-WINDOW RS FWD LNG W/R, Lt. Camel
2. 967651-0217 BOX WINDOW RS FWD LNG W/R, Lt. Camel
3. 967651-0317 BOX-WIND CS REAR LNG W/R, Lt. Camel
4. 967651-04 PANEL, ASSY-RS FWD LNG W/R
5. 967651-05 PANEL, ASSY-RS REAR LNG W/R
6. 967651-06 PANEL, ASSY-CS REAR LNG W/R
7. 967651-07 PANEL,REAR DR WINDOW LNG W/R
8. 998206-01 PANEL, ASSY-DR LOWER SLD
9. 998206-02 PANEL, ASSY-DR UPPER SLD
10. 998206-03 PANEL, ASSY-DR RS/CS AFT
11. 195389-01 PANEL, 25 X 36 - PLATINUM GRAY ALUMINUM
12. 454741 PANEL,GAL/WR CLOSEOUT TWIN
13. 203644-01 POCKET-BLACK TANK VENT
14. 385963 BRACKET MTG. ANGLE LAMBREQUIN (NOT SHOWN)
15. 800573-0118 MOLDING-FLAT A. SAND 1.09"X80"
16. 800638-0118 MOLDING-QUARTER RD .5" A.SAND
- 998206-03 PANEL, ASSY-DOOR, RS/CS AFT
- 703859-02 SHADE, DAY/NIGHT 44 X 26 OATMEAL
- 703859-04 SHADE, DAY/NIGHT 51.25 X 26 OATMEAL
- 111857 WINDOW BOX/BLIND INSTALL
- 998201-411 CURTAIN ASSY - SLDG DOOR - LT CAMEL
- 703761-411 CURTAIN CLOSEOUT LT. CAMEL

2012 INTERSTATE MOTORHOME

INTERIOR SHELL

Interior Panel w/Window Boxes, Twin & Dual Wardrobe

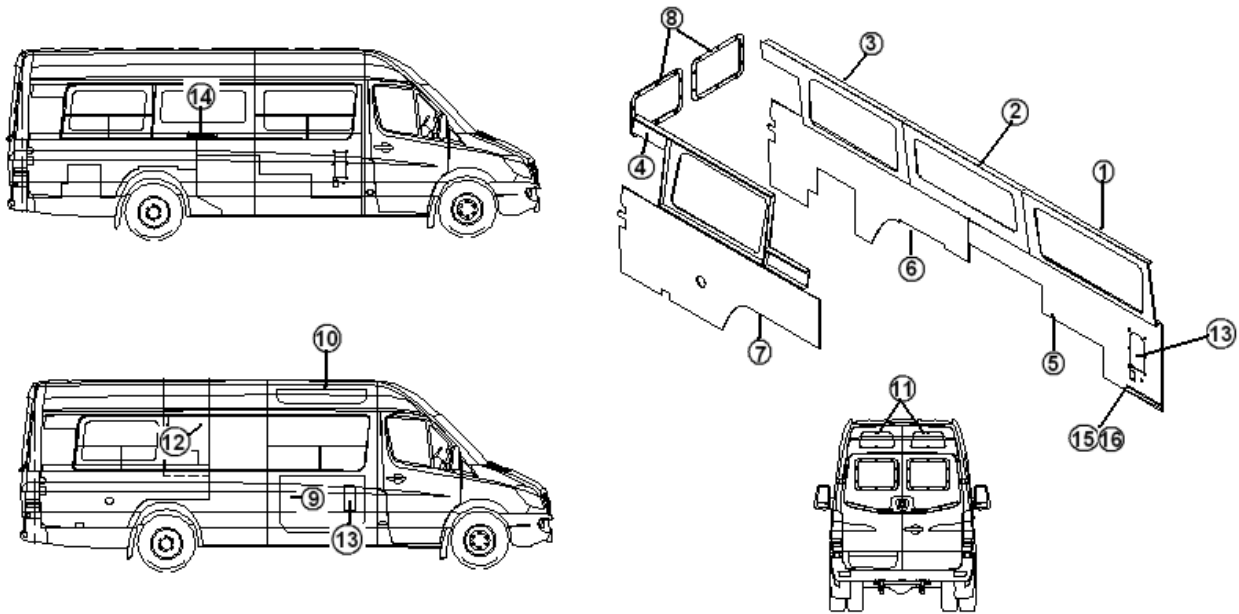


- | | |
|----------------|--------------------------------------|
| 1. 967562-01 | BOX ASSEMBLY, ROADSIDE FORWARD |
| 2. 967562-02 | BOX ASSEMBLY, ROADSIDE REAR |
| 3. 967562-03 | BOX ASSEMBLY, CURBSIDE REAR |
| 4. 967562-04 | PANEL, ROADSIDE FORWARD |
| 5. 967562-05 | PANEL, ROADSIDE AFT |
| 6. 967563-06 | PANEL, CURBSIDE AFT |
| 7. 967562-07 | PANEL, REAR DOOR, WINDOW |
| 8. 998206-01 | PANEL, LOWER SLIDING DOOR |
| 9. 998206-02 | PANEL, UPPER SLIDING DOOR |
| 10. 998206-03 | PANELS, ROADSIDE/CURBSIDE AFT DOOR |
| 11. 195389-01 | .63 grey aluminum sheet, cut to fit. |
| 12. 454741 | PANEL, GALLEY/WARDROBE CLOSEOUT |
| 13. 203644-01 | POCKET, BLACK TANK VENT |
| 14. 800573-01Z | MOLDING, FLAT DOOR, EDGE |
| 15. 800638-01Z | MOLDING, QUARTER RD .5" |
| 16. 998201 | CURTAIN ASSEMBLY, SLIDING DOOR |

2012 INTERSTATE MOTORHOME

INTERIOR SHELL

Interior Panel w/Window Boxes, Lounge – Extended Van, Onyx

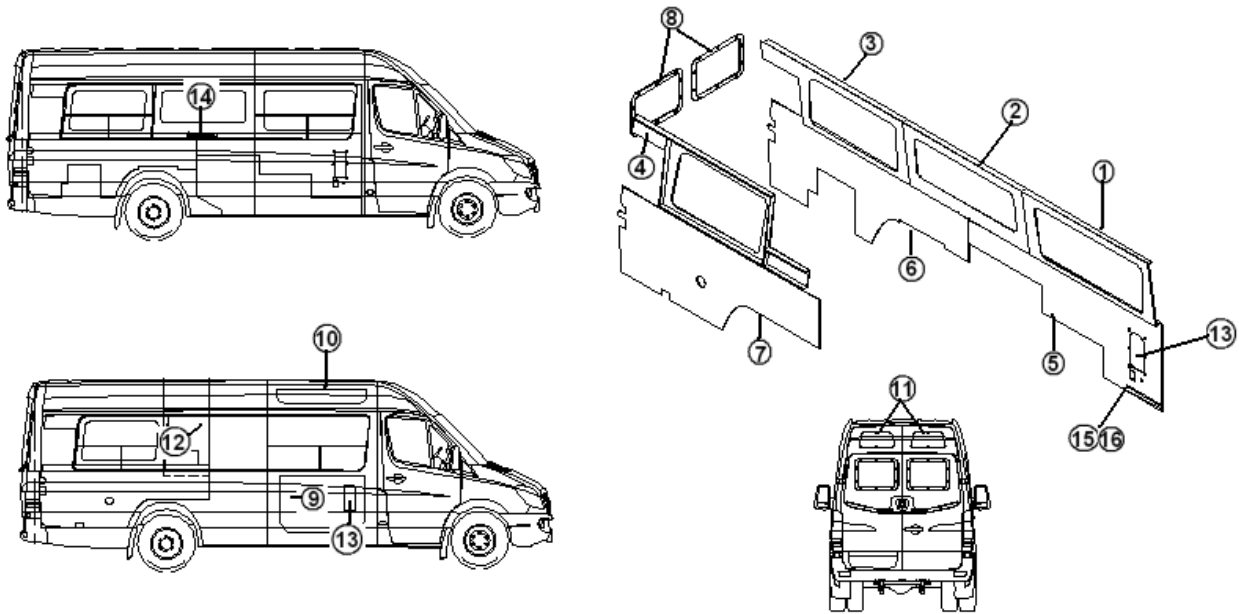


1. 967773-0116 Assy., Window Box, RS Fwd Ext.
2. 967773-0216 Assy., Window Box, RS Mid Ext.
3. 967773-0316 Assy., Window Box, RS Rear Ext.
4. 967773-0416 Assy., Window Box. CS Rear Ext.
5. 967773-05 Panel, RS Fwd., Ext.
6. 967773-06 Panel, RS Rear, Ext.
7. 967773-07 Panel, CS Rear, Ext.
8. 967563-08 Panel, Rear Door Window
9. 998206-01 Assy., Door Panel,, Fabric, Lower Sliding
10. 998206-02 Assy., Door Panel,, Fabric, Upper Sliding
11. 998206-03 Assy., Door Panel,, Fabric, Rear
12. 195389-01 Aluminum, Platinum Gray (25" x 36")
13. 967875 Cupholder Assy.
14. 386206 Vent, Louvered 2.63 x 17.5 Blk #3
15. 800573-0119 Molding, Door Edge 1 3/32 x 80" A.Night
16. 800638-0119 Molding, Qtr. Round, 1/2" A.Night
- 385963 Bracket, Mtg. Angle
- 111856 Window Box Blinds Assy.

2012 INTERSTATE MOTORHOME

INTERIOR SHELL

Interior Panel w/Window Boxes, Lounge – Extended Van, Lt. Camel



1. 967773-0118 Assy., Window Box, RS Fwd Ext.
2. 967773-0218 Assy., Window Box, RS Mid Ext.
3. 967773-0318 Assy., Window Box, RS Rear Ext.
4. 967773-0418 Assy., Window Box. CS Rear Ext.
5. 967773-05 Panel, RS Fwd., Ext.
6. 967773-06 Panel, RS Rear, Ext.
7. 967773-07 Panel, CS Rear, Ext.
8. 967563-08 Panel, Rear Door Window
9. 998206-01 Assy., Door Panel,, Fabric, Lower Sliding
10. 998206-02 Assy., Door Panel,, Fabric, Upper Sliding
11. 998206-03 Assy., Door Panel,, Fabric, Rear
12. 195389-01 Aluminum, Platinum Gray (25" x 36")
13. 967875 Cupholder Assy.
14. 386206 Vent, Louvered 2.63 x 17.5 Blk #3
15. 800573-0118 Molding, Door Edge 1 3/32 x 80" A.Sand
16. 800638-0118 Molding, Qtr. Round, 1/2" A.Sand
- 385963 Bracket, Mtg. Angle
- 703859-02 Shade, Day/Night 44 x 26 Oatmeal/Ala.
- 703859-03 Shade, Day/Night 48.5 x 26 Oatmeal/Ala.
- 703859-04 Shade, Day/Night 51.25 x 26 Oatmeal/Ala.
- 320035 Screw, 8 x 1/2 PH Type

2012 INTERSTATE MOTORHOME

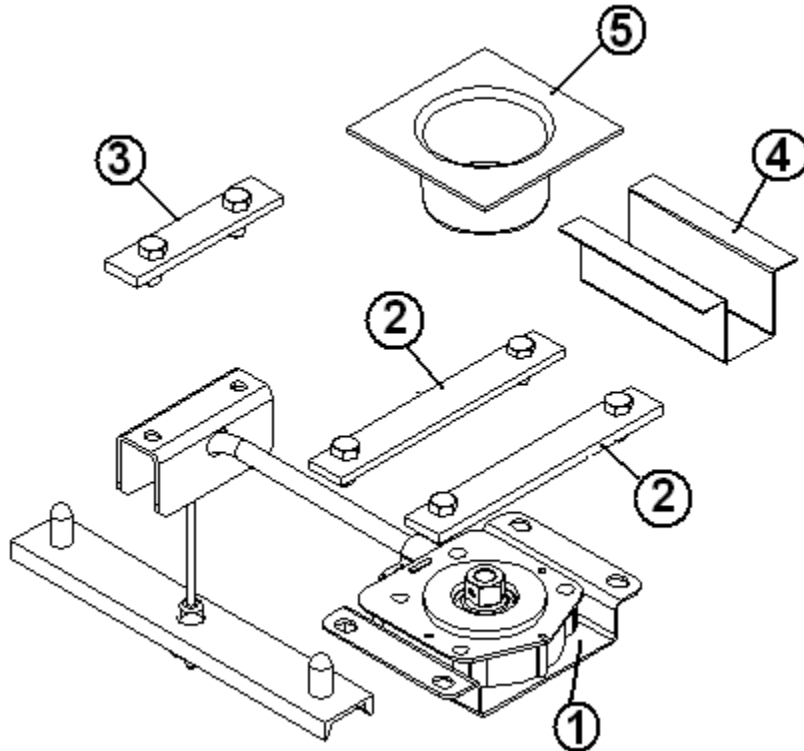
INTERIOR SHELL

Blinds & Curtains, Extended Van & Dual W/R

| | |
|------------|--|
| 703859-02 | Shade Day/Night 44 x 26 Oatmeal |
| 703859-03 | Shade Day/Night 48.5 x 26 Oatmeal |
| 703859-04 | Shade Day/Night 51.25 x 26 Oatmeal |
| 998201-400 | Curtain Assy., Sliding Door, Onyx |
| 998201-411 | Curtain Assy., Sliding Door, Lt. Camel |
| 703761-400 | Curtain Closeout, Onyx |
| 703761-411 | Curtain Closeout, Lt. Camel |

2012 INTERSTATE MOTORHOME CHASSIS

Spare Tire Carrier



- 1. 454665 Spare tire carrier
- 2. 454669 Bracket, spare tire carrier
- 3. 454667 Bracket, spare tire carrier
- 4. 454713 Hat section, spare tire
- 5. 203646 Closeout, spare tire winch
- 382099 Socket, $\frac{3}{4}$ " deep well, $\frac{3}{8}$ " drive
- 381667 Ratchet, $\frac{3}{8}$ " drive

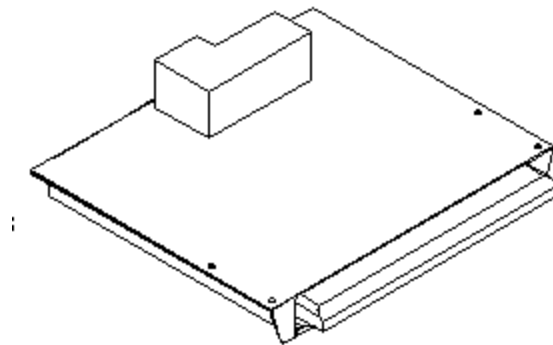
2012 INTERSTATE MOTORHOME

CHASSIS

Aluminum Wheels

| | |
|-----------|-----------------------|
| 410970-01 | Aluminum wheel, front |
| 410970-02 | Aluminum wheel, rear |
| 410970-03 | Trim Kit, front wheel |
| 410970-04 | Trim Kit, rear wheel |

Step, Electric



| | |
|------------|--|
| 512450 | STEP, POWER PROJECT 2000 |
| 512450-100 | STEP SWITCH |
| 454789 | BRACKET, STEP MOUNTING |
| 454788 | BRACKET, STEP HANGER |
| 512301 | Buzzer, warning, two tone, step & awning |
| 385577 | FILM, STEP AREA, TAPE CLEAR, 3.5" WIDE |

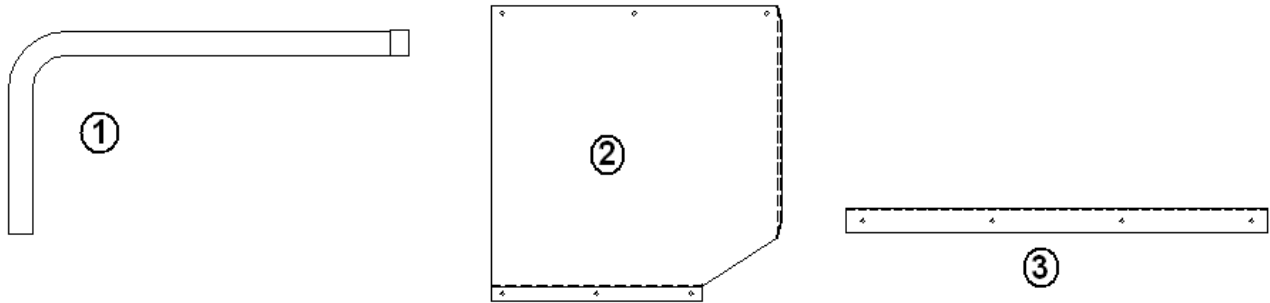
Step Well

| | |
|-----------|----------------------------------|
| 203632 | Step close out, plastic |
| 203661 | TRIM RING, STEP WELL POCKET |
| 382097 | CORD, BLACK BUNGEE, 14" W/CLIPS |
| 967479 | POCKET ASSY, STEP WELL |
| 701538-01 | CARPET, ECONOLIER W/PSA BACK |
| 512377 | LIGHT, COURTESY, W/SS BEZEL, LED |

2012 INTERSTATE MOTORHOME

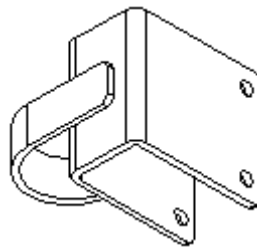
CHASSIS

Exhaust System



1. 454656 EXHAUST TAILPIPE
454696-01 Wrap, exhaust, 34" long
454696-02 Wrap, exhaust, 14" long
454696-03 Clamp
340073-10 CLAMP, MUFFLER, 2.5"
340073-15 CLAMP, MUFFLER, 2.75"
381509 Hanger, Tailpipe
2. 454708 Water tank heat shield
3. 454709 Angle, water tank heat shield

Skid Bar Assembly



454685 Skid bar assembly

Parktronic Sensor

- 382173 Kit, Bosch Park Sensor Sockets
- 112014-01W Sensor, White
- 112014-01S Sensor, Silver
- 112014-02W Contour Ring, White
- 112014-02S Contour Ring, Silver

2012 INTERSTATE MOTORHOME

DOOR/WINDOWS/AWNING

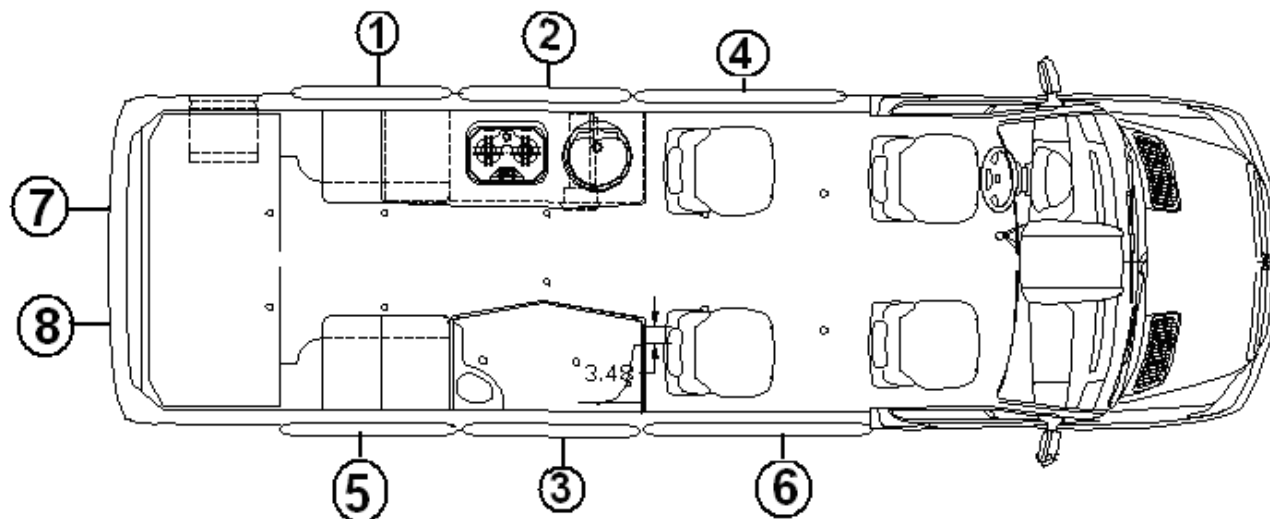
Exterior Doors

| | |
|------------|--|
| 381766W | Access hatch, exterior switches, 7.75" X 12.63", White |
| 381766S | Access hatch, exterior switches, 7.75" X 12.63", Silver |
| 601392-05 | City water fill w/regulator, chrome |
| 602190 | Water fill, gravity |
| 602189 | Outlet, exterior shower |
| 602189-01 | Outlet, exterior shower base |
| 602189-02 | Hose, Exterior Shower |
| 382072 | Hatch, LP remote compartment & dump valve switch door. |
| 382083W | Cover, macerator switch, White |
| 382083S | Cover, macerator switch, Silver |
| 382083B | Cover, macerator switch, Black |
| 602288-01W | Exterior Shower Box, White |
| 602288-01S | Exterior Shower Box, Silver |
| 602288-01B | Exterior Shower Box, Black |
| 602288-02 | Hose Assembly 15' coil w/sprayer |

2012 INTERSTATE MOTORHOME

DOOR/WINDOWS/AWNING

Windows



1. 372260-01 Rear window, roadside
 2. 372260-02 Window – Mid LH Fixed
 3. 372260-03 Window – Mid RH Fixed
 4. 372260-04 Siding door awning
 5. 372260-05 Window, roadside, non-venting, opening
 6. 372260-06 Window, curbside, non-venting, opening
 7. 372261-01 WINDOW-REAR DOOR ROADSIDE
 8. 372261-02 WINDOW-REAR DR. CURBSIDE
- 382117 GASKET, RECTANGLE POST
381842 TRIM-LOK, 1/16" BLK PEBBLE FIN
345480 SCREW- #8 X .75" TORQUE HD
360323-01 SIKAFLEX-#227 BLACK TUBE

2012 INTERSTATE MOTORHOME

DOOR/WINDOWS/AWNING

Awning, Patio

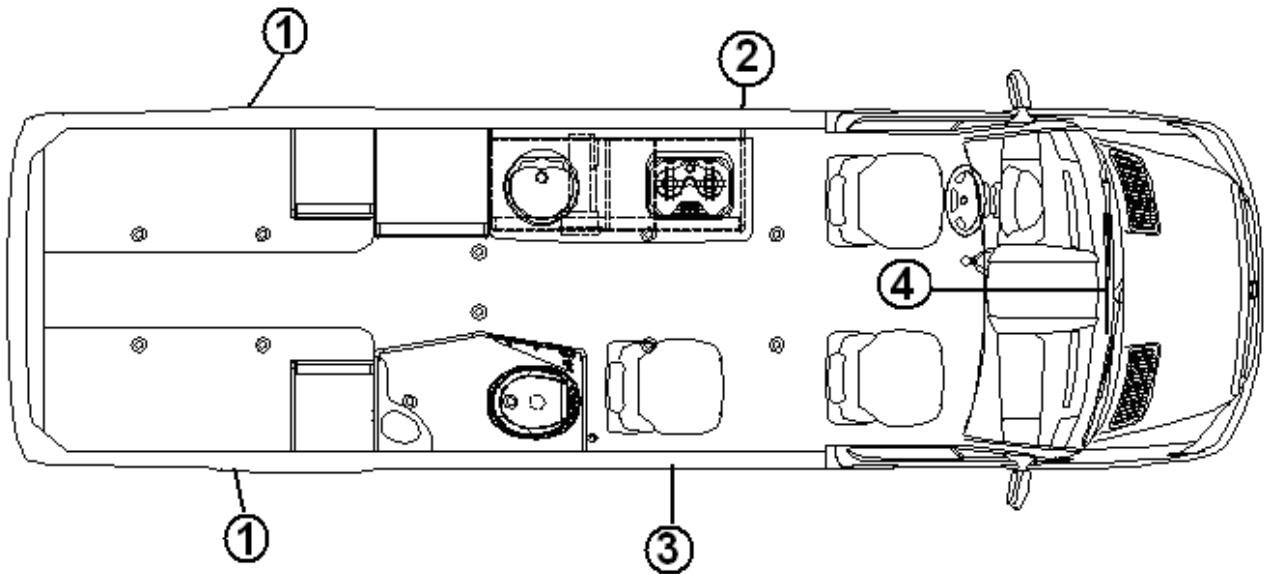
| | |
|------------|--|
| 703956-02 | AWNING, PATIO, 13'1" White |
| 703956-03 | Awning, Titanium F65S 13'1" Fiamma (Silver paint scheme) |
| 703956-04 | Awning, Titanium F65S 13'1" Fiamma (Black) |
| 703956-05 | Motor - White |
| 703956-06 | Motor - Titanium |
| 703956-07 | Motor - Black |
| 703746-05 | Bracket, Awning Mtg. Fiamma |
| 703956-100 | Knob, grey winged w/washer |
| 703956-101 | Left support fitting for 703956-03 awning |
| 512301 | Buzzer, warning, two tone, step & awning |
| 510844-01 | Relay, Bosch |
| 510844-02 | Relay socket, Bosch |
| 703467-03 | Strap, awning leg storage |
| 703815 | BAG, AWNING POLES, TWIN |
| 703815-01 | BAG, AWNING POLES, EXTENDED VAN |

*All mounting and operational hardware included.

2012 INTERSTATE MOTORHOME

DRAPES/BLINDS/VALANCES

Drapes/Shades/Valances w/Window Boxes, Lounge

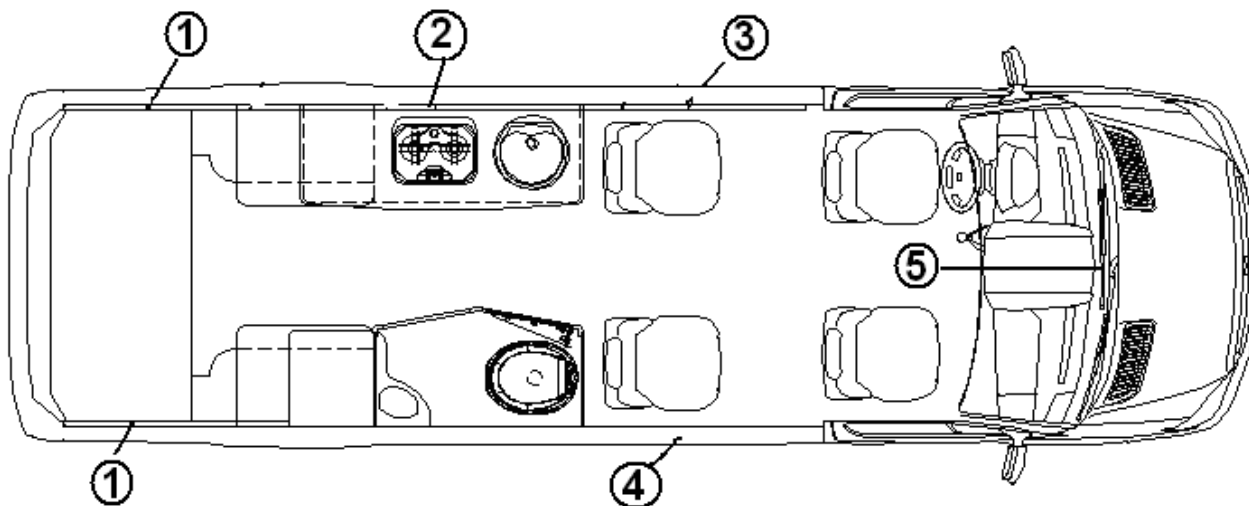


- | | |
|---------------|--|
| 1. 703859-02 | SHADE, DAY/NIGHT, 44" X 26" |
| 2. 703859-04 | SHADE, DAY/NIGHT, 51.25" X 26" |
| 3. 998201 | CURTAIN ASSEMBLY, SLIDING DOOR |
| 4. 703761-400 | Curtain, Windshield, 119" X 33.5", ONYX |
| 4. 703761-411 | Curtain, Windshield, 119" X 33.5", Lt. Camel |
| 703859-03 | Shade, Day/Night, 51.25" x 26" |

2012 INTERSTATE MOTORHOME

DRAPES/BLINDS/VALANCES

Drapes/Shades/Valances w/Window Boxes, Twin



- | | |
|---------------|--|
| 1. 703859-02 | SHADE, DAY/NIGHT, 44" X 26" |
| 2. 703859-03 | SHADE, DAY/NIGHT, 48.50" X 26" |
| 3. 703859-04 | SHADE, DAY/NIGHT, 51.25" X 26" |
| 4. 998201 | CURTAIN ASSEMBLY, SLIDING DOOR |
| 5. 703761-379 | Curtain, Windshield, 119" X 33.5", 2-Tone Tan |
| 5.703761-389 | Curtain, Windshield, 119" X 33.5", 2-Tone Gray |
| 5.703761-400 | Curtain, Windshield, 119" X 33.5", ONYX |
| 5. 703761-411 | Curtain, Windshield, 119" X 33.5" Lt. Camel |

2012 INTERSTATE MOTORHOME

DRAPES/BLINDS/VALANCES

Drape Parts/Material

| | |
|--------|---|
| 703861 | FABRIC, BENTON STONE, 54", ONYX |
| 700021 | HOOK, VELCRO, WHITE |
| 700020 | PILE VELCRO |
| 700045 | GLIDES, CURTAIN, G3 W/ELASTIC |
| 700005 | FASTENER, CAP |
| 700006 | FASTENER SOCKET |
| 340030 | FASTENER STUD NICKEL PLATED |
| 100097 | Curtain track extrusion, sliding door curtain |

2012 INTERSTATE MOTORHOME

ELECTRICAL, 110 VOLT

Energy Management System

Lounge

- 512290-01 30A Energy Management Module
- 512290-02 Display panel, 30A Energy Management System
- 512290-03 Main control board, Energy Management Module

Twin

- 512357-01 DISPLAY, PCS, Energy Management System
- 512357-02 CONTROL, POWER, Energy Management System
- *512361 DISTRIBUTION CENTER, 30A/15A AC/DC
- *512547 DISTRIBUTION CENTER, 30A AC/15 CIR DC
- 511330 BOX, SWITCH, 3" X 2" X 3.5"
- 512186 EXTENSION RING, GFCI
- 512308 BOX, SHALLOW, SWITCH & OUTLET

*FIRST UNITS TO RECEIVE THE NEW DISTRIBUTION CENTER P/N 512547 WERE #302557(twin), 3/6/12 & #302542 (Lnge), 3/20/12.

**IN MARCH 2012 THE EMS SYSTEM CHANGED TO THE PRECISION CIRCUIT SYSTEM, IN ADDITION AN AUX. ASSIST SWITCH WILL BE ADDED TO THE DASH BOARD.

- 512357-01 DISPLAY, PCS, Energy Management System
- 512357-02 CONTROL, POWER, Energy Management System
- 512361 Distribution Center, AC/DC, Black
- 512545 Separator, Battery 12VDC 160 Amp w/Gen.
- 512546 Switch, Momentary PB SPST, Black
- 386254 Label, Battery Assist PB

Shoreline Hookup

- 512099 POWER INLET, 30 AMP 125 V SS
- 512297 30 amp power cord, 25', super flex
- 512401-01 30 amp power cord, 30'

2012 INTERSTATE MOTORHOME

ELECTRICAL, 110 VOLT

Inverter

| | |
|------------|--|
| 512279-01 | Inverter/Charger, 750 watt |
| 512279-02 | Remote display panel, Inverter/Charger |
| 512279-03 | Cable 25' Display Module |
| 512277 | Fuse holder, inline |
| 512278-125 | Fuse, BF1-32, 125 amp |
| 512474 | Cable, 3.5mm Right Angle 8" |

Receptacles

| | |
|-----------|---|
| 511451-02 | Receptacle, 20 amp, single, brown |
| 512096 | Receptacle, GFI 15 amp w/black cover |
| 511912 | Wall plate, single gang, snap on, chrome |
| 511815-01 | Receptacle, duplex, black |
| 512052 | Receptacle, self contained, clamp type |
| 512052-01 | Back cap, for 512052, self contained receptacle |
| 512399 | Outlet, 10 Volt, exterior, gray |
| 512399W | Outlet, 10 Volt, exterior, white |
| 512399S | Outlet, 10 Volt, exterior, silver |
| 500563-03 | RECEPTACLE, WHITE |
| 500563-04 | PLATE, 1-GANG WHITE |
| 500785 | OUTLET, DUPLEX BROWN T&B |

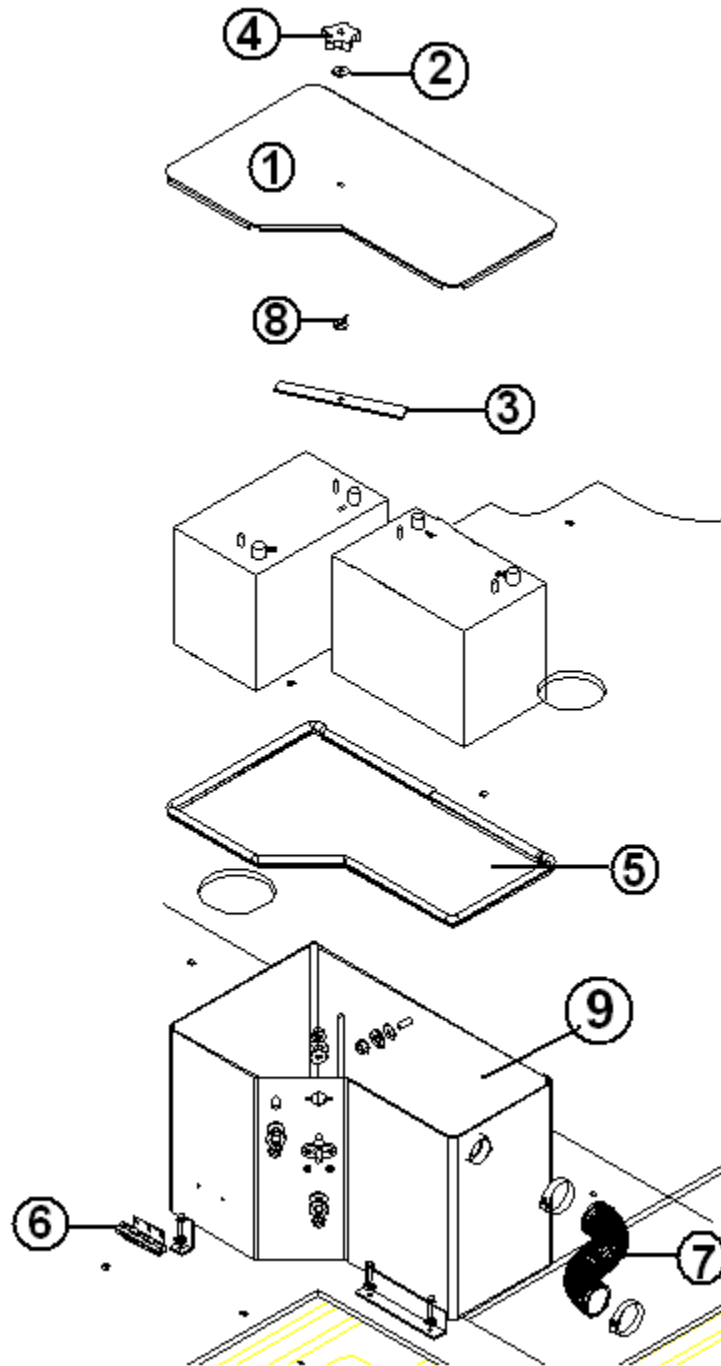
Breaker

| | |
|-------------|---|
| 510564-02 | Breaker, Bryant, 30 AMP |
| 510564-04 | Breaker, Bryant, 20-20 AMP dual |
| 510564-06 | NLA - BUY LOCALLY Breaker, Bryant, 20 GFI |
| 510564-08 | Breaker, Bryant, 20-15 AMP dual |
| 510564-09 | Breaker, Bryant 15A SPST |
| 510564-3020 | Breaker, Bryant 3020 Amp |
| 510564-2020 | Breaker, Type Brd, BD 20-20 |

2012 INTERSTATE MOTORHOME

ELECTRICAL, 12 VOLT

Battery Box/Vent, Twin Bed



Part Numbers are on the Next Page.

2012 INTERSTATE MOTORHOME

ELECTRICAL, 12 VOLT

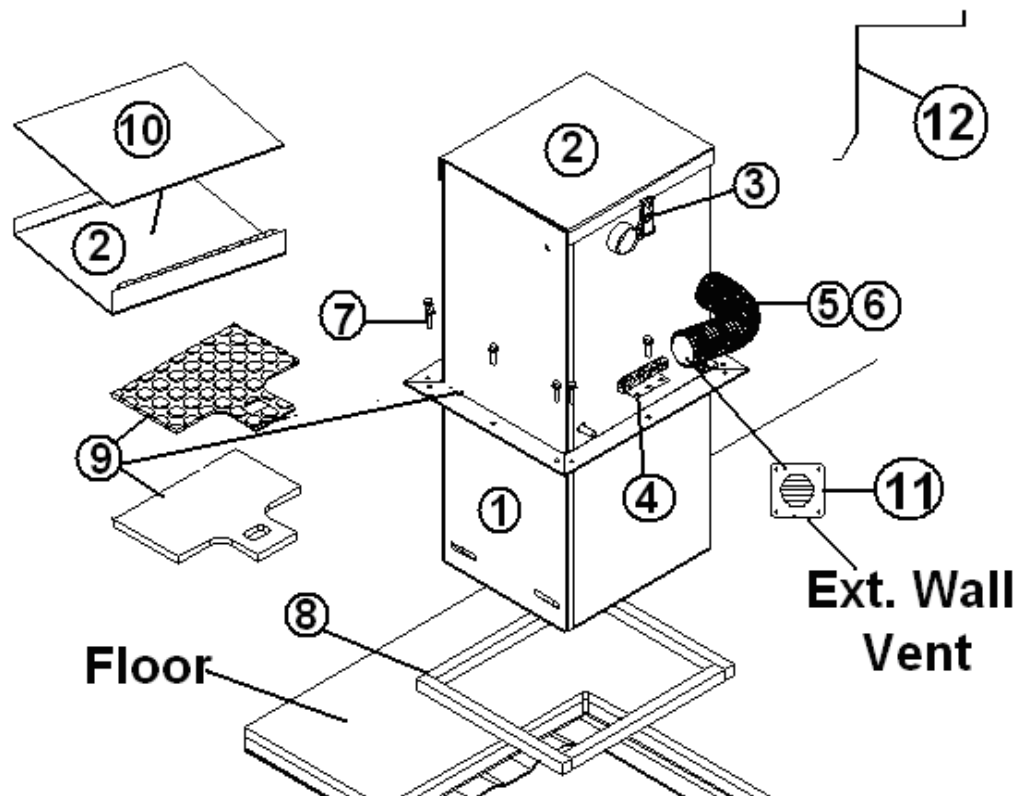
Battery Box/Vent, Twin Bed

- | | |
|--------------|---------------------------------|
| 1. 916010-04 | Lid, battery box |
| 2. 300154 | WASHER, RUBBER |
| 3. 916010-05 | BATTERY HOLD DOWN |
| 4. 350191 | KBOBE NUT, 5 PT. 3/8-16 THREAD |
| 5. 382093 | SEAL, 3/16" HATCH, BLACK W/SAND |
| 6. 510743 | GROUND BAR, 3-1/2" LONG |
| 7. 602192 | Hose, black ribbed, 1.75 ID |
| 8. 350193 | NUT, WING, 3/8"-16 |
| 9. 916010 | BATTERY BOX ASSEMBLY |

2012 INTERSTATE MOTORHOME

ELECTRICAL, 12 VOLT

Battery Box/Vent, Lounge

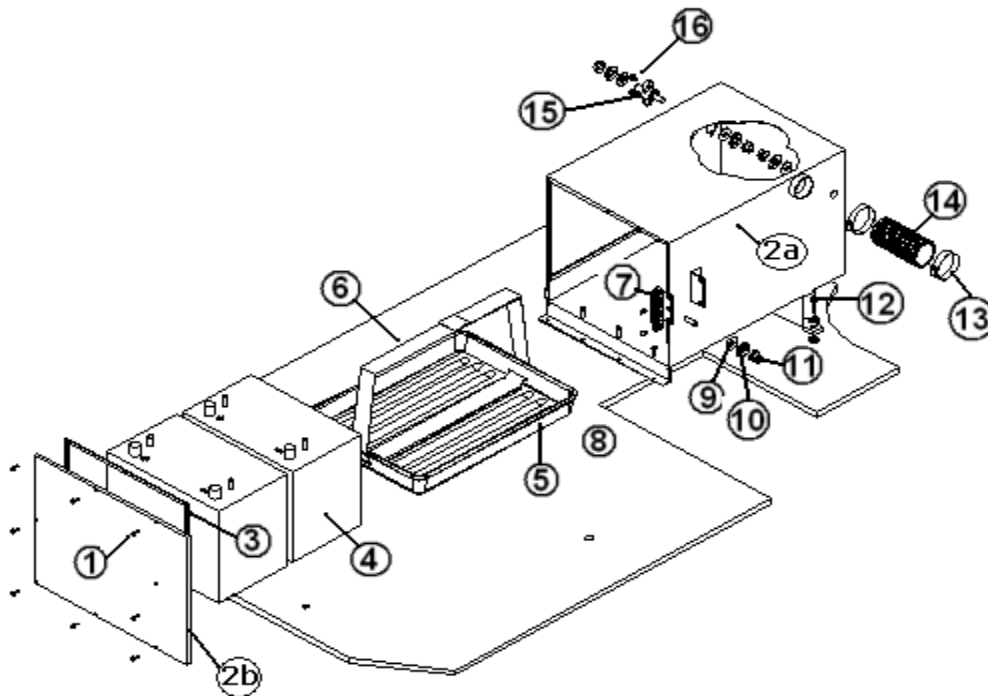


- | | |
|---------------|--|
| 1. 916007 | Battery Box |
| 2. 410962 | Lid, battery box |
| 3. 380903-01 | Latch |
| 3. 380903-02 | Latch striker |
| 4. 510743 | Grounding Bar |
| 5. 602192 | Hose, black ribbed, 1.75 ID |
| 6. 340084-40 | Clamp, hose |
| 7. 345084 | Screw |
| 8. 365314 | Seal, closed cell foam, .75" x .75" |
| 9. 967334 | Shelf assembly, battery box, w/rubber flooring |
| 9. 703560 | Rubber flooring, black |
| 10. 365315 | Sheet, neoprene foam rubber |
| 11. 203638-01 | Cone vent, white, exterior |
| 12. 203638-02 | Grille, white, exterior |
| 13. 454679 | Battery hold down strap |
| 380203-02 | PIANO HINGE, BLACK ANODIZED 72" |

2012 INTERSTATE MOTORHOME

ELECTRICAL, 12 VOLT

Battery Box – Extended Lounge & Dual Wardrobe



- | | | |
|-----|------------------------|--|
| 1. | 320111 | Screw, #8 X 3/4" |
| 2a. | 916042-01 | Battery Box |
| 2b. | 916042-02 | Battery Box Door |
| 3. | 365334 | Seal foam gasket tape |
| 4. | 512283 | Battery AGM (Type #24) Discover |
| 5. | 203734 | Battery Box Tray (Lounge) |
| 6. | 512443-01 512443-02 | Strap, Battery (56") Strap, Battery (40") |
| 7. | 510743 | Ground Bar |
| 8. | 320116-06 | Screw, Black Phillips Head #8 1" |
| 9. | 350186 | Washer S/S 3/8-16 |
| 10. | 350158-03 | Washer, Lock Tooth 3/8 |
| 11. | 350192 | Locknut, 3/8"-16 |
| 12. | 345084 | Screw, 1/4-14 x 1 Thd. Cutting |
| 13. | 340084-40 | Clamp, Hose 2"-3" |
| 14. | 602192 | Tubing, 1.75"ID Ribbed Vent Hose |
| 15. | 512281-02 | Stud-3/8"-16 Red |
| 16. | 320156-02 | Screw, 10-32 x 3/8" Pan w/Washer |

2012 INTERSTATE MOTORHOME

ELECTRICAL, 12 VOLT

Battery System, Coach

| | |
|------------|--|
| 512283 | Battery, 12 volt, deep cycle, GRP 24, AGM |
| 512280 | Battery Separator, 12VDC, LOUNGE MODEL |
| 512360 | Battery Separator, 12VDC, TWIN BED MODEL |
| 512327-04 | CABLE, 2 GA BLACK, 20" |
| 512327-03 | CABLE, 2 GA RED, 10" |
| 512281-02 | Stud, pass through, w/red base |
| 512313 | BATTERY DISCONNECT, MAIN, REMOVABLE HANDLE |
| 510948-04 | BAR, BUSS, CIRCUIT BREAKER CONNECTION |
| 510947-30 | BREAKER, 12V DC, TYPE II, #12V30 |
| 510947-20 | BREAKER, 12V DC, TYPE II, #12V20 |
| 510947-50 | BREAKER, 12V DC, TYPE II, #12V50 |
| 512278-150 | FUSE, TYPE BF1-32, 150A |
| 454679 | STRAP, BATTERY HOLDDOWN, TWIN BED |
| 510946-04 | BRACKET, 4 POSITION, CIRCUIT .BREAKER, 12V, #8536-2 |

Exterior Lights/Outlet

| | |
|--------|-----------------------------------|
| 512288 | Light, Patio, exterior waterproof |
| 512101 | Plate w/12 volt outlet, galley |
| 511294 | Light, License Plate |

Lights, Interior

| | |
|-----------|--|
| 512310 | Rope Light, white |
| 512310-01 | CAP, END, ROPE LIGHT, .375" |
| 512394 | PIGTAIL, ROPE LIGHTING, 8" POWER CONNECTOR |
| 512311 | Terminal, .176" bullet, rope light |
| 512376 | LIGHT, SHOWER, SS TRIM RING, LED |
| 512392 | LIGHT, READING W/SWITCH, LED, BLACK |
| 512463 | Spot Light, LED, Recessed, Frost |

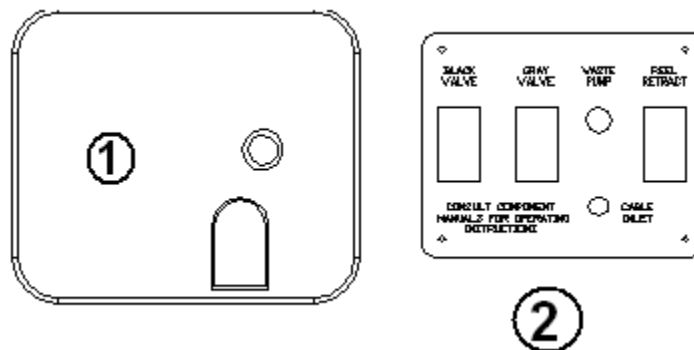
2012 INTERSTATE MOTORHOME

ELECTRICAL, 12 VOLT

Switches, Interior

| | |
|-----------|---|
| 512287 | SWITCH ASSEMBLY, 3-GANG, 2-BLACK, 1-RED |
| 512312 | SWITCH ASSEMBLY, BLACK MOMENTARY |
| 511979 | SWITCH ASSEMBLY, 3-GANG, BLACK |
| 690417-05 | SWITCH, WATER HEATER, DUAL |
| 511977 | SWITCH ASSEMBLY, 1-GANG, BLACK |

Switch Panel, Exterior Utility Compartment



1. 382083W Hatch, sidewall switches w/cable inlet hole, White
382083S Hatch, sidewall switches w/cable inlet hole, Silver
382083B Hatch, sidewall switches w/cable inlet hole, Black
2. 512350 Switch panel, exterior w/TV cable inlet
510658 Switch w/weather proof boot, sewer light
510623 Coax connector
510623-01 Coax connector locking nut
510947-10 BREAKER, 12V DC, TYPE II, #12V10

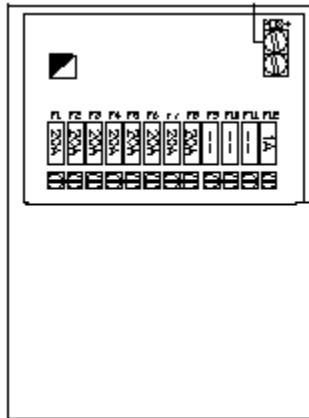
Solar Panel

| | |
|------------|--------------------------------|
| 511846 | KIT, CHARGE CONTROLLER DISPLAY |
| 511469-01 | CONNECTOR, LT, 90D PLASTIC 1/2 |
| 511142-01 | PANEL, SOLAR 50 WATT |
| 511142-02 | BRACKET, MOUNTING, SOLAR PANEL |
| 511165-01 | Conduit, .5", black |
| 500773-10 | FUSE, ATC, 12 VDC, 10 AMP |
| 195466-251 | 30 AMP FUSE HOLDER W/COVER |
| 510947-15 | BREAKER-12V DC TYPE II, #12V15 |

2012 INTERSTATE MOTORHOME

ELECTRICAL, 12 VOLT

Distribution/Breaker panel, 12VDC



- 512282 Distribution/Breaker panel, 12VDC
- 512363 KIT, CABLE, MAIN 12V DC TWIN
- 500773-07 FUSE, ATC, 12VDC, 7.5 AMP

Tank Heating Pad/Remote Dump Valve

- 511812 PAD, HEATING HOLD TANK #TH-718
- 512411 WASTE VALVE, ELECTIC, BARKER

Monitor Panel

- 512284-01 Display, monitor panel
- 512284-02 Tank sensor harness
- 512284-03 Tank sensor, (no hoods)

Monitor, Rear View

- 512299 Monitor, rear view camera
- 511948 Camera, rear view
- 511645 "Y" adaptor, male to 2-female, RCA
- 512056 Coupler, barrel, RCS, gold, F/F

2012 INTERSTATE MOTORHOME

ENTERTAINMENT

Radio Wiring

| | |
|-----------|------------------------------------|
| 512309 | Terminal, Sprinter radio |
| 512311 | Terminal, tube heat shrink, bullet |
| 512367 | Speaker, 5 ¼" 50 watt, white |
| 510844-01 | Relay, Bosch |
| 510844-02 | Relay socket, Bosch |

Television Reception System

| | |
|-----------|---|
| 511735-01 | Antenna, TV, Omni-directional |
| 511635 | PLATE, DUAL CABLE ENTRY |
| 510788-06 | Amplifier, TV antenna |
| 510612 | Coax, 75 ohm, standard |
| 510623 | Connector, coax, male to male |
| 510616 | F CONNECTOR, COAX, 75 OHM |
| 511534 | DUAL COAX PLATE WHITE |
| 510623 | Coax connector and |
| 510623-01 | Coax connector locking nut added inside hatch. |
| 511796W | CABLE TV OUTLET/12V POWER PORT, EXTERIOR WHITE |
| 511796S | CABLE TV OUTLET/12V POWER PORT, EXTERIOR BLACK |
| 510621-02 | SPLITTER, COAX, 2-WAY |
| 511287 | RECEPTACLE SINGLE 15 AMP |
| 512366-25 | CABLE, HDMI MALE/MALE, 25' |
| 511827 | PLATE, WALL FLUSH MOUNT COAX-WHITE |
| 512025-01 | JUNCTION DEVICE- WHITE |
| 512025-02 | PLATE-SNAP ON ONE GANG SCD WHT |
| 512405-01 | COAX LEAD/JUMPER W/CONN. 6" |
| 512406 | CONNECTOR-RG6 HEX COMPRESSION |
| 512407 | CABLE-RG6 COAX |
| 500563-03 | RECEPT-WHITE 15 A#WRDU15-WT |
| 500563-04 | PLATE-DECOR. 1-GANG WH#NP26W |

2012 INTERSTATE MOTORHOME

ENTERTAINMENT

Navigation System 7" Kenwood – Kenwood model DNX7180HD

| | |
|-----------|------------------------------------|
| 512491 | Navigation System, Model DNX7180HD |
| 512492-01 | Tuner, Universal, Sirius |
| 512492-02 | Cable Connection, Sirius Kenwood |
| 512492-03 | Antenna w/18' Cable, Roof Mount |
| 512493 | Speaker Three Way 5 ¼" Kenwood |
| 512504 | iPod Video Direct Cable – Kenwood |
| 512509 | Spacer, Speaker .5 x 5.25" |
| 512527 | Shroud, Radio in Dash |

Navigation System Kenwood Model #DNX7190HD

(First unit to use new system was S/N 302538, 3/29/2012.)

| | |
|-----------|------------------------------------|
| 512553 | Navigation System, Model DNX7190HD |
| 512554 | Tuner Sirius XM Tuner |
| 512504 | Ipod Cable |
| 512492-03 | Antenna w/18' Cable, Roof Mount |
| 512556 | Harness, Radio, Sprinter |
| 512555 | Bezel, Sprinter Dash Radio |
| 512557 | Antenna Adaptor |
| 512558 | Speaker, 3-Way, 5 ¼" Kenwood |
| 512559 | Speaker Spacer |

2012 INTERSTATE MOTORHOME

ENTERTAINMENT

TV with HEAD PHONES, Front

| | |
|-----------|------------------------------------|
| 512414 | Kit, Headphone Station |
| 511634 | Patch Cord, 3-Way 6' |
| 512291 | Wall Plate, Audio Video |
| 512366-10 | Cable, HDMI Male to Male, 10' |
| 512279-03 | Cable, 25' Display Module |
| 454886 | Bracket, TV Mounting |
| 690630 | TV – LED w/DVD 19" Modified Sansui |

Rear TV Install, Lounge Dual Wardrobe

| | |
|-----------|------------------------------------|
| 512526-01 | Bracket, Wall TV Articulating Tilt |
| 350189 | Nut, tee, 6 prong 1/4-20 |
| 345461 | Screw 1/4-20 Hex Flange Cap |
| 690629 | TV, LED w/DVD 19" Sansui |
| 512499-01 | Cable, Mini Coax 64" |
| 500773-15 | Fuse, ATC 12VDC 15 Amp |

2012 INTERSTATE MOTORHOME

ENTERTAINMENT

Second TV/DVD 19" LED – Lounge – Rear

512526-01 Bracket-Wall TV Articulating Tilt
350189 Nut, Tee 6 Prong ¼-20
345461 Screw ¼-20 Hex Flange Cap
690629 TV – LED w/DVD 19" Sansui

Second TV/DVD 19" – Lounge Wardrobe – Front

454886 Bracket, TV Mounting
320116-06 Screw, Black Phillip Head Screw 1"
345486 Stud – Threaded M4 x 25MM SS
300156 Washer-Locking M4 SS 7.6mm OD
350194 Wingnut M4 SS
690630 TV – LED w/DVD 19" Modified Sansui
512414 Kit, Headphone Station
511634 Patch Cord, 3-Way M/M RCA 6'
512291 Wall Plate A/V #NP107-009
512366-10 Cable, HDMI Male to Male 10'

Second TV/DVD 19" LED – Twin

690630 TV – LED w/DVD 19" Modified Sansui
512526-01 Bracket-Wall TV Articulating Tilt
350189 Nut, Tee 6 Prong ¼-20
345461 Screw ¼-20 Hex Flange Cap
512499-01 Cable, Mini Coax 64"

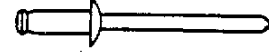
2012 INTERSTATE MOTORHOME

FASTENER

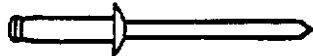
Rivets



330126-02
rivet, pop
dia. 1/8 "
grip range .126-.187
stainless steel
stainless steel mandrel



330126-03
rivet, pop
dia. 1/8 "
grip range .126-.250
body stainless steel body
stainless steel mandrel



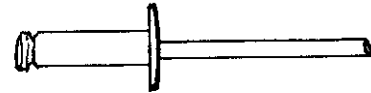
330127-05
rivet, pop
dia. 1/8 "
grip range .251-.312
aluminum body
aluminum mandrel



330128-05
rivet, pop
dia. 1/8 "
grip range .251-.312
aluminum body, white
aluminum mandrel



330127-08
rivet, pop
dia. 1/8 "
grip range .325-.565
aluminum body
aluminum mandrel



330038
rivet, pop
dia. .150 (#20 bit)
grip range .126-.250
aluminum body
aluminum mandrel
(used-screen door hinge)



325103
dia. 1/4 "
grip range .080-.325
SS body, steel mandrel

2012 INTERSTATE MOTORHOME

FURNITURE

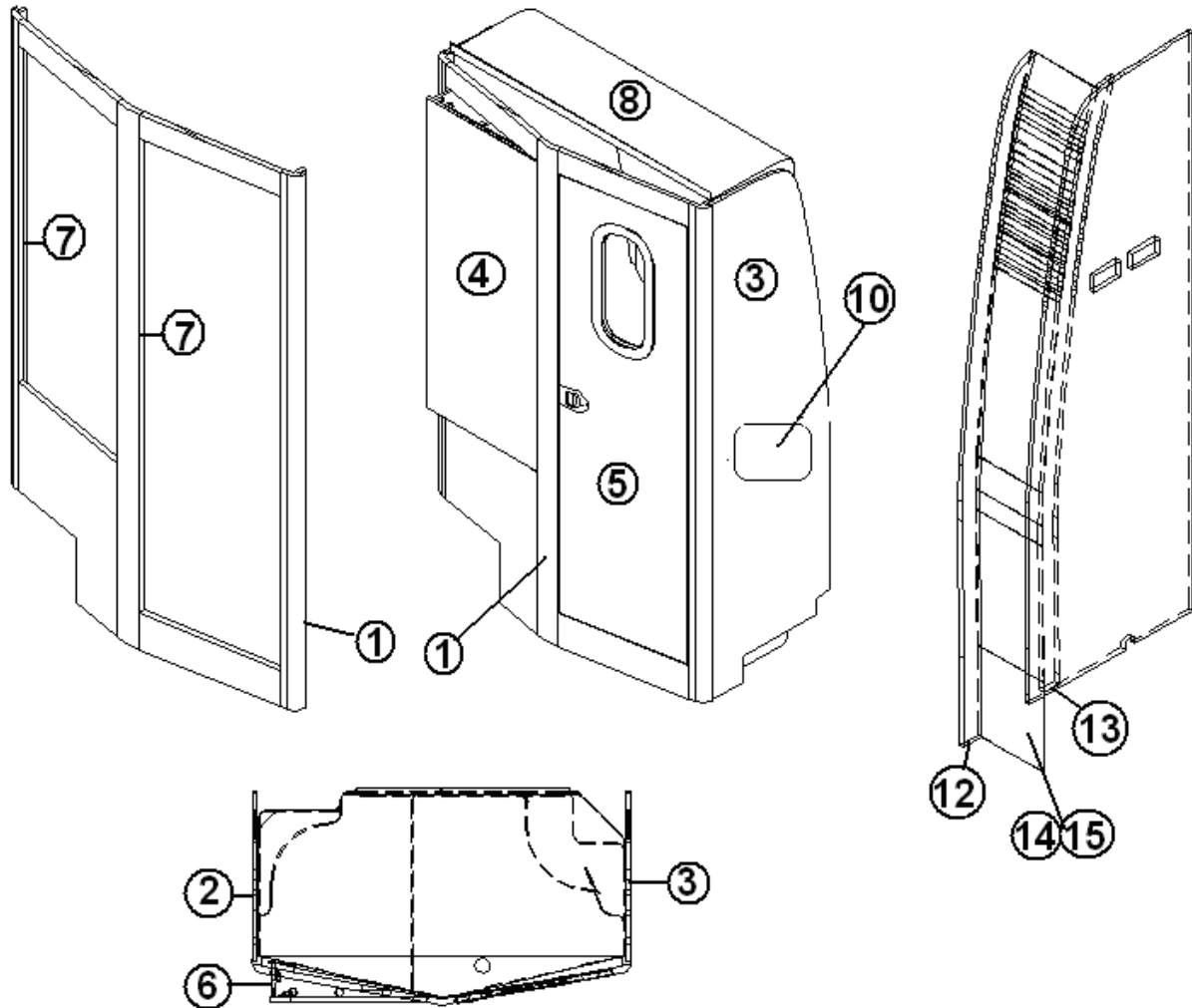
Linoleum/Mats/Carpet

| | |
|-----------|---|
| 703841 | Vinyl flooring, Beau Juta |
| 801782 | Plywood mat overlay, flooring |
| 702754 | UNDERBELLY DARCO 102" WIDE BLACK |
| 454718 | TRIM, FLOOR TERMINATION |
| 703759-18 | Floor mat, Cab, Gray, used on Grey color scheme |
| 703759-19 | Floor mat, Cab, Gray, used on Sand Pearl & Tan color scheme |
| 703763 | Mat, shower |

2012 INTERSTATE MOTORHOME

FURNITURE, BATH

Wet Bath Module



Part numbers on the next page

2012 INTERSTATE MOTORHOME

FURNITURE, BATH

Wet Bath Module, Onyx

| | | |
|-----|-------------|-----------------------------------|
| 1. | 967217-0019 | WET BATH FACE ASSEMBLY, ONYX |
| 1. | 111684-162 | PANEL, 20.68 X 64.90 |
| 2. | 111684-163 | PANEL, 20.68 X 73.90 |
| 3. | 967219-16 | DOOR, FORWARD, WET BATH |
| 4. | 967218-16 | DOOR, AFT, WET BATH |
| 5. | 967231-16 | CLOSEOUT, FORWARD BATH DOOR |
| 6. | 115064 | TRIM, ALUMINUM, COUNTER TOP |
| 7. | 203265 | SHOWER STALL |
| 8. | 203637 | PADS, SOUND DAMPENER |
| 10. | 111684-1610 | Panel, 11.88 x 13.88 |
| 12. | 111684-1612 | Panel, 2.25 x 73.14 |
| 13. | 111684-1613 | Panel, 2.00 x 64.40 |
| 14. | 101131-01 | Aluminum, underbelly, 8" x 72.50" |
| 15. | 701538-01 | Carpet, w/backing |
| | 115427 | Backer outside panel |
| | 115426 | Backer, shower panel, front |
| | 115428 | Backer, shower panel, rear |
| | 100097 | Curtain track extrusion, aluminum |
| | 203641 | Shower trim, upper |
| | 203642 | Shower trim, lower |
| | 382063 | Clothesline, retractable |
| | 382098 | Handle, Gloss chrome 14.25" |
| | 602251 | Faucet, Pull Out #97800R-CH |

2012 INTERSTATE MOTORHOME

FURNITURE, BATH

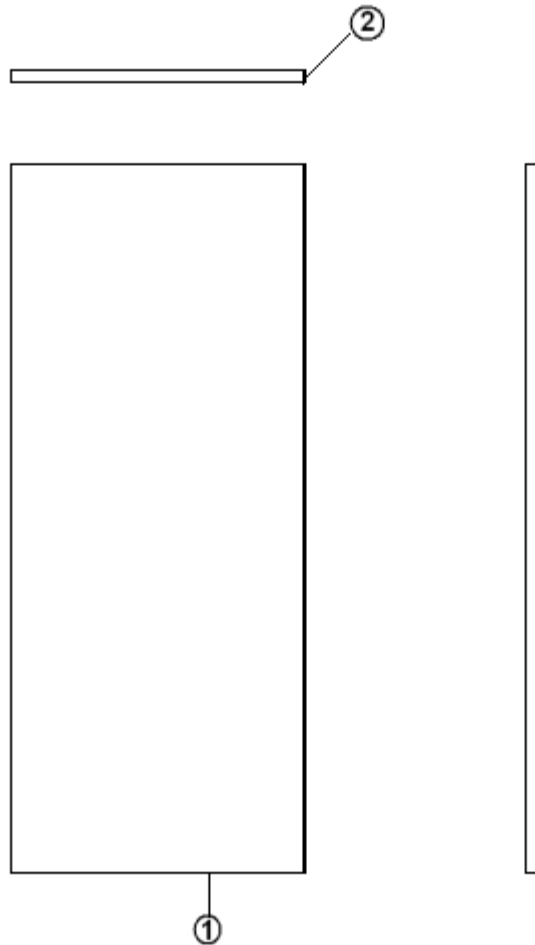
Wet Bath Module, Lt. Camel

| | | |
|-----|-------------|-----------------------------------|
| 1. | 967217-0018 | WET BATH FACE ASSEMBLY, ONYX |
| 1. | 111684-182 | PANEL, 20.68 X 64.90 |
| 2. | 111684-183 | PANEL, 20.68 X 73.90 |
| 3. | 967219-18 | DOOR, FORWARD, WET BATH |
| 4. | 967218-18 | DOOR, AFT, WET BATH |
| 5. | 967231-18 | CLOSEOUT, FORWARD BATH DOOR |
| 6. | 115064 | TRIM, ALUMINUM, COUNTER TOP |
| 7. | 203265 | SHOWER STALL |
| 8. | 203637 | PADS, SOUND DAMPENER |
| 10. | 111684-1810 | Panel, 11.88 x 13.88 |
| 12. | 111684-1812 | Panel, 2.25 x 73.14 |
| 13. | 111684-1813 | Panel, 2.00 x 64.40 |
| 14. | 101131-01 | Aluminum, underbelly, 8" x 72.50" |
| 15. | 701538-01 | Carpet, w/backing |
| | 115427 | Backer outside panel |
| | 115426 | Backer, shower panel, front |
| | 115428 | Backer, shower panel, rear |
| | 100097 | Curtain track extrusion, aluminum |
| | 203641 | Shower trim, upper |
| | 203642 | Shower trim, lower |
| | 382063 | Clothesline, retractable |
| | 382098 | Handle, Gloss chrome 14.25" |
| | 602251 | Faucet, Pull Out |
| | 371423-02 | Mirror, Wall Mt. 8" chrome |

2012 INTERSTATE MOTORHOME

FURNITURE, BATH

Lavatory Door, Forward, Onyx

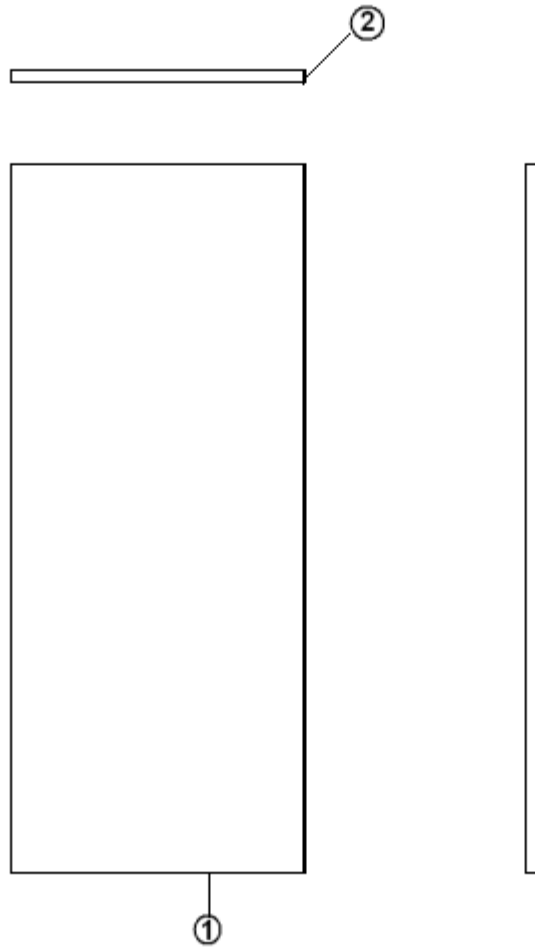


- | | |
|---------------|---------------------------------|
| 967219-16 | DOOR ASSEMBLY, FORWARD BATH |
| 1. 967219-161 | PANEL-FWD BATH DOOR 19" X46.13" |
| 2. 380458 | HINGE-PIANO COPPER METALLIC |

2012 INTERSTATE MOTORHOME

FURNITURE, BATH

Lavatory Door, Forward, LT. CAMEL

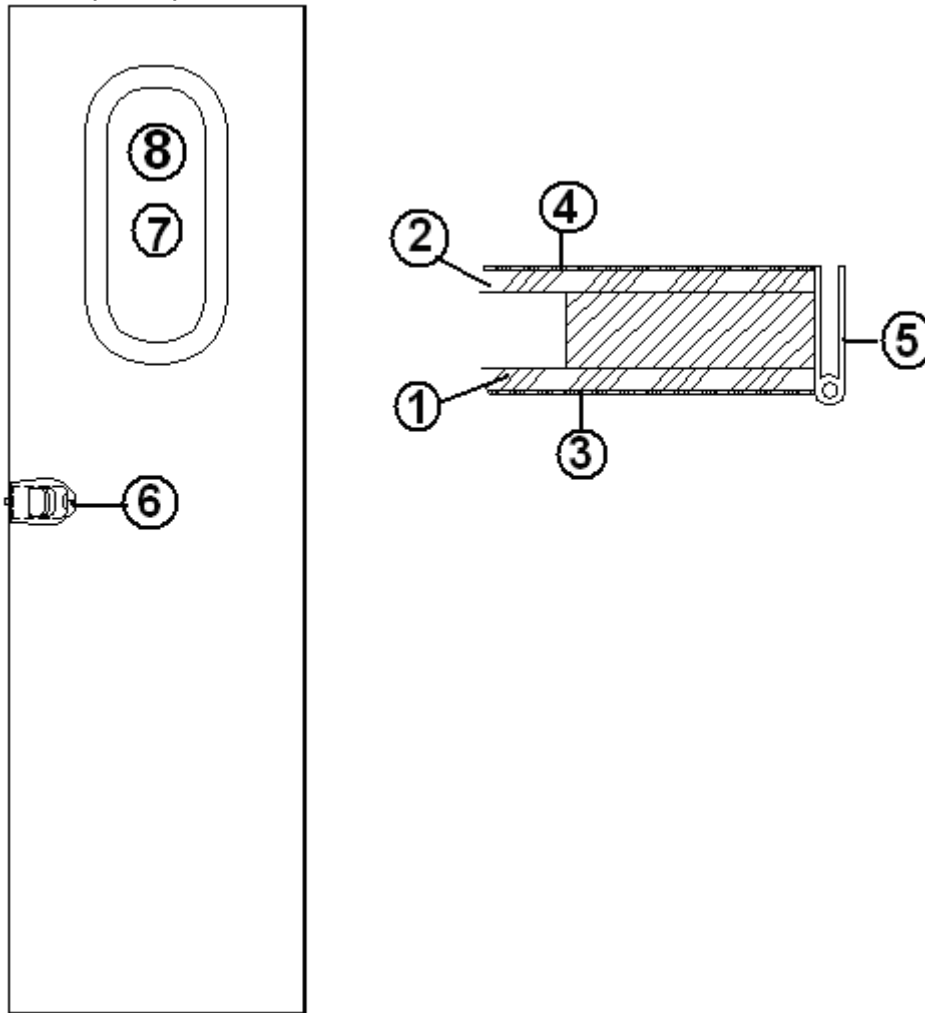


- | | |
|---------------|---------------------------------|
| 967219-18 | DOOR ASSEMBLY, FORWARD BATH |
| 1. 967219-181 | PANEL-FWD BATH DOOR 19" X46.13" |
| 2. 382125 | HINGE-PIANO CLEAR |

2012 INTERSTATE MOTORHOME

FURNITURE, BATH

Lavatory Door, Aft, ONYX

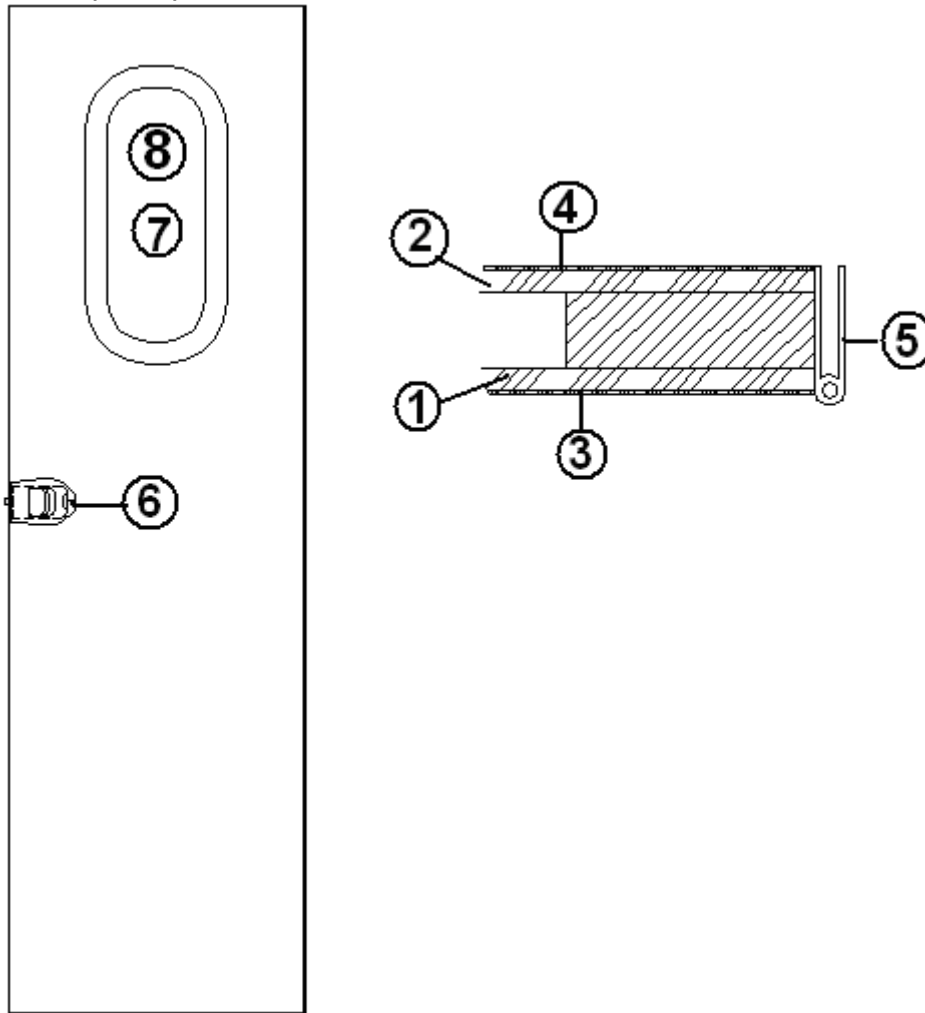


- | | |
|---------------|-------------------------------------|
| 967218-16 | Lavatory, Aft Door |
| 1. 967218-161 | PANEL, 19" X 65.13" |
| 2. 967218-162 | PANEL, 19" X 65.13" |
| 3. 967218-163 | LAMINATE, VERTICAL, 19" X 65.13" |
| 4. 967218-164 | LAMINATE, VERTICAL, 19" X 65.13" |
| 5. 380458 | PIANO HINGE, 1/8" PIN |
| 6. 382055 | LATCH, PRIVACY, OMNI, LAVATORY DOOR |
| 6. 382061 | STRIKER, OMNI FLAT LATCH |
| 7. 371384 | WINDOW, BATH DOOR |
| 8. 203653 | WINDOW CLOSEOFF |
| 801815-0019 | BLOCK, WOOD, DOOR CATCH, ONYX |

2012 INTERSTATE MOTORHOME

FURNITURE, BATH

Lavatory Door, Aft, LT. CAMEL

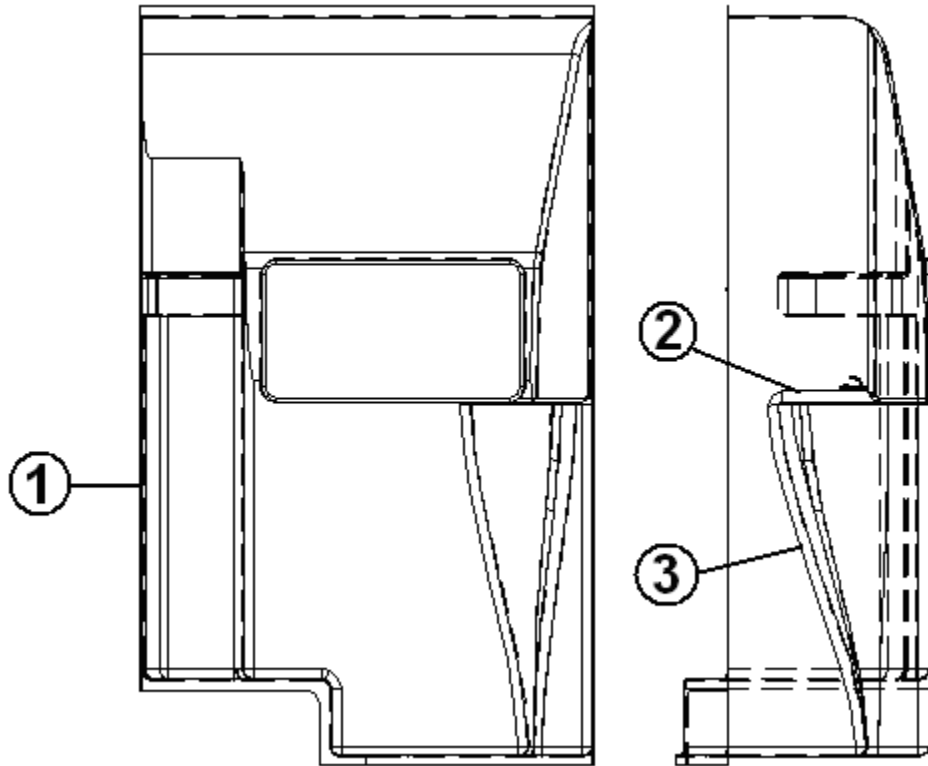


- | | |
|---------------|-------------------------------------|
| 967218-18 | Lavatory, Aft Door, LT CAMEL |
| 1. 967218-181 | PANEL, 19" X 65.13" |
| 2. 967218-182 | PANEL, 19" X 65.13" |
| 3. 967218-183 | LAMINATE, VERTICAL, 19" X 65.13" |
| 4. 967218-184 | LAMINATE, VERTICAL, 19" X 65.13" |
| 5. 382125 | PIANO HINGE, 1/8" PIN |
| 6. 382055 | LATCH, PRIVACY, OMNI, LAVATORY DOOR |
| 6. 382061 | STRIKER, OMNI FLAT LATCH |
| 7. 371384 | WINDOW, BATH DOOR |
| 8. 203653 | WINDOW CLOSEOFF |
| 801815-0018 | BLOCK, WOOD, DOOR CATCH, LT CAMEL |

2012 INTERSTATE MOTORHOME

FURNITURE, BATH

Shower Module

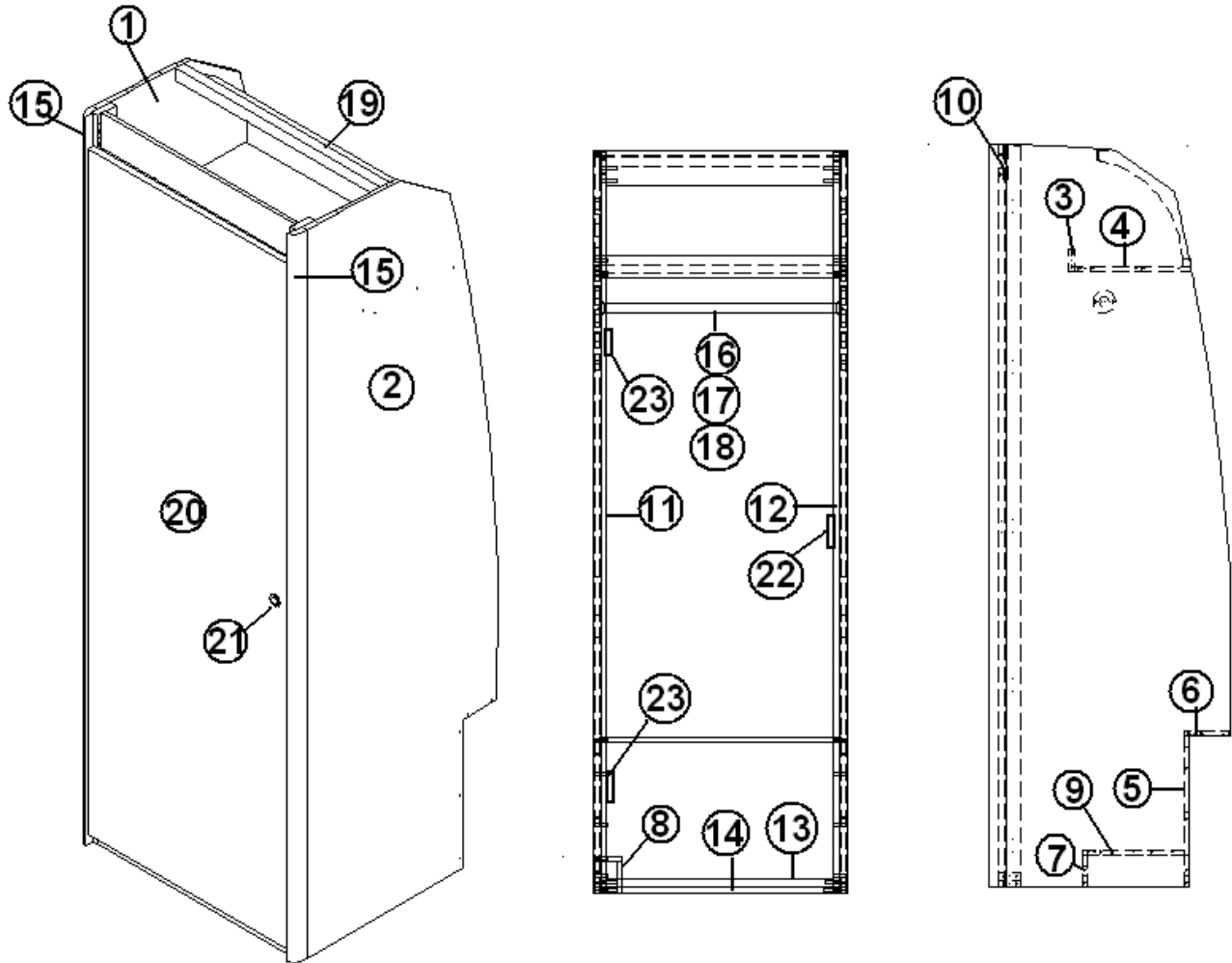


1. 203625 Wet bath shower module (includes sink, under sink access panel, and shower)
2. 602251 FAUCET
3. 203625-02 Panel, access, under sink
- 602175 Dry roll toilet paper holder
- 115423 Aluminum backer, toilet paper holder
- 382098 Handle, 14.25", Glass Chrome (Towel bar)
- 195362-39 Strainer, sink drain
- 454726 CLOSEOUT, SHOWER BACK
- 600594 Strainer w/white rubber stopper

2012 INTERSTATE MOTORHOME

FURNITURE, BATH

Wardrobe, Bath, No TV, Twin Bed & Dual W/R, Onyx



Part Number on Next Page

2012 INTERSTATE MOTORHOME

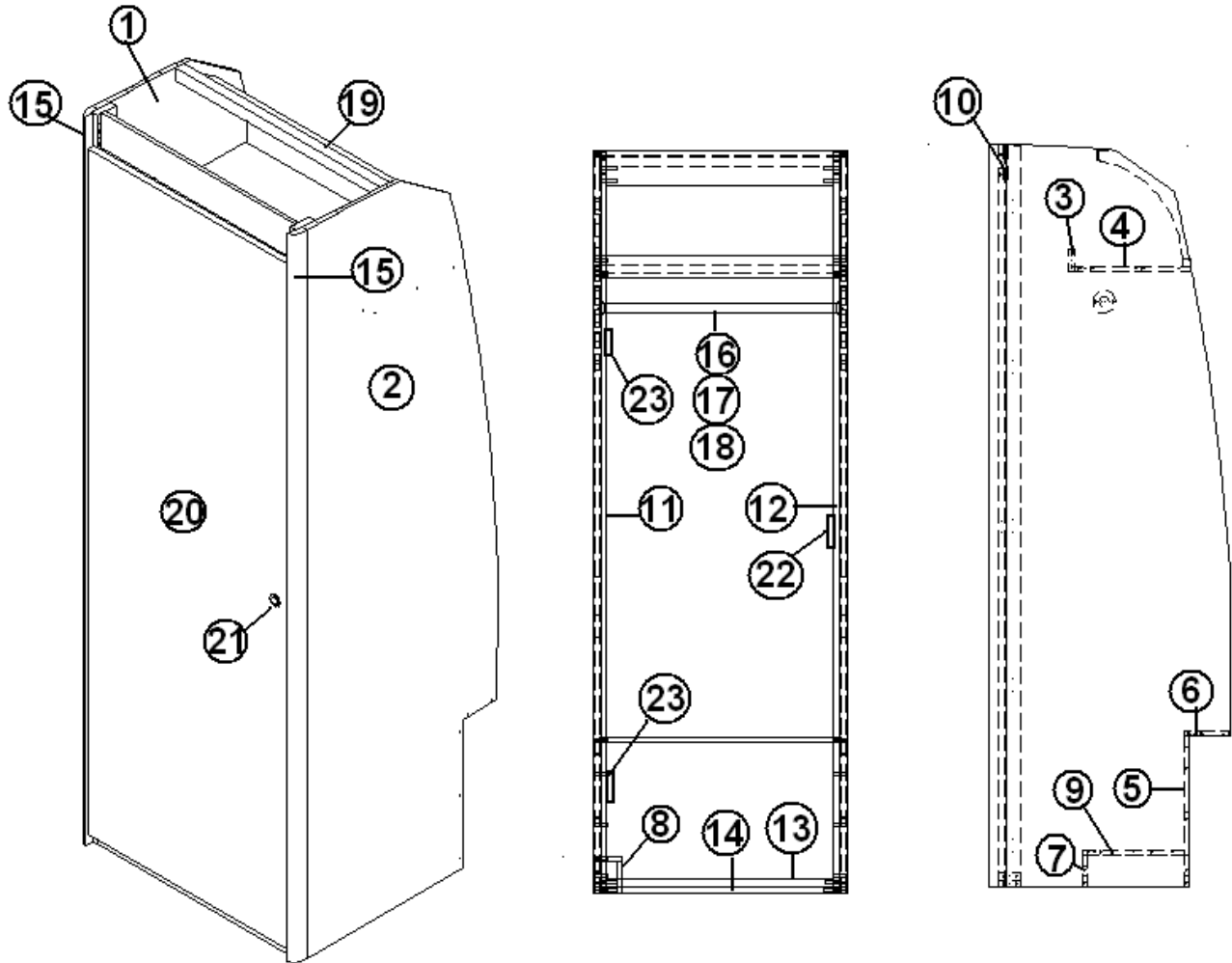
FURNITURE, BATH

| | |
|-----------------|--------------------------------|
| 967566-16 | WARDROBE ASSY |
| 1. 967566-161 | PANEL, W/R 22.81 X 73.57 |
| 2. 967566-162 | PANEL, W/R 22.81 X 73.57 |
| 3. 967566-163 | PANEL, W/R 24.00 X 2.25 |
| 4. 967566-164 | PANEL, W/R 24.00 X 12.25 |
| 5. 967566-165 | PANEL, W/R 24.00 X 15.00 |
| 6. 967566-166 | PANEL, W/R 24.00 X 4.50 |
| 7. 967566-167 | PANEL, W/R 2.25 X 3.25 |
| 8. 967566-168 | PANEL, W/R 9.50 X 3.25 |
| 9. 967566-169 | PANEL, W/R 2.25 X 10.00 |
| 10. 967566-1610 | PANEL, W/R 22.5 X 3.50 |
| 11. 967566-1611 | PANEL, W/R 2.25 X 73.63 |
| 12. 967566-1612 | PANEL, W/R 2.25 X 73.63 |
| 13. 967566-1613 | PANEL, W/R CAB. 2.25 X 22.50 |
| 14. 967566-1614 | PANEL, W/R 2.25 X 22.50 |
| 15. 801706-0019 | CORNER TRIM-90D 1", ONYX |
| 16. 200975-04 | CONDUIT,FLEXIBLE BLACK PLASTIC |
| 17. 380045 | TUBING 3/4" ELEC METALLIC |
| 18. 380046 | FLANGE CHROME |
| 19. 967471 | COVER ASSY-WIRE W/R |
| 20. 967470-16 | DOOR ASSY-W/R |
| 21. 382044 | HANDLE-BRUSHED NICKEL |
| 22. 381228-01 | DOOR, GRABBER CATCH |
| 23. 381607 | HINGE, DOOR |
| 701538-01 | CARPET-ECONOLIER W/PSA BACK |

2012 INTERSTATE MOTORHOME

FURNITURE, BATH

Wardrobe, Bath, No TV, Twin Bed & Dual W/R, LT.CAMEL



Part Number on Next Page

2012 INTERSTATE MOTORHOME

FURNITURE, BATH

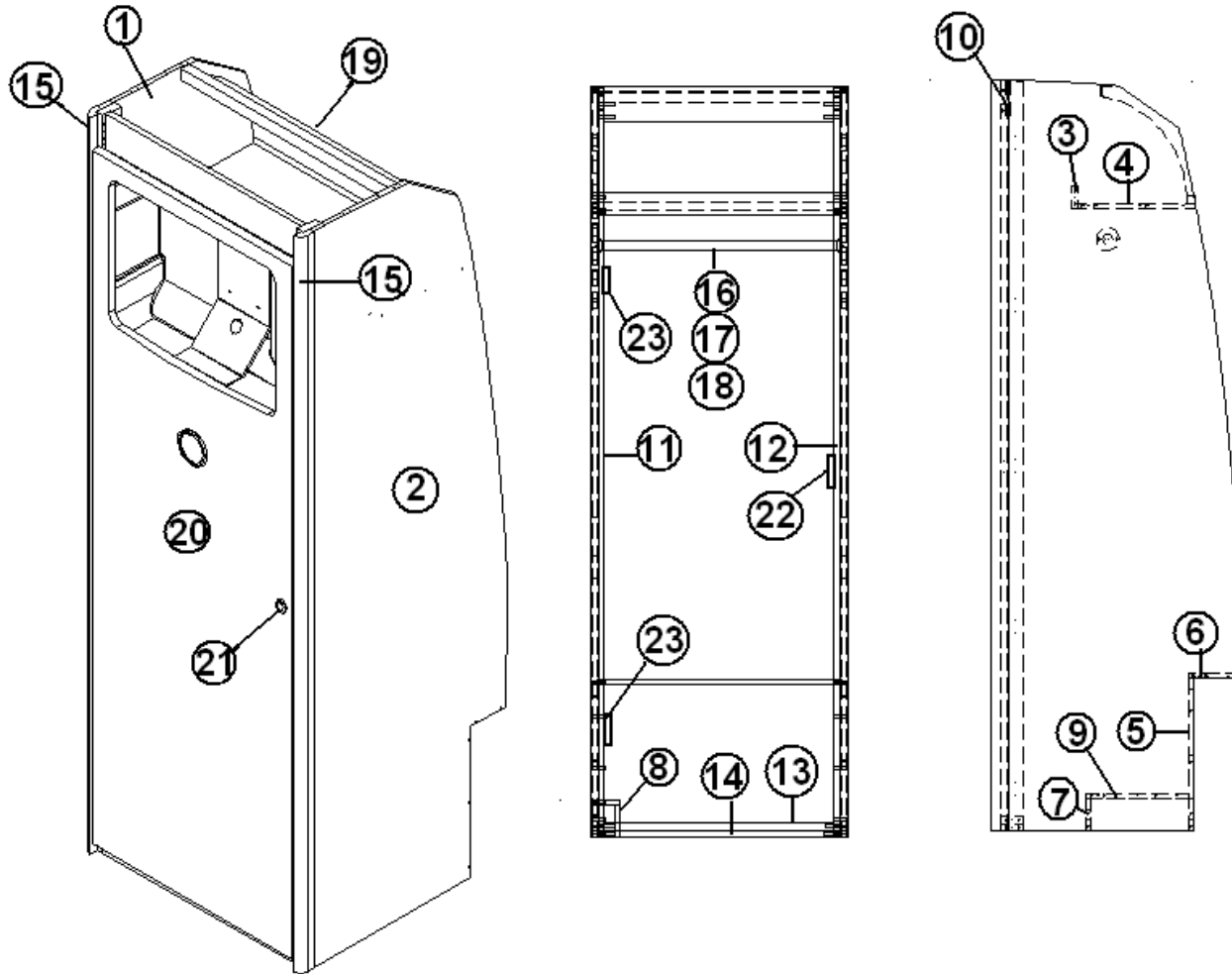
Wardrobe, Bath, No TV, Twin Bed, & Dual Wardrobe, 967566-18, LT CAMEL

| | |
|-----------------|--------------------------------|
| 967566-18 | WARDROBE ASSY |
| 1. 967566-181 | PANEL, W/R 22.81 X 73.57 |
| 2. 967566-182 | PANEL, W/R 22.81 X 73.57 |
| 3. 967566-183 | PANEL, W/R 24.00 X 2.25 |
| 4. 967566-184 | PANEL, W/R 24.00 X 12.25 |
| 5. 967566-185 | PANEL, W/R 24.00 X 15.00 |
| 6. 967566-186 | PANEL, W/R 24.00 X 4.50 |
| 7. 967566-187 | PANEL, W/R 2.25 X 3.25 |
| 8. 967566-188 | PANEL, W/R 9.50 X 3.25 |
| 9. 967566-189 | PANEL, W/R 2.25 X 10.00 |
| 10. 967566-1810 | PANEL, W/R 22.5 X 3.50 |
| 11. 967566-1811 | PANEL, W/R 2.25 X 73.63 |
| 12. 967566-1812 | PANEL, W/R 2.25 X 73.63 |
| 13. 967566-1813 | PANEL, W/R CAB. 2.25 X 22.50 |
| 14. 967566-1814 | PANEL, W/R 2.25 X 22.50 |
| 15. 801706-0018 | CORNER TRIM-90D 1", LT CAMEL |
| 16. 200975-04 | CONDUIT,FLEXIBLE BLACK PLASTIC |
| 17. 380045 | TUBING 3/4" ELEC METALLIC |
| 18. 380046 | FLANGE CHROME |
| 19. 967471 | COVER ASSY-WIRE W/R |
| 20. 967470 | DOOR ASSY-W/R |
| 21. 382044 | HANDLE-BRUSHED NICKEL |
| 22. 381228-01 | DOOR, GRABBER CATCH |
| 23. 381607 | HINGE, DOOR |
| 701538-01 | CARPET-ECONOLIER W/PSA BACK |

2012 INTERSTATE MOTORHOME

FURNITURE, BATH

Wardrobe, Bath, w/TV, Twin Bed, 967567-16, ONYX



Part Number on Next Page

2012 INTERSTATE MOTORHOME

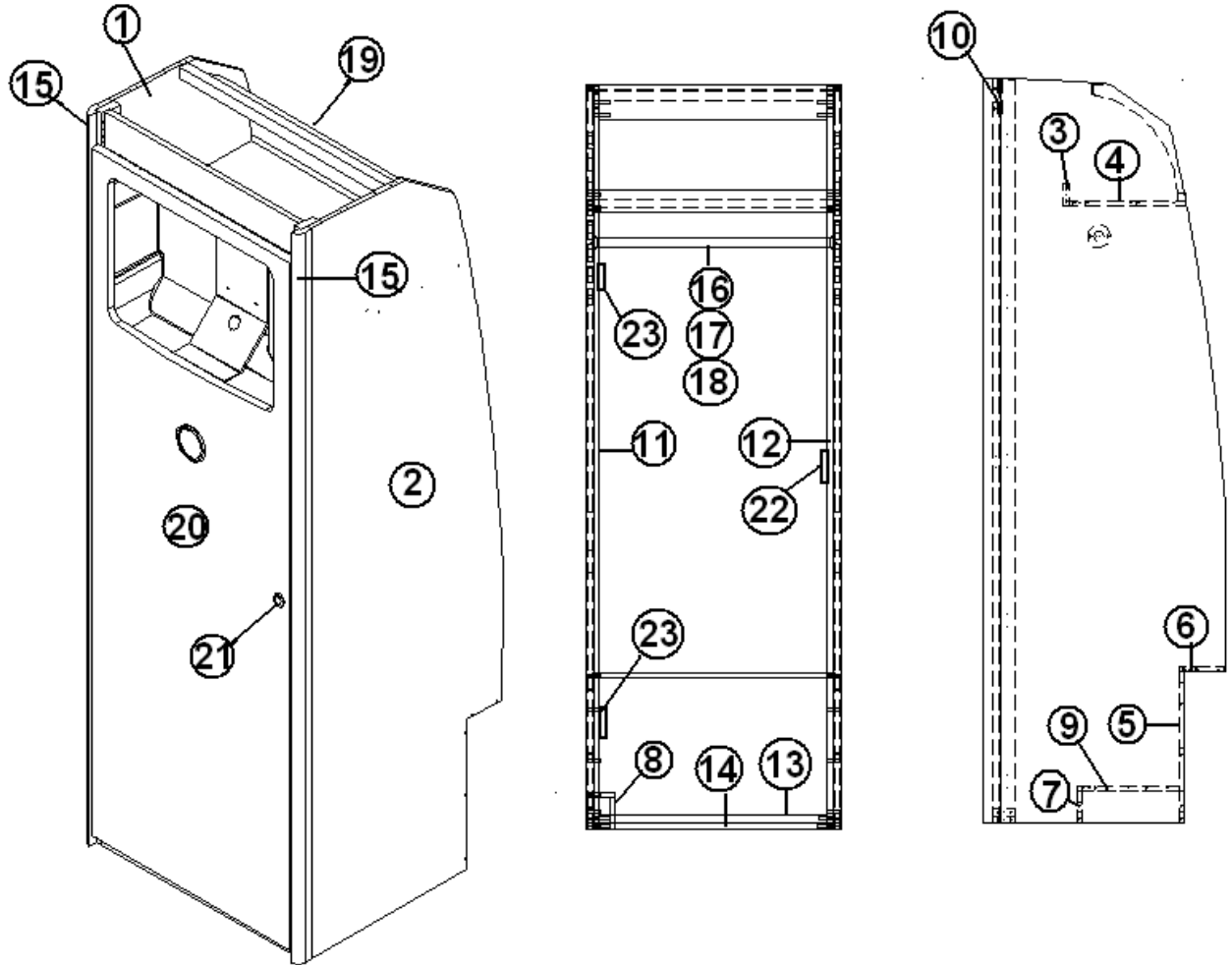
FURNITURE, BATH

Wardrobe, Bath, w/TV, Twin Bed, 967567-16, ONYX

| | |
|-----------------|--------------------------------|
| 967567-16 | WARDROBE ASSY |
| 1. 967567-161 | PANEL, W/R 22.11 X 73.57 |
| 2. 967567-162 | PANEL, W/R 22.11 X 73.57 |
| 3. 967567-163 | PANEL, W/R 24.00 X 2.25 |
| 4. 967567-164 | PANEL, W/R 24.00 X 16.00 |
| 5. 967567-165 | PANEL, W/R 24.00 X 15.00 |
| 6. 967567-166 | PANEL, W/R 24.00 X 4.13 |
| 7. 967567-167 | PANEL, W/R 2.25 X 3.25 |
| 8. 967567-168 | PANEL, W/R 9.50 X 3.25 |
| 9. 967567-169 | PANEL, W/R 2.25 X 10.00 |
| 10. 967567-1610 | PANEL, W/R 22.50 X 3.50 |
| 11. 967567-1611 | PANEL, W/R 2.25 X 73.63. |
| 12. 967567-1612 | PANEL, W/R 2.25 X 73.63. |
| 13. 967567-1613 | PANEL, W/R CAB. 2.25 X 22.50 |
| 14. 967567-1614 | PANEL, W/R 2.25 X 22.50 |
| 15. 801706-0019 | CORNER TRIM-90D 1", ONYX |
| 16. 200975-04 | CONDUIT,FLEXIBLE BLACK PLASTIC |
| 17. 380045 | TUBING 3/4" ELEC METALLIC |
| 18. 380046 | FLANGE CHROME |
| 19. 967471 | COVER ASSY-WIRE W/R |
| 20. 967470-16 | DOOR ASSY-W/R |
| 21. 382044 | HANDLE-BRUSHED NICKEL |
| 22. 381228-01 | DOOR, GRABBER CATCH |
| 23. 381607 | HINGE, DOOR |
| 701538-01 | CARPET-ECONOLIER W/PSA BACK |

2012 INTERSTATE MOTORHOME

Wardrobe, Bath, w/TV, Twin Bed, 967567-18, LT.CAMEL



Parts Listed on Next Page

2012 INTERSTATE MOTORHOME

FURNITURE, BATH

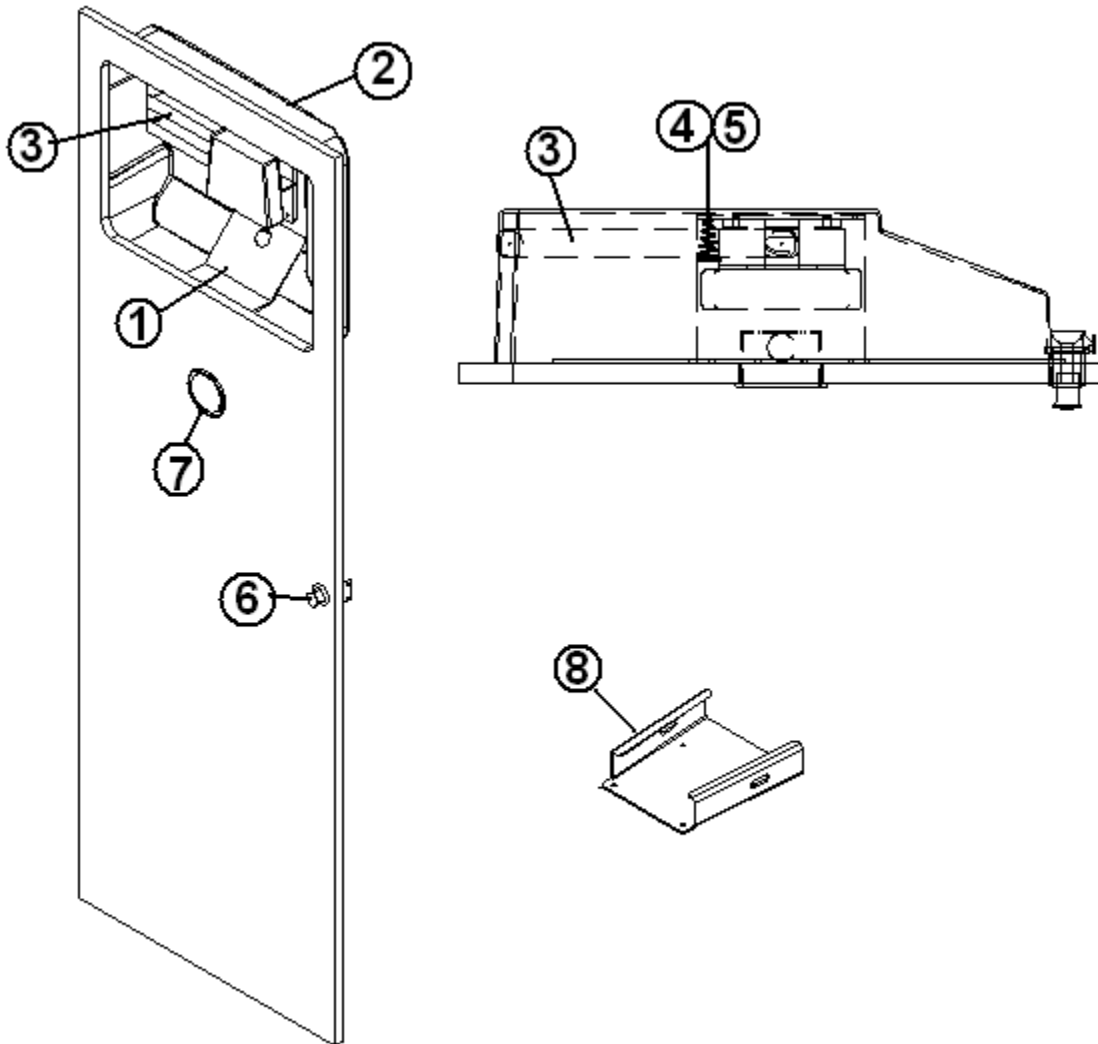
Wardrobe, Bath, w/TV, Twin Bed, 967567-18, LT.CAMEL

| | |
|-----------------|--------------------------------|
| 967567-18 | WARDROBE ASSY |
| 1. 967567-181 | PANEL, W/R 22.11 X 73.57 |
| 2. 967567-182 | PANEL, W/R 22.11 X 73.57 |
| 3. 967567-183 | PANEL, W/R 24.00 X 2.25 |
| 4. 967567-184 | PANEL, W/R 24.00 X 16.00 |
| 5. 967567-185 | PANEL, W/R 24.00 X 15.00 |
| 6. 967567-186 | PANEL, W/R 24.00 X 4.13 |
| 7. 967567-187 | PANEL, W/R 2.25 X 3.25 |
| 8. 967567-188 | PANEL, W/R 9.50 X 3.25 |
| 9. 967567-189 | PANEL, W/R 2.25 X 10.00 |
| 10. 967567-1810 | PANEL, W/R 22.50 X 3.50 |
| 11. 967567-1811 | PANEL, W/R 2.25 X 73.63. |
| 12. 967567-1812 | PANEL, W/R 2.25 X 73.63. |
| 13. 967567-1813 | PANEL, W/R CAB. 2.25 X 22.50 |
| 14. 967567-1814 | PANEL, W/R 2.25 X 22.50 |
| 15. 801706-0018 | CORNER TRIM-90D 1", LT CAMEL |
| 16. 200975-04 | CONDUIT,FLEXIBLE BLACK PLASTIC |
| 17. 380045 | TUBING 3/4" ELEC METALLIC |
| 18. 380046 | FLANGE CHROME |
| 19. 967471 | COVER ASSY-WIRE W/R |
| 20. 967470-18 | DOOR ASSY-W/R |
| 21. 382044 | HANDLE-BRUSHED NICKEL |
| 22. 381228-01 | DOOR, GRABBER CATCH |
| 23. 381607 | HINGE, DOOR |
| 701538-01 | CARPET-ECONOLIER W/PSA BACK |

2012 INTERSTATE MOTORHOME

FURNITURE, BATH

Door, Wardrobe, Bath, w/TV, Twin Bed Onyx

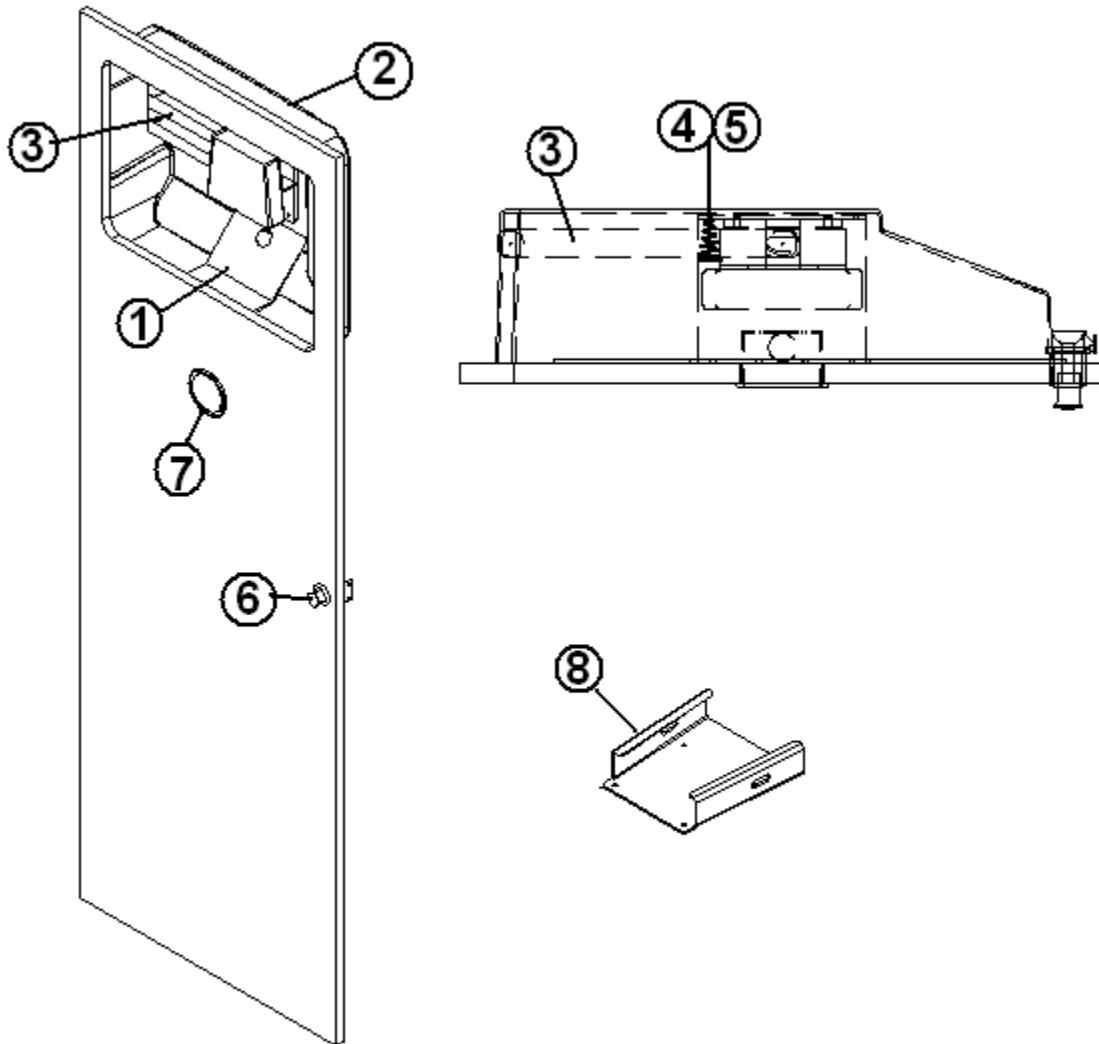


- | | |
|--------------|--------------------------------|
| 967472-16 | DOOR ASSY-W/R W/TV TWIN |
| 1. 454719 | BRACKET-TV DR MOUNT TWIN |
| 2. 203660 | CLOSEOUT-TV DR MOUNT TWIN |
| 3. 512293 | MOUNT-TV DBL ARM TOUCH LOCK |
| 4. 345466 | SPRING-CONICAL COMPRESSION #30 |
| 5. 320078 | SCREW,8 X 3-8 |
| 6. 382096-01 | LATCH, PUSH/CLOSE, CHROME |
| 7. 203662 | CUPHOLDER, BLACK 3.38" |
| 8. 454733 | BRACKET, TV MOUNT |
| 690600 | TV W/DVD LCD 19" |

2012 INTERSTATE MOTORHOME

FURNITURE, BATH

Door, Wardrobe, Bath, w/TV, Twin Bed, Lt. Camel

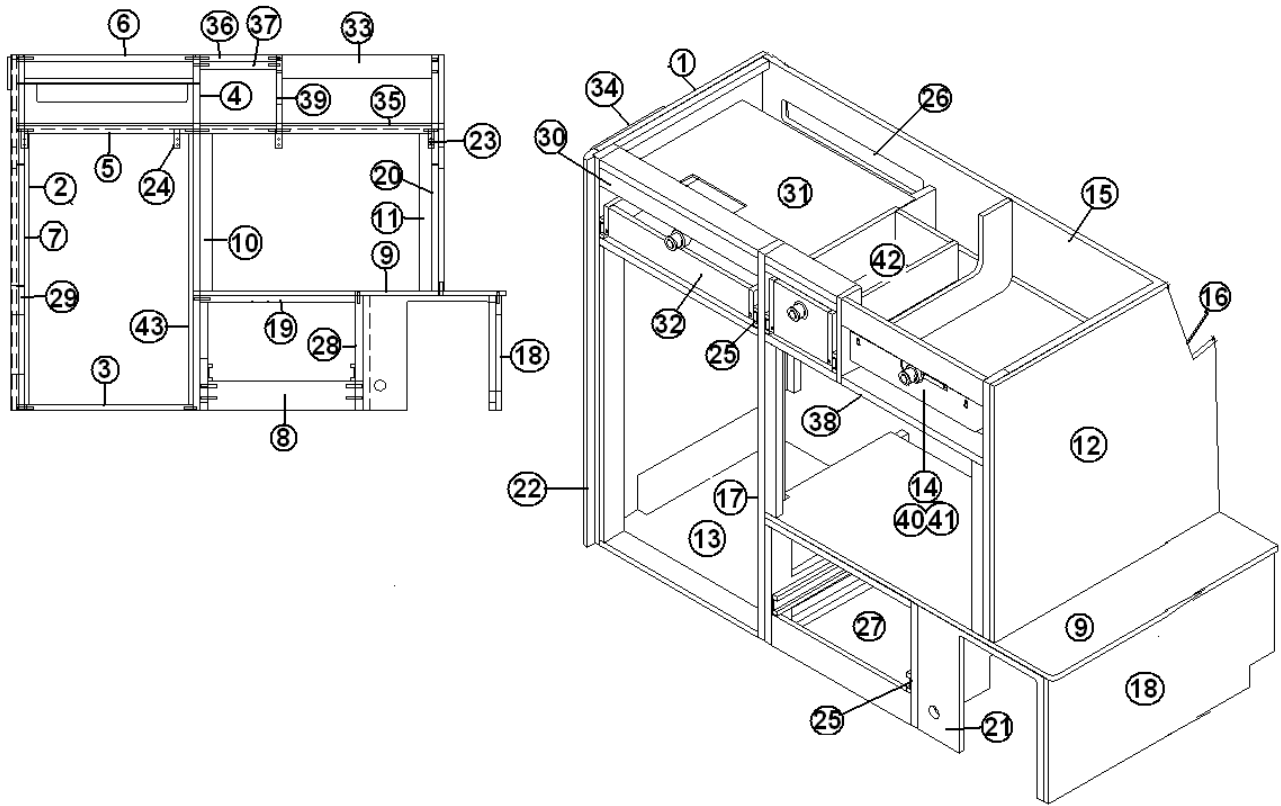


- | | |
|--------------|--------------------------------|
| 967472-18 | DOOR ASSY-W/R W/TV TWIN |
| 1. 454719 | BRACKET-TV DR MOUNT TWIN |
| 2. 203660 | CLOSEOUT-TV DR MOUNT TWIN |
| 3. 512293 | MOUNT-TV DBL ARM TOUCH LOCK |
| 4. 345466 | SPRING-CONICAL COMPRESSION #30 |
| 5. 320078 | SCREW,8 X 3-8 |
| 6. 382096-01 | LATCH, PUSH/CLOSE, CHROME |
| 7. 203662 | CUPHOLDER, BLACK 3.38" |
| 8. 454733 | BRACKET, TV MOUNT |
| 690600 | TV W/DVD LCD 19" |

2012 INTERSTATE MOTORHOME

FURNITURE, GALLEY

Galley, Lounge, 967564-16 Onyx



2012 INTERSTATE MOTORHOME

FURNITURE, GALLEY

Galley, Lounge, 967564-16, ONYX

| 967564-16 | GALLEY CABINET ASSEMBLY |
|-----------------|-------------------------------------|
| 1. 967564-161 | PANEL, GALLEY, 21.72 X 37.25 |
| 2. 967564-162 | PANEL, GALLEY, 2.25 X 37.25 |
| 3. 967564-163 | PANEL, GALLEY, 2.25 X 17.75 |
| 4. 967564-164 | PANEL, GALLEY, 19.00 X 37.25 |
| 5. 967564-165 | PANEL, GALLEY, 2.25 X 17.75 |
| 6. 967564-166 | PANEL, GALLEY, 2.25 X 17.75 |
| 7. 967564-167 | PANEL, GALLEY, 2.25 X 28.50 |
| 8. 967564-168 | PANEL, GALLEY, 15.50 X 3.00 |
| 9. 967564-169 | PANEL, GALLEY, 22.39 X 32.75 |
| 10. 967564-1610 | PANEL, GALLEY, 1.25 X 16.50 |
| 11. 967564-1611 | PANEL, GALLEY, 1.25 X 16.50 |
| 12. 967564-1612 | PANEL, GALLEY, 22.47 X 24.75 |
| 13. 967564-1613 | PANEL, GALLEY, 18.50 X 17.75 |
| 14. 967564-1614 | PANEL, GALLEY, 6.88 X 15.88 |
| 15. 967564-1615 | PANEL, GALLEY, 7.25 X 44.25 |
| 16. 967564-1616 | PANEL, GALLEY, 3.37 X 44.25 |
| 17. 967564-1617 | PANEL, GALLEY, 14.25 X 11.25 |
| 18. 967564-1618 | PANEL, GALLEY, 22.47 X 12.00 |
| 19. 967564-1619 | PANEL, GALLEY, 2.25 X 16.25 |
| 20. 967564-1620 | PANEL, GALLEY, 2.25 X 24.75 |
| 21. 967564-1621 | PANEL, GALLEY, 14.00 X 12.00 |
| 22. 801706-0019 | TRIM, CORNER, 90D, 1" RADIUS, ONYX |
| 23. 380264 | CORNER BRACKET |
| 24. 381228-01 | CATCH, GRABBER, DOOR |
| 25. 381400 | SLIDE, DRAWER, 14" |
| 26. 386206 | VENT, LOUVERED, 2.63 X 17.50, BLACK |
| 27. 967229 | DRAWER BOX, GALLEY |
| 28. 967564-1631 | PANEL, GALLEY 18.00 X 12.00 |
| 29. 967564-1632 | PANEL, GALLEY 14.50 X 4.38 |
| 30. 967564-1634 | PANEL, GALLEY 17.75 X 1.75 |

Part numbers continued on next page

2012 INTERSTATE MOTORHOME

FURNITURE, GALLEY

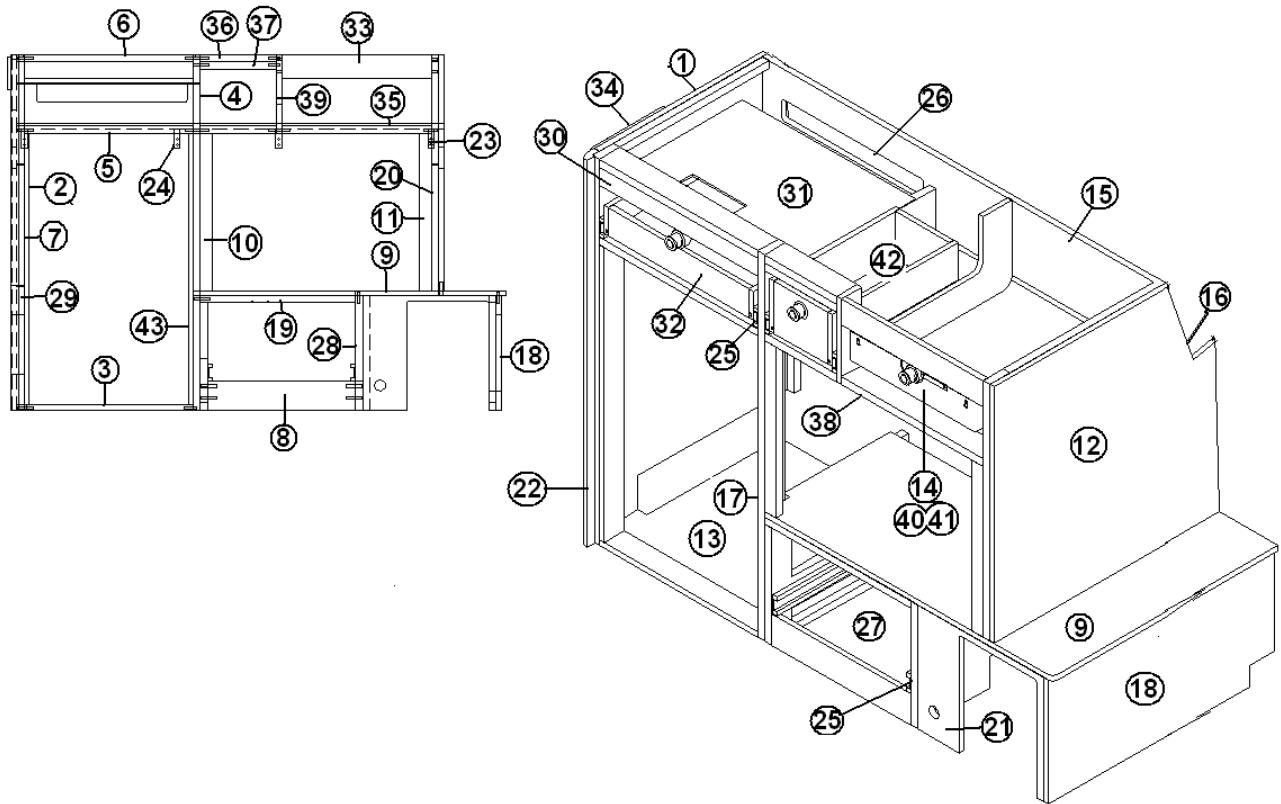
Galley, Lounge, 967564-16 CONTINUED

| | |
|-----------------|--------------------------------|
| 31. 967564-1635 | PANEL, GALLEY 19.25 X 14.50 |
| 32. 967457 | BOX ASSY, DRAWER GALLEY, UPPER |
| 33. 967564-1638 | PANEL, GALLEY 2.25 X 15.75 |
| 34. 967564-1639 | PANEL, GALLEY 8.25 X 3.50 |
| 35. 967564-1640 | PANEL, GALLEY 2.25 X 26.50 |
| 36. 967564-1641 | PANEL, GALLEY 2.25 X 26.50 |
| 37. 967564-1642 | PANEL, GALLEY 2.25 X 8.00 |
| 38. 967564-1643 | PANEL, GALLEY 2.25 X 15.75 |
| 39. 967564-1644 | PANEL, GALLEY 7.00 X 19.00 |
| 40. 381685-01 | HINGE, SCISSOR TRAY |
| 41. 381686 | TRAY, 14", PLASTIC, WHITE |
| 42. 967485 | DRAWER BOX ASSY, GALLEY |
| 43. 967564-1648 | PANEL, GALLEY 2.25 X 28.50 |
| 382059-01 | KNOB, PUSH/PULL, SUGATSUNE |

2012 INTERSTATE MOTORHOME

FURNITURE, GALLEY

Galley, Lounge, 967564-18 LT. CAMEL



Parts are Listed on Next Page

2012 INTERSTATE MOTORHOME

FURNITURE, GALLEY

Galley, Lounge, 967564-18, LT. CAMEL

| 967564-18 | GALLEY CABINET ASSEMBLY |
|-----------------|--|
| 1. 967564-181 | PANEL, GALLEY, 21.72 X 37.25 |
| 2. 967564-182 | PANEL, GALLEY, 2.25 X 37.25 |
| 3. 967564-183 | PANEL, GALLEY, 2.25 X 17.75 |
| 4. 967564-184 | PANEL, GALLEY, 19.00 X 37.25 |
| 5. 967564-185 | PANEL, GALLEY, 2.25 X 17.75 |
| 6. 967564-186 | PANEL, GALLEY, 2.25 X 17.75 |
| 7. 967564-187 | PANEL, GALLEY, 2.25 X 28.50 |
| 8. 967564-188 | PANEL, GALLEY, 15.50 X 3.00 |
| 9. 967564-189 | PANEL, GALLEY, 22.39 X 32.75 |
| 10. 967564-1810 | PANEL, GALLEY, 1.25 X 16.50 |
| 11. 967564-1811 | PANEL, GALLEY, 1.25 X 16.50 |
| 12. 967564-1812 | PANEL, GALLEY, 22.47 X 24.75 |
| 13. 967564-1813 | PANEL, GALLEY, 18.50 X 17.75 |
| 14. 967564-1814 | PANEL, GALLEY, 6.88 X 15.88 |
| 15. 967564-1815 | PANEL, GALLEY, 7.25 X 44.25 |
| 16. 967564-1816 | PANEL, GALLEY, 3.37 X 44.25 |
| 17. 967564-1817 | PANEL, GALLEY, 14.25 X 11.25 |
| 18. 967564-1818 | PANEL, GALLEY, 22.47 X 12.00 |
| 19. 967564-1819 | PANEL, GALLEY, 2.25 X 16.25 |
| 20. 967564-1820 | PANEL, GALLEY, 2.25 X 24.75 |
| 21. 967564-1821 | PANEL, GALLEY, 14.00 X 12.00 |
| 22. 801706-0018 | TRIM, CORNER, 90D, 1" RADIUS, LT.CAMEL |
| 23. 380264 | CORNER BRACKET |
| 24. 381228-01 | CATCH, GRABBER, DOOR |
| 25. 381400 | SLIDE, DRAWER, 14" |
| 26. 386206 | VENT, LOUVERED, 2.63 X 17.50, BLACK |
| 27. 967229-18 | DRAWER BOX, GALLEY |
| 28. 967564-1831 | PANEL, GALLEY 18.00 X 12.00 |
| 29. 967564-1832 | PANEL, GALLEY 14.50 X 4.38 |
| 30. 967564-1834 | PANEL, GALLEY 17.75 X 1.75 |

Part numbers continued on next page

2012 INTERSTATE MOTORHOME

FURNITURE, GALLEY

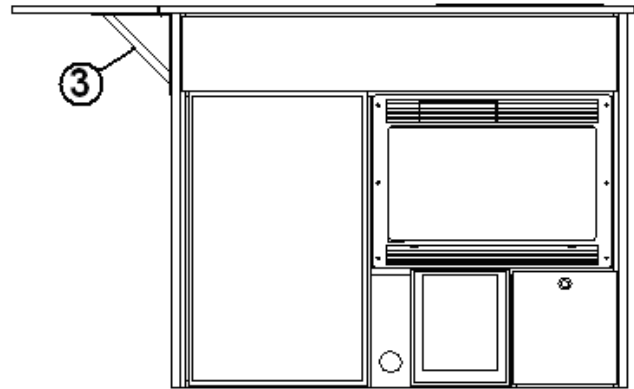
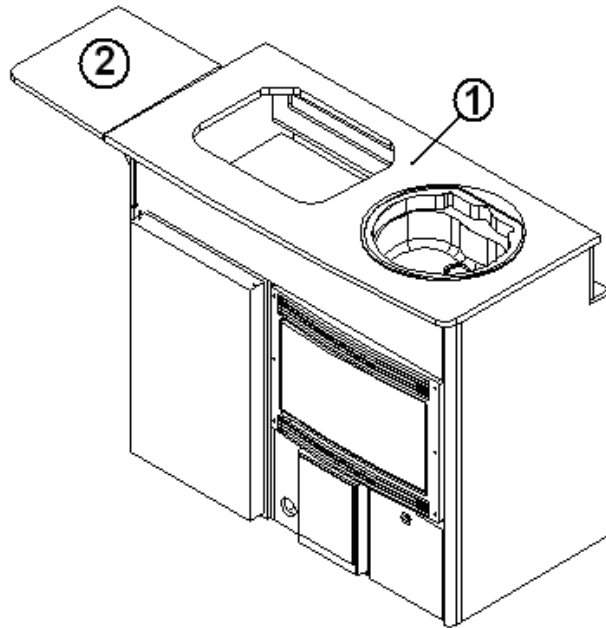
Galley, Lounge, 967564-18 CONTINUED

| | |
|-----------------|--------------------------------|
| 31. 967564-1835 | PANEL, GALLEY 19.25 X 14.50 |
| 32. 967457-18 | BOX ASSY, DRAWER GALLEY, UPPER |
| 33. 967564-1838 | PANEL, GALLEY 2.25 X 15.75 |
| 34. 967564-1839 | PANEL, GALLEY 8.25 X 3.50 |
| 35. 967564-1840 | PANEL, GALLEY 2.25 X 26.50 |
| 36. 967564-1841 | PANEL, GALLEY 2.25 X 26.50 |
| 37. 967564-1842 | PANEL, GALLEY 2.25 X 8.00 |
| 38. 967564-1843 | PANEL, GALLEY 2.25 X 15.75 |
| 39. 967564-1844 | PANEL, GALLEY 7.00 X 19.00 |
| 40. 381685-01 | HINGE, SCISSOR TRAY |
| 41. 381686 | TRAY, 14", PLASTIC, WHITE |
| 42. 967485-18 | DRAWER BOX ASSY, GALLEY |
| 43. 967564-1848 | PANEL, GALLEY 2.25 X 28.50 |
| 382059-01 | KNOB, PUSH/PULL, SUGATSUNE |

2012 INTERSTATE MOTORHOME

FURNITURE, GALLEY

Galley Top, Lounge



- | | |
|--------------|---------------------------------|
| 1. 967232 | GALLEY TOP, LAMINATE |
| 1. 602232-03 | GALLEY TOP, CORIAN, COCOA BROWN |
| 1. 602232-04 | *NLA, GALLEY TOP, CORIAN, ONYX |
| 1. 602232-05 | *GALLEY TOP, CORIAN, HAZELNUT |
| 2. 967233 | GALLEY FLIP SHELF, LAMINATE |
| 2. 602233-03 | GALLEY FLIP SHELF, COCOA BROWN |
| 2. 602233-04 | *NLA, GALLEY FLIP SHELF, ONYX |
| 2. 602233-05 | *GALLEY FLIP SHELF, HAZELNUT |
| 3. 381614 | BRACKET, FOLDING SHELF |

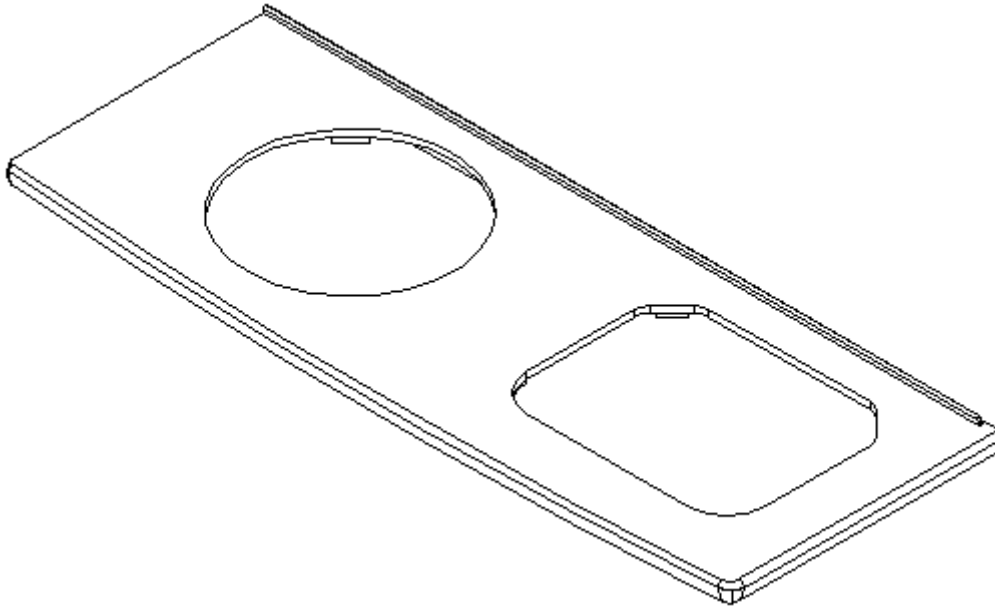
* The Onyx original tops were Mosaic. These tops are no longer available the replacement color is Hazelnut.

The first unit to receive the Hazelnut top is #302439. The last unit to receive the Onyx Mosaic is #302413.

2012 INTERSTATE MOTORHOME

FURNITURE, GALLEY

Galley Top, Twin



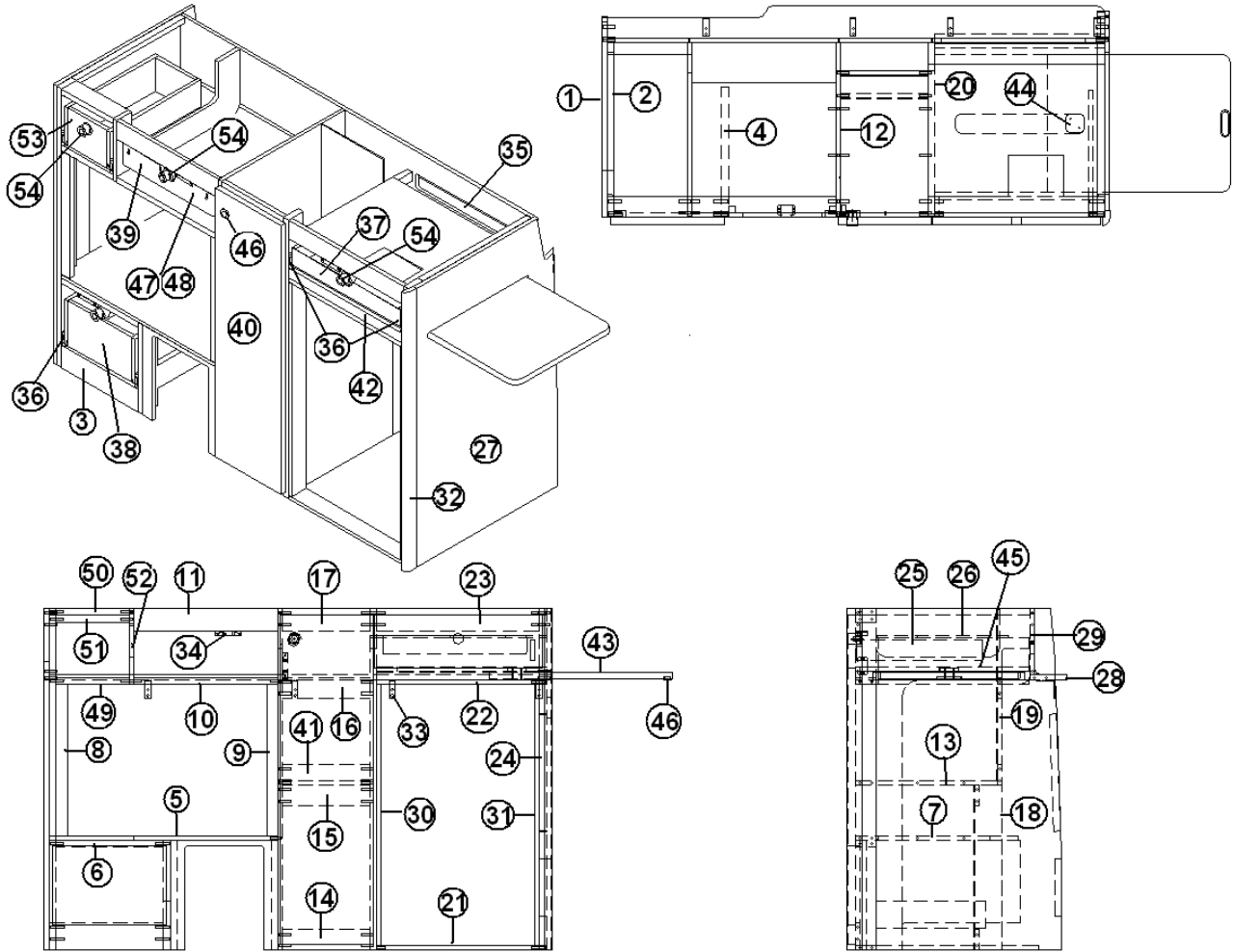
| | |
|-----------|---|
| 602235-03 | GALLEY TOP, CORIAN, Cocoa Brown |
| 602235-04 | NLA - USE HAZELNUT GALLEY TOP, CORIAN, ONYX |
| 602235-05 | *GALLEY TOP, CORIAN, HAZELNUT, ONYX |
| 602233-03 | GALLEY FLIP SHELF, COCOA BROWN |
| 602233-04 | *NLA, GALLEY FLIP SHELF, ONYX |
| 602233-05 | *GALLEY FLIP SHELF, HAZELNUT |
| 381614 | BRACKET, FOLDING, GALLEY FLIP SHELF |

* The Onyx Top is no longer available. The replacement top is Hazelnut. The last unit to receive the Onyx (Mosaic) is S/N 302413. The first unit to receive the Hazelnut is 302439.

2012 INTERSTATE MOTORHOME

FURNITURE, GALLEY

Galley, Lounge, Twin & Dual W/R, 967565-16, ONYX



Parts Listed on Next Page

2012 INTERSTATE MOTORHOME

FURNITURE, GALLEY

Galley, Lounge, Twin & Dual W/R, 967565-16, ONYX

| 967565-16 | CABINET ASSY, GALLEY |
|-----------------|--------------------------------------|
| 1. 967565-161 | PANEL, GALLEY CABINET, 21.85 X 37.25 |
| 2. 967565-162 | PANEL, GALLEY CABINET, 18 X 37.25 |
| 3. 967565-163 | PANEL, GALLEY 11.75 X 30 |
| 4. 967565-164 | PANEL, GALLEY CABINET, 12.00 X 14.25 |
| 5. 967565-165 | PANEL, GALLEY CABINET, 11.75 X 12 |
| 6. 967565-166 | PANEL, GALLEY CABINET, 11.75 X 2.25 |
| 7. 967565-167 | PANEL, GALLEY CABINET, 25.00 X 17.75 |
| 8. 967565-168 | PANEL, GALLEY CABINET, 1.25 X 16.50 |
| 9. 967565-169 | PANEL, GALLEY CABINET, 1.25 X 16.50 |
| 10. 967565-1610 | PANEL, GALLEY CABINET, 2.25 X 5.75 |
| 11. 967565-1611 | PANEL, GALLEY CABINET, 15.75 X 2.50 |
| 12. 967565-1612 | PANEL, GALLEY CABINET, 19.00 X 37.25 |
| 13. 967565-1613 | PANEL, GALLEY CABINET, 9.50 X 15.50 |
| 14. 967565-1614 | PANEL, GALLEY CABINET, 2.25 X 9.50 |
| 15. 967565-1615 | PANEL, GALLEY CABINET, 2.25 X 9.50 |
| 16. 967565-1616 | PANEL, GALLEY CABINET, 2.25 X 9.50 |
| 17. 967565-1617 | PANEL, GALLEY CABINET, 9.50 X 2.50 |
| 18. 967565-1618 | PANEL, GALLEY CABINET, 9.50 X 18.00 |
| 19. 967565-1619 | PANEL, GALLEY CABINET, 9.50 X 18.75 |
| 20. 967565-1620 | PANEL, GALLEY CABINET, 19.00 X 37.25 |
| 21. 967565-1622 | PANEL, GALLEY CABINET, 2.25 X 17.75 |
| 22. 967565-1623 | PANEL, GALLEY CABINET, 19.00 X 18.50 |
| 23. 967565-1624 | PANEL, GALLEY CABINET, 17.75 X 2.50 |
| 24. 967565-1625 | PANEL, GALLEY CABINET, 2.25 X 37.25 |
| 25. 967565-1626 | PANEL, GALLEY CABINET, 3.25 X 16.50 |
| 26. 967565-1627 | PANEL, GALLEY CABINET, 19.25 X 14.50 |
| 27. 967565-1628 | PANEL, GALLEY CABINET, 21.75 X 37.25 |
| 28. 967565-1629 | PANEL, GALLEY CABINET, 4.13 X 54.25 |
| 29. 967565-1630 | PANEL, GALLEY CABINET, 7.25 X 54.25 |
| 30. 967565-1634 | PANEL, GALLEY 2.25 X 28.50 |
| 31. 967565-1635 | PANEL, GALLEY 2.25 X 28.50 |

Continued on next page

2012 INTERSTATE MOTORHOME

FURNITURE, GALLEY

Galley, Lounge, Twin & Dual W/R, 967565-16, ONYX

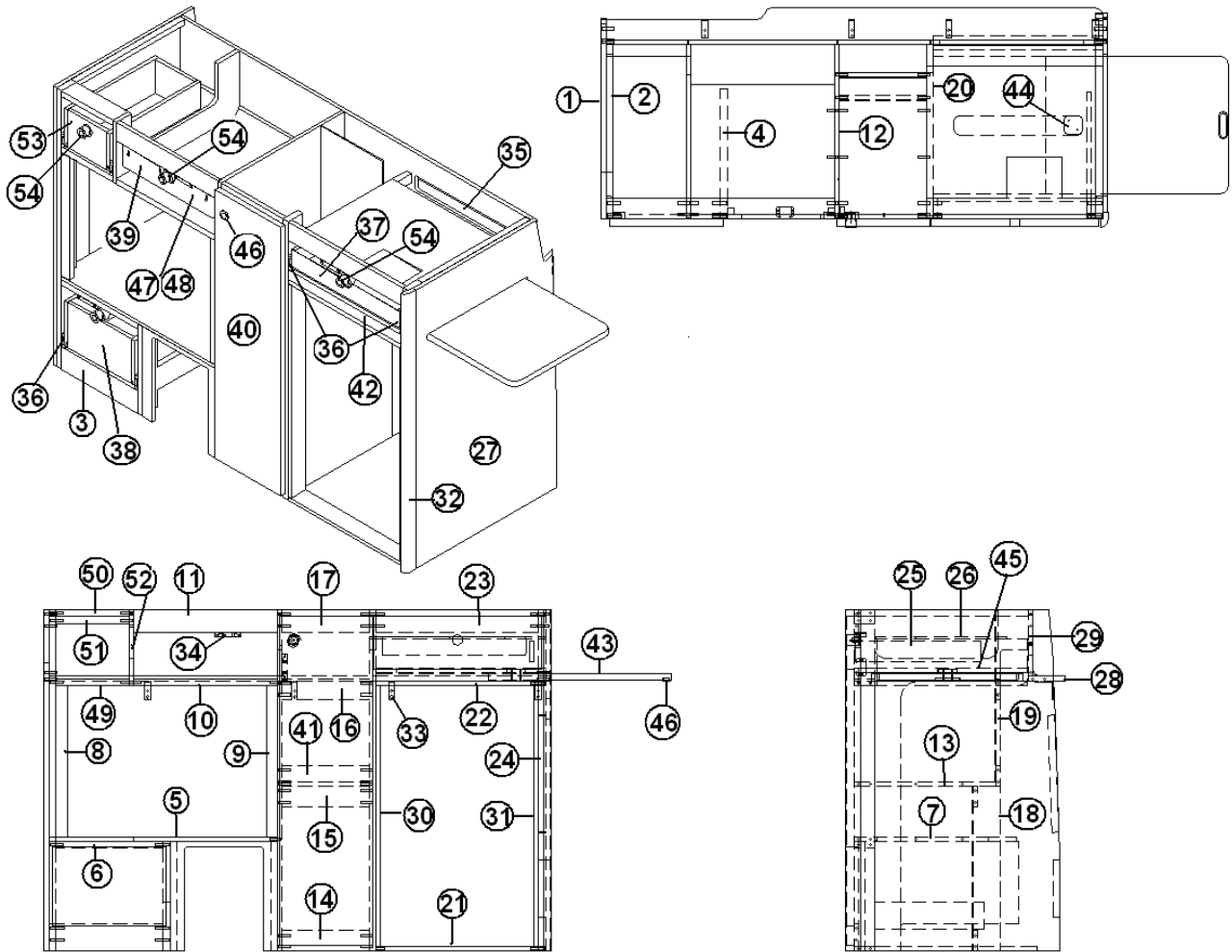
| | |
|-----------------|--|
| 32. 801706-0019 | CORNER TRIM, 90D, 84" |
| 33. 382064 | CORNER BRACE |
| 34. 381228-01 | CATCH, GRABBER, DOOR |
| 35. 386206 | VENT, LOUVERED, 2.63 X 17.50, BLACK |
| 36. 381400 | SLIDE DRAWER, 14" |
| 37. 967481 | DRAWER BOX ASSY, GALLEY, GOLD ALCHEMY |
| 38. 967460 | DRAWER BOX ASSEMBLY |
| 39. 967565-1644 | PANEL, GALLEY CABINET, 15.88 X 6.88 |
| 40. 967565-1645 | PANEL, GALLEY CABINET, 10.13 X 35.88 |
| 41. 967565-1650 | PANEL, GALLEY 2.25 X 9.50 |
| 42. 967565-1651 | PANEL, GALLEY, CABINET, 17.75 X 1.38 |
| 43. 967565-1652 | PANEL, GALLEY, CABINET, 15.00 X 20.00 |
| 44. 967565-1653 | PANEL, 2.00 X 2.00 GALLEY CABINET |
| 45. 967565-1654 | PANEL, GALLEY CAB 18.50 X 18.50 |
| 46. 382030 | PULL, RECESSED FINGER |
| 47. 381685-01 | HINGE, SCISSOR TRAY |
| 48. 381686 | TRAY, 14" PLASTIC |
| 49. 967565-1658 | PANEL, GALLEY 2.25 X 8.00 |
| 50. 967565-1659 | PANEL, GALLEY 2.25 X 8.00 |
| 51. 967565-1660 | PANEL, GALLEY 2.25 X 8.00 |
| 52. 967565-1661 | PANEL, GALLEY 8.25 X 19.00 |
| 53. 967485 | DRAWER BOX ASSY |
| 54. 382059-01 | KNOB, PUSH/PULL |
| 967478 | Galley Top |
| 602235-04 | * NLA -Galley Top, Corian Mosaic, onyx |
| 602235-05 | *Galley Top, Corian Hazelnut |
| 381708 | WASTEBASKET, 11.38 X 8.25 X 12.00 |
| 200980-01 | Tray, silverware, 9" x 13.25" x 1.75" |

Last unit to have the Mosaic Corian was S/N 302413. The first unit to Use the Hazelnut is S/N 302439.

2012 INTERSTATE MOTORHOME

FURNITURE, GALLEY

Galley, Lounge, Twin & Dual W/R, 967565-18, LT. CAMEL



Parts Listed on Next Page

2012 INTERSTATE MOTORHOME

FURNITURE, GALLEY

Galley, Lounge, Twin & Dual W/R, 967565-18 LT. CAMEL

| | |
|-----------------|--------------------------------------|
| 967565-18 | CABINET ASSY, GALLEY |
| 1. 967565-181 | PANEL, GALLEY CABINET, 21.85 X 37.25 |
| 2. 967565-182 | PANEL, GALLEY CABINET, 18 X 37.25 |
| 3. 967565-183 | PANEL, GALLEY 11.75 X 30 |
| 4. 967565-184 | PANEL, GALLEY CABINET, 12.00 X 14.25 |
| 5. 967565-185 | PANEL, GALLEY CABINET, 11.75 X 12 |
| 6. 967565-186 | PANEL, GALLEY CABINET, 11.75 X 2.25 |
| 7. 967565-187 | PANEL, GALLEY CABINET, 25.00 X 17.75 |
| 8. 967565-188 | PANEL, GALLEY CABINET, 1.25 X 16.50 |
| 9. 967565-189 | PANEL, GALLEY CABINET, 1.25 X 16.50 |
| 10. 967565-1810 | PANEL, GALLEY CABINET, 2.25 X 5.75 |
| 11. 967565-1811 | PANEL, GALLEY CABINET, 15.75 X 2.50 |
| 12. 967565-1812 | PANEL, GALLEY CABINET, 19.00 X 37.25 |
| 13. 967565-1813 | PANEL, GALLEY CABINET, 9.50 X 15.50 |
| 14. 967565-1814 | PANEL, GALLEY CABINET, 2.25 X 9.50 |
| 15. 967565-1815 | PANEL, GALLEY CABINET, 2.25 X 9.50 |
| 16. 967565-1816 | PANEL, GALLEY CABINET, 2.25 X 9.50 |
| 17. 967565-1817 | PANEL, GALLEY CABINET, 9.50 X 2.50 |
| 18. 967565-1818 | PANEL, GALLEY CABINET, 9.50 X 18.00 |
| 19. 967565-1819 | PANEL, GALLEY CABINET, 9.50 X 18.75 |
| 20. 967565-1820 | PANEL, GALLEY CABINET, 19.00 X 37.25 |
| 21. 967565-1822 | PANEL, GALLEY CABINET, 2.25 X 17.75 |
| 22. 967565-1823 | PANEL, GALLEY CABINET, 19.00 X 18.50 |
| 23. 967565-1824 | PANEL, GALLEY CABINET, 17.75 X 2.50 |
| 24. 967565-1825 | PANEL, GALLEY CABINET, 2.25 X 37.25 |
| 25. 967565-1826 | PANEL, GALLEY CABINET, 3.25 X 16.50 |
| 26. 967565-1827 | PANEL, GALLEY CABINET, 19.25 X 14.50 |
| 27. 967565-1828 | PANEL, GALLEY CABINET, 21.75 X 37.25 |
| 28. 967565-1829 | PANEL, GALLEY CABINET, 4.13 X 54.25 |
| 29. 967565-1830 | PANEL, GALLEY CABINET, 7.25 X 54.25 |
| 30. 967565-1834 | PANEL, GALLEY 2.25 X 28.50 |
| 31. 967565-1835 | PANEL, GALLEY 2.25 X 28.50 |

Part numbers continued on the next page.

2012 INTERSTATE MOTORHOME

FURNITURE, GALLEY

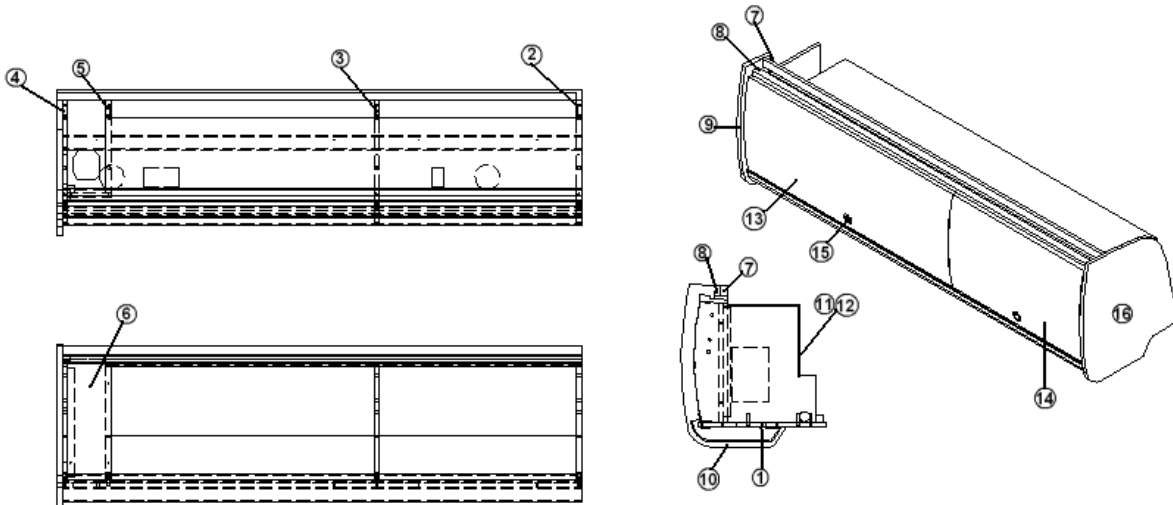
Galley, Lounge, Twin & Dual W/R, 967565-18 LT. CAMEL

- 32. 801706-0018 CORNER TRIM, 90D, 84"
- 33. 382064 CORNER BRACE
- 34. 381228-01 CATCH, GRABBER, DOOR
- 35. 386206 VENT, LOUVERED, 2.63 X 17.50, BLACK
- 36. 381400 SLIDE DRAWER, 14"
- 37. 967481-18 DRAWER BOX ASSY, GALLEY,CAMEL
- 38. 967460-18 DRAWER BOX ASSEMBLY
- 39. 967565-1844 PANEL, GALLEY CABINET, 15.88 X 6.88
- 40. 967565-1845 PANEL, GALLEY CABINET, 10.13 X 35.88
- 41. 967565-1850 PANEL, GALLEY 2.25 X 9.50
- 42. 967565-1851 PANEL, GALLEY, CABINET, 17.75 X 1.38
- 43. 967565-1852 PANEL, GALLEY, CABINET, 15.00 X 20.00
- 44. 967565-1853 PANEL, 2.00 X 2.00 GALLEY CABINET
- 45. 967565-1854 PANEL, GALLEY CAB 18.50 X 18.50
- 46. 382030 PULL, RECESSED FINGER
- 47. 381685-01 HINGE, SCISSOR TRAY
- 48. 381686 TRAY, 14" PLASTIC
- 49. 967565-1858 PANEL, GALLEY 2.25 X 8.00
- 50. 967565-1859 PANEL, GALLEY 2.25 X 8.00
- 51. 967565-1860 PANEL, GALLEY 2.25 X 8.00
- 52. 967565-1861 PANEL, GALLEY 8.25 X 19.00
- 53. 967485-18 DRAWER BOX ASSY
- 54. 382059-01 KNOB, PUSH/PULL
- 602235-03 Galley Top, Corian, COCOA BROWN
- 381708 WASTEBASKET, 11.38 X 8.25 X 12.00
- 200980-01 Tray, silverware, 9" x 13.25" x 1.75"

2012 INTERSTATE MOTORHOME

FURNITURE, GALLEY

Roof Locker, Roadside Forward Lounge, 53.52", ONYX

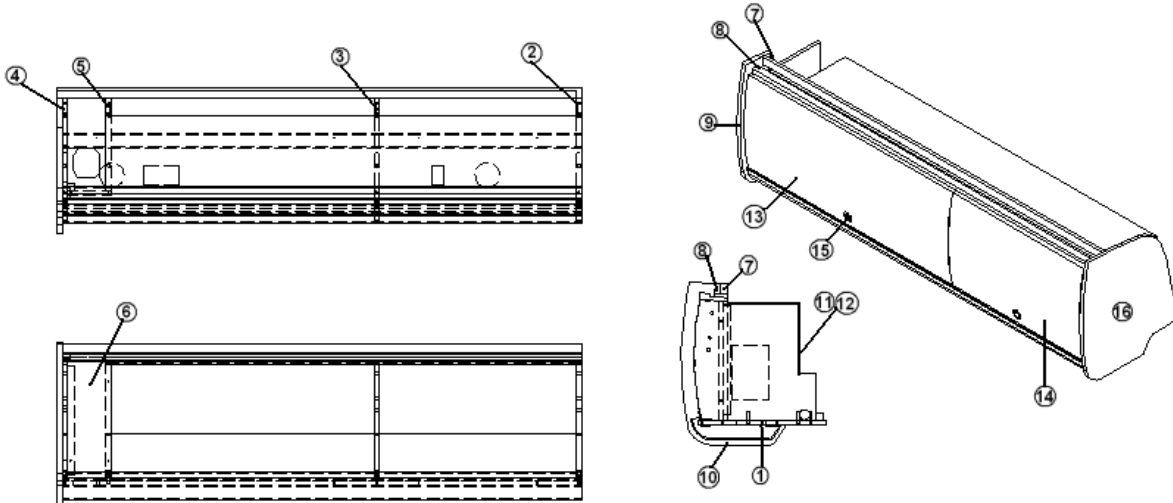


| | |
|-----------------|----------------------------------|
| 967514-16 | ROOFLOCKER ASSY-RS FWD, LOUNGE |
| 1. 967514-161 | PANEL, R/L 12.5X53.02 |
| 2. 967514-162 | PANEL, R/L 12.28X12.12 |
| 3. 967514-163 | PANEL, R/L 12.28X12.12 |
| 4. 967514-164 | PANEL, R/L 12.28X12.12 |
| 5. 967514-165 | PANEL, R/L 9.34X11.73 |
| 6. 967514-166 | PANEL, R/L 4.5X12 |
| 7. 967514-167 | PANEL, R/L 1X52.5 |
| 8. 967514-168 | PANEL, R/L 2.75X52.5 |
| 9. 967514-1610 | PANEL, R/L 10.64X16.46 |
| 10. 115406 | EXTRUSION, R/L 9.075" WIDE ALUM |
| 11. 115473-08 | BACK-ALUM R/L CAB 48" |
| 12. 701538-01 | CARPET-ECONOLIER W/PSA BACK |
| 13. 801785-0119 | DOOR-PLYFORM 12.38X31.5 A.NIGHT |
| 14. 801785-0719 | DOOR-PLYFORM 12.38X20.25 A.NIGHT |
| 15. 382059-01 | KNOB-PUSH/PULL SUGATSUNE |
| 16. 967463-16 | ENDCAP-ROOFLOCKER |
| 381840-01 | HINGE-OVERHEAD SPRING LH #372. |
| 381840-02 | HINGE-OVERHEAD SPRING RH #372. |

2012 INTERSTATE MOTORHOME

FURNITURE, GALLEY

Roof Locker, Roadside Forward Lounge, 53.52" LT.CAMEL

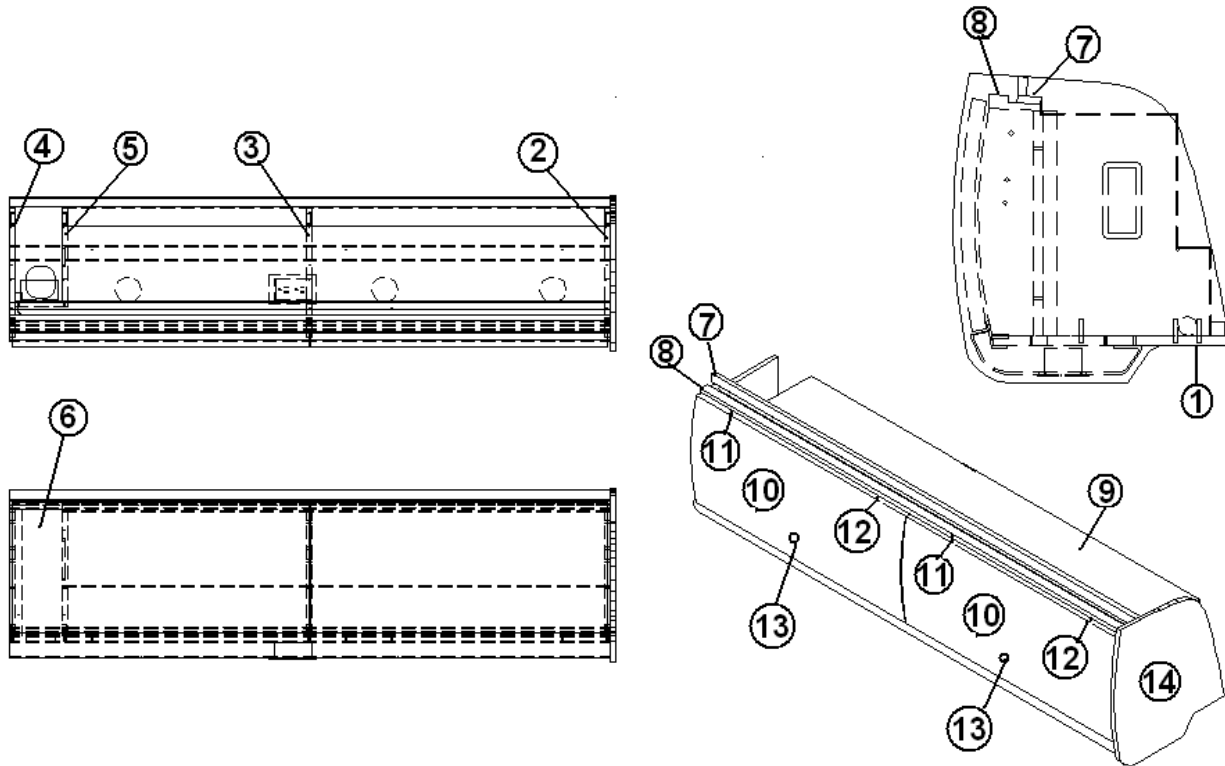


| | |
|-----------------|---------------------------------|
| 967514-18 | ROOFLOCKER ASSY-RS FWD, LOUNGE |
| 1. 967514-181 | PANEL, R/L 12.5X53.02 |
| 2. 967514-182 | PANEL, R/L 12.28X12.12 |
| 3. 967514-183 | PANEL, R/L 12.28X12.12 |
| 4. 967514-184 | PANEL, R/L 12.28X12.12 |
| 5. 967514-185 | PANEL, R/L 9.34X11.73 |
| 6. 967514-186 | PANEL, R/L 4.5X12 |
| 7. 967514-187 | PANEL, R/L 1X52.5 |
| 8. 967514-188 | PANEL, R/L 2.75X52.5 |
| 9. 967514-1810 | PANEL, R/L 10.64X16.46 |
| 10. 115406 | EXTRUSION, R/L 9.075" WIDE ALUM |
| 11. 115473-08 | BACK-ALUM R/L CAB 48" |
| 12. 701538-01 | CARPET-ECONOLIER W/PSA BACK |
| 13. 801785-0118 | DOOR-PLYFORM 12.38X31.5 A.SAND |
| 14. 801785-0718 | DOOR-PLYFORM 12.38X20.25 A.SAND |
| 15. 382059-01 | KNOB-PUSH/PULL SUGATSUNE |
| 16. 967463-18 | ENDCAP-ROOFLOCKER |
| 381840-01 | HINGE-OVERHEAD SPRING LH #372. |
| 381840-02 | HINGE-OVERHEAD SPRING RH #372. |

2012 INTERSTATE MOTORHOME

FURNITURE, GALLEY

Roof Locker, Roadside Forward, Twin & Dual W/R, ONYX

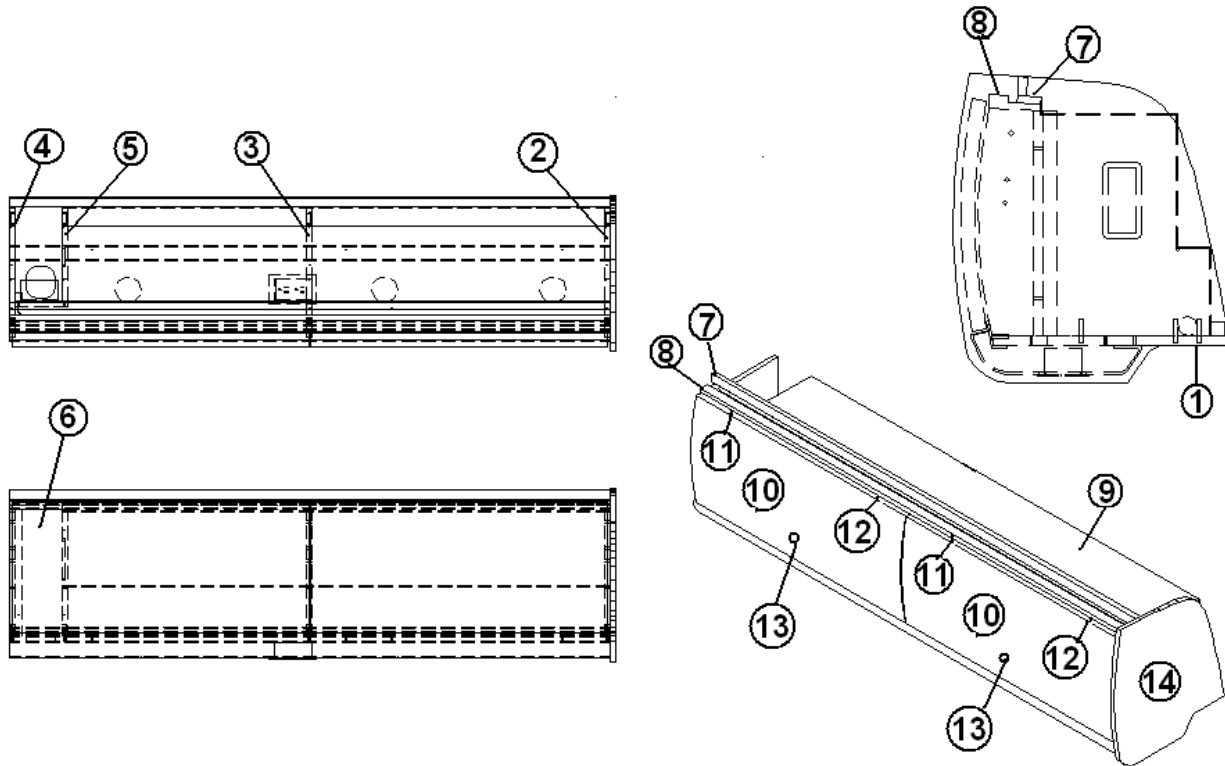


| | |
|-----------------|--|
| 967462-16 | ROOF LOCKER, RS FWD, ONYX |
| 1. 967462-161 | PANEL, ROADSIDE ROOF LOCKER, 12.5 X 56.88 |
| 2. 967462-162 | PANEL, ROADSIDE ROOF LOCKER, 12.28 X 12.12 |
| 3. 967462-163 | PANEL, ROADSIDE ROOF LOCKER, 12.28 X 12.12 |
| 4. 967462-164 | PANEL, ROADSIDE ROOF LOCKER, 12.28 X 12.12 |
| 5. 967462-165 | PANEL, ROADSIDE ROOF LOCKER, 8.84 X 11.73 |
| 6. 967462-166 | PANEL, ROADSIDE ROOF LOCKER, 5 X 12 |
| 7. 967462-167 | PANEL, ROADSIDE ROOF LOCKER, 1 X 56.88 |
| 8. 967462-168 | PANEL, ROADSIDE ROOF LOCKER, 2.75 X 56.88 |
| 9. 115473-01 | BACK, ROOF LOCKER CABINET 51.88" TWIN |
| 10. 801785-0219 | DOOR, 12.38 X 28.13 |
| 11. 381840-01 | HINGE, OVERHEAD SPRING LH |
| 12. 381840-02 | HINGE, OVERHEAD SPRING RH |
| 13. 382059-01 | KNOB, PUSH/PULL |
| 14. 967463-16 | ENDCAP, ROOFLOCKER |
| 115406 | EXTRUSION, ROOF LOCKER, 9.075" WIDE |

2012 INTERSTATE MOTORHOME

FURNITURE, GALLEY

Roof Locker, Roadside Forward, Twin & Dual W/R – LT. CAMEL

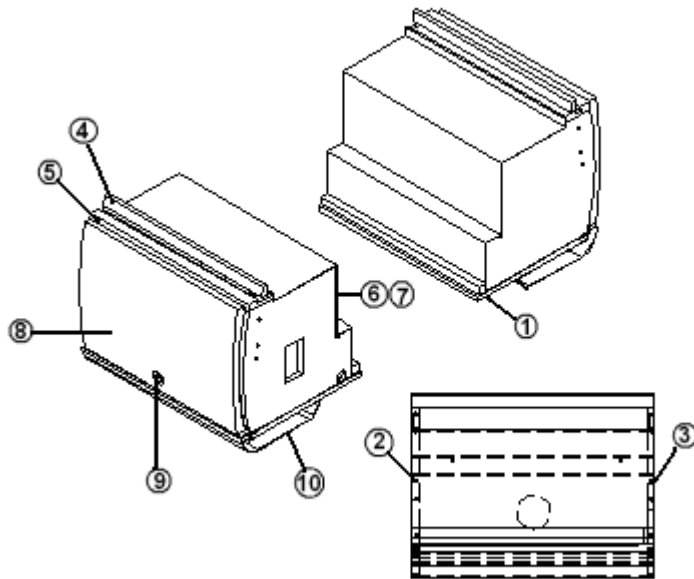


| | |
|-----------------|--|
| 967462-18 | ROOF LOCKER, RS FWD, LT CAMEL |
| 1. 967462-181 | PANEL, ROADSIDE ROOF LOCKER, 12.5 X 56.88 |
| 2. 967462-182 | PANEL, ROADSIDE ROOF LOCKER, 12.28 X 12.12 |
| 3. 967462-183 | PANEL, ROADSIDE ROOF LOCKER, 12.28 X 12.12 |
| 4. 967462-184 | PANEL, ROADSIDE ROOF LOCKER, 12.28 X 12.12 |
| 5. 967462-185 | PANEL, ROADSIDE ROOF LOCKER, 8.84 X 11.73 |
| 6. 967462-186 | PANEL, ROADSIDE ROOF LOCKER, 5 X 12 |
| 7. 967462-187 | PANEL, ROADSIDE ROOF LOCKER, 1 X 56.88 |
| 8. 967462-188 | PANEL, ROADSIDE ROOF LOCKER, 2.75 X 56.88 |
| 9. 115473-01 | BACK, ROOF LOCKER CABINET 51.88" TWIN |
| 10. 801785-0218 | DOOR, 12.38 X 28.13 |
| 11. 381840-01 | HINGE, OVERHEAD SPRING LH |
| 12. 381840-02 | HINGE, OVERHEAD SPRING RH |
| 13. 382059-01 | KNOB, PUSH/PULL |
| 14. 967463-18 | ENDCAP, ROOFLOCKER |
| 115406 | EXTRUSION, ROOF LOCKER, 9.075" WIDE |

2012 INTERSTATE MOTORHOME

FURNITURE, GALLEY

Roof Locker, Roadside, 18", Lounge, ONYX

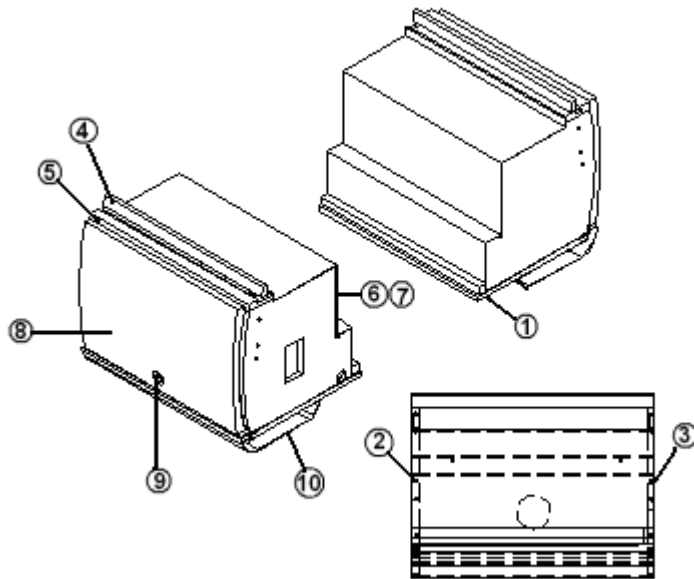


- | | |
|----------------|------------------------------------|
| 967513-16 | ROOFLOCKER ASSY-RS MID, LOUNGE |
| 1. 967513-161 | PANEL, R/L 12.5X18 |
| 2. 967513-162 | PANEL, R/L 12.28X12.12 |
| 3. 967513-163 | PANEL, R/L 12.28X12.12 |
| 4. 967513-164 | PANEL, R/L 1X18 |
| 5. 967513-165 | PANEL, R/L 2.75X18 |
| 6. 115473-07 | BACK-ALUM R/L CAB 18" |
| 7. 701538-01 | CARPET-ECONOLIER W/PSA BACK |
| 8. 801785-0419 | DOOR-PLYFORM 12.38X17.38 , A.NIGHT |
| 9. 382059-01 | KNOB-PUSH/PULL SUGATSUNE |
| 10. 115406 | EXTRUSION, R/L 9.075" WIDE ALUM |
| 381840-01 | HINGE-OVERHEAD SPRING LH #372. |
| 381840-02 | HINGE-OVERHEAD SPRING RH #372. |

2012 INTERSTATE MOTORHOME

FURNITURE, GALLEY

Roof Locker, Roadside, 18", Lounge – LT. CAMEL

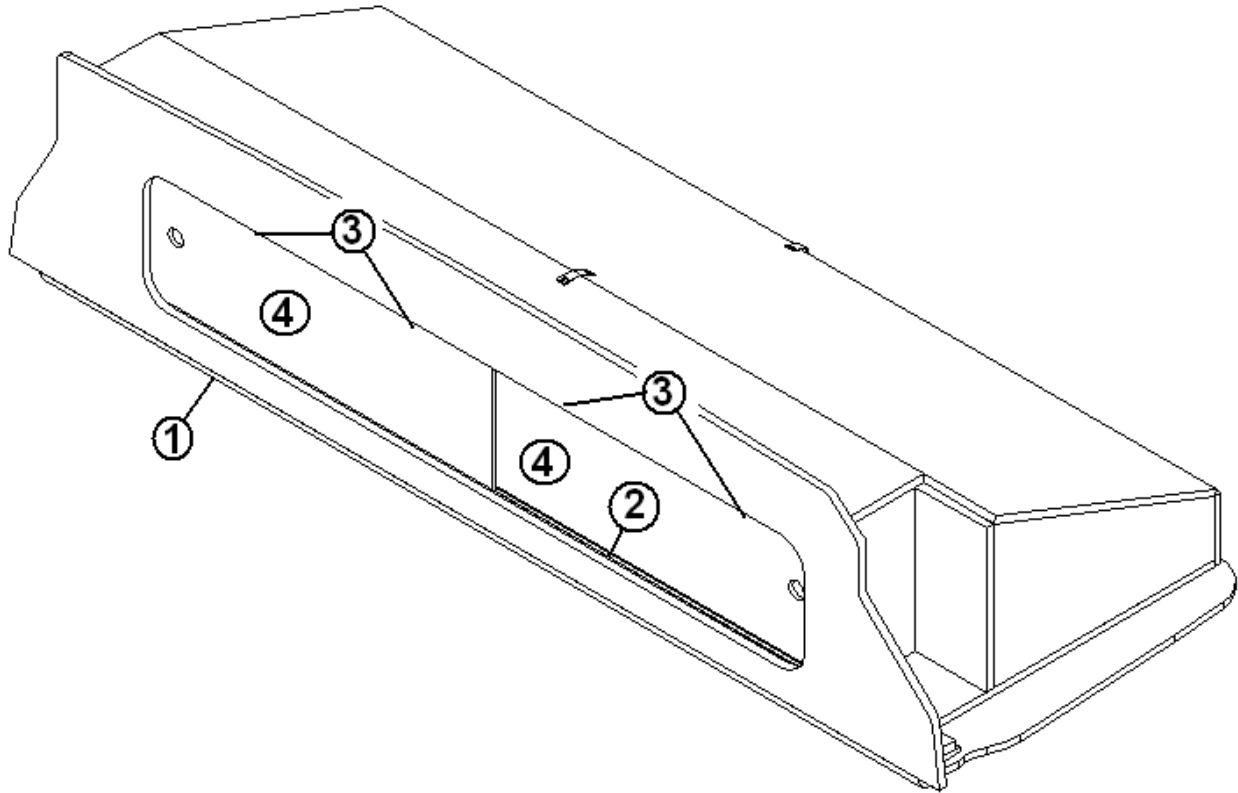


- | | |
|----------------|----------------------------------|
| 967513-18 | ROOFLOCKER ASSY-RS MID, LOUNGE |
| 1. 967513-181 | PANEL, R/L 12.5X18 |
| 2. 967513-182 | PANEL, R/L 12.28X12.12 |
| 3. 967513-183 | PANEL, R/L 12.28X12.12 |
| 4. 967513-184 | PANEL, R/L 1X18 |
| 5. 967513-185 | PANEL, R/L 2.75X18 |
| 6. 115473-07 | BACK-ALUM R/L CAB 18" |
| 7. 701538-01 | CARPET-ECONOLIER W/PSA BACK |
| 8. 801785-0418 | DOOR-PLYFORM 12.38X17.38 A.NIGHT |
| 9. 382059-01 | KNOB-PUSH/PULL SUGATSUNE |
| 10. 115406 | EXTRUSION, R/L 9.075" WIDE ALUM |
| 381840-01 | HINGE-OVERHEAD SPRING LH #372. |
| 381840-02 | HINGE-OVERHEAD SPRING RH #372. |

2012 INTERSTATE MOTORHOME

FURNITURE, GALLEY

Roof Locker, Front End, 967503

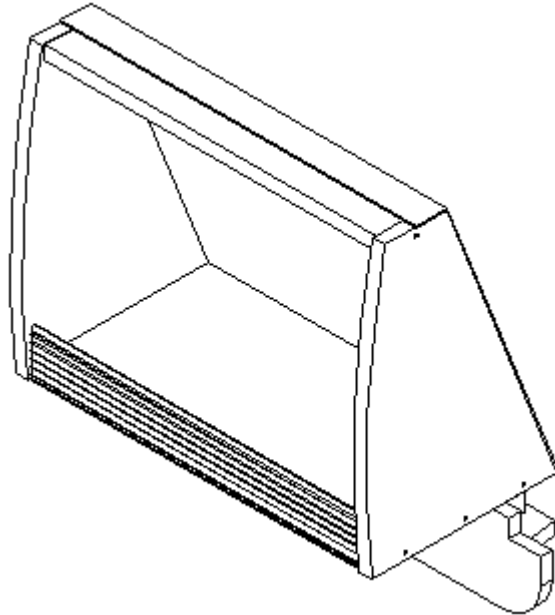


| | |
|----------------|-----------------------------------|
| 967503-16 | Roof Locker, Front End, ONYX |
| 967503-18 | Roof Locker, Front End, LT. CAMEL |
| 1. 801706-0018 | Corner trim, 90 degree, Lt. Camel |
| 1. 801706-0019 | Corner trim, 90 degree, Onyx |
| 2. 203388-01 | Sliding door track |
| 3. 454613 | Spring leaf |
| 4. 203633-02 | Door, Plexiglas, 8.06" x 22.00" |

2012 INTERSTATE MOTORHOME

FURNITURE, GALLEY

Front Shelf Closeout Assembly



967505-16

Front Shelf Closeout Assembly, ONYX

967505-18

Front Shelf Closeout Assembly, LT. CAMEL

Cargo Net

382171

Cargo Net 10" x 7'

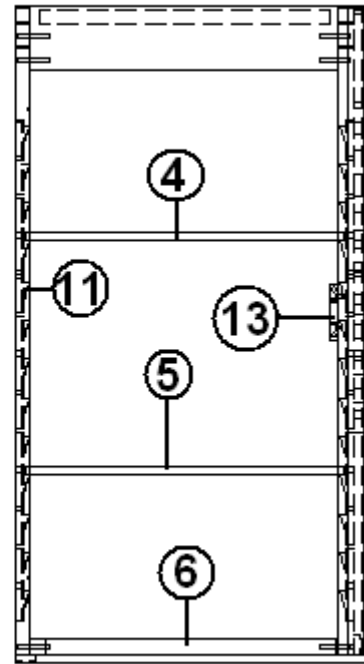
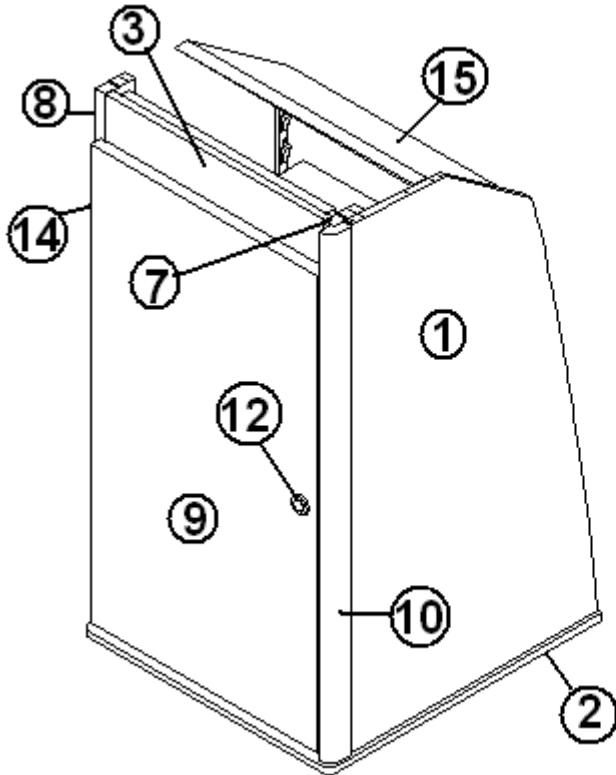
320120

Screw, Upholstery w/washer

2012 INTERSTATE MOTORHOME

FURNITURE, LOUNGE

Wardrobe, Hanging, Twin & Dual W/R, ONYX

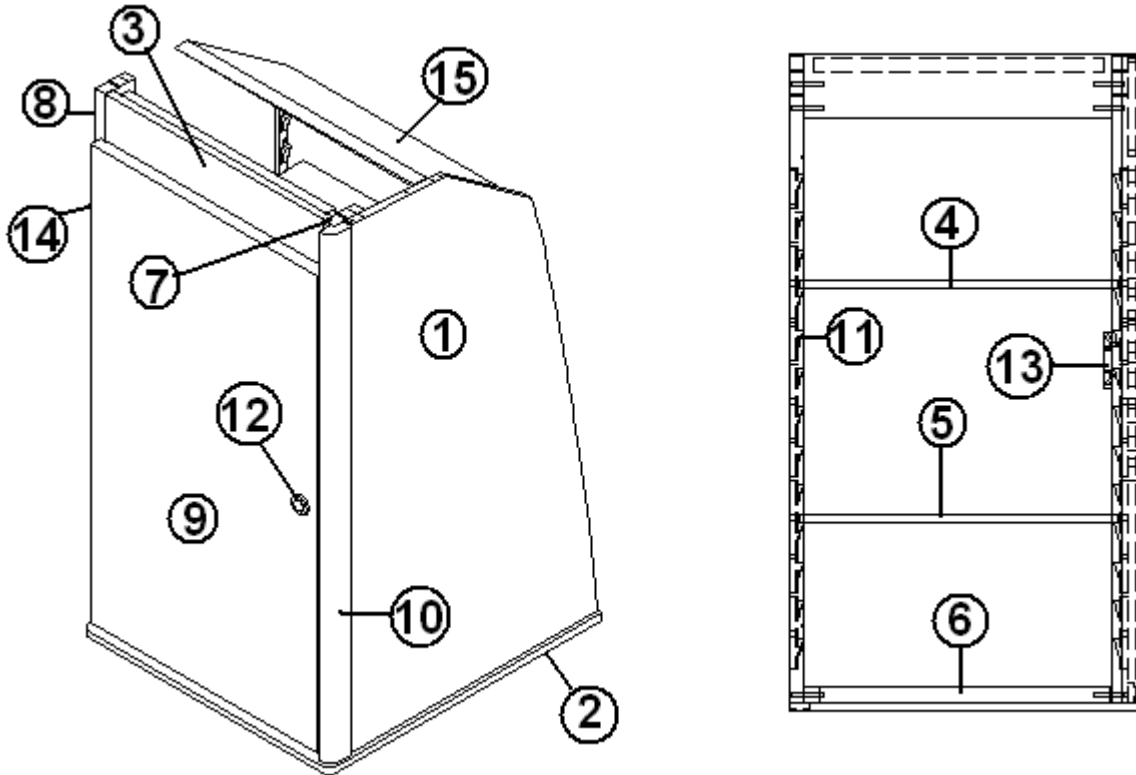


| | |
|-----------------|---------------------------|
| 967204-16 | Wardrobe, Hanging, ONYX |
| 1. 967204-161 | PANEL, 18.07 X 33.50 |
| 2. 967204-162 | PANEL, 18.25 X 19.88 |
| 3. 967204-163 | PANEL, 16.00 X 3.25 |
| 4. 967204-165 | PANEL, 14.75 X 16.50 |
| 5. 967204-166 | PANEL, 17.25 X 16.50 |
| 6. 967204-167 | PANEL, 2.25 X 16.00 |
| 7. 967204-168 | PANEL, 2.25 X 33.50 |
| 8. 967204-169 | PANEL, 2.25 X 33.50 |
| 9. 967204-1610 | PANEL, 16.63 X 30.25 |
| 10. 801706-0019 | CORNER TRIM, 90 DEG, ONYX |
| 11. 381527 | SPEEDY SHELF STRIPS |
| 12. 382059-01 | KNOB, PUSH/PULL |
| 13. 381228-01 | DOOR, GRABBER CATCH |
| 14. 381607 | HINGE, DOOR |
| 15. 967234 | WIRE COVER ASSEMBLY |
| 115420 | Wardrobe close off |

2012 INTERSTATE MOTORHOME

FURNITURE, LOUNGE

Wardrobe, Hanging, Twin & Dual W/R, Lt. Camel

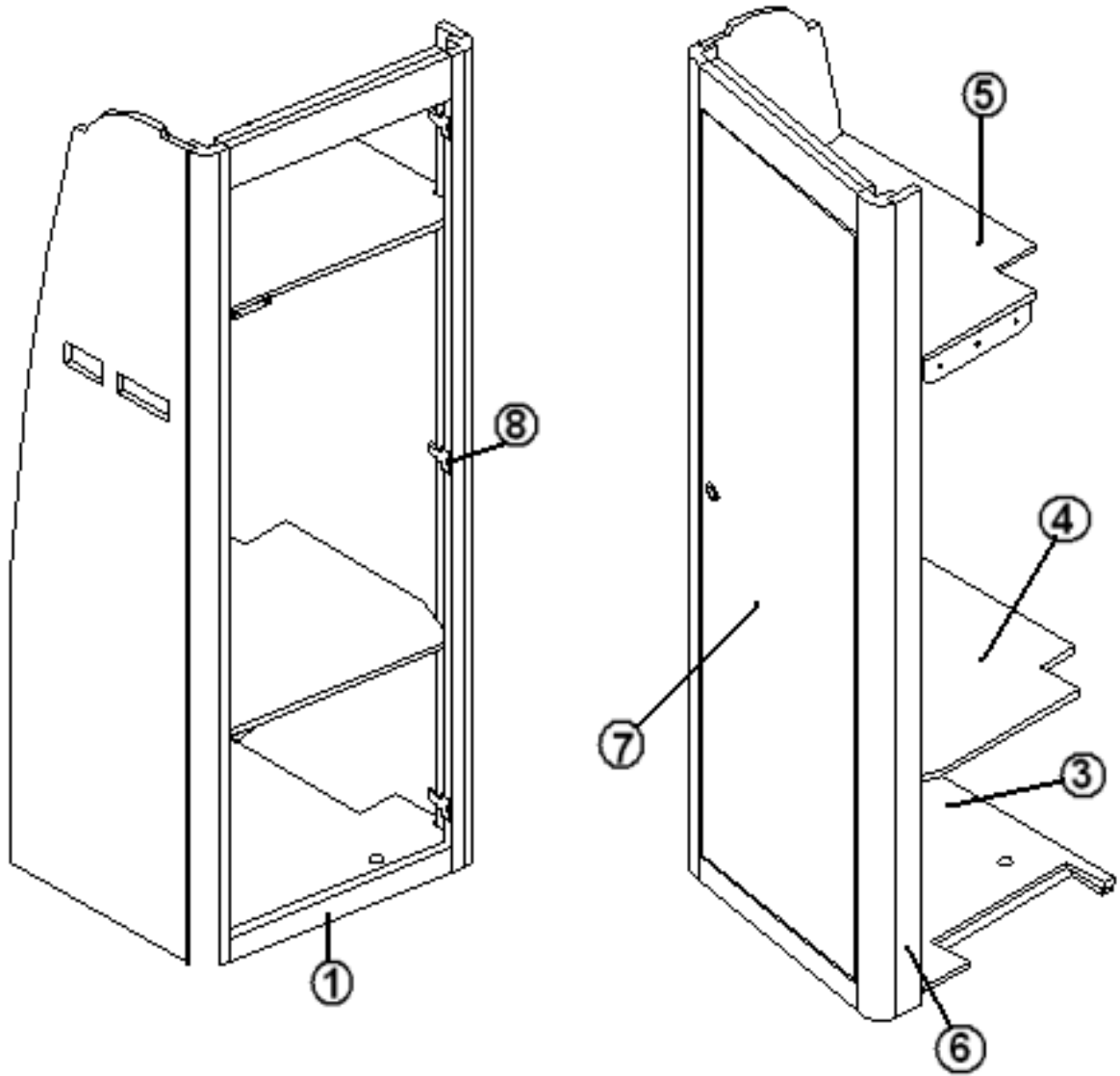


| | |
|-----------------|------------------------------------|
| 967204-18 | Wardrobe, Hanging, LT. CAMEL, TWIN |
| 1. 967204-181 | PANEL, 18.07 X 33.50 |
| 2. 967204-182 | PANEL, 18.25 X 19.88 |
| 3. 967204-183 | PANEL, 16.00 X 3.25 |
| 4. 967204-185 | PANEL, 14.75 X 16.50 |
| 5. 967204-186 | PANEL, 17.25 X 16.50 |
| 6. 967204-187 | PANEL, 2.25 X 16.00 |
| 7. 967204-188 | PANEL, 2.25 X 33.50 |
| 8. 967204-189 | PANEL, 2.25 X 33.50 |
| 9. 967204-1810 | PANEL, 16.63 X 30.25 |
| 10. 801706-0018 | CORNER TRIM, 90 DEG, Asian Sand |
| 11. 381527 | SPEEDY SHELF STRIPS |
| 12. 382059-01 | KNOB, PUSH/PULL |
| 13. 381228-01 | DOOR, GRABBER CATCH |
| 14. 381607 | HINGE, DOOR |
| 15. 967234 | WIRE COVER ASSEMBLY |
| 115420 | Wardrobe close off |

2012 INTERSTATE MOTORHOME

FURNITURE, LOUNGE

Wardrobe, Dual Option, Curbside – Onyx



Parts Listed on Next Page

2012 INTERSTATE MOTORHOME

FURNITURE, LOUNGE

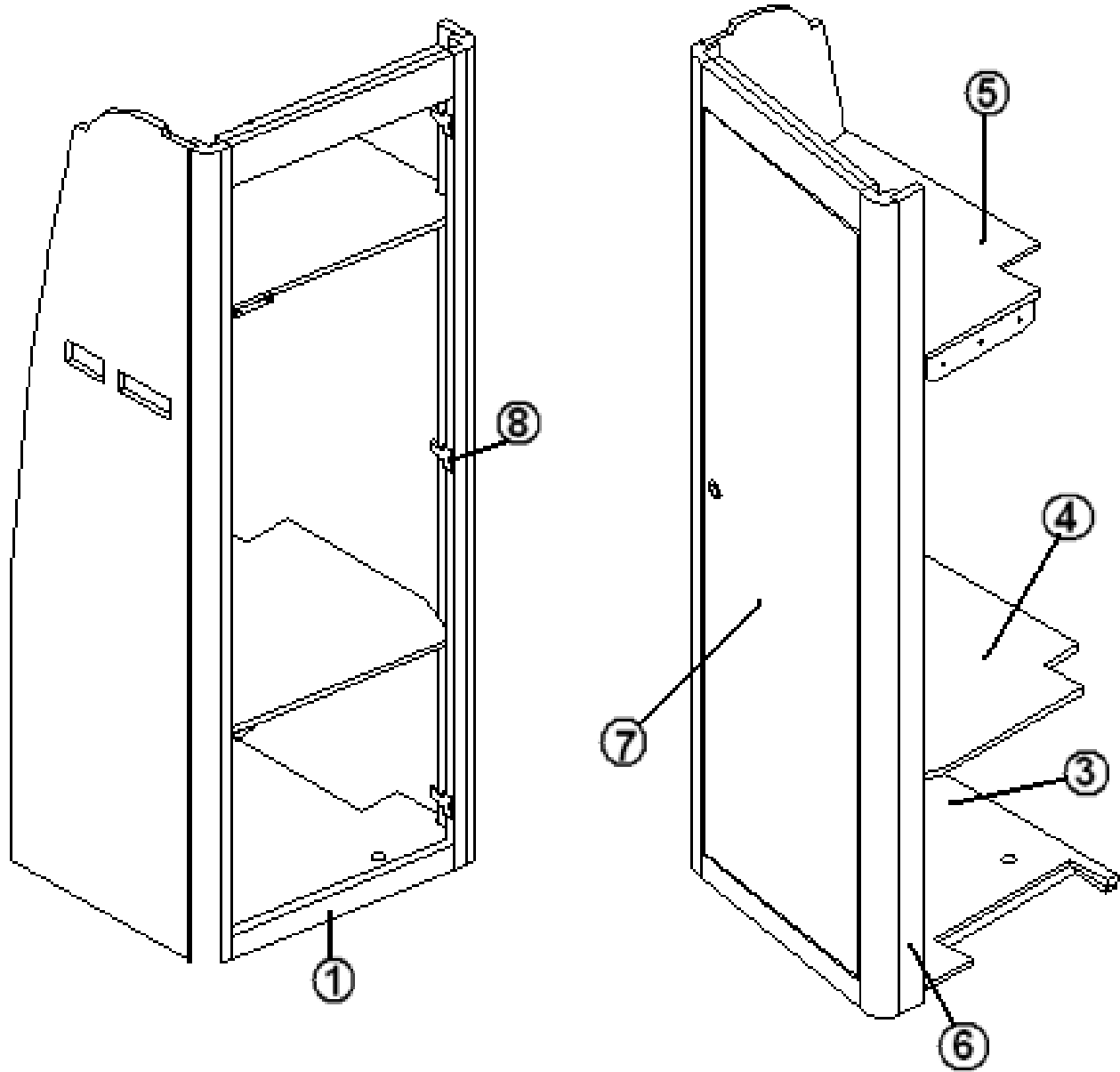
Wardrobe, Curbside Dual Option – Onyx

| | |
|----------------|---------------------------------|
| 967700-16 | WARDROBE OPTION CURBSIDE – ONYX |
| 1. 967696-0019 | FACE FRAME CS W/R, ONYX |
| 2. 967700-162 | PANEL,W/R 16.52X65.08 |
| 3. 967700-163 | PANEL,W/R 20.59X21.38 |
| 4. 967700-164 | PANEL,W/R 20.37X21.38 |
| 5. 967700-165 | PANEL,W/R 16.99X21.38 |
| 6. 967700-168 | PANEL,W/R 2.25X64.95 |
| 7. 967700-169 | PANEL,W/R 17.38X59.25 |
| 8. 381808 | BRKT-FACE MOUNT HINGE #39184 |
| 381228-01 | CATCH GRABBER DOOR C3-803 |
| 382059-01 | KNOB-PUSH/PULL SUGATSUNE |
| 382161-02 | EXTENSION HANGER- 21.89"OPEN |
| 381607-01 | HINGE ASSY-GRASS EURO-SAFARI |
| 365346-01 | EDGEBANDING- .63" MIDNIGHT |
| 365346-02 | EDGEBANDING- .94" MIDNIGHT |
| 200773 | CLOSEOUT, READING LIGHT ABS |
| 967699-1 | DWR ASSY-CS W/R ONYX NCV3 |
| 114070 | EXTRU., J-TRIM, MILL FINISH |
| 115545 | CLOSEOUT-CS W/R BACK |
| 701538-01 | CARPET-ECONOLIER W/PSA BACK |

2012 INTERSTATE MOTORHOME

FURNITURE, LOUNGE

Wardrobe, Dual Option Curbside - Lt. Camel



Parts Listed on Next Page

2012 INTERSTATE MOTORHOME

FURNITURE, LOUNGE

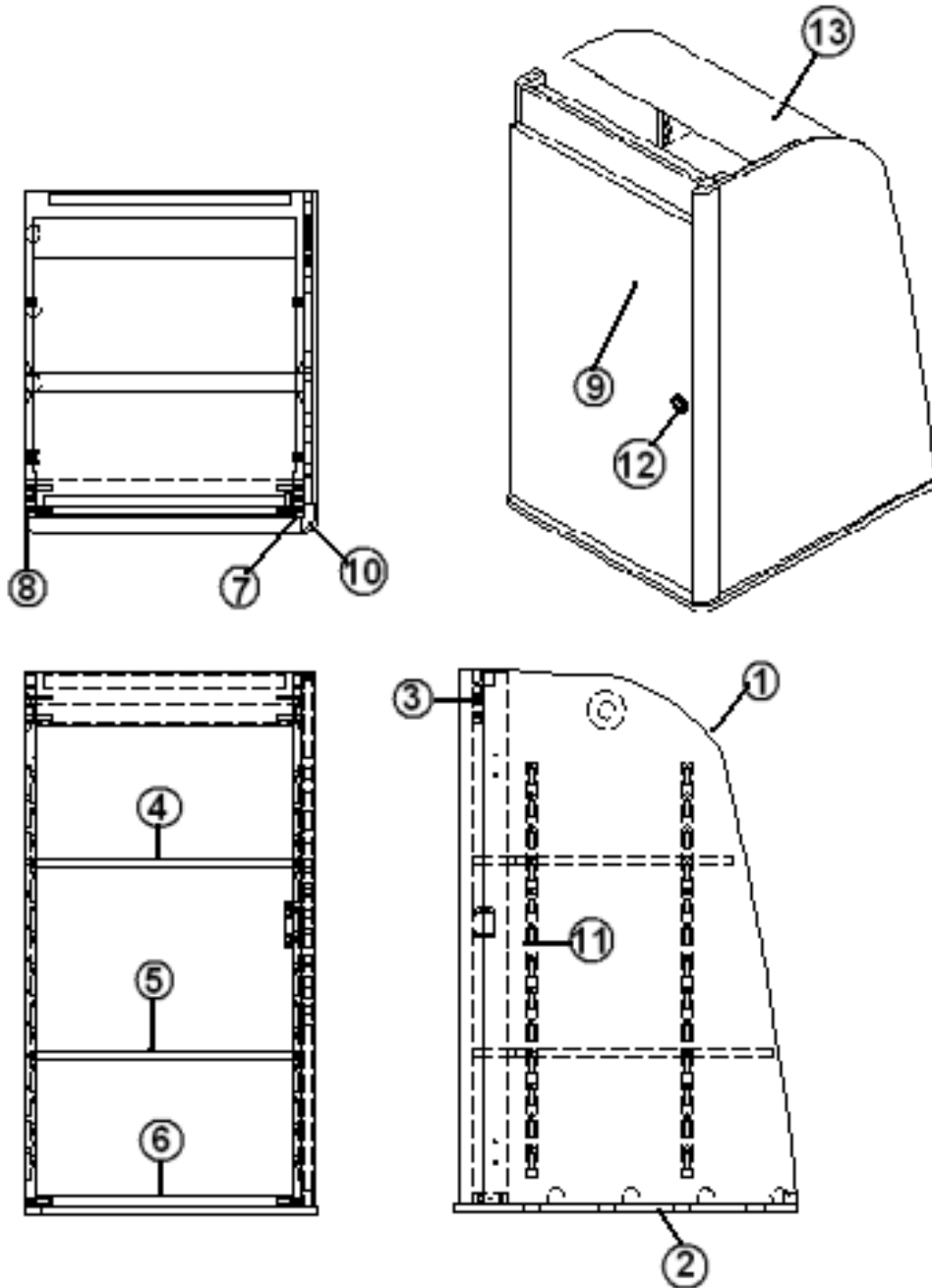
Wardrobe, Curbside Dual Option – Lt. Camel

| | |
|----------------|--------------------------------------|
| 967700-18 | WARDROBE OPTION CURBSIDE – Lt. Camel |
| 1. 967696-0018 | FACE FRAME CS W/R Lt. Camel |
| 2. 967700-182 | PANEL,W/R 16.52X65.08 |
| 3. 967700-183 | PANEL,W/R 20.59X21.38 |
| 4. 967700-184 | PANEL,W/R 20.37X21.38 |
| 5. 967700-185 | PANEL,W/R 16.99X21.38 |
| 6. 967700-188 | PANEL,W/R 2.25X64.95 |
| 7. 967700-189 | PANEL,W/R 17.38X59.25 |
| 8. 381808 | BRKT-FACE MOUNT HINGE #39184 |
| 381228-01 | CATCH GRABBER DOOR C3-803 |
| 382059-01 | KNOB-PUSH/PULL SUGATSUNE |
| 382161-02 | EXTENSION HANGER- 21.89"OPEN |
| 381607-01 | HINGE ASSY-GRASS EURO-SAFARI |
| 365344-01 | EDGEBANDING- .63" P. Bisque |
| 365344-02 | EDGEBANDING- .94" P. Bisque |
| 200773 | CLOSEOUT, READING LIGHT ABS |
| 967699-18 | DWR ASSY-CS W/R |
| 114070 | EXTRU., J-TRIM, MILL FINISH |
| 115545 | CLOSEOUT-CS W/R BACK |
| 701538-01 | CARPET-ECONOLIER W/PSA BACK |

2012 INTERSTATE MOTORHOME

FURNITURE, LOUNGE

Wardrobe, Hanging, Lounge Onyx



Parts Listed on Next Page

2012 INTERSTATE MOTORHOME

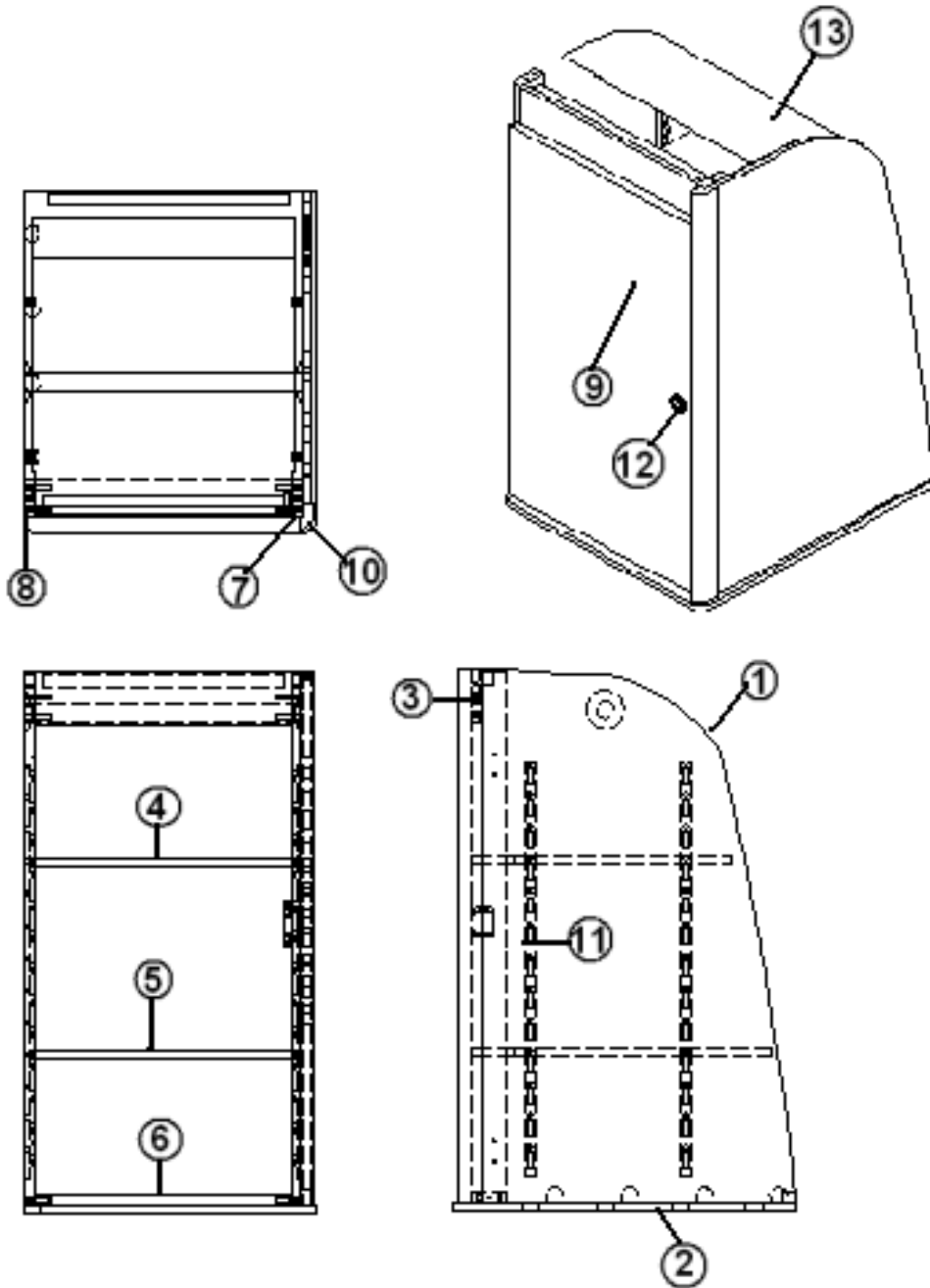
FURNITURE, LOUNGE

Wardrobe, Hanging, Onyx, Lounge

| | |
|-----------------|--------------------------------|
| 967518-16 | Wardrobe, Hanging, Onyx |
| 1. 967518-161 | Panel 19.56 x 33.50 |
| 2. 967518-162 | Panel 18.25 x 21.38 |
| 3. 967518-163 | Panel 16.00 x 3.25 |
| 4. 967518-164 | Panel 16.25 x 16.50 |
| 5. 967518-165 | Panel 18.75 x 16.50 |
| 6. 967518-166 | Panel 2.25 x 16.00 |
| 7. 967518-167 | Panel 2.25 x 33.50 |
| 8. 967518-168 | Panel 2.25 x 33.50 |
| 9. 967518-169 | Panel 16.63 x 30.25 |
| 10. 801706-0019 | Corner Trim, 90D 1", A. Night |
| 11. 381527 | Shelf strips, Speedy |
| 12. 382059-01 | Knob, Push/Pull |
| 13. 967234 | Cover Assy, Wire |
| 14. 381228-01 | Grabber Door Catch C3-803 |
| 15. 382057 | Knockdown, 8mm #16289B |
| 16. 382057-01 | Cap, knockdown Lt. Brn #16289B |
| 17. 381607 | Hinge Assy, Grass Euro |
| 18. 380045 | Tubing 3/4" Elec. Metallic |
| 19. 380046 | Chrome Flange |
| 20. 200975-04 | Conduit, Flexible Blk Plastic |

2012 INTERSTATE MOTORHOME FURNITURE, LOUNGE

Wardrobe, Hanging, Lt. Camel



Parts Listed on Next Page

2012 INTERSTATE MOTORHOME

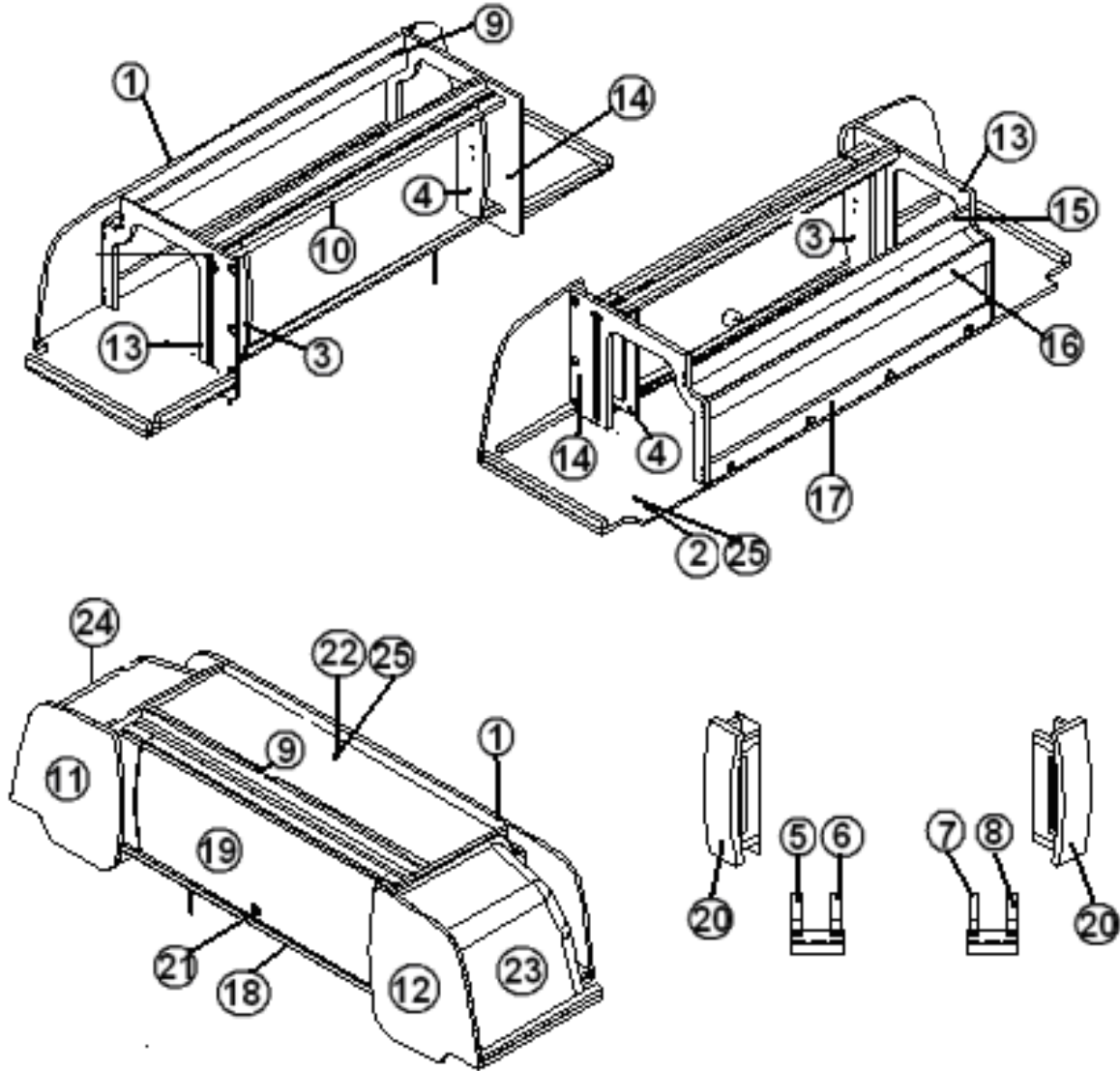
FURNITURE, LOUNGE

Wardrobe, Hanging, Lt. Camel

| | |
|-----------------|--------------------------------|
| 967518-18 | Wardrobe, Hanging, Lt. Camel |
| 1. 967518-181 | Panel 19.56 x 33.50 |
| 2. 967518-182 | Panel 18.25 x 21.38 |
| 3. 967518-183 | Panel 16.00 x 3.25 |
| 4. 967518-184 | Panel 16.25 x 16.50 |
| 5. 967518-185 | Panel 18.75 x 16.50 |
| 6. 967518-186 | Panel 2.25 x 16.00 |
| 7. 967518-187 | Panel 2.25 x 33.50 |
| 8. 967518-188 | Panel 2.25 x 33.50 |
| 9. 967518-189 | Panel 16.63 x 30.25 |
| 10. 801706-0018 | Corner Trim, 90D 1", A. Sand |
| 11. 381527 | Shelf strips, Speedy |
| 12. 382059-01 | Knob, Push/Pull |
| 13. 967234 | Cover Assy, Wire |
| 381228-01 | Grabber Door Catch C3-803 |
| 382057 | Knockdown, 8mm #16289B |
| 382057-01 | Cap, knockdown Lt. Brn #16289B |
| 381607 | Hinge Assy, Grass Euro |
| 380045 | Tubing ¾" Elec. Metallic |
| 380046 | Chrome Flange |
| 200975-04 | Conduit, Flexible Blk Plastic |

2012 INTERSTATE MOTORHOME FURNITURE, LOUNGE

Roof Locker, Center Rear, Lounge, Onyx



Parts Listed on Next Page

2012 INTERSTATE MOTORHOME

FURNITURE, LOUNGE

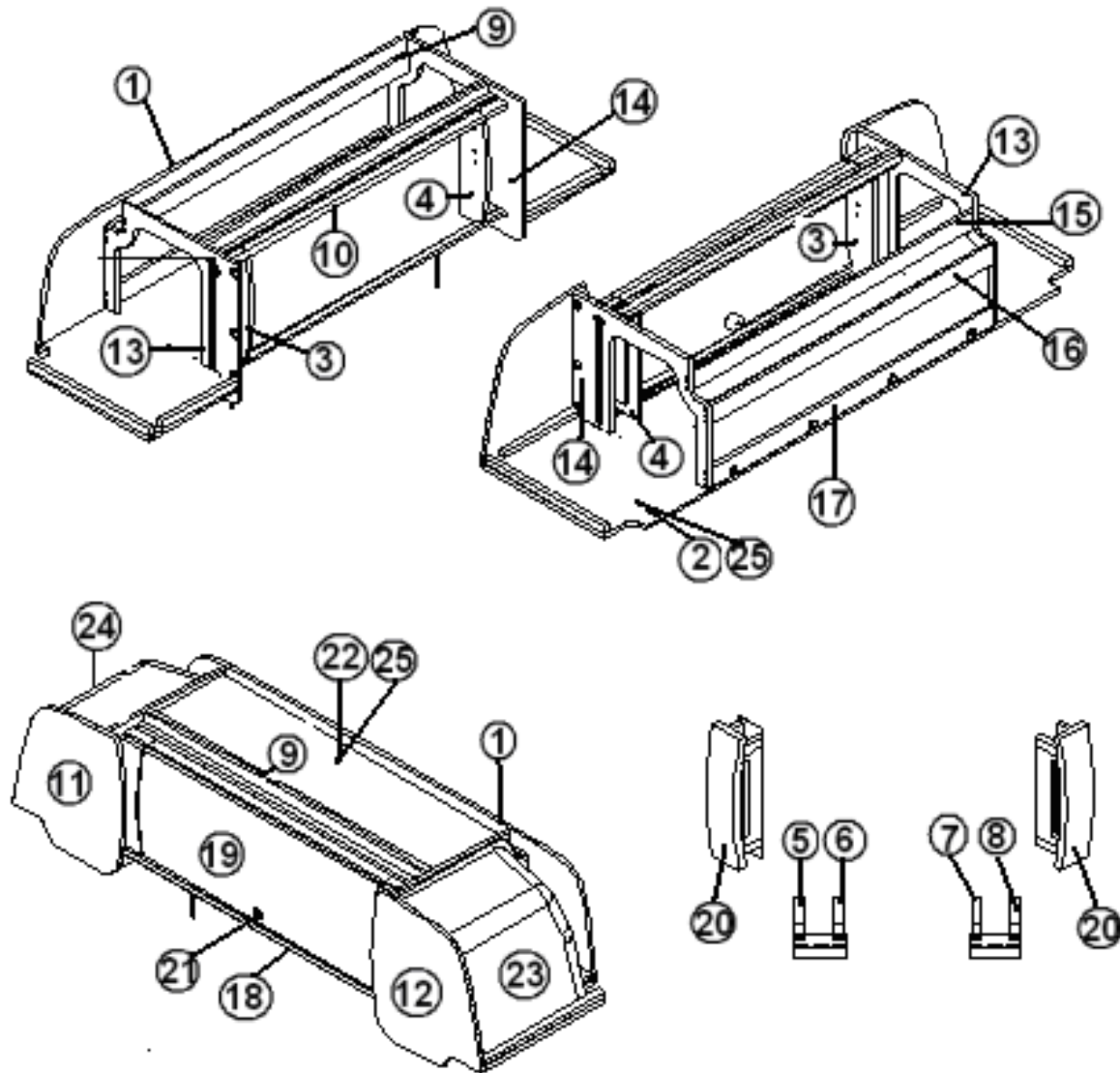
Roof Locker, Center Rear, Lounge, Onyx

| | |
|-----------------|-----------------------------------|
| 967530-16 | ROOFLOCKER ASSY-REAR LNG |
| 1. 967530-161 | PANEL, R/L 12.56 X 56.02 |
| 2. 967530-162 | PANEL, R/L 18 X 62.63 |
| 3. 967530-163 | PANEL, R/L 3.7 X 12.12 |
| 4. 967530-164 | PANEL, R/L 3.7 X 12.12 |
| 5. 967530-165 | PANEL, R/L 2.41 X 10.07 |
| 6. 967530-166 | PANEL, R/L 2.41 X 10.07 |
| 7. 967530-167 | PANEL, R/L 2.41 X 10.07 |
| 8. 967530-168 | PANEL, R/L 2.41 X 10.07 |
| 9. 967530-169 | PANEL, R/L 2.21 X 37.63 |
| 10. 967530-1610 | PANEL, R/L 2.25 X 37.63 |
| 11. 967530-1611 | PANEL, R/L 14.75 X 16.47 |
| 12. 967530-1612 | PANEL, R/L 14.75 X 16.47 |
| 13. 967530-1613 | PANEL, R/L 18 X 16.46 |
| 14. 967530-1614 | PANEL, R/L 18 X 16.46 |
| 15. 967530-1615 | PANEL, R/L 2.25 X 37.63 |
| 16. 967530-1616 | PANEL, R/L 2.25 X 37.63 |
| 17. 967530-1617 | PANEL, R/L 2.25 X 37.63 |
| 18. 115406 | EXTRUSION, R/L 9.075" WIDE ALUM |
| 19. 801785-0119 | DOOR-PLYFORM 12.38 X 31.5 A.NIGHT |
| 20. 801785-0519 | DOOR-PLYFORM 12.38 X 2.88 A.NIGHT |
| 21. 382059-01 | KNOB-PUSH/PULL SUGATSUNE |
| 22. 115487 | CLOSEOUT-ALUM AFT R/L |
| 23. 203675-01 | CLOSEOUT-REAR R/L RH |
| 24. 203675-02 | CLOSEOUT-REAR R/L LH |
| 25. 701538-01 | CARPET-ECONOLIER W/PSA BACK |
| 203440 | MOLDING-BLACK EMBOSSED .8125 |
| 381840-01 | HINGE-OVERHEAD SPRING LH #372. |
| 381840-02 | HINGE-OVERHEAD SPRING RH #372. |
| 382057 | KNOCKDOWN-8MM #16289B |
| 382057-01 | CAP-KNOCKDOWN LT BRN #16289C |

2012 INTERSTATE MOTORHOME

FURNITURE, LOUNGE

Roof Locker, Center Rear, Lounge, Lt. Camel



Parts Listed on Next Page

2012 INTERSTATE MOTORHOME

FURNITURE, LOUNGE

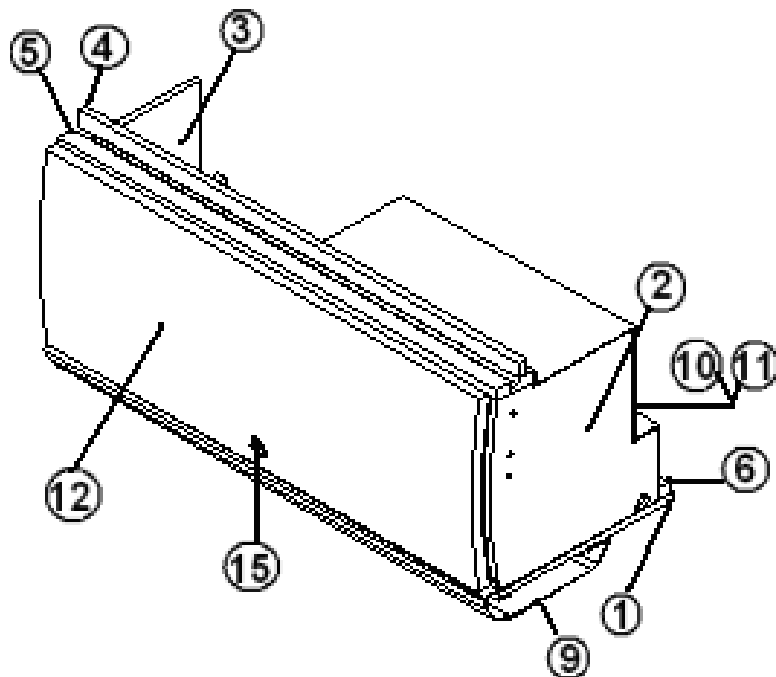
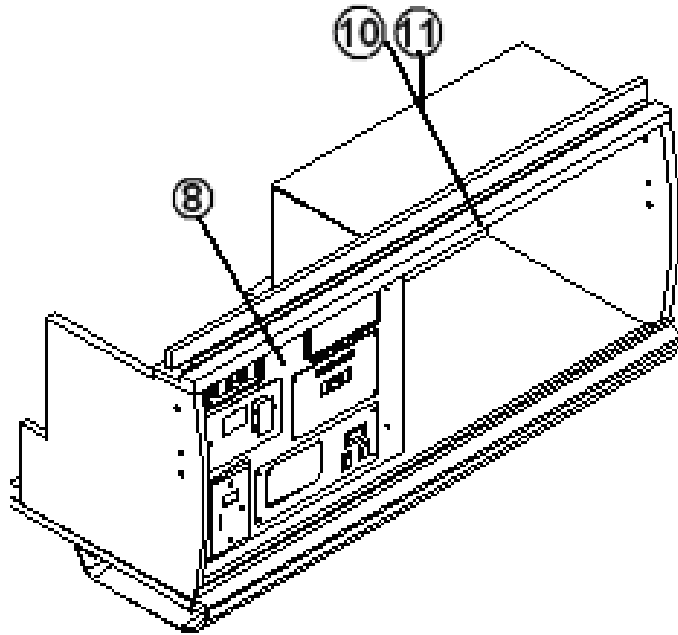
Roof Locker, Center Rear, Lounge, Lt. Camel

| | |
|-----------------|-----------------------------------|
| 967530-18 | ROOFLOCKER ASSY-REAR LNG |
| 1. 967530-181 | PANEL, R/L, 12.56 X 56.02 |
| 2. 967530-182 | PANEL, R/L, 18 X 62.63 |
| 3. 967530-183 | PANEL, R/L, 3.7 X 12.12 |
| 4. 967530-184 | PANEL, R/L, 3.7 X 12.12 |
| 5. 967530-185 | PANEL, R/L, 2.41 X 10.07 |
| 6. 967530-186 | PANEL, R/L, 2.41 X 10.07 |
| 7. 967530-187 | PANEL, R/L, 2.41 X 10.07 |
| 8. 967530-188 | PANEL, R/L, 2.41 X 10.07 |
| 9. 967530-189 | PANEL, R/L, 2.21 X 37.63 |
| 10. 967530-1810 | PANEL, R/L, 2.25 X 37.63 |
| 11. 967530-1811 | PANEL, R/L, 14.75 X 16.47 |
| 12. 967530-1812 | PANEL, R/L, 14.75 X 16.47 |
| 13. 967530-1813 | PANEL, R/L, 18 X 16.46 |
| 14. 967530-1814 | PANEL, R/L, 18 X 16.46 |
| 15. 967530-1815 | PANEL, R/L, 2.25 X 37.63 |
| 16. 967530-1816 | PANEL, R/L, 2.25 X 37.63 |
| 17. 967530-1817 | PANEL, R/L, 2.25 X 37.63 |
| 18. 115406 | EXTRUSION, R/L, 9.075" WIDE ALUM |
| 19. 801785-0118 | DOOR-PLYFORM 12.38 X 31.5 A. Sand |
| 20. 801785-0518 | DOOR-PLYFORM 12.38 X 2.88 A. Sand |
| 21. 382059-01 | KNOB-PUSH/PULL SUGATSUNE |
| 22. 115487 | CLOSEOUT-ALUM AFT R/L |
| 23. 203675-01 | CLOSEOUT-REAR R/L, RH |
| 24. 203675-02 | CLOSEOUT-REAR R/L, LH |
| 25. 701538-01 | CARPET-ECONOLIER W/PSA BACK |
| 203440 | MOLDING-BLACK EMBOSSED .8125 |
| 381840-01 | HINGE-OVERHEAD SPRING LH #372. |
| 381840-02 | HINGE-OVERHEAD SPRING RH #372. |
| 382057 | KNOCKDOWN-8MM #16289B |
| 382057-01 | CAP-KNOCKDOWN LT BRN #16289C |

2012 INTERSTATE MOTORHOME

FURNITURE, LOUNGE

Roof Locker, Curbside Rear, Lounge, ONYX



Parts Listed on Next Page

2012 INTERSTATE MOTORHOME

FURNITURE, LOUNGE

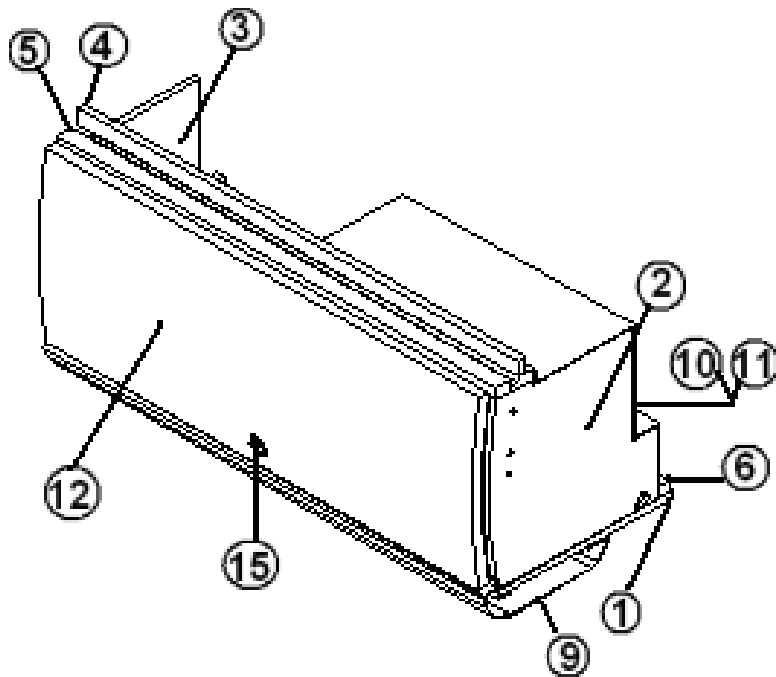
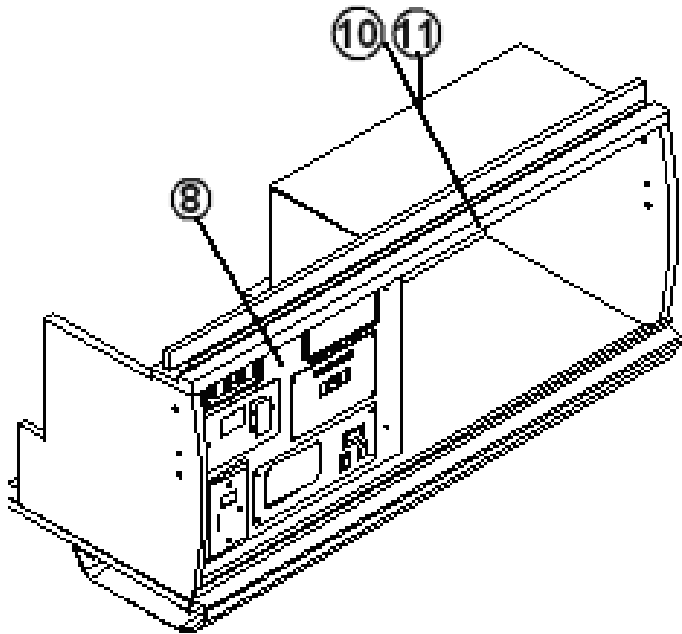
Roof Locker, Curbside Rear, Lounge, ONYX

- 967517-16 Roof Locker ASSY-CS LNG
- 1. 967517-161 PANEL, R/L 12.5X32
- 2. 967517-162 PANEL, R/L 12.28X12.12
- 3. 967517-163 PANEL, R/L 12.28X12.12
- 4. 967517-164 PANEL, R/L 1X32
- 5. 967517-165 PANEL, R/L 2.75X32
- 6. 800025-01 PINE 3/4" X 3/4" STAINED
- 7. 967517-167 PANEL, R/L 9.34X11.73 (Not Shown)
- 8. 967517-168 PANEL, R/L 15.38X12
- 9. 115406 EXTRUSION, R/L 9.075" WIDE ALUM
- 10. 115473-09 BACK-ALUM R/L CAB 16.75"
- 11. 701538-01 CARPET-ECONOLIER W/PSA BACK
- 12. 801785-0119 DR-PLYFORM 12.38X31.5 A.NIGHT
- 13. 381840-01 HINGE-OVERHEAD SPRING LH #372. (not shown)
- 14. 381840-02 HINGE-OVERHEAD SPRING RH #372.(not Shown)
- 15. 382059-01 KNOB-PUSH/PULL SUGATSUNE
- 382057 KNOCKDOWN-8MM #16289B
- 382057-01 CAP KNOCKDOWN LT BRN #16289C
- 382148 PLUG-SNAP IN.375"DIA OFF WHITE
- 510623 CONNECTOR COAX, MALE TO MALE
- 510623-01 LOCK NUT-COAX #610-1501
- 512471 LEAD- 45" COAX CABLE TV ANT.
- 511314 BUSHING UNIVERSAL 1" I.D. BLACK

2012 INTERSTATE MOTORHOME

FURNITURE, LOUNGE

Roof Locker, Curbside Rear, Lounge- LT. CAMEL



Parts Listed on Next Page

2012 INTERSTATE MOTORHOME

FURNITURE, LOUNGE

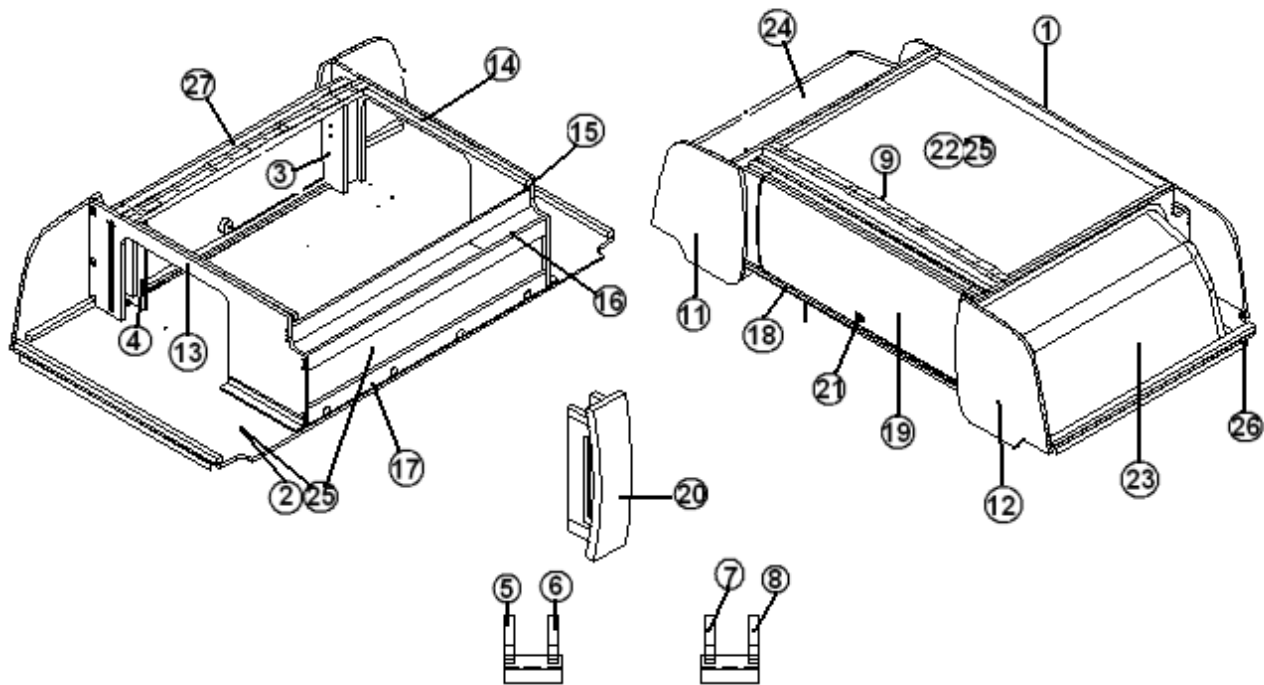
Roof Locker, Curbside Rear, Lounge, LT.CAMEL

- 967517-18 Roof Locker ASSY-CS LNG
- 1. 967517-181 PANEL, R/L, 12.5X32
- 2. 967517-182 PANEL, R/L, 12.28X12.12
- 3. 967517-183 PANEL, R/L, 12.28X12.12
- 4. 967517-184 PANEL, R/L, 1X32
- 5. 967517-185 PANEL, R/L, 2.75X32
- 6. 800025-01 PINE, 3/4" X 3/4" STAINED
- 7. 967517-187 PANEL, R/L, 9.34X11.73 (Not Shown)
- 8. 967517-188 PANEL, R/L, 15.38X12
- 9. 115406 EXTRUSION, R/L, 9.075" WIDE ALUM
- 10. 115473-09 BACK-ALUM R/L, CAB 16.75"
- 11. 701538-01 CARPET-ECONOLIER W/PSA BACK
- 12. 801785-0118 DR, PLYFORM 12.38X31.5 A.SAND
- 13. 381840-01 HINGE-OVERHEAD SPRING LH #372. (not shown)
- 14. 381840-02 HINGE-OVERHEAD SPRING RH #372.(not Shown)
- 15. 382059-01 KNOB-PUSH/PULL SUGATSUNE
- 382057 KNOCKDOWN-8MM #16289B
- 382057-01 CAP KNOCKDOWN LT BRN #16289C
- 382148 PLUG-SNAP IN.375"DIA OFF WHITE
- 510623 CONNECTOR COAX, MALE TO MALE
- 510623-01 LOCK NUT-COAX #610-1501
- 512471 LEAD- 45" COAX CABLE TV ANT.
- 511314 BUSHING UNIVERSAL 1" I.D. BLACK

2012 INTERSTATE MOTORHOME

FURNITURE, LOUNGE

Roof Locker, Rear – Extended Van, ONYX



Parts Listed on Next Page

2012 INTERSTATE MOTORHOME

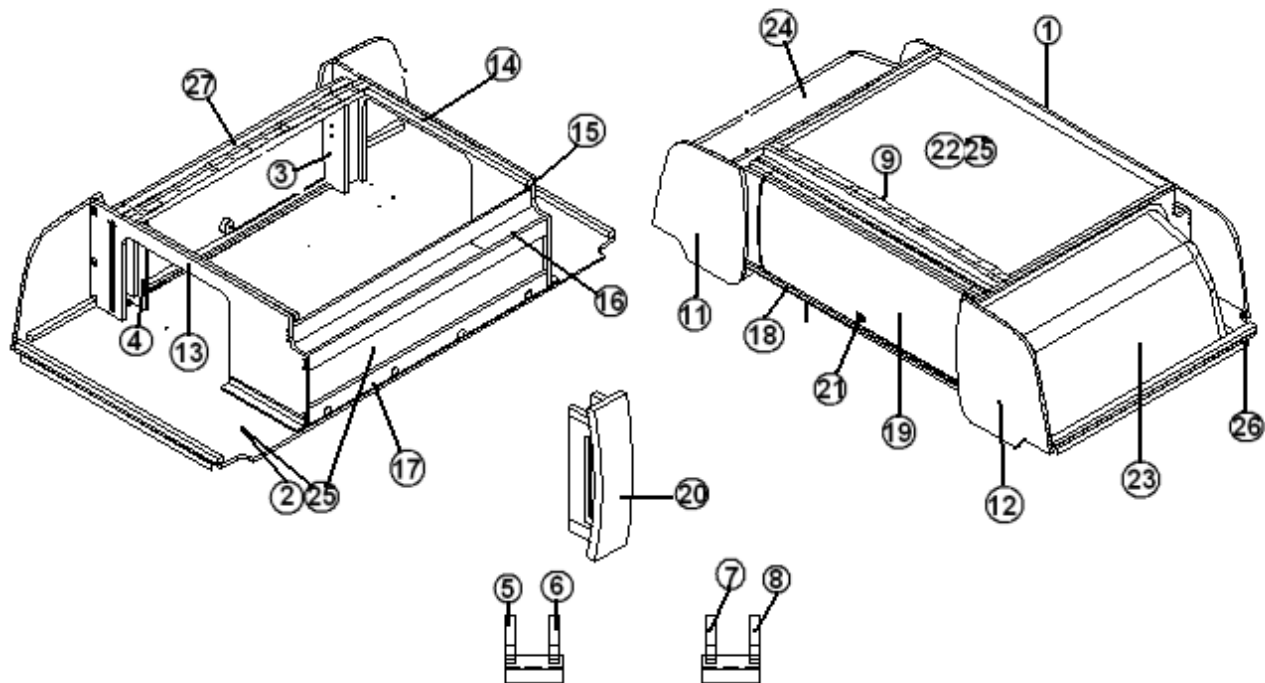
FURNITURE, LOUNGE

| | |
|-----------------|------------------------------------|
| 967771-16 | Roof Locker, Rear, Ext. Van, Onyx |
| 1. 967771-161 | PANEL, 12.56 X 56.02 REAR R/L-LNG |
| 2. 967771-162 | PANEL, 34.00 X 62.63 REAR R/L LNG |
| 3. 967771-163 | PANEL, 3.70 X 12.12 REAR R/L LNGE |
| 4. 967771-164 | PANEL, 3.70 X 12.12 REAR R/L LNGE |
| 5. 967771-165 | PANEL, 2.41 X 10.07 REAR R/L LNG |
| 6. 967771-166 | PANEL, 2.41 X 10.07 REAR R/L LNGE |
| 7. 967771-167 | PANEL, 2.41 X 10.07 REAR R/L LNG |
| 8. 967771-168 | PANEL, 2.41 X 10.07 REAR R/L |
| 9. 967771-169 | PANEL, 2.21 X 37.63 REAR R/L LNG |
| 10. 967771-1610 | PANEL, 2.25 X 37.63 REAR R/L LNG |
| 11. 967771-1611 | PANEL, 14.75 X 16.47 REAR R/L LNG |
| 12. 967771-1612 | PANEL, 14.75 X 16.47 REAR R/L LNG |
| 13. 967771-1613 | PANEL, 34.00 X 16.46 REAR R/L LNG |
| 14. 967771-1614 | PANEL, 34.00 X 16.46 REAR R/L LNG |
| 15. 967771-1615 | PANEL, 2.25 X 37.63 REAR R/L LNG |
| 16. 967771-1616 | PANEL, 2.25 X 37.63 REAR R/L LNG |
| 17. 967771-1617 | PANEL, 2.25 X 37.63 REAR R/L LNG |
| 18. 115406 | EXTRUSION-R/L 9.075" WIDE ALUM |
| 19. 801785-0116 | DOOR-PLYFORM 12.38X31.5 A.NIGHT |
| 20. 801785-0516 | DOOR-PLYFORM 12.38 X 2.88 A. NIGHT |
| 21. 382059-01 | KNOB-PUSH/PULL SUGATSUNE |
| 22. 115552 | CLOSEOUT- ALUM. REAR LOCKER NC |
| 23. 203728-01 | CLOSEOUT-REAR LOCKER, ABS RH |
| 24. 203728-02 | CLOSEOUT REAR LOCKER ABS LH |
| 25. 701538-01 | CARPET-ECONOLIER W/PSA BACK |
| 26. 365346-01 | EDGEBANDING- .63" MIDNIGHT |
| 27. 365346-02 | EDGEBANDING- .94" MIDNIGHT |
| 114813 | ALUM. ANGLE 1.00 X 1.50 |
| 114812 | ALUM. ANGLE 1.00 X 1.00 |
| 381840-01 | HINGE-OVERHEAD SPRING LH #372 |
| 381840-02 | HINGE-OVERHEAD SPRING RH #372 |
| 382057 | KNOCKDOWN-8MM #16289B |
| 382057-01 | CAP-KNOCKDOWN LT BRN #16289C |
| 203445 | T-MOLDING BLK FLEXIBLE POLY .5 |
| 381609-05 | SCREW HAFELE EUROPEAN #9 1 1/2 |
| 365346-01 | EDGEBANDING- .63" MIDNIGHT |
| 365346-02 | EDGEBANDING- .94" MIDNIGHT |

2012 INTERSTATE MOTORHOME

FURNITURE, LOUNGE

Roof Locker, Rear – Extended Van, LT. CAMEL



Parts Listed on Next Page

2012 INTERSTATE MOTORHOME

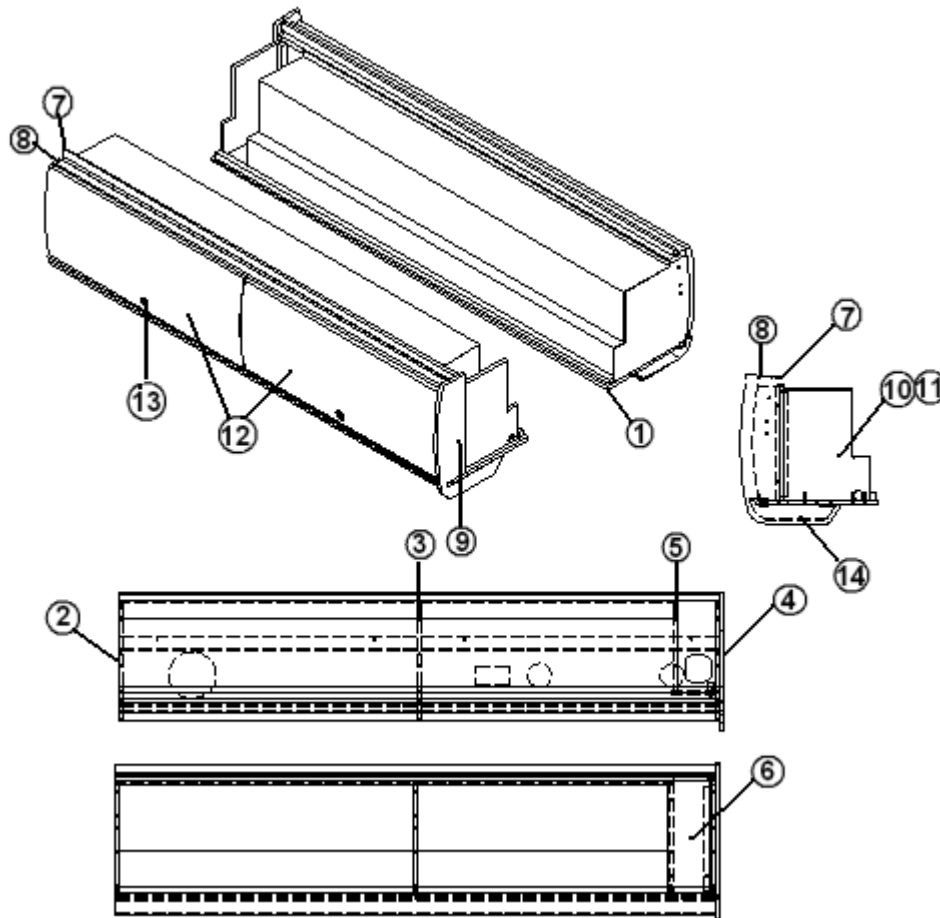
FURNITURE, LOUNGE

| | |
|-----------------|--|
| 967771-18 | Roof Locker, Rear, Ext. Van, Lt. Camel |
| 1. 967771-181 | PANEL, 12.56 X 56.02 REAR R/L-LNG |
| 2. 967771-182 | PANEL, 34.00 X 62.63 REAR R/L LNG |
| 3. 967771-183 | PANEL, 3.70 X 12.12 REAR R/L LNGE |
| 4. 967771-184 | PANEL, 3.70 X 12.12 REAR R/L LNGE |
| 5. 967771-185 | PANEL, 2.41 X 10.07 REAR R/L LNG |
| 6. 967771-186 | PANEL, 2.41 X 10.07 REAR R/L LNGE |
| 7. 967771-187 | PANEL, 2.41 X 10.07 REAR R/L LNG |
| 8. 967771-188 | PANEL, 2.41 X 10.07 REAR R/L |
| 9. 967771-189 | PANEL, 2.21 X 37.63 REAR R/L LNG |
| 10. 967771-1810 | PANEL, 2.25 X 37.63 REAR R/L LNG |
| 11. 967771-1811 | PANEL, 14.75 X 16.47 REAR R/L LNG |
| 12. 967771-1812 | PANEL, 14.75 X 16.47 REAR R/L LNG |
| 13. 967771-1813 | PANEL, 34.00 X 16.46 REAR R/L LNG |
| 14. 967771-1814 | PANEL, 34.00 X 16.46 REAR R/L LNG |
| 15. 967771-1815 | PANEL, 2.25 X 37.63 REAR R/L LNG |
| 16. 967771-1816 | PANEL, 2.25 X 37.63 REAR R/L LNG |
| 17. 967771-1817 | PANEL, 2.25 X 37.63 REAR R/L LNG |
| 18. 115406 | EXTRUSION-R/L 9.075" WIDE ALUM |
| 19. 801785-0118 | DOOR-PLYFORM 12.38X31.5 A. Sand |
| 20. 801785-0518 | DOOR-PLYFORM 12.38 X 2.88 A. Sand |
| 21. 382059-01 | KNOB-PUSH/PULL SUGATSUNE |
| 22. 115552 | CLOSEOUT- ALUM. REAR LOCKER NC |
| 23. 203728-01 | CLOSEOUT-REAR LOCKER, ABS RH |
| 24. 203728-02 | CLOSEOUT REAR LOCKER ABS LH |
| 25. 701538-01 | CARPET-ECONOLIER W/PSA BACK |
| 26. 365346-01 | EDGEBANDING- .63" MIDNIGHT |
| 27. 365346-02 | EDGEBANDING- .94" MIDNIGHT |
| 114813 | ALUM. ANGLE 1.00 X 1.50 |
| 114812 | ALUM. ANGLE 1.00 X 1.00 |
| 381840-01 | HINGE-OVERHEAD SPRING LH #372. |
| 381840-02 | HINGE-OVERHEAD SPRING RH #372. |
| 382057 | KNOCKDOWN-8MM #16289B |
| 382057-01 | CAP-KNOCKDOWN LT BRN #16289C |
| 203445-01 | T-MOLDING WHITE FLEXIBLE POLY .5 |
| 381609-05 | SCREW HAFELE EUROPEAN #9 1 ½ |
| 365344-01 | EDGEBANDING- .63" PEARL BISQUE |
| 365344-0 | EDGEBANDING- .94" PEARL BISQUE |

2012 INTERSTATE MOTORHOME

FURNITURE, LOUNGE

Roof Locker, Roadside Aft, Onyx



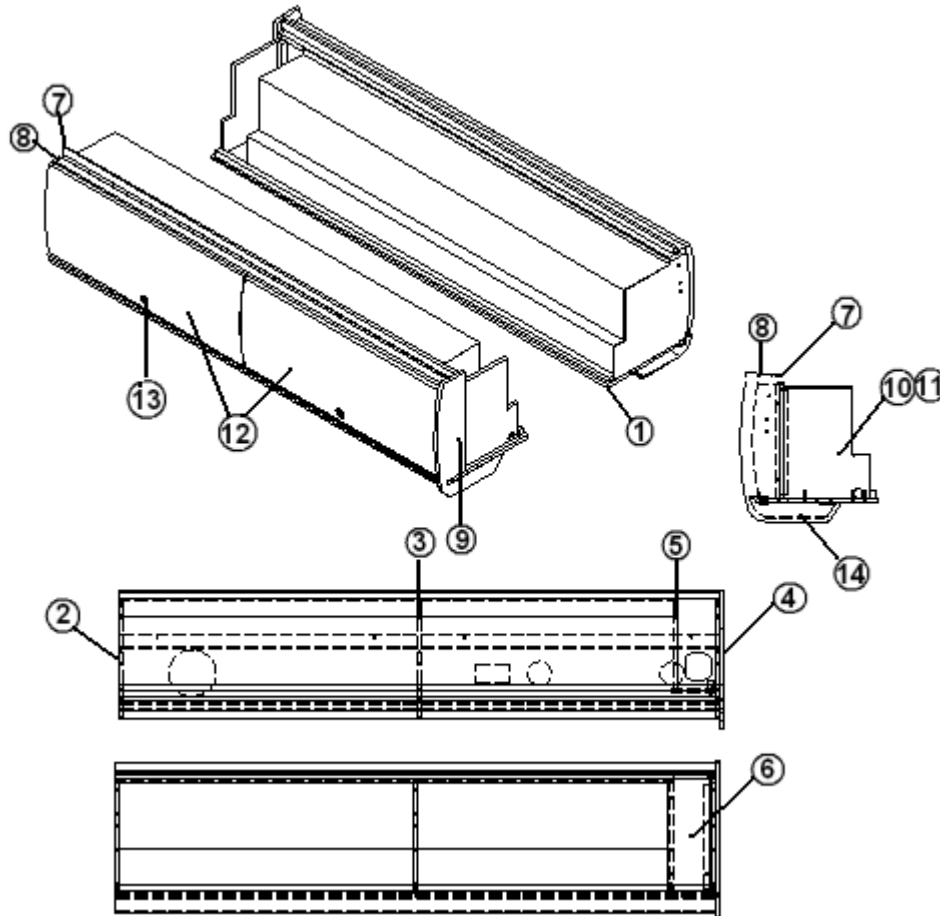
967512-16 ROOFLOCKER ASSY. ROADSIDE AFT - LOUNGE

- | | | |
|-----|-------------|---------------------------------|
| 1. | 967512-161 | PANEL, R/L 12.5X64.02 |
| 2. | 967512-162 | PANEL, R/L 12.28X12.12 |
| 3. | 967512-163 | PANEL, R/L 12.28X12.12 |
| 4. | 967512-164 | PANEL, R/L 12.28X12.12 |
| 5. | 967512-165 | PANEL, R/L 9.34X11.73 |
| 6. | 967512-166 | PANEL, R/L 4.5X12 |
| 7. | 967512-167 | PANEL, R/L 1X63.5 |
| 8. | 967512-168 | PANEL, R/L 2.75X63.5 |
| 9. | 967512-1610 | PANEL, R/L 10.64X16.46 |
| 10. | 115473-06 | BACK-ALUM. R/L CAB. 59" |
| 11. | 701538-01 | CARPET-ECONOLIER W/PSA BACK |
| 12. | 801785-0119 | DOOR-PLYFORM 12.38X31.5 |
| 13. | 382059-01 | KNOB-PUSH/PULL SUGATSUNE |
| 14. | 115406 | EXTRUSION, R/L 9.075" WIDE ALUM |
| | 381840-01 | HINGE-OVERHEAD SPRING LH #372 |
| | 381840-02 | HINGE-OVERHEAD SPRING RH #372 |

2012 INTERSTATE MOTORHOME

FURNITURE, LOUNGE

Roof Locker, Roadside Aft, Lt. Camel



967512-18 ROOFLOCKER ASSY. ROADSIDE AFT LOUNGE

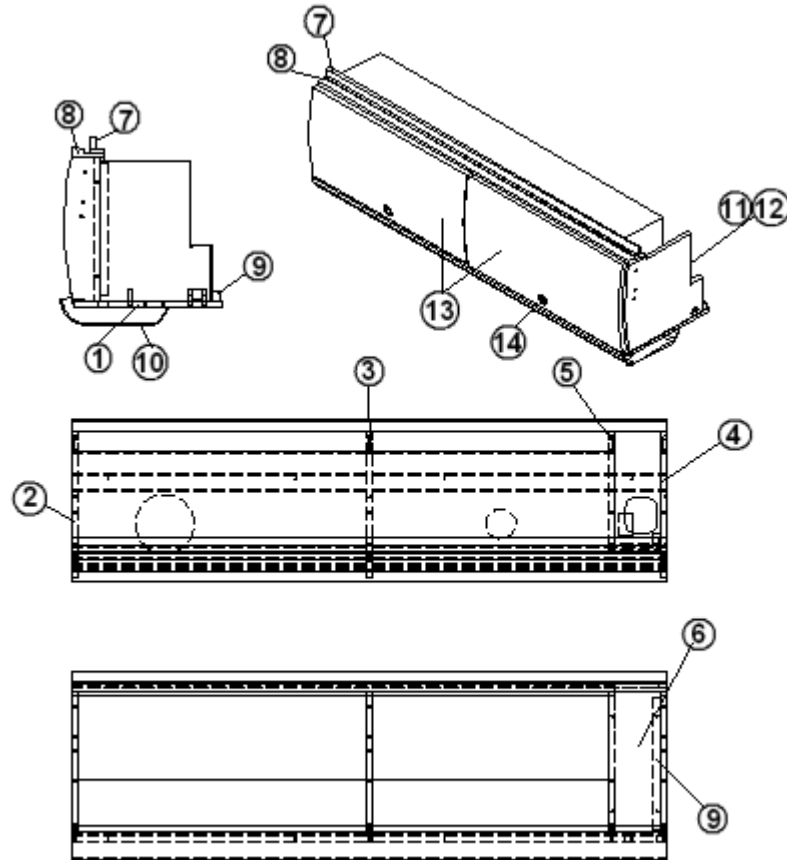
- | | | |
|-----|-------------|---------------------------------|
| 1. | 967512-181 | PANEL, R/L 12.5X64.02 |
| 2. | 967512-182 | PANEL, R/L 12.28X12.12 |
| 3. | 967512-183 | PANEL, R/L 12.28X12.12 |
| 4. | 967512-184 | PANEL, R/L 12.28X12.12 |
| 5. | 967512-185 | PANEL, R/L 9.34X11.73 |
| 6. | 967512-186 | PANEL, R/L 4.5X12 |
| 7. | 967512-187 | PANEL, R/L 1X63.5 |
| 8. | 967512-188 | PANEL, R/L 2.75X63.5 |
| 9. | 967512-1810 | PANEL, R/L 10.64X16.46 |
| 10. | 115473-06 | BACK-ALUM. R/L CAB. 59" |
| 11. | 701538-01 | CARPET-ECONOLIER W/PSA BACK |
| 12. | 801785-0118 | DOOR-PLYFORM 12.38X31.5 |
| 13. | 382059-01 | KNOB-PUSH/PULL SUGATSUNE |
| 14. | 115406 | EXTRUSION, R/L 9.075" WIDE ALUM |
| | 381840-01 | HINGE-OVERHEAD SPRING LH #372 |
| | 381840-02 | HINGE-OVERHEAD SPRING RH #372 |

III-66

2012 INTERSTATE MOTORHOME

FURNITURE, GALLEY

Roof Locker, Roadside Aft Lounge, Wardrobe, Dual W/R, Onyx

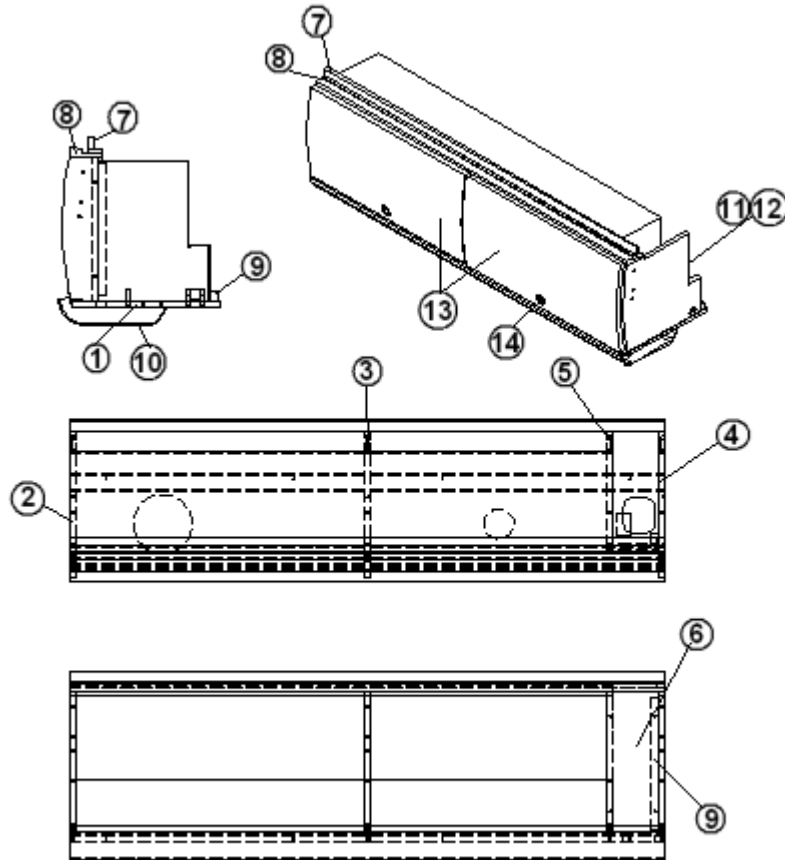


| | |
|-----------------|--|
| 967649-16 | Roof Locker Assy., RS AFT LNG W/R ONYX |
| 1. 967649-161 | PANEL, R/L, 12.5 X 50 |
| 2. 967649-162 | PANEL, R/L, 12.28 X 12.12 |
| 3. 967649-163 | PANEL, R/L, 12.28 X 12.12 |
| 4. 967649-164 | PANEL, R/L, 12.28 X 12.12 |
| 5. 967649-165 | PANEL, R/L, 9.34 X 11.73 |
| 6. 967649-166 | PANEL, R/L, 4.5 X 12 |
| 7. 967649-167 | PANEL, R/L, 1 X 50 |
| 8. 967649-16 | PANEL, R/L, 2.75 X 50 |
| 9. 800025-01 | PINE 3/4" X 3/4" STAINED |
| 10. 115406 | EXTRUSION, R/L, 9.075" WIDE ALUM |
| 11. 115473-10 | BACK-ALUM R/L, CAB. 45.5" |
| 12. 701538-01 | CARPET-ECONOLIER W/PSA BACK |
| 13. 801785-0919 | DOOR-PLYFORM 12.38 X 24.75 A.NIGH |
| 14. 382059-01 | KNOB-PUSH/PULL SUGATSUNE |
| 381840-01 | HINGE-OVERHEAD SPRING LH #372. |
| 381840-02 | HINGE-OVERHEAD SPRING RH #372. |

2012 INTERSTATE MOTORHOME

FURNITURE, GALLEY

Roof Locker, Roadside Aft Lounge, Wardrobe & Dual W/R, LT. Camel



967649-18

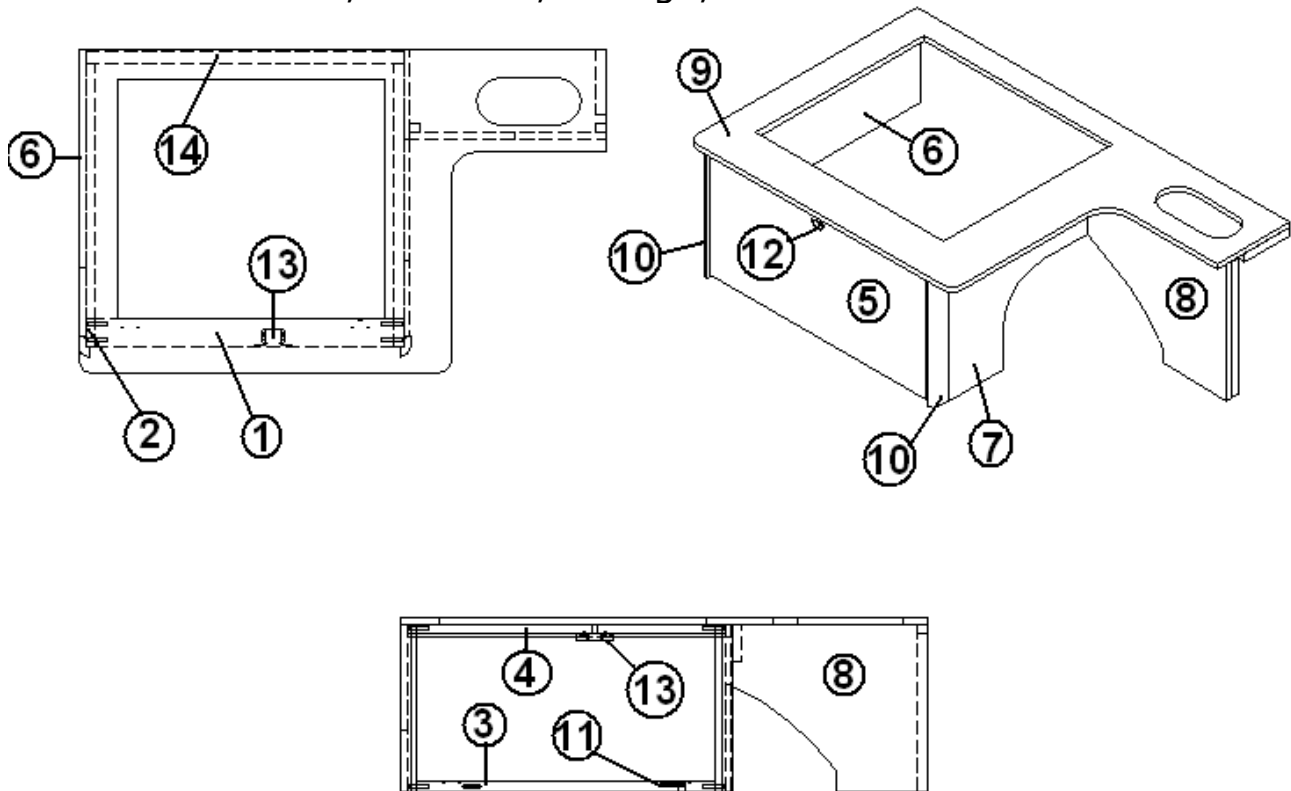
Roof Locker Assy., RS AFT LNG W/R Lt. Camel

- | | | |
|-----|-------------|------------------------------------|
| 1. | 967649-181 | PANEL, R/L, 12.5 X 50 |
| 2. | 967649-182 | PANEL, R/L, 12.28 X 12.12 |
| 3. | 967649-183 | PANEL, R/L, 12.28 X 12.12 |
| 4. | 967649-184 | PANEL, R/L, 12.28 X 12.12 |
| 5. | 967649-185 | PANEL, R/L, 9.34 X 11.73 |
| 6. | 967649-186 | PANEL, R/L, 4.5 X 12 |
| 7. | 967649-187 | PANEL, R/L, 1 X 50 |
| 8. | 967649-17 | PANEL, R/L, 2.75 X 50 |
| 9. | 800025-01 | PINE 3/4" X 3/4" STAINED |
| 10. | 115406 | E X TRUSION, R/L, 9.075" WIDE ALUM |
| 11. | 115473-10 | BACK-ALUM R/L, CAB. 45.5" |
| 12. | 701538-01 | CARPET-ECONOLIER W/PSA BACK |
| 13. | 801785-0918 | DOOR-PLYFORM 12.38 X 24.75 |
| 14. | 382059-01 | KNOB-PUSH/PULL SUGATSUNE |
| | 381840-01 | HINGE-OVERHEAD SPRING LH #372. |
| | 381840-02 | HINGE-OVERHEAD SPRING RH #372. |

2012 INTERSTATE MOTORHOME

FURNITURE, LOUNGE

Dinette Seat Base, Curbside, Lounge, ONYX

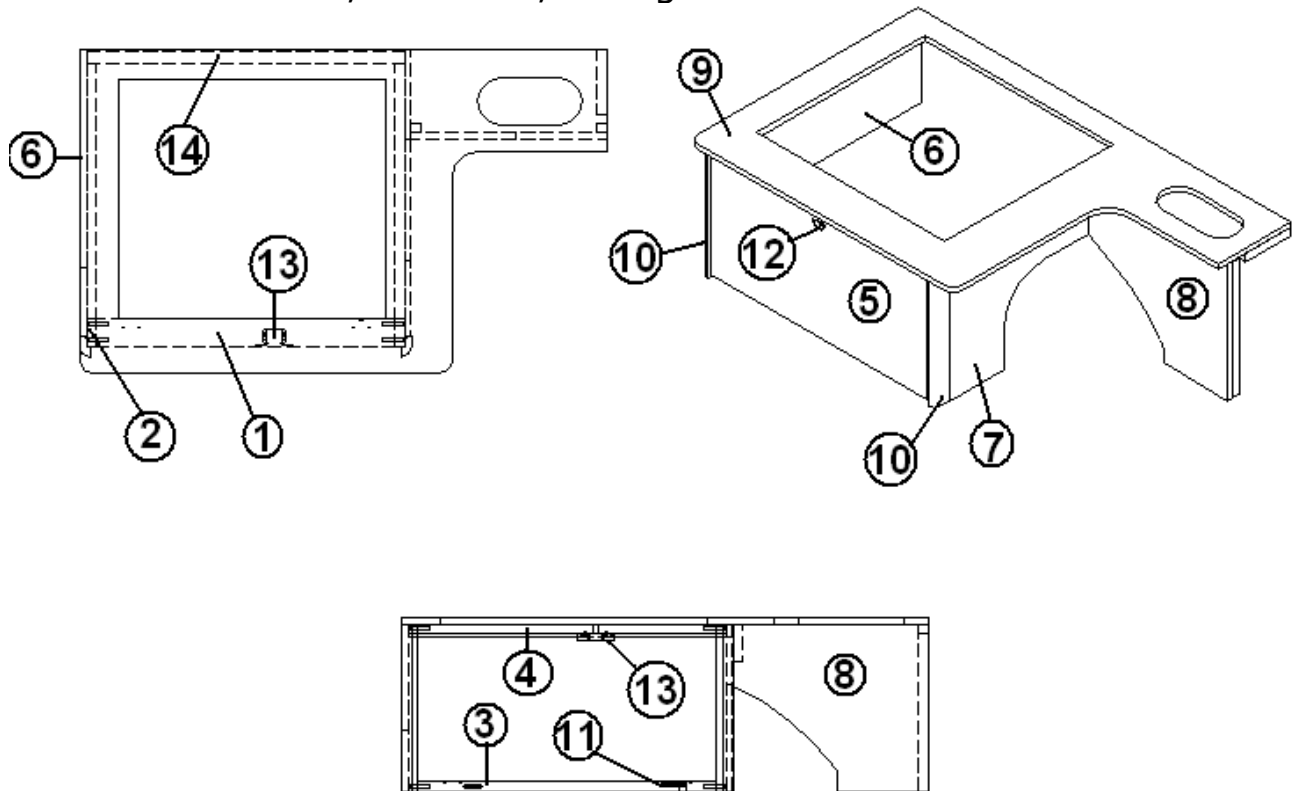


- | | |
|-----------------|-----------------------------|
| 967239-16 | Dinette Seat base, Curbside |
| 1. 967239-161 | Panel, 2.25 x 13.12 |
| 2. 967239-162 | Panel, 2.25 x 13.12 |
| 3. 967239-163 | Panel, 2.25 x 23.50 |
| 4. 967239-164 | Panel, 2.25 x 23.50 |
| 5. 967239-165 | Panel, 24.13 x 12.24 |
| 6. 967239-166 | Panel, 21.75 x 13.12 |
| 7. 967239-167 | Panel, 22.50 x 13.12 |
| 8. 967239-168 | Panel, 15.36 x 13.12 |
| 9. 967239-169 | Panel, 25.31 x 41.42 |
| 10. 801706-0019 | Corner trim, 90 degree |
| 11. 381607 | Hinge |
| 12. 382059-01 | Knob, push/pull |
| 13. 381228-01 | Grabber catch, door |
| 14. 114812 | Angle, aluminum, 1" x 1" |
| 967239-1618 | Closeout, 8 x 25 |

2012 INTERSTATE MOTORHOME

FURNITURE, LOUNGE

Dinette Seat Base, Curbside, Lounge - LT. CAMEL

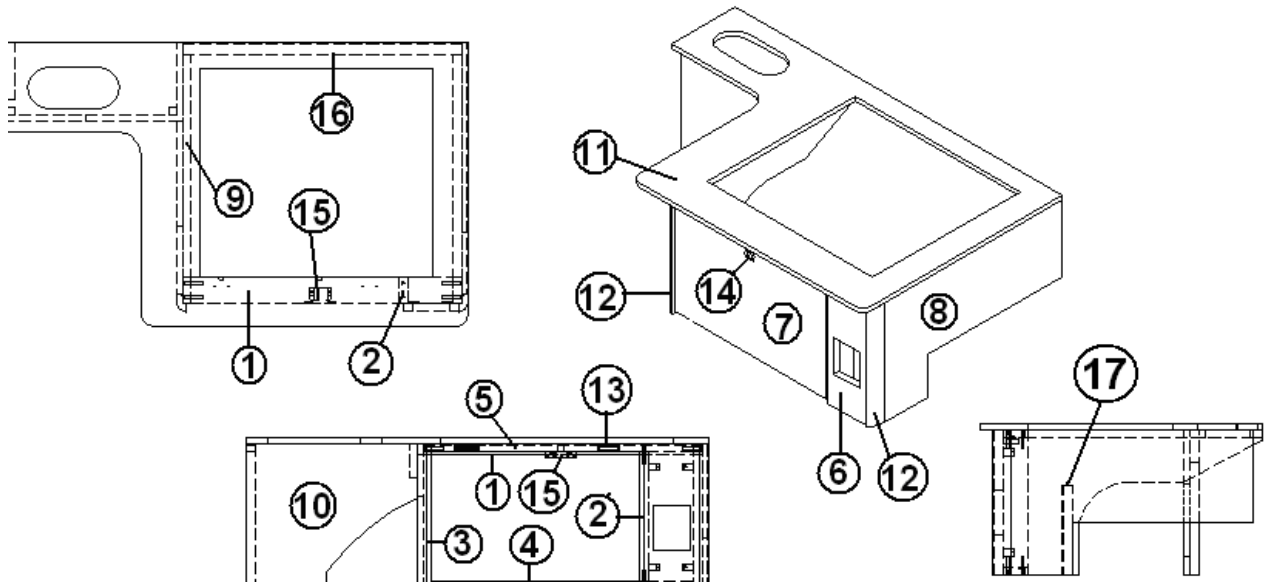


- | | |
|-----------------|-----------------------------|
| 967239-18 | Dinette Seat base, Curbside |
| 1. 967239-181 | Panel, 2.25 x 13.12 |
| 2. 967239-182 | Panel, 2.25 x 13.12 |
| 3. 967239-183 | Panel, 2.25 x 23.50 |
| 4. 967239-184 | Panel, 2.25 x 23.50 |
| 5. 967239-185 | Panel, 24.13 x 12.24 |
| 6. 967239-186 | Panel, 21.75 x 13.12 |
| 7. 967239-187 | Panel, 22.50 x 13.12 |
| 8. 967239-188 | Panel, 15.36 x 13.12 |
| 9. 967239-189 | Panel, 25.31 x 41.42 |
| 10. 801706-0018 | Corner trim, 90 degree |
| 11. 381607 | Hinge |
| 12. 382059-01 | Knob, push/pull |
| 13. 381228-01 | Grabber catch, door |
| 14. 114812 | Angle, aluminum, 1" x 1" |
| 967239-1618 | Closeout, 8 x 25 |

2012 INTERSTATE MOTORHOME

FURNITURE, LOUNGE

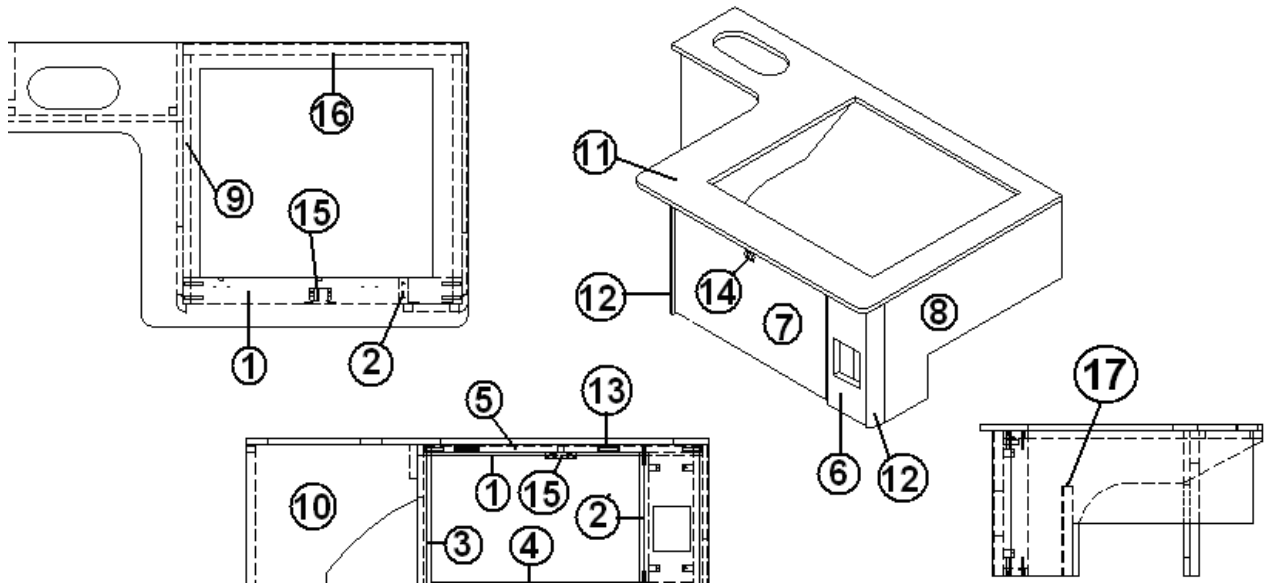
Dinette Seat Base, Roadside, Lounge ONYX



| | |
|-----------------|----------------------------------|
| 967240-16 | Dinette Seat base, roadside |
| 1. 967240-161 | Panel, 2.25 x 13.25 |
| 2. 967240-162 | Panel, 2.25 x 11.75 |
| 3. 967240-163 | Panel, 2.50 x 13.25 |
| 4. 967240-164 | Panel, 2.50 x 23.50 |
| 5. 967240-165 | Panel, 2.50 x 23.50 |
| 6. 967240-166 | Panel, 4.94 x 13.25 |
| 7. 967240-167 | Panel, 19.25 x 12.37 |
| 8. 967240-168 | Panel, 23.50 x 13.25 |
| 9. 967240-169 | Panel, 23.5 x 13.25 |
| 10. 967240-1610 | Panel, 15.36 x 13.25 |
| 11. 967240-1611 | Panel, 25.31 x 41.42 |
| 12. 801706-0019 | Corner trim, 90 degree, A. Night |
| 13. 381607 | Hinge |
| 14. 382059-01 | Knob, push/pull |
| 15. 381228-01 | Grabber catch, door |
| 16. 114812 | Angle, aluminum, 1" x 1" |
| 17. 967240-1621 | Panel, closeout, 8 x 25 |

2012 INTERSTATE MOTORHOME

Dinette Seat Base, Roadside, Lounge -LT. CAMEL

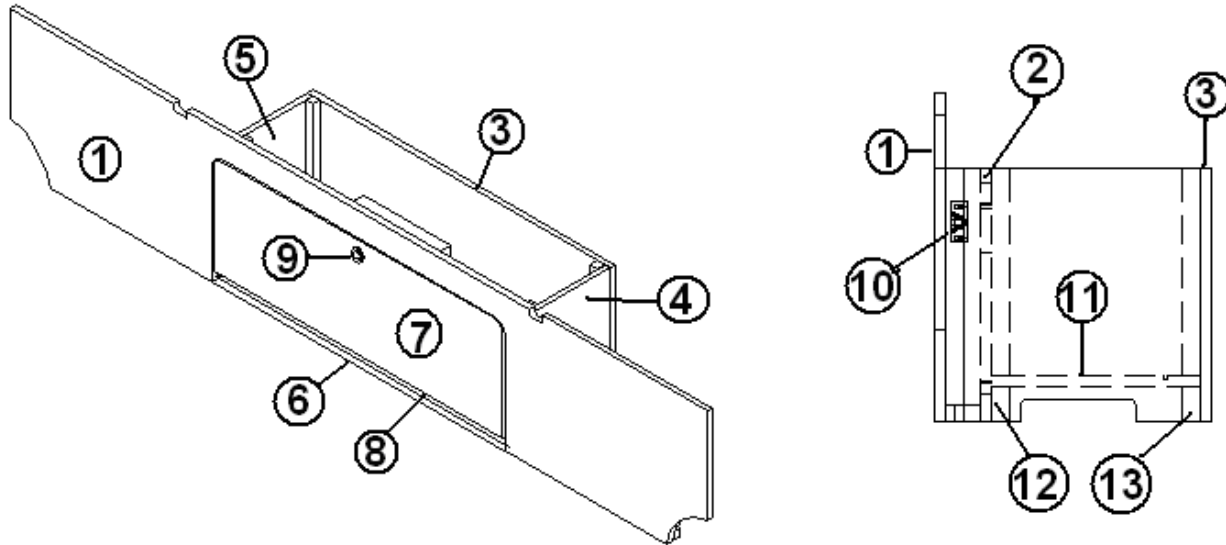


- | | |
|-----------------|---------------------------------|
| 967240-18 | Dinette Seat base, roadside |
| 1. 967240-181 | Panel, 2.25 x 13.25 |
| 2. 967240-182 | Panel, 2.25 x 11.75 |
| 3. 967240-183 | Panel, 2.50 x 13.25 |
| 4. 967240-184 | Panel, 2.50 x 23.50 |
| 5. 967240-185 | Panel, 2.50 x 23.50 |
| 6. 967240-186 | Panel, 4.94 x 13.25 |
| 7. 967240-187 | Panel, 19.25 x 12.37 |
| 8. 967240-188 | Panel, 23.50 x 13.25 |
| 9. 967240-189 | Panel, 23.5 x 13.25 |
| 10. 967240-1810 | Panel, 15.36 x 13.25 |
| 11. 967240-1811 | Panel, 25.31 x 41.42 |
| 12. 801706-0018 | Corner trim, 90 degree, A. SAND |
| 13. 381607 | Hinge |
| 14. 382059-01 | Knob, push/pull |
| 15. 381228-01 | Grabber catch, door |
| 16. 114812 | Angle, aluminum, 1" x 1" |
| 17. 967240-1821 | Panel, closeout, 8 x 25 |

2012 INTERSTATE MOTORHOME

FURNITURE, LOUNGE

Sofa, Rear, Seat Base, Lounge, ONYX

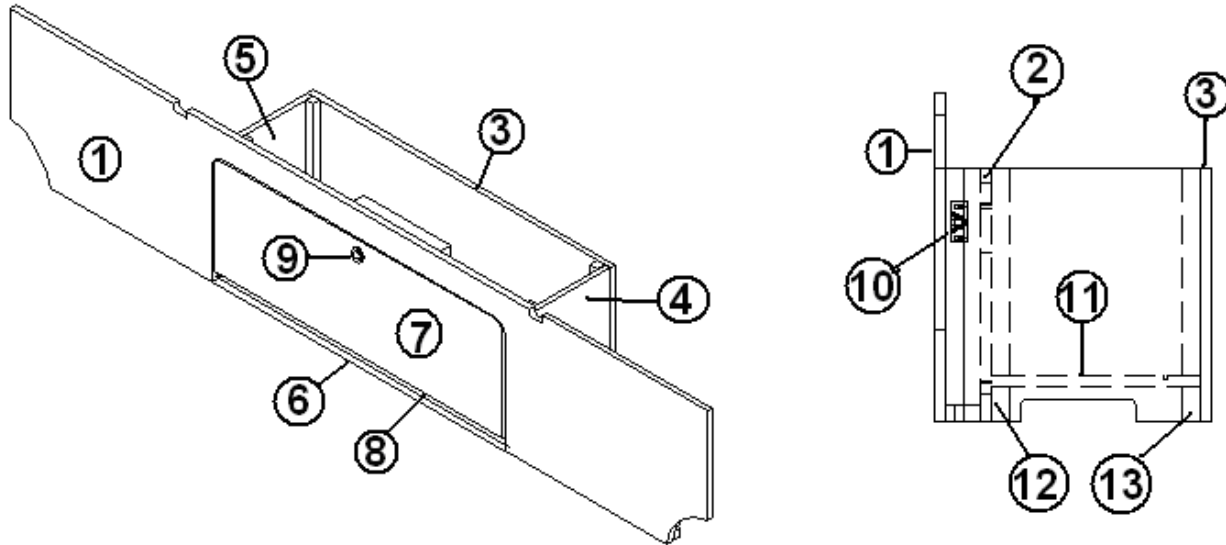


| | |
|-----------------|-----------------------------------|
| 967241-16 | Dinette Seat base, roadside |
| 1. 967241-161 | Panel, 14.25 x 69.58 |
| 2. 967241-162 | Panel, 29.13 x 11.00 |
| 3. 967241-163 | Panel, 30.25 x 11.00 |
| 4. 967241-164 | Panel, 11.00 x 11.00 |
| 5. 967241-165 | Panel, 11.00 x 11.00 |
| 6. 967241-166 | Panel, 1.13 x 29.25 |
| 7. 967241-167 | Panel, 28.88 x 10.00 |
| 8. 382125 | Hinge, piano, clear 1.25" x 72" |
| 9. 382059-01 | Knob, push/pull |
| 10. 381074 | CATCH BULL DOG |
| 11. 967241-1614 | Panel, 9.00 x 8.63 |
| 12. 967241-1615 | Panel, 1.25 x 8.63 |
| 13. 967241-1616 | Panel, 1.25 x 8.63 |
| 345474 | Cap screw, hex head, 1/2" x 1.75" |
| 345476 | Cap screw, hex head, 1/2" x 3.5" |
| 345477 | Cap screw, hex head, 1/2" x 5" |

2012 INTERSTATE MOTORHOME

FURNITURE, LOUNGE

Sofa, Rear, Seat Base, Lounge LT. CAMEL

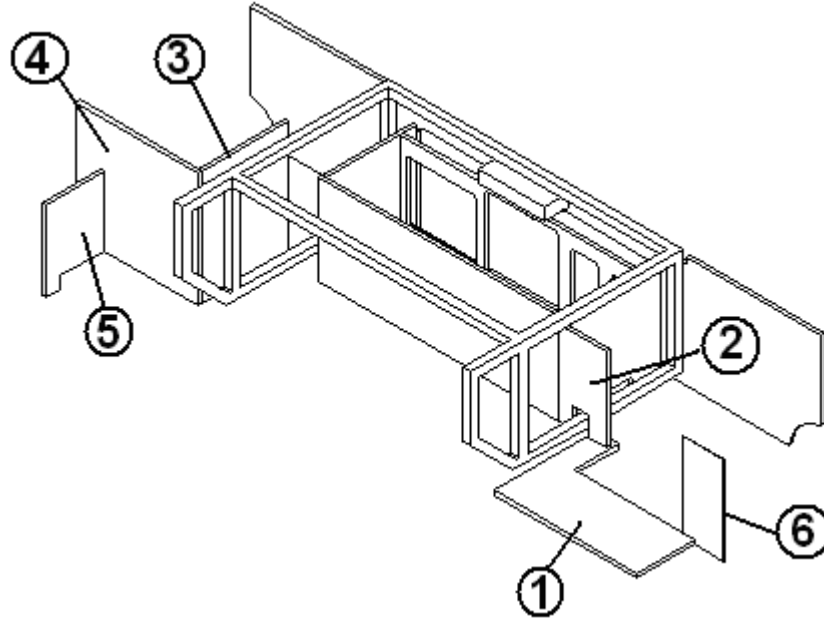


- | | |
|-----------------|-----------------------------------|
| 967241-18 | Dinette Seat base, roadside |
| 1. 967241-181 | Panel, 14.25 x 69.58 |
| 2. 967241-182 | Panel, 29.13 x 11.00 |
| 3. 967241-183 | Panel, 30.25 x 11.00 |
| 4. 967241-184 | Panel, 11.00 x 11.00 |
| 5. 967241-185 | Panel, 11.00 x 11.00 |
| 6. 967241-186 | Panel, 1.13 x 29.25 |
| 7. 967241-187 | Panel, 28.88 x 10.00 |
| 8. 382125 | Hinge, piano, clear 1.25" x 72" |
| 9. 382059-01 | Knob, push/pull |
| 10. 381074 | CATCH BULL DOG |
| 11. 967241-1814 | Panel, 9.00 x 8.63 |
| 12. 967241-1815 | Panel, 1.25 x 8.63 |
| 13. 967241-1816 | Panel, 1.25 x 8.63 |
| 345474 | Cap screw, hex head, 1/2" x 1.75" |
| 345476 | Cap screw, hex head, 1/2" x 3.5" |
| 345477 | Cap screw, hex head, 1/2" x 5" |

2012 INTERSTATE MOTORHOME

FURNITURE, LOUNGE

Sofa, Rear, Seat Base Close Outs, Lounge

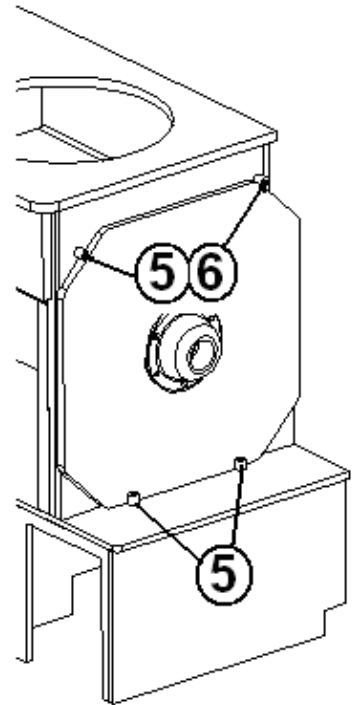
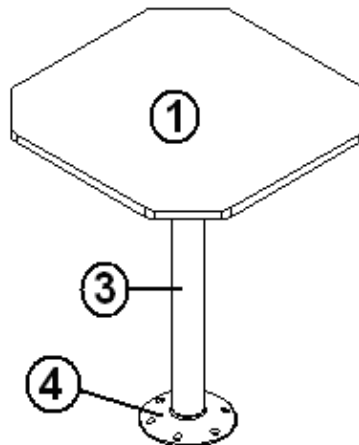
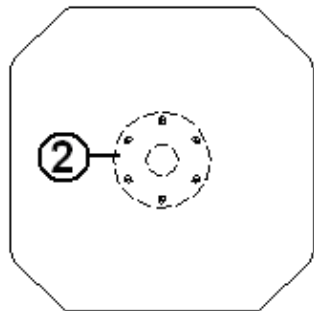


- | | |
|---------------|---|
| 1. 967324-161 | Sofa bed close out, 17.5 x 12.5, Onyx |
| 1. 967324-181 | Sofa bed close out, 17.5 x 12.5, Lt.Camel |
| 2. 967324-162 | Sofa bed close out, 10.25 x 5.75, Onyx |
| 2. 967324-182 | Sofa bed close out, 10.25 x 5.75, Lt.Camel |
| 3. 967324-163 | Sofa bed close out, 14 x 10.5, Onyx |
| 3. 967324-183 | Sofa bed close out, 14 x 10.5, Lt.Camel |
| 4. 967324-164 | Sofa bed close out, 14 x 15, Onyx |
| 4. 967324-184 | Sofa bed close out, 14 x 15, Lt. Camel |
| 5. 967324-165 | Sofa bed close out, 9.75 x 7.00, Onyx |
| 5. 967324-185 | Sofa bed close out, 9.75 x 7.00, Lt. Camel |
| 6. 114879-201 | Aluminum sheet cut to Closeout, 5" x 11.75" |

2012 INTERSTATE MOTORHOME

FURNITURE, LOUNGE

Table, Pedestal



- 967242 Table assembly
- 1. 602234-02 Table top, Tan solid surface option
 - 1. 602234-03 Table top, Cocoa Brown solid surface option
 - 1. 602234-04 *Table top, Onyx solid surface option
 - 1. 602234-05 *Table top, Hazelnut solid surface
 - 2. 381975 Pedestal socket, table top
 - 3. 381974 Pedestal leg, thread lock
 - 4. 381976 Pedestal socket, floor, thread lock
 - 5. 381136 Rubber bumper
 - 6. 382078 Screen clip
 - 382077 Post storage clip, pedestal table

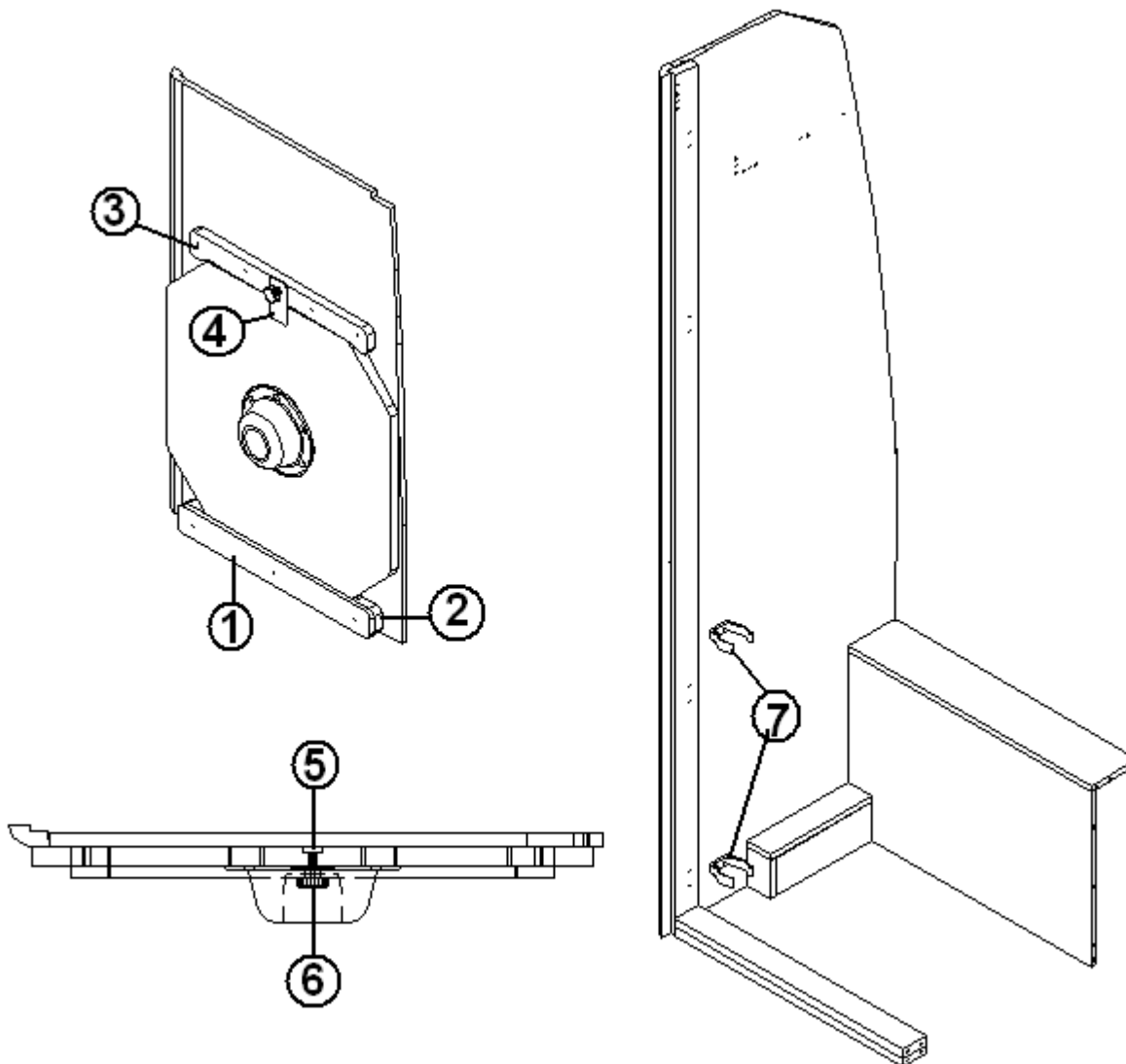
*The Onyx solid surface top (Mosaic) is no longer available. The units now use the Hazelnut.

The last unit to receive the Mosaic is S/N 302413. The first unit to receive the Hazelnut is S/N 302439.

2012 INTERSTATE MOTORHOME

FURNITURE, LOUNGE

Table, Pedestal Storage, Twin

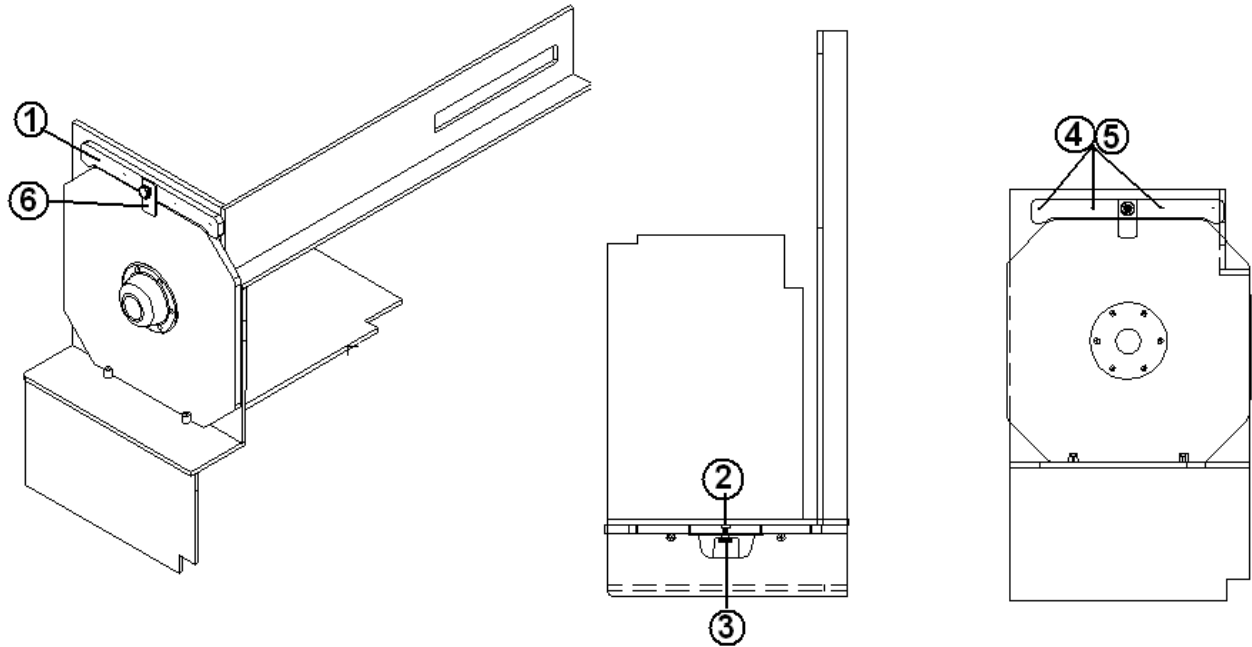


1. 111806-1 PANEL, TABLE STORAGE, 19.00 X 2.25, Onyx
1. 111806-181 PANEL, TABLE STORAGE, 19.00 X 2.25, Lt. Camel
2. 111806-2 PANEL, TABLE STORAGE, 19.00 X 2.25, Onyx
2. 111806-182 PANEL, TABLE STORAGE, 19.00 X 2.25, Lt. Camel
3. 111806-3 PANEL, TABLE STORAGE ,17.50 X 2.25, Onyx
3. 111806-183 PANEL, TABLE STORAGE , 17.50 X 2.25, Lt. Camel
4. 454721 BRACKET, PEDESTAL TABLE STORAGE
5. 350189 NUT, TEE, 6 PRONG 1/4-20
6. 382095 KNOB, KNURLED, 1/4-20 X .50"
7. 382077 CLIP, 2.38", POST STORAGE

2012 INTERSTATE MOTORHOME

FURNITURE, LOUNGE

Table, Pedestal Storage, Lounge

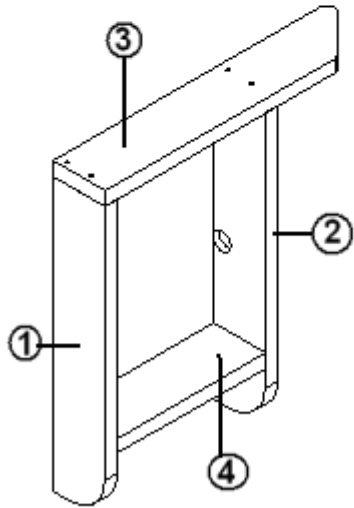
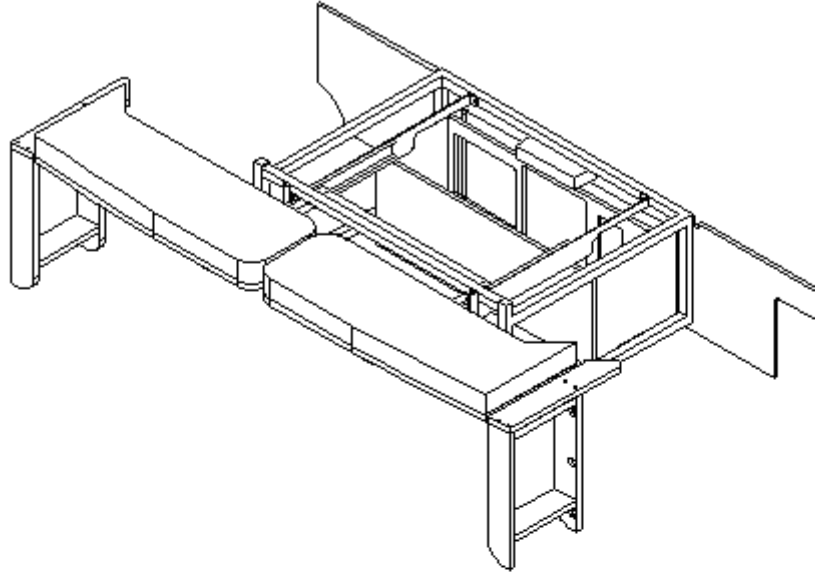


- | | |
|---------------|---------------------------------|
| 1. 111810-161 | PANEL, 17.50 X 2.25, Onyx |
| 1.111810-181 | PANEL, 17.50 X 2.25, Lt. Camel |
| 2. 350189 | NUT, TEE 6 PRONG 1/4-20 |
| 3. 382095 | KNOB, KNURLED 1/4-20 X .50" |
| 4. 381609-02 | SCREW, HAFELE, EUROPEAN, #9, 1" |
| 5. 381610-03 | COVER CAP, PLASTIC |
| 6. 381136 | RUBBER BUMPER |
| 454721 | BRACKET PED TABLE STORAGE |
| 382077 | CLIP, 2.38" POST STORAGE |

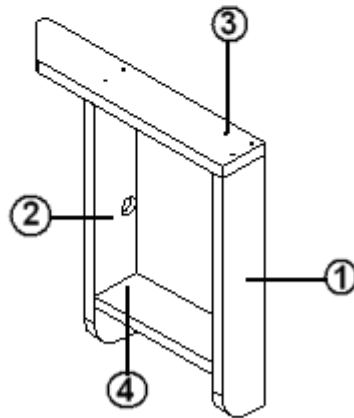
2012 INTERSTATE MOTORHOME

FURNITURE, LOUNGE

Sofa Extension, Onyx – Extended Van



ROADSIDE



CURBSIDE

Parts Listed on Next Page

2012 INTERSTATE MOTORHOME

FURNITURE, LOUNGE

Sofa Extension, Extended Van, Onyx,

| | |
|------------|--------------------------------|
| 967776-16 | Sofa Extension Assy., RS |
| 967777-16 | Sofa Extension Assy., CS |
| 703962-400 | Cushions, Sofa Extension, Onyx |
| 382172 | Light Narrow Utility Hinge 1.5 |
| 320118-10 | Screw, Sheet Metal |
| 112000 | Extension Hold Back Assy. |

| | |
|----------------|-----------------------------|
| 1. 967776-161 | Panel, 3" x 15.75" Roadside |
| 1. 967777-161 | Panel, 3" x 15.75" Curbside |
| 2. 967776-162 | Panel, 3" x 15.75" Roadside |
| 2. 967777-162 | Panel, 3" x 15.75" Curbside |
| 3. 967776-163 | Panel, 3" x 15.79" Roadside |
| 3. 967777-163 | Panel, 3" x 15.79" Curbside |
| 4. 967776-1610 | Panel, 3" x 8.5" Roadside |
| 4. 967777-1610 | Panel, 3" x 8.5" Curbside |

2012 INTERSTATE MOTORHOME

FURNITURE, LOUNGE

Sofa Extension, Extended Van, Lt. Camel

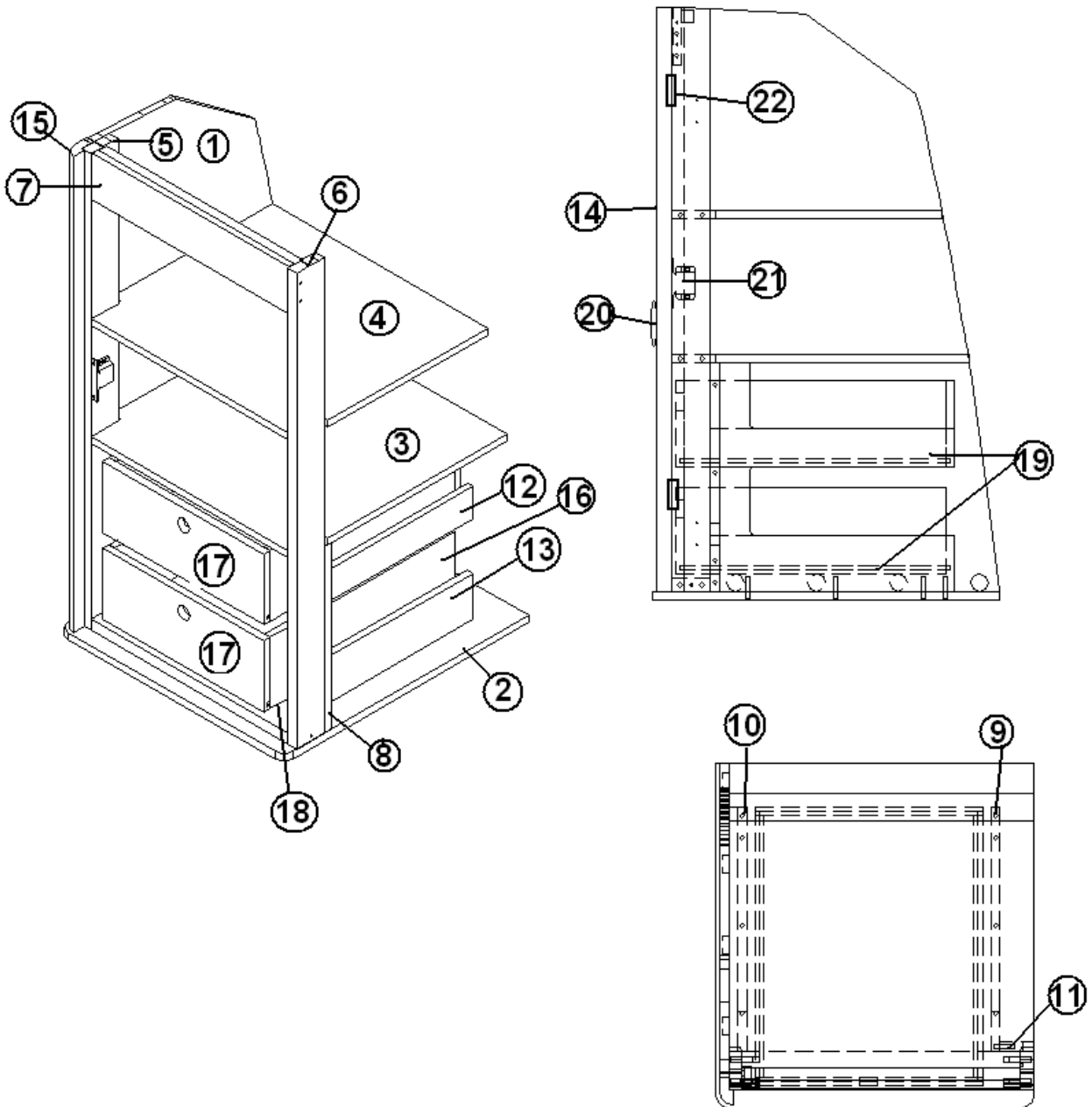
| | |
|------------|-------------------------------------|
| 967776-18 | Sofa Extension Assy., RS |
| 967777-18 | Sofa Extension Assy., CS |
| 703962-411 | Cushions, Sofa Extension, Lt. Camel |
| 382172 | Light Narrow Utility Hinge 1.5 |
| 320118-10 | Screw, Sheet Metal |
| 112000 | Extension Hold Back Assy. |

| | |
|----------------|-----------------------------|
| 1. 967776-181 | Panel, 3" x 15.75" Roadside |
| 1. 967777-181 | Panel, 3" x 15.75" Curbside |
| 2. 967776-182 | Panel, 3" x 15.75" Roadside |
| 2. 967777-182 | Panel, 3" x 15.75" Curbside |
| 3. 967776-183 | Panel, 3" x 15.79" Roadside |
| 3. 967777-183 | Panel, 3" x 15.79" Curbside |
| 4. 967776-1810 | Panel, 3" x 8.5" Roadside |
| 4. 967776-1810 | Panel, 3" x 8.5" Curbside |

2012 INTERSTATE MOTORHOME

FURNITURE, BEDROOM

Wardrobe, Hanging, Twin Bedroom-Onyx



P/Ns are on the next page.

2012 INTERSTATE MOTORHOME

FURNITURE, BEDROOM

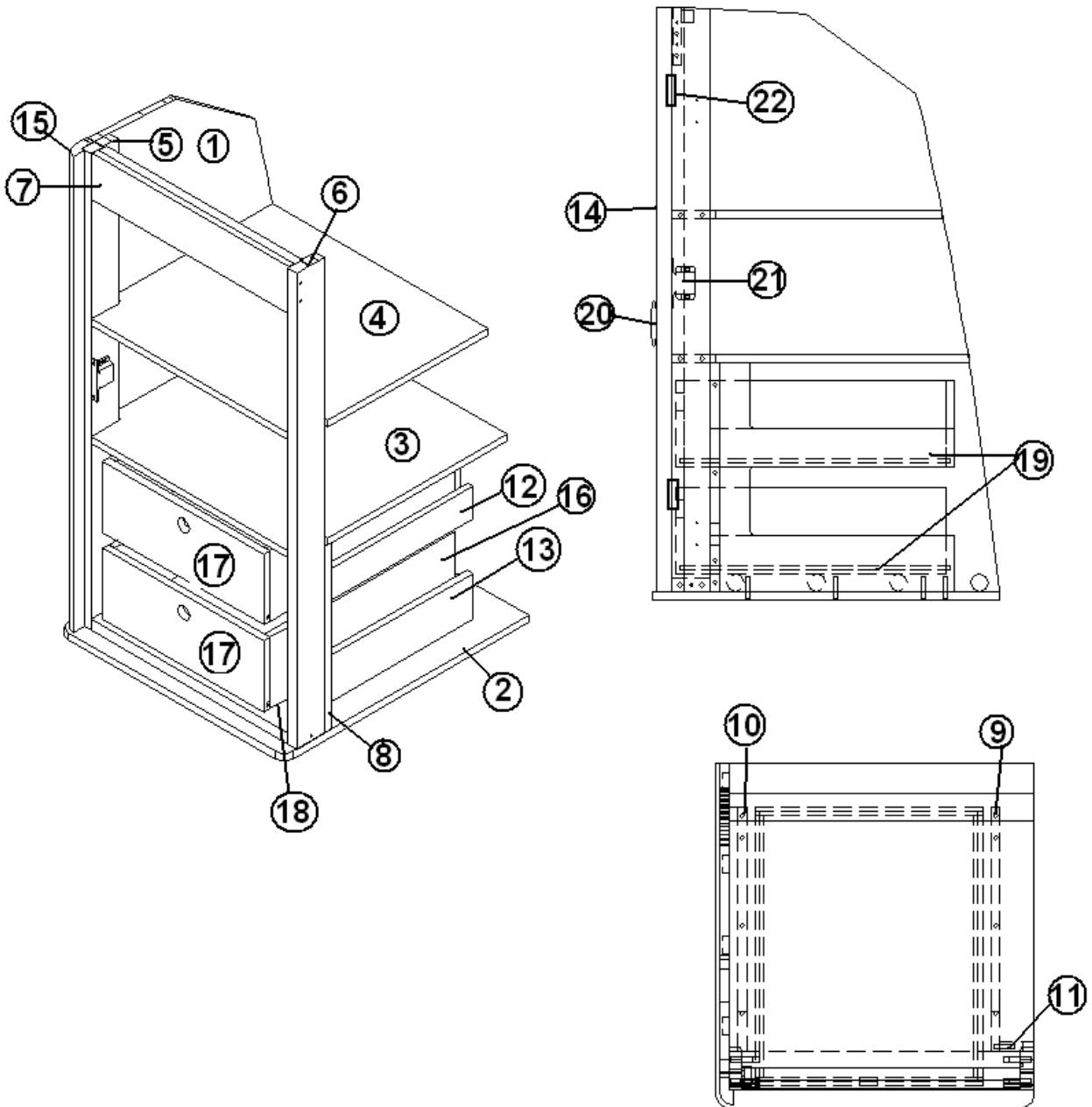
Wardrobe, Hanging, Twin Bedroom, Onyx

| | |
|-----------------|--------------------------------|
| 967461-16 | W/R ASSY, HANGING, Onyx |
| 1. 967461-161 | PANEL, W/R 18.07 X 33.50 |
| 2. 967461-162 | PANEL, W/R 18.25 X 19.88 |
| 3. 967461-163 | PANEL, W/R 17.06 X 17.50 |
| 4. 967461-164 | PANEL, W/R 15.5 X 17.50 |
| 5. 967461-165 | PANEL, W/R 2.25 X 33.50 |
| 6. 967461-166 | PANEL, W/R 2.25 X 33.50 |
| 7. 967461-167 | PANEL, W/R 3.25 X 16 |
| 8. 967461-168 | PANEL, W/R 2.25 X 16 |
| 9. 967461-169 | PANEL, W/R 14 X 13.13 |
| 10. 967461-1610 | PANEL, W/R 14 X 13.13 |
| 11. 967461-1611 | PANEL, W/R 13.13 X 1.94 |
| 12. 967461-1612 | PANEL, W/R 2.25 X 14 |
| 13. 967461-1613 | PANEL, W/R 3.25 X 14 |
| 14. 967461-1614 | PANEL, W/R 16.63 X 30.25 |
| 15. 801706-0019 | CORNER TRIM, ONYX |
| 16. 801262-08 | DRAWER SIDE, 5" X 15" |
| 17. 801262-08 | DRAWER FRONT, 5" X 13.06" |
| 18. 801262-09 | DRAWER BOTTOM, 15.50" X 12.56" |
| 19. 381400 | SLIDE DRAWER, 2900-14" P |
| 20. 382059-01 | KNOB-PUSH/PULL SUGATSUNE |
| 21. 381228-01 | CATCH GRABBER DOOR |
| 22. 381607 | HINGE ASSY |
| 967474 | COVER ASSY-WIRE |

2012 INTERSTATE MOTORHOME

FURNITURE, BEDROOM

Wardrobe, Hanging, Twin Bedroom-LT. Camel



P/Ns are on the next page.

2012 INTERSTATE MOTORHOME

FURNITURE, BEDROOM

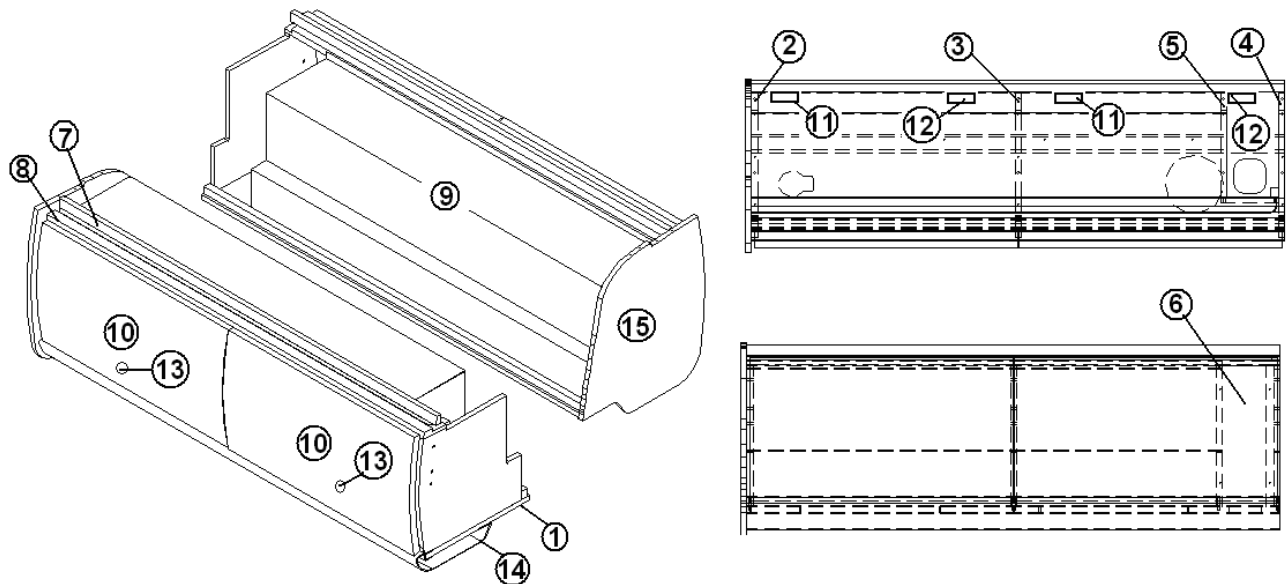
Wardrobe, Hanging, Twin Bedroom, Lt. Camel

| | |
|-----------------|------------------------------------|
| 967461-18 | WARDROBE ASSY, HANGING – Lt. Camel |
| 1. 967461-181 | PANEL, W/R 18.07 X 33.50 |
| 2. 967461-182 | PANEL, W/R 18.25 X 19.88 |
| 3. 967461-183 | PANEL, W/R 17.06 X 17.50 |
| 4. 967461-184 | PANEL, W/R 15.5 X 17.50 |
| 5. 967461-185 | PANEL, W/R 2.25 X 33.50 |
| 6. 967461-186 | PANEL, W/R 2.25 X 33.50 |
| 7. 967461-187 | PANEL, W/R 3.25 X 16 |
| 8. 967461-188 | PANEL, W/R 2.25 X 16 |
| 9. 967461-189 | PANEL, W/R 14 X 13.13 |
| 10. 967461-1810 | PANEL, W/R 14 X 13.13 |
| 11. 967461-1811 | PANEL, W/R 13.13 X 1.94 |
| 12. 967461-1812 | PANEL, W/R 2.25 X 14 |
| 13. 967461-1813 | PANEL, W/R 3.25 X 14 |
| 14. 967461-1814 | PANEL, W/R 16.63 X 30.25 |
| 15. 801706-0018 | CORNER TRIM Lt. Camel |
| 16. 801262-08 | DRAWER SIDE, 5" X 15" |
| 17. 801262-08 | DRAWER FRONT, 5" X 13.06" |
| 18. 801262-09 | DRAWER BOTTOM, 15.50" X 12.56" |
| 19. 381400 | SLIDE DRAWER, 2900-14" P |
| 20. 382059-01 | KNOB-PUSH/PULL SUGATSUNE |
| 21. 381228-01 | CATCH GRABBER DOOR |
| 22. 381607 | HINGE ASSY |
| 967274 | COVER ASSY-WIRE |

2012 INTERSTATE MOTORHOME

FURNITURE, BEDROOM

Roof Locker, Roadside, Twin Bedroom, Onyx

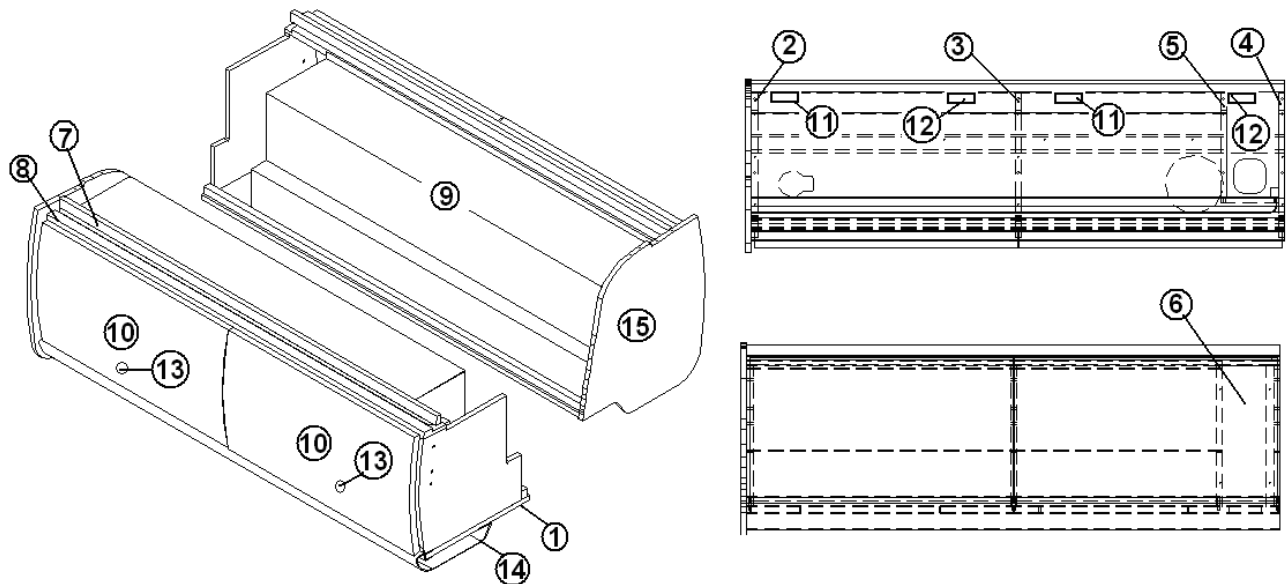


| | |
|-----------------|-------------------------------------|
| 967465-16 | R/L ASSY-RS AFT, Onyx |
| 1. 967465-161 | PANEL, AFT R/L 12.5 X 45.50 |
| 2. 967465-162 | PANEL, AFT R/L 12.28 X 12.12 |
| 3. 967465-163 | PANEL, AFT R/L 12.28 X 12.12 |
| 4. 967465-164 | PANEL, AFT R/L 12.28 X 12.12 |
| 5. 967465-165 | PANEL, AFT R/L 8.84 X 11.73 |
| 6. 967465-166 | PANEL, AFT R/L 5 X 12.00 |
| 7. 967465-167 | PANEL, AFT R/L 1 X 45.50 |
| 8. 967465-168 | PANEL, AFT R/L 2.75 X 45.50 |
| 9. 115473-02 | BACK, ALUM.R/L. 40.5" |
| 10. 801785-0819 | DOOR, PLYFOAM RADIUS, 12.38 X 28.13 |
| 11. 381840-01 | HINGE, OVERHEAD SPRING, LH |
| 12. 381840-02 | HINGE, OVERHEAD SPRING, RH |
| 13. 382059-01 | KNOB, PUSH/PULL, SUGATSUNE |
| 14. 115406 | EXTRUSION, R/L 9.075" WIDE ALUMINUM |
| 15. 967475-16 | ENDCAP, ROOFLOCKER |

2012 INTERSTATE MOTORHOME

FURNITURE, BEDROOM

Roof Locker, Roadside, Twin Bedroom, Lt. Camel

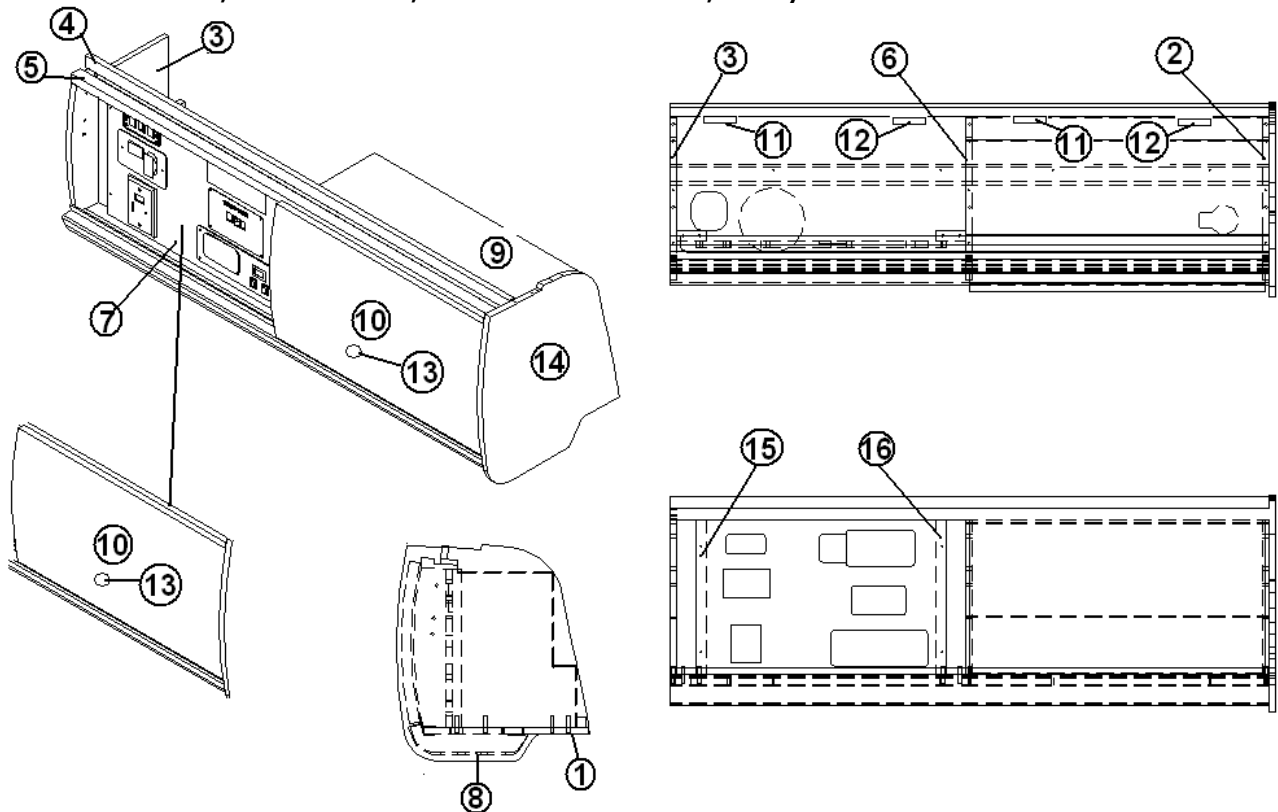


| | |
|-----------------|-------------------------------------|
| 967465-18 | ROOFLOCKER ASSY-RS AFT |
| 1. 967465-181 | PANEL, AFT R/L 12.5 X 45.50 |
| 2. 967465-182 | PANEL, AFT R/L 12.28 X 12.12 |
| 3. 967465-183 | PANEL, AFT R/L 12.28 X 12.12 |
| 4. 967465-184 | PANEL, AFT R/L 12.28 X 12.12 |
| 5. 967465-185 | PANEL, AFT R/L 8.84 X 11.73 |
| 6. 967465-186 | PANEL, AFT R/L 5 X 12.00 |
| 7. 967465-187 | PANEL, AFT R/L 1 X 45.50 |
| 8. 967465-188 | PANEL, AFT R/L 2.75 X 45.50 |
| 9. 115473-02 | BACK, ALUM.R/L. 40.5" |
| 10. 801785-0818 | DOOR, PLYFOAM RADIUS, 12.38 X 28.13 |
| 11. 381840-01 | HINGE, OVERHEAD SPRING, LH |
| 12. 381840-02 | HINGE, OVERHEAD SPRING, RH |
| 13. 382059-01 | KNOB, PUSH/PULL, SUGATSUNE |
| 14. 115406 | EXTRUSION, R/L 9.075" WIDE ALUMINUM |
| 15. 967475-18 | ENDCAP, ROOFLOCKER |

2012 INTERSTATE MOTORHOME

FURNITURE, BEDROOM

Roof Locker, Curbside, Twin Bedroom, Onyx

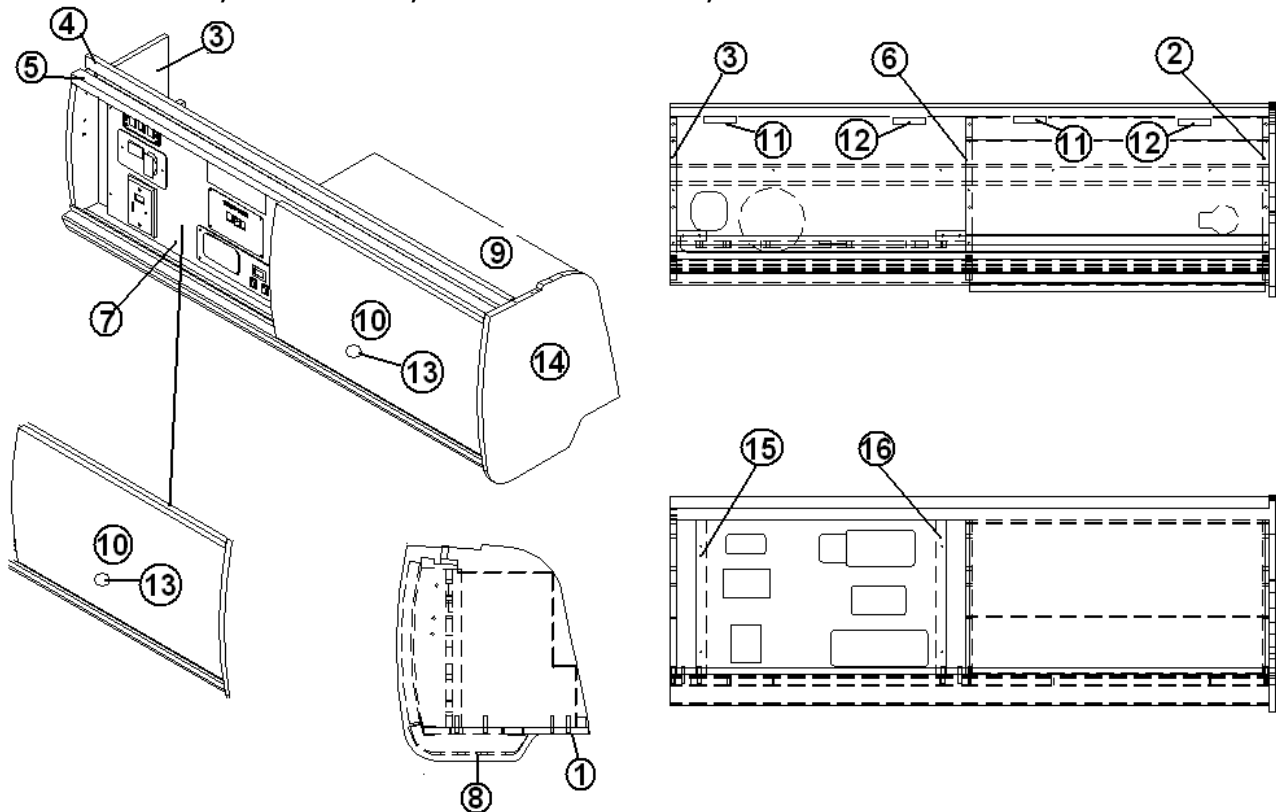


| | |
|-----------------|--|
| 967466-16 | R/L ASSY, CS |
| 1. 967466-161 | PANEL, CS R/L, 12.5 X 45.50 |
| 2. 967466-162 | PANEL, CS R/L, 12.28 X 12.12 |
| 3. 967466-163 | PANEL, CS R/L, 12.28 X 12.12 |
| 4. 967466-164 | PANEL, CS R/L, 1 X 45.50 |
| 5. 967466-165 | PANEL, CS R/L, 2.75 X 45.50 |
| 6. 967466-167 | PANEL, CS R/L, 12.28 X 12.12 |
| 7. 967466-168 | PANEL, CS R/L, 19 X 12.00 |
| 8. 115406 | EXTRUSION, R/L 9.075" WIDE ALUM |
| 9. 115473-03 | BACK, ALUMINUM R/L, 23" |
| 10. 801785-0819 | DOOR, PLYFOAM 35", RADIUS, 12.38 X 22.44 |
| 11. 381840-01 | HINGE, OVERHEAD SPRING LH |
| 12. 381840-02 | HINGE, OVERHEAD SPRING RH |
| 13. 382059-01 | KNOB, PUSH/PULL SUGATSUNE |
| 14. 967475-16 | ENDCAP, ROOFLOCKER |
| 15. 967466-1622 | PANEL, CS R/L, 2.25 X 12.00 |
| 16. 967466-1623 | PANEL, CS R/L, 2.25 X 12.00 |

2012 INTERSTATE MOTORHOME

FURNITURE, BEDROOM

Roof Locker, Curbside, Twin Bedroom, Lt. Camel

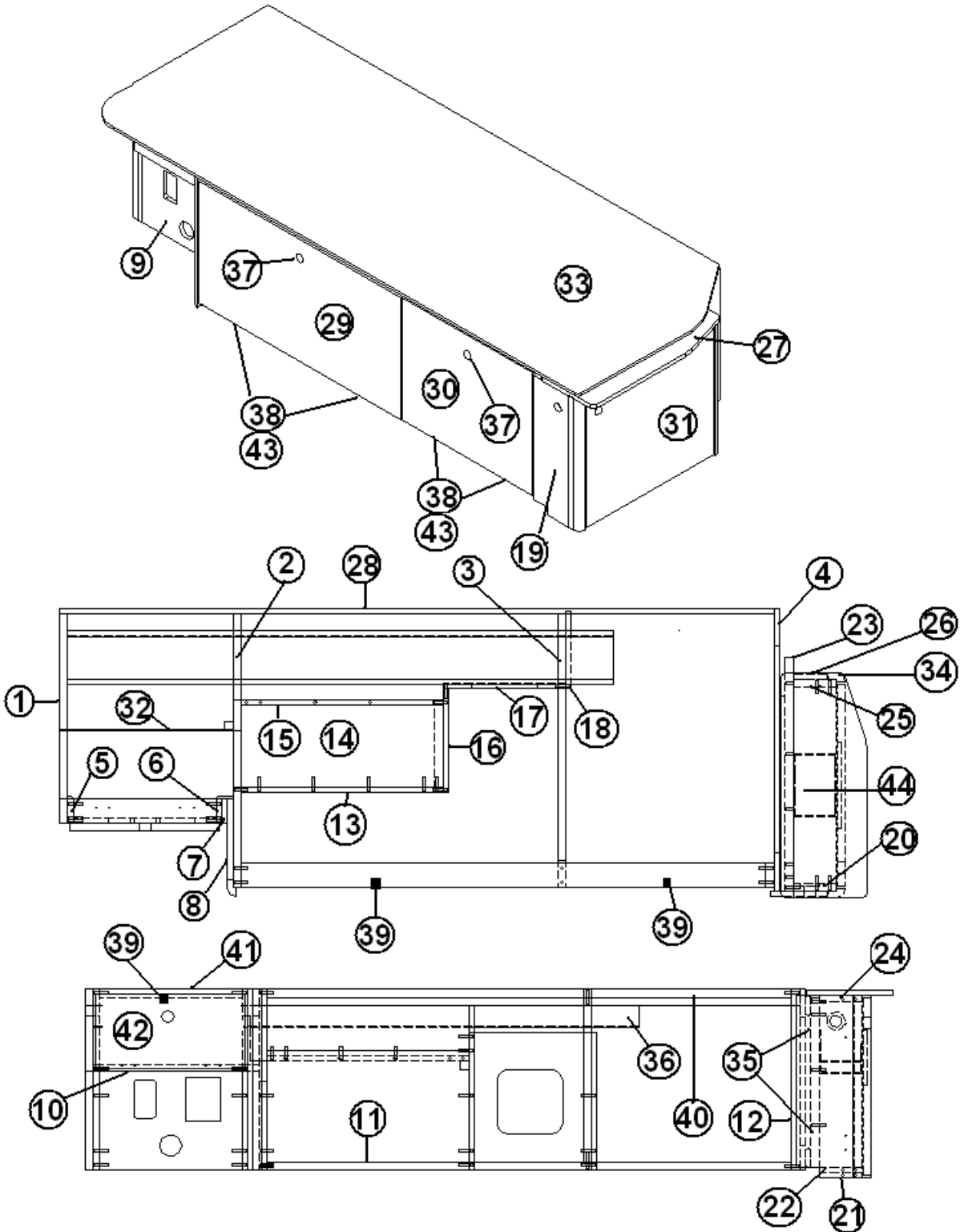


| | |
|-----------------|--|
| 967466-18 | ROOFLOCKER ASSY, CS |
| 1. 967466-181 | PANEL, CS R/L, 12.5 X 45.50 |
| 2. 967466-182 | PANEL, CS R/L, 12.28 X 12.12 |
| 3. 967466-183 | PANEL, CS R/L, 12.28 X 12.12 |
| 4. 967466-184 | PANEL, CS R/L, 1 X 45.50 |
| 5. 967466-185 | PANEL, CS R/L, 2.75 X 45.50 |
| 6. 967466-187 | PANEL, CS R/L, 12.28 X 12.12 |
| 7. 967466-188 | PANEL, CS R/L, 19 X 12.00 |
| 8. 115406 | EXTRUSION, R/L 9.075" WIDE ALUM |
| 9. 115473-03 | BACK, ALUMINUM R/L, 23" |
| 10. 801785-0818 | DOOR, PLYFOAM 35", RADIUS, 12.38 X 22.44 |
| 11. 381840-01 | HINGE, OVERHEAD SPRING LH |
| 12. 381840-02 | HINGE, OVERHEAD SPRING RH |
| 13. 382059-01 | KNOB, PUSH/PULL SUGATSUNE |
| 14. 967475-18 | ENDCAP, ROOFLOCKER |
| 15. 967466-1822 | PANEL, CS R/L, 2.25 X 12.00 |
| 16. 967466-1823 | PANEL, CS R/L, 2.25 X 12.00 |

2012 INTERSTATE MOTORHOME

FURNITURE, BEDROOM

Bed, Curbside, Twin Bedroom, Onyx



P/Ns are on the next page.

2012 INTERSTATE MOTORHOME

FURNITURE, BEDROOM

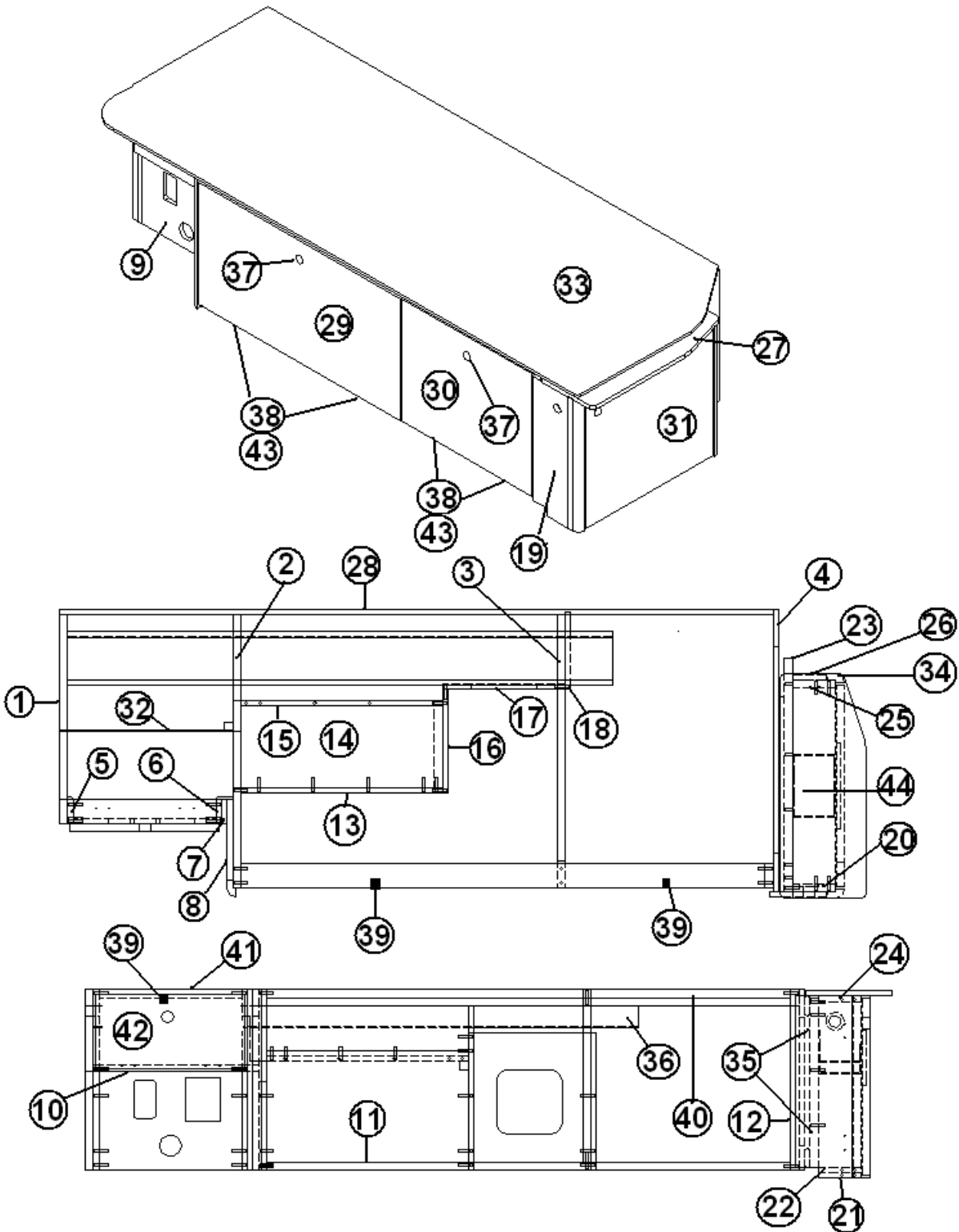
Bed, Curbside, Twin Bedroom, Onyx

| | |
|-----------------|----------------------------------|
| 967468-16 | BED, CS TWIN |
| 1. 967468-161 | PANEL, CS BED, 19.22 X 16.63 |
| 2. 967468-162 | PANEL, CS BED, 25.09 X 16.63 |
| 3. 967468-163 | PANEL, CS BED, 25.09 X 15.88 |
| 4. 967468-164 | PANEL, CS BED, 25.97 X 16.63 |
| 5. 967468-165 | PANEL, CS BED, 2.25 X 16.63 |
| 6. 967468-166 | PANEL, CS BED, 2.25 X 16.63 |
| 7. 967468-169 | PANEL, CS BED, 2.25 X 16.63 |
| 8. 967468-1610 | PANEL, CS BED, 7.38 X 16.63 |
| 9. 967468-1611 | PANEL, CS BED, 13.13 X 9.13 |
| 10. 967468-1612 | PANEL, CS BED, 8.50 X 15.13 |
| 11. 967468-1613 | PANEL, CS BED, 2.25 X 48.13 |
| 12. 967468-1621 | PANEL, CS BED, 2.25 X 16.63 |
| 13. 967468-1622 | PANEL, CS BED, 11 X 18.50 |
| 14. 967468-1623 | PANEL, CS BED, 8 X 18.50 |
| 15. 967468-1624 | PANEL, CS BED, 4.63 X 18.50 |
| 16. 967468-1625 | PANEL, CS BED, 9.5 X 15.13 |
| 17. 967468-1626 | PANEL, CS BED, 12.63 X 11.25 |
| 18. 967468-1627 | PANEL, CS BED, 6.75 X 12.63 |
| 19. 967468-1628 | PANEL, CS BED, 5.19 X 16.75 |
| 20. 967468-1629 | PANEL, CS BED, 3.88 X 16.75 |
| 21. 967468-1630 | PANEL, CS BED, 3.88 X 18.00 |
| 22. 967468-1631 | PANEL, CS BED, 3.88 X 18.00 |
| 23. 967468-1632 | PANEL, CS BED, 21.5 X 15.81 |
| 24. 967468-1633 | PANEL, CS BED, 23.5 X 18 |
| 25. 967468-1634 | PANEL, CS BED, 3.88 X 16.75 |
| 26. 967468-1635 | PANEL, CS BED, 3.13 X 16.75 |
| 27. 967468-1636 | PANEL, CS BED, 7.88 X 20.63 |
| 28. 967468-1637 | PANEL, CS BED, 1.5 X 65.50 |
| 29. 967468-1638 | PANEL, CS BED, 29.69 X 15.25 |
| 30. 967468-1639 | PANEL, CS BED, 19 X 15.25 |
| 31. 967468-1640 | PANEL, CS BED, 18.62 X 16.31 |
| 32. 967468-1641 | PANEL, CS BED, 5.00 X 15.00 |
| 33. 967468-1642 | PANEL, CS BED, 26.75 X 72.00 |
| 34. 801706-0019 | CORNER TRIM, ONYX |
| 35. 381944-01 | SLIDE, DRAWER, 18" |
| 36. 115475 | TROUGH, ALUMINUM HAT SECTION 54" |
| 37. 382044 | HANDLE, BRUSHED NICKEL |
| 38. 381607-01 | HINGE ASSY |
| 39. 381228-01 | CATCH, GRABBER, DOOR |
| 40. 967468-1650 | PANEL, CS BED, 2.25 X 48.13 |
| 41. 967468-1651 | PANEL, CS BED, 2.25 X 13.13 |
| 42. 967468-1652 | PANEL, CS BED, 13.75 X 6.00 |
| 43. 382094 | BRACKET, CORD |
| 44. 381607-03 | BASEPLATE, HINGE, PLASTIC |

2012 INTERSTATE MOTORHOME

FURNITURE, BEDROOM

Bed, Curbside, Twin Bedroom, Lt. Camel



P/Ns are on the next page.

2012 INTERSTATE MOTORHOME

FURNITURE, BEDROOM

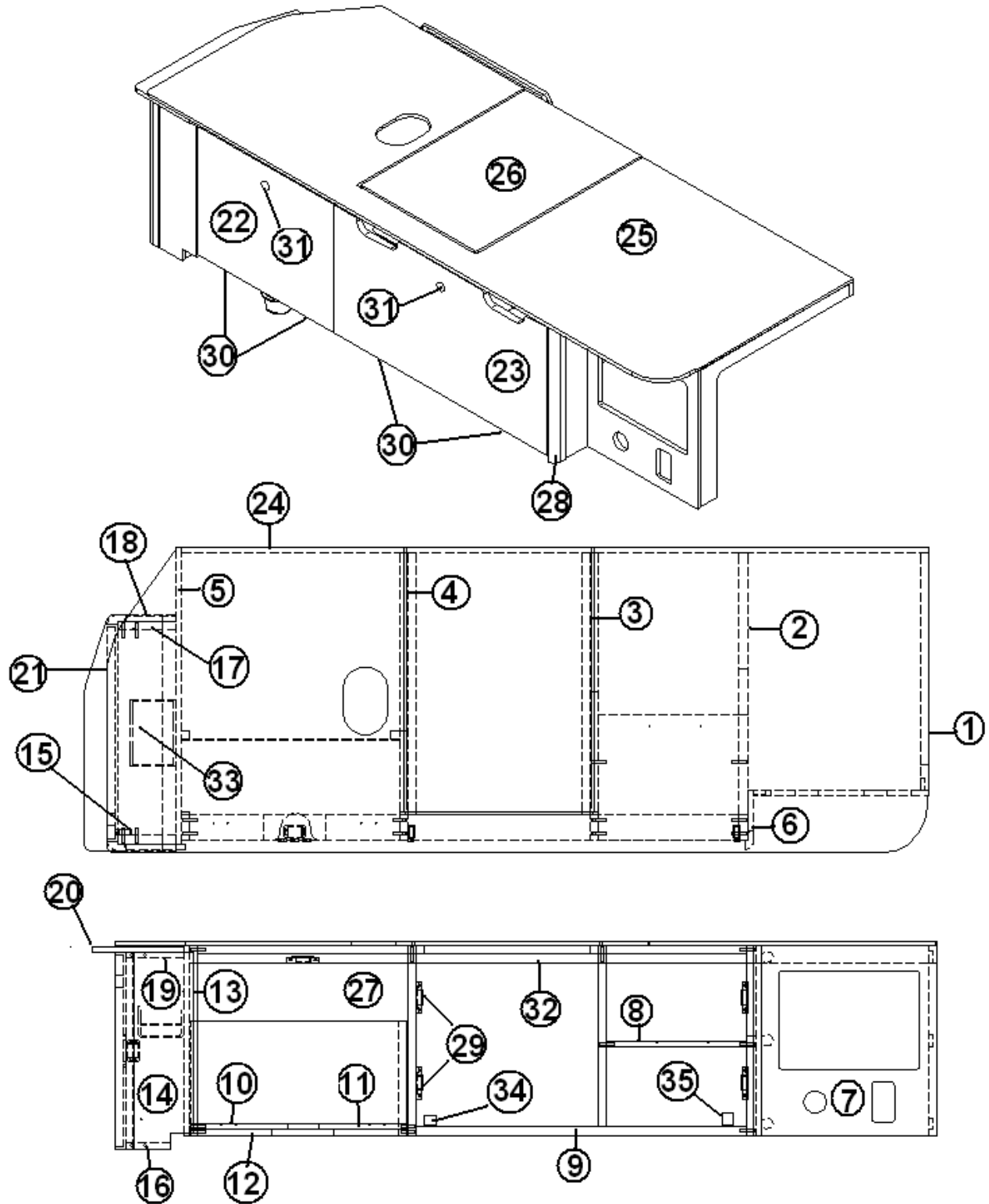
Bed, Curbside, Twin Bedroom, Lt. Camel

| | |
|-----------------|----------------------------------|
| 967468-18 | BED, CS TWIN |
| 1. 967468-181 | PANEL, CS BED, 19.22 X 16.63 |
| 2. 967468-182 | PANEL, CS BED, 25.09 X 16.63 |
| 3. 967468-183 | PANEL, CS BED, 25.09 X 15.88 |
| 4. 967468-184 | PANEL, CS BED, 25.97 X 16.63 |
| 5. 967468-185 | PANEL, CS BED, 2.25 X 16.63 |
| 6. 967468-186 | PANEL, CS BED, 2.25 X 16.63 |
| 7. 967468-189 | PANEL, CS BED, 2.25 X 16.63 |
| 8. 967468-1810 | PANEL, CS BED, 7.38 X 16.63 |
| 9. 967468-1811 | PANEL, CS BED, 13.13 X 9.13 |
| 10. 967468-1812 | PANEL, CS BED, 8.50 X 15.13 |
| 11. 967468-1813 | PANEL, CS BED, 2.25 X 48.13 |
| 12. 967468-1821 | PANEL, CS BED, 2.25 X 16.63 |
| 13. 967468-1822 | PANEL, CS BED, 11 X 18.50 |
| 14. 967468-1823 | PANEL, CS BED, 8 X 18.50 |
| 15. 967468-1824 | PANEL, CS BED, 4.63 X 18.50 |
| 16. 967468-1825 | PANEL, CS BED, 9.5 X 15.13 |
| 17. 967468-1826 | PANEL, CS BED, 12.63 X 11.25 |
| 18. 967468-1827 | PANEL, CS BED, 6.75 X 12.63 |
| 19. 967468-1828 | PANEL, CS BED, 5.19 X 16.75 |
| 20. 967468-1829 | PANEL, CS BED, 3.88 X 16.75 |
| 21. 967468-1830 | PANEL, CS BED, 3.88 X 18.00 |
| 22. 967468-1831 | PANEL, CS BED, 3.88 X 18.00 |
| 23. 967468-1832 | PANEL, CS BED, 21.5 X 15.81 |
| 24. 967468-1833 | PANEL, CS BED, 23.5 X 18 |
| 25. 967468-1834 | PANEL, CS BED, 3.88 X 16.75 |
| 26. 967468-1835 | PANEL, CS BED, 3.13 X 16.75 |
| 27. 967468-1836 | PANEL, CS BED, 7.88 X 20.63 |
| 28. 967468-1837 | PANEL, CS BED, 1.5 X 65.50 |
| 29. 967468-1838 | PANEL, CS BED, 29.69 X 15.25 |
| 30. 967468-1839 | PANEL, CS BED, 19 X 15.25 |
| 31. 967468-1840 | PANEL, CS BED, 18.62 X 16.31 |
| 32. 967468-1841 | PANEL, CS BED, 5.00 X 15.00 |
| 33. 967468-1842 | PANEL, CS BED, 26.75 X 72.00 |
| 34. 801706-0018 | CORNER TRIM, A.Sand |
| 35. 381944-01 | SLIDE, DRAWER, 18" |
| 36. 115475 | TROUGH, ALUMINUM HAT SECTION 54" |
| 37. 382044 | HANDLE, BRUSHED NICKEL |
| 38. 381607-01 | HINGE ASSY |
| 39. 381228-01 | CATCH, GRABBER, DOOR |
| 40. 967468-1850 | PANEL, CS BED, 2.25 X 48.13 |
| 41. 967468-1851 | PANEL, CS BED, 2.25 X 13.13 |
| 42. 967468-1852 | PANEL, CS BED, 13.75 X 6.00 |
| 43. 382094 | BRACKET, CORD |
| 44. 381607-03 | BASEPLATE, HINGE, PLASTIC |

2012 INTERSTATE MOTORHOME

FURNITURE, BEDROOM

Bed, Roadside, Twin Bedroom, Onyx



P/Ns are on the next page.

2012 INTERSTATE MOTORHOME

FURNITURE, BEDROOM

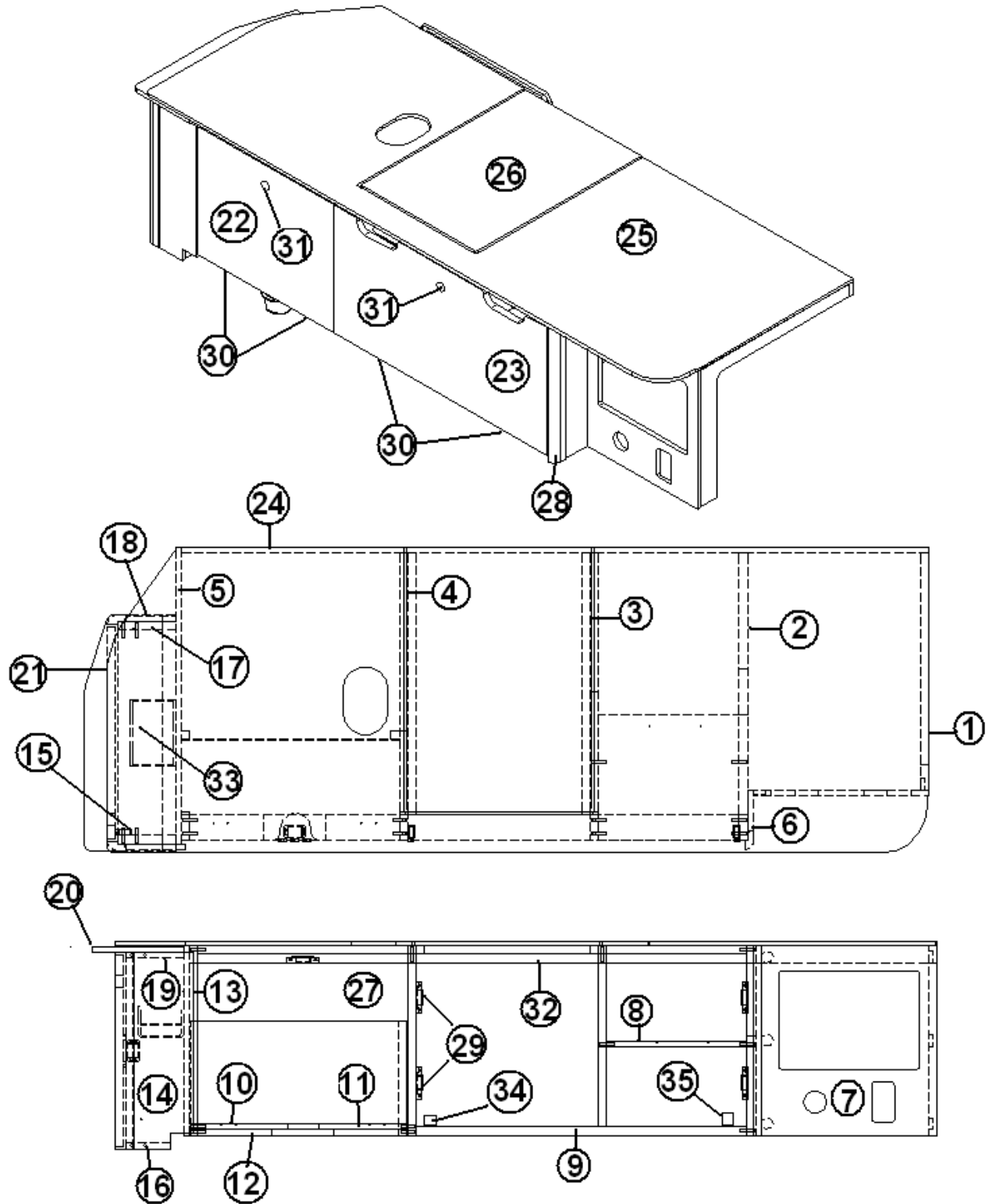
Bed, Roadside, Twin Bedroom, Onyx

| | |
|-----------------|--------------------------------|
| 967467-16 | BED, RS |
| 1. 967467-161 | PANEL, TWIN BED, 20.72 X 16.63 |
| 2. 967467-162 | PANEL, TWIN BED, 25.09 X 16.63 |
| 3. 967467-163 | PANEL, TWIN BED, 25.09 X 15.88 |
| 4. 967467-164 | PANEL, TWIN BED, 25.09 X 16.63 |
| 5. 967467-165 | PANEL, TWIN BED, 25.97 X 16.63 |
| 6. 967467-166 | PANEL, TWIN BED, 3.63 X 16.63 |
| 7. 967467-1610 | PANEL, TWIN BED, 15.38 X 16.63 |
| 8. 967467-1612 | PANEL, TWIN BED, 11 X 12.31 |
| 9. 967467-1613 | PANEL, TWIN BED, 2.25 X 29 |
| 10. 967467-1623 | PANEL, TWIN BED, 8.75 X 19.13 |
| 11. 967467-1624 | PANEL, TWIN BED, 2.25 X 6.75 |
| 12. 967467-1625 | PANEL, TWIN BED, 2.25 X 6.75 |
| 13. 967467-1626 | PANEL, TWIN BED, 2.25 X 16.63 |
| 14. 967467-1627 | PANEL, TWIN BED, 5.19 X 17.19 |
| 15. 967467-1628 | PANEL, TWIN BED, 5.13 X 17.19 |
| 16. 967467-1629 | PANEL, TWIN BED, 3.94 X 18 |
| 17. 967467-1630 | PANEL, TWIN BED, 5.13 X 17.19 |
| 18. 967467-1631 | PANEL, TWIN BED, 4.38 X 17.19 |
| 19. 967467-1632 | PANEL, TWIN BED, 5.13 X 18 |
| 20. 967467-1633 | PANEL, TWIN BED, 8 X 20.63 |
| 21. 967467-1634 | DOOR, TWIN BED, 16.81 X 18.63 |
| 22. 967467-1635 | DOOR, TWIN BED, 19 X 15.25 |
| 23. 967467-1636 | PANEL, TWIN BED, 29.69 X 15.25 |
| 24. 967467-1637 | PANEL, TWIN BED, 1.5 X 65.5 |
| 25. 967467-1638 | PANEL, TWIN BED, 26.75 X 72 |
| 26. 967467-1639 | PANEL, TWIN BED, 16.19 X 23.13 |
| 27. 967467-1640 | PANEL, TWIN BED, 10.00 X 19.00 |
| 28. 801706-0019 | CORNER TRIM, SILVER Onyx |
| 29. 381228-01 | CATCH, GRABBER, DOOR |
| 30. 381607-01 | HINGE ASSY. |
| 31. 382044 | HANDLE, BRUSHED NICKEL |
| 32. 967467-1647 | PANEL, TWIN BED, 2.25 X 48.13 |
| 33. 382094 | BRACKET, CORD ALUMINUM |
| 34. 967467-1649 | PANEL, TWIN BED, 3.00 X 3.00 |
| 35. 967467-1650 | PANEL, TWIN BED, 3.00 X 3.00 |

2012 INTERSTATE MOTORHOME

FURNITURE, BEDROOM

Bed, Roadside, Twin Bedroom, Lt. Camel



P/Ns are on the next page.

2012 INTERSTATE MOTORHOME

FURNITURE, BEDROOM

Bed, Roadside, Twin Bedroom, Lt. Camel

| | |
|-----------------|------------------------------------|
| 967467-18 | BED, RS |
| 1. 967467-181 | PANEL, TWIN BED, 20.72 X 16.63 |
| 2. 967467-182 | PANEL, TWIN BED, 25.09 X 16.63 |
| 3. 967467-183 | PANEL, TWIN BED, 25.09 X 15.88 |
| 4. 967467-184 | PANEL, TWIN BED, 25.09 X 16.63 |
| 5. 967467-185 | PANEL, TWIN BED, 25.97 X 16.63 |
| 6. 967467-186 | PANEL, TWIN BED, 3.63 X 16.63 |
| 7. 967467-1810 | PANEL, TWIN BED, 15.38 X 16.63 |
| 8. 967467-1812 | PANEL, TWIN BED, 11 X 12.31 |
| 9. 967467-1813 | PANEL, TWIN BED, 2.25 X 29 |
| 10. 967467-1823 | PANEL, TWIN BED, 8.75 X 19.13 |
| 11. 967467-1824 | PANEL, TWIN BED, 2.25 X 6.75 |
| 12. 967467-1825 | PANEL, TWIN BED, 2.25 X 6.75 |
| 13. 967467-1826 | PANEL, TWIN BED, 2.25 X 16.63 |
| 14. 967467-1827 | PANEL, TWIN BED, 5.19 X 17.19 |
| 15. 967467-1828 | PANEL, TWIN BED, 5.13 X 17.19 |
| 16. 967467-1829 | PANEL, TWIN BED, 3.94 X 18 |
| 17. 967467-1830 | PANEL, TWIN BED, 5.13 X 17.19 |
| 18. 967467-1831 | PANEL, TWIN BED, 4.38 X 17.19 |
| 19. 967467-1832 | PANEL, TWIN BED, 5.13 X 18 |
| 20. 967467-1833 | PANEL, TWIN BED, 8 X 20.63 |
| 21. 967467-1834 | DOOR, TWIN BED, 16.81 X 18.63 |
| 22. 967467-1835 | DOOR, TWIN BED, 19 X 15.25 |
| 23. 967467-1836 | PANEL, TWIN BED, 29.69 X 15.25 |
| 24. 967467-1837 | PANEL, TWIN BED, 1.5 X 65.5 |
| 25. 967467-1838 | PANEL, TWIN BED, 26.75 X 72 |
| 26. 967467-1839 | PANEL, TWIN BED, 16.19 X 23.13 |
| 27. 967467-1840 | PANEL, TWIN BED, 10.00 X 19.00 |
| 28. 801706-0018 | CORNER TRIM, Asian Sand, Lt. Camel |
| 29. 381228-01 | CATCH, GRABBER, DOOR |
| 30. 381607-01 | HINGE ASSY. |
| 31. 382044 | HANDLE, BRUSHED NICKEL |
| 32. 967467-1847 | PANEL, TWIN BED, 2.25 X 48.13 |
| 33. 382094 | BRACKET, CORD ALUMINUM |
| 34. 967467-1849 | PANEL, TWIN BED, 3.00 X 3.00 |
| 35. 967467-1850 | PANEL, TWIN BED, 3.00 X 3.00 |

2012 INTERSTATE MOTORHOME

FURNITURE, PANELING/INTERIOR DOOR

Interior Doors/Mirror

| | |
|-----------|-------------------------------------|
| 203633-02 | Door, sliding glass, 8.06 x 22" |
| 967218-16 | Door assembly, aft bath |
| 967219-16 | Door assembly, forward bath |
| 371423-02 | Mirror, wall mount, bronze finish. |
| 371423-01 | RETAINER CLIP, MIRROR, 1.88" |
| 967470 | DOOR, BATH WARDROBE TWIN BED, NO TV |
| 967471 | DOOR, BATH WARDROBE TWIN BED, W/TV |

Pedestal Table Leg Storage Wrap

| | |
|--------|-----------------------------------|
| 703967 | Storage wrap assembly |
| 703832 | Vinyl, simplicity Black, 54" wide |
| 703703 | Zipper, Black |

2012 INTERSTATE MOTORHOME

FURNITURE, PANELING/INTERIOR DOOR

Roof Locker Doors, Onyx

| | |
|-------------|--|
| 801785-0119 | Door, roof locker, radius, 12.38" x 31.50" |
| 801785-0219 | Door, radius, 12.38" X 28.13" |
| 801785-0419 | Door, roof locker, radius, 12.38" x 17.38" |
| 801785-0519 | Door, roof locker, radius, 12.38" x 25.00" |
| 801785-0719 | Door, radius, 12.38" x 20.50" |
| 801785-0819 | Door, radius, 12.38" X 28.13" |
| 801785-0919 | Door, radius , 12.38" X 24.75" |

Roof Locker Doors, Lt. Camel

| | |
|-------------|--|
| 801785-0118 | Door, roof locker, radius, 12.38" x 31.50" |
| 801785-0218 | Door, radius, 12.38" X 28.13" |
| 801785-0418 | Door, roof locker, radius, 12.38" x 17.38" |
| 801785-0518 | Door, roof locker, radius, 12.38" x 25.00" |
| 801785-0718 | Door, radius, 12.38" x 20.50" |
| 801785-0818 | Door, radius, 12.38" X 28.13" |
| 801785-0918 | Door, radius , 12.38" X 24.75" |

Edge Banding

| | |
|-----------|--|
| 365344-01 | EDGE BAND, PEARL BISQUE, 5/8" |
| 365344-02 | EDGE BAND, PEARL BISQUE, 15/16" |
| 365344-03 | EDGE BAND, PEARL BISQUE, 1.25" |
| 365346-01 | EDGE BAND, ONYX, 5/8", MIDNIGHT STROLL |
| 365346-02 | EDGE BAND, ONYX, 15/16", MIDNIGHT STROLL |
| 365346-03 | EDGE BAND, ONYX, 1.25", MIDNIGHT STROLL |

2012 INTERSTATE MOTORHOME

FURNITURE, PANELING/INTERIOR DOOR

Trim, Wood/Plastic

| | |
|-------------|---|
| 203440 | T-MOLDING, BLACK EMBOSSED 13/16" |
| 801706-0014 | CORNER TRIM, 90 DEGREE, GOLD ALCHEMY |
| 801706-0018 | CORNER TRIM-90D 1" RAD. ASIAN SAND |
| 801706-0019 | CORNER TRIM, 90 DEGREE, ONYX |
| 801706-0022 | CORNER TRIM, 90 DEGREE, SAND PEARL |
| 203462-0114 | SCREW CAP COVER PVC, GOLD ALCHEMY |
| 203462-0118 | SCREW CAP COVER PVC - LT. CAMEL |
| 203462-0119 | SCREW CAP COVER PVC, BLACK, ONYX |
| 800573-0114 | MOLDING, DOOR EDGE, G. ALCHEMY, 80" |
| 800573-0118 | MOLDING, DOOR EDGE, LT CAMEL |
| 800573-0119 | MOLDING, DOOR EDGE, ONYX, 80" |
| 800573-0122 | MOLDING, DOOR EDGE, SAND PEARL, 80" |
| 801818 | Plug, wood, 3/8", tapered |
| 801818-0018 | Plug, wood, 3/8", tapered, Lt. Camel |
| 801818-0019 | Plug, wood, 3/8", tapered, Onyx |
| 114070 | EXTRUSION, J-TRIM, MILL FINISH |
| 381081-05 | Screw head snap cap, light grey |
| 800638-0118 | Molding, Quarter Rd .5" A. Sand - Lt. Camel |
| 800638-0119 | Molding, Quarter Rd .5" A.Night, Onyx |

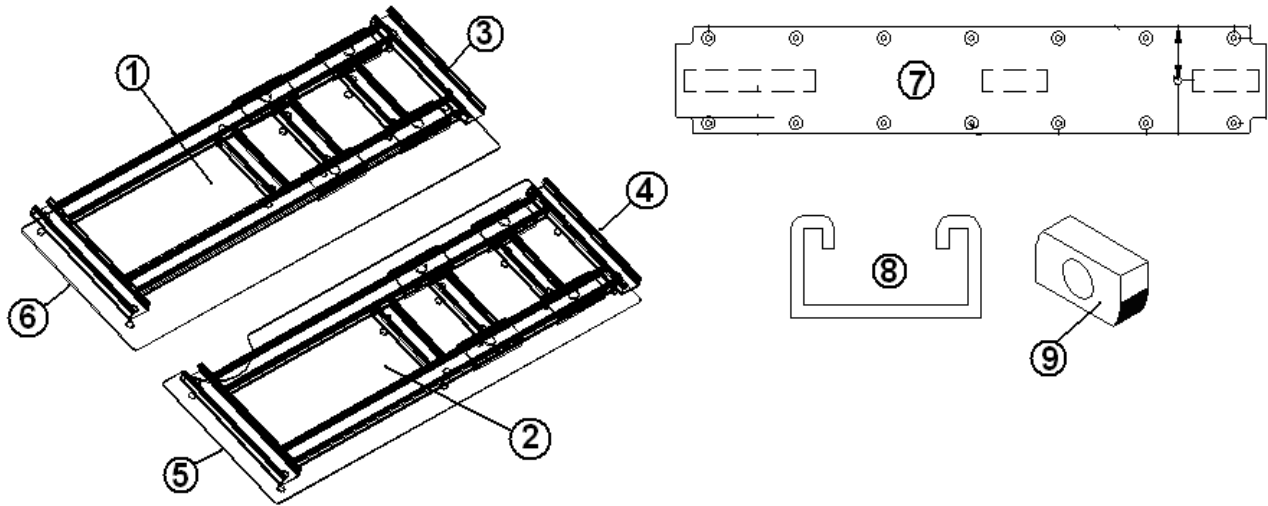
Wood Panels/Laminate

| | |
|-----------|--|
| 801438 | PANEL, 3MM, WHITELINER/RAW |
| 801796-01 | PANEL, ALCHEMY/ALCHEMY, 18MM, VERITCAL |
| 801797-01 | PANEL, ALCHEMY/LINER, 12MM, VERITCAL |
| 801801-01 | PANEL, ALCHEMY/ALCHEMY 12MM, VERITCAL |
| 801855-01 | PANEL, A.NIGHT/A.NIGHT 18MM |
| 801856-01 | PANEL, A.NIGHT/A.NIGHT 12MM |
| 801392 | PANEL, WHTLIN/WHTLIN 12MM |
| 801823 | PANEL, TAN B./TAN B. 12MM |
| 801822 | PANEL, TAN B./TAN B.18MM |
| 801837-01 | ANEL, ASIAN SAND/LINER 18MM |
| 801869-01 | ANEL ASIAN SAND/ASIAN SAND 18MM |
| 801872-01 | ANEL ASIAN SAND/ASIAN SAND 3MM |
| 801873-01 | ANEL ASIAN NIGHT/ASIAN NIGHT 3MM |
| 801839-01 | ANEL ASIAN SAND/LINER 12MM |
| 801840-01 | ANEL ASIAN SAND/FROSTY 12MM |

2012 INTERSTATE MOTORHOME

HARDWARE

Captains Chair Pedestal Assemblies, 2nd Row



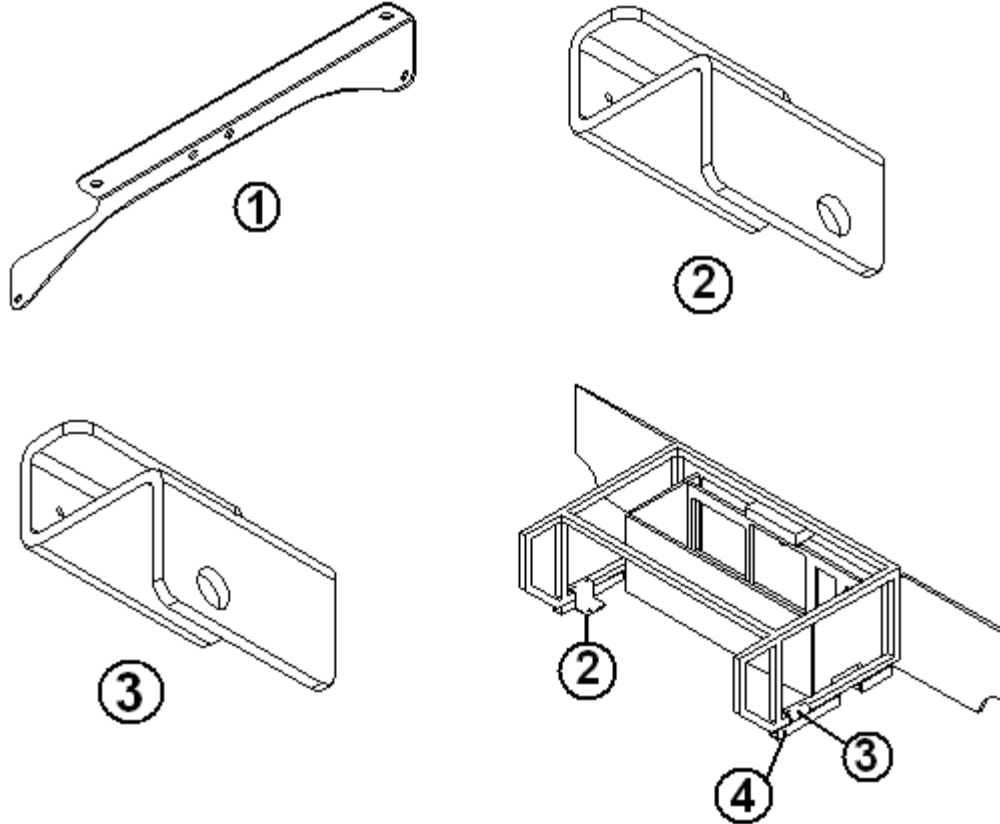
- | | |
|--------------|--|
| 1. 916037-01 | Seat Pedestal Assy., Roadside Drivers |
| 2. 916037-02 | Seat Pedestal Assy., Curbside Passengers |
| 3. 454894-01 | Weldment, Roadside Seat Pedestal |
| 4. 454894-02 | Weldment, Curbside Seat Pedestal |
| 5. 454895-01 | Plate, Seat Pedestal w/Notch |
| 6. 454895-02 | Plate, Seat Pedestal |
| 7. 454671 | Plate, seat anchor |
| 8. 454655 | Rail, uni-strut |
| 9. 401001 | Nut, 1.37, cam |
| 325127 | RIVET, MAGNA LOK .38" |
| 325128 | RIVET, BULB TITE .25" |
| *454783-01 | Norco Slide/Swivel, Manual, 3 pt. seatbelt |
| *454783-02 | Norco Swivel Remote Bracket |

*First usage, Unit #302309, Start date 6/13/11.

2012 INTERSTATE MOTORHOME

HARDWARE

Lounge Seat Belts /Cup Holder



- | | |
|--------------|---|
| 1. 454675 | Seat belt bracket |
| 2. 454682-01 | Bracket, LH sofa |
| 3. 454682-02 | Bracket, RH sofa |
| 4. 454684 | Tubing, steel, 1.25" x 1.25" |
| 382075-01 | Seat belt, 100" belt w/30" buckle, black |
| 382075-03 | Seat belt, 60" belt w/10" buckle, Neutral |
| 382075-04 | Seat belt, 74" belt w/10" buckle, Neutral |
| 382075-02 | Seat belt, 100" belt w/24" buckle, black |
| 203610 | Cup holder, double |

Clothesline, Retractable

- | | |
|--------|--------------------------|
| 382063 | Clothesline, Retractable |
|--------|--------------------------|

2012 INTERSTATE MOTORHOME

HARDWARE

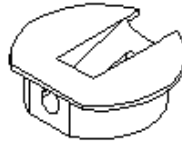
Handles/Latches/Fastener, Interior



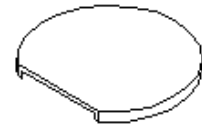
①



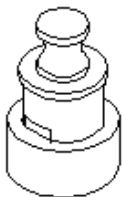
②



③



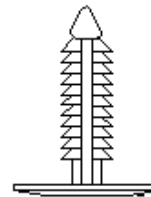
④



⑤



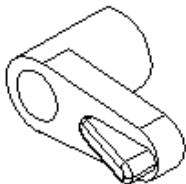
⑥



⑦



⑧



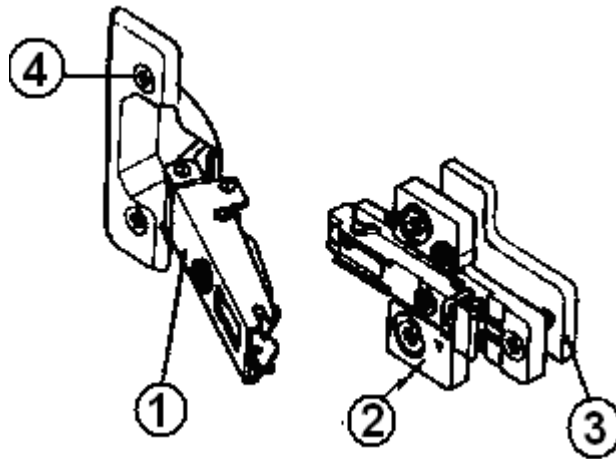
⑨

- | | |
|--------------|--|
| 1. 382055 | LATCH, PRIVACY, LAVATORY DOOR |
| 2. 382061 | STRIKER, LATCH, PRIVACY, LAVATORY DOOR |
| 3. 382057 | KNOCK DOWN FASTENER |
| 4. 382057-01 | FASTENER COVER CAP, LIGHT BROWN |
| 5. 382059-01 | KNOB, PUSH/PULL, CHROME |
| 6. 386206 | VENT, LOUVERED, BLACK |
| 7. 382062 | Fastener, finned, .25" |
| 8. 382077 | Post storage clip, pedestal table |
| 9. 382078 | Screen clip |

2012 INTERSTATE MOTORHOME

HARDWARE

Hinges



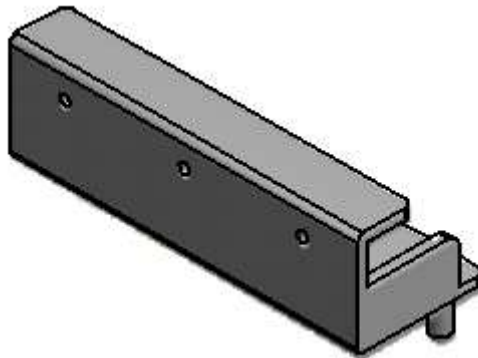
- 1. 381607-01 HINGE-GRASS EURO W/80307 PLASTIC, CABINETS
- 2. 381607-02 BASEPLATE, GRASS HINGE
- 3. 381607-03 BASEPLATE, GRASS PLASTIC
- 4. 381607-04 HINGE SCREW, GRASS
- 381607-09 FACE FRAME ADAPTER G3/FFAL 2.6MM
- 380458 HINGE PIANO BROWN, SHOWER DOOR
- 381840-01 HINGE, ROOFLOCKER, SPRING LH #372.
- 381840-02 HINGE, ROOFLOCKER, SPRING RH #372.
- 380203-02 PIANO HINGE, BLACK ANODIZED 72"

Bath Accessories

- 602175 TOILET ROLL HOLDER, DRYROLL
- 382076 SOAP DISPENSER, 3- BOTTLE, CHROME
- 382098 Handle, 14.25", Glass Chrome (Towel bar)

2012 INTERSTATE MOTORHOME
HARDWARE

Bracket, Slide Door



454875
382174

Bracket, Slide Door Half Stop, Dual W/R
Bumper, rubber w/washer .75 Black

2012 INTERSTATE MOTORHOME

HARDWARE

Labels and Tags

| | |
|-----------|------------------------------------|
| 386121 | Label, LP gas warning label (odor) |
| 386122 | Warning label/cooking appliance |
| 385261 | CLEANING INSTRUCTION LABEL |
| 386120 | Label, smoke detector |
| 385812 | LABEL CALIF. HAZARDOUS SUBSTANCE |
| 385465 | Exit label, English |
| 386119 | LABEL "DO NOT STORE COMBUSTIBLE" |
| 386124 | LABEL, REFUELING WARNING |
| 386207 | LABEL, CAUTION, DOOR STEP |
| 386222 | Sticker, curbside rear door handle |
| 386113 | LABEL-RVIA GOLD |
| 386082 | LABEL THOR, 5.25" X .75' |
| 386123 | LABEL "POTABLE WATER ONLY" |
| 386118 | Label, LP gas warning/fill |
| 385062 | Decal, 110-125 voltage AC |
| 602205-12 | STICKER, INSTRUCTION MACERATOR |
| 386147 | DECAL-ON/OFF LP REMOTE FILL |
| 386227-02 | LABEL, HITCH WEIGHT RATING |
| 386061 | LABEL, REMOVE PANEL FOR ACCESS |
| 386189 | LABEL, WARNING NO SEATBELTS |
| 386237 | LABEL, LOCK/UNLOCK |
| 386226 | LABEL RV MASTER WEIGHT LABEL |
| 386238 | LABEL LPG SYSTEMS |

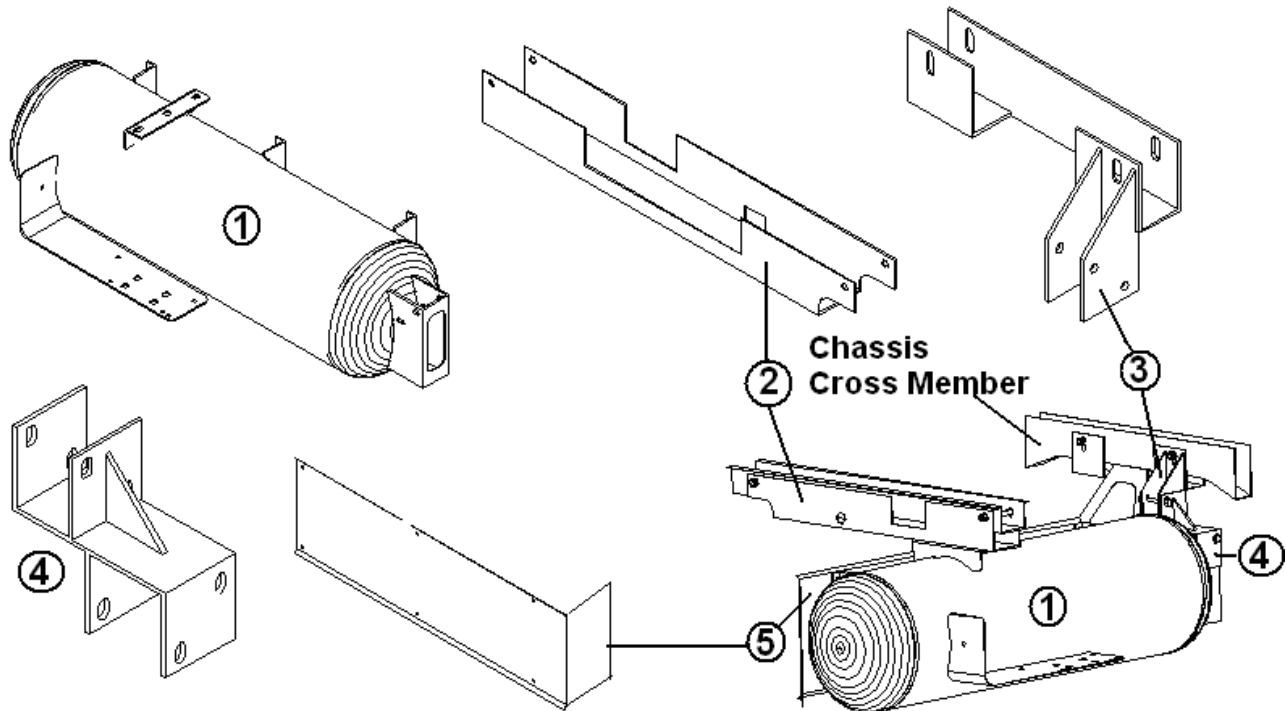
Detector/Fire Extinguisher

| | |
|-----------|--------------------------------|
| 512260 | Smoke/Carbon dioxide detector |
| 512523 | Detector, CO 12V DC Dual Power |
| 512539-01 | LPG detector |
| 512539-02 | Adapter for LP Detector, Black |
| 690381-02 | Fire extinguisher |

2012 INTERSTATE MOTORHOME

PLUMBING, LPG

LPG Tank/Mounting Brackets/Heat Shield

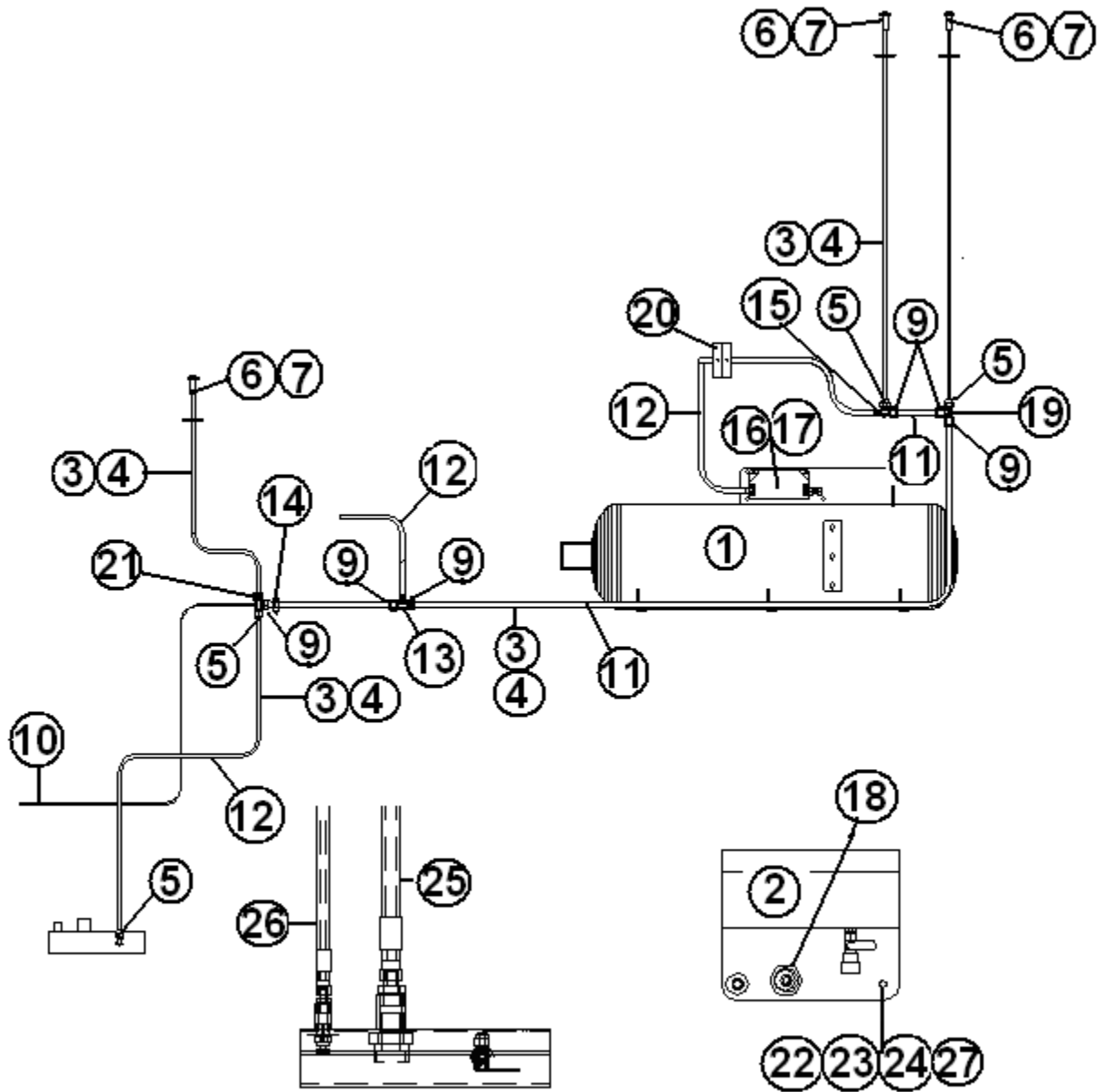


- | | |
|-----------|--------------------------------------|
| 1. 602188 | LP tank |
| 2. 454657 | Mounting bracket, front` LP tank |
| 3. 454658 | Mounting bracket, rear, LP tank |
| 4. 454659 | Mounting bracket, LP tank to chassis |
| 5. 454662 | Heat shield, LP tank |
| 345270-01 | BOLT 3/8-16 HEX HEAD 3.50" |
| 345272-02 | 3/8" x 16 x 4" bolt, GRD 5 |
| 350147-37 | Nut, nylox, 3/8" x 16 |
| 300072-06 | Washer, lock |
| 345084 | Screw, thread cutting, 1/4 x 14 x 1" |
| 203650 | COVER-REMOTE FILL |
| 380203-02 | PIANO HINGE, BLACK ANODIZED, 72" |

2012 INTERSTATE MOTORHOME

PLUMBING, LPG

LPG System



ITEM 8 USED EVERY 4 FEET TO SUPPORT GAS LINES

Part numbers are on the next page.

2012 INTERSTATE MOTORHOME

PLUMBING, LPG

LPG System

1. 602188 LP tank
2. 454680 LPG remote fill assembly, (includes bracket, switch, hose 602109-02, and valves)
- 2.454676 Bracket only, LPG remote fill
3. 600008 Tubing, copper, .38" ID
4. 601698-01 Tubing, E-Pex, .5"
5. 600435 Nuts, forged, .38"
6. 380887 Grommet, floor
7. 380886 Grommet, floor
8. 340085-05 Clamp, coy
9. 600436 Nuts, forged, .63"
10. 500839 Wire, copper, ground
11. 600004 Tubing, copper, .63"
12. 602104 Hose, .38" x 48"
13. 600000 Tee, brass, 5/8 x 5/8 x 3/8
14. 600661 Ground fittings
15. 600003 Tee, 5/8 x 3/8 x 3/8
16. 601875-05 Cover, regulator
17. 601875-04 Regulator, two stage
18. 602109-03 Dust cap
19. 601472 Tee, 5/8 x 3/8 x 3/8
20. 454686 LP Regulator hose stand off bracket
21. 601882 ELBOW, 90 DEGREE, 3/8" X FLR X 1/4" MPT R
22. 512434 HEAVY DUTY 25AMP #5582-10
23. **381852 KNOB LP REMOTE SWITCH
24. 386147 DECAL "ON/OFF", LP REMOTE FILL
25. 602207 LP hose, 1/2" x 120" long
26. 602206 LP hose, 1/4" x 120" long
27. 602109-02 Hose quick disconnect, grille port
- 601881 Fitting, 3/8" M FL X 1/4" MPT R x 1.5" BARB
- 602221 TEE, BRASS, 3/8" X 3/8" X 5/8"
- 601675 FITTING, BRASS, 3/8" X M FL X M NPT
- 382158-01 Knob, round .88" 1/4-20 threaded

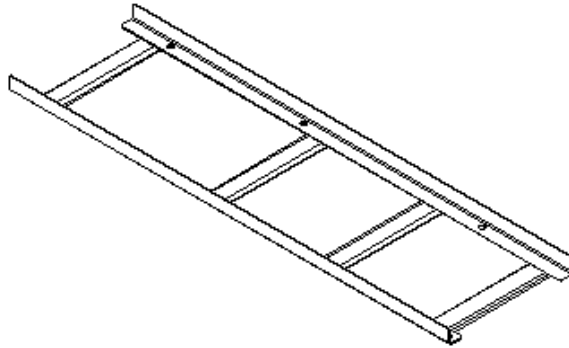
2012 INTERSTATE MOTORHOME

PLUMBING, FRESHWATER

Freshwater Tank/Gravity Water Fill System

| | |
|-----------|---------------------------------------|
| 602184 | TANK, FRESH WATER 27 GALLON |
| 602187 | Water pickup tube, elbow w/15" tube |
| 454664-01 | Rod, freshwater tank, 14" |
| 454664-02 | Rod, freshwater tank, 12.75" |
| 454664-03 | Rod, freshwater tank, 13.5" |
| 602208 | Fitting, 1.5" MPT x 1.5" barb |
| 602210 | Fitting, brass, .625" barb x .75" MPT |
| 602209-03 | Hose, Garden type, white, 5/8" ID |
| 602209-04 | Hose, Garden type, white, 3/4" ID |
| 602198 | Hose, water fill, 1.5" |
| 511812 | Pad, heating |
| 203634 | Styrofoam, 1" x 48" x 96" |
| 602190 | Water fill, gravity |
| 203648 | Close off, water tank, plastic |
| 203656 | SPACER, WATER TANK |
| 386223 | STRAP-TANK RUBBER |

Fresh Water Tank Support Assembly

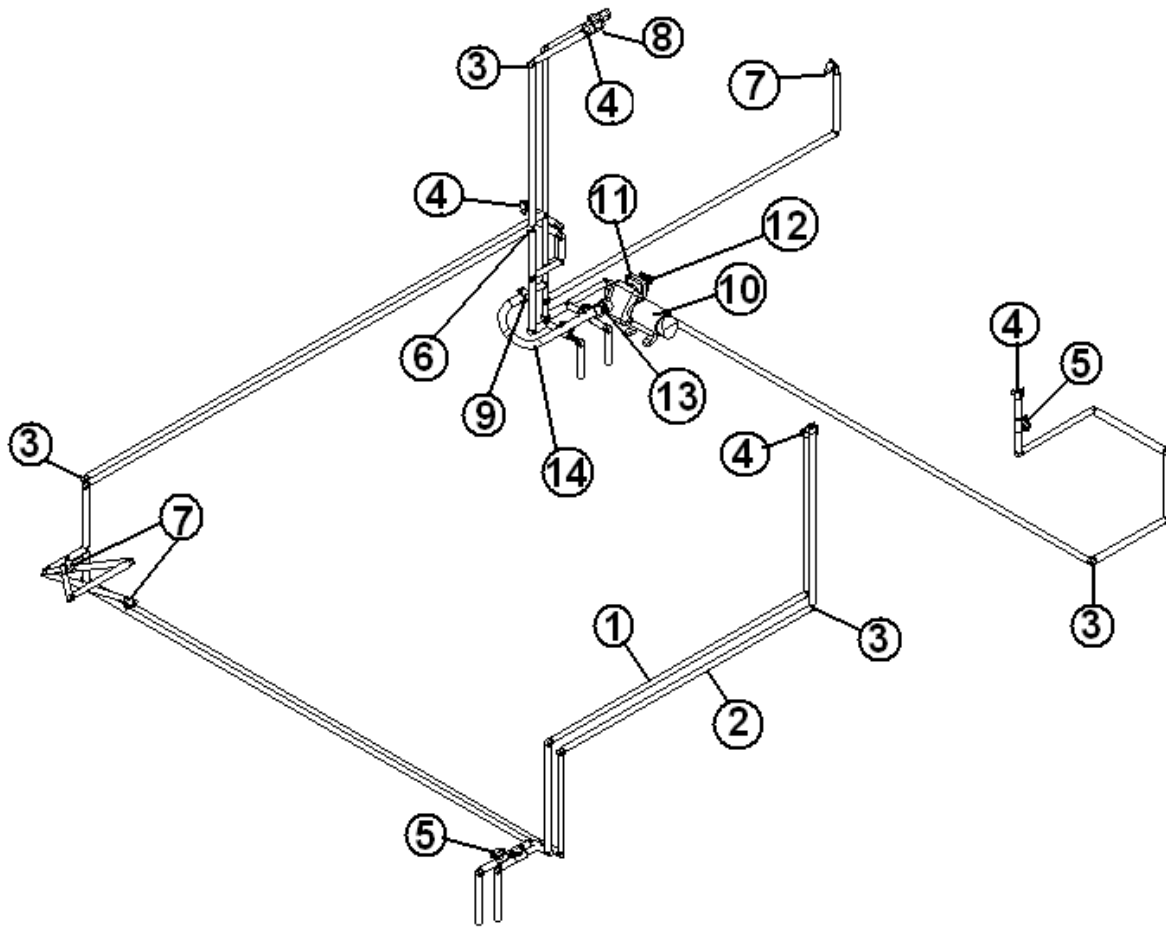


| | |
|--------|-----------------------------------|
| 454661 | Fresh water tank support assembly |
|--------|-----------------------------------|

2012 INTERSTATE MOTORHOME

PLUMBING, FRESHWATER

Freshwater System/Pump/Lines/Fittings, Lounge



2012 INTERSTATE MOTORHOME

PLUMBING, FRESHWATER

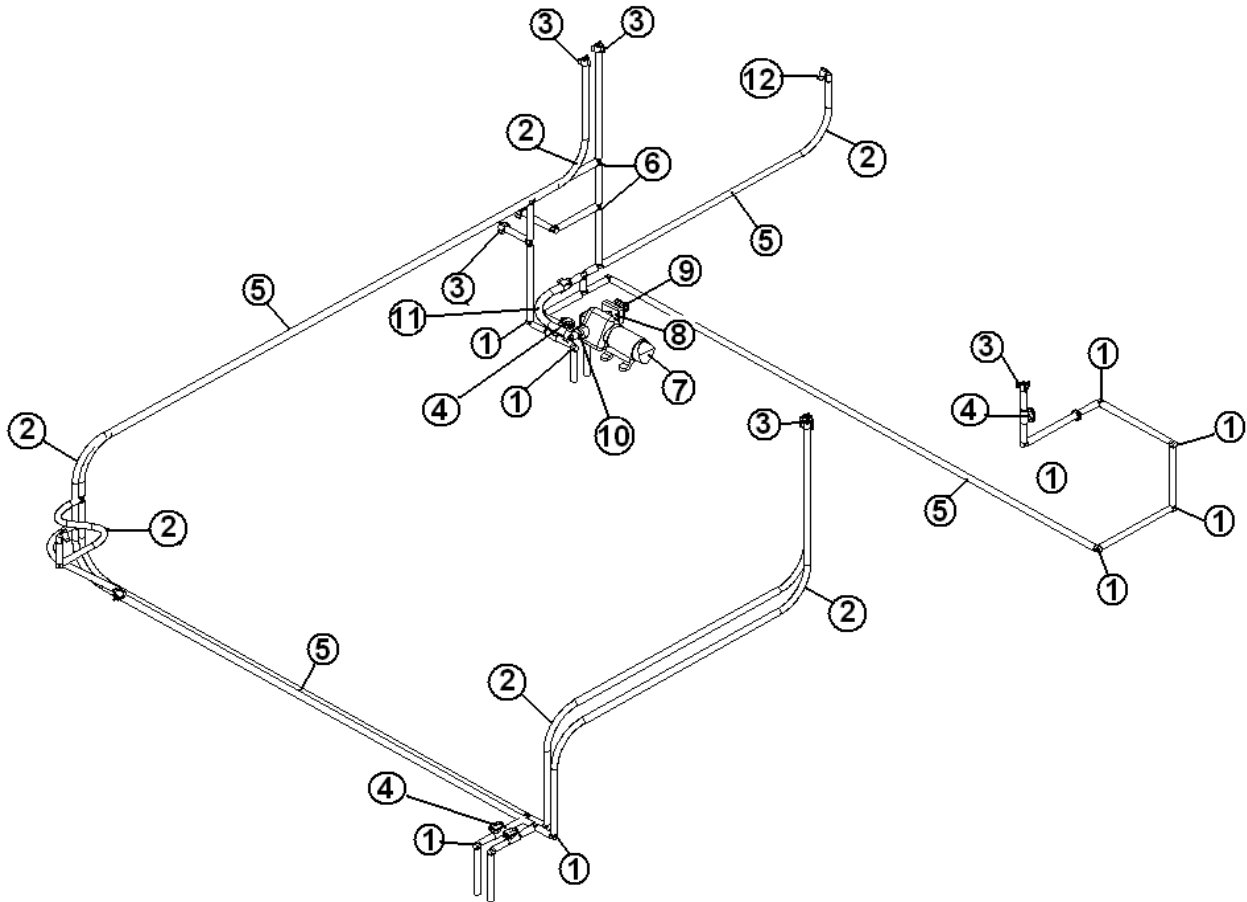
Freshwater System/Pump/Lines/Fittings, Lounge

1. 601698-01 E-Pex tube, 1/2"
2. 601698-21 TUBING E-PEX 1/2" RED
3. 601698-10 Elbow 1/2" barb x 1/2" barb, Metal
602256-10 Elbow, Plastic 1/2" barb
4. 601698-03 Coupler, 1/2" barb x 1/2" FPT – Metal
602256-03 Adaptor 1/2" barb x 1/2" FPT, Plastic
602217 Rubber washer, exterior shower
5. 601698-22 Shut-off, 1/2" barb x 1/2" barb, Metal
602256-22 Shut-off 1/2" barb x 1/2" barb, Plastic
6. 601698-11 Tee, 1/2" x 1/2" x 1/2", Metal
602256-11 Tee, 1/2" x 1/2" x 1/2", Plastic
7. 601698-05 Elbow 1/2 barb x 1/2" FPT, Metal
602256-05 Elbow 1/2 barb x 1/2" FPT, Plastic
8. 602308 Check valve, Lead free
9. 601698-02 Coupler, 1/2" barb x 1/2" MPT, Metal
602256-02 Coupler 1/2" barb x 1/2" MPT, Plastic
10. 602177-01 Water pump, Flojet
11. 602177-02 Strainer assembly, mini
12. 602177-03 Pump port, quick connect, 3/4" barb
13. 602177-04 Pump port, quick connect, 1/2" barb
14. 602186 Flex hose, 20" w/swivel connection

2012 INTERSTATE MOTORHOME

PLUMBING, FRESHWATER

Freshwater System/Pump/Lines/Fittings, Twin

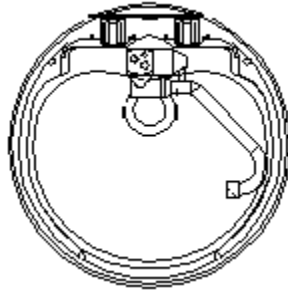


- | | | |
|-----|-----------|--|
| 1. | 601698-10 | Elbow 1/2" barb x 1/2" barb, Metal |
| 1. | 602256-10 | Elbow 1/2" barb x 1/2" barb, Plastic |
| 2. | 601774 | ELBOW SUPPORT-90D 1/2" |
| 3. | 601698-03 | Coupler, 1/2" barb x 1/2" FPT, Metal |
| 3. | 602256-03 | Adapter Poly 1/2"Barb X 1/2" FPT swivel, Plastic |
| 4. | 601698-22 | Shut-off, 1/2" barb x 1/2" barb, Metal |
| 4. | 602256-22 | Shut off, 1/2" barb x 1/2" straight, Plastic |
| 5. | 601698-21 | TUBING E-PEX 1/2" RED |
| 5. | 601698-01 | E-Pex tube, 1/2" |
| 6. | 601698-11 | Tee, 1/2" x 1/2" x 1/2", Metal |
| 6. | 602256-11 | Tee, 1/2" x 1/2" x 1/2" Barb, Plastic |
| 7. | 602177-01 | Water pump, Flojet |
| 8. | 602177-02 | Strainer assembly, mini |
| 9. | 602177-03 | Pump port, quick connect, 3/4" barb |
| 10. | 602177-04 | Pump port, quick connect, 1/2" barb |
| 11. | 602186 | Flex hose, 20" w/swivel connection |
| 12. | 602217 | Rubber washer, exterior shower |
| | 601698-05 | Elbow 1/2 barb x 1/2" FPT, Metal |
| | 602256-05 | Elbow, 1/2Barb X 1/2FPT Swivel, Plastic |
| | 602177-05 | Quick Connect Pump Port .5" |

2012 INTERSTATE MOTORHOME

PLUMBING, FRESHWATER

Faucet & Sink Assembly, Galley

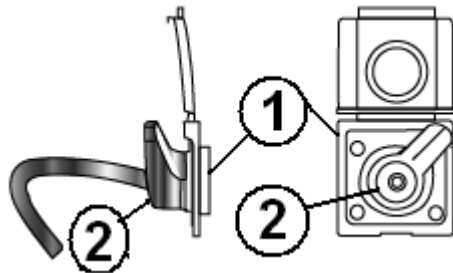


- 602197 SINK & FAUCET ASSEMBLY, GALLEY
- 602153 FAUCET ONLY, WATER TAP, STAINLESS STEEL
- 195362-39 Strainer, 2"

Faucet, Wet Bath

- 602251 FAUCET-PULL OUT
- 801806 Backer, faucet (installed under faucet for support)

Shower, Exterior



- 1. 602189-01 SHOWER BASE OUTLET
- 2. 602189-02 SHOWER HOSE/VALVE
- 3. 602189-03 SHOWER DECAL

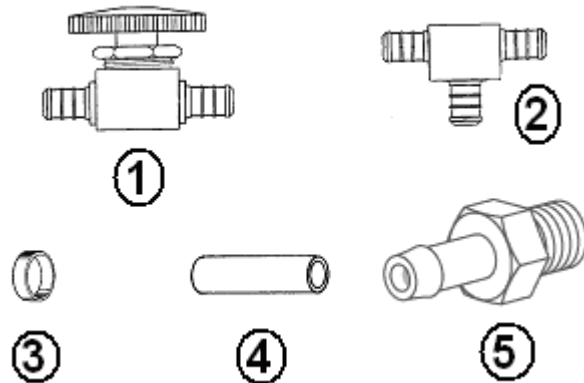
City Water Hook Up

- 601392-05 City water hookup w/regulator
- 602198 Hose, potable water

2012 INTERSTATE MOTORHOME

PLUMBING, FRESHWATER

Fresh Water Fittings



- | | |
|--------------|--|
| 1. 601698-22 | Shut-off, 1/2" barb x 1/2" barb, Metal |
| 1. 602256-22 | Shut-off, 1/2" barb x 1/2" barb, Plastic |
| 2. 601698-11 | Tee, 1/2" x 1/2" x 1/2" Metal |
| 2. 602256-11 | Tee, 1/2" x 1/2" x 1/2" Plastic |
| 3. 601698-15 | Crimp ring, 1/2" E-Pex, 1/2" (black) |
| 4. 601698-01 | E-Pex tube, 1/2" |
| 4. 601698-21 | TUBING E-PEX 1/2" RED |
| 5. 602199 | Adaptor, 3/8" barb x 1/2" MIP |
| 203085 | PLUG WATER LINE 1/2" PLASTIC B |
| 601238 | ADAPTOR 1.25 MPT X 1.25 BARB |

Waterline Cross Car Close Out, Twin



454720 CLOSEOUT, CROSS CAR, WATER LINES

2012 INTERSTATE MOTORHOME

PLUMBING, DRAIN

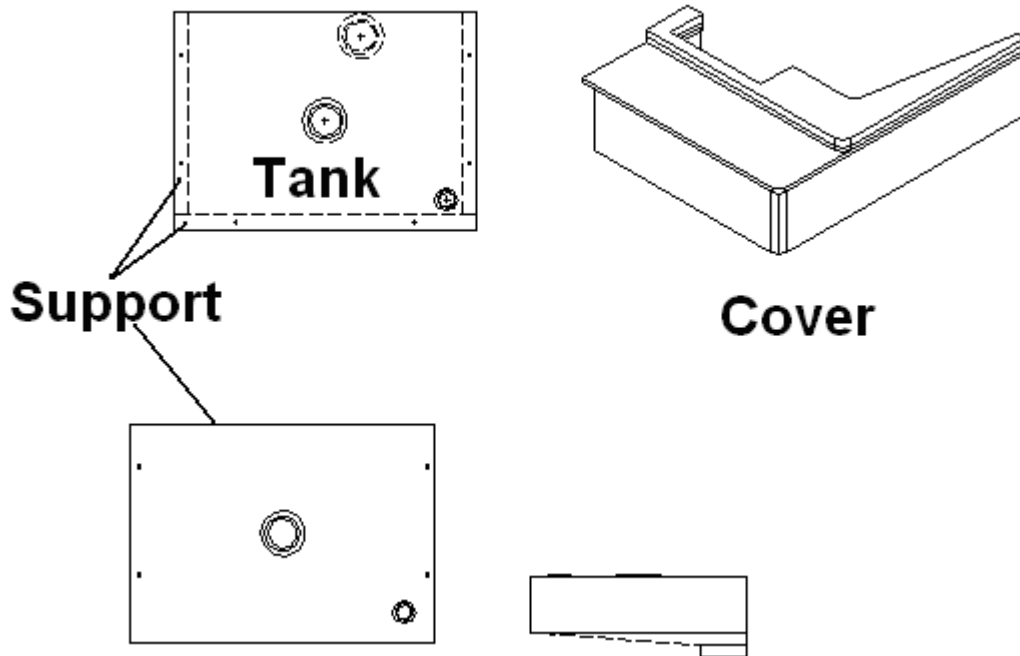
Tanks/Valves/Heating Pad

| | |
|-----------|----------------------------------|
| 602182 | Black water tank |
| 602257 | Grey water tank |
| 115490-01 | BRACKET, BLACK TANK RETAINER, LH |
| 115490-02 | BRACKET, BLACK TANK RETAINER, RH |
| 115491 | CLOSEOUT, BLACK TANK BRACKET |
| 203634 | Styrofoam, 1" x 48" x 96" |
| 203045 | Styrofoam, 1/4" X 48" X 50' |
| 511812 | PAD-HEATING HOLDING TANK #TH-718 |
| 512411 | VALVE ELECTRIC, WASTE |
| 512410 | HARNESS, DUMP VALVE |

2012 INTERSTATE MOTORHOME

PLUMBING, DRAIN

Black Tank, Support & Cover



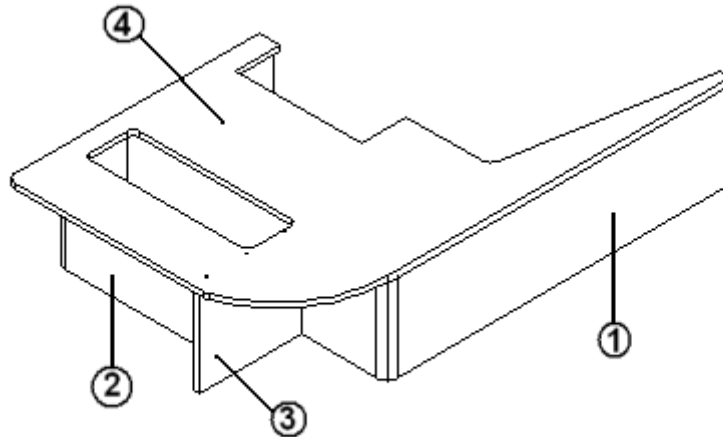
- | | |
|-------------|---------------------------------------|
| 967316-16 | Cover assembly, black tank, Onyx |
| 967316-18 | Cover assembly, black tank, Lt. Camel |
| *967756-16 | Cover assembly, black tank, Onyx |
| *967756-18 | Cover assembly, black tank, Lt. Camel |
| 203643 | Cover, black tank, upper |
| 203716 | Cover, black tank, upper w/o pocket |
| 203644-01 | Pocket, black tank vent |
| 203645 | Cover, black tank lower |
| 801415-0019 | Corner trim, 1" radius, Onyx |
| 801415-0018 | Corner trim, 1" radius, Lt. Camel |
| 320171-02 | Screw, .50" #8 Airstream New Grey |
| 320171-06 | Screw, 1.00" #8 Airstream New Grey |

* First usage of 967756-16 & -18 began 6/13/11. Unit serial number #302309. The cover changed when we went to the 3 point seat belt.

2012 INTERSTATE MOTORHOME

PLUMBING, DRAIN

Black Tank Cover, Dual Wardrobe Option, Onyx

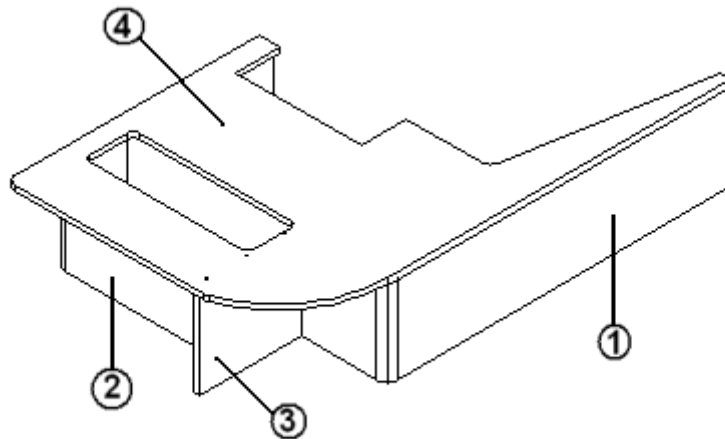


- 967695-16 Cover Assy., Black Tank, Onyx
- 1. 967695-161 Panel, Tank 30.75X8.25
- 2. 967695-162 Panel, Tank 22.63X8.25
- 3. 967695-164 Panel, Tank 9.5X8.25
- 4. 967695-166 Panel, Tank 25.5X41.5
- 801415-0019 Corner Trim 1", Radius A.Night
- 967695-163 Panel, Tank 19.25X8.25
- 967695-165 Panel, Tank 15.13X8.25

2012 INTERSTATE MOTORHOME

PLUMBING, DRAIN

Black Tank Cover, Dual Wardrobe Option – Lt. Camel

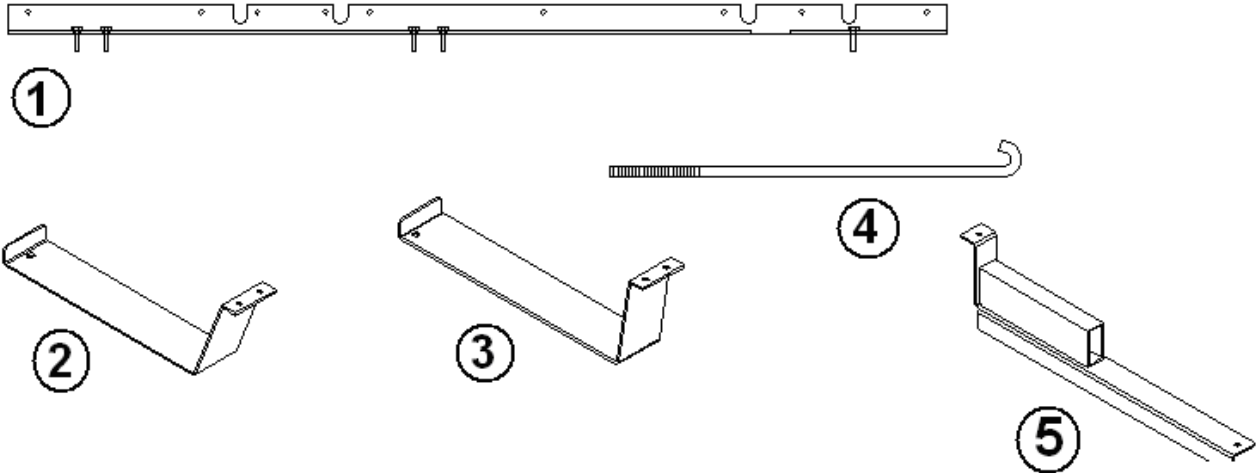


- 967695-18 Cover Assy. Black Tank-Camel
- 1. 967695-181 Panel, Tank 30.75X8.25
- 2. 967695-182 Panel, Tank 22.63X8.2
- 3. 967695-184 Panel, Tank 9.5X8.25
- 4. 967695-186 Panel, Tank 25.5X41.5
- 801415-0018 Corner Trim 1", Radius A.Sand
- 967695-183 Panel, Tank 19.25X8.25
- 967695-185 Panel, Tank 15.13X8.25

2012 INTERSTATE MOTORHOME

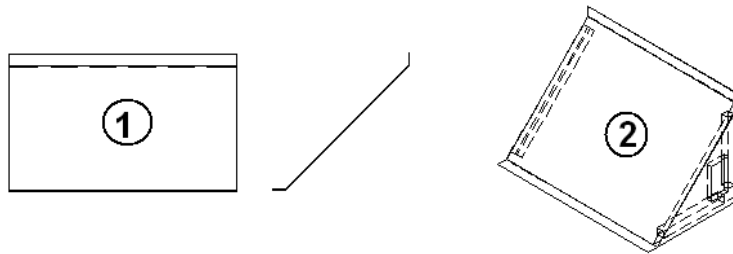
PLUMBING, DRAIN

Support Rod/Brackets, Gray Tank



- | | |
|-----------|----------------------------|
| 1. 454688 | Bracket, gray tank |
| 2. 454689 | Bracket, gray tank, front |
| 3. 454690 | Bracket, gray tank, middle |
| 4. 454687 | Rod, gray tank |
| 5. 454691 | Bracket, gray tank, rear |
| 386223 | Strap, tank, rubber |

Plumbing Close Outs



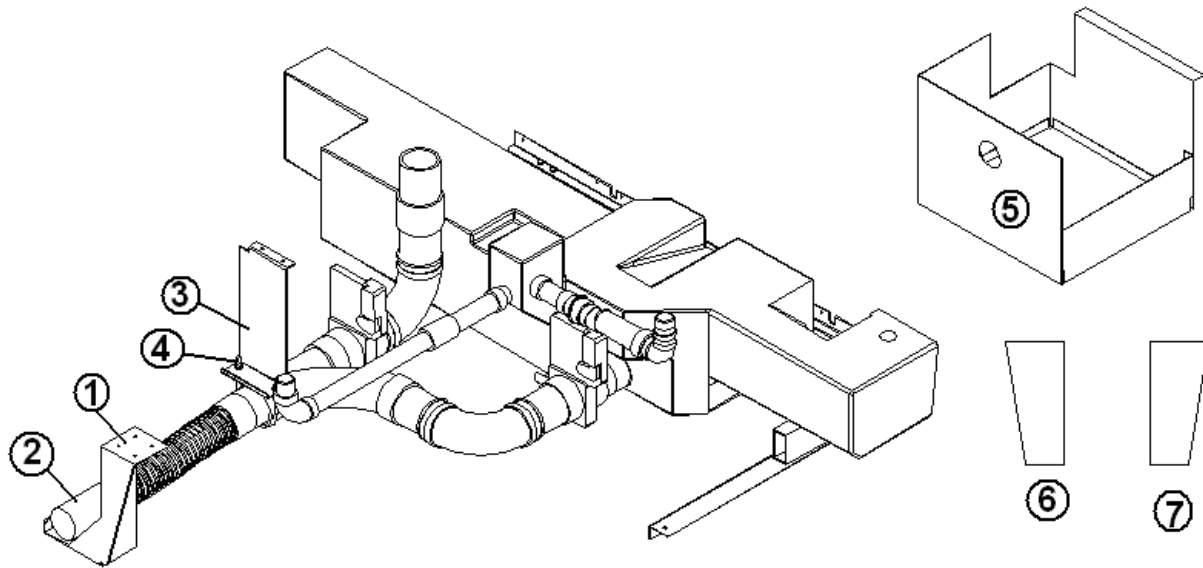
- | | |
|-----------|------------------------------|
| 1. 115424 | Plumbing close out, roadside |
| 2. 967320 | Plumbing close out, curbside |

*Discontinued usage in May 2011 when units began using the 3 pt. seat belts.

2012 INTERSTATE MOTORHOME

PLUMBING, DRAIN

Macerator Pump System



512323

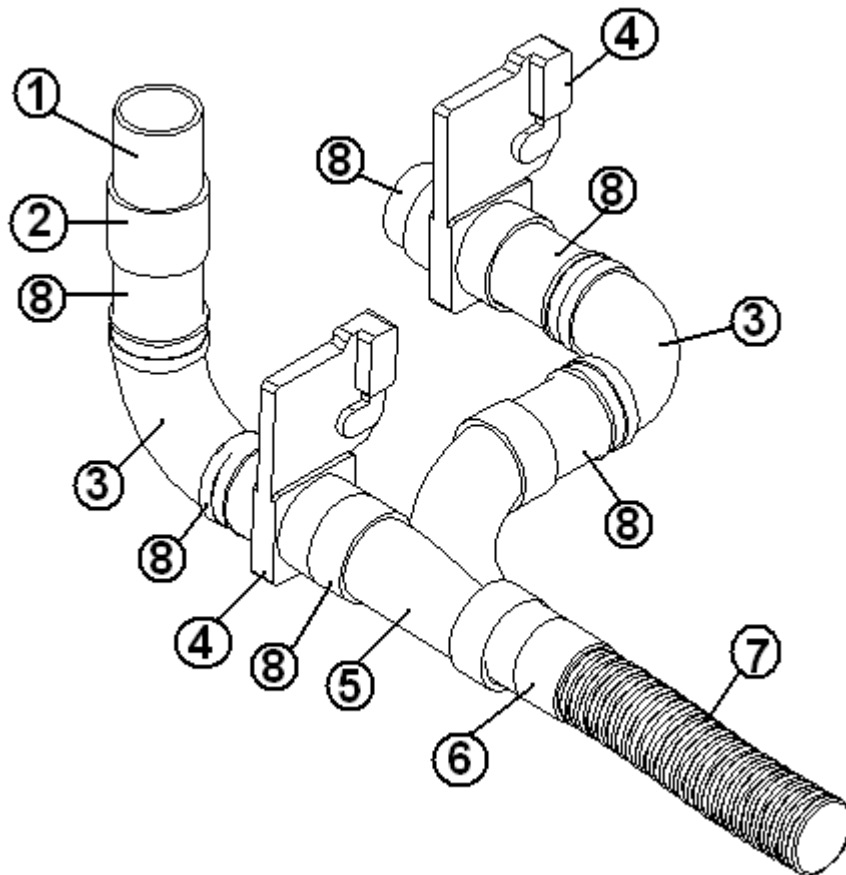
Hose reel w/hose, macerator pump

- | | |
|--------------|--|
| 1. 602205-02 | Mounting bracket |
| 2. 602176 | Macerator pump |
| 3. 454692 | Bracket, drain plumbing |
| 4. 340084-20 | Clamp, hose, stainless steel |
| 5. 454693 | Box, macerator pump hose reel |
| 6. 454724-01 | CLOSEOUT-LH SIDE MAS.PUMP |
| 7. 454724-02 | CLOSEOUT-RH MAS.PUMP |
| 203666 | CLOSEOUT-MACERATOR COMPT., ABS |
| 203225-01 | Trim lok, gray |
| 601197-02 | WATER HOOK-UP, CHROME |
| 602186 | Hose, 20" flex |
| 454683 | Hose reel mounting bracket |
| 602205-01 | 20 amp switch |
| 602205-03 | 1/4" self tapping screws |
| 602205-07 | ADAPTER- .75" BARB MACERATOR |
| 602205-08 | HOSE-.75" X 12" TRANSPARENT |
| 602205-09 | ADAPTER-VALVE 1"TO .75"MACERATOR |
| 602205-10 | Valve, drip proof, w/2 adaptor for reel hose |
| 602205-11 | Hose clamp, stainless steel, 1" |
| 602205-12 | Instruction sticker |

2012 INTERSTATE MOTORHOME

PLUMBING, DRAIN

Drain System, Below Floor, From Tank to Pump

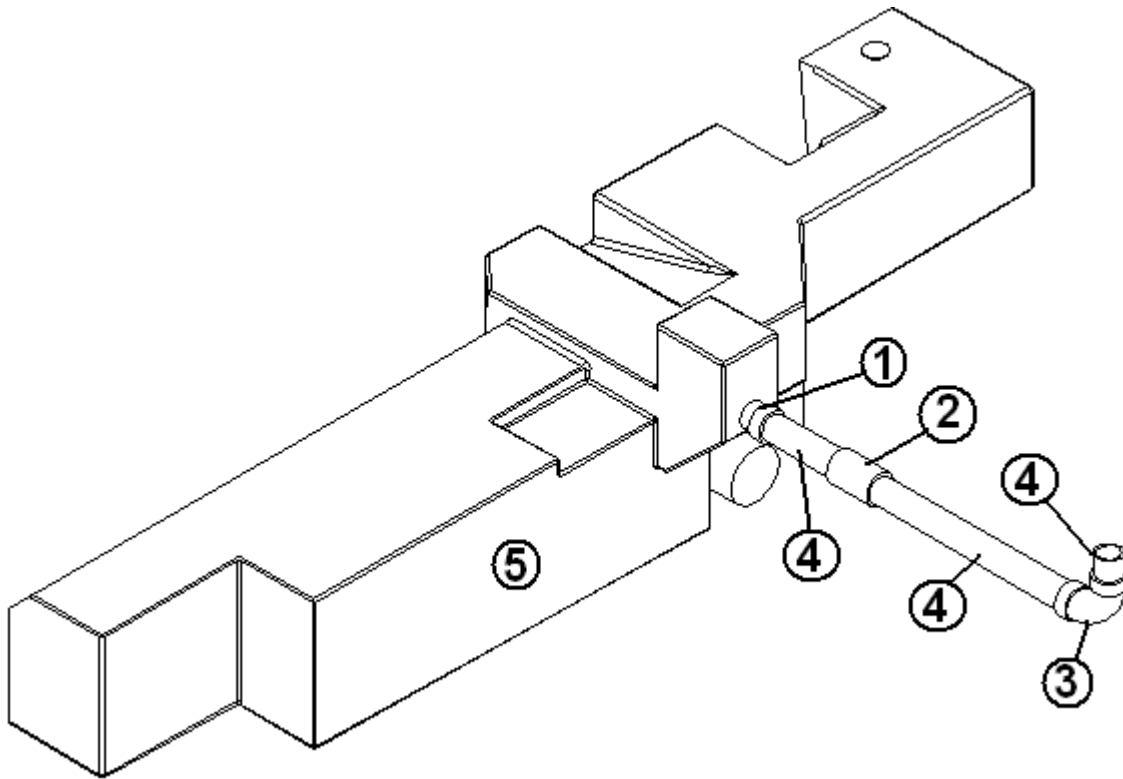


- | | |
|--------------|--|
| 1. 601267-04 | NIPPLE, 3" DIAMETER, THREADED ONE END, 10" LONG |
| 2. 600253 | COUPLING, 3" |
| 3. 602181 | ELBOW, 3" FLEXIBLE |
| 4. 512411 | VALVE, ELECTRIC, WASTE |
| 512410 | HARNES, DUMP VALVE |
| 5. 600187 | 3" WYE, COMB AND 1/8 BEND |
| 6. 602205-04 | Adaptor for 3" connection hose |
| 7. 602205-05 | 3" flexible connection hose, 3' long, w/2 clamps |
| 8. 601160-04 | PIPE, ABS DVW, 3" |
| 600289 | CALDER COUPLING 3IN (RUBBER) |

2012 INTERSTATE MOTORHOME

PLUMBING, DRAIN

Drain System, Below Floor from Galley

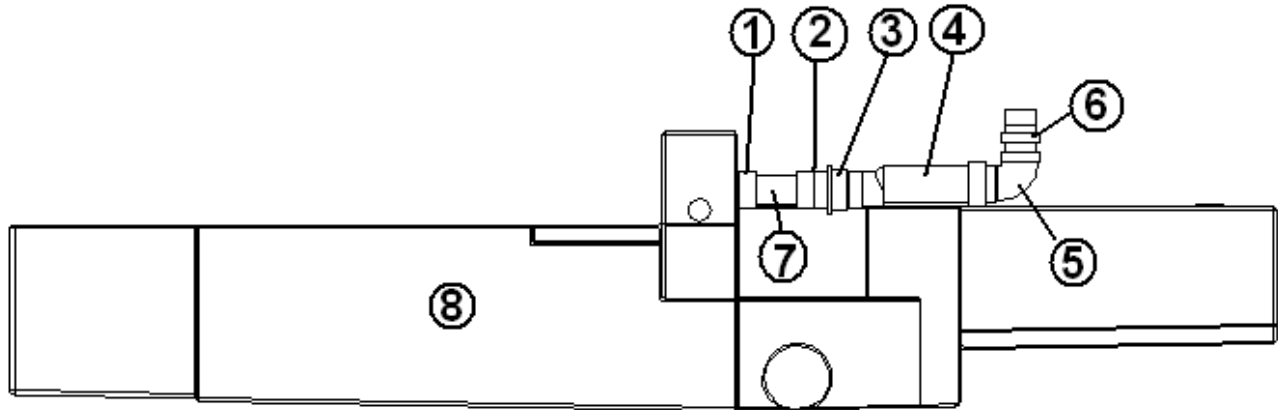


- 1. 602194 Adaptor, PVC, 1.125 hub x MPT
- 2. 602200 Coupling, 1.25", flexible
- 3. 602236 Elbow, 1.25" x 45 degree, long ELL
- 4. 602195 Pipe, 1.25" white PVC
- 5. 602257 Grey water tank

2012 INTERSTATE MOTORHOME

PLUMBING, DRAIN

Drain System, Below Floor to Shower

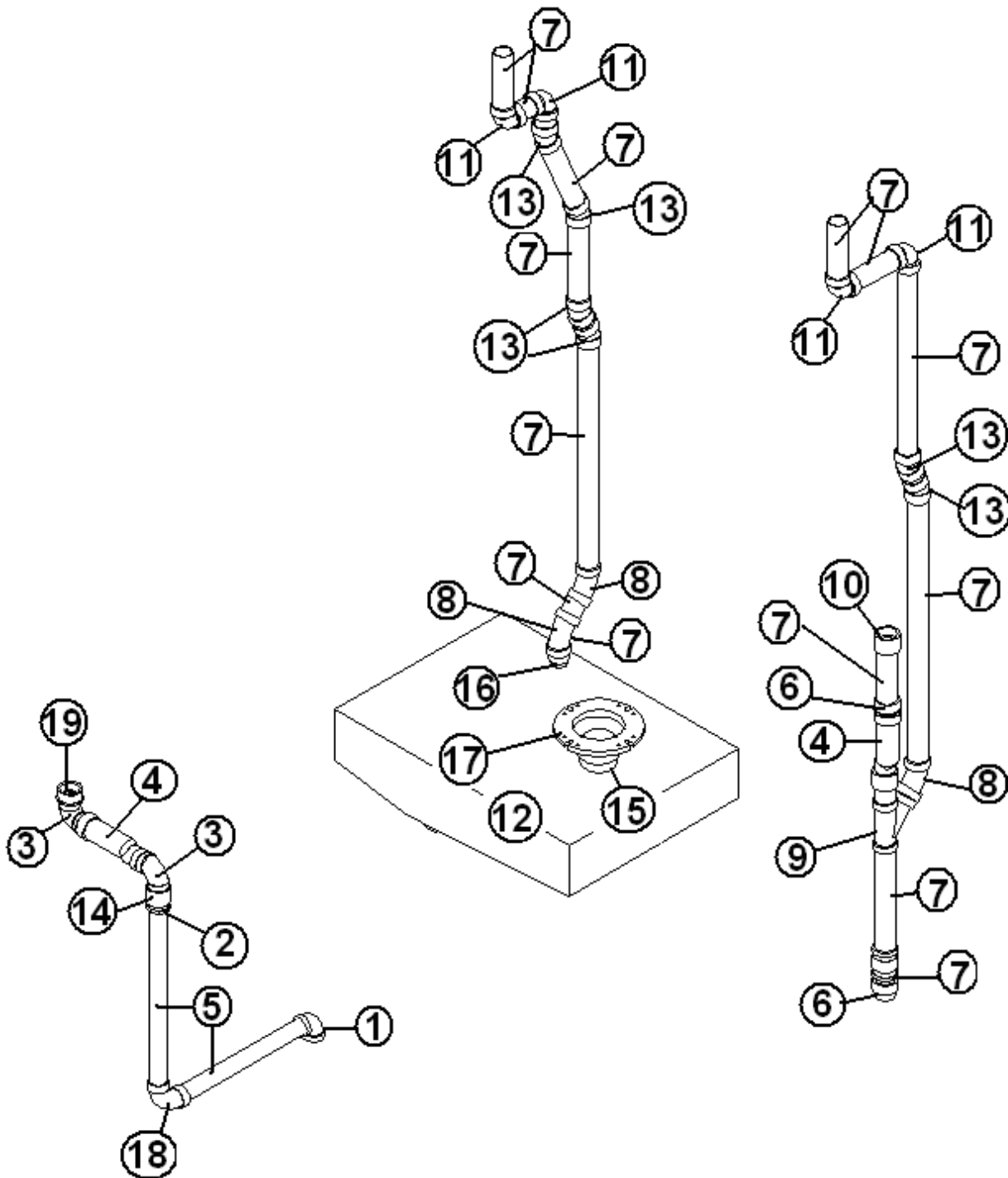


- | | |
|--------------|---------------------------------|
| 1. 602194 | Adaptor, PVC, 1.125 hub x MPT |
| 2. 602215 | BUSHING, 1.5" X 1.25", PVC |
| 3. 602231 | SWIVEL, ADAPTOR, 1.5" HUB X FPT |
| 4. 690603-01 | Valve, HEPVO, waste |
| 5. 690603-02 | Adaptor, angle |
| 6. 601676 | ADAPTOR, THREADED, 1.5" MALE |
| 7. 602195 | Pipe, 1.25" white PVC |
| 8. 602257 | Grey water tank |

2012 INTERSTATE MOTORHOME

PLUMBING, DRAIN

Drain System, Above Floor



Part numbers are on the next page.

2012 INTERSTATE MOTORHOME

PLUMBING, DRAIN

Drain System, Above Floor

| | |
|---------------|--|
| 1. 602196 | Elbow, Slip x slip, 1.25", PVC |
| 2. 602215 | BUSHING, 1.5" X 1.25", PVC |
| 3. 690603-01 | Valve, HEPVO, waste |
| 4. 690603-02 | Adaptor, angle |
| 5. 602195 | Pipe, 1.25" white PVC |
| 6. 602214 | ADAPTER, 1.5" MPT X 1.5", SLIP PVC |
| 7. 601160-02 | PIPE, ABS DVW, 1.5" |
| 8. 600030 | ELL ABS, 45degrees, long turn |
| 9. 600094 | WYE |
| 10. 602287-01 | ADAPTER-SWIVEL 1.5"X1.5" |
| 11. 600033 | Elbow, vent, 1.5", 90 degrees |
| 12. 602182 | Tank, black |
| 13. 600116 | ELL 1/2 |
| 14. 602212 | ADAPTER, 1.5" FPT X 1.5" SLIP PVC |
| 15. 602201 | NIPPLE, 3", THREADED ONE END, 10" LONG |
| 16. 601676 | ADAPTER, THREADED, 1 1/2" MALE |
| 17. 601266 | Flange, toilet |
| 18. 602236 | 90 DEG LGONG TURN, ABS, 1.25" HXH |
| 19. 602213 | ADAPTER, 1.5" SPIGOT X 1.5" MPT, PV |

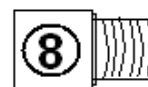
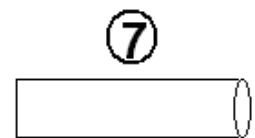
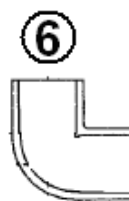
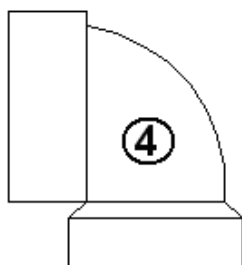
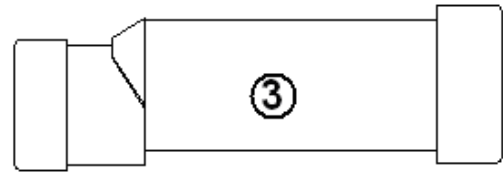
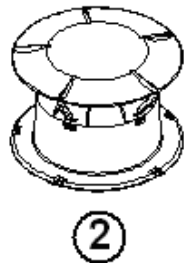
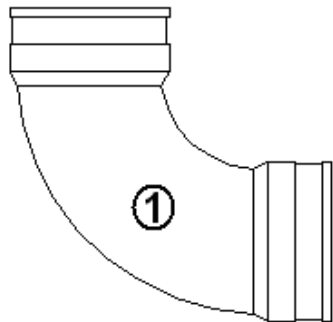
Tank Flush

| | |
|-----------|---|
| 601698-01 | E-PEX 1/2" TUBING |
| 602242 | ELBOW, BRASS, .5MPT X .5MPT |
| 601884 | CENTER SET NUT, PLASTIC |
| 602256-10 | ELBOW, POLY .5 BARB |
| 602256-03 | ADAPATOR, POLY, .5 BARB X .5 FPT SWIVEL |
| 602256-05 | ELBOW, POLY .5 BARB X .5 FPT SWIVEL |
| 601441 | SYSTEM, TANK FLUSH |
| 601698-15 | 1/2" CRIMP RING |

2012 INTERSTATE MOTORHOME

PLUMBING, DRAIN

Plumbing Fittings

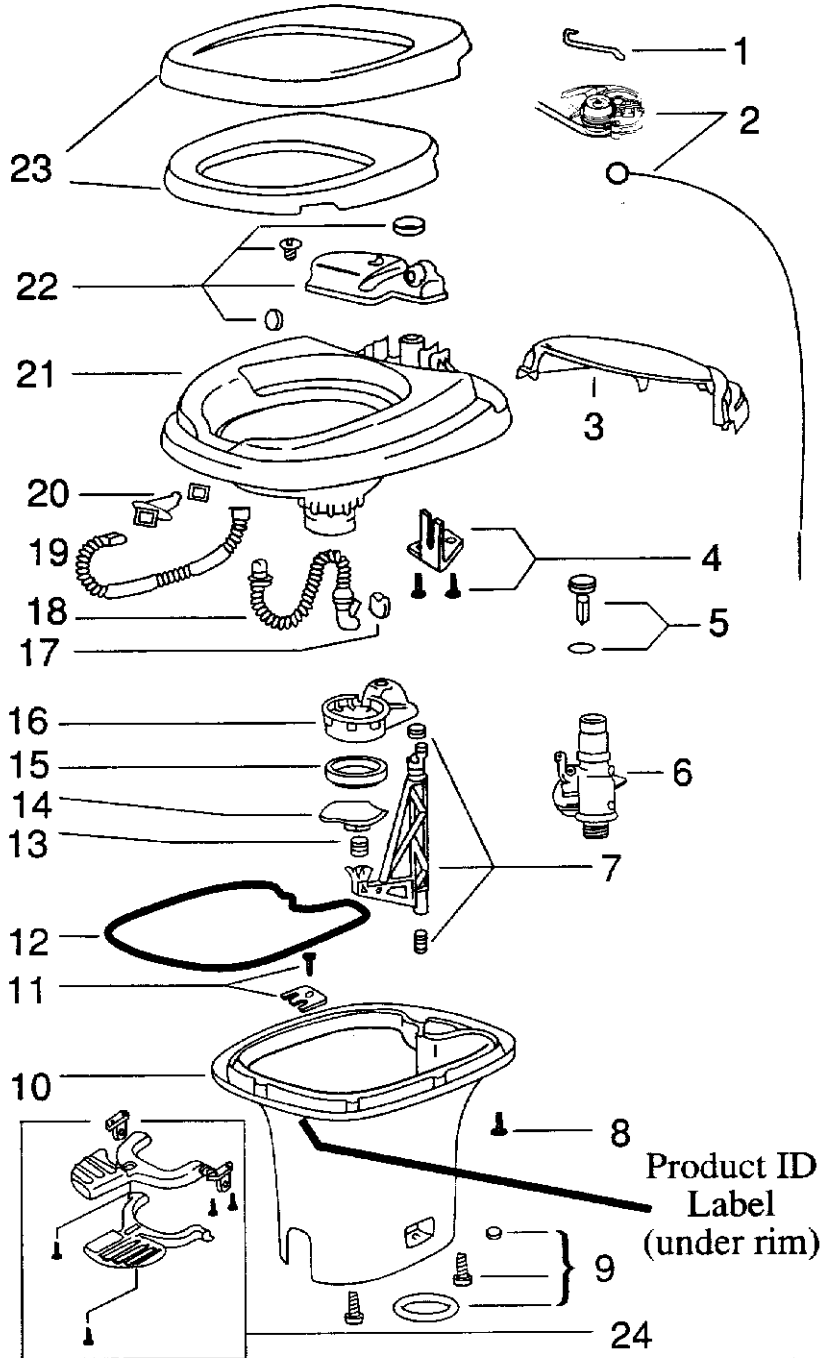


- | | |
|--------------|--|
| 1. 602181 | ELBOW, 3" FLEXIBLE |
| 2. 690601 | COVER, TANK VENT, BLACK |
| 3. 690603-01 | Valve, HEPVO, waste |
| 4. 690603-02 | Adaptor, angle |
| 5. 601267-04 | NIPPLE, 3", THREADED ONE END, 10" LONG |
| 6. 602196 | Elbow, Slip x slip, 1.25", PVC |
| 7. 602195 | Pipe, 1.25" white PVC |
| 8. 602194 | Adaptor, PVC, 1.125 hub x MPT |
| 602211 | PLUG, .75" MPT PLASTIC |
| 602212 | ADAPTER, 1.5" FPT X 1.5", SLIP, PVC |
| 602213 | ADAPTER, 1.5" SPIG. X 1.5" MPT PVC |

2012 INTERSTATE MOTORHOME

PLUMBING, DRAIN

Toilet w/o Water Saver



2012 INTERSTATE MOTORHOME

PLUMBING, DRAIN

Toilet w/o Water Saver

| | |
|----------------|---------------------------------|
| 690495-02 | Toilet complete, Aqua Magic IV |
| 1. 690387-513 | Water valve link |
| 2. 690387-571 | Wire replacement package |
| 3. 690387-562 | Mechanism cover, white |
| 4. 690387-634 | Bracket assembly |
| 5. 690387-631 | Float assembly |
| 6. 690387-168 | Water valve replacement package |
| 7. 690387-632 | Actuator assembly |
| 8. 690387-659 | Screw base to bowl |
| 9. 690387-524 | Closet bolt package |
| 10. 690387-356 | Base, white, low |
| 11. 690387-062 | Base, white, high |
| 12. 690387-636 | Retainer assembly |
| 13. 690387-387 | Sealant, base to bowl |
| 14. 690387-519 | Blade spring |
| 15. 690387-262 | Blade |
| 16. 690387-481 | Blade seal |
| 17. 690387-520 | Blade track |
| 18. 690387-512 | Flapper |
| 19. 690387-511 | Overflow tube |
| 20. 690387-509 | Flush tube |
| 21. 690387-637 | Nozzle assembly |
| 22. 690387-726 | Bowl |
| 23. 690387-630 | Reservoir tank assembly |
| 24. 690387-162 | Seat and cover assembly |
| 25. 690387-821 | Pedal package |

2012 INTERSTATE MOTORHOME

SEALER/GASKETS/UNDERCOATING

SEALER

| | |
|-----------|-------------------------------------|
| 360001 | Sealant, #884058 |
| 360268-01 | SEAL LIQUA ELASTOMIC ROOF WHITE |
| 360323 | Sealant, Sikaflex #227, white |
| 360324 | Sika Lick, spray bottle |
| 360323-01 | Sealant, Sikaflex #227, black, tube |
| 360180 | ADHESIVE SEAL, SIKAFLEX 221 |
| 365190 | SEAL RUBBER ADHESIVE, ¾" X 3 |
| 360074 | SEALANT, GE RTV 102, WHITE, 3 OZ. |

GASKETS

| | |
|-----------|--|
| 365314 | SEAL, CLOSED CELL FOAM.75"X.75", battery box |
| 365315 | SEAL, FOAM SHEET, .13" X 57"W, battery box |
| 365185-20 | 2" GASKET TAPE, Black tank |

Under Coating

| | |
|--------|----------------------------------|
| 360327 | Undercoating, 17 Oz. Aerosol can |
|--------|----------------------------------|

2012 INTERSTATE MOTORHOME

UPHOLSTERY/SOFA/SEATS

Driver/Passenger Seat/Skirt

Cab captain chair come with chassis. Airstream sends the chair out to be recovered to the motorhome color scheme.

| | |
|------------|---|
| 703806-400 | Skirt, driver's seat pedestal, Onyx |
| 703806-411 | Skirt, driver's seat pedestal, Lt. Camel |
| 703807-400 | Skirt, passenger's seat pedestal, Onyx |
| 703807-411 | Skirt, passenger's seat pedestal, Lt. Camel |
| 703823-400 | Front cab chair, Onyx |
| 703823-411 | Front cab chair, Lt. Camel |

Chair, Captains, 2nd Row

| | |
|---------------|---------------------------------|
| 703957-LH400L | Chair, Mid LH w/ISS – Onyx |
| 703957-LH411L | Chair, Mid LH w/ISS – Lt. Camel |
| 703958-RH400L | Chair, Mid RH w/ISS – Onyx |
| 703958-RH411L | Chair, Mid RH w/ISS, Lt. Camel |

Trunk Liner

| | |
|------------|---------------------------------|
| 703805-399 | SET TRUNK LINER 3PC, SAND PEARL |
| 703805-400 | SET TRUNK LINER 3PC, ONYX |
| 703805-411 | SET TRUNK LINER 3 PC. LT. CAMEL |

2012 INTERSTATE MOTORHOME

UPHOLSTERY/SOFA/SEATS

Mattress, Twin Bed

| | |
|-----------|---------------------------------------|
| 703808-01 | MATTRESS, 27" X 74", RS TWIN, FOAM |
| 703808-02 | MATTRESS, 27" X 74", CS TWIN, FOAM |
| 703981-01 | MATTRESS RS TWIN 27" X 74", PILLOWTOP |
| 703981-02 | MATTRESS CS TWIN 27" X 74", PILLOWTOP |

Bedspreads & Sheet, Twin Bed

| | |
|------------|----------------------|
| 703811-400 | Bedspread, Onyx |
| 703811-411 | Bedspread, Lt. Camel |
| 703825 | Sheet set |

Pillows, Twin Bed

| | |
|--------|-------------------|
| 701611 | Pillow, 21" x 31" |
|--------|-------------------|

PILLOW KIT, ONYX & LT. CAMEL

| | |
|-----------|---|
| 703866-04 | PILLOW KIT, ONYX & LT. CAMEL |
| 703866-01 | Pillow, Throw 16" x 16", Onyx & Lt. Camel |
| 703866-02 | Pillow, Throw 16" x 10", Onyx & Lt. Camel |
| 703866-03 | Pillow Sham, 28" x 20", Onyx & Lt. Camel |

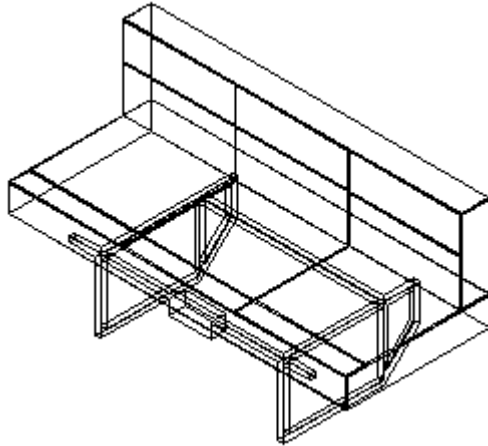
Pillows, Lounge

| | |
|-----------|-------------------------------------|
| 703865-03 | Pillow Kit, Onyx/Lt. Camel |
| 703865-01 | Pillow, Onyx / Lt. Camel, 16" x 16" |
| 703865-02 | Pillow, Onyx / Lt. Camel, 16" x 10" |

2012 INTERSTATE MOTORHOME

UPHOLSTERY/FOAM/MATTRESS

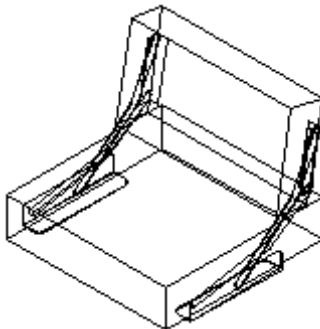
Sofa, Power



703820-400L Sofa, power w/2 armrests, Onyx

703820-411L Sofa, power w/2 armrests, Lt. Camel

Sofa, Manual 29" Jackknife



703822-400L Sofa, jackknife, 29", Gray Onyx

703822-411L Sofa, jackknife, 29", Lt. Camel

Shower Curtain

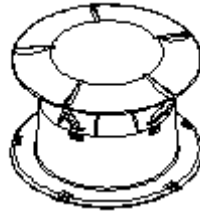
998202 Shower curtain assembly

100097 Curtain track

2012 INTERSTATE MOTORHOME

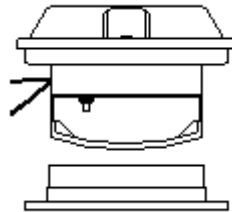
VENTS/FANS

Roof Vent, Holding Tanks



690601 COVER, TANK VENT, BLACK
203640 CEILING SPACER, TANK VENT

Bath Power Vent



690266-04 VENT W/2" WHITE GARNISH
203639 CEILING SPACER, BATH VENT

Power Vent, Ceiling

382058 Maxx Vent, exhaust only
115403 Vent frame assembly, roof

