

# **AVENUE MOTORHOME**

**PARTS  
BOOK**

**2012**



# 2012 AVENUE MOTORHOME

## TABLE OF CONTENTS

### SECTION I

#### A through C

#### APPLIANCES

<a href="#">Air Conditioner/Furnace, Microwave/Cook Top</a> .....	I-1
<a href="#">Refrigerator</a> .....	I-1
<a href="#">Water Heater/Generator</a> .....	I-2

#### EXTERIOR SHELL

<a href="#">Wall &amp; Roof Structure</a> .....	I-3
<a href="#">Medallions</a> .....	I-5
<a href="#">Skirting Install, Fiberglass</a> .....	I-6
<a href="#">Rear Bumper Access Panel</a> .....	I-7
<a href="#">Mesh Grille</a> .....	I-9
<a href="#">Grab Handle</a> .....	I-10
<a href="#">Mud Flaps</a> .....	I-11
<a href="#">Roof Assembly Install</a> .....	I-12
<a href="#">Utility Compartment</a> .....	I-14

#### INTERIOR BODY

<a href="#">Interior Panels, Rear Door</a> .....	I-15
<a href="#">Interior Panel Assemblies</a> .....	I-16
<a href="#">Interior Closeout Assemblies</a> .....	I-16
<a href="#">Closeout, Interior, Fuel Fill</a> .....	I-23
<a href="#">Floor</a> .....	I-24
<a href="#">Dash Trim Kits</a> .....	I-25

#### CHASSIS

<a href="#">Spare Tire Carrier</a> .....	I-26
<a href="#">Hitch</a> .....	I-28
<a href="#">Trunk Box</a> .....	I-29
<a href="#">Heat Shield &amp; Closeout for Step</a> .....	I-30
<a href="#">Heat Shield, Shower Pan</a> .....	I-30
<a href="#">Step/Step Well</a> .....	I-32
<a href="#">Exhaust</a> .....	I-33

2012 AVENUE MOTORHOME  
TABLE OF CONTENTS  
SECTION II  
D through E

DOOR/WINDOWS/AWNING

<a href="#">Exterior Door</a> .....	II-1
<a href="#">Rear Door Gasket</a> .....	II-1
<a href="#">Windows</a> .....	II-1
<a href="#">Awning</a> .....	II-1

[DRAPES/SHADES/VALANCES](#) ..... II-2

ELECTRICAL, 110 VOLT

<a href="#">Energy Management System</a> .....	II-5
<a href="#">Shoreline Hookup</a> .....	II-5
<a href="#">Inverter</a> .....	II-5
<a href="#">Receptacles</a> .....	II-6
<a href="#">Breakers</a> .....	II-6

Electrical, 12 volt

<a href="#">Battery Box</a> .....	II-7
<a href="#">Battery System, Coach</a> .....	II-8
<a href="#">Exterior Lights</a> .....	II-8
<a href="#">Lights, Interior</a> .....	II-9
<a href="#">Switches</a> .....	II-9
<a href="#">Solar Panel</a> .....	II-9
<a href="#">Monitor Panel</a> .....	II-10
<a href="#">Rear View Monitor</a> .....	II-10
<a href="#">Tank Heating Pad</a> .....	II-10

ENTERTAINMENT

<a href="#">Radio Wiring</a> .....	II-10
<a href="#">Television Reception System</a> .....	II-11
<a href="#">Television Systems</a> .....	II-13

2012 AVENUE MOTORHOME  
TABLE OF CONTENTS  
SECTION III  
F through H

FASTENER (common fastener available locally are not listed)

[Rivets](#)..... III-1

[FLOOR COVERING](#) ..... III-2

FURNITURE

[Lavatory](#) ..... III-3

[Shower Module](#) ..... III-5

[Galley](#)..... III-23

[Furniture, Lounge](#)..... III-64

[Ottomans](#)..... III-77

[Driver/Passenger Seat Swivel Base](#) ..... III-80

[Mirrors/Interior Doors](#) ..... III-85

[Edge Banding](#) ..... III-85

[Trim, Wood/Plastic](#) ..... III-86

[Drawer Box Assemblies](#) ..... III-87

HARDWARE

[Seat Pedestal Bracket Assembly](#) ..... III-88

[Clothes Line](#) ..... III-92

[Sofa Seatbelt Installation](#) ..... III-93

[Interior Handles, Fastener, Latches](#) ..... III-96

[Hinges](#)..... III-97

[Bath Accessories](#) ..... III-97

[Labels and Tags](#) ..... III-98

[Safety Equipment](#)..... III-98

2012 AVENUE MOTORHOME  
TABLE OF CONTENTS  
SECTION IV  
L through Z

PLUMBING

<a href="#">LPG System</a> .....	IV-1
<a href="#">LPG Tank</a> .....	IV-4
<a href="#">Fresh Water Tank/Gravity Fill</a> .....	IV-5
<a href="#">Water Pump, Filter, Regulator</a> .....	IV-6
<a href="#">Faucet &amp; Sink, Galley</a> .....	IV-6
<a href="#">Faucet, Wet Bath</a> .....	IV-6
<a href="#">Exterior Utility Compartment</a> .....	IV-7
<a href="#">Freshwater Fittings</a> .....	IV-8
<a href="#">Water Lines, Hot/Cold</a> .....	IV-9
<a href="#">Tanks/Valves/Heating Pad, Gray/Black</a> .....	IV-21
<a href="#">Gray Tank Brackets</a> .....	IV-22
<a href="#">Black Tank Brackets</a> .....	IV-23
<a href="#">Drain Valve System/Macerator Pump, Tank Flush</a> .	IV-24
<a href="#">Drain System, Above Floor</a> .....	IV-25
<a href="#">Heat Shields, Grey Tank &amp; Drainage</a> .....	IV-29
<a href="#">Toilet</a> .....	IV-30

<a href="#">SEALER/GASKETS</a> .....	IV-33
--------------------------------------	-------

UPHOLSTERY/FOAM/MATTRESS

<a href="#">Cab Seats</a> .....	IV-34
<a href="#">Chair, Captains, 2<sup>nd</sup> Row</a> .....	IV-34
<a href="#">Pillows</a> .....	IV-35
<a href="#">Ottoman Foam Kit</a> .....	IV-35
<a href="#">Lounge Sofa</a> .....	IV-36
<a href="#">Shower Curtain</a> .....	IV-36

<a href="#">VENTS/FANS</a> .....	IV-37
----------------------------------	-------

# 2012 AVENUE MOTORHOME

## APPLIANCES

### Air Conditioner

690614-01 Air conditioner 13,500 BTU Cool Only, Coleman  
690614-02 Ceiling Plenum, Coleman  
690614-03 Control Kit, Cool Only  
690614-04 Thermostat, A/C Coleman  
511260 Cover, Weather Proof Single Gang  
967577 Cover Assembly, Air Conditioner

511637 Switch, Selector Auto Energy

### Furnace

690616 Furnace, 16,000 BTU Suburban  
601244-03 Register, Rotaire, Black  
690620-01 Furnace, 16,000 BTU Front Discharge w/White Grille  
(Ave. Suite)  
690620-02 Furnace, 16,000 BTU Front Discharge w/Black Grille  
(Ave. Suite)  
690620-03 Replacement grille (white)  
690620-04 Replacement grille (black)

### Microwave/Cook Top

690576 Cook Top, 2-Burner, SMEV  
690610-01 Microwave, Contoure UL SS  
690610-04 Trim Kit, Contoure Black

\*602298-01 Cook Top, Sink Combo, Avenue Suite

\*602298-02 Faucet w/hoses

\* Must order -01 & 02 to create Cook top – Sink Combo w/Faucet

### Refrigerator

690599-01 REFRIGERATOR, NOVAKOOL, 3.1 RH DOOR  
115166-08 INSERT, REFER PANEL, 16.56" X 28.00"

# 2012 AVENUE MOTORHOME

## APPLIANCES

### Water Heater

690615	Water heater 6Gallon
690417-05	Switch, Water Heater, Dual
690615-01	Door, water heater, Artic White
690615-02	Door, water heater, Grey

### Generator, LP

512422-01	GENERATOR, 2800 MICROLITE ONAN
511811-02	REMOTE SWITCH W/HOUR METER
454744	BRACKET, GENERATOR
454742-01	BRACKET, GENERATOR/MOUNT LP - CS
454742-02	BRACKET, GENERATOR/LP MOUNT - RS
454829	SHIELD, HEAT, GENERATOR EXHAUST
454743	BRACKET, LP SUPPORT
454796	HEAT SHIELD LP TANK
454798	ACCESS PANEL, LP
454799	HEAT SHIELD CS, LP TANK
512422-03	TAILPIPE, 2.8 GAS GENERATOR
381509	HANGER, TAILPIPE, GENERATOR
382136	MOUNT, RUBBER INSULATOR 1.38"
602283	REGULATOR, 2 STATE W/ADAPTER
510562	SWITCH, GENERATOR SWITCH
510817-01	SINGLE GANG, WEATHER PROOF BOX
510817-02	SINGLE GANG, WEATHER PROOF EXTENTION RING
*410988	GENERATOR FUEL LINE KIT

\*GENERATOR FUEL LINE KIT CONSISTS OF:

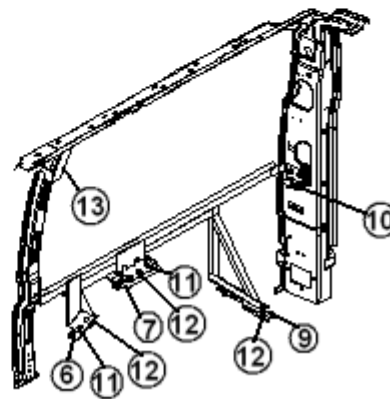
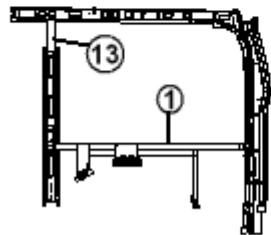
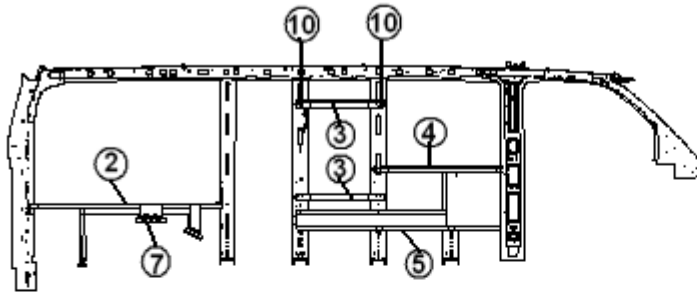
60" Hose  
Male connector  
Hose clamps  
5/16" - 1/4" reducer  
High pressure hose  
Hose clamps



# 2012 AVENUE MOTORHOME

## EXTERIOR SHELL

### Wall & Roof Structure, Interior

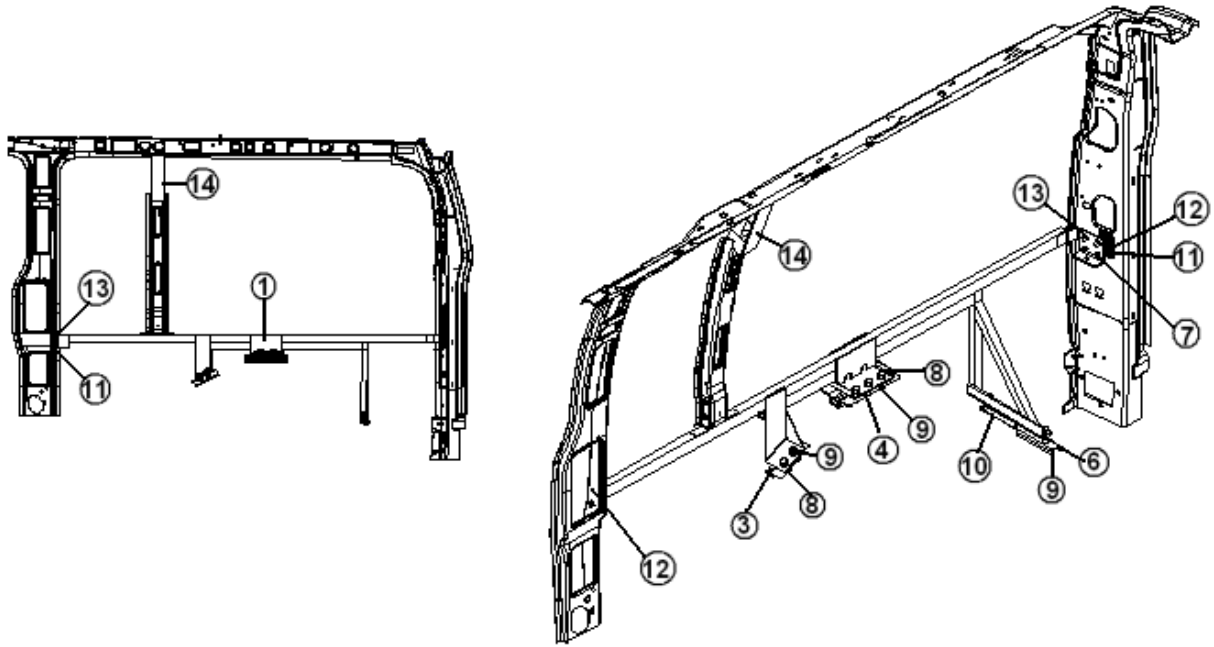


- |     |           |                                       |
|-----|-----------|---------------------------------------|
| 1.  | 454746-01 | BRACKET-CS REAR WALL                  |
| 2.  | 454746    | BRACKET-RS REAR WALL                  |
| 3.  | 454780    | BRACKET-SIDEWALL SUPPORT              |
| 4.  | 454781    | BRACKET-WINDOW                        |
| 5.  | 454782    | BRACKET-SIDEWALL MOUNT                |
| 6.  | 454755    | BRACKET-FWD RETAINING SIDEWALL        |
| 7.  | 454756    | BRACKET-AFT RETAINING SIDEWALL        |
| 8.  | 454758    | BRACKET-RS SIDEWALL ANGLE (Not Shown) |
| 9.  | 454758-01 | BRACKET-CS SIDEWALL ANGLE             |
| 10. | 345084    | SCREW-1/4-14X1 THD.CUTTING            |
| 11. | 345251    | BOLT-HEX HD 1/2-13X1-1/2 GR 5         |
| 12. | 300072-08 | LOCK WASHER                           |
| 13. | 454832    | BRKT, GALLEY REINFORCMENT RIB         |
|     | 345477-01 | SCREW-CAP HD 1/2-13 X 2"              |
|     | 345272-04 | SCREW-CAP 3/8-16X1.0 HEX HEAD         |
|     | 350005    | NUT3/8-16 UNC HEX HD PLATED           |
|     | 300072-04 | WASHER,LOCK 1/4IN                     |

# 2012 AVENUE MOTORHOME

## EXTERIOR SHELL

Wall & Roof Structure, Interior, Avenue Suite



1. 454874 Bracket, Curbside Wall
2. 454746 Bracket, Roadside Rear Wall
3. 454755 Bracket, Forward Retaining Sidewall
4. 454756 Bracket, Aft Retaining Sidewall
5. 454758 Bracket, Roadside Sidewall Angle
6. 454758-01 Bracket, Curbside Sidewall Angle
7. 345084 Screw, 1/4-14 x 1 Thd. Cutting
8. 345251 Bolt, Hex Hd. 1/2-13 x 1 1/2 Grade 5
9. 300072-08 Lock Washer
10. 345477-01 Screw, Cap Hd 1/2-13 x 2
11. 345272-04 Screw, Cap 3/8-16 x 1.0 Hex Head
12. 350005 Nut, 3/8-16 UNC Hex Hd. Plated
13. 300072-04 Washer, Lock 1/4"
14. 454832 Bracket, Galley Reinforcement Rib
15. 330031-03 Rivet, Dome Head SSD64SSBS

# 2012 AVENUE MOTORHOME

## EXTERIOR SHELL

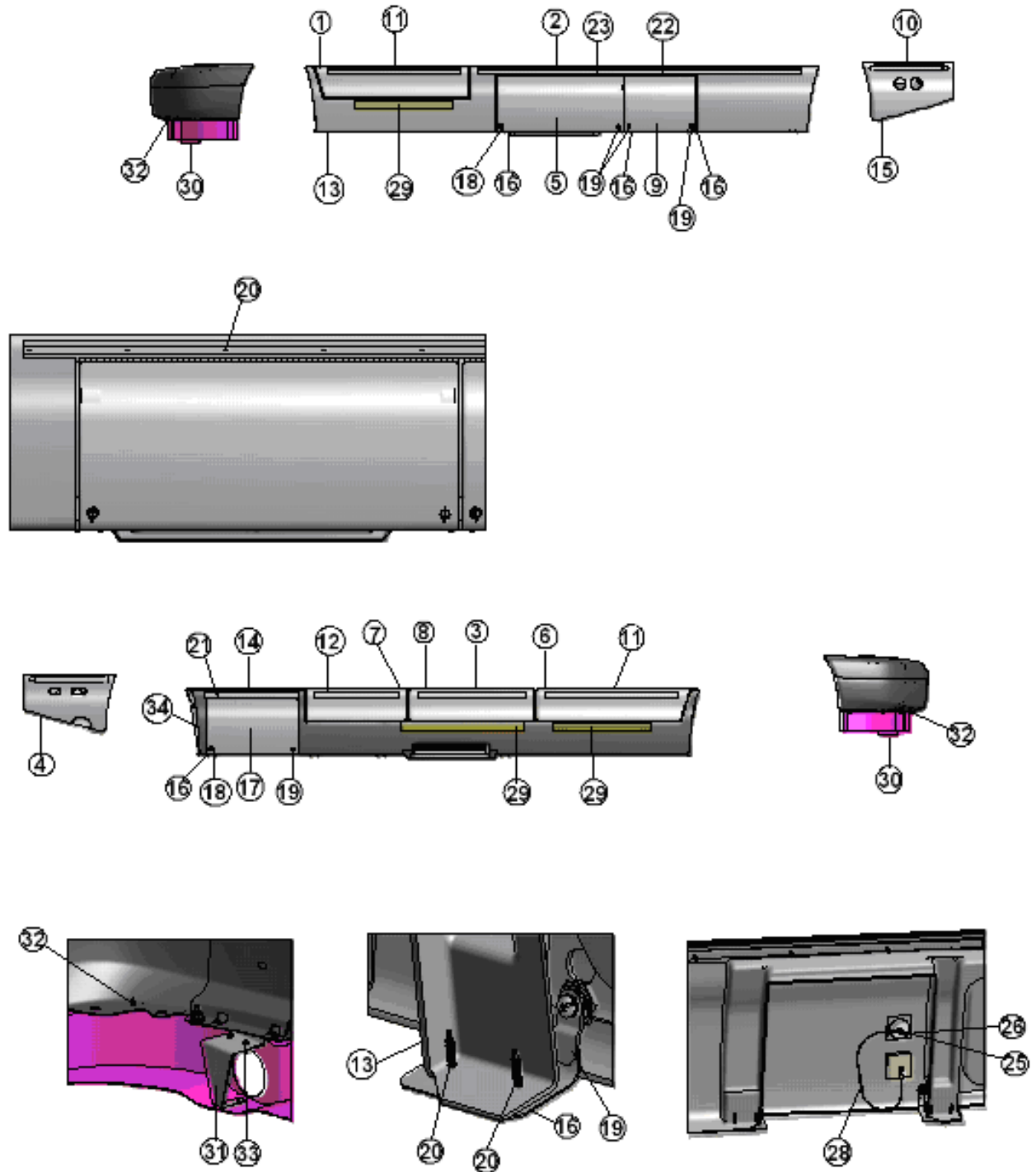
### Medallions

386243	NAMEPLATE-AVENUE 1.69" x 8.38"
386205	AIRSTREAM, CHROME 1.75" X 21.5"

# 2012 AVENUE MOTORHOME

## EXTERIOR SHELL

### SKIRTING INSTALLATION - WITHOUT WARDROBE OPTION



Parts Listed on Next Page

# 2012 AVENUE MOTORHOME

## EXTERIOR SHELL

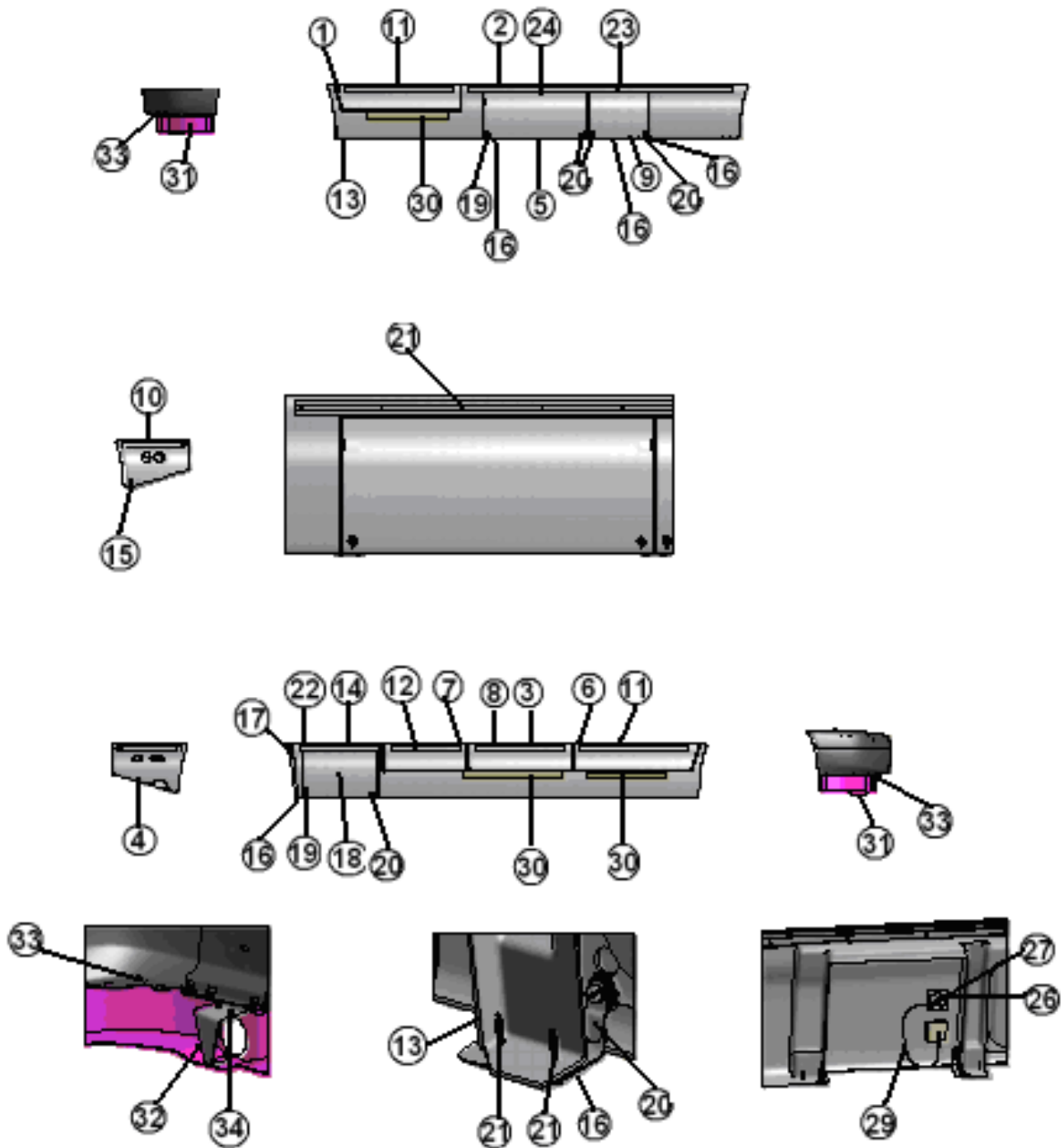
### SKIRTING INSTALLATION, FIBERGLASS, STANDARD

111977	SKIRTING INSTALL, FIBERGLASS
1. 203687	FASCIA-DOOR ROADSIDE
2. 203707	MOLDING-EXT.BODY CHROME 1.28"
3. 203707	MOLDING-EXT.BODY CHROME 1.28"
4. 203686	DEPARTURE-REAR CS CHEVY VAN
5. 203683	DOOR-BAGGAGE 13.61 X 31
6. 203688	FASCIA-DOOR CURBSIDE CHEVY VAN
7. 203690	FASCIA-DBL DOOR LH CHEVY VAN
8. 203691	FASCIA-DBL DOOR RH CHEVY VAN
9. 203684	DOOR-SYSTEMS 13.61 X 17.63
10. 203707	MOLDING-EXT.BODY CHROME 1.28"
11. 203707	MOLDING-EXT.BODY CHROME 1.28"
12. 203707	MOLDING-EXT.BODY CHROME 1.28"
13. 203681	FENDERSKIRT-RS CHEVY VAN
14. 203707	MOLDING-EXT.BODY CHROME 1.28"
15. 203685	DEPARTURE-REAR RS CHEVY VAN
16. 454833	BRACKET, DOOR CATCH AVENUE
17. 203706	DOOR-BATTERY BOX
18. 382137	CAM LOCK-THUMB TURN LOCKING
19. 382138	CAM LOCK-THUMB TURN NON LOCKING
20. 320029-02	SCREW-#8 X 1 SELF TAP SS
21. 380203-01	PIANO HINGE 1/8" PIN CLR ANODI
22. 380203-01	PIANO HINGE 1/8" PIN CLR ANODI
23. 380203-01	PIANO HINGE 1/8" PIN CLR ANODI
24. 454838	BRKT - CS FENDER ATTACHMENT(NOT SHOWN)
25. 452276	STEEL 20 GA GALVANIZED
26. 382139	MAGNET-DR HOLDER 28 LB 1.57"D
27. 320163	SCREW-M4 X 8MM PH STEEL
28. 382140	GASKET-MAGNET 1.58"D (NOT SHOWN)
29. 381065-13	SUPPORT CABLE- 13"
30. 385577	TAPE CLEAR WEAR STRIP 3.5"
31. 203709	SPOILER-BUMPER LOWER ABS CBV
32. 454854	BRACKET, DRIVING LIGHT LOWER CBV
33. 320164	SCREW -TAPPING 18-8 X 1" SS
34. 203723	FENDERSKIRT- CS FG
345276-03	BOLT HEX. HD. 1/4-20 X 3/4IN
350147-25	NUT,NYLON LOCK,1/4-20
203682	FENDER SKIRT, CURBSIDE
203697	PANEL, ACCESS, REAR BUMPER

# 2012 AVENUE MOTORHOME

## EXTERIOR SHELL

### SKIRTING INSTALL WITH WARDROBE OPTION



PARTS CALLED OUT ON NEXT PAGE

# 2012 AVENUE MOTORHOME

## EXTERIOR SHELL

### SKIRTING INSTALLATION – FIBERGLASS, WARDROBE OPT

1. 203687 FASCIA, DOOR, ROADSIDE
2. 203707 MOLDING, EXTERIOR BODY, BLACK
3. 203707 MOLDING, EXTERIOR BODY, BLACK
4. 203686 FENDER, REAR DEPARTURE, CURBSIDE
5. 203683 DOOR, BAGGAGE, 31" X 13.61"
6. 203688 FASCIA, DOOR, CURBSIDE
7. 203690 FASCIA, DBL.DOOR, LH
8. 203691 FASCIA, DBL DOOR, RH
9. 203684 DOOR, SYSTEMS, 17.63" X 13.61"
10. 203707 MOLDING, EXT. BODY, BLK, 17.75"
11. 203707 MOLDING, EXT. BODY, BLK, 32.5"
12. 203707 MOLDING, EXT. BODY, BLK, 20.56"
13. 203681 FENDERSKIRT, ROADSIDE
14. 203707 MOLDING, EXT. BODY, BLK 23.5"
15. 203685 FENDER, REAR DEPARTURE, RS
16. 454833 BRKT., CATCH FOR DOORS
17. 203682 FENDER SKIRT CS
18. 203706 DOOR, BATTERY BOX, 22.44" X 13.61"
19. 382137 CAM LOCK, THUMB TURN, LOCKING
20. 382138 CAM LOCK, THUMB TURN NON-LOCKING
21. 320029-02 SCREW, #8 X 1.00" SELF TAPPING
22. 380203-01 HINGE, PIANO, ANODIZED, 22"
23. 380203-01 HINGE, PIANO, ANODIZED, 22"
24. 380203-01 HINGE, PIANO, ANODIZED, 22"
25. 454838 BRKT., CS FENDERSKIRT
26. 382139 MAGNET, DOOR HOLDER, 28#
27. 320163 SCREW, PH M4 X 8MM
28. 382140 GASKET, MAGNETIC DOOR HOLDER
29. 381065-13 CABLE, SUPPORT, 13"
30. 385577 TAPE, CLEAR, WEAR STRIP, 3.5"WIDE
31. 203709 SPOILER, BUMPER LOWER
32. 454854 BRACKET, DRIVING LIGHT, LOWER SPOILER
33. 320164 SCREW, TAPPING 12-14 X 1.00"SS
34. 345276-03 BOLT HEX HD. ¼-20 X ¾"
35. 350147-25 NYLON LOCKING NUT, ¼-20
36. 512182 LIGHT, DRIVING, 4" ROUND
37. 365013-01 FOAM,CHARCOAL LOW DENSITY FOAM
38. 330038 RIVET, BLIND AD54 ABS

# 2012 AVENUE MOTORHOME

## EXTERIOR SHELL

### MESH GRILLE



111922  
386246

MESH GRILL-OPTIONAL  
GRILL MESH #54126

### GRAB HANDLE



382156 HANDLE-CHEVY GRAB #15056573  
454867 BRACKET, CS GRAB HANDLE  
345084 SCREW ¼-14 X 1 THD CUTTING  
320167 SCREW PH PAN #4 X 1" BLACK



# 2012 AVENUE MOTORHOME

## EXTERIOR SHELL

### MUD FLAPS

203698 Mud Flap, Front, 2 per van

203699 Mud Flap, Rear, 2 per van

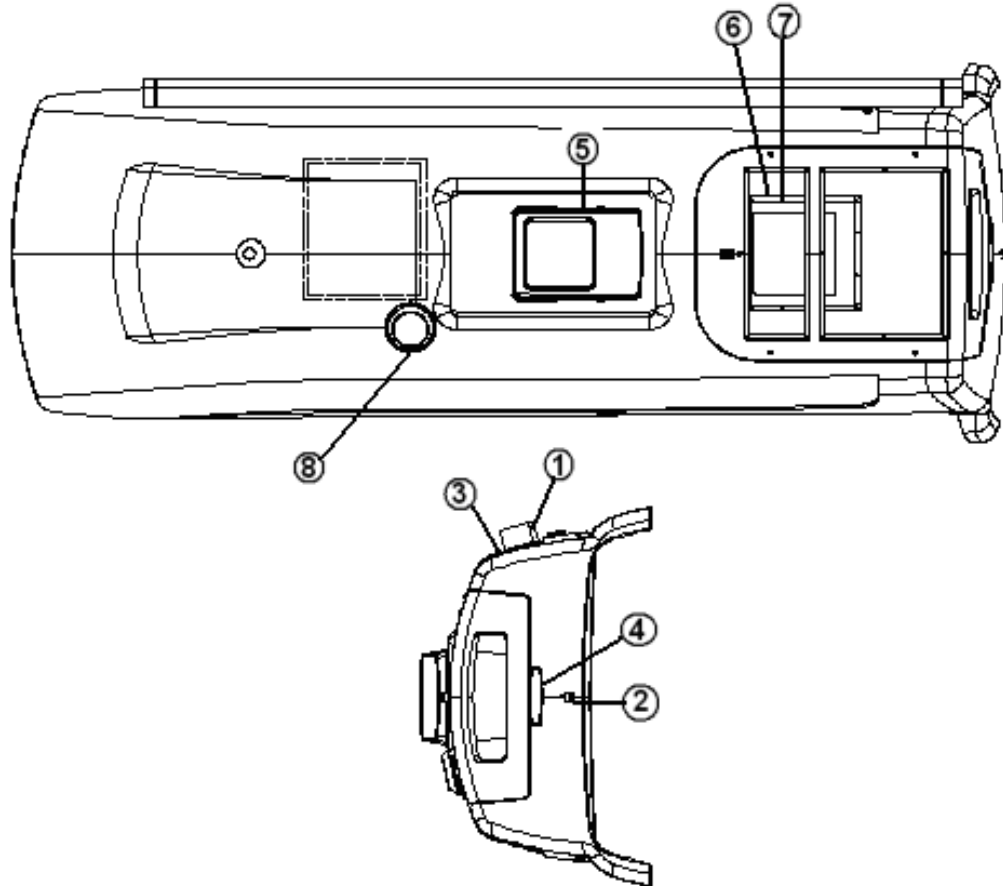
### EXTERIOR STRIPING

365339 Striping Tape, 5/16" Blk/Lt. Charcoal Metallic

# 2012 AVENUE MOTORHOME

## EXTERIOR SHELL

### ROOF ASSEMBLY INSTALLATION



Parts Listed on Next Page

# 2012 AVENUE MOTORHOME

## EXTERIOR SHELL

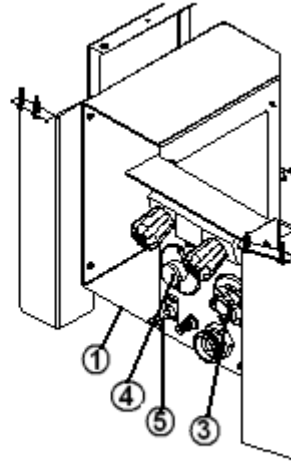
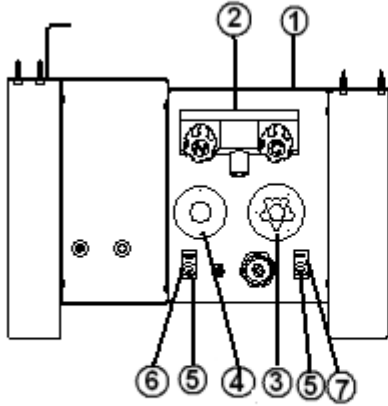
### ROOF ASSEMBLY INSTALLATION

111881	ROOF ASSY INSTALLATION
1. 703870	AWNING-MOTORIZED CAREFREE 3.5M
2. 511948	CAMERA-REAR VIEW COLOR PIONEER
3. 512446	CORD CONN.-STRAIN RELIEF#LPCG7
4. HIGH MOUNT BRAKE LIGHT (CHASSIS PART)	
5. 382058	VENT-MAXX EXHAUST ONLY #00-062
6. 115507	BRACKET, A/C SUPPORT AVENUE
7. 320029-01	SCREW#8X1/2 PPH TYPE A SMS 18-
8. 690266-04	POWER VENTILATOR (USED ON SUITE ONLY)
203680	HALO-REAR HIGH TOP CBV
203678	ROOF-HIGH TOP W/INNER FLANGE
967577	COVER ASSY- AIR CONDITIONER
454824-01	BRACKET-A/C COVER INSTALL
203679	COVER-A/C HIGH TOP CBV
115494-01	GRILL-A/C COVER 11X30
115494-02	GRILL-A/C COVER 22X30
115494-03	GRILL-A/C COVER 9X24
320029-02	SCREW-#8 X 1 SELF TAP SS
300160	WASHER-LARGE SS .75"OD
300157	WASHER-SS 1.5 OD W/.28 HOLE
345336-07	CAP SCREW HX HD 1/4-20 XX .75"
512420	ANTENNA-OMNI DIR. HD DIGITAL
350147-25	NUT,NYLON LOCK,1/4-20
115498	SPACER, CAREFREE AWNING MOUNT
500921	CONNECTOR - COAX IN PLATE
104358	ALUM. BAR STOCK 1/4IN THICKX1
320029-02	SCREW-#8 X 1 SELF TAP SS
345471	FASTENER-AVK 5/16-18 UNC
512288	LIGHT-EXTERIOR WATER TIGHT BLK
300161	WASHER- 5/16 ID X .625 SS
345494-02	SCREW-CAP HEX 5/16-18 X 1.5 SS
360342	SIKAFLEX- 255 BLACK 20 OZ TB
382153	CAP-A/C POCKET DRAIN RED 4491K

# 2012 AVENUE MOTORHOME

## EXTERIOR SHELL

### Utility Compartment



### UTILITY COMPARTMENT

- |              |                                |
|--------------|--------------------------------|
| 1. 454800    | COMPT ASSY- UTILITY            |
| 2. 602263-01 | FAUCET-SHOWER 4" WHITE #19889  |
| 3. 602272    | HOOK UP-NO FLUSH #19981        |
| 4. 602273    | FLANGE-CITY WATER W/EZ GRIP    |
| 5. 512434    | SWITCH-HEAVY DUTY 25AMP #5582- |
| 6. 386240    | DECAL-MACERATOR PUMP SWITCH    |
| 7. 386241    | DECAL-LP VALVE SWITCH          |
| 345084       | SCREW-1/4-14X1 THD.CUTTING     |

# 2012 AVENUE MOTORHOME

## INTERIOR SHELL

### INTERIOR TRIM OUTS, REAR DOOR, GREY

203703 SET, REAR DOOR PILLAR/HEADER CLOSEOUTS,  
GREY, HAIRCELL

203703-01 HEADER, REAR DOOR TRIM OUT

203703-02 ROADSIDE PILLAR, REAR DOOR TRIM OUT

203703-03 CURBSIDE PILLAR, REAR DOOR TRIM OUT

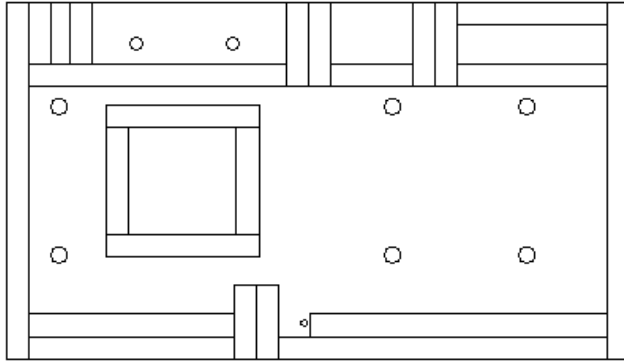
203703-04 ROADSIDE CORNER, REAR DOOR TRIM OUT

203703-05 CURBSIDE CORNER, REAR DOOR TRIM OUT

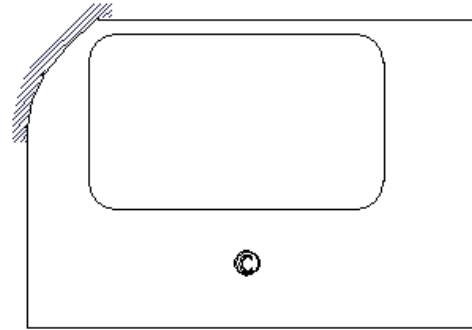
# 2012 AVENUE MOTORHOME

## INTERIOR SHELL

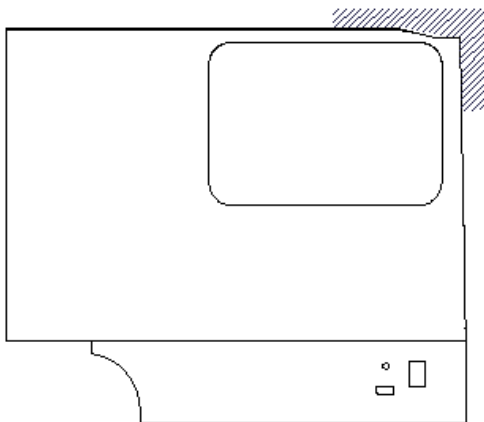
### PANEL ASSEMBLIES, INTERIOR



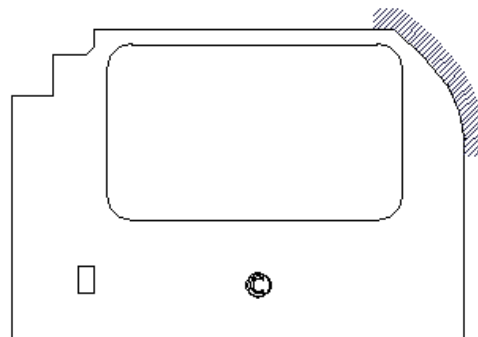
967581  
PANEL ASSY - FWD ROOF



967586  
PANEL ASSY-RS AFT WALL



967585  
PANEL ASSY-RS FWD WALL



967587  
PANEL ASSY-CS AFT WALL

- 967581 PANEL ASSY - FWD ROOF
- 967586 PANEL ASSY - RS AFT WALL
- 967585 PANEL ASSY - RS FWD WALL
- 967587 PANEL ASSY - CS AFT WALL

# 2012 AVENUE MOTORHOME

## INTERIOR SHELL

### PANEL ASSEMBLIES, INTERIOR, Avenue Suite

967602-01	Panel Assy., Roadside Rear Door
967602-02	Panel Assy., Curbside Rear Door
967602-03	Panel Assy., Curbside Fwd. Side Door
967602-04	Panel Assy., Curbside Aft Side Door

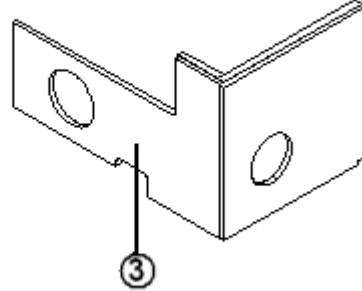
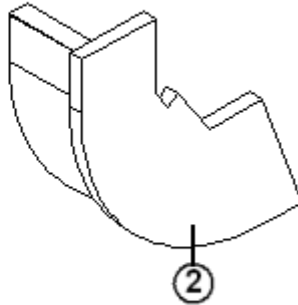
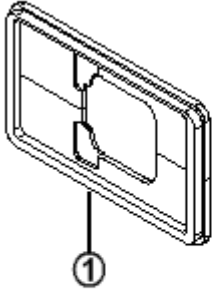
### PANEL ASSEMBLIES, INTERIOR – AVENUE SUITE

967701	Panel Assy., Forward Roof
967706	Panel Assy., Roadside Wall
967733	Panel Assy., Curbside Aft Wall
967602-01	Panel Assy., Roadside Rear Door

# 2012 AVENUE MOTORHOME

## INTERIOR SHELL

### CLOSEOUT ASSEMBLIES, INTERIOR



- |    |           |  |
|----|-----------|--|
| 1. | 967578    | CLOSEOUT, PEDESTAL, LT. CAMEL                |
| 1. | 967578-16 | CLOSEOUT, PEDESTAL, ONYX                     |
| 2. | 967583-17 | CLOSEOUT, AFT GALLEY ROOFLOCKER,<br>LT.CAMEL |
| 2. | 967583-16 | CLOSEOUT, AFT GALLEY ROOFLOCKER, ONYX        |
| 3. | 967607    | CLOSEOUT ASSY., RS LOUNGE                    |
| 3. | 967608    | CLOSEOUT ASSY., CS LOUNGE                    |

Electrical Closeout, Roadside, Avenue Suite  
454839                      Closeout, Electrical Roadside

Roadside Wheel Well Cover Assy., Avenue Suite  
967712-17      Wheel Well Cover Assy., Lt. Camel  
967712-16      Wheel Well Cover Assy., Onyx

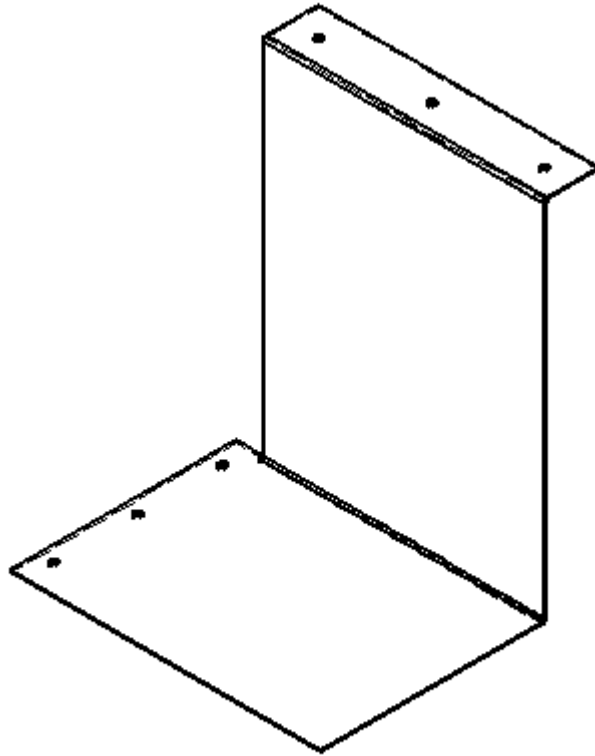
Curbside Wheel Well Cover Assy., Avenue Suite  
967713-17      Wheel Well Cover Assy., Lt. Camel  
967713-16      Wheel Well Cover Assy., Onyx



# 2012 AVENUE MOTORHOME

## INTERIOR SHELL

### CLOSEOUT ASSEMBLY, BELOW FLOOR WIRES



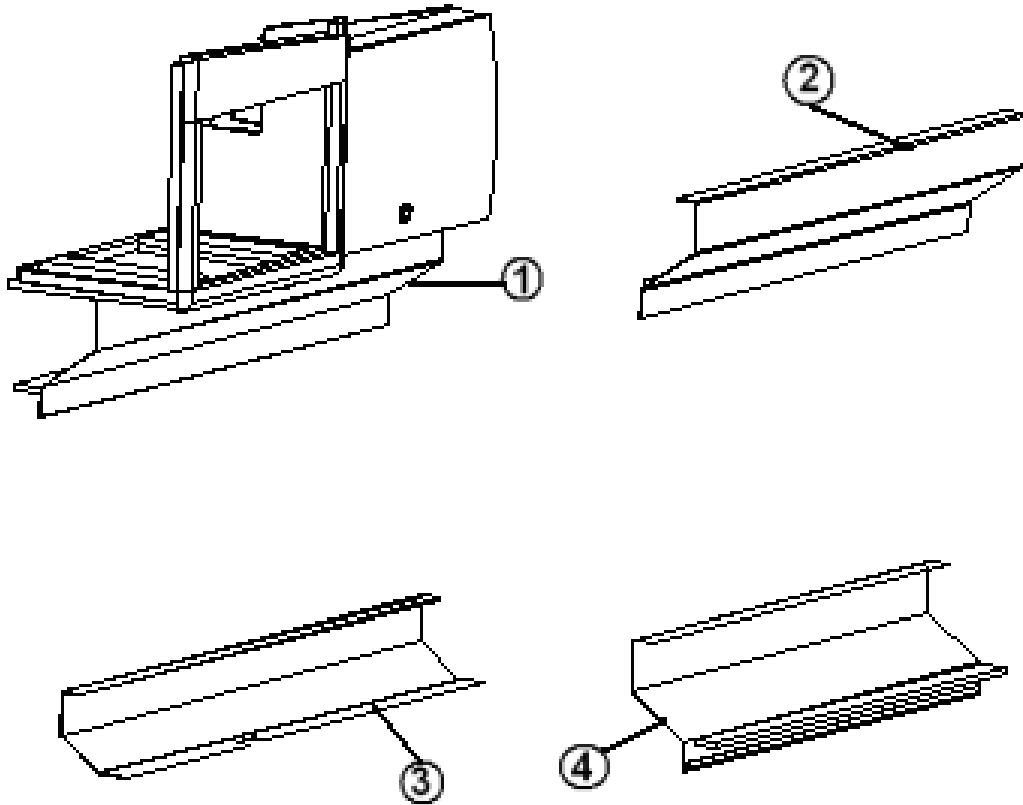
454897

Closeout, Below Floor Wires, Avenue Suite

# 2012 AVENUE MOTORHOME

## INTERIOR SHELL

### CLOSEOUT ASSEMBLIES, INTERIOR



Parts Listed on Next Page

# 2012 AVENUE MOTORHOME

## INTERIOR SHELL

### CLOSEOUT ASSEMBLIES, INTERIOR

1. 967609 CLOSEOUT ASSY-ROADSIDE FWD VALANCE, LT.  
CAMEL
- 967609-16 CLOSEOUT ASSY-ROADSIDE FWD VALANCE, ONYX
2. 967610 CLOSEOUT ASSY-ROADSIDE AFT VALANCE, LT.  
CAMEL
- 967610-16 CLOSEOUT ASSY-ROADSIDE AFT VALANCE, ONYX
3. 967611 CLOSEOUT ASSY-CURBSIDE FWD VALANCE
4. 967612 CLOSEOUT ASSY-CURBSIDE AFT VALANCE, LT.  
CAMEL
- 967612-16 CLOSEOUT ASSY-CURBSIDE AFT VALANCE, ONYX
- 320155 SCREW-#8X1 FH PH BLK
- 967606 CLOSEOUT, DRIVER PILLAR
- 703900 CLOSEOUT, DRIVER SEAT, BLACK
- 115503 CLOSEOUT, VALANCE CS REAR
- 115506 CLOSEOUT, VALANCE RS REAR
- 967583 CLOSEOUT, AFT GALLEY ROOFLOCKER
- 203704 CLOSEOUT, FORWARD GALLEY PILLAR
- 203701 CLOSEOUT, FORWARD SHOWER PAN
- 203702 CLOSEOUT, AFT SHOWER PAN
- 967634-17 CLOSEOUT, VALANCE ROADSIDE, WARDROBE,  
ONYX
- 967634-16 CLOSEOUT, VALANCE ROADSIDE, WARDROBE,  
LT.CAMEL

# 2012 AVENUE MOTORHOME

## INTERIOR SHELL

### CLOSEOUT ASSEMBLIES, INTERIOR, Continued

967751-16	Closeout, Valance Roadside Rear, Onyx, Ave. Suite
967751-17	Closeout, Valance Roadside Rear, Lt. Camel, Ave. Suite
115539	Closeout, Roadside Rear Valance
967612	Closeout, Curbside Aft Valance, Avenue Suite

### Wheel Well Cover Assemblies

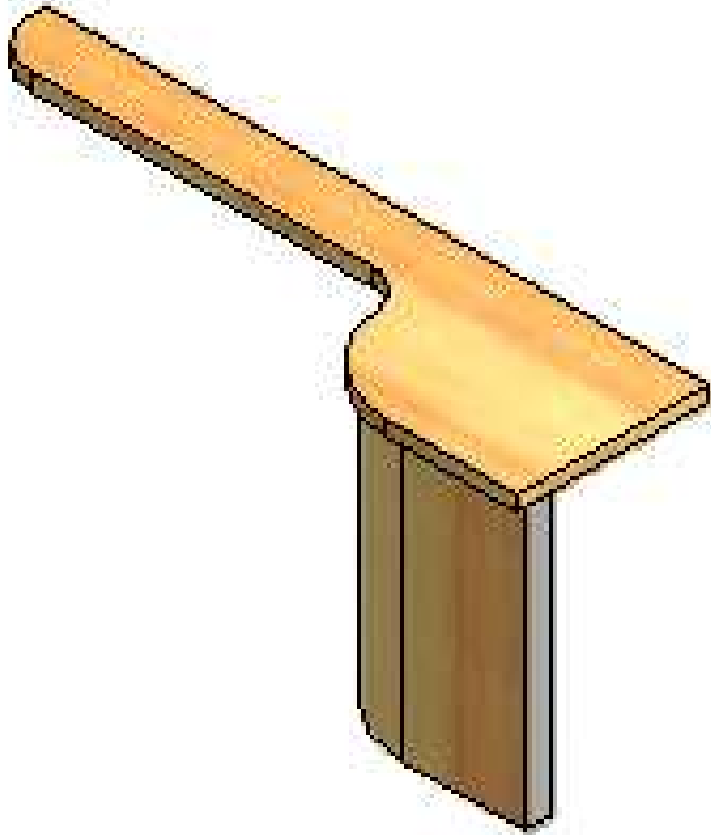
967600	Cover, Wheel Well, Roadside
967601	Cover, Wheel Well, Curbside
967713-17	Cover, Wheel Well, Roadside, Lt. Camel – Avenue Suite
967713-16	Cover, Wheel Well, Roadside, Onyx – Avenue Suite
967713-17	Cover, Wheel Well, Curbside, Lt. Camel – Avenue Suite
967713-16	Cover, Wheel Well, Curbside, Onyx – Avenue Suite

# 2012 AVENUE MOTORHOME

## INTERIOR SHELL

### Fuel Fill Closeout

967604 CLOSEOUT ASSY., ROADSIDE FUEL FILL, LT. CAMEL  
967604-16 CLOSEOUT ASSY., ROADSIDE FUEL FILL, ONYX  
20.00"W X 9.00"H X 5.75" D



# 2012 AVENUE MOTORHOME

## INTERIOR SHELL

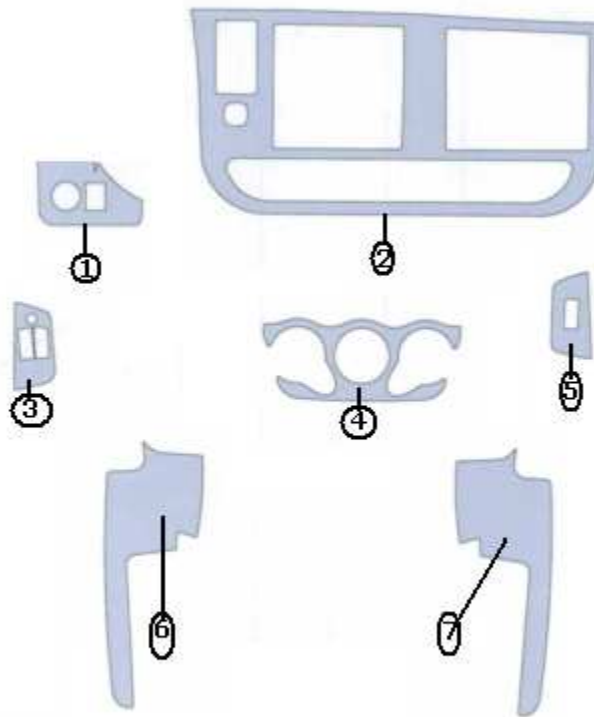
### Flooring

703841	VINYL FLOORING, BEAU JETTA
114070	EXTRUSION, J-TRIM, MILL FINISH
115134	EXTRUSION, LAMINATE TRIM 120"
115488	ANGLE, ALUMINUM, .06" X .5" X 1"
703867	INSULATOR FLOOR MAT
703867-01	INSULATOR FLOOR MAT, RS WARDROBE
703867-02	INSULATOR FLOOR MAT, LOUNGE – AVENUE SUITE

# 2012 AVENUE MOTORHOME

## INTERIOR SHELL

### DASH TRIM KITS



- |              |                                    |
|--------------|------------------------------------|
| 365331-01    | DASH KIT, ASH BURL, GREY           |
| 365331-02    | DASH KIT, MAJESTIC BURL, BROWN     |
| 1.365331-013 | DRIVER VENT, GREY                  |
| 1.365331-023 | DRIVER VENT, BROWN                 |
| 2.365331-012 | MAIN CENTER DASH, GREY             |
| 2.365331-022 | MAIN CENTER DASH, BROWN            |
| 3.365331-014 | DRIVER DOOR CONTROLS, GREY         |
| 3.365331-024 | DRIVER DOOR CONTROLS, BROWN        |
| 4.365331-011 | CUPHOLDER, GREY                    |
| 4.365331-021 | CUPHOLDER, BROWN                   |
| 5.365331-015 | PASSENGER DOOR CONTROLS, GREY      |
| 5.365331-025 | PASSENGER DOOR CONTROLS, BROWN     |
| 6.365331-016 | BESIDE DRIVER DOOR PANEL, GREY     |
| 6.365331-026 | BESIDE DRIVER DOOR PANEL, BROWN    |
| 7.365331-017 | BESIDE PASSENGER DOOR PANEL, GREY  |
| 7.365331-027 | BESIDE PASSENGER DOOR PANEL, BROWN |

# 2012 AVENUE MOTORHOME

## CHASSIS

### Spare Tire Carrier



Parts Listed on Next Page



# 2012 AVENUE MOTORHOME

## CHASSIS

### Spare Tire Carrier

1. 454878 TUBE ASSEMBLY
2. 454877 BASE ASSEMBLY
3. 454842 PLATE, BOLTING
4. 345336-09 CAP SCREW, HEX HEAD. 1/4-20, SS 3.5"
5. 345456 HITCH PIN
6. 350147-37 NUT-NYLON LOCK 3/8-16
7. 345477-03 CAP SCREW HX HD 1/2-13"X3"
8. 350147-50 NUT, NYLON LOCK 1/2 - 13
9. 345272-16 CAP SCREW HX HD 3/8-16 (4")
10. 381136 RUBBER BUMPER
11. 350147-25 NYLON LOCKING NUT 1/4-20
12. 300158 WASHER SPRING LOCK 1/2"
13. 350166 NUT, HX HD ZINC PLATE 1/2-1
14. 381986-01 CONTINENTAL KIT
15. 382163 BALL STUD
16. 382162-02 QUICK RELEASE XOCKET FOR GAS SPRING
17. 382162-01 GAS SPRING M6 THREAD 130 LBS.
18. 382164 ROD BELLOW - SPARE TIRE CARRIER
19. 382169 CLAMP-HOSE NYLON SNAP GRIP #957
20. 350147-31 NUT, NYLON LOCK, 5/16 - 18

# 2012 AVENUE MOTORHOME

## CHASSIS

### HITCH



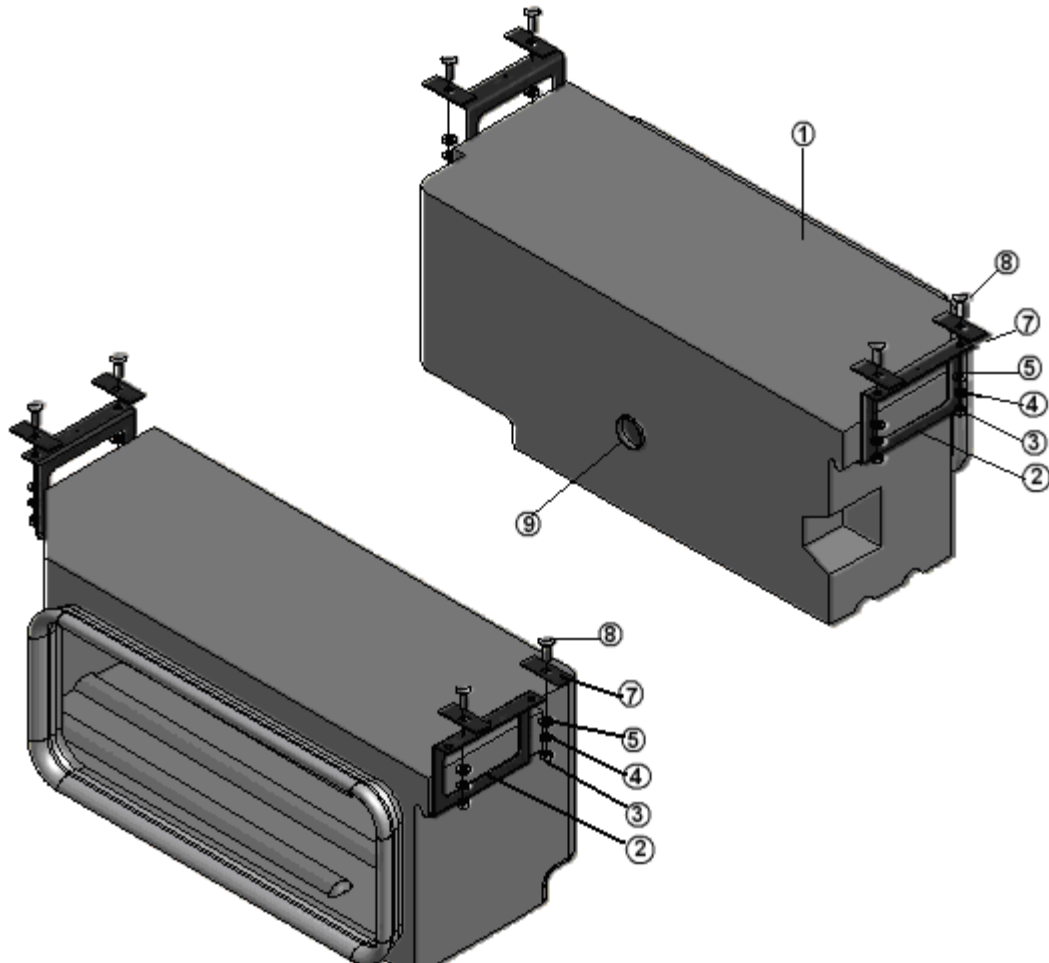
### HITCH INSTALLATION

- |              |                                |
|--------------|--------------------------------|
| 1. 401004    | HITCH-CEQUENT 4000#/10000#     |
| 2. 454807    | BRACKET-LP PORT                |
| 3. 602109-03 | DUST PLUG                      |
| 4. 512458    | SOCKET - 7 WAY #118015         |
| 5. 454837    | BRACKET, MTG. 7 WAY CONNECTOR  |
| 6. 601412-08 | ADAPTER- .5"MPT X .375"MFLR    |
| 7. 602109-01 | COUPLER-DISCONNECT.25"FPT X QD |
| 8. 602286    | NIPPLE-.5"MPT X .25" MPT BRASS |

# 2012 AVENUE MOTORHOME

## CHASSIS

### TRUNK BOX

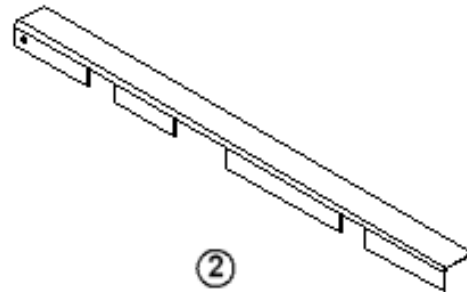
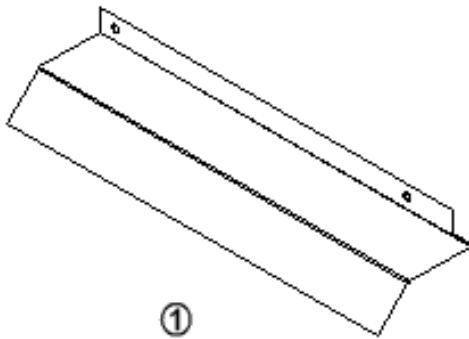


- |              |                                 |
|--------------|---------------------------------|
| 1. 602259    | Trunk Box, Roto-cast            |
| 2. 454776    | Bracket, Black Tank Rear        |
| 3. 350005    | Nut, 3/8-16 UNC Hex Head Plated |
| 4. 350187    | Washer, Split Locking SS        |
| 5. 300052    | Washer, Flat 3/8"               |
| 7. 454765    | Plate, Carriage Bolt            |
| 8. 345331-02 | Bolt, Carriage 3/8-16 1.25"     |
| 9. 382144    | Plug, Snap In Round 2"          |
| 365332       | Bulb seal                       |
| 203725       | Closeout, ABS Storage Box       |

# 2012 AVENUE MOTORHOME

## CHASSIS

### HEAT SHIELD & CLOSEOUT, STEP & SHOWER PAN



1. 454899 HEAT SHIELD, STEP
2. 454900 CLOSEOUT, STEP

### HEAT SHIELD, SHOWER PAN

- 454790 HEAT SHIELD, SHOWER PAN

# 2012 AVENUE MOTORHOME

## CHASSIS

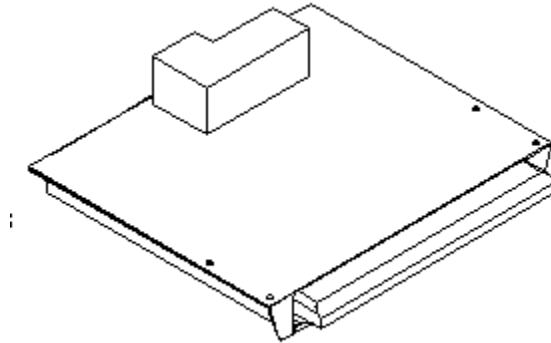
### Aluminum Wheels

410990	KIT-ALUMINUM WHEELS
410990-01	ALUMINUM WHEEL, 16 X 7J
410990-02	HUB COVER, FRONT 2" DEEP PUSH THROUGH
410990-03	HUB COVER, AFT 4.7" DEEP PUSH THROUGH
410990-04	LUG NUT, CONE
410990-05	SCREW COVER
410993	VALVE STEM-CHEVY #15263240

# 2012 AVENUE MOTORHOME

## CHASSIS

### Step, Electric



512450-01	STEP, MOTORIZED PROJECT 2000
512450-100	STEP SWITCH
454893	BRACKET, STEP MOUNTING INNER
454892	BRACKET, STEP MOUNTING OUTER
512301	Buzzer, warning, two tone, step & awning
385577	FILM, STEP AREA, TAPE CLEAR, 3.5" WIDE

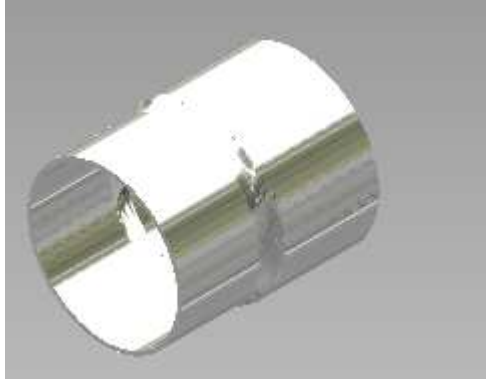
### Step Well

203705	CLOSEOUT-STEPWELL ABS
701538-01	CARPET, ECONOLIER W/PSA BACK
512377	LIGHT, COURTESY, W/SS BEZEL, LED
203717	CLOSEOUT-STEPWELL ABS, AVENUE SUITE

# 2012 AVENUE MOTORHOME

## CHASSIS

### Exhaust



410989  
340073-15  
381509

Exhaust Extension, 3" OD, Stainless Steel  
Clamp, Muffler 2.75"  
Hanger, Tailpipe





# 2012 AVENUE MOTORHOME

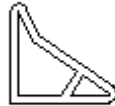
## DOOR/WINDOWS/AWNING

### Exterior Doors

203683	Baggage Door 13.61" x 31.00"
203706	Battery Box Door 22.44" x 13.61"
203684	Systems Door 17.63" X 13.61"

### Rear Upper Door Gasket

365357	Seal, Unigrip Rear Upper Door
--------	-------------------------------



### WINDOWS

371427	Window, 28.5" x 21"
371428	Window, 35" x 21"
371429	Window, 35" x 21" Egress
360342	Sikaflex #255 Black, 20 oz. Tube
320116-08	Screw, Black PH #8 x 1.25"
801871	Window Spacer
371384-01	Window Bath Door, Avenue Suite

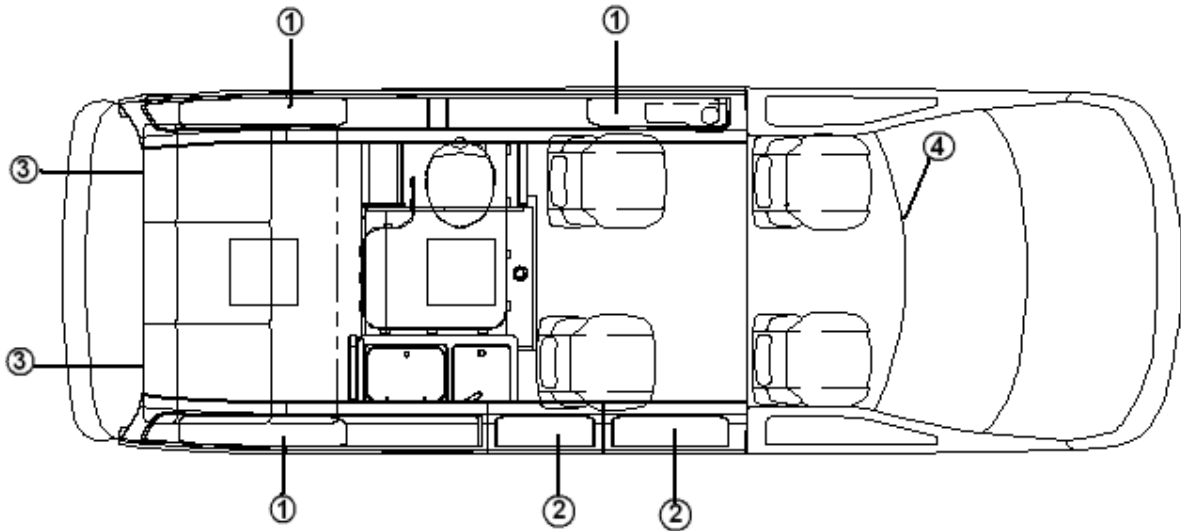
### Awning, Patio

703870	Awning W/motor, 3.5M White Case
703870-01	Awning W/motor, 3.5M Silver Case
115498	Spacer, Carefree Awning Mount
512301	Buzzer, warning, two tone, step & awning
512428	110V GFI Receptacle, weatherproof cover & gasket Grey
512428-01	110V GFI Receptacle, weatherproof cover & gasket, White
512445	Terminal, Disconnect, Male

# 2012 AVENUE MOTORHOME

## DRAPES/BLINDS/VALANCES

### Drapes

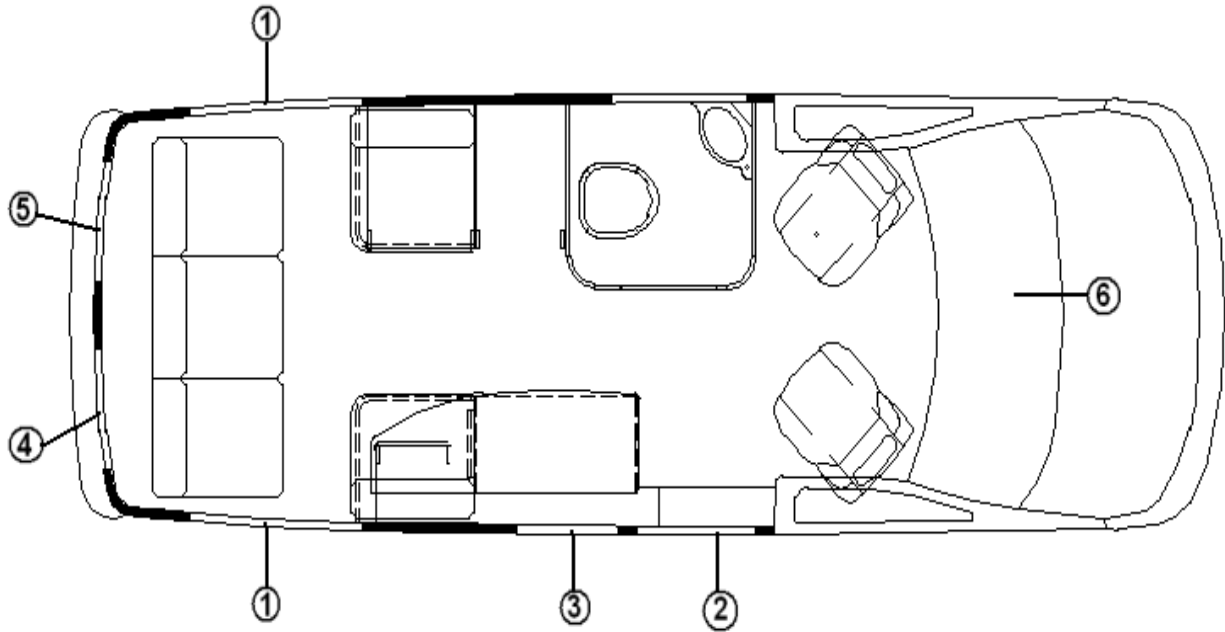


- |    |            |  |
|----|------------|--|
|    | 111891     | CURTAIN INSTALL                          |
| 1. | 998209-400 | CURTAIN ASSY-RS/CS 23.5" X 40" ONYX      |
| 1. | 998209-411 | CURTAIN ASSY-RS/CS 23.5" X 40" LT. CAMEL |
| 2. | 998210-400 | CURTAIN ASSY-SIDE DR 22.5"X27" ONYX      |
| 2. | 998210-411 | CURTAIN ASSY-SIDE DR 22.5"X27" LT. CAMEL |
| 3. | 998211-01  | CURTAIN REAR DOOR ROADSIDE               |
| 3. | 998211-02  | CURTAIN REAR DOOR CURBSIDE               |
| 4. | 998207-400 | CURTAIN-CAB CLOSEOUT ONYX                |
| 4. | 998207-411 | CURTAIN-CAB CLOSEOUT LT. CAMEL           |
|    | 100097     | EXTR. ALUM CURTAIN TRACK                 |
|    | 101217     | EXTR. ALUM CURTAIN TRACK                 |
|    | 382123     | SHOCK CORD CLIP                          |
|    | 382124     | SHOCK CORD HOOK                          |
|    | 703872     | WEIGHT, DRAPERY VINYL 1" X 1"            |

# 2012 AVENUE MOTORHOME

## DRAPES/BLINDS/VALANCES

### Drapes



- 111952 CURTAIN INSTALLATION – AVENUE SUITE
- |    |            |   |
|----|------------|---|
| 1. | 998209     | CURTAIN ASSEMBLY, RS/CS 23.5" X 40"     |
| 2. | 998210-01  | CURTAIN ASSEMBLY, SIDE DOOR 22.5" X 27" |
| 3. | 998210-02  | CURTAIN ASSEMBLY, SIDE DOOR 22.5" X 24" |
| 4. | 998211-02  | CURTAIN ASSEMBLY CURBSIDE REAR DOOR     |
| 5. | 998211-01  | CURTAIN ASSEMBLY ROADSIDE REAR DOOR     |
| 6. | 998207-411 | CURTAIN CAB CLOSEOUT – LT. CAMEL        |
| 6. | 998207-400 | CURTAIN CAB CLOSEOUT - ONYX             |
|    | 100097     | EXTRUSION, ALUM. CURTAIN TRACK          |

## 2012 AVENUE MOTORHOME

### DRAPES/BLINDS/VALANCES

#### Drape Parts/Material

703861	FABRIC, BENTON STONE, 54",ONYX & LT CAMEL
703869	FABRIC-SUMMIT KHAKI, ONYX & LT CAMEL
700475	SCOTCHMATE 2" X 25 YD BEIGE LOOP
382124	HOOK-SHOCK CORD BLK #SP1450B
700617	SCOTCHMATE SJ 3536 HOOK
700045	GLIDES, CURTAIN, G3 W/ELASTIC
700005	FASTENER, CAP
700006	FASTENER SOCKET
340030	FASTENER STUD NICKEL PLATED
100097	Curtain track extrusion, sliding door curtain
703881-01	Unisuede - Chamois W/O Foam

# 2012 AVENUE MOTORHOME

ELECTRICAL, 110 VOLT

## Energy Management System

512357-03 DISPLAY, MINI PCS  
512357-02 CONTROL, POWER, Energy Management System  
512361 DISTRIBUTION CENTER, 30A/15A AC/DC

## Shoreline Hookup

512401-01 30 amp power cord 30'  
512401-02 Inlet, Male 125V-30A  
512401-03 Inlet, Male 125V-30A White  
512437 Cord, Portable 10/3

## Inverter

512279-01 Inverter/Charger, 750 watt  
512279-02 Remote display panel, Inverter/Charger  
512279-03 Cable- 25' Display Module  
512277 Fuse holder, inline  
512278-125 Fuse, BF1-32, 125 amp  
511090 Junction Block, stud type, Red  
511090-01 Junction Block, stud type, Black

## Fuses

500883-02 Fuse, 12V CSA 2 Amp  
512318 Fuse holder w/1 Amp AGC Fuse

## 2012 AVENUE MOTORHOME

### ELECTRICAL, 110 VOLT

#### Receptacles

511260	Cover, weather proof, single gang
512428	Receptacle, weather proof cover & gasket, grey
512428-01	Receptacle, weather proof cover & gasket, white
512398	Wall Plate, Power Supply, White
511814-01	RECEPTACLE-DUPLEX GRAY SELF
511814-02	PLATE-DECORATOR 1 GANG GRAY
512402-01	INLET-TV/SAT WHITE #FTVSAT-PS
512291	Wall Plate – NP107-009, 3 female, RCA

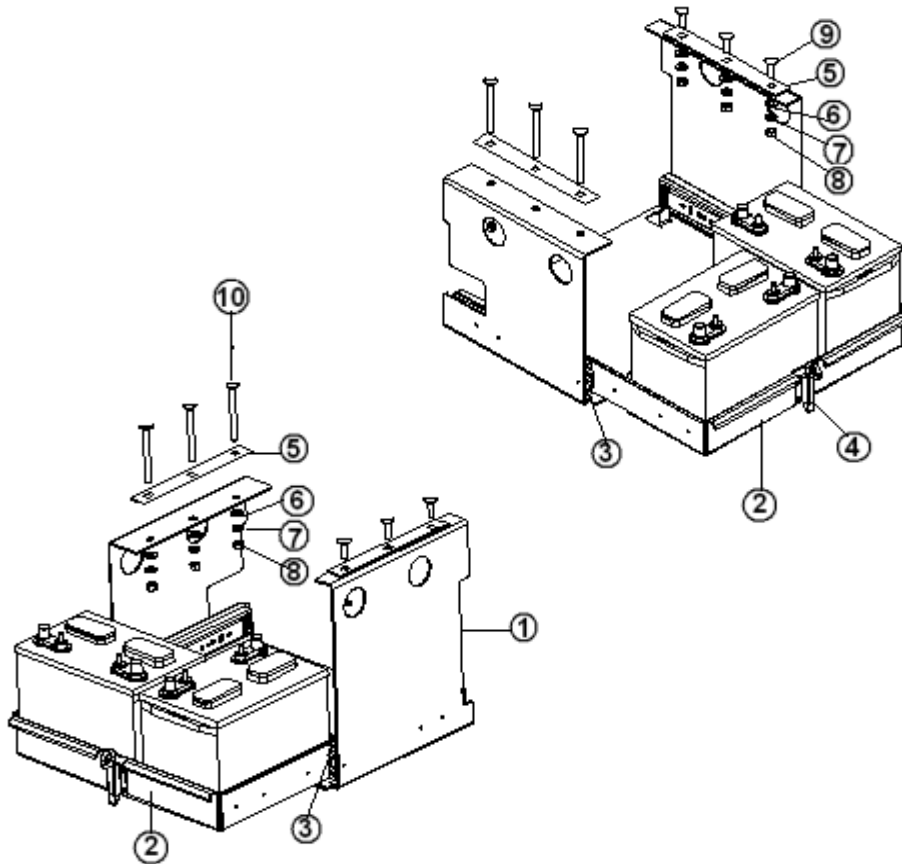
#### Breakers

510564-05	Breaker, Bryant, 30-20 AMP, dual
510564-03	Breaker, Bryant 15-15
510564-07	Breaker, Bryant 15 GFI
510564-09	Breaker, Bryant 15A SPST
512431	Kit, Add a Circuit
510564-1515	Breaker, type Brd BD 15-15 (CSA)
510564-3020	Breaker, Typ Brd, BD 30-20
510564-15GFI	Breaker, Bryant 15Amp GFI
500475-50	Breaker, Circuit 12 VDC Ears 50
512515	BUZZER, LOW CURRENT SONIC #PK-20A35EWQ

# 2012 AVENUE MOTORHOME

ELECTRICAL, 12 VOLT

## BATTERY BOX ASSEMBLY



- 111868 BATTERY BOX INSTALL
- |     |           |                                |
|-----|-----------|--------------------------------|
| 1.  | 454760    | BOX-BATTERY OUTER CHEVY        |
| 2.  | 454761    | TRAY-BATTERY BOX CHEVY         |
| 3.  | 382121    | SLIDE-DRAWER 10" 500 LB        |
| 4.  | 382128    | CATCH-TRANSOM #1165 CBV        |
| 5.  | 454828    | PLATE-BATT.BOX CARRIAGE WASHER |
| 6.  | 300052    | WASHER, 3/8 ID 5/8 OD FLAT     |
| 7.  | 350187    | WASHER-LOCK SS 3/8-16          |
| 8.  | 350005    | NUT 3/8-16 UNC HEX HD PLATED   |
| 9.  | 345331-02 | BOLT- 3/8-16 X 1.25 CARRIAGE   |
| 10. | 345331-13 | BOLT-3/8-16 X 4                |
|     | 512443-01 | STRAP-BATTERY 56"              |
|     | 512443-02 | STRAP-BATTERY 40"              |
|     | 203700    | Closeout, battery box          |

# 2012 AVENUE MOTORHOME

## ELECTRICAL, 12 VOLT

### Battery System, Coach

512283	Battery, 12 volt, deep cycle, GRP 24, AGM
512313	Disconnect, Main Battery
512360	Battery Separator, 12VDC
510948-04	BUSS BAR CIRCUIT BREAKER CONNECTION
510948-06	BAR, BUSS, CURCUIT BREAKER CONNECTION
510947-30	BREAKER, 12V DC, TYPE II, #12V30
510947-15	BREAKER, 12V DC TYPE II, #12V15
510947-25	BREAKER, 12V DC, TYPE II #12V25
510947-30	BREAKER, 12V DC, TYPE ii #12V30
510947-50	BREAKER, 12V DC, TYPE II, #12V50
512147-03	WEATHERPROOF CIRCUIT BREAKER 120AMP
510946-04	BRACKET, 4 POSITION, CIRCUIT .BREAKER, 12V, #8536-2
510946-06	BRACKET, 6 POSITION, CIRCUIT BREAKER, 12V #8536-2
345489-01	BOLT-MOUNTING BATT.CABLE
345489-02	SPACER-BATT. MOUNTING BOLT
512432	Kit, Cable Main 12V DC
512507	Kit, Cable Main 12V DC, Avenue Suite

### Exterior Lights/Outlet

512288	Light, Patio, exterior waterproof
511294	Light License Plate
512182	Fog Light Kit, 4" Round, Per Pair
512435	Switch w/Plate, Fog Light
512441	LIGHT W/SWITCH, LED



# 2012 AVENUE MOTORHOME

## ELECTRICAL, 12 VOLT

### Lights, Interior

512376	LIGHT, SHOWER, SS TRIM RING, LED
512463	LIGHT, SPOT, LED RECESSED FROST
512392	LIGHT, READING W/SWITCH, LED, BLACK
512426-01	LIGHT-LED SINGLE DOME W/SWITCH
512426-02	LIGHT-LED DOUBLE DOME W/SWITCH
512377	LIGHT-LED COURTESY SS
512403-01	L.E.D. BULB B7038 (SCONCE LIGHT)
512442	LIGHT-LED (DOUBLE) INCANDESCENT

### Switches, Interior

690417-05	SWITCH, WATER HEATER, DUAL
512435	SWITCH W/PLATE, FOG LIGHT
511781	SWITCH ASSY-LIGHTED 2GANG ROCK
511975	SWITCH ASSY-4 GANG BLK
511999	SWITCH ASSY-2 GANG BLK
511637	SWITCH SELECTOR, AUTO ENERGY

### Solar Panel

511846	KIT, CHARGE CONTROLLER DISPLAY
512448	SOLAR PANEL 20 WATT
511851	CABLE, CAT 5E BLUE

## 2012 AVENUE MOTORHOME

### ELECTRICAL, 12 VOLT

#### Monitor Panel

512284-01	Display, monitor panel
512284-02	Tank sensor harness
512284-03	Tank sensor, (no hoods)

#### Monitor, Rear View

512299	Monitor, rear view camera
511948	Camera, rear view
511645	"Y" adaptor, male to 2-female, RCA
512056	Coupler, barrel, RCS, gold, F/F

#### Tank Heating Pad

511812	PAD, HEATING HOLD TANK #TH-718
--------	--------------------------------

# 2012 AVENUE MOTORHOME

## ENTERTAINMENT

### Radio Wiring

512492-01	Universal Tuner
512492-02	Sirius Conn. Cable for 08 Video Units, Kenwood
512492-03	Antenna w/18' Cable, Roof Mount
512444	Speaker, 2.5" Silver/Black
510844-01	Relay, Bosch
510844-02	Relay socket, Bosch
512414	Headphone Station Kit

# 2012 AVENUE MOTORHOME

## ENTERTAINMENT

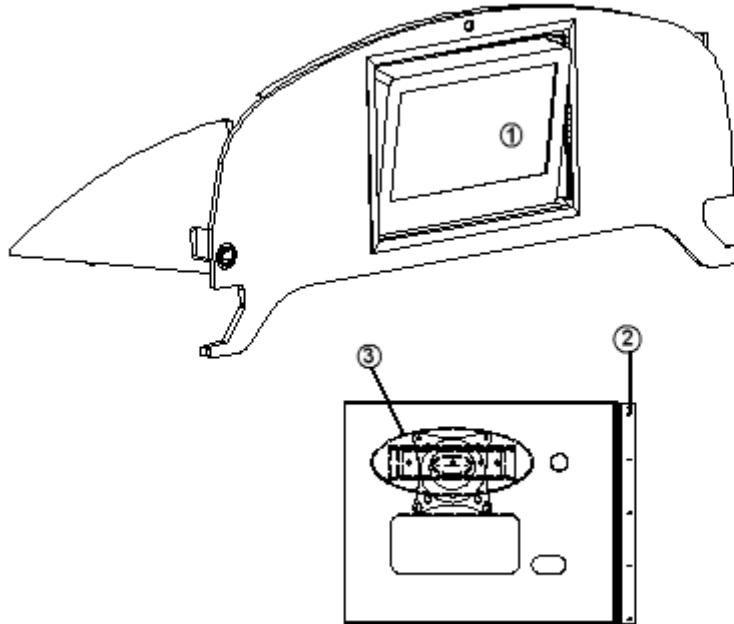
### Television Reception System

512420	ANTENNA-OMNI DIR. HD DIGITAL
510788-06	Amplifier, TV antenna
510612	Coax, 75 ohm, standard
510623	Connector, coax, male to male
510616	F CONNECTOR, COAX, 75 OHM
511534	DUAL COAX PLATE WHITE
511796-01	CABLE TV OUTLET/12V POWER PORT, EXT. WHITE
510621-02	SPLITTER, COAX, 2-WAY
511287	RECEPTACLE SINGLE 15 AMP
512366-25	CABLE, HDMI MALE/MALE, 25'
512366-15	CABLE, HDMI MALE TO MALE, 15' (AVENUE SUITE)
512366-35	CABLE, HDMI MALE TO MALE, 35'
512495	Navigation System, Kenwood (In Dash)
512492-01	Tuner, Universal, Sirius
512492-02	Cable, Connection Sirius, Kenwood
512492-03	Antenna w/18' Cable, Roof Mount
512504	iPOD Video Direct Cable, Kenwood

# 2012 AVENUE MOTORHOME

## ENTERTAINMENT

### TELEVISION W/ANGLE HINGE BRACKET

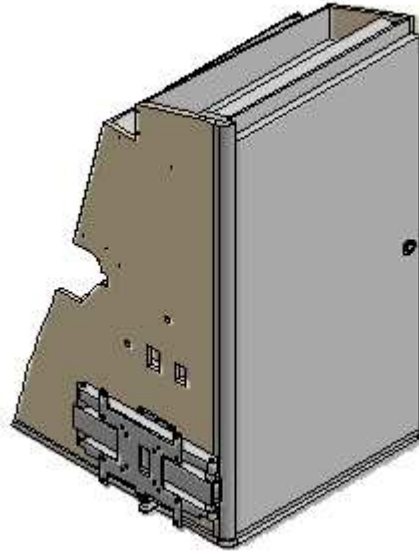


- |           |                                  |
|-----------|----------------------------------|
| 1. 690630 | TV-LED W/DVD 19" MODIFIED SANSUI |
| 2. 382127 | HINGE-PIANO BLACK 2"             |
| 3. 512355 | MOUNT-WALL TV TILT/PIVOT BLK #   |
| 454887    | BRACKET-TV MT-ANGLED             |
| 454888    | BRACKET-TV MT-ANGLED, SANSUI     |
| 382116-02 | CAP-RUBBER SCREW .125"#644K72    |
| 320116-02 | SCREW BLACK PHIL HEAD #8; 1/2"   |
| 454850    | PAWL, TV LATCH SS                |
| 382146-01 | CAM LATCH-BLK #E5-2-125-000      |
| 382146-02 | CLOSEOUT WASHER-CAM LATCH BLK    |
| 365232    | SEAL BAGGAGE DOOR #2180 H2-400   |
| 512499-01 | CABLE, MINI COAX 64"             |

# 2012 AVENUE MOTORHOME

## ENTERTAINMENT

### REAR TV INSTALLATION - AVENUE SUITE



512526-01	ARTICULATING ARM MOVIEVIEW #MTFL27
345461	SCREW CAP HEX 1/4-20 X 1" BLACK
350189	TEE NUT, 1/4-20
690629	TV, LED W/DVD 19" SANSUI

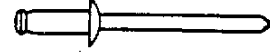
# 2012 AVENUE MOTORHOME

## FASTENER

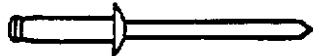
### Rivets



330126-02  
rivet, pop  
dia. 1/8 "  
grip range .126-.187  
stainless steel  
stainless steel mandrel



330126-03  
rivet, pop  
dia. 1/8 "  
grip range .126-.250  
body stainless steel body  
stainless steel mandrel



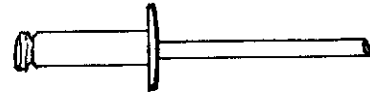
330127-05  
rivet, pop  
dia. 1/8 "  
grip range .251-.312  
aluminum body  
aluminum mandrel



330128-05  
rivet, pop  
dia. 1/8 "  
grip range .251-.312  
aluminum body, white  
aluminum mandrel



330127-08  
rivet, pop  
dia. 1/8 "  
grip range .325-.565  
aluminum body  
aluminum mandrel



330038  
rivet, pop  
dia. .150 (#20 bit)  
grip range .126-.250  
aluminum body  
aluminum mandrel  
(used-screen door hinge)



325103  
dia. 1/4 "  
grip range .080-.325  
SS body, steel mandrel

# 2012 AVENUE MOTORHOME

## FURNITURE

### Linoleum/Mats/Carpet

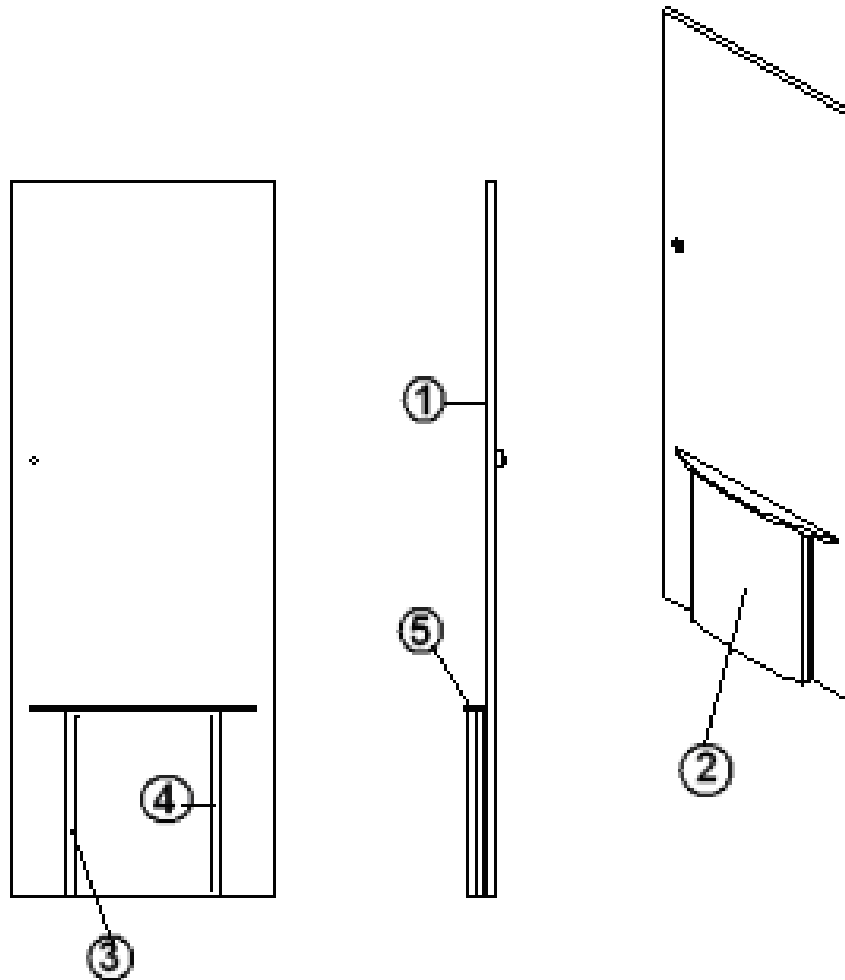
703873	Set, Floor Mats, Ash Grey, Onyx Color Scheme
703873-01	Floor Mat, Front, Ash Grey, Onyx Color Scheme
703873-02	Floor Mat, Kitchen W/Tabs, Onyx Color Scheme
703874	Set, Floor Mats, Sand, Lt. Camel Color Scheme
703874-01	Floor Mat, Front, Sand, Lt. Camel Color Scheme
703874-02	Floor Mat, Kitchen w/Tabs, Sand, Lt. Camel Color Scheme



# 2012 AVENUE MOTORHOME

## FURNITURE, BATH

### Lavatory Door, Lt. Camel

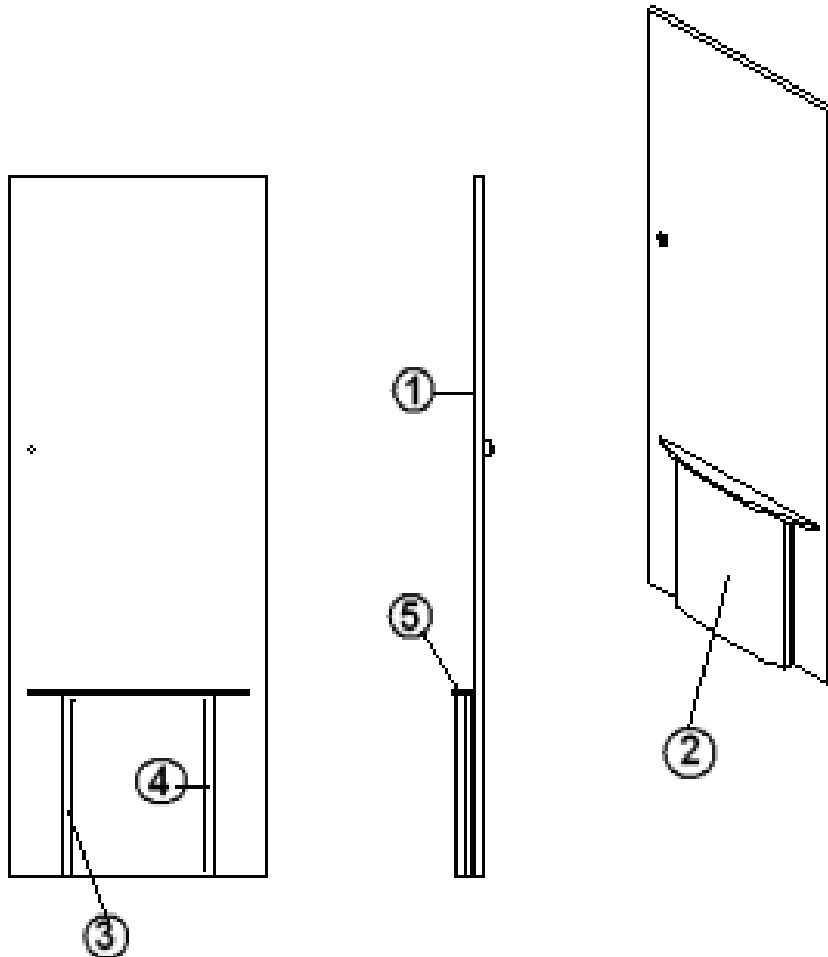


967599	DOOR ASSY-BATH LT.CAMEL
1. 967599-1	BATH DOOR 25.25X69.63
2. 801786-1418	DOOR-PLYFOAM 15.25X18 A.SAND
3. 967599-3	PANEL-BATH DR 1.38X18
4. 967599-4	PANEL-BATH DR 1.38X18
5. 967599-5	PANEL-BATH DR 22X2.16
382059-01	KNOB-PUSH/PULL SUGATSUNE
381609-06	SCREW-HAFELE #9 X 1.75"
381610-05	COVER-CAP ALMOND PLASTIC

# 2012 AVENUE MOTORHOME

## FURNITURE, BATH

### Lavatory Door, Onyx



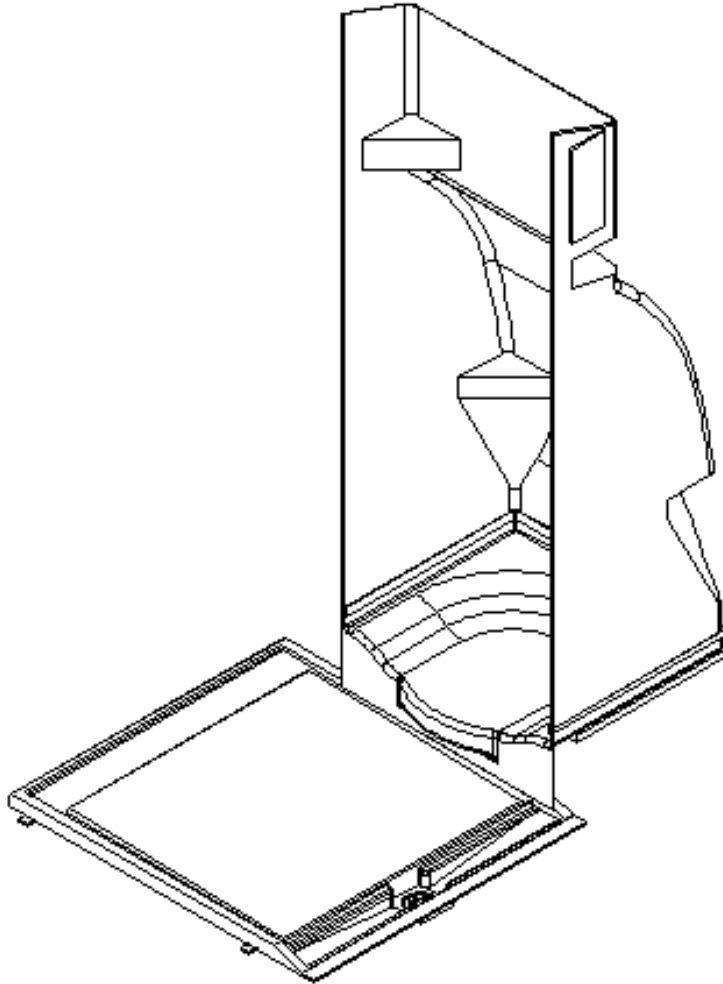
- 967599-16
- 1. 967599-161
- 2. 801786-1419
- 3. 967599-163
- 4. 967599-164
- 5. 967599-165
- 382059-01
- 381609-06
- 381610-06

- DOOR ASSY-BATH Onyx
- BATH DOOR 25.25X69.63
- DOOR-PLYFOAM 15.25X18 A.Night
- PANEL-BATH DR 1.38X18
- PANEL-BATH DR 1.38X18
- PANEL-BATH DR 22X2.16
- KNOB-PUSH/PULL SUGATSUNE
- SCREW-HAFELE #9 X 1.75"
- COVER-CAP GRAY PLASTIC

# 2012 AVENUE MOTORHOME

## FURNITURE, BATH

### Shower Module, Lounge

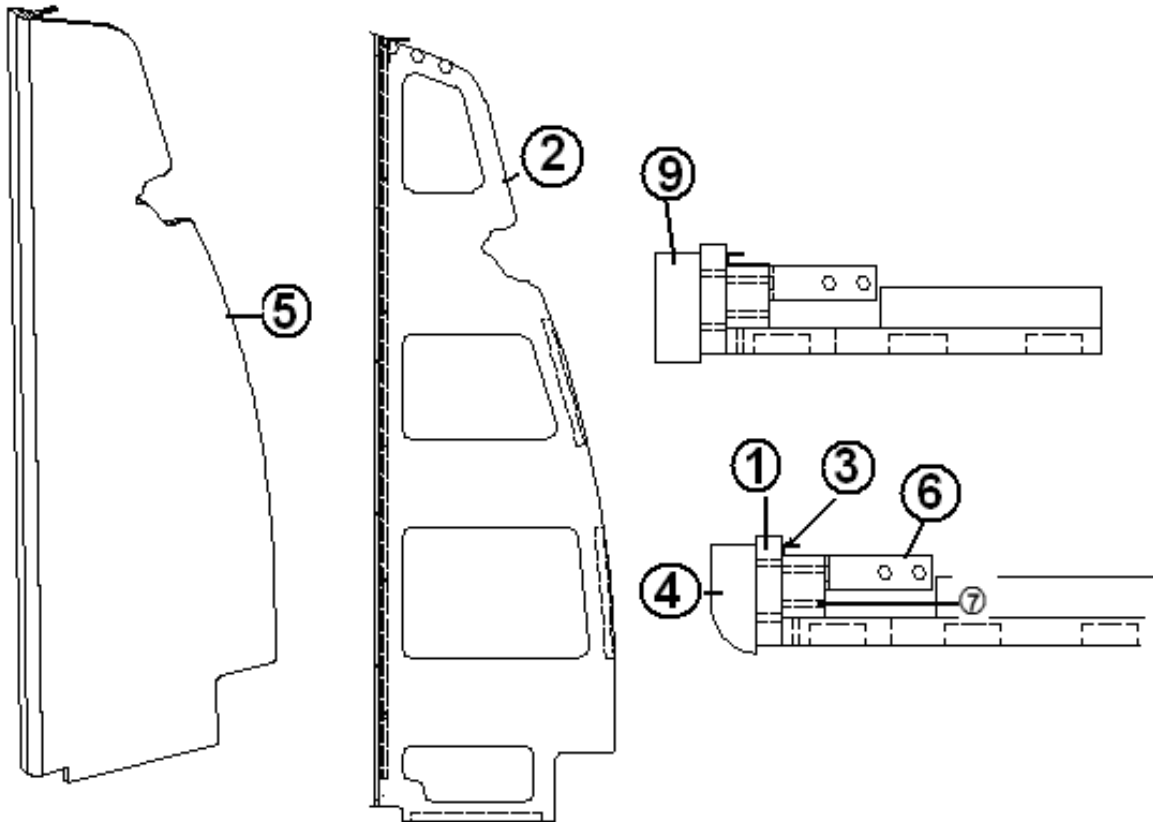


203694	Shower Module, 3 Pc.
602263-02	Faucet, Shower 4" Parchment
602263-04	Shower Hand Held Parchment
115534	Trim, Aluminum "Z" w/ holes

# 2012 AVENUE MOTORHOME

## FURNITURE, BATH

### SHOWER WALL, FORWARD



- |    |             |                                       |
|----|-------------|---------------------------------------|
|    | 967598      | WALL ASSY-FWD SHOWER, LT.CAMEL        |
|    | 967598-16   | WALL ASSY-FWD SHOWER, ONYX            |
| 1. | 967598-1    | PANEL-SHOWER WALL 2X70.68             |
| 2. | 967598-2    | PANEL-FWD SHOWER WALL 21.5X72.25      |
| 3. | 201666      | MOLDING-J-3/16 PLASTIC ALMOND         |
| 4. | 801864-0018 | CORNER TRIM SHOWER A.SAND INTERIOR    |
| 4. | 801864-0019 | CORNER TRIM SHOWER A.NIGHT INTERIOR   |
| 5. | 967598-5    | PANEL-FWD SHOWER 22X72.12             |
| 6. | 380264      | CORNER BRACKET #997 LGT 2IN X         |
| 7. | 967598-7    | PANEL, FWD SHOWER 1.13X62.50          |
| 9. | 801880-0018 | CORNER TRIM SHOWER, A. SAND (OPT)     |
| 9. | 801880-0019 | CORNER TRIM SHOWER, A. NIGHT (OPT)    |
|    | 382125      | HINGE, PIANO 1.25" X 72"              |
|    | 382098      | HANDLE, GLOSS CHROME 14.25" TOWEL BAR |

# 2012 AVENUE MOTORHOME

## FURNITURE, BATH

Shower Stall – Avenue Suite

203715

Shower Stall, Wet Bath

Wet Bath Frame Assy. – Avenue Suite

967746-0018

Frame, Wet Bath – LT. CAMEL

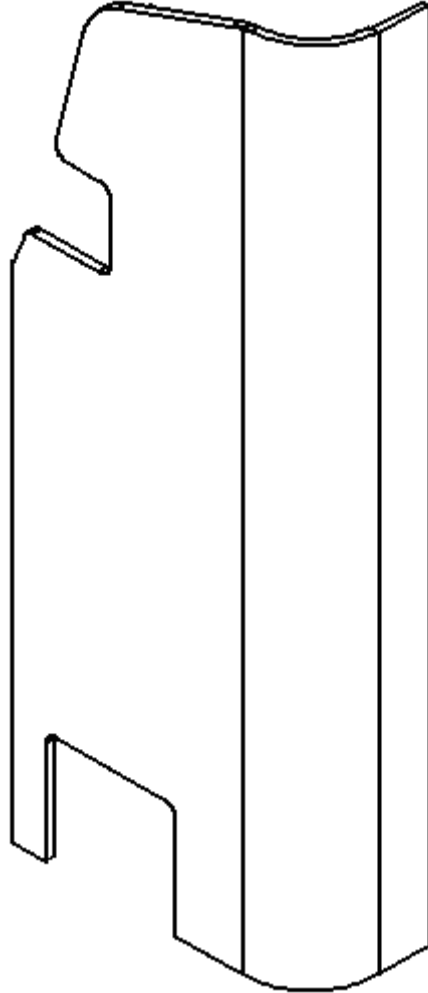
967746-0019

Frame, Wet Bath – ONYX

# 2012 AVENUE MOTORHOME

## FURNITURE, BATH

### BATH WALL ASSY., AFT - AVENUE SUITE



967747-17 Bath Wall Assy. - AFT - Avenue Suite - LT CAMEL

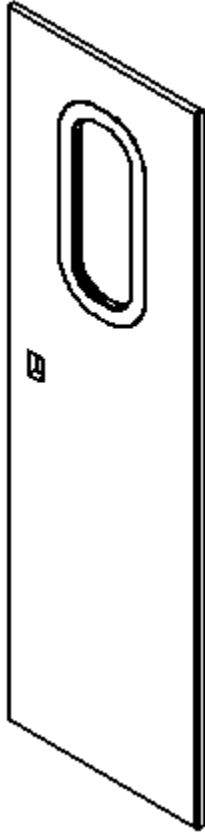
967747-16 Bath Wall Assy. - AFT - Avenue Suite - ONYX

801347 Radius Plywood, 6" radius

# 2012 AVENUE MOTORHOME

## FURNITURE, BATH

### BATH DOOR ASSEMBLY – AVENUE SUITE



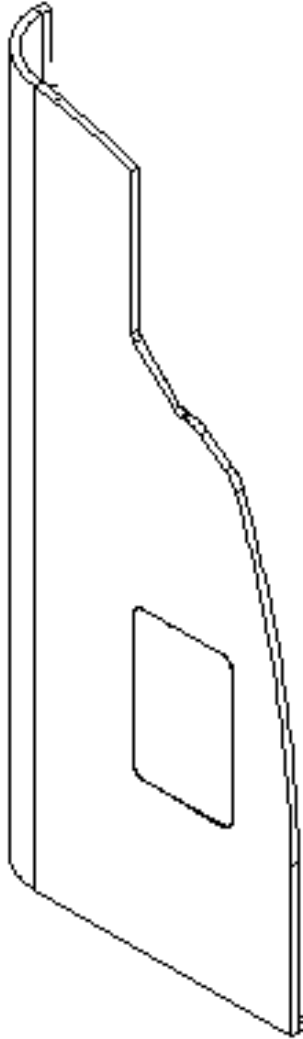
967748-17 BATH DOOR ASSEMBLY – LT. CAMEL, AVE. SUITE  
967748-16 BATH DOOR ASSEMBLY – ONYX, AVE. SUITE

371384-01 WINDOW, BATH DOOR  
203653 CLOSEOFF, BATH WINDOW  
382055 PRIVACY LATCH, OMNI  
382125 PIANO HINGE, CLEAR ANODIZED  
115538 Aluminum Trim Angle .38" x .75"

# 2012 AVENUE MOTORHOME

## FURNITURE, BATH

### BATH WALL ASSY., FORWARD - AVENUE SUITE



967734-17 BATH WALL ASSY., FORWARD, AVENUE SUITE, LT.  
CAMEL

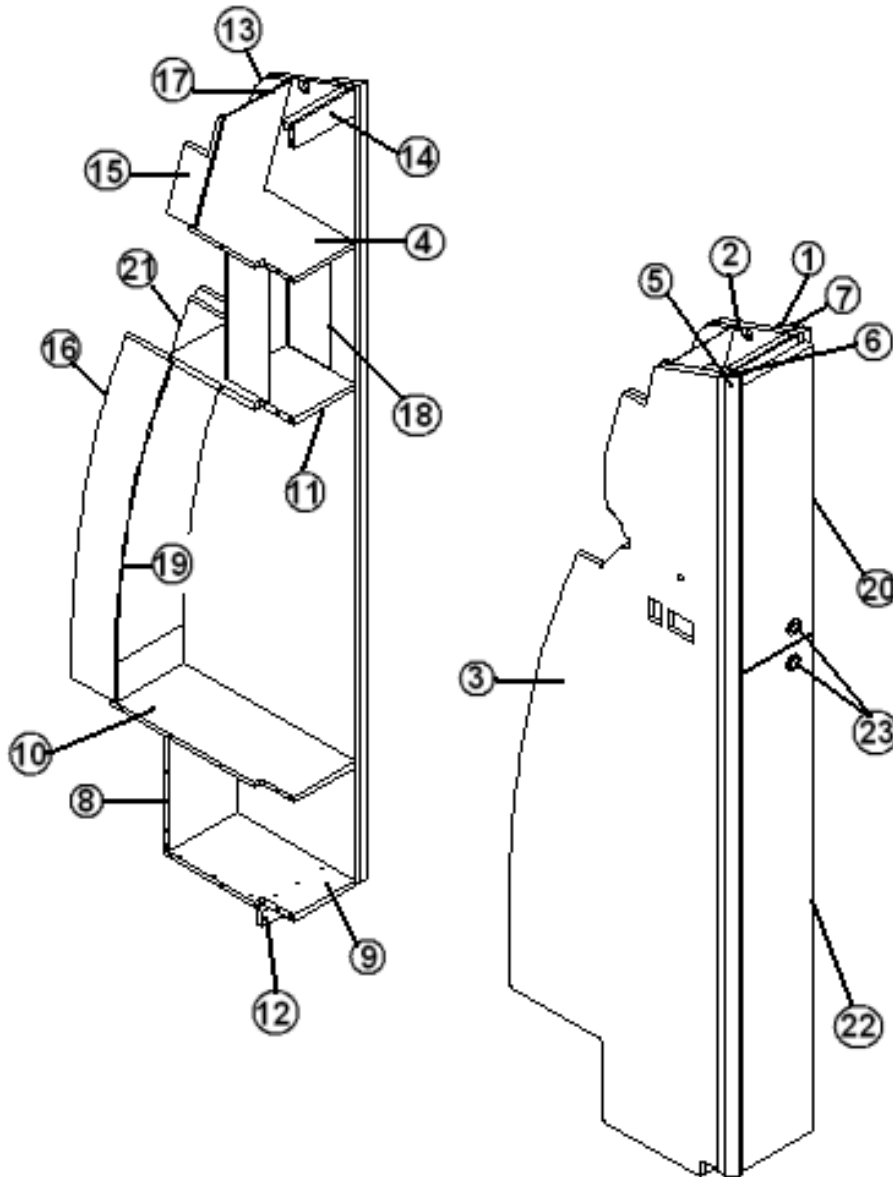
967734-16 BATH WALL ASSY., FORWARD, AVENUE SUITE,  
ONYX



# 2012 AVENUE MOTORHOME

## FURNITURE, BATH

### WARDROBE CABINET ASSEMBLY, LT.CAMEL



Parts Listed on Next Page

# 2012 AVENUE MOTORHOME

## FURNITURE, BATH

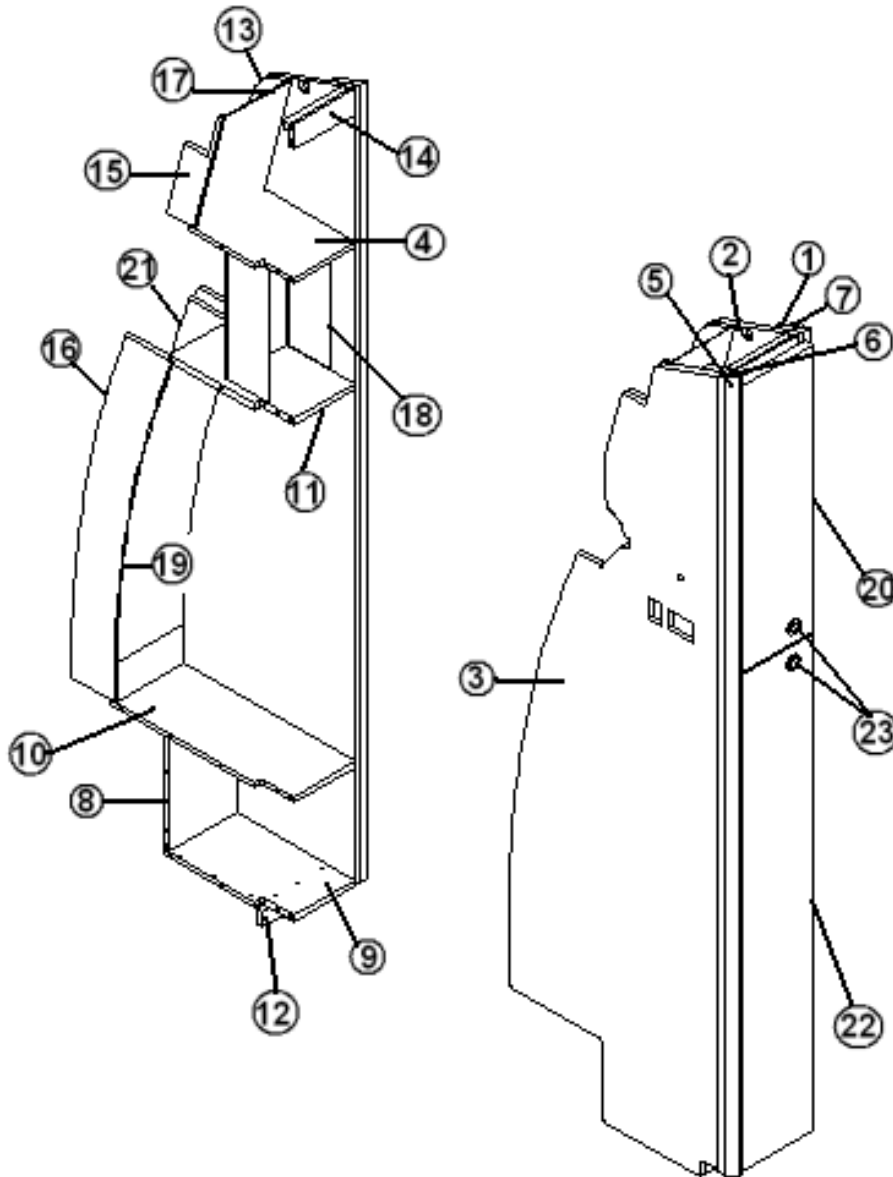
### WARDROBE CABINET ASSEMBLY, LT.CAMEL

	967597	CABINET ASSY-WARDROBE
1.	201666	MOLDING-J-3/16 PLASTIC ALMOND
2.	967597-2	PANEL-W/R 22" X 72.17"
3.	967597-3	PANEL-W/R 21.25" X 71.89"
4.	967597-4	PANEL-W/R 7" X 10"
5.	801706-0018	CORNER TRIM-90D 1"R A.SAND
6.	967597-6	PANEL-W/R 3" X 70.64"
7.	967597-7	PANEL-W/R 3" X 70.67"
8.	967597-8	PANEL-W/R 7" X 10"
9.	967597-9	PANEL-W/R 7" X 12.5"
10.	967597-10	PANEL-W/R 7" X 18"
11.	967597-11	PANEL-W/R 7" X 12"
12.	967597-12	PANEL-W/R 7" X 1.5"
13.	967597-13	PANEL-W/R 5.76" X 11.29"
14.	967597-14	PANEL-W/R 6.25" X 2.25"
15.	967597-15	PANEL-W/R 5.76 X 11.29
16.	967597-18	PANEL-W/R 10.21" X 33"
17.	801438	PANEL, FRT WHT VINYL/RAW 6.88 x 33.00
18.	115497	CLOSEOUT, W/R SWITCHES
19.	801438	PANEL, FRT WHT VINYL/RAW 6.88 X 3.59
20.	967597-22	WARDROBE 7.25" X 25.5"
21.	967597-23	PANEL-W/R 10.21" X 33"
22.	967597-24	PANEL-W/R 7.25" X 44"
23.	382059-01	KNOB-PUSH/PULL SUGATSUNE
	381228	CATCH GRABBER DOOR C3-810
	381607	HINGE ASSEMBLY

# 2012 AVENUE MOTORHOME

## FURNITURE, BATH

### WARDROBE CABINET ASSEMBLY, ONYX



Parts Listed on Next Page

# 2012 AVENUE MOTORHOME

## FURNITURE, BATH

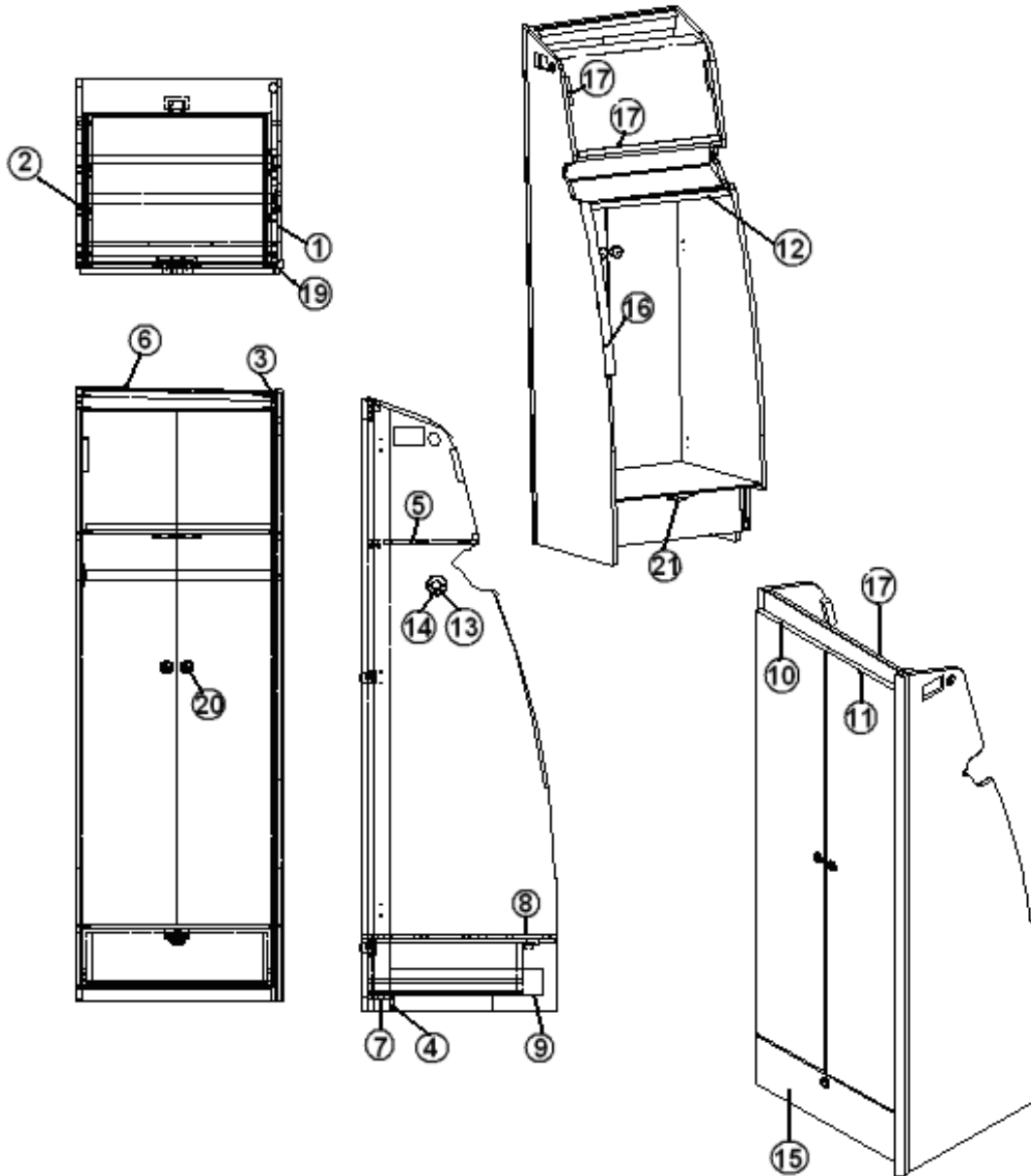
### WARDROBE CABINET ASSEMBLY ONYX

967597-16	CABINET ASSY-WARDROBE
1. 201666	MOLDING-J-3/16 PLASTIC ALMOND
2. 967597-162	PANEL-W/R 22" X 72.17"
3. 967597-163	PANEL-W/R 21.25" X 71.89"
4. 967597-164	PANEL-W/R 7" X 10"
5. 801706-0019	CORNER TRIM-90D 1"R A.NIGHT
6. 967597-166	PANEL-W/R 3" X 70.64"
7. 967597-167	PANEL-W/R 3" X 70.67"
8. 967597-168	PANEL-W/R 7" X 10"
9. 967597-169	PANEL-W/R 7" X 12.5"
10. 967597-1610	PANEL-W/R 7" X 18"
11. 967597-1611	PANEL-W/R 7" X 12"
12. 967597-1612	PANEL-W/R 7" X 1.5"
13. 967597-1613	PANEL-W/R 5.76" X 11.29"
14. 967597-1614	PANEL-W/R 6.25" X 2.25"
15. 967597-1615	PANEL-W/R 5.76 X 11.29
16. 967597-1618	PANEL-W/R 10.21" X 33"
17. 801438	PANEL, FRT WHT VINYL/RAW 6.88 x 33.00
18. 115497	CLOSEOUT, W/R SWITCHES
19. 801438	PANEL, FRT WHT VINYL/RAW 6.88 X 3.59
20. 967597-1622	WARDROBE 7.25" X 25.5"
21. 967597-1623	PANEL-W/R 10.21" X 33"
22. 967597-1624	PANEL-W/R 7.25" X 44"
23. 382059-01	KNOB-PUSH/PULL SUGATSUNE
381228	CATCH GRABBER DOOR C3-810
381607	HINGE ASSEMBLY

# 2012 AVENUE MOTORHOME

## FURNITURE, BATH

### WARDROBE CABINET, ROADSIDE, WARDROBE OPT., LT CAMEL



PARTS LISTED ON NEXT PAGE

# 2012 AVENUE MOTORHOME

## FURNITURE, BATH

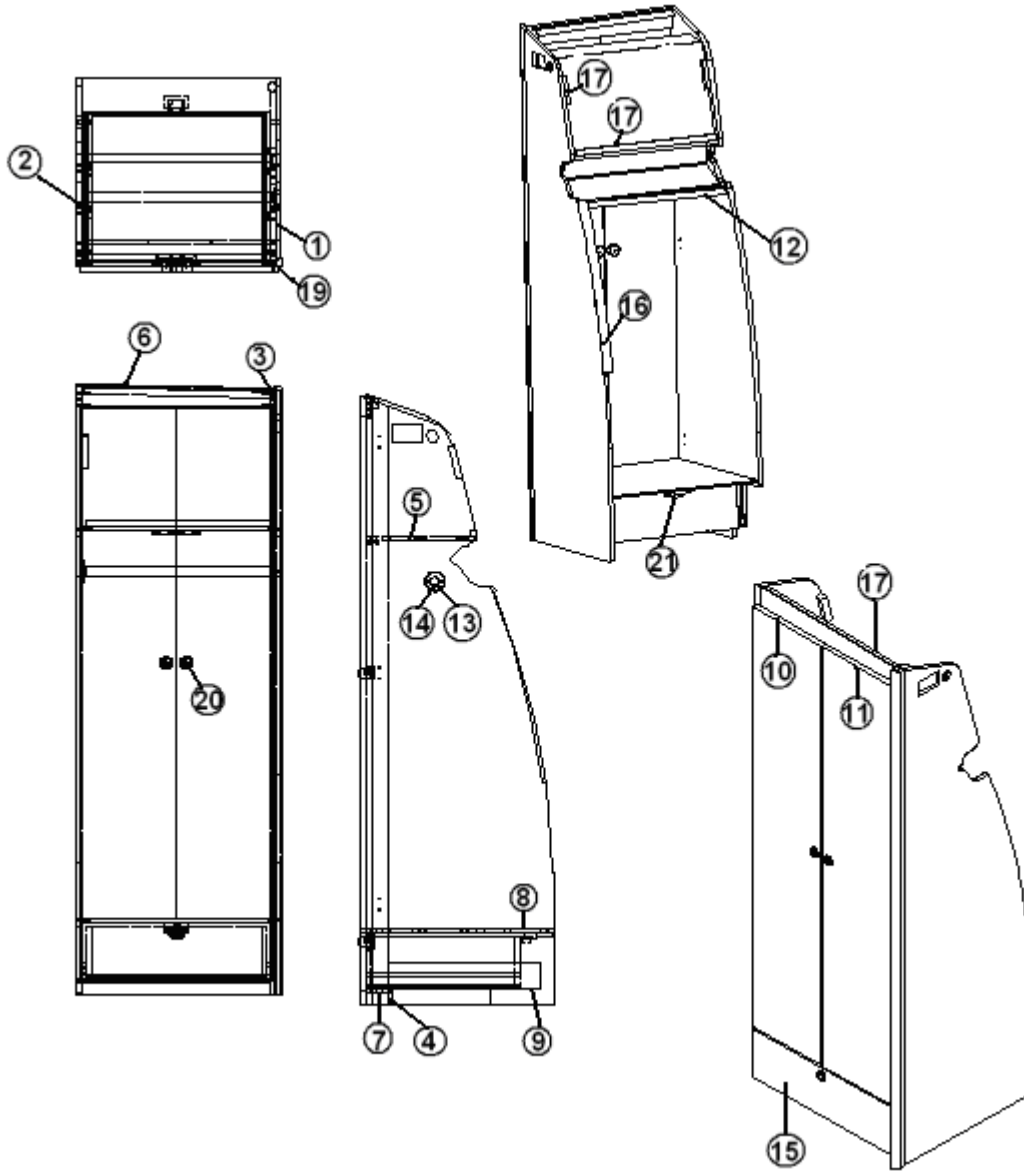
### WARDROBE CABINET, ROADSIDE, WARDROBE OPT., LT CAMEL

967641	WARDROBE CAB ASSY-LT. CAMEL
1. 967641-1	PANEL-W/R 21.25X72.31
2. 967641-2	PANEL-W/R 22X72.12
3. 967641-3	PANEL-W/R 2.5X71.59
4. 967641-4	PANEL-W/R 2X22.88
5. 967641-5	PANEL-W/R 22.88X13
6. 967641-6	PANEL-W/R 22.13X3
7. 967641-7	PANEL-W/R 2.5X22.13
8. 967641-8	PANEL-W/R 22.88X22
9. 967641-9	PANEL-W/R 3X18
10. 967641-10	PANEL-W/R 11.31X60.50
11. 967641-11	PANEL-W/R 11.31X60.50
12. 115513	CLOSEOUT-W/R CAB. HEADER
13. 380046	FLANGE CHROME
14. 380045	TUBING 3/4" ELEC METALLIC
15. 967650	DRAWER ASSY- WARDROBE
16. 115512	CLOSEOUT-W/R UPPER
17. 800025-01	PINE 3/4" X 3/4"
18. 801706-0018	CORNER TRIM-90D 1"R A.SAND 84
19. 382059-01	KNOB-PUSH/PULL SUGATSUNE
20. 381228	CATCH GRABBER DOOR C3-810
200975-04	CONDUIT,FLEXIBLE BLACK PLASTIC
115514	CLOSEOUT-W/R LOWER
701538-01	CARPET-ECONOLIER W/PSA BACK

# 2012 AVENUE MOTORHOME

## FURNITURE, BATH

### WARDROBE CABINET, ROADSIDE, WARDROBE OPT. ONYX



PARTS LISTED ON NEXT PAGE

# 2012 AVENUE MOTORHOME

## FURNITURE, BATH

### WARDROBE CABINET, ROADSIDE, WARDROBE OPT., ONYX

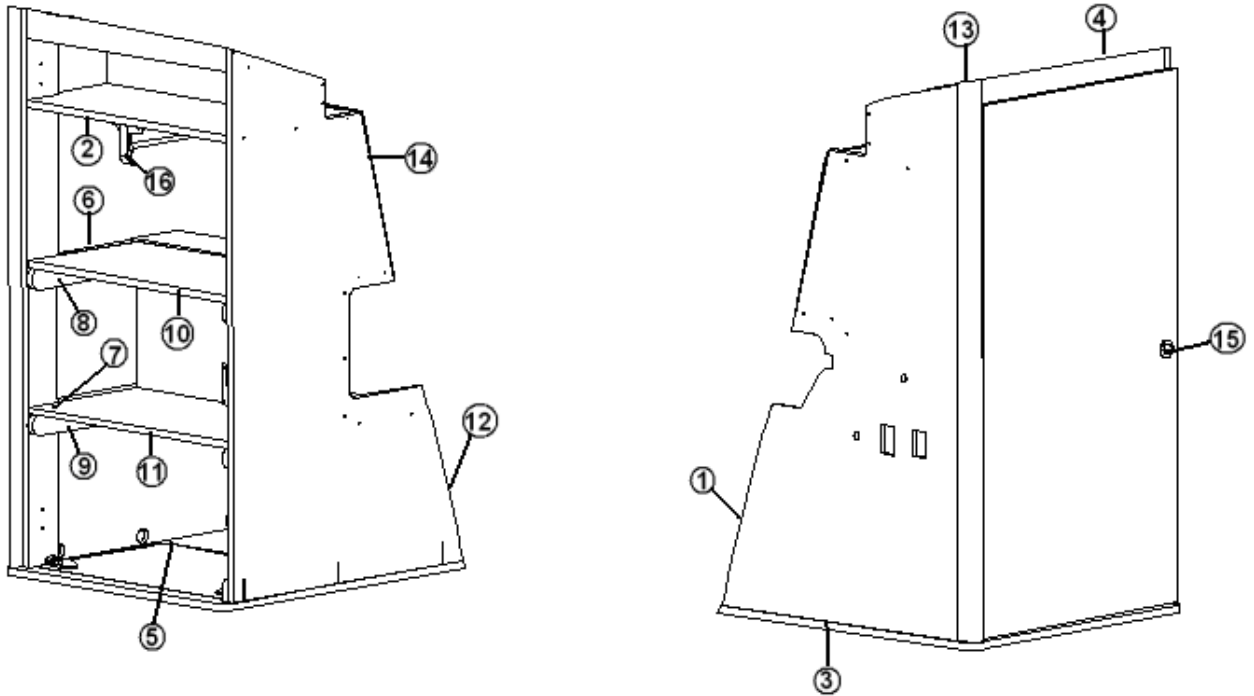
967641-16	WARDROBE CAB ASSY-ONYX
1. 967641-161	PANEL-W/R 21.25X72.31
2. 967641-162	PANEL-W/R 22X72.12
3. 967641-163	PANEL-W/R 2.5X71.59
4. 967641-164	PANEL-W/R 2X22.88
5. 967641-165	PANEL-W/R 22.88X13
6. 967641-166	PANEL-W/R 22.13X3
7. 967641-167	PANEL-W/R 2.5X22.13
8. 967641-168	PANEL-W/R 22.88X22
9. 967641-169	PANEL-W/R 3X18
10. 967641-1610	PANEL-W/R 11.31X60.50
11. 967641-1611	PANEL-W/R 11.31X60.50
12. 115513	CLOSEOUT-W/R CAB. HEADER
13. 380046	FLANGE CHROME
14. 380045	TUBING 3/4" ELEC METALLIC
15. 967650	DRAWER ASSY- WARDROBE
16. 115512	CLOSEOUT-W/R UPPER
17. 800025-01	PINE 3/4" X 3/4"
19. 801706-0019	CORNER TRIM-90D 1"R A.NIGHT 84
20. 382059-01	KNOB-PUSH/PULL SUGATSUNE
21. 381228	CATCH GRABBER DOOR C3-810
200975-04	CONDUIT,FLEXIBLE BLACK PLASTIC
115514	CLOSEOUT-W/R LOWER
701538-01	CARPET-ECONOLIER W/PSA BACK



# 2012 AVENUE MOTORHOME

## FURNITURE, BATH

### HANGING WARDROBE W/SHELVES, ONYX, AVENUE SUITE



Parts Listed on Next Page

# 2012 AVENUE MOTORHOME

## FURNITURE, BATH

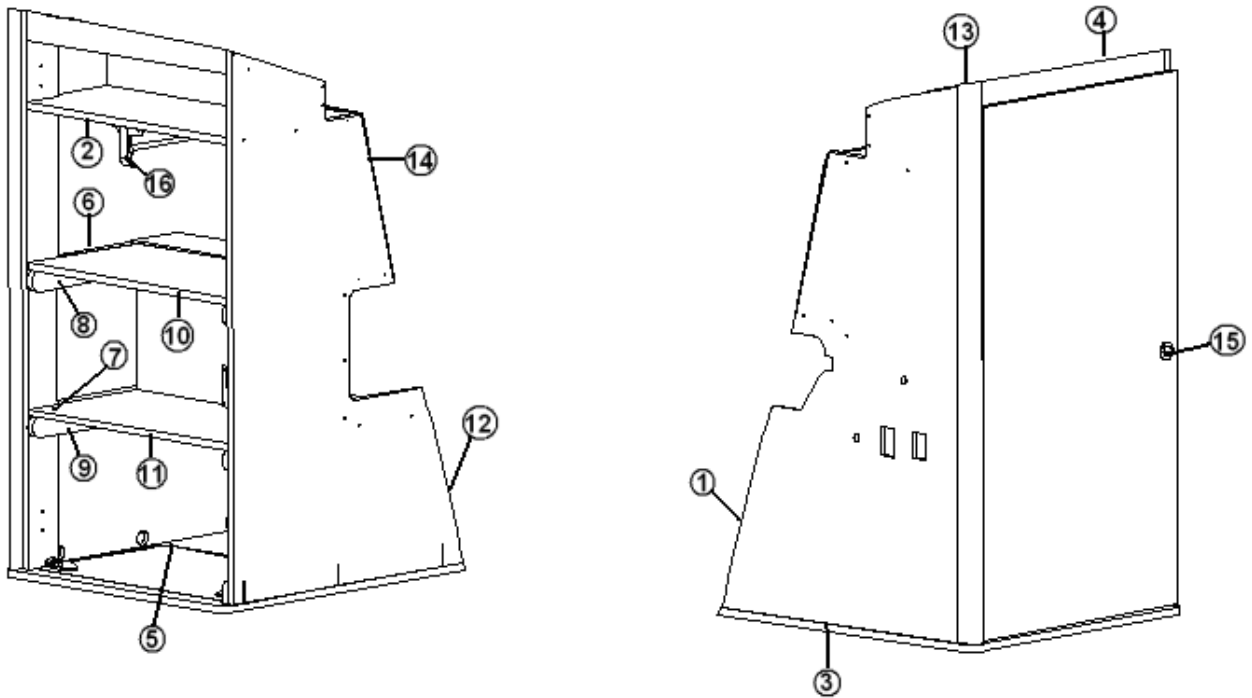
### HANGING WARDROBE W/SHELVES, ONYX, AVENUE SUITE

	967735-16	HANGING WARDROBE W/SHELVES – ONYX
1.	967735-161	Panel, Hanging W/R 21.27 x 38.00
2.	967735-162	Panel, 19.75 x 12.56
3.	967735-163	Panel, Hanging W/R 21.00 x 23.25
4.	967735-166	Panel, Hanging W/R 19.00 x 2.00
5.	967735-169	Panel, Hinging W/R 18.25 x 12.25
6.	967735-1611	Panel, Hanging W/R 7.50 x 2.50
7.	967735-1612	Panel, Hanging W/R 15.50 x 2.75
8.	967735-1614	Panel, Hanging W/R 10.50 x 1.50
9.	967735-1616	Panel, Hanging W/R 18.50 x 1.50
10.	967735-1618	Panel, Hanging W/R 18.88 x 10.38
11.	967735-1619	Panel, Hanging W/R 18.88 x 10.38
12.	967735-1622	Panel, Hanging W/R 22.00 x 38.00
13.	801706-0019	Corner Trim, 90D 1" Radius, Asian Night
14.	115537	Closeout, Upper Wardrobe Cabinet
15.	382059-01	Knob, Push/Pull Sugatsune
16.	382161-01	Hanger Extension, 13.2#
	382125	Piano Hinge, clear, 1.25" x 72"
	115536	Closeout, Wardrobe Cabinet Wires
	382157	Barrel Bolt, Locking, Chrome #124
	381228-01	Grabber Door Catch C3-803
	381607	Hinge Assembly, Grass Euro
	701538-01	Carpet, Econolier w/PSA Back
	382057	Knockdown 8mm #16289B
	382057-02	Cap, Knockdown Gray #16278

# 2012 AVENUE MOTORHOME

## FURNITURE, BATH

### HANGING WARDROBE W/SHELVES, LT CAMEL, AVENUE SUITE



Parts Listed on Next Page

# 2012 AVENUE MOTORHOME

## FURNITURE, BATH

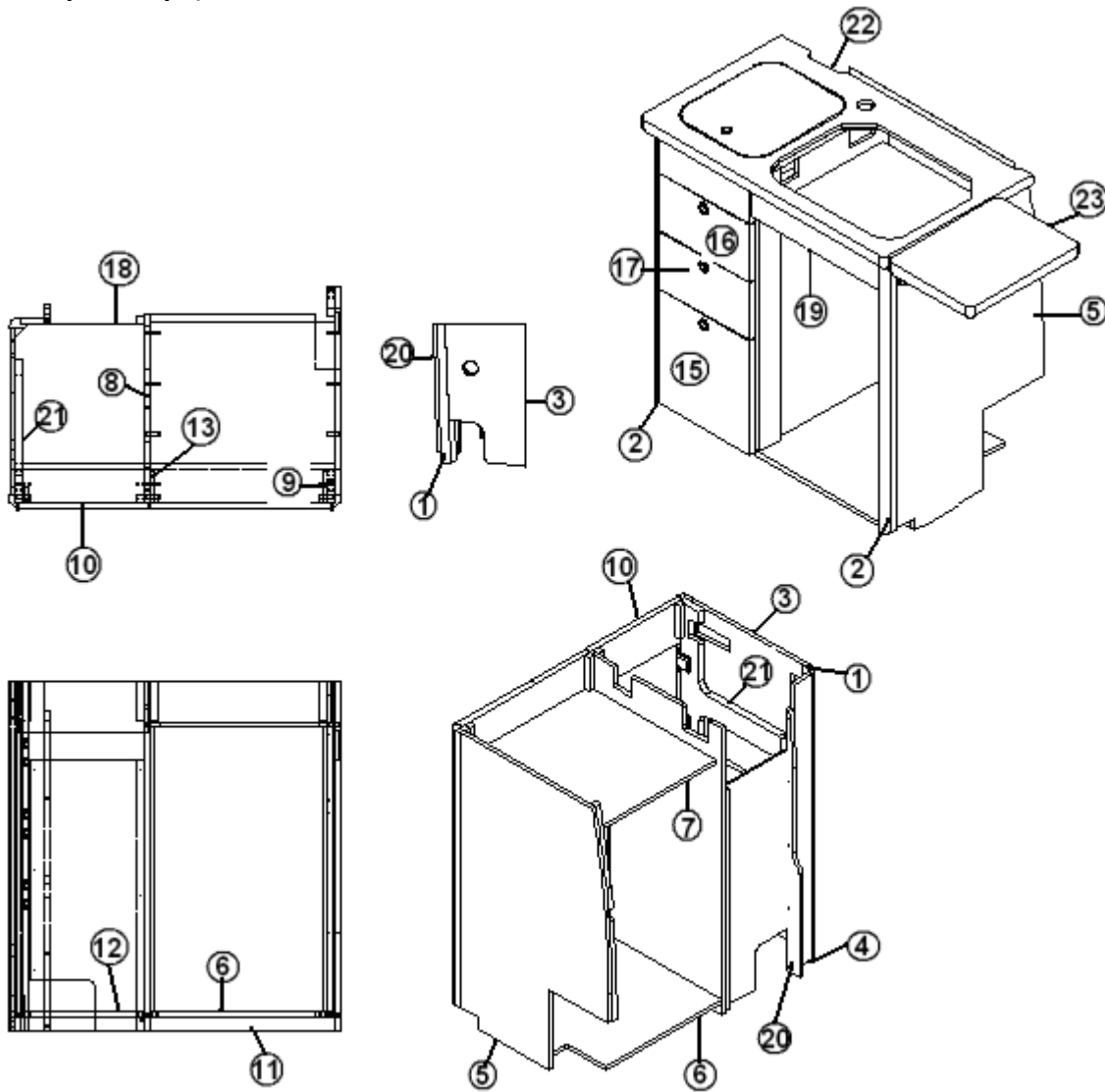
### HANGING WARDROBE W/SHELVES, LT CAMEL, AVENUE SUITE

	967735-17	HANGING WARDROBE W/SHELVES – LT CAMEL
1.	967735-171	Panel, Hanging W/R 21.27 x 38.00
2.	967735-172	Panel, 19.75 x 12.56
3.	967735-173	Panel, Hanging W/R 21.00 x 23.25
4.	967735-176	Panel, Hanging W/R 19.00 x 2.00
5.	967735-179	Panel, Hinging W/R 18.25 x 12.25
6.	967735-1711	Panel, Hanging W/R 7.50 x 2.50
7.	967735-1712	Panel, Hanging W/R 15.50 x 2.75
8.	967735-1714	Panel, Hanging W/R 10.50 x 1.50
9.	967735-1716	Panel, Hanging W/R 18.50 x 1.50
10.	967735-1718	Panel, Hanging W/R 18.88 x 10.38
11.	967735-1719	Panel, Hanging W/R 18.88 x 10.38
12.	967735-1722	Panel, Hanging W/R 22.00 x 38.00
13.	801706-0018	Corner Trim, 90D 1" Radius, Asian Sand
14.	115537	Closeout, Upper Wardrobe Cabinet
15.	382059-01	Knob, Push/Pull Sugatsune
16.	382161-01	Hanger Extension, 13.2#
	382125	Piano Hinge, clear, 1.25" x 72"
	115536	Closeout, Wardrobe Cabinet Wires
	382157	Barrel Bolt, Locking, Chrome #124
	381228-01	Grabber Door Catch C3-803
	381607	Hinge Assembly, Grass Euro
	701538-01	Carpet, Econolier w/PSA Back
	382057	Knockdown 8mm #16289B
	382057-04	Cap, Knockdown White

# 2012 AVENUE MOTORHOME

## FURNITURE, GALLEY

Galley Assy., Lt. Camel



Parts Listed on Next Page

# 2012 AVENUE MOTORHOME

## FURNITURE, GALLEY

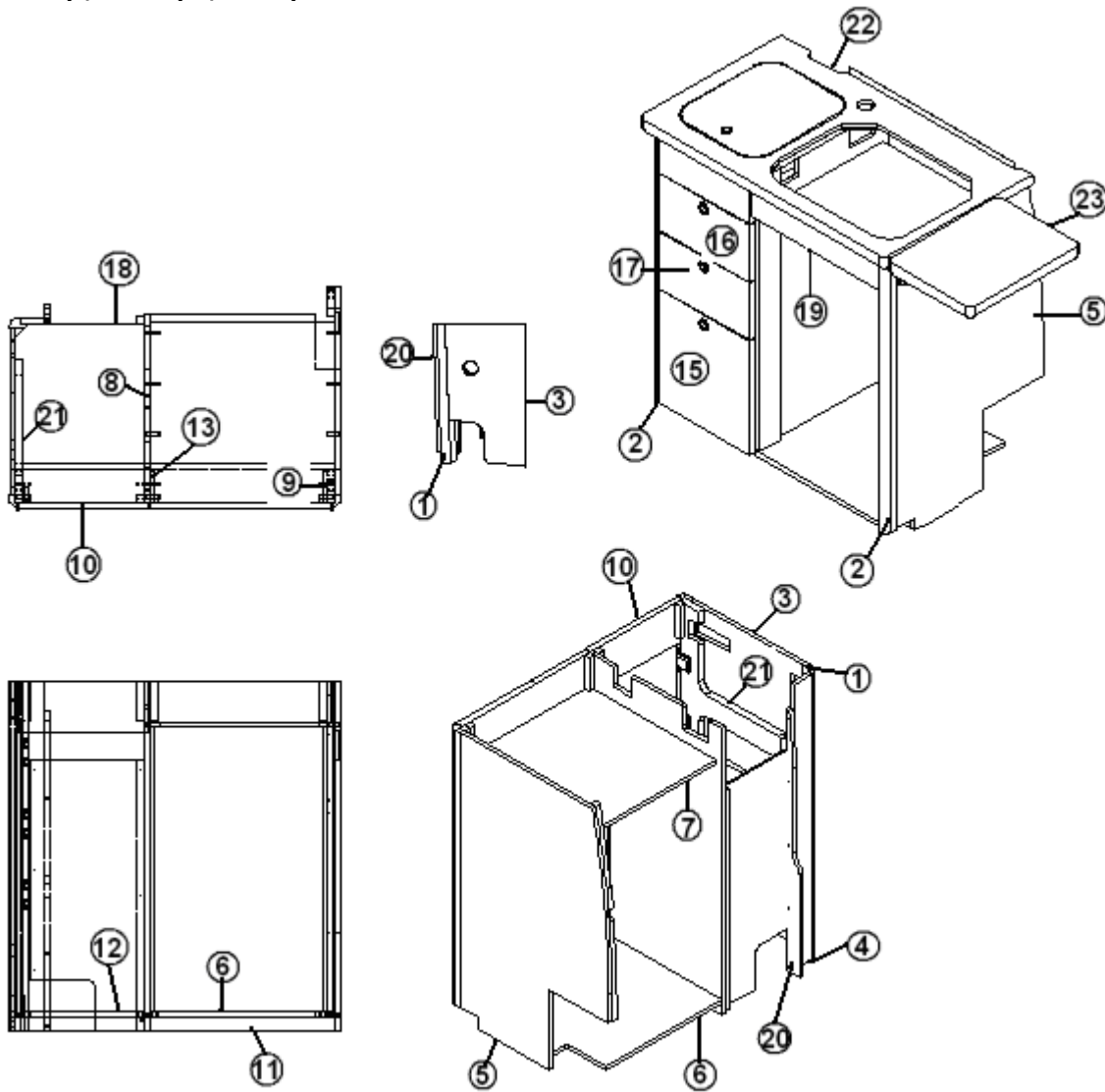
### Galley, Lt. Camel

	967588-01	GALLEY ASSY Lt. Camel
1.	801415-0018	CORNER TRIM-1" RAD ASIAN SAND
2.	801706-0018	CORNER TRIM-90D 1" ASIAN SAND
3.	967588-3	PANEL-GALLEY 16.63X35
4.	967588-4	PANEL-GALLEY 2.5X35
5.	967588-5	PANEL-GALLEY 20.88X35
6.	967588-6	PANL-GALLEY 18.5X18.75
7.	967588-7	PANEL-GALLEY 18.5X18
8.	967588-8	PANEL-GALLEY 18.75X35
9.	967588-9	PANEL-GALLEY 3X33.63
10.	967588-10	PANEL-GALLEY 12.88X5.13
11.	967588-11	PANEL-GALLEY 32X38
12.	967588-12	PANEL-GALLEY 12.25X3.75
13.	967588-13	PANEL-GALLEY 3X28.5
15.	967593	DRW BOX ASSY-LOWER GAL
16.	967591	DRW BOX ASSY-UPPER GALLEY
17.	967592	DRW BOX ASSY-MID GALLEY
18.	967588-18	PANEL-GALLEY 11.5X27
19.	967588-19	PANEL-GALLEY 18.13 X 4.13
20.	967588-23	PANEL-GALLEY 1.88X32
21.	967588-24	PANEL-GALLEY 14.25X33.63
22.	602261-01	TOP-GALLEY CORIAN COCOA BROWN
23.	602267-01	FLIP SHELF CORIAN
	602260	SINK-SS SNG BOWL 13 X 15 X 5
	195362-39	STRAINER-SINK 2" # 7466JR
	602262-01	COVER-SINK CORIAN COCOA
	381708	WASTEBASKET-11.38 X 8.25 X 12.
	381228	CATCH GRABBER DOOR C3-810
	382059-01	KNOB-PUSH/PULL SUGATSUNE
	967594	Drawer Assembly, Sink Cover
	(Used on units built prior to August of 2010.)	

# 2012 AVENUE MOTORHOME

## FURNITURE, GALLEY

Galley, Assy., Onyx



Parts Listed on Next Page

# 2012 AVENUE MOTORHOME

## FURNITURE, GALLEY

### GALLEY, ONYX

967588-02

GALLEY ASSY-ONYX

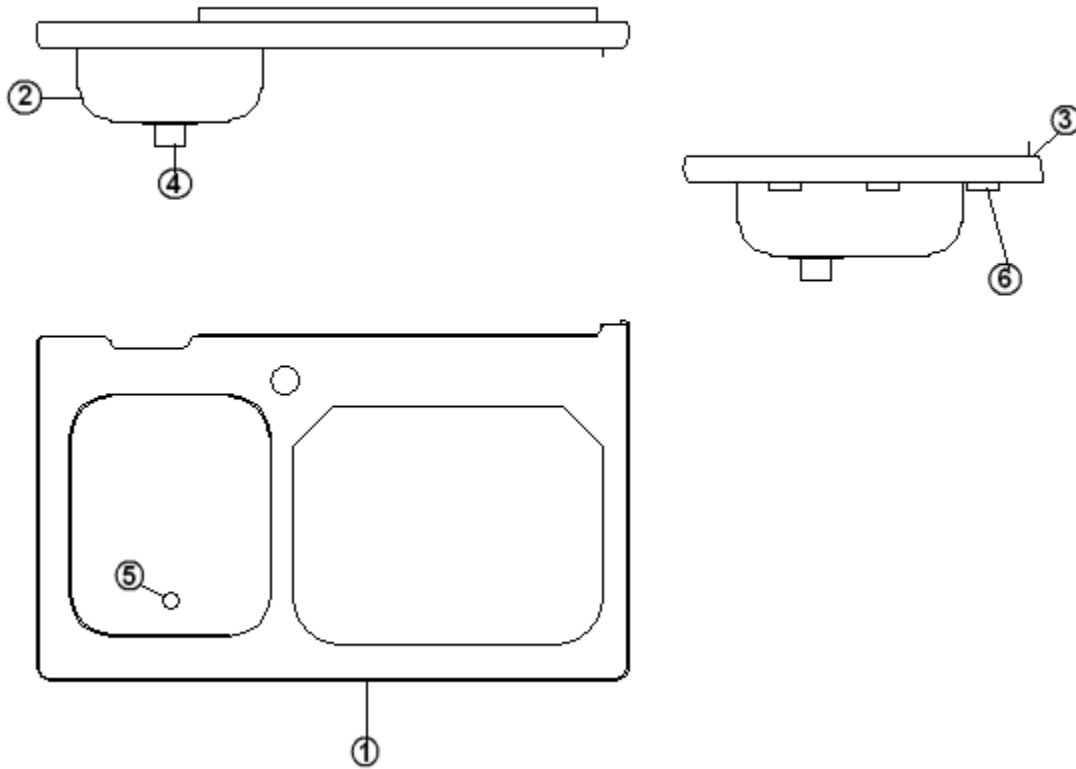
1. 801415-0019 CORNER TRIM-1" RAD ASIAN NIGHT
2. 801706-0019 CORNER TRIM-90D 1" ASIAN NIGHT
3. 967588-3 PANEL-GALLEY 16.63X35
4. 967588-4 PANEL-GALLEY 2.5X35
5. 967588-5 PANEL-GALLEY 20.88X35
6. 967588-6 PANL-GALLEY 18.5X18.75
7. 967588-7 PANEL-GALLEY 18.5X18
8. 967588-8 PANEL-GALLEY 18.75X35
9. 967588-9 PANEL-GALLEY 3X33.63
10. 967588-1610 PANEL-GALLEY 12.88X5.13
11. 967588-1611 PANEL-GALLEY 32X38
12. 967588-1612 PANEL-GALLEY 12.25X3.75
13. 967588-1613 PANEL-GALLEY 3X28.5
15. 967593 DRW BOX ASSY-LOWER GAL
16. 967591 DRW BOX ASSY-UPPER GALLEY
17. 967592 DRW BOX ASSY-MID GALLEY
18. 967588-1618 PANEL-GALLEY 11.5X27
19. 967588-1619 PANEL-GALLEY 18.13 X 4.13
20. 967588-1623 PANEL-GALLEY 1.88X32
21. 967588-1624 PANEL-GALLEY 14.25X33.63
22. 602261-02 TOP-GALLEY CORIAN MOSAIC
23. 602267-02 FLIP SHELF CORIAN MOSAIC
- 602260 SINK-SS SNG BOWL 13 X 15 X 5
- 195362-39 STRAINER-SINK 2" # 7466JR
- 602262-02 COVER-SINK CORIAN MOSAIC
- 381708 WASTEBASKET-11.38 X 8.25 X 12.
- 381228 CATCH GRABBER DOOR C3-810
- 382059-01 KNOB-PUSH/PULL SUGATSUNE



# 2012 AVENUE MOTORHOME

## FURNITURE, GALLEY

### GALLEY TOP



- |    |            |                                   |
|----|------------|-----------------------------------|
| 1. | 602261-01  | Top Assembly, Cocoa Brown, CORIAN |
| 1. | *602261-02 | Top Assembly, Mosaic, CORIAN      |
| 1. | *602261-03 | Top Assembly, Hazelnut, CORIAN    |
| 2. | 602260     | Sink, Single Bowl, 13" x 15" x 5" |
| 3. | 115496-02  | Flat brackets, galley top         |
| 4. | 195362-39  | Strainer, sink 2"                 |
| 5. | 602262-01  | Sink Cover, Cocoa Brown           |
| 5. | 602262-02  | Sink Cover, Mosaic                |
| 6. | 115496-01  | BRACKET, GALLEY TOP 1.88 X 1.5    |

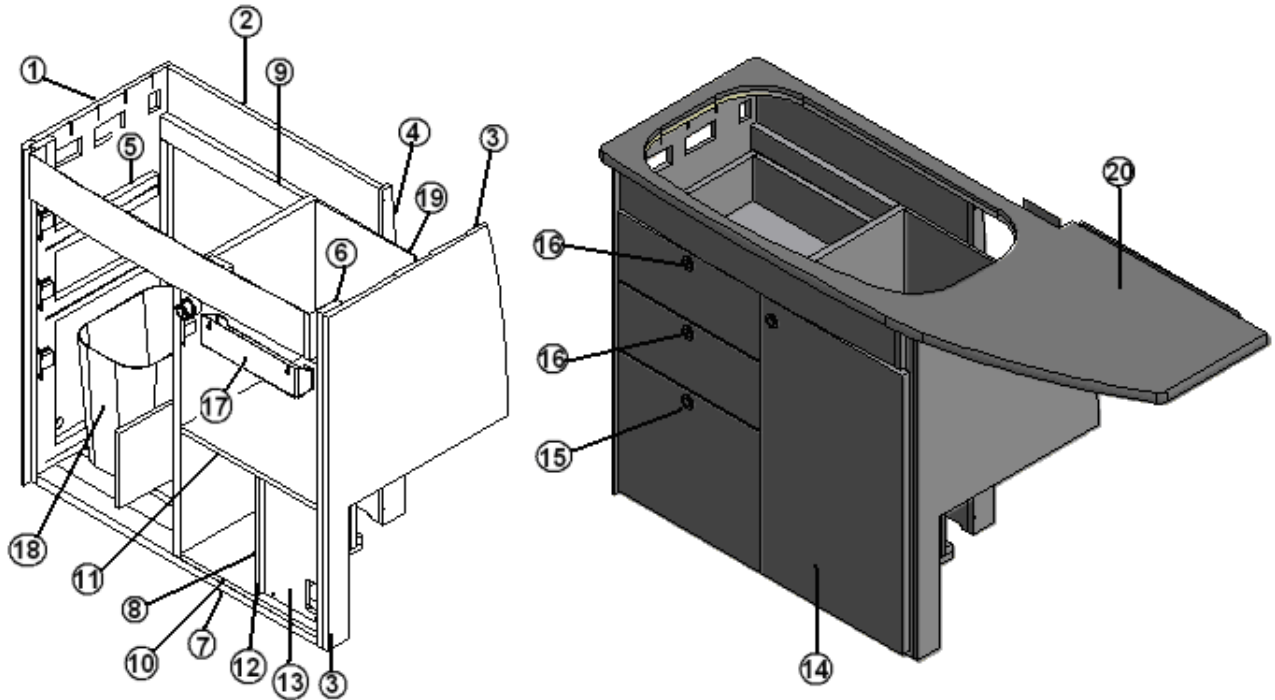
\* The Onyx original tops were Mosaic. These tops are no longer available, the replacement color is Hazelnut.

The first unit to receive the Hazelnut top is #302439. The last unit to receive the Onyx Mosaic is #302413.

# 2012 AVENUE MOTORHOME

## FURNITURE, GALLEY

Galley Assembly, LT. CAMEL – Avenue Suite



Parts Listed on Next Page

# 2012 AVENUE MOTORHOME

## FURNITURE, GALLEY

GALLEY Assembly, LT. CAMEL – Avenue Suite

967705-17	Galley Assembly, LT. CAMEL
1. 967705-171	PANEL,GAL 15.38 X 39.88
2. 967705-172	PANEL,GAL 24.13 X 39.
3. 967705-173	PANEL,GAL 20.61 X 33.0
4. 967705-174	PANEL,GAL 1.88 X 32.0\
5. 967705-175	PANEL,GAL 14.0 X 33.0
6. 967705-176	PANEL,GAL 2.25 X 33.0
7. 967705-177	PANEL,GAL 2.25 X 32.0
8. 967705-179	PANEL,GAL 15.62 X 28.5
9. 967705-1712	PANEL,GAL 2.25 X 16.375
10. 967705-1714	PANEL,GAL 11.5 X 15.63
11. 967705-1715	PANEL,GAL 16.38 X 16.38
12. 967705-1717	PANEL,GAL 9.75 X 11.88
13. 967705-1718	PANEL,GAL 7.0 X 12.0
14. 967705-1719	DOOR-GAL 16.25 X 27.63
15. 967708-17	DRAWER ASSY - LOWER -
16. 967709-17	DRAWER ASSY-GALLEY
17. 381615	TRAY 11" MOLDED PLASTIC
18. 381708	WASTEBASKET-11.38 x 8.25
19. 801438	PANEL,FRT WHITE VINYL/RAW 2.7MM
20. 602299-01	TOP-GALLEY CORIAN COCOA BROWN
*602299-02	TOP-GALLEY CORIAN ONYX
*602299-03	TOP-GALLEY CORIAN HAZELNUT

\* The Onyx original tops were Mosaic. These tops are no longer available, the replacement color is Hazelnut.

The first unit to receive the Hazelnut top is #302439. The last unit to receive the Onyx Mosaic is #302413.

Parts Continued on Next Page

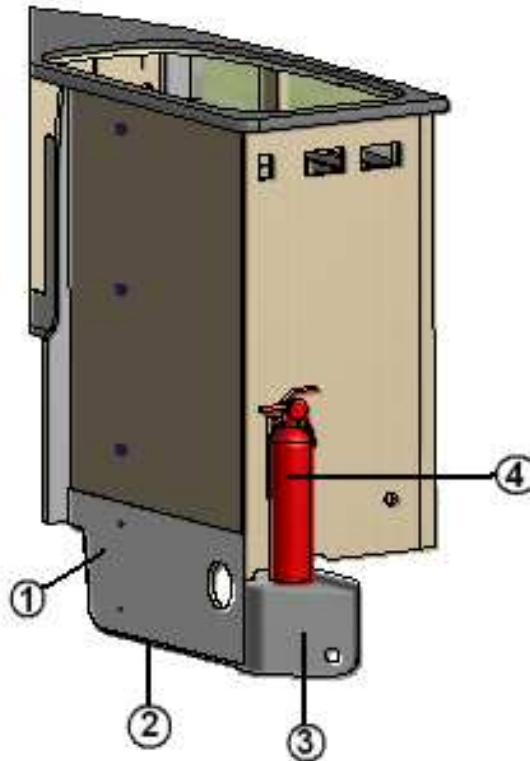
# 2012 AVENUE MOTORHOME

## FURNITURE, GALLEY

GALLEY Assembly, LT. CAMEL – Avenue Suite, Continued

701538-01	CARPET-ECONOLIER W/PSA BACK
115496-03	BRACKET-FLAT - GALLEY TOP. 2.0
967705-1735	PNL 2.25 X 16.375
967705-1716	PANEL,GAL 9.38 X 12.0
382059-01	KNOB-PUSH/PULL SUGATSUNE
381228-01	CATCH GRABBER DOOR C3-803
381607-01	HINGE-GRASS EURO W/80307
454879	CLOSEOUT - GALLEY SINK
801706-0018	CORNER TRIM-90D 1"RAD. ASIAN SAND

Galley Closeouts/Fire Extinguisher, Avenue Suite

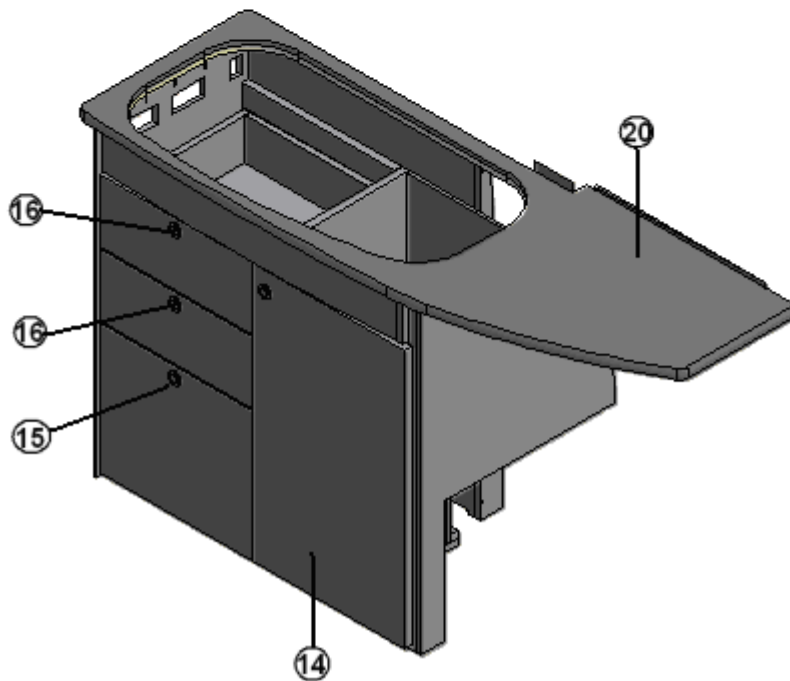
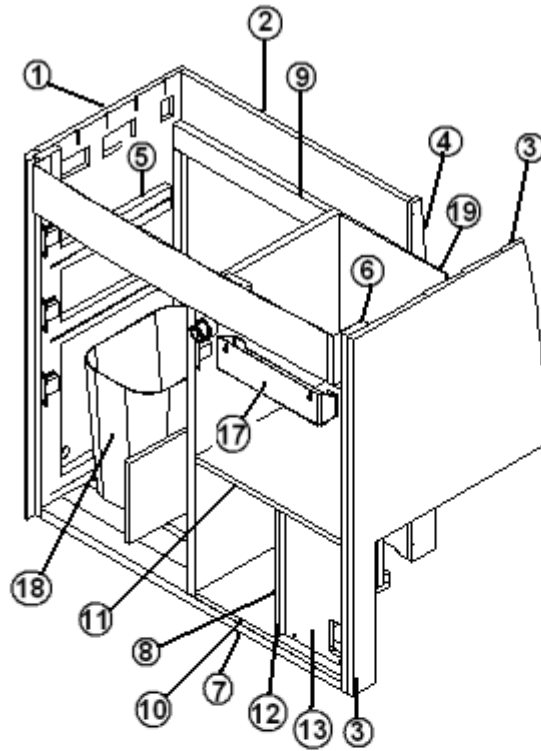


- |              |                                 |
|--------------|---------------------------------|
| 1. 115549    | Aluminum, Galley Splash Panel   |
| 2. 365013-01 | Tape, Charcoal Low Density Foam |
| 3. 203717    | Closeout, ABS, Stepwell, Small  |
| 4. 690381-02 | Fire Extinguisher 10B:C ULC     |

# 2012 AVENUE MOTORHOME

## FURNITURE, GALLEY

### Galley Assembly, ONYX – Avenue Suite



Parts Listed on Next Page

# 2012 AVENUE MOTORHOME

## FURNITURE, GALLEY

### Galley Assembly, ONYX – Avenue Suite

967705-16	Galley Assembly, ONYX
1. 967705-161	PANEL,GAL 15.38 X 39.88
2. 967705-162	PANEL,GAL 24.13 X 39.88
3. 967705-163	PANEL,GAL 20.61 X 33.0
4. 967705-164	PANEL,GAL 1.88 X 32.0
5. 967705-165	PANEL,GAL 14.0 X 33.0
6. 967705-166	PANEL,GAL 2.25 X 33.0
7. 967705-167	PANEL,GAL 2.25 X 32.0
8. 967705-169	PANEL,GAL 15.62 X 28.5
9. 967705-1612	PANEL,GAL 2.25 X 16.375
10. 967705-1614	PANEL,GAL 11.5 X 15.63
11. 967705-1615	PANEL,GAL 16.38 X 16.38
12. 967705-1617	PANEL,GAL 9.75 X 11.88
13. 967705-1618	PANEL,GAL 7.0 X 12.0
14. 967705-1619	DOOR-GAL 16.25 X 27.63
15. 967708-16	DRAWER ASSY, LOWER
16. 967709-16	DRAWER ASSY-GALLEY
17. 381615	TRAY 11" MOLDED PLASTIC
18. 381708	WASTEBASKET, 11.38 x 8.25
19. 801438	PANEL,FRT WHITE VINYL/RAW 2.7MM
20. *602299-02	TOP-GALLEY CORIAN MOSAIC
20. *602299-03	TOP-GALLEY CORIAN HAZELNUT

\*See note on next page

Parts Continued on Next Page

## 2012 AVENUE MOTORHOME

### FURNITURE, GALLEY

Galley Assembly, ONYX – Avenue Suite, Continued

701538-01	CARPET-ECONOLIER W/PSA BACK
115496-03	BRACKET-FLAT - GALLEY TOP 2.0
967705-1635	PNL 2.25 X 16.375
967705-1616	PNL-GAL 9.38 X 12.0
382059-01	KNOB-PUSH/PULL SUGATSUNE
381228-01	CATCH GRABBER DOOR C3-803
381607-01	HINGE-GRASS EURO W/80307
454879	CLOSEOUT - GALLEY SINK
801706-0019	CORNER TRIM-90D 1"RAD. ASIAN NIGHT

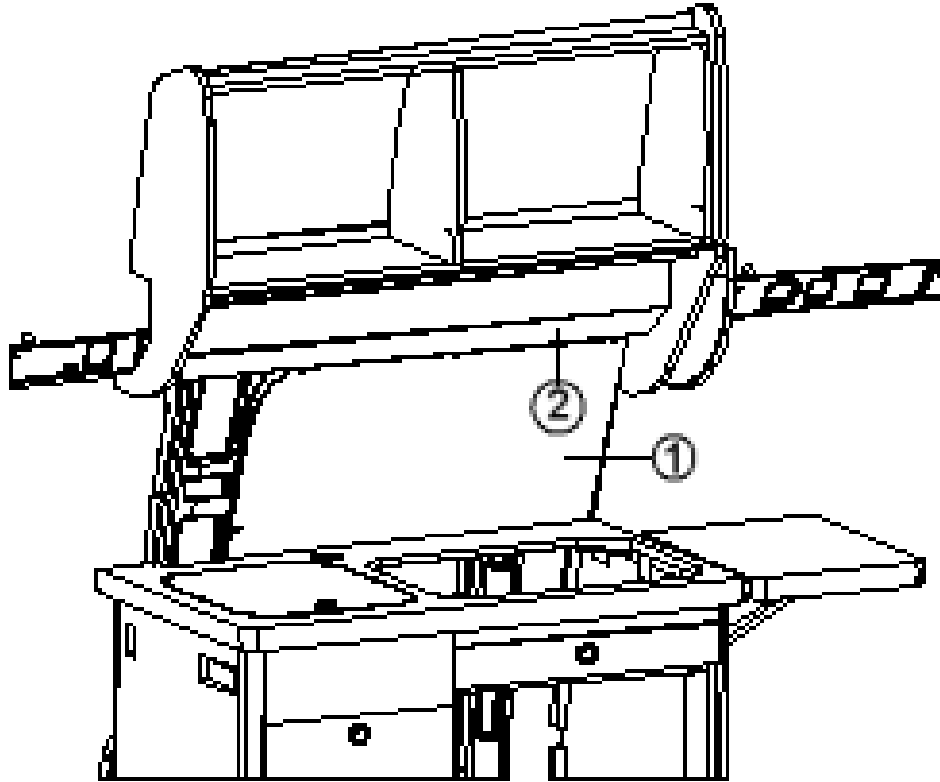
\* The Onyx original tops were Mosaic. These tops are no longer available, the replacement color is Hazelnut.

The first unit to receive the Hazelnut top is #302439. The last unit to receive the Onyx Mosaic is #302413.

# 2012 AVENUE MOTORHOME

## FURNITURE, GALLEY

### GALLEY BACK SPLASH



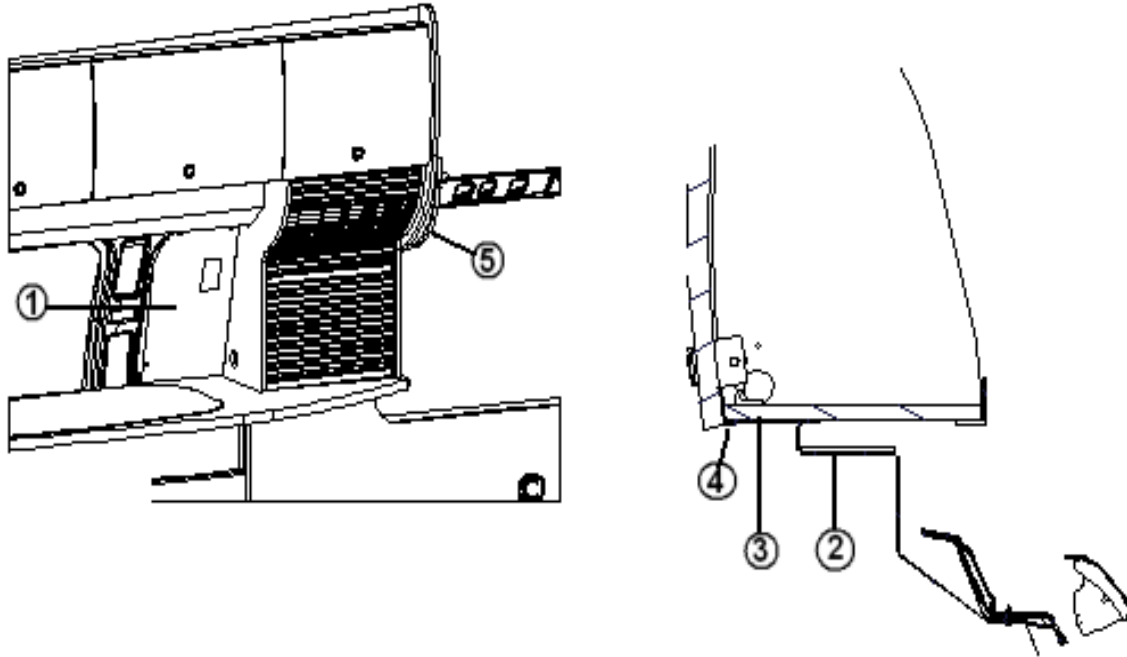
- 1. 115500 Backsplash - Galley Lower
- 115499 Backsplash - Galley Upper
- 114070 Extrusion, J-Trim Aluminum
- 320034 Stainless steel screw #8 x 5/8"



# 2012 AVENUE MOTORHOME

## FURNITURE, GALLEY

### GALLEY BACK SPLASH, Avenue Suite

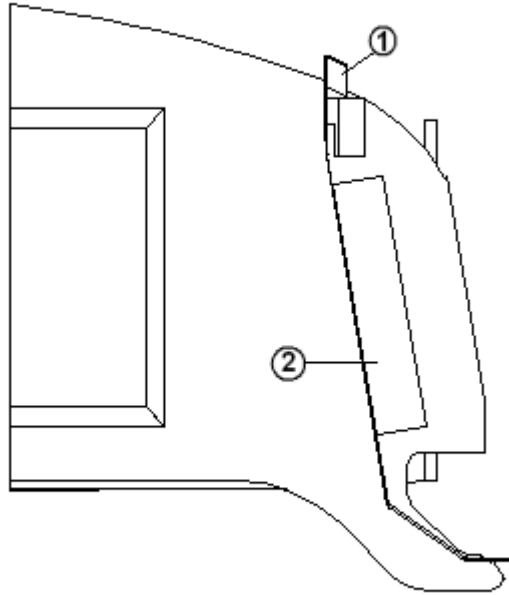


- |    |           |   |
|----|-----------|---|
| 1. | 115543    | Backsplash, Galley Lower                      |
| 2. | 115542    | Backsplash, Galley Upper                      |
| 3. | 115544    | Aluminum Plate, Bottom                        |
| 4. | 114070    | Extrusion, J-trim, Aluminum                   |
| 5. | 967583-16 | Closeout Assy., Galley Locker Aft – Onyx      |
| 5. | 967583-17 | Closeout Assy., Galley Locker Aft – Lt. Camel |
|    | 320029-01 | Screw, #8 x 1/2 PPH Type A SMS 18             |
|    | 203704-01 | Closeout, ABS Forward Galley Pillar 17"       |

# 2012 AVENUE MOTORHOME

## FURNITURE, GALLEY

111981 Curbside Forward Header, Avenue Suite



### Forward Header, Curbside

- |    |           |                                     |
|----|-----------|-------------------------------------|
| 1. | 967763-16 | Upper CS Forward Header- Onyx       |
| 1. | 967763-17 | Upper CS Forward Header – Lt. Camel |
|    | 115550    | Closeout, CS Forward Upper Header   |
|    | 703868-01 | Vinyl, Ultra Leather w/Foam         |

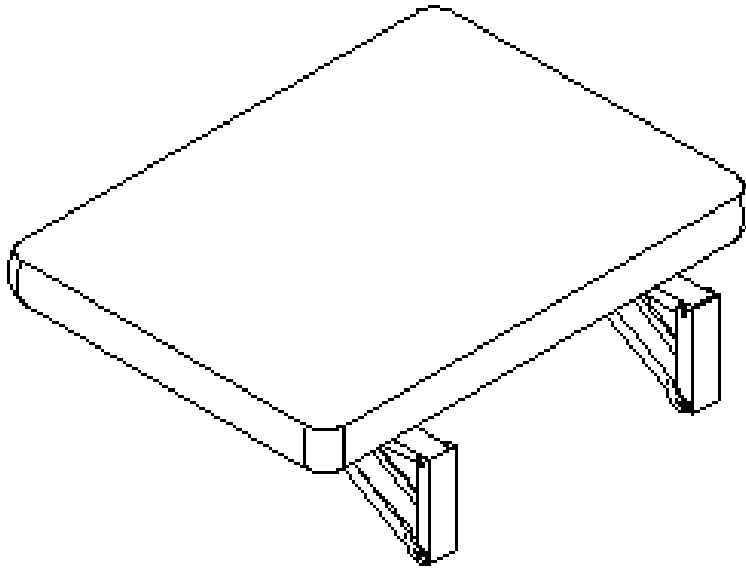
### Lower Curbside Forward Header

- |    |           |                                   |
|----|-----------|-----------------------------------|
| 2. | 967762    | Lower CS Forward Header           |
|    | 115551    | Closeout, Upper CS Forward Header |
|    | 703868-01 | Vinyl, Ultra Leather w/Foam       |

# 2012 AVENUE MOTORHOME

## FURNITURE, GALLEY

### GALLEY FLIP SHELF ASSEMBLY



- 602267-01 SHELF-FLIP CORIAN COCOA BROWN, LT. CAMEL
- \*602267-02 SHELF-FLIP CORIAN MOSAIC – ONYX
- \*602267-03 SHELF-FLIP CORIAN HAZELNUT
- 382092 BRACKET-HINGED SPRING 88 LB CAP.

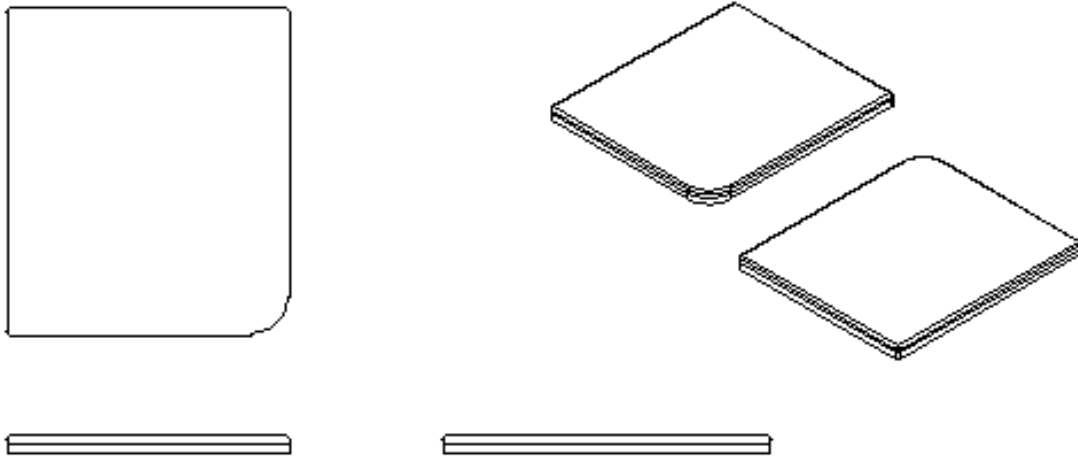
\* The Onyx original tops were Mosaic. These tops are no longer available, the replacement color is Hazelnut.

The first unit to receive the Hazelnut top is #302439. The last unit to receive the Onyx Mosaic is #302413.

# 2012 AVENUE MOTORHOME

## FURNITURE, GALLEY

### GALLEY FLIP SHELF ASSY., WARDROBE OPTION



- 602290-01 FLIP TABLE, CORIAN, LT. CAMEL
- \*602290-02 FLIP TABLE, CORIAN, ONYX
- \* 602290-03 FLIP TABLE, CORIAN, HAZELNUT
- 454852 BRACKET, FLIP TABLE
- 382095 KNOB, KNURLED ¼-20 X .50"

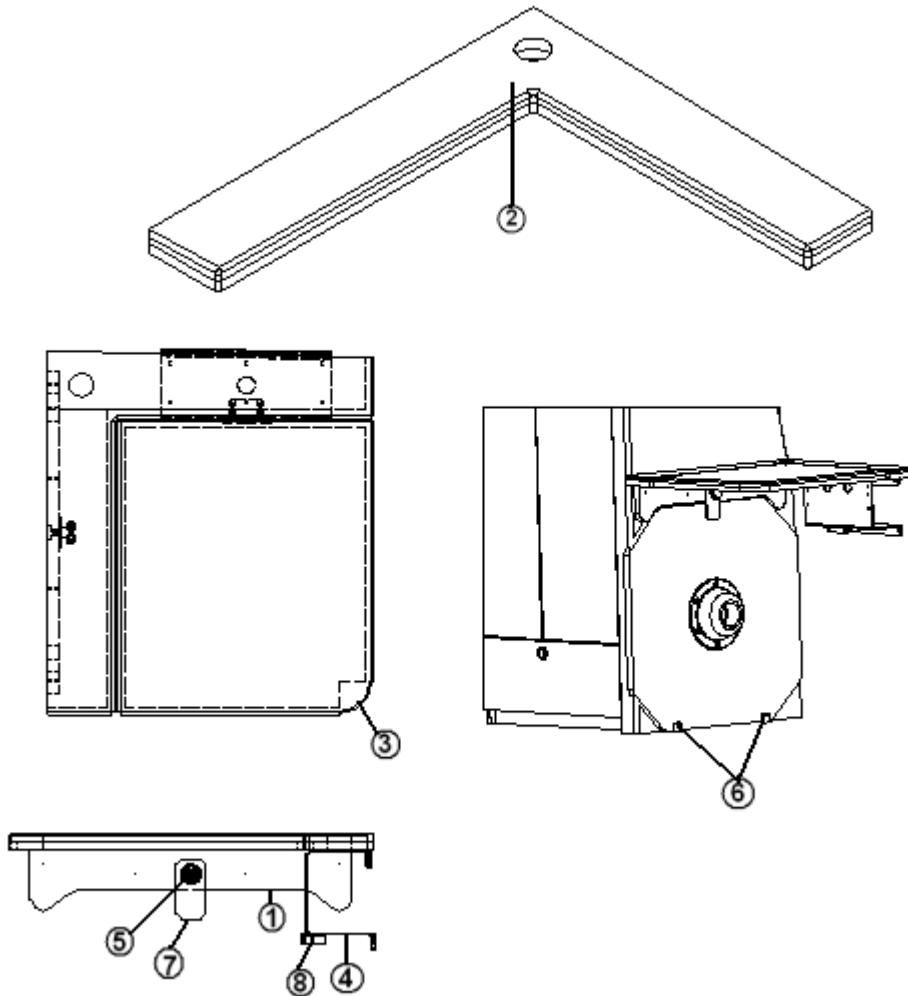
\* The Onyx original tops were Mosaic. These tops are no longer available, the replacement color is Hazelnut.

The first unit to receive the Hazelnut top is #302439. The last unit to receive the Onyx Mosaic is #302413.

# 2012 AVENUE MOTORHOME

## FURNITURE, GALLEY

### FLIP TABLE ASSY AREA, LT. CAMEL, WARDROBE OPTION

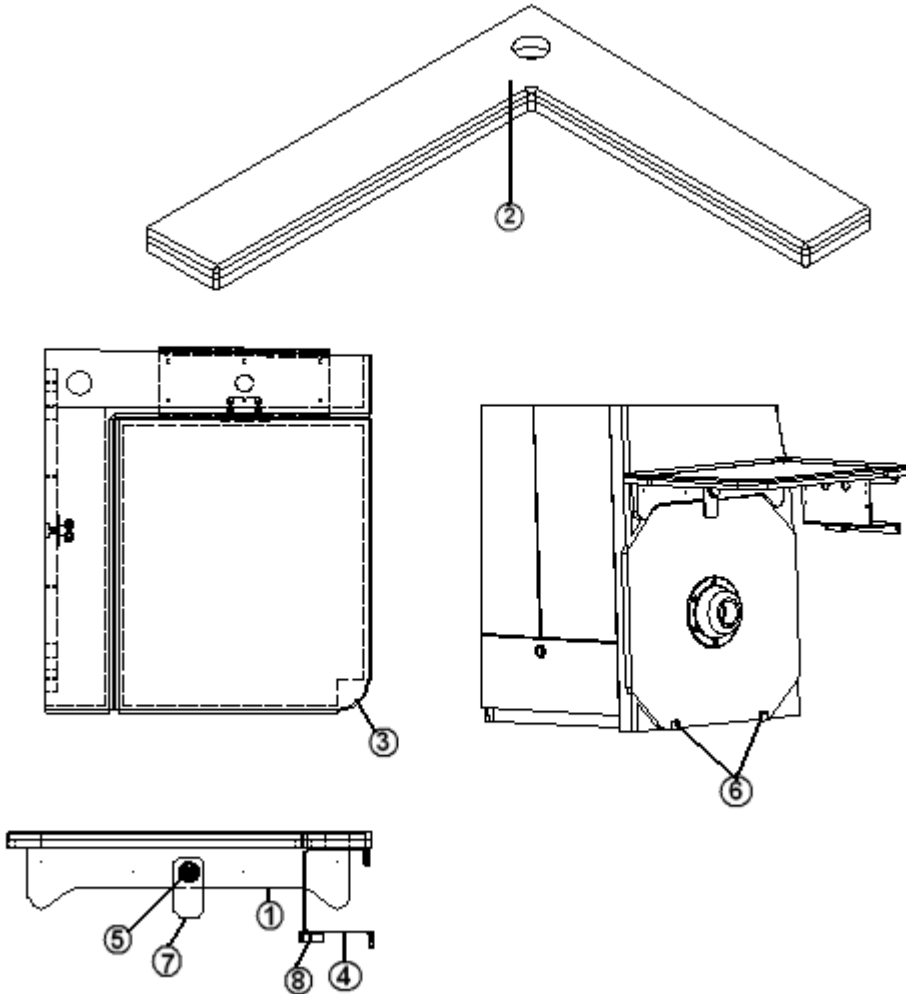


- 
- 967648 FLIP TABLE AREA -WARDROBE CAMEL
  - 1. 967648-1 PANEL-TABLE 3.67X19
  - 2. 602291-01 CREDENZA TOP-CORAIN COCOA
  - 3. 602290-01 FLIP TABLE - CORIAN COCOA
  - 4. 454852 BRACKET, FLIP TABLE AVENUE
  - 5. 382095 KNOB-KNURLED 1/4-20 X .50"
  - 6. 381136 RUBBER BUMPER
  - 7. 454721 BRACKET PED TABLE STORAGE
  - 8. 381228 CATCH GRABBER DOOR C3-810
  - 382092-01 BRACKET, HINGED SPRING 88# CAP
  - 350189 NUT - TEE 6 PRONG 1/4-20
  - 381609-02 SCREW HAFELE EUROPEAN #9 1"
  - 381610-05 COVER-CAP ALMOND PLASTIC
  - 365344-02 EDGEBANDING- .94" PEARL BISQUE
  - 320116-06 BLACK PHIL HEAD SCREW #8; 1"

# 2012 AVENUE MOTORHOME

## FURNITURE, GALLEY

### FLIP TABLE ASSY AREA, ONYX, WARDROBE OPTION



- |               |                                      |
|---------------|--------------------------------------|
| 967648-16     | FLIP TABLE AREA -WARDROBE Onyx       |
| 1. 967648-161 | PANEL-TABLE 3.67X19                  |
| 2. *602291-02 | CREDENZA TOP-MOSAIC (SEE NOTE BELOW) |
| 3. *602290-02 | FLIP TABLE - MOSAIC (SEE NOTE BELOW) |
| 4. 454852     | BRACKET, FLIP TABLE AVENUE           |
| 5. 382095     | KNOB-KNURLED 1/4-20 X .50"           |
| 6. 381136     | RUBBER BUMPER                        |
| 7. 454721     | BRACKET PED TABLE STORAGE            |
| 8. 381228     | CATCH GRABBER DOOR C3-810            |
| 382092-01     | BRACKET, HINGED SPRING 88# CAP       |
| 350189        | NUT - TEE 6 PRONG 1/4-20             |
| 381609-02     | SCREW HAFELE EUROPEAN #9 1"          |
| 381610-04     | COVER-CAP Black PLASTIC              |
| 365346-02     | EDGE BANDING- .94" Midnight          |
| 320116-06     | BLACK PHIL HEAD SCREW #8; 1"         |

## 2012 AVENUE MOTORHOME

### FURNITURE, GALLEY

#### FLIP TABLE ASSY AREA, ONYX, WARDROBE OPTION

- \*602291-02 CREDENZA TOP-MOSAIC (SEE NOTE)
- \*602291-03 CREDENZA TOP-HAZELNUT
- \*602290-02 FLIP TABLE - MOSAIC (SEE NOTE)
- \*602290-03 FLIP TABLE - HAZELNUT

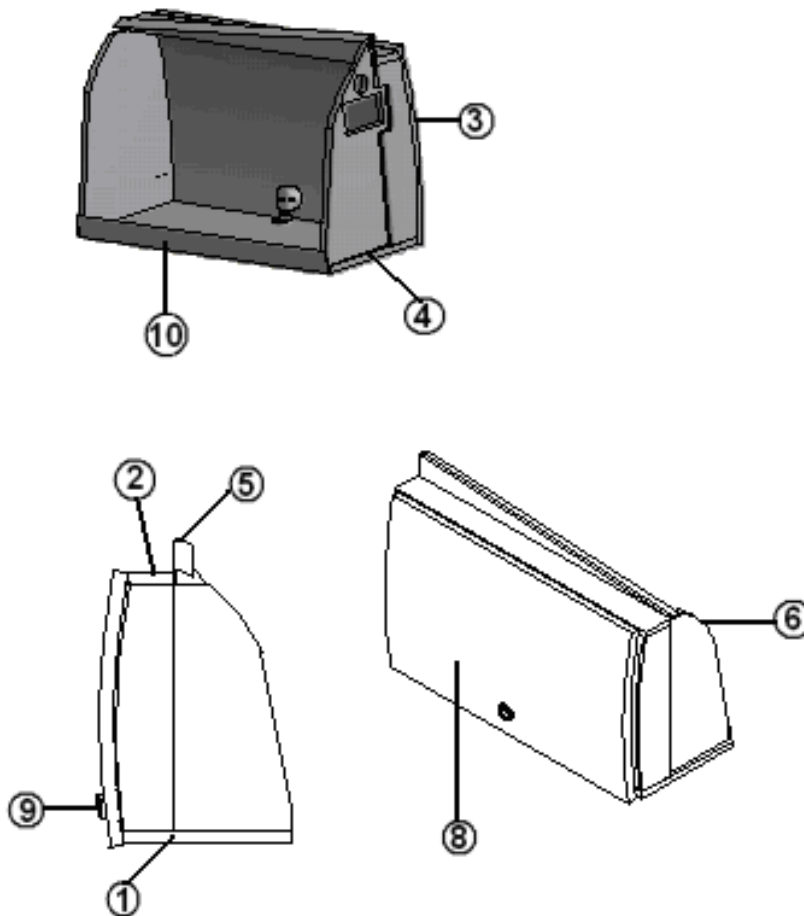
\* The Onyx original tops were Mosaic. These tops are no longer available, the replacement color is Hazelnut.

The first unit to receive the Hazelnut top is #302439. The last unit to receive the Onyx Mosaic is #302413.

# 2012 AVENUE MOTORHOME

## FURNITURE, GALLEY

Roof Locker, Forward Microwave, Light Camel



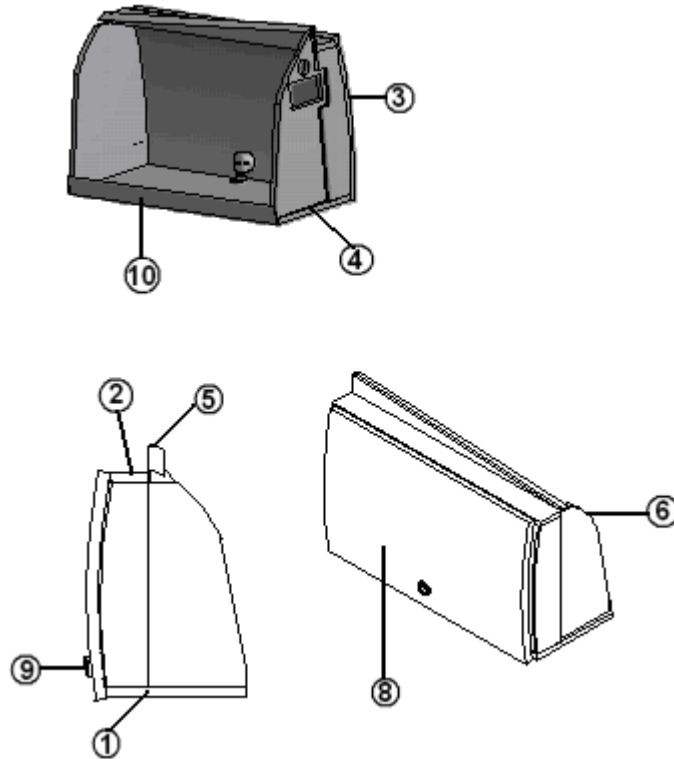
- |                |                                |
|----------------|--------------------------------|
| 967573         | ROOFLOCKER ASSY-FWD MICROWAVE  |
| 1. 967573-1    | PANEL-MICRO R/L 8.25X23        |
| 2. 967573-2    | PANEL-MICRO R/L 2.25X23        |
| 3. 800507-02   | LAUAN,2.91 X 12.13             |
| 4. 967573-4    | PANEL-MICRO R/L 8.65X13.88     |
| 5. 454791      | ANGLE-ROOFLOCKER FWD MICRO     |
| 6. 967573-6    | PANEL-MICRO R/L 8.65X12.13     |
| 7. 800507-02   | LAUAN,1/4"X 4'X 8' (NOT SHOWN) |
| 8. 801862-0218 | DOOR-PLYFOAM 13.5X22 A.SAND    |
| 9. 382155      | KNOB LATCH-PUSH/PULL CHROME    |
| 10. 114813     | ALUM. ANGLE 1.00 X 1.50        |
| 454810         | BACK- FWD MICRO R/L            |
| 703871-01      | VINYL-CEILING IVORY 54"X40"    |
| 381607         | HINGE ASSY-GRASS EURO          |
| 382155-01      | LATCH STRIKE-PUSH/PULL KNOB    |
| 382126         | LID STAY-CHROME 250MM FIRMATOP |
| 701538-01      | CARPET-ECONOLIER W/PSA BACK    |



# 2012 AVENUE MOTORHOME

## FURNITURE, GALLEY

### Roof Locker, Forward Microwave, Onyx

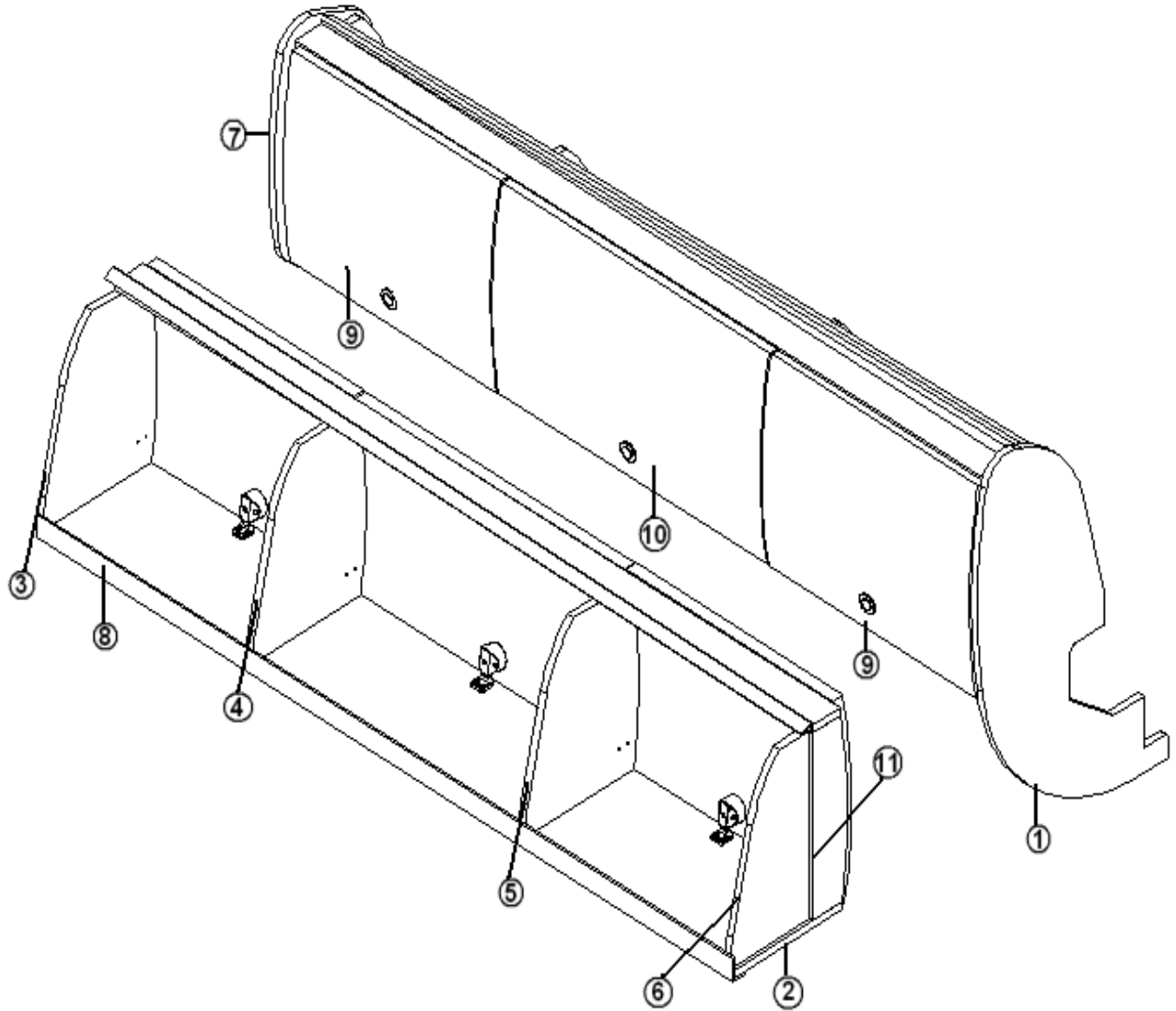


- |                |                                   |
|----------------|-----------------------------------|
| 967573-16      | ROOFLOCKER ASSY-FWD MICROWAVE     |
| 1. 967573-161  | PANEL-MICRO R/L 8.25X23           |
| 2. 967573-162  | PANEL-MICRO R/L 2.25X23           |
| 3. 800507-02   | LAUAN, 2.91 X 12.13               |
| 4. 967573-164  | PANEL-MICRO R/L 8.65X13.88        |
| 5. 454791      | ANGLE-ROOFLOCKER FWD MICRO        |
| 6. 967573-166  | PANEL-MICRO R/L 8.65X12.13        |
| 7. 800507-02   | LAUAN, 1/4" X 4' X 8' (NOT SHOWN) |
| 8. 801862-0219 | DOOR-PLYFOAM 13.5X22 A. Night     |
| 9. 382155      | KNOB LATCH-PUSH/PULL CHROME       |
| 10. 114813     | ALUM. ANGLE 1.00 X 1.50           |
| 703871-01      | VINYL-CEILING IVORY 54" X 40"     |
| 381607         | HINGE ASSY-GRASS EURO             |
| 382155-01      | LATCH STRIKE-PUSH/PULL KNOB       |
| 382126         | LID STAY-CHROME 250MM FIRMATOP    |
| 701538-01      | CARPET-ECONOLIER W/PSA BACK       |

# 2012 AVENUE MOTORHOME

## FURNITURE, GALLEY

### GALLEY ROOF LOCKER ASSY., LT. CAMEL - AVENUE SUITE



Parts Listed On Next Page

# 2012 AVENUE MOTORHOME

## FURNITURE, GALLEY

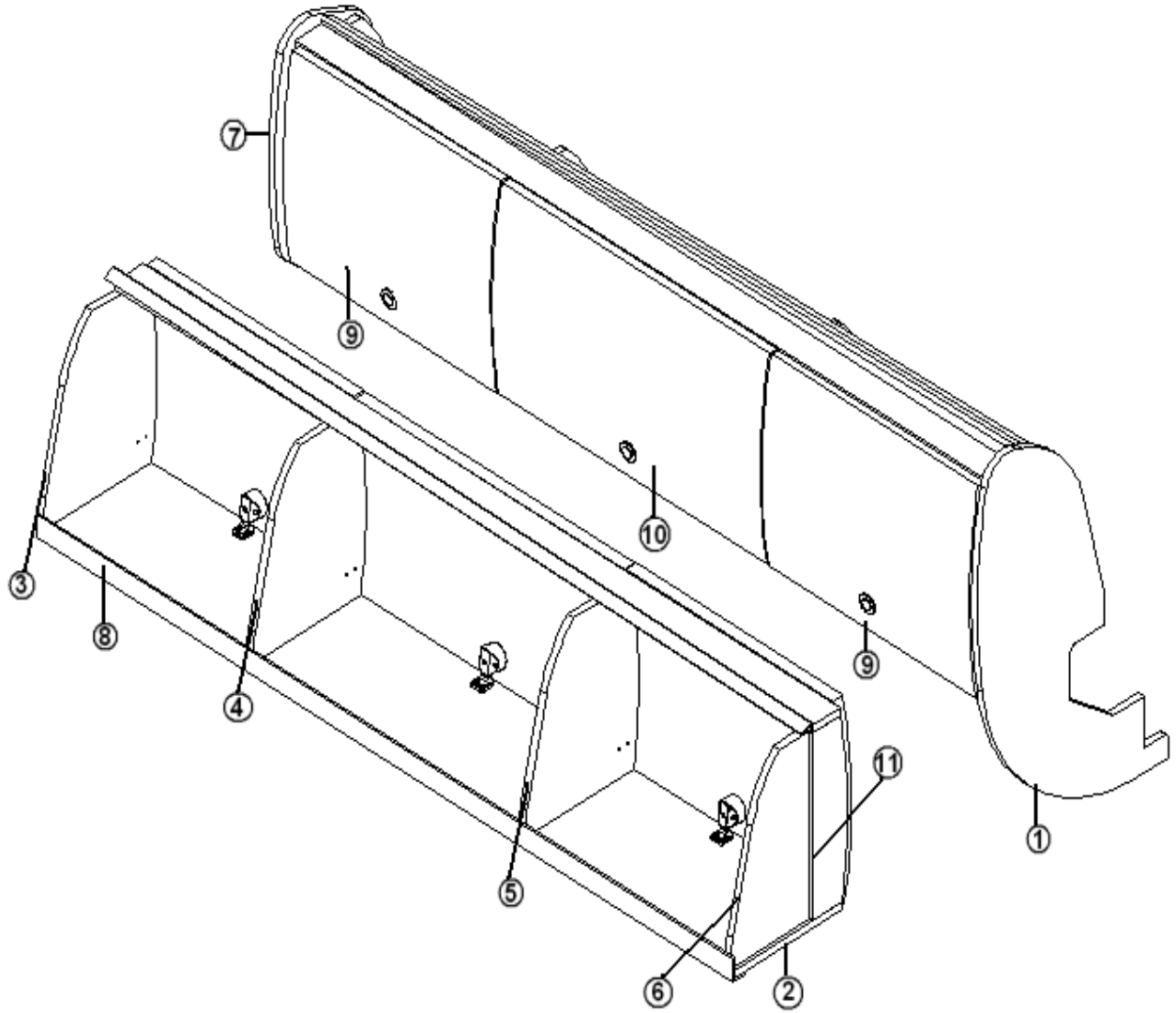
### GALLEY ROOF LOCKER ASSY., LT. CAMEL – AVENUE SUITE

967723-17	Assembly, Roof Locker, Galley, Ave. Suite Lt. Camel
1. 967723-171	Panel, Roof locker 15.63" x 26.11"
2. 967723-172	Panel, Roof locker 8.88" x 57.13"
3. 967723-174	Panel, Roof locker 9.30" x 12.13"
4. 967723-175	Panel, Roof locker 9.30" x 12.13"
5. 967723-176	Panel, Roof locker 9.30" x 12.13"
6. 967723-177	Panel, Roof locker 9.30" x 12.13"
7. 967723-178	Panel, Roof locker 12.51" x 21.44"
8. 114813	Aluminum Angle, 1.00" x 1.50"
9. 801862-0118	Door, Plyfoam 13.5" x 17" A. Sand
10. 801862-0218	Door, Plyfoam 13.5" x 22" A. Sand
11. 800507-02	Lauan, ¼" x 4' x 8'
454883	Rooflocker back
454882	Angle, Rooflocker
703871-01	Vinyl, ceiling Ivory 54" x 40"
701538-01	Carpet, Econolier w/PSA Backing
381607-02	Base Plate, Grass Hinge G3/RZ
381607-01	Hinge, Grass Euro w/80307 Plas.
382155	Knob, Latch, Push/Pull, Chrome
382155-01	Latch Strike, Push/Pull Knob
382057	Knockdown, 8mm #16289B
382057-04	Cap, Knockdown, White #16387
382126	Lid stay, Chrome 250mm Firmatop

# 2012 AVENUE MOTORHOME

## FURNITURE, GALLEY

### GALLEY ROOF LOCKER ASSY., ONYX - AVENUE SUITE



Parts Listed On Next Page

# 2012 AVENUE MOTORHOME

## FURNITURE, GALLEY

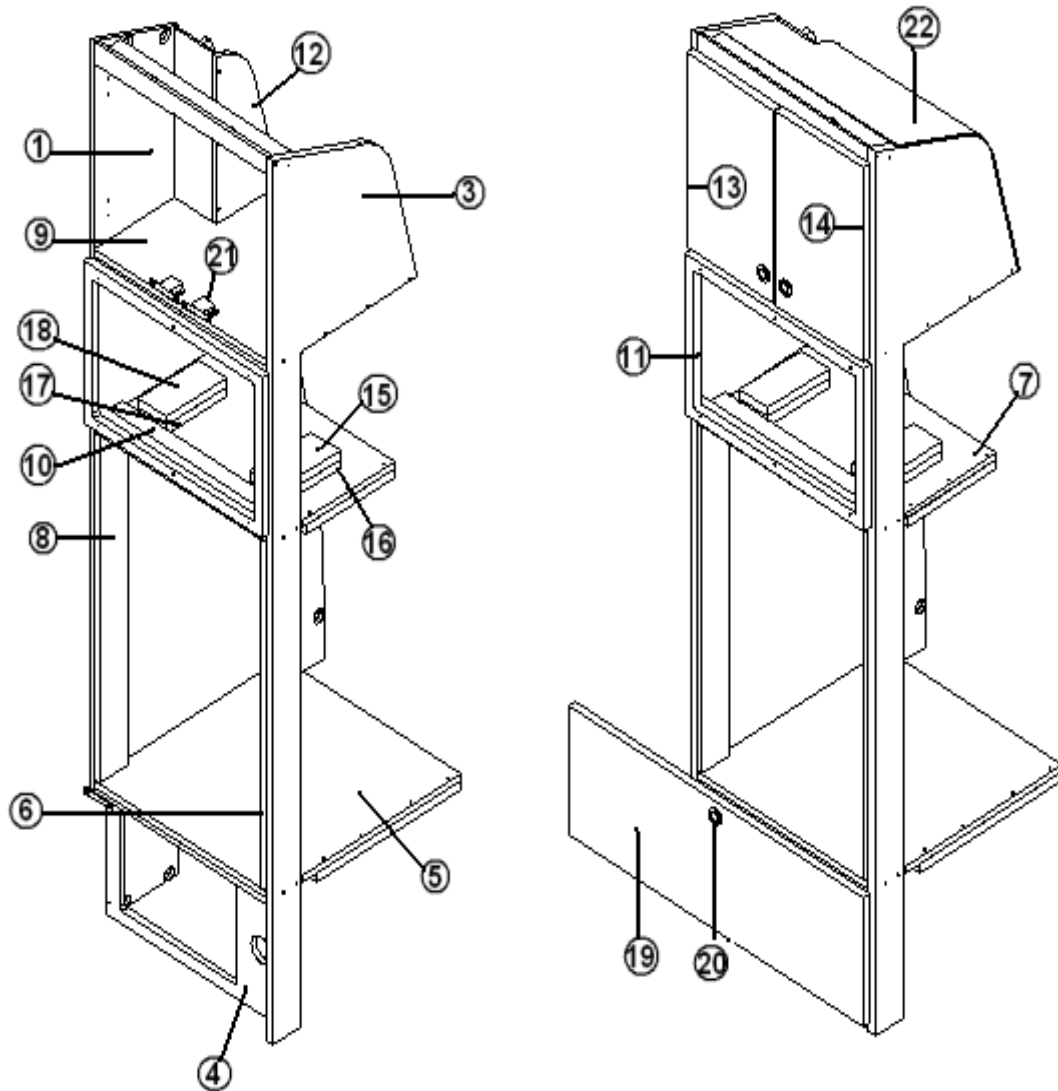
### GALLEY ROOF LOCKER ASSY., ONYX – AVENUE SUITE

967723-16	Roof locker Assy., Galley Onyx
1. 967723-161	Panel, Roof locker 15.63" x 26.11"
2. 967723-162	Panel, Roof locker 8.88" x 57.13"
3. 967723-164	Panel, Roof locker 9.30" x 12.13"
4. 967723-165	Panel, Roof locker 9.30" x 12.13"
5. 967723-166	Panel, Roof locker 9.30" x 12.13"
6. 967723-167	Panel, Roof locker 9.30" x 12.13"
7. 967723-168	Panel, Roof locker 12.51" x 21.44"
8. 114813	Aluminum Angle, 1.00" x 1.50"
9. 801862-0118	Door, Plyfoam 13.5" x 17" A. Sand
10. 801862-0218	Door, Plyfoam 13.5" x 22" A. Sand
11. 800507-02	Lauan, ¼" x 4' x 8'
454883	Rooflocker back
454882	Angle, Rooflocker
703871-01	Vinyl, ceiling Ivory 54" x 40"
701538-01	Carpet, Econolier w/PSA Backing
381607-02	Base Plate, Grass Hinge G3/RZ
381607-01	Hinge, Grass Euro w/80307 Plas.
382155	Knob, Latch, Push/Pull, Chrome
382155-01	Latch Strike, Push/Pull Knob
382057	Knockdown, 8mm #16289B
382057-02	Cap, Knockdown, Gray #16387
382126	Lid stay, Chrome 250mm Firmatop

# 2012 AVENUE MOTORHOME

## FURNITURE, GALLEY

### REFRIGERATOR/MICROWAVE CABINET ASSY. LT. CAMEL, AVENUE SUITE



Part listed on Next Page

# 2012 AVENUE MOTORHOME

## FURNITURE, GALLEY

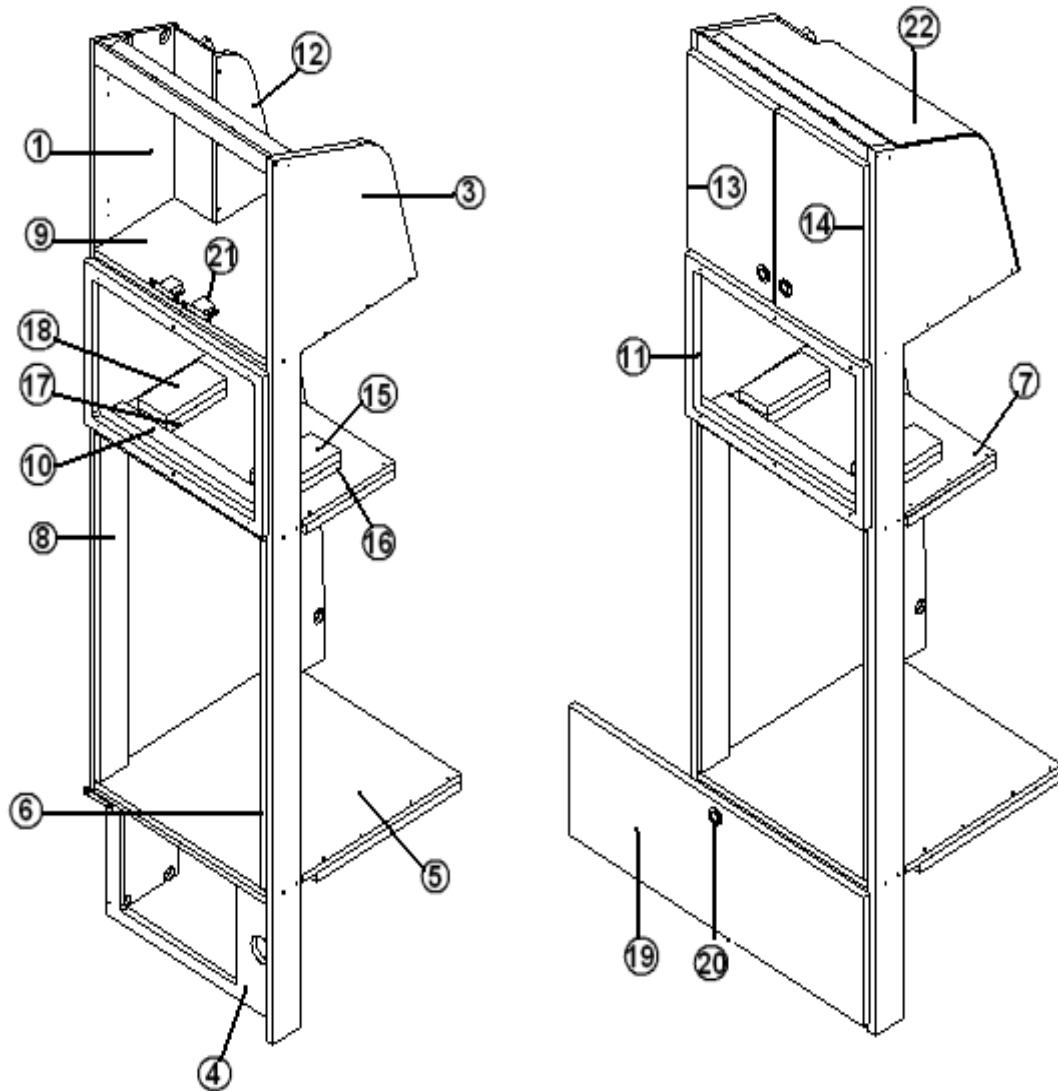
### REFRIGERATOR/MICROWAVE CABINET ASSY. - LT. CAMEL, AVE. SUITE

	967703-17	REFRIGERATOR/MICROWAVE CABINET - LT. CAMEL
1.	967703-171	PNL. 24.44 X 72.50
2.	967703-172	PNL. 18.25 X 3.00 (Not shown)
3.	967703-173	PNL. 15.44 X 72.25
4.	967703-174	PNL. 18.75 X 11.00 (Removable)
5.	967703-175	PNL. 19.00 X 20.00
6.	967703-176	PNL. 3.00 X 28.50
7.	967703-177	PNL. 19.00 X 13.00
8.	967703-178	PNL. 3.00 X 38.50
9.	967703-179	PNL. 18.25 X 15.17
10.	967703-1710	PNL. 18.25 X 3.00
11.	967703-1712	PNL. 19.00 X 13.25
12.	967703-1715	PNL. 6.67 X 13.77
13.	967703-1717	PNL. 9.38 X 15.88
14.	967703-1718	PNL. 9.38 X 15.88
15.	967703-1719	PNL. 6.50 X 3.00
16.	967703-1720	PNL. 6.50 X 3.00
17.	967703-1721	PNL. 6.50 X 3.00
18.	967703-1722	PNL. 6.50 X 3.00
19.	967703-1724	PNL. REFG/MW CABINET
20.	382059-01	KNOB-PUSH/PULL SUGATSUNE
21.	381228-01	GRABBER DOOR CATCH C3-803
22.	115532	BACKER-REFG/MICRO CABINET
	382125	PIANO HINGE, CLEAR 1.25" X 72"
	701538-01	CARPET ECONOLIER W/PSA BACK
	381607	HINGE ASSY, GRASS EURO
	365344-01	EDGE BAND, .63" PEARL BISQUE
	365344-02	EDGE BAND, .94" PEARL BISQUE

# 2012 AVENUE MOTORHOME

## FURNITURE, GALLEY

### REFRIGERATOR/MICROWAVE CABINET ASSY. - ONYX, AVENUE SUITE



Part listed on Next Page



# 2012 AVENUE MOTORHOME

## FURNITURE, GALLEY

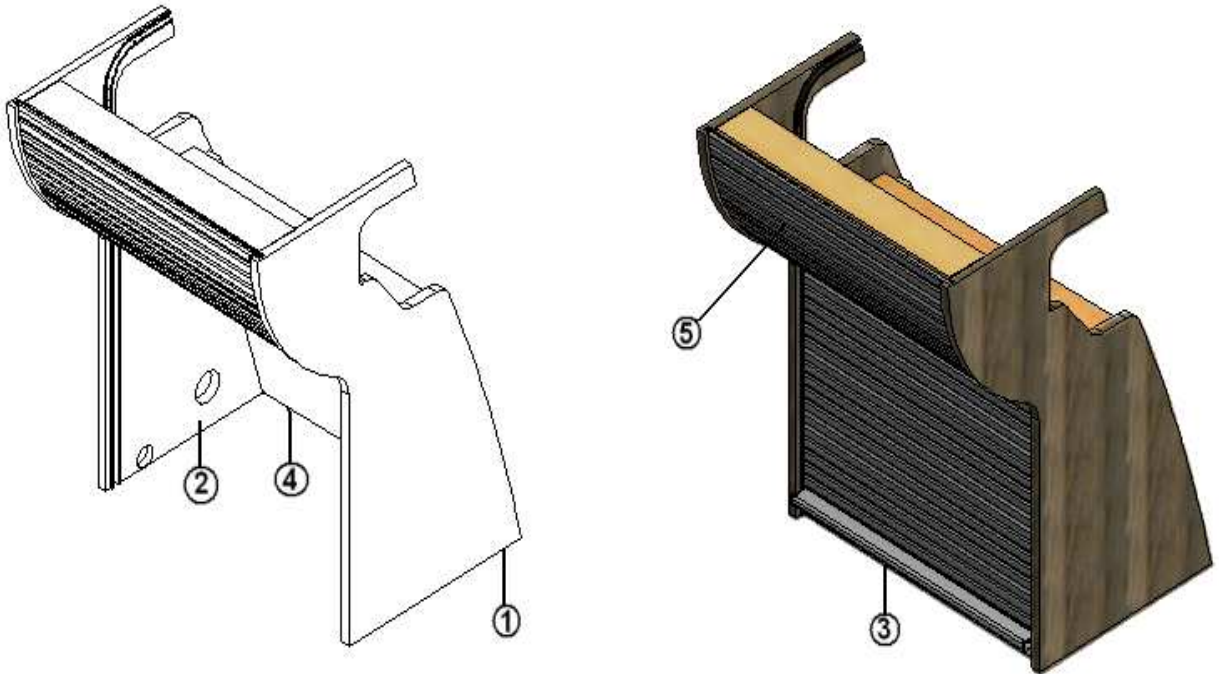
### REFRIGERATOR/MICROWAVE CABINET ASSY. - ONYX, AVE. SUITE

	967703-16	REFRIGERATOR/MICROWAVE CABINET, ONYX
1.	967703-161	PNL. 24.44 X 72.50
2.	967703-162	PNL. 18.25 X 3.00 (Not Shown)
3.	967703-163	PNL. 15.44 X 72.25
4.	967703-164	PNL. 18.75 X 11.00 (Removable)
5.	967703-165	PNL. 19.00 X 20.00
6.	967703-166	PNL. 3.00 X 28.50
7.	967703-167	PNL. 19.00 X 13.00
8.	967703-168	PNL. 3.00 X 38.50
9.	967703-169	PNL. 18.25 X 15.17
10.	967703-1610	PNL. 18.25 X 3.00
11.	967703-1612	PNL. 19.00 X 13.25
12.	967703-1615	PNL. 6.67 X 13.77
13.	967703-1617	PNL. 9.38 X 15.88
14.	967703-1618	PNL. 9.38 X 15.88
15.	967703-1619	PNL. 6.50 X 3.00
16.	967703-1620	PNL. 6.50 X 3.00
17.	967703-1621	PNL. 6.50 X 3.00
18.	967703-1622	PNL. 6.50 X 3.00
19.	967703-1624	PNL. REFG/MW CABINET
20.	382059-01	KNOB-PUSH/PULL SUGATSUNE
21.	381228-01	GRABBER DOOR CATCH C3-803
22.	115532	BACKER-REFG/MICRO CABINET
	382125	PIANO HINGE, CLEAR 1.25" X 72"
	701538-01	CARPET ECONOLIER W/PSA BACK
	381607	HINGE ASSY, GRASS EURO
	365346-01	EDGE BAND, .63" MIDNIGHT
	365346-02	EDGE BAND, .94" MIDNIGHT

# 2012 AVENUE MOTORHOME

## FURNITURE, GALLEY

### APPLIANCE GARAGE – AVENUE SUITE

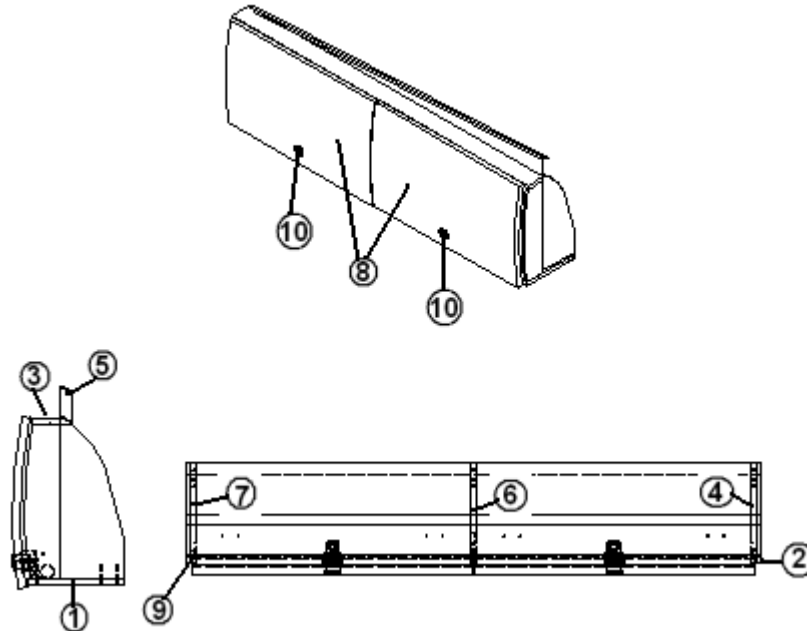


- |    |            |                                     |
|----|------------|-------------------------------------|
|    | 967737-16  | APPLIANCE GARAGE – ONYX             |
|    | 967737-17  | APPLIANCE GARAGE – LT. CAMEL        |
| 1. | 967737-161 | PANEL 16.80 X 22.06 – ONYX          |
| 1. | 967737-171 | PANEL 16.80 X 22.06 – LT. CAMEL     |
| 2. | 967737-162 | PANEL 16.80 X 22.06 – ONYX          |
| 2. | 967737-172 | PANEL 16.80 X 22.06 – LT. CAMEL     |
| 3. | 967742     | APPLIANCE GARAGE TAMBOUR DOOR ASSY. |
| 4. | 454887     | CLOSEOUT, APPLIANCE GARAGE          |
| 5. | 203720-01  | TAMBOUR DOOR SLAT                   |
|    | 203719-02  | TAMBOUR TRACK – RECESS – CURVE      |
|    | 203719-01  | TAMBOUR TRACK – RECESS – STRAIGHT   |

# 2012 AVENUE MOTORHOME

## FURNITURE, GALLEY

### Roof Locker Assembly, Forward Galley, Lt. Camel

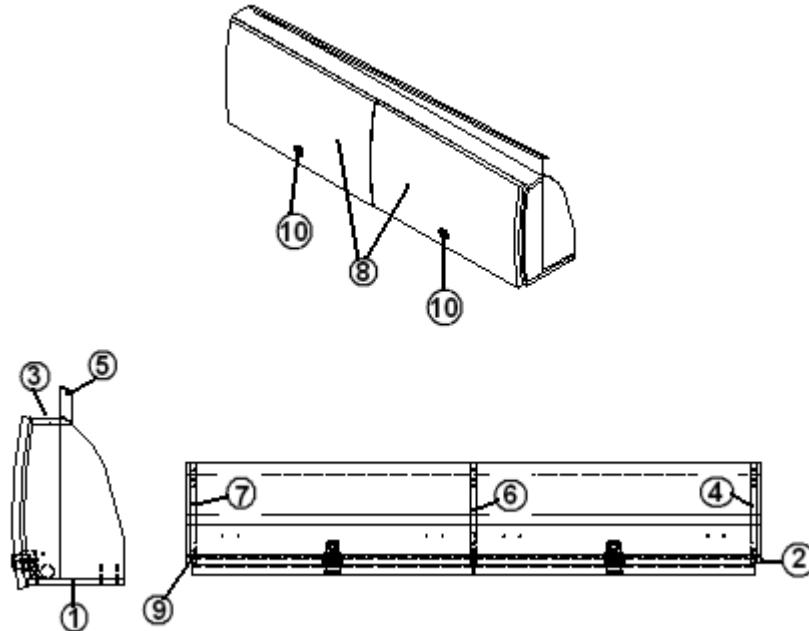


967574	ROOFLOCKER ASSY-FWD GALLEY - LT.CAMEL
1. 967574-1	PANEL-GAL R/L 7.5X45.13
2. 800507-02	PANEL-GAL R/L 2.91 X 12.13
3. 967574-3	PANEL-GAL R/L 2.25X45.63
4. 967574-4	PANEL-GAL R/L 7.91X12.13
5. 454792	ANGLE-R/L FWD GALLEY
6. 967574-6	PANEL-GAL R/L 7.91X12.13
7. 967574-7	PANEL-GAL R/L 7.91X12.13
8. 801862-0218	DOOR-PLYFOAM 13.5X22 A.SAND
9. 800507-02	PANEL-GAL R/L 2.91" X 12.13"
382155	KNOB LATCH-PUSH/PULL CHROME
454811	BACK- FWD GALLEY R/L
382126	LID STAY-CHROME 250MM FIRMATOP
701538-01	ARPET-ECONOLIER W/PSA BACK
114813	ALUM. ANGLE 1.00 X 1.50
703871-01	VINYL-CEILING IVORY 54"X40"
382057	KNOCKDOWN-8MM #16289B
382057-04	CAP-KNOCKDOWN WHT #16387
381607	HINGE ASSY-GRASS EURO
382155-01	LATCH STRIKE-PUSH/PULL KNOB

# 2012 AVENUE MOTORHOME

## FURNITURE, GALLEY

### Roof Locker Assembly, Forward Galley, ONYX

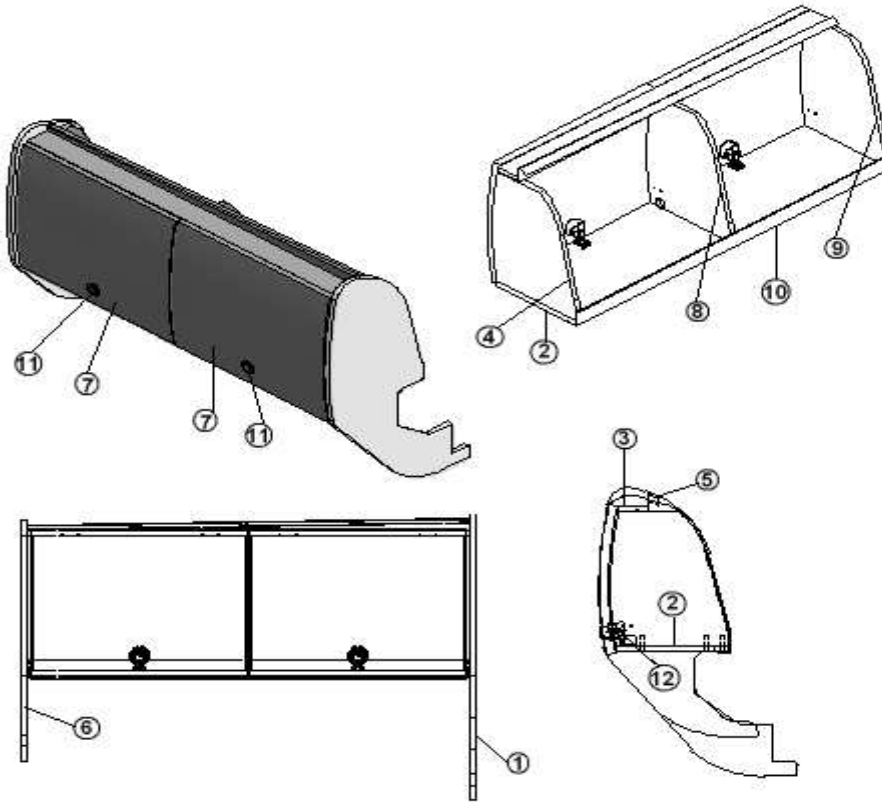


- |     |             |                                   |
|-----|-------------|-----------------------------------|
|     | 967574-16   | ROOFLOCKER ASSY-FWD GALLEY - ONYX |
| 1.  | 967574-161  | PANEL-GAL R/L 7.5X45.13           |
| 2.  | 800507-02   | PANEL-GAL R/L 2.91 X 12.13        |
| 3.  | 967574-163  | PANEL-GAL R/L 2.25X45.63          |
| 4.  | 967574-164  | PANEL-GAL R/L 7.91X12.13          |
| 5.  | 454792      | ANGLE-R/L FWD GALLEY              |
| 6.  | 967574-166  | PANEL-GAL R/L 7.91X12.13          |
| 7.  | 967574-167  | PANEL-GAL R/L 7.91X12.13          |
| 8.  | 801862-0219 | DOOR-PLYFOAM 13.5X22 A.NIGHT      |
| 9.  | 800507-02   | PANEL-GAL R/L 2.91" X 12.13"      |
| 10. | 382155      | KNOB LATCH-PUSH/PULL CHROME       |
|     | 454811      | BACK- FWD GALLEY R/L              |
|     | 382126      | LID STAY-CHROME 250MM FIRMATOP    |
|     | 701538-01   | CARPET-ECONOLIER W/PSA BACK       |
|     | 114813      | ALUM. ANGLE 1.00 X 1.50           |
|     | 703871-01   | VINYL-CEILING IVORY 54"X40"       |
|     | 382057      | KNOCKDOWN-8MM #16289B             |
|     | 382057-02   | CAP-KNOCKDOWN GREY                |
|     | 381607      | HINGE ASSY-GRASS EURO             |
|     | 382155-01   | LATCH STRIKE-PUSH/PULL KNOB       |

# 2012 AVENUE MOTORHOME

## FURNITURE, GALLEY

### Roof Locker Assembly, Galley, Lt. Camel

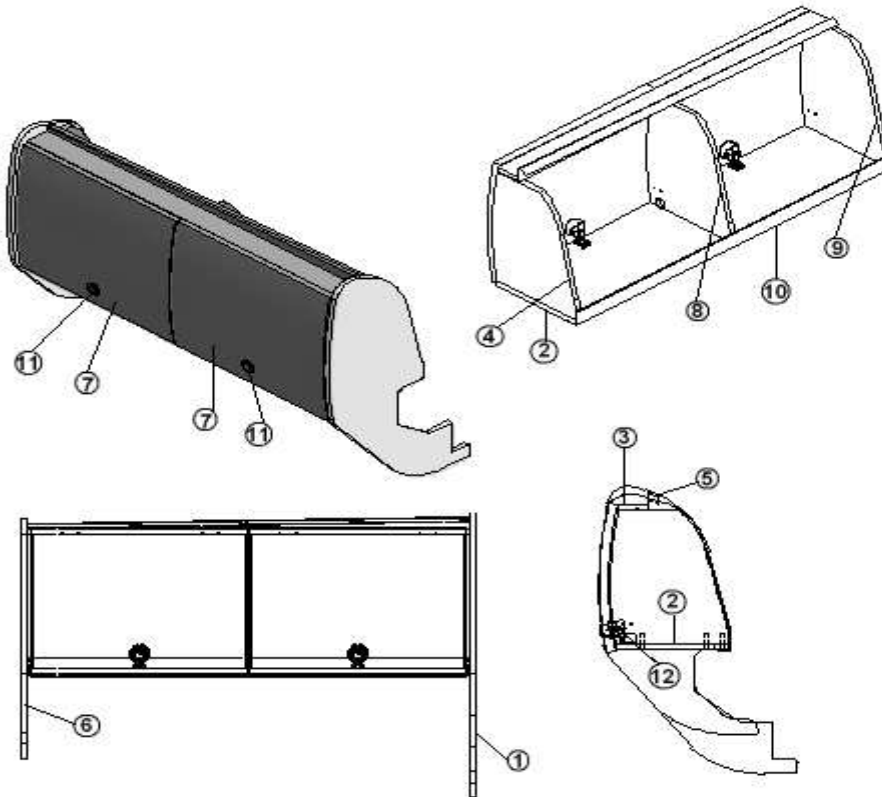


- |                |                                  |
|----------------|----------------------------------|
| 967576         | ROOFLOCKER ASSY-GALLEY, LT.CAMEL |
| 1. 967576-1    | PANEL-GAL R/L 15.39X25.86        |
| 2. 967576-2    | PANEL-GAL R/L 8.88X34.75         |
| 3. 967576-3    | PANEL-GAL R/L 2.25X34.75         |
| 4. 967576-4    | PANEL-GAL R/L 9.3X12.13          |
| 5. 454795      | ANGLE-GAL R/L 34.75"             |
| 6. 967576-6    | PANEL-GAL R/L 12.64X21.69        |
| 7. 801862-0118 | DOOR-PLYFOAM 13.5X17 A.SAND      |
| 8. 967576-8    | PANEL-GAL R/L 9.3X12.13          |
| 9. 967576-9    | PANEL-GAL R/L 9.3X12.13          |
| 10. 114813     | ALUM. ANGLE 1.00 X 1.50          |
| 11. 382155     | KNOB LATCH-PUSH/PULL CHROME      |
| 12. 382155-01  | LATCH STRIKE-PUSH/PULL KNOB      |
| 454812         | BACK-GAL R/L 16.13X34.75         |
| 382126         | LID STAY-CHROME 250MM FIRMATOP   |
| 703871-01      | VINYL-CEILING IVORY 54"X40"      |
| 382057         | KNOCKDOWN-8MM #16289B            |
| 382057-04      | CAP-KNOCKDOWN WHT #16387         |
| 381607         | HINGE ASSY-GRASS EURO            |
| 703881-01      | UNISUEDE-CHAMOIS W/O FOAM        |

# 2012 AVENUE MOTORHOME

## FURNITURE, GALLEY

### Roof Locker Assembly, Galley, Onyx

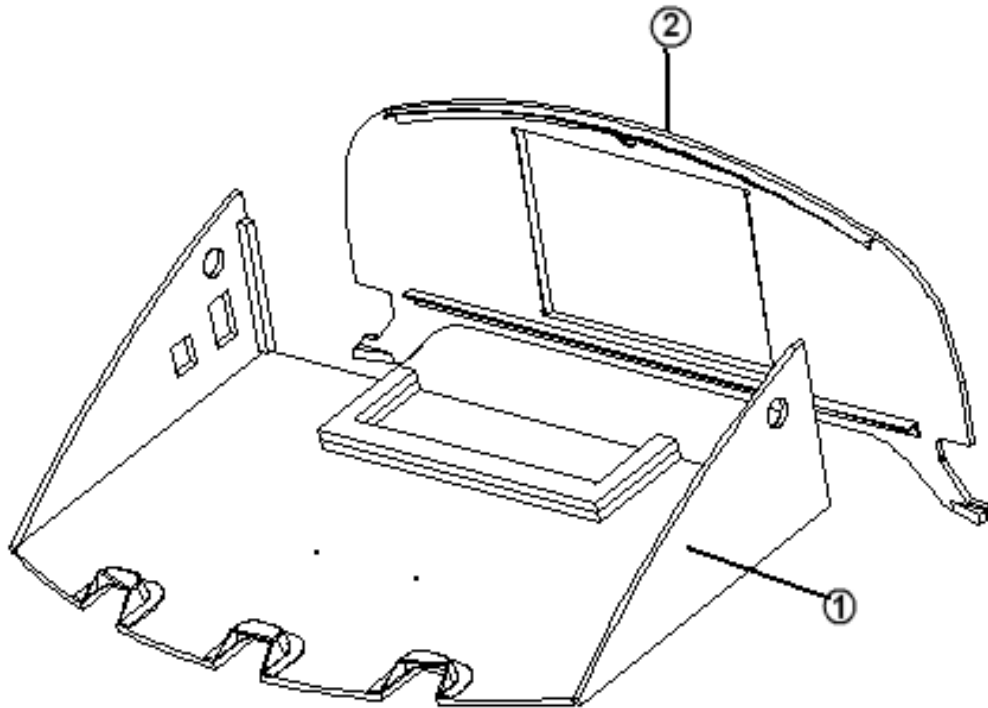


- |                |                                |
|----------------|--------------------------------|
| 967576-16      | ROOFLOCKER ASSY-GALLEY, ONYX   |
| 1. 967576-161  | PANEL-GAL R/L 15.39X25.86      |
| 2. 967576-162  | PANEL-GAL R/L 8.88X34.75       |
| 3. 967576-163  | PANEL-GAL R/L 2.25X34.75       |
| 4. 967576-164  | PANEL-GAL R/L 9.3X12.13        |
| 5. 454795      | ANGLE-GAL R/L 34.75"           |
| 6. 967576-166  | PANEL-GAL R/L 12.64X21.69      |
| 7. 801862-0119 | DOOR-PLYFOAM 13.5X17 A.NIGHT   |
| 8. 967576-168  | PANEL-GAL R/L 9.3X12.13        |
| 9. 967576-169  | PANEL-GAL R/L 9.3X12.13        |
| 10. 114813     | ALUM. ANGLE 1.00 X 1.50        |
| 11. 382155     | KNOB LATCH-PUSH/PULL CHROME    |
| 12. 382155-01  | LATCH STRIKE-PUSH/PULL KNOB    |
| 454812         | BACK-GAL R/L 16.13X34.75       |
| 382126         | LID STAY-CHROME 250MM FIRMATOP |
| 703871-01      | VINYL-CEILING IVORY 54"X40"    |
| 382057         | KNOCKDOWN-8MM #16289B          |
| 382057-02      | CAP-KNOCKDOWN GREY             |
| 381607         | HINGE ASSY-GRASS EURO          |
| 703881-01      | UNISUEDE, CHAMOIS W/O FOAM     |

# 2012 AVENUE MOTORHOME

## FURNITURE, GALLEY

### FRONT OVERHEAD CABINET ASSY.

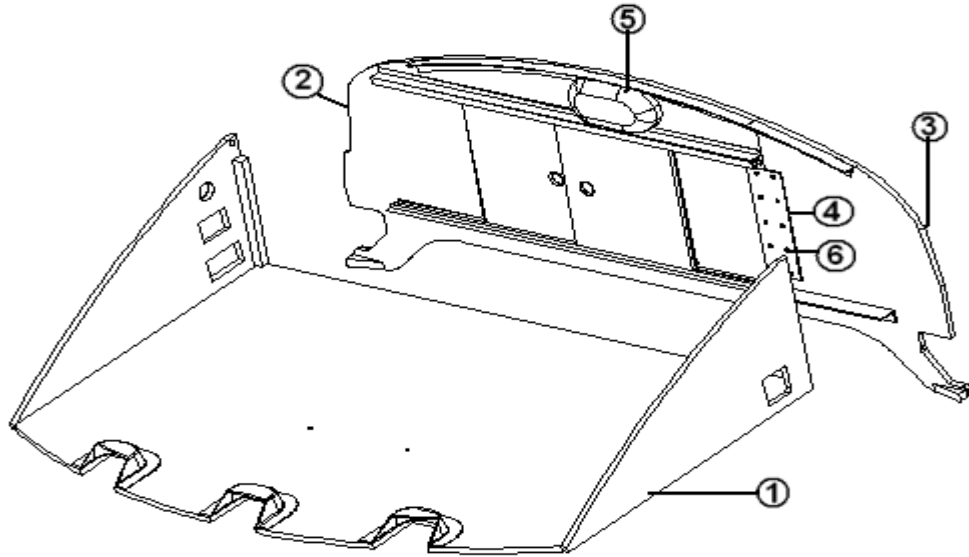


- |           |                                |
|-----------|--------------------------------|
| 111879    | FRONT OVERHEAD CABINET ASSY.   |
| 1. 967596 | SHELF ASSY-FRT OVERHEAD CAB    |
| 2. 967595 | CAB FACE-FRT R/L               |
| 365314    | SEAL-CLOSED CELL FOAM.75"X.75" |
| 801875    | PANEL-FRONT OVERHEAD CLOSEOUT  |
| 200773    | CLOSEOUT, READING LIGHT        |

# 2012 AVENUE MOTORHOME

## FURNITURE, GALLEY

### FRONT OVERHEAD CABINET ASSY. - AVENUE SUITE



Parts Listed on Next Page



# 2012 AVENUE MOTORHOME

## FURNITURE, GALLEY

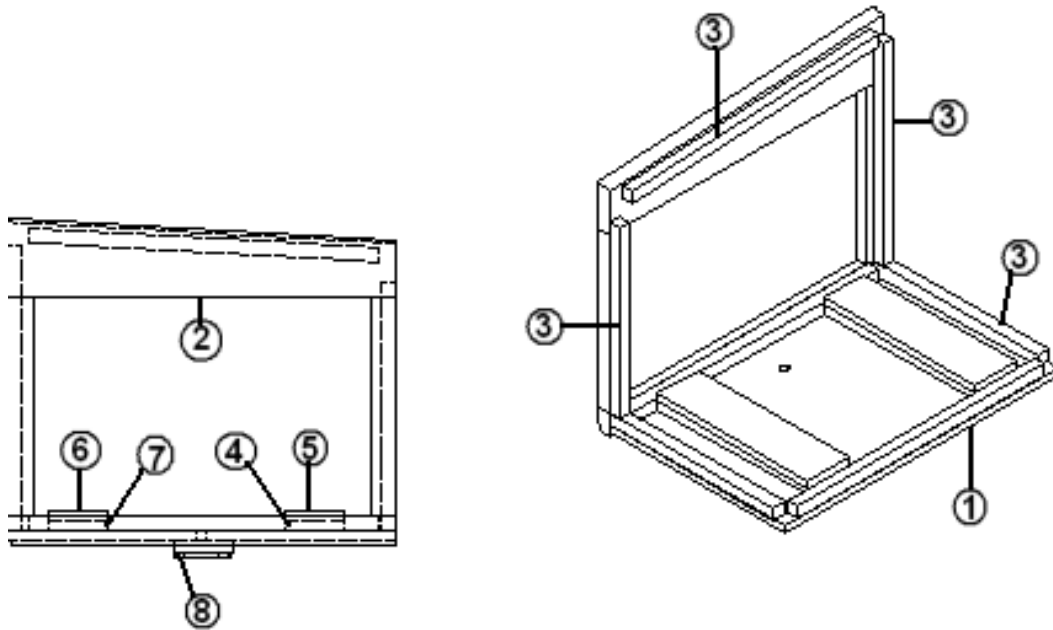
### FRONT OVERHEAD CABINET ASSY. – AVENUE SUITE

1. 967727 FRONT OVERHEAD CAB SHELF
2. 967729-16 FRONT OVERHEAD CABINET FACE, CS, ONYX
2. 967729-17 FRONT OVERHEAD CABINET FACE, CS, LT. CAMEL
3. 967728-16 FRONT OVERHEAD CABINET FACE, ROADSIDE, ONYX
3. 967728-17 FRONT OVERHEAD CABINET FACE, ROADSIDE, LT. CAMEL
4. 115533 PLATE ATTACHMENT, FRONT OVERHEAD FACE
5. 512426-01 LIGHT W/SWITCH, L.E.D. SINGLE DOME
6. 320116-03 SCREW, SHEET METAL PAN HD #8 x 5/8"
- 801875 PANEL, FRONT OVERHEAD CLOSEOUT
- 365314 SEAL, CLOSED CELL FOAM .75" X .75"
- 701538-01 CARPET ECONOLIER W/PSA BACK
- 203388-01 TRACK, SLIDING DOOR (BLACK)
- 203633-03 DOOR SLIDING PLEXIGLASS SMOKE 11.81" X 9.5"
- 203633-04 DOOR SLIDING PLEXIGLASS SMOKE 11.81" X 10.5"
- 200773 CLOSEOUT, READING LIGHT
- 511260 COVER, WP, SINGLE GANG

# 2012 AVENUE MOTORHOME

## FURNITURE, GALLEY

### Microwave Cabinet Assembly- Roadside Wardrobe OPT., Onyx

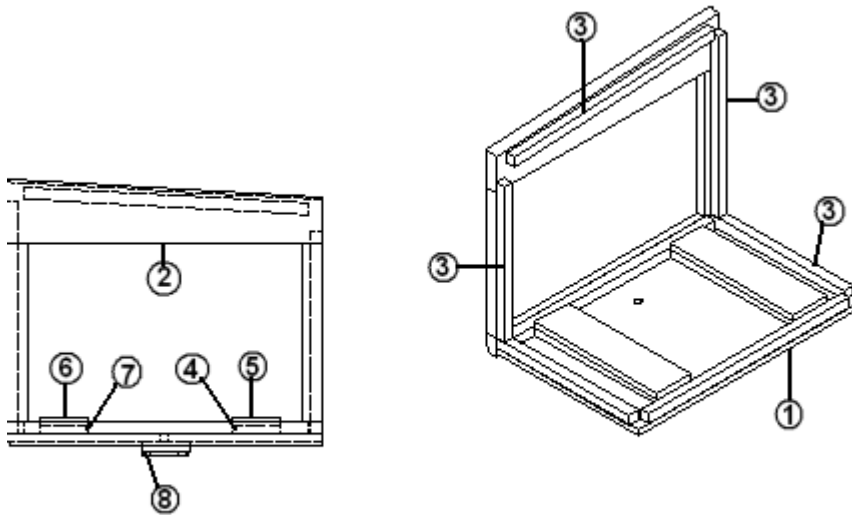


- 967640-16 MICRO CAB ASSY- WARDROBE ONYX
1. 967640-161 PANEL-MICRO 12.75X20
  2. 801886-0019 FACE FRAME-MICRO CABINET A.NIGHT
  3. 800025-01 PINE 3/4" X 3/4" STAINED
  4. 967640-164 PANEL-MICRO 3X11
  5. 967640-165 PANEL-MICRO 3X11
  6. 967640-166 PANEL-MICRO 3X11
  7. 967640-16 PANEL-MICRO 3X11
  8. 512429 LIGHT-READING LED #81295-NIG46

# 2012 AVENUE MOTORHOME

## FURNITURE, GALLEY

### Microwave Cabinet Assembly, RS Wardrobe OPT, LT. CAMEL

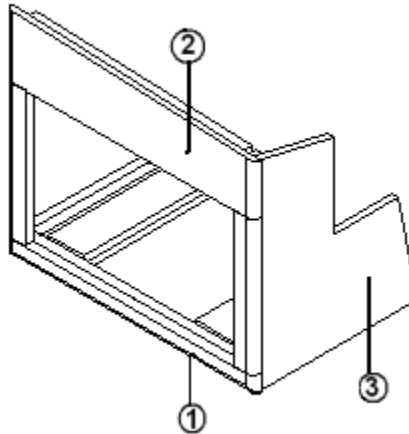


- |                |                                     |
|----------------|-------------------------------------|
| 967640-17      | MICRO CAB ASSY, WARDROBE, LT.CAMEL  |
| 1. 967640-171  | PANEL-MICRO 12.75X20                |
| 2. 801886-0018 | FACE FRAME-MICRO CABINET ASIAN SAND |
| 3. 800025-01   | PINE 3/4" X 3/4" STAINED            |
| 4. 967640-174  | PANEL-MICRO 3X11                    |
| 5. 967640-175  | PANEL-MICRO 3X11                    |
| 6. 967640-176  | PANEL-MICRO 3X11                    |
| 7. 967640-177  | PANEL-MICRO 3X11                    |
| 8. 512429      | LIGHT-READING LED #81295-NIG46      |

# 2012 AVENUE MOTORHOME

## FURNITURE, GALLEY

### Microwave Cabinet Assembly, LT. CAMEL



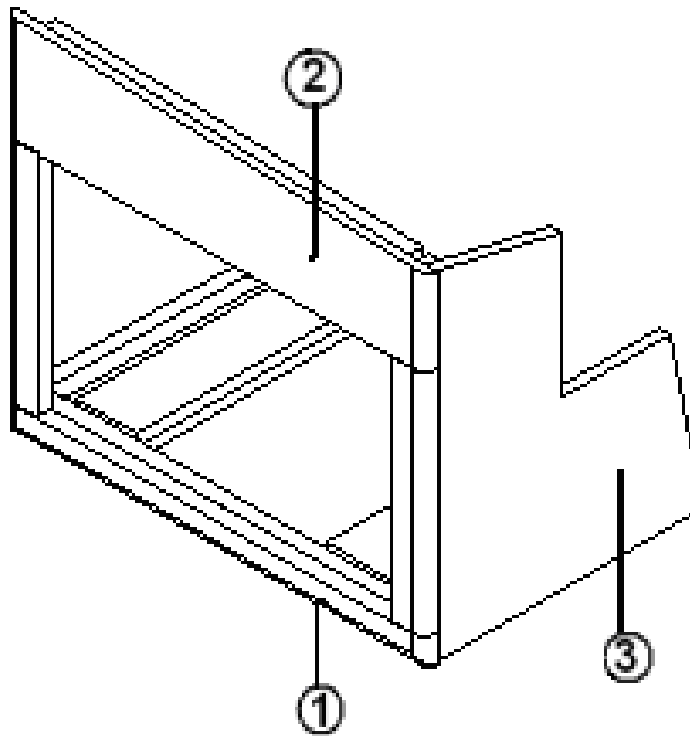
967575-17 MICROWAVE CABINET.ASSY- LT. CAMEL

1. 967575-171 PANEL 12.75" X 20"
2. 801863-0018 FACE FRAME-MICRO CAB. LT. CAMEL
3. 967575-173 PANEL 12.75" x 16.63"  
967575-174 PANEL, MICRO 3" X 11"  
967575-175 PANEL, MICRO 3" X 11"  
967575-176 PANEL, MICRO 3" x 11"  
967575-177 PANEL, MICRO 3" X 11"  
512429 LIGHT-READING LED #81295-NIG46

# 2012 AVENUE MOTORHOME

## FURNITURE, GALLEY

### Microwave Cabinet Assembly, ONYX



967575-16 MICROWAVE CABINET.ASSY- ONYX

1. 967575-161 PANEL 12.75" X 20"

2. 801863-0019 FACE FRAME-MICRO CAB. ONYX

3. 967575-163 PANEL 12.75" x 16.63"

967575-164 PANEL, MICRO 3" X 11"

967575-165 PANEL, MICRO 3" X 11"

967575-166 PANEL, MICRO 3" X 11"

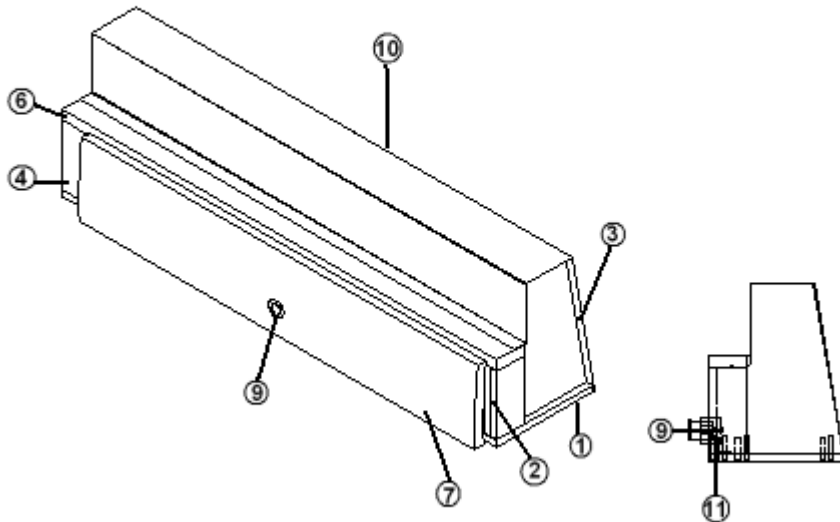
967575-167 PANEL, MICRO 3" X 11"

512429 LIGHT-READING LED #81295-NIG46

# 2012 AVENUE MOTORHOME

## FURNITURE, LOUNGE

Roof Locker, Roadside Rear, 36.25"

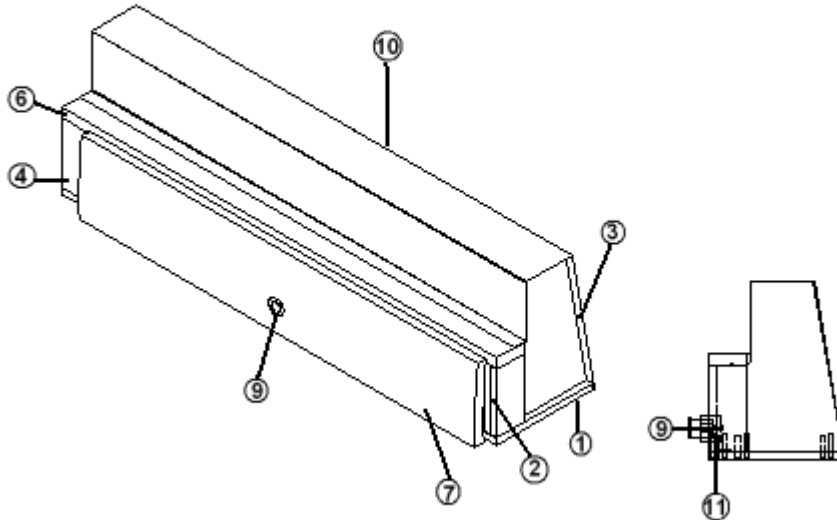


967605	ROOF LOCKER, ROADSIDE REAR, 36.25", LT.CAMEL
1. 967605-1	PANEL-ROOFLOCKER 8X36.25
2. 967605-2	PANEL-ROOFLOCKER 2.25X5
3. 967605-3	PANEL-ROOFLOCKER 8X10
4. 967605-4	PANEL-ROOFLOCKER 3X5
5. 967605-5	PANEL-ROOFLOCKER 7.5X10 (NOT SHOWN)
6. 967605-6	PANEL-ROOFLOCKER 2.25X36.25
7. 801870-0218	DOOR-PLYFOAM 6X33 A.SAND
8. 381607	HINGE ASSY-GRASS EURO (NOT SHOWN)
9. 382155	KNOB LATCH-PUSH/PULL CHROME
10. 454825	BACK-RS REAR R/L
11. 382155-01	LATCH STRIKE-PUSH/PULL KNOB
701538-01	CARPET-ECONOLIER W/PSA BACK

# 2012 AVENUE MOTORHOME

## FURNITURE, LOUNGE

Roof Locker, Roadside Rear, 36.25", ONYX

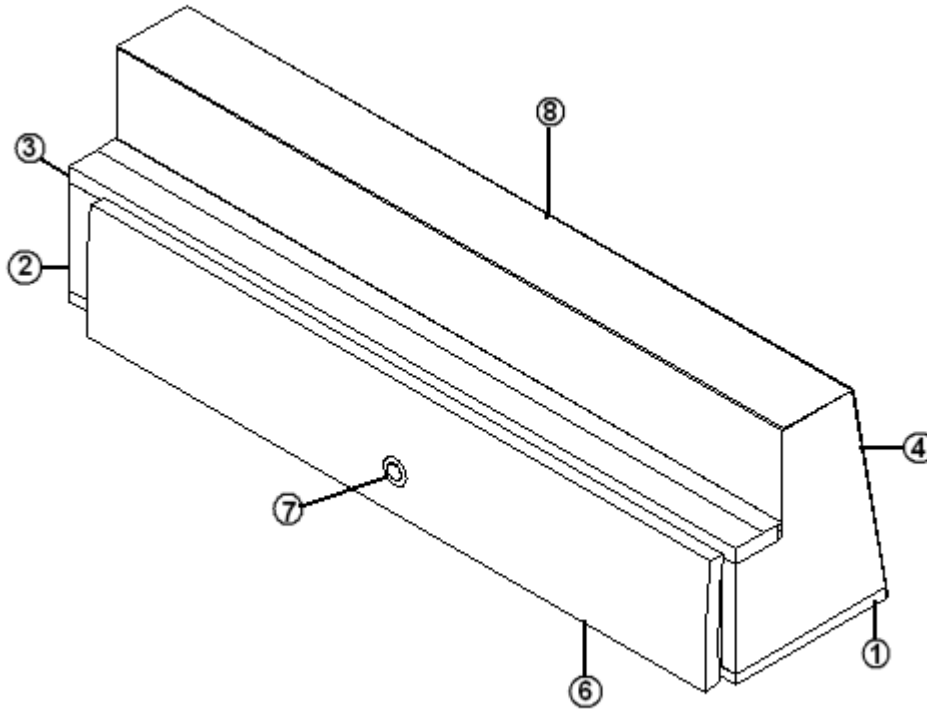


- 967605-16 ROOFLOCKER ASSY, ROADSIDE REAR 36.25", ONYX
- 1. 967605-161 PANEL-ROOFLOCKER8X36.25
  - 2. 967605-162 PANEL-ROOFLOCKER 2.25X5
  - 3. 967605-163 PANEL-ROOFLOCKER 8X10
  - 4. 967605-164 PANEL-ROOFLOCKER 3X5
  - 5. 967605-165 PANEL-ROOFLOCKER 7.5X10 (NOT SHOWN)
  - 6. 967605-166 PANEL-ROOFLOCKER 2.25X36.25
  - 7. 801870-0219 DOOR-PLYFOAM 6X33 A.NIGHT
  - 8. 381607 HINGE ASSY-GRASS EURO (NOT SHOWN)
  - 9. 382155 KNOB LATCH-PUSH/PULL CHROME
  - 10. 454825 BACK-RS REAR R/L
  - 11. 382155-01 LATCH STRIKE-PUSH/PULL KNOB  
701538-01 CARPET-ECONOLIER W/PSA BACK

# 2012 AVENUE MOTORHOME

## FURNITURE, LOUNGE

Roof Locker, Roadside Rear, Avenue Suite, Lt. Camel



967720-17 Assembly, Roadside Rear Roof locker, Lt. Camel, Avenue Suite

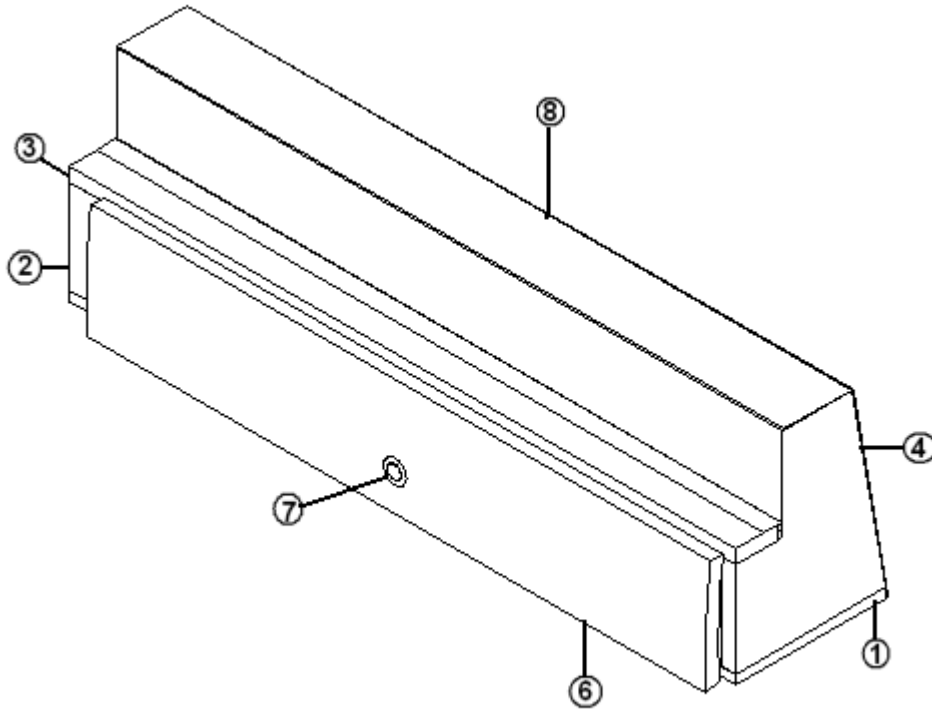
- |    |             |                                |
|----|-------------|--------------------------------|
| 1. | 967720-171  | Panel 8.0" x 35.50"            |
| 2. | 967720-172  | Panel 3.0" x 5.0"              |
| 3. | 967720-173  | Panel 2.25" x 35.50"           |
| 4. | 967720-174  | Panel 8.0" x 10.0"             |
| 5. | 967720-175  | Panel 7.5" x 10.0" (Not shown) |
| 6. | 801870-0218 | Door, Plyfoam 6" x 33"         |
| 7. | 382155      | Knob latch, push/pull, chrome  |
|    | 382155-01   | Latch strike, push/pull knob   |
| 8. | 454880      | Rooflocker Back RS Rear Locker |
|    | 381607      | Hinge Assy., Grass Euro        |
|    | 701538-01   | Carpet, Econolier w/PSA Back   |



# 2012 AVENUE MOTORHOME

## FURNITURE, LOUNGE

Roof Locker, Roadside Rear, Avenue Suite, Onyx, Avenue Suite

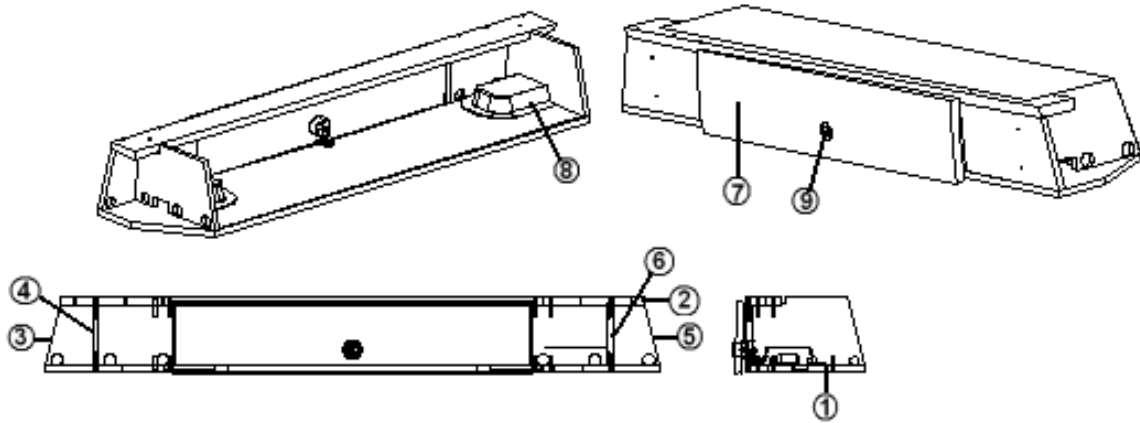


- |    |             |   |
|----|-------------|---|
|    | 967720-16   | Assembly, Roadside Rear Roof locker, Onyx |
| 1. | 967720-161  | Panel 8.0" x 35.50"                       |
| 2. | 967720-162  | Panel 3.0" x 5.0"                         |
| 3. | 967720-163  | Panel 2.25" x 35.50"                      |
| 4. | 967720-164  | Panel 8.0" x 10.0"                        |
| 5. | 967720-165  | Panel 7.5" x 10.0" (Not shown)            |
| 6. | 801870-0219 | Door, Plyfoam 6" x 33" Asian Night        |
| 7. | 382155      | Knob latch, push/pull, chrome             |
|    | 382155-01   | Latch strike, push/pull knob              |
| 8. | 454880      | Roof locker Back RS Rear Locker           |
|    | 381607      | Hinge Assy., Grass Euro                   |
|    | 701538-01   | Carpet, Econolier w/PSA Back              |

# 2012 AVENUE MOTORHOME

## FURNITURE, LOUNGE

### Roof Locker, Rear, Lt. Camel

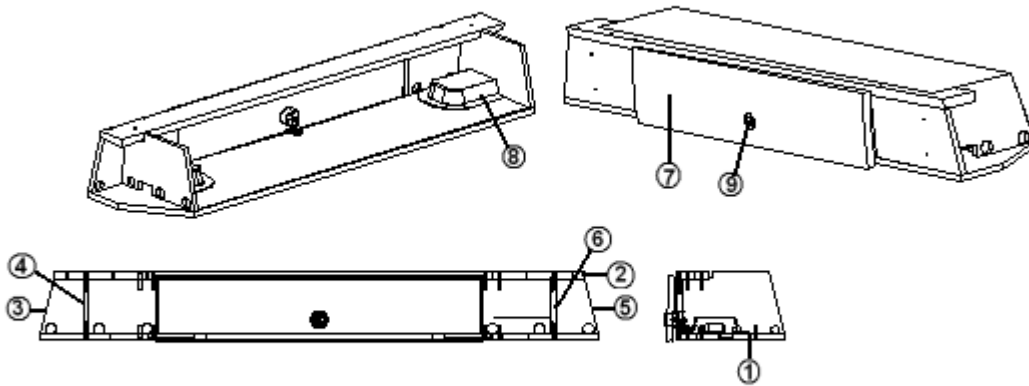


- |                |                                  |
|----------------|----------------------------------|
| 967582         | ROOFLOCKER ASSY-REAR - LT. CAMEL |
| 1. 967582-1    | PANEL-REAR ROOFLOCKER 11X51.63   |
| 2. 967582-2    | PANEL-REAR ROOFLOCKER 3X48.88    |
| 3. 967582-3    | PANEL-REAR ROOFLOCKER 11X5       |
| 4. 967582-4    | PANEL-REAR ROOFLOCKER 10.5X5.75  |
| 5. 967582-5    | PANEL-REAR ROOFLOCKER 11X5       |
| 6. 967582-7    | PANEL-REAR ROOFLOCKER 10.5X5.75  |
| 7. 801870-0118 | DOOR-PLYFOAM 6X30 A.SAND         |
| 8. 200773      | CLOSEOUT, READING LIGHT ABS      |
| 9. 382155      | KNOB LATCH-PUSH/PULL CHROME      |
| 701538-01      | CARPET-ECONOLIER W/PSA BACK      |
| 382057         | KNOCKDOWN-8MM #16289B            |
| 382057-04      | CAP-KNOCKDOWN WHT #16387         |
| 381607         | HINGE ASSY-GRASS EURO-           |
| 454823         | CLOSEOUT-REAR R/L                |
| 382155-01      | LATCH STRIKE-PUSH/PULL KNOB      |

# 2012 AVENUE MOTORHOME

## FURNITURE, LOUNGE

### Roof Locker, Rear, ONYX

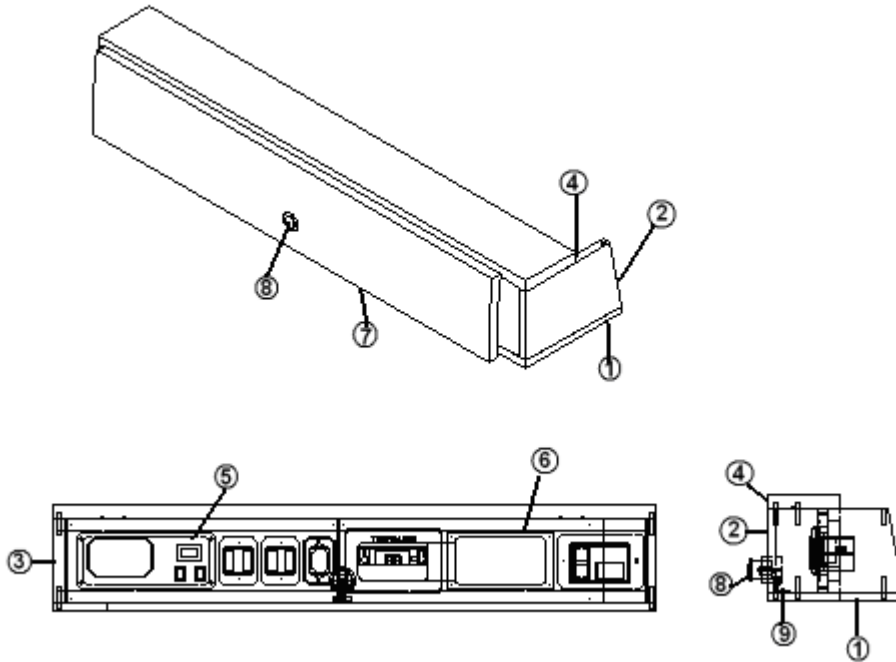


- 967582-16 ROOFLOCKER ASSY-REAR – ONYX
- 1. 967582-161 PANEL-REAR ROOFLOCKER 11X51.63
- 2. 967582-162 PANEL-REAR ROOFLOCKER 3X48.88
- 3. 967582-163 PANEL-REAR ROOFLOCKER 11X5
- 4. 967582-164 PANEL-REAR ROOFLOCKER 10.5X5.75
- 5. 967582-165 PANEL-REAR ROOFLOCKER 11X5
- 6. 967582-167 PANEL-REAR ROOFLOCKER 10.5X5.75
- 7. 801870-0119 DOOR-PLYFOAM 6X30 A.NIGHT
- 8. 200773 CLOSEOUT, READING LIGHT ABS
- 9. 382155 KNOB LATCH-PUSH/PULL CHROME
- 701538-01 CARPET-ECONOLIER W/PSA BACK
- 382057 KNOCKDOWN-8MM #16289B
- 382057-02 CAP-KNOCKDOWN GREY
- 381607 HINGE ASSY-GRASS EURO-
- 454823 CLOSEOUT-REAR R/L
- 382155-01 LATCH STRIKE-PUSH/PULL KNOB

# 2012 AVENUE MOTORHOME

## FURNITURE, LOUNGE

### Roof Locker, Curbside Rear, Lt. Camel

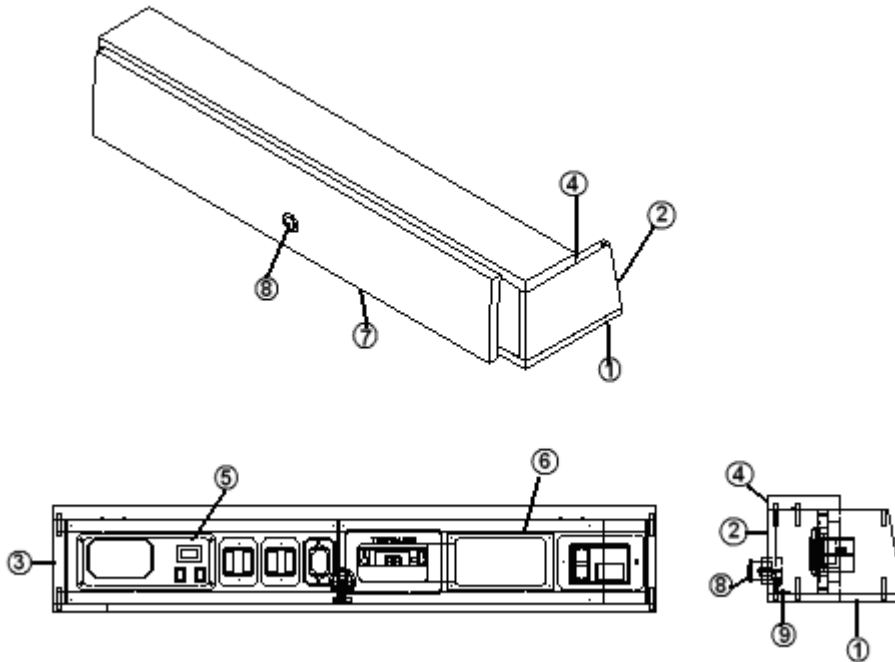


- |                |                                      |
|----------------|--------------------------------------|
| 967584         | ROOFLOCKER, CURBSIDE REAR, Lt. Camel |
| 1. 967584-1    | PANEL-CS ROOFLOCKER 8X35.5           |
| 2. 967584-2    | PANEL-CS ROOFLOCKER 8X5              |
| 3. 967584-4    | PANEL-CS ROOFLOCKER 4.25X5           |
| 4. 967584-5    | PANEL-CS ROOFLOCKER 4.25X35.5        |
| 5. 967584-6    | PANEL-CS ROOFLOCKER 16X4.88          |
| 6. 967584-7    | PANEL-CS ROOFLOCKER 18X4.88          |
| 7. 801870-0218 | DOOR-PLYFOAM 6X33 A. SAND            |
| 8. 382155      | KNOB LATCH-PUSH/PULL CHROME          |
| 9. 382155-01   | LATCH STRIKE-PUSH/PULL KNOB          |
| 381607         | HINGE ASSY-GRASS EURO-SAFARI         |

# 2012 AVENUE MOTORHOME

## FURNITURE, LOUNGE

### Roof Locker, Curbside Rear, ONYX

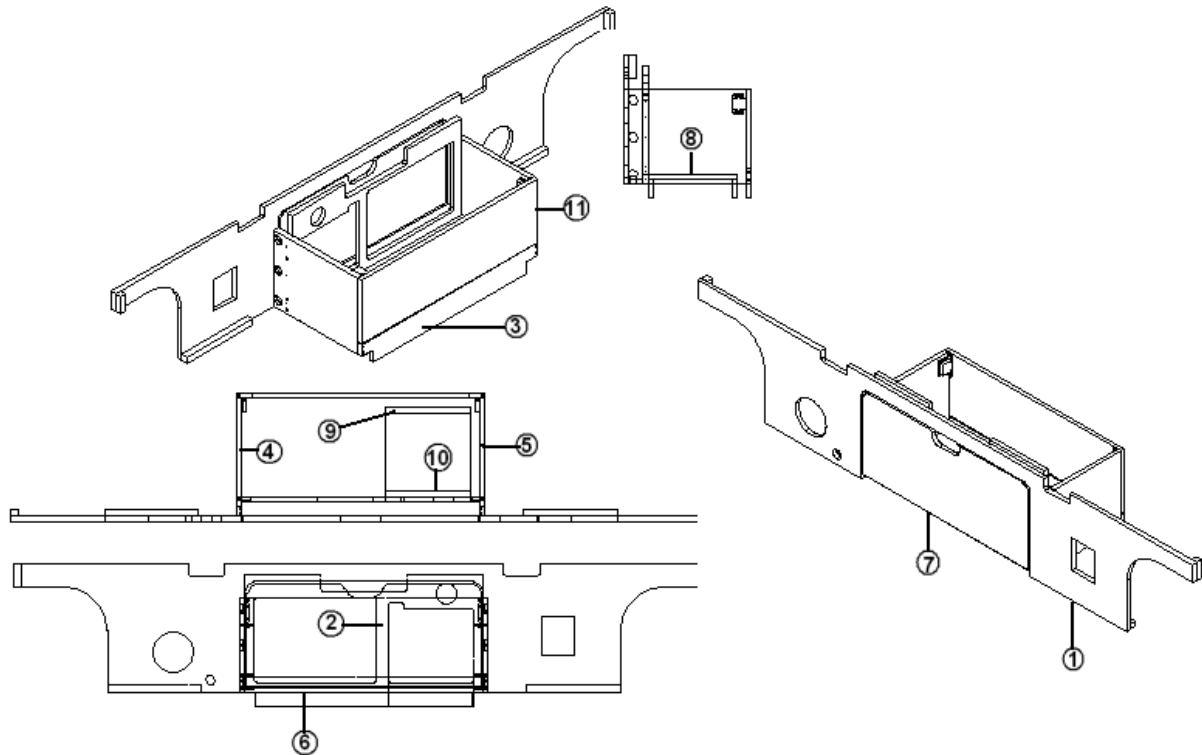


- 967584-16 ROOF LOCKER, CURBSIDE REAR, Onyx
1. 967584-161 PANEL, CS R/L 8X35.5
  2. 967584-162 PANEL, CS ROOFLOCKER 8X5
  3. 967584-164 PANEL, CS ROOFLOCKER 4.25X5
  4. 967584-165 PANEL, CS ROOFLOCKER 4.25X35.5
  5. 967584-166 PANEL, CS ROOFLOCKER 16X4.88
  6. 967584-167 PANEL, CS ROOFLOCKER 18X4.88
  7. 801870-0219 DOOR-PLYFOAM 6X33 A. NIGHT
  8. 382155 KNOB LATCH-PUSH/PULL CHROME
  9. 382155-01 LATCH STRIKE-PUSH/PULL KNOB
  - 381607 HINGE ASSY-GRASS EURO-SAFARI

# 2012 AVENUE MOTORHOME

## FURNITURE, LOUNGE

### Sofa, Rear, Seat Base Close Outs, Lounge, LT. CAMEL

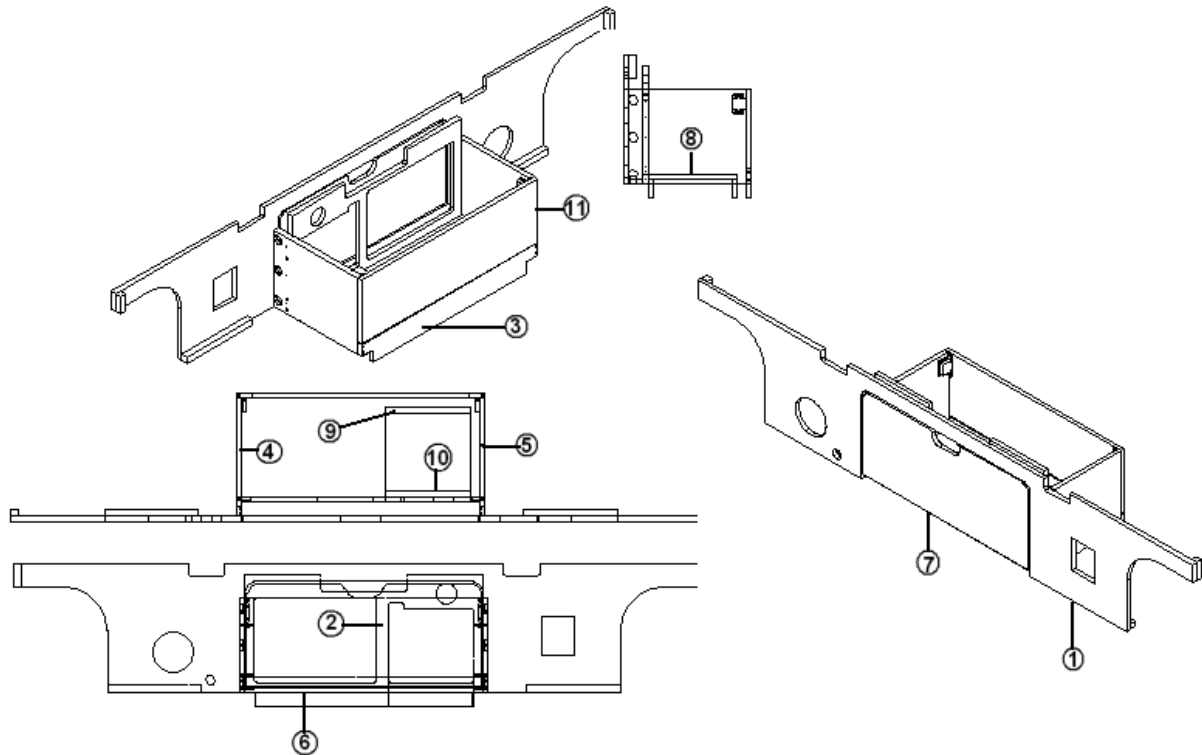


- |               |                                |
|---------------|--------------------------------|
| 967569        | BASE ASSY-SOFA LT CAMEL        |
| 1. 967569-1   | PANEL-SOFA BASE 13X71          |
| 2. 967569-2   | PANEL-SOFA BASE 24.13X12       |
| 3. 967569-3   | PANEL-SOFA BASE 25.25X3        |
| 4. 967569-4   | PANEL-SOFA BASE 11X9.5         |
| 5. 967569-5   | PANEL-SOFA BASE 11X9.5         |
| 6. 967569-6   | PANEL-SOFA BASE 1.38X24.25     |
| 7. 967569-7   | PANEL-SOFA BASE 10.38X23.81    |
| 8. 967569-8   | PANEL-SOFA BASE 9X8.63         |
| 9. 967569-9   | PANEL-SOFA BASE 2X8.63         |
| 10. 967569-10 | PANEL-SOFA BASE 2X8.63         |
| 11. 967569-11 | PANEL-SOFA BASE 25.25X7.88     |
| 382125        | HINGE-PIANO CLEAR 1.25"X 72"   |
| 365344-01     | EDGEBANDING-.63" PEARL BISQUE  |
| 203693        | T-MOLDING BEIGE EMBOSSED.8125" |
| 381228        | CATCH GRABBER DOOR C3-810      |
| 701538-01     | CARPET-ECONOLIER W/PSA BACK    |

# 2012 AVENUE MOTORHOME

## FURNITURE, LOUNGE

### Sofa, Rear, Seat Base Close Outs, Lounge, ONYX

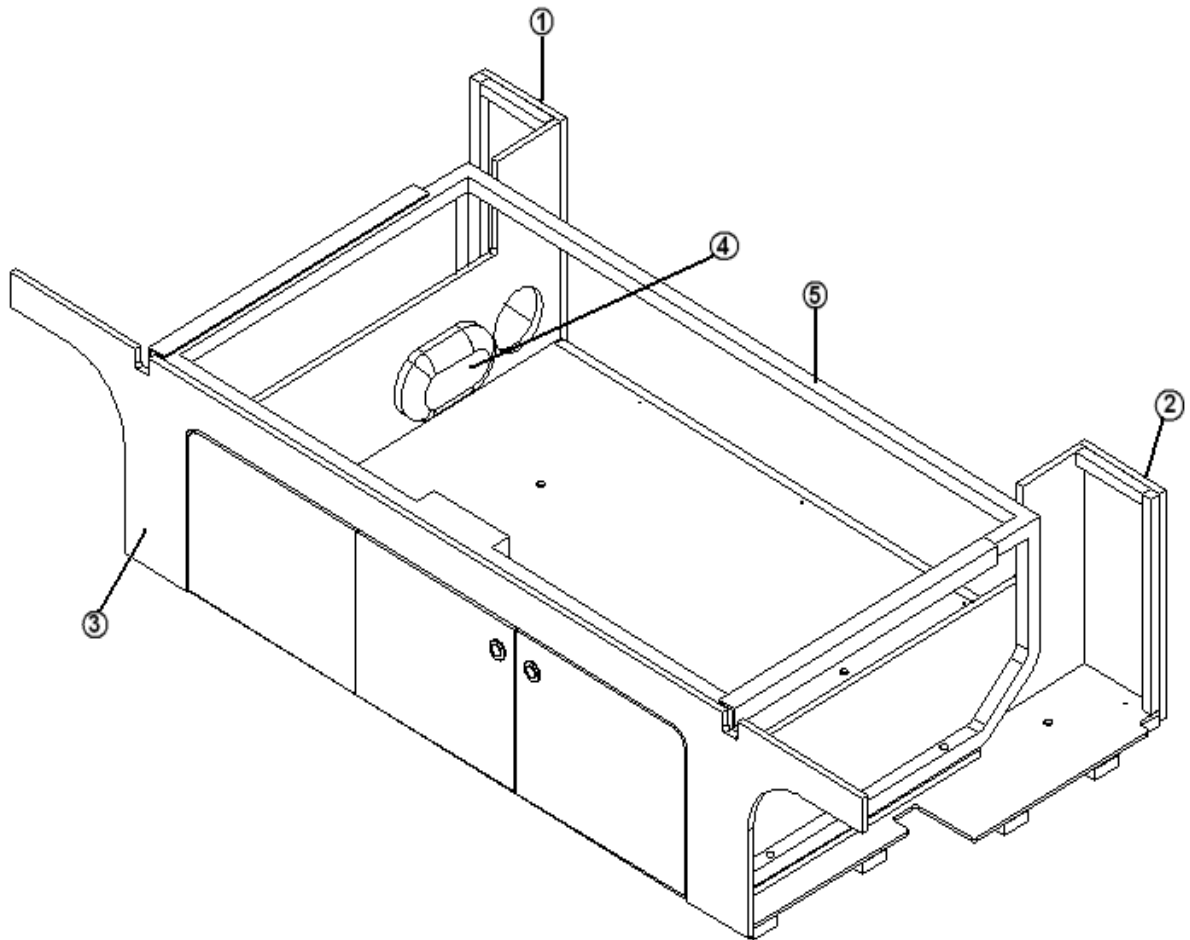


- 967569-16 BASE ASSY-SOFA, ONYX
- 1. 967569-161 PANEL-SOFA BASE 13X71
- 2. 967569-162 PANEL-SOFA BASE 24.13X12
- 3. 967569-163 PANEL-SOFA BASE 25.25X3
- 4. 967569-164 PANEL-SOFA BASE 11X9.5
- 5. 967569-165 PANEL-SOFA BASE 11X9.5
- 6. 967569-166 PANEL-SOFA BASE 1.38X24.25
- 7. 967569-167 PANEL-SOFA BASE 10.38X23.81
- 8. 967569-168 PANEL-SOFA BASE 9X8.63
- 9. 967569-169 PANEL-SOFA BASE 2X8.63
- 10. 967569-1610 PANEL-SOFA BASE 2X8.63
- 11. 967569-1611 PANEL-SOFA BASE 25.25X7.88
- 382125 HINGE-PIANO CLEAR 1.25"X 72"
- 365346-01 EDGEBANDING-.63" MIDNIGHT
- 203440 T-MOLDING BLACK EMBOSSED.8125"
- 381228 CATCH GRABBER DOOR C3-810
- 701538-01 CARPET-ECONOLIER W/PSA BACK

# 2012 AVENUE MOTORHOME

## FURNITURE, LOUNGE

### SOFA FACE/CLOSEOUTS - AVENUE SUITE



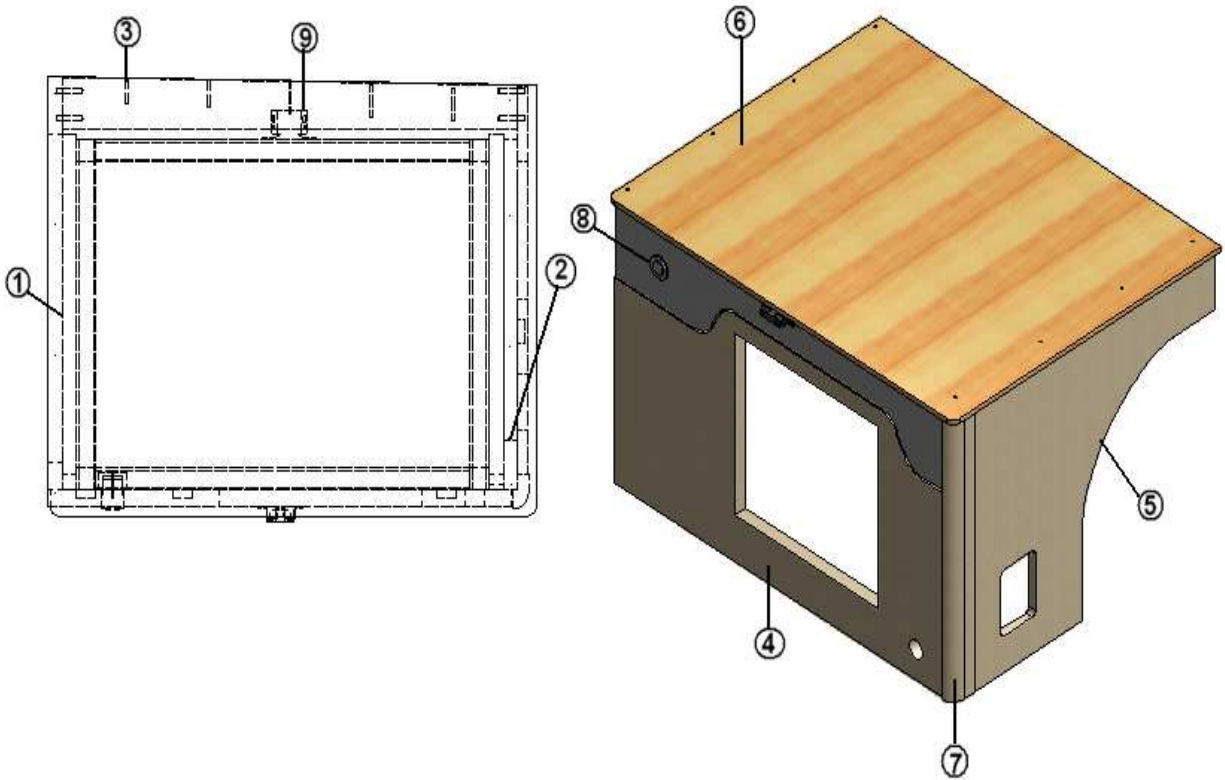
- |              |   |
|--------------|---|
| 1. 967745    | Curbside Closeout, Lounge, Avenue Suite   |
| 2. 967744    | Roadside Closeout, Lounge, Avenue Suite   |
| 3. 967743-17 | Face Assy., Lounge, LT. CAMEL, Ave. Suite |
| 4. 967743-16 | Face Assy., Lounge, ONYX, Ave. Suite      |
| 5. 512426-01 | Light w/Switch LED Single Dome            |
| 6. 100627    | Access Door Frame Extrusion               |
| 701538-01    | Carpet, Econolier w/PSA Back              |
| 114810       | Aluminum Angle, .50 x 1.00 (41.75")       |



# 2012 AVENUE MOTORHOME

## FURNITURE, LOUNGE

### OTTOMAN ASSEMBLY, CURBSIDE – LT. CAMEL, AVENUE SUITE

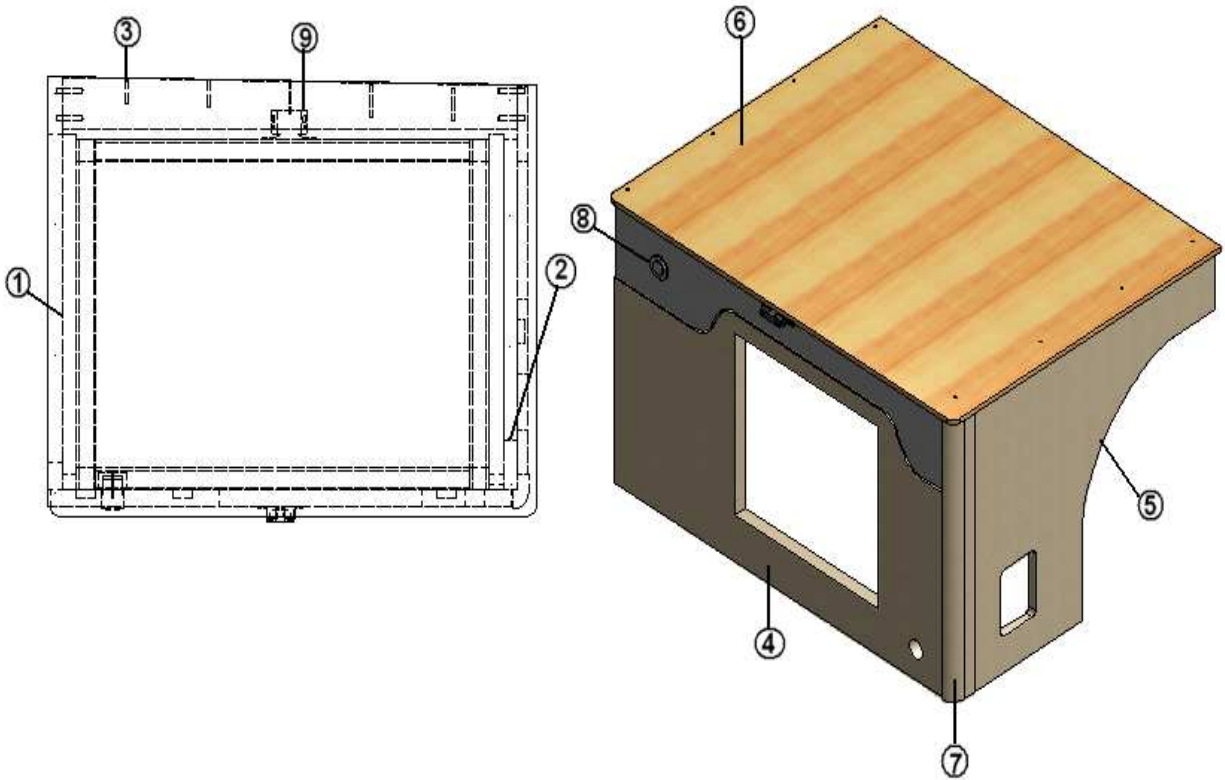


- 967710-17 OTTOMAN ASSY., CURBSIDE – LT. CAMEL
1. 967710-171 PANEL, 19"X16" CS OTTOMAN LT. CAMEL
2. 967710-172 PANEL, 19"X16" CS OTTOMAN LT. CAMEL
3. 967710-173 PANEL, 2.75" X 23.75" LT. CAMEL
4. 967710-174 PANEL, 24.25" X 13.32" LT.CAMEL
5. 967710-175 PANEL, 17.72" X 16.00 LT.CAMEL
6. 800507-02 LAUAN
7. 801706-0018 CORNER TRIM 90 D 1" RAD – A. SAND
8. 967707-17 CURBSIDE OTTOMAN SLIDEOUT ASSY.
9. 381228-01 GRABBER DOOR CATCH  
382057 KNOCKDOWN 8MM #16289B

# 2012 AVENUE MOTORHOME

## FURNITURE, LOUNGE

### OTTOMAN ASSEMBLY, CURBSIDE – ONYX, AVENUE SUITE

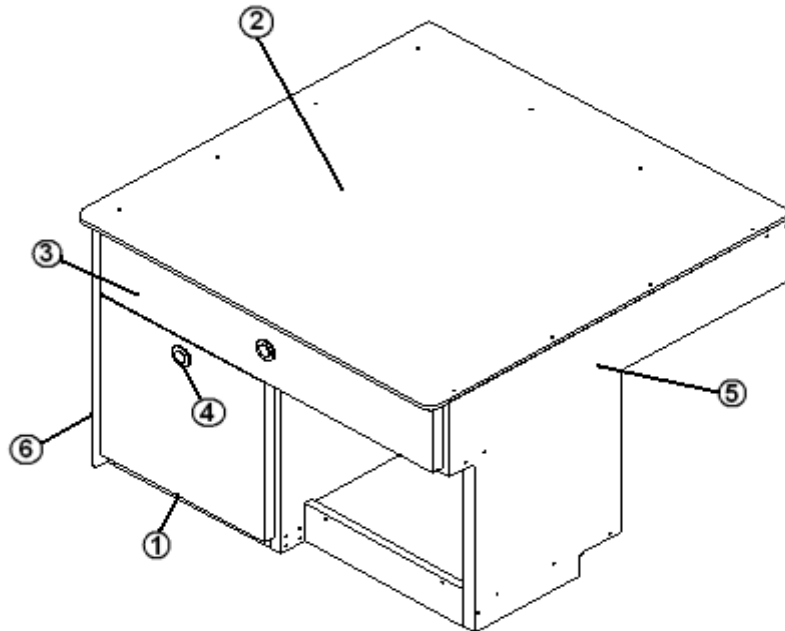


- 967710-16 OTTOMAN ASSY., CURBSIDE – ONYX
1. 967710-161 PANEL, 19" X 16" CS OTTOMAN ONYX
  2. 967710-162 PANEL, 19" X 16" CS OTTOMAN ONYX
  3. 967710-163 PANEL, 2.75" X 23.75" ONYX
  4. 967710-164 PANEL, 24.25" X 13.32" ONYX
  5. 967710-165 PANEL, 17.72" X 16.00 ONYX
  6. 800507-02 LAUAN
  7. 801706-0019 CORNER TRIM 90 D 1" RAD – A.NIGHT
  8. 967707-16 CURBSIDE OTTOMAN SLIDEOUT ASSY.
  9. 381228-01 GRABBER DOOR CATCH  
382057 KNOCKDOWN 8MM #16289B

# 2012 AVENUE MOTORHOME

## FURNITURE, LOUNGE

### OTTOMAN ASSEMBLY, ROADSIDE



967704-17	OTTOMAN ASSY, ROADSIDE, AVE. SUITE, LT.CAMEL
967704-16	OTTOMAN ASSY, ROADSIDE, AVE. SUITE, ONYX
1.	967704-175 PANEL 11.63" X 11.00" - LT. CAMEL
1.	967704-165 PANEL 11.63" X 11.00" - ONYX
2.	800507-02 LAUAN
3.	967714-17 SLIDE-OUT ASSY RS OTTOMAN - LT. CAMEL
3.	967714-16 SLIDE-OUT ASSY RS OTTOMAN - ONYX
4.	382059-01 KNOB PUSH/PULL SUGATSUNE
5.	967704-177 PANEL 24.41" X 16.00" - LT. CAMEL
5.	967704-167 PANEL 24.41" X 16.00" - ONYX
6.	801706-0018 CORNER TRIM, LT. CAMEL
6.	801706-0019 CORNER TRIM, ONYX
	381826 SLIDE, BALL BEARING 16"
	916034 WELDMENT RS OTTOMAN SLIDEOUT
	381228-01 GRABBER DOOR CATCH
	381607 HINGE ASSY GRASS EURO

## 2012 AVENUE MOTORHOME

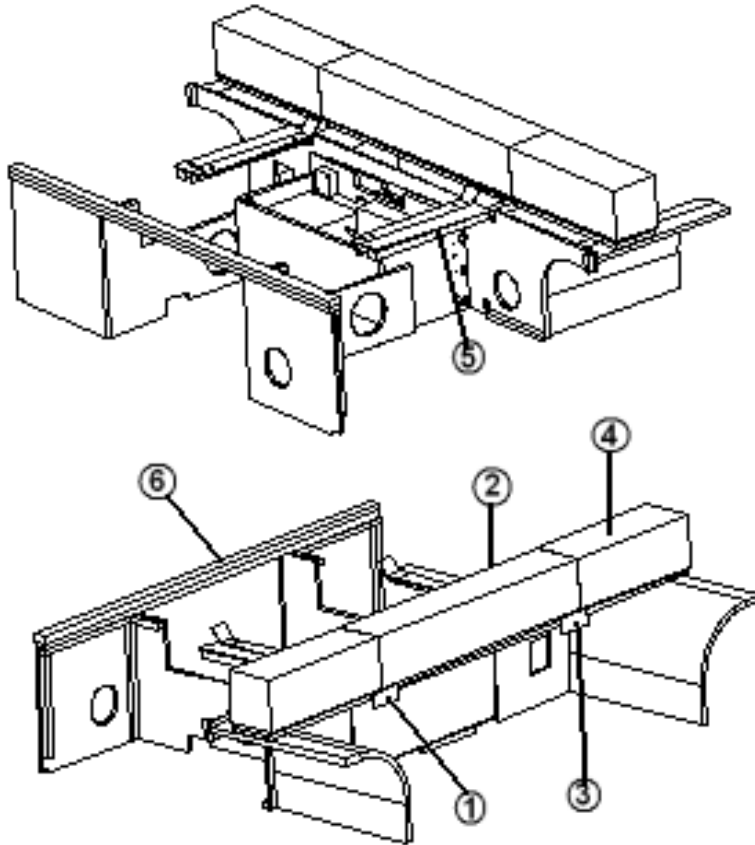
### FURNITURE, LOUNGE

967707-17	SLIDEOUT ASSY. – CURBSIDE OTTOMAN, AVENUE SUITE – LT. CAMEL
916035	WELDMENT, CURBSIDE OTTOMAN SLIDEOUT
381826	SLIDE, BALL BEARING 16"
967707-174	PANEL 24.0" X 4.313" (LT.CAMEL)
382059-01	KNOB PUSH/PULL SUGATSUNE
381856	CATCH TENSION 2-BALL CHROME
967707-16	SLIDEOUT ASSY.CURBSIDE OTTOMAN, AVENUE SUITE - ONYX
916035	WELDMENT, CURBSIDE OTTOMAN SLIDEOUT
381826	SLIDE, BALL BEARING 16"
967707-164	PANEL 24.0" X 4.313" S/O OTTOMAN (ONYX)
382059-01	KNOB PUSH/PULL SUGATSUNE
381856	CATCH TENSION 2-BALL CHROME
967714-17	SLIDEOUT ASSY. – ROADSIDE OTTOMAN, AVENUE SUITE – LT. CAMEL
967714-16	SLIDEOUT ASSY. – ROADSIDE OTTOMAN, AVENUE SUITE – ONYX
115530	BOTTOM, RS OTTOMAN DRAWER BOX
382059-01	KNOB PUSH/PULL SUGATSUNE
381826	SLIDE BALL BEARING 16"
916034	WELDMENT, ROADSIDE OTTOMAN SLIDEOUT

# 2012 AVENUE MOTORHOME

## FURNITURE, LOUNGE

### BED EXTENSION/HEADREST SUPPORT

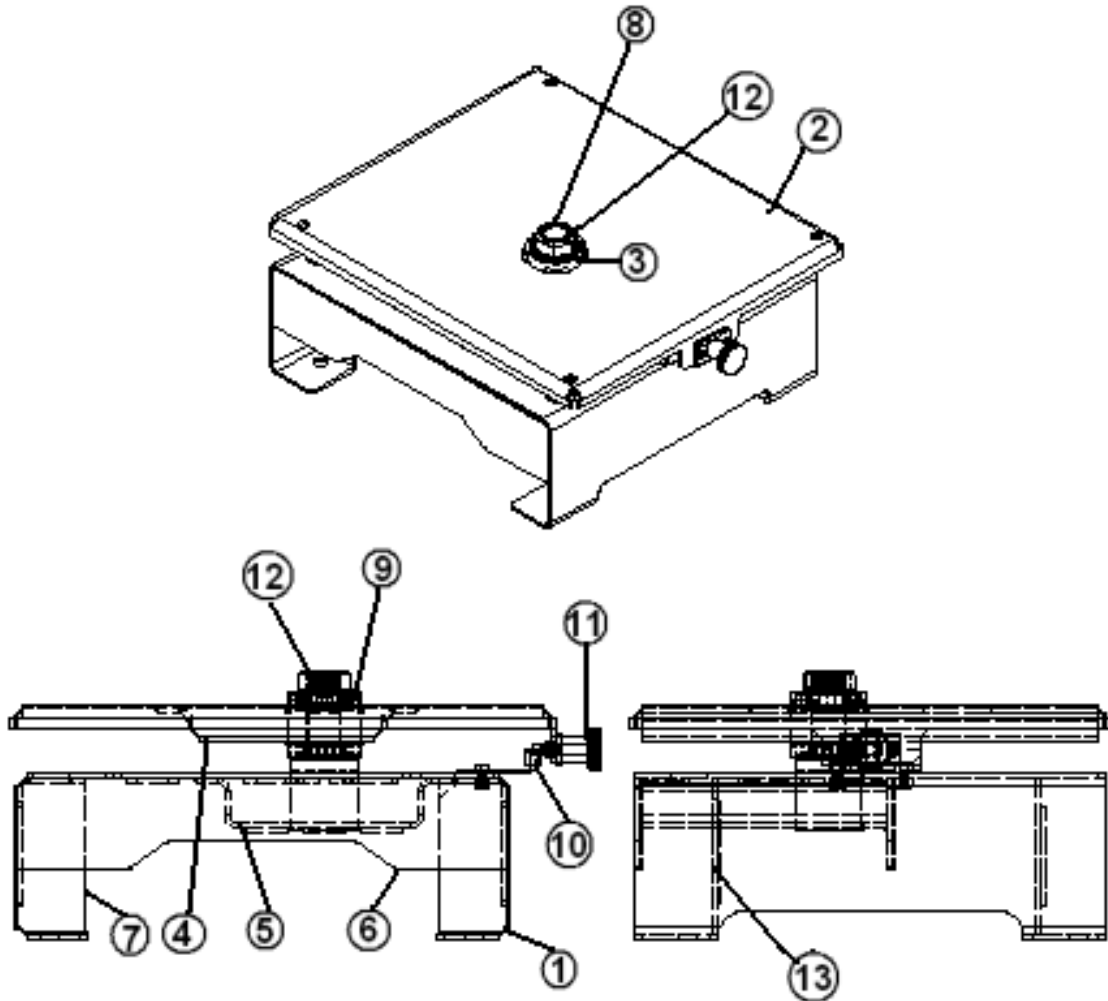


- |    |           |                                  |
|----|-----------|----------------------------------|
| 1. | 454849-01 | TUBE-SOFA BED CS EXTENSION       |
| 2. | 967616    | SOFA EXT.ASSY-CENTER CUSHION     |
| 3. | 454849-02 | TUBE-SOFA BED RS EXTENSION       |
| 4. | 967617    | SOFA EXT.ASSY-OUTER CUSHION      |
| 5. | 454848    | BRACKET, SOFA BED EXTENSION      |
| 6. | 967622    | SUPPORT ASSY-HEAD REST LNG       |
|    | 701538-01 | CARPET-ECONOLIER W/PSA BACK      |
|    | 703907    | STRAP SET - HOLD DOWN SOFA       |
|    | 703906-01 | FOAM-SOFA EXTENSION 6"X6"X18.63" |

# 2012 AVENUE MOTORHOME

## FURNITURE, LOUNGE

### SWIVEL BASE ASSEMBLY, DRIVER/PASSENGER



Parts Listed On Next Page

# 2012 AVENUE MOTORHOME

## FURNITURE, LOUNGE

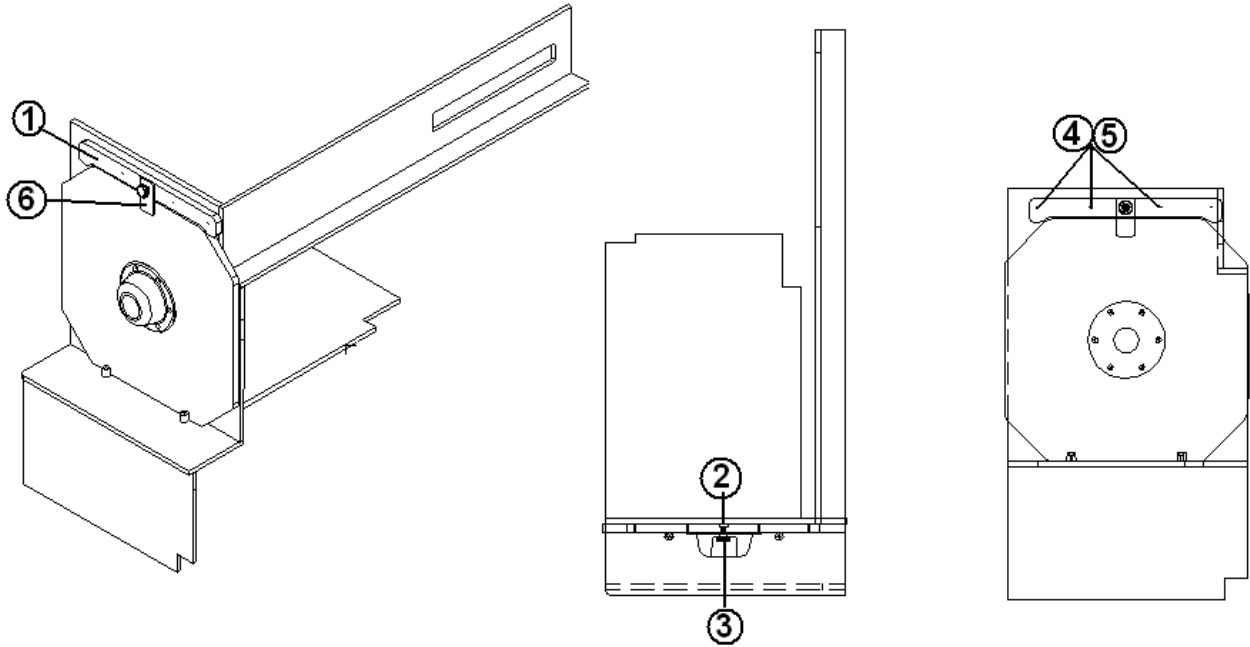
### SWIVEL BASE ASSEMBLY, DRIVER/PASSENGER

	111877-01	BASE ASSY-SWIVEL DRIVER
	111877-02	BASE ASSY-SWIVEL PASSENGER
1.	454815-01	Swivel Base, Driver
1.	454815-02	Swivel Base, Passenger
2.	454814-01	Swivel Base Top, Driver
2.	454814-02	Swivel Base Top, Passenger
3.	382132	Bearing
4.	454816-01	Support Bracket, Swivel Base Top
4.	454816-02	Support Bracket, Swivel Base Top, Passenger
5.	454817	Support Bracket, Swivel Base
6.	454818	Cross Brace Gusset, Swivel Base
7.	454819	Gusset, Swivel Base
8.	454820	Spindle, Swivel Base
9.	454821	Spindle Hub, Swivel Base
10.	454822-01	Latch Bracket, Swivel Base, Driver
10.	454822-02	Latch Bracket, Swivel Base, Passenger
11.	382133	Spring Plunger – Plate Mounted
12.	350195	Thin Nylon Lock Nut, 1"-14 Grade 8
13.	454819-01	Gusset, Swivel Base

# 2012 AVENUE MOTORHOME

## FURNITURE, LOUNGE

### Pedestal Table Storage Install, Lounge



- 111810-1 PANEL, 17.50 X 2.25, Lt.Camel
- 1.111810-161 PANEL, 17.50 X 2.25, Onyx
- 1. 350189 NUT, TEE 6 PRONG 1/4-20
- 2. 382095 KNOB, KNURLED 1/4-20 X .50"
- 3. 381609-02 SCREW, HAFELE, EUROPEAN, #9, 1"
- 4. 381610-03 COVER CAP, PLASTIC
- 5. 381136 RUBBER BUMPER
- 454721 BRACKET PED TABLE STORAGE
- 382077 CLIP, 2.38" POST STORAGE



## 2012 AVENUE MOTORHOME

### FURNITURE, LOUNGE

#### PEDESTAL TABLE, SLIDING, AVENUE SUITE

967753-17 PEDESTAL TABLE, SLIDING, LT. CAMEL AVENUE SUITE

967753-171 PNL SLIDING PEDESTAL TABLE

602301-01 TOP-PEDESTAL TABLE CORIAN, COCOA

381975 SOCKET, PEDESTAL TABLE

381976 FLOOR SOCKET, PEDESTAL TABLE

381192 SLIDE, DRAWER 18"

381974 LEG, 29", PEDESTAL TABLE

115541 ANGLE, SLIDE TABLE STOP

345326-07 SCREW, TAPPING #10

345326-03 SCREW, TAPPING #10 X .63" SS

967753-16 PEDESTAL TABLE, SLIDING, ONYX, AVENUE SUITE

967753-161 PNL SLIDING PEDESTAL TABLE

\*602301-02 TOP-PEDESTAL TABLE CORIAN, MOSAIC

\*602301-03 TOP-PEDESTAL TABLE CORIAN, HAZELNUT

381975 SOCKET, PEDESTAL TABLE

381976 FLOOR SOCKET, PEDESTAL TABLE

381192 SLIDE, DRAWER 18"

381974 LEG, 29", PEDESTAL TABLE

115541 ANGLE, SLIDE TABLE STOP

345326-07 SCREW, TAPPING #10

345326-03 SCREW, TAPPING #10 X .63" SS

\* The Onyx original tops were Mosaic. These tops are no longer available, the replacement color is Hazelnut.

The first unit to receive the Hazelnut top is #302439. The last unit to receive the Onyx Mosaic is #302413.

## 2012 AVENUE MOTORHOME

### FURNITURE, LOUNGE

#### PEDESTAL TABLE ASSY.

967614	PEDESTAL TABLE ASSY
602234-03	TOP-PEDESTAL TABLE CORIAN, COCOA BROWN
602234-04	TOP-PEDESTAL TABLE CORIAN MOSIAC
602301-01	TOP-PEDESTAL TABLE CORIAN, COCOA, Avenue Suite
*602301-02	TOP-PEDESTAL TABLE CORIAN, MOSAIC, Avenue Suite
*602301-03	TOP-PEDESTAL TABLE CORIAN, HAZELNUT, Avenue Suite
381974	LEG-PEDESTAL 29" VAN
381975	SOCKET-PED.TABLE VAN
381976	SOCKET-FLOOR PED.TABLE VAN

\* The Onyx original tops were Mosaic. These tops are no longer available, the replacement color is Hazelnut.

The first unit to receive the Hazelnut top is #302439. The last unit to receive the Onyx Mosaic is #302413.

**2012 AVENUE MOTORHOME**  
**FURNITURE, PANELING/INTERIOR DOOR**

**Mirror**

371423-02      Mirror, Wall Mount 8" Dia. – Avenue Suite

381220-02      MIRROR CLIP, NICKLE PLATED

372203-15      MIRROR- POL EDGES- 17.00 X 25

**Roof Locker Doors**

801786-1418    Door, radius 15.25" x 18.00", Asian Sand

801786-1419    Door, radius 15.25" x 18.00", Asian Night

801870-0118    Door, radius 6.00" x 30.00", Asian Sand

801870-0119    Door, radius 6.00" x 30.00", Asian Night

801870-0218    Door, radius 6.00" x 33.00", Asian Sand

801870-0219    Door, radius 6.00" x 33.00" Asian Night

**Edge Band**

365346-01      EDGE BAND, .63" MIDNIGHT 1MM

365346-02      EDGE BAND, .94" MIDNIGHT 1MM

365326-01      EDGE BAND, .63" PEARL BISQUE

365326-02      EDGE BAND, .94" PEAR BISQUE

365344-01      EDGE BAND, .63" PEARL BISQUE 1MM

365344-02      EDGE BAND, .94" PEARL BISQUE 1MM

**2012 AVENUE MOTORHOME**  
**FURNITURE, PANELING/INTERIOR DOOR**

Trim, Wood/Plastic

800638-0119 MOLDING, QUARTER RD .5" ASIAN NIGHT, ONYX  
800638-0118 MOLDING, QUARTER RD .5" ASIAN SAND, LT.CAMEL  
801415-0018 CORNER TRIM ,1" RADIUS LT. CAMEL  
801415-0019 CORNER TRIM, 1" RADIUS ONYX  
703868 VINYL TRIM, ULTRALEATHER #401 COLOR #37291  
(USED WITH ONYX & LT. CAMEL)

Wood Panels

801438 PANEL, 3MM, WHITELINER/RAW  
801855-01 PANEL, A.NIGHT/A.NIGHT 18MM  
801856-01 PANEL, A.NIGHT/A.NIGHT 12MM  
801719 PANEL, SAND CRYSTAL/WHITE, 18MM  
801869-01 PANEL, PRELAM A.SAND/A.SAND 18MM  
801841-01 PANEL, PRELAM ASIAN/ASIAN 12MM  
801906 PANEL, BALTIC BIRCH .375" X 60.00"H X 120.00"W

# 2012 AVENUE MOTORHOME

## FURNITURE

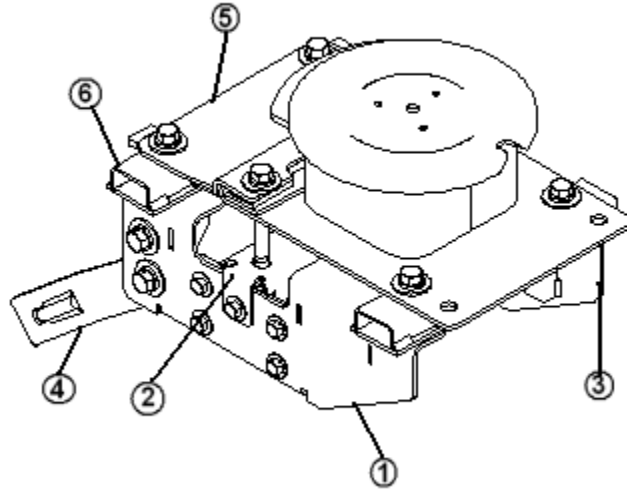
### Drawer Box Assemblies

- 967591 Drawer Box, Upper Galley, Lt. Camel
- 967591-16 Drawer Box, Upper Galley, Onyx
- 381400 Drawer Slide, 14" per pair
- 381615 Tray, 11" Molded Plastic
- 382059-01 Knob, Push/Pull
  
- 967592 Drawer Box, Mid Galley, Lt. Camel
- 967592-16 Drawer Box, Mid Galley, Onyx
- 381400 Drawer Slide, 14" per pair
- 382059-01 Knob, Push/Pull
  
- 967593 Drawer Box, Lower Galley, Lt. Camel
- 967593-16 Drawer Box, Lower Galley, Onyx
- 381400-01 Drawer Slide, 12" per pair
- 382059-01 Knob, Push/Pull
  
- 967650 Drawer Box, Wardrobe, Lt. Camel
- 967650-16 Drawer Box, Wardrobe, Onyx
- 381192 Drawer Slide, 18" per pair
- 382059-01 Knob, Push/Pull
  
- 967709-17 Drawer Box, Galley Middle/Upper, Lt. Camel, Ave. Suite
- 967709-16 Drawer Box, Galley Middle/Upper, Onyx, Ave. Suite
- 381400 Drawer Slide, 14" per pair
- 382059-01 Knob, Push/Pull
  
- 967708-17 Drawer Box, Galley, Lower, Lt. Camel, Ave. Suite
- 967708-16 Drawer Box, Galley, Lower, Onyx, Ave. Suite
- 381400 Drawer Slide, 14" per pair
- 382059-01 Knob, Push/Pull

# 2012 AVENUE MOTORHOME

## HARDWARE

### PEDESTAL BRACKET ASSY.

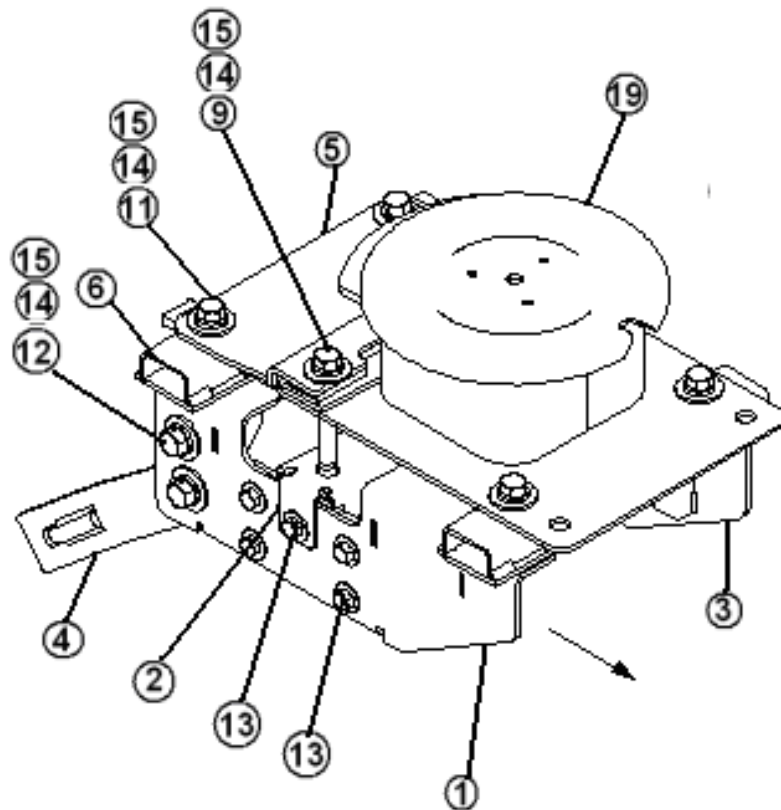
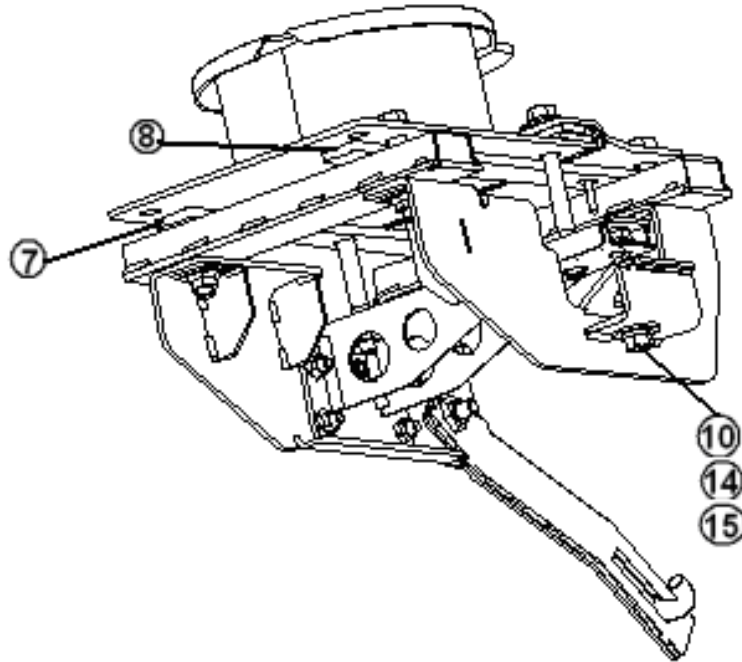


111859	BRACKET ASSY., SEAT PEDESTAL
1. 454747	BRACKET-PED CS OUTER
2. 454748	BRACKET-PED CS CENTER
3. 454749	BRACKET-PED CS INNER
4. 454750	BAR ASSY- CS TIE
5. 454751	SUPPORT ASSY-CS PEDESTAL
6. 454752	CHANNEL ASSY - CS
454753	SHIM - OUTER 1.25 X 15.5
454754	SHIM-INNER 1.25 X 15.5
345477-04	SCREW-CAP 1/2-13 X 5
345477	SCREW-CAP HEX HD 1/2"-13X3.5"
345477-03	SCREW-CAP HD 1/2-13 X 3"
345251	BOLT-HEX HD 1/2-13X1-1/2 GR 5
345272-04	SCREW-CAP 3/8-16X1.0 HEX HEAD
300112-50	WASHER- FLAT.5" TYPE B
300158	WASHER-SPRING LOCK .5"
300117-37	WASHER-FLAT.38 TYP B .406"ID 1
350147-37	NUT-NYLON LOCK 3/8-16
320161	SCREW-SELF TAP HD 1/4-14 X 1.5

# 2012 AVENUE MOTORHOME

## HARDWARE

### PEDESTAL BRACKET ASSY. CURBSIDE, WARDROBE OPT



PART NUMBERS ON NEXT PAGE

# 2012 AVENUE MOTORHOME

## HARDWARE

### PEDESTAL BRACKET ASSY. CURBSIDE, WARDROBE OPT

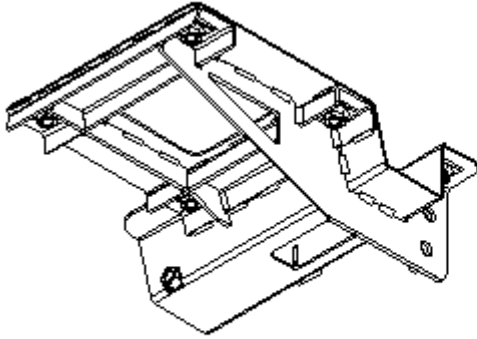
111908	SEAT PED.BRKT CS ASSY/INSTALL
1. 454747	BRACKET-PED CS OUTER
2. 454748	BRACKET-PED CS CENTER
3. 454749	BRACKET-PED CS INNER
4. 454750	BAR ASSY- CS TIE
5. 454751	SUPPORT ASSY-CS PEDESTAL
6. 454752	CHANNEL ASSY - CS
7. 454753	SHIM - OUTER 1.25 X 15.5
8. 454754	SHIM-INNER 1.25 X 15.5
9. 345477-04	SCREW-CAP 1/2-13 X 5
10. 345477	SCREW-CAP HEX HD 1/2"-13X3.5"
11. 345477-03	SCREW-CAP HD 1/2-13 X 3"
12. 345251	BOLT-HEX HD 1/2-13X1-1/2 GR 5
13. 345272-04	SCREW-CAP 3/8-16X1.0 HEX HEAD
14. 300112-50	WASHER- FLAT.5" TYPE B
15. 300158	WASHER-SPRING LOCK .5"
16. 300117-37	WASHER-FLAT.38 TYP B .406"ID 1
17. 320161	SCREW-SELF TAP HD 1/4-14 X 1.5
18. REFERENCE	SEAT PEDESTAL NORCO #11664
19. 345492-01	SCREW-CAP HD 5/16-18 X 1.25
20. 300159	WASHER-SPRING LOCK .3125"
21. 300117-31	WASHER-FLAT TYP B.344 ID .880D



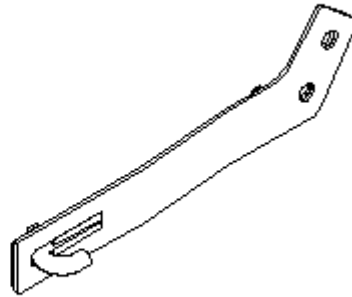
# 2012 AVENUE MOTORHOME

## HARDWARE

### ROADSIDE PEDESTAL BRACKETS & HARDWARE

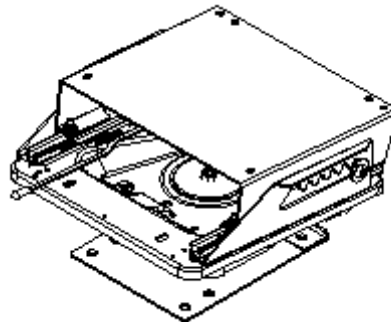


454784



454785

- 454784 BRACKET, RS OUTER PEDESTAL
- 454785 BRACKET, RS INNER PEDESTAL
- 454786 SUPPORT ASSY-RS PEDESTAL
- 454787 WASHER-RS PEDESTAL 3X1.88
- 345491 SCREW-CAP BUTT.SOCKET 1/2X1.25
- 345477-02 SCREW-CAP HD 1/2-13 X 2.5"
- 345477-01 SCREW-CAP HD 1/2-13 X 2"
- 345492-01 SCREW-CAP HD 5/16-18 X 1.25"
- 300159 WASHER-SPRING LOCK .3125"
- 300117-31 WASHER-FLAT TYP B.344 ID .88OD



- 454783-01 Seat Pedestal Manual ISS Slide/Swivel Riser
- 454783-02 Swivel Remote Bracket

# 2012 AVENUE MOTORHOME

## HARDWARE

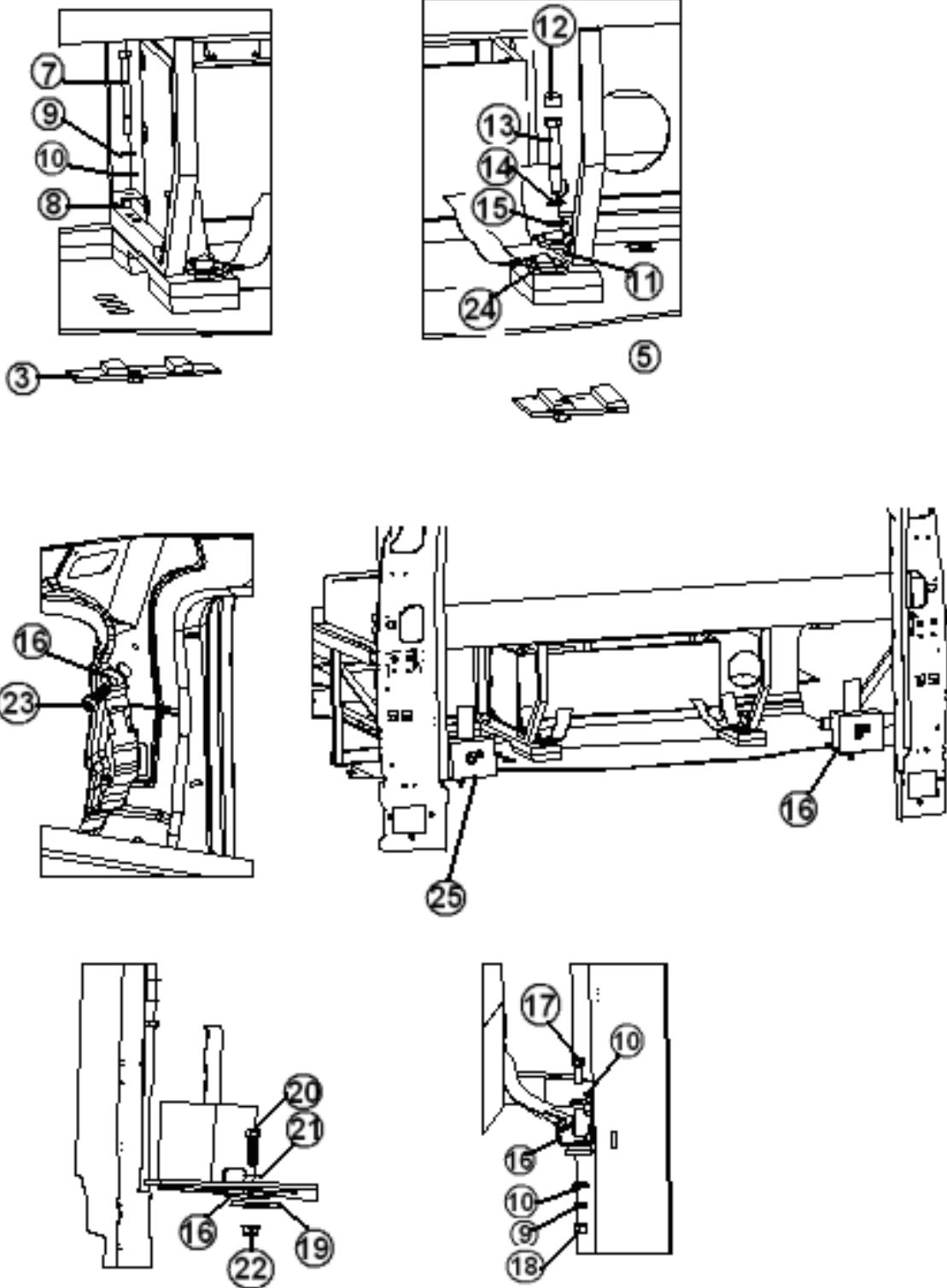
Clothesline, Retractable

382063 Clothesline, Retractable

# 2012 AVENUE MOTORHOME

## HARDWARE

### SOFA & SEATBELT INSTALLATION



PARTS LISTED ON NEXT PAGE

# 2012 AVENUE MOTORHOME

## HARDWARE

### SOFA & SEATBELT INSTALLATION

1. 703879-411L SOFA-POWER, LT. CAMEL
1. 703879-400L SOFA-POWER ONYX
2. 454763-03 BRACKET, SOFA MOUNT CS FRT
3. 454763-01 BRACKET, SOFA MOUNT RS FRT
4. 454763-02 BRACKET, SOFA MOUNT RS REAR
5. 454763-04 BRACKET, SOFA MOUNT CS REAR
6. 454813 CLOSEOUT-REAR WATER LINE
7. 345272-16 SCREW. CAP HH. GR. 5 3/8-16
8. 454714 WASHER-FORMED SOFA LEG NCV3
9. 300072-04 WASHER, LOCK 1/4IN
10. 300111-37 WASHER FLAT, 3/8 TYPE A SERIES
11. 382131-03 SEATBELT-29"BUCKLE/WEB ASSY
12. 382089 CAP-BLACK BOLT #129572
13. 345477 SCREW-CAP HEX HD 1/2"-13X3.5"
14. 300072-08 LOCK WASHER
15. 300147 WASHER-FLAT ID 0.53" OD 1.10"
16. 382131-02 SEATBELT-3 PT RETRACT 8"
17. 345272-04 SCREW-CAP 3/8-16X1.0 HEX HEAD
18. 350005 NUT 3/8-16 UNC HEX HD PLATED
19. 300164 WASHER-SEATBELT RETRACTOR
20. 345497 SCREW-HEX CAP 7/16-14 X 1.5
21. 300111-43 FLAT WASHER, FLAT 7/16 S.A.E.
22. 350143-07 NUT, HEX, SELF LOCKING 7/16-14
23. 345493 BOLT-ANCHOR 12MM X 1.375"
24. 382075-02 SEATBELT-100" W/30" BUCKLE BLK
25. 382131-01 SEATBELT-3 PT RETRACT 6"

# 2012 AVENUE MOTORHOME

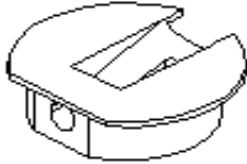
## HARDWARE

111947	SOFA & SEATBELT INSTALLATION, Avenue Suite
703948-400L	Sofa, Power 48" Base – Onyx
703948-411L	Sofa, Power 48" Base – Lt. Camel
454876-01	Bracket, CS Rear/RS Front
454876-02	Bracket, RS Front/CS Rear
454763-02	Bracket, RS Rear, Sofa Mount
454763-04	Bracket, CS Rear, Sofa Mount
345272-16	Cap Screw HX HD 3/8-16 GR 5 (4.00")
454714	Washer, Formed Sofa Leg
300072-04	Washer, Lock 1/4"
300111-37	Washer, Flat 3/8"
382131-03	Graphite 29" Buckle/Web Assy.
382089	Cap, Black bolt #129572
345477	Cap Screw HX HD 1/2-13 x 5
300072-08	Washer, Lock 1/2"
300147	Washer, Flat ID .53" OD 1.10"
382131-02	Seat Belt, 3 Point – 8 degree
345272-04	Cap Screw HX HD 3/8-16 GR5
350005	Nut, 3/8-16 UNC HX HD Plated
300164	Washer/Nut – Seat Belt Retractor
345503	Screw, Hex Cap 7/16-14 x 3"
300111-43	Washer, Flat 7/16"
345493	Bolt, Anchor, Shoulder Harness
382075-02	Seat Belt, 100" Belt w/30" Buckle
382131-01	Seat Belt, 3 Point – 6 degree
454885	Spacer, .50" thick, Sofa base
300072-07	Washer, Lock 7/16"

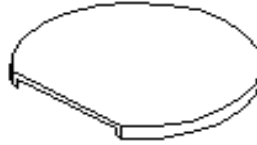
# 2012 AVENUE MOTORHOME

## HARDWARE

### Handles/Latches/Fastener, Interior



①



②



③



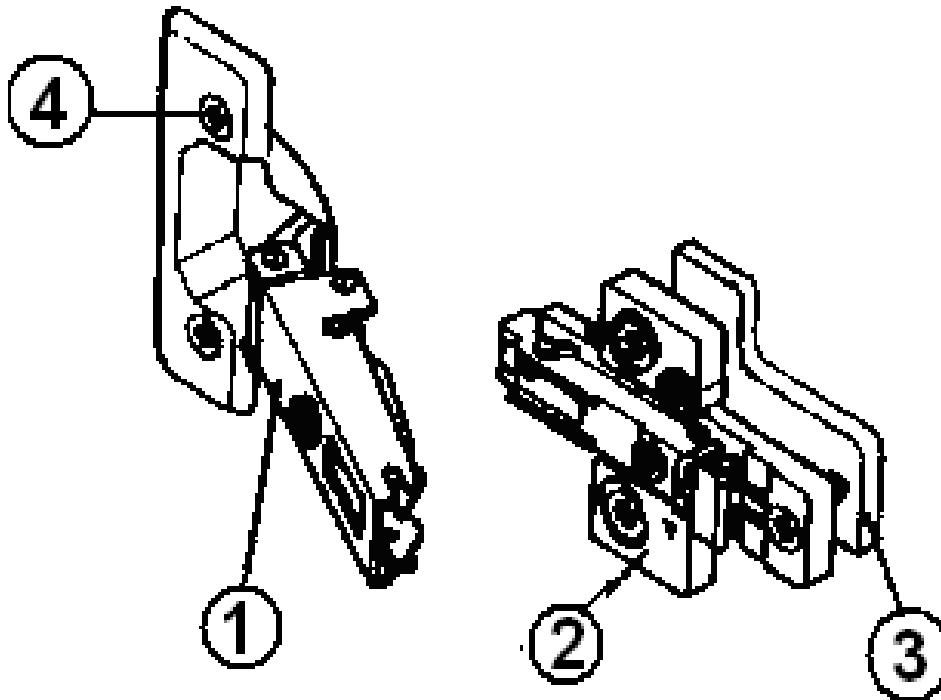
④

- |              |                                   |
|--------------|-----------------------------------|
| 1. 382057    | KNOCK DOWN FASTENER               |
| 2. 382057-01 | FASTENER COVER CAP, LIGHT BROWN   |
| 382057-02    | FASTENER COVER CAP, GREY          |
| 382057-04    | FASTENER COVER CAP, WHITE         |
| 3. 382059-01 | KNOB, PUSH/PULL, CHROME           |
| 4. 382077    | POST STORAGE CLIP, PEDESTAL TABLE |
| 382129       | CATCH, BLACK GRAB PUSH TO OPEN    |
| 381209-01    | Grommet w/Cap, Black              |

# 2012 AVENUE MOTORHOME

## HARDWARE

### Hinges



- |              |  |
|--------------|--|
| 381607       | HINGE ASSY-GRASS EURO                      |
| 1. 381607-01 | HINGE-GRASS EURO W/80307 PLASTIC, CABINETS |
| 2. 381607-02 | BASEPLATE, GRASS HINGE                     |
| 3. 381607-03 | BASEPLATE, GRASS PLASTIC                   |
| 4. 381607-04 | HINGE SCREW, GRASS                         |
| 382127       | HINGE, PIANO, BLACK, 2"                    |

### Bath Accessories

- |        |  |
|--------|--|
| 382098 | Handle, 14.25", Glass Chrome (Towel bar) |
| 380034 | Toilet Paper Holder                      |

# 2012 AVENUE MOTORHOME

## HARDWARE

### Labels and Tags

386121	Label, LP gas warning label (odor)
386122	Warning label/cooking appliance
386120	Label, smoke detector
385812	LABEL CALIF. HAZARDOUS SUBSTANCE
385465	Exit label, English
386119	LABEL "DO NOT STORE COMBUSTIBLE"
386124	LABEL, REFUELING WARNING
386222	Sticker, curbside rear door handle
386113	LABEL-RVIA GOLD
386082	LABEL THOR, 5.25" X .75'
386123	LABEL "POTABLE WATER ONLY"
386118	Label, LP gas warning/fill
385062	Decal, 110-125 voltage AC
386232	Label, Warning, Secure Privacy
386240	Decal, Macerator Pump Switch
386241	Decal, LP Valve Switch
386245	Decal, E-85 Fuel Usage
386242	Decal, Circuit Breaker
386147	DECAL-ON/OFF LP REMOTE FILL
386061	LABEL, REMOVE PANEL FOR ACCESS
386189	LABEL, WARNING NO SEATBELTS
386237	LABEL, LOCK/UNLOCK
386019	LABEL, 1 AMP FUSE MAX
386252	LABEL, HEPVO WATERLESS TRAP
386019	LABEL, 1 AMP FUSE MAX.

### Detector/Fire Extinguisher

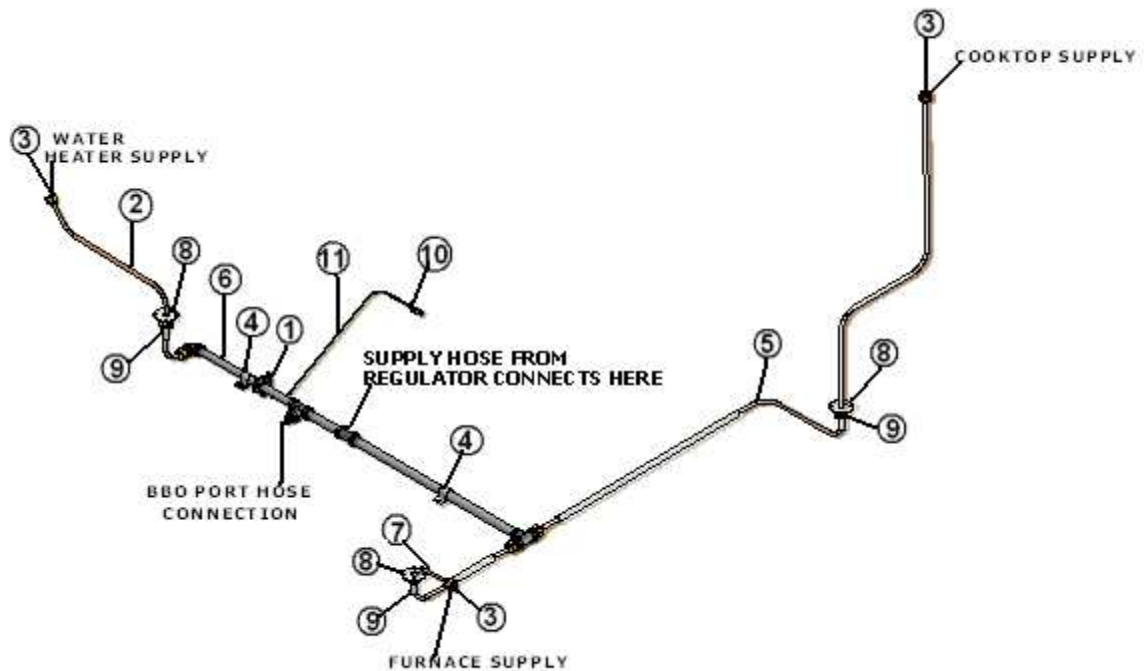
512523	Detector, CO 12V DC Dual Power
510781	Detector, Smoke #105S W/Silencer
512539-01	Detector, LP Black 12V
512178	Detector, Carbon Monoxide 9V
386019	Label, 1 Amp Fuse Max
512318	Fuse Holder w/1Amp AGC Fuse
690381-02	Fire extinguisher



# 2012 AVENUE MOTORHOME

## PLUMBING, LPG

### LPG System

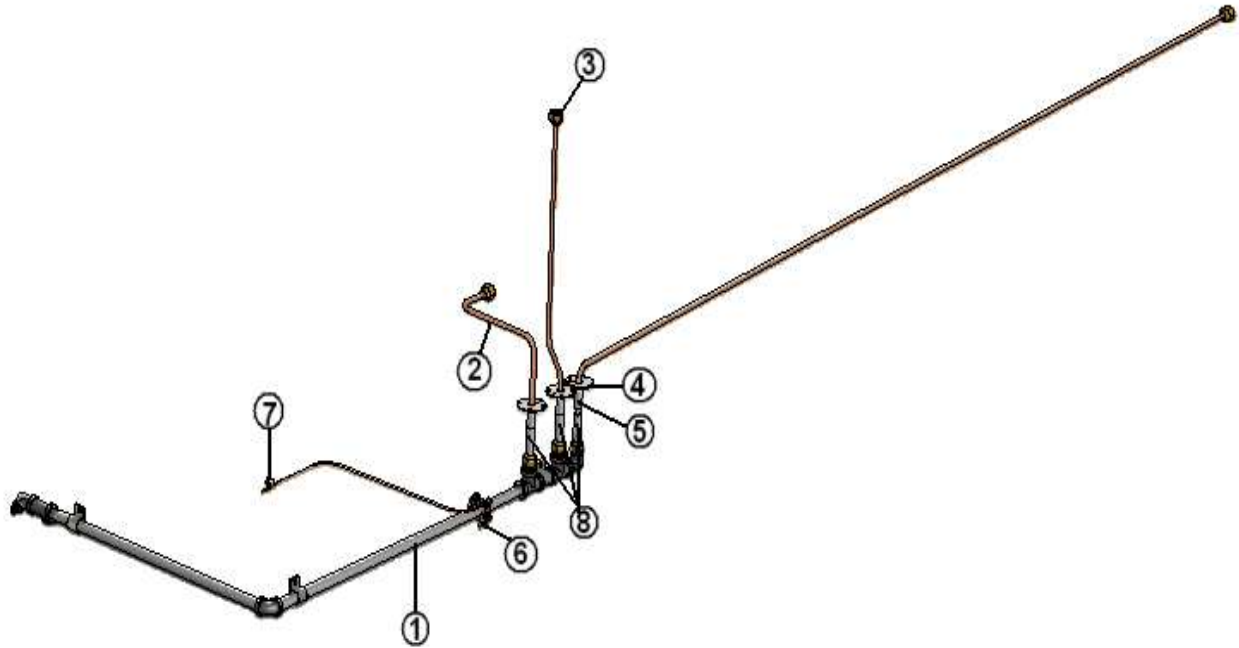


- |     |           |                           |
|-----|-----------|---------------------------|
| 1.  | 0260081   | GROUND CLAMP              |
| 2.  | 600008    | TUBING COPPER 3/8OD       |
| 3.  | 600010    | NUT BRASS FLARE 415 3/8   |
| 4.  | 340085-07 | CLAMP-LOOP W/RUB.1"       |
| 5.  | 600008    | TUBING COPPER 3/8OD       |
| 6.  | 943725    | MANIFOLD ASSY-LP          |
| 7.  | 600008    | TUBING COPPER 3/8OD       |
| 8.  | 380886    | GROMMET, FLOOR            |
| 9.  | 380887    | GROMMET, FLOOR            |
| 10. | 500038    | LUG GROUND                |
| 11. | 500839    | WIRE, BARE COPPER 8 GA.   |
| 12. | 602279    | HOSE- LP .5" X 95" UL/CGA |
| 13. | 602278    | HOSE-LP .25"X95" UL/CGA   |
| 14. | 602104    | HOSE 3/8" X 48"           |
|     | 601698-01 | E-PEX 1/2" TUBING         |
|     | 340073-12 | CLAMP-MUFFLER 3.5"        |

# 2012 AVENUE MOTORHOME

## PLUMBING, LPG

### LP SYSTEM, AVENUE SUITE



- |    |           |                                    |
|----|-----------|------------------------------------|
| 1. | 943735    | LP MANIFOLD                        |
| 2. | 600008    | COPPER TUBING 3/8 OD               |
| 3. | 600010    | NUT, BRASS FLARE 3/8"              |
| 4. | 380886    | FLOOR GROMMET                      |
| 5. | 380887    | FLOOR GROMMET                      |
| 6. | 0260081   | GROUND CLAMP                       |
| 7. | 500038    | LUG, GROUND                        |
| 8. | 601698-01 | E-PEX TUBING WHITE 2.00"           |
|    | 602104    | HOSE, 3/8" X 48" HIGH PRESSURE LP  |
|    | 602278    | 95" TYPE III PROPANE HOSE 1/4" F-F |
|    | 602279    | 95" TYPE III PROPANE HOSE 1/2" F-F |

# 2012 AVENUE MOTORHOME

## PLUMBING, LPG

### LP MANIFOLD – AVENUE SUITE

601407-23	PIPE, BLACK IRON 1/2", 23"
601408	ELBOW, 90 DEG. SCHED. 40, 1/2"
601409	TEE, 1/2" SCHEDULE 40
601412-08	ADAPTER, 1/2" MPT X 3/8" MFLR
601407-01	PIPE, BLACK IRON 1/2", 2"
601407-33	PIPE, BLACK IRON 1/2", 30"
602300	ADAPTER 90 DEG. 1/2" mpt X 3/8" MFL

# 2012 AVENUE MOTORHOME

## PLUMBING, LPG

### LPG Tank

602255	LP tank, 7.9 Gallon
600008	Tubing, copper, .38" ID
601698-01	Tubing, E-Pex, .5"
600435	Nuts, forged, .38"
380887	Grommet, floor
380886	Grommet, floor
340085-05	Clamp, coy
600436	Nuts, forged, .63"
500839	Wire, copper, ground
600004	Tubing, copper, .63"
602104	Hose, .38" x 48"
600661	Ground fittings
601875-05	Cover, regulator
601875-04	Regulator
602109-03	Dust cap
512434	SWITCH, HEAVY DUTY 25AMP #5582-10
386147	DECAL "ON/OFF", LP REMOTE FILL
602109-01	Hose quick disconnect, grille port
602278	Hose, LP .25" x 95" UL/CGA
602279	Hose, LP .5" x 95" UL/CGA

# 2012 AVENUE MOTORHOME

## PLUMBING, FRESHWATER

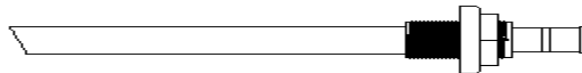
### Freshwater Tank/Gravity Water Fill System

602303	Tank, Fresh Water, 26 GALLON
454890	Tray, Rear, Fresh Water Tank
454891	Tray, Front, Fresh Water Tank
454831	Plate, Carriage Washer 1.25 x 3"
602208	Fitting, 1.5" MPT x 1.5" barb
602210	Fitting, brass, .625" barb x .75" MPT
602209-03	Hose, Garden type, white, 5/8" ID
511812	Pad, heating
454808	Plate, J Hook Hanger
454830	J Hook Anchor Bolt
600103	Spring, ST ST 20.00"
602266	Fitting, Barb .5 MPT x .625ID
345331-20	Bolt, Carriage Rd. 3/8 - 16 x 8
345331-13	Bolt, 3/8 - 16 x 4
454803	Bracket, Carriage Bolt Support Mid
454804	Bracket, Carriage Bolt Support Front
454805	Bracket, Fresh Water Tank, Fwd., Inner
454806	Bracket, Fresh Water Tank, Inner
602209-04	Hose-Potable Water .75"

### Water fill, gravity

602282	Water fill dish, Black
--------	------------------------

### Fresh Water Pick up Assembly



602274	Fresh water pick up assy., 15", Barbed Straight
--------	---

\*This tube is modified at Airstream. The part will not be pre-cut. Dealer will need to angle cut to length.

## 2012 AVENUE MOTORHOME

### PLUMBING, FRESHWATER

#### WATER PUMP, FILTER, & REGULATOR

602177-01	PUMP-WATER FLOJET #03526500H
602177-05	QUICK CONNECT-PUMP PORT .5"M 9
602177-02	STRAINER-MINI ASSY #01740300B
602277	FILTER-WATER INLINE SHURFLO
602277-01	FITTING-WATER FILTER
602186	FLEX HOSE-20" SWIVEL CONN.
602276	REGULATOR-WATERMATE #F217C
115504	WATER PUMP BRACKET

#### Faucet, Galley, Pull Out

602251	Faucet, Pull Out
602260	Sink, Stainless Steel, Single Bowl 13" x 15" x 5"
195362-39	Strainer, 2"

#### SHOWER FAUCET

602263-01	
602263-02	FAUCET-SHOWER 4" PARCH #19890
602263-03	SHOWER-HAND HELD WHITE #19908
602263-04	SHOWER-HAND HELD PARCH.#19907

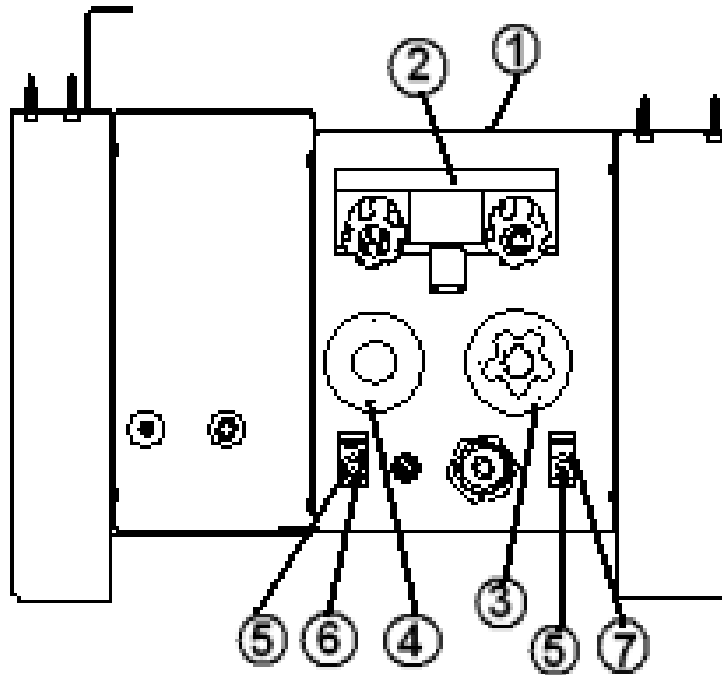
#### SHOWER, EXTERIOR

601876	SHOWER, EXTERIOR - WHITE
--------	--------------------------

# 2012 AVENUE MOTORHOME

## PLUMBING, FRESHWATER

### EXTERIOR UTILITY COMPARTMENT

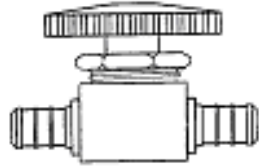


- |              |                                   |
|--------------|-----------------------------------|
| 1. 454800    | Assembly, Utility Compartment     |
| 2. 602263-01 | Faucet, Shower 4" White           |
| 3. 602273    | City Water Flange w/EZ Grip       |
| 4. 602272    | Hook-Up, No Fuss Flush            |
| 5. 512434    | Switch, Heavy Duty 25Amp          |
| 6. 386240    | Decal, Macerator Pump Switch      |
| 7. 386241    | Decal, LP Valve Switch            |
| 8. 345084    | Screw, 1/4 - 14 x 1 Thad. Cutting |
| 602263-03    | Shower hose w/brackets            |

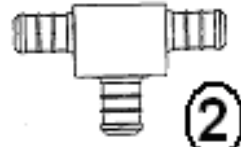
# 2012 AVENUE MOTORHOME

## PLUMBING, FRESHWATER

### Fresh Water Fittings



①



②



③



④

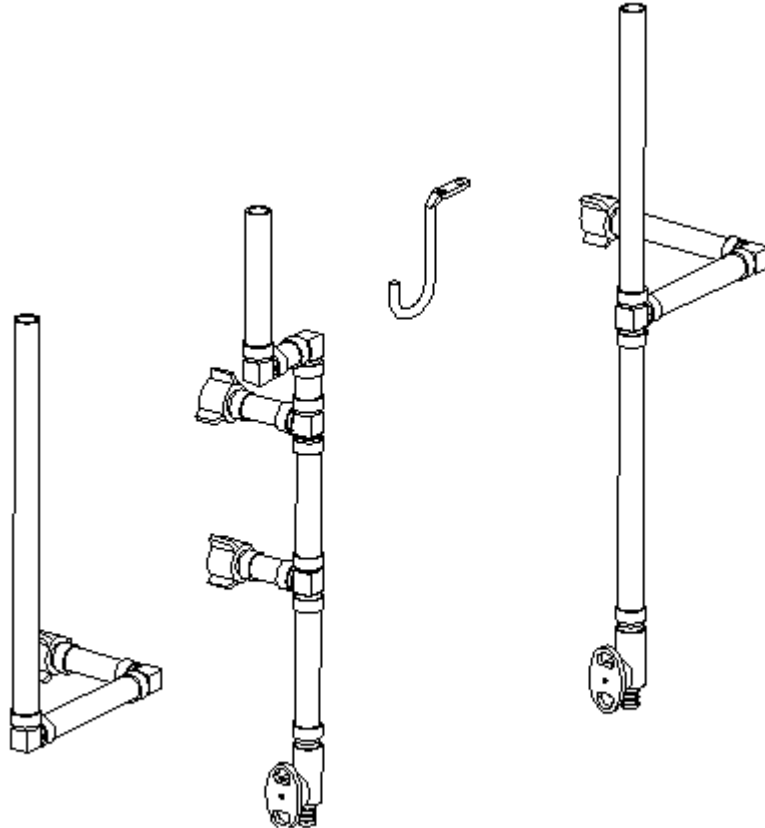
- |              |   |
|--------------|---|
| 1. 601698-22 | Shut-off, 1/2" barb x 1/2" barb         |
| 1. 602256-22 | Shut-off 1/2" barb X 1/2" barb, Plastic |
| 2. 601698-11 | Tee, 1/2" x 1/2" x 1/2", metal          |
| 2. 602256-11 | Tee, 1/2", plastic                      |
| 3. 601698-15 | Crimp ring, 1/2E-Pex, 1/2" (black)      |
| 4. 601698-01 | E-Pox tube, 1/2"                        |
| 4. 601698-21 | TUBING E-PEX 1/2" RED                   |
| 602256-04    | ELBOW, POLY .5BARB X .5 MPT             |
| 602256-02    | Adapter, Male poly .5 Barb X .5 MPT     |



# 2012 AVENUE MOTORHOME

## PLUMBING, FRESHWATER

### WATER LINES, BELOW FLOOR



943727-01 FRESH WATER LINES-UNDER FLOOR

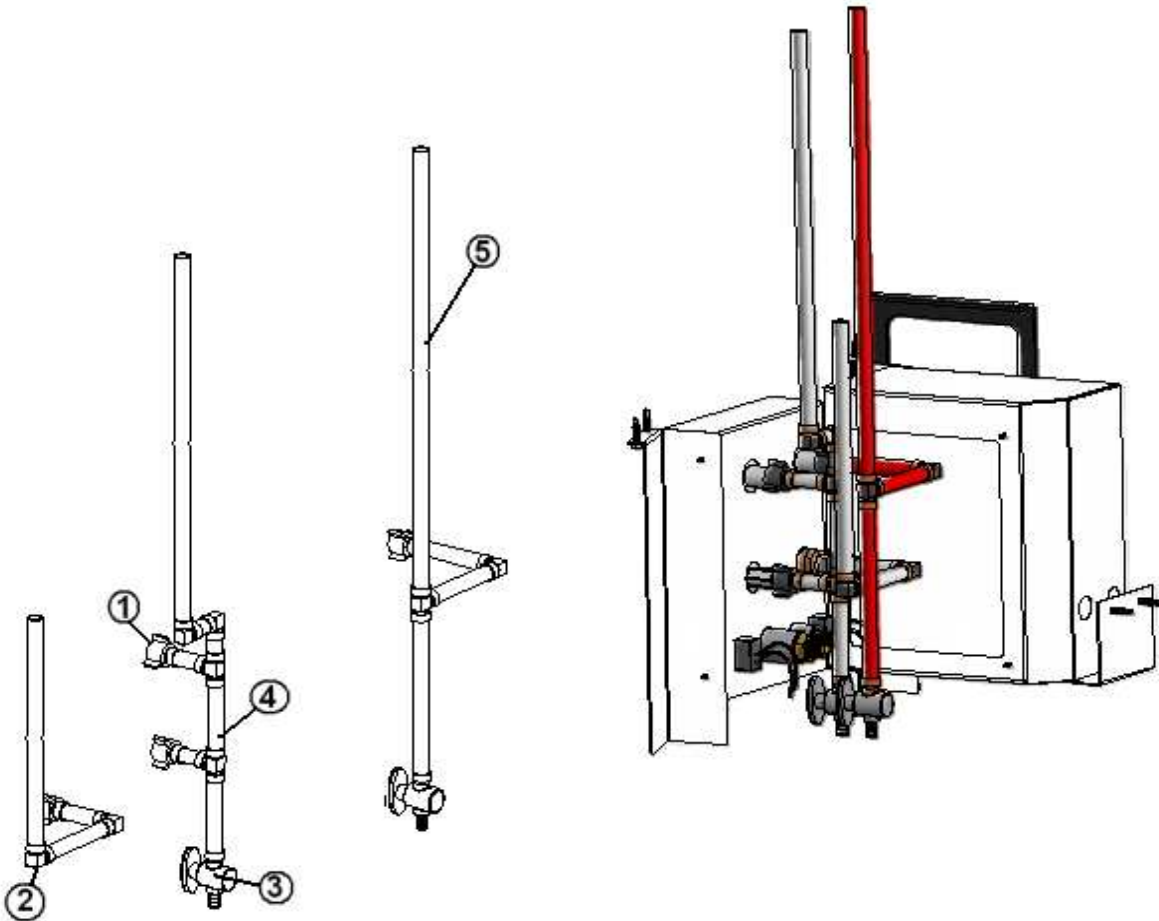
WATER LINES CONSIST OF THE FOLLOWING PARTS:

601698-15	1/2 CRIMP RING #14785
602258-03	ADAPT-BRASS .5B X .5FPT SWIVEL
602258-10	ELBOW-BRASS .5 BARB
602258-11	TEE-BRASS .5 BARB
602258-07	VALVE-BRASS .5 B X .5 STRAIGHT
601698-01	E-PEX 1/2" TUBING
601698-21	TUBING E-PEX 1/2' RED

# 2012 AVENUE MOTORHOME

## PLUMBING, FRESHWATER

### WATER LINES, BELOW FLOOR, AVENUE SUITE

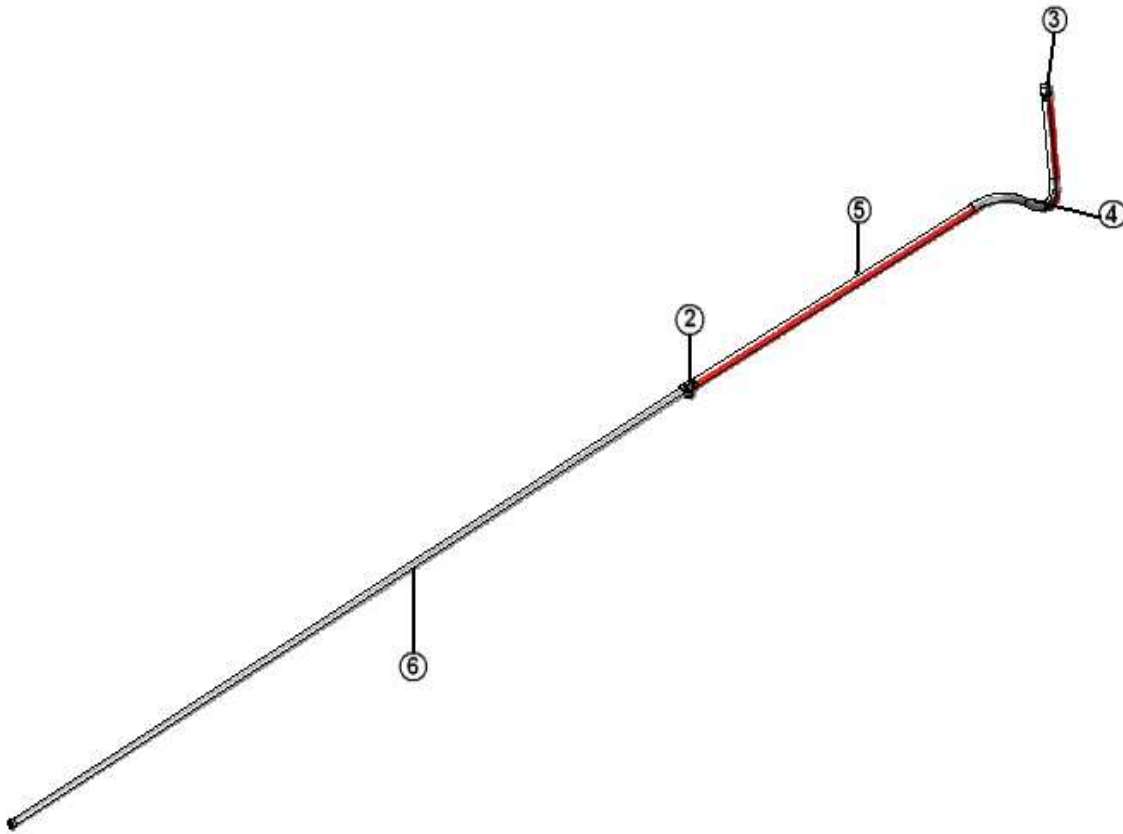


- |    |           |                                     |
|----|-----------|-------------------------------------|
|    | 943737-01 | WATER LINES UNDER FLOOR             |
| 1. | 602256-03 | Adapter Poly .5Barb X .5 FPT Swivel |
| 2. | 602256-10 | Elbow, Poly .5 Barb                 |
| 3. | 602256-07 | Valve, Poly .5 Barb x .5 Straight   |
| 4. | 601698-01 | E-pex tubing 1/2" White             |
| 5. | 601698-21 | E-pex tubing 1/2" Red               |

# 2012 AVENUE MOTORHOME

## PLUMBING, FRESHWATER

### LAYOUT - RS HOT LINES, AVENUE SUITE



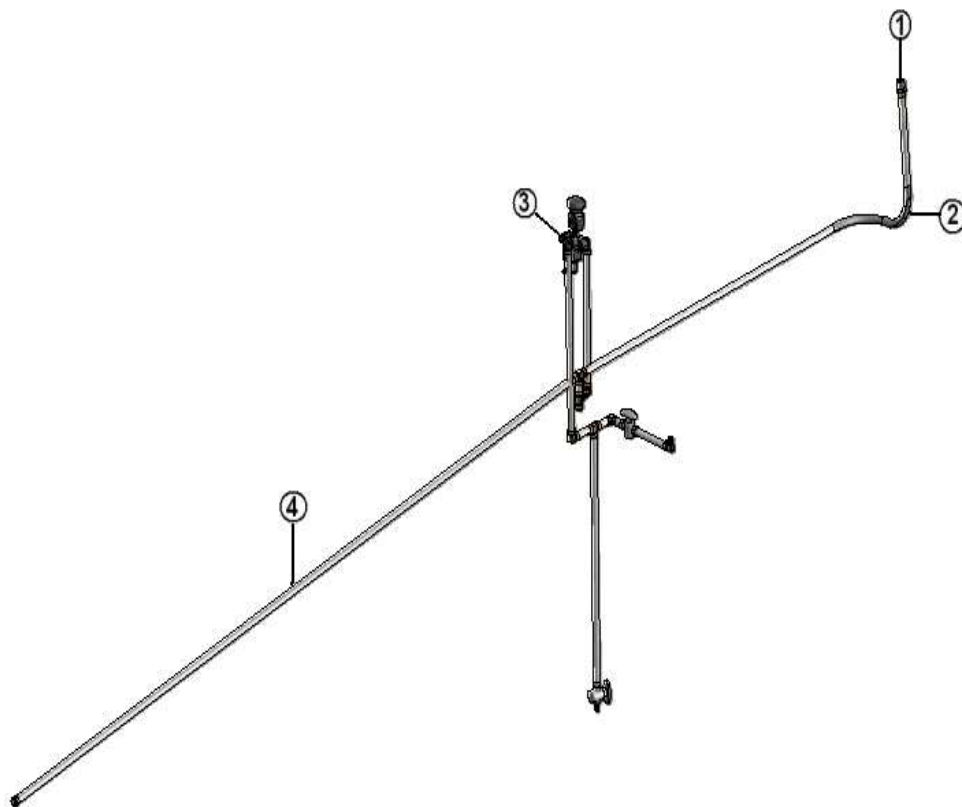
#### 943737-02 LAYOUT - RS HOT LINES

1. 601698-15 CRIMP RING 1/2" (NOT SHOWN)
2. 602256-11 TEE, POLY .5 BARB
3. 602256-02 ADAPTER-MALE POLY .5 BARB X .5 MPT
4. 601774 ELBOW, SUPPORT 90D 1/2"
5. 601698-21 E-PEX 1/2" TUBING - RED (56")
6. 601698-21 E-PEX 1/2" TUBING - RED (84")

# 2012 AVENUE MOTORHOME

## PLUMBING, FRESHWATER

### LAYOUT - RS COLD LINES, AVENUE SUITE



- |    |           |                                     |
|----|-----------|-------------------------------------|
|    | 943737-03 | LAYOUT, ROADSIDE COLD LINES         |
| 1. | 602256-02 | ADAPTER, MALE POLY .5 BARB          |
| 2. | 601774    | ELBOW SUPPPORT 90 D 1/2"            |
| 3. | 602256-05 | ELBOW, POLY .5 BARB X .5 FPT SWIVEL |
| 4. | 601698-01 | E-PEX TUBING, WHITE                 |

# 2012 AVENUE MOTORHOME

## PLUMBING, FRESHWATER

### WATER LINES, ROADSIDE COLD WATER



#### 943727-03 WATER LINES-RS COLD LAYOUT

ABOVE WATER LINES ARE MADE UP OF THE FOLLOWING:

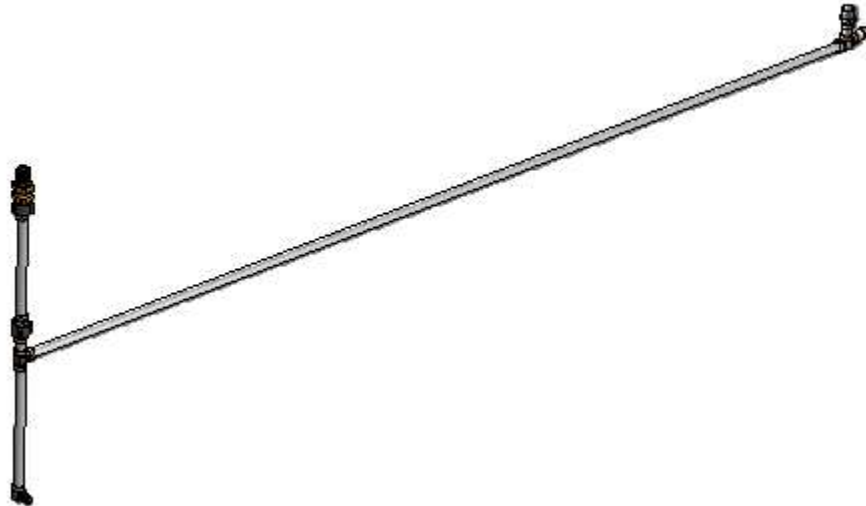
601698-15	1/2 CRIMP RING #14785
602258-10	ELBOW-BRASS .5 BARB
602258-11	TEE-BRASS .5 BARB
602258-03	ADAPT-BRASS .5B X .5FPT SWIVEL
602258-07	VALVE-BRASS .5 B X .5 STRAIGHT
602258-02	ADAPT.-BRASS .5 BARB X .5 MPT
601774	ELBOW SUPPORT-90D 1/2"
601698-01	E-PEX 1/2" TUBING

943737-08	LAY-OUT, FRESH TANK PICK-UP – AVE. SUITE
601698-15	CRIMP RING
602256-10	ELBOW, POLY .5 BARB
602256-05	ELBOW, POLY .5 BARB X .5 FPT SWIVEL
601698-01	E-PEX TUBING 1/2", WHITE

# 2012 AVENUE MOTORHOME

## PLUMBING, FRESHWATER

WATER LINES, ROADSIDE COLD WATER, AVENUE SUITE



Water Line consists of the following parts:

601698-15	1/2" Crimp ring #14785
602256-10	Elbow, Poly .5 Barb
602256-11	Tee, Poly .5 Barb
602256-03	Adapter, Poly .5Barb x .5 FPT Swivel
602256-02	Adapter, Male Poly .5 BARB X .5 MPT
602305	Check valve, 1/2" MPT x 1/2" FPT
601698-01	E-Pex tubing 1/2" White
602311	Fitting 1/2" MPT x 3/8" BARB
943737-06	LAYOUT, CURBSIDE COLD LINES

# 2012 AVENUE MOTORHOME

## PLUMBING, FRESHWATER

### WATER LINES, ROADSIDE HOT WATER



943727-02 WATER LINES-RS HOT LAYOUT

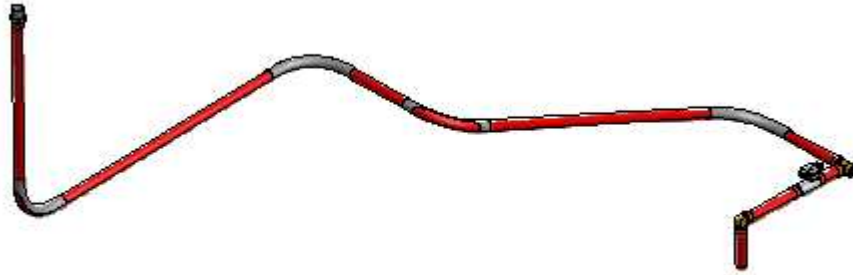
THE WATER LINES ARE MADE UP OF THE FOLLOWING:

601698-15	1/2 CRIMP RING #14785
602258-10	ELBOW-BRASS .5 BARB
602258-11	TEE-BRASS .5 BARB
602258-02	ADAPT.-BRASS .5 BARB X .5 MPT
601774	ELBOW SUPPORT-90D 1/2
601698-21	TUBING E-PEX 1/2' RED

# 2012 AVENUE MOTORHOME

## PLUMBING, FRESHWATER

### WATER LINES, CURBSIDE HOT WATER



Water Lines Consists of:

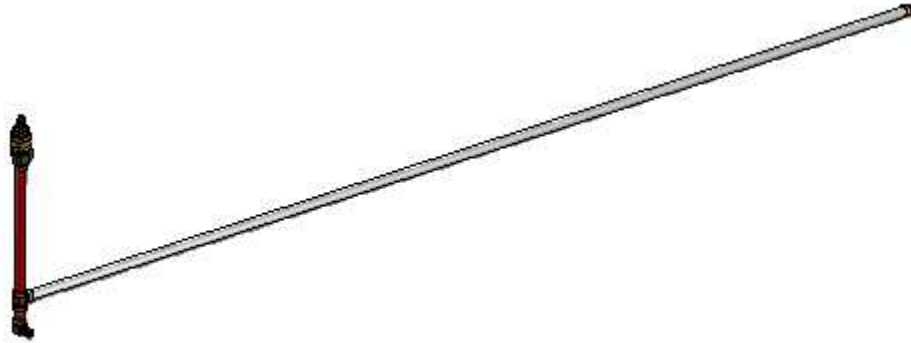
601698-15	1/2" Crimp Ring
602258-10	Elbow, Brass .5" Barb
602258-11	Tee, Brass .5" Barb
602258-07	Valve, Brass .5" Barb X .5" Straight
602258-02	Adapter, Brass .5B X .5MPT
601774	Elbow Support, 90D 1/2"
601698-21	E-Pox Tubing, 1/2", Red



# 2012 AVENUE MOTORHOME

## PLUMBING, FRESHWATER

WATER LINES, CURBSIDE HOT WATER, Avenue Suite



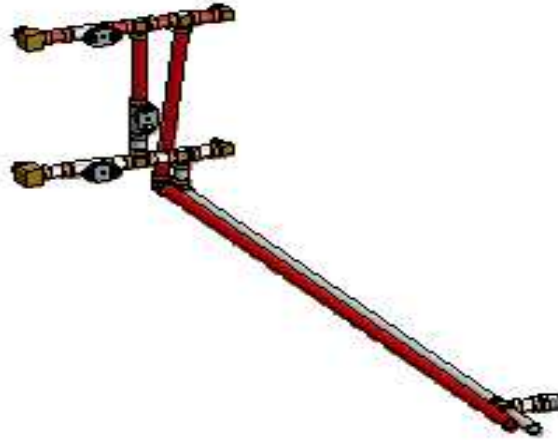
Water Lines Consists of:

601698-15	1/2" Crimp Ring
602258-10	Elbow, Brass .5" Barb
602258-11	Tee, Brass .5" Barb
602256-03	Adapter, Poly .5B X .5FPT
601698-21	E-Pex Tubing, 1/2", Red
602305	Check Valve, 1/2" MPT x 1/2" FPT
602311	Fitting, 1/2" MPT x 3/8" Barb
943737-05	Layout, Curbside Hot Lines

# 2012 AVENUE MOTORHOME

## PLUMBING, FRESHWATER

### WATER LINES, HEATER/CROSSCAR



943727-04 WATER LINES-HEATER/CROSS CAR

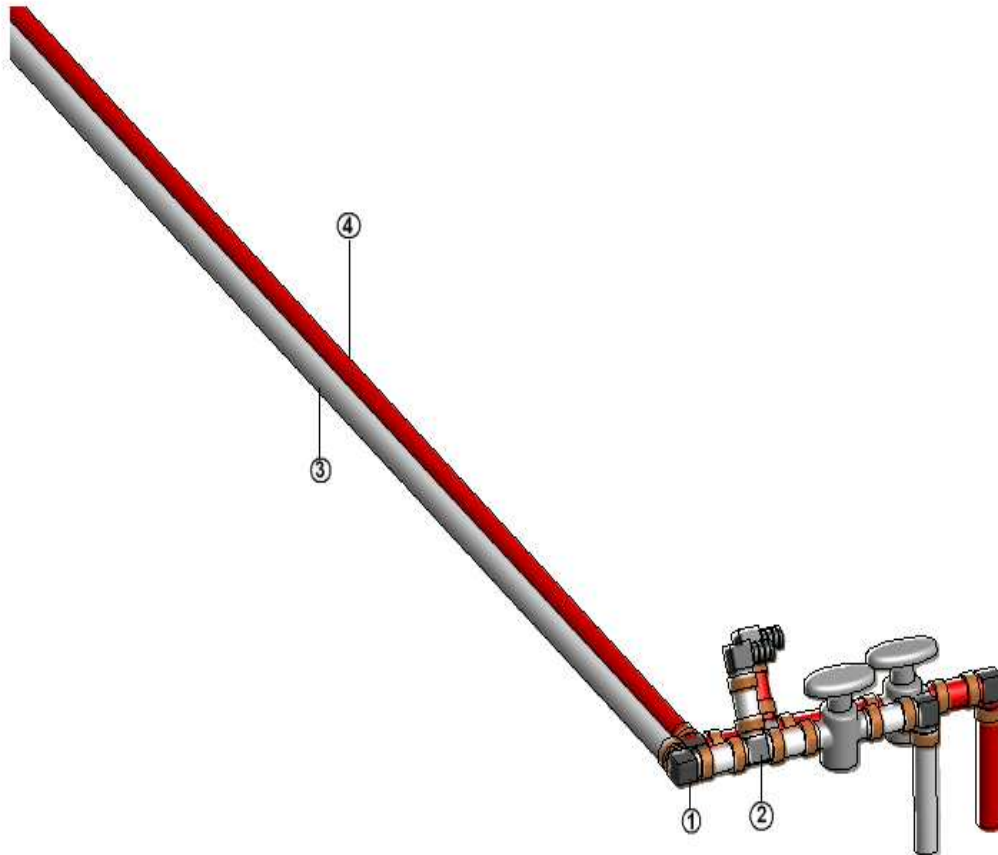
#### WATER LINES CONSIST OF:

601698-15	1/2 CRIMP RING #14785
602258-10	ELBOW-BRASS .5 BARB
602258-11	TEE-BRASS .5 BARB
602258-07	VALVE-BRASS .5 B X .5 STRAIGHT
602258-04	ELBOW-BRASS .5 BARB X .5 MPT
602258-02	ADAPT.-BRASS .5 BARB X .5 MPT
601698-21	TUBING E-PEX 1/2' RED
601698-01	E-PEX 1/2" TUBING

# 2012 AVENUE MOTORHOME

## PLUMBING, FRESHWATER

### WATER LINES, HEATER/CROSSCAR, AVENUE SUITE



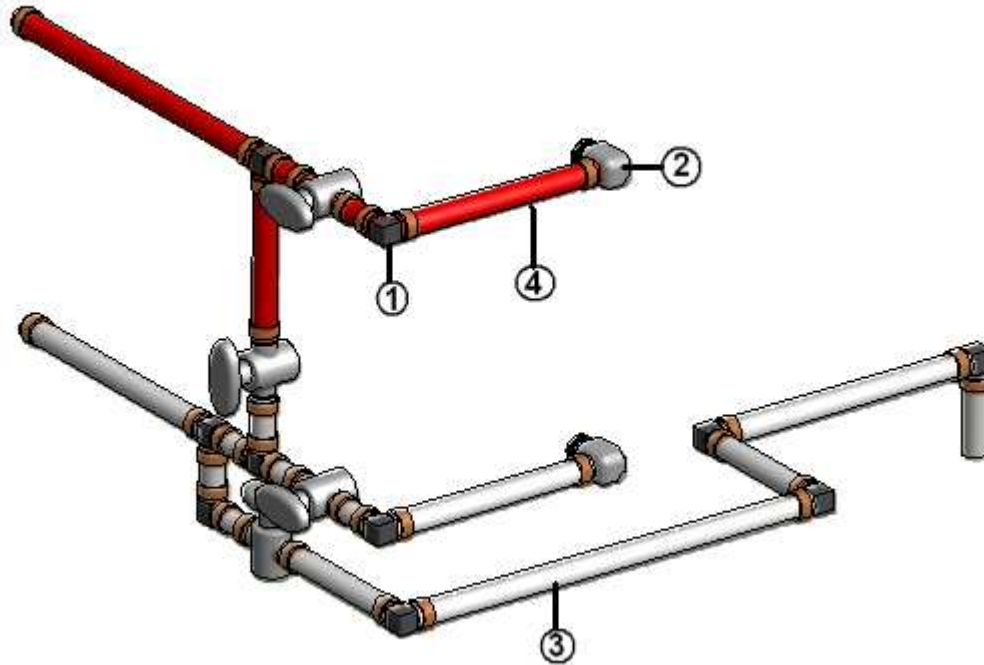
#### 943737-04 LAYOUT, WATER HEATER & CROSS CAR

- |    |           |                                   |
|----|-----------|-----------------------------------|
| 1. | 602256-10 | ELBOW, POLY .5 BARB               |
| 2. | 602256-11 | TEE, POLY .5 BARB                 |
| 3. | 601698-01 | E-PEX ½ TUBING WHITE              |
| 4. | 601698-21 | E-PEX ½ TUBING RED                |
|    | 602256-07 | VALVE, POLY .5 BARB X .5 STRAIGHT |

# 2012 AVENUE MOTORHOME

## PLUMBING, FRESHWATER

### WATER HEATER BY-PASS, AVENUE SUITE



- |    |           |                                   |
|----|-----------|-----------------------------------|
| 1. | 602256-10 | Elbow, Poly .5 Barb               |
| 2. | 602256-04 | Elbow, Poly .5 Barb X .5 MPT      |
| 3. | 601698-01 | E-Pex tubing White, 1/2"          |
| 4. | 601698-21 | E-Pex tubing Red, 1/2"            |
|    | 602256-07 | Valve, Poly .5 Barb X .5 Straight |
|    | 601698-15 | Crimp ring                        |
|    | 602256-11 | Tee, Poly .5 Barb                 |
|    | 943737-07 | Layout, Water Heater By-Pass      |

# 2012 AVENUE MOTORHOME

## PLUMBING, DRAIN

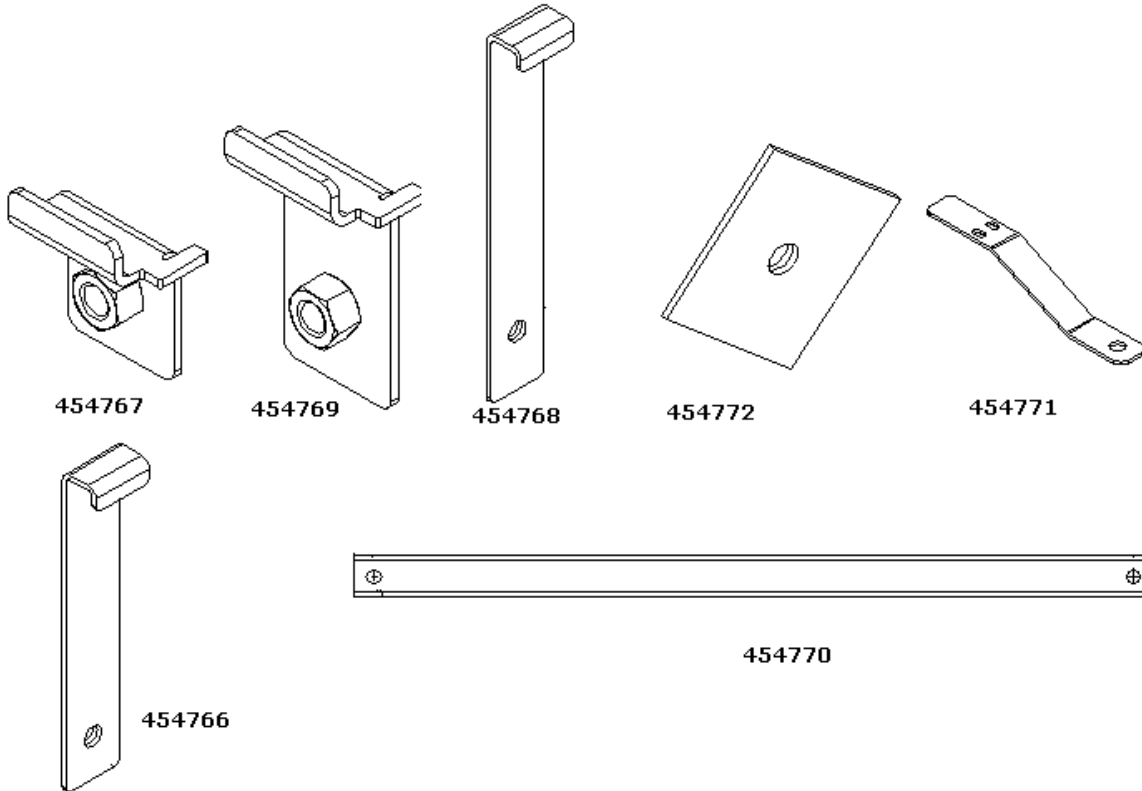
### Tanks/Valves/Heating Pad

602253 Black holding tank  
602254 Grey holding tank  
511812 PAD-HEATING HOLDING TANK #TH-718  
602280 Dump Valve 3"S x 1.5"H x 3" Bay  
600155 CLEANOUT PLUG, 1 1/2"  
454764 BRACKET, GRAY TANK HANGER  
454767 BRACKET, GRAY TANK CLAMP TOP FWD  
454769 BRACKET, GRAY TANK CLAMP TOP AFT  
454768 BRACKET, GRAY TANK CLAMP BTM AFT  
454772 BRACKET, GRAY TANK PLATE 2.5X2.5  
454771 BRACKET, GRAY TANK CM BRACE  
454766 BRACKET, GRAY TANK CLAMP BTM FWD  
454770 BRACKET, GRAY TANK BTM SUPPORT  
454845 BRACKET, REAR BLK TANK SUPPORT  
454844 BRACKET, FWD BLK TANK SUPPORT  
454846 BRACKET, BOTTOM BLK TANK SUPPORT  
454778 PLATE-BLK TANK WASHER  
454779 PLATE-BLK TANK WASHER

# 2012 AVENUE MOTORHOME

## PLUMBING, DRAIN

### GREY TANK BRACKETS

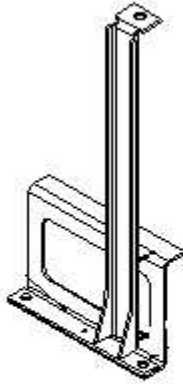


- 454767 BRACKET, GREY TANK CLAMP TOP FWD
- 454769 BRACKET, GREY TANK CLAMP TOP AFT
- 454768 BRACKET, GREY TANK CLAMP BTM AFT
- 454772 BRACKET, GREY TANK PLATE 2.5X2.5
- 454771 BRACKET, GREY TANK CM BRACE
- 454766 BRACKET, GREY TANK CLAMP BTM FWD
- 454770 BRACKET, GREY TANK BTM SUPPORT
- 454764 BRACKET, GRAY TANK HANGER (Not Shown)

# 2012 AVENUE MOTORHOME

## PLUMBING, DRAIN

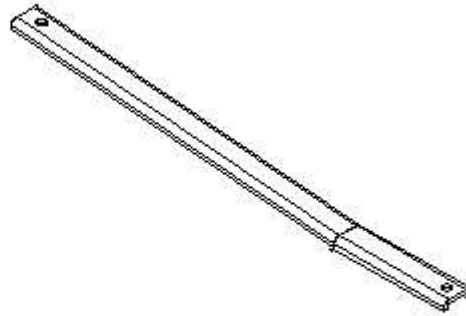
### BLACK TANK BRACKETS



454845



454844



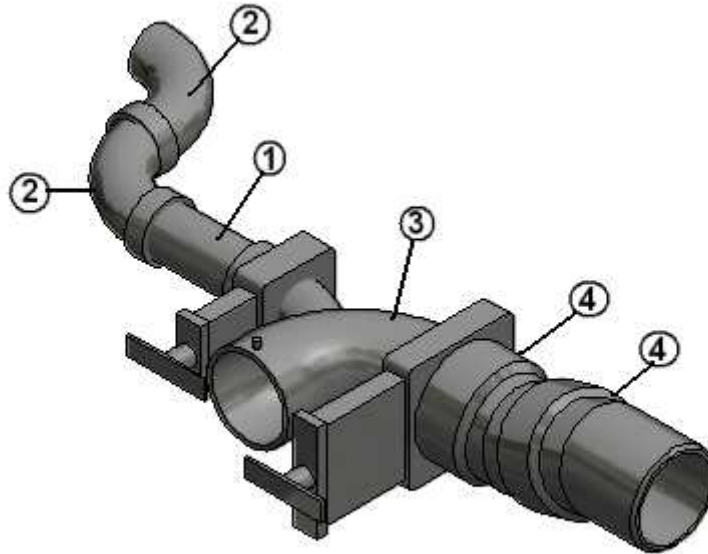
454846

- 454845 BRACKET, REAR BLK TANK SUPPORT
- 454844 BRACKET, FWD BLK TANK SUPPORT
- 454846 BRACKET, BOTTOM BLK TANK SUPPORT

# 2012 AVENUE MOTORHOME

## PLUMBING, DRAIN

### Drain Valve System/Macerator Pump



- |              |                                |
|--------------|--------------------------------|
| 1. 601160-02 | PIPE, ABS DVW, 1-1/2"          |
| 2. 600431    | ELBOW, 90, 1-1/2 IN            |
| 3. 602280    | VALVE-DUMP 3"S X 1.5"H X 3"BAY |
| 4. 601403    | ELBOW-ST 22.5D 3" ABS          |
| 602264       | PUMP KIT-MACERATOR             |

### Tank Flush

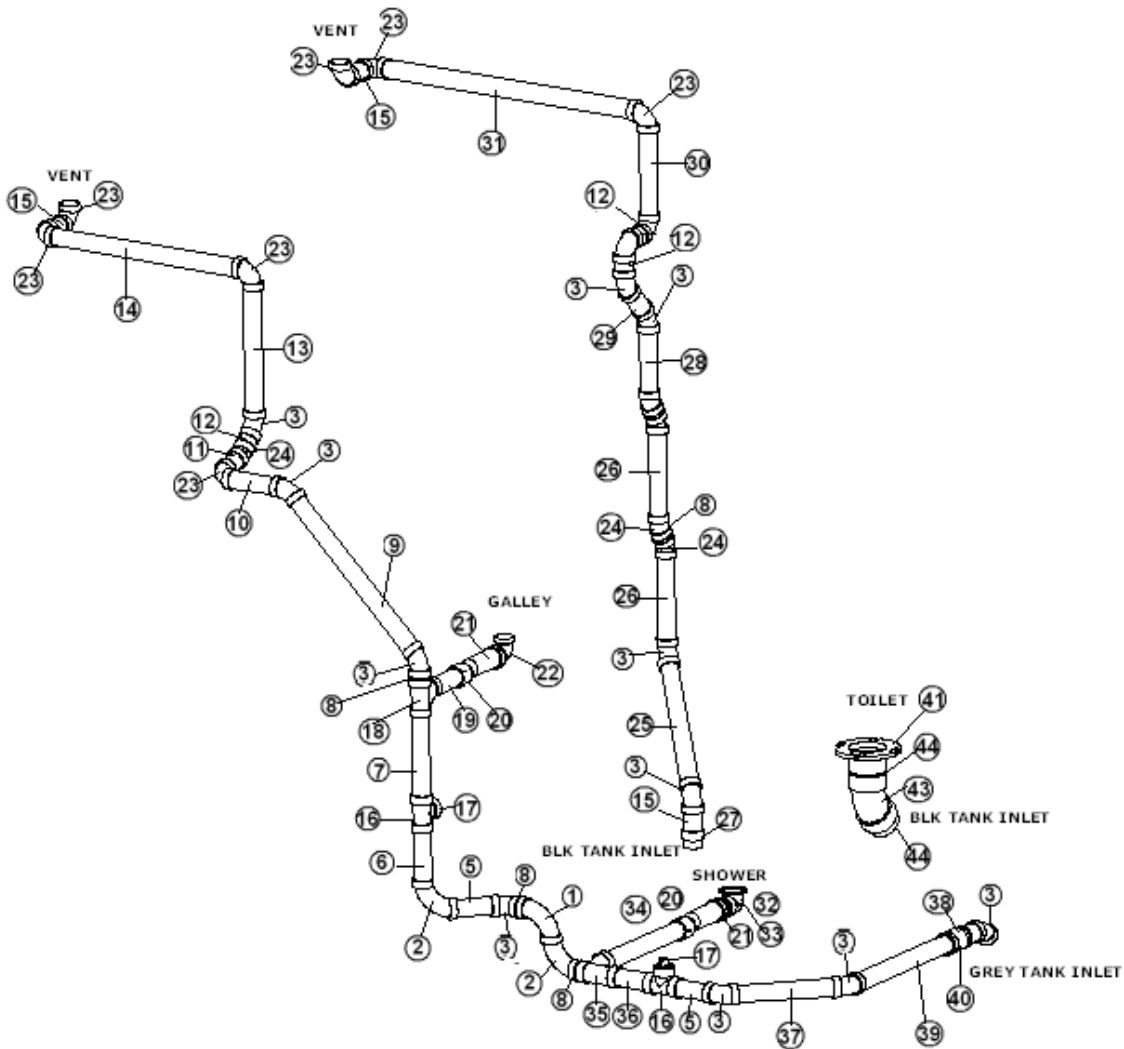
- |           |   |
|-----------|---|
| 601698-01 | E-PEX 1/2" TUBING                       |
| 602256-10 | ELBOW, POLY .5 BARB                     |
| 602256-03 | ADAPATOR, POLY, .5 BARB X .5 FPT SWIVEL |
| 602256-05 | ELBOW, POLY .5 BARB X .5 FPT SWIVEL     |
| 601441    | SYSTEM, TANK FLUSH                      |
| 602272    | HOOK UP-NO FLUSH #19981                 |
| 601698-15 | 1/2" CRIMP RING                         |



# 2012 AVENUE MOTORHOME

## PLUMBING, DRAIN

### Drain System, Above Floor



Parts Listed On Next Page

# 2012 AVENUE MOTORHOME

## PLUMBING, DRAIN

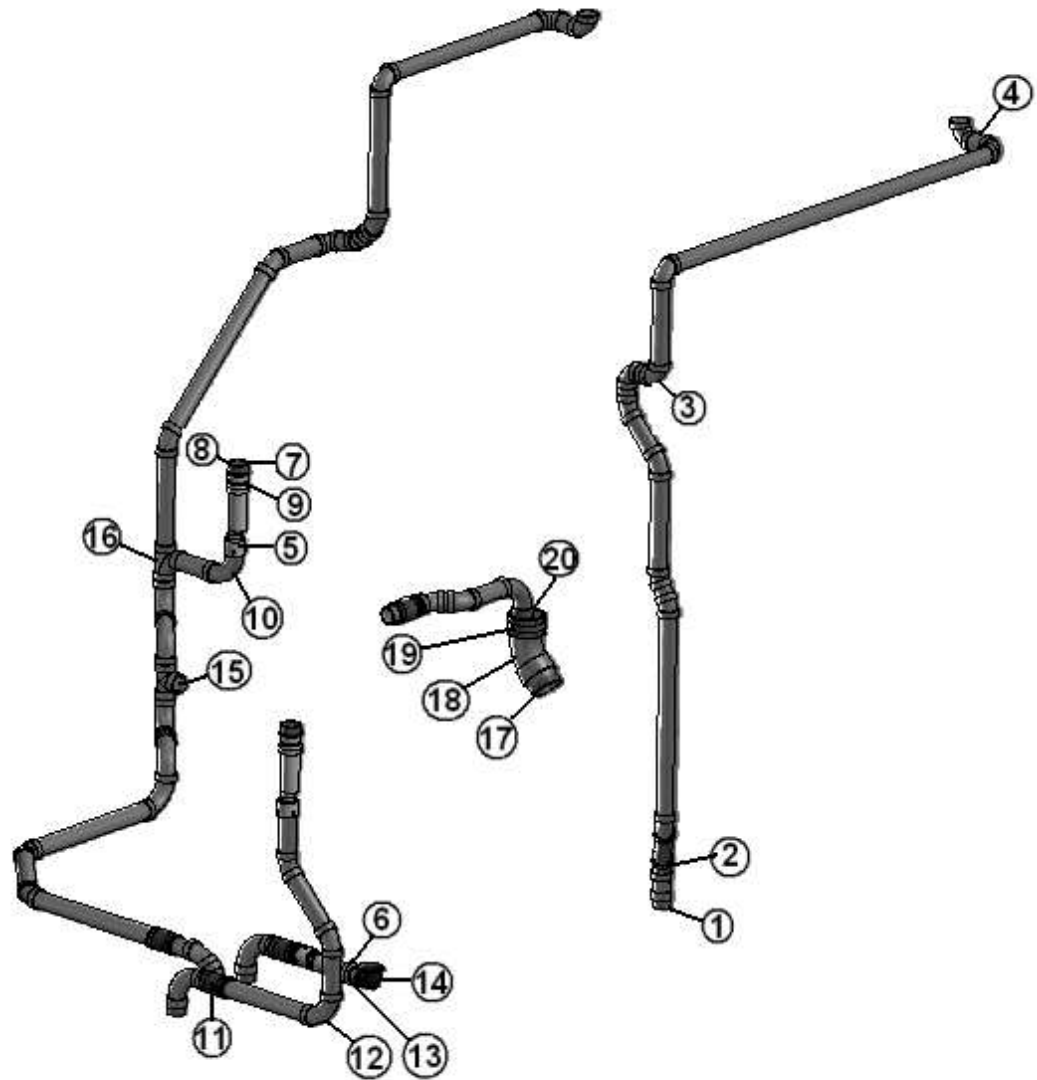
### Drain System, Above Floor

1. 600431 ELBOW, 90, 1-1/2 IN
2. 600035 ELL ABS LONG SWEEP 1-1/2
3. 600030 ELL ABS 45 DEGREES LG TURN
5. 600156 TEE SANITARY
- 6 THRU 15 - 601160-02 PIPE, ABS DVW 1 1/2"
16. 600318 TEE, SANITARY 1.5 X 1.5 X 1.5
17. 600155 CLEANOUT PLUG 1 1/2"
18. 600156 TEE, SANITARY 1 1/2"
19. 601160-02 PIPE ABS DVW 1 1/2" 5.50"
20. 602212 ADAPTER, 1 1/2" FPT X 1 1/2" SLIP PVC
21. 690603-01 WASTE VALVE HEPVO
22. 690603-02 ADAPTER ANGLE HEPVO
23. 600035 ELBOW, 90 DEG. ABS LONG SWEEP
24. 600030 ELBOW, 45 DEG ABS
- 25 & 26 601160-02 PIPE, ABS DVW 1 1/2"
27. 602213 ADAPTER, 1 1/2" SPIGOT X 1 1/2" MPT
- 28 THRU 31 601160-02 PIPE, ABS DVW 1 1/2"
32. 602213 ADAPTER, 1 1/2" SPIGOT X 1 1/2" MPT
33. 602265 TUB SHOE ELBOW 1 1/2" ABS
34. 601160-02 PIPE, ABS DVW 1 1/2"
35. 600182 WYE 1.5 X 1.5 X 1.5 ABS
36. 601160-02 PIPE, ABS DVW 1 1/2"
37. 601160-02 PIPE, ABS DVW 1 1/2"
38. 602201 COUPLING FLEXIBLE 1.5"
39. 601160-02 PIPE, ABS DVW 1 1/2"
40. 601160-02 PIPE, ABS DVW 1 1/2"
41. 602293 CLOSET FLANGE ABS 3 X 4
43. 602281 FITTING, 3.00" ABS 45D ELBOW
44. 601267-02 NIPPLE THREADED ONE END 6.00"

# 2012 AVENUE MOTORHOME

## PLUMBING, DRAIN

### Drain System, Avenue Suite



Part Listed on Next Page

# 2012 AVENUE MOTORHOME

## PLUMBING, DRAIN

### Drain System, Avenue Suite

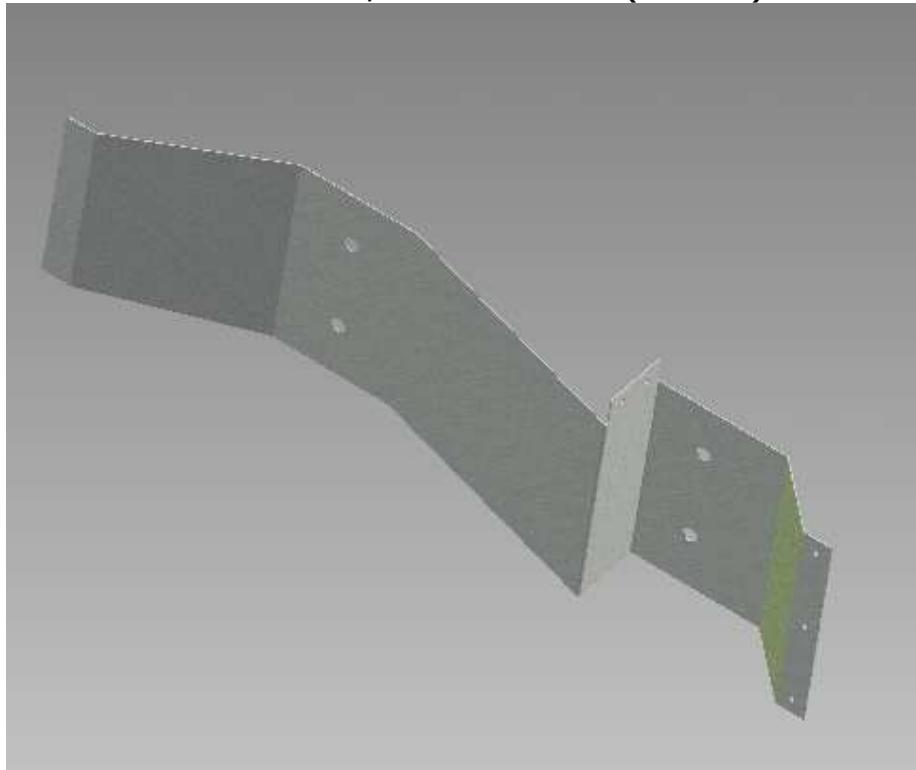
	943739	Layout, Drainage System, Ave. Suite
1.	601676	Adapter, 1 1/2" Spigot x 1 1/2" MPT
2.	600030	Elbow, 45 Deg., ABS
3.	600035	Elbow, 90 Deg. ABS Long Sweep
4.	601160-02	Pipe, ABS DVW 1 1/2"
5.	602212	Adapter, 1 1/2" FPT X 1 1/2" Slip PVC
6.	690603-01	Waste Valve, Hepvo
7.	602287-01	Swivel Adapter 1 1/2" x 1 1/2" FPT x HUB
8.	602287-02	Rubber Washer, Black 1/2"
9.	602214	Adapter, 1 1/2" MPT x 1 1/2" Slip PVC
10.	600431	Elbow, 90 Deg. Street, ABS
11.	602201	Coupling, Flexible 1.5" A256-15
12.	600035	Elbow, 90 Deg. ABS Long Sweep
13.	602213	Adapter, 1 1/2" Spigot X 1 1/2" MPT
14.	602265	Tub Shoe Elbow, 1 1/2" ABS
15.	600318	Tee, Sanitary 1.5" x 1.5" x 1.5"
16.	600156	Tee, Sanitary 1 1/2"
17.	601267-02	Nipple, Threaded One End 6.00"
18.	600224	Elbow, 3", 45deg. Street
19.	600289	Calder Coupler, 3.00" Rubber
20.	195329-229	Reducer Adapter 3.00" to 1.50"
	600155	Clean out plug 1 1/2"

# 2012 AVENUE MOTORHOME

## PLUMBING

### HEAT SHIELDS

454835 HEAT SHIELD, GREY TANK (Below)



454836 HEAT SHIELD, DRAINAGE (Below)

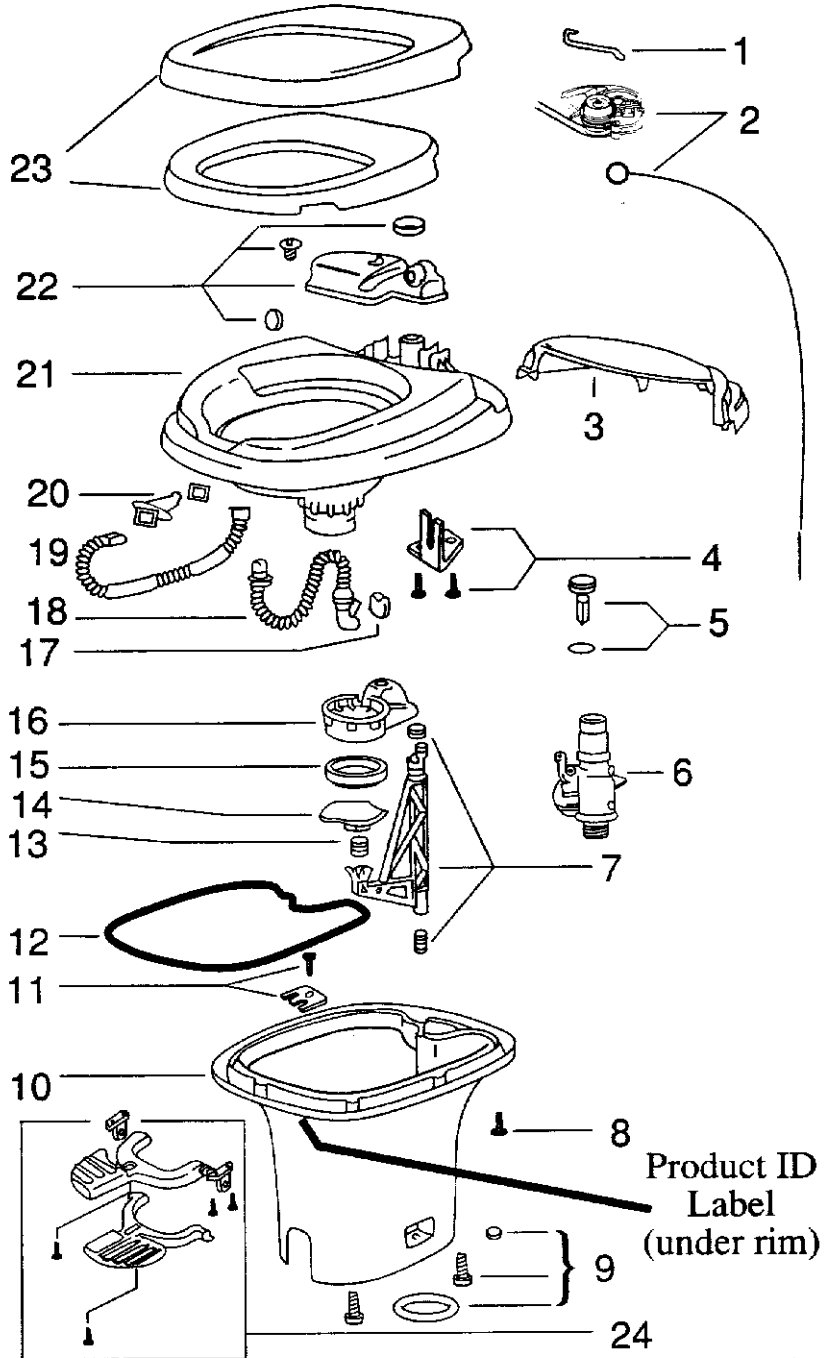


454834 SLEEVE, REFLECTOR, 22"

# 2012 AVENUE MOTORHOME

## PLUMBING, DRAIN

### Toilet w/o Water Saver



P/N Next Page

# 2012 AVENUE MOTORHOME

## PLUMBING, DRAIN

### Toilet w/o Water Saver

690495	Toilet complete, Aqua Magic IV
1. 690387-513	Water valve link
2. 690387-571	Wire replacement package
3. 690387-562	Mechanism cover, white
4. 690387-634	Bracket assembly
5. 690387-631	Float assembly
6. 690387-168	Water valve replacement package
7. 690387-632	Actuator assembly
8. 690387-659	Screw base to bowl
9. 690387-524	Closet bolt package
10. 690387-356	Base, white, low
10. 690387-062	Base, white, high
11. 690387-636	Retainer assembly
12. 690387-387	Sealant, base to bowl
13. 690387-519	Blade spring
14. 690387-262	Blade
15. 690387-481	Blade seal
16. 690387-520	Blade track
17. 690387-512	Flapper
18. 690387-511	Overflow tube
19. 690387-509	Flush tube
20. 690387-637	Nozzle assembly
21. 690387-726	Bowl
22. 690387-630	Reservoir tank assembly
23. 690387-162	Seat and cover assembly
24. 690387-821	Pedal package

# 2012 AVENUE MOTORHOME

## PLUMBING, DRAIN

Toilet, Macerator, Avenue Suite

- 602302-01 TOILET, MACERATOR, DOMETIC – AVENUE SUITE
- 602302-02 WOODEN SEAT
- 602302-03 REMOTE MOUNT VACUUM BREAKER/WATER VALVE ASSY. W/12" MPT INLET & OUTLET & MTG. BRKT.
- 602302-04 RELAY ASSEMBLY W/BRACKET & 12" WIRES
- 602302-05 2 SWITCH FLUSH/ADD WATER PANEL
- 602302-06 DTM01 TANK FULL PANEL
- 602302-07 TANK FULL PROBE
- 365359-01 GASKET, MACERATOR TOILET SWITCH 3.25"X3.25"
- 365359-02 GASKET, MACERATOR TOILET INDICATOR LIGHT 3" X 1.75"
- 382166 RUBBER GROMMET, ID 2.00", PNL DIA 3.25" BLK





## 2012 AVENUE MOTORHOME

### SEALER/GASKETS/UNDERCOATING

#### SEALER

360001	Sealant, #884058
360268-01	SEAL LIQUA ELASTOMIC ROOF WHITE
360180	ADHESIVE SEAL, SIKAFLEX 221
365190	SEAL RUBBER ADHESIVE, ¾" X 3
365356-01	SEALANT-WHITE SIKA#505UV SILAN
365356-02	SEALANT-GRAY SIKA#505UV SILANE
365330-01	SEAL-RTV SILICONE WHITE #4552
360001	SEALANT BUTYL, #884058
360209-01	SEALANT SEAM
360286	SEALANT GREY SU6000-40-386/1
360052	SEALANT BLACK VULKEM
365356-02	SEALANT-GRAY SIKA#505UV SILANE
360327	Undercoating, 17 Oz. Aerosol can
360255-04	SEALANT ALUM GREY #455-38

#### GASKETS

365314	SEAL, CLOSED CELL FOAM.75"X.75", battery box
--------	--

## 2012 AVENUE MOTORHOME

### UPHOLSTERY/SOFA/SEATS

#### Driver/Passenger Seat/Skirt

Cab captain chair come with chassis. Airstream sends the chair out to be recovered to the motorhome color scheme.

703806-400	Skirt, driver's seat pedestal, Onyx
703806-411	Skirt, driver's seat pedestal, Lt. Camel
703807-400	Skirt, passenger's seat pedestal, Onyx
703807-411	Skirt, passenger's seat pedestal, Lt. Camel
703876-400	Recover, Driver & Passenger Seat, Per Set, Onyx
703876-411	Recover, Driver & Passenger Seat, Per Set, Lt. Camel

#### Chair, Captains, 2<sup>nd</sup> Row

703877-400L	Chair Roadside w/Seat Belt, Mid, Onyx
703877-411L	Chair Roadside w/Seat Belt, Mid, Lt. Camel
703878-400L	Chair Curbside w/Seat Belt, Mid, Onyx
703878-411L	Chair Curbside w/Seat Belt, Mid, Lt. Camel

#### Trunk Liner

703899	Kit, Trunk Liner 3 Piece, Black
703947	Kit, Trunk Liner 4 Piece, Black – Avenue Suite

## 2012 AVENUE MOTORHOME

### UPHOLSTERY/SOFA/SEATS

#### Pillows, Lounge

- 703865-03 Pillow Kit, Onyx/Lt. Camel
- 703865-01 Pillow, Onyx/Lt. Camel, 16" x 16"
- 703865-02 Pillow, Onyx/Lt. Camel,,16" x 10"

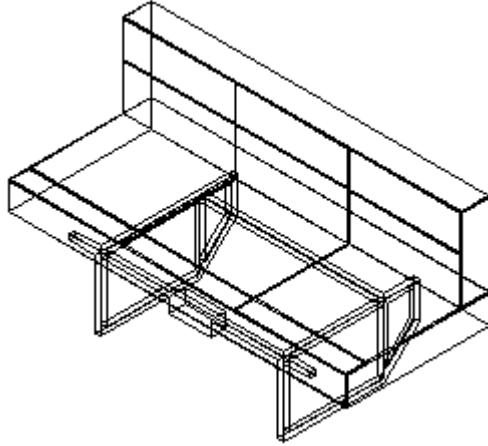
#### OTTOMANS – AVENUE SUITE

- 703943 OTTOMAN COVERED FOAM KIT – AVENUE SUITE  
(1 KIT PER UNIT, 4 PCS.) COVERED IN 703862  
ULTRA LEATHER #3729 – TAN
- 703943-01 ROADSIDE BASE
- 703943-02 ROADSIDE/CURBSIDE BACK
- 703943-03 CURBSIDE BASE

## 2012 AVENUE MOTORHOME

### UPHOLSTERY/FOAM/MATTRESS

#### Sofa, Power



703879-400L Sofa, power w/headrests, Onyx

703879-411L Sofa, power w/headrests, Lt. Camel

703906-01 FOAM-SOFA EXTENSION 6 X 6 X 18.63"

703948-400L Sofa, Power Ave., 48" Base – Onyx Ave.Suite

703948-411L Sofa, Power Ave., 48" Base – Lt. Camel Ave. Suite

#### Shower Curtain

998208 Shower curtain 108 X 72

998214 Shower curtain 32" X 72"H – AVENUE SUITE

703760 Fabric, Shower Shield Snow, 72"

700021 Hook, Velcro – White

700020 Pile, Velcro

100097 Curtain track

700044 Curtain glide "T"

700045 Curtain glide "G"

100099 Aluminum Curtain Track, Top

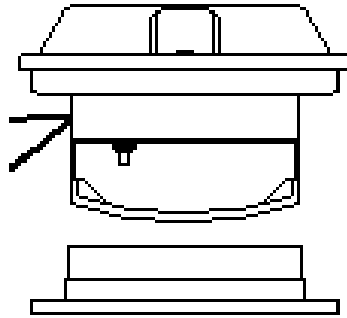
101217 Extrusion, Curtain Track

703872 Weight, Drapery Vinyl 1" x 1"

# 2012 AVENUE MOTORHOME

## VENTS/FANS

Bath Power Vent



690266-04 VENT W/2" WHITE GARNISH

Power Vent, Ceiling

382058 Maxx Vent, exhaust only





