

# ***AIRSTREAM***

## ***FLYING CLOUD TRAVEL TRAILER***

### ***PARTS BOOK***

**2011**



2011 FLYING CLOUD  
TABLE OF CONTENTS  
SECTION I, A through B

APPLIANCES

<u>Air Conditioner</u> .....	I-1
<u>Furnace</u> .....	I-2
<u>Range/Cook Top</u> .....	I-3
<u>Refrigerator</u> .....	I-3
<u>Water Heater</u> .....	I-4
<u>Microwave</u> .....	I-4

BODY

<u>End shell, aft</u> .....	I-5
<u>End shell, front</u> .....	I-15
<u>Roof</u> .....	I-23
<u>CS Wall 30'</u> .....	I-24
<u>RS Wall 30'</u> .....	I-26
<u>RS Wall 28' W</u> .....	I-28
<u>CS Wall 28' W</u> .....	I-30
<u>RS Wall, 27' Front Bed</u> .....	I-32
<u>CS Wall, 27' Front Bed</u> .....	I-34
<u>CS Wall 25 Front Bed</u> .....	I-36
<u>RS Wall 25 Front Bed</u> .....	I-38
<u>RS Wall, 23'</u> .....	I-40
<u>CS Wall, 23'</u> .....	I-42
<u>RS Wall, 23' Front Bed</u> .....	I-44
<u>CS Wall, 23' Front Bed</u> .....	I-46
<u>CS Wall, 20'</u> .....	I-48
<u>RS Wall 20'</u> .....	I-50
<u>RS Wall, 19ft.</u> .....	I-52
<u>CS Wall, 19ft.</u> .....	I-54
<u>Wrap Protector</u> .....	I-56
<u>Body Interior</u> .....	I-57

2011 FLYING CLOUD  
TABLE OF CONTENTS  
SECTION II, C through E

CHASSIS

<u>Axles, Shocks</u> .....	II-1
<u>Step, Wheel Wells</u> .....	II-1
<u>Tires, Wheels</u> .....	II-2
<u>Stabilizing Jacks, Hose Carrier</u> .....	II-3
<u>Rear Bumper</u> .....	II-4
<u>Under Belly Metal</u> .....	II-5
<u>Hitch Jacks</u> .....	II-5
<u>Coupler, Safety Chains, Hitch</u> .....	II-6
<u>Rear Bumper Slide Out Storage Drawer</u> .....	II-7

<u>DECALS/EXTERIOR TRIM</u> .....	II-8
-----------------------------------	------

DOORS/WINDOWS/AWNING

<u>Doors</u> .....	II-9
<u>Windows</u> .....	II-16
<u>Stone Guard</u> .....	II-21
<u>Awning</u> .....	II-22

<u>DRAPES/BLINDS/VALANCES</u> .....	II-23
-------------------------------------	-------

ELECTRICAL

<u>110 volt</u> .....	II-32
<u>12 volt</u> .....	II-34

<u>ENTERTAINMENT</u> .....	II-40
----------------------------	-------

2011 FLYING CLOUD  
TABLE OF CONTENTS  
SECTION III, F through H

FLOOR COVERING

<u>Mats</u> .....	III-1
<u>Vinyl Flooring</u> .....	III-1
<u>Diamond Tread Plate</u> .....	III-1

FURNITURE

<u>Interior Doors</u> .....	III-2
<u>Mirrors</u> .....	III-5
<u>Drawer</u> .....	III-5
<u>Lounge</u> .....	III-7
<u>Galley</u> .....	III-57
<u>Lavatory</u> .....	III-154
<u>Bedroom</u> .....	III-208

HARDWARE

<u>Exterior locks/hinges</u> .....	III-251
<u>Roof Locker Mounting Supports</u> .....	III-255
<u>Interior drawer slides/hinges latches</u> .....	III-259
<u>Bath Accessories</u> .....	III-263
<u>Wardrobe, Drapes, Interior Hinges</u> .....	III-264
<u>Detectors/Fire Extinguisher</u> .....	III-265
<u>Window</u> .....	III-266
<u>Awning hardware</u> .....	III-267
<u>Rivets</u> .....	III-270

2011 FLYING CLOUD  
TABLE OF CONTENTS  
SECTION IV, I through Z

LABELS and TAGS ..... IV-1

PLUMBING

LPG ..... IV-3

Fresh Water ..... IV-5

Faucets ..... IV-14

Drain Water ..... IV-17

Toilet ..... IV-37

SEALER ..... IV-39

GASKETS/PAINT ..... IV-40

UPHOLSTERY

Mattresses/Bedspreads ..... IV-45

Sofa/Armrests/Cushions ..... IV-47

Pillows ..... IV-49

Dinette Foam ..... IV-53

VENTS/FANS/SKY LIGHTS ..... IV-57

WOOD/LAMINATES/TRIM

PLYWOOD/PANELING ..... IV-59

EDGEBANDING/LUAN ..... IV-60

INTERIOR TRIM ..... IV-61

# 2011 FLYING CLOUD

## APPLIANCES

### Air Conditioners

690323-42	Air conditioner, 13,500 BTU W/Heat Pump
690323-43	Air conditioner, 15,000 BTU W/Heat Pump
690323-44	Comfort control center #3312024
690380-10	Air box/Shroud, interior, white
690380-11	Adapter, duct, use w/ 690380-10
961270	Pan Assembly, drain, air conditioner
511252	Plug phone – 4 conductor
690323-100	Shroud, exterior, Penguin
601240-01	Black drain tubing, 1/2" ID
382160	Grommet, Flexible Vinyl #635

### Air Conditioner, KOA ONLY

690606-03	Air conditioner, 15000 BTU, Coleman
690606-05	Ceiling, Plenum, white, w/controls

# 2011 FLYING CLOUD

## APPLIANCES

### Furnace

690395-04	Furnace, Hydroflame, 7916-II, 19'
690467-08	Furnace, 18,000 BTU, 23' FB, 23', 20'
690274-04	Furnace, Hydroflame, 8525-IV, 25', 27'
690274-01	Furnace, Hydroflame, 8531, 28', 30'
690274-09	Door exterior, Hydroflame
690608-01	Vent, Furnace Extension 0" to 3.62" 23'FB, 23', 19'
690608-02	Vent, Furnace Extension 3.63" to 7.12", 20'
690613-02	Door, Furnace, Brown, Interior 23'FB, 20'
600247	Hose, 4", flex heat duct
600193	Hose, 2", flex heat duct
600526	Flange, 4"
114079	Adapter, duct, 4.00" TO 2.00"
601348	Tee, heat duct, 4 X 4 X 2
601244-01	Register-Rotaire #3840-96 4" brown
601244-03	Register-Rotaire #3840-96 4", black
203070	Register, plastic brown, 2" X 10"
690429	Louver vent, 2", black, round
511228	Thermostat, furnace, off white
690341	Adapter 4-2 Furnace Reducer



# 2011 FLYING CLOUD

## APPLIANCES

### Range/Cook Top

690396-09 Range 22", w/oven S.S. top/door  
690396-10 Cook top, 3 burner, stainless steel  
690396-03 Bi-fold cover  
382071 Grommet, rubber for 1 1/2" Diameter

### Refrigerators

690393-07 Refrigerator, 4 Cu. Ft. RH, RM2451RB, 19'  
690393-08 Refrigerator, 4CF, LH RM2451LB, 20'  
690540 Refer- 5 CU FT, LH hinge, 23'  
690540-01 Refer, 5 CU FT, RH hinge, 23' Front Bed  
690574-01 Refrigerator 7CF, LH, RM3762LB, 28'  
690574-02 Refrigerator 7CF, RH, RM3762RB, 25' FB, 27' FB  
690609-01 Refrigerator, 8 Cu. Ft. LH #DM2862, 30'  
965934-02 Insert, refrigerator door, 20.62" X 32.62", 19', 20'  
965934-03 Insert, refrigerator door, 20.62" X 38.62", 23' FB,  
23'  
965934-05 Insert, upper door, refrigerator, 23.75" X 17",  
25'FB, 27' FB, 28'  
965934-06 Insert, lower, refer, 23.7" X 32.38", 25' FB, 27'FB,  
28'  
965934-09 Insert, Upper door, 20.69 x 15.81, 30'  
965934-10 Insert, Lower door, 20.69 x 38.69, 30'  
365190 Seal, rubber adhesive 3/4" X 3"  
690394 Power ventilator, refrigerator  
511836 Switch, refer/fan, white

# 2011 FLYING CLOUD

## APPLIANCES

### Water Heater

- 690199 Water heater, electronic ignition
- \*690602 Water heater, XT, 6 Gallon, Gas/Electric
- 690209 Access cover, brushed aluminum
- 381648 Cover, latch hole, water heater
- 500933 Switch, Water Heater, Electronic
- 511731 Switch, water heater
- 512480 Switch, Water Heater, White
- 512480-01 Switch, Water Heater, Black
- 967194 Stand, water heater
- 690417-05 Switch Dual – Water Heater #9123
- 454652 Frame, Water Heater
- 454653 Closeout, Lower, Water heater
- 454654 Closeout, Upper, Water heater
- 454670 Support, Transfer Switch
- 512308 Box, Shallow Switch & Outlet
- \*690602 Water Heater, XT Series usage started in units built in March 2011.

### Water Heater, KOA

- 690602 Water heater, 6 gallon, gas/electric

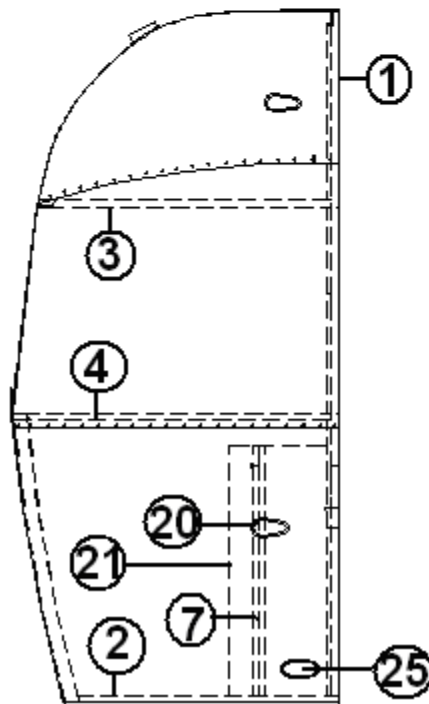
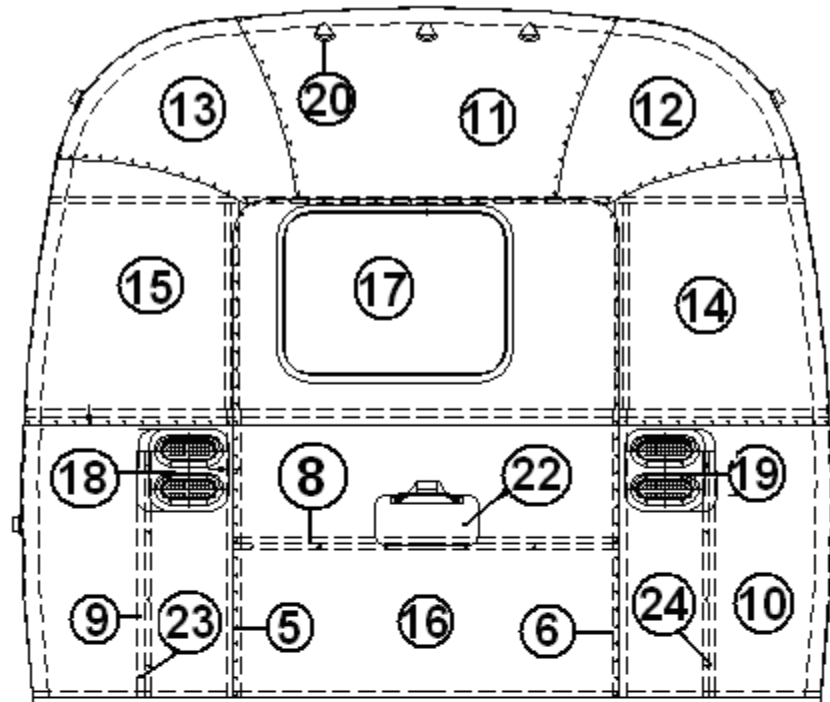
### Microwaves

- 690407-01 Microwave, black, Dometic CDMW12, 30', 23' FB, 23', KOA
- 690407-02 Trim kit, for M/W 690407-01, 30', 23' FB, 23', KOA
- 690610-01 Microwave, Contoure SS, 27' FB
- \*690619-01 Microwave, Premium, #PPM 70710
- 690345-01 Microwave, convection, Sharp, 30', 28'W, 27' FB, 25' FB, 19', 20', 23', 23' Front Bed models
- 690345-03 Trim ring, convection microwave, Sharp. 30', 28'W, 27' FB, 25' FB, 19', 20', 23', 23' Front Bed models
- 690607-01 Microwave, CSA, Sunbeam
- 690607-02 Trim Ring for CSA Microwave, Sunbeam
- \*690619-01 Microwave was a temporary change on 6 units. Serial numbers 525668, 525666, 525664, 525673, 525656 & 525674.

# 2011 FLYING CLOUD

## EXTERIOR SHELL

AFT END, 23' FRONT BED



Part Numbers are on the Next Page

# 2011 FLYING CLOUD

## EXTERIOR SHELL

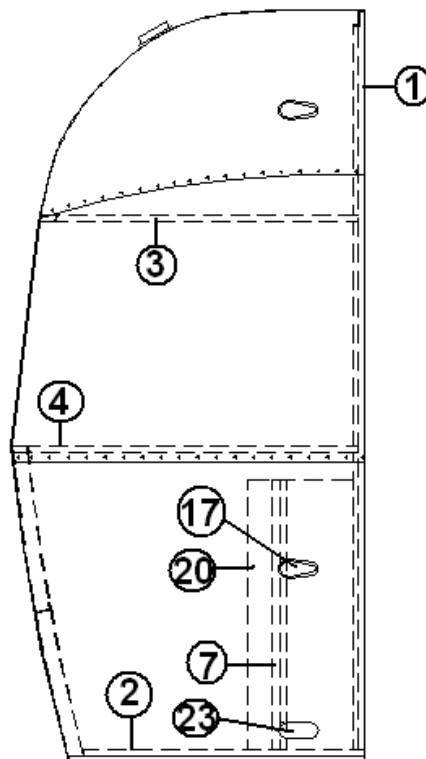
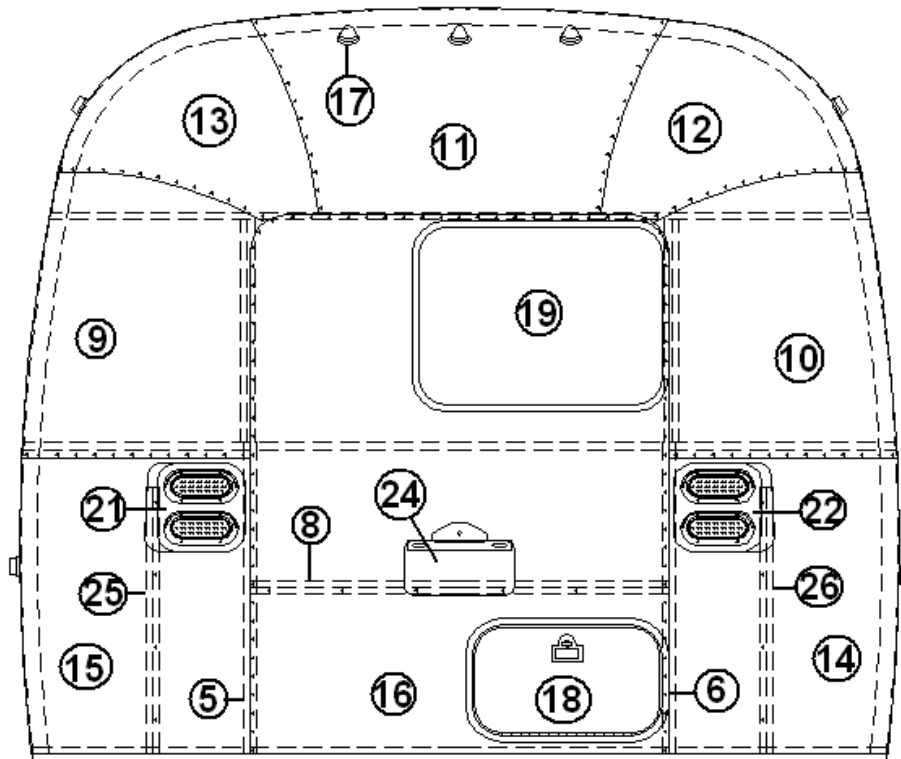
### AFT END, 23' FRONT BED

967149-01	End shell complete
1. 114994	End bow
2. 104463	Floor bow
3. 115480	Upper window bow
4. 104343	Lower window bow
5. 114505-01	Support, lower end, LH
6. 114505-02	Support, lower end, RH
7. 101315	Brace, vertical rear
8. 104408	Extrusion rib
9. 114895	Segment #29
10. 114894	Segment #28
11. 114892	Segment #25(narrow body)
12. 114890	Segment #26
13. 114891	Segment #27
14. 114889	Segment, center right
15. 114888	Segment, center left
16. 114880-201	Alum. Sheet, cut down to 41" x 51"
17. 372218-01	21" x 28" opening window, emergency egress
18. 952929-01	RS tail light assembly
19. 952929-02	CS tail light assembly
20. 512227	Light, clearance, red LED
21. 114849-03	Alum. Sheet, 040 x 12.0" x 29.0"
22. 512455	License plate holder, LED black
23. 101315-01	Support, lower end shell, LH
24. 101315-02	Support, lower end shell, RH
25. 500095	Red reflector, rectangular
510446	Reflector, stick on, red

# 2011 FLYING CLOUD

## EXTERIOR SHELL

AFT END, 19', 23'



Part Numbers are on the Next Page

# 2011 FLYING CLOUD

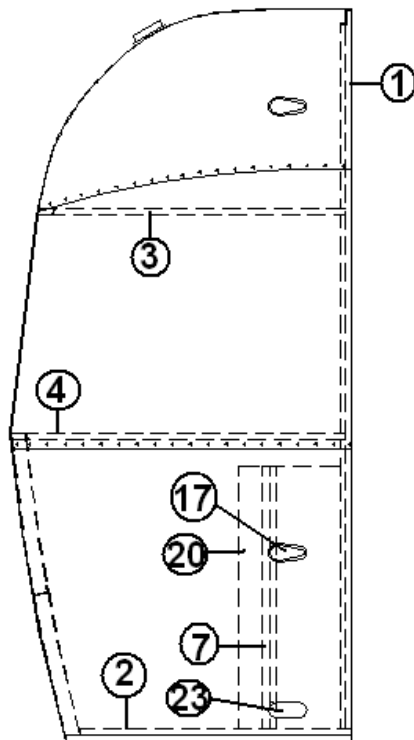
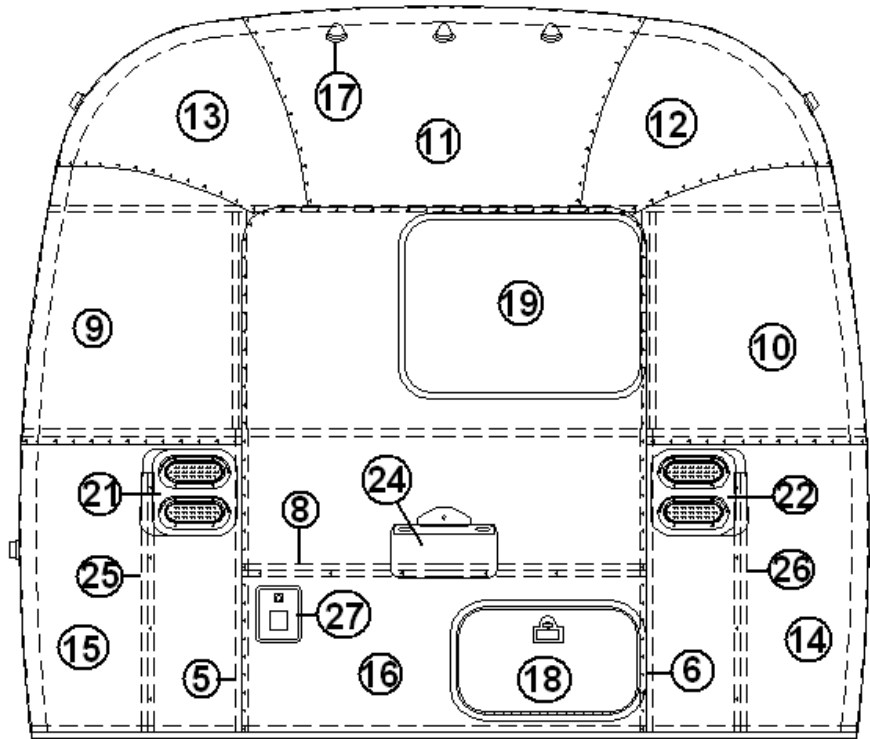
## EXTERIOR SHELL

AFT END, 19', 23'

964513-08	Aft shell
1. 114994	End bow
2. 104463	Floor bow
3. 115480	Upper window bow
4. 104343	Lower window bow
5. 114505-01	Support, lower end, LH
6. 114505-02	Support, lower end, RH
7. 101315	Brace, vertical rear
8. 104408	Z-rib
9. 114888	Segment, center left
10. 114889	Segment, center right
11. 114892	Segment #25
12. 114890	Segment #26
13. 114891	Segment #27
14. 114894	Segment #28
15. 114895	Segment #29
16. 114880-201	Alum. Sheet, cut down to .040 x 19.0" x 51.0"
17. 512227	Light, clearance, red LED
18. 100679-01	Door assembly, side access
19. 372229	Window -21" X 28" opening, rear end
20. 114849-03	Aluminum sheet, gray
21. 952929-01	RS tail light assembly
22. 952929-02	CS tail light assembly
23. 500095	Red reflector, rectangular
24. 512455	License plate holder, LED black
25. 101315-01	Support, lower end shell, LH
26. 101315-02	Support, lower end shell, RH
510446	Reflector, stick on, red

# 2011 FLYING CLOUD EXTERIOR SHELL

AFT END, 20'



Part Numbers are on the Next Page

# 2011 FLYING CLOUD

## EXTERIOR SHELL

AFT END, 20'

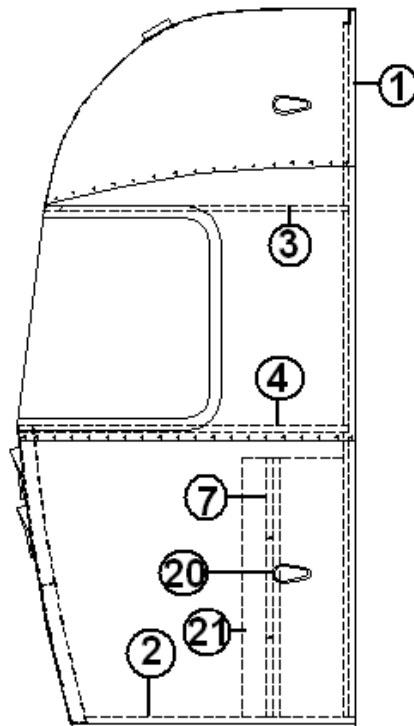
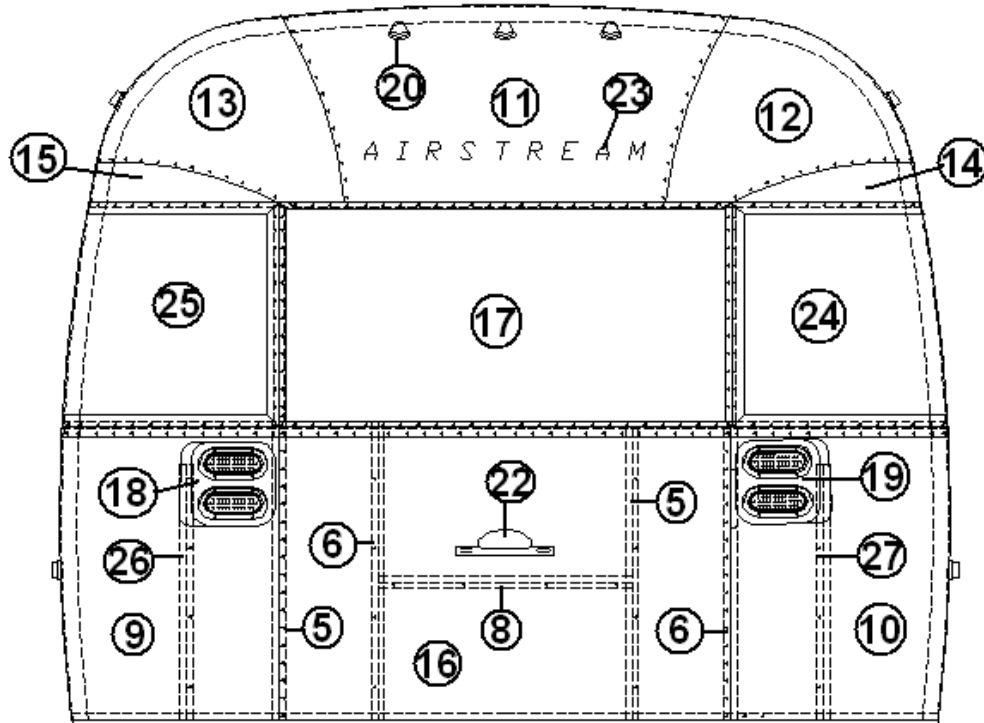
- 964513-09 Aft shell
- 1. 114994 End bow
- 2. 104463 Floor bow
- 3. 115480 Upper window bow
- 4. 104343 Lower window bow
- 5. 114505-01 Support, lower end, LH
- 6. 114505-02 Support, lower end, RH
- 7. 101315 Brace, vertical rear
- 8. 104408 Z-rib
- 9. 114888 Segment, center left
- 10. 114889 Segment, center right
- 11. 114892 Segment #25
- 12. 114890 Segment #26
- 13. 114891 Segment #27
- 14. 114894 Segment #28
- 15. 114895 Segment #29
- 16. 114880-201 Alum. Sheet, cut down to .040 x 19.0" x 51.0"
- 17. 512227 Light, clearance, red LED
- 18. 100679-01 Door assembly, side access
- 19. 372229 Window-21" X 28" opening, rear end
- 20. 114849-03 Aluminum sheet, gray
- 21. 952929-01 RS tail light assembly
- 22. 952929-02 CS tail light assembly
- 23. 500095 Red reflector, rectangular
- 24. 512455 License Plate Holder, black, LED
- 25. 101315-01 Support, lower end shell, LH
- 26. 101315-02 Support, lower end shell, RH
- 27. 601194 Water fill, w/ lock, gray w/ label
- 510446 Reflector, stick on, red



# 2011 FLYING CLOUD

## EXTERIOR SHELL

AFT END, 27' Front Bed, 25' Front Bed



Part Numbers are on the Next Page

# 2011 FLYING CLOUD

## EXTERIOR SHELL

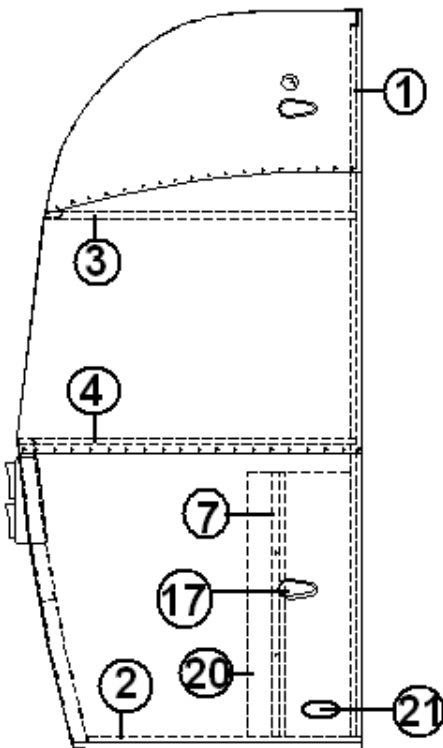
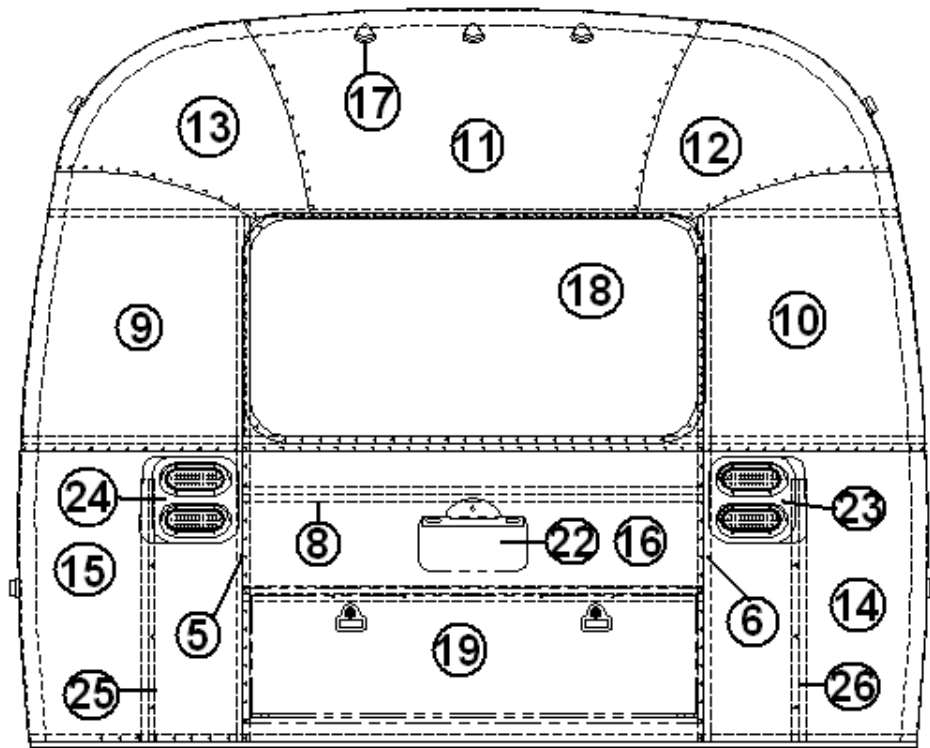
AFT END, 27' Front Bed, 25' Front Bed

921227-01	End shell complete, aft
1. 114993	End bow
2. 114676	Floor bow
3. 114678	Upper window bow
4. 114677	Lower window bow
5. 114505-01	Support, lower end, LH
6. 114505-02	Support, lower end, RH
7. 101315	Brace, vertical rear
8. 104408	Extrusion rib
9. 114895	Segment #29
10. 114894	Segment #28
11. 114893	Segment #25
12. 114890	Segment #26
13. 114891	Segment #27
14. 114889	Segment, center right
15. 114888	Segment, center left
16. 114880-201	Alum. sheet, cut down to 040 x 45.25 x 51.0
17. 371346-02	Window-48.97" flat front/wrap
18. 952929-01	Taillight assembly, LED R.S.
19. 952929-02	Taillight assembly, LED C.S
20. 512227	Light, clearance, red LED
21. 114849-03	Alum. sheet, 040 x 12.0" x 29.0"
22. 512455	License Plate Holder, black, LED
23. 386150	Decal, "AIRSTREAM"
24. 372088-101	Window, corner wrap, RS front, CS
25. 372089-101	Window, corner wrap, CS front, RS
26. 101315-01	Support, lower end shell, LH
27. 101315-02	Support, lower end shell, RH

# 2011 FLYING CLOUD

## EXTERIOR SHELL

AFT END, 28'



Part Numbers are on the Next Page

# 2011 FLYING CLOUD

## EXTERIOR SHELL

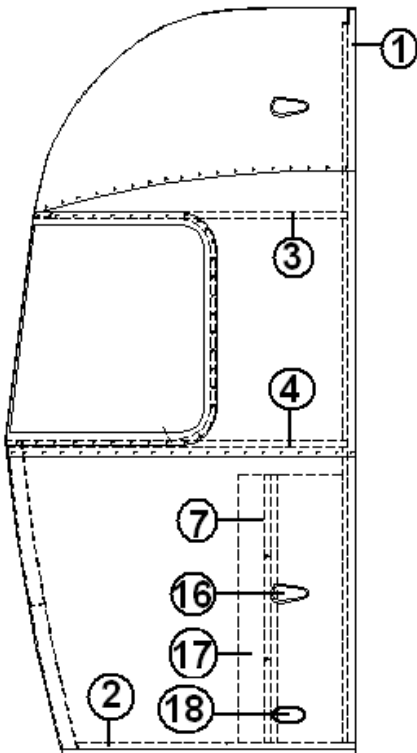
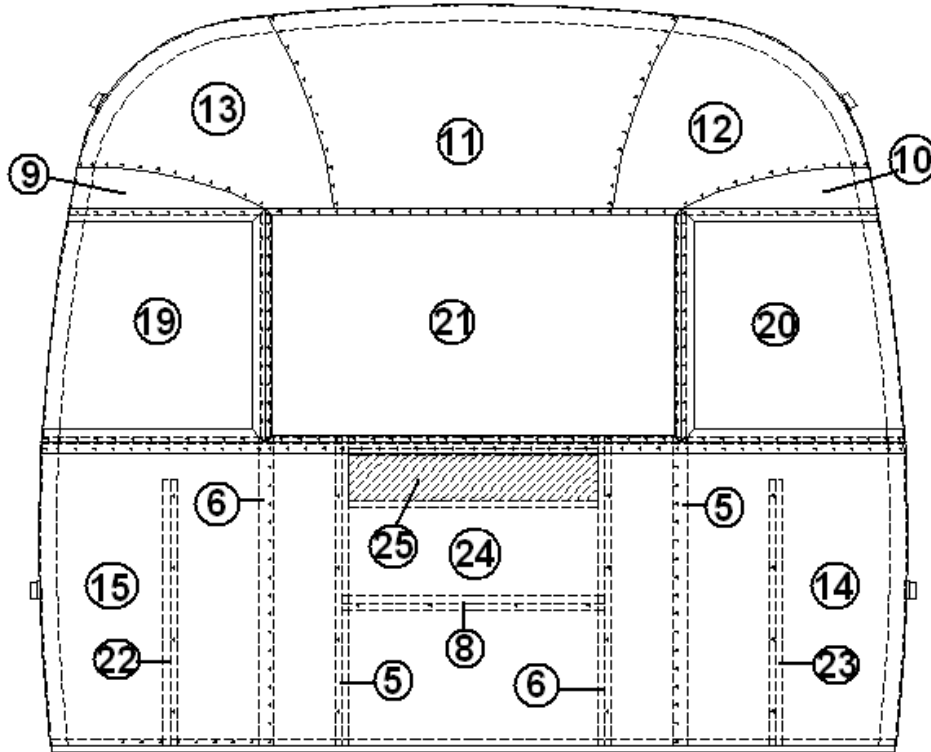
AFT END, 28', 30'

922677	Aft End Assembly
1. 114993	End bow
2. 114676	Floor bow
3. 114678	Upper window bow
4. 114677	Lower window bow
5. 114505-01	Support, lower end, LH
6. 114505-02	Support, lower end, RH
7. 101315-01	Brace, vertical rear
8. 104408	Z-rib
9. 114888	Segment, center left
10. 114889	Segment, center right
11. 114893	Segment #25
12. 114890	Segment #26
13. 114891	Segment #27
14. 114894	Segment #28
15. 114895	Segment #29
16. 114880-307	Alum. Sheet, .060 x 19.0" x 51.0"
17. 512227	Light, clearance, red LED
18. 371348-02	Window, Rear w/ red handles
19. 921159	Trunk door assembly
20. 114849-03	Alum. Sheet, 040 x 12.0" x 29.0"
21. 500095	Red reflector, rectangular
22. 512455	License plate holder, black, LED
23. 952929-02	CS tail light assembly
24. 952929-01	RS tail light assembly
25. 101315-01	Brace, vertical, rear, LH
26. 101315-02	Brace, vertical, rear, RH
510446	Reflector, stick on, red

# 2011 FLYING CLOUD

## EXTERIOR SHELL

FRONT END, 19', 20', 23', 23' Front Bed



Part Numbers are on the Next Page

# 2011 FLYING CLOUD

## EXTERIOR SHELL

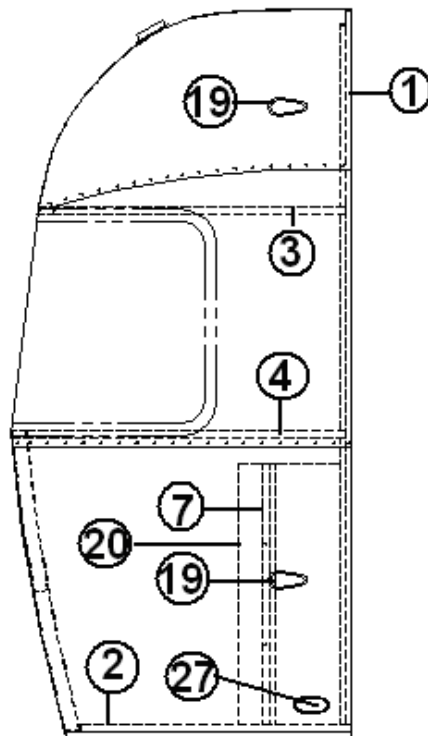
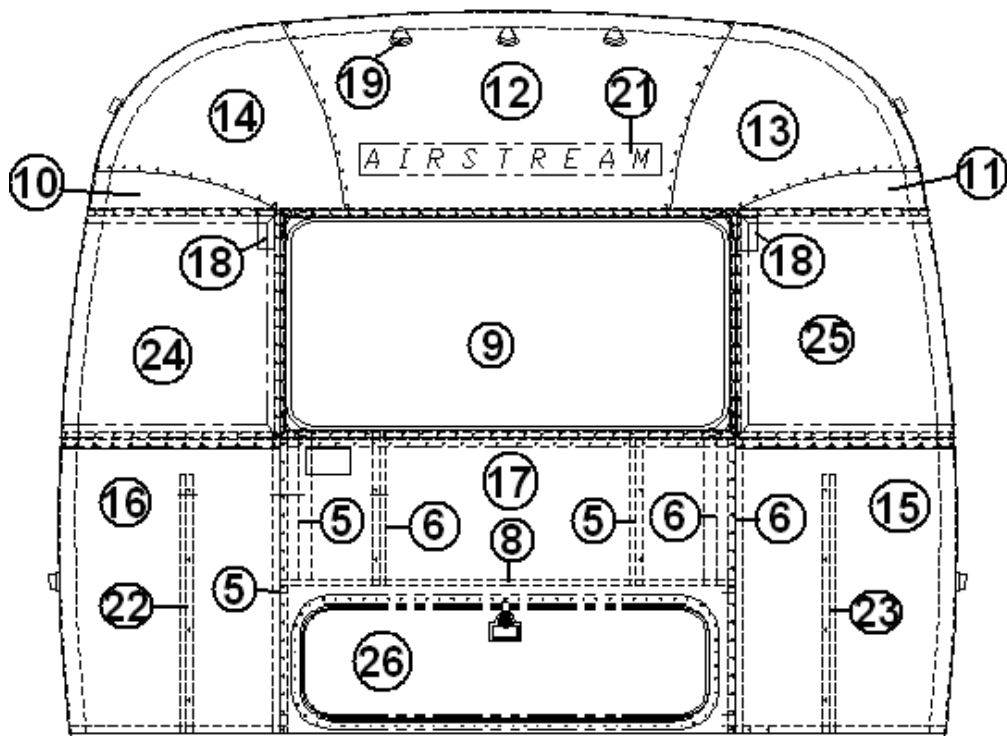
FRONT END, 19', 20', 23', 23' Front Bed

922626	Front end shell
1. 114994	Weldment, end bow, NB
2. 104463	Floor bow, captive extrusion
3. 115480	Upper, window bow
4. 104343	Lower, window bow
5. 114505-01	Support, lower end shell, left-hand
6. 114505-02	Brace, vertical rear
7. 101315	Brace, vertical rear
8. 104408	Rib bow
9. 114888	Segment, center left, bright
10. 114889	Segment, center right, bright,
11. 114892	Segment, #25, NB, bright
12. 114890	Segment, #26, bright
13. 114891	Segment, #27, bright
14. 114894	Segment, #28, bright
15. 114895	Segment, #29, bright
16. 512226	Light, clearance, amber LED
17. 114849-03	Aluminum sheet, 060 x 12.00" x 29.00"
18. .500096	Reflector, amber
19. 372088-101	RS front panoramic window
20. 372089-101	CS front panoramic window
21. 371328	Front window
371328-100	Front window glass only
22. 101315-01	Brace, vertical, rear, LH
23. 101315-02	Brace, vertical, rear, RH
24. 114880-307	Aluminum sheet, .040" x 5" x 307" "cut down"
25. 453629	Hat section, 27.25" long, Front dinette models only

# 2011 FLYING CLOUD

## EXTERIOR SHELL

Front End, 25' Front Bed



Part Numbers are on the Next Page

# 2011 FLYING CLOUD

## EXTERIOR SHELL

Front End, 25' Front Bed, 30'

- |     |            |                                     |
|-----|------------|-------------------------------------|
|     | 921240-01  | Front Shell 25', Front Bed, 30'     |
| 1.  | 114993     | End bow                             |
| 2.  | 114676     | Floor bow                           |
| 3.  | 114678     | Upper window bow                    |
| 4.  | 114677     | Lower window bow                    |
| 5.  | 114505-01  | Support, lower end, LH              |
| 6.  | 114505-02  | Support, lower end, RH              |
| 7.  | 101315     | Brace, vertical rear                |
| 8.  | 104408     | Z-rib                               |
| 9.  | 371346-02  | Window, front, w/panoramic windows  |
| 10. | 114888     | Segment, center left                |
| 11. | 114889     | Segment, center right               |
| 12. | 114893     | Segment #25                         |
| 13. | 114890     | Segment #26                         |
| 14. | 114891     | Segment #27                         |
| 15. | 114894     | Segment #28                         |
| 16. | 114895     | Segment #29                         |
| 17. | 101115     | Alum. sheet, .060" x 41.00" x 51"   |
| 18. | 115316     | Aluminum angle, end shell insert    |
| 19. | 512226     | Light, clearance, amber LED         |
| 20. | 114849-03  | Aluminum sheet, Pewter, 26" x 8"    |
| 21. | 386150     | Logo, "Airstream"                   |
| 22. | 101315-01  | Brace, rear vertical, LH            |
| 23. | 101315-02  | Brace, rear vertical, RH            |
| 24. | 372088-101 | Panoramic window, CS front          |
| 25. | 372089-101 | Panoramic window, RS front          |
| 26. | *922288-02 | Trunk door assembly w/round corners |
| 27. | 500096     | Reflector, amber                    |

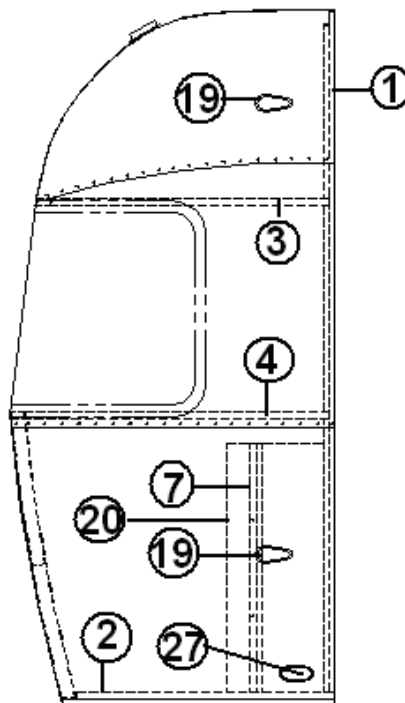
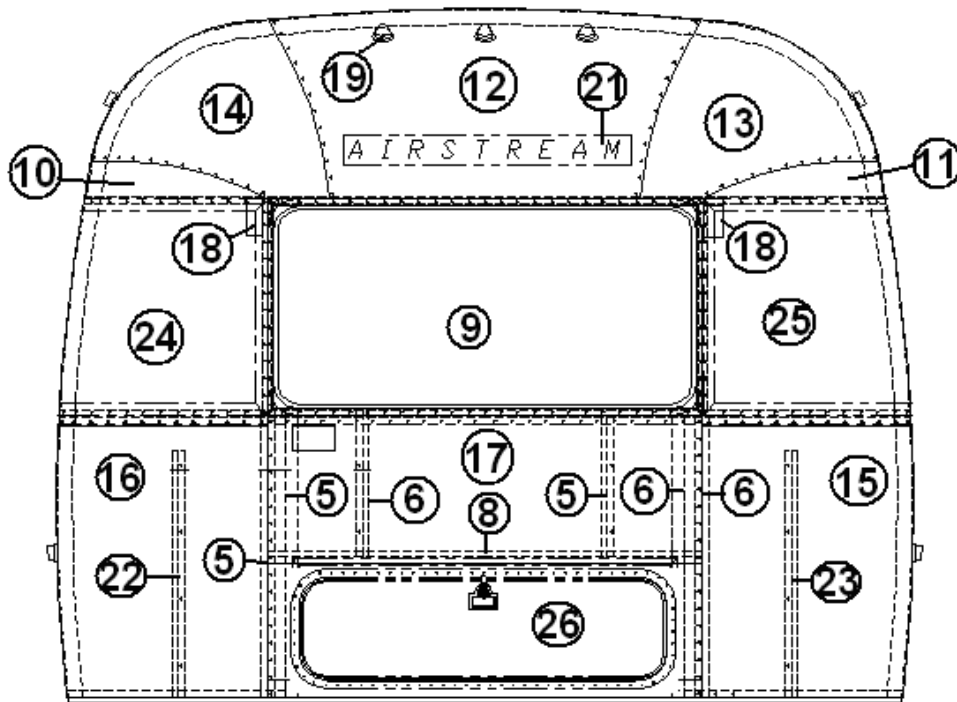
\*Delete trunk door on Queen bed model



# 2011 FLYING CLOUD

## EXTERIOR SHELL

Front End Shell, 27' Front Bed



Part Numbers are on the Next Page

# 2011 FLYING CLOUD

## EXTERIOR SHELL

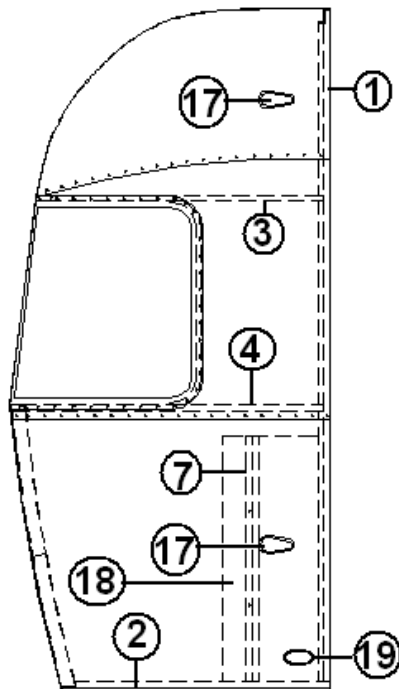
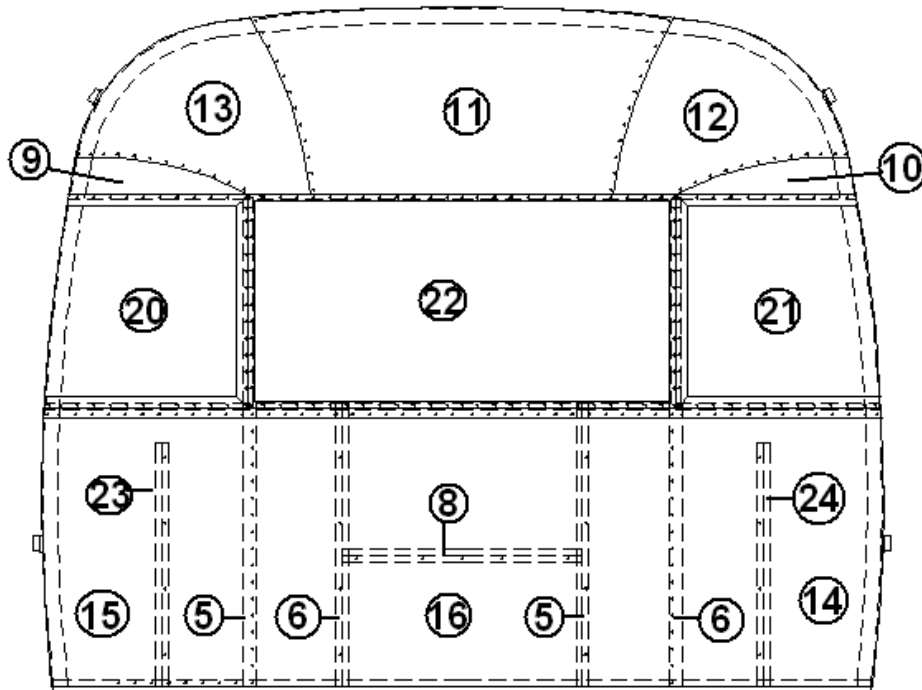
### Front End Shell, 27' Front Bed

921244-01	Front Shell 27' FB w/Panoramic Windows
1. 114993	End bow
2. 114676	Floor bow
3. 114678	Upper window bow
4. 114677	Lower window bow
5. 114505-01	Support, lower end, LH
6. 114505-02	Support, lower end, RH
7. 101315	Brace, vertical rear
8. 104408	Z-rib
9. 371346-02	Window, front, w/panoramic windows
10. 114888	Segment, center left
11. 114889	Segment, center right
12. 114893	Segment #25
13. 114890	Segment #26
14. 114891	Segment #27
15. 114894	Segment #28
16. 114895	Segment #29
17. 101115	Alum. sheet, .060" x 41.00" x 51"
18. 115316-01	Aluminum angle, end shell insert
19. 512226	Light, clearance, amber LED
20. 114829-03	Aluminum sheet, Pewter, 26" x 8"
21. 386150	Logo, "Airstream"
22. 101315-01	Brace, rear vertical, LH
23. 101315-02	Brace, rear vertical, RH
24. 372088-101	Panoramic window, CS front
25. 372089-101	Panoramic window, RS front
26. 922288-02	Door assembly, trunk w/ round corners
27. 500096	Reflector, amber

# 2011 FLYING CLOUD

## EXTERIOR SHELL

FRONT END, 28',



Part Numbers are on the Next Page

# 2011 FLYING CLOUD

## EXTERIOR SHELL

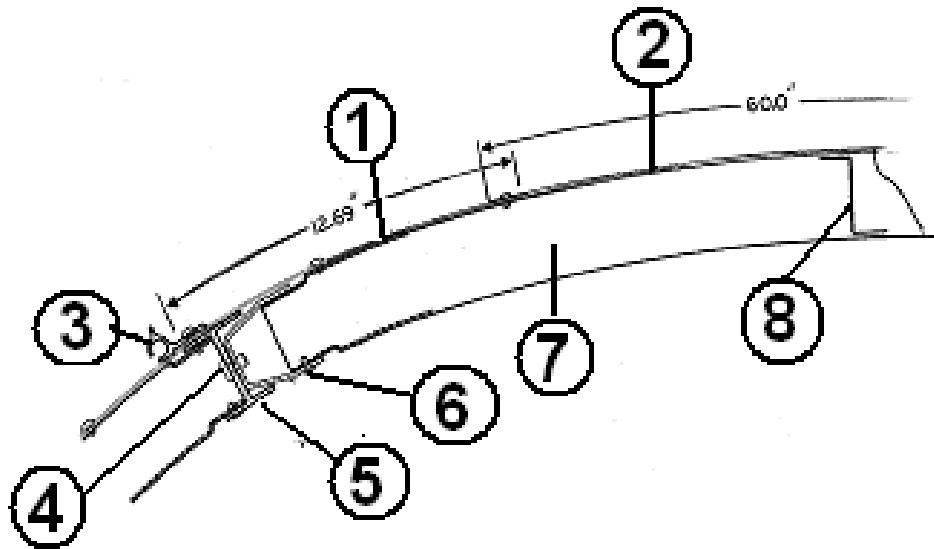
FRONT END, 28',

922676	Front end shell
1. 114993	End bow
2. 114676	Floor bow
3. 114678	Upper window bow
4. 114677	Lower window bow
5. 114505-01	Support, lower end, LH
6. 114505-02	Support, lower end, RH
7. 101315	Brace, vertical rear
8. 104408	Z-rib
9. 114888	Segment, center left
10. 114889	Segment, center right
11. 114893	Segment #25
12. 114890	Segment #26
13. 114891	Segment #27
14. 114894	Segment #28
15. 114895	Segment #29
16. 101115	Alum. sheet, .060" x 41.00" x 51"
17. 512226	Light, clearance, amber LED
18. 114849-03	Aluminum sheet, Pewter, cut to 26" x 8"
19. 500096	Reflector, amber
20. 372089-101	Panoramic window, CS front
21. 372088-101	Panoramic window, RS front
22. 371346-02	Window, 48.97" front/rear end
23. 101315-01	Brace, vertical, rear, LH
24. 101315-02	Brace, vertical, rear, RH

# 2011 FLYING CLOUD

## EXTERIOR BODY

### ROOF



### ROOF

- |     |            |  |
|-----|------------|--|
| 1.  | 114669-307 | Alum. sheet, white, .032" x 12.69" x 307"        |
| 2.  | 114489-262 | Alum. sheet, white, .032" x 60.0" x 262"         |
| 2a. | 114489-198 | Alum. sheet, white, .032" x 60" x 198"           |
| 3.  | 114290-02  | Extrusion, awning/drip rail, 197.25"             |
| 4.  | 330139-01  | RIVET MAGNALOK SS 1/4"                           |
| 5.  | 104707-01  | Extrusion, "I" beam                              |
| 6.  | 114987-01  | Extrusion, roof corner, 194"                     |
| 6a. | 114987-02  | Extrusion, roof corner, 258"                     |
| 7.  | 114387-03  | Roof bow   |
| 8.  | 104408     | Extrusion, Z-bar, horizontal                     |
|     | 104948     | Air deflector, between roof A/C and refrigerator |

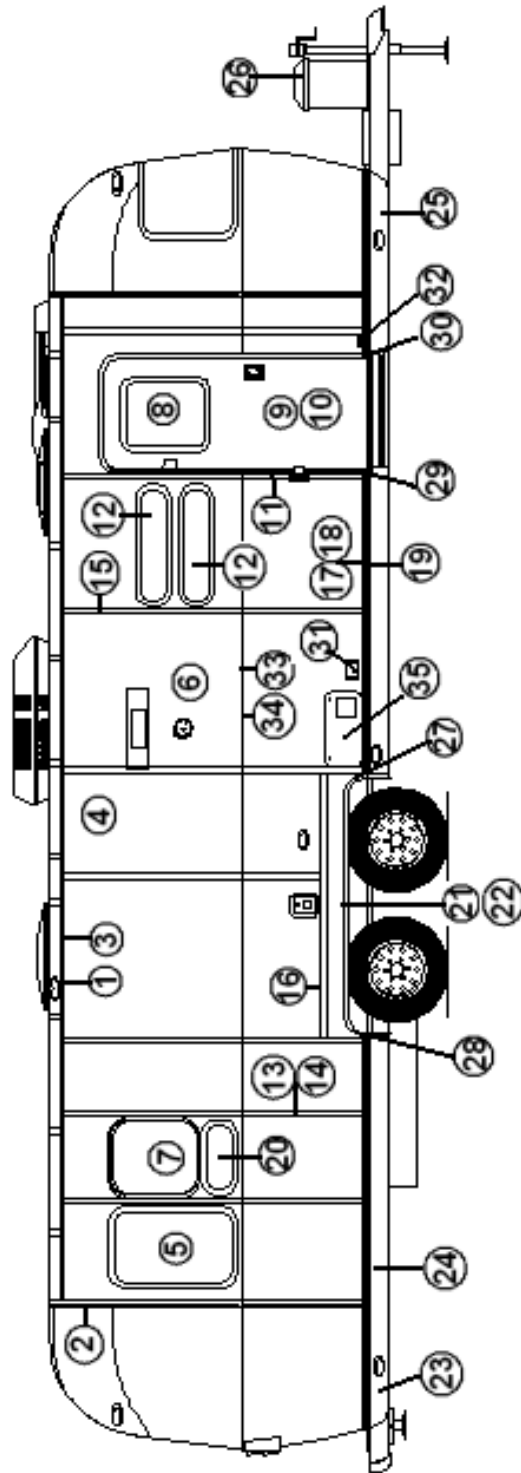
### Shell Attachment

- |           |                                 |
|-----------|---------------------------------|
| 300023-02 | Washer, hold down, hole, offset |
|-----------|---------------------------------|

# 2011 FLYING CLOUD

## EXTERIOR BODY

WALL, CURBSIDE, 30'



PARTS LISTED ON NEXT PAGE

# 2011 FLYING CLOUD

## EXTERIOR BODY

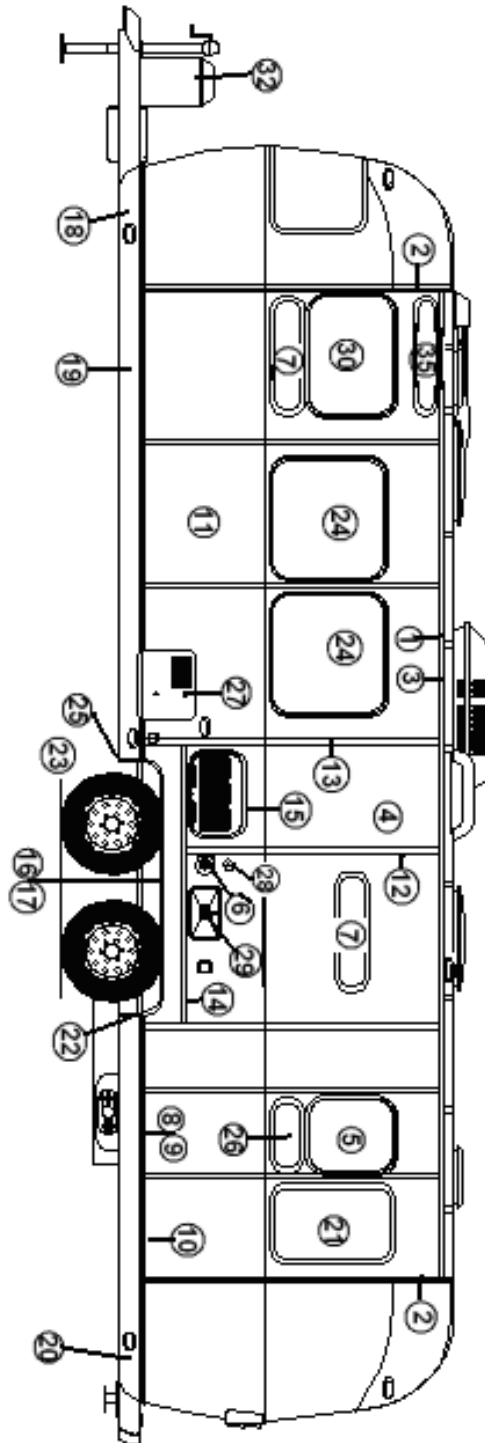
### WALL, CURBSIDE, 30'

1. 114290-02 Extrusion, awning/drip rail, 261"
2. 114993 Rib, end bow
3. 104707-01 Extrusion, "I" beam, 303.5"
4. 114880-262 Alum. sheet, upper, .040" x 51" x 262"
5. 371286-01 Window, 18" X 30" curved fixed
6. 500092 Flood light and lens
7. 371323-01 Window, 18" opening
8. 371400-01 Window, main door, etched
9. 115207-04 Main door assembly
10. 114654 Screen door assembly
11. 114652 Jamb, main door
12. 371270-01 30" Stack Window
13. 114879-262 Alum. sheet, lower, .040" x 33 x 262"
14. 114387-06 Bow, Z rib, RH
15. 114387-05 Bow, Z rib, LH
16. 100986 Wheel well stiffener (floor channel.
17. 114460 Extrusion, rub rail
18. 201763-01 Insert, rub rail, chrome, 1"
19. 100986 Floor channel
20. 371269-01 Window, 18" stacked
21. 684936 Wheel well trim, inner, tandem axle
22. 684937 Wheel well trim, outer, tandem axle
23. 200545-01 Banana wrap, CS rear
24. 101131-01 Underbelly wrap, .024" x 22.5, Pewter
25. 200543-01 Banana wrap, CS front
26. 921232 Cover, 30# LPG bottles
27. 114466-01 Casting, rub rail end, wheel well, RH
28. 114466-02 Casting, rub rail end, wheel well, L9
29. 114465-02 Casting, closeout, rubrail LH
30. 114465-01 Casting, closeout, rubrail RH
31. 500563-03 Recept - white 15 A#WRDU15-WT
31. 512399 Cover, ext. outlet, gray W/P
31. 512252 Step light, LED, stainless steel
32. 114328 Extrusion, belt line molding
33. 201912 Molding, belt line insert, chrome
35. 690274-09 Door, Exterior, Hydroflame
36. 601194 Water Fill w/Lock

# 2011 FLYING CLOUD

## EXTERIOR BODY

WALL, ROADSIDE, 30'



Parts Listed on Next Page



# 2011 FLYING CLOUD

## EXTERIOR BODY

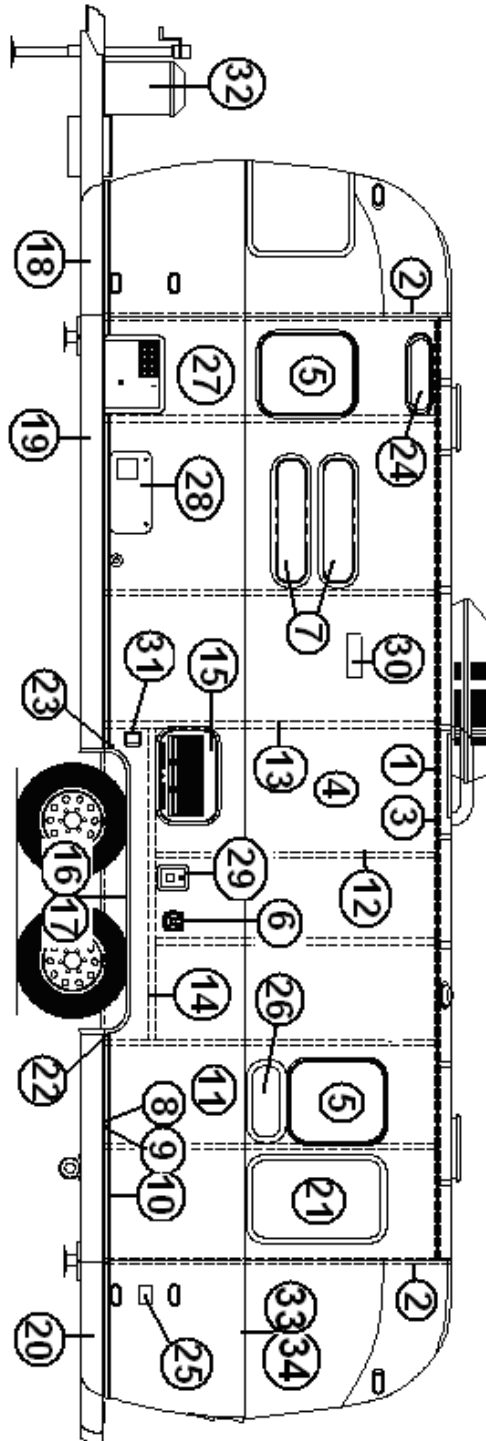
WALL, ROADSIDE, 30'

1. 114290-02 Extrusion, awning/drip rail, 261"
2. 114993 Rib, end bow
3. 104707-01 Extrusion, "I" beam, 303.5"
4. 114880-262 Alum. sheet, upper, .040" x 51" x 262"
5. 371323-01 Window - 18" opening
6. 601392-05 City water hook-up
7. 371270-01 Window, 30" stacked
8. 114460 Extrusion, rub rail
9. 201763-01 Insert, rub rail, chrome, 1"
10. 100986 Floor channel
11. 114879-262 Alum. sheet, lower, .040" x 33" x 262"
12. 114387-01 Bow, Z rib, RH
13. 114387-02 Bow, Z rib, LH
14. 100986 Wheel well stiffener (floor channel.
15. 922243 Door, refrigerator access
16. 684936 Wheel well trim, inner, tandem axle
17. 684937 Wheel well trim, outer, tandem axle
18. 200542-01 Banana wrap, RS front
19. 101131-01 Underbelly wrap, .024" x 22.5", Pewter
20. 200544-01 Banana wrap, RS rear
21. 371286-01 Window, 18" X 30" curved fixed
22. 114466-01 Casting, rub rail end, wheel well, RH
23. 114466-02 Casting, rub rail end, wheel well, LH
24. 371380 Window Opening, 30" Tall
25. 512402 TV / Satellite Inlet
26. 371269-01 Window, 18" stacked
27. 690209 Access cover, Atwood
28. 690274-09 Door exterior, Hydroflame
29. 601441 Tank Flush
30. 371324-02 30" Opening window
31. 512401-02 Power, inlet, 30A, 125V, Male
32. 921232 Cover, 30# LPG bottles
33. 114328 Extrusion, belt line molding
34. 201912 Molding, belt line insert, chrome
35. 922770-02 Vista View Window, 30"

# 2011 FLYING CLOUD

## EXTERIOR BODY

Wall, Roadside, 28' W



Part numbers are on the next page

# 2011 FLYING CLOUD

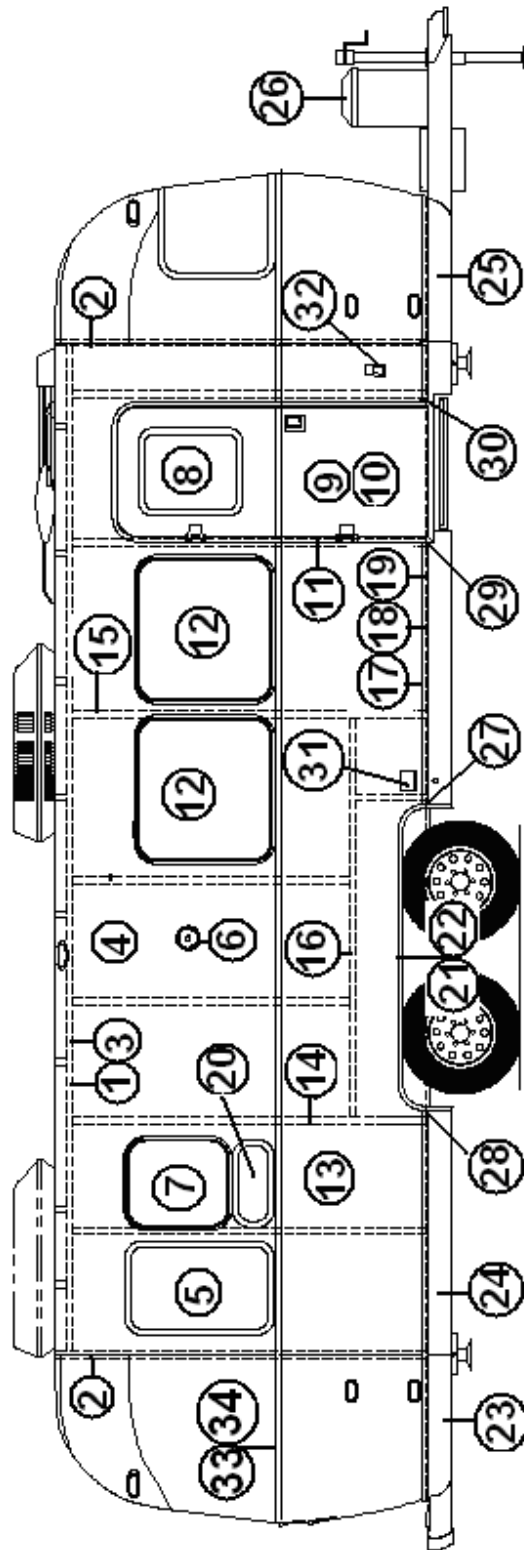
## EXTERIOR BODY

Wall, Roadside, 28' W

1. 114290-02 Extrusion, awning/drip rail, 261"
2. 114993 Rib, end bow
3. 104707-06 Extrusion, "I" beam, 258"
4. 114880-238 Alum. sheet, upper, .040" x 51" x 238"
5. 371323-01 Window - 18" opening
6. 601392-05 City water hook-up
7. 371270-01 Window, 30" stacked
8. 114460 Extrusion, rub rail
9. 201763-01 Insert, rub rail, chrome, 1"
10. 100986 Floor channel
11. 114879-238 Alum. sheet, lower, .040" x 33" x 238"
12. 114387-01 Bow, Z rib, RH
13. 114387-02 Bow, Z rib, LH
14. 100986 Wheel well stiffener (floor channel.
15. 922243 Door, refrigerator access
16. 684936 Wheel well trim, inner, tandem axle
17. 684937 Wheel well trim, outer, tandem axle
18. 200542-01 Banana wrap, RS front
19. 101131-01 Underbelly wrap, .024" x 22.5", Pewter
20. 200544-01 Banana wrap, RS rear
21. 371286-01 Window, 18" X 30" curved fixed
22. 114466-01 Casting, rub rail end, wheel well, RH
23. 114466-02 Casting, rub rail end, wheel well, LH
24. 922770-01 Vista View Window, 18"
25. 512402 Inlet, TV/Satellite
26. 371269-01 Window, 18" stacked
27. 690209 Access cover, Atwood
28. 690274-09 Door exterior, Hydroflame
29. 601194 Water fill w/lock, gray w/label
30. 511017-11 Vent cover, range exhaust
31. 512401-02 Power, inlet, 30A, 125V, Male
32. 921232 Cover, 30# LPG bottles
33. 114328 Extrusion, belt line molding
34. 201912 Molding, belt line insert, chrome

# 2011 FLYING CLOUD EXTERIOR BODY

Wall, Curbside, 28' W



Part numbers are on the next page

# 2011 FLYING CLOUD

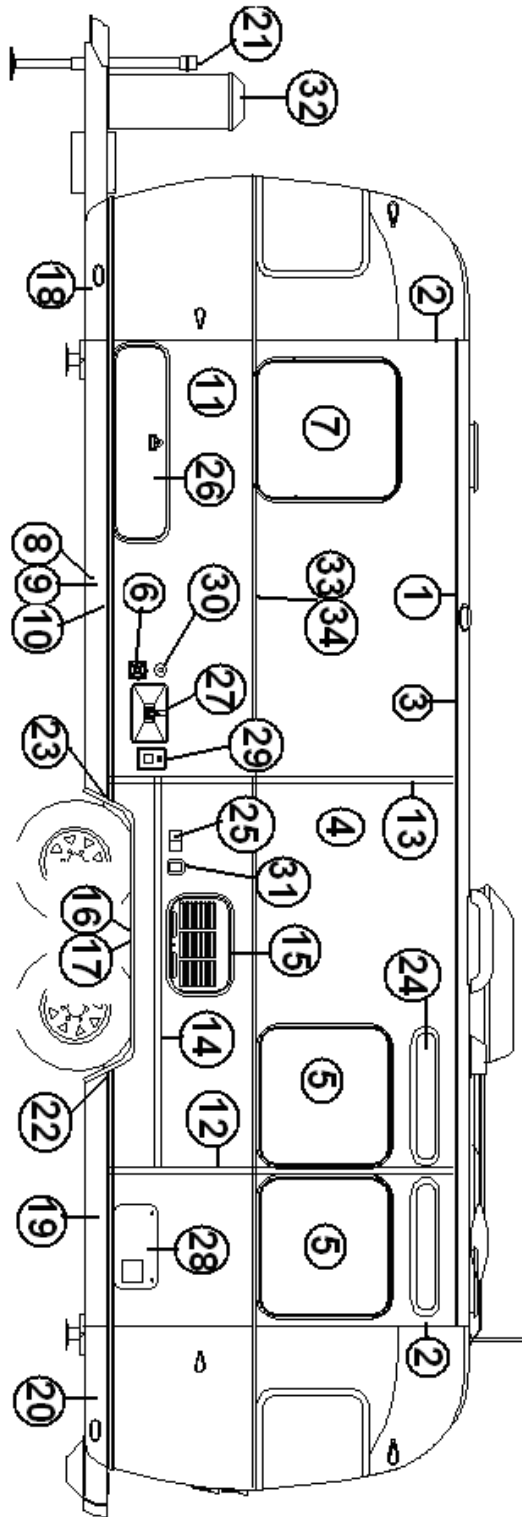
## EXTERIOR BODY

Wall, Curbside, 28' W

1. 114290-02 Extrusion, awning/drip rail, 261"
2. 114993 Rib, end bow
3. 104707-06 Extrusion, "I" beam, 258"
4. 114880-238 Alum. sheet, upper, .040" x 51" x 238"
5. 371286-01 Window, 18" X 30" curved fixed
6. 500092 Flood light and lens
7. 371323-01 Window, 18" opening
8. 371400-01 Window, main door, etched
9. 115207-04 Main door assembly
10. 114654 Screen door assembly
11. 114652 Jamb, main door
12. 371380 Window, opening, 30" tall
13. 114879-238 Alum. sheet, lower, .040" x 33 x 238"
14. 114387-01 Bow, Z rib, RH
15. 114387-02 Bow, Z rib, LH
16. 100986 Wheel well stiffener (floor channel.
17. 114460 Extrusion, rub rail
18. 201763-01 Insert, rub rail, chrome, 1"
19. 100986 Floor channel
20. 371269-01 Window, 18" stacked
21. 684936 Wheel well trim, inner, tandem axle
22. 684937 Wheel well trim, outer, tandem axle
23. 200545-01 Banana wrap, CS rear
24. 101131-01 Underbelly wrap, .024" x 22.5, Pewter
25. 200543-01 Banana wrap, CS front
26. 921232 Cover, 30# LPG bottles
27. 114466-01 Casting, rub rail end, wheel well, RH
28. 114466-02 Casting, rub rail end, wheel well, L9
29. 114465-02 Casting, closeout, rubrail LH
30. 114465-01 Casting, closeout, rubrail RH
31. 500563-03 Recept - white 15 A#WRDU15-WT
32. 512399 Cover, ext. outlet, gray W/P
33. 512252 Step light, LED, stainless steel
34. 114328 Extrusion, belt line molding
35. 201912 Molding, belt line insert, chrome

# 2011 FLYING CLOUD EXTERIOR BODY

Wall, Roadside, 27'



Part numbers are on the next page

# 2011 FLYING CLOUD

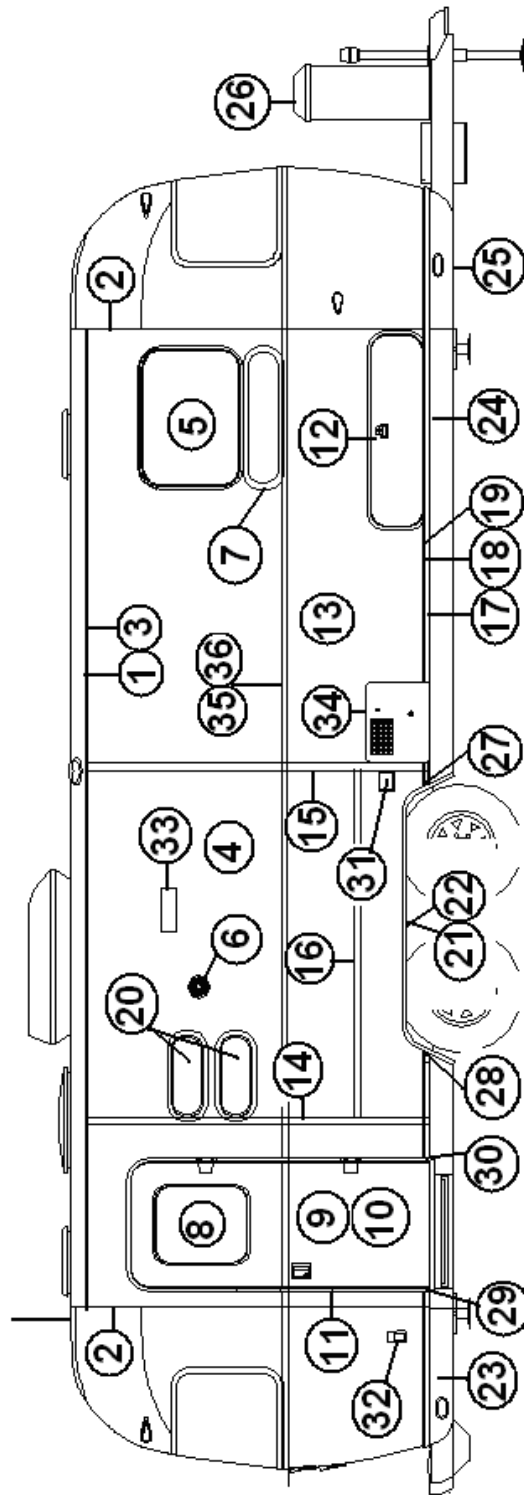
## EXTERIOR BODY

Wall, Roadside, 27'

1. 114290-02 Extrusion, awning/drip rail, 261"
2. 114993 Rib, end bow
3. 104707-06 Extrusion, "I" beam, 258"
4. 114880-238 Alum. sheet, upper, .040" x 51" x 238"
5. 371380 Window, 30in. opening
6. 601392-05 City water hook-up
7. 371380-01 Window, 30" egress
8. 114460 Extrusion, rub rail
9. 201763-01 Insert, rub rail, chrome, 1"
10. 100986 Floor channel
11. 114879-238 Alum. sheet, lower, .040" x 33" x 238"
12. 114387-01 Bow, Z rib, RH
13. 114387-02 Bow, Z rib, LH
14. 100986 Wheel well stiffener (floor channel.
15. 922243 Door, refrigerator access
16. 684936 Wheel well trim, inner, tandem axle
17. 684937 Wheel well trim, outer, tandem axle
18. 200542-01 Banana wrap, RS front
19. 101131-01 Underbelly wrap, .024" x 22.5", Pewter
20. 200544-01 Banana wrap, RS rear
21. 400961 Power jack
22. 114466-01 Casting, rub rail end, wheel well, RH
23. 114466-02 Casting, rub rail end, wheel well, LH
24. 922770-02 Vista View, 30"
25. 512402 INLET-TV/SAT TITANIUM #FTVSAT-GS
26. 922288-02 Door Only, side access, long, less jamb & seal
27. 601876 Exterior shower hatch
28. 690274-09 Door exterior, Hydroflame
29. 601194 Water fill w/lock, gray w/label
30. 601441 Tank flush system
31. 31.512401-02 Power, Inlet, 30A, 125V
32. 921232 Cover, 30# LPG bottles
33. 114328 Extrusion, belt line molding
34. 201912 Molding, belt line insert, chrome

# 2011 FLYING CLOUD EXTERIOR BODY

Wall, Curbside, 27'



Part numbers are on the next page



# 2011 FLYING CLOUD

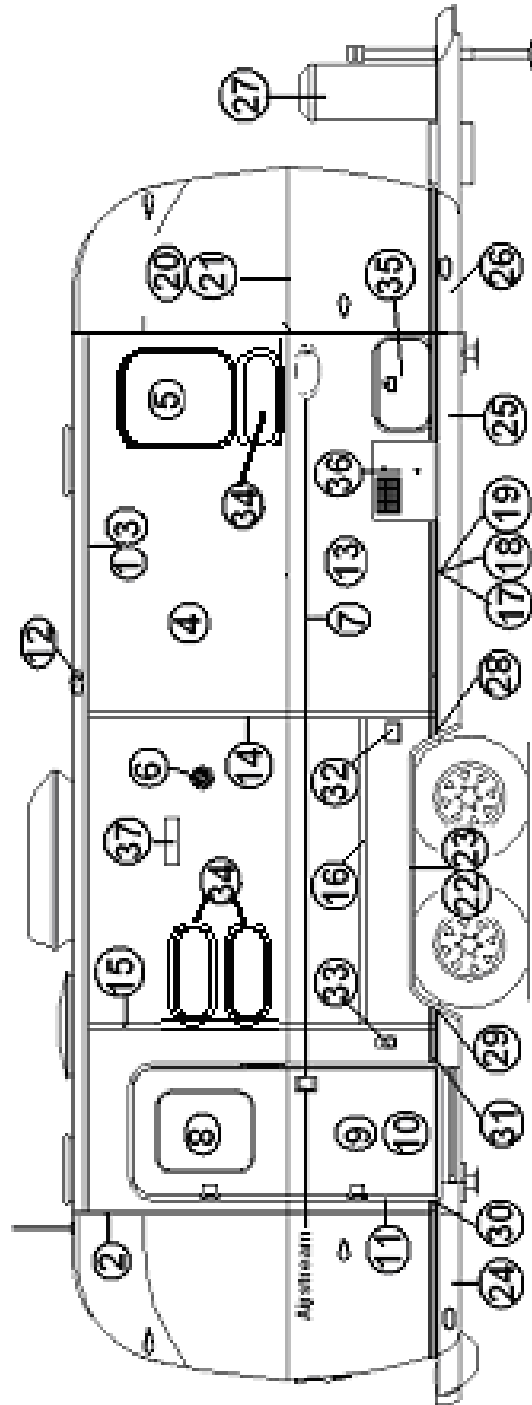
## EXTERIOR BODY

Wall, Curbside, 27'

1. 114290-02 Extrusion, awning/drip rail, 261"
2. 114993 Rib, end bow
3. 104707-06 Extrusion, "I" beam, 258"
4. 114880-238 Alum. sheet, upper, .040" x 51" x 238"
5. 371324-02 Window, 30in. opening
6. 500092 Flood light and lens
7. 371270-01 Window, 30" stack
8. 371400-01 Window, main door
9. 115207-05 Main door assembly
10. 114654-01 Screen door assembly
11. 114652-01 Jamb, main door
12. 922288-02 Door, side access, long
13. 114879-238 Alum. sheet, lower, .040" x 33 x 228"
14. 114387-01 Bow, Z rib, RH
15. 114387-02 Bow, Z rib, LH
16. 100986 Wheel well stiffener (floor channel.
17. 114460 Extrusion, rub rail
18. 201763-01 Insert, rub rail, chrome, 1"
19. 100986 Floor channel
20. 371269-01 Window, 18" stacked
21. 684936 Wheel well trim, inner, tandem axle
22. 684937 Wheel well trim, outer, tandem axle
23. 200545-01 Banana wrap, CS rear
24. 101131-01 Underbelly wrap, .024" x 22.5, Pewter
25. 200543-01 Banana wrap, CS front
26. 921232 Cover, 30# LPG bottles
27. 114466-01 Casting, rub rail end, wheel well, RH
28. 114466-02 Casting, rub rail end, wheel well, L9
29. 114465-02 Casting closeout, rubrail LH
30. 114465-01 Casting closeout, rubrail RH
31. 500563-03 Recept-white 15 A#WRDU15-WT
31. 512399 Cover-Ext. outlet, gray W/P
32. 512252 Step light, LED, Stainless Steel
33. 511017-11 Exterior vent, gray
34. 690209 Access cover, water heater
35. 114328 Extrusion, belt line molding
36. 201912 Molding, belt line insert, chrome

# 2011 FLYING CLOUD EXTERIOR SHELL

Wall, Curbside, 25' Front Bed



Part numbers are on the next page

# 2011 FLYING CLOUD

## EXTERIOR SHELL

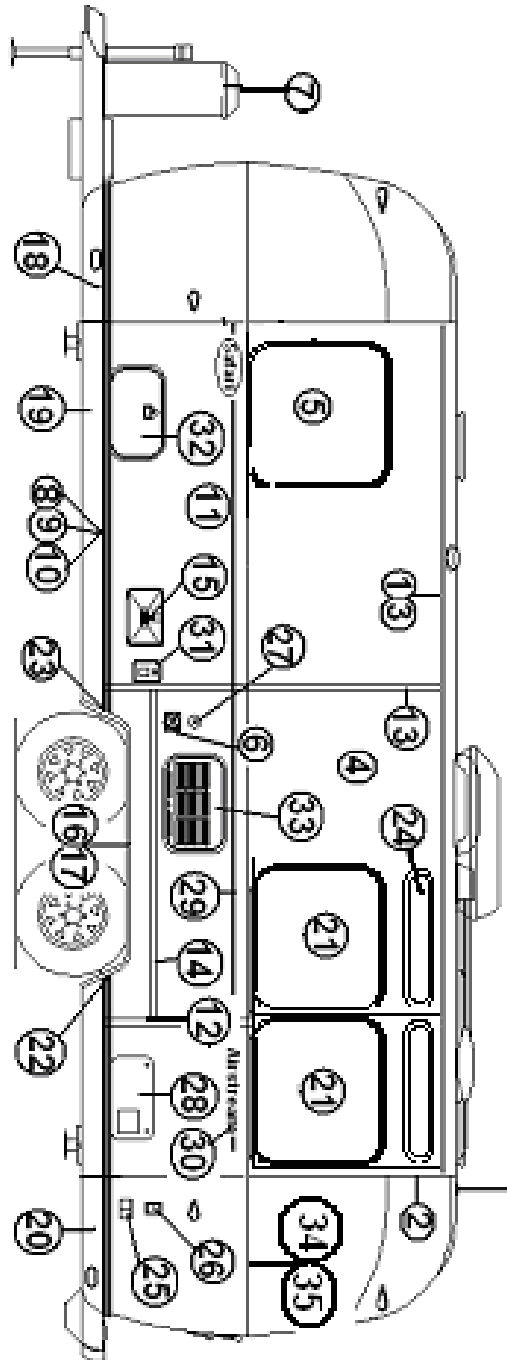
### Wall, Curbside, 25' Front Bed

1. 114290-01	Extrusion, awning/drip rail
2. 114993	Rib, end bow
3. 104707-05	Extrusion, "I" beam
4. 114880-201	Alum. sheet, upper, .040" x 51" x 201"
5. 371323-01	Window-18" opening
6. 500092	Flood light and lens
7. 386088	Decal, black reflective
8. 371400-01	Window, main door, etched
9. 115207-05	Main door assembly
10. 114654-01	Screen door assembly
11. 114652-01	Jamb, main door
12. 690266-01	Shower roof vent
13. 114879-201	Alum. sheet, lower, .040" x 33 x 201"
14. 114387-01	Bow, Z rib, RH
15. 114387-02	Bow, Z rib, LH
16. 100986	Wheel well stiffener (floor channel.
17. 114460	Extrusion, rub rail
18. 201763-01	Insert, rub rail, chrome, 1"
19. 100986	Floor channel
20. 201912	Molding, belt line insert, chrome
21. 114328	Extrusion, belt line molding
22. 684936	Wheel well trim, inner, tandem axle
23. 684937	Wheel well trim, outer, tandem axle
24. 200545-01	Banana wrap, CS rear
25. 101131-01	Underbelly wrap, .024" x 22.5, Pewter
26. 200543-01	Banana wrap, CS front
27. 921232	Cover, 30# LPG bottles
28. 114466-01	Casting, rub rail end, wheel well, RH
29. 114466-02	Casting, rub rail end, wheel well, LH
30. 114465-02	Casting, closeout, rubrail LH
31. 114465-01	Casting, closeout, rubrail RH
32. 500563-03	Recept-white 15 A#WRDU15-WT
32. 512399	Cover, ext. outlet, gray W/P
33. 512252	Step light, LED, Stainless Steel
34. 371269-01	Window 18" stack
35. 100679-01	Side access door assembly
36. 690199	Water heater
37. 511017-11	Exterior vent, gray

# 2011 FLYING CLOUD

## EXTERIOR BODY

Wall, Roadside, 25' Front Bed



Part numbers are on the next page

# 2011 FLYING CLOUD

## EXTERIOR BODY

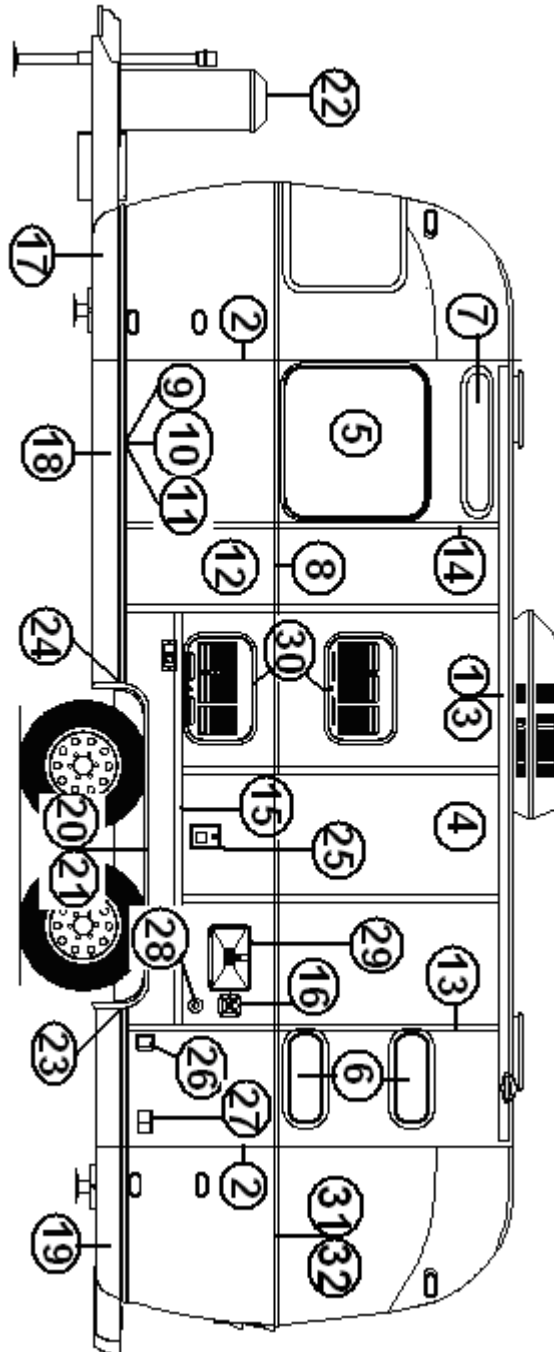
### Wall, Roadside, 25' Front Bed

1. 114290-01	Extrusion, awning/drip rail
2. 114993	Rib, end bow
3. 104707-05	Extrusion, "I" beam
4. 114880-201	Alum. sheet, upper, .040" x 51" x 201"
5. 371380-01	Window, opening egress
6. 601392-05	City water hook-up
7. 921232	Cover, 30# LPG bottles
8. 114460	Extrusion, rub rail
9. 201763-01	Insert, rub rail, chrome, 1"
10. 100986	Floor channel
11. 114879-201	Alum. sheet, lower, .040" x 33" x 201"
12. 114387-01	Bow, Z rib, RH
13. 114387-02	Bow, Z rib, LH
14. 100986	Wheel well stiffener (floor channel)
15. 601876	Shower, exterior, white
16. 684936	Wheel well trim, inner, tandem axle
17. 684937	Wheel well trim, outer, tandem axle
18. 200542-01	Banana wrap, RS front
19. 101131-01	Underbelly wrap, .024" x 22.5", Pewter
20. 200544-01	Banana wrap, RS rear
21. 371380	Window, opening, 30" tall
22. 114466-01	Casting, rub rail end, wheel well, RH
23. 114466-02	Casting, rub rail end, wheel well, LH
24. 922770-02	Vista View- 30"
25. 512402	Inlet, TV/Satellite
26. 512401-02	Power, inlet, 30A, 125V, male
27. 601441	Black tank flush
28. 690274-09	Cover, Hydroflame furnace
29. 386088	Decal, black reflective
30. 386151	Decal, AIRSTREAM 1.3"X 16" black
31. 601194	Water fill w/lock, gray w/label
32. 100679-01	Side access door assembly
33. 922243	Refer access door
34. 201912	Molding, belt line insert, chrome
35. 114328	Extrusion, belt line molding

# 2011 FLYING CLOUD

## EXTERIOR BODY

Wall, Roadside, 23'



Part numbers are on the next page

# 2011 FLYING CLOUD

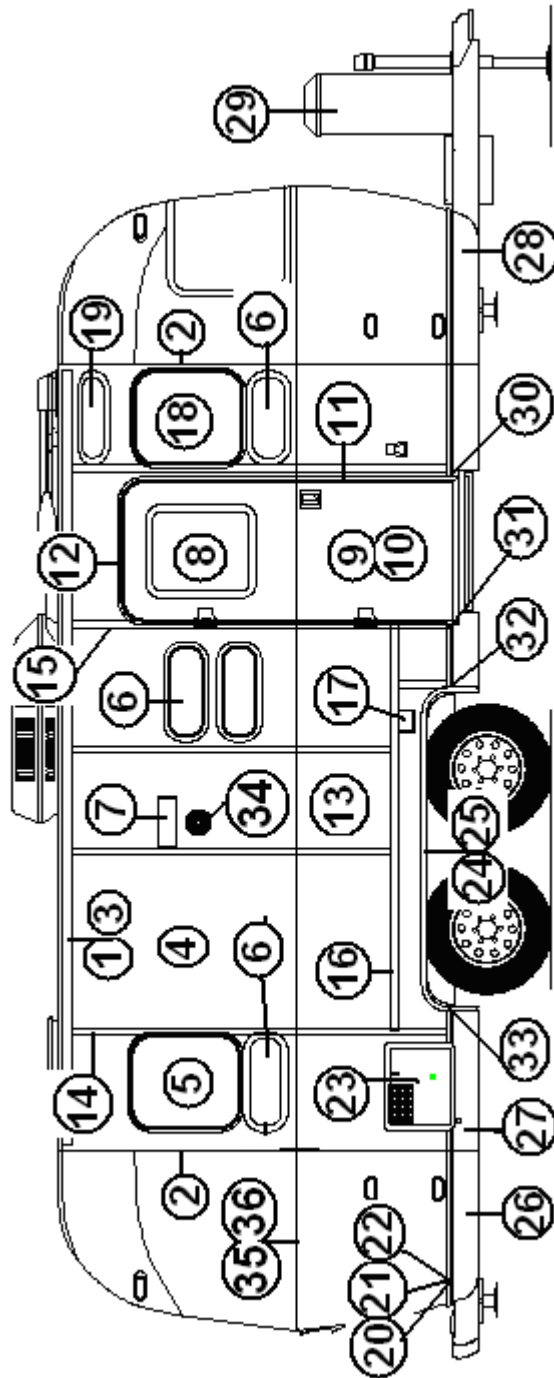
## EXTERIOR BODY

Wall, Roadside, 23'

1. 114290-01 Extrusion, awning/drip rail
2. 114994 Rib, end bow
3. 104707-05 Extrusion, "I" beam
4. 114880-201 Sheet, upper, .040" x 51" x 201"
5. 371380 Window, opening, 30" tall
6. 371269-01 Window 18" stack
7. 922770-02 Vista View- 30"
8. 100034 "Z" bar, 48"
9. 114460 Extrusion, rub rail
10. 201763-01 Insert, rub rail, chrome, 1"
11. 100986 Floor channel
12. 114879-201 Sheet, lower, .040" x 33" x 201"
13. 114387-01 Bow, Z rib, RH
14. 114387-02 Bow, Z rib, LH
15. 100986 Wheel well stiffener (floor channel.
16. 601392-05 City, water hook up
17. 200542-01 Wrap, underbelly, RS front, haircell
18. 203304 Roll, underbelly, black plastic
19. 200544-01 Wrap, underbelly, RS rear, haircell
20. 684936 Wheel well trim, inner, tandem axle
21. 684937 Wheel well trim, outer, tandem axle
22. 921232 Cover, 30# LPG bottles
23. 114466-01 Casting, rub rail end, wheel well, RH
24. 114466-02 Casting, rub rail end, wheel well, LH
25. 601194 Water fill w/lock
26. 512401-02 Power inlet, 30A, 125V
27. 512402 Inlet, TV/Satellite
28. 601197-02 Water hook-up for blank tank flush
29. 601876 Shower, exterior, white
30. 922243 Refer access door
31. 201912 Molding, belt line insert, chrome
32. 114328 Extrusion, belt line molding

# 2011 FLYING CLOUD EXTERIOR BODY

Wall, Curbside, 23'



Part numbers are on the next page



# 2011 FLYING CLOUD

## EXTERIOR BODY

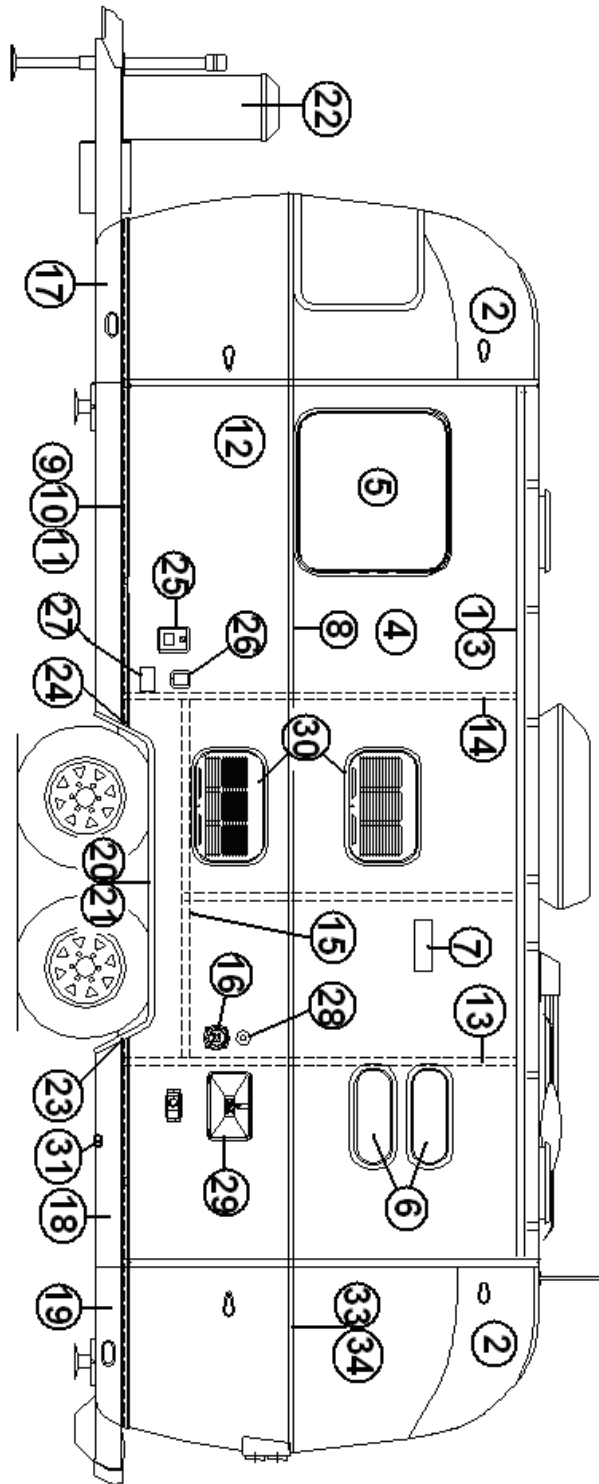
Wall, Curbside, 23'

1. 114290-01	Extrusion, awning/drip rail
2. 114994	Rib, end bow
3. 104707-05	Extrusion, "I" beam
4. 114880-201	Sheet, upper, .040" x 51" x 201"
5. 371323-01	Window-18" opening
6. 371269-01	Window 18" stack
7. 511017-11	Vent cover, range exhaust
8. 371400-01	Window, main door, etched
9. 115207-04	Main door assembly
10. 114654	Screen door assembly
11. 114652	Jamb, main door
12. 114363	Drip cap, main door
13. 114879-201	Sheet, lower, .040" x 33" x 201"
14. 114387-01	Bow, Z rib, RH
15. 114387-02	Bow, Z rib, LH
16. 100986	Wheel well stiffener (floor channel)
17. 500563-03	Recept, white 15 A#WRDU15-WT
18. 371323-01	Window-18" opening
19. 922770-01	Vista View, 18"
20. 114460	Extrusion, rub rail
21. 201763-01	Insert, rub rail, chrome, 1"
22. 100986	Floor channel
23. 690209	Access door, Atwood
24. 684936	Wheel well trim, inner, tandem axle
25. 684937	Wheel well trim, outer, tandem axle
26. 200545-01	Wrap, underbelly, CS rear, haircell
27. 203304	Roll, underbelly, black plastic
28. 200543-01	Wrap, underbelly, CS front, haircell
29. 921232	Cover, 30# LPG bottles
30. 114465-01	Casting, rub rail end, door, RH
31. 114465-02	Casting, rub rail end, door, LH
32. 114466-01	Casting, rub rail end, wheel well, RH
33. 114466-02	Casting rub rail end, wheel well, LH
34. 500092	Floodlight
35. 201912	Molding, belt line insert, chrome
36. 114328	Extrusion, belt line molding
512399	Cover-Ext. Outlet, Gray W/P

# 2011 FLYING CLOUD

## EXTERIOR BODY

Wall, Roadside, 23' Front Bed



Part numbers are on the next page

# 2011 FLYING CLOUD

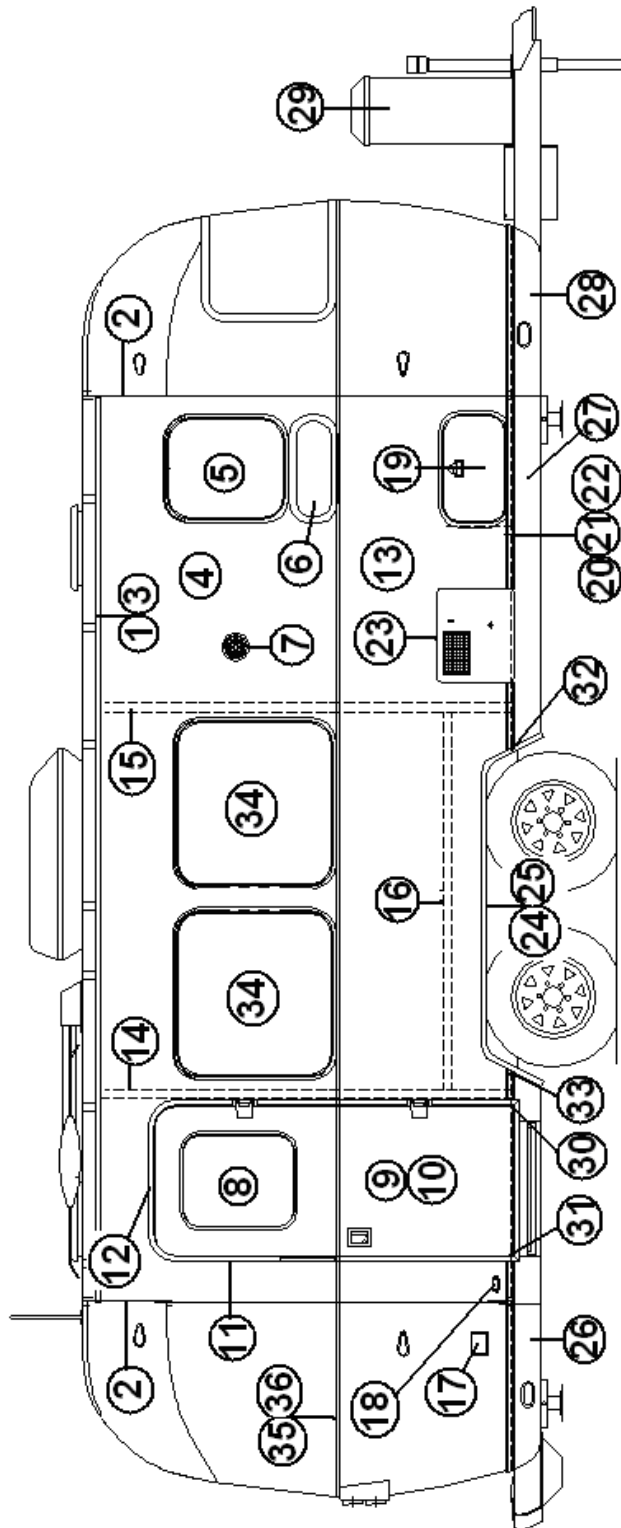
## EXTERIOR BODY

Wall, Roadside, 23' Front Bed

1. 114290-01 Extrusion, awning/drip rail
2. 114994 Rib, end bow
3. 104707-05 Extrusion, "I" beam
4. 114880-201 Sheet, upper, .040" x 51" x 201"
5. 371380-01 Window, 30" opening egress
6. 371269-01 Window 18" stack
7. 511017-11 Vent cover, range exhaust
8. 100034 "Z" bar, 48"
9. 114460 Extrusion, rub rail
10. 201763-01 Insert, rub rail, chrome, 1"
11. 100986 Floor channel
12. 114879-201 Sheet, lower, .040" x 33" x 201"
13. 114387-01 Bow, Z rib, RH
14. 114387-02 Bow, Z rib, LH
15. 100986 Wheel well stiffener (floor channel.
16. 601392-05 City, water hook up
17. 200542-01 Wrap, underbelly, RS front, haircell
18. 203304 Roll, underbelly, black plastic
19. 200544-01 Wrap, underbelly, RS rear, haircell
20. 684936 Wheel well trim, inner, tandem axle
21. 684937 Wheel well trim, outer, tandem axle
22. 921232 Cover, 30# LPG bottles
23. 114466-01 Casting, rub rail end, wheel well, RH
24. 114466-02 Casting, rub rail end, wheel well, LH
25. 601194 Water fill w/lock
26. 512401-02 Power inlet, 30A, 125V
27. 512402 Inlet, TV/Satellite
28. 601197-02 Water hook-up for black tank FLUSH
29. 601876 Shower, exterior, white
30. 922243 Refer Access door
31. 510658 Switch, w/ weather proof boot
32. 201912 Molding, belt line insert, chrome
33. 114328 Extrusion, belt line molding
- 511294 Light, License Plate, half shade (not shown)

# 2011 FLYING CLOUD EXTERIOR BODY

Wall, Curbside, 23' Front Bed



Part numbers are on the next page

# 2011 FLYING CLOUD

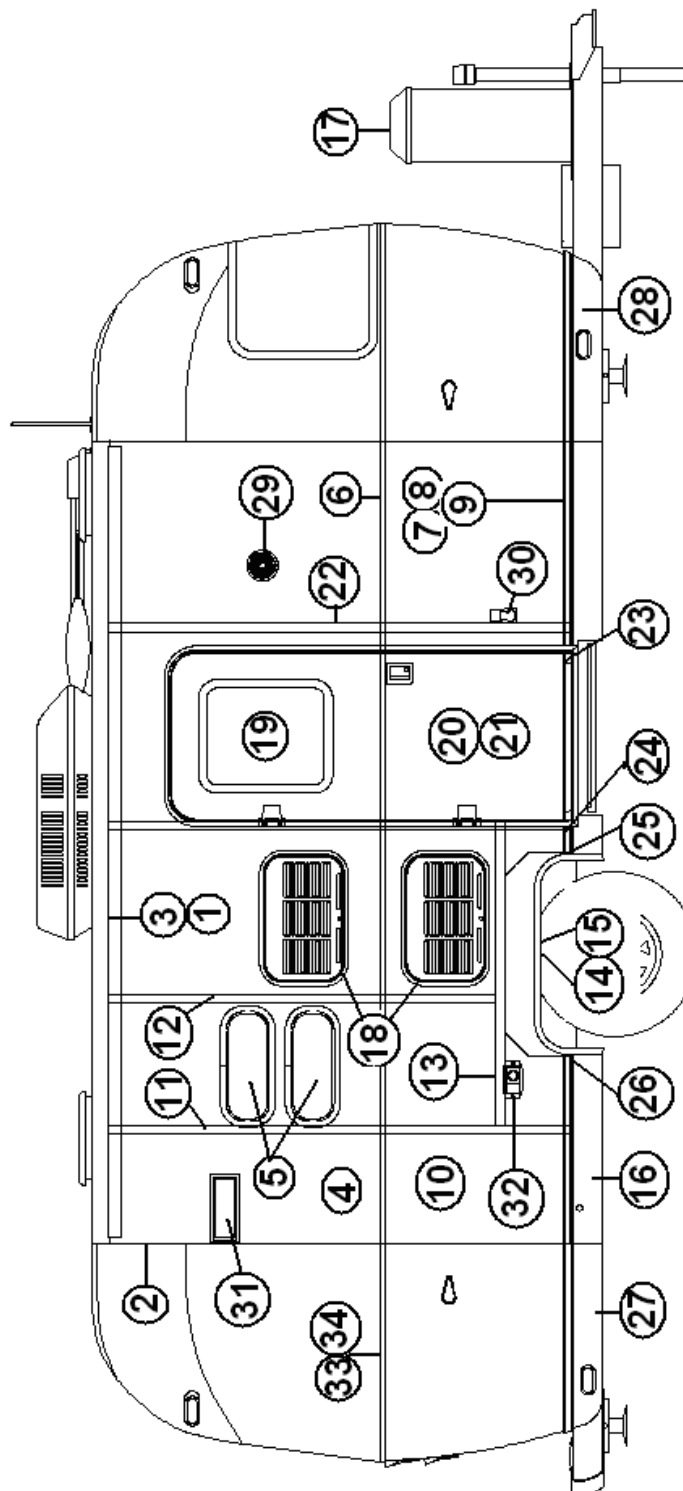
## EXTERIOR BODY

Wall, Curbside, 23' Front Bed

1. 114290-01 Extrusion, awning/drip rail
2. 114994 Rib, end bow
3. 104707-05 Extrusion, "I" beam
4. 114880-201 Sheet, upper, .040" x 51" x 201"
5. 371323-01 Window, 18" opening
6. 371269-01 Window 18" stack
7. 500092 Patio light, round, Signal Stat
8. 371400-01 Window, main door, etched
9. 115207-05 Main door assembly
10. 114654-01 Screen door assembly
11. 114652-01 Jamb, main door
12. 114363 Drip cap, main door
13. 114879-201 Sheet, lower, .040" x 33" x 201"
14. 114387-01 Bow, Z rib, RH
15. 114387-02 Bow, Z rib, LH
16. 100986 Wheel well stiffener(floor channel.
17. 500563-03 Recept, white, 15 A#WRDU15-WT
17. 512399 Cover, ext. outlet, gray W/P
18. 512252 Step light, L.E.D., SS
19. 100679-01 Side access door assembly
20. 114460 Extrusion, rub rail
21. 201763-01 Insert, rub rail, chrome, 1"
22. 100986 Floor channel
23. 690209 Access door, Atwood
24. 684936 Wheel well trim, inner, tandem axle
25. 684937 Wheel well trim, outer, tandem axle
26. 200545-01 Wrap, underbelly, CS rear, haircell
27. 203304 Roll, underbelly, black plastic
28. 200543-01 Wrap, underbelly, CS front, haircell
29. 921232 Cover, 30# LPG bottles
30. 114465-01 Casting, rub rail end, door, RH
31. 114465-02 Casting, rub rail end, door, LH
32. 114466-01 Casting, rub rail end, wheel well, RH
33. 114466-02 Casting rub rail end, wheel well, LH
34. 371380 Window, 30" tall, opening
35. 201912 Molding, belt line insert, chrome
36. 114328 Extrusion, belt line molding

# 2011 FLYING CLOUD EXTERIOR BODY

Wall, Curbside, 20'



Part numbers on the next page

# 2011 FLYING CLOUD

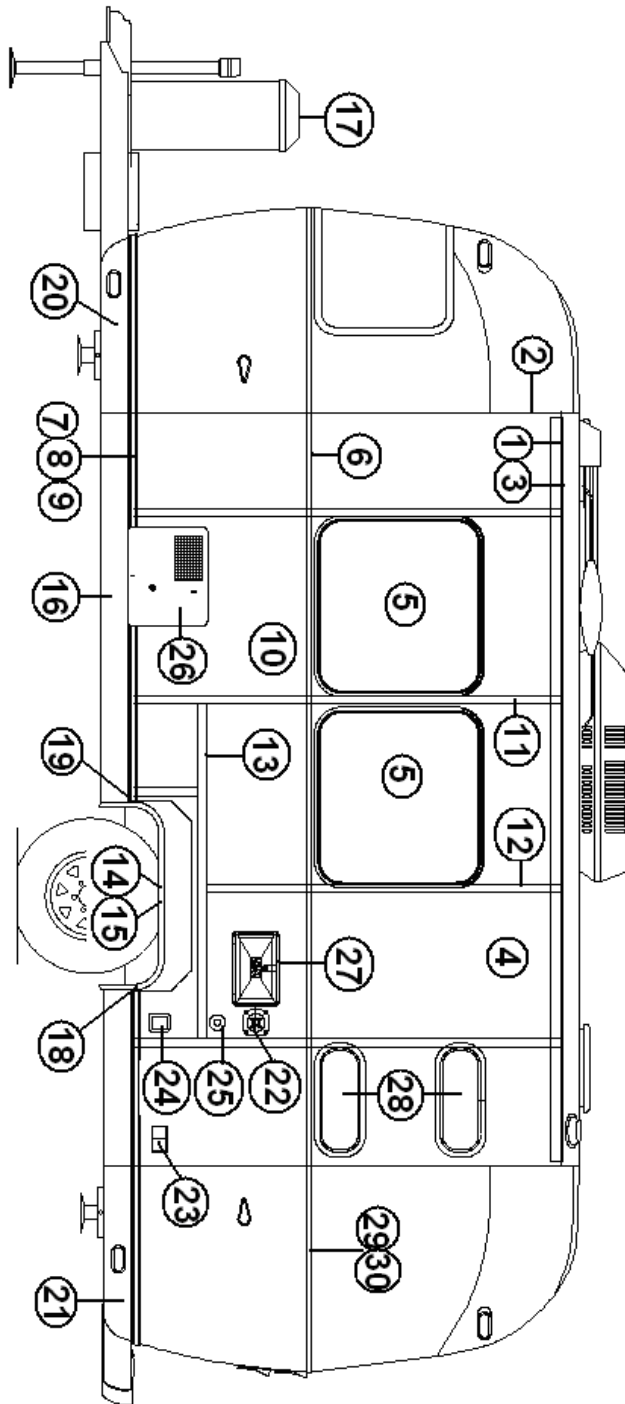
## EXTERIOR BODY

Wall, Curbside, 20'

1. 114290-01 Extrusion, awning/drip rail
2. 114994 Rib, end bow
3. 104707-05 Extrusion, "I" beam
4. 114880-201 Aluminum sheet, .040 x 51 x 201"
5. 371269-01 Window, portal
6. 100034 "Z" bar, 48"
7. 114460 Extrusion, rub rail
8. 201763-01 Insert, rub rail, chrome, 1"
9. 100986 Floor channel
10. 114879-201 Aluminum sheet, .040 x 33 x 201"
11. 114387-02 Bow, Z rib, LH
12. 114387-01 Bow, Z rib, RH
13. 100986 Wheel well stiffener (floor channel.
14. 114003-04 Wheel well trim, inner, single axle
15. 114004-04 Wheel well trim, outer, single axle
16. 101131-01 Underbelly wrap, .024 x 22.5,pewter
17. 921232 Cover, 30# LPG bottles
18. 922243 Door assembly, refrigerator assess
19. 371400-01 Window, main door, etched
20. 115207-04 Main door assembly
21. 114654 Screen door assembly
22. 114652 Jamb, main door, pre-formed
23. 114465-01 Casting, rub rail end, door, RH
24. 114465-02 Casting, rub rail end, door, LH
25. 114466-01 Casting, rub rail end, wheel well, RH
26. 114466-02 Casting, rub rail end, wheel well, LH
27. 200545-01 Banana wrap, CS rear, haircell
28. 200543-01 Banana wrap, CS front, haircell
29. 500092 Flood light and lens
30. 512252 Step light, LED, stainless steel
31. 511017-11 Vent cover, range exhaust
32. 690467-08 Furnace-18000 BTU #7920-11
33. 201912 Molding, belt line insert, chrome
34. 114328 Extrusion, belt line molding

# 2011 FLYING CLOUD EXTERIOR BODY

Wall, Roadside, 20',



Part numbers on the next page



# 2011 FLYING CLOUD

## EXTERIOR BODY

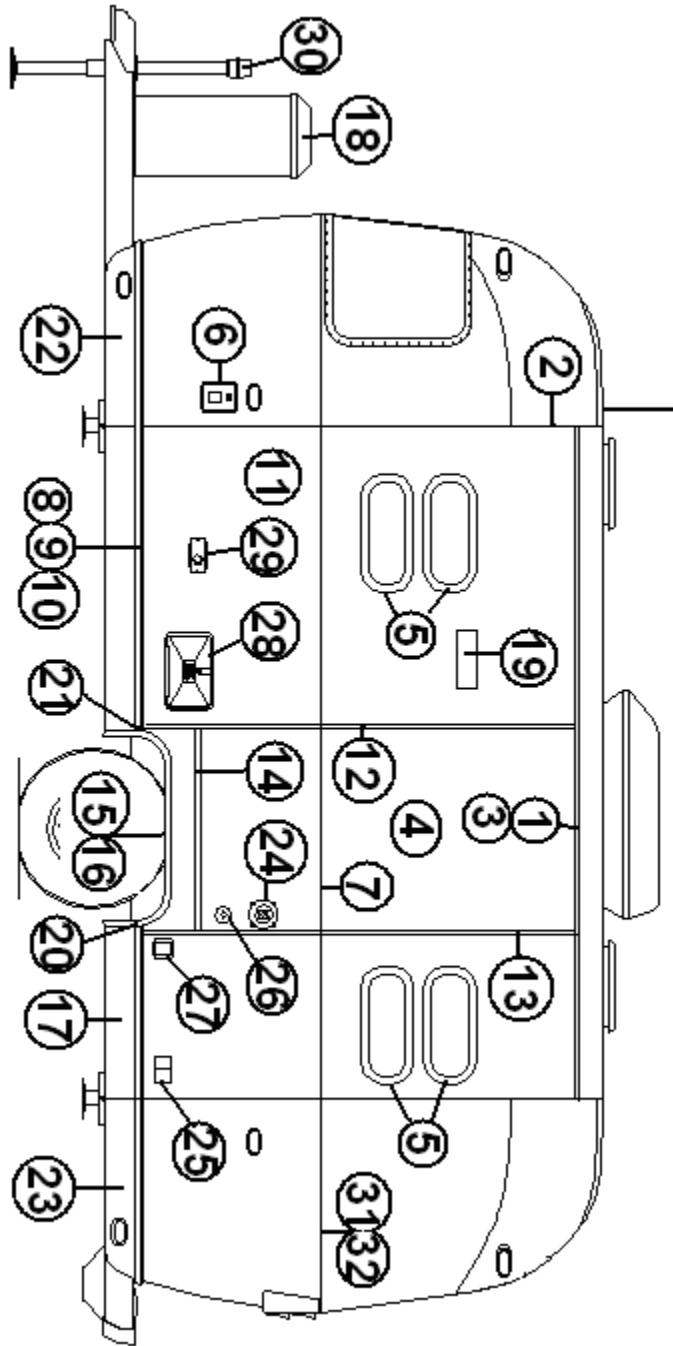
Wall, Roadside, 20'

1. 114290-01	Extrusion, awning/drip rail
2. 114994	Rib, end bow
3. 104707-05	Extrusion, "I" beam
4. 114880-201	Aluminum sheet, .040 x 51 x 201"
5. 371380	Window, opening, 30" tall
6. 100034	"Z" bar, 48"
7. 114460	Extrusion, rub rail
8. 201763-01	Insert, rub rail, chrome, 1"
9. 100986	Floor channel
10. 114879-201	Aluminum sheet, .040 x 33 x 201"
11. 114387-02	Bow, Z rib, LH
12. 114387-01	Bow, Z rib, RH
13. 100986	Wheel well stiffener (floor channel.
14. 114003-04	Wheel well trim, inner, single axle
15. 114004-04	Wheel well trim, outer, single axle
16. 101131-01	Underbelly wrap, .024 x 22.5,pewter
17. 921232	Cover, 30# LPG bottles
18. 114466-01	Casting, rub rail end, wheel well, RH
19. 114466-02	Casting, rub rail end, wheel well, LH
20. 200542-01	Banana wrap, RS front, haircell
21. 200544-01	Banana wrap, RS rear, haircell
22. 601392-05	City water hook-up
23. 512402	Inlet, TV/Satellite
24. 500563-03	Recept, white 15 A#WRDU15-WT
24. 512399	Cover, ext. outlet, gray W/P
24. 601441	Tank flush system
25. 690602	Water heater, 6 Gallon Gas/Electric
26. 601876	Shower, exterior, white
27. 371269-01	Window, portal
28. 201912	Molding, belt line insert, chrome
29. 114328	Extrusion, belt line molding

# 2011 FLYING CLOUD

## EXTERIOR BODY

Wall, Roadside, 19'



Part numbers on the next page

# 2011 FLYING CLOUD

## EXTERIOR BODY

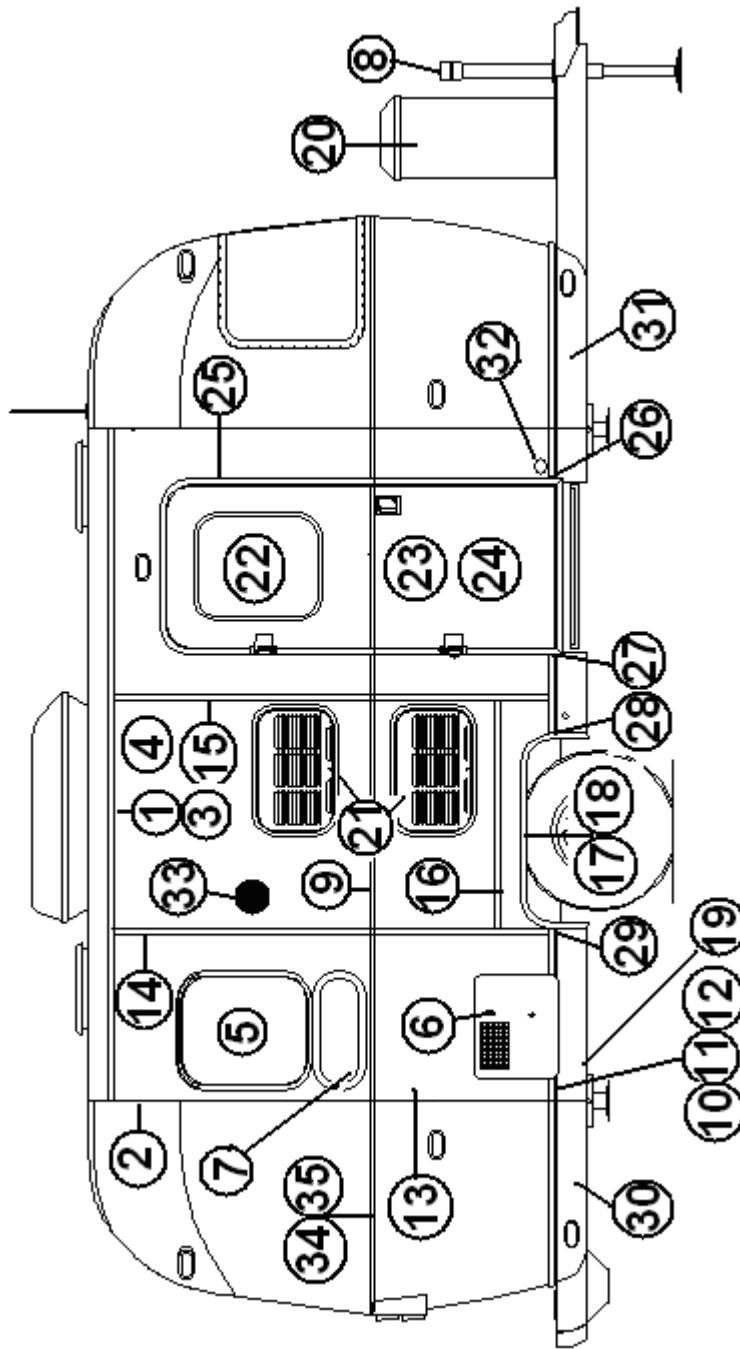
Wall, Roadside, 19'

1. 114290-02 Extrusion, awning/drip rail
2. 114994 Rib, end bow
3. 104707-05 Extrusion, "I" beam
4. 114880-238 Aluminum sheet, upper, .040 x 51 x 238"
5. 371269-01 Window, 18" stacked
6. 601194 Water fill w/lock, gray
7. 100034 "Z" bar, 48"
8. 114460 Extrusion, rub rail
9. 201763-01 Insert, rub rail, chrome, 1"
10. 100986 Floor channel
11. 114879-238 Aluminum sheet, lower, .040 x 33 x 238"
12. 114387-02 Bow, Z rib, LH
13. 114387-01 Bow, Z rib, RH
14. 100986 Wheel well stiffener (floor channel.
15. 114003-04 Wheel well trim, inner, single axle
16. 114004-04 Wheel well trim, outer, single axle
17. 101131-01 Underbelly wrap, .024 x 22.5, pewter
18. 921232 Cover, 30# LPG bottles
19. 511017-11 Vent cover, range exhaust
20. 114466-01 Casting, rub rail end, wheel well, RH
21. 114466-02 Casting, rub rail end, wheel well, LH
22. 203251-05 Banana wrap, RS front, Haircell
23. 203251-07 Banana wrap, RS rear, Haircell
24. 601392-05 City water hook-up
25. 512402 Inlet, TV/Satellite
26. 601441 System, tank flush (NO-FUSS)
27. 512401-02 Power inlet, 30A, 125V
27. 601876 Shower, exterior, white
28. 690395 Furnace, Hydroflame, 7916-II
29. 400961 Jack, electric #27720 Barker
30. 201912 Molding, belt line insert, chrome
31. 114328 Extrusion, belt line molding

# 2011 FLYING CLOUD

## BODY

Wall, Curbside, 19'



Part numbers on the next page

# 2011 FLYING CLOUD

## EXTERIOR BODY

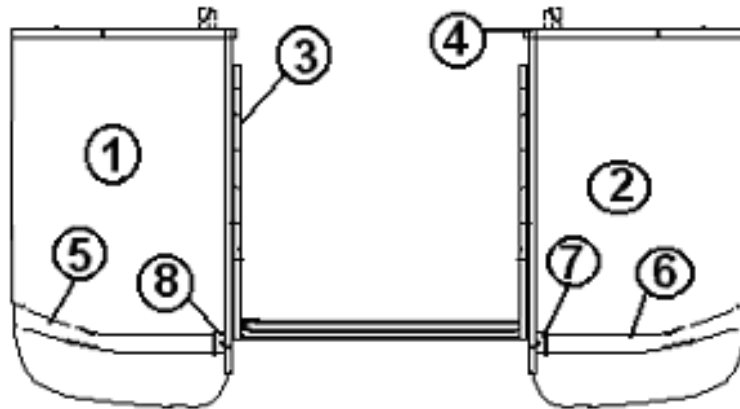
Wall, Curbside, 19'

1. 114290-02	Extrusion, awning/drip rail
2. 114994	Rib, end bow
3. 104707-05	Extrusion, "I" beam
4. 114880-238	Aluminum sheet, upper, .040 x 51 x 238"
5. 371323-01	Window, 18" opening
6. 690259-03	Cover and mounting flange, Atwood
7. 371269-01	Window, 18" stacked
8. 400961	Jack, electric
9. 100034	"Z" bar, 48"
10. 114460	Extrusion, rub rail
11. 201763-01	Insert, rub rail, chrome, 1"
12. 100986	Floor channel
13. 114879-238	Aluminum sheet, lower, .040 x 33 x 238"
14. 114387-02	Bow, Z rib, LH
15. 114387-01	Bow, Z rib, RH
16. 100986	Wheel well stiffener (floor channel.
17. 114003-04	Wheel well trim, inner, single axle
18. 114004-04	Wheel well trim, outer, single axle
19. 101131-01	Underbelly wrap, .024 x 22.5,pewter
20. 921232	Cover, 30# LPG bottles
21. 922243	Door assembly, refrigerator assess
22. 371400-01	Window, main door, etched
23. 115207-04	Main door assembly
24. 114654	Screen door assembly
25. 114652	Jamb, main door, pre-formed
26. 114465-01	Casting, rub rail end, door, RH
27. 114465-02	Casting, rub rail end, door, LH
28. 114466-01	Casting, rub rail end, wheel well, RH
29. 114466-02	Casting, rub rail end, wheel well, LH
30. 203251-08	Banana wrap, CS rear, Haircell
31. 203251-06	Banana wrap, CS front, Haircell
32. 512252	Step light, LED, stainless steel
33. 500092	Flood light and lens
34. 201912	Molding, belt line insert, chrome
35. 114328	Extrusion, belt line molding

# 2011 FLYING CLOUD

## EXTERIOR SHELL

### Wrap Protector/Holdbacks



- |               |  |
|---------------|--|
| 109325-100    | Wrap Protector, Set, 20', 23', 25', 27', 28', 30'                  |
| 109325-02     | Wrap Protector, Set, 19', 25' FB CSA, 27' FB CSA, 30' CSA, 23' CSA |
| 1. 966276     | Wrap Protector, CS, 20', 23', 25', 27', 28', 30'                   |
| 1. 685365-100 | Wrap Protector, CS, 19'  |
| 2. 966277     | Wrap Protector, RS, 20', 23', 25', 27', 28', 30'                   |
| 2. 685366-100 | Wrap Protector, RS, 19'  |
| 3. 381605-03  | Hinge, stainless, wrap protector                                   |
| 4. 100742-01  | Extrusion, mirror/wrap trim protector                              |
| 5. 114460     | Extrusion, rub rail  |
| 6. 201763-01  | Insert, rub rail, chrome   |
| 7. 114465-01  | Casting, closeout, rubrail RH                                      |
| 8. 114465-02  | Casting, closeout, rubrail LH                                      |
| 114819-01     | Wrap protector hold back, 1.62"                                    |
| 114819-02     | Wrap protector hold back, 2.50"                                    |
| 114819-03     | Wrap protector hold back, 5.00"                                    |
| 101401        | Extrusion, door latch housing/stone                                |
| 345417        | Nut acorn, hex, locking SS 1/4-                                    |
| 345376        | Nut hex HD 1/4-20 SS   |
| 345336-07     | Cap screw hex HD 1/4-20 hex .75"                                   |
| 500096        | REFLECTOR, AMBER   |

# 2011 FLYING CLOUD

## INTERIOR BODY

### Interior Skin

114445	Aluminum sheet, .032" x 34" x coil
114879-201	Aluminum sheet, .040" X 33" X 201"
114880-201	Aluminum sheet, .040" X 51" X 201"
114879-238	Aluminum sheet, .040" X 33" X 238"
114880-238	Aluminum sheet, .040" X 51" X 238"
114879-262	Aluminum sheet, .040" X 33" X 262"
114880-262	Aluminum sheet, .040" X 51" X 262"

### Wall/Skin Trim

114157-01	Extrusion, end liner, upper, white
201728-01	Extrusion, ceiling trim retainer
201728-03	Extrusion, ceiling trim
203225	Trim, flexible, "U", white
203225-01	Trim lock (gray) .75" #1375-1/8 G7
203138-03	Extrusion, plastic, wall, beige
203138-04	Extrusion- plastic wall oak
114070	Extrusion, J-Trim, aluminum

### Back Splash

114879-201	Aluminum sheet .040 X 33"W X 201", used for galley back splash. Specify length needed.
------------	--

# 2011 FLYING CLOUD

## CHASSIS

### Axles, w/Never Adjust Brakes

410980-06	Axle, 4300#, 19'
410980-07	Axle, 5000#, 19' C.S.A.
410980-02	Axle, 3800#, 28', 27', 25'
410980-09	Axle, 3000#, 23', 23'FB
410980-08	Axle, 5000#, 20'
410980-01	Axle, 5000#, Never Adjust, 30'

### Shocks

0220003	Shock absorber
0250173-15	Bolt, grade 5, 5/8"-18 x 1.5", shock mount
0250173-20	Screw, HHCS GR 5 5/8-18 X 2.0 Black
0130068-818	Nut, hex head flanged, 5/8"-18, shock mount
0140053-62	Washer, disc spring, SP, 5/8 I.D.

### Step, Single, 19'

400962	Step, main door, steel 24"
--------	----------------------------

### Step, Double

381863-01	Step, double steel w/ tread
0250175-03	Screw HHCS GR5 3/8"-16 X 3/4"
0260100	3/8"-16 U-type, cage nut

### Wheel Well

200844	Wheel well, tandem
200514	Wheel well insulator, tandem
453617	Wheel well box, 20', 19 ft.



# 2011 FLYING CLOUD

## CHASSIS

### Wheels/Tires, 23' FB, 23'

410986	Tire/wheel assembly - 14" Aluminum
400985	Cap, center S.S.
400923	Lug nut, 1/2", acorn type
410848-01	Spare tire/wheel assembly

### Wheels/Tires, 30', 28' W, 27' FB, 25' FB, 20', 19'

410987	Tire/wheel assembly 15" Aluminum
400844-01	Dust cover, center hub
400923	Lug nut, acorn
410843-01	Spare tire/wheel assembly, steel 15"

### Spare Tire Carrier

450414	"A" frame spare tire carrier
994073	Bracket for spare tire

### Wheel Covers, KOA

703809	Covers, KOA wheel, blk set
--------	----------------------------

# 2011 FLYING CLOUD

## CHASSIS

### Jacks, Stabilizing, 19'

- 400914-03 Stabilizer jack 20", lightweight
- 400914-02 Handle, 15" (stabilizer jack)
- 400914-04 Foot pads, stabilizer jack (set of 4)

### Jacks, Stabilizing, 20', 23', 25', 27', 28', 30'

- 400093 Stabilizing jacks, BAL w/handle, (4 ea.)
- 400093-02 Crank, stabilizer jack (BAL)
- 400093-01 BAL jack, (1 ea.)
- 400093-04 Foot pad, BAL jack (Set of 4)
- 400093-100 Foot pad, BAL Jack ( 1 Ea.)

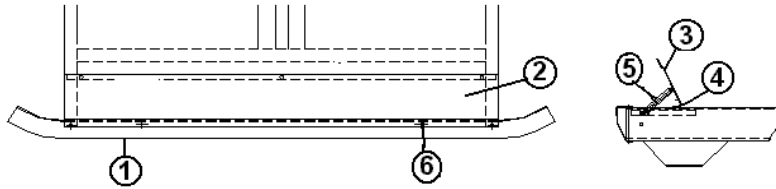
### Hose Carrier

- 601544-02 E-Z hose carrier, 46in., black
- 104704-01 Shim, 3 X 3

# 2011 FLYING CLOUD

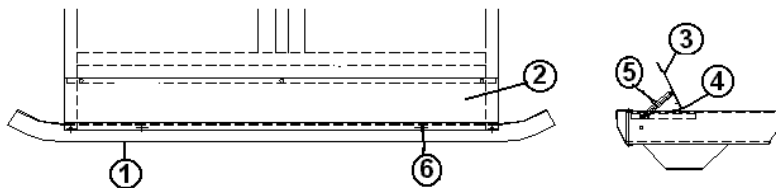
## CHASSIS

### Bumper Assembly, 19'



1. 410932 Bumper, 19 FT.
2. 453627 Bottom, storage compartment  
921239-03 Lid assembly, rear hose carrier, 61",  
(includes items 3 & 4 assembled)
3. 454214 Lid, rear bumper compartment
4. 380203-02 Hinge, piano, 1/8 pin, black
5. 380024 Arms, support RH
6. 380067 Lock, cam, bumper lid latch  
365235 Tape, double coated .12"X 1.00"  
365013-01 Tape, charcoal low density foam  
452213-200 Spacer, 2.00"

### Bumper Assembly, 20', 23'

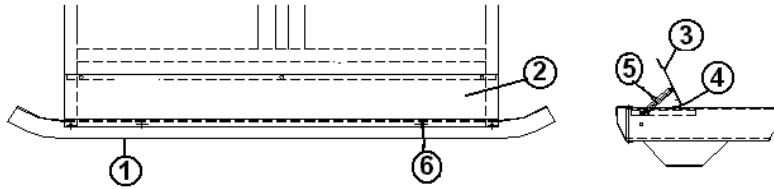


1. 410932 Bumper
2. 454314 Bottom, storage compartment
3. 454315 Lid, rear bumper compartment
4. 380203-02 Hinge, piano 1/8 pin, black
5. 380024 Arms, support RH
6. 380067 Lock, cam, bumper lid latch  
365235 Tape double coated .12"X 1.00"  
365013-01 Tape, charcoal low density foam  
381435 Hatch, Access Cover 4" White

# 2011 FLYING CLOUD

## CHASSIS

Bumper Assembly, 25', 27', 28', 30'



- 1. 410831 Bumper, 25', 27', 28', 30'
- 2. 453538 Bottom, storage compartment, 25', 27', 28' W
- 2. 454147 Bottom, storage compartment, 30'
- 3. 921239-01 Lid assembly, rear bumper compartment
- 3. 453497 Lid only, rear bumper compartment
- 4. 380203-02 Hinge, piano 1/8 pin
- 5. 380024 Arms, support, RH
- 6. 380067 Lock cam, bumper lid latch
- 365235 Tape, double coated .12"X 1.00"
- 365013-01 Tape, charcoal low density foam
- 381435 Hatch access cover 4" white

### Underbelly

- 114679 Aluminum underbelly, .019" x 65.75 x coil
- 101131-01 Aluminum, underbelly wrap, .024" x 22.5, gray
- 203304 Roll, underbelly, black plastic

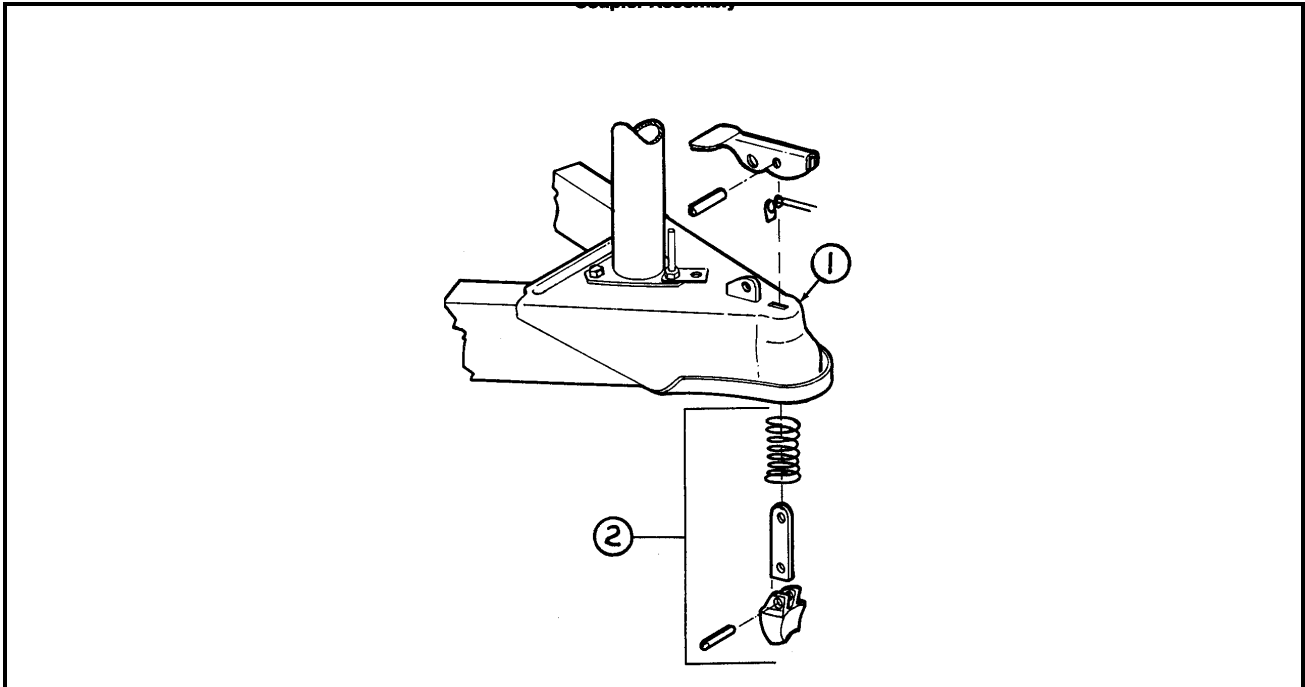
Power Jack, 30', 28' W, 27' FB, 25' FB, 23', 23' FB

- 400961 Power jack
- 410598 Foot pad, power jack

# 2011 FLYING CLOUD

## CHASSIS

### Hitch Coupler/Safety Chains

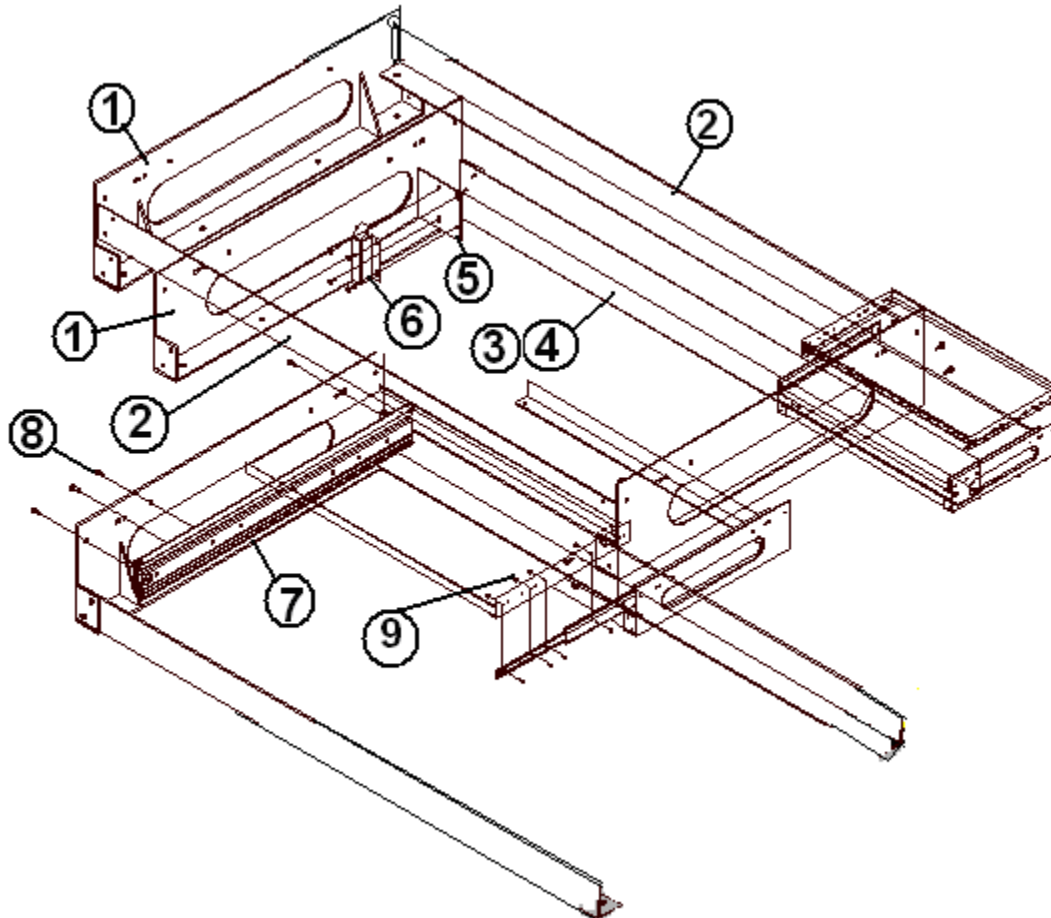


- |           |                                |
|-----------|--------------------------------|
| 1. 680343 | Coupler assembly, 2 5/16"      |
| 2. 680345 | Repair kit, 2 5/16" coupler    |
| 400945    | 5/16" clevis, safety slip hook |

# 2011 FLYING CLOUD

## CHASSIS

### Rear Storage Slide, "W" Bed



- |               |                                      |
|---------------|--------------------------------------|
| 1. 454596     | Floor mounting bracket, rear storage |
| 2. 454597     | Angle, crossmember, rear storage     |
| 3. 454598     | Slide bracket, rear storage          |
| 4. 454599     | Storage box, crossmember             |
| 5. 454600     | Latch, bracket                       |
| 6. 382035     | Latch, Sundecker                     |
| 7. 382036     | Slide, 24" Accuride end              |
| 8. 320120-500 | Screw, 10-32, flat head              |
| 9. 350029     | Lock nut, 10-32                      |

# 2011 FLYING CLOUD

## DECALS/EXTERIOR TRIM

### Decals/Logos/Nameplates

386088	Decal, stripe, center, black, reflective 5/16"
386126	Nameplate, Bambi, black/gray
386220	Nameplate-Flying Cloud 3"X10"
386068	Medallion, screen door, 3", black
386150	Decal, "AIRSTREAM", 2.4" X 28" black
386151	Decal, "AIRSTREAM", 1.3" X 16" black
386247	Nameplate, 80 Year Logo

### Beltline

114328	Extrusion, belt line molding
201912	Molding, belt line insert, chrome
114417	Casting, belt line close out

### Rub Rail trim

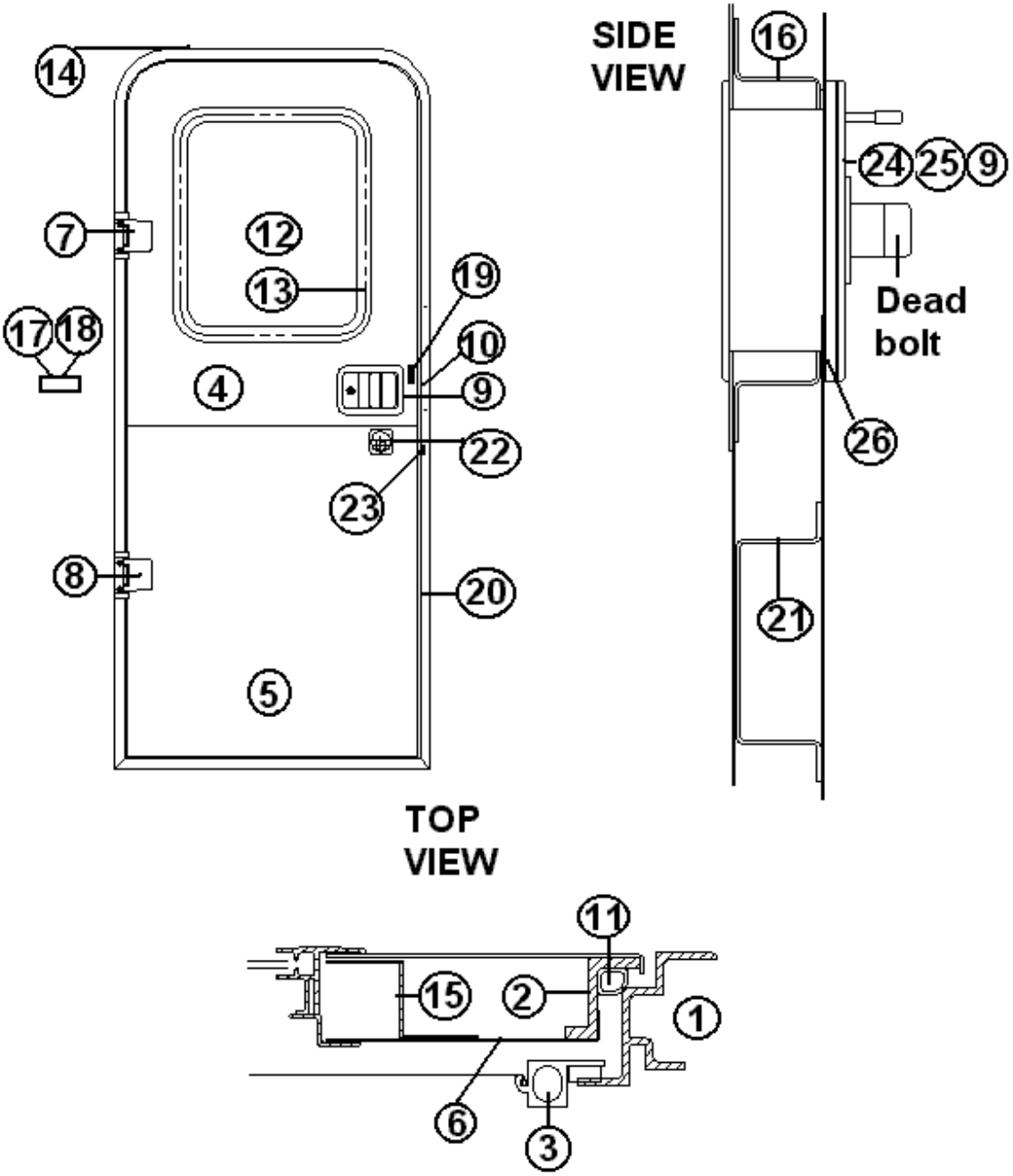
114460	Extrusion, rub rail
201763-01	Insert, rub rail, chrome, 1"
114466-01	Close out, casting, rub rail, angled RH
114466-02	Close out, casting, rub rail, angled LH
114465-01	Close out, casting, rub rail RH
114465-02	Close out, casting, rub rail LH

### Reflectors

500095	Reflector, red rectangular
500096	Reflector, amber
510446	Reflector, red, stick-on

# 2011 FLYING CLOUD DOORS/WINDOWS/AWNING

Door, Main, LH Hinge



Part numbers on the next page



# 2011 FLYING CLOUD

## DOORS, EXTERIOR

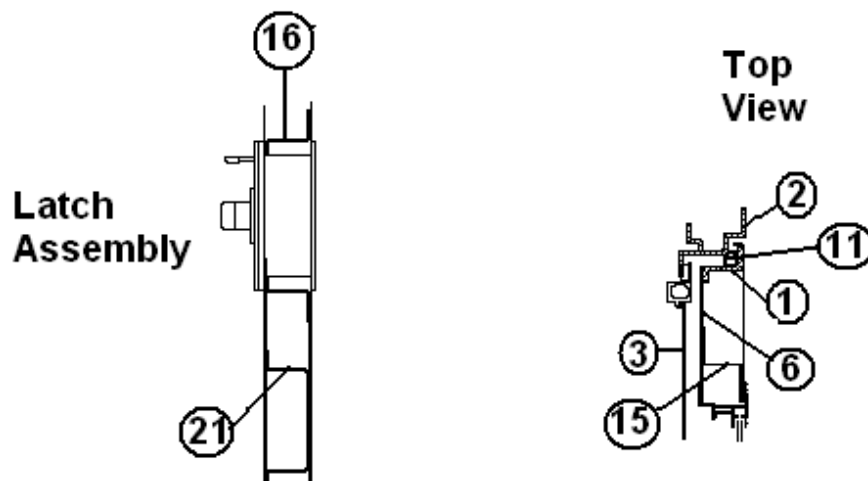
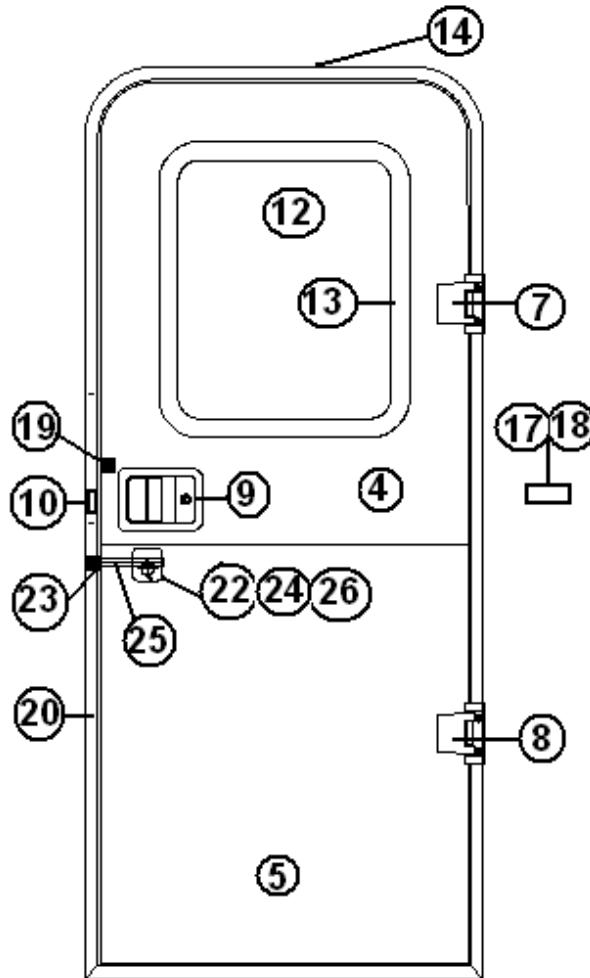
### Door, Main, LH Hinge

- 115207-04 Main door assembly, LH hinge
1. 114653 Frame, main door, pre-formed
  2. 114652 Jamb, main door, pre-formed
  3. 114654 Screen door assembly
  4. 114448-03 Skin, exterior, upper main door
  5. 114449-03 Skin, exterior, lower main door
  6. 114475 Main door, skin inner
  7. 381552-03 Hinge assembly, main door, upper
  8. 381552-04 Hinge assembly, main door, lower
  9. Trimark latch assembly parts shown in hardware section
  10. 385595 Pocket strike, main door
  11. 365232 Seal, main door
  12. 371400-01 Window, main door, etched
  13. 115208 Trim ring, main door window
  14. 114363 Drip cap, main door
  15. 114658 Inner door, "Z" bar, upper & lower
  16. 114657 Hat section, formed, main door
  17. 380290 Housing. Latch, mounted on side sheet
  18. 380291 Latch assembly, mounted on side sheet
  19. 201056 Striker, main door, black plastic
  20. 114507-03 Trim, main door
  21. 115413 Door hat section assembly
  22. 382069 Deadbolt assembly, round, Trimark
  23. 381326 Striker w/ Trimark deadbolt
  24. 345321-12 Screw, flat head, black
  25. 453851 Bolt, Trimark, deadbolt
  26. 203370 Spacer, deadbolt assembly
  - 203620 Spacer, striker main door
  - 203494 Base plate, door latch
  - 382074 Gasket, grab handle, main door

# 2011 FLYING CLOUD

## DOORS, EXTERIOR

### Main Door, RH Hinge



Part numbers are on the next page.

# 2011 FLYING CLOUD

## DOORS, EXTERIOR

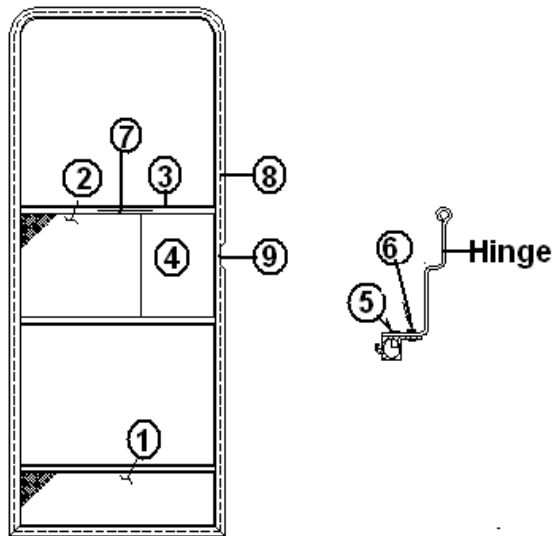
### Main Door, RH Hinge

115207-05	Main door assembly, RH hinge
1. 114652-01	Jamb, main door, pre-formed
2. 114653-01	Frame, main door, pre-formed
3. 114654-01	Screen door assembly, RH Hinge
4. 114448-03	Skin, exterior, upper main door
5. 114449-03	Skin, exterior, lower main door
6. 114475	Main door skin, inner
7. 381552-02	Hinge assembly, main door, upper
8. 381552-01	Hinge assembly, main door lower
9.	<u>Trimark latch assembly parts shown in hardware section</u>
10. 385595	Pocket strike, main door
11. 365232	Seal, main door
12. 371400-01	Window, main door, etched
13. 203370	Spacer, Trimark door Latch
14. 114363	Drip cap, main door
15. 114658	Inner door, "Z" bar, upper & lower
16. 114657	Hat section, formed, main door
17. 380290	Housing. Latch, mounted on side sheet
18. 380291	Latch assembly, mounted on side sheet
19. 201056	Striker, main door, black plastic
20. 114507-03	Trim, main door
21. 115413	Door hat section assembly
22. 382069	Deadbolt assembly, round, Trimark
23. 381326	Striker w/ Trimark deadbolt
24. 345321-12	Screw, flat head, black
25. 453851	Bolt, Trimark, deadbolt
26. 203370	Spacer, deadbolt assembly
203495	Spacer, door stay, main
203494	Base plate, door latch
382074	Gasket, grab handle, main door

# 2011 FLYING CLOUD

## DOORS/WINDOWS/AWNING

### Screen Door



- |              |   |
|--------------|---|
| 114654       | Screen door assembly, LH hinge          |
| 114654-01    | Screen door assembly, RH hinge          |
| 1. 114648-01 | Kick panel screen door                  |
| 2. 114561-01 | Panel, slider, screen door              |
| 3. 104784-78 | Extr. screen door stiffener #VH-9       |
| 4. 203287-02 | Close out, plastic, screen door         |
| 5. 330126-03 | Rivet, pop SSD44SSBS                    |
| 6. 325122    | Rivet, hard, 5/32                       |
| 7. 380004    | Handle w/ 8/32 X 1 screw                |
| 8. 365013-01 | Gasket, screen door, foam tape          |
| 9. 683946    | Bug seal, edge of screen door close out |
| 32226W       | Guard, screen door                      |
| 115171-01    | Screen door guard top                   |
| 115171-02    | Screen door guard bottom                |
| 380079       | Screen, gray                            |
| 200518       | Spline, gray, screen insert             |
| 701624       | Velcro loop 5/8" wide                   |
| 701625       | Velcro hook, 5/8" wide                  |
| 381454       | Screen door hold back latch, Bullet     |
| 386068       | Medallion, 3" logo, AIRSTREAM           |
| 381531-01    | Hinge, screen door, upper               |
| 381531-02    | Hinge, screen door, lower               |

## 2011 FLYING CLOUD

### DOORS/WINDOWS/AWNING

#### Refrigerator Door

922243	Door, refrigerator access, assembly
922156	Refer access door only
104417	Jamb, refrigerator access door
104439	Louvered panel, refrigerator access door
380988	Hinge, continuous .5in. leaf 16in
203225-01	Trim, flexible, Gray
381812	Latch, twist Lock
381665	Gasket "D" seal .50W X .36H black
203714	Trim Lok, Neoprene ES-X1012

#### Side/Rear Small Access Door

100679-01	Side access door assembly, 20" x 11"
365035	Seal, side access door
380770	Lock and casting assembly
380773	Hinge, access door
115295	Spacer, formed, compartment door
115296	Jamb, formed, compartment door

#### Front Trunk Door, 25' Front Bed, 27' Front Bed

922288	Trunk Door Assembly
922288-01	Jamb Only, rear trunk door
922288-02	Door assembly, round corners, less jamb
380774-02	Hinge, compartment door, 48.00"
380770	Lock and casting, black
360016	Bump-on, rubber
365035	Rubber seal, access door
381065-10	10" cable support

#### Exterior Shower Door

601876	Shower Door, exterior, white
381065-10	10" cable support

**2011 FLYING CLOUD**  
**DOORS/WINDOWS/AWNING**

Trunk Door, 28', 30'

921159	Trunk door assembly, rear
365035	Seal, access door
114675	Jamb, rear trunk door
380203-01	Piano hinge, 1/8"
380770	Lock and casting assembly
360016	Bump on, rubber
381065-10	10" cable support
701538-01	Carpet, Econolier, velour black 48"

Battery Box Lid

410551-02	Lid, battery box
381430	Lock, twist, straight cam
380203-01	Piano hinge 1/8" pin
381814	Wing nut, battery hold down
381613	Black plastic cover, wing handle

## 2011 FLYING CLOUD DOORS/WINDOWS/AWNING

### Vista Views

922770-01	Vista View- 18"
203490-03	Trim ring-18" Vista View, Silver
203490-01	Trim ring-18" Vista View, White
703462-03	Shade-pull 19.25"X9.5" Vista View, Gray
703462-01	Shade-pull 19.25"X9.5" Vista View, White
922772-01	Backer-Vista View blind 18"
115222-02	Z bar-formed 19.5" Vista View
922770-02	Vista View- 30"
203490-04	Trim ring- 30" Vista View
703462-04	Shade, pull 31.25"X9.5" Vista View
922772-02	Backer-Vista View blind 30"
115222-01	Z bar formed 31.5" Vista View

### Windows

371269-01	Window 18" stack
371400-01	Window, main door, etched
371323-01	Window, 18" opening
371346-02	Window, 48.97", end shell w/ wrap windows
371380	Window, opening 30" tall
371380-01	Window, 30" opening egress
372088-101	Window, corner wrap, RS front, CS rear
372089-101	Window, corner wrap, CS front, RS rear
372218-01	Window, emergency egress, 21" x 28"
371348-02	Window, egress, w/ red handles, 28' rear end, 27' front end
371270-01	Window 30" stack
371328	Window, narrow body, front panoramic
372229	Window, 21" X 28" opening, rear egress
371286-01	Window, 18" X 30" curved fixed
371324-02	Window, 30", opening
365208	Seal, window

## 2011 FLYING CLOUD DOORS/WINDOWS/AWNING

### Window Trim

372222	Trim ring, 30" stack window, clear
372223	Trim ring, 18" stack window, clear
371319-06	Trim ring, main door
372225	Trim ring, inner support, 30"
372226	Trim ring, inner support, 18"
372227	Trim ring, inner spacer, 18" X 30"
372228	Trim ring, 18" X 30" window

### Window Screens

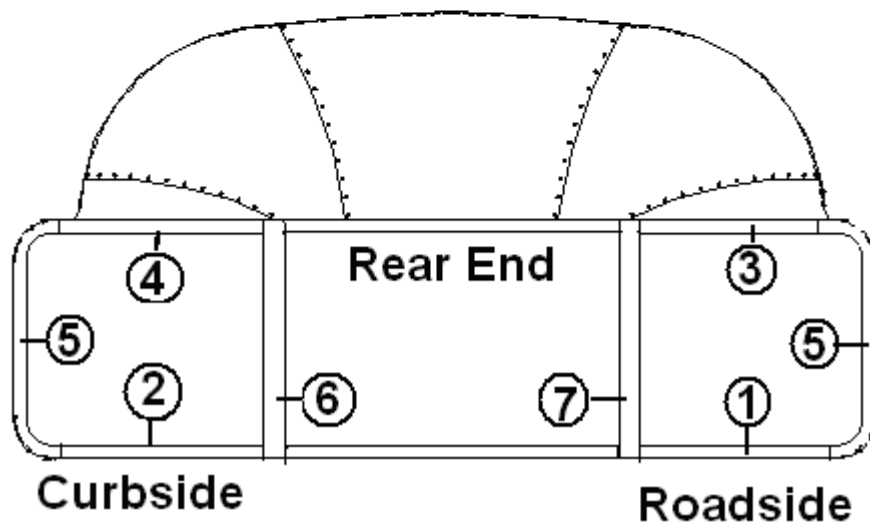
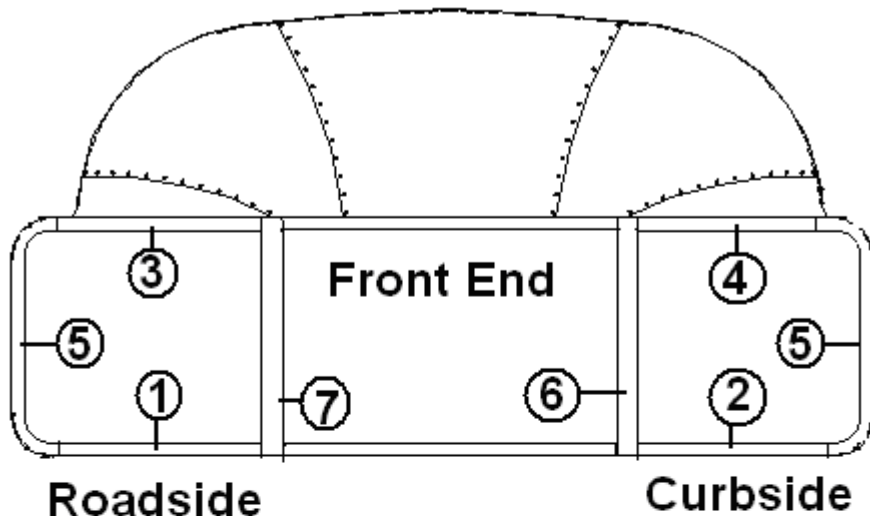
372174-01	Screen, 18", white frame w/cutouts
372174-03	Screen, 18" opening window
371347-03	Screen, square, front window, wide body
371349-03	Screen rear end, square corners, escape
372220-01	Screen, 21"X 28", alt. egress-mil
372220-02	Screen, 21"X 28", alt. non-egress-mil
372215-01	Screen, 30", opening window, tall
372215-02	Screen, 30", opening egress window
372215-03	Screen, 30" Silver, Tall
372174-03	Screen, 18", opening window
371349-01	Screen, rear escape std.
372230-01	Screen, 21 x 28 Egress, No Arms
372175-04	Screen, 30" tall opening window
371347-01	Screen, square front panoramic window
372230-02	Screen, 25" X 28", Non-Egress, No arms



# 2011 FLYING CLOUD

## DOORS/WINDOWS/AWNING

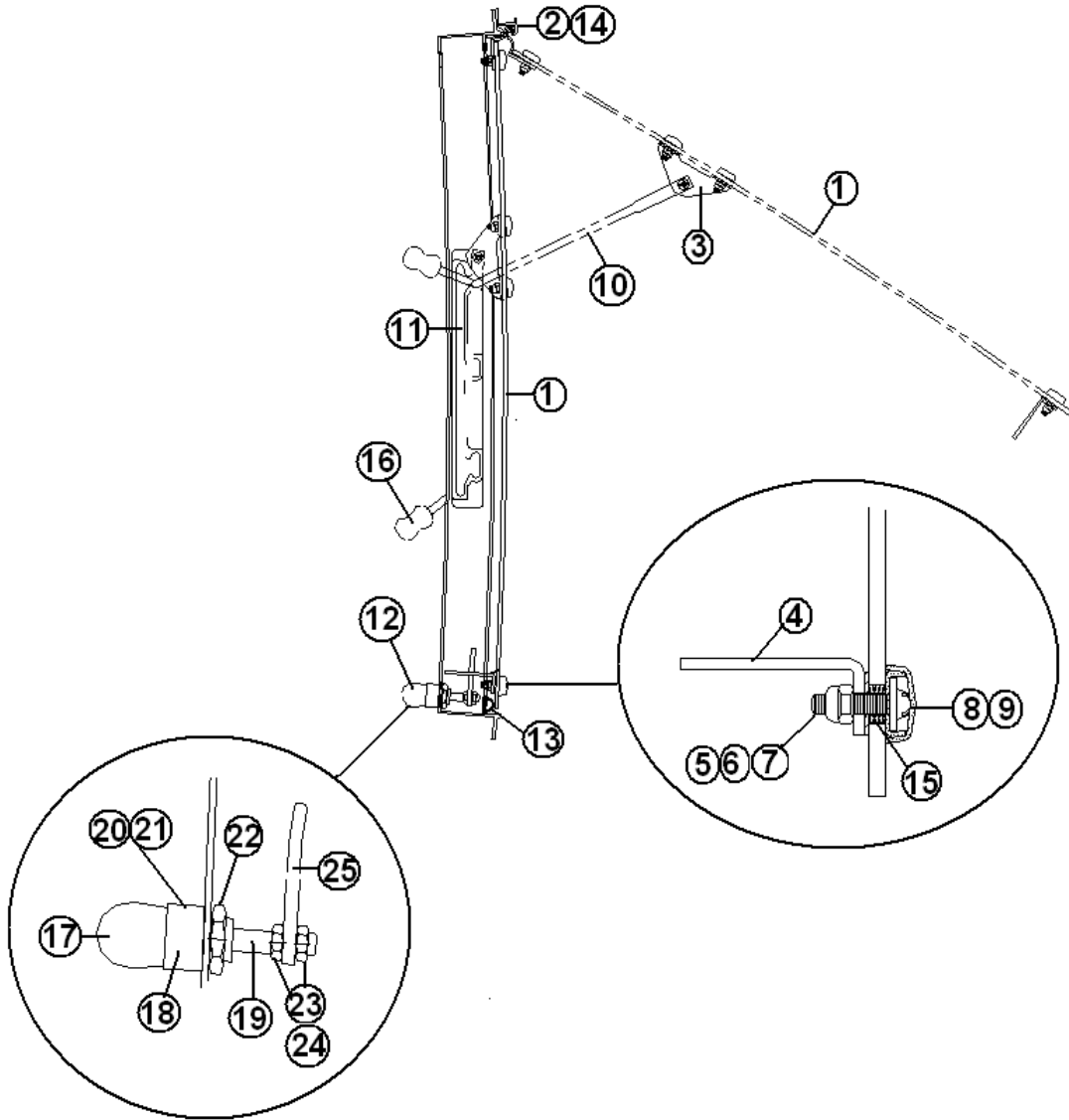
### Panoramic Window Trim



- |              |                          |
|--------------|--------------------------|
| 1. 201579-02 | Trim ring, lower, gray   |
| 2. 201580-02 | Trim ring, lower gray    |
| 3. 201581-05 | Trim ring, upper gray    |
| 4. 201581-06 | Trim ring, upper gray    |
| 5. 201578-02 | End cap, trim ring, gray |
| 6. 110900-03 | Trim, formed, alum. RH   |
| 7. 110900-04 | Trim, formed, alum. LH   |
| 203225-01    | Trim Lok Gray .75"       |

# 2011 FLYING CLOUD DOORS/WINDOWS/AWNINGS

## Window Parts Diagram



Part numbers on next page

## 2011 FLYING CLOUD

### DOORS/WINDOWS/AWNINGS

1. 371323-100	Glass w/hardware, 18" window
371324-100	Glass w/hardware, 30" window
2. 371323-101	Hinge, 18" window
371324-101	Hinge, 30" window
3. 1101-0010	Bracket, window prop
4. 685124	Striker plate, window latch
5. 0706-0004	Flat washer
6. 0703-0001	Screw, #8-32 x .625", black, SS
7. 0702-0010	Nut, Nylox, #8-32, black SS
8. 0802-0004	Screw cover, 12-12 #100, black
9. 0802-0005	Washer, 12-12 screw cover bottom
10. 100903	Operating arm, RH
10. 100903-01	Operating arm, LH
11. 0802-0001	Guide, operating arm, RH
11. 0802-0002	Guide, operating arm, LH
12. 010020	Latch assembly, chrome
13. 382117	Gasket, rectangle post, #106ST-1M
13. 0101-0017	Male hinge extrusion, 1/2" pc.
14. 0706-0003	Bushing, window, acrylic
15. 195467-02	Washer, nylon .125" X 5/16" OD
15. 380230-03	Window arm knob, silver
16. 380230-04	Window arm knob, red
16. 1101-0005	Latch handle, chrome
17. 195467-05	Latch handle, red
17. 1101-0007	Latch body
18. 1101-0008	Latch shaft
19. 1101-0009	Latch spring
20. 0707-0002	Pin, drive lock, 5/32" x 5/8", zinc
21. 0702-0001	Nut, hex panel, 5/8"-24, zinc
22. 0702-0002	Nut, jam, hex, 5/16-24
23. 385123	Washer, flat, .53" OD x .328" ID
24. 685123	Latch paw

## 2011 FLYING CLOUD DOORS/WINDOWS/AWNING

### Window Stone Guard, Panoramic Windows

110188-01	3 Piece Stone Guard, 25', 27', 28', 30'
685275-100	3 Piece Stone Guard, 19', 20', 23'
685275-101	CS wrap window stone guard
685275-102	RS wrap window stone guard
110102	Stone Guard, Center Piece, 27' FB, 25' FB, 28', 30'
685275-103	Stone Guard, Center Piece, 19', 20', 23'
685358	Turn fast stud
685362	Retainer, split ring
685359	Rubber receptacle
685361-01	Bracket, rubber receptacle
685363	Slip joint hinge, SS, CS per pair
683960	Arm support
683959	Arm support bracket
114749	Hinge "Y" assembly (rockguard assembly)
114750	Hinge "J" (rockguard assembly)
685364	Bracket, upper hinge-45.375-Stoneguard
381021-01	Latch, draw flexible

### Stone guard frame

114815-01	Extrusion, frame aluminum
685354	Front window key, 90-degree angle riveted to inside corner of metal frame
685378-01	¼" rubber spline
685351	Rubber frame, black
290812-01	Plexi-glass, 28" x 84 " sheet
101401	Extrusion, door latch housing
685355	Slip joint, S.S. hinge

## 2011 FLYING CLOUD

### DOORS/WINDOWS/AWNING

#### Awnings, Patio

702993-09	Awning, patio, 9' 8", Zip Dee, 19'
702993-16	Awning, Patio, 11' 3" ¼", 20'
702993-15	Awning, patio, 13' 5 ¼", 23'
702993-27	Awning, Patio, 14' 2.25", 23' Front Bed
702993-28	Awning, Patio 21' 4.5" #4607, 30'
702993-37	Center Rafter, Awning Hdwe, Satin, 30'
702993-06	Awning, patio, 16' 4½", 25'
702993-17	Awning, patio, 18' 5½", 27'
702993-08	Awning, patio, 18' 4", 28' W
702993	Hardware package, Zip Dee
385577	Tape, clear, wear strip 3.5" wide

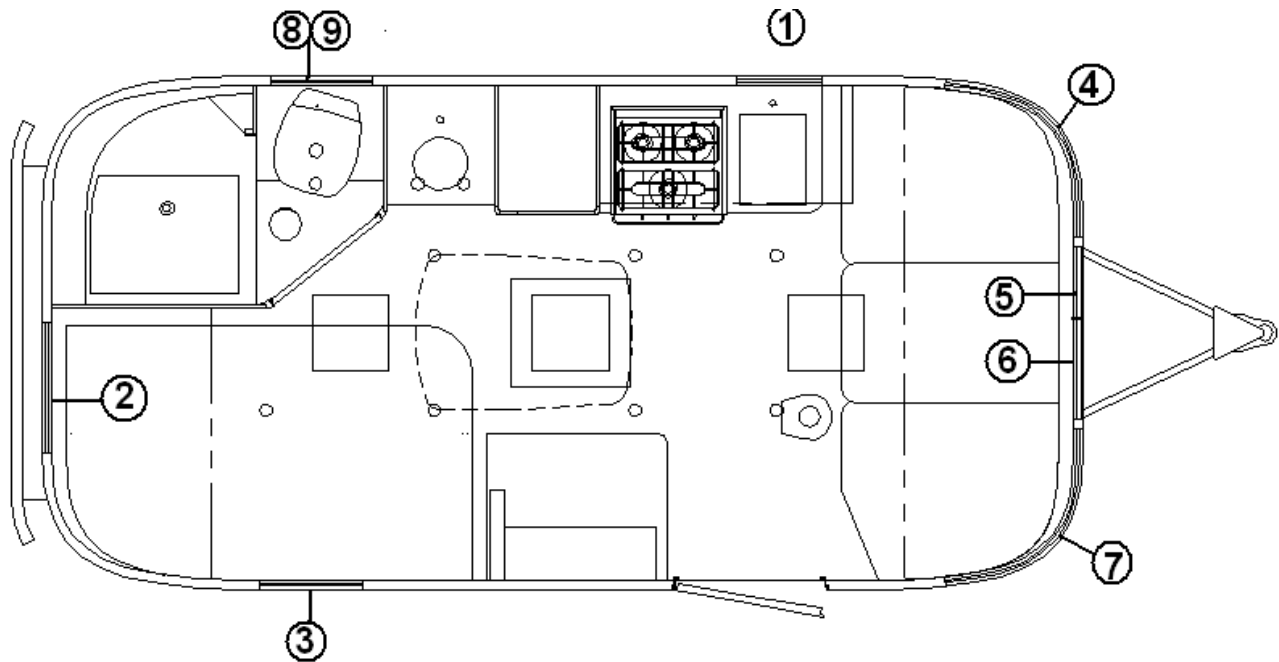
#### Window Awnings

703181-01	Awning, window, 47", 23', 23' FB, 20', 19'
703181-05	Awning, window, 16' 4.5", 25' FB
703181-12	Awning, window, 18'4.5", 28'
703181-13	Awning, window, 9' 8", 19'
703181-15	Awning, window, 52.50", 28', 30'
703181-16	Awning, window, 13' 5.25", 23'
703181-17	Awning, window 11' 3.25", 20'
703181-20	Awning, rear window, 52.63", 25' FB, 27' FB
703181-21	Awning, window, 18' 6.25", 27' FB
703181-29	Awning, window, 14' 2.25", 23' FB
703181-42	Awning, window, 15'11.5", 30'
703181-43	Awning, window, 49", 30'

# 2011 FLYING CLOUD

## DRAPES/BLINDS/VALANCES

Drapes/Blinds 19'

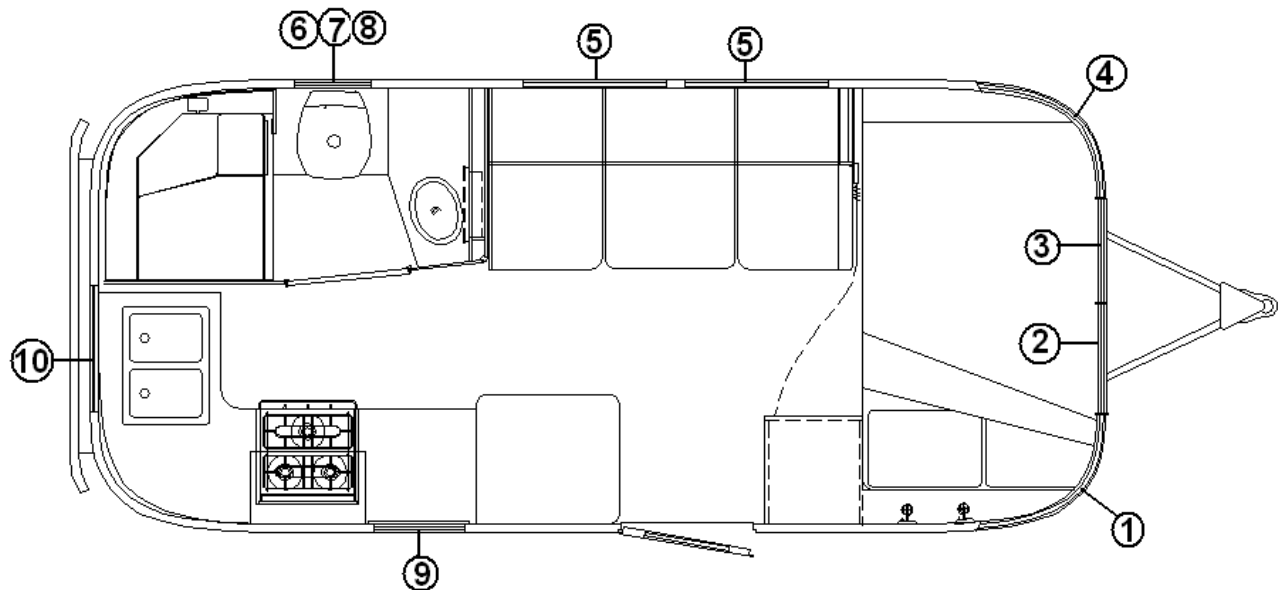


- |    |           |   |
|----|-----------|---|
| 1. | 703191-04 | Blind brushed aluminum, 21" x 23" Long    |
| 2. | 703191-15 | Blind brushed aluminum, 24.75" x 21" Long |
| 3. | 703191-13 | Blind brushed aluminum, 18.75" x 32" Long |
| 4. | 998144-11 | Drape, RS side panel, 37" X 25.5"         |
| 5. | 998144-12 | Drape, RS front panel, 23" X 25.5"        |
| 6. | 998144-10 | Drape, CS front panel, 23" X 25.5"        |
| 7. | 998144-09 | Drape, CS side panel, 37" X 25.5"         |
| 8. | 703191-08 | Blind brushed aluminum, 17.5W X 22 B      |
| 9. | 801803-02 | Top, valance, 20"                         |
|    | 381898    | Spacer, nylon .166ID X .24OD X .25L       |

# 2011 FLYING CLOUD

## DRAPES/BLINDS/VALANCES

Drapes/Blinds 20'

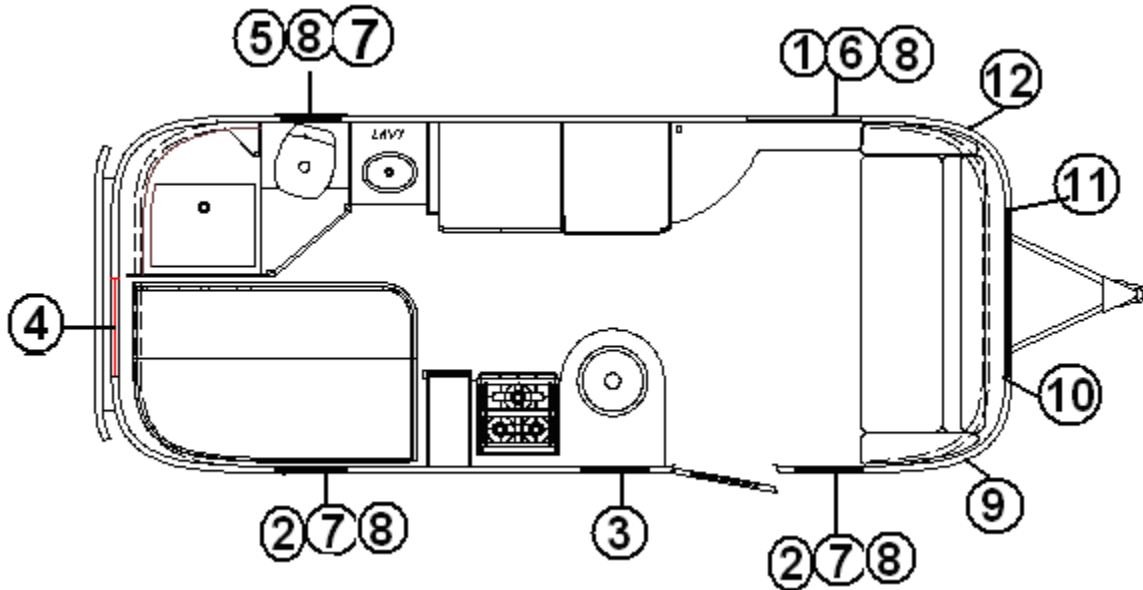


1. 998144-09 Drape, CS side panel, 37" X 25.5"
2. 998144-10 Drape, CS front panel, 23" X 25.5"
3. 998144-12 Drape, RS front panel, 23" X 25.5"
4. 998144-11 Drape, RS side panel, 37" X 25.5"
5. 703191-11 Blind, mini-metal, 29.5W" X 29L"
6. 381898 Spacer, nylon .166ID X .24OD X .25L
7. 703191-10 Blind, mini metal, 17.5" X 33"
8. 801803-02 Top, valance 20"
9. 703191-04 Blind brushed aluminum, 21" x 23" Long
10. 703191-15 Blind, brushed aluminum, 24.75" X 21"L

# 2011 FLYING CLOUD

## DRAPES/BLINDS/VALANCES

Drapes/Blinds 23'



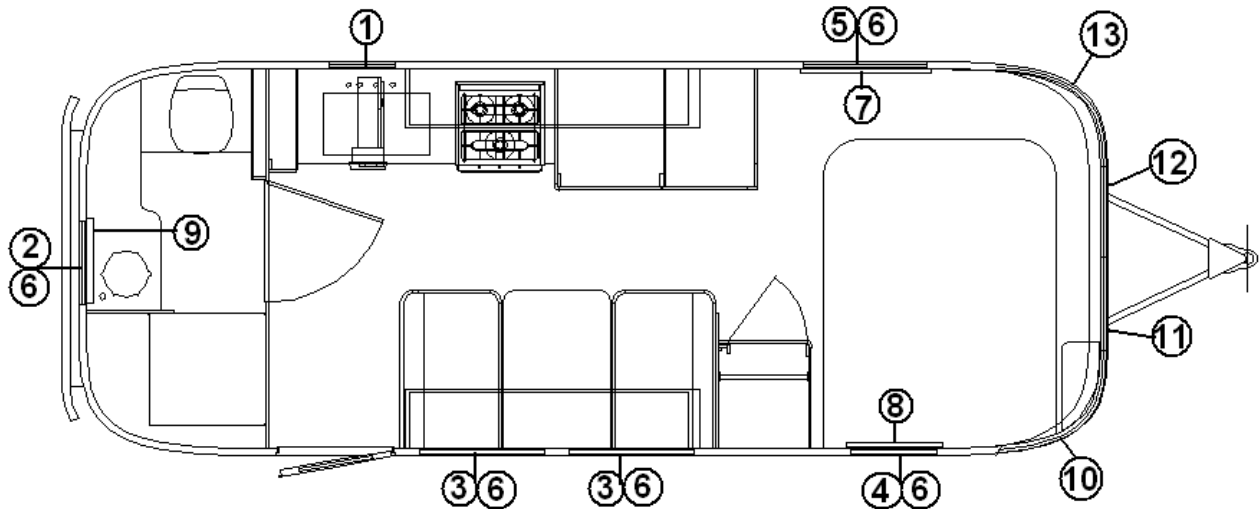
1. 703191-11 Blind brushed aluminum, 29.5" x 29" Long
2. 703191-13 Blind brushed aluminum, 18.75" x 32" Long
3. 703191-04 Blind brushed aluminum, 21" x 23" Long
4. 703191-15 Blind brushed aluminum, 24.75" x 21" Long
5. 703191-10 Blind brushed aluminum, 17.5" x 33" Long
6. 801803-01 Valance assembly, 32"
7. 801803-02 Valance assembly, 20"
8. 381898 Nylon Spacer
9. 998144-09 Drape, Curbside, side panel, 37" x 25.5"
10. 998144-10 Drape, Curbside, front panel, 23" x 25.5"
11. 998144-12 Drape, Roadside, front panel, 33" x 25.5"
12. 998144-11 Drape, Roadside, side panel, 37" x 25.5"



# 2011 FLYING CLOUD

## DRAPES/BLINDS/VALANCES

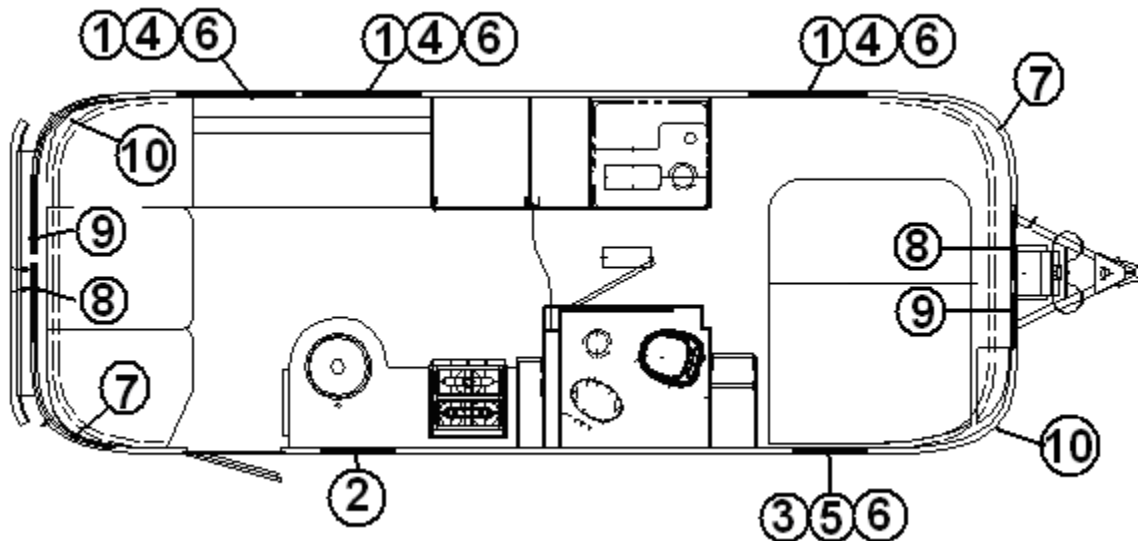
### Drapes/Blinds 23' Front Bed



1. 703191-04 Blind, 21" X 23", brushed aluminum
2. 703191-07 Blind, 27.5" X 22", brushed aluminum
3. 703191-11 Blind brushed aluminum, 29.5" x 29" Long
4. 703191-13 Blind brushed aluminum, 18.75" x 32" Long
5. 703191-17 Blind brushed aluminum, 29.75" x 33.5" Long
6. 381898 Spacer, nylon
7. 801803-01 Top valance assembly, 32"
8. 801803-02 Top valance assembly, 20"
9. 801803-04 Top valance assembly, 28.50"
10. 998144-09 Drape, CS side panel, 37" X 25.5"
11. 998144-10 Drape, CS front panel, 23" X 25.5"
12. 998144-12 Drape, RS front panel, 23" X 25.5"
13. 998144-11 Drape, RS side panel, 37" X 25.5"

## 2011 FLYING CLOUD DRAPES/BLINDS/VALANCES

### Drapes/Blinds 25' Front Bed

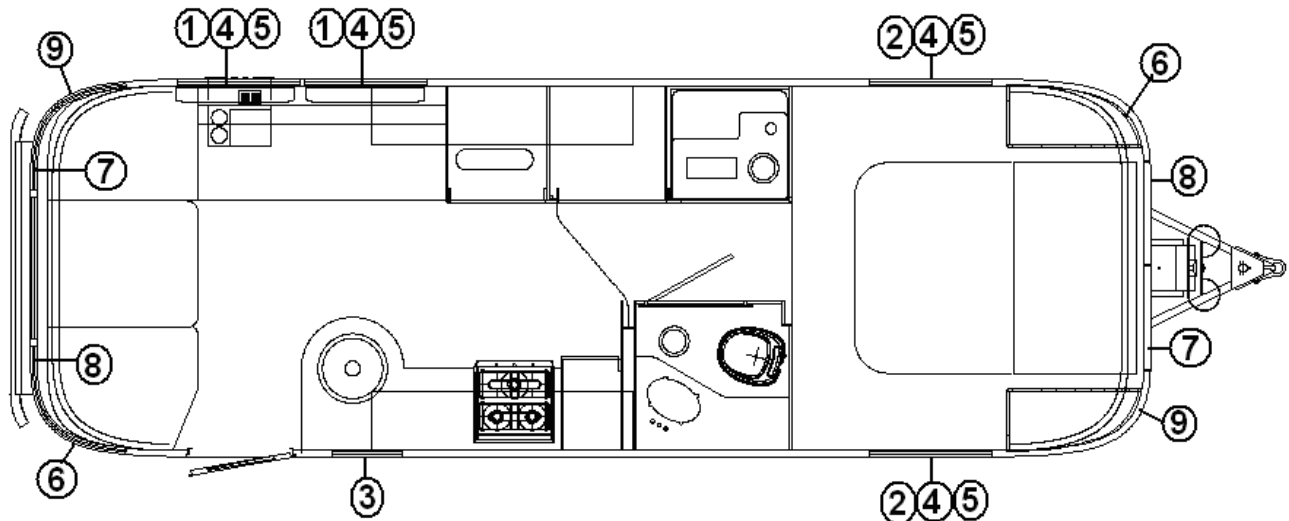


- |     |           |                                      |
|-----|-----------|--------------------------------------|
| 1.  | 703191-11 | Blind, brushed aluminum, 29.5 X 29L  |
| 2.  | 703191-04 | Blind, brushed aluminum, 21 X 23     |
| 3.  | 703191-13 | Blind, brushed aluminum, 18.75 X 32  |
| 4.  | 801803-01 | Top. valance assembly, 32"           |
| 5.  | 801803-02 | Top, valance assembly, 20"           |
| 6.  | 381898    | Spacer, nylon, .166ID X .24OD X .25L |
| 7.  | 998144-09 | Drape, CS side panel, 37" X 25.50"   |
| 8.  | 998144-07 | Drape, RS front panel, 27" X 25.50"  |
| 9.  | 998144-05 | Drape, CS front panel, 27" X 25.50"  |
| 10. | 998144-11 | Drape, CS side panel, 37" X 25.5     |

# 2011 FLYING CLOUD

## DRAPES/BLINDS/VALANCES

### Drapes/Blinds 27' Front Bed

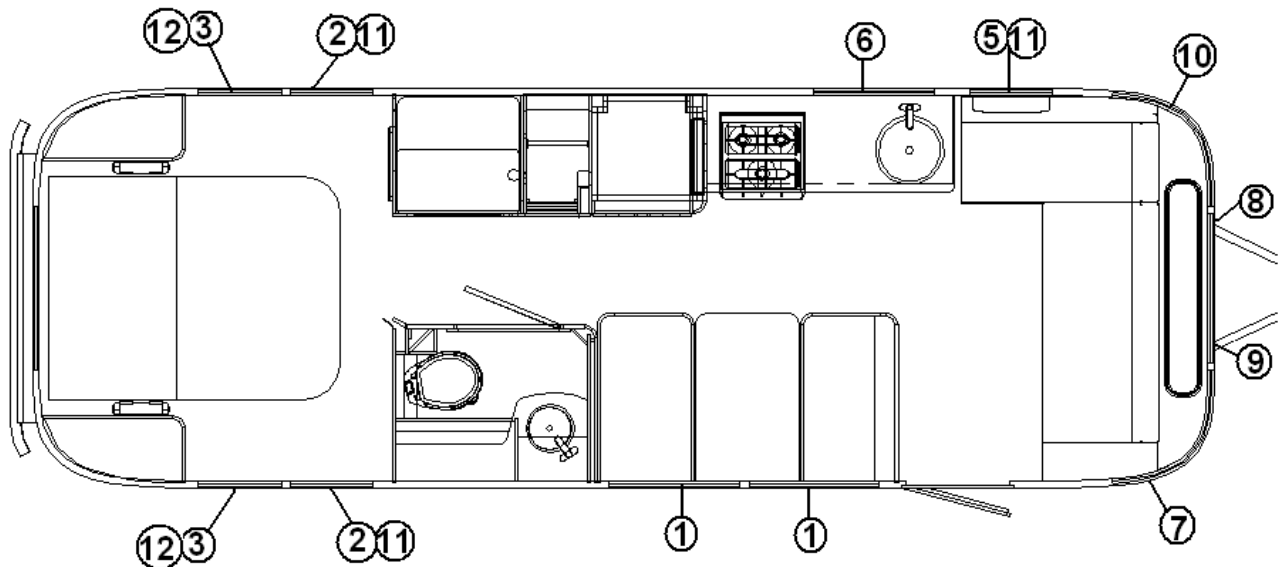


- |              |                                       |
|--------------|---------------------------------------|
| 1. 703191-11 | Blind, metal, 29.5" X 29" aluminum    |
| 2. 703191-17 | Blind, metal, 29.75" X 33.5" aluminum |
| 3. 703191-04 | Blind, metal, 21" X 23" aluminum      |
| 4. 801803-01 | Valance assembly, 32"                 |
| 5. 381898    | Spacer, nylon                         |
| 6. 998144-09 | Drape, CS side panel, 37" X 25.5"     |
| 7. 998144-07 | Drape, RS front panel, 27"X 25.5"     |
| 8. 998144-05 | Drape, CS front panel, 27"X 25.5"     |
| 9. 998144-11 | Drape, RS side panel, 37" X 25.5"     |
| 703191-18    | Blind, 50.5" x 28" aluminum           |

# 2011 FLYING CLOUD

## DRAPES/BLINDS/VALANCES

Drapes/Blinds 28' W

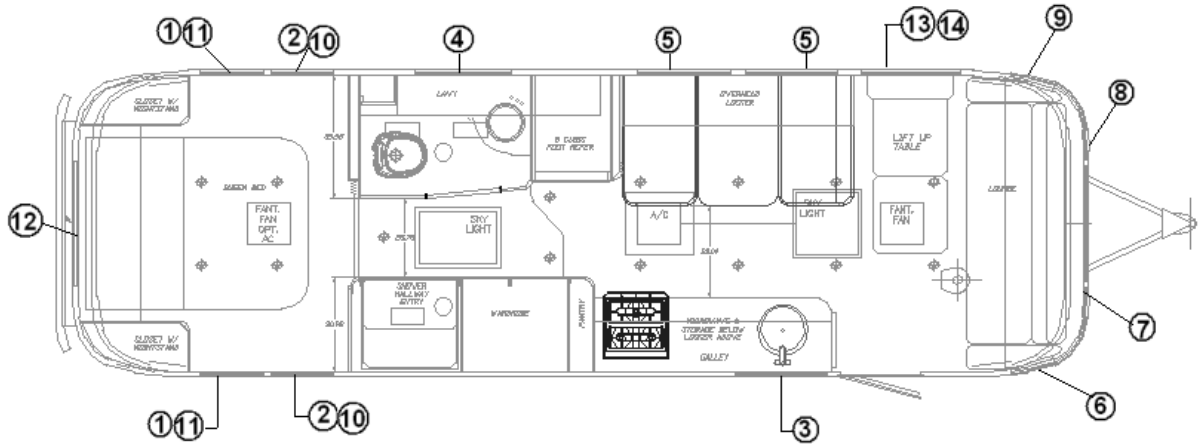


- |               |                                      |
|---------------|--------------------------------------|
| 1. 703191-12  | Blind, brushed aluminum 29.50" X 27" |
| 2. 703191-10  | Blind, brushed aluminum 17.5" X 33"  |
| 3. 703191-19  | Blind, 20" X 33" aluminum mini       |
| 4. 703191-18  | Blind, 50.5" X 28 " aluminum mini    |
| 5. 703191-08  | Blind, mini metal 17.5" W X 22"      |
| 6. 703191-20  | Blind, 31" X 24" aluminum mini       |
| 7. 998144-09  | Drape, CS side panel 37" X 25.5      |
| 8. 998144-07  | Drape, RS front panel, 27"X 29"      |
| 9. 998144-05  | Drape, CS front panel, 27"X 29"      |
| 10. 998144-11 | Drape, CS side panel 37" X 25.5      |
| 11. 801803-02 | Valance assembly, 20"                |
| 12. 801803-03 | Valance assembly, 22"                |

# 2011 FLYING CLOUD

## DRAPES/BLINDS/VALANCES

Drapes/Blinds, 30'



- |     |           |  |
|-----|-----------|--|
| 1.  | 703191-19 | Blind, 20" x 33" Aluminum Mini           |
| 2.  | 703191-10 | Blind, Brushed Aluminum 17.5" x 33"      |
| 3.  | 703191-20 | Blind, 31" x 24" Aluminum Mini           |
| 4.  | 703191-24 | Blind, Mini Metal 31" x 14"              |
| 5.  | 703191-12 | Blind, Brushed Aluminum 29.50" x 27"     |
| 6.  | 998144-09 | Drape, Curbside Side Panel 37" x 25.50"  |
| 7.  | 998144-05 | Drape, Curbside Front Panel 27" x 25.50" |
| 8.  | 998144-07 | Drape, Roadside Front Panel 27" x 25.50" |
| 9.  | 998144-11 | Drape, Roadside Side Panel 37" x 25.50"  |
| 10. | 801589-02 | Valance Assembly, 20"                    |
| 11. | 801589-03 | Valance Assembly, 22"                    |
| 12. | 703191-18 | Blind, 50.5" x 28" Aluminum Mini         |
| 13. | 703191-17 | Blind, 29.75" x 33.5" Aluminum Mini      |
| 14. | 801803-01 | Top, Valance 32"                         |
|     | 702355-01 | Shade, Pull Mitchell, 20 1/8" x 36"      |

2011 FLYING CLOUD  
DRAPES/BLINDS/VALANCES

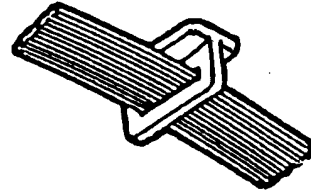
Drapes Hardware



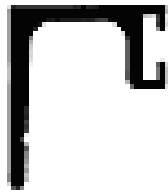
101220  
Bracket, curtain  
stand off



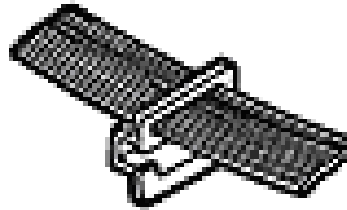
101217  
Track, curtain



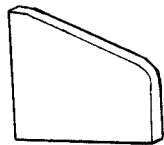
700044  
Glides, w/elastic  
"T" type



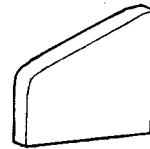
101225  
Bracket, curtain  
stand off



700045  
Glides, w/elastic  
"G" type



200785  
End, curtain track, LH



200784  
End, curtain track, RH

100099 Extrusion, aluminum, curtain track, top

# 2011 FLYING CLOUD

## ELECTRICAL, 110 VOLT

### Shore Line Cord

512401-01	Cord-Power 30A 30' #F30R30-SS,
512401-02	Power inlet, 30A, 125V, Male
511416-03	Power cord, 30A, 30' w/ conn. UL/CSA
511149-03	Power cord, 50A, 36'
511149-02	Power inlet w/strain relief 50A

### Converter

511654-03	Power Center, 30A w/transfer switch, 30, 28', 27', 25'
511654-01	Power Center-110V/12V Magnatek, black, 23' FB, 23', 20', 19'
510743	Ground bar, 3 1/2" long
512285	Power Center, AC/DC #555B
690380-12	Sensor Cable, 40' Dual A/C Only

### Breakers, USA

510564-20GFI	GFI Breaker, TYPE BR, 20GFI, #GFCB-120
510947-50	BREAKER, 12V DC TYPE II #12V50A
510564-1515	BREAKER, TYPE BRD, BD 15-15
510564-2020	BREAKER, TYPE BRD, BD 20-20
510564-3020	BREAKER, TYPE BRD, BD 30-20
453573	Mounting bracket, breaker box

### Switches

500913-03	Switch T & B white
511814-01	Receptacle, 15 amp, gray
511814-02	Decorator plate, gray

### Microwave Switch, 27' FB Option

512369	Receptacle 15A. single, white
511283	Box, Handy, 2" X 4", metal
512370	Wallplate, 1 gang, single receptacle
386230	Label, microwave
512221	Switch, lever, 300V, 10A

### Generator Prep - Remote

512401-02	Power, Inlet, 30A, 125V Male
385062	Decal, 110-125 voltage, AC

## 2011 FLYING CLOUD

### ELECTRICAL, 110 VOLT

#### Junction Box

510014	Box, junction, octagon #54151-C
510015	Box cover #54C-1
510475	Clip, ground
512025-01	Junction device, White
512025-02	Plate, Snap on, one gang, White

#### Breakers/Receptacles, CSA

510564-03	Breaker, Bryant 15-15
510564-20GFI	GFI Breaker, Type BR, 20GFI, #GFCEB-120
510888-05	Receptacle w/cover, GFI, white
510888-06	Spacer, receptacle, GFI, white
510888-07	Receptacle cover, white

#### Receptacles

500563-03	Receptacle, white , Single, 20 Amp
512481-01	Receptacle, white , Single, 20 Amp
500563-04	Wall plate, white w/screws for 512481-01
382070	Non-skid rubber dot for 500563-03
500967-01	Cover, blank, elec., Ivory #86
500967-03	Cover, blank, elec., White
511287	Receptacle, 15 amp, single
510888-07	Receptacle cover, white
512481-02	Receptacle, 20A, single, brown
512481-03	Plate, brown cover w/screws

#### Exterior Outlet/Circuit Tester

511023	Circuit tester (loose item)
500563-03	Receptacle - White 15a # WRDU15-WT
512399	Cover, Exterior Outlet, Gray



## 2011 FLYING CLOUD

### ELECTRICAL, 12 VOLT

#### Battery/Battery Box

511596	Battery, deep cycle, GRP.24
511828	Battery-12V deep cycle AGM, w/solar panel option only
203415	Battery tray
381814	Wing nut, battery hold down
381613	Cover, black plastic for hold down wing nut
500836-02	Positive battery cable
500837	Negative Battery cable
512049-01	Cable, red jumper
512049-02	Cable, black jumper
512049-03	Cable, Jumper, Battery w/.38 Ends
410551-02	Lid, battery box
381430	Lock, twist, straight cam
380203-01	Piano hinge 1/8" pin
511273	Tray, battery hold down 19'

#### 7-Way Cable

500886-01	7-Way cable w/plug
510947-20	20 amp breaker, 12V DC, Type II, #12V20
510743	Ground bar, 3 1/2" long

#### Fuse Box, CSA, 25'FB, 23'FB

964082	Fuse block assembly. 12V CSA
452412-01	Bracket, fuse block 12V CSA
511313	Block fuse, ATC 12V 6 position
511314	Bushing, universal 1" I.D. black
511345	Fuse 30A AGU, glass tube BUSS
510655-01	Door/frame only w/ latch 12V PA

## 2011 FLYING CLOUD

### ELECTRICAL, 12 VOLT

#### Switches, 12 Volt

502056	Mounting plate, 12 volt switch
500967-01	Cover, blank, Ivory
500967-03	Cover, blank, elec., White
511745	Switch assembly - 3 gang - White
511327	Switch body w/rocker, single, white
510868-03	Switch panel, 4 gang, white, by door
511567-01	Switch body w/rocker, 2 gang, black
511567-02	Switch body w/rocker switches, two gang white
511566-02	Cover, switch, printed, two gang, white
511566-01	Switch cover, 2 gang, black
511665	Switch assembly, ceiling, white
510658	Switch, w/weather proof boot
511810	Switch assembly, 4 gang, white
511836	Switch, refer/fan, white #AH-AS
511682	Switch assembly, 3 gang, white
511669	Switch assembly, shower, white
511658	Switch, body w/ cover, 3 gang, white
511731	Switch, water heater
512398	Plate, wall power supply, white
512308	Box, Shallow Switch & Outlet, Water heater

#### Battery Disconnect

511655-01	BDO bezel assembly, black/silver
511655-02	BD relay 100 AMP, 12 volt
511655-03	Cable, BDO/1, 20 FT
511655-05	Cable-BDO/1, 30'

#### 12 Volt Outlet

510807	Outlet, 12 volt
511121	Mounting plate, 12 volt receptacle
510743	Ground bar, 3 1/2" Long
512451	Panel Assembly, 12V DC #A V80-022

## 2011 FLYING CLOUD

### ELECTRICAL, 12 VOLT

#### Inverter, 600 Watt, option

511968	Inverter, 600W w/remote
511969-01	110A fuse and fuse block
500039	Ground lug
500563-03	Receptacle, white, self contained
500563-04	Wall plate, white w/screws for 500563-03
382070	Non-skid rubber dot for 500563-03
511286-03	Wire, telephone,.26 GA, flat, red
512481-01	Receptacle, 20A, single, white
500563-04	Cover Plate, Decorator, White
512052	Connector, Power 2 Wire Self Contained
512053	Connector, Power 3 Wire Self Contained

#### Break away Switch

0300027	Break away switch, Bargman
454526	Bracket, breakaway switch

#### Monitor Panel and Sensor

511788-01	Monitor panel, Catcon Micropulse
511789-01	Boot, sensor #500-20010-05
511789	Sensor, tank monitor
511286-01	Wire, flat, telephone, 26 GA., black
511286-02	Wire, flat, telephone, 26 GA. ivory
511252	Plug, phone, 4 conductor
511393	Coupler – Modular extension, 4 conductor
511817	Coupler Assembly, Phone Jack, six position, in line

#### Monitor Panel, KOA

512368	Panel, monitor, Catcon, #500-0005
--------	-----------------------------------

#### Exterior TV Jack

512402	Inlet, TV/Satellite
--------	---------------------

## 2011 FLYING CLOUD

### ELECTRICAL, 12 VOLT

#### Solar Panel

511828	Battery-12V deep cycle AGM
512049-03	Jumper cable, batt. w/.38 ends
511142-01	Panel-solar, 53 watt VLX-53
511142-02	Bracket, mounting kit, solar panel
512318	Holder w/1 amp fuse, inline
510696	Holder, fuse, inline
500883-01	Fuse 12, CSA 1 amp
500883-05	Fuse 12V, AGC 5 amp
510328	AGC 10 fuse, fuse panel
385947	Label 10 amp fuse max.
385987	LABEL-5 AMP FUSE MAX.
511846	Kit-charge controller display
511851	Cable- CAT 5E, blue
511852	Connector- RJ45E

#### Chassis Electrical Conduit

600035	Ell, ABS long sweep 1 1/2"
601160-03	Pipe, ABS DVW, 2"
600193	2" duct, Thermaplex, flexible air

## 2011 FLYING CLOUD

### ELECTRICAL, 12 VOLT

#### Interior Lights

512243	Light, 12V double w/ switch
512442	Light-LED Dbl. Incandescent
512242	Light, 12V single bulb w/switch
512441	Light, LED Sng Incandescent
512463	Light-Spot LED Recessed Frost
512438	Light-Reading LED #81920-NIG46
512464	Light-Spot LED Surface Mount
99900P-948	LED Ceiling light, KOA Units only
511781	Switch, Lighted Rocker, 2 Gang Blk
512413	Switch Assy., 3 Gang White #AH-AS

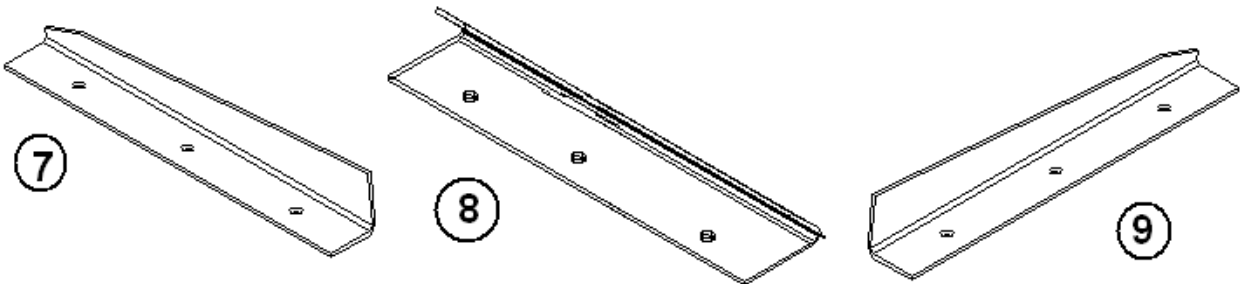
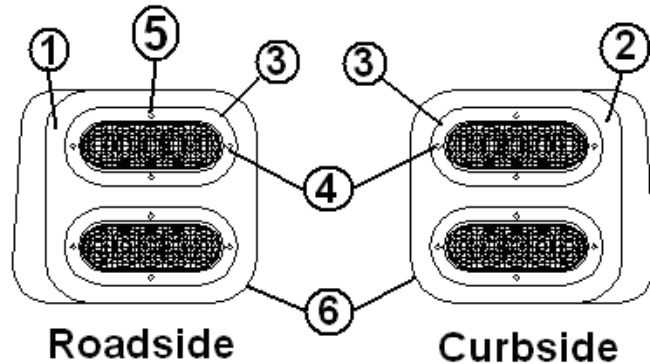
#### Exterior Lights

500092	Patio light, round, Signal Stat
510160	Bulb, patio light #1156
512252	Step light, L.E.D., SS
512226	Amber LED clearance light
512227	Red LED clearance light
512455	License plate holder, LED, black

# 2011 FLYING CLOUD

ELECTRICAL, 12 VOLT

## Tail Light Assembly



- |              |  |
|--------------|--|
| 952929-01    | Taillight assembly, LED, RS                  |
| 952929-02    | Taillight assembly, LED, CS                  |
| 1. 511664-01 | Taillight casting, RS                        |
| 2. 511664-02 | Taillight casting, CS                        |
| 3. 512425    | 6" oval, LED taillight, Kit                  |
| 4.           | Trim ring, Part of Kit                       |
| 5. 345473    | Screw, #6 X 3/4", Stainless Steel            |
| 6.           | Gasket, taillight bezel (Part of 512425 Kit) |
| 7. 115073-01 | Bracket, RS taillight                        |
| 8. 115073-02 | Bracket, CS taillight                        |
| 9. 115074    | Bracket, center taillight                    |
| 345418       | Screw, #6 X .75", S.S.                       |
| 345419       | Screw, #6 X 1", S.S.                         |
| 203386-01    | Pocket, Inner Taillight, LH                  |
| 203386-02    | Pocket, Inner Taillight, RH                  |

# 2011 FLYING CLOUD

## ENTERTAINMENT

### Radio/Antenna

512059 Radio-AM/FM/CD/DVD, Sony  
500913-03 Switch , T & B white  
500484-05 Antenna lead & extension, 72"  
511807 Antenna, AM/FM rubber, 13"  
511827 Wall plate, coax, white  
512215-01 Speaker, 6.5", model SP65CO  
512215-02 Grill, 6.5", white  
511822 Subwoofer, powered, 6.5" wedge  
203599 Speaker, spacer, 5/8"  
512451 Panel Assy., 12VDC #AV80-022  
511608 Isolation transformer, 15 AMP

### Radio, KOA

512239 Radio, AM/FM/CD Sony#CDX-GT130

### TV Antenna/Jacks

510788-07 Antenna, w/ RV wing, white #RVW-70  
510788-05 TV antenna, Winegard, short boom  
510788-08 Wing, antenna, RV white  
(mounted on 510788-05 before installation)  
510788-03 Amplifier, TV antenna  
510788-04 Hardware package, interior, Winegard  
510612 Coax, 75 ohm, standard  
510623 Connector, coax, male to male  
511827 Wallplate, flush mount, coax, white  
511534 Dual coax plate, Satellite TV, hook up  
512402 Inlet, TV/Satellite

### TV Antenna, KOA

511735-01 Antenna, Omni directional, black #RS-3460B

## 2011 FLYING CLOUD

### ENTERTAINMENT

#### Audio/Video Package 22" TV

511835	Patch cord, 30' 3-way, male/male
511829	Connector 'F' male/male adapter
511834	Patch cord 30' dual, male/male
511703	Cord, patch, male/male, 2-way 20'
690588	22" LCD TV, Samsung
690617	22" L.E.D. HD TV, Color, Stereo - Samsung
512265	RCA cord adaptor, angled
381136	Spacer bumpers, TV bracket
512273	Power cord, 8', Samsung TV
512268	Lead, TV antenna, coax cable

#### Video Package, KOA

690600	TV W/DVD LCD 19" Toshiba
512291	Wallplate- A/V #NP107-009 NCV3
690584	TV W/DVD, color, stereo, LCD 15"
512457	Arm, Articulating Moview MSDSL
512354	Mount, wall, TV articulating arm, black
512355	Mount, wall, TV, tilt/pivot, black

#### Computer LAN Wiring Option

195503-12	3 outlet, CAT 5, wallplate, white
195503-13	F Video, outlet
195503-14	CAT 5 jack, blue
195503-15	CAT 5 jack, white
195503-37	CAT 5 cable, blue
195466-119	CAT 5 cable, white
195503-40	F-coax connect, RG-59/U

#### Satellite TV Jack

511534	Dual coax plate, Satellite TV, hook up
--------	--



# 2011 FLYING CLOUD

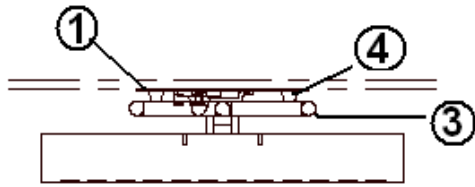
## ENTERTAINMENT

Audio/Video Package, 19" TV

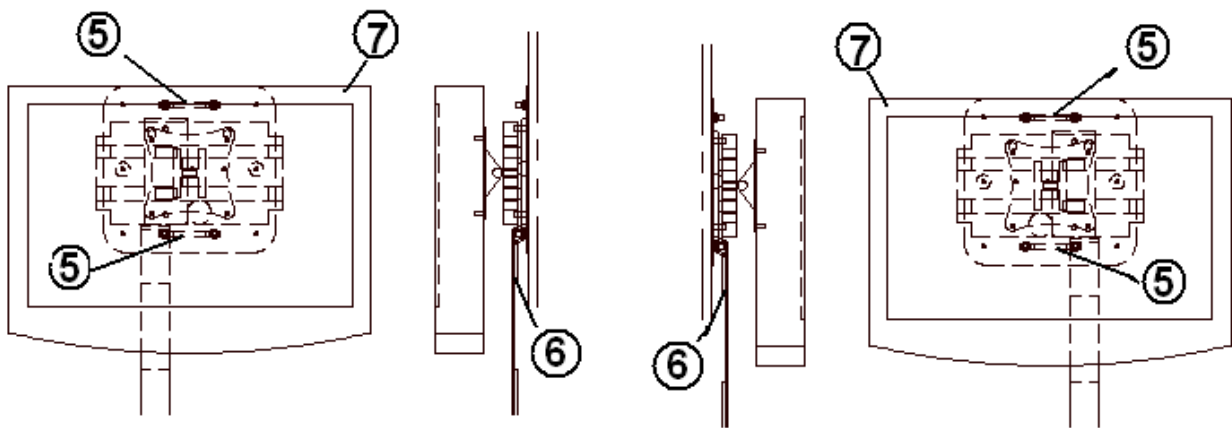
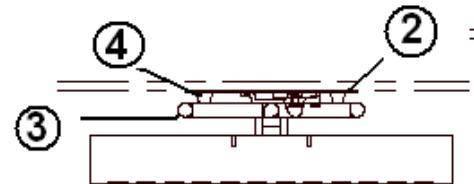
Right hand used on 20', 23', 23' FB

Left hand used on 19'

### Right Hand Installation



### Left Hand Installation



Part numbers are on the next page.

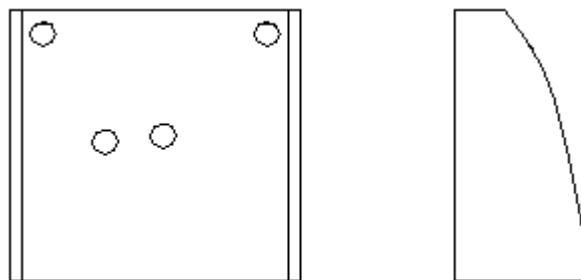
# 2011 FLYING CLOUD

## ENTERTAINMENT

### Audio/Video Package, 19" TV

1. 512400 Articulating Arm, Moview #18727
2. 512400 Articulating Arm, Moview #18727
3. 512105 Bracket, articulating arm, flat TV
4. 381136 Rubber bumper
5. 381566 Loop, footman steel
6. 703455-03 TV Strap, 46"
7. 690618 TV – 19" LED HD Color - Samsung
- 512059 Radio, AM/FM/CD/DVD, Sony
- 511822 Subwoofer, powered, 6.5" wedge
- 512215-01 Speaker, 6.5", model SP65CO
- 512215-02 Grill, 6.5", white
- 203599 Speaker, spacer, 5/8"
- 512268 Lead TV antenna coax cable
- 381209-01 Grommet, w/cap, black, 1.5" hole
- 511703 Cord, patch, male/male, 2-way, 20'
- 511834 Patch cord, 30' dual, male/male
- 511835 Patch cord, 30', 3-way, male/male
- 511862 Switch, source selector #XA-300
- 203465 Spacer, Speaker – Plastic 6.50"

### TV Support, Flat Screen, 20'



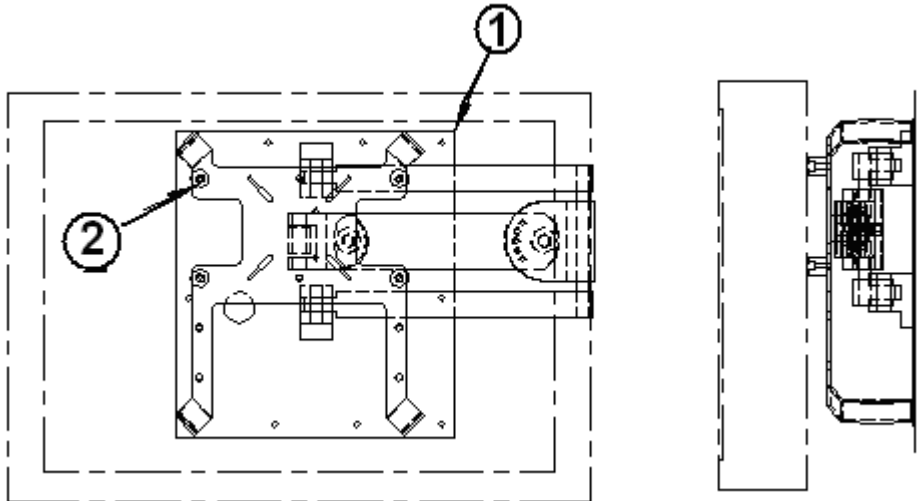
967352-09

TV Support, Flat Screen, 20'

# 2011 FLYING CLOUD

## ENTERTAINMENT

Audio/Video Package TV, 22"

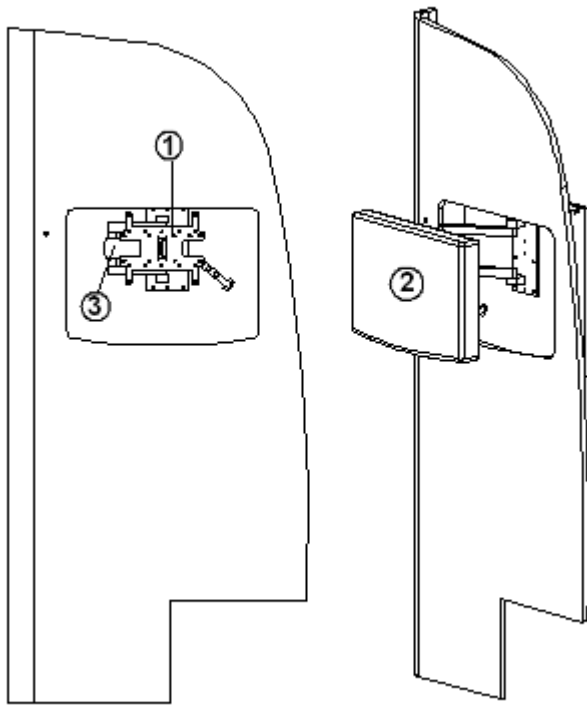


- 1. 512352    Articulating Arm
- 2. 345459    Screw M4 X 16 Phil pan head
- 512265    Adaptor, right angle, RCA
- 690588    TV-color, LCD 22" Samsung
- 512268    TV antenna coaxial cable lead, 9'
- 511835    Patch cord, 30', 3-way, male/male
- 511829    Connector, 'F'. male/male adaptor
- 511834    Patch cord, 30' dual, male/male
- 511703    Cord – patch, male/male, 2 way, 20'
- 512273    Power cord, 8', Samsung TV
- 511856    Wiring kit- 4 way, flat, ext.
- 511645    'Y' adapter, male to 2 female
- 381209-01    Grommet w/ cap black, 1.5" hole
- 512162    End cap, 1", off white, #LDEN100
- 510654-01    TV jack/12 volt w/splitter, white

# 2011 FLYING CLOUD

## ENTERTAINMENT

TV INSTALLATION 22", 30'



- |           |                              |
|-----------|------------------------------|
| 1. 512400 | ARM-ARTICULATING MOVIE#18727 |
| 2. 690617 | TV-LED HD COLOR 22" SAMSUNG  |
| 3. 381136 | RUBBER BUMPER                |
| 512481-01 | RECEPT-20A SINGLE WHITE      |
| 500563-04 | PLATE-DECOR. 1-GANG WH#NP26W |

# 2011 FLYING CLOUD

## ENTERTAINMENT

BEDROOM TV INSTALLATION, OPTIONAL, 27'FB, 30'

690600	TV W/DVD, LCD 19" TOSHIBA #19CV1
512355	WALL MOUNT, TV, TILT/PIVOT, BLACK

# 2011 FLYING CLOUD

## FLOOR COVERING

### Floor Mats

703852 Matt, entrance w/ Airstream logo

### Vinyl Flooring

703856 Vinyl flooring, Golden Oak 61L w/Massif Backer  
203594-02 Floor trim, UN7021, ash grey

### Diamond Tread Plate

115209-01 Diamond plate, .025" X 4' X 8'  
115209-02 Diamond plate, 30" x 74"  
115212-01 Tread plate 28.16" X 53.25", 30', 27'FB  
115212-03 Tread plate, 29.79" X 60.31", 23'  
115212-04 Tread plate, 27" X 45", 19'  
115212-10 Tread plate under bed, 30" x 74", 23'FB

# 2011 FLYING CLOUD

## FURNITURE, DOORS

### Doors, Roof Locker

801786-0114	Door plyform, 35.50" X 15.25"
801786-0214	Door plyform, 15.25" X 31.63"
801786-0314	Door plyform, 15.25" X 28.38
801786-0414	Door plyform, 15.25" X 23.13
801786-0514	Door plyform, 15.25 X 12.50, RH
801786-0614	Door plyform, 15.25" X 12.50", LH
801786-0714	Door plyform, 15.25" X 12.50", RH
801786-0814	Door plyform, 15.25 X 12.50, LH
801786-0914	Door plyform, 15.25 X 28.75
801786-1014	Filler, plyform, 15.25 X 4.08
801786-1114	Door plyform, 15.25 X 23.63
801786-1214	Door plyform, 15.25 X 31.13

## 2011 FLYING CLOUD

### FURNITURE, DOORS

#### Doors, Bath

- 967637-09 Door Assembly w/Porthole 25.50 x 75.13, 23' Front Bed
- 966994-09 Door, bath, 28'W
- 966939-09 Door, bath, 25.50 X 72.00, 19', 23', 30'
- 966894-09 Door, bath, 25.50" X 72.00", 25' FB, 27' FB
- 966940-09 Door, bath, with Porthole 25.50 x 72.00 23', 20'

#### Door, Shower, 28', 27' FB, 25' FB

- \*703626-01 Shower Door
- 703626-100 Black travel lock for 703626-100.
- \*703911-01 Shower door, Brushed nickel 25 1/2" x 65"

\*703626-01 discontinued use during model year. Replace with 703911-01.

#### Door, Shower, 19', 20', 23'

- 702937-06 Shower door, roll away, 62.00 X 36.00 - white
- 381581 Strap, clear plastic .75"W
- 700811 Button cap, Handy #36
- 700812 Button bottom, Handy #36

#### Door, Shower, 23' Front Bed

- \*703745 Shower door, brown, 22" X 65" w/travel lock
- \*703911-02 Shower door, 22" x 65" Brushed Nickel

\*703745 - Discontinued use during model year. Replace with 703911-02.



## 2011 FLYING CLOUD

### FURNITURE, DOORS

#### Doors, Foldette, 19', 28'

702681-04	Foldette, Irvine, 56" X 73", 19'
702681-08	Foldette door, beige, 60" X 73", 28'
381563-01	Track, formed, foldette door, 28'
381581	Strap, clear plastic .75"W, 19', 28'
700811	Button cap, Handy #36, 19', 28'
700812	Button bottom, Handy #36 Oak, 19', 28'
452258	Bracket, mounting, foldette door, 19'
701342-01	Strap, bedroom door holdback, 7", 19'

#### Door, Foldette, 20'

702681-08	Foldette door, beige 60" X 73"
381946	Track, foldette door 20'

#### Doors, Foldette, 23', 23' FB

702681-08	Door, foldette, 60" X 73", beige
452258	Bracket, mounting, foldette door
701342-01	Strap, vinyl, hold back, 7.0" long
381768	Track, foldette door, 23'
382056	Track, foldette door, 23' FB

#### Doors, Foldette, 25' & 27' Front Bed, 30'

702681-08	Door, foldette, 60"X 73" beige
701342-01	Strap, vinyl, hold back, 7.0" long
381890-01	Track, formed foldette 25' FB
381890-02	Track, straight foldette, 25' FB, 27' FB
382005	Track, formed foldette, 20", 27' FB
703911-02	Track, formed foldette , 35.36", 30'
381563-01	Track, foldette Door Straight 60" Gray, 30'

# 2011 FLYING CLOUD

## FURNITURE, MIRRORS/DRAWERS

### Mirrors

372203-05	Mirror, safety glass, medicine cabinet, 19" x 14", 23', 19'
372203-15	Mirror, polished edges, 17.00" X 25.25", 28', 30'
372203-24	Mirror, safety glass, 9.50" x 20.00", 23', 19'
372203-30	Mirror, safety glass, medicine cabinet, 30" x 14", 28'
372203-26	Mirror, safety glass, 13.62" X 58", 28'
372203-33	Mirror, safety, .125" X 14" X 40"
371423-02	Mirror, wall mount, nickel, 23' FB
203385	Trim, "F", self edging, clear, 28'W, 23' FB
381220-01	Mirror clip, #309NP, nickel plate
381220-02	Mirror clip, #318NP, nickel plate
385940-02	Mirror pull, chrome

### Drawers/Drawer Boxes

964909-11	Drawer box, 10" X 14.0" X 19"
965554-03	Drawer box, 5.625" X 17.25" X 17"
965554-05	Drawer box, 5.63" X 14.25" X 17.63"
965554-06	Drawer box assembly, 5.63" X 23" X 21.75"
965555-02	Drawer box, 8.00" X 9.5" X 20"
965555-03	Drawer box, 7.88" X 20.68"
965558-04	Drawer box, 8" X 15.25" X 14.88"
965560-05	Drawer box, 5.63" X 16.5" X 15.25"
965560-02	Drawer box, 5.63" X 9.25" X 14.00"
965584-02	Drawer box, 3.38" X 13.75" X 13.00"
965642-02	Drawer box, 3.38" X 15.25" X 14.88"

# 2011 FLYING CLOUD

## FURNITURE, MIRRORS/DRAWERS

### Drawer Slides

381773-02	Drawer slide-3-3/8"H X 13.75"L
381773-03	Drawer slide 15.75"
381773-15	Drawer slide, 5.875" X 15.75"
381773-16	Drawer slide, 5.88" X 17.38"
381773-17	Drawer slide-5.875" X 18.5"
381773-21	Drawer slide-8.38" X 15.75"
381773-25	Drawer slide-8.38" X 21.63"
381826	Slide, ball bearing, 16" 28'W L-sofa bed
381925	Slide, drawer, 24" side, 23' pantry
381944-01	Slide, 18", pantry, 27' FB
381192	Slide, drawer, 18"

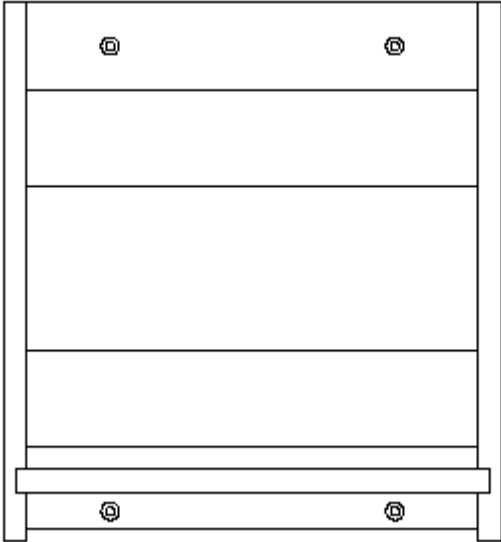
### Storage Boxes

203439	Storage box, 17"L X 11.13"W X 6.38"
203622	Tub, storage, 28' W L-Lounge
203636	Storage box, 24.5" X 17.75" X 7.25"
203667	Bin, storage, 23" X 16.75" X 12.38"

2011 FLYING CLOUD

FURNITURE, LOUNGE

Magazine Rack, 28', 30'



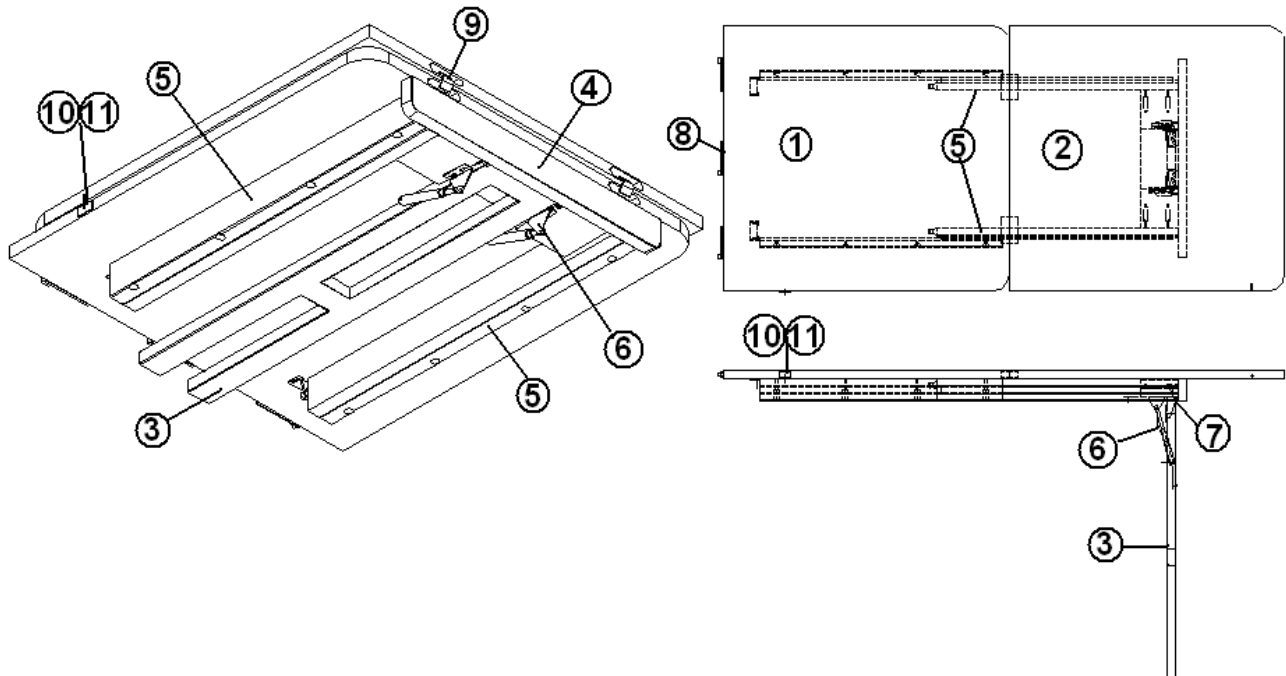
963990-0014

Magazine Rack

# 2011 FLYING CLOUD

## FURNITURE, LOUNGE

Table, Lift Up, 23'

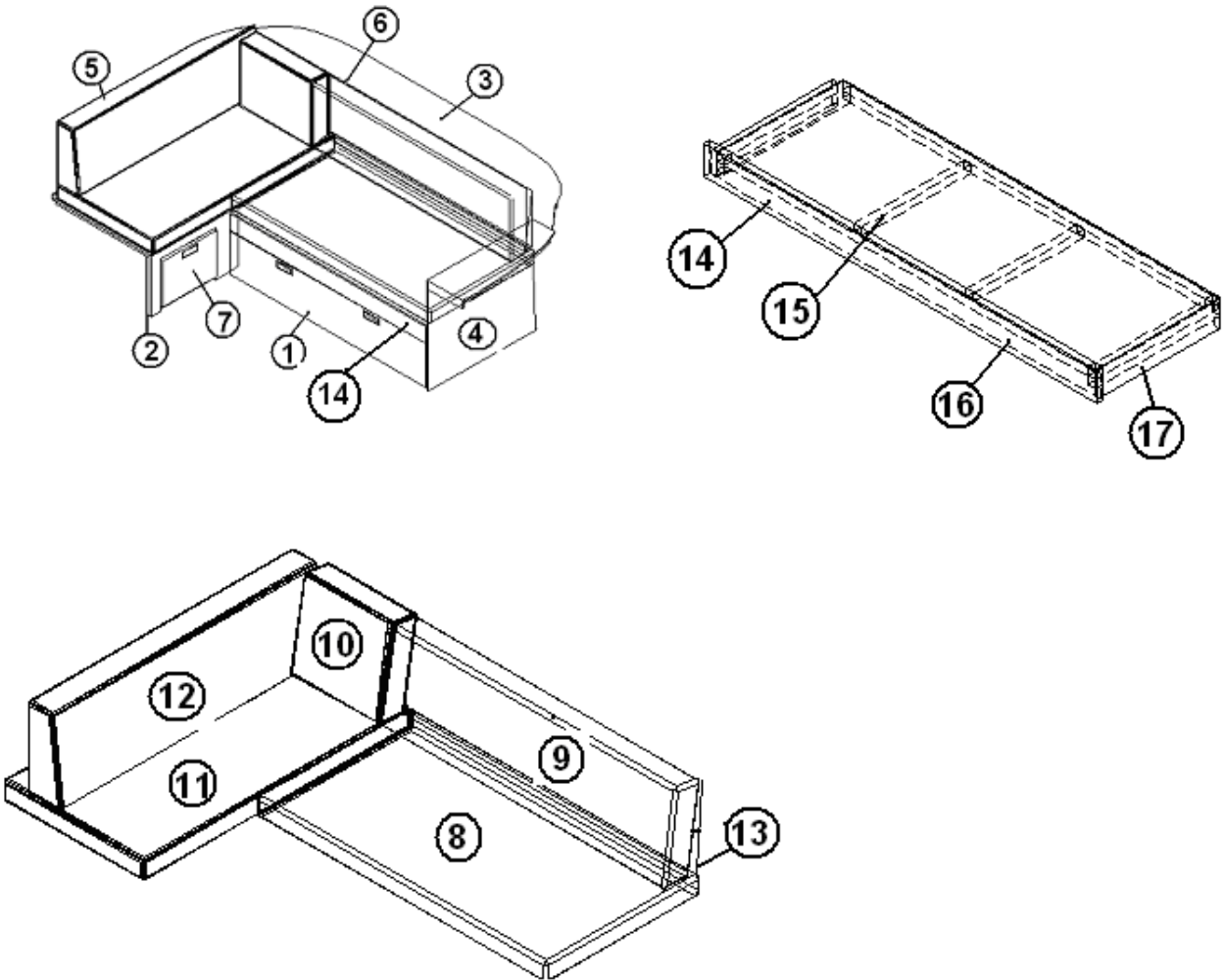


- |                |                                     |
|----------------|-------------------------------------|
| 967381-09      | Table assembly, lift up             |
| 1. 967381-091  | Leaf, table, lower                  |
| 2. 967381-092  | Leaf, table, upper                  |
| 3. 962177-0314 | Leg, hardwood, 30.50"               |
| 4. 967381-094  | Facer board, lift up table          |
| 5. 381306      | Slides, table, lift up, RH & LH #20 |
| 6. 381147      | Door support - spring loaded        |
| 7. 382159      | Hinge, pivot, nickel #AIR-PIVOT     |
| 8. 201155      | Sliding guide, plastic, table       |
| 9. 380040      | Hinge, SOSS, invisible, LH/RH       |
| 10. 345319-08  | Screw, particle board, #8 X 1.00"   |
| 11. 380037     | Retainer, spring lock               |
| 12. 380038     | Eyelet, lock GS 5 10 brass          |
| 381074         | Catch, bulldog #65S (copper)        |

# 2011 FLYING CLOUD

## FURNITURE, LOUNGE

Sofa "L" Lounge, 23'



Part number on the next page

# 2011 FLYING CLOUD

## FURNITURE, LOUNGE

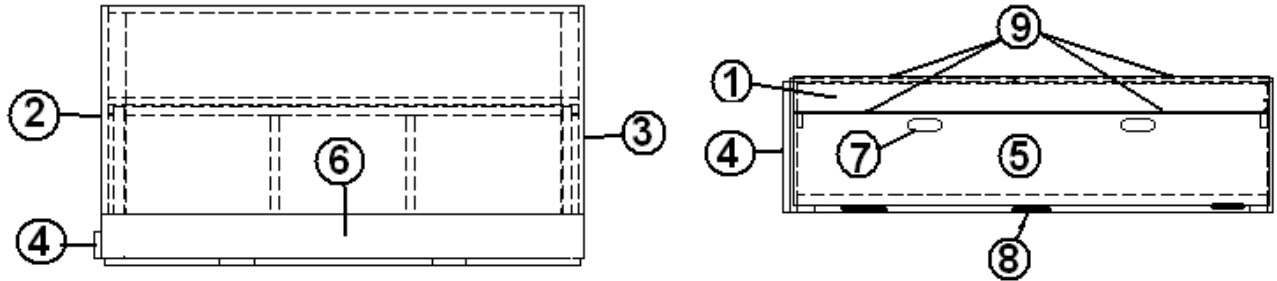
### Sofa "L" Lounge, 23'

1. 967377-09 Sofa assembly
2. 967040 Sofa "L" section
3. 966611 Sofa back, standard
4. 965831 Sofa armrest
5. 703577 "L" lounge cushion assembly
6. 998149-07 Back cushion support assembly
7. 967040-13 Door, "L" sofa
8. 998186-01 Fabric assembly bottom main cushion
9. 998186-02 Fabric assembly, back main cushion
10. 998186-03 Fabric assembly, side back rest
11. 998186-04 Fabric assembly, side base cushion
12. 998186-05 Fabric assembly, side back rest
13. 998186-06 Fabric assembly, wedge cushion
14. 967376 Bed assembly, sofa
15. 966287 Weldment, sofa bed
16. 967376-4 Panel, sofa bed, 53.44 X 3.88
17. 381826 Slide, ball bearing 16" 28'CCD
- 203439 Storage box 17"L X 11.13"W X 6.38"
- 203636 Storage box, 24.5" X 17.75" X 7.25"
- 381072-01 Hinge, 3" X 2"
- 381228-01 Catch, grabber door C3-803
- 382044 Pull bar, brush nickel
  
- 703914 Kit, L-Lounge Cushion, Ultra Leather

# 2011 FLYING CLOUD

## FURNITURE, LOUNGE

Sofa Assembly, 23'



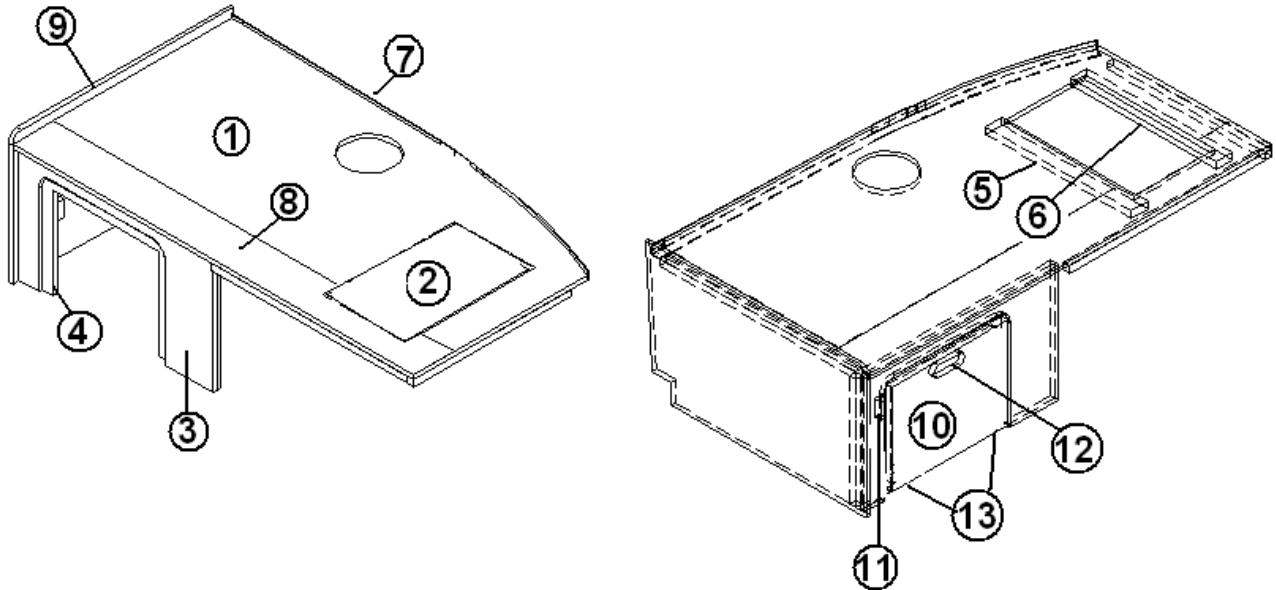
- |               |                               |
|---------------|-------------------------------|
| 967377-09     | Sofa assembly                 |
| 1. 967376     | Bed assembly, sofa            |
| 2. 967377-092 | Panel, sofa, 14.5 X 28.25     |
| 3. 967377-093 | Panel, sofa 14.25 X 28.25     |
| 4. 967377-094 | Panel, sofa, 14.5 X 3         |
| 5. 967377-095 | Panel, sofa, 10.25 X 53.44    |
| 6. 967377-098 | Panel, sofa, 5 X 54.31        |
| 7. 382044     | Handle, brushed nickel        |
| 8. 381072-01  | Hinge, 3" X 2" fixed pin (PR) |
| 9. 381228-01  | Catch, grabber door, C3-803   |
| 114809        | Aluminum angle 1.50 X 1.50    |



# 2011 FLYING CLOUD

## FURNITURE, LOUNGE

### Sofa Assembly, "L" Section, 23'

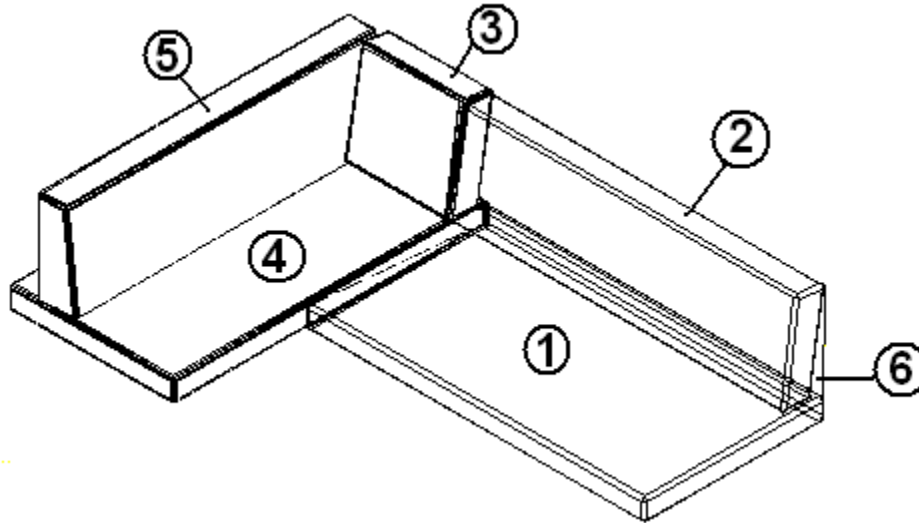


967040-09	Sofa assembly, "L" section
1. 967040-091	Panel, sofa, L section, 27.00 X 49.50
2. 967040-092	Panel, sofa, L section, 9.00 X 15.00
3. 967040-093	Panel, sofa, L section, 14.50 X 24.00
4. 967040-094	Panel, sofa, L section, 14.50 X 24.00
5. 850082	Poplar, .75 X 2.00, cut to 18"
6. 850082	Poplar, .75 X 2.00, cut to 18"
7. 114812	Aluminum angle 1.00 X 1.00
8. 967040-0910	Panel, sofa, L section, 5.00 X 49.50
9. 967040-0911	Panel, sofa, L section, 16.00 X 27.29
10. 967040-13	Door, 11.25 X 14.25, L-section
11. 381228-01	Catch, grabber door
12. 381775	Drawer pull, flush, satin
13. 381072-01	Hinge, 3" X 2" fixed pin (PR)
203445	T-molding, black, flexible poly, .5

# 2011 FLYING CLOUD

## FURNITURE, LOUNGE

Sofa "L" Lounge Foam Kit, 23'

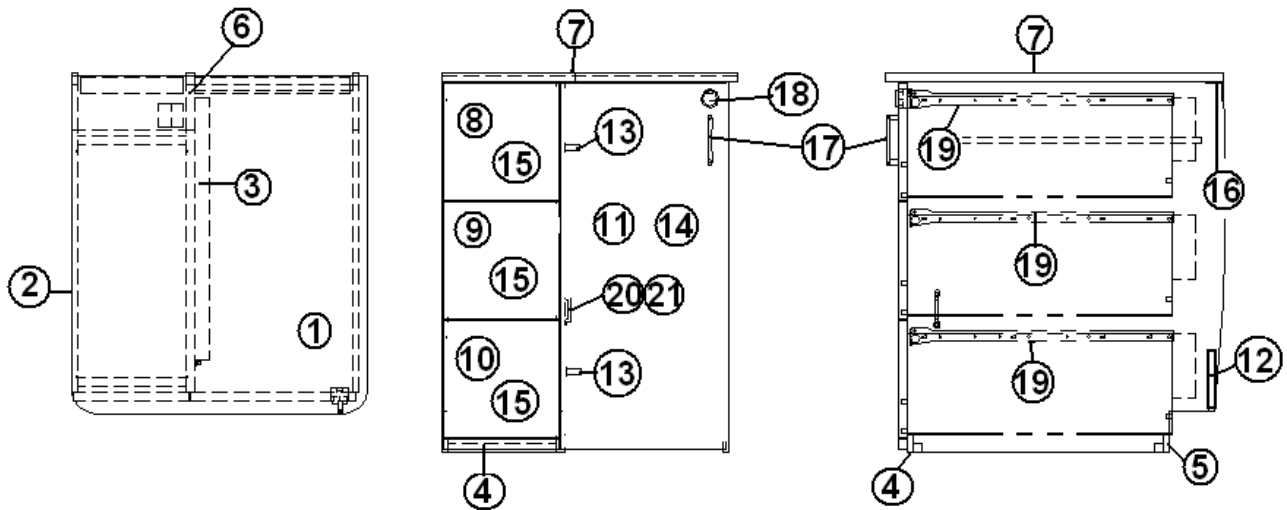


- |              |                                      |
|--------------|--------------------------------------|
| 1. 703577-01 | Foam cushion, bottom main            |
| 2. 703577-02 | Foam cushion, back, main             |
| 3. 703577-03 | Foam cushion, small back             |
| 4. 703577-04 | Foam cushion, base side              |
| 5. 703577-05 | Foam cushion, back rest side         |
| 6. 703577-06 | Foam cushion wedge                   |
| 703914       | Kit, L-Lounge Cushion, Ultra Leather |

# 2011 FLYING CLOUD

## FURNITURE, LOUNGE

Table/Stow Cabinet, 23'



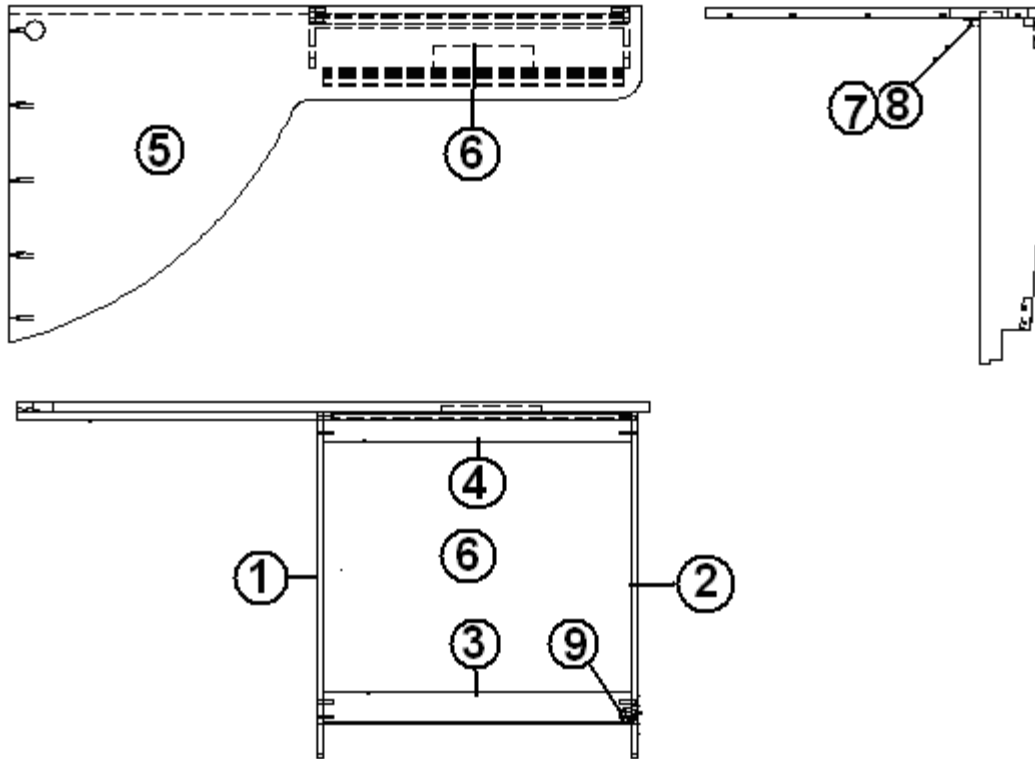
967380-09

- |                 |   |
|-----------------|---|
| 1. 967380-091   | Table, storage                                  |
| 2. 967380-092   | Panel, table cabinet, 26.91 X 31.25             |
| 3. 967380-093   | Panel, table cabinet, 26.91 X 31.25             |
| 4. 967380-094   | Panel, table cabinet, 1.25 X 22.13              |
| 5. 967380-095   | Panel, table cabinet, 1.25 X 9.13               |
| 6. 967380-096   | Panel, table cabinet, 1.25 X 9.13               |
| 7. 967380-097   | Panel, table cabinet, 26.91 X 31.25             |
| 967380-107      | Panel, table cabinet, 28.56 X 25.00             |
| 8. 967380-098   | Panel, table cabinet, Midnight Sun, 28.56 X 25" |
| 9. 967380-099   | Door, table cabinet, 9.75 X 9.88                |
| 10. 967380-0910 | Door, table cabinet, 9.75 X 9.88                |
| 11. 967380-0911 | Door, table cabinet, 9.75 X 9.88                |
| 12. 967380-0912 | Door, table cabinet, 14.00 X 30.88              |
| 13. 381607      | Panel, table cabinet, 5.00 X 13.38              |
| 14. 701538-01   | Hinge, Grass Euro                               |
| 15. 965555-03   | Carpet, Econoliner w/PSA back                   |
| 16. 114809      | Drawer box, 7.88" X 20.68"                      |
| 17. 382044      | Aluminum angle, 1.50 X 1.50                     |
| 18. 381408      | Handle, brushed nickel                          |
| 19. 381773-25   | Lock, push button style, black                  |
| 20. 381566      | Drawer slide-8.38" X 21.63" (PR)                |
| 21. 703455      | Loop, footman steel                             |
|                 | Strap, 20" flat screen TV                       |

# 2011 FLYING CLOUD

## FURNITURE, LOUNGE

### Desk Assembly, 23', Standard



- |               |                                      |
|---------------|--------------------------------------|
| 967379-09     | Desk assembly                        |
| 1. 967379-091 | Panel, desk, 5.00 X 27.75            |
| 2. 967379-092 | Panel, desk, 5.00 X 27.75            |
| 3. 967379-093 | Panel, desk, 2.50 X 25.13            |
| 4. 967379-094 | Panel, desk, 2.50 X 25.13            |
| 5. 967379-095 | Panel, desk, 45.00 X 27.00           |
| 6. 967381-09  | Table, lift up                       |
| 7. 380203-01  | Piano hinge, 1/8" pin                |
| 8. 101253     | Extrusion, credenza, hinge, moveable |
| 9. 381074     | Catch, bulldog (copper)              |

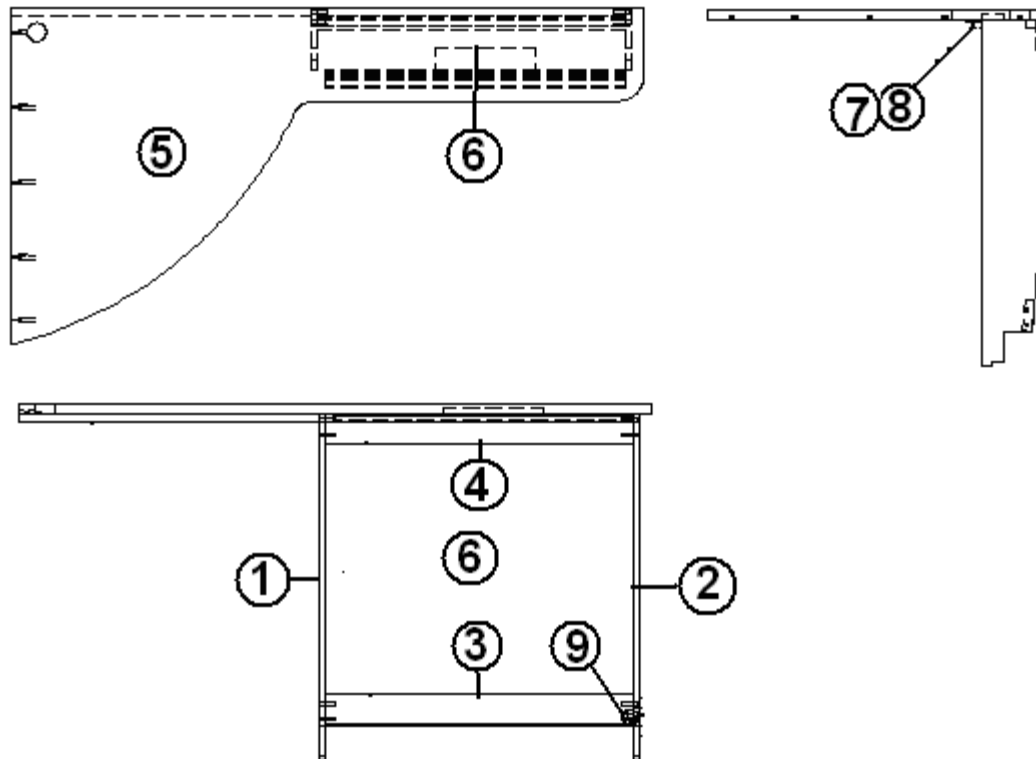
### Desk Chair Installation

- |        |                                 |
|--------|---------------------------------|
| 703578 | Chair, Desk 4724 Giulietta Blk  |
| 381427 | Hold Back, Main Door, No.1 #133 |

# 2011 FLYING CLOUD

## FURNITURE, LOUNGE

### Desk Assembly, 23', Midnight Sun Option

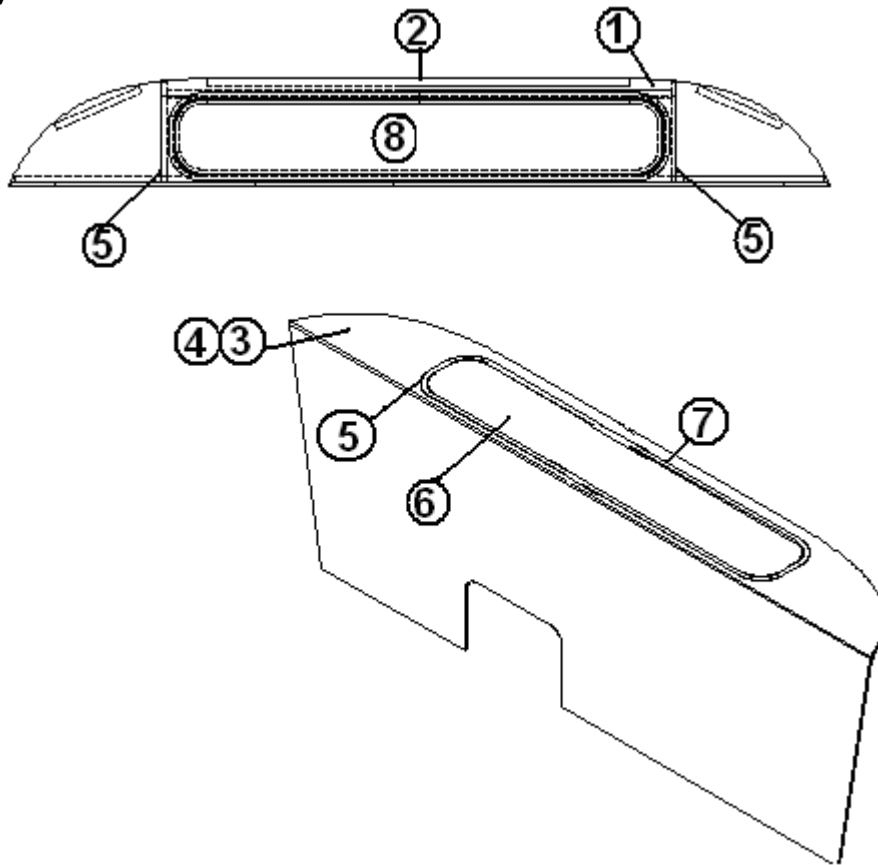


- |               |                                     |
|---------------|-------------------------------------|
| 967379-10     | Desk assembly                       |
| 1. 967379-091 | Panel, desk, 5.00 X 27.75           |
| 2. 967379-092 | Panel, desk, 5.00 X 27.75           |
| 3. 967379-093 | Panel, desk, 2.50 X 25.13           |
| 4. 967379-094 | Panel, desk, 2.50 X 25.13           |
| 5. 967379-105 | Panel, desk, 45.00 X 27.00          |
| 6. 967381-09  | Table, lift up                      |
| 7. 380203-01  | Piano hinge, 1/8" pin               |
| 8. 101253     | Extrusion, credenza hinge, moveable |
| 9. 381074     | Catch, bulldog (copper)             |

# 2011 FLYING CLOUD

## FURNITURE, LOUNGE

Sofa Back, 23'

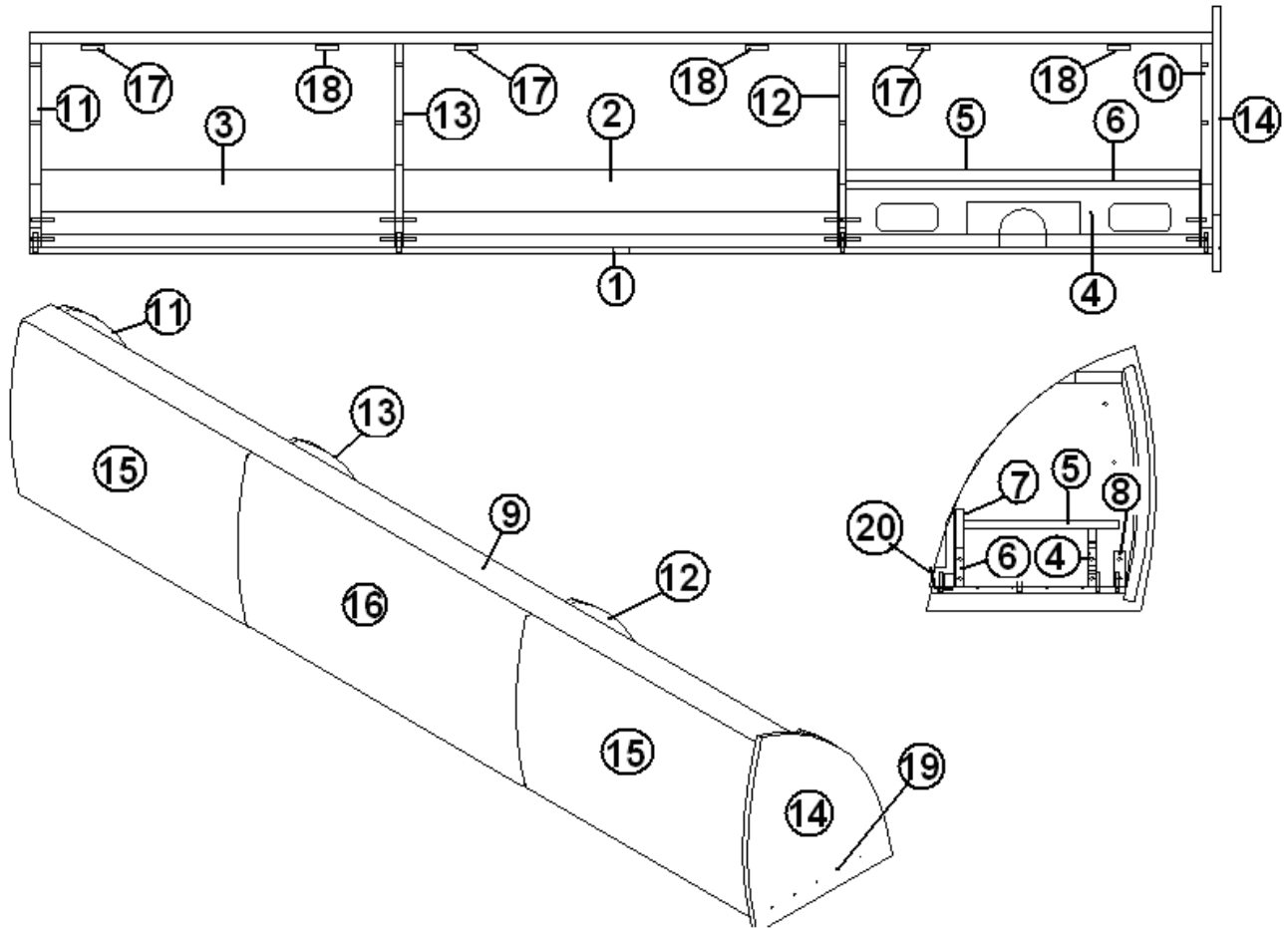


- |              |                               |
|--------------|-------------------------------|
| 966611       | Sofa back assembly            |
| 1. 800507-03 | Lauan, 3/8" X 4'X 8'          |
| 2. 800025-01 | Pine 3/4" X 3/4", stained     |
| 3. 701764    | Foam, 1/4"                    |
| 4.           | Fabric                        |
| 5. 966134    | Door, sofa back               |
| 6. 381847-01 | Hinge, piano angle .88" X 46" |
| 7. 203622    | Storage tub                   |
| 381581       | Strap, clear plastic .75"W    |

# 2011 FLYING CLOUD

## FURNITURE, LOUNGE

Roof Locker, Dinette, 23' Front Bed



Part numbers are on the next page.

## 2011 FLYING CLOUD

### FURNITURE, LOUNGE

#### Roof Locker, Dinette, 23' Front Bed

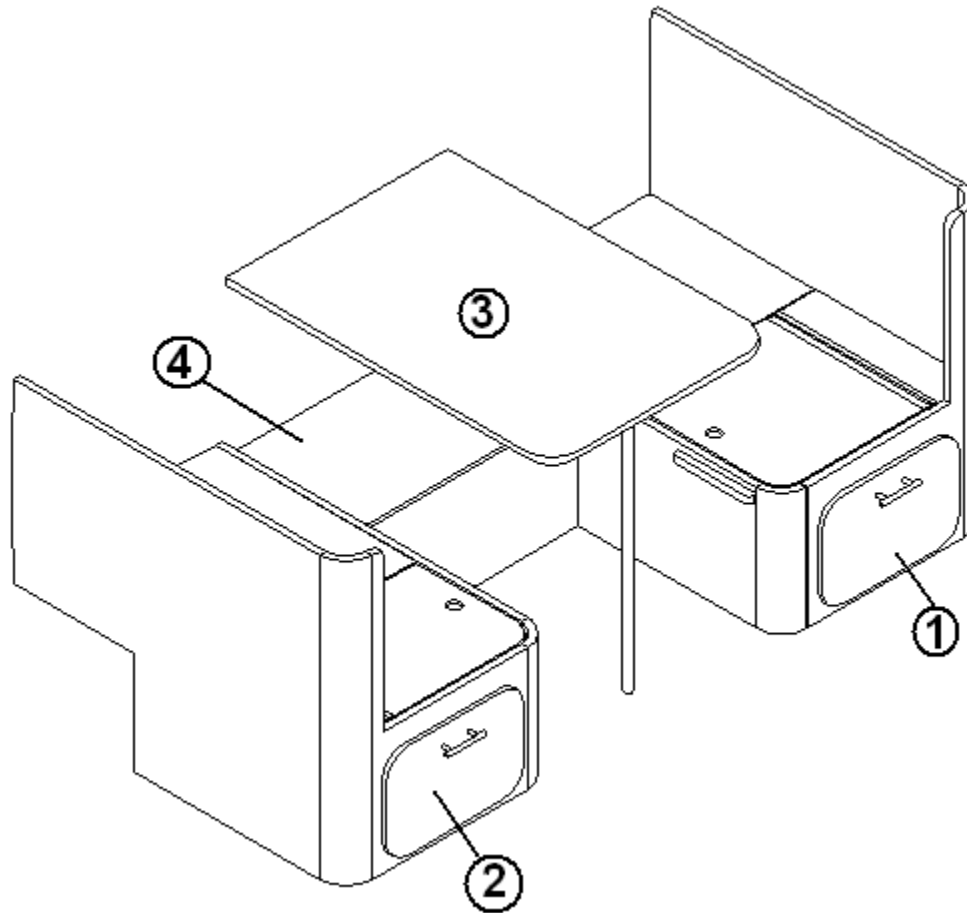
967326-09	Locker assembly, dinette
1. 967326-091	Panel, 12.50 X 76.00
2. 967326-092	Panel, 27.97 X 5.00
3. 967326-093	Panel, 22.72 X 5.00
4. 967326-094	Panel, 22.75 X 3.75
5. 967326-095	Panel, 22.75 X 10.00
6. 967326-096	Panel, 22.72 X 5.00
7. 967326-097	Panel, 22.72 X 2.25
8. 967326-098	Panel, 27.97 X 2.25
9. 967326-099	Panel, 3.00 X 76.00
10. 967326-0910	Panel, 13.18 X 13.00
11. 967326-0911	Panel, 13.18 X 13.00
12. 967326-0912	Panel, 13.18 X 13.00
13. 967326-0913	Panel, 13.18 X 13.00
14. 965587-01	End cap assembly
15. 801786-0414	Door, plyform, 15.25" X 23.13
16. 801786-0314	Door, plyform, 15.25" X 28.38
17. 381840-01	Hinge, overhead spring LH
18. 381840-02	Hinge, overhead spring RH
19. 381902	Hook, screw in, Stainless Steel
20. 115085	Angle, aluminum
511227-01	Raceway, wiring, white



# 2011 FLYING CLOUD

## FURNITURE, LOUNGE

### Dinette Seat/Table Module, 23' Front Bed



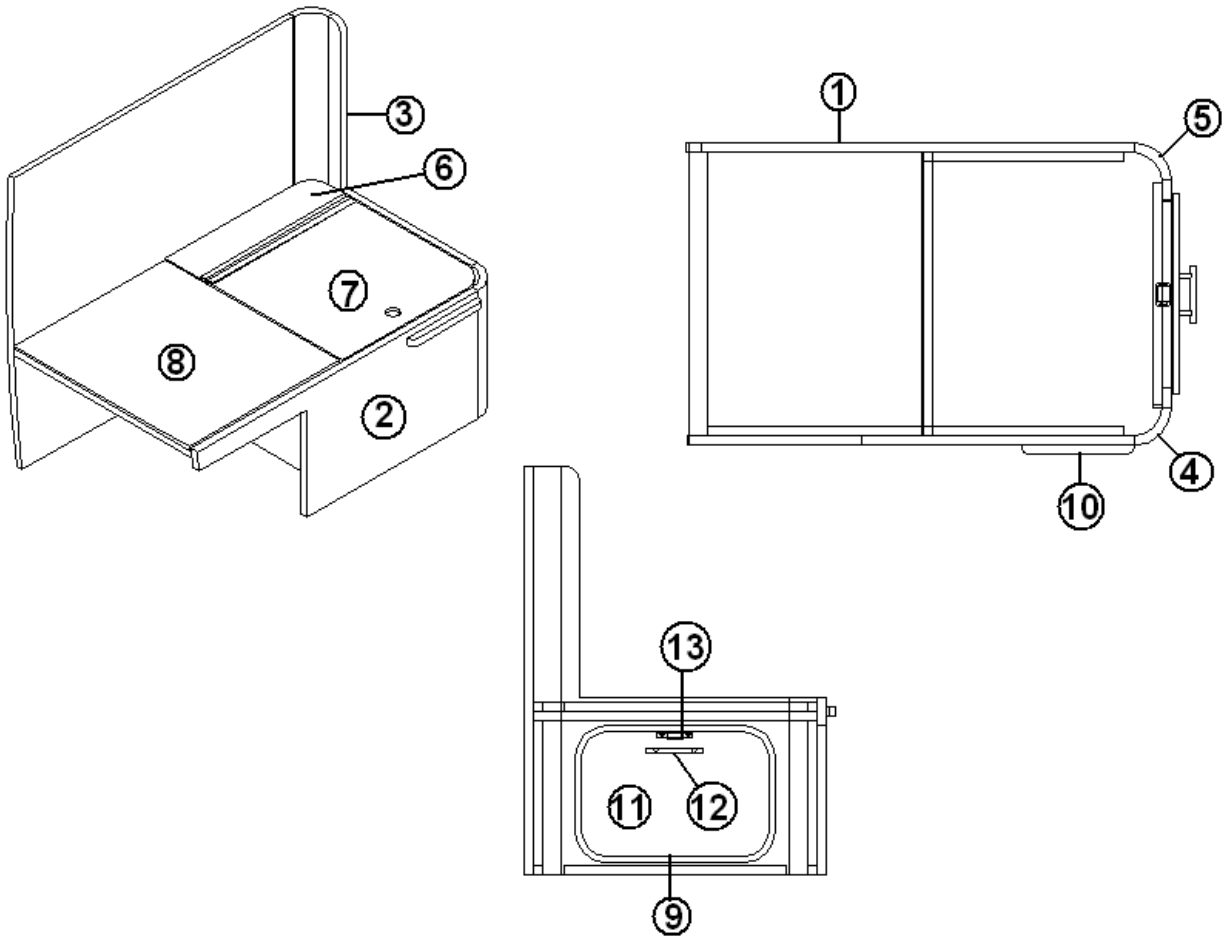
- |              |   |
|--------------|---|
| 1. 967166    | Dinette seat w/o Toe Kick (pictured above)  |
| 1. 967660    | Dinette seat, Right Hand, w/Toe Kick        |
| 2. 967165    | Dinette seat, w/o Toe Kick (pictured above) |
| 2. 967659    | Dinette seat, Left Hand, w/Toe Kick         |
| 3. 967206-09 | Table, dinette                              |
| 4. 967327-09 | Closeout, dinette                           |

\*Units built 1/18/11 and prior were built w/o Toe Kicks.

# 2011 FLYING CLOUD

## FURNITURE, LOUNGE

Dinette Seat, Aft, 23' Front Bed, w/o Toe Kick - Used on units built 1/18/11 and prior.

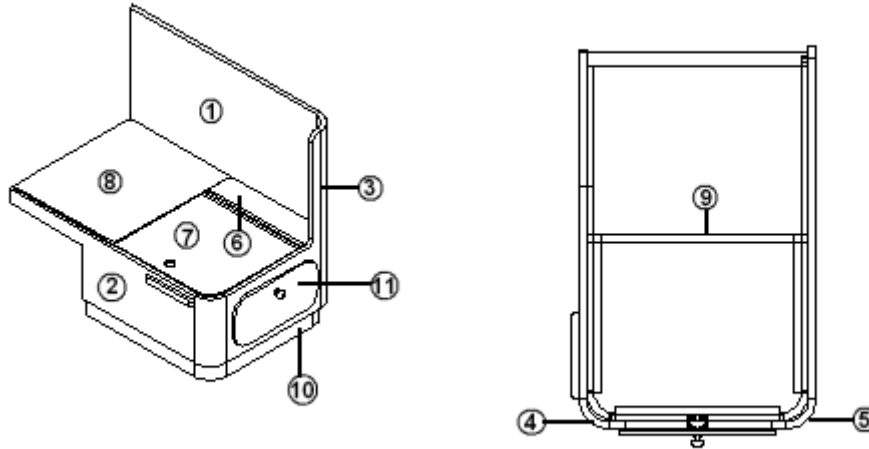


- |                 |                        |
|-----------------|------------------------|
| 967166          | Dinette seat, aft      |
| 1. 967166-1A    | Panel, 32.75" X 35.91" |
| 2. 967166-1B    | Panel, 14.25" X 35.75" |
| 3. 967166-1C    | Panel, 18.25" X 32.75" |
| 4. 967166-2A    | Panel, lauan           |
| 5. 967166-2B    | Panel, lauan           |
| 6. 967166-3A    | Panel, 4.75" X 18.65"  |
| 7. 967166-3B    | Panel, 17.25" X 18.40" |
| 8. 967166-3C    | Panel, 19.23" X 22.25" |
| 9. 380458       | Hinge, piano, copper   |
| 10. 800470-0014 | Stop, hardwood         |
| 11. 966137      | Door, dinette seat     |
| 12. 382044      | Handle, brushed nickel |
| 13. 381228-01   | Catch, grabber door    |

# 2011 FLYING CLOUD

## FURNITURE, LOUNGE

Dinette Seat Assy., Right Hand, 23' Frt. Bed, with Toe Kick -  
Used on units built after 1/18/11.

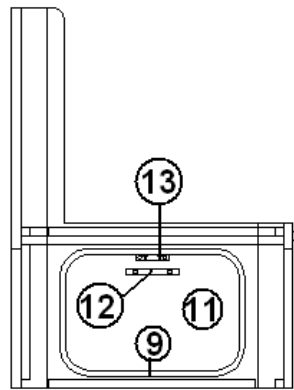
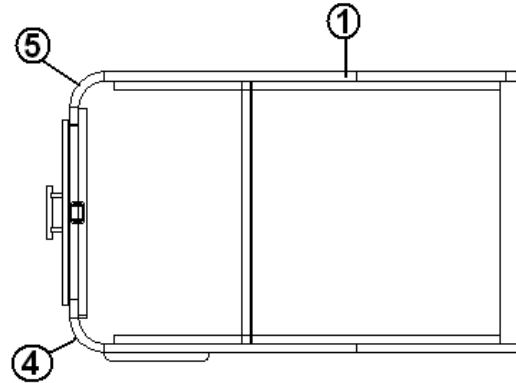
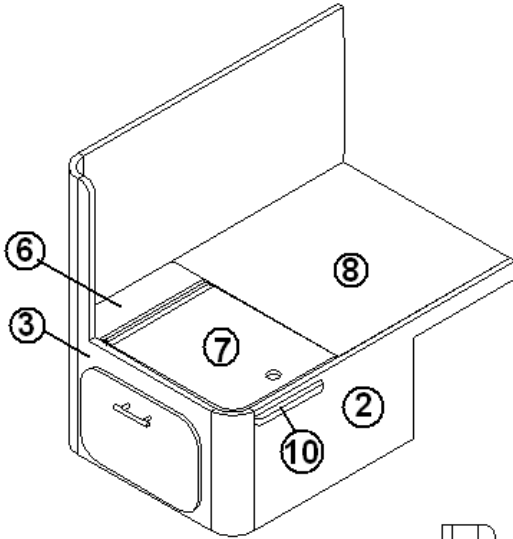


- |     |             |   |
|-----|-------------|---|
|     | 967660      | Seat Assembly, Right Hand Dinette, Fabric         |
|     | 967660-01   | Seat Assembly, Right Hand Dinette, Leather Option |
| 1.  | 967660-1    | Panel, 29.75" x 36.14"                            |
| 2.  | 967660-2    | Panel, 11.25" x 35.75"                            |
| 3.  | 967660-3    | Panel, 18.25" x 29.75"                            |
| 4.  | 967660-4    | Corner, 3" radius X 10.25"                        |
| 5.  | 967660-5    | Corner, 3" radius X 29.75"                        |
| 6.  | 967660-6    | Panel, 4.75" x 18.65"                             |
| 7.  | 967660-7    | Panel, 17.25" x 18.04"                            |
| 8.  | 967660-8    | Panel, 22.25" x 19.34"                            |
| 9.  | 967660-9    | Panel, 22.75" x 13.88"                            |
| 10. | 967658      | Toe Kick Assembly                                 |
| 11. | 967661      | Door Assembly, Dinette Seat, Fabric               |
| 11. | 967661-01   | Door Assembly, Dinette Seat, Leather Option       |
|     | 380458      | Piano Hinge, Copper Metallic (2.64 Ft.)           |
|     | 381228-01   | Grabber Door Catch                                |
|     | 800470-0014 | Stop, Hardwood                                    |

# 2011 FLYING CLOUD

## FURNITURE, LOUNGE

Dinette Seat, Forward, 23' Front Bed - Used on units built 1/18/11 and prior.

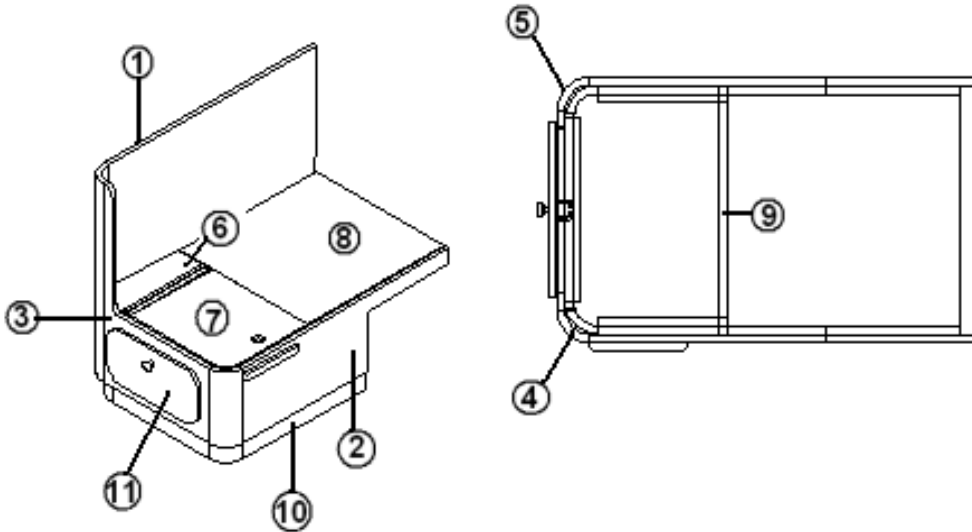


- |                 |                        |
|-----------------|------------------------|
| 967165          | Dinette seat, forward  |
| 1. 967165-1A    | Panel, 32.75" X 35.91" |
| 2. 967165-1B    | Panel, 14.25" X 35.75" |
| 3. 967165-1C    | Panel, 18.25" X 32.75" |
| 4. 967165-2A    | Panel, lauan           |
| 5. 967165-2B    | Panel, lauan           |
| 6. 967165-3A    | Panel, 4.75" X 18.65"  |
| 7. 967165-3B    | Panel, 17.25" X 18.40" |
| 8. 967165-3C    | Panel, 19.23" X 22.25" |
| 9. 380458       | Hinge, piano, copper   |
| 10. 800470-0014 | Stop, hardwood         |
| 11. 966137      | Door, dinette seat     |
| 12. 382044      | Handle, brushed nickel |
| 13. 381228-01   | Catch, grabber, door   |

# 2011 FLYING CLOUD

## FURNITURE, LOUNGE

Dinette Seat Assy., Left Hand, 23' Front Bed, with Toe Kick-Used on units built after 1/18/11.

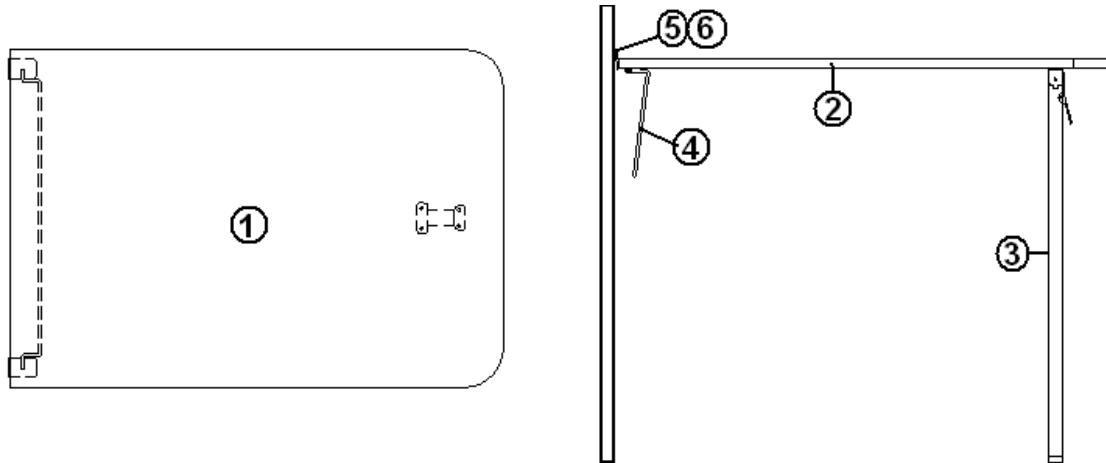


- |              |   |
|--------------|---|
| 967659       | Seat Assy., LH Dinette, Fabric 23'Frt.Bed           |
| 967659-01    | Seat Assy., LH Dinette, Ultra leather, 23' Frt. Bed |
| 1. 967659-1  | Panel, 29.75" x 36.14"                              |
| 2. 967659-2  | Panel, 11.25" x 35.75"                              |
| 3. 967659-3  | Panel, 18.25" x 29.75"                              |
| 4. 967659-4  | 3" Radius Ply, 10.25"                               |
| 5. 967659-5  | 3" Radius Ply, 29.75"                               |
| 6. 967659-6  | Panel, 4.75" x 14.40"                               |
| 7. 967659-7  | Panel, 17.25" x 14.15"                              |
| 8. 967659-8  | Panel, 22.25" x 23.59"                              |
| 9. 967659-9  | Panel, 22.75" x 13.88"                              |
| 10. 967657   | Toe kick Assembly                                   |
| 11. 967661   | Door Assembly, Dinette Seat, Fabric                 |
| 11.967661-01 | Door Assembly, Dinette Seat, Leather Option         |
| 967675-01    | Cover, LH Dinette Back Inner Fabric                 |
| 967662-01    | Cover, LH Dinette Back Inner Ultra leather          |
| 967675-02    | Cover, RH Dinette Back Inner Fabric                 |
| 967662-02    | Cover, RH Dinette Back Inner Ultra leather          |
| 380458       | Piano Hinge Copper Metallic                         |
| 381228-01    | Grabber Door Catch                                  |
| 800470-0014  | Hardwood Stop                                       |
| 381796       | Knob, Hollow, 1.25" Diameter                        |

# 2011 FLYING CLOUD

## FURNITURE, LOUNGE

### Dinette Table, 23' Front Bed

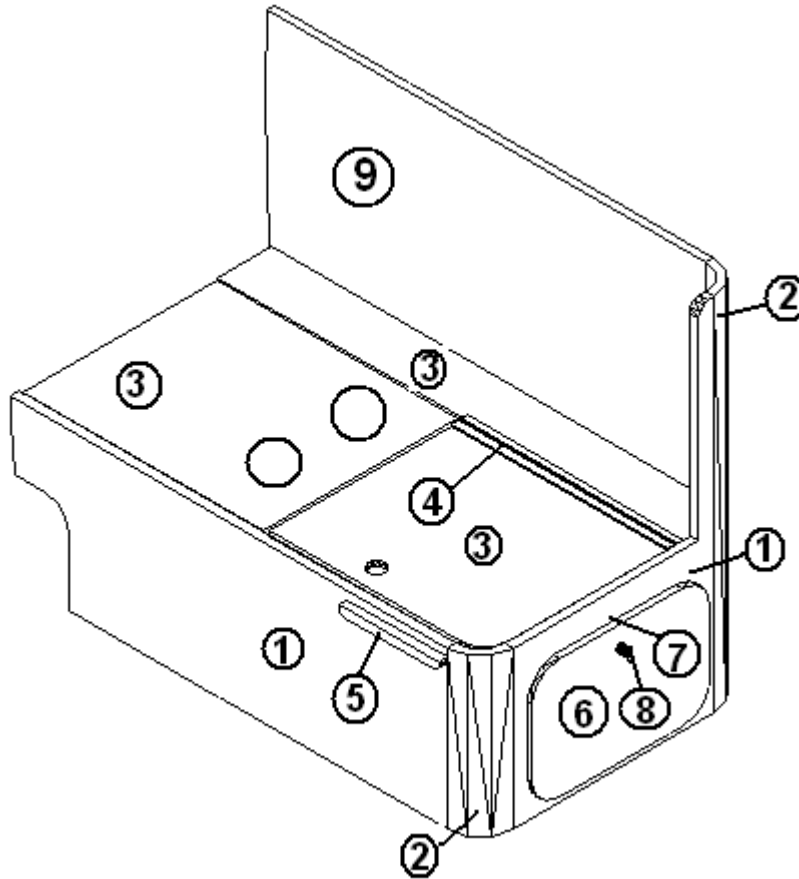


- |               |   |
|---------------|---|
| 967206-09     | Table, 38" Dinette                      |
| 1. 967206-091 | Top, dinette table                      |
| 967206-101    | Top, dinette table, Midnight Sun Option |
| 2. 365329     | Edgebanding, Luna Frost                 |
| 365311-01     | Edgebanding, Labrador Granite           |
| 3. 381881-04  | Leg, folding table 30.5" #FL3400        |
| 3. 380284-02  | Table hinge bracket                     |
| 4. 380284-03  | Table hinge bracket                     |
| 5. 340018     | Catch plate J-1                         |

# 2011 FLYING CLOUD

## FURNITURE, LOUNGE

DINETTE SEAT, RH, 20', without Toe Kick, Used on units built 1/26/2011 and prior.

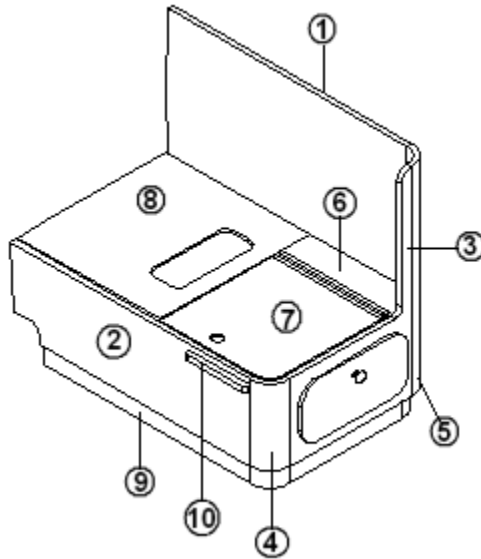


- |                |                                     |
|----------------|-------------------------------------|
| 966557         | Seat assembly, RH dinette           |
| 1. 801351      | Lite ply, 18MM (.75") 4' X 8'       |
| 2. 801345      | Radius plywood .75" X 3" X 8'       |
| 3. 800507-03   | Lauan, 3/8" X 4'X 8'                |
| 4. 703309-06   | Foam, dinette, seat bottom LH/RH    |
| 5. 380458      | Hinge piano, brown anodized         |
| 6. 800470-0014 | Stop, hardwood, .75", dinette clete |
| 7. 966137      | Door assembly, dinette seat         |
| 8. 381228-01   | Catch, grabber door                 |
| 9. 382044      | Pull bar, brush nickel              |
| 703309-05      | Foam, dinette, right side, back     |
| 967370         | Closeout assembly, booth seats      |

# 2011 FLYING CLOUD

## FURNITURE, LOUNGE

DINETTE SEAT, RH, 20', with Toe Kick. Used on units released after 1/26/2011.



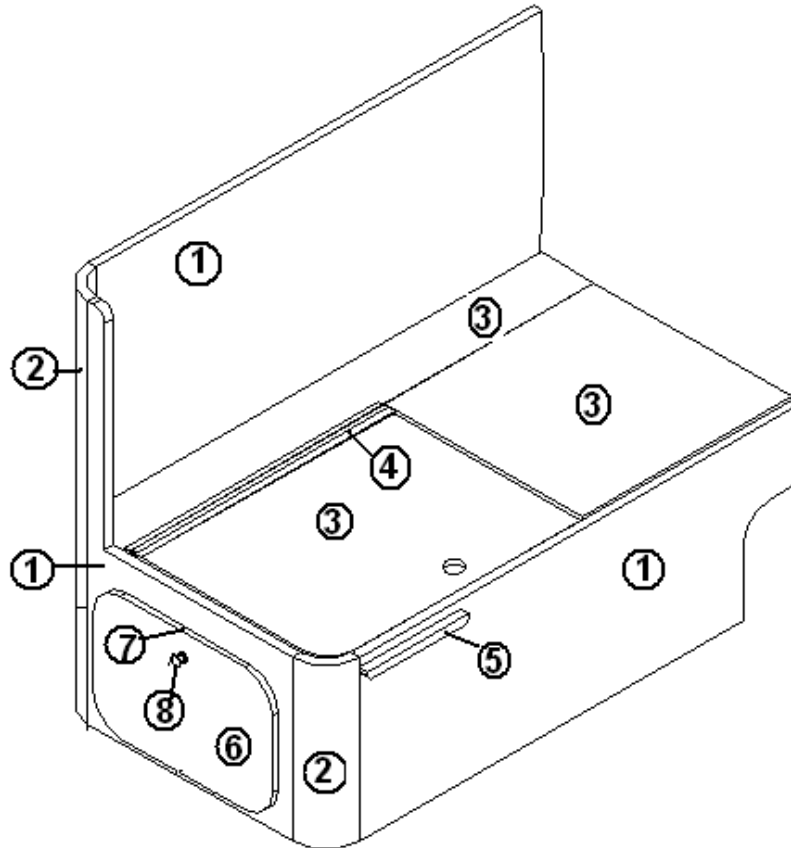
967674	DINETTE SEAT ASSEMBLY RH – CLOTH
967674-01	DINETTE SEAT ASSEMBLY RH – ULTRALEATHER
1. 967674-1	Panel, 29.75" x 35.64"
2. 967674-2	Panel, 11.25" x 35.75"
3. 967674-3	Panel, 18.25" x 29.75"
4. 967674-4	Panel, Radius Corner 3" x 10.25"
5. 967674-5	Panel, Radius Corner 3" x 29.75"
6. 967674-6	Panel, 4.75" x 16.65"
7. 967674-7	Panel, 17.25" x 16.40"
8. 967674-8	Panel, 22.25 x 21.23"
967672	Toe Kick Assembly, RH Dinette Seat
800470-0014	Stop, Hardwood
380458	Hinge, Piano Copper Metallic
967675-02	Inside Cover Assy., RH Dinette Back – Fabric
967662-02	Inside Cover Assy., RH Dinette Back, Ultraleather
967661	Door Assy., Dinette Seat, Fabric
967661-01	Door Assy., Dinette Seat, Ultraleather
381228-01	Grabber Door Catch C3-803
967676	Closeout, Dinette Seat



# 2011 FLYING CLOUD

## FURNITURE, LOUNGE

### DINETTE SEAT, LH, 20', without Toe Kick



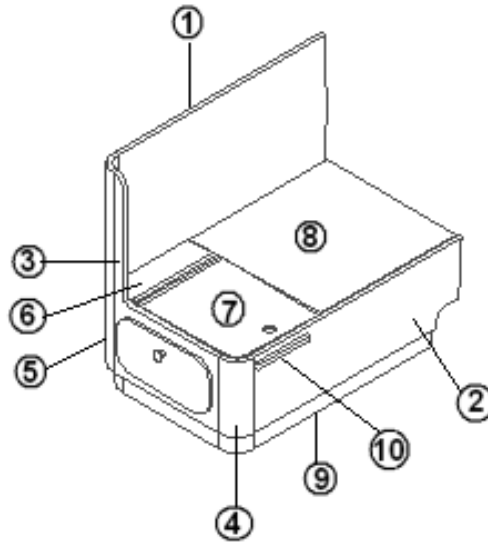
- |                |                                    |
|----------------|------------------------------------|
| 966558         | Seat assembly, LH dinette          |
| 1. 801351      | Lite ply, 18MM (.75") 4' X 8'      |
| 1. 703309-04   | Foam, dinette, side back           |
| 2. 801345      | Radius plywood .75" X 3" X 8'      |
| 3. 703309-06   | Foam, dinette, seat bottom LH/RH   |
| 3. 800507-03   | Lauan, 3/8" X 4'X 8'               |
| 4. 380458      | Hinge, piano, brown anodized       |
| 5. 800470-0014 | Stop, hardwood, .75" dinette clete |
| 6. 966137      | Door assembly. Dinette seat        |
| 7. 381228-01   | Catch, grabber door                |
| 8. 382044      | Pull bar, brush nickel             |
| 967370         | Closeout assembly, booth seats     |

\*Used on units built 1/26/11 and prior.

# 2011 FLYING CLOUD

## FURNITURE, LOUNGE

### DINETTE SEAT, LH, 20', with Toe Kick



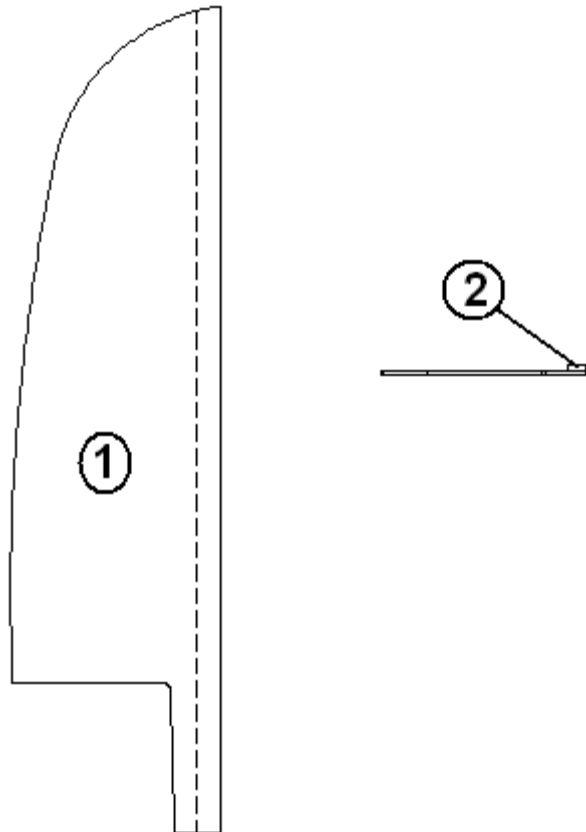
967673	SEAT ASSEMBLY, DINETTE LH, CLOTH
967673-01	SEAT ASSEMBLY, DINETTE LH, ULTRALEATHER
1. 967673-1	PANEL 29.75" X 36.14"
2. 967673-2	PANEL 11.25" X 35.75"
3. 967673-3	PANEL 18.25" X 29.75"
4. 967673-4	PANEL 3" RADIUS X 10.25"
5. 967673-5	PANEL 3" RADIUS X 29.75"
6. 967673-6	PANEL 4.75" X 14.40
7. 967673-7	PANEL 17.25" X 14.15"
8. 967673-8	PANEL 22.25" X 23.59"
9. 967671	TOEKICK ASSY., LH DINETTE SEAT
10.800470-0014	STOP, HARDWOOD
380458	HINGE, PIANO COPPER METALLIC
967675-01	LH DINETTE BACK INSIDE COVER, CLOTH
967662-01	LH DINETTE BACK INSIDE COVER, ULTRALEATHER
967661	DOOR ASSY., FABRIC
967661-01	DOOR ASSY., ULTRALEATHER
381228-01	GRABBER DOOR CATCH

\*Used on units built after 1/26/2011.

# 2011 FLYING CLOUD

## FURNITURE, LOUNGE

Panel Assembly, Dinette/Bed, 20'

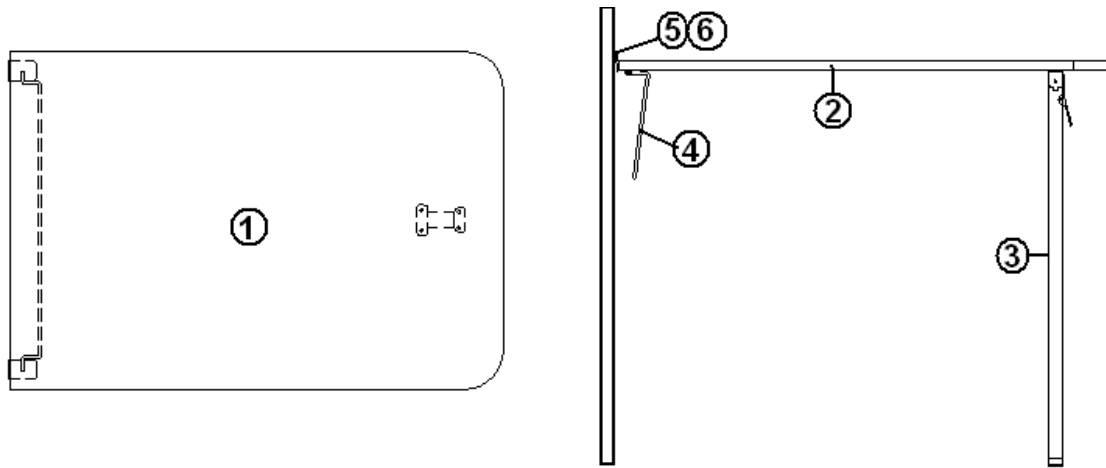


967348	Panel assembly, dinette/bed
1. 967348-1	Panel, dinette/bed, 19.73 X 77.67
2. 967348-2	Panel, dinette/bed, 2.25 X 77.67
203138-04	Extrusion, plastic, wall, oak

# 2011 FLYING CLOUD

## FURNITURE, LOUNGE

### DINETTE TABLE, 20'



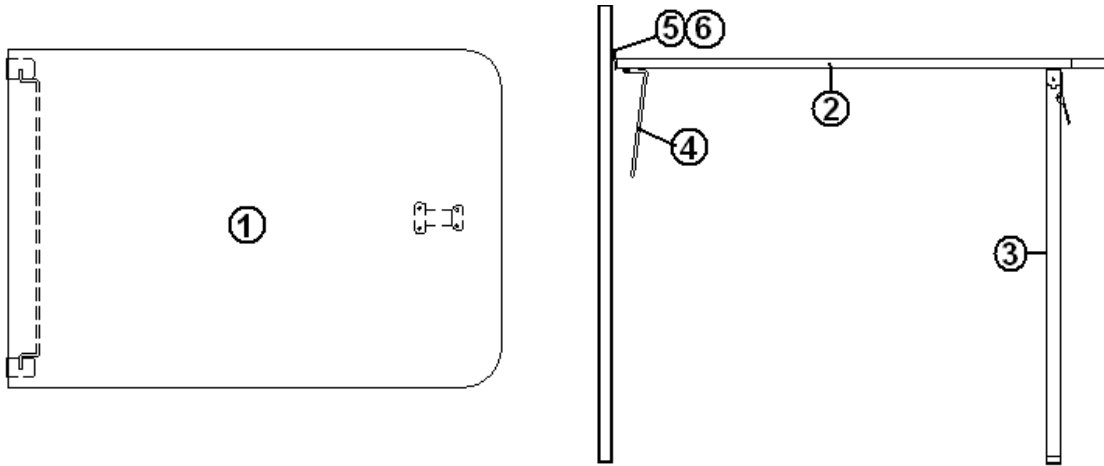
967373-09 Table assembly, 38" Dinette

1. 967373-091 Panel, dinette table 26.00 X 38.00
2. 365329-01 Edgebanding, Luna Frost, 15/16"
3. 381811-04 Leg, folding table 30.5" #FL3400
4. 380284-02 Table hinge bracket
5. 380284-03 Table hinge bracket
6. 340018 Catch plate J-1

# 2011 FLYING CLOUD

## FURNITURE, LOUNGE

### DINETTE TABLE, 20', MIDNIGHT SUN OPTION

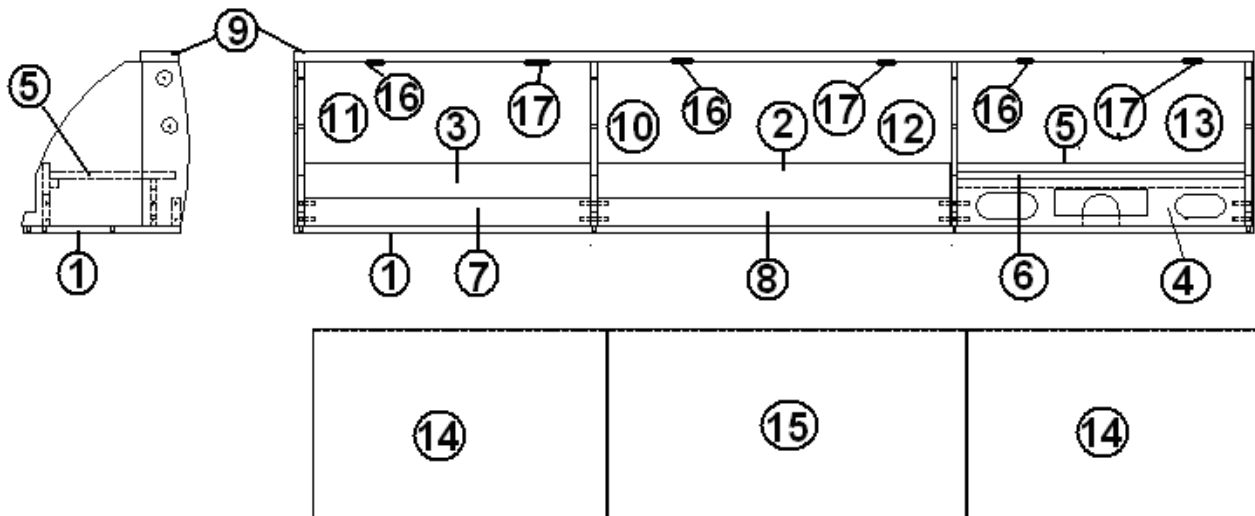


- |               |   |
|---------------|---|
| 967373-10     | Table assembly, 38" Dinette, Midnight Sun |
| 1. 967373-101 | Panel, Dinette table 26.00 X 38.00        |
| 2. 365349-02  | Edgebanding, .94" Lab. Granite            |
| 3. 381881-04  | Leg, folding table 30.5" #FL3400          |
| 4. 380284-02  | Table hinge bracket                       |
| 5. 380284-03  | Table hinge bracket                       |
| 6. 340018     | Catch plate J-1                           |

# 2011 FLYING CLOUD

## FURNITURE, LOUNGE

### ROOF LOCKER, DINETTE, 20'

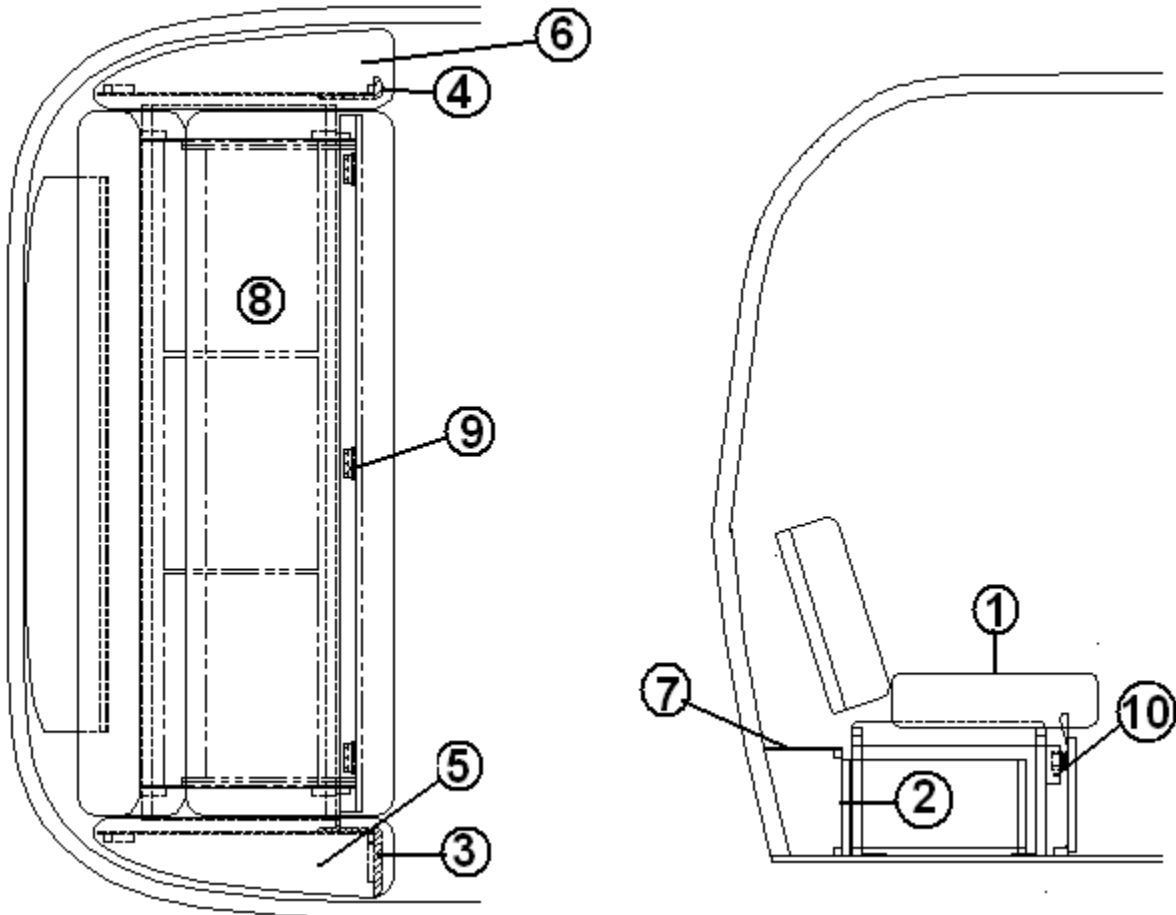


- |                 |   |
|-----------------|---|
| 967363-09       | Roof locker, dinette                      |
| 1. 967363-091   | Panel, dinette roof locker, 12.50 X 76.00 |
| 2. 967363-092   | Panel, dinette roof locker, 5.00 X 27.97  |
| 3. 967363-093   | Panel, dinette roof locker, 5.00 X 22.72  |
| 4. 967363-094   | Panel, dinette roof locker, 22.75 X 3.75  |
| 5. 967363-095   | Panel, dinette roof locker, 10.00 X 22.72 |
| 6. 967363-096   | Panel, dinette roof locker, 5.00 X 22.72  |
| 7. 967363-097   | Panel, dinette roof locker, 2.25 X 22.72  |
| 8. 967363-098   | Panel, dinette roof locker, 2.25 X 27.97  |
| 9. 967363-099   | Panel, dinette roof locker, 3.00 X 76     |
| 10. 967274-03   | Divider, LH, roof locker, 12.53 X 13.00   |
| 11. 967274-02   | Divider, LH, roof locker, 12.53 X 13.00   |
| 12. 967274-06   | Divider, RH, roof locker, 12.53 X 13.00   |
| 13. 967274-05   | Divider, roof locker, 12.53 X 13.00       |
| 14. 801786-0414 | Door, plyform, 15.25 X 23.13 Alchemy      |
| 15. 801786-0314 | Door. plyform, 15.25 X 28.38 Alchemy      |
| 16. 381840-01   | Hinge, overhead spring, LH                |
| 17. 381840-02   | Hinge, overhead spring, RH                |

# 2011 FLYING CLOUD

## FURNITURE, LOUNGE

Front Lounge 23'



Part numbers are on the next page.

## 2011 FLYING CLOUD

### FURNITURE, LOUNGE

#### Front Lounge 23'

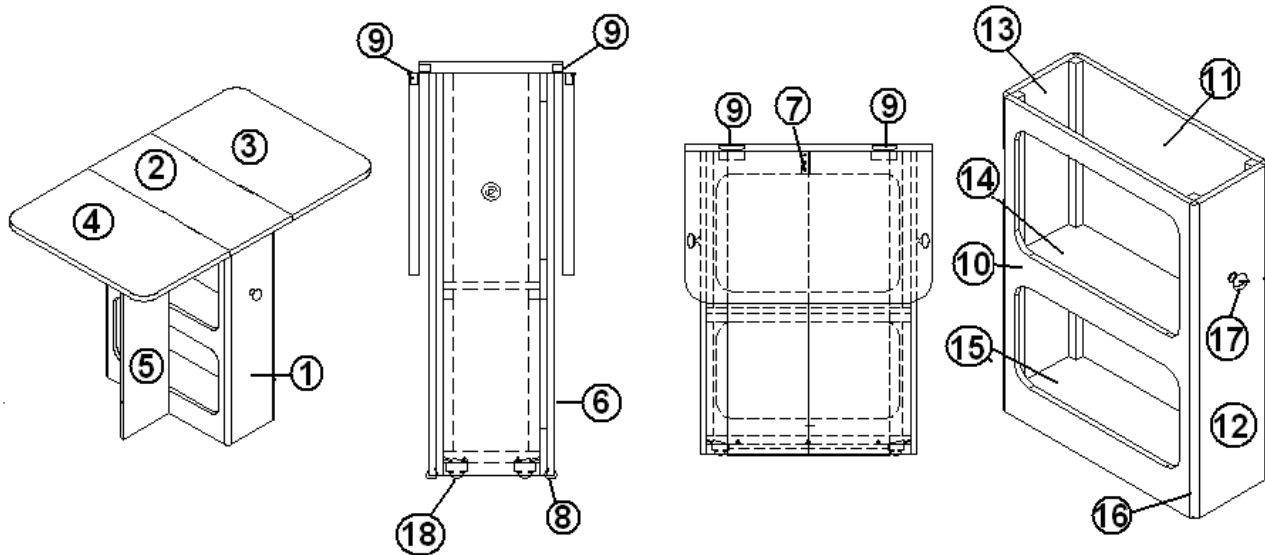
- |               |  |
|---------------|--|
| 1. 702798-012 | Sofa 74" cloth w/legs attached, Stratus      |
| 1. 702798-029 | Sofa 74" cloth w/legs attached, Burnt Sienna |
| 1. 702798-195 | Sofa 74" cloth w/legs attached, Midnight Sun |
| 1. 702798-271 | Sofa 74" cloth w/legs attached, Mica         |
| 2. 965806     | Closeout, lounge                             |
| 3. 967374     | Support assembly – armrest RS                |
| 3. 965807-02  | Support assembly face, armrest support RS    |
| 4. 967375     | Support assembly, - armrest CS               |
| 4. 965807-01  | Face, sub assembly, arm support              |
| 5. 965809-01  | Armrest cushion assembly, RS, cloth, sofa    |
| 6. 965809-02  | Armrest cushion assembly, CS, cloth, sofa    |
| 7. 965805     | Rear close-out assembly                      |
| 8. 203636     | Storage box                                  |
| 9. 381072-01  | Hinge, 3" X 2" fixed pin                     |
| 10. 381228-01 | Catch, grabber door                          |
| 381581        | Strap, clear                                 |



# 2011 FLYING CLOUD

## FURNITURE, LOUNGE

Table, Gate, 23'

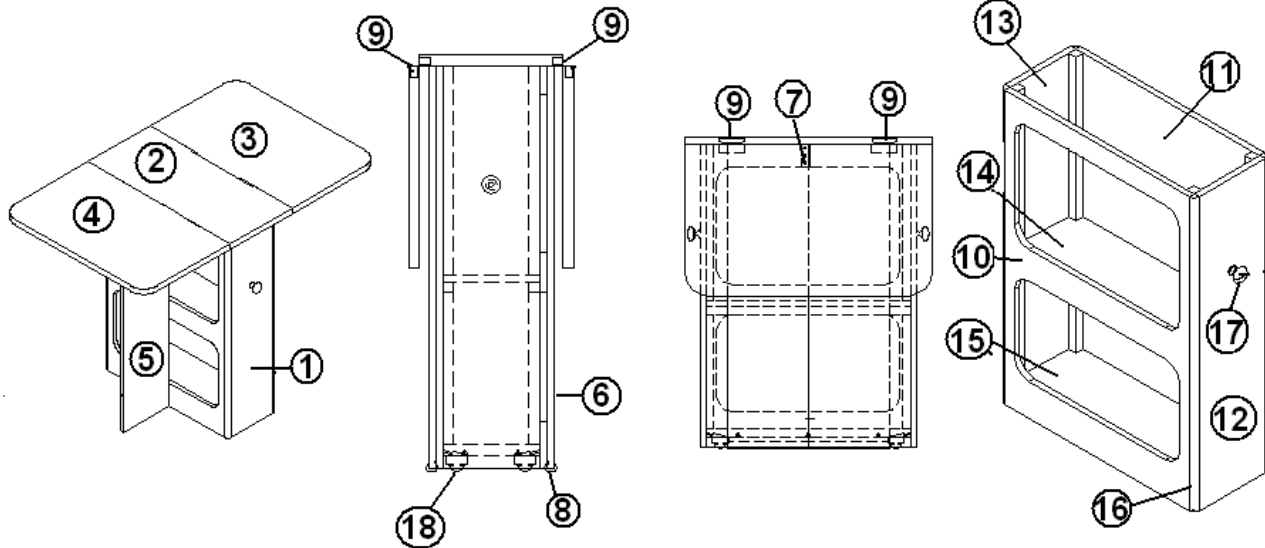


- |                 |                                     |
|-----------------|-------------------------------------|
| 967383-09       | Table assembly, gate                |
| 1. 967382       | Base assembly, gate table           |
| 2. 967383-092   | Panel, gate table, 10 X 23          |
| 3. 967383-093   | Panel, gate table, 14 X 23          |
| 4. 967383-094   | Panel, gate table, 14 X 23          |
| 5. 967383-095   | Panel, gate table, 7.5 X 28         |
| 6. 967383-096   | Panel, gate table, 7.5 X 28         |
| 7. 381479       | Hinge, brass, cabinet, 2" X 1-3/8"  |
| 8. 203138-04    | Extrusion, plastic 1/2"             |
| 9. 380040       | Hinge, SOSS, invisible, LH/RH       |
| 10. 967382-1    | Panel, table base, 28.00 X 19.00    |
| 11. 967382-2    | Panel, table base, 19.00 X 28.00    |
| 12. 967382-3    | Panel, table base, 6.75 X 28.00     |
| 13. 967382-4    | Panel, table base, 6.75 X 28.00     |
| 14. 967382-7    | Panel, table base, 19 X 6.75        |
| 15. 967382-6    | Panel, table base, 19 X 6.75        |
| 16. 800638-0114 | Molding, quarter round, .5"         |
| 17. 381796      | Knob, hollow, 1.25" diameter        |
| 18. 381941      | Flange, mount ball transfer         |
| 203445          | T-Molding, black, flexible poly, .5 |

# 2011 FLYING CLOUD

## FURNITURE, LOUNGE

### Table, Gate, 23', Midnight Sun Option

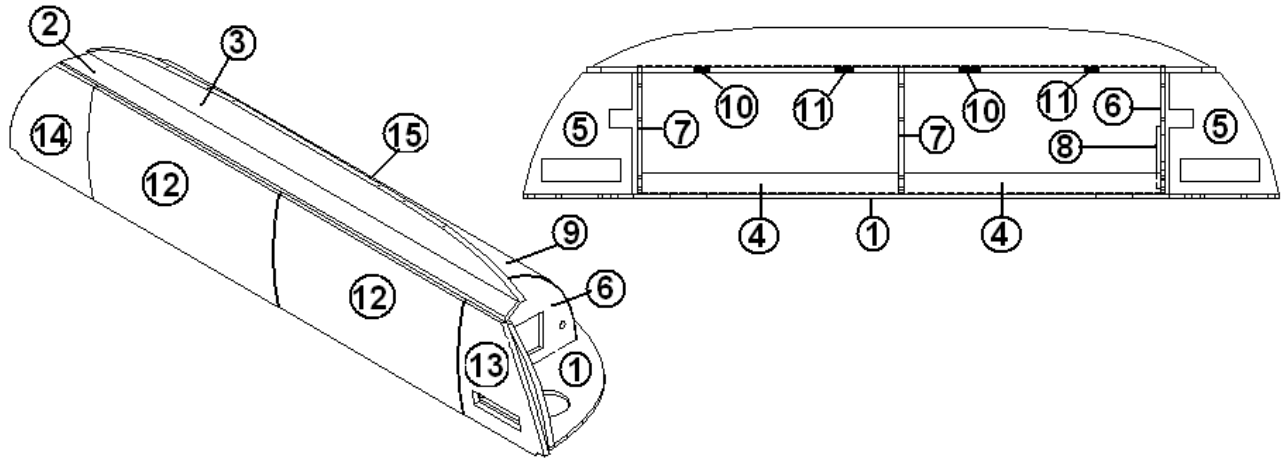


- |                 |                                    |
|-----------------|------------------------------------|
| 967383-10       | Table assembly, gate               |
| 1. 967382       | Base assembly, gate table          |
| 2. 967383-102   | Panel, gate table, 10 X 23         |
| 3. 967383-103   | Panel, gate table, 14 X 23         |
| 4. 967383-104   | Panel, gate table, 14 X 23         |
| 5. 967383-095   | Panel, gate table, 7.5 X 28        |
| 6. 967383-096   | Panel, gate table, 7.5 X 28        |
| 7. 381479       | Hinge, brass, cabinet, 2" X 1-3/8" |
| 8. 203138-04    | Extrusion, plastic 1/2"            |
| 9. 380040       | Hinge, Soss, invisible, LH/RH      |
| 10. 967382-1    | Panel, table base, 28 X 19         |
| 11. 967382-2    | Panel, table base, 19 X 28         |
| 12. 967382-3    | Panel, table base, 6.75 X 28       |
| 13. 967382-4    | Panel, table base, 6.75 X 28       |
| 14. 967382-7    | Panel, table base, 19 X 6.75       |
| 15. 967382-6    | Panel, table base, 19 X 6.75       |
| 16. 800638-0114 | Molding, quarter round, .5"        |
| 17. 381796      | Knob, hollow, 1.25", diameter      |
| 18. 381941      | Flange, mount, ball transfer       |
| 203445          | T-Molding black, flexible poly, .5 |

# 2011 FLYING CLOUD

## FURNITURE, LOUNGE

### End Liner Roof Locker, Front, 19', 23'

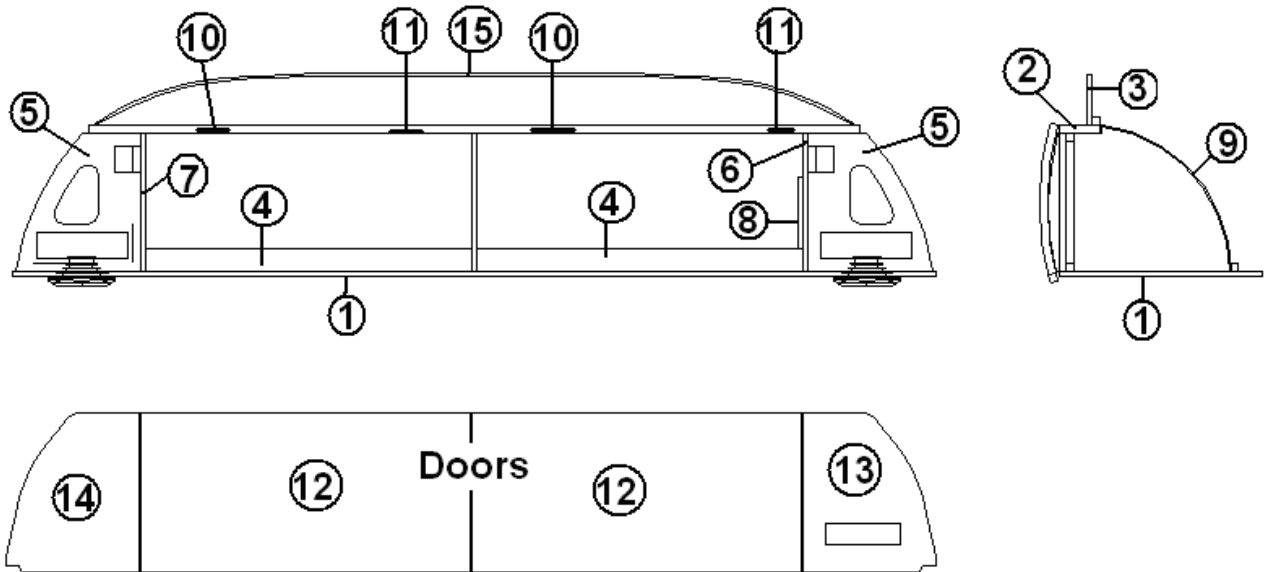


- |                 |  |
|-----------------|--|
| 967293-09       | Endliner, locker, radio, right         |
| 1. 967292-09    | Bottom, endliner locker                |
| 2. 967292-091   | Panel, endliner locker, 19.5 X 83.25   |
| 3. 967288-09    | Top, endliner locker                   |
| 4. 967289-09    | Header, endliner locker                |
| 5. 967290-09    | Stile, endliner locker                 |
| 6. 967283       | Support, endliner locker, 12 X 13.25   |
| 7. 967277-02    | Divider, RH roof locker w/radio hole   |
| 8. 967277-01    | Divider, RH roof locker 17.33 X 13.93  |
| 9. 967293-099   | Panel, endliner locker, 22.00 X 58.25  |
| 10. 381840-01   | Hinge, overhead spring LH              |
| 11. 381840-02   | Hinge, overhead spring RH              |
| 12. 801786-0914 | Door, plyform, 15.25 X 28.75           |
| 13. 801786-0714 | Door, plyform, 15.25 X 12.50, RH radio |
| 14. 801786-0614 | Door, plyform 15.25 X 12.5 LH          |
| 15. 201673-01   | Molding, oak cove, .43"                |

# 2011 FLYING CLOUD

## FURNITURE, LOUNGE

End Liner Roof Locker, 28' W, 30'

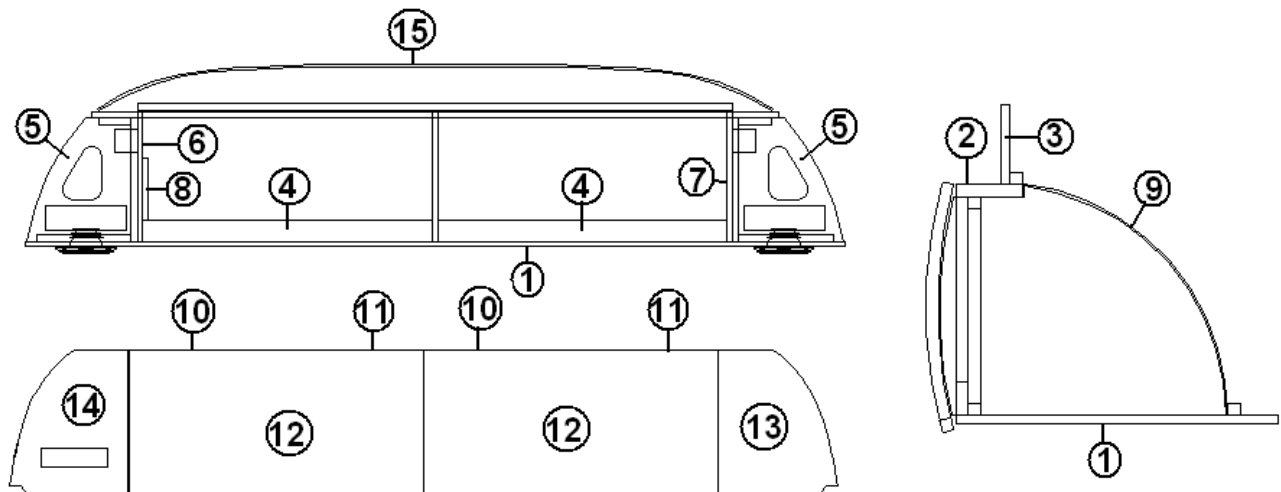


967286-09	Roof locker, RH radio
1. 967278	Bottom, roof locker
2. 967280	Top, roof locker
3. 967281	Header, roof locker
4. 967282	Stile, roof locker
5. 967283	Support, roof locker end
6. 967277-02	Divider, roof locker w/ radio hole
7. 967277-01	Divider, roof locker
8. 967286-098	Panel, end, roof locker, 12.00 X 6.75
9. 967286-099	Panel, end, roof locker 22.00 X 64.00
10. 381840-01	Hinge, overhead spring LH
11. 381840-02	Hinge, overhead spring RH
12. 801786-0214	Door, plyform, 15.25 X 31.63
13. 801786-0714	Door, plyform, 15.25 X 12.50 RH radius
14. 801786-0614	Door, plyform, 15.25 X 12.50, LH radius
15. 201673-01	Molding, oak cove .43" oak

# 2011 FLYING CLOUD

## FURNITURE, LOUNGE

End Liner Roof Locker, Rear W/ Radio, 25' Front Bed, 27' "W" Front Bed

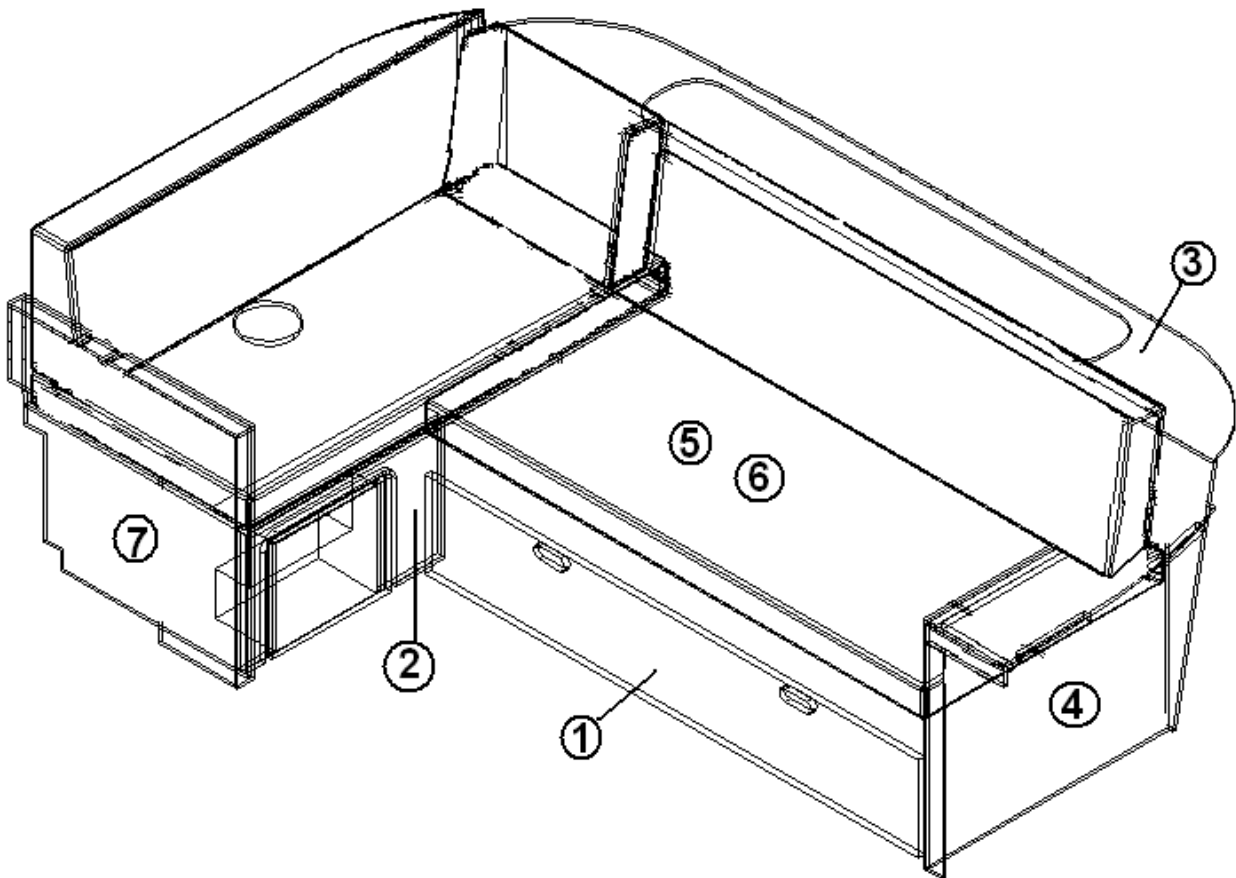


967285-09	Roof locker, end liner, w/LH radio
1. 967278	Bottom, roof locker
2. 967280	Top, roof locker
3. 967281	Header, roof locker
4. 967282	Stile, roof locker
5. 967283	Support, roof locker, end
6. 967277-02	Divider, RH roof locker, w/ radio hole
7. 967277-01	Divider, RH roof locker
8. 967285-098	Panel, roof locker, LH w/radio
9. 967285-099	Panel, end, roof locker, 22 X 64
10. 381840-01	Hinge, overhead spring
11. 381840-02	Hinge, overhead spring
12. 801786-0214	Door, plyform, 15.25 X 31.63
13. 801786-0514	Door, plyform, 15.25 X 12.50, RH
14. 801786-0814	Door, plyform, 15.25 X 12.50, LH
15. 201673-01	Molding, oak, cove, .43"

# 2011 FLYING CLOUD

## FURNITURE, LOUNGE

"L" Sofa, 28'W

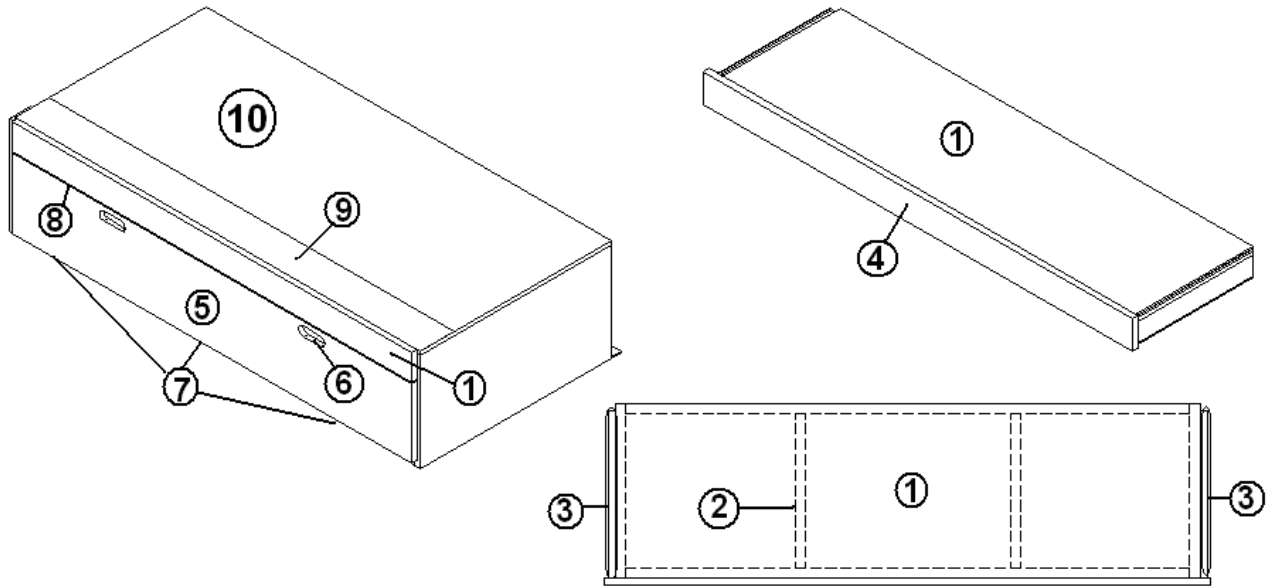


- |              |                                     |
|--------------|-------------------------------------|
| 1. 966970-09 | Sofa assembly                       |
| 2. 966972-09 | L Section assembly, sofa            |
| 3. 966973    | Back assembly, sofa                 |
| 4. 966974    | Armrest assembly, sofa              |
| 5. 703340-14 | Foam kit, L-Lounge                  |
| 6. 998203    | Fabric assembly, L-Lounge           |
| 7. 967230    | Armrest assembly, L-Lounge          |
| 203667       | Bin, storage, 23" X 16.75" X 12.38" |
| 203622       | Tub, Storage, L-Lounge              |

# 2011 FLYING CLOUD

## FURNITURE, LOUNGE

Sofa Assembly, 28' W

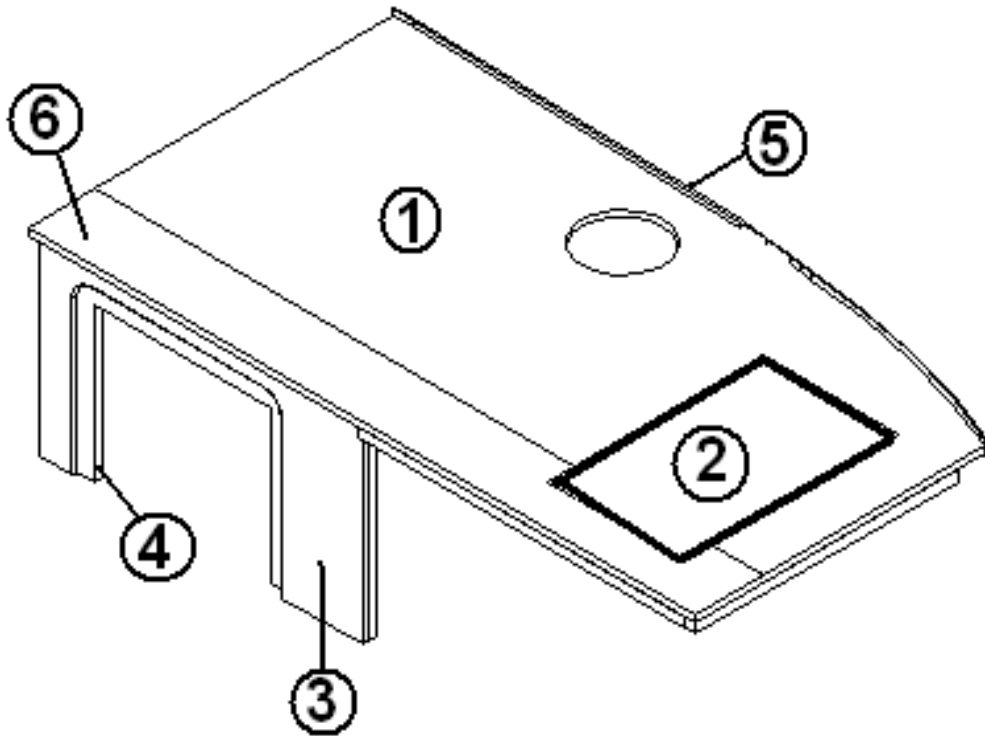


- |                |                               |
|----------------|-------------------------------|
| 966970-09      | Sofa assembly                 |
| 1. 966971-09   | Bed assembly                  |
| 2. 915708      | Weldment, sofa bed            |
| 3. 381826      | Slide, ball bearing           |
| 4. 966971-094  | Panel, sofa bed, 3.88 X 59.13 |
| 5. 966970-092  | Door, sofa, 60.00 X 28.25     |
| 6. 382044      | Handle, brushed nickel        |
| 7. 381607      | Hinge, Grass, Euro            |
| 8. 381228-01   | Catch, grabber door           |
| 9. 966970-0921 | Panel, sofa, 14.5 X 28.25     |
| 10. 966971-093 | Panel, sofa, 17 X 57          |
| 114809         | Aluminum angle, 1.50 X 1.50   |

# 2011 FLYING CLOUD

## FURNITURE, LOUNGE

Sofa, L-Section, 28' W



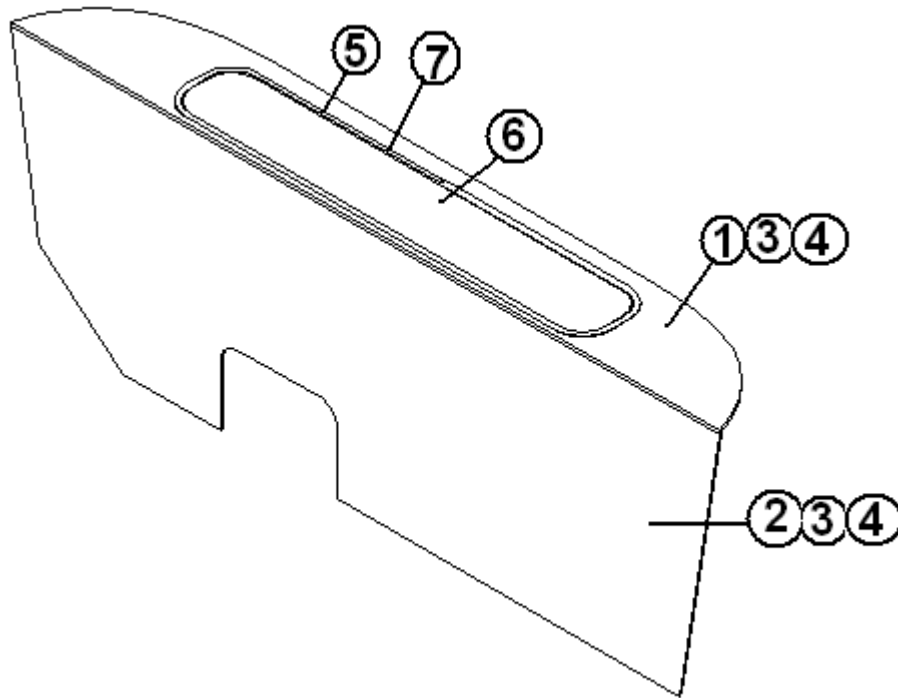
- |                |                               |
|----------------|-------------------------------|
| 966972-09      | L Section assembly, sofa      |
| 1. 966972-091  | Panel, L Sofa, 27.00 X 49.50  |
| 2. 966972-092  | Panel, L Sofa, 9.88 X 15.88   |
| 3. 966972-093  | Panel, L Sofa, 14.50 X 24.00  |
| 4. 966972-094  | Panel, L Sofa, 14.50 X 24.00  |
| 5. 114812      | Aluminum angle, 1.00" X 1.00" |
| 6. 966972-0910 | Panel, L Sofa, 5 X 49.50      |



# 2011 FLYING CLOUD

## FURNITURE, LOUNGE

Sofa Back Section, 28' W

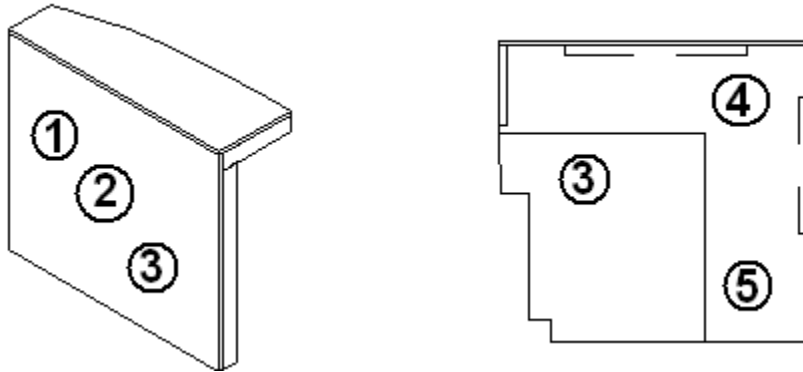


966973	Sofa back assembly
1. 966973-1	Panel, 12.25 X 9.00
2. 966973-2	Panel, 31.63 X 9.00
3. 701764	Foam, 1/4"
4. 703777	Fabric, Mouton Bone
5. 115203	Door, jamb
6. 966134	Door, sofa back
7. 381847-01	Hinge, piano angle .88" X 46"
365013-01	Tape, charcoal, low density foam
381581	Strap, clear plastic .75"W
203622	Storage tub, L-Lounge

# 2011 FLYING CLOUD

## FURNITURE, LOUNGE

Sofa Armrests, L-Lounge, 28' W



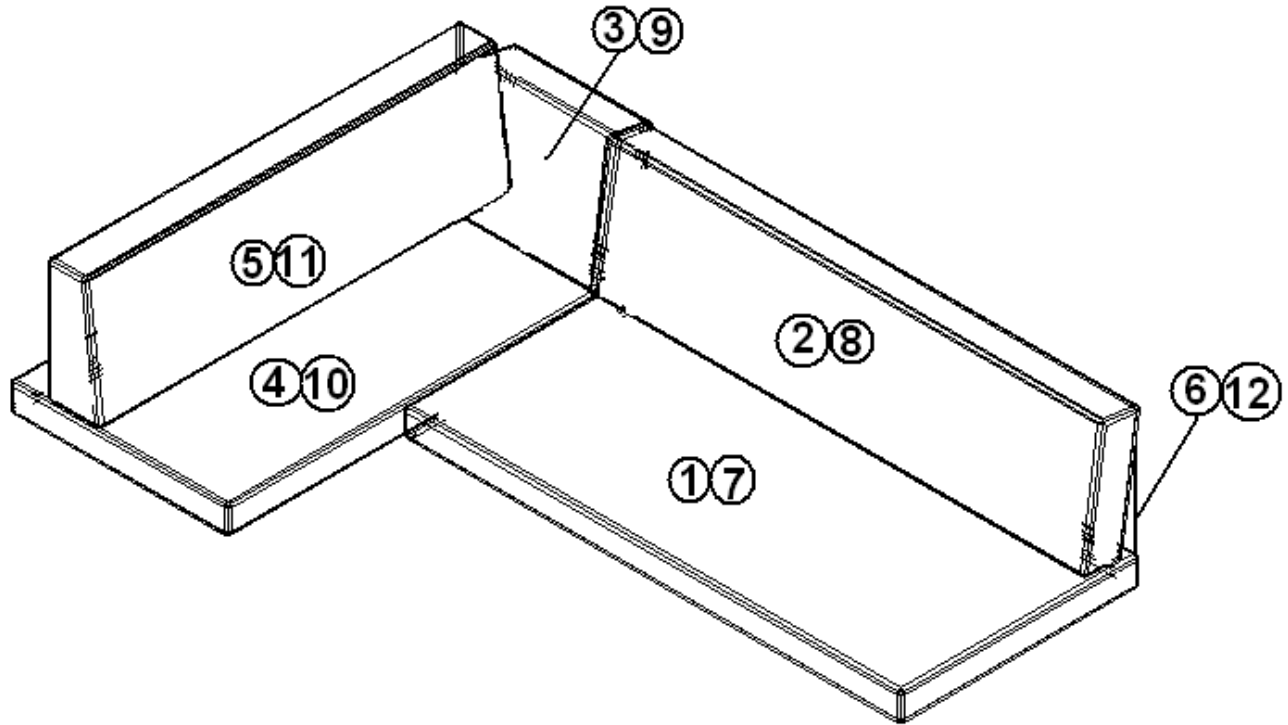
1. 966974
2. 703777
3. 701764
4. 967230
5. 703776

Sofa armrest  
Fabric, Mouton Bone  
Foam, 1/4"  
Armrest assembly, L-Lounge  
Fabric, Lurex

# 2011 FLYING CLOUD

## FURNITURE, LOUNGE

Sofa, Cushions/Foam, 28' W



703340-14	Foam kit, L Lounge
998203	Fabric assembly kit, L Lounge
1. 703340-01	Foam cushion, bottom, main
2. 703340-02	Foam cushion, backrest, main
3. 703340-03	Foam cushion, small backrest
4. 703340-04	Foam cushion, base, side
5. 703340-05	Foam cushion, backrest, side
6. 703340-06	Foam cushion, wedge, 78"
7. 998203-01	Fabric assembly, bottom, main
8. 998203-02	Fabric assembly, backrest, main
9. 998203-03	Fabric assembly, small backrest
10. 998203-04	Fabric assembly, base, side
11. 998203-05	Fabric assembly, backrest, side
12. 998203-06	Fabric assembly, wedge, 78"

# 2011 FLYING CLOUD

## FURNITURE, LOUNGE

Sofa Armrest, 23'



967374 Support assembly, armrest, RS, (shown)

965807-02 Sub assembly, face, armrest support, RS

965809-01 Cushion assembly, RS armrest

967375 Support assembly, armrest, CS (opposite)

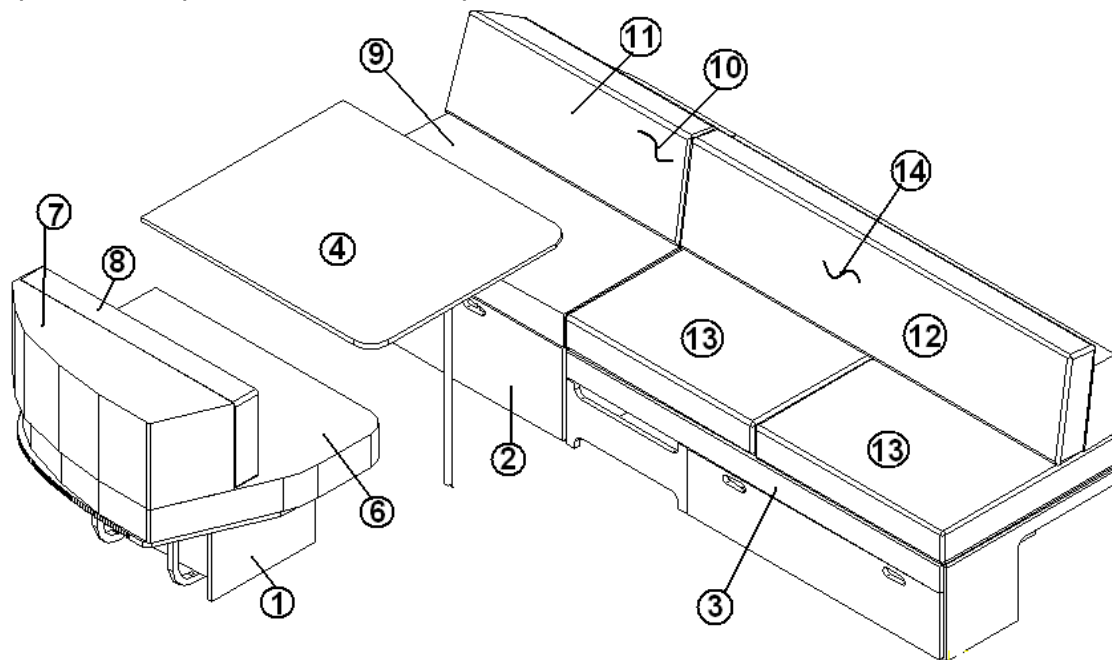
965807-01 Sub assembly, face, armrest support, CS

965809-02 Cushion assembly, CS armrest

# 2011 FLYING CLOUD

## FURNITURE, LOUNGE

Sofa, Dinette, 25' Front Bed, 27' Front Bed

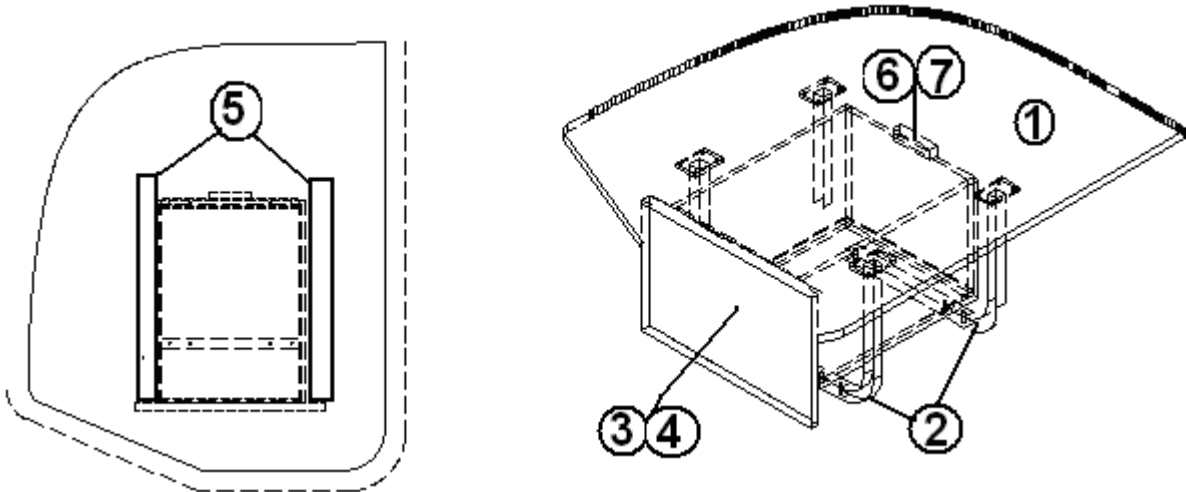


1. 966889-09 Seat assembly, LH, dinette
2. 966890-09 Seat assembly, RH, dinette
3. 966887-09 Sofa assembly
4. 967156-09 Table assembly, dinette
- 967156-10 Table assembly, dinette, Midnight Sun
5. 703486 Foam kit, lounge/dinette
6. 998173-01 Fabric assembly, CS dinette seat
7. 998173-02 Fabric assembly, CS back fill
8. 998173-03 Fabric assembly, CS back rest
9. 998173-04 Fabric assembly, RS dinette seat
10. 998173-05 Fabric assembly, RS back fill
11. 998173-06 Fabric assembly, RS back rest
12. 998173-07 Fabric assembly, dinette, wedge
13. 998173-08 Fabric assembly, bottom cushion
14. 998173-09 Fabric assembly, cushion, backrest
- 203439 Storage box, 17"L X 11.13"W X 6.38"H
- 703915 Kit, D Lounge Cushions, Ultra Leather

# 2011 FLYING CLOUD

## FURNITURE, LOUNGE

Dinette Seat, Curbside, 25' Front Bed, 27' Front Bed

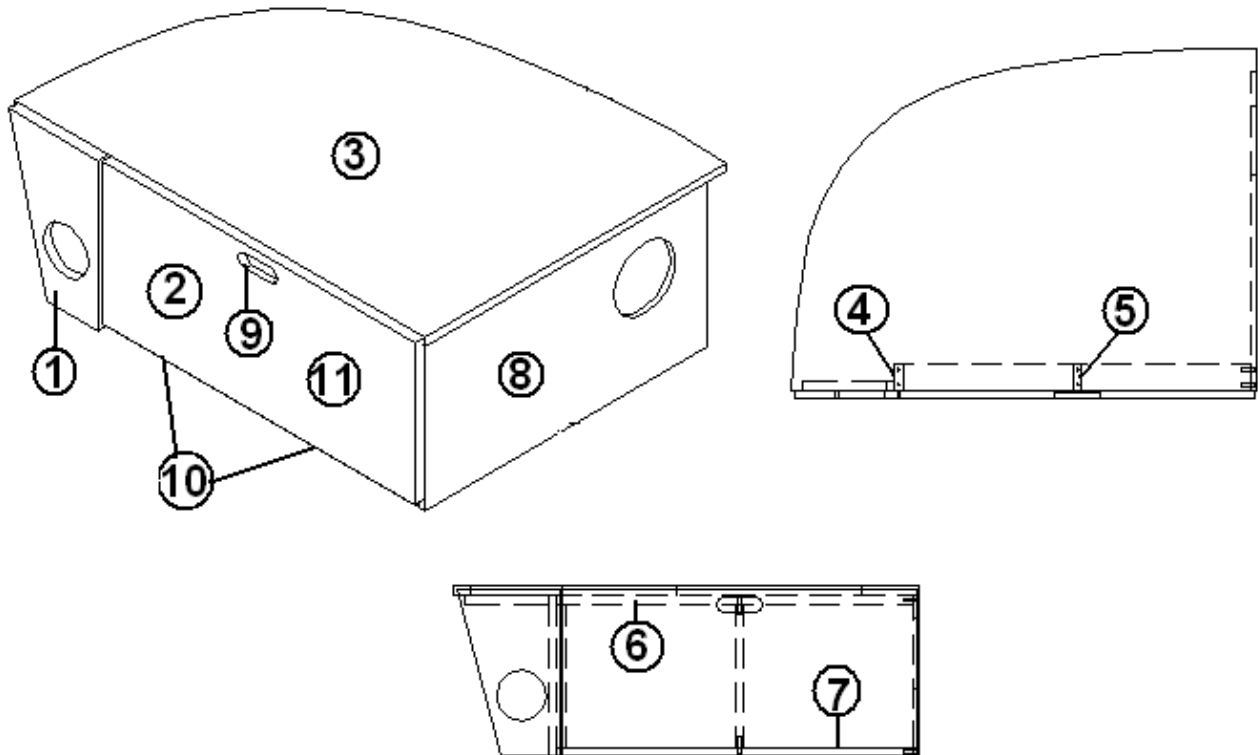


- |               |                                       |
|---------------|---------------------------------------|
| 966889-09     | Seat assembly, CS dinette             |
| 1. 966889-091 | Panel, LH dinette seat, 33.38 X 40.18 |
| 2. 454177     | Leg, dinette, aluminum                |
| 3. 964909-11  | Drawer box, 10" X 14.00" X 19.00"     |
| 4. 966889-094 | Door, dinette 11.50" X 18.00"         |
| 5. 381833-01  | Drawer slide, under shelf, 18", (PR)  |
| 6. 381074     | Catch, bulldog #65S (copper)          |
| 7. 800581-01  | Lumber, oak, 1 3/16" X 1.5"           |

# 2011 FLYING CLOUD

## FURNITURE, LOUNGE

Dinette Seat, Roadside, 25' Front Bed, 27' Front Bed

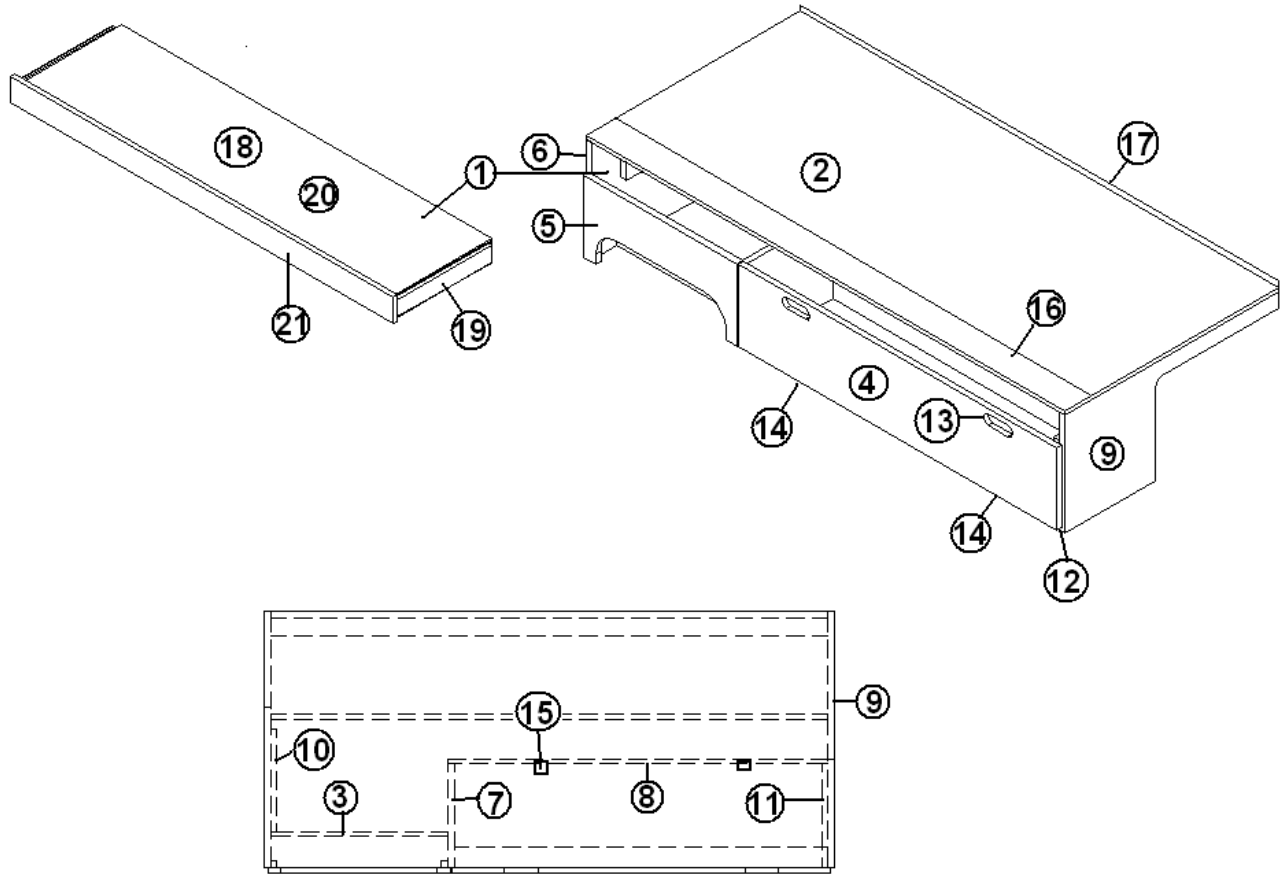


966890-09	Seat, RH dinette
1. 966890-091	Panel, RH dinette seat, 14.38 X 8.88
2. 966890-092	Panel, RH dinette seat, 13.63 X 30.63
3. 966890-093	Panel, RH dinette seat, 29.5 X 40.19
4. 966890-094	Panel, RH dinette seat, 2.25 X 12.38
5. 966890-095	Panel, RH dinette seat, 2.25 X 12.38
6. 966890-096	Panel, RH dinette seat, 2.25 X 30.75
7. 966890-097	Panel, RH dinette seat, 2.25 X 30.75
8. 966890-098	Panel, RH dinette seat, 27.5 X 13.88
9. 381775	Drawer pull, flush, satin
10. 381072	Hinge 3" X 1 7/8", open, gold
11. 381228-01	Catch, grabber door C3-803

# 2011 FLYING CLOUD

## FURNITURE, LOUNGE

Sofa Bed, 25' Front Bed, 27' Front Bed



Part numbers are on the next page.



# 2011 FLYING CLOUD

## FURNITURE, LOUNGE

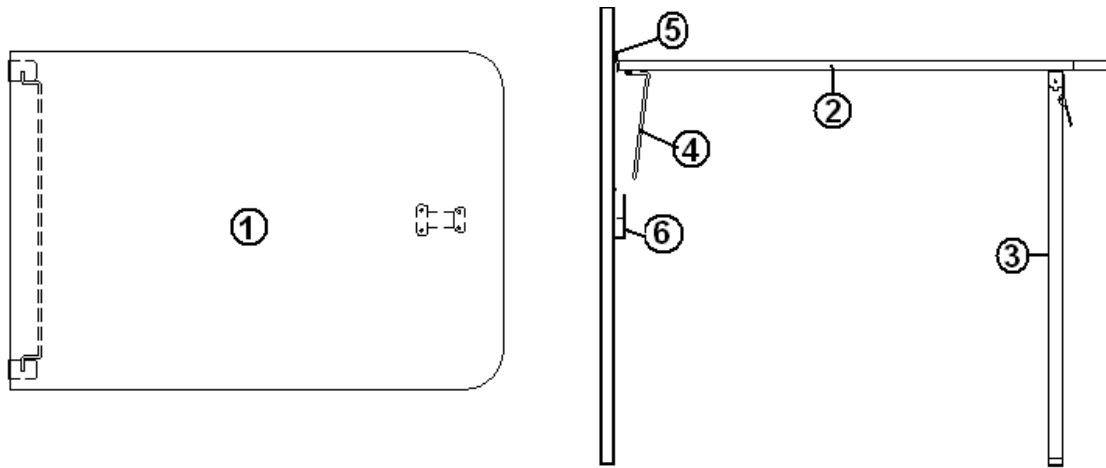
Sofa Bed, 25' Front Bed, 27' Front Bed

966887-09	Sofa assembly
1. 966888-09	Bed assembly, sofa
2. 966887-092	Panel, sofa, 29.5 X 66.00
3. 966887-093	Panel, sofa, 20.5 X 5.00
4. 966887-094	Panel, sofa, 9.88 X 43.88
5. 966887-095	Panel, sofa, 9.88 X 21.13
6. 966887-096	Panel, sofa, 14.13 X 29.5
7. 966887-097	Panel, sofa, 10.13 X 12.00
8. 966887-098	Panel, sofa, 10.13 X 44
9. 966887-099	Panel, sofa, 14.13 X 29.50
10. 966887-0910	Panel, sofa, 2.25 X 12.00
11. 966887-0911	Panel, sofa, 2.25 X 12.00
12. 966887-0915	Panel, sofa, 2.25 X 43.25
13. 381775	Drawer pull, flush, satin
14. 381072-01	Hinge, 3" X 2"
15. 381228-01	Catch, grabber door
16. 801793-01	Laminate, Gold Alchemy, vertical
17. 101115	Sheet, alum,.060 X 48 X 120, cut to 5"
18. 915811	Weldment, sofa bed
19. 381826	Slide, ball bearing
20. 800507-02	Lauan, 1/4", cut to 17.00" X 63.00"
21. 966888-094	Panel, sofa bed 3.88 X 65.13
330031-03	Rivet, dome, head SSD64SSBS

# 2011 FLYING CLOUD

## FURNITURE, LOUNGE

Dinette Table, 25' Front Bed, 27' Front Bed

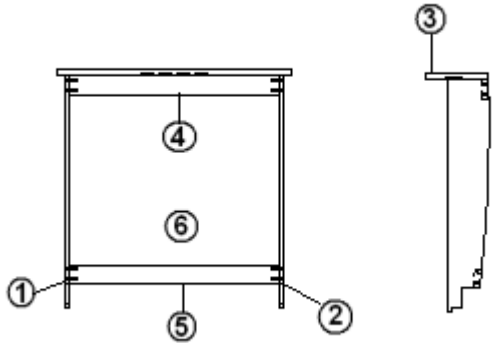


- |               |   |
|---------------|---|
| 967156-09     | Table, 38", dinette                             |
| 967156-10     | Table assembly, dinette, Midnight Sun           |
| 1. 967156-091 | Panel, dinette table, 35.00" X 40.00"           |
| 967156-101    | Panel, dinette table, 35.00" X 40.00", Mid. Sun |
| 2. 365329-01  | Edgebanding, Luna Frost                         |
| 365311-61     | Edgebanding, Midnight Sun                       |
| 3. 381881-04  | Leg, folding, table 30.5"                       |
| 4. 380284-02  | Hinge bracket, table                            |
| 5. 380284-03  | Center hinge                                    |
| 6. 340018     | Catch plate J-1                                 |
| 381136        | Rubber bumper                                   |

# 2011 FLYING CLOUD

## FURNITURE, LOUNGE

### TABLE ASSY., LIFT UP 30'

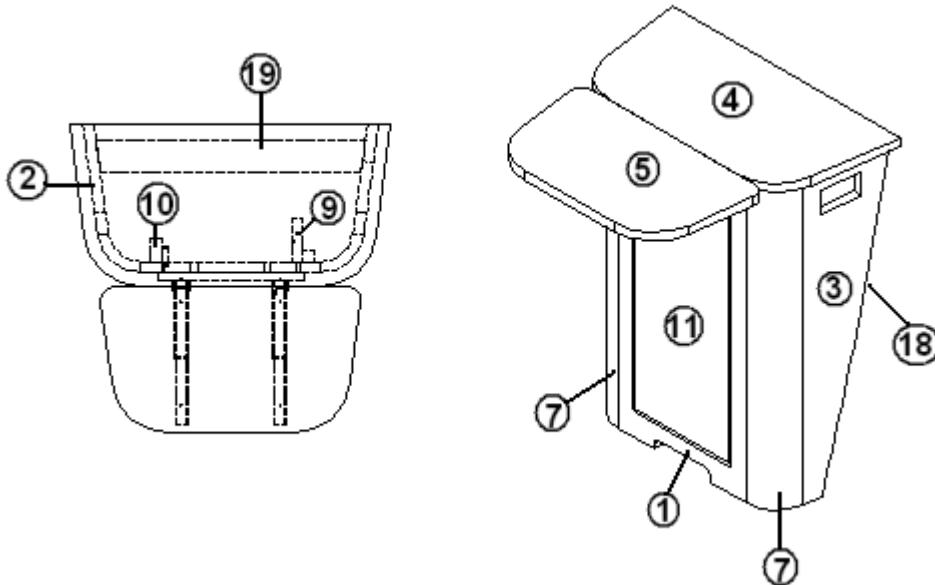


967537-09	TABLE ASSY-LIFT UP
1. 967537-091	PANEL-TABLE 5X27.75
2. 967537-092	PANEL-TABLE 5X27.75
3. 967537-093	PANEL-TABLE 7.5X28.25
4. 967537-094	PANEL-TABLE 2.25X25.13
5. 967537-095	PANEL-TABLE 2.25X25.13
6. 967381-09	TABLE ASSY-LIFT UP
381074	CATCH BULL DOG #65S (COPPER)
800025-01	PINE 3/4" X 3/4" STAINED
380203-01	PIANO HINGE 1/8" PIN CLR ANODI
101253	EXTR. CREDENZA HINGE MOVABLE
385963	BRACKET MTG. ANGLE LAMBREQUIN

# 2011 FLYING CLOUD

## FURNITURE, LOUNGE

### CENTER CONSOLE ASSEMBLY, FOR RECLINER OPT. - 30'



- |                 |   |
|-----------------|---|
| 967536          | CONSOLE ASSY , CENTER 30                    |
| 1. 967536-091   | PANEL-CONSOLE 12.31X27.25                   |
| 2. 967536-092   | PANEL-CONSOLE 7.58X27.25                    |
| 3. 967536-093   | PANEL-CONSOLE 7.58X27.25                    |
| 4. 967536-094   | PANEL-CONSOLE 22X11                         |
| 5. 967536-095   | PANEL-CONSOLE 17.57X10                      |
| 6. 967536-096   | PANEL-CONSOLE 10X3.25 (NOT SHOWN)           |
| 7. 801345       | RAD.PLYWOOD .75"X 3"X 8'                    |
| 8. 967536-098   | PANEL-CONSOLE 37X28 (NOT SHOWN)             |
| 9. 967536-099   | PANEL-CONSOLE 25X3                          |
| 10. 967536-0910 | PANEL-CONSOLE 25X1.63                       |
| 11. 967536-0911 | DOOR-CONSOLE 9.06X21                        |
| 12. 800025-01   | PINE ¾ X ¾                                  |
| 13. 381228-01   | CATCH GRABBER DOOR C3-803 (NOT SHOWN)       |
| 14. 382092      | BRKT-HINGED SPRING 88 LB CAP.(NOT SHOWN)    |
| 15. 365343-01   | EDGE BANDING .63" GOLD ALCHEMY              |
| 16. 365343-02   | EDGE BANDING- .94" GOLD ALCHEMY (NOT SHOWN) |
| 17. 365329      | EDGE BANDING- .94" LUNA FROST               |
| 18. 203464-03   | TRIM PANEL WHITE ¾"                         |
| 19. 967536-0919 | PNL-CONSOLE 18.46X2.25                      |

# 2011 FLYING CLOUD

## FURNITURE, LOUNGE

### RECLINER OPTION, 30'

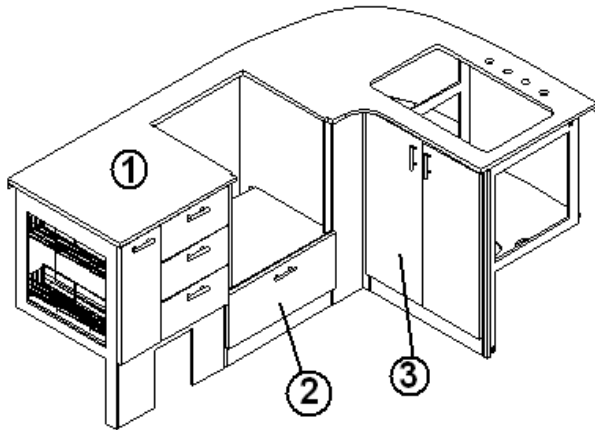
454740	BRACKET, RECLINER RETENSION
382095	KNOB, KNURLED
350189	NUT, TEE 6 PRONG
703840	RECLINER, LIFT W/BASE, TAUPE
703840-01	RECLINER, LIFT W/BASE, ESPRESSO
703840-02	RECLINER, LIFT W/BASE, LEATHER

# 2011 FLYING CLOUD

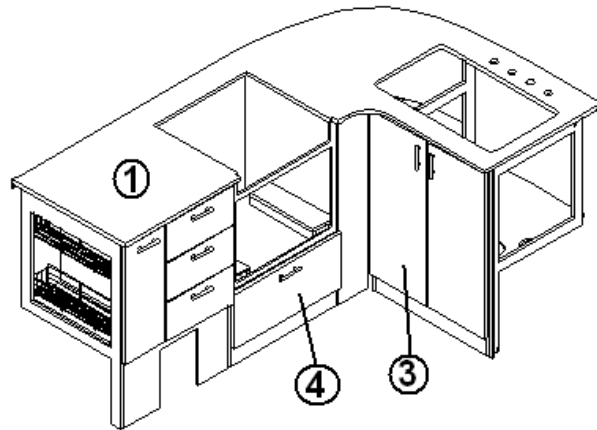
## FURNITURE, GALLEY

Galley, 20'

**Galley w/Oven**



**Galley w/Microwave & Cook Top**



1. 967338-09

967338-10

2. 967339-09

3. 967340-09

4. 967359-09

Top, galley

Top, galley, Midnight Sun

Base, forward, galley w/ oven

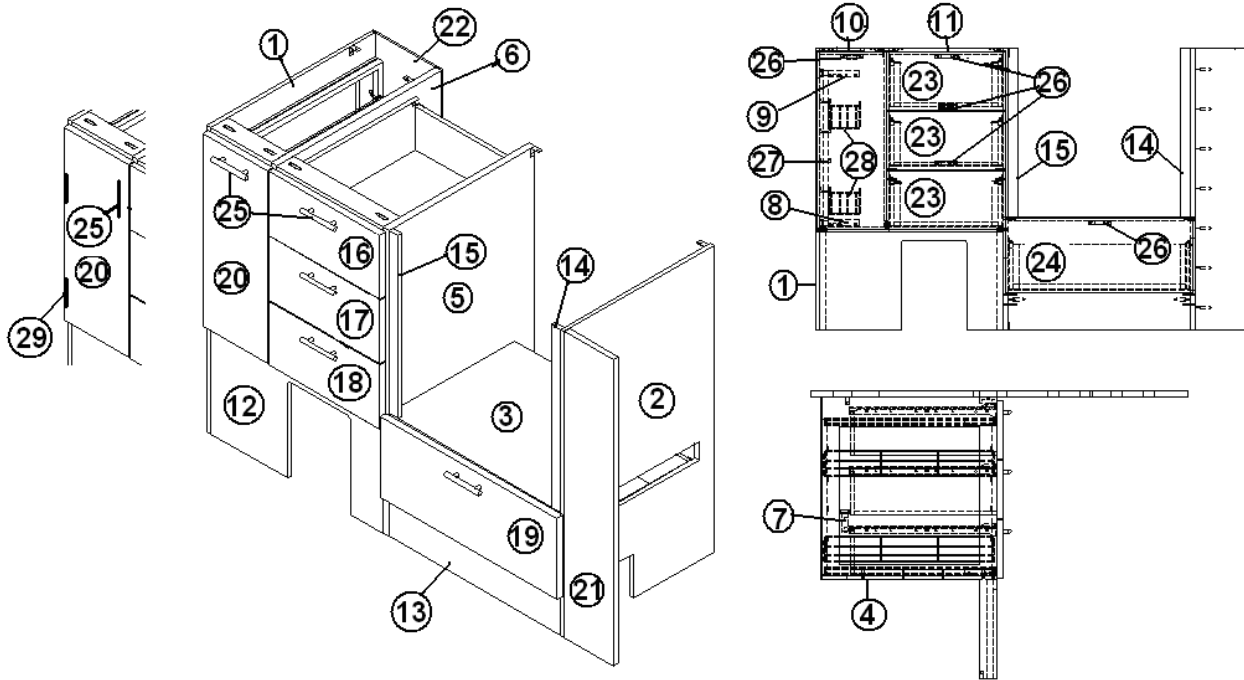
Base, aft, galley

Base, forward, galley, w/ microwave

# 2011 FLYING CLOUD

## FURNITURE, GALLEY

### Galley 20', Forward Base



Part Numbers on the next page.

## 2011 FLYING CLOUD

### FURNITURE, GALLEY

#### Galley 20', Forward Base

967339-09	Base assembly, forward, galley
1. 967339-091	Panel, galley base, 22.06 X 35.50
2. 967339-092	Panel, galley base, 20 X 35.50
3. 967339-093	Panel, galley base, 23 X 16.81
4. 967339-094	Panel, galley base, 23.06 X 22.06
5. 967339-099	Panel, galley base, 19.5 X 35.50
6. 967339-0910	Panel, galley base, 22.06 X 22.56
7. 967339-0911	Panel, galley base, 2.25 X 14.25
8. 967339-0914	Panel, galley base, 2.25 X 8.06
9. 967339-0915	Panel, galley base, 2.25 X 14.25
10. 967339-0916	Panel, galley base, 23.06 X 12.44
11. 967339-0917	Panel, galley base, 5.00 X 23.00
12. 967339-0918	Panel, galley base, 1.25 X 21.19
13. 967339-0919	Panel, galley base, 1.25 X 21.19
14. 967339-0921	Panel, galley base, 14.88 X 7.38
15. 967339-0922	Panel, galley base, 14.88 X 7.38
16. 967339-0923	Panel, galley base, 14.88 X 7.38
17. 967339-0924	Panel, galley base, 23.63 X 9.38
18. 967339-0925	Door, galley base, 8.69 X 22.38
19. 967339-0926	Panel, galley base, 6.55 X 35.5
20. 967339-0927	Panel, galley base, 9.31 X 23.06
21. 965554-05	Drawer box, 5.63" X 14.25" X 17.60"
22. 965554-06	Drawer box, 5.63" X 23" X 21.75"
23. 381865	Pull bar, brushed nickel
24. 381228-01	Door, catch grabber
25. 381551-05	Organizer, white, base cabinet
26. 381551-02	Wire basket 4" wide, white
27. 381607	Hinge, Grass Euro
381773-17	Drawer slide, 5.875" X 18.50" (PR)

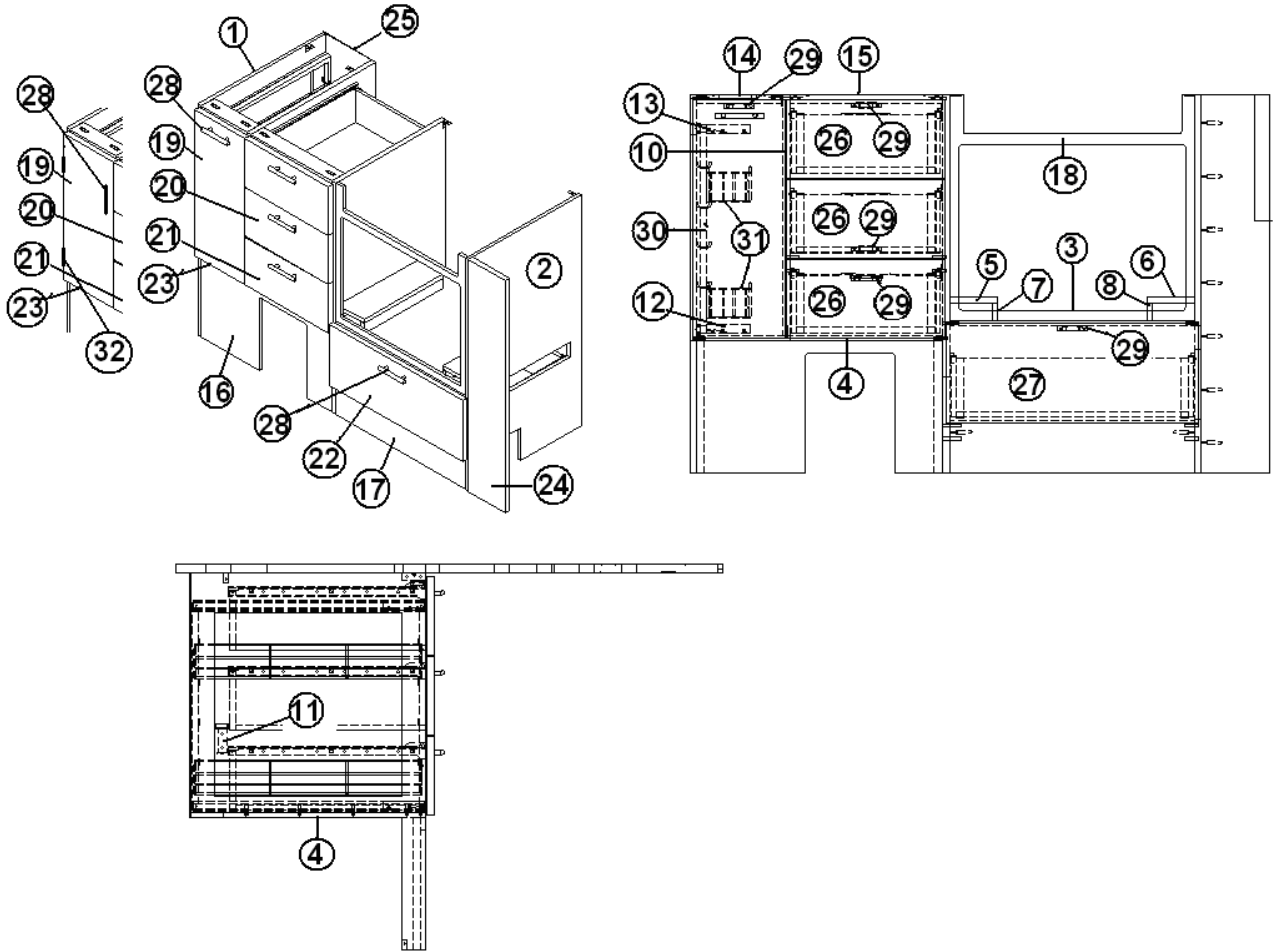
\*381551-05 replaced 381551-03 on units manufactured on and after 5/21/2010. Items 8 & 9 deleted and item 29 added on these units.



# 2011 FLYING CLOUD

## FURNITURE, GALLEY

Galley 20', Forward Base, Microwave Option



Part Numbers on the next page.

# 2011 FLYING CLOUD

## FURNITURE, GALLEY

### Galley 20', Forward Base, Microwave Option

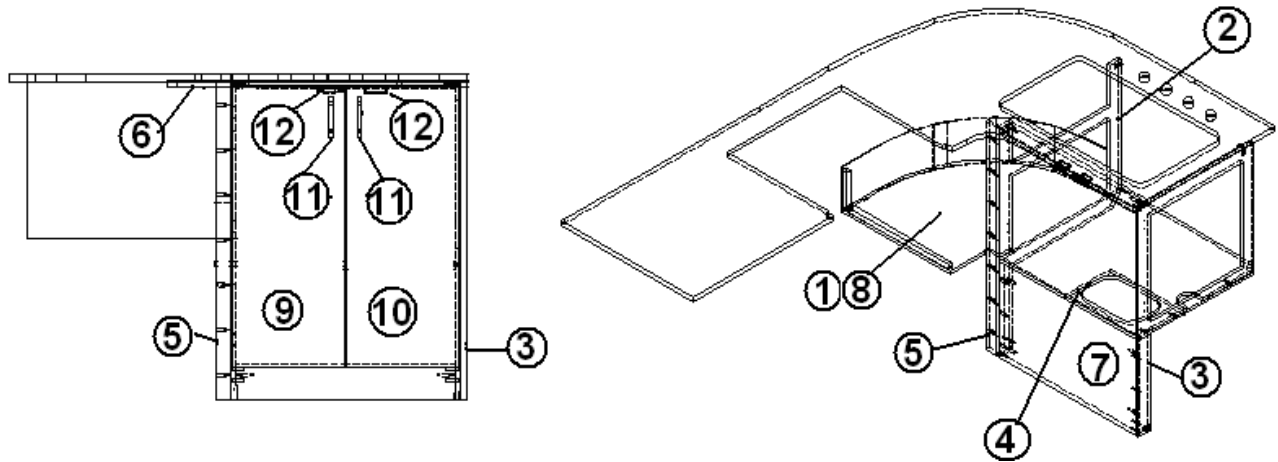
967359-09	Galley, forward base, w/microwave
1. 967359-091	Panel, galley, 22.06 X 35.50
2. 967359-092	Panel, galley, 20.00 X 35.50
3. 967359-093	Panel, galley, 23.00 X 16.81
4. 967359-094	Panel, galley, 23.06 X 22.06
5. 967359-095	Panel, galley, 4.50 X 14.00
6. 967359-096	Panel, galley, 4.50 X 14.00
7. 967359-097	Panel, galley, 1.69 X 14.00
8. 967359-098	Panel, galley, 1.69 X 14.00
9. 967359-099	Panel, galley, 19.50 X 35.50
10. 967359-0910	Panel, galley base, 22.06 X 22.56
11. 967359-0911	Panel, galley, 2.25 X 14.25
12. *967359-0912	Panel, galley, 4.00 X 4.00
13. *967359-0913	Panel, galley, 4.00 X 4.00
14. 967359-0914	Panel, galley, 2.25 X 8.06
15. 967359-0915	Panel, galley, 2.25 X 14.25
16. 967359-0916	Panel, galley, 23.06 X 12.44
17. 967359-0917	Panel, galley, 5.00 X 23.00
18. 967359-0920	Panel, galley, 23 X 21.19
19. 967359-0921	Panel, galley, 14.88 X 7.38
20. 967359-0922	Panel, galley, 14.88 X 7.38
21. 967359-0923	Panel, galley, 14.88 X 7.38
22. 967359-0924	Panel, galley, 23.63 X 9.38
23. 967359-0925	Door, galley, 8.69 X 22.38
24. 967359-0926	Panel, galley, 6.55 X 35.5
25. 967359-0927	Panel, galley, 9.31 X 23.06
26. 965554-05	Drawer box, 5.63" X 14.25" X 17.6
27. 965554-06	Drawer box, 5.63" X 23" X 21.75"
28. 381865	Pull bar, brushed nickel
29. 381228-01	Door, catch grabber
30. 381551-05	Wire basket, 4" wide, white
31. 381551-02	Wire basket, 4" wide, white
31. 381551-05	Wire basket, 4" wide, white
32. 381607	Hinge, Grass Euro
381773-17	Drawer slide, 5.875" X1 8.5" (PR)

\*381551-05 replaced 381551-03 on units manufactured on and after 5/21/2010. Items 12 & 13 deleted and item 32 added on these units.

# 2011 FLYING CLOUD

## FURNITURE, GALLEY

Galley, 20', Aft Base

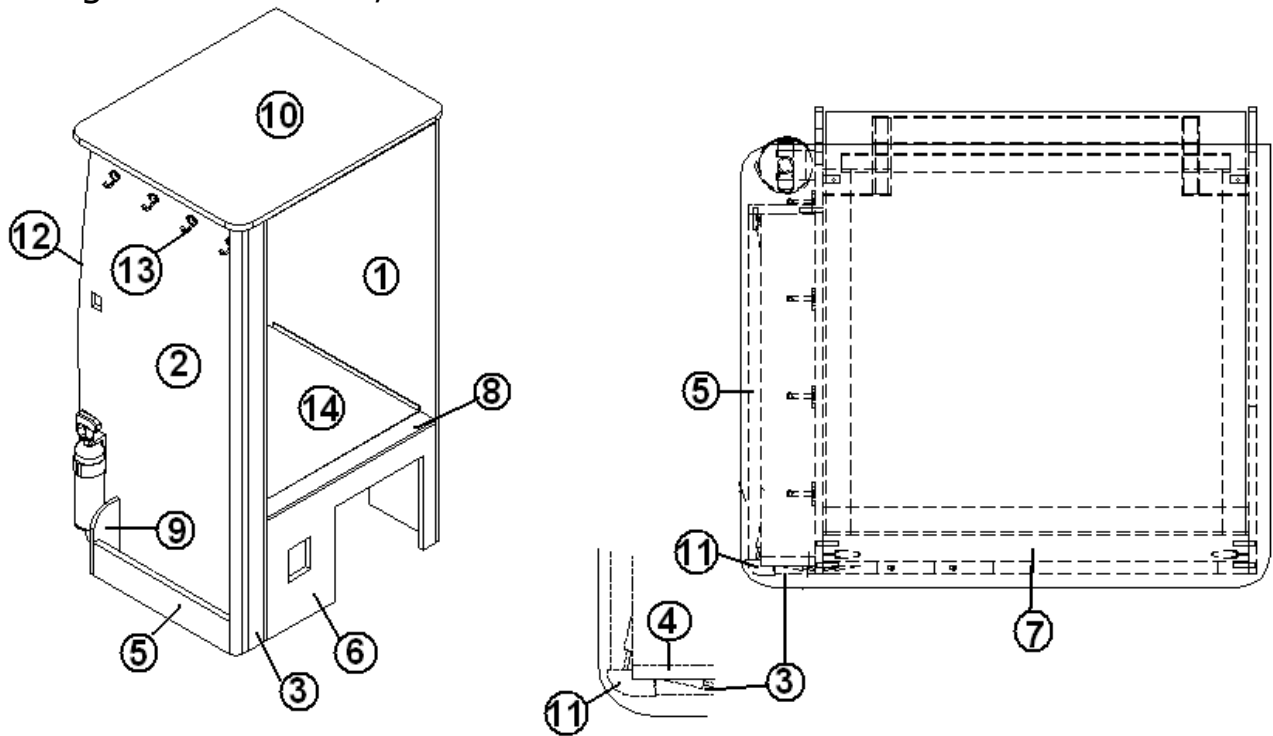


967340-09	Base assembly, galley, aft
1. 967340-091	Panel, galley base, 28.41 X 46.13
2. 967340-092	Panel, galley base, 21.86 X 35.5
3. 967340-093	Panel, galley base, 20.80 X 35.50
4. 967340-094	Panel, galley base, 8.75 X 13.25
5. 967340-095	Panel, galley base, 1.875 X 35.5
6. 967340-097	Panel, galley base, 2.25 X 24.5
7. 967340-098	Panel, galley base, 15.00 X 24.50
8. 967340-0910	Panel, galley base, 39.375 X 7.00
9. 967340-0911	Door, galley base, 12.50 X 19.88
10. 967340-0912	Door, galley base, 12.50 X 19.88
11. 382044	Handle, brushed nickel
12. 381228-01	Door, catch grabber
13. 381607	Hinge, Grass Euro
115064	Trim, alum., counter top
115448-01	Extrusion, R/L MTG support, 22.50"
115448-02	Extrusion, R/L MTG support, 27.75"

# 2011 FLYING CLOUD

## FURNITURE, GALLEY

### Refrigerator Cabinet, 20'

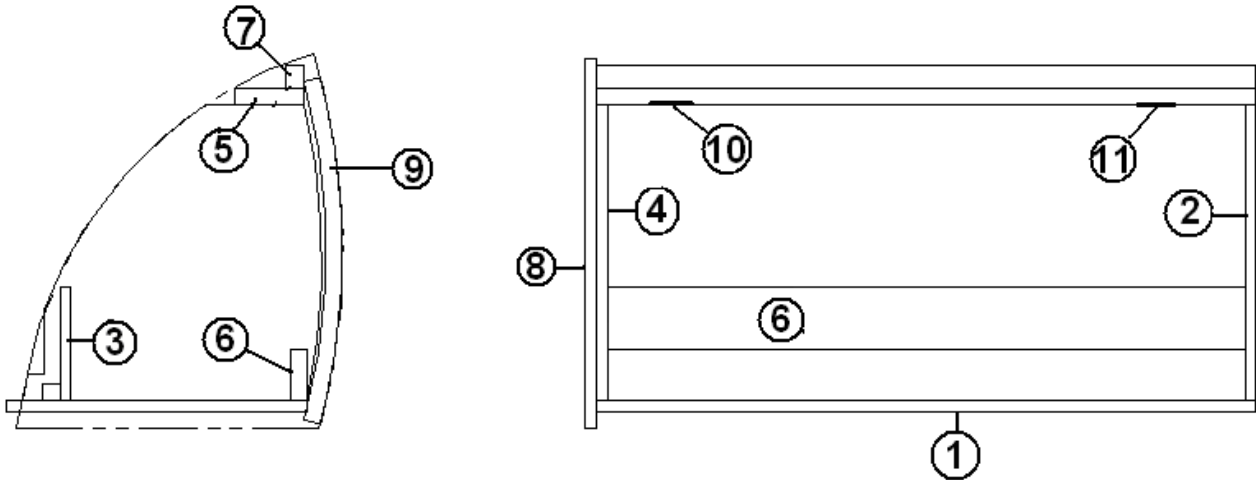


967347-09	Refrigerator cabinet
1. 967347-091	Panel, refer cabinet, 26.33 X 52.43
2. 967347-092	Panel, refer cabinet, 26.33 X 52.43
3. 967347-093	Panel, refer cabinet, 2.25 X 52.43
4. 967347-094	Panel, refer cabinet, 3.00 X 52.43
5. 967347-095	Panel, refer cabinet, 4.00 X 19.50
6. 967347-096	Panel, refer cabinet, 24 X 14.63
7. 967347-097	Panel, refer cabinet, 2.25 X 24.00
8. 967347-098	Panel, refer cabinet, 2.25 X 24.00
9. 967347-099	Panel, refer cabinet, 3.75 X 7.50
10. 967347-0910	Top, refer cabinet, 29.94 X 24.56
967347-1010	Top, refer cabinet, Midnight Sun, 29.94 x 24.56
11. 801706-0014	Trim, corner, 90D 1" radius, Alchemy, 84'
12. 203138-04	Extrusion, plastic, 1/2"
13. 381384	Hook, aluminum, coat, 1.68"
14. 966559	Refer stand
114812	Aluminum angle, 1.00 X 1.00

# 2011 FLYING CLOUD

## FURNITURE, GALLEY

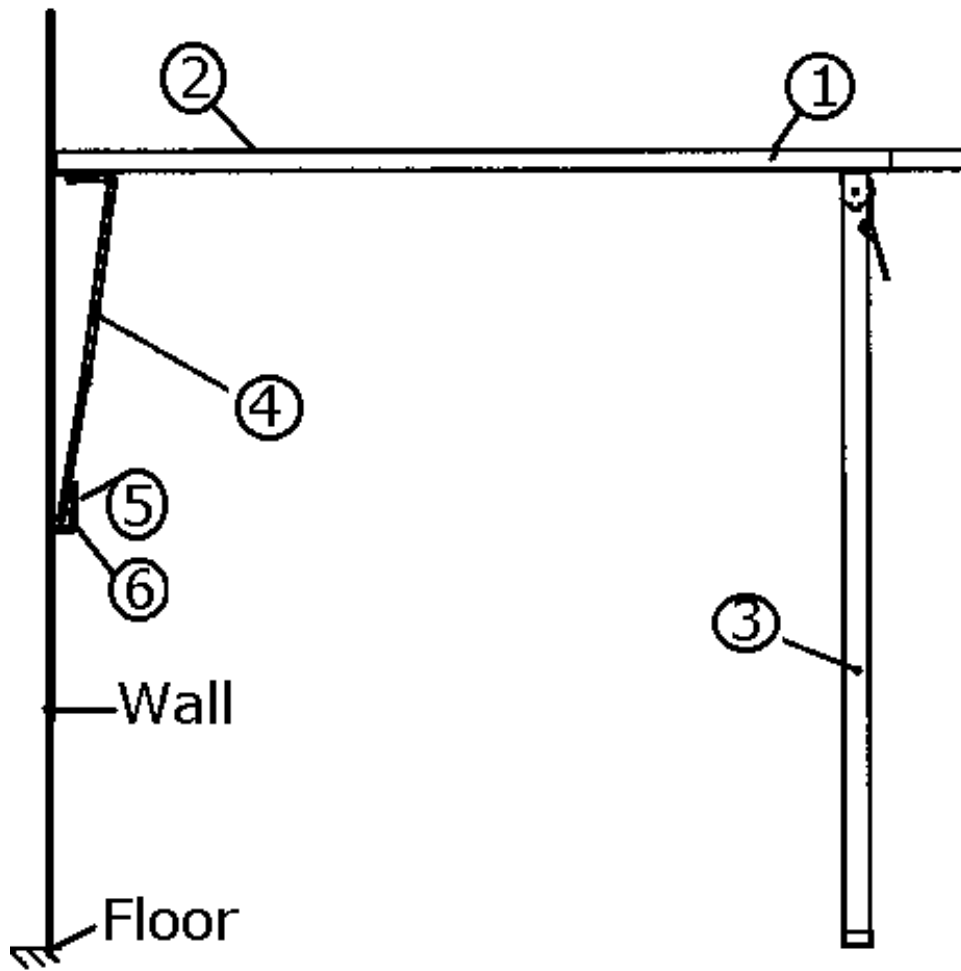
### Roof Locker, Rear Galley, 20'



- |                |   |
|----------------|---|
| 967349-09      | Roof locker, rear, galley                 |
| 1. 967349-091  | Panel, galley, roof locker, 13.25 X 29.00 |
| 2. 967274-01   | Divider, RH, roof locker, 12.53 X 13.00   |
| 3. 967349-093  | Panel, galley, roof locker, 5 X 27.94     |
| 4. 967274-02   | Divider, LH, roof locker, 12.53 X 13.00   |
| 5. 967349-095  | Panel, galley roof locker, 3.00 X 29.00   |
| 6. 967349-096  | Panel, galley roof locker, 2.25 X 27.94   |
| 7. 967349-097  | Panel, galley roof locker, 1.75 X 29.00   |
| 8. 967548      | End Cap, Gally Rooflocker 15.79 x 18.02   |
| 9. 801786-0314 | Door, plyform, 15.25 X 28.38              |
| 10. 381840-01  | Hinge, overhead spring LH                 |
| 11. 381840-02  | Hinge, overhead spring RH                 |

2011 FLYING CLOUD  
FURNITURE, GALLEY

Dinette Table, 19'

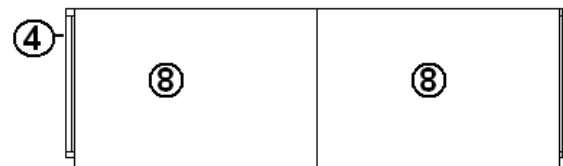
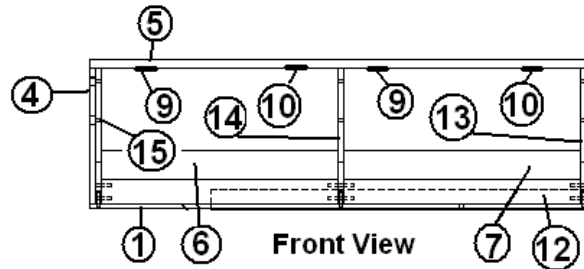
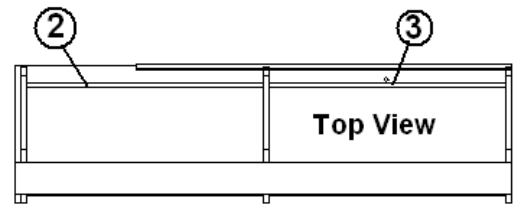
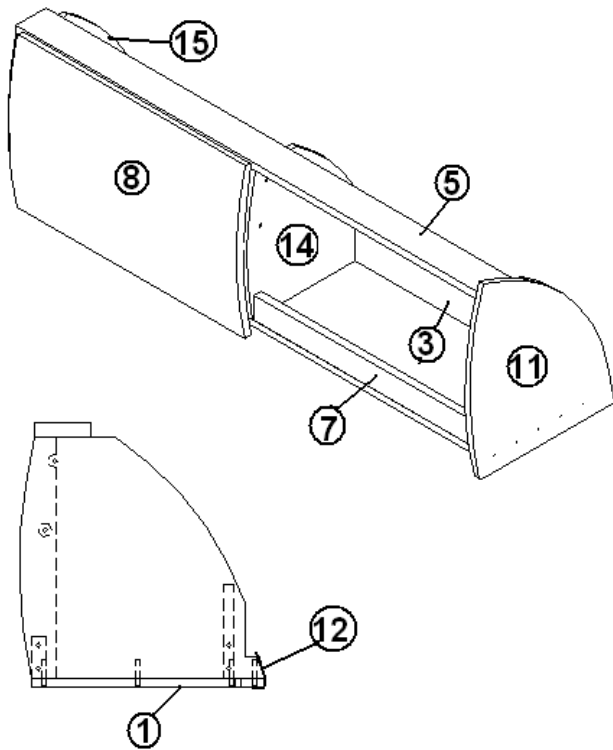


- |               |                                  |
|---------------|----------------------------------|
| 967153-09     | Dinette Table                    |
| 1. 967153-091 | Top, dinette table               |
| 967153-101    | Top, Dinette table, Midnight Sun |
| 2. 365329-01  | Edgebanding, Luna Frost          |
| 365311-01     | Edgebanding, Midnight Sun        |
| 3. 381881-04  | Leg, folding table 30.5          |
| 4. 380284-02  | Table hinge bracket              |
| 5. 380284-03  | Center hinge                     |
| 6. 340018     | Catch plate                      |
| 381136        | Rubber bumper                    |

# 2011 FLYING CLOUD

## FURNITURE, GALLEY

### Roof Locker, Galley, 20', 19'

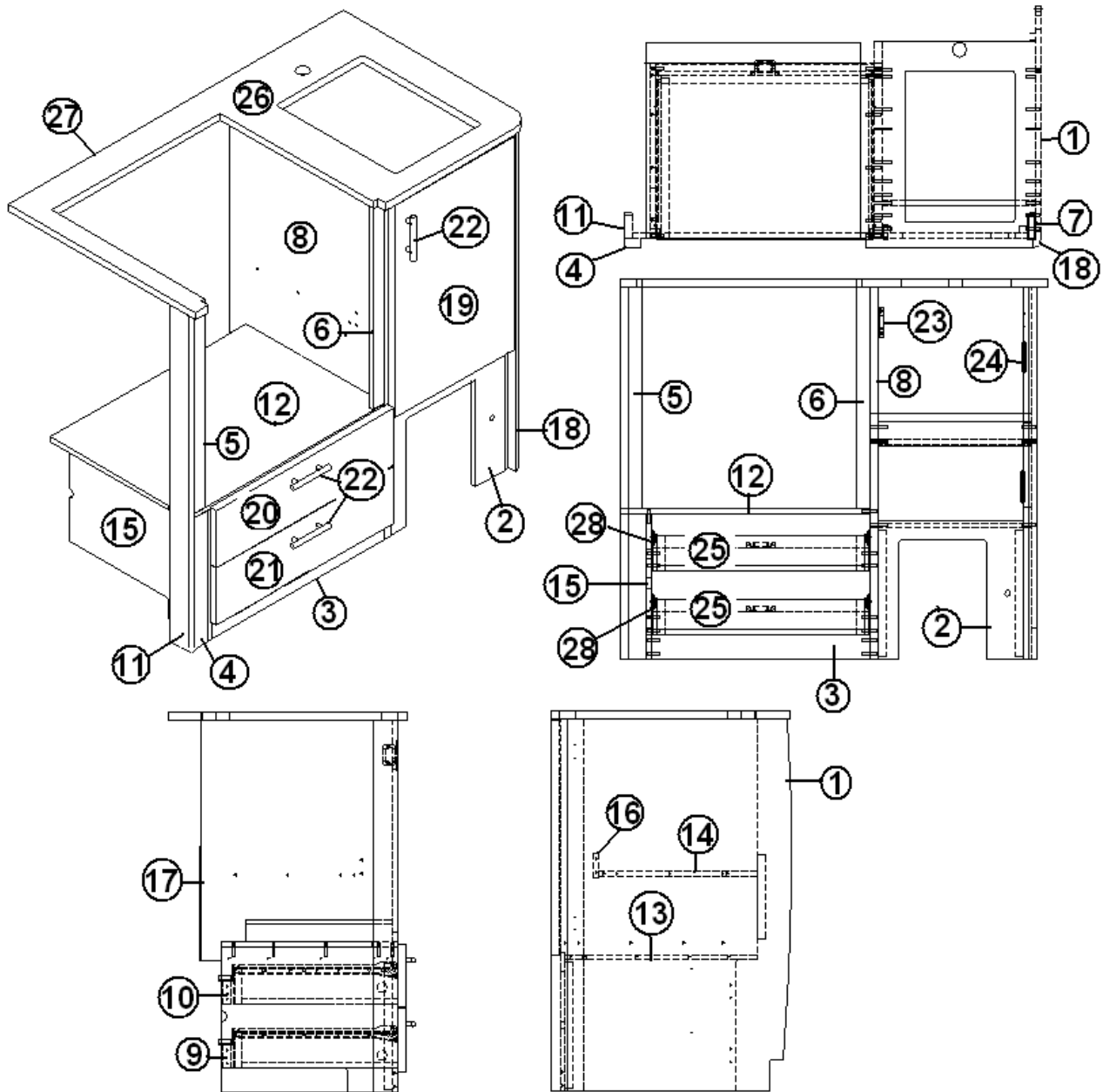


- |                |  |
|----------------|--|
| 967361-09      | Roof locker, galley, 19'/20'               |
| 1. 967361-091  | Panel, galley, roof locker, 12.5 X 47.5    |
| 2. 967361-092  | Panel, galley, roof locker, 5 X 22.72      |
| 3. 967361-093  | Panel, galley, roof locker, 5 X 22.72      |
| 4. 967361-094  | Panel, galley, roof locker, 2 X 13         |
| 5. 967361-096  | Panel, galley, roof locker, 3 X 47.5       |
| 6. 967361-097  | Panel, galley, roof locker, 2.25 X 22.72   |
| 7. 967361-098  | Panel, galley, roof locker, 2.25 X 22.72   |
| 8. 801786-0414 | Door, plyform, 15.25 X 23.13, Gold alchemy |
| 9. 381840-01   | Hinge, overhead spring LH                  |
| 10. 381840-02  | Hinge, overhead spring RH                  |
| 11. 967275-01  | Cap assembly, end                          |
| 12. 115085     | Angle, aluminum, roof locker               |
| 13. 967274-01  | Divider, RH, roof locker, 12.53 X 13.00    |
| 14. 967274-03  | Divider, LH, roof locker, 12.53 X 13.00    |
| 15. 967274-02  | Divider, LH, roof locker, 12.53 X 13.00    |
| 381902         | Hook, SS. screw in                         |

# 2011 FLYING CLOUD

## FURNITURE, GALLEY

Galley w/Full Oven, 19'



Part Numbers are on the Next Page



## 2011 FLYING CLOUD

### FURNITURE, GALLEY

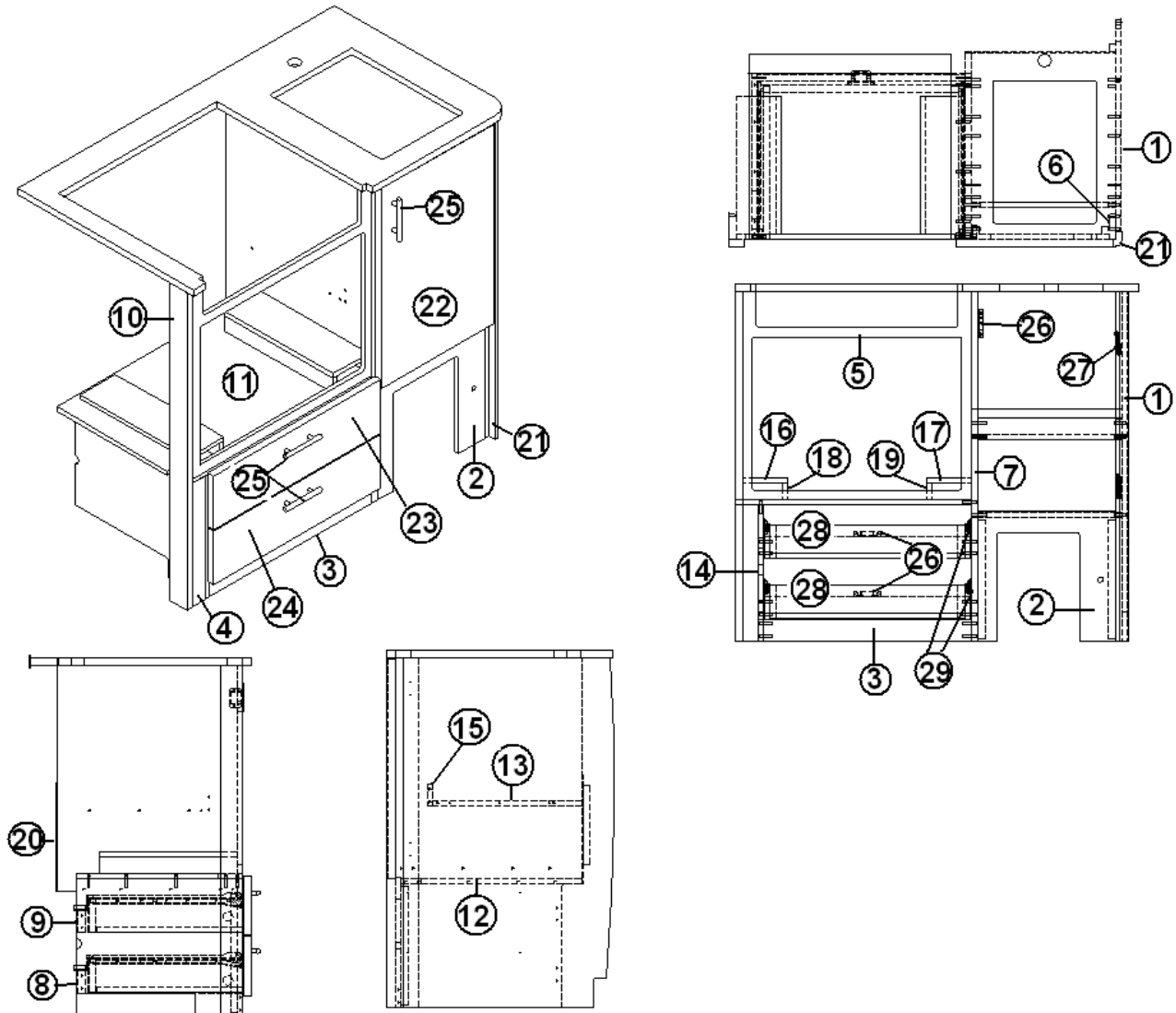
Galley w/Full Oven, 19'

966959-09	Galley, w/ oven
1. 966959-091	Panel, galley, 21.43 X 35.50
2. 966959-092	Panel, galley, 13.88 X 13.25
3. 966959-093	Panel, galley, 2.25 X 21.00
4. 966959-094	Panel, galley, 1.62 X 13.81
5. 966959-095	Panel, galley, 1.31 X 21.19
6. 966959-096	Panel, galley, 1.31 X 21.19
7. 966959-098	Panel, galley, 2.25 X 35.50
8. 966959-099	Panel, galley, 18.81 X 35.50
9. 966959-0910	Panel, galley, 2.25 X 21.00
10. 966959-0911	Panel, galley, 2.25 X 21.00
11. 966959-0912	Panel, galley, 2.25 X 35.50
12. 966959-0913	Panel, galley, 16.81 X 23.88
13. 966959-0914	Panel, galley, 18.31 X 14.62
14. 966959-0915	Panel, galley, 15.12 X 14.62
15. 966959-0916	Panel, galley, 16.81 X 13.81
16. 966959-0917	Panel, galley, 2.25 X 14.62
17. 966959-0922	Panel, galley, 11.00 X 15.38
18. 801706-0014	Trim, corner, 90D 1" radius, Alchemy, 84"
19. 966959-0925	Door, 14.50 X 22.38
20. 966959-0926	Drawer face, 21.62 X 6.00
21. 966959-0927	Drawer face, 21.62 X 6.00
22. 382044	Handle, brushed nickel
23. 381228-01	Door, grabber catch
24. 381607	Hinge, Grass Euro
25. 965642-01	Drawer box, 21.00"
26. 967345-09	Top, galley
967345-10	Top, galley, Midnight Sun
27. 115064	Trim, aluminum, counter top
28. 381773-03	Drawer slide 15.75"

# 2011 FLYING CLOUD

## FURNITURE, GALLEY

Galley w/Convection Microwave Assembly, 19'



Part numbers are on the next page.

# 2011 FLYING CLOUD

## FURNITURE, GALLEY

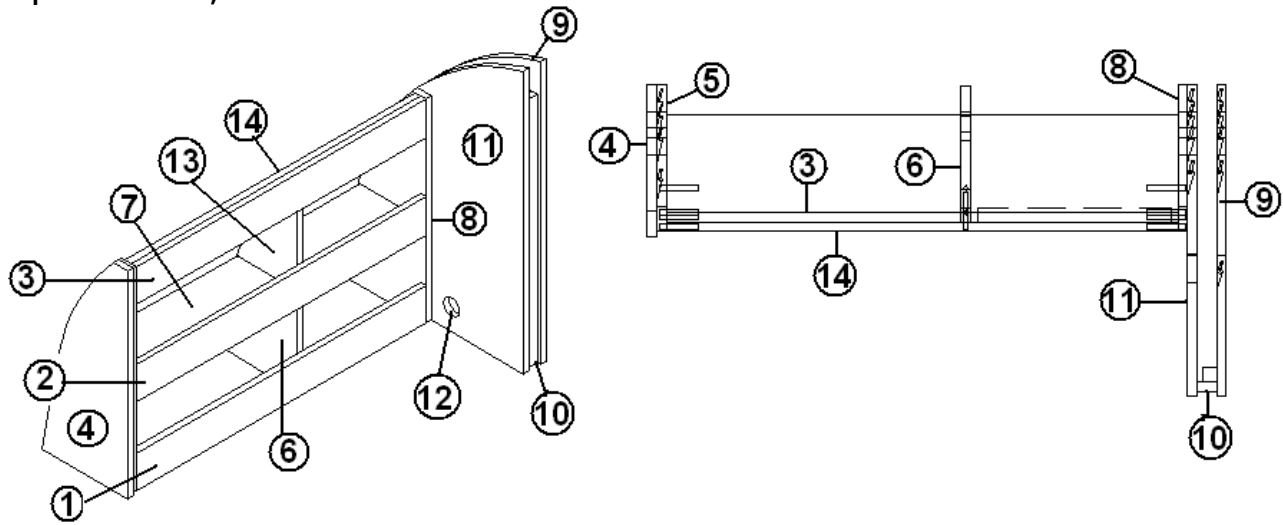
Galley w/Convection Microwave, 19'

966960-09	Galley w/ microwave option
1. 966960-091	Panel, galley, 21.43 X 35.50
2. 966960-092	Panel, galley, 13.88 X 13.25
3. 966960-093	Panel, galley, 2.25 X 21.00
4. 966960-094	Panel, galley, 1.62 X 13.81
5. 966960-097	Panel, galley, 23.12 X 21.19
6. 966960-098	Panel, galley, 2.25 X 35.50
7. 966960-099	Panel, galley, 18.81 X 35.50
8. 966960-0910	Panel, galley, 2.25 X 21.00
9. 966960-0911	Panel, galley, 2.25 X 21.00
10. 966960-0912	Panel, galley, 2.25 X 35.50
11. 966960-0913	Panel, galley, 16.81 X 23.88
12. 966960-0914	Panel, galley, 18.31 X 14.62
13. 966960-0915	Panel, galley, 15.12 X 14.62
14. 966960-0916	Panel, galley, 16.81 X 13.81
15. 966960-0917	Panel, galley, 2.25 X 14.62
16. 966960-0918	Panel, galley, 4.50 X 14.00
17. 966960-0919	Panel, galley, 4.50 X 14.00
18. 966960-0920	Panel, galley, 1.69 X 14.00
19. 966960-0921	Panel, galley, 1.69 X 14.00
20. 966960-0922	Panel, galley, 11.00 X 15.38
21. 801706-0014	Trim, corner, 90D, 1" radius, 84"
22. 966960-0925	Door, galley, 14.50 X 22.38
23. 966960-0926	Drawer face, 21.62 X 6.00
24. 966960-0927	Drawer face, 21.62 X 6.00
25. 382044	Handle, brushed nickel
26. 381228-01	Door, grabber catch
27. 381607	Hinge, Grass Euro
28. 965642-01	Drawer box, 21.00"
29. 381773-03	Drawer slide, 15.75"

# 2011 FLYING CLOUD

## FURNITURE, GALLEY

### Spice Rack, 19'

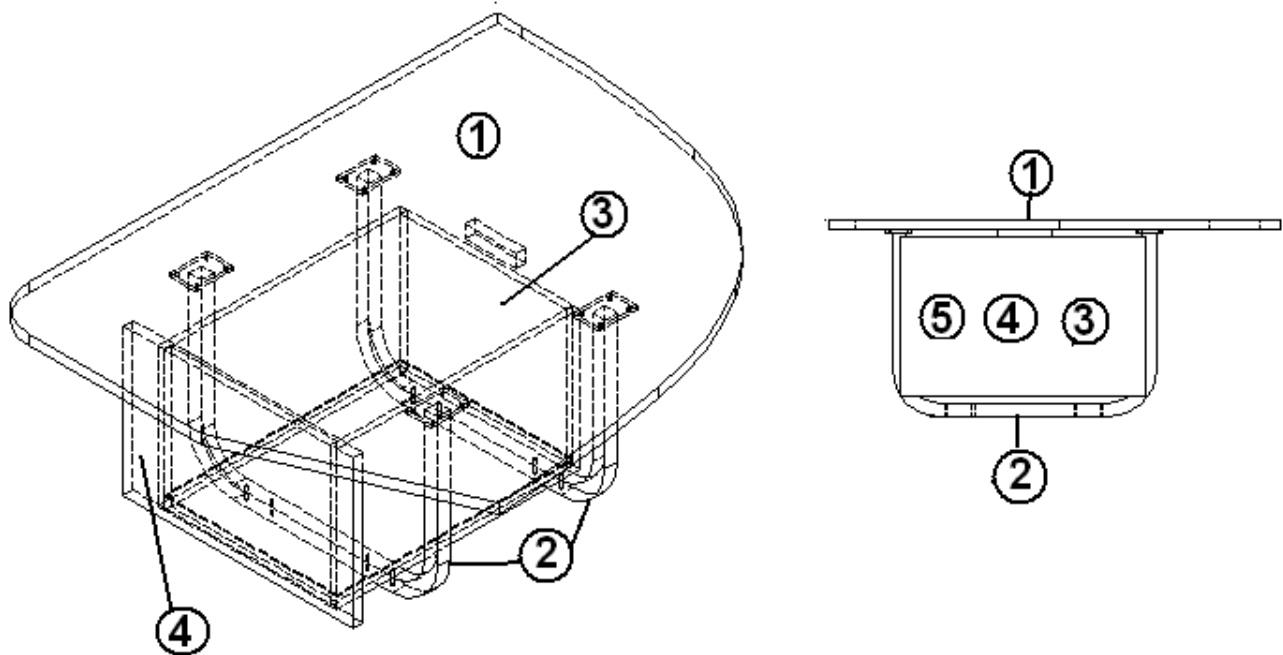


966954-09	Spice rack assembly
1. 966954-091	Panel, spice rack, 3.00 X 26.50
2. 966954-092	Panel, spice rack, 3.00 X 26.50
3. 966954-093	Panel, spice rack, 3.00 X 26.50
4. 966954-094	Panel, spice rack, 7.88 X 18.00
5. 966954-095	Panel, spice rack, 7.63 X 17.75
6. 966954-096	Panel, spice rack, 7.00 X 7.50
7. 966954-097	Panel, spice rack, 5.56 X 26.50
8. 966954-098	Panel, spice rack, 7.63 X 17.75
9. 966954-099	Panel, spice rack, 16.12 X 23.92
10. 966954-0911	Panel, spice rack, 1.00 X 21.25
11. 966954-0912	Panel, spice rack, 16.12 X 23.92
12. 381209-01	Grommet w/ cap, black, 1.5" hole
13. 966954-0915	Panel, spice rack, 5.50 X 8.25
14. 966954-0916	Panel, spice rack, 3.00 X 26.50
967130	T.V. Support/Spice Rack

# 2011 FLYING CLOUD

## FURNITURE, GALLEY

Dinette Seat, Curbside, 19'

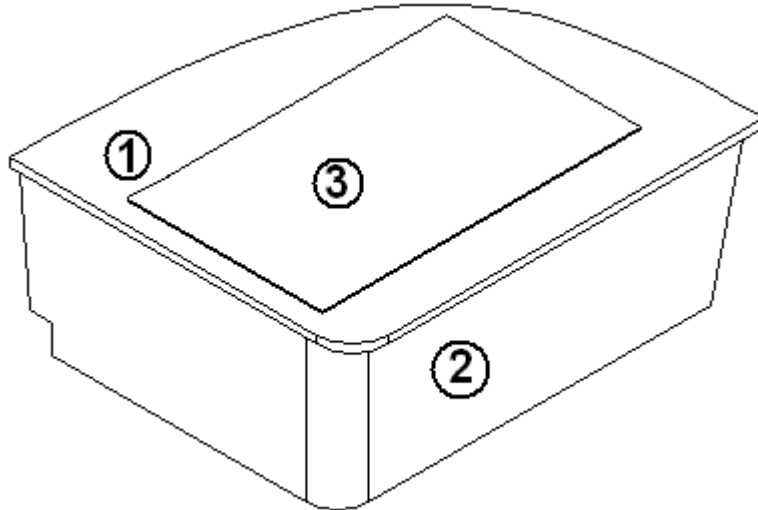


966961-09	Seat, CS dinette
1. 966961-091	Panel, 33.38 X 40.19
2. 454177	Leg, dinette, aluminum
3. 964909-11	Drawer box, 10" X 14.00 X 19.00
4. 966961-094	Drawer face ,18.00 X 11.50
5. 381074	Catch, bulldog, (copper)
381833-01	Drawer slide, under shelf 18" (PR)

# 2011 FLYING CLOUD

## FURNITURE, GALLEY

Dinette Seat, Roadside, 19'

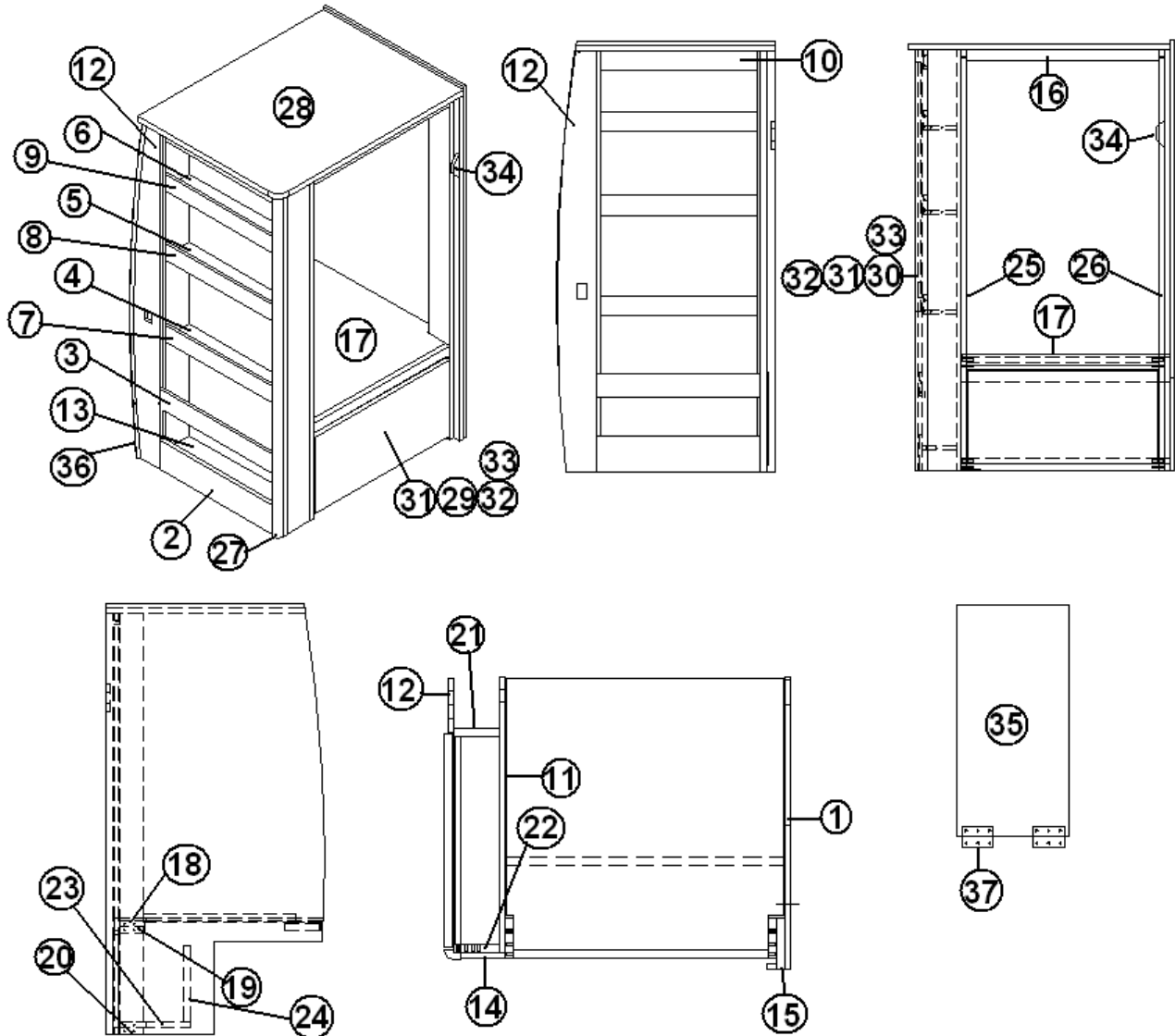


- |               |                                       |
|---------------|---------------------------------------|
| 966962-09     | Seat, RS dinette                      |
| 1. 966962-091 | Panel, dinette seat, 33.44 X 40.19    |
| 2. 966964-09  | Sub assembly, RS dinette              |
| 3. 966962-095 | Panel, dinette seat, RS 31.13 X 19.00 |
| 701538-01     | Carpet, Econolier w/PSA Back          |

# 2011 FLYING CLOUD

## FURNITURE, GALLEY

### Refrigerator Cabinet, 19'



Part numbers are on the next page.

# 2011 FLYING CLOUD

## FURNITURE, GALLEY

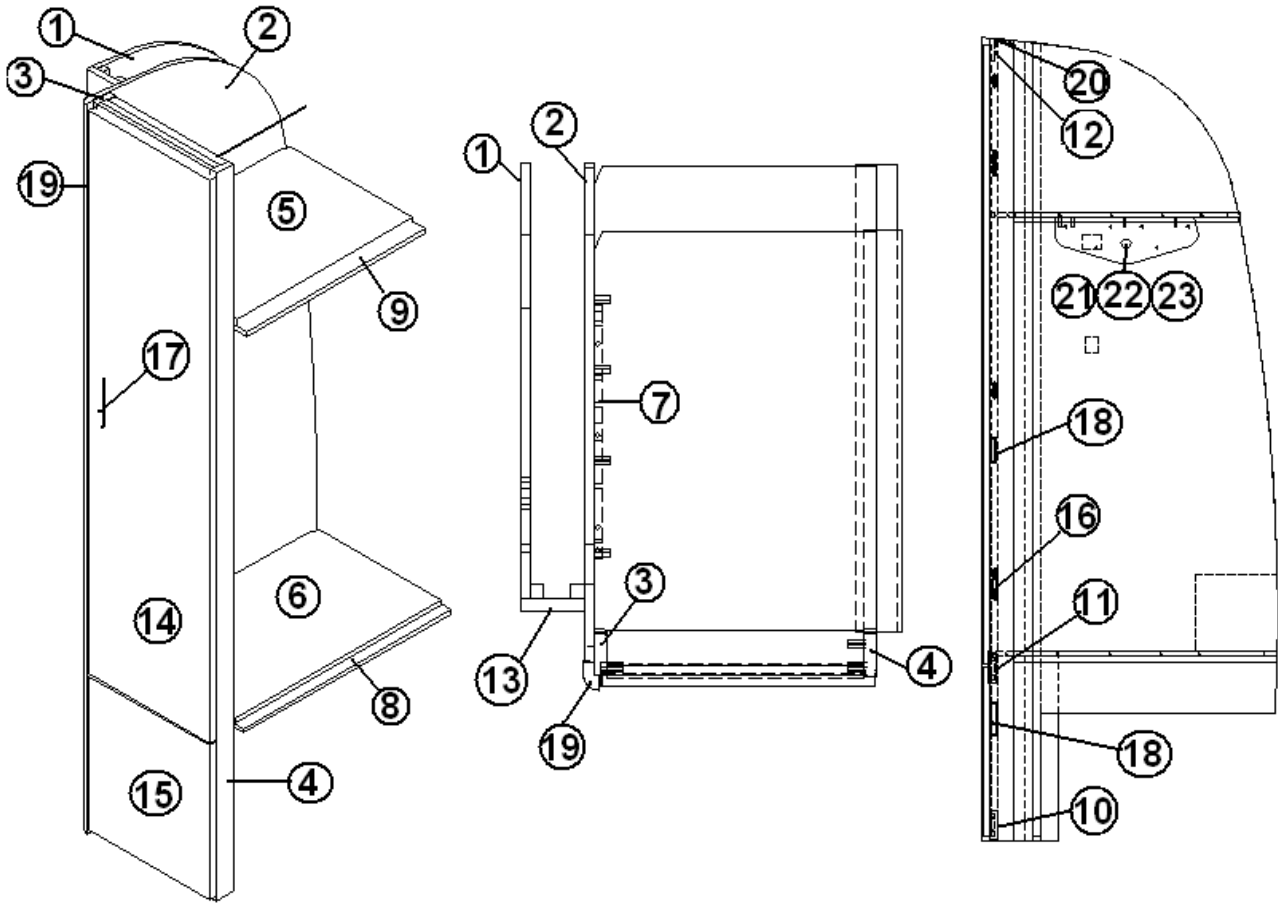
### Refrigerator Cabinet, 19'

966952-09	Cabinet, refrigerator
1. 966952-091	Panel, refer cabinet, 27.33 X 53.75
2. 966952-092	Panel, refer cabinet, 4.50 X 20.50
3. 966952-093	Panel, refer cabinet, 3.00 X 20.50
4. 966952-094	Panel, refer cabinet, 3.68 X 19.50
5. 966952-095	Panel, refer cabinet, 3.68 X 19.50
6. 966952-096	Panel, refer cabinet, 3.68 X 19.50
7. 966952-097	Panel, refer cabinet, 2.50 X 19.50
8. 966952-098	Panel, refer cabinet, 2.50 X 19.50
9. 966952-099	Panel, refer cabinet, 2.50 X 19.50
10. 966952-0910	Panel, refer cabinet, 2.50 X 19.50
11. 966952-0911	Panel, refer cabinet, 25.83 X 52.50
12. 966952-0912	Panel, refer cabinet, 5.14 X 52.50
13. 966952-0913	Panel, refer cabinet, 4.25 X 19.50
14. 966952-0914	Panel, refer cabinet, 4.12 X 52.50
15. 966952-0915	Panel, refer cabinet, 4.75 X 52.50
16. 966952-0916	Panel, refer cabinet, 1.44 X 23.94
17. 966952-0917	Panel, refer cabinet, 1.50 X 23.94
18. 966952-0918	Panel, refer cabinet, 2.94 X 23.94
19. 966952-0919	Panel, refer cabinet, 2.94 X 23.94
20. 966952-0920	Panel, refer cabinet, 2.94 X 23.94
21. 966952-0921	Panel, refer cabinet, 4.25 X 52.50
22. 966952-0922	Panel, refer cabinet, 4.25 X 52.50
23. 966952-0923	Panel, refer cabinet, 8.69 X 26.19
24. 966952-0924	Panel, refer cabinet, 9.50 X 26.19
25. 966952-0925	Panel, refer cabinet, 3.75 X 52.50
26. 966952-0926	Panel, refer cabinet, 3.75 X 52.50
27. 801706-0014	Trim, corner 90D 1"radius, Alchemy, 84"
28. 966952-0931	Top, refer cabinet, 24.88 X 32.75
966952-1031	Top, refer cabinet, 24.88 X 32.75, Midnight Sun
29. 966952-0932	Door, 23.63 X 11.69
30. 966952-0933	Door, 20.00 X 31.31
31. 382044	Handle, brushed nickel
32. 381607	Hinge, Grass Euro
33. 381228-01	Door, catch grabber
34. 964519-0014	Block, pocket door latch
35. 966956-09	Shelf assembly, closeout
36. 203138-04	Plastic wall extrusion, 1/2
37. 381479-02	Hinge, butt, 2"X1.563"
381074	Catch, bulldog (copper)
965630	Stand assembly, refer



# 2011 FLYING CLOUD FURNITURE, GALLEY

Wardrobe, Aft, 23'



Part numbers are on the next page.

# 2011 FLYING CLOUD

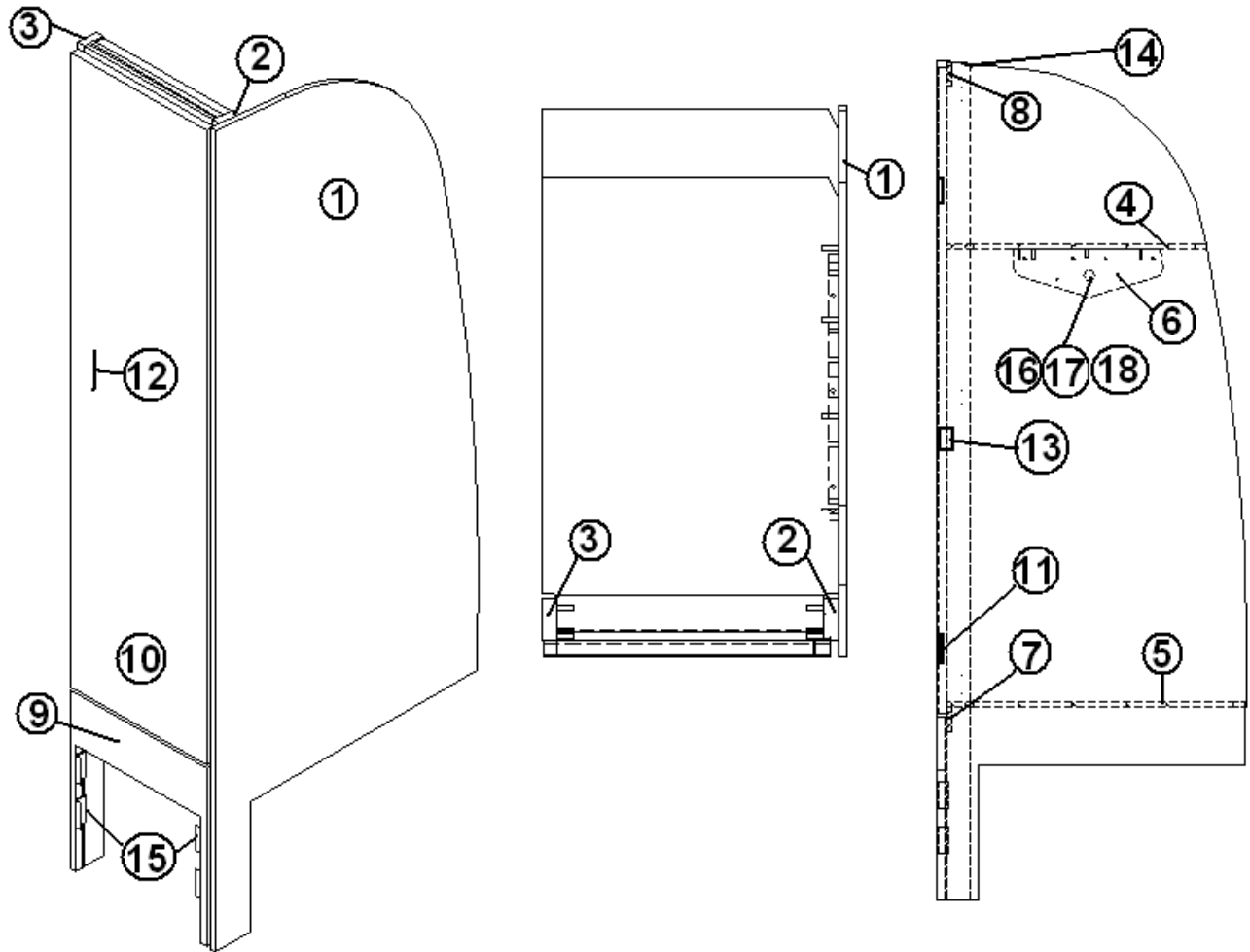
## FURNITURE, GALLEY

### Wardrobe, Aft, 23'

967387-09	Aft wardrobe
1. 967387-091	Panel, aft wardrobe, 23.90 X 78.00
2. 967387-092	Panel, aft wardrobe, 27.42 X 78.37
3. 967387-093	Panel, aft wardrobe, 2.25 X 78.00
4. 967387-094	Panel, aft wardrobe, 2.25 X 78.00
5. 967387-095	Panel, aft wardrobe, 15.56 X 24.38
6. 967387-096	Panel, aft wardrobe, 15.56 X 28.15
7. 967387-097	Panel, aft wardrobe, 14.00 X 4.48
8. 967387-098	Panel, aft wardrobe, 25.34 X 2.25
9. 967387-099	Panel, aft wardrobe, 21.75 X 2.25
10. 967387-0910	Panel, aft wardrobe, 2.25 X 14.06
11. 967387-0911	Panel, aft wardrobe, 2.25 X 14.06
12. 967387-0912	Panel, aft wardrobe, 2.25 X 14.06
13. 967387-0913	Panel, aft wardrobe, 78.00 X 3.50
14. 967387-0914	Door, aft wardrobe, 15.03 X 60.50
15. 967387-0915	DOOR, AFT WARDROBE, 15.03 X 16.57
16. 381607	Hinge, Grass Euro
17. 382044	Handle, brushed nickel
18. 381228-01	Catch, grabber door
19. 801706-0014	Trim, corner, 90D, 1" radius, 84"
20. 115085	Angle, aluminum, roof lockers
21. 380045	Clothes rod
22. 200975-04	Conduit, flexible, black (covers clothes rod)
23. 380046	Bracket, clothes rod

# 2011 FLYING CLOUD FURNITURE, GALLEY

Wardrobe, Forward, 23'



Part numbers are on the next page.

# 2011 FLYING CLOUD

## FURNITURE, GALLEY

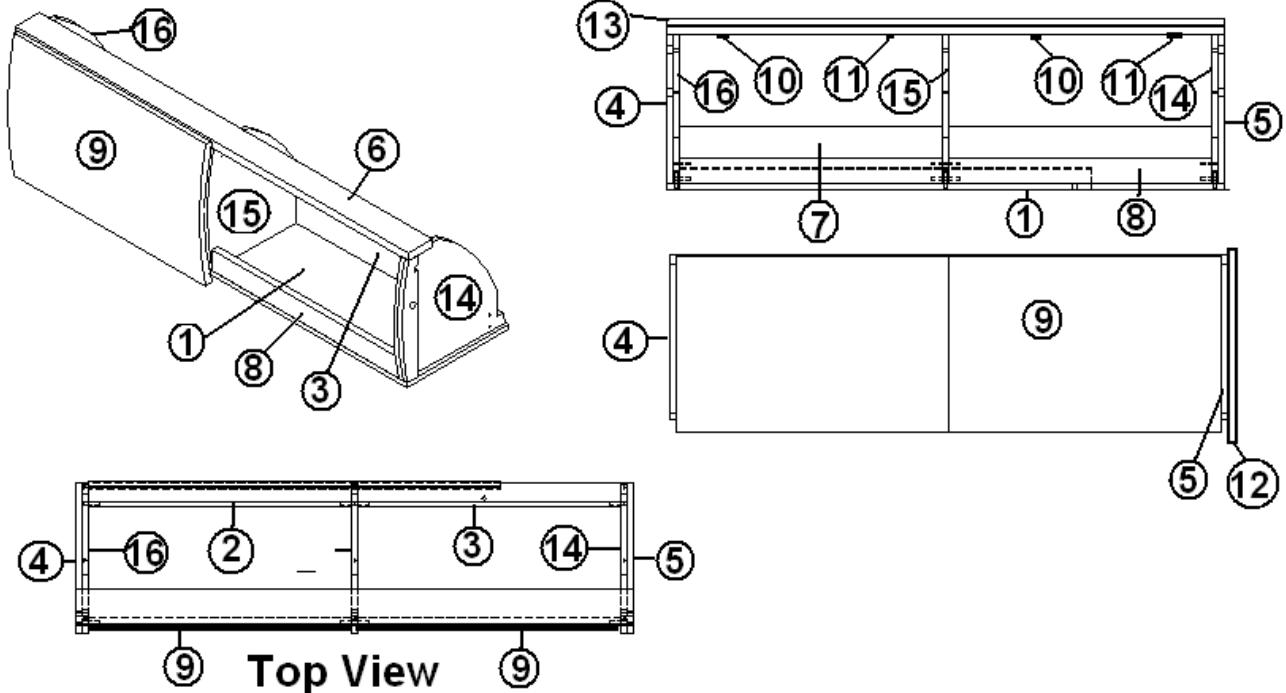
### Wardrobe, Forward, 23'

967388-09	Forward wardrobe
1. 967388-091	Panel, forward wardrobe, 28.93 X 78.50
2. 967388-092	Panel, forward wardrobe, 2.25 X 78.50
3. 967388-093	Panel, forward wardrobe, 2.25 X 78.50
4. 967388-094	Panel, forward wardrobe, 15.56 X 24.38
5. 967388-095	Panel, forward wardrobe, 15.56 X 27.96
6. 967388-096	Panel, forward wardrobe, 14.00 X 4.48
7. 967388-097	Panel, forward wardrobe, 2.25 X 14.06
8. 967388-098	Panel, forward wardrobe, 2.25 X 14.06
9. 967388-099	Panel, forward wardrobe, 15.03 X 17.03
10. 967388-0910	Door, forward wardrobe, 15.03 X 60.50
11. 381607	Hinge, Grass Euro
12. 382044	Handle, brushed nickel
13. 381228-01	Catch, grabber door
14. 115085	Angle, aluminum, roof lockers
15. 114812	Aluminum angle, 1.00 X 1.00
16. 380045	Clothes rod
17. 200975-04	Conduit, flexible, black (covers clothes rod)
18. 380046	Bracket, clothes rod

# 2011 FLYING CLOUD

## FURNITURE, GALLEY

### Roof Locker, Galley, 23'

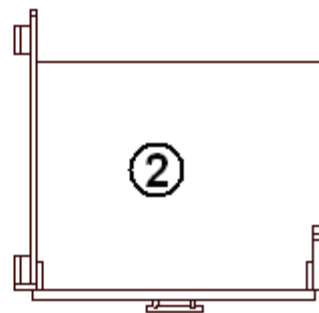
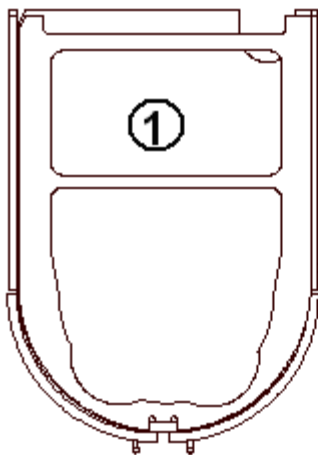
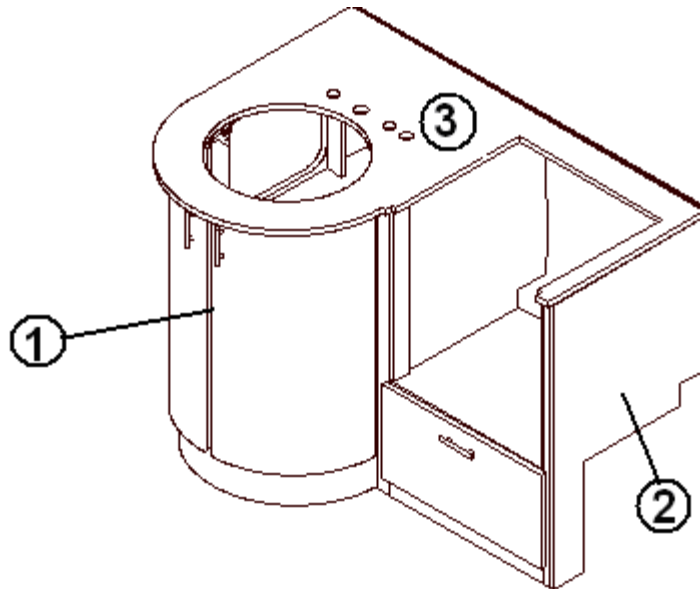


- |                |  |
|----------------|--|
| 967390-09      | Galley roof locker                       |
| 1. 967390-091  | Panel, galley roof locker, 12.50 X 49.00 |
| 2. 967390-092  | Panel, galley roof locker, 5.00 X 23.19  |
| 3. 967390-093  | Panel, galley roof locker, 5.00 X 23.19  |
| 4. 967390-094  | Panel, galley roof locker, 2.00 X 13.00  |
| 5. 967390-095  | Panel, galley roof locker, 2.00 X 13.00  |
| 6. 967390-096  | Panel, galley roof locker, 3.00 X 49.00  |
| 7. 967390-097  | Panel, galley roof locker, 2.25 X 23.19  |
| 8. 967390-098  | Panel, galley roof locker 2.25 X 23.19   |
| 9. 801786-1114 | Door, galley roof locker 15.25 X 23.63   |
| 10. 381840-01  | Hinge, overhead spring LH                |
| 11. 381840-02  | Hinge, overhead spring RH                |
| 12. 967275     | Cap assembly, end, 14.76 X 17.07         |
| 13. 115085     | Angle aluminum, roof locker              |
| 14. 967274-01  | Divider, RH, roof locker, 12.53 X 13.00  |
| 15. 967274-03  | Divider, LH, roof locker, 12.53 X 13.00  |
| 16. 967274-02  | Divider, LH, roof locker, 12.53 X 13.00  |

# 2011 FLYING CLOUD

## FURNITURE, GALLEY

Galley, 23'

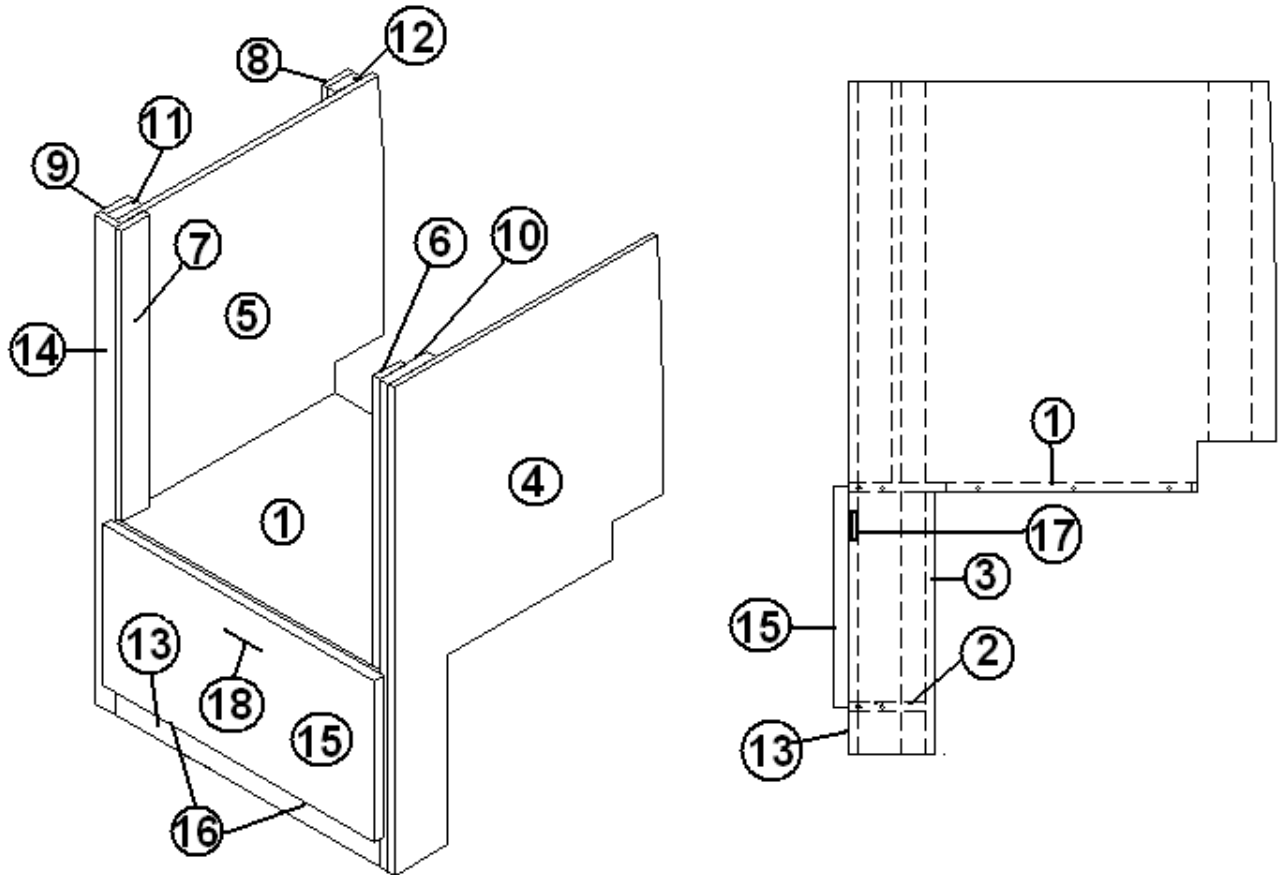


- |              |                                 |
|--------------|---------------------------------|
| 967392-09    | Galley, 23'                     |
| 1. 966943-09 | Galley, forward section         |
| 2. 966944-09 | Galley, aft section             |
| 3. 967391-09 | Galley top                      |
| 3. 967391-10 | Galley top, Midnight Sun option |

# 2011 FLYING CLOUD

## FURNITURE, GALLEY

Galley, 23', Aft Section



Part numbers are on the next page.

# 2011 FLYING CLOUD

## FURNITURE, GALLEY

### Galley, 23', Aft Section

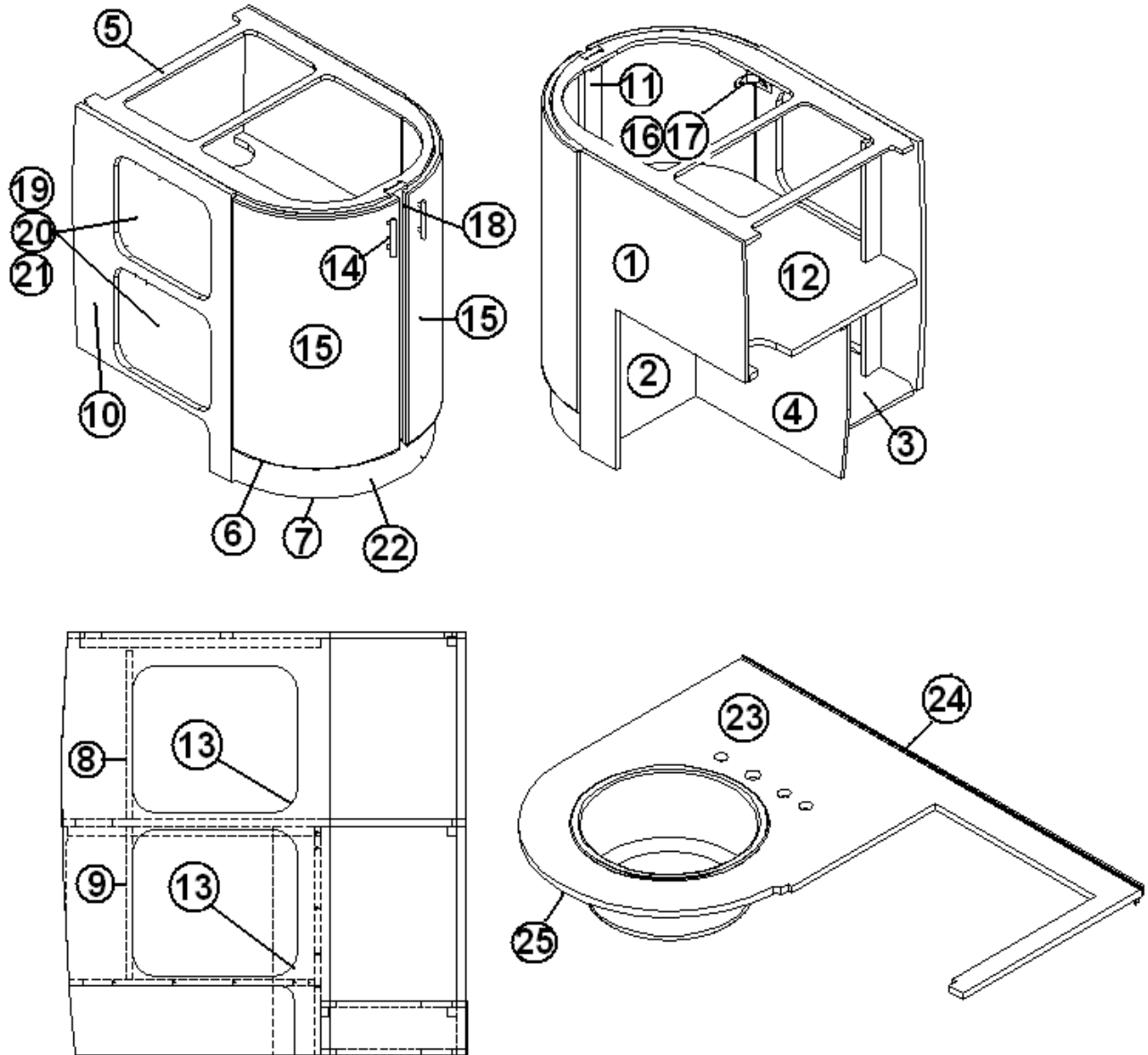
966944-09	Galley, aft section
1. 966944-1	Panel, aft galley, 18.36 X 22.87
2. 966944-2	Panel, aft galley, 22.13 X 4.00
3. 966944-3	Panel, aft galley, 23.38 X 13.81
4. 966944-4	Panel, aft galley, 22.58 X 35.5
5. 966944-5	Panel, aft galley, 22.08 X 35.5
6. 966944-6	Panel, aft galley, 2.25 X 21.19
7. 966944-7	Panel, aft galley, 2.25 X 21.19
8. 966944-8	Panel, aft galley, 2.25 X 19.00
9. 966944-9	Panel, aft galley, 2.25 X 35.5
10. 966944-10	Panel, aft galley, 4.00 X 35.5
11. 966944-11	Panel, aft galley, 2.25 X 35.50
12. 966944-12	Panel, aft galley, 2.25 X 19.00
13. 966944-13	Panel, aft galley, 2.25 X 22.13
14. 966944-14	Panel, aft galley, 1.81 X 35.50
15. 966944-15	Door, galley 22.81 X 11.69
16. 381607	Hinge, Grass Euro
17. 381228-01	Catch, grabber door C3-803
18. 382044	Handle, brushed nickel



# 2011 FLYING CLOUD

## FURNITURE, GALLEY

Galley, 23', Forward Section



Part numbers are on the next page.

# 2011 FLYING CLOUD

## FURNITURE, GALLEY

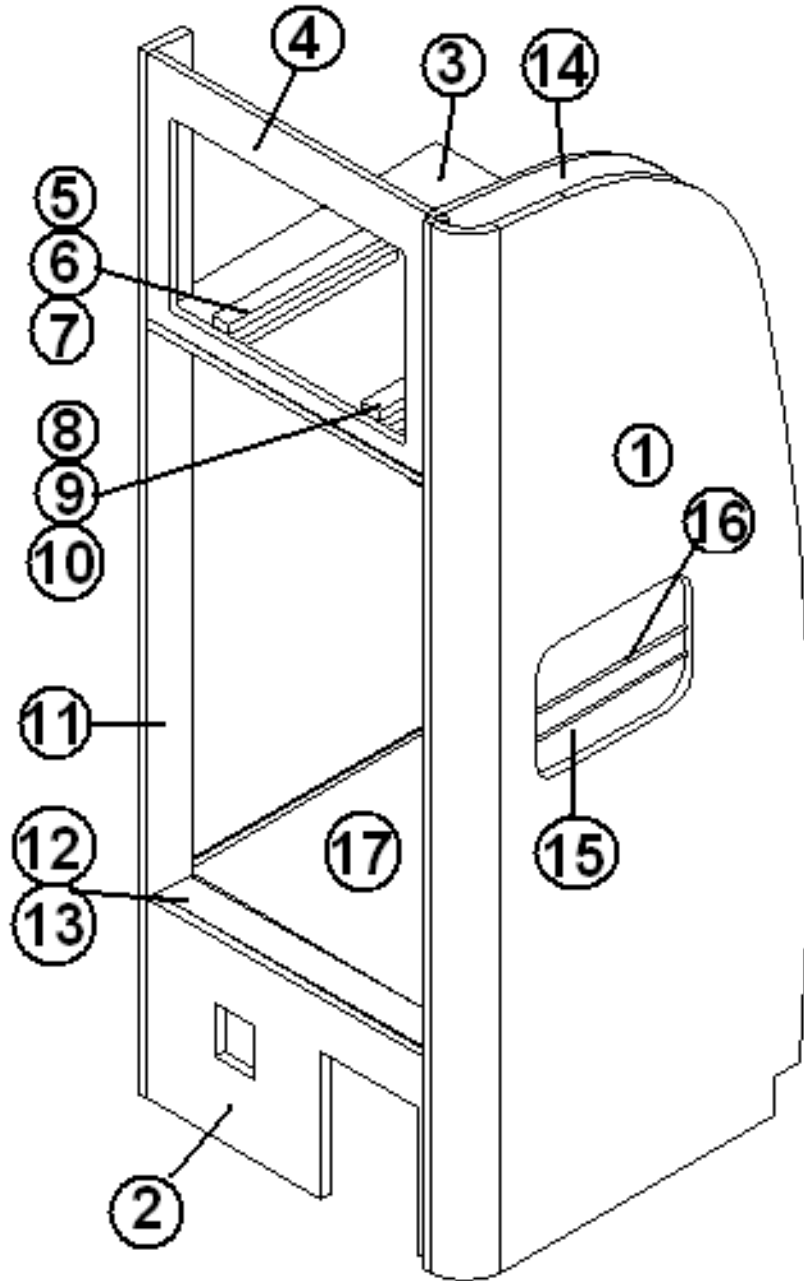
### Galley, 23', Forward Section

966943-09	Galley, forward section
1. 966943-1	Panel, forward galley, 22.14 x 35.50
2. 966943-2	Panel, forward galley, 23.83 X 19.13
3. 966943-3	Panel, forward galley, 20.50 X 9.25
4. 966943-4	Panel, forward galley, 19.13 X 20.82
5. 966943-5	Panel, forward galley, 24.91 X 33.87
6. 966943-6	Panel, forward galley, 23.50 X 12.19
7. 966943-7	Panel, forward galley, 23.50 X 12.19
8. 966943-8	Panel, forward galley, 14.13 X 2.25
9. 966943-9	Panel, forward galley, 12.75 X 2.25
10. 966943-10	Panel, forward galley, 35.50 X 22.57
11. 966943-11	Panel, forward galley, 2.44 X 35.5
12. 966943-12	Panel, forward galley, 24.91 X 33.87
13. 203445	T-Molding, black, .5
14. 382044	Handle, brushed nickel
15. 801787-0114	Door, radius, 16.97 X 31.00
16. 381607	Hinge, Grass Euro
17. 381808	Bracket, face mount, hinge
18. 381856	Catch, tension, 2-ball, chrome
19. 381654	Hinge, non-bore, glass door, black
20. 381707	Strike w/pull, glass door, black
21. 371391	Door, glass 11.56" X13.06"
22. 115309	Toe kick, galley, aluminum
23. 967391	Top assembly, galley
967391-10	Top, galley, Midnight Sun Option
24. 114812	Aluminum angle, 1.00 X 1.00
25. 115064	Trim, aluminum, counter top
381708	Wastebasket, 11.38 X 8.25 X 12.00

# 2011 FLYING CLOUD

## FURNITURE, GALLEY

Refrigerator/Standard Microwave Cabinet, 23'



Part numbers are on the next page.

# 2011 FLYING CLOUD

## FURNITURE, GALLEY

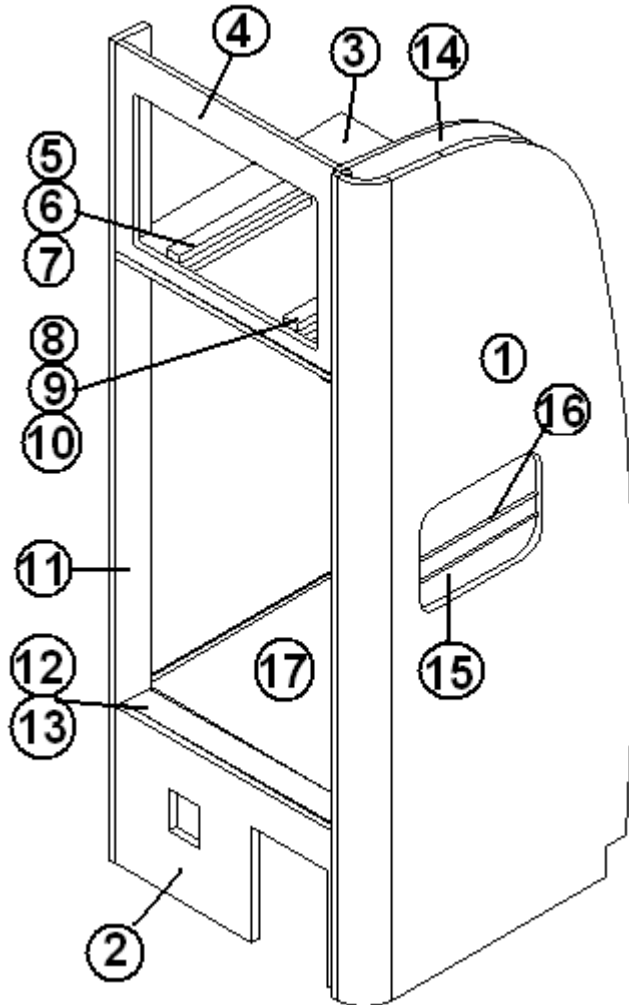
### Refrigerator/Standard Microwave Cabinet, 23', 23'FB CSA

967385-09	Refrigerator cabinet assembly
1. 967384	Panel, refer
2. 967385-092	Panel, refer cabinet, 23.94 X 14.88
3. 967385-093	Panel, refer cabinet, 25.56 X 24.69
4. 967385-094	Panel, refer cabinet, 19.81 X 23.94
5. 967385-095	Panel, refer cabinet, 1.50 X 14.50
6. 967385-096	Panel, refer cabinet
7. 967385-097	Panel, refer cabinet, 1.50 X 14.50
8. 967385-098	Panel, refer cabinet, 1.50 X 14.50
9. 967385-099	Panel, refer cabinet, 1.50 X 14.50
10. 967385-0910	Panel, refer cabinet, 1.50 X 14.50
11. 967385-0911	Panel, refer cabinet, 3.75 X 78.13
12. 967385-0912	Panel, refer cabinet, 23.94 X 3.00
13. 967385-0913	Panel, refer cabinet, 23.94 X 3.00
14. 967385-0914	Panel, refer cabinet, 26.03
15. 203383	Rack, magazine
16. 115042	Rod, .25" aluminum, 6' length
17. 967385-0915	Panel, refer cabinet, 43.87 X 26.22
966480	Stand, refer
101134	Angle, aluminum, 1/8" X 1" X 1.5"

# 2011 FLYING CLOUD

## FURNITURE, GALLEY

### Refrigerator/Convection Microwave Cabinet, 23'



Part numbers are on the next page.

# 2011 FLYING CLOUD

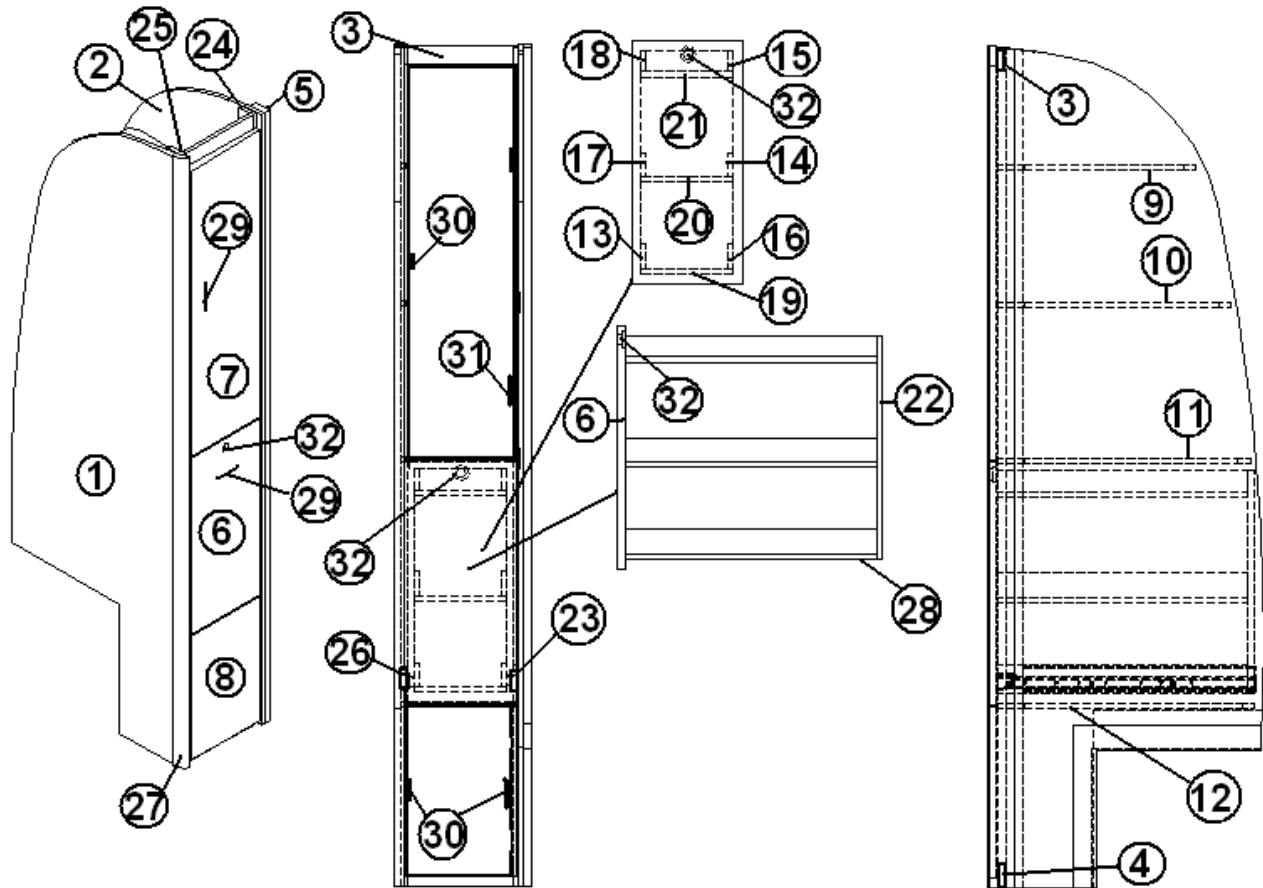
## FURNITURE, GALLEY

### Refrigerator/Convection Microwave Cabinet, 23', 23'FB CSA

967386-09	Refrigerator cabinet assembly
1. 967384	Panel, refer
2. 967386-092	Panel, refer cabinet, 23.94 X 14.88
3. 967386-093	Panel, refer cabinet, 25.56 X 24.69
4. 967386-094	Panel, refer cabinet, 19.81 X 23.94
5. 967386-095	Panel, refer cabinet, 1.50 X 14.50
6. 967386-096	Panel, refer cabinet
7. 967386-097	Panel, refer cabinet, 1.50 X 14.50
8. 967386-098	Panel, refer cabinet, 1.50 X 14.50
9. 967386-099	Panel, refer cabinet, 1.50 X 14.50
10. 967386-0910	Panel, refer cabinet, 1.50 X 14.50
11. 967386-0911	Panel, refer cabinet, 3.75 X 78.13
12. 967386-0912	Panel, refer cabinet, 23.94 X 3.00
13. 967386-0913	Panel, refer cabinet, 23.94 X 3.00
14. 967386-0914	Panel, refer cabinet, 26.03
15. 203383	Rack, magazine
16. 115042	Rod, .25" aluminum, 6' length
17. 967386-0915	Panel, refer cabinet, 43.87 X 26.22
966480	Stand, refer
101134	Angle, aluminum, 1/8" X 1" X 1.5"
115370	Baffle, Convection Microwave

# 2011 FLYING CLOUD FURNITURE, GALLEY

Pantry, 23'



Part numbers are on the next page.

## 2011 FLYING CLOUD

### FURNITURE, GALLEY

#### Pantry, 23'

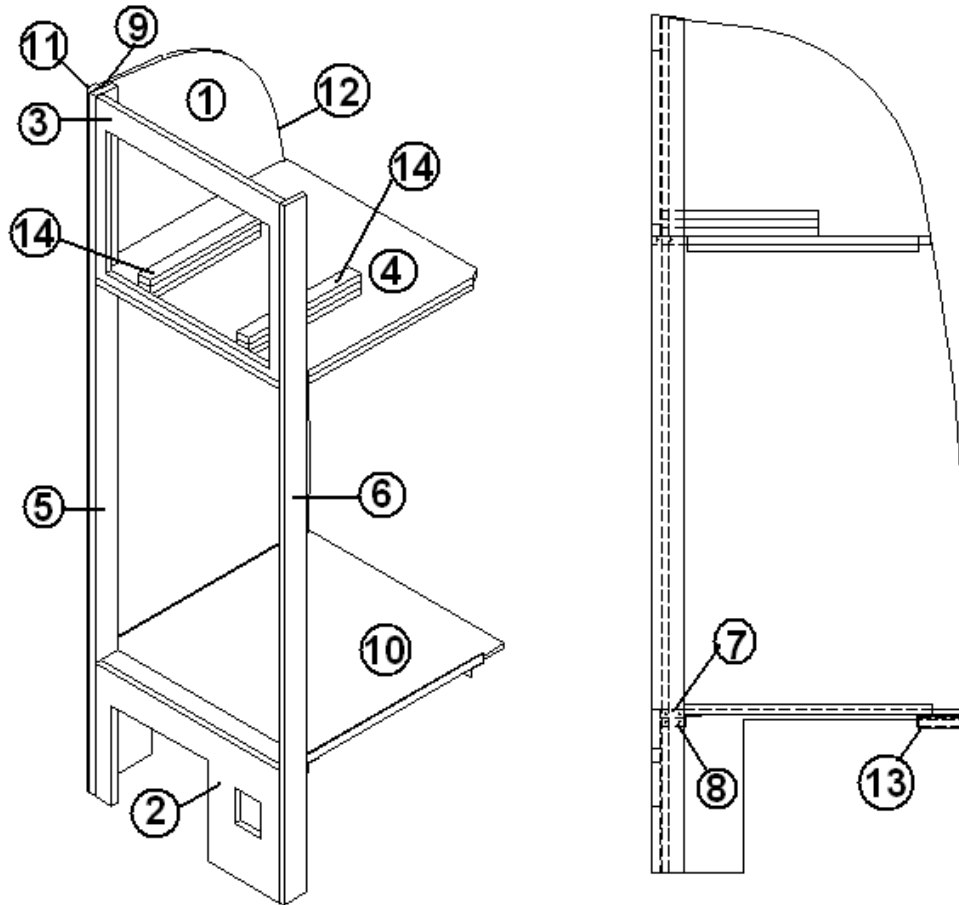
967389-09	Pantry assembly
1. 967389-091	Panel, pantry, 23.89 X 77.87
2. 967389-092	Panel, pantry, 25.44 X 78.13
3. 967389-093	Panel, pantry, 2.25 X 9.75
4. 967389-094	Panel, pantry, 2.25 X 9.75
5. 967389-095	Panel, pantry, 2.25 X 78.04
6. 967389-096	Door, pantry, 10.38 X 22.63
7. 967389-097	Door, pantry, 10.38 X 36.62
8. 967389-098	Door, pantry, 10.38 X 15.88
9. 967389-099	Panel, pantry, 11.00 X 18.44
10. 967389-0910	Panel, pantry, 11.00 X 21.63
11. 967389-0911	Panel, pantry, 11.00 X 23.44
12. 967389-0912	Panel, pantry, 11.00 X 23.88
13. 967389-0913	Panel, pantry, 2.25 X 23.38
14. 967389-0914	Panel, pantry, 2.25 X 23.38
15. 967389-0915	Panel, pantry, 2.25 X 23.38
16. 967389-0916	Panel, pantry, 2.25 X 23.38
17. 967389-0917	Panel, pantry, 2.25 X 23.38
18. 967389-0918	Panel, pantry, 2.25 X 23.38
19. 967389-0919	Panel, pantry, 8.63 X 23.38
20. 967389-0920	Panel, pantry, 8.63 X 23.38
21. 967389-0921	Panel, pantry, 8.63 X 23.38
22. 967389-0922	Panel, pantry, 8.63 X 20.75
23. 967389-0923	Panel, pantry, 21.69 X 2.25
24. 967389-0924	Panel, pantry, 2.25 X 78.13
25. 967389-0925	Panel, pantry, 2.25 X 78.13
26. 967389-0926	Panel, pantry, 21.69 X 2.25
27. 801706-0014	Trim, corner, 90D, 1" radius
28. 381925	Slide, drawer, 24" side
29. 382044	Handle, brushed nickel
30. 381228-01	Catch, grabber door
31. 381607	Hinge, Grass Euro
32. 381408	Lock, push button style, black
966503	Spacer, bed/pantry
203636	Storage box, 24.5" X 17.75" X 7.25"



# 2011 FLYING CLOUD

## FURNITURE, GALLEY

### Refrigerator/Microwave Cabinet, 23' Front Bed

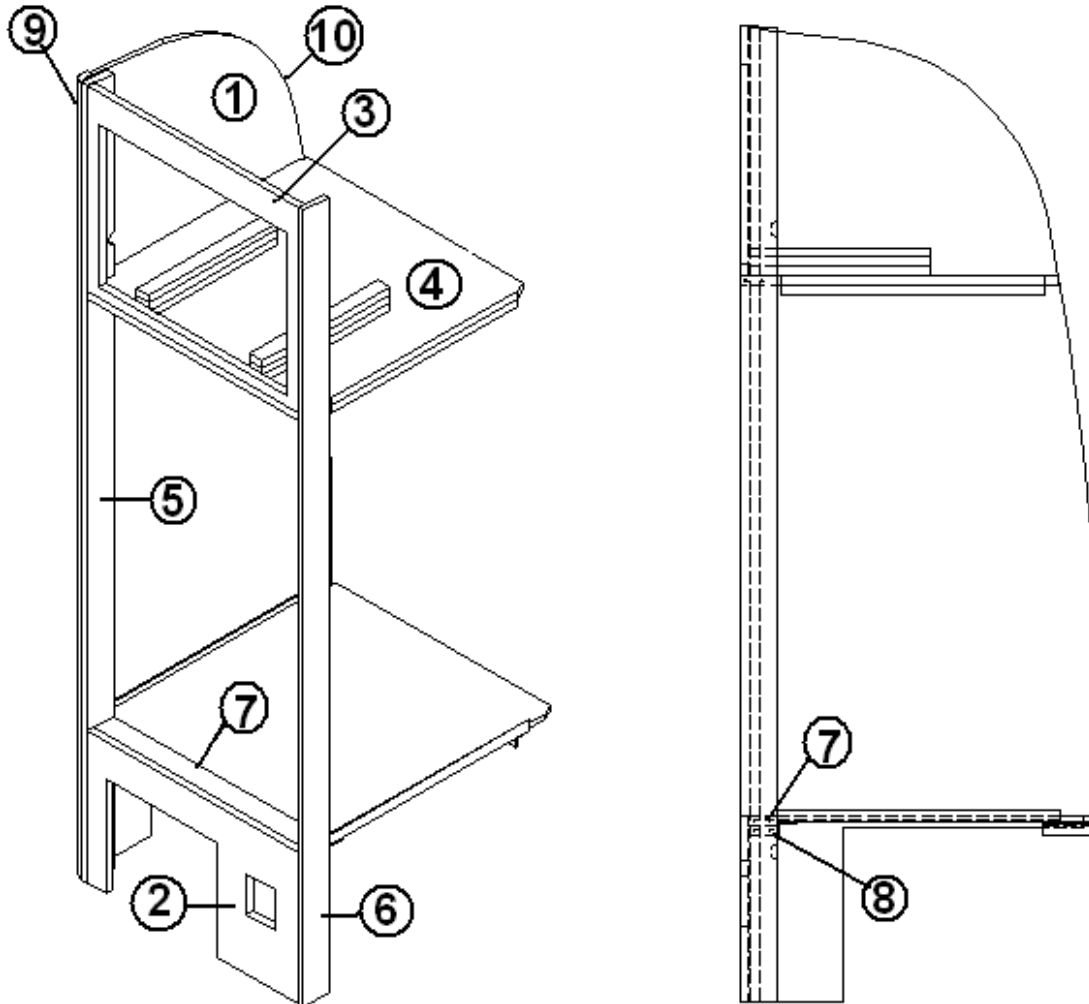


967309-09	Refer/Convection Microwave Cabinet
1. 967309-091	Panel, 27.22 X 78.10
2. 967309-092	Panel, 23.94 X 14.88
3. 967309-093	Panel, 23.94 X 20.16
4. 967309-094	Panel, 25.56 X 25.50
5. 967309-095	Panel, 3.00 X 78.39
6. 967309-096	Panel, 3.00 X 78.39
7. 967309-097	Panel, 2.25 X 23.94
8. 967309-098	Panel, 2.25 X 23.94
9. 967309-099	Panel, 2.125 X 78.32
10. 967309-0910	Panel, 25.25 X 25.75
11. 801706-0014	Corner trim 90 degree 1" radius
12. 203138-04	Extrusion, plastic 1/2"
13. 967176	Refrigerator stand assembly
14. 967309-0917	Panel, 1.50 X 14.50

# 2011 FLYING CLOUD

## FURNITURE, GALLEY

### Refrigerator/Convection Microwave Cabinet, 23' Front Bed

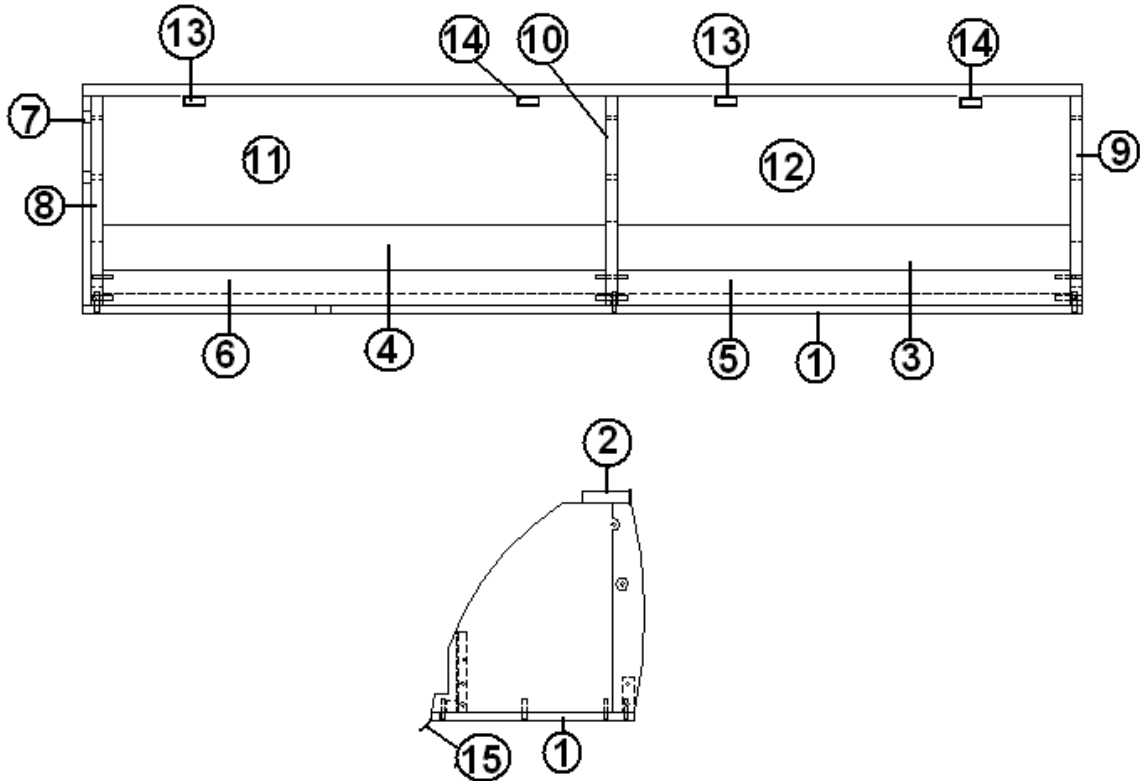


967310-09	Refrigerator Cabinet w/Convection Microwave
1. 967310-091	Panel, refer/conv. micro., 27.22 X 78.10
2. 967310-092	Panel, refer/conv. micro., 23.94 X 14.88
3. 967310-093	Panel, refer/conv. micro., 23.94 X 20.16
4. 967310-094	Panel, refer/conv. micro., 25.56 X 25.50
5. 967310-095	Panel, refer/conv. micro., 3.00 X 78.39
6. 967310-096	Panel, refer/conv. micro., 3.00 X 78.39
7. 967310-097	Panel, refer/conv. micro., 2.25 X 23.94
8. 967310-098	Panel, refer/conv. micro., 2.25 X 23.94
9. 801706-0014	Corner trim, 90D, 1" radius
10. 203138-04	Extrusion, plastic 1/2" oak
11. 967176	Stand, refrigerator

# 2011 FLYING CLOUD

## FURNITURE, GALLEY

Roof locker, Galley, 23' Front Bed

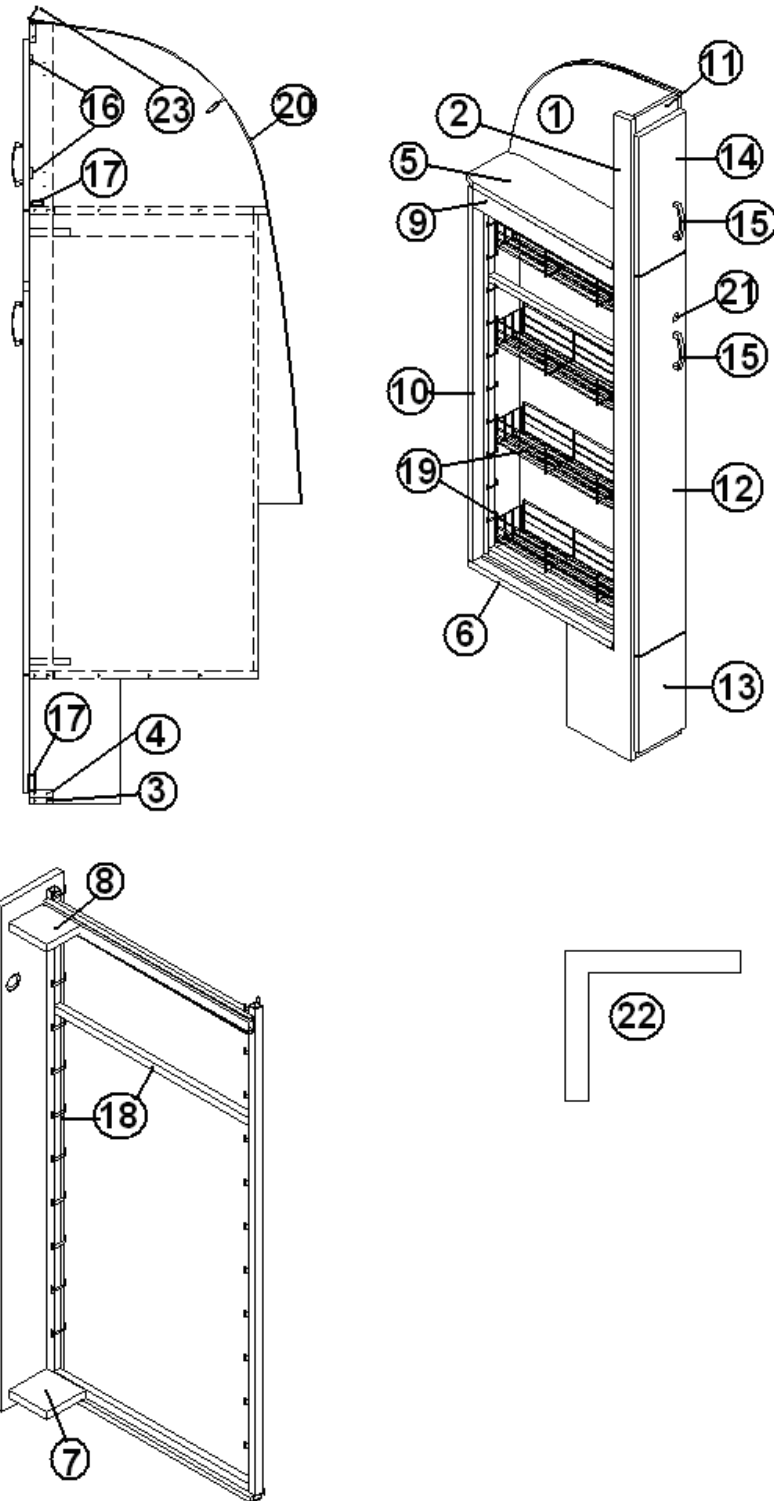


- |                 |                                |
|-----------------|--------------------------------|
| 967315-09       | Roof locker, galley            |
| 1. 967315-091   | Panel, 12.5 X 61.88            |
| 2. 967315-092   | Panel, 3.00 X 61.88            |
| 3. 967315-093   | Panel, 27.97 X 5.00            |
| 4. 967315-094   | Panel, 31.10 X 5.00            |
| 5. 967315-095   | Panel, 27.97 X 2.25            |
| 6. 967315-096   | Panel, 31.10 X 2.25            |
| 7. 967315-097   | Panel, 2.00 X 13.00            |
| 8. 967315-098   | Panel, 13.18 X 13.00           |
| 9. 967315-099   | Panel, 13.18 X 13.00           |
| 10. 967315-0910 | Panel, 11.68 X 13.00           |
| 11. 801786-0314 | Door, plyform, 15.25" X 31.63" |
| 12. 801786-0214 | Door, plyform, 15.25" X 28.38" |
| 13. 381840-01   | Hinge, overhead spring, LH     |
| 14. 381840-02   | Hinge, overhead spring, RH     |
| 15. 115085      | Angle, aluminum                |
| 511227-01       | Raceway, wiring, white         |

# 2011 FLYING CLOUD

## FURNITURE, GALLEY

### Pantry, 23' Front Bed



Part numbers are on the next page.

# 2011 FLYING CLOUD

## FURNITURE, GALLEY

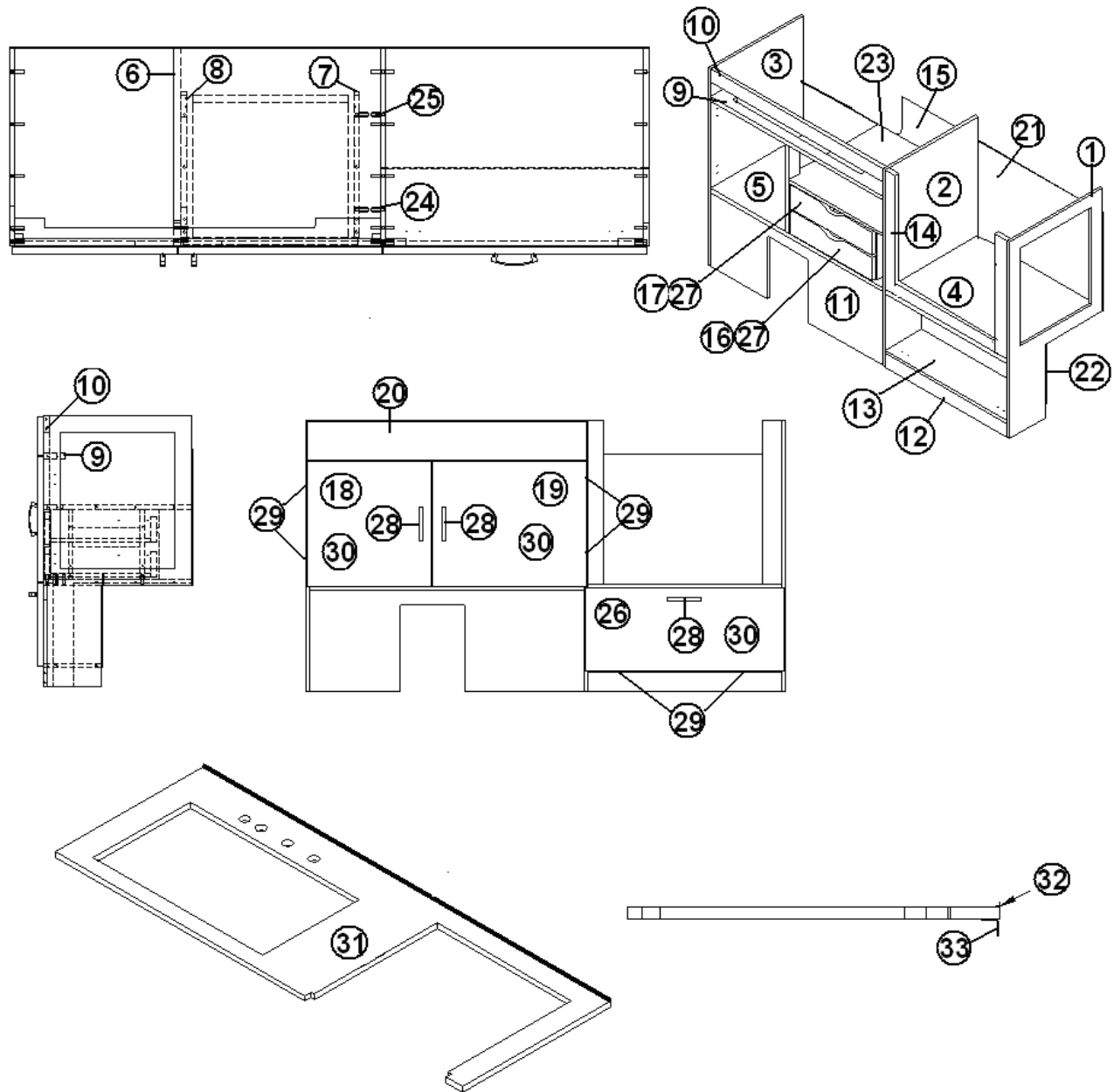
### Pantry, 23' Front Bed

	967317-09	Pantry
1.	967317-091	Panel, 26.87 X 78.09
2.	967317-092	Panel, 9.00 X 78.25
3.	967317-093	Panel, 5.88 X 2.25
4.	967317-094	Panel, 5.88 X 2.25
5.	967317-095	Panel, 23.63 X 6.63
6.	967317-096	Panel, 22.75 X 6.63
7.	967317-097	Panel, 4.00 X 4.00
8.	967317-098	Panel, 4.00 X 4.00
9.	967317-099	Panel, 20.00 X 2.25
10.	967317-0910	Panel, 6.63 X 45.63
11.	967317-0911	Panel, 5.88 X 2.25
12.	967317-0912	Door, 6.50 X 46.25, pantry
13.	967317-0913	Door, 6.50 X 11.63, pantry
14.	967317-0914	Door, 6.50 X 17.00, pantry
15.	382044	Handle, brushed nickel
16.	381607	Hinge assembly
17.	381228-01	Catch, grabber door, C3-803
18.	381551-01	Pantry rack 1.5"W X 45"H white
19.	381551-02	Wire basket, 4" wide, white
20.	203138-04	Extrusion, plastic 1/2", oak
21.	381408	Lock, push button style, black
22.	966503	Spacer, bed/pantry
23.	104821	Roof locker support, 74"
	203636	Storage box, 24.5" X 17.75" X 7.25"

# 2011 FLYING CLOUD

## FURNITURE, GALLEY

### Galley, 23' Front Bed



Part numbers are on the next page.

# 2011 FLYING CLOUD

## FURNITURE, GALLEY

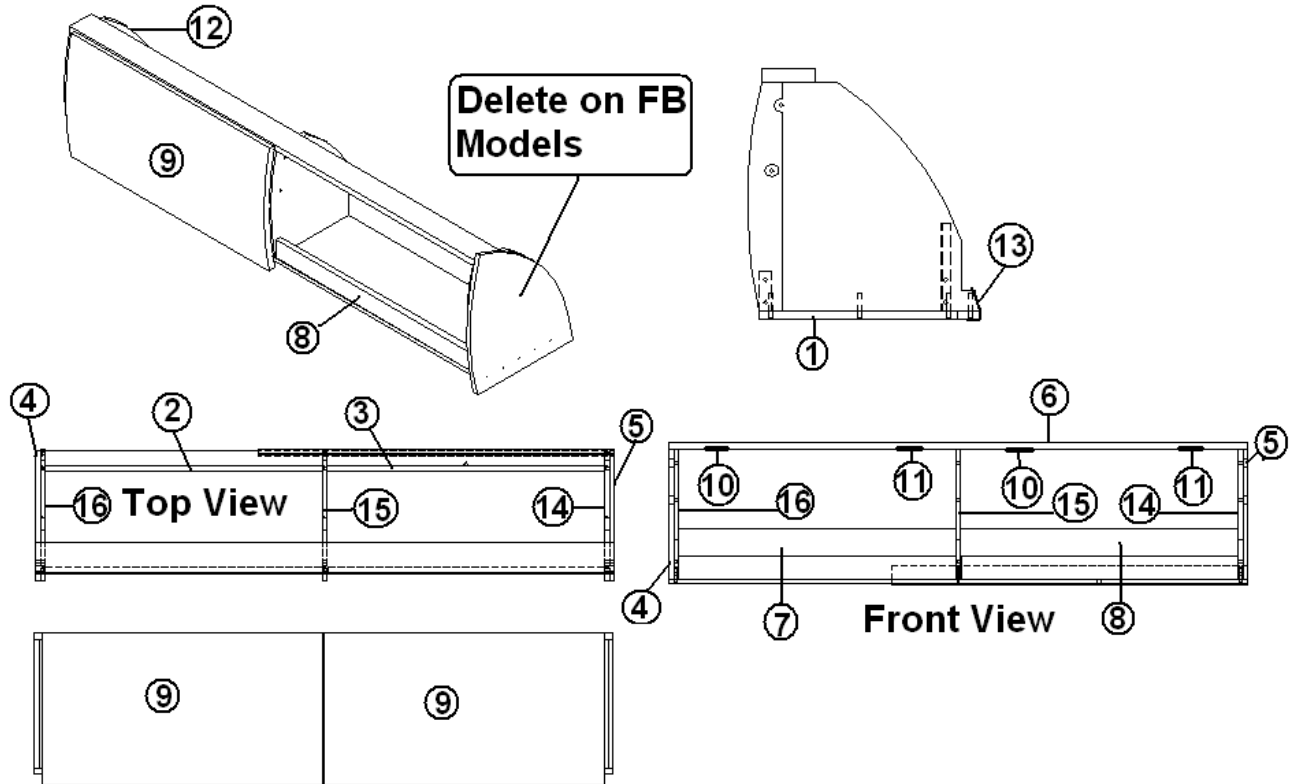
### Galley, 23' Front Bed

967313-09	Galley
1. 967313-091	Panel, galley, 19.13 X 35.00
2. 967313-092	Panel, galley, 19.13 X 35.00
3. 967313-093	Panel, galley, 19.13 X 35.00
4. 967313-094	Panel, galley, 19.13 X 25.00
5. 967313-095	Panel, galley, 19.13 X 35.38
6. 967313-096	Panel, galley, 19.13 X 15.56
7. 967313-097	Panel, galley, 14.13 X 9.09
8. 967313-098	Panel, galley, 14.13 X 9.09
9. 967313-099	Panel, galley, 2.75 X 35.38
10. 967313-0910	Panel, galley, 35.38 X 2.25
11. 967313-0911	Panel, galley, 35.38 X 13.06
12. 967313-0912	Panel, galley, 25.00 X 2.44
13. 967313-0913	Panel, galley, 7.50 X 25.00
14. 967313-0933	Panel, galley, 25.00 X 23.44
15. 967313-0934	Panel, galley, 35.88 X 13.63
16. 967313-0916	Panel, galley, 16.88 X 4.13
17. 967313-0917	Panel, galley, 16.88 X 4.13
18. 967313-0918	Panel, galley, 16.00 X 16.18
19. 967313-0919	Panel, galley, 19.88 X 16.18
20. 967313-0920	Panel, galley, 36.00 X 5.00
21. 967313-0921	Panel, galley, 17.62 X 61.88
22. 967313-0922	Panel, galley, 10.62 X 26.00
23. 967313-0923	Panel, galley, 19.13 X 20.00
24. 967313-0924	Panel, galley, 2.00 X 9.09
25. 967313-0925	Panel, galley, 2.00 X 9.09
26. 967313-0926	Door, galley, 25.63 X 10.75
27. 965584-02	Drawer box, 3.38" X 13.75" X 13.0
28. 382044	Handle, brushed nickel
29. 381607	Hinge assembly
30. 381228-01	Catch, grabber door
31. 967181-09	Galley top
967181-101	Galley top, Midnight Sun option
32. 115064	Trim, aluminum, counter top
33. 114812	Aluminum angle, 1.00 X 1.00
381773-02	Slide, drawer

# 2011 FLYING CLOUD

## FURNITURE, GALLEY

### Roof Locker, Galley, 25' Front Bed



Part numbers are on the next page.



# 2011 FLYING CLOUD

## FURNITURE, GALLEY

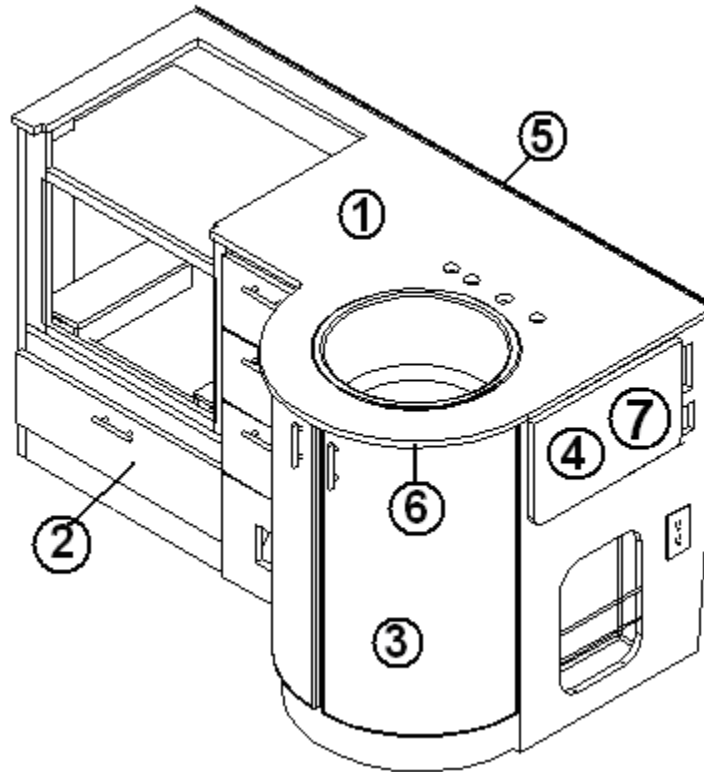
### Roof Locker, Galley, 25' Front Bed

	967302-09	Galley Roof Locker Assembly
1.	967302-091	Panel, galley roof locker, 12.50 X 58.50
2.	967302-092	Panel, galley roof locker, 5.00 X 27.97
3.	967302-093	Panel, galley roof locker, 5.00 X 27.97
4.	967302-094	Panel, galley roof locker, 2.00 X 13.00
5.	967302-095	Panel, galley roof locker, 2.00 X 13.00
6.	967302-096	Panel, galley roof locker, 3.00 X 58.50
7.	967302-097	Panel, galley roof locker, 2.25 X 27.97
8.	967302-098	Panel, galley roof locker, 2.25 X 27.97
9.	801786-0314	Door, plyform, 15.25" X 28.38"
10.	381840-01	Hinge, overhead spring, LH
11.	381840-02	Hinge, overhead spring, RH
12.	967275	Cap assembly, end, 14.76 X 17.07
13.	115085	Angle, aluminum, roof locker
14.	967274-01	Divider, galley roof locker, 12.53 X 13.00
15.	967274-02	Divider, galley roof locker, 12.53 X 13.00
16.	967274-03	Divider, galley roof locker, 12.53 X 13.00
	381902	Hook, Stainless Steel

# 2011 FLYING CLOUD

## FURNITURE, GALLEY

Galley, 25' Front Bed

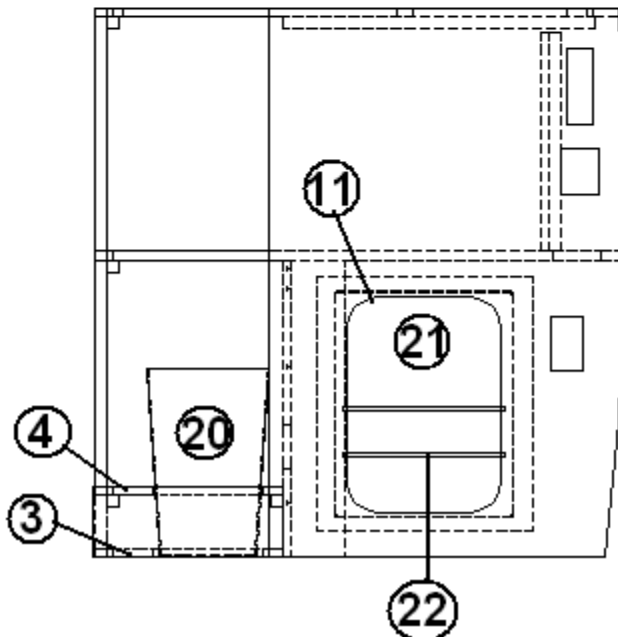
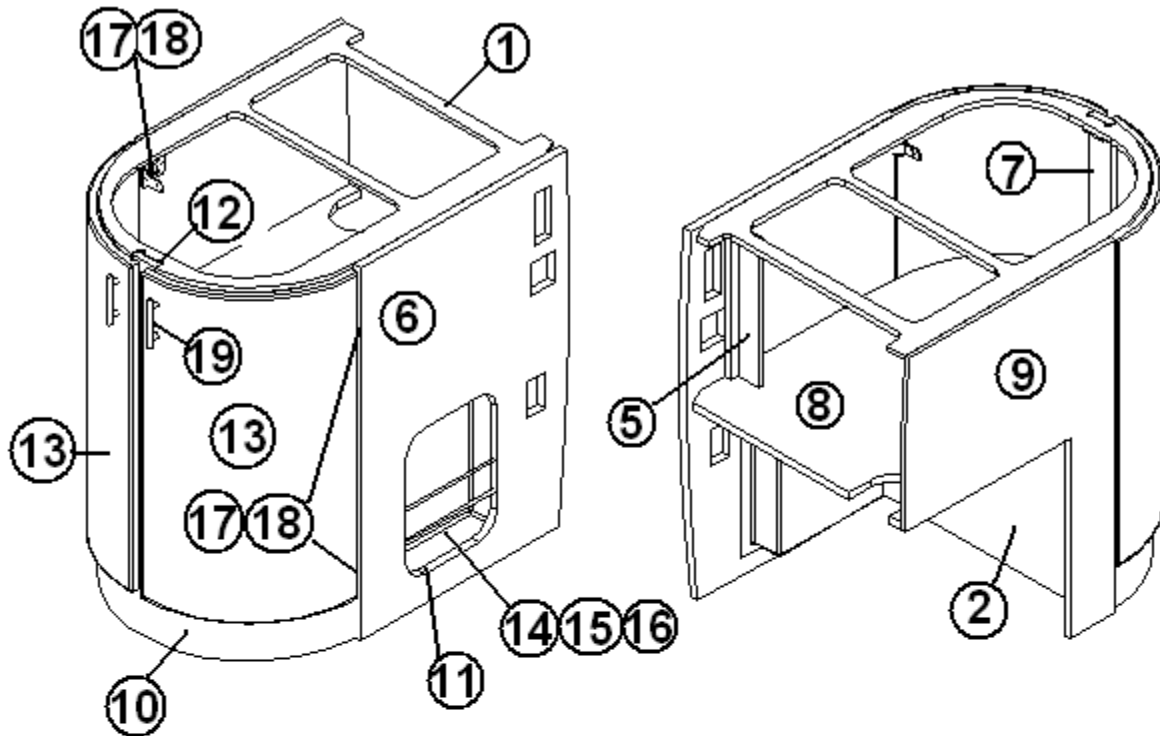


- |              |                                      |
|--------------|--------------------------------------|
| 967306       | Galley, standard oven                |
| 967306-01    | Galley, convection microwave oven    |
| 1. 967305    | Top, galley                          |
| 967305-10    | Top, galley, Midnight Sun            |
| 2. 966908-09 | Galley, oven section                 |
| 966950-09    | Galley, convection microwave section |
| 3. 966907-09 | Galley, aft section                  |
| 4. 966910-09 | Galley, flip up shelf                |
| 5. 114812    | Aluminum angle 1.00" X 1.00"         |
| 6. 115064    | Trim, aluminum counter top           |
| 7. 381614    | Bracket, folding shelf, 8" X 8"      |

# 2011 FLYING CLOUD

## FURNITURE, GALLEY

Galley, 25' Front Bed, KOA, Aft Section



Part Numbers On The Next Page

# 2011 FLYING CLOUD

## FURNITURE, GALLEY

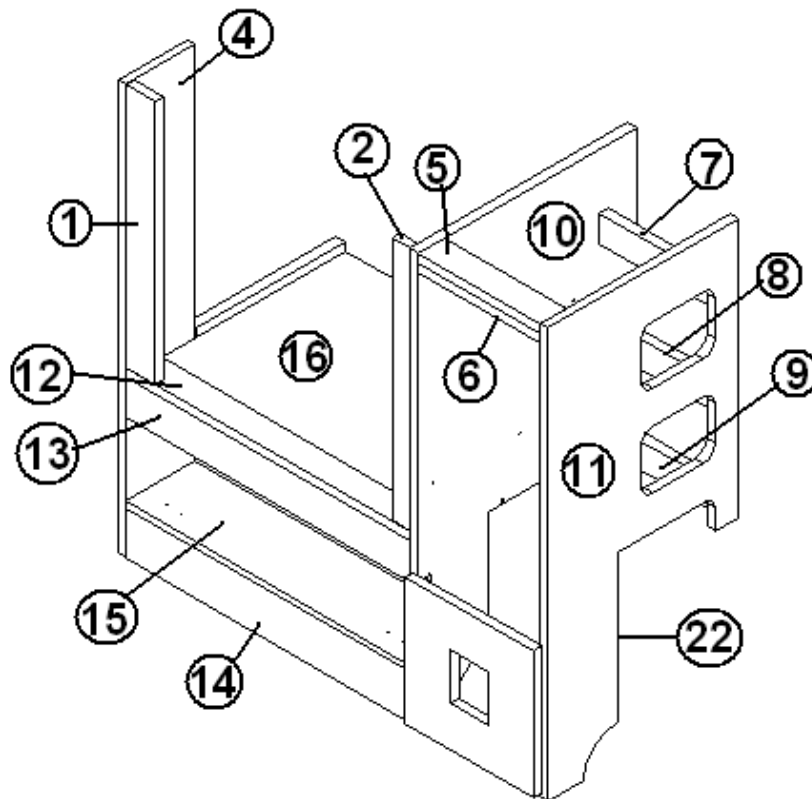
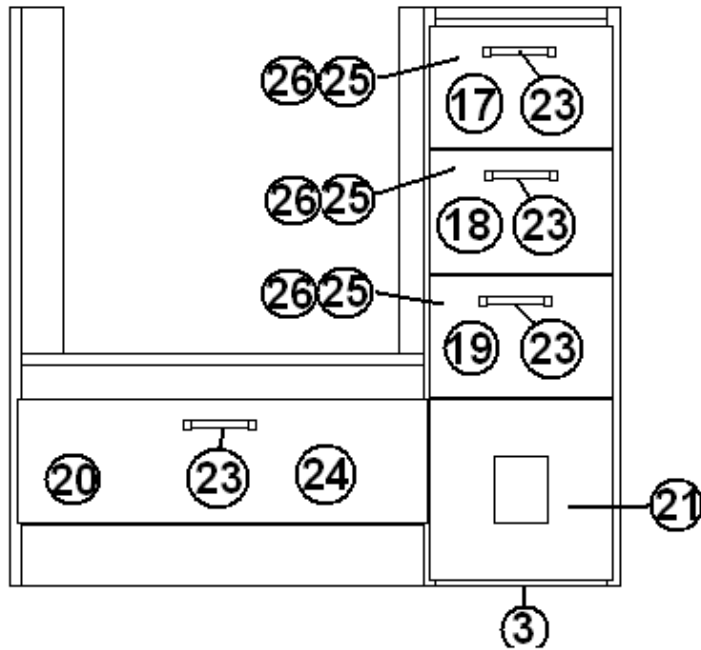
### Galley, 25' Front Bed, KOA, Aft Section

966907-09	Galley, aft section
1. 966907-091	Panel, aft galley, 23.50 X 33.94
2. 966907-092	Panel, aft galley, 23.54 X 19.13
3. 966907-093	Panel, aft galley, 23.5 X 12.21
4. 966907-094	Panel, aft galley, 23.5 X 12.21
5. 966907-095	Panel, aft galley, 3.00 X 14.00
6. 966907-096	Panel, aft galley, 23.04 X 35.50
7. 966907-097	Panel, aft galley, 2.44 X 35.50
8. 966907-098	Panel, aft galley, 23.50 X 34.40
9. 966907-099	Panel, aft galley, 23.06 X 35.50
10. 115309	Toe kick, galley, aluminum
11. 203440	Molding, black, embossed, .8125"
12. 381856	Catch, tension, 2-ball, chrome
13. 801787-0114	Door, radius foam, 16.97" X 31.00"
14. 381654	Hinge, non bore, glass door, black
15. 381707	Strike w/pull, glass door, black
16. 371391	Door, glass, 11.56" X 13.06"
17. 381808	Bracket, face mount, hinge
18. 381607	Hinge, Grass Euro
19. 382044	Handle, brushed nickel
20. 381708	Wastebasket, 11.38" X 8.25" X 12.00"
21. 203383	Rack, magazine
22. 115042	Rod, .25", aluminum, 6' length
203483	Cover, sink, round, 17.75" natural
966910-09	Flip Shelf Assy., Galley

# 2011 FLYING CLOUD

## FURNITURE, GALLEY

Galley, 25' Front Bed, Oven Section



Part Numbers on the next page

# 2011 FLYING CLOUD

## FURNITURE, GALLEY

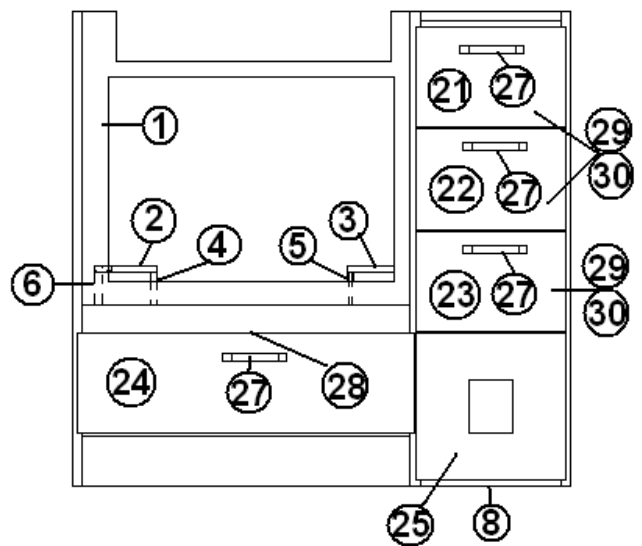
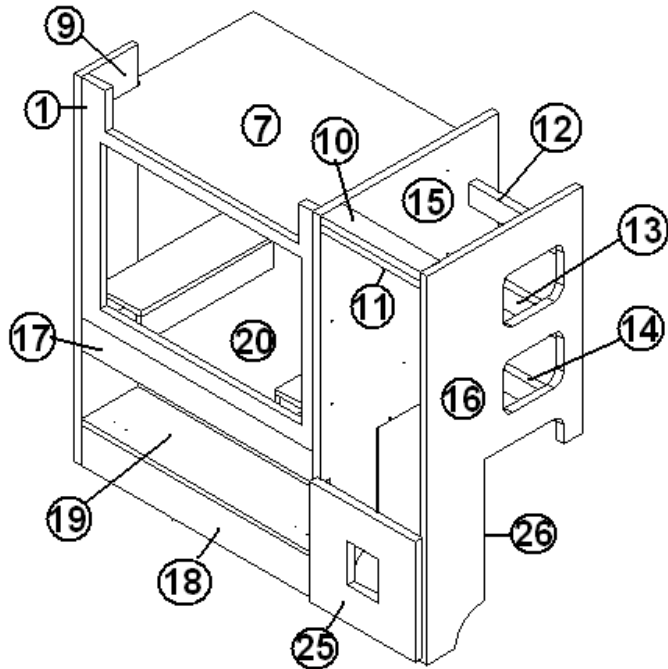
### Galley, 25' Front Bed, Oven Section

966908-09	Galley Cabinet, Oven Section
1. 966908-091	Panel, galley, oven, 2.50 X 21.19
2. 966908-092	Panel, galley, oven, 1.50 X 21.19
3. 966908-093	Panel, galley, oven, 2.25 X 10.50
4. 966908-094	Panel, galley, oven, 6.00 X 35.5
5. 966908-095	Panel, galley, oven, 2.25 X 10.50
6. 966908-096	Panel, galley, oven, 2.25 X 10.50
7. 966908-097	Panel, galley, oven, 2.25 X 10.50
8. 966908-098	Panel, galley, oven, 2.25 X 10.50
9. 966908-099	Panel, galley, oven, 2.25 X 10.50
10. 966908-0910	Panel, galley, oven, 18.88 X 35.50
11. 966908-0911	Panel, galley, oven, 16.44 X 35.50
12. 966908-0912	Panel, galley, oven, 2.25 X 24.50
13. 966908-0913	Panel, galley, oven, 3.00 X 24.50
14. 966908-0914	Panel, galley, oven, 3.75 X 24.50
15. 966908-0915	Panel, galley, oven, 6.00 X 24.50
16. 966908-0916	Panel, galley, oven, 18.38 X 25.25
17. 966908-0917	Panel, galley, oven, 11.13 X 7.50
18. 966908-0918	Panel, galley, oven, 11.13 X 7.50
19. 966908-0919	Panel, galley, oven, 11.13 X 7.50
20. 966908-0920	Panel, galley, oven, 25.13 X 7.50
21. 966908-0921	Panel, galley, oven, 11.13 X 11.00
22. 966908-0922	Panel, galley, oven, 26.00 X 9.31
23. 382044	Handle, brushed nickel
24. 381228-01	Catch, grabber door
25. 965560-02	Drawer box, 5.63" X 9.25" X 14.00
26. 381773-15	Drawer slide, 5.875" X 15.75"

# 2011 FLYING CLOUD

## FURNITURE, GALLEY

### Galley, 25' Front Bed, Microwave/3-Burner Section



Part Numbers on the next page

# 2011 FLYING CLOUD

## FURNITURE, GALLEY

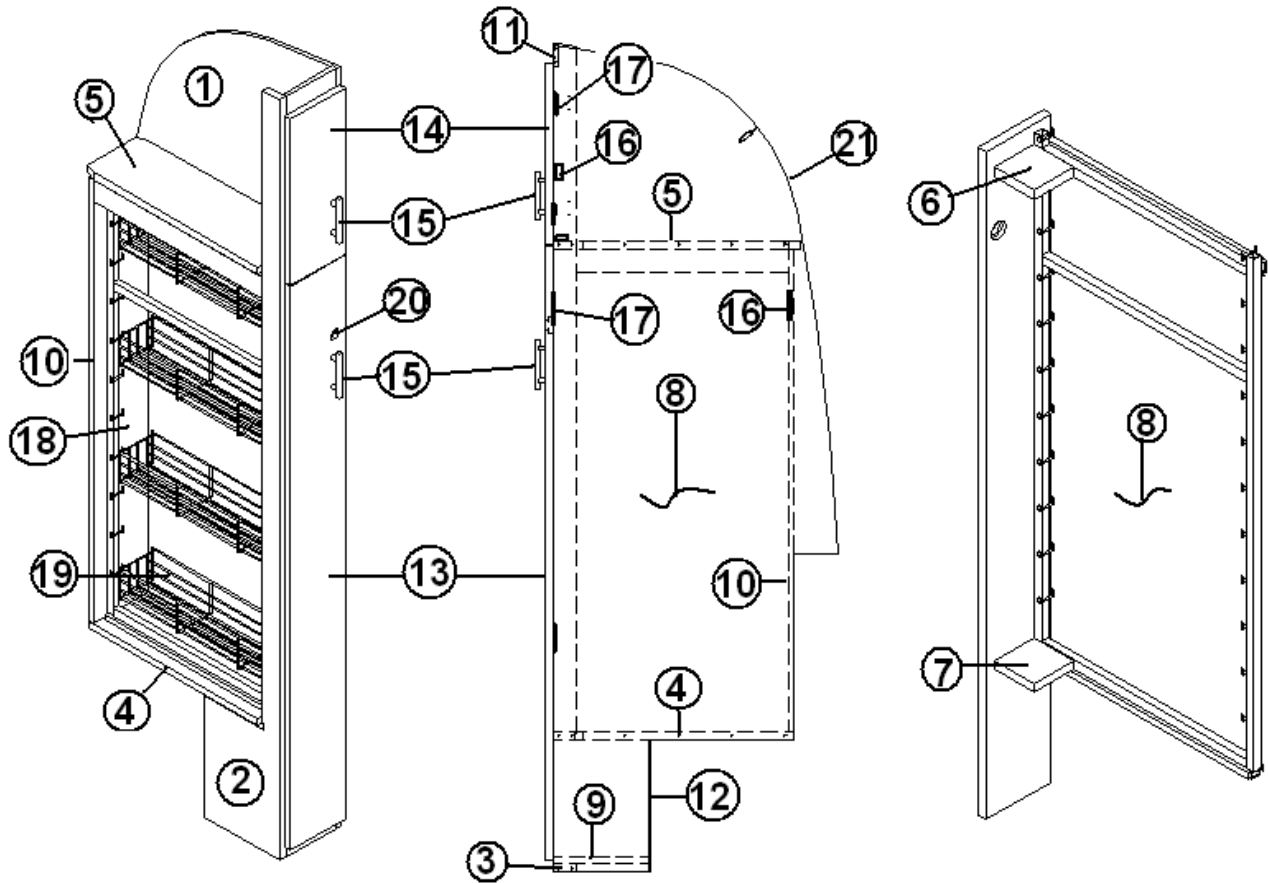
### Galley, 25' Front Bed, Microwave/3-Burner Section

966950-09	Galley w/Microwave
1. 966950-091	Panel, galley, w/microwave, 24.50 X 21.94
2. 966950-092	Panel, galley, w/microwave, 4.75 X 14.00
3. 966950-093	Panel, galley, w/microwave, 4.75 X 14.00
4. 966950-094	Panel, galley, w/microwave, 2.44 X 14.00
5. 966950-095	Panel, galley, w/microwave, 2.44 X 14.00
6. 966950-096	Panel, galley, w/microwave, 2.44 X 14.00
7. 966950-097	Panel, galley, w/microwave, 18.13 X 25.25
8. 966950-098	Panel, galley, w/microwave, 2.25 X 10.50
9. 966950-099	Panel, galley, w/microwave, 6.00 X 35.5
10. 966950-0910	Panel, galley, w/microwave, 2.25 X 10.50
11. 966950-0911	Panel, galley, w/microwave, 2.25 X 10.50
12. 966950-0912	Panel, galley, w/microwave, 2.25 X 10.50
13. 966950-0913	Panel, galley, w/microwave, 2.25 X 10.50
14. 966950-0914	Panel, galley, w/microwave, 2.25 X 10.50
15. 966950-0915	Panel, galley, w/microwave, 18.88 X 35.50
16. 966950-0916	Panel, galley, w/microwave, 16.44 X 35.50
17. 966950-0917	Panel, galley, w/microwave, 3.00 X 24.50
18. 966950-0918	Panel, galley, w/microwave, 3.75 X 24.50
19. 966950-0919	Panel, galley, w/microwave, 6.00 X 24.50
20. 966950-0920	Panel, galley, w/microwave, 18.38 X 25.25
21. 966950-0921	Door, galley w/microwave, 11.13 X 7.50
22. 966950-0922	Door, galley w/microwave, 11.13 X 7.50
23. 966950-0923	Door, galley w/microwave, 11.13 X 7.50
24. 966950-0924	Door, galley w/microwave, 25.13 X 7.50
25. 966950-0925	Panel, galley, w/microwave E, 11.13 X 11
26. 966950-0926	Panel, galley, w/microwave, 26.00 X 9.31
27. 382044	Handle, brushed nickel
28. 381228-01	Catch. Grabber door
29. 965560-02	Drawer box, 5.63" X 9.25" X 14.00"
30. 381773-15	Drawer slide, 5.875" X 15.75"(PR)



# 2011 FLYING CLOUD FURNITURE, GALLEY

Pantry, 25' Front Bed



Part Numbers on the Next Page

# 2011 FLYING CLOUD

## FURNITURE, GALLEY

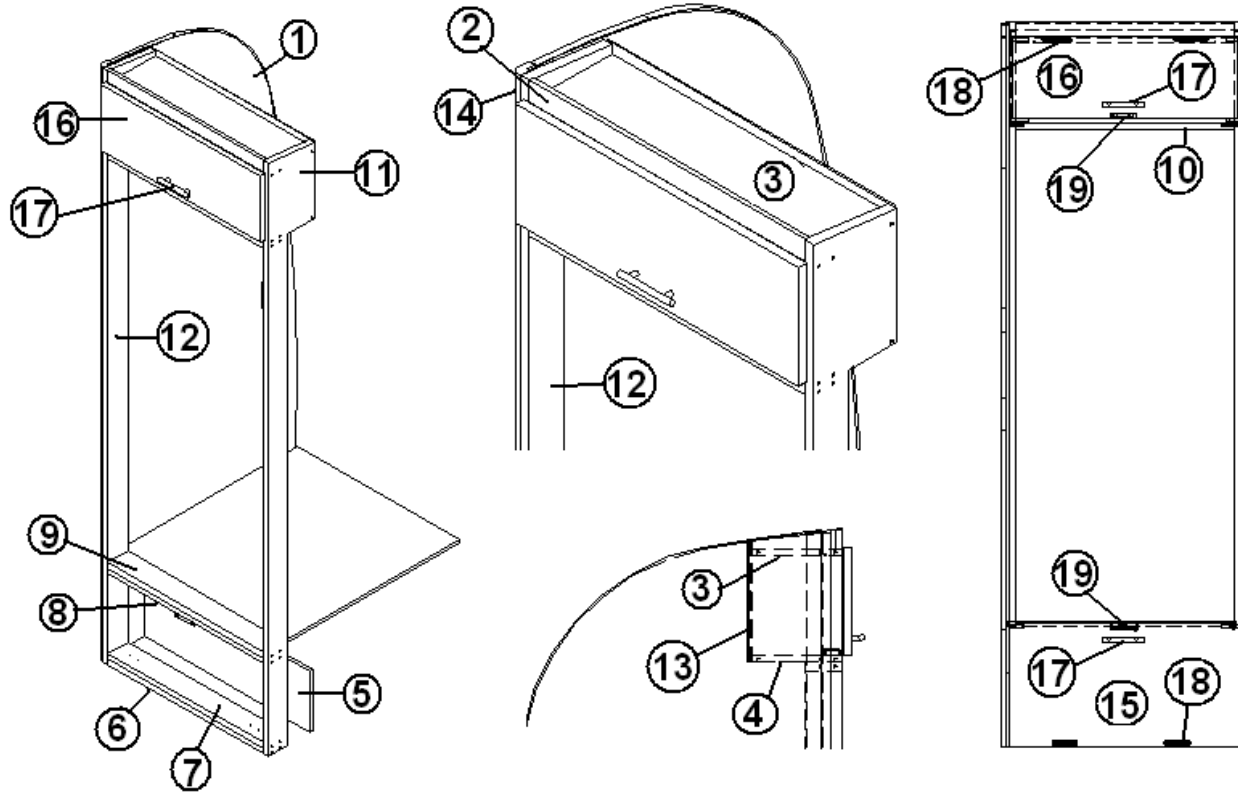
### Pantry, 25' Front Bed

966904-09	Pantry Cabinet
1. 966904-091	Panel, pantry, 26.88 X 78.09
2. 966904-092	Panel, pantry, 9.00 X 78.25
3. 966904-093	Panel, pantry, 2.25 X 5.88
4. 966904-094	Panel, pantry, 6.63 X 22.75
5. 966904-095	Panel, pantry, 6.63 X 23.38
6. 966904-096	Panel, pantry, 4.00 X 4.00
7. 966904-097	Panel, pantry, 4.00 X 4.00
8. 966904-098	Panel, pantry, 2.25 X 20.00
9. 966904-099	Panel, pantry, 9.00 X 5.88
10. 966904-0910	Panel, pantry, 6.63 X 45.63
11. 966904-0911	Panel, pantry, 2.25 X 5.88
12. 966904-0912	Panel, pantry, 7.13 X 12.50
13. 966904-0913	Door, pantry, 6.50 X 58.00
14. 966904-0914	Door, pantry, 6.50 X 17.00
15. 382044	Handle, brushed nickel
16. 381228-01	Catch, grabber door
17. 381607	Hinge, Grass Euro
18. 381551-01	Pantry rack, 1.5"W X 45"H, white
19. 381551-02	Wire basket, 4" wide, white
20. 381408	Lock, push button style, black
21. 203138-04	Extrusion, plastic, 1/2" oak

# 2011 FLYING CLOUD

## FURNITURE, GALLEY

Refrigerator Cabinet, 25' Front Bed, 27' Front Bed



Part Numbers on the Next Page

# 2011 FLYING CLOUD

## FURNITURE, GALLEY

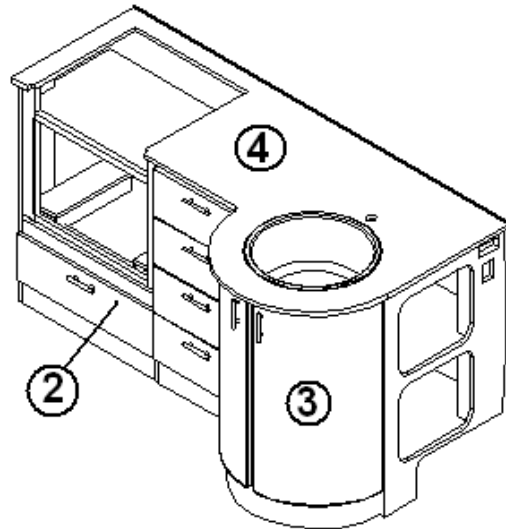
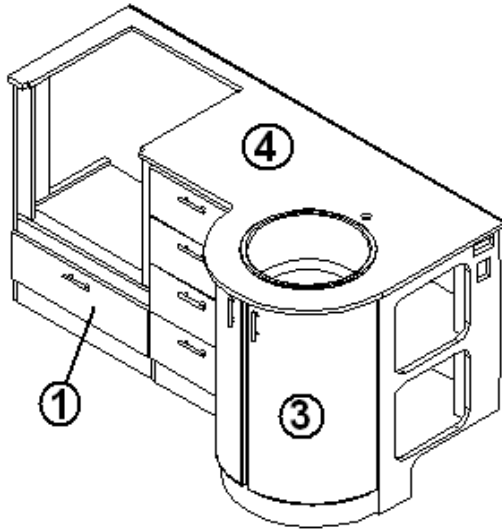
### Refrigerator Cabinet, 25' Front Bed, 27' Front Bed

966853-09	Refrigerator Cabinet
1. 966853-091	Panel, refer cabinet. 28.64 X 78.59
2. 966853-092	Panel, refer cabinet., 1.63 X 23.80
3. 966853-093	Panel, refer cabinet., 7.25 X 23.81
4. 966853-094	Panel, refer cabinet., 7.25 X 23.81
5. 966853-095	Panel, refer cabinet., 8 X 25.5
6. 966853-096	Panel, refer cabinet., 3 X 23.81
7. 966853-097	Panel, refer cabinet., 3 X 23.81
8. 966853-098	Panel, refer cabinet., 3 X 23.81
9. 966853-099	Panel, refer cabinet., 3 X 23.81
10. 966853-0910	Panel, refer cabinet., 3 X 23.81
11. 966853-0911	Panel, refer cabinet., 7.25 X 78.88
12. 966853-0912	Panel, refer cabinet., 7.25 X 78.88
13. 966853-0915	Panel, refer cabinet., 10. X 24.81
14. 801706-0014	Trim, corner 90D 1"radius, 84" long
15. 966853-0918	Door, refer cabinet, 24.44 X 11.69
16. 966853-0919	Door, refer cabinet, 24.44 X 8.88
17. 382044	Handle, brushed nickel
18. 381607	Hinge, Grass Euro
19. 381228-01	Catch, grabber door
966812	Stand, refer

# 2011 FLYING CLOUD

## FURNITURE, GALLEY

Galley, 27'



1. 966877-09

2. 966878-09

3. 966873-09

4. 967271

801672-04

381708

Galley section, w/oven

Galley section, w/microwave

Galley, aft section

Top assembly, galley

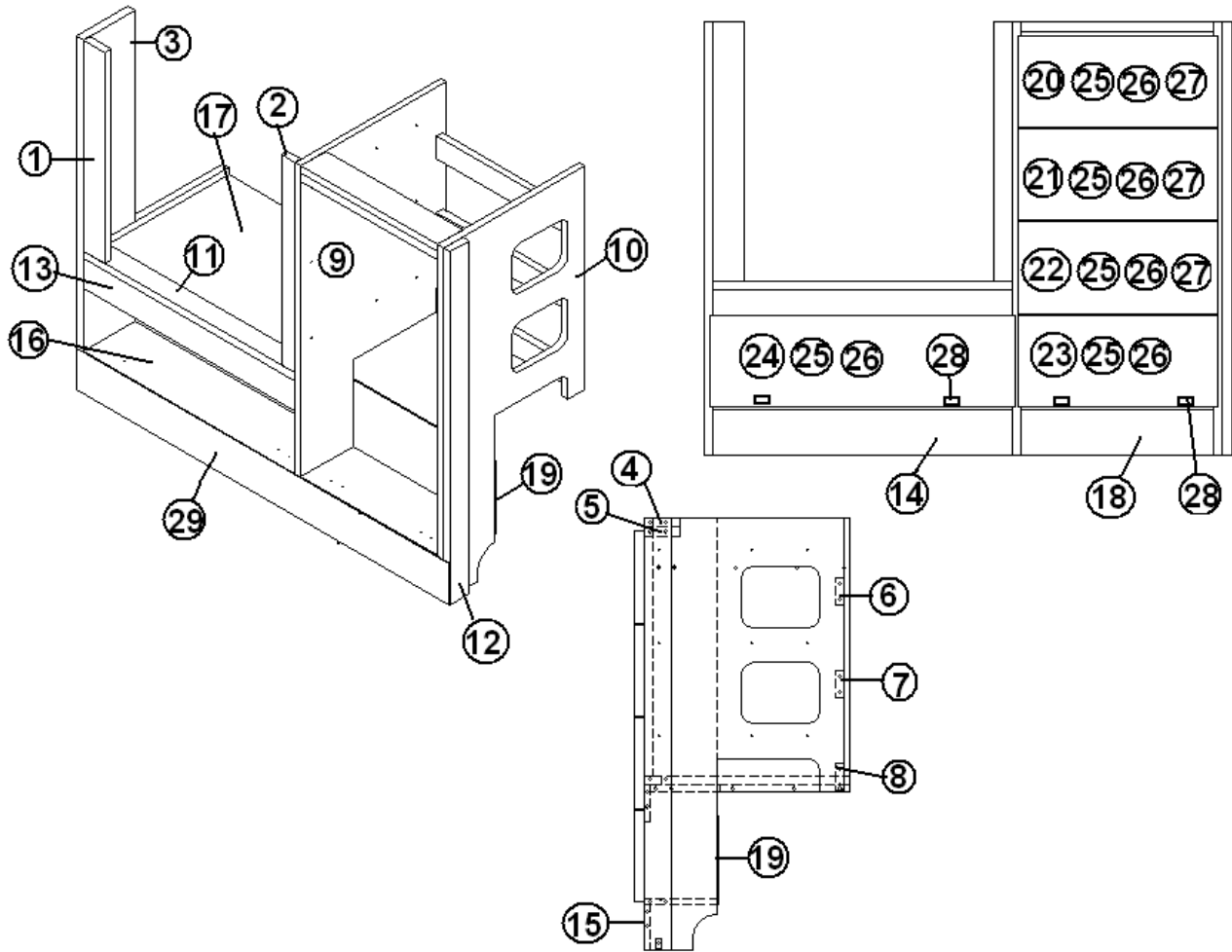
Top assembly, galley, Midnight Sun

Waste basket

# 2011 FLYING CLOUD

## FURNITURE, GALLEY

Galley w/Oven Section, 27'



Part Numbers on the Next Page.

# 2011 FLYING CLOUD

## FURNITURE, GALLEY

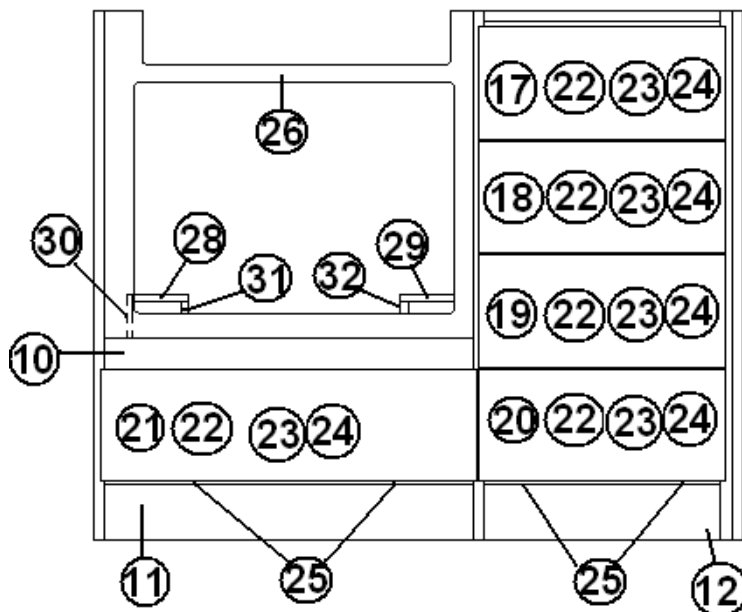
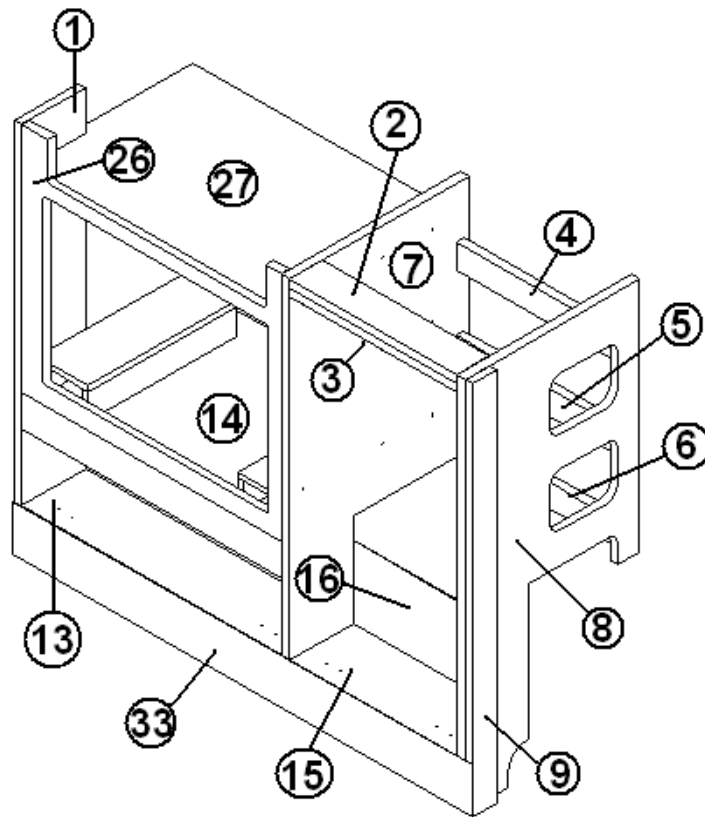
### Galley w/Oven Section, 27'

966877-09	Galley, Oven Section, Standard
1. 966877-091	Panel, galley oven, 2.5 X 21.19
2. 966877-092	Panel, galley oven, 1.5 X 21.19
3. 966877-093	Panel, galley oven, 6 X 35.50
4. 966877-094	Panel, galley oven, 15.75 X 3.00
5. 966877-095	Panel, galley oven, 15.75 X 3.00
6. 966877-096	Panel, galley oven, 2.25 X 15.75
7. 966877-097	Panel, galley oven, 2.25 X 15.75
8. 966877-098	Panel, galley oven, 2.25 X 15.75
9. 966877-099	Panel, galley oven, 18.88 X 35.50
10. 966877-0910	Panel, galley oven, 16.44 X 35.50
11. 966877-0911	Panel, galley oven, 2.25 X 24.50
12. 966877-0912	Panel, galley oven, 2.25 X 35.50
13. 966877-0913	Panel, galley oven, 24.5 X 3.00
14. 966877-0914	Panel, galley oven, 24.5 X 3.75
15. 966877-0915	Panel, galley oven, 15.75 X 3.75
16. 966877-0916	Panel, galley oven, 6 X 24.50
17. 966877-0917	Panel, galley oven, 16.38 X 25.25
18. 966877-0918	Panel, galley oven, 6 X 15.75
19. 966877-0919	Panel, galley oven, 42.50 X 7.25
20. 966877-0921	Drawer face, galley oven, 16.38 X 7.50
21. 966877-0922	Drawer face, galley oven, 16.38 X 7.50
22. 966877-0923	Drawer face, galley oven, 16.38 X 7.50
23. 966877-0924	Door, galley oven, 16.38 X 7.50
24. 966877-0925	Door, galley oven, 25.13 X 7.50
25. 382044	Handle, brushed nickel
26. 381228-01	Catch, grabber door
27. 965560-05	Drawer box, 5.63" X 16.5" X 15.25
28. 381607	Hinge, Grass Euro
29. 115376	Toe kick, galley
381773-15	Drawer slide, 5.875" X 15.75", PR

# 2011 FLYING CLOUD

## FURNITURE, GALLEY

Galley, Oven Section, w/Microwave Option, 27'



Part Numbers on the Next Page.



# 2011 FLYING CLOUD

## FURNITURE, GALLEY

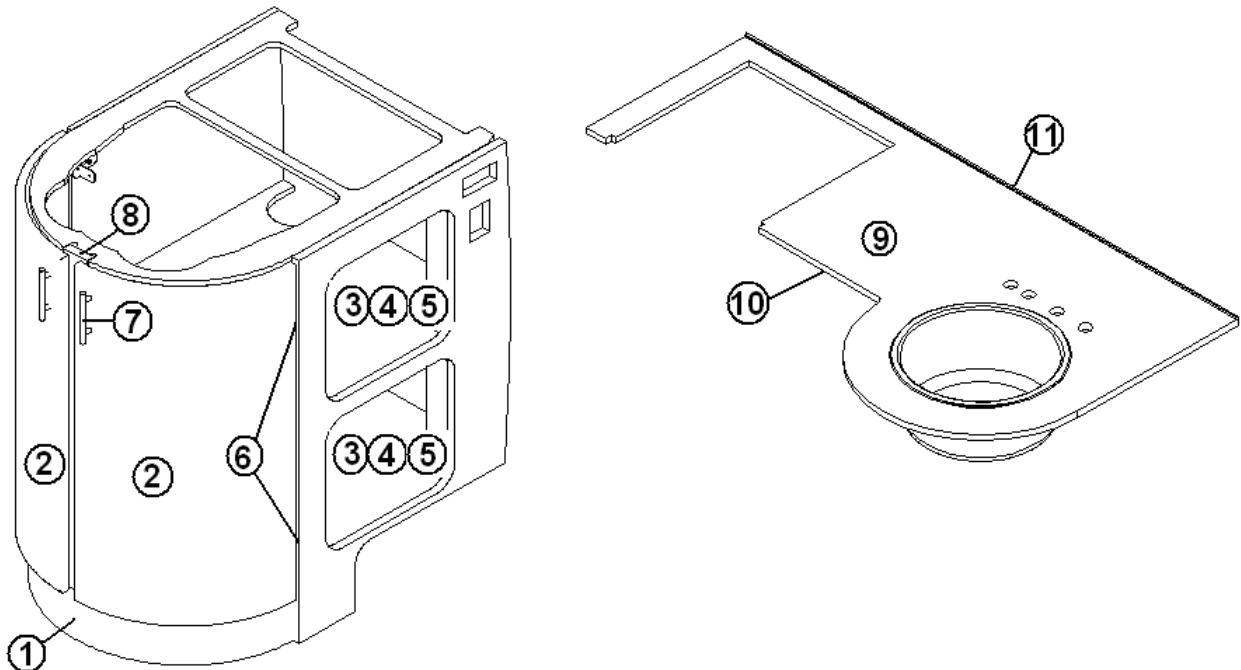
Galley, Oven Section, w/Microwave Option, 27'

966878-09	Galley, w/Microwave Section
1. 966878-093	Panel, galley microwave, 6 X 35.50
2. 966878-094	Panel, galley microwave, 15.75 X 3.00
3. 966878-095	Panel, galley microwave, 15.75 X 3.00
4. 966878-096	Panel, galley microwave, 2.25 X 15.75
5. 966878-097	Panel, galley microwave, 2.25 X 15.75
6. 966878-098	Panel, galley oven, 2.25 X 15.75
7. 966878-099	Panel, galley oven, 18.88 X 35.50
8. 966878-0910	Panel, galley oven, 16.44 X 35.50
9. 966878-0912	Panel, galley oven, 2.25 X 35.50
10. 966878-0913	Panel, galley oven, 24.5 X 3.00
11. 966878-0914	Panel, galley oven, 24.5 X 3.75
12. 966878-0915	Panel, galley oven, 15.75 X 3.75
13. 966878-0916	Panel, galley oven, 6 X 24.5
14. 966878-0917	Panel, galley oven, 16.38 X 25.25
15. 966878-0918	Panel, galley oven, 6 X 15.75
16. 966878-0919	Panel, galley oven, 42.5 X 7.25
17. 966878-0921	Drawer face, galley oven 16.38 X 7.50
18. 966878-0922	Drawer face, galley oven, 16.38 X 7.50
19. 966878-0923	Drawer face, galley oven 16.38 X 7.50
20. 966878-0924	Door, galley oven, 16.38 X 7.50
21. 966878-0925	Door, galley oven, 25.13 X 7.50
22. 382044	Handle, brushed nickel
23. 381228-01	Catch, grabber door
24. 965560-05	Drawer box, 5.63" X 16.5" X 15.25
25. 381607	Hinge, Grass Euro
26. 966878-0933	Panel, galley oven, 24.5 X 21.94
27. 966878-0934	Panel, galley oven, 16.13 X 25.25
28. 966878-0935	Panel, galley oven, 4.75 X 14.00
29. 966878-0936	Panel, galley oven, 4.75 X 14.00
30. 966878-0937	Panel, galley oven, 2.44 X 14.00
31. 966878-0938	Panel, galley oven, 2.44 X 14.00
32. 966878-0939	Panel, galley oven, 2.44 X 14.00
33. 115376	Toe kick, galley
381773-15	Drawer slide, 5.875" X 15.75" (PR)

# 2011 FLYING CLOUD

## FURNITURE, GALLEY

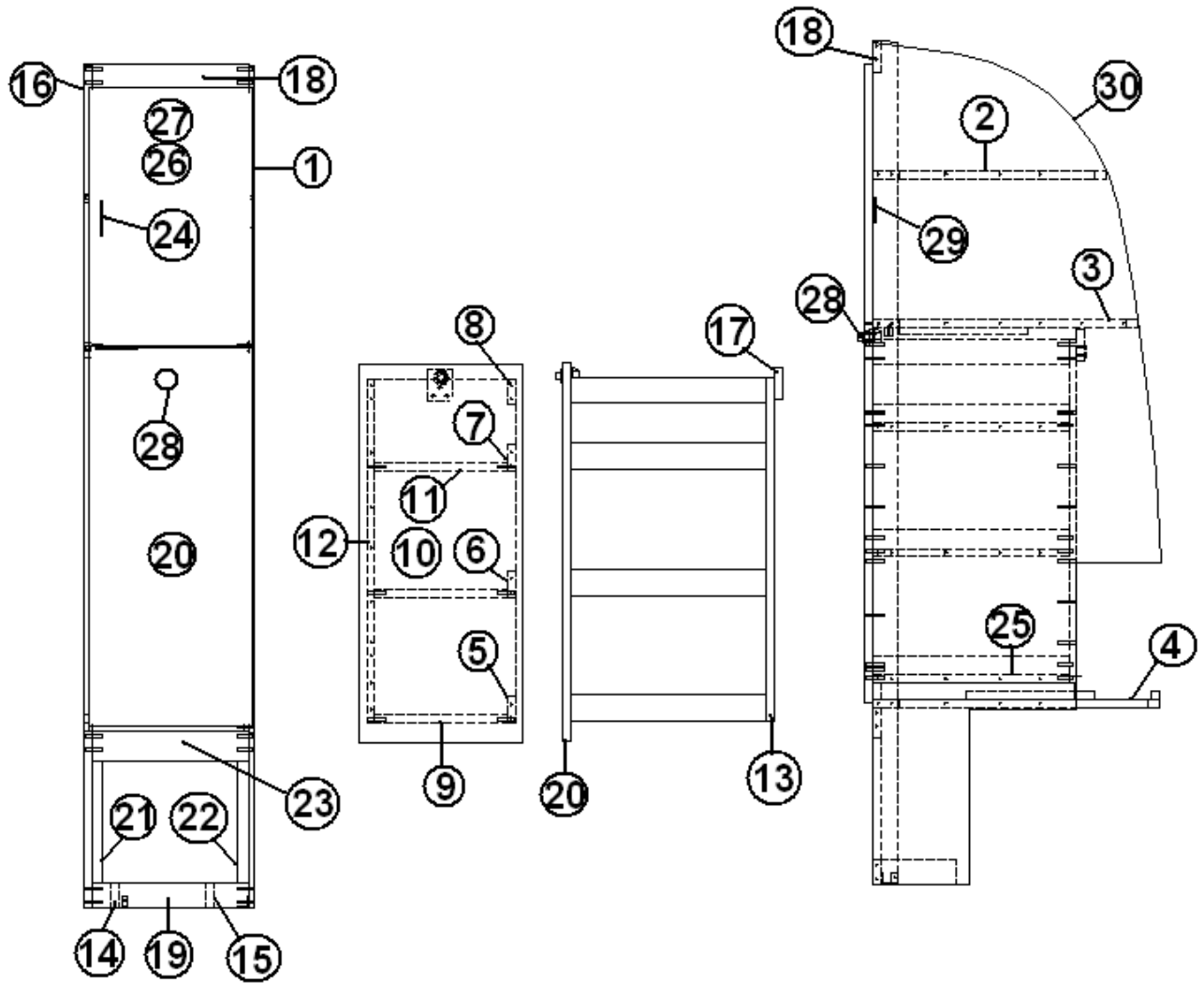
### Galley, 27', Aft Section



- |                |                                    |
|----------------|------------------------------------|
| 966873-09      | Galley, Aft Section                |
| 1. 115309      | Toe kick, galley, aluminum         |
| 2. 801787-0114 | Door, radius foam 16.81" X 31"     |
| 3. 381654      | Hinge, non bore, glass door, black |
| 4. 381707      | Strike, w/ pull, glass door, black |
| 5. 371391      | Door, glass 11.56"X 13.06"         |
| 6. 381607      | Hinge assembly, Grass Euro         |
| 7. 382044      | Pull bar, brushed nickel           |
| 8. 381856      | Catch, tension 2-ball              |
| 9. 967271      | Top, galley                        |
| 801672-04      | Top assembly, galley, Midnight Sun |
| 10. 115064     | Trim, aluminum counter top         |
| 11. 114812     | Aluminum angle, 1.00 X 1.00        |
| 203440         | T-Molding, black                   |
| 381708         | Wastebasket-11.38 X 8.25 X 12.00   |

# 2011 FLYING CLOUD FURNITURE, GALLEY

Pantry, 27'



Part Numbers on the Next Page

# 2011 FLYING CLOUD

## FURNITURE, GALLEY

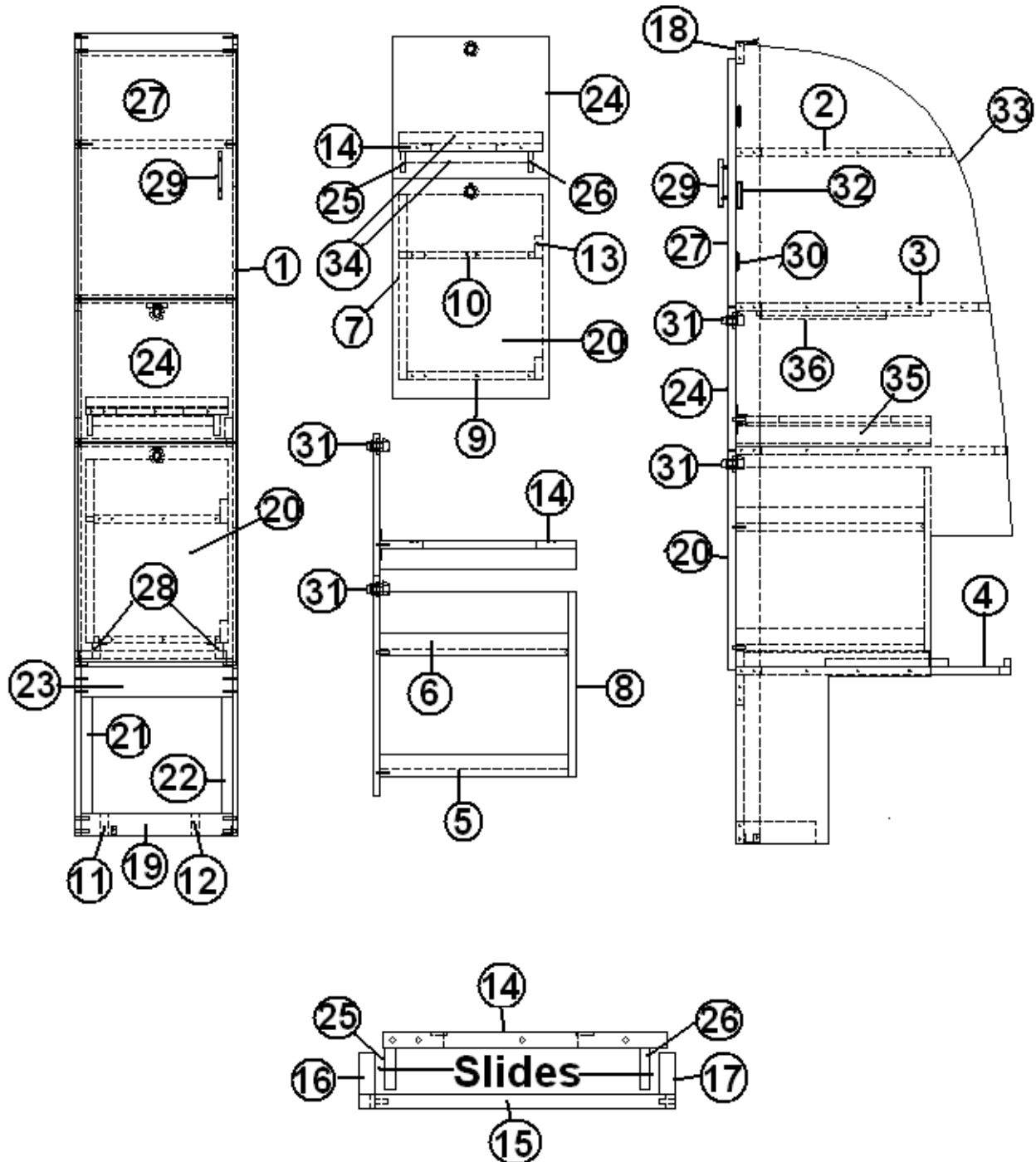
### Pantry, 27'

966886-09	Pantry assembly
1. 966886-091	Panel, pantry, 26.87 X 78.09
2. 966886-092	Panel, pantry, 21.75 X 15.38
3. 966886-093	Panel, pantry, 24.75 X 15.38
4. 966886-094	Panel, pantry, 26.75 X 15.38
5. 966886-095	Panel, pantry, 2.5 X 18.25
6. 966886-096	Panel, pantry, 2.5 X 18.25
7. 966886-097	Panel, pantry, 2.5 X 18.25
8. 966886-098	Panel, pantry, 2.5 X 18.25
9. 966886-099	Panel, pantry, 18.25 X 12.38
10. 966886-0910	Panel, pantry, 18.25 X 12.38
11. 966886-0911	Panel, pantry, 18.25 X 12.38
12. 966886-0912	Panel, pantry, 18.25 X 32.00
13. 966886-0913	Panel, pantry, 13.88 X 32.00
14. 966886-0914	Panel, pantry, 2.25 X 7.00
15. 966886-0915	Panel, pantry, 2.25 X 7.00
16. 966886-0916	Panel, pantry, 2.25 X 78.25
17. 966886-0917	Panel, pantry, 2.25 X 3.00
18. 966886-0918	Panel, pantry, 2.25 X 14.63
19. 966886-0919	Panel, pantry, 2.25 X 14.63
20. 966886-0920	Door, pantry, 15.25 X 35.31
21. 966886-0921	Panel, pantry, 1 X 11.31
22. 966886-0922	Panel, pantry, 1 X 11.31
23. 966886-0923	Panel, pantry, 2.91 X 14.63
24. 966886-0924	Door, pantry, 15.25 X 24.13
25. 381944-01	Slide, 18" per set
26. 382044	Handle, brushed nickel
27. 381607	Hinge, Grass Euro
28. 381408	Lock, push button style, black
29. 381228-01	Catch, grabber door
30. 203445	Molding, black, flexible, poly .5"

# 2011 FLYING CLOUD

## FURNITURE, GALLEY

Pantry, 27' Microwave Option



Part numbers on the next page.

# 2011 FLYING CLOUD

## FURNITURE, GALLEY

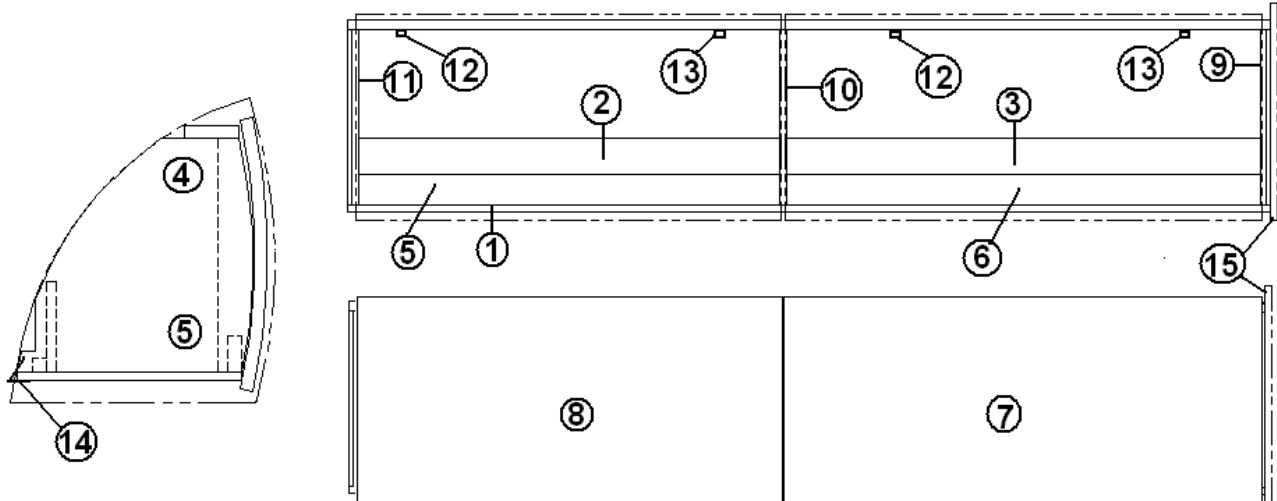
### Pantry, 27' Microwave Option

	966898-09	Cabinet, Pantry w/Microwave Option
1.	966898-091	Panel, pantry, 26.87 X 78.09
2.	966898-092	Panel, pantry, 21.75 X 15.38
3.	966898-093	Panel, pantry, 24.75 X 15.38
4.	966898-094	Panel, pantry, 26.75 X 15.38
5.	966898-095	Panel, pantry, 2.25 X 18.25
6.	966898-096	Panel, pantry, 2.25 X 18.25
7.	966898-097	Panel, pantry, 18 X 18.25
8.	966898-098	Panel, pantry, 18 X 13.88
9.	966898-099	Panel, pantry, 12.38 X 18.25
10.	966898-0910	Panel, pantry 12.38 X 18.25
11.	966898-0911	Panel, pantry, 2.25 X 7
12.	966898-0912	Panel, pantry, 2.25 X 7
13.	966898-0913	Panel, pantry, 2.25 X 78.25
14.	966898-0914	Panel, pantry, 19 X 13.88
15.	966898-0915	Panel, pantry, 26.31 X 15.38
16.	966898-0916	Panel, pantry, 2 X 19
17.	966898-0917	Panel, pantry, 2 X 19
18.	966898-0918	Panel, pantry, 14.63 X 2.25
19.	966898-0919	Panel, pantry, 14.63 X 2.25
20.	966898-0920	Door, pantry, 21.38 X 15.25
21.	966898-0921	Panel, pantry, 1 X 11.31
22.	966898-0922	Panel, pantry, 1 X 11.31
23.	966898-0923	Panel, pantry, 2.91 X 14.63
24.	966898-0924	Door, pantry, 13.81 X 15.25
25.	966898-0925	Panel, pantry, 2 X 19
26.	966898-0926	Panel, pantry, 2 X 19
27.	966898-0927	Door, pantry, 15.25 X 24.13
28.	381944-01	Slide ,18", per set
29.	382044	Handle, brushed nickel
30.	381607	Hinge, Grass Euro
31.	381408	Lock, push button style, black
32.	381228-01	Catch, grabber door
33.	203445	Molding, black, flexible, .5"
34.	114812	Aluminum angle, 1.00" X 1.00"
35.	381192	Slide, drawer, 18" (EACH=1 PAIR)
36.	966898-0942	Panel, pantry, 2 X 17

# 2011 FLYING CLOUD

## FURNITURE, GALLEY

### Roof Locker, Galley, 27'

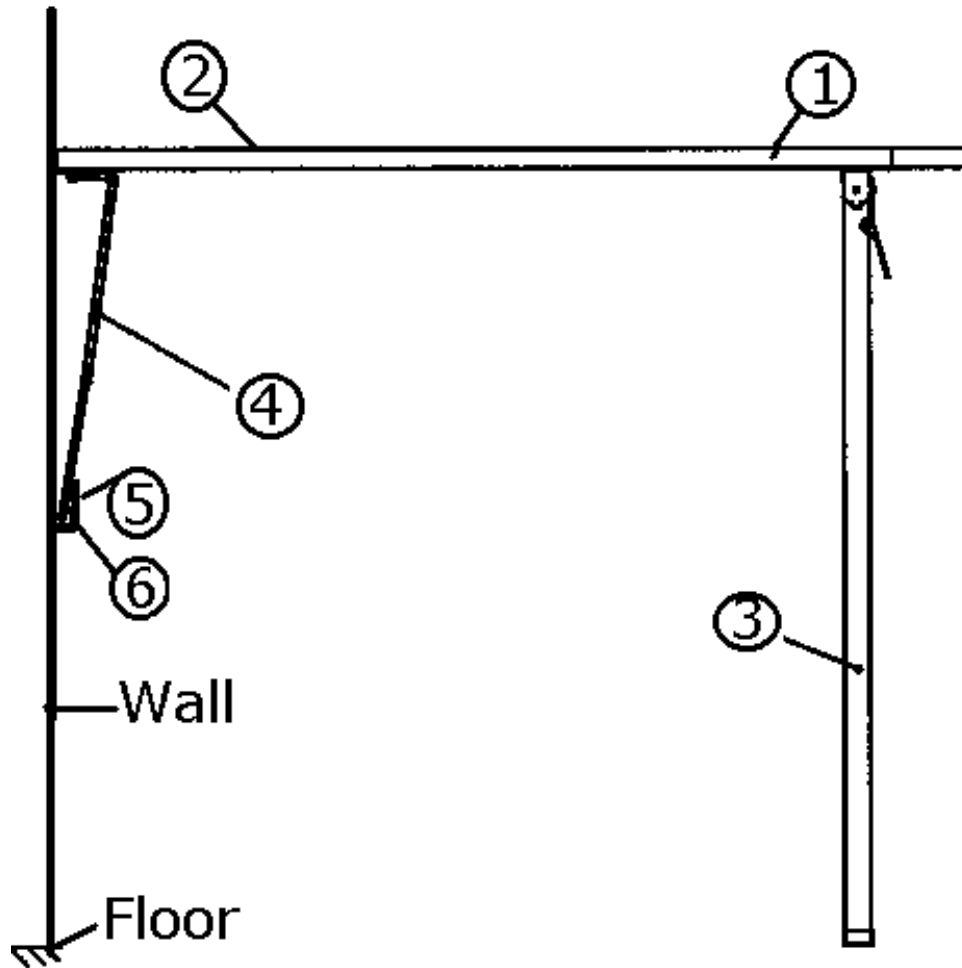


967276-09	Roof locker
1. 967276-091	Panel, galley roof locker, 12.5 X 68.5
2. 967276-092	Panel, galley roof locker, 5 X 31.29
3. 967276-093	Panel, galley roof locker, 5 X 35.16
4. 967276-094	Panel, galley roof locker, 3 X 68.50
5. 967276-095	Panel, galley roof locker, 2.25 X 31.29
6. 967276-096	Panel, galley roof locker, 2.25 X 35.16
7. 801786-0114	Door, plyform, 35.5 X 15.25
8. 801786-0214	Door, plyform, 15.25 X 31.63
9. 967274-01	Divider, RH roof locker, 12.53 X 13.00
10. 967274-03	Divider, LH, roof locker, 12.53 X 13.00
11. 967274-02	Divider, LH roof locker, 12.53 X 13.00
12. 381840-01	Hinge, overhead spring, LH
13. 381840-02	Hinge, overhead spring, RH
14. 115085	Angle, aluminum, roof locker
15. 967275-01	Cap assembly, end 14.76 X 17.07
381902	Hook, SS, screw in

# 2011 FLYING CLOUD

## FURNITURE, GALLEY

Dinette Table, 28' W, 30'



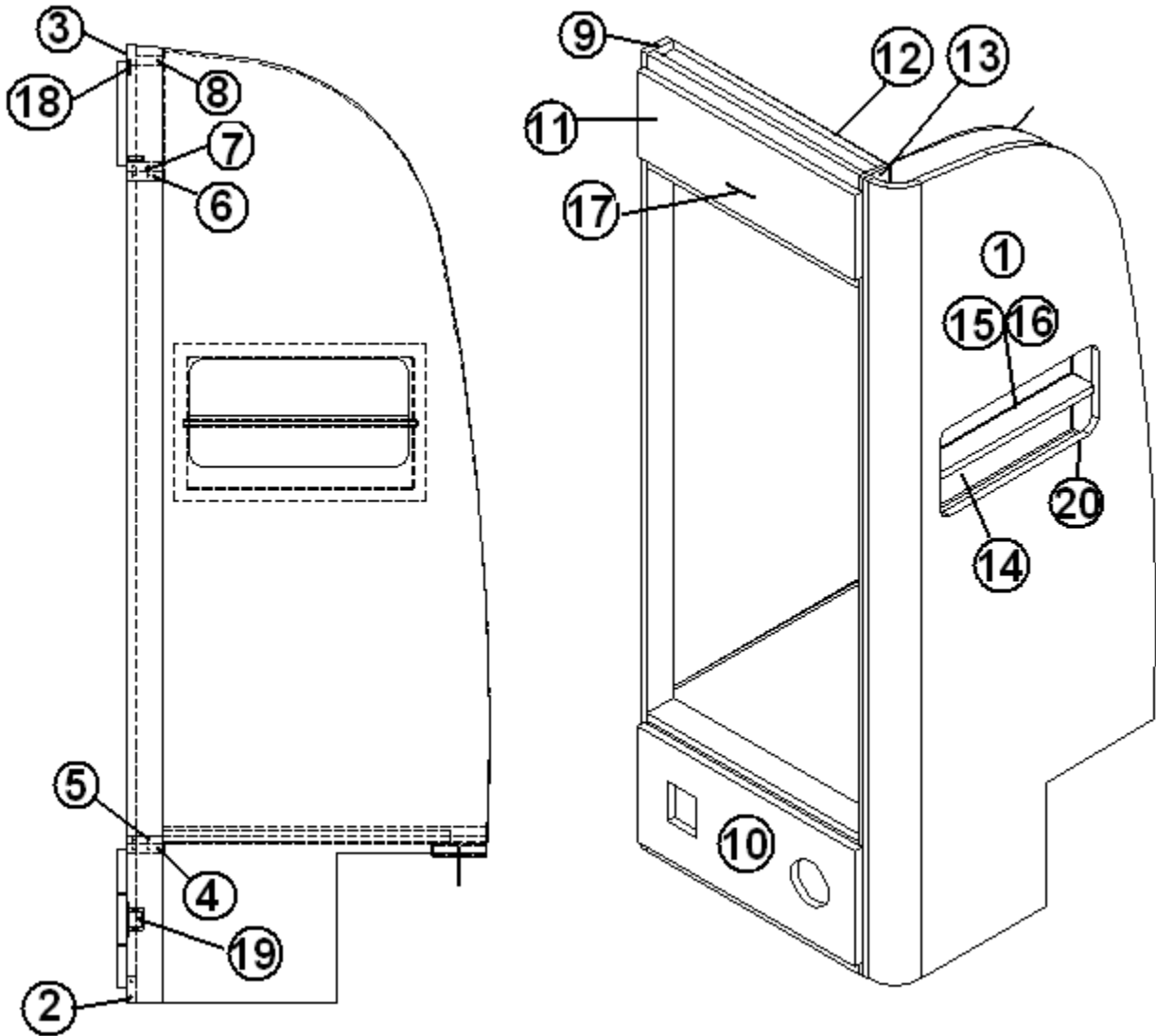
967398-09	Dinette table
967398-10	Dinette table, Midnight Sun option
1. 967398-091	Dinette table top
1. 967398-101	Dinette table top, Midnight Sun option
2. 365329-01	Edgebanding, Luna Frost
2. 365311-01	Edgebanding, Lab. Granite
3. 381881-04	Leg, folding table, 30.5" #FL3400
4. 380284-03	Table hinge bracket
5. 380284-02	Center hinge
6. 340018	Catch plate



# 2011 FLYING CLOUD

## FURNITURE, GALLEY

Refrigerator Cabinet, 28' W



Part numbers on the next page.

# 2011 FLYING CLOUD

## FURNITURE, GALLEY

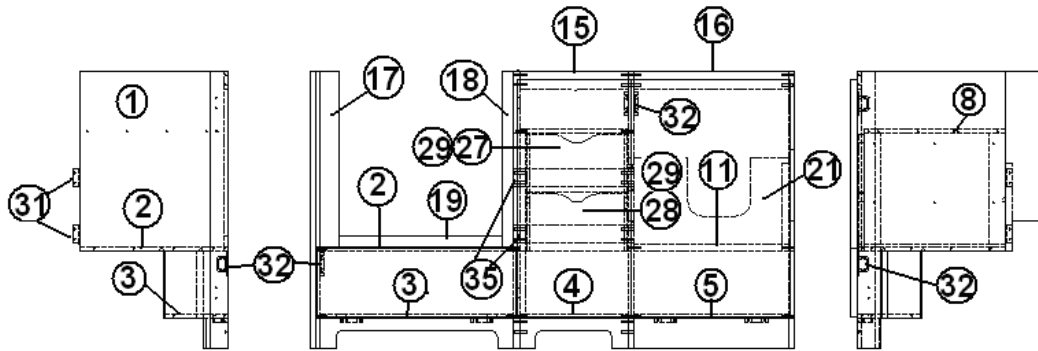
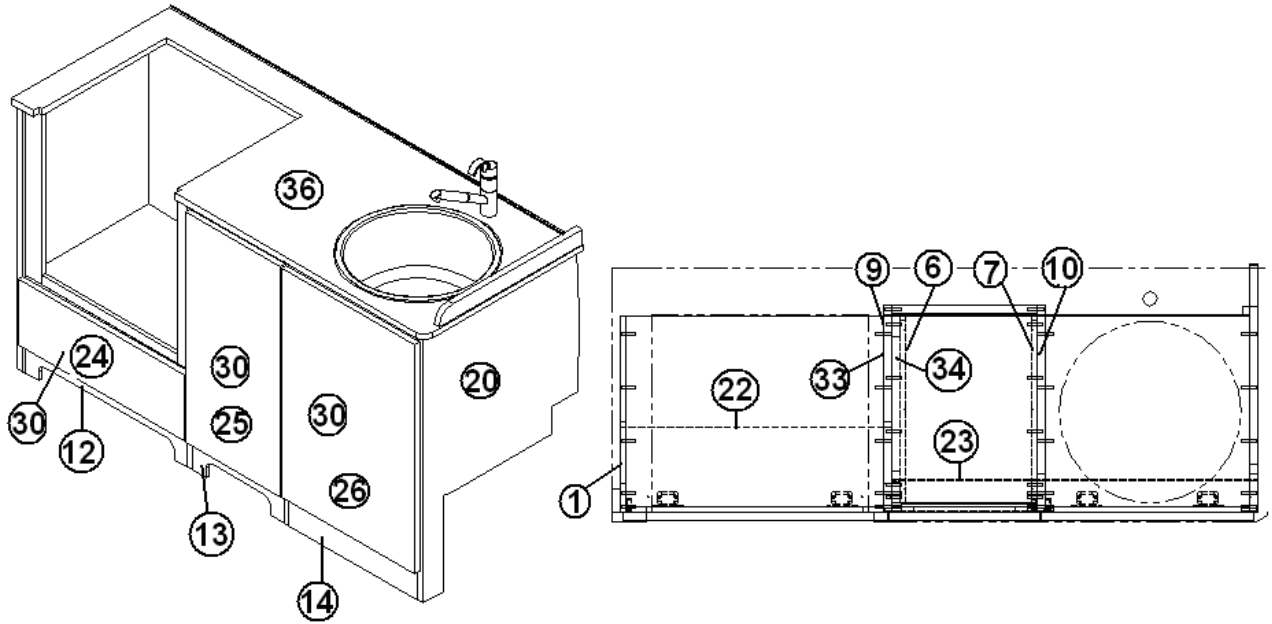
### Refrigerator Cabinet, 28' W

966992-09	Cabinet, Refrigerator
1. 966993-09	Panel, assembly, refrigerator
2. 966992-092	Panel, refrigerator, 2.25 X 24.06
3. 966992-093	Panel, refrigerator, 1.75 X 24.06
4. 966992-094	Panel, refrigerator, 3 X 24.06
5. 966992-095	Panel, refrigerator, 3 X 24.06
6. 966992-096	Panel, refrigerator, 3 X 24.06
7. 966992-097	Panel, refrigerator, 3 X 24.06
8. 966992-098	Panel, refrigerator, 2.25 X 24.06
9. 966992-099	Panel, refrigerator, 3 X 78.62
10. 966992-0910	Panel, refrigerator, 24.69 X 11.38
11. 966992-0911	Door, refrigerator, 24.69 X 8.5
12. 966992-0912	Panel, refrigerator, 10.86 X 25.31
13. 966992-0913	Panel, refrigerator, 3 X 78.62
14. 203384	Rack, spice
15. 203385	Trim, "F", self edging, clear
16. 203476	Shelf, refrigerator
17. 382044	Handle, brushed nickel
18. 381607	Hinge, Grass Euro
19. 381228-01	Catch, grabber door
20. 203440	T Molding, black, embossed, .8125
966808	Stand assembly, refer

# 2011 FLYING CLOUD

## FURNITURE, GALLEY

Galley, 28' W, Full Oven



Part Numbers on next page

# 2011 FLYING CLOUD

## FURNITURE, GALLEY

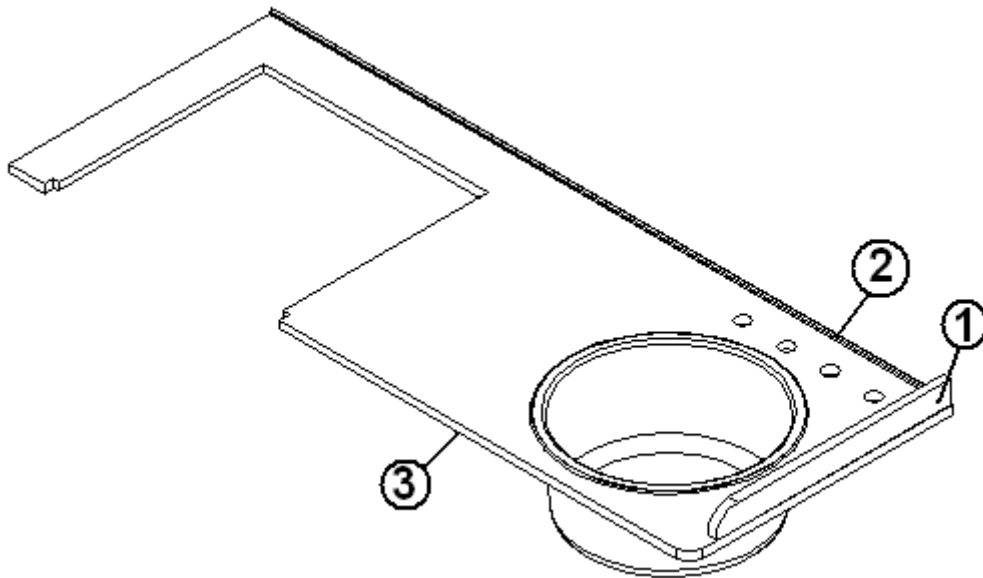
### Galley, 28' W, Full Oven

966983-09	Galley assembly
1. 966983-091	Panel, galley, 18.63 X 35.00
2. 966983-092	Panel, galley, 18.63 X 24.50
3. 966983-093	Panel, galley, 8 X 24.50
4. 966983-094	Panel, galley, 3 X 13.75
5. 966983-095	Panel, galley, 3 X 19.50
6. 966983-096	Panel, galley, 17.75 X 14.84
7. 966983-097	Panel, galley, 17.75 X 14.84
8. 966983-098	Panel, galley, 17.75 X 13.75
9. 966983-099	Panel, galley, 19.63 X 35.00
10. 966983-0910	Panel, galley, 19.63 X 35.00
11. 966983-0911	Panel, galley, 18.63 X 19.5
12. 966983-0912	Panel, galley, 3.75 X 24.5
13. 966983-0913	Panel, galley, 3.75 X 13.75
14. 966983-0914	Panel, galley, 3.75 X 19.50
15. 966983-0915	Panel, galley, 2.25 X 19.50
16. 966983-0916	Panel, galley, 2.25 X 19.50
17. 966983-0917	Panel, galley, 2.5 X 22.19
18. 966983-0918	Panel, galley, 1.5 X 22.19
19. 966983-0919	Panel, galley, 1.25 X 20.5
20. 966983-0920	Panel, galley, 23.51 X 35.00
21. 966983-0921	Panel, galley, 20.25 X 11.75
22. 966983-0922	Panel, galley, 8.56 X 25.75
23. 966983-0923	Panel, galley, 8.56 X 34.75
24. 966983-0924	Door, galley, 25.12 X 8.69
25. 966983-0925	Door, galley, 14.38 X 30.00
26. 966983-0926	Door, galley, 20.13 X 30.00
27. 966983-0927	Panel, galley, 12.63 X 7.17
28. 966983-0928	Panel, galley, 12.63 X 7.17
29. 965955-02	Drawer box assembly
30. 382044	Handle, brushed nickel
31. 381607	Hinge, Grass Euro
32. 381228-01	Catch, grabber door
33. 966983-0942	Panel, galley, 2 X 14.84
34. 966983-0943	Panel, galley, 2 X 14.84
35. 381773-16	Drawer slide, 5.88" X 17.38"
36. 967393-09	Top assembly, galley
967393-10	Top assembly, galley, Midnight Sun option

# 2011 FLYING CLOUD

## FURNITURE, GALLEY

Galley Top, 28'W, Full Oven

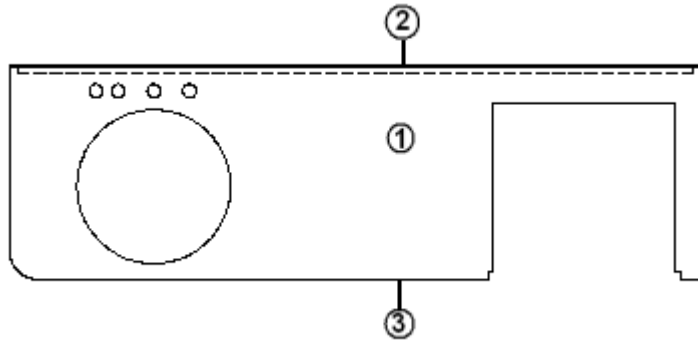


- |              |   |
|--------------|---|
| 967393-09    | Top assembly, galley                      |
| 967393-10    | Top assembly, galley, Midnight Sun option |
| 1. 967007-09 | Backsplash, galley                        |
| 967007-10    | Backsplash, galley, Midnight Sun Option   |
| 2. 114812    | Aluminum angle, 1.00 X 1.00               |
| 3. 115064    | Trim, aluminum, counter top               |

# 2011 FLYING CLOUD

## FURNITURE, GALLEY

Galley Top, 30'

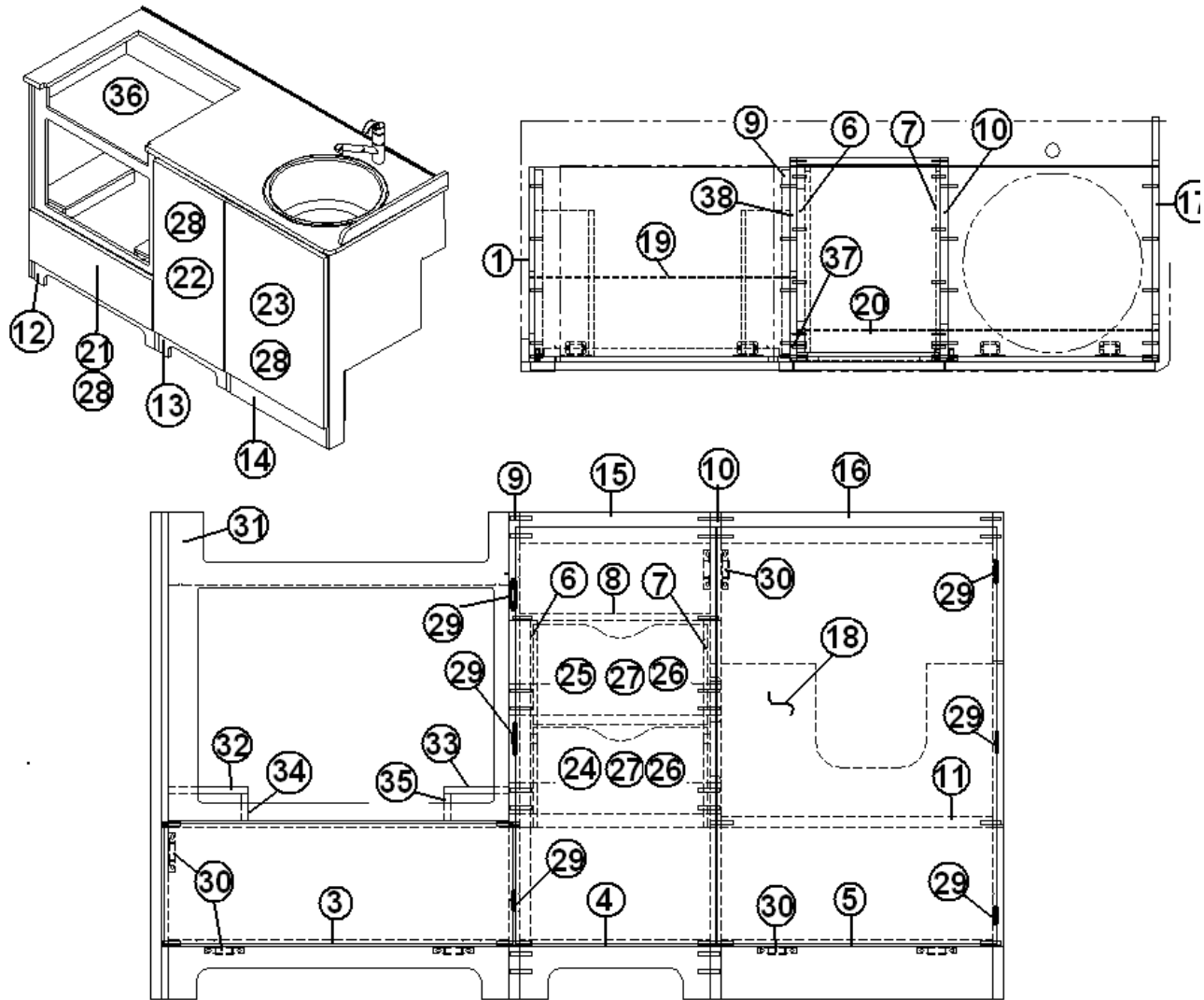


- |              |                               |
|--------------|-------------------------------|
| 1. 967511-09 | TOP ASSY-GALLEY               |
| 1. 967511-10 | TOP ASSY-GALLEY, MIDNIGHT SUN |
| 2. 114812    | ALUM. ANGLE 1.00 X 1.00       |
| 115064       | TRIM-ALUM COUNTER TOP         |

# 2011 FLYING CLOUD

## FURNITURE, GALLEY

Galley, 28' W, Microwave, Convection Oven



Part Numbers on next page

# 2011 FLYING CLOUD

## FURNITURE, GALLEY

### Galley, 28'W, Microwave, Convection Oven

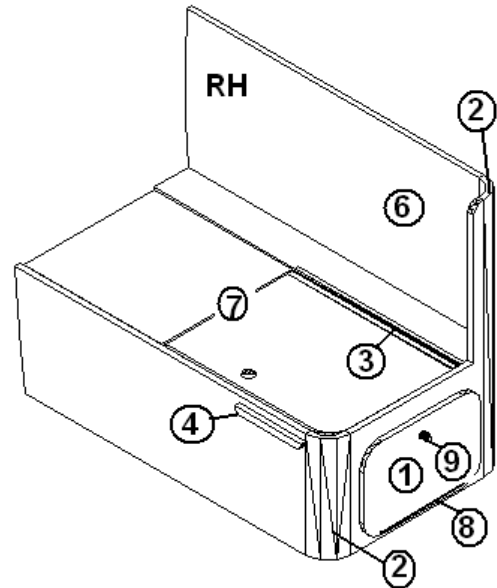
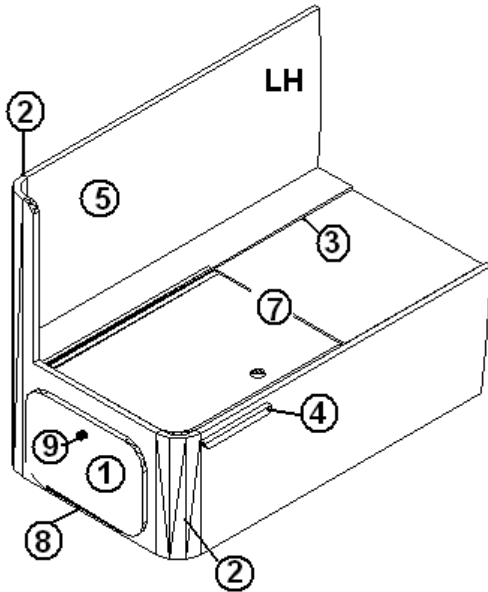
966984-09	Cabinet, galley w/microwave
1. 966984-091	Panel, galley w/microwave, 18.63 X 35
2. 966984-092	Panel, galley w/microwave, 18.63 X 24.5
3. 966984-093	Panel, galley w/microwave, 8 X 24.5
4. 966984-094	Panel, galley w/microwave, 3 X 13.75
5. 966984-095	Panel, galley w/microwave, 3 X 19.5
6. 966984-096	Panel, galley w/microwave, 17.75 X 14.84
7. 966984-097	Panel, galley w/microwave, 17.75 X 14.84
8. 966984-098	Panel, galley w/microwave, 17.75 X 13.75
9. 966984-099	Panel, galley w/microwave, 19.63 X 35
10. 966984-0910	Panel, galley w/microwave, 19.63 X 35
11. 966984-0911	Panel, galley w/microwave, 18.63 X 19.5
12. 966984-0912	Panel, galley w/microwave, 3.75 X 24.5
13. 966984-0913	Panel, galley w/microwave, 3.75 X 13.75
14. 966984-0914	Panel, galley w/microwave, 3.75 X 19.5
15. 966984-0915	Panel, galley w/microwave, 2.25 X 13.75
16. 966984-0916	Panel, galley w/microwave, 2.25 X 19.5
17. 966984-0920	Panel, galley w/microwave, 23.52 X 35
18. 966984-0921	Panel, galley w/microwave, 21 X 11.75
19. 966984-0922	Panel, galley w/microwave, 8.56 X 25.75
20. 966984-0923	Panel, galley w/microwave, 8.56 X 34.75
21. 966984-0924	Door, galley w/microwave, 25.12 X 8.69
22. 966984-0925	Door, galley w/microwave, 14.38 X 30
23. 966984-0926	Door, galley w/microwave, 20.13 X 30
24. 966984-0927	Panel, galley w/microwave, 12.63 X 7.17
25. 966984-0928	Panel, galley w/microwave, 12.63 X 7.17
26. 965955-02	Drawer box assembly
27. 381773-16	Drawer slide, 5.88" X 17.38"
28. 382044	Handle, brushed nickel
29. 381607	Hinge assembly
30. 381228-01	Catch, grabber door
31. 966984-0942	Panel, galley w/microwave, 24.5 X 22.19
32. 966984-0943	Panel, galley w/microwave, 5.69 X 14
33. 966984-0944	Panel, galley w/microwave, 4.69 X 14
34. 966984-0945	Panel, galley w/microwave, 1.94 X 14
35. 966984-0946	Panel, galley w/microwave, 1.94 X 14
36. 966984-0947	Panel, galley w/microwave, 18.12 X 24.5
37. 966984-0948	Panel, galley w/microwave, 2 X 18.84
38. 966984-0949	Panel, galley w/microwave, 2 X 18.84



# 2011 FLYING CLOUD

## FURNITURE, GALLEY

### Dinette Seats, 28' W Without Toe Kick



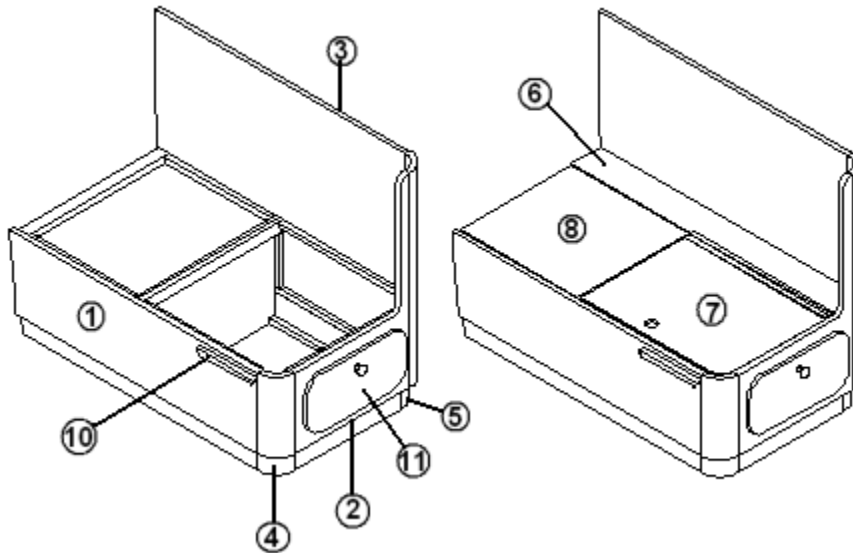
- |                |                                |
|----------------|--------------------------------|
| 965894         | RH Dinette Seat                |
| 965895         | LH Dinette Seat                |
| 1. 966137      | Door, dinette                  |
| 2. 801345      | Radius plywood, .75" x 3" x 8' |
| 3. 380458      | Hinge, piano, brown            |
| 4. 800470-0014 | Stop, hardwood, 3/4" dinette   |
| 5. 703309-01   | Foam, left side back           |
| 6. 703309-02   | Foam, right side back          |
| 7. 703309-03   | Foam, seat bottom              |
| 8. 380458      | Hinge, piano, brown            |
| 9. 381796      | Knob, Hollow                   |
| 700414         | Foam, 3/8" x 4' x 8'           |
| 381228-01      | Catch, grabber door            |

\*Used on units built prior to 1/27/2011.

# 2011 FLYING CLOUD

## FURNITURE, GALLEY

### Dinette Seats, 28' W, Right Hand



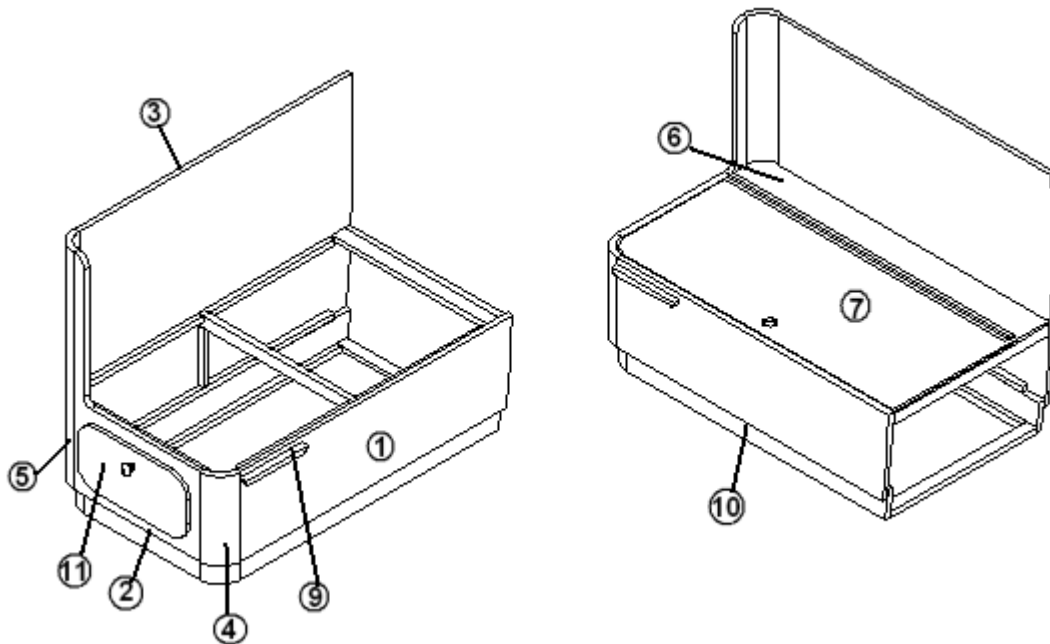
967670	SEAT ASSY, DINETTE, CLOTH
967670-01	SEAT ASSY, DINETTE, ULTRALEATHER
1. 801351	LITE PLY-18MM (.75") 39.50" X 11.25"
2. 801351	LITE PLY-18MM (.75") 18.25" X 29.75"
3. 801351	LITE PLY-18MM (.75") 39.89" X 29.75"
4. 801345	RADIUS PLY, 10.25"
5. 801345	RADIUS PLY, 29.75"
6. 800507-03	PANEL, 41.75" X 4.75"
7. 800507-03	PANEL, 22.5" X 17.25"
8. 800507-03	PANEL, 18.75" X 17.63"
9. 380458	HINGE-PIANO COPPER METALLIC (Not Shown)
10.800470-0014	STOP-HARDWOOD
11.090375-C	DINETTE SEAT BACK AND ACCENT FABRIC
11. 703937	DINETTE SEAT, NAPA BUTTERCREAM (ULTRALEATHER)
967675-02	COVER-RH DINETTE BACK INNER FABRIC
967662-02	COVER-RH DINETTE BACK INNER ULTRALEATHER
967668	TOEKICK, RH DINETTE SEAT
967661	DOOR ASSY-DINETTE SEAT RH/LH
967661-01	DOOR ASSY-DINETTE SEAT RH/LH ULTRALEATHER
381796	KNOB HOLLOW 1.25"DIA BP1950H G
381228-01	CATCH GRABBER DOOR C3-803
703917	KIT, DINETTE CUSHION, ULTRALEATHER
703309-01	Foam, left side back, Fabric
703309-02	Foam, right side back, Fabric
703309-03	Foam, seat bottom, Fabric

\*Used on units built on 1/27/2011 and forward.

# 2011 FLYING CLOUD

## FURNITURE, GALLEY

### Dinette Seats W/Toe Kick, 28' W, Left Hand



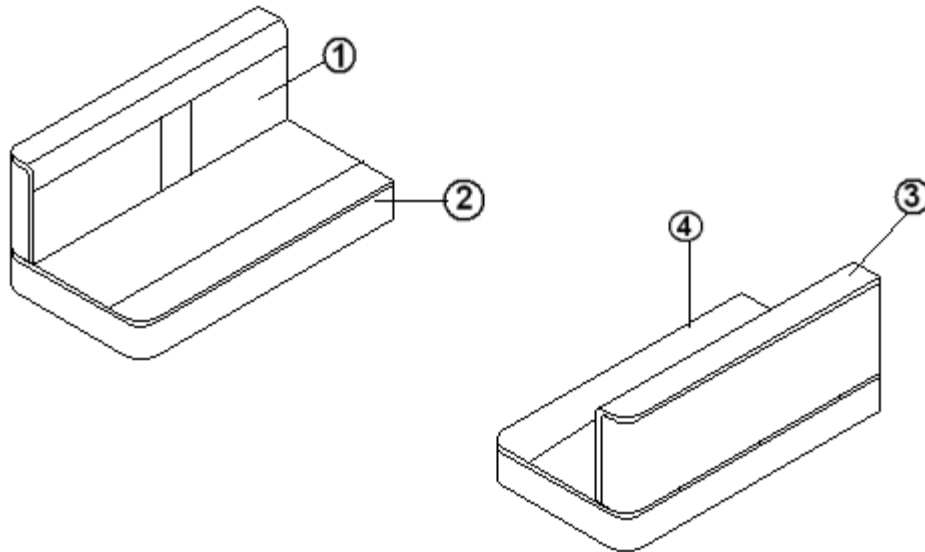
967669	SEAT ASSY-LH DIN FABRIC 28 FC
967669-01	SEAT ASSY-LH DINETTE ULTRALEATHER
1. 801351	LITE PLY-18MM 39.50" X 11.25"
2. 801351	LITE PLY-18MM 18.25" X 29.75"
3. 801351	LITE PLY-18MM 39.89" X 29.75"
4. 801345	RADIUS PLYWOOD 10.25"
5. 801345	RADIUS PLYWOOD 29.75"
6. 800507-03	LAUAN, 41.75" X 4.75"
7. 800507-03	LAUAN, 41.25" X 17.25"
8. 380458	HINGE-PIANO COPPER METALLIC (Not shown)
9. 800470-0014	STOP-HARDWOOD
10. 967667	TOEKICK ASSY-LH DIN SEAT 28 FC
11. 967661	DOOR ASSY-DINETTE SEAT RH/LH CLOTH
11.967661-01	DOOR ASSY., DINETTE SEAT RH/LH ULTRALEATHER
381796	KNOB HOLLOW 1.25"DIA BP1950H G
381228-01	CATCH GRABBER DOOR C3-803
967675-01	COVER-LH DINETTE BACK INNER FABRIC
967662-01	COVER-LH DINETTE BACK INNER, ULTRALEATHER

\*Used on units built 1/27/2011 and forward.

# 2011 FLYING CLOUD

FURNITURE, GALLEY

KIT, DINETTE CUSHIONS, ULTRA LEATHER, 28', 30'



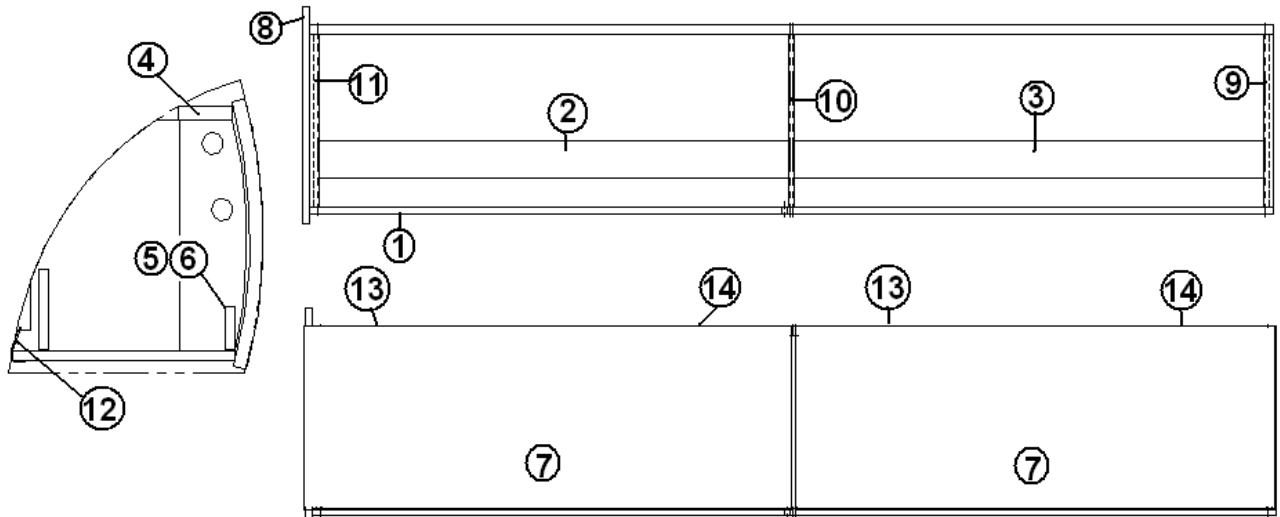
703917 KIT, DINETTE CUSHIONS, ULTRA LEATHER, BRISA  
GOLDEN

- 1. 703917-01 BACKREST
- 2. 703917-02 SEAT CUSHION
- 3. 703917-03 BACKREST
- 4. 703917-04 SEAT CUSHION

# 2011 FLYING CLOUD

## FURNITURE, GALLEY

### Roof Locker, Dinette, 28' W

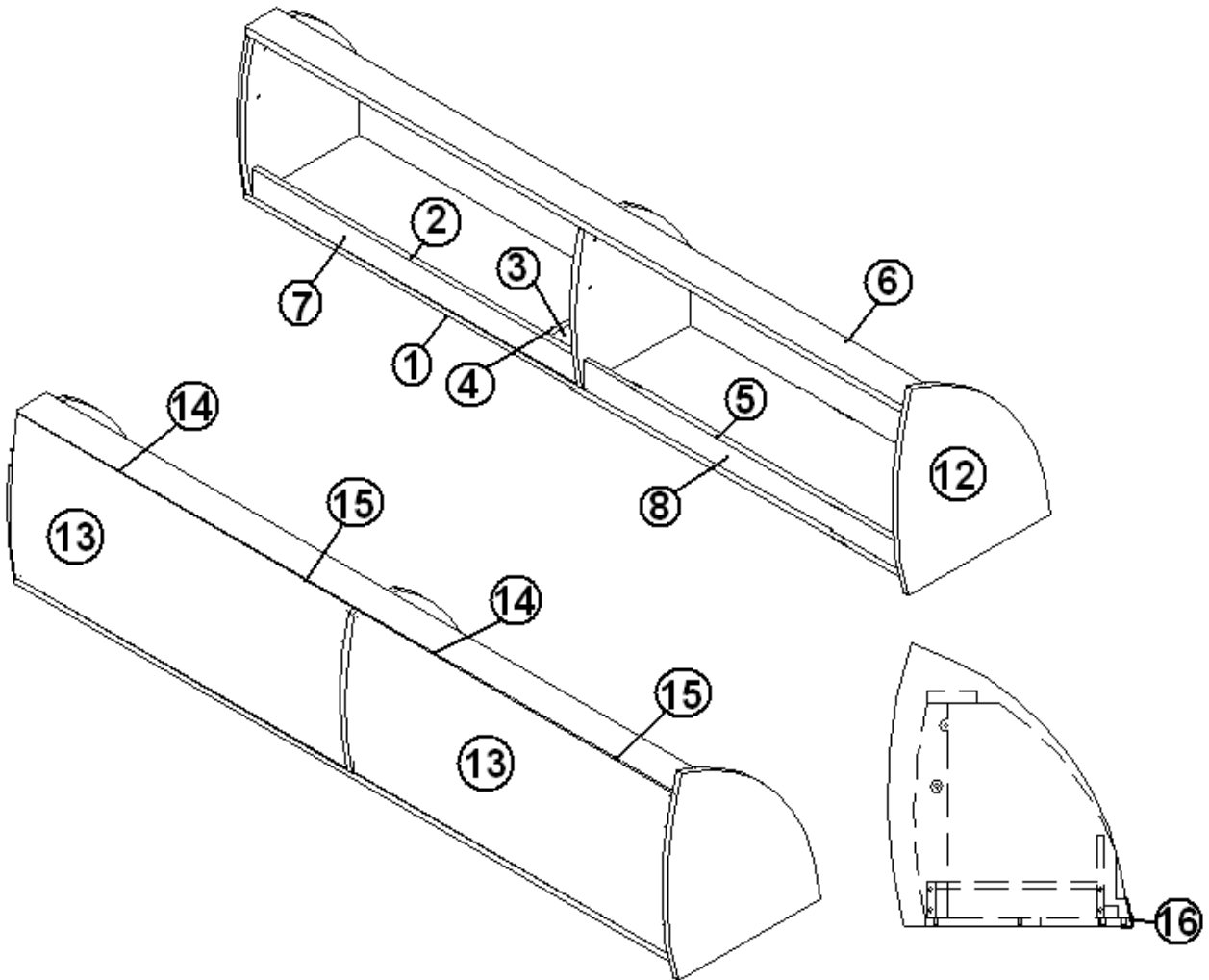


967395-09	Roof locker, dinette
1. 967395-091	Panel, roof locker 12.5 X 72.25
2. 967395-092	Panel, roof locker 5 X 35.16.00
3. 967395-093	Panel, roof locker 5 X 35.16.00
4. 967395-094	Panel, roof locker 3 X 72.25
5. 967395-095	Panel, roof locker 2.25 X 35.16.00
6. 967395-096	Panel, roof locker 2.25 X 35.16.00
7. 801786-0114	Door, plyform 35.5 X 15.25 Alchemy
8. 967275	Cap assembly, end, 14.76 X 17.07
9. 967274-09	Divider, RH roof locker, 12.53 X 13.00
10. 967274-02	Divider, LH, roof locker, 12.53 X 13.00
11. 967274-03	Divider, LH, roof locker, 12.53 X 13.00
12. 115085-01	Aluminum angle, roof locker
13. 381840-01	Hinge, overhead spring, LH
14. 381840-02	Hinge, overhead spring RH

# 2011 FLYING CLOUD

## FURNITURE, GALLEY

Roof Locker, Galley 28' W



Part Numbers on next page

## 2011 FLYING CLOUD

### FURNITURE, GALLEY

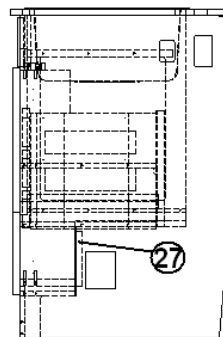
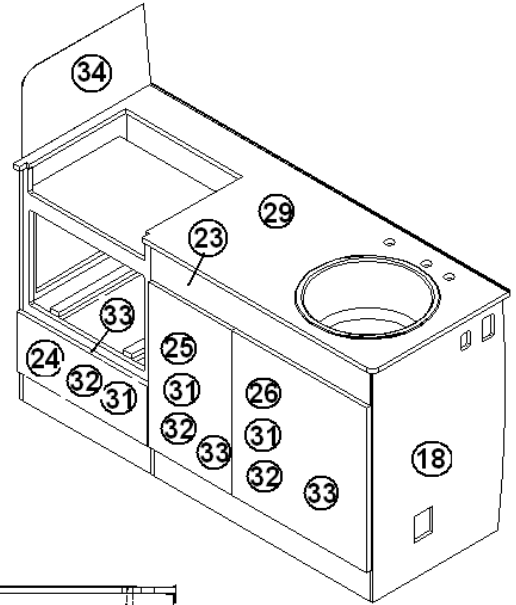
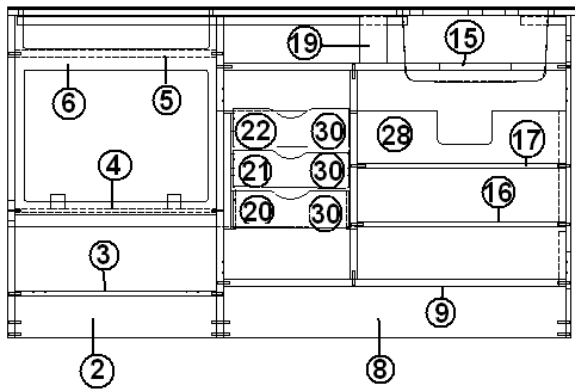
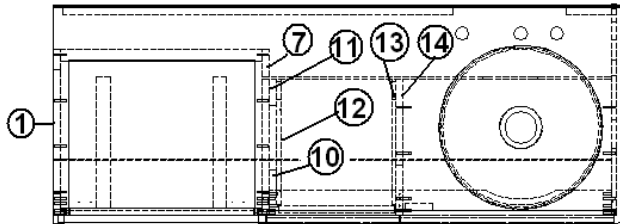
#### Roof Locker, Galley 28' W

967397-09	Roof locker assembly, galley
1. 967397-091	Panel, galley roof locker, 12.5 X 64.5
2. 967397-092	Panel, galley roof locker, 5 X 31.22
3. 967397-093	Panel, galley roof locker, 3 X 9.75
4. 967397-094	Panel, galley roof locker, 2.25 X 9.75
5. 967397-095	Panel, galley roof locker, 5 X 31.22
6. 967397-096	Panel, galley roof locker, 3 X 64.5
7. 967397-097	Panel, galley roof locker, 2.25 X 31.22
8. 967397-098	Panel, galley roof locker, 2.25 X 31.22
9. 967274-01	Divider, RH, roof locker 12.53 X 13.00
10. 967274-02	Divider, LH, roof locker 12.53 X 13.00
11. 967274-03	Divider, LH, roof locker 12.53 X 13.00
12. 967275-02	Cap assembly, end 14.76 X 17.07
13. 801786-0214	Door, plyform 15.25 X 31.63 Alchemy
14. 381840-01	Hinge, overhead spring LH #372.
15. 381840-02	Hinge, overhead spring RH #372.
16. 115085	Angle aluminum, roof locker

# 2011 FLYING CLOUD

## FURNITURE, GALLEY

Galley, KOA



Part Numbers on next page



## 2011 FLYING CLOUD

### FURNITURE, GALLEY

Galley, KOA

967453

1. 967453-1
2. 967453-2
3. 967453-3
4. 967453-4
5. 967453-5
6. 967453-6
7. 967453-7
8. 967453-8
9. 967453-9
10. 967453-10
11. 967453-11
12. 967453-12
13. 967453-13
14. 967453-14
15. 967453-15
16. 967453-16
17. 967453-17
18. 967453-18
19. 967453-19
20. 967453-20
21. 967453-21
22. 967453-22
23. 967453-23
24. 967453-24
25. 967453-25
26. 967453-26
27. 967453-31
28. 967453-32
29. 967454
30. 965584-01
31. 381607
32. 382044
33. 381228-01
34. 115271-01
- 381773-02

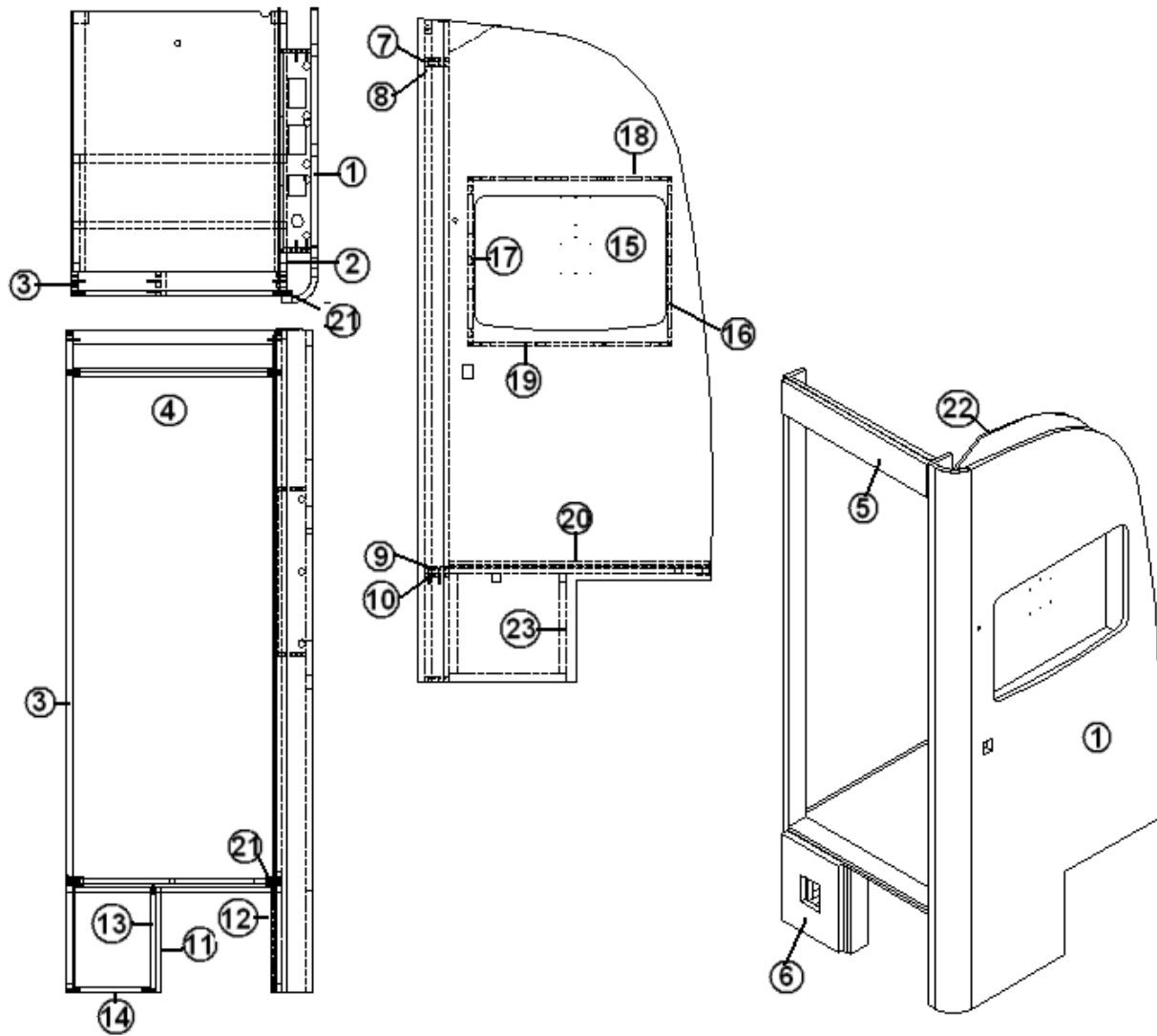
Galley, KOA

- Panel, galley, 35.5 X 18.25
- Panel, galley, 4.63 X 22.25
- Panel, galley, 6 X 22.25
- Panel, galley, 17.5 X 22.25
- Panel, galley, 16.13 X 22.25
- Panel, galley, 22.25 X 21.94
- Panel, galley, 18.25 X 35.50
- Panel, galley, 5.75 X 37.75
- Panel, galley, 6 X 37.75
- Panel, galley, 3 X 12.75
- Panel, galley, 3 X 12.75
- Panel, galley, 13.87 X 12.75
- Panel, galley, 13.87 X 12.75
- Panel, galley, 15.00 X 23.00
- Panel, galley, 2.25 X 37.73
- Panel, galley, 15 X 23.00
- Panel, galley, 15 X 23.00
- Panel, galley, 23.2 X 35.50
- Panel, galley, 5.25 X 3.00
- Panel, galley, 12.75 X 4.13
- Panel, galley, 12.75 X 4.13
- Panel, galley, 12.75 X 4.13
- Panel, galley, 38.38 X 5.38
- Door, galley, 22.88 X 9.06
- Door, galley, 14.63 X 25.00
- Door, galley, 23.63 X 25.00
- Panel, galley, 7.63 x 61.50
- Panel, galley, 12.75 x 38.50
- Top, galley, KOA
- Drawer box, 3.38" X 13.75" X 11.00
- Hinge assembly
- Handle, brushed nickel
- Catch, grabber door
- Galley, side backsplash, aluminum
- Slide, drawer 3-3/8H X 13-3/4L

# 2011 FLYING CLOUD

## FURNITURE, GALLEY

### REFRIGERATOR CABINET ASSEMBLY - 30'



PARTS LISTED ON NEXT PAGE

# 2011 FLYING CLOUD

## FURNITURE, GALLEY

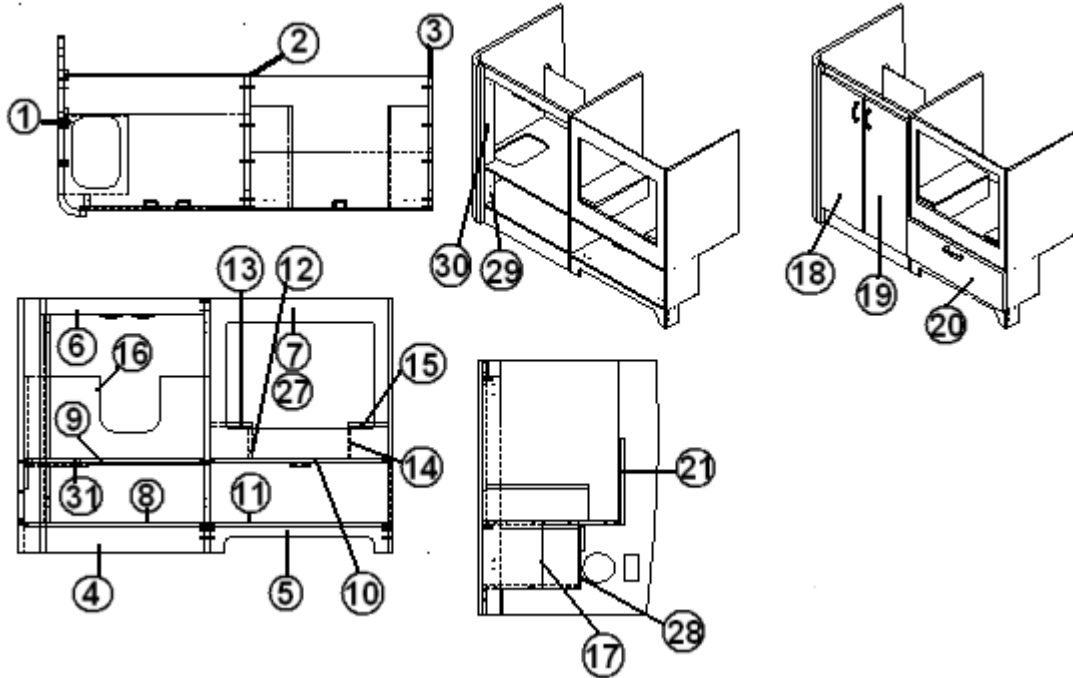
### REFRIGERATOR CABINET ASSEMBLY – 30'

967520-09	CABINET ASSY, REFRIGERATOR
1. 967523-09	SUB ASSY-REFER PNL
2. 967520-2	PANEL 3X79.12
3. 967520-3	PANEL 3X79.12
4. 967520-094	PANEL 24.06X1.75
5. 967520-095	PANEL 24.5X4.75
6. 967520-096	PANEL 10.06X12.63
7. 967520-7	PANEL 3X24.06
8. 967520-8	PANEL 3X24.06
9. 967520-9	PANEL 3X24.06
10. 967520-10	PANEL 3X24.06
11. 967520-11	PANEL 3X12.5
12. 967520-12	PANEL 3X12.5
13. 967520-13	PANEL 3X12.5
14. 967520-14	PANEL 3X9.44
15. 967520-0915	PANEL 24.25X20.25
16. 967520-0916	PANEL 3.25X20.25
17. 967520-0917	PANEL 3.25X20.25
18. 967520-0918	PANEL 3.25X23.25
19. 967520-0919	PANEL 3.25X23.25
20. 800507-04	LAUAN 1/2" 25.44 X 31.00
21. 800025-01	PINE 3/4" X 3/4" STAINED
22. 800507-02	LAUAN, 1/4" 33.75 X 64.57
23. 967519	STAND-REFER
24. 365343-01	EDGE BANDING- .63" GOLD ALCHEMY
25. 365343-02	EDGE BANDING- .94" GOLD ALCHEMY
26. 454736	REFER BAFFLE

# 2011 FLYING CLOUD

## FURNITURE, GALLEY

### GALLEY ASSEMBLY - FORWARD SECTION, 30'



PARTS LISTED ON NEXT PAGE

# 2011 FLYING CLOUD

## FURNITURE, GALLEY

### GALLEY ASSEMBLY – FORWARD SECTION, 30'

967507-09	GALLEY ASSY-FWD SECTION – STANDARD OVEN
967508-09	GALLEY ASSY-FWD SECTION – CONV.M/W OPTION
1. 967515-09	FORWARD GALLEY PANEL
2. 967507-092	PANEL 18.63 X 35
3. 967507-093	PANEL 18.63 X 35
4. 967507-094	PANEL 3.75 X 22.63
5. 967507-095	PANEL 3.75 X 24.5
6. 967507-096	PANEL 2.25 X 22.63
7. *967508-097	PANEL 24.5 X 22.19 (CONVECTION M/W OPTION)
8. 8967507-098	PANEL 13.17 X 24.88
9. 967507-099	PANEL 18.63 X 24.88
10. 967507-0910	PANEL 18.63 X 24.5
11. 967507-0911	PANEL 8 X 24.5
12. 967507-0912	PANEL 4.44 X 14
13. 967507-0913	PANEL 5.69 X 14
14. 967507-0914	PANEL 4.44 X 14
15. 967507-0915	PANEL 5.69 X 14
16. 967507-0916	PANEL 25.63 X 11.75
17. 967507-0917	PANEL 24.75 X 8.56
18. 967507-0918	GALLEY DOOR 10.88 X 30
19. 967507-0919	GALLEY DOOR 10.88 X 30
20. 967507-0920	GALLEY DOOR 25.13 X 8.69
21. 800025-01	PINE 3/4" X 3/4"
22. 381228-01	GRABBER DOOR CATCH (NOT SHOWN)
23. 382044	HANDLE, BRUSHED NICKEL
24. 382029-05	HANDLE-BAR 21.33"
25. 381607	HINGE ASSY-GRASS EURO-SAFARI
26. 365343-01	EDGEBANDING- .63" GOLD ALCHEMY
27. 365341-02	EDGEBANDING- .94" GOLD ALCHEMY
28. 967508-0927	PANEL 24.5 X 22.19 (CONVECTION M/W OPTION)
29. 967507-0928	PANEL 25.63 X 8.31
30. 967507-0929	PANEL 2.25 X 8.06
31. 967507-0930	PANEL 2.25 X 19.94
32. 967507-0931	PANEL 10.88 X 9
966910-09	GALLEY FLIP SHELF
381614	BRACKET FOR FLIP SHELF
381708	WASTE BASKET 11.38" X 8.25" X 12"

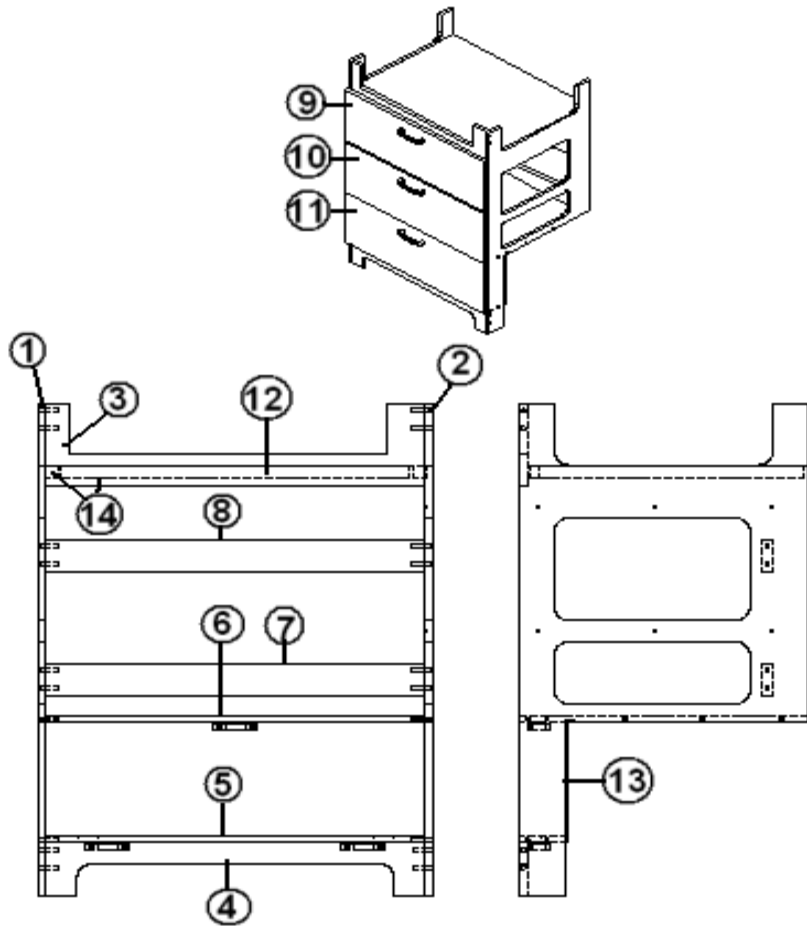
\*ITEM NUMBER 7 - 967508-097 AND LINE #27 - 967508-0927 ARE ADDED TO THE CONVECTION MICROWAVE CABINET ONLY.

# 2011 FLYING CLOUD

## FURNITURE, GALLEY

Galley Assembly, Aft w/Drawers, 30'

967510-09 Galley Assy., Aft w/Drawers



Parts Listed On Next Page

## 2011 FLYING CLOUD

### FURNITURE, GALLEY

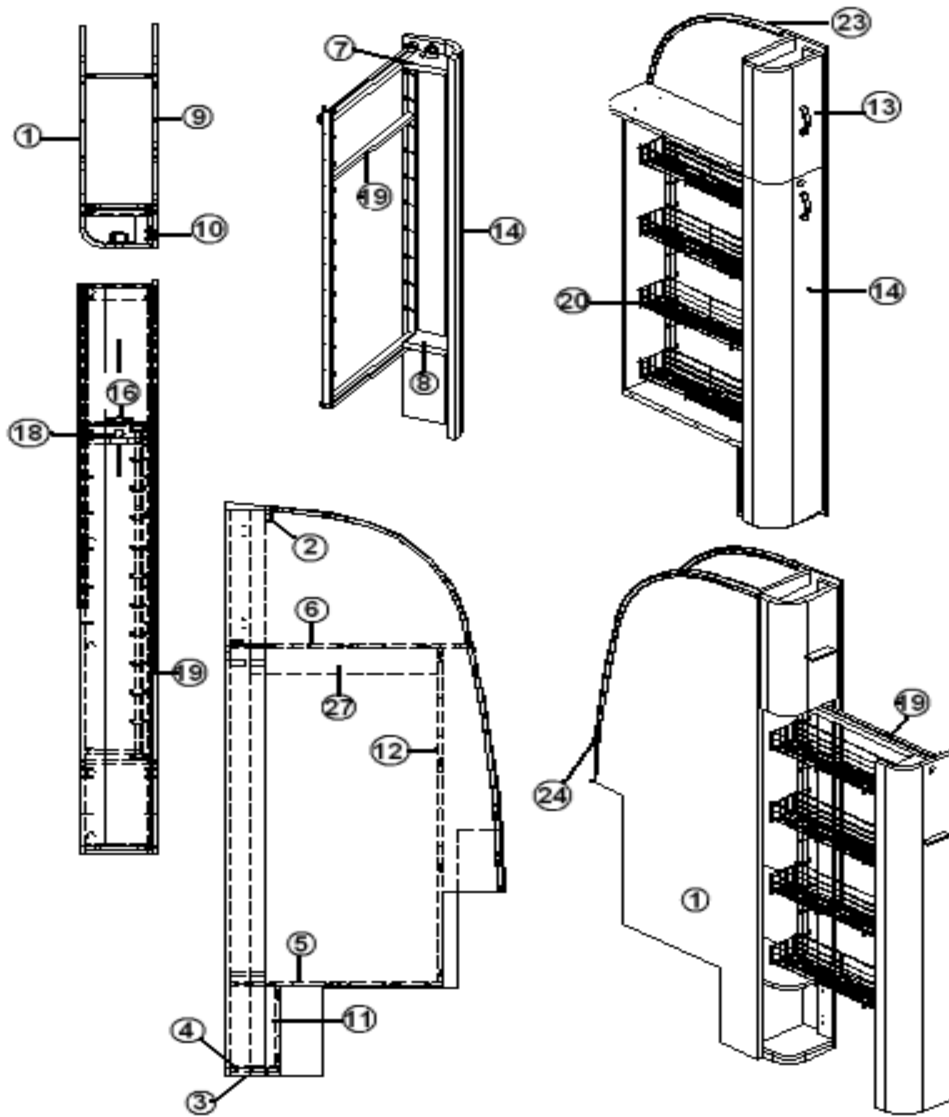
Galley Assembly, Aft w/Drawers, 30'

967510-09	GALLEY ASSY-AFT W/DWR'S 30FC
1. 967510-091	PNL-GAL AFT 18.
2. 967510-092	PNL-GAL AFT 18.63X35
3. 967510-093	PNL-GAL AFT 5.88X24.5
4. 967510-094	PNL-GAL AFT 3.75X24.
5. 967510-095	PNL-GAL AFT 3X24.5
6. 967510-096	PNL-GAL AFT 18.63X24.5
7. 967510-097	PNL-GAL AFT 2.25X24.5
8. 967510-098	PNL-GAL AFT 2.25X24.5
9. 967510-099	DOOR-GAL AFT 25.13X8.69
10. 967510-0910	DOOR-GAL AFT 25.13X8.69
11. 967510-0911	DOOR-GAL AFT 25.13X8.69
12. 967510-0912	PNL-GAL AFT 18.13X24.5
13. 967510-0913	PNL-GAL AFT 8.56X25.5
14. 800025-01	PINE 3/4" X 3/4" STAINED
381228-01	CATCH GRABBER DOOR C3-803
382044	HANDLE-BRUSHED NICKEL
381607	HINGE ASSY-GRASS EURO-SAFARI
965560-06	DRAWER BOX ASSY., 5.875" X 15.75

# 2011 FLYING CLOUD

## FURNITURE, GALLEY

### PANTRY ASSEMBLY, SLIDE-OUT – 30'



PARTS LISTED ON NEXT PAGE



## 2011 FLYING CLOUD

### FURNITURE, GALLEY

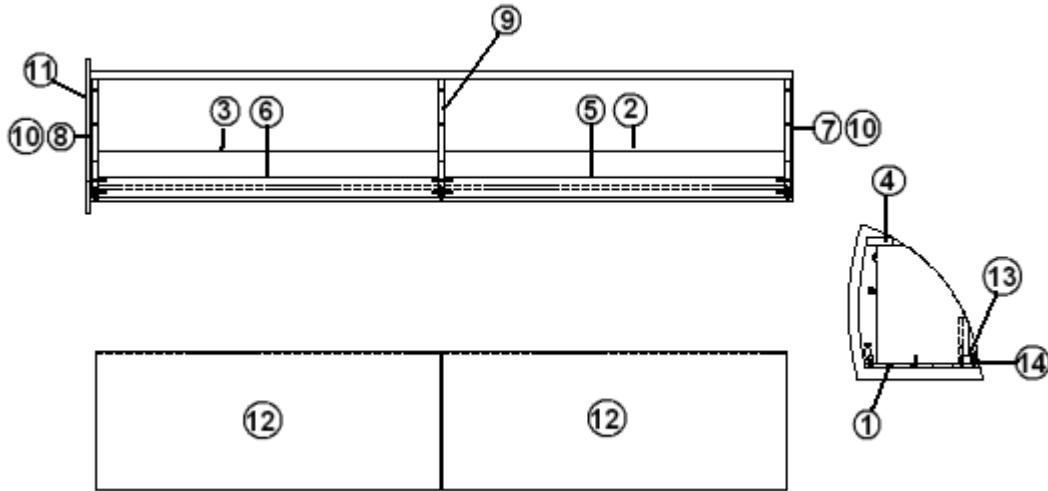
#### PANTRY ASSEMBLY, SLIDE-OUT – 30'

967529-09	PANTRY ASSY., SLIDEOUT
1. 967529-091	PANEL PANTRY 25.88 X 78.26
2. 967529-092	PANEL PANTRY 7.25 X 2.25
3. 967529-3	PANEL PANTRY 4 X 6.75
4. 967529-4	PANEL PANTRY 13.5 X 7.25
5. 967529-5	PANEL PANTRY 23.25 X 7.25
6. 967529-6	PANEL PANTRY 25.5 X 7.25
7. 967529-7	PANEL PANTRY 5.38 X 3.75
8. 967529-8	PANEL PANTRY 5.38 X 3.75
9. 967529-099	PANEL PANTRY 30.82 X 78.87
10. 967529-0910	PANEL PANTRY 2.25 X 77.75
11. 967529-11	PANEL PANTRY 7.25 X 10.88
12. 967529-12	PANEL PANTRY 7.25 X 45.63
13. 967304-01	DOOR ASSY-RADIUS 18.75"
14. 967304-02	DOOR ASSY-RADIUS 58"
15. 382044	HANDLE-BRUSHED NICKEL
16. 381228-01	CATCH GRABBER DOOR C3-803
17. 381607	HINGE ASSY-GRASS EURO-SAFARI
18. 381408	LOCK, PUSH, BUTTON STYLE, BLACK
19. 381551-01	PANTRY RACK 1.5"W X 45"H WHITE
20. 381551-01	WIRE BASKET 4" WIDE WHITE
21. 365343-01	EDGE BANDING- .63" GOLD ALCHEMY
22. 365343-02	EDGE BANDING- .94" GOLD ALCHEMY
23. 203138-04	EXTRUSION-PLASTIC 1/2" WALL OAK
24. 203464-01	TRIM, PANEL OAK 3/4"
25. 382057	KNOCKDOWN-8MM #16289B
26. 320151	SCREW #6 X 3/4" ROUND WASHER H
27. 967529-27	PANEL PANTRY 3.5 X 20.5

# 2011 FLYING CLOUD

## FURNITURE, GALLEY

### ROOFLOCKER ASSY., GALLEY, 30'

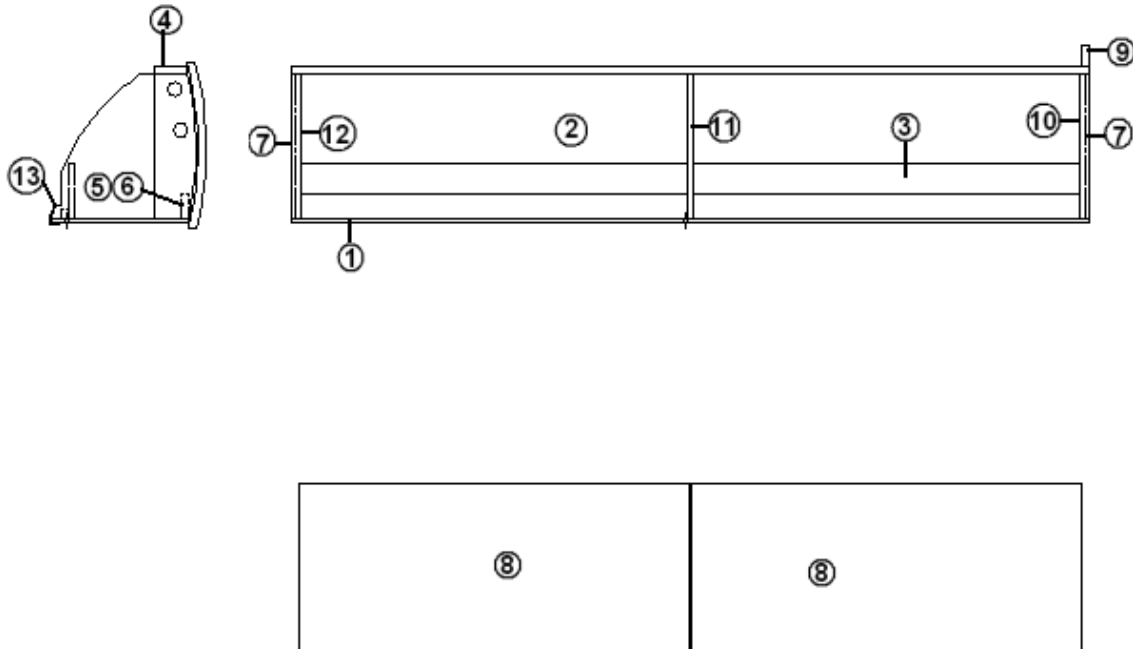


967535-09	ROOFLOCKER ASSY., GALLEY
1. 967535-091	PANEL-GAL.R/L 12.5X77.25
2. 967535-092	PANEL-GAL R/L 5X37.6
3. 967535-093	PANEL-GAL R/L 5X37.6
4. 967535-094	PANEL-GAL R/L 3X77.25
5. 967535-095	PANEL-GAL R/L 2.25X37.6
6. 967535-096	PANEL-GAL R/L 2.25X37.6
7. 967274-01	DIVIDER-RH GAL.R/L 12.53X13
8. 967274-02	DIVIDER-LH GAL R/L 12.53X13
9. 967274-03	DIVIDER-LH GAL R/L 12.53X13
10. 800507-02	LAUAN,1/4" 3.75" X 13.00"
11. 967275	CAP ASSY-END 14.76X17.07
12. 800025-01	PINE 3/4" X 3/4" STAINED
13. 801786-1314	DOOR-PLYFOAM ALCHEMY 15.25X38
14. 115085-02	ANGLE-ALUM.R/L 75.88"
381840-01	HINGE-OVERHEAD SPRING LH #372.
381840-02	HINGE-OVERHEAD SPRING RH #372.

# 2011 FLYING CLOUD

FURNITURE, GALLEY

ROOFLOCKER ASSY., DINETTE, 30'



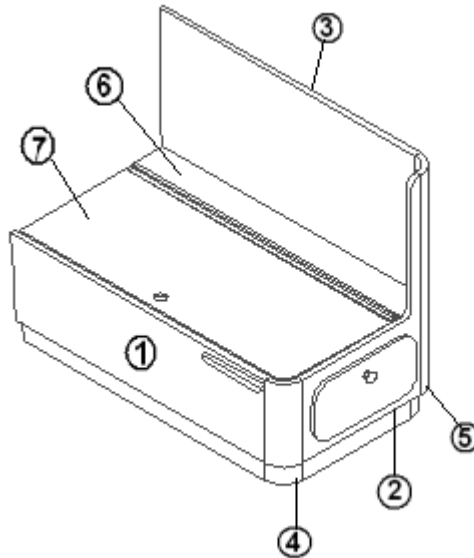
967539-09 ROOFLOCKER ASSY - DINETTE 30'

- 1. 967539-091 PANEL-DIN R/L 12.5X72.25
- 2. 967539-092 PANEL-DIN R/L 5X35.16
- 3. 967539-093 PANEL-DIN R/L 5X35.16
- 4. 967539-094 PANEL-DIN R/L 3X72.25
- 5. 967539-095 PANEL-DIN R/L 2.25X35.16
- 6. 967539-096 PANEL-DIN R/L 2.25X35.16
- 7. 800507-02 LAUAN, 1/4" X 4' X 8'
- 8. 801786-0114 DOOR PLYFORM 35.5X15.25 ALCHEM
- 9. 967275-02 CAP ASSY-END 14.76X17.07 FC
- 10. 967274-01 DIVIDER-RH GAL.R/L 12.53X13 FC
- 11. 967274-03 DIVIDER-LH GAL R/L 12.53X13 FC
- 12. 967274-02 DIVIDER-LH GAL R/L 12.53X13 FC
- 13. 115085-01 ALUM ANGLE - ROOFLOCKER 71.875
- 381840-01 HINGE-OVERHEAD SPRING LH #372.
- 381840-02 HINGE-OVERHEAD SPRING RH #372.

# 2011 FLYING CLOUD

## FURNITURE, GALLEY

967666            Seat Assy. Right Hand Dinette, Fabric, 30'  
967666-01        Seat Assy. Right Hand Dinette, Leather

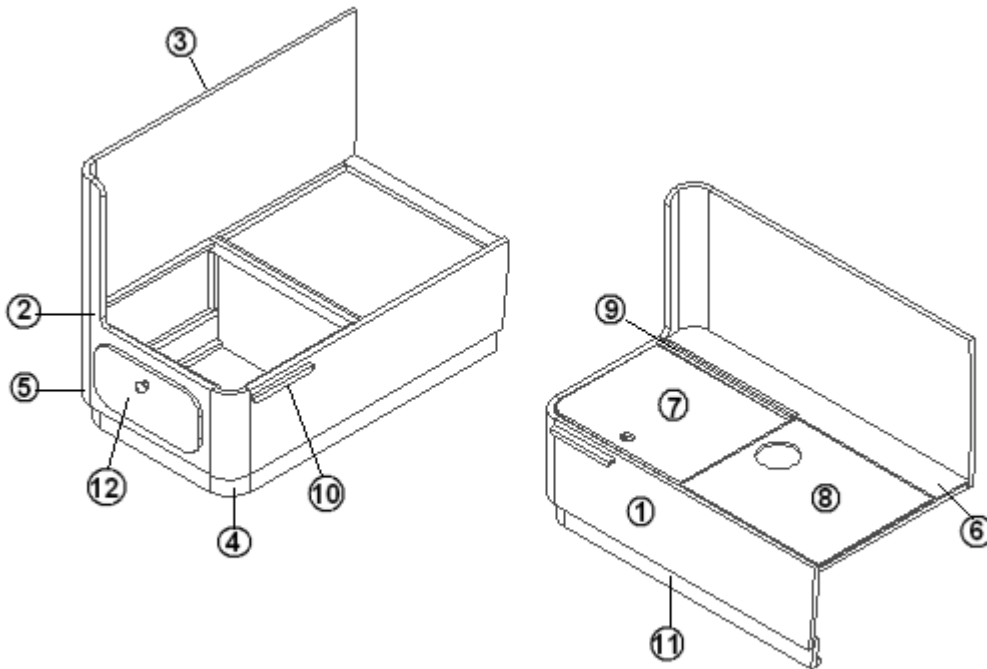


967666	SEAT ASSY-RH DINETTE – FABRIC. 30'
967666-01	SEAT ASSY-RH DINETTE - LEATHER
1. 801351	LITE PLY-18MM (.75") 39.50" X 11.25"
2. 801351	LITE PLY-18MM (.75") 18.25" X 29.75"
3. 801351	LITE PLY-18MM (.75") 39.89" X 29.75"
4. 801345	RADIUS PLYWOOD 3"X 10.25"
5. 801345	RADIUS PLYWOOD 3"X 29.75"
6. 801351	LITE PLY-18MM (.75") 4'X 8'
7. 801351	LITE PLY-18MM (.75") 4'X 8'
380458	HINGE-PIANO COPPER METALLIC BA
800470-0014	STOP-
967664	TOEKICK-RH DIN SEAT
967661	DOOR ASSY-DIN SEAT RH/
381796	KNOB HOLLOW 1.25"DIA BP1950H G
381228-01	CATCH GRABBER DOOR C3-803

# 2011 FLYING CLOUD

## FURNITURE, GALLEY

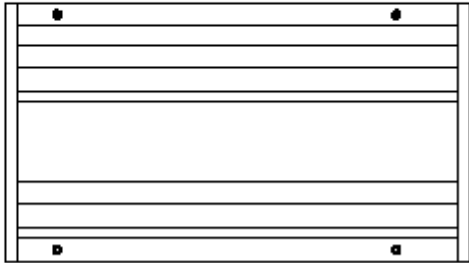
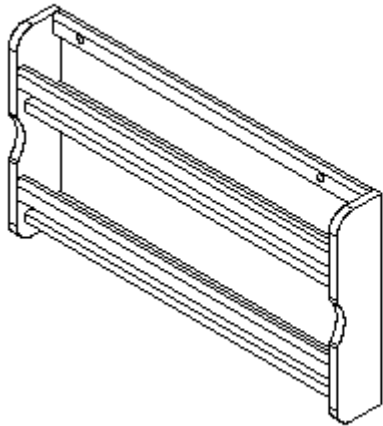
Seat Assy., Left Hand, Dinette, Fabric & Leather, 30'



967665	SEAT ASSY-LH DIN FABRIC 30 FC
967665-01	SEAT ASSY., LH DINETTE, LEATHER
1. 801351	LITE PLY-18MM (.75") 39.58 X 11.25
2. 801351	LITE PLY-18MM (.75") 18.25 X 29.75
3. 801351	LITE PLY-18MM (.75") 39.89 X 29.75
4. 801345	RAD.PLYWOOD 3"X 10.25
5. 801345	RAD.PLYWOOD 3"X 29.75
6. 800507-03	LAUAN,3/8"X 4'X 8'
7. 800507-03	LAUAN,3/8"X 4'X 8'
8. 800507-03	LAUAN,3/8"X 4'X 8'
9. 380458	HINGE-PIANO COPPER METALLIC BA
10. 800470-0014	STOP-HARDWOOD
11. 967663	TOEKICK, LH DIN SEAT
11. 967664	TOEKICK, RH DIN SEAT
12. 967661	DOOR ASSY-DIN SEAT RH/LH
12. 967661-01	DOOR ASSY, DIN SEAT, LEATHER
967662-02	Cover, RH Dinette Back, Inner, Ultra Lthr.
381796	Knob, hollow 1.25" Diameter
703917	Kit, dinette cushion, leather

2011 FLYING CLOUD

FURNITURE, GALLEY



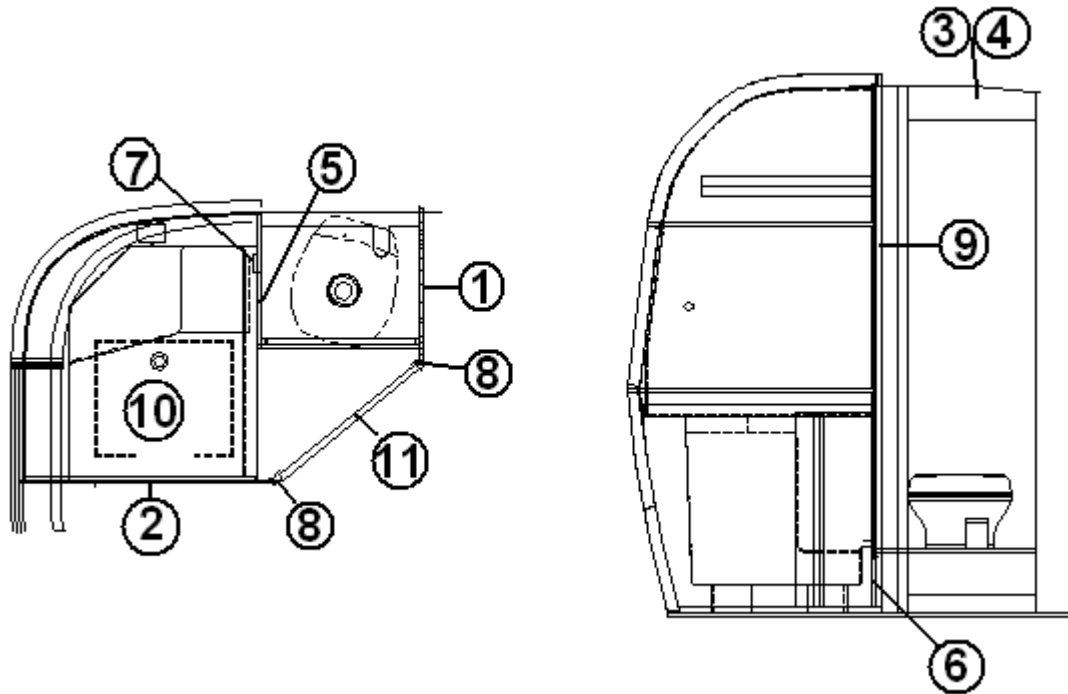
963991-0014

SPICE RACK - GOLD ALCHEMY, 30'

# 2011 FLYING CLOUD

## FURNITURE, BATH

Bath Module 19', 23'

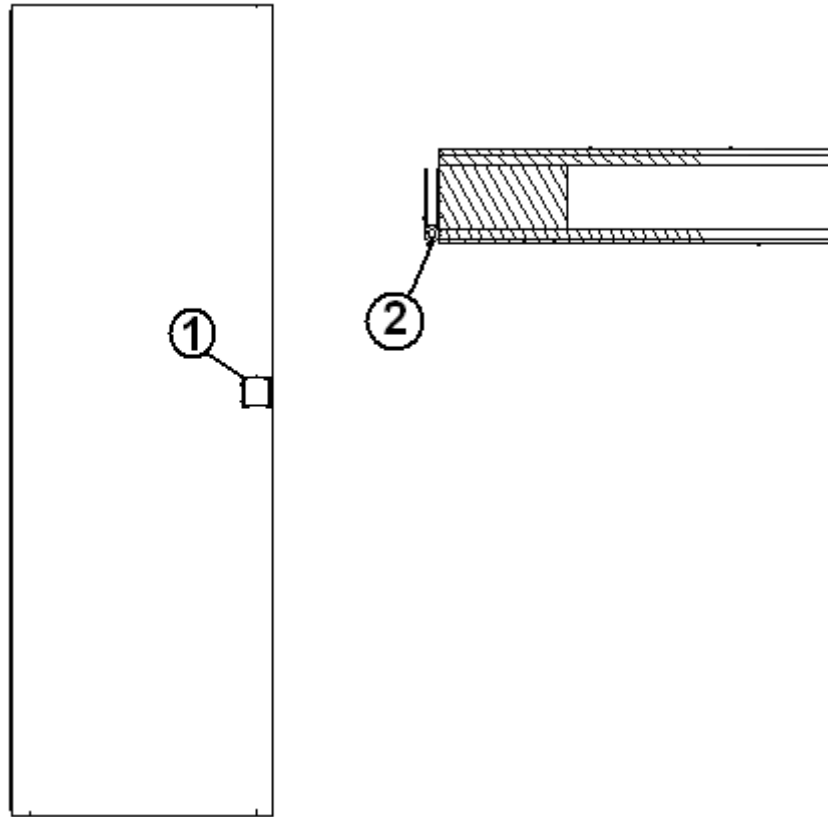


- |                |   |
|----------------|---|
| 1. 111563-091  | Panel, forward bath                     |
| 2. 111563-092  | Panel, aft bath                         |
| 3. 111563-093  | Panel, bath divider                     |
| 4. 111563-094  | Header, bath door                       |
| 5. 111563-095  | Panel, 12.00 x 66.63                    |
| 6. 111563-096  | Panel, 9.00 x 23.00                     |
| 7. 111563-097  | Panel, 63.00 x 3.00                     |
| 8. 801394-0014 | Jamb, bath door, RS-CS                  |
| 9. 702937-06   | Shower door, roll away, 62" x 36" White |
| 10. 203114-02  | Pan/Cap Shower 2 pc. White              |
| 11. 966939-09  | Door assembly, 25.50" X 72.00           |
| 966941-09      | Toilet stand assembly                   |
| 970028         | Shower seat support                     |
| 964994         | Closeout, shower                        |
| 967110-09      | Closeout, toilet paper holder           |

# 2011 FLYING CLOUD

## FURNITURE, BATH

Door, Bath, 19', 23', 30'



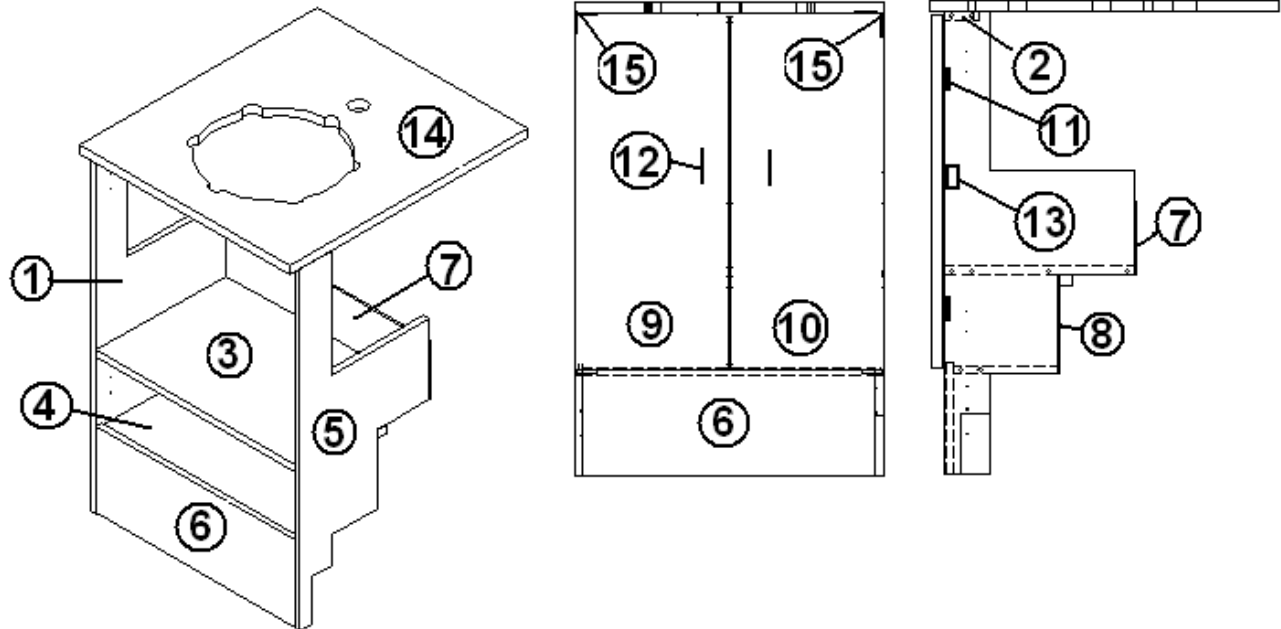
- |              |                    |
|--------------|--------------------|
| 966939-09    | Door, "C" bath     |
| 1. 382034    | Latch, flush mount |
| 2. 380203-01 | Piano hinge, 1/8"  |



# 2011 FLYING CLOUD

## FURNITURE, BATH

### Lavatory Cabinet, 19', 23'

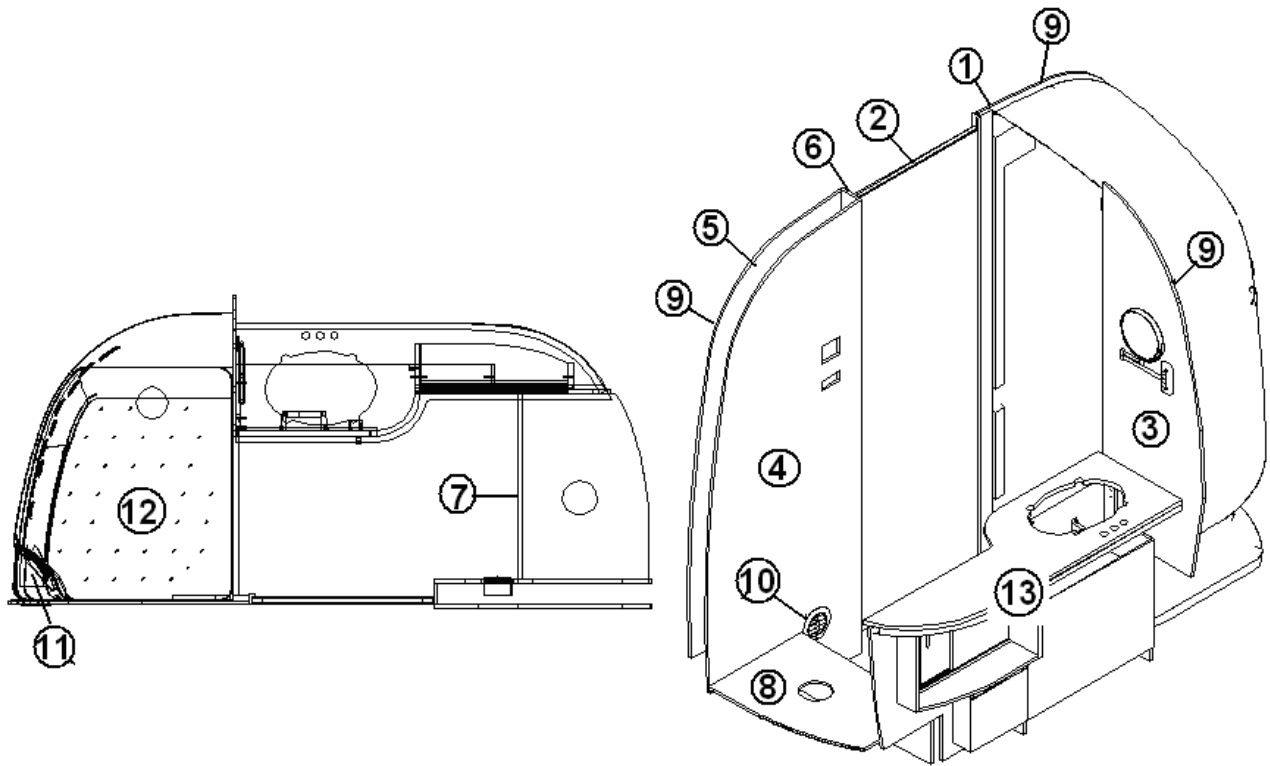


966919-09	Cabinet, lavatory
1. 966919-091	Panel, lavatory, 12.38 X 30.00
2. 966919-092	Panel, lavatory, 2.25 X 19.00
3. 966919-093	Panel, lavatory, 12.38 X 19.00
4. 966919-094	Panel, lavatory, 6.81 X 19.00
5. 966919-095	Panel, lavatory, 12.38 X 30.00
6. 966919-096	Panel, lavatory, 19.00 X 7.25
7. 966919-097	Panel, lavatory, 4.75 X 20.00
8. 966919-098	Panel, lavatory, 6.50 X 20.00
9. 966919-0913	Door, lavatory, 9.75 X 22.88"
10. 966919-0914	Door, lavatory, 9.75 X 22.88"
11. 381607-01	Hinge, Grass Euro
12. 382044	Handle, brushed nickel
13. 381228-01	Catch, grabber door
14. 967364-09	Top, lavatory
967364-101	Top, lavatory, Midnight Sun Option
15. 114812	Aluminum angle, 1.00 X 1.00

# 2011 FLYING CLOUD

## FURNITURE, BATH

### Bath Module, 23' Front Bed

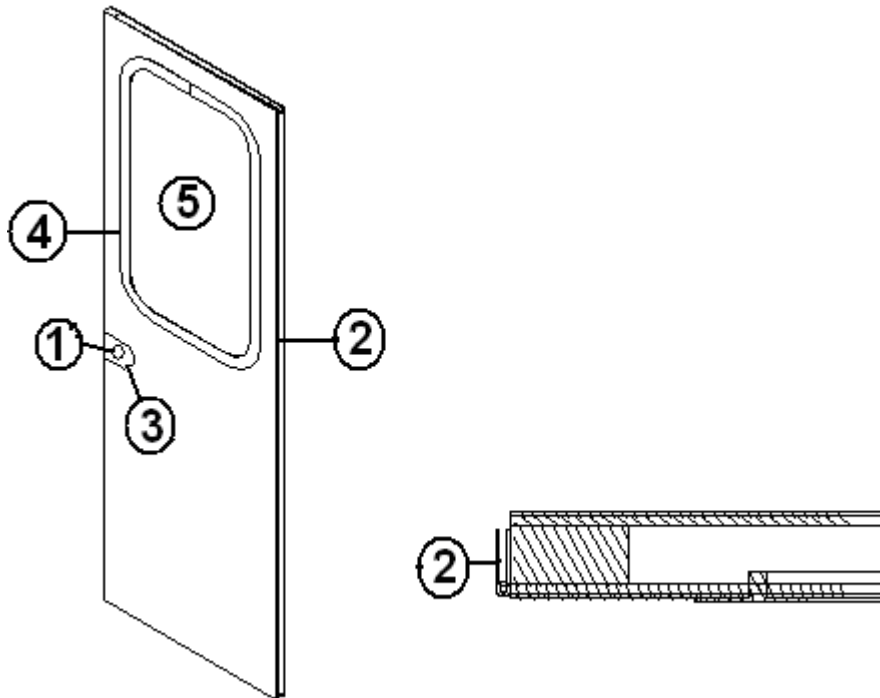


- |                 |                                     |
|-----------------|-------------------------------------|
| 1. 967325-09    | Forward panel sub assembly          |
| 2. 967637-09    | Door, bath w/Porthole               |
| 3. 111730-093   | Panel, 20.92 x 78.08                |
| 4. 111730-094   | Panel, 30.76 X 78.39                |
| 5. 111730-095   | Panel, 30.76 X 78.39                |
| 6. 111730-096   | Panel, 3.00 X 78.55                 |
| 7. 111730-097   | Panel, 21.50 X 7.75                 |
| 8. 967455-09    | Toilet Stand                        |
| 9. 203138-04    | Wall extrusion Oak                  |
| 10. 601244-01   | Register, round, brown              |
| 11. 111730-0913 | Panel, 5.5 X 5.5                    |
| 12. 203615      | Shower                              |
| 13. 967321-09   | Lavatory assembly                   |
| 801665-0014     | Molding "L", door jam, Tropical Oak |

# 2011 FLYING CLOUD

## FURNITURE, BATH

Door, Bath, 23' Front Bed - out

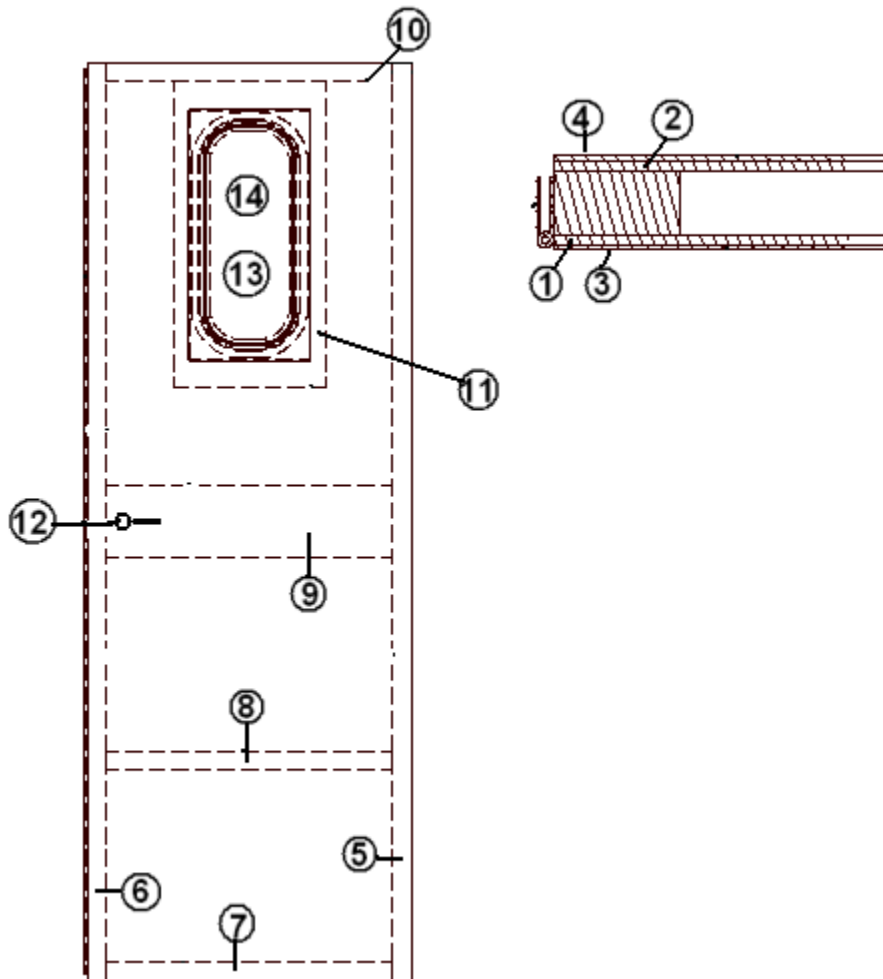


- |              |                             |
|--------------|-----------------------------|
| 967202-09    | Bath door, w/mirror         |
| 1. 381771-01 | Latch lever                 |
| 2. 380203-01 | Hinge, piano                |
| 3. 454320    | Door handle cover           |
| 4. 966089    | Mirror w/trim ring assembly |
| 5. 371397    | Mirror only                 |

# 2011 FLYING CLOUD

## FURNITURE, BATH

Door, Bath, 23' Front Bed

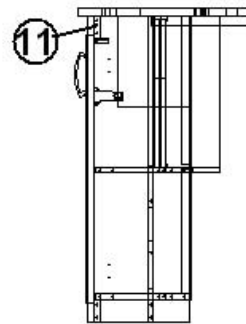
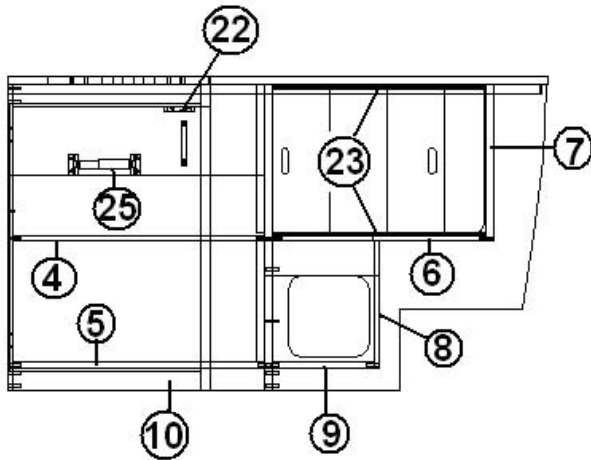
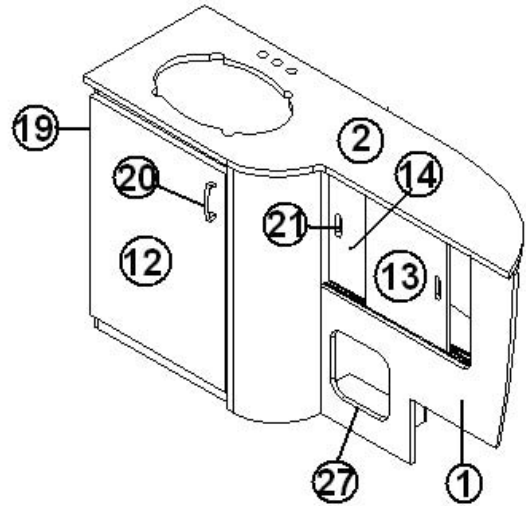
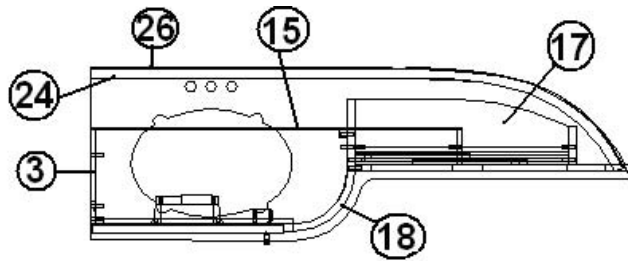


- |                |                                |
|----------------|--------------------------------|
| 967637-09      | BATH DOOR – 23 Front Bed       |
| 1. 967637-1    | PANEL, DOOR 27.5 X 77.13       |
| 2. 967637-2    | PANEL, DOOR 27.5 X 77.13       |
| 3. 967637-093  | PANEL, DOOR 25.5 X 75.13       |
| 4. 967637-094  | LAMINATE-FROST WHT             |
| 5. **800507-06 | *LAUAN-.75" X 4'x 8'           |
| 12. 381771     | LATCH, LEVER LOCKSET           |
| 13. 371384     | BATH WINDOW 18"                |
| 14. 203475     | TRIM- 18" STACK WINDOW         |
| 380203-01      | PIANO HINGE 1/8" PIN CLR ANODI |
| 454320         | DOOR HANDLE COVER              |
- \*\* Items # 5 through 11 are all made from 3/4" Lauan.

# 2011 FLYING CLOUD

## FURNITURE, BATH

### Lavatory Cabinet, 23' Front Bed



Part Numbers are on the next page

## 2011 FLYING CLOUD

### FURNITURE, BATH

#### Lavatory Cabinet, 23' Front Bed

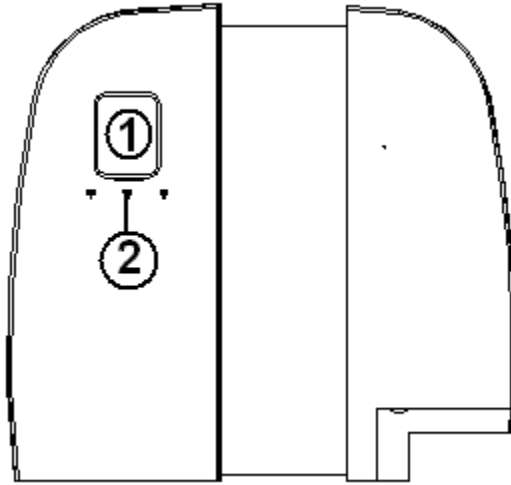
967321-09	Lavy assembly
1. 967321-091	Panel, 26.87 X 30.00
2. 967321-092	Top, Oak
2. 967321-102	Top, Oak, Midnight Sun Option
2. 967190-042	Top, Midnight Sun
3. 967321-093	Panel, 9.27 X 30.00
4. 967321-094	Panel, 9.27 X 24.64
5. 967321-095	Panel, 9.27 X 24.64
6. 967321-096	Panel, 7.02 X 20.85
7. 967321-097	Panel, 3.75 X 15.38
8. 967321-098	Panel, 3.5 X 12.88
9. 967321-099	Panel, 3.50 X 10.00
10. 967321-0910	Panel, 2.25 X 19.42
11. 967321-0911	Panel, 2.25 X 19.42
12. 967321-0912	Door, lavy 18.67 X 26.13
13. 967321-0913	Door, lavy 11.25 X 14.50
14. 967321-0914	Door, lavy 11.25 X 14.50
15. 967321-0915	Panel, 25.17 X 18.75
16. 967321-0917	Panel, 22.38 X 7.50
17. 967198-09	Sub assembly, radius, lavy
18. 381607	Hinge assembly, Grass
19. 382044	Pull bar, brush nickel
20. 382030	Pull, recessed finger
21. 381228-01	Catch, grabber door
22. 115374	Extrusion, sliding door track, .5"
23. 114812	Aluminum angle, 1.00 X 1.00
24. 380034	Toilet paper holder, chrome
25. 201673	Reverse cove molding, white,
26. 203445	Molding black, flexible poly .5
454853	Leaf Spring, SS - Lavy door

NOTE: Item 16 omitted.

# 2011 FLYING CLOUD

## FURNITURE, BEDROOM

Erase board and Key Hooks, 23' Front Bed



1. 381834

Aluminum coat hook

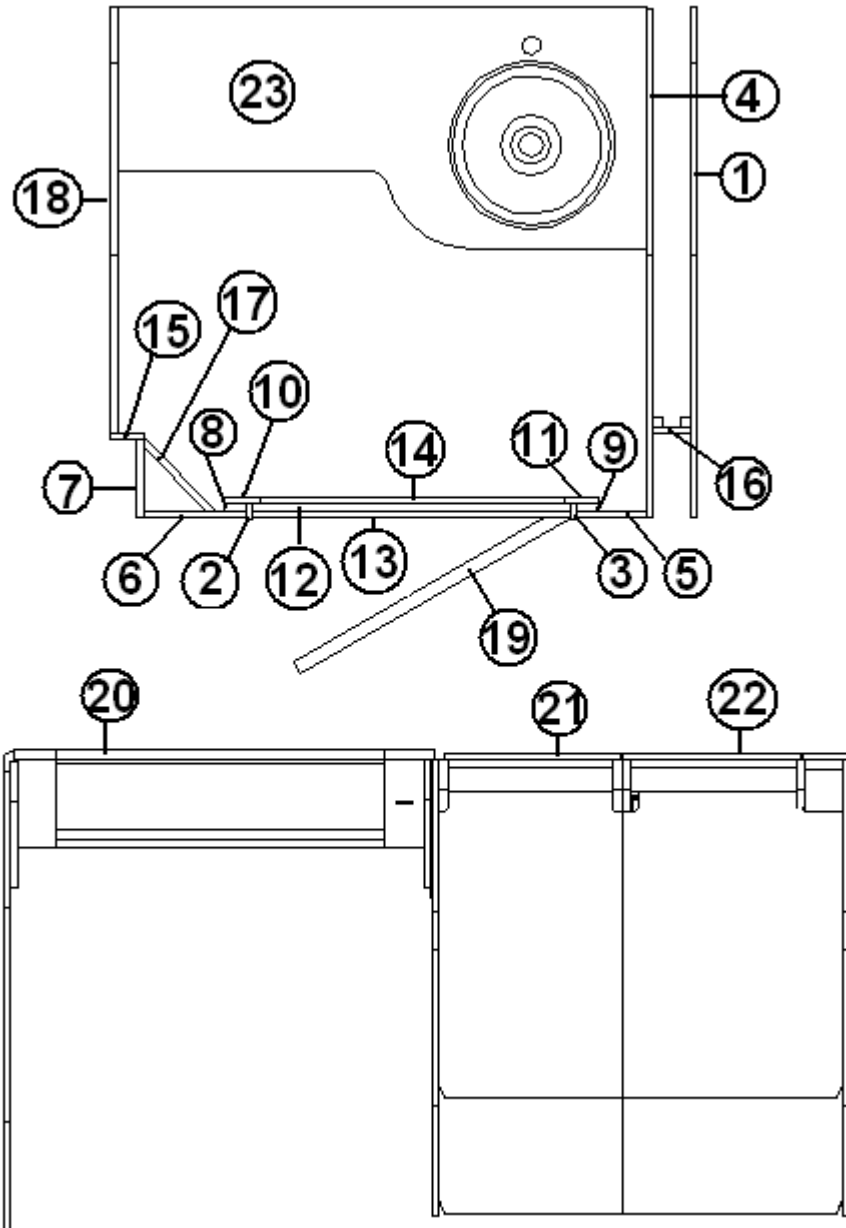
2. 381945

Board, dry erase 11" X 14", magnetic

# 2011 FLYING CLOUD

## FURNITURE, BATH

Bath Module 27'



Part Numbers on the Next Page



## 2011 FLYING CLOUD

### FURNITURE, BATH

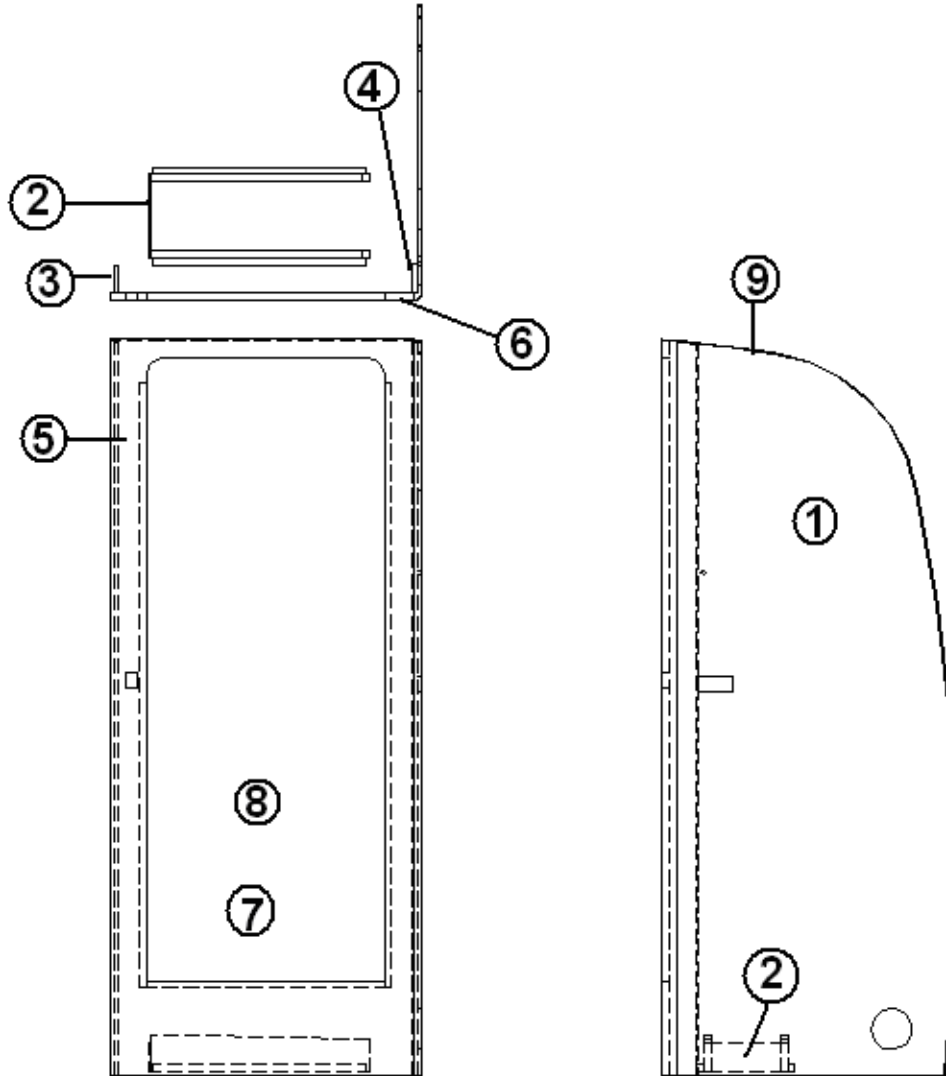
#### Bath Module 27'

1. 111533-091	Panel, bath, 79.44 X 39.5
2. 111533-092	Panel, bath, 1.13 X 79.5
3. 111533-093	Panel, bath, 1.13 X 79.5
4. 111533-094	Panel, bath, 79.5 X 39.5
5. 111533-095	Panel, bath, 5.375 X 79.5
6. 111533-096	Panel, bath, 8 X 79.5
7. 111533-097	Panel, bath, 6 X 79.5
8. 111533-098	Panel, bath, 1.75 X 79.5
9. 111533-099	Panel, bath, 1.75 X 79.5
10. 111533-0910	Panel, bath, 2.75 X 79.5
11. 111533-0911	Panel, bath, 2.75 X 79.5
12. 111533-0912	Panel, bath, 24.625 X 3.5
13. 111533-0913	Panel, bath, 24.625 X 3.5
14. 111533-0914	Panel, bath, 23.625 X 3.75
15. 111533-0915	Panel, bath, 2.5 X 79.25
16. 111533-0916	Panel, bath, 3 X 79.25
17. 111533-0917	Panel, bath, 8 X 79.13
18. 111533-0918	Panel, bath, 79 X 33
19. 966894-09	Door assembly, bath 25.50 X 72
20. 967060-09	Shower compartment assembly
21. 966880-09	Wardrobe, forward
22. 966881-09	Wardrobe, aft
23. 966884-09	Lavatory cabinet
961916-01	Shower stand assembly

# 2011 FLYING CLOUD

## FURNITURE, BATH

Shower Compartment, 27' Front Double Bed, 25' Front Bed

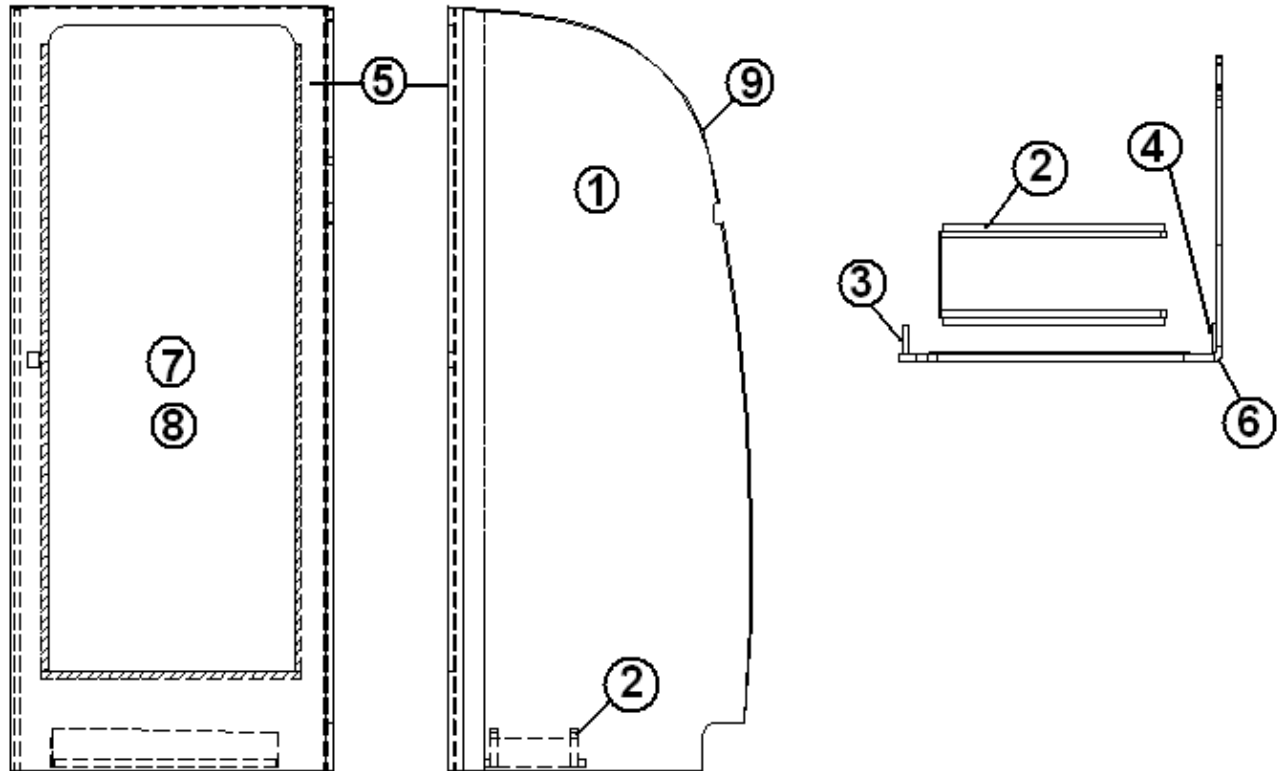


- |                |                                       |
|----------------|---------------------------------------|
| 966879-09      | Shower compartment                    |
| 1. 966879-091  | Panel, shower 29.72 X 78.75           |
| 2. 961916-01   | Shower stand assembly                 |
| 3. 966879-093  | Panel, shower 3 X 78.94               |
| 4. 966879-094  | Panel, shower 3 X 78.94               |
| 5. 966879-095  | Panel, shower 32.5 X 79               |
| 6. 801706-0014 | Trim, corner, 90D 1"                  |
| 7. 203081-02   | Shower stall, 2 PC.                   |
| 8. 703911-01   | Shower door, brushed nickel 25.5 x 65 |
| 9. 203138-04   | Extrusion, plastic 1/2" Oak           |
| 203440         | T Molding, black embossed .8125       |

# 2011 FLYING CLOUD

## FURNITURE, BATH

### Shower Compartment, 27' Twin Front Bed

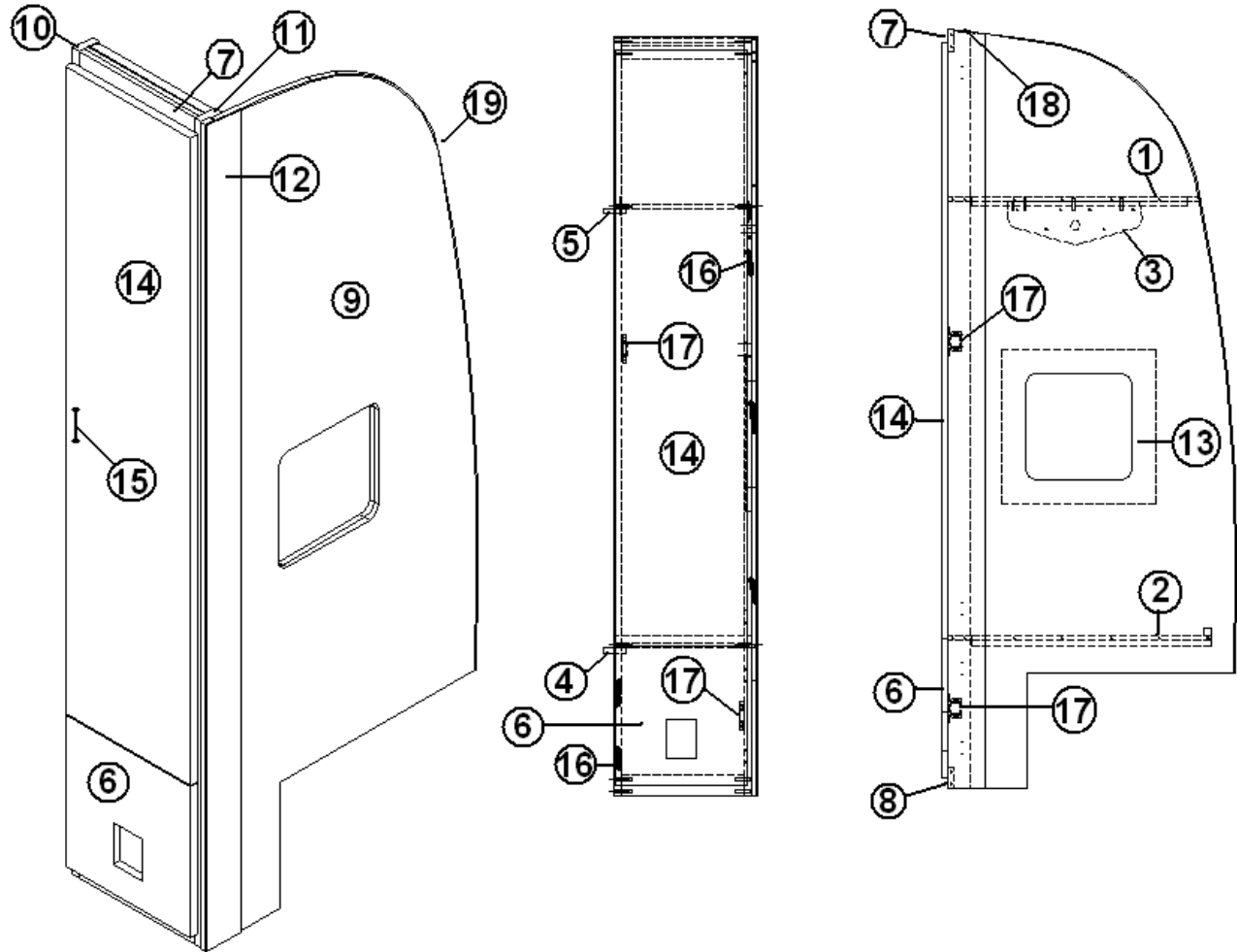


- |                |   |
|----------------|---|
| 967060-09      | Shower compartment                      |
| 1. 967060-091  | Panel, shower 79 X 29.72                |
| 2. 961916-01   | Stand assembly, shower                  |
| 3. 967060-093  | Panel, shower, 3 X 53.79                |
| 4. 967060-094  | Panel, shower, 3 X 53.79                |
| 5. 967060-095  | Panel, shower, 32.5 X 78.75             |
| 6. 801706-0014 | Trim, corner 90D 1" radius, 84"         |
| 7. 203081-02   | Shower stall, 2 PC., White              |
| 8. 703911-01   | Shower door, 25.5 x 65 – Brushed nickel |
| 9. 203138-01   | Extrusion, plastic, 1/2" Antique White  |
| 203440         | Molding, black embossed .8125           |

# 2011 FLYING CLOUD

## FURNITURE, BATH

Wardrobe, 27', Forward



Part Numbers on The Next Page

# 2011 FLYING CLOUD

## FURNITURE, BATH

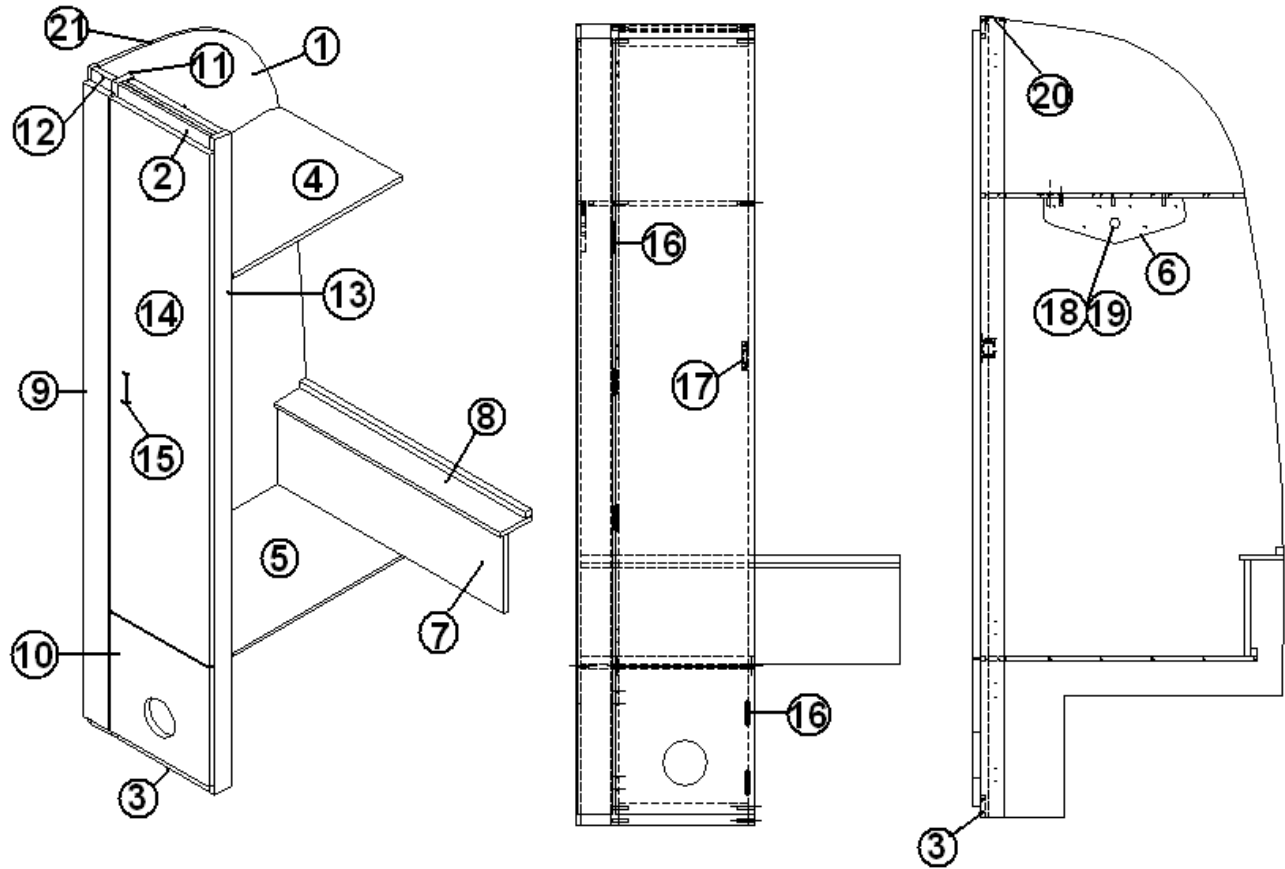
### Wardrobe, 27', Forward

966880-09	Wardrobe, forward
1. 966880-091	Panel, forward wardrobe, 26 X 14.25
2. 966880-092	Panel, forward wardrobe, 27.25 X 14.25
3. 966880-093	Panel, forward wardrobe, 14 X 7
4. 966880-094	Panel, forward wardrobe, 2.25 X 24.75
5. 966880-095	Panel, forward wardrobe, 2.25 X 22.25
6. 966880-096	Panel, forward wardrobe, 13.75 X 14.38
7. 966880-097	Panel, forward wardrobe, 2.25 X 12.75
8. 966880-098	Panel, forward wardrobe, 2.25 X 12.75
9. 966880-099	Panel, forward wardrobe, 29.87 X 78.88
10. 966880-0910	Panel, forward wardrobe, 2.25 X 78.88
11. 966880-0911	Panel, forward wardrobe, 2.25 X 78.88
12. 966880-0912	Panel, forward wardrobe, 3.81 X 78.88
13. 966883-09	Closeout, wardrobe
14. 966880-0914	Door, forward wardrobe, 13.75 X 61.75
15. 382044	Handle, brushed nickel
16. 381607	Hinge, Grass Euro
17. 381228-01	Door, grabber catch
18. 104821	Support, roof locker, 74"
19. 203138-04	Extrusion, plastic, 1/2" Oak

# 2011 FLYING CLOUD

## FURNITURE, BATH

Wardrobe, 27', Aft



Part Numbers on The Next Page

# 2011 FLYING CLOUD

## FURNITURE, BATH

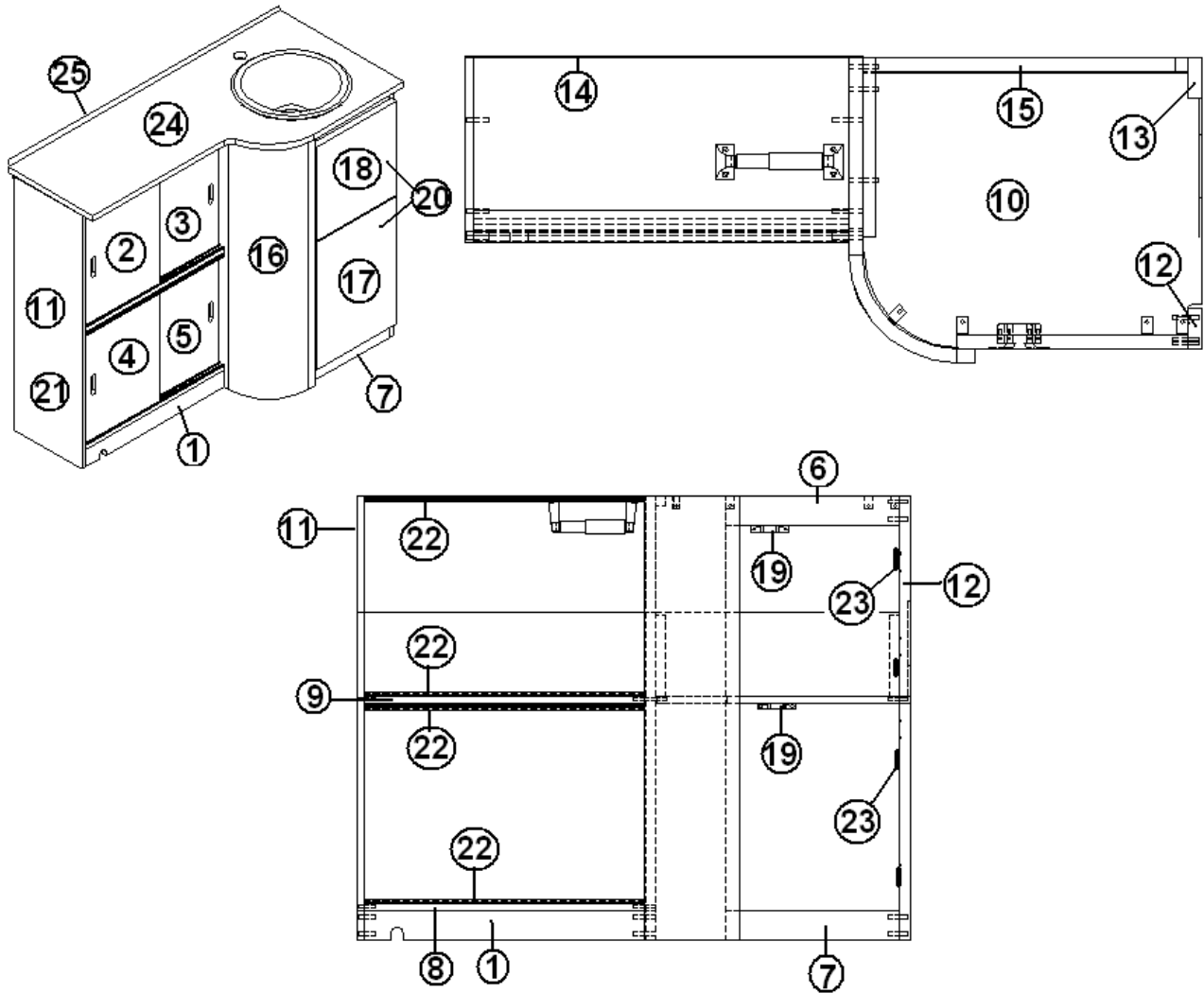
### Wardrobe, 27', Aft

966881-09	Wardrobe, aft
1. 966881-091	Panel, aft wardrobe, 29.87 X 78.88
2. 966881-092	Panel, aft wardrobe, 2.25 X 12.75
3. 966881-093	Panel, aft wardrobe, 2.25 X 12.75
4. 966881-094	Panel, aft wardrobe, 26 X 17.19
5. 966881-095	Panel, aft wardrobe, 27.25 X 17.19
6. 966881-096	Panel, aft wardrobe, 14 X 7
7. 966881-097	Panel, aft wardrobe, 9.5 X 31.44
8. 966881-098	Panel, aft wardrobe, 4.31 X 31.44
9. 966881-099	Panel, aft wardrobe, 3.44 X 76.25
10. 966881-0910	Panel, aft wardrobe, 13.75 X 14.38
11. 966881-0911	Panel, aft wardrobe, 2.94 X 78.88
12. 966881-0912	Panel, aft wardrobe, 2.25 X 78.88
13. 966881-0913	Panel, aft wardrobe, 2.25 X 78.88
14. 966881-0914	Door, aft wardrobe, 13.75 X 61.75
15. 382044	Handle, brushed nickel
16. 381607	Hinge, Grass Euro
17. 381228-01	Catch, grabber door
18. 380045	Tubing, 3/4", metal
19. 200975-04	Conduit, flexible black plastic
20. 104821	Support, roof locker, 74"
21. 203138-04	Extrusion, plastic, 1/2" Oak

# 2011 FLYING CLOUD

## FURNITURE, BATH

### Lavatory Cabinet, 27'



Part Numbers on The Next Page



# 2011 FLYING CLOUD

## FURNITURE, BATH

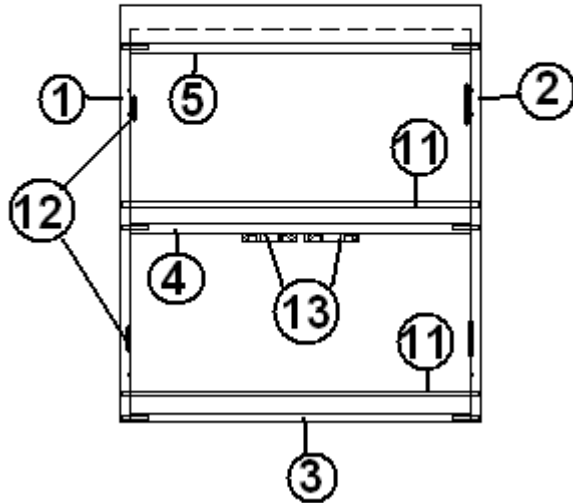
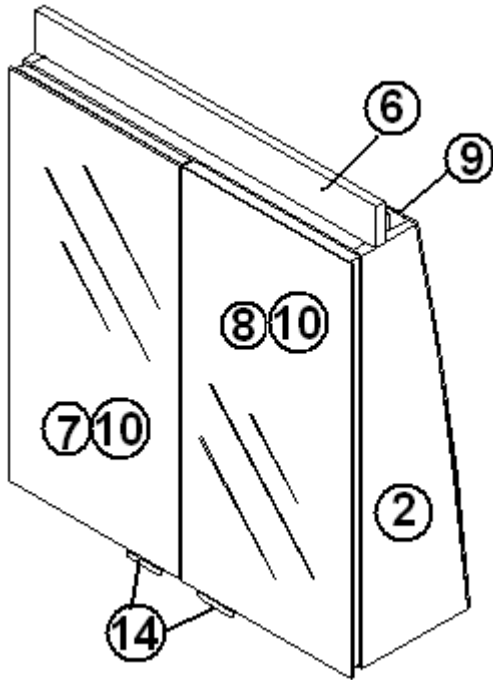
### Lavatory Cabinet, 27'

966884-09	Lavatory cabinet
1. 966884-091	Panel, lavatory, 20.85 X 2.25
2. 966884-092	Panel, lavatory, 11.25 X 14.5
3. 966884-093	Panel, lavatory, 11.25 X 14.5
4. 966884-094	Panel, lavatory, 11.25 X 14.5
5. 966884-095	Panel, lavatory, 11.25 X 14.5
6. 966884-096	Panel, lavatory, 12.87 X 2.25
7. 966884-097	Panel, lavatory, 12.87 X 2.25
8. 966884-098	Panel, lavatory, 10.25 X 20.85
9. 966884-099	Panel, lavatory, 10.25 X 20.85
10. 966884-0910	Panel, lavatory, 18.87 X 16.19
11. 966884-0911	Panel, lavatory, 10.25 X 33
12. 966884-0912	Panel, lavatory, 2.25 X 33
13. 966884-0913	Panel, lavatory, 2.25 X 14.87
14. 966884-0914	Panel, lavatory, 22.13 X 22.13
15. 966884-0915	Panel, lavatory, 18.12 X 6.25
16. 966893	Radius sub assembly
17. 966884-0917	Door, 11.87 X 16.69
18. 966884-0918	Door, lavatory, 11.87 X 12.31
19. 381228-01	Catch, grabber door
20. 382044	Handle, brushed nickel
21. 382030	Pull, recessed finger, .7X2.7
22. 115374	Extrusion, sliding door track .5"
23. 381607	Hinge, Grass Euro
24. 967270	Lavatory top
967270-10	Lavatory top, Midnight Sun
25. 114812	Aluminum angle, 1" X 1"
966884-31	Panel, 7.00" x 8.50"
454853	Leaf Spring, Stainless, Lavy Door

# 2011 FLYING CLOUD

## FURNITURE, BATH

### Medicine Cabinet, Lower, 23', 19'

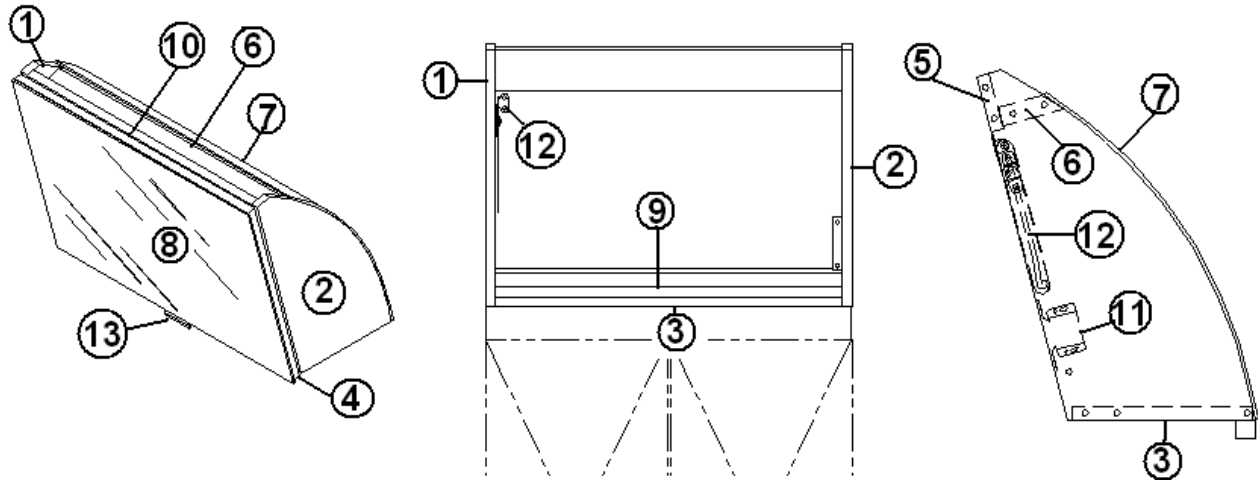


- |               |                                      |
|---------------|--------------------------------------|
| 966922-09     | Medicine cabinet, lower              |
| 1. 966922-091 | Panel, 5.89 X 20.00                  |
| 2. 966922-092 | Panel, 5.89 X 20.00                  |
| 3. 966922-093 | Panel 5.75 X 17.97                   |
| 4. 966922-094 | Panel, 4.56 X 17.97                  |
| 5. 966922-095 | Panel, 3.00 X 17.97                  |
| 6. 966922-096 | Panel, 2.00 X 19.00                  |
| 7. 966922-097 | Door, 9.25 X 19.75                   |
| 8. 966922-098 | Door, 9.25 X 19.75                   |
| 9. 966922-099 | Panel, 20.25 X 19.0                  |
| 10. 372203-24 | Mirror, polished edges, 9.50 X 20.00 |
| 11. 115042    | Rod, .25" aluminum, 6' length        |
| 12. 382159    | Hinge, Pivot Nickel #Air-Pivot       |
| 13. 381228-01 | Catch, grabber door                  |
| 14. 385940-02 | Mirror pull, chrome                  |

# 2011 FLYING CLOUD

## FURNITURE, BATH

### Medicine Cabinet, Upper, 19', 23'

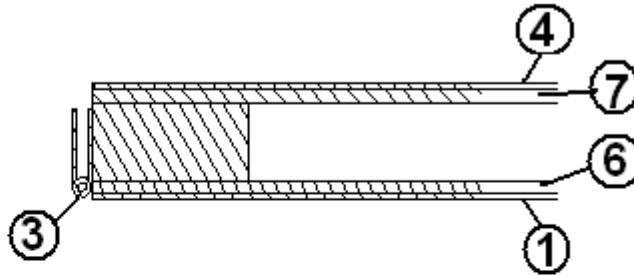
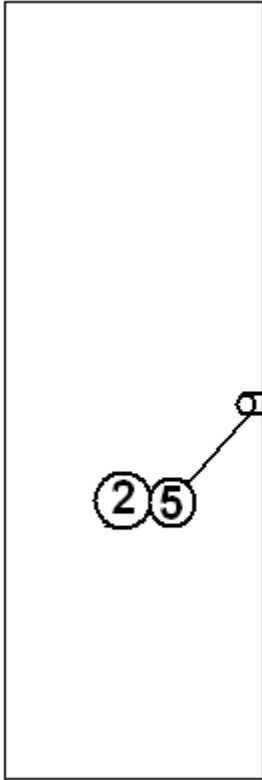


- |               |  |
|---------------|--|
| 966921-09     | Cabinet, medicine, upper               |
| 1. 966921-091 | Panel, medicine cabinet, 10.44 X 13.50 |
| 2. 966921-092 | Panel, medicine cabinet, 10.44 X 13.50 |
| 3. 966921-093 | Panel, medicine cabinet, 7.00 X 17.97  |
| 4. 966921-094 | Panel, medicine cabinet, 13.88 X 18.88 |
| 5. 966921-095 | Panel, medicine cabinet, 2.25 X 17.97  |
| 6. 966921-096 | Panel, medicine cabinet, 2.50 X 17.97  |
| 7. 966921-097 | Panel, medicine cabinet, 16.25 X 19.0  |
| 8. 372203-05  | Mirror, polished edges, 19.00" X 14.00 |
| 9. 115042     | Rod, .25" aluminum, 6' length          |
| 10. 382159    | Hinge, pivot, nickel                   |
| 11. 381228-01 | Catch, grabber door                    |
| 12. 380024    | Arms, support, RH                      |
| 13. 385940-02 | Mirror pull, chrome                    |

# 2011 FLYING CLOUD

## FURNITURE, BATH

Door, Bath, Front Bed, 27' Front Bed, 25' Front Bed

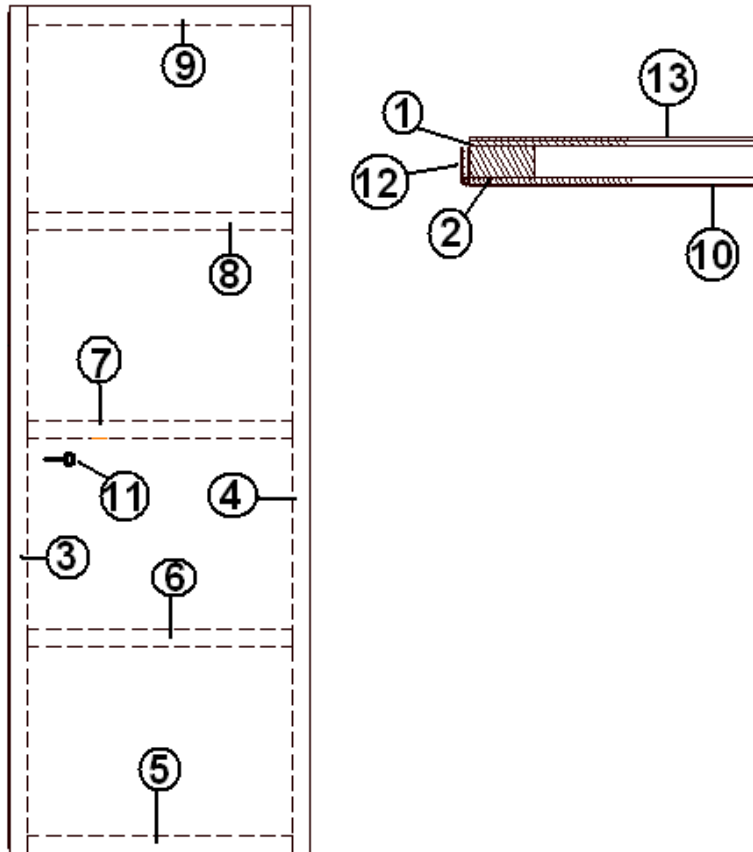


- |               |  |
|---------------|--|
| 966894-09     | Door, bath, 25.50 X 72                   |
| 1. 801793-01  | Laminate, Gold Alchemy, vertical         |
| 2. 381771     | Latch, lever lockset, privacy            |
| 3. 380203-01  | Piano hinge                              |
| 4. 801355-01  | Laminate, Frost White, 4' X 8', vertical |
| 5. 454320     | Door handle cover                        |
| 6. 966894-091 | Panel, bath door, 27.50 X 74.00          |
| 7. 966894-092 | Panel, bath door, 27.50 X 74.00          |

# 2011 FLYING CLOUD

## FURNITURE, BATH

Door, Bath, 28' W

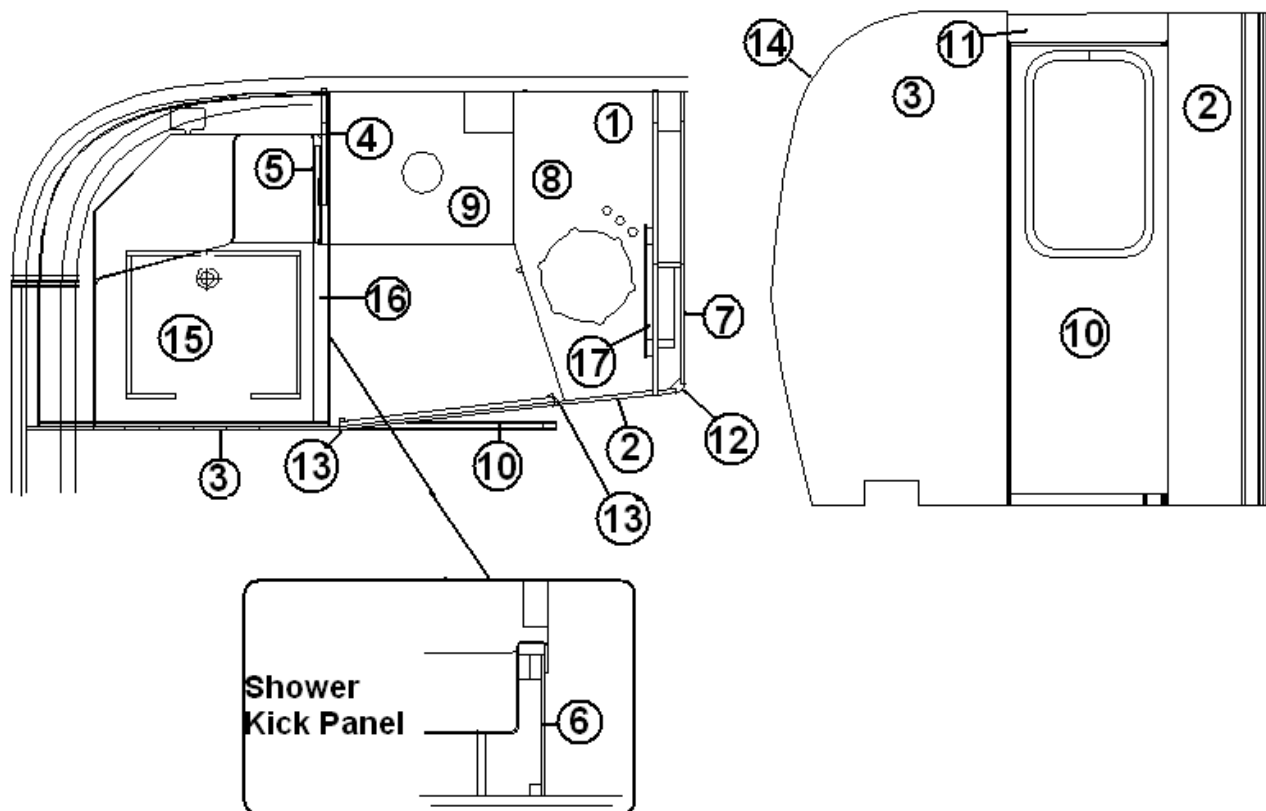


966994-09	Bath door
1. 966994-091	Panel, lauan, 27" X 74"
2. 966994-092	Panel, lauan, 27" X 74"
3. 966994-093	Panel, lauan, 1.50" X 72.50"
4. 966994-094	Panel, lauan, 1.50" X 72.50"
5. 966994-095	Panel, lauan, 1.50" X 22.50"
6. 966994-096	Panel, lauan, 1.50" X 22.50"
7. 966994-097	Panel, lauan, 1.50" X 22.50"
8. 966994-098	Panel, lauan, 1.50" X 22.50"
9. 966994-099	Panel, lauan, 1.50" X 22.50"
10. 966994-0910	Panel, Gold Alchemy, vertical
11. 381771	Latch, flush mount
12. 380203-01	Piano hinge, 1/8" pin
13. 966994-0915	Panel, white vertical
454320	Door handle cover

# 2011 FLYING CLOUD

## FURNITURE, BATH

### BATH MODULE, 20'

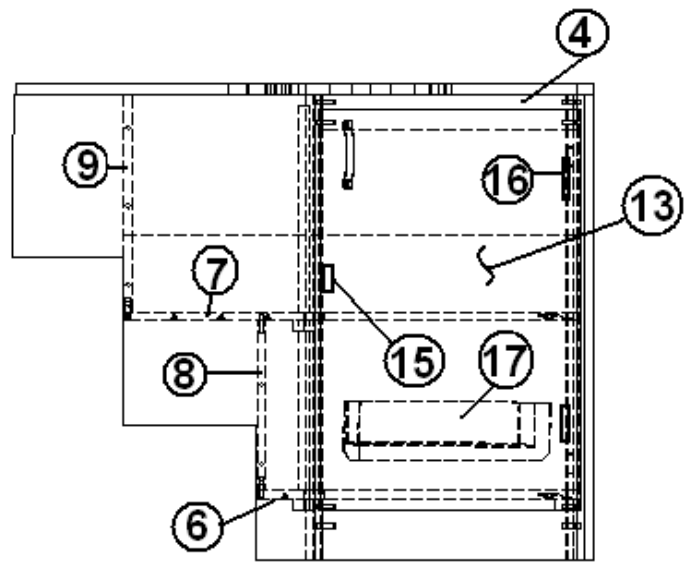
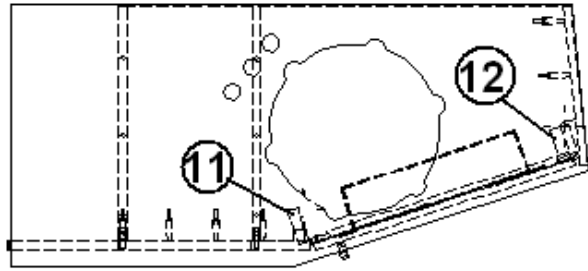
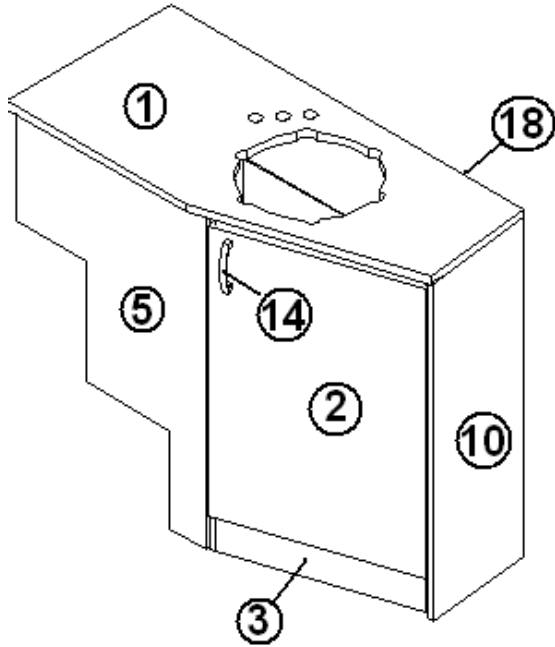


1. 111740-091	Panel, bath module, 36.69 X 79.04
2. 111740-092	Panel, bath module, 14.81 X 79.12
3. 111740-093	Panel, bath module, 37.83 X 79.38
4. 111740-094	Panel, bath module, 14.00 X 67.69
5. 111740-095	Panel, bath module, 3.00 X 63.00
6. 111740-096	Panel, bath module, 23.00 X 9.00
7. 967351-09	Panel, aft dinette
8. 967342-09	Lavatory cabinet
9. 966941	Stand, toilet
10. 966940-09	Door, bath
11. 967350-09	Header, bath door
12. 801415-0014	Corner trim, 1" radius, Gold Alchemy
13. 801665-0014	Molding, door jamb, Gold Alchemy
14. 203138-04	Extrusion, plastic, 1/2"
15. 203114-02	Shower, pan/cap white
16. 702937-06	Shower door, roll away white 62" x 36"
17. 601847	Cabinet, medicine, w/mirror, 16"X 22"

# 2011 FLYING CLOUD

## FURNITURE, BATH

### Lavatory Cabinet, 20'



Part numbers are on the next page.

# 2011 FLYING CLOUD

## FURNITURE, BATH

### Lavatory Cabinet, 20'

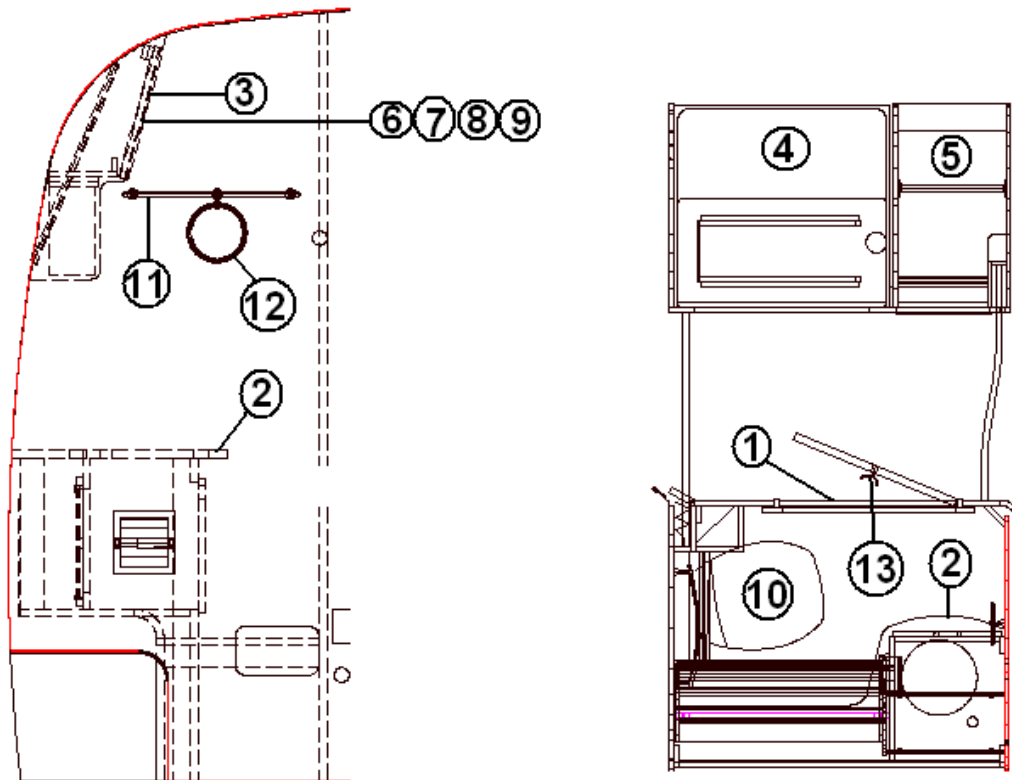
967342-09	Lavatory cabinet
1. 967342-091	Top, lavatory, 37.13 X 16.88
967342-101	Top, lavatory, Midnight Sun, 37.25 X 16.88
2. 967342-092	Door, lavatory, 17.63 X 24.75
3. 967342-093	Panel, lavatory, 4 X 17.13
4. 967342-094	Panel, lavatory, 2.25 X 17.13
5. 967342-095	Panel, lavatory, 19.44 X 30
6. 967342-096	Panel, lavatory, 20.77 X 15.19
7. 967342-097	Panel, lavatory, 29.4 X 15.19
8. 967342-098	Panel, lavatory, 11 X 15.19
9. 967342-099	Panel, lavatory, 14 X 15.19
10. 967342-0910	Panel, lavatory, 10.33 X 30
11. 967342-0911	Panel, lavatory, 2.25 X 30
12. 967342-0912	Panel, lavatory, 2.25 X 30
13. 967342-0913	Panel, lavatory, 29.13 X 17
14. 382044	Handle, brushed nickel
15. 381228-01	Door, catch grabber
16. 381607	Hinge, Grass Euro
17. 203383	Rack, magazine
18. 201673	Reverse cove molding, white, plastic
380034	Toilet paper holder, chrome



# 2011 FLYING CLOUD

## FURNITURE, BATH

### Bath Module, 28' W

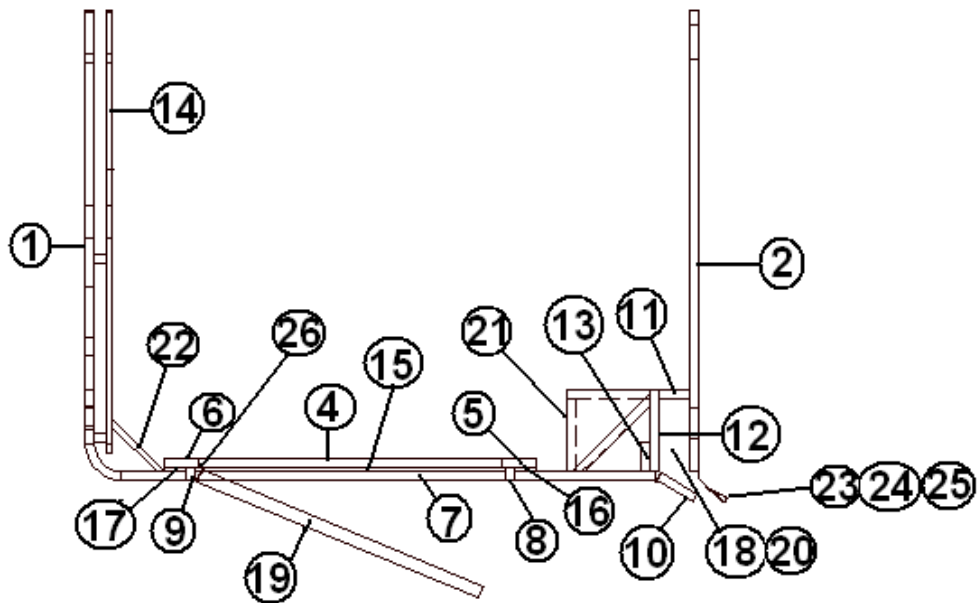
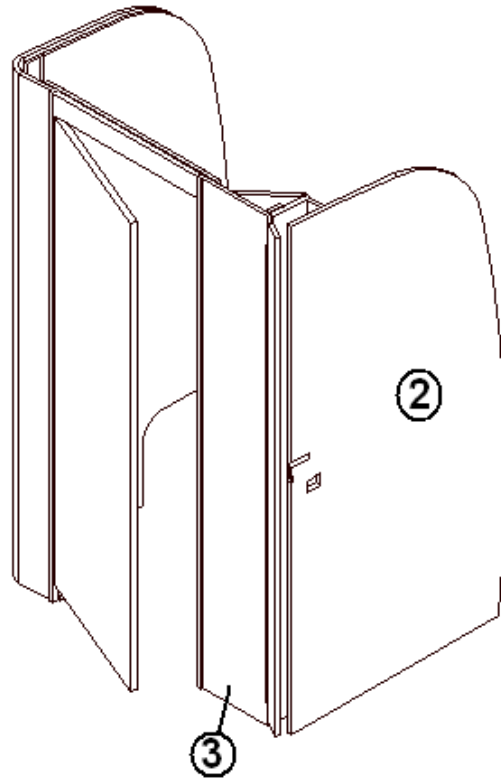


1. 966990-09 Front wall assembly, latrine
2. 967394-09 Lavatory cabinet
3. 967003-09 Medicine cabinet, upper 30"
4. 966967-09 Shower compartment assembly
5. 966969-09 Wardrobe assembly, RS
6. 372203-15 Mirror, 17.00 X 25.25
7. 800507-02 Lauan, 1/4" X 4' X 8'
8. 381220-01 Mirror clip
9. 381220-02 Mirror clip
10. 690495-03 Aqua Magic V, High Profile
11. 381776 Towel bar, chrome, 18"
12. 381777 Towel ring, chrome
13. 381778 Robe hook, double chrome

# 2011 FLYING CLOUD

## FURNITURE, BATH

Door/Walls Bath, 28' W



Part Number on the Next Page

# 2011 FLYING CLOUD

## FURNITURE, BATH

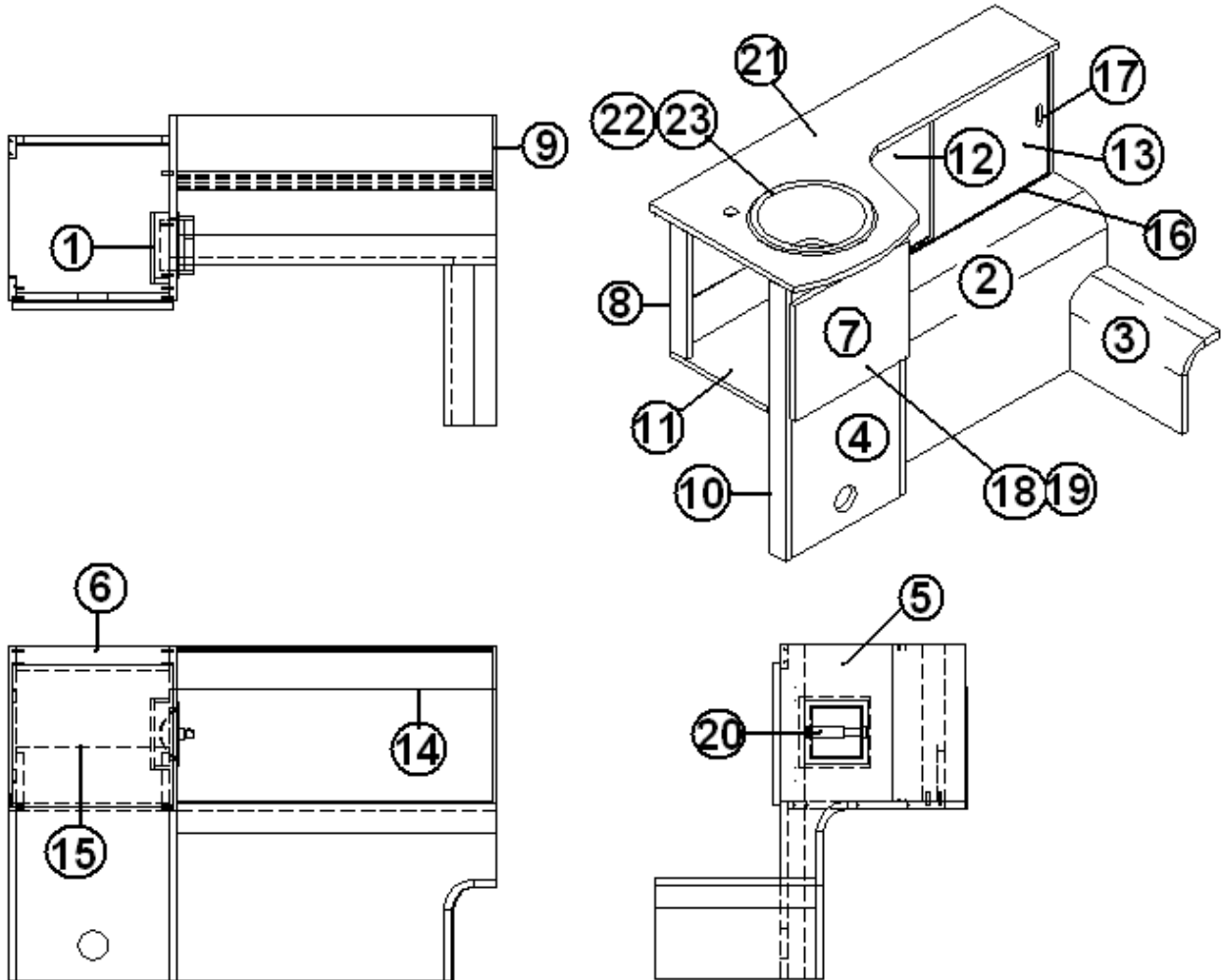
### Door/Walls Bath, 28' W

966990-09	Front wall assembly, latrine
1. 966991-09	Wall assembly forward bath
2. 966990-092	Panel, bath, 38.58 X 79.22
3. 966990-093	Panel, bath, 11.69 X 79.50
4. 966990-094	Panel, bath, 25.25 X 3.75
5. 966990-095	Panel, bath, 2.88 X 79.32
6. 966990-096	Panel, bath, 2.88 X 79.32
7. 966990-097	Panel, bath, 26.00 X 3.41
8. 966990-098	Panel, bath, 1.06 X 79.42
9. 966990-099	Panel, bath, 1.06 X 79.42
10. 966990-0910	Door, bath, front wall, 3.44 X 77.4
11. 966990-0911	Panel, bath, 2.5 X 78.82
12. 966990-0912	Panel, bath, 6.75 X 79.34
13. 966990-0913	Panel, bath, 2.5 X 79.38
14. 966990-0914	Panel, bath, 37.08 X 79.15
15. 800507-02	Lauan, 1/4" X 4' X 8'
16. 800507-02	Lauan, 1/4" X 4' X 8'
17. 800507-02	Lauan, 1/4" X 4' X 8'
18. 702681-08	Door, foldette 60" x 73", beige
19. 966994-09	Door assembly, bath
20. 381802-01	Tap cap #2 white
21. 966996	Closeout, black tank vent assembly
22. 966990-0922	Panel, bath, 6.18 X 79.34
23. 381581	Strap, clear plastic .75"W
24. 700811	Button cap, Handy
25. 700812	Button bottom, Oak
26. 380203-01	Piano hinge, 1/8" pin

# 2011 FLYING CLOUD

## FURNITURE, BATH

### Lavatory Cabinet, 28' W



Part numbers on the next page.

# 2011 FLYING CLOUD

## FURNITURE, BATH

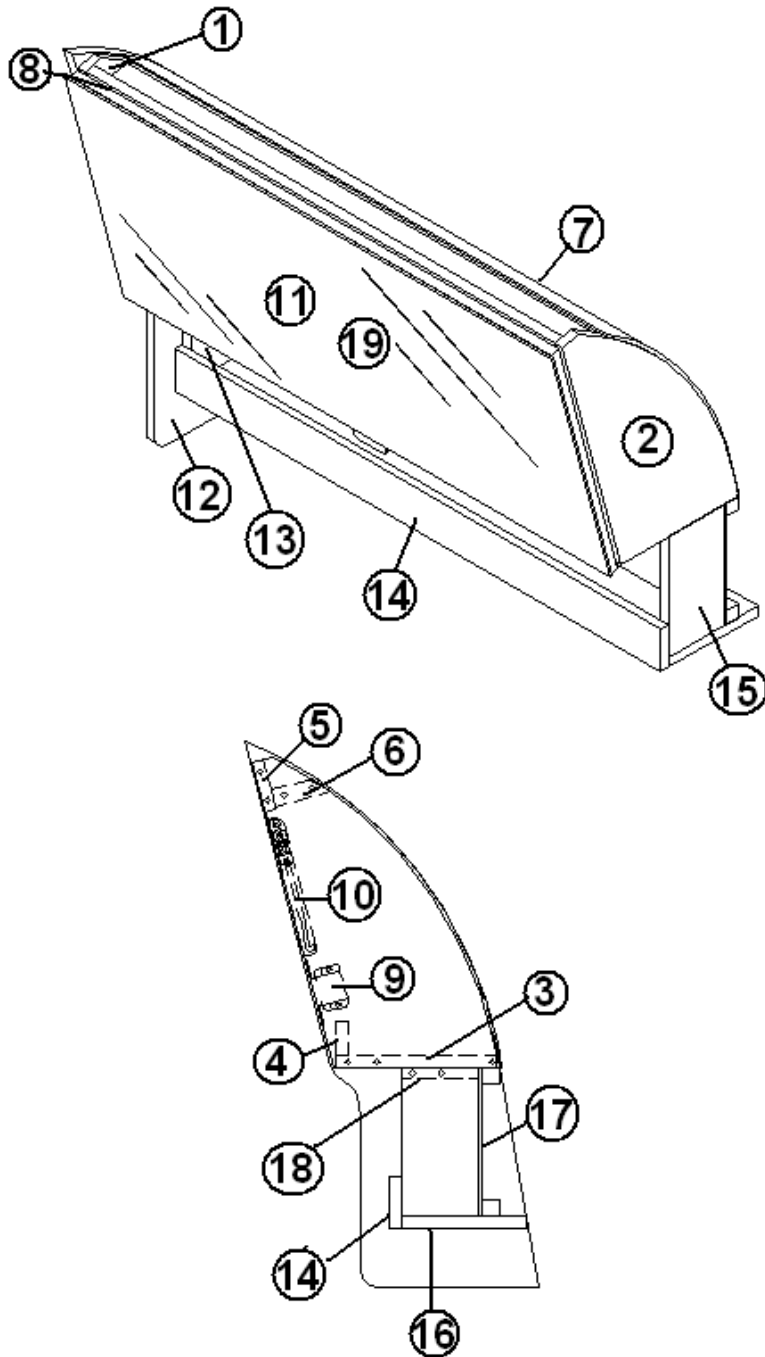
### Lavatory Cabinet Assembly, 28' W

967394-09	Lavatory Cabinet Assembly, 28' W
1. 967006	Closeout, paper holder
2. 966999-09	Closeout, lavy
3. 967002-09	Closeout, interior plumbing,
4. 967394-094	Panel, lavatory cabinet 15.25 X 17.5
5. 967394-095	Panel, lavatory cabinet, 18.25 X 33
6. 967394-096	Panel, lavatory cabinet, 2.25 X 15.25
7. 967394-097	Door, lavatory cabinet, 15.88 X 13.63
8. 967394-098	Panel, lavatory cabinet, 2.25 X 15.5
9. 967394-099	Panel, lavatory cabinet, 7.25 X 15.5
10. 967394-0910	Panel, lavatory cabinet, 2.25 X 33
11. 967394-0911	Panel, lavatory cabinet, 16 X 15.5
12. 967394-0912	Door, lavatory cabinet, 16 X 15.13
13. 967394-0913	Door, lavatory cabinet, 16 X 15.13
14. 967394-0914	Panel, lavatory cabinet, 12 X 32.13
15. 967394-0915	Panel, lavatory cabinet, 15.25 X 5.5
16. 115374	Extrusion, sliding door track 5"
17. 382030	Pull, recessed finger .7 X 2.75
18. 381607	Hinge, Grass Euro
19. 381228-01	Catch, grabber door
20. 381299	Holder, recessed, toilet paper
21. 967396-09	Top, lavy
967396-10	Top, lavy, Midnight Sun option
22. 602216-01	Faucet, lavatory
23. 601804-01	Sink, lavatory, Yukon round

# 2011 FLYING CLOUD

## FURNITURE, BATH

Medicine Cabinet, 28' W



Part numbers on the next page.

# 2011 FLYING CLOUD

## FURNITURE, BATH

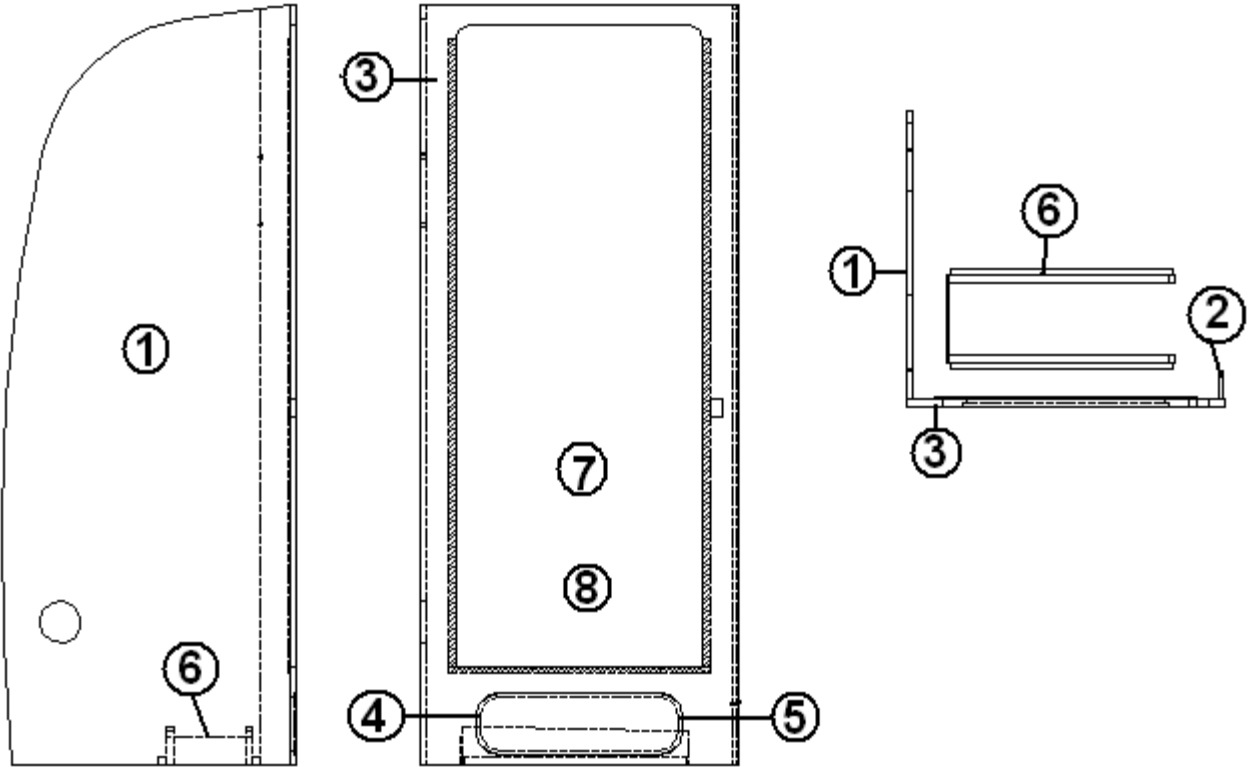
### Medicine Cabinet, 28' W

967003-09	Medicine cabinet Assembly, 28' W
1. 967003-091	Panel, medicine cabinet, 10.81 X 13.56
2. 967003-092	Panel, medicine cabinet, 10.81 X 13.56
3. 967003-093	Panel, medicine cabinet, 7 X 28.97
4. 967003-094	Panel, medicine cabinet, 1.5 X 28.97
5. 967003-095	Panel, medicine cabinet, 2.25 X 28.97
6. 967003-096	Panel, medicine cabinet, 2.5 X 28.97
7. 967003-097	Panel, medicine cabinet, 16.13 X 30
8. 385935-01	Hinge, pivot, zinc plated
9. 381228-01	Catch, grabber door
10. 380024	Arms support, RH
11. 967004	Door, medicine cabinet, 30"
12. 967005	Closeout, medicine cabinet
13. 967003-0915	Panel, medicine cabinet, 3.42 x 6.50
14. 967003-0916	Panel, medicine cabinet, 2.25 x 29.97
15. 967003-0917	Panel, medicine cabinet, 3.42 x 6.50
16. 967003-0918	Panel, medicine cabinet, 5.50 x 29.97
17. 967003-0920	Panel, medicine cabinet, 6.50 x 29.97
18. 967003-0921	Panel, medicine cabinet, 3.42 x 28.97
19. 372203-30	Mirror, safety 14" HX30" W
385940-02	Mirror pull, chrome
195329-202	Hemisphere, clear bump, on - 190 M

# 2011 FLYING CLOUD

## FURNITURE, BATH

### Shower Compartment, 28' W



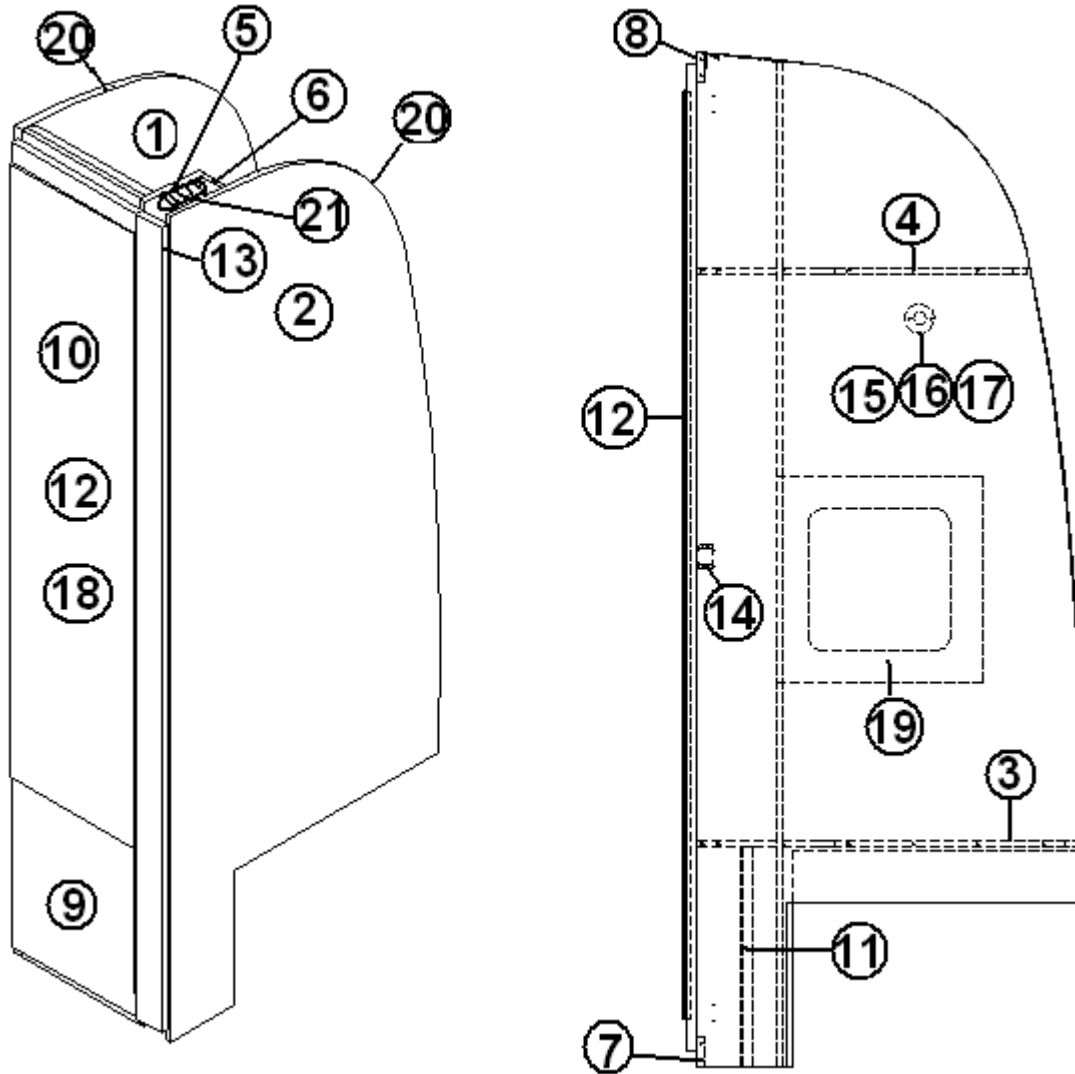
- |               |   |
|---------------|---|
| 1. 966967-091 | Panel, shower, 29.89 X 78.65              |
| 2. 966967-092 | Panel, shower, 3 X 78.71                  |
| 3. 966967-093 | Panel, shower, 33.06 X 78.71              |
| 4. 966967-094 | Panel, shower, 21.44 X 6.44               |
| 5. 203647     | Molding, T, 13/16", Chamois Yellow        |
| 6. 965816     | Stand, shower                             |
| 7. 203081-01  | Shower stall-2 PC fiberglass              |
| 8. 703911-01  | Shower door - 25.5" x 65", brushed nickel |



# 2011 FLYING CLOUD

## FURNITURE, BATH

Wardrobe, 28' W



Part Numbers on the next page.

# 2011 FLYING CLOUD

## FURNITURE, BATH

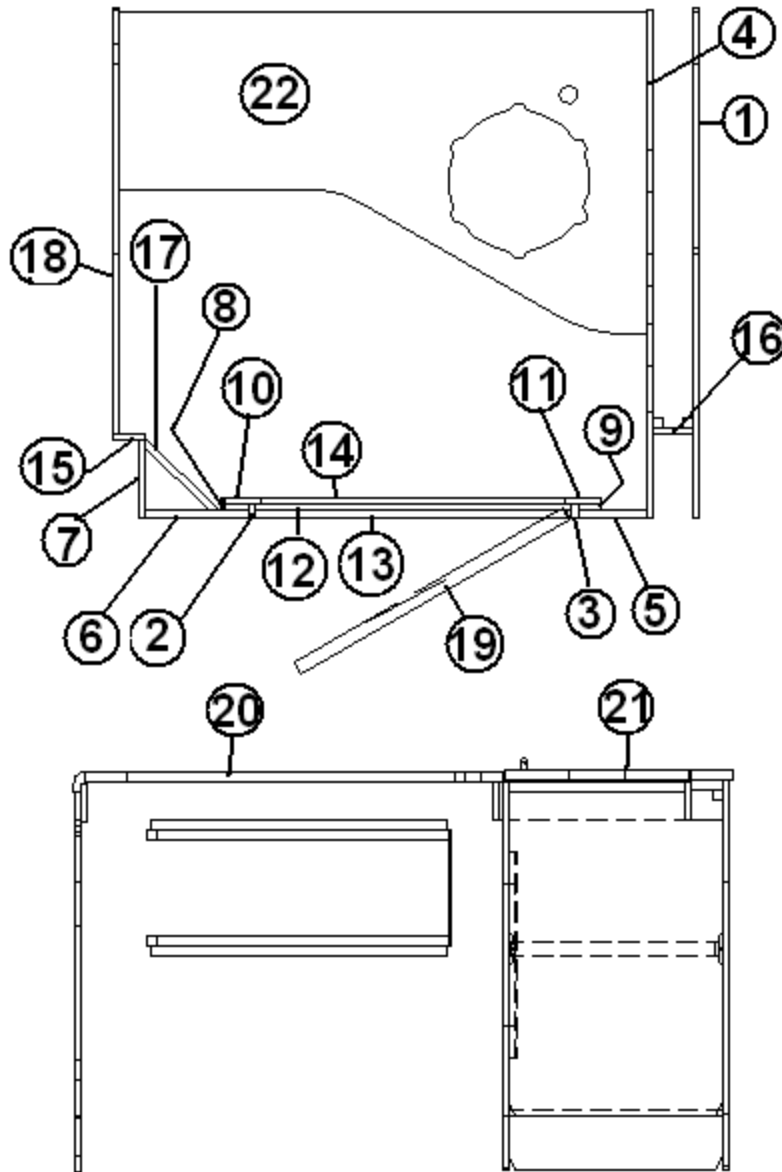
### Wardrobe, 28' W

966969-09	Wardrobe assembly, RS
1. 966969-091	Panel, RS wardrobe, 29.85 X 78.65
2. 966969-092	Panel, RS wardrobe, 29.58 X 78.65
3. 966969-093	Panel, RS wardrobe, 29.73 X 15.81
4. 966969-094	Panel, RS wardrobe, 25.79 X 15.81
5. 966969-095	Panel, RS wardrobe, 6.75 X 78.65
6. 966969-096	Panel, RS wardrobe, 2.31 X 77.94
7. 966969-097	Panel, RS wardrobe, 2.25 X 13.00
8. 966969-098	Panel, RS wardrobe, 2.25 X 13.00
9. 966969-099	Door, RS wardrobe, 13.63 X 76.56
10. 966969-0910	Door, RS wardrobe, 2.77 X 76.56
11. 966969-0911	Panel, RS wardrobe, 17 X 13.00
12. 372203-26	Mirror, polished edges, 13.62 X 58.50
13. 380203-01	Piano hinge, 1/8" Pin
14. 381228-01	Catch, grabber door
15. 380046	Flange, chrome
16. 380045	Tubing, 3/4", metallic
17. 200975-04	Conduit, flexible, black, plastic
18. 381607	Hinge assembly
19. 966883	Closeout, wardrobe
20. 203138-04	Extrusion, plastic, 1/2", Oak
21. 702681-08	Door, foldette, 60"X73", beige
203464-01	Trim panel, Oak 3/4"
104821	Support, roof locker, 74"

# 2011 FLYING CLOUD

## FURNITURE, BATH

### Bath Module, 25' Front Bed



Part Numbers on the next page.

# 2011 FLYING CLOUD

## FURNITURE, BATH

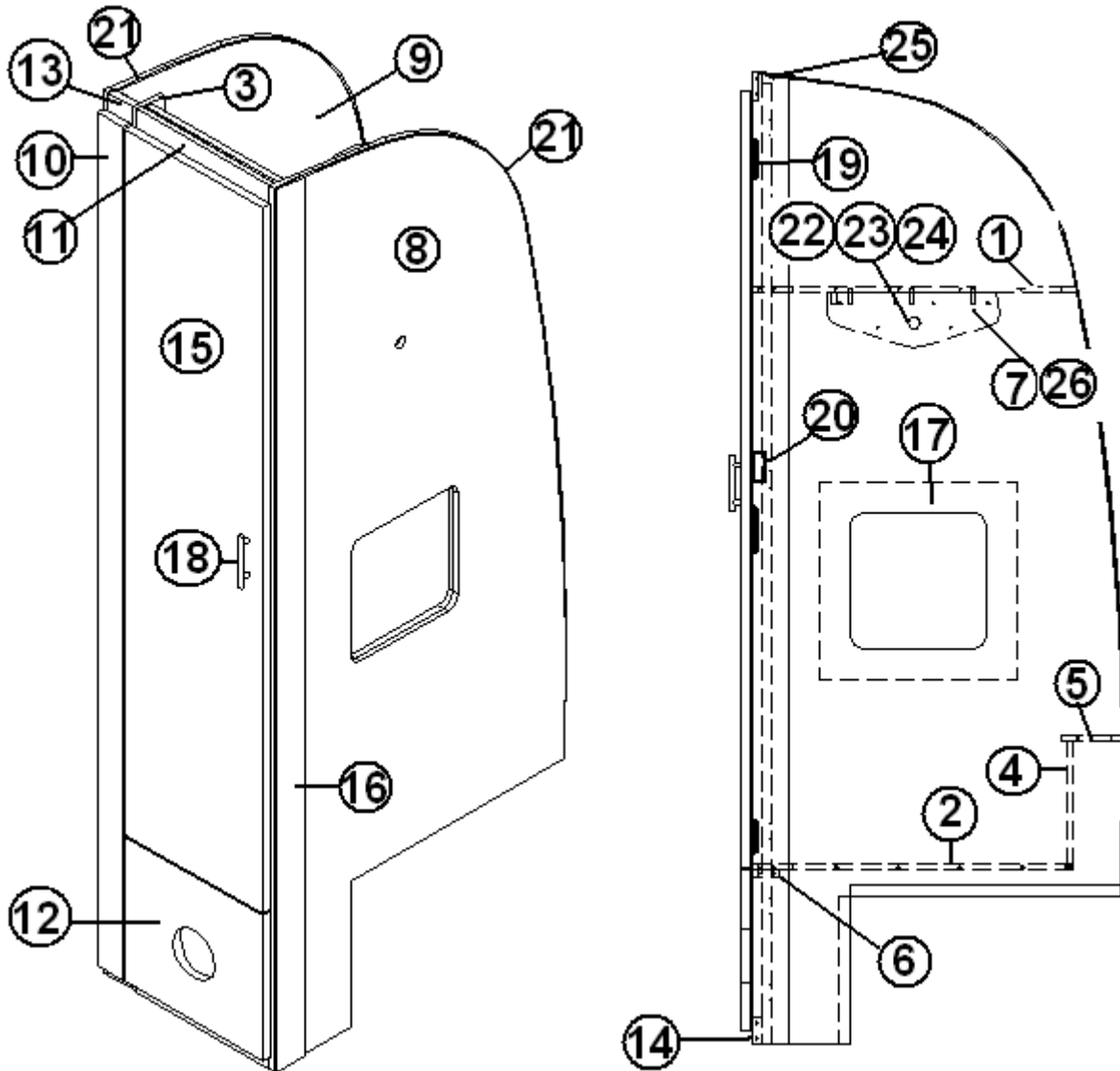
### Bath Module, 25' Front Bed

111565-09	Bath module
1. 111565-091	Panel, bath module, 39.50 X 79.44
2. 111565-092	Panel, bath module, 1.13 X 79.42
3. 111565-093	Panel, bath module, 1.13 X 79.42
4. 111565-094	Panel, bath module, 39.50 X 79.44
5. 111565-095	Panel, bath module, 5.375 X 79.5
6. 111565-096	Panel, bath module, 8.00 X 79.5
7. 111565-097	Panel, bath module, 6.00 X 79.5
8. 111565-098	Panel, bath module, 1.75 X 79.5
9. 111565-099	Panel, bath module, 1.75 X 79.5
10. 111565-0910	Panel, bath module, 2.75 X 79.5
11. 111565-0911	Panel, bath module, 2.75 X 79.5
12. 111565-0912	Panel, bath module, 24.625 X 3.5
13. 111565-0913	Panel, bath module, 24.625 X 3.75
14. 111565-0914	Panel, bath module, 23.625 X 3.75
15. 111565-0915	Panel, bath module, 2.50 X 79.25
16. 111565-0916	Panel, bath module, 3.00 X 79.13
17. 111565-0917	Panel, bath module, 8.00 X 79.13
18. 111565-0918	Panel, bath module, 79.00 X 33.00
19. 966894-09	Door, bath, 24.00" X 72.00"
20. 966879-09	Shower compartment assembly
21. 966905-09	Wardrobe assembly
22. 966902-09	Lavatory cabinet assembly

# 2011 FLYING CLOUD

## FURNITURE, BATH

Wardrobe, 25' Front Bed



Part Numbers on the next page.

# 2011 FLYING CLOUD

## FURNITURE, BATH

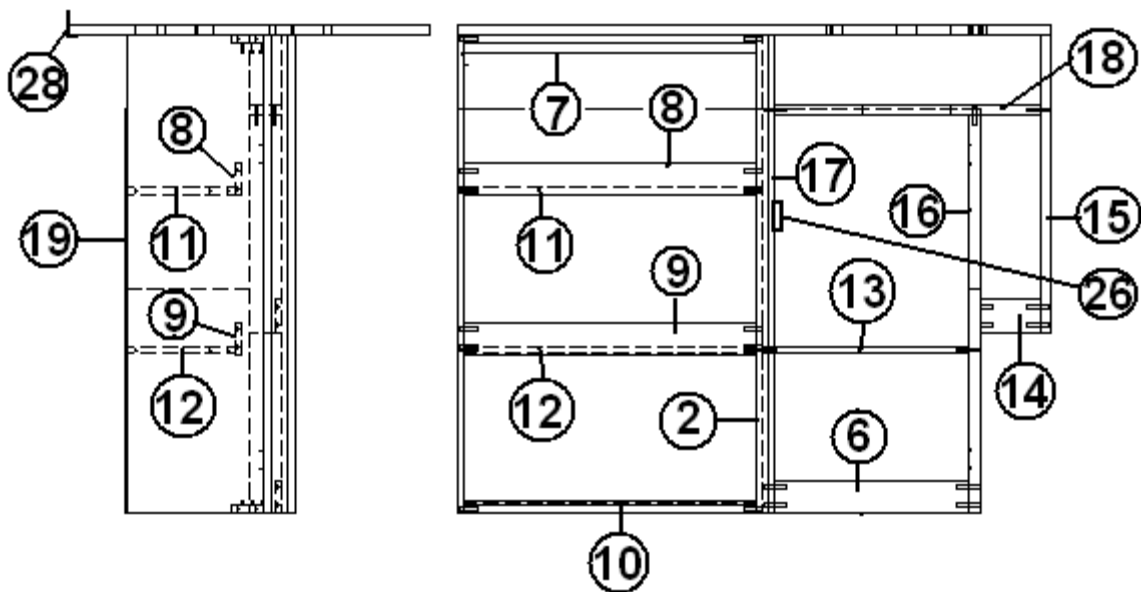
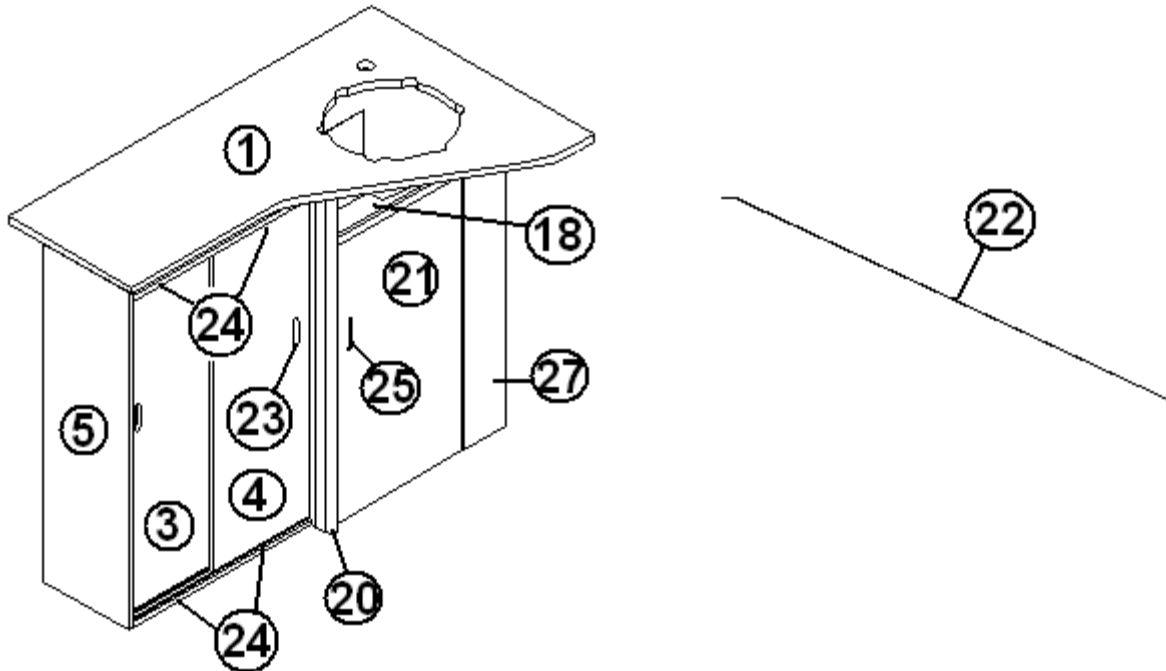
### Wardrobe, 25' Front Bed

966905-09	Wardrobe assembly
1. 966905-091	Panel, wardrobe, 16.56 X 26.25
2. 966905-092	Panel, wardrobe, 16.56 X 26
3. 966905-093	Panel, wardrobe, 3 X 78.88
4. 966905-094	Panel, wardrobe, 10 X 16.56
5. 966905-095	Panel, wardrobe, 5.25 X 16.56
6. 966905-096	Panel, wardrobe, 2.25 X 13.63
7. 966905-097	Panel, wardrobe, 4.5 X 14
8. 966905-098	Panel, wardrobe, 30.09 X 78.88
9. 966905-099	Panel, wardrobe, 30.09 X 78.88
10. 966905-0910	Panel, wardrobe, 2.69 X 76.19
11. 966905-0911	Panel, wardrobe, 2.25 X 13.63
12. 966905-0912	Panel, wardrobe, 14.25 X 13
13. 966905-0913	Panel, wardrobe, 2.44 X 78.88
14. 966905-0914	Panel, wardrobe, 2.25 X 13.63
15. 966905-0915	Panel, wardrobe, 14.25 X 63.06
16. 800507-02	Lauan, 1/4" X 4' X 8'
17. 966883-09	Closeout, wardrobe
18. 382044	Handle, brushed nickel
19. 381607	Hinge, Grass Euro
20. 381228-01	Catch, grabber door
21. 203138-04	Extrusion, plastic 1/2", Oak
22. 380045	Tubing 3/4", metal
23. 200975-04	Conduit, flexible, black plastic
24. 380046	Flange, chrome
25. 104821	Support, roof locker, 74"
26. 966905-0930	Panel, wardrobe, 4.5 X 14

# 2011 FLYING CLOUD

## FURNITURE, BATH

### Lavatory Cabinet, 25' Front Bed



Part Numbers on the Next Page

# 2011 FLYING CLOUD

## FURNITURE, BATH

### Lavatory Cabinet, 25' Front Bed

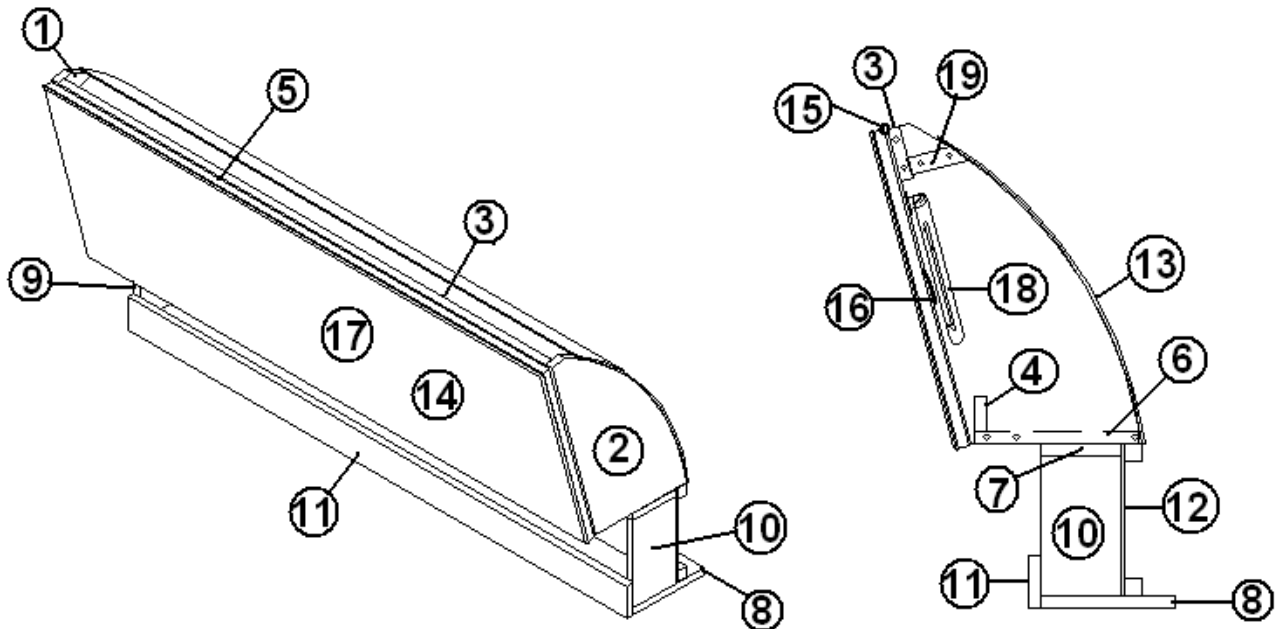
966902-09	Lavatory cabinet
1. 966903-09	Top, lavatory
1. 966903-10	Top, lavatory, Midnight Sun
2. 966902-092	Panel, lavatory, 10.00 X 33.00
3. 966902-093	Panel, lavatory, 10.81 X 31.50
4. 966902-094	Panel, lavatory, 10.81 X 31.50
5. 966902-095	Panel, lavatory, 9.50 X 33.00
6. 966902-096	Panel, lavatory, 2.25 X 13.50
7. 966902-097	Panel, lavatory, 2.25 X 20.12
8. 966902-098	Panel, lavatory, 2.25 X 20.12
9. 966902-099	Panel, lavatory, 2.25 X 20.12
10. 966902-0910	Panel, lavatory, 2.25 X 20.12
11. 966902-0911	Panel, lavatory, 7.50 X 20.12
12. 966902-0912	Panel, lavatory, 7.50 X 20.12
13. 966902-0913	Panel, lavatory, 7.50 X 14.25
14. 966902-0914	Panel, lavatory, 2.25 X 4.12
15. 966902-0915	Panel, lavatory, 2.25 X 20.5
16. 966902-0916	Panel, lavatory, 10.75 X 27.5
17. 966902-0917	Panel, lavatory, 2.25 X 33.00
18. 966902-0918	Panel, lavatory, 2.25 X 18.38
19. 966902-0919	Panel, lavatory, 28.00 X 36.12
20. 801706-0014	Trim, corner 90D, 1" radius, 84"
21. 966902-0923	Panel, lavatory, 14.13 X 27.13
22. 454225	Closeout assembly, lavatory
23. 382030	Pull, recessed, finger
24. 115374	Extrusion, sliding door track, .5"
25. 382044	Handle, brushed nickel
26. 381228-01	Catch, grabber door
27. 966902-0931	Panel, lavatory, 4.75 X 27.12
28. 114812	Aluminum angle, 1.00" X 1.00"



# 2011 FLYING CLOUD

## FURNITURE, BATH

Medicine Cabinet, 25' Front Bed, 27' Front Bed

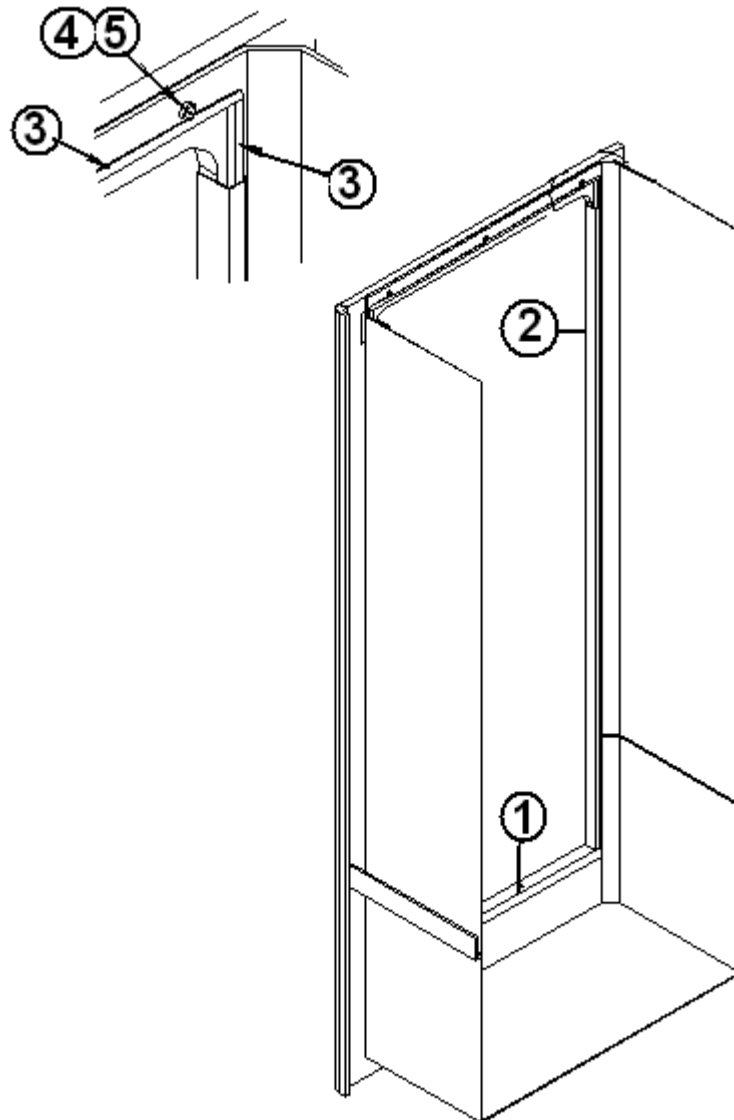


966896-09	Cabinet, medicine
1. 966896-091	Panel, medicine cabinet, 10.81 X 13.56
2. 966896-092	Panel, medicine cabinet, 10.81 X 13.56
3. 966896-093	Panel, medicine cabinet, 2.25 X 39
4. 966896-094	Panel, medicine cabinet, 1.5 X 39
5. 966896-095	Panel, medicine cabinet, 13.88 X 39.88
6. 966896-096	Panel, medicine cabinet, 7 X 39
7. 966896-097	Panel, medicine cabinet, 3.42 X 40
8. 966896-098	Panel, medicine cabinet, 5.67 X 40
9. 966896-099	Panel, medicine cabinet, 3.42 X 6
10. 966896-0910	Panel, medicine cabinet, 3.42 X 6
11. 966896-0911	Panel, medicine cabinet, 2.25 X 40
12. 966896-0912	Panel, medicine cabinet, 6.5 X 40
13. 966896-0913	Panel, medicine cabinet, 16.25 X 40
14. 372203-33	Mirror, safety, .125" X 14" X 40"
15. 385935-01	Hinge, pivot, zinc plated
16. 381228-01	Catch, grabber door
17. 385940-02	Mirror, pull, chrome
18. 380024	Arms, support, RH
19. 966896-0923	Panel, medicine cabinet, 2.5 X 39
454853	Leaf Spring, SS 22 Ga., Lavy Door

# 2011 FLYING CLOUD

FURNITURE, BATH

SHOWER TRIM/DOOR INSTALL, 28', 27', 25FB

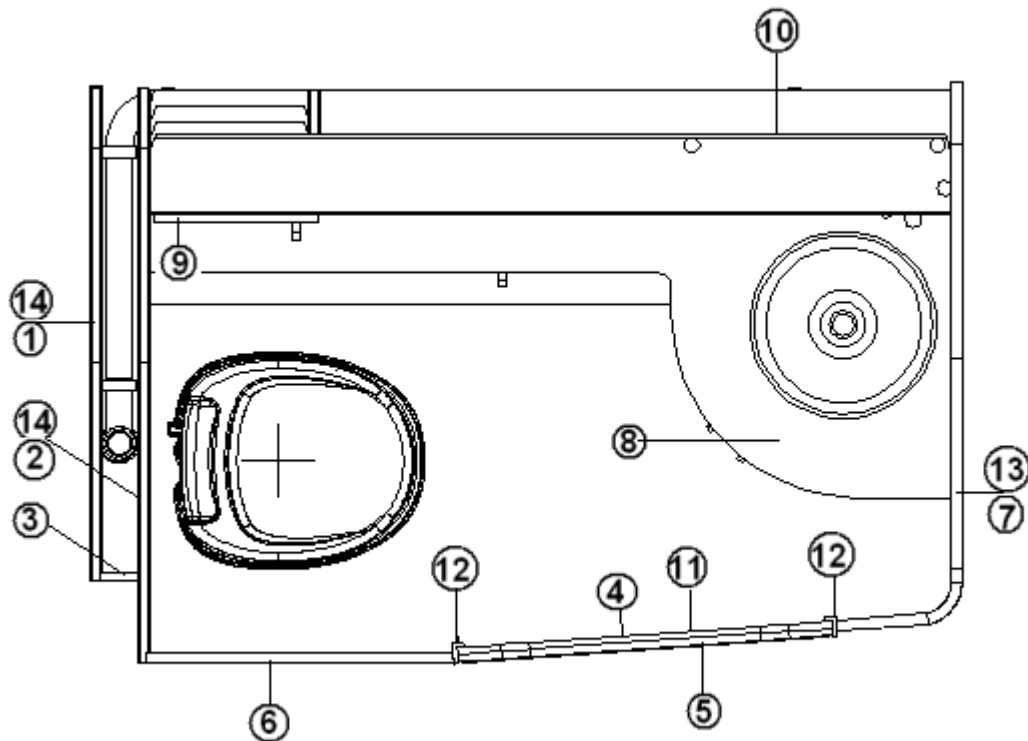


- |              |                                     |
|--------------|-------------------------------------|
| 1. 454727-01 | Angle, shower frame, 27"            |
| 2. 454727-02 | Angle, shower frame, 64.75"         |
| 3. 201666    | Molding-J-3/16, plastic, Almond     |
| 4. 381081-01 | Snap cap w/washer, Antique White    |
| 5. 320006    | Screw, sheet metal, 8 X 3/4 BH Phil |

# 2011 FLYING CLOUD

## FURNITURE, BATH

BATH MODULE, 30'

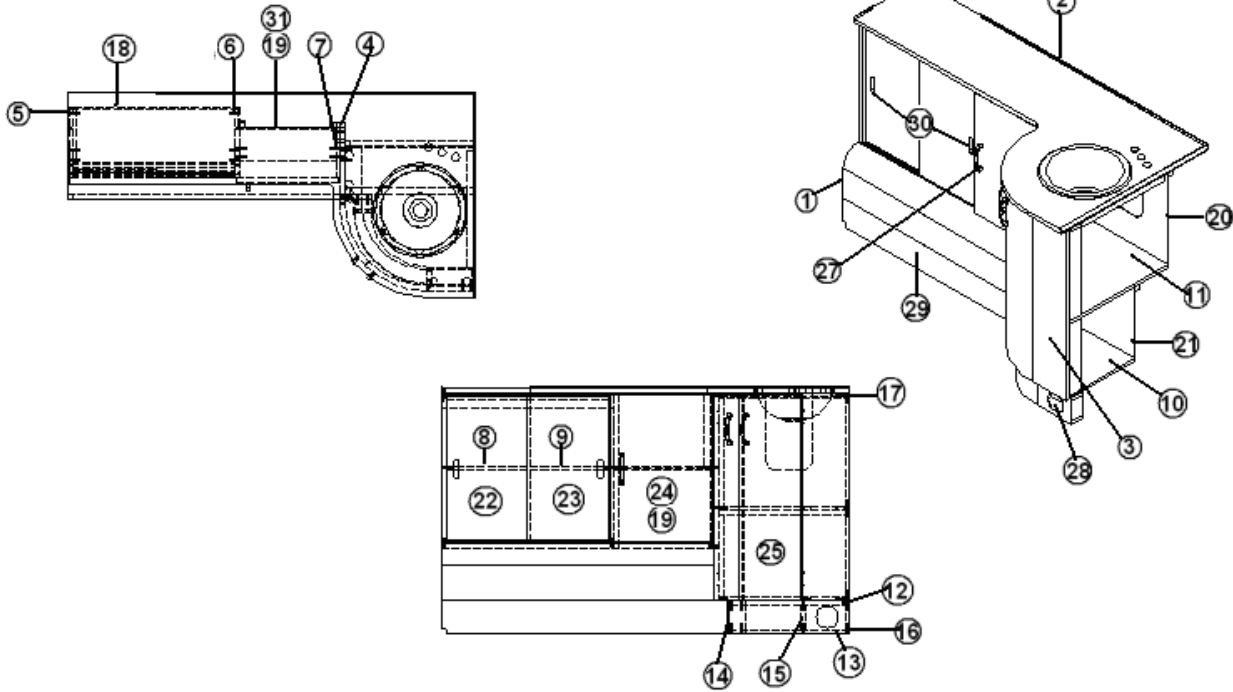


- |     |             |                                    |
|-----|-------------|------------------------------------|
| 1.  | 111838-091  | PNL-BATH 34.06X78.99               |
| 2.  | 111838-092  | PNL-BATH 39.58X79.32               |
| 3.  | 111838-093  | PNL-BATH 2.75X78.99                |
| 4.  | 111838-094  | PNL-BATH 4.01X26                   |
| 5.  | 111838-095  | PNL-BATH 4.01X26                   |
| 6.  | 111838-096  | PNL-BATH 21.15X79.32               |
| 7.  | 967524-09   | SUB ASSY, RADIUS BATH PANEL        |
| 8.  | 967521-09   | LAVY CABINET ASSY                  |
| 9.  | 967525-09   | UPPER LAVY CABINET                 |
| 10. | 967526-09   | UPPER LAVY SHELF                   |
| 11. | 966939-09   | DOOR ASSY., BATH 25.50 X 72.00     |
| 12. | 801665-0014 | MOLDING L DOOR JAMB , GOLD ALCHEMY |
| 13. | 203464-01   | TRIM PANEL OAK 3/4"                |
| 14. | 203138-04   | EXTRUSION - PLASTIC 1/2" OAK W     |
|     | 967527-09   | SHOWER COMPARTMENT ASSY            |

# 2011 FLYING CLOUD

## FURNITURE, BATH

### Lavatory Cabinet, 30'



Parts Listed on Next Page

# 2011 FLYING CLOUD

## FURNITURE, BATH

Lavatory Cabinet, 30'

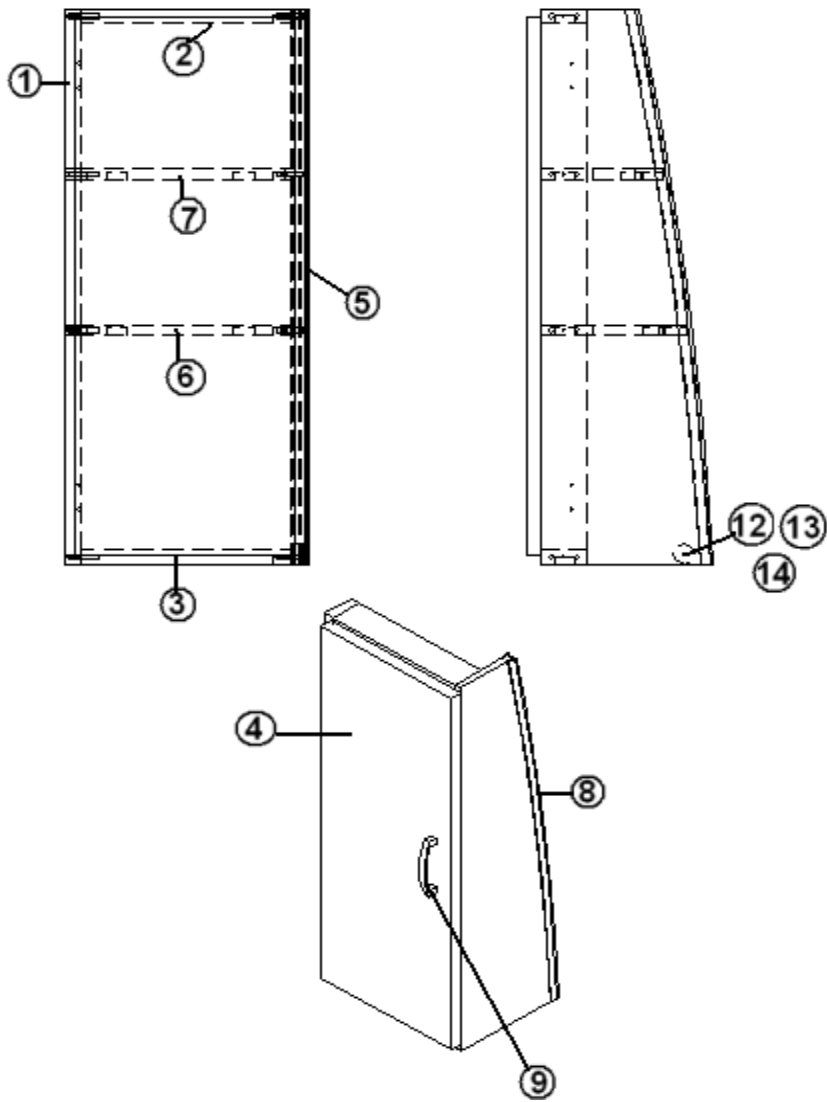
967521-09 CABINET ASSY., LAVY

1. 967522-09 SUB ASSY-LAVY BASE
2. \*967538-09 TOP ASSY-LAVY
- 2.\*967538-10 TOP ASSY-MIDNIGHT SUN
3. 967521-093 PANEL-LAVY CAB 6.44X28.5
4. 967521-094 PANEL-LAVY CAB 10.3X28.5
5. 967521-095 PANEL-LAVY 9.5X20.5
6. 967521-096 PANEL-LAVY 9.5X20.5
7. 967521-7 PANEL-LAVY CAB. 7.55X20.5
8. 967521-8 PANEL-LAVY CAB. 7.5X22.19
9. 967521-9 PANEL-LAVY CAB. 4.49X13.25
10. 967521-10 PANEL-LAVY CAB. 12.5X17.75
11. 967521-11 PANEL-LAVY CAB. 19X17.75
12. 967521-12 PANEL-LAVY CAB. 11.56X16.5
13. 967521-13 PANEL-LAVY CAB. 11.56X16.5
14. 967521-14 PANEL-LAVY CAB. 2.25X3.5
15. 967521-0915 PANEL-LAVY 2.25x3.5
16. 967521-16 PANEL-LAVY CAB. 2.25X3.5
17. 967521-21 PANEL-LAVY CAB. 19X17.75
18. 967521-22 PANEL-LAVY CAB. 23.44X19.25
19. 967521-23 PANEL-LAVY CAB. 13.75X11
20. 967521-24 PANEL-LAVY CAB. 16X17.75
21. 967521-25 PANEL-LAVY CAB. 17.75X12.5
22. 967521-0926 DOOR-LAVY CAB 11.34X20.13
23. 967521-0927 DOOR-LAVY CAB 11.34X20.13
24. 967521-0928 DOOR-LAVY CAB 13.88X20.25
25. 801788-0114 DR-PLYFOAM ALCHEMY 9.18X28.25
26. 381607 HINGE ASSY-GRASS EURO (Not shown)
27. 381228-01 CATCH GRABBER DOOR C3-803
28. 115438-03 TOEKICK-ALUM LAVY 23.75"
29. 115438-04 TOEKICK ALUMINUM, 39.13
30. 382030 PULL-RECESSED FINGER .7 X 2.7
31. 967521-41 PNL-LAVY 10X13.22
- 454853 LEAF SPRING

# 2011 FLYING CLOUD

## FURNITURE, BATH

### Lavatory Cabinet, Upper, 30'



Parts Listed on Next Page

# 2011 FLYING CLOUD

## FURNITURE, BATH

Lavatory Cabinet - Upper, 30'

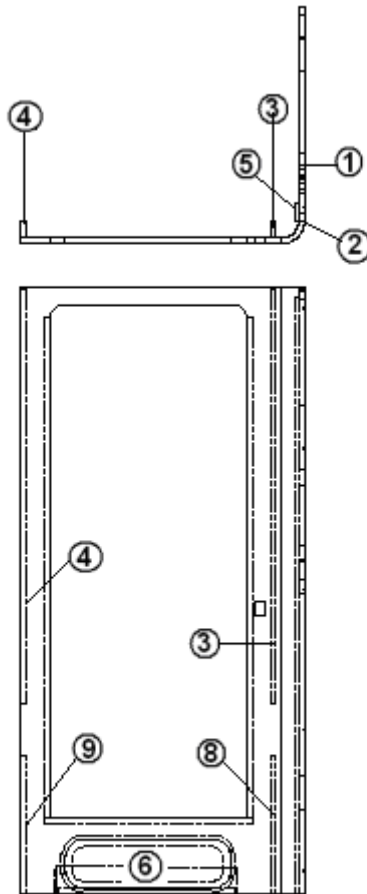
967525-09 CABINET.ASSY., UPPER

1. 967525-1 PANEL-LAVY CAB 2.25X28.5
2. 967525-2 PANEL-LAVY CAB 2.25X10.5
3. 967525-3 PANEL-LAVY CAB 2.25X10.5
4. 967525-094 PANEL-LAVY 11.31X27.63
5. 967525-095 PANEL-LAVY 8.29X28.5
6. 967525-6 PANEL-LAVY CAB 11.25X7.13
7. 967525-7 PANEL-LAVY CAB 11.25X6
8. 203138-04 EXTRUSION - PLASTIC 1/2"
9. 382044 HANDLE-BRUSHED NICKEL
10. 381607 HINGE ASSY-GRASS EURO-SAFARI
11. 381228-01 CATCH GRABBER DOOR C3-803
12. 382057 KNOCKDOWN-8MM #16289B
13. 320151 SCREW #6 X 3/4" ROUND WASHER
14. 382057-04 CAP-KNOCKDOWN WHT #16387

# 2011 FLYING CLOUD

## FURNITURE, BATH

Shower Compartment, 30'



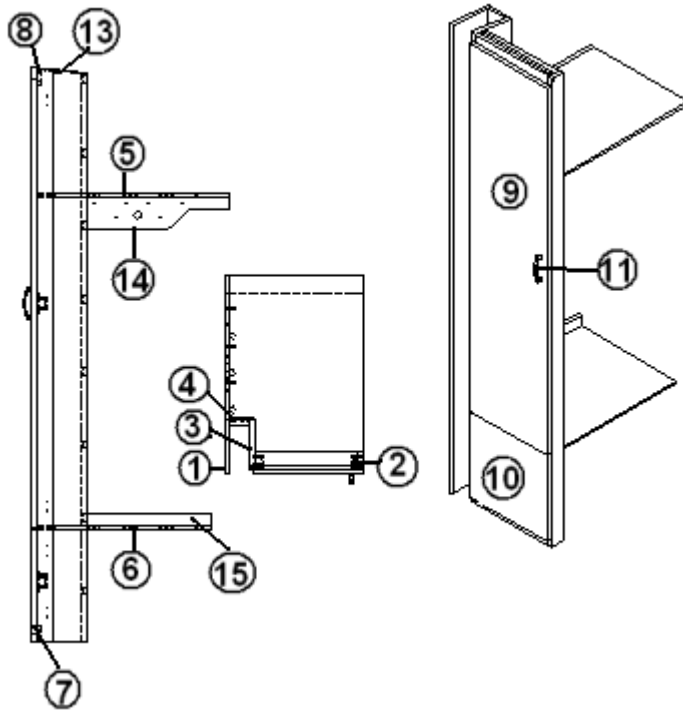
967527-09	SHOWER COMPARTMENT
1. 967527-091	PANEL-SHOWER 26.84X78.27
2. 967528-09	SUB ASSY-SHOWER COMPARTMENT
3. 967527-3	PANEL-SHOWER 2.25X53.91
4. 967527-4	PANEL-SHOWER 2.25X53.91
5. 967527-5	PANEL-SHOWER 2.25X77.5
6. 967527-096	PANEL-SHOWER 21.44X6.44
8. 967527-15I	PANEL-SHOWER 2.25X18
9. 967527-16	PANEL-SHOWER 2.25X18
203081-01	SHOWER STALL-2 PC FIBER
703911-01	D00R-SHOWER 25.5X65 BR.NICKEL
203464-01	TRIM PANEL OAK 3/4"
454727-01	ANGLE, SHOWER FRAME, 27"
454727-02	ANGLE, SHOWER FRAME, 64.75"
201666	MOLDING, J, 3/16" PLASTIC, ALMOND
381081-01	SNAP CAP W/WASHER, ANTIQUE WHITE



# 2011 FLYING CLOUD

## FURNITURE, BATH

### WARDROBE ASSEMBLY – FORWARD – 30'



967533-09

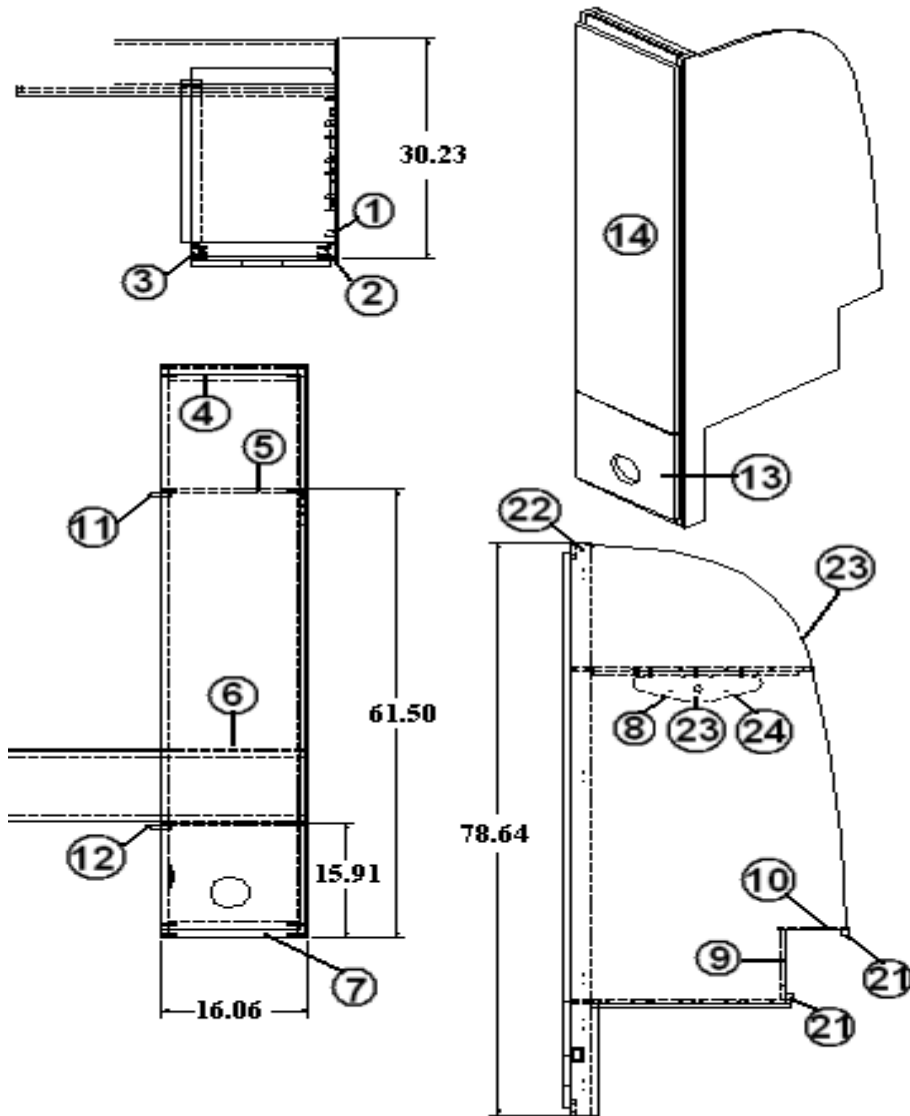
WARDROBE ASSY – FORWARD 30'

1. 967533-091 PANEL 78.72X7.5
  2. 967533-092 PANEL 78.64X2.25
  3. 967533-093 PANEL 78.64X6.75
  4. 967533-094 PANEL 77.96X2.94
  5. 967533-095 PANEL 18.5X26.38
  6. 967533-096 PANEL 18.5X24
  7. 967533-097 PANEL 2.25X14.06
  8. 967533-098 PANEL 2.25X14.06
  9. 967533-099 DOOR- 15.06X61.5
  10. 967533-0910 DOOR- 15.06X14.41
  11. 382044 HANDLE, BRUSHED NICKEL
  12. 381607 HINGE ASSY-GRASS EURO-SAFARI
  13. 104821 SUPPORT, ROOFLOCKER, 74"
  14. 967533-0917 PNL-W/R 5X19.63
  15. 967533-0918 PNL-W/R 2.25X17.25
- 381228 CATCH GRABBER DOOR C3-810

# 2011 FLYING CLOUD

## FURNITURE, BATH

### WARDROBE ASSEMBLY - REAR 30'



PARTS LISTED ON NEXT PAGE

# 2011 FLYING CLOUD

## FURNITURE, BATH

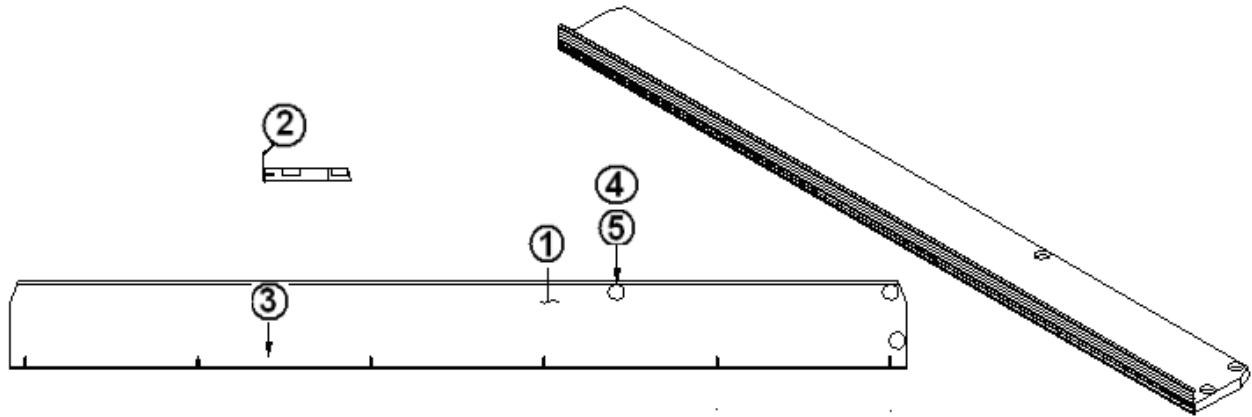
- 967534-09 WARDROBE ASSEMBLY REAR - 30'
- 1. 967534-091 PANEL 78.64X30.07
- 2. 967534-092 PANEL 78.64X2.25
- 3. 967534-093 PANEL 78.64X2.25
- 4. 967534-094 PANEL 2.25X14.06
- 5. 967534-095 PANEL 15.56X26.38
- 6. 967534-096 PANEL 15.56X24
- 7. 967534-097 PANEL 2.25X14.06
- 8. 967534-098 PANEL 14X4.5
- 9. 967534-099 PANEL 9.5X34.56
- 10. 967534-0910 PANEL 7.75X34.56
- 11. 967534-0911 PANEL 2.25X22.25
- 12. 967534-0912 PANEL 2.25X21.5
- 13. 967534-0913 DOOR-W/R 15.06X14.41
- 14. 967534-0914 DOOR-W/R 15.06X61.5
- 15. 365343-01 EDGEBANDING-.63" GOLD ALCHEMY
- 16. 365343-02 EDGEBANDING- .94" GOLD ALCHEMY
- 17. 365340-01 EDGEBANDING- .63" FROSTY WHITE
- 18. 382044 HANDLE, BRUSHED NICKEL
- 19. 381607 HINGE ASSY-GRASS EURO-SAFARI
- 20. 381228 CATCH GRABBER DOOR C3-810
- 21. 800025-01 PINE 3/4" X 3/4" STAINED
- 22. 104821 SUPPORT, ROOFLOCKER, 74"
- 23. 380045 TUBING 3/4" ELEC METALLIC
- 24. 200975-04 CONDUIT,FLEXIBLE BLACK PLASTIC
- 25. 203138-01 EXTRUSION-PLASTIC WALL-WHITE
- 380046 FLANGE, CHROME

# 2011 FLYING CLOUD

FURNITURE, BATH

UPPER SHELF ASSEMBLY 30'

967526-09 SHELF ASSY-UPPER LAVY

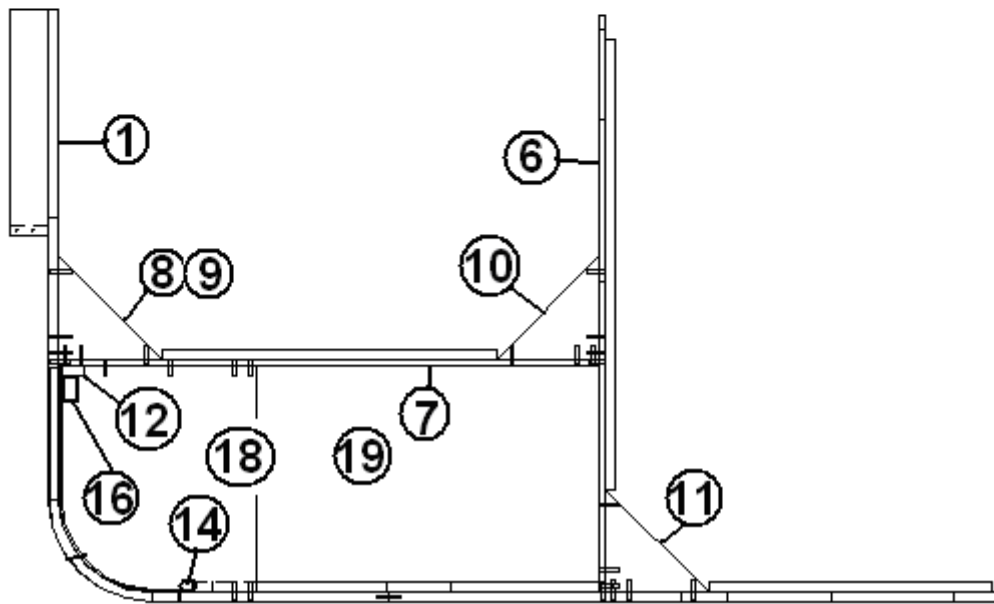
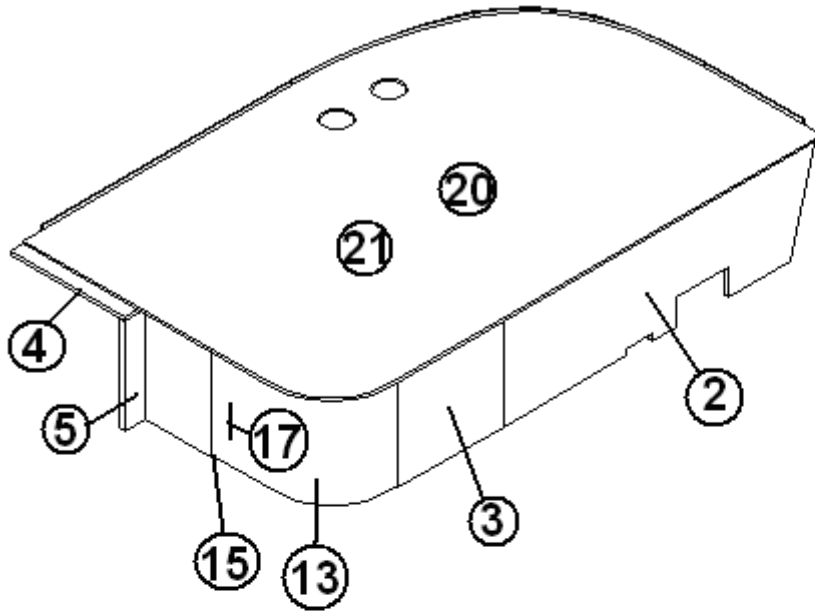


1. 967526-091 PNL-LAVY SHELF 55.69X5.38
2. 114869 EXTRU THRESHOLD COMPT CLR ANOD
3. 345353-03 SCREW- #6 X 0.75 FLAT HD- PHIL
4. 382057 KNOCKDOWN-8MM #16289B
5. 382057-01 CAP-KNOCKDOWN LT BRN #16289C

# 2011 FLYING CLOUD

## FURNITURE, BEDROOM

Bed, 19', 23'



Part Numbers On the Next Page

# 2011 FLYING CLOUD

## FURNITURE, BEDROOM

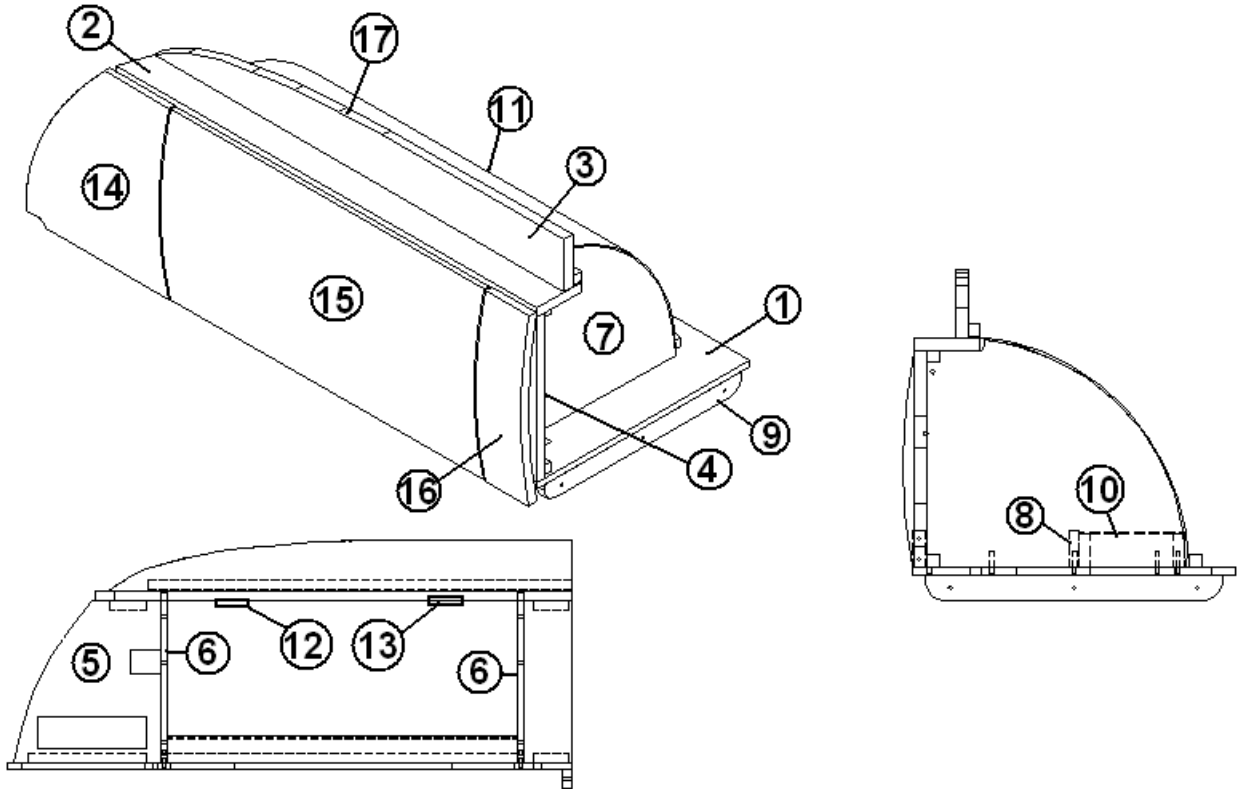
### Bed, 19', 23'

966926-09	Bed, "C", narrow body
1. 966926-091	Panel, bed, 27.75 X 15.125
2. 966926-092	Panel, bed, 47.63 X 15.125
3. 966926-093	Panel, bed, 16.19 X 15.125
4. 966926-094	Panel, bed, 17.5 X 3.0
5. 966926-095	Panel, bed, 3.0 X 14.36
6. 966926-096	Panel, bed, 44.75 X 15.125
7. 966926-097	Panel, bed, 42.0 X 15.125
8. 966926-098	Panel, bed, 8.0 X 8.00, angle
9. 966926-099	Panel, bed, 8.0 X 8.00, angle
10. 966926-0910	Panel, bed, 8.0 X 8.00, angle
11. 966926-0911	Panel, bed, 8.0 X 8.00, angle
12. 966926-0912	Panel, bed, 2.0 X 13.50
13. 966925-09	Door, radius, "C" bed
14. 381853	Hinge, piano
15. 203587	Wedge, radius, bed base door
16. 381948	K-Catch
17. 382044	Handle, brushed nickel
18. 203667	Bin, storage, 23" X 16.75" X 12.38
19. 203439	Storage box, 17"L X 11.13"W X 6.38"D
20. 703696	Mattress, 48" X 76", corner double
21. 966926-0914	Bed top, 47.14 X 75.12
22. 966926-0913	Panel, bed, 15.19 X 17.625
701538-01	Carpet – Econolier w/PSA back

# 2011 FLYING CLOUD

## FURNITURE, BEDROOM

### End Liner Roof Locker, Rear, 19', 23'

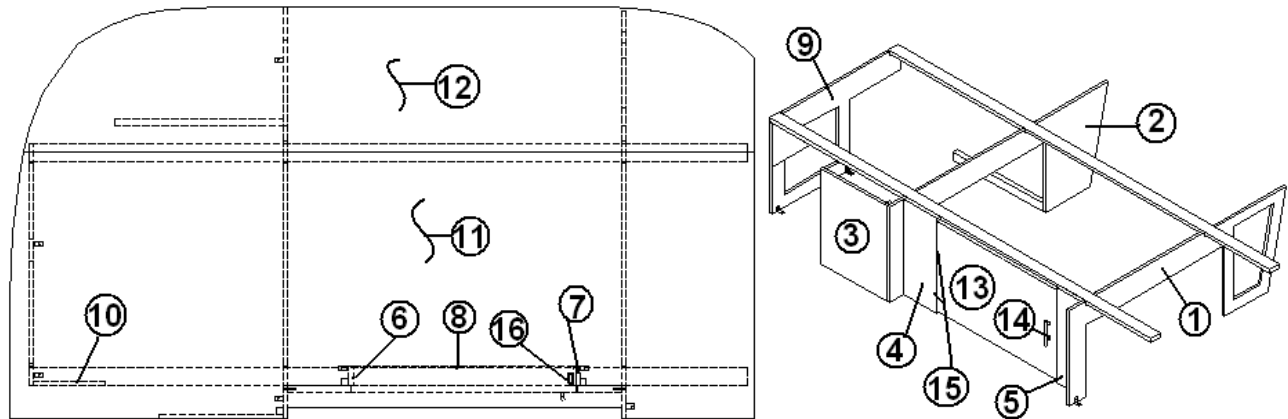


967369-09	End liner, rear, narrow body
1. 967365-09	Bottom, narrow body, end liner locker
2. 967366-09	Top, narrow body, end liner locker
3. 967367-09	Header, narrow body, end liner locker
4. 967290-09	Stile, narrow body, end liner locker
5. 967283	Support, narrow body, end liner locker
6. 967277-01	Divider, narrow body, end liner locker
7. 800506-06	Plywood, 3/4" X 4' X 8', cut to 3.88" x 13.25"
8. 967369-098	Panel, end liner locker, 2.25 X 28.35
9. 967369-099	Panel, end liner locker, 1.5 X 18.0
10. 967369-0910	Panel, end liner locker, 6.5 X 28.35
11. 967369-0911	Panel, end liner locker, 22.0 X 29.38
12. 381840-01	Hinge, overhead spring, LH
13. 381840-02	Hinge, overhead spring, RH
14. 801786-0614	Door, plyform, 15.25X12.50, LH
15. 801786-0914	Door, plyform, 15.25 X 28.75
16. 801786-1014	Filler, 15.25 X 4.08 Gold Alchemy
17. 201673-01	Molding, Oak cove, .43"

# 2011 FLYING CLOUD

## FURNITURE, BEDROOM

Bed, 20'



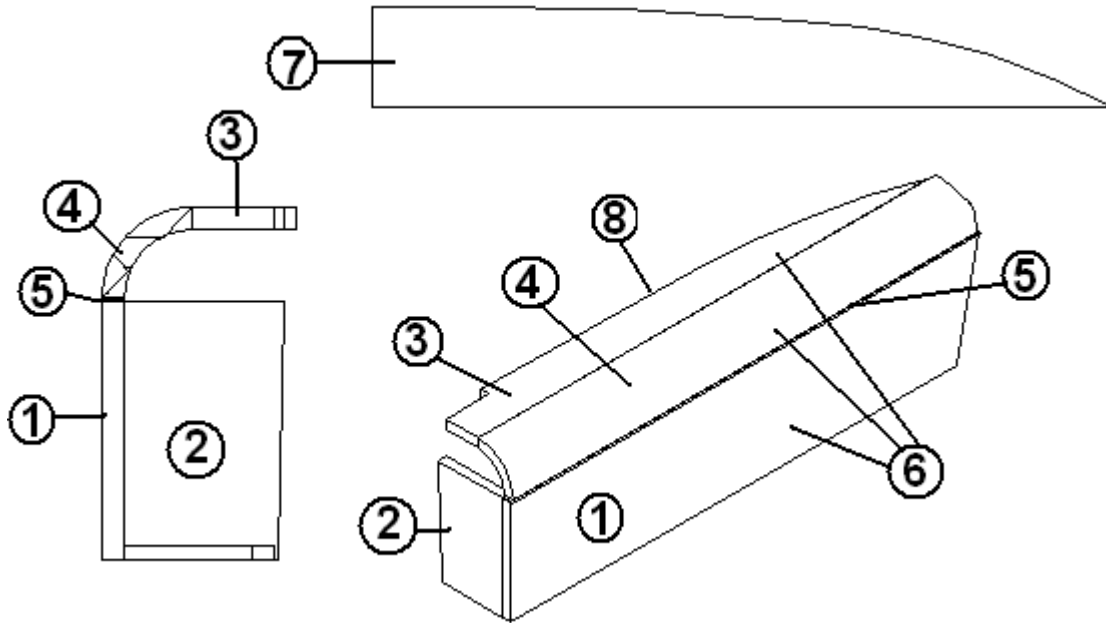
967335-09		Bed assembly - 20 FC
1.	967335-091	Panel, bed, 45.96 X 17.5
2.	967335-092	Panel, bed, 46.33 X 17.5
3.	967335-093	Panel, bed, 14 X 17.5
4.	967335-094	Panel, bed, 7 X 17.5
5.	967335-095	Panel, bed, 5 X 17.5
6.	967335-096	Panel, bed, 2.25 X 16.75
7.	967335-097	Panel, bed, 2.25 X 16.75
8.	967335-098	Panel, bed, 2.25 X 24.63
9.	967335-0910A	Panel, bed, 17.50 X 27.25
10.	967335-0910B	Panel, bed, 8.00 X 8.00
11.	967335-0911A	Panel, bed, 30.00 X 83.75
12.	967335-0911B	Panel, bed, 16.35 X 82.25
13.	967335-0913	Door, bed 25.25 X 16.5
14.	382044	Handle, brushed nickel
15.	381607	Hinge, Grass Euro
16.	381228-01	Door, catch grabber



# 2011 FLYING CLOUD

## FURNITURE, BEDROOM

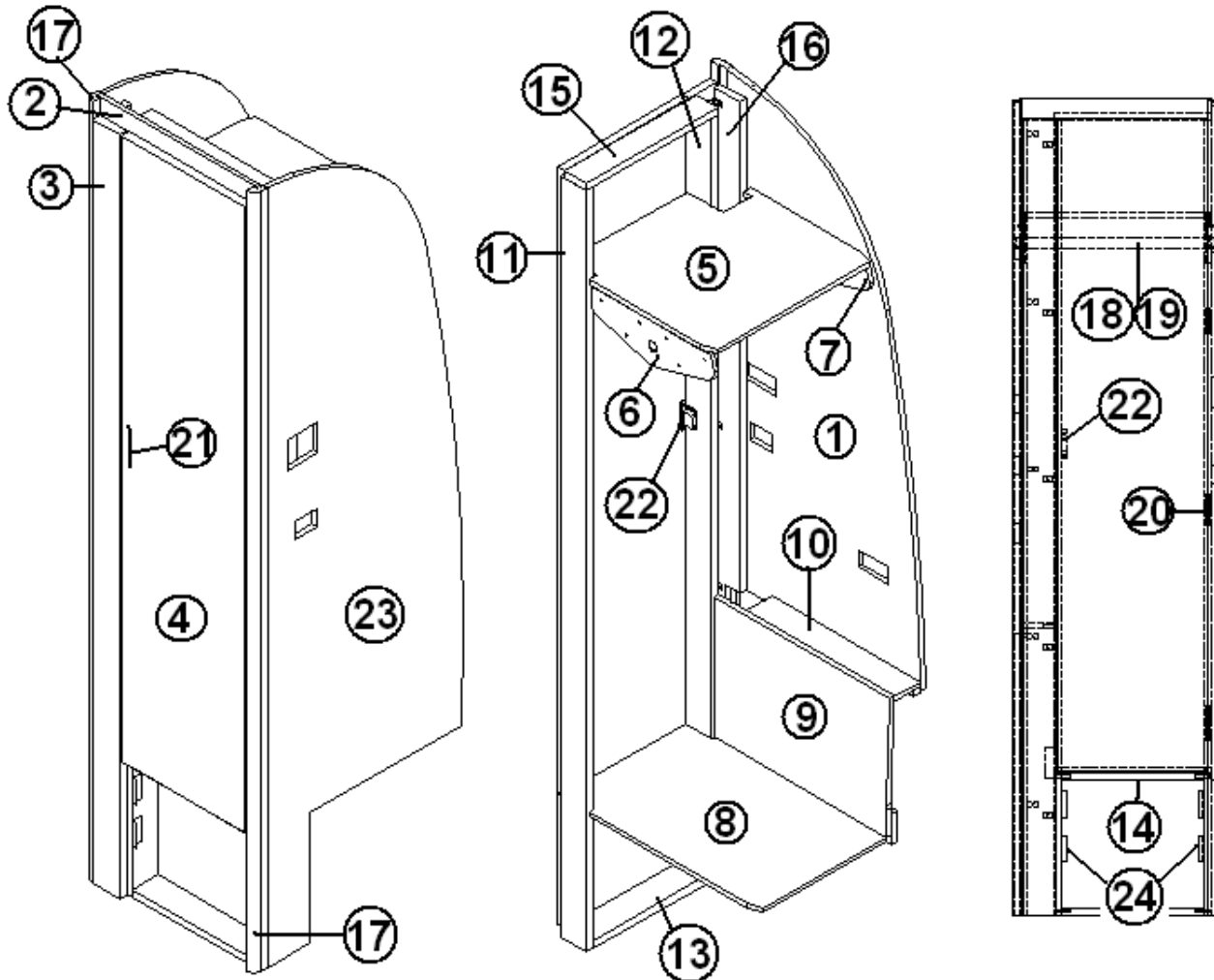
Hamper, Roadside, 20'



- |               |                                   |
|---------------|-----------------------------------|
| 967336-09     | Hamper, RS                        |
| 1. 967336-091 | Panel, RS hamper, 8.62 X 39.25    |
| 2. 967336-092 | Panel, RS hamper, 5.35 X 8.63     |
| 3. 967336-093 | Panel, RS hamper, 3.47 X 37.68    |
| 4. 801345     | Radius plywood, .75" X 3" X8'     |
| 5. 380458     | Hinge, piano, copper              |
| 6. 702482-03  | Headliner, Spectra Opal, XTE X TU |
| 7. 967336-098 | Panel, RS hamper, 5 X 36.25       |
| 8. 201673     | Reverse cove molding, White       |

# 2011 FLYING CLOUD FURNITURE, BEDROOM

Wardrobe, Roadside, 19'



Part numbers are on the next page.

# 2011 FLYING CLOUD

## FURNITURE, BEDROOM

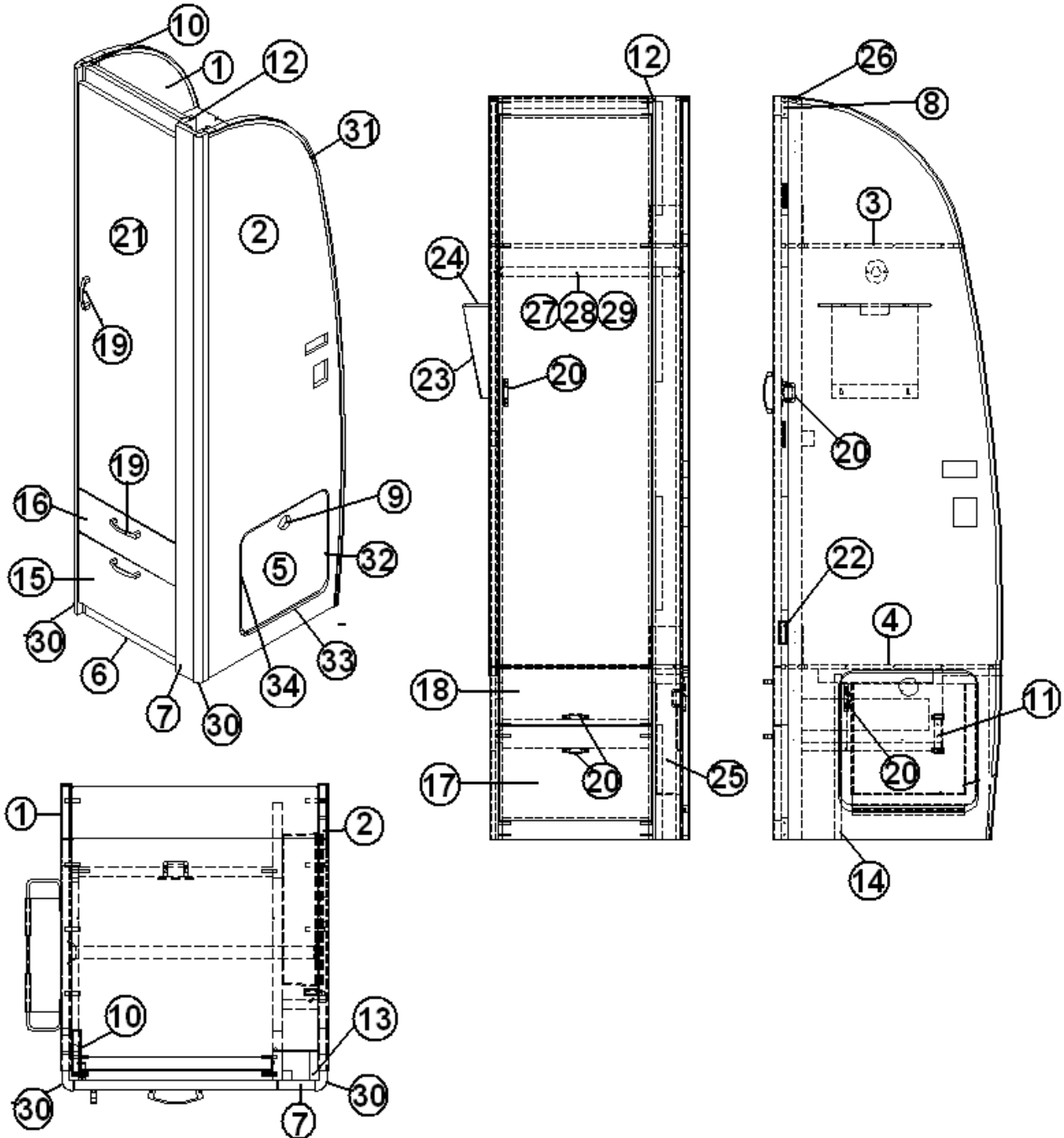
Wardrobe, Roadside, 19'

	966957-09	Wardrobe assembly
1.	966957-091	Panel, wardrobe, 22.38 X 77.76
2.	966957-092	Panel, wardrobe, 2.13 X 18.38
3.	966957-093	Panel, wardrobe, 3.13 X 76.19
4.	966957-094	Door, 14.25 X 62.38
5.	966957-095	Panel, wardrobe, 17.50 X 18.38
6.	966957-096	Panel, wardrobe, 14.00 X 4.50
7.	966957-097	Panel, wardrobe, 14.00 X 4.50
8.	966957-098	Panel, wardrobe, 15.12 X 22.88
9.	966957-099	Panel, wardrobe, 14.00 X 20.17
10.	966957-0910	Panel, wardrobe, 3.25 X 17.13
11.	966957-0911	Panel, wardrobe, 3.00 X 75.88
12.	966957-0912	Panel, wardrobe, 3.00 X 75.88
13.	966957-0913	Panel, wardrobe, 3.00 X 13.63
14.	966957-0914	Panel, wardrobe, 3.00 X 13.63
15.	966957-0915	Panel, wardrobe, 2.50 X 15.13
16.	966957-0916	Panel, wardrobe, 3.00 X 75.88
17.	801706-0014	Trim, corner 90D, 1" radius, Alchemy, 84"
18.	380045	Tubing, ¾" metal
19.	200975-04	Conduit, flexible, black plastic
20.	381607	Hinge, Grass Euro
21.	382044	Handle, brushed nickel
22.	381228-01	Door, grabber catch
23.	966957-0930	Panel, wardrobe, 77.78 X 22.50
24.	114811	Aluminum angle .50" X .50"

# 2011 FLYING CLOUD

## FURNITURE, BEDROOM

Wardrobe, 20'



PART NUMBERS ON THE NEXT PAGE

# 2011 FLYING CLOUD

## FURNITURE, BEDROOM

### Wardrobe, 20'

967337-09	Wardrobe assembly
1. 967337-091	Panel, wardrobe, 22.39 X 77.75
2. 967337-092	Panel, wardrobe, 22.39 X 77.75
3. 967337-093	Panel, wardrobe, 19.69 X 19
4. 967337-094	Panel, wardrobe, 19.69 X 23.06
5. 967337-095	Panel, wardrobe, 14.25 X 14
6. 967337-096	Panel, wardrobe, 2.25 X 15.25
7. 967337-097	Panel, wardrobe, 2.94 X 77.94
8. 967337-098	Panel, wardrobe, 2.25 X 15.25
9. 382026	Pull, flush, S.S. finger
10. 967337-0910	Panel, wardrobe, 16.87 X 77.94
11. 967337-0911	Panel, wardrobe, 3 X 15.25
12. 967337-0912	Panel, wardrobe, 21.25 X 77.94
13. 967337-0913	Panel, wardrobe, 77.75 X 2.25
14. 967337-0914	Panel, wardrobe, 2.94 X 17.25
15. 967337-0915	Panel, wardrobe, 15.88 X 10
16. 967337-0916	Panel, wardrobe, 15.88 X 6
17. 965558-04	Drawer box, 8.00" X 15.25" X 14"
18. 965642-02	Drawer box, 3.38" X 15.25" X 14"
19. 382044	Handle, brushed nickel
20. 381228-01	Door, grabber catch
21. 967337-0921	Door, wardrobe, 15.88 X 57.75
22. 381607	Hinge, Grass Euro
23. 386106-01	Rack, magazine, white
24. 386107	Rod, magazine rack
25. 203383	Rack, magazine
26. 104821	Support, roof locker, 74"
27. 380045	Tubing, 3/4", metal
28. 200975-04	Conduit, flexible, black, plastic
29. 380046	Flange, chrome
30. 801706-0014	Trim, corner 90D, 1" radius, 84", G. Alchemy
31. 203138-04	Extrusion, plastic, 1/2" Oak
32. 203445	T-Molding, black, .5"
33. 381951	Hinge, formed, .5"
34. 381065-10	10" cable support
381773-03	Drawer slide 15.75"
381773-21	Drawer slide, 8.38" X 15.75"

# 2011 FLYING CLOUD

## FURNITURE, BEDROOM

Wardrobe Erase board and Key Hooks, 20'



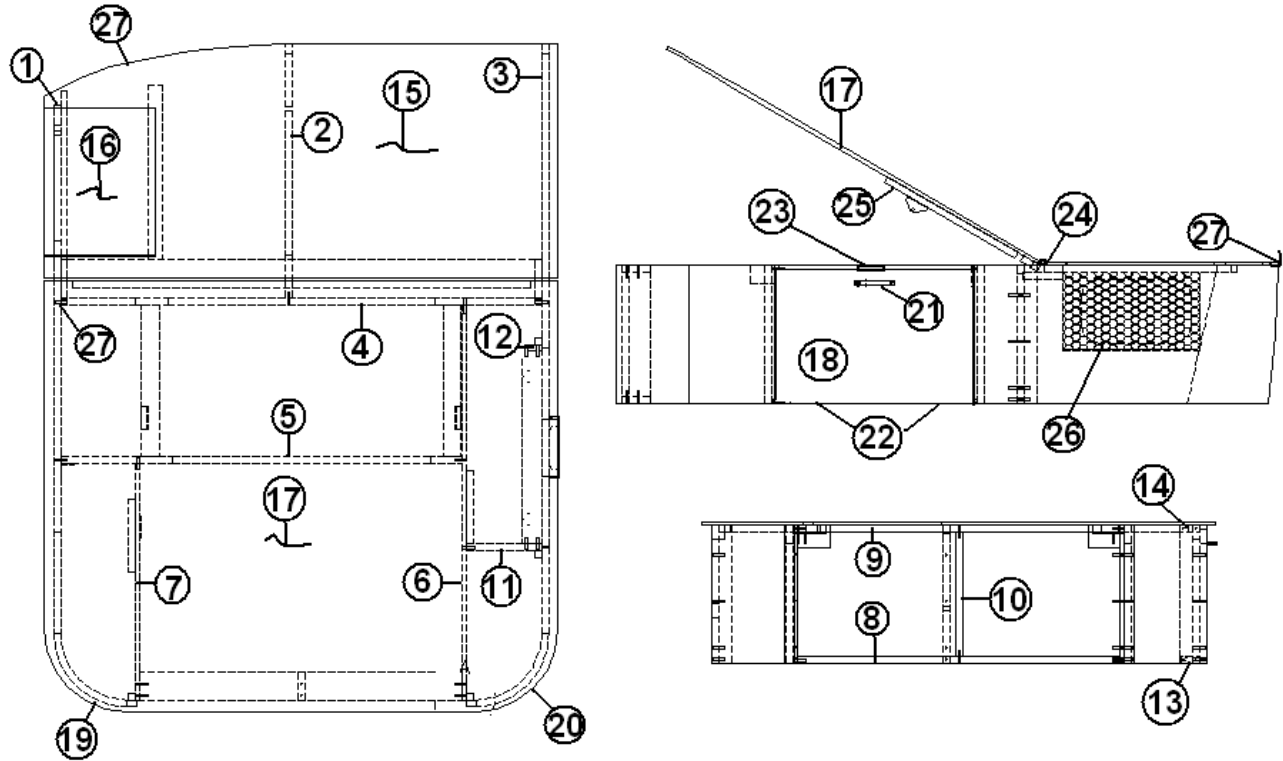
1. 381902
2. 381945

Hook, Stainless Steel, screw in  
Board, dry erase, 11" X 14" magnetic

# 2011 FLYING CLOUD

## FURNITURE, BEDROOM

Bed, 23' Front Bed



PART NUMBERS ARE ON THE NEXT PAGE

# 2011 FLYING CLOUD

## FURNITURE, BEDROOM

### Bed, 23' Front Bed

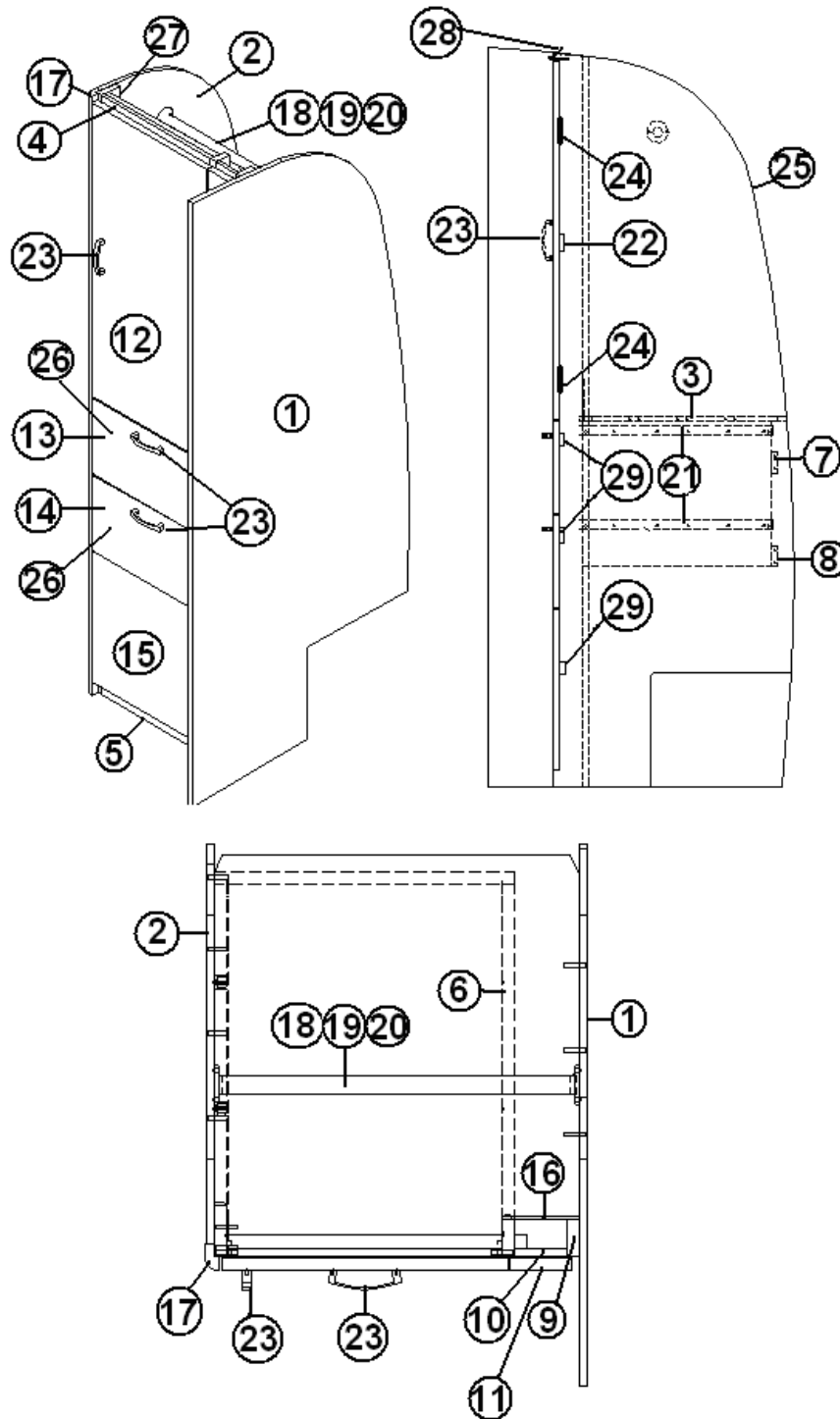
967264-09	Bed base assembly
1. 967264-091	Panel, bed base assembly, 15.13 X 46.62
2. 967264-092	Panel, bed base, 15.13 X 27.8
3. 967264-093	Panel, bed base, 15.13 X 33.11
4. 967264-094	Panel, bed base, 15.13 X 52.50
5. 967264-095	Panel, bed base, 15.13 X 43.81
6. 967264-096	Panel, bed base, 15.13 X 43.00
7. 967264-097	Panel, bed base, 15.13 X 25.75
8. 967264-098	Panel, bed base, 3.00 X 35.13
9. 967264-099	Panel, bed base, 3.00 X 35.13
10. 967264-0910	Panel, bed base, 3.00 X 13.63
11. 967264-0911	Panel, bed base, 8.19 X 15.13
12. 967264-0912	Panel, bed base, 2.25 X 15.13
13. 967264-0913	Panel, bed base, 21.00 X 2.25
14. 967264-0914	Panel, bed base, 21.00 X 2.25
15. 967264-0915	Panel, bed base, 56.00 X 25.63
16. 967264-0916	Panel, bed base, 16.00 X 12.00
17. 967264-0917	Panel, bed base, 56.00 X 47.00
18. 967264-0918	Door, 14.25" X 21.63"
19. 967200-09	Sub assembly, bed corner
20. 967265-09	Sub assembly, bed corner
21. 382044	Handle, brushed nickel
22. 381607	Hinge, Grass Euro
23. 381228-01	Catch, grabber door
24. 380203-01	Piano hinge
25. 114812	Aluminum angle, 1.00" X 1.00"
26. 203664-01	Grille screen, plastic
27. 115151	Angle, bed support
703698	Mattress 60" x 75" Queen
203667	Bin, storage, 23" X 16.75" X 12.38"
381067-09	Spring, Gas 90 LBS.
381262	Bracket, prop w/ball
381310	Gas prop bracket assembly, upper
381084	Ball, stud



# 2011 FLYING CLOUD

## FURNITURE, BEDROOM

Wardrobe, Bedroom, 23' Front Bed



PART NUMBERS ARE ON THE NEXT PAGE

# 2011 FLYING CLOUD

## FURNITURE, BEDROOM

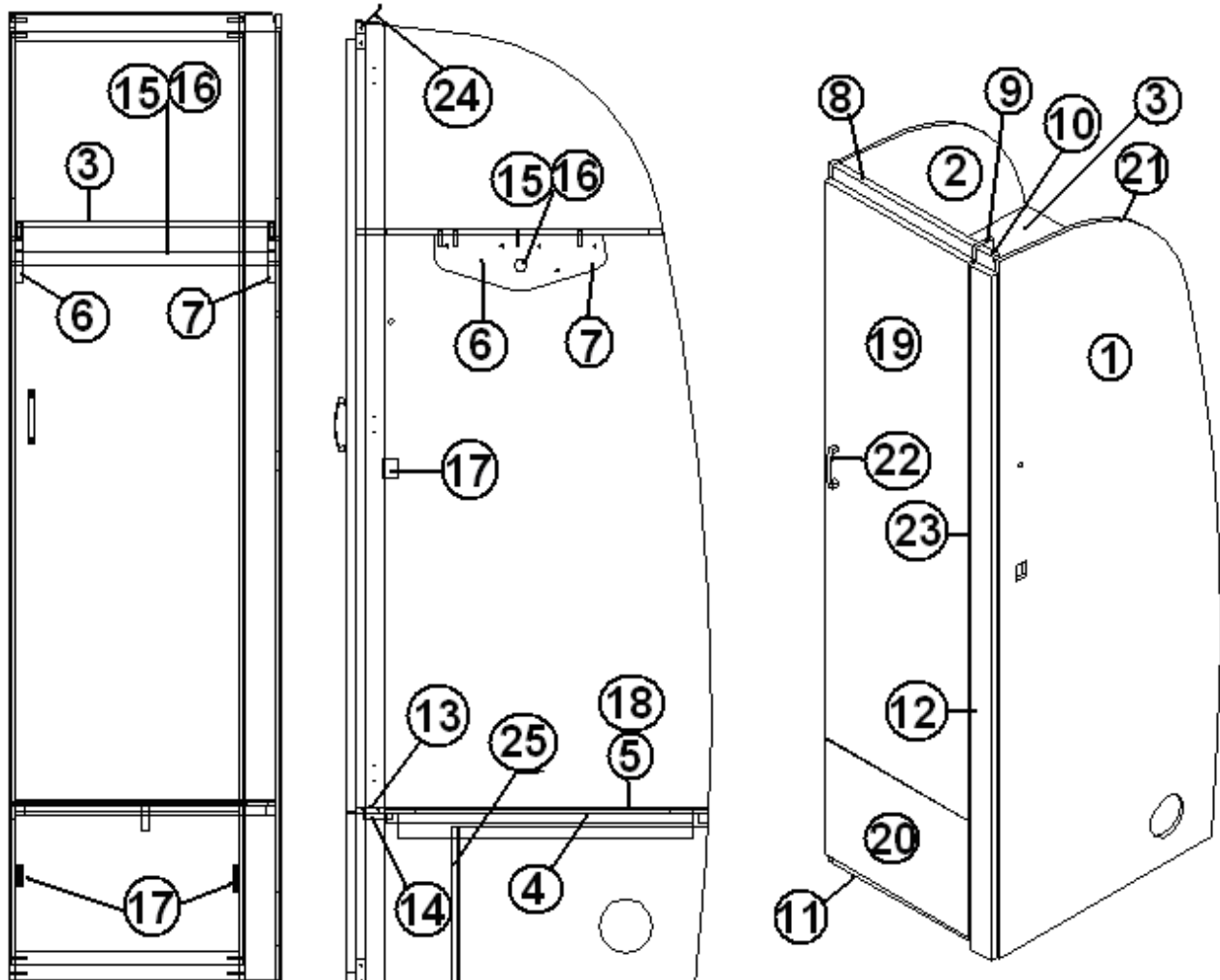
### Wardrobe, Bedroom, 23' Front Bed

967307-09	Wardrobe, bedroom
1. 967307-091	Panel, 32.47 X 78.51
2. 967307-092	Panel, 23.98 X 77.77
3. 967307-093	Panel, 24.00 X 21.75
4. 967307-094	Panel, 2.25 X 16.44
5. 967307-095	Panel, 2.25 X 16.44
6. 967307-096	Panel, 22.25 X 77.84
7. 967307-097	Panel, 17.94 X 2.25
8. 967307-098	Panel, 17.94 X 2.25
9. 967307-099	Panel, 2.25 X 77.84
10. 967307-0910	Panel, 3.06 X 77.84
11. 967307-0911	Panel, 3.69 X 75.25
12. 967307-0912	Door, 17.06 X 38.13
13. 967307-0913	Door, 17.06 X 9.88
14. 967307-0914	Door, 17.06 X 9.88
15. 967307-0915	Door, 17.06 X 17.00
16. 967307-0916	Panel, 4 X 4.56
17. 801706-0014	Corner trim, 90 DEG. 1" radius
18. 380045	Tubing, ¾"
19. 200975-04	Conduit, flexible black plastic
20. 380046	Flange, chrome
21. 381773-25	Drawer slide, 8.38"X 21.63" (PR)
22. 381228-01	Catch, grabber door
23. 382044	Handle, brushed nickel
24. 381607	Hinge
25. 203138-04	Extrusion, plastic ½" Oak
26. 965555-04	Drawer box, 8.00 X 15.00" X 20.00"
27. 967307-0930	Panel, 3.00 X 77.84
28. 104821	Roof locker support
29. 381228	Catch, grabber door

# 2011 FLYING CLOUD

## FURNITURE, BEDROOM

Wardrobe, Roadside, 23' Front Bed



PART NUMBERS ARE ON THE NEXT PAGE

# 2011 FLYING CLOUD

## FURNITURE, BEDROOM

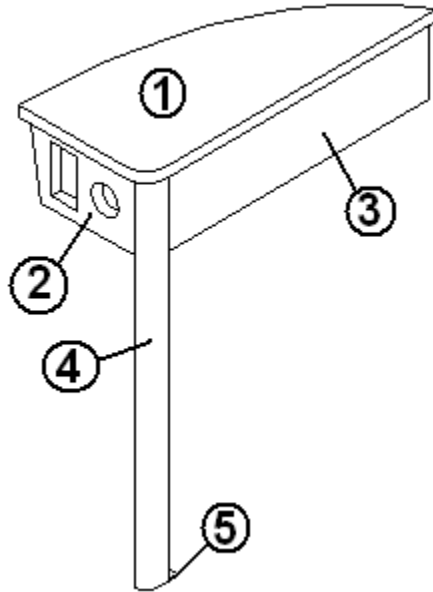
### Wardrobe, Roadside, 23' Front Bed

967308-09	Wardrobe assembly
1. 967308-091	Panel, 28.79 X 78.24
2. 967308-092	Panel, 28.79 X 78.24
3. 967308-093	Panel, 24.88 X 21.00
4. 967308-094	Panel, 21.00 X 26.25
5. 967308-095	Panel, 21.00 X 26.25
6. 967308-096	Panel, 14.00 X 4.50
7. 967308-097	Panel, 14.00 X 4.50
8. 967308-098	Panel, 2.25 X 18.06
9. 967308-099	Panel, 2.25 X 78.28
10. 967308-0910	Panel, 2.44 X 78.38
11. 967308-0911	Panel, 2.25 X 18.06
12. 967308-0912	Panel, 2.69 X 76.88
13. 967308-0913	Panel, 2.25 X 18.06
14. 967308-0914	Panel, 2.25 X 18.06
15. 380045	Tubing, 3/4"
16. 200975-04	Conduit, flexible black plastic
17. 381228-01	Catch, grabber door
18. 701538	Carpet, Econolier, Velour Black
19. 967308-0921	Door, 18.69 X 62.56
20. 381607	Hinge
21. 382044	Handle, brushed nickel
22. 967308-0922	Door, 18.69 X 13.00
23. 203138-04	Extrusion, plastic 1/2"
24. 104821	Roof locker support
25. 967308-0929	Panel, 14.13 X 21.00

# 2011 FLYING CLOUD

## FURNITURE, BEDROOM

### Nightstand, 23' Front Bed

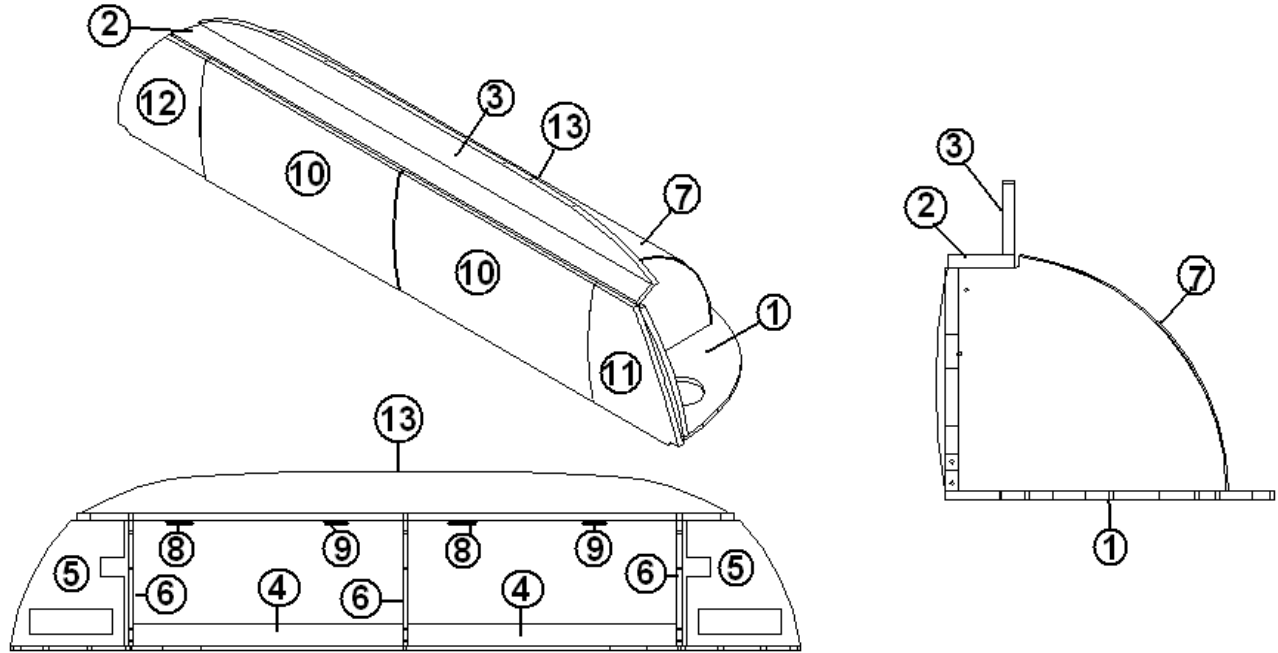


- |                |  |
|----------------|--|
| 967318-09      | Nightstand                             |
| 1. 967318-091  | Top, 9.28 X 21.19                      |
| 967318-101     | Top, 9.28 X 21.19, Midnight Sun Option |
| 2. 967318-092  | Panel, 7.63 X 5.00                     |
| 3. 967318-093  | Panel, 18.75 X 5.00                    |
| 4. 801706-0014 | Corner trim, 90 DEG. 1" radius         |
| 5. 380041      | Brace, 1", Stanley, corner             |

# 2011 FLYING CLOUD

## FURNITURE, BEDROOM

End Liner Roof Locker, Front, 23' Front Bed, 20'

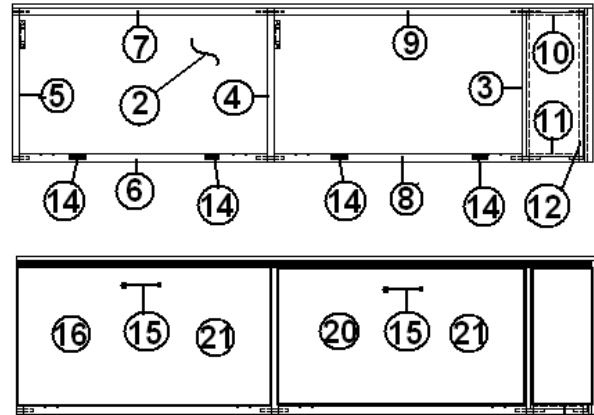
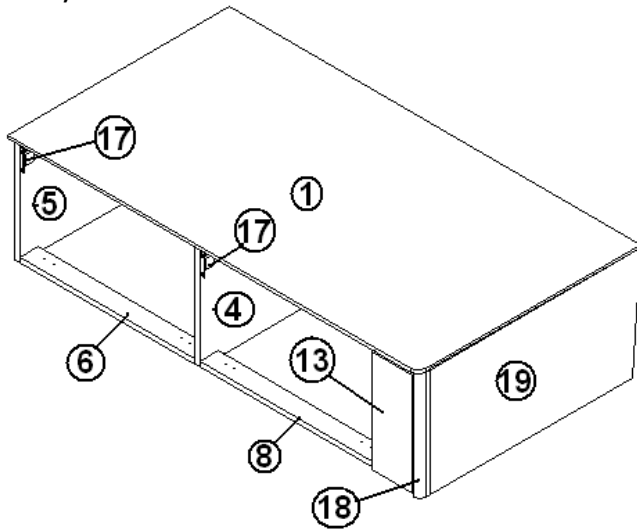


- |                 |   |
|-----------------|---|
| 967291-09       | Front end liner assembly                |
| 1. 967294-09    | Bottom, narrow body, end liner locker   |
| 2. 967288-09    | Top, narrow body, end liner locker      |
| 3. 967289-09    | Header, narrow body, end liner locker   |
| 4. 967290-09    | Stile, narrow body, end liner locker    |
| 5. 967283       | End support, roof locker, 12.00 X 13.25 |
| 6. 967277-01    | Divider, RH, roof locker, 17.33 X 13.93 |
| 7. 967291-099   | Panel, 22.00 X 58.25                    |
| 8. 381840-01    | Hinge, overhead spring LH               |
| 9. 381840-02    | Hinge, overhead spring RH               |
| 10. 801786-0914 | Door, radius foam 15.25"X 28.38         |
| 11. 801786-0514 | Door, radius foam 15.25"X 12.5"         |
| 12. 801786-0614 | Door, radius foam 15.25"X 12.5          |
| 13. 201673-01   | Molding, Oak, Cove                      |

# 2011 FLYING CLOUD

## FURNITURE, BEDROOM

### Bed, 27' Curbside Twin

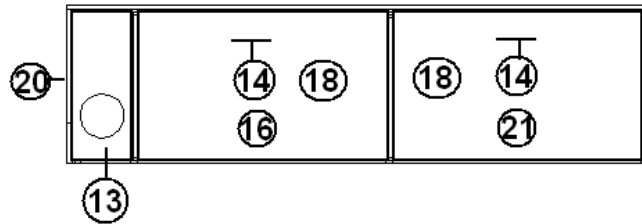
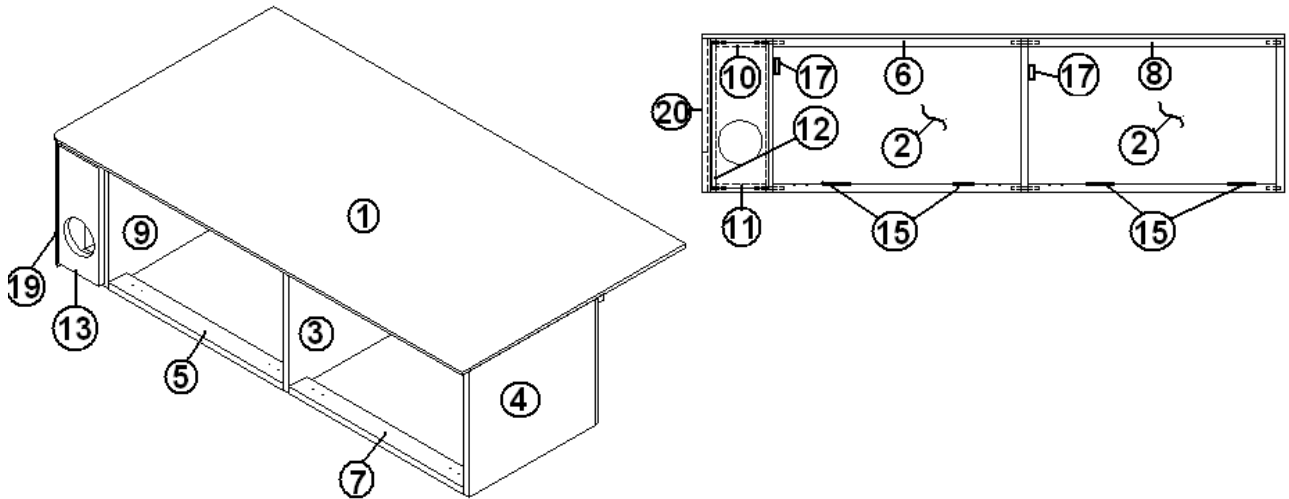


- |                 |                                       |
|-----------------|---------------------------------------|
| 966856-09       | Bed, CS twin                          |
| 1. 966856-091   | Top, CS twin bed, 31 X 57.25          |
| 2. 966856-092   | Panel, CS twin bed, 56.69 X 15.13     |
| 3. 966856-093   | Panel, CS twin bed, 17.5 X 15.13      |
| 4. 966856-094   | Panel, CS twin bed, 17.5 X 15.13      |
| 5. 966856-095   | Panel, CS twin bed, 17.5 X 15.13      |
| 6. 966856-096   | Panel, CS twin bed, 2.5 X 24.38       |
| 7. 966856-097   | Panel, CS twin bed, 2.5 X 24.38       |
| 8. 966856-098   | Panel, CS twin bed, 2.5 X 24.38       |
| 9. 966856-099   | Panel, CS twin bed, 2.5 X 24.38       |
| 10. 966856-0910 | Panel, CS twin bed, 2.5 X 4.94        |
| 11. 966856-0911 | Panel, CS twin bed, 2.5 X 4.94        |
| 12. 966856-0912 | Panel, CS twin bed, 2.5 X 15.13       |
| 13. 966856-0913 | Panel, CS twin bed, 5.56 X 14.25      |
| 14. 381607      | Hinge, Grass Euro                     |
| 15. 382044      | Handle, brushed nickel                |
| 16. 966856-0917 | Door, CS twin bed, 25 X 14.25         |
| 17. 381228-01   | Catch, grabber door                   |
| 18. 801706-0014 | Trim, corner 90D 1" radius, 84"       |
| 19. 966856-0922 | Panel, CS twin bed, 29.13 X 15.13     |
| 20. 966856-0925 | Door, CS twin bed, 25 X 14.25         |
| 21. 203667      | Box, storage, 23"L X 16.75" W X 11.88 |

# 2011 FLYING CLOUD

## FURNITURE, BEDROOM

Bed, 27', Roadside Twin



Part Numbers are on the Next Page.



# 2011 FLYING CLOUD

## FURNITURE, BEDROOM

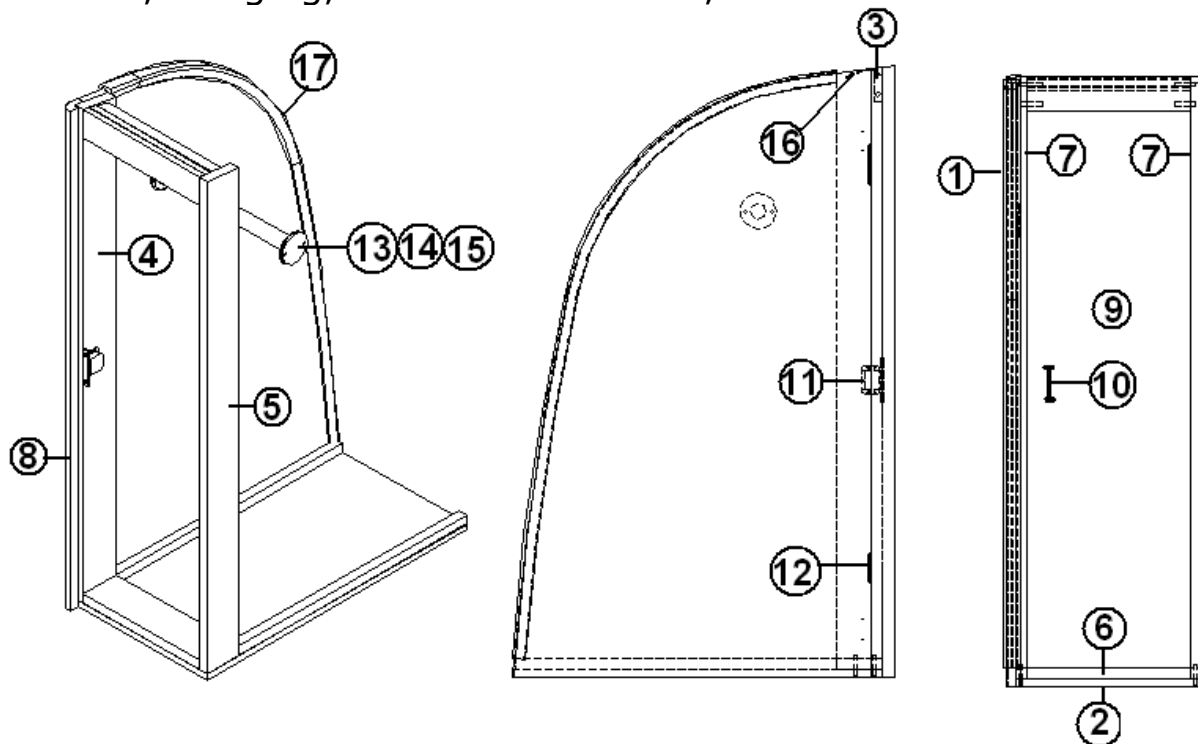
### Bed, 27', Roadside Twin

966857-09	Bed, RS twin
1. 966857-091	Top, RS twin bed, 31.00 X 57.25
2. 966857-092	Panel, RS twin bed, 50.25 X 15.13
3. 966857-093	Panel, RS twin bed, 17.50 X 15.13
4. 966857-094	Panel, RS twin bed, 17.50 X 15.13
5. 966857-095	Panel, RS twin bed, 2.50 X 24.38
6. 966857-096	Panel, RS twin bed, 2.50 X 24.38
7. 966857-097	Panel, RS twin bed, 2.50 X 24.38
8. 966857-098	Panel, RS twin bed, 2.50 X 24.38
9. 966857-099	Panel, RS twin bed, 30.00 X 15.13
10. 966857-0910	Panel, RS twin bed, 2.50 X 4.94
11. 966857-0911	Panel, RS twin bed, 2.50 X 4.94
12. 966857-0912	Panel, RS twin bed, 2.50 X 15.13
13. 966857-0913	Panel, RS twin bed, 5.56 X 14.25
14. 382044	Handle, brushed nickel
15. 381607	Hinge, Grass Euro
16. 966857-0917	Door, RS twin bed, 25.00" X 14.25"
17. 381228-01	Catch, grabber door
18. 203667	Bin, storage, 23" X 16.75" X 12.38"
19. 801706-0014	Trim, corner, 90D 1" radius, 84"
20. 966857-0922	Panel, RS twin bed, 29.5 X 15.13
21. 966857-0926	Door, RS twin bed, 25.00" X 14.25"

# 2011 FLYING CLOUD

## FURNITURE, BEDROOM

Wardrobe, Hanging, 25' Twin Front Bed, 27' Twin Front Bed

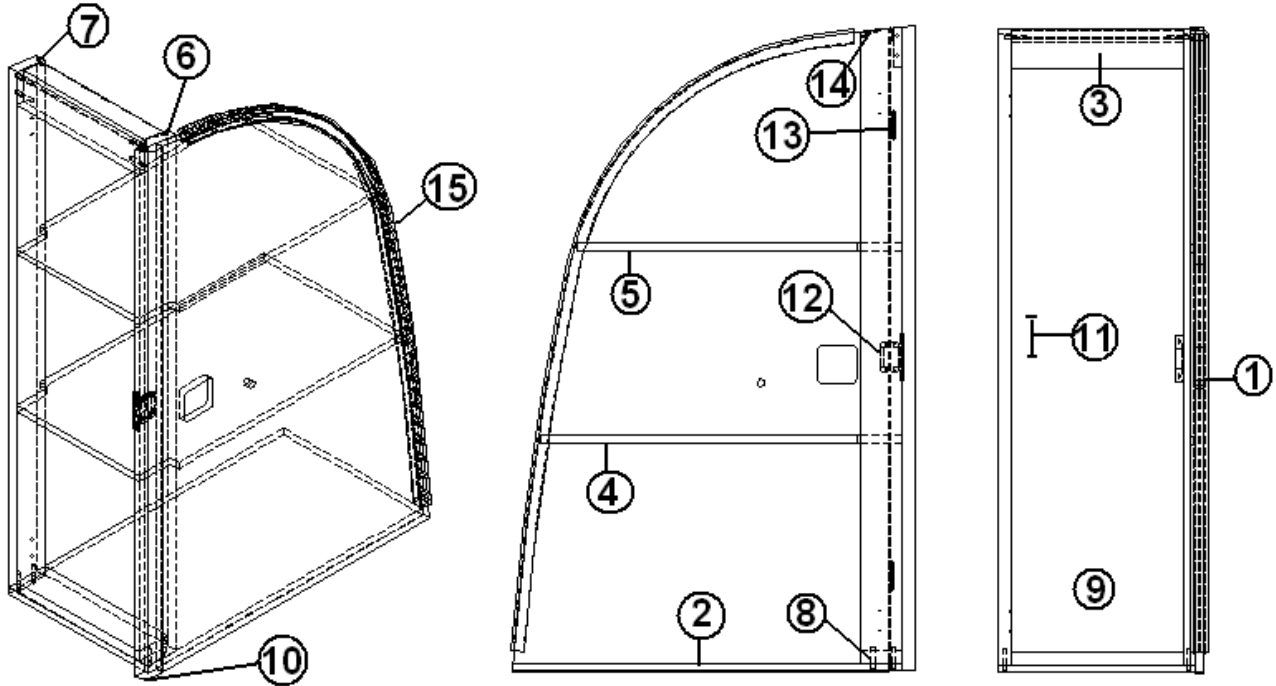


966852-09	Wardrobe, hanging
1. 966852-091	Panel, hanging wardrobe, 23.59 X 40.19
2. 966852-092	Panel, hanging wardrobe, 24.31 X 12.25
3. 966852-093	Panel, hanging wardrobe, 2.25 X 10.75
4. 966852-094	Panel, hanging wardrobe, 3.00 X 39.75
5. 966852-095	Panel, hanging wardrobe, 3.00 X 39.75
6. 966852-096	Panel, hanging wardrobe, 3.00 X 10.75
7. 966852-097	Panel, hanging wardrobe, 2.25 X 21.19
8. 801706-0014	Trim, corner 90D 1"radius, 84"
9. 966852-099	Door, hanging wardrobe, 11.38" X 38.88"
10. 382044	Handle, brushed nickel
11. 381607	Hinge, Grass Euro
12. 380046	Flange, chrome
13. 380045	Tubing, 3/4", metal
14. 200975-04	Conduit, flexible black plastic
15. 115085	Angle, aluminum, roof lockers
16. 203138-04	Extrusion, plastic, 1/2" Oak

# 2011 FLYING CLOUD

## FURNITURE, BEDROOM

### Linen Cabinet, Hanging, 27' Front Bed Twin



966855-09

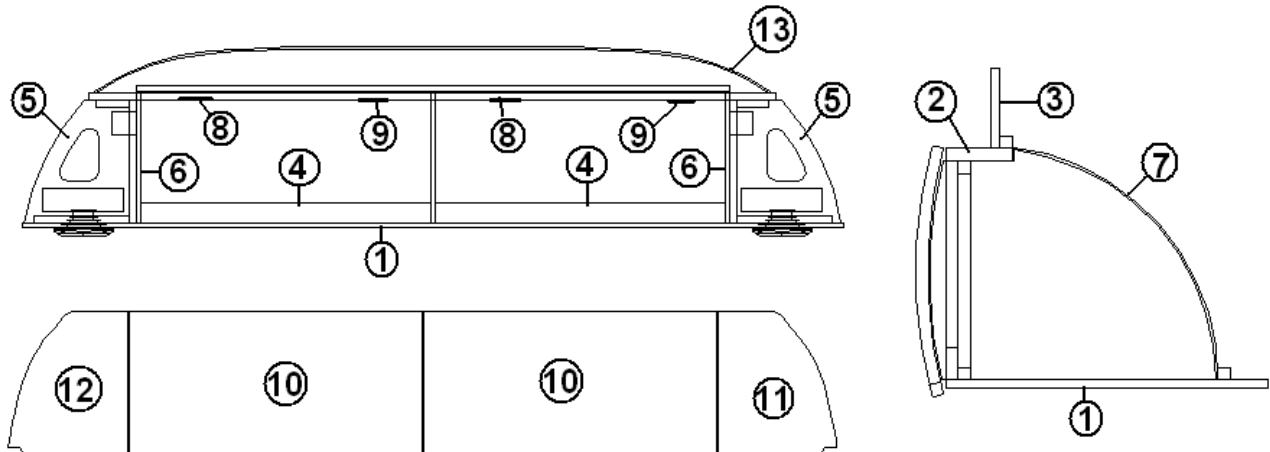
Linen cabinet, hanging

- |                 |                                      |
|-----------------|--------------------------------------|
| 1. 966855-091   | Panel, linen cabinet, 23.59 X 40.19  |
| 2. 966855-092   | Panel, linen cabinet, 24.25 X 12.25  |
| 3. 966855-093   | Panel, linen cabinet, 2.5 X 10.75    |
| 4. 966855-094   | Panel, linen cabinet, 22.5 X 12.25   |
| 5. 966855-095   | Panel, linen cabinet, 20.25 X 12.25  |
| 6. 966855-096   | Panel, linen cabinet, 2.5 X 39.75    |
| 7. 966855-097   | Panel, linen cabinet, 2.5 X 39.75    |
| 8. 966855-098   | Panel, linen cabinet, 2.5 X 10.75    |
| 9. 966855-099   | Door, hanging cabinet, 11.38 X 38.88 |
| 10. 801706-0014 | Trim, corner 90D 1"radius, 84"       |
| 11. 382044      | Handle, brushed nickel               |
| 12. 381228-01   | Catch, grabber door                  |
| 13. 381607      | Hinge assembly, Grass Euro           |
| 14. 115085      | Angle aluminum, roof lockers         |
| 15. 203138-04   | Extrusion, plastic, 1/2" oak         |
| 966855-20       | Panel, Hanging Wardrobe 5.5 x 11.44  |

# 2011 FLYING CLOUD

## FURNITURE, BEDROOM

End Liner Roof Locker, Front, 27' Twin & Queen "J" Front Bed, 25' FB

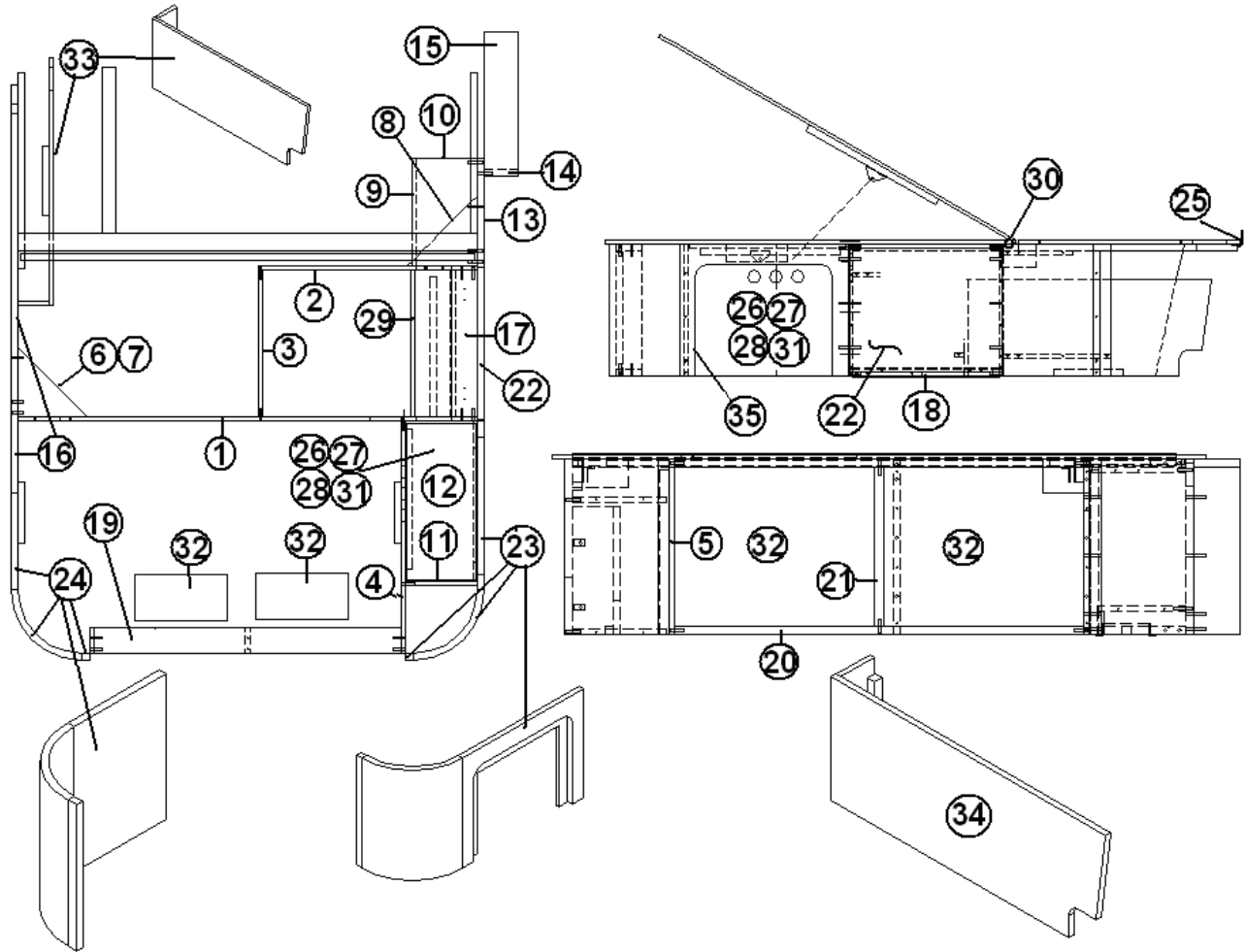


967284-09	Roof locker, end liner, w/o radio
1. 967278	Bottom, roof locker, 19.50 X 89.00
2. 967280	Top, roof locker, 4.00 X 75.00
3. 967281	Header, roof locker, 4.75 X 73.50
4. 967282	Stile, roof locker, 2.25 X 31.22
5. 967283	Support, roof locker, 12.00 X 13.25
6. 967277-01	Divider, RH roof locker, 17.33 X 13.93
7. 967284-099	Panel, end roof locker, 22.00 X 64.00
8. 381840-01	Hinge, overhead spring, LH
9. 381840-02	Hinge, overhead spring, RH
10. 801786-0214	Door, plyform, 15.25 X 31.63
11. 801786-0514	Door, plyform, 15.25 X 12.50, RH
12. 801786-0614	Door, plyform, 15.25 X 12.50, LH
13. 201673-01	Molding, Oak Cove.43" Oak

# 2011 FLYING CLOUD

## FURNITURE, BEDROOM

Bed, 25' Front Double Bed



# 2011 FLYING CLOUD

## FURNITURE, BEDROOM

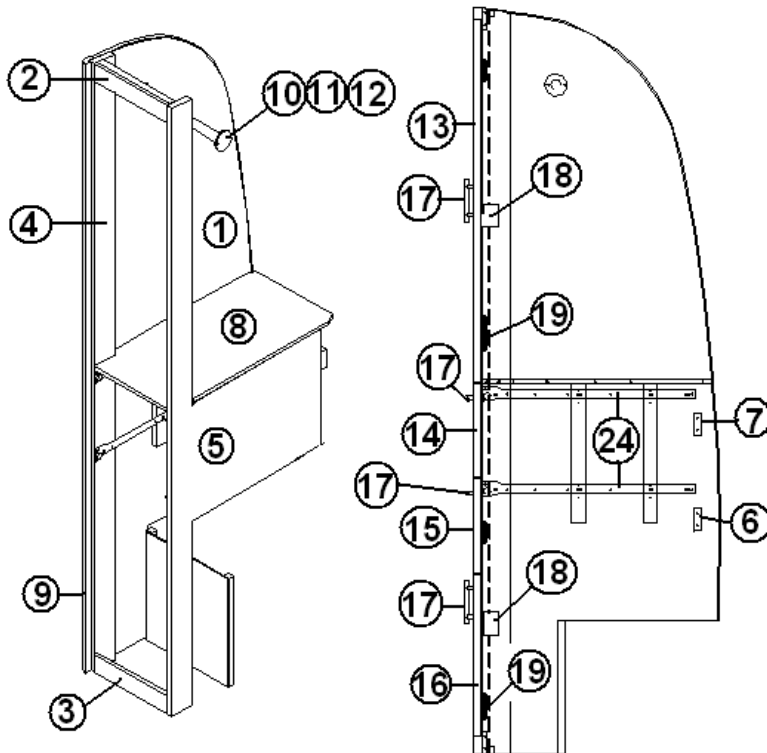
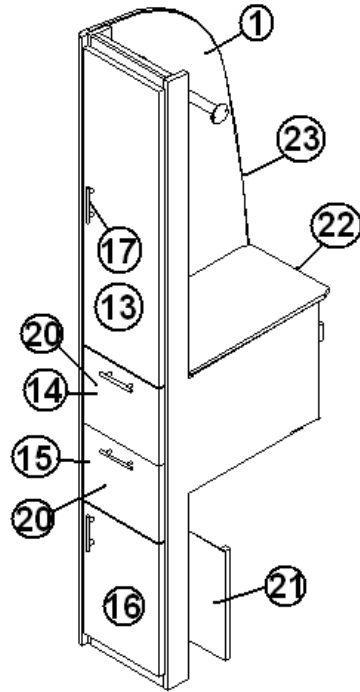
### Bed, 25' Front Double Bed

967072-09	Bed base, Queen ("B) bed
1. 967072-091	Panel, Queen bed, 15.13 X 52.5
2. 967072-092	Panel, Queen bed, 25.00 X 15.13
3. 967072-093	Panel, Queen bed, 16.75 X 15.13
4. 967072-094	Panel, Queen bed, 26.50 X 15.13
5. 967072-095	Panel, Queen bed, 3.00 X 15.13
6. 967072-096	Panel, Queen bed, 8.00 X 8.00
7. 967072-097	Panel, Queen bed, 8.00 X 8.00
8. 967072-098	Panel, Queen bed, 8.00 X 8.00
9. 967072-099	Panel, Queen bed, 2.00 X 12.25
10. 967072-0910	Panel, Queen bed, 7.50 X 12.25
11. 967072-0911	Panel, Queen bed, 8.19 X 14.63
12. 967072-0912	Panel, Queen bed, 8.06 X 18.56
13. 967072-0913	Panel, Queen bed, 12.31 X 15.13
14. 967072-0914	Panel, Queen bed, 4.00 X 14.38
15. 967072-0915	Panel, Queen bed, 4.00 X 16.50
16. 967072-0916	Panel, Queen bed, 46.62 X 15.13
17. 967072-0917	Panel, Queen bed, 3.00 X 16.75
18. 967072-0918	Panel, Queen bed, 3.00 X 16.75
19. 967072-0919	Panel, Queen bed, 3.00 X 35.13
20. 967072-0920	Panel, Queen bed, 3.00 X 35.13
21. 967072-0921	Panel, Queen bed, 3.00 X 13.63
22. 967072-0922	Panel, Queen bed, 17.38 X 14.25
23. 967069-09	Radius, Queen bed
24. 967070-09	Radius, Queen bed
25. 115151	Angle, bed support, 43"
26. 381607	Hinge, Grass Euro
27. 382044	Handle, brushed nickel
28. 381228-01	Catch, grabber door
29. 115101	Closeout, bed base wires, 16.63
30. 380203-01	Hinge, piano
31. 201016	Drawer, 16" X 22"
32. 203667	Bin, storage, 23" X 16.75" X 12.38"
33. 967071-09	Closeout, Queen bed base
34. 966348	Closeout, Queen bed, wires
35. 203440	T Molding, black embossed, .8125

# 2011 FLYING CLOUD

## FURNITURE, BEDROOM

### Wardrobe, 25' Front Double Bed



Part Numbers are on the Next Page.

# 2011 FLYING CLOUD

## FURNITURE, BEDROOM

### Wardrobe, 25' Front Double Bed

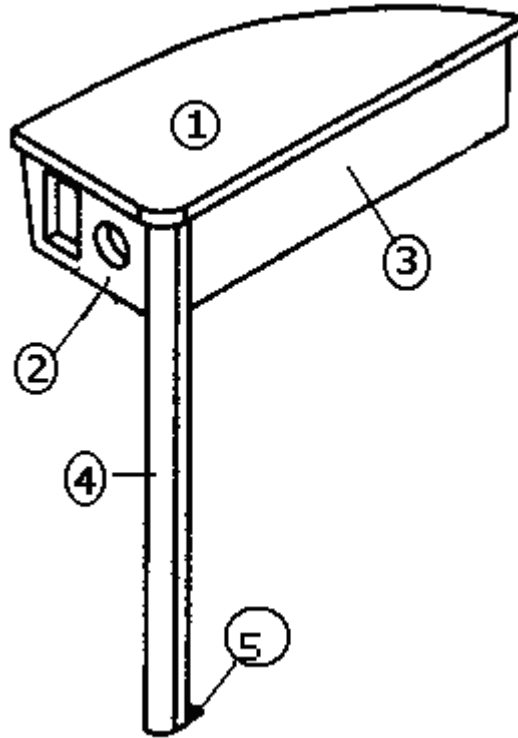
966901-09	Bedroom wardrobe
1. 966901-091	Panel, bedroom wardrobe, 24.25 X 78.16
2. 966901-092	Panel, bedroom wardrobe, 2.25 X 10.75
3. 966901-093	Panel, bedroom wardrobe, 2.25 X 10.75
4. 966901-094	Panel, bedroom wardrobe, 3.00 X 78.31
5. 966901-095	Panel, bedroom wardrobe, 22.25 X 78.31
6. 966901-096	Panel, bedroom wardrobe, 2.25 X 12.25
7. 966901-097	Panel, bedroom wardrobe, 2.25 X 12.25
8. 966901-098	Panel, bedroom wardrobe, 24.31 X 12.25
9. 801706-0014	Trim, corner, 90D 1"radius, 84" long
10. 380046	Flange, chrome
11. 380045	Tubing 3/4" elec. metallic
12. 200975-04	Conduit, flexible black plastic
13. 966901-0915	Door, bedroom wardrobe, 11.38 X 38.13
14. 966901-0916	Door, bedroom wardrobe, 11.37 X 17
15. 966901-0917	Panel, bedroom wardrobe, 11.37 X 9.88
16. 966901-0918	Panel, bedroom wardrobe, 11.38 X 9.88
17. 382044	Handle, brushed nickel
18. 381228-01	Catch, grabber door
19. 381607	Hinge, Grass Euro
20. 965555-02	Drawer box, 8.00" X 9.50" X 20.00"
21. 966901-0926	Panel, bedroom wardrobe, 12.25 X 15.63
22. 203138-04	Extrusion, plastic, 1/2" Oak
23. 203138-05	Extrusion, plastic, 1/2" wall, black
24. 381773-25	Drawer slide, 8.38" X 21.63" (PR)



# 2011 FLYING CLOUD

## FURNITURE, BEDROOM

Nightstand, 25' Front Double Bed

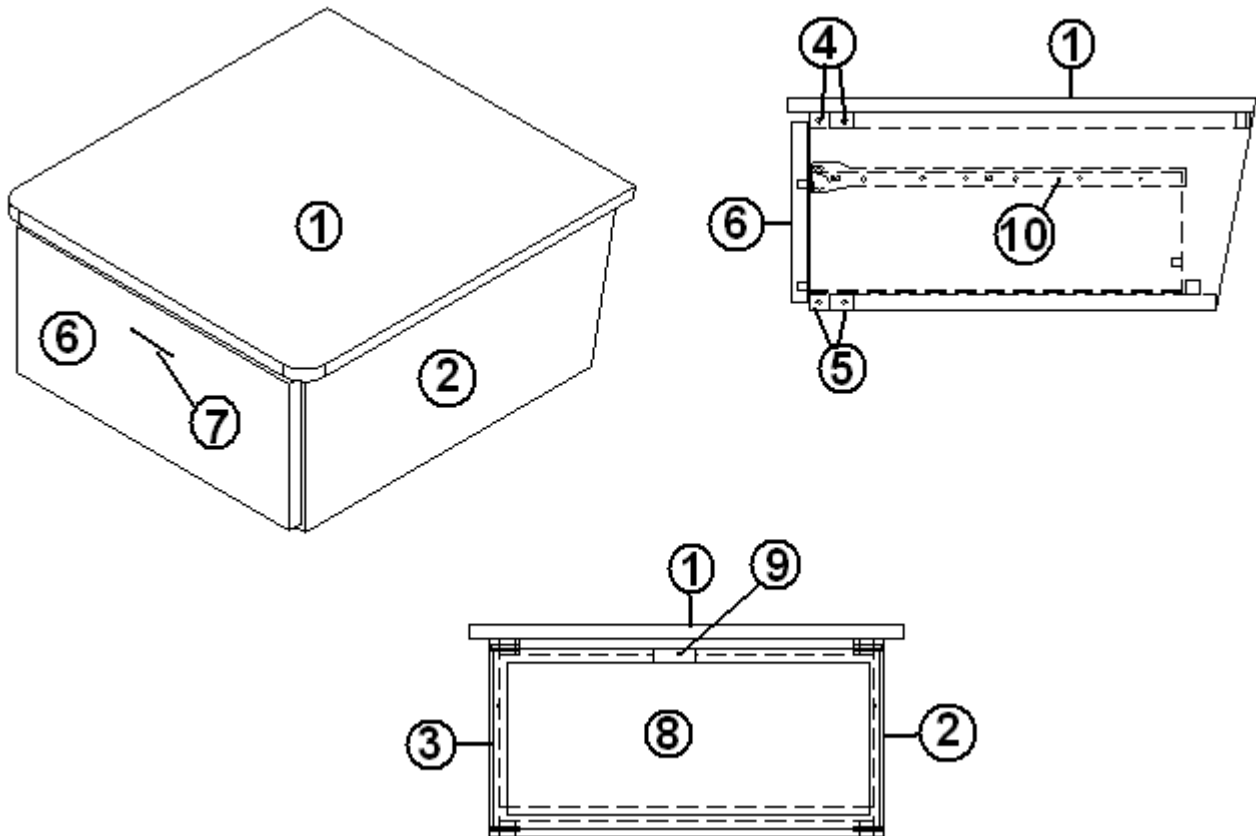


- |                |   |
|----------------|---|
| 966899-09      | Nightstand                                    |
| 1. 966899-091  | Panel, nightstand, 9.25 X 21.39 (top)         |
| 1. 966899-101  | Panel, nightstand, 9.25 X 21.39 (top) Granite |
| 2. 966899-092  | Panel, nightstand, 7.63 X 5.00                |
| 3. 966899-093  | Panel, nightstand, 18.95 X 5.00               |
| 4. 801706-0014 | Trim, corner 90D 1" radius, 84" long          |
| 5. 380041      | Brace, 1", Stanley, corner                    |

# 2011 FLYING CLOUD

## FURNITURE, BEDROOM

Nightstand, 25' Front Twin Bed, 27' Front Bed Twin

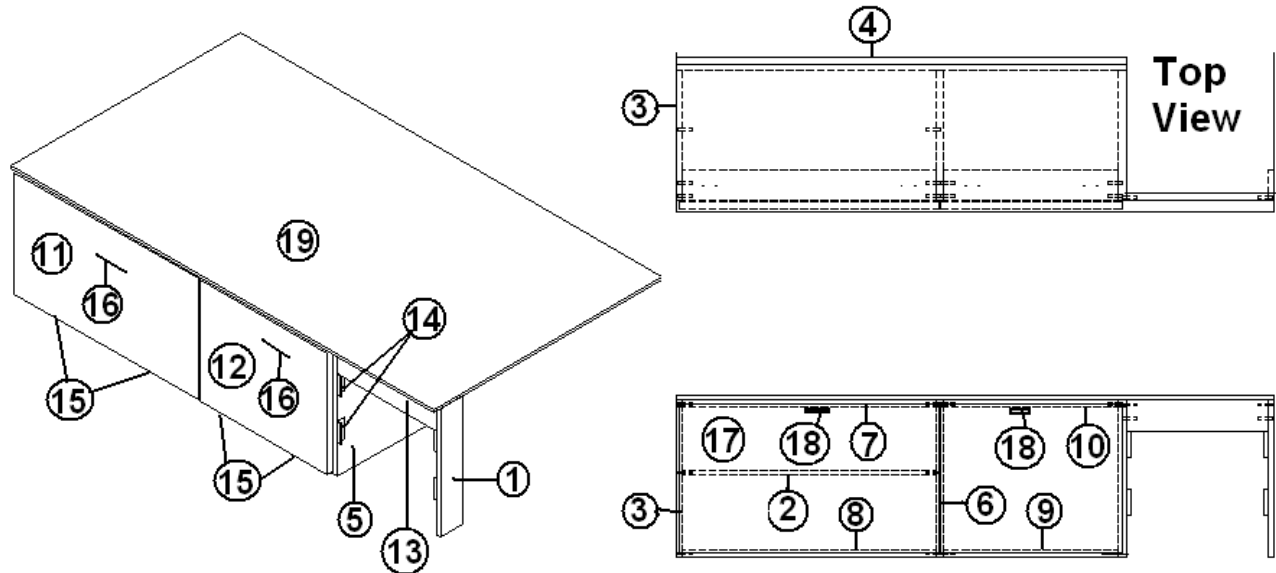


- |               |                                      |
|---------------|--------------------------------------|
| 966859-09     | Nightstand                           |
| 1. 966860-09  | Top, twin night stand                |
| 966860-10     | Top, twin night stand, Midnight Sun  |
| 2. 966859-092 | Panel, nightstand, 22.00 X 9.75      |
| 3. 966859-093 | Panel, nightstand, 22.00 X 9.75      |
| 4. 966859-094 | Panel, nightstand, 18.50 X 2.5       |
| 5. 966859-095 | Panel, nightstand, 18.50 X 2.5       |
| 6. 966859-097 | Door, nightstand, 19.13 X 8.88       |
| 7. 965554-03  | Drawer box, 5.625" X 17.25" X 17.00" |
| 8. 382044     | Handle, brushed nickel               |
| 9. 381228-01  | Catch, grabber door                  |
| 10. 381773-17 | Drawer slide-5.875" X 18.5" (PR)     |

# 2011 FLYING CLOUD

## FURNITURE, BEDROOM

### Bed, 25' Front Twin Bed, Curbside

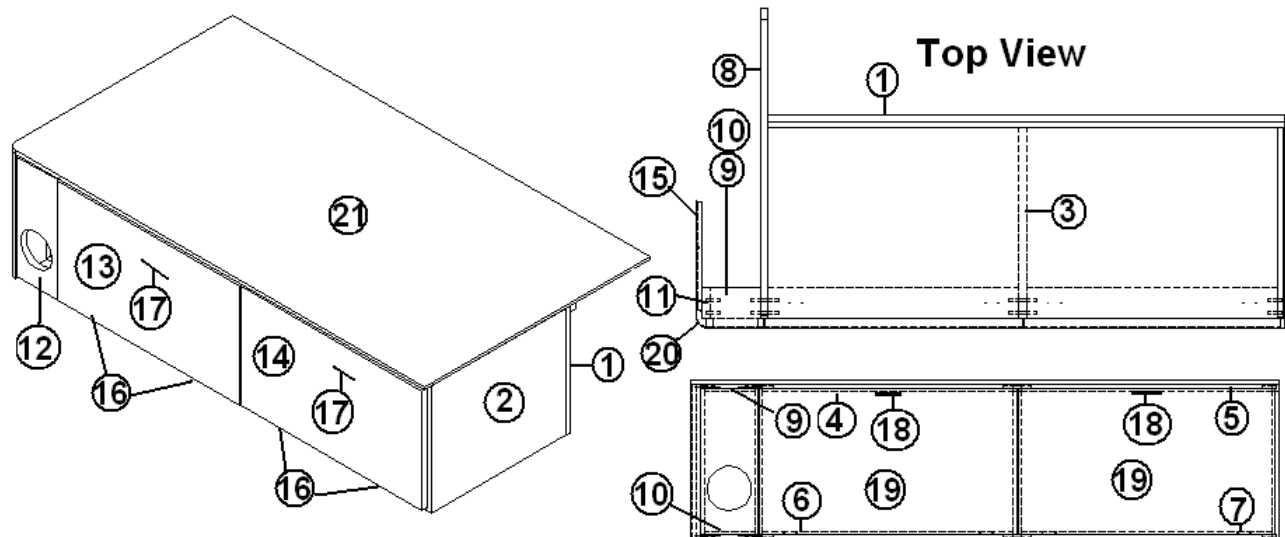


966912-09	Bed, CS twin
1. 966912-091	Panel, CS twin bed, 3.00 X 15.13
2. 966912-092	Panel, CS twin bed, 12.50 X 24.38
3. 966912-093	Panel, CS twin bed, 12.50 X 15.13
4. 966912-094	Panel, CS twin bed, 43.13 X 15.13
5. 966912-095	Panel, CS twin bed, 12.50 X 15.13
6. 966912-096	Panel, CS twin bed, 12.50 X 15.13
7. 966912-097	Panel, CS twin bed, 3.00 X 24.38
8. 966912-098	Panel, CS twin bed, 3.00 X 24.38
9. 966912-099	Panel, CS twin bed, 3.00 X 16.75
10. 966912-0910	Panel, CS twin bed, 3.00 X 16.75
11. 966912-0911	Door, CS twin bed, 25.00 X 14.25
12. 966912-0912	Door, CS twin bed, 7.38 X 14.25
13. 966912-0913	Panel, CS twin bed, 3.00 X 13.63
14. 114812	Aluminum angle, 1/2" X 1/2" X 1/2"
15. 381607	Hinge, Grass Euro
16. 382044	Handle, brushed nickel
17. 201051	Drawer 10X22
18. 381228-01	Catch, grabber door C3-803
19. 800507-03	Lauan, 3/8" X 4' X 8', cut to 31.00" X 57.25"

# 2011 FLYING CLOUD

## FURNITURE, BEDROOM

### Bed, 25' Front Twin Bed, Roadside

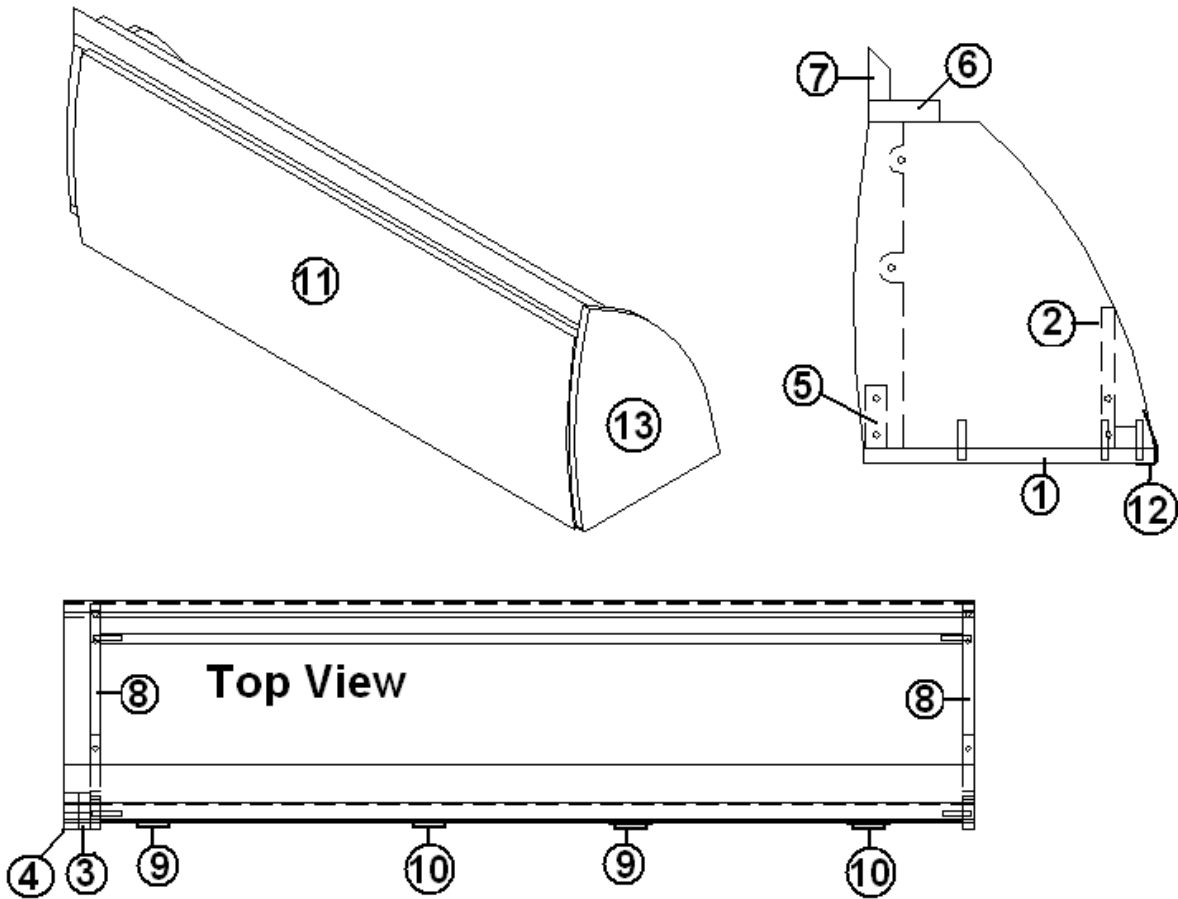


966913-09	Bed, RS twin
1. 966913-091	Panel, RS twin bed, 50.25 X 15.13
2. 966913-092	Panel, RS twin bed, 18.5 X 15.13
3. 966913-093	Panel, RS twin bed, 18.5 X 15.13
4. 966913-094	Panel, RS twin bed, 3.00 X 24.38
5. 966913-095	Panel, RS twin bed, 3.00 X 24.38
6. 966913-096	Panel, RS twin bed, 3.00 X 24.38
7. 966913-097	Panel, RS twin bed, 3.00 X 24.38
8. 966913-098	Panel, RS twin bed, 30.00 X 15.13
9. 966913-099	Panel, RS twin bed, 3.00 X 4.94
10. 966913-0910	Panel, RS twin bed, 3.00 X 4.94
11. 966913-0911	Panel, RS twin bed, 3.00 X 15.13
12. 966913-0912	Panel, RS twin bed, 5.56 X 14.25
13. 966913-0913	Door, RS twin bed, 25.00 X 14.25
14. 966913-0914	Door, RS twin bed, 25.00 X 14.25
15. 966913-0915	Panel, RS twin bed, 10.50 X 15.13
16. 381607	Hinge, Grass Euro
17. 382044	Handle, brushed nickel
18. 381228-01	Catch, grabber door
19. 203667	Box, storage, 23"L X 16.75"W X 12.38"D
20. 801393-02	Corner trim, 90D, 1"radius, 84"
21. 800507-03	Lauan, 3/8" X 4' X 8', cut to 31.00" X 57.25"

# 2011 FLYING CLOUD

## FURNITURE, BEDROOM

Roof Locker, Bedroom, 25' Front Bed, 19'

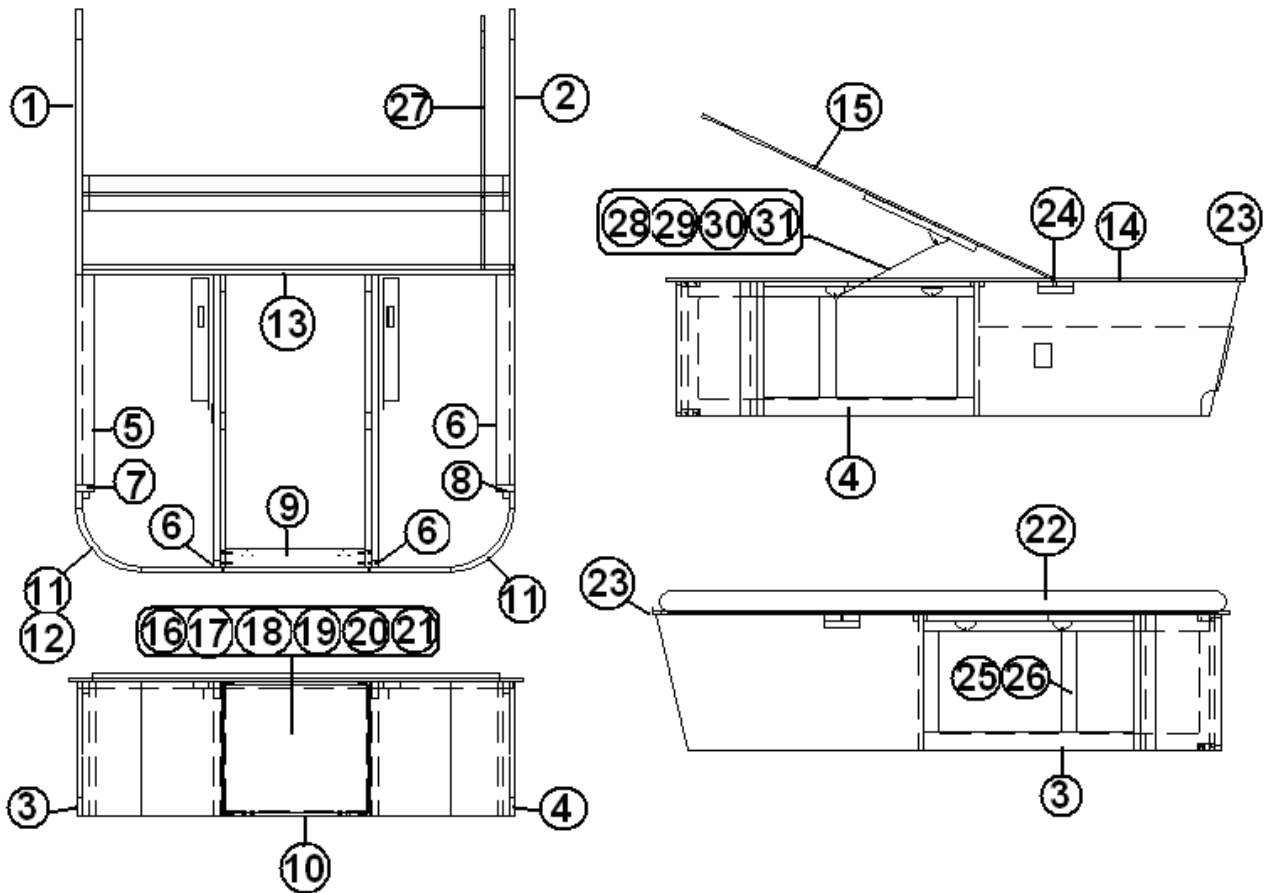


- |                 |                                       |
|-----------------|---------------------------------------|
| 967312-09       | Roof locker, bedroom twin             |
| 1. 967312-091   | Panel, bed roof locker, 10.25 X 42.88 |
| 2. 967312-092   | Panel, bed roof locker, 5 X 40.59     |
| 3. 967312-093   | Panel, bed roof locker, 1.73 X 11.5   |
| 4. 967312-094   | Panel, bed roof locker, 1.73 X 11.5   |
| 5. 967312-095   | Panel, bed roof locker, 2.25 X 40.59  |
| 6. 967312-096   | Panel, bed roof locker, 2.5 X 42.88   |
| 7. 967312-097   | Panel, bed roof locker, 1.88 X 42.88  |
| 8. 967311-01    | Divider, bed twin roof locker         |
| 9. 381840-01    | Hinge, overhead spring LH             |
| 10. 381840-02   | Hinge, overhead spring RH             |
| 11. 801789-0114 | Door, roof locker, 13.75" X 41.00"    |
| 12. 115085      | Angle, aluminum, roof locker          |
| 13. 967360      | End cap, roof locker, bedroom, twin   |

# 2011 FLYING CLOUD

## FURNITURE, BEDROOM

Bed, 27', 28' W, Double



Part Numbers are on the Next Page.

# 2011 FLYING CLOUD

## FURNITURE, BEDROOM

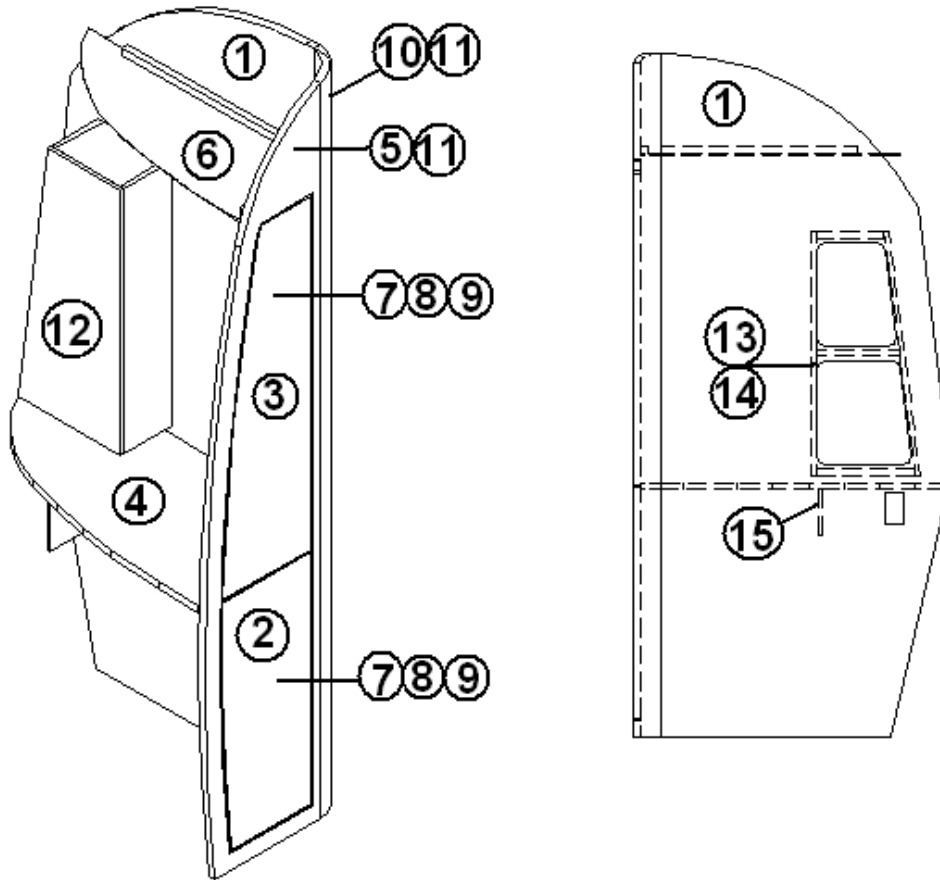
Bed, 27', 28' W, 30', Double

- 966863-09 Base assembly, bed
- 1. 966863-091 Panel, bed, 32.75 X 16.63
- 2. 966863-092 Panel, bed, 32.75 X 16.63
- 3. 966863-093 Panel, bed, 2.25 X 26
- 4. 966863-094 Panel, bed, 2.25 X 26
- 5. 966863-095 Panel, bed, 2.25 X 26
- 6. 966863-096 Panel, bed, 2.25 X 26
- 7. 966863-097 Panel, bed, 16.63 X 2.25
- 8. 966863-098 Panel, bed, 16.83 X 2.25
- 9. 966863-099 Panel, bed, 2.25 X 17.25
- 10. 966863-0910 Panel, bed, 2.25 X 17.25
- 11. 966864-09 Sub assembly, bed corner
- 12. 365313-02 Edgebanding, .94" Gold Alchemy
- 13. 966863-0913 Panel, bed, 52.5 X 16.63
- 14. 966863-0919 Top, bed, 23.25 X 56.00
- 15. 966863-0920 Top, bed, 47.75 X 56.00
- 16. 966863-0921 Door, bed, 17.88 X 15.75
- 17. 382044 Handle, brushed nickel
- 18. 345001-08 Machine screw, #8-32 X 1"
- 19. 381607 Hinge assembly
- 20. 345001-08 Machine screw, #8-32 X 1"
- 21. 381228-01 Catch, grabber door
- 22. 703699 Mattress, 60" X 75", Queen "J"
- 23. 114812 Aluminum angle, 1.00 X 1.00
- 24. 380203-01 Hinge, piano
- 25. 966863-0933 Panel, bed, 36 X 16.63
- 26. 966863-0934 Panel, bed, 36 X 16.63
- 27. 966863-0937 Panel, bed, 11 X 30.44
- 28. 381067-09 Spring, gas 90 LBS.
- 29. 381262 Bracket, prop, w/ball
- 30. 381310 Gas prop bracket assembly, upper
- 31. 381084 Ball, stud
- 203667 Bin, storage, 23" X 16.75" X 12.38"
- 201016 Drawer 16 X 22

# 2011 FLYING CLOUD

## FURNITURE, BEDROOM

Closet, Left Rear, 28' W, 30'



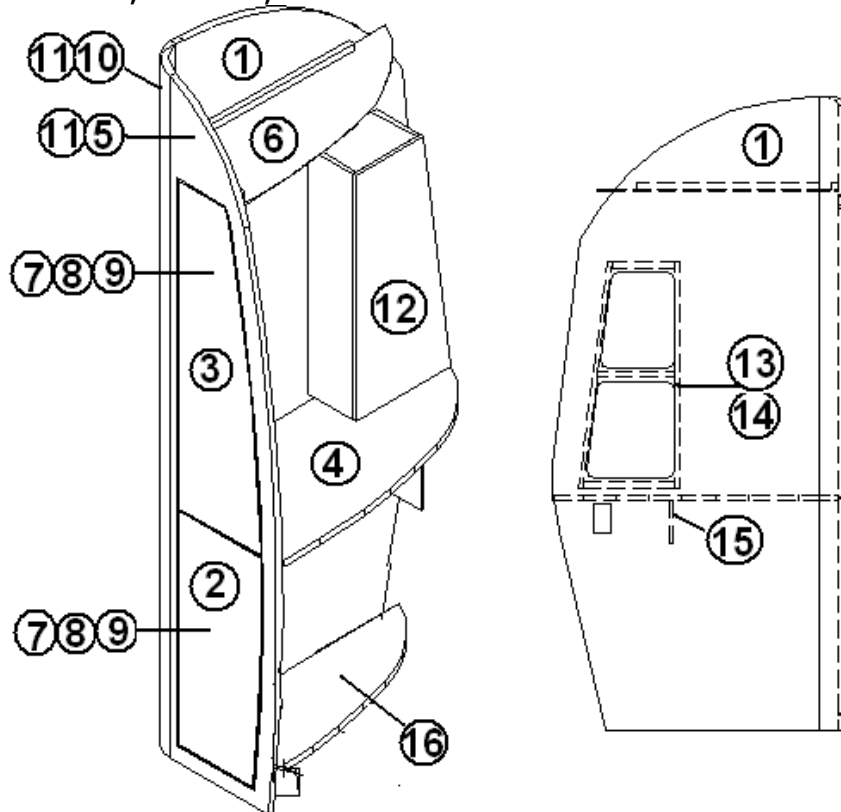
- |                 |  |
|-----------------|--|
| 966871-09       | Wardrobe assembly, LH, "W" bedroom     |
| 1. 966871-091   | Panel, "W" wardrobe, LH, 32.25 X 76.61 |
| 2. 966871-092   | Door, "W" wardrobe, LH, 10.49 X 25.88  |
| 3. 966871-093   | Door, "W" wardrobe, LH, 10.41 X 36.31  |
| 4. 966871-094   | Panel, "W" wardrobe, LH, 34.35 X 15.92 |
| 5. 966871-095   | Panel, "W" wardrobe, LH, 13.69 X 75.65 |
| 6. 966871-096   | Panel, "W" wardrobe, LH, 29 X 10.81    |
| 7. 382044       | Handle, brushed nickel                 |
| 8. 381607       | Hinge assembly                         |
| 9. 381228-01    | Catch, grabber door                    |
| 10. 801345      | Radius plywood, .75" X 3" X 8'         |
| 11. 966871-0913 | Panel, "W" wardrobe, LH, 18.5 X 76     |
| 12. 966875-09   | Bookshelf assembly, aft wardrobe, LH   |
| 13. 386106-01   | Rack, magazine, white                  |
| 14. 386107      | Rod, magazine rack                     |
| 15. 966871-0919 | Panel, "W" wardrobe, LH, 5 X 13.78     |



# 2011 FLYING CLOUD

## FURNITURE, BEDROOM

Closet, Right Rear, 28' W, 30'



966872-09

Wardrobe assembly, RH, "W" bedroom

1. 966872-091

Panel, "W" wardrobe, RH, 32.25 X 76.61

2. 966872-092

Door, "W" wardrobe, RH, 10.49 X 25.88

3. 966872-093

Door, "W" wardrobe, RH, 10.41 X 36.31

4. 966872-094

Panel, "W" wardrobe, RH, 34.35 X 15.92

5. 966872-095

Panel, "W" wardrobe, RH, 13.69 X 75.65

6. 966872-096

Panel, "W" wardrobe, RH, 29 X 10.81

7. 382044

Handle, brushed nickel

8. 381607

Hinge assembly

9. 381228-01

Catch, grabber door

10. 801345

Radius plywood, .75" X 3" X 8'

11. 966872-0913

Panel, "W" wardrobe, RH, 18.5 X 76

12. 966874-09

Bookshelf assembly, aft wardrobe, RH

13. 386106-01

Rack, magazine, white

14. 386107

Rod, magazine rack

15. 966872-0919

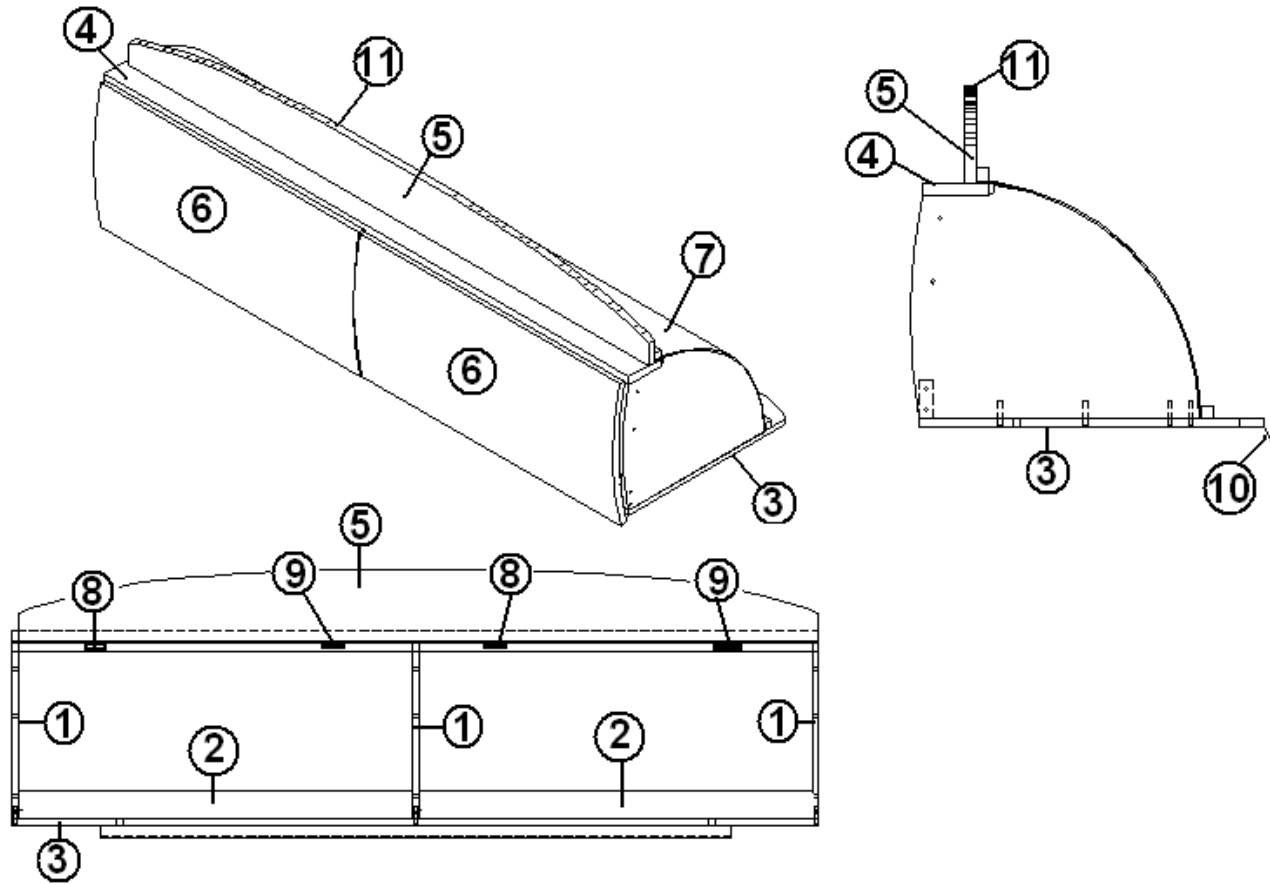
Panel, "W" wardrobe, LH, 5 X 13.78

NOTE: ITEM 16 OMITTED FOR 28W

# 2011 FLYING CLOUD

## FURNITURE, BEDROOM

Roof Locker, Rear End, 28' W, 30'

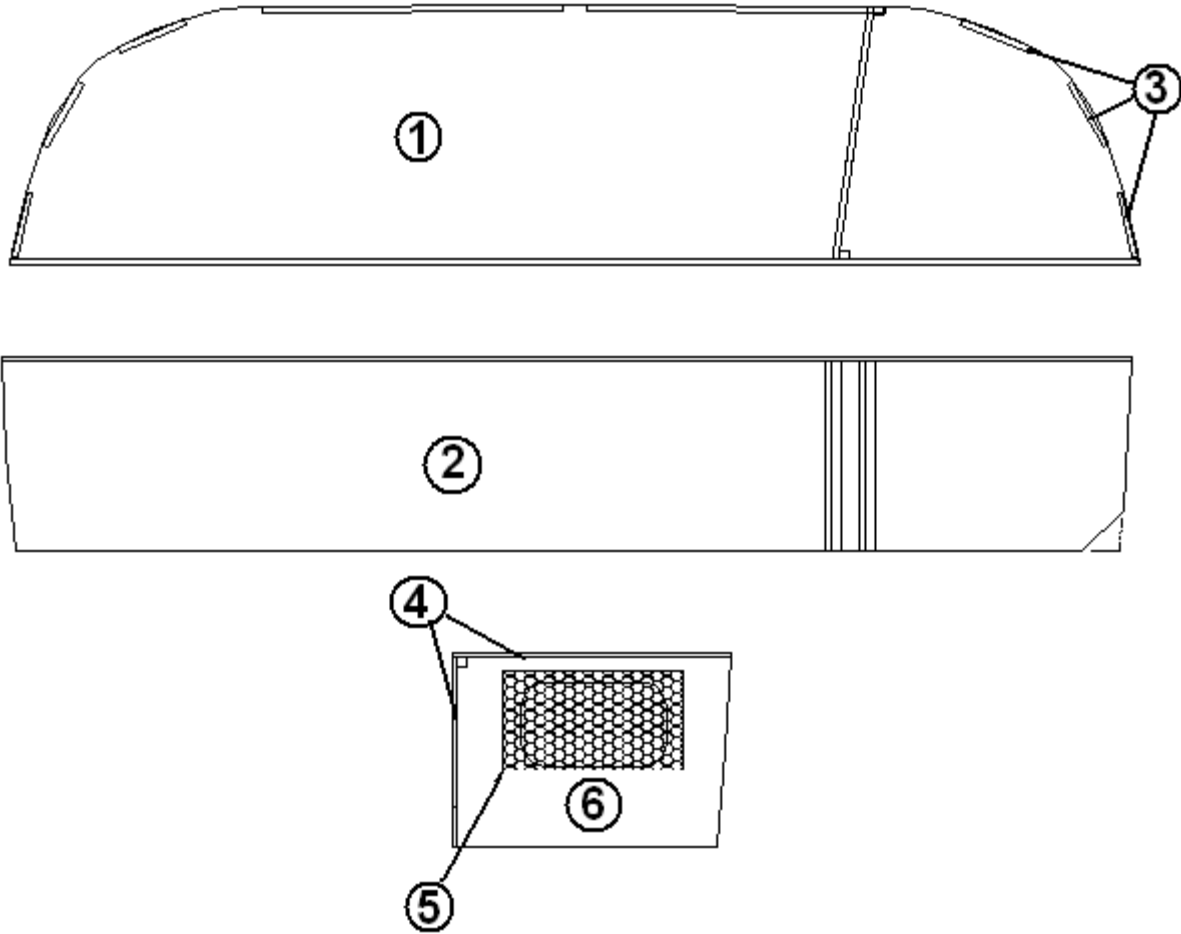


- |                |  |
|----------------|--|
| 967329-09      | Roof locker assembly -"W" center       |
| 1. 967277-01   | Divider, RH roof locker, 17.33 X 13.93 |
| 2. 967428-09   | Stile, roof locker, 2.25 X 31.22       |
| 3. 967330      | Bottom, "W" roof locker                |
| 4. 967331      | Top, "W" roof locker                   |
| 5. 967332      | Header, "W" roof locker                |
| 6. 801786-0214 | Door, plyform, 15.25 X 31.63           |
| 7. 967329-097  | Panel, "W" roof locker, center 22 X 64 |
| 8. 381840-01   | Hinge, overhead spring, LH             |
| 9. 381840-02   | Hinge, overhead spring, RH             |
| 10. 104829     | Support, roof locker, galley           |
| 11. 201673-01  | Molding, Oak cove .43"                 |

# 2011 FLYING CLOUD

## FURNITURE, BEDROOM

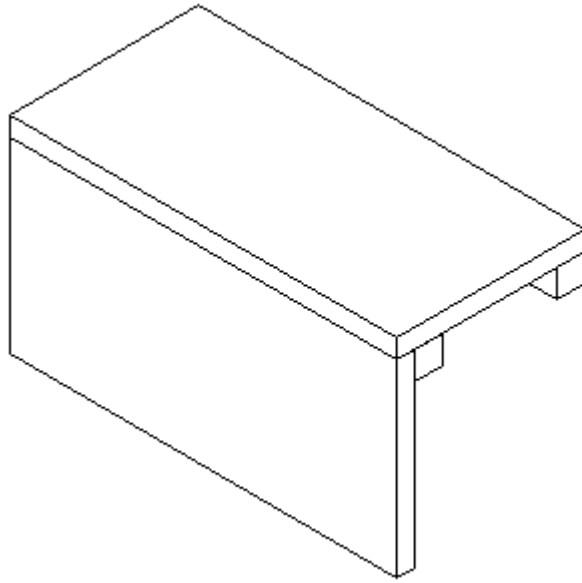
Front Storage Box, 27' Front Bed Twin, 25' Front Bed Twin



- |               |                                       |
|---------------|---------------------------------------|
| 966858-09     | Box assembly, front storage           |
| 1. 966858-091 | Panel, front storage 21.5 X 93.5      |
| 2. 966858-092 | Panel, front storage X15 X 93.5       |
| 3. 114811     | Aluminum angle, .50" X .50"           |
| 4. 701538-01  | Carpet – Econolier w/PSA back         |
| 5. 203664-01  | Grill screen, dinette, 9.25" X 14.88" |
| 6. 966858-098 | Panel, front box, 15" X 21.25"        |
| 966858-0910   | Panel, Storage 7.5 X 11.5             |

2011 FLYING CLOUD  
FURNITURE, BEDROOM

Closeout, 27' Twin

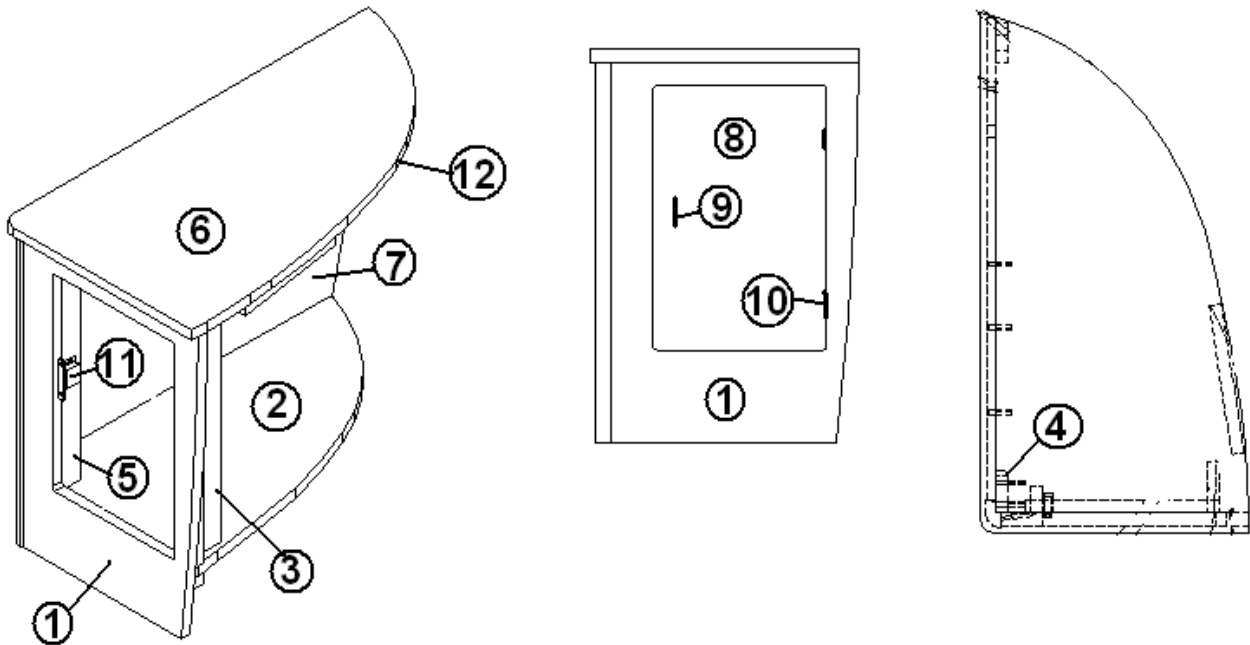


966861-09      Closeout, twin option

# 2011 FLYING CLOUD

## FURNITURE, BEDROOM

### Nightstand, 27' J-Queen Bedroom, Curbside

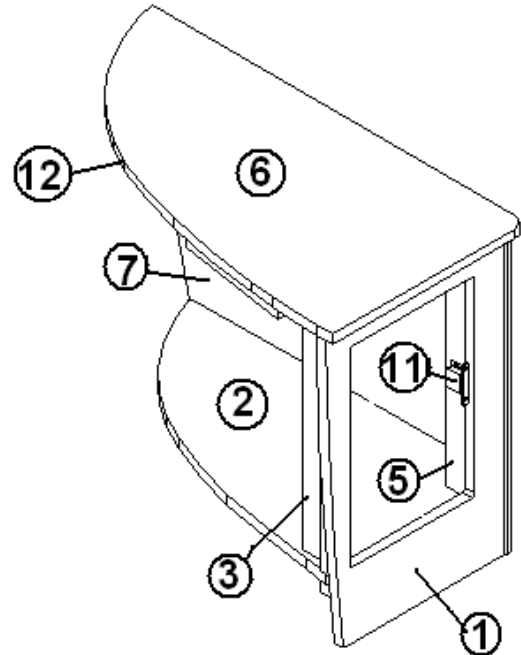
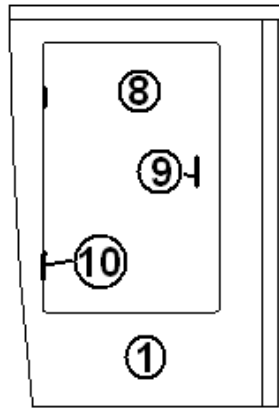
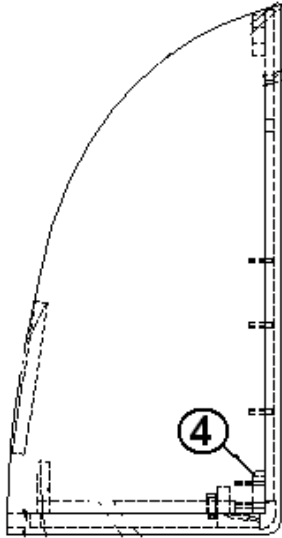


- |                 |   |
|-----------------|---|
| 966851-09       | Nightstand, RH                                |
| 1. 966851-091   | Panel, RH nightstand, 14.78 X 22.75           |
| 2. 966851-092   | Panel, RH nightstand, 27.69 X 14.13           |
| 3. 966851-093   | Panel, RH nightstand, 3 X 17.75               |
| 4. 966851-094   | Panel, RH nightstand, 2.25 X 22.75            |
| 5. 966851-095   | Panel, RH nightstand, 3 X 1.63                |
| 6. 966851-096   | Panel, RH nightstand, 16.09 X 31.06           |
| 6. 966851-106   | Panel, RH nightstand, 16.09 X 31.06, Mid. Sun |
| 7. 966851-097   | Panel, RH nightstand, 28.84 X 22.75           |
| 8. 966851-098   | Door, 7" X 15.31"                             |
| 9. 382044       | Pull, bar, brushed nickel                     |
| 10. 381607      | Hinge, Brass                                  |
| 11. 381228-01   | Catch, grabber door                           |
| 12. 801706-0014 | Corner trim-90D 1" radius                     |
| 201673          | Reverse cove molding, white                   |

# 2011 FLYING CLOUD

## FURNITURE, BEDROOM

Nightstand, 27' J-Queen Bedroom, Roadside

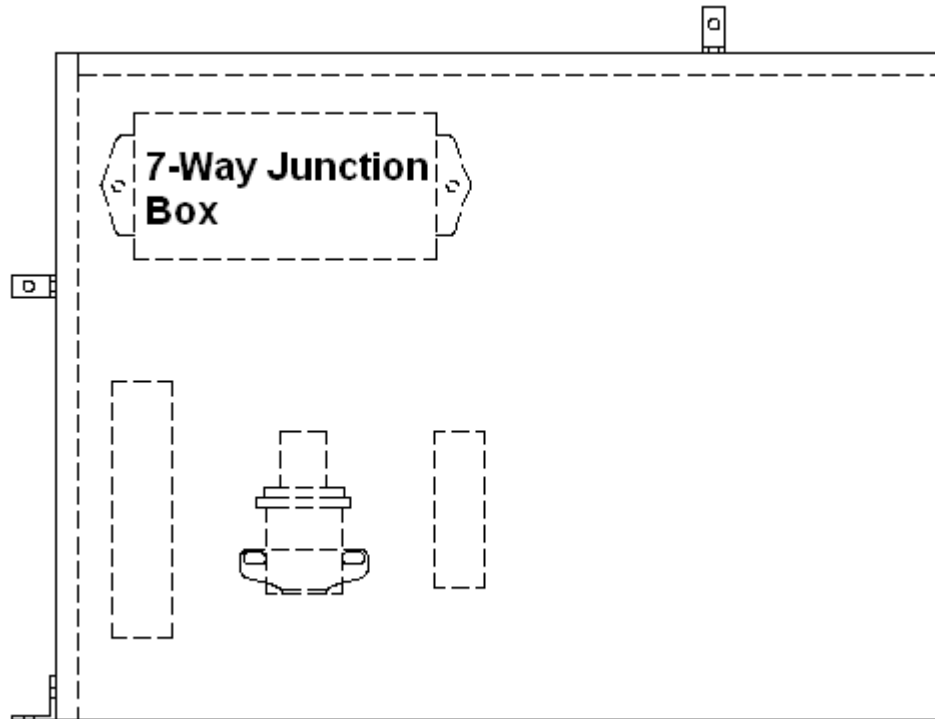


- |                 |   |
|-----------------|---|
| 966868-09       | Nightstand, LH                                |
| 1. 966868-091   | Panel, LH nightstand, 14.78 X 22.75           |
| 2. 966868-092   | Panel, LH nightstand, 27.69 X 14.13           |
| 3. 966868-093   | Panel, LH nightstand, 3 X 17.75               |
| 4. 966868-094   | Panel, LH nightstand, 2.25 X 22.75            |
| 5. 966868-095   | Panel, LH nightstand, 3 X 1.63                |
| 6. 966868-096   | Panel, LH nightstand, 16.09 X 31.06           |
| 6. 966868-106   | Panel, LH nightstand, 16.09 X 31.06, Mid. Sun |
| 7. 966868-097   | Panel, LH nightstand, 28.84 X 22.75           |
| 8. 966868-098   | Door, 7" X 15.31"                             |
| 9. 382044       | Pull, bar, brushed nickel                     |
| 10. 381607      | Hinge, Brass                                  |
| 11. 381228-01   | Catch, grabber door                           |
| 12. 801706-0014 | Corner trim-90D 1" radius                     |
| 201673          | Reverse cove molding, white                   |

# 2011 FLYING CLOUD

## FURNITURE, BEDROOM

Closeout, Electrical, 27' J-Queen Bedroom

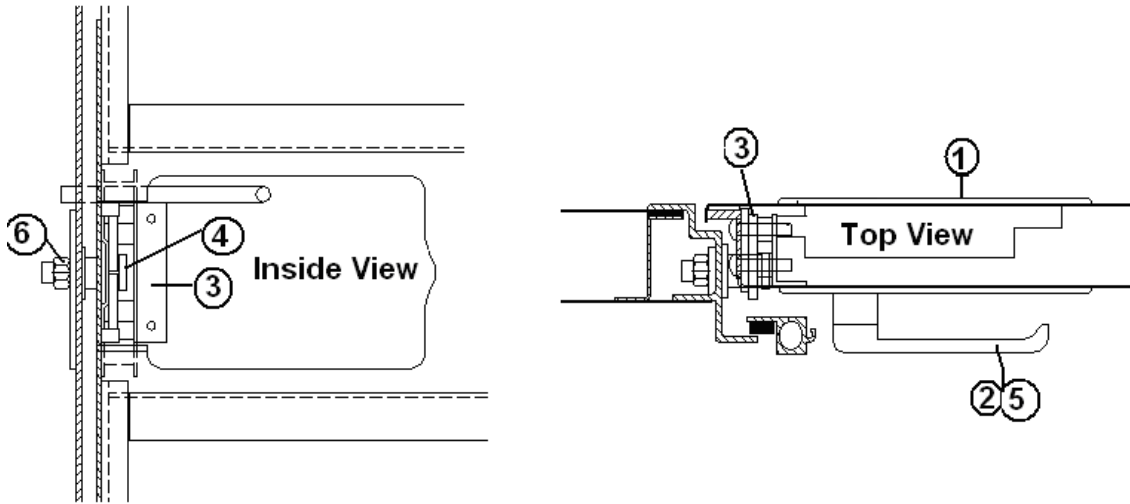


966788 Electrical Closeout

# 2011 FLYING CLOUD

## HARDWARE

### Main Door Lock, Left Hand Hinge



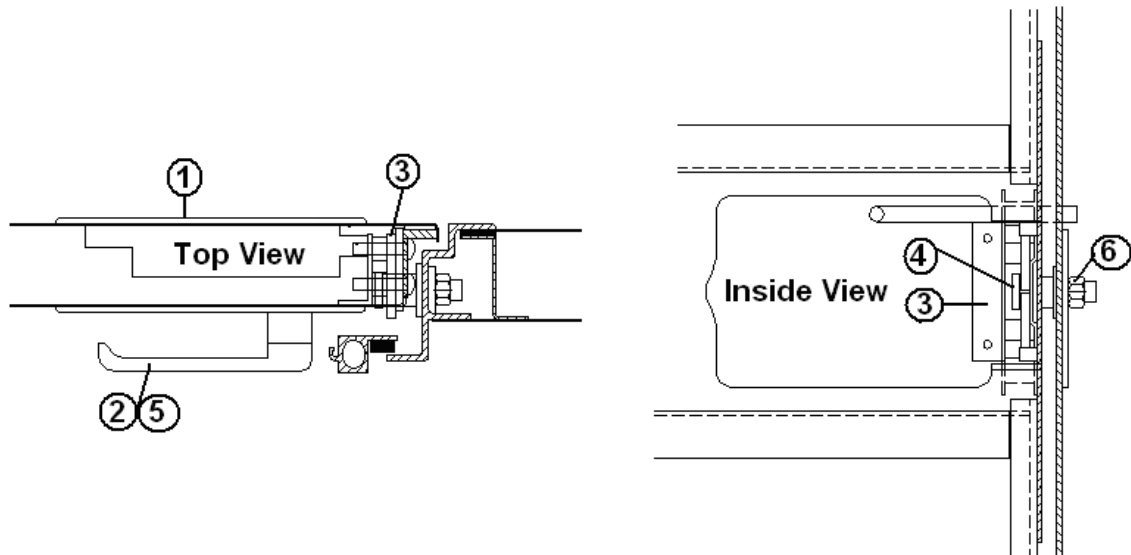
- |              |                                      |
|--------------|--------------------------------------|
| 1. 381547-01 | Main door lock, outside, housing     |
| 2. 381547-07 | Main door lock, inside plate         |
| 3. 381547-03 | Double rotary latch main door lock   |
| 4. 381547-04 | Striker bolt w/washer main door lock |
| 5. 381547-08 | Screw package, main door lock        |
| 6. 381550    | Plate, Striker Bolt                  |
| 385595       | Pocket, strike                       |
| 381889       | Key chain, Airstream, Corian         |
| 381901       | Key rack                             |



# 2011 FLYING CLOUD

## HARDWARE

### Main Door Lock, Right Hand Hinge

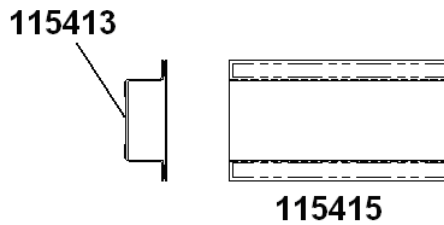
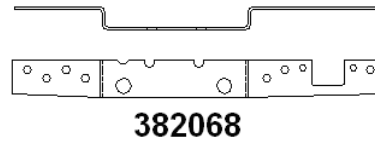
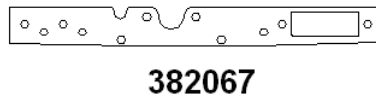
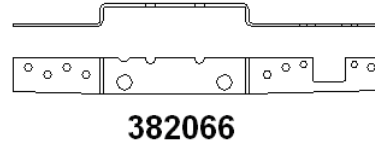
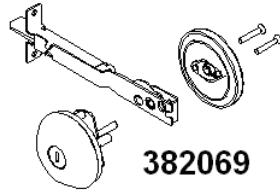


- |              |                                      |
|--------------|--------------------------------------|
| 1. 381547-09 | Main door lock, outside, housing     |
| 2. 381547-11 | Main door lock, inside plate         |
| 3. 381547-10 | Double rotary latch, main door lock  |
| 4. 381547-04 | Striker bolt w/washer main door lock |
| 5. 381547-08 | Screw package, main door lock        |
| 6. 381550    | Plate, Striker Bolt                  |
| 385595       | Pocket, strike                       |

# 2011 FLYING CLOUD

## HARDWARE

### Deadbolt Assembly, Main Door, Round, Trimark

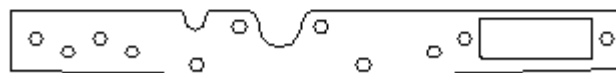
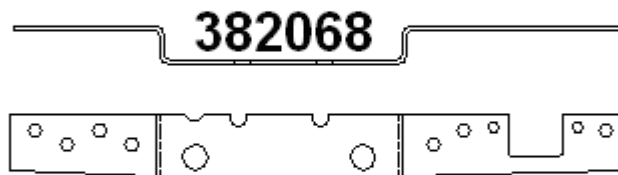


- 382069 Deadbolt assembly, round, Trimark
- 382066 Inner reinforcement plate, LH hinged door
- 382067 Outer reinforcement plate, RH/LH hinged door
- 382068 Inner reinforcement plate, RH hinged door
- 115413 Door hat section, round dead bolt
- 201787-01 Interior Pocket, Deadbolt 2.25"D

# 2011 FLYING CLOUD

## HARDWARE

### Main Door Latch Reinforcement Plates



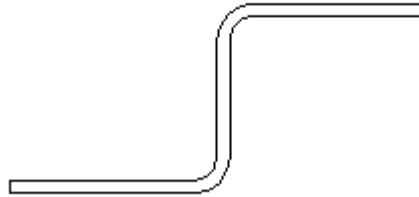
**382067**

- |        |  |
|--------|--|
| 382066 | Inner reinforcement plate, LH hinged door    |
| 382068 | Inner reinforcement plate, RH hinged door    |
| 382067 | Outer reinforcement plate, RH/LH hinged door |

# 2011 FLYING CLOUD

## HARDWARE

### Roof Locker Mounting Supports



- 115448-01 Roof locker mounting support, 22.50"
- 115448-02 Roof locker mounting support, 27.75"
- 115448-03 Roof locker mounting support, 29.75"
- 115448-04 Roof locker mounting support, 40.38"



### Leaf Spring, Lavatory Door

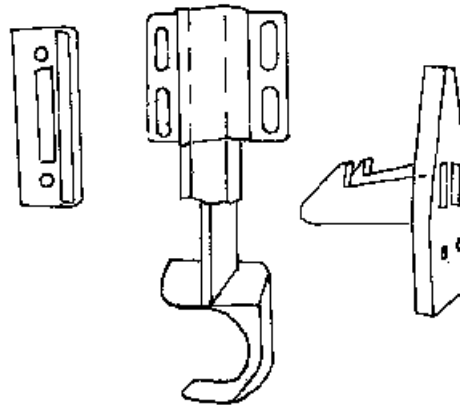
- 454853 Leaf Spring
- 345353-01 Screw, #6 X .50 Flat Head Phillips

# 2011 FLYING CLOUD HARDWARE

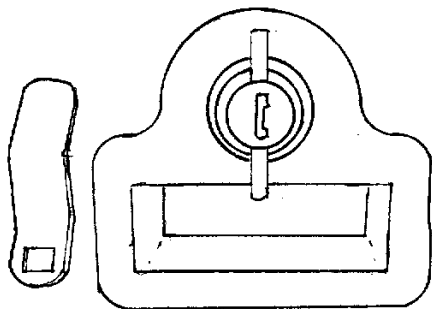
## Exterior Latches/Locks



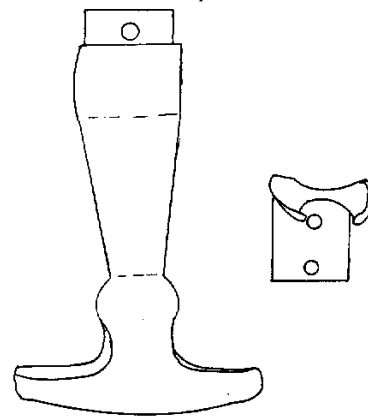
101171  
Grab handle, main door



381454  
Latch, screen door, Bullet



380770-Twist lock, black



381021-01 Rubber T  
handle, 90 degree bracket

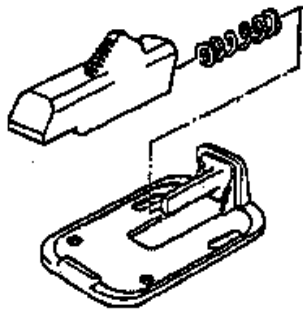
# 2011 FLYING CLOUD

## HARDWARE

### Exterior Latches/Locks



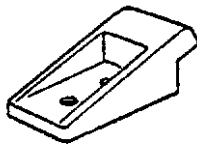
380067 Lock cam,  
bumper lid



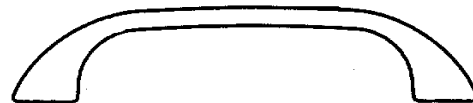
380291 Main door holdback,  
(use w/housing #380290)



380290 Latch housing,



201056 Catch, main door  
holdback

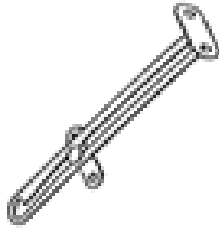


380004 Handle, screen door

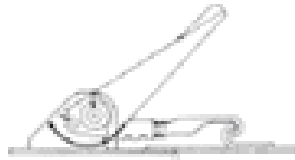
# 2011 FLYING CLOUD

## HARDWARE

### EXTERIOR LATCHES/LOCKS



①



②



③

- |              |   |
|--------------|---|
| 1. 380024    | Support arm, bumper lid, Medicine cabinet |
| 2. 382091-01 | Tension latch, stainless steel            |
| 3. 382091-02 | Strike, tension latch, stainless steel    |

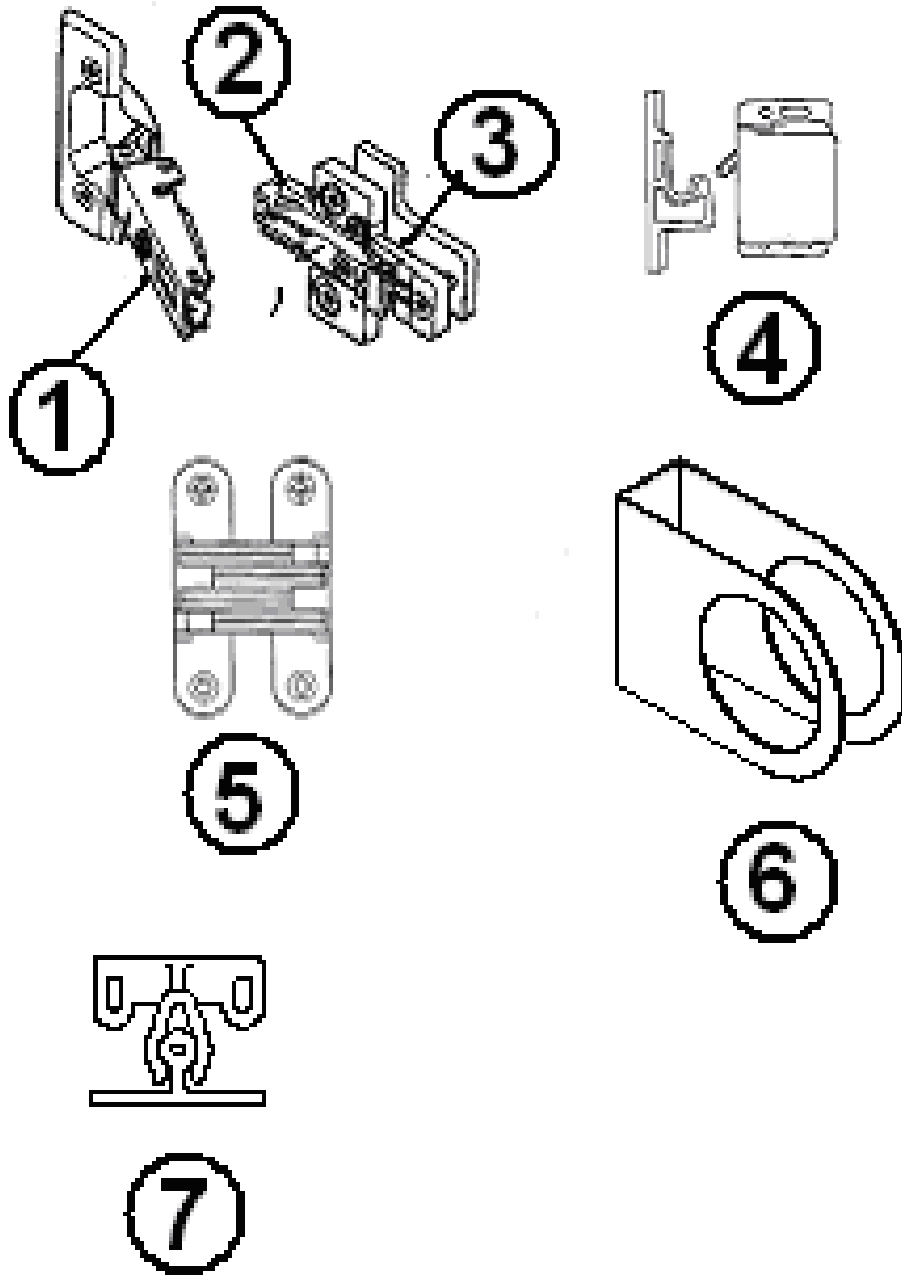
### Wrap Protector Holdback Latches

- |           |                                 |
|-----------|---------------------------------|
| 114819-01 | Wrap protector hold back, 1.62" |
| 114819-02 | Wrap protector hold back, 2.50" |
| 114819-03 | Wrap protector hold back, 5.00" |

# 2011 FLYING CLOUD

## HARDWARE

### Interior Cabinet/Latches/Hinges



Part number on the next page



# 2011 FLYING CLOUD

## HARDWARE

### Interior Cabinet/Latches/Hinges

- |              |  |
|--------------|--|
| 1. 381607-01 | Hinge, cabinet                           |
| 2. 381607-02 | Base, metal                              |
| 3.381607-03  | Base, plastic                            |
| 3. 381607-04 | Hinge screw                              |
| 4. 381228    | Grabber door, latch w/catch, 10lb.rating |
| 4. 381228-01 | Grabber door, latch w/catch, 3lb. rating |
| 5. 380040    | Soss hinge, lift up table                |
| 6. 454320    | Door handle Cover                        |
| 7. 381948    | K-catch                                  |

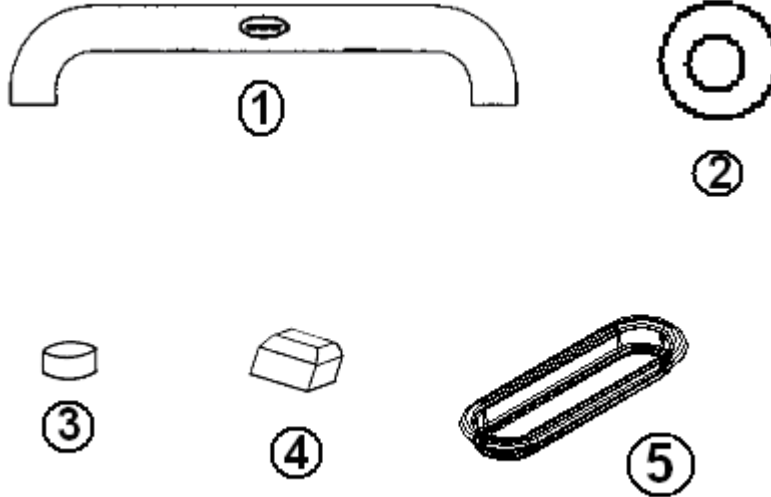
### Hinges

- |           |   |
|-----------|---|
| 380458    | Hinge, piano, bath door, dinette seat, brown          |
| 381614    | Folding shelf bracket, galley                         |
| 385935-01 | Hinge, pivot, plated, medicine cabinet, twin bed      |
| 382159    | Hinge, Pivot, nickel, medicine cabinet                |
| 381840-01 | Hinge, overhead spring LH, roof locker                |
| 381840-02 | Hinge, overhead spring RH, roof locker                |
| 381072-01 | Hinge 3" X 2"   |
| 380203-01 | Piano hinge, lift up table                            |
| 380203-02 | Piano hinge, black, bumper lid                        |
| 381847-01 | Hinge piano, angle, 46", sofa back                    |
| 381808    | Bracket, face mount hinge, glass doors                |
| 381951    | Hinge-formed .5", lavatory                            |
| 380988    | Hinge, exterior refer access door                     |
| 380773    | Hinge, exterior access door                           |
| 381479-02 | Hinge, butt, 2" X 1.38",<br>galley closeout shelf-19' |
| 381479    | Hinge, Brass Cabinet 2" x 1.38", 23' Gate Table       |

# 2011 FLYING CLOUD

## HARDWARE

Head knocker, Drawer/Door Finger Pulls, Rubber Bumpers



- |              |  |
|--------------|--|
| 1. 381772    | Head knocker, white mounts on interior door jamb |
| 2. 382026    | Pull, finger, flush, recessed, SS                |
| 3. 360012-01 | Bumper, rubber brown, stick-on, cylindrical      |
| 4. 360016    | Bump on, rubber gray, square 3/8" x 3/8"         |
| 5. 382030    | Pull, recessed finger, .7 X 2.7                  |
| 381610-01    | Cover cap, plastic, European White               |
| 381610-03    | Cover cap, plastic, European Pine                |

# 2011 FLYING CLOUD

## HARDWARE

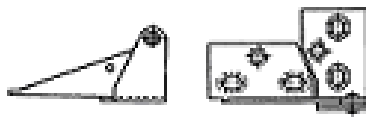
### Interior Latches/Hinges



①



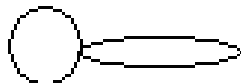
②



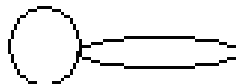
③



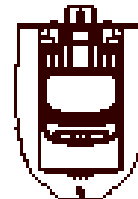
④



⑤



⑥



⑦

- |              |   |
|--------------|---|
| 1. 382044    | Handle drawer/door, chrome                      |
| 2. 381775    | Pull handle, Chrome                             |
| 3. 385935-01 | Hinge pivot, zinc plated                        |
| 4. 381737    | Grab bar, interior, mounts on interior doorjamb |
| 5. 381771-01 | Latch Swinging bath door                        |
| 6. 382034    | Latch, flush mount, corner bath doors           |
| 7. 454614    | Strike plate for flush mount latch              |
| 385940-02    | Mirror pull, chrome                             |

# 2011 FLYING CLOUD

## HARDWARE

Bathroom Accessories, 20', 23', 25', 27', 28', KOA, 30'

380034	Toilet paper holder, chrome
602285	Towel Ring, St. St. Polished 5516
380017	Holder, tumbler and toothbrush
381299	Holder, recessed toilet paper
602284	Towel Bar, 18" St. St. Polished 5518

Bathroom Accessories, 19'

381299	Holder, recessed toilet paper
381259-01	Towel bar, chrome, 18"
381259-03	Ends, towel bar, chrome

Bathroom Accessories

602285	TOWEL RING- SS POLISHED 5516, 30', 28', 25FB, 23'FB
371423-02	MIRROR-WALL MT 8" CHROME
371423-01	RETAINER CLIP- MIRROR 1.88"
380034	TOILET PAPER HOLDER CHROME
602284	TOWEL BAR-18" SS POLISHED 5518- 30', 28', 25FB, 23FB
602285	TOWEL RING- SS POLISHED 5516, 30', 28'

# 2011 FLYING CLOUD

## HARDWARE

### Wardrobe Clothes Rod

380045	Clothes rod
200975-04	Conduit, flexible, black (covers clothes rod)
380046	Bracket, clothes rod

### Drapes

700005	Fastener cap
700006	Fastener socket
700020	Pile, Velcro
700021	Hook, Velcro, white

### Sewer Hose Clamp/Water Fill key/Silverware Tray

340084-52	Clamp hose, SAE #52
381647	Key, water fill CH 751
195329-240	Sewer hose adaptor, elbow
200980-01	Tray, silverware, Almond, 9" X 13"
381269	Trailer level

# 2011 FLYING CLOUD

## HARDWARE

### Detectors, Fire Extinguishers

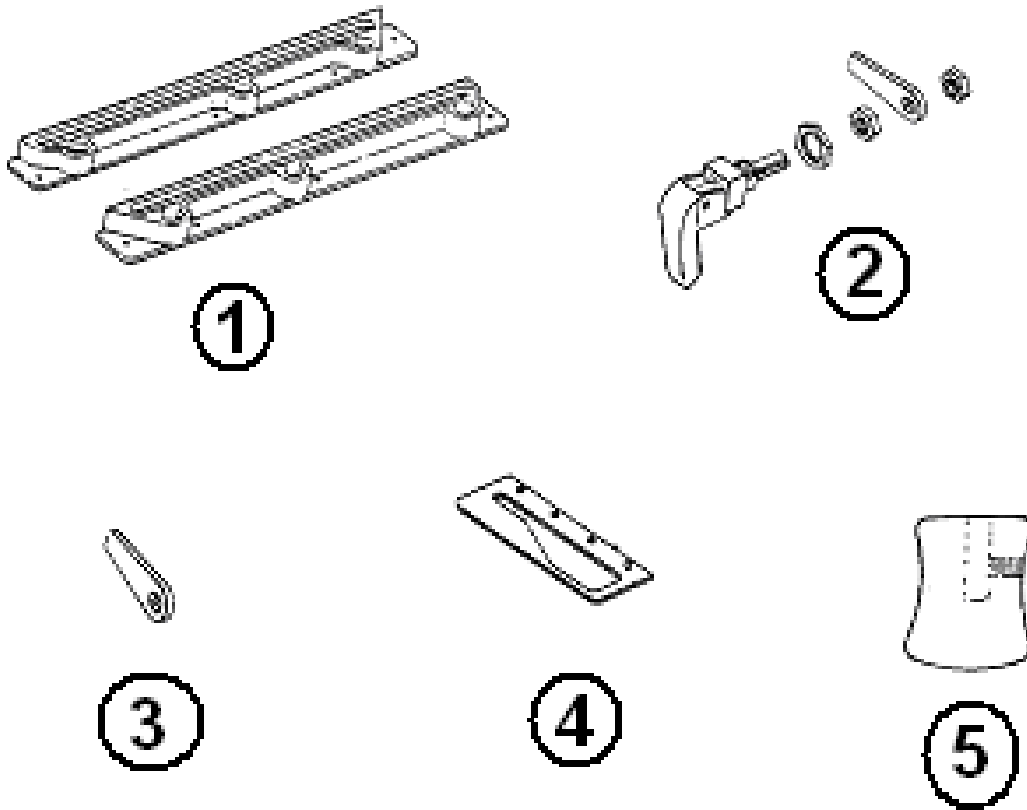
510781	Smoke detector
510891	Smoke Detector CSA only
511309	LPG detector
512318	Holder W/1 amp fuse, inline
511411	Junction box-7 terminal 50-10-170
600162-01	Fire extinguisher
600162-02	Fire extinguisher, CSA
203387	Pocket, Fire Extinguisher
512178	Detector, carbon monoxide 9V

### Bed Top Gas Spring Assembly

381067-09	Spring, gas 90 LBS.
381262	Bracket, prop w/ ball
381310	Gas prop bracket assembly, upper
381084	Ball, stud

# 2011 FLYING CLOUD HARDWARE

Window, Opening

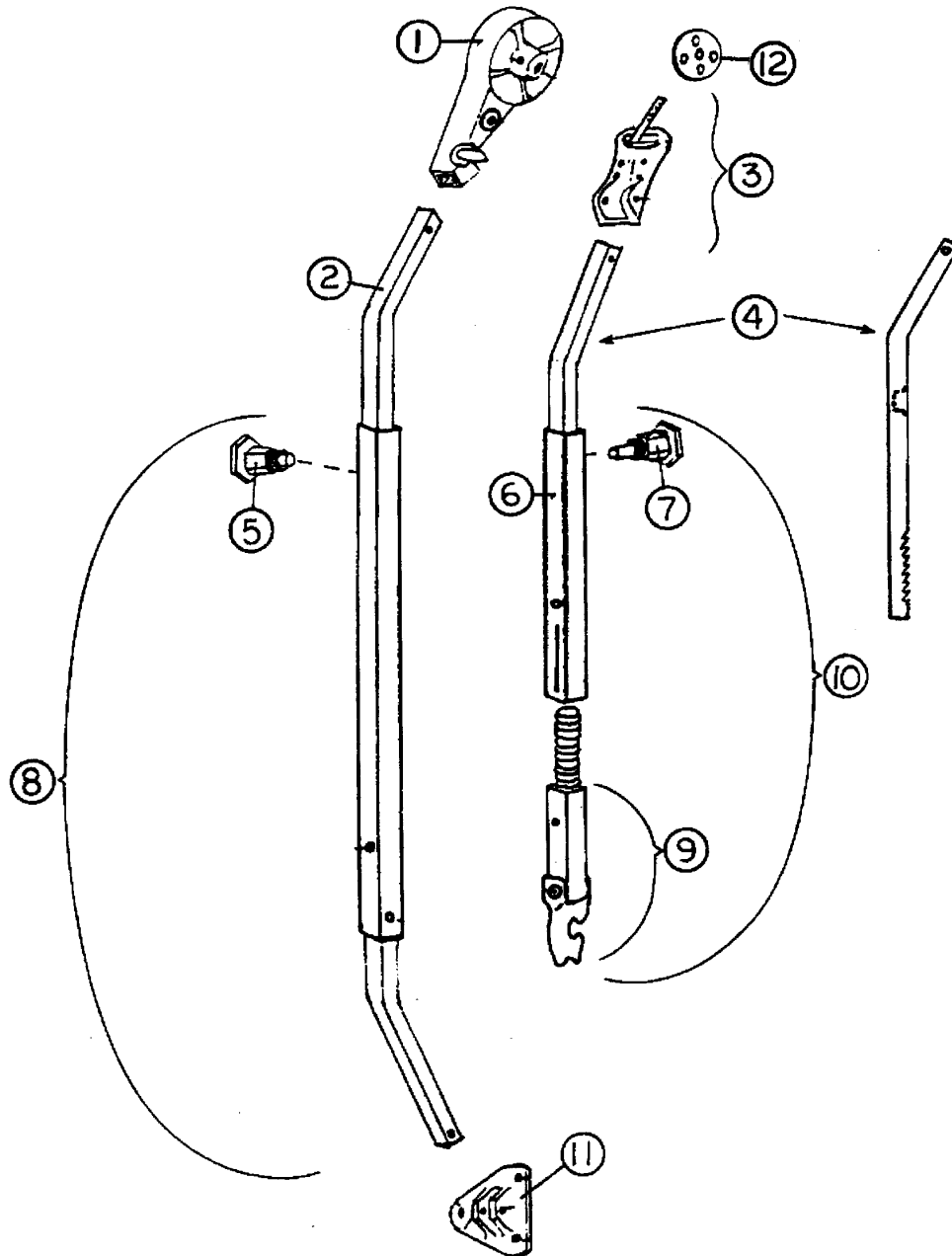


- |              |                                  |
|--------------|----------------------------------|
| 1. 0802-0001 | Window guide, RH                 |
| 1. 0802-0002 | Window guide, LH                 |
| 2. 010020    | Lower window latch, chrome       |
| 2. 195467-05 | Lower window latch, w/red handle |
| 3. 685123    | Pawl, window latch, straight     |
| 4. 685124    | Striker plate, window latch      |
| 5. 380230-03 | Knob window arm, silver          |
| 5. 380230-04 | Knob, window arm, red            |

# 2011 FLYING CLOUD

## HARDWARE

### AWNING HARDWARE



See next page for P/N



# 2011 FLYING CLOUD

## HARDWARE

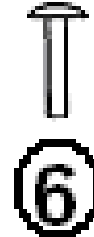
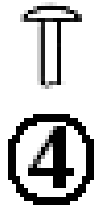
### AWNING HARDWARE

702993	Awning Hardware, complete Assembly
1.74043W-06	Front head assembly
1.74043W-07	Rear head assembly
2.74047W-11	Front main arm bar
2.74047W-12	Rear main arm bar
3.74056W	Clamp assembly, front, curved
3.74056W-01	Clamp assembly, rear, curved
4.74061WS-08	Rafter arm bar, satin
5.74054W	Snap stud assembly
6.74063W-04	Rafter arm tube, satin
7.74072W	Ratchet stud
8.74048WS-15	Front main arm tube assembly
8.74048WS-16	Rear main arm tube assembly
9.74068W-04	Claw bar assembly
10.74048WS-17	Rafter arm assembly
11.74055W	Base hinge, rib mount
12.74060W	Clamp wheel

# 2011 FLYING CLOUD

## Hardware

### Rivets, Buck

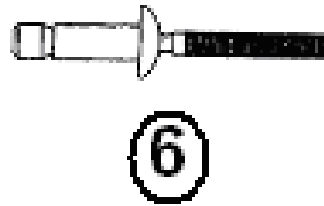
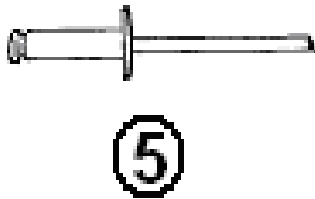
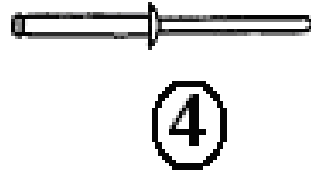
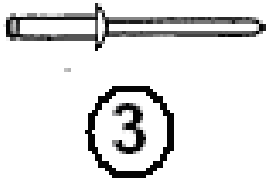
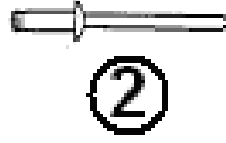
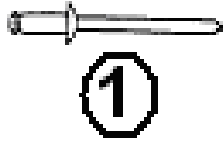


- |              |   |
|--------------|---|
| 1. 325043    | Rivet, 1/8", 1/4" length (hard)                                 |
| 2. 325000-01 | Rivet, 1/8", 1/4" length anodized clear                         |
| 2. 325000    | Rivet, 1/8", 1/4" length clear                                  |
| 3. 325000-03 | Rivet, 1/8", length 1/4", long, anodized white                  |
| 4. 325001-01 | Rivet, 1/8", length 5/16", anodized clear                       |
| 5. 325002-01 | Rivet, 1/8", length 3/8", anodized clear                        |
| 5. 325002-01 | Rivet, 1/8", length 3/8"  |
| 6. 325004-01 | Rivet, 1/8", length 1/2", anodized clear                        |
| 7. 330127-03 | Rivet, grip range .063-.125, aluminum body,<br>aluminum mandrel |
| 8. 300101    | 1/8" I.D., Washer, aluminum                                     |

# 2011 FLYING CLOUD

## Hardware

### Rivets, Pop



1. 330126-02 Pop Rivet, dia. 1/8" grip range .126-.187, S.S.
2. 330126-03 Pop Rivet, dia., 1/8" grip range .126-.250, S.S.
3. 330148 Pop Rivet, AD43-45ABS, aluminum
4. 330128-050 Pop Rivet, dia., 1/8" .251"-.312" white
5. 330038 Pop Rivet, dia. .150". (#20 bit) grip range (used-screen door hinge)
6. 330016-04 Pop rivet, closed end, sealing  
325103 Pop Rivet, dia. 1/4" grip range .080-.325, SS body, steel mandrel
- 330126-04 Pop rivet, dome head, SSD45
- 330126-05 Pop rivet, dome head, SSD46
- 330126-06 Pop rivet, dome head, SSD48

# 2011 FLYING CLOUD

## LABELS AND TAGS

### Labels and Tags, USA

385193	Label, "12V distribution panel inside"
386119	Label, "Don't Use Area for Storage"
385068	Tag, cooking appliance warning
386118	Label, LP gas warning/fill
385517	Label, kill switch warning
385521	Label, emergency egress window
386122	Warning label/cooking appliance
386121	Label, LP gas warning label (odor)
385465	Exit label, English
385560	Label, air conditioner rating
385812	Label, Calif. hazardous substance
386120	Label, smoke detector
385359	Label, microwave or air conditioner
385837	Label, refrigeration ignition
386012	Label warning, water heater
386123	Label, "Potable water only"
386192	Hang tag, Smoke/CO Detector Battery
386193	Label, wheel torque warning
386098	Label, fuse 12 volt
386082	Label, Thor, 5.25" X .75'
386142	Check wheel lug label
386114	Label, RVIA silver
385418-01	Label, Federal registration
385062	Decal, 110-125 voltage AC
385565	Label, holding tank flushing
386097	Label, fuse 12 volt
385101	Tag, aux. tank dump valve handle
385099	Tag, main tank dump valve handle
386019	Label, 1 amp fuse max.
385020	Sticker, self adhering, jack
386111	Label, 30 amp fuse max.
386159	Label, flat screen TV

# 2011 FLYING CLOUD

## LABELS AND TAGS

### Labels and Tags, CSA

385949	Label, "Potable water" CSA
385950	Label, "Smoke detector CSA
385951	Label, "Range fresh air" CSA
385952	Label, "LP Warning" CSA
385953	Label, "If you smell gas" CSA
385954	Label, "Range warning" CSA
385466	Label, Exit (French)
386105	Label, TV.VCR Receptacle
385971	Label, fuse, exterior light
386105	Label, TV/VCR RECEPTABLE CSA

# 2011 FLYING CLOUD

## PLUMBING, LPG SYSTEM

### Gas Bottles

601710-01	LP gas bottle, 30lb. steel
601686	Base plate, LP tank mounting
601687	Hold down kit, LP tank

### Gas Regulator and Fittings

601731	LP regulator, w/pigtails, mounting Bracket & cover
381613	Plastisol cover-LP wing handle
601685-01	LP hose, 1/2" FPT x 3/8" flare
601685-02	LP hose, 1/2" FPT x 3/8" flare, CSA only
600468	Union flare, 5/8" x 5/8"
600004	Copper tubing, 5/8"
600008	Copper tubing, 3/8"
600436	Flare nut, forged, 5"/8
600435	Flare nut, forged, 3/8"
600000	Tee, brass, 5/8" x 5/8" x 3/8"
600003	Tee, brass, 5/8" x 3/8" x 3/8"
600661	Grounding clamp 1/2 TO 1 size
600010	Nut brass flare 415 3/8
500038	Lug ground
500839	Wire, bare copper 8 GA.
601281	Tee, brass union 5/8 X 5/8 X 5/8
601698-01	E-Pex 1/2" tubing
601698-12	E-Pex 3/4" tubing
380887	Grommet, floor
380886	Grommet, floor
600010	Nut, brass, flare, 3/8"
600238	3/8", flare union
601472	Tee, 5/8 X 3/8 X 5/8 flared

# 2011 FLYING CLOUD

## PLUMBING, LPG SYSTEM

### Gas Bottle Cover

921232	Gas bottle cover, 30#
382091-01	Tension latch, stainless steel
382091-02	Strike, tension latch, stainless steel
200841	Lid, plastic, bottle cover
380773	Hinge, access door
114070	Extruded, J-Trim, aluminum, gray
386088	Tape, decal, side center

## 2011 FLYING CLOUD

### PLUMBING, FRESH WATER

#### Fresh Water Tank, 19'

601861-01	Tank, fresh water, 19 ft
964478	Slope pad - fresh tank
454065	Strap fresh water tank, 19 FT
602185-01	Drain valve, 90 deg. Turn, Lead Free
453712	Shield, fresh water tank drain

#### Fresh Water Tank, 20'

602101	Tank, fresh water
454489	Tank pan, galvanized fresh water
511780	Pad, tank heating
602185-01	Drain valve 90 deg. Turn, Lead Free

#### Fresh Water Tank, 23'

601863-02	Tank, fresh water 39 gallon
966288	Tank pan
511780	Pad, tank heating 6.5" X 18"
602185-01	Drain valve, 90 deg. Turn, Lead Free

#### Fresh Water Tank, 23' Front Bed

601863-02	Tank, fresh water, 39 gallon
966288	Tank pan
602185-01	Drain valve, 90 deg. Turn, Lead Free



## 2011 FLYING CLOUD

### PLUMBING, FRESH WATER

#### Fresh Water Tank, 27'

601863-01	Tank, fresh water, 39 gallon
601620	Pan, fresh tank
601243	Drain cock
453712	Shield, fresh water tank drain
602185-01	Drain valve, 90 deg. Turn, Lead Free
600155	Plug, Cleanout 1 ½"

#### Fresh Water Tank, 28'W, 25' FB

601863-01	Tank, fresh water, 39 gallon
601642	Pan, tank Rotocast
453493	Hanger strap, tank pan
453615	Tank support strip - 62"
453712	Shield, fresh water tank drain
602185-01	Drain valve, 90 deg. Turn, Lead Free
601243	Drain cock, fresh water
600155	Plug, Cleanout 1 ½"

#### Fresh Water Tank, 30'

601864-01	Tank, fresh water, 54.5 gallon
601620	Pan, fresh tank
600155	Plug, cleanout 1 ½"

#### Fresh Water Tank Hose/Fittings

602185-01	Drain valve, 90 deg. Turn, Lead Free
601239-01	Tubing-1.375"ID ribbed w/ flat side
601240-01	Tubing ½" I.D. X 3/32" wall thickness
0260043-06	Worm clamp #6
0260043-28	Worm clamp #28
0260043-20	Worm clamp #20
601723	Filter screen, water
453712	Shield, fresh water tank drain

## 2011 FLYING CLOUD

### PLUMBING, FRESH WATER

#### Water Tank Fills and Fittings

601194	Water fill w/lock, gray
602185-01	Drain valve, 90 deg. Turn, Lead Free
601237	Plastic elbow, 90 degree, 1.25" MPT x 1.25" barb
601239-01	Tubing, 1.375" I.D., flexible, water fill hose
203085	Plug, water line 1/2" plastic, black
601659	Riser 1/2" FPT X 12" CPVC

#### City Water Hookup

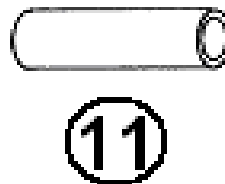
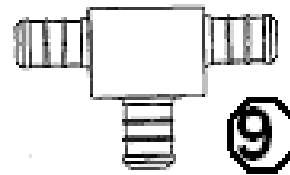
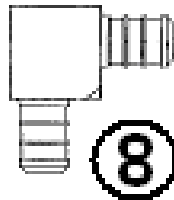
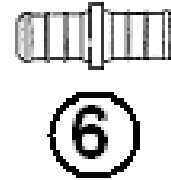
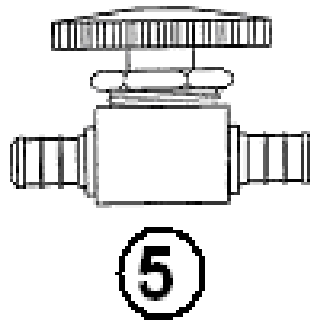
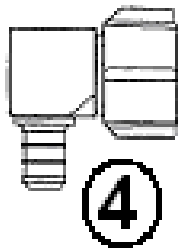
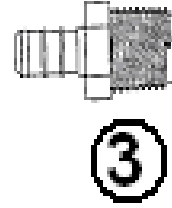
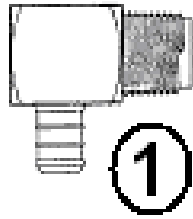
601392-05	City water fill w/regulator, chrome
601392-06	City water fill w/regulator, Chrome, CSA
601723	Filter screen, water
600362	Connector, 1/2" FPT x water hose, swivel
600336	Plug with chain
601690	Nipple, 1/2" MPT x 2.50"
601689	Drop ell, 90 degree, 1/2" FPT
600315	Pump guard filter
602256-01	Nipple 1/2" brass hex, plastic

#### Water Pump & Fittings

602202	Water pump, Sureflo
602204	Flex hose, 1/2", Sureflo water pump
601668-01	Filter, pre water pump

2011 FLYING CLOUD  
PLUMBING, FRESH WATER

Fresh Water Fittings



Part Numbers Are On The Next page

## 2011 FLYING CLOUD

### PLUMBING, FRESH WATER

#### Fresh Water Fittings, Metal

1. 601698-04 Elbow, 1/2" barb x 1/2" MPT
2. 601698-03 Coupler, 1/2" barb x 1/2" FPT
3. 601698-02 Coupler, 1/2" barb x 1/2" MPT
4. 601698-05 Elbow 1/2 barb x 1/2" FPT
5. 601698-22 Shut-off, 1/2" barb x 1/2" barb
6. 601698-08 Coupler, 1/2" x 1/2" barb
7. 601698-09 Plug, 1/2" barb
8. 601698-10 Elbow 1/2" barb x 1/2" barb
9. 601698-11 Tee, 1/2" x 1/2" x 1/2"
10. 601698-15 Crimp ring, 1/2E-Pex, 1/2" (black)
11. 601698-01 E-Pex tube, 1/2"
- 601698-21 E-Pex tube, 1/2", Red
- 600836 Elbow 3/8 MPT X 1/2", BARB-copper
- 601237 Elbow 90 D 1.25 MPT X 1.25 BAR
- 601810 Valve, 1/2" FPT X 1/2" FPT KBI
- 601811 Elbow, 1/2" MPT X 1/2' FPT street
- 601812 Nipple-Brass 1/2" X 2.0"
- 340085-06 Clamp, loop, steel w/ rubber, .75
- 601446 Nipple, .50 NPT X 1.5", galvanized
- 601004 Coupling, 1/2" BARB X 3/8" MPT
- 601467 Sillcock, 1/2" female w/wheel handle
- 601469 Vacuum breaker, 3/4", garden hose
- 600049 Elbow, brass, 3/8 MPT X 1/4 flare
- 600293 Nipple, close, 1/2", brass

During Model Year Fresh Water Fittings Changed to Plastic,  
See Next Page for Plastic Part Numbers

## 2011 FLYING CLOUD

### PLUMBING, FRESH WATER

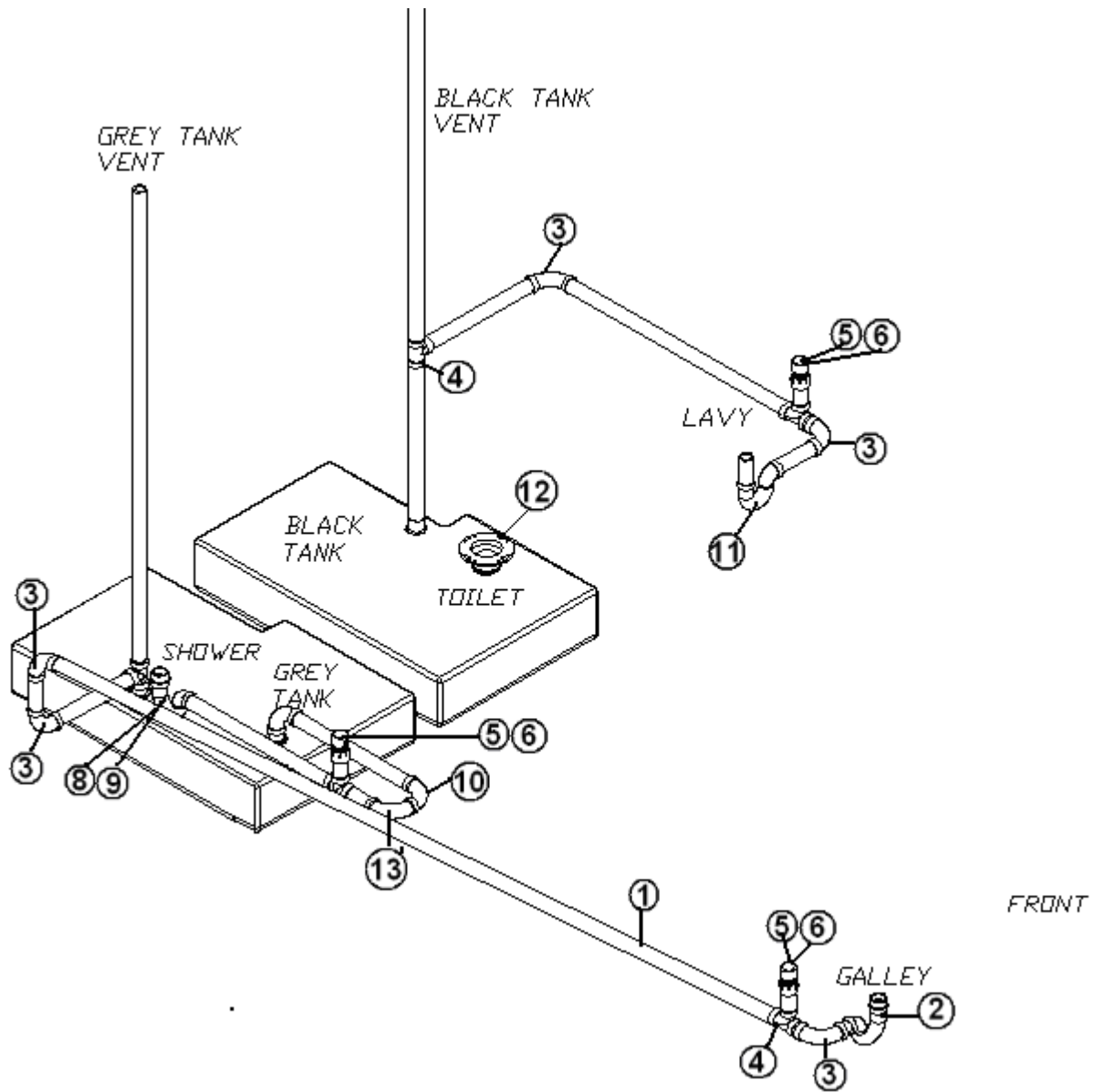
#### Fresh Water Fittings, Plastic

- |               |  |
|---------------|--|
| 1. 602256-04  | Elbow, 1/2" barb x 1/2" MPT, Plastic     |
| 2. 602256-03  | Coupler, 1/2" barb x 1/2" FPT, Plastic   |
| 3. 602256-02  | Coupler, 1/2" barb x 1/2" MPT, Plastic   |
| 4. 602256-05  | Elbow 1/2" barb x 1/2" FPT, Plastic      |
| 5. 602256-22  | Shut-off, 1/2" barb x 1/2" barb, Plastic |
| 6. 602256-08  | Coupler, 1/2" x 1/2" barb, Plastic       |
| 7. 602256-09  | Plug, 1/2" barb, Plastic                 |
| 8. 602256-10  | Elbow 1/2" barb x 1/2" barb, Plastic     |
| 9. 602256-11  | Tee, 1/2" x 1/2" x 1/2", Plastic         |
| 10. 601698-15 | Crimp ring, 1/2" E-Pex, 1/2" (black)     |
| 11. 601698-01 | E-Pex tube, 1/2"                         |
| 601698-21     | E-Pex tube, 1/2", Red                    |
| 600836        | Elbow 3/8 MPT X 1/2", BARB-copper        |
| 601237        | Elbow 90 D 1.25 MPT X 1.25 BAR           |

# 2011 FLYING CLOUD

## PLUMBING, DRAIN

DRAIN SYSTEM, ABOVE FLOOR, 30'



PARTS LISTED ON NEXT PAGE

# 2011 FLYING CLOUD

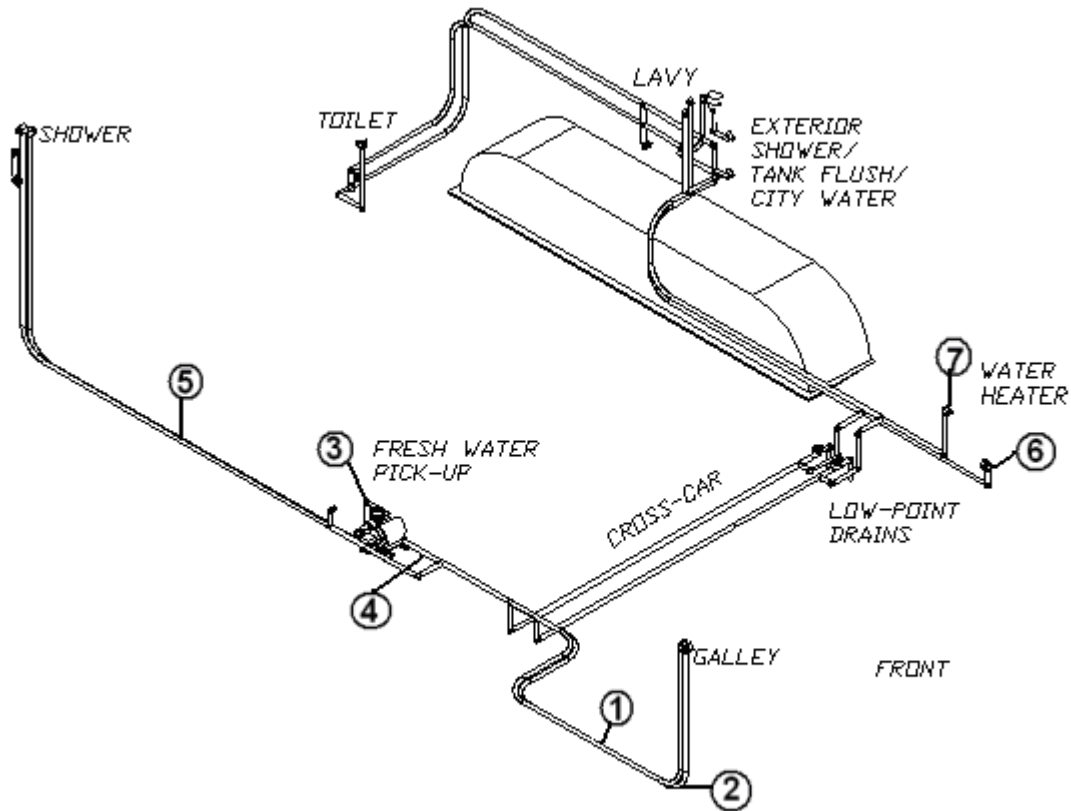
## PLUMBING, DRAIN

### DRAIN SYSTEM, ABOVE FLOOR, 30'

1. 601160-02 PIPE, ABS DWG, 1-1/2"
2. 600622 P-TRAP 1-1/2 W/SLIP NUT & WASH
3. 600035 ELL ABS LONG SWEEP 1-1/2
4. 600156 TEE SANITARY
5. 600538 VENT V-200 AUTOMATIC
6. 600308 ADAPTER ABS FEMALE SLOAN #2891
7. 602164-01 P TRAP W/COMPRESSION NUT 1.5"
8. 602164-02 TAILPIECE W/NUTS & WASHERS 1.5
9. 600035 ELL ABS LONG SWEEP 1-1/2
10. 600144 P TRAP 1 1/2" ABS
11. 601424 CH FLANGE, CLOSET 4" X 3", THREAD
12. 600431 ELBOW, 90, 1-1/2 IN
- 454155-01 STRAP-BLK/GRAY TANK 5.75"X 61.25"
- 454155-02 STRAP-BLK/GRAY TANK 5.13"X 60.00"
- 454178-01 STRAP-BLK/GRAY TANK 5.75" X 51.88"
- 454178-02 STRAP-BLK/GRAY TANK 5.25" X 50.63"
- 454178-05 STRAP-BLK/GRAY TNK 4.38" X49.13"

# 2011 FLYING CLOUD PLUMBING, FRESH WATER

Fresh Water Plumbing Cold, 30' Plastic Fittings



## 943721-100 FRESH WATER SYSTEM

- |    |           |                         |
|----|-----------|-------------------------|
| 1. | 943721-01 | WATER LINES-GALLEY COLD |
| 2. | 943721-02 | WATER LINES-GALLEY HOT  |
| 3. | 943721-03 | WATER LINE-COLD PICK UP |
| 4. | 943721-04 | WATER LINES-CS HOT      |
| 5. | 943721-05 | WATER LINE-COLD SHOWER  |
| 6. | 943721-08 | CROSS CAR WATER LINES   |
| 7. | 943721-09 | WATER LINES-TANK FLUSH  |

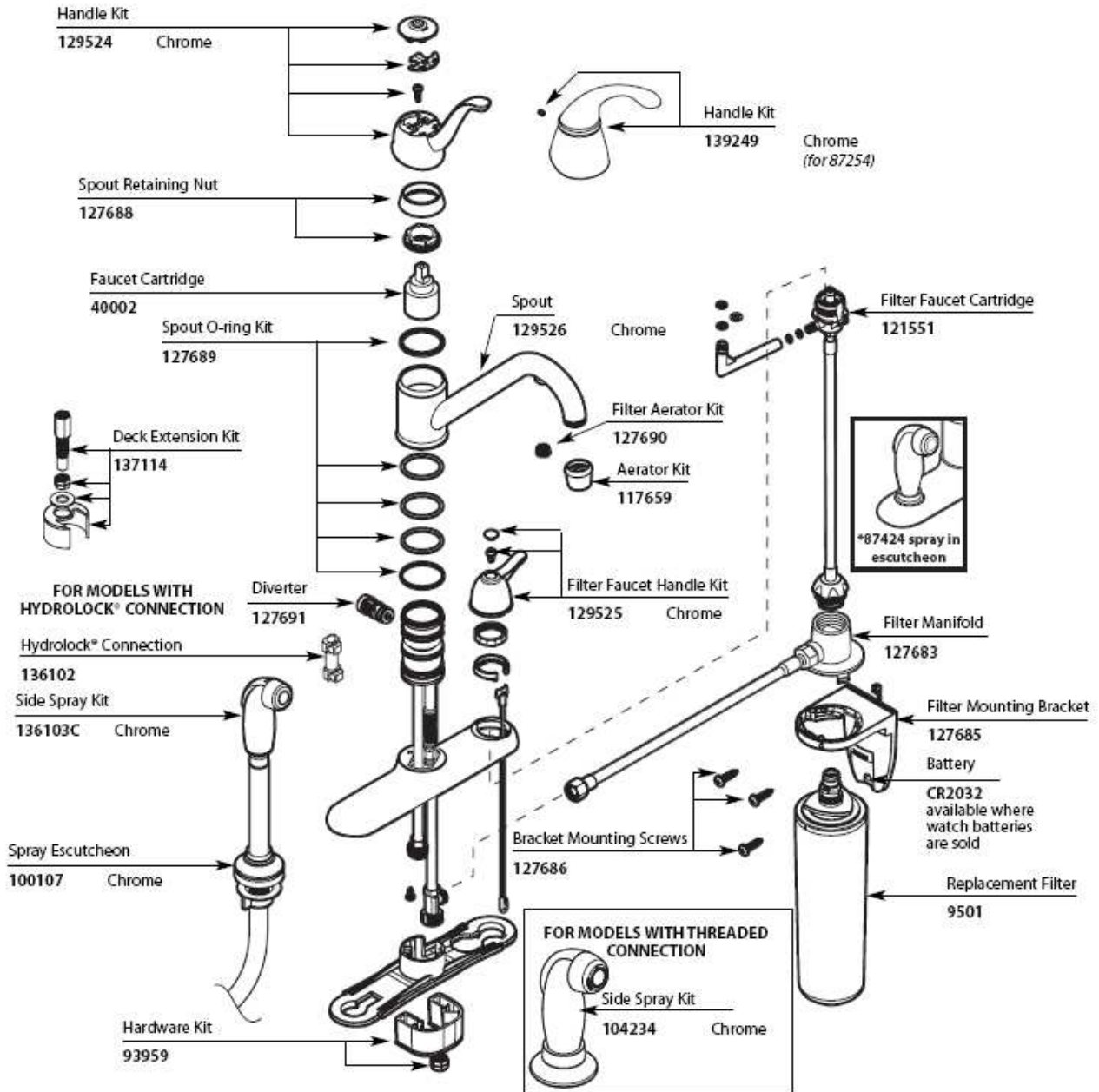


# 2011 FLYING CLOUD PLUMBING, FRESH WATER

## Faucet, Galley

602237 Faucet, MDL F87254 Moen Wickston w/Filtration & Spray

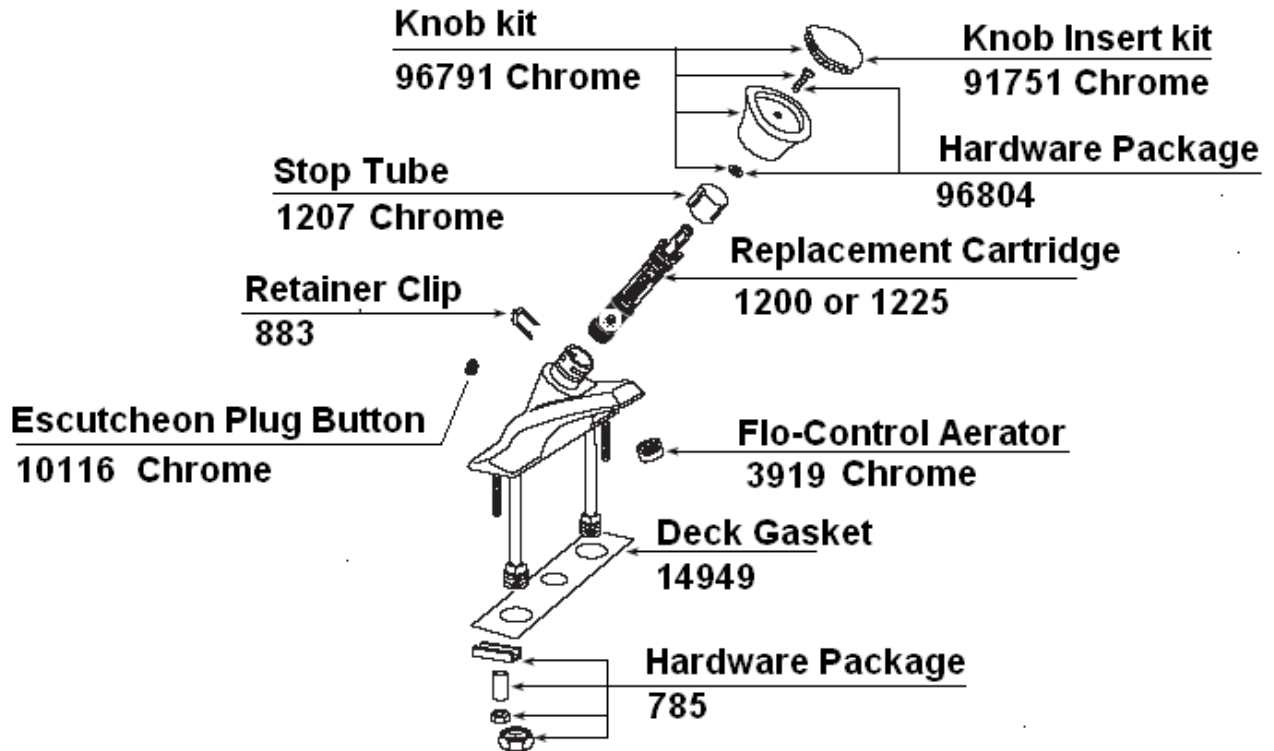
Contact Moen direct at 1-800-BUY-MOEN for warranty and your local parts outlet.



2011 FLYING CLOUD  
PLUMBING, FRESH WATER

Faucet, Lavatory

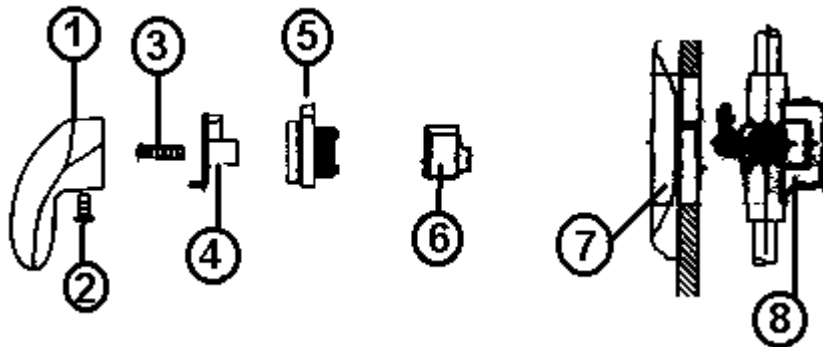
Contact: 1-800-Buy Moen for parts and warranty



602216-01 Faucet, Lavatory, Moen, Chateau

## 2011 FLYING CLOUD PLUMBING, FRESH WATER

### Faucet, Chrome Shower Trim Kit



601829 Chrome shower faucet trim kit, Moen Valetta MDL TL2391

Contact Moen at 1-800-BUY-MOEN for warranty and local parts distributor.

1. Lever handle
2. Set screw
3. Handle screw
4. Handle adaptor
5. Brake
6. Key stop
7. Escutcheon
8. 601831 4-port posi-temp valve

600594 Strainer w/white rubber stopper

601358 Shower kit, includes:  
Shower hose, shower head, Vacuum breaker, wall mounts

601592-04 Hose guide, shower, CSA only

## 2011 FLYING CLOUD

### PLUMBING, DRAIN

#### Toilet Flange

- 601266 Flange, closet, 3 X 4, slip fit
- 601424 Flange, closet, 4" X 3", threaded

#### Sink/showers, 27' FB, 28' W, 30'

- 203081-01 Shower stall, 2 PC
- 600594 Tub strainer w/rubber stopper
- 601804-01 Sink, lavy, Yukon, round

- 601806 Sink, S.S. round, galley
- 203483 Cover, sink round
- 601714-01 Tail piece 1-1/2X4"(galley drain)
- 601714-02 1.5", slip nut w/wings
- 601714-03 1.5", black rubber washer
- 600968 Basket strainer

#### Sink/showers, 27', 25' Front Bed

- 203081-02 Shower stall, 2 PC, White
- 600594 Tub strainer w/rubber stopper
- 601804-01 Sink, 12' round, lavy, S. S
- 600822 Adapter, P-Trap
- 600144 P Trap ABS 1-1/2 IN
- 602164-02 Tailpiece w/nuts and washers 1.5
- 602164-01 P Trap w/compression nut 1.5"

- 601806 Sink-S.S. round, galley
- 203483 Cover-sink, round 17.75" Natural
- 601714-01 Tail piece 1-1/2X4"(galley drain)
- 601714-02 1.5", slip nut w/wings
- 601714-03 1.5", black rubber washer
- 600968 Basket strainer

## 2011 FLYING CLOUD

### PLUMBING, DRAIN

#### Sink/Showers, 23'

601806	Sink-S.S. round galley
601714-01	Tail piece 1-1/2X4"(galley drain)
601714-02	1.5", slip nut w/wings
601714-03	1.5", black rubber washer
203483	Cover, sink, round, 17.75" Natural

601804-01	Sink, lavy, Yukon, round
601813	Tail piece – lift/turn drain
203114-02	PAN/CAP-SHOWER 2 PC. WHITE
702937-06	Shower door, roll away 62" X 36"

#### Sink/Showers, 23' Front Bed

601804-01	Sink, lavy, Yukon, round
601813	Tail piece, lift/turn drain, lavy sink

602172	Sink, Stainless steel 16" X 27"
601714-01	Tail piece 1-1/2X4"(galley drain)
601714-02	1-1/2" slip nut w/wings
601714-03	1-1/2" black rubber washer
203623	Sink cover, 1/2" Natural
203615	Shower
600594	Strainer w/white rubber stopper

## 2011 FLYING CLOUD

### PLUMBING, DRAIN

#### Sink/showers, KOA

601806	Sink-S.S. round, galley
203483	Cover, sink, round 17.75" Natural
601714-01	Tail piece 1-1/2X4"(galley drain)
601714-02	1.5", slip nut w/wings
601714-03	1.5", black rubber washer
203081-02	Shower stall, 2 PC, White
600594	Tub strainer w/rubber stopper
703911-01	Shower door, 25.5 x 65 brushed nickel
601804-01	Sink, 12' round, lavy, S. S
600822	Adapter, P-trap
600144	P Trap ABS 1-1/2 IN
602164-02	Tailpiece w/nuts and washers 1.5
602164-01	P Trap w/compression nut 1.5"

## 2011 FLYING CLOUD

### PLUMBING, DRAIN

#### Sink>Showers, 20'

602172 Sink, Stainless Steel, 16" x 27"  
203623 Sink cover, 1/2" Natural  
600968 Basket strainer

601804-01 Sink-lavy, Yukon, round  
601813 Tail piece, lift/turn drain  
203114-02 Shower, 2 PC fiberglass, White  
965330 Shower stand assembly

#### Sink>Showers, 19'

602250 Sink, S/S, single Bowl, galley 13" x 15"  
600968 Strainer, sink, 4"  
203673 Sink cover 14.25 x 12.25 - .5" natural  
601714-04 Tail piece 1.5 X 6"(galley drain)

601804-01 Sink, lavy, Yukon, round  
601813 Tail piece, lift/turn drain  
203114-02 Shower 2 PC fiberglass White  
600594 Strainer w/white rubber stopper  
600822 Adapter, P-Trap  
602164-01 P Trap w/ compression nut 1.5"  
602164-02 Tail piece w/nuts and washers, 1.5

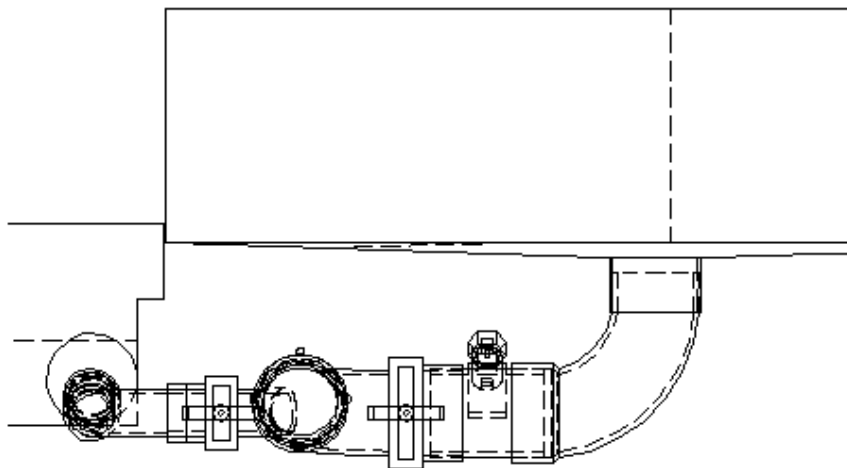
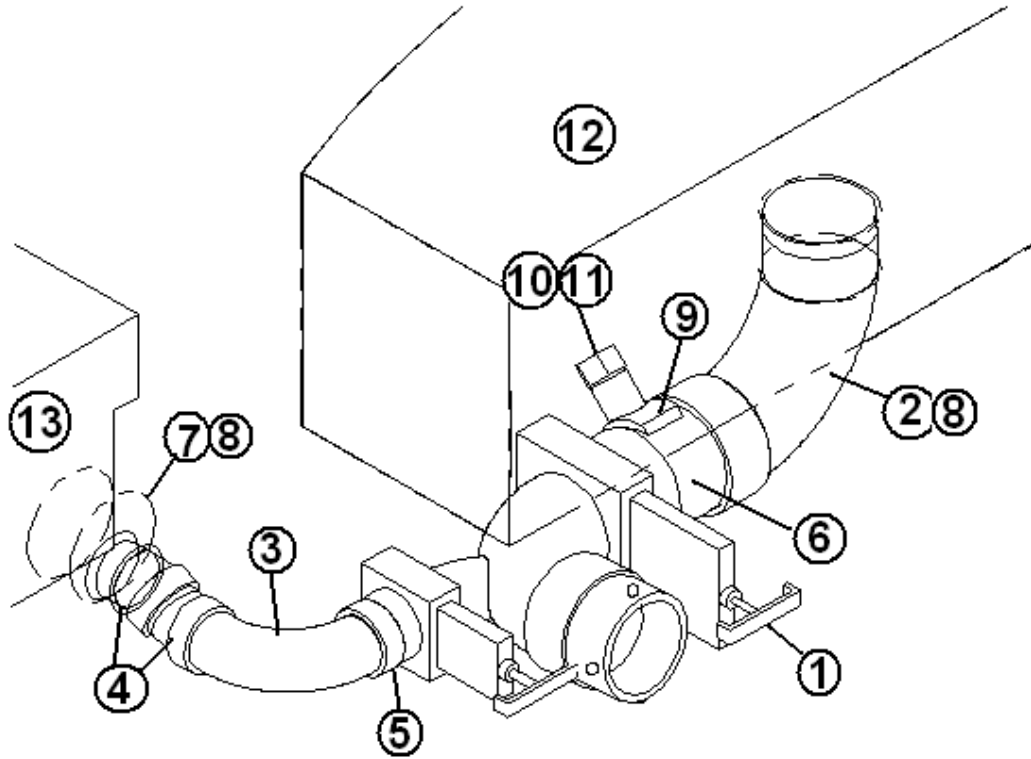
#### Black Tank Flush

601441 Tank flush system

# 2011 FLYING CLOUD

## PLUMBING, DRAIN

Drain Valves/Tanks, 19'



PART NUMBERS ARE ON THE NEXT PAGE.



# 2011 FLYING CLOUD

## PLUMBING, DRAIN

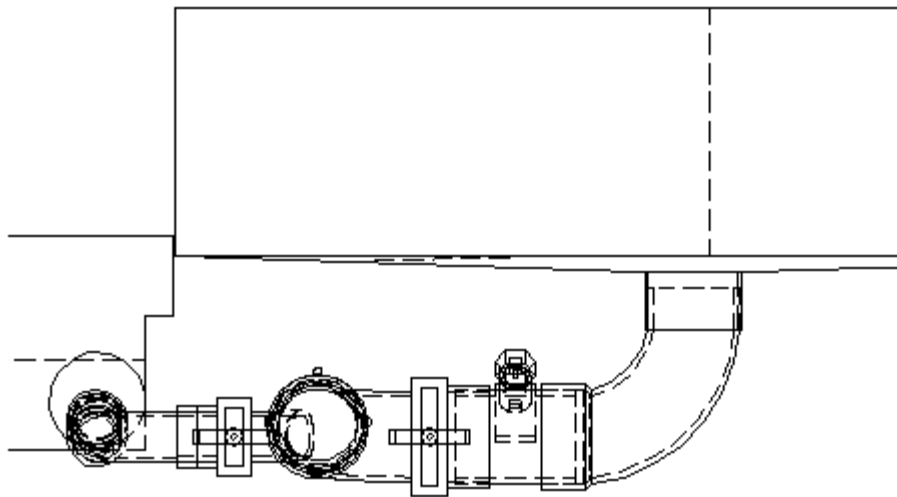
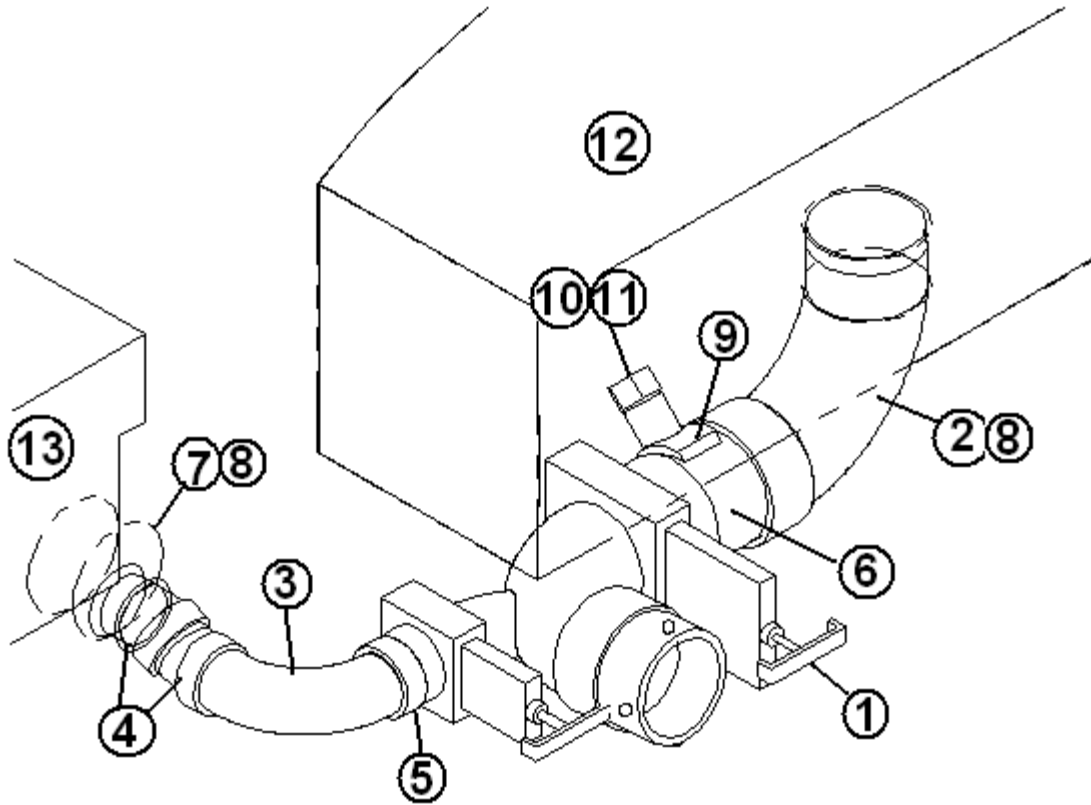
### Drain Valves/Tanks, 19'

- |               |  |
|---------------|--|
| 1. 601482     | Dump Valve Rotating assembly             |
| 2. 600820     | 3" single socket, 90D                    |
| 3. 600431     | Elbow, 90, 1½"                           |
| 4. 601800     | Street ELL, 1.5", 22.5D, ABS, SPIG X HUB |
| 5. 601160-02  | Pipe, ABS DVW, 1½"-2.00" Long            |
| 6. 601160-04  | Pipe, ABS DVW, 3"- 4" Long               |
| 7. 195329-229 | Reducer adaptor, 3" to 1.5"              |
| 8. 340092     | Clamp, worm type T40C-75-388-SB          |
| 9. 601846     | Adaptor, 3" pipe, Catcon                 |
| 10. 511789    | Sensor, tank monitor                     |
| 11. 511789-01 | Boot, Sensor                             |
| 12. 601854-01 | Black tank                               |
| 13. 601844-01 | Holding tank, gray                       |
| 601717        | Pan, gray tank                           |
| 964478        | Slope pad-Black tank                     |
| 601228        | Close-out septic pan                     |
| 453977        | Strap, black tank FWD.                   |
| 453978        | Strap, black tank AFT.                   |
| 380481-A      | 7 X 8 Rubber boot, 3.5" dia. hole        |
| 601531        | Fitting, 90 degree, 3" H X ST            |
| 114916        | Bracket, Dump Valve                      |

# 2011 FLYING CLOUD

## PLUMBING, DRAIN

Drain Valves/Tanks, 20'



Part numbers are on the next page.

# 2011 FLYING CLOUD

## PLUMBING, DRAIN

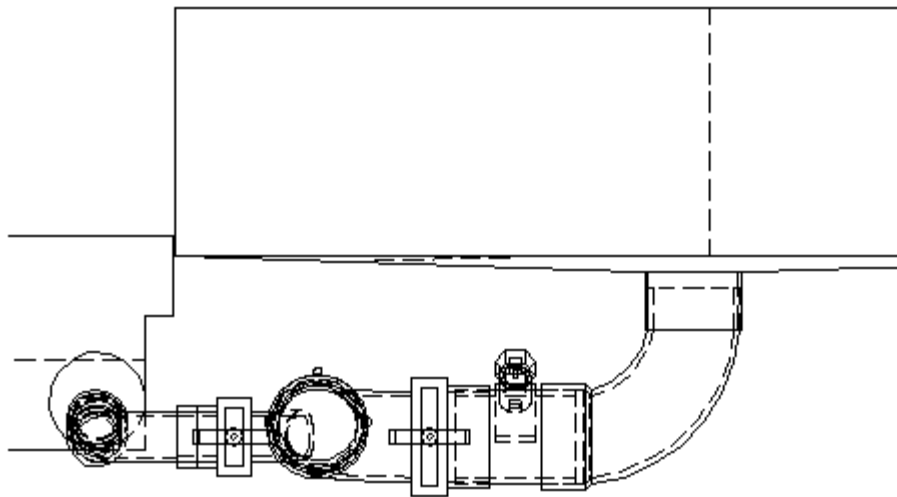
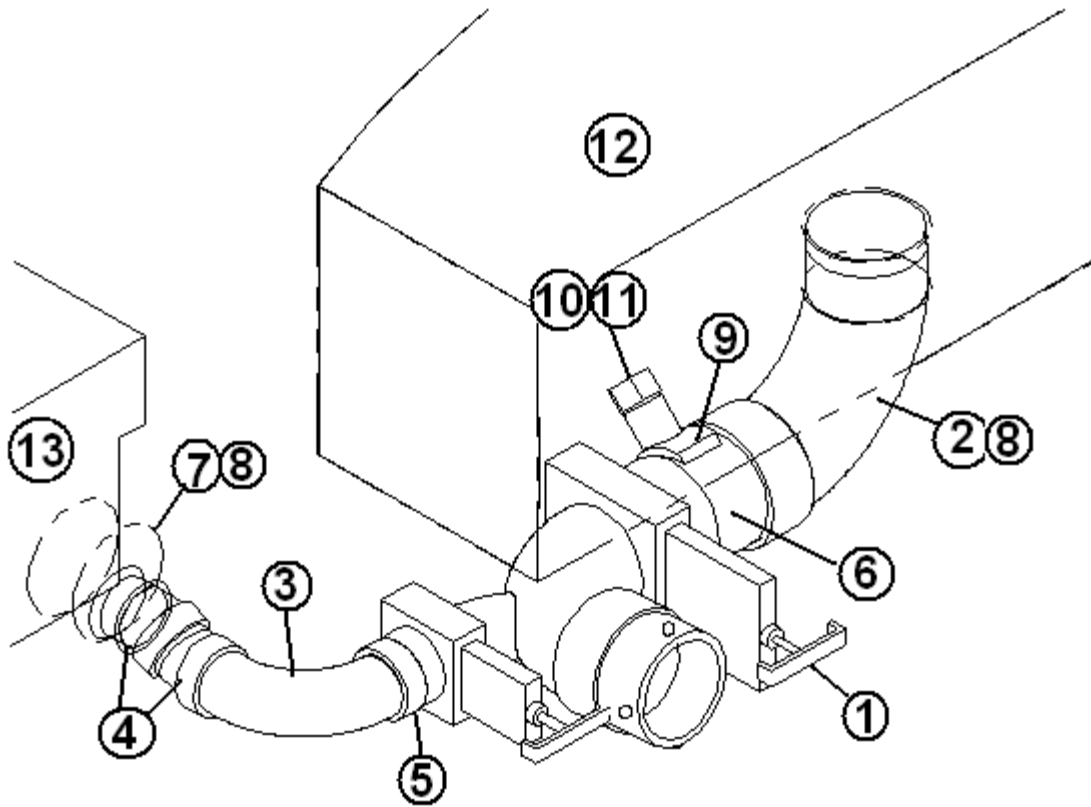
### Drain Valves/Tanks, 20'

1. 601482 Dump Valve Rotating assembly
2. 600820 3" single socket, 90D
3. 600431 Elbow, 90, 1½"
4. 601800 Street ELL, 1.5", 22.5D, ABS, SPIG X HUB
5. 601160-02 Pipe, ABS DVW, 1½"-2.00" Long
6. 601160-04 Pipe, ABS DVW, 3"- 4" Long
7. 195329-229 Reducer adaptor, 3" to 1.5"
8. 340092 Clamp, worm type T40C-75-388-SB
9. 601846 Adaptor, 3" PIPE Catcon
10. 511789 Sensor, tank monitor
11. 511789-01 Boot, Sensor
12. 601854-01 Black tank
13. 601844-03 Holding tank, gray
- 602052 Pan, gray tank
- 511780 Pad, tank heating, 6.5"X 18"
- 453963 Strap, black tank forward
- 453964 Strap, black tank aft
- 454535 Closeout, gray tank
- 200507 Styrofoam, 1 X 25 X 55
- 200152 Styrofoam 1/2 X 6 X 42
- 380481-A Boot rubber, 3" drain line

# 2011 FLYING CLOUD

## PLUMBING, DRAIN

Drain Valves/Tanks, 23'



Part numbers are on the next page.

# 2011 FLYING CLOUD

## PLUMBING, DRAIN

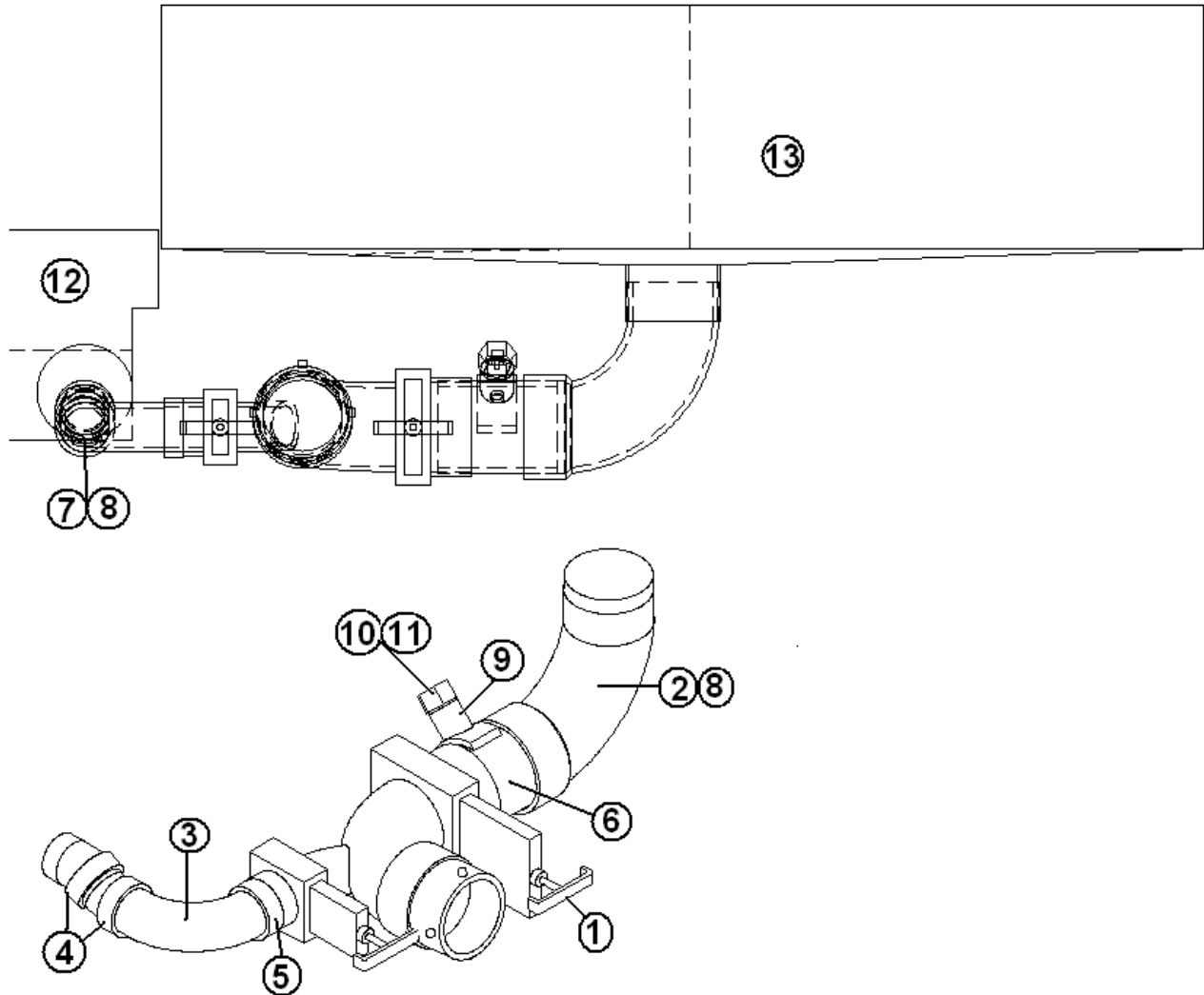
### Drain Valves/Tanks, 23'

1. 601482 Dump Valve Rotating assembly
2. 600820 3" single socket, 90D
3. 600431 Elbow, 90, 1½"
4. 601800 Street ELL, 1.5", 22.5D, ABS, SPIG X HUB
5. 601160-02 Pipe, ABS DVW, 1½"-2.00" Long
6. 601160-04 Pipe, ABS DVW, 3"- 4" Long
7. 195329-229 Reducer adaptor, 3" to 1.5"
8. 340092 Clamp, worm type T40C-75-388-SB
9. 601846 Adaptor, 3" pipe, Catcon
10. 511789 Sensor, tank monitor
11. 511789-01 Boot, Sensor
12. 601854-01 Black tank
13. 601844-01 Holding tank, gray
- 602052 Pan, gray tank
- 511780 Pad, tank heating 6.5"X 18"
- 114916 Bracket, dump valve
- 200954 Slope pad, 22.75"X 55"
- 453615 Tank, support strip, gray tank
- 453493 Hanger strap, tank pan
- 453977 Strap, black tank, forward
- 453978 Strap, black tank, aft
- 454566 Closeout, gray tank pan
- 380481-A Boot rubber 3" drain line

# 2011 FLYING CLOUD

## PLUMBING, DRAIN

Drain Valves/Tanks, 23' Front Bed



Part numbers on the next page.

# 2011 FLYING CLOUD

## PLUMBING, DRAIN

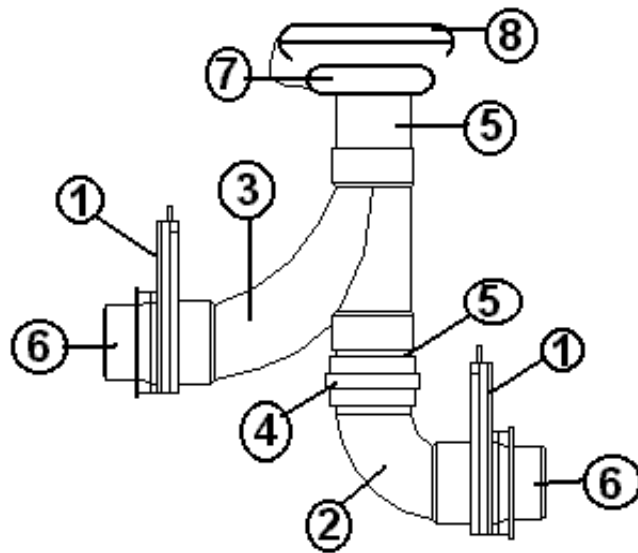
### Drain Valves/Tanks, 23' Front Bed

1. 601482 Dump Valve Rotating assembly
2. 600183 3" Ell, long sweep
3. 600431 Elbow, 90, 1½"
4. 604800 Street Ell, 1.5", 22.5 Degrees, ABS
5. 601160-02 Pipe, ABS DVW, 1½"-2.00" Long
6. 601160-04 Pipe, ABS DVW, 3"- 4" Long
7. 195329-229 Reducer adaptor, 3" to 1.5"
8. 340092 Clamp, worm type T40C-75-388-SB
9. 601846 Adaptor, 3" pipe, Catcon
10. 511789 Sensor, tank monitor
11. 511789-01 Boot, Sensor
12. 602173 Tank, gray
- 454649 Pan, gray Tank
13. 601854-02 Tank, black
- 453963 Strap, black tank FWD.
- 453964 Strap, black tank AFT.
- 114916 Bracket, dump valve
- 200507 Styrofoam, 1" X 25" X 55"
- 200152 Adaptor, 3" pipe, Catcon
- 601266 Flange, closet, 3 X 4, slip fit
- 601228 Closeout, Septic Pan
- 454660 Closeout Gray Tank Pan
- 600820 3" Single Socket, 90 Degree

# 2011 FLYING CLOUD

## PLUMBING, DRAIN

### Drain Valves/Tanks, 25' Front Bed



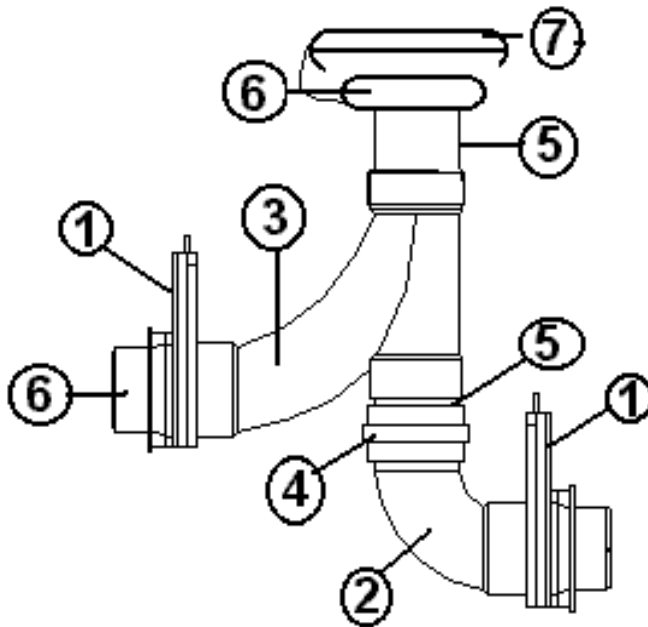
- |              |                                       |
|--------------|---------------------------------------|
| 1. 601607-11 | Valve assembly, 3" spigot X 3" spigot |
| 2. 600820    | 3" single socket, 90 degree           |
| 3. 600187    | 3" Wye, combination & 1/8" bend       |
| 4. 600289    | Calder coupler, 3"                    |
| 5. 601160-04 | 3" ABS pipe                           |
| 6. 380481-A  | Boot rubber 3" drain line             |
| 7. 601607-06 | Adaptor, 3" HUB X 3" bayonet          |
| 8. 601607-07 | Termination cap                       |
| 601850-04    | Tank, gray 37 GAL. 25' FB             |
| 601848-09    | Tank, black 39 GAL 25' FB             |
| 200954       | Slope pad, 22.75" X 55"               |
| 04190        | Dump valve handle 19" extension       |
| 114086       | Bracket, dump valve handle            |
| 200152       | Styrofoam 1/2" X 6" X 42"             |
| 345074-05    | Screw 5/16-18 X 7/8 hex washer        |
| 601626       | Pan assembly, waste tank              |
| 453615       | Tank, support strip, 61.50"           |



# 2011 FLYING CLOUD

## PLUMBING, DRAIN

Drain Valves/Tanks, 27'

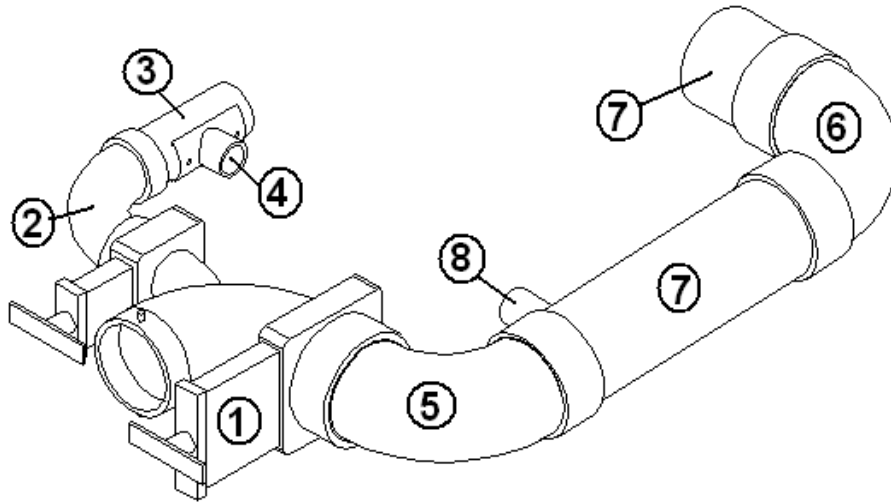


- |              |  |
|--------------|--|
| 1. 601607-11 | Valve assembly, 3" spigot X 3" spigot    |
| 2. 600820    | 3" single socket, 90 degree              |
| 3. 600187    | 3" Wye, Comb & 1/8 Bend                  |
| 4. 600289    | Calder coupling, 3IN (rubber)            |
| 5. 601160-04 | Pipe, ABS DVW, 3"                        |
| 6. 601607-06 | Termination adaptor, 3" HUB X 3"         |
| 7. 601607-07 | Termination cap, 3" bayonet              |
| 601850-04    | Tank-gray 37 gallon                      |
| 601848-09    | Tank, black 39 gallon                    |
| 601626       | Pan, waste holding tanks                 |
| 200954       | Slope pad                                |
| 114086       | Bracket, dump valve handle               |
| 04190        | Dump valve handle 19 extension, Thetford |
| 380481-A     | 7 X 8 rubber boot, 3-1/2 dia. hole       |
| 200152       | Styrofoam 1/2 X 6 X 42                   |
| 115361       | Dump valve mounting plate                |
| 601531       | Fitting-90 degree 3" H X ST              |
| 200943       | Dump valve closeout                      |

# 2011 FLYING CLOUD

## PLUMBING, DRAIN

### Drain Valves/Tanks, 28' W

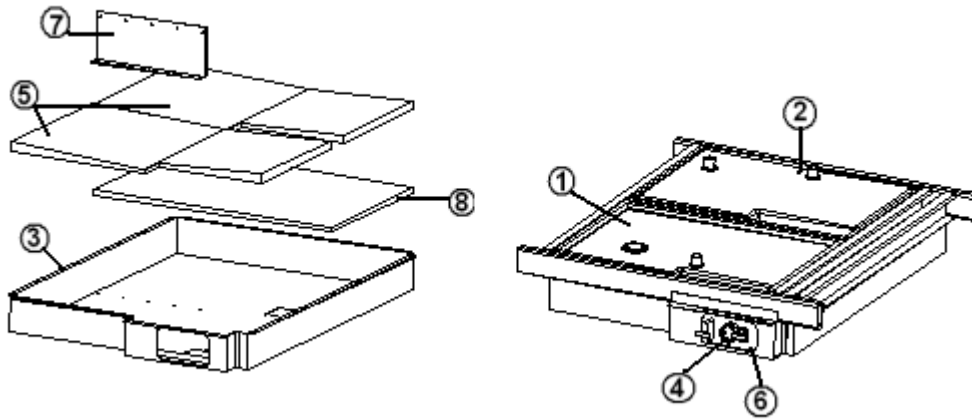


- |              |                                  |
|--------------|----------------------------------|
| 1. 601482    | Dump valve, rotating assembly    |
| 2. 600431    | Elbow, 90, 1 1/2"                |
| 3. 601160-02 | Pipe, ABS DVW, 1 1/2"            |
| 4. 601845    | Adaptor-1.5", pipe, Catcon       |
| 5. 600820    | 3" single socket, 90 degree      |
| 6. 600183    | Ell, long sweep ABS 3"           |
| 7. 601160-04 | Pipe, ABS DVW, 3"                |
| 8. 601846    | Adaptor, 3" pipe, Catcon         |
| 0360494      | Boot, rubber                     |
| 601889-01    | Tank-black 35 gallon             |
| 601890-02    | Tank-gray, 37 gallon             |
| 601895       | Pan, black/gray tank             |
| 200954       | Slope pad, holding tanks         |
| 200152       | Styrofoam 1/2 X 6 X 42"          |
| 454178-01    | Strap, black/gray tank 52.25"    |
| 454178-02    | Strap, black/gray tank 5.25" H   |
| 454178-05    | Strap, black/gray tank 4.25"     |
| 601424       | Flange, closet 4" X 3", threaded |

# 2011 FLYING CLOUD

## PLUMBING, DRAIN

Tanks, Black & Gray, 30'

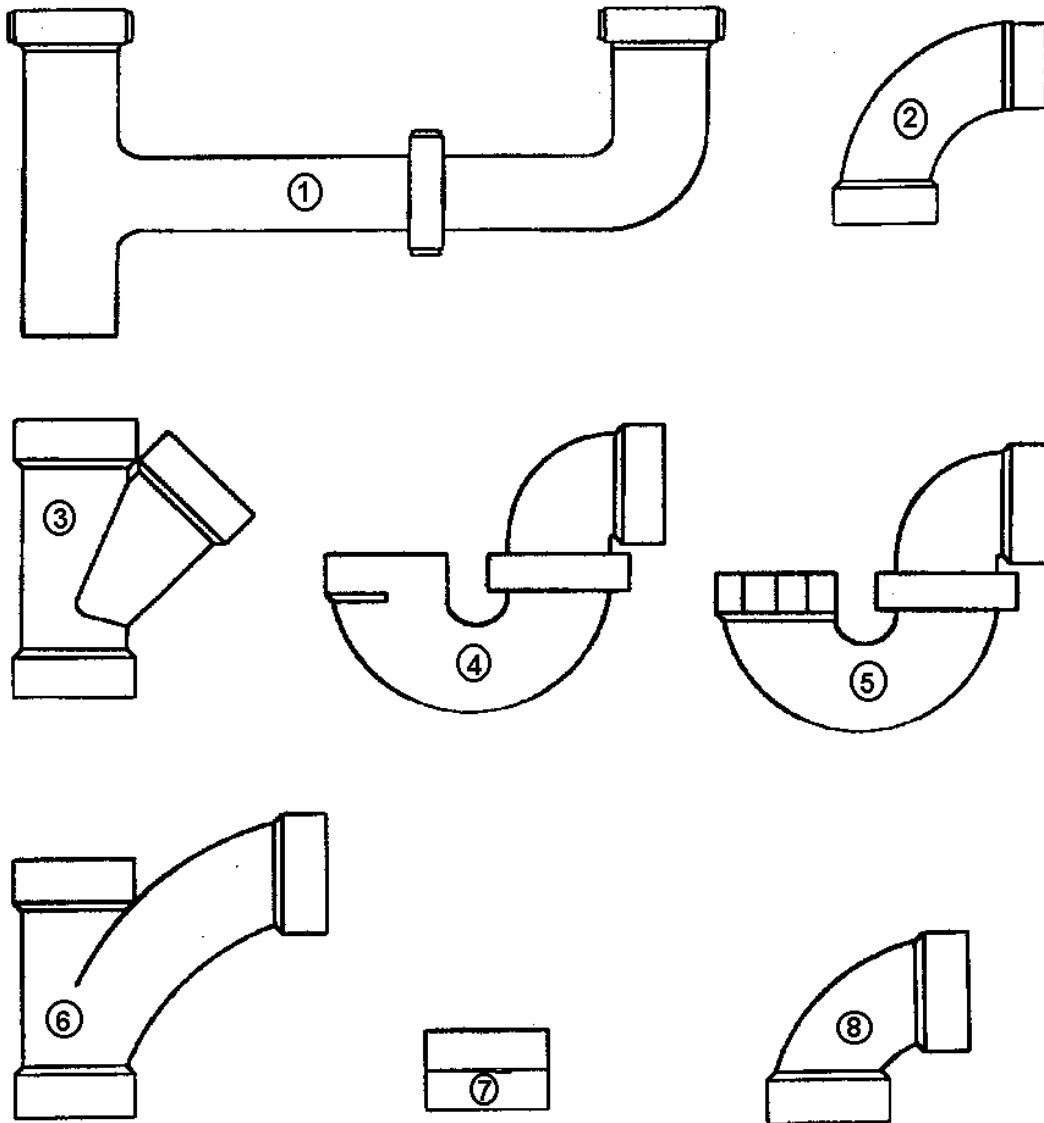


- |              |                            |
|--------------|----------------------------|
| 1. 602245-01 | TANK-BLACK 39.3 GAL        |
| 2. 602245-02 | TANK-GREY 39.3 GAL         |
| 3. 602248    | PAN ASSY-BLK/GREY TANK     |
| 4. 601482    | DUMP VALVE ROTATING ASSY.  |
| 5. 203672    | PAD-SLOPE 31.5X51          |
| 6. 382113    | BOOT-RUBBER DUMP VALVE     |
| 7. 454739    | BRACKET-WASTE TANK SUPPORT |
| 8. 200507    | STYROFOAM, 1 X 25 X 55     |
| 601160-02    | PIPE, ABS DWV 1 1/2"       |
| 600820       | 3" SINGLE SOCKET 90 DEGREE |
| 600431       | ELBOW, 90 1 1/2" TURN      |
| 601228       | CLOSEOUT, SEPTIC PAN       |

# 2011 FLYING CLOUD

## PLUMBING, DRAIN

### DRAIN FITTINGS, 1.5"

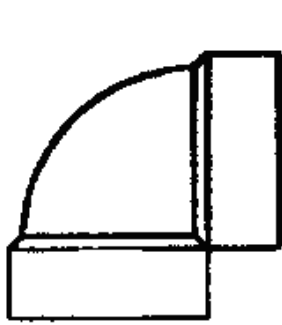


1. 600378 Continuous waste
  2. 600431 Elbow, 90 degree, long street
  3. 600094 Wye, #2301
  4. 600144 P-trap, 1.5" w/o slip nut
  5. 600622 P-trap, 1.5" w/slip nut
  6. 600182 Wye, 1.5", 1/8" bend
  7. 600227 1.5" coupling
  8. 601636 Elbow, 90 degree short sweep
- (continued)

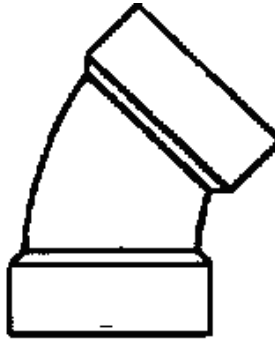
# 2011 FLYING CLOUD

## PLUMBING, DRAIN

### Drain Fittings, 1.5"



①



②



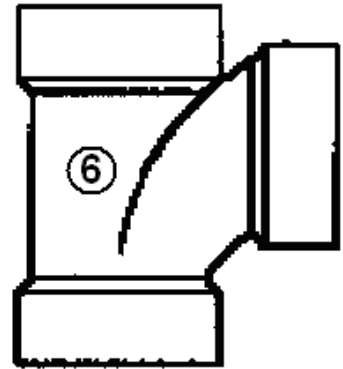
③



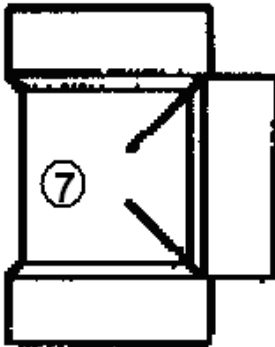
④



⑤



⑥



⑦



⑧

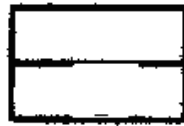
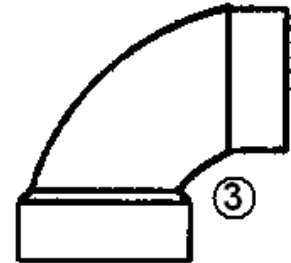
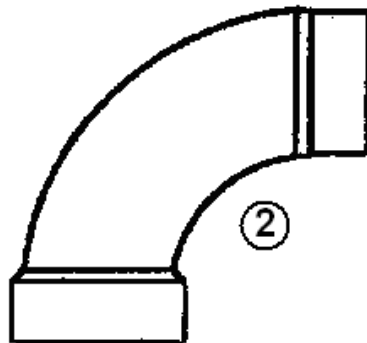
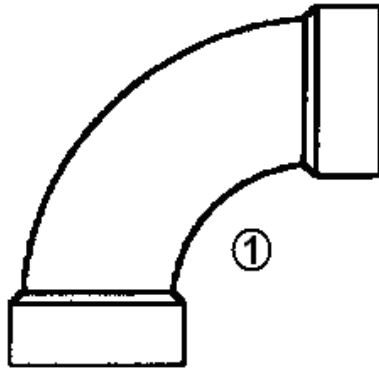
1. 600033 Elbow vent, 90 degree
2. 600030 Elbow, 45 degree, long degree
3. 600538 Vent, 1.5"
4. 600155 Plug, 1.5"
5. 601677 Cap, 1.5"
6. 600156 Tee, sanitary, 1.5"
7. 601318 Tee, bi-directional, clean out, 1.5"
8. 600027 Elbow, 45 degree, long street

(continued)

# 2011 FLYING CLOUD

## PLUMBING, DRAIN

Drain Fittings, 1.5"



1. 600035 Elbow, 90 degree, long turn, 1.5"
2. 600431 Elbow, 90 degree, long street, 1.5"
3. 600662 Elbow, 90 degree, short street, 1.5"
4. 601676 Adaptor, 1.5"
5. 600308 Adaptor, w/female threads, 1.5"

# 2011 FLYING CLOUD

## PLUMBING, DRAIN

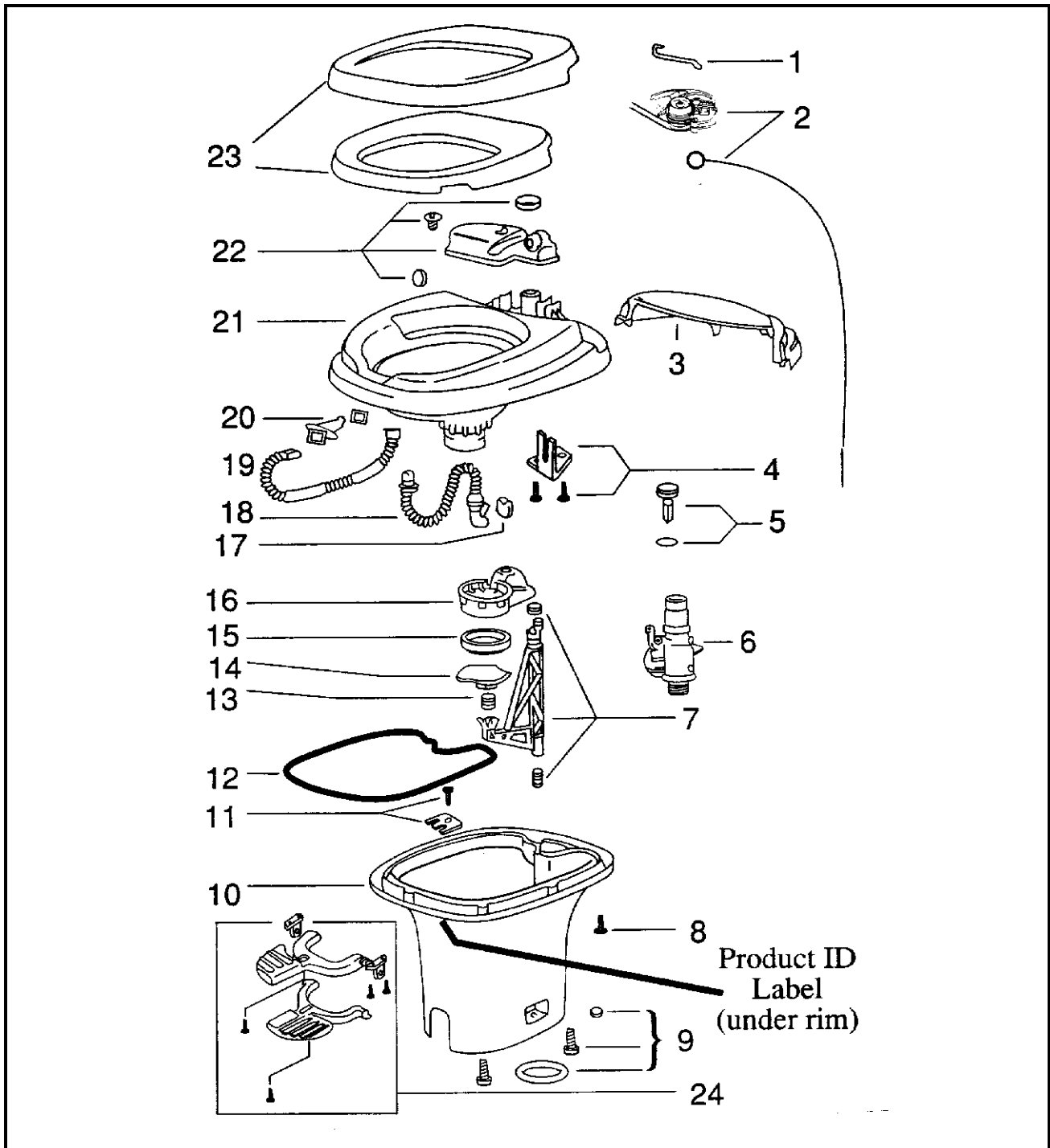
### Drain Fittings, 1.5"

601200	Adaptor, auto vent w/ ext.
601240-01	Tubing 1/2" I.D. X 3/32" wall thick
601267-04	Nipple 3" diameter, THD ONE 10" LG
601267-02	Nipple 3" diameter. THD ONE 6" LG
602073	Tee, fixture 2" HUB X 2" HUB X 1.5" fitting
600318	Wye-1/8 bend combination, 2 X 2 X 1-1
602072	Tee, sanitary, reducing, 2X1.5X
601160-03	Pipe, ABS DVW, 2"
602112	Elbow 90 degree, short street 2"
600760-01	Adapter, male pipe, 1/2" X 1/2", plastic
601722	Adapter, 1.5" male hub X MIPT
600822	Adapter, P-Trap
602164-01	P Trap w/compression nut, 1.5"
602164-02	Tailpiece w/ nuts and washers, 1.5
601868	Sanitary tee-SPIG X HUB X HUB
600372	Elbow, 2" long turn, 90 degree street
195329-229	Reduce, adaptor, 3" TO 1.5"
601531	Fitting-90 degree 3" H X ST

# 2011 FLYING CLOUD

## PLUMBING, DRAIN

Toilet



Part numbers on the next page.



# 2011 FLYING CLOUD

## PLUMBING, DRAIN

### Toilet

- 690495 Aqua Magic V, Low Profile,  
19', 20', 23, 23FB
- 690495-03 Aqua Magic V, High Profile,  
28', 27' Front Bed, 25' Front Bed, 30'

1. 690387-513 Water valve link
2. 690387-571 Wire replacement package
3. 690387-562 Mechanism cover, white
4. 690387-634 Bracket assembly
5. 690387-631 Float assembly
6. 690387-168 Water valve replacement package
7. 690387-632 Actuator assembly
8. 690387-659 Screw base to bowl
9. 690387-524 Closet bolt package
10. 690387-356 Base, white, low
- 690387-062 Base, white, high
11. 690387-636 Retainer assembly
12. 690387-387 Sealant, base to bowl
13. 690387-519 Blade spring
14. 690387-262 Blade
15. 690387-481 Blade seal
16. 690387-520 Blade track
17. 690387-512 Flapper
18. 690387-511 Overflow tube
19. 690387-509 Flush tube
20. 690387-637 Nozzle assembly
21. 690387-726 Bowl
22. 690387-630 Reservoir tank assembly
23. 690387-162 Seat and cover assembly
24. 690387-821 Pedal package

# 2011 FLYING CLOUD

## SEALER

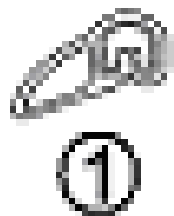
### SEALER

6000360	Sealant, Butyl #884058
360001	Sealant, #884058
360209	Sealant, seam
360176	Sealant, Almond, kitchen and bath
360180-04	Sealant, Sikaflex #221, black
360180	Sealant, Sika-flex, gray
360210	Sealant, Paralastic 4334-014
360259	Silicone glazing sealant, range
360074	Sealant, GE RTV 102 white 3 oz. tube

# 2011 FLYING CLOUD

## GASKETS/PAINT

### Gaskets



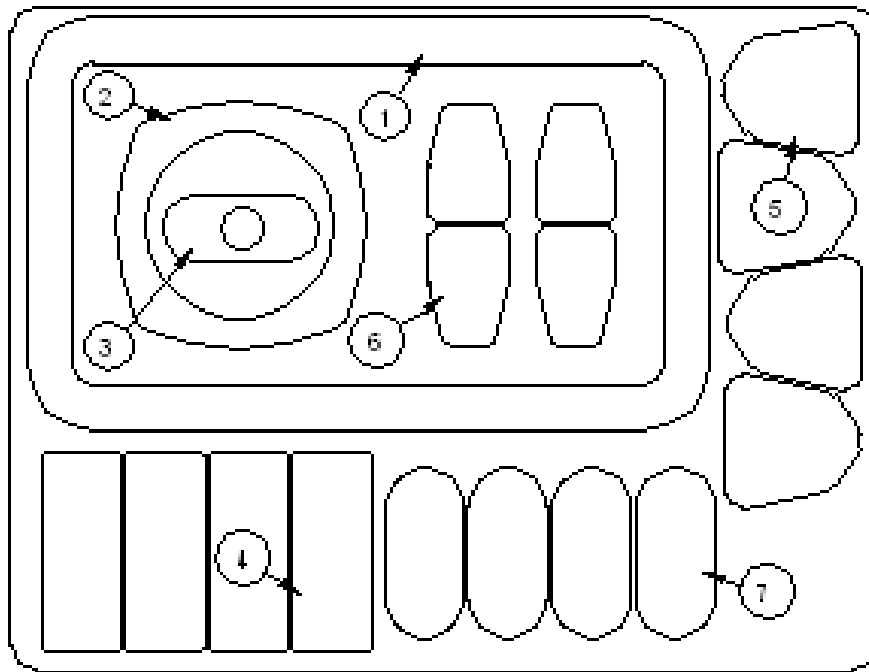
- |              |  |
|--------------|--|
| 1. 365035    | Gasket Access doorjamb, access doors         |
| 2. 365013-01 | Gasket screen door                           |
| 3. 365232    | Gasket main door                             |
| 382117       | Gasket - Window, Rectangular                 |
| 365016       | Tape, foam, double face, 1/2" wide           |
| 365235       | Tape, double coated .12 X 1.00               |
| 365001-02    | Tape, vinyl foam, double face, 3/4" wide     |
| 685510       | Seam tape, black 1/32" X 7/8" X 200          |
| 381830       | Gasket, wiper seal around refer compartment  |
| 381589       | Rubber, floor wiper around refer compartment |
| 683946       | Bug seal, edge of screen door close out      |
| 365190       | Rubber seal, refrigerator compartment        |
| 382074       | Gasket, grab handle, main door               |
| 382130       | Gasket - P w/ Tape Backing                   |

# 2011 FLYING CLOUD

## SEALER/GASKETS/PAINT

### GASKET KITS

365336 GASKET KIT PAD #1  
(Sold complete, not sold' separately.)



1. Exterior Shower Gasket
2. City Water Fill Gasket
3. Step Light Gasket
4. Awning Lockdown (AS5 & AS7 Kit)
5. Lower Awning Foot (AS7 Kit)
6. Awning Foot (Rear w/Pan Kit)
7. Lower Awning Foot (AS5 Kit)

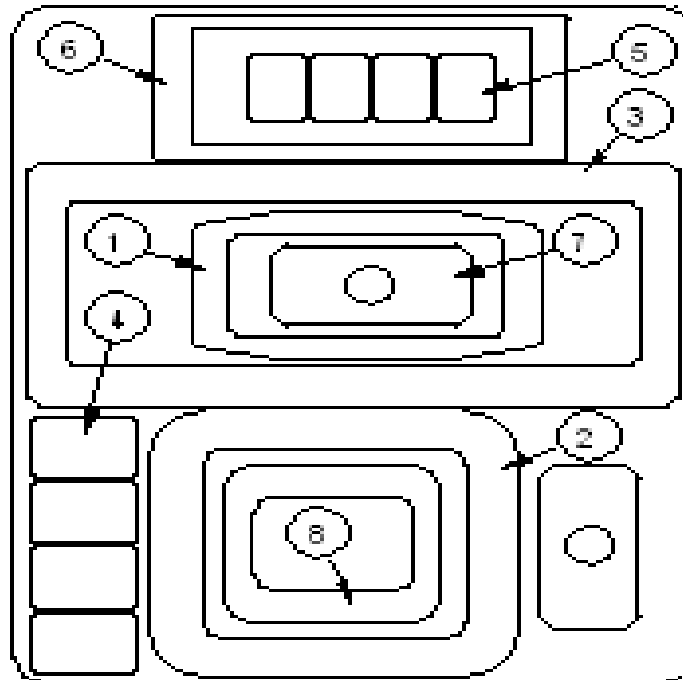
# 2011 FLYING CLOUD

## SEALER/GASKETS/PAINT

### GASKET KITS

365337 GASKET KIT PAD #2

(Sold complete, not sold separately.)



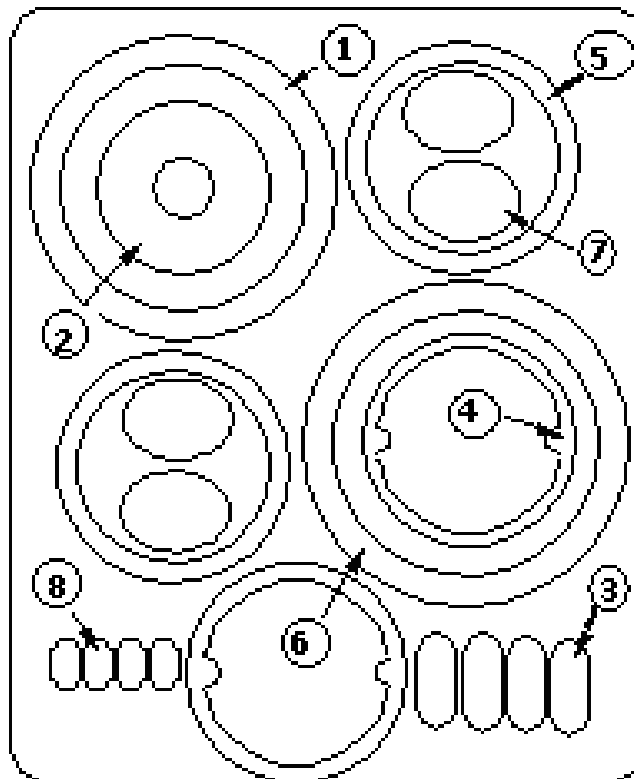
1. Small Furnace Exhaust/Intake
2. Gravity Water Fill
3. Range Vent Gasket
4. Awning Lock Down
5. Awning Classic Center Post
6. AEU BBQ Point
7. AEU Upper Indicator Light
8. AEU Upper Indicator Light

# 2011 FLYING CLOUD

## SEALER/GASKETS/PAINT

### GASKET KITS

365338 Gasket Kit Pad #3  
(Sold complete, not sold separately.)



1. Scare Light Domestic Units
2. Black Tank Flush Gasket
3. Awning Travel Latch Gasket
4. AEU Fog/Back Up Lamp Housing
5. AEU Fog/Back Up Lamp Bezel
6. Scare Lights, AEU Units
7. Awning Hook Gasket
8. Awning Prop Foot Gasket

## 2011 FLYING CLOUD

### SEALER/GASKETS/PAINT

#### Paint

360213	Paint, aluminum metallic
360213-100	Paint, aluminum metallic, 16 oz. can
360151	Paint, gray metallic, Centari
360260-01	Paint, Pewter, 16 oz. can

**2011 FLYING CLOUD**  
**UPHOLSTERY/FOAM/MATTRESS**

**Mattresses/Bedspreads, 19' & 23' Corner Bed**

703287-029    Bedspread, Burnt Sienna  
703287-195    Bedspread, Midnight Sun  
703287-099    Bedspread, Sea Green  
703287-012    Bedspread, Stratus  
703287-271    Bedspread, Mica  
703696        Mattress-48" X 76" W/10" radius corner

**Mattresses/Bedspreads, 20'**

703363-012    Bedspread, Stratus  
703363-099    Bedspread, Sea Green  
703363-195    Bedspread, Midnight Sun  
703363-029    Bedspread, Burnt Sienna  
703363-271    Bedspread, Mica  
703363-139    Bedspread, Mochablue  
703695        Mattress

**Mattresses/Bedspreads, 25' Front Twin Bed, 27' Front Twin Bed**

703820-012    Bedspread, Stratus  
702820-029    Bedspread, Burnt Sienna  
702820-195    Bedspread, Midnight Sun  
702820-099    Bedspread, Sea Green  
702820-170    Bedspread, Prism  
702820-271    Bedspread, Mica  
702820-139    Bedspread, Mocha Blue  
703697-01     Mattress, curbside rear, roadside front, 34" x 78",  
                  contoured, twin, all models  
703697-02     Mattress, curbside front, roadside rear, 34" x 78",  
                  contoured, twin, all models



## 2011 FLYING CLOUD

### UPHOLSTERY/FOAM/MATTRESS

#### Mattresses/Bedspreads, 23' Front Bed & 25' Front Double Bed

703301-029	Bedspread, 60" x 75" w/45, Burnt Sienna
703301-012	Bedspread, 60" x 75" w/45, Stratus
703301-195	Bedspread, 60" x 75" w/45, Midnight Sun
703301-271	Bedspread, 60" x 75" w/45, Mica
703301-139	Bedspread, 60" x 75" w/45, Mochablue
703301-170	Bedspread, 60" x 75" w/45, Prism, 25' only
703698	Mattress 60" X 75" W/45 degree corner

#### Mattresses/Bedspreads, 27' Front Double Bed

703301-029	Bedspread, 60" x 75" w/45, Burnt Sienna
703301-012	Bedspread, 60" x 75" w/45, Stratus
703301-195	Bedspread, 60" x 75" w/45, Midnight Sun
703301-099	Bedspread, 60" x 75" w/45, Sea Green
703301-170	Bedspread, 60" x 75" w/45, Prism
703699	Mattress, double, 60" X 75" w/11" radius corner

#### Mattresses/Bedspreads, 28' Double Bed, 30'

703301-012	Bedspread, 60" x 75" w/45, Stratus
703301-195	Bedspread, 60" x 75" w/45, Midnight Sun
703301-099	Bedspread, 60" x 75" w/45, Sea Green
703301-029	Bedspread, 60" x 75" w/45, Burnt Sienna
703301-271	Bedspread, 60" x 75" w/45, Mica
703301-170	Bedspread, 60" x 75" w/45, Prism
703699	Mattress-60" X 75" W/11" radius corners

## 2011 FLYING CLOUD

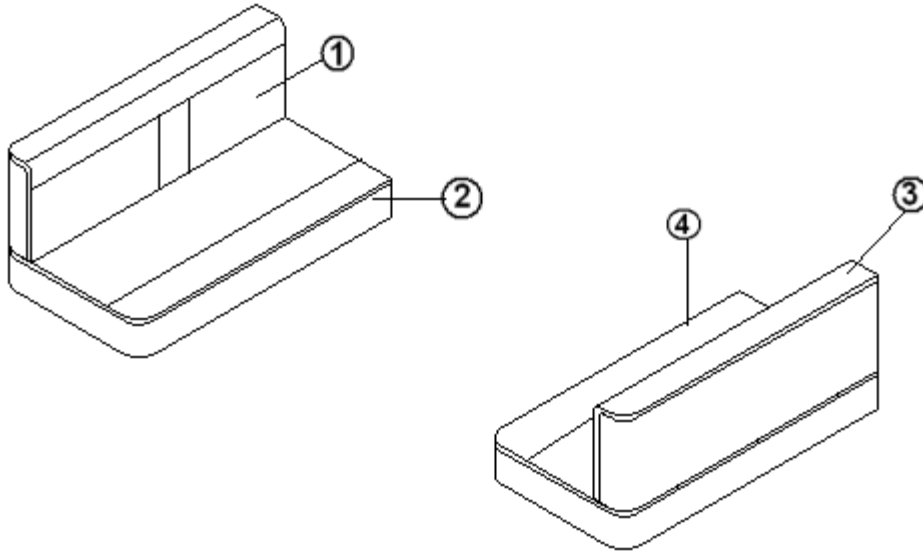
### UPHOLSTERY/FOAM/MATTRESS

Sofa/Armrests/Cushions, 23', 30'

702798-029	Sofa 74" cloth w/legs attached, Burnt Sienna
702798-195	Sofa 74" cloth w/legs attached, Midnight Sun
702798-099	Sofa 74" cloth w/legs attached, Sea Green
702798-012	Sofa 74" cloth w/legs attached, Stratus
702798-271	Sofa 74" cloth w/legs attached, Mica
702798-139	Sofa 74" cloth w/legs attached, Mocha Blue
702798-03	Sofa 74" Ultra Leather, Brisa Golden
965809-01	Cushion assembly, RS armrest
965809-03	Cushion assembly, RS armrest, Ultra leather, 23'
703358-01	Foam, armrest, RS lounge
965809-02	Cushion assembly, CS armrest
965809-04	Cushion assembly, CS armrest, Ultra leather, 23'
703358-02	Foam, armrest, CS lounge
801447	Panel, armrest, inner cutout
203636	Storage Box, 24.5" x 17.75" x 7.25" 30'
967540-09	Armrest Assy., Curbside, 30'
965624-02	Cushion Assy., Armrest, Curbside. 30'
965624-06	Cushion Assy., Armrest, Curbside, U.Leather, 30'
967541-09	Armrest Assy., Roadside, 30'
965624-01	Cushion Assy., Armrest, Roadside, 30'
965624-05	Cushion Assy., Armrest, Roadside, U.Leather, 30'
703281-01	Foam, Armrest Lounge, Roadside, 30'
967543	Closeout Assy., Lounge 67", 30'

2011 FLYING CLOUD  
UPHOLSTERY/FOAM/MATTRESS

KIT, DINETTE CUSHIONS, ULTRA LEATHER, 28', 30'



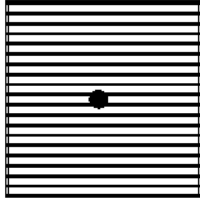
703917 KIT, DINETTE CUSHIONS, ULTRA LEATHER, BRISA  
GOLDEN

- |              |              |
|--------------|--------------|
| 1. 703917-01 | BACKREST     |
| 2. 703917-02 | SEAT CUSHION |
| 3. 703917-03 | BACKREST     |
| 4. 703917-04 | SEAT CUSHION |

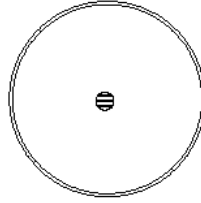
# 2011 FLYING CLOUD

## UPHOLSTERY/FOAM/MATTRESS

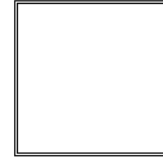
### Pillow Kit, Stratus



703342-01



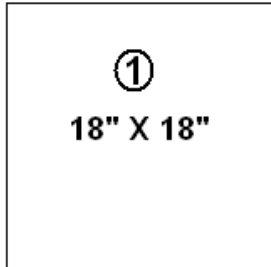
703342-02



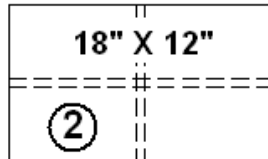
703342-03

703342-05 Pillow Kit, Stratus 23' FB (2 Pillows)

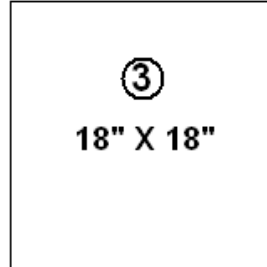
### Pillow Kit, Burnt Sienna



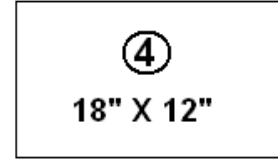
①  
18" X 18"



18" X 12"  
②



③  
18" X 18"



④  
18" X 12"

703790-05 Pillow kit, 19' w/Sofa Option, 27' FB, 28'W

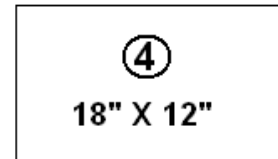
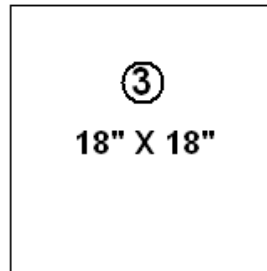
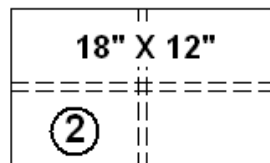
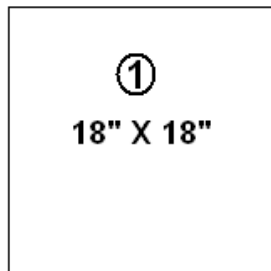
703790-06 Pillow kit, 19', 20', 23'FB

1. 703790-01 Lounge Pillow, 18" x 18"
2. 703790-02 Lounge Pillow, 18" x 12"
3. 703790-03 Bedroom Pillow, 18" x 18"
4. 703790-04 Bedroom Pillow, 18" x 12"

# 2011 FLYING CLOUD

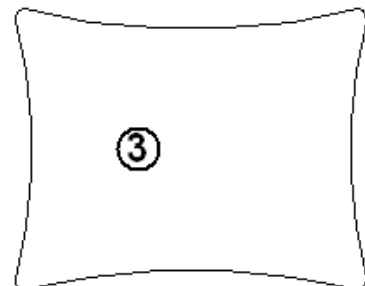
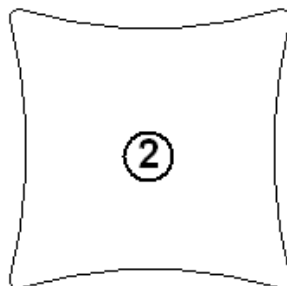
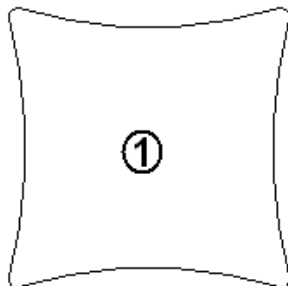
## UPHOLSTERY/FOAM/MATTRESS

### Pillow Kits, Sea Green



- 703791-05 Pillow kit, 19' w/Sofa Option, 23', 25', 27', 28'W
- 703791-06 Pillow kit, 19', 20', 23'FB
- 1. 703791-01 Lounge Pillow, 18" x 18"
- 2. 703791-02 Lounge Pillow, 18" x 12"
- 3. 703791-03 Bedroom Pillow, 18" x 18"
- 4. 703791-04 Bedroom Pillow, 18" x 12"

### Pillow Kit, Midnight Sun



- 703478-03 Pillow kit, Midnight Sun, 28'
- 703478-04 Pillow kit, Midnight Sun, 19', 20', 23' FB
- 1. 703478-01 Lounge pillow, Baca, jet fabric
- 2. 703478-02 Lounge pillow, Onyx fabric
- 3. 703478-05 Bedroom pillow

### Pillow

- 701611 Pillow, 21" X 31"

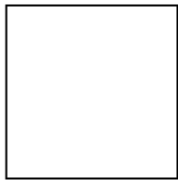
# 2011 FLYING CLOUD

## UPHOLSTERY/FOAM/MATTRESS

### Pillow Kits, Mica

703893-06 Pillow Kit, Mica, 23, 25FB, 25FC, 27FB, 28' & 30'

703893-07 Pillow Kit, Mica, 19', 20', 23FB



**703893-01**  
**Lounge Throw Pillow**  
**22 X 22**



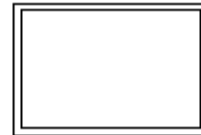
**703893-02**  
**Lounge Throw Pillow**  
**24 X 19**



**703893-03**  
**Lounge Throw Pillow**  
**23 x 15**



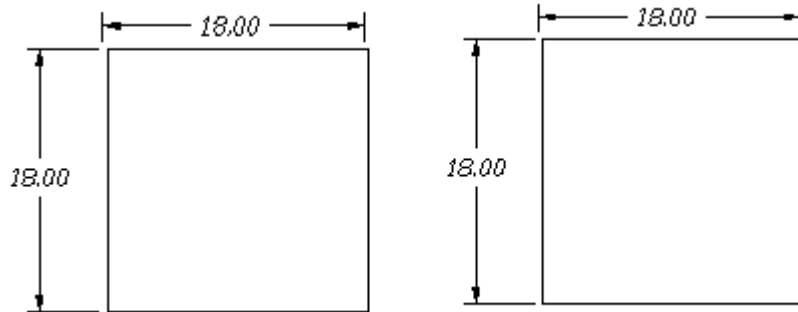
**703893-04**  
**Bedroom Throw Pillow**  
**24 x 19**



**703893-05**  
**Bedroom Throw Pillow**  
**23 x 15**

2011 FLYING CLOUD  
UPHOLSTERY/FOAM/MATTRESS

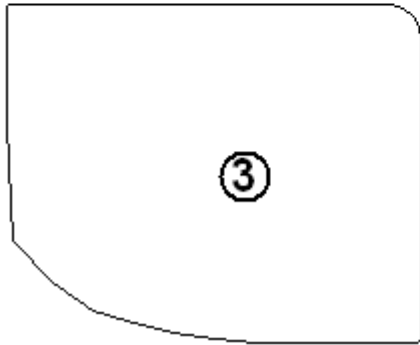
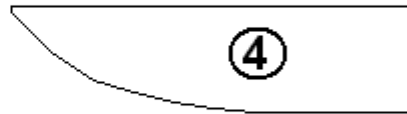
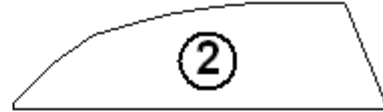
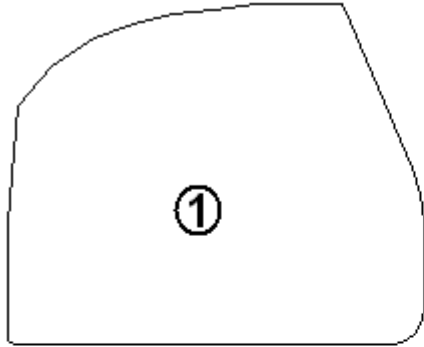
Pillow Kit, Mochablue



- 703793-03 Pillow Kit, Mochablue, 23', 25'FB, 27'FB, 28', & 30'
- 703793-04 Pillow Kit, Mochablue, 19', 20', 23'FB

2011 FLYING CLOUD  
UPHOLSTERY/FOAM/MATTRESS

Dinette Foam, 19'



Part numbers on the next page.



# 2011 FLYING CLOUD

## UPHOLSTERY/FOAM/MATTRESS

### Dinette Foam, 19'

- |                     |   |
|---------------------|---|
| 1. 998150-01FC-012  | Cushion assembly, CS seat, Stratus                    |
| 998150-01FC-195     | Cushion assembly, CS seat, Midnight Sun               |
| 998150-01FC-029     | Cushion assembly, CS seat, Burnt Sienna               |
| 998150-01FC-139     | Cushion assembly, CS seat, Mochablue                  |
| 998150-01FC-170     | Cushion assembly, CS seat, Prism                      |
| 998150-01FC-271     | Cushion assembly, CS seat, Mica                       |
| 703368-01           | Foam, CS dinette seat                                 |
| 2. 998150-02        | Foam & fabric filler assembly,<br>CS dinette back     |
| 703368-02           | Foam, CS side filler                                  |
| 998150-04FC-195     | Cushion assembly, RS seat, Midnight Sun               |
| 998150-04FC-012     | Cushion assembly, RS seat, Stratus                    |
| 998150-04FC-029     | Cushion assembly, RS seat, Burnt Sienna               |
| 998150-04FC-139     | Cushion assembly, RS seat, Mochablue                  |
| 998150-04FC-170     | Cushion assembly, RS seat, Prism                      |
| 998150-04FC-271     | Cushion assembly, RS seat, Mica                       |
| 703368-04           | Foam, RS dinette seat                                 |
| 3. 998150-05        | Foam & fabric assembly, filler,<br>RS dinette back    |
| 703368-06           | Foam, RS back filler                                  |
| 4. 998150-FC-06-012 | Foam & fabric assembly, RS back rest,<br>Stratus      |
| 998150-FC-06-195    | Foam & fabric assembly, RS back rest,<br>Midnight Sun |
| 998150-FC-06-028    | Foam & fabric assembly, RS back rest<br>Burnt Sienna  |
| 998150-FC-06-139    | Foam & fabric assembly, RS back rest,<br>Mochablue    |
| 998150-FC-06-170    | Foam & fabric assembly, RS back rest,<br>Prism        |
| 998150-FC-06-271    | Foam & fabric assembly, RS back rest,<br>Mica         |
| 703912              | Kit, Dinette Cushions, Ultraleather                   |
| 703368-06           | Foam, RS back rest                                    |

**2011 FLYING CLOUD**  
**UPHOLSTERY/FOAM/MATTRESS**

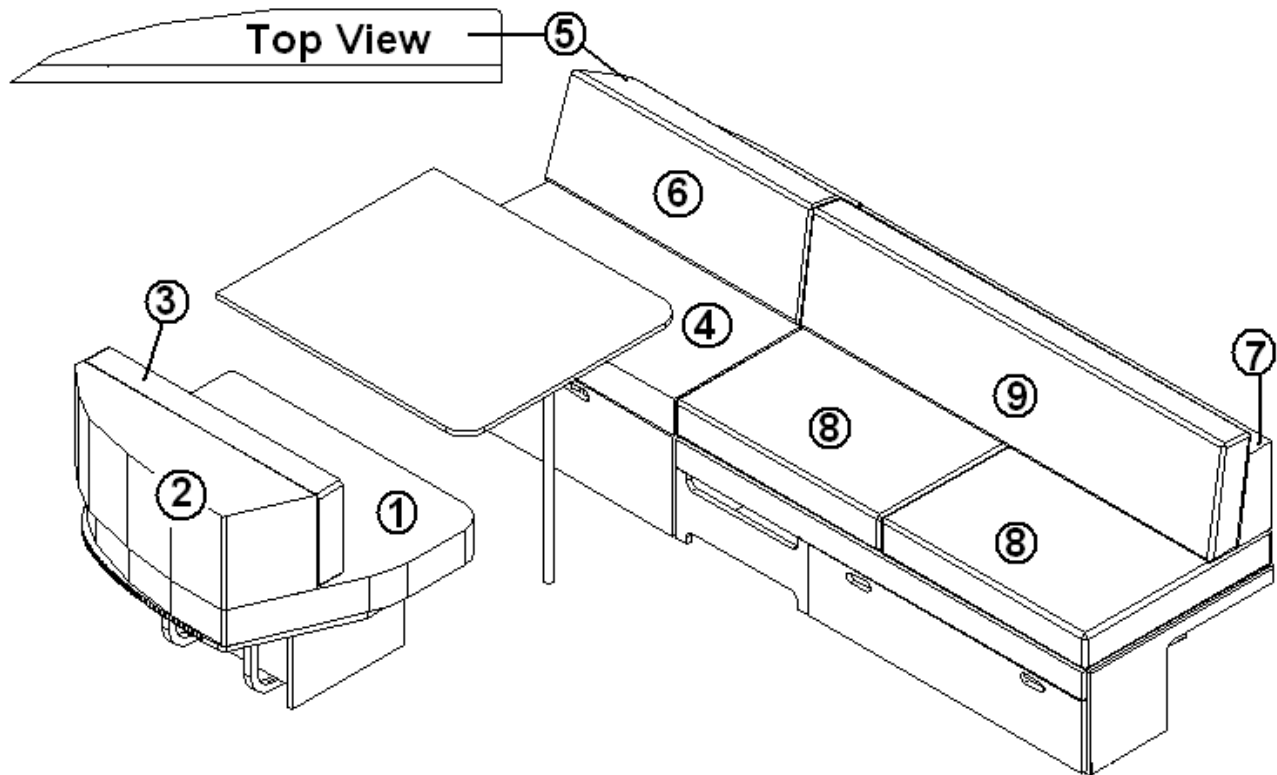
Dinette Foam/Covers, 20', 23' Front Bed, 30'

1. 998200-01      Fabric & foam assembly, dinette seat aft
- 998200-01A    Fabric assy., no foam, dinette seat aft
- 703309-04      Dinette foam, aft seat back
2. 998200-02      Fabric & foam assembly, dinette seat forward  
    back
- 998200-02A    Fabric assy., no foam, dinette seat forward  
    back
- 703309-05      Dinette foam, forward seat back
3. 998200-03      Fabric & foam assembly, aft/forward seat  
    bottom
- 998200-03A    Fabric assy., no foam, aft/forward seat bottom
- 703309-06      Dinette foam, aft/forward seat bottom
  
- 703913          Kit, Dinette Cushion, Leather, 23' FB, 20'

# 2011 FLYING CLOUD

## UPHOLSTERY/FOAM/MATTRESS

Dinette Foam, 25' Front Bed, 27' Front Bed



- |    |           |                              |
|----|-----------|------------------------------|
| 1. | 703486-01 | Foam, Curbside dinette seat  |
| 2. | 703486-02 | Foam, curbside back filler   |
| 3. | 703486-03 | Foam, curbside back rest     |
| 4. | 703486-04 | Foam, roadside dinette       |
| 5. | 703486-05 | Foam, roadside back filler   |
| 6. | 703486-06 | Foam roadside backrest       |
| 7. | 703486-07 | Foam cushion, lounge wedge   |
| 8. | 703486-08 | Foam, cushion, lounge bottom |
| 9. | 703486-09 | Foam, cushion, backrest      |

## 2011 FLYING CLOUD

### VENTS/FANS/SKY LIGHTS

#### Refrigerator Roof vent

100341 Refrigerator, vent collar, roof, large  
101394 Cover, refrigerator vent, roof, large  
381042 Mesh, galvanized. .017 X 36

#### Vent, Black Tank, Roof

690264-03 Vent pipe cover, white  
380228 Wire, hardware cloth

#### Roof vent, Non-Power, KOA ONLY

381606-01 Vent, roof, 14" x 14", non-power, white  
381606-02 Trim ring, interior, roof vent, white

#### Range Hood and Vent

512210 Range hood, Baraldi  
454590 Extension, range vent, Baraldi  
511017-11 Vent cover, exterior, range hood, gray  
115175 Duct, range exhaust transition  
114913 Angle, range hood install  
203600 Screw cover cap, gray  
365016 Tape, foam, double kote, 1/2 #441  
365190 Seal, rubber adhesive 3/4" X 3"

#### Vent, Bath, Power/Manual Lift

690266-01 Ventilator, power, bath  
690266-02 Ventilator, power, bath, CSA  
690266-03 Extension, garnish, 4" roof  
201666 Molding-J 3/16" plastic trim, Almond

## 2011 FLYING CLOUD

### VENTS/FANS/SKY LIGHTS

Vent, Refrigerator, Power, 19', 23'

690394 Power ventilator, refrigerator  
511836 Switch, refrigerator fan

Roof Vent, Power

381841 Vent, Fantastic, exhaust only

Sky light, 25', 27', 28', 30'

381318-05 Skylight, 19.5" x 19.5"  
201962 Trim, skylight, 19.5" x 19.5"  
702804-03 Shade, skylight, pleated, 19.50" x 20"  
114485 Mounting frame, skylight

Sky light, 30'

381318-06 Skylight, 14 1/2" X 22 1/2"  
201963 Trim Ring, 14" X 22", White  
702804-04 Shade, skylight, pleated, 14.50" x 22.75"

# 2011 FLYING CLOUD

## WOOD/LAMINATES/TRIM

### PLYWOOD

800506-04	Plywood, 3/4" x 4' x 8'
800506-05	Plywood, 5/8" x 4' x 8'
800506-06	Plywood, 3/4" x 4' x 8'
800976-01	Plywood, tongue and groove, 19/32' (floor)
801353	Lite ply-3MM, 4' X 8'
801351	Lite ply-18MM (.75") 4' X 8'

### PANELING

801355-01	Laminate, Frosty White, vertical
801368	18MM, White liner/ White liner
801369	18MM, Frosty White/White liner
801378	18MM, White liner/Backer
801392	12MM, White liner/White liner
801438	3MM, White liner/Raw
801703-01	12MM, Frosty White/White liner
801858	PNL-PRELAM, Luna Frost/Liner
801793-01	Laminate, Gold Alchemy, vertical
801795-01	PNL-PRELAM, Alchemy/Liner 18MM V
801796-01	PNL-PRELAM Alchemy/Alchemy 18MM V
801797-01	PNL-PRELAM Alchemy/Liner 12MM V
801802-01	Panel, Alchemy/Frosty 12MM, vertical
801801-01	PNL-PRELAM Alchemy/Alchemy 12MM vertical

## 2011 FLYING CLOUD

### WOOD/LAMINATES/TRIM

#### Edge banding

365303-02	Edgebanding, Wenge, 15/16"
365304-01	Edgebanding, Sand Crystal, .94"
365268-03	Edgebanding, .024" X .63" Tropical Oak
365238-04	Edgeband, .5, White
365238-05	Edgeband, 15/16", Chalk White
365313-01	Edgeband, Gold Alchemy, .63"
365313-02	Edgeband, Gold Alchemy, 15/16
365313-03	Edgeband, Gold Alchemy, 1.125"
365267	Edgeband, Ply, 1.125"
365305-01	Edgeband, Brushed Aluminum 15/16"
365311-01	Edgebanding, .024 X 15/16", Midnight Sun
365329	Edgebanding, 15/16" – Luna Frost
365329-01	Edgebanding, 15/16" – Luna Frost
365343-01	Edgebanding, 5/8" – Gold Alchemy
365343-02	Edgebanding, 15/16" – Gold Alchemy
365340-01	Edgebanding, 5/8" – Frosty White
365340-02	Edgebanding, 15/16" – Frosty White
365349-02	Edgebanding, 15/16" – Lab. Granite

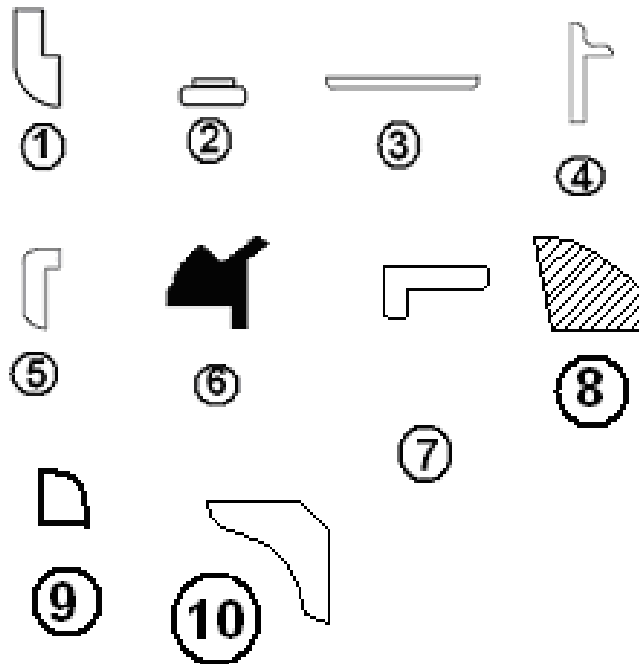
#### LAUAN

800507-01	Panel, Lauan, 1/8 x 4' x 8'
800507-02	Panel, Lauan, 1/4" x 4' x 8', raw/raw
800507-03	Panel, Lauan, 3/8" x 4' x 8', raw/raw
800507-04	Panel, Lauan, 1/2" x 4' x 8', raw/raw
800507-06	Panel, Lauan, .75" x 4' x 8', raw/raw

# 2011 FLYING CLOUD

## WOOD/LAMINATES/TRIM

### TRIM, WOOD



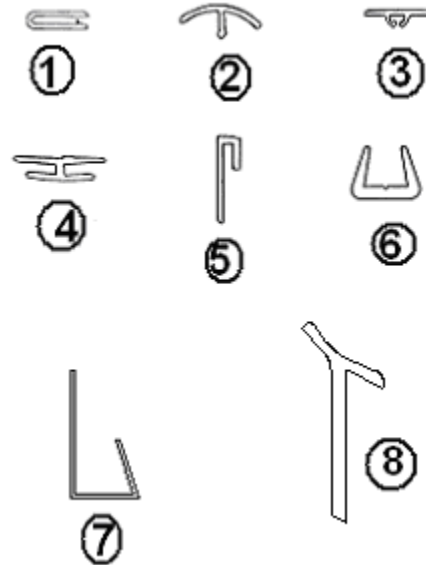
1. 801706-0014 Corner trim, 90 degree, 1" radius
2. 800405-0014 Plug hardwood button, screw cover
3. 801173-0014 Header Molding, flat radius, 1.13", G. Alchemy  
    801178-06 Molding, flat, Ascot, .81"  
    801178-08 Molding, flat, .81 Cream  
    801571-0114 Flat hardwood molding, .52", G. Alchemy  
    801572-0114 Flat hardwood molding, .72", G. Alchemy  
    801573-0114 Flat hardwood door edge, G. Alchemy
4. 115064 Trim, aluminum counter top
5. 800617-0014 Molding, Wainscot 84"
6. 801394-0014 Corner trim 45 DE 2" radius, bath
7. 801665-0014 Molding, door jamb, Gold Alchemy
8. 801492-0014 Threshold, main door, unit w/linoleum
9. 800638-0114 Molding, ¼ round, .5", Gold Alchemy  
    800575-0114 Corner molding, Gold Alchemy
10. 801268-0114 Molding, inside corner, G. Alchemy  
    801172-08 Molding, corner 15/16" Cream



# 2011 FLYING CLOUD

## WOOD/LAMINATES/TRIM

### TRIM, PLASTIC



- |    |           |   |
|----|-----------|---|
| 1. | 203225    | Trim lock, white                            |
| 1  | 203225-01 | Trim lock, gray .75"                        |
| 2  | 201728-03 | Extrusion plastic, ceiling trim             |
| 3  | 201728-01 | Extrusion ceiling trim retainer             |
| 4. | 203159-02 | Trim, divider bar, White                    |
| 5. | 114070    | Molding, "J"                                |
| 6. | 203138-03 | Extrusion, plastic Panel edging Beige       |
| 6. | 203138-04 | Extrusion, plastic Panel edging, Oak        |
| 6. | 203464-01 | Extrusion, panel, oak                       |
| 7. | 201666    | Molding-J-3/16 plastic, Almond              |
| 8. | 201673    | Molding, cove, roof lockers, Ivory, Plastic |
| 8. | 201673-01 | Molding, cove, roof lockers, .43", oak      |
|    | 203445    | T-Molding, 9/16", black                     |
|    | 203440    | T-Molding, Black, embossed 13/16"           |
|    | 203647    | Molding-T, 13/16" Chamois Yellow            |
|    | 201673-01 | Molding, cove, .43" Oak                     |

# 2011 FLYING CLOUD

Notes

