

AIRSTREAM

CLASSIC TRAVEL TRAILER

PARTS BOOK

2011

2011 CLASSIC TRAILER
TABLE OF CONTENTS
SECTION I, A through C

APPLIANCE

[Air Conditioner, Refrigerator](#)..... I-1
[Furnace, Microwave, Range/Cook Top](#)..... I-2
[Water Heater](#) I-3

EXTERIOR SHELL

[End shell, aft](#) I-4
[End shell, front](#)..... I-8
[RS Wall, 34'](#)..... 1-12
[CS wall, 34'](#) I-14
[RS Wall, 31'](#)..... I-16
[CS Wall, 31'](#)..... I-18
[RS Wall, 30'](#)..... I-20
[CS Wall, 30'](#)..... I-22
[RS Wall, 27'](#)..... I-24
[CS Wall, 27'](#)..... I-26
[Roof](#) I-28
[Body interior](#)..... I-29

CHASSIS

[A-frame](#) I-30
[Power jack](#)..... I-32
[Step](#) I-34
[Outrigger/underbelly](#) I-37
[Jacks/Below floor storage](#) I-38
[Axles/shocks/wheels](#) I-41

2011 CLASSIC TRAILER
TABLE OF CONTENTS
SECTION II
D through E

[DECALS/LOGOS/MEDALLIONS](#) II-1

[EXTERIOR TRIM](#) II-2

DOORS/WINDOWS/AWNING

[Doors](#) II-3

[Windows](#) II-11

[Awning](#) II-16

[Window Stone guard](#) II-17

DRAPES/VALANCES/SHADES

[Drape/Valances](#) II-18

[Shades](#) II-23

ELECTRICAL

[110 volt](#) II-24

[12 volt](#) II-30

[Exterior lights & reflectors](#) II-35

ENTERTAINMENT

[Radio/DVD/TV](#) II-37

[Video Package](#) II-38

2011 CLASSIC TRAILER
TABLE OF CONTENTS
SECTION III
F through K

FLOOR COVERING

[Carpet, Mats, Linoleum](#)..... III-1

FURNITURE

[Interior doors](#)..... III-2
[Mirrors](#)..... III-3
[Doors, Shower/Foldette/Sliding](#)..... III-4
[Drawer Faces](#)..... III-5
[Bedroom](#)..... III-7
[Bath](#)..... III-27
[Galley](#)..... III-69
[Lounge](#)..... III-114

HARDWARE

[Exterior locks/hinges](#)..... III-131
[Window hardware](#)..... III-126
[Interior drawer slides/hinges latches](#) . III-138
[Drawers Slides/Bath](#)..... III-142
[Tables/Bed/Wardrobe/Galley](#)..... III-142
[Hinges](#)..... III-144
[Awning hardware](#)..... III-145
[Rivets](#)..... III-147
[Labels and Tags](#)..... III-149
[Wrap Protectors](#)..... III-151
[Rear Storage Slide](#)..... III-152

2011 CLASSIC TRAILER
TABLE OF CONTENTS
SECTION IV
L through Z

PLUMBING

LPG	IV-1
Fresh Water	IV-2
Fresh Water Fittings	IV-3
Faucets	IV-5
Drain water	IV-9
Sinks	IV-11
Showers	IV-12
Black Tank Flush	IV-12
Drain Line Fittings	IV-13
Toilet	IV-17

SAFETY EQUIPMENT	IV-18
--	-------

SEALER/GASKETS/PAINT	IV-19
--	-------

UPHOLSTERY/FOAM/MATTRESS

Bedspreads/Mattresses	IV-20
Sofa/Sofa Armrests	IV-21
Wall Border	IV-22
Dinette Seats/Chairs	IV-22
Pillow Kits	IV-25

VENTS/FANS	IV-27
----------------------------------	-------

SKY LIGHTS	IV-28
----------------------------------	-------

WOOD/LAMINATES/TRIM	IV-29
---	-------

2011 CLASSIC TRAILER

APPLIANCES

AIR CONDITIONER

690323-43	Air conditioner, 15,000 BTU, Duo Therm w/heat pump
690323-44	COMFORT CONTROL CENTER, #3312024
690380-12	SENSOR CABLE, 40', DUAL A/C ONLY
690380-10	Intake air box and ceiling shroud, white
690380-11	Dust adaptor, use with 690380-10
690323-100	Shroud, exterior, Penguin air conditioner
*961270	Pan assembly, air conditioner drain
*203724	Kit, AC Drain
*203722	Gasket, AC Drain Kit
690380-08	Sensor, Penguin dual air only w/ elbow
601240-01	Tubing 1/2" ID x 5/8" OD, black plastic
500967-01	Cover blank, ivory #86
385560	Label, air conditioning rating

*P/N 961270 was replaced by 203724 and 203722 during 2012 model year.

DOMETIC REFRIGERATOR

690575-02	Refer-7 cu.ft., RH #RM3762RSS, 27' Front Bed
690494-01	Refer-10 cu.ft., LH #NDR1062LSS, 31' D, 30'
690494-02	Refer-10 Cu. Ft., RH # NDM1062RSSF, 34'
381830	Wiper-rubber 1.125"X 2" L
512477	110 RECEPTACLE GASKET, NEOPRENE
365190	Seal, rubber adhesive, 3/4" X 3
601239-01	Tubing, 1.375"ID, ribbed w/flats
380228	Wire hardware cloth

2011 CLASSIC TRAILER

APPLIANCES

FURNACE

690274-01	Furnace, Hydro-flame, 30,000 BTU, 27'
690274	Furnace, Hydro-flame, 34,000 BTU, 30', 31', 34'
690274-09	Door exterior, Hydroflame
601244-01	Register, Rotaire, 4", Brown
601244-02	Register, Rotaire, 4", White
601244-03	REGISTER, ROTAIRE, BLACK
600526	Flange, 4"
600247	4" duct hose, flexible
690274-102	Module board, furnace
511228	Thermostat, off white
600193	2" duct, flexible hose
601348	Tee, heat duct, 4 X 4 X 2
962807	Furnace stand assembly, 30', 31', 34'
690429	LOUVER, 2" BLACK, ROUND

MICROWAVE

690610-01	Microwave, Contoure .6 CF Microwave, 27FB Option
690610-02	Trim Kit for 690610-02
690345-01	Microwave, convection, Black, Sharp
690345-03	Trim ring, convection microwave, Black
690407-01	Microwave oven, Dometic, DMW 10B
690407-02	Trim kit, Dometic microwave
690607-01	Microwave, convection, Sunbeam, CSA
690607-02	Trim ring, Sunbeam microwave, CSA

RANGE/COOK TOP

690396-09	Range, 22" w/oven, s.s. top/door
690396-10	Cooktop, 3 Burner, S.S. top
690396-08	Cooktop, Amana, 3 burner drop-in
690396-03	Range cover, bi-fold
601911-01	Range covers, Corian, set, 3-burner, Sandstone
114876	Trim ring, range recess, black

2011 CLASSIC TRAILER

APPLIANCES

WATER HEATER

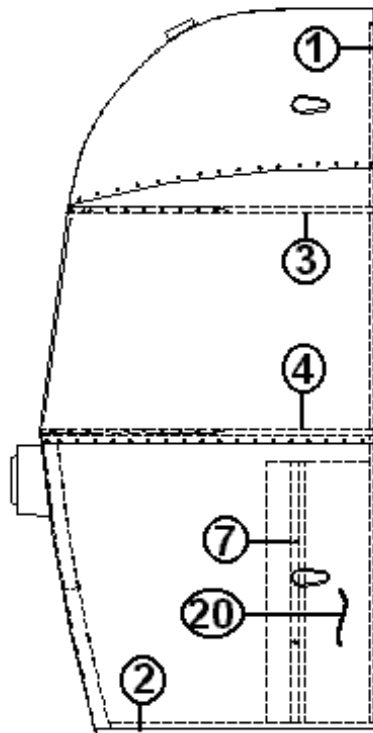
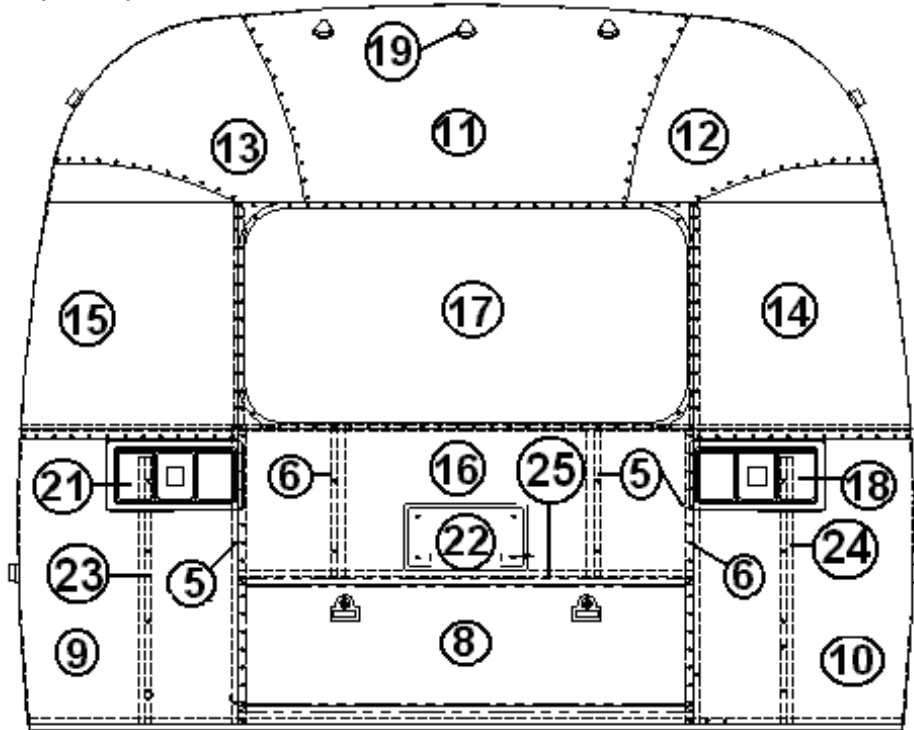
*690489	Water heater, Atwood, elec. ignition, 110 volt/gas
690209	Access cover, brushed aluminum
381648	Cover, latch hole water heater
385988	Decal, water heater
510514	Switch, 110v, 3-way, priority (water heater/microwave)
690417-05	Switch-dual water heater #9123
*690602	Water heater, Atwood, elec. ignition, 110 volt/gas
512480	SWITCH ASSY, WATER HEATER WHITE
510888-05	Receptacle w/ cover, GFI, white
510888-06	Spacer, receptacle, GFI, white
510888-07	RECEPTACLE COVER WHITE
512308	BOX, SHALLOW SWITCH & OUTLET

*690602 replaced 690489 late in model year.

2011 CLASSIC TRAILER

EXTERIOR SHELL

Aft End, 31', 30', 34'



See next page for P/N

2011 CLASSIC TRAILER

EXTERIOR SHELL

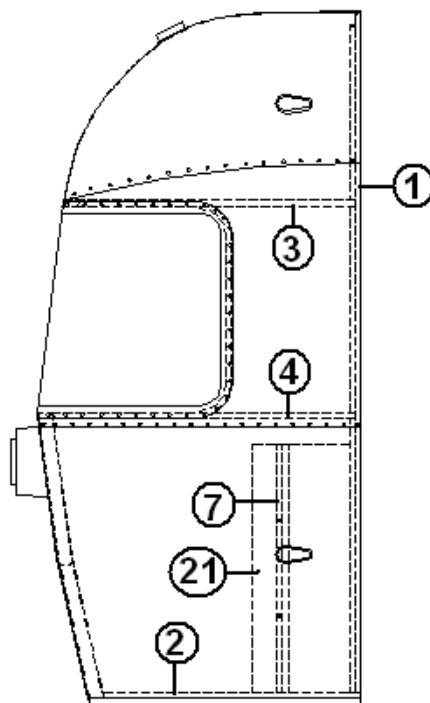
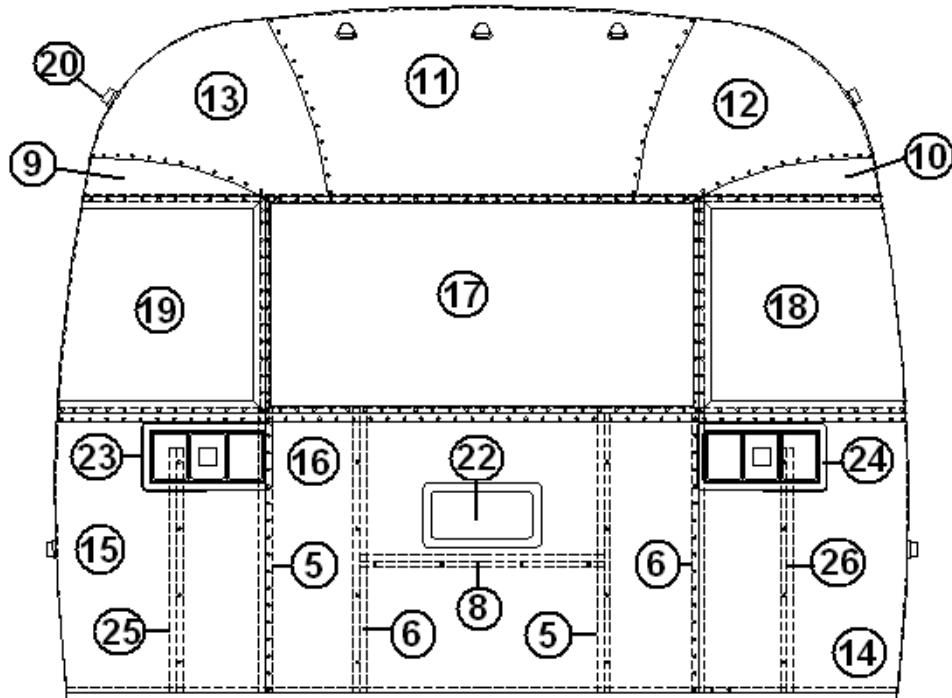
Aft End, 31', 30', 34'

921161-11	End shell complete, rear, w/trunk door
1. 114993	End bow
2. 114676	Floor bow
3. 114678	Upper window bow
4. 114677	Lower window bow
5. 114505-01	Support, lower end, LH
6. 114505-02	Support, lower end, RH
7. 101315	Brace, vertical rear
8. 921159-01	Trunk door assembly (twin models only)
9. 114895	Segment #29
10. 114894	Segment #28
11. 114893	Segment #25
12. 114890	Segment #26
13. 114891	Segment #27
14. 114889	Segment, center right
15. 114888	Segment, center left
16. 114880-201	Alum. Sheet, cut down to size
17. 371348-02	Window, rear escape
18. 966407-02	Taillight complete, CS
19. 512227	Light, clearance, red LED
20. 114849-03	Aluminum sheet, pewter, 12" x 29"
21. 966407-01	Taillight complete, RS
22. 512455	License plate holder assembly, LED
23. 101315-01	Rear, vertical brace, LH
24. 101315-02	Rear, vertical brace, RH
25. 104408	Z-Bar

2011 CLASSIC TRAILER

EXTERIOR SHELL

Aft End, 27' Front Bed



See next page for P/N

2011 CLASSIC TRAILER

EXTERIOR SHELL

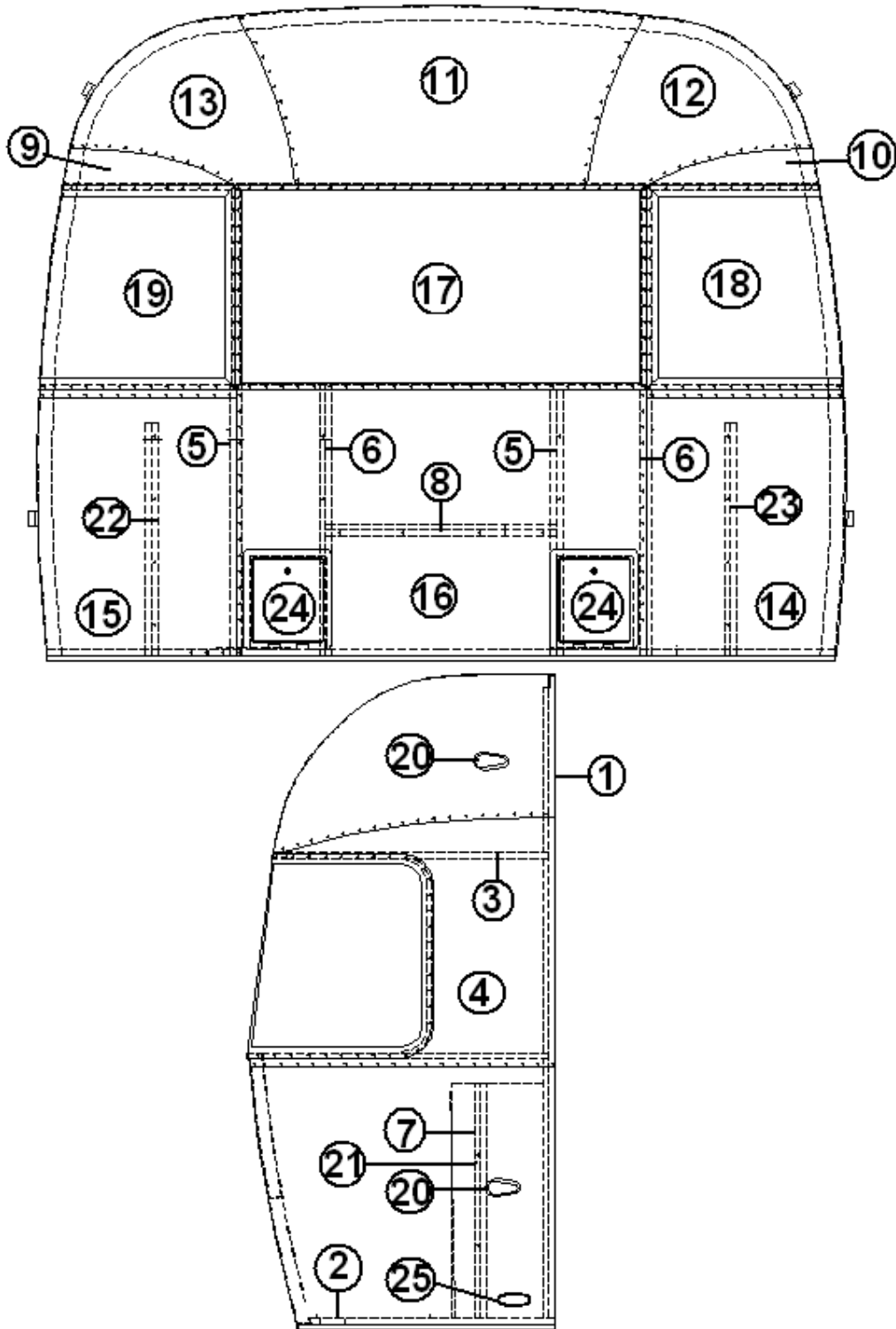
Aft End, 27' Front Bed Model

921241	End shell complete
1. 114993	End bow
2. 114676	Floor bow
3. 114678	Upper window bow
4. 114677	Lower window bow
5. 114505-01	Support, lower end, LH
6. 114505-02	Support, lower end, RH
7. 101315	Brace, vertical rear
8. 104408	Z-Bar
9. 114888	Segment, center left
10. 114889	Segment, center right
11. 114893	Segment #25
12. 114890	Segment #26
13. 114891	Segment #27
14. 114894	Segment #28
15. 114895	Segment #29
16. 114880-307	Alum. Sheet, cut down to.040 x 19.0" x 51.0"
17. 371346-02	Window, rear escape
18. 372088-101	Panoramic window, RS front
19. 372089-101	Panoramic window, CS front
20. 512227	Light, clearance, red LED
21. 114849-03	Aluminum sheet, pewter, 12" x 29"
22. 512455	License plate holder, LED
23. 966407-01	Taillight complete, RS
24. 966407-02	Taillight complete, CS
25. 101315-03	Support, lower end shell, LH
26. 101315-04	Support, lower end shell, RH

2011 CLASSIC TRAILER

EXTERIOR SHELL

Front End, 31', 30', 34'



See next page for P/N

2011 CLASSIC TRAILER

EXTERIOR SHELL

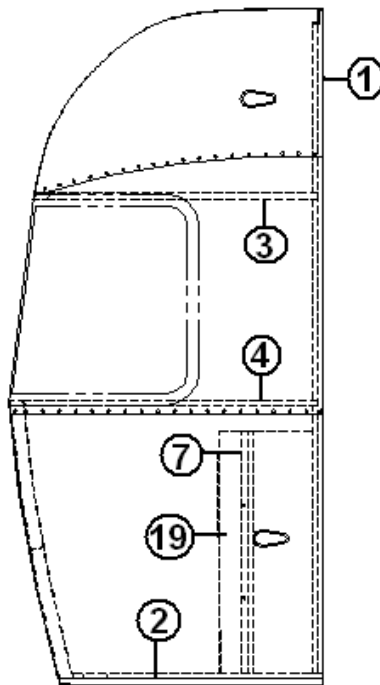
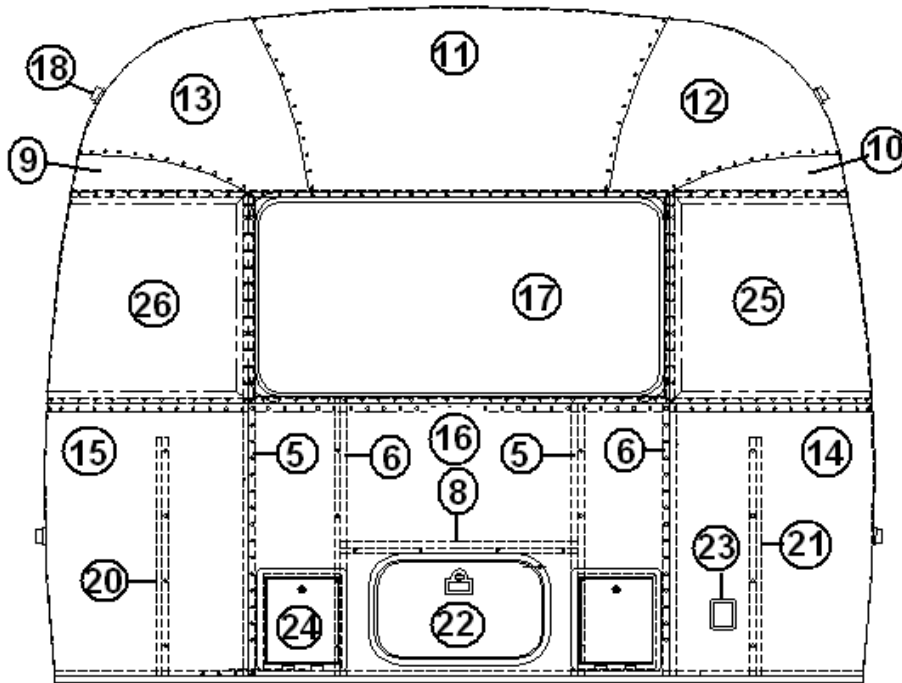
Front End, 31', 30', 34'

921162-12	End shell complete
1. 114993	End bow
2. 114676	Floor bow
3. 114678	Upper window bow
4. 114677	Lower window bow
5. 114505-01	Support, lower end, LH
6. 114505-02	Support, lower end, RH
7. 101315	Brace, vertical rear
8. 104408	Z-bar
9. 114888	Segment, center left
10. 114889	Segment, center right
11. 114893	Segment #25
12. 114890	Segment #26
13. 114891	Segment #27
14. 114894	Segment #28
15. 114895	Segment #29
16. 1114880-307	Aluminum sheet, cut to .040" x 34.75" x 51"
17. 371346-02	Window, front, dark glass
18. 372088-101	Panoramic window, CS front
19. 372089-101	Panoramic window, RS front
20. 512226	Light, clearance, amber LED
21. 114849-03	Aluminum sheet, .04" x 20"x 8", cut to 12"x 29"
22. 101315-01	Support, lower end shell, LH
23. 101315-02	Support, lower end shell, RH
24. 109852-01	Battery box assembly
25. 500096	Reflector, amber, oval

2011 CLASSIC TRAILER

EXTERIOR SHELL

Front End, 27' Front Bed



See next page for P/N

2011 CLASSIC TRAILER

EXTERIOR SHELL

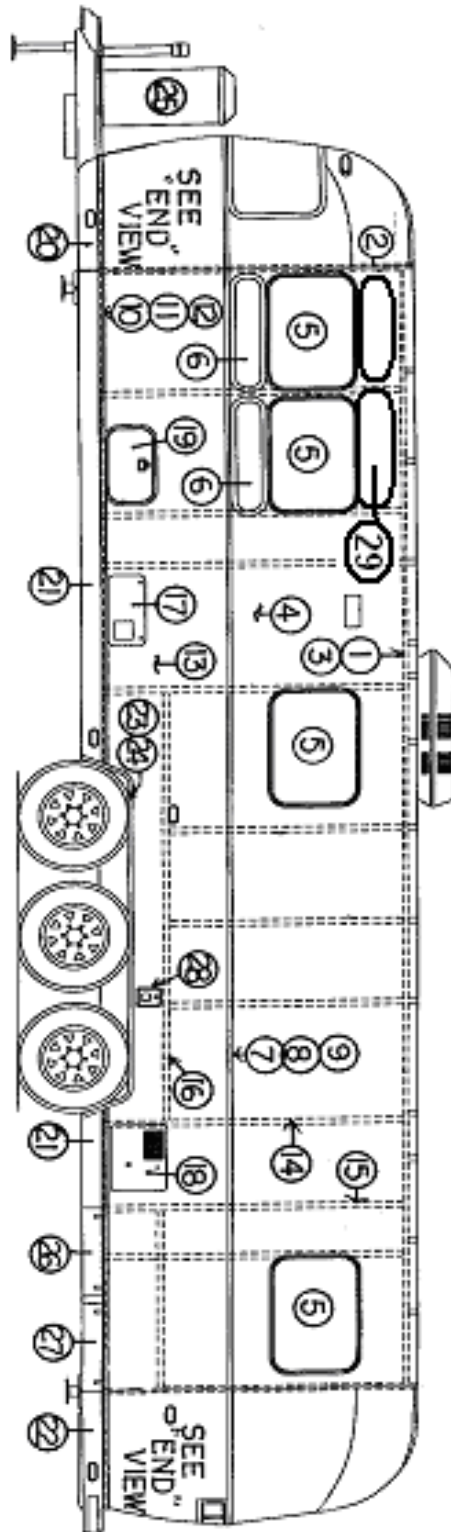
Front End, 27' Front Bed

921242-02	End shell complete, w/Panoramic Windows
1. 114993	End bow
2. 114676	Floor bow
3. 114678	Upper window bow
4. 114677	Lower window bow
5. 114505-01	Support, lower end, LH
6. 114505-02	Support, lower end, RH
7. 101315	Brace, vertical rear
8. 104408	Z-bar
9. 114888	Segment, center left
10. 114889	Segment, center right
11. 114893	Segment #25
12. 114890	Segment #26
13. 114891	Segment #27
14. 114894	Segment #28
15. 114895	Segment #29
16. 114880-307	Aluminum sheet, cut to 34.75" x 51"
17. 371346-02	Window, front, panoramic option
18. 512226	Light, clearance, amber LED
19. 114849-03	Aluminum sheet, pewter, 12" x 29"
20. 101315-01	Support, lower end shell, LH
21. 101315-02	Support, lower end shell, RH
22. 100679	Access door, small
23. 512401-02	Power inlet, generator prep, 30A, 125V
24. 109852-01	Battery box assembly
25. 372088-101	Panoramic window, RS front
26. 372089-101	Panoramic window, CS front

2011 CLASSIC TRAILER

EXTERIOR SHELL

Wall, Roadside 34'



See next page for P/N

2011 CLASSIC TRAILER

EXTERIOR SHELL

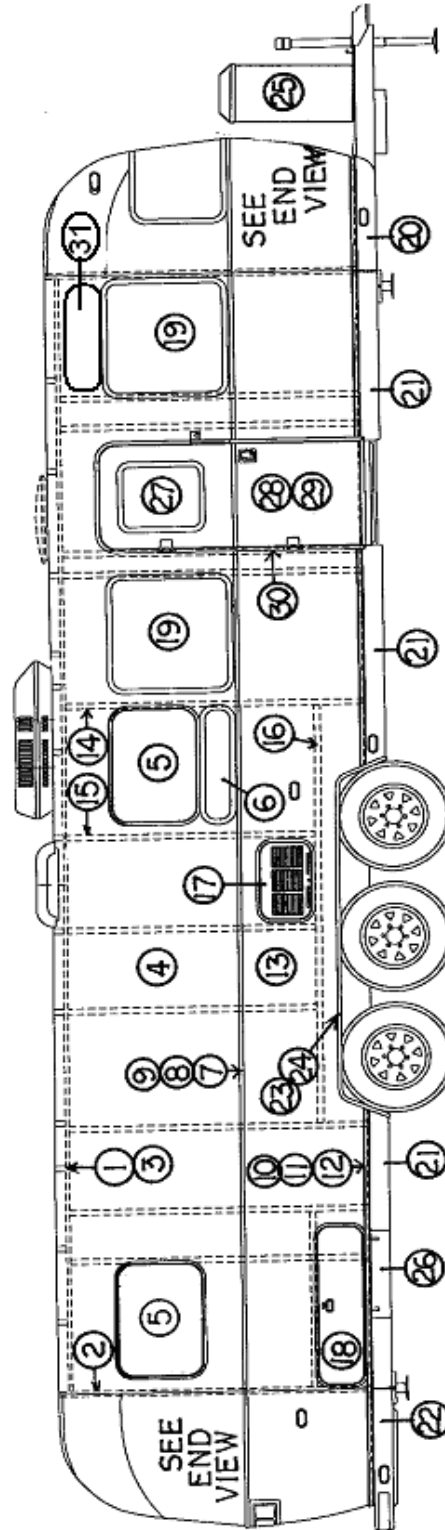
Wall, Roadside 34'

1. 114290-03 Extrusion, awning/drip rail
2. 114993 End bow
3. 104707-01 Extrusion, "I" beam
4. 114880-307 Alum. sheet, upper, .040" x 51" x307"
5. 371324-02 Window, 30in. opening
6. 371270-01 Window, 30in., stack, stationary
7. 114328 Extrusion, belt line
8. 201912 Molding, chrome, belt line
9. 100034 "Z" bar, 48"
10. 114460 Extrusion, rub rail
11. 201763-01 Insert, rub rail, chrome, 1"
12. 100986 Floor channel
13. 114879-307 Alum. sheet, lower, .040" x 33" x 307"
14. 114387-01 Bow, Z rib, RH
15. 114387-02 Bow, Z rib, LH
16. 100986 Wheel well stiffener (floor channel.
17. 690274-09 Cover, Hydro-flame furnace
18. 690209 Cover, brushed aluminum, Atwood
19. 100679-01 Access door w/jamb
20. 200542-01 Banana wrap, RS front
21. 101131-01 Underbelly wrap, .024" x 22.5", Pewter
22. 201974-03 Bumper, rear corner, RS
23. 685257 Wheel well trim, inner, tri-axle
24. 685258 Wheel well trim, outer, tri-axle
25. 921231 Bottle cover, LP, w/out decal
26. 109867-02 Door, utility compartment
27. 114496-04 Door, TV/Coax Compartment
28. 601194 Water fill w/lock
29. 922770-02 Vista View, 30"

2011 CLASSIC TRAILER

EXTERIOR SHELL

Wall, Curbside, 34'



See next page for P/N

2011 CLASSIC TRAILER

EXTERIOR SHELL

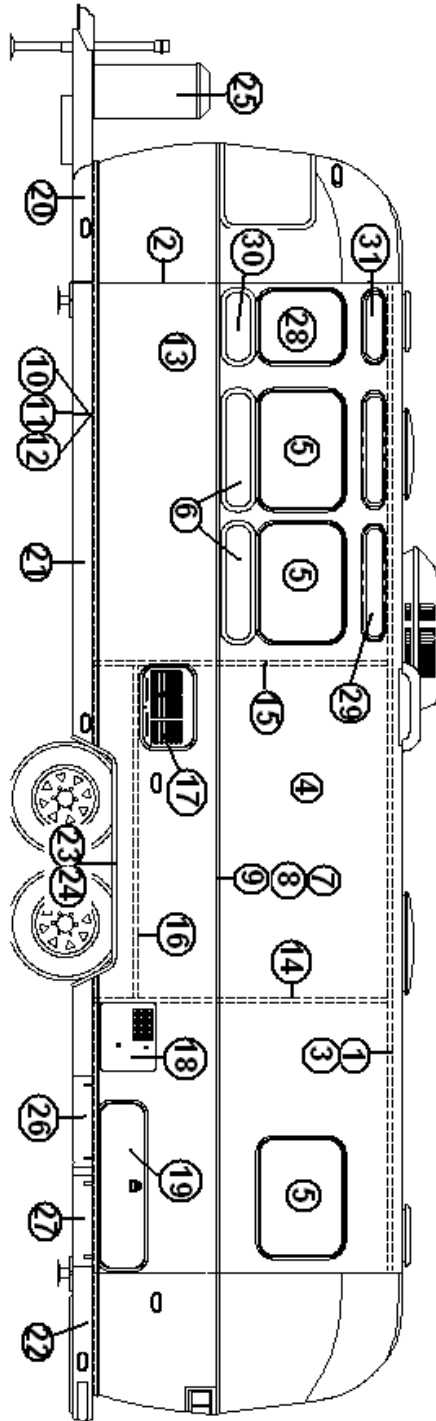
Wall, Curbside, 34'

1. 114290-03	Extrusion, awning/drip rail
2. 114993	End bow
3. 104707-01	Extrusion, "I" beam
4. 114880-307	Alum. sheet, upper, .040" x 51" x 307"
5. 371324-02	Window, 30in. opening
6. 371270-01	Window, 30in., stack, stationary
7. 114328	Extrusion, belt line
8. 201912	Molding, chrome, belt line
9. 100034	"Z" bar, 48"
10. 114460	Extrusion, rub rail
11. 201763-01	Insert, rub rail, chrome, 1"
12. 100986	Floor channel
13. 114879-307	Alum. sheet, lower, .040" x 33" x 307"
14. 114387-01	Bow, Z rib, RH
15. 114387-02	Bow, Z rib, LH
16. 100986	Wheel well stiffener (floor channel.
17. 922243	Louvered panel, refrigerator access door
18. 922288-02	Door, side access, long, twin only
19. *371285-01	Window, stationary, 30in.
20. 200543-01	Banana wrap, CS front
21. 101131-01	Underbelly wrap, .024" x 22.5", Pewter
22. 201974-04	Bumper, rear corner, CS
23. 685257	Wheel well trim, inner, tri-axle
24. 685258	Wheel well trim, outer, tri-axle
25. 921231	Bottle cover, LP, w/out decal
26. 109867-02	Door, utility compartment
27. 371400-01	Window, main door
28. 115207-04	Main door assembly
29. 114654	Screen door assembly
30. 114652	Main door jamb, formed
31. 922770-02	Vista View, 30"
*Stacked window option replaces item 19	
371324-02	Window, curved 30" opening
371270-01	Window, curved, 30" stacked

2011 CLASSIC TRAILER

EXTERIOR SHELL

Wall. Roadside, 31' W/Dinette



See next page for P/N

2011 CLASSIC TRAILER

EXTERIOR SHELL

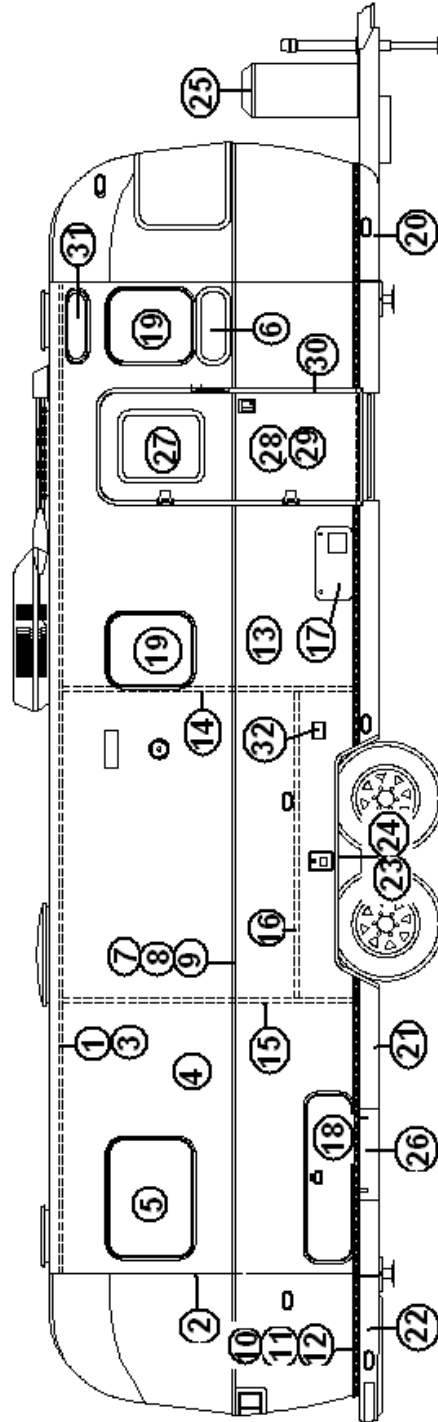
Wall, Roadside, 31' W/Dinette

1. 114290-02 Extrusion, awning/drip rail
2. 114993 End bow
3. 104707-01 Extrusion, "I" beam
4. 114880-262 Alum. sheet, upper, .040" x 51" x 262"
5. 371324-02 Window, 30in. opening
6. 371270-01 Window, 30in., stack, stationary
7. 114328 Extrusion, belt line
8. 201912 Molding, chrome, belt line
9. 100034 "Z" bar, 48"
10. 114460 Extrusion, rub rail
11. 201763-01 Insert, rub rail, chrome, 1"
12. 100986 Floor channel
13. 114879-262 Alum. sheet, lower, .040" x 33" x 262"
14. 114387-01 Bow, Z rib, RH
15. 114387-02 Bow, Z rib, LH
16. 100986 Wheel well stiffener (floor channel).
17. 922243 Louvered panel, refrigerator access door
18. 690209 Cover, brushed aluminum, Atwood
19. 922288-02 Door, side access, long, twin only
20. 200542-01 Banana wrap, RS front
21. 101131-01 Underbelly wrap, .024" x 22.5", Pewter
22. 201974-03 Bumper, rear corner, RS
23. 684936 Wheel well trim, outer, tandem axle
24. 684937 Wheel well trim, inner, tandem axle
25. 921233 Bottle cover, LP, w/out decal
26. 114496-02 Door, utility compartment
27. 114496-04 Door, TV/Coax Compartment
28. 371323-01 Window, 18in. opening
29. 922770-02 Vista View, 30"
30. 371269-01 Window, 18in., stack, stationary
31. 922770-01 Vista View, 18"

2011 CLASSIC TRAILER

EXTERIOR SHELL

Wall, Curbside, 31' W/Dinette



See next page for P/N

2011 CLASSIC TRAILER

EXTERIOR SHELL

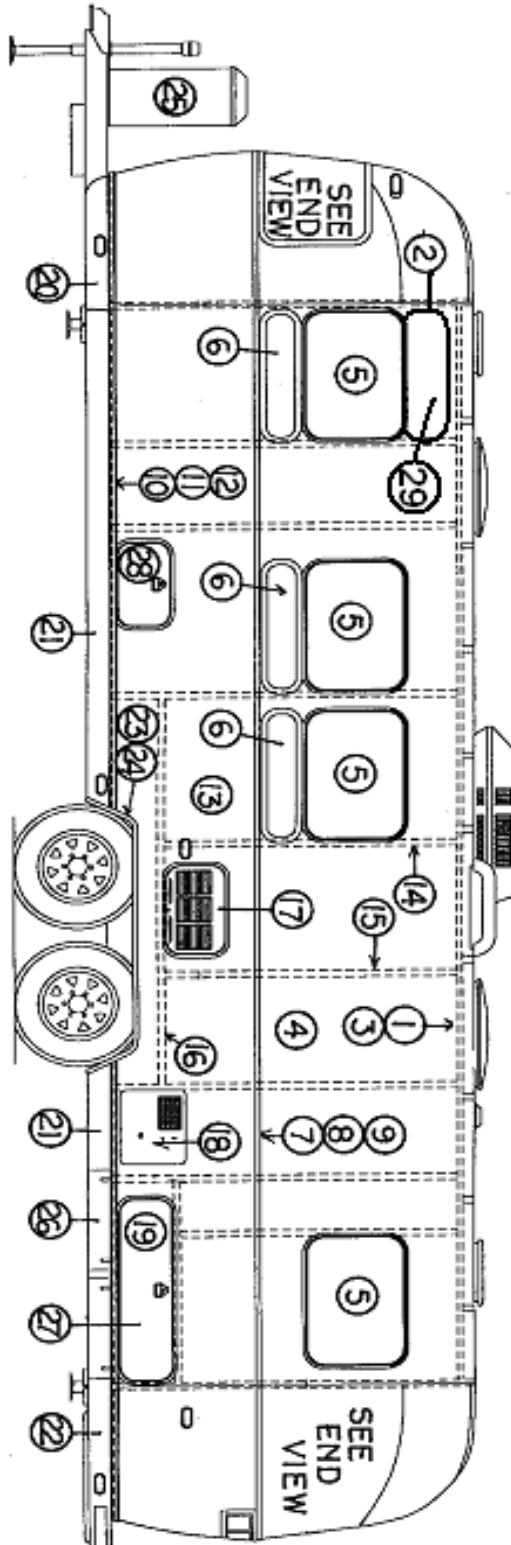
Wall, Curbside, 31' W/Dinette

1. 114290-02 Extrusion, awning/drip rail
2. 114993 End bow
3. 104707-06 Extrusion, "I" beam
4. 114880-262 Alum. sheet, upper, .040" x 51" x 262"
5. 371324-02 Window, 30in. opening
6. 371269-01 Window, 18in., stack, stationary
7. 114328 Extrusion, belt line
8. 201912 Molding, chrome, belt line
9. 100034 "Z" bar, 48"
10. 114460 Extrusion, rub rail
11. 201763-01 Insert, rub rail, chrome, 1"
12. 100986 Floor channel
13. 114879-262 Alum. sheet, lower, .040" x 33" x 262"
14. 114387-01 Bow, Z rib, RH
15. 114387-02 Bow, Z rib, LH
16. 100986 Wheel well stiffener (floor channel)
17. 690274-09 Cover Hydroflame furnace
18. 922288-02 Door, side access, long, twin only
19. 371323-01 Window, 18in. opening
20. 200543-01 Banana wrap, CS front
21. 101131-01 Underbelly wrap, .024".x 22.5", Pewter
22. 201974-04 Bumper, rear corner, CS
23. 684936 Wheel well trim, inner, tandem
24. 684937 Wheel well trim, outer, tandem
25. 921233 Bottle cover, LP, w/out decal
26. 114496-02 Door, utility compartment
27. 371400-01 Window, main door
28. 115207-04 Main door assembly, Limited
29. 114654 Screen door assembly
30. 114652 Main door jamb, formed
31. 922770-01 Vista View, 18"
32. 500563-03 Outlet, exterior, 120-volt gray
32. 512399 Cover, exterior outlet, gray, W/P

2011 CLASSIC TRAILER

EXTERIOR SHELL

Wall, Roadside, 30'



See next page for P/N

2011 CLASSIC TRAILER

EXTERIOR SHELL

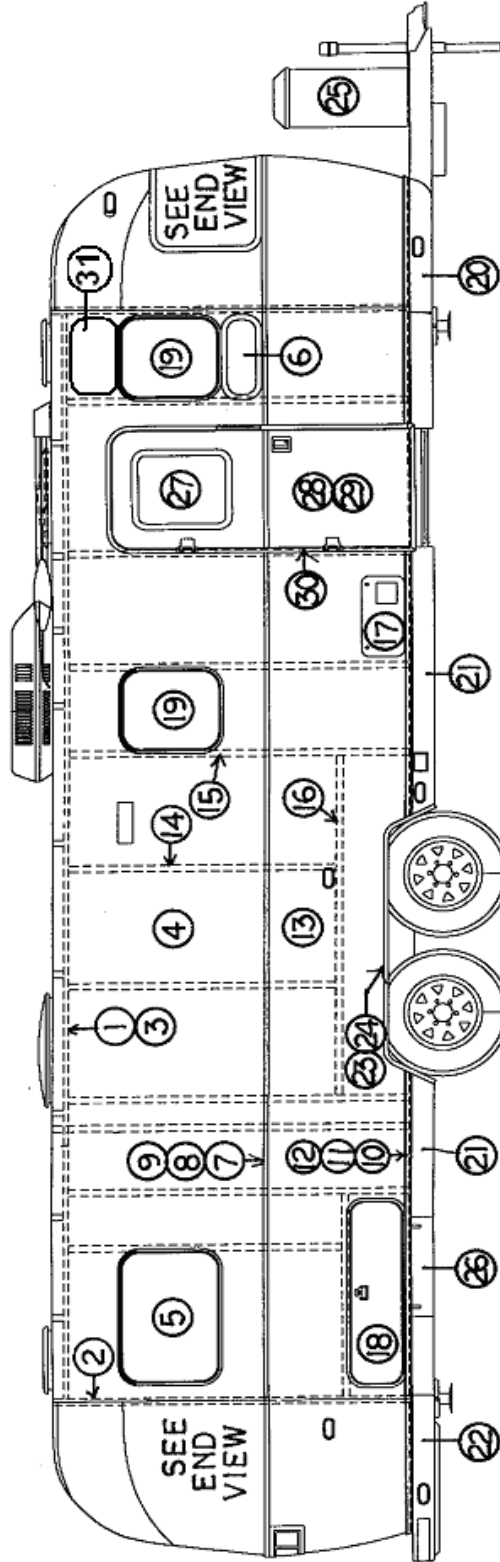
Wall, Roadside, 30'

1. 114290-02 Extrusion, awning/drip rail
2. 114993 End bow
3. 104707-06 Extrusion, "I" beam
4. 114880-262 Alum, sheet, upper, .040" x 51" x 262"
5. 371324-02 Window, 30in. opening
6. 371270-01 Window, 30in., stack, stationary
7. 114328 Extrusion, belt line
8. 201912 Molding, chrome, belt line
9. 100034 "Z" bar, 48"
10. 114460 Extrusion, rub rail
11. 201763-01 Insert, rub rail, chrome, 1"
12. 100986 Floor channel
13. 114879-262 Alum, sheet, lower, .040" x 33" x 262"
14. 114387-01 Bow, Z rib, RH
15. 114387-02 Bow, Z rib, LH
16. 100986 Wheel well stiffener(floor channel.
17. 922243 Louvered panel, refrigerator access door
18. 690209 Cover, brushed aluminum, Atwood
19. 922288-02 Door, side access, long, twin only
20. 200542-01 Banana wrap, RS front
21. 101131-01 Underbelly wrap, .024" x 22.5", Pewter
22. 201974-03 Bumper, rear corner, RS
23. 684936 Wheel well trim, outer, tandem axle
24. 684937 Wheel well trim, inner, tandem axle
25. 921233 Bottle cover, LP, w/out decal
26. 114496-02 Door, utility compartment
27. 114496-04 Door, TV/Coax Compartment
28. 100679-01 Access door w/jamb
29. 922770-02 Vista View, 30"

2011 CLASSIC TRAILER

EXTERIOR SHELL

Wall, Curbside, 30'



See next page for P/N

2011 CLASSIC TRAILER

EXTERIOR SHELL

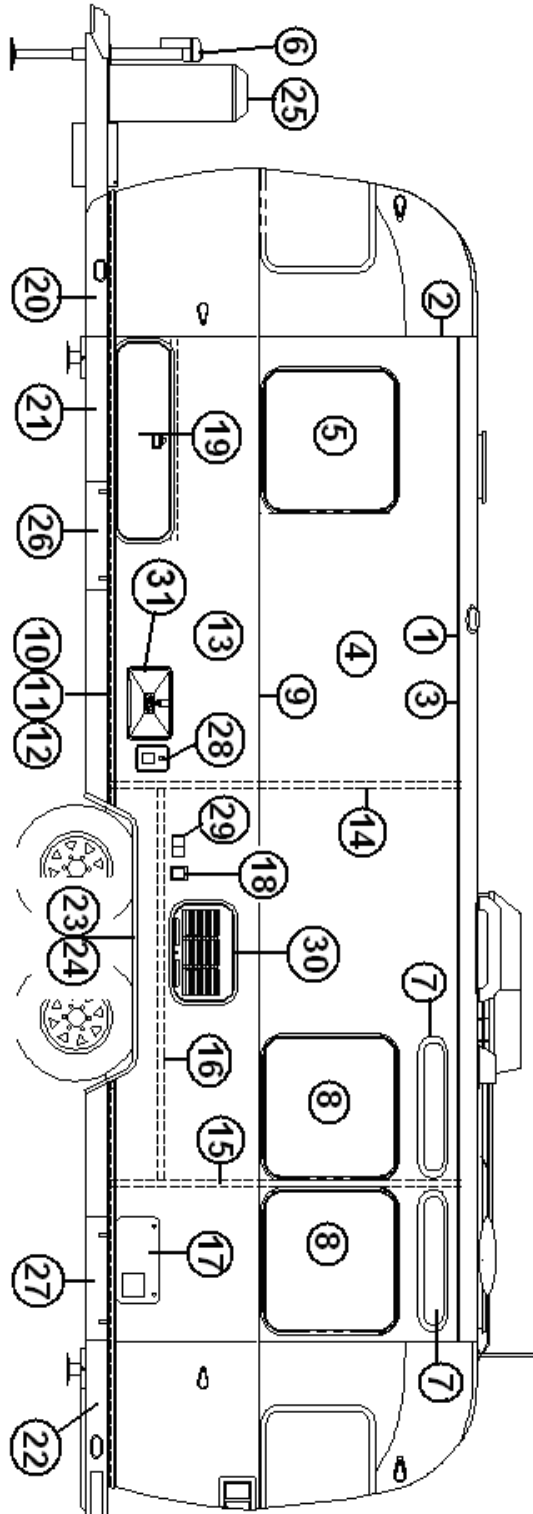
Wall, Curbside, 30'

1. 114290-02 Extrusion, awning/drip rail
2. 114993 End bow
3. 104707-06 Extrusion, "I" beam
4. 114880-262 Alum. sheet, upper, .040" x 51" x 262"
5. 371324-02 Window, 30in. opening
6. 371269-01 Window, 18in., stack, stationary
7. 114328 Extrusion, belt line
8. 201912 Molding, chrome, belt line
9. 100034 "Z" bar, 48"
10. 114460 Extrusion, rub rail
11. 201763-01 Insert, rub rail, chrome, 1"
12. 100986 Floor channel
13. 114879-262 Alum. sheet, lower, .040" x 33" x 262"
14. 114387-01 Bow, Z rib, RH
15. 114387-02 Bow, Z rib, LH
16. 100986 Wheel well stiffener (floor channel.
17. 690274-09 Cover Hydroflame furnace
18. 922288-02 Door, side access, long, twin only
19. 371323-01 Window, 18in. opening
20. 200543-01 Banana wrap, CS front
21. 101131-01 Underbelly wrap, .024" x 22.5", Pewter
22. 201974-04 Bumper, rear corner, CS
23. 684936 Wheel well trim, outer, tandem
24. 684937 Wheel well trim, inner, tandem
25. 921233 Bottle cover, LP, w/out decal
26. 114496-02 Door, utility compartment
27. 371400-01 Window, main door
28. 115207-04 Main door assembly
29. 114654 Screen door assembly
30. 114652 Main door jamb, formed
31. 922770-01 Vista View, 18"

2011 CLASSIC TRAILER

EXTERIOR SHELL

Wall, Roadside, 27' Front Bed



See next page for P/N

2011 CLASSIC TRAILER

EXTERIOR SHELL

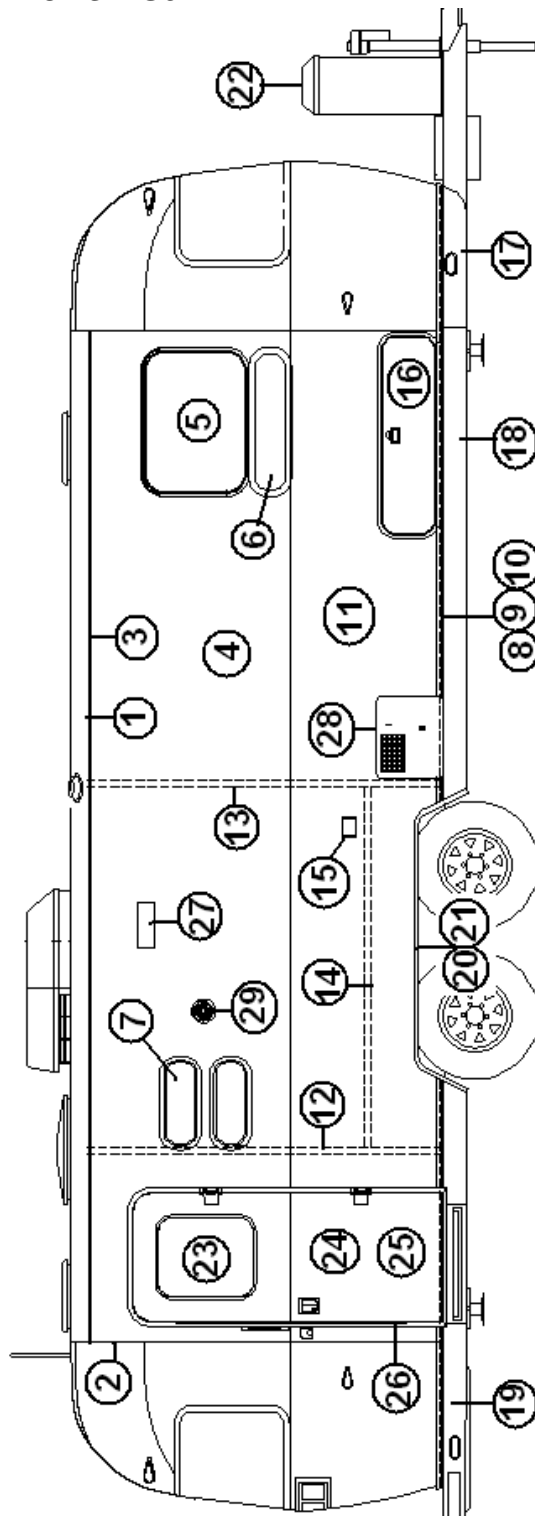
Wall, Roadside, 27' Front Bed

1. 114290-01 Extrusion, awning/drip rail
2. 114993 End bow
3. 104707-06 Extrusion, "I" beam
4. 114880-238 Alum. sheet, upper, .040" x 51" x 238"
5. 371380-01 30" x 30", opening egress window
6. 511544 Power jack w/flag holder & light
7. 922770-02 Vista View, 30"
8. 371380 Window, 30", opening, tall
9. 100034 "Z" bar, 48"
10. 114460 Extrusion, rub rail
11. 201763-01 Insert, rub rail, chrome, 1"
12. 100986 Floor channel
13. 114879-238 Alum. sheet, lower, .040" x 33" x 238"
14. 114387-01 Bow, Z rib, RH
15. 114387-02 Bow, Z rib, LH
16. 100986 Wheel well stiffener (floor channel.
17. 690274-09 Cover, Hydro-flame furnace
18. 512401-02 Power inlet, 110 volt cord
19. 922288-02 Access door w/jamb
20. 200542-01 Banana wrap, RS front
21. 101131-01 Underbelly wrap, .024" x 22.5", Pewter
22. 201974-03 Bumper, rear corner, RS
23. 684937 Wheel well trim, inner, tandem axle
24. 684936 Wheel well trim, outer, tandem axle
25. 921233 Bottle cover, LP, w/out decal
26. 109867-02 Door, utility compartment
27. 109867-04 Door, TV/Coax Compartment
28. 601194 Water fill w/lock
29. 500996 TV/Telephone jack, exterior
30. 922243 Louvered panel, refrigerator access door
31. 601876 Shower, exterior, white

2011 CLASSIC TRAILER

EXTERIOR SHELL

Wall, Curbside, 27' Front Bed



See next page for P/N

2011 CLASSIC TRAILER

EXTERIOR SHELL

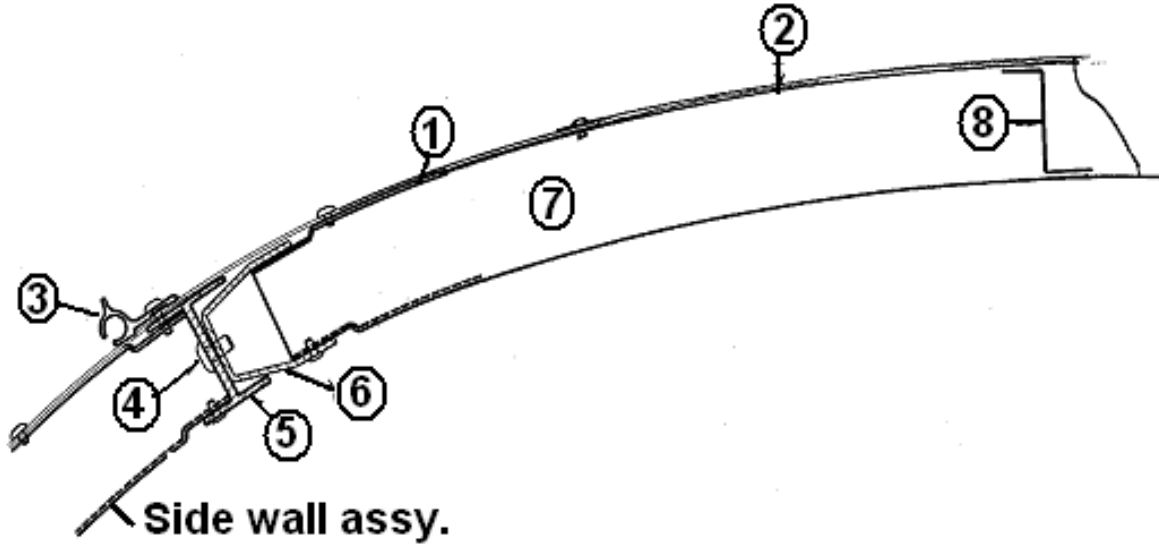
Wall, Curbside, 27' Front Bed

1. 114290-01 Extrusion, awning/drip rail
2. 114993 End bow
3. 104707-06 Extrusion, "I" beam
4. 114880-238 Alum. sheet, upper, .040" x 51" x 238"
5. 371324-02 Window, 30" x 24" opening egress window
6. 371270-01 Window, 30in., stack, stationary
7. 371269-01 Window, 18" stack
8. 114460 Extrusion, rub rail
9. 201763-01 Insert, rub rail, chrome, 1"
10. 100986 Floor channel
11. 114879-238 Alum. sheet, lower, .040" x 33" x 238"
12. 114387-01 Bow, Z rib, RH
13. 114387-02 Bow, Z rib, LH
14. 100986 Wheel well stiffener (floor channel.
15. 922243 Louvered panel, refrigerator access door
16. 922288-02 Door, side access, long, twin only
17. 200543-01 Banana wrap, CS front
18. 101131-01 Underbelly wrap, .024" x 22.5", Pewter
19. 201974-04 Bumper, rear corner, CS
20. 684937 Wheel well trim, inner, tandem axle
21. 684936 Wheel well trim, outer, tandem axle
22. 921233 Bottle cover, LP, w/out decal
23. 371400-01 Window, main door
24. 115207-05 Main door assembly
25. 114654-01 Screen door assembly
26. 114652-01 Main door jamb, formed
27. 511017-11 Vent cover, exterior, range exhaust
28. 690209 Cover, brushed aluminum, Atwood
29. 500092 Flood light

2011 CLASSIC TRAILER

EXTERIOR SHELL

Roof



Side wall assy.

1. 114669-307	Aluminum, white, .032" x 12.69" x 307"
2. 114489-262	Aluminum, white, .032 x 60 x 262"
2. 114489-198	Aluminum, sheet, white,.032 x 60 x 198"
3. 114290-01	Extrusion, awning/drip rail, 197.25"
3. 114290-02	Extrusion, awning/drip rail, 261"
3. 114290-03	Extrusion, awning/drip rail, 307"
4. 330139-01	Rivet, Magnalok, SS 1/4"
5. 104707-01	Extrusion, "I" beam, 303"
5. 104707-06	Extrusion, "I" beam, 258"
5. 114987-03	Extrusion, roof corner, 34'
6. 114987-02	Extrusion, roof corner, 30' & 31'
6. 114987-01	Extrusion, roof corner, 194", 27'
7. 114668	Roof bow
8. 104408	Extrusion, Z bar, horizontal
104948	Air deflector, A/C-Refer vent
325000-03	Rivet, anodized white 1/8" X 1/4"
101828	Extrusion, aluminum window stiffener

2011 CLASSIC TRAILER

INTERIOR SHELL

Interior Skin/Trim

114445	Aluminum inside skin, .032" x 34" x coil
114853-01	Aluminum inside skin, .032" x 57" x coil
201728-01	Extrusion, plastic, ceiling trim retainer
201728-03	Extrusion, plastic, ceiling trim
203138-03	Extrusion, plastic, wall trim, beige
203138-04	Extrusion, plastic, interior wall, oak
800766-003	Trim, hardwood, .50 panel, 84"

Headliner

702482-03	Head liner, end liner, Spectra Opal
-----------	-------------------------------------

Wall fabric

703838	Wall liner, Geometric Ivory, 72"
--------	----------------------------------

Wheel Well/Cover/Close Out

200514	Wheel well cover, interior, tandem
200844	Wheel well, black 66.50" A.B.S (Tri-axle wheel wells are made from two tandems)

Galley Wall Splash, Designate size needed

114879-262	Aluminum Sheet
------------	----------------

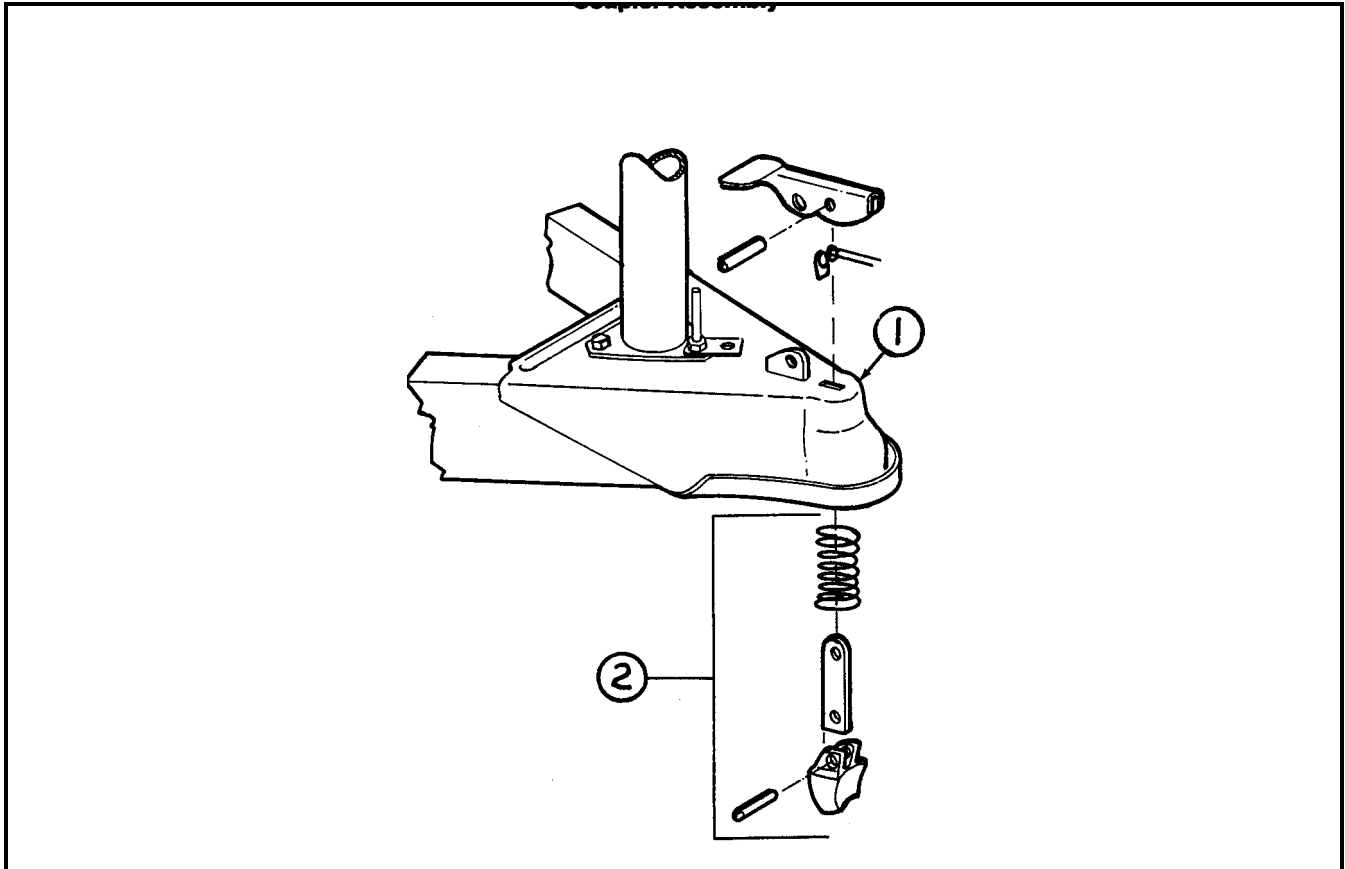
Decorative Panels

801828	Panel, Crackle Cream/Raw .125" X4 X 8'
--------	--

2011 CLASSIC TRAILER

CHASSIS

A-Frame/Coupler



- 1. 680343 Coupler assembly, 2 5/16"
- 2. 680345 Repair kit, 2 5/16" coupler
- 915256 A-frame complete
- 453620 Covers, A-frame, stainless steel
- 400945 5/16 clevis, safety hook

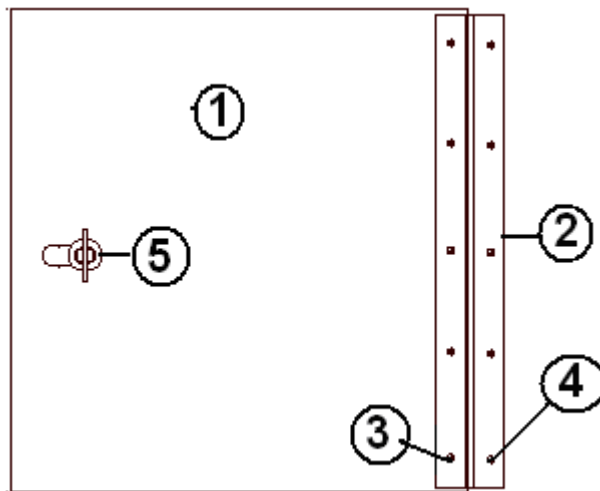
Breakaway Switch

- 0300027 Break away switch, Bargman
- 400407 Bracket, breakaway switch

2011 CLASSIC TRAILER

CHASSIS

Tool Box Lid



- 1. 410551 Lid, battery box
- 2. 380203-01 Hinge
- 3. 330127-08 Rivet 1/8" (Mill) AD48ABS
- 4. 325035 Chicago rivets
- 5. 381430 Lock, twist straight cam

Hose carrier

- 601544-02 EZ hose carrier, black 45"
- 104704-01 Shim, 3" X 3"

Tire Carrier

- 450414 "A" frame tire carrier

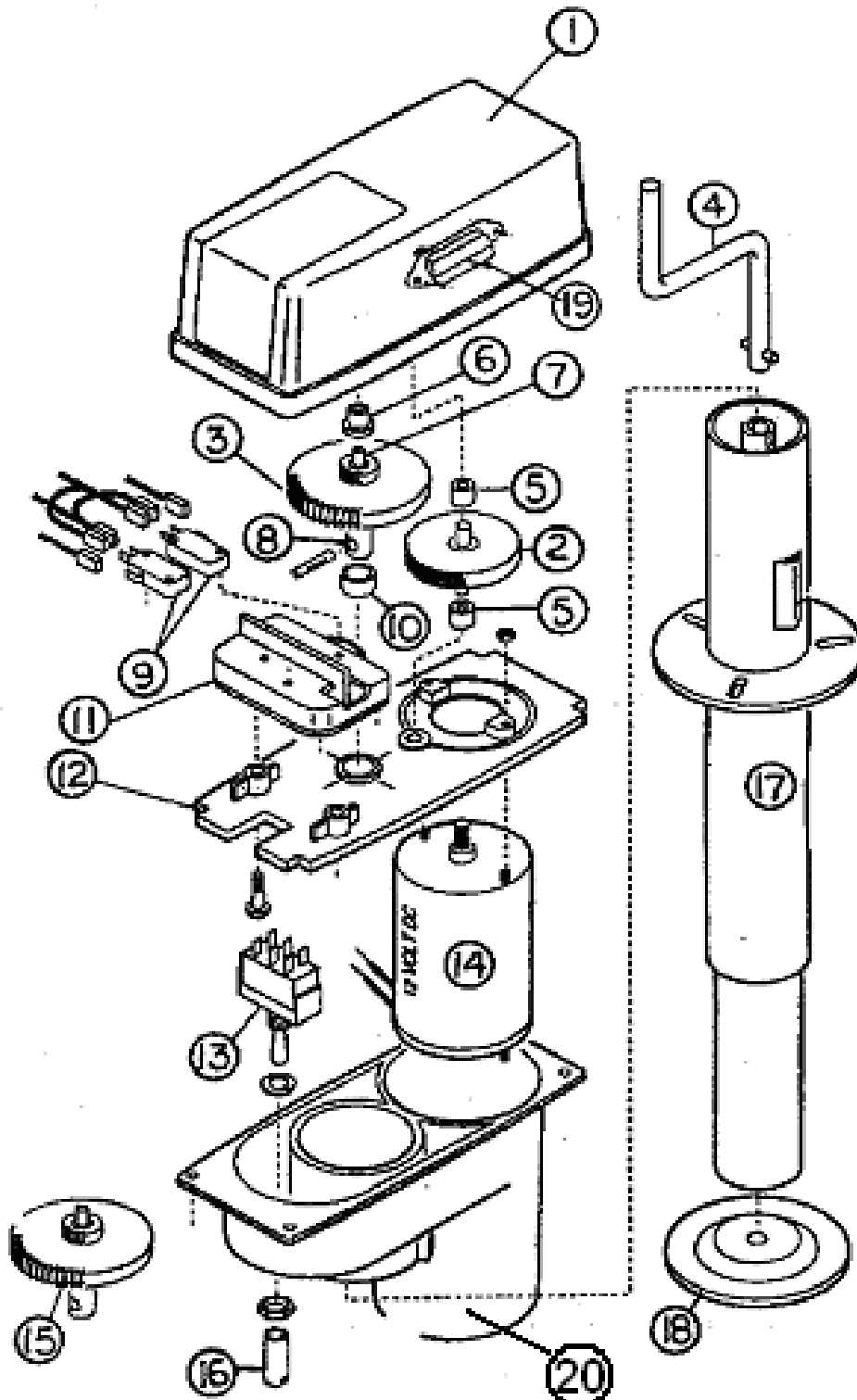
Floor Fasteners

- 345181 Screw- 1/4-14 X 2" self tapping
- 345370-01 Bolt 3/8-16 hex head - 3.50"
- 300023-02 Washer, hold down - hole offset
- 100986 Floor extrusion

2011 CLASSIC TRAILER

CHASSIS

Power Hitch Jack



See next page for P/N

2011 CLASSIC TRAILER

CHASSIS

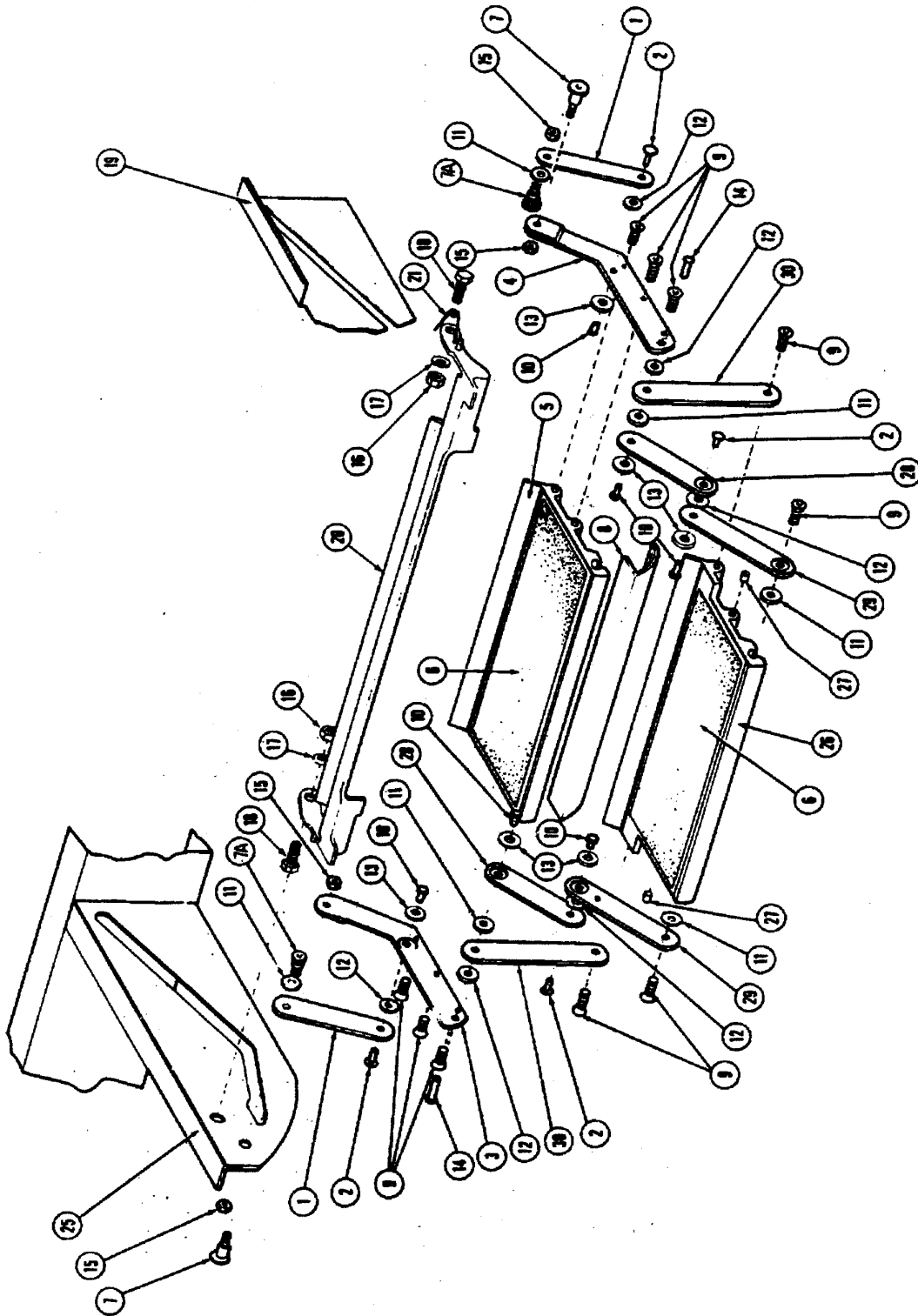
Power Hitch Jack

- 511544 Power jack w/flag holder & light
- 012251 Power head less post
- 1. 012198 Cover, Super Jack
- 2. 010051 Gear, fiber, Super Jack
- 3. 015551 Drive gear, Super Jack
- 4. 016199 Crank handle, manual, Super Jack
- 5. 080501 Bushing, bronze, Super Jack
- 6. 010055 No longer available for individual purchase.
- 7. 015552 Gear, pot/reed, Super Jack
- 8. 015553 Shaft, Super Jack
- 9. 081703 Micro switch, Super Jack
- 10. 080520 Bushing/bronze,7/16,Super Jack
- 11. 012252 Limit switch assembly, Super Jack
- 12. 012200 Center plate, Super Jack
- 13. 081704 Switch, toggle, Super Jack
- 14. 016263 Motor, 12V, Super Jack
- 15. 011675 Drive gear assembly, Super Jack
- 16. 010069 Switch cover, Super Jack
- 17. 011631 Jack post, Super Jack
- 18. 410598 Foot pad #12231
- 19. 026503 Light, Jack
- 20. 012199 Housing for Motor and Switch

2011 CLASSIC TRAILER

CHASSIS

Step



See next page for P/N

2011 CLASSIC TRAILER

CHASSIS

Step

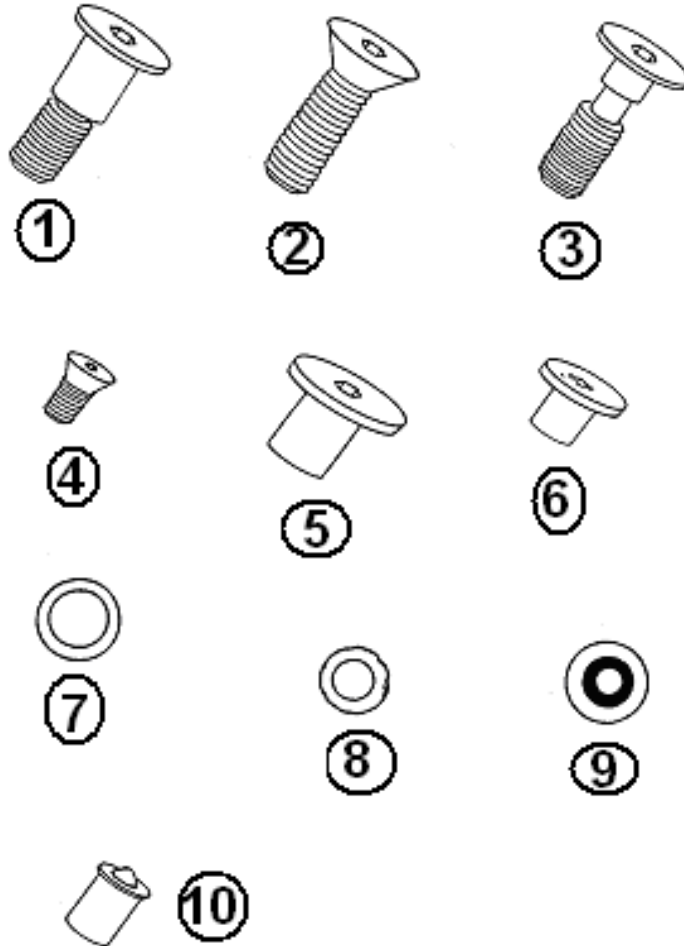
3440006	Double step assembly
1. 680213	Arm, upper support
2. 680214	*Pin, hinge
3. 680215	Step bracket, left
4. 680216	Step bracket, right
5. 680217	Extrusion, step 20.5"
6. 380069	Safety tread
7. 001152	Bolt, shoulder
7a. 001145	Bolt, shoulder, 3/8" thread
8. 680220	Panel
9. 680221	Screw, flat head
10. 680222	Bolt, socket head
11. 680223	Washer, bronze
12. 680224	Washer, wave
13. 680225	Washer, aluminum
14. 680226	Pin, pivot
15. 350005	Nut, hex
16. 350147-25	Nut, Nylock
17. 300005	Washer, flat
18. 345016	Screw, machine
19. 400454	Outrigger, RH (Not included with step assembly.)
20. 100298	Casting, step release
21. 0440032	Step spring
25. 400455	Outrigger, LH (Not included with step assembly.)
26. 410200	Extrusion, step, 20.0"
27. 380075	*Bullet catch
28. 400004	Hinge arm, upper
29. 400003	Hinge arm, lower
30. 400005	Arm, lower support

*Larger illustration on next page

2011 CLASSIC TRAILER

CHASSIS

Step Bolts/Washers/Screws/Catches Illustrated

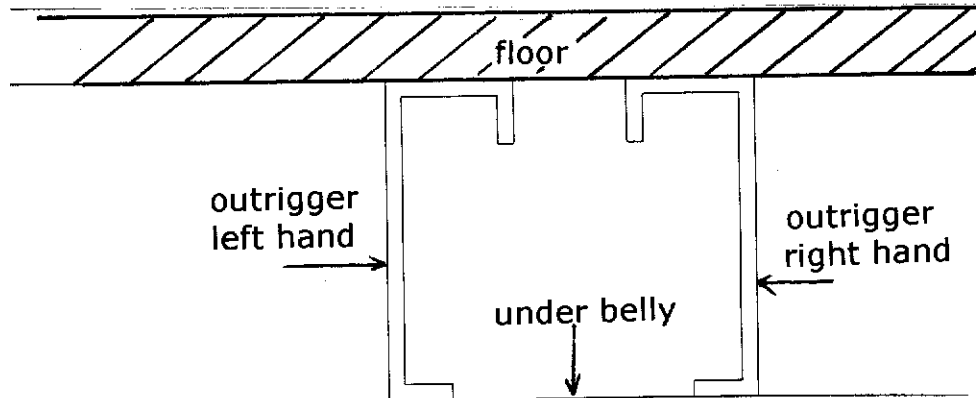


- | | | |
|-----|--------|------------------------------------|
| 1. | 001152 | 1/2" Shoulder w/3/8" shoulder bolt |
| 2. | 680221 | 3/8-16 x 1, flat head Allen, screw |
| 3. | 001145 | 3/8-16 thread, shoulder bolt |
| 4. | 680222 | Flat head Allen socket screw |
| 5. | 680226 | Pivot pin |
| 6. | 680214 | Hinge pin |
| 7. | 680223 | Brass washer |
| 8. | 680224 | Wave washer |
| 9. | 680225 | Aluminum Washer |
| 10. | 380075 | Bullet catch |

2011 CLASSIC TRAILER

CHASSIS

Outriggers



- 410524 Step outrigger assembly, forward
- 410523 Step outrigger assembly, aft
- 410497 Outrigger, pierced, RH
- 410498 Outrigger, pierced, LH
- 410500 Outrigger, standard, LH
- 410499 Outrigger, standard, RH
- 410501 Outrigger, solid, RH, notched
- 410502 Outrigger, solid, LH, notched
- 410706 Outrigger, TV/Coax compartment, RH
- 410707 Outrigger, TV/Coax compartment, LH

Chassis Covering/Rear Bumper

- 114679 Alum. underbelly .019" x 65.75, coil
- 101131-01 Alum. underbelly .024" x 22.5", coil, pewter
(covers from underbelly to floor line)
- 200543-01 Banana wrap, CS front
- 200542-01 Banana wrap, RS front
- 203142 Bumper, rear center
- 201974-03 Bumper, rear corner, RS
- 201974-04 Bumper, rear corner, CS
- 201909 Bumper trim, molded, black

Note: The rear roll out tray makes up part of the center section of the bumper)

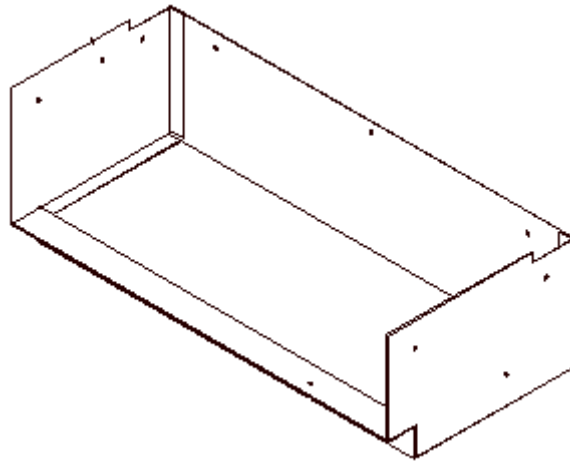
2011 CLASSIC TRAILER

CHASSIS

Stabilizing Jacks, Manual

- 400093 Stabilizing jacks, BAL w/handle, set of 4
- 400093-01 BAL jack, aluminum, each
- 400093-04 Foot pads, BAL jack, set of 4
- 400093-100 Foot pad, BAL jack, 1 only
- 400093-02 Crank, stabilizer jack (BAL)
- 400093-05 BAL jack, w/handle & footpad, black

Underbelly Compartment Pan

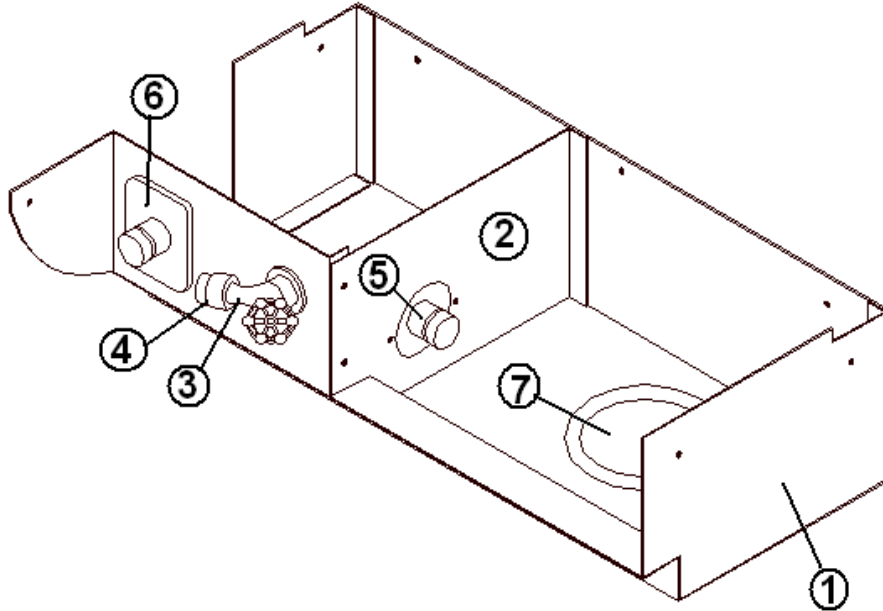


- 915145-01 Utility compartment assembly, painted

2011 CLASSIC TRAILER

CHASSIS

Underbelly Utility Compartment, All

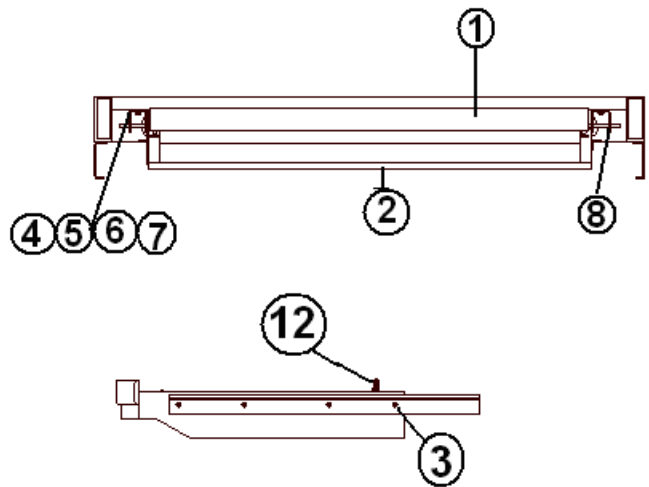
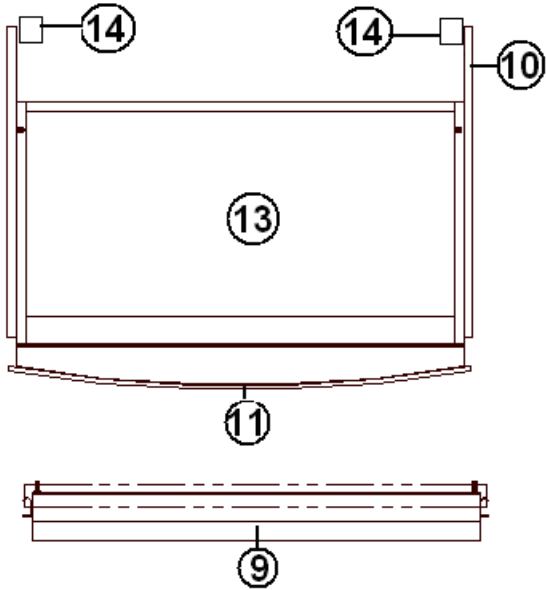


- | | |
|--------------|---|
| 1. 915099-01 | Assembly, utility compartment, LH |
| 1. 915099-02 | Assembly, utility compartment, RH |
| 2. 452795-01 | Panel – interior utility compartment LH |
| 2. 452795-02 | Panel – interior utility compartment RH |
| 3. 601467 | Sillcock, 1/2", female w/ wheel |
| 4. 601469 | Vacuum breaker, 3/4" garden hose |
| 5. 601786 | City water fill |
| 6. 601786 | City water fill |
| 7. 381435 | Hatch – access cover, 4", white |
| 601565 | Hose, water, 12" w/fittings |

2011 CLASSIC TRAILER

CHASSIS

Roll Out Tray



- | | | |
|-----|-----------|---------------------------------------|
| 1. | 962828-01 | Roll out tray assembly, rear |
| 2. | 453159 | Enclosure assembly, rear rollout tray |
| 3. | 330031-03 | Rivet, dome head, SSD64SSBS |
| 4. | 453156 | "U" bar, roller support |
| 5. | 381555 | Ten ball roller w/stem |
| 6. | 381554-44 | Fastener, internal tooth spring |
| 7. | 345074-05 | Screw 5/16-18 X 7/8 hex washer |
| 8. | 310028 | Lynch pin, 1/4" |
| 9. | 453144 | Roll out tray |
| 10. | 381556 | Overhead door track, 2" |
| 11. | 201909 | Molding, black bumper trim |
| 12. | 345283-03 | Screw cap, 1/4"-20 X 1.5 |
| 13. | 703560 | Flooring, rubber, coin |
| 14. | 454088 | Closeout, roll out tray |

2011 CLASSIC TRAILER

CHASSIS

Axles, Dexter Nev-R-Lube, Nev-R-Adjust

410980-01 Axle, 5000#, 31', 30', 27'
410980-02 Axle, 3800#, 34'

Shocks

0220003 Shock absorber

Spare Tire/Wheel assembly

410843-100 Wheel, steel, 15"
410843-01 Spare tire and steel wheel, BSW, LR "D", 15"

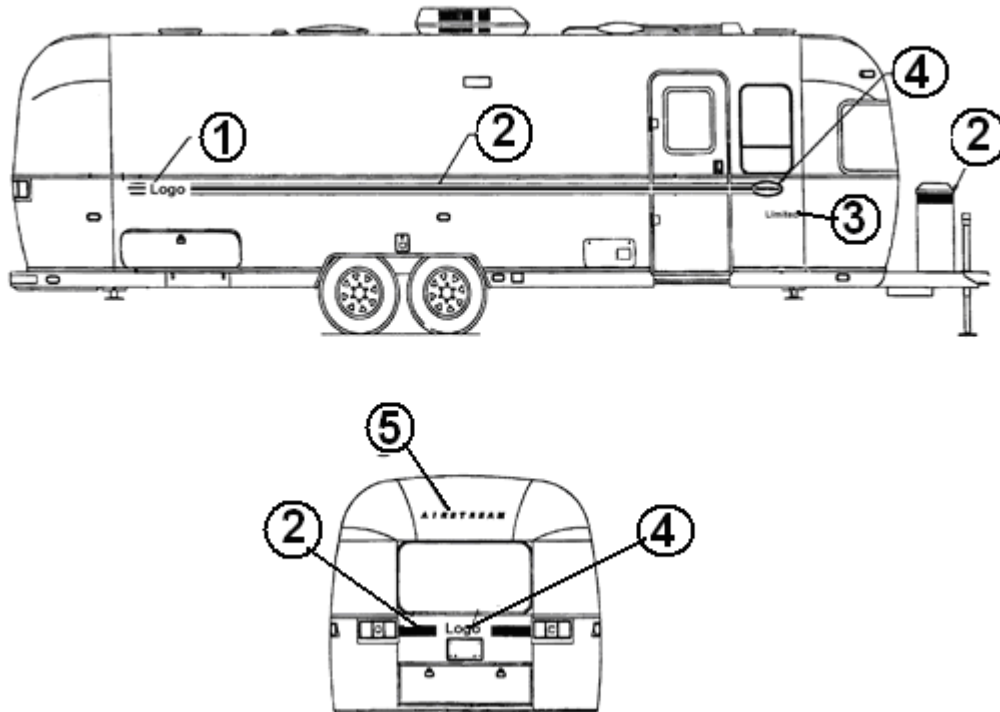
Tire/Wheel Assembly

410926 Tire and wheel assembly
410842 Tire ST 225/75 R15, LR "D" BW
400844-01 Cover, center hub, polished aluminum
400923 Lug nut, acorn type

2011 CLASSIC TRAILER

DECALS/MEDALLIONS

DECALS/MEDALLIONS, STANDARD



Decals, Standard

- | | |
|-----------|--|
| 1. 386153 | Decal, Airstream 1.3" X 16", aluminum |
| 2. 386086 | Decal, pin stripe, blue |
| 3. 386188 | Decal, "LIMITED" .88" X 5", chrome |
| 4. 386169 | Nameplate - CLASSIC - blue/gray |
| 5. 386152 | Decal, AIRSTREAM, 2.4" X 28", aluminum |
| 386068 | Medallion, 3", screen door |
| 386244 | BADGE, 25TH ANNIVERSARY, 34' |
| 386247 | NAMEPLATE, 80 YEAR LOGO TRL |

2011 CLASSIC TRAILER

EXTERIOR TRIM

Beltline

114328	Extrusion, belt line molding
201912	Molding, belt line insert, chrome
114417	Casting, belt line close out

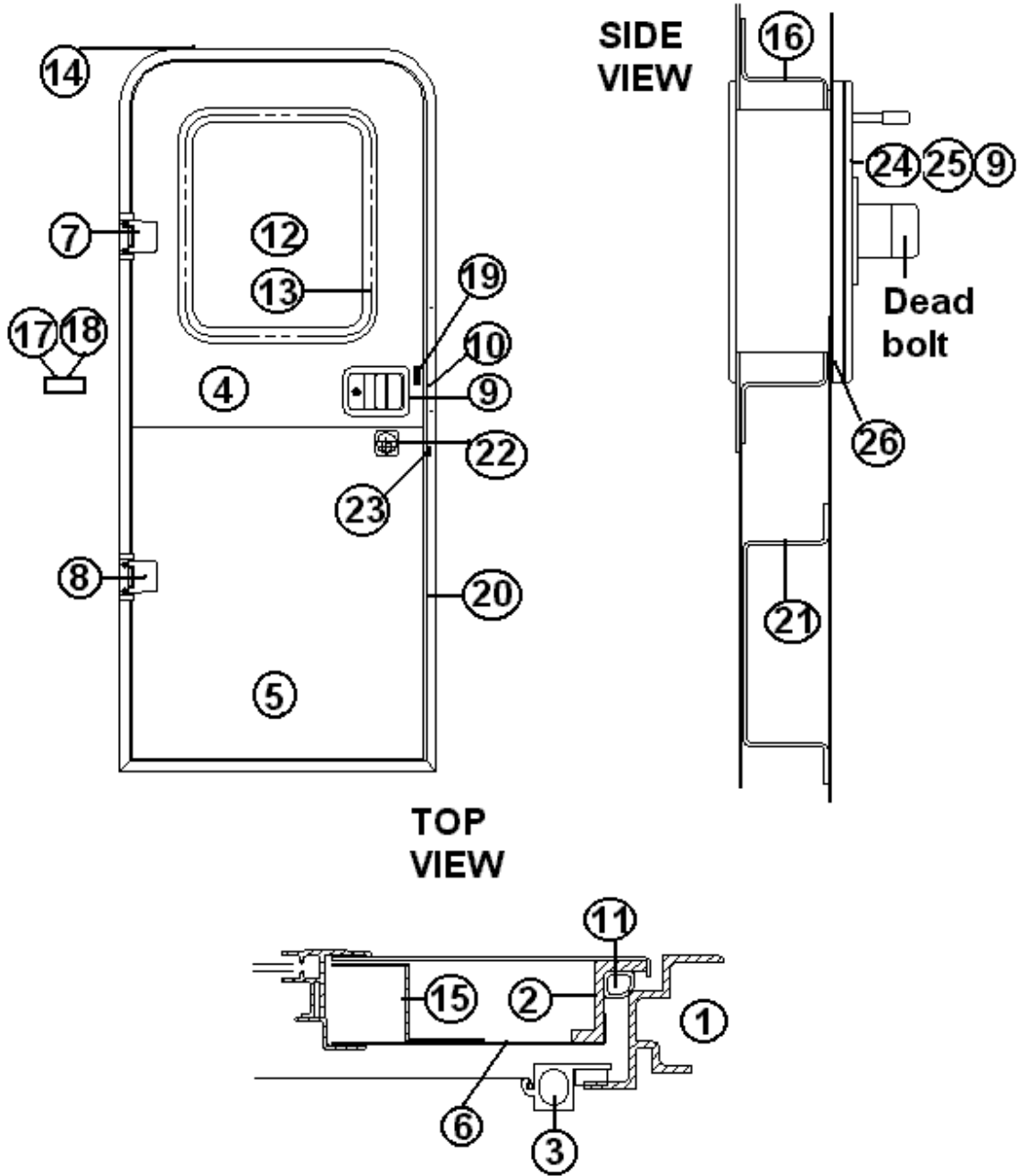
Rub Rail

114460	Extrusion, rub rail
201763-01	Molding, rub rail insert, chrome
114466-01	Casting, close out, rub rail, angled, RH
114466-02	Casting, close out, rub rail, angled, LH
114465-01	Casting, close out, rub rail, RH
114465-02	Casting, close out, rub rail, LH

2011 CLASSIC TRAILER

DOORS/WINDOWS/AWNING

Main Door, LH Hinge



See next page for P/N

2011 CLASSIC TRAILER

DOORS/WINDOWS/AWNING

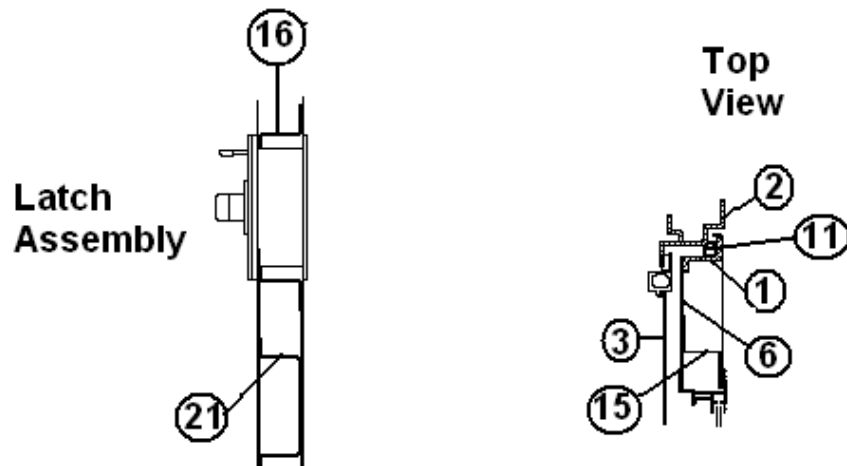
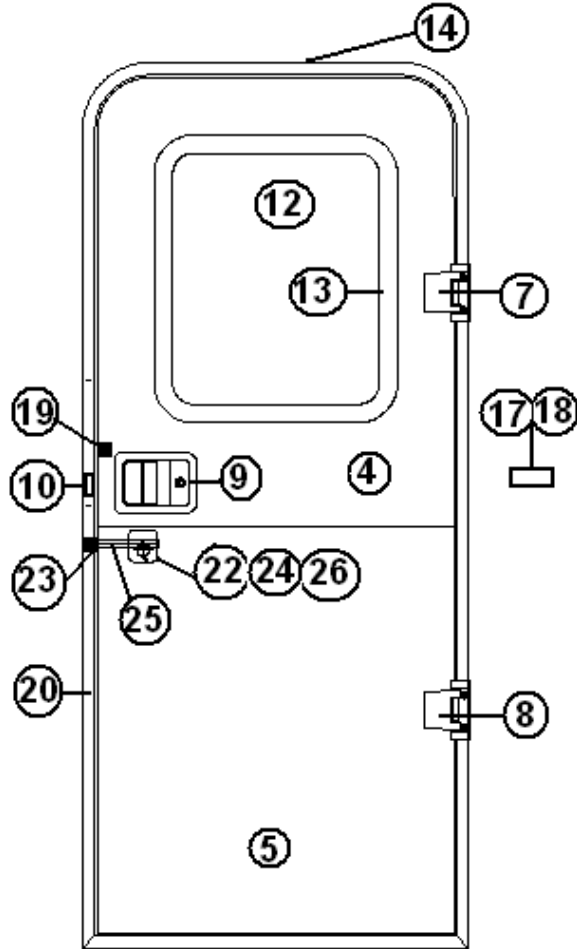
Main Door, LH Hinge

- 115207-04 Main door assembly
- 1. 114653 Frame, main door, pre-formed
- 2. 114652 Jamb, main door, pre-formed
- 3. 114654 Screen door assembly
- 4. 114448-03 Skin, exterior, upper main door
- 5. 114449-03 Skin, exterior, lower main door
- 6. 114475 Main door skin, inner
- 7. 381552-03 Hinge assembly, main door, upper
- 8. 381552-04 Hinge assembly, main door, lower
- 9. See hardware section for door latch parts
- 10. 385595 Pocket strike, main door
- 11. 365232 Seal, main door
- 12. 371400-01 Window, main door, etched
- 13. 115208 Trim ring, main door window
- 14. 114363 Drip cap, main door
- 15. 114658 Inner door, "Z" bar, upper & lower
- 16. 114657 Hat section, formed, main door
- 17. 380290 Housing. Latch, mounted on side sheet
- 18. 380291 Latch assembly, mounted on side sheet
- 19. 201056 Striker, main door, black plastic
- 20. 114507-03 Trim, main door
- 21. 115413 Hat section assembly, round dead bolt
- 22. 382069 Deadbolt assembly, round, Trimark
- 23. 381326 Striker w/ Trimark deadbolt
- 24. 345321-12 Screw, flat head, black
- 25. 453851 Bolt, Trimark, deadbolt
- 26. 203370 Spacer, deadbolt assembly
- 203494 Baseplate, door latch
- 511344-01 Grab handle, embossed "LIMITED"

2011 CLASSIC TRAILER

DOORS, EXTERIOR

Main Door, RH Hinge



See next page for P/N

2011 CLASSIC TRAILER

DOORS, EXTERIOR

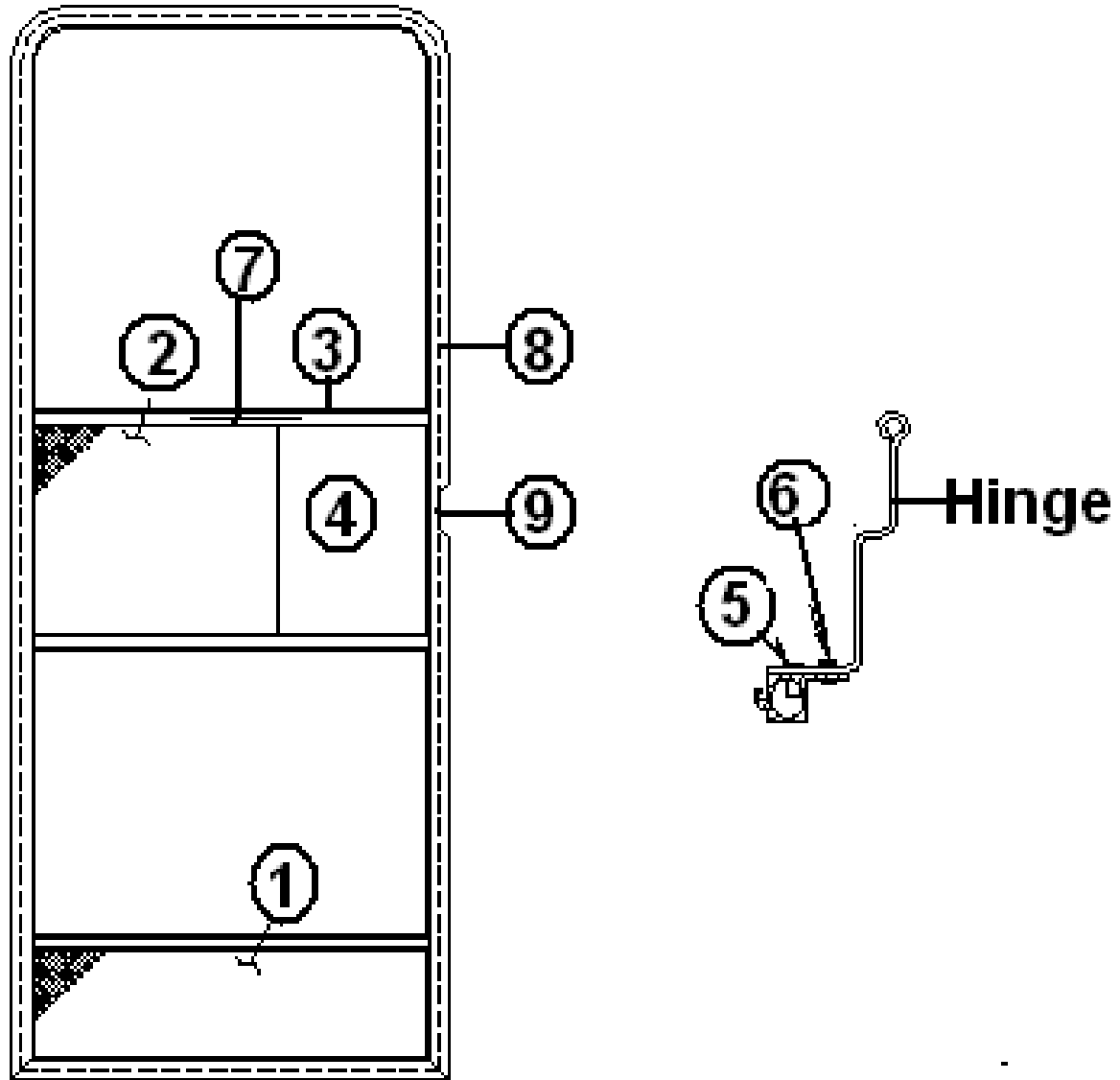
Main Door, RH Hinge

- 115207-05 Main door assembly, RH hinge
- 1. 114652-01 Jamb, main door, pre-formed
- 2. 114653-01 Frame, main door, pre-formed
- 3. 114654-01 Screen door assembly, RH Hinge
- 4. 114448-03 Skin, exterior, upper main door
- 5. 114449-03 Skin, exterior, lower main door
- 6. 114475 Main door skin, inner
- 7.. 381552-02 Hinge assembly, main door, upper
- 8. 381552-01 Hinge assembly, main door, lower
- 9. See hardware section for door latch parts
- 10. 385595 Pocket strike, main door
- 11. 365232 Seal, main door
- 12. 371400-01 Window, main door, etched
- 13. 115208 Trim ring, main door window
- 14. 114363 Drip cap, main door
- 15. 114658 Inner door, "Z" bar, upper & lower
- 16. 114657 Hat section, formed, main door
- 17. 380290 Housing. Latch, mounted on side sheet
- 18. 380291 Latch assembly, mounted on side sheet
- 19. 201056 Striker, main door, black plastic
- 20. 114507-03 Trim, main door
- 21. 115413 Hat section assembly, round dead bolt
- 22. 382069 Deadbolt assembly, round, Trimark
- 23. 381326 Striker w/ Trimark deadbolt
- 24. 345321-12 Screw, flat head, black
- 25. 453851 Bolt, Trimark, deadbolt
- 26. 203370 Spacer, deadbolt assembly
- 203494 Base plate, door latch
- 511344-01 Grab handle, embossed, "LIMITED"

2011 CLASSIC TRAILER

DOORS/WINDOWS/AWNING

Screen Door



See next page for P/N

2011 CLASSIC TRAILER

DOORS/WINDOWS/AWNING

Screen Door

114654	Screen door assembly, LH hinge
114654-01	Screen door assembly, RH hinge
1. 114648-01	Kick panel screen door
2. 114561-01	Panel, slider, screen door
3. 104784-78	Extr., screen door stiffener #VH-9
4. 203287-02	Close out, plastic, screen door
5. 330126-03	Rivet, pop, SSD44SSBS
6. 325122	Rivet, hard, 5/32
7. 380004	Handle with 8/32 X 1 screw
8. 365013-01	Gasket, screen door, foam tape
9. 683946	Bug seal, edge of screen door close out
115171-01	Screen door guard top
115171-02	Screen door guard bottom
380079	Screen, gray
200518	Spline, gray, screen insert
701624	Velcro, loop 5/8" wide
701625	Velcro, hook 5/8" wide
381454	Screen door hold back latch, Bullet
386068	Medallion, 3" logo, AIRSTREAM
381531-01	Hinge, screen door, upper
381531-02	Hinge, screen door, lower

2011 CLASSIC TRAILER

DOORS/WINDOWS/AWNING

Refrigerator Access Door

922243	Door, refrigerator access, assembly
922156	Door, refer access
104417	Jamb, refrigerator access door
203714	Trim Lok, flexible, inner doorjamb
380988	Hinge, continuous .5 in, leaf 16IN
381812	Latch, twist, chrome
114811	Aluminum angle, .50" X .50"

Trunk Door, Rear End, Twin Bed

921159-01	Trunk door assembly, rear, twin only
114675	Jamb, rear trunk door
380770	Lock & Casting assembly
360016	Bump on rubber
365035	Rubber seal, access door
380203-01	Piano, hinge 1/8" pin
381065-10	10" cable support
701538-01	Carpet, Econolier w/PSA backer

Side Access Door, Long, Front Access Door FB Models

922288-02	Door, front, w/o license plate holder
104833	Jamb, long side access door, twin only
381065-10	10" cable support
104831	Frame, rear access door
380770	Lock & Casting assembly
365035	Rubber seal, access door
380774-02	Hinge, compartment, door, 48.00"

Water Heater/Water Fill/Furnace Doors

690209	Cover, brushed aluminum, Atwood water heater
690274-09	Door exterior, Hydroflame furnace
601194	Water fill door w/pocket & lock

2011 CLASSIC TRAILER

DOORS/WINDOWS/AWNING

Side Access Door, Small

100679-01	Door assembly, side and rear access, small
380773	Hinge, access door
380770	Lock & Casting Assembly
115296	Jamb, formed compartment door
365035	Rubber seal, access door

Utility/Power Cord Underbelly Doors

109867-01	Door, Power Cord compartment
109867-02	Door, utility compartment
340023-01	Pad lockable catch
380988	Hinge, continuous, .5IN leaf
114812	Aluminum angle, 1.00" X 1.00"
365013-01	Tape, charcoal low density foam
365030	Seal, door hinge 3-3/4" wide
114070	J-trim, extrusion, aluminum

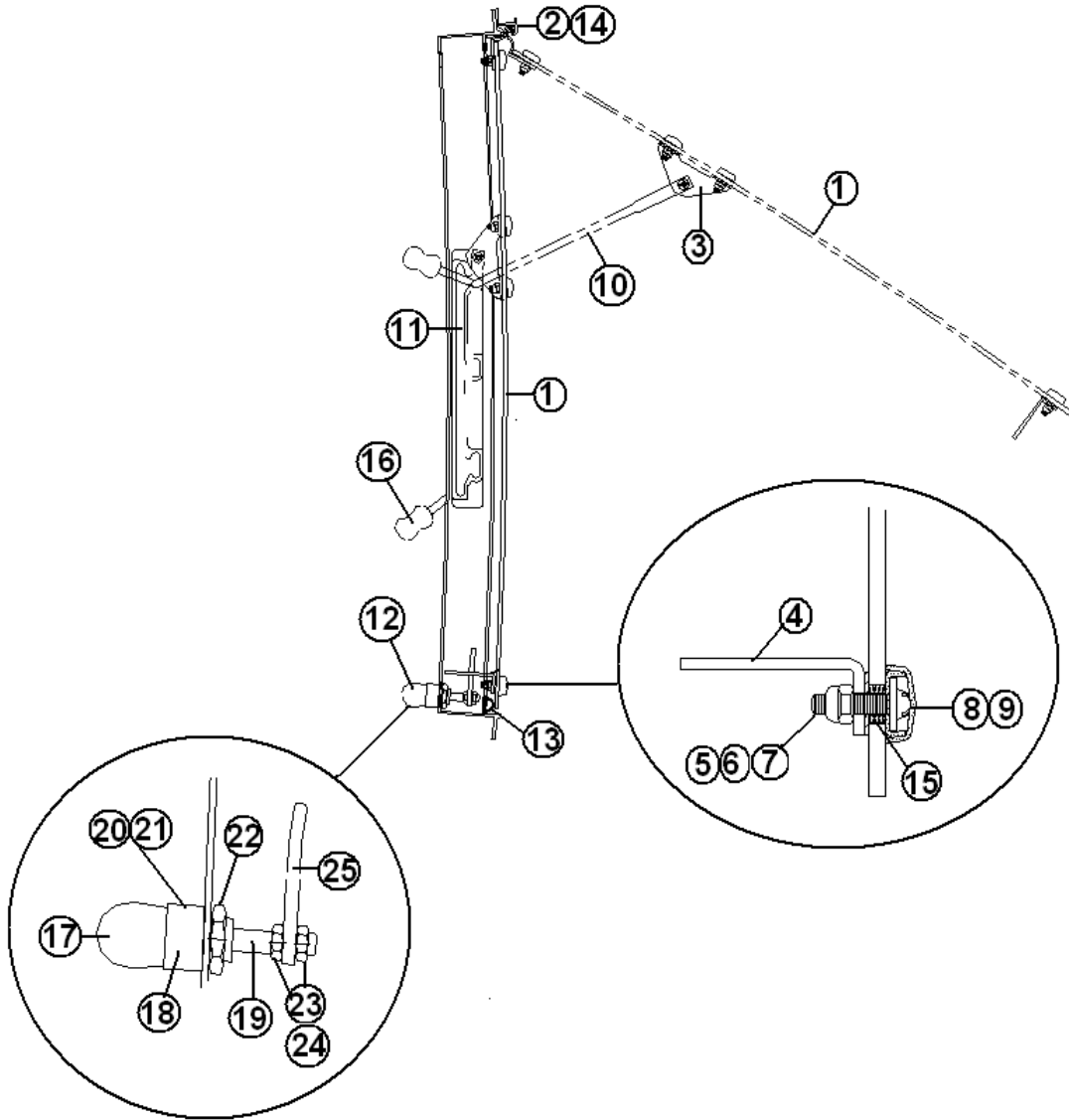
Battery Box Door

114467-01	Door panel, outer, battery box door
114468	Door panel, inner, battery box door
114464	Casting, battery box door jamb
380238	Support cable, battery box door
200855	Plastic battery tray
381397	Key cylinder w/ cam, 501 key
381501	Cam lock, off set
380612	Cord, grip 3/8
350047	Nut 3/8 lock for cord grip
381500	Hinge piano, reversed 8.50" long

2011 CLASSIC TRAILER

DOORS/WINDOWS/AWNINGS

Window Parts Diagram



Part numbers on next page

2011 CLASSIC TRAILER

DOORS/WINDOWS/AWNINGS

- | | | |
|-----|------------|-------------------------------------|
| 1. | 371323-100 | Glass w/hardware, 18" window |
| 1. | 371324-100 | Glass w/hardware, 30" window |
| 2. | 371323-101 | Hinge, 18" window |
| 2. | 371324-101 | Hinge, 30" window |
| 3. | 1101-0010 | Bracket, window prop |
| 4. | 1101-0011 | Bracket, LH Striker |
| 4. | 1101-0012 | Bracket, RH Striker |
| 5. | 0706-0004 | Flat washer |
| 6. | 0703-0001 | Screw, #8-32 x .625", black, SS |
| 7. | 0702-0010 | Nut, Nylox, #8-32, black SS |
| 8. | 0802-0004 | Screw cover, 12-12 #100, black |
| 9. | 0802-0005 | Washer, 12-12 screw cover bottom |
| 10. | 100903 | Operating arm, RH |
| 10. | 100903-01 | Operating arm, LH |
| 11. | 0802-0001 | Guide, operating arm, RH |
| 11. | 0802-0002 | Guide, operating arm, LH |
| 12. | 010020 | Latch assembly, chrome |
| 13. | 382117 | Gasket, rectangular post |
| 14. | 0101-0017 | Male hinge extrusion, 1/2" pc. |
| 15. | 195467-02 | Washer, nylon .125" X 5/16" OD |
| 16. | 380230-03 | Window arm knob, silver |
| 16. | 380230-04 | Window arm knob, red |
| 17. | 1101-0005 | Latch handle, chrome |
| 17. | 195467-05 | Latch handle, red |
| 18. | 1101-0007 | Latch body |
| 19. | 1101-0008 | Latch shaft |
| 20. | 1101-0009 | Latch spring |
| 21. | 0707-0002 | Pin, drive lock, 5/32" x 5/8", zinc |
| 22. | 0702-0001 | Nut, hex panel, 5/8"-24, zinc |
| 23. | 0702-0002 | Nut, jam, hex, 5/16-24 |
| 24. | 385123 | Washer, flat, .53" OD x .328" ID |
| 25. | 685123 | Latch paw |

2011 CLASSIC TRAILER

DOORS/WINDOWS/AWNINGS

Window Trim Rings

200968-01	TRIM, WINDOW, 30" X 30", WHITE
201675-01	Trim ring, inside, 30" stack window
201676-01	Trim, stack window 18"
115208	Trim ring, window, main door
203225	Trim lok, white, for fixed window close outs
114157-01	Extrusion, end liner, upper, white

Vista View Windows, 30"

922770-02	Vista View- 30"
203490-04	Trim ring, 30" Vista View
703462-04	Shade, pull 31.25"X9.5" Vista View
922772-02	Backer – Vista View blind - 30"
115222-01	Z Bar-formed 31.5" Vista View

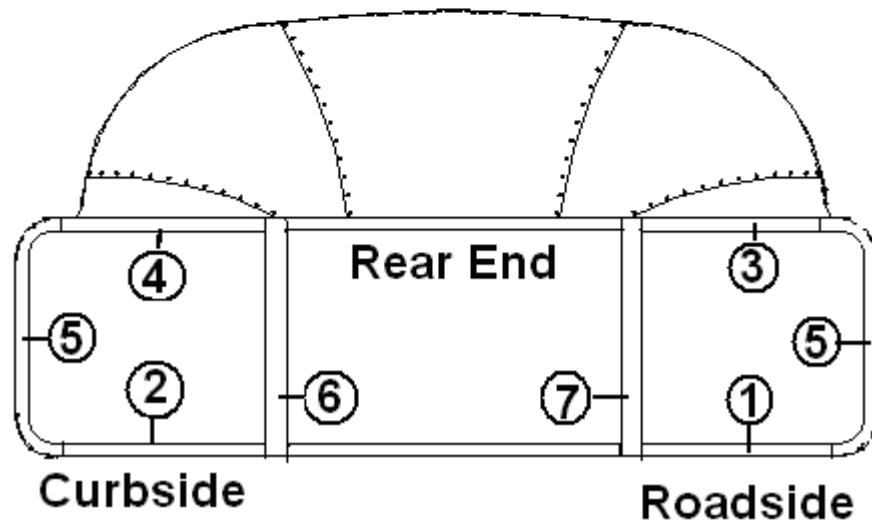
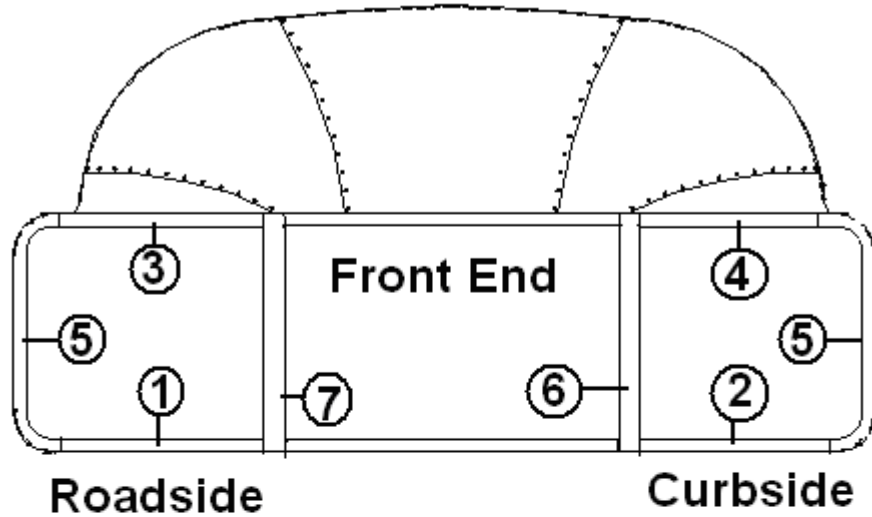
Vista View Windows, 18"

922770-01	Vista View Window, 18"
203490-04	Trim Ring, 18" Vista View Window
703462-04	Pull Shade, 19.25"X9.5" Vista View Window
922772-01	Backer – Vista View blind - 18"
115222-02	Z Bar-formed 19.5" Vista View

2011 CLASSIC TRAILER

DOORS/WINDOWS/AWNINGS

Panoramic Window Trim



- | | |
|--------------|---------------------------|
| 1. 201579-01 | Trim ring, lower white |
| 2. 201580-01 | Trim ring, lower white |
| 3. 201581-03 | Trim ring, upper white |
| 4. 201581-04 | Trim ring, upper white |
| 5. 201578-01 | End cap, trim ring, white |
| 6. 110900-01 | Trim, formed, white, RH |
| 7. 110900-02 | Trim, formed, white, LH |
| 203225 | Trim-lok, white .75" |

2011 CLASSIC TRAILER

DOORS/WINDOWS/AWNINGS

Windows

371346-02	Window, flat, front center
372088-101	Window, panoramic, front RS
372089-101	Window, panoramic, front, CS
371348-02	Window, flat, rear w/red handles
371324-02	Window, curved 30" opening
371270-01	Window, curved, 30" stacked
371285-01	Window, curved 30" x 30" fixed
371323-01	Window, curved 18" opening
371269-01	Window, curved 18" stacked
371380	Window, opening, 30" tall
371400-01	Window, main door
371380-01	30" x 30", opening egress window

Window Screens

371349-01	Screen, rear escape
371347-01	Screen, front window
372174-01	Screen, 18" opening window, white frame
372175-02	Screen, 30" opening window, white frame
372175-04	Screen, 30" opening window, clear aluminum frame
372215	Screen, 30" tall
372215-03	30" screen, silver, tall

2011 CLASSIC TRAILER

DOORS/WINDOWS/AWNINGS

Awnings, Patio

703633-03	Awning, patio, 21' 7" blue, 30', 31', 34'
703633-04	Awning, patio, 18' 4.5", 27' Front Bed
381532-01	Hardware, patio, satin
703633-05	Center support
385577	Wear tape, clear, 3½" wide

Awnings, Windows

703633-12	Awning, RS windows, 13' 4", blue, 30' & 31'
703633-10	Awning, 3', blue, Rear, 31', 30', 34'
703633-10	Awning, window, 14' 10", 34'
703633-15	Awning, window, blue, 52.625", 31', 30', 34'
703633-16	Awning, RS window, 18' 4.5", blue, 27'
703633-17	Awning, rear, 52 5/8" w/hardware, blue, 27' front bed
385577	Wear tape, clear, 3½" wide

2011 CLASSIC TRAILER

DOORS/WINDOWS/AWNINGS

Window Stone Guard

110188-01	3 Piece Stone Guard
685275-101	CS wrap window solar protector, stone guard
685275-102	RS wrap window solar protector, stone guard
110102	Stone Guard, Center Piece, w/Panoramic windows
685358	Turn fast stud
685362	Retainer, split ring
685359	Rubber receptacle
685361	Bracket, rubber receptacle
685363	Slip joint hinge, SS, CS per pair
683960	Arm support
683959	Arm support bracket
114749	Hinge, "Y" assembly. (ROCKGUARD ASSY.)
114750	Hinge, "J" (ROCKGUARD ASSY.)
685364	Bracket, upper hinge-45.375-STONEGUARD
381021-01	Latch, draw flexible
381688	Bumper, rubber, .44" wide, hemisphere, clear

Stone Guard Frame

114815-01	Extrusion, frame aluminum
685354	Front window key, 90-degree angle riveted to inside corner of metal frame
685378-01	¼" rubber spline
685351	Rubber frame, black
290812-01	Plexi-glass, 28" x 84 " sheet
101401	Extrusion, door latch housing
685355	Slip joint, SS. hinge

2011 CLASSIC TRAILER

DRAPES/BLINDS/VALANCES

Drapes/Valances, 34'

998056-01	Drape, rear, 4-16 pleats
998134-01	Drape, rear bedroom, side, 2-9 pleats
998148-01	Drape, bedroom, 7 pleat panel, 27.50"
998053-01	Drape, dinette, 2-8 pleats & 1-5 pleat
998050-01	Drape, front, 4-16 pleat
998134-02	Drape, lounge, RS, 30", 2-9 pleats
998135	Drape, lounge, CS, 30", 2-6 pleats
966138-03	VALANCE, 58" LOUNGE
966138-06	VALANCE, 97.63" LOUNGE
966127-03	VALANCE, 37" GALLEY
966129-01	VALANCE, 73" DINETTE
966130-01	VALANCE, 52" BEDROOM, DOUBLE
966128-01	VALANCE, 66" BEDROOM, DOUBLE
966130-03	VALANCE, 38.5", BEDROOM, TWIN

Drapes/Valances, 31'

998134-01	Drape, rear bedroom, side, 2-9 pleats
998148-01	Drape, bedroom, 7-pleat panel, 27.50"
998053-01	Drape, dinette, 2-8 pleats & 1-5 pleat
998050-01	Drape, front, 4-16 pleat
998134-05	Drape, lounge, RS, 30" 2-9 pleat
998135	Drape, lounge, CS, 30", 2-6 pleats
998056-01	Drape, rear, 4-16 pleats
966129-05	Valance assembly, - 73". 31'w/dinette
966127-01	Valance assembly - 24" galley
966130-03	Valance assembly, - 38.5" bedroom
966138-01	Valance assembly - 42" lounge
966138-17	Valance assembly - long, 42"
966130-01	Valance assembly - 52", bedroom
966128-01	Valance assembly - 66", 30' bedroom
965681-03	Valance assembly - 38.5", bedroom

2011 CLASSIC TRAILER

DRAPES/BLINDS/VALANCES

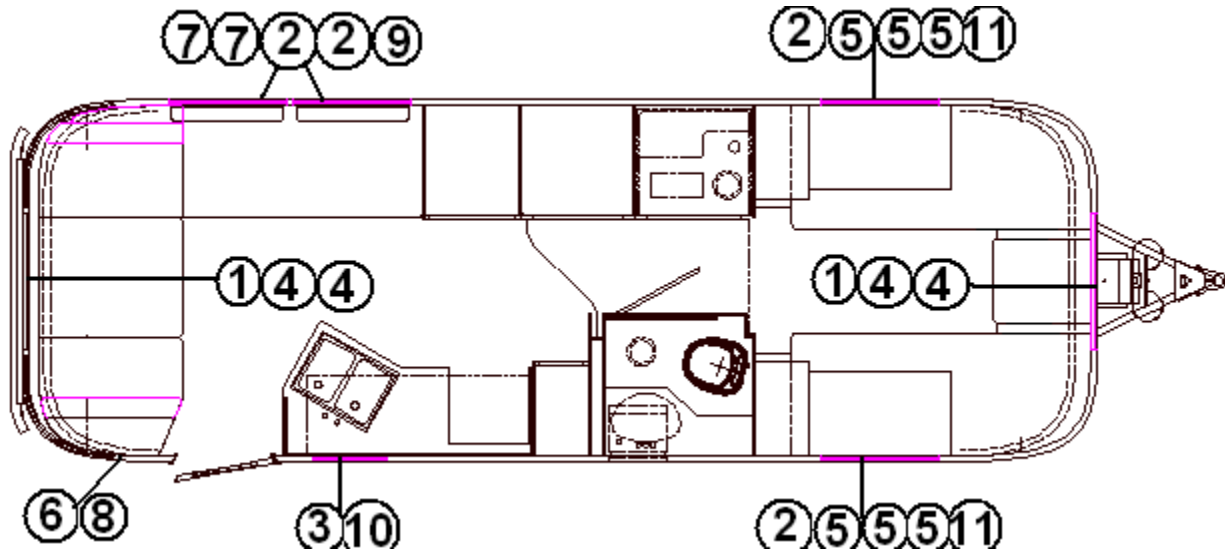
Drapes/Valances, 30'

998056-01	Drape, rear, 4-16 pleat
998134-01	Drape, rear bedroom, side, 2-9 pleat
998148-01	Drape, bedroom, 7-pleat panel, 27.50"
998053	Drape, galley, 2-2pleat
998053-01	Drape, dinette, 2-8 pleats & 1-5 pleat,
998050-01	Drape, front, 4-16 pleat
998134-05	Drape, lounge, RS, 30" 2-9 pleat
998135	Drape, lounge, CS, 30", 2-6 pleat
966138-01	Valance assembly - 42" lounge
966138-16	Valance assembly - 57" lounge
966127-01	Valance assembly - 24" galley
966129-01	Valance assembly - 73" dinette
966130-01	Valance assembly - 52", bedroom
966128-01	Valance assembly - 66", 30' bedroom
966130-03	Valance assembly, - 38.5" bedroom

2011 CLASSIC TRAILER

DRAPES/BLINDS/VALANCES

Drapes/Valances/Shades, 27' Twin Bed, w/Panoramic Windows

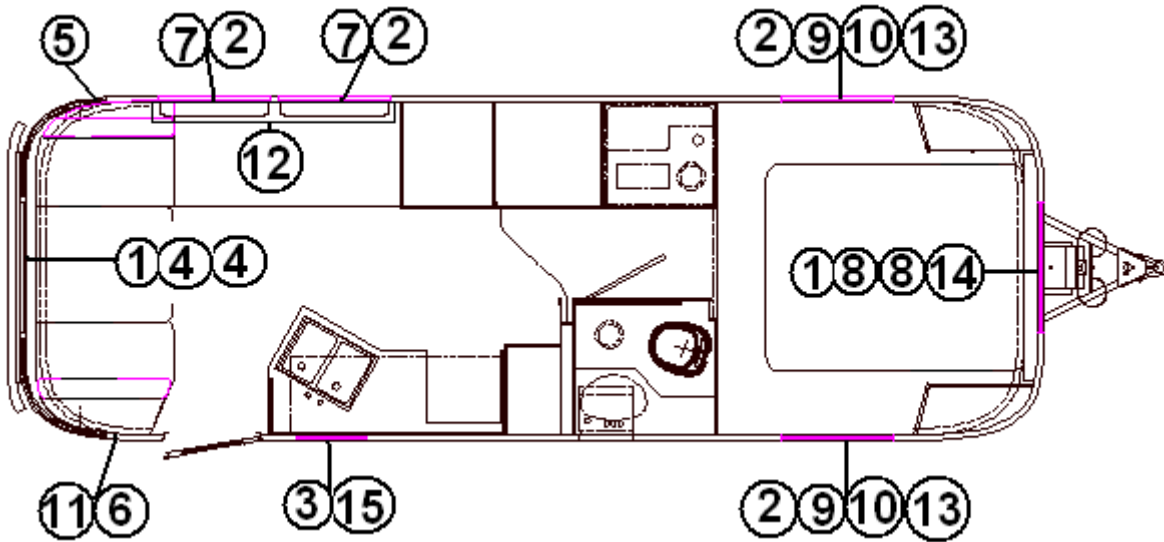


- | | | |
|-----|-----------|---|
| 1. | 703272-16 | Shade, pleated - Day/Nite 47.5" X 25" |
| 2. | 703272-08 | Shade, pleated - 28.875" X 33" Day/Nite |
| 3. | 703191-04 | Blind, mini, metal 21" X 23" |
| 4. | 998148-04 | Draperies, panel, 16 PLT X 26.25"L |
| 5. | 998148-05 | Draperies, panel, 5 PLT X 34"L |
| 6. | 998148-06 | Draperies, panel, 6 PLT X 34"L |
| 7. | 998148-07 | Draperies, panel, 12 PLT X 34"L |
| 8. | 966138-10 | Valance assembly-LNG 21" |
| 9. | 966138-11 | Valance assembly-LNG 90" |
| 10. | 966794-01 | Valance, galley 24" |
| 11. | 966130-03 | Valance, 38.50" w/no ends |

2011 CLASSIC TRAILER

DRAPES/BLINDS/VALANCES

Drapes/Valances/Shades, 27' "W" Double Bed



- | | | |
|-----|-----------|--|
| 1. | 703272-16 | Shade, pleated, Day/Nite 47.5" X 25" |
| 2. | 703272-08 | Shade, pleated, 28.875" X 33" Day/Nite |
| 3. | 703191-04 | Blind, mini metal 21" X 23" |
| 4. | 998148-04 | Drapery panel, 16 pleat X 26.25"L |
| 5. | 998148-05 | Drapery panel, 5 pleat X 34"L |
| 6. | 998148-06 | Drapery panel, 6 pleat X 34"L |
| 7. | 998148-07 | Drapery panel, 12 pleat X 34"L |
| 8. | 998148-08 | Drapery panel, 9 pleat X 27.5"L |
| 9. | 998148-12 | Drapery panel, 8 pleat, 35.50"L |
| 10. | 998148-13 | Drapery panel, 6 pleat, 35.50"L |
| 11. | 966138-10 | Valance, lounge, 21" |
| 12. | 966138-11 | Valance, lounge, 90" |
| 13. | 966130-01 | Valance, 52", bedroom |
| 14. | 966128-01 | Valance, 66", bed |
| 15. | 966794-01 | Valance, galley, 24" |

2011 CLASSIC TRAILER

DRAPES/BLINDS/VALANCES

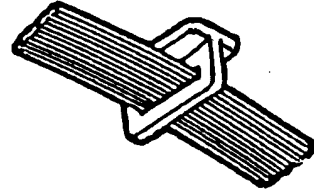
Drapery Track/Brackets



101220
Bracket, curtain
stand off



101217
Track, curtain



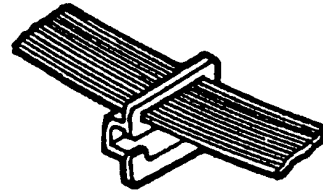
700044
Glides, w/elastic
"T" type



114021
Bracket, curtain
stand off



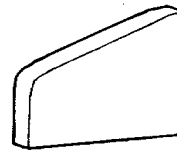
101225
Bracket, curtain
stand off



700045
Glides, w/elastic
"G" type



200785
End, curtain track, LH



200784
End, curtain track, RH



101005
Bracket, curtain standoff

100096
100097
100099

Extrusion aluminum curtain track
Extrusion aluminum curtain track
Extrusion aluminum curtain track, top track

2011 CLASSIC TRAILER

DRAPES/BLINDS/VALANCES

Shades, Window

703272-02	Shade, pleated – Day/Nite, 17.125" X 33"
703272-08	Shade pleated, Day/Nite, 28.875" X 33"
703272-10	Shade pleated, Day/Nite, 31" X 33"
703272-16	Shade, pleated, Day/Nite 47.5" X 25"
703273-07	Shade, single pleated, Night 28.875" X 22.5"
703273-16	Shade, single pleated, Night 47.5" X 25"
703191-04	Blind, mini metal 21" X 23" brushed aluminum
703191-08	Mini blind, brushed nickel, 17.50" X 22.00"
703191-09	Mini blind, brushed nickel, 29 5/8" W X 22.00"
703462-02	Shade, pull 31.25" X 9.5", Vista View

2011 CLASSIC TRAILER

ELECTRICAL, 110 VOLT

Power Cord, 30 Amps, Exterior Hook Up

- 512401-01 Power cord, 30A, 30'
- 512401-02 Power inlet, 30A, 125V, male

Power Cord, 50 Amps, Exterior Hook Up

- 511149-02 Power inlet w/ strain relief 50
- 511149-03 Power cord, 50A, 36'.

Breaker Box, 30 amp USA

- 511336 Breaker box, Square D, 30amp
- 510661 Breaker, 20 amp. Square D GFI
- 510662 Breaker, 20 amp, double, Square D 2020
- 510663 Breaker, 30amp, Square D, 0130
- 510664 Breaker, Square "D", #Q0115 GFI
- 510666 Breaker, 15/20 amps double
- 510717 Breaker, Square "D", Q0T515
- 512216 Breaker retaining kit, 2nd AC option

Breaker Box, 30 Amp, CSA

- 511336 Breaker box, SQ.D Q03-5FM30TTS
- 510663 Breaker, 30A QO130
- 510664 Breaker, Square D #QO115GFI, 15
- 510717 Breaker, Square D, QOT1515
- 510666 Breaker, 15/20 AMP QOT1520
- 510888-07 Receptacle cover, white

2011 CLASSIC TRAILER

ELECTRICAL, 110 VOLT

Breaker Box, 50 Amp USA

511453	Breaker box, Square D, Q0816L100TS
510662	Breaker, 20 amp, double, Square D 2020
510661	Breaker, 20 amp. Square D GFI
510666	Breaker, 15/20 amps double
510724	Breaker, double pole, 50 amps
510678	Breaker, Square D, QO120

Breaker Box, 50 Amp, CSA

511149-02	Power inlet w/ strain relief 50
511149-03	Power cord, 50A, 36'.
510717	Breaker, Square D, QOT1515
510664	Breaker, Square D #QO115GFI,15
510678	Breaker, Square D, QO120
510665	Breaker, Square D, #QO115, 15A
512480	SWITCH ASSY, WATER HEATER, WHITE
510888-05	Receptacle w/ cover, GFI, white, water heater
510888-06	Spacer, receptacle, GFI, white, water heater
510888-07	RECEPTACLE COVER, WHITE, WATER HEATER
512308	BOX, SHALLOW SWITCH & OUTLET, WATER HEATER
510741	Box, electrical, 1-1/2" X 2" X 3"

2011 CLASSIC TRAILER

ELECTRICAL, 110 VOLT

Interior Receptacle/ Switches/Covers

512481-02	RECEPT, 20A, SINGLE, BROWN
512481-03	PLATE, BROWN COVER W/SCREWS
500563-03	Receptacle, White, Self contained
500563-04	Wall plate, White w/screws for 500563-03
382070	Non-skid rubber dot for 500563-03
500903	Duplex receptacle, ivory
500913-03	Switch, T & B, white
510514	Switch, priority, microwave to water heater
500785	Outlet, duplex, brown, T & B
511287	Receptacle, single, 15A
510888-07	Receptacle cover, white
510888-05	RECEPTACLE W/COVER, GFI, WHITE
512025-01	JUNCTION DEVICE, WHITE
512025-02	PLATE, SNAP ON, ONE GANG, WHITE
511814-01	Receptacle, duplex, gray
511814-02	Plate, decorator, 1 gang, gray
510014	Box, junction, octagon #54151-C
510015	Box, cover

Exterior 110 Volt Outlet

500563-03	Duplex receptacle, white
512399	Outlet cover, exterior, gray (w/gasket)

600 Watt Inverter

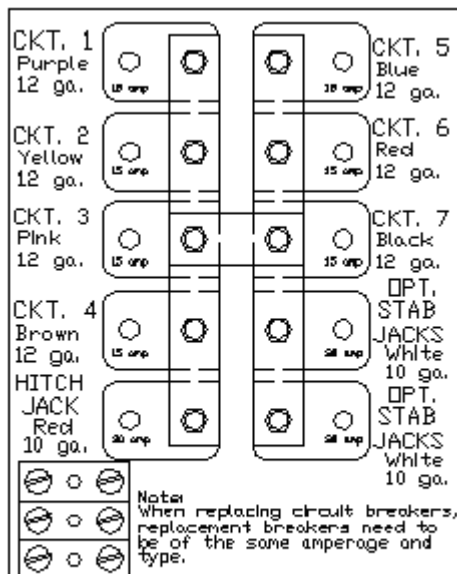
511968	Inverter, 600W, w/remote
511968-100	On/Off remote control panel w/ LED indicator
500038	Ground lug
511090	Stud type, junction block
511969-01	110A fuse and block, CLASS T
500563-03	Receptacle, White, Self contained
500563-04	Wall plate, White w/screws for 500563-03
382070	Non-skid rubber dot for 500563-03
512481-01	Receptacle, 20A, single, white XL
511443	POWER CORD, PORTABLE SERVICE

2011 CLASSIC TRAILER

ELECTRICAL, 110 VOLT

Converter/Manual Kill Breaker Panel, All Units except 27' Front Bed

- 512353 Breaker panel, w/ 15 amp 12 volt breakers
- 511426 Converter, electronic, 55 amp
- 511023 Tester, circuit analyzer (loose item)
- 511287 Receptacle, single, 15A
- 510947-20 Breaker, 12V DC, type II, 20A
- 510743 GROUND BAR, 3-1/2" LONG

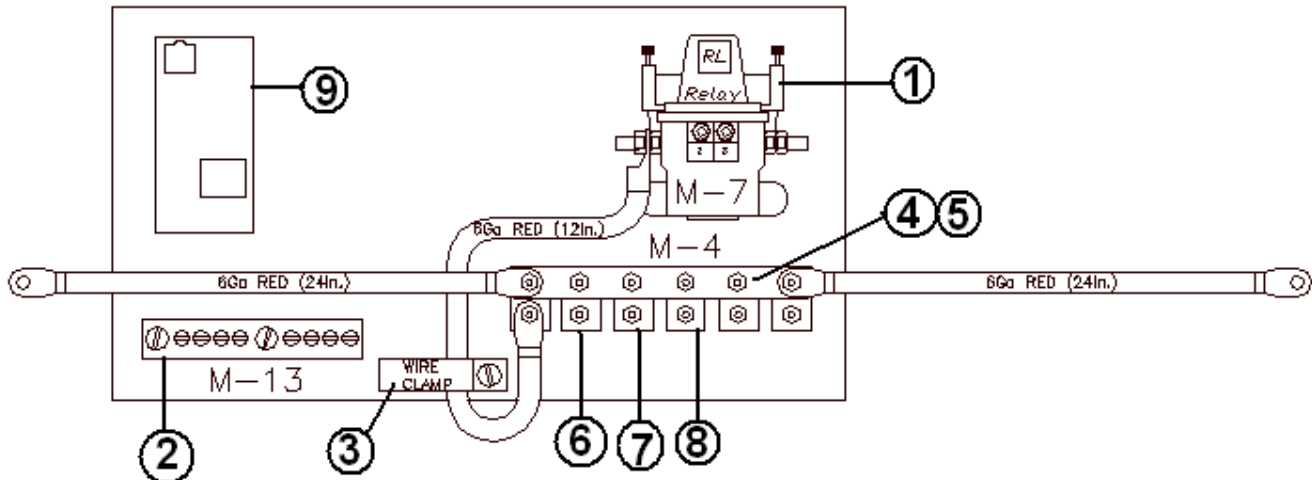


512353

2011 CLASSIC TRAILER

ELECTRICAL, 110 VOLT

Converter/Electronic Kill Breaker Panel, 27' Front Bed



- | | |
|--------------|---|
| 1. 511655-02 | BDO Relay 100 AMP 12VOLT |
| 1. 511655-01 | Switch bezel, silver/black |
| 1. 511655-05 | Cable, BDO/1 30' |
| 2. 510743 | Ground bar, 3-1/2" long |
| 3. 340093-06 | Clip, "J" vinyl coated, 3/4" |
| 4. 510948-12 | Bar BUSS circuit breaker conn. |
| 5. 510946-06 | Bracket, 6PO, breaker, 12V, #8536-2 |
| 6. 510947-50 | Breaker, 12V DC, type II, #12V50 |
| 7. 510947-20 | Breaker, 12V DC, type II, #12V20 |
| 8. 510947-30 | Breaker, 12V DC, type II, #12V30 |
| 9. 511846 | Kit, charger controller, solar panel |
| 511654-03 | Power center, Magnatek w/transfer auto switch |
| 511023 | Tester, circuit analyzer (loose item) |

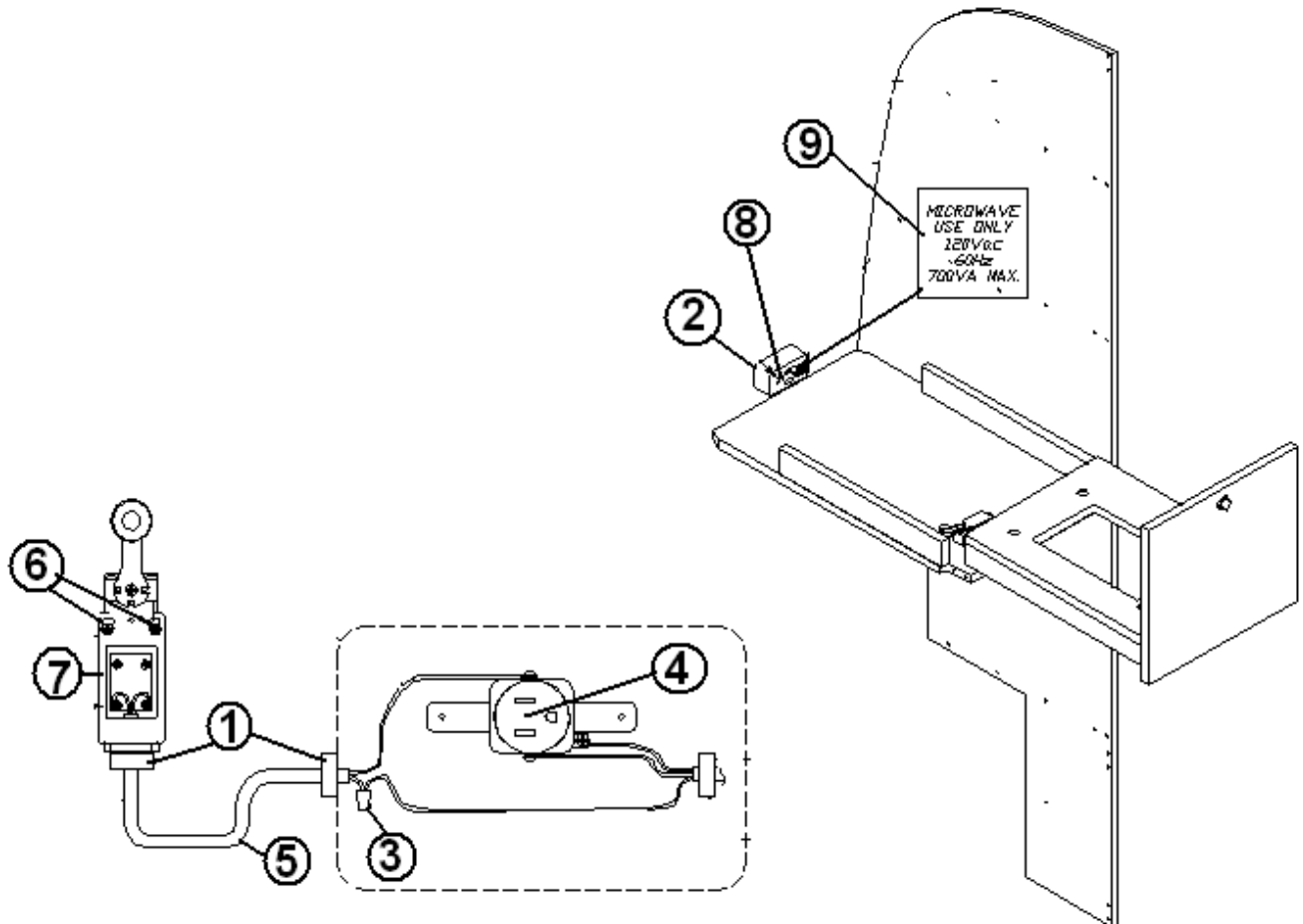
Generator Prep Components

- | | |
|-----------|-------------------------------------|
| 510562 | Switch, generator |
| | Auto transfer switch, 34', 31', 30' |
| 385062 | Decal 110-125 Voltage AC |
| 512401-02 | Power inlet, 30A, 125V, male |

2011 CLASSIC TRAILER

ELECTRICAL, 110 VOLT

Microwave Switch



- | | |
|--------------|--------------------------------------|
| 1. 500013-01 | Clamp, Romex, 3/8" metal |
| 2. 511283 | Box, handy, 2" X 4", metal |
| 3. 500050 | Scotch lock, yellow |
| 4. 512369 | Receptacle, 15A, single, white |
| 5. 512222 | Wire, SJ 14/3, rubber covered, black |
| 6. 320116-08 | Screw, black |
| 7. 512221 | Switch, lever, 300V 10AMP |
| 8. 512370 | Wall plate, 1 gang |
| 9. 386230 | Label, microwave, 120VAC 60HZ 70 |

2011 CLASSIC TRAILER

ELECTRICAL, 12 VOLT

Battery

511132	Battery, deep cycle, lead acid
511845	Battery, 12V, glass matt battery <u>USE W/SOLAR CHARGING SYTEM OPTION ONLY</u>
500836-02	Positive battery cable, 72"
500837	Negative battery cable
511608	Isolation transformer, 15A

7-way Cable

500886-01	7-Way cable w/plug
511411	Junction box, 7-way cable

Break Away Switch

0300027	Break away switch, Bargman
400407	Break away switch bracket

Battery Disconnect Switch

510626	Switch, master disconnect
510627	Face plate, disconnect switch

Monitor Panel

511788-03	Monitor panel, all Classics
511252	Plug, phone - 4 conductor
511789	Sensor, tank monitor #500-10050
511393	Coupler - modular extension - 4 conductor
511286-01	Telephone wire, black
511286-02	Telephone wire, ivory
511789-01	Boot, sensor #500-20010-05

2011 CLASSIC TRAILER

ELECTRICAL, 12 VOLT

12-Volt Outlet

510807	Outlet, 12 volt, interior
511121	Mounting plate, 12 volt receptacle
512451	Outlet, 12 volt, interior

Solar Charging System

511845	Battery-12V, deep cycle - GP.27 glass matt
511142-01	Panel, solar – 53 watt
511142-02	Bracket, mounting kit, solar panel
512318	Holder w/1 AMP fuse, inline
510328	AGC 10 fuse – fuse panel
385947	Label 10 AMP fuse, max.
511846	Kit, charge controller display
511846-100	#PVCM25D Regulator for solar panel 511846
511846-101	Display only - #PVDM4-LC FOR P/N 511846
511851	Cable- CAT 5E, blue
511852	Connector, RJ45E

Door Bell

511957	Bezel, round, doorbell
511958	Switch, doorbell w/ 6" leads
511966	Doorbell, battery powered, white/brown

Fuses/Fuse Holders

510696	Holder, fuse, inline
500883-01	Fuse, CSA, 1 AMP

2011 CLASSIC TRAILER

ELECTRICAL, 12 VOLT

Interior Receptacle/ Switches/Covers

510868-03	Switch panel, 4-gang, white
381541-11	Switch, bath ceiling vent
511327	Switch body w/rocker, 1 gang, white
511328	Cover switch, one gang white
511566-01	Cover, switch, 2 gang
511567-01	Switch body w/switches, 2-gang, black
511566-02	Switch cover, 2 gang, white
511567-02	Switch body w/switches, 2-gang, white
511771	Switch assembly, two-gang white
500967-03	Cover, white, blank
690417-05	Switch, dual water heater
511772	Switch, 2 way white #2-2-0
512179	Switch, white ceiling/ceiling

2011 CLASSIC TRAILER

ELECTRICAL, 12 VOLT

Interior Lights/Bulbs

500956	Light, wardrobe, w/switch
681924	Bulb, wardrobe light #581
511849	Light, fluorescent, surface mount #98 P
511850	Light, fluorescent, surface mount
511848	Light, fluorescent, 13" recessed
511848-100	Lens #98-762 (lens for 511848)
512169	Light, 3 arm, dinette
512171	Light, radiance reading, round bulb
512174	Light, overhead surface mount
500540-01	Light, ceiling, galley, vanity, 27' Front Bed
511694-01	Reading light - halogen, nickel/brass
511694-100	Lens only #81920-(lens for light 511694-01)
511137-100	20W Light bulb for 12V halogen spotlight #HB20
510644	LIGHT, WALKWAY, HALF SHADE
512168	LIGHT, OVAL, WALL LAMP
512442	LIGHT, LED, DLB
512478	LIGHT, EXTERIOR COMPARTMENT, WET LOCATION, LED, 12V

2011 CLASSIC TRAILER

ELECTRICAL, 12 VOLT

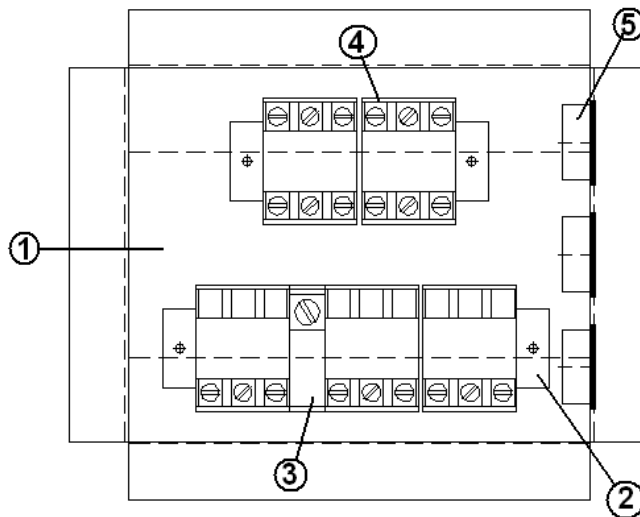
Electrical center box, under sofa, 34', 31' D, 30'

965419-01 12 V Electrical box assembly
380988 Hinge, continuous, .5in. leaf 16
381228-01 Catch grabber, door

TV Jack

510654 Jack, TV w/12 volt outlet
510614-01 Jack TV 12V white, interior
511534 Dual, coax, cable plate, white
511375 JACK MODULAR TELEPHONE TA-1020

Fuse Block, CSA



964082 Fuse block assembly. 12V CSA
1. 452412-01 Bracket, fuse block 12V CSA
2. 330127-03 Rivet, AD43ABS, 1/8"
3. 511313 Fuse block, 9 position
4. 511313 Block fuse ATC 12V 6 position
5. 511314 Bushing, Universal, black
511345 Fuse 30A AGU glass tube, BUSS
372072-01 Two hole vent screen
385982 Safety snap, pin

2011 CLASSIC TRAILER

ELECTRICAL, 12 VOLT

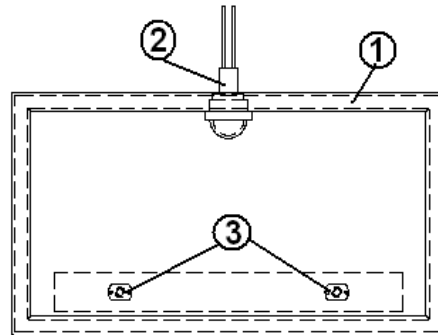
Exterior Lights/Reflectors

512252	Step light, L.E.D., SS
500092	Flood light
510658	Switch w/weather proof boot
201954	License plate housing, black
201954-01	Bezel, license plate, mounting, CSA
512455	License plate holder assembly, LED
512441	Light, 12V, single w/ switch, LED
512226	Amber LED clearance light
512226-02	Sealed light bezel, amber LED clearance light
512227	Red LED clearance light
512227-02	Sealed light bezel, red LED clearance light
512226-01	Chrome base, LED clearance light
512226-03	Foam gasket, LED clearance light
Reflectors	
500095	Reflector, red, oval
500096	Reflector, amber, oval
510446	Reflector, red, stick-on

2011 CLASSIC TRAILER

ELECTRICAL, 12 VOLT

License Plate Light



- | | |
|--------------|---------------------------|
| 1. 201954 | License plate holder |
| 1. 201954-01 | License plate holder, CSA |
| 2. 512455 | License plate light |
| 3. 350153 | Nut, plate, 1/4 x 20 |

Tail Lights

- | | |
|-----------|-------------------------------------|
| 966407-01 | Taillight assembly, RS |
| 966407-02 | Taillight assembly, CS |
| 114346-01 | Bezel, tail light casting, RS |
| 114346-02 | Bezel, tail light casting, CS |
| 201929-01 | Close out, tail light, RS |
| 201929-02 | Close out, tail light, CS |
| 511973 | Light, red stop, tail and turn |
| 511003-03 | Light, red w/clear center (back-up) |
| 201929-02 | Pocket, inner taillight, CS |
| 201929-01 | Pocket, inner taillight, RS |

2011 CLASSIC TRAILER

ENTERTAINMENT

Radio/Antenna

512059	Radio, AM/FM/CD/DVD, Sony
512215-01	Speaker, 6.5", model SP65CO
512215-02	Grill, 6.5", white
203599	Speaker, spacer, 5/8"
511807	Antenna-AM/FM, rubber, 14" #RV71
500913-03	Switch, T & B, white
511822	Sub woofer-powered, 6.5" wedge
511863	Switch, A/B, speaker - radio

Television Antenna, Manual

510788-07	Antenna, TV w/RV Wing, white, Winegard
114396	Antenna, TV trough, roof
510788-03	Amplifier, antenna, Winegard
510788-04	Hardware, interior, Winegard
510788-107	Gear, elevating, plastic, Winegard
510788-118	Handle, directional, Winegard
510788-125	Handle, directional kit, Winegard
500484-04	Antenna, lead and extension, 48"
510616	Connector, "F", coax
510623	Connector, male-to-male, coax

Exterior TV Jack

510654	TV JACK, 12 VOLT, COAX & SPLITTER
104619	MTG. PLATE, EXTERIOR TELE. & TV JA

Interior TV Jack

510788-03	Amplifier, antenna, Winegard
511817	Coupler assembly, inline, phone jack

2011 CLASSIC TRAILER

ENTERTAINMENT

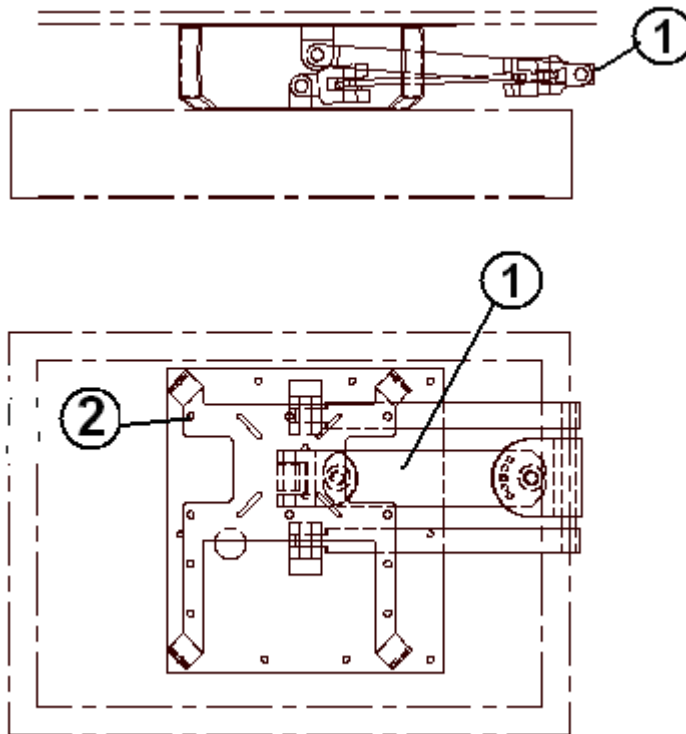
Video Package

690617	TV, LED, HD, COLOR, 22" SAMSUNG
512268-01	LEAD, TV ANTENNA COAX CABLE ,45"
512265	RCA cord adaptor, angled
512405-01	COAX LEAD/JUMPER W/CONN. 6"
512405-02	COAX LEAD/JUMPER W/CONN 12"
512405-03	COAX LEAD/JUMPER W/CONN 192"
512406	CONNECTOR-RG6 HEX COMPRESSION
512407	CABLE-RG6 COAX
512471	LEAD, 45", COAX CABLE, TV ANTENNA
511856	Wiring kit - 4 way flat, ext. spe.
511703	Cord - patch, male/male, 2-way 20'
511645	Male to 2 female, adaptor
386159	Label, flat screen tv
510621-02	Splitter, Coax
511827	TV jack Plate

2011 CLASSIC TRAILER

ENTERTAINMENT

Flat Screen TV/Bracket Installation, 22" TV



- | | |
|-----------|-----------------------------------|
| 1. 512352 | Articulating Arm, Double bed |
| 1. 512355 | Wall Mount, Twin Bed |
| 2. 345459 | Screw, M4 x 16MM, Phil Pan head |
| 690617 | TV, LED, HD, COLOR, 22", SAMSUNG |
| 512268-01 | LEAD, TV ANTENNA, COAX CABLE, 45" |

2011 CLASSIC TRAILER

FLOOR COVERING

Carpet, Flooring/Floor Mats/ Linoleum

703941	CARPET, DENALI
703629	Carpet, Savannah Mimosa
700173-01	Pad, carpet, ½" thick
702549	Matt, entrance, w/Airstream logo
381183-01	Edging, carpet, ripple alum. 12'
703829	Vinyl flooring, Beau Pearwood
701538	Carpet, Velour-compartment liner
701538-01	CARPET, ECONOLIER W/PSA BACK
801384-01	Trim, laminate floor, Ecru Foss

2011 CLASSIC TRAILER

FURNITURE

Doors, Cabinet, Raised Panel, Hickory

Width x height (inches)

800597-013	Raised panel door	10.75" x 22.00
800597-023	Raised panel door	14.00" x 20.00
800597-053	Raised panel door	14.75" x 29.75
800597-073	Raised panel door	12.25 x 21.00
800597-083	Raised panel door	16.00 X 29.50
800597-093	Raised panel door	11.00 X 29.75
800597-103	Raised panel door	12.25 X 34.00
800597-123	Raised panel door	10.50 x 26.25
800597-273	Raised panel door	11.50" x 25.00
800597-413	Raised panel door	10.50 x 32.00
800597-473	Raised panel door	10.50 X 37.75
800597-493	Raised panel door	15.50 x 13.00
800597-503	Raised panel door	12.00 x 29.50
800597-513	Raised panel door	15.75 x 23.00
800597-563	Raised panel door	7.75" x 17.50
800597-853	Raised panel door	10.50 X 32.50
800597-893	Raised panel door	14.50 X 25.50
800597-903	Raised panel door	13.81 x 13.00
800597-933	Raised panel door	8.00 x 24.75
800597-943	Raised panel door	13.00 X 30.25
800597-953	Raised panel door	15.00 X 14.50
800597-983	Raised panel door	15.25 X 25.00
800597-993	Raised panel door	15.25 X 35.50
800597-1003	Raised panel door	15.25 X 13.75
800597-1013	Raised panel door	15.25 X 21.00
800597-1023	Raised panel door	8.00 X 21.50

2011 CLASSIC TRAILER

FURNITURE

Mirrors

width x height inches

371262-04	Mirror, safety glass	19.12 x 28.12
372203-04	Mirror, polished edges	36.00 X 14.00
372203-17	Mirror, safety, polished edges	14.0 x 33.13
380024	Support, friction slide, LH	
365239	Foam pad, non-skid, 1/16" x 1/4" x 1" (Used between mirror and door frame)	

Doors, Sliding

986265-03	DOOR ASSEMBLY, SLIDING BATH, 34'	
966121-01	Door, slider, forward, 29" x 72", 31', 34'	
966120-01	Door, slider, 27" x 73", 30', 31', 34'	
962066-03	Door, slider, aft, 30'	
200009	Sliding door guide	
381443-01	Sliding door set #71-222-5'	
381443-03	ANGLE STOP #1018	
381100	Sliding door guide	

2011 CLASSIC TRAILER

FURNITURE

Door, Shower, All units

703911-03 Shower door, orb w/ aqua glass
703911-04 JAMB, SHOWER DOOR, ORB
381100 Sliding door guide

Door, Foldette, 31', 34'

702681-01 Door, foldette, 36" x 73", beige
381563-01 Track, foldette door

Door, Foldette, 27' Front Bed

381890-02 Track, straight, foldette
702681-08 Foldette door, beige 60" X 73"
382005 Track, formed foldette door, 20"

2011 CLASSIC TRAILER

FURNITURE

Drawer Face, Hickory

width x height inches

800599-013	Drawer face	7.00 x 10.50
800599-023	Drawer face	7.00 X 11.75
800599-073	Drawer face	4.50 x14.00
800599-213	Drawer face	7.00 x 23.00
800599-263	Drawer face	11.75" X 22.25"
800599-383	Drawer face	7.00 x 21.50
800599-463	Drawer face	8.00 X 17.25
800599-573	Drawer face	17.25 x 13.00
800599-583	Drawer face	4.75 x 21.50
800599-593	Drawer face	9.75 x 12.00
800599-653	Drawer face	8.00 x 10.50
800599-853	Drawer face	11.13" X 19.50"

2011 CLASSIC TRAILER

FURNITURE

Drawer Boxes

Height x width x length (inches)

964906-02	Drawer box	2.75 x 19.50 x 18.00
964906-10	Drawer box	2.75 x 12.25 x 14.00
964907-02	Drawer box	8.50 x 18.00 x 6.00
964907-13	Drawer box	15.00 X 18.00 X 6.00
964908-01	Drawer box	8.00 x 17.50 x 26.00
964908-02	Drawer box	20.75" X 18.00" X 8.00"
964908-07	Drawer box	17.00" X 21.00" X 8.00"
964910-01	Drawer box	5.00 x 20.88 x 18.00
964910-02	Drawer box	5.00 x 10.00 x 18.00
964910-03	Drawer box	5.00 x 19.50 x 18.00
964910-13	Drawer box	5.00 x 14.00 x 19.69
964910-14	Drawer box	5.00 x 13.75 x 13.00
964910-23	Drawer Box	5" X 8" X 7"

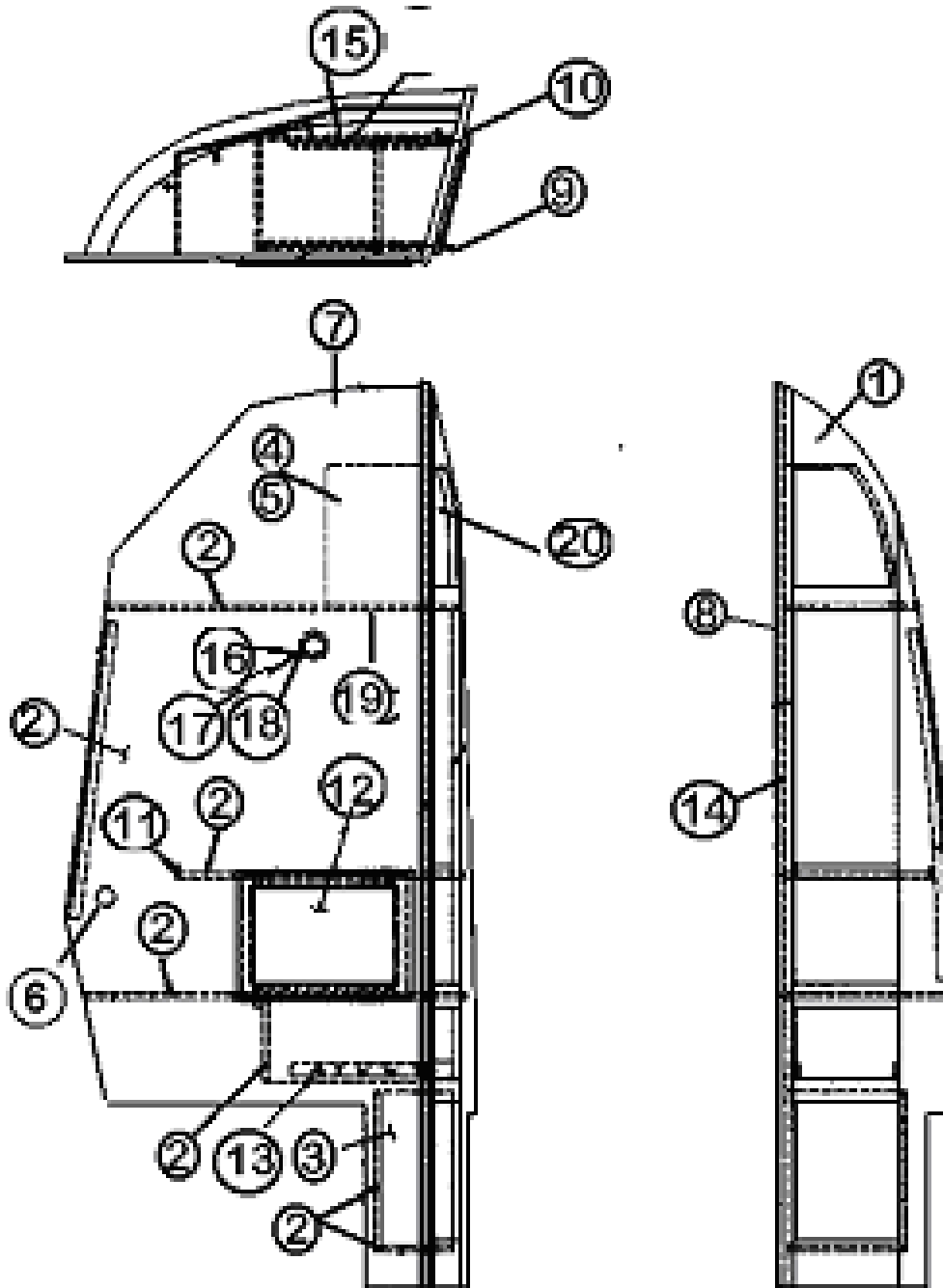
Drawer Boxes, Bed/Pantry

963338-01	Drawer box, angled, RS rear wardrobe, Double bed
963338-02	Drawer box, angled, CS rear wardrobe, Double bed
963749-02	Drawer box assembly, Bed
961759-01	Drawer box assembly, "W", bed
201016	Drawer, plastic, 16" x 22"

2011 CLASSIC TRAILER

FURNITURE, BEDROOM

Wardrobe Assembly, RS, 34', 31', 30'



See next page for P/N

2011 CLASSIC TRAILER

FURNITURE, BEDROOM

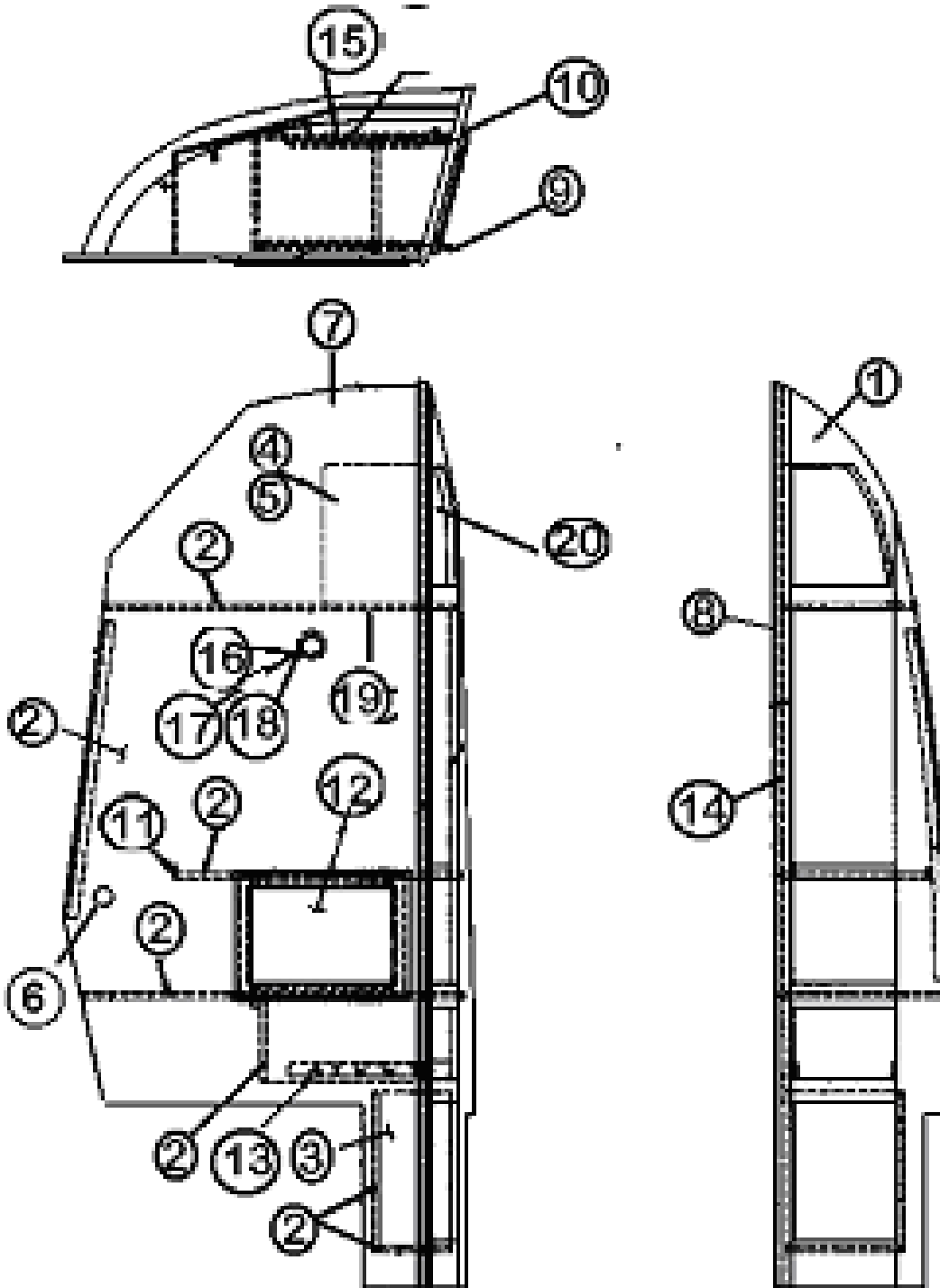
Wardrobe Assembly, RS, 34', 31', 30'

- 963340-14 Wardrobe Assembly, RS
- 1. 962207-013 Face frame, aft, RS wardrobe, "W", Hickory
- 2. 801258-003 Panel 1/2" G2S, Hickory
- 3. 800506-06 PLYWOOD, 3/4" X4' X 8'
- 4. 800599-013 Drawer face- 7.00 X 10.50, Hickory
- 5. 201959-01 Pan, top shelf wardrobe, RH black ABS
- 6. 381209 Grommet and cap
- 7. 365239 Foam, non skid pad 1/4 X 1 X 1/16"
- 8. 800597-853 Door frame 10.50 X 32.50, Hickory
- 9. 382002 Cabinet door pull, Orb, 3" center
- 10. 381999 Hinge, Orb
- 11. 800573-013 Molding, door 1-3/32" X 80", Hickory
- 12. 800506-04 PLYWOOD, 1/2" X 4'X 8'
- 13. 381526-01 Drawer slide-950-RV 14"
- 14. 381228-01 Grabber, door catch
- 15. 963338-01 Drawer box assembly, angled RH
- 16. 380045 Tubing, 3/4IN metallic
- 17. 380046 Flange, chrome
- 18. 200975-04 Conduit, flexible, black plastic
- 19. 500956 Light, wardrobe w/ switch
- 20. 963187-013 Frame, shelf, Hickory, w/ notch

2011 CLASSIC TRAILER

FURNITURE, BEDROOM

Wardrobe Assembly, CS, 34', 31', 30'



See next page for P/N

2011 CLASSIC TRAILER

FURNITURE, BEDROOM

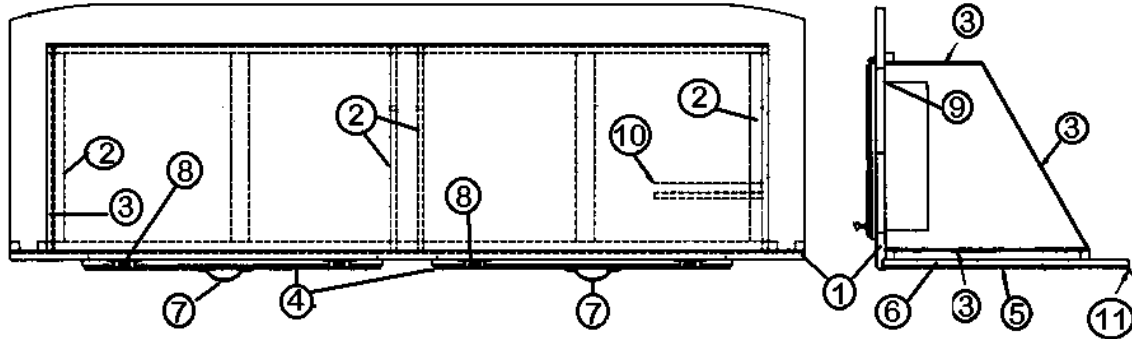
Wardrobe Assembly, CS, 34', 31', 30'

- 963340-15 Wardrobe Assembly, CS
- 1. 962208-013 Face frame, aft CS wardrobe, "W", Hickory
- 2. 801258-003 Panel 1/2" G2S, Hickory
- 3. 800506-06 PLYWOOD, 3/4" X4' X 8'
- 4. 800599-013 Drawer face, 7.00 X 10.50, Hickory
- 5. 201959-02 Pan, top shelf wardrobe, LH, black ABS
- 6. 381209 Grommet and cap (below counter plug)
- 7. 365239 Foam, non skid pad 1/4 X 1 X 1/16"
- 8. 800597-853 Door frame, 10.50 X 32.50, Hickory
- 9. 382002 Cabinet door pull, Orb, 3" center
- 10. 381999 Hinge, Orb
- 11. 800573-013 Molding, door 1-3/32" X 80", Hickory
- 12. 800506-04 PLYWOOD, 1/2" X 4'X 8'
- 13. 381526-01 Drawer slide-950-RV 14"
- 14. 381228-01 Grabber, door catch
- 15. 963338-02 Drawer box assembly, angled LH
- 16. 380045 Tubing, 3/4IN metallic
- 17. 380046 Flange, chrome
- 18. 200975-04 Conduit, flexible black plastic
- 19. 500956 Light, wardrobe w/ switch
- 20. 963187-013 Frame, wardrobe shelf, Hickory w/ notch

2011 CLASSIC TRAILER

FURNITURE, BEDROOM

Roof Locker, Double Bedroom, 34', 31', 30'

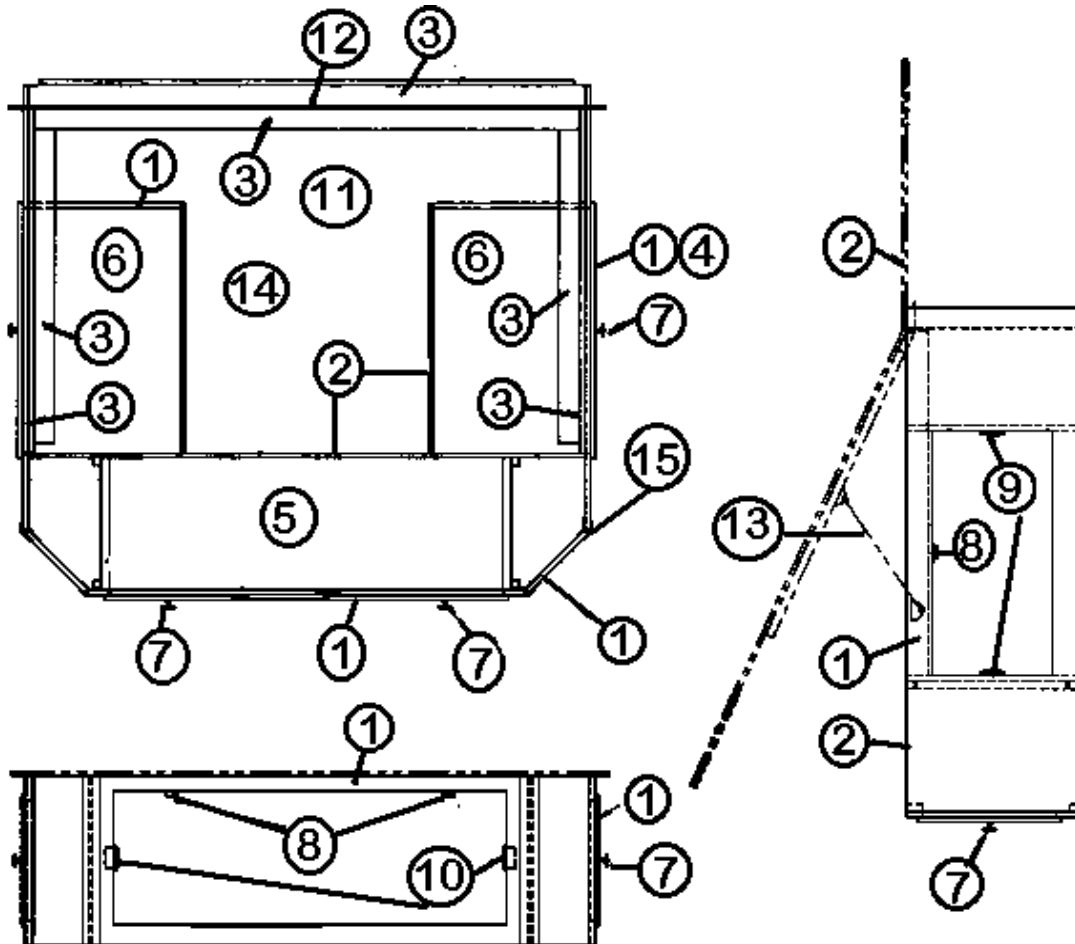


- 963337-09 Rear Locker Assembly "W"
1. 963336-013 Face frame, rear liner, Hickory
 2. 801258-003 Panel 1/2" G2S, Hickory
 3. 801260-003 Panel 5/32"G1S, Hickory
 4. 800597-893 Door, 14.5 X 25", Hickory
 5. 702482-03 Headliner, opal x textured
 6. 801828 Panel, Crackle Cream/Raw .125" X4
 7. 382002 Cabinet door pull, Orb, 3" center
 8. 381999 Hinge, Orb
 9. 381147 Door support, spring loaded
 10. 962217-01 Fuse panel, closeout "W"
 11. 104829 Support, rooflocker, galley
- 800571-013 Molding flat .52W X 80", Hickory

2011 CLASSIC TRAILER

FURNITURE, BEDROOM

Bed, Double, 34', 31', 30', 27'



See next page for P/N

2011 CLASSIC TRAILER

FURNITURE, BEDROOM

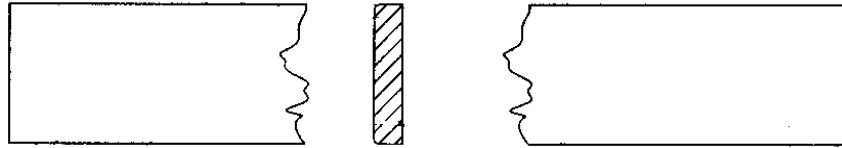
Bed, Double, 34', 31', 30', 27'

963747-02	Bed Assembly, Double
1. 801258-003	Panel 1/2" G2S, Hickory
2. 800507-03	Lauan, 3/8" X 4' X 8'
3. 850082	Poplar .75" X 2.00"
4. 365268-03	Edgebanding-5/8"
5. 963749-02	Drawer box
6. 961759-01	Drawer box
7. 382002	Cabinet door pull, Orb, 3" center
8. 381999	Hinge, Orb
9. 381400	Slide, drawer 14" pair
10. 381400-01	Slide, drawer 12" pair
11. 800573-013	Molding, door 1-3/32" X 80", Hickory
12. 380203-01	Piano hinge 1/8"
13. 381067-09	Spring, gas 90 LBS
13a 381085	Clip, retaining
13b. 381262	Bracket, prop, w/ ball, angle
13c. 381310	Gas prop bracket assembly, upper
13d. 381084	Ball, stud
14.701538	Carpet, velour black 48"
15.114690	Angle, bed corner
965605-01	Headboard assembly, 2-tone
381228-01	Catch, grabber door

2011 CLASSIC TRAILER

FURNITURE, BEDROOM

Wardrobe, Close Out "W", 34', 31' D, 30'



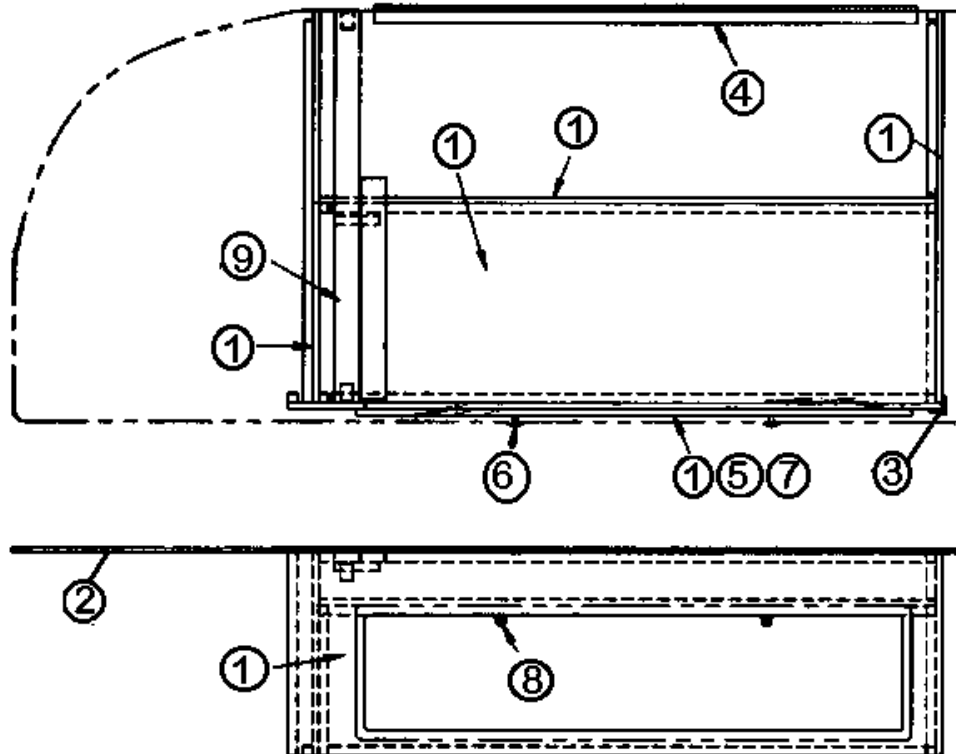
964259-003

Close Out "W" Wardrobe

2011 CLASSIC TRAILER

FURNITURE, BEDROOM

Bed, Twin, Roadside, 34', 31', 30'

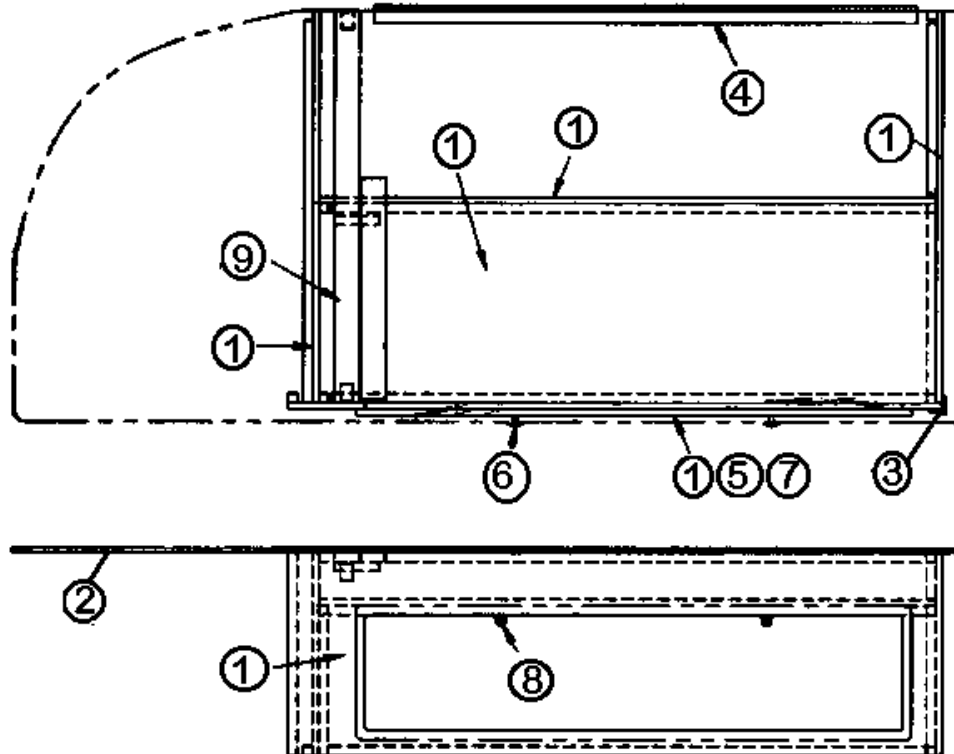


- | | |
|---------------|-----------------------------------|
| 962227-11 | Twin Bed, RS |
| 1. 801258-003 | Panel, 1/2" G1S, Hickory |
| 2. 800507-03 | Luan, 3/8" |
| 3. 800575-013 | Molding, corner, Hickory |
| 4. 380203-01 | Piano hinge, 1/8" pin, clr |
| 5. 381999 | Hinge, Orb |
| 6. 382002 | Cabinet door pull, Orb, 3" center |
| 7. 365250-003 | Edgebanding, -5/8", Hickory |
| 8. 381228-01 | Catch, grabber door |
| 9. 114813 | Alum. angle 1.00 X 1.50 |
| 998101-01 | Bed-end, C.B.twin, fabric covered |

2011 CLASSIC TRAILER

FURNITURE, BEDROOM

Bed, Twin, CS, 34' ,31', 30'

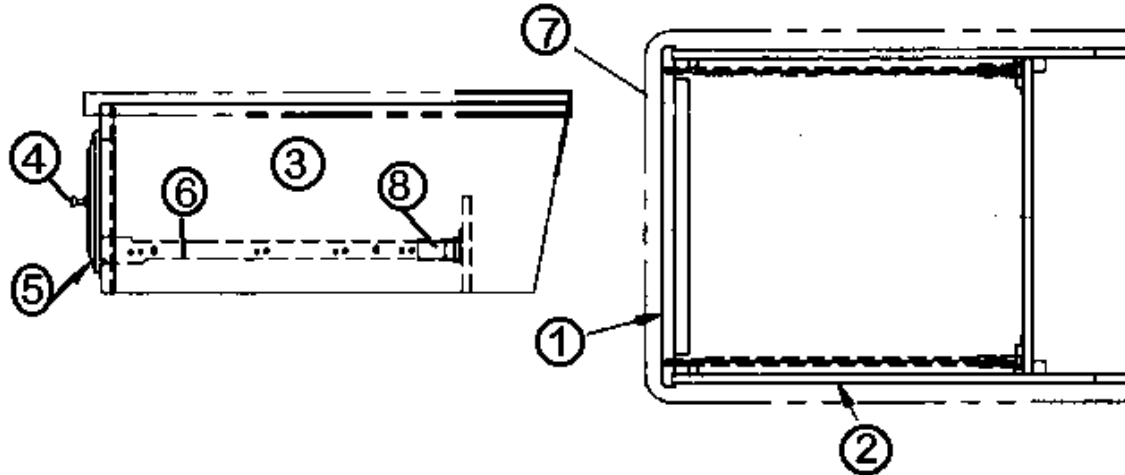


- | | |
|---------------|--------------------------------------|
| 962227-12 | Twin Bed, CS |
| 1. 801260-003 | Panel, 1/2" G1S, Hickory |
| 2. 800507-03 | Luan, 3/8" |
| 3. 800575-013 | Molding, corner, Hickory |
| 4. 380203-01 | Piano hinge, 1/8" pin clr. |
| 5. 381999 | Hinge, Orb |
| 6. 382002 | Cabinet door pull, Orb, 3" center |
| 7. 365250-003 | Edgebanding, 5/8", Hickory |
| 8. 381228-01 | Catch, grabber door |
| 9. 114813 | Alum. angle 1.00 X 1.50 |
| 998101-01 | Bed - end, C.B. twin, fabric covered |

2011 CLASSIC TRAILER

FURNITURE, BEDROOM

Nightstand, Center, All Twin Bed Units

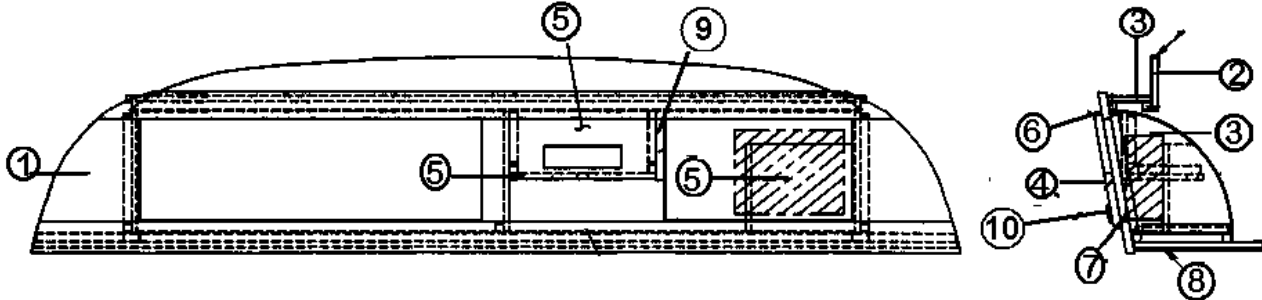


- | | |
|---------------|-------------------------------------|
| 965209-05 | Center Nightstand Assembly |
| 1. 965210-003 | Face frame, Hickory |
| 2. 801258-003 | Panel, 1/2' G2S, Hickory |
| 3. 964907-13 | Drawer box, 15.00 X 18.00 X 6.00 |
| 4. 382002 | Cabinet door pull, Orb, 3" center |
| 5. 800599-463 | Drawer face, 8.00 X 17.25", Hickory |
| 6. 381526-04 | Drawer slide - 950 RV 18" |
| 7. 601904-01 | Top, nightstand, Sandstone |
| 8. 381526-06 | Adjustable rear bracket |
| 381415 | Slide, drawer, Delta, travel lock |

2011 CLASSIC TRAILER

FURNITURE, BEDROOM

Roof Locker, Rear End, 34', 31' D, 30'

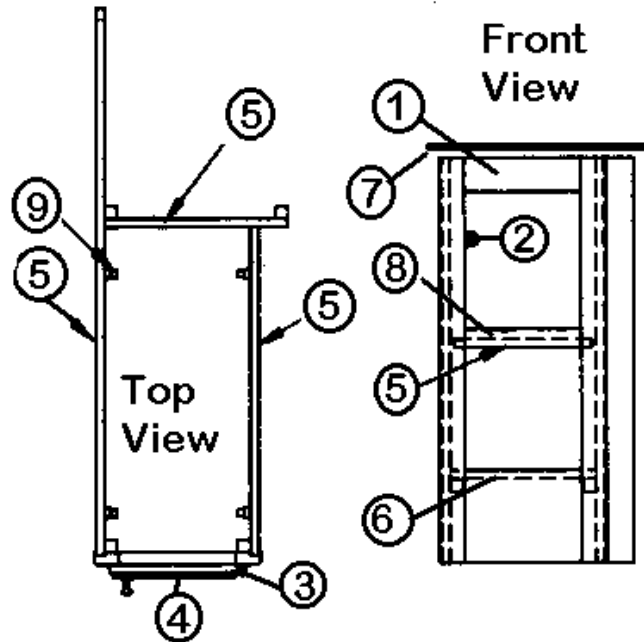


- | | | |
|-----|------------|--|
| | 963506-11 | Roof Locker, Rear end Liner |
| 1. | 963498-003 | Face frame, fwd/aft roof locker, Hickory |
| 2. | 801258-003 | Panel, 1/2" G2S Hickory/Hickory |
| 3. | 801260-003 | Panel, 5/32"G1S Hickory/RAW |
| 4. | 800597-853 | Door frame, 10.50" X 32.50", Hickory |
| 5. | 801259-003 | Panel 1/2", G1S Hickory/RAW |
| 6. | 382000 | Hinge, semi-concealed |
| 7. | 381147 | Door support, spring loaded |
| 8. | 702482-03 | Headliner, textured |
| 9. | 203721 | Blue Ray player face Plate |
| 10. | 382002 | Cabinet door pull, Orb, 3" center |
| | 365239 | Foam, non skid pad, 1/4 X 1 X 1/16" |
| | 801828 | Panel, Crackle Cream/Raw .125" X4 X 8' |

2011 CLASSIC TRAILER

FURNITURE, BEDROOM

Nightstand RS, Twin Bedroom, 34'

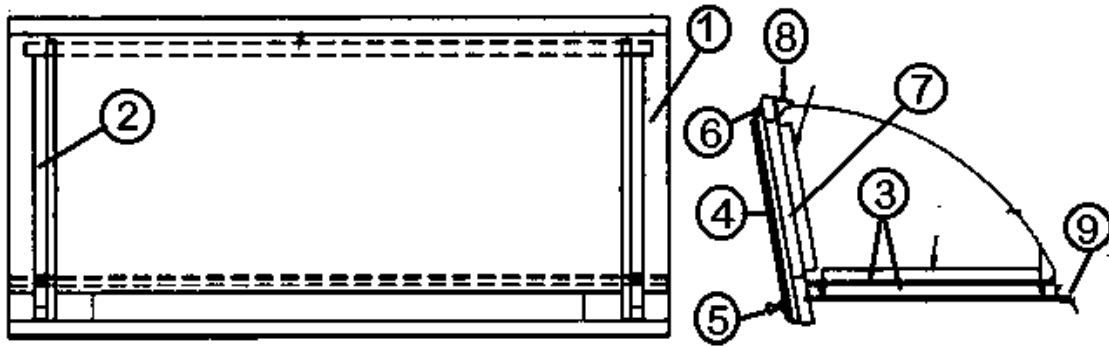


- | | |
|---------------|---------------------------------------|
| 963348-08 | RS Nightstand Assembly |
| 1. 963351-023 | FACE FRAME, HICKORY |
| 2. 381228-01 | CATCH GRABBER DOOR |
| 3. 381999 | Hinge, Orb |
| 4. 800597-563 | DOOR, 7.75 X 17.50, HICKORY |
| 5. 801180-003 | PANEL 1/2" WOOD/VINYL, HICKORY |
| 6. 801259-003 | PANEL 1/2" G1S, HICKORY |
| 7. 601906-01 | TOP, RS NIGHTSTAND, Corian, Sandstone |
| 8. 800573-013 | MOLDING DOOR EDGE, HICKORY |
| 9. 381527 | SPEEDY SHELF STRIPS |
| 382002 | Cabinet door pull, Orb, 3" center |

2011 CLASSIC TRAILER

FURNITURE, BEDROOM

Roof Locker, Bedroom, RS/CS, 39", 34', 31', 30', 27'

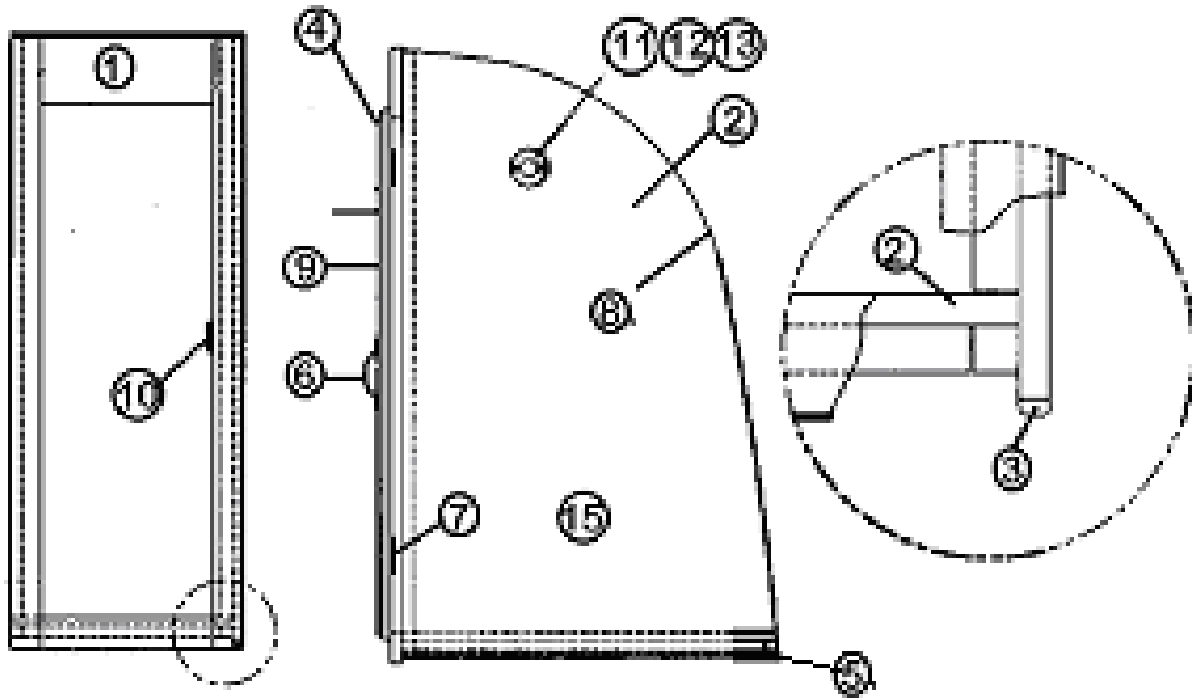


- 963671-06 Roof Locker Assembly, 38.25"
- 1. 963670-003 Face frame, Bed R/L, Hickory
- 2. 801258-003 Panel 1/2" G2S, Hickory
- 3. 801260-003 Panel 5/32"G1S, Hickory
- 4. 800597-103 Door, 12.25" X 34.00", Hickory
- 5. 382002 Cabinet door pull, Orb, 3" center
- 6. 381999 Hinge, Orb
- 7. 381147 Door support, spring loaded
- 8. 104821 Suppor, roof locker, 74"
- 9. 100013 Roof locker, wall extrusion
- 963827-03 RH End Cap, Hickory
- 963829-013 RH End Cap Frame, Hickory
- 963829-023 LH End Cap frame, Hickory
- 963827-04 LH End Cap, Hickory
- 800572-013 Molding, panel - edge, 23/32 X 80", Hickory

2011 CLASSIC TRAILER

FURNITURE, BEDROOM

Wardrobe, Hanging, RS/CS, All Twin Bed Units



See next page for P/N

2011 CLASSIC TRAILER

FURNITURE, BEDROOM

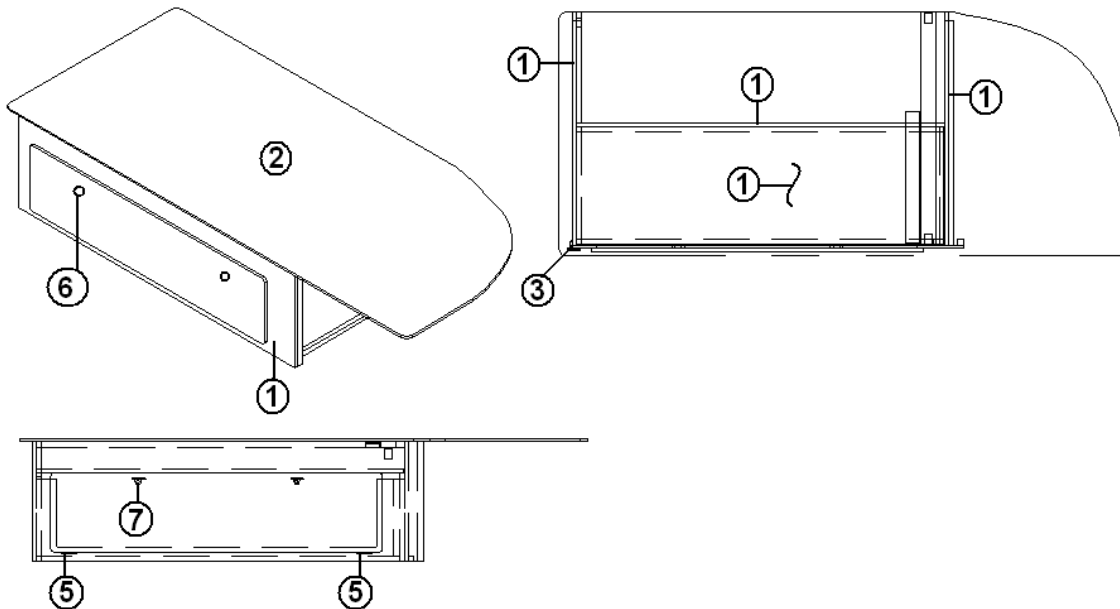
Wardrobe, Hanging, RS/CS, All Twin Bed Units

962355-16	CS Hanging Wardrobe
962355-17	RS Hanging Wardrobe
1. 986180-013	Face frame, Hickory
2. 801258-003	Panel ½' G2S, Hickory
3. 800571-013	Molding, flat, .52W X 80", Hickory
4. 800597-103	Door, 12.25 X 34.00", Hickory
5. 104821	Support, roof locker, 74"
6.382002	Cabinet door pull, Orb, 3" center
7.381999	Hinge, Orb
8.800397-01	Cedar planked 5/32",
9.	No Longer Needed
10. 381228-01	Catch, grabber door
11. 380046	Flange, chrome
12. 380045	Tubing, 3/4IN metallic
13. 200975-04	Conduit, flexible black plastic
365239	Foam, non skid pad 1/4 X 1 X 1/16"

2011 CLASSIC TRAILER

FURNITURE, BEDROOM

Bed, Twin, Roadside & Curbside, 27'

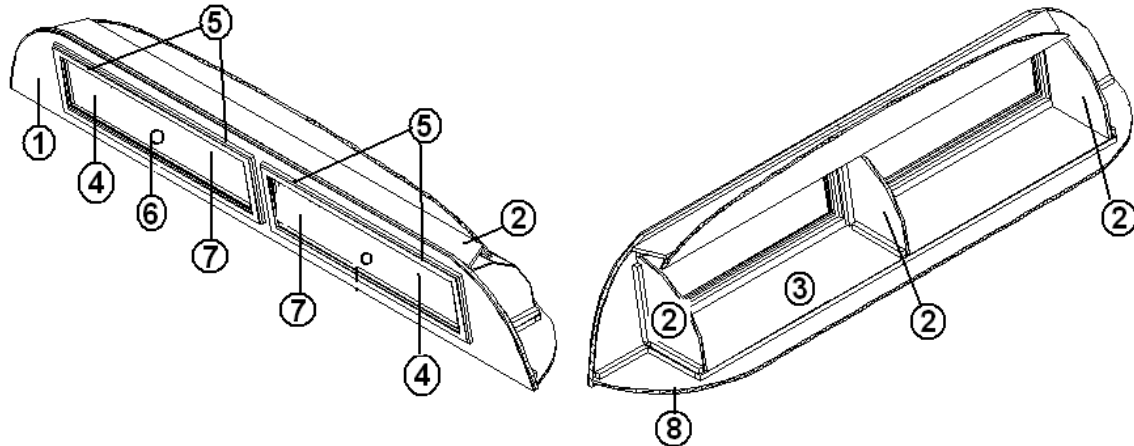


- | | |
|---------------|----------------------------|
| 966757-01 | Bed, RS Twin |
| 966757-02 | Bed, CS Twin |
| 1. 801258-003 | Paneling, 3/4" Hickory/Raw |
| 2. 800507-03 | Lauan, 3/8"X 4'X 8' |
| 3. 800575-013 | Molding, corner - Hickory |
| 4. 380203-01 | Piano hinge |
| 5. 381999 | Hinge, orb |
| 6. 382003 | Knob-1.38" orb |
| 7. 381228 | Catch, grabber |
| 966759-01 | Closeout, RS twin bed |
| 966759-02 | Closeout, CS twin bed |

2011 CLASSIC TRAILER

FURNITURE, BEDROOM

Roof Locker, Front End, 27' Front Bed

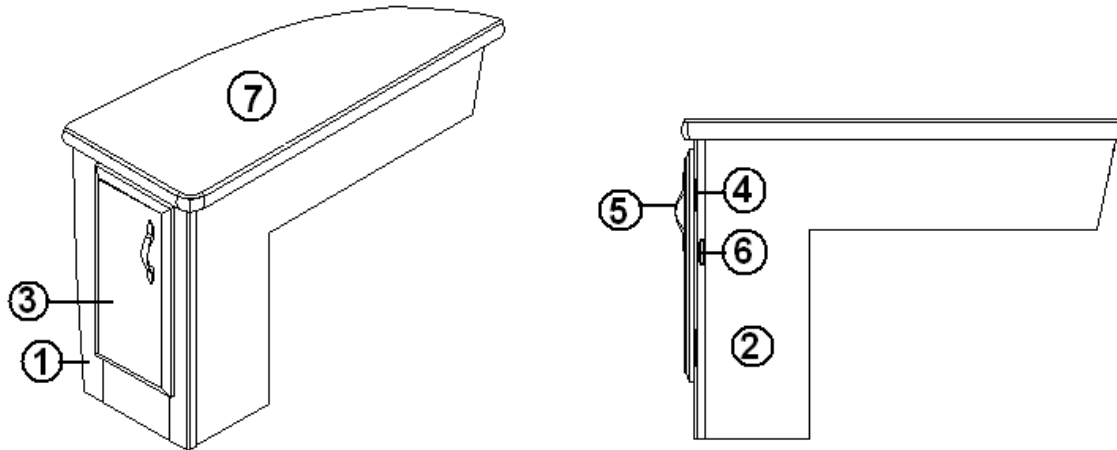


- | | |
|---------------|-------------------------------------|
| 966729 | Roof locker, front |
| 1. 963498-003 | Face frame, roof locker, front |
| 2. 801258-003 | Paneling, 1/2" Hickory/Hickory |
| 3. 801260-003 | Paneling, 5/32" Hickory/Raw |
| 4. 800597-853 | Door, 10.5" X 32.50" |
| 5. 381999 | Hinge, orb |
| 6. 382002 | Pull, cabinet door, 3" center, orb |
| 7. 381147 | Support, spring loaded door |
| 8. 702482-03 | Headliner – Spectra Opal x textured |

2011 CLASSIC TRAILER

FURNITURE, BEDROOM

Nightstand, Roadside, 27' Front Double Bed

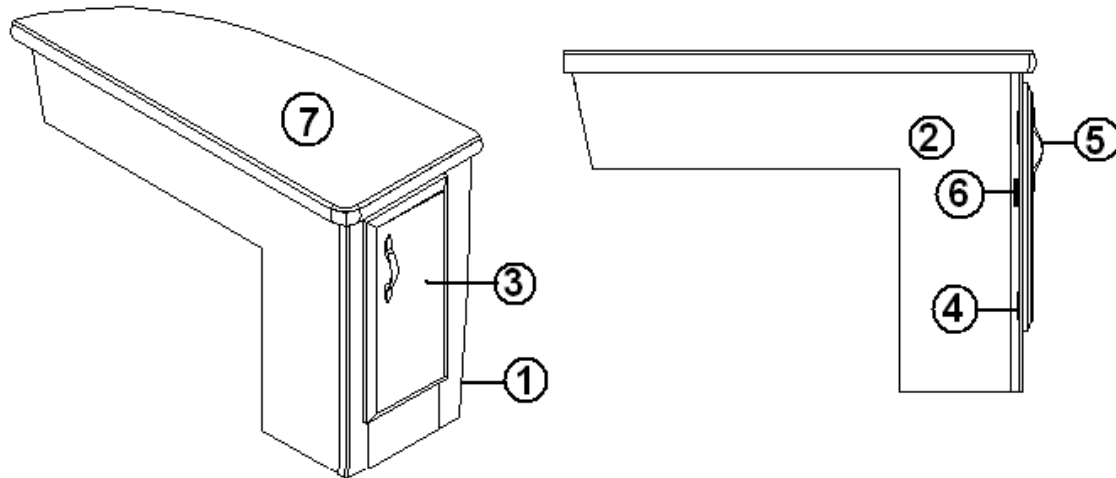


- | | |
|---------------|------------------------------------|
| 966760-01 | Nightstand, RS, "J" bed |
| 1. 966761-013 | Face frame, nightstand, RS |
| 2. 801259-003 | Paneling, 1/2" Hickory/Raw |
| 3. 800599-463 | Drawer face 8.00" X 17.25" |
| 4. 381999 | Hinge, orb |
| 5. 382002 | Pull, cabinet door, 3" center, orb |
| 6. 381074 | Catch, bulldog, #65S (copper) |
| 7. 602183-01 | Nightstand top, Corian, "J" |

2011 CLASSIC TRAILER

FURNITURE, BEDROOM

Nightstand, Curbside, 27' Front Double Bed

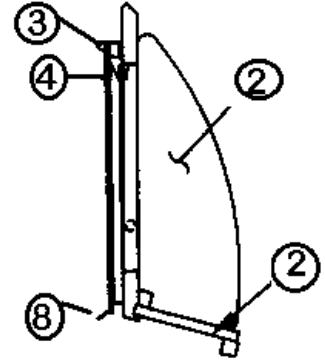
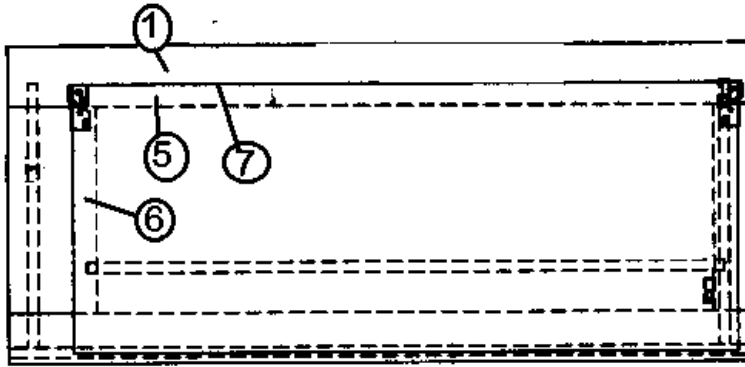


- | | |
|---------------|------------------------------------|
| 966760-02 | Nightstand, CS, "J" bed |
| 1. 966761-023 | Face frame, nightstand, CS |
| 2. 801259-003 | Paneling, 1/2" Hickory/Raw |
| 3. 800599-463 | Drawer face, 8.00" X 17.25" |
| 4. 381999 | Hinge, orb |
| 5. 382002 | Pull, cabinet door, 3" center, orb |
| 6. 381074 | Catch, bulldog, #65S (copper) |
| 7. 602183-02 | Nightstand, top, "J" |

2011 CLASSIC TRAILER

FURNITURE, BATH

Medicine Cabinet Upper, 34'

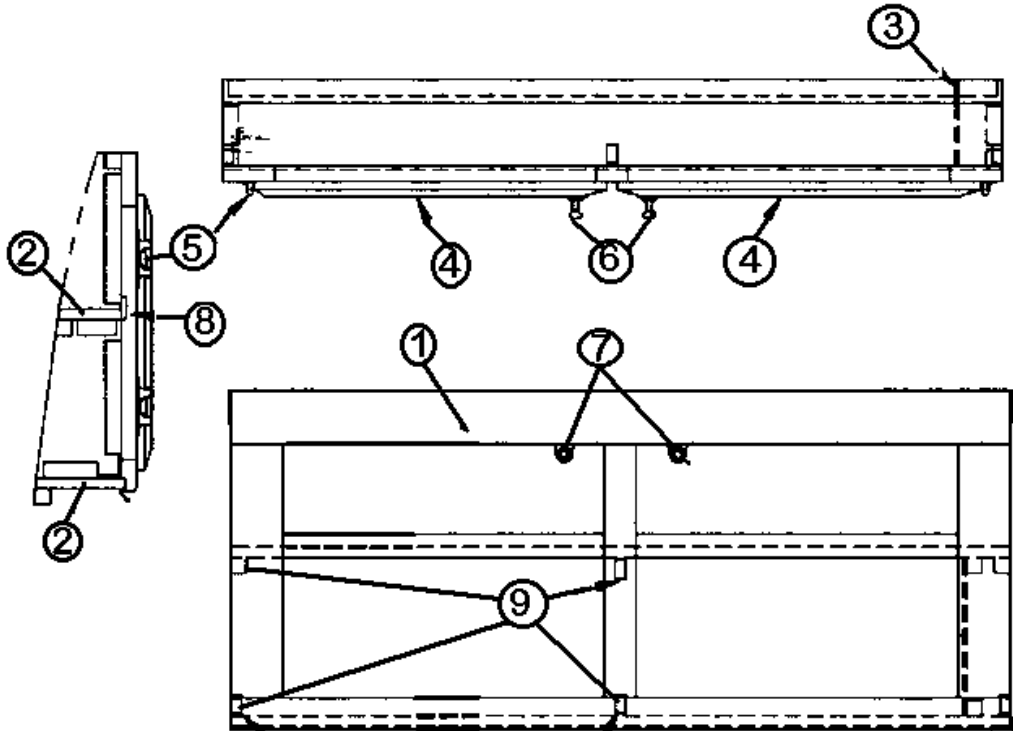


- | | |
|---------------|------------------------------------|
| 964026-03 | Medicine Cabinet Upper |
| 1. 964025-003 | Face Frame, Hickory |
| 2. 801258-003 | PANEL 1/2" G2S, Hickory |
| 3. 385935-01 | HINGE PIVOT 6INC PLATED |
| 4. 372203-17 | MIRROR- POL EDGES- 33.12" X 14.00" |
| 5. 801260-003 | PANEL 5/32"G1S, Hickory |
| 6. 380024 | SUPPORT FRICTION LEFT HAND |
| 7. 365268-03 | EDGE BANDING-5/8", Hickory |
| 8. 385940-02 | MIRROR PULL CHROME |
| 381228-01 | CATCH GRABBER DOOR |

2011 CLASSIC TRAILER

FURNITURE, BATH

Medicine Cabinet, Lower, 34'



963302-05

Medicine cabinet, Lower, 37.13"

1. 963266-013

Face Frame, Hickory

2. 801258-003

PANEL 1/2" G2S, Hickory

3. 801260-003

PANEL 5/32"G1S, Hickory

4. 800599-573

DRAWER FACE 17.25 X 13.00, Hickory

5. 381999

Hinge, Orb

6. 382002

Cabinet door pull, Orb, 3" center

7. 381228-01

CATCH GRABBER DOOR

8. 800573-013

MOLDING EDGE 1-3/32 X 80, Hickory

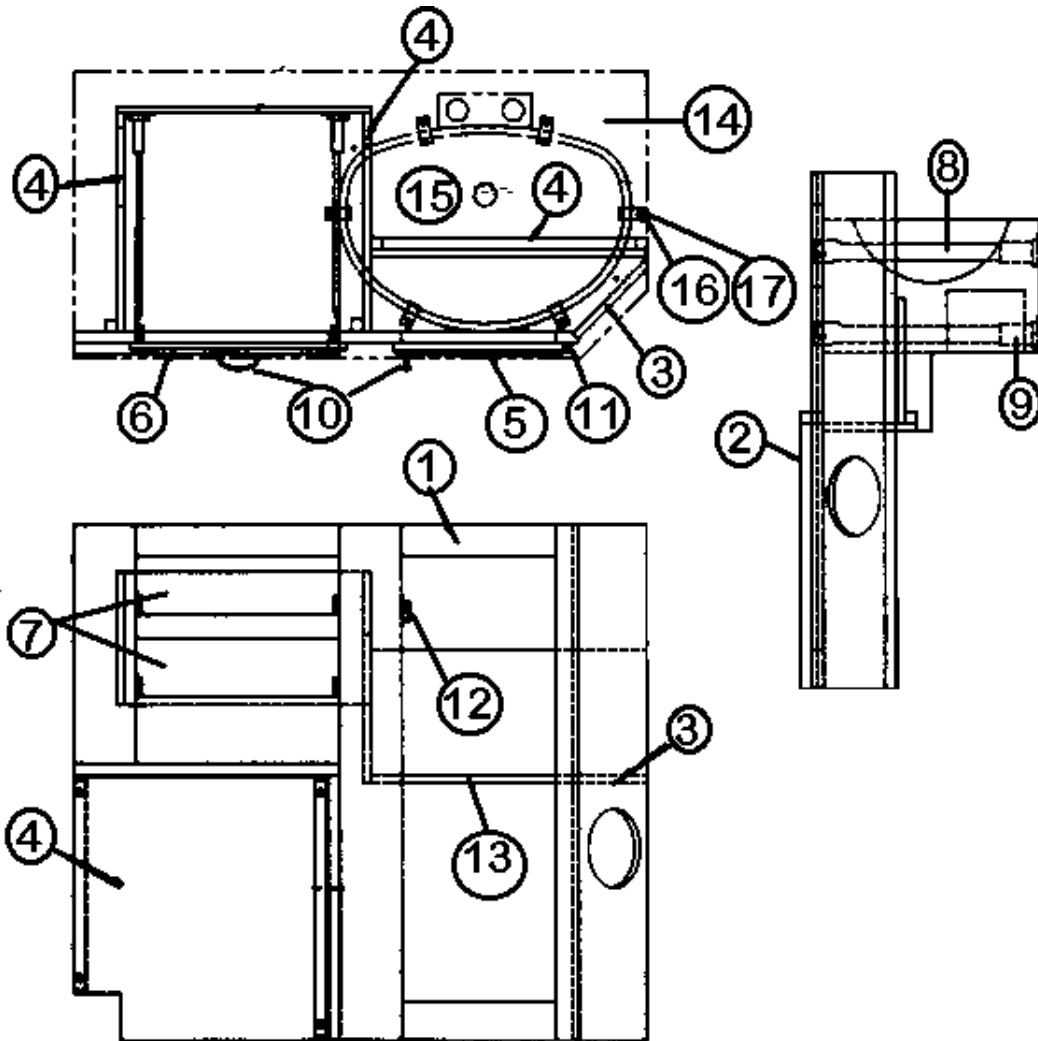
9. 380041

BRACE 1" STANLEY CORNER

2011 CLASSIC TRAILER

FURNITURE, BATH

Lavatory Cabinet, 34"



Part Numbers on the Next page

2011 CLASSIC TRAILER

FURNITURE, BATH

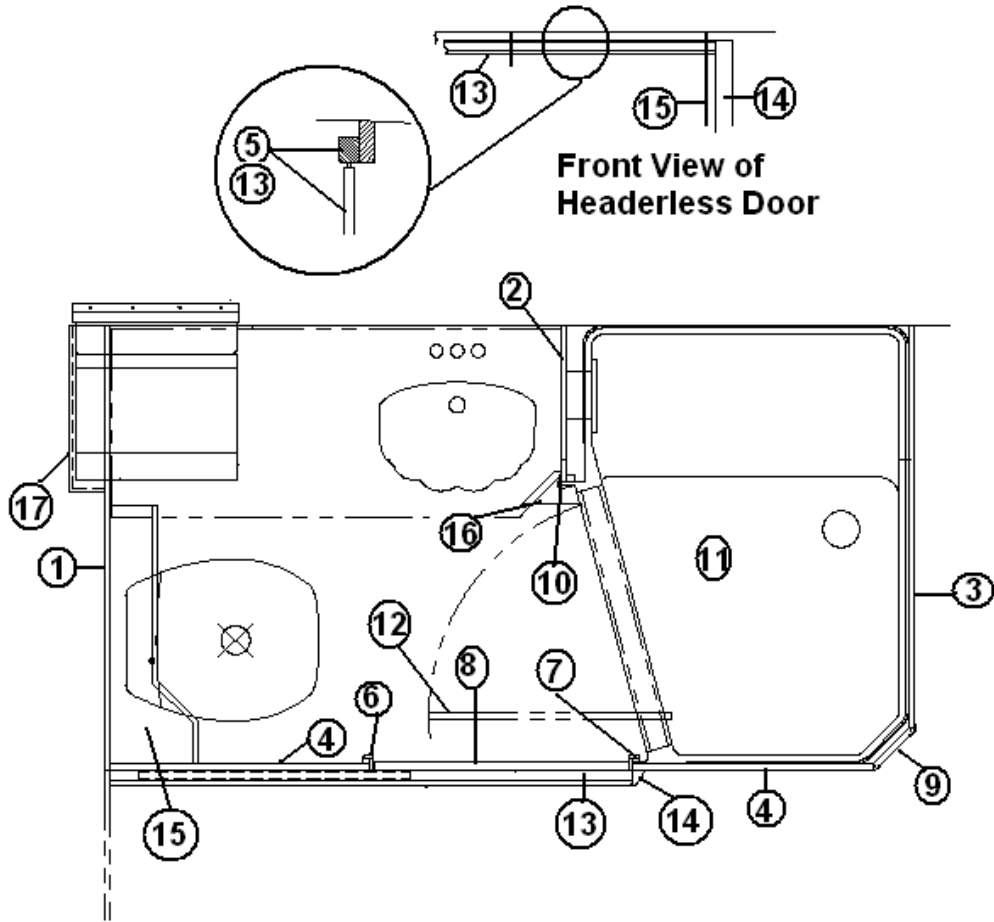
Lavatory Cabinet, 34'

965194-03	Lavatory Cabinet
1. 965192-003	FACE FRAME-LAVY, HICKORY
2. 965193-003	FRAME-LAVY CLOSE OUT, HICKORY
3. 801258-003	PANEL ½" G2S, HICKORY
4. 801259-003	PANEL ½" G1S, HICKORY
5. 800597-093	DOOR, 11.00 X 29.75, HICKORY
6.800599-073	DRAWER FACE 4.50 X 14.00" , HICKORY
7. 964906-10	DRW BOX- 12.25 X 14.00 X 2.75
8. 381526-01	DRW SLIDE-950-RV 14" PER PR
9. 381526-06	ADJUSTABLE REAR BRKT PER PR
10. 382002	Cabinet door pull, Orb, 3" center
11. 381999	Hinge, Orb
12. 381228-01	CATCH GRABBER DOOR
13. 800571-013	MOLDING FLAT .52W X 80", HICKORY
14. 602046-01	LAVY TOP ASSY, CORIAN, SANDSTONE
15. 203367-04	BOWL, LAVY KARRAN, WHITE
16. 453833	CLIP, SINK MOUNT 16.
17. 320129	INSERT-THREADED 1/4"O.D. X 1/4"L
602227	DISPENSER-SOAP, VICTORIAN

2011 CLASSIC TRAILER

FURNITURE, BATH

Bath Module, 34'



Part Numbers on the Next Page

2011 CLASSIC TRAILER

FURNITURE, BATH

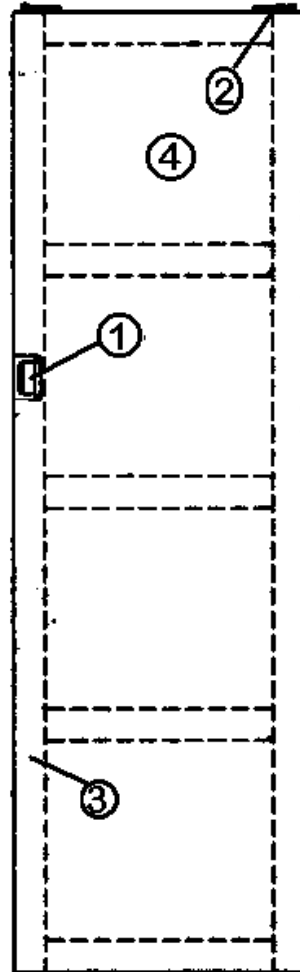
Bath Module, 34'

1. 801088-13 PANEL, AFT BATH
2. 801088-19 PANEL, AFT SHOWER
3. 801088-03 PANEL, FWD BATH
4. 801829 PANEL, CREAM/RAW, .5" X 4' X 8'
5. 966120-01 DOOR, SLIDING BATH
5. 966121-01 DOOR, FORWARD, SLIDING
5. 986265-03 DOOR ASSEMBLY, SLIDING BATH, 34'
6. 800576-013 MOLDING, BATH DR JAMB 80", Hickory
7. 800575-013 MOLDING, CORNER 80", Hickory
8. 964303-013 HEADER, BATH DOOR, Hickory
9. 801259-003 PANEL 1/2" G1S Hickory/RAW 4' X 7'
10. 801172-013 MOLDING CORNER, Hickory
11. 203046-03 SHOWER STALL, ANGLED
12. 703911-03 SHOWER DOOR, BRONZE
13. 381100 SLIDING DOOR GUIDE
14. 800576-013 MOLDING BATH DR JAMB 80", Hickory
15. 964619 CLOSEOUT - TANK FLUSH
16. 964993-01 CLOSE-OUT LAVY/SHOWER
17. 961919-01 WATER HEATER CLOSE OUT
- 966114-003 HEADER-SLIDING BATH DOOR, HICKORY
- 702482-03 HEADLINER SPECTRA OPAL X TEXTURE
- 801337 HEADER SHOWER
- 801178-08 MOLDING, FLAT .81" CREAM, 8'
- 801172-08 MOLDING, FLAT .94" CREAM, 8'

2011 CLASSIC TRAILER

FURNITURE, BATH

Bath Sliding Door, 34'



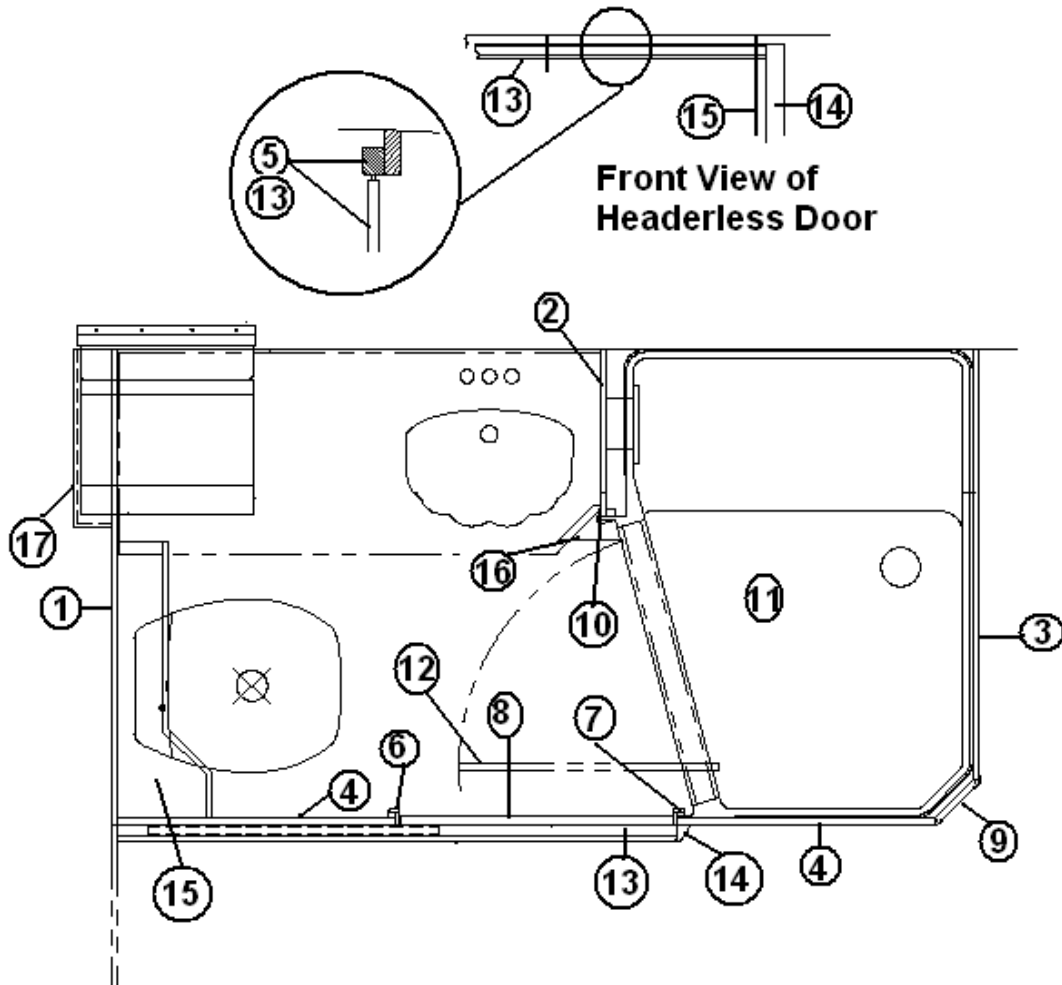
- 986265-03
1. 201427
2. 200009
3. 365268-04
4. 801260-003
381100

DOOR ASSEMBLY, SLIDING BATH
FINGER PULL, LIGHT BROWN
SLIDING DOOR GUIDE
EDGE BANDING-1.25"X .055"
PANEL 5/32" G1S
SLIDING DOOR GUIDE

2011 CLASSIC TRAILER

FURNITURE, BATH

Bath Module, 31'



See next page for P/N

2011 CLASSIC TRAILER

FURNITURE, BATH

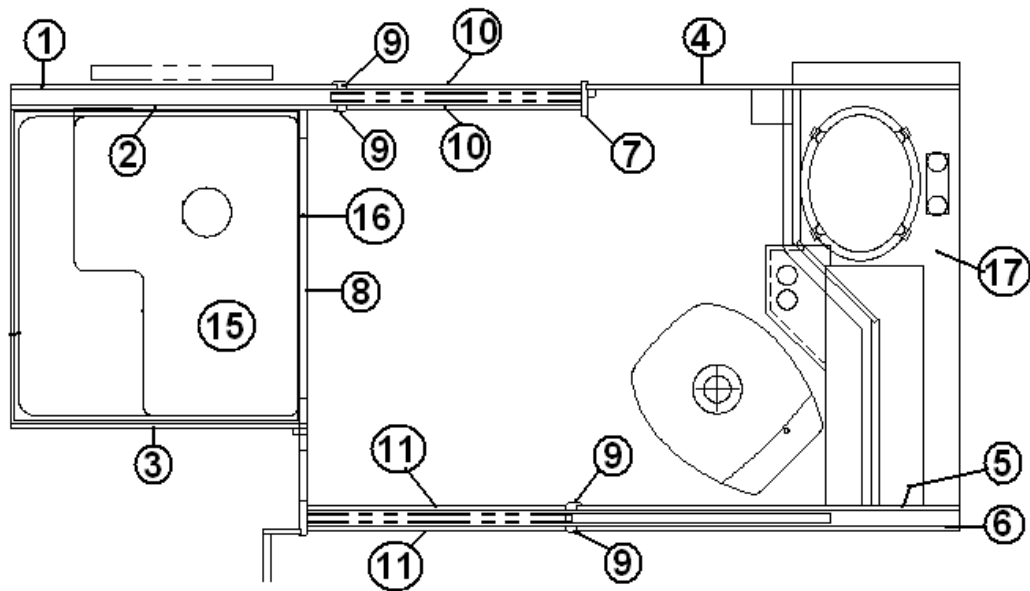
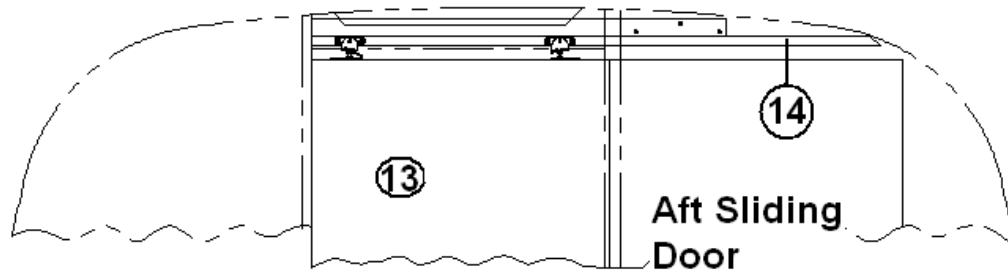
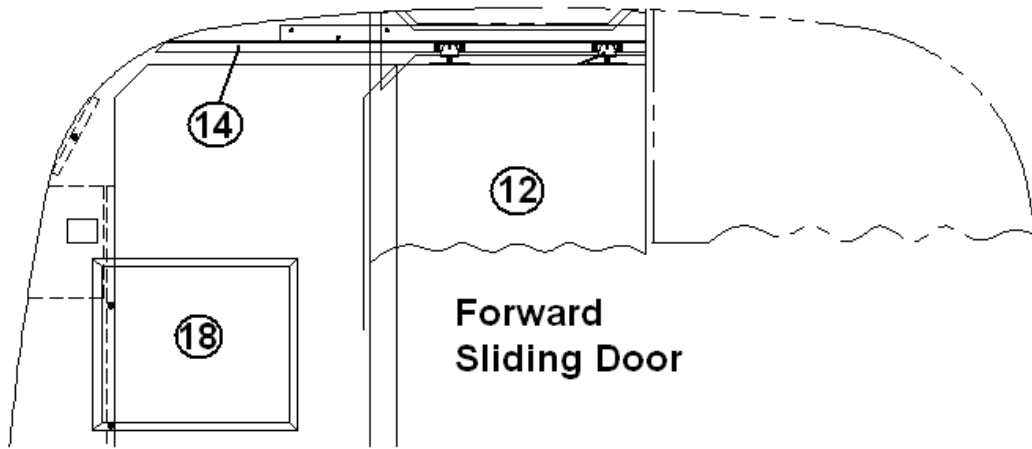
Bath Module, 31'

1. 801088-13 Panel, aft bath
2. 801088-19 Panel, aft shower
3. 801088-03 Panel, fwd. bath
4. 801506 Panel, Ascot Sand/Raw, .5" X 4' X 8'
5. 966120-01 Door, sliding bath, 31'
5. 966121-01 Door, forward, sliding, 31'
6. 800576-013 Molding, bath door jamb 80", Hickory
7. 800575-013 Molding, corner 80", Hickory
8. 964303-013 Header, bath door, Hickory
9. 801259-003 Panel ½" G1S Hickory/Raw 4' X 7'
10. 801172-013 Molding, corner, Hickory
11. 203046-03 Shower stall, angled
12. 703911-03 Shower door, orb w/ aqua glass
12. 703911-04 Jamb, shower door
13. 381100 Sliding door guide
14. 800576-013 Molding, bath door jamb 80", Hickory
15. 964619 Closeout, tank flush
16. 964993 Closeout, lavy/shower
17. 961919-01 Water heater, closeout
- 966114-003 Header, sliding, bath door, Hickory
- 702482-03 Headliner, Spectra Opal x texture
- 801337 Header, shower
- 801175-08 Molding, flat, .81", Crackle Cream

2011 CLASSIC TRAILER

FURNITURE, BATH

Bath Module 30'



See next page for P/N

2011 CLASSIC TRAILER

FURNITURE, BATH

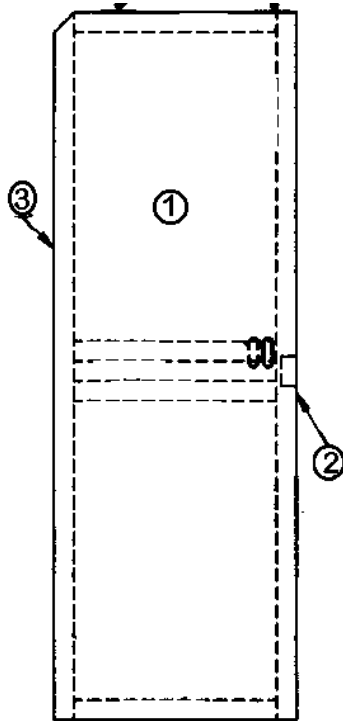
Bath Module 30'

1. 800984-01 Panel, forward bedroom
2. 800984-21 Panel, aft shower
3. 800984-20 Panel, forward shower
4. 801127-01 Panel, aft lavy
5. 801127-09 Panel, forward lavy
6. 801127-03 Panel, aft refer
7. 963664-003 Stile, aft bath, Hickory
8. 962161-013 Face frame, shower, Hickory
9. 800815-023 Stile, aft bath, panel end, Hickory
10. 963656-003 Header, aft slide door, Hickory
11. 963657-003 Header, forward slide door, Hickory
12. 962066-03 Door assembly, slider aft
13. 966120-01 Door assembly, sliding bath
14. 381443-01 Sliding door set #71-222-5'
14. 381443-02 Bumper stop
15. 203081-02 Shower stall 2 PC.
16. 703911-03 Shower door, orb
16. 703911-04 JAMB, SHOWER Door
17. 962174 Lavy stand assembly
18. 961916 Shower stand assembly

2011 CLASSIC TRAILER

FURNITURE, BATH

Door, Slider, Aft, 30'

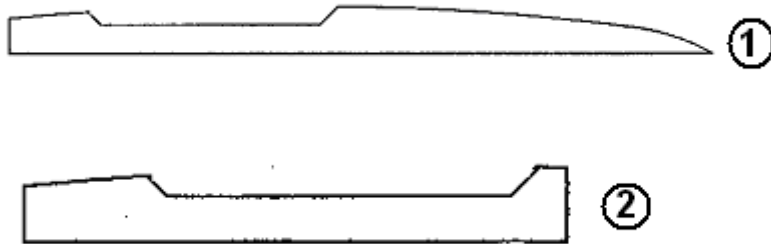


- | | |
|---------------|-----------------------------|
| 962066-03 | Door Assembly, Slider, Aft |
| 1. 801260-003 | Panel 5/32"G1S Hickory/Raw |
| 2. 201427 | Finger pull, light brown |
| 3. 365268-04 | Edgebanding-1.25"X .055" |
| 200009 | Sliding door guide |
| 381443-01 | Sliding door set #71-222-5' |
| 381100 | Sliding door guide |

2011 CLASSIC TRAILER

FURNITURE, BATH

Door Header, Sliding, 31', 34'



1. 963296-013

Header, Slider Door, Long

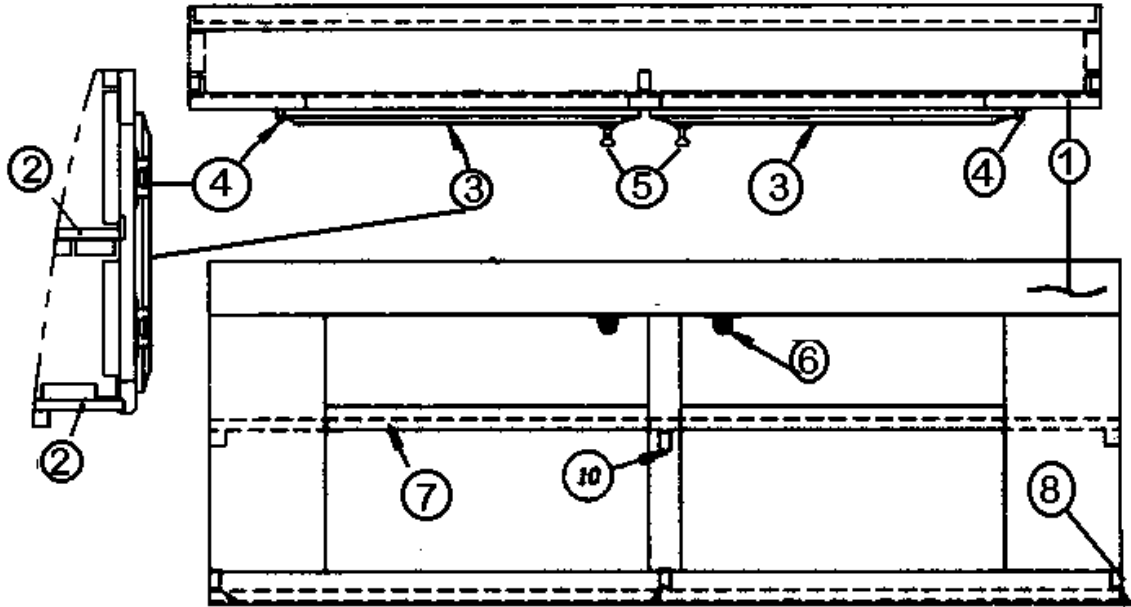
2. 963297-013

Header, Slider Door, Short

2011 CLASSIC TRAILER

FURNITURE, BATH

Medicine Cabinet, Lower, 31'

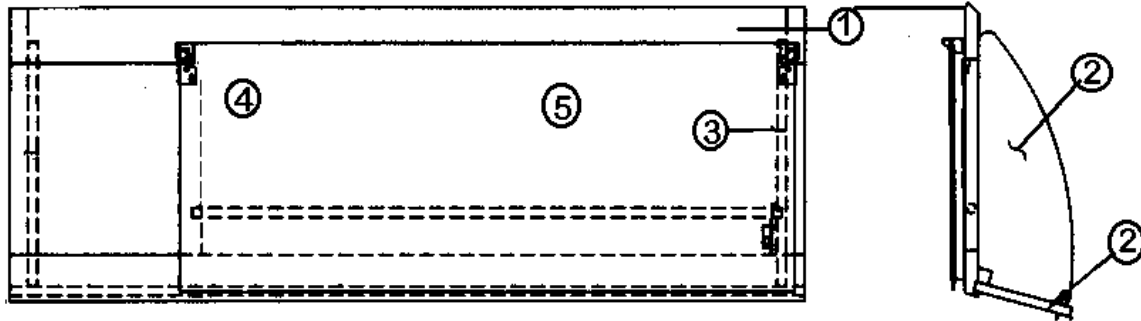


- | | |
|---------------|---|
| 964302-06 | Medicine Cabinet, Lower Assembly, 31' |
| 1. 964300-013 | Face frame, lower Hickory |
| 2. 801258-003 | Panel 1/2" G2S, Hickory |
| 3. 800599-573 | Drawer face, 17.25" X 13.00", Hickory |
| 4. 381999 | Hinge, Orb |
| 5. 382002 | Cabinet door pull, Orb, 3" center |
| 6. 381228-01 | Catch, grabber door |
| 7. 800573-013 | Molding door edge, 1-3/32" X 80", Hickory |
| 8. 380041 | Brace 1 in. Stanley corner |

2011 CLASSIC TRAILER

FURNITURE, BATH

Medicine Cabinet Upper, 31'

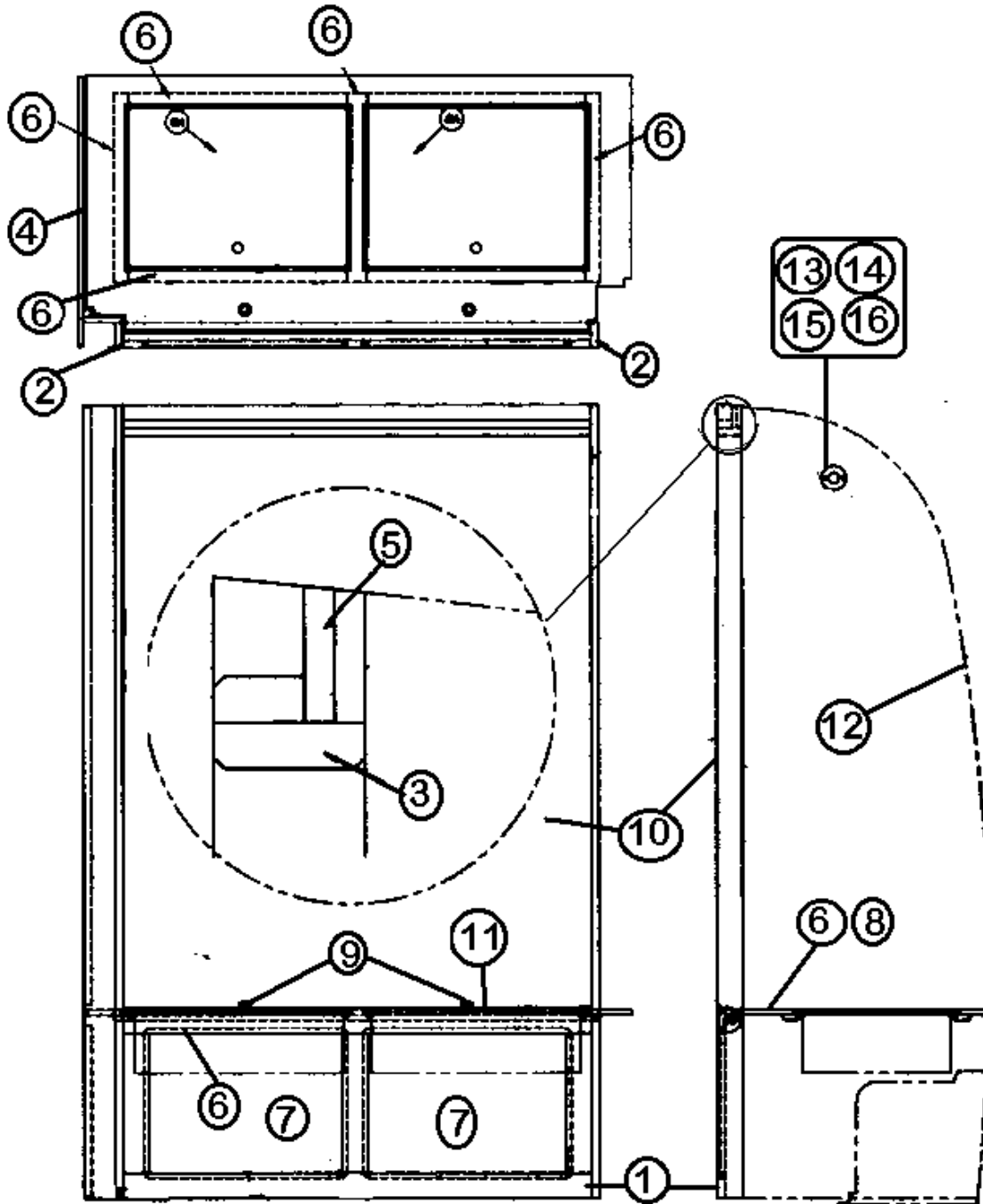


- | | |
|---------------|--|
| 964301-04 | Upper Medicine Cabinet, 31' |
| 1. 964299-013 | Face frame, upper, Hickory |
| 2. 801258-003 | Panel, 1/2" G2S, Hickory |
| 3. 382126 | LID STAY, CHROME |
| 4. 385935-01 | Hinge, pivot, zinc plated |
| 5. 372203-04 | Mirror, polished edges - 36.00" X 14.00" |
| 380024 | Support, friction - LH |

2011 CLASSIC TRAILER

FURNITURE, BATH

Wardrobe, Forward, 31', 34'



See next page for P/N

2011 CLASSIC TRAILER

FURNITURE, BATH

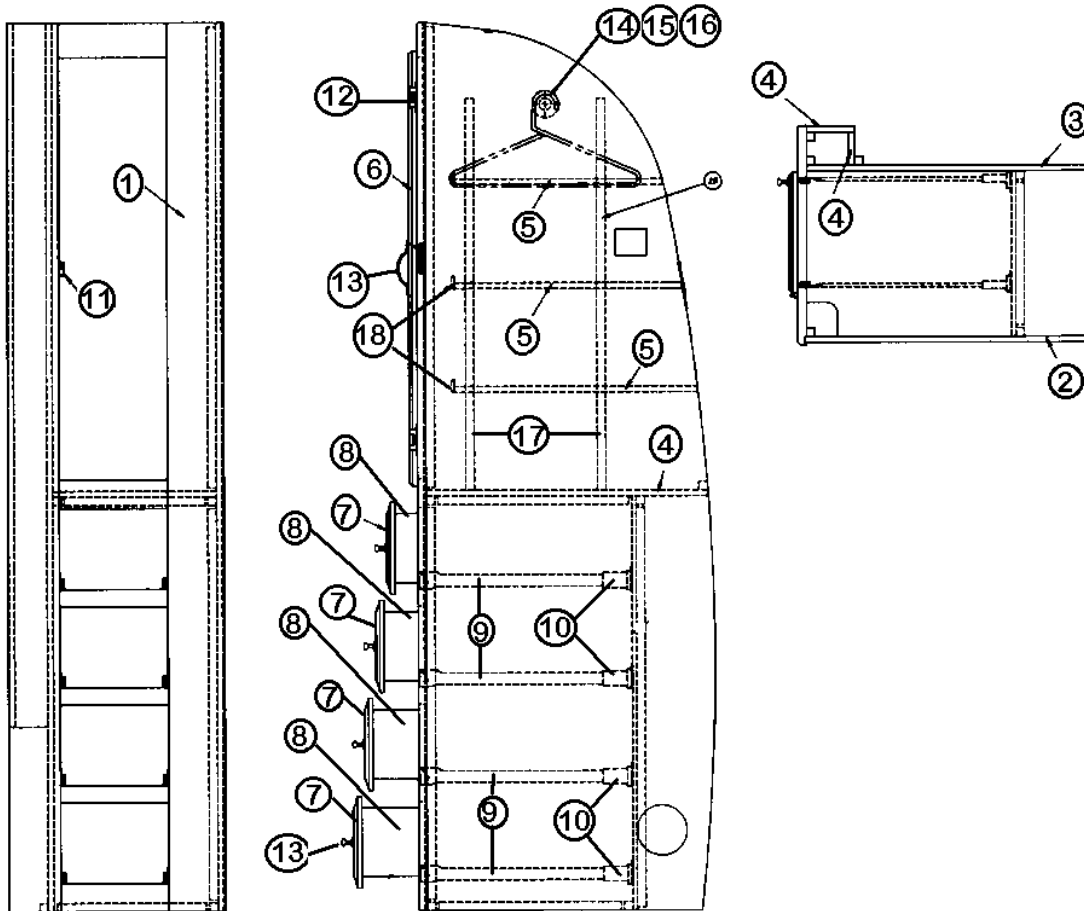
Wardrobe, Forward, 31', 34'

- 965224-05 Wardrobe Assembly, 31'
- 965224-06 Wardrobe Assembly, 34'
- 1. 965219-003 Face frame, wardrobe, Hickory
- 2. 965220-003 Stile, wardrobe, side, LH/RH, Hickory
- 3. 965221-003 Header, wardrobe, Hickory
- 4. 964306-02 Panel, forward wardrobe
- 5. 801258-003 Panel, 1/2", G2S, Hickory
- 6. 801259-003 Panel, 1/2", Hickory
- 7. 201016 Drawer 16 X 22
- 8. 701538-01 Carpet, Econolier, w/PSA back
- 9. 382002 Cabinet door pull, Orb, 3" center
- 10. 382054 Door, mirrored sliding 46" X 55.5", w/latch
- 11. 381228-01 Grabber, door catch
- 12. 800397-01 Cedar planked 5/32"
- 13. 380045 Tubing, 3/4IN metallic
- 14. 380046 Flange, chrome
- 15. 200975-04 Conduit, flexible black plastic
- 16. 381298 Support, clothes rod, length: 5.25
- 382003 Knob, Orb, 1 3/8" center

2011 CLASSIC TRAILER

FURNITURE, BATH

Wardrobe, Aft, 31', 34'



See next page for P/N

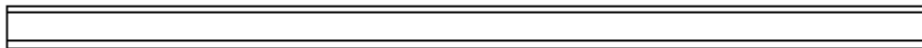
2011 CLASSIC TRAILER

FURNITURE, BATH

Wardrobe, Aft, 31', 34'

965223-05	Aft Wardrobe Assembly, 31'
965223-06	Aft Wardrobe Assembly, 34'
1. 965218-003	Face frame, wardrobe, Hickory
2. 964306-01	Panel, aft wardrobe
3. 801088-20	Panel, wardrobe, vinyl
4. 801259-003	Panel 1/2" G1S, Hickory
5. 801258-003	Panel 1/2" G1S, Hickory
6. 800597-473	Door 10.50" X 37.75", Hickory
7. 800599-653	Drawer face 8 X 10.50", Hickory
8. 964907-02	Drawer box- 8.50 X 18.00 X 6.00
9. 381526-03	Drawer slide-950-RV 18" (PER PR)
10. 381526-06	Adjustable rear bracket (pr)
11. 381228-01	Grabber, door catch
12. 381999	Hinge, Orb
13. 382002	Cabinet door pull, Orb, 3" center
14. 380045	Tubing, 3/4" metallic
15. 380046	Flange, chrome
16. 200975-04	Conduit, flexible black plastic
17. 381527	Speedy shelf strips
18. 800573-013	Molding, door, Hickory

Foldette Door Header, 31', 34'

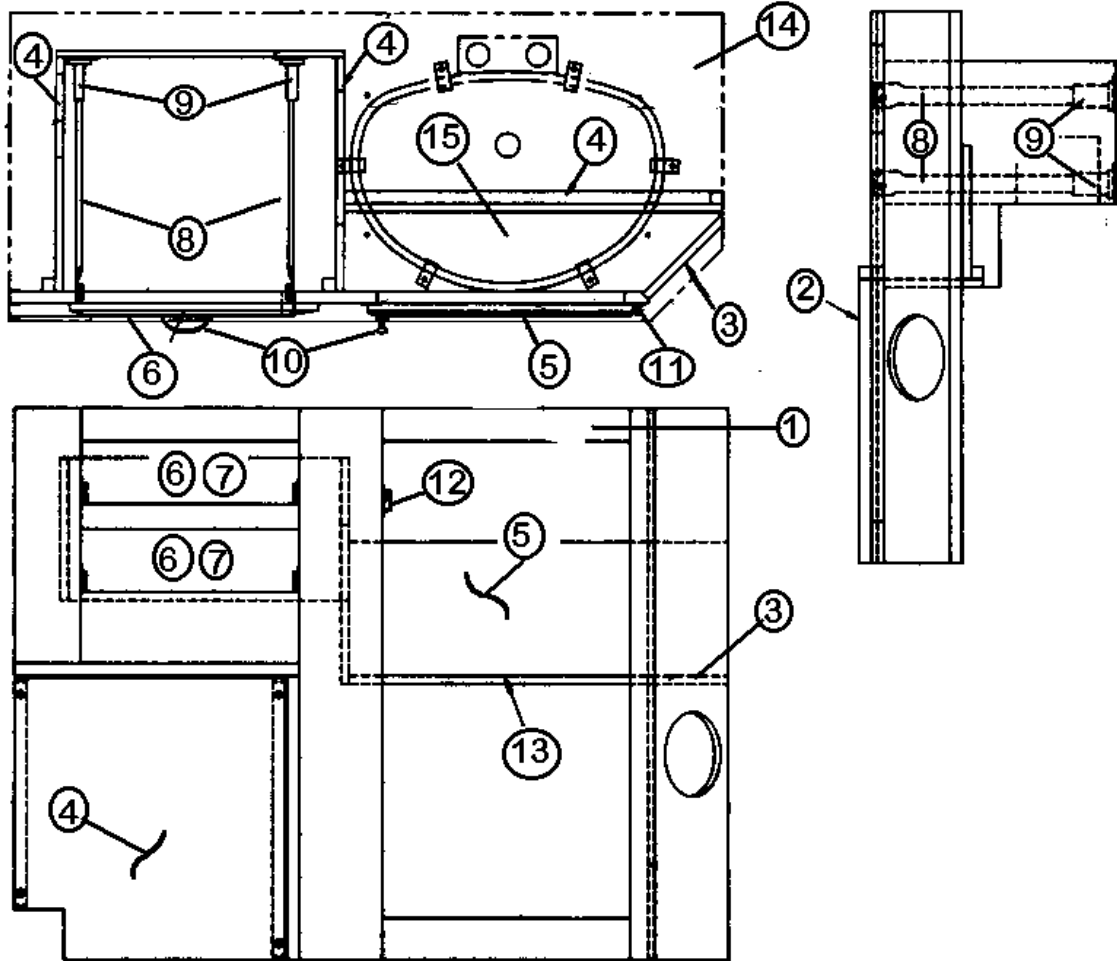


965951-003	Header, foldette door, Hickory
------------	--------------------------------

2011 CLASSIC TRAILER

FURNITURE, BATH

Lavatory Cabinet, 31'



See next page for P/N

2011 CLASSIC TRAILER

FURNITURE, BATH

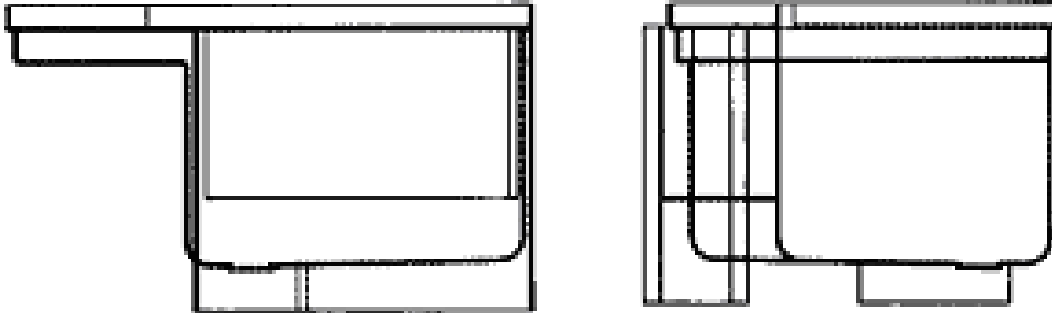
Lavatory Cabinet, 31'

965214-06	Lavatory Cabinet
1. 965212-003	Face frame, lavy
2. 965193-003	Frame, lavy, closeout
3. 801258-003	Panel, 1/2", Hickory/Hickory
4. 801259-003	Panel,, 1/2" G1S, Hickory/raw
5. 800597-083	Door, 16.00" X 29.50", Hickory
6. 800599-073	Drawer face, 4.50" X 14.00", Hickory
7. 964906-10	Drawer box, 12.25 X 14.00 X 2.75
8. 381526-01	Drawer slide-950-RV 14" PR
9. 381526-06	Bracket, adjustable rear (PR)
10. 382002	Cabinet door pull, Orb, 3" center
11. 381999	Hinge, Orb
12. 381228-01	Catch, grabber door
13. 800571-013	Molding, flat .52" W X 80", Hickory
14. 602045-01	Lavy top, Corian, Sandstone
15. 203367-02	Bowl, lavy, Karran, white
15a. 453833	Clip, sink mount
15b. 320129	Insert, threaded 1/4"O.D. X 1/4"L
15c. 320130-09	Screw #10-32 slotted, hex HD 1.25L
15d. 320131	Wingnut-#10-32 6IN
602227	Dispenser, liquid soap/lotion
382002	PULL, CABINET DOOR, 3"CENTER, ORB

2011 CLASSIC TRAILER

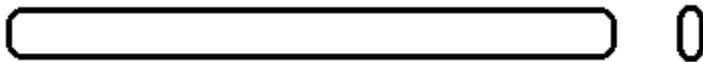
FURNITURE, BATH

Shower Stall, 2 Piece, 34', 31'



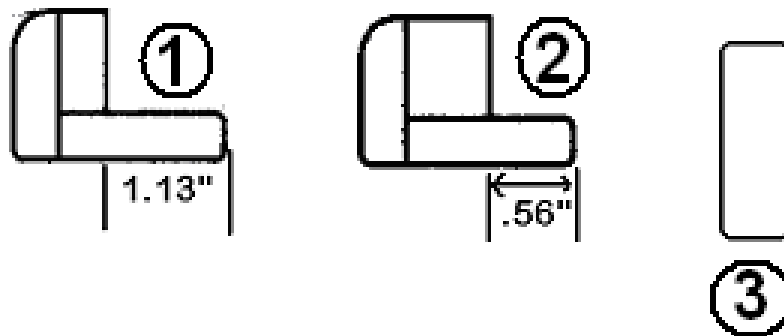
203046-03 Shower Stall, 2 Piece

Bath Door Header, 31'



964303-013 Bath Door Header

Bath Door Jamb/Header/Molding, 34', 31'

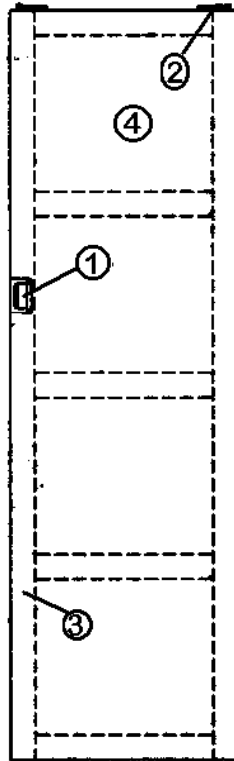


1. 963787-013 Bath Door Jamb, Hickory, 34', 31'
2. 963786-013 Jamb, Bath Door, Hickory, 34', 31'
2. 963788-03 Header, Bath Door, 34' only
3. 800576-013 Molding, bath door jamb 80", Hickory

2011 CLASSIC TRAILER

FURNITURE, BATH

Bath Sliding Door, Forward, 31', 34'

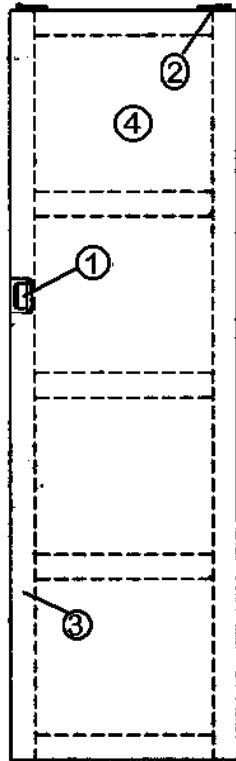


966121-01	Bath Sliding Door Assembly
1. 201427	Finger pull, light brown
2. 200009	Sliding door guide
3. 365268-04	Edgebanding-1.25"X .055"
4. 800260-003	Panel, 5/32" G1S, Hickory
381443-01	Sliding door set #71-222-5'
381100	Sliding door guide
963296-013	Header, slider door long, Hickory
963297-013	Header, slider door short

2011 CLASSIC TRAILER

FURNITURE, BATH

Bath Sliding Door, Forward, 31', 30', 34'

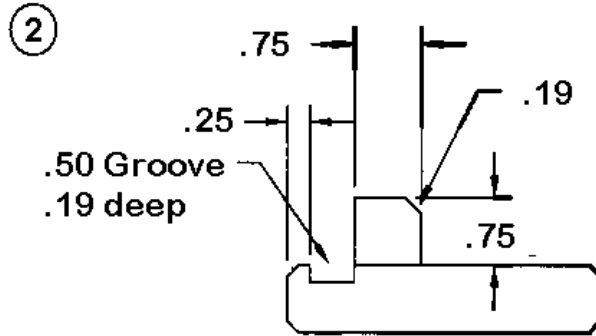
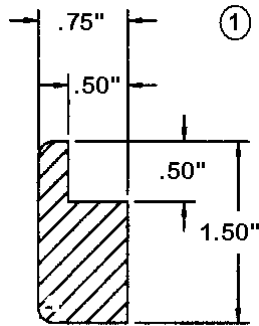


966120-01	Bath Sliding Door Assembly
1. 201427	Finger pull, light brown
2. 200009	Sliding door guide
3. 365268-04	Edgebanding-1.25"X .055"
4. 801260-003	Panel 5/32" G1S, Hickory
381443-01	Sliding door set #71-222-5'
963296-013	Header, slider door long, Hickory
963297-013	Header, slider door short
381100	Sliding door guide

2011 CLASSIC TRAILER

FURNITURE, BATH

Bath Panel Stiles, 30', 34'

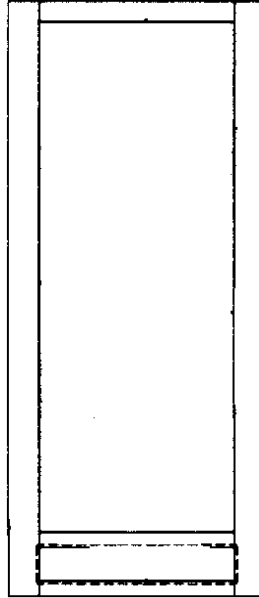


1. 800815-023 Stile, Aft Bath Panel, Hickory
2. 963664-003 Stile Aft Bath, Hickory

2011 CLASSIC TRAILER

FURNITURE, BATH

Shower Face Frame, 30'



962161-013 Face Frame, Shower, Hickory

Sliding Door Headers, 30'

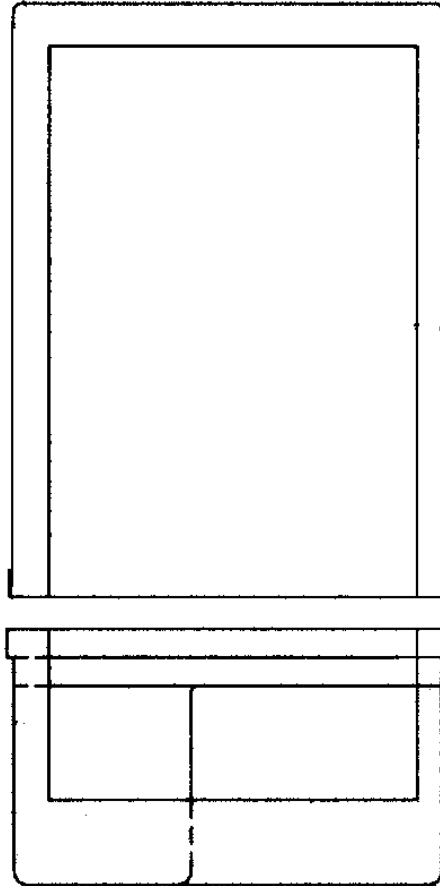


1. 963656-003 Header, Aft Slide Door, Hickory
2. 963657-003 Header, Forward Slide Door, Hickory

2011 CLASSIC TRAILER

FURNITURE, BATH

Shower Stall/Door, 30', 27' Front Bed



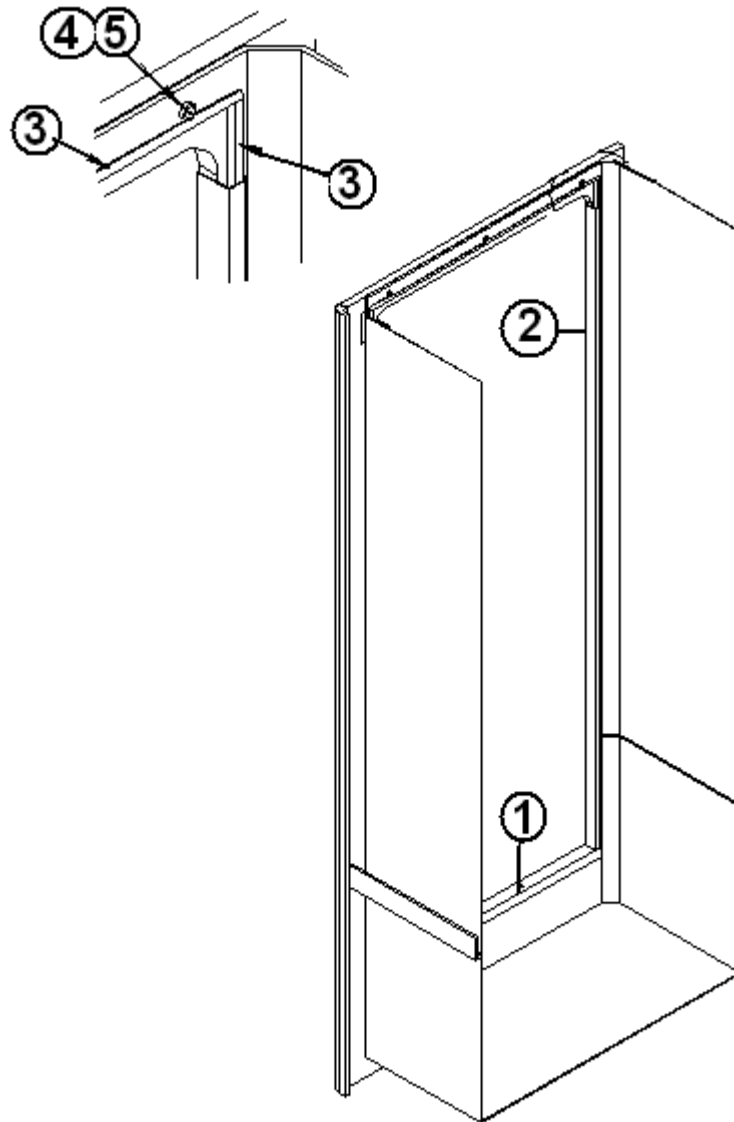
203081-02
703911-03

Shower Stall-2 piece Fiberglass
DOOR, SHOWER ,25.5 X 65.00, BRONZE

2011 CLASSIC TRAILER

FURNITURE, BATH

Shower Trim / Door Install, 30', 27' Front Bed

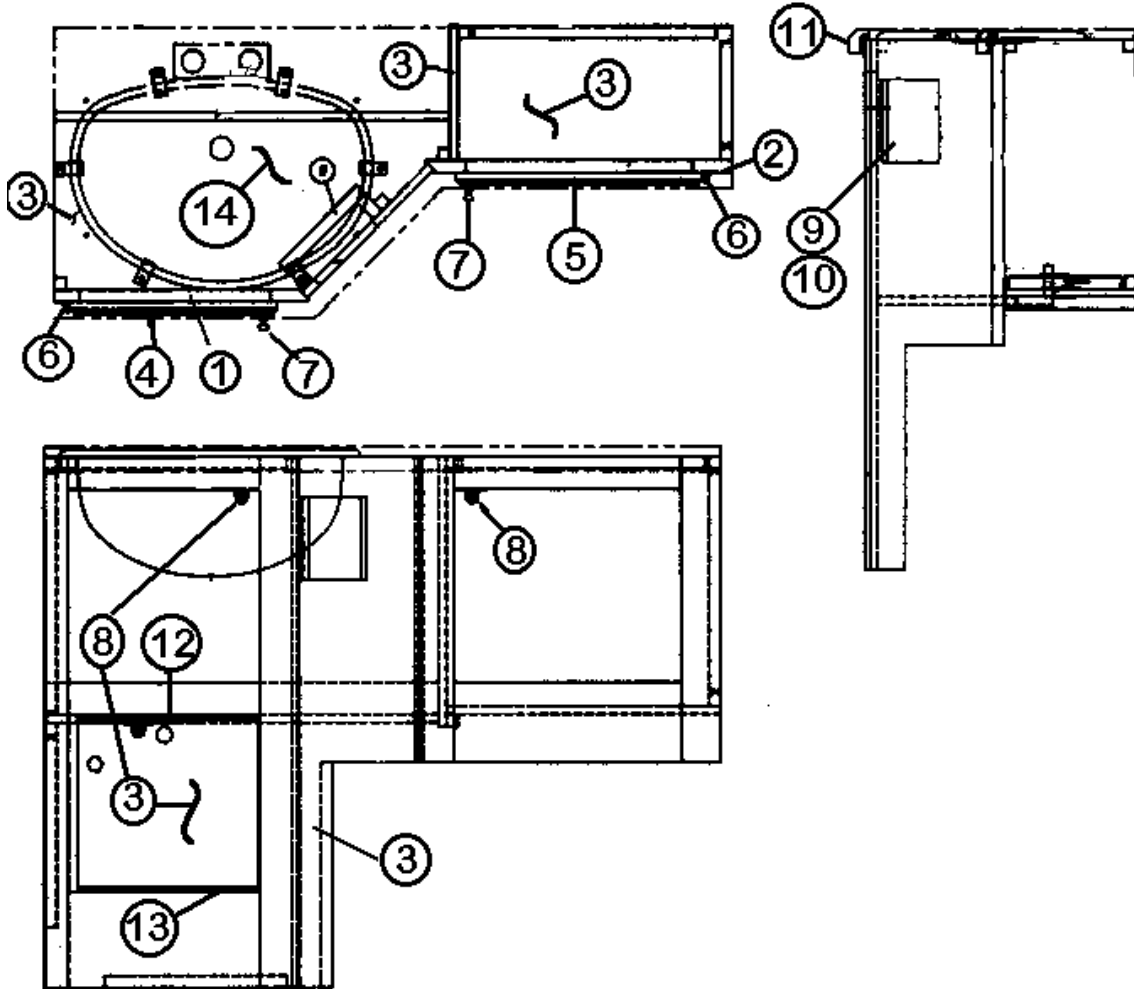


- | | |
|--------------|---------------------------------------|
| 1. 454727-01 | Angle, shower frame, 27" |
| 2. 454727-02 | Angle, shower frame, 64.75" |
| 3. 201666 | Molding, "J" 3/16, plastic, almond |
| 4. 381081-01 | Snap cap w/ washer, Antique White |
| 5. 320006 | Screw, sheet metal, 8 X 3/4 BH PHILIP |

2011 CLASSIC TRAILER

FURNITURE, BATH

Lavatory Cabinet, 30'



See next page for P/N

2011 CLASSIC TRAILER

FURNITURE, BATH

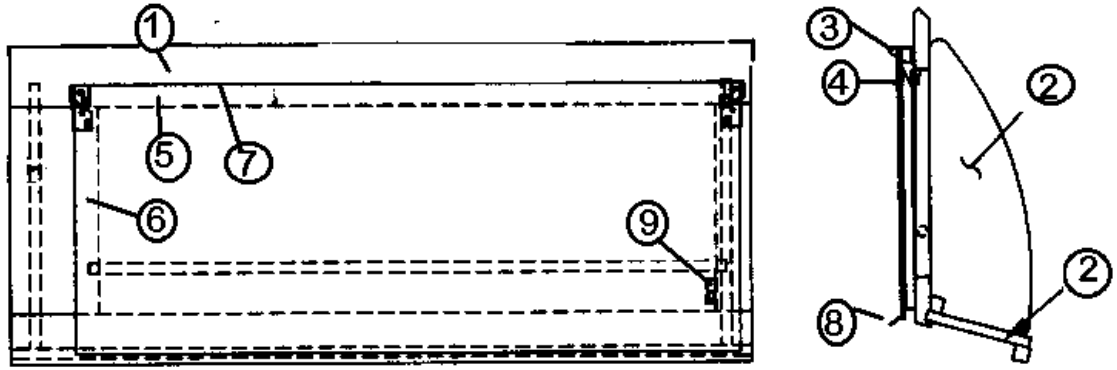
Lavatory Cabinet, 30'

961921-10	Lavatory Cabinet Assembly
1. 961890-013	Face frame, lavy, Hickory
2. 961891-013	Face frame, lavy aft, Hickory
3. 800025-01	PINE, 3/4" X 3/4", STAINED
4. 800597-943	Door, 13.00" X 25.75", Hickory
5. 800597-493	Door, 15.50" X 13.00", Hickory
6. 381999	Hinge, Orb
7. 382002	Cabinet door pull, Orb, 3" center
8. 381228-01	Catch, grabber door
9. 602295	Toilet paper holder
10.	No longer used.
11.602044-01	Top assembly, Corian, Sandstone
12.800571-013	Molding, flat .52W X 80", Hickory
13.380458	Hinge, piano, brown anodized
14.203367-04	Bowl, lavy, Karran, White
453833	Clip, sink mount
320129	Insert, threaded 1/4"O.D. X 1/4"L
320130-09	Screw #10-32 slotted hex hd 1.25L
320131	Wingnut-#10-32 6IN
602227	Dispenser soap, Victorian

2011 CLASSIC TRAILER

FURNITURE, BATH

Medicine Cabinet, Upper, 30'

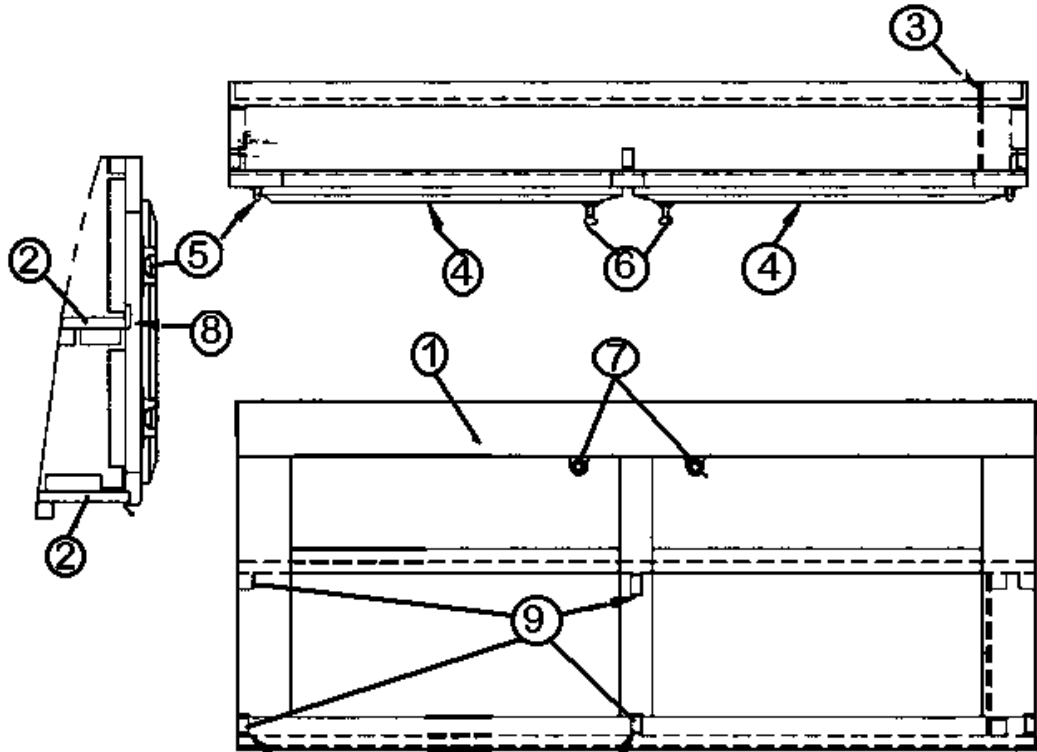


- | | |
|---------------|---|
| 963753-03 | Medicine cabinet assembly, upper |
| 1. 962170-013 | Face frame, medicine cabinet upper, Hickory |
| 2. 801258-003 | Panel 1/2" G2S, Hickory |
| 3. 382159 | HINGE, PIVOT, NICKEL |
| 4. 372203-04 | Mirror, polished edges - 36.00" X 14.00" |
| 5. 801258-003 | Panel 1/2" G2S, Hickory |
| 6. 380024 | Support, friction, LH |
| 7. 365268-04 | Edgebanding 5/8" |
| 8. 385940-02 | Mirror pull, chrome |
| 9. 382126 | LID STAY, CHROME |
| 380203-01 | Piano hinge |

2011 CLASSIC TRAILER

FURNITURE, BATH

Medicine Cabinet, Lower, 30'

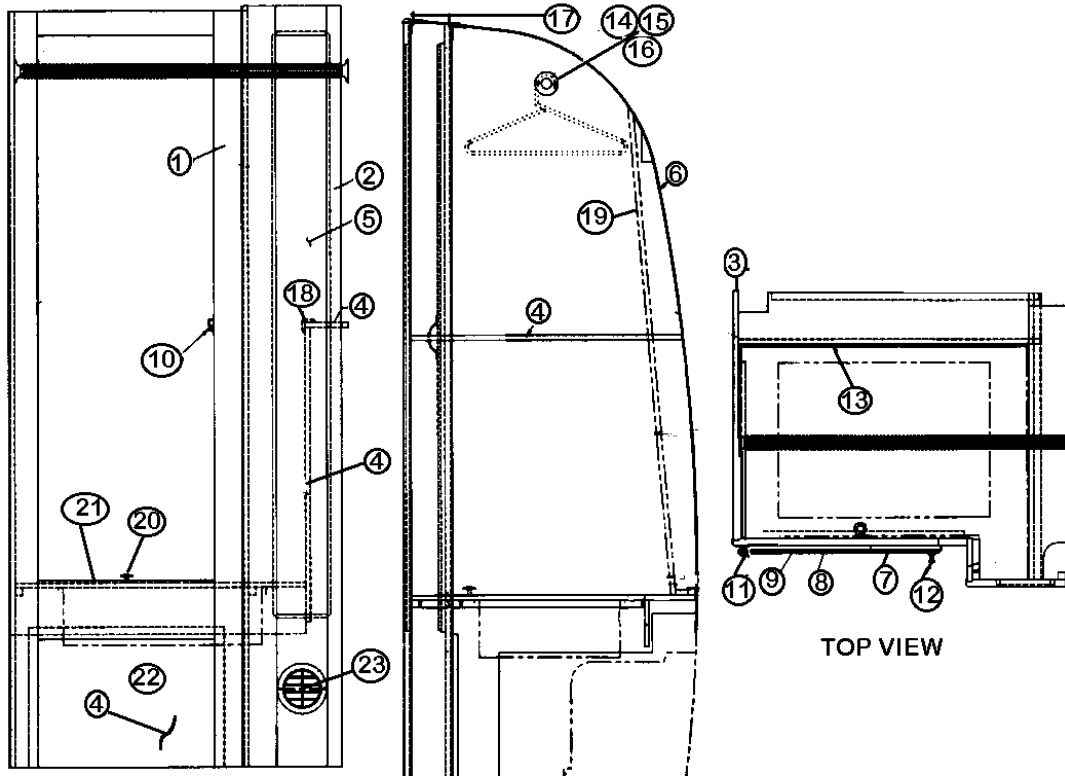


- | | |
|---------------|--|
| 961899-05 | Medicine Cabinet, Lower |
| 1. 961897-013 | Face frame, medicine cabinet, lower, Hickory |
| 2. 801258-003 | Panel, 1/2" G2S, Hickory |
| 3. 800025-01 | PINE, 3/4" X 3/4", STAINED |
| 4. 800599-573 | Drawer face 17.25 X 13.00, Hickory |
| 5. 381999 | Hinge, Orb |
| 6. 382002 | Cabinet door pull, Orb, 3" center |
| 7. 381228-01 | Catch, grabber door |
| 8. 800573-013 | Molding, 1 X 3/32 X 80, Hickory |
| 9. 380041 | Brace, 1IN Stanley, corner |

2011 CLASSIC TRAILER

FURNITURE, BATH

Wardrobe, 30'



See next page for P/N

2011 CLASSIC TRAILER

FURNITURE, BATH

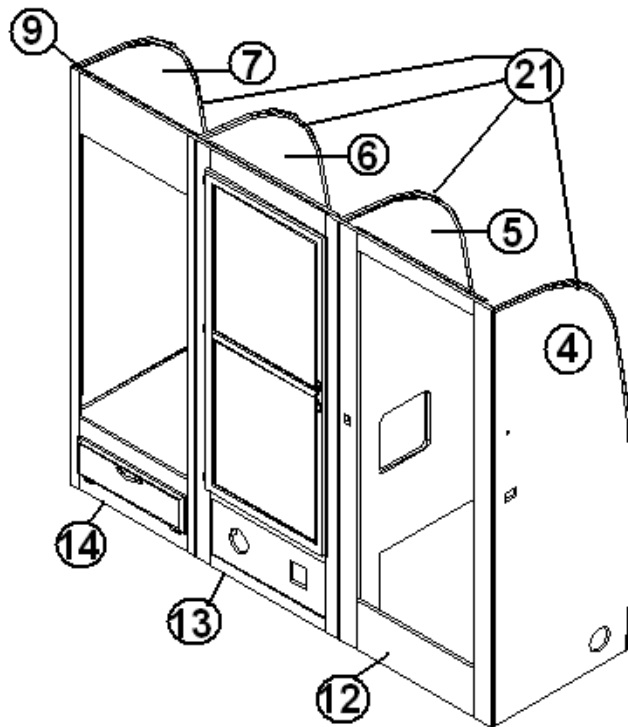
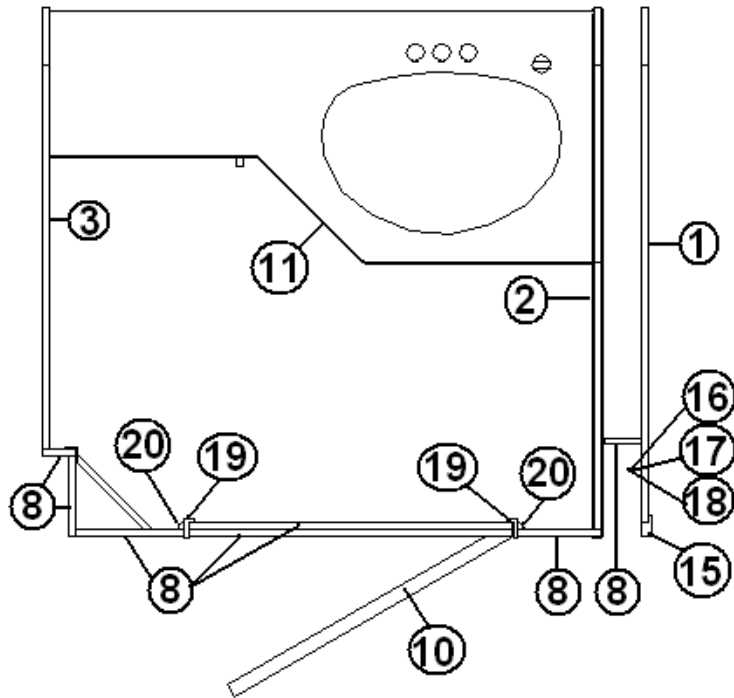
Wardrobe, 30'

962175-05	Wardrobe Assembly
1.962162-013	Face frame, wardrobe, aft, CS, Hickory
2.962163-013	Face frame, wardrobe, fwd, Hickory
3.800984-22	Panel, forward wardrobe
4.801258-003	Panel, 1/2" G1S Hickory/Raw
5.801260-003	Panel, 5/32" G1S Hickory/Raw 4'X8'
6.800397-01	Cedar planked 5/32"
7.800557-153	Door frame, Hickory
8.371262-10	Mirror, safety 16.12" X 28.12"
9.381754	Mirror clip R2
10. 381228-01	Grabber, door catch
11. 381999	Hinge, Orb
12. 382002	Cabinet door pull, Orb, 3" center
13. 380458	Hinge, piano, brown anodized
14. 380045	Tubing, 3/4IN metallic
15. 380046	Flange, chrome
16. 200975-04	Conduit, flexible black plastic
17. 104821	Support, roof locker, 74"
18. 800575-013	Molding, corner 80"L, Hickory
19. 104629	Extrusion, wall attachment
20. 962222	Closeout, wardrobe wires
20. 382003	Knob, 1.38" orb
21. 964945-01	Lift Up Shelf Assembly
22. 201016	Drawer 16" X 22"
23. 601244-01	Register, Rotaire, 4" brown
203138-03	Extrusion, plastic, wall, beige
701538	Carpet, velour black 48"
500956	Light, brown w/switch

2011 CLASSIC TRAILER

FURNITURE, BATH

Bath Module, 27' Front Bed



See next page for P/N

2011 CLASSIC TRAILER

FURNITURE, BATH

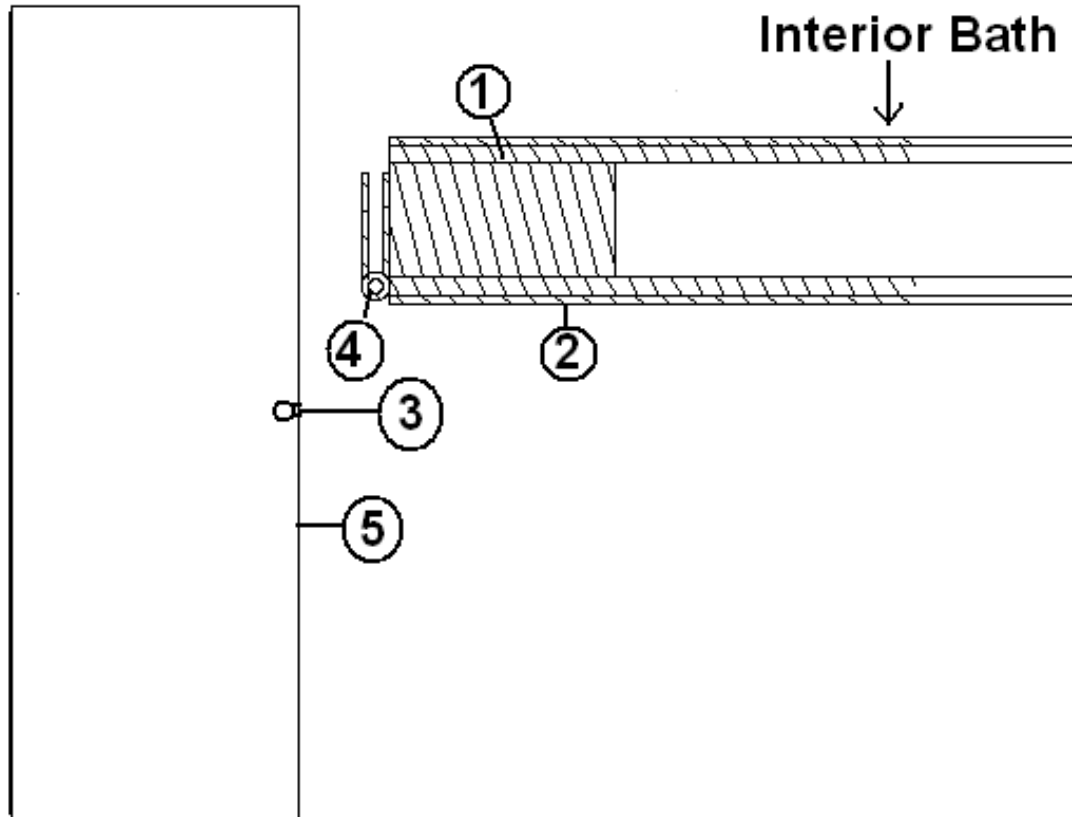
Bath Module, 27' Front Bed

1.	801671-07	Panel, forward pantry
2.	801671-06	Panel, aft lavy
3.	801671-05	Panel, forward lavy
4.	801671-01	Panel, forward shower, Double bedroom
4.	801671-09	Panel, forward shower, Twin bedroom
5.	801671-02	Panel, aft shower
6.	801671-03	Panel, forward refer
7.	801671-04	Panel, aft refer
8.	801831-003	Panel, Hickory/Crackle Cream .5" X 4' X 8'
8.	801258-003	Paneling, 1/2" Hickory
10.	966777	Bath door - 24" X 71"
11.	966708	Lavy assembly
12.	966720	Shower face assembly
13.	966722	Wardrobe, RS, hanging
14.	966726	Refer cabinet assembly
15.	801172-08	Molding, corner, Crackle Cream
16.	382005	Track, formed, foldette door, 20"
17.	381890-02	Track, straight, foldette
18.	702681-08	Foldette door, beige, 60"X 73"
19.	801665-003	"L" door jamb molding
20.	801172-08	Molding, quarter round
21.	203138-01	Extrusion, plastic, 1/2", white
	203081-02	Shower stall, 2 PC.
	703911-03	Shower door, Bronze
	961916	Shower stand assembly

2011 CLASSIC TRAILER

FURNITURE, BATH

Door, Bath, 30', 27' Front Bed

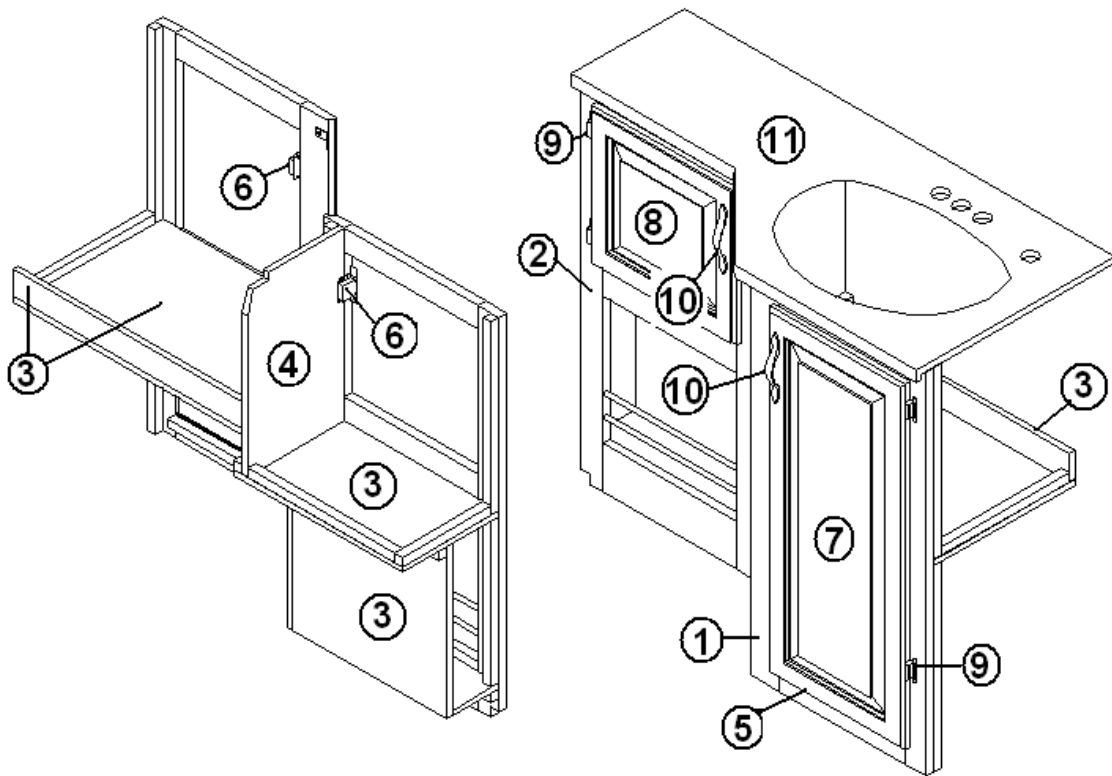


- | | |
|---------------|-----------------------------------|
| 966777 | Bath door w/ window |
| 1. 801260-003 | Paneling 5/32", G1S, Hickory /raw |
| 2. 800507-06 | Luan -.75" X 4' x 8' |
| 3. 381771-01 | Latch, lever lockset, privacy |
| 4. 380458 | Piano hinge, 1/8" IN, brown |
| 5. 365268-04 | Edgebanding-.024"X 1.25" |
| 454320 | Door handle cover |

2011 CLASSIC TRAILER

FURNITURE, BATH

Lavatory, 27' Front Bed

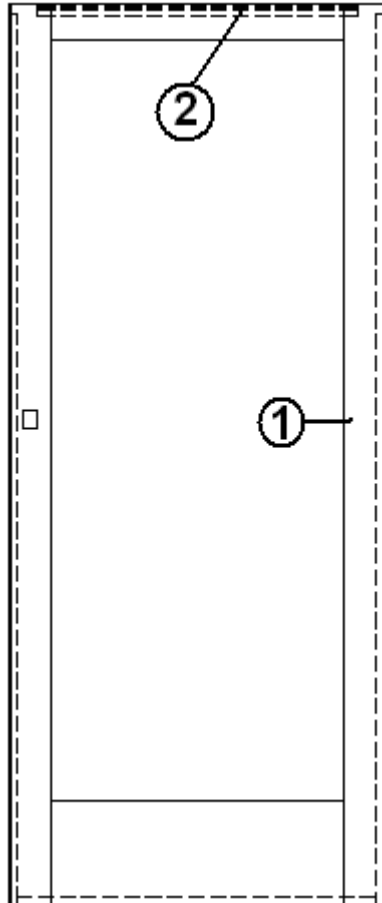


- | | |
|---------------|-------------------------------------|
| 966708 | Lavy assembly, 27' |
| 1. 966706-003 | Face frame, lavatory, aft |
| 2. 966707-003 | Face frame, lavatory, forward |
| 3. 801259-003 | Paneling, 1/2", Hickory/raw |
| 4. 801258-003 | Paneling 1/2", Hickory / Hickory |
| 5. 380458 | Hinge, piano, copper |
| 6. 381228-01 | Catch, grabber door |
| 7. 800597-943 | Door, raised panel, 13" X 30.25" |
| 8. 800597-903 | Door, raised panel, 13.81" X 13.00" |
| 9. 381999 | Hinge, orb |
| 10. 382002 | Pull, cabinet door, 3" center, orb |
| 11. 602114 | Top, lavy |
| 195329-202 | Hemisphere, clear bump-on 190 M |

2011 CLASSIC TRAILER

FURNITURE, BATH

Shower Face Frame, 30', 27', Front Bed Model

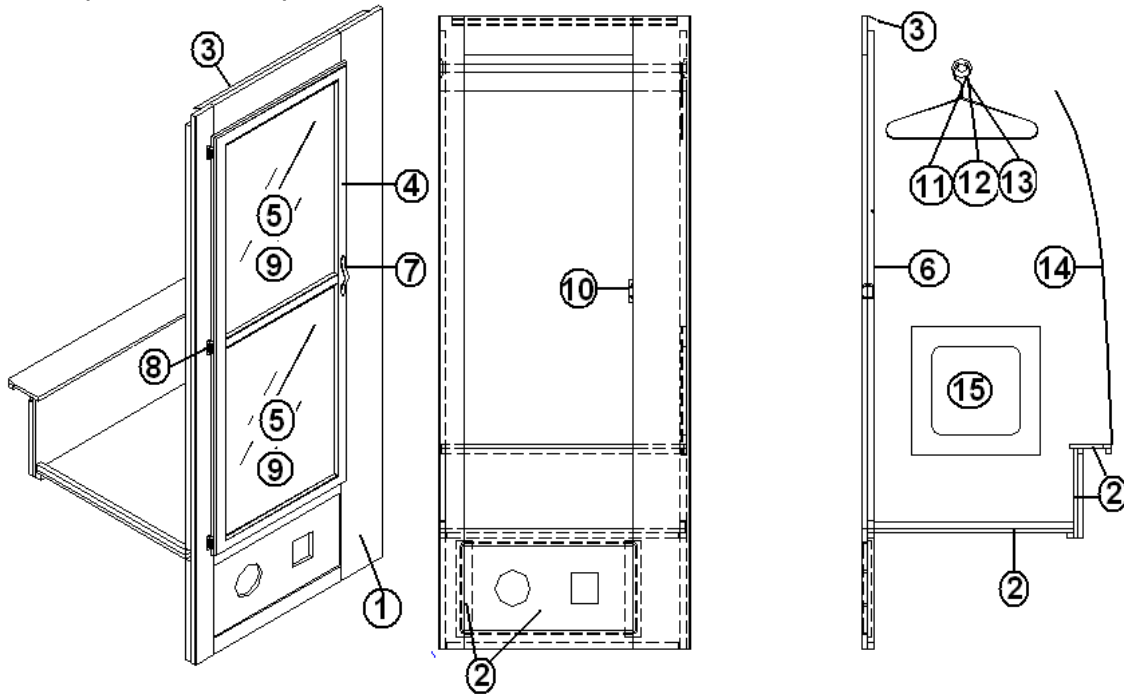


- | | |
|---------------|---------------------------|
| 966720 | Shower face assembly |
| 1. 966719-003 | Shower face frame |
| 2. 104821 | Support, roof locker, 74" |

2011 CLASSIC TRAILER

FURNITURE, BATH

Wardrobe, Roadside, 27' Front Bed

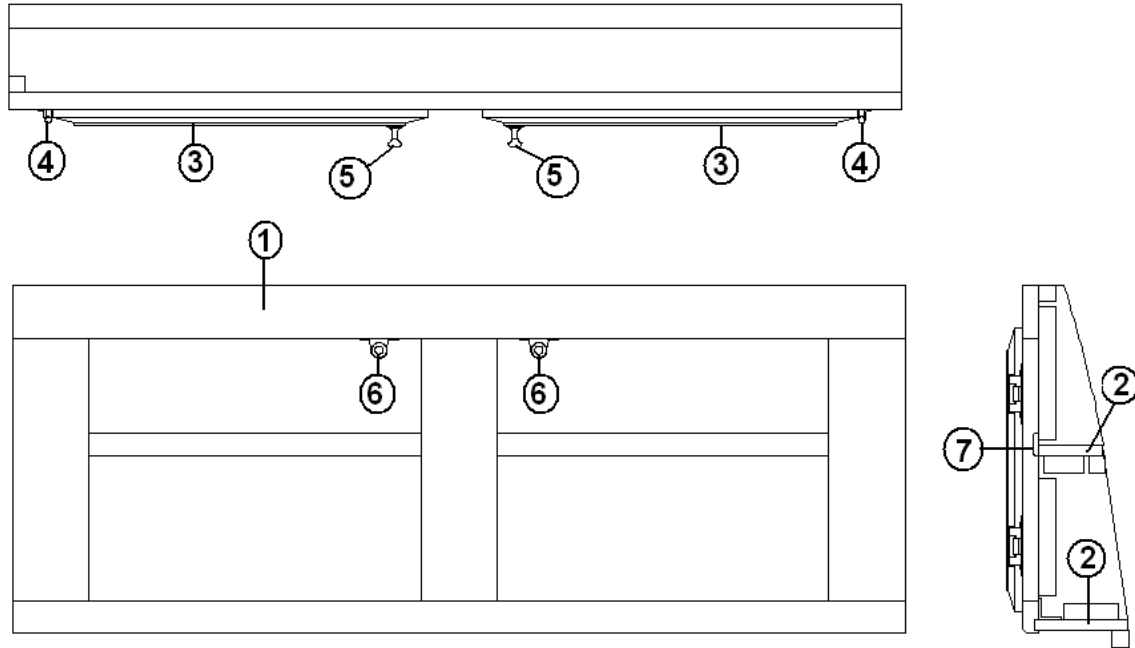


- | | |
|---------------|---|
| 966722 | Wardrobe assembly, RS |
| 1. 966721-003 | Face frame, RS wardrobe |
| 2. 801259-003 | Paneling, 1/2", Hickory/raw |
| 3. 104821 | Support, roof locker, 74" |
| 4. 800557-103 | Door frame, 22.00" X 60.00" |
| 5. 371262-04 | Mirror, safety- 19.12 X 28.12 |
| 6. 801260-003 | Paneling 5/32", G1S, Hickory /raw |
| 7. 382002 | Pull, cabinet door, 3"center, orb |
| 8. 381999 | Hinge, orb |
| 9. 381754 | Mirror clip |
| 10. 381228-01 | Catch, grabber door |
| 11. 500956 | Light, wardrobe, #PD210-111 brown w/ switch |
| 12. 380045 | Tubing 3/4" |
| 13. 380046 | Flange, chrome |
| 14. 200975-04 | Conduit, flexible black plastic |
| 15. 966723 | Closeout assembly |
| 365250-003 | Edgebanding, 5/8", Hickory |
| 701538-01 | Carpet - Econolier w/ PSA back |
| 382003 | Knob, 1.38", orb |

2011 CLASSIC TRAILER

FURNITURE, BATH

Medicine Cabinet, Lower, 27' Front Bed

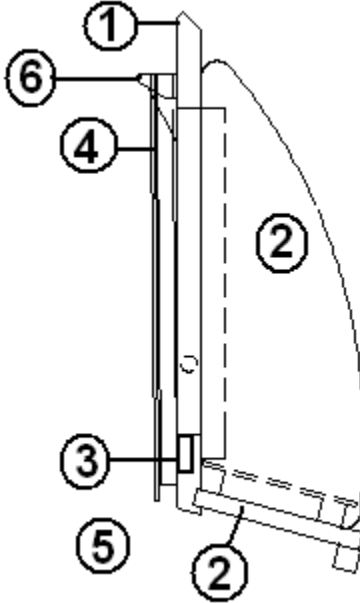


- | | |
|---------------|------------------------------------|
| 966710 | Medicine cabinet lower, 41" |
| 1. 966709-003 | Face frame, medicine cabinet |
| 2. 801258-003 | Paneling 1/2", Hickory / Hickory |
| 3. 800599-573 | Drawer face 17.25" X 13.00" |
| 4. 381999 | Hinge, orb |
| 5. 382002 | Pull, cabinet door, 3" center, orb |
| 6. 381074 | Catch, bulldog, #65S (copper) |
| 7. 800573-013 | Molding, door edge, Hickory |

2011 CLASSIC TRAILER

FURNITURE, BATH

Medicine Cabinet, Upper, 27' Front Bed

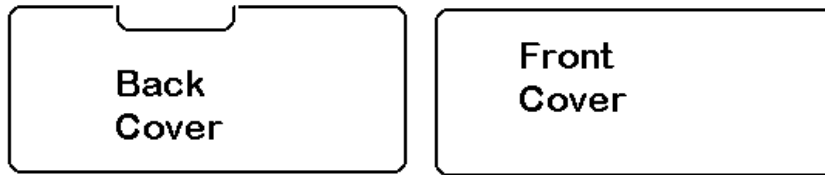


- | | |
|---------------|----------------------------------|
| 966712 | Medicine cabinet, upper |
| 1. 966711-003 | Face frame, medicine cabinet |
| 2. 801258-003 | Paneling 1/2", Hickory / Hickory |
| 3. 381228-01 | Catch, grabber door |
| 4. 372203-17 | Mirror, safety, 33.31" X 14" |
| 5. 382126 | Mirror pull |
| 6. 385935 | Hinge, brass, pivot |
| 380024 | Arms, support, RH |

2011 CLASSIC TRAILER

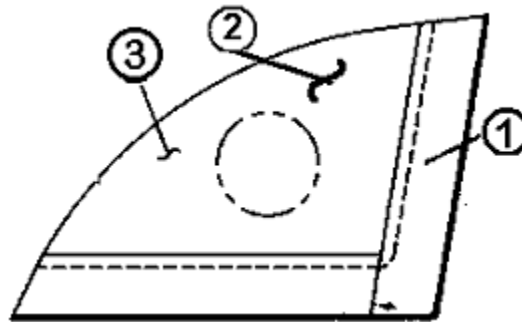
FURNITURE, GALLEY

Range Covers, All units



601911-01 Range covers, Corian, set, 3-Burner Sandstone

Roof Locker End Caps, RH & LH, All units



- 963828-02 Roof Locker RH End cap Assembly
- 963828-03 Roof Locker LH End cap Assembly
- 1. 963829-023 LH Frame, Hickory
- 1. 963829-013 RH Frame, Hickory
- 2. 801260-003 Panel .156"G1S Hickory/Raw
- 3. 700414 3/8" foam

Galley Flip Up Shelf, Corian, 27', 30', 31' D 34'

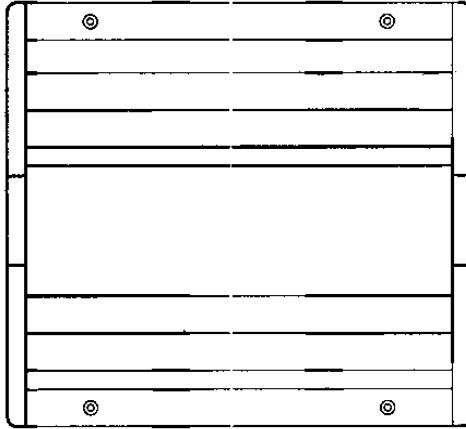


- 601905-01 Galley flip up shelf, Corian, Sandstone
- 381614 Folding shelf bracket
- 382092 BRKT, HINGED SPRING
- 801890-003 MOLDING, FLIP SHELF

2011 CLASSIC TRAILER

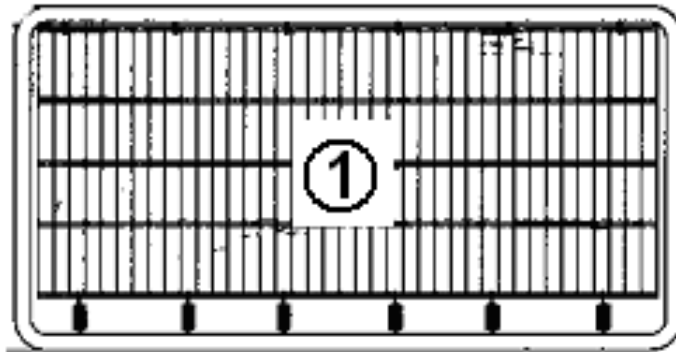
FURNITURE, GALLEY

Spice Rack, All Units



963991-003 Spice rack, Hickory

Dinette Seat Top/Flex Spring, all Dinettes



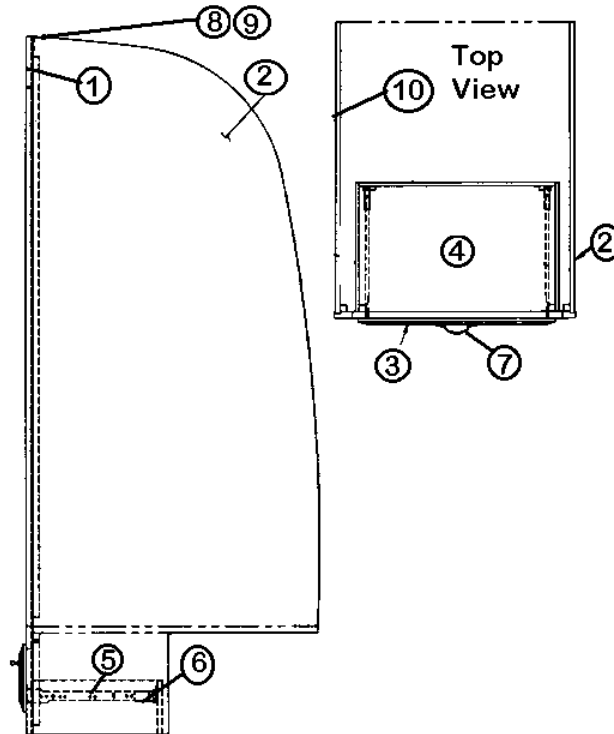
- 1. 964334-01
- 2. 703125-03

Dinette Seat Spring, 21.36" x 42.00"
Top, Dinette seat, Urethane

2011 CLASSIC TRAILER

FURNITURE, GALLEY

Refrigerator Cabinet, 34'

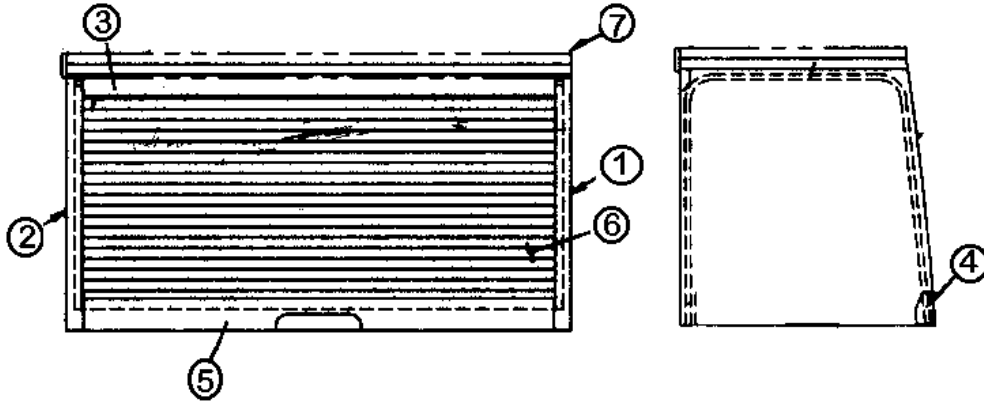


- | | |
|---------------|-------------------------------------|
| 963305-04 | Refrigerator Cabinet Assembly |
| 1. 963724-023 | FACE FRAME REFER, HICKORY |
| 2. 801088-21 | PANEL AFT REFER |
| 3. 800599-213 | DRAWER FACE 7.00" X 23.00", HICKORY |
| 4. 964910-13 | DRAWER BOX- 19.69" X 14.00" X 5.00" |
| 5. 381526-01 | DRAWER SLIDE- 14" PER PR |
| 6. 381526-06 | ADJUSTABLE REAR BRKT PER PR |
| 7. 382002 | Cabinet door pull, Orb, 3" center |
| 8. 104821 | SUPPORT, ROOFLOCKER, 74" |
| 9. 330038 | RIVET BLIND AD 54 ABS-LF |
| 10. 801088-06 | PANEL FWD REFER VENEER |
| 963730-02 | REFER STAND ASSY. |

2011 CLASSIC TRAILER

FURNITURE, GALLEY

Appliance Garage, 34'

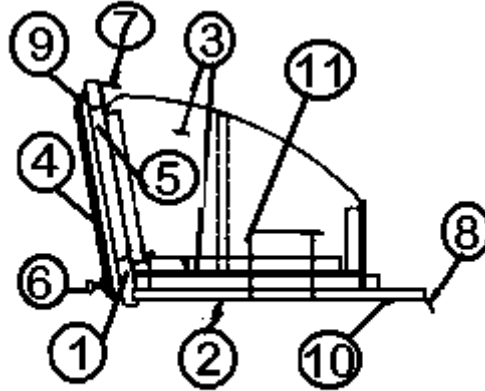


- | | |
|---------------|-----------------------------------|
| 963358-01 | APPLIANCE GARAGE Assembly |
| 1. 800734-013 | END, GARAGE, RH, HICKORY |
| 2. 800734-023 | END, GARAGE, LH, HICKORY |
| 3. 801097-013 | STILE-TOP GARAGE, HICKORY |
| 4. 801096-013 | CROSS MEMBER GARAGE, HICKORY |
| 5. 800737-013 | HANDLE, APPLIANCE GARAGE, HICKORY |
| 6. 800474-103 | TAMBOUR 23" X 12", HICKORY |
| 7. 800573-013 | MOLDING EDGE 1-3/32" X 80", OAK |
| 965952-003 | CLOSEOUT GARAGE, HICKORY |

2011 CLASSIC TRAILER

FURNITURE, GALLEY

Roof Locker, 34' Galley

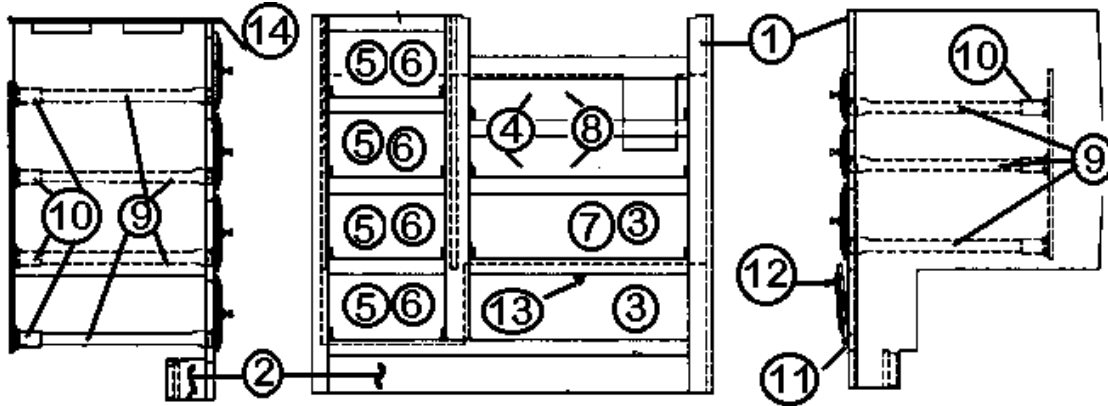


- | | |
|---------------|--------------------------------------|
| 963757-04 | Roof Locker Assembly, Galley |
| 1. 963354-013 | FACE FRAME GALLEY R/L, HICKORY |
| 2. 801258-003 | PANEL 1/2" HICKORY / HICKORY 4' X 7' |
| 3. 801260-003 | PANEL 5/32"G1S HICKORY/ RAW 4' X 8' |
| 4. 800597-413 | DOOR 10.50" X 32.00", HICKORY |
| 5. 381147 | DOOR SUPPORT - SPRING LOADED |
| 6. 382002 | Cabinet door pull, Orb, 3" center |
| 7. 104829 | SUPPORT ROOFLOCKER GALLEY |
| 8. 100013 | EXTR, WALL ATTACHMENT |
| 9. 381999 | Hinge, Orb |
| 10. 100097 | EXTR. ALUM CURTAIN TRACK |
| 11. 801505 | PANEL, SAND/RAW .125" X 4' X 8' |

2011 CLASSIC TRAILER

FURNITURE, GALLEY

Galley, 34', Cook Top Section

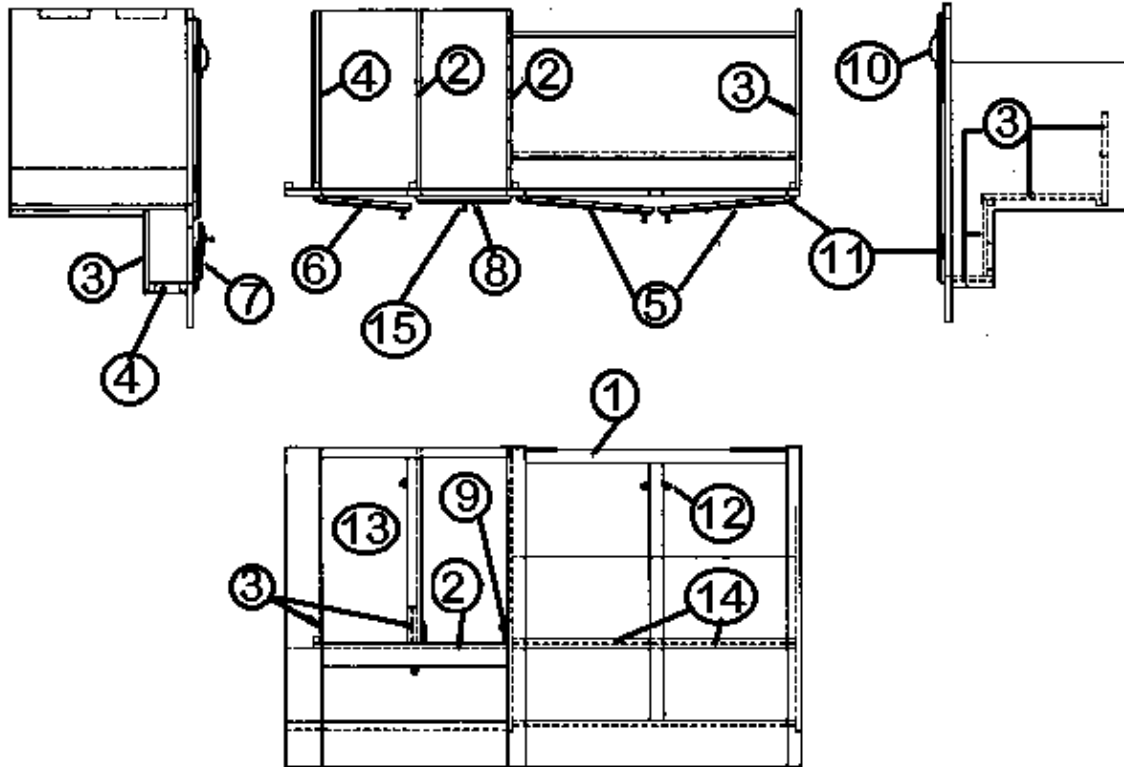


- | | |
|---------------|-------------------------------------|
| 964606-07 | Galley Assembly, Cook top Section |
| 1. 964605-003 | FACE FRAME, HICKORY |
| 2. 801259-003 | PANEL ½" G1S HICKORY/RAW |
| 3. 800599-383 | DRAWER FACE 7.00" X 21.50" HICKORY |
| 4. 800599-583 | DRAWER FACE 4.75" X 21.50" HICKORY |
| 5. 800599-023 | DRAWER FACE 7.00' X 11.75" HICKORY |
| 6. 964910-02 | DRAWER BOX- 10.00" X 18.00" X 5.00" |
| 7. 964910-03 | DRAWER BOX- 19.50" X 18.00" X 5.00" |
| 8. 964906-02 | DRAWER BOX- 19.50" X 18.00" X 2.75" |
| 9. 381526-03 | DRAWER SLIDE-18" PER PR |
| 10. 381526-06 | ADJUSTABLE REAR BRKT PER PR |
| 11. 381999 | Hinge, Orb |
| 12. 382002 | Cabinet door pull, Orb, 3" center |
| 13. 381228-01 | CATCH GRABBER DOOR |
| 14. 602041-01 | GALLEY TOP, CORIAN, SANDSTONE |

2011 CLASSIC TRAILER

FURNITURE, GALLEY

Galley, 34', Aft



Part number on the next page

2011 CLASSIC TRAILER

FURNITURE, GALLEY

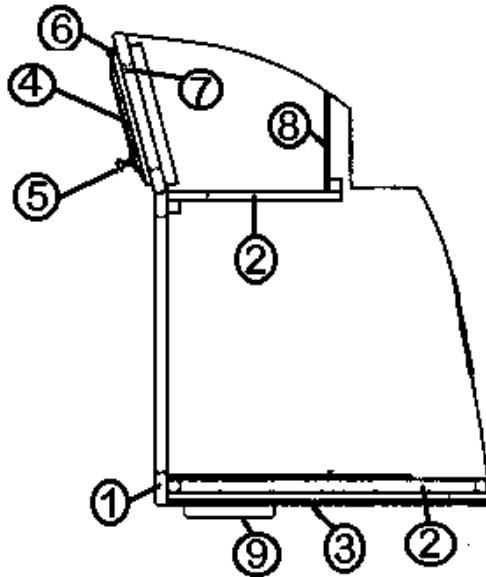
Galley, 34', Aft

964610-03	Galley Assembly, Aft Section
1. 964328-013	Face frame, galley, Hickory
2. 801258-003	PANEL ½" G2S, Hickory/Hickory, 4' x 7'
3. 801259-003	PANEL ½" G1S Oak/Hickory
4. 801260-003	PANEL 5/32"G1S, Hickory/RAW 4'X8'
5. 800597-053	DOOR, 14.75" X 29.75", Hickory
6. 800597-013	DOOR, 10.50" X 22.00", Hickory
7. 800599-383	DRAWER FACE 7.00" X 21.50", Hickory
8. 961247-04	SECTION, PANTRY, AFT GALLEY
8. 961072-013	FRAME FACE PANTRY, BACK, Hickory
9. 381192	SLIDE, DRAWER, 18"
10. 382002	Cabinet door pull, Orb, 3" center
11. 381999	Hinge, Orb
12. 381228-01	CATCH GRABBER DOOR
13. 381491	TRASH CAN, ROLL OUT
14. 800573-013	MOLDING DOOR, Hickory
15. 381408	LOCK, PUSH, BUTTON STYLE, BLACK

2011 CLASSIC TRAILER

FURNITURE, GALLEY

Microwave Cabinet, 34', Convection

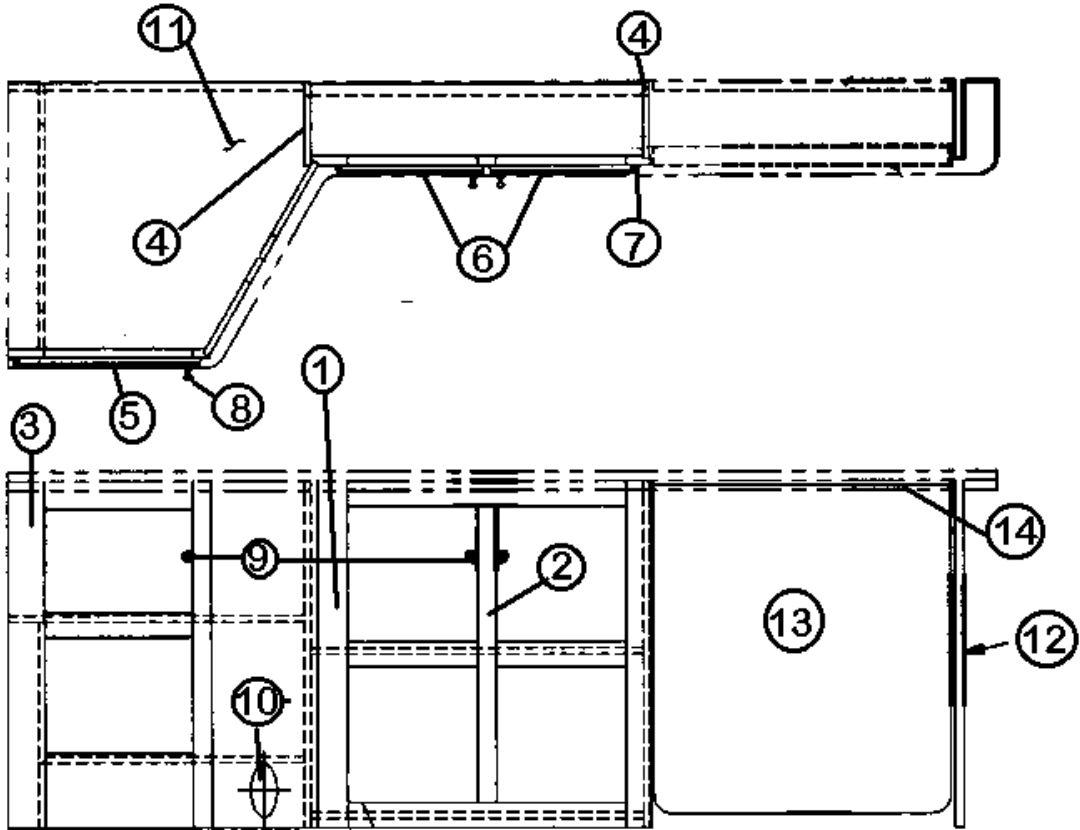


- | | |
|----------------|---|
| 963357-04 | CONVECTION MW CABINET ASSEMBLY |
| 1. 963355-013 | FACE FRAME, Hickory |
| 2. 801258-003 | PANEL 1/2" G2S, Hickory/Hickory 4" X 7" |
| 3. 800572-013 | MOLDING, EDGE 23/32" X 80", Hickory |
| 4. 800597-1023 | DOOR, 8.00" X 21.50", Hickory |
| 5. 382002 | Cabinet door pull, Orb, 3" center |
| 6. 381999 | Hinge, Orb |
| 7. 381147 | DOOR SUPPORT, SPRING LOADED |
| 8. 801260-003 | PANEL 5/32"G1S, Hickory/RAW 4'X 8' |
| 9. 512441 | LIGHT INCANDESCENT DOUBLE |

2011 CLASSIC TRAILER

FURNITURE, GALLEY

Credenza, 34'



2011 CLASSIC TRAILER

FURNITURE, GALLEY

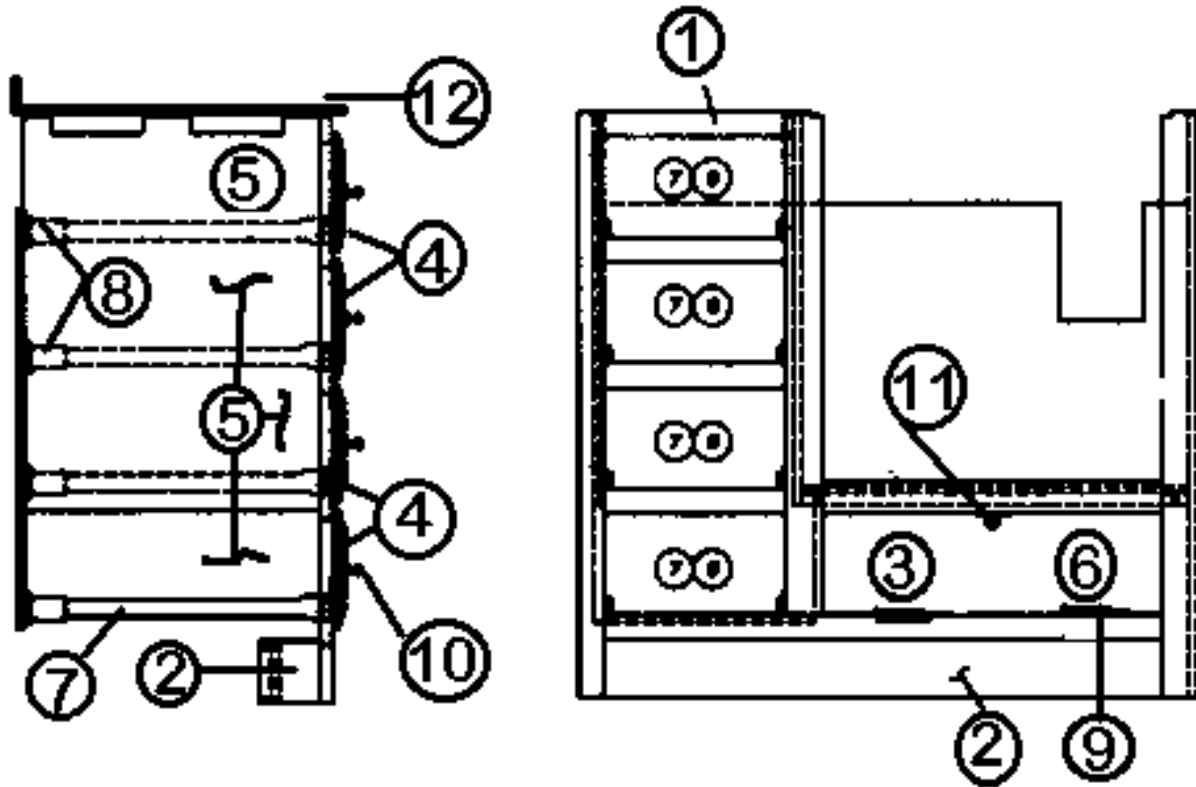
Credenza, 34'

963353-04	CREDENZA ASSEMBLY
1. 963326-02	SUB ASSY. CREDENZA AFT SECTION
2. 963289-013	FACE FRAME CREDENZA FWD, Hickory
3. 963313-003	FACE FRAME CREDENZA AFT Hickory
4. 801258-003	PANEL ½" G2S Hickory / Hickory, 4' x 7'
5. 800597-023	DOOR, 14.00" X 20.00" Hickory
6. 800597-273	DOOR, 11.50" X 25.00" Hickory
7. 381999	Hinge, Orb
8. 382002	Cabinet door pull, Orb, 3" center
9. 381228-01	CATCH GRABBER DOOR
10. 601244-03	REGISTER, ROTAIRE, BLACK
11. 963324-003	TOP CREDENZA, Hickory
12. 962381-013	FWD STILE RS CREDENZA Hickory
13. 960420-06	TABLE, LIFT-UP, ASSEMBLY, OAK
14. 101253	EXTR. CREDENZA HINGE MOVABLE

2011 CLASSIC TRAILER

FURNITURE, GALLEY

Galley, 34' w/Full Oven Section

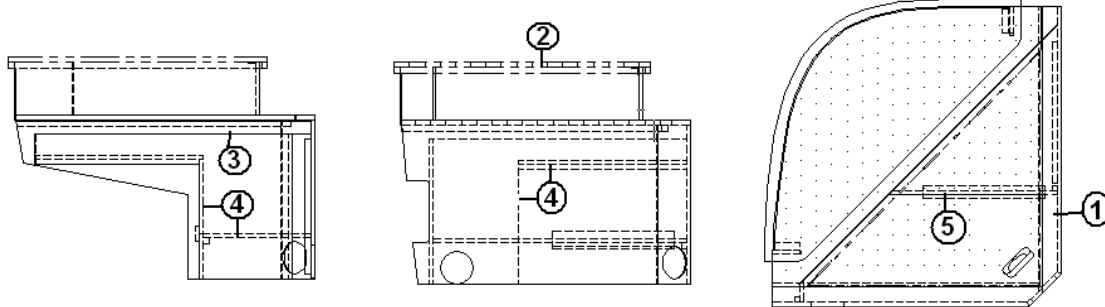


- | | |
|---------------|--|
| 964608-02 | Galley Assembly, Full Oven Section |
| 1. 964607-003 | Face frame, galley, Full Oven, Hickory |
| 2. 801259-003 | Panel, 1/2" G1S, Hickory/raw |
| 3. 800599-383 | Drawer face, 7" x 21 1/2" Hickory |
| 4. 800599-023 | Drawer face, 7" x 11.75" Hickory |
| 5. 964910-02 | Drawer box, 10.00" x 18.00" x 5.00" |
| 6. 964910-03 | Drawer box, 19.50" x 18" x 5.00" |
| 7. 381526-03 | Drawer slide, 18" |
| 8. 381526-06 | Adjustable, drawer slide rear bracket |
| 9. 381999 | Hinge, Orb |
| 10. 382002 | Cabinet door pull, Orb, 3" center |
| 11. 381228-01 | Door grabber catch |
| 12. 602268-01 | Galley top assembly, Corian, Sandstone |

2011 CLASSIC TRAILER

FURNITURE, LOUNGE

Table, 34' L Lounge, Corner

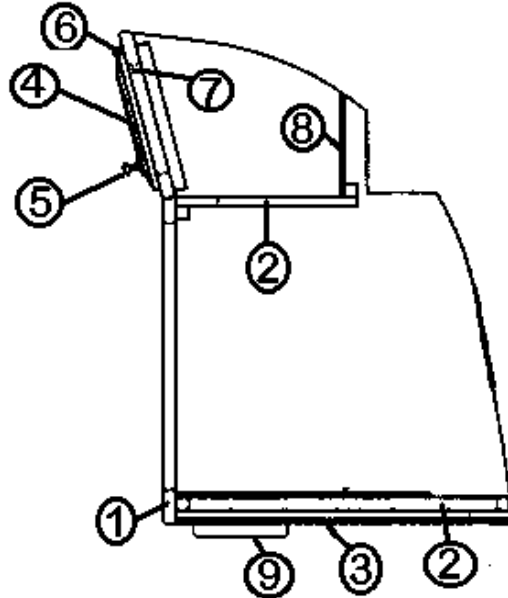


- | | |
|---------------|-------------------------------------|
| 963341-02 | CORNER TABLE ASSY. |
| 1. 963342 | FRAME CORNER TABLE |
| 2. 963343-01 | TOP/LID SUB-ASSY. |
| 3. 801092-003 | UPPER SHELF CORNER TABLE, HICKORY |
| 4. 801093-003 | LOWER TAP/LID CORNER TABLE, HICKORY |
| 5. 380458 | HINGE PIANO BROWN ANODIZED |
| 800571-013 | MOLDING FLAT .52W X 80" |

2011 CLASSIC TRAILER

FURNITURE, GALLEY

Microwave Cabinet, 34', w/Oven

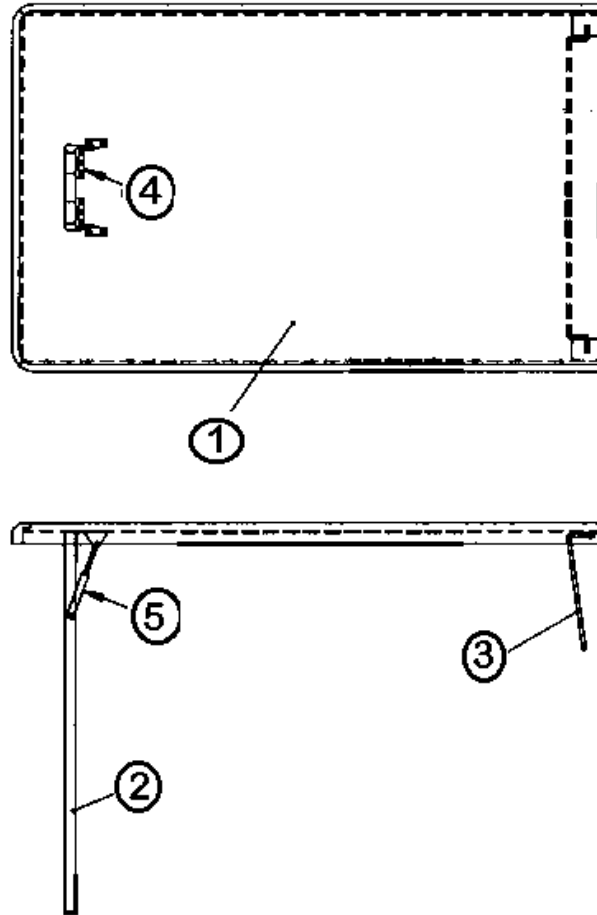


- | | |
|---------------|---|
| 963527-03 | Microwave Cabinet, Oven Option |
| 1. 964627-003 | FACE FRAME CONVECTION MW, Hickory |
| 2. 801258-003 | PANEL 1/2" G2S, Hickory/Hickory 4" X 7" |
| 3. 800572-013 | MOLDING, EDGE 23/32" X 80", Hickory |
| 4. 800599-213 | DRAWER FACE 8.00" X 23", Hickory |
| 5. 382002 | Cabinet door pull, Orb, 3" center |
| 6. 381999 | Hinge, Orb |
| 7. 381147 | DOOR SUPPORT, SPRING LOADED |
| 8. 801181-003 | PANEL 5/32"G1S, Hickory/RAW 4'X 8' |
| 9. 511971 | LIGHT INCANDESCENT DOUBLE |

2011 CLASSIC TRAILER

FURNITURE, GALLEY

Dinette table, 26", 34', 31, 30'



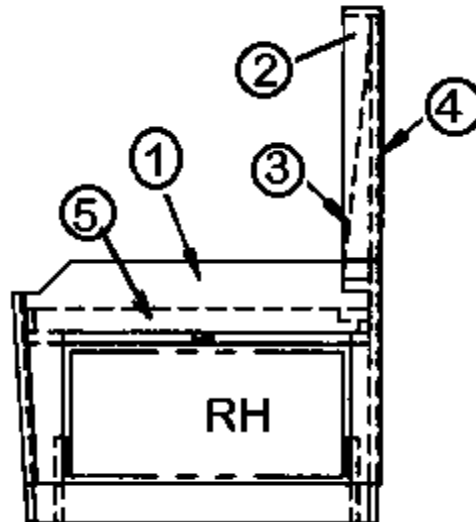
- 963794
1. 963674-003
2. 962177-033
3. 380284-02
4. 380210
5. 381147

Dinette table assembly, Nomar, 26"
Top, dinette, resistovar, 26 X 42 Hickory
Leg, hardwood, 30.50", Hickory
Table hinge bracket
Hinge, plain steel
Door support, spring loaded

2011 CLASSIC TRAILER

FURNITURE, GALLEY

Dinette Seat, RH, 34', 31', 30'

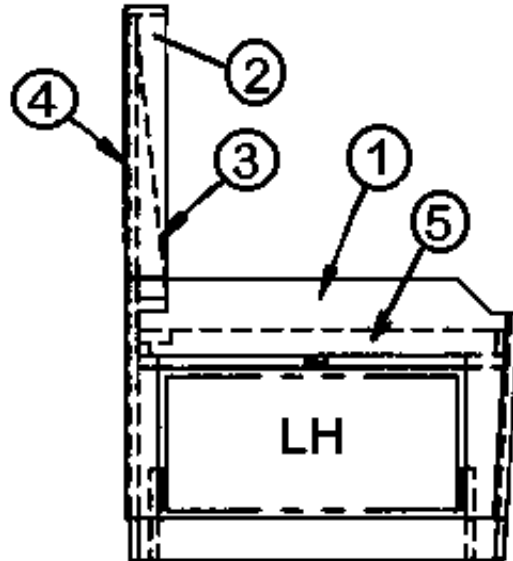


- 964954-04 Dinette Seat Assembly, RH, 34', 31'
- 964954-03 Dinette Seat Assembly, RH, 30'
- 1. 964949-05 RH Dinette Seat Sub-Assembly
- 2. 964528-01 Back sub-assembly, RH, 34 FT.
- 2.964528-04 Back sub-assembly, RH, 30', 31'
- 3. 964498-01 Cushion Support, Dinette RH, 41.63"
- 4. 964529-02 Upholstered Back, RH 17", 34 Ft.
- 4.965076 Upholstered back, 42" wide, 30', 31'
- 5. 964334-01 Flex spring seat
- 382002 Cabinet door pull, Orb, 3" center
- 381529 HINGE COMPT DOOR
- 381228-01 CATCH GRABBER DOOR
- 964952 DOOR ASSY-DINETTE DROP DOWN
- 964951-02 JAMB-DINETTE DROP DOOR TOP/BOTTOM
- 964951-01 JAMB-DINETTE DROP DOOR SIDE
- 964908-01 DRAWER BOX- 17.50 X 26.00 X 8.00
- 381090 SLIDE, DRAWER, 22" (EA=1 PAIR)
- 964950 UPHOLSTERED BACK ASSY-W/DOOR
- 701538 CARPET, ECONOLIER VELOUR BLACK
- 703446 SILK FILM SHEETING #SFS 36 AIR

2011 CLASSIC TRAILER

FURNITURE, GALLEY

Dinette Seat, LH, 31', 30', 34'

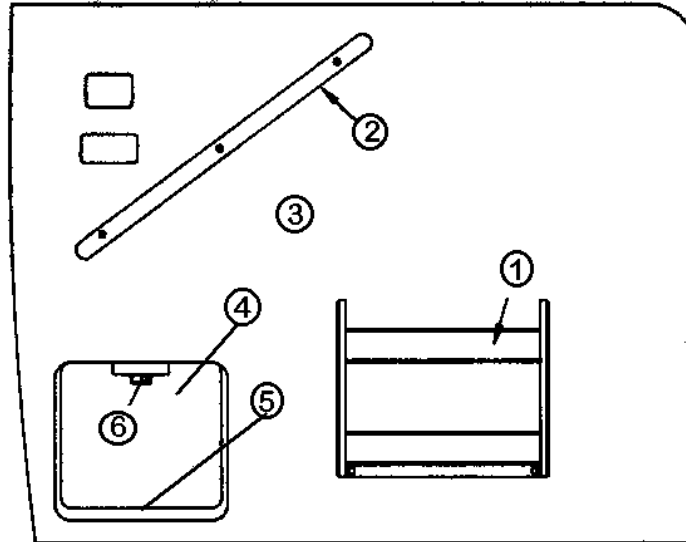


- 964953-06 Dinette Seat Assembly, LH, 34'
- 964953-04 Dinette Seat Assembly, LH, 30'
- 964953-05 Dinette Seat Assembly, LH, 31'
- 1. 964949-04 LH Dinette Seat Sub-Assembly, 31', 30'
- 1. 964949-07 LH Dinette Seat Sub-Assembly, 34'
- 2. 964528-03 Back sub-assembly, LH, 34'
- 2. 964528-02 Back sub-assembly, LH, 30'
- 2. 964528-05 Back sub-assembly, LH, 31'
- 3. 964449-01 Cushion Support, Dinette LH, 41.63"
- 4. 964529-01 Upholstered back, 17" wide, 31', 30 Ft.
- 4. 964950 UPHOLSTERED BACK ASSY-W/DOOR, 34'
- 5. 964334-01 Flex spring seat
 - 800631-003 HANDRAIL, 23" LONG, HICKORY

2011 CLASSIC TRAILER

FURNITURE, GALLEY

Dinette Seat Back w/ Door, 34'



964950

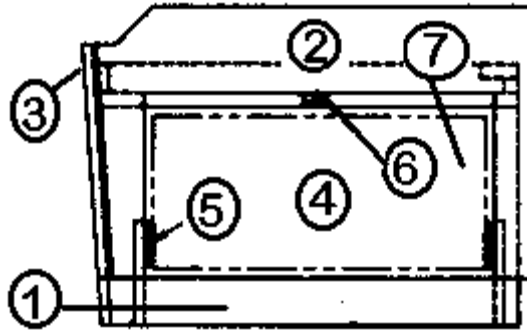
- 1. 963990-003
- 2. 800631-003
- 3. 964528-03
- 4a. 964951-01
- 4b. 964951-02
- 4c. 964952
- 4d. 382001
- 5. 381529
- 6. 381228-01

Upholstered Back Assembly w/ Door
MAGAZINE RACK, HICKORY
HANDRAIL 23" LONG, HICKORY
Dinette Seat Back, Sub Assembly
JAMB, DROP DOOR SIDE
JAMB, DROP DOOR TOP/BOTTOM
DOOR ASSY-DINETTE DROP DOWN
PULL ,DRAWER, ORB
HINGE PIANO BROWN ANODI6ED
CATCH GRABBER DOOR

2011 CLASSIC TRAILER

FURNITURE, GALLEY

Dinette Seat Sub Assembly, LH, 31' D, 30', 34'

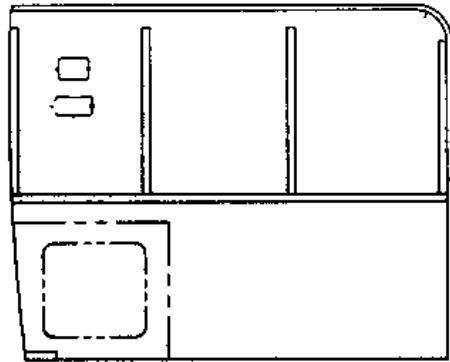


964949-07	LH Dinette Seat Sub-Assembly, 34'
964949-04	Dinette Seat Sub Assembly, LH, 31', 30'
964949-05	Dinette Seat Sub Assembly, RH, 34', 30', 31' D
1. 801259-003	Panel, 1/2"G1S Hickory
2. 700414	Foam 3/8 X 72"X 52'
3. 801415-007	Corner trim, 1" radius
4. 964908-01	Drawer box - 17.50 X 26.00 X 8.00"
5. 381090	Slide, drawer, 22" (EA=1 PAIR)
6. 381228-01	Catch, grabber door
7. 701538	Carpet, Econolier, velour black 48"

2011 CLASSIC TRAILER

FURNITURE, GALLEY

Dinette Seat Back Sub Assembly, Upholstered, 34', 31', 30'

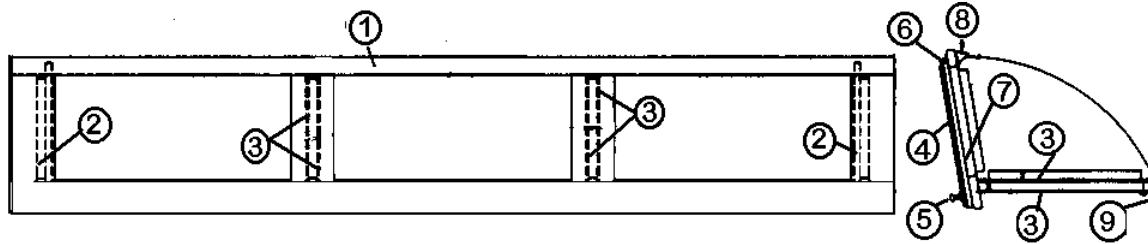


- | | |
|-----------|--|
| 964528-01 | Upholstered Dinette Seat Back, RH, 34' |
| 964528-02 | Upholstered Dinette Seat Back, RH, 30' |
| 964528-03 | Upholstered Dinette Seat Back, LH, 34' |
| 964528-04 | Upholstered Dinette Seat Back, RH, 31' |
| 964528-05 | Upholstered Dinette Seat Back, LH, 31' |

2011 CLASSIC TRAILER

FURNITURE, GALLEY

Roof Locker, Dinette, 34', 30'

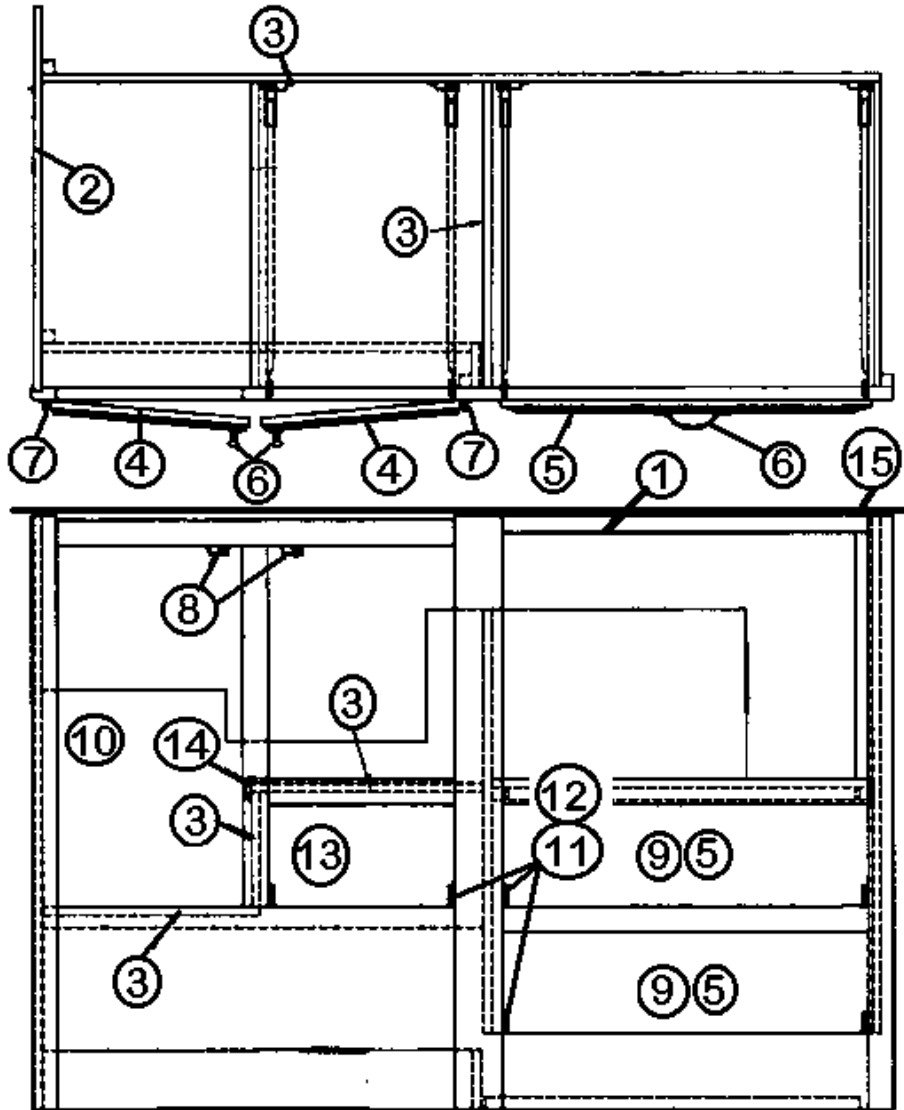


963763-06	Roof Locker Assembly, Dinette
1. 963764-013	Face frame, dinette roof locker, Hickory
2. 801258-003	Panel, 1/2" G2S Hickory/Hickory 4' X 7'
3. 801260-003	Panel, 1/8" G1S, Hickory/Raw 4' x 7'
4. 800597-073	Door, raised panel 12.25 X 21.00" Hickory
5. 382002	Cabinet door pull, Orb, 3" center
6. 381999	Hinge, Orb
7. 381147	Door support, spring loaded
8. 104821	Support, roof locker, 74"
9. 100013	Extrusion, wall attachment
100097	Extrusion, alum. curtain track
800571-013	Molding, flat .52W X 80" Hickory

2011 CLASSIC TRAILER

FURNITURE, GALLEY

Galley, 30', 31' D, Forward, Microwave Section



See next page for P/N

2011 CLASSIC TRAILER

FURNITURE, GALLEY

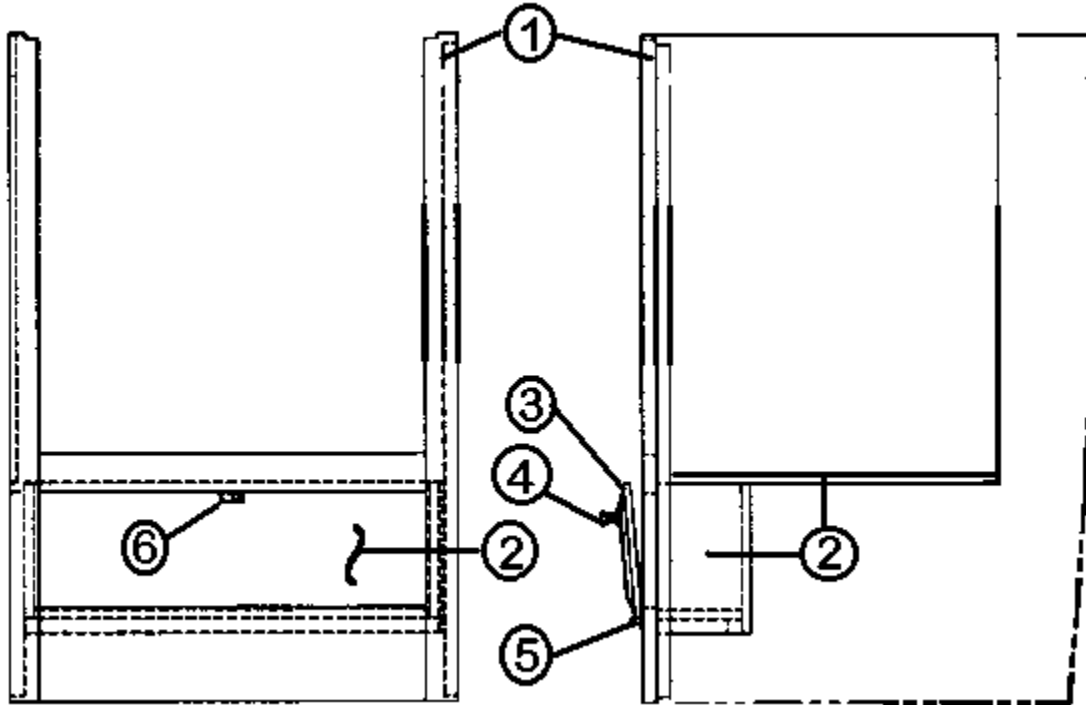
Galley, 31' D, 30', Forward, Microwave Section

	964966-09	Galley assembly, forward microwave section
1.	964629-003	Face frame, galley, Hickory
2.	801258-003	Panel, ½" G2S, Hickory/Hickory 4' X 7'
3.	801259-003	Panel, ½' G1S, Hickory/Raw
4.	800597-503	Door, 12.00" X 29.50", Hickory
5.	800599-213	Drawer face, 7.00" X 23.00" Hickory
6.	382002	Cabinet door pull, Orb, 3" center
7.	381999	Hinge, Orb
8.	381228-01	Catch, grabber door
9.	964910-01	Drawer box- 20.88" X 18.00" X 5.00"
10.	381133	Rack sack, 6.5 liter, white
11.	381526-03	Drawer slide-18" (PER PR)
12.	381526-06	Adjustable rear bracket (PER PR)
13.	964910-02	Drawer box, 10.00" X 18.00" X 5.00"
14.	801172-013	Molding, corner. 8' long, Hickory
15.	602136	Top assembly, galley, Corian, Sandstone
	800631-003	Handrail, 23" long, Hickory
	200980-01	Tray, silverware, almond, 9 X 13
	602227	Dispenser, Liquid Soap/Lotion

2011 CLASSIC TRAILER

FURNITURE, GALLEY

Galley, 31', 30', Full Oven

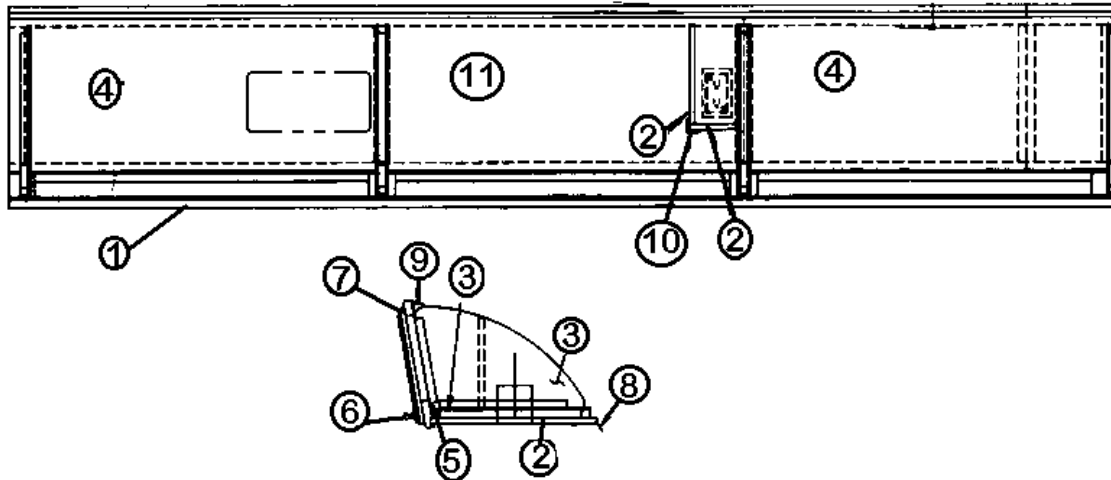


- | | |
|---------------|--------------------------------------|
| 964600-07 | Galley, Full oven |
| 1. 964599-003 | Face frame, galley oven, Hickory |
| 2. 801259-003 | Panel, GS, Hickory vinyl/raw |
| 3. 800599-383 | Drawer face, 7.00" X 21.50", Hickory |
| 4. 382002 | Cabinet door pull, Orb, 3" center |
| 5. 381999 | Hinge, Orb |
| 6. 381228-01 | Catch, grabber door |

2011 CLASSIC TRAILER

FURNITURE, GALLEY

Roof Locker, 31', 30', Galley

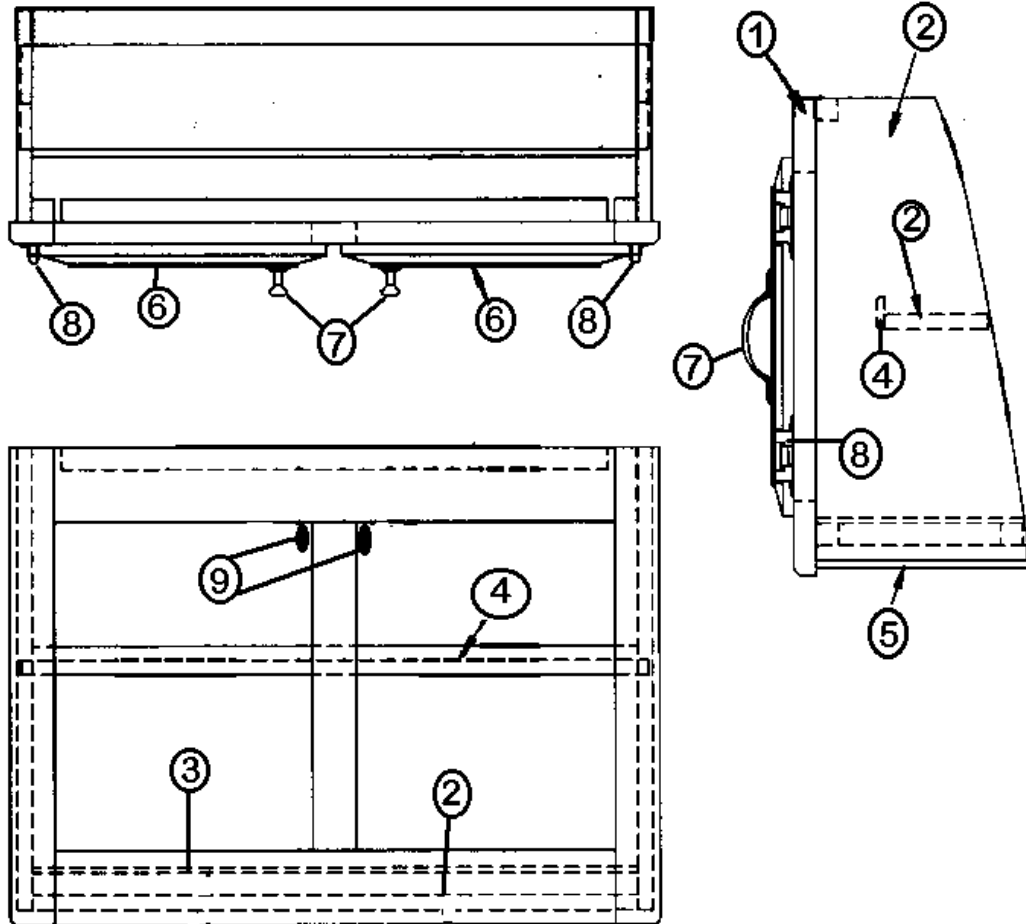


- | | |
|----------------|---|
| 963761-08 | Galley, roof locker assembly |
| 1. 962167-013 | Face frame, galley roof locker, Hickory |
| 2. 801258-003 | Panel, 1/2" Hickory/Hickory 4' X 7' |
| 3. 801260-003 | Panel, 5/32"G1S Hickory/Raw 4'X 8' |
| 4. 800597-013 | Door, 10.50" X 22.00" Hickory |
| 5. 381147 | Support, spring loaded door |
| 6. 382002 | Cabinet door pull, Orb, 3" center |
| 7. 381999 | Hinge, Orb |
| 8. 104829 | Support, roof locker, galley |
| 9. 104821 | Support, roof locker, 74" |
| 10. 800575-013 | Molding, corner,, 80" Long Hickory |
| 11. 800597-123 | Door, 10.50" X 26.25" Hickory |
| 100097 | Extrusion, alum. curtain track |
| 962197-05 | Box assembly, priority switch |

2011 CLASSIC TRAILER

FURNITURE, GALLEY

Spice Cabinet, 31', 30'



962225-06

Spice cabinet assembly

1. 962224-013

Face frame, spice cabinet

2. 801258-003

Panel, 1/2", Hickory/Hickory

3. 801260-003

Panel, 5/32", Hickory/Raw 4' X 8'

4. 800573-013

Molding, edge - 3/32" X 80" Hickory

5. 800572-013

Molding, panel 23/32" X 80" Hickory

6. 800599-593

Drawer face, 9.75" X 12.00" Hickory

7. 382002

Cabinet door pull, Orb, 3" center

8. 381999

Hinge, Orb

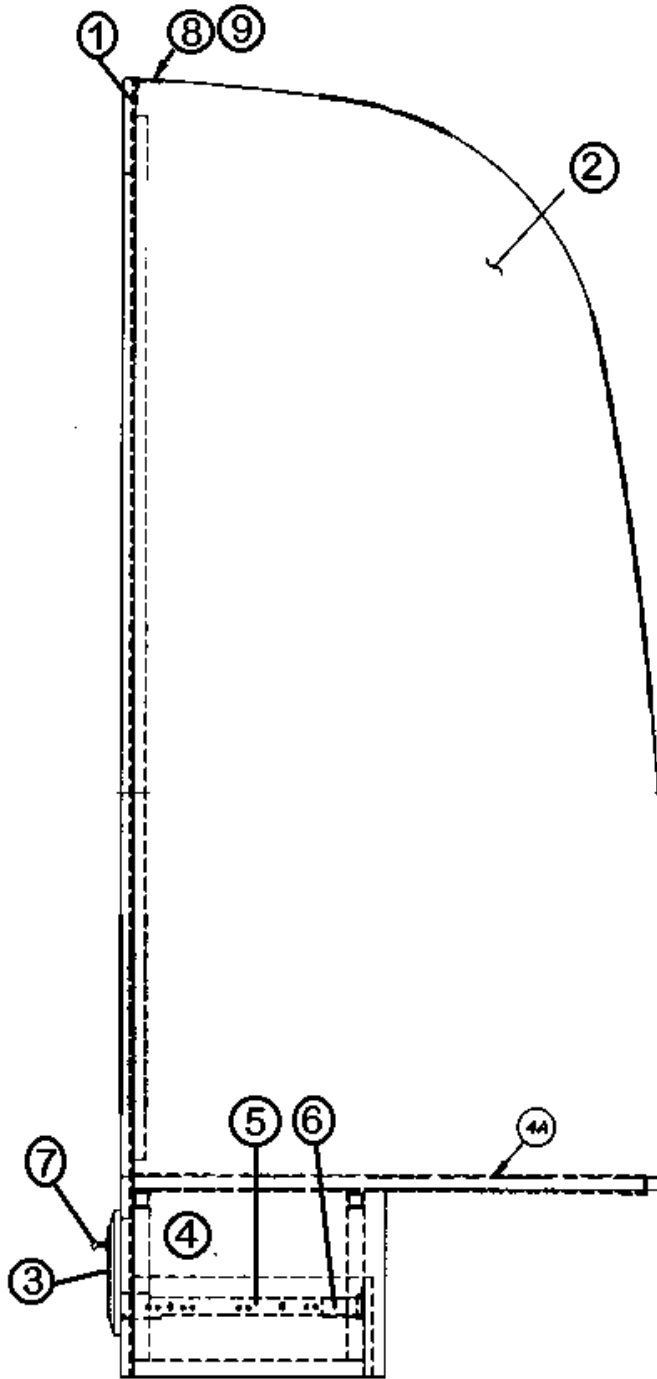
9. 381228-01

Catch, grabber door

2011 CLASSIC TRAILER

FURNITURE, GALLEY

Refrigerator Cabinet, 31', 30'



See next page for P/N

2011 CLASSIC TRAILER

FURNITURE, GALLEY

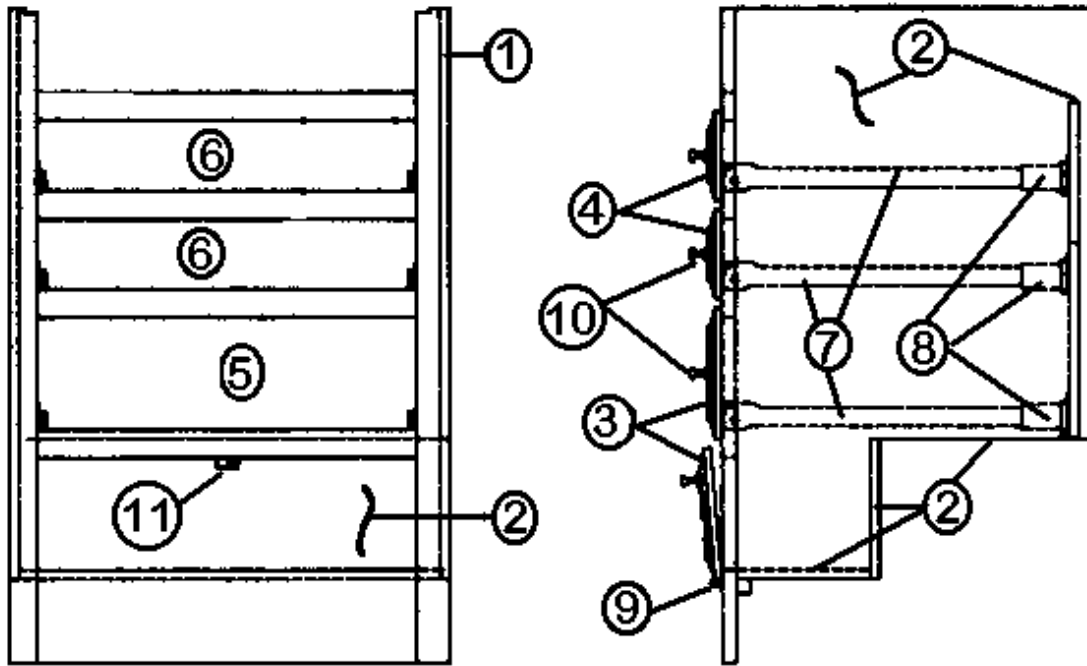
Refrigerator Cabinet, 31', 30'

964310-03	Refer cabinet assembly, 31D
964310-04	Refer cabinet assembly, 30'
1. 963724-013	Face frame, refer, Hickory
2. 801127-10	Panel, forward refer, 31'
2. 801772	Panel, forward refer, 30'
2. 800599-213	Drawer face 7.00" X 23.00", Hickory
3. 964910-13	Drawer box- 19.69" X 14.00" X 5.00"
4. 381526-01	Drawer slide 14" (PR)
5. 381526-06	Bracket, adjustable rear (PR)
6. 382002	Cabinet door pull, Orb, 3" center
7. 104821	Support, roof locker, 74"
8. 330038	Rivet, blind AD 54 ABS
203138-03	Extrusion, plastic wall, beige
963730-02	Refer stand

2011 CLASSIC TRAILER

FURNITURE, GALLEY

Galley, 31', 30', MW W/3-Burner, Cook top Section

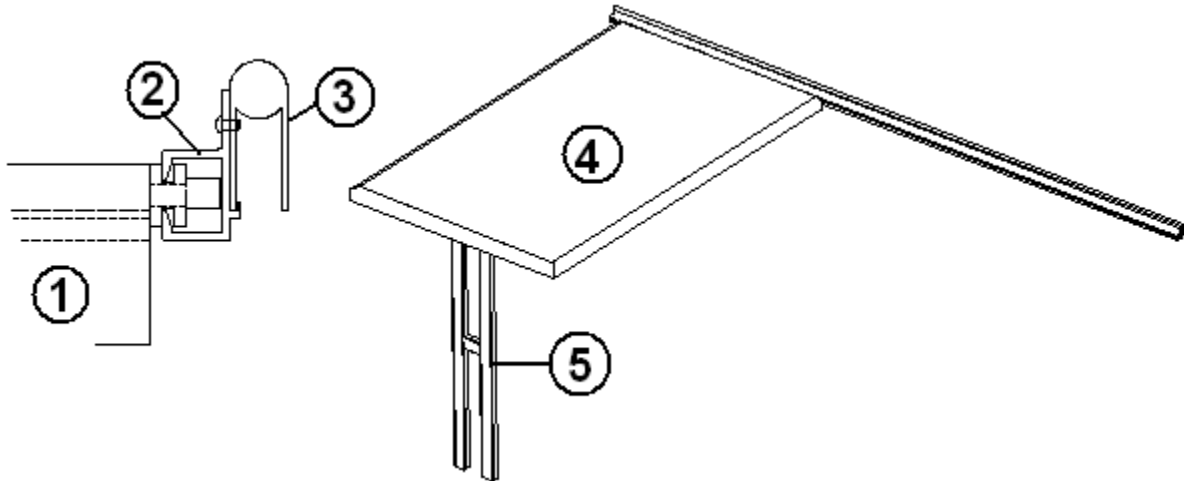


- | | | |
|-----|------------|-------------------------------------|
| | 964598-02 | Galley assembly / cooktop |
| 1. | 964597-003 | Face frame, cooktop, Hickory |
| 2. | 801259-003 | Panel, 1/2" G1S Hickory/Raw |
| 3. | 800599-383 | Drawer face 7.00" X 21.50" Hickory |
| 4. | 800599-583 | Drawer face 4.75" X 21.50" Hickory |
| 5. | 964910-03 | Drawer box- 19.50" X 18.00" X 5.00" |
| 6. | 964906-02 | Drawer box- 19.50" X 18.00" X 2.75" |
| 7. | 381526-03 | Drawer slide 18" (PR) |
| 8. | 381526-06 | Bracket, adjustable rear (PR) |
| 9. | 381999 | Hinge, Orb |
| 10. | 382002 | Cabinet door pull, Orb, 3" center |
| 11. | 381228-01 | Catch, grabber door |

2011 CLASSIC TRAILER

FURNITURE, GALLEY

Dinette Table, 31', Sliding

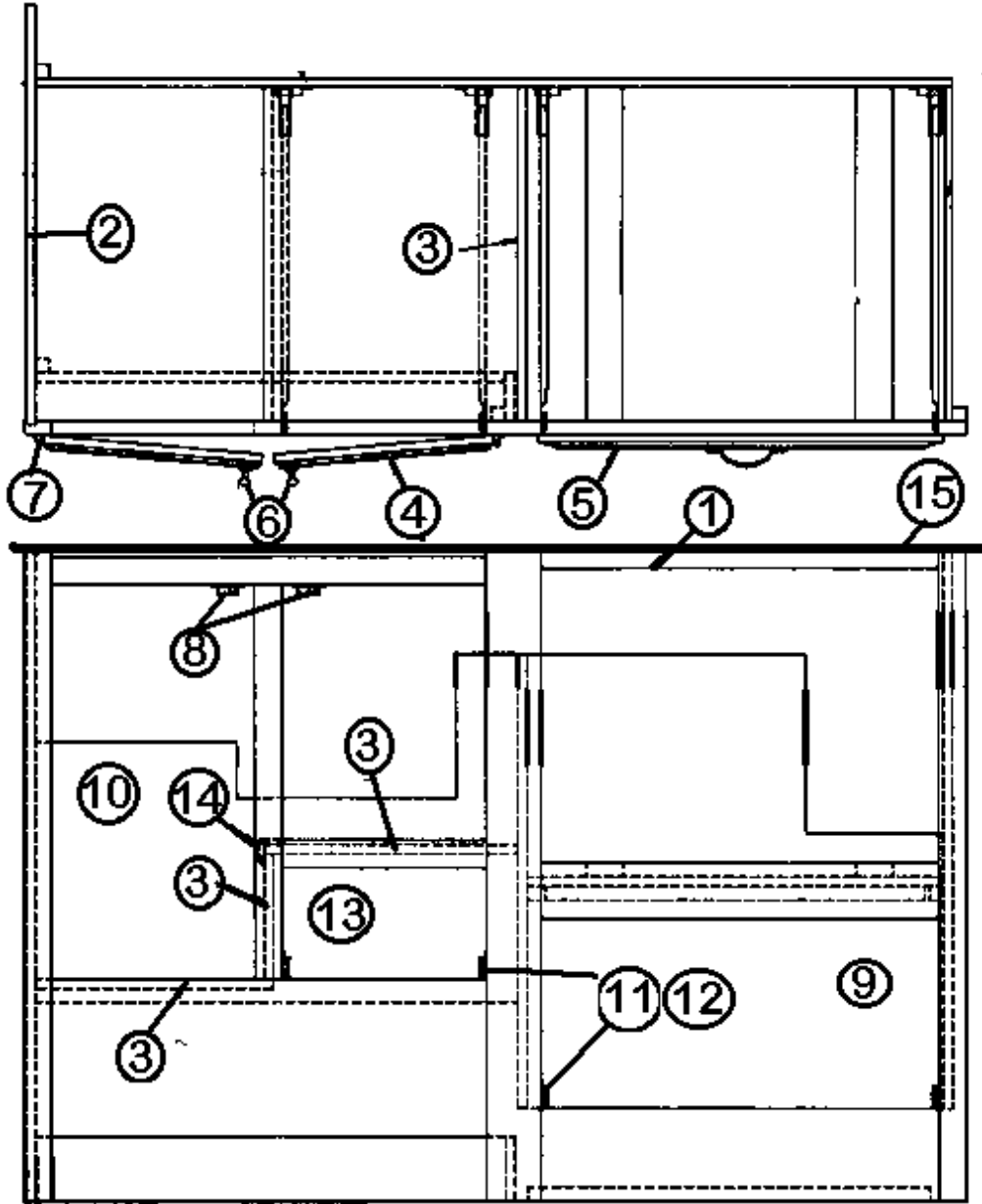


- | | |
|---------------|--|
| 966410-01 | Dinette table assembly, 26" |
| 1. 101253 | Extrusion, credenza hinge, movable |
| 2. 380203-01 | Piano hinge, 1/8" pin, anodized |
| 3. 201155 | Sliding guide, plastic |
| 4. 963674-003 | Top, dinette, resistovar 26 X 42 Hickory |
| 5. 962177-033 | Leg, hardwood, 30.50", Hickory |

2011 CLASSIC TRAILER

FURNITURE, GALLEY

Galley, 30', 31', 27' Front Bed, MW W/3-Burner



See next page for P/N

2011 CLASSIC TRAILER

FURNITURE, GALLEY

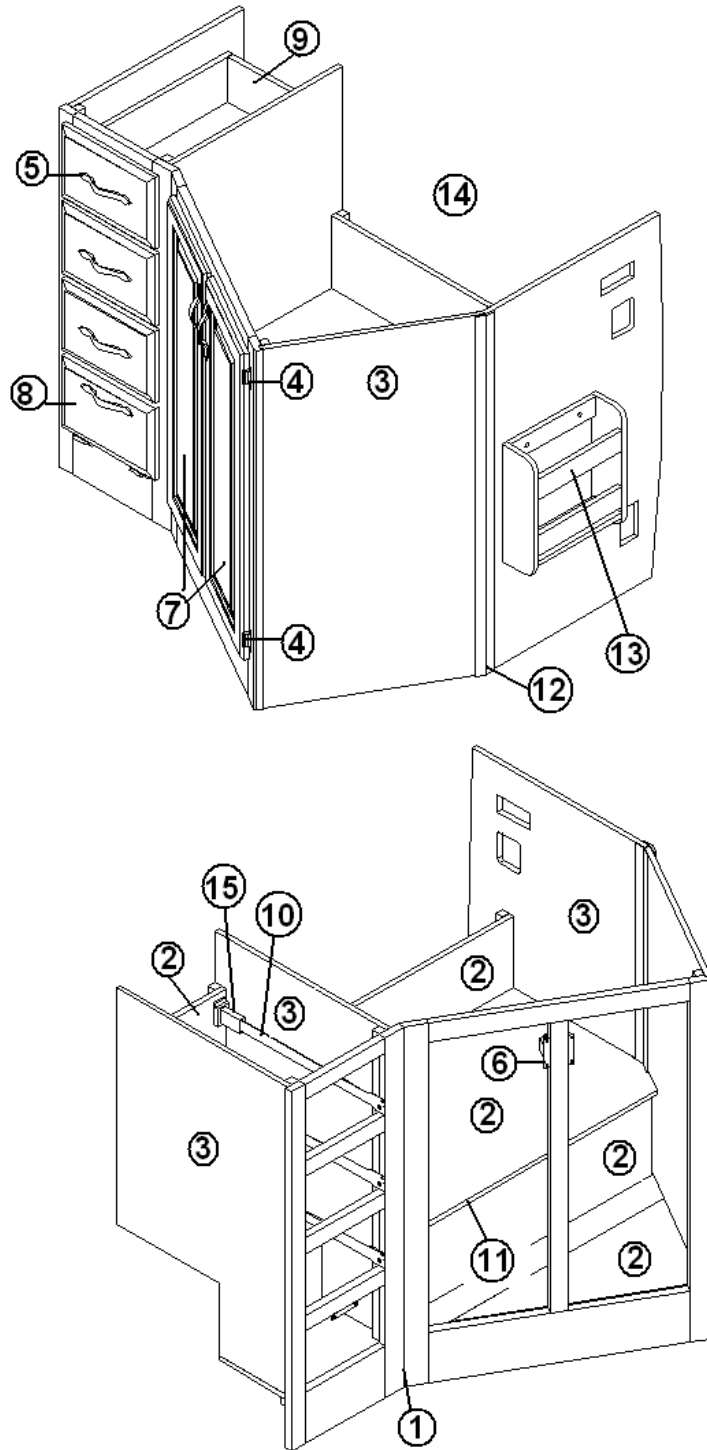
Galley, 30', 31', 27' Front Bed, MW W/3-Burner

- | | |
|----------------|---|
| 964964-03 | Galley, Forward Convection MW Section |
| 1. 964363-013 | Face frame, galley forward microwave, Hickory |
| 2. 801258-006 | Panel ½" G2S Hickory/Hickory 4' X 7' |
| 3. 801259-003 | Panel ½" G1S Hickory/Raw |
| 4. 800597-503 | Door 12.00" X 29.50", Hickory |
| 5. 800599-263 | Drawer face 11.75" X 22.25", Hickory |
| 6. 382002 | Cabinet door pull, Orb, 3" center |
| 7. 381999 | Hinge, Orb |
| 8. 381228-01 | Catch, grabber door |
| 9. 964908-02 | Drawer box- 20.75" X 18.00" X 8.00" |
| 10. 381133 | Rack sack, 6.5 Liter, white |
| 11. 381526-03 | Drawer slide 18"(PR) |
| 12. 381526-06 | Adjustable rear bracket (PR) |
| 13. 964910-02 | Drawer box- 10.00" X 18.00" X 5.00" |
| 14. 801172-013 | Molding, corner 8' L, Hickory |
| 15. 602136 | Top assembly, galley, Corian, Sandstone |

2011 CLASSIC TRAILER

FURNITURE, GALLEY

Galley, 27' Front Bed, Aft Section



See next page for P/N

2011 CLASSIC TRAILER

FURNITURE, GALLEY

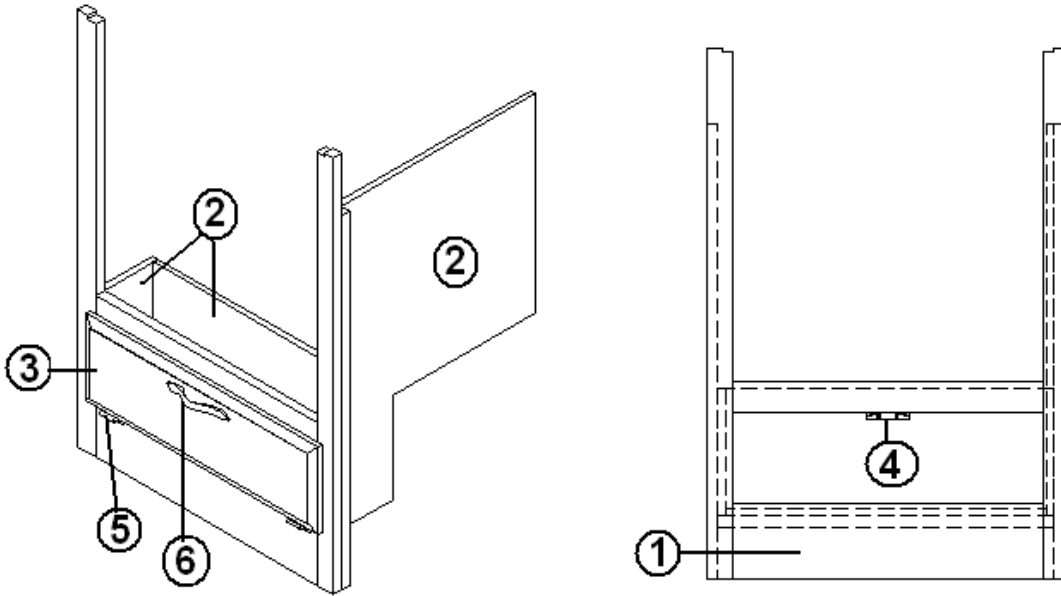
Galley, 27' Front Bed, Aft Section

- | | |
|----------------|------------------------------------|
| 966742 | Aft galley assembly |
| 1. 966741-003 | Face frame, aft galley |
| 2. 801259-003 | Paneling, 1/2", Hickory/Raw |
| 3. 801258-003 | Paneling 1/2", Hickory / Hickory |
| 4. 381999 | Hinge, orb |
| 5. 382002 | Pull, cabinet door, 3" center, orb |
| 6. 381228-01 | Catch, grabber door |
| 7. 800597-093 | Door, 11.00" X 29.75" |
| 8. 800599-013 | Drawer face, 7" X 10.50" |
| 9. 964910-23 | Drawer box, 5" X 8" X 17" |
| 10. 381526-03 | Drawer slide |
| 11. 800572-013 | Molding, panel edge |
| 12. 115032 | Angle, galley corner |
| 13. 963990-003 | Magazine rack |
| 14. 602128 | Top, Corian, galley |
| 15. 381526-06 | Drawer slide, adjustable bracket |

2011 CLASSIC TRAILER

FURNITURE, GALLEY

Galley, 27' Front Bed, Oven Section

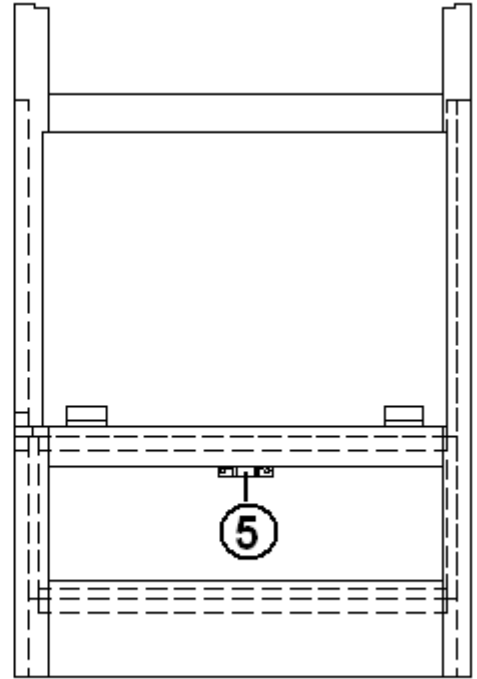
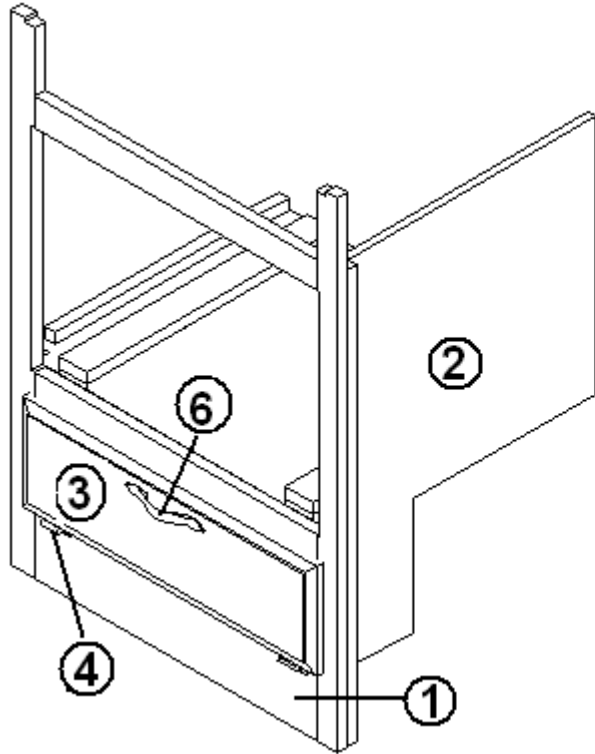


- | | |
|---------------|-----------------------------------|
| 966744 | Galley, oven section |
| 1. 966743-003 | Face frame, galley, oven section |
| 2. 801259-003 | Paneling, 1/2", Hickory/raw |
| 3. 800599-383 | Drawer face 7.00 X 21.50 |
| 4. 381228-01 | Catch, grabber door |
| 5. 381999 | Hinge, orb |
| 6. 382002 | Pull, cabinet door, 3"center, orb |

2011 CLASSIC TRAILER

FURNITURE, GALLEY

Galley, 27' Front Bed, Convection Microwave Section

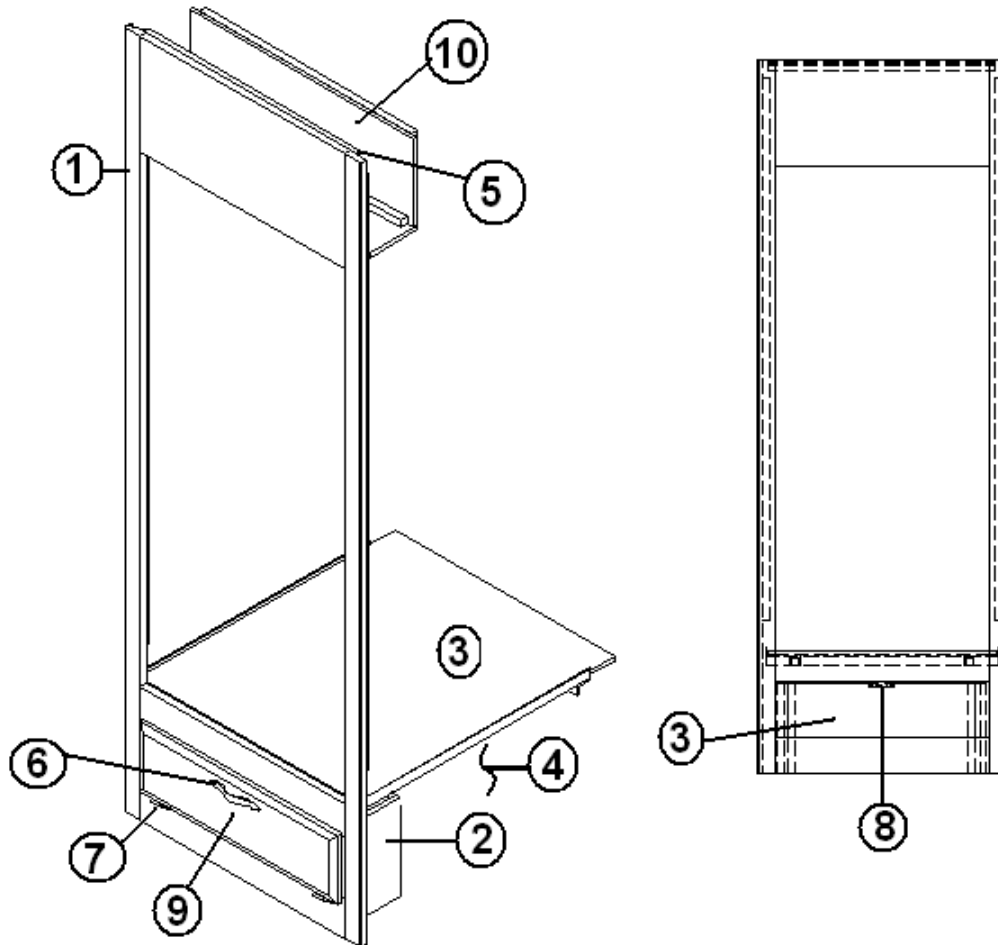


- | | |
|---------------|--------------------------------------|
| 966746 | Galley, microwave option section |
| 1. 966745-003 | Face frame, microwave option section |
| 2. 801259-003 | Paneling, 1/2", Hickory/raw |
| 3. 800599-383 | Drawer face 7.00 X 21.50 |
| 4. 381999 | Hinge, orb |
| 5. 381228-01 | Catch, grabber door |
| 6. 382002 | Pull, cabinet door, 3"center, orb |

2011 CLASSIC TRAILER

FURNITURE, GALLEY

Refrigerator Cabinet, 27' Front Bed

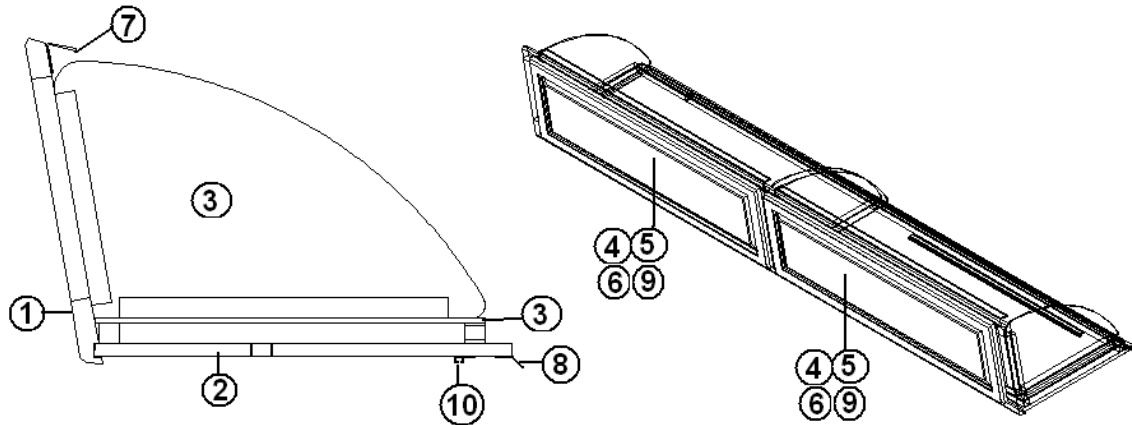


- | | | |
|-----|------------|------------------------------------|
| | 966726 | Refer cabinet |
| 1. | 966724-003 | Face frame, refer cabinet |
| 2. | 801259-003 | Paneling, 1/2" Hickory/Raw |
| 3. | 801260-003 | Paneling, 5/32" Hickory/Raw |
| 4. | 104821 | Support, roof locker, 74" |
| 5. | 966725 | Refer stand |
| 6. | 382002 | Pull, cabinet door, 3" center, orb |
| 7. | 381999 | Hinge, orb |
| 8. | 381228-01 | Catch, grabber door |
| 9. | 800599-213 | Drawer face 7.00" X 23.00" |
| 10. | 966793 | Air defoiler, upper refer |

2011 CLASSIC TRAILER

FURNITURE, GALLEY

Roof Locker, Galley, 27' Front Bed

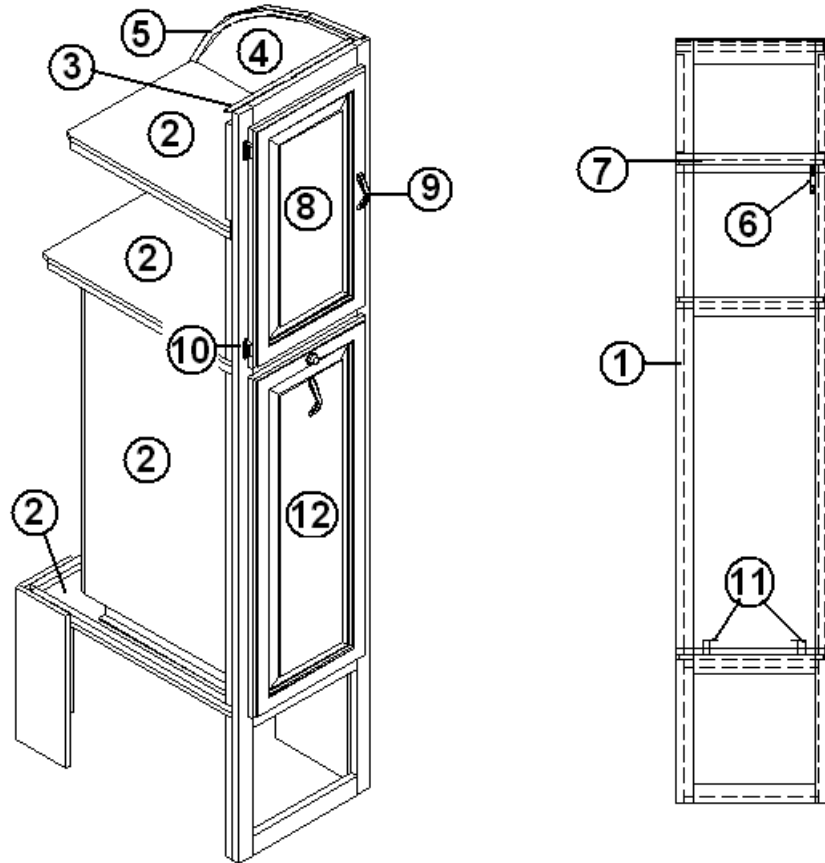


- | | | |
|-----|------------|------------------------------------|
| | 966717 | Galley roof locker |
| 1. | 963354-01 | Face frame, galley roof locker |
| 2. | 801258-003 | Paneling, 1/2" Hickory/Hickory |
| 3. | 801260-003 | Paneling, 5/32" Hickory/Raw |
| 4. | 800597-413 | Door, 10.50" X 32.00" |
| 5. | 381147 | Support, spring loaded door |
| 6. | 382002 | Pull, cabinet door, 3" center, orb |
| 7. | 104829 | Support, roof locker, galley |
| 8. | 100013 | Extrusion, wall attachment |
| 9. | 381999 | Hinge, orb |
| 10. | 100097 | Extrusion, curtain track |
| | 500540-01 | Light, ceiling, galley and vanity |

2011 CLASSIC TRAILER

FURNITURE, GALLEY

Pantry Cabinet, 27' Front Bed

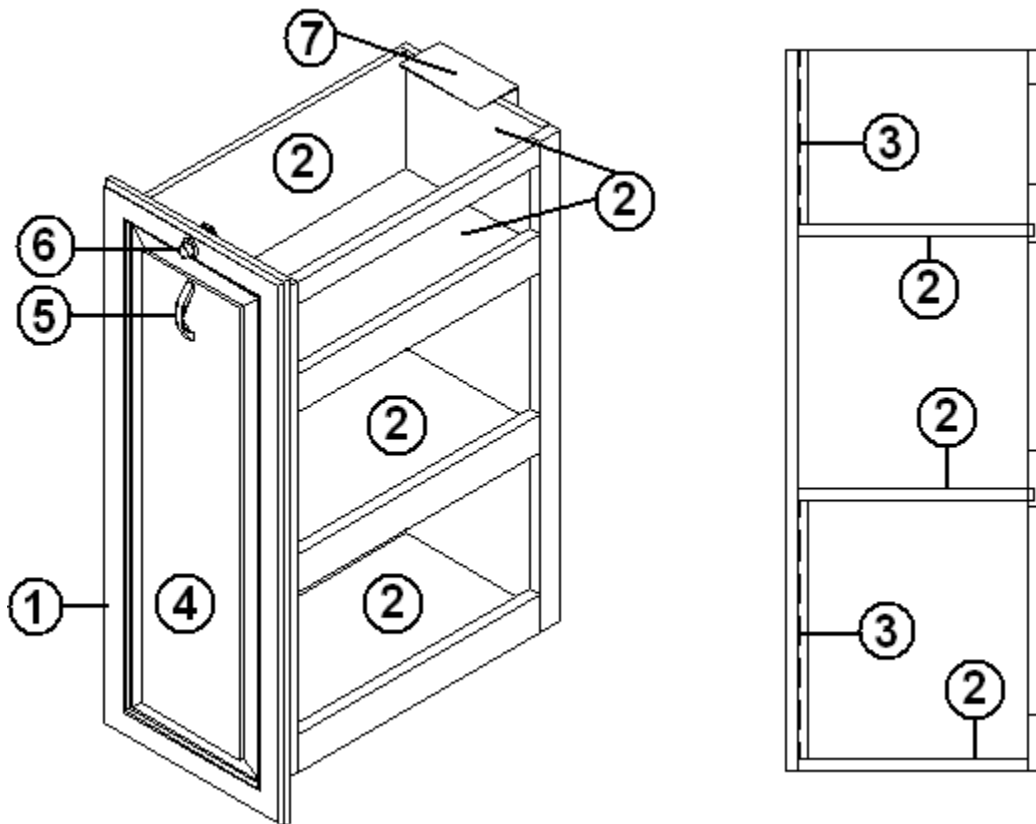


- | | | |
|-----|------------|------------------------------------|
| | 966976 | Pantry assembly |
| 1. | 966975-003 | Face frame, pantry assembly |
| 2. | 801258-003 | Paneling, 1/2" Hickory/Hickory |
| 3. | 104821 | Support, roof locker, 74" |
| 4. | 801671-08 | Panel, aft pantry |
| 5. | 203138-03 | Extrusion, plastic wall, beige |
| 6. | 381228-01 | Catch, grabber door |
| 7. | 800573-013 | Molding, door edge, Hickory |
| 8. | 800597-983 | Door, 15.25' X 25" |
| 9. | 382002 | Pull, cabinet door, 3" center, orb |
| 10. | 381999 | Hinge, orb |
| 11. | 381944-01 | Slide 18" (PR) |
| 12. | 966977 | Pantry, S/O assembly |

2011 CLASSIC TRAILER

FURNITURE, GALLEY

Pantry Cabinet Slide Out, 27' Front Bed

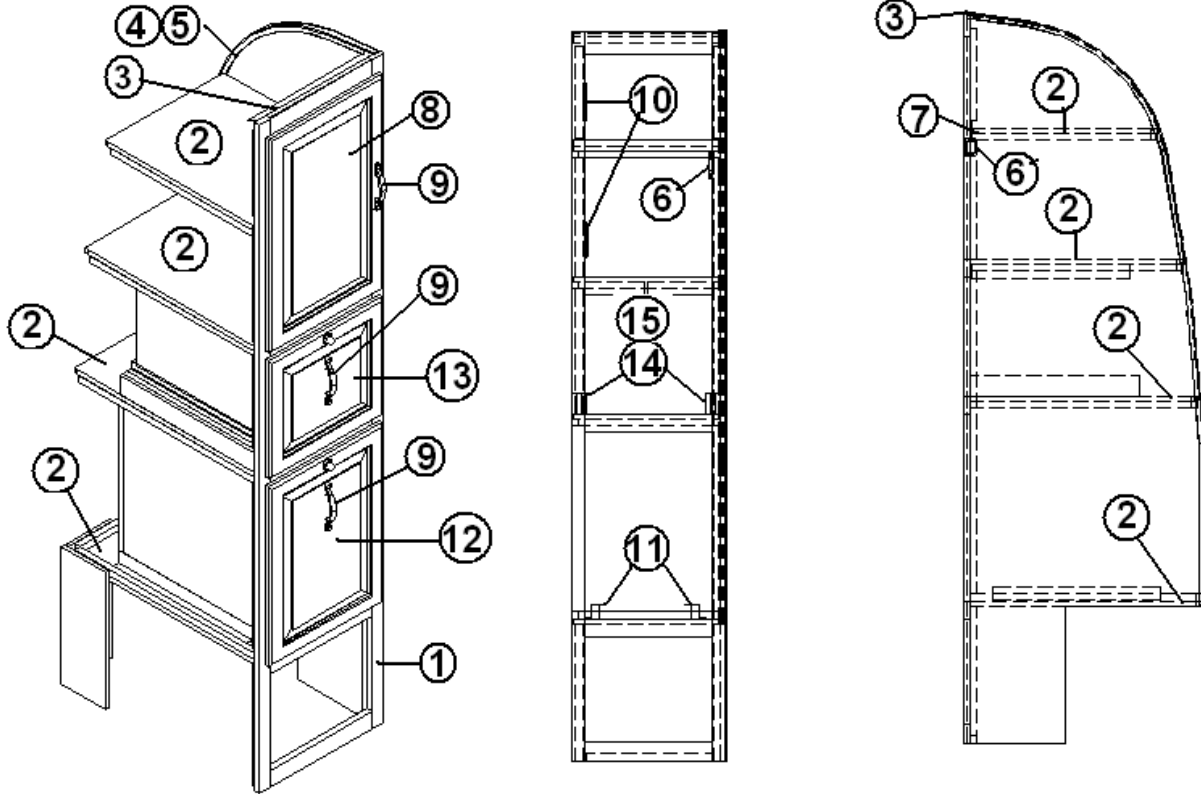


- | | |
|---------------|------------------------------------|
| 966977 | Pantry, S/O assembly |
| 1. 966736-003 | Face frame, pantry S/O assembly |
| 2. 801258-003 | Paneling, 1/2" Hickory/Hickory |
| 3. 114811 | Aluminum angle .50" X .50" |
| 4. 800597-993 | Door, 15.25: X 35.50" |
| 5. 382002 | Pull, cabinet door, 3" center, orb |
| 6. 381408 | Lock, push button style, black |
| 7. 104887 | Positive stop, pantry |
| 365268-03 | Edgebanding-.024"X .63" |

2011 CLASSIC TRAILER

FURNITURE, GALLEY

Pantry w/Microwave, 27' Front Bed



See next page for P/N

2011 CLASSIC TRAILER

FURNITURE, GALLEY

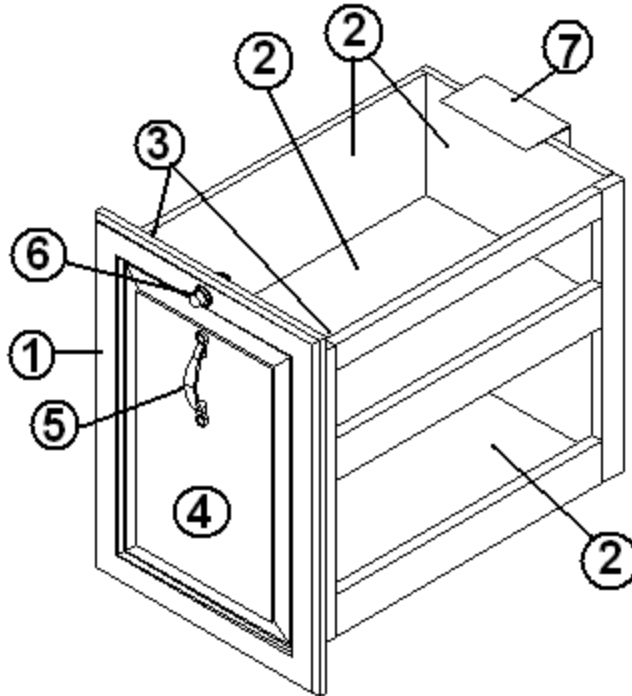
Pantry w/Microwave, 27' Front Bed

- | | |
|----------------|---------------------------------------|
| 966978 | Pantry, 27', Microwave Option |
| 1. 966981-003 | Face frame, pantry w/microwave option |
| 2. 801258-003 | Panel, 1/2", Hickory/Hickory |
| 3. 104821 | Roof locker support, 74" |
| 4. 801671-08 | Panel, aft pantry |
| 5. 203138-03 | Wall trim, 1/2" Beige, plastic |
| 6. 381228-01 | Grabber catch cabinet door |
| 7. 800573-013 | Door edge molding, 1.38" x 80" |
| 8. 800597-983 | Door, raised panel, 15.25" x 25.00" |
| 9. 382002 | Pull, cabinet door |
| 10. 381999 | Hinge, cabinet door |
| 11. 381944-01 | Slide, 18" |
| 12. 966979 | Pantry pullout assembly |
| 13. 966980 | Microwave pullout assembly |
| 14. 801180-003 | Panel, 1/2", Hickory/Vinyl |
| 15. 381192 | Drawer slide, 18' |
| 701538-01 | Carpet, Econoliner |

2011 CLASSIC TRAILER

FURNITURE, GALLEY

Pantry Slide Out, 27' Front Bed, Microwave Option

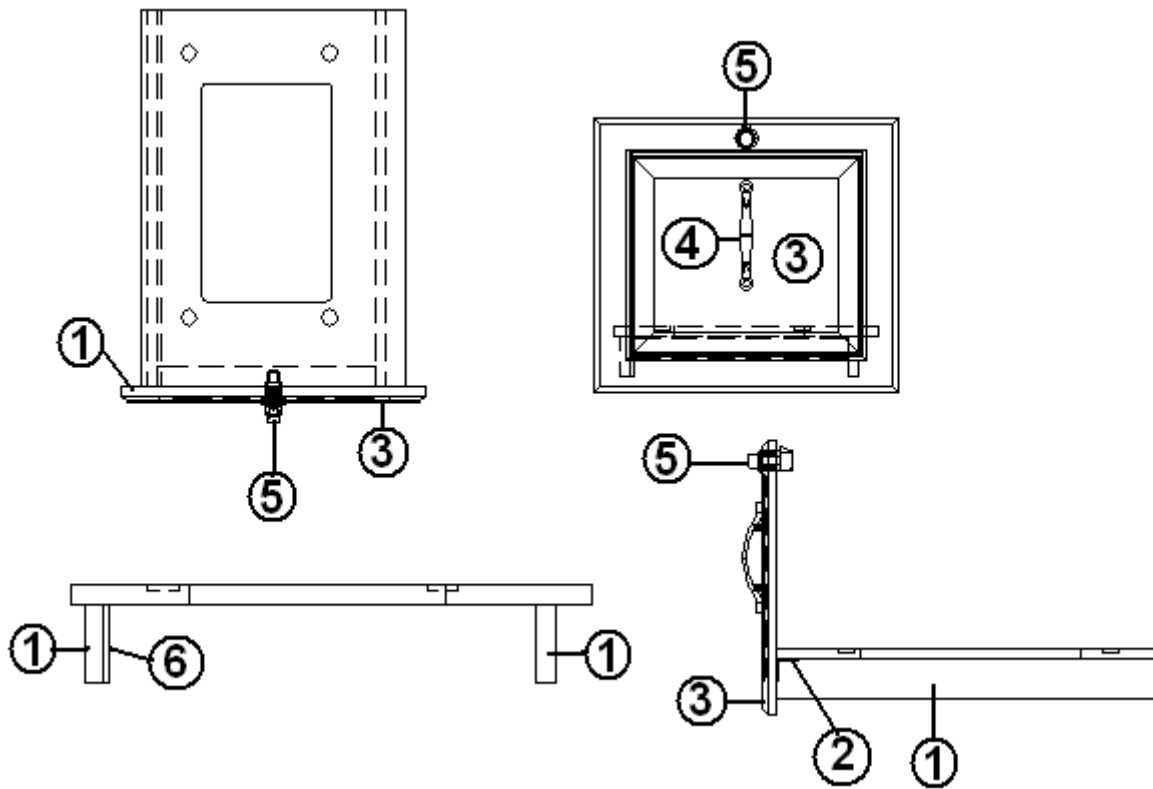


- | | |
|----------------|---|
| 966979 | Pantry Slide Out, 27', Microwave Option |
| 1. 966982-003 | Face frame, pantry slide out w/microwave option |
| 2. 801258-003 | Panel, 1/2", Hickory/Hickory |
| 3. 114811 | Aluminum angle, 1/2" x 1/2" |
| 4. 800597-1013 | Door, raised panel, 15.25" x 21.00" |
| 5. 382002 | Pull, cabinet door |
| 6. 381408 | Lock, push button style |
| 7. 104887 | Positive stop, pantry |

2011 CLASSIC TRAILER

FURNITURE, GALLEY

Pantry Cabinet Microwave Slide Out, 27' Front Bed

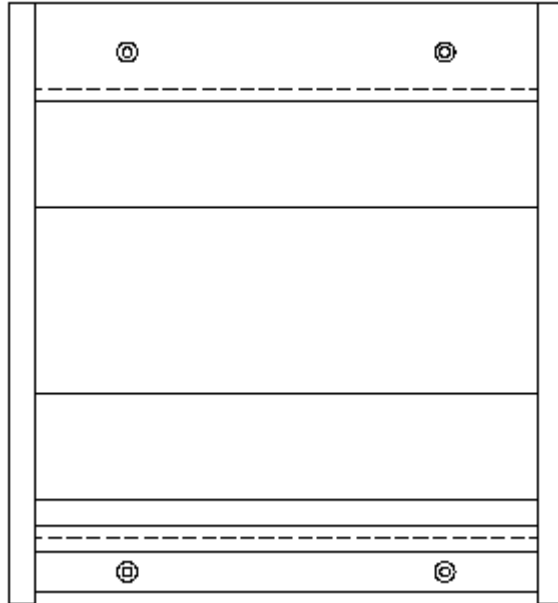


- 966980 Microwave Slide Out, 27', Microwave Option
- | | |
|----------------|-------------------------------------|
| 1. 801258-003 | Panel, 1/2", Hickory/Hickory |
| 2. 114812 | Aluminum angle, 1" x 1" |
| 3. 800597-1003 | Door, raised panel, 15.25" x 13.75" |
| 4. 382002 | Pull, cabinet door |
| 5. 381408 | Lock, push button style |
| 6. 800507-01 | Luan, 1/8" x 4' x 8' |

2011 CLASSIC TRAILER

FURNITURE, GALLEY

Magazine Rack, 31' D, 30', 34'

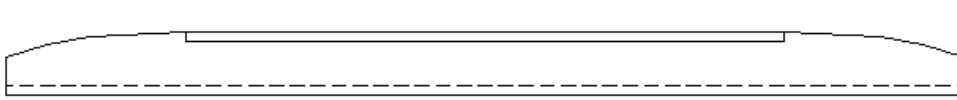


963990-003 Magazine Rack, Hickory

2011 CLASSIC TRAILER

FURNITURE, LOUNGE

Closeout Panels, Lounge, 31' D, 30', 34'

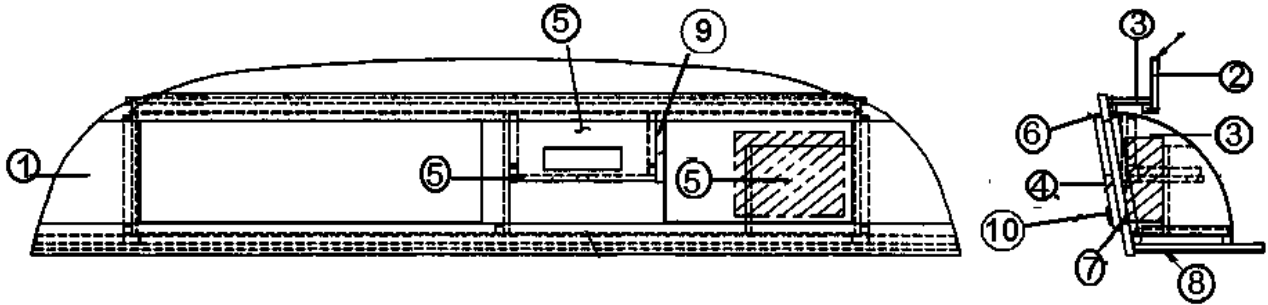


962563-01	Closeout assembly, lounge rear
801027-05	Panel, lounge, rear closeout
801027-06	Panel, kill switch mtg.
382002	Cabinet door pull, Orb, 3" center

2011 CLASSIC TRAILER

FURNITURE, LOUNGE

Roof Locker, Front End, All Rear Bed Units, 31' D, 30', 34'

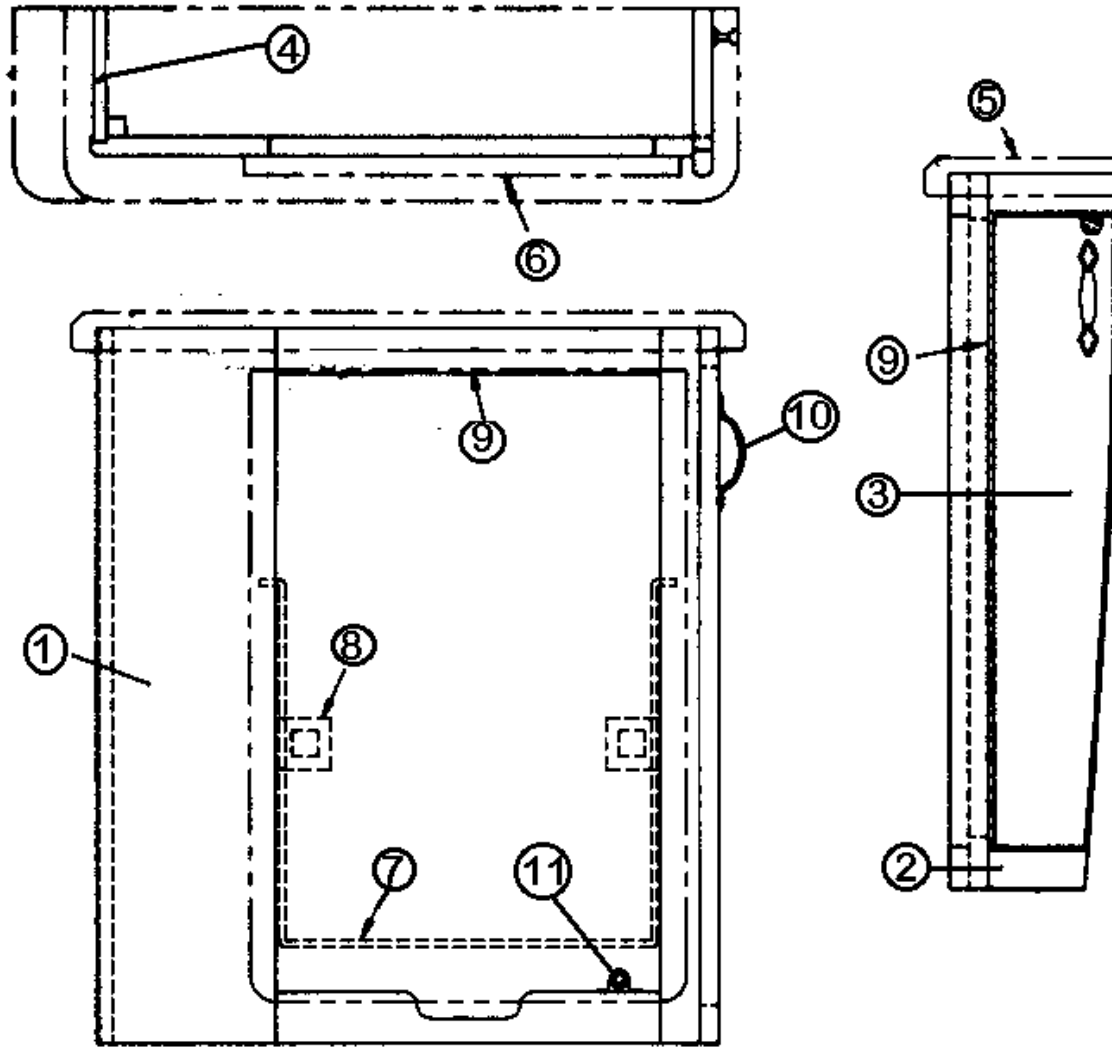


- | | |
|---------------|---|
| 963506-12 | Roof Locker, Front end Liner, 34', 31' |
| 963506-11 | Roof Locker, Front end Liner, 30' |
| 1. 963498-003 | Face frame, fwd/aft, roof locker, Hickory |
| 2. 801258-003 | Panel 1/2" G2S Hickory/Hickory |
| 3. 801260-003 | Panel 5/32"G1S Hickory/RAW |
| 4. 800597-853 | Door, 10.50" X 32.50", Hickory |
| 5. 801259-003 | Panel 1/2", G1S Hickory/Raw |
| 6. 382000 | Hinge, semi-concealed, BP7550-OR |
| 7. 381147 | Door support, spring loaded |
| 8. 702482-03 | Headliner, textured |
| 9. 203721 | Blue-ray player faceplate, Hickory |
| 10. 382002 | Cabinet door pull, Orb, 3" center |

2011 CLASSIC TRAILER

FURNITURE, LOUNGE

Writing Table/Chair Storage, 34', 31' D, 30'



See next page for P/N

2011 CLASSIC TRAILER

FURNITURE, LOUNGE

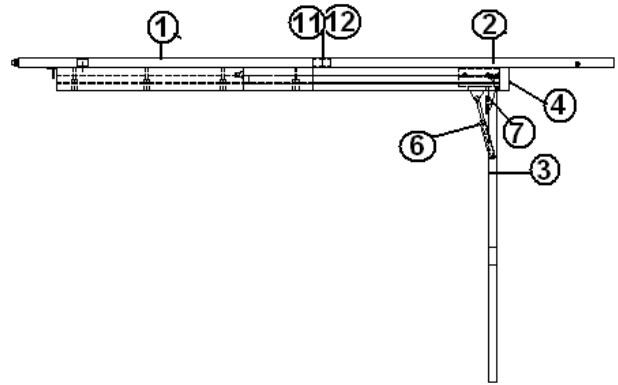
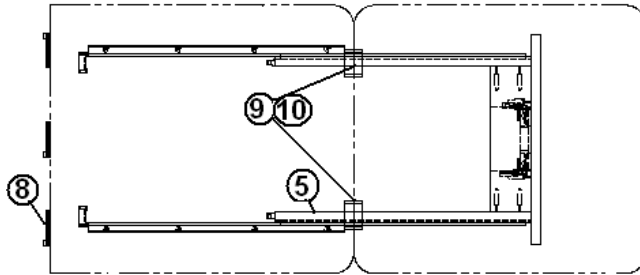
Writing Table/Chair Storage, 34', 31' D, 30'

961959-04	Writing table, w/chair storage
1. 961955-023	Face frame, chair storage, Hickory
2. 961956-013	Frame end w/table, chair, Hickory
3. 961957-013	Door, Hickory, chair storage
4. 801258-003	Panel ½' G2S, Hickory/Hickory 4' x 8'
5. 962875-003	Top Assembly, NOMAR, Limited, Hickory
6. 962880-003	Top Assembly, NOMAR, Limited, Hickory
7. 380492	Bracket, table
8. 340018	Catch plate J-1
9. 380458	Hinge piano, brown anodized
10. 382002	Cabinet door pull, Orb, 3" center
11. 381228-01	Catch, grabber door
964280-003	Countertop edge molding, Hickory

2011 CLASSIC TRAILER

FURNITURE, LOUNGE

Table, Lift Up, 30', 34'

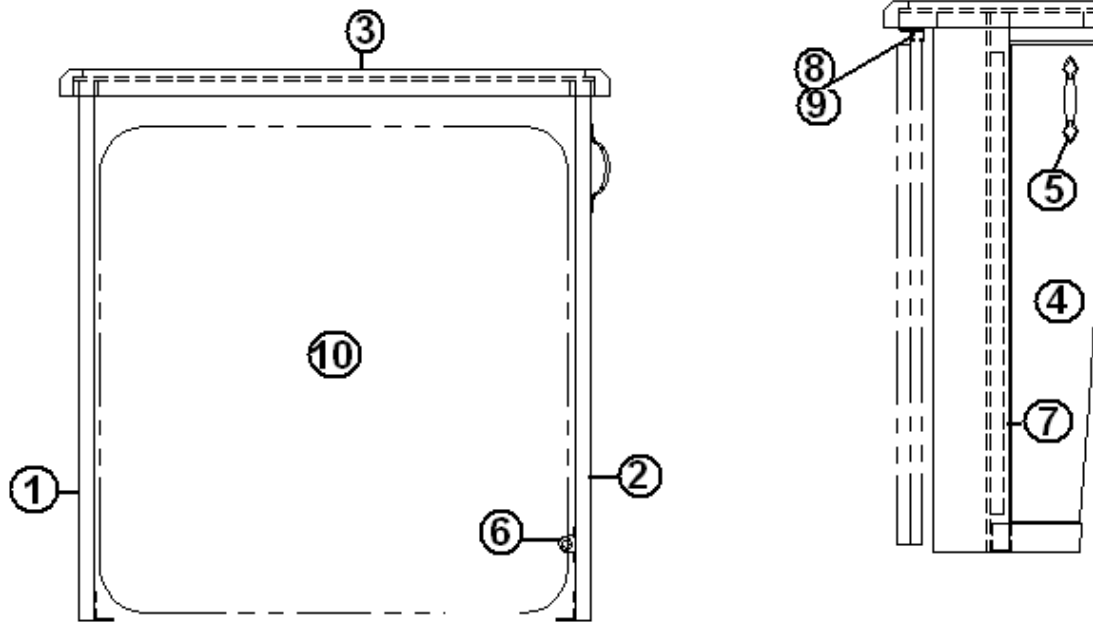


- | | |
|---------------|-------------------------------------|
| 960420-06 | Table, lift up, 24", Hickory |
| 1. 962878-023 | Leaf, table, lower, Hickory |
| 2. 962879-023 | Leaf, table, upper, Hickory |
| 3. 962177-033 | Leg, hardwood 30.50", Hickory |
| 4. 960419-013 | Facer board, lift up table, Hickory |
| 5. 381306 | Slides, table, lift up, RH & LH #20 |
| 6. 381147 | Door support, spring loaded |
| 7. 380210 | Hinge, pivot, zinc plated |
| 8. 201155 | Sliding guide, plastic - table |
| 9. 380040 | Hinge, Soss, invisible, LH/RH |
| 10. 345319-08 | Screw, particle board, #8 X 1.00" |
| 11. 380037 | Retainer, spring lock |
| 12. 380038 | Eyelet, lock GS 5 10 brass |
| 13. 381074 | Catch, bulldog #65S (copper) |
| 380203-01 | Piano hinge 1/8" |
| 101253 | Credenza hinge, moveable |
| 381228-01 | CATCH GRABBER DOOR |

2011 CLASSIC TRAILER

FURNITURE, LOUNGE

End Table, 34' L-Lounge, w/ Lift up Table

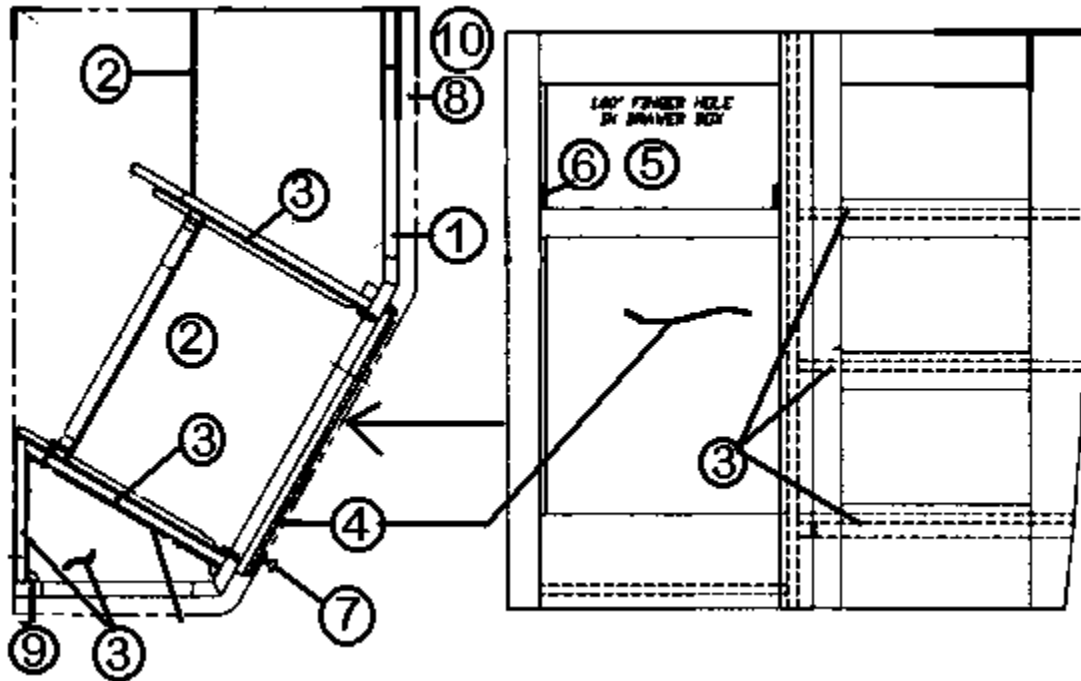


- | | |
|---------------|-----------------------------------|
| 963616-02 | END TABLE W/LIFT-UP TABLE |
| 1. 801120-003 | LEG-FWD CS END TABLE |
| 2. 801121-003 | FRAME-AFT LEG END TABLE |
| 3. 963614-003 | END TABLE TOP 11" X 28.25" |
| 4. 961957-013 | DOOR-TABLE CHAIR STORAGE |
| 5. 382002 | Cabinet door pull, Orb, 3" center |
| 6. 381228-01 | CATCH GRABBER DOOR C3-803 |
| 7. 380458 | HINGE PIANO BROWN ANODIZED |
| 8. 380203-01 | PIANO HINGE 1/8" PIN |
| 9. 101253 | CREDENZA HINGE MOVABLE |
| 10. 960420-06 | TABLE, LIFT UP 24.00", HICKORY |

2011 CLASSIC TRAILER

FURNITURE, LOUNGE

End Table, 30'



See next page for P/N

2011 CLASSIC TRAILER

FURNITURE, LOUNGE

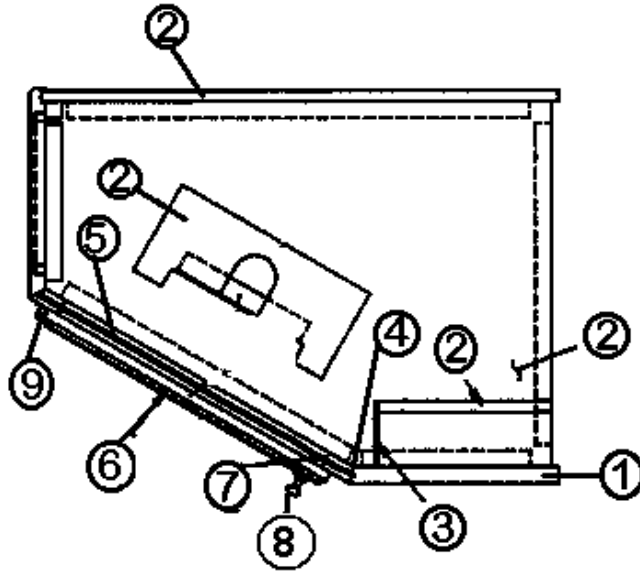
End Table, 30'

963219-03	End table
1. 962291-013	Face frame, end table, Hickory
2. 801260-003	Panel 5/32"G1S Hickory/Raw 4' X 8'
3. 801258-003	Panel 1/2" G2S Hickory/Hickory 4' X 7'
4. 800597-513	Door, 15.75" X 23.00", Hickory
5. 964910-14	Drawer box- 13.75" X 13.00" X 5.00"
6. 381526-01	Drawer slide-14" (PR)
7. 382002	Cabinet door pull, Orb, 3" center
8. 962876-003	Top, end table
9.800638-023	Molding, 1/4" round .5", Hickory
10. 964280-003	Counter top, edge molding, Hickory

2011 CLASSIC TRAILER

FURNITURE, LOUNGE

TV Cabinet, 30'

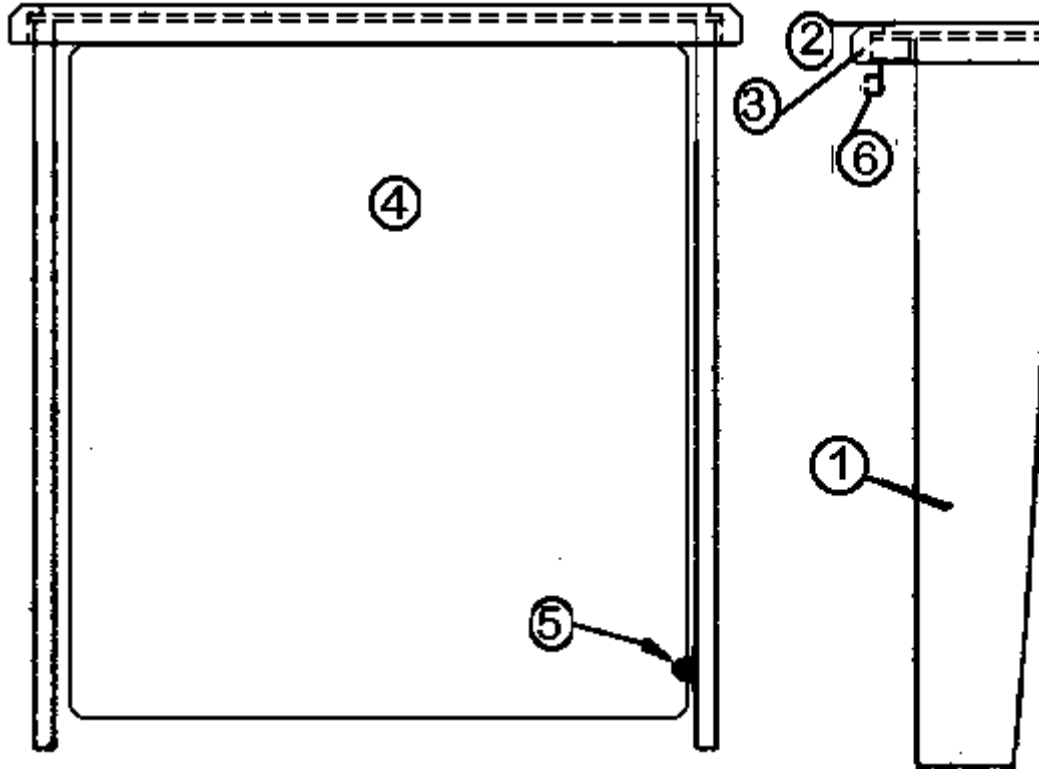


- | | |
|---------------|---|
| 962202-06 | TV cabinet assembly, w/o TV, vinyl |
| 1. 962200-013 | Face frame, TV cabinet, Hickory |
| 2. 801258-003 | Panel 1/2" G2S, Hickory/Hickory 4' X 7' |
| 3. 801260-003 | Panel, 5/32"G1S Hickory/Raw 4' X 8' |
| 4. 114811 | Aluminum angle .50 X .50 |
| 5. 203138-03 | Extrusion, plastic wall, beige |
| 6. 800597-953 | Door frame, 15.00" X 14.50", Hickory |
| 7. 381228-01 | Catch, grabber door |
| 8. 382002 | Cabinet door pull, Orb, 3" center |
| 9. 381999 | Hinge, Orb |
| 365268-03 | Edgebanding-5/8" |

2011 CLASSIC TRAILER

FURNITURE, LOUNGE

Lift Up Table Cabinet, 30'

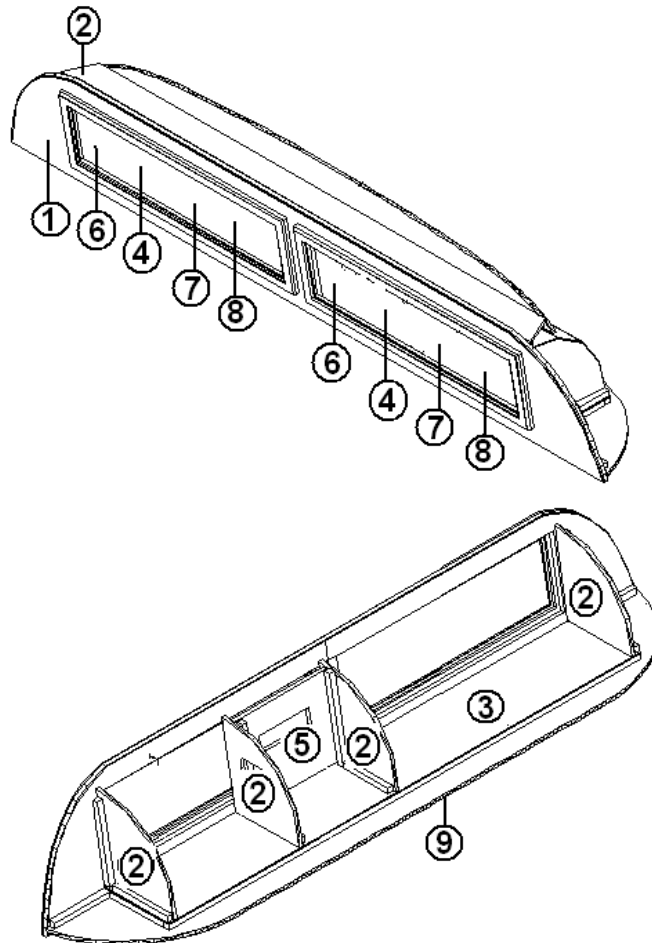


- | | |
|---------------|-------------------------------------|
| 962015-02 | Lift up table |
| 1. 962381-013 | Fwd stile, RS, credenza, Hickory |
| 2. 962875-003 | Top, writing table, chair storage |
| 3. 964280-003 | Counter top edge, molding, Hickory |
| 4. 960420-06 | Table, lift up 24.00", Hickory |
| 5. 381074 | Bulldog catch |
| 6. 101253 | Extrusion. Credenza, hinge moveable |

2011 CLASSIC TRAILER

FURNITURE, LOUNGE

Roof Locker, Rear End, 27' Front Bed Model

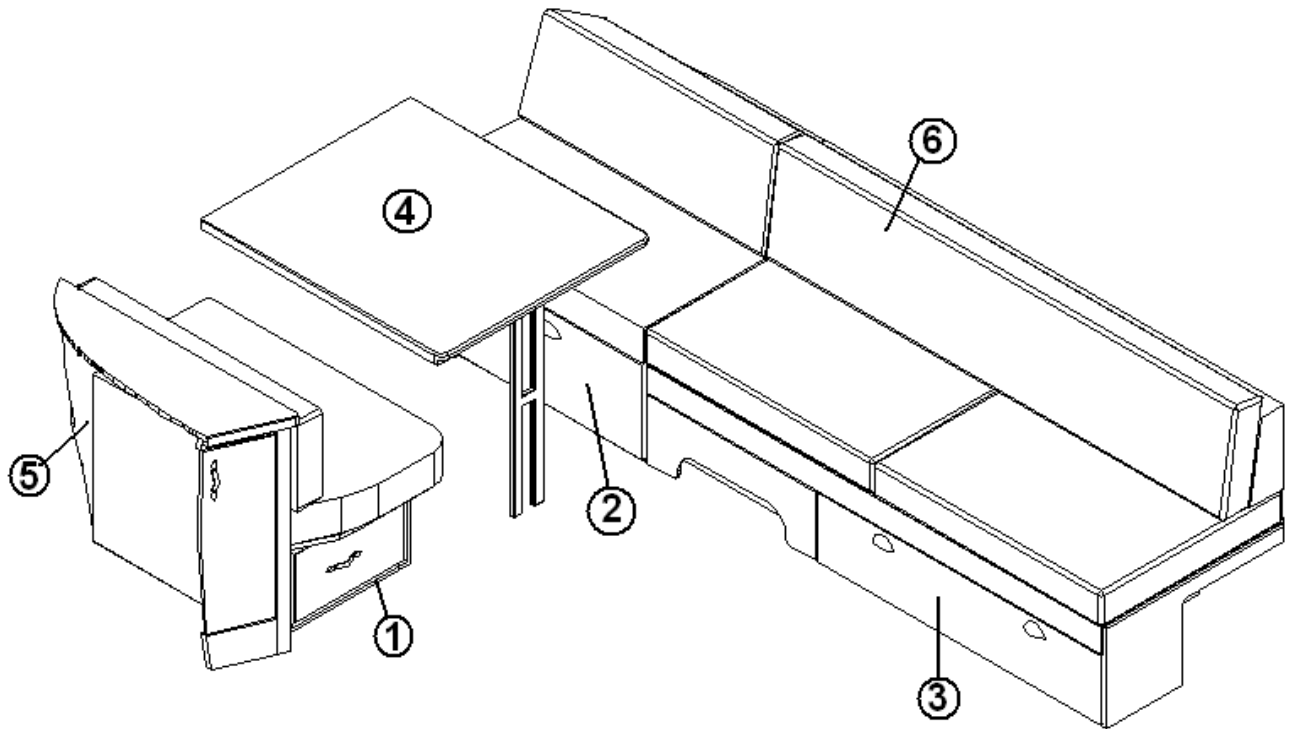


- | | |
|---------------|--|
| 966730-02 | Roof locker assembly, rear w/audio upgrade |
| 1. 963498-003 | Face frame, roof locker |
| 2. 801258-003 | Paneling, 1/2" Hickory/Hickory |
| 3. 801260-003 | Paneling, 5/32" Hickory/Raw |
| 4. 800597-853 | Door, 10.5" x 32.5" |
| 5. 801259-003 | Paneling, 1/2" Hickory/Raw |
| 6. 381999 | Hinge, orb |
| 7. 382002 | Pull, cabinet door, 3" center, orb |
| 8. 381147 | Support, spring loaded, door |
| 9. 702482-03 | Headliner, spectra opal, textured |

2011 CLASSIC TRAILER

FURNITURE, LOUNGE

Sofa/Dinette Module 27' Front Bed

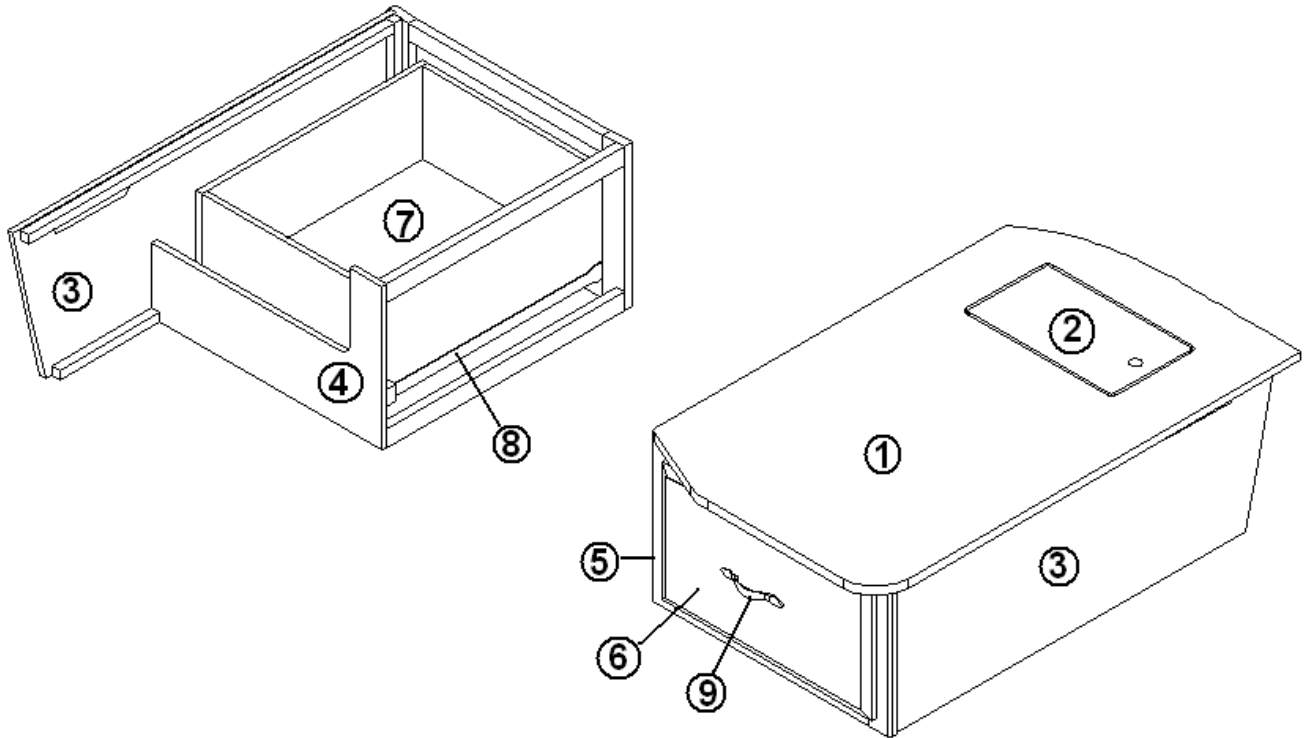


- | | |
|--------------|-------------------------------|
| 1. 967171 | Dinette seat, curbside |
| 2. 967170 | Dinette seat, roadside |
| 3. 967300 | Sofa assembly, 27' Front Bed |
| 3. 966773 | Table assembly |
| 4. 966765 | Chair storage assembly |
| 5. 703630-09 | Fabric/Foam kit, sofa/dinette |

2011 CLASSIC TRAILER

FURNITURE, LOUNGE

Dinette Seat, Curbside, 27' Front Bed

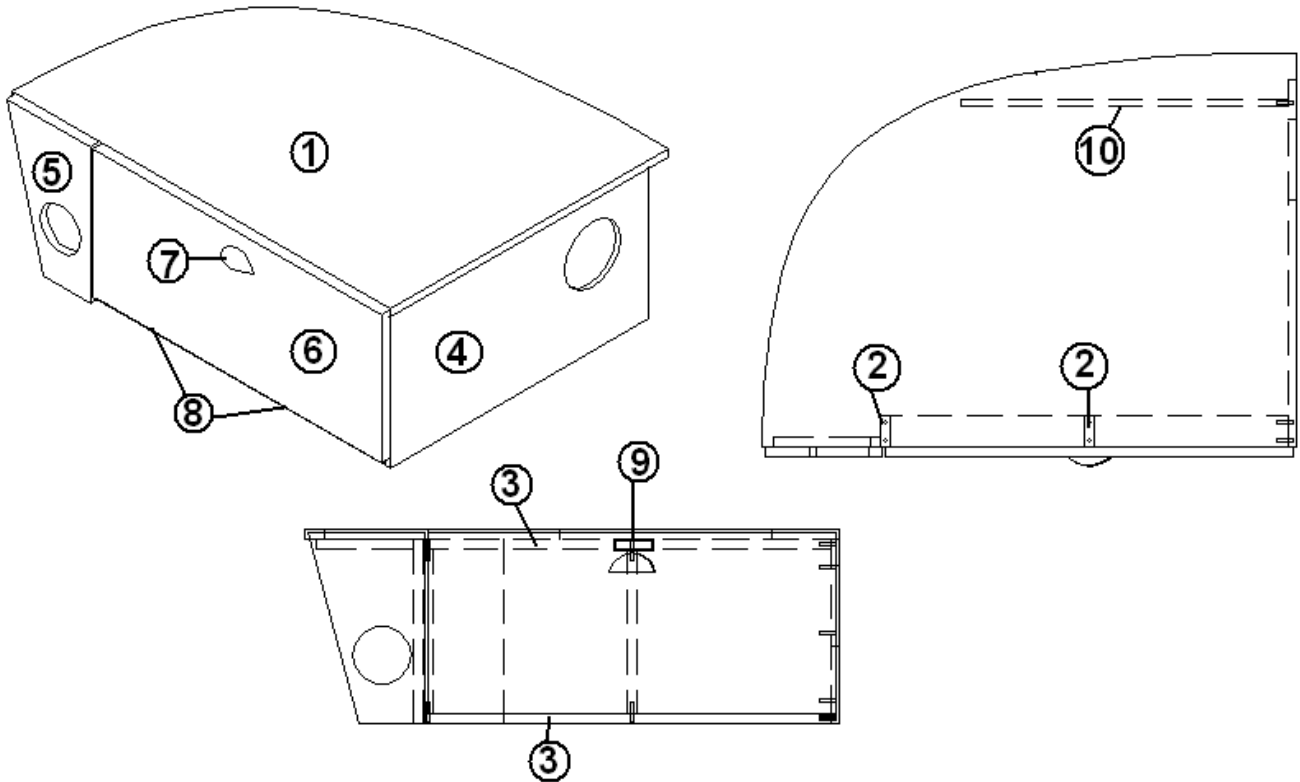


- | | |
|---------------|------------------------------------|
| 967171 | Dinette Seat, Curbside |
| 1. 967171-1A | Seat top, curbside |
| 2. 967171-1B | Compartment door |
| 3. 967171-2A | Side panel, curbside dinette seat |
| 4. 967171-3A | Panel, rear, curbside dinette seat |
| 5. 967172-003 | Face frame, curbside dinette seat |
| 6. 800599-853 | Drawer face, 11.13" x 19.50" |
| 7. 964908-07 | Drawer box, 17" x 21" x 8" |
| 8. 381526-05 | Drawer slide |
| 9. 382002 | Pull, cabinet door, 3" center, orb |

2011 CLASSIC TRAILER

FURNITURE, LOUNGE

Dinette Seat, Roadside, 27' Front Bed

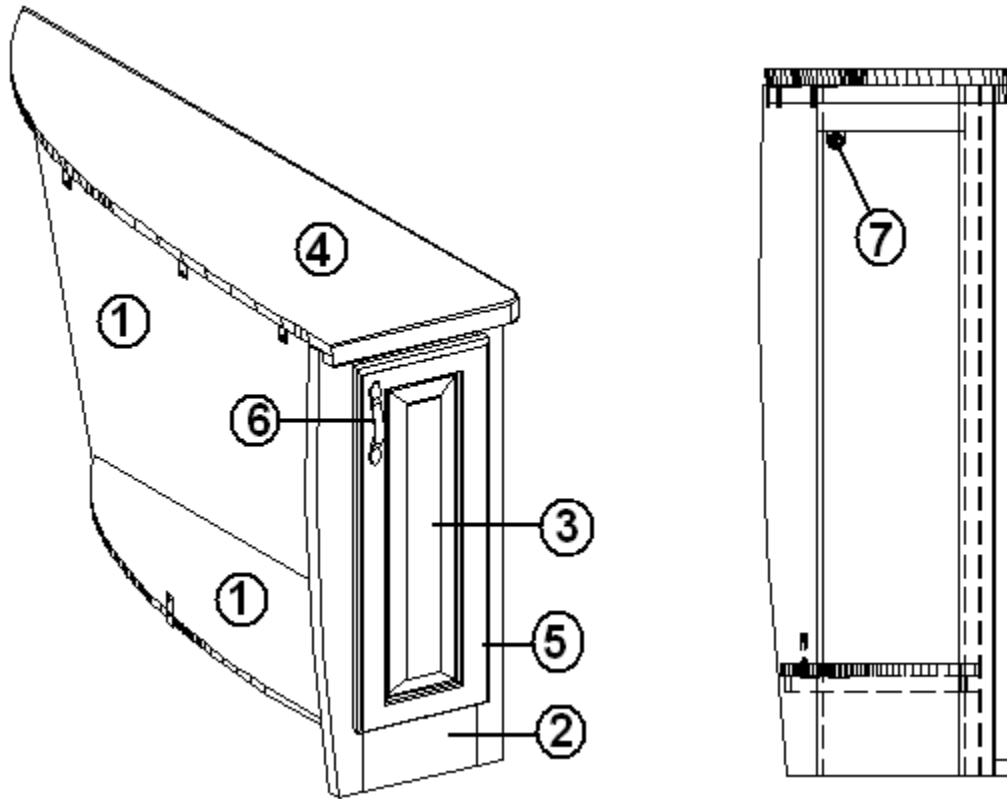


- | | |
|---------------|---|
| 967170 | Dinette Seat, Roadside |
| 1. 967170-1A | Seat top, 29.50"x 40.13", roadside |
| 2. 967170-1B | Stile, 2.25" x 12.38", roadside dinette seat |
| 3. 967170-1C | Panel, 22.25" x 30.75", roadside dinette seat |
| 4. 967170-2A | Panel, 27.50" x 13.75", roadside dinette seat |
| 5. 967170-2B | Panel, 8.88" x 14.38", roadside dinette seat |
| 6. 967170-2C | Door, roadside dinette seat |
| 7. 382001 | Pull, drawer, orb |
| 8. 381072 | Hinge, 3" x 1.78", open, gold |
| 9. 381228-01 | Door grabber catch |
| 10. 967170-9A | Panel, white, 13.88" x 24.63" |

2011 CLASSIC TRAILER

FURNITURE, LOUNGE

Chair Storage Cabinet, 27' Front Bed

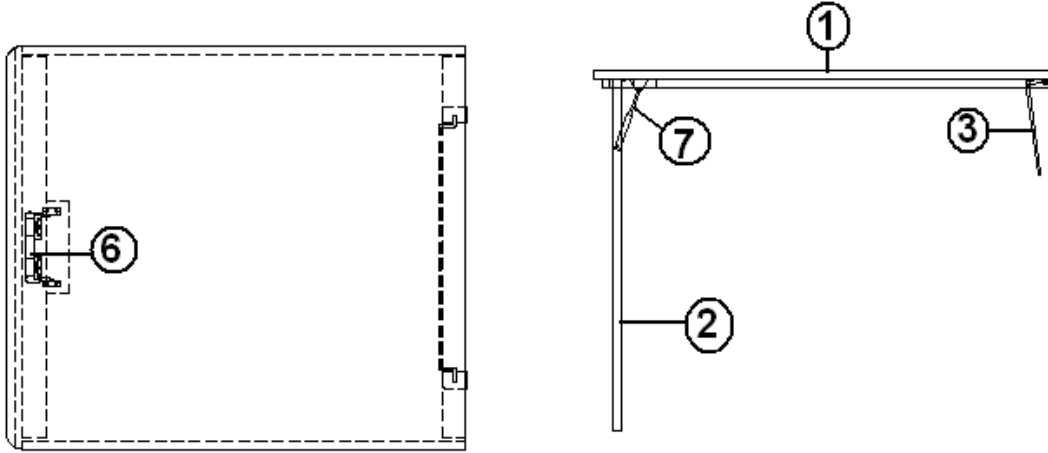


- | | |
|---------------|------------------------------------|
| 966765 | Chair storage cabinet |
| 1. 801258-003 | Paneling, 1/2" Hickory/Hickory |
| 2. 966764-003 | Face frame, chair storage cabinet |
| 3. 800597-933 | Door, 8"X 24.75 |
| 4. 966771-003 | Top, chair storage cabinet |
| 5. 381999 | Hinge, orb |
| 6. 382002 | Pull, cabinet door, 3" center, orb |
| 7. 381074 | Catch, bulldog |

2011 CLASSIC TRAILER

FURNITURE, LOUNGE

Dinette Table, 27' Front Bed

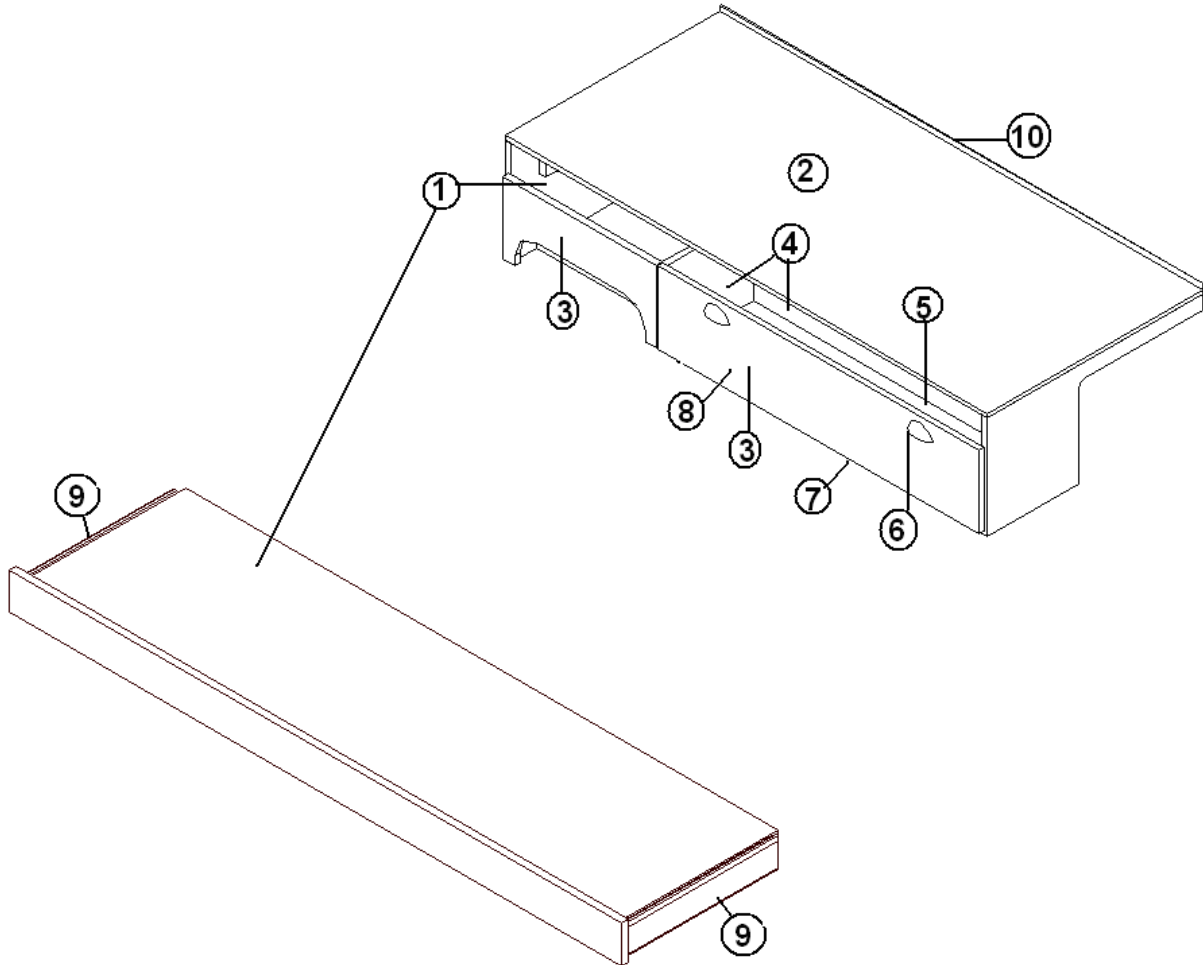


- | | |
|---------------|---------------------------------|
| 966773 | Table, dinette |
| 1. 966772-003 | Top, dinette table, 34" X 40" |
| 2. 962177-033 | Leg, hardwood, 30.50" |
| 3. 380284-02 | Table hinge bracket |
| 4. 380284-03 | Table hinge brackets, not shown |
| 5. 340018 | Catch plate J-1, not shown |
| 6. 380210 | Hinge, plain steel |
| 7. 381147 | Support, spring loaded door |

2011 CLASSIC TRAILER

FURNITURE, LOUNGE

Sofa, 27' Front Bed

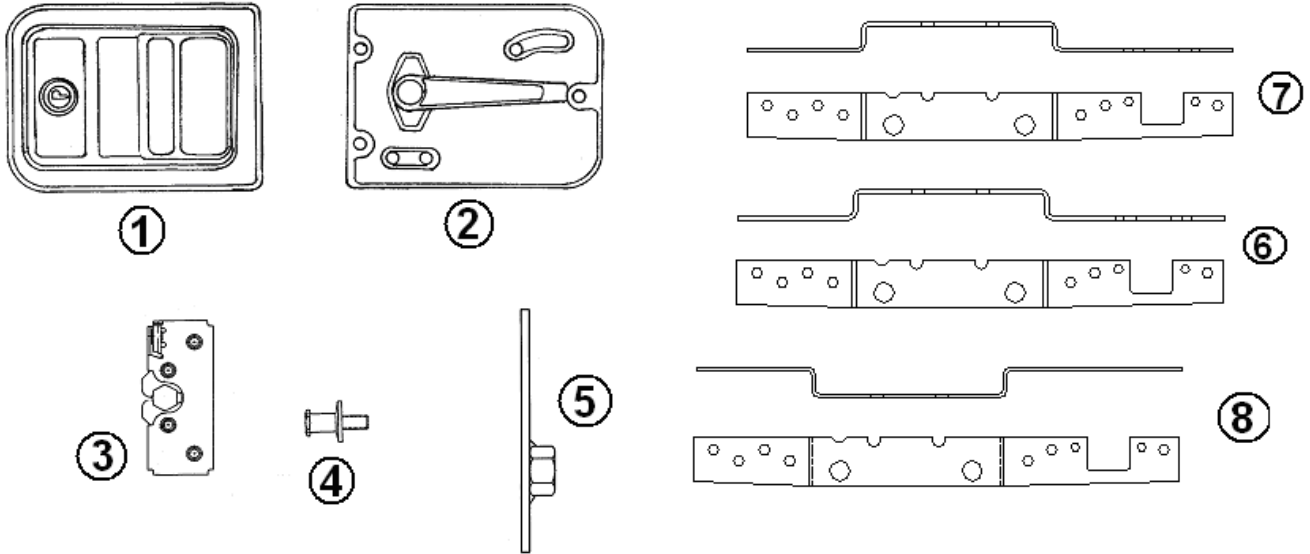


- | | |
|---------------|---------------------------------------|
| 967300 | Sofa Assembly |
| 1. 967301 | Sofa bed assembly |
| 2. 701538-01 | Carpet, Econolier w/ sticking backing |
| 3. 801258-003 | Panel, Hickory/Hickory, .5" |
| 4. 801259-003 | Paneling, 1/2" Hickory/Raw |
| 5. 801392 | Panel, White liner/White liner |
| 6. 382001 | Pull, drawer, orb |
| 7. 381072-01 | Hinge 3" X 2 |
| 8. 381228-01 | Catch, grabber door |
| 9. 381826 | Slide, ball bearing, 16" |
| 10. 101115 | Aluminum sheet, .60" x 3.25" x 66" |

2011 CLASSIC TRAILER

HARDWARE

Main Door Latch/Lock

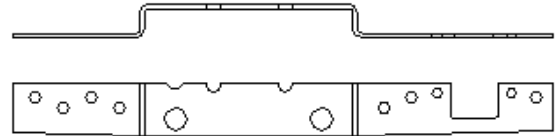
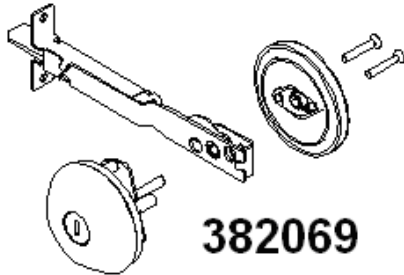


- | | |
|--------------|--|
| 1. 381547-01 | Main door lock, outside housing |
| 2. 381547-07 | Main door lock, inside plate |
| 3. 381547-03 | Double rotary latch, main door |
| 4. 381547-04 | Striker bolt w/washer, main door lock |
| 5. 381550 | Plate, striker bolt mounting |
| 6. 382067 | Outer reinforcement plate, RH/LH hinged door |
| 7. 382066 | Inner reinforcement plate, LH hinged door |
| 8. 382068 | Inner reinforcement plate, RH hinged door |
| 381547-08 | Screw package, main door lock |
| 385595 | Pocket strike, #10-10-810 |

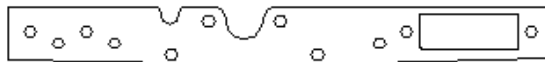
2011 CLASSIC TRAILER

HARDWARE

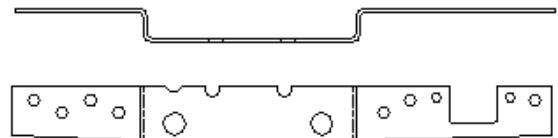
Deadbolt Assembly, Main Door, Round, Trimark



382066

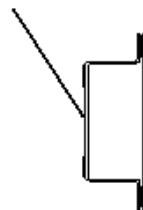


382067



382068

115413

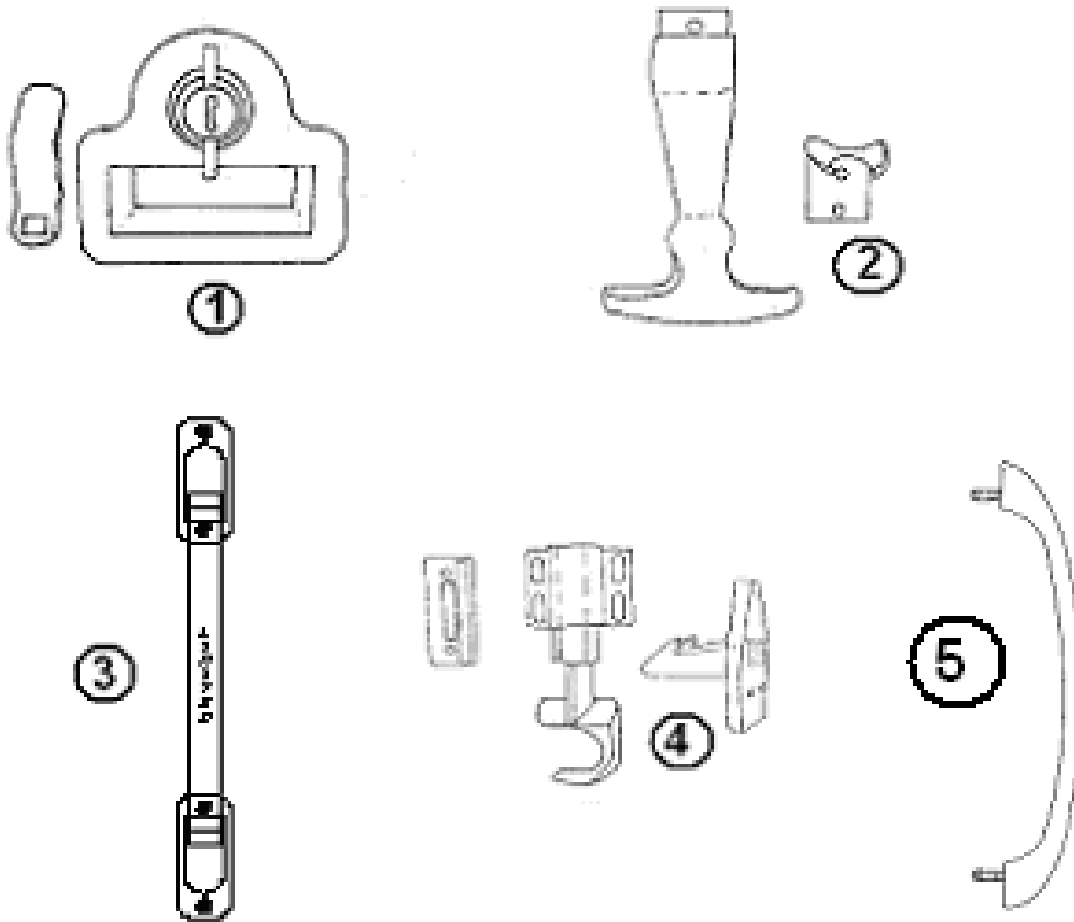


- 382069 Deadbolt assembly, round, Trimark
- 382066 Inner reinforcement plate, LH hinged door
- 382067 Outer reinforcement plate, RH/LH hinged door
- 382068 Inner reinforcement plate, RH hinged door
- 115413 Door hat section

2011 CLASSIC TRAILER

HARDWARE

Exterior Latches/Locks/Handles

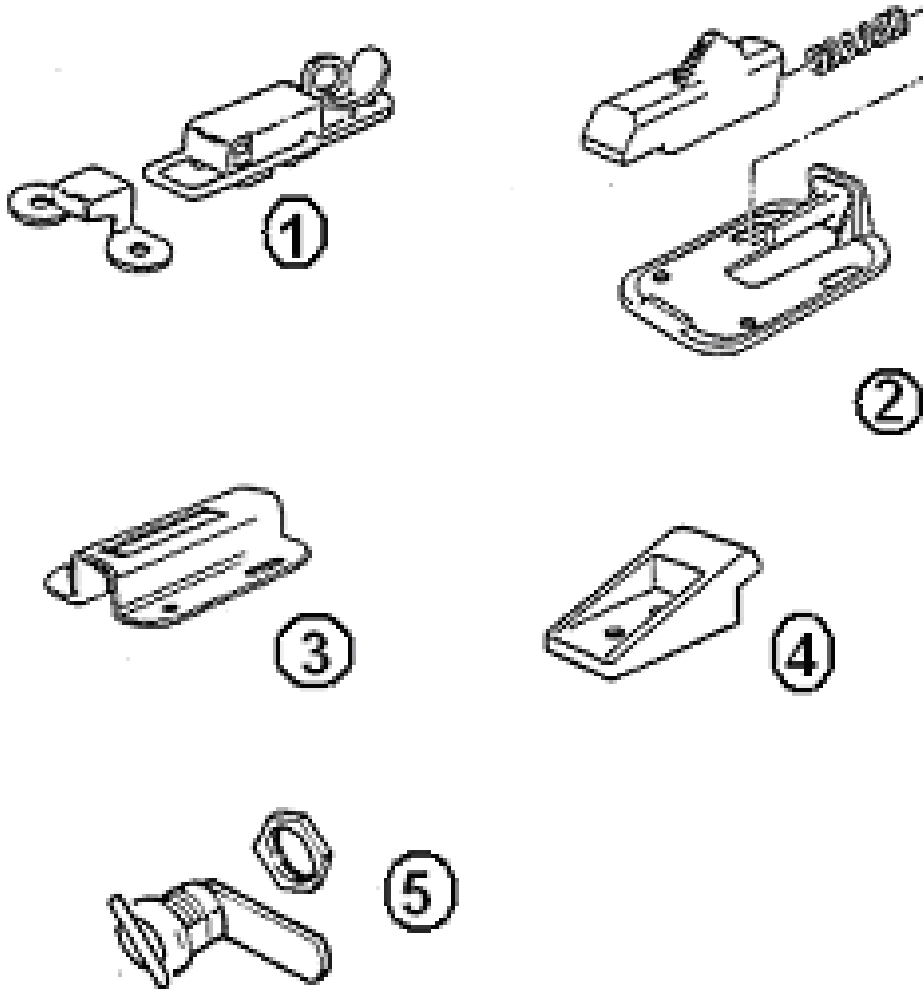


- | | |
|--------------|---------------------------------|
| 1. 380770 | Twist lock, black |
| 2. 381021-01 | Rubber T handle |
| 3. 511344-01 | Grab handle, embossed "Limited" |
| 4. 381454 | Latch, screen door, Bullet |
| 5. 101171 | Grab handle, main door |
| 5. 382074 | Gasket, grab handle, main door |

2011 CLASSIC TRAILER

HARDWARE

Exterior Latches/Locks/Handles

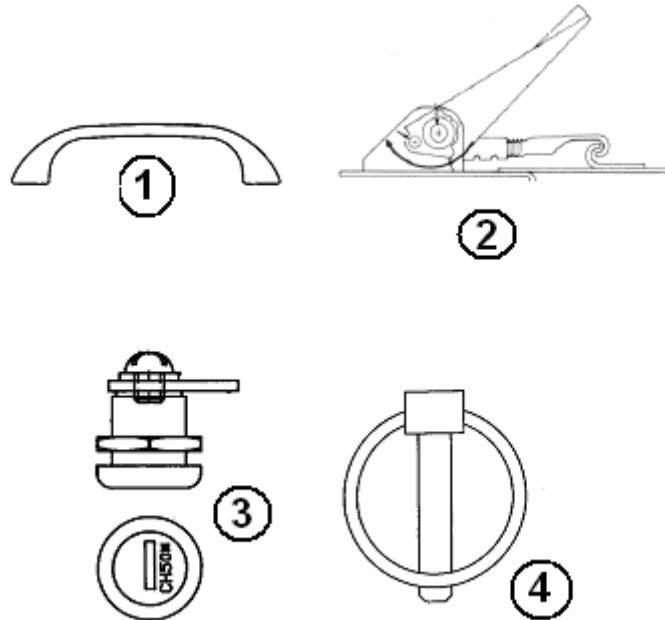


- | | |
|--------------|---|
| 1. 340023-01 | Pad lockable catch |
| 1. 380291 | Main door holdback, (use w/housing #380290) |
| 2. 380290 | Latch housing, main door holdback |
| 3. 201056 | Catch, main door holdback |
| 4. 381430 | Twist lock, straight cam |

2011 CLASSIC TRAILER

HARDWARE

Exterior Latches/Locks/Handles

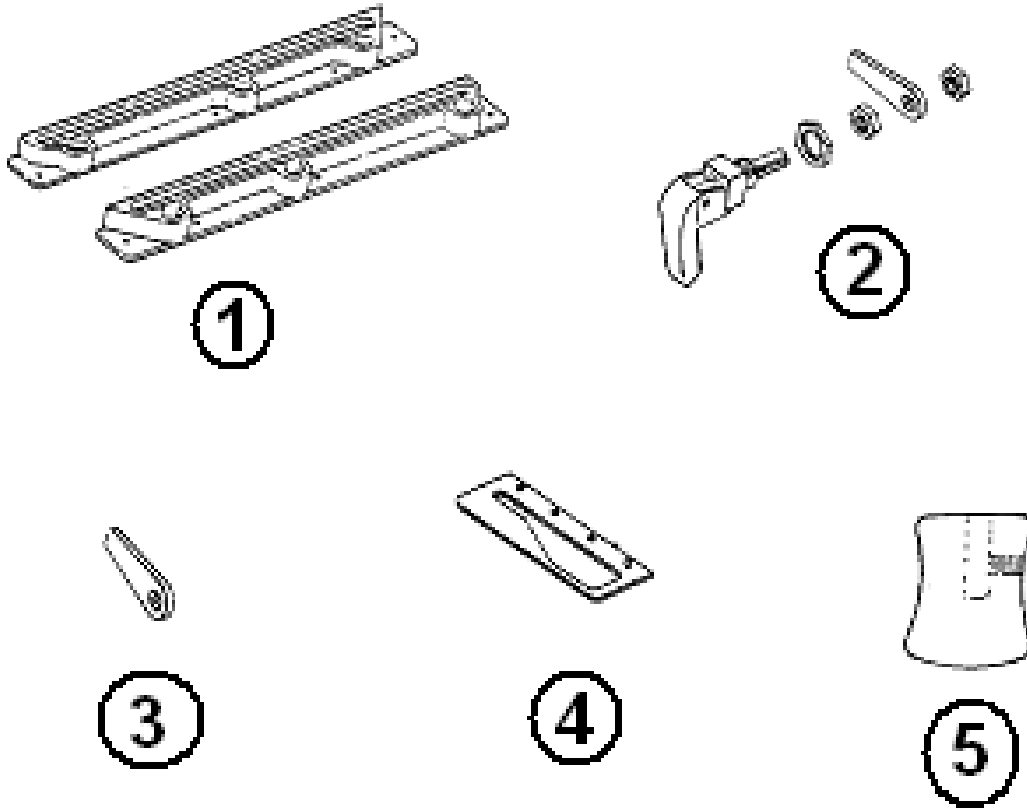


- | | |
|--------------|--|
| 1. 380004 | Handle, screen door |
| 2. 382091-01 | Tension latch, stainless steel |
| 2. 382091-02 | Strike, tension latch, stainless steel |
| 3. 381397 | Key cylinder w/cam |
| 4. 310028 | Lynch pin roll out storage tray |

2011 CLASSIC TRAILER

HARDWARE

Window, Opening

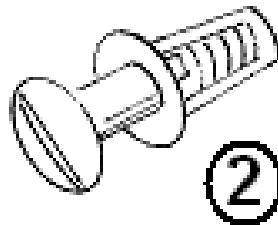
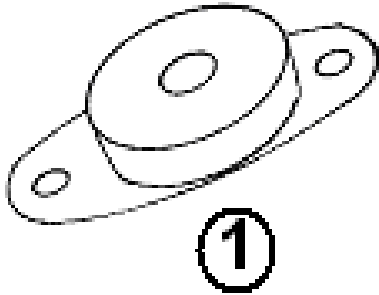


- | | |
|--------------|----------------------------------|
| 1. 0802-0001 | Window guide, RH |
| 1. 0802-0002 | Window guide, LH |
| 2. 010020 | Lower window latch, chrome |
| 2. 195467-05 | Lower window latch, w/red handle |
| 3. 685123 | Pawl, window latch, straight |
| 4. 685124 | Striker plate, window latch |
| 5. 380230-03 | Knob window arm, silver |
| 5. 380230-04 | Knob, window arm, red |

2011 CLASSIC TRAILER

HARDWARE

Window Stone Guard

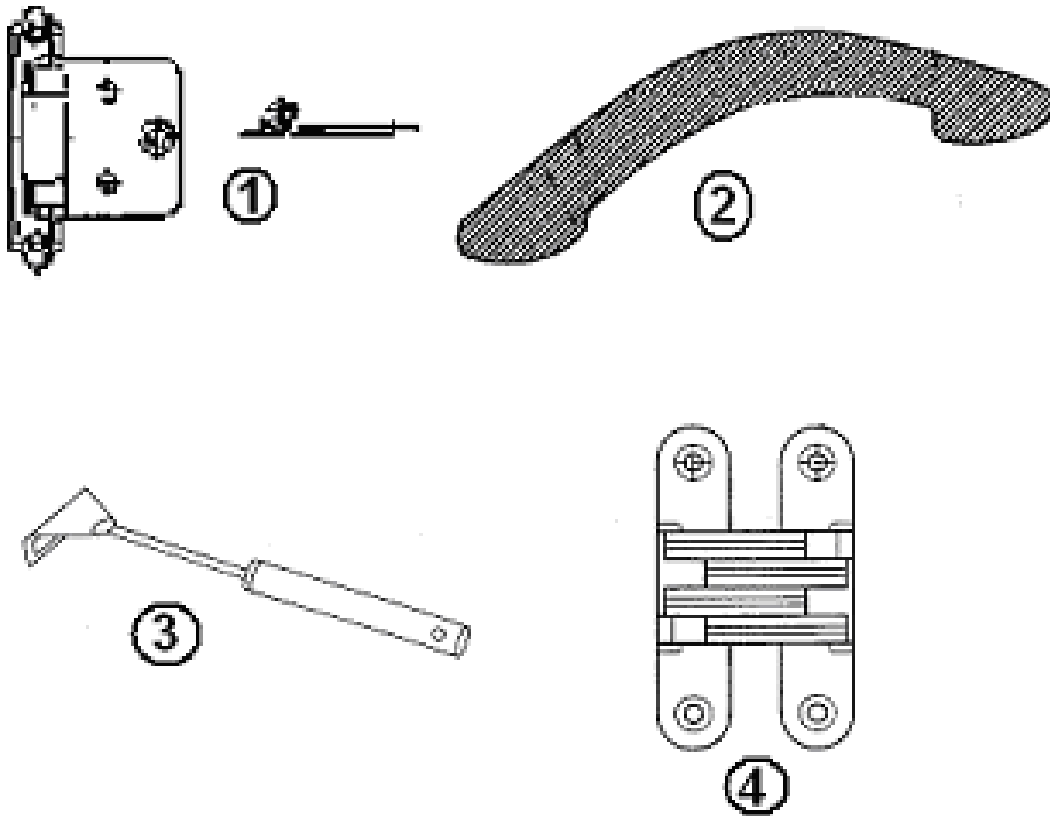


- | | | |
|-----------|---|---------------------|
| 1. 685359 | Rubber receptacle | 1/4 latch, South-co |
| 2. 685342 | Stud, 1/4 turn latch | South-co |
| 3. 685362 | Retaining ring | 1/4 turn stud |
| 685363 | Slip joint hinge | |
| 683960 | Support arm, rock guard | |
| 683959 | Bracket, arm support | |
| 114749 | Hinge "Y" assembly | |
| 114750 | Hinge "J" rock guard | |
| 381021-01 | Draw latch, black rubber | |
| 114819-01 | Wrap protector hold back, 1.62" | |
| 114819-02 | Wrap protector hold back, 2.50" | |
| 114819-03 | Wrap protector hold back, 5.00" | |
| 101401 | Extrusion, door latch housing/Stone guard | |
| 345417 | Nut, acorn, hex locking, SS 1/4-20 | |
| 345376 | Nut, hex HD 1/4-20 SS | |
| 345336-07 | Cap screw HEX HD 1/4-20 X .75" | |

2011 CLASSIC TRAILER

HARDWARE

Interior Latches/Hinges/Handles

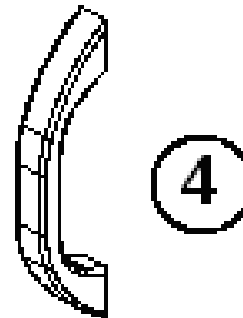
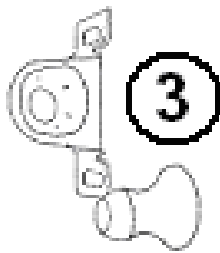
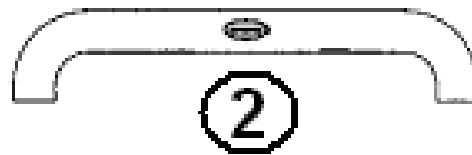
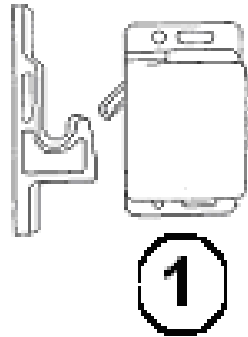


- | | |
|-----------|-----------------------------------|
| 1. 381999 | Hinge, Orb |
| 2. 382002 | Cabinet door pull, Orb, 3" center |
| 3. 381147 | Door support spring loaded |
| 4. 380040 | Soss hinge credenza table |

2011 CLASSIC TRAILER

HARDWARE

Interior Latches/Hinges/Handles



- | | |
|--------------|---|
| 1. 381228 | Grabber door latch w/catch, 10 lb. Rating |
| 1. 381228-01 | Grabber door latch w/catch, 3lb. Rating |
| 2. 381772 | Head knocker, white, interior door jamb |
| 3. 381074 | Bull dog door catch |
| 4. 381737 | Handle assist, molded, interior |

2011 CLASSIC TRAILER

HARDWARE

Interior Latches/Hinges/Handles



- | | |
|--------------|--------------------------|
| 1. 201427 | Finger pull, light brown |
| 2. 385940-02 | Mirror pull, chrome |
| 382001 | Drawer Pull, Orb |

Foldette Door Strap/ Pantry Button Latch

- | | |
|--------|---|
| 700811 | Button cap, Handy #36, clear vinyl strap |
| 700812 | Button bottom, Handy #36, clear vinyl strap |
| 381581 | Strap, clear plastic .75"W |
| 381408 | Pantry latch, button style, black |

Sliding Door

- | | |
|-----------|---|
| 381443-01 | Sliding door set (includes, carriers, top plate, track) |
| 381443-03 | Angle stop |
| 201427 | Finger pull, sliding door assy. |
| 200009 | Sliding door guide, bath |
| 381100 | Sliding door guide, shower |

2011 CLASSIC TRAILER

HARDWARE

Interior Rubber Bumpers/Door Knob/Mirror Clip



1



2



3



4



5

- | | |
|---------------|--|
| 1. 360012 | Bumper, rubber, white, stick-on, cylindrical |
| 2. 360016 | Bumper rubber gray, square 3/8 x 3/8 |
| 3. 195329-202 | Bumper, rubber, brown, stick on, oval |
| 4. 381754 | Clip, mirror, retainer, metal |
| 5. 382003 | Knob, 1.38" orb |
| 382001 | Dinette seat drawer pull |

2011 CLASSIC TRAILER

HARDWARE

Drawer Slides

381192	Drawer slide, 18"
381526-01	Drawer slide-950-RV, 14"
381526-03	Drawer slide-950-RV, 18"
381526-04	Drawer slide-950-RV, 20"
381526-05	Drawer slide
381526-06	Rear bracket, drawer, adjustable
381400	Slide, drawer, 14", 2900-14
381400-01	Slide, drawer, 12", 2900-12
381415	Slide, drawer, Delta Travel lock, Twin night stand
381090	Slide, 22", dinette drawer
381944-01	Slide, drawer, Pantry, 27'
381826	Slide, 16', 27' sofa

Bath Accessories

602127	Towel ring, Truffle
602130	Holder, toilet paper, recessed, orb

Writing Table

380492	Bracket, table, writing
340018	Plate, catch
380458	Hinge, piano, brown anodized
382002	Cabinet door pull, Orb, 3" center
381228-01	Catch, grabber door C3-803

Bed Lift

381067-09	Gas prop, bed 90lbs.
381262	Bracket w/ball stud, gas prop
381084	Ball stud
381085	Clip retaining
381310	Prop upper bracket assembly

2011 CLASSIC TRAILER

HARDWARE

Wardrobe

380045	Clothes rod
200975-04	Conduit, flexible, black (covers clothes rod)
380046	Bracket, clothes rod end, chrome flange
381298	"J" bracket, center clothes rod support
381527	Speedy shelf strips

Galley Cabinet

381133	Rack pack, 6.5 Liter, white
381708	Waste basket-11.38 X 8.25 X 12"
200980-01	Tray, silverware, Almond, 9" X 13"

Sewer Hose Parts/Keys/ Trailer Level/Key Holder

381647	Key, water fill CH 751
381269	Trailer level, Level Master
195329-240	Sewer hose adaptor
340084-52	Clamp, hose SAE #52
385229	KEY HOLDER, PLASTIC, AIRSTREAM BLUE

2011 CLASSIC TRAILER

HARDWARE

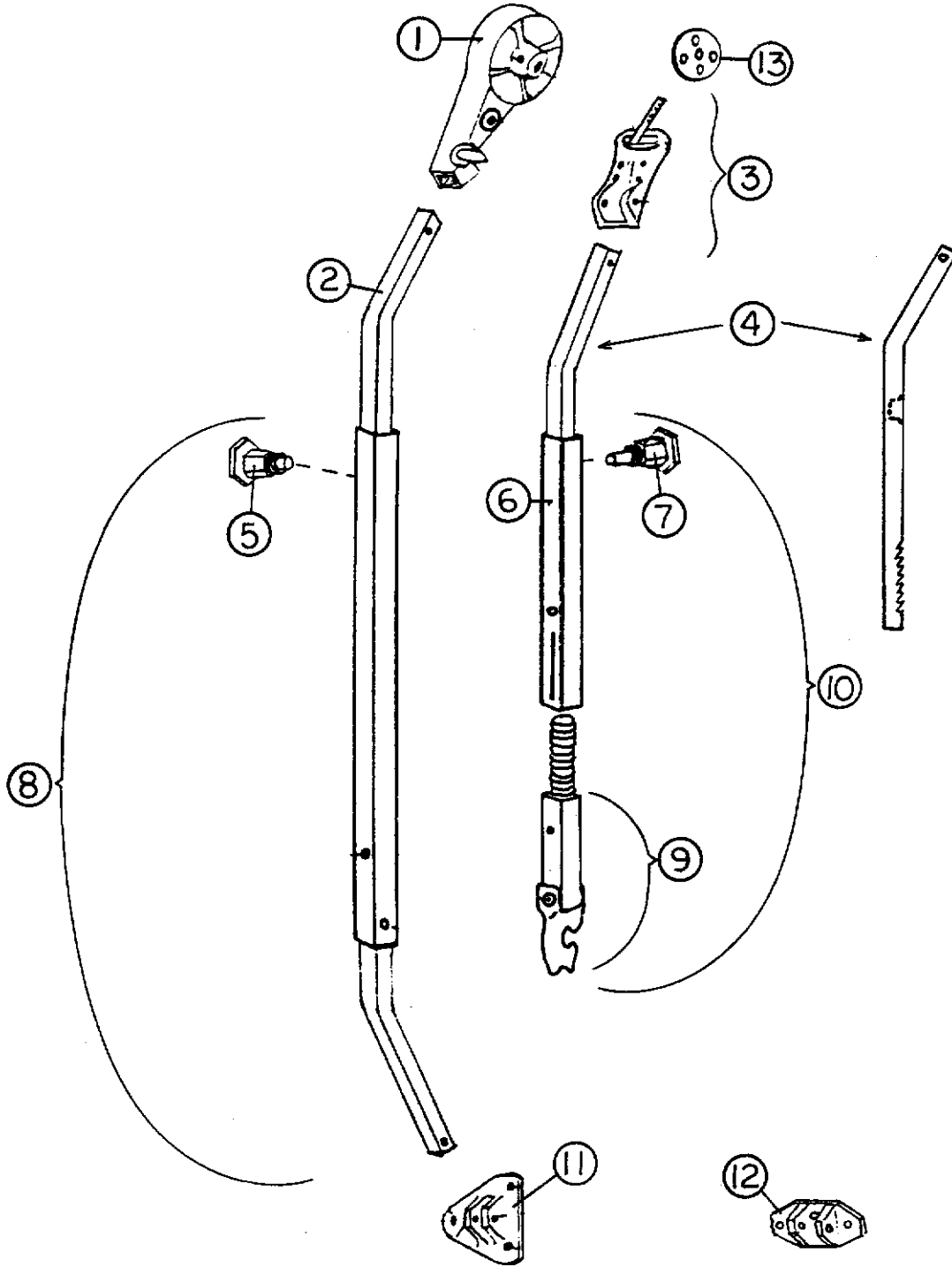
Interior/Exterior Hinges

381500	Hinge, piano reversed, battery box
381552-03	Hinge assembly, main door upper
381552-04	Hinge assembly, main door lower
381531-01	Hinge, screen door, upper
381531-02	Hinge, screen door lower
380988	Hinge, refer access door, underbelly compartment door, electrical box
380203-01	Piano hinge, credenza, bed, tool Box, refer access
380458	Hinge, brown, writing table
380284-02	Hinge bracket, dinette table
380210	Hinge, plain steel, dinette table
381605-03	Hinge, piano, wrap protectors,
381999	Hinge, orb
380773	Hinge, access door, gas bottle cover
382000	Hinge, semi concealed, roof lockers
380774-02	Hinge, 48.00", compartment door, trunk door

2011 CLASSIC TRAILER

Hardware

Awning



See next page for P/N

2011 CLASSIC TRAILER

Hardware

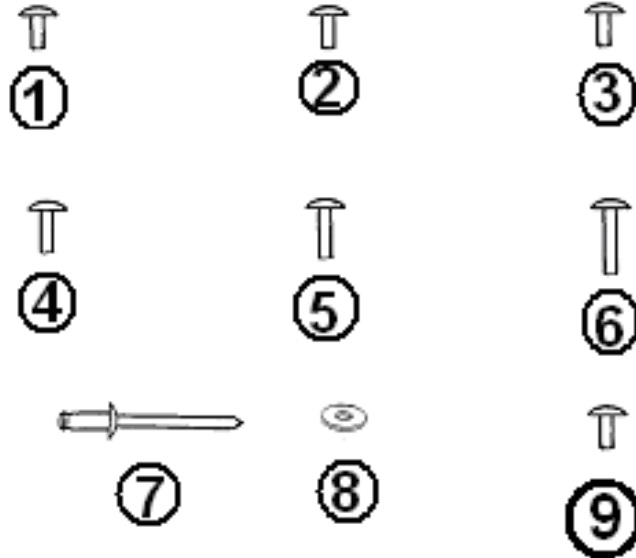
Awning

1)74043W-04	Head assembly, front
1a) 74043W-05	Head assembly, Rear
2)74047W-09	Main arm bar, front
2a) 74047W-10	Main arm bar, rear
3)74056W	Clamp assembly, front, curved
3a) 74056W-01	Clamp assembly, rear, curved
4)74061WS-07	Rafter arm bar, satin
5)74054W	Snap stud assembly
6)74063W-04	Rafter arm tube, satin
7)74072W	Ratchet stud
8)74048WS-12	Main arm tube assembly, front
8a) 74048WS-13	Main arm tube assembly, rear
9)74068W-03	Claw bar assembly
10) 74048WS-14	Rafter arm assembly
11) 74055W	Base hinge, rib mount
12) 74055W-01	Base hinge, floor mount
13) 74060W	Clamp wheel

2011 CLASSIC TRAILER

Hardware

Rivets, Buck

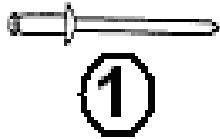


- | | |
|--------------|---|
| 1. 325043 | Rivet, 1/8", 1/4" length (hard) |
| 2. 325000-01 | Rivet, 1/8", 1/4" length anodized clear |
| 3. 325000-03 | Rivet, 1/8", length 1/4", long, anodized white |
| 4. 325001-01 | Rivet, 1/8", length 5/16", anodized clear |
| 5. 325002-01 | Rivet, 1/8", length 3/8", anodized clear |
| 6. 325004-01 | Rivet, 1/8", length 1/2", anodized clear |
| 7. 330127-03 | Rivet, grip range .063-.125, aluminum body,
aluminum mandrel |
| 8. 300101 | 1/8" I.D., Washer, aluminum |
| 9. 325003-01 | Rivet, anodized clear, 1/8 X 7/16 |

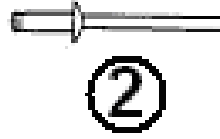
2011 CLASSIC TRAILER

Hardware

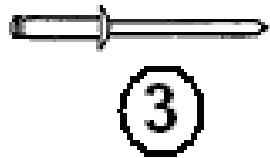
Rivets, Pop



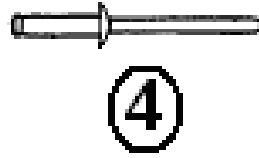
①



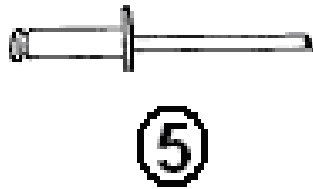
②



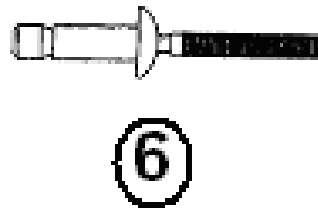
③



④



⑤



⑥

- | | |
|---------------|--|
| 1. 330126-02 | Pop Rivet, dia. 1/8" grip range .126-.187, S.S. |
| 2. 330126-03 | Pop Rivet, dia., 1/8" grip range .126-.250, S.S. |
| 3. 330148 | Pop Rivet, AD43-45ABS, aluminum |
| 4. 330128-050 | Pop Rivet, dia., 1/8" .251"-.312" white |
| 5. 330038 | Pop Rivet, dia. .150". (#20 bit) grip range
126-.250, aluminum body & mandrel (screen door) |
| 6. 330016-04 | Pop rivet, closed end, sealing |
| 325103 | Pop Rivet, dia. 1/4" grip range .080-.325, SS
body, steel mandrel |
| 330126-04 | Pop rivet, dome head, SSD45 |
| 330126-05 | Pop rivet, dome head, SSD46 |
| 330126-06 | Pop rivet, dome head, SSD48 |

2011 CLASSIC TRAILER

Hardware

Labels and Tags

385193	Label, "12V distribution panel inside"
386119	Label, do not store combustible
385068	Tag, cooking appliance warning
386118	Label, lp gas, tri-warning
385517	Label, kill switch warning
385521	Label, emergency egress window
386122	Label, comfort heating
386121	Label, "if you smell gas"
385465	Exit label, English
385560	Label, air-conditioner rating
385812	Label, California hazardous substance
386120	Label, smoke alarm warning
385359	Label, microwave or air-conditioner
385837	Label, refrigeration ignition
386012	Label, warning-water heater
386082	Label, THOR, 5.25" x .75"
386098	LABEL FUSE, 12 V.
386123	Label, potable water only
386192	Hang tag, smoke/CO detector
386193	Label, wheel torque warning
386142	Label, check wheel lug
386114	Label, RVIA, silver
385062	Decal, 110-125 voltage AC
385565	Label, holding tank flushing
386097	LABEL FUSE, 12 V.
386226	Label, RV master weight
386060	LABEL SATELLITE RECEIVER JACK
386038	Label, CSA, Holding tank fresh water
385966	Label, inverter circuit
386160	Label, inverter switch
385101	Tag, aux., dump valve
385099	Tag, Black tank dump
386019	Label, 1 amp. fuse max.
385020	Sticker, self adhering, jack placement

2011 CLASSIC TRAILER

HARDWARE

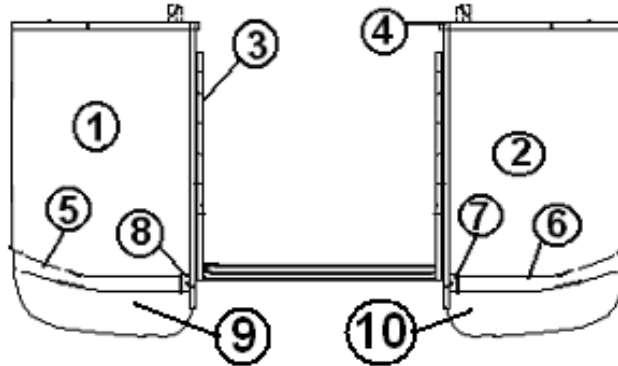
Labels and Tags CSA

- 386105 Label, TV/VCR Receptacle, CSA only
- 385949 Label, potable water CSA
- 385950 Label, smoke detector CSA
- 385951 Label, range fresh air CSA
- 385952 Label, lp warning CSA
- 385953 Label, if you smell gas CSA
- 385954 Label, range warning CSA
- 385466 Label, exit, (French)
- 385971 Label, fuse, exterior light
- 385973 Label, fuse 12 volt

2011 CLASSIC TRAILER

HARDWARE

Wrap Protector



966273-100

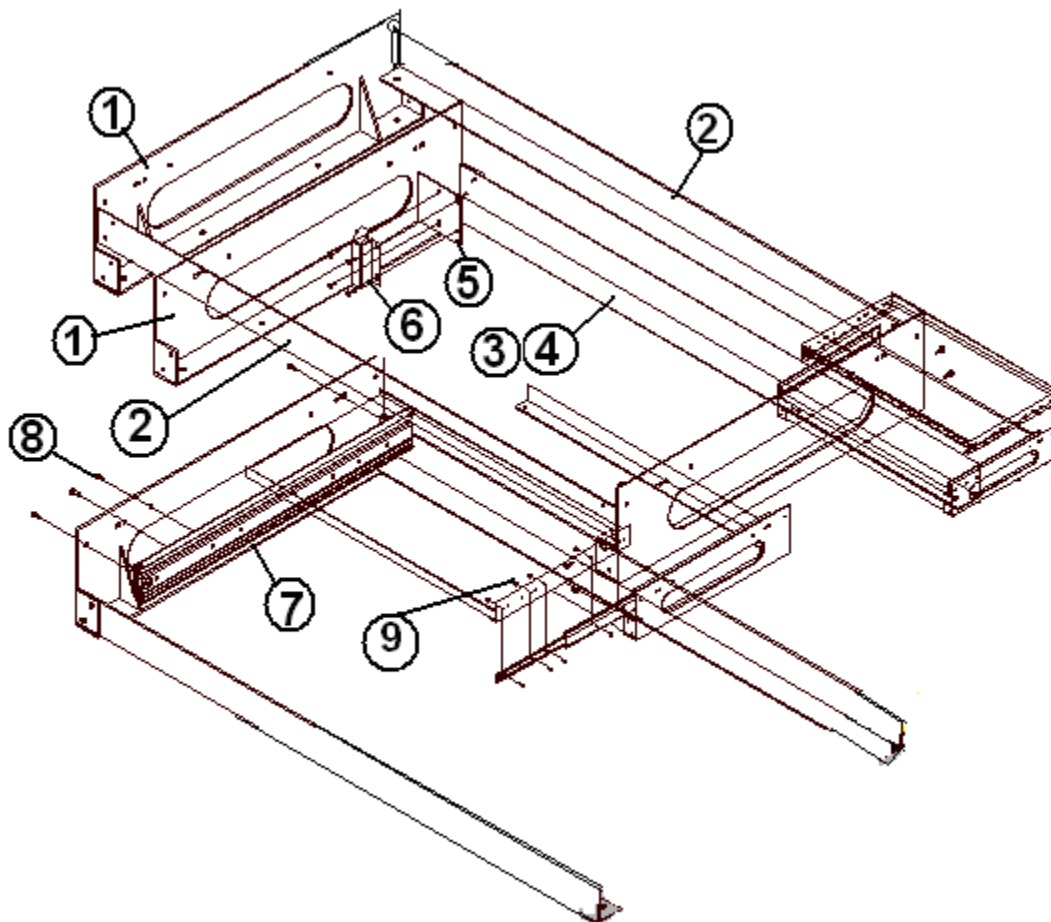
Wrap Protector, complete set

- | | |
|---------------|--|
| 1. 966272 | Wrap Protector, CS |
| 2. 966273 | Wrap Protector, RS |
| 3. 381605-03 | Hinge, stainless, wrap protector, 25" long |
| 4. 100742-01 | Extrusion, mirror/wrap trim protector |
| 5. 114460 | Extrusion, rub rail |
| 6. 201763-01 | Insert, rub rail, chrome |
| 7. 114465-01 | Casting, closeout, rubrail, RH |
| 8. 114465-02 | Casting, closeout, rubrail LH |
| 9. 200542-01 | Wrap, underbelly, front RS, Haircell |
| 10. 200543-01 | Wrap, underbelly, front CS, Haircell |
| 101401 | Extrusion, door latch housing/stone |
| 345417 | Nut acorn, hex, locking SS 1/4- |
| 345376 | Nut, hex HD 1/4-20 SS |
| 345336-07 | Cap screw hex HD 1/4-20 hex .75" |
| 114819 | Wrap protector hold back, 2.75" |
| 114819-02 | Wrap protector hold back, 2.00" |
| 114819-03 | Wrap protector hold back, 5.00" |
| 500096 | Reflector, amber |

2011 CLASSIC TRAILER

HARDWARE

Rear Storage Slide, "W" Bed



- | | |
|---------------|--------------------------------------|
| 921245 | Slide assembly, rear storage |
| 1. 454596 | Floor mounting bracket, rear storage |
| 2. 454597 | Angle, crossmember, rear storage |
| 3. 454598 | Slide bracket, rear storage |
| 4. 454599 | Storage box, crossmember |
| 5. 454600 | Latch, bracket |
| 6. 382035 | Latch, sundecker |
| 7. 382036 | Slide, 24" Accuride, end |
| 8. 320120-500 | Screw, 10-32, flat head |
| 9. 350029 | Lock nut, 10-32 |

2011 CLASSIC TRAILER

PLUMBING, LPG SYSTEM

LP Bottles and Fittings

601712	LP tank, 40# aluminum
601731	Regulator and hose assembly, Marshall Brass
601685-01	18" LP Hose
601685-02	18" LP Hose, CSA
6000491	Hold down rod, threaded, 1/2"-13
100949	Bracket, bottle hold, cast aluminum
410238	"T" handle, threaded, cast aluminum

LP Bottle Cover

921233	Gas bottle cover w/o decal, 40lbs
382091-01	Tension latch, stainless steel
382091-02	Strike, tension latch, stainless steel
200845	Lid, plastic, bottle cover
380773	Hinge, access door
114070	J-trim, extrusion, aluminum

2011 CLASSIC TRAILER

PLUMBING, FRESH WATER

Fresh Tank System

601864-01	Tank, fresh water 54.5 gallon
601620	Pan, fresh water tank
601243	Drain cock, fresh water tank
602185-01	Drain Valve, 90 degree lead free
601723	Filter screen, water
453712	Shield, fresh water tank drain
381435	Hatch, white plastic, water hose exit
600155	1 1/2" plug Clean out
602185	Drain valve, 90 degree

Fresh Water Gravity Fill System

601194	Water fill w/lock, gray
601239-01	Tubing, 1.375" ID, ribbed w/flats
601240-01	Tubing, 1/2" I.D. X 3/32" wall thickness

City Water Hookup System

601467	Sill cock, 1/2" FP w/wheel handle
601469	Vacuum breaker, 3/4" garden hose
601392-04	Water fill, chrome
600139	Check valve, brass
601659	Riser 1/2" FPT X 12" CPVC
601589	Adaptor, brass, 3/8" FPT x 1/2" MPT

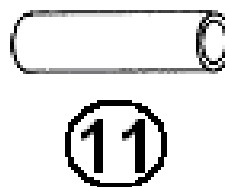
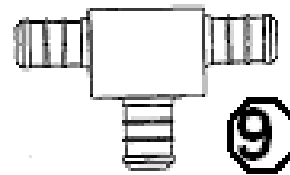
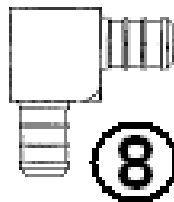
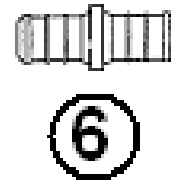
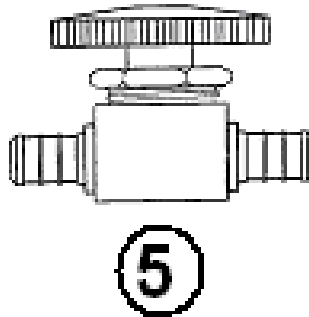
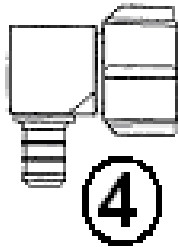
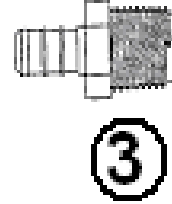
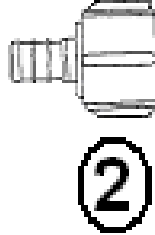
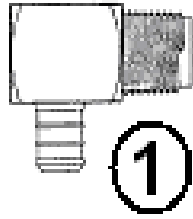
Water Pump System

602202	Water pump, Sureflo
602204	Flex hose, 1/2", Sureflo water pump
601668-01	Strainer, fresh water pump
600103	Spring SS 20 IN

2011 CLASSIC TRAILER

PLUMBING, FRESH WATER

Fresh Water Line/Fittings



See next page for P/N

2011 CLASSIC TRAILER

PLUMBING, FRESH WATER

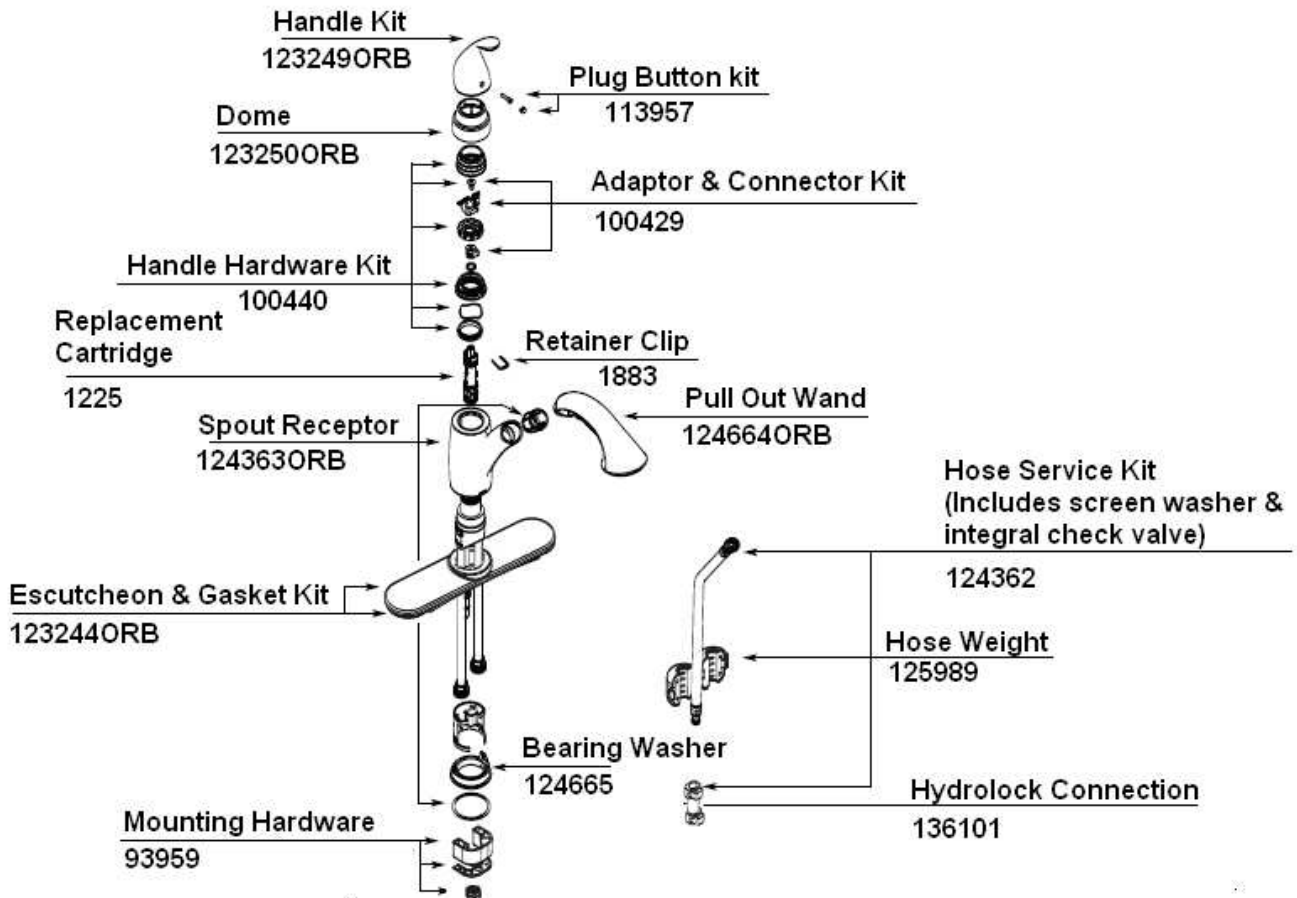
Fresh Water Line/Fittings

- | | |
|---------------|--|
| 1. 602256-04 | Elbow, 1/2" barb x 1/2" MPT |
| 2. 602256-03 | Coupler, 1/2" barb x 1/2" FPT |
| 3. 602256-02 | Coupler, 1/2" barb x 1/2" MPT |
| 4. 602256-05 | Elbow 1/2 barb x 1/2" FPT |
| 5. 602256-22 | Shut-off, 1/2" barb x 1/2" barb |
| 6. 602256-08 | Coupler, 1/2" x 1/2" barb |
| 7. 602256-09 | Plug, 1/2" barb |
| 8. 602256-10 | Elbow 1/2" barb x 1/2" barb |
| 9. 602256-11 | Tee, 1/2" x 1/2" x 1/2" |
| 10. 601698-15 | Crimp ring, 1/2 E-Pex, 1/2" (black) |
| 11. 601698-01 | E-Pex tube, 1/2" |
| 11. 601698-21 | E-Pex tube, 1/2", Red |
| 600836 | Elbow, 3/8 MPT X 1/2", barb, copper |
| 601237 | Elbow 90 D 1.25 MPT X 1.25 barb |
| 602185 | Drain Valve, 90 degree, fresh water tank |
| 602137 | Valve, shut off, water purifier |

2011 CLASSIC TRAILER

PLUMBING, FAUCETS

Faucet, Galley, Moen
 Model 7545ORB
 Moen Parts & Warranty
 1-800 BUY MOEN

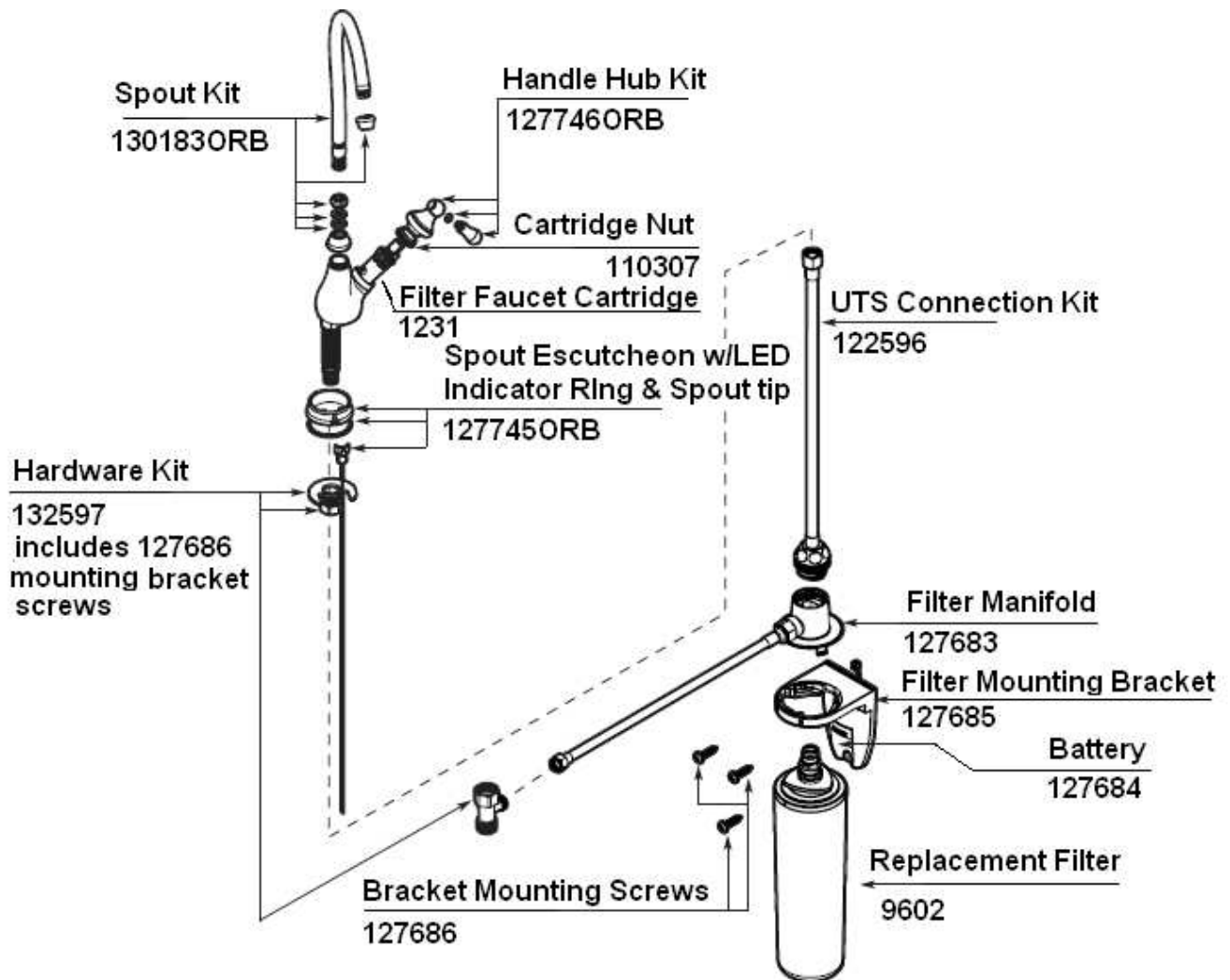


602224 Faucet w/pull out spray, galley, Moen
 602137 Valve, shut off, water purifier

2011 CLASSIC TRAILER

PLUMBING, FAUCETS

Faucet, Drinking, Galley, Moen
Model 77200ORB
Moen Parts & Warranty
1-800 BUY MOEN

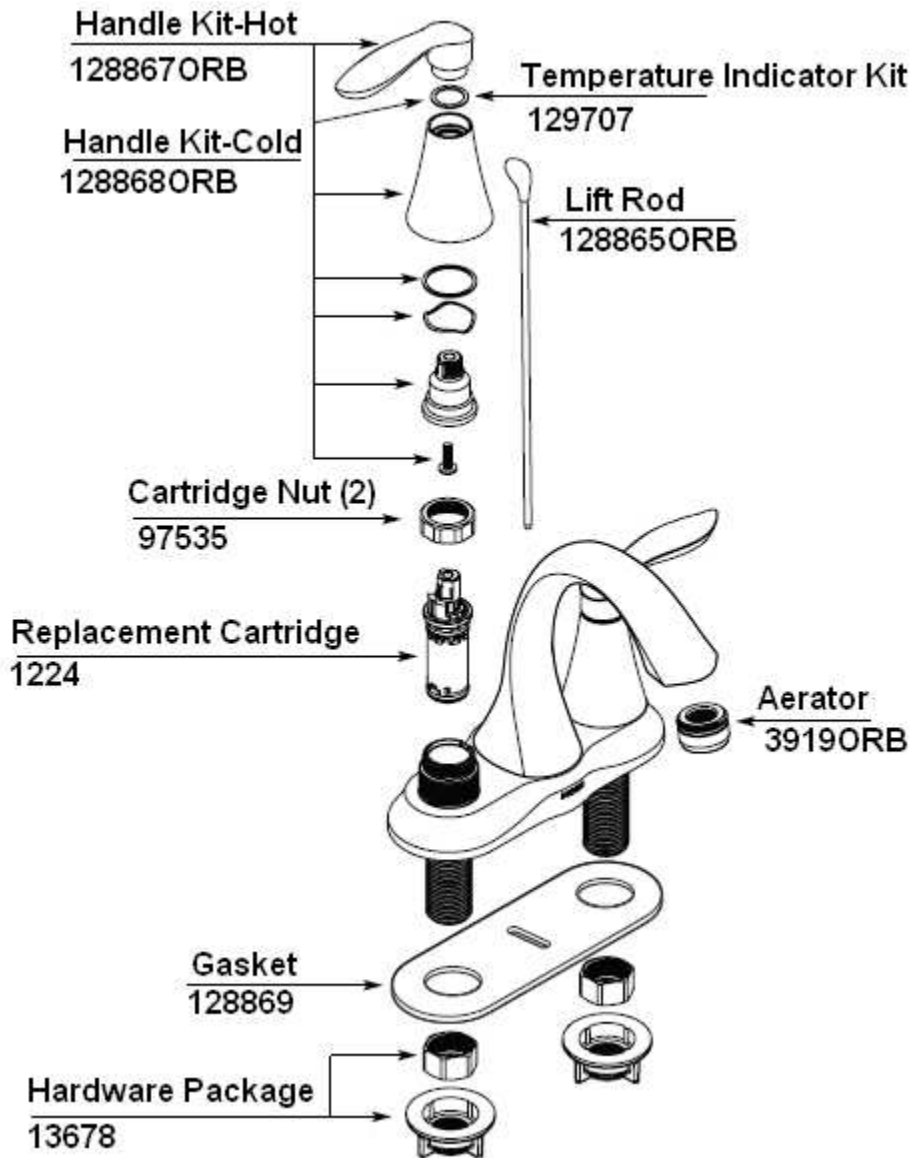


602225 Drinking faucet w/water filter, Moen
602137 VALVE-SHUT OFF, WATER PURIFIER

2011 CLASSIC TRAILER

PLUMBING, FAUCETS

Faucet/Soap Dispenser, Lavatory, Moen
Model 6410 ORB
Moen Parts & Warranty
1-800 BUY MOEN



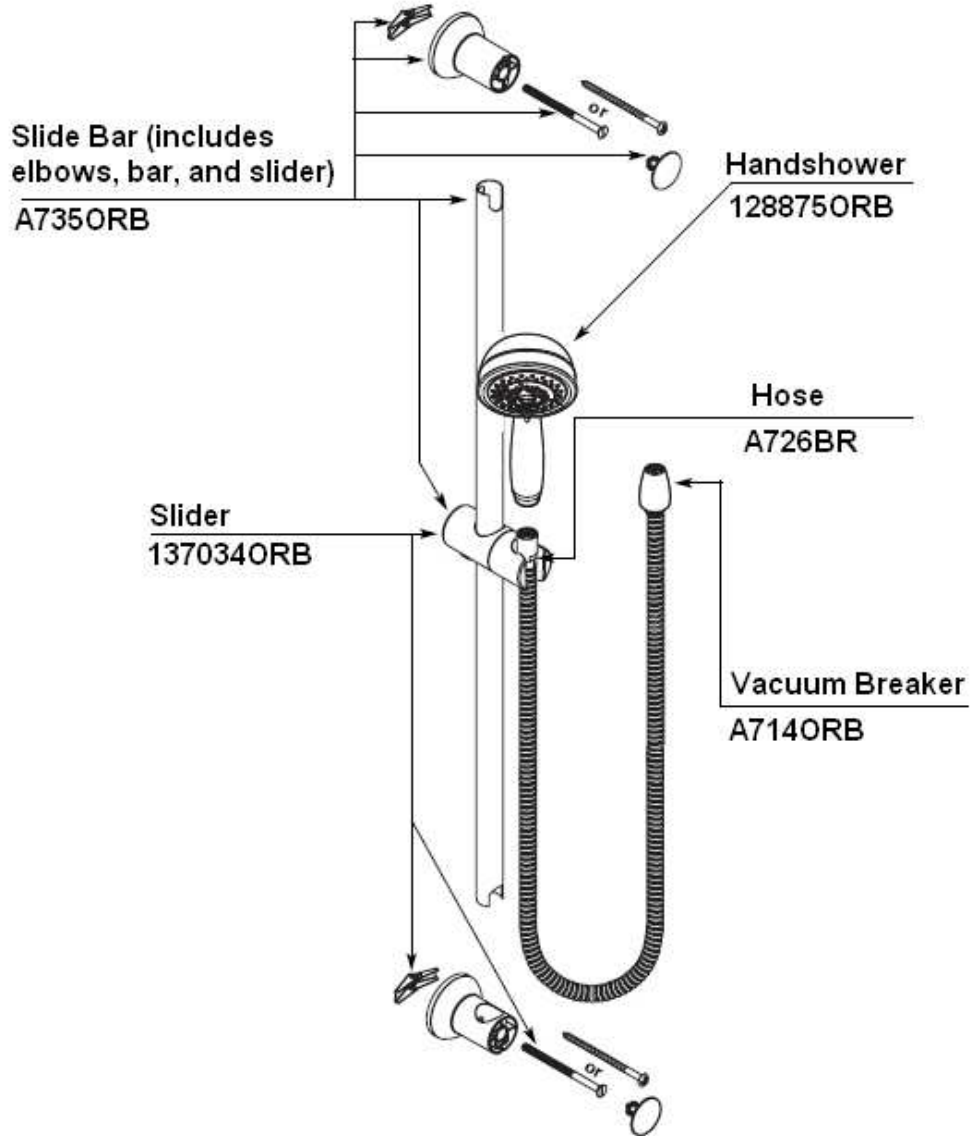
602226
602227

Lavatory faucet, Moen
Liquid soap and lotion dispenser

2011 CLASSIC TRAILER

PLUMBING, FAUCETS

Faucet, Shower, Handheld w/Slide Bar, Moen
Model 3867ORB
Moen Parts & Warranty
1-800 BUY MOEN



- | | |
|-----------|------------------------------------|
| 602229 | Shower, Handheld w/Slide Bar, Moen |
| 602228 | Shower valve trim kit |
| 602230 | Elbow, water supply, accent drop |
| 602119 | Drain, Pop Up |
| 601831 | Valve, 4 port, Posi-Temp |
| 601592-04 | Hose guide, shower, hardware, CSA |

2011 CLASSIC TRAILER

PLUMBING, DRAIN SYSTEM

Drain Tanks/Pan, 34'

601850-03	Tank, gray, holding
601848-07	Tank, black, holding
200954	SLOPE PAD-22.75" X 55"
601626	Pan, waste tank

Drain Tanks/Pan, 31'

601850-03	Tank, gray, holding
601848-07	Tank, black, holding
200954	Slope pad-22.75" X 55"
601619	Pan, waste tank, 31'

Drain Tanks/Pan, 30'

601850-02	Tank, holding, gray, 30ft.
601848-06	Tank, holding, black, 30ft.
601619	Pan, waste tank, 30ft.
200954	Slope pad-22.75" X 55"

Drain Tanks/Pan, 27' Front Bed

601850-04	Tank, holding, gray
601848-12	Tank, holding, black
601626	Pan, waste tank
200954	Slope pad

Holding Tank Pan Closeout

601228	Closeout, septic pan
--------	----------------------

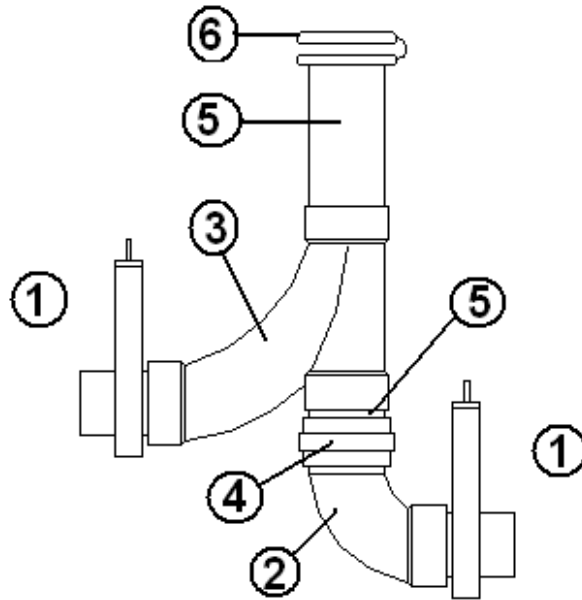
Styrofoam Insulation, Tank Pans

200152	Styrofoam 1/2" X 6" X 42"
200507	Styrofoam, 1 X 25 X 55"

2011 CLASSIC TRAILER

PLUMBING, DRAIN SYSTEM

Dump Valve System



- | | | |
|----|-----------|--|
| 1. | 601607-11 | Valve assembly, 3" spigot x 3" spigot |
| 2. | 600820 | 3" Single socket 90 degree |
| 3. | 600187 | 3" Wye. Combination & 1/8" bend |
| 4. | 600289 | Calder coupler 3" rubber |
| 5. | 601160-04 | Pipe, ABS, 3" |
| 6. | 601607-07 | Termination Cap |
| | 601531 | Fitting-90 degree 3" H X ST |
| | 200943 | Dump valve, closeout |
| | 601607-06 | Termination adaptor, 3" HUB X 3" BA |
| | 04190 | Dump valve handle 19 Ext. Thetford |
| | 380481-A | 7 X 8 Rubber boot 3-1/2" diameter hole |
| | 385101 | Tag, aux tank dump valve handle |
| | 385099 | Tag, main tank dump valve handle |
| | 114086 | Bracket, dump valve handle |

2011 CLASSIC TRAILER

PLUMBING, DRAIN SYSTEM

Sinks, Galley, 27', 30', 31'

602129	Sink, double bowl, Bisque, 27" X 16"
602117	Basket, strainer, 3 1/2" Venetian
381635	Clip, sink, undermount, Corian
320130-05	Screw, #10-32 X .75" slot, hex
602132-01	Sink cover, 12.9" X 14.8" Sandstone (PR), 31'

Sinks, Galley, 34'

602269	Sink, double bowl
602117	Basket, strainer, 3 1/2" Venetian
381635	Clip, sink, undermount, Corian
320130-05	Screw, #10-32 X .75" slot, hex
602132-01	Sink cover, 12.9" X 14.8" Sandstone (PR), 31'
602270-01	COVER, SINK, LH, 15.81 X 17.56, CORIAN, 34'
602271-01	COVER, SINK, RH, 15.81 X 17.56, CORIAN, 34'

Sink, Lavatory

203367-04	Bowl, lavatory, Karran
320131	Wing nut, Karran sink
453833	Clip, sink mount, Karran sink, Surf. Bone
320129	Insert, threaded 1/4' O.D. X 1/4' L

2011 CLASSIC TRAILER

PLUMBING, DRAIN SYSTEM

Shower Stall, 27' Front Bed Model, 30'

203081-02	Shower stall, 2 piece
600594	Strainer with rubber stopper
602164-02	Tailpiece w/ nuts and washers 1.5
602164-01	P-trap w/ compression nut 1.5"
602119	DRAIN POP UP, BROWN

Shower stall, 31', 34'

203046-03	Shower stall, angled, 2 piece
600594	Strainer with rubber stopper
602164-02	Tailpiece w/ nuts and washers 1.5
602164-01	P-trap w/ compression nut 1.5"
602119	DRAIN POP UP, BROWN

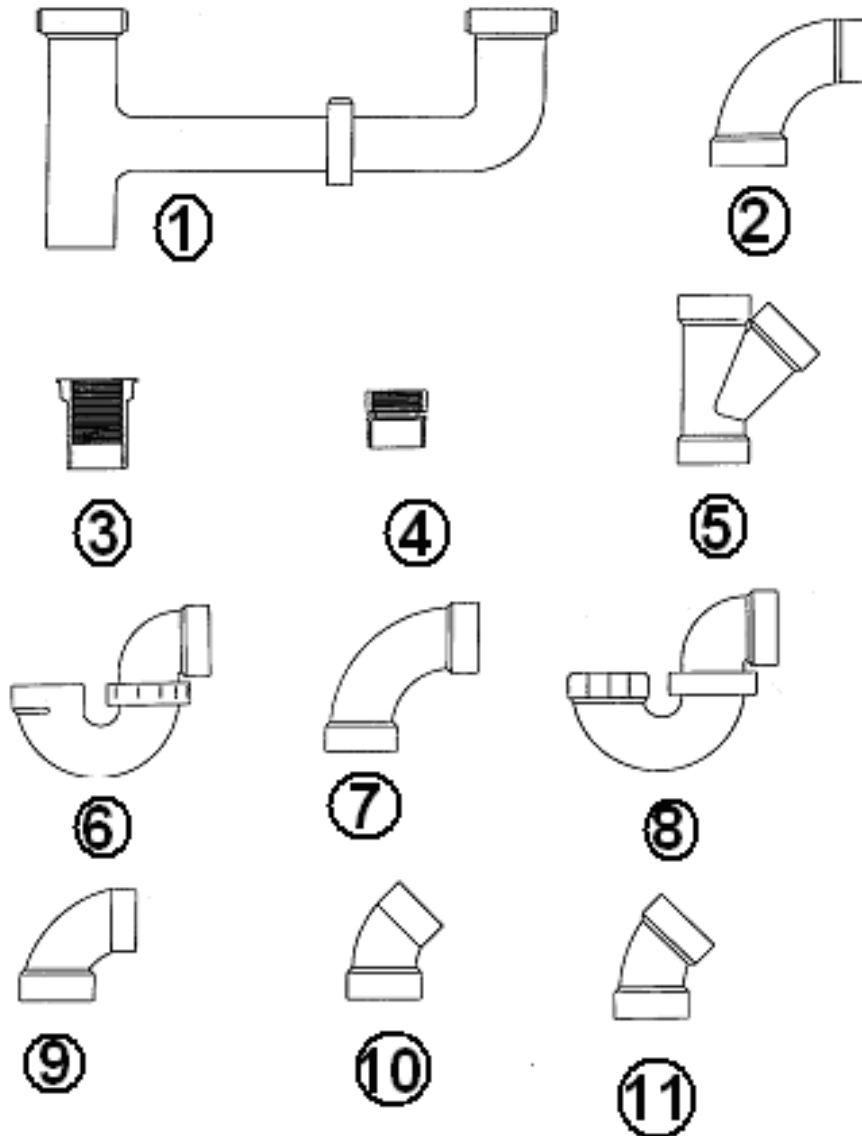
Tank Flush, Black

601441	Tank flush, no-fuss (vacuum breaker & check valve)
601441-02	Tank flush, no-fuss (vacuum breaker & check valve) <u>CSA ONLY</u>

2011 CLASSIC TRAILER

PLUMBING, DRAIN SYSTEM

Drain Line Fitting



See next page for P/N

2011 CLASSIC TRAILER

PLUMBING, DRAIN SYSTEM

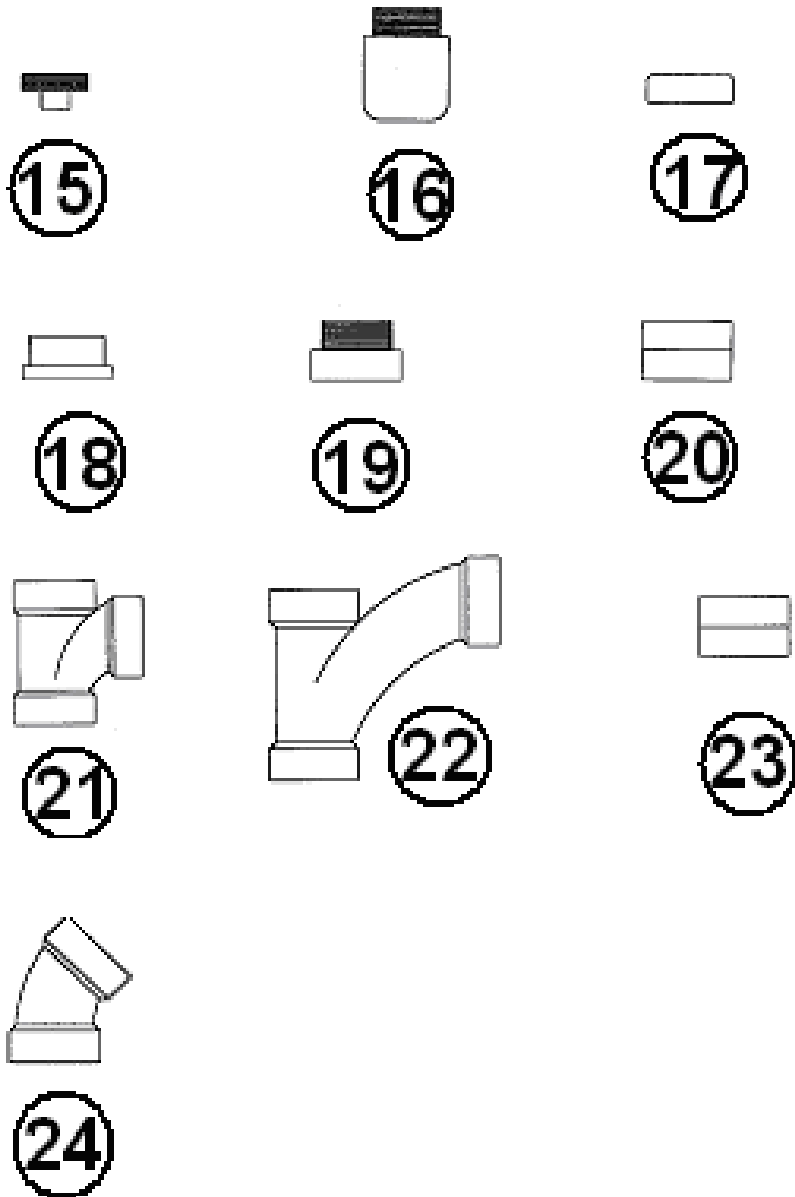
Drain Line Fittings

1. 600378 Continuous waste
2. 600431 Elbow, 90 degree, long street
3. 600625-01 Plug, trap, 1-1/2" adapter, female
4. 600822 Swivel adaptor
5. 600094 Wye, #2301
6. 600144 P-trap, 1.5" w/o slip nut
7. 600035 Elbow, 90 degree, long turn
8. 600622 P-trap, 1.5" with slip nut
9. 600662 Elbow, 90 degree, short street
10. 600027 Elbow, 45 degree, long street
- 10.600050 Elbow, 45 degree, long turn
11. 601868 Sanitary tee-SPIG X HUB X HUB

2011 CLASSIC TRAILER

PLUMBING, DRAIN SYSTEM

Drain Line Fittings



See next page for P/N

2011 CLASSIC TRAILER

PLUMBING, DRAIN SYSTEM

Drain Line Fittings

- 15. 600155 Plug, 1.5"
- 16. 600538 Vent, 1.5"
- 17. 601677 Cap, 1.5"
- 18. 601263 Reducer, 1.5" to 1.25"
- 19. 601676 Adapter
- 20. 600308 Adapter, w/female threads
- 21. 600156 Tee, sanitary, 1.5"
- 22. 600182 Wye, 1.5", 1/8" bend
- 23. 600227 Coupling, 1.5"
- 24. 600030 Elbow, 45 degrees, long turn
- 601318 Tee, bi-directional clean out, 1.5"

Drain Pipe

- 601160-04 Pipe, 3" ABS
- 601160-02 Pipe, 1.5" ABS
- 602185 Brass Adapter, Drain Valve
- 601165-02 Water line risers, 54"

2011 CLASSIC TRAILER

PLUMBING, DRAIN SYSTEM

Toilet, All Units

690442-02 TOILET, THETFORD, HIGH PROFILE, PARCHMENT

2011 CLASSIC TRAILER

SAFETY EQUIPMENT

Detectors

510781	Smoke detector
510891	Smoke detector, CSA
511309	LPG detector
512318	Holder, W/1 amp fuse, inline
512178	Detector, carbon monoxide 9 V

Fire Extinguisher

600162-01	Fire extinguisher
600162-02	Fire extinguisher, CSA

2011 CLASSIC TRAILER

SEALER/GASKETS/PAINT

Sealer

360001	Sealant, #884058
360002	Sealant, Vulkem 11.5 oz. tube
360209	Sealant, seam
360176	Sealant, Almond, kitchen and bath
360180	Sealant, Sikaflex #221
360210	Sealant, Paralastic 4334-014
360283-01	Sealant, silicone, Corian, white

Gaskets

365232	Gasket, main/baggage door
365013-01	Gasket, screen door, underbelly compartment doors
382117	Gasket, window frame to glass
365035	Gasket, access doorjamb
381830	Wiper gasket, refrigerator baffle, 1.12" x 2"
365030	Seal, door hinge 3-3/4 wide
381663	Gasket, D-Seal, PDM sponge, door bell
365351	WASHER, SEALING, MAIN DOOR HINGE

Tape/Microwave Insulation

685510	Seam Tape, black, for between end segments.
365221	Tape, double coated, 1/32 urethane
365222	Tape, double coated, .08" x 3/4"
365016	Tape, foam, double face, 1/2" wide
365001	Tape, double coated foam
365325-01	Seam tape, Crackle Cream 1.12W

Paint

360213	Paint, Metallic Aluminum, Centari #65751
360308	Paint, Pewter
360151	Paint, gray metallic, Centari #44146A
360213-100	Paint, aluminum metallic (16 oz. can)

2011 CLASSIC TRAILER

UPHOLSTERY/FOAM/MATTRESS

Bedsread, Twin bed

702485-356	Bed spread, twin, Cocoa
702485-346	Bed spread, twin, Jade
702485-337	Bed spread, twin, Praline

Bedsread, Double Bed

702676-356	Bed spread, double, Cocoa
702676-346	Bed spread, double, Jade
702676-337	Bed spread, double, Praline

Pillow

701611	Pillow, 21" x 31"
--------	-------------------

Mattress, Twin Beds, All Models

703691-01	Mattress, curbside rear, roadside front, 34" x 78"
703691-02	Mattress, curbside front, roadside rear, 34" x 78"

Mattress, Double Bed, 27 FB, 30', 31', 34'

703692	Mattress, 60" x 75", w/45 degree corner
--------	---

2011 CLASSIC TRAILER

UPHOLSTERY/FOAM/MATTRESS

Sofa, 34' L-lounge

703141-356	Sofa, Cocoa, 74", short drawer
703141-346	Sofa, Jade, 74", short drawer
703141-337	Sofa, Praline, 74", short drawer
703141-03	Sofa, 74", short drawer, Leather
703299-03	SOFA 48" NO DRAWER ULTRA LEATHER
965979	CLOSEOUT SOFA, LEATHER OPTION

Sofa Armrests, 31', 30', 34'

963400-01	Armrest support assembly, RS, 31' D, 30', 34'
963399-01	Sub assembly, face armrest support
965624-01	Cushion assembly, armrest RS, fabric
965624-05	Cushion assembly, armrest, RS, leather
703281-01	Foam, armrest, lounge RS
963400-06	Armrest support assembly, CS notched, 31' D, 30', 34'
963399-03	Sub assembly, face, armrest support CS
965624-03	Cushion assembly, armrest, CS notched, fabric
965624-07	Cushion assembly, armrest, CS notched, leather
703281-03	Foam, armrest, lounge CS notched
201399	Trim, flexible S-100-LG, off white

Sofa, 30', 31', 34'

703625-356	Sofa 74", Cocoa, Villa Cloth
703625-346	Sofa 74", Jade, Villa Cloth
703625-337	Sofa 74", Praline, Villa Cloth
703625-02	Sofa, 74", Villa Ultra Leather

2011 CLASSIC TRAILER

UPHOLSTERY/FOAM/MATTRESS

Wall Paper Border, Lavatory

703609	Jade, 5.25", wallpaper border
703689	Praline, wall border
703399	Border, wall, Crystal Creek

Dinette Seat Covers/Top, 34', 31' D, 30'

998070-356	Cover, seat, side dinette, Cocoa
998070-346	Cover, seat, side dinette, Jade
998070-337	Cover, seat, side dinette, Praline
998071-356	Cover, back, side dinette, Cocoa
998071-346	Cover, back, side dinette, Jade
998071-337	Cover, back, side dinette, Praline
703125-03	Top, dinette seat, urethane-buckskin

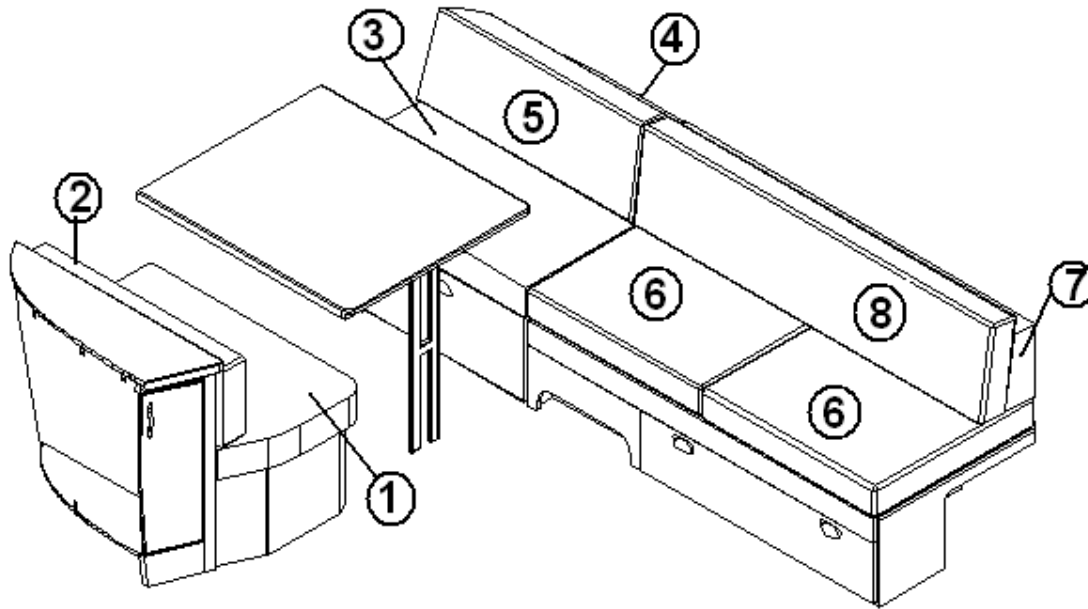
Dinette Seat Foam, 34', 31', 30'

702464-21	Foam, upper back, dinette
702464-13	Foam, lower back, dinette
702464-14	Foam, aft seat, dinette
702464-15	Foam, forward seat, dinette

2011 CLASSIC TRAILER

UPHOLSTERY/FOAM/MATTRESS

Dinette Seat Covers/Foam Assemblies, 27' Front Bed Models



- | | |
|--------------|--|
| 1. 703630-01 | Curbside seat, seat cover/foam assembly |
| 2. 703630-02 | Curbside backrest, seat cover/foam assembly |
| 3. 703630-03 | Roadside seat, seat cover/foam assembly |
| 4. 703630-04 | Roadside back filler, seat cover/foam assembly |
| 5. 703630-05 | Roadside backrest, seat cover/foam assembly |
| 6. 703630-07 | Lounge bottom, seat cover/foam assembly |
| 7. 703630-06 | Lounge wedge, seat cover/foam assembly |
| 8. 703630-08 | Backrest, seat cover/foam assembly |
| 703651 | Foam Filler Wedge |

2011 CLASSIC TRAILER

UPHOLSTERY/FOAM/MATTRESS

Chairs

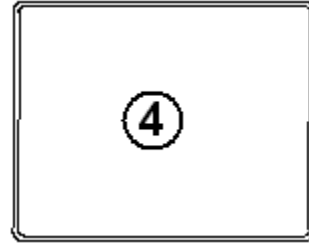
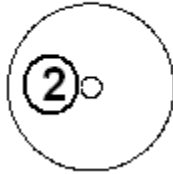
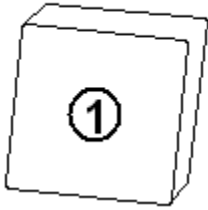
- *382004 Chair, ZipDee, Pacific Blue
- *382004-02 Silkscreen for ZipDee Chair
- 703009-05 Folding, free standing option, 31' D
- 703376 Chair, fan back w/cushion, 31' D option, free standing
- 998152 Chair, cushion only, 31' D option, free standing

* WHEN ORDERING A ZIP DEE CHAIR BOTH PARTS NUMBERS 380004 AND 382004-02 MUST BE ORDERED TO RECEIVE A SILK SCREENED ZIP DEE CHAIR

2011 CLASSIC TRAILER

UPHOLSTERY/FOAM/MATTRESS

Pillow Kit, Cocoa



- 1. 703561-01 Accent pillow, lounge
- 2. 703561-02 Accent pillow, lounge/bedroom
- 3. 703561-03 Accent pillow, lounge/bedroom
- 4. 703561-04 Pillow sham

Pillow Kit, Praline

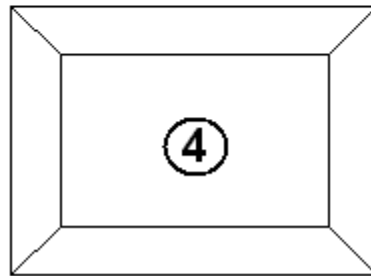
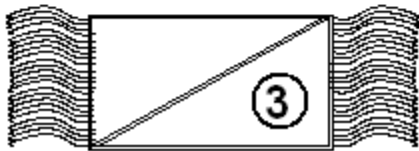
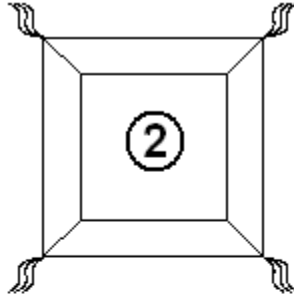
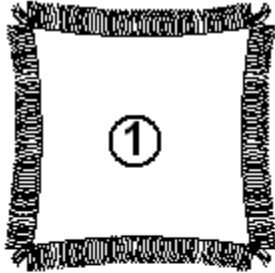


- 703685-06 Pillow Kit, Praline, Double bed
- 703685-07 Pillow Kit, Praline, Twin bed
- 1. 703685-01 Lounge pillow, beige
- 2. 703685-02 Lounge pillow, dark brown
- 3. 703685-04 Bedroom pillow, brown
- 4. 703685-03 Bedroom pillow, gold
- 5. 703685-05 Bedroom pillow

2011 CLASSIC TRAILER

UPHOLSTERY/FOAM/MATTRESS

Pillow Kit, Jade



- | | |
|--------------|-----------------------------|
| 703607-05 | Pillow Kit, Queen bed, Jade |
| 703607-06 | Pillow Kit, Twin bed, Jade |
| 1. 703607-01 | Lounge pillow |
| 2. 703607-02 | Lounge and bedroom pillow |
| 3. 703607-03 | Lounge and bedroom pillow |
| 4. 703607-04 | Bedroom pillow |

2011 CLASSIC TRAILER

VENTS/FANS/SKYLIGHTS

Vent, Power, Bathroom

690266-01	Ventilator, power, bathroom
690266-02	Ventilator, power, bathroom, CSA
372072-01	Screen, Ceiling Vent, CSA Only
201666-01	Molding, J 3/16" Almond, plastic

Vent, w/Power Lift

381541-12	Roof vent w/power lift
381541-11	Switch, white, ceiling vent
201666	Molding, J 3/16" Almond, plastic

Range exhaust

511792-01	Range hood, w/fan and light, UL
511792-03	Range hood, w/fan and light CSA
115175	DUCT-RANGE EXHAUST TRANSITION
454857	EXTENSION-RANGE VENT
453484-03	Ext., range hood end cap LH Silver
453484-04	Ext., range hood end cap RH Silver
453158	Extension, range vent
114462	Duct, range exhaust transition
114230-04	Closeout, formed, range exhaust, 4.40"
511017-11	Vent cover, exterior, range hood, gray

Vent, Refrigerator

100341	Refrigerator, vent collar, large
101394	Cover, refrigerator vent, large
381042	Mesh, galvanized, .017" X 36"

2011 CLASSIC TRAILER

VENTS/FANS/SKYLIGHTS

Vent, Holding Tanks

690264-03 Plumbing flashing V-2049-1 WHITE
380228 Wire hardware cloth
382165 GASKET, CORLON VENT CAP

Vent, Power, Fantastic

381841 Vent, Fantastic, exhaust only
511657 Fantastic Fan W/410KIB Control

Sky Light. Lounge

381318-05 Skylight, 19.5" x 19.5", galley/lounge
114485 Mounting frame, skylight
201962 Trim ring, skylight
702804-03 Shade, pleated, skylight, 19.25" x 20.00"

Sky Light. Bath

381318-06 Skylight, 14.5" x 22.5" bath
114486 Mounting frame, skylight, bath
114485 Mounting frame, skylight
201963 Trim ring, 14" x 22", sky light, white
702804-04 Shade, pleated, skylight, 14.5" x 22.75"

2011 CLASSIC TRAILER

WOOD/LAMINATES/INTERIOR TRIM

Cedar/Lauan Panels

800507-01	Paneling, lauan, 1/8" x 4' x 8'
800507-02	Paneling, lauan 1/4" x 4' x 8'
800507-03	Paneling, lauan 3/8" x 4' x 8'
800507-06	Paneling, lauan .3/4" x 4' x 8'
800397-01	Cedar, planked, 5/32"x 4' x 8'

Edge banding

365268-03	Edgebanding, .024" X .63", OAK
365268-04	Edgebanding, .024" X 1.25" OAK
365340-01	Edgebanding, .63" FROSTY WHITE

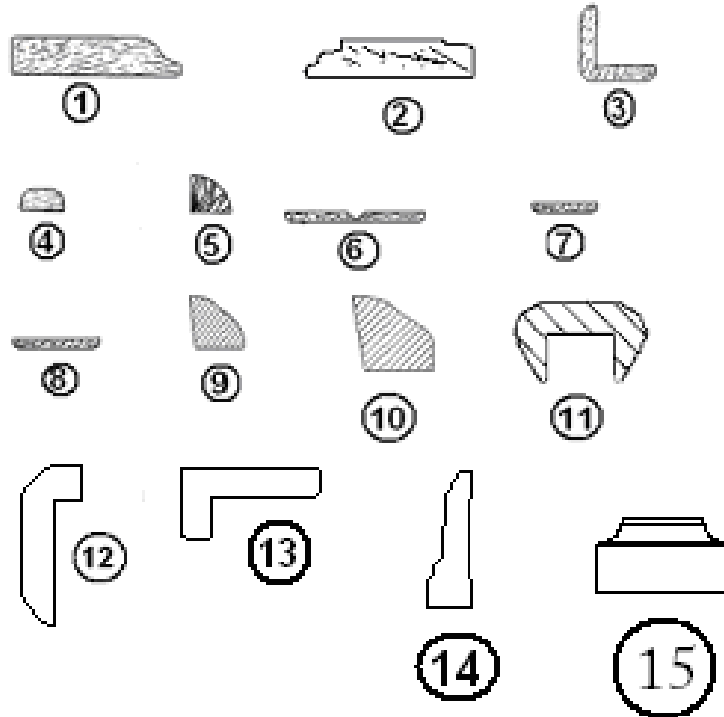
Paneling

801258-003	Paneling 1/2" x 4' x 8', G2S, Hickory / Hickory
801259-003	Paneling, 1/2" x 4' x 8', G1S, Hickory /raw
801260-003	Paneling 5/32" x 4' x 8', G1S, Hickory /raw
801828	Panel, Crackle Cream/Raw .125" X4 X 8'
801829	Panel, Crackle Cream/Raw .5" X 4' X 8'
801830	Panel, Crackle Cream/Crackle Cream, .5" X 4' X 8'
801831-003	Panel, Hickory/Crackle Cream .5" X 4' X 8'
801368	Paneling, White liner/White liner 18MM
801392	Paneling, White liner/White liner 12MM

2011 CLASSIC TRAILER

WOOD/LAMINATES/INTERIOR TRIM

Molding, Wood, Hickory



- | | |
|----------------|--|
| 1. 801206-013 | Molding, floor, 43", Hickory |
| 2. 801265-003 | Molding, chair rail, Hickory |
| 3. 800575-013 | Molding, corner, Hickory |
| 4. 800571-013 | Molding, flat 1/4"x 33/64"x 80" Hickory |
| 5. 800638-023 | Molding, quarter round, Hickory |
| 6. 801172-013 | Molding, flexible corner, Hickory |
| 6. 801172-08 | Molding, flexible corner, Crackle Cream |
| 7. 800572-013 | Molding, flat radius, .88", Hickory |
| 8. 800573-013 | Molding, flat radius, 1.13", Hickory |
| 9. 801492-003 | Molding, threshold, main door, carpet, Hickory |
| 10. 801492-003 | Molding, threshold, main door, linoleum, Hickory |
| 11. 800766-003 | Paneling Trim, Hickory, 1/2" Panel |
| 12. 800617-013 | Molding, Wainscot, 84" |
| 13. 801665-003 | Molding, "L", door jamb |
| 14. 801266-003 | Molding, baseboard, Hickory |
| 15. 801890-003 | MOLDING, FLIP SHELF, HICKORY |

2011 CLASSIC TRAILER

NOTES

