

AIRSTREAM

AN AMERICAN LEGEND

SPORT TRAILER

Parts Book

2010

2010 SPORT
TABLE OF CONTENTS
SECTION I
A through B

APPLIANCES

Air Conditioner	I-1
Furnace	I-1
Water Heater	I-1
Microwave	I-2
Range/Cook Top	I-2
Refrigerator	I-2

BODY

End shell, Aft	I-3
End shell, Front	I-7
Roof	I-11
RS Wall, 16'	I-13
CS Wall, 16'	I-15
RS Wall, 17'	I-17
CS Wall, 17'	I-19
RS Wall, 22'	I-21
CS Wall, 22'	I-23
Underbelly Wraps	I-25
Wrap Protector	I-25
Body Interior	I-26

2010 SPORT
TABLE OF CONTENTS
SECTION II
C through E

CHASSIS

Axles, Shocks	II-1
Tires, Wheels	II-1
Step	II-1
Hose Carrier	II-2
Safety Chains	II-2
Hitch Jacks	II-2
Stabilizing Jacks	II-2

DECALS/EXTERIOR TRIM	II-3
--	------

DOORS/WINDOWS/AWNING

Doors	II-4
Windows	II-11
Stone Guard	II-13
Awning	II-14

DRAPES/BLINDS	II-17
-------------------------------------	-------

ELECTRICAL

110 volt	II-21
12 volt	II-23

ENTERTAINMENT	II-27
-------------------------------------	-------

2010 SPORT
TABLE OF CONTENTS
SECTION III
F through H

FLOOR COVERING

Mats	III-1
Vinyl Flooring	III-1

FURNITURE

Interior Doors	III-2
Lounge	III-3
Galley	III-16
Lavatory	III-38
Bedroom	III-51

HARDWARE

Exterior locks/hinges	III-61
Interior Cabinet Latches/Hinges	III-65
Bath Accessories	III-69
Wardrobe/Drapes	III-69
Sewer Hose/Water Fill Key/Silverware Tray	III-69
Detectors/Fire Extinguisher	III-70
Rivets	III-71

2010 SPORT
TABLE OF CONTENTS
SECTION IV
L through Z

[LABELS and TAGS](#) IV-1

PLUMBING

[LPG](#) IV-3
[Fresh water](#) IV-5
[Faucets/Sinks](#) IV-11
[Drain Water](#) IV-13
[Toilet](#) IV-21

[SEALER](#) IV-23

[GASKETS/PAINT](#) IV-24

UPHOLSTERY

[Pillow Kits](#) IV-25
[Bedsread, Mattress, Sheets, Pillow Cases](#) IV-27
[Dinette/Sofa Seat Covers/Foam](#) IV-28

[VENTS/FANS](#) IV-30

[SKY LIGHTS](#) IV-30

[PLYWOOD/PANELING](#) IV-31

[EDGEBANDING/LUAN](#) IV-32

[INTERIOR TRIM/WOOD/PLASTIC](#) IV-33

2010 SPORT

APPLIANCES

Air Conditioners

- *690586-01 AIR CONDITIONER, 13,500, LO-PROFILE, 17', 22'
- *690586-02 CEILING PACKAGE, FREEBLOW-COOL, 17', 22'
- *690323-02 13,500 BTU AIR CONDITIONER MANUAL, 17',22'
- *690323-40 AIR BOX ASSY. 17', 22'
- *690380-11 DUCT ADAPTOR, 17', 22'

*A/C CHANGED ON 17',22' UNITS, DECEMBER '09

- 690323-03 AIR CONDITIONER, DOMETIC HEATSTRIP, 16'
- 511252 PLUG PHONE 4 CONDUCTOR, 16'
- 690323-05 AIR BOX/RETURN GRILL MANUAL, 16'
- 201809 PAN AIR CONDITIONER, 16'
- 601240-01 Black drain tubing, 1/2" ID

Furnace

- 690573 Furnace, Hydroflame, 22', 17'
- 600247 Hose, 4", flex heat duct
- 600193 Hose, 2", flex heat duct
- 600526 Flange, 4"
- 601244-03 REGISTER-ROTAIRE #3840-96 4", BLACK
- 601244-02 REGISTER, ROTAIRE #3840-96, 4", WHITE
- 511228 Thermostat, furnace, off white
- 601348 TEE, HEAT DUCT, 4 X 4 X 2
- 114079 ADAPTER, DUCT, 4.00" TO 2.00"

Water Heater

- 690199 Water heater, electronic ignition
- 690209 Access cover, brushed aluminum
- 381648 COVER LATCH HOLE, WATER HEATER
- 601671 ELBOW, STREET, 90DEG 1/2", GALVENIZED
- 967194 STAND ASSY, WATER HEATER
- 511731-01 SWITCH, WATER HEATER BLACK, 16'

2010 SPORT

APPLIANCES

Microwave, 17, 22' FB

690605-01 Microwave, convection, stainless steel, 22' FB, 17'
690605-02 Trim ring, microwave, stainless steel, 22' FB, 17'
690581-04 TRIM KIT FOR TAPPEN OR SYLVANIA MICROWAVE

Microwave, 16'

690579-01 MICROWAVE-GE WHITE SPACEMAKER, 16'
690579 MICROWAVE-GE BLACK SPACEMAKER, 16'
454583 BRACKET-MICRO MOUNTING
382025 STRAP, NYLON LOOP 3/4"
454730 BRACKET-R/L SUPPORT
386236 LABEL, MICRO CONNECTION

Range/Cook Top

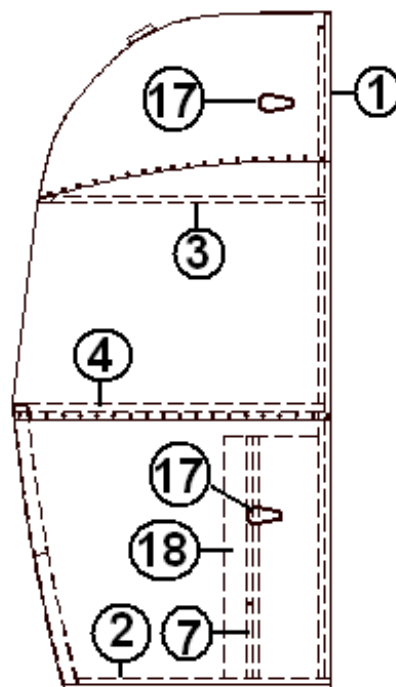
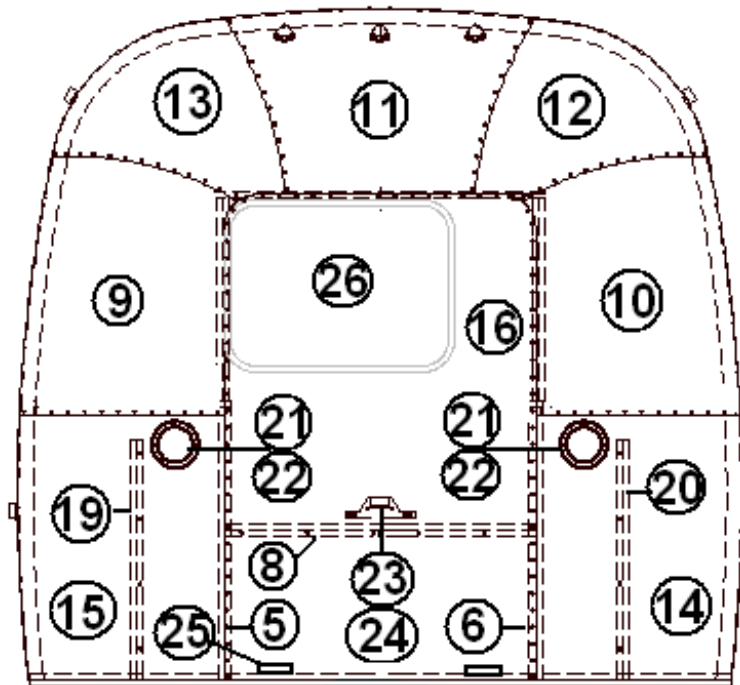
690576 COOKTOP-2 BURNER SMEV 8022 ST, 16', 17', 22'

Refrigerators

690604-01 REFRIGERATOR, 4CF, LH DOOR, RM8501LB, BLACK
FRONT, 22' FRONT BED
965934-08 INSERT, DOOR, REFRIGERATOR, 20" X 29.25", 22'
FRONT BED
690470-02 REFRIGERATOR, 3CF, RH DOOR RM2351RB, 17', 16'
965934-04 INSERT, DOOR, REFRIGERATOR, 19.5" X 26", 17',
16'
690394 POWER VENTILATOR, REFRIGERATOR
511836 SWITCH, REFRIGERATOR/FAN, WHITE
114883-01 BAFFLE, REFRIGERATOR CABINET, 25.50", 22'
FRONT BED
114883-02 BAFFLE, REFER CABINET, UPPER, 25.50"
365194 TAPE, ALUMINUM FOIL, 2"
365009 FOAM EURETHANE INSULATION 1 X
365013-01 TAPE CHARCOAL LOW DENSITY FOAM
381830 WIPER, RUBBER, 1.125" X 2" LONG

2010 SPORT EXTERIOR BODY

Aft End, 17', 22'



See next page for P/N.

2010 SPORT

EXTERIOR BODY

Aft End, 17', 22'

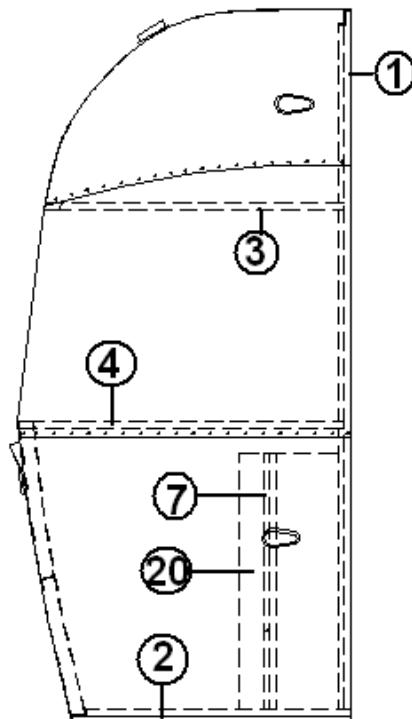
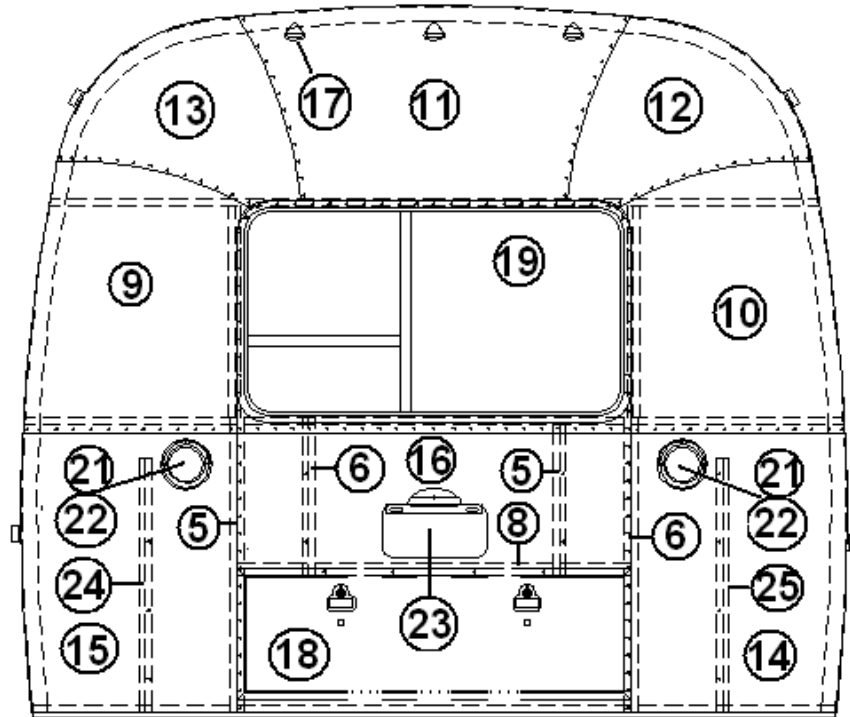
967108	END SHELL, AFT
1. 99900M-015	ZERO BOW
2. 115384	FLOOR BOW
3. 99900M-016	BOW, UPPER WINDOW
4. 99900M-017	BOW, LOWER WINDOW
5. 114505-01	BRACE, FRONT, VERTICAL ,CS
6. 114505-02	BRACE, FRONT, VERTICAL, RS
7. 101315	BRACE, VERTICAL, REAR
8. 104408	EXTRUSION, Z RIB
9. 114888	SEGMENT, CENTER LEFT "BRIGHT"
10. 114889	SEGMENT, CENTER RIGHT "BRIGHT"
11. 99900M-049	SEGMENT, CENTER
12. 114890	SEGMENT, #26 "BRIGHT"
13. 114891	SEGMENT, #27 "BRIGHT"
14. 114894	SEGMENT, #28 "BRIGHT"
15. 114895	SEGMENT, #29 "BRIGHT"
16. 114880-201	ALUMINUM SHEET .040" X 51" X 201"
17. 512227	LIGHT, CLEARANCE, RED, LED
18. 114849-03	ALUMINUM SHEET, .060" X 36"W X 8', GRAY
19. 101315-01	BRACE, VERTICAL, REAR, LH
20. 101315-02	BRACE, VERTICAL, REAR, RH
21. 511860-01	LIGHT, 4"LED, RED
22. 511860-02	BEZEL, 4" ROUND, CHROME W/VISOR
23. *512455	LICENSE PLATE HOLDER W/LED LIGHT BLACK
24. NLA	GASKET, BLACK FOR LICENSE PLATE LIGHT
25. 510446	REFLECTOR, RED STICK-ON
26. **371426-05	WINDOW, Silver Frame, W/8" VENT
26. **371381-21	WINDOW, Black Frame, W/8" VENT

*512455 replaced 512409 during model year

**371426-05 with silver frame replaced 371381-21 during model year

2010 SPORT EXTERIOR BODY

Aft End, 16'



See next page for P/N.

2010 SPORT

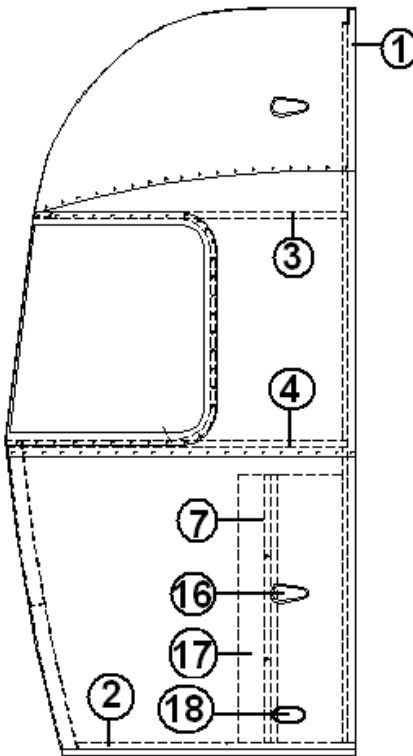
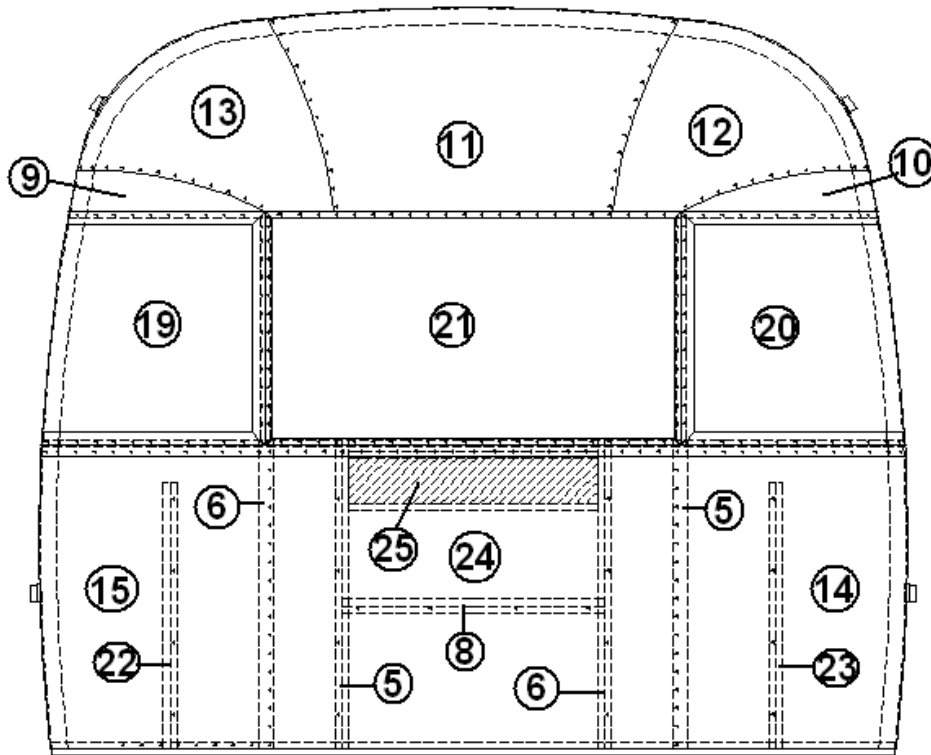
EXTERIOR BODY

Aft End, 16'

923027	END SHELL, REAR
1. 114994	ZERO BOW, "NB"
2. 104463	BOW, FLOOR, NARROW BODY
3. 115480	BOW, UPPER WINDOW, NB
4. 104343	BOW, LOWER WINDOW, NARROW BODY
5. 114505-01	BRACE, FRONT, VERTICAL, CS
6. 114505-02	BRACE, FRONT, VERTICAL, RS
7. 101315	BRACE, VERTICLE, REAR
8. 104408	EXTRUSION, Z RIB
9. 114888	SEGMENT, CENTER LEFT
10. 114889	SEGMENT, CENTER RIGHT
11. 114892	SEGMENT, #25 NARROW
12. 114890	SEGMENT, #26
13. 114891	SEGMENT, #27
14. 114894	SEGMENT, #28
15. 114895	SEGMENT, #29
16. 114880-307	ALUMINUM SHEET, CUT TO 45.25" X 25"
17. 512227	LIGHT, CLEARANCE, LED, RED
18. 922711	DOOR ASSEMBLY, TRUNK
19. 371426-02	WINDOW, VERTICLE EGRESS, SILVER
20. 114849-03	ALUMINUM SHEET, GRAY, CUT TO 12" X 29"
21. 511860-01	LIGHT, 4"LED RED
22. 511860-02	BEZEL, 4" ROUND, CHROME, W/VISOR
23. 512455	LICENSE PLATE HOLDER W/LED LIGHT BLACK
24. 101315-01	BRACE, VERTICAL REAR
25. 101315-02	SUPPORT, LOWER END SHELL RH

2010 SPORT EXTERIOR SHELL

FRONT END, 16'



Part Numbers are on the Next Page

2010 SPORT

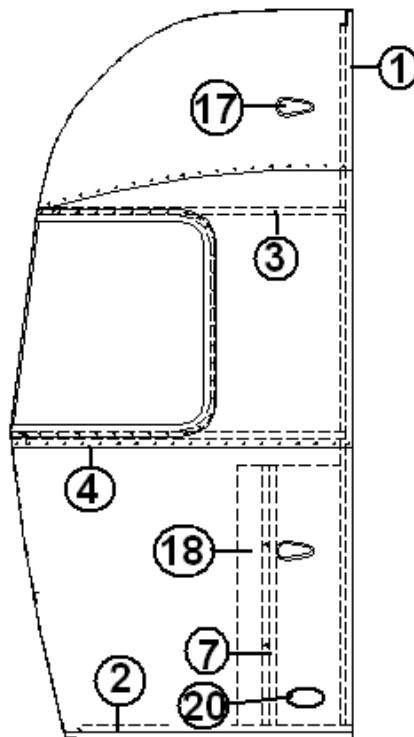
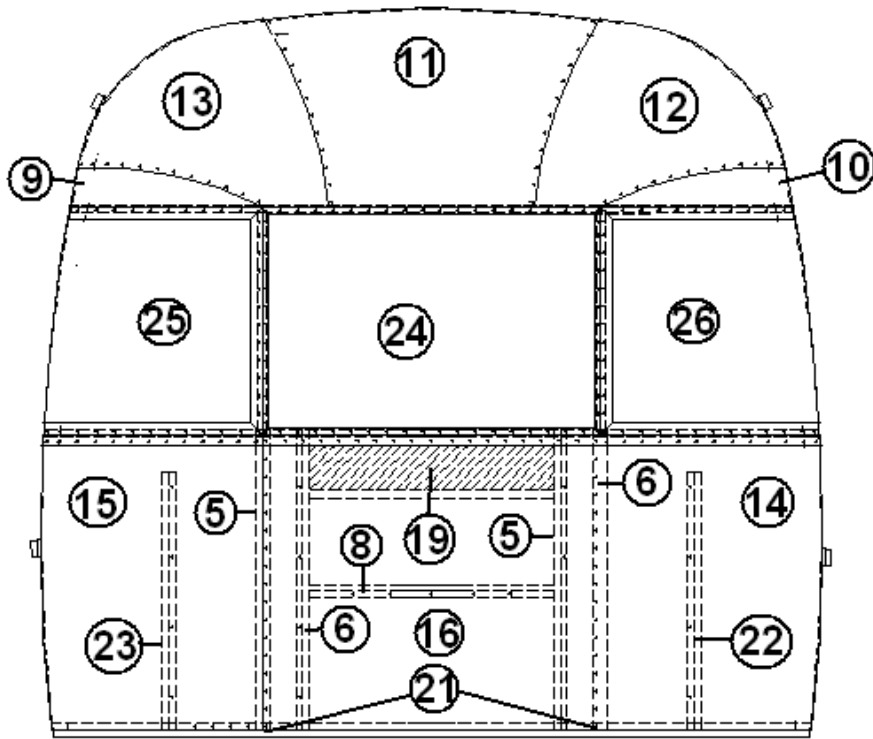
EXTERIOR SHELL

FRONT END, 16'

922626	Front End Shell
1. 114994	Weldment, end bow, NB
2. 104463	Floor bow, captive extrusion
3. 115480	Upper, window bow
4. 104343	Lower, window bow
5. 114505-01	Support, lower end shell, left-hand
6. 114505-02	Brace, vertical rear
7. 101315	Brace, vertical rear
8. 104408	Rib bow
9. 114888	Segment, center left, bright
10. 114889	Segment, center right, bright
11. 114892	Segment, #25, NB, bright
12. 114890	Segment, #26, bright
13. 114891	Segment, #27, bright
14. 114894	Segment, #28, bright
15. 114895	Segment, #29, bright
16. 512226	Light, clearance, amber LED
17. 114849-03	Aluminum sheet, 060 x 12.00" x 29.00"
18. 500096	Reflector, amber
19. 372088-101	RS front panoramic window
20. 372089-101	CS front panoramic window
21. 371328	Front window, complete assembly
21. 371328-100	Front window glass w/Hardware only
22. 101315-01	Brace, vertical, rear, LH
23. 101315-02	Brace, vertical, rear, RH
24. 114880-307	Aluminum sheet, .040" x 5" x 307", "cut down to size and hole punched"
25. 453629	Hat section, 27.25" long, Front dinette models only

2010 SPORT EXTERIOR BODY

Front End 17', 22'



See next page for P/N.

2010 SPORT

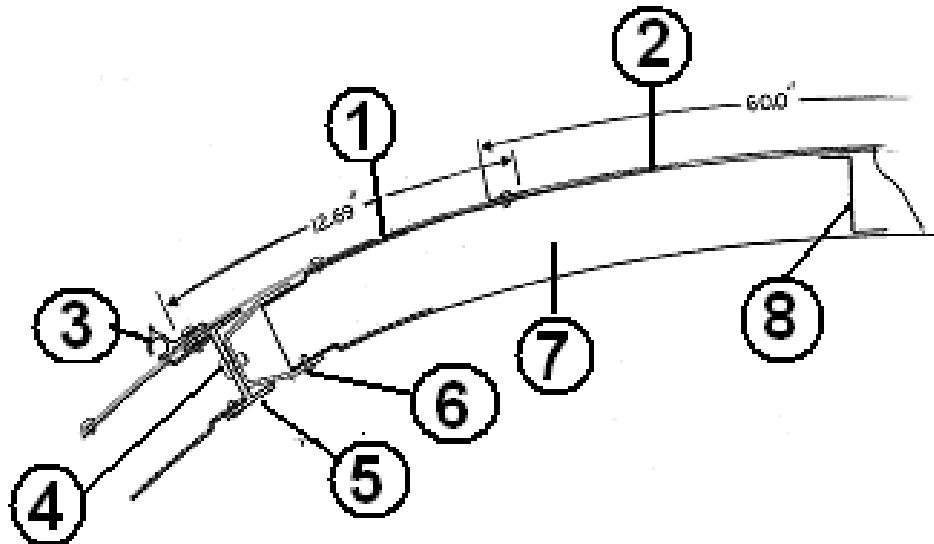
EXTERIOR BODY

Front End 17', 22'

967333	END SHELL, FRONT
1. 99900M-015	ZERO BOW
2. 115384	FLOOR BOW
3. 99900M-016	BOW, UPPER WINDOW
4. 99900M-017	BOW, LOWER WINDOW
5. 114505-01	BRACE, FRONT, VERTICAL ,CS
6. 114505-02	BRACE, FRONT, VERTICAL, RS
7. 101315	BRACE, VERTICAL, REAR
8. 104408	EXTRUSION, Z RIB
9. 114888	SEGMENT, CENTER LEFT "BRIGHT"
10. 114889	SEGMENT, CENTER RIGHT "BRIGHT"
11. 99900M-049	SEGMENT, CENTER
12. 114890	SEGMENT, #26 "BRIGHT"
13. 114891	SEGMENT, #27 "BRIGHT"
14. 114894	SEGMENT, #28 "BRIGHT"
15. 114895	SEGMENT, #29 "BRIGHT"
16. 114880-307	ALUMINUM SHEET, CUT TO 41" X 37.55"
17. 512226	Light, clearance, amber LED
18. 114849-03	ALUMINUM SHEET, GRAY, CUT TO 12" X 19"
19. 453629	HAT SECTION, DINETTE TABLE SUPPORT
20. 500096	REFLECTOR, AMBER
21. 114813	ANGLE, 1'X 1.5"X 1.25"
22. 101315-01	BRACE, VERTICAL, REAR,, LH
23. 101315-02	BRACE, VERTICAL, REAR, RH
24. 99900P-049	WINDOW, FRONT, W/SQUARE CORNERS
25. 372089-101	ROADSIDE WRAP WINDOW
26. 372088-101	CURBSIDE WRAP WINDOW

2010 SPORT EXTERIOR BODY

Roof



- | | |
|---------------|---|
| 1. 114362 | Aluminum sheet, .050 x 7", white |
| 2. 114489-262 | Aluminum sheet, white, .032 x 60" x 262 |
| 3. 114290-02 | Extrusion, awning/drip rail |
| 4. 340123-02 | Rivet, Huck, 3/16 x 1/2" |
| 5. 104707-01 | Extrusion, "I" beam |
| 6. 114987-02 | Extrusion, roof corner |
| 7. 99900M-001 | Roof bow |
| 8. 104408 | Extrusion, Z bar, horizontal |
| 325000-03 | Rivet, buck, white, 1/8" x 1/4" |

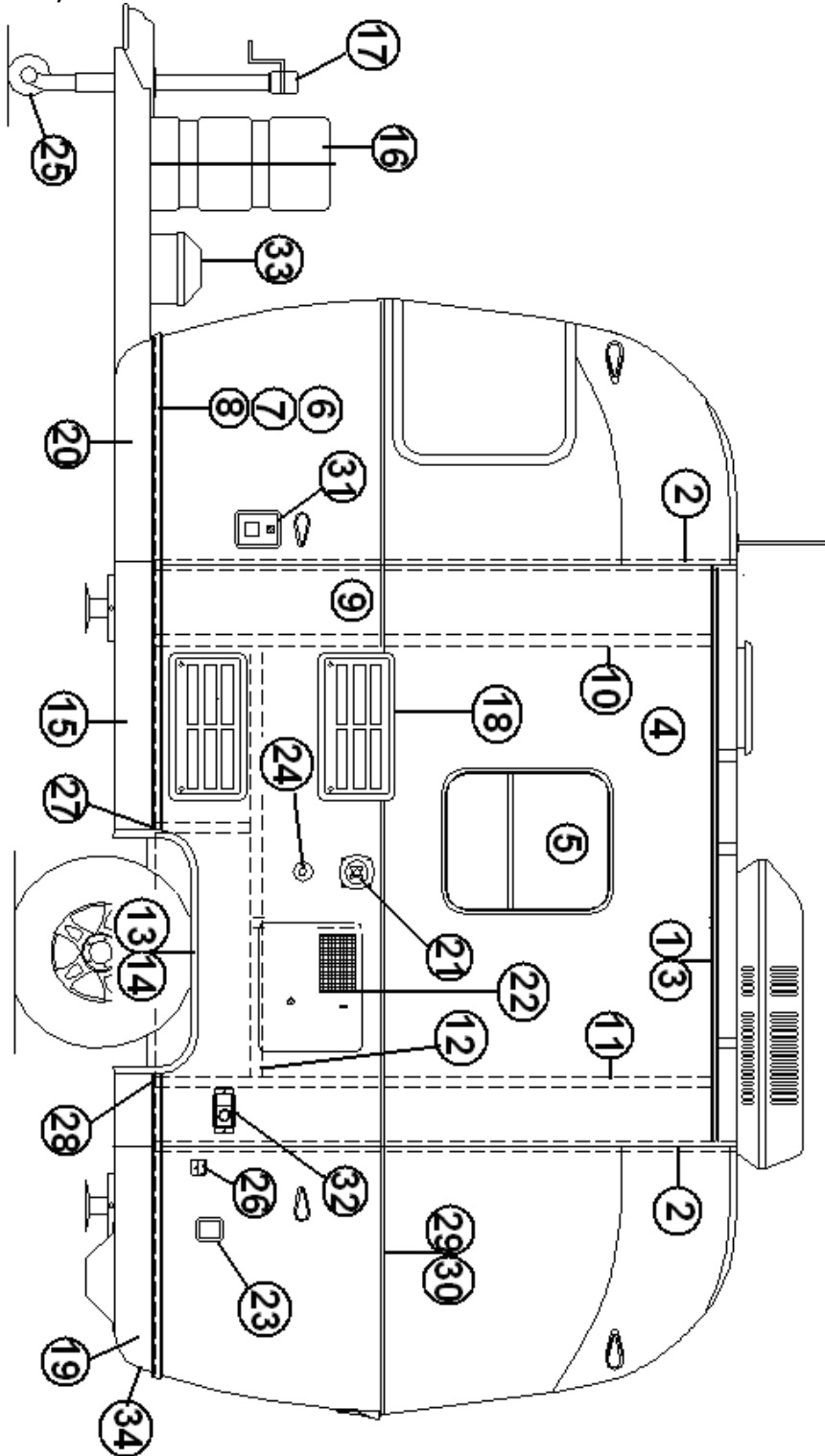
Shell Attachment

- | | |
|-----------|-------------------------------|
| 300023-02 | WASHER, HOLD DOWN-HOLE OFFSET |
|-----------|-------------------------------|

2010 SPORT
NOTES

2010 SPORT EXTERIOR BODY

Wall, Roadside, 16'



Part numbers on the next page

2010 SPORT

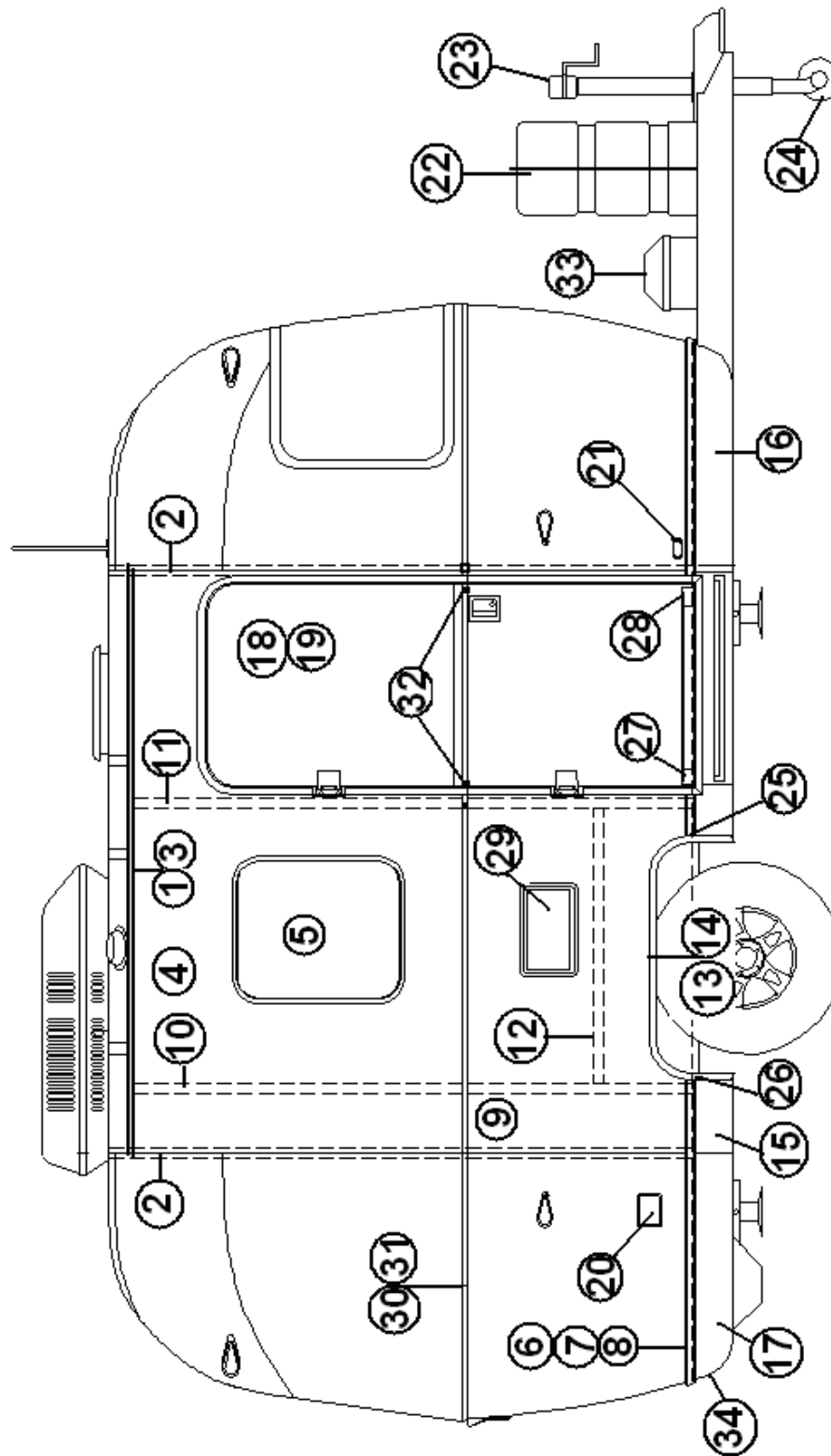
EXTERIOR BODY

Wall, Roadside, 16'

- | | |
|---------------|---|
| 1. 114290-01 | Extrusion, awning/drip rail |
| 2. 99900M-015 | Rib, end bow |
| 3. 104707-01 | Extrusion, "I" beam |
| 4. 114880-262 | Aluminum sheet, upper, .040 x 51 x 262" |
| 5. 371426-01 | WINDOW, 19.38" X 22.88", 8" VENT SILVER |
| 6. 114460 | Extrusion, rub rail |
| 7. 201763-01 | Insert, rub rail, chrome, 1" |
| 8. 100986 | Floor channel |
| 9. 114879-262 | Aluminum sheet, lower, .040 x 33 x 262" |
| 10. 114387-02 | Bow, Z rib, L |
| 11. 114387-01 | Bow, Z rib, RH |
| 12. 100986 | Wheel well stiffener (floor channel) |
| 13.114003-04 | Wheel well trim, inner, single axle |
| 14.114004-04 | Wheel well trim, outer, single axle |
| 15.203621 | Underbelly roll, black plastic |
| 16.203617 | Cover, 20# LPG bottles, plastic |
| 17.410945 | Hitch Jack |
| 18.690470-01 | Door assembly, refrigerator access |
| 19.203303-03 | Banana wrap, black, RS rear |
| 20.203303-01 | Banana wrap, black, RS front |
| 21.601392-05 | City water fill |
| 22.690199 | Water Heater |
| 23.512401-02 | Power inlet, 30A, 125V, MALE |
| 24.601441 | Black tank flush |
| 25.410946 | Hitch jack wheel |
| 26.512249 | Cable TV connector w/cover |
| 27.114466-02 | Casting, rub rail end, wheel well, LH |
| 28.114466-01 | Casting, rub rail end, wheel well, RH |
| 29.114328 | EXTRUSION, BELT MOLDING |
| 30.201912 | MOLDING, CHROME, BELT LINE |
| 31.601194 | Water fill, fresh |
| 32.690573 | Furnace, 12,000 BTU |
| 33.511595 | BATTERY BOX |
| 34.203671 | WRAP, UNDERBELLY CENTER REAR |

2010 SPORT EXTERIOR BODY

Wall, Curbside, 16'



Part numbers on the next page

2010 SPORT

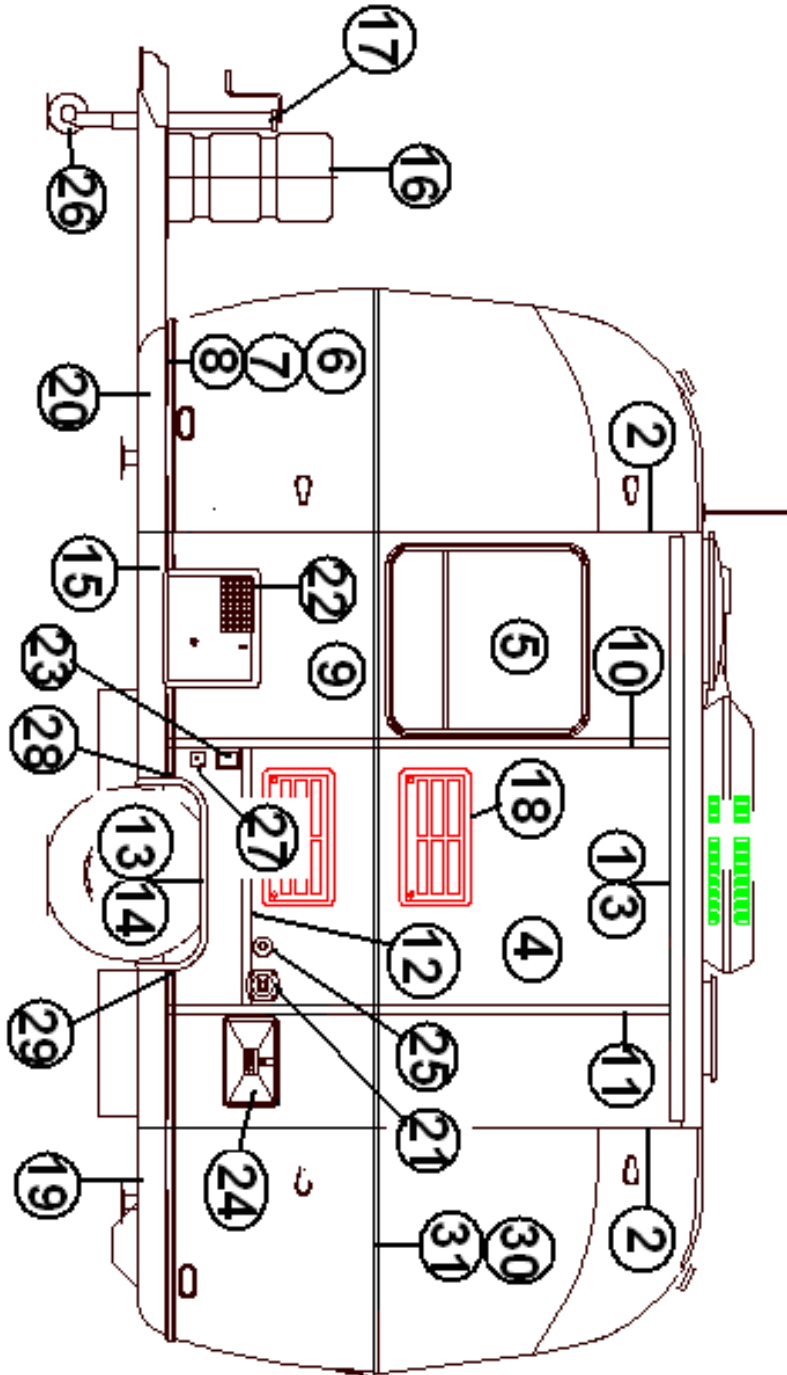
EXTERIOR BODY

Wall, Curbside, 16'

1. 114290-01	Extrusion, awning/drip rail
2. 99900M-015	Rib, end bow
3. 104707-01	Extrusion, "I" beam
4. 114880-262	Aluminum sheet, upper, .040 x 51 x 262"
5. 371426-03	WINDOW, 19.38" X 22.88", FIXED SILVER
6. 114460	Extrusion, rub rail
7. 201763-01	Insert, rub rail, chrome, 1"
8. 100986	Floor channel
9. 114879-262	Aluminum sheet, lower, .040 x 33 x 262"
10. 114387-02	Bow, Z rib, L
11. 114387-01	Bow, Z rib, RH
12. 100986	Wheel well stiffener (floor channel)
13. 114003-04	Wheel well trim, inner, single axle
14. 114004-04	Wheel well trim, outer, single axle
15. 203621	Underbelly roll, black plastic
16. 203303-02	Banana wrap, black, CS front
17. 203303-04	Banana wrap, black, CS rear
18. 115207-09	Door, main, LH hinge, Sport
19. 114654	Screen door, main, LH hinge
20. 512399	COVER, EXTERIOR OUTLET, GREY
21. 512252	Step light, LED, S.S.
22. 203617	Cover, 20# LPG bottles, plastic
23. 410945	Hitch Jack
24. 410946	Hitch jack wheel
25. 114466-01	Casting, rub rail end, wheel well, RH
26. 114466-02	Casting, rub rail end, wheel well, LH
27. 114465-01	Casting, rub rail end, RH
28. 114465-02	Casting, rub rail end, LH
29. 601876	Shower, exterior, white
30. 114328	EXTRUSION, BELT MOLDING
31. 201912	MOLDING, CHROME, BELT LINE
32. 114417	CASTING, CLOSE OUT, BELT LINE
33. 511595	BATTERY BOX
34. 203671	WRAP, UNDERBELLY CENTER REAR

2010 SPORT EXTERIOR BODY

Wall, Roadside, 17'



Part numbers on the next page

2010 SPORT

EXTERIOR BODY

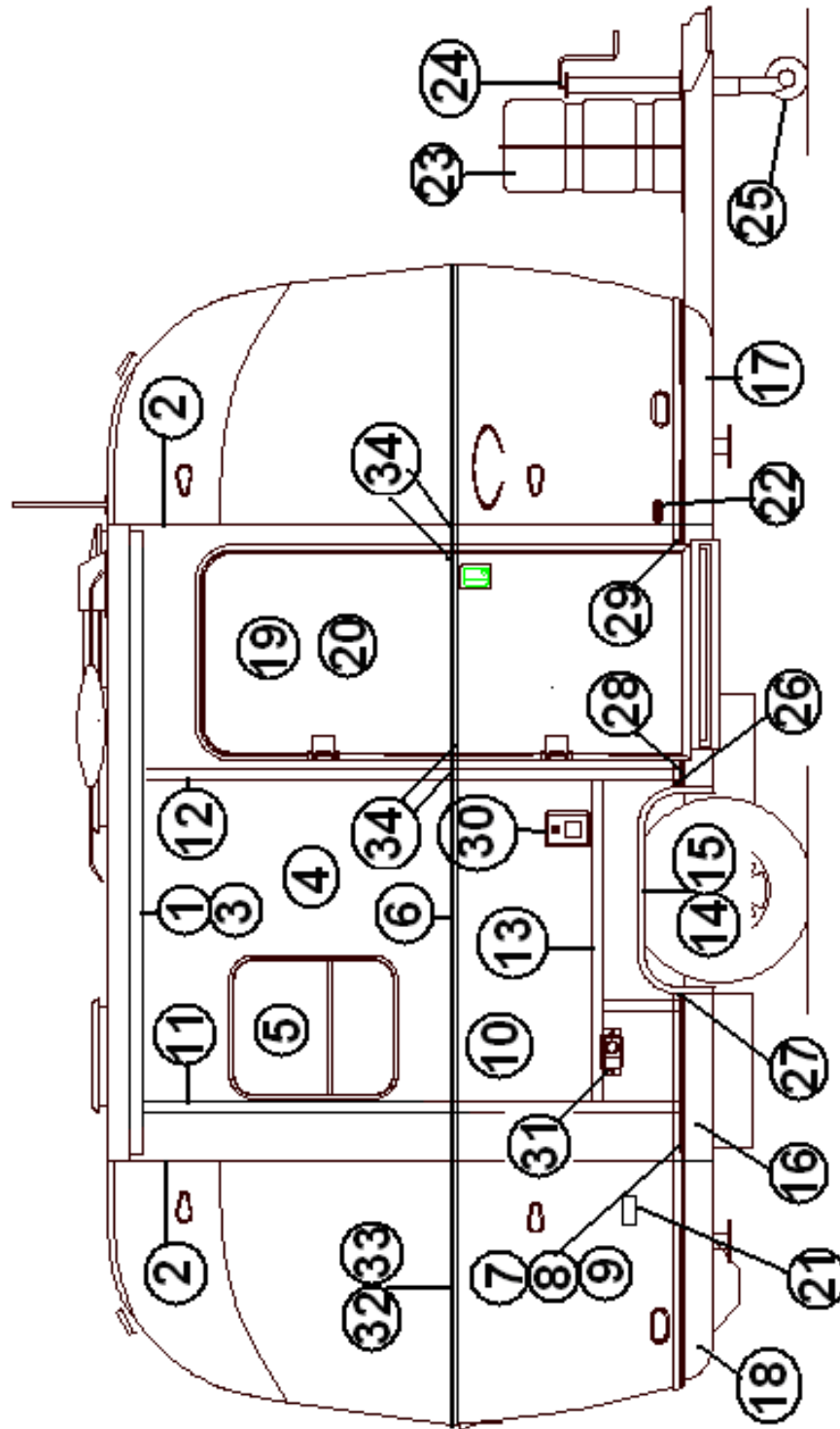
Wall, Roadside, 17'

1. 114290-02	Extrusion, awning/drip rail
2. 99900M-015	Rib, end bow
3. 104707-01	Extrusion, "I" beam
4. 114880-201	Aluminum sheet, upper, .040 x 51 x 201"
5. *371381-20	Window, 28.25" X 29.75", Egress, Black
5. *371426-04	WINDOW, 28.38 X 29.88 EGRESS, .SILVER
6. 114460	Extrusion, rub rail
7. 201763-01	Insert, rub rail, chrome, 1"
8. 100986	Floor channel
9. 114879-201	Aluminum sheet, lower, .040 x 33 x 201"
10. 114387-02	Bow, Z rib, L
11. 114387-01	Bow, Z rib, RH
12. 100986	Wheel well stiffener (floor channel)
13. 114003-04	Wheel well trim, inner, single axle
14. 114004-04	Wheel well trim, outer, single axle
15. 203621	Underbelly roll, black plastic
16. 203617	Cover, 20# LPG bottles, plastic
17. 410945	Hitch Jack
18. 690470	Door assembly, refrigerator assess
19. 203303-03	Banana wrap, black, RS rear
20. 203303-01	Banana wrap, black, RS front
21. 601392-05	City water fill
22. 690199	Water Heater
23. 512401-02	Power inlet, 30A, 125V, MALE
24. 601876	Shower, exterior, white
25. 601441	Black tank flush
26. 410946	Hitch jack wheel
27. 512249	Cable TV connector w/cover
28. 114466-02	Casting, rub rail end, wheel well, LH
29. 114466-01	Casting, rub rail end, wheel well, RH
30. 114328	EXTRUSION, BELT MOLDING
31. 201912	MOLDING, CHROME, BELT LINE

*Silver frame windows replaced black framed windows during model year

2010 SPORT EXTERIOR BODY

Wall, Curbside, 17'



Part numbers on the next page

2010 SPORT

EXTERIOR BODY

Wall, Curbside, 17'

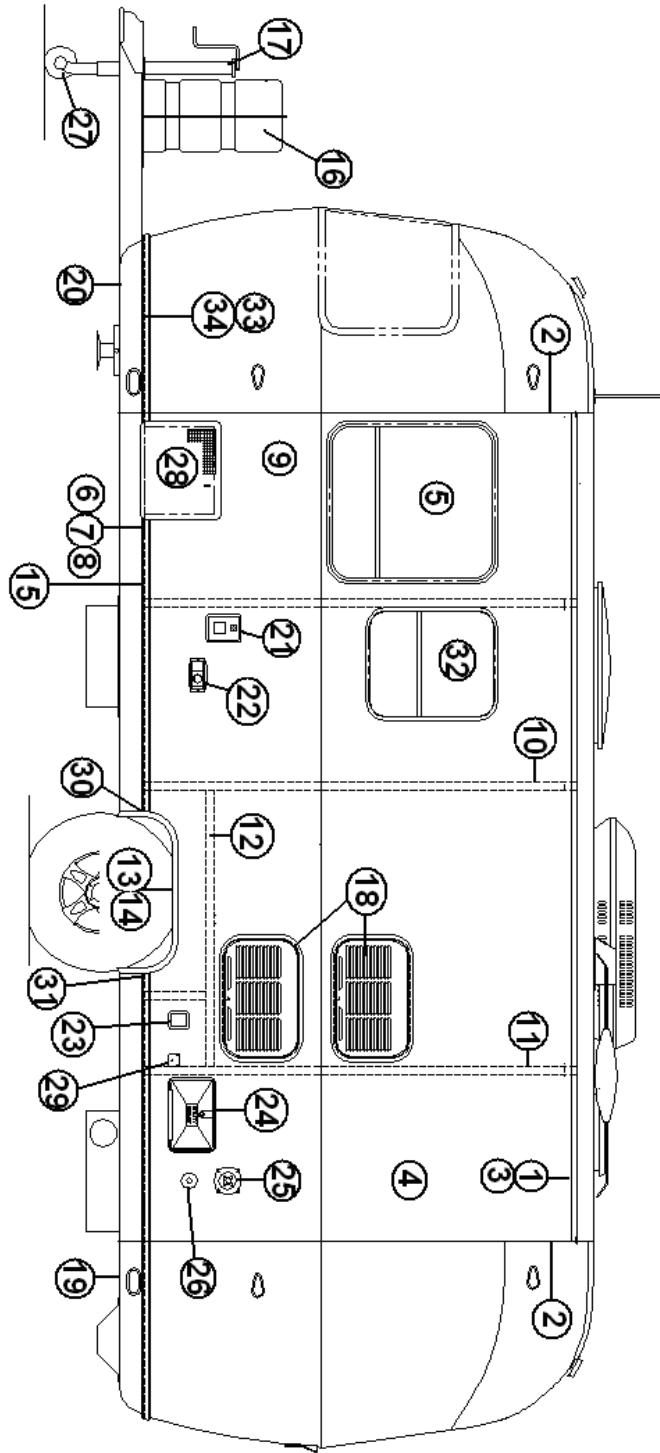
1. 114290-02 Extrusion, awning/drip rail
2. 99900M-015 Rib, end bow
3. 104707-01 Extrusion, "I" beam
4. 114880-201 Aluminum sheet, upper, .040 x 51 x 201"
5. **371381-02 Window, 19.25" X 22.75" W/8" VENT, BLACK
5. **371426-01 WINDOW, 19.38 X 22.88, W/ 8" VENT SILVER
6. 100034 "Z" bar, 48"
7. 114460 Extrusion, rub rail
8. 201763-01 Insert, rub rail, chrome, 1"
9. 100986 Floor channel
10. 114879-201 Aluminum sheet, lower, .040 x 33 x 201"
11. 114387-02 Bow, Z rib, L
12. 114387-01 Bow, Z rib, RH
13. 100986 Wheel well stiffener (floor channel)
14. 114003-04 Wheel well trim, inner, single axle
15. 114004-04 Wheel well trim, outer, single axle
16. 203621 Underbelly roll, black plastic
17. 203303-02 Banana wrap, black, CS front
18. 203303-04 Banana wrap, black, CS rear
19. 115207-09 Door, main, LH hinge, Sport
20. 114654 Screen door, main, LH hinge
21. *510676-01 Outlet, exterior, 120 Volt
- 21.*512399 COVER, EXTERIOR OUTLET, GREY
22. 512252 Step light, LED, S.S.
23. 203617 Cover, 20# LPG bottles, plastic
24. 410945 Hitch Jack
25. 410946 Hitch jack wheel
26. 114466-01 Casting, rub rail end, wheel well, RH
27. 114466-02 Casting, rub rail end, wheel well, LH
28. 114465-01 Casting, rub rail end, RH
29. 114465-02 Casting, rub rail end, LH
30. 601194 Water fill, fresh
31. 690573 Furnace, 12,000 BTU
32. 114328 EXTRUSION, BELT MOLDING
33. 201912 MOLDING, CHROME, BELT LINE
34. 114417 CASTING, CLOSE OUT, BELT LINE

*512399 replaced 510676-01 during model year

**Silver frame windows replaced black framed windows during model year

2010 SPORT EXTERIOR BODY

Wall, Roadside, 22'



Part numbers on the next page

2010 SPORT

EXTERIOR BODY

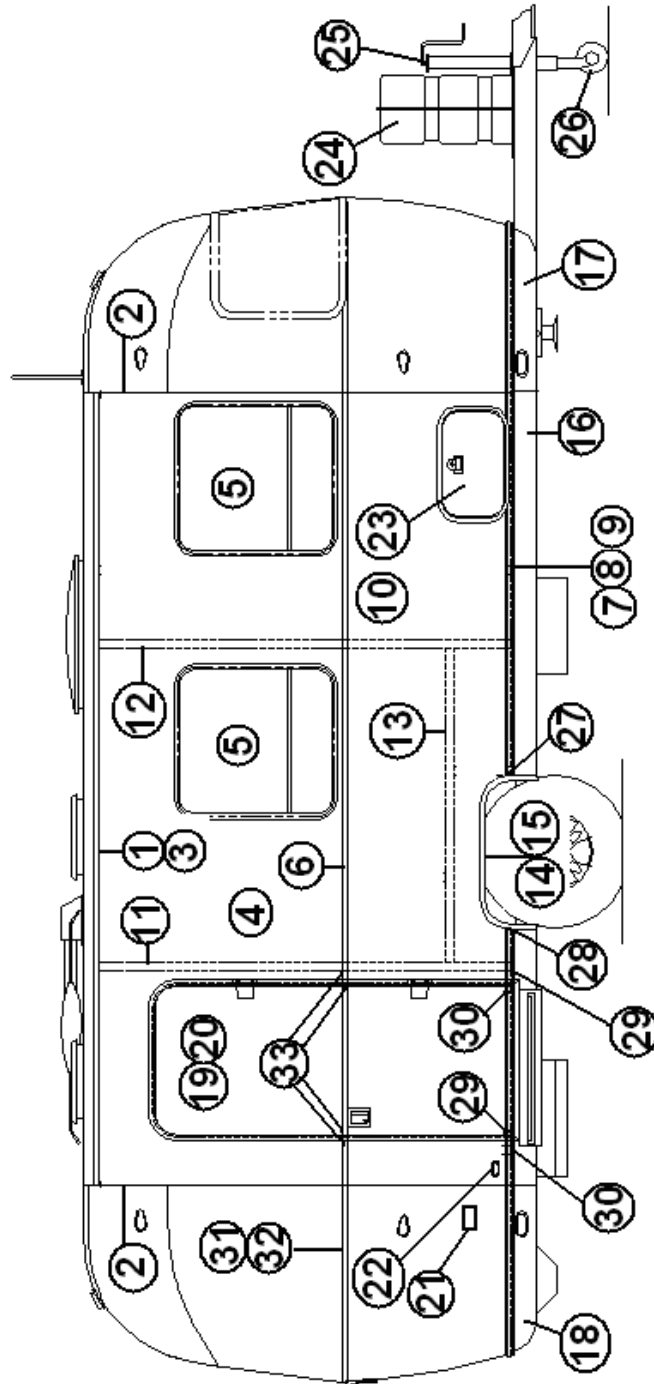
Wall, Roadside, 22'

1. 114290-02 Extrusion, awning/drip rail
2. 99900M-015 Rib, end bow
3. 104707-01 Extrusion, "I" beam
4. 114880-201 Aluminum sheet, upper, .040 x 51 x 201"
5. *371381-20 Window, 28.25 x 29.75, egress, Black
5. *371426-04 Window, 28.25 x 29.75, egress, Silver
6. 114460 Extrusion, rub rail
7. 201763-01 Insert, rub rail, chrome, 1"
8. 100986 Floor channel
9. 114879-201 Aluminum sheet, lower, .040 x 33 x 201"
10. 114387-02 Bow, Z rib, L
11. 114387-01 Bow, Z rib, RH
12. 100986 Wheel well stiffener (floor channel)
13. 114003-04 Wheel well trim, inner, single axle
14. 114004-04 Wheel well trim, outer, single axle
15. 203621 Underbelly roll, black plastic
16. 203617 Cover, 20# LPG bottles, plastic
17. 410945 Hitch Jack
18. 922243 Door assembly, refrigerator assess
19. 203303-03 Banana wrap, black, RS rear
20. 203303-01 Banana wrap, black, RS front
21. 601194 Water fill, fresh
22. 690573 Furnace, 12,000 BTU
23. 512401-02 Power inlet, 30A, 125V, MALE
24. 601876 Shower, exterior, white
25. 601392-05 City water fill
26. 601441 Black tank flush
27. 410946 Hitch jack wheel
28. 690199 Water heater
29. 512249 Cable TV connector w/cover
30. 114466-02 Casting, rub rail end, wheel well, LH
31. 114466-01 Casting, rub rail end, wheel well, RH
32. *371381-02 Window, 19.25 X 22.75, 8" Vent, Black
- 32.*371426-01 Window, 19.25 X 22.75, 8" Vent, Silver
- 33.114328 EXTRUSION, BELT MOLDING
34. 201912 MOLDING, CHROME, BELT LINE

*Silver frame windows replaced black framed windows during model year

2010 SPORT EXTERIOR BODY

Wall, Curbside, 22'



Part numbers on the next page

2010 SPORT

EXTERIOR BODY

Wall, Curbside, 22'

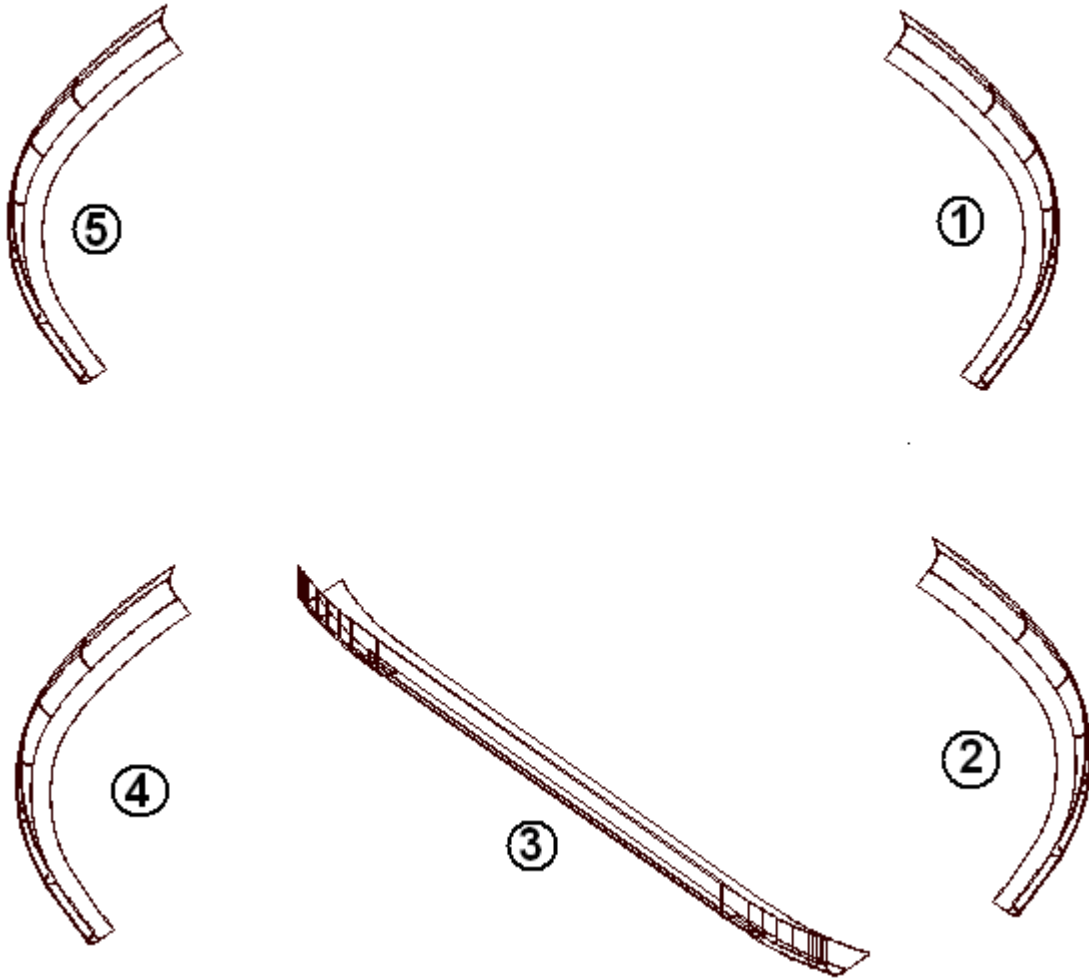
- | | |
|-----------------|---|
| 1. 114290-02 | Extrusion, awning/drip rail |
| 2. 99900M-015 | Rib, end bow |
| 3. 104707-01 | Extrusion, "I" beam |
| 4. 114880-201 | Aluminum sheet, upper, .040 x 51 x 201" |
| 5. *371381-22 | Window, 28.25" X 29.75" W/8" VENT, Black |
| 5. *371426-06 | Window, 28.25" x 29.75" w/8" vent, Silver |
| 6. 100034 | "Z" bar, 48" |
| 7. 114460 | Extrusion, rub rail |
| 8. 201763-01 | Insert, rub rail, chrome, 1" |
| 9. 100986 | Floor channel |
| 10. 114879-201 | Aluminum sheet, lower, .040 x 33 x 201" |
| 11. 114387-02 | Bow, Z rib, L |
| 12. 114387-01 | Bow, Z rib, RH |
| 13. 100986 | Wheel well stiffener (floor channel) |
| 14. 114003-04 | Wheel well trim, inner, single axle |
| 15. 114004-04 | Wheel well trim, outer, single axle |
| 16. 203621 | Underbelly roll, black plastic |
| 17. 203303-02 | Banana wrap, black, CS front |
| 18. 203303-04 | Banana wrap, black, CS rear |
| 19. 115207-08 | Door, main, RH hinge, Sport |
| 20. 114654-01 | Screen door, main, RH hinge |
| 21. **510676-01 | Outlet, exterior, 120 Volt |
| 21.**512399 | COVER-EXT.OUTLET, GREY |
| 21 **500563-03 | RECEPTACLE, WHITE 15 AMP |
| 22. 512252 | Step light, LED, S.S. |
| 23. 100679-01 | Side access door assembly, 20" x 11" |
| 24. 203617 | Cover, 20# LPG bottles, plastic |
| 25. 410945 | Hitch Jack |
| 26. 410946 | Hitch jack wheel |
| 27. 114466-01 | Casting, rub rail end, wheel well, RH |
| 28. 114466-02 | Casting, rub rail end, wheel well, LH |
| 29. 114465-01 | Casting, rub rail end, RH |
| 30. 114465-02 | Casting, rub rail end, LH |
| 31. 114328 | EXTRUSION, BELT MOLDING |
| 32. 201912 | MOLDING, CHROME, BELT LINE |
| 33. 114417 | CASTING, CLOSE OUT, BELT LINE |

*Silver frame windows replaced black framed windows during model year

**512399 and 500563-03 replaced 510676-01 during model year

2010 SPORT EXTERIOR BODY

Underbelly Skin/Wraps



1. 203303-01 Banana wrap, black, RS Front
 2. 203303-02 Banana wrap, black, RS Rear
 3. 203619 Underbelly wrap, center rear
 4. 203303-03 Banana wrap, black, CS Rear
 5. 203303-04 Banana wrap, black, CS Front
- 114679 Aluminum underbelly, .019" x 65.75 x coil

Wrap Protector

- 203618-01 FILM, 3D BODY, RS, 34.11 X 38.5
203618-02 FILM, 3D BODY, CS, 34.11 X 38.5

2010 SPORT

INTERIOR BODY

Interior Skin

114445 Aluminum sheet, .032" x 34" x coil
114853-01 Aluminum sheet, .032" x 57" x coil

Wall/Headliner Fabric

703552-01 WALL LINER GEO SILVER, 72" 14OZ

Wheel Well Insulator

203289 LINER, WHEEL WELL ABS
201568 FOAM, 3 TUFCOTE ACOUSTICAL

Main Door Threshold

702963 VINYL EMBOSSED 1.75W THRESHOLD

Wall/Skin Trim

114157-01 Extrusion, end liner, upper, white
201728-06 Extrusion, ceiling trim retainer, gray
203225 Trim, flexible, "U", white
203225-01 Trim, flexible, "U", GRAY
203138-04 EXTRUSION, PLASTIC WALL OAK
203138-01 EXTRUSION, PLASTIC WALL WHITE

2010 SPORT
INTERIOR BODY

Interior Aft End Segments



1. 114892-01 Interior Center Segment
2. 114890-01 Interior Segment

Galley Wall Board/Back splash

- | | |
|--------|---|
| 111654 | Galley backsplash, 17' |
| 111786 | Galley backsplash, 22' FB w/Galley Window |
| 114070 | J-TRIM, ALUMINUM |

2010 SPORT

CHASSIS

Axles

410980-04 Axle, 4500#, 22', 17' CSA
410980-03 Axle, 3500#, 17'
410980-10 Axle, 3500#, 16'

Tire/Wheel, 16', 17'

410944 TIRE/WHEEL ASSY 14" ALUMINUM
400985 CENTER CAP, STAINLESS STEEL
400923 LUG NUT, 1/2" ACORN TYPE
410848-01 TIRE/WHEEL ASSY 14"STEEL, SPARE

Tire/Wheel, 22'

410949 TIRE/WHEEL, 15" ALUMINUM
400844 COVER, HUB DUST, 4" STAINLESS
400923 LUG NUT, 1/2" ACORN TYPE
410843-01 TIRE/WHEEL ASSY 15" "D" SPARE

Spare Tire Carrier

450414 "A" frame spare tire carrier
994073 BRACKET FOR SPARE TIRE

Step, Single

400962 STEP-MAIN DOOR STEEL 24"

2010 SPORT

CHASSIS

Hose Carrier

601544-02 E-Z Hose carrier, 46in., black
104704-01 SHIM, 3 X 3

Safety Chain Hook

400945 5/16" clevis, safety slip hook

Hitch Jack

410945 JACK, ECLIPSE, MANUAL
410946 WHEEL, JACK, JOCKEY

Jacks, Stabilizing

400914-03 STABILIZER JACK 20", LIGHTWEIGHT
400914-02 HANDLE, 15" (STABILIZER JACK)
400914-04 FOOT PADS, STABILIZER JACK (Set of Four)
454425 SPACER, STABILIZER JACK

2010 SPORT

DECALS/EXTERIOR TRIM

Decals/Logos/Nameplates

386219	NAMEPLATE, SPORT, 3" X 10"
386205	DECAL, "AIRSTREAM", CHROME, 16"
386068	MEDALLION 3" LOGO, AIRSTREAM

Beltline

114328	Extrusion, belt line molding
201912	Molding, belt line insert, chrome
114417	Casting, belt line close out

Rub Rail trim

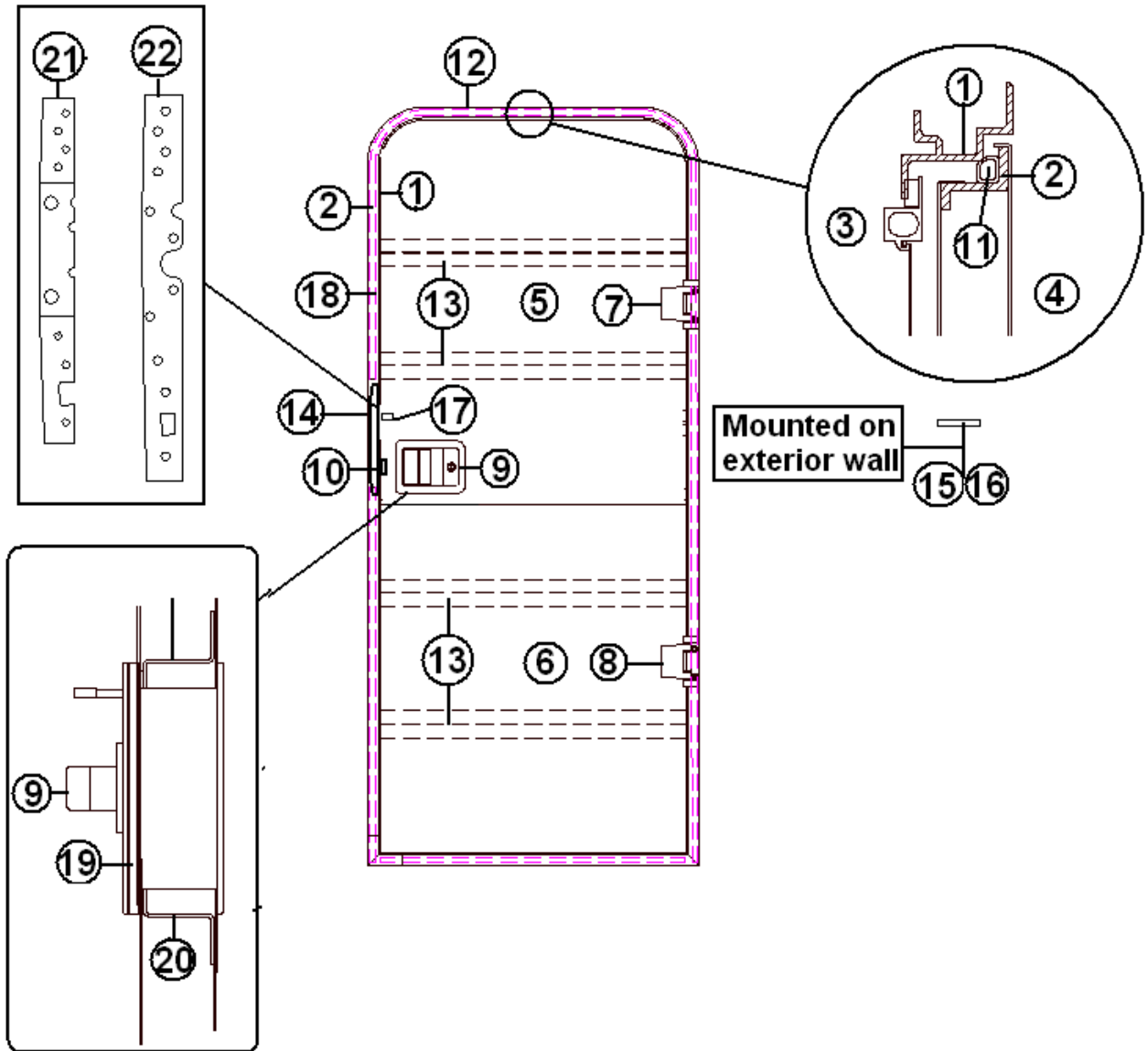
114460	Extrusion, rub rail
201763-01	Insert, rub rail, chrome, 1"
114466-01	Close out, casting, rub rail, angled RH
114466-02	Close out, casting, rub rail, angled LH
114465-01	Close out, casting, rub rail RH
114465-02	Close out, casting, rub rail LH

Reflectors

500096	REFLECTOR, AMBER
510446	REFLECTOR, RED, STICK-ON

2010 SPORT DOORS/WINDOWS/AWNING

Main Door, RH Hinge



Part numbers on the next page

2010 SPORT

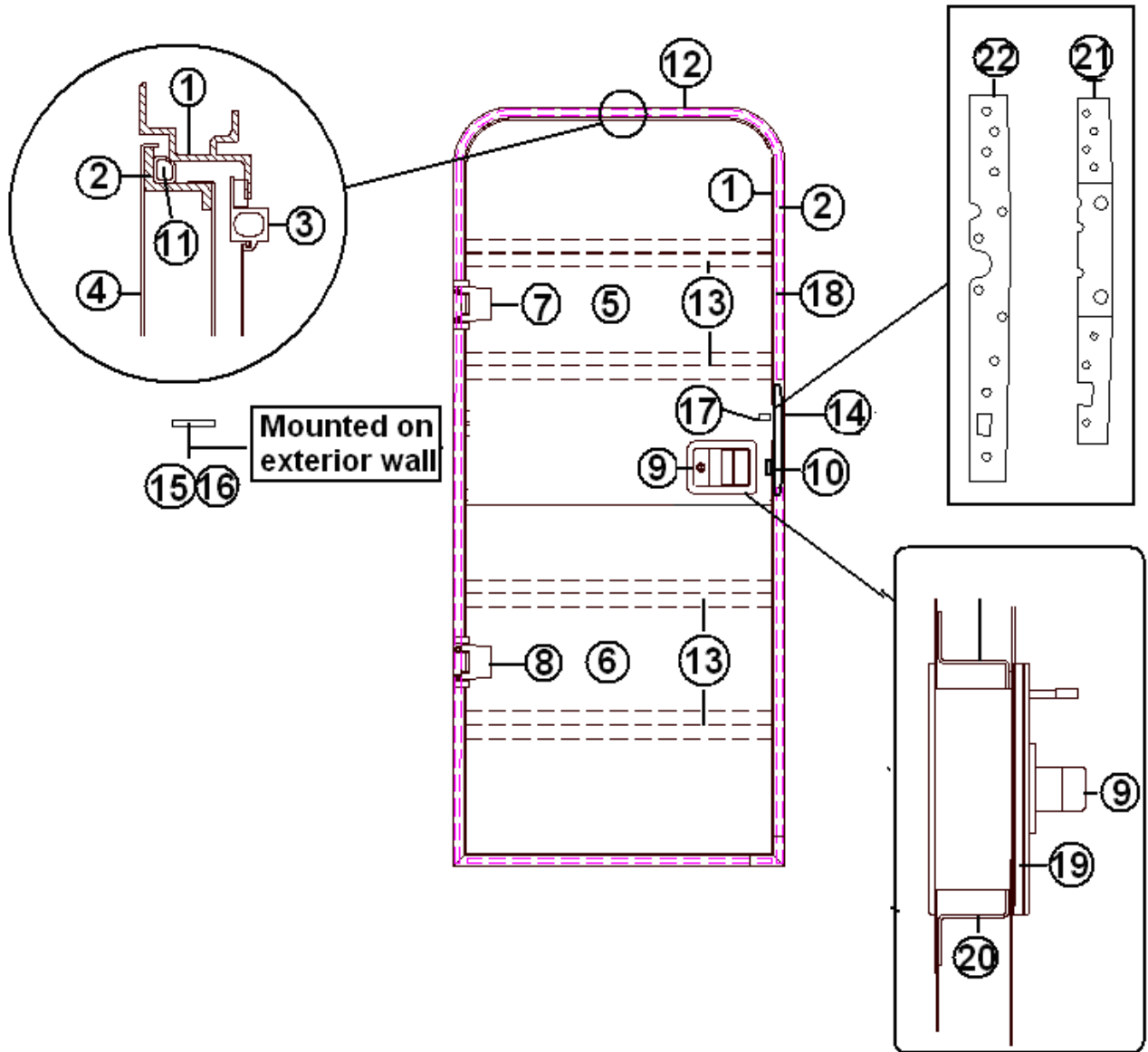
DOORS/WINDOWS/AWNING

Main Door, RH Hinge

- 115207-08 Main door assembly, RH Hinge
- 1. 114652-01 Jamb, main door, pre-formed
- 2. 114653-01 Frame, main door, pre-formed
- 3. 114654-01 Screen door assembly, RH Hinge
- 4. 114448-03 Skin, exterior, upper main door
- 5. 114449-03 Skin, exterior, lower main door
- 6. 114475 MAIN DOOR SKIN INNER
- 7. 381552-02 HINGE ASSY. MAIN DOOR UPPER
- 8. 381552-01 HINGE ASSY. MAIN DOOR LOWER
- 9. Trimark latch assembly parts shown in hardware section
- 10. 385595 Pocket strike, main door
- 11. 365232 Seal, main door
- 12. 114363 Drip cap, main door
- 13. 114658 Inner door, "Z" bar, upper & lower
- 14. 101171 HANDLE, CAST ALUMINUM
- 14. 382074 Gasket, grab handle, main door
- 15. 380290 Housing. Latch, mounted on side sheet
- 16. 380291 Latch assembly, mounted on side sheet
- 17. 201056 Striker, main door, black plastic
- 18. 114507-03 Trim, main door
- 19. 203370 Spacer, door latch
- 20. 114657 Hat section, formed, main door
- 21. 382067 OUTER LATCH, REINFORCEMENT, RH/LH
- 22. 382068 Inner reinforcement plate, RH hinged door

2010 SPORT DOORS/WINDOWS/AWNING

Main Door, LH Hinge



Part numbers on the next page

2010 SPORT

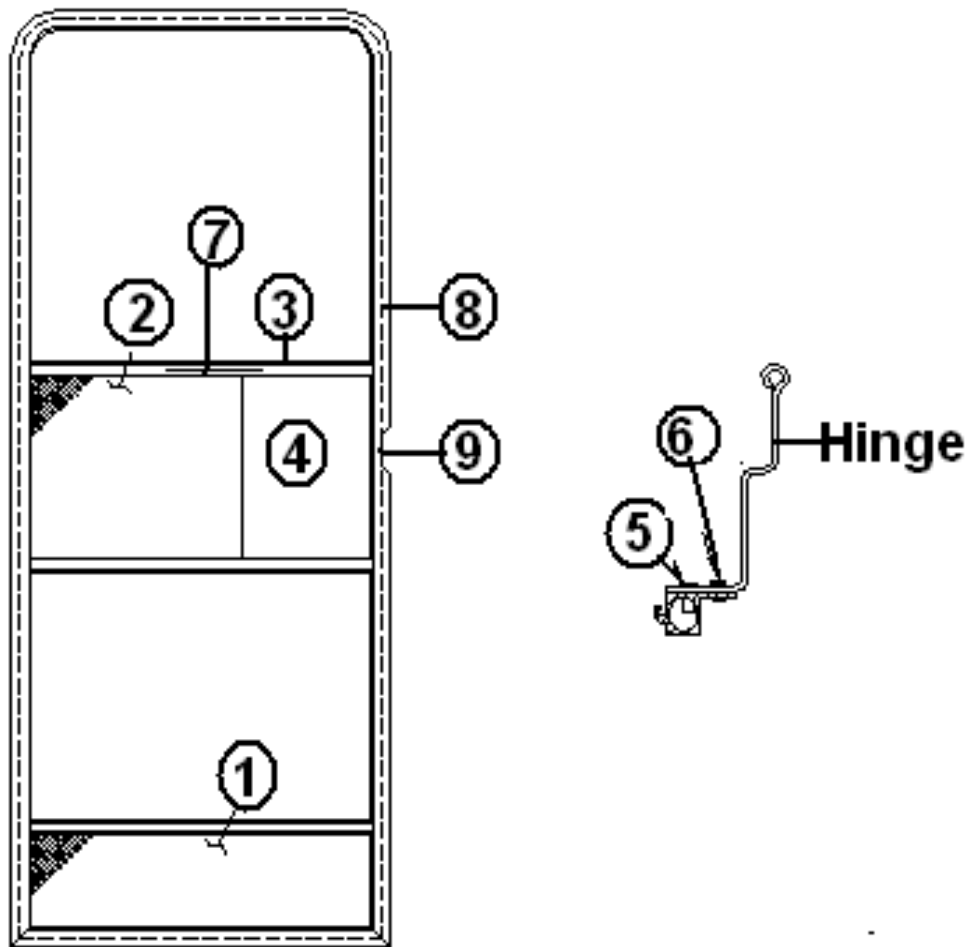
DOORS/WINDOWS/AWNING

Main Door, LH Hinge

- 115207-09 Main door assembly, RH Hinge
- 1. 114652 Jamb, main door, pre-formed
- 2. 114653 Frame, main door, pre-formed
- 3. 114654 Screen door assembly, RH Hinge
- 4. 114448-03 Skin, exterior, upper main door
- 5. 114449-03 Skin, exterior, lower main door
- 6. 114475 MAIN DOOR SKIN INNER
- 7. 381552-03 HINGE ASSY. MAIN DOOR UPPER
- 8. 381552-04 HINGE ASSY. MAIN DOOR LOWER
- 9. Trimark latch assembly parts shown in hardware section
- 10. 385595 Pocket strike, main door
- 11. 365232 Seal, main door
- 12. 114363 Drip cap, main door
- 13. 114658 Inner door, "Z" bar, upper & lower
- 14. 101171 HANDLE, CAST ALUMINUM
- 14. 382074 Gasket, grab handle, main door
- 15. 380290 Housing. Latch, mounted on side sheet
- 16. 380291 Latch assembly, mounted on side sheet
- 17. 201056 Striker, main door, black plastic
- 18. 114507-03 Trim, main door
- 19. 203370 Spacer, door latch
- 20. 114657 Hat section, formed, main door
- 21. 382067 OUTER LATCH, REINFORCEMENT, RH/LH
- 22. 382066 Inner reinforcement plate, LH hinged door

2010 SPORT
DOORS/WINDOWS/AWNING

Screen Door



Part numbers on the next page

2010 SPORT

DOORS/WINDOWS/AWNING

Screen Door

114654	SCREEN DOOR ASSY. LH HINGE
114654-01	SCREEN DOOR ASSY. RH HINGE
1. 114648-01	Kick panel screen door
2. 114561-01	Panel, slider, screen door
3. 104784-78	EXTR.SCREEN DOOR STIFENER #VH-9
4. 203287-02	Close out, plastic, screen door
5. 330130-02	RIVET POP, A52ABS
6. 325122	Rivet, hard, 5/32
7. 380004	HANDLE WITH 8/32 X 1 SCREW
8. 365013-01	Gasket, screen door, foam tape
9. 683946	BUG SEAL, edge of screen door close out
115171-01	SCREEN DOOR GUARD TOP
115171-02	SCREEN DOOR GUARD BOTTOM
380079	Screen, gray
200518	Spline, gray, screen insert
701624	VELCRO LOOP 5/8" WIDE
701625	VELCRO HOOK, 5/8" WIDE
381454	Screen door hold back latch, Bullet
386068	MEDALLION 3" LOGO, AIRSTREAM
381531-01	Hinge, screen door, upper
381531-02	Hinge, screen door, lower

2010 SPORT

DOORS/WINDOWS/AWNING

Refrigerator Exterior Access Door, 22' Front bed

922243	Door, refrigerator access, assembly
922156	REFRIGERATOR access door only
104417	Jamb, refrigerator access door
104439	Louvered panel, refrigerator access door
380988	HINGE, CONTINUOUS .5IN LEAF 16IN
203225	Trim, flexible
381812	Latch, twist Lock

Refrigerator Exterior Access Door, 17'

690470-01 VENT, SIDE WALL, REFRIGERATOR

Exterior Shower Door

601876 Shower Door, exterior, white

Access Door, Small, Side

100679-01	Small, access door assembly
365035	Seal, side access door
380773	HINGE, ACCESS DOOR
380770	LOCK & CASTING ASSEMBLY
115295	SPACER, FORMED COMPARTMENT DOOR
115296	JAMB, FORMED COMPARTMENT DOOR

2010 SPORT

DOORS/WINDOWS/AWNING

Access Door, 16' Rear end

922711	DOOR ASSEMBLY, TRUNK
115158	PANEL, OUTER TRUNK DOOR
115159	PANEL, INNER TRUNK DOOR
115157	JAMB, TRUNK DOOR
380203-01	PIANO HINGE
380770	LOCK & CASTING ASSEMBLY, BLACK
360016	BUMP-ON, RUBBER
365035	RUBBER SEAL, ACCESS DOOR
701538-01	CARPET, ECONOLIER W/PSA BACK
381065-10	10" CABLE SUPPORT

Windows, Standard

371426-01	Window, 19.25 X 22.75, 8" Vent, 16', 17', 22', Silver
371426-02	WINDOW, 44.00" X 24.25", REAR END, VERTICAL EGRESS, 16', SILVER
371426-03	WINDOW, 19.38" X 22.88", FIXED, 16', SILVER
371381-21	Window, flat w/8" vent, aft end, 17', 22', Black
371426-05	WINDOW, FLAT, w/8" vent, aft end, 17', 22', Silver
371381-19	Window, 36.25" x 24.19", front end, 17', 22', Black
99900P-049	Window, 36.25" x 24.19", front end, 17', 22', Silver
371381-20	Window, 28.25 x 29.75, egress, RS, 17', 22', Black
371426-04	Window, 28.25 x 29.75, egress, RS, 17', 22', Silver
371381-22	Window, 28.25" x 29.75" w/8" vent, CS, 22', Black
371426-06	Window, 28.25" x 29.75" w/8" vent, CS, 22', Silver
371381-02	Window, 19.25 X 22.75, 8" Vent, 22' Black
371328	Front window, 16', Silver
*381665	GASKET "D" SEAL .50W X .36H BLACK
*382117	GASKET-WINDOW RECTANGLE
* 382117	REPLACES 381665 ON UNITS MANUFACTURED ON AND AFTER APRIL - 2009

Silver frame windows replaced Black framed windows during model year except for 16' which started with Silver frames.

2010 SPORT

DOORS/WINDOWS/AWNING

Windows, Panoramic

99900P-049	WINDOW, FRONT, W/SQUARE CORNERS, 17', 22'
371328	FRONT WINDOW, 16'
372089-101	ROADSIDE WRAP WINDOW
372088-101	CURBSIDE WRAP WINDOW
320127-04	SCREW SHEET METAL #8 QDPH BLK
371347-03	SCREEN, FRONT WINDOW, 17', 22'
380230-03	KNOB, WINDOW ARM, PLASTIC/SILVER

Window Trim

110460-07	Trim ring, window, 31.25" x 29.75", White
110460-10	Trim ring, window, 26.25" x 19.25", White
110460-13	Trim ring, window, 36.25" X 24.19", White
110460-14	Trim ring, window, 27" X 28", White
110460-02	Trim ring, window, 19.25' x 22.75", White
110460-11	Trim ring, window, 19.38 X 22.75, Aluminum finish
110460-12	Trim ring, window, 26.25 x 19.25, Aluminum finish
110460-17	Trim ring, window, 28.25 X 29.75, Aluminum finish
110460-15	TRIM RING, WINDOW, 19.38 X 22.75, WHITE
110460-16	TRIM RING, WINDOW, 42.69 X 22.44, WHITE
203225-01	TRIM LOK, GRAY, EDGE TRIM

2010 SPORT

DOORS/WINDOWS/AWNING

Window Stone Guard, Panoramic Window

685275-101	CURBSIDE WRAP SOLAR GRAY STONEGUARD
685275-102	ROADSIDE WRAP SOLAR GRAY STONEGUARD
110102-05	Rock guard, center piece only
683960	Arm support
683959	Arm support bracket
114749	HINGE "Y" ASSY.
114750	HINGE "J"
685364	BRKT, UPPER HINGE-45.375-STONEGUARD
381021-01	Latch, draw flexible
685360	BRACKET, STONEGUARD, UPPER WRAP
290812-01	PLEXIGLASS, 1/8 X 28 X 84
685362	RETAINER, SPLIT RING

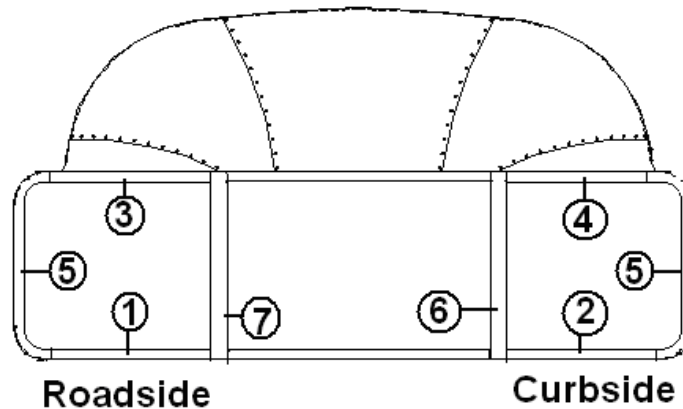
Stone guard frame

114815-01	Extrusion, frame aluminum
685354	Front window key, 90-degree angle riveted to inside corner of metal frame
685378-01	1/4" rubber spline
685351	Rubber frame, black
101401	Extrusion, door latch housing
685355	SLIP JOINT S.S.HINGE

2010 SPORT

DOORS/WINDOWS/AWNING

Panoramic Window Trim



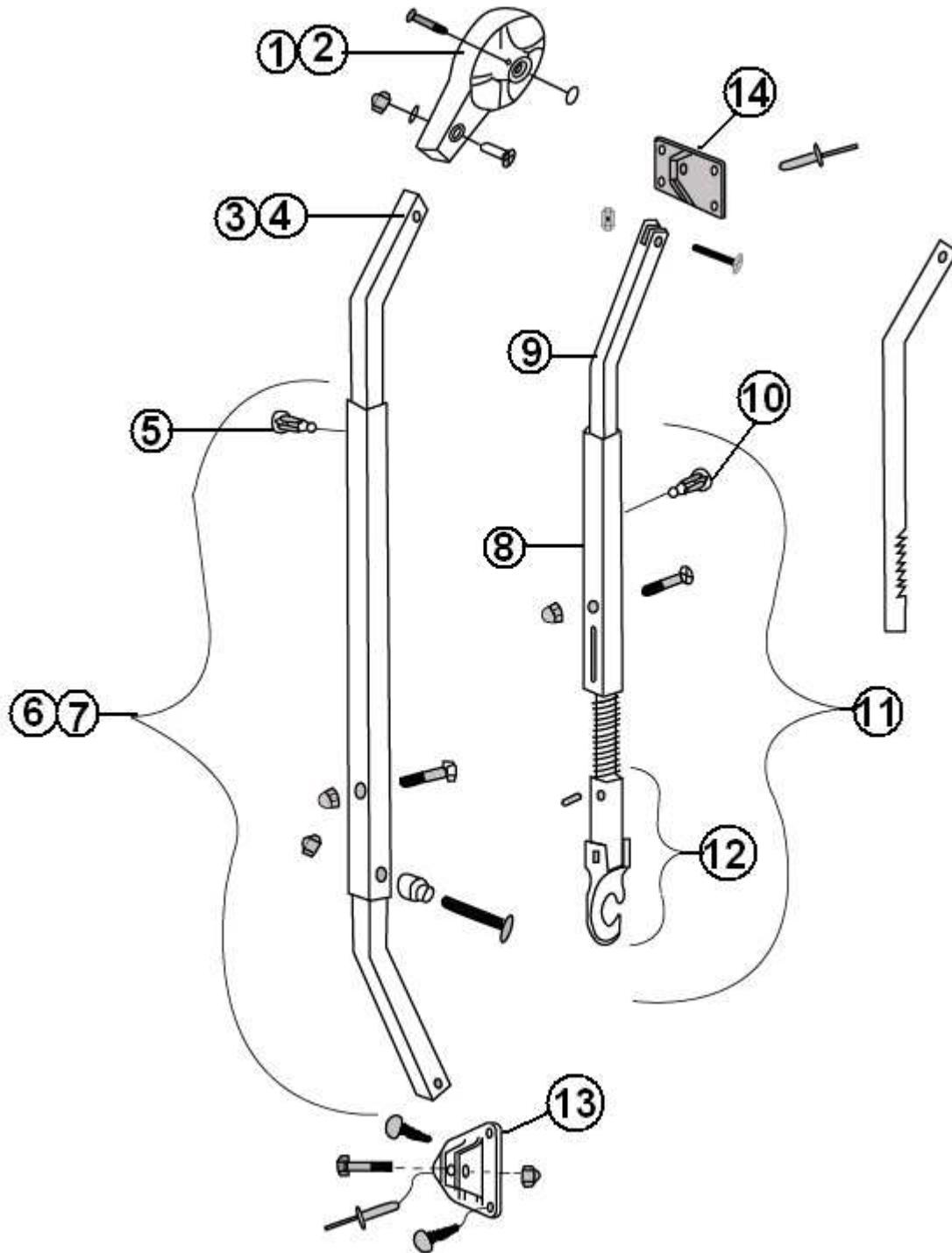
- | | |
|--------------|------------------------------|
| 1. 201579-02 | TRIM RING, LOWER, ALUMINUM |
| 2. 201580-02 | TRIM RING, LOWER, ALUMINUM |
| 3. 201581-05 | TRIM RING, UPPER, ALUMINUM |
| 4. 201581-06 | TRIM RING, UPPER, ALUMINUM |
| 5. 201578-02 | END CAP, TRIM RING, ALUMINUM |
| 6. 110900-03 | TRIM FORMED, ALUMINUM, RH |
| 7. 110900-04 | TRIM FORMED, ALUMINUM, LH |
| 203225-01 | TRIM LOK, ALUMINUM .75" |

Awnings, Patio

- | | |
|-----------|---------------------------------------|
| 703727-06 | Awning, patio, 6' 8.25", Zip Dee, 16' |
| 703727-03 | Awning, patio, 7' 5.25", Zip Dee, 17' |
| 703727-02 | Awning, patio, 9' 8", Zip Dee, 22' |
| 703727-01 | Hardware package, Zip Dee |
| 385577 | TAPE CLEAR WEAR STRIP 3.5" WIDE |

2010 SPORT HARDWARE

Awning Hardware, Lightweight, Patio



Part numbers on the next page

2010 SPORT

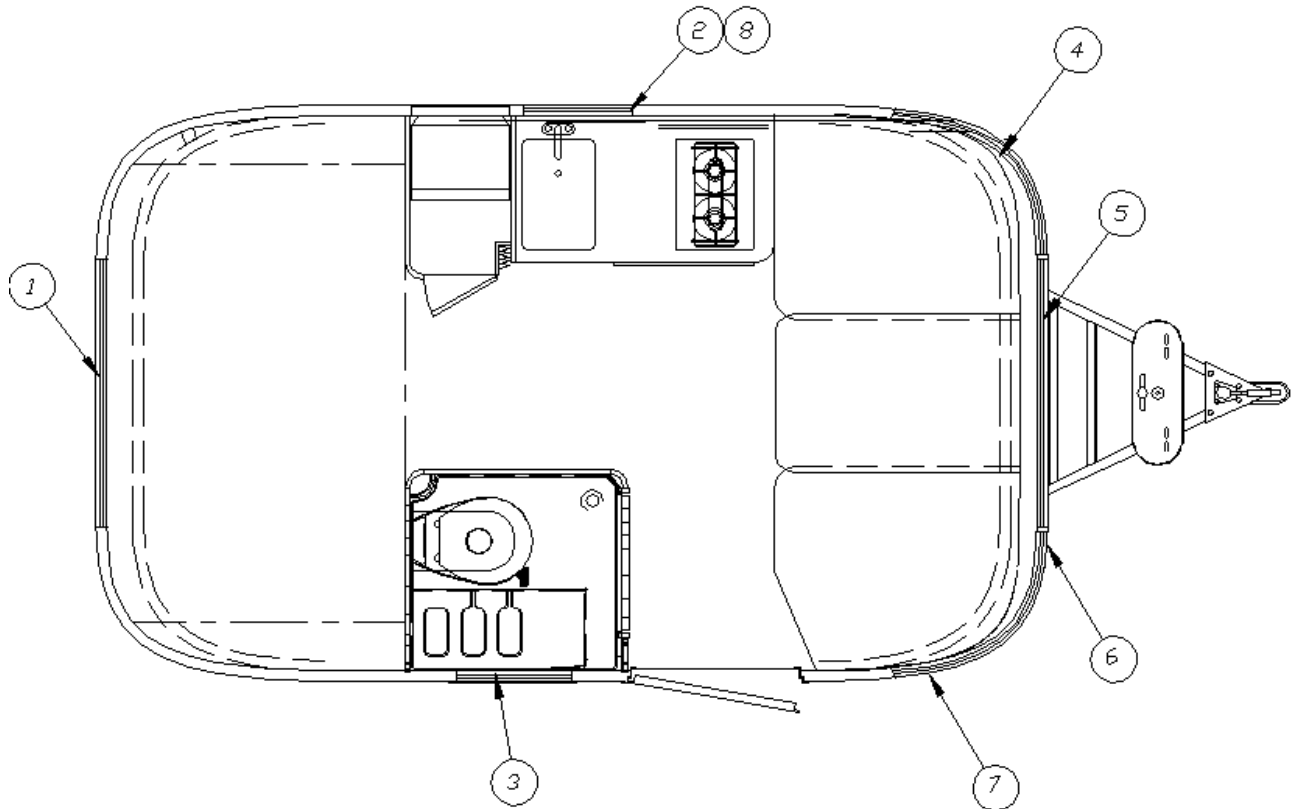
HARDWARE

Awning Hardware, Lightweight, Patio

703727-01	Awning hardware, complete package
1. 74043W-08	Front head casting
2. 74043W-09	Rear head casting
3. 74047W-13	Main arm bar, front
4. 74047W-14	Main arm bar, rear
5. 74054W	Snap stud assembly
6. 74048WS-18	Front main tube bar assembly
7. 74048WS-19	Rear main tube bar assembly
8. 74063W-05	Rafter arm tube
9. 74061WS-09	Rafter arm bar
10. 74072W	Ratchet stud
11. 74048WS-20	Rafter arm tube assembly
12. 74068W-05	Claw bar assembly
13. 74055W	Base hinge
14. 74056W-02	Rafter base, flat

2010 SPORT DRAPES/BLINDS

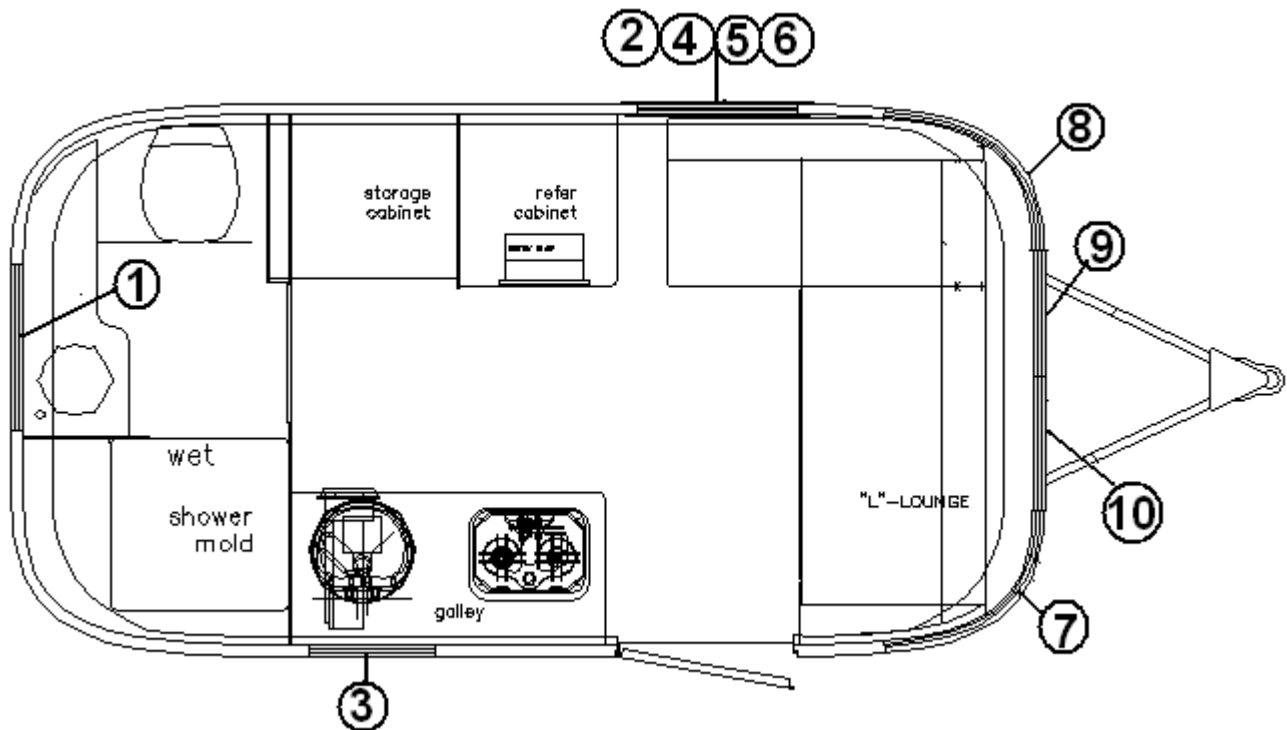
Drapes/Blinds 16'



- 998171-09 CURTAIN ASSEMBLY, 28.5" X 25.5"
- 703191-04 BLIND, MINI, METAL, 21" X 23", ALUMINUM
- 703445-05 SHADE, PULL, 21.00W X 34.00L, WHITE
- 998144-11 DRAPE, RS SIDE PANEL, 40" X 25.5"
- 998144-12 DRAPE, RS FRONT PANEL, 23" X 25.5"
- 998144-10 DRAPE, CS FRONT PANEL, 23" X 25.5"
- 998144-09 DRAPE, CS SIDE PANEL 40" X 25.5
- 115425-05 VALANCE, 22.125", ALUMINUM

2010 SPORT DRAPES/BLINDS

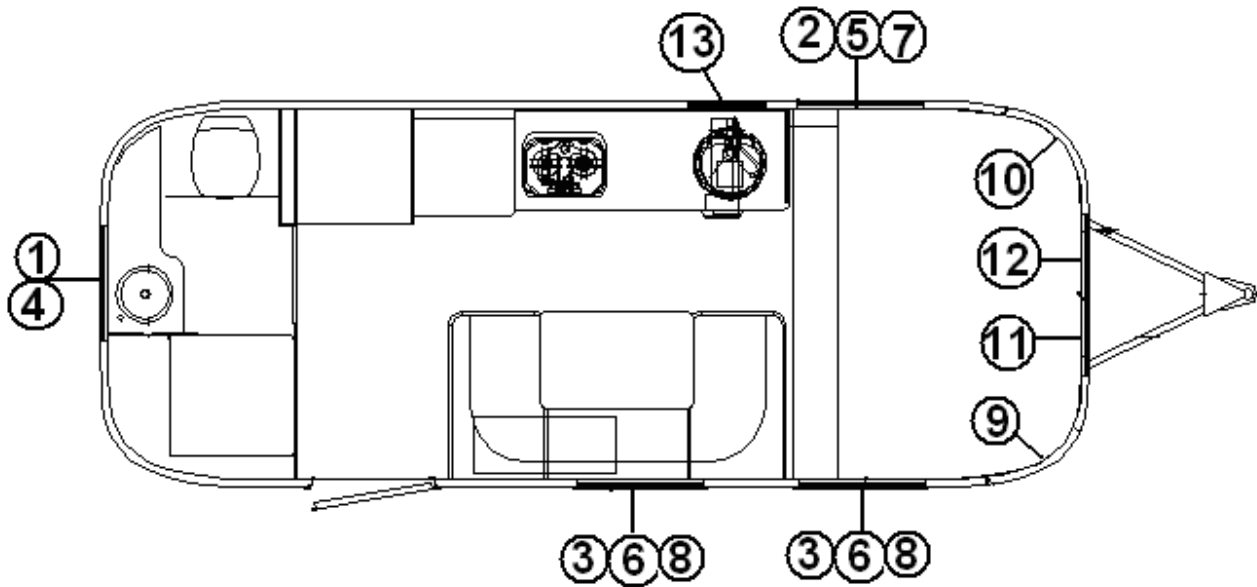
Drapes/Blinds 17'



- | | |
|---------------|---|
| 1. 703191-07 | BLIND, 27.5"W X 32"L, BRUSHED ALUMINUM |
| 2. 703191-21 | BLIND, 29.00" X 32.00" , BRUSHED ALUMINUM |
| 3. 703191-04 | BLIND, 21" X 23", BRUSHED ALUMINUM |
| 4. 115396-03 | BLIND COVER, 27.50" |
| 5. 115396-02 | BLIND COVER, 29" |
| 6. 115425-01 | VALANCE, ALUMINUM, 29.75" |
| 7. 998144-09 | DRAPE, CURBSIDE SIDE PANEL, 40" X 25.50" |
| 8. 998144-11 | DRAPE, ROADSIDE SIDE PANEL 40" X 25.50" |
| 9. 998144-13 | DRAPE, CURBSIDE FRONT PANEL |
| 10. 998144-14 | DRAPE , ROADSIDE FRONT PANEL |

2010 SPORT DRAPES/BLINDS

Drapes/Blinds, 22'



- | | |
|---------------|-------------------------------------|
| 1. 703191-07 | MINI BLIND, METAL, 27.5W X 22L |
| 2. 703191-21 | MINI BLIND, ALUMINUM, 29.00 X 32.00 |
| 3. 703191-22 | MINI BLIND, ALUMINUM, 31.00 X 32.00 |
| 4. 115396-03 | BLIND COVER, 27.5" |
| 5. 115396-02 | BLIND COVER, 29.0" |
| 6. 115396-01 | BLIND COVER, 31" |
| 7. 115425-01 | VALANCE, ALUMINUM, 29.75" |
| 8. 115425-03 | VALANCE, ALUMINUM, 38.75" |
| 9. 998144-09 | DRAPE, CS SIDE PANEL, 37" X 25.50" |
| 10. 998144-11 | DRAPE, RS SIDE PANEL, 37" X 25.50" |
| 11. 998144-13 | DRAPE, CS REAR PANEL |
| 12. 998144-14 | DRAPE, RS REAR PANEL |
| 13. 703191-04 | MINI-BLIND, 21" X 23", BRUSHED |
| ALUMINUM | |
| 345353-03 | SCREW, #6 X 0.75, FLAT HEAD, PHIL |
| 195329-202 | ROUND STCK ON BUMPER, CLEAR |

2010 SPORT

DRAPES/BLINDS

Drapes, Installation

345353-03	SCREW, #6 X 0.75 FLAT HD, PHILIPS
195329-202	HEMISPHERE, CLEAR BUMP-ON
700473	DRAPERY LINING, MARLINE WHITE
703774	NLA - FABRIC, EUROFLICKER SILVER
702761	NLA - FABRIC ADAMO - HS/WHITE
703903	FABRIC WYETH - OFF WHITE
700045	GLIDES CURTAIN G3 W/ELASTIC
700020	PILE, VELCRO
700021	HOOK, VELCRO, WHITE
101225	EXTRUSION, ALUMINUM CURTAIN TRACK
101217	EXTRUSION CURTAIN TRACK
101220	TRACK, STAND-OFF, CURTAIN
200784	ENDS, CURTAIN TRACK, RH WHITE
200785	ENDS, CURTAIN TRACK, LH WHITE

2010 SPORT

ELECTRICAL, 110 VOLT

Shore Line Cord

511416-01 POWER CORD, 25', 30 AMP, CSA
512401-02 POWER INLET, 30A, 125V, MALE
511416-03 POWER CORD, 30A, 30' W/CONN UL/CSA

Converter

512237 POWER CENTER, AC/DC, BLACK
510743 GROUND BAR, 3 ½" LONG

Breakers

510564-05 BREAKER BRYANT 30-20
510564-04 BREAKER BRYANT 20-20
510564-06 BREAKER- BRYANT 20 GFI

Switches

500913-03 SWITCH T & B WHITE
511327 SWITCH BODY W/ROCKER SWITCH, 1 GANG
500563-04 PLATE, DECORATOR, 1-GANG, WHITE
500967-01 COVER, BLANK, IVORY
511665 SWITCH, CEILING WHITE
511669 SWITCH, SHOWER WHITE

Exterior Outlet/Circuit Tester

*510676-01 Outlet, exterior, gray
*512399 COVER, EXTERIOR OUTLET, GREY
*500563-03 RECEPTACLE, WHITE 15 A
511023 Circuit tester (loose item)

*512399 AND 500563-03 replaced 510676-01 during model year

2010 SPORT
ELECTRICAL, 110 VOLT

Receptacles

511451-02	RECEPTACLE 20A SINGLE BROWN
500563-01	RECEPTACLE, 15A 125V T&B TYPE
500563-100	SCREW-WHITE FOR P/N 500563-01
382070	Non-skid rubber dot for 500563-01
511287	Receptacle, 15 amp, single
511814-01	RECEPTACLE, DUPLEX GRAY SELF CONTAINED
511814-02	PLATE, DECORATOR 1 GANG GRAY
500563-03	RECEPTACLE, WHITE, 15 AMP

Microwave Pre-Wire

512025-01	JUNCTION DEVICE, WHITE
512025-02	PLATE, SNAP ON, ONE GANG, WHITE

2010 SPORT
ELECTRICAL, 12 VOLT

Battery/Battery Box

511596	BATTERY-DEEP CYCLE GRP.24
381814	Wing nut, battery hold down
381613	Cover, black plastic for hold down wing nut
500836-02	Positive battery cable
500837	Negative Battery cable
511595	BATTERY BOX

7-Way Cable

500886-01	7-Way cable w/plug
510947-20	20 amp BREAKER, 12V DC, TYPE II, #12V20
510946-06	Bracket, 6 PO Breaker, 12V, #8536-2
510947-30	Breaker, 12V DC, TYPE II, #12V30
510948-12	Bar, buss, Circuit breaker, connector
510743	GROUND BAR, 3 ½" LONG

Switches, 12 Volt

512245	Switch assembly, 2-way, white
511745	SWITCH ASSY- THREE GANG WHITE
510658	SWITCH W/WEATHER-PROOF BOOT
511836	SWITCH, REFRIGERATOR/FAN WHITE #AH-AS
511566-02	SWITCH COVER, 2 GANG, WHITE
511567-02	SWITCH BODY W/ROCKER, 2 GANG
511980	SWITCH ASSY, 4 GANG BLACK
511658	SWITCH BODY W/COVER, 3-GANG
511673	SWITCH COVER, TWO GANG BLACK
511674	SWITCH COVER, ONE GANG BLACK
511975	SWITCH ASSY, 4 GANG, BLACK
511731-01	SWITCH, WATER HEATER BLACK, 16'
511999	SWITCH ASSY, 2 GANG BLACK
511288	FACE PLATE, ON/OFF TOGGLE SWITCH

2010 SPORT
ELECTRICAL, 12 VOLT

Receptacle, 12 Volt

195466-250 12V RECEPTACLE SOCKET W/COVER, 17', 22'
510807 OUTLET 12 VOLT, 16'
510888-05 RECEPTACLE W/COVER, GFI, WHITE

Battery Disconnect

510626 Switch, master battery disconnect

Break Away Switch

0300027 Break away switch, Bargman
454526 BRACKET, BREAK AWAY SWITCH

Monitor Panel and Sensor

511788-01 Monitor panel, CATCON Micropulse
511789-01 BOOT-SENSOR #500-20010-05
511789 SENSOR, TANK MONITOR
511286-01 WIRE FLAT TELEPHONE 26 GA. BLACK
511286-02 WIRE FLAT TELEPHONE 26 GA. IVORY
511252 PLUG PHONE 4 CONDUCTOR
511393 COUPLER-MODULAR EXTENSION, 4 CONDUCTOR

External TV Jack Inlet

512249 COVER, EXTERIOR ONE CABLE CONNECTOR

Breakers, 12 Volt

510947-20 20 amp BREAKER, 12V DC, TYPE II, #12V20
510947-30 Breaker, 12V DC,TYPE II, #12V30

2010 SPORT
ELECTRICAL, 12 VOLT

Interior Lights

512243	LIGHT, 12V DLB W/SWITCH
512242	LIGHT, 12V SINGLE BULB W/SWITCH
512242	LIGHT, 12V SINGLE, W/SINGLE SWITCH
511297-01	LIGHT, HALOGEN, READING, W/SWITCH, NICKLE
511410	LIGHT, SHOWER, INCANDESCENT, SINGLE, 16'

Fuse Block Assembly, CSA

964082	FUSE BLOCK ASSY. 12V CSA
452412-01	BRACKET, FUSE BLOCK, 12V, CSA
511313	BLOCK, FUSE, ATC, 12V, 6 POSITION
511314	BUSHING, UNIVERSAL, 1" I.D. BLACK
511345	FUSE, 30A AGU, GLASS TUBE

Exterior Lights

512252	STEP LIGHT, L.E.D., SS
512227	Red LED clearance light
512227-01	Chrome base, red LED clearance light
512227-02	Sealed light bezel, red LED clearance light
512227-03	Foam gasket, red LED clearance light
512226	Amber LED clearance light
512226-01	Chrome base, amber LED clearance light
512226-02	Sealed light bezel, amber LED clearance light
512226-03	Foam gasket, amber LED clearance light
512455	LICENSE PLATE LIGHT W/HOLDER LED BLACK

2010 SPORT
ELECTRICAL, 12 VOLT

Tail Light Assembly

511860-01 LIGHT, 4"LED, RED
511860-02 BEZEL, 4" ROUND, CHROME W/VISOR

12 Volt Interior Receptacle

195466-250 12 Receptacle w/cover

Fuses

500773-03 FUSE, ATC, 12V DC, 3 AMP
512318 FUSE HOLDER W/1 AMP AGC FUSE
500883-01 FUSE 12, CSA 1 AMP
681936 AGC-1 FUSE

2010 SPORT ENTERTAINMENT

Radio/Antenna

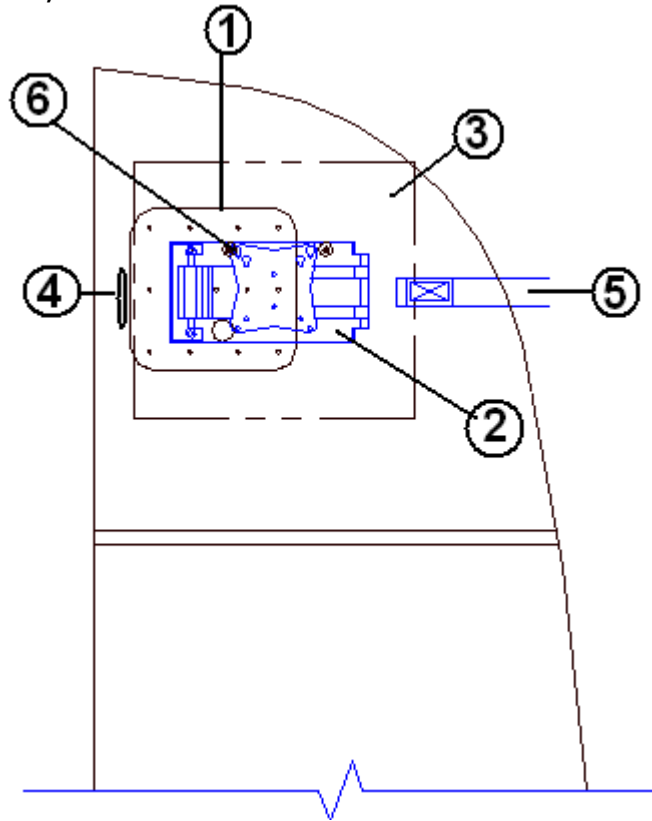
512239	Radio, AM/FM/CD
500913-03	SWITCH, T & B WHITE
511807	Antenna, AM/FM rubber, 13"
500484-05	ANTENNA LEAD & EXTENSION, 72"
511339-01	SPEAKER, AUDIOVOX, 5.25", 17', 22'
511339-02	GRILL, SPEAKER, WHITE, 6", 17', 22'
512215-01	SPEAKER 6.5", 16'
512215-02	GRILL, 6.5", WHITE, 16'
512150	Adaptor, radio plug
512318	HOLDER W/1 AMP FUSE, IN-LINE
681936	AGC-1 FUSE

TV Antenna/Jack

510788-03	Amplifier, TV antenna
510788-09	ANTENNA, SHORT BOOM W/RV WIND
510788-04	Hardware package, interior, Winegard
510623	Connector, coax, male to male
511534	Dual coax plate, Satellite TV, hook up
512249	Jack, One cable, TV, exterior w/cover
511375	JACK MODULAR TELEPHONE TA-1020
511834	PATCH CORD, 30' DUAL MALE TO MALE
511835	PATCH CORD, 30' 3-WAY, MALE TO MALE
511703	CORD, PATCH, MALE/MALE, 2-WAY 20'

2010 SPORT ENTERTAINMENT

TV Installation, 17', 22'

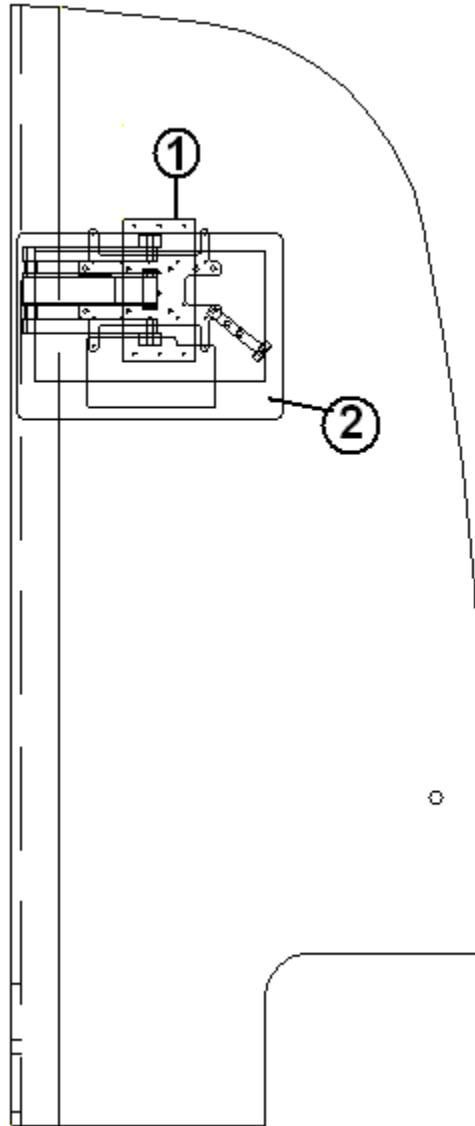


- | | |
|--------------|--------------------------------------|
| 1. 454477 | BRACKET, TV MOUNT, 19" TV |
| 2. 512256-01 | BRACKET, TV, ARTICULATING ARM, BLACK |
| 3. *690577 | TV W/DVD, COLOR, STEREO LCD, 15" |
| 3. *690600 | TV, 19" TOSHIBA |
| 3. 381566 | LOOP, FOOTMAN, STEEL, 1.625"X .56 |
| 4. 703455-03 | STRAP, 46" |
| 5. 381136 | RUBBER BUMPER |

*TV CHANGED TO 19" - NOV. 2009)

2010 SPORT ENTERTAINMENT

TV Installation, 16'



- 1. 690600 TV w/DVD, 19" Flat Screen
- 2. 454477 BRACKET, TV MOUNT, 19" TV

2010 SPORT
FLOOR COVERING

Floor Mats

702549 MATT ENTRANCE W/AIRSTREAM LOGO

Vinyl Flooring

703835 FLOORING, VINYL, YASMINE W/DURAB

203594-02 FLOOR TRIM, ASH GREY

801492-0114 THRESHOLD, MAIN DOOR, GOLD ALCHEMY

2010 SPORT

FURNITURE, DOORS

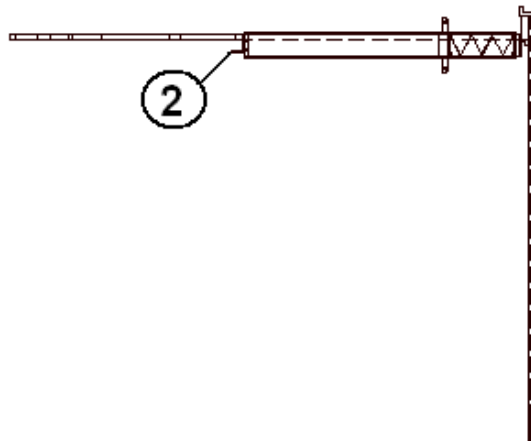
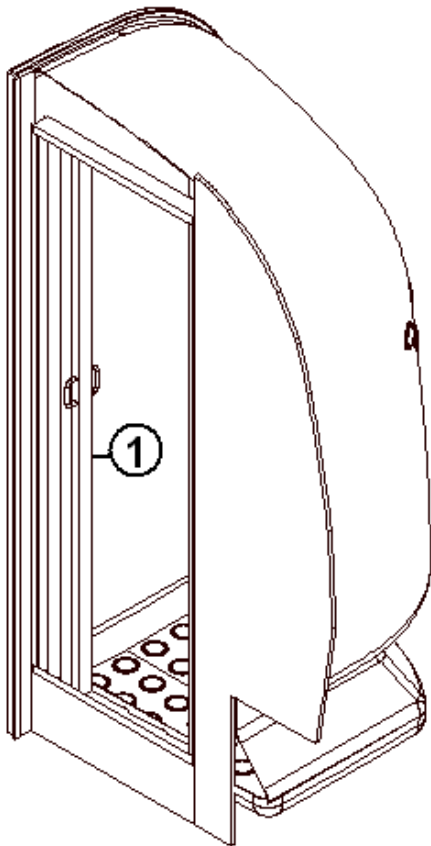
Doors, Roof Locker

967104-01	DOOR, TAMBOUR, 9.88 X 25.38
967104-04	DOOR, TAMBOUR, 9.88" X 23.38"
967104-06	DOOR, TAMBOUR, 9.88" X 28.25"
967104-07	DOOR, TAMBOUR, 9.88 X 29.13
967104-08	DOOR, TAMBOUR, 9.88 X 20.63
101265-01	EXTRUSION, BLACK, TAMBOUR DOOR HANDLE
201163-01	ENDCAP, BLACK, TAMBOUR DOOR HANDLE

Doors, Bath, 17'

967257	DOOR ASSEMBLY "C" BATH, 22" X 72"
--------	-----------------------------------

Door, Shower, 17', 22'

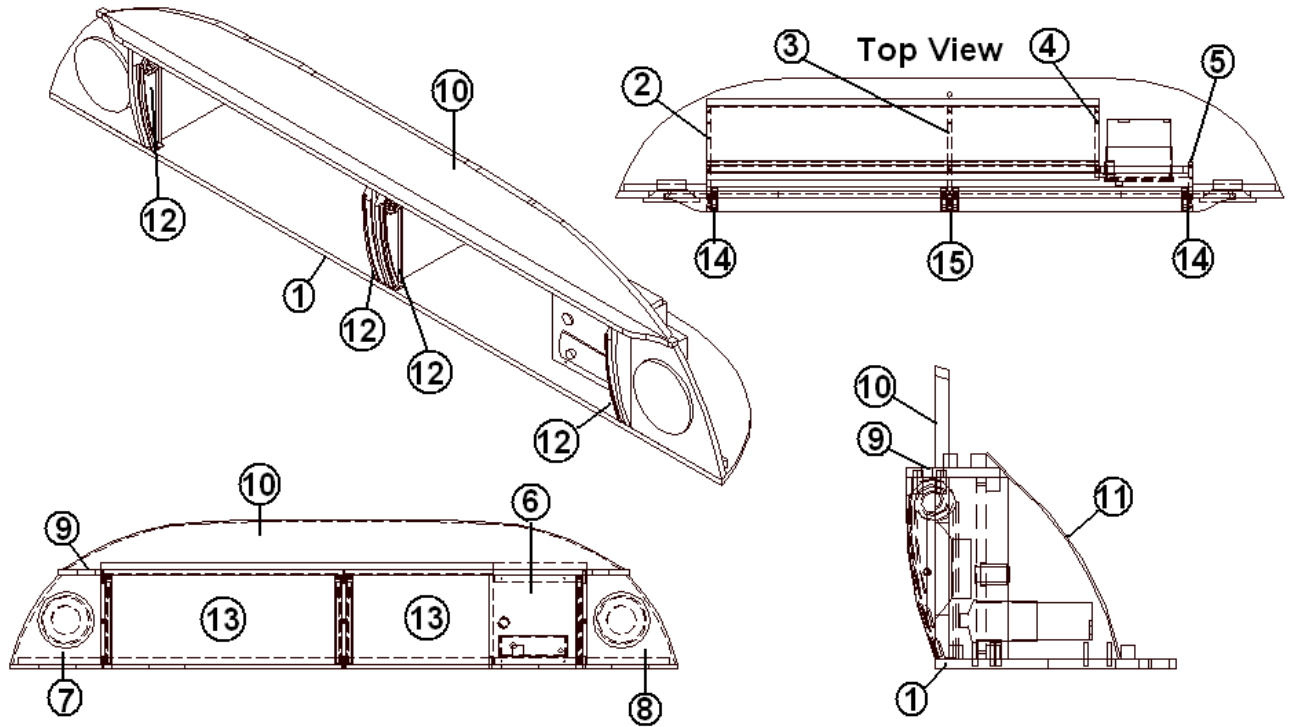


1. 703725
2. 101134

SHOWER DOOR
Aluminum angle, 1/8" x 1 x 1.5"

2010 SPORT FURNITURE, LOUNGE

End Liner Locker, Front, 17'



Part numbers on the next page

2010 SPORT

FURNITURE, LOUNGE

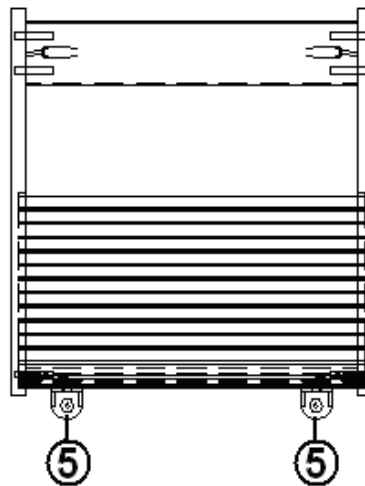
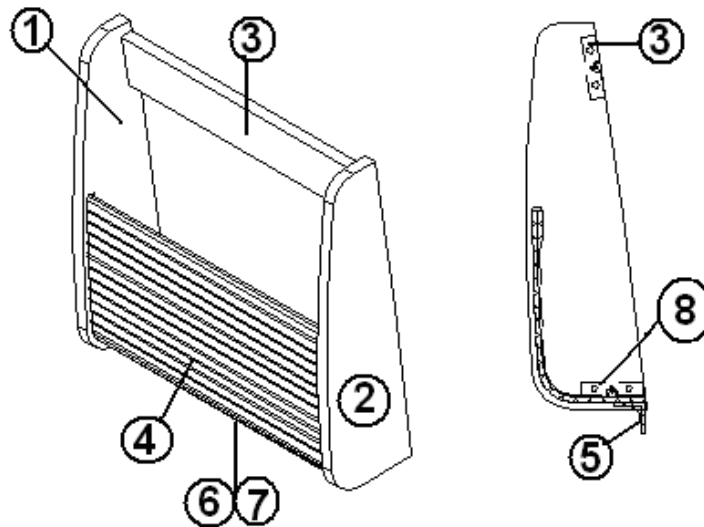
End Liner Locker, Front, 17'

967098	ROOFLOCKER, FRONT ENDLINER
1. 967098-1	PANEL, ROOFLOCKER, 13 X 72.87
2. 967098-2	PANEL, ROOFLOCKER, 9.46 X 9.81
3. 967098-3	PANEL, ROOFLOCKER, 9.21 X 9.81
4. 967098-4	PANEL, ROOFLOCKER, 5.15 X 9.81
5. 967098-5	PANEL, ROOFLOCKER, 9.46 X 9.81
6. 967098-6	PANEL, ROOFLOCKER, 10.19 X 9.81
7. 967098-7	PANEL, ROOFLOCKER, 9.94 X 9.81
8. 967098-8	PANEL, ROOFLOCKER, 9.94 X 9.81
9. 967098-9	PANEL, ROOFLOCKER, 5 X 62.39
10. 967098-10	PANEL, ROOFLOCKER, 4.5 X 61.3
11. 967098-11	PANEL, ROOFLOCKER, 13.5 X 42.81
12. 201164-02	SPIRALS, ROOFLOCKER, PLATINUM, LH/RH
13. 967104-01	DOOR, TAMBOUR 9.88 X 25.38
14. 115382-01	TRIM, ALUMINUM, ROOFLOCKER, .688 X 10
15. 115382-02	TRIM, ALUMINUM, ROOFLOCKER, 1.88 X 10
800368-02	TAMBOUR, SILVER, 4' X 8' SHEET
101265-01	EXTRUSION, BLACK, TAMBOUR DOOR HANDLE
201163-01	ENDCAP, BLACK, TAMBOUR DOOR HANDLE

2010 SPORT

FURNITURE, LOUNGE

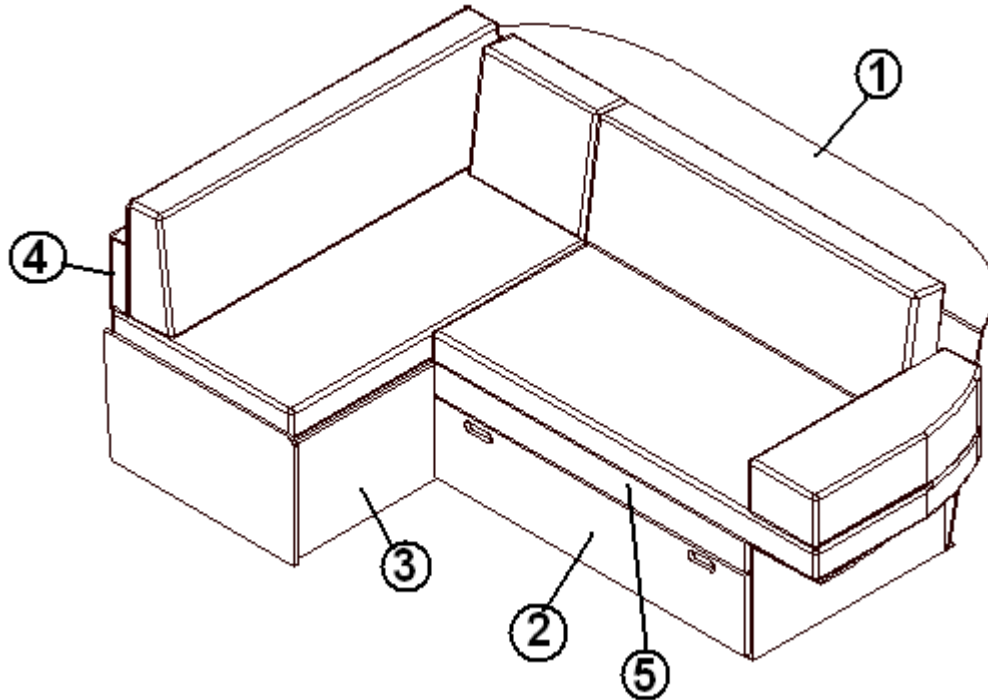
Magazine Rack, 22' Front Bed



- | | |
|--|---|
| <p>967483</p> <p>1. 967483-1</p> <p>2. 967483-2</p> <p>3. 967483-4</p> <p>4. 967104-06</p> <p>5. 385963</p> <p>6. 101265-01</p> <p>7. 201163-01</p> <p>8. 967483-3</p> <p>381609-05</p> <p>381610-01</p> | <p>MAGAZINE RACK</p> <p>PANEL, MAGAZINE RACK, 4.25 X 14</p> <p>PANEL, MAGAZINE RACK, 4.25 X 14</p> <p>PANEL, MAGAZINE RACK, 2.25 X 12</p> <p>DOOR, TAMBOUR, 9.88" X 28.25"</p> <p>BRACKET, ANGLED, LAMBREQUIN</p> <p>EXTRUSION, BLACK DOOR HANDLE</p> <p>ENDCAP, BLACK HANDLE (PR)</p> <p>PANEL, MAGAZINE RACK, 2.25 X 12</p> <p>SCREW HAFELE EUROPEAN #9 1 1/2</p> <p>COVER CAP PLAS. EUROPEAN WHITE</p> |
|--|---|

2010 SPORT
FURNITURE, LOUNGE

L Sofa Assembly, 17'

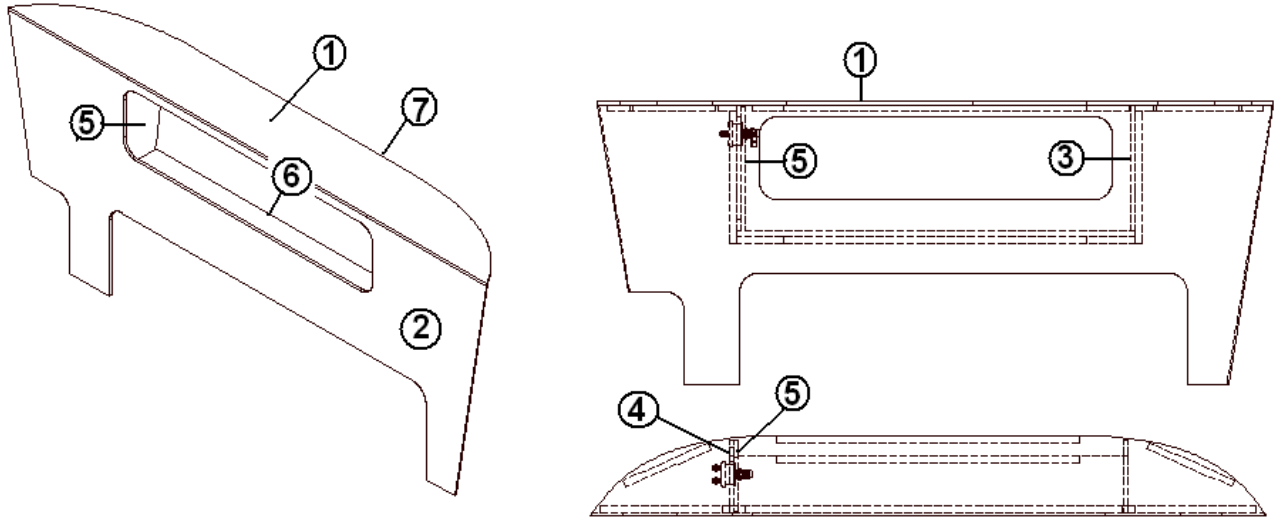


- | | |
|--------------|--------------------------------|
| 1. 967120-08 | SOFA BACK ASSY. |
| 2. 967404-08 | SOFA ASSY. |
| 3. 967405-08 | SOFA "L"SECTION ASSY. |
| 4. 967136 | CUSHION ASSEMBLY, BACK SUPPORT |
| 5. 967403-08 | SOFA BED ASSY. |
| 703733 | FABRIC, F-0105099-01200031 |

2010 SPORT

FURNITURE, LOUNGE

Sofa Back Assembly, 17'

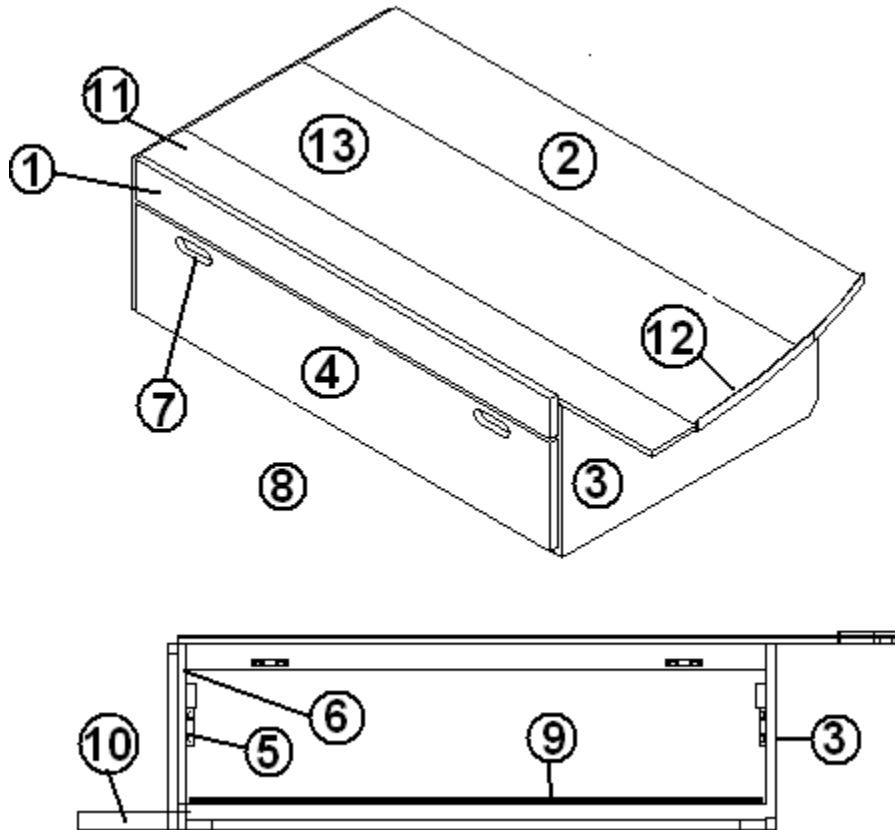


- | | |
|---------------|------------------------------------|
| 967120-08 | SOFA BACK ASSY. |
| 1. 967120-081 | PANEL, SOFA BACK 11.69 X 75.99 |
| 2. 967120-082 | PANEL, SOFA BACK 75.98 X 30.13 |
| 3. 967120-083 | PANEL, SOFA BACK 10.87 X 13.63 |
| 4. 967120-084 | PANEL, SOFA BACK 10.87 X 13.63 |
| 5. 967120-085 | PANEL, SOFA BACK 8 X 13.38 |
| 6. 967120-086 | PANEL, SOFA BACK 9.13 X 43 |
| 7. 203138-01 | EXTRUSION, PLASTIC, 1/2", WHITE |
| 702482-03 | HEADLINER, SPECTRA OPAL X TEXTURED |

2010 SPORT

FURNITURE, LOUNGE

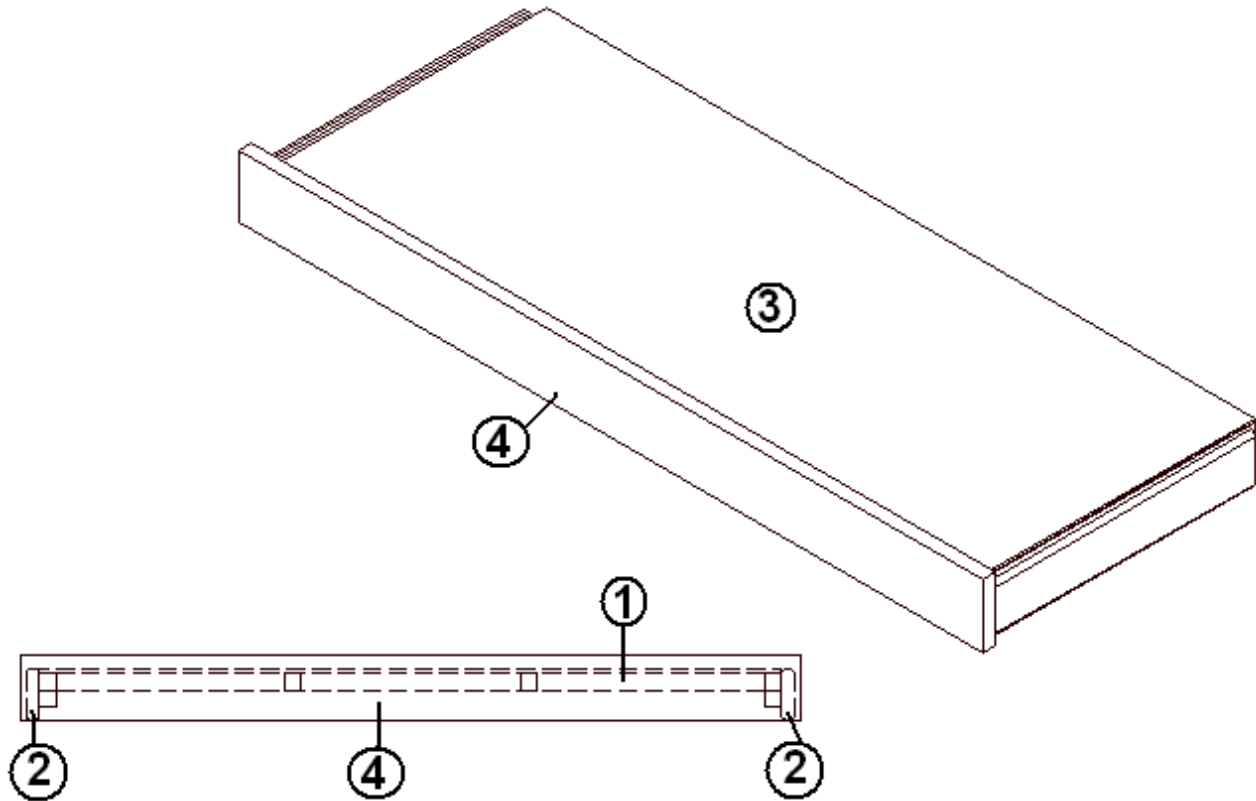
Sofa, 17'



967404-08	SOFA ASSY.
1. 967403-08	SOFA BED ASSY.
2. 967404-082	PANEL, SOFA TOP, 28.25 X 56.36
3. 967404-083	PANEL, SOFA, 28.25 X 14.5
4. 967404-084	DOOR, SOFA, 10.25 X 45.63
5. 967404-085	PANEL, SOFA, 14.50 X 28.25
6. 967404-086	PANEL, SOFA, 3.00 X 14.00
7. 381774	HANDLE, DRAWER/DOOR
8. 381072	HINGE, 3" X 1 7/8", OPEN GOLD
9. 381228-01	CATCH, GRABBER DOOR
10. 967404-0815	PANEL, SOFA, 5.0 X 56.36
11. 114809	ALUMINUM ANGLE, 1.50 X 1.50
12. 114811	ALUMINUM ANGLE, .50 X .50
13. 967404-0818	PANEL, SOFA, 18.00 X 56.36

2010 SPORT
FURNITURE, LOUNGE

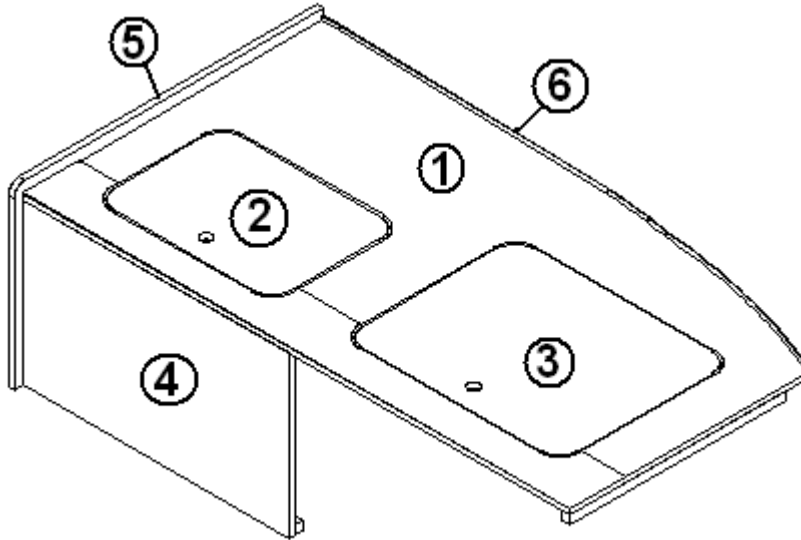
Sofa Bed, 17'



- | | |
|---------------|------------------------------------|
| 967403-08 | SOFA BED ASSY. |
| 1. 915997 | WELDMENT, SOFA BED |
| 2. 381826 | SLIDE-BALL BEARING 16" 28'CCD |
| 3. 967403-083 | PANEL, SOFA BED TOP, 17.00 X 43.50 |
| 4. 967403-084 | PANEL, SOFA BED, 3.88 X 45.63 |

2010 SPORT
FURNITURE, LOUNGE

Sofa, L-Section, 17'

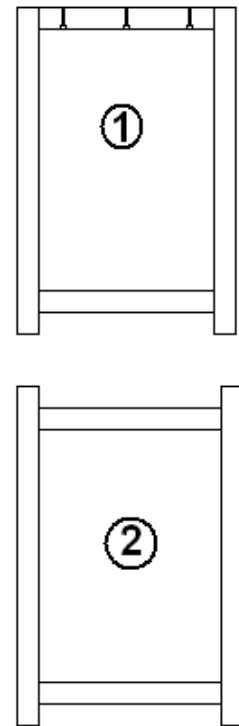
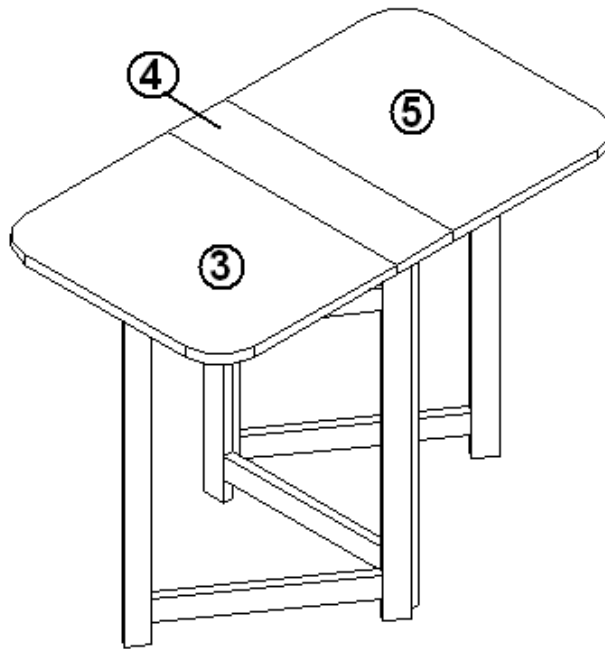
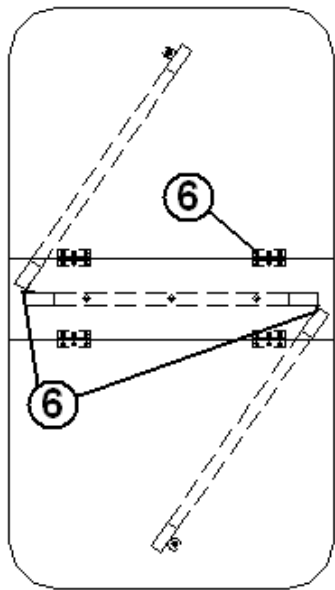


- | | |
|---------------|-----------------------------|
| 967405-08 | SOFA, "L"SECTION ASSY. |
| 1. 967405-081 | PANEL, L SOFA, 27 X 49.5 |
| 2. 967405-082 | PANEL, L SOFA, 11.5 X 16 |
| 3. 967405-083 | PANEL, L SOFA, 15.5 X 19.5 |
| 4. 967405-084 | PANEL, L SOFA, 14.5 X 24 |
| 5. 967405-085 | PANEL, L SOFA, 16 X 28 |
| 6. 114812 | ALUMINUM ANGLE, 1.00 X 1.00 |

2010 SPORT

FURNITURE, LOUNGE

Table, Folding, 17'

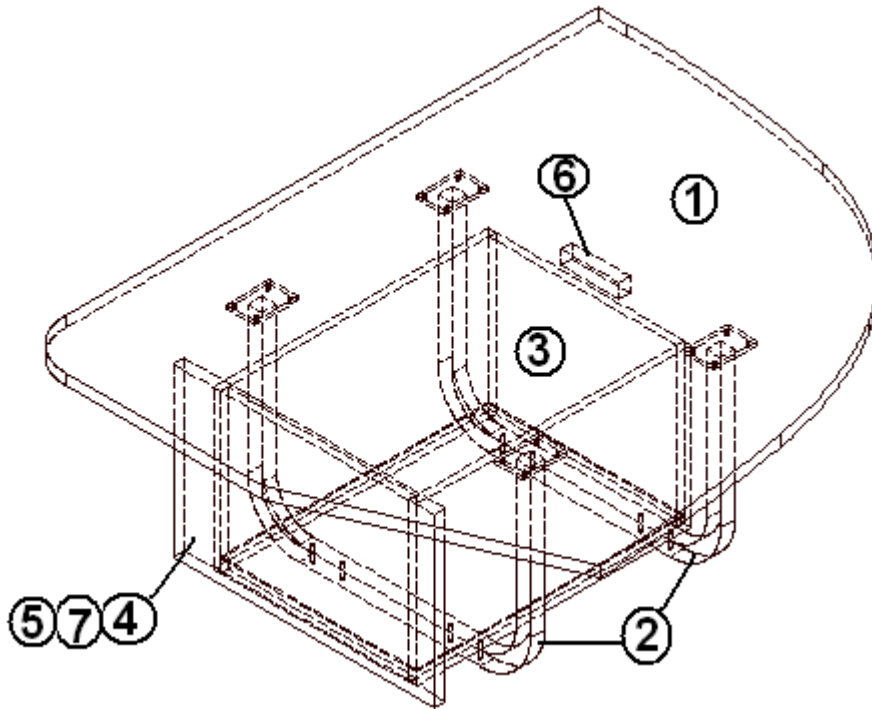


- | | |
|----------------|------------------------------------|
| 967409-08 | TABLE ASSY, SOFA |
| 1. 967139-0014 | CENTER FOLDING TABLE LEG FRAME |
| 2. 967140-0014 | SIDE FOLDING TABLE LEG |
| 3. 967409-083 | PANEL, SOFA TABLE, 20 X 15.5 |
| 4. 967409-084 | PANEL, SOFA TABLE, 20 X 5 |
| 5. 967409-085 | PANEL, SOFA TABLE, 20 X 15.5 |
| 6. 382051 | HINGE, SURFACE MOUNT, BRASS |
| 320097-01 | SCREW, #6 X 1/2", OVAL HEAD, BRASS |
| 381136 | RUBBER BUMPER |
| 381566 | LOOP, FOOTMAN STEEL, 1.625" X .56 |
| 703455-04 | STRAP, 18", FOLDING TABLE |

2010 SPORT

FURNITURE, LOUNGE

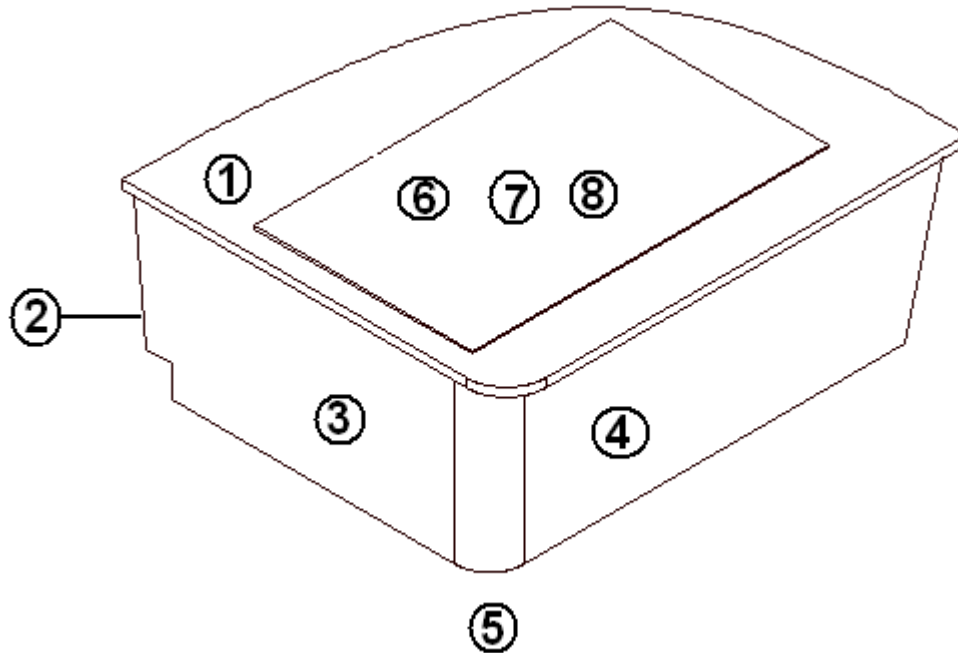
Dinette Seat, 16' Curbside



- | | |
|---------------|-----------------------------------|
| 966961-08 | SEAT ASSY, CS DINETTE |
| 1. 966961-081 | PANEL, 33.38 X 40.19 |
| 2. 454177 | LEG, DINETTE ALUM |
| 3. 964909-11 | DRAWER BOX ASSY, 10" X 14.00 X 19 |
| 4. 966961-084 | PANEL, 18 X 11.5 |
| 5. 381833-01 | DRAWER SLIDE, UNDER SHELF 18"PR |
| 6. 800581-01 | LUMBER, OAK, 13/16 X 1.5 |
| 7. 381074 | CATCH BULL DOG |

2010 SPORT
FURNITURE, LOUNGE

Dinette Seat, 16', Roadside

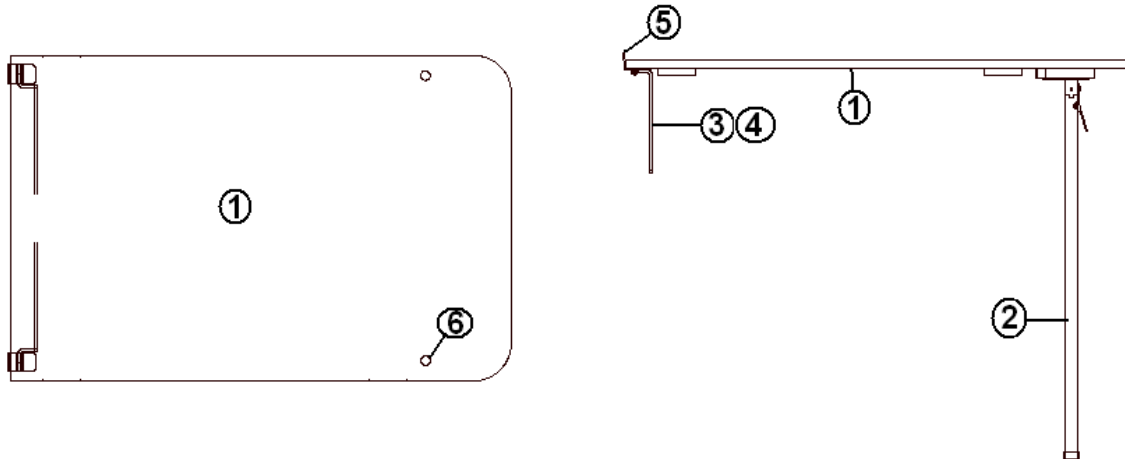


- | | |
|---------------|-------------------------------|
| 966962-08 | SEAT, ROADSIDE DINETTE |
| 1. 966962-081 | PANEL, 33.44 X 40.19 |
| 2. 966964-08 | SUB ASSY-RS DINETTE |
| 3. 966964-081 | RS DIN SUB ASSY, 28 X 13.88 |
| 4. 966964-082 | RS DIN SUB ASSY-37.03 X 13.88 |
| 5. 801345 | RADIUS PLYWOOD, .75"X 3"X 8' |
| 6. 966962-085 | LUAN PANEL, 31.13 X 19 |
| 7. 966962-086 | LUAN PANEL, 28.75 X 16.88 |
| 8. 701538-01 | CARPET-ECONOLIER |

2010 SPORT

FURNITURE, LOUNGE

Dinette Table, 16'

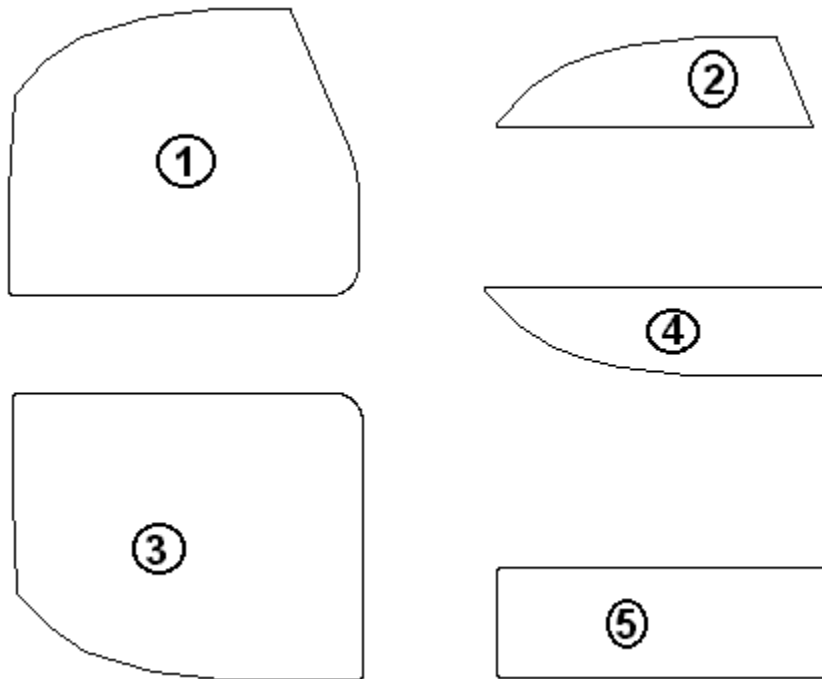


- | | |
|---------------|------------------------------------|
| 967153-08 | TABLE ASSY, DINETTE |
| 1. 967153-081 | TABLE TOP, 26" X 40" |
| 2. 381881-04 | LEG, FOLDING TABLE |
| 3. 380284-02 | TABLE HINGE BRACKET |
| 4. 380284-03 | TABLE HINGE BRACKETS |
| 5. 340018 | CATCH PLATE J-1 |
| 6. 381136 | RUBBER BUMPER |
| 115177 | TRIM, COUNTER TOP, 1.25", ALUMINUM |

2010 SPORT

FURNITURE, LOUNGE

Dinette Seat Cushions, 16'

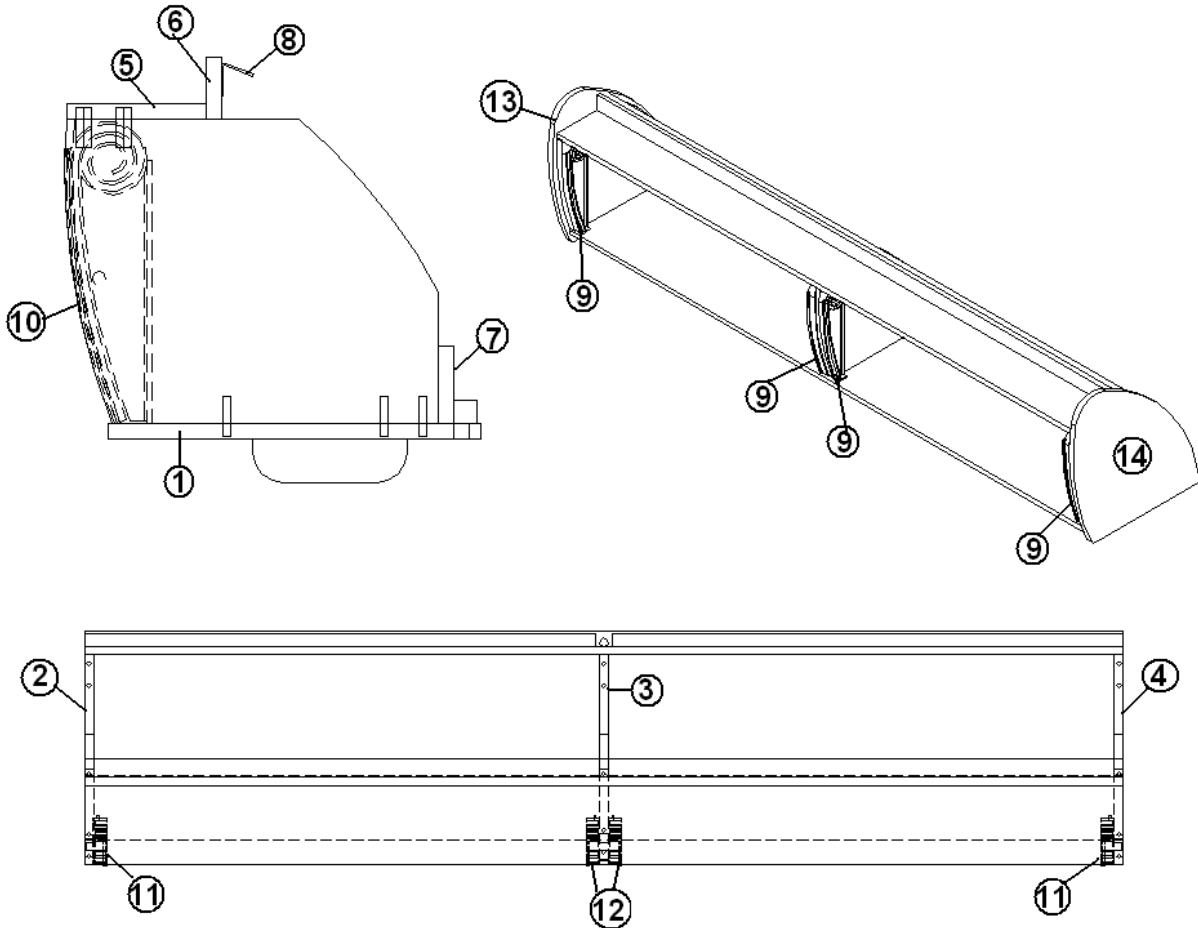


- | | |
|----------------|---------------------------------|
| 1. 998150-01 | SEAT ASSEMBLY-CS DINETTE |
| 1a. 703368-01 | FOAM-SEAT CS DINETTE |
| 1b. 998150-101 | COVER, CS DINETTE SEAT |
| 2. 998150-02 | FILLER ASSEMBLY-CS DINETTE BACK |
| 2a. 703368-02 | CS BACK FILLER |
| 2b. 998150-102 | COVER, CS DINETTE BACK |
| 3. 998150-04 | SEAT ASSEMBLY-RS DINETTE |
| 3a. 703368-04 | FOAM-RS DINETTE SEAT |
| 3b. 998150-104 | COVER, RS DINETTE SEAT |
| 4. 998150-05 | FILLER ASSEMBLY-RS DINETTE SEAT |
| 4a. 703368-05 | FOAM-RS BACK FILLER |
| 4b. 998150-106 | COVER, RS DINETTE SEAT FILLER |
| 5. 998150-06 | BACK REST ASSEMBLY-RS DINETTE |
| 5a. 703368-06 | FOAM-RS BACK REST |
| 5b. 998150-106 | COVER, BACK REST ASSEMBLY |
| 700022 | ZIPPER |
| 700020 | PILE VELCRO |
| 700021 | HOOK, VELCRO, WHITE |
| 703446 | SILK FILM SHEETING #SFS 36 AIR |

2010 SPORT

FURNITURE, GALLEY

Roof Locker, Galley, 22' Front Bed



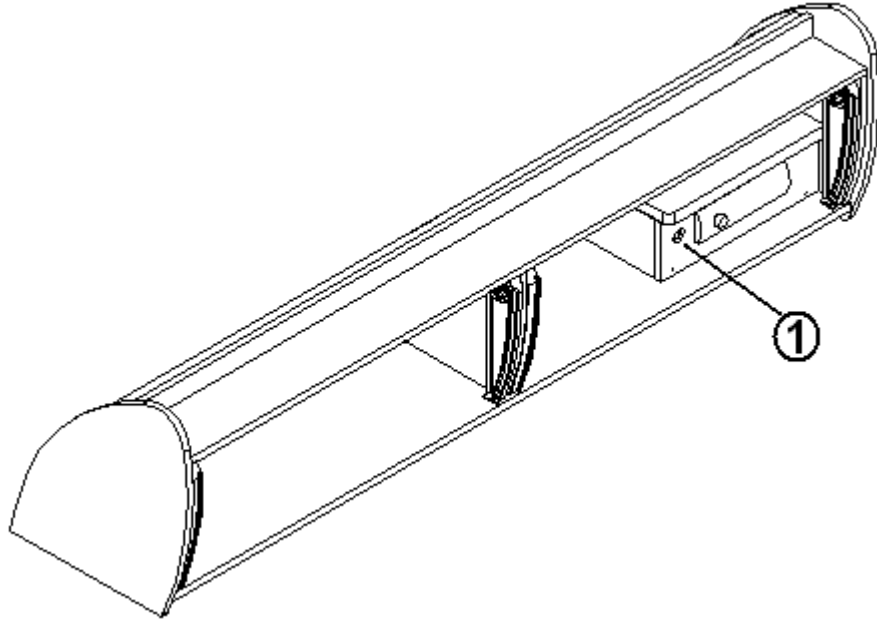
967482

Roof locker, galley

- | | |
|---------------|------------------------------------|
| 1. 967482-1 | Roof locker panel, 12.00" x 59.50" |
| 2. 967482-2 | Roof locker panel, 12.05" x 9.81" |
| 3. 967482-3 | Roof locker panel, 11.79" x 9.81" |
| 4. 967482-4 | Roof locker panel, 12.04" x 8.81" |
| 5. 967482-5 | Roof locker panel, 4.50" x 59.50" |
| 6. 967482-6 | Roof locker panel, 2.00" x 59.50" |
| 7. 967482-7 | Roof locker panel, 2.50" x 59.50" |
| 8. 104821 | Support, roof locker, 74" |
| 9. 201164-02 | Roof locker spirals, platinum |
| 10. 967104-06 | Door, Tambour, 9.88" x 28.25" |
| 11. 115382-01 | Aluminum trim, .63" x 10.00" |
| 12. 115382-02 | Aluminum trim, .1.75" x 10.00" |
| 13. 967482-15 | Roof locker panel, 14.57" x 14.74" |
| 14. 967482-16 | Roof locker panel, 14.57" x 14.74" |

2010 SPORT
FURNITURE, GALLEY

Roof Locker Radio Shelf, 22' Front Bed

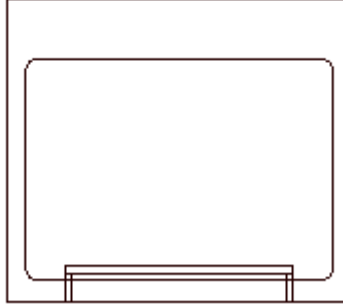


1. 967434

SHELF, STEREO

2010 SPORT
FURNITURE, GALLEY

Microwave Option Face Frame, 17, 22' FB

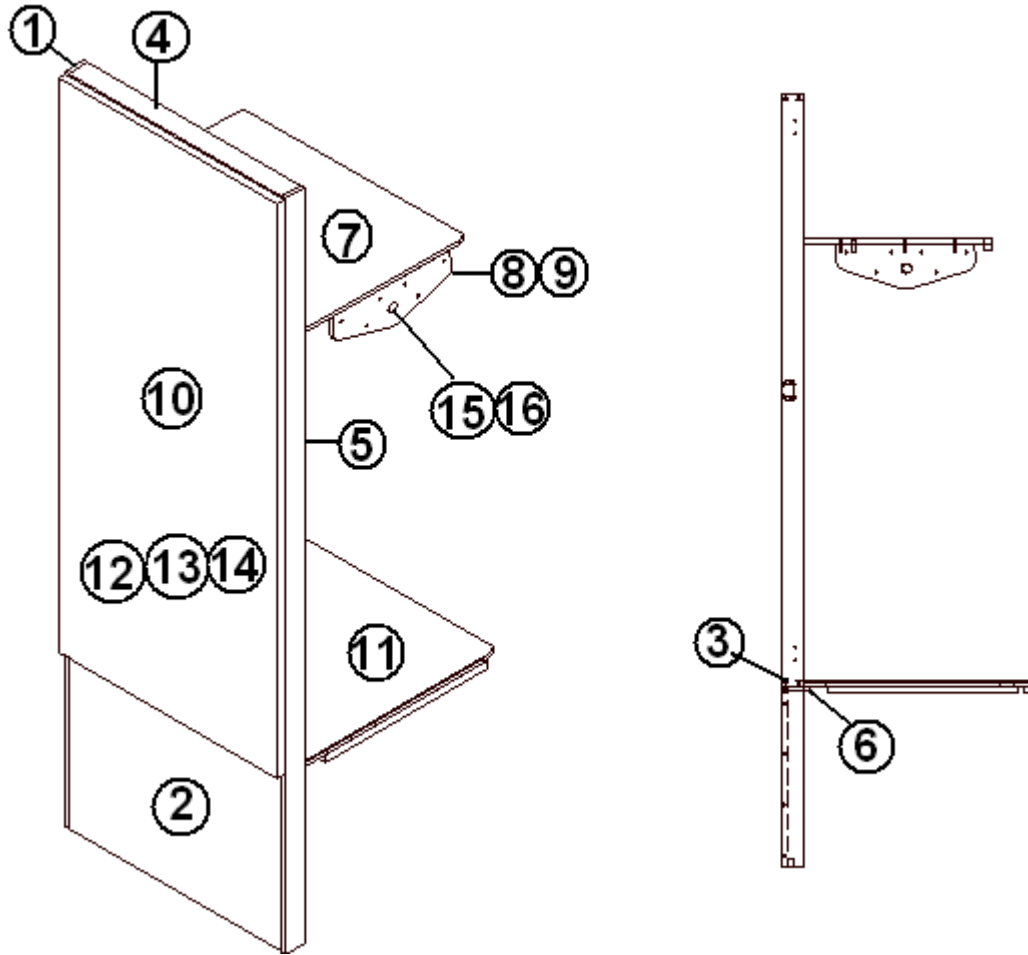


967267-081

FACE FRAME MICROWAVE OVEN OPTION

2010 SPORT FURNITURE, GALLEY

Storage Cabinet, Roadside, 17', 22' Front Bed



Part numbers on the next page.

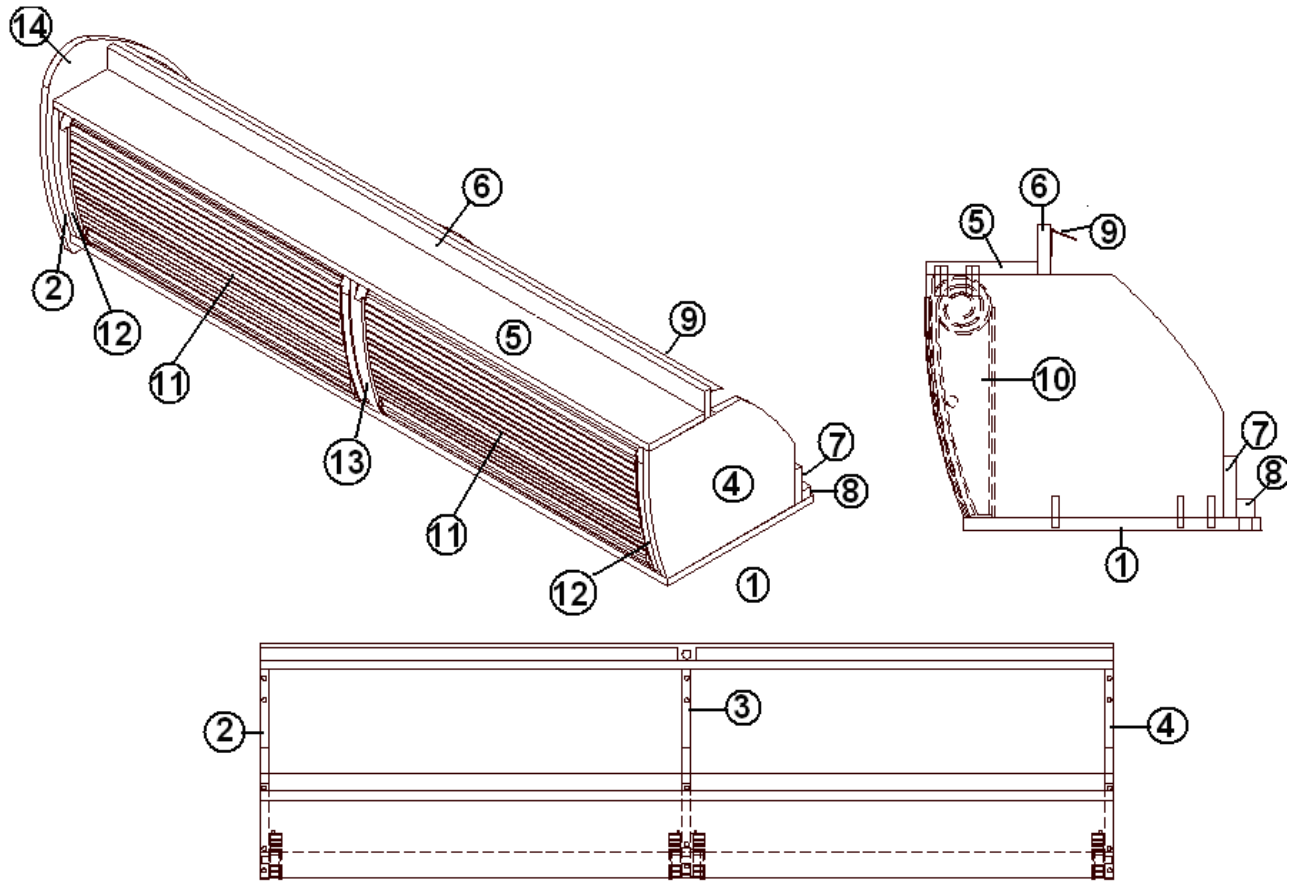
2010 SPORT
FURNITURE, GALLEY

Storage Cabinet, Roadside, 17', 22' Front Bed

967253-08	STORAGE CABNET
1. 967253-081	PANEL, 2.25 X 77.75
2. 967253-083	PANEL, 27 X 17.5
3. 967253-084	PANEL, 2.25 X 27
4. 967253-085	PANEL, 2.25 X 27
5. 967253-086	PANEL, 2.25 X 77.75
6. 967253-087	PANEL, 2.25 X 27
7. 967253-0810	PANEL, 18.75 X 28
8. 967253-0811	PANEL, 14 X 4.4
9. 967253-0812	PANEL, 14 X 4.5
10. 967253-0813	PANEL, 27.62 X 59.38
11. 701538-01	CARPET, ECONOLIER W/PSA BACK
12. 382044	HANDLE-BRUSHED NICKEL
13. 381607	HINGE ASSY
14. 381228	CATCH, GRABBER DOOR
15. 380045	TUBING, 3/4"
16. 200975-04	CONDUIT, FLEXIBLE, BLACK PLASTIC

2010 SPORT FURNITURE, GALLEY

Roof Locker, Galley, 17'



Part numbers on the next page.

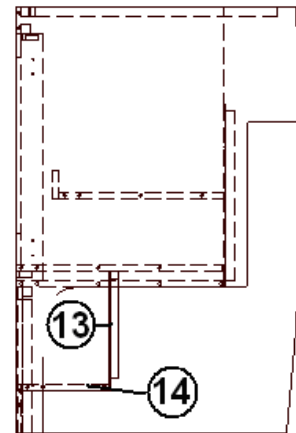
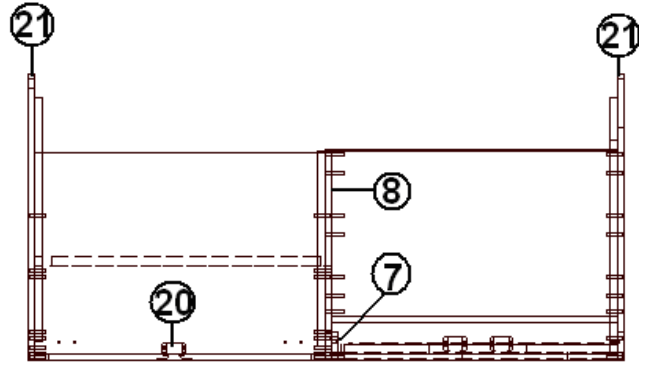
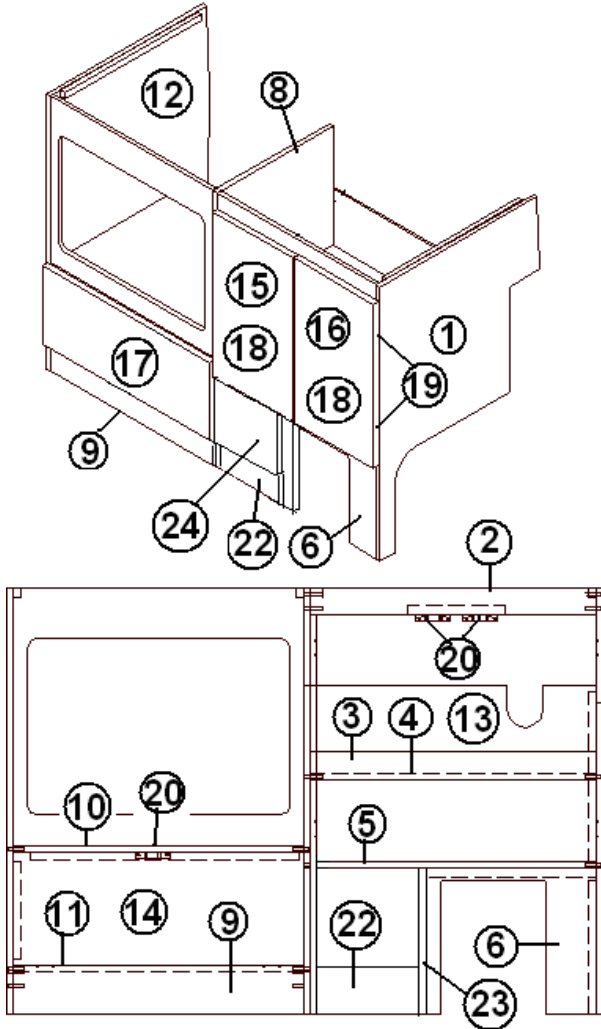
2010 SPORT
FURNITURE, GALLEY

Roof Locker, Galley, 17'

967134	ROOF LOCKER, GALLEY
1. 967134-1	PANEL, GALLEY ROOF LOCKER, 12 X 49
2. 967134-2	PANEL, GALLEY ROOF LOCKER, 12.04 X 9.81
3. 967134-3	PANEL, GALLEY ROOF LOCKER, 11.79 X 9.81
4. 967134-4	PANEL, GALLEY ROOF LOCKER, 12.04 X 9.81
5. 967134-5	PANEL, GALLEY ROOF LOCKER, 4.5 X 49
6. 967134-6	PANEL, GALLEY ROOF LOCKER, 2 X 49
7. 967134-7	PANEL, GALLEY ROOF LOCKER, 2.5 X 49
8. 800025-01	PINE, 3/4" X 3/4", STAINED
9. 104821	SUPPORT, ROOFLOCKER, 74"
10. 201164-02	SPIRALS, ROOF LOCKER PLATINUM, LH/RH
11. 967104-04	DOOR, TAMBOUR, 9.88" X 23.38"
12. 115382-01	TRIM, ALUMINUM, ROOF LOCKER, .688 X 10
13. 115382-02	TRIM, ALUMINUM, ROOF LOCKER, 1.88 X 10
14. 967134-15	PANEL, GALLEY ROOF LOCKER, 14.57 X 14.74
101265-01	EXTRUSION-BLACK DOOR HANDLE
201163-01	ENDCAP, BLACK HANDLE (PR)

2010 SPORT FURNITURE, GALLEY

Galley, 17'



Part numbers on the next page.

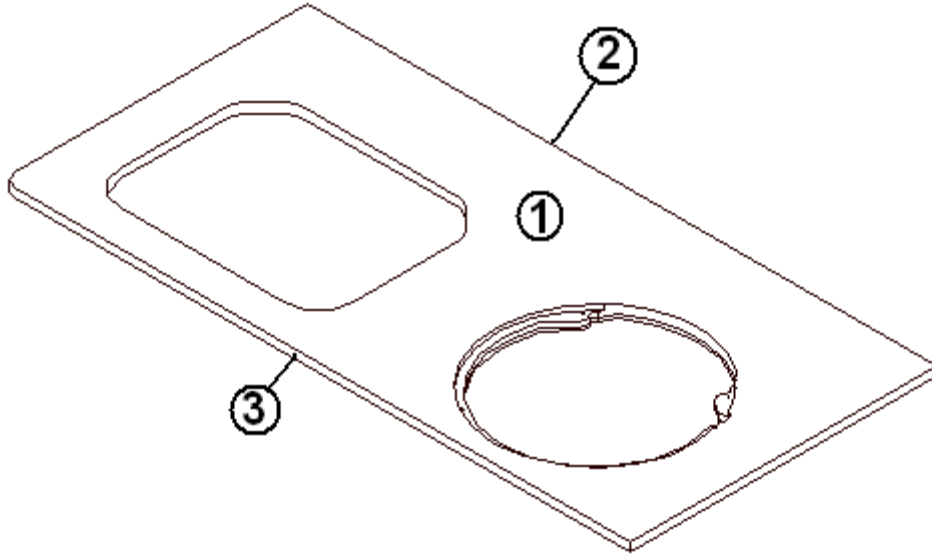
2010 SPORT
FURNITURE, GALLEY

Galley, 17'

967406-08	GALLEY ASSY.
1. 967406-081	PANEL, GALLEY, 23.5 X 35
2. 967406-082	PANEL, GALLEY, 2.25 X 23.5
3. 967406-083	PANEL, GALLEY, 2.25 X 23.5
4. 967406-084	PANEL, GALLEY, 13.62 X 23.5
5. 967406-085	PANEL, GALLEY, 17.12 X 23.5
6. 967406-086	PANEL, GALLEY, 23.5 X 12
7. 967406-087	PANEL, GALLEY, 2.25 X 20.25
8. 967406-088	PANEL, GALLEY, 17.12 X 35
9. 967406-089	PANEL, GALLEY, 4 X 24
10. 967406-0810	PANEL, GALLEY, 17 X 24
11. 967406-0811	PANEL, GALLEY, 7.13 X 24
12. 967406-0812	PANEL, GALLEY, 23.5 X 35
13. 967406-0813	PANEL, GALLEY, 24 X 15
14. 967406-0814	PANEL, GALLEY, 24.5 X 9.81
15. 967406-0815	DOOR-GALLEY, 11.75 X 20.88
16. 967406-0816	DOOR-GALLEY, 11.75 X 20.88
17. 967406-0817	DOOR-GALLEY, 24.63 X 9.94
18. 382044	HANDLE-BRUSHED NICKEL
19. 381607	HINGE ASSY
20. 381228-01	CATCH, GRABBER, DOOR
21. 203138-04	EXTRUSION, PLASTIC ½", OAK
22. 967406-0826	PANEL, GALLEY, 8.19 X 4.0
23. 967406-0827	PANEL, GALLEY, 2.25 X 12.00
24. 967406-0828	DOOR, GALLEY, 8.22 X 8.38
967407-08	TOP, GALLEY

2010 SPORT
FURNITURE, GALLEY

Galley Top, 17', 22' Front Bed

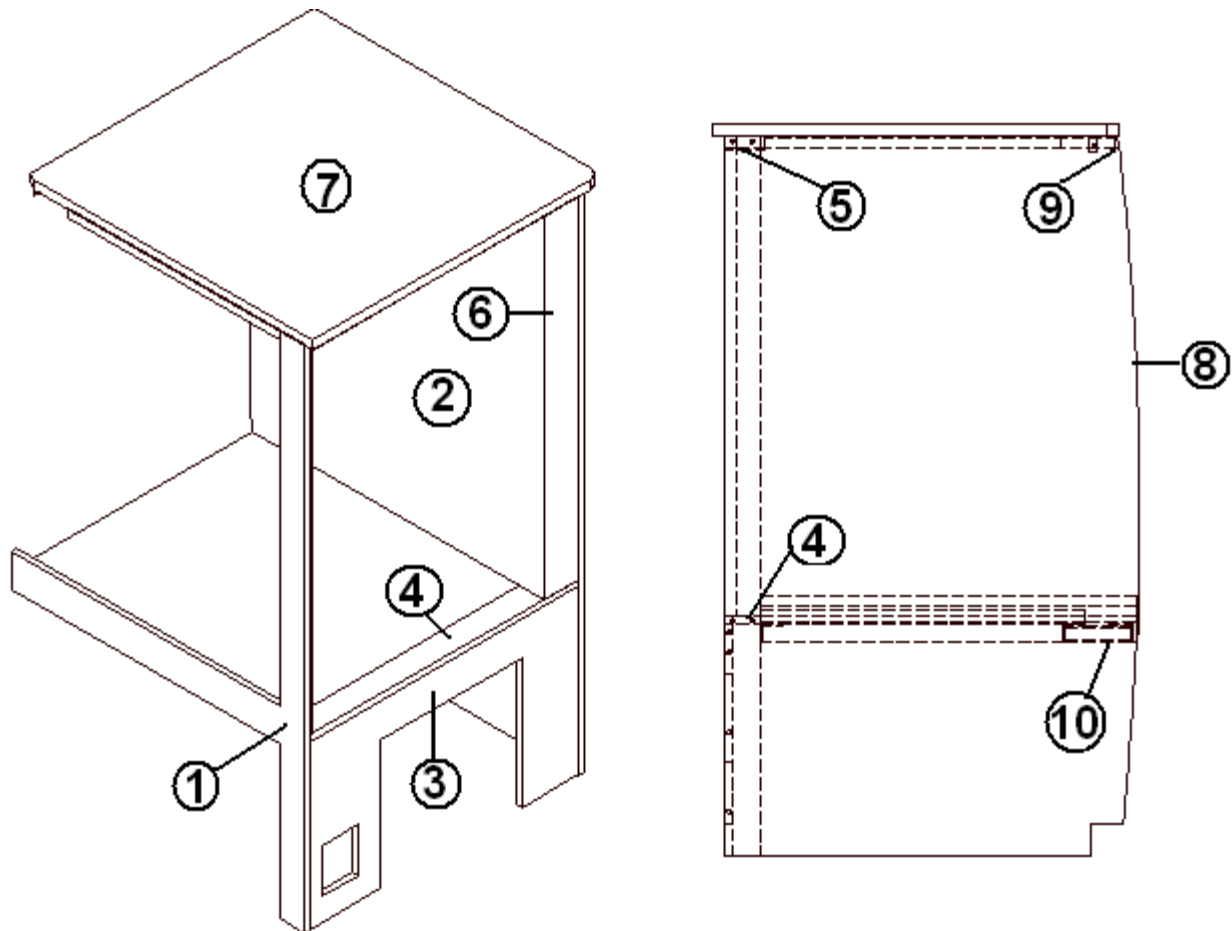


- | | |
|---------------|---------------------------------|
| 967407-08 | TOP-GALLEY |
| 1. 967407-081 | PANEL, GALLEY TOP, 24.12 X 57.5 |
| 2. 114812 | ALUMINUM ANGLE, 1.00 X 1.00 |
| 3. 115064 | TRIM, ALUMINUM, COUNTER TOP |

2010 SPORT

FURNITURE, GALLEY

Refrigerator Cabinet, 17'



<p>967408-08</p> <p>1. 967408-081</p> <p>2. 967408-082</p> <p>3. 967408-083</p> <p>4. 967408-084</p> <p>5. 967408-085</p> <p>6. 967408-086</p> <p>7. 967408-087</p> <p>8. 203138-04</p> <p>9. 114812</p> <p>10. 966559</p>	<p>REFRIGERATOR CABINET</p> <p>PANEL, REFRIGERATOR 26.25 X 45.63</p> <p>PANEL, REFRIGERATOR 26.25 X 45.63</p> <p>PANEL, REFRIGERATOR 24 X 14.62</p> <p>PANEL, REFRIGERATOR 2.25 X 24</p> <p>PANEL, REFRIGERATOR 2.25 X 24</p> <p>PANEL, REFRIGERATOR 3 X 29.75</p> <p>PANEL, REFRIGERATOR 25.75 X 25.64</p> <p>EXTRUSION, PLASTIC, 1/2", OAK W</p> <p>ALUMINUM ANGLE, 1.00 X 1.00</p> <p>REFRIGERATOR STAND ASSY</p>
--	--

2010 SPORT
FURNITURE, GALLEY

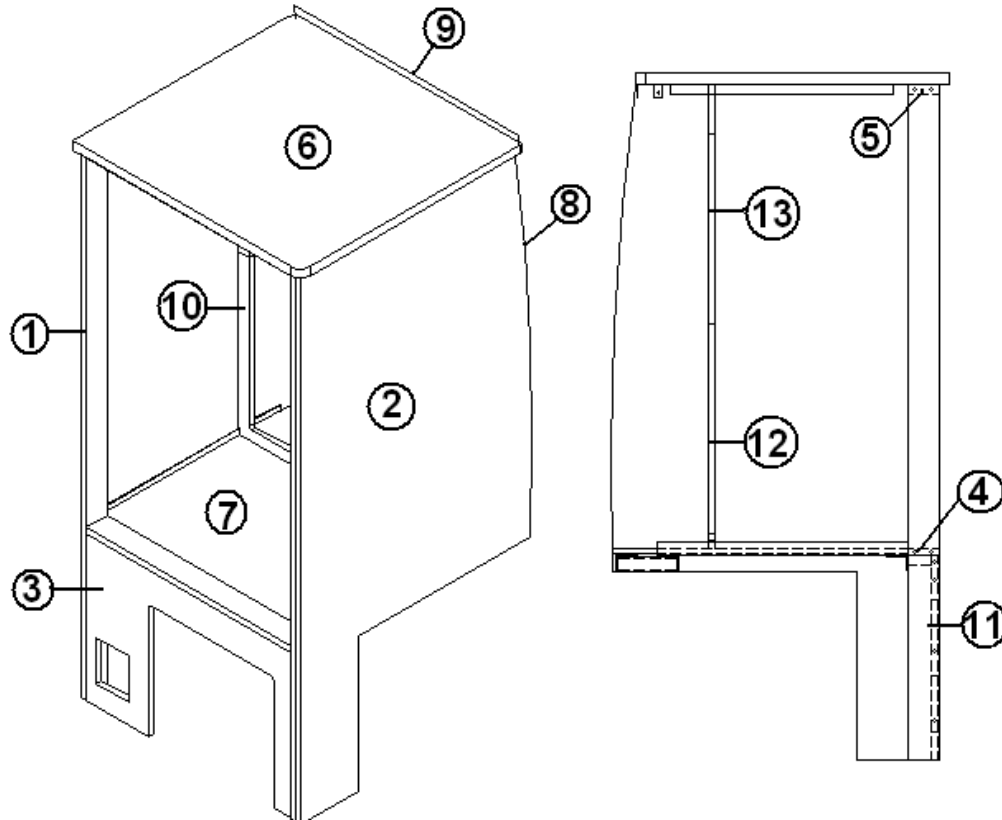
Spice rack, 17', 22' Front Bed

382052 SPICE RACK, CHROME

2010 SPORT

FURNITURE, GALLEY

Refrigerator Cabinet, 22' Front Bed

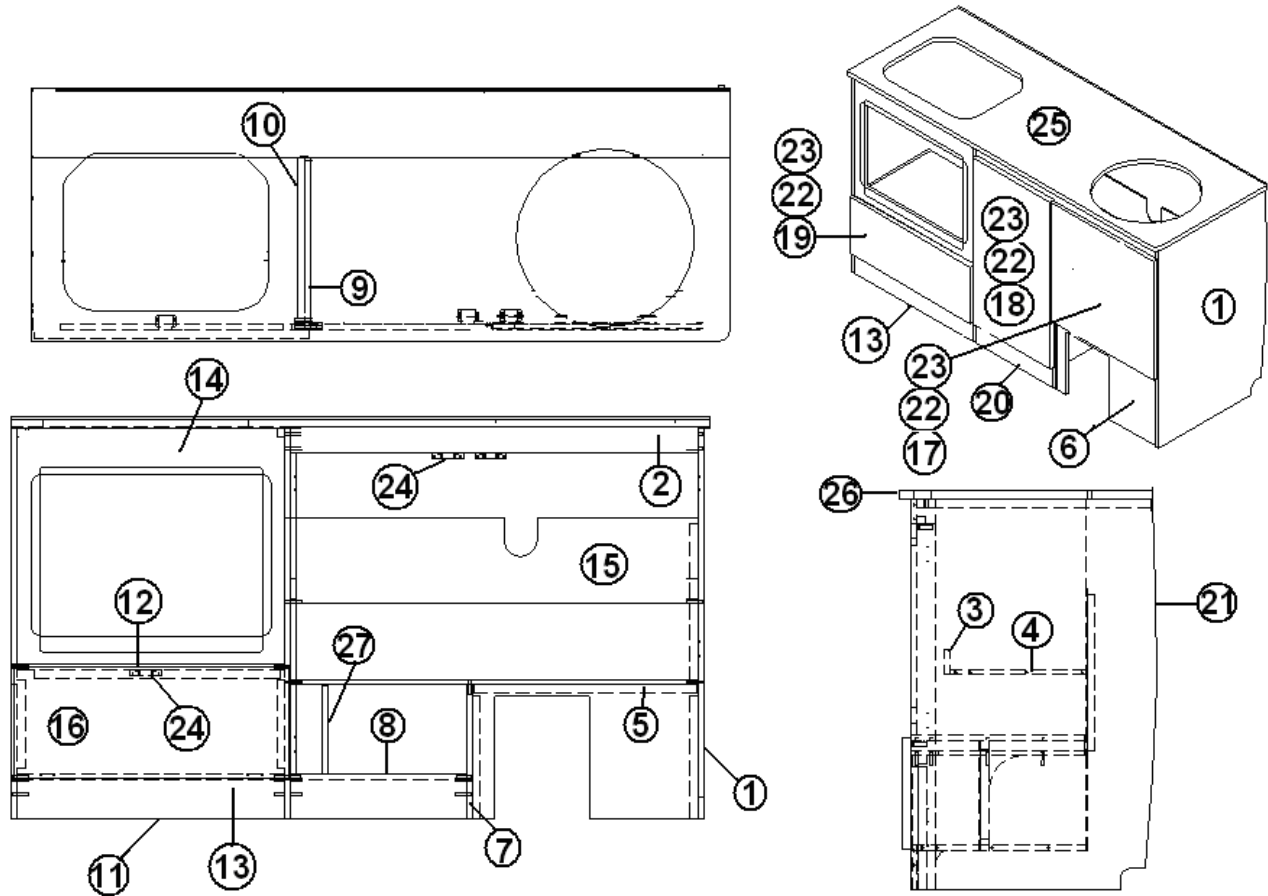


967441 CABINET, REFRIGERATOR

- 1. 967441-1 PANEL, REFER CABINET, 23.51 X 48.38
- 2. 967441-2 PANEL, REFER CABINET, 23.5 X 48.38
- 3. 967441-3 PANEL, REFER CABINET, 21 X 14.62
- 4. 967441-4 PANEL, REFER CABINET, 2.25 X 21.00
- 5. 967441-5 PANEL, REFER CABINET, 2.25 X 21.00
- 6. 967441-6 PANEL, REFER CABINET, 22.75 X 22.46
- 7. 967442 REFRIGERATOR STAND
- 8. 203138-01 EXTRUSION, PLASTIC WALL, WHITE
- 9. 114812 ALUMINUM ANGLE, 1.00 X 1.00
- 10. 967441-19 PANEL, REFER CABINET, 2.25 X 48.38
- 11. 967441-20 PANEL, REFER CABINET, 1.69 X 20.75
- 12. 967441-21 PANEL, REFER CABINET, 1.75 X 16.00
- 13. 967441-22 PANEL, REFER CABINET, 21.75 X 17.25

2010 SPORT FURNITURE, GALLEY

Galley, 22' Front Bed



Part numbers on the next page.

2010 SPORT

FURNITURE, GALLEY

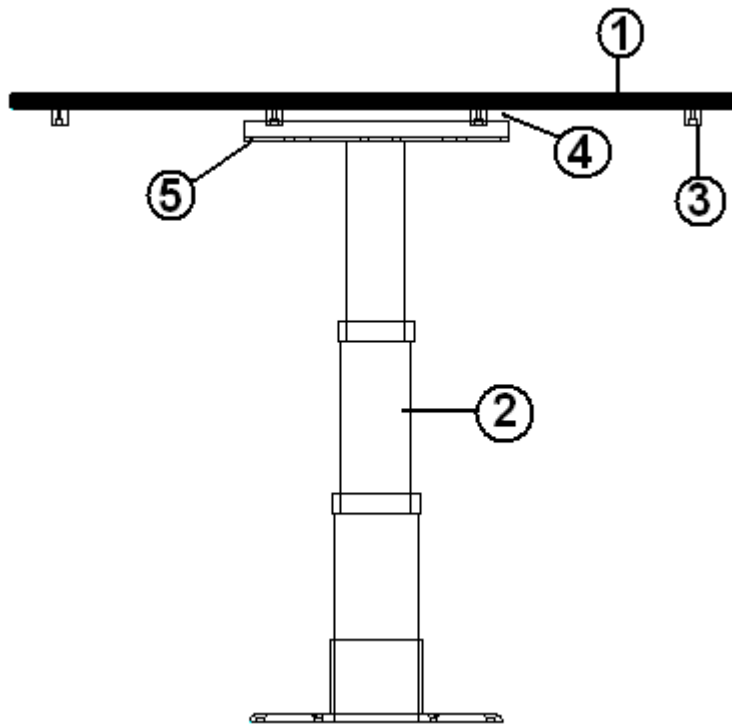
Galley, 22' Front Bed

967439	GALLEY ASSY.
1. 967439-1	PANEL, GALLEY, 21.96 X 35.00
2. 967439-2	PANEL, GALLEY, 2.25 X 36.50
3. 967439-3	PANEL, GALLEY, 2.25 X 36.50
4. 967439-4	PANEL, GALLEY, 12.12 X 36.50
5. 967439-5	PANEL, GALLEY, 15.62 X 36.50
6. 967439-6	PANEL, GALLEY, 20.25 X 12.00
7. 967439-7	PANEL, GALLEY, 15.62 X 12.00
8. 967439-8	PANEL, GALLEY, 15.12 X 15.75
9. 967439-9	PANEL, GALLEY, 2.25 X 28.75
10. 967439-10	PANEL, GALLEY, 15.62 X 35.00
11. 967439-11	PANEL, GALLEY, 4.00 X 24.00
12. 967439-12	PANEL, GALLEY, 15.50 X 24.00
13. 967439-13	PANEL, GALLEY, 5.63 X 24.00
14. 967439-14	PANEL, GALLEY, 15.55 X 35.00
15. 967439-15	PANEL, GALLEY, 37.00 X 23.50
16. 967439-16	PANEL, GALLEY, 24.00 X 9.81
17. 967439-17	DOOR, GALLEY, 20.75 X 20.88
18. 967439-18	DOOR, GALLEY, 15.75 X 29.38
19. 967439-19	PANEL, GALLEY, 24.63 X 9.94
20. 967439-20	PANEL, GALLEY, 4.00 X 15.75
21. 203138-01	EXTRUSION, PLASTIC WALL, WHITE
22. 382044	HANDLE, BRUSHED NICKEL
23. 381607	HINGE ASSY.
24. 381228-01	CATCH, GRABBER, DOOR
25. 967440	TOP, GALLEY
26. 115064	TRIM, ALUMINUM COUNTER TOP
27. 967439-30	PANEL, GALLEY, 9.50 X 12.00
201051	DRAWER, 10 X 22

2010 SPORT

FURNITURE, GALLEY

Dinette Table, 22' Front Bed



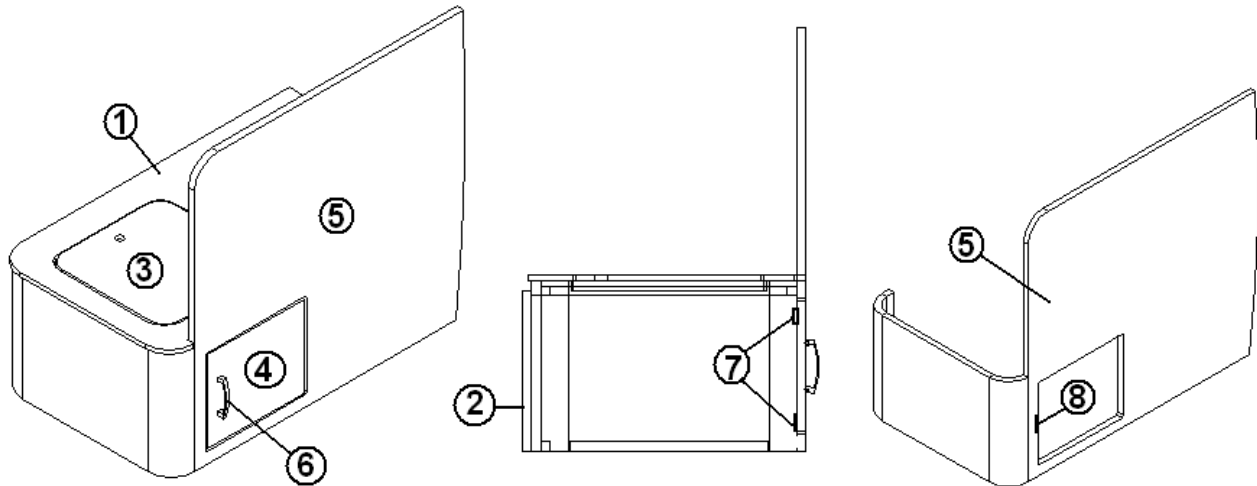
- 967484 DINETTE TABLE
1. 967484-1 DINETTE TABLE TOP, 34.75 X 21.88
2. 382073-01 BRACKET, PEDESTAL TABLE
3. *381136 NLA - RUBBER BUMPER
4. 381400-01 DRAWER SLIDE, 12"
5. *967484-6 NLA - PANEL, PEDESTAL TABLE, 12.63" X 12.63"
- 115472 TRIM, ALUMINUM COUNTER TOP

* TABLE WAS REVISED DURING MODEL YEAR

2010 SPORT

FURNITURE, GALLEY

Dinette Seat, Rear, 22' Front Bed

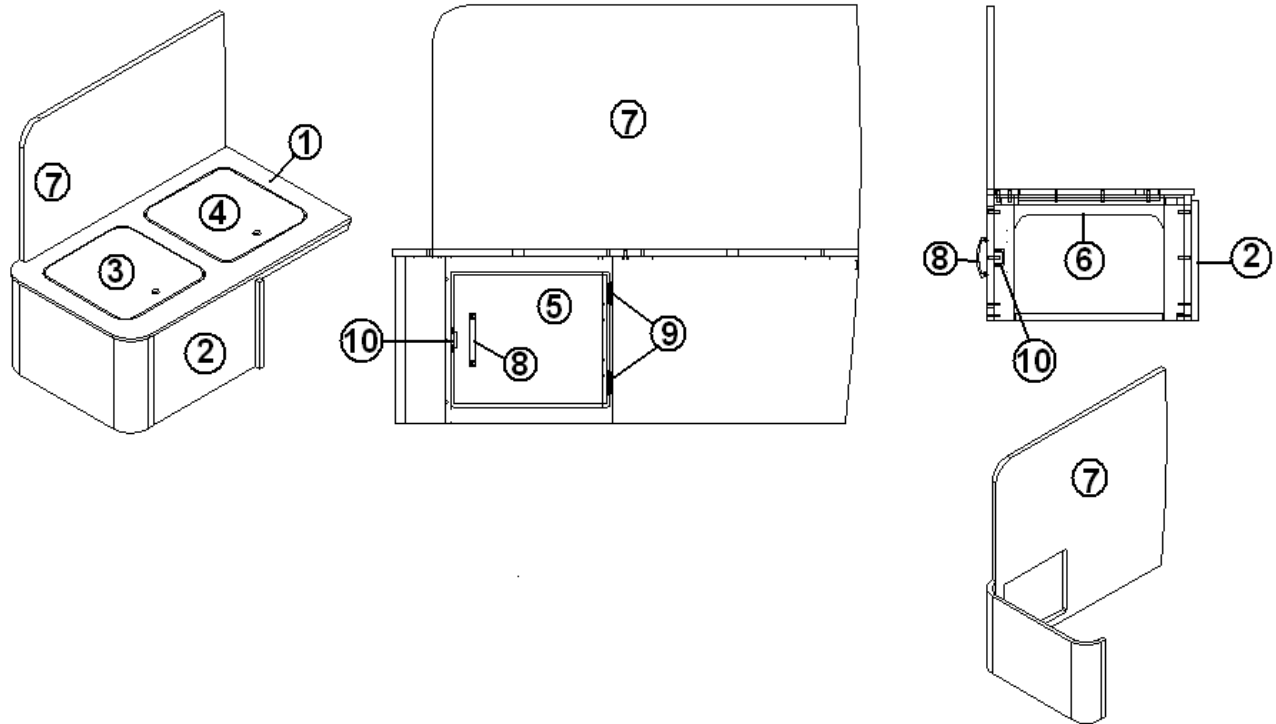


- | | |
|--------------|------------------------------------|
| 967446 | SEAT ASSY, REAR DINETTE |
| 1. 967446-1 | PANEL, DINETTE SEAT, 22.5 X 38.08 |
| 2. 967446-2 | PANEL, DINETTE SEAT, 14.25 X 33.81 |
| 3. 967446-3 | PANEL, DINETTE SEAT, 14.5 X 15.50 |
| 4. 967446-6 | PANEL, DINETTE SEAT, 12.5 X 10.50 |
| 5. 967443 | DINETTE SEAT SUB ASSY. |
| 6. 382044 | HANDLE, BRUSHED NICKEL |
| 7. 381607 | HINGE ASSY. |
| 8. 381228-01 | CATCH, GRABBER, DOOR |

2010 SPORT

FURNITURE, GALLEY

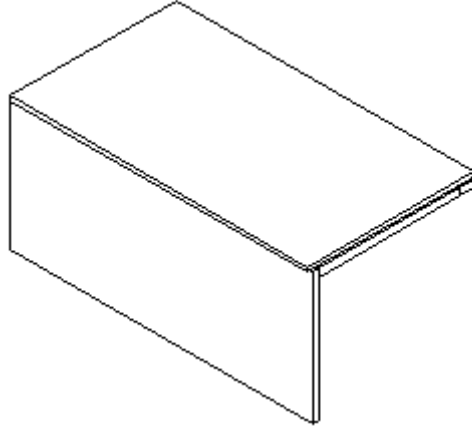
Dinette Seat, Forward, 22' Front Bed



- | | |
|---|---|
| <p>967447</p> <p>1. 967447-1</p> <p>2. 967447-2</p> <p>3. 967447-3</p> <p>4. 967447-4</p> <p>5. 967447-7</p> <p>6. 967447-8</p> <p>7. 967444</p> <p>8. 382044</p> <p>9. 381607</p> <p>10. 381228-01</p> | <p>SEAT ASSEMBLY, FORWARD, DINETTE</p> <p>PANEL, DINETTE SEAT, 22.5 X 38.08</p> <p>PANEL, DINETTE SEAT, 13.75 X 33.81</p> <p>PANEL, DINETTE SEAT, 14.5 X 15.50</p> <p>PANEL, DINETTE SEAT, 14.5 X 15.50</p> <p>PANEL, DINETTE SEAT, 12.5 X 10.50</p> <p>PANEL, DINETTE SEAT, 20.75 X 13.75</p> <p>FORWARD DINETTE SEAT SUB ASSEMBLY</p> <p>HANDLE, BRUSHED NICKEL</p> <p>HINGE ASSY</p> <p>CATCH, GRABBER, DOOR</p> |
|---|---|

2010 SPORT
FURNITURE, GALLEY

Dinette Seat, Middle, 22' Front Bed

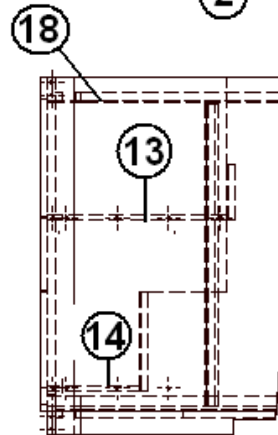
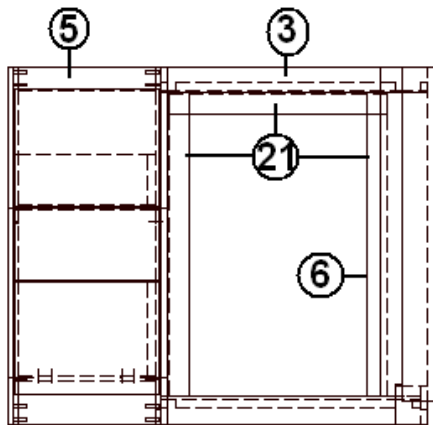
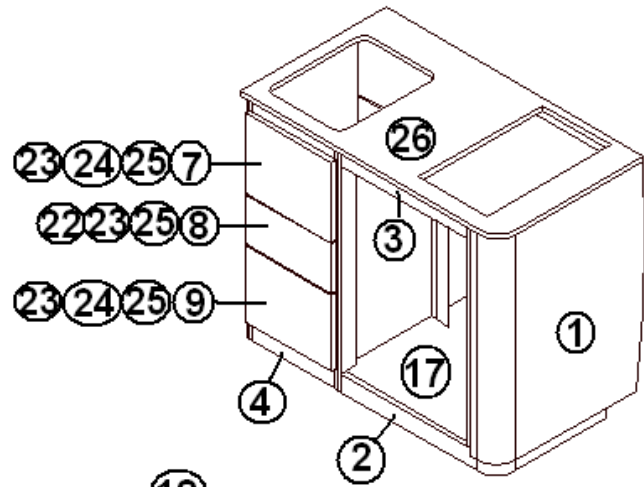
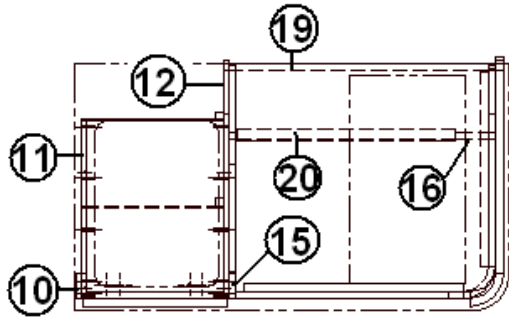


967445

DINETTE SEAT, MIDDLE DINETTE

2010 SPORT FURNITURE, GALLEY

Galley, 16'



Part Numbers are on the next page.

2010 SPORT
FURNITURE, GALLEY

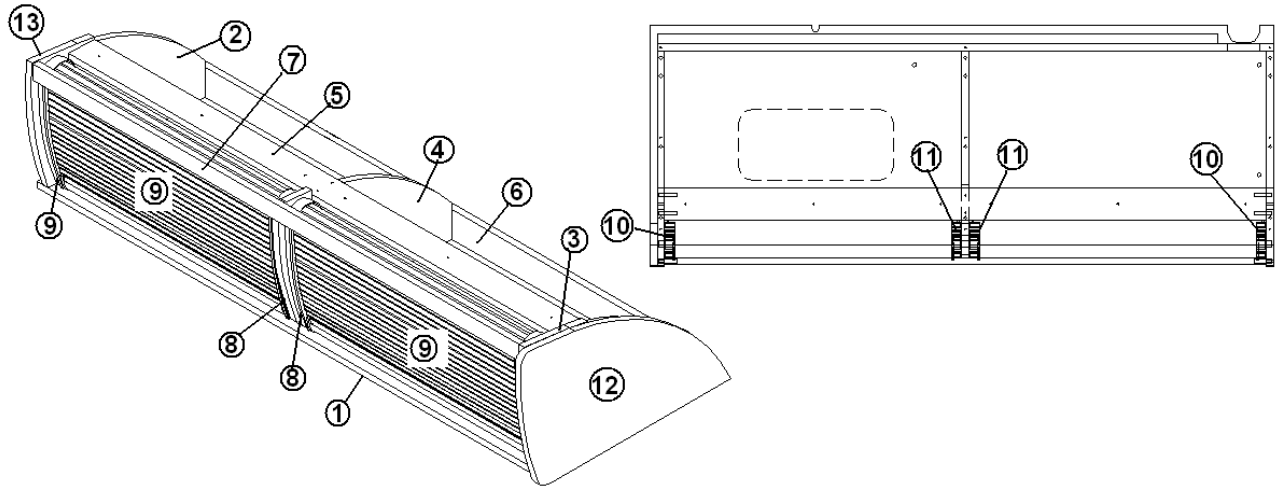
Galley, 16'

967021-08	GALLEY ASSY
1. 967022-08	PANEL, SUB ASSY, GALLEY
2. 967023-08	TOE KICK SUB ASSY
3. 967021-083	PANEL, GALLEY 20.75 X 2.5
4. 967021-084	PANEL, GALLEY 13.5 X 4.25
5. 967021-085	PANEL, GALLEY 13.5 X 2.25
6. 967021-086	PANEL, GALLEY 2.25 X 32.25
7. 967021-087	DR-GALLEY 14.13 X 11.44
8. 967021-088	DR-GALLEY 14.13 X 7.06
9. 967021-089	DR-GALLEY 14.13 X 10.94
10. 967021-0810	PANEL, GALLEY 2.5 X 35
11. 967021-0811	PANEL, GALLEY 17.5 X 35
12. 967021-0812	PANEL, GALLEY 23.46 X 35
13. 967021-0813	PANEL, GALLEY 17.5 X 13.5
14. 967021-0814	PANEL, GALLEY 13.5 X 9
15. 967021-0815	PANEL, GALLEY 2.5 X 35
16. 967021-0816	PANEL, GALLEY 4 X 29.75
17. 967021-0817	PANEL, LAUAN, 3/8" x 21.69 x 25.50
18. 967021-0818	PANEL, LAUAN, 1/8" x 22.38 x 26.25
19. 967021-0820	PANEL, GALLEY 14 X 5.5
20. 967021-0821	PANEL, GALLEY 14 X 9.75
21. 381830	WIPER-RUBBER 1.125" X 2"
22. 967145-01	Drawer box, 4.63" x 13.50" x 14.88"
23. 382044	HANDLE-BRUSHED NICKEL
24. 381607-01	HINGE, GRASS EURO
25. 381228-01	CATCH GRABBER DOOR
26. 967501	TOP ASSY, GALLEY
381773-15	DRAWER SLIDE, 5.875" X 15.75"
115064	TRIM, ALUMINUM. COUNTER TOP

2010 SPORT

FURNITURE, GALLEY

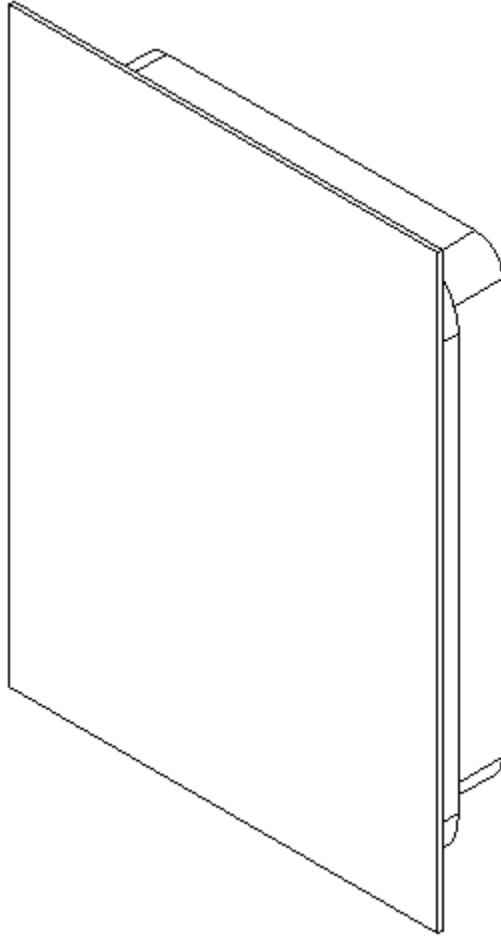
Roof Locker, Galley, 16'



967500-08	LOCKER, GALLEY
1. 967500-081	PANEL, ROOF LOCKER, 15.63 X 43.75
2. 967500-082	PANEL, ROOF LOCKER, 15.3 X 10.20
3. 967500-083	PANEL, ROOF LOCKER, 15.3 X 10.20
4. 967500-084	PANEL, ROOF LOCKER, 14.67 X 10.12
5. 967500-085	PANEL, ROOF LOCKER, 2.25 X 42.75
6. 967500-086	PANEL, ROOF LOCKER, 2.25 X 42.75
7. 967500-087	PANEL, ROOF LOCKER, 1.25 X 42.75
8. 201164-02	SPIRALS-ROOF LOCKER, PLATINUM, LH/RH
9. 967104-08	DOOR,TAMBOUR, 9.88 X 20.63
9. 101265-01	EXTRUSION, BLACK, TAMBOUR DOOR HANDLE
9. 201163-01	ENDCAP, BLACK, TAMBOUR DOOR HANDLE
10. 115382-01	TRIM, ALUMINUM ROOF LOCKER, .688 X 10.00
11. 115382-02	TRIM, ALUMINUM, ROOF LOCKER, 1.88 X 10.00
12. 967500-0814	PANEL, ROOF LOCKER, 18.5 X 11.00
13. 967500-0815	PANEL, ROOF LOCKER, 18.5 X 11.00

2010 SPORT
FURNITURE, BATH

Medicine Cabinet w/Mirror, 16'



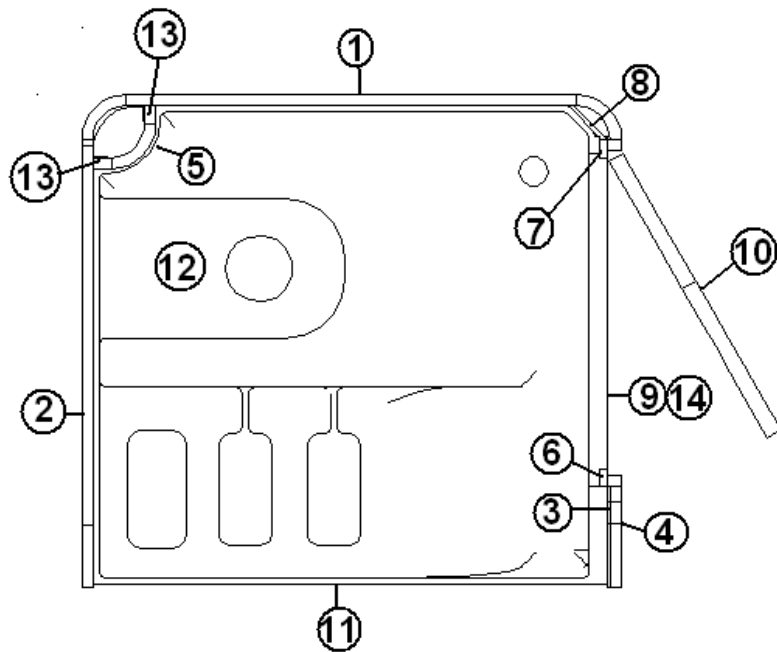
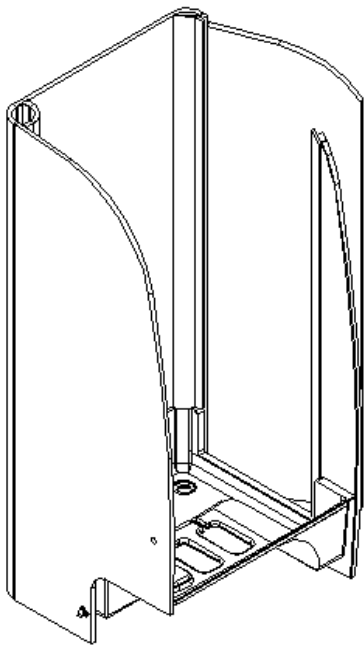
601847

CABINET, MEDICINE W/MIRROR 16"X 22"

2010 SPORT

FURNITURE, BATH

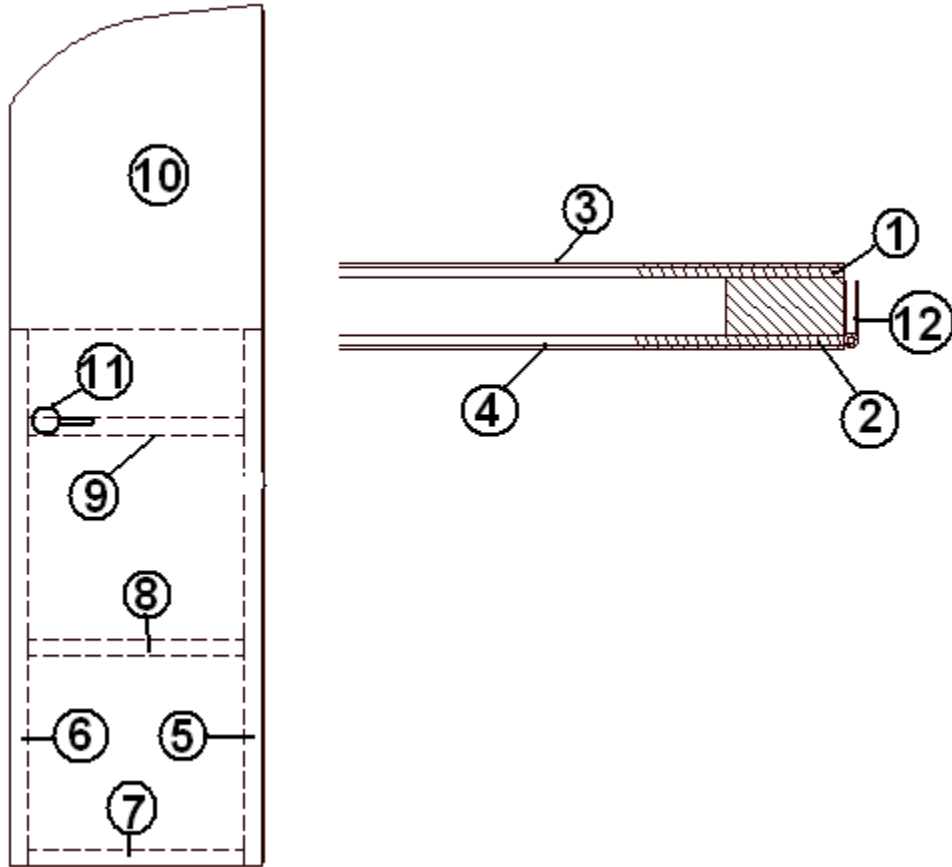
Bath Module, 16'



- | | |
|---|--|
| <ul style="list-style-type: none"> 1. 967011-08 2. 801351 3. 800507-02 4. 967012-08 5. 967013-08 6. 111588-086 7. 111588-087 8. 111588-8 9. 111588-089 10. 967014-08 11. 203444-01 12. 690472 13. 104913 14. 201666 | <ul style="list-style-type: none"> WALL ASSY, WET BATH LITE PLY, 18MM (.75") 4'X 8' LAUAN, 1/4"X 4'X 8' SUB ASSY, FORWARD WALL CLOSEOUT ASSY, WET BATH PANEL, WET BATH 1.25 X 64.00 PANEL, WET BATH 1.25 X 64.47 PANEL, WET BATH 3.43 X 70.44 PANEL, WET BATH 24.5 X 6.25 DOOR ASSY-WET BATH BASE-SHOWER FIBERGLASS WHITE TOILET-CHINA HI PROFILE WHITE EXTRUSION, ANGLE, 1" X 1" X 1/8" MOLDING, J-3/16 PLASTIC, ALMOND |
|---|--|

2010 SPORT
FURNITURE, BATH

Door, Bath, 16'



- | | |
|-----------------|-------------------------------------|
| 967014-08 | DOOR ASSY, WET BATH |
| 1. 967014-081 | PANEL, DOOR, WET BATH 23.5 X 75.5 |
| 2. 967014-082 | PANEL, WET BATH DR. 23.5 X 75.5 |
| 3. 801635-01 | LAMINATE, ALMOND VERTICAL |
| 4. 801355-01 | LAMINATE, FROST WHITE |
| 5. 967014-5 | PANEL, LAUAN, 1.50 X 19.25 |
| 6. 967014-6 | PANEL, LAUAN, 1.50 X 19.25 |
| 7. 967014-7 | PANEL, LAUAN, 1.50 X 19.25 |
| 8. 967014-8 | PANEL, LAUAN, 1.50 X 45.78 |
| 9. 967014-9 | PANEL, LAUAN, 1.50 X 45.78 |
| 10. 967014-0810 | PANEL, WET BATH DOOR, 22.25 X 27.75 |
| 11. 381771 | LATCH-LEVER LOCKSET PRIVACY |
| 12. 380203-01 | PIANO HINGE 1/8" PIN CLEAR ANODIZED |

2010 SPORT
FURNITURE, BATH

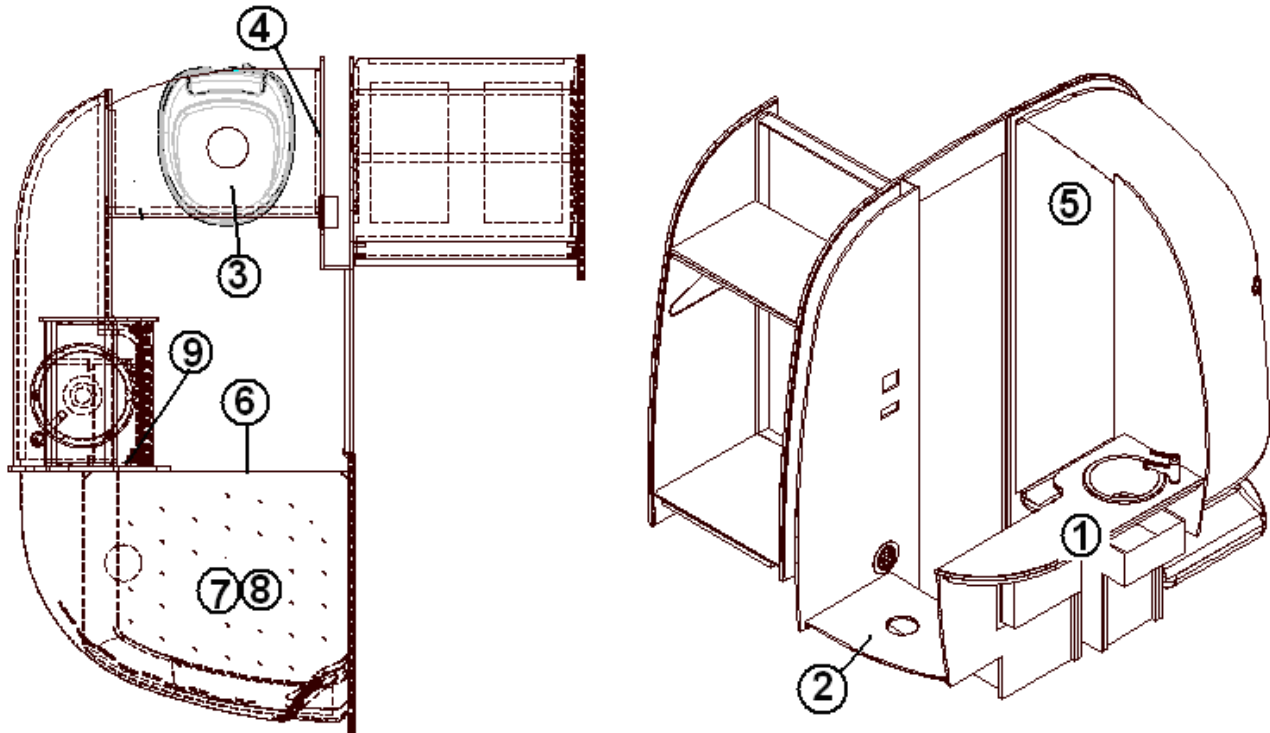
Shower Curtain, 16'

703467-01	SHOWER CURTAIN, SQUARE CORNER
703467-02	SHOWER CURTAIN, CONTOURED
703652	FABRIC, SNOW, SHOWER CURTAIN
700103	WEBBING 1/2IN FOR SHOWER CURTAIN
700045	GLIDES CURTAIN G3 W/ELASTIC
700021	HOOK, VELCRO, WHITE
700020	PILE VELCRO
703467-03	STRAP-SHOWER CURTAIN
381581	STRAP CLEAR PLASTIC .75" WIDE
700811	BUTTON CAP, HANDY
700812	BUTTON BOTTOM, HANDY

2010 SPORT

FURNITURE, BATH

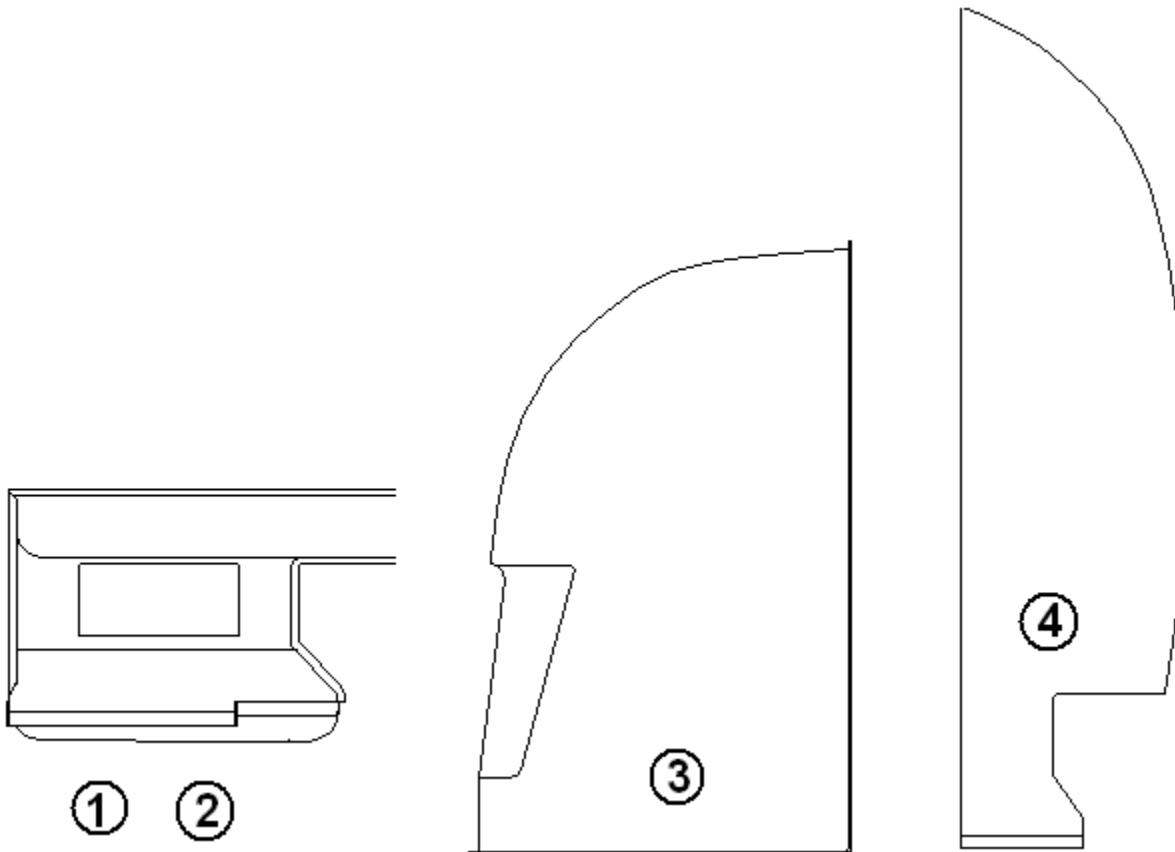
Bath Module, 17', 22' Front Bed



- | | |
|--------------|--|
| 1. 967255 | LAVATORY ASSEMBLY |
| 2. 967254 | STAND, TOILET |
| 3. 690495 | TOILET, THETFORD, AQUAMAGIC V-LO |
| 4. 4.382098 | Handle, 14.25", Glass Chrome (Towel bar) |
| 5. 203615 | SHOWER ASSEMBLY |
| 6. 703725 | DOOR, SHOWER |
| 7. 967113 | SHOWER STAND |
| 8. 967114 | SHOWER SEAT SUPPORT |
| 9. 371423-02 | MIRROR, WALL MOUNT, NICKEL |

2010 SPORT
FURNITURE, BATH

Shower Assembly, 17', 22' Front Bed



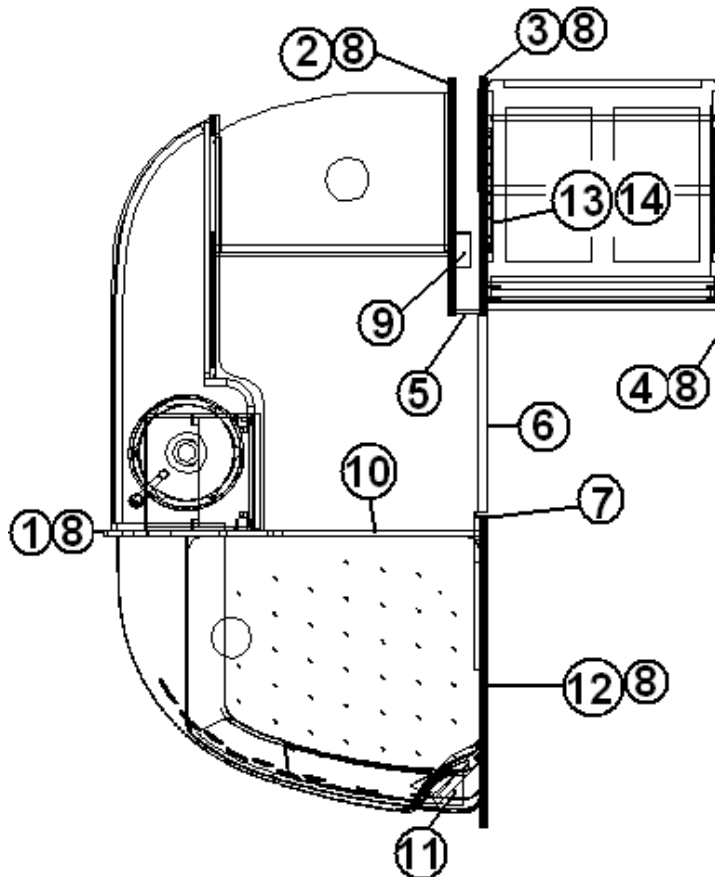
- | | |
|---------------|----------------------|
| 203615 | SHOWER ASSEMBLY |
| 1. *203615-01 | Shower base assembly |
| 2. *203615-02 | Shower base assembly |
| 3. 203615-03 | Shower surround |
| 4. 203615-04 | Shower panel |

*Items 1 & 2 are bonded together at the vendor before delivery.

2010 SPORT

FURNITURE, BATH

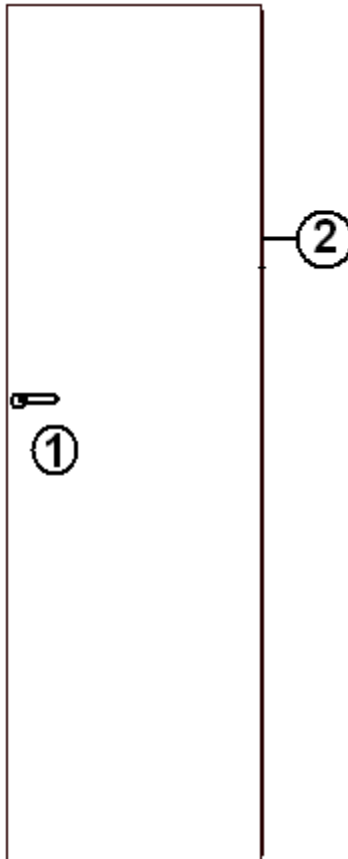
Bath Panels, 17', 22' Front Bed



- | | |
|-----------------|----------------------------------|
| 1. 111718-082 | PANEL, BATH, 18.92 X 79.19 |
| 2. 111718-083 | PANEL, BATH, 26.38 X 78.05 |
| 3. 111718-084 | PANEL, BATH, 26.23 X 77.09 |
| 4. 111718-085 | PANEL, BATH, 27.51 X 79.14 |
| 5. 111718-086 | PANEL, BATH, 3.00 X 78.06 |
| 6. 967257 | DOOR, BATH 22" X 72" |
| 7. 801665-WH | MOLDING-L, DOOR JAMB |
| 8. 203138-01 | EXTRUSION, PLASTIC, 1/2", WHITE |
| 9. 601244-02 | REGISTER, ROTAIRE, 4", WHITE |
| 10. 111718-0817 | PANEL, BATH, 23.25 X 7.25 |
| 11. 111718-0822 | PANEL, BATH, 5.5 X 5.5 |
| 12. 967273 | SUB ASSEMBLY, FORWARD BATH PANEL |
| 13. 111718-0824 | PANEL, BATH, 5.50 X 5.50 |
| 14. 111718-0825 | PANEL, BATH, 9.50 X 9.50 |

2010 SPORT
FURNITURE, BATH

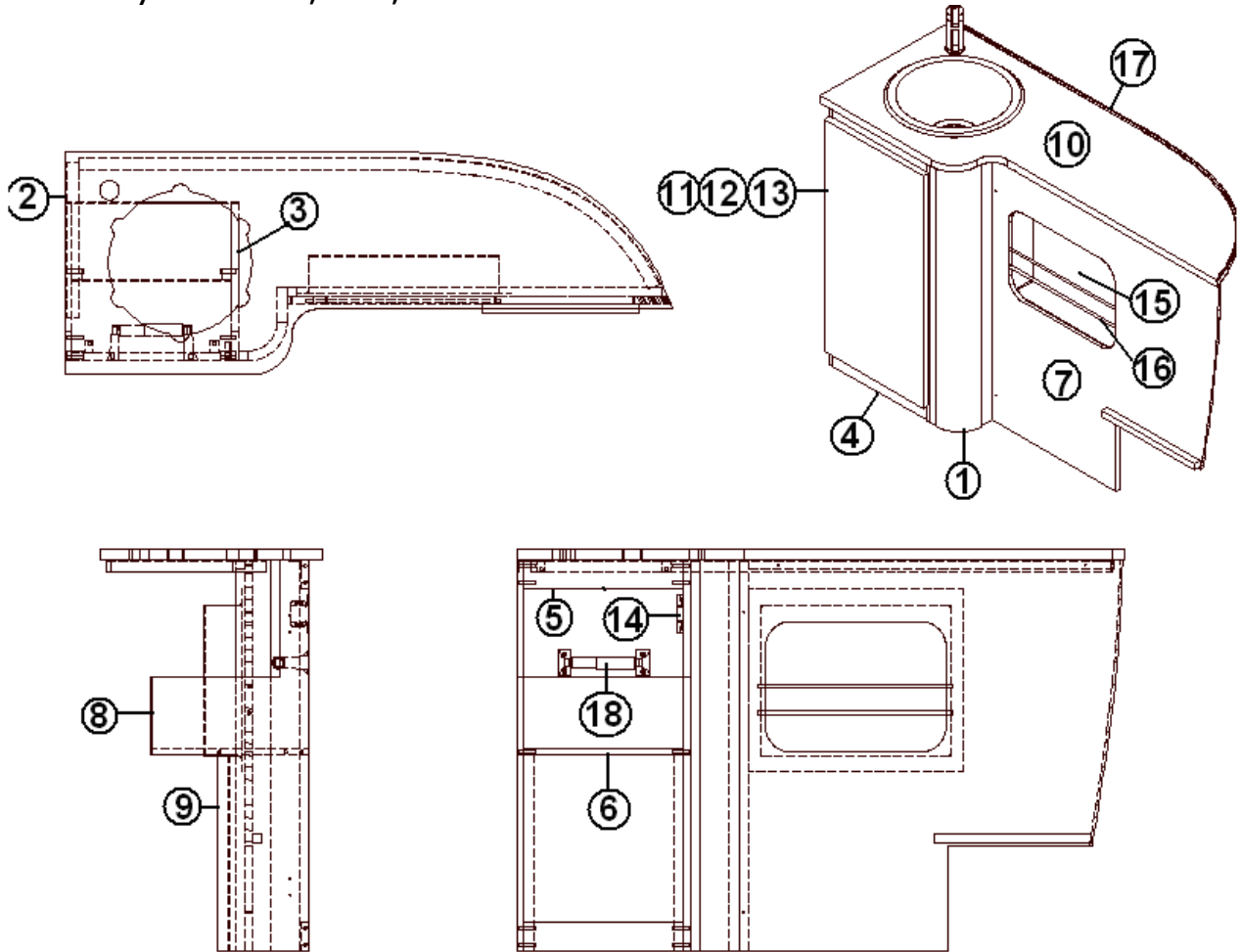
Bath Door, 17', 22' Front Bed



- | | |
|--------------|-----------------------|
| 967257 | DOOR, BATH, 22" X 72" |
| 1. 381771 | LATCH, LEVER |
| 2. 380203-01 | PIANO HINGE, 1/8" PIN |

2010 SPORT
FURNITURE, BATH

Lavatory Cabinet, 17', 22' Front Bed



Part numbers on the next page.

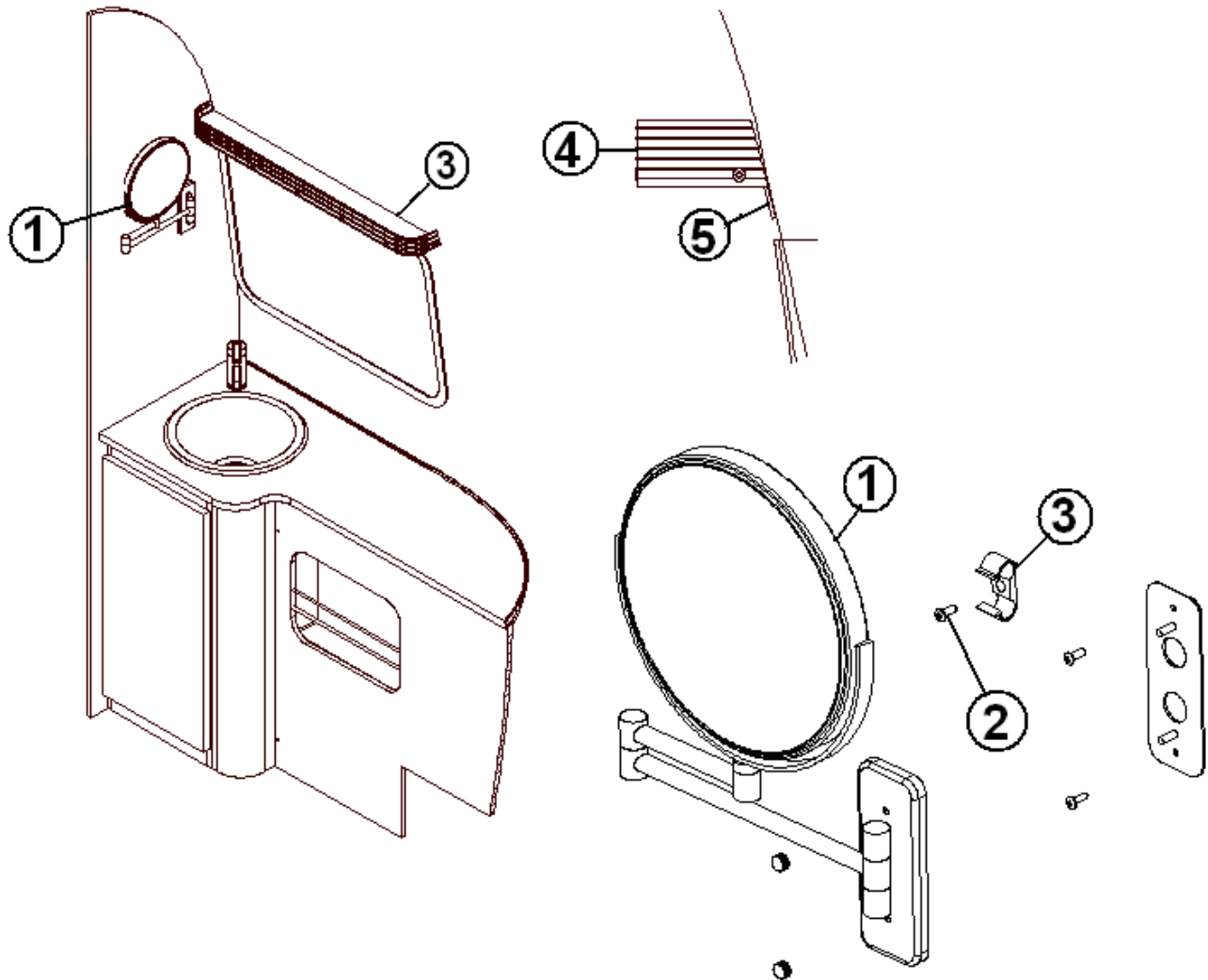
2010 SPORT
FURNITURE, BATH

Lavatory Cabinet, 17', 22' Front Bed

967255	LAVATORY CABINET
1. 967256	LAVATORY RADIUS ASSEMBLY
2. 967255-082	PANEL, LAVATORY, 12 X 30
3. 967255-083	PANEL, LAVATORY, 12 X 30
4. 967255-084	PANEL, LAVATORY, 2.25 X 12.23
5. 967255-085	PANEL, LAVATORY, 2.25 X 12.23
6. 967255-086	PANEL, LAVATORY, 11.94 X 12.23
7. 967255-087	PANEL, LAVATORY, 31.53 X 30
8. 967255-088	PANEL, LAVATORY, 13.23 X 6
9. 967255-089	PANEL, LAVATORY, 12.23 X 15
10. 967255-0810	PANEL, LAVATORY, 17.05 X 46.53
11. 967255-0811	DOOR, LAVATORY 12.85 X 26.13
12. 381607	HINGE ASSEMBLY
13. 382044	PULL, BAR, BRUSHED NICKEL
14. 381228-01	CATCH GRABBER, DOOR
15. 203383	RACK, MAGAZINE ABS
16. 115042	ROD, .25", ALUMINUM, 6' LENGTH
17. 115064	TRIM, ALUMINUM COUNTER TOP
18. 380034	TOILET PAPER HOLDER, CHROME
114812	ALUMINUM ANGLE, 1.00 X 1.00
203445	T-MOLDING BLK FLEXIBLE POLY .5

2010 SPORT
FURNITURE, BATH

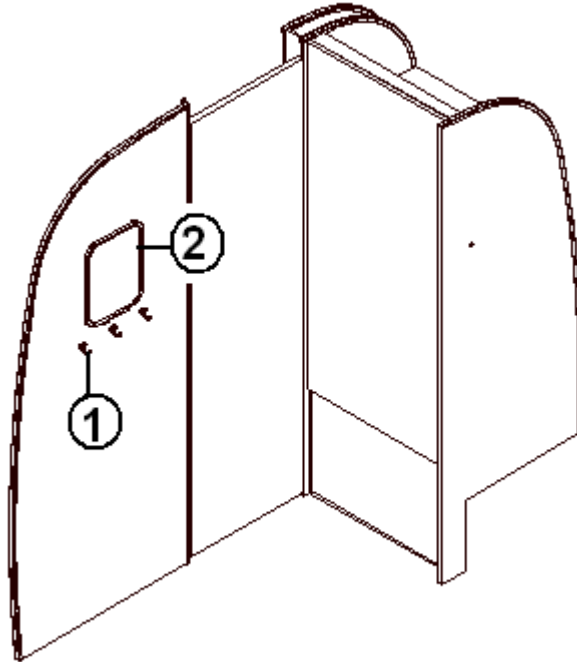
Lavatory Mirror/Rear Bath Shelf, 17', 22' Front Bed



- | | |
|--------------|---------------------------------|
| 1. 371423-02 | MIRROR, WALL MOUNT NICKEL |
| 2. 320035 | SCREW 8 X 1/2 PH TYPE A PHIL WD |
| 3. 371423-01 | RETAINER CLIP, 1 7/8" LONG |
| 4. 967135 | SHELF-REAR BATH |
| 5. 115394 | ANGLE, REAR BATH SHELF |

2010 SPORT
FURNITURE, BATH

Dry Erase Board/Coat Hooks, 22' Front Bed

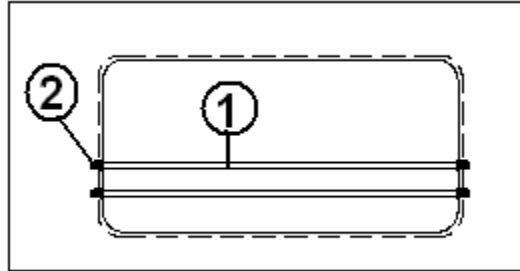


1. 381945
2. 381834

BOARD, DRY/ERASE 11" X 14", MAGNET
ALUMINUM COAT HOOK

2010 SPORT
FURNITURE, BATH

Shower Shelf Rods, 17', 22' Front Bed

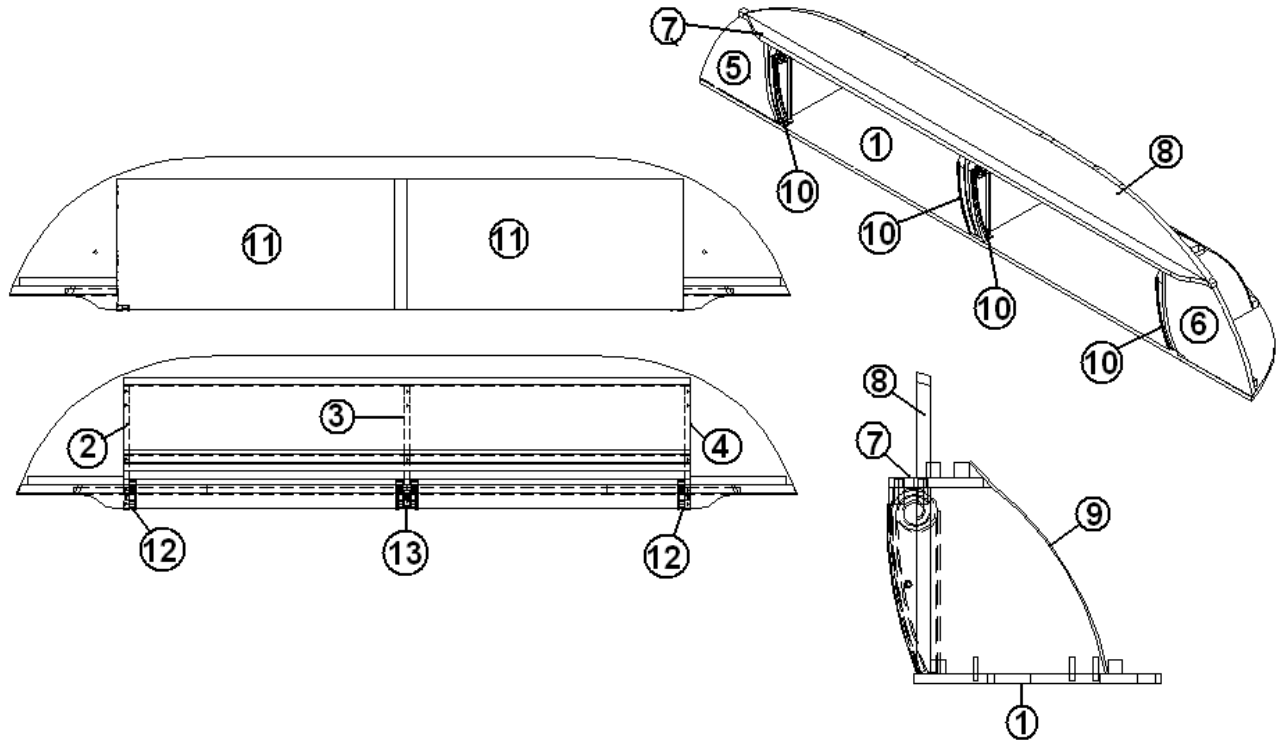


- | | |
|--------------|------------------------------|
| 1. 115042 | Rod, aluminum, 1/4", 6' long |
| 2. 380019-01 | Bushing, snap, 1/4" |

2010 SPORT

FURNITURE, BEDROOM

Roof Locker, Front, 22' Front Bed

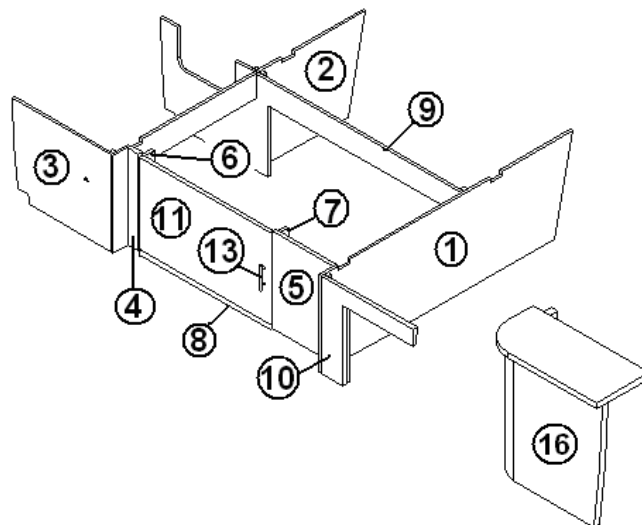
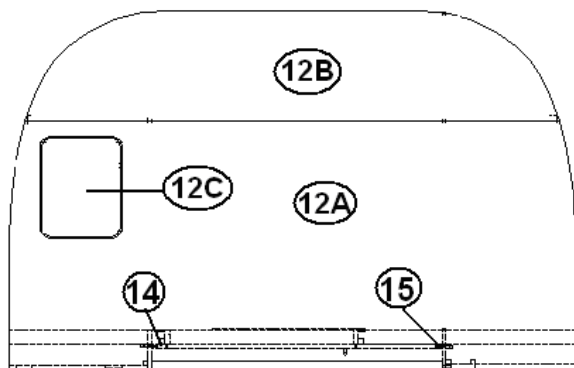


<p>967435</p> <p>1. 967435-1</p> <p>2. 967435-2</p> <p>3. 967435-3</p> <p>4. 967435-4</p> <p>5. 967435-5</p> <p>6. 967435-6</p> <p>7. 967435-7</p> <p>8. 967435-8</p> <p>9. 967435-9</p> <p>10. 201164-02</p> <p>11. 967104-01</p> <p>12. 115382-01</p> <p>13. 115382-02</p>	<p>ROOF LOCKER, FRONT</p> <p>PANEL, FRONT ROOF LOCKER, 13.00 X 72.87</p> <p>PANEL, FRONT ROOF LOCKER, 9.46 X 9.81</p> <p>PANEL, FRONT ROOF LOCKER, 9.21 X 9.81</p> <p>PANEL, FRONT ROOF LOCKER, 9.46 X 9.81</p> <p>PANEL, FRONT ROOF LOCKER, 9.94 X 9.81</p> <p>PANEL, FRONT ROOF LOCKER, 9.94 X 9.81</p> <p>PANEL, FRONT ROOF LOCKER, 5.00 X 62.39</p> <p>PANEL, FRONT ROOF LOCKER, 5.50 X 61.30</p> <p>PANEL, FRONT ROOF LOCKER, 13.50 X 42.80</p> <p>SPIRALS, R/L, PLATINUM, LH/RH</p> <p>DOOR, TAMBOUR, 9.88 X 25.25</p> <p>TRIM, ALUMINUM, ROOF LOCKER, 6.88 X 10.00</p> <p>TRIM, ALUMINUM, ROOF LOCKER, 1.88 X 10.00</p>
--	---

2010 SPORT

FURNITURE, BEDROOM

Bed, 22' Front Bed

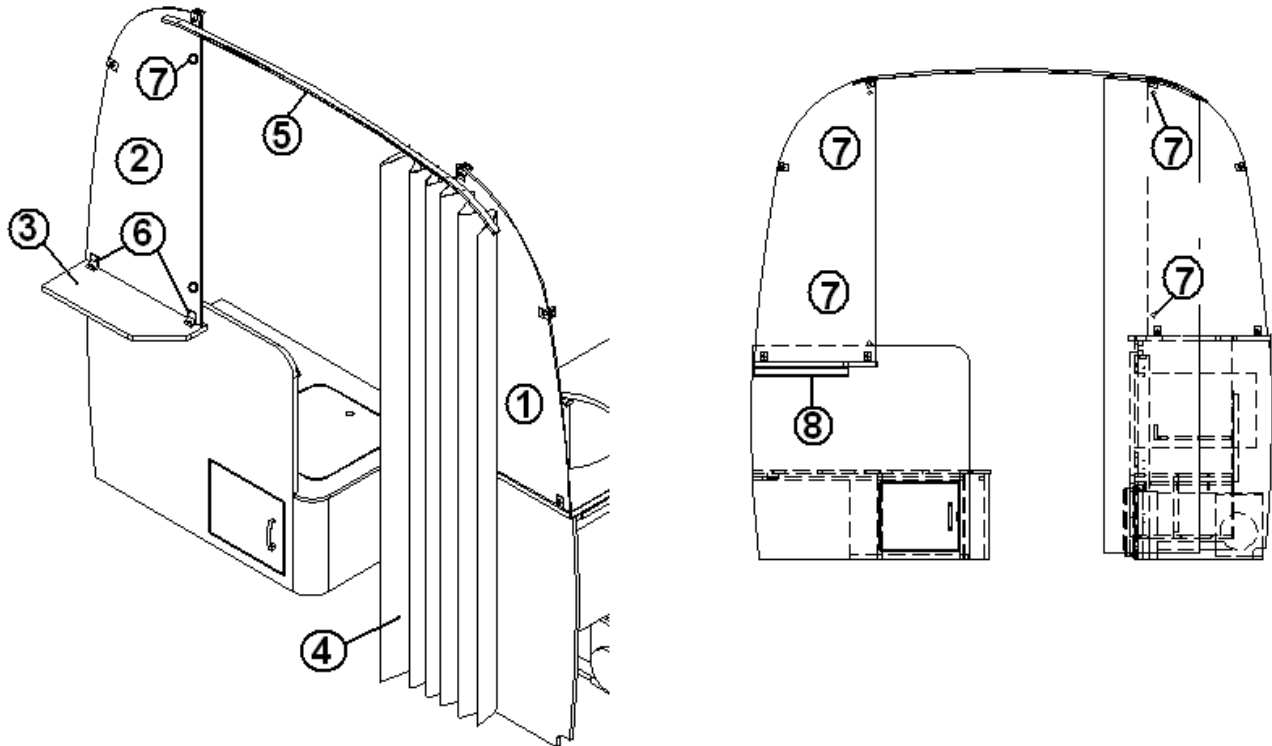


967436	BED ASSY.
1. 967436-1	PANEL, BED, 17.50 X 52.29
2. 967436-2	PANEL, BED, 17.50 X 52.53
3. 967436-3	PANEL, BED, 20.38 X 17.50
4. 967436-4	PANEL, BED, 2.25 X 17.50
5. 967436-5	PANEL, BED, 12.63 X 17.50
6. 967436-6	PANEL, BED, 2.25 X 16.75
7. 967436-7	PANEL, BED, 2.25 X 16.75
8. 967436-8	PANEL, BED, 2.25 X 27.00
9. 967436-9	PANEL, BED, 17.50 X 62.69
10. 967436-10	PANEL, BED, 19.14 X 17.50
11. 967436-11	DOOR, BED, 27.63 X 16.50
12A. 967436-12A	BED TOP
12B. 967436-12B	BED TOP
12C. 967436-12C	BED TOP DOOR
13. 382044	HANDLE, BRUSHED NICKEL
14. 381607	HINGE ASSY.
15. 381228-01	CATCH, GRABBER, DOOR
16. 967451	BED CLOSEOUT

2010 SPORT

FURNITURE, BEDROOM

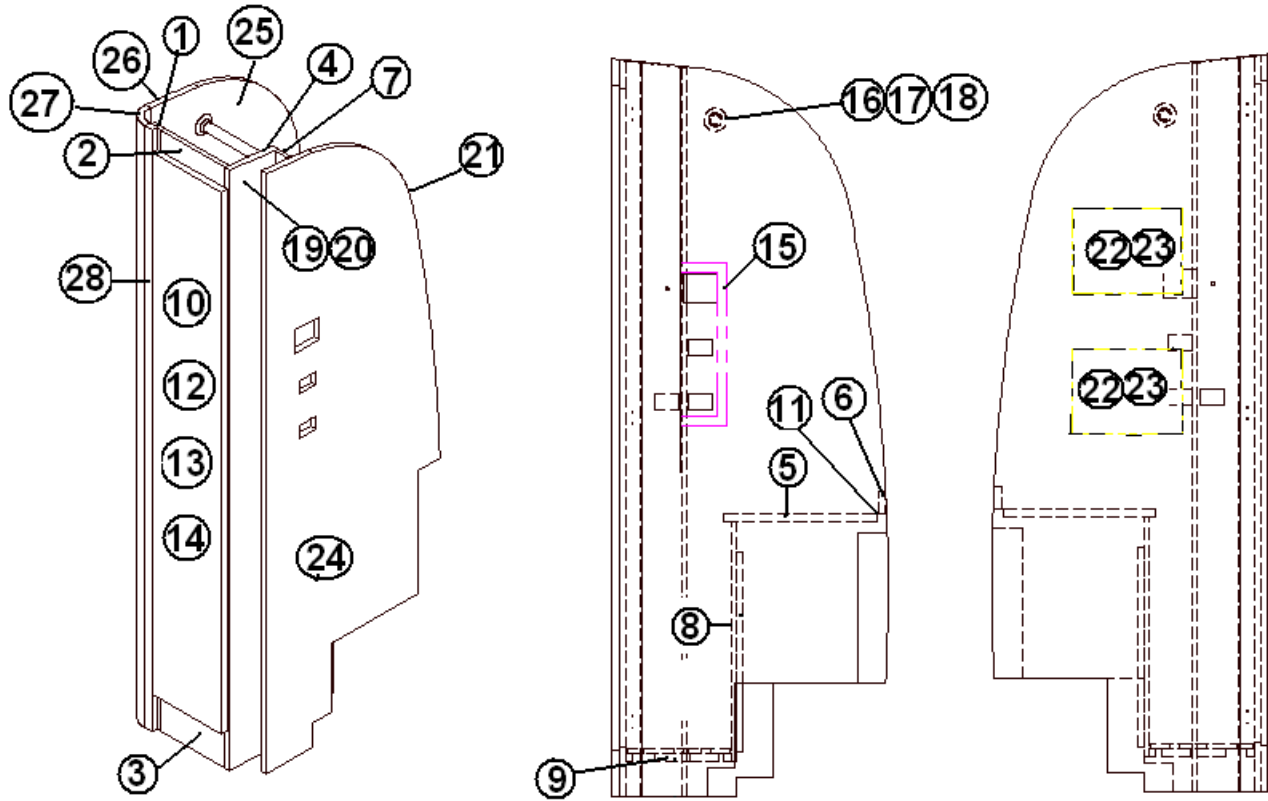
Privacy Panels, Curtain, 22' Front Bed



- | | |
|--------------|--|
| 1. 203658 | PANEL, PRIVACY, RS |
| 2. 203659 | PANEL, PRIVACY, CS |
| 3. 967452 | SHELF, BEDROOM |
| 4. 703801 | CURTAIN, DIVIDING, 51" X 76" |
| 5. 381563-01 | FOLDETTTE DOOR TRACK, STRAIGHT, 60" GRAY |
| 6. 381782 | PULL, GLASS DOOR, CHROME PLATED |
| 7. 700822 | HOOK, VELCRO, CIRCLE, ADHESIVE |
| 8. 115455 | ANGLE, ALUMINUM, .25 X 1.5 X 2.5 X 300" |

2010 SPORT FURNITURE, BEDROOM

Wardrobe, 16', Roadside



Part numbers are on the next page.

2010 SPORT
FURNITURE, BEDROOM

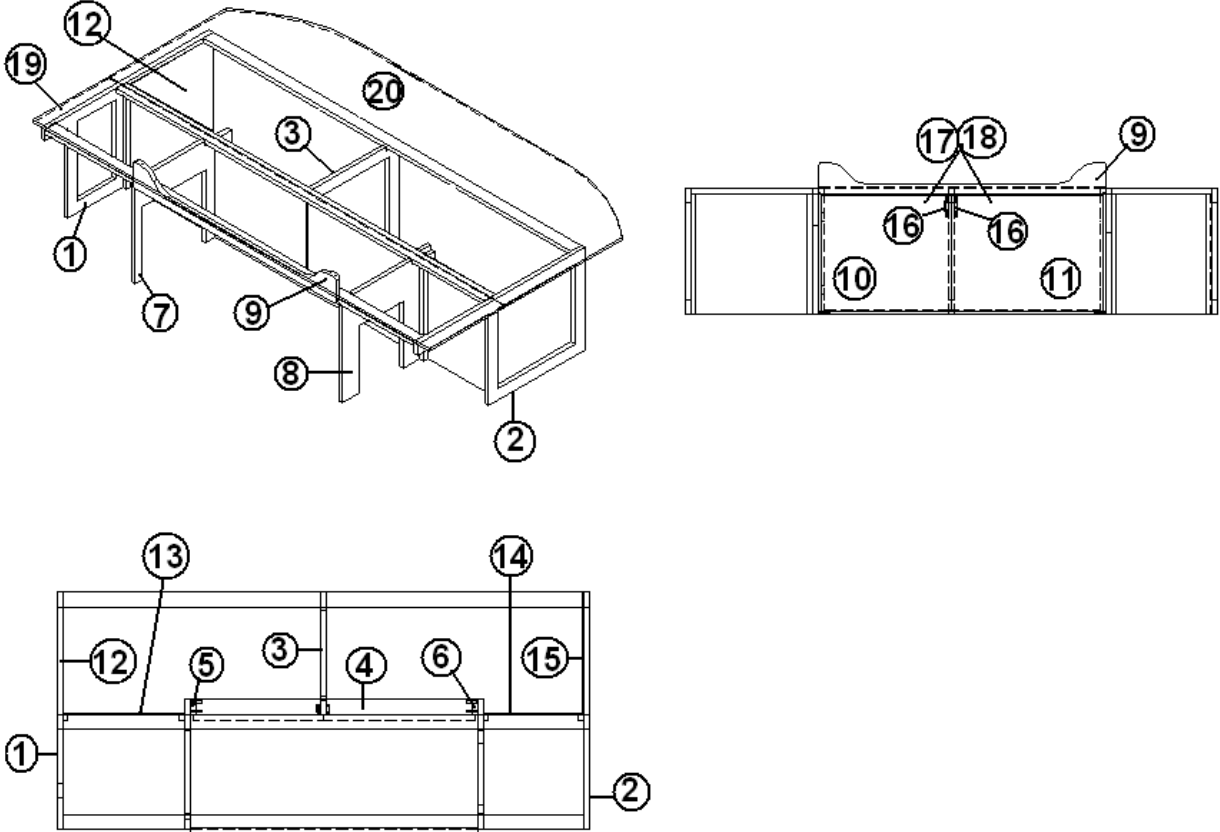
Wardrobe, 16', Roadside

967020-08	ROADSIDE WARDROBE
1. 967020-081	PANEL, 1.5 X 78.28
2. 967020-082	PANEL, 9.75 X 3
3. 967020-083	PANEL, 9.75 X 5.25
4. 967020-084	PANEL, 6.5 X 78.28
5. 967020-085	PANEL, 16.25 X 16.25
6. 967020-086	PANEL, 2.5 X 16.25
7. 967020-087	PANEL, 2.25 X 77.55
8. 967020-088	PANEL, 16.5 X 25.5
9. 967020-089	PANEL, 16.25 X 10.92
10. 967020-0811	DOOR, 10.44X70.66
11. 380203-01	PIANO HINGE
12. 381607-01	HINGE, GRASS EURO
13. 382044	HANDLE, BRUSHED NICKEL
14. 381228-01	CATCH GRABBER DOOR
15. 200773	CLOSEOUT, READING LIGHT
16. 380045	TUBING 3/4", ELECTRICAL, METALLIC
17. 380046	FLANGE CHROME
18. 200975-04	CONDUIT, FLEXIBLE BLACK PLASTIC
19. 381838-01	TRACK, FOLDETTE DOOR
20. 702681-08	DOOR, FOLDETTE 60" X 73" BEIGE
21. 203464-03	TRIM, PANEL, WHITE, 3/4"
22. 386106-01	RACK-MAGAZINE WHITE
23. 386107	ROD-MAGAZINE RACK
24. 967020-0826	PANEL, 26.25 X 78.17
25. 967026-08	PANEL, SUB ASSY, AFT WARDROBE
26. 967026-081	PANEL, AFT WARDROBE
27. 801345	RADIUS PLYWOOD, .75" X 3' X 8'
28. 967026-082	PANEL, 1 X 78.5

2010 SPORT

FURNITURE, BEDROOM

Bed, 16'



Part numbers on the next page

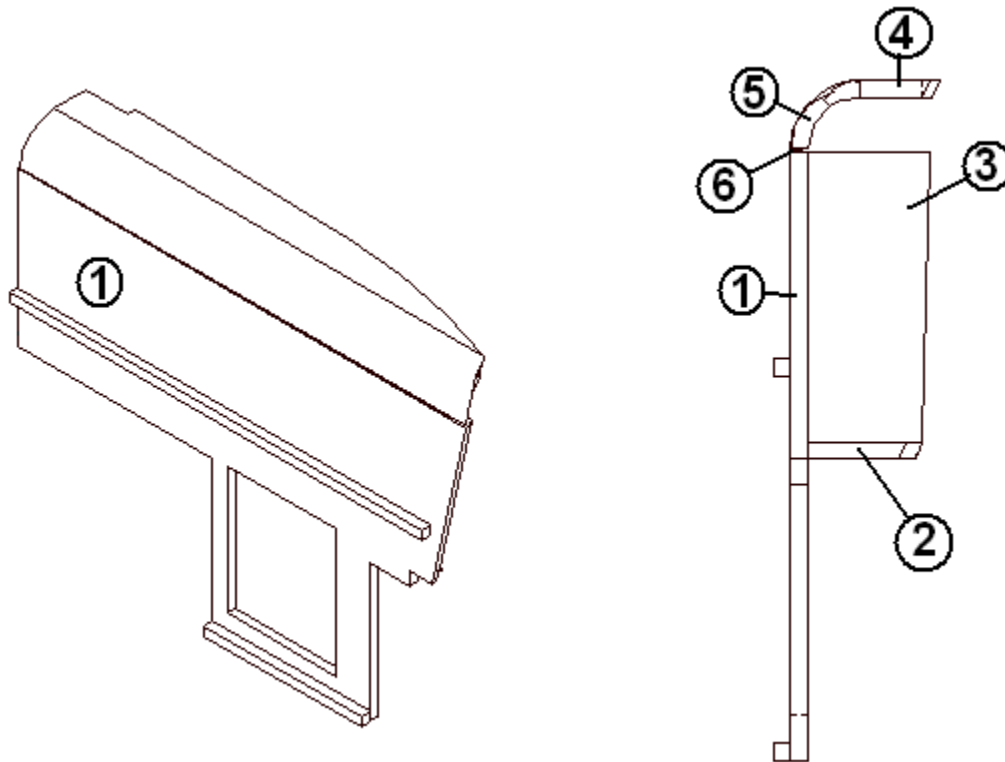
2010 SPORT
FURNITURE, BEDROOM

Bed, 16'

967008-08	BED ASSY
1. 967008-081	PANEL, BED 33 X 17.5
2. 967008-082	PANEL, BED 33 X 17.5
3. 967008-083	PANEL, BED 17 X 17.5
4. 967008-084	PANEL, BED 2.25 X 38.5
5. 967008-085	PANEL, BED 2.25 X 17.5
6. 967008-086	PANEL, BED 2.25 X 17.5
7. 967008-087	PANEL, BED 18.25 X 17.5
8. 967008-088	PANEL, BED 18.25 X 17.5
9. 967008-089	PANEL, BED 4.5 X 40
10. 967008-0810	DOOR, BED 18 X 16
11. 967008-0811	DOOR, BED 21 X 16
12. 967008-0812	PANEL, BED 16.88 X 16.75
13. 967008-0813	PANEL, BED 17 X 17.5
14. 967008-0814	PANEL, BED 14 X 17.5
15. 967008-0815	PANEL, BED 16.88 X 16.75
16. 381228-01	CATCH, GRABBER DOOR
17. 381607-01	HINGE, GRASS EURO
18. 382044	HANDLE, BRUSHED NICKEL
19. 967008-22	PANEL, BED TOP 15 X 78
20. 967008-23	PANEL, BED TOP 30.24 X 78
703836	MATTRESS, DOUPLBE W/FITTED COVER
203667	BIN, STORAGE, 23" X 16.75" X 12.38"
203439	STORAGE BOX, 17"L X 11.13"W X 6.38"

2010 SPORT
FURNITURE, BEDROOM

Hamper-Headboard LH, 16'

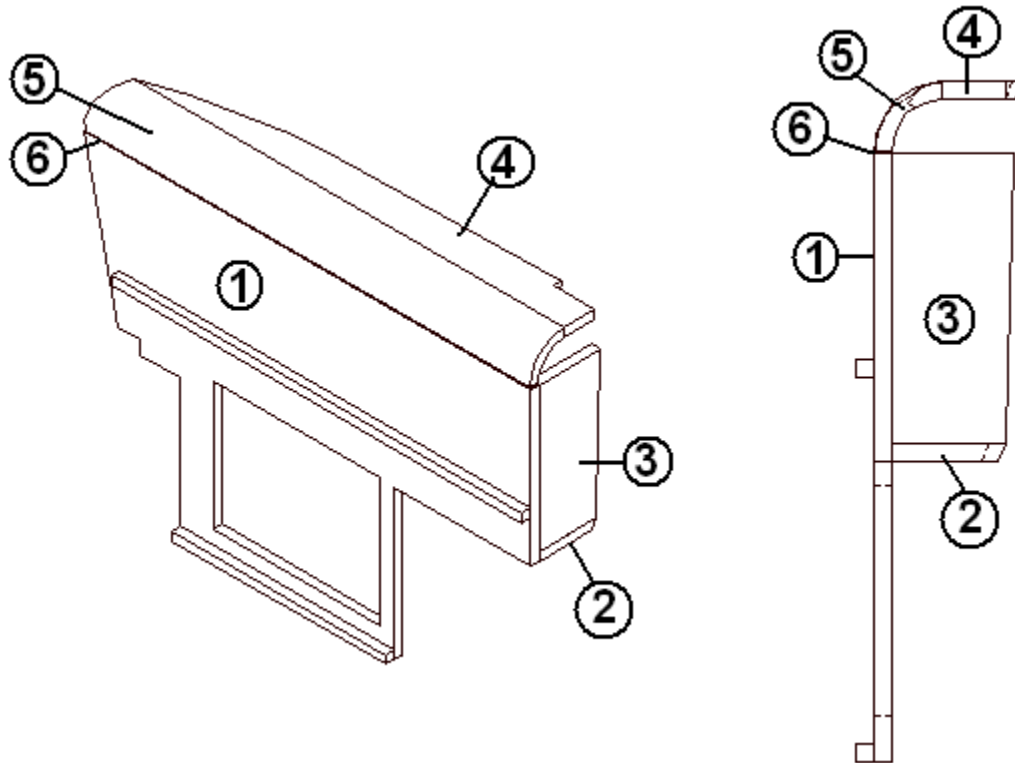


- | | |
|-------------|---------------------------------|
| 967017 | HAMPER/HEADBOARD-LH |
| 1. 967017-1 | PANEL, HAMPER/HEAD 39.25 X 26.5 |
| 2. 967017-2 | PANEL, HAMPER/HEAD 4.96 X 36.24 |
| 3. 967017-3 | PANEL, HAMPER/HEAD 5.35 X 12.63 |
| 4. 967017-4 | PANEL, HAMPER/HEAD 3.47 X 37.68 |
| 5. 801345 | RADIUS PLYWOOD, .75" X 3" X 8' |
| 6. 380458 | HINGE, PIANO COPPER |
| 702482-03 | HEADLINER SPECTRA OPAL |

2010 SPORT

FURNITURE, BEDROOM

Hamper-Headboard RH, 16'

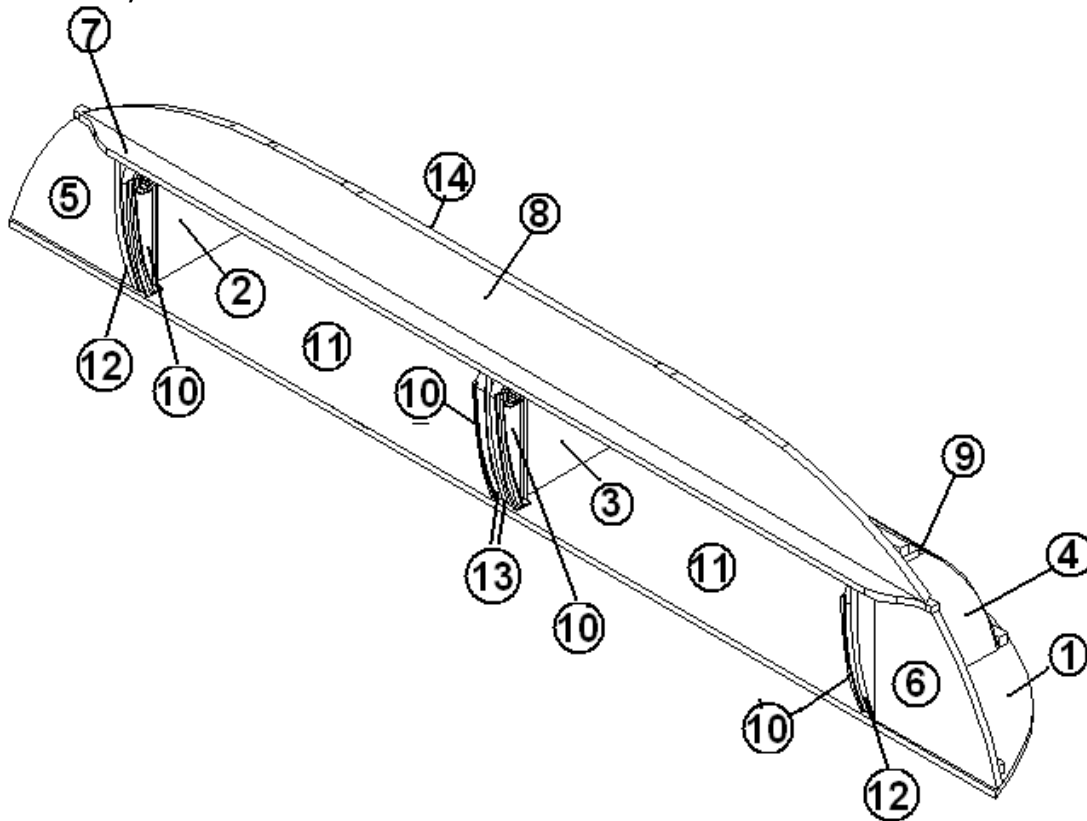


- | | |
|--|---|
| <p>967018</p> <p>1. 967018-1</p> <p>2. 967018-2</p> <p>3. 967018-3</p> <p>4. 967018-4</p> <p>5. 801345</p> <p>6. 380458</p> <p>702482-03</p> | <p>HAMPER/HEADBOARD, RH</p> <p>PANEL, HAMPER/HEAD RH 39.25 X 26.5</p> <p>PANEL, HAMPER/HEAD RH 4.96 X 36.24</p> <p>PANEL, HAMPER/HEAD RH 5.35 X 12.63</p> <p>PANEL, HAMPER/HEAD RH 3.47 X 37.68</p> <p>RADIUS PLYWOOD .75"X 3"X 8'</p> <p>HINGE, PIANO COPPER</p> <p>HEADLINER SPECTRA OPAL</p> |
|--|---|

2010 SPORT

FURNITURE, BEDROOM

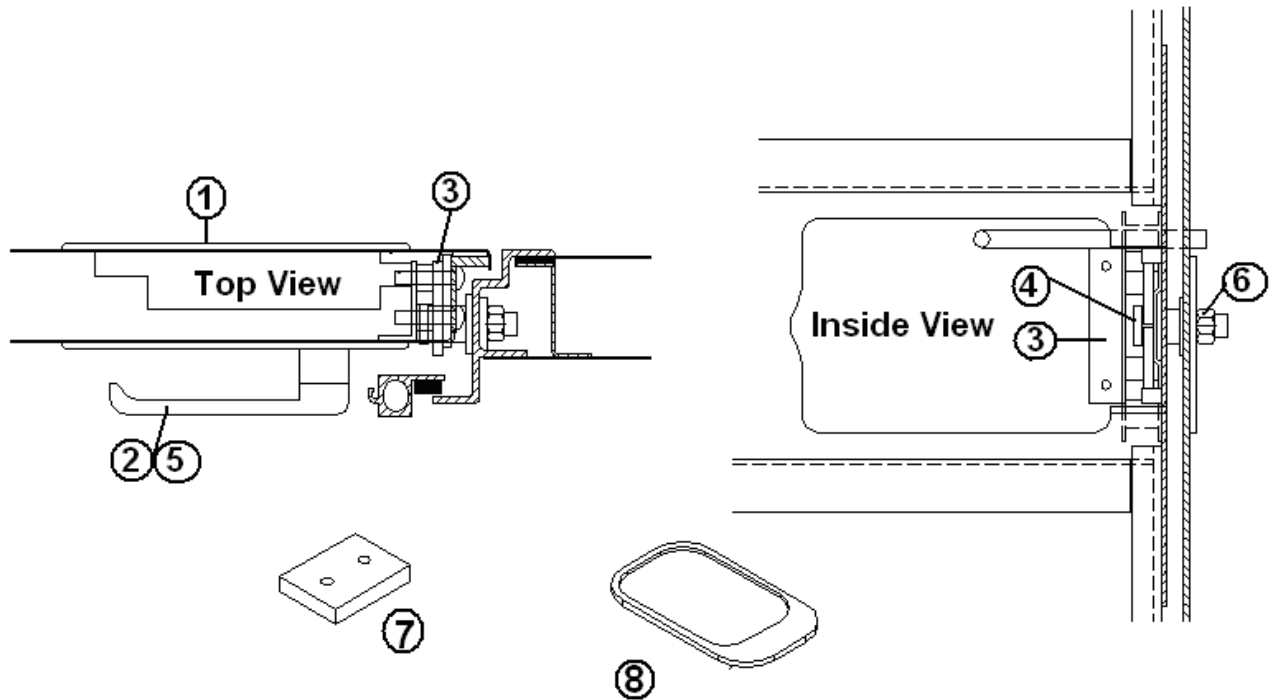
Roof Locker, 16'



<p>967499-08 1. 967499-081 2. 967499-082 3. 967499-083 4. 967499-084 5. 967499-085 6. 967499-086 7. 967499-087 8. 967499-088 9. 967499-089 10. 201164-02 11. 967104-07 12. 115382-01 13. 115382-02 14. 201673 101265-01 201163-01</p>	<p>LOCKER ASSY, REAR PANEL, R/L 13 X 80.57 PANEL, R/L 11.46 X 9.81 PANEL, R/L 11.21 X 9.81 PANEL, R/L 11.46 X 9.91 PANEL, R/L 9.94 X 9.81 PANEL, R/L 9.94 X 9.81 PANEL, R/L 5 X 70.09 PANEL, R/L 5.5 X 69 PANEL, R/L 13.5 X 60.70 SPIRALS, R/L, PLATINUM, LH/RH DOOR, TAMBOUR, 9.88 X 29.13 TRIM, ALUMINUM, .6.88 X 10.00 TRIM, ALUMINUM, 1.88 X 10.00 REVERSE COVE MOLDING, WHITE, PLASTIC EXTRUSION, BLACK, DOOR HANDLE ENDCAP, BLACK HANDLE, (PAIR)</p>
---	--

2010 SPORT HARDWARE

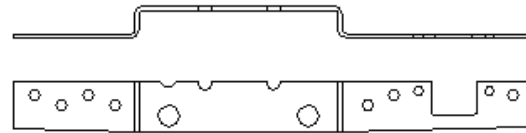
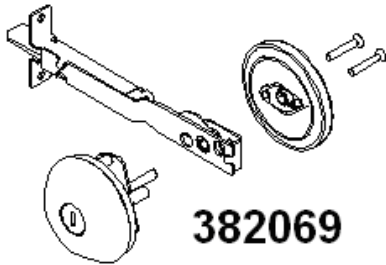
Main Door Lock, Right Hand Hinge



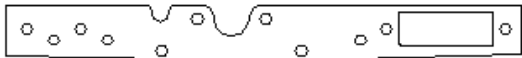
- | | |
|--------------|--------------------------------------|
| 1. 381547-09 | Main door lock, outside, housing |
| 2. 381547-11 | Main door lock, inside plate |
| 3. 381547-10 | Double rotary latch, main door lock |
| 4. 381547-04 | Striker bolt w/washer main door lock |
| 5. 381547-08 | Screw package, main door lock |
| 6. 381550 | Plate, Striker Bolt |
| 7. 203620 | SPACER - STRIKER MAIN DOOR |
| 8. 203494 | BASE PLATE DOOR LATCH |
| 385595 | POCKET-STRIKE |

2010 SPORT HARDWARE

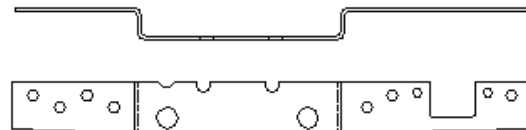
Deadbolt Assembly, Main Door, Round, Trimark



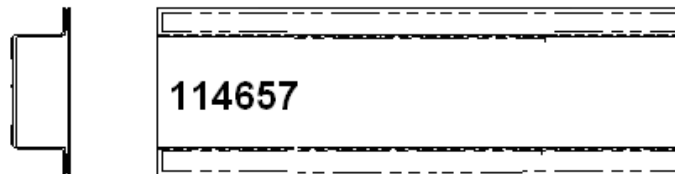
382066



382067



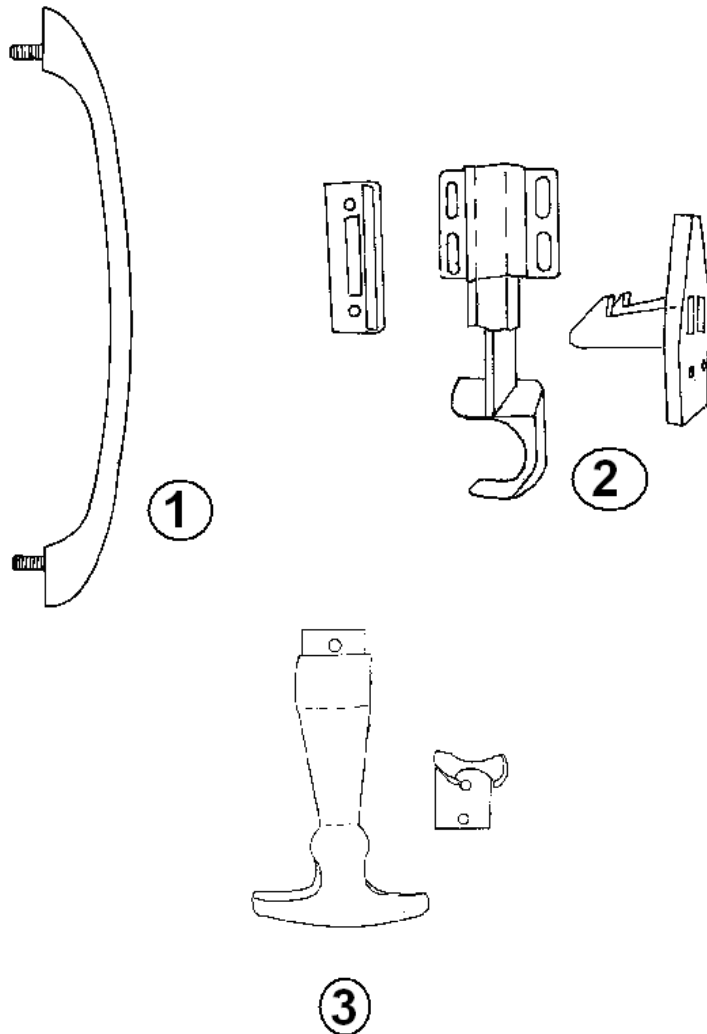
382068



- 382069 Deadbolt assembly, round, Trimark
- 382066 Inner reinforcement plate, LH hinged door
- 382067 Outer reinforcement plate, RH/LH hinged door
- 382068 Inner reinforcement plate, RH hinged door
- 114657 Door hat section

2010 SPORT HARDWARE

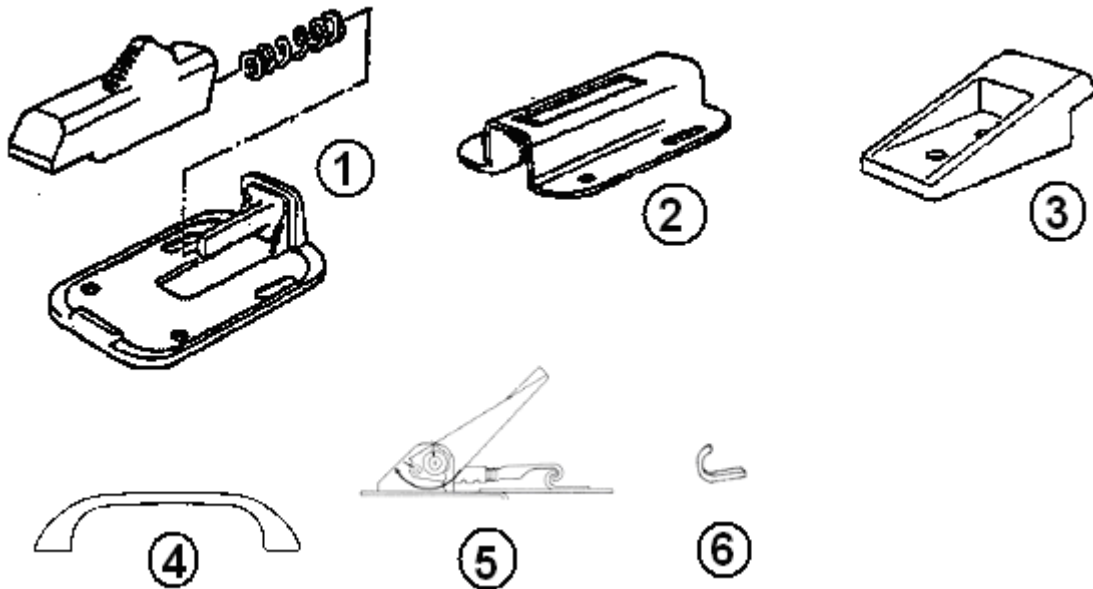
Exterior Latches/Locks



- | | |
|--------------|------------------------------------|
| 1. 101171 | Grab handle, main door |
| 1. 382074 | Gasket, grab handle, main door |
| 2. 381454 | Latch, screen door, Bullet |
| 3. 381021-01 | Rubber T handle, 90 degree bracket |

2010 SPORT HARDWARE

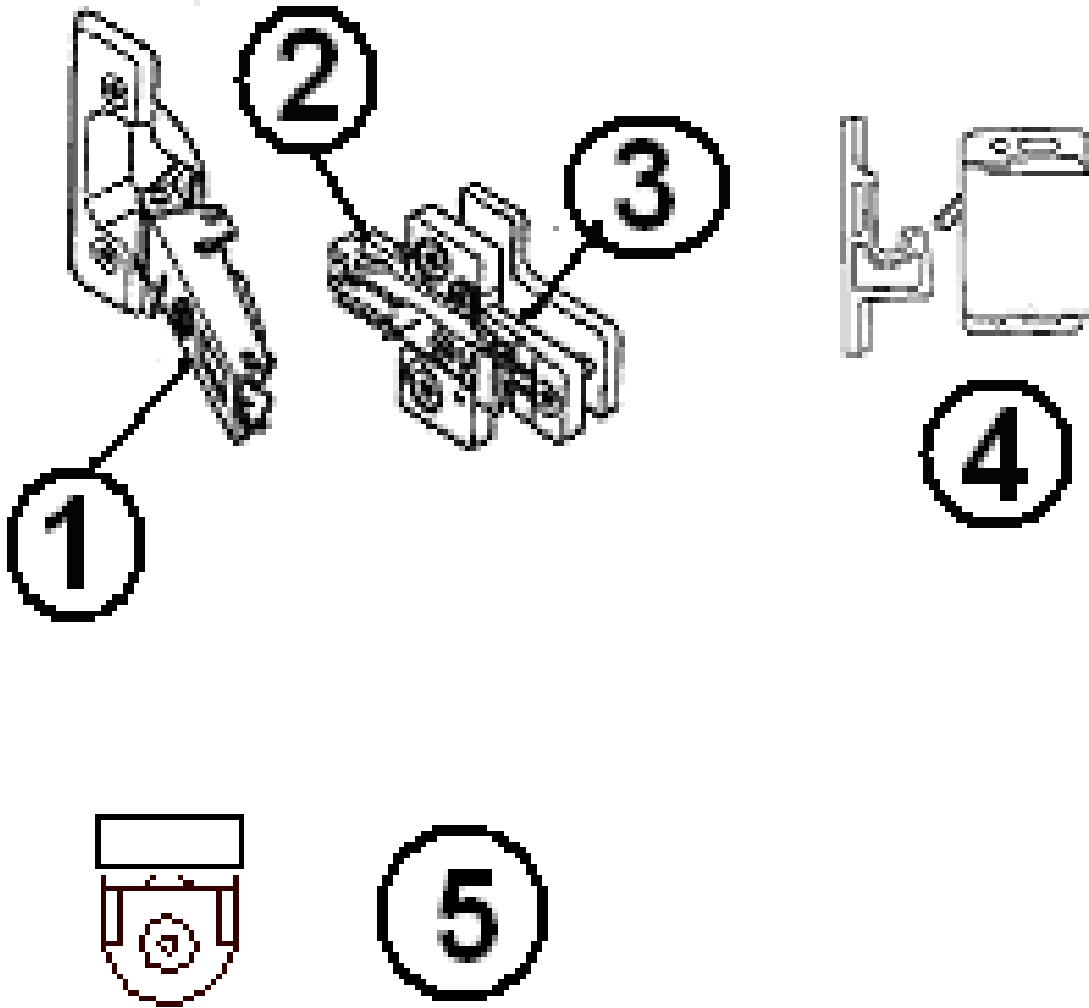
Exterior Latches/Locks



1. 380291 Main door holdback, (use w/housing # 380290)
2. 380290 Latch housing, holdback
3. 201056 Catch, main door
4. 380004 Handle, screen door
5. 382091-01 Tension latch, stainless steel
6. 382091-02 Strike, tension latch, stainless steel

2010 SPORT
HARDWARE

Interior Cabinet/Latches/Hinges



Part number on the next page

2010 SPORT

HARDWARE

Interior Cabinet/Latches/Hinges

1. 381607-01 Hinge, cabinet
2. 381607-02 Base, metal
3. 381607-03 Base, plastic
3. 381607-04 HINGE SCREW
4. 381228-01 Grabber door, latch w/catch, 3lb. Rating
5. 385963 BRACKET, ANGLED, LAMBREQUIN

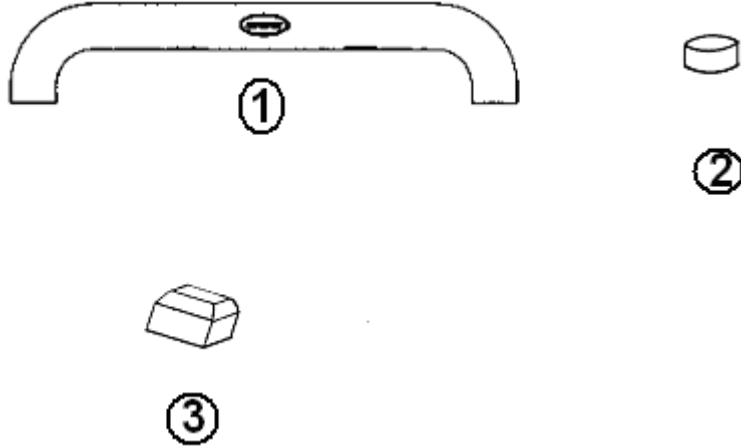
Interior Hinges

- 381072 HINGE 3" X 2", OPEN GOLD, SOFA BED
380203-01 PIANO HINGE, BATH DOOR
382051 HINGE SURFACE MOUNT, BRASS, FOLDING TABLE

2010 SPORT

HARDWARE

Main Door Head Knocker, Rubber Bumpers



- | | |
|--------------|---|
| 1. 381772 | Head knocker, white (mounts on interior top door jamb). |
| 2. 360012 | Bumper, rubber white, stick-on, cylindrical |
| 2. 360012-01 | Bumper, rubber brown, stick-on, cylindrical |
| 3. 360016 | Bump on, rubber gray, square 3/8" x 3/8" |
| 381610-01 | COVER CAP PLAS. EUROPEAN WHITE |

2010 SPORT
HARDWARE

Interior Latches/Hinges



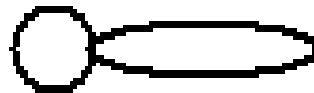
①



②



③



④

- | | |
|-----------|---|
| 1. 382044 | HANDLE, BRUSHED NICKEL |
| 2. 381774 | HANDLE-DRAWER/DOOR, SOFA BED |
| 3. 381737 | Grab bar, interior, mounts on interior doorjamb |
| 4. 381771 | Latch Swinging bath door |

2010 SPORT

HARDWARE

Bathroom Accessories

- 380034 Toilet paper holder, chrome
- 382098 Handle, 14.25", Glass Chrome (Towel bar)
- 380017 Holder, tumbler and toothbrush

Wardrobe Clothes Rod

- 380045 Clothes rod
- 200975-04 Conduit, flexible, black (covers clothes rod)
- 380046 Bracket, clothes rod

Drapes

- 700005 FASTENER, CAP
- 700006 FASTENER SOCKET
- 700020 PILE VELCRO
- 700021 HOOK, VELCRO, WHITE

Sewer Hose Clamp/Water Fill key/Silverware Tray

- 340084-52 CLAMP, HOSE SAE #52
- 381647 KEY WATER FILL CH 751
- 195329-240 SEWER HOSE ADAPTOR, elbow
- 200980-01 TRAY, SILVERWARE, ALMOND, 9" X 13"

2010 SPORT

HARDWARE

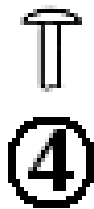
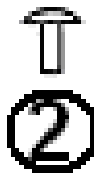
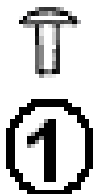
Detectors, Fire Extinguishers

510781	Smoke detector
510891	Smoke Detector CSA only
511309	LPG detector
512318	HOLDER W/1 AMP FUSE, IN-LINE
511411	JUNCTION BOX-7 TERMINAL 50-10-170
511375	JACK MODULAR TELEPHONE TA-1020
452412	BRACKET, FUSE BLOCK, 12V
600162-01	Fire extinguisher
600162-02	Fire extinguisher, CSA
203387	POCKET, RECESSED, EXXTINGUISHER BRACKET
372213	TRIM, BRUSHED CHROME, 1/8"
512178	DETECTOR CARBON MONOXIDE 9 VOLT

2010 SPORT

Hardware

Rivets, Buck

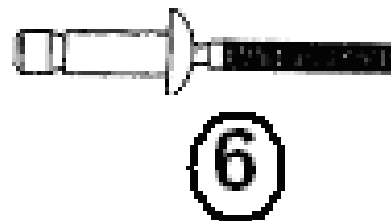
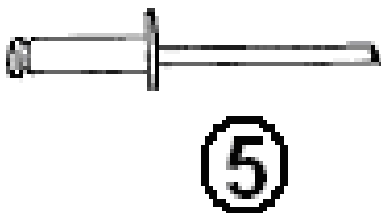
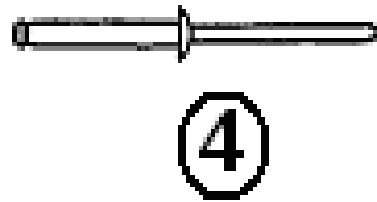
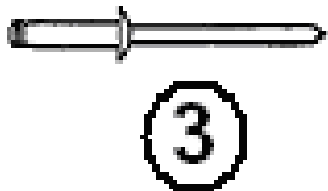
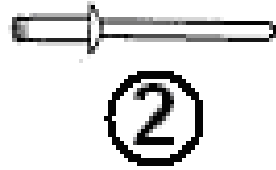
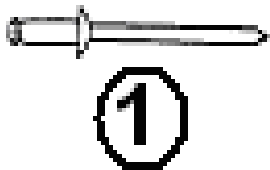


- | | |
|--------------|---|
| 1. 325043 | Rivet, 1/8", 1/4" length (hard) |
| 2. 325000-01 | Rivet, 1/8", 1/4" length anodized clear |
| 2. 325000 | Rivet, 1/8", 1/4" length clear |
| 3. 325000-03 | Rivet, 1/8", length 1/4", long, anodized white |
| 4. 325001-01 | Rivet, 1/8", length 5/16", anodized clear |
| 5. 325002-01 | Rivet, 1/8", length 3/8", anodized clear |
| 5. 325002 | Rivet, 1/8", length 3/8" |
| 6. 325004-01 | Rivet, 1/8", length 1/2", anodized clear |
| 7. 330127-03 | Rivet, grip range .063-.125, aluminum body,
aluminum mandrel |
| 8. 300101 | 1/8" I.D., Washer, aluminum |

2010 SPORT

Hardware

Rivets, Pop



1. 330126-02 Pop Rivet, diameter 1/8", grip range .126-.187, S.S. body and mandrel
2. 330126-03 Pop Rivet, diameter 1/8", 1/8" grip range .126-.250, S.S. body and mandrel
3. 330148 Pop Rivet, AD43-45ABS
4. 330127-080 Pop Rivet, diameter 1/8", grip range .325"-.565" aluminum, body & mandrel
5. 330038 Pop Rivet, diameter 1/8" .150". (#20 bit) grip range .126-.250, aluminum body & mandrel (used-screen door hinge)
6. 325103 Pop Rivet, diameter 1/8"1/4" grip range .080-.325, SS body, steel mandrel

2010 SPORT

LABELS AND TAGS

Labels and Tags

385193	Label, "12V distribution panel inside"
386119	Label, "DON'T USE AREA FOR STORAGE"
385068	Tag, cooking appliance warning
386118	Label, LP gas warning/fill
385517	Label, kill switch warning
385521	Label, emergency egress window
386122	Warning label/cooking appliance
386121	Label, LP gas warning label (odor)
385465	Exit label, English
385560	Label, air conditioner rating
385812	Label, Calif. hazardous substance
386120	Label, smoke detector
385359	Label, microwave or air conditioner
385837	Label, refrigeration ignition
386012	Label warning, water heater
386123	LABEL "POTABLE WATER ONLY"
386114	LABEL-RVIA SILVER
386192	HANG TAG: SMOKE/CO DETECTOR BATTERY
386193	LABEL WHEEL TORQUE WARNING
386098	LABEL, FUSE, 12 V
386082	DECAL, THOR, .75" X 5.25"
385418-01	Label, Federal registration
386019	LABEL 1 AMP FUSE MAX.
386226	LABEL, RV MASTER WEIGHT LABEL
385020	STICKER SELF ADHERING, JACK
385062	Decal, 110-125 voltage AC
385565	Label, holding tank flushing
386097	LABEL, FUSE 12 VOLT

2010 SPORT

LABELS AND TAGS

Labels and Tags, CSA

385949	LABEL, "POTABLE WATER", CSA
385950	LABEL, "SMOKE DETECTOR, CSA
385951	LABEL, "RANGE FRESH AIR", CSA
385952	LABEL, "LP WARNING", CSA
385953	LABEL, "IF YOU SMELL GAS", CSA
385954	LABEL, "RANGE WARNING", CSA
385466	LABEL, "EXIT LABEL" (FRENCH)
386105	LABEL, TV/VCR RECEPTABLE, CSA
385971	LABEL, FUSE, EXTERIOR LIGHT

2010 SPORT

PLUMBING, LPG SYSTEM

Gas Bottles

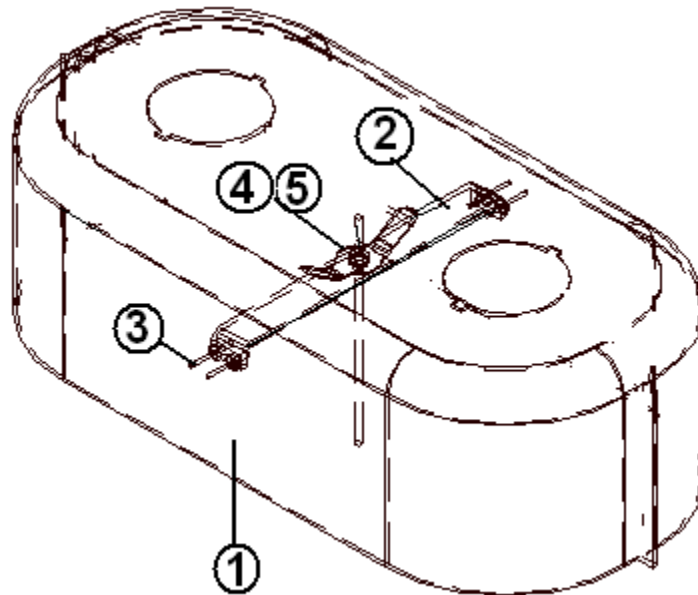
601781	LP gas bottle, 20lb. steel
601686	Base plate, LP tank mounting
601687	Hold down kit, LP tank

Gas regulator and Fittings

601731	LP regulator, w/pigtails, mounting Bracket & cover
601685-01	LP hose, 1/2" FPT x 3/8" flare
601685-02	LP hose, 1/2" FPT x 3/8" flare, CSA
600004	Copper tubing, 5/8"
600008	Copper tubing, 3/8"
600435	Flare nut, forged, 3/8"
600436	Flare nut, forged, 5/8"
600000	Tee, brass, 5/8" x 5/8" x 3/8"
600661	GROUNDING CLAMP 1/2 TO 1 SIZE
500038	LUG GROUND
500839	WIRE, BARE COPPER 8 GA.
601698-01	E-PEX 1/2" TUBING
380887	GROMMET, FLOOR
380886	GROMMET, FLOOR
600010	NUT, BRASS, FLARE, 3/8"
600003	TEE 5/8 X 3/8 X 3/8
601281	TEE, BRASS, UNION, 5/8 X 5/8 X 5/8

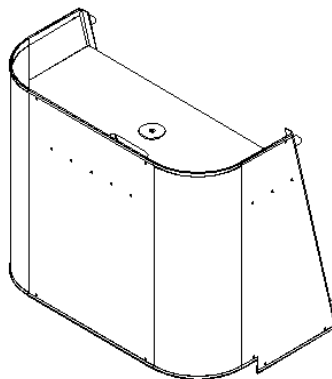
2010 SPORT
PLUMBING, LPG SYSTEM

Gas Bottle Cover, 17', 22'



- | | |
|-----------|-------------------|
| 1. 203617 | Gas bottle cover |
| 2. 454645 | Bracket, LP cover |
| 3. 330034 | AD 68 Pop rivet |
| 4. 381814 | Nut, wing, 5/16" |
| 5. 381613 | LP wing handle |

LP Bottle Cover, 16'

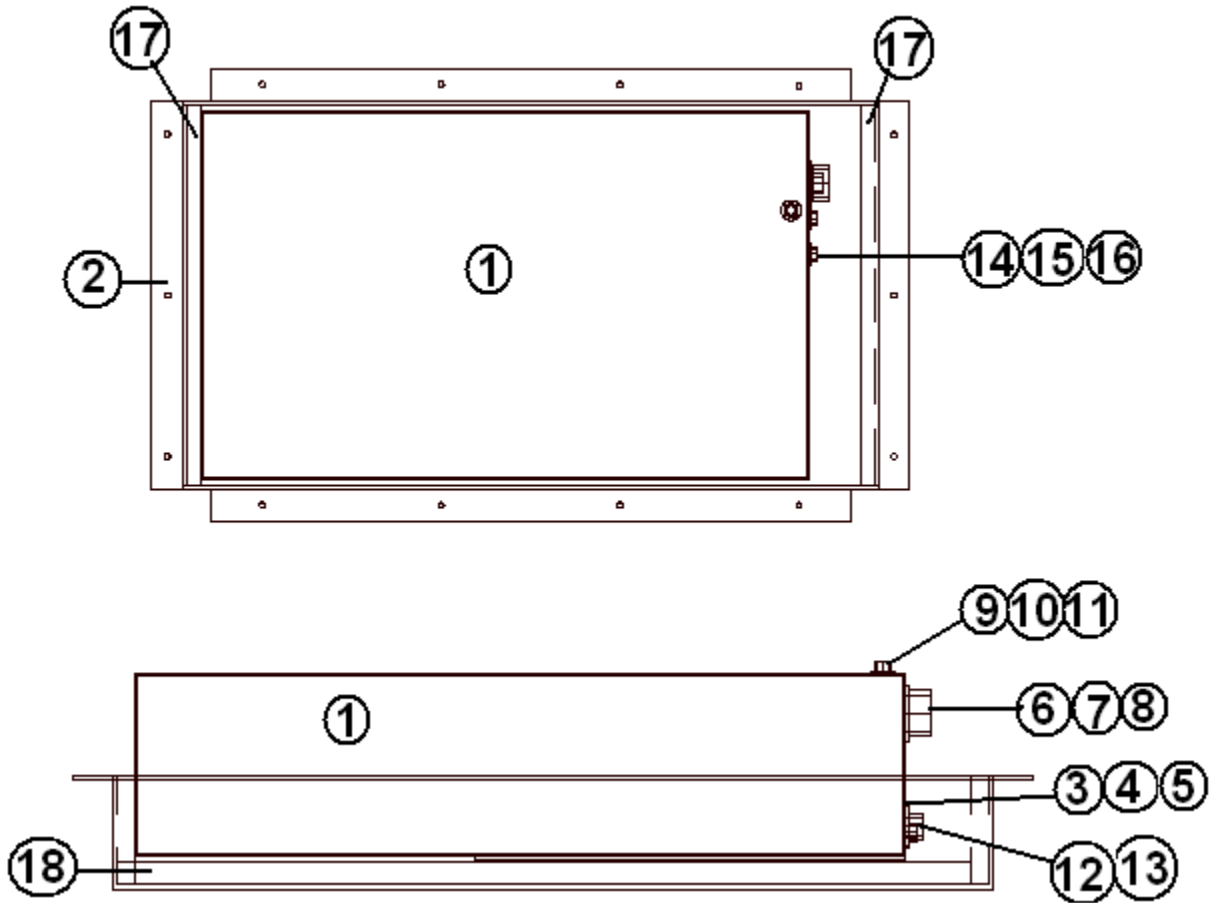


- | | |
|--------|--------------------------------|
| 915778 | COVER ASSY-LP BOTTLE, 16' |
| 115202 | LID LP BOTTLE COVER |
| 115201 | WRAP, LP BOTTLE COVER |
| 381136 | RUBBER BUMPER |
| 114070 | EXTRUSION. J-TRIM, MILL FINISH |

2010 SPORT

PLUMBING, FRESH WATER

Fresh Water Tank, 17', 22'



Part Numbers on the Next Page

2010 SPORT

PLUMBING, FRESH WATER

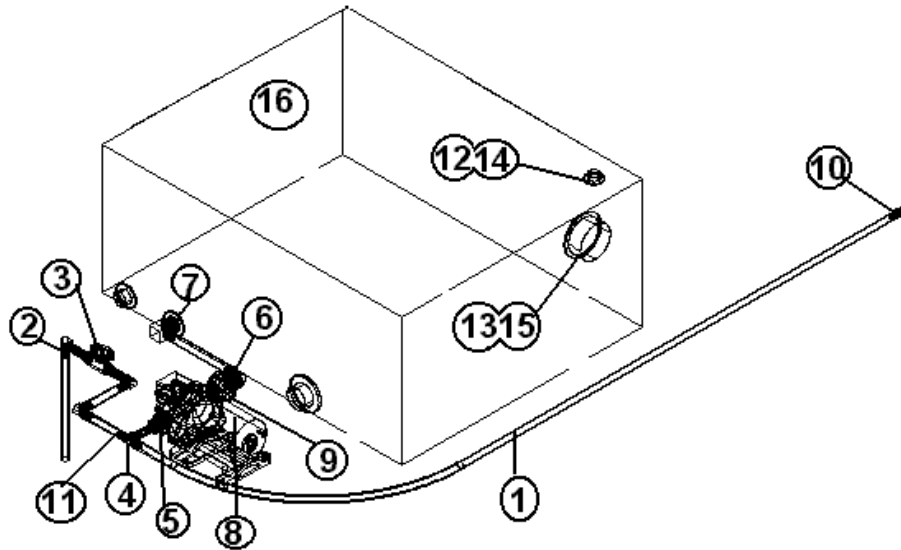
Fresh Water Tank, 17', 22'

- | | |
|---------------|------------------------------------|
| 1. 602168 | TANK, FRESH WATER |
| 2. 454627 | PAN, FRESH WATER TANK |
| 3. 601810 | VALVE-1/2"FPT X 1/2" FPT KBI |
| 4. 601811 | ELBOW-1/2"MPT X 1/2" FPT STREET |
| 5. 601812 | NIPPLE-BRASS 1/2" X 2" |
| 6. 601237 | ELBOW 90 D 1.25 MPT X 1.25 BAR |
| 7. 601239 | TUBING 1.375 I.D. RIBBED |
| 8. 0260043-20 | WORM CLAMP #20 |
| 9. 601698-04 | ELBOW, 1/2"BARB X 1/2"MPT |
| 10. 601240-01 | TUBING 1/2 I.D. X 3/32 WALL THREAD |
| 11. 340086 | MINIATURE SCREW TYPE HOSE CLAMP |
| 12. 601698-04 | ELBOW, 1/2"BARB X 1/2"MPT |
| 13. 601698-01 | E-PEX 1/2" TUBING |
| 14. 602185 | Drain Valve, 90 degree |
| 15. 602185 | Drain Valve, 90 degree |
| 16. 601698-03 | COUPLER, 1/2"BARB X 1/2"FPT |
| 17. 200507 | STYROFOAM, 1 X 25 X 55 |
| 18. 200152 | STYROFOAM, 1/2' X 6 X 42 |

2010 SPORT

PLUMBING, FRESH WATER

Fresh Water System, 16'



- | | |
|---------------|--|
| 1. 601698-01 | E-PEX 1/2" TUBING |
| 2. 601698-10 | QQE33X 1/2" BARB EL |
| 3. 601698-22 | BALL VALVE 1/4" TURN |
| 4. 601698-11 | QQT333X 1/2" BARB TEE |
| 5. 601698-03 | QQSFC33XPXP 1/2"B X 1/2", SWIVEL ADAPTOR |
| 6. 601698-05 | QQE33BSXP 1/2" B X 1/2" FPT SWIVEL |
| 7. 601698-04 | QQE33BTX 1/2" BX1/2" MPT BARB EL |
| 8. 601061-03 | PUMP WATER SHURFLO |
| 9. 601668-01 | WATER PUMP PRE-FILTER |
| 10. 601698-08 | QQC33X 1/2" BARB COUPLING |
| 11. 601698-15 | 1/2" CRIMP RING |
| 12. 601240-01 | TUBING 1/2" I.D. X 3/32 WALL |
| 13. 601239-01 | TUBING 1.375" I.D. RIBBED |
| 14. 340084-12 | CLAMP, HOSE |
| 15. 340084-20 | CLAMP, HOSE |
| 16. 601861-01 | Fresh water tank |
| 600139 | CHECK VALVE, BRASS |
| 601531 | FITTING-90 DEGREE 3" H X ST |
| 203085 | PLUG WATER LINE 1/2" PLASTIC BLACK |
| 601658 | VALVE 1/2" STOP CPVC |
| 601659 | RISER 1/2" FPT X 12" CPVC |
| 602185 | DRAIN VALVE 90 DEG TURN |
| 454065 | STRAP-WATER TANK |

2010 SPORT

PLUMBING, FRESH WATER

Water Fill/Pump and Fittings

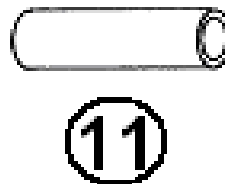
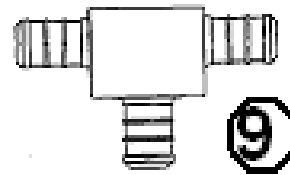
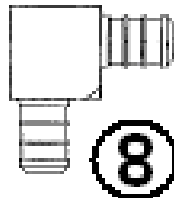
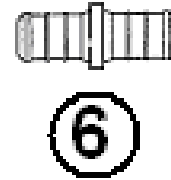
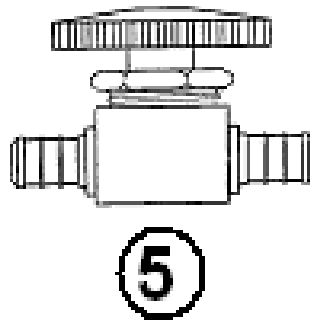
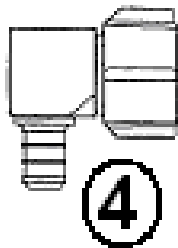
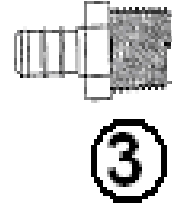
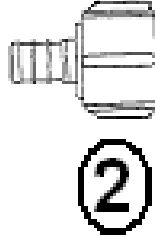
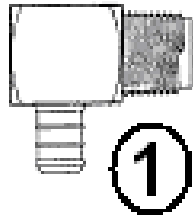
601194	Water fill w/lock, gray
601237	Plastic elbow, 90 degree, 1.25" MPT x 1.25" barb
601239	Tubing, 1.375" I.D., flexible, water fill hose
602169	Water pump, Shurflo
601668	Filter, pre water pump
602185	Drain Valve, 90 degree
601531	FITTING-90 DEGREE 3" H X ST
203085	PLUG WATER LINE 1/2" PLASTIC BLK
601659	RISER 1/2" FPT X 12" CPVC
601392-05	CITY WATER FILL W/REGULATOR CHROME

City Water Hookup

600362	Connector, 1/2" FPT x water hose, swivel
600336	Plug with chain
601690	Nipple, 1/2" MPT x 2.50"
601689	Drop ell, 90 degree, 1/2" FPT
600315	PUMP GUARD FILTER
601661	NIPPLE 1/2" BRASS HEX
601237	ELBOW 90 D 1.25 MPT X 1.25 BAR

2010 SPORT
PLUMBING, FRESH WATER

Fresh Water Fittings



Part Numbers Are On The Next page

2010 SPORT

PLUMBING, FRESH WATER

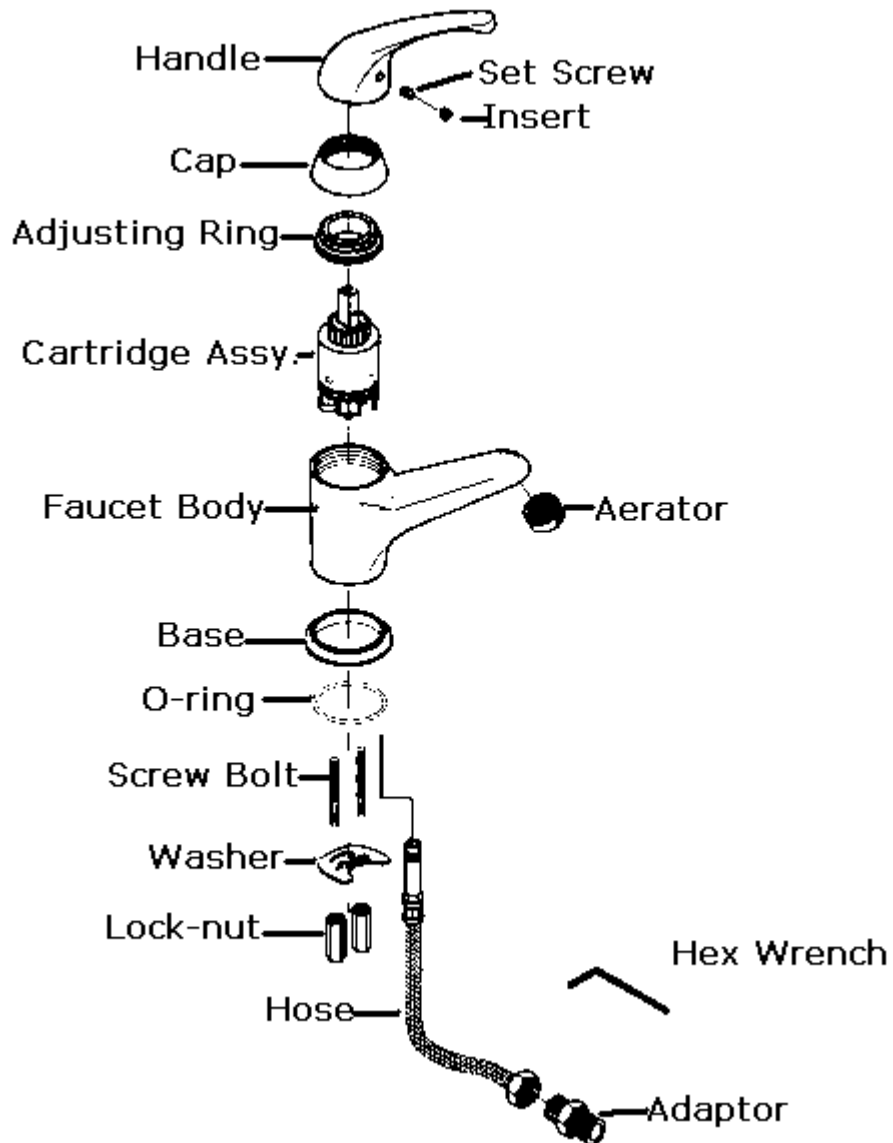
Fresh Water Fittings

- | | |
|---------------|------------------------------------|
| 1. 601698-04 | Elbow, 1/2" barb x 1/2" MPT |
| 2. 601698-03 | Coupler, 1/2" barb x 1/2" FPT |
| 3. 601698-02 | Coupler, 1/2" barb x 1/2" MPT |
| 4. 601698-05 | Elbow 1/2 barb x 1/2" FPT |
| 5. 601698-22 | Shut-off, 1/2" barb x 1/2" barb |
| 6. 601698-08 | Coupler, 1/2" x 1/2" barb |
| 7. 601698-09 | Plug, 1/2" barb |
| 8. 601698-10 | Elbow 1/2" barb x 1/2" barb |
| 9. 601698-11 | Tee, 1/2" x 1/2" x 1/2" |
| 10. 601698-15 | Crimp ring, 1/2E-Pex, 1/2" (black) |
| 11. 601698-01 | E-Pex tube, 1/2 |
| 11. 601698-21 | E-Pex tube, 1/2", Red |
| 601237 | ELBOW 90 D 1.25 MPT X 1.25 BAR |
| 601810 | VALVE, 1/2" FPT X 1/2" FPT KBI |
| 601811 | ELBOW, 1/2" MPT X 1/2' FPT STREET |
| 601812 | NIPPLE-BRASS 1/2" X 2.0" |
| 340085-06 | CLAMP, LOOP, STEEL W/RUBBER, .75 |

2010 SPORT
PLUMBING, FRESHWATER

FAUCET-SMALL LEVER HANDLE BATH, 601842

Model 97155BR
ITC Inc.
230 East Lakewood Blvd.
Holland, MI 49424
Tel. 616-396-1355



601842 FAUCET-SMALL LEVER HANDLE BATH

2010 SPORT

PLUMBING, FRESH WATER

Faucet, Chrome Shower Trim Kit, 22'

601358	SHOWER HARDWARE UNIT, CHROME
602170-01	SHOWER VALVE, CHROME
602170-02	ELBOW 6401, SHOWER KIT
601661	NIPPLE, ½", BRASS, HEX

Sink/Faucet, Galley, 17', 22'

602197	SINK w/FAUCET, FLUSH SMEV S.S. SATIN, GALLEY
602153	FAUCET ONLY, WATER TAP, STAINLESS STEEL
602149	SINK ONLY, SMEV S.S, GALLEY
195362-39	Strainer, 2"

Sink, Lavatory, 17', 22' Front Bed

601804-01	SINK, LAVY, YUKON ROUND
601813	TAIL PIECE, LIFT/TURN DRAIN
600594	STRAINER W/WHITE RUBBER STOPPER

Sink/Faucet, Galley, 16'

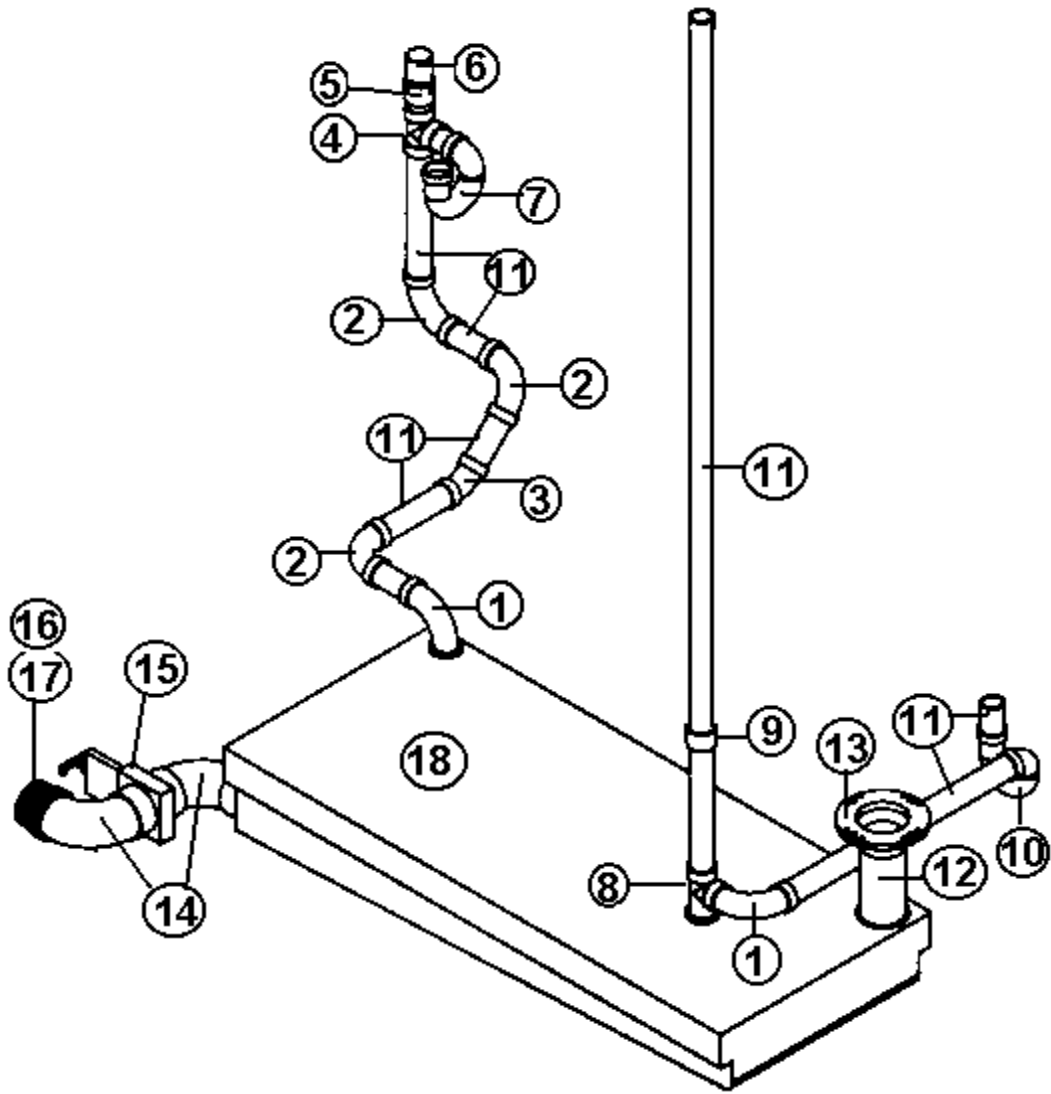
602250	SINK, SS, SINGLE BOWL, 13" X 15"
601714-01	TAIL PIECE 1-1/2X4"(GALLEY DRAIN)
601714-02	1.5" SLIP NUT W/WINGS
601714-03	105" BLACK RUBBER WASHER
601714-04	TAILPIECE, GALLEY DRAIN
602243	FAUCET, GALLEY MOEN
600968	BASKET STRAINER
203425	SINK COVER, .5", NATURAL OAK

Shower Valve 16'

604877-01	SHOWER VALVE, W/FLAT WASHER
604877-02	NLA - HANDSET HOSE W/WALL BRACKET
604877-03	ELBOW, ½" CHROME SUPPLY
604877-04	VACUUM BREAKER, BRASS
604877-05	AMCOR CHROME 4 POS HH SHOWER HEAD
604877-06	AMCOR MET/FLEX BLK & CHROME 59" HOSE
604877-07	AMCOR CHROME WALL BRKT FOR HH SHOWER
601884	CENTER SET NUT, PLASTIC

2010 SPORT
PLUMBING, DRAIN

DRAIN SYSTEM, 16'



P/N on Next Page

2010 SPORT

PLUMBING, DRAIN

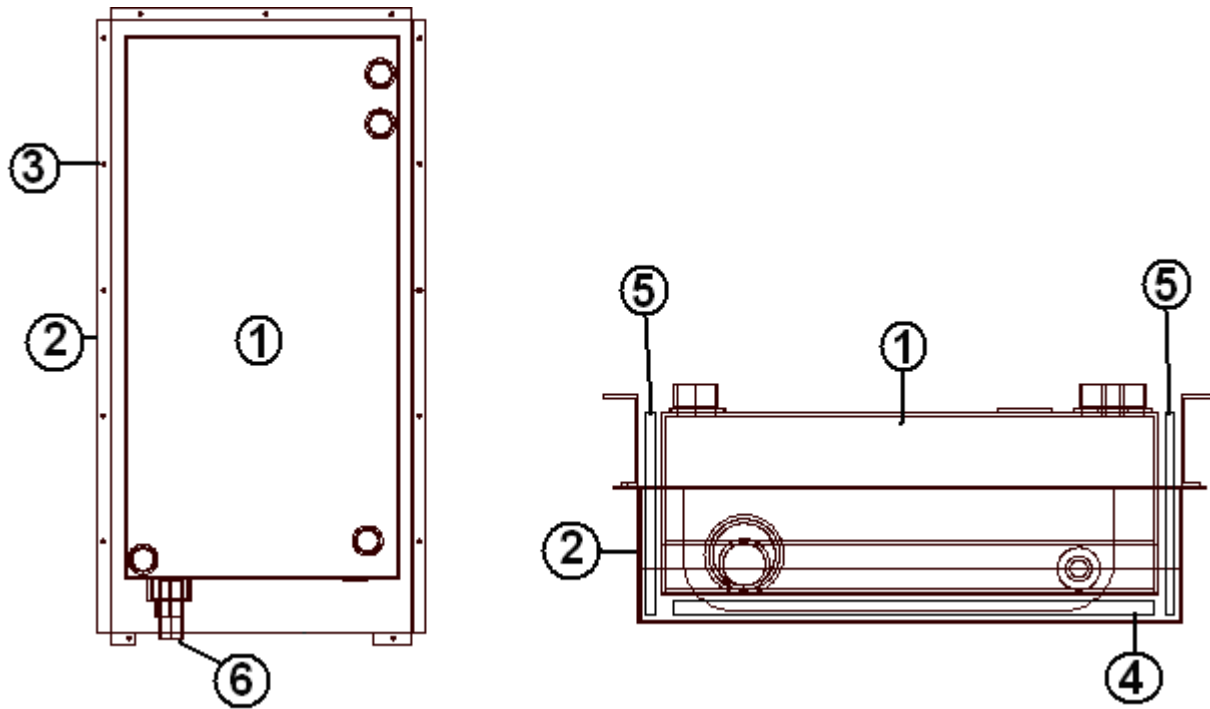
DRAIN SYSTEM, 16'

1. 600431 Elbow, 90, 1.5"
2. 600035 Ell, ABS, Long sweep, 1.5"
3. 600030 Ell. 45 degrees, long turn
4. 600156 Tee, sanitary
5. 600308 Adaptor, ABS, female, Sloan #2891
6. 600538 Vent, V-200 automatic
7. 600622 P-trap, 1.5" w/slip nut & washer
8. 601868 Sanitary tee, spig x hub x hub
9. 600227 Plastic couplings
10. 600144-01 P-trap, ABS DVW, 1.5"
11. 601160-02 Pipe, ABS, DVW, 1.5"
12. 601267-04 Nipple, 3" Dia. THD one, 10" long
13. 601266 Flange, closet, 3' x4", slip fit
14. 600820 3" single socket, 90 degree
15. 601607-14 Dump valve, 3"
16. 601607-06 Termination adaptor, 3" hub x 3" bay
17. 601607-07 Termination cap, 3" bay
18. 601844-05 Tank, black/gray combination
- 511789 SENSOR-TANK MONITOR #500-10050
- 453945-07 Close off, plumbing, black
- 601869 Tank pan
- 200507 STYROFOAM, 1 X 25 X 55"
- 200152 STYROFOAM 1/2 X 6 X 42"
- 602164-01 P TRAP W/COMPRESSION NUT 1.5"
- 602164-02 TAILPIECE W/NUTS & WASHERS 1.5
- 601727 Shower drain w/grid top

2010 SPORT

PLUMBING, DRAIN

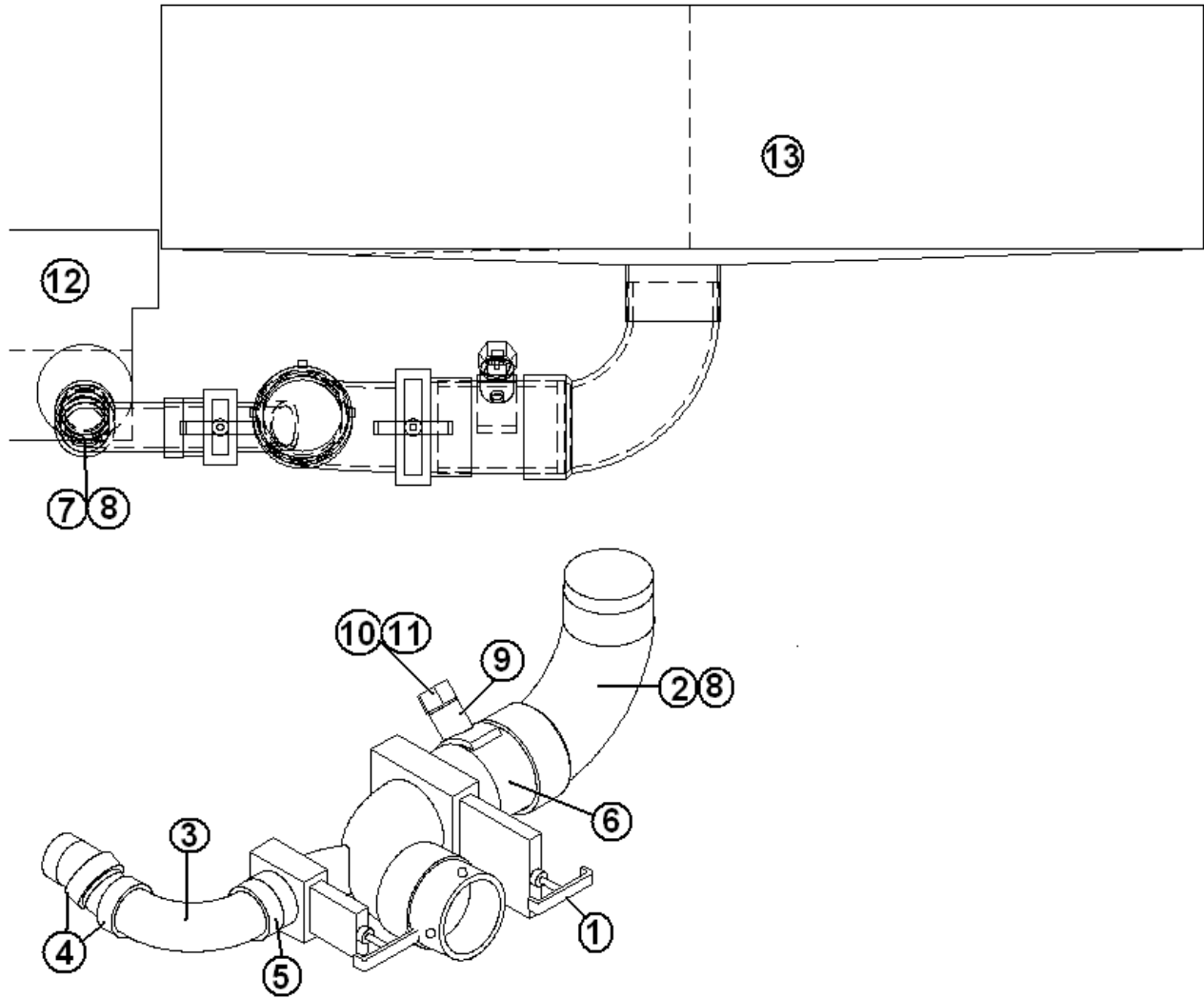
Grey Tank, 17', 22' Front bed



- | | |
|--------------|--|
| 1. 602166 | TANK, GRAY, HOLDING, 24 GALLON |
| 2. 602167 | PAN, GRAY TANK |
| 3. 345074-05 | SCREW 5/16-18 X 7/8, HEX WASHER |
| 4. 200507 | STYROFOAM, 1" X 25" X 55", WATER TIGHT |
| 5. 200152 | STYROFOAM, 1/2" X 6" X 42" |
| 6. 601160-02 | PIPE, ABS DVW, 1-1/2" |
| 454642 | STRAP, BLACK TANK FORWARD |
| 454641 | STRAP, BLACK TANK AFT |

2010 SPORT PLUMBING, DRAIN

Drain Valves/Tanks, 17', 22' Front Bed



Part numbers on the next page.

2010 SPORT

PLUMBING, DRAIN

Drain Valves/Tanks, 17', 22' Front Bed

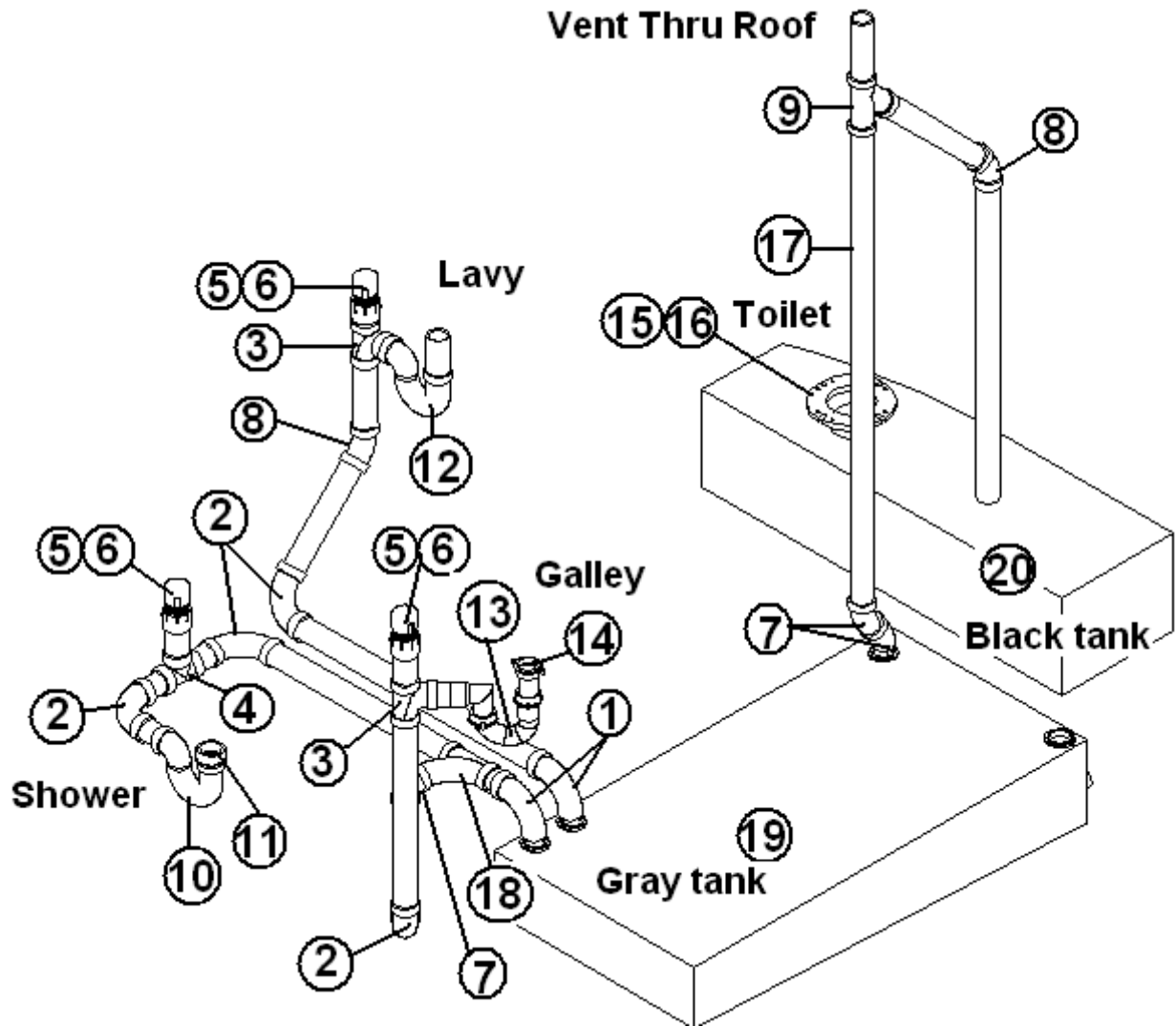
- 1. 601482 Dump Valve Rotating assembly
- 2. 600820 3" Ell, 90 degree
- 3. 600431 Elbow, 90, 1½"
- 4. 604800 Street Ell, 1.5", 22.5 Degrees, ABS
- 5. 601160-02 Pipe, ABS DVW, 1½"-2.00" Long
- 6. 601160-04 Pipe, ABS DVW, 3"- 4" Long
- 7. 195329-229 Reducer adaptor, 3" to 1.5"
- 8. 340092 Clamp, worm type T40C-75-388-SB
- 9. 601846 ADAPTOR-3"PIPE, CATCON
- 10. 511789 Sensor, tank monitor
- 11. 511789-01 Boot, Sensor
 - 1. 602166 Holding tank, gray
- 13. 601854-02 Black tank
 - 114916 Bracket, dump valve
 - 200507 STYROFOAM, 1" X 25" X 55"
 - 200152 STYROFOAM, ½" X 6" X 42"
 - 601846 ADAPTOR-3"PIPE, CATCON
 - 601266 FLANGE, CLOSET, 3 X 4, SLIP FIT

Black Tank Flush

- 601441 Tank flush system

2010 SPORT PLUMBING, DRAIN

Drain System, 17'



2010 SPORT
PLUMBING, DRAIN

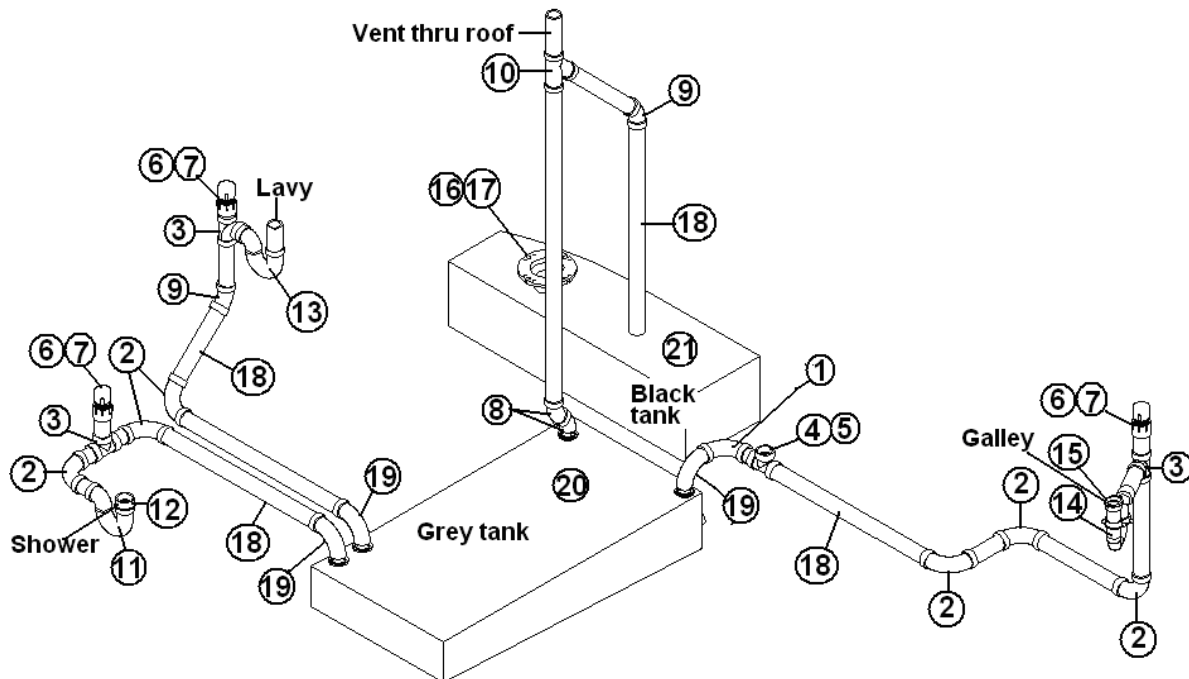
Drain System, 17'

- | | |
|---------------|-------------------------------------|
| 1. 600662 | 1.5" ELBOW, SHORT RADIUS |
| 2. 600035 | ELL ABS LONG SWEEP, 1.5" |
| 3. 600156 | TEE SANITARY |
| 4. 601318 | TEE BI-DIRECTIONAL CLEANOUT |
| 5. 600538 | VENT, V-200, AUTOMATIC |
| 6. 600308 | ADAPTER, ABS, FEMALE SLOAN |
| 7. 600027 | ELBOW, ABS, LONG ST, 45 DEGREES |
| 8. 600030 | ELL, ABS, 45 DEGREES, LONG TURN |
| 9. 600094 | WYE |
| 10. 602164-01 | P TRAP W/COMPRESSION NUT ,1.5" |
| 11. 602164-02 | TAILPIECE, W/NUTS & WASHERS 1.5" |
| 12. 600144 | P TRAP, ABS, 1.5" |
| 13. 600622 | P-TRAP, 1.5", W/SLIP NUT & WASHER |
| 14. 601714-01 | TAIL PIECE, 1.5" X 4"(GALLEY DRAIN) |
| 15. 601266 | FLANGE, CLOSET, 3" X 4", SLIP FIT |
| 16. 601267-02 | NIPPLE, THREADED ONE END, 6" LONG |
| 17. 601160-02 | PIPE, ABS DVW, 1.5" |
| 18. 600182 | WYE, 1.5" X 1.5" X 1.5", 1/8" BEND |
| 19. 602166 | Holding tank, gray |
| 20. 601854-02 | Black tank |

2010 SPORT

PLUMBING, DRAIN

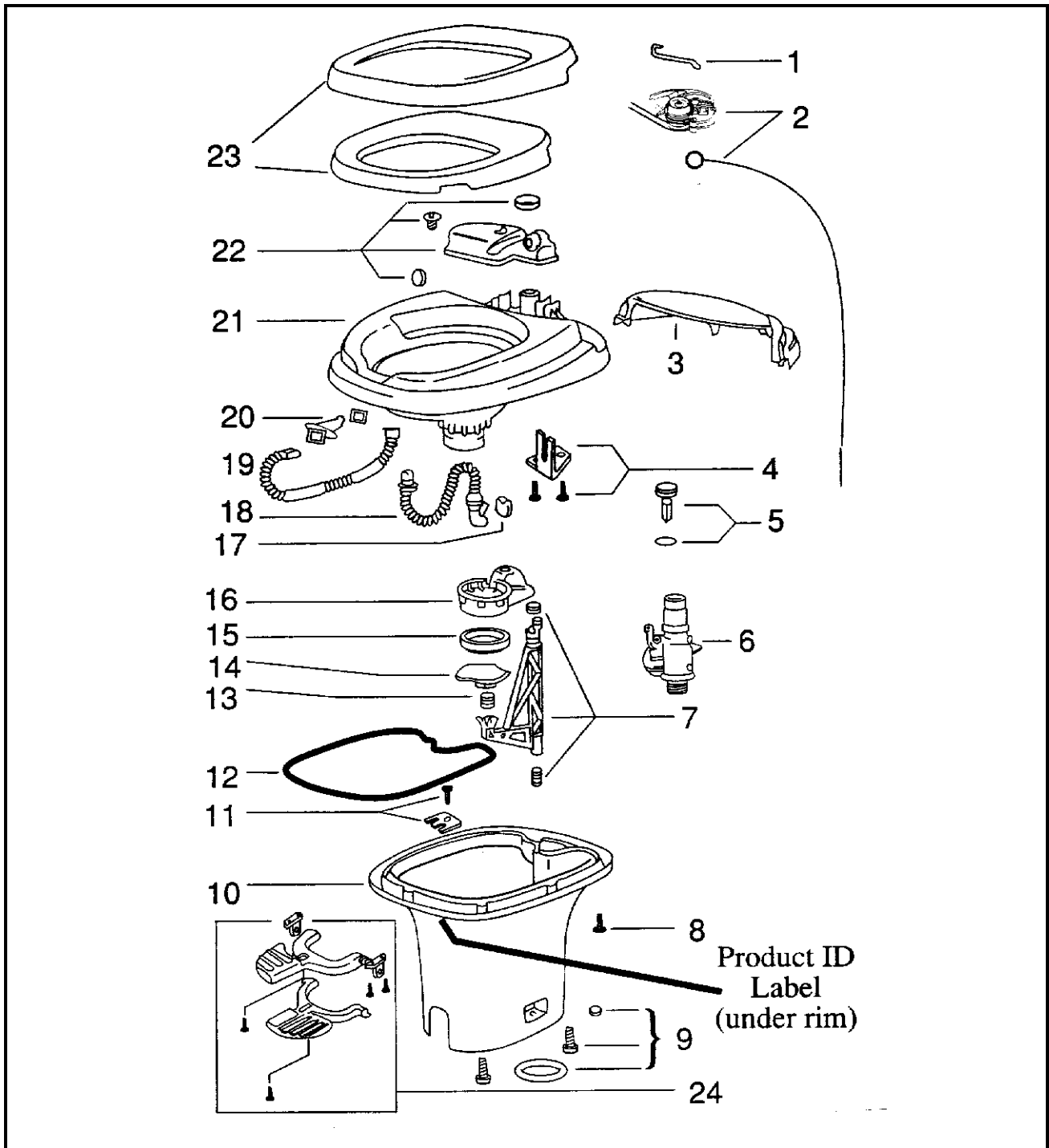
Drain System, 22 Front Bed



- | | |
|---------------|-------------------------------------|
| 1. 600431 | ELBOW, 90 DEGREE, 1.5" |
| 2. 600035 | ELL ABS LONG SWEEP, 1.5" |
| 3. 600156 | TEE SANITARY |
| 4. 601318 | TEE BI-DIRECTIONAL CLEANOUT |
| 5. 600155 | PLUG, CLEANOUT, 1.5" |
| 6. 600538 | VENT, V-200, AUTOMATIC |
| 7. 600308 | ADAPTER, ABS, FEMALE SLOAN |
| 8. 600027 | ELBOW, ABS, LONG ST, 45 DEGREES |
| 9. 600030 | ELL, ABS, 45 DEGREES, LONG TURN |
| 10. 600094 | WYE |
| 11. 602164-01 | P TRAP W/COMPRESSION NUT ,1.5" |
| 12. 602164-02 | TAILPIECE, W/NUTS & WASHERS 1.5" |
| 13. 600144 | P TRAP, ABS, 1.5" |
| 14. 600622 | P-TRAP, 1.5", W/SLIP NUT & WASHER |
| 15. 601714-01 | TAIL PIECE, 1.5" X 4"(GALLEY DRAIN) |
| 16. 601266 | FLANGE, CLOSET, 3" X 4", SLIP FIT |
| 17. 601267-02 | NIPPLE, THREADED ONE END, 6" LONG |
| 18. 601160-02 | PIPE, ABS DVW, 1.5" |
| 19. 600662 | 1.5" ELBOW, SHORT RADIUS |
| 20. 602166 | GRAY HOLDING TANK |
| 21. 601854-02 | BLACK HOLDING TANK |

2010 SPORT PLUMBING, DRAIN

Toilet



2010 SPORT
PLUMBING, DRAIN

Toilet

690495 Aqua Magic V, Low Profile

- | | |
|----------------|---------------------------------|
| 1) 690387-513 | Water valve link |
| 2) 690387-571 | Wire replacement package |
| 3) 690387-562 | Mechanism cover, white |
| 4) 690387-634 | Bracket assembly |
| 5) 690387-631 | Float assembly |
| 6) 690387-168 | Water valve replacement package |
| 7) 690387-632 | Actuator assembly |
| 8) 690387-659 | Screw base to bowl |
| 9) 690387-524 | Closet bolt package |
| 10) 690387-356 | Base, white, low |
| 11) 690387-636 | Retainer assembly |
| 12) 690387-387 | Sealant, base to bowl |
| 13) 690387-519 | Blade spring |
| 14) 690387-262 | Blade |
| 15) 690387-481 | Blade seal |
| 16) 690387-520 | Blade track |
| 17) 690387-512 | Flapper |
| 18) 690387-511 | Overflow tube |
| 19) 690387-509 | Flush tube |
| 20) 690387-637 | Nozzle assembly |
| 21) 690387-726 | Bowl |
| 22) 690387-630 | Reservoir tank assembly |
| 23) 690387-162 | Seat and cover assembly |
| 24) 690387-821 | Pedal package |
| 601266 | FLANGE, CLOSET, 3 X 4, SLIP FIT |

2010 SPORT
SEALER/GASKETS/PAINT

SEALER

360001	Sealant, #884058
360209	Sealant, seam
360176	Sealant, Almond, kitchen and bath
360180	Sealant, Sika-flex, gray
360180-04	Sealant, Sikaflex #221, black
360210	Sealant, Paralastic 4334-014
360283-01	SEALANT SILICONE CORIAN G. WHITE

2010 SPORT

GASKETS/PAINT

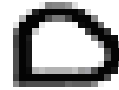
Gaskets



①



②



③

- | | |
|--------------|--|
| 1. 365035 | Gasket Access doorjamb, access doors |
| 2. 365013-01 | Gasket screen door |
| 3. 365232 | Gasket main door |
| *381665 | Gasket, D seal, window frame to shell |
| *382117 | Gasket, Window Rectangle - |
| 365016 | Tape, foam, double face, 1/2" wide |
| 365235 | TAPE DBL COATED .12 X 1.00 |
| 365001-02 | Tape, vinyl foam, double face, 3/4" wide |
| 685510 | SEAM TAPE, BLACK 1/32" X 7/8" X 200 |
| 683946 | BUG SEAL, edge of screen door close out |
| 365190 | Rubber seal, refrigerator compartment |
| 382074 | Gasket, grab handle, main door |

*382117 Replaced 381665 - April - 2009

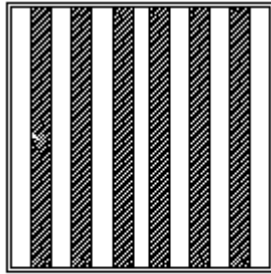
Paint

- | | |
|------------|-------------------------------------|
| 360213 | Paint, aluminum metallic |
| 360213-100 | Paint, aluminum metallic, 16 OZ CAN |
| 360151 | Paint, gray metallic, Centari |
| 360317-01 | Paint, Pewter, Gallon |
| 360260-01 | Paint, Pewter, 16 OZ CAN |

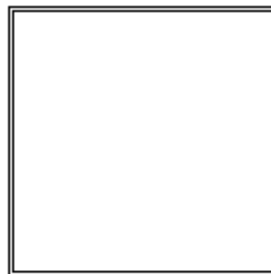
2010 SPORT

UPHOLSTERY/FOAM/MATTRESS

Pillow Kit, Sharksfin



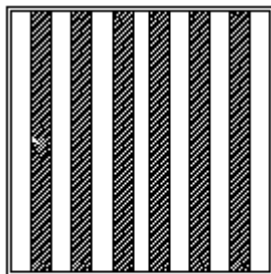
①



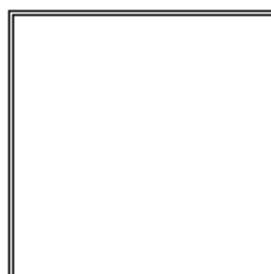
②

- | | |
|--------------|------------------------------------|
| 703736-03 | Pillow Kit, Sharksfin, 17', 22' FB |
| 703736-04 | Pillow Kit, Sharksfin, 16' |
| 1. 703736-01 | Pillow, Sharksfin |
| 2. 703736-02 | Pillow, Sharksfin |

Pillow Kit, Oatmeal



①



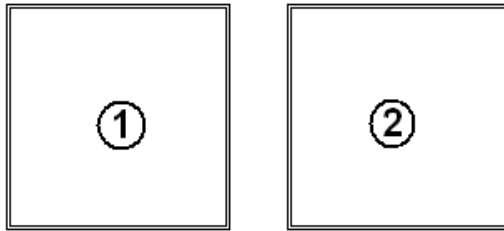
②

- | | |
|--------------|----------------------------------|
| 703728-03 | Pillow Kit, Oatmeal, 17', 22' FB |
| 703728-04 | Pillow Kit, Oatmeal, 16' |
| 1. 703728-01 | Pillow, Oatmeal |
| 2. 703728-02 | Pillow, Oatmeal |

2010 SPORT

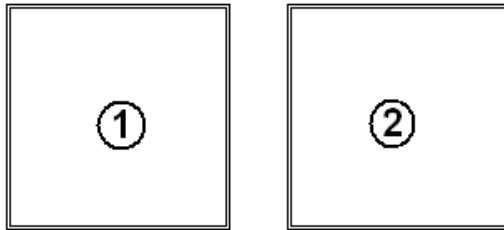
UPHOLSTERY/FOAM/MATTRESS

Pillow Kit, MOCHABLUE



- 703793-03 Pillow kit, MOCHABLUE, 17', 22' FB
- 703793-04 Pillow kit, MOCHABLUE, 16'
- 1. 703793-01 Pillow, AMBROSIA PEWTER FABRIC
- 2. 703793-02 Pillow, SOLILIQUE MOCHABLUE FABRIC

Pillow Kit, Cinnabar



- 703792-03 Pillow Kit, Cinnabar, 17', 22' FB
- 703792-04 Pillow Kit, Cinnabar, 16'
- 1. 703792-01 Pillow, Cinnabar, ambrosia fabric
- 2. 703792-02 Pillow, Cinnabar, soliloque fabric

Pillow

- 701611 PILLOW, 21" X 31"

2010 SPORT

UPHOLSTERY/FOAM/MATTRESS

Bedsread, Sheets, Pillow Cases, Mattress, 22' Front Bed

703799-01 *NLA - SLEEP SYSTEM, TRAVASAK, OATMEAL,
CINNABAR, MOCHABLUE
703799-02 *NLA - SLEEP SYSTEM, TRAVASAK, SHARKSFIN
703804 MATTRESS, 54" X 83.25"
703804-01 COVER, MATTRESS, FITTED

*UNITS BUILT ON 6/14/10 AND AFTER BEGAN USING THE
FOLLOWING BEDSPREADS:

703880-037 BEDSPREAD, 55 X 84, OATMEAL 22'
703880-129 BEDSPREAD, 55 X 84, CINNABAR 22'
703880-139 BEDSPREAD, 55 X 84, MOCHABLUE 22'
703880-068 BEDSPREAD, 55 X 84, SHARKSFIN 22'

Bedsread, Sheets, Pillow Cases, Mattress, 16'

703836 MATTRESS, DOUHLBE W/FITTED COVER
703799-01 *SLEEP SYSTEM, TRAVASAK, OATMEAL, CINNABAR,
MOCHABLUE - NO LONGER AVAILABLE

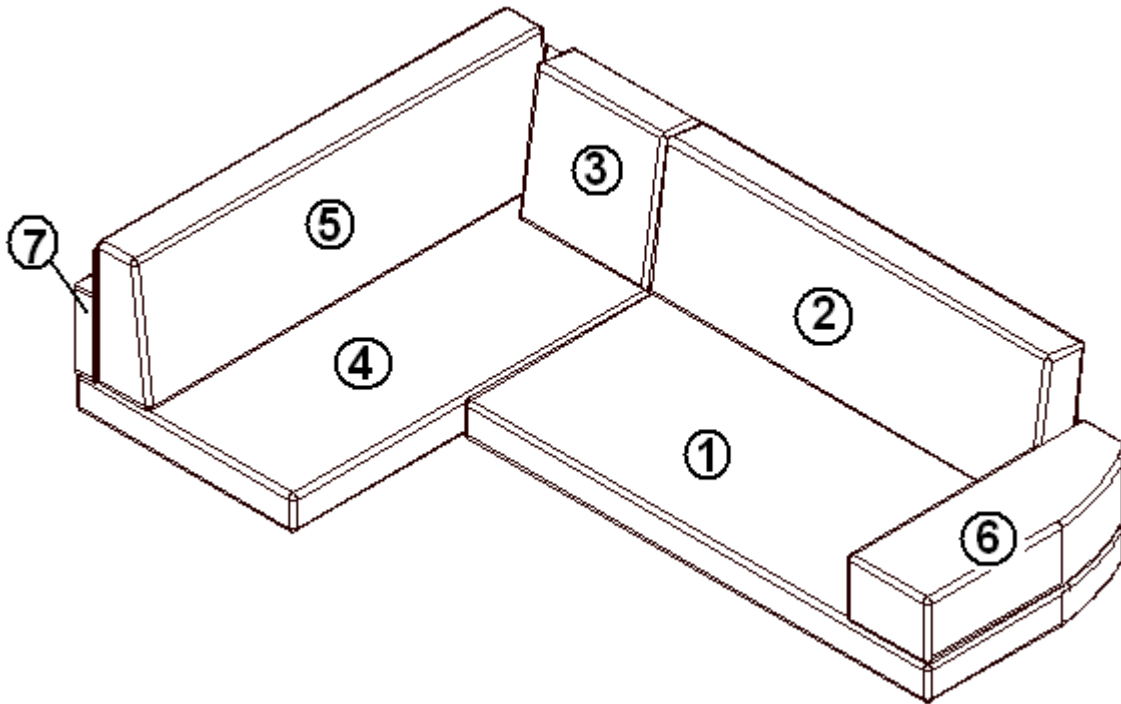
*UNITS BUILT ON 6/14/10 AND AFTER BEGAN USING THE
FOLLOWING BEDSPREADS:

703363-037 BEDSPREAD, REVERSE SHAM, OATMEAL 16'
703363-129 BEDSPREAD, REVERSE SHAM, CINNABAR 16'
703363-139 BEDSPREAD, REVERSE SHAM, MOCHABLUE 16'
703363-068 BEDSPREAD, REVERSE SHAM, SHARKSFIN 16'

2010 SPORT

UPHOLSTERY/FOAM/MATTRESS

L-Sofa Seat Foam/Covers, 17'

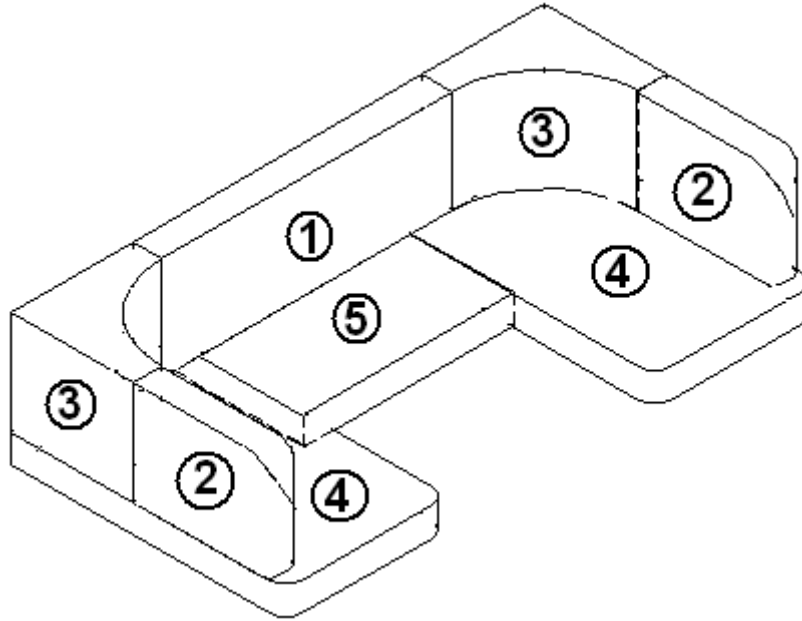


703726	FOAM CUSHION KIT
1. 703726-01	FOAM CUSHION, BOTTOM MAIN
1. 998199-01	FABRIC ASSY, BOTTOM MAIN
2. 703726-02	FOAM CUSHION, BACK, MAIN
2. 998199-02	FABRIC ASSY, BACK, MAIN
3. 703726-03	FOAM CUSHION, SMALL BACK
3. 998199-03	FABRIC ASSY, SMALL BACK
4. 703726-04	FOAM CUSHION, BASE SIDE
4. 998199-04	FABRIC ASSY, BASE SIDE
5. 703726-05	FOAM CUSHION, BACK SIDE FRONT
5. 998199-05	FABRIC ASSY, BACK SIDE FRONT
6. 703726-06	FOAM CUSHION, CURBSIDE ARMREST/PILLOW
6. 998199-06	FABRIC ASSY, CURBSIDE ARMREST/PILLOW
7. 703726-07	FOAM CUSHION, WEDGE, MAIN BACK
7. 998199-07	FABRIC ASSY, WEDGE, MAIN BACK

2010 SPORT

UPHOLSTERY/FOAM/MATTRESS

Dinette Seat Foam/Covers, 22' Front Bed



- | | |
|--------------|------------------------------|
| 1. 998204-01 | SEAT COVER, MIDDLE BACK REST |
| 1. 703802-01 | FOAM, MIDDLE BACK REST |
| 2. 998204-02 | SEAT COVER, SIDE BACK REST |
| 2. 703802-02 | FOAM, SIDE BACK REST |
| 3. 998204-03 | SEAT COVER, CORNER BACK REST |
| 3. 703802-03 | FOAM, CORNER BACK REST |
| 4. 998204-04 | SEAT COVER, SEAT BOTTOM |
| 4. 703802-04 | FOAM, SEAT BOTTOM |
| 5. 998204-05 | SEAT COVER, CENTER SEAT BACK |
| 5. 703802-05 | FOAM, CENTER SEAT BACK |

2010 SPORT

VENTS/FANS/SKY LIGHTS

Vent, Black Tank, Roof

690264-03 Vent pipe cover, white
380228 Wire, hardware cloth

Roof vent, Non-Power

381606-01 Vent, roof, 14" x 14", non-power, white
381606-02 Trim ring, interior, roof vent, white

Vent Fan, Refrigerator

690394 Power ventilator, refrigerator
511836 Switch, refrigerator fan

Vent, Power, Roof

512253 VENT, COMFORT AIR, EXHAUST ONLY
690266-01 VENTILATOR, POWER, ROUND

Sky light, 19" x 19"

381318-05 Skylight, 19.5" x 19.5"
201962 Trim, skylight, 19.5" x 19.5"
702804-03 Shade, skylight, pleated, 19.50" x 20"
114485 Mounting Frame, Sky light
382053 Corner brace, skylight mounting frame

2010 SPORT
WOOD/LAMINATES/TRIM

PLYWOOD

800506-04	Plywood, 3/4" x 4' x 8'
800506-06	Plywood, 3/4" x 4' x 8'
800506-05	Plywood, 5/8" x 4' x 8'
800976-01	Plywood, tongue and groove, 19/32' (floor)
801351	LITE PLY-18MM (.75") 4' X 8'

PANELING

801355-01	LAMINATE, FROSTY WHITE ,VERTICAL
801368	18MM WHITELINER/WHITELINER
800368-02	TAMBOUR, SILVER, 4' X 8' SHEET
801369	PANEL, FROST WHITE/WHITELINER
801378	18MM WHITELINER/BACKER
801392	12MM GOLD ALCHEMY/LINER
801438	PANEL, FROST WHITE VINYL/RAW 2.7MM
801697	PANEL, FROSTY/FROSTY 12MM
801703	12MM FROSTY WHITE/WHITE LINER
801725	3MM BRUSHED STAINLESS STEEL/RAW
801745	LAMINATE, ABET 292 LUCIDA
801757	18MM WHITE DÉCOR MAPLE/WHITE LINER
801793-01	LAMINATE, GOLD ALCHEMY VERTICAL
801795-01	18MM GOLD ALCHEMY/WHITELINER
801797-01	12MM GOLD ALCHEMY/LINER

2010 SPORT

WOOD/LAMINATES/TRIM

Edge banding

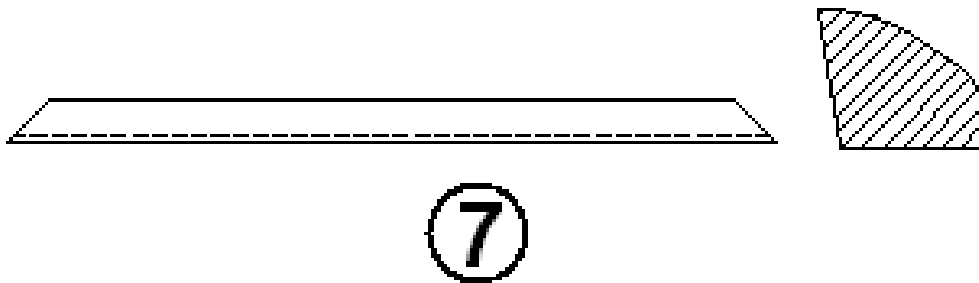
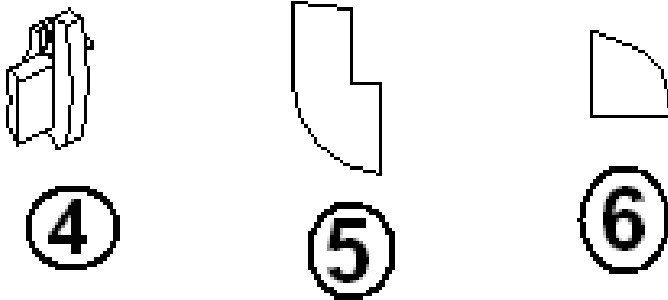
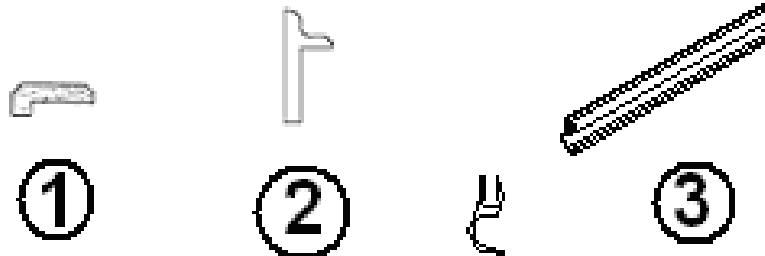
365305-02	EDGEBANDING, BRUSHED ALUMINUM, 5/8"
365313-01	EDGEBANDING, .63", GOLD ALCHEMY
365313-02	EDGEBANDING, 94", GOLD ALCHEMY
365238-04	EDGEBANDING TAPE PVC 5/8", WHITE
365238-05	EDGEBANDING, TAPE PVC, 1.25", WHITE
365238-06	EDGEBANDING, TAPE PVC, 1.3125", WHITE
365267-01	EDGEBANDING, .63", WHITE
365267	EDGEBANDING, .1.125", WHITE
365305-01	EDGEBANDING, 15/16", BRUSHED ALUMINUM
365305-02	EDGEBANDING, .63", BRUSHED ALUMINUM

LUAN

800507-01	Panel, Lauan, 1/8 x 4' x 8'
800507-02	Panel, Lauan, 1/4" x 4' x 8', raw/raw
800507-03	Panel, Lauan, 3/8" x 4' x 8', raw/raw
800507-04	Panel, Lauan, 1/2" x 4' x 8', raw/raw
800507-06	Panel, Lauan, .75" x 4' x 8', raw/raw

2010 SPORT
WOOD/LAMINATES/TRIM

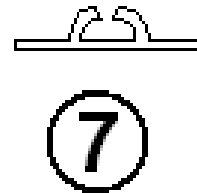
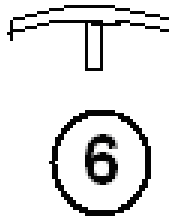
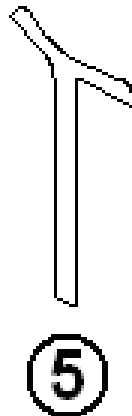
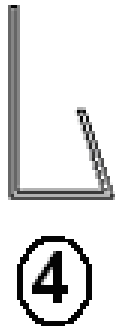
TRIM, WOOD



- | | |
|---|---|
| <ul style="list-style-type: none"> 1. 801665-WH 2. 115064 3. 101265-01 4. 201163-01 5. 801706-0114 6. 800638-0114 7. 801492-0114 | <ul style="list-style-type: none"> MOLDING-L, DOOR JAMB Trim, Aluminum Counter top EXTRUSION, BLACK DOOR HANDLE ENDCAP-BLACK HANDLE (PR) Molding, corner trim, 90 degree, Gold Alchemy Molding, quarter round, Gold Alchemy THRESHOLD MAIN DOOR, unit w/linoleum |
|---|---|

2010 SPORT
WOOD/LAMINATES/TRIM

TRIM, PLASTIC



- | | |
|--------------|--|
| 1. 203225 | Trim lock, WHITE |
| 1. 203225-01 | Trim lock, GRAY |
| 2. 201728-06 | Extrusion plastic, ceiling trim, gray |
| 3. 203138-01 | Extrusion, plastic Panel edging, WHITE |
| 3. 203464-03 | Extrusion, plastic Panel edging, White |
| 4. 201666 | MOLDING, J-3/16, PLASTIC, ALMOND |
| 5. 201673 | Molding, cove, roof lockers, WHITE |
| 6. 203445 | T-Molding, 9/16", BLACK |
| 6. 203445-02 | T-Molding, 9/16", YELLOW |
| 7. 201728-01 | EXTRUSION, CEILING TRIM RETAINER |

