

AIRSTREAM

CLASSIC TRAVEL TRAILER

PARTS BOOK

2010

2010 CLASSIC TRAILER
TABLE OF CONTENTS
SECTION I, A through C

APPLIANCE

Air Conditioner, Refrigerator..... I-1
Furnace, Microwave, Range/Cook Top..... I-2
Water Heater I-3

EXTERIOR SHELL

End shell, aft I-4
End shell, front..... I-8
RoofI-12
RS Wall, 31'.....I-13
CS Wall, 31'.....I-15
RS Wall, 30'.....I-17
CS Wall, 30'.....I-19
RS Wall, 27'.....I-21
CS Wall, 27'.....I-23
Body interior.....I-25

CHASSIS

A-frameI-26
Power jack.....I-28
StepI-30
Outrigger/underbelly.....I-33
Jacks/Below floor storageI-34
Axles/shocks/wheelsI-37

2010 CLASSIC TRAILER
TABLE OF CONTENTS
SECTION II
D through E

DECALS/LOGOS/MEDALLIONS II-1

EXTERIOR TRIM II-2

DOORS/WINDOWS/AWNING

Doors II-3

Windows II-11

Awning II-16

Window Stone guard II-17

DRAPES/VALANCES/SHADES

Drape/Valances II-18

Shades II-22

ELECTRICAL

110 volt II-23

12 volt II-30

Exterior lights & reflectors II-35

ENTERTAINMENT

Radio/DVD/VCR/TV II-37

Video Package II-38

2010 CLASSIC TRAILER
TABLE OF CONTENTS
SECTION III
F through K

FLOOR COVERING

Carpet, Mats, Linoleum..... III-1

FURNITURE

Interior doors..... III-2
Mirrors..... III-3
Doors, Shower/Foldette/Sliding..... III-3
Drawer Faces III-5
Bedroom III-7
Bath III-26
Galley III-61
Lounge III-93

HARDWARE

Exterior locks/hinges.....III-109
Window hardware.....III-114
Interior drawer slides/hinges latches . III-116
Drawers Slides/Bath.....III-120
Tables/Bed/Wardrobe/Galley III-121
Hinges III-123
Awning hardware.....III-124
Rivets III-126
Labels and Tags III-128
Wrap Protectors III-130
Rear Storage Slide..... III-131

2010 CLASSIC TRAILER
TABLE OF CONTENTS
SECTION IV
L through Z

PLUMBING

<u>LPG</u>	IV-1
<u>Fresh Water</u>	IV-2
<u>Fresh Water Fittings</u>	IV-3
<u>Faucets</u>	IV-5
<u>Drain water</u>	IV-9
<u>Sinks</u>	IV-11
<u>Showers</u>	IV-12
<u>Black Tank Flush</u>	IV-12
<u>Drain Line Fittings</u>	IV-13
<u>Toilet</u>	IV-17

<u>SAFETY EQUIPMENT</u>	IV-18
-------------------------------	-------

<u>SEALER/GASKETS/PAINT</u>	IV-19
-----------------------------------	-------

UPHOLSTERY/FOAM/MATTRESS

<u>Bedspreads/Mattresses</u>	IV-20
<u>Sofa/Sofa Armrests</u>	IV-21
<u>Wall Border</u>	IV-22
<u>Dinette Seats/Chairs</u>	IV-23
<u>Pillow Kits</u>	IV-25

<u>VENTS/FANS</u>	IV-27
-------------------------	-------

<u>SKY LIGHTS</u>	IV-28
-------------------------	-------

<u>WOOD/LAMINATES/TRIM</u>	IV-29
----------------------------------	-------

2010 CLASSIC TRAILER

APPLIANCES

AIR CONDITIONER

690323-32	Air conditioner, 13,500 BTU, Duo Therm w/heat pump
690323-37	Air conditioner, 15,000 BTU, Duo Therm w/heat pump
690323-31	Thermostat, Comfort Control Center
690380-10	Intake air box and ceiling shroud, white
690380-11	Dust adaptor, use with 690380-10
690323-100	Shroud, exterior, Penguin air conditioner
961270	Pan assembly, air conditioner drain
690380-08	Sensor-Penguin dual air only w/ elbow
601240-01	Tubing 1/2" ID x 5/8" OD, black plastic
510741	Box, electrical, 1 1/2" X 2" X 3
500967-01	Cover blank, ivory #86
385560	Label, air conditioning rating

Due to supplier issues the air conditioner on a unit may be one of the following Coleman ACs w/Hardware:

690606-01	Air conditioner, 13,500 BTU, w/heat pump
690606-02	Air conditioner, 15,000 BTU, w/heat pump
690606-04	Air conditioner ceiling plenum w/o controls
690606-06	Heat pump control kit w/o heater element
690606-07	Digital heat pump wall thermostat
690606-08	Multi-zone digital wall thermostat, dual AC option only
690606-09	Heat pump zone control kit, dual AC option only
690606-10	Room sensor, dual AC option only

DOMETIC REFRIGERATOR

690575-02	Refer-7 cu.ft., RH #RM3762RSS, 27' Front Bed
690493-01	Refer-8 cu.ft., 2-way, LH #RM3862LSS, 30'
690494-01	Refer-10 cu.ft., LH #NDR1062LSS, 31' D
381830	Wiper-rubber 1.125"X 2" L
365190	Seal, rubber adhesive, 3/4" X 3
601239-01	Tubing, 1.375"ID, ribbed w/flats
380228	Wire hardware cloth

2010 CLASSIC TRAILER

APPLIANCES

FURNACE

690274-01	Furnace, Hydro-flame, 30,000 BTU, 27'
690274	Furnace, Hydro-flame, 34,000 BTU, 30', 31',
690274-09	Door exterior, Hydroflame
601244-01	Register, Rotaire, 4", Brown
601244-02	Register, Rotaire, 4", White
600526	Flange, 4"
600247	4" duct hose, flexible
690274-102	Module board, furnace
511228	Thermostat, off white
600193	2" duct, flexible hose
601348	Tee, heat duct, 4 X 4 X 2
962807	Furnace stand assembly 31', 30'

MICROWAVE

*690580-01	Microwave, Tappan
*690610-01	Microwave, Contoure .6 CF Microwave, 27FB Option
*690610-02	Trim Kit for 690610-02
690345-01	Microwave, convection, Black, Sharp
690345-03	Trim ring, convection microwave, Black
690407-01	Microwave oven, Dometic, DMW 10B
690407-02	Trim kit, Dometic microwave
690607-01	Microwave, convection, Sunbeam, CSA
690607-02	Trim ring, Sunbeam microwave, CSA

***690610-01/-02 replaced 690580-01 during model year for 27'FB Slide-out pantry option.**

RANGE/COOK TOP

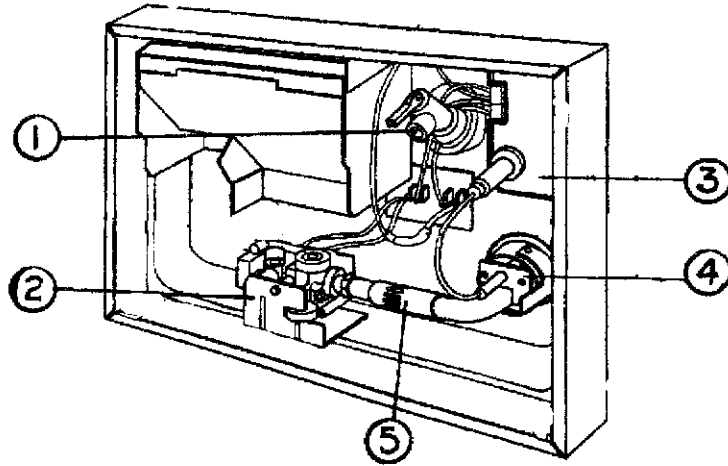
690396-09	Range -22" w/oven, s.s. top/door
690396-10	Cooktop, 3 burner, s.s. top
690396-08	Cooktop, Amana, 3 burner drop-in
690396-03	Range cover, bi-fold
601911-01	Range covers, Corian, set, 3-burner, Sandstone
114876	Trim ring, range recess, black

2010 CLASSIC TRAILER

APPLIANCES

WATER HEATER

690489	Water heater, Atwood, elec. ignition, 110 volt/gas
690209	Access cover, brushed aluminum
381648	Cover, latch hole water heater
385988	Decal, water heater
510514	Switch, 110v, 3-way, priority (water heater/microwave)
690417-05	Switch-dual water heater #9123



Front of water heater

1. 091604	Relief valve, pressure/temperature
2. 093870	Solenoid valve
3. 093865	Circuit board
4. 093868	Spark probe
5. 092615	Main burner

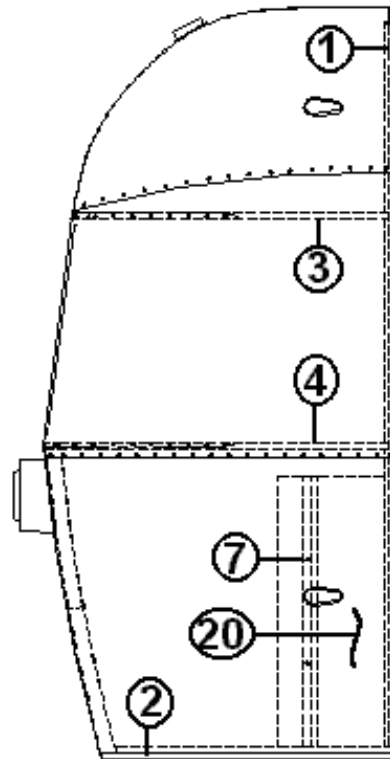
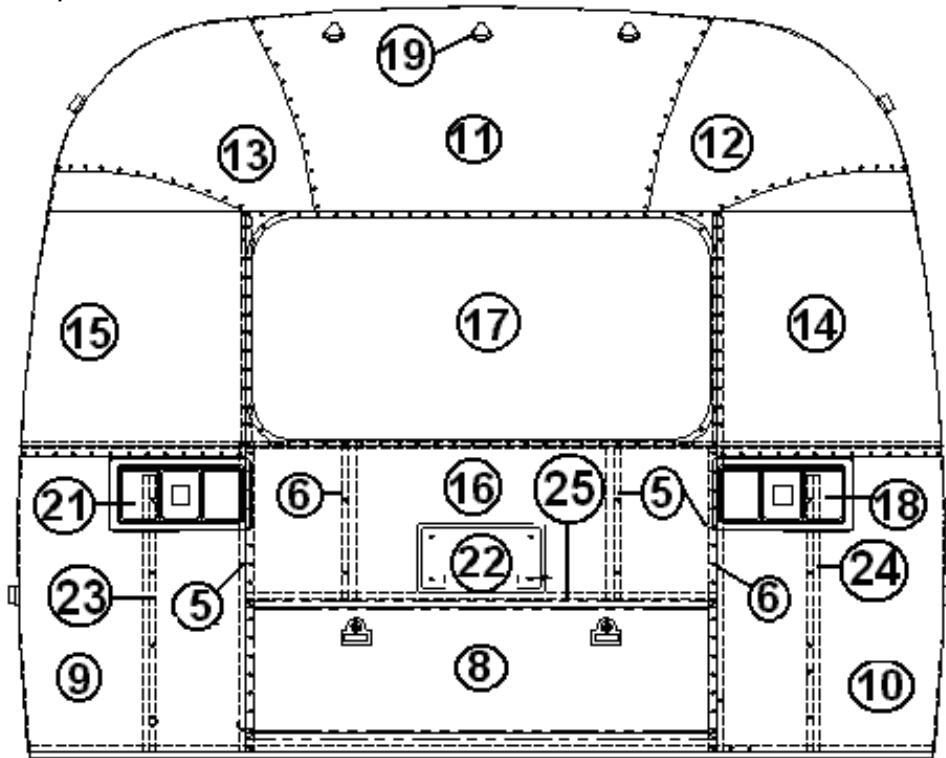
Back of water heater

091160	Heating element, 110 volt
091873	ECO thermostat
091092	On/off switch, 110 Volt

2010 CLASSIC TRAILER

EXTERIOR SHELL

Aft End, 31', 30'



See next page for P/N

2010 CLASSIC TRAILER

EXTERIOR SHELL

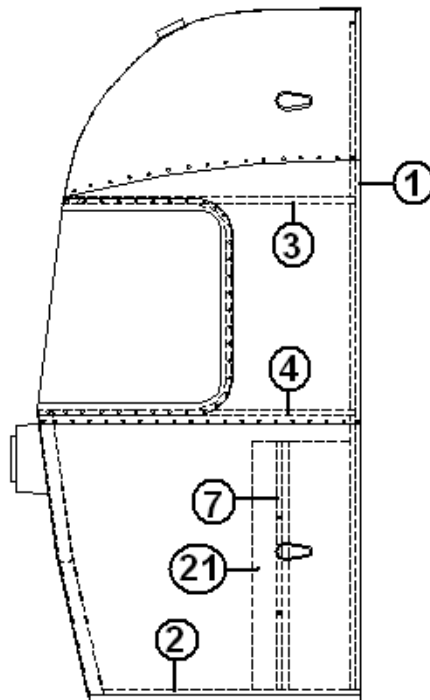
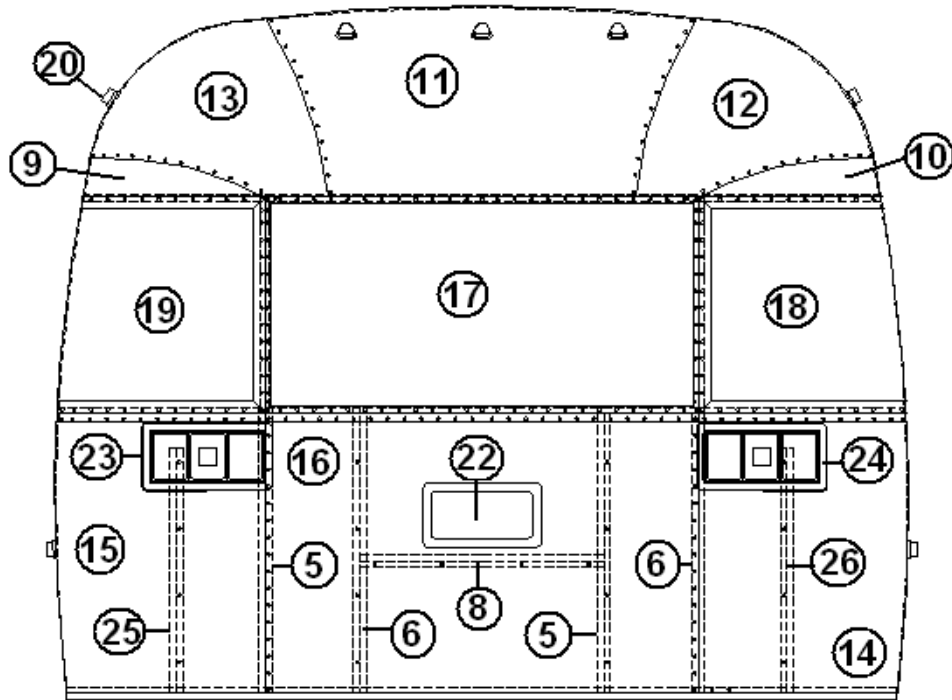
Aft End, 31', 30'

921161-11	End shell complete, rear, w/trunk door
1. 114993	End bow
2. 114676	Floor bow
3. 114678	Upper window bow
4. 114677	Lower window bow
5. 114505-01	Support, lower end, LH
6. 114505-02	Support, lower end, RH
7. 101315	Brace, vertical rear
8. 921159-01	Trunk door assembly (twin models only)
9. 114895	Segment #29
10. 114894	Segment #28
11. 114893	Segment #25
12. 114890	Segment #26
13. 114891	Segment #27
14. 114889	Segment, center right
15. 114888	Segment, center left
16. 114880-201	Alum. Sheet, cut down to size
17. 371348-02	Window, rear escape
18. 966407-02	Taillight complete, CS
19. 512227	Light, clearance, red LED
20. 114849-03	Aluminum sheet, pewter, 12" x 29"
21. 966407-01	Taillight complete, RS
22. 922892	License plate holder assembly
23. 101315-01	Rear, vertical brace, LH
24. 101315-02	Rear, vertical brace, RH
25. 104408	Z-Bar

2010 CLASSIC TRAILER

EXTERIOR SHELL

Aft End, 27' Front Bed



See next page for P/N

2010 CLASSIC TRAILER

EXTERIOR SHELL

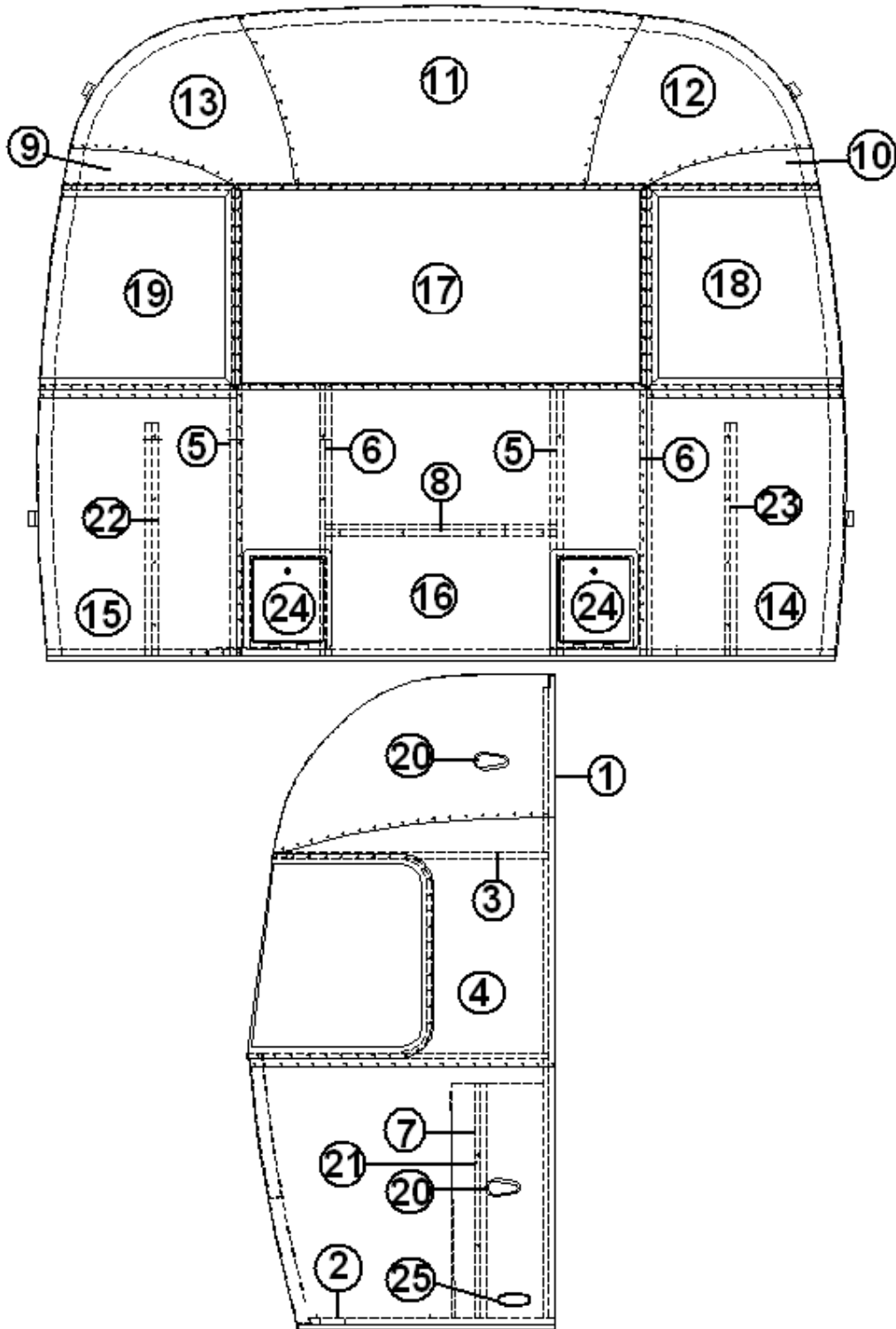
Aft End, 27' Front Bed Model

921241	End shell complete
1. 114993	End bow
2. 114676	Floor bow
3. 114678	Upper window bow
4. 114677	Lower window bow
5. 114505-01	Support, lower end, LH
6. 114505-02	Support, lower end, RH
7. 101315	Brace, vertical rear
8. 104408	Z-Bar
9. 114888	Segment, center left
10. 114889	Segment, center right
11. 114893	Segment #25
12. 114890	Segment #26
13. 114891	Segment #27
14. 114894	Segment #28
15. 114895	Segment #29
16. 114880-307	Alum. Sheet, cut down to.040 x 19.0" x 51.0"
17. 371346-02	Window, rear escape
18. 372088-101	Panoramic window, RS front
19. 372089-101	Panoramic window, CS front
20. 512227	Light, clearance, red LED
21. 114849-03	Aluminum sheet, pewter, 12" x 29"
22. 201954	License plate holder, black
23. 966407-01	Taillight complete, RS
24. 966407-02	Taillight complete, CS
25. 101315-01	Support, lower end shell, LH
26. 101315-02	Support, lower end shell, RH

2010 CLASSIC TRAILER

EXTERIOR SHELL

Front End, 31',



See next page for P/N

2010 CLASSIC TRAILER

EXTERIOR SHELL

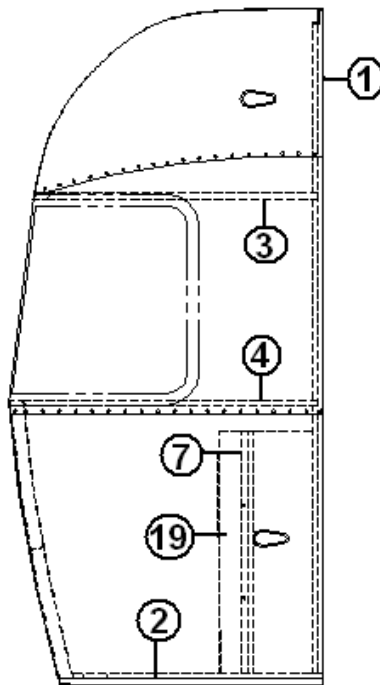
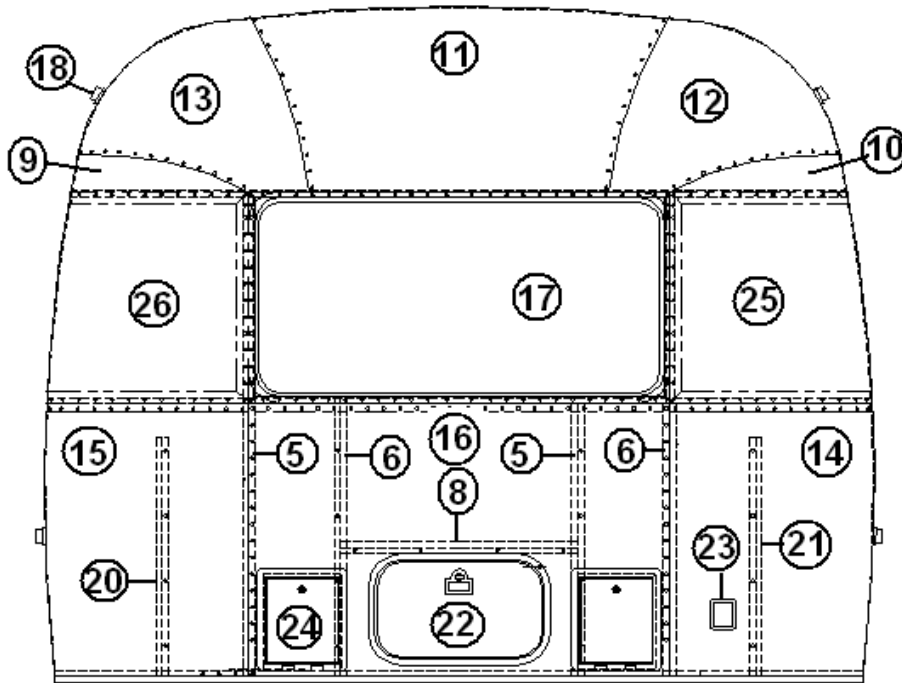
Front End, 31', 30'

921162-12	End shell complete
1. 114993	End bow
2. 114676	Floor bow
3. 114678	Upper window bow
4. 114677	Lower window bow
5. 114505-01	Support, lower end, LH
6. 114505-02	Support, lower end, RH
7. 101315	Brace, vertical rear
8. 104408	Z-bar
9. 114888	Segment, center left
10. 114889	Segment, center right
11. 114893	Segment #25
12. 114890	Segment #26
13. 114891	Segment #27
14. 114894	Segment #28
15. 114895	Segment #29
16. 1114880-307	Aluminum sheet, cut to .040" x 34.75" x 51"
17. 371346-02	Window, front, dark glass
18. 372088-101	Panoramic window, CS front
19. 372089-101	Panoramic window, RS front
20. 512226	Light, clearance, amber LED
21. 114849-03	Aluminum sheet, .04" x 20"x 8", cut to 12"x 29"
22. 101315-01	Support, lower end shell, LH
23. 101315-02	Support, lower end shell, RH
24. 109852-01	Battery box assembly
25. 500096	Reflector, amber, oval

2010 CLASSIC TRAILER

EXTERIOR SHELL

Front End, 27' Front Bed, w/Panoramic Windows



See next page for P/N

2010 CLASSIC TRAILER

EXTERIOR SHELL

Front End, 27' Front Bed, w/Panoramic Windows

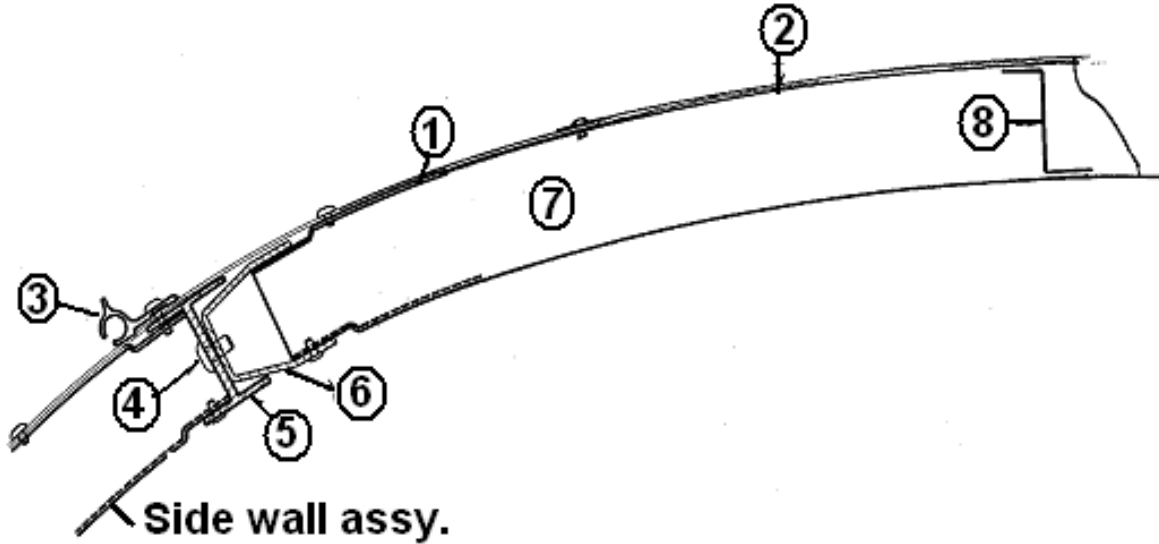
921242-02	End shell complete, w/Panoramic Windows
1. 114993	End bow
2. 114676	Floor bow
3. 114678	Upper window bow
4. 114677	Lower window bow
5. 114505-01	Support, lower end, LH
6. 114505-02	Support, lower end, RH
7. 101315	Brace, vertical rear
8. 104408	Z-bar
9. 114888	Segment, center left
10. 114889	Segment, center right
11. 114893	Segment #25
12. 114890	Segment #26
13. 114891	Segment #27
14. 114894	Segment #28
15. 114895	Segment #29
16. 114880-307	Aluminum sheet, cut to 34.75" x 51"
17. 371346-02	Window, front, panoramic option
18. 512226	Light, clearance, amber LED
19. 114849-03	Aluminum sheet, pewter, 12" x 29"
20. 101315-01	Support, lower end shell, LH
21. 101315-02	Support, lower end shell, RH
22. 100679	Access door, small
23. 511416-02	Power inlet, generator prep, 30A, 125V
*23. 512401-02	Power inlet, generator prep, 30A, 125V
24. 109852-01	Battery box assembly
25. 372088-101	Panoramic window, RS front
26. 372089-101	Panoramic window, CS front

*512401-02 REPLACED 511416-02 DURING MODEL YR.

2010 CLASSIC TRAILER

EXTERIOR SHELL

Roof

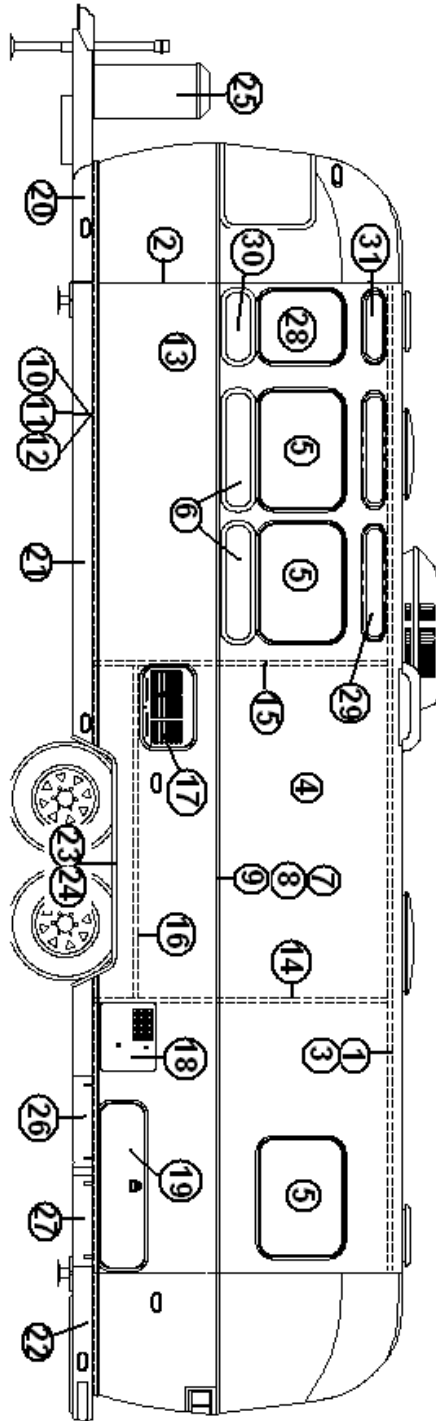


1. 114669-307	Aluminum, white, .032" x 12.69" x 307"
2. 114489-262	Aluminum, white, .032 x 60 x 262"
2. 114489-198	Aluminum, sheet, white,.032 x 60 x 198"
3. 114290-01	Extrusion, awning/drip rail, 197.25"
3. 114290-02	Extrusion, awning/drip rail, 261"
4. 330139-01	Rivet, Magnalok, SS 1/4"
5. 104707-01	Extrusion, "I" beam, 303"
5. 104707-06	Extrusion, "I" beam, 258"
6. 114987-02	Extrusion, roof corner, 30' & 31'
6. 114987-01	Extrusion, roof corner, 194", 27'
7. 114668	Roof bow
8. 104408	Extrusion, Z bar, horizontal
104948	Air deflector, A/C-Refer vent
325000-03	Rivet, anodized white 1/8" X 1/4"
101828	Extrusion, aluminum window stiffener

2010 CLASSIC TRAILER

EXTERIOR SHELL

Wall. Roadside, 31' W/Dinette



See next page for P/N

2010 CLASSIC TRAILER

EXTERIOR SHELL

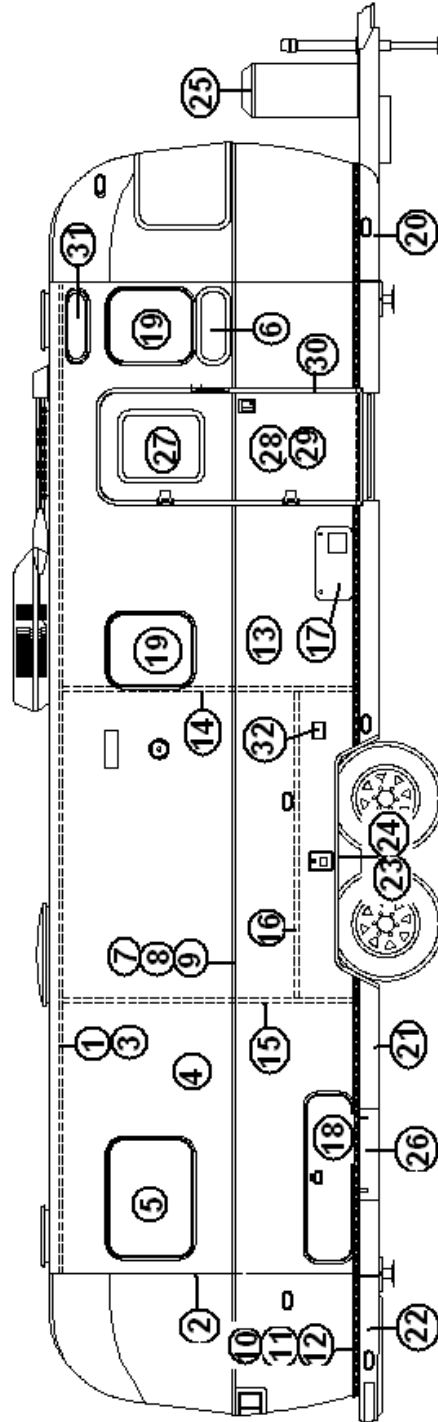
Wall, Roadside, 31' W/Dinette

1. 114290-02 Extrusion, awning/drip rail
2. 114993 End bow
3. 104707-01 Extrusion, "I" beam
4. 114880-262 Alum. sheet, upper, .040" x 51" x 262"
5. 371324-02 Window, 30in. opening
6. 371270-01 Window, 30in., stack, stationary
7. 114328 Extrusion, belt line
8. 201912 Molding, chrome, belt line
9. 100034 "Z" bar, 48"
10. 114460 Extrusion, rub rail
11. 201763-01 Insert, rub rail, chrome, 1"
12. 100986 Floor channel
13. 114879-262 Alum. sheet, lower, .040" x 33" x 262"
14. 114387-01 Bow, Z rib, RH
15. 114387-02 Bow, Z rib, LH
16. 100986 Wheel well stiffener (floor channel).
17. 922243 Louvered panel, refrigerator access door
18. 690209 Cover, brushed aluminum, Atwood
19. 922288-02 Door, side access, long, twin only
20. 200542-01 Banana wrap, RS front
21. 101131-01 Underbelly wrap, .024" x 22.5", Pewter
22. 201974-03 Bumper, rear corner, RS
23. 684936 Wheel well trim, outer, tandem axle
24. 684937 Wheel well trim, inner, tandem axle
25. 921233 Bottle cover, LP, w/out decal
26. 114496-02 Door, utility compartment
27. 114496-04 Door, TV/Coax Compartment
28. 371323-01 Window, 18in. opening
29. 922770-02 Vista View, 30"
30. 371269-01 Window, 18in., stack, stationary
31. 922770-01 Vista View, 18"

2010 CLASSIC TRAILER

EXTERIOR SHELL

Wall, Curbside, 31' W/Dinette



See next page for P/N

2010 CLASSIC TRAILER

EXTERIOR SHELL

Wall, Curbside, 31' W/Dinette

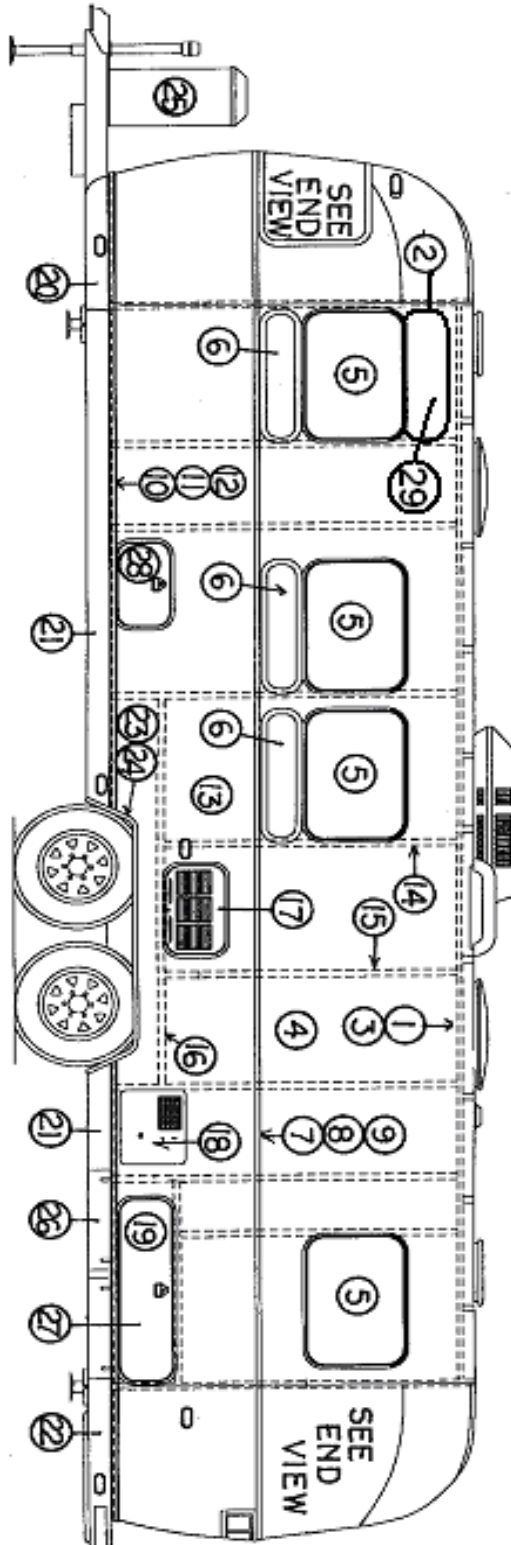
1. 114290-02	Extrusion, awning/drip rail
2. 114993	End bow
3. 104707-06	Extrusion, "I" beam
4. 114880-262	Alum. sheet, upper, .040" x 51" x 262"
5. 371324-02	Window, 30in. opening
6. 371269-01	Window, 18in., stack, stationary
7. 114328	Extrusion, belt line
8. 201912	Molding, chrome, belt line
9. 100034	"Z" bar, 48"
10. 114460	Extrusion, rub rail
11. 201763-01	Insert, rub rail, chrome, 1"
12. 100986	Floor channel
13. 114879-262	Alum. sheet, lower, .040" x 33" x 262"
14. 114387-01	Bow, Z rib, RH
15. 114387-02	Bow, Z rib, LH
16. 100986	Wheel well stiffener (floor channel)
17. 690274-09	Cover Hydroflame furnace
18. 922288-02	Door, side access, long, twin only
19. 371323-01	Window, 18in. opening
20. 200543-01	Banana wrap, CS front
21. 101131-01	Underbelly wrap, .024".x 22.5", Pewter
22. 201974-04	Bumper, rear corner, CS
23. 684936	Wheel well trim, inner, tandem
24. 684937	Wheel well trim, outer, tandem
25. 921233	Bottle cover, LP, w/out decal
26. 114496-02	Door, utility compartment
27. 371400-01	Window, main door
28. 115207-04	Main door assembly, Limited
29. 114654	Screen door assembly
30. 114652	Main door jamb, formed
31. 922770-01	Vista View, 18"
32. 510676-01	Outlet, exterior 110-volt
32. *500563-03	Outlet, exterior, 120-volt gray
32. *512399	Cover, exterior outlet, gray, W/P

*510676-01 was replaced with 500563-03 and 512399 during model year.

2010 CLASSIC TRAILER

EXTERIOR SHELL

Wall, Roadside, 30'



See next page for P/N

2010 CLASSIC TRAILER

EXTERIOR SHELL

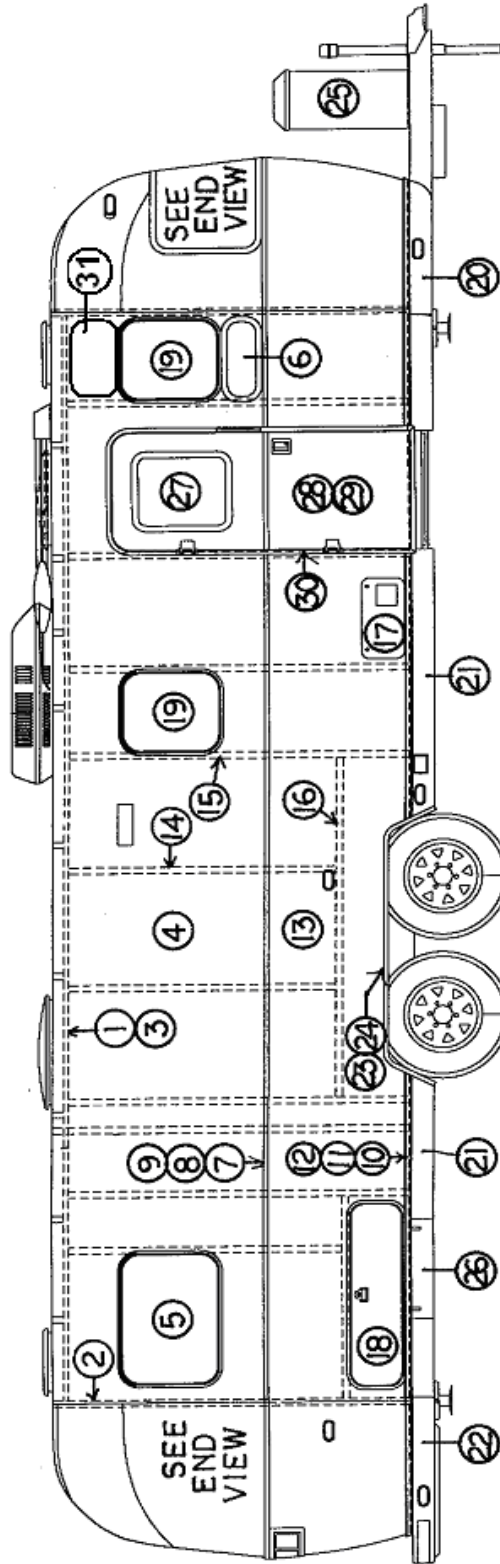
Wall, Roadside, 30'

1. 114290-02 Extrusion, awning/drip rail
2. 114993 End bow
3. 104707-06 Extrusion, "I" beam
4. 114880-262 Alum, sheet, upper, .040" x 51" x 262"
5. 371324-02 Window, 30in. opening
6. 371270-01 Window, 30in., stack, stationary
7. 114328 Extrusion, belt line
8. 201912 Molding, chrome, belt line
9. 100034 "Z" bar, 48"
10. 114460 Extrusion, rub rail
11. 201763-01 Insert, rub rail, chrome, 1"
12. 100986 Floor channel
13. 114879-262 Alum, sheet, lower, .040" x 33" x 262"
14. 114387-01 Bow, Z rib, RH
15. 114387-02 Bow, Z rib, LH
16. 100986 Wheel well stiffener(floor channel.
17. 922243 Louvered panel, refrigerator access door
18. 690209 Cover, brushed aluminum, Atwood
19. 922288-02 Door, side access, long, twin only
20. 200542-01 Banana wrap, RS front
21. 101131-01 Underbelly wrap, .024" x 22.5", Pewter
22. 201974-03 Bumper, rear corner, RS
23. 684936 Wheel well trim, outer, tandem axle
24. 684937 Wheel well trim, inner, tandem axle
25. 921233 Bottle cover, LP, w/out decal
26. 114496-02 Door, utility compartment
27. 114496-04 Door, TV/Coax Compartment
28. 100679-01 Access door w/jamb
29. 922770-02 Vista View, 30"

2010 CLASSIC TRAILER

EXTERIOR SHELL

Wall, Curbside, 30'



See next page for P/N

2010 CLASSIC TRAILER

EXTERIOR SHELL

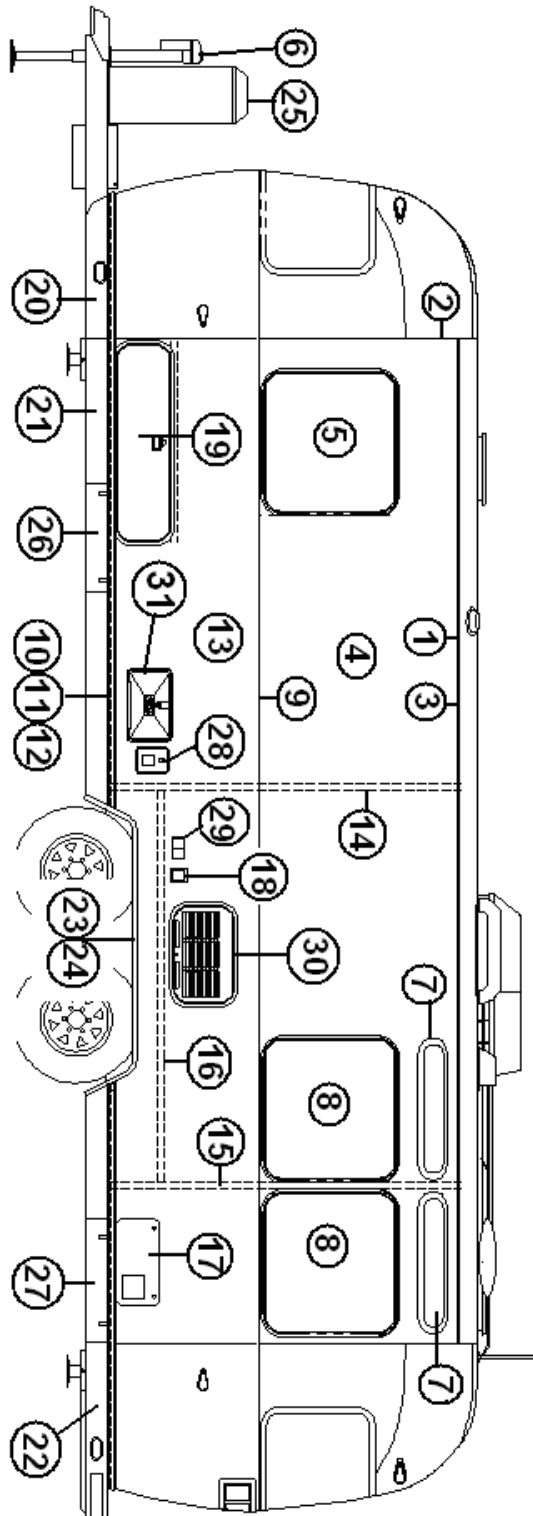
Wall, Curbside, 30'

1. 114290-02 Extrusion, awning/drip rail
2. 114993 End bow
3. 104707-06 Extrusion, "I" beam
4. 114880-262 Alum. sheet, upper, .040" x 51" x 262"
5. 371324-02 Window, 30in. opening
6. 371269-01 Window, 18in., stack, stationary
7. 114328 Extrusion, belt line
8. 201912 Molding, chrome, belt line
9. 100034 "Z" bar, 48"
10. 114460 Extrusion, rub rail
11. 201763-01 Insert, rub rail, chrome, 1"
12. 100986 Floor channel
13. 114879-262 Alum. sheet, lower, .040" x 33" x 262"
14. 114387-01 Bow, Z rib, RH
15. 114387-02 Bow, Z rib, LH
16. 100986 Wheel well stiffener (floor channel.
17. 690274-09 Cover Hydroflame furnace
18. 922288-02 Door, side access, long, twin only
19. 371323-01 Window, 18in. opening
20. 200543-01 Banana wrap, CS front
21. 101131-01 Underbelly wrap, .024" x 22.5", Pewter
22. 201974-04 Bumper, rear corner, CS
23. 684936 Wheel well trim, outer, tandem
24. 684937 Wheel well trim, inner, tandem
25. 921233 Bottle cover, LP, w/out decal
26. 114496-02 Door, utility compartment
27. 371400-01 Window, main door
28. 115207-04 Main door assembly
29. 114654 Screen door assembly
30. 114652 Main door jamb, formed
31. 922770-01 Vista View, 18"

2010 CLASSIC TRAILER

EXTERIOR SHELL

Wall, Roadside, 27' Front Bed



See next page for P/N

2010 CLASSIC TRAILER

EXTERIOR SHELL

Wall, Roadside, 27' Front Bed

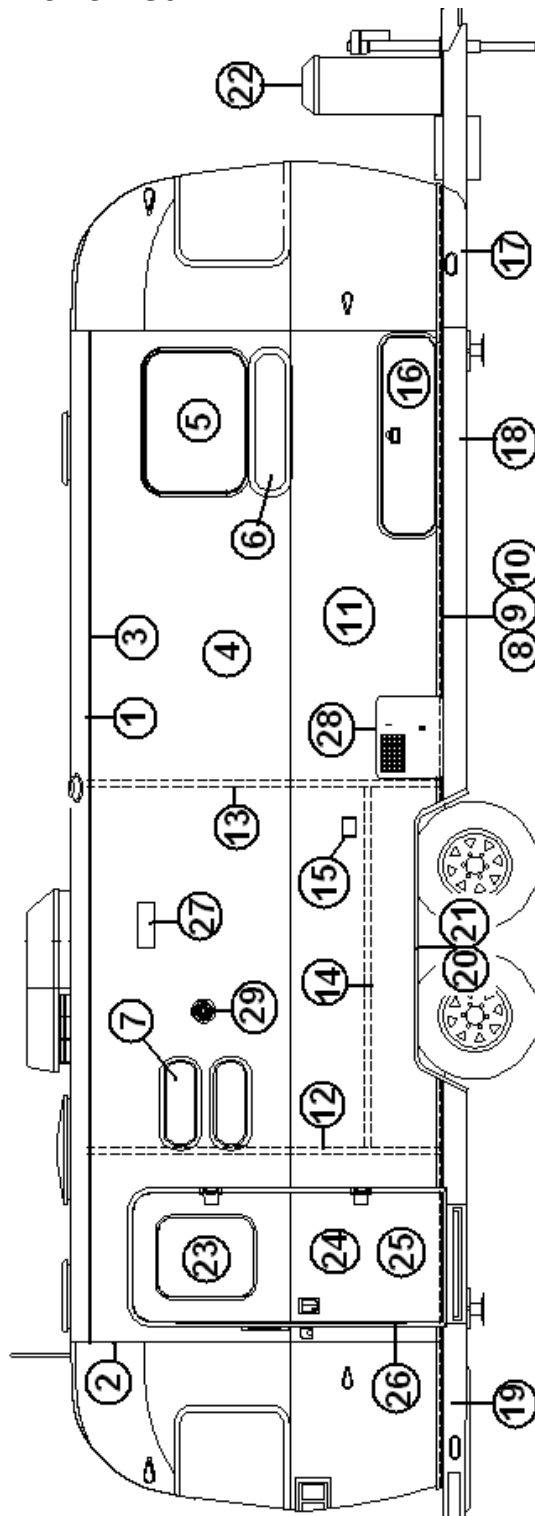
1. 114290-01 Extrusion, awning/drip rail
2. 114993 End bow
3. 104707-06 Extrusion, "I" beam
4. 114880-238 Alum. sheet, upper, .040" x 51" x 238"
5. 371380-01 30" x 30", opening egress window
6. 511544 Power jack w/flag holder & light
7. 922770-02 Vista View, 30"
8. 371380 Window, 30", opening, tall
9. 100034 "Z" bar, 48"
10. 114460 Extrusion, rub rail
11. 201763-01 Insert, rub rail, chrome, 1"
12. 100986 Floor channel
13. 114879-238 Alum. sheet, lower, .040" x 33" x 238"
14. 114387-01 Bow, Z rib, RH
15. 114387-02 Bow, Z rib, LH
16. 100986 Wheel well stiffener (floor channel.
17. 690274-09 Cover, Hydro-flame furnace
18. 511416-02 Power inlet, 110 volt cord
- *18. 512401-02 Power inlet, 110 volt cord
19. 922288-02 Access door w/jamb
20. 200542-01 Banana wrap, RS front
21. 101131-01 Underbelly wrap, .024" x 22.5", Pewter
22. 201974-03 Bumper, rear corner, RS
23. 684937 Wheel well trim, inner, tandem axle
24. 684936 Wheel well trim, outer, tandem axle
25. 921233 Bottle cover, LP, w/out decal
26. 109867-02 Door, utility compartment
27. 109867-04 Door, TV/Coax Compartment
28. 601194 Water fill w/lock
29. 500996 TV/Telephone jack, exterior
30. 922243 Louvered panel, refrigerator access door
31. 601876 Shower, exterior, white

*512401-02 REPLACED 511416-02 DURING MODEL YR.

2010 CLASSIC TRAILER

EXTERIOR SHELL

Wall, Curbside, 27' Front Bed



See next page for P/N

2010 CLASSIC TRAILER

EXTERIOR SHELL

Wall, Curbside, 27' Front Bed

1. 114290-01 Extrusion, awning/drip rail
2. 114993 End bow
3. 104707-06 Extrusion, "I" beam
4. 114880-238 Alum. sheet, upper, .040" x 51" x 238"
5. 371324-02 Window, 30" x 24" opening egress window
6. 371270-01 Window, 30in., stack, stationary
7. 371269-01 Window, 18" stack
8. 114460 Extrusion, rub rail
9. 201763-01 Insert, rub rail, chrome, 1"
10. 100986 Floor channel
11. 114879-238 Alum. sheet, lower, .040" x 33" x 238"
12. 114387-01 Bow, Z rib, RH
13. 114387-02 Bow, Z rib, LH
14. 100986 Wheel well stiffener (floor channel.
15. 922243 Louvered panel, refrigerator access door
16. 922288-02 Door, side access, long, twin only
17. 200543-01 Banana wrap, CS front
18. 101131-01 Underbelly wrap, .024" x 22.5", Pewter
19. 201974-04 Bumper, rear corner, CS
20. 684937 Wheel well trim, inner, tandem axle
21. 684936 Wheel well trim, outer, tandem axle
22. 921233 Bottle cover, LP, w/out decal
23. 371400-01 Window, main door
24. 115207-05 Main door assembly
25. 114654-01 Screen door assembly
26. 114652-01 Main door jamb, formed
27. 511017-11 Vent cover, exterior, range exhaust
28. 690209 Cover, brushed aluminum, Atwood
29. 500092 Flood light

2010 CLASSIC TRAILER

INTERIOR SHELL

Interior Skin/Trim

114445	Aluminum inside skin, .032" x 34" x coil
114853-01	Aluminum inside skin, .032" x 57" x coil
201728-01	Extrusion, plastic, ceiling trim retainer
201728-03	Extrusion, plastic, ceiling trim
203138-03	Extrusion, plastic, wall trim, beige
203138-04	Extrusion, plastic, interior wall, oak
800766-003	Trim, hardwood, .50 panel, 84"

Headliner

702482-03	Head liner, end liner, Spectra Opal
-----------	-------------------------------------

Wall fabric

703838	Wall liner, Geometric Ivory, 72"
--------	----------------------------------

Wheel Well/Cover/Close Out

200514	Wheel well cover, interior, tandem
200844	Wheel well, black 66.50" A.B.S

Galley Wall Splash, Designate size needed

114879-262	Aluminum Sheet
------------	----------------

Decorative Panels

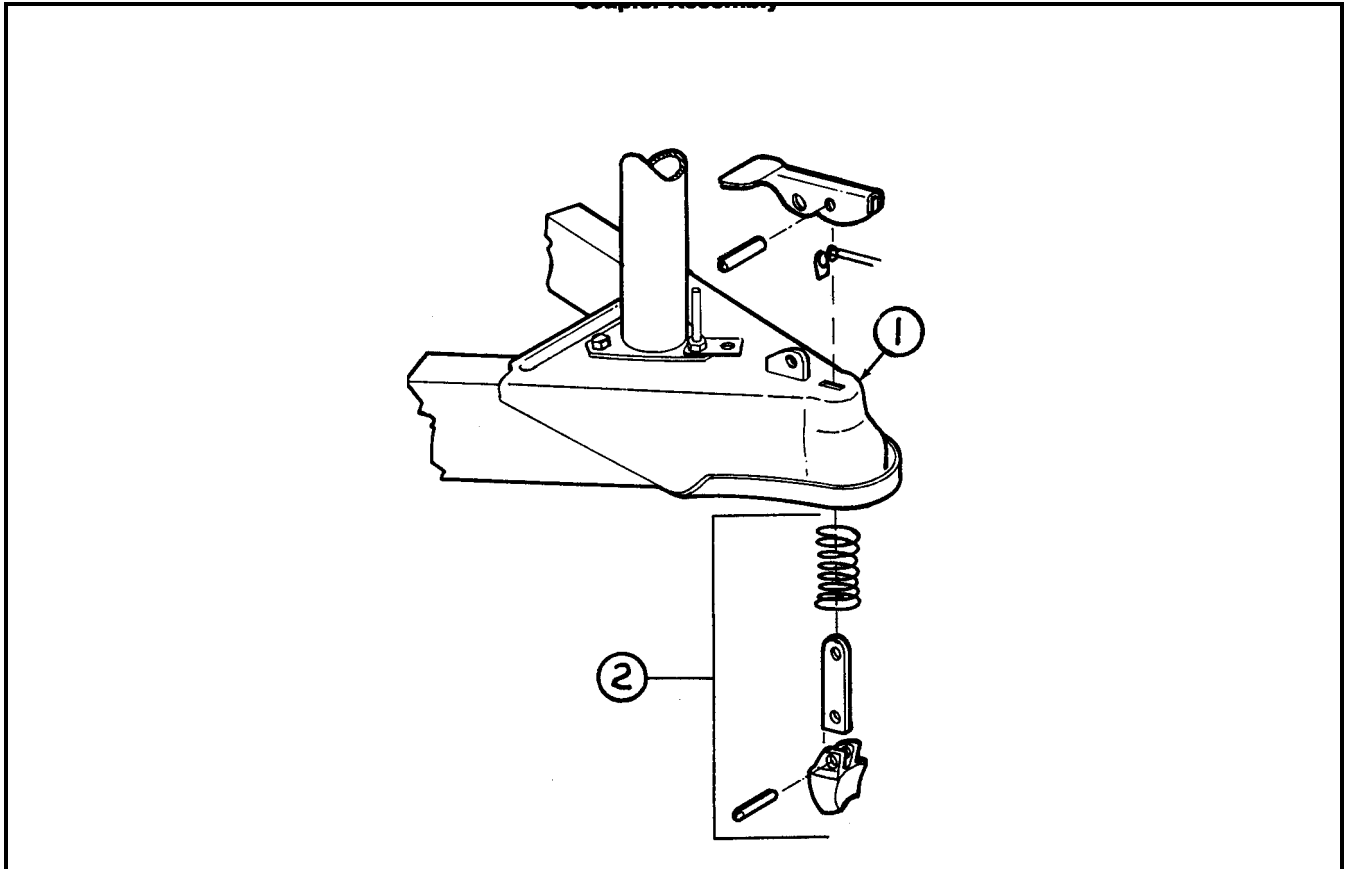
*801505	Panel, Ascot Sand/Raw .125" X4 X 8'
*801828	Panel, Crackle Cream/Raw .125" X4 X 8'

*Ascot Sand was replaced by Crackle Cream during model year.

2010 CLASSIC TRAILER

CHASSIS

A-Frame/Coupler



- 1. 680343 Coupler assembly, 2 5/16"
- 2. 680345 Repair kit, 2 5/16" coupler
- 915256 A-frame complete
- 453620 Covers, A-frame, stainless steel
- 400945 5/16 clevis, safety hook

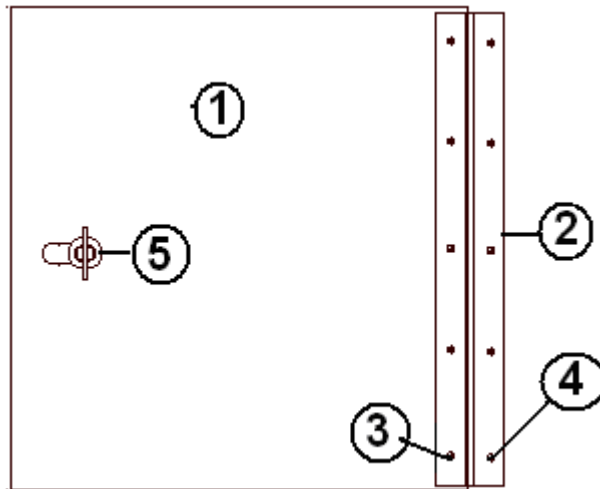
Breakaway Switch

- 0300027 Break away switch, Bargman
- 400407 Bracket, breakaway switch

2010 CLASSIC TRAILER

CHASSIS

Battery Box Lid



- | | |
|--------------|--------------------------------|
| 1. 410551 | Lid, battery box, 31', 30, 27' |
| 2. 380203-01 | Hinge |
| 3. 330127-08 | Rivet 1/8" (Mill) AD48ABS |
| 4. 325035 | Chicago rivets |
| 5. 381430 | Lock, twist straight cam |

Hose carrier

- | | |
|-----------|----------------------------|
| 601544-02 | EZ hose carrier, black 45" |
| 104704-01 | Shim, 3" X 3" |

Tire Carrier

- | | |
|--------|------------------------|
| 450414 | "A" frame tire carrier |
|--------|------------------------|

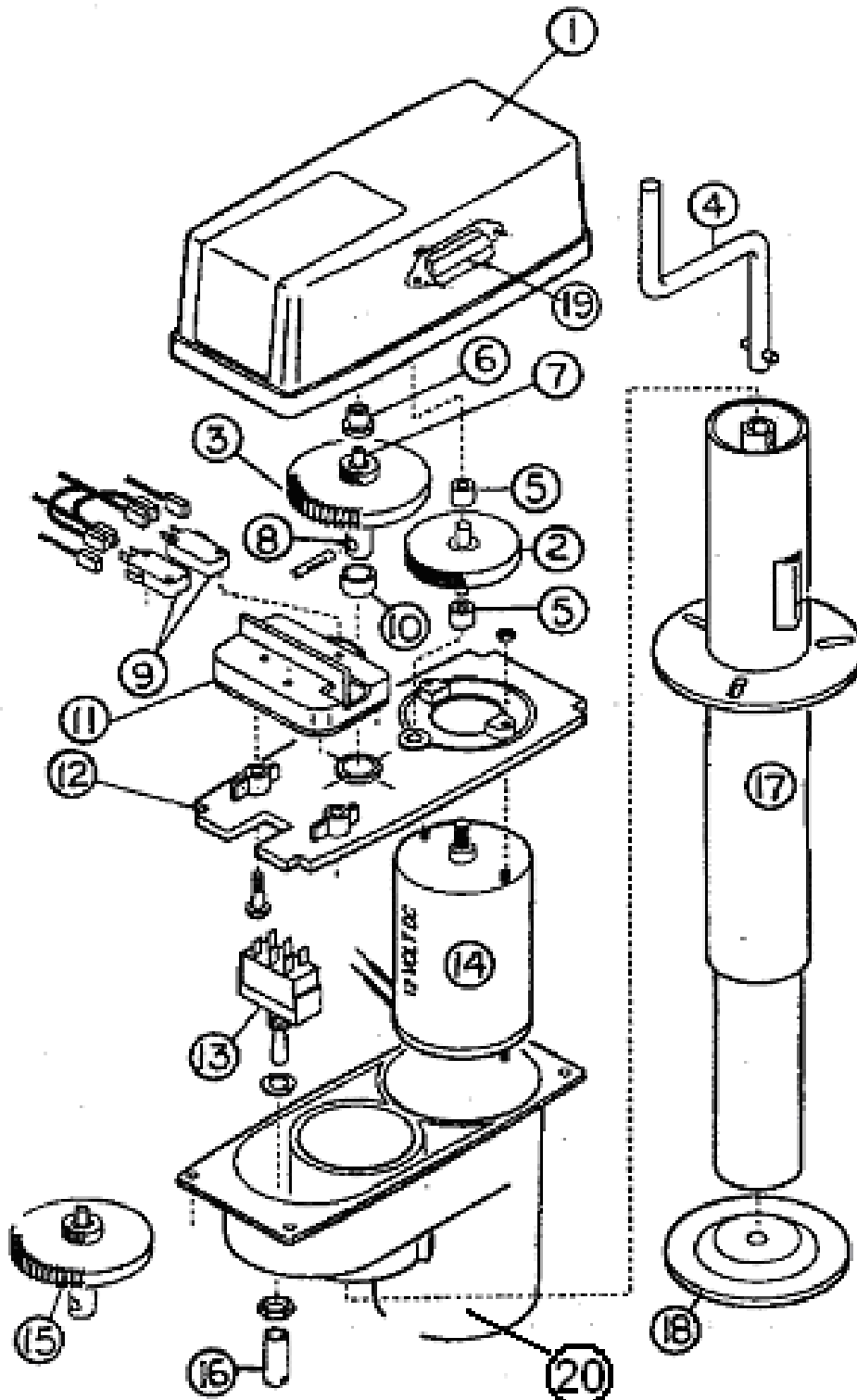
Floor Fasteners

- | | |
|-----------|---------------------------------|
| 345181 | Screw- 1/4-14 X 2" self tapping |
| 345370-01 | Bolt 3/8-16 hex head - 3.50" |
| 300023-02 | Washer, hold down - hole offset |
| 100986 | Floor extrusion |

2010 CLASSIC TRAILER

CHASSIS

Power Hitch Jack



See next page for P/N

2010 CLASSIC TRAILER

CHASSIS

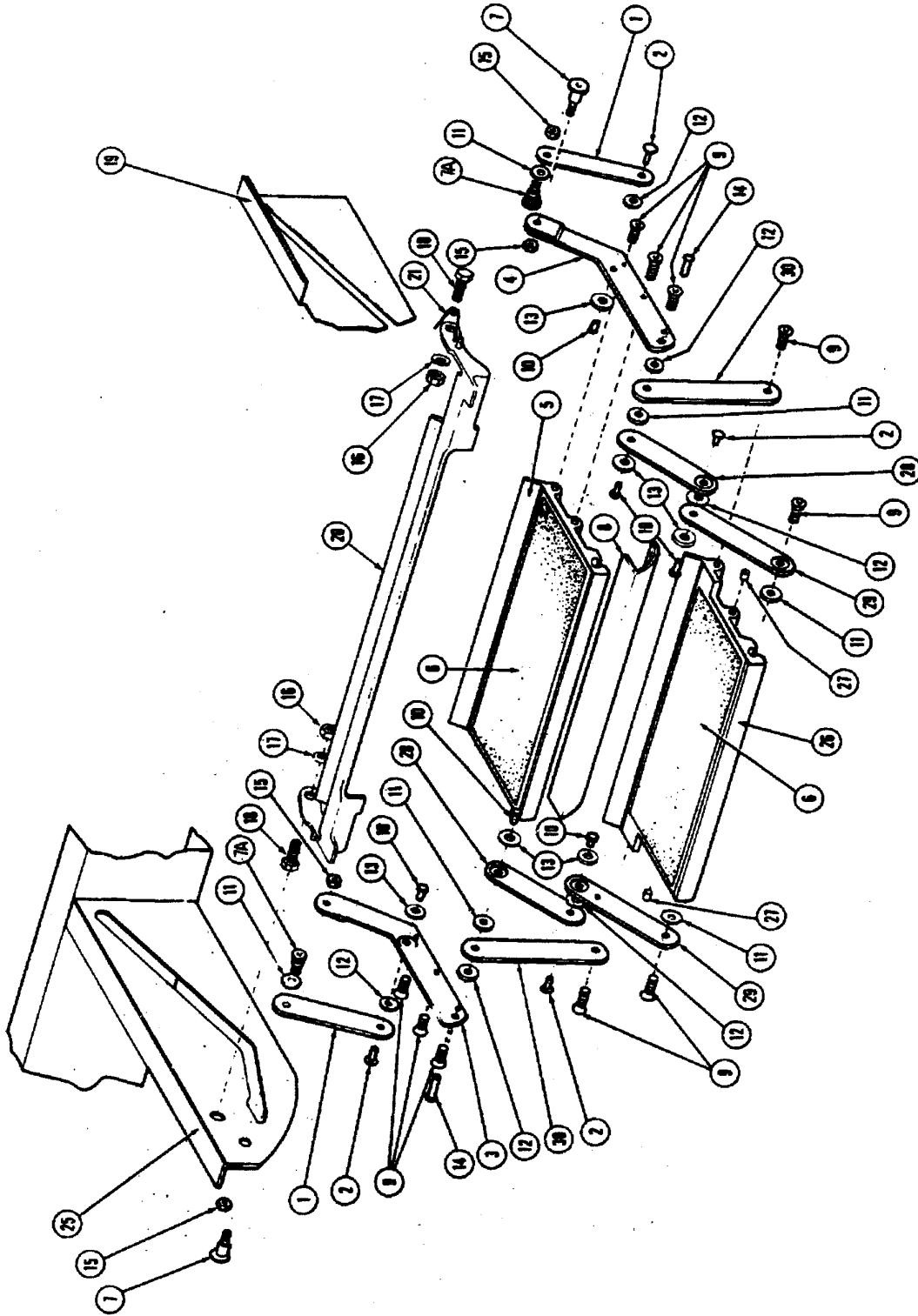
Power Hitch Jack

- 511544 Power jack w/flag holder & light
- 012251 Power head less post
- 1. 012198 Cover, Super Jack
- 2. 010051 Gear, fiber, Super Jack
- 3. 015551 Drive gear, Super Jack
- 4. 016199 Crank handle, manual, Super Jack
- 5. 080501 Bushing, bronze, Super Jack
- 6. 010055 No longer available for individual purchase.
- 7. 015552 Gear, pot/reed, Super Jack
- 8. 015553 Shaft, Super Jack
- 9. 081703 Micro switch, Super Jack
- 10. 080520 Bushing/bronze,7/16,Super Jack
- 11. 012252 Limit switch assembly, Super Jack
- 12. 012200 Center plate, Super Jack
- 13. 081704 Switch, toggle, Super Jack
- 14. 016263 Motor, 12V, Super Jack
- 15. 011675 Drive gear assembly, Super Jack
- 16. 010069 Switch cover, Super Jack
- 17. 011631 Jack post, Super Jack
- 18. 410598 Foot pad #12231
- 19. 026503 Light, Jack
- 20. 012199 Housing for Motor and Switch

2010 CLASSIC TRAILER

CHASSIS

Step



See next page for P/N

2010 CLASSIC TRAILER

CHASSIS

Step

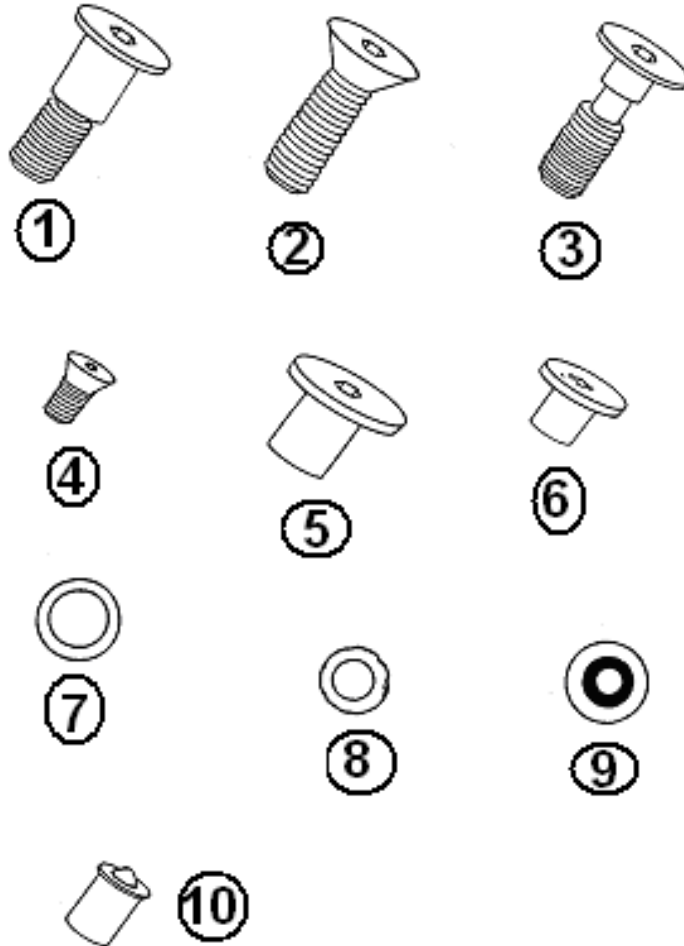
3440006	Double step assembly
1. 680213	Arm, upper support
2. 680214	*Pin, hinge
3. 680215	Step bracket, left
4. 680216	Step bracket, right
5. 680217	Extrusion, step 20.5"
6. 380069	Safety tread
7. 001152	Bolt, shoulder
7a. 001145	Bolt, shoulder, 3/8" thread
8. 680220	Panel
9. 680221	Screw, flat head
10. 680222	Bolt, socket head
11. 680223	Washer, bronze
12. 680224	Washer, wave
13. 680225	Washer, aluminum
14. 680226	Pin, pivot
15. 350005	Nut, hex
16. 350147-25	Nut, Nylock
17. 300005	Washer, flat
18. 345016	Screw, machine
19. 400454	Outrigger, RH (Not included with step assembly.)
20. 100298	Casting, step release
21. 0440032	Step spring
25. 400455	Outrigger, LH (Not included with step assembly.)
26. 410200	Extrusion, step, 20.0"
27. 380075	*Bullet catch
28. 400004	Hinge arm, upper
29. 400003	Hinge arm, lower
30. 400005	Arm, lower support

*Larger illustration on next page

2010 CLASSIC TRAILER

CHASSIS

Step Bolts/Washers/Screws/Catches Illustrated

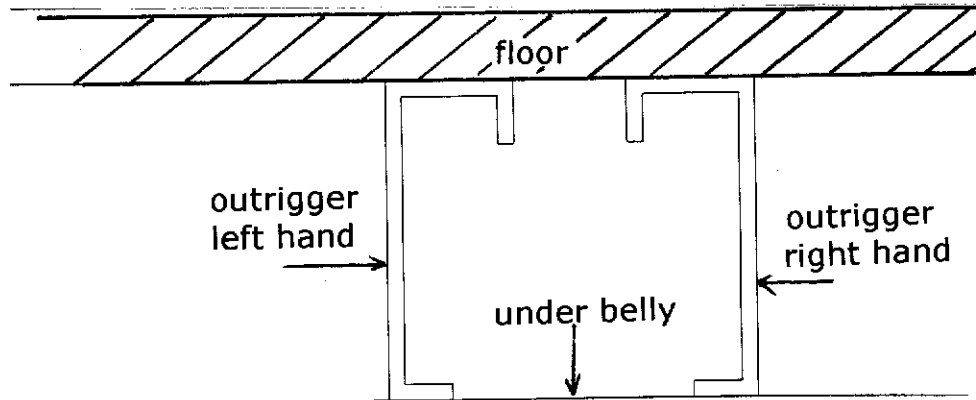


- | | | |
|-----|--------|------------------------------------|
| 1. | 001152 | 1/2" Shoulder w/3/8" shoulder bolt |
| 2. | 680221 | 3/8-16 x 1, flat head Allen, screw |
| 3. | 001145 | 3/8-16 thread, shoulder bolt |
| 4. | 680222 | Flat head Allen socket screw |
| 5. | 680226 | Pivot pin |
| 6. | 680214 | Hinge pin |
| 7. | 680223 | Brass washer |
| 8. | 680224 | Wave washer |
| 9. | 680225 | Aluminum Washer |
| 10. | 380075 | Bullet catch |

2010 CLASSIC TRAILER

CHASSIS

Outriggers



- 410524 Step outrigger assembly, forward
- 410523 Step outrigger assembly, aft
- 410497 Outrigger, pierced, RH
- 410498 Outrigger, pierced, LH
- 410500 Outrigger, standard, LH
- 410499 Outrigger, standard, RH
- 410501 Outrigger, solid, RH, notched
- 410502 Outrigger, solid, LH, notched
- 410706 Outrigger, TV/Coax compartment, RH
- 410707 Outrigger, TV/Coax compartment, LH

Chassis Covering/Rear Bumper

- 114679 Alum. underbelly .019" x 65.75, coil
 - 101131-01 Alum. underbelly .024" x 22.5", coil, pewter
(covers from underbelly to floor line)
 - 200543-01 Banana wrap, CS front
 - 200542-01 Banana wrap, RS front
 - 203142 Bumper, rear center
 - 201974-03 Bumper, rear corner, RS
 - 201974-04 Bumper, rear corner, CS
 - 201909 Bumper trim, molded, black
- Note:** The rear roll out tray makes up part of the center section of the bumper)

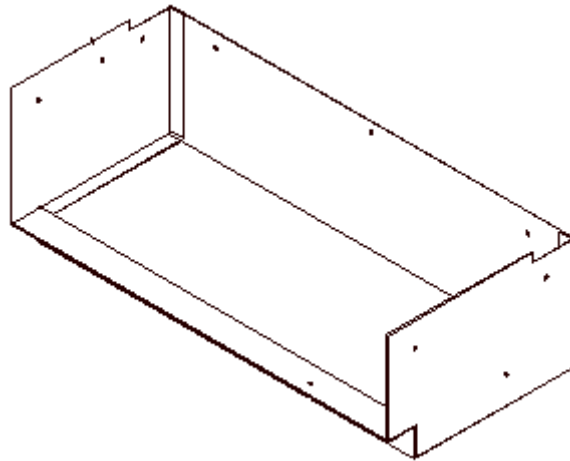
2010 CLASSIC TRAILER

CHASSIS

Stabilizing Jacks, Manual

- 400093 Stabilizing jacks, BAL w/handle, set of 4
- 400093-01 BAL jack, aluminum, each
- 400093-04 Foot pads, BAL jack, set of 4
- 400093-100 Foot pad, BAL jack, 1 only
- 400093-02 Crank, stabilizer jack (BAL)
- 400093-05 BAL jack, w/handle & footpad, black

Underbelly Compartment Pan

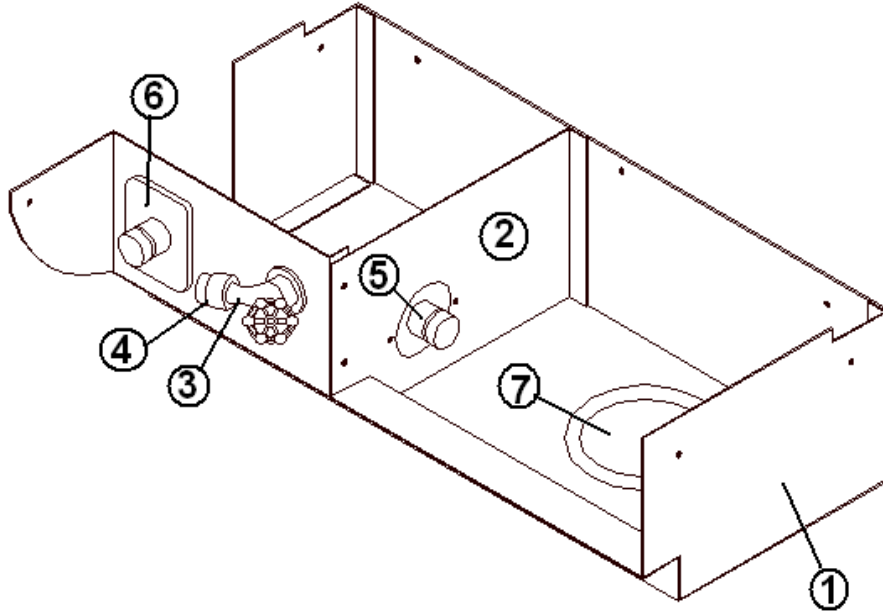


- 915145-01 Utility compartment assembly, painted

2010 CLASSIC TRAILER

CHASSIS

Underbelly Utility Compartment, All

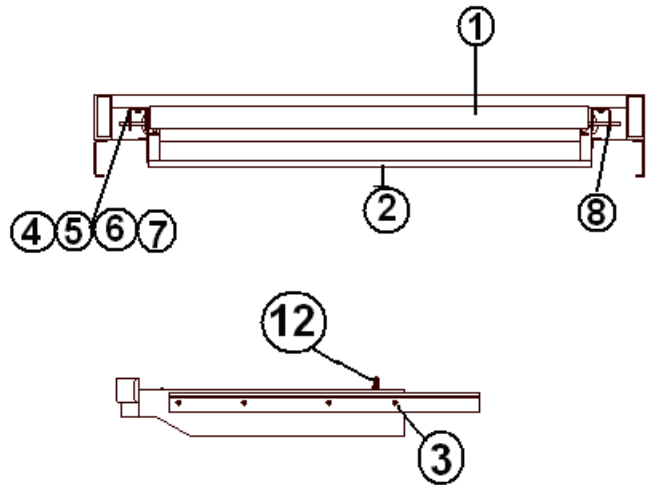
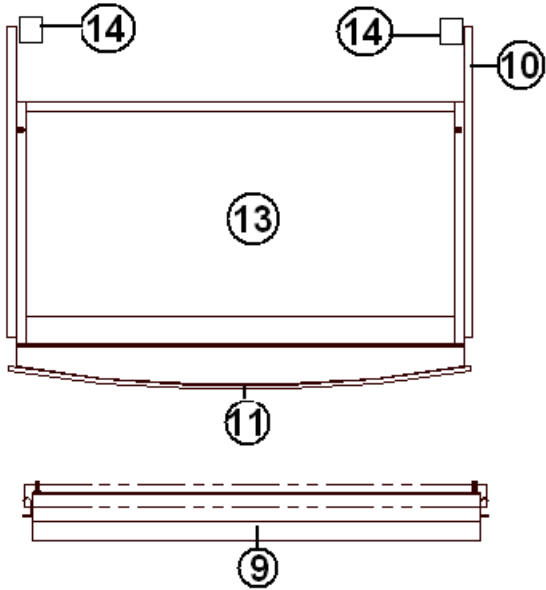


- | | |
|--------------|---|
| 1. 915099-01 | Assembly, utility compartment, LH |
| 1. 915099-02 | Assembly, utility compartment, RH |
| 2. 452795-01 | Panel – interior utility compartment LH |
| 2. 452795-02 | Panel – interior utility compartment RH |
| 3. 601467 | Sillcock, 1/2", female w/ wheel |
| 4. 601469 | Vacuum breaker, 3/4" garden hose |
| 5. 601786 | City water fill |
| 6. 601392-04 | Water fill, city w/ regulator |
| 7. 381435 | Hatch – access cover, 4", white |
| 601565 | Hose, water, 12" w/fittings |

2010 CLASSIC TRAILER

CHASSIS

Roll Out Tray



- | | | |
|-----|-----------|---|
| 1. | 962828-01 | Roll out tray assembly, rear |
| 2. | 453159 | Enclosure assembly, rear rollout tray |
| 3. | 330031-03 | Rivet, dome head, SSD64SSBS |
| 4. | 453156 | "U" bar, roller support |
| 5. | 381555 | Ten ball roller w/stem |
| 6. | 381554-44 | Fastener, internal tooth spring |
| 7. | 345074-05 | Screw 5/16-18 X 7/8 hex washer |
| 8. | 310028 | Lynch pin, 1/4" |
| 9. | 453144 | Roll out tray |
| 10. | 381556 | Overhead door track, 2" |
| 11. | 201909 | Molding, black bumper trim |
| 12. | 345283-03 | Screw cap, 1/4"-20 X 1.5 |
| 13. | 702979 | Vinyl flooring, banker grey 8' wide |
| 13. | 702979-01 | Vinyl flooring, banker grey 2.625" wide |
| 14. | 454088 | Closeout, roll out tray |

2010 CLASSIC TRAILER

CHASSIS

Axles, Dexter Nev-R-Lube, Nev-R-Adjust

410980-01 Axle, 5000#, 31', 30', 27'

Shocks

0220003 Shock absorber

Spare Tire/Wheel assembly

410843-100 Wheel, steel, 15"

410843-01 Spare tire and steel wheel, BSW, LR "D", 15"

Tire/Wheel Assembly

410926 Tire and wheel assembly

410842 Tire ST 225/75 R15, LR "D" BW

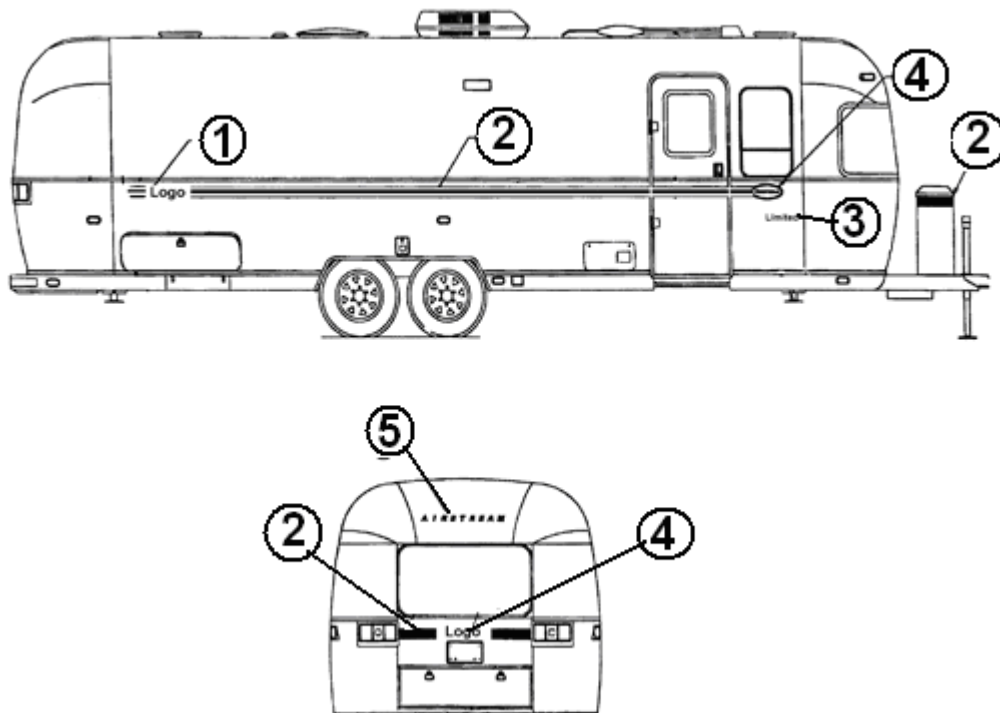
400844 Cover, center hub, polished aluminum

400923 Lug nut, acorn type

2010 CLASSIC TRAILER

DECALS/MEDALLIONS

DECALS/MEDALLIONS, STANDARD



Decals, Standard

- | | |
|-----------|--|
| 1. 386153 | Decal, Airstream 1.3" X 16", aluminum |
| 2. 386086 | Decal, pin stripe, blue |
| 3. 386188 | Decal, "LIMITED" .88" X 5", chrome |
| 4. 386169 | Nameplate - CLASSIC - blue/gray |
| 5. 386152 | Decal, AIRSTREAM, 2.4" X 28", aluminum |
| 386068 | Medallion, 3", screen door |

2010 CLASSIC TRAILER

EXTERIOR TRIM

Beltline

114328	Extrusion, belt line molding
201912	Molding, belt line insert, chrome
114417	Casting, belt line close out

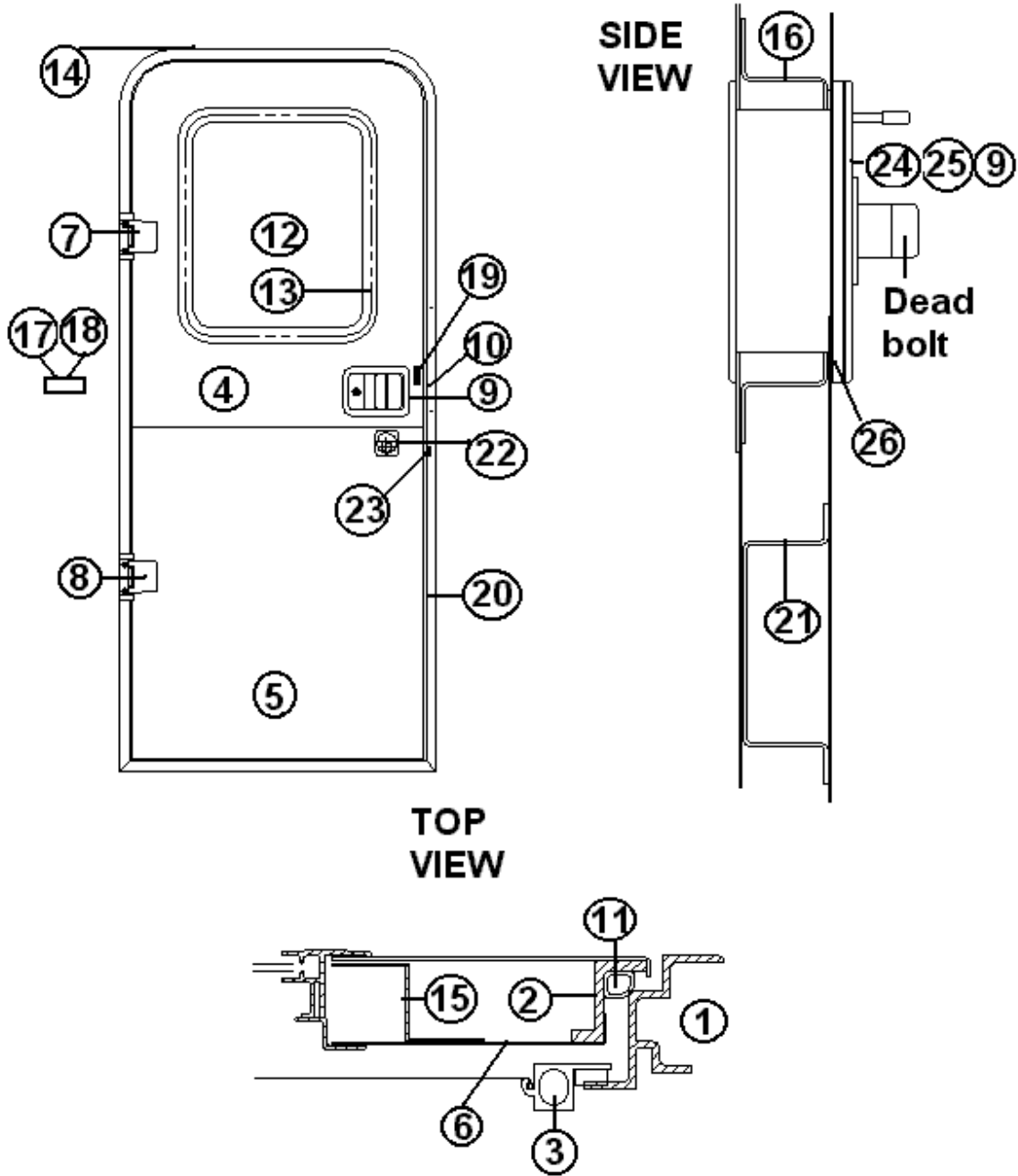
Rub Rail

114460	Extrusion, rub rail
201763-01	Molding, rub rail insert, chrome
114466-01	Casting, close out, rub rail, angled, RH
114466-02	Casting, close out, rub rail, angled, LH
114465-01	Casting, close out, rub rail, RH
114465-02	Casting, close out, rub rail, LH

2010 CLASSIC TRAILER

DOORS/WINDOWS/AWNING

Main Door, LH Hinge



See next page for P/N

2010 CLASSIC TRAILER

DOORS/WINDOWS/AWNING

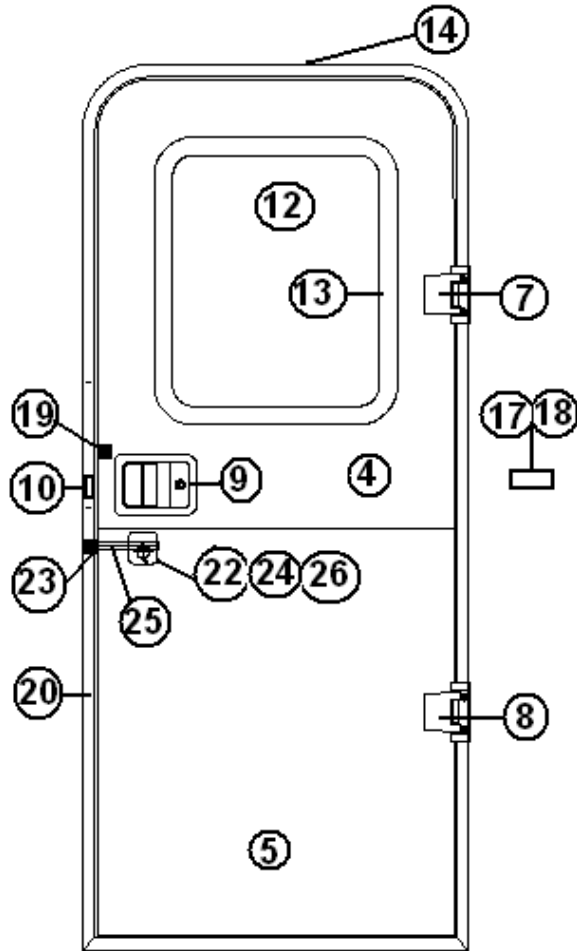
Main Door, LH Hinge

- 115207-04 Main door assembly
- 1. 114653 Frame, main door, pre-formed
- 2. 114652 Jamb, main door, pre-formed
- 3. 114654 Screen door assembly
- 4. 114448-03 Skin, exterior, upper main door
- 5. 114449-03 Skin, exterior, lower main door
- 6. 114475 Main door skin, inner
- 7. 381552-03 Hinge assembly, main door, upper
- 8. 381552-04 Hinge assembly, main door, lower
- 9. See hardware section for door latch parts
- 10. 385595 Pocket strike, main door
- 11. 365232 Seal, main door
- 12. 371400-01 Window, main door, etched
- 13. 115208 Trim ring, main door window
- 14. 114363 Drip cap, main door
- 15. 114658 Inner door, "Z" bar, upper & lower
- 16. 114657 Hat section, formed, main door
- 17. 380290 Housing. Latch, mounted on side sheet
- 18. 380291 Latch assembly, mounted on side sheet
- 19. 201056 Striker, main door, black plastic
- 20. 114507-03 Trim, main door
- 21. 115413 Hat section assembly, round dead bolt
- 22. 382069 Deadbolt assembly, round, Trimark
- 23. 381326 Striker w/ Trimark deadbolt
- 24. 345321-12 Screw, flat head, black
- 25. 453851 Bolt, Trimark, deadbolt
- 26. 203370 Spacer, deadbolt assembly
- 203495 Spacer -main door stay
- 203494 Baseplate, door latch
- 511344-01 Grab handle, embossed "LIMITED"

2010 CLASSIC TRAILER

DOORS, EXTERIOR

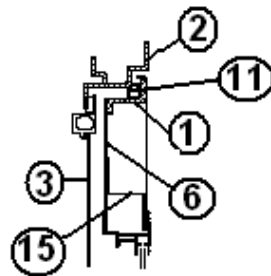
Main Door, RH Hinge



**Latch
Assembly**



**Top
View**



See next page for P/N

2010 CLASSIC TRAILER

DOORS, EXTERIOR

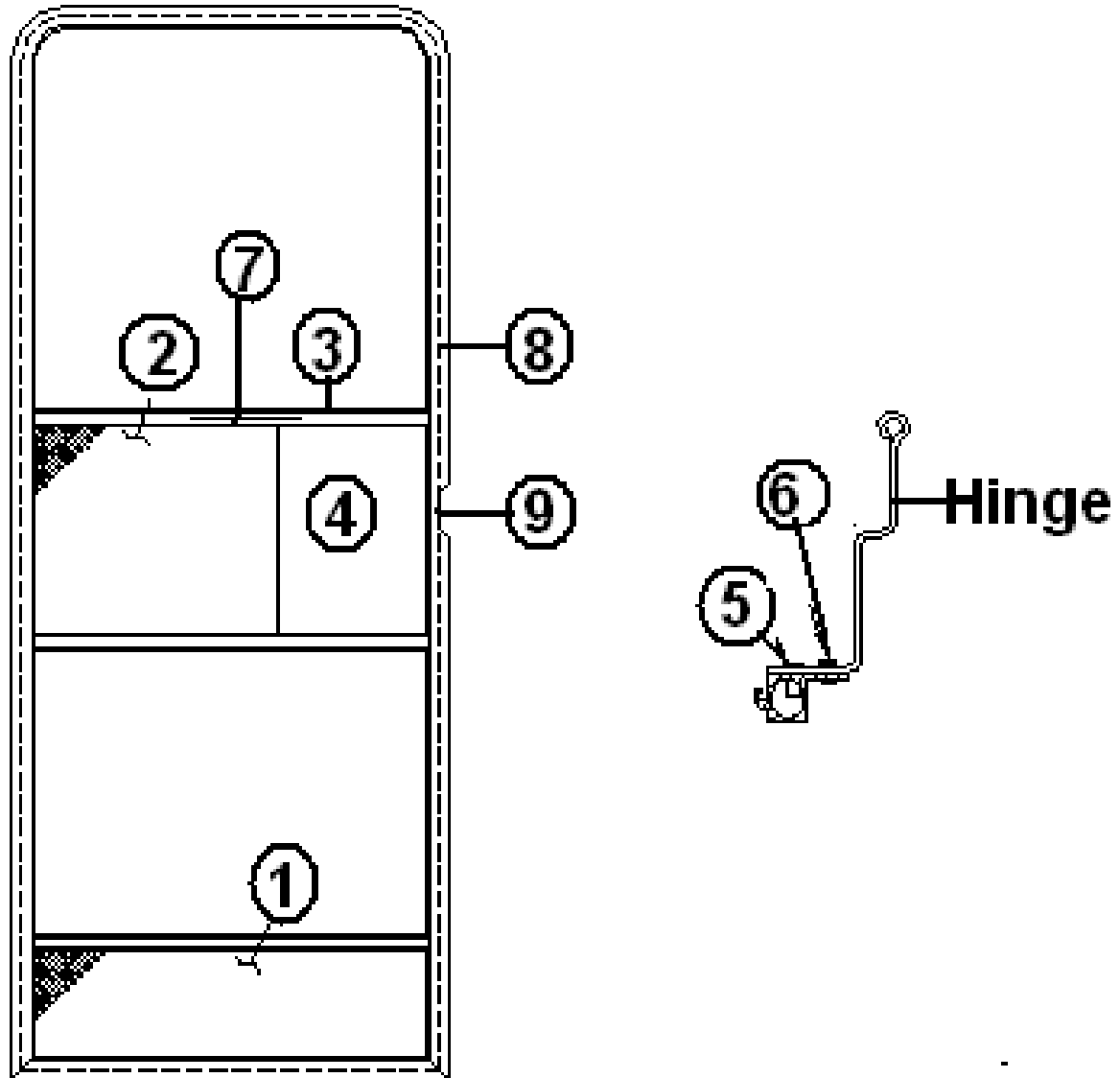
Main Door, RH Hinge

- 115207-05 Main door assembly, RH hinge
- 1. 114652-01 Jamb, main door, pre-formed
- 2. 114653-01 Frame, main door, pre-formed
- 3. 114654-01 Screen door assembly, RH Hinge
- 4. 114448-03 Skin, exterior, upper main door
- 5. 114449-03 Skin, exterior, lower main door
- 6. 114475 Main door skin, inner
- 7.. 381552-02 Hinge assembly, main door, upper
- 8. 381552-01 Hinge assembly, main door, lower
- 9. See hardware section for door latch parts
- 10. 385595 Pocket strike, main door
- 11. 365232 Seal, main door
- 12. 371400-01 Window, main door, etched
- 13. 115208 Trim ring, main door window
- 14. 114363 Drip cap, main door
- 15. 114658 Inner door, "Z" bar, upper & lower
- 16. 114657 Hat section, formed, main door
- 17. 380290 Housing. Latch, mounted on side sheet
- 18. 380291 Latch assembly, mounted on side sheet
- 19. 201056 Striker, main door, black plastic
- 20. 114507-03 Trim, main door
- 21. 115413 Hat section assembly, round dead bolt
- 22. 382069 Deadbolt assembly, round, Trimark
- 23. 381326 Striker w/ Trimark deadbolt
- 24. 345321-12 Screw, flat head, black
- 25. 453851 Bolt, Trimark, deadbolt
- 26. 203370 Spacer, deadbolt assembly
- 203494 Base plate, door latch
- 511344-01 Grab handle, embossed, "LIMITED"

2010 CLASSIC TRAILER

DOORS/WINDOWS/AWNING

Screen Door



See next page for P/N

2010 CLASSIC TRAILER

DOORS/WINDOWS/AWNING

Screen Door

114654	Screen door assembly, LH hinge
114654-01	Screen door assembly, RH hinge
1. 114648-01	Kick panel screen door
2. 114561-01	Panel, slider, screen door
3. 104784-78	Extr., screen door stiffener #VH-9
4. 203287-02	Close out, plastic, screen door
5. 330126-03	Rivet, pop, SSD44SSBS
6. 325122	Rivet, hard, 5/32
7. 380004	Handle with 8/32 X 1 screw
8. 365013-01	Gasket, screen door, foam tape
9. 683946	Bug seal, edge of screen door close out
115171-01	Screen door guard top
115171-02	Screen door guard bottom
380079	Screen, gray
200518	Spline, gray, screen insert
701624	Velcro - loop 5/8" wide
701625	Velcro - hook 5/8" wide
381454	Screen door hold back latch, Bullet
386068	Medallion, 3" logo, AIRSTREAM
381531-01	Hinge, screen door, upper
381531-02	Hinge, screen door, lower

2010 CLASSIC TRAILER

DOORS/WINDOWS/AWNING

Refrigerator Access Door

922243	Door, refrigerator access, assembly
922156	Door, refer access
104417	Jamb, refrigerator access door
203225	Trim, flexible, white, inner doorjamb
380988	Hinge, continuous .5 in, leaf 16IN
381812	Latch, twist, chrome
114811	Aluminum angle, .50" X .50"

Trunk Door, Rear End, Twin Bed

921159-01	Trunk door assembly, rear, twin only
114675	Jamb, rear trunk door
380770	Lock & Casting assembly
360016	Bump on rubber
365035	Rubber seal, access door
380203-01	Piano, hinge 1/8" pin
381065-10	10" cable support
701538-01	Carpet, Econolier w/PSA backer

Side Access Door, Long, Front Access Door FB Models

922288-02	Door, front, w/o license plate holder
104833	Jamb, long side access door, twin only
381065-10	10" cable support
104831	Frame, rear access door
380770	Lock & Casting assembly
365035	Rubber seal, access door
380774-02	Hinge, compartment, door, 48.00"

Water Heater/Water Fill/Furnace Doors

690209	Cover, brushed aluminum, Atwood water heater
690274-09	Door exterior, Hydroflame furnace
601194	Water fill door w/pocket & lock

2010 CLASSIC TRAILER

DOORS/WINDOWS/AWNING

Side Access Door, Small

100679-01	Door assembly, side and rear access, small
380773	Hinge, access door
380770	Lock & Casting Assembly
115296	Jamb, formed compartment door
365035	Rubber seal, access door

Utility/Power Cord Underbelly Doors

114496-01	Door, tv/coax compartment, 30', 27'
114496-02	Door, utility compartment, 31', 30', 27'
114496-04	Door, tv/coax compartment, 31'
340023-01	Pad lockable catch
380988	Hinge, continuous, .5IN leaf
114812	Aluminum angle, 1.00" X 1.00"
365013	Tape, charcoal low density foam
365030	Seal, door hinge 3-3/4" wide
114070	J-trim, extrusion, aluminum

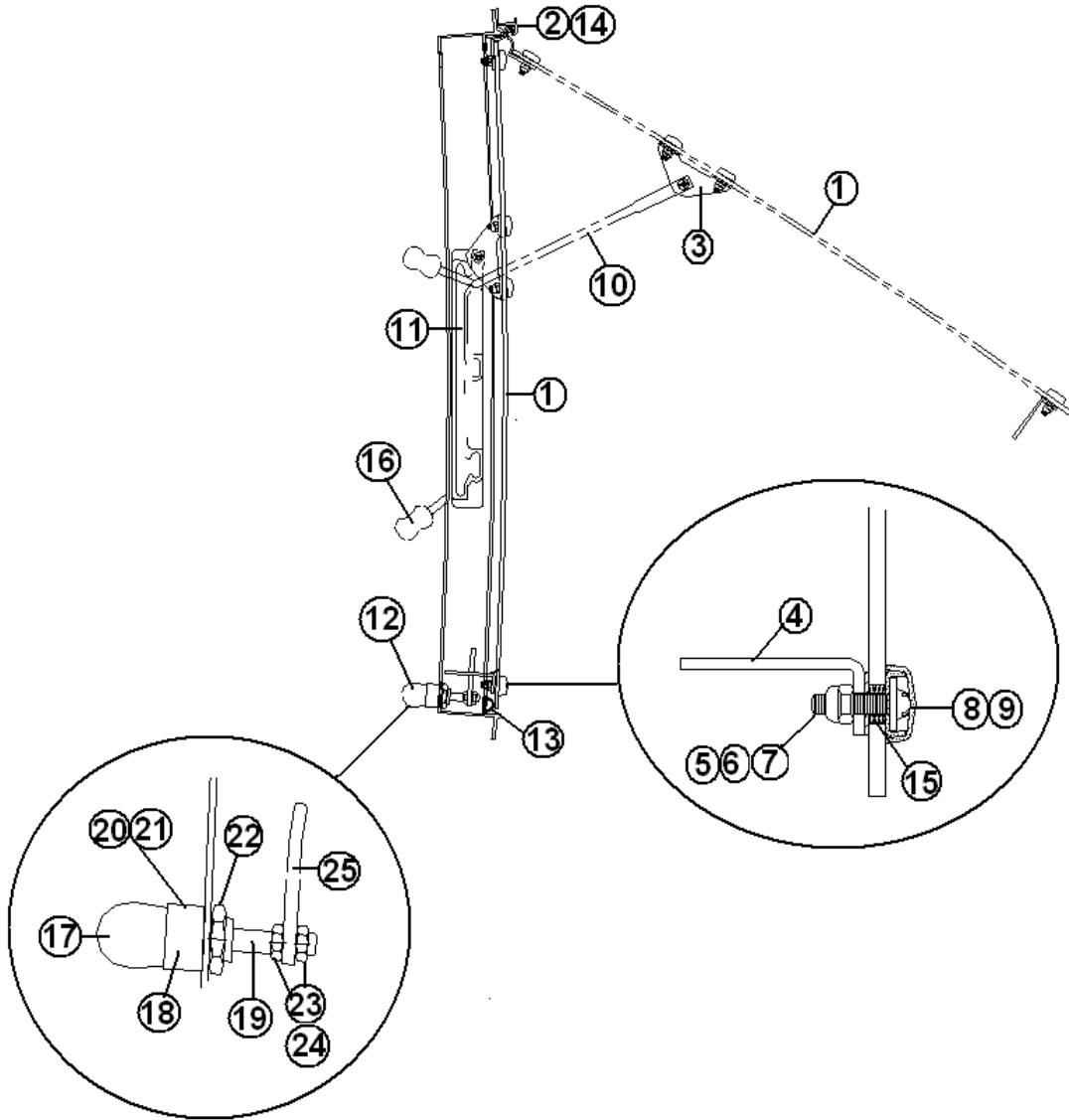
Battery Box Door

114467-01	Door panel, outer, battery box door
114468	Door panel, inner, battery box door
114464	Casting, battery box door jamb
380238	Support cable, battery box door
200855	Plastic battery tray
381397	Key cylinder w/ cam, 501 key
381501	Cam lock, off set
380612	Cord, grip 3/8
350047	Nut 3/8 lock for cord grip
381500	Hinge piano, reversed 8.50" long

2010 CLASSIC TRAILER

DOORS/WINDOWS/AWNINGS

Window Parts Diagram



Part numbers on next page

2010 CLASSIC TRAILER

DOORS/WINDOWS/AWNINGS

1. 371323-100 Glass w/hardware, 18" window
1. 371324-100 Glass w/hardware, 30" window
2. 371323-101 Hinge, 18" window
2. 371324-101 Hinge, 30" window
3. 1101-0010 Bracket, window prop
4. 1101-0011 Bracket, LH Striker
4. 1101-0012 Bracket, RH Striker
5. 0706-0004 Flat washer
6. 0703-0001 Screw, #8-32 x .625", black, SS
7. 0702-0010 Nut, Nylox, #8-32, black SS
8. 0802-0004 Screw cover, 12-12 #100, black
9. 0802-0005 Washer, 12-12 screw cover bottom
10. 100903 Operating arm, RH
10. 100903-01 Operating arm, LH
11. 0802-0001 Guide, operating arm, RH
11. 0802-0002 Guide, operating arm, LH
12. 010020 Latch assembly, chrome
13. 382117 Gasket, rectangular post
14. 0101-0017 Male hinge extrusion, 1/2" pc.
15. 195467-02 Washer, nylon .125" X 5/16" OD
16. 380230-03 Window arm knob, silver
16. 380230-04 Window arm knob, red
17. 1101-0005 Latch handle, chrome
17. 195467-05 Latch handle, red
18. 1101-0007 Latch body
19. 1101-0008 Latch shaft
20. 1101-0009 Latch spring
21. 0707-0002 Pin, drive lock, 5/32" x 5/8", zinc
22. 0702-0001 Nut, hex panel, 5/8"-24, zinc
23. 0702-0002 Nut, jam, hex, 5/16-24
24. 385123 Washer, flat, .53" OD x .328" ID
25. 685123 Latch paw

2010 CLASSIC TRAILER

DOORS/WINDOWS/AWNINGS

Window Trim

201675-01	Trim ring, inside, 30" stack window
115208	Trim ring, window, main door
201676-01	Trim, stack window 18"
203225	Trim lok, white, for fixed window close outs
114157-01	Extrusion, end liner, upper, white
372225	Inner trim ring support, 30" fixed window

Vista View Windows, 30"

922770-02	Vista View- 30"
203490-02	Trim ring- 30" Vista View
703462-02	Shade, pull 31.25"X9.5" Vista View
922772-02	Backer – Vista View blind - 30"
115222-01	Z Bar-formed 31.5" Vista View

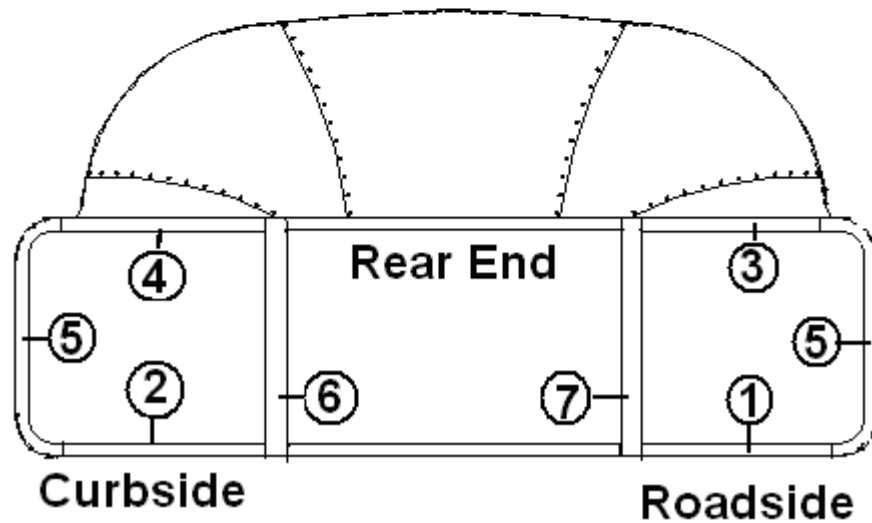
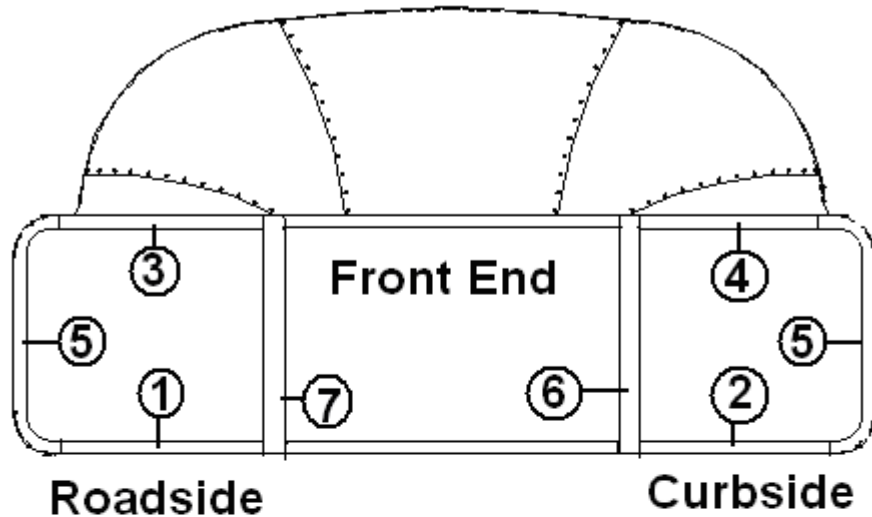
Vista View Windows, 18"

922770-01	Vista View Window, 18"
203490-01	Trim Ring, 18" Vista View Window
703462-01	Pull Shade, 19.25"X9.5" Vista View Window
922772-01	Backer – Vista View blind - 18"
115222-02	Z Bar-formed 19.5" Vista View

2010 CLASSIC TRAILER

DOORS/WINDOWS/AWNINGS

Panoramic Window Trim



- | | |
|--------------|---------------------------|
| 1. 201579-01 | Trim ring, lower white |
| 2. 201580-01 | Trim ring, lower white |
| 3. 201581-03 | Trim ring, upper white |
| 4. 201581-04 | Trim ring, upper white |
| 5. 201578-01 | End cap, trim ring, white |
| 6. 110900-01 | Trim, formed, white, RH |
| 7. 110900-02 | Trim, formed, white, LH |
| 203225 | Trim-lok, white .75" |

2010 CLASSIC TRAILER

DOORS/WINDOWS/AWNINGS

Windows

371346-02	Window, flat, front center
372088-101	Window, panoramic, front RS
372089-101	Window, panoramic, front, CS
371348-02	Window, flat, rear w/red handles
371324-02	Window, curved 30" opening
371270-01	Window, curved, 30" stacked
371323-01	Window, curved 18" opening
371269-01	Window, curved 18" stacked
371380	Window, opening, 30" tall
371400-01	Window, main door
371380-01	30" x 30", opening egress window

Window Screens

371349-01	Screen, rear escape
371347-01	Screen, front window
372174-01	Screen, 18" opening window, white frame
372175-02	Screen, 30" opening window, white frame
372175-04	Screen, 30" opening window, clear aluminum frame
372215	Screen, 30" tall
372215-03	30" screen, silver, tall

2010 CLASSIC TRAILER

DOORS/WINDOWS/AWNINGS

Awnings, Patio

703633-03	Awning, patio, 21' 7" blue, 30', 31',
703633-04	Awning, patio, 18' 4.5", 27' Front Bed
381532-01	Hardware, patio, satin
703633-05	Center support
385577	Wear tape, clear, 3½" wide

Awnings, Windows

703633-12	Awning, Roadside windows, 13' 4", blue, 30' & 31'
703633-10	Awning, 3', blue, Rear, 31', 30' Roadside
703633-15	Awning, window, blue, 52.625", 31', 30' Rear
703633-16	Awning, RS window, 18' 4.5", blue, 27'
703633-17	Awning, rear, 52 5/8" w/hardware, blue, 27' front bed
385577	Wear tape, clear, 3½" wide

Note: 703633- 12 & -10 make up the roadside window awning

2010 CLASSIC TRAILER

DOORS/WINDOWS/AWNINGS

Window Stone Guard

110188-01	3 Piece Stone Guard
685275-101	CS wrap window solar protector, stone guard
685275-102	RS wrap window solar protector, stone guard
110102	Stone Guard, Center Piece, w/Panoramic windows
685358	Turn fast stud
685362	Retainer, split ring
685359	Rubber receptacle
685361	Bracket, rubber receptacle
685363	Slip joint hinge, SS, CS per pair
683960	Arm support
683959	Arm support bracket
114749	Hinge, "Y" assembly. (ROCKGUARD ASSY.)
114750	Hinge, "J" (ROCKGUARD ASSY.)
685364	Bracket, upper hinge-45.375-STONEGUARD
381021-01	Latch, draw flexible
381688	Bumper, rubber, .44" wide, hemisphere, clear

Stone Guard Frame

114815-01	Extrusion, frame aluminum
685354	Front window key, 90-degree angle riveted to inside corner of metal frame
685378-01	¼" rubber spline
685351	Rubber frame, black
290812-01	Plexi-glass, 28" x 84 " sheet
101401	Extrusion, door latch housing
685355	Slip joint, s.s. hinge

2010 CLASSIC TRAILER

DRAPES/BLINDS/VALANCES

Drapes/Valances, 31'

998134-01	Drape, rear bedroom, side, 2-9 pleats
998148-01	Drape, bedroom, 7-pleat panel, 27.50"
998053-01	Drape, dinette, 2-8 pleats & 1-5 pleat
998050-01	Drape, front, 4-16 pleat
998134-05	Drape, lounge, RS, 30" 2-9 pleat
998135	Drape, lounge, CS, 30", 2-6 pleats
998056-01	Drape, rear, 4-16 pleats
966129-05	Valance assembly, - 73". 31'w/dinette
966127-01	Valance assembly - 24" galley
966130-03	Valance assembly, - 38.5" bedroom
966138-01	Valance assembly - 42" lounge
966138-17	Valance assembly - long, 42"
966130-01	Valance assembly - 52", bedroom
966128-01	Valance assembly - 66", 30' bedroom
965681-03	Valance assembly - 38.5", bedroom

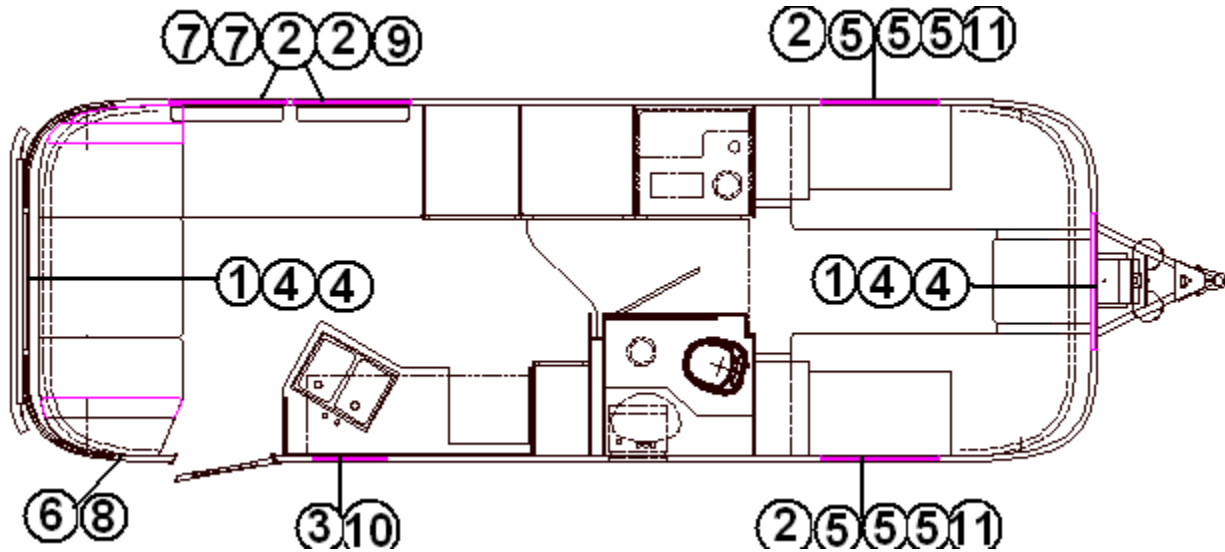
Drapes/Valances, 30'

998056-01	Drape, rear, 4-16 pleat
998134-01	Drape, rear bedroom, side, 2-9 pleat
998148-01	Drape, bedroom, 7-pleat panel, 27.50"
998053	Drape, galley, 2-2pleat
998053-01	Drape, dinette, 2-8 pleats & 1-5 pleat,
998050-01	Drape, front, 4-16 pleat
998134-05	Drape, lounge, RS, 30" 2-9 pleat
998135	Drape, lounge, CS, 30", 2-6 pleat
966138-01	Valance assembly - 42" lounge
966138-16	Valance assembly - 57" lounge
966127-01	Valance assembly - 24" galley
966129-01	Valance assembly - 73" dinette
966130-01	Valance assembly - 52", bedroom
966128-01	Valance assembly - 66", 30' bedroom
966130-03	Valance assembly, - 38.5" bedroom

2010 CLASSIC TRAILER

DRAPES/BLINDS/VALANCES

Drapes/Valances/Shades, 27' Twin Bed, w/Panoramic Windows

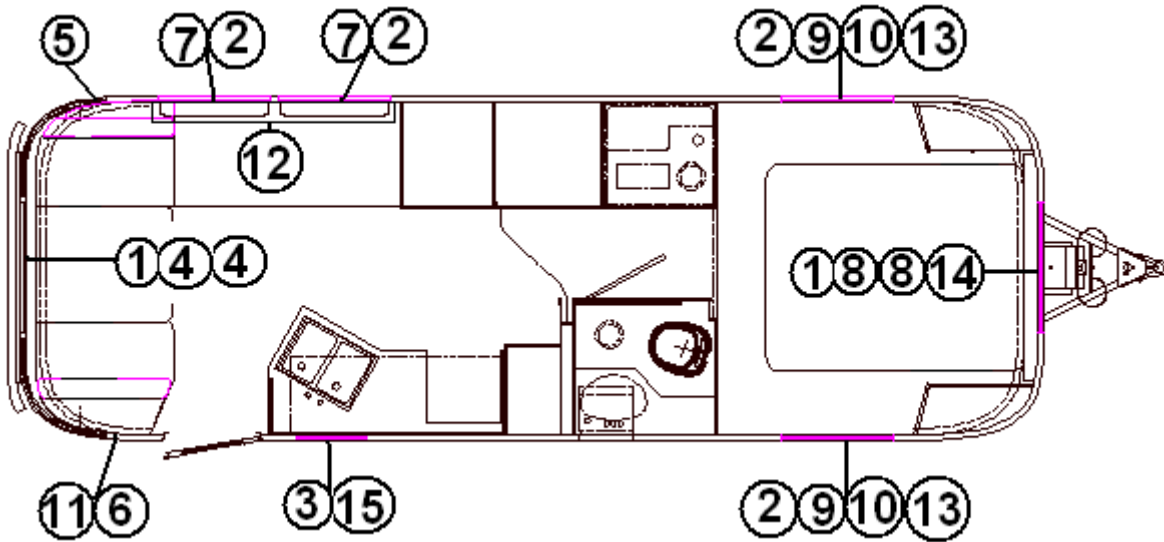


- | | | |
|-----|-----------|---|
| 1. | 703272-16 | Shade, pleated - Day/Nite 47.5" X 25" |
| 2. | 703272-08 | Shade, pleated - 28.875" X 33" Day/Nite |
| 3. | 703191-04 | Blind, mini, metal 21" X 23" |
| 4. | 998148-04 | Draperies, panel, 16 PLT X 26.25"L |
| 5. | 998148-05 | Draperies, panel, 5 PLT X 34"L |
| 6. | 998148-06 | Draperies, panel, 6 PLT X 34"L |
| 7. | 998148-07 | Draperies, panel, 12 PLT X 34"L |
| 8. | 966138-10 | Valance assembly-LNG 21" |
| 9. | 966138-11 | Valance assembly-LNG 90" |
| 10. | 966794-01 | Valance, galley 24" |
| 11. | 966130-03 | Valance, 38.50" w/no ends |

2010 CLASSIC TRAILER

DRAPES/BLINDS/VALANCES

Drapes/Valances/Shades, 27' "W" Double Bed



- | | | |
|-----|-----------|--|
| 1. | 703272-16 | Shade, pleated, Day/Nite 47.5" X 25" |
| 2. | 703272-08 | Shade, pleated, 28.875" X 33" Day/Nite |
| 3. | 703191-04 | Blind, mini metal 21" X 23" |
| 4. | 998148-04 | Drapery panel, 16 pleat X 26.25"L |
| 5. | 998148-05 | Drapery panel, 5 pleat X 34"L |
| 6. | 998148-06 | Drapery panel, 6 pleat X 34"L |
| 7. | 998148-07 | Drapery panel, 12 pleat X 34"L |
| 8. | 998148-08 | Drapery panel, 9 pleat X 27.5"L |
| 9. | 998148-12 | Drapery panel, 8 pleat, 35.50"L |
| 10. | 998148-13 | Drapery panel, 6 pleat, 35.50"L |
| 11. | 966138-10 | Valance, lounge, 21" |
| 12. | 966138-11 | Valance, lounge, 90" |
| 13. | 966130-01 | Valance, 52", bedroom |
| 14. | 966128-01 | Valance, 66", bed |
| 15. | 966794-01 | Valance, galley, 24" |

2010 CLASSIC TRAILER

DRAPES/BLINDS/VALANCES

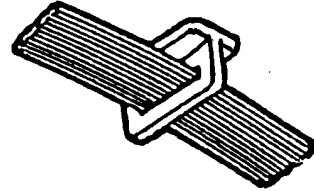
Drapery Track/Brackets



101220
Bracket, curtain
stand off



101217
Track, curtain



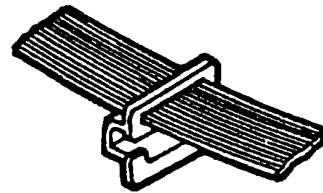
700044
Glides, w/elastic
"T" type



114021
Bracket, curtain
stand off



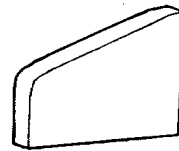
101225
Bracket, curtain
stand off



700045
Glides, w/elastic
"G" type



200785
End, curtain track, LH



200784
End, curtain track, RH



101005
Bracket, curtain standoff

100096
100097
100099

Extrusion aluminum curtain track
Extrusion aluminum curtain track
Extrusion aluminum curtain track, top track

2010 CLASSIC TRAILER

DRAPES/BLINDS/VALANCES

Shades, Window

703272-02	Shade, pleated – Day/Nite, 17.125" X 33"
703272-08	Shade pleated, Day/Nite 28.875" X 33"
703272-16	Shade, pleated, Day/Nite 47.5" X 25"
703273-07	Shade, single pleated, Night 28.875" X 22.5"
703273-16	Shade, single pleated, Night 47.5" X 25"
703191-04	Blind, mini metal 21" X 23" brushed aluminum
703191-08	Mini blind, brushed nickel, 17.50" X 22.00"
703462-02	Shade, pull 31.25" X 9.5", Vista View
703462-01	Shade, pull, 19.25" X 9.5", Vista View

2010 CLASSIC TRAILER

ELECTRICAL, 110 VOLT

Power Cord, 30 Amps, Exterior Hook Up

- *512401-01 Power cord, 30A, 30'
- *512401-02 Power inlet, 30A, 125V, male
- *511416-02 Power inlet, 30A, 125V, male
- *511416-03 Power cord 30A, 30' w/ conn. UL/C

*512401-01/-02 REPLACED 511416-02/03 DURING MODEL YR.

Power Cord, 50 Amps, Exterior Hook Up

- 511149-02 Power inlet w/ strain relief 50
- 511149-03 Power cord, 50A, 36'.

Breaker Box, 30 amp USA

- 511336 Breaker box, Square D, 30amp
- 510661 Breaker, 20 amp. Square D GFI
- 510662 Breaker, 20 amp, double, Square D 2020
- 510663 Breaker, 30amp, Square D, 0130
- 510664 Breaker, Square "D", #Q0115 GFI
- 510666 Breaker, 15/20 amps double
- 510717 Breaker, Square "D", Q0T515
- 512216 Breaker retaining kit, 2nd AC option

Breaker Box, 30 Amp, CSA

- 511336 Breaker box, SQ.D Q03-5FM30TTS
- 510663 Breaker, 30A QO130
- 510664 Breaker, Square D #QO115GFI, 15
- 510717 Breaker, Square D, QOT1515
- 510666 Breaker, 15/20 AMP QOT1520
- 510888-07 Receptacle cover, white

2010 CLASSIC TRAILER

ELECTRICAL, 110 VOLT

Breaker Box, 50 Amp USA

511453	Breaker box, Square D, Q0816L100TS
510662	Breaker, 20 amp, double, Square D 2020
510661	Breaker, 20 amp. Square D GFI
510666	Breaker, 15/20 amps double
510724	Breaker, double pole, 50 amps
510678	Breaker, Square D, QO120
511453	Breaker box, SQ.D surface mount

Breaker Box, 50 Amp, CSA

511149-02	Power inlet w/ strain relief 50
511149-03	Power cord, 50A, 36'.
510717	Breaker, Square D, QOT1515
510664	Breaker, Square D #QO115GFI,15
510678	Breaker, Square D, QO120
510665	Breaker, Square D, #QO115, 15A
510888-05	Receptacle w/ cover, GFI, white
510888-06	Spacer, receptacle, GFI, white
510741	Box, electrical, 1-1/2" X 2" X 3"

Interior Receptacle/ Switches/Covers

500563-03	Receptacle, White, Self contained
500563-04	Wall plate, White w/screws for 500563-03
382070	Non-skid rubber dot for 500563-03
500903	Duplex receptacle, ivory
511451-02	Receptacle, 20A, single brown XL
500913-03	Switch, T & B, white
510514	Switch, priority, microwave to water heater
500785	Outlet, duplex, brown, T & B
511287	Receptacle, single, 15A
510888-07	Receptacle cover, white
511814-01	Receptacle, duplex, gray
511814-02	Plate, decorator, 1 gang, gray

2010 CLASSIC TRAILER

ELECTRICAL, 110 VOLT

Interior Receptacle/ Switches/Covers (continued)

510014 Box, junction, octagon #54151-C
510015 Box, cover

Exterior 110 Volt Outlet

500563-03 Duplex receptacle, white
512399 Outlet cover, exterior, gray (w/gasket)

600 Watt Inverter

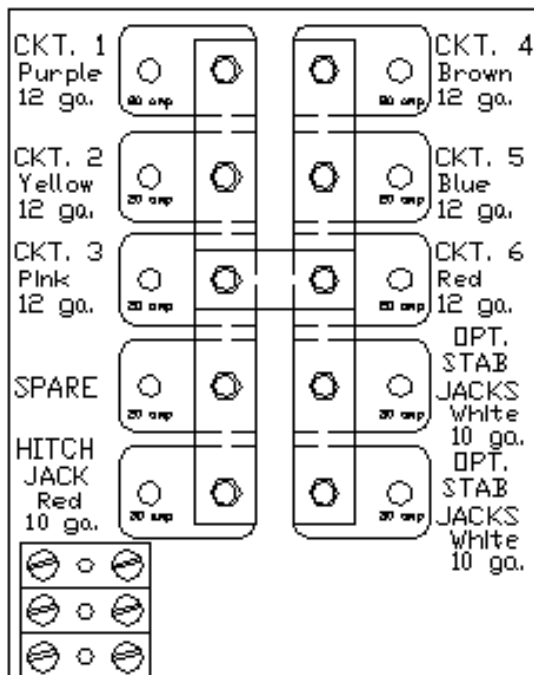
511968 Inverter, 600W, w/remote
511968-100 On/Off remote control panel w/ LED indicator
500038 Ground lug
511090 Stud type, junction block
511969-01 110A fuse and block, CLASS T
500563-03 Receptacle, White, Self contained
500563-04 Wall plate, White w/screws for 500563-03
382070 Non-skid rubber dot for 500563-03
511451-01 Receptacle, 20A, single, white XL

2010 CLASSIC TRAILER

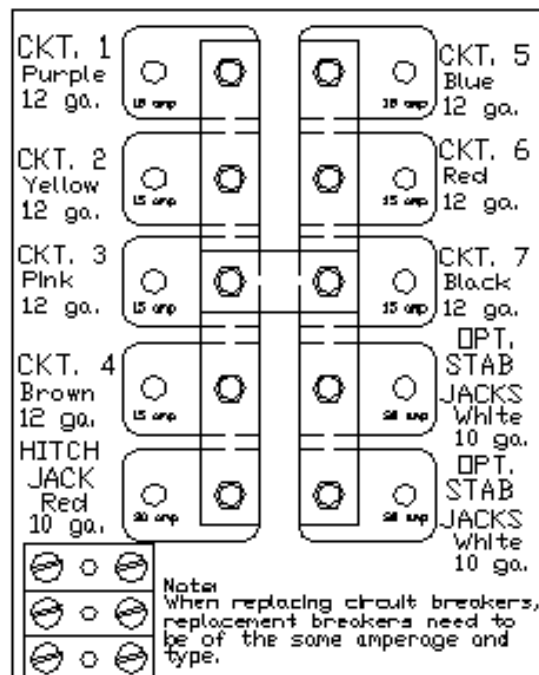
ELECTRICAL, 110 VOLT

Converter/Manual Kill Breaker Panel, All Units except 27' Front Bed

- 511426 Converter, electronic, 55 amp
- 511023 Tester, circuit analyzer (loose item)
- 511287 Receptacle, single, 15A
- 510947-20 Breaker, 12V DC, type II, 20A
- 512353 Breaker panel, w/ 15 amp 12 volt breakers
- 512184-01 Door and frame, 12 breaker panel, almond



512184

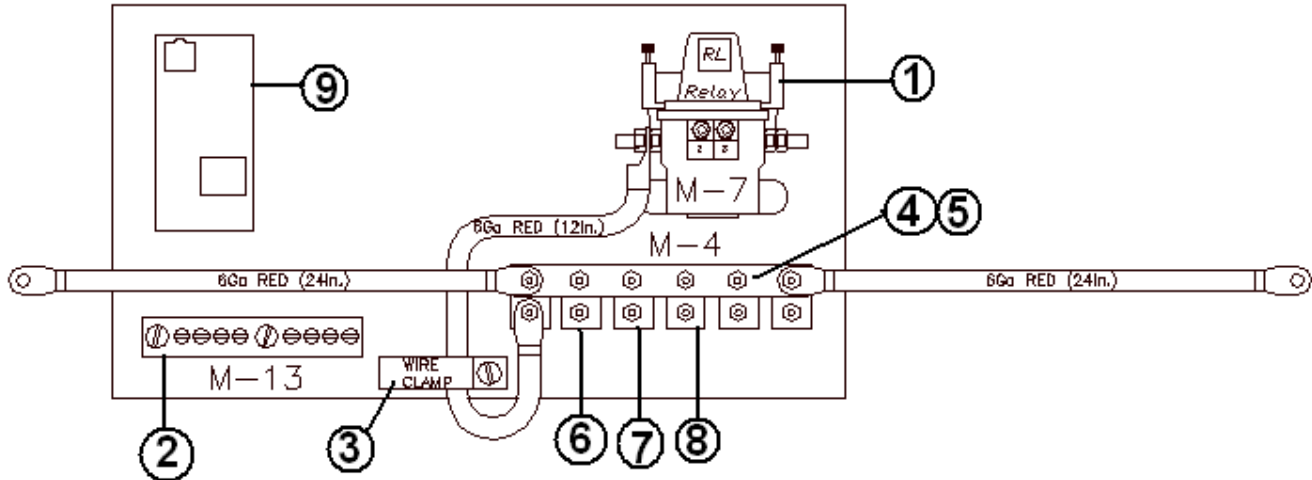


512353

2010 CLASSIC TRAILER

ELECTRICAL, 110 VOLT

Converter/Electronic Kill Breaker Panel, 27' Front Bed



- | | |
|--------------|---|
| 1. 511655-02 | BDO Relay 100 AMP 12VOLT |
| 1. 511655-01 | Switch bezel, silver/black |
| 1. 511655-05 | Cable, BDO/1 30' |
| 2. 510743 | Ground bar, 3-1/2" long |
| 3. 340093-06 | Clip, "J" vinyl coated, 3/4" |
| 4. 510948-12 | Bar BUSS circuit breaker conn. |
| 5. 510946-06 | Bracket, 6PO, breaker, 12V, #8536-2 |
| 6. 510947-50 | Breaker, 12V DC, type II, #12V50 |
| 7. 510947-20 | Breaker, 12V DC, type II, #12V20 |
| 8. 510947-30 | Breaker, 12V DC, type II, #12V30 |
| 9. 511846 | Kit, charger controller, solar panel |
| 511654-03 | Power center, Magnatek w/transfer auto switch |
| 511023 | Tester, circuit analyzer (loose item) |

2010 CLASSIC TRAILER

ELECTRICAL, 110 VOLT

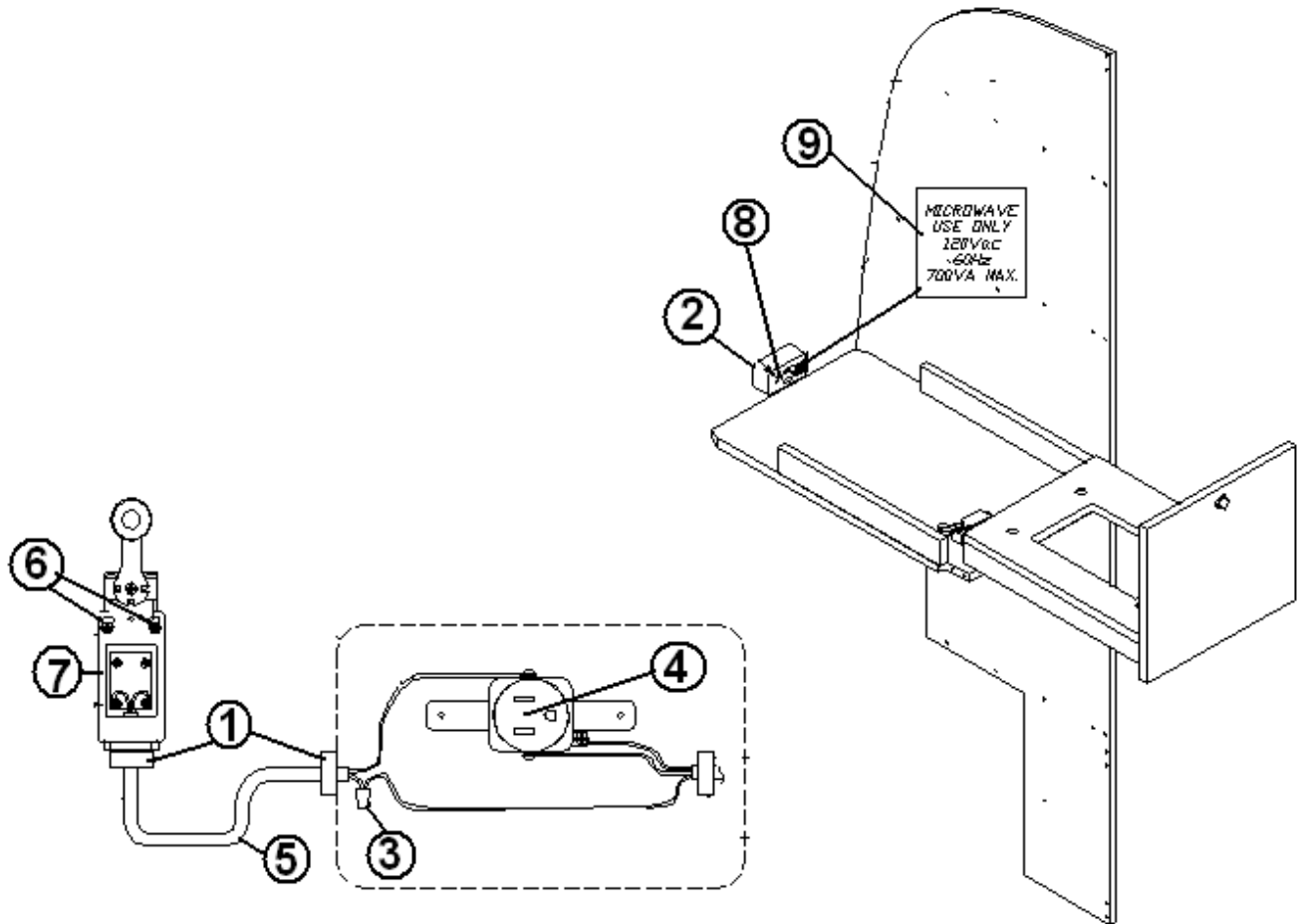
Generator Prep Components

- 510562 Switch, generator
Auto transfer switch - 31', 30' ONLY
 - 385062 Decal 110-125 Voltage AC
 - 511416-02 Power inlet, 30A, 125V, male
 - *512401-02 Power inlet, 30A, 125V, male
- *512401-02 REPLACED 511416-02 DURING MODEL YR.

2010 CLASSIC TRAILER

ELECTRICAL, 110 VOLT

Microwave Switch



- | | |
|--------------|--------------------------------------|
| 1. 500013-01 | Clamp, Romex, 3/8" metal |
| 2. 511283 | Box, handy, 2" X 4", metal |
| 3. 500050 | Scotch lock, yellow |
| 4. 512369 | Receptacle, 15A, single, white |
| 5. 512222 | Wire, SJ 14/3, rubber covered, black |
| 6. 320116-08 | Screw, black |
| 7. 512221 | Switch, lever, 300V 10AMP |
| 8. 512370 | Wall plate, 1 gang |
| 9. 386230 | Label, microwave, 120VAC 60HZ 70 |

2010 CLASSIC TRAILER

ELECTRICAL, 12 VOLT

Battery

511132	Battery, deep cycle, lead acid
511845	Battery, 12V, glass matt battery <u>USE W/SOLAR CHARGING SYTEM OPTION ONLY</u>
500836-02	Positive battery cable, 72"
500837	Negative battery cable
511608	Isolation transformer, 15A

7-way Cable

500886-01	7-Way cable w/plug
511411	Junction box, 7-way cable

Break Away Switch

0300027	Break away switch, Bargman
400407	Break away switch bracket

Battery Disconnect Switch

510626	Switch, master disconnect
510627	Face plate, disconnect switch

Monitor Panel

511788-03	Monitor panel, all Classics
511252	Plug, phone - 4 conductor
511789	Sensor, tank monitor #500-10050
511393	Coupler - modular extension - 4 conductor
511286-01	Telephone wire, black
511286-02	Telephone wire, ivory
511789-01	Boot, sensor #500-20010-05

2010 CLASSIC TRAILER

ELECTRICAL, 12 VOLT

12-Volt Outlet

- 510807 Outlet, 12 volt, interior
- 511121 Mounting plate, 12 volt receptacle

Solar Charging System

- 511845 Battery-12V, deep cycle - GP.27 glass matt
- 511142-01 Panel, solar - 53 watt
- 511142-02 Bracket, mounting kit, solar panel
- 512318 Holder w/1 AMP fuse, inline
- 510328 AGC 10 fuse - fuse panel
- 385947 Label 10 AMP fuse max.
- 511846 Kit, charge controller display
- 511846-100 #PVCM25D Regulator for solar panel 511846
- 511846-101 Display only - #PVDM4-LC FOR P/N 511846
- 511851 Cable- CAT 5E , blue
- 511852 Connector, RJ45E

Door Bell

- 511957 Bezel, round, doorbell
- 511958 Switch, doorbell w/ 6" leads
- 511966 Doorbell, battery powered, white/brown

Fuses/Fuse Holders

- 510696 Holder, fuse, inline
- 500883-01 Fuse, CSA, 1 AMP

2010 CLASSIC TRAILER

ELECTRICAL, 12 VOLT

Interior Receptacle/ Switches/Covers

510868-03	Switch panel, 4-gang, white
381541-11	Switch, bath ceiling vent
511327	Switch body w/rocker, 1 gang, white
511328	Cover switch, one gang white
511566-01	Cover, switch, 2 gang
511567-01	Switch body w/switches, 2-gang, black
511566-02	Switch cover, 2 gang, white
511567-02	Switch body w/switches, 2-gang, white
511771	Switch assembly, two-gang white
500967-03	Cover, white, blank
690417-05	Switch, dual water heater
511772	Switch, 2 way white #2-2-0
512179	Switch, white ceiling/ceiling

2010 CLASSIC TRAILER

ELECTRICAL, 12 VOLT

Interior Lights/Bulbs

511410	Light, shower, incandescent
510445	Bulb, incandescent, #1141
500956	Light, wardrobe, w/switch
681924	Bulb, wardrobe light #581
*511849	Light, fluorescent, surface mount #98 P
**512386	Light, fluorescent, surface mount, 5.88 X 22.37
*511850	Light, fluorescent, surface mount
**512387	Light, fluorescent, surface mount, 5.5 X 15.5
*511848	Light, fluorescent, 13" recessed
*511848-100	Lens #98-762 (lens for 511848)
**512385	Light, fluorescent, surface mount, 5 X 12.31
512169	Light, 3 arm, dinette
512170	Light, pin up, 2 bulb, shaded, bedroom
512170-01	Shade, smooth ivory, twin bedroom
512171	Light, radiance reading, round bulb
512174	Light, overhead surface mount
500540-01	Light, ceiling, galley, vanity, 27' Front Bed
511694-01	Reading light - halogen, nickel/brass
511694-100	Lens only #81920-(lens for light 511694-01)
511137-100	20W Light bulb for 12V halogen spotlight #HB20

** REPLACED * ON UNITS MANUFACTURED ON AND AFTER
6/19/2009.

2010 CLASSIC TRAILER

ELECTRICAL, 12 VOLT

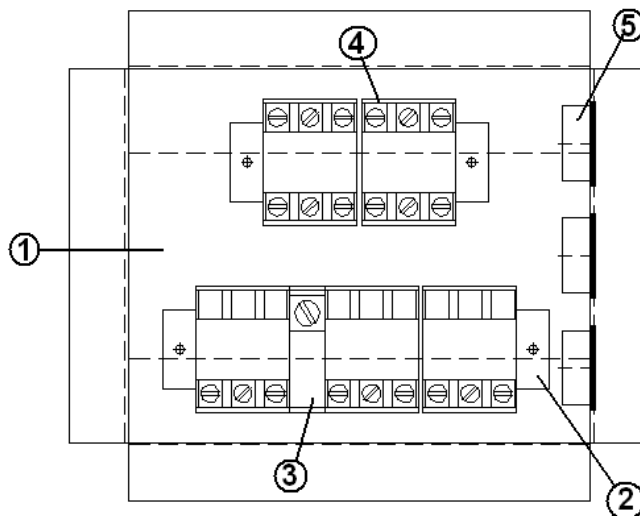
Electrical center box, under sofa, 31' D, 30'

965419-01 12 V Electrical box assembly
380988 Hinge, continuous, .5in. leaf 16
381228-01 Catch grabber, door

TV Jack

510654 Jack, TV w/12 volt outlet
510614-01 Jack TV 12V white, interior
511534 Dual, coax, cable plate, white

Fuse Block, CSA



964082 Fuse block assembly. 12V CSA
1. 452412-01 Bracket, fuse block 12V CSA
2. 330127-03 Rivet, AD43ABS, 1/8"
3. 511016 Fuse block, 9 position
4. 511313 Block fuse ATC 12V 6 position
5. 511314 Bushing, Universal, black
511345 Fuse 30A AGU glass tube, BUSS
372072-01 Two hole vent screen
385982 Safety snap, pin

2010 CLASSIC TRAILER

ELECTRICAL, 12 VOLT

Exterior Lights/Reflectors

512252	Step light, L.E.D., SS
500092	Flood light
511294	Light, license plate
510658	Switch w/weather proof boot
201954	License plate housing, black
201954-01	Bezel, license plate, mounting, CSA
512242	Light, 12V, single w/ switch, exterior compartments

512226	Amber LED clearance light
512226-01	Chrome base, amber LED clearance light
512226-02	Sealed light bezel, amber LED clearance light
512226-03	Foam gasket, amber LED clearance light

512227	Red LED clearance light
512227-01	Chrome base, red LED clearance light
512227-02	Sealed light bezel, red LED clearance light
512227-03	Foam gasket, red LED clearance light

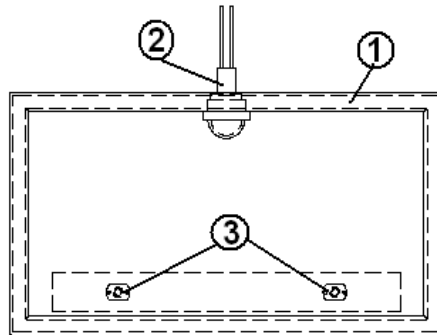
Reflectors

500095	Reflector, red, oval
500096	Reflector, amber, oval
510446	Reflector, red, stick-on

2010 CLASSIC TRAILER

ELECTRICAL, 12 VOLT

License Plate Light



- | | |
|--------------|---------------------------|
| 1. 201954 | License plate holder |
| 1. 201954-01 | License plate holder, CSA |
| 2. 511294 | License plate light |
| 3. 350153 | Nut, plate, 1/4 x 20 |

Tail Lights

- | | |
|-----------|-------------------------------------|
| 966407-01 | Taillight assembly, RS |
| 966407-02 | Taillight assembly, CS |
| 114346-01 | Bezel, tail light casting, RS |
| 114346-02 | Bezel, tail light casting, CS |
| 201929-01 | Close out, tail light, RS |
| 201929-02 | Close out, tail light, CS |
| 511973 | Light, red stop, tail and turn |
| 511003-03 | Light, red w/clear center (back-up) |
| 203670-01 | Pocket, inner taillight, CS |
| 203670-02 | Pocket, inner taillight, RS |

2010 CLASSIC TRAILER

ENTERTAINMENT

Radio/Antenna

512059	Radio, AM/FM/CD/DVD, Sony
512215-01	Speaker, 6.5", model SP65CO
512215-02	Grill, 6.5", white
203599	Speaker, spacer, 5/8"
511807	Antenna-AM/FM, rubber, 14" #RV71
500913-03	Switch, T & B, white
511822	Sub woofer-powered, 6.5" wedge
512024	Jack, 12 volt DC, Audio Prep
511863	Switch, A/B, speaker - radio
511862	Switch, source selector

Television Antenna, Manual

510788-07	Antenna, TV w/RV Wing, white, Winegard
114396	Antenna, TV trough, roof
510788-03	Amplifier, antenna, Winegard
510788-04	Hardware, interior, Winegard
510788-107	Gear, elevating, plastic, Winegard
510788-118	Handle, directional, Winegard
510788-125	Handle, directional kit, Winegard
500484-04	Antenna, lead and extension, 48"
510616	Connector, "F", coax
510623	Connector, male-to-male, coax

Exterior TV Jack

510624-01	Modular phone jack
500921	Connector, Coax, in plate

Interior TV Jack

510788-03	Amplifier, antenna, Winegard
511817	Coupler assembly, inline, phone jack

2010 CLASSIC TRAILER

ENTERTAINMENT

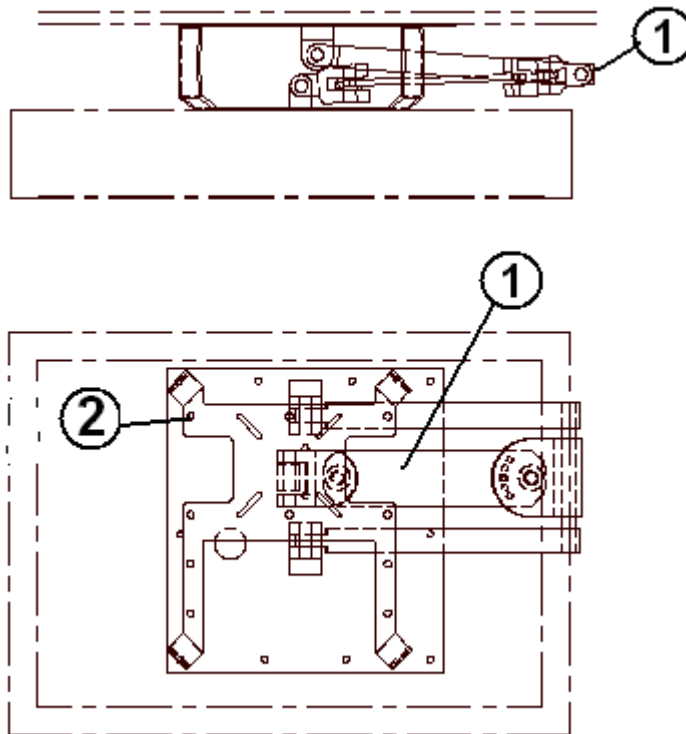
Video Package

690588	22" LCD TV, Samsung
512273	Power cord, 8', Samsung TV
512265	RCA cord adaptor, angled
511856	Wiring kit - 4 way flat, ext. spe.
511703	Cord - patch, male/male, 2-way 20'
511645	Male to 2 female, adaptor
386159	Label, flat screen tv
510621-02	Splitter, Coax
511827	TV jack Plate

2010 CLASSIC TRAILER

ENTERTAINMENT

Flat Screen TV/Bracket Installation, 22" TV



1. 512352 Articulating Arm
2. 345459 Screw, M4 x 16MM, Phil Pan head
512268 TV antenna coaxial cable lead, 9'
690588 22" LCD TV, Samsung

2010 CLASSIC TRAILER

FLOOR COVERING

Carpet, Flooring/Floor Mats/ Linoleum

703629	Carpet, Savannah Mimosa
700173-01	Pad, carpet, ½" thick
702549	Matt, entrance, w/Airstream logo
381183-01	Edging, carpet, ripple alum. 12'
703829	Vinyl flooring, Beau Pearwood
701538	Carpet, Velour-compartment liner
702979	Flooring, vinyl, 8" wide, Banker Gray, roll out tray
702979-01	Vinyl flooring, 22.63" wide, grey, roll out tray
801384-01	Trim, laminate floor, Ecru Foss

2010 CLASSIC TRAILER

FURNITURE

Doors, Cabinet, Raised Panel, Hickory

Width x height (inches)

800597-013	Raised panel door	10.75" x 22.00
800597-073	Raised panel door	12.25 x 21.00
800597-083	Raised panel door	16.00 X 29.50
800597-093	Raised panel door	11.00 X 29.75
800597-103	Raised panel door	12.25 X 34.00
800597-123	Raised panel door	10.50 x 26.25
800597-413	Raised panel door	10.50 x 32.00
800597-473	Raised panel door	10.50 X 37.75
800597-493	Raised panel door	15.50 x 13.00
800597-503	Raised panel door	12.00 x 29.50
800597-513	Raised panel door	15.75 x 23.00
800597-853	Raised panel door	10.50 X 32.50
800597-893	Raised panel door	14.50 X 25.50
800597-903	Raised panel door	13.81 x 13.00
800597-933	Raised panel door	8.00 x 24.75
800597-943	Raised panel door	13.00 X 30.25
800597-953	Raised panel door	15.00 X 14.50
800597-983	Raised panel door	15.25 X 25.00
800597-993	Raised panel door	15.25 X 35.50
800597-1003	Raised panel door	15.25 X 13.75
800597-1013	Raised panel door	15.25 X 21.00

2010 CLASSIC TRAILER

FURNITURE

Mirrors

width x height inches

371262-04	Mirror, safety glass	19.12 x 28.12
372203-04	Mirror, polished edges	36.00 X 14.00
372203-17	Mirror, safety, polished edges	14.0 x 33.13
380024	Support, friction slide, LH	
365239	Foam pad, non-skid, 1/16" x 1/4" x 1" (Used between mirror and door frame)	

Doors, Sliding

966121-01	Door, slider, forward, 29" x 72", 31'
966120-01	Door, slider, 27" x 73", 30', 31'
962066-03	Door, slider, aft, 30'
200009	Sliding door guide
381443-01	Sliding door set #71-222-5'
381100	Sliding door guide

2010 CLASSIC TRAILER

FURNITURE

Door, Shower, 31', 30', 27' Front Bed

703626-03	Shower door, orb w/ aqua glass
381403	Latch, travel, shower door
381100	Sliding door guide

Door, Foldette, 31'

702681-01	Door, foldette, 36" x 73", beige
381563-01	Track, foldette door

Door, Foldette, 27' Front Bed

381890-02	Track, straight, foldette
702681-08	Foldette door, beige 60" X 73"
382005	Track, formed foldette door, 20"

2010 CLASSIC TRAILER

FURNITURE

Drawer Face, Hickory

width x height inches

800599-013	Drawer face	7.00 x 10.50
800599-073	Drawer face	4.50 x14.00
800599-213	Drawer face	7.00 x 23.00
800599-263	Drawer face	11.75" X 22.25"
800599-383	Drawer face	7.00 x 21.50
800599-463	Drawer face	8.00 X 17.25
800599-573	Drawer face	17.25 x 13.00
800599-583	Drawer face	4.75 x 21.50
800599-593	Drawer face	9.75 x 12.00
800599-653	Drawer face	8.00 x 10.50
800599-853	Drawer face	11.13" X 19.50"

2010 CLASSIC TRAILER

FURNITURE

Drawer Boxes

Height x width x length (inches)

964906-02	Drawer box	2.75 x 19.50 x 18.00
964906-10	Drawer box	2.75 x 12.25 x 14.00
964907-02	Drawer box	8.50 x 18.00 x 6.00
964907-13	Drawer box	15.00 X 18.00 X 6.00
964908-01	Drawer box	8.00 x 17.50 x 26.00
964908-02	Drawer box	20.75" X 18.00" X 8.00"
964908-07	Drawer box	17.00" X 21.00" X 8.00"
964910-01	Drawer box	5.00 x 20.88 x 18.00
964910-02	Drawer box	5.00 x 10.00 x 18.00
964910-03	Drawer box	5.00 x 19.50 x 18.00
964910-13	Drawer box	5.00 x 14.00 x 19.69
964910-14	Drawer box	5.00 x 13.75 x 13.00
964910-23	Drawer Box	5" X 8" X 7"

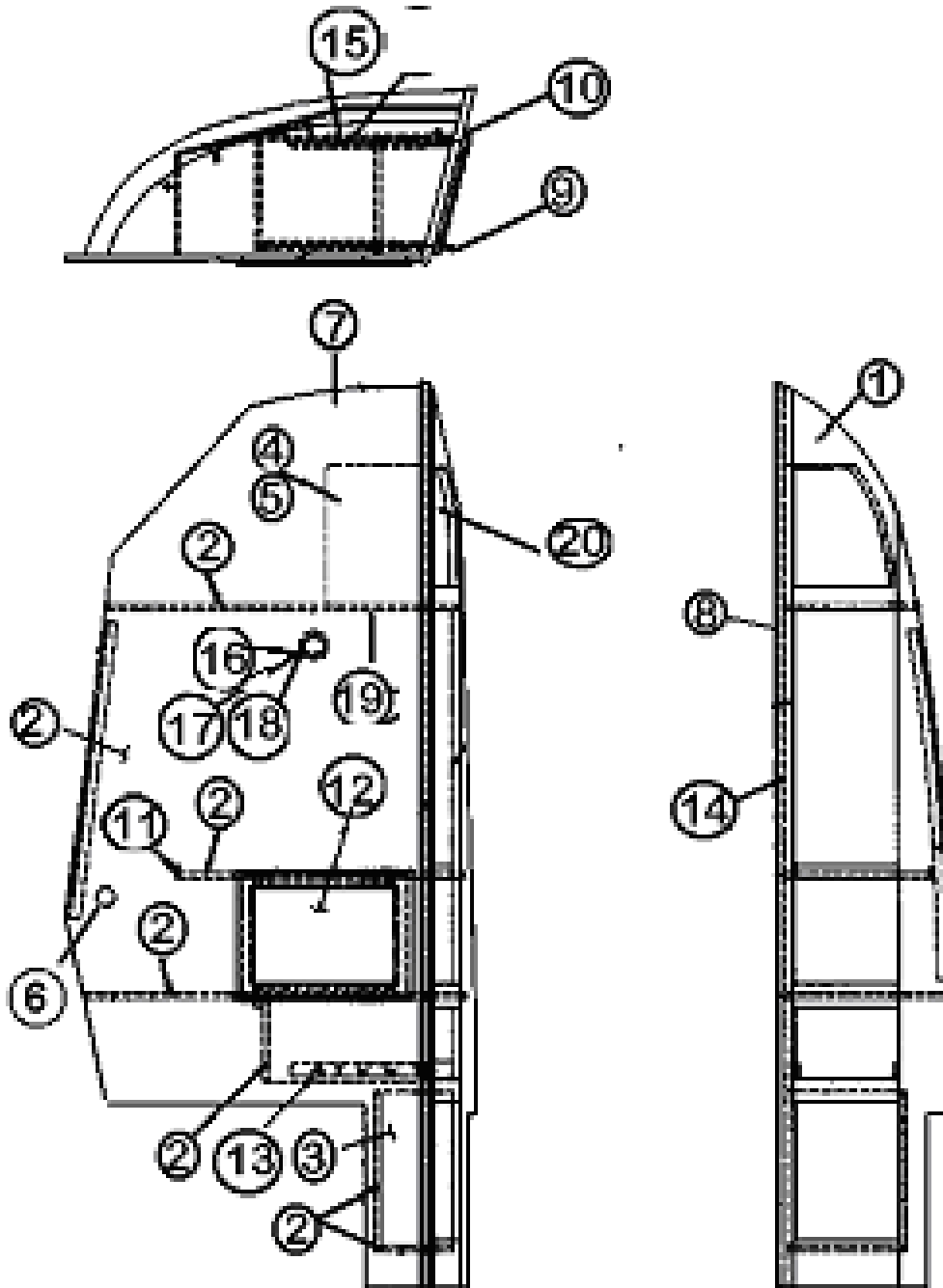
Drawer Boxes, Bed/Pantry

963338-01	Drawer box, angled, RS rear wardrobe, Double bed
963338-02	Drawer box, angled, CS rear wardrobe, Double bed
963749-02	Drawer box assembly, Bed
961759-01	Drawer box assembly, "W", bed
201016	Drawer, plastic, 16" x 22"

2010 CLASSIC TRAILER

FURNITURE, BEDROOM

Wardrobe Assembly, RS, 31', 30'



See next page for P/N

2010 CLASSIC TRAILER

FURNITURE, BEDROOM

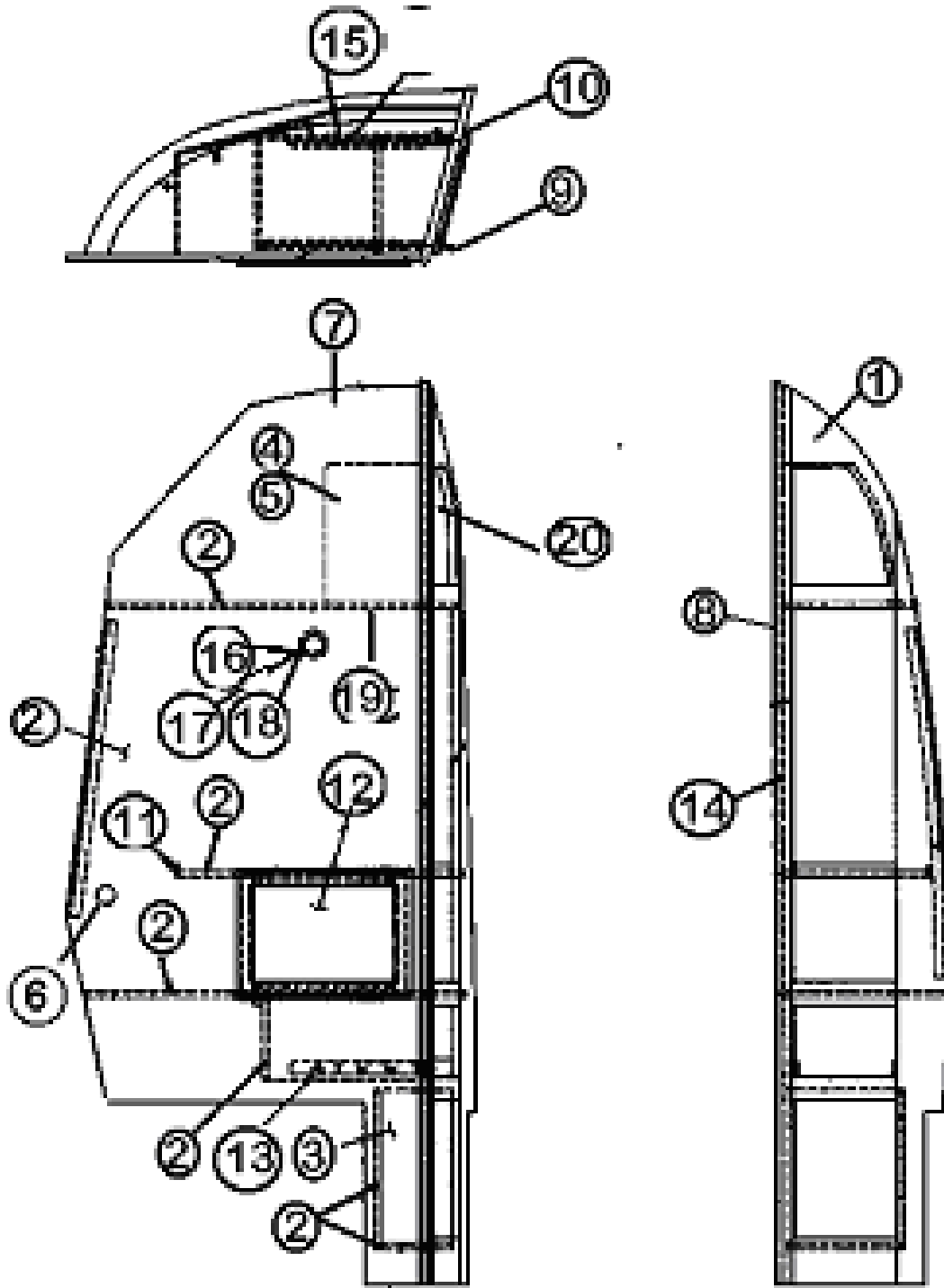
Wardrobe Assembly, RS, 31', 30'

- | | |
|----------------|--|
| 963340-14 | Wardrobe Assembly, RS |
| 1. 962207-013 | Face frame, aft, RS wardrobe, "W", Hickory |
| 2. 801258-003 | Panel 1/2" G2S, Hickory |
| 3. 801260-003 | Panel 5/32"G1S, Hickory |
| 4. 800599-013 | Drawer face- 7.00 X 10.50, Hickory |
| 5. 201959-01 | Pan, top shelf wardrobe, RH black ABS |
| 6. 381209 | Grommet and cap |
| 7. 365239 | Foam, non skid pad 1/4 X 1 X 1/16" |
| 8. 800597-853 | Door frame 10.50 X 32.50, Hickory |
| 9. 382002 | Cabinet door pull, Orb, 3" center |
| 10. 381999 | Hinge, Orb |
| 11. 800573-013 | Molding, door 1-3/32" X 80", Hickory |
| 12. 801260-003 | Panel 5/32"G1S, Hickory |
| 13. 381526-01 | Drawer slide-950-RV 14" |
| 14. 381228-01 | Grabber, door catch |
| 15. 963338-01 | Drawer box assembly, angled RH |
| 16. 380045 | Tubing, 3/4IN metallic |
| 17. 380046 | Flange, chrome |
| 18. 200975-04 | Conduit, flexible, black plastic |
| 19. 500956 | Light, wardrobe w/ switch |
| 20.963187-013 | Frame, shelf, Hickory, w/ notch |

2010 CLASSIC TRAILER

FURNITURE, BEDROOM

Wardrobe Assembly, CS, 31', 30'



See next page for P/N

2010 CLASSIC TRAILER

FURNITURE, BEDROOM

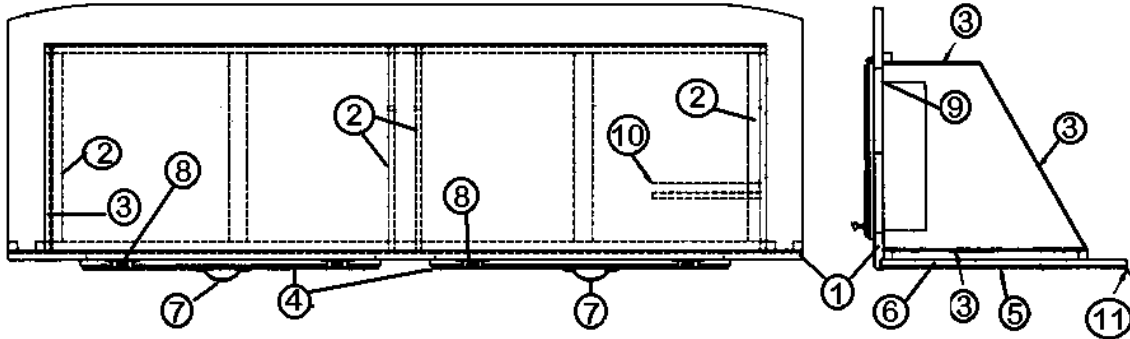
Wardrobe Assembly, CS, 31', 30'

- | | |
|----------------|---|
| 963340-15 | Wardrobe Assembly, CS |
| 1. 962208-013 | Face frame, aft CS wardrobe, "W", Hickory |
| 2. 801258-003 | Panel 1/2" G2S, Hickory |
| 3. 801260-003 | Panel 5/32"G1S, Hickory |
| 4. 800599-013 | Drawer face, 7.00 X 10.50, Hickory |
| 5. 201959-02 | Pan, top shelf wardrobe, LH, black ABS |
| 6. 381209 | Grommet and cap (below counter plug) |
| 7. 365239 | Foam, non skid pad 1/4 X 1 X 1/16" |
| 8. 800597-853 | Door frame, 10.50 X 32.50, Hickory |
| 9. 382002 | Cabinet door pull, Orb, 3" center |
| 10. 381999 | Hinge, Orb |
| 11. 800573-013 | Molding, door 1-3/32" X 80", Hickory |
| 12. 801260-003 | Panel 5/32"G1S, Hickory |
| 13. 381526-01 | Drawer slide-950-RV 14" |
| 14. 381228-01 | Grabber, door catch |
| 15. 963338-02 | Drawer box assembly, angled LH |
| 16. 380045 | Tubing, 3/4IN metallic |
| 17. 380046 | Flange, chrome |
| 18. 200975-04 | Conduit, flexible black plastic |
| 19. 500956 | Light, wardrobe w/ switch |
| 20. 963187-013 | Frame, wardrobe shelf, Hickory w/ notch |

2010 CLASSIC TRAILER

FURNITURE, BEDROOM

Roof Locker, Double Bedroom, 31', 30'



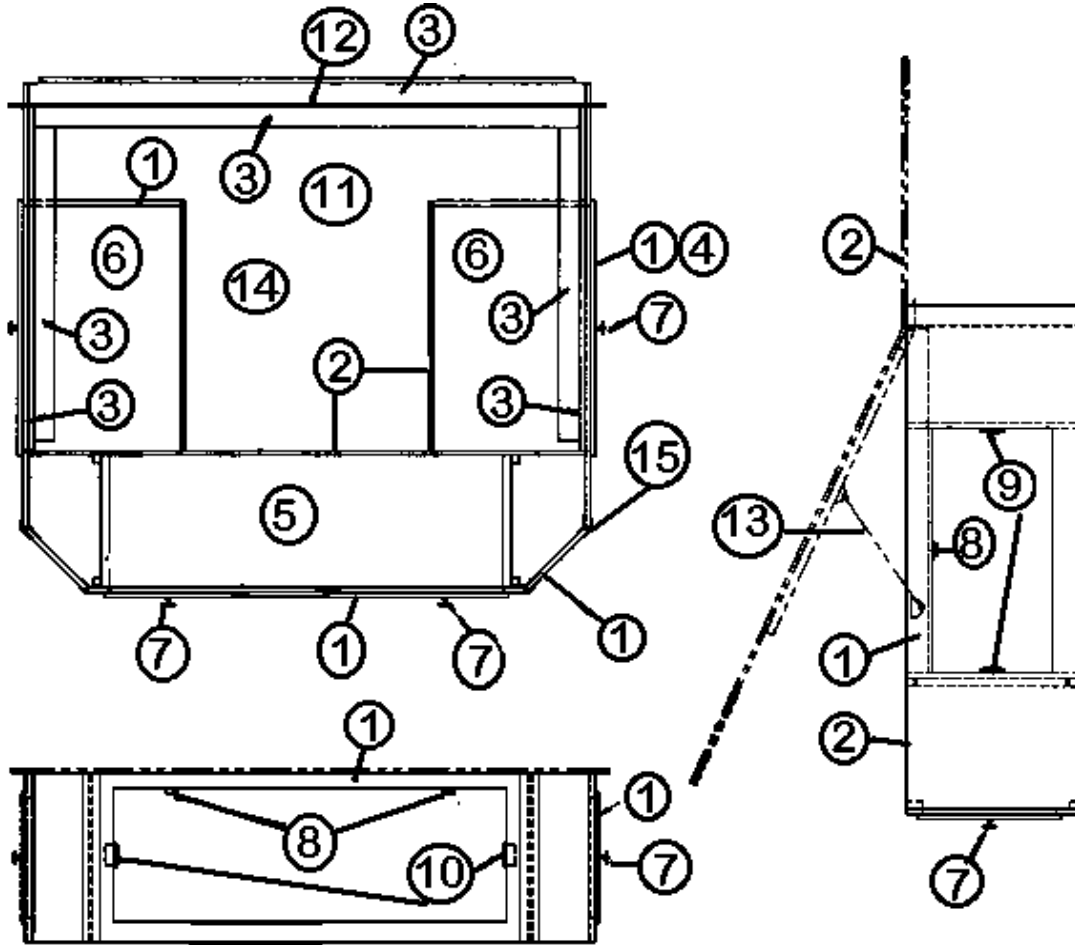
- | | | |
|-----|------------|-----------------------------------|
| | 963337-09 | Rear Locker Assembly "W" |
| 1. | 963336-013 | Face frame, rear liner, Hickory |
| 2. | 801258-003 | Panel 1/2" G2S, Hickory |
| 3. | 801260-003 | Panel 5/32"G1S, Hickory |
| 4. | 800597-893 | Door, 14.5 X 25", Hickory |
| 5. | 702482-03 | Headliner, opal x textured |
| 6. | *801505 | Panel, sand/raw .125" X 4' X 8' |
| 6. | *801828 | Panel, Crackle Cream/Raw .125" X4 |
| 7. | 382002 | Cabinet door pull, Orb, 3" center |
| 8. | 381999 | Hinge, Orb |
| 9. | 381147 | Door support, spring loaded |
| 10. | 962217-01 | Fuse panel, closeout "W" |
| 11. | 104829 | Support, rooflocker, galley |
| | 800571-013 | Molding flat .52W X 80", Hickory |

*Ascot Sand was replaced by Crackle Cream during model year.

2010 CLASSIC TRAILER

FURNITURE, BEDROOM

Bed, Double, 31', 30', 27'



See next page for P/N

2010 CLASSIC TRAILER

FURNITURE, BEDROOM

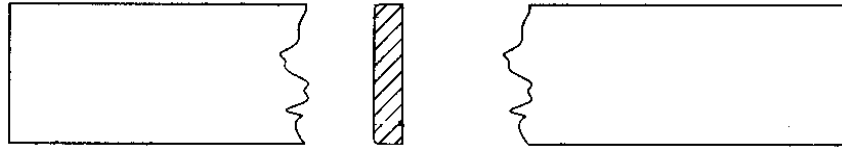
Bed, Double, 31', 30', 27' Front Bed

	963747-02	Bed Assembly, Double
1.	801258-003	Panel 1/2" G2S,Hickory
2.	800507-03	Lauan, 3/8"X 4'X 8'
3.	850082	Poplar .75" X 2.00"
4.	365268-03	Edgebanding-5/8"
5.	963749-02	Drawer box
6.	961759-01	Drawer box
7.	382002	Cabinet door pull, Orb, 3" center
8.	381999	Hinge, Orb
9.	381400	Slide, drawer 14" pair
10.	381400-01	Slide, drawer 12" pair
11.	800573-013	Molding, door 1-3/32" X 80", Hickory
12.	380203-01	Piano hinge 1/8"
13.	381067-09	Spring, gas 90 LBS
13a	381085	Clip, retaining
13b.	381262	Bracket, prop, w/ ball, angle
13c.	381310	Gas prop bracket assembly, upper
13d.	381084	Ball, stud
14.	701538	Carpet, velour black 48"
15.	114690	Angle, bed corner
	965605-01	Headboard assembly, 2-tone
	381228-01	Catch, grabber door

2010 CLASSIC TRAILER

FURNITURE, BEDROOM

Wardrobe, Close Out "W", 31' D, 30'



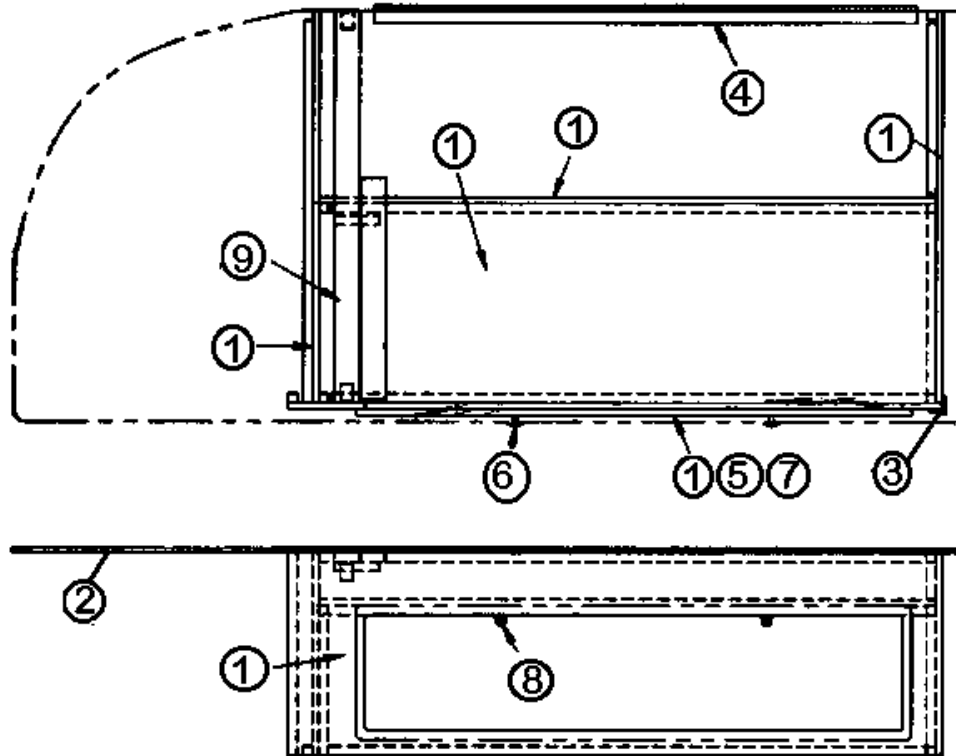
964259-003

Close Out "W" Wardrobe

2010 CLASSIC TRAILER

FURNITURE, BEDROOM

Bed, Twin, Roadside, 31', 30'

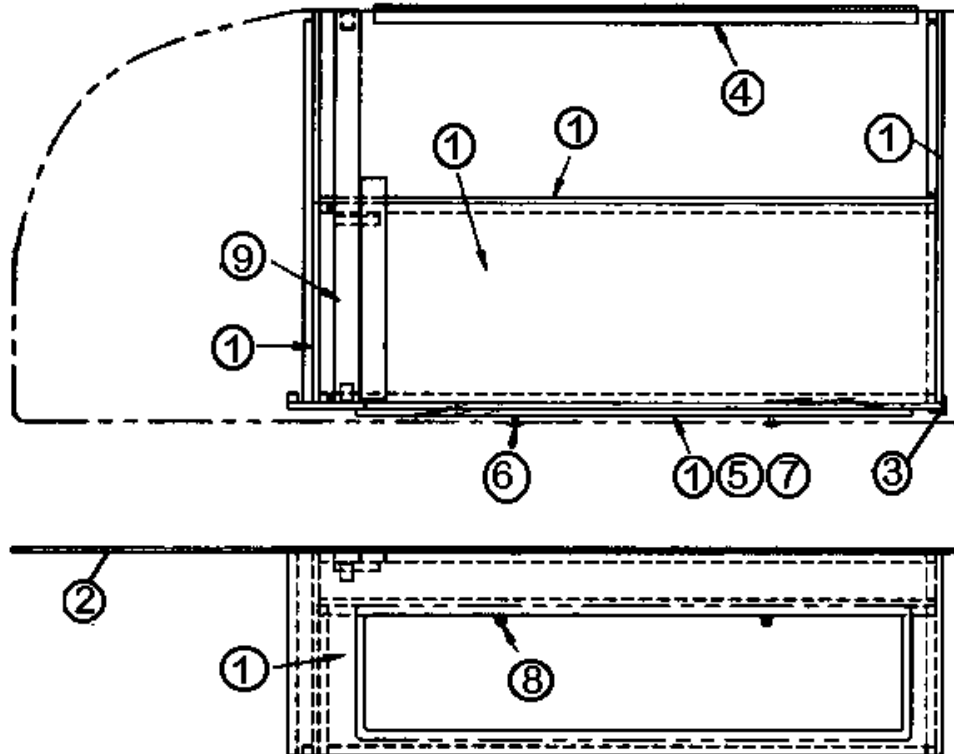


- | | |
|---------------|-----------------------------------|
| 962227-03 | Twin Bed, RS |
| 1. 801258-003 | Panel, 1/2" G1S, Hickory |
| 2. 800507-03 | Luan, 3/8" |
| 3. 800575-013 | Molding, corner, Hickory |
| 4. 380203-01 | Piano hinge, 1/8" pin, clr |
| 5. 381999 | Hinge, Orb |
| 6. 382002 | Cabinet door pull, Orb, 3" center |
| 7. 365250-003 | Edgebanding, -5/8", Hickory |
| 8. 381228-01 | Catch, grabber door |
| 9. 114813 | Alum. angle 1.00 X 1.50 |
| 998101-01 | Bed-end, C.B.twin, fabric covered |

2010 CLASSIC TRAILER

FURNITURE, BEDROOM

Bed, Twin, 31', 30'

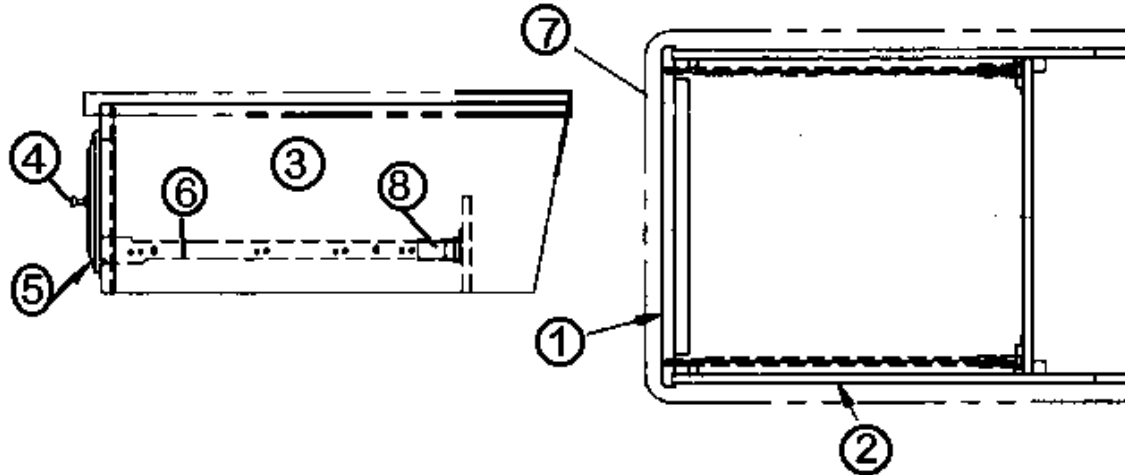


- | | |
|---------------|--------------------------------------|
| 962227-04 | Twin Bed, CS |
| 1. 801260-003 | Panel, 1/2" G1S, Hickory |
| 2. 800507-03 | Luan, 3/8" |
| 3. 800575-013 | Molding, corner, Hickory |
| 4. 380203-01 | Piano hinge, 1/8" pin clr. |
| 5. 381999 | Hinge, Orb |
| 6. 382002 | Cabinet door pull, Orb, 3" center |
| 7. 365250-003 | Edgework, 5/8", Hickory |
| 8. 381228-01 | Catch, grabber door |
| 9. 114813 | Alum. angle 1.00 X 1.50 |
| 998101-01 | Bed - end, C.B. twin, fabric covered |

2010 CLASSIC TRAILER

FURNITURE, BEDROOM

Nightstand, Center, All Twin Bed Units

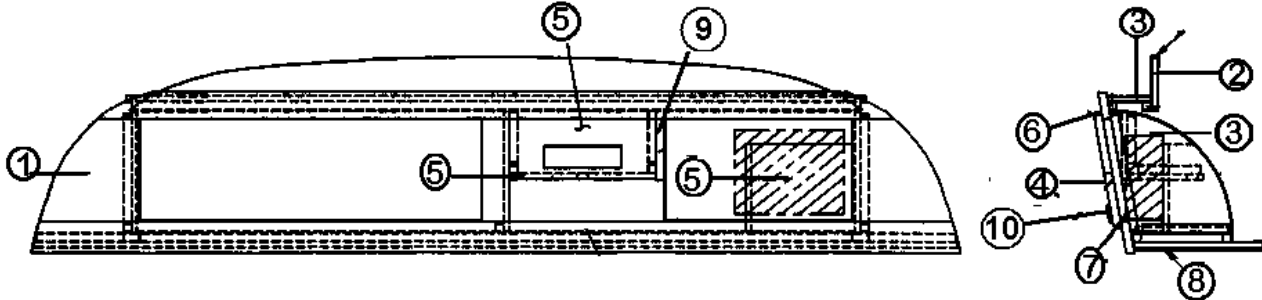


- | | |
|---------------|-------------------------------------|
| 965209-05 | Center Nightstand Assembly |
| 1. 965210-003 | Face frame, Hickory |
| 2. 801258-003 | Panel, 1/2' G2S, Hickory |
| 3. 964907-13 | Drawer box, 15.00 X 18.00 X 6.00 |
| 4. 382002 | Cabinet door pull, Orb, 3" center |
| 5. 800599-463 | Drawer face, 8.00 X 17.25", Hickory |
| 6. 381526-04 | Drawer slide - 950 RV 18" |
| 7. 601904-01 | Top, nightstand, Sandstone |
| 8. 381526-06 | Adjustable rear bracket |
| 381415 | Slide, drawer, Delta, travel lock |

2010 CLASSIC TRAILER

FURNITURE, BEDROOM

Roof Locker, Rear End, 31' D, 30'



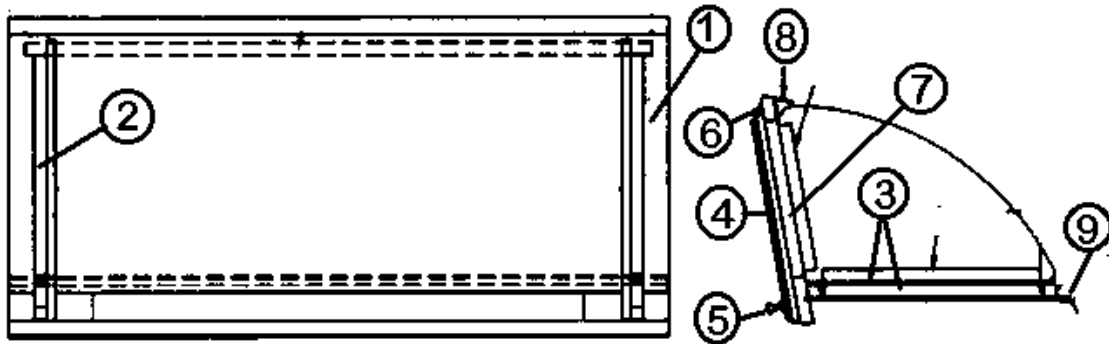
963506-11	Roof Locker, Rear end Liner
1. 963498-003	Face frame, fwd/aft roof locker, Hickory
2. 801258-003	Panel, 1/2" G2S Hickory/Hickory
3. 801260-003	Panel, 5/32"G1S Hickory/RAW
4. 800597-853	Door frame, 10.50" X 32.50", Hickory
5. 801259-003	Panel 1/2", G1S Hickory/RAW
6. 382000	Hinge, semi-concealed
7. 381147	Door support, spring loaded
8. 702482-03	Headliner, textured
9. 965049-003	Side panel, radio shelf, Hickory
10. 382002	Cabinet door pull, Orb, 3" center
365239	Foam, non skid pad, 1/4 X 1 X 1/16"
*801505	Panel, Ascot Sand/Raw .125" X 4' X 8'
*801828	Panel, Crackle Cream/Raw .125" X4 X 8'

*Ascot Sand was replaced by Crackle Cream during model year.

2010 CLASSIC TRAILER

FURNITURE, BEDROOM

Roof Locker, Bedroom, RS/CS, 39", 31', 30', 27'

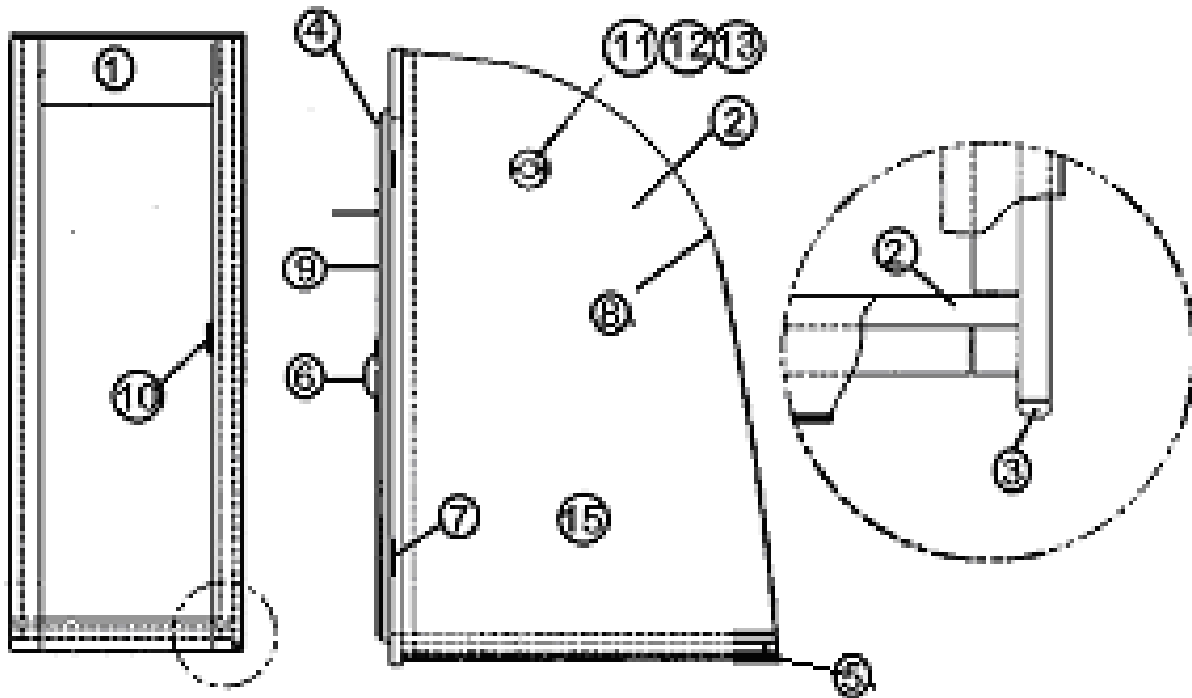


- 963671-06 Roof Locker Assembly, 38.25"
- 1. 963670-003 Face frame, Bed R/L, Hickory
- 2. 801258-003 Panel 1/2" G2S, Hickory
- 3. 801260-003 Panel 5/32"G1S, Hickory
- 4. 800597-103 Door, 12.25" X 34.00", Hickory
- 5. 382002 Cabinet door pull, Orb, 3" center
- 6. 381999 Hinge, Orb
- 7. 381147 Door support, spring loaded
- 8. 104821 Suppor, roof locker, 74"
- 9. 100013 Roof locker, wall extrusion
- 963827-03 RH End Cap, Hickory
- 963829-013 RH End Cap Frame, Hickory
- 963829-023 LH End Cap frame, Hickory
- 963827-04 LH End Cap, Hickory
- 800572-013 Molding, panel - edge, 23/32 X 80", Hickory

2010 CLASSIC TRAILER

FURNITURE, BEDROOM

Wardrobe, Hanging, RS/CS, All Twin Bed Units



See next page for P/N

2010 CLASSIC TRAILER

FURNITURE, BEDROOM

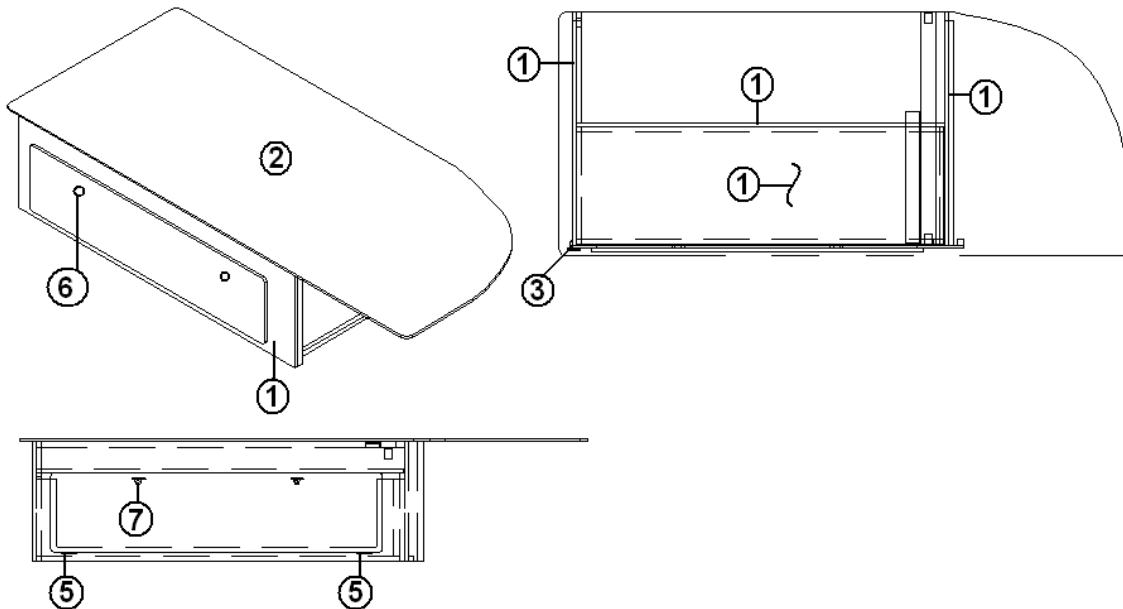
Wardrobe, Hanging, RS/CS, All Twin Bed Units

	962355-16	CS Hanging Wardrobe
	962355-17	RS Hanging Wardrobe
1.	986180-013	Face frame, Hickory
2.	801258-003	Panel ½' G2S, Hickory
3.	800571-013	Molding, flat, .52W X 80", Hickory
4.	800597-103	Door, 12.25 X 34.00", Hickory
5.	104821	Support, roof locker, 74"
6.	382002	Cabinet door pull, Orb, 3" center
7.	381999	Hinge, Orb
8.	800397-01	Cedar planked 5/32",
9.		No Longer Needed
10.	381228-01	Catch, grabber door
11.	380046	Flange, chrome
12.	380045	Tubing, 3/4IN metallic
13.	200975-04	Conduit, flexible black plastic
	365239	Foam, non skid pad 1/4 X 1 X 1/16"

2010 CLASSIC TRAILER

FURNITURE, BEDROOM

Bed, Twin, Roadside & Curbside, 27'

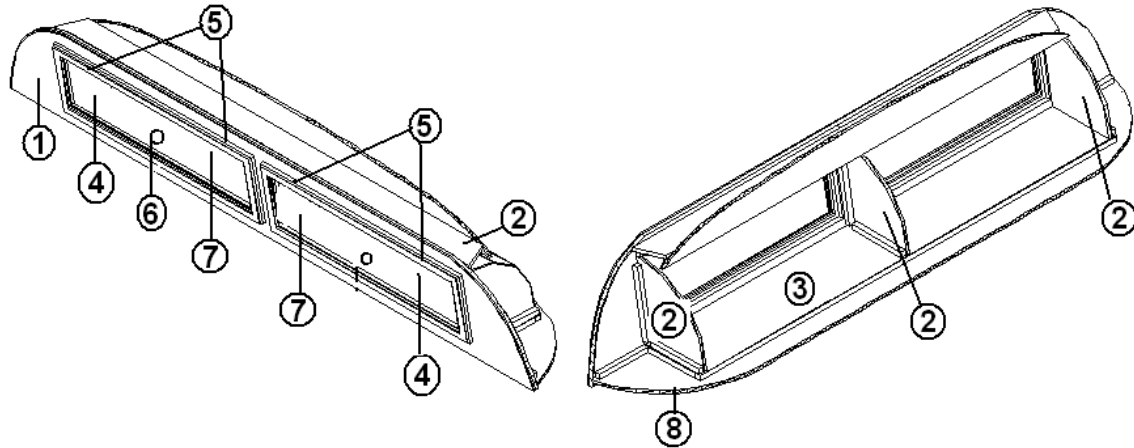


- | | |
|---------------|------------------------------|
| 966757-01 | Bed, RS Twin |
| 966757-02 | Bed, CS Twin |
| 1. 801259-003 | Paneling, 1/2" Hickory/Raw |
| 2. 800507-03 | Lauan, 3/8"X 4'X 8' |
| 3. 800575-013 | Molding, corner - Hickory |
| 4. 380203-01 | Piano hinge |
| 5. 381999 | Hinge, orb |
| 6. 382003 | Knob-1.38" orb |
| 7. 381074 | Catch, bulldog #65S (copper) |
| 966759-01 | Closeout, RS twin bed |
| 966759-02 | Closeout, CS twin bed |

2010 CLASSIC TRAILER

FURNITURE, BEDROOM

Roof Locker, Front End, 27' Front Bed

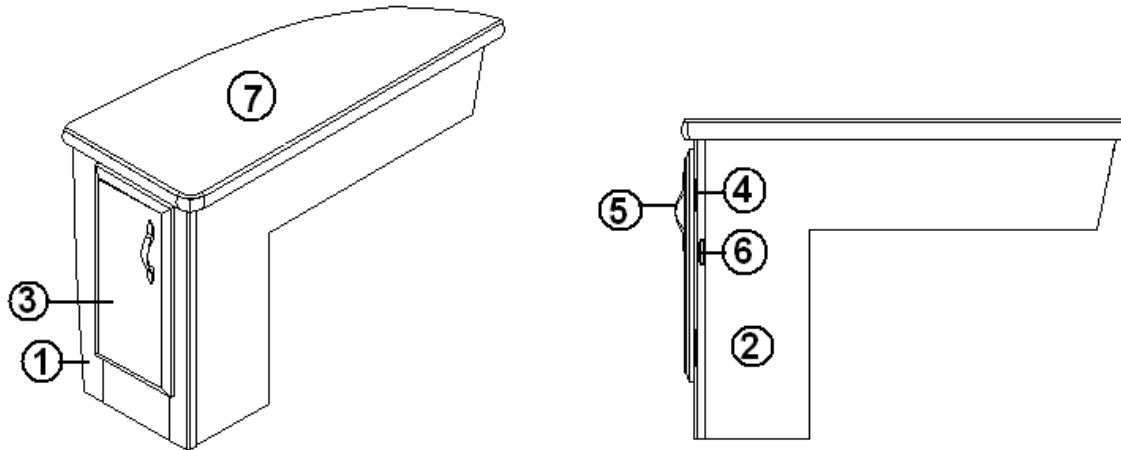


- | | |
|---------------|-------------------------------------|
| 966729 | Roof locker, front |
| 1. 963498-003 | Face frame, roof locker, front |
| 2. 801258-003 | Paneling, 1/2" Hickory/Hickory |
| 3. 801260-003 | Paneling, 5/32" Hickory/Raw |
| 4. 800597-853 | Door, 10.5" X 32.50" |
| 5. 381999 | Hinge, orb |
| 6. 382002 | Pull, cabinet door, 3" center, orb |
| 7. 381147 | Support, spring loaded door |
| 8. 702482-03 | Headliner – Spectra Opal x textured |

2010 CLASSIC TRAILER

FURNITURE, BEDROOM

Nightstand, Roadside, 27' Front Double Bed

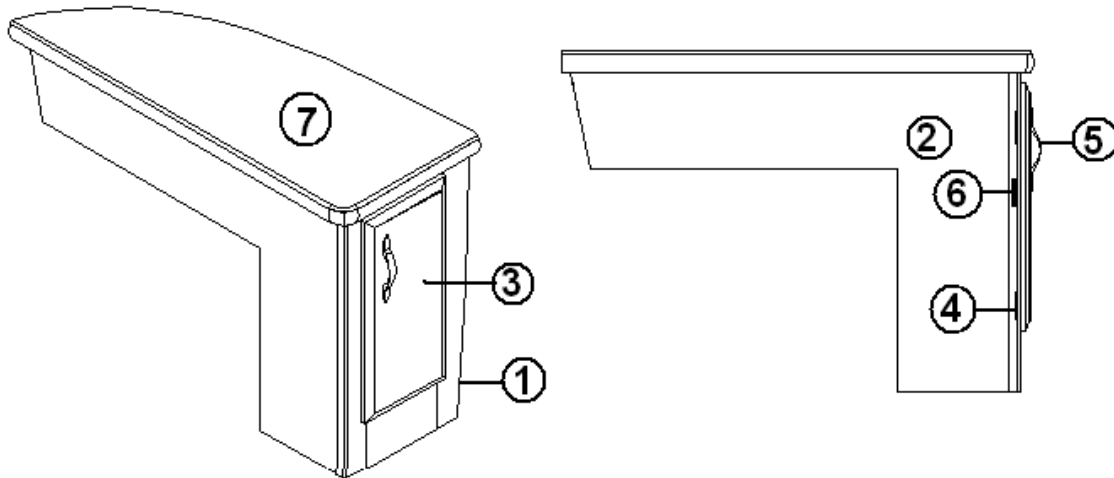


- | | |
|---------------|------------------------------------|
| 966760-01 | Nightstand, RS, "J" bed |
| 1. 966761-013 | Face frame, nightstand, RS |
| 2. 801259-003 | Paneling, 1/2" Hickory/Raw |
| 3. 800599-463 | Drawer face 8.00" X 17.25" |
| 4. 381999 | Hinge, orb |
| 5. 382002 | Pull, cabinet door, 3" center, orb |
| 6. 381074 | Catch, bulldog, #65S (copper) |
| 7. 602183-01 | Nightstand top, Corian, "J" |

2010 CLASSIC TRAILER

FURNITURE, BEDROOM

Nightstand, Curbside, 27' Front Double Bed

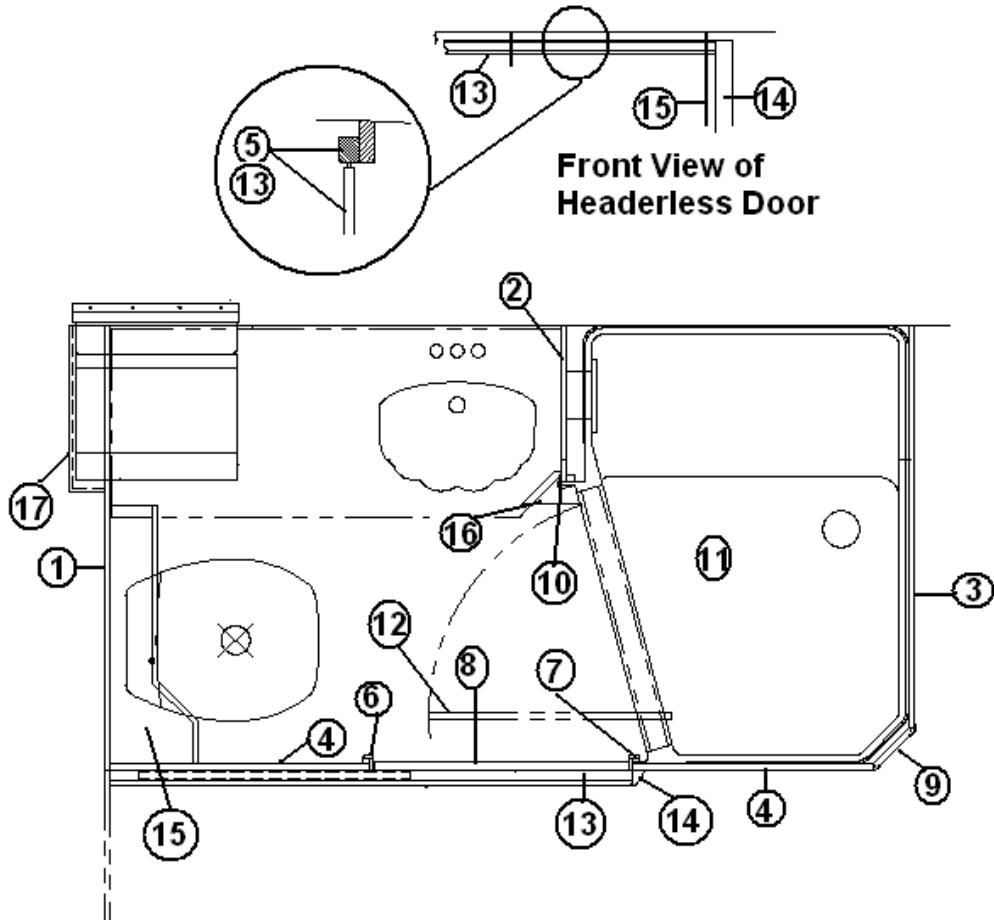


- | | |
|---------------|------------------------------------|
| 966760-02 | Nightstand, CS, "J" bed |
| 1. 966761-023 | Face frame, nightstand, CS |
| 2. 801259-003 | Paneling, 1/2" Hickory/Raw |
| 3. 800599-463 | Drawer face, 8.00" X 17.25" |
| 4. 381999 | Hinge, orb |
| 5. 382002 | Pull, cabinet door, 3" center, orb |
| 6. 381074 | Catch, bulldog, #65S (copper) |
| 7. 602183-02 | Nightstand, top, "J" |

2010 CLASSIC TRAILER

FURNITURE, BATH

Bath Module, 31'



See next page for P/N

2010 CLASSIC TRAILER

FURNITURE, BATH

Bath Module, 31'

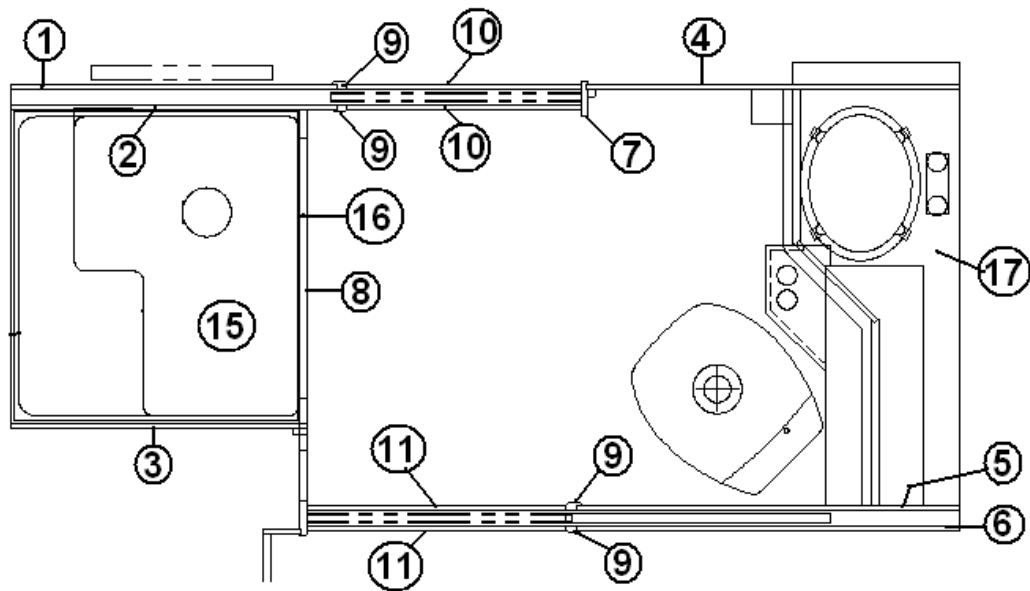
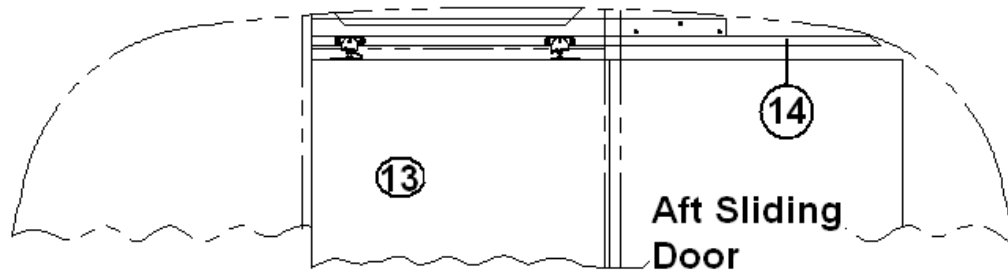
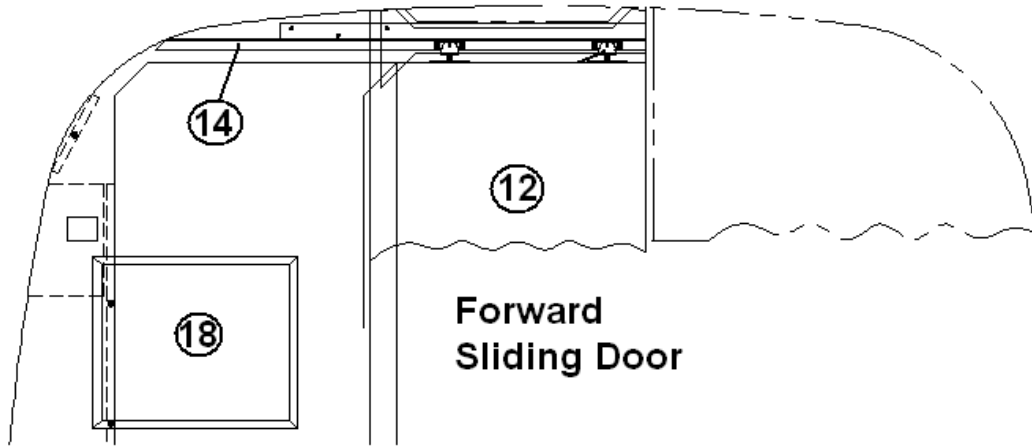
1. 801088-13 Panel, aft bath
2. 801088-19 Panel, aft shower
3. 801088-03 Panel, fwd. bath
4. *801506 Panel, Ascot Sand/Raw, .5" X 4' X 8'
4. *801829 Panel, Crackle Cream/Raw .5" X 4' X 8'
5. 966120-01 Door, sliding bath, 31'
5. 966121-01 Door, forward. sliding, 31'
6. 800576-013 Molding, bath door jamb 80", Hickory
7. 800575-013 Molding, corner 80", Hickory
8. 964303-013 Header, bath door, Hickory
9. 801259-003 Panel 1/2" G1S Hickory/Raw 4' X 7'
10. 801172-013 Molding, corner, Hickory
11. 203046-03 Shower stall, angled
12. 703626-03 Shower door, orb w/ aqua glass
13. 381100 Sliding door guide
14. 800576-013 Molding, bath door jamb 80", Hickory
15. 964619 Closeout, tank flush
16. 964993 Closeout, lavy/shower
17. 961919-01 Water heater, closeout
- 966114-003 Header, sliding, bath door, Hickory
- 702482-03 Headliner, Spectra Opal x texture
- 801337 Header, shower
- *801178-06 Molding, flat .81" Ascot 8'
- *801175-08 Molding, flat, .81", Crackle Cream

*Ascot Sand was replaced by Crackle Cream during model year.

2010 CLASSIC TRAILER

FURNITURE, BATH

Bath Module 30'



See next page for P/N

2010 CLASSIC TRAILER

FURNITURE, BATH

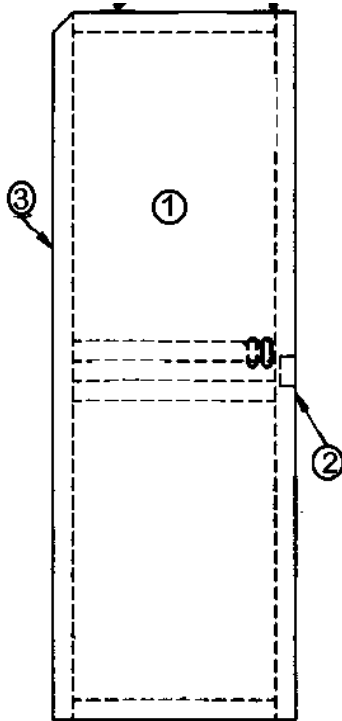
Bath Module 30'

1. 800984-01 Panel, forward bedroom
2. 800984-21 Panel, aft shower
3. 800984-20 Panel, forward shower
4. 801127-01 Panel, aft lavy
5. 801127-09 Panel, forward lavy
6. 801127-03 Panel, aft refer
7. 963664-003 Stile, aft bath, Hickory
8. 962161-013 Face frame, shower, Hickory
9. 800815-023 Stile, aft bath, panel end, Hickory
10. 963656-003 Header, aft slide door, Hickory
11. 963657-003 Header, forward slide door, Hickory
12. 962066-03 Door assembly, slider aft
13. 966120-01 Door assembly, sliding bath
14. 381443-01 Sliding door set #71-222-5'
14. 381443-02 Bumper stop
15. 203081 Shower stall 2 PC.
16. 703626-03 Shower door, orb w/ aqua glass
17. 962174 Lavy stand assembly
18. 961916 Shower stand assembly

2010 CLASSIC TRAILER

FURNITURE, BATH

Door, Slider, Aft, 30'

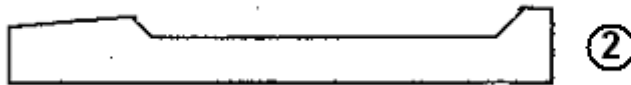
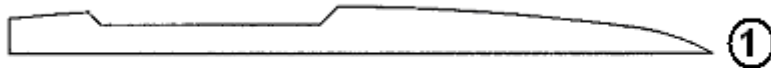


- | | |
|---------------|-----------------------------|
| 962066-03 | Door Assembly, Slider, Aft |
| 1. 801260-003 | Panel 5/32"G1S Hickory/Raw |
| 2. 201427 | Finger pull, light brown |
| 3. 365268-04 | Edgebanding-1.25"X .055" |
| 200009 | Sliding door guide |
| 381443-01 | Sliding door set #71-222-5' |
| 381100 | Sliding door guide |

2010 CLASSIC TRAILER

FURNITURE, BATH

Door Header, Sliding, 31'



1. 963296-013

Header, Slider Door, Long

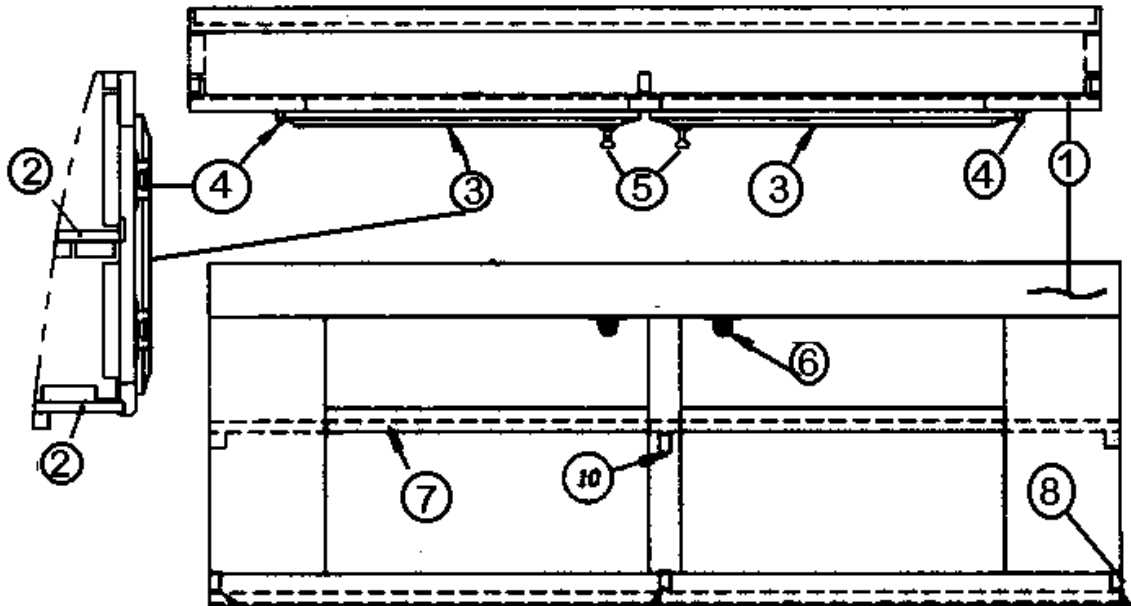
2. 963297-013

Header, Slider Door, Short

2010 CLASSIC TRAILER

FURNITURE, BATH

Medicine Cabinet, Lower, 31'

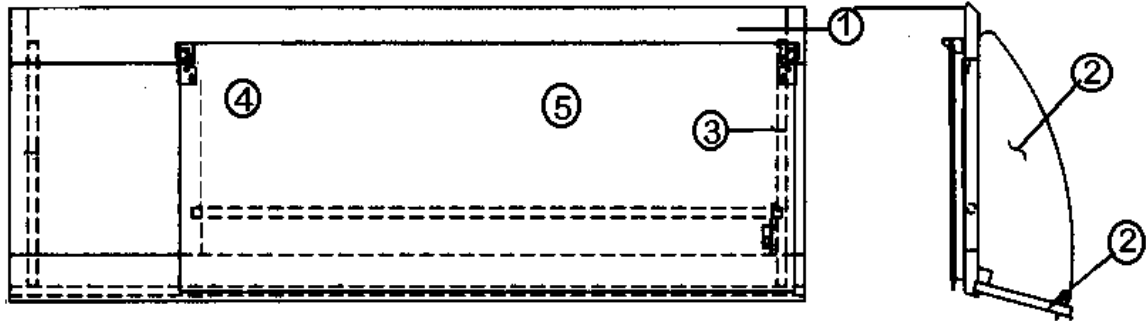


- | | |
|---------------|---|
| 964302-06 | Medicine Cabinet, Lower Assembly, 31' |
| 1. 964300-013 | Face frame, lower Hickory |
| 2. 801258-003 | Panel 1/2" G2S, Hickory |
| 3. 800599-573 | Drawer face, 17.25" X 13.00", Hickory |
| 4. 381999 | Hinge, Orb |
| 5. 382002 | Cabinet door pull, Orb, 3" center |
| 6. 381228-01 | Catch, grabber door |
| 7. 800573-013 | Molding door edge, 1-3/32" X 80", Hickory |
| 8. 380041 | Brace 1 in. Stanley corner |

2010 CLASSIC TRAILER

FURNITURE, BATH

Medicine Cabinet Upper, 31'

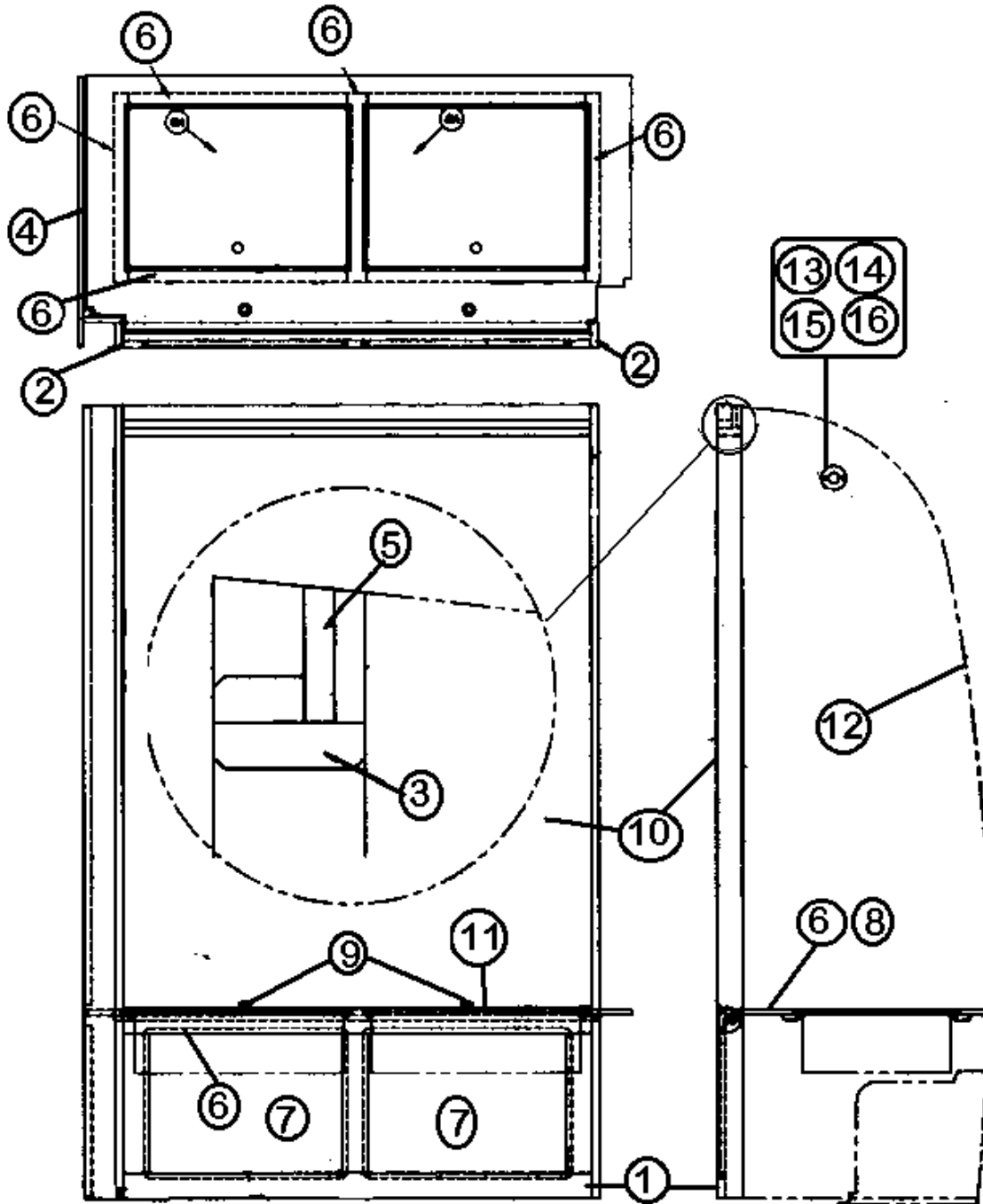


- | | |
|---------------|--|
| 964301-04 | Upper Medicine Cabinet, 31' |
| 1. 964299-013 | Face frame, upper, Hickory |
| 2. 801258-003 | Panel, 1/2" G2S, Hickory |
| 3. 381228-01 | Catch, grabber door |
| 4. 385935-01 | Hinge, pivot, zinc plated |
| 5. 372203-17 | Mirror, polished edges - 33.12" X 14.00" |
| 380024 | Support, friction - LH |

2010 CLASSIC TRAILER

FURNITURE, BATH

Wardrobe, Forward, 31'



See next page for P/N

2010 CLASSIC TRAILER

FURNITURE, BATH

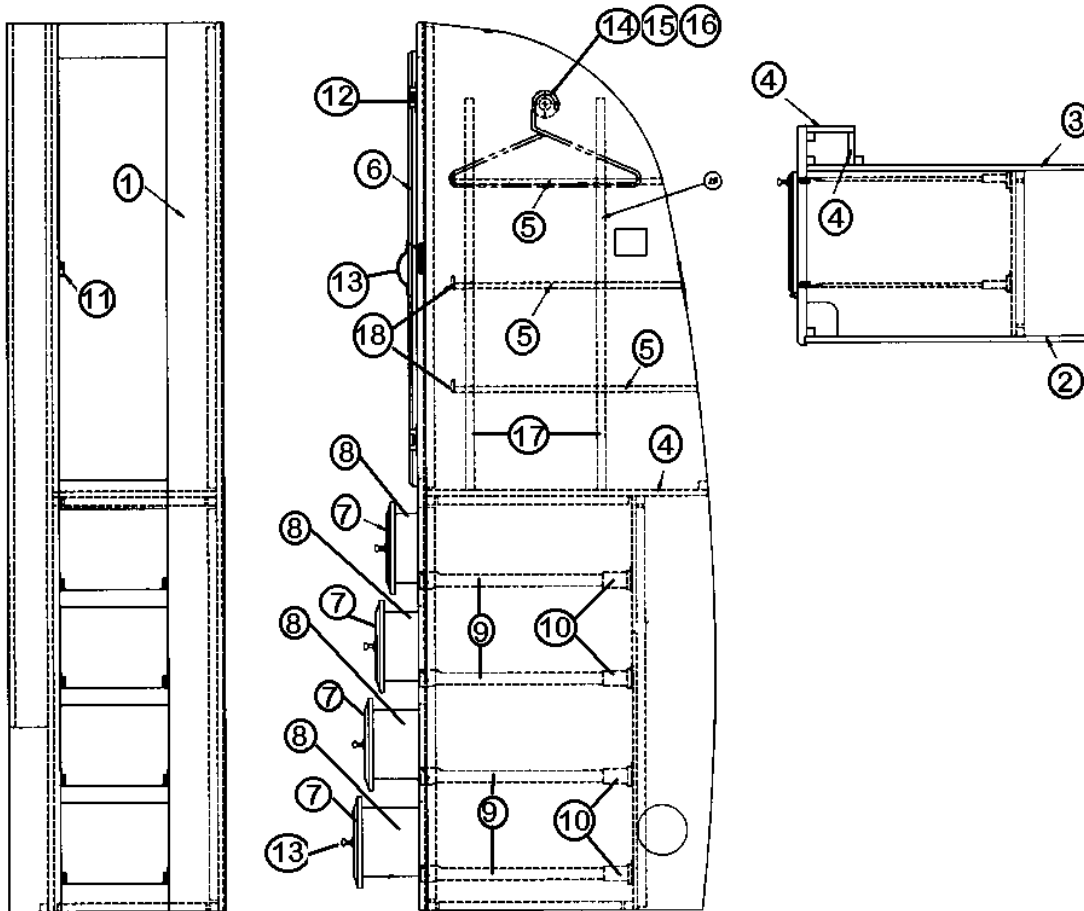
Wardrobe, Forward, 31'

- 965224-05 Wardrobe Assembly, 31'
- 1. 965219-003 Face frame, wardrobe, Hickory
- 2. 965220-013 Stile, wardrobe, side, LH/RH, Hickory
- 3. 965221-003 Header, wardrobe, Hickory
- 4. 964306-02 Panel, forward wardrobe
- 5. 801258-003 Panel, 1/2", G2S, Hickory
- 6. 801259-003 Panel, 1/2", Hickory
- 7. 201016 Drawer 16 X 22
- 8. 701538-01 Carpet, Econolier, w/PSA back
- 9. 382002 Cabinet door pull, Orb, 3" center
- 10. 382054 Door, mirrored sliding 46" X 55.5", w/latch
- 11. 381228-01 Grabber, door catch
- 12. 800397-01 Cedar planked 5/32"
- 13. 380045 Tubing, 3/4IN metallic
- 14. 380046 Flange, chrome
- 15. 200975-04 Conduit, flexible black plastic
- 16. 381298 Support, clothes rod, length: 5.25

2010 CLASSIC TRAILER

FURNITURE, BATH

Wardrobe, Aft, 31'



See next page for P/N

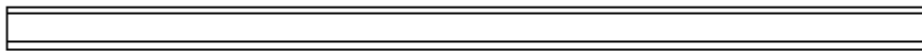
2010 CLASSIC TRAILER

FURNITURE, BATH

Wardrobe, Aft, 31'

- 965223-05 Aft Wardrobe Assembly, 31'
- 1. 965218-003 Face frame, wardrobe, Hickory
- 2. 964306-01 Panel, aft wardrobe
- 3. 801088-12 Panel, wardrobe, vinyl
- 4. 801259-003 Panel 1/2" G1S, Hickory
- 5. 801258-003 Panel 1/2" G1S, Hickory
- 6. 800597-473 Door 10.50" X 37.75", Hickory
- 7. 800599-653 Drawer face 8 X 10.50", Hickory
- 8. 964907-02 Drawer box- 8.50 X 18.00 X 6.00
- 9. 381526-03 Drawer slide-950-RV 18" (PER PR)
- 10. 381526-06 Adjustable rear bracket (pr)
- 11. 381228-01 Grabber, door catch
- 12. 381999 Hinge, Orb
- 13. 382002 Cabinet door pull, Orb, 3" center
- 14. 380045 Tubing, 3/4" metallic
- 15. 380046 Flange, chrome
- 16. 200975-04 Conduit, flexible black plastic
- 17. 381527 Speedy shelf strips
- 18. 800573-013 Molding, door, Hickory

Foldette Door Header, 31'

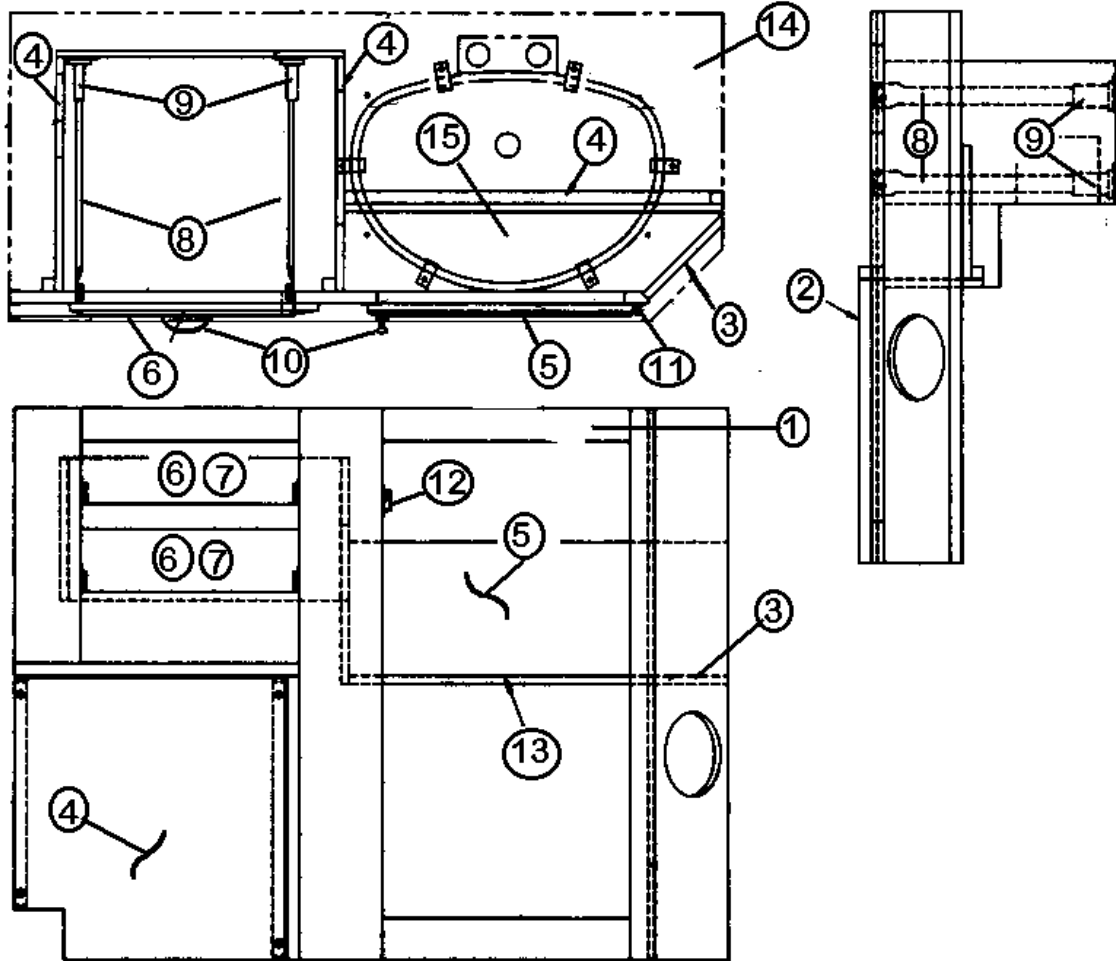


- 965951-003 Header, foldette door, Hickory

2010 CLASSIC TRAILER

FURNITURE, BATH

Lavatory Cabinet, 31'



See next page for P/N

2010 CLASSIC TRAILER

FURNITURE, BATH

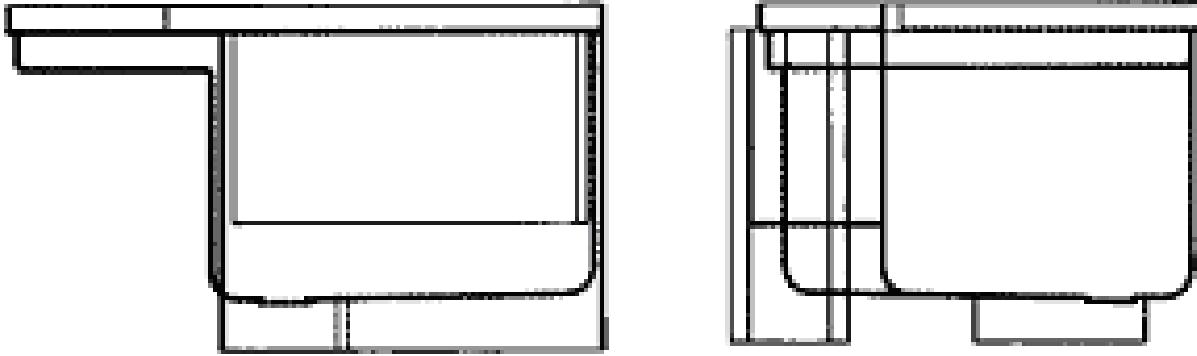
Lavatory Cabinet, 31'

	965214-06	Lavatory Cabinet
1.	965212-003	Face frame, lavy
2.	965193-003	Frame, lavy, closeout
3.	801258-003	Panel, 1/2", Hickory/Hickory
4.	801259-003	Panel,, 1/2" G1S, Hickory/raw
5.	800597-083	Door, 16.00" X 29.50", Hickory
6.	800599-073	Drawer face, 4.50" X 14.00", Hickory
7.	964906-10	Drawer box, 12.25 X 14.00 X 2.75
8.	381526-01	Drawer slide-950-RV 14" PR
9.	381526-06	Bracket, adjustable rear (PR)
10.	382002	Cabinet door pull, Orb, 3" center
11.	381999	Hinge, Orb
12.	381228-01	Catch, grabber door
13.	800571-013	Molding, flat .52" W X 80", Hickory
14.	602045-01	Lavy top, Corian, Sandstone
15.	203367-02	Bowl, lavy, Karran, white
15a.	453833	Clip, sink mount
15b.	320129	Insert, threaded 1/4"O.D. X 1/4"L
15c.	320130-09	Screw #10-32 slotted, hex HD 1.25L
15d.	320131	Wingnut-#10-32 6IN
	602227	Dispenser, liquid soap/lotion

2010 CLASSIC TRAILER

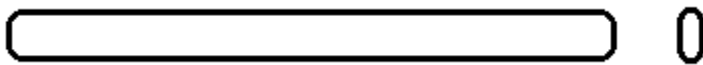
FURNITURE, BATH

Shower Stall, 2 Piece, 31'



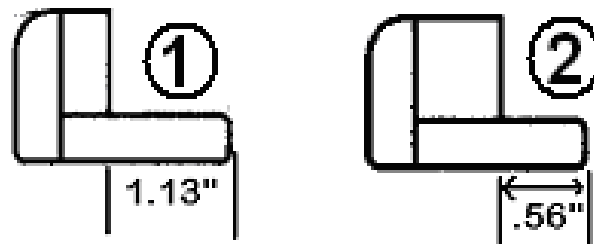
203046-03 Shower Stall, 2 Piece

Bath Door Header, 31'



964303-013 Bath Door Header

Bath Door Jamb/Header/Molding, 31'

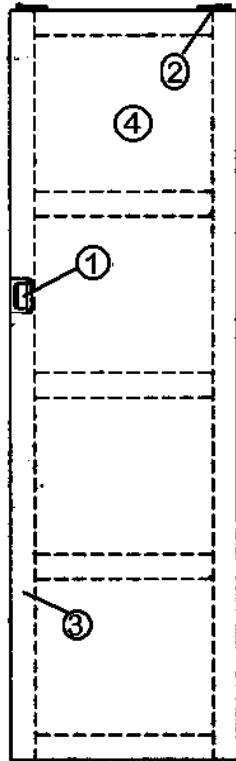


1. 963787-013 Bath Door Jamb, Hickory, 31'
2. 963786-013 Jamb, Bath Door, Hickory, 31'
- 800576-013 Molding, bath door jamb 80", Hickory

2010 CLASSIC TRAILER

FURNITURE, BATH

Bath Sliding Door, Forward, 31'

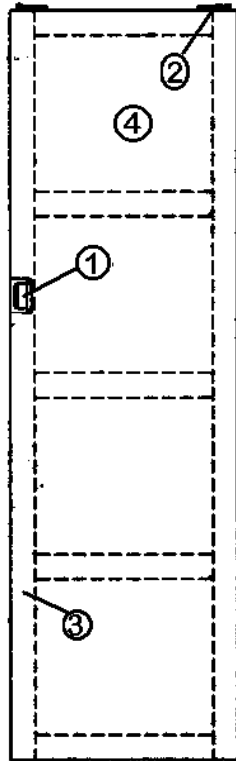


966121-01	Bath Sliding Door Assembly
1. 201427	Finger pull, light brown
2. 200009	Sliding door guide
3. 365268-04	Edgebanding-1.25"X .055"
4. 800260-003	Panel, 5/32" G1S, Hickory
381443-01	Sliding door set #71-222-5'
381100	Sliding door guide
963296-013	Header, slider door long, Hickory
963297-013	Header, slider door short

2010 CLASSIC TRAILER

FURNITURE, BATH

Bath Sliding Door, Forward, 31', 30'

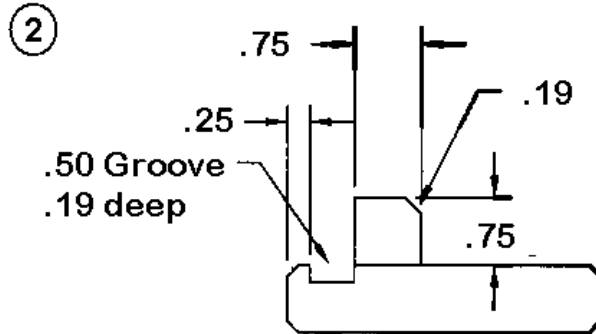
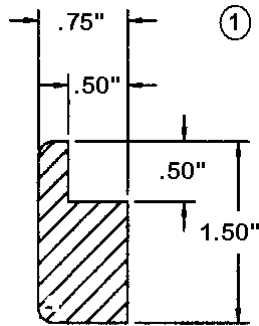


966120-01	Bath Sliding Door Assembly
1. 201427	Finger pull, light brown
2. 200009	Sliding door guide
3. 365268-04	Edgebanding-1.25"X .055"
4. 801260-003	Panel 5/32" G1S, Hickory
381443-01	Sliding door set #71-222-5'
963296-013	Header, slider door long, Hickory
963297-013	Header, slider door short
381100	Sliding door guide

2010 CLASSIC TRAILER

FURNITURE, BATH

Bath Panel Stiles, 30'

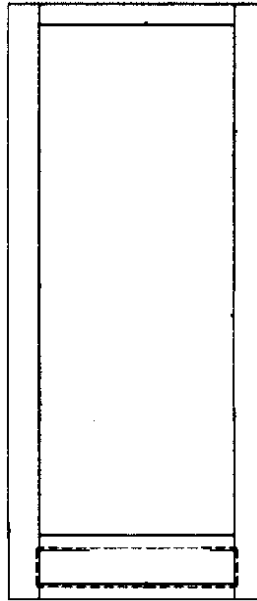


- 1. 800815-023 Stile, Aft Bath Panel, Hickory
- 2. 963664-003 Stile Aft Bath, Hickory

2010 CLASSIC TRAILER

FURNITURE, BATH

Shower Face Frame, 30'



962161-013 Face Frame, Shower, Hickory

Sliding Door Headers, 30'

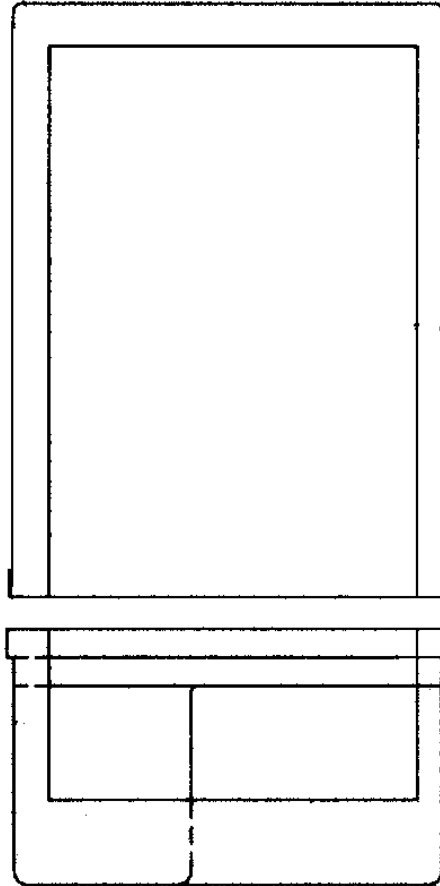


1. 963656-003 Header, Aft Slide Door, Hickory
2. 963657-003 Header, Forward Slide Door, Hickory

2010 CLASSIC TRAILER

FURNITURE, BATH

Shower Stall/Door, 30', 27' Front Bed



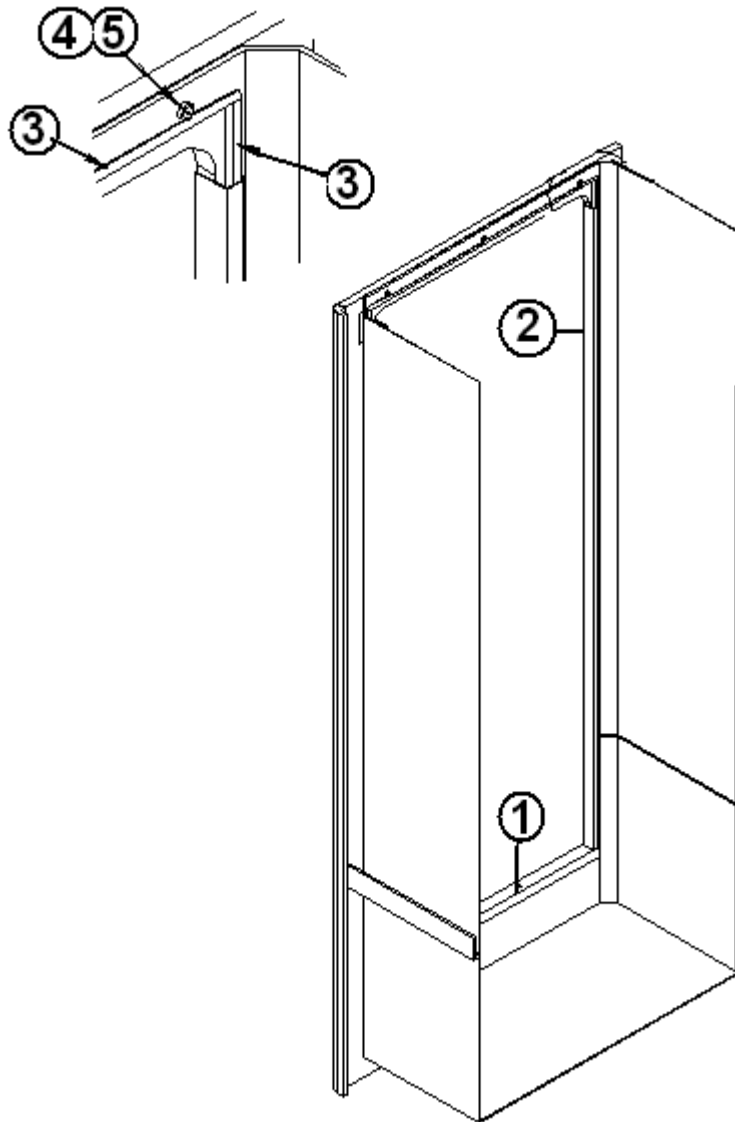
203081
703626-03

Shower Stall-2 piece Fiberglass
Shower door, orb w/ aqua glass

2010 CLASSIC TRAILER

FURNITURE, BATH

Shower Trim / Door Install, 30', 27' Front Bed

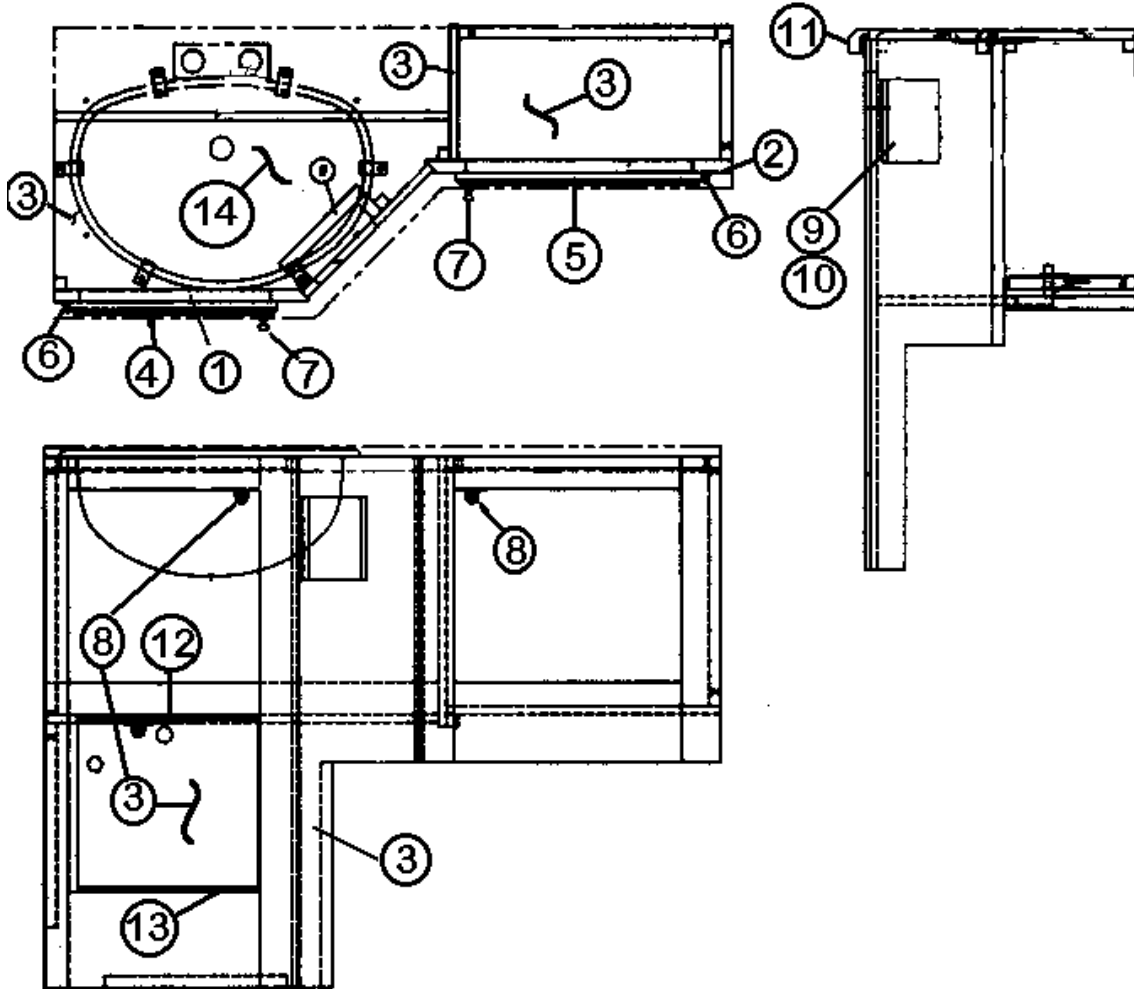


- | | |
|--------------|---------------------------------------|
| 1. 454727-01 | Angle, shower frame, 27" |
| 2. 454727-02 | Angle, shower frame, 64.75" |
| 3. 201666 | Molding, "J" 3/16, plastic, almond |
| 4. 381081-01 | Snap cap w/ washer, Antique White |
| 5. 320006 | Screw, sheet metal, 8 X 3/4 BH PHILIP |

2010 CLASSIC TRAILER

FURNITURE, BATH

Lavatory Cabinet, 30'



See next page for P/N

2010 CLASSIC TRAILER

FURNITURE, BATH

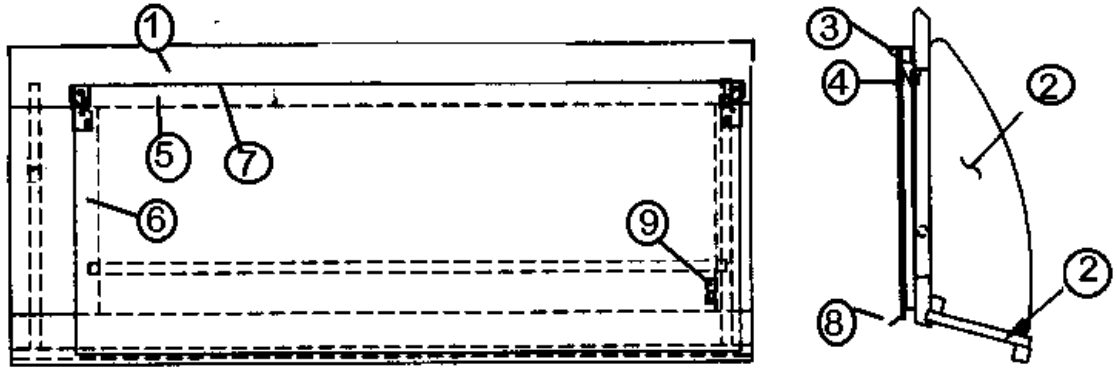
Lavatory Cabinet, 30'

- 961921-10 Lavatory Cabinet Assembly
- 1. 961890-013 Face frame, lavy, Hickory
- 2. 961891-013 Face frame, lavy aft, Hickory
- 3. 801258-003 Panel, 1/2" G2S Hickory/Hickory
- 4. 800597-943 Door, 13.00" X 25.75", Hickory
- 5. 800597-493 Door, 15.50" X 13.00", Hickory
- 6. 381999 Hinge, Orb
- 7. 382002 Cabinet door pull, Orb, 3" center
- 8. 381228-01 Catch, grabber door
- 9. 602130 Toilet paper holder
- 10. No longer used.
- 11. 602044-01 Top assembly, Corian, Sandstone
- 12. 800571-013 Molding, flat .52W X 80", Hickory
- 13. 380458 Hinge, piano, brown anodized
- 14. 203367-02 Bowl, lavy, Karran, White
- 453833 Clip, sink mount
- 320129 Insert, threaded 1/4"O.D. X 1/4"L
- 320130-09 Screw #10-32 slotted hex hd 1.25L
- 320131 Wingnut-#10-32 6IN
- 602227 Dispenser soap, Victorian

2010 CLASSIC TRAILER

FURNITURE, BATH

Medicine Cabinet, Upper, 30'

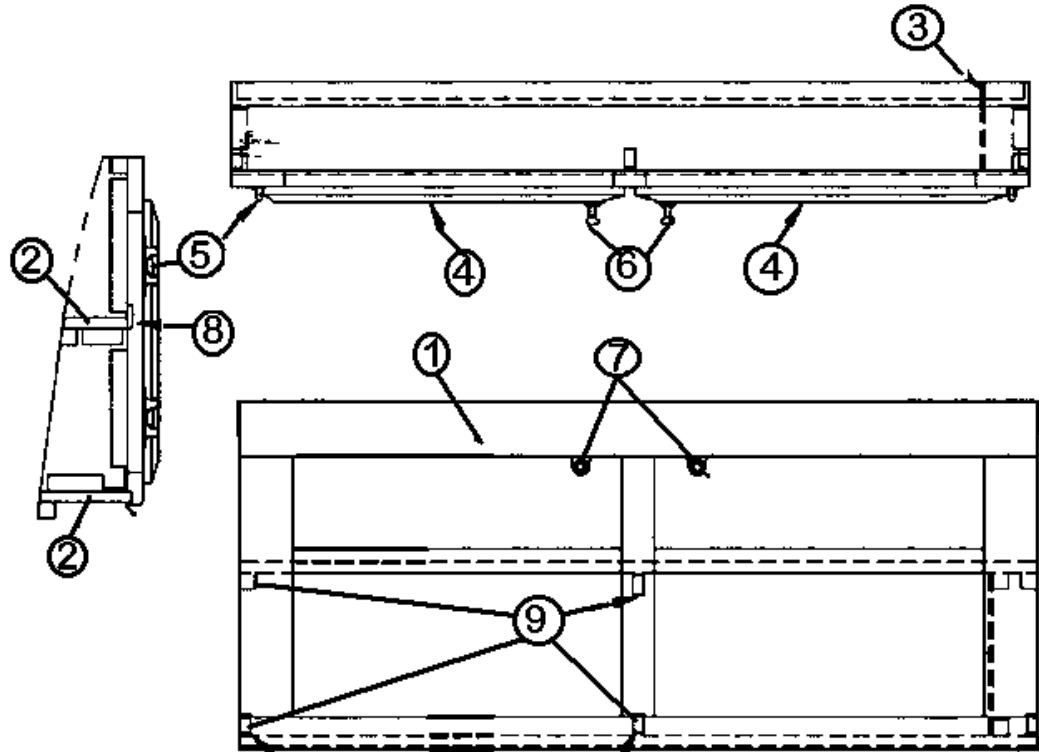


- | | |
|---------------|---|
| 963753-03 | Medicine cabinet assembly, upper |
| 1. 962170-013 | Face frame, medicine cabinet upper, Hickory |
| 2. 801258-003 | Panel 1/2" G2S, Hickory |
| 3. 385935-01 | Hinge, pivot, 6IN plated |
| 4. 372203-04 | Mirror, polished edges - 36.00" X 14.00" |
| 5. 801258-003 | Panel 1/2" G2S, Hickory |
| 6. 380024 | Support, friction, LH |
| 7. 365268-04 | Edgebanding 5/8" |
| 8. 385940-02 | Mirror pull, chrome |
| 9. 381228-01 | Catch, grabber door |
| 380203-01 | Piano hinge |

2010 CLASSIC TRAILER

FURNITURE, BATH

Medicine Cabinet, Lower, 30'

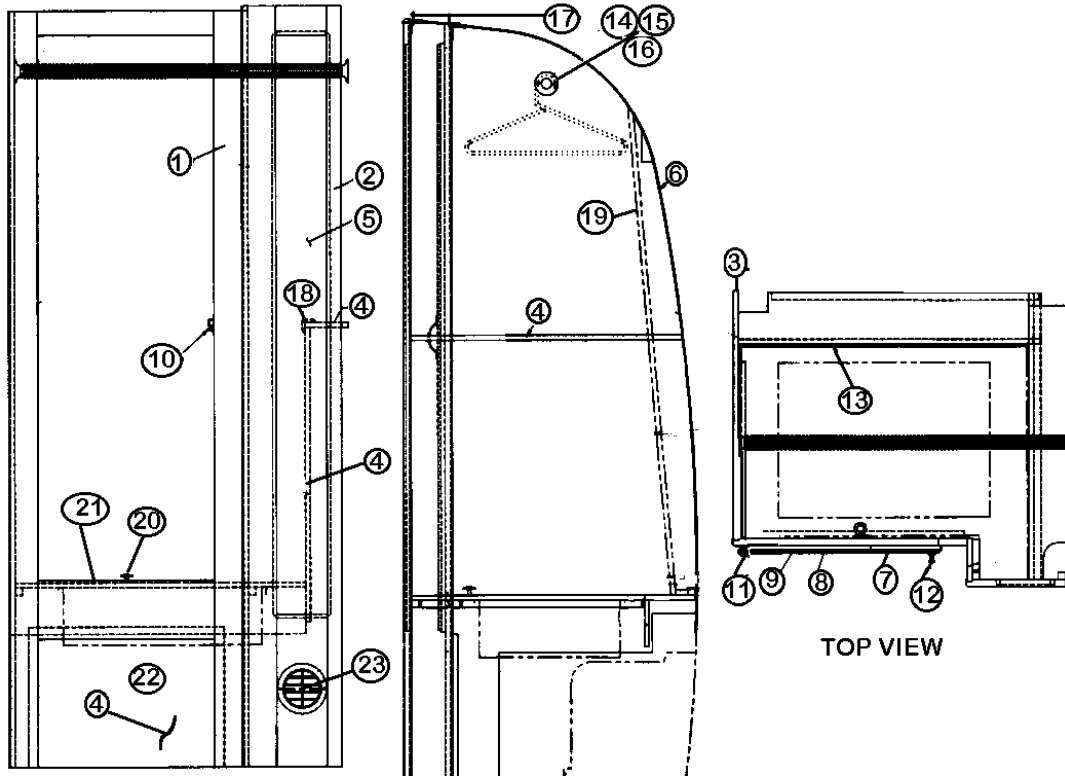


- | | |
|---------------|--|
| 961899-05 | Medicine Cabinet, Lower |
| 1. 961897-013 | Face frame, medicine cabinet, lower, Hickory |
| 2. 801258-003 | Panel, 1/2" G2S, Hickory |
| 3. 801260-003 | Panel 5/32"G1S, Hickory |
| 4. 800599-573 | Drawer face 17.25 X 13.00, Hickory |
| 5. 381999 | Hinge, Orb |
| 6. 382002 | Cabinet door pull, Orb, 3" center |
| 7. 381228-01 | Catch, grabber door |
| 8. 800573-013 | Molding, 1 X 3/32 X 80, Hickory |
| 9. 380041 | Brace, 1IN Stanley, corner |

2010 CLASSIC TRAILER

FURNITURE, BATH

Wardrobe, 30'



See next page for P/N

2010 CLASSIC TRAILER

FURNITURE, BATH

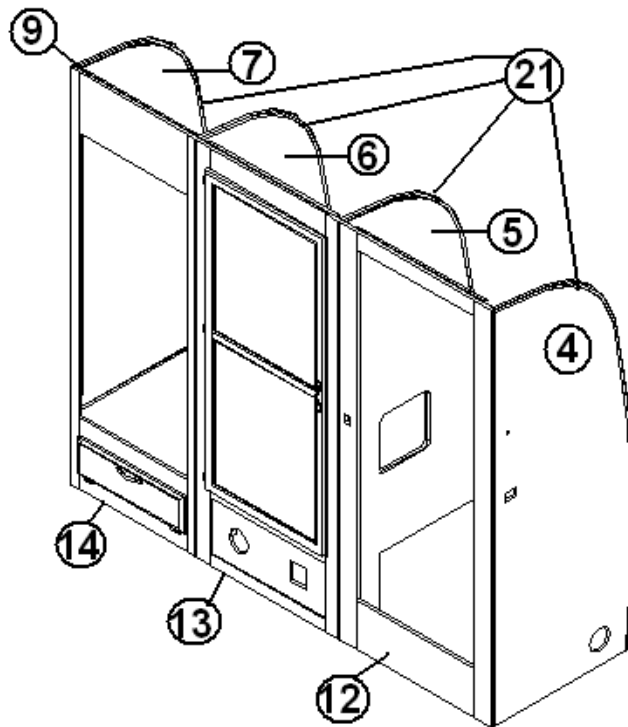
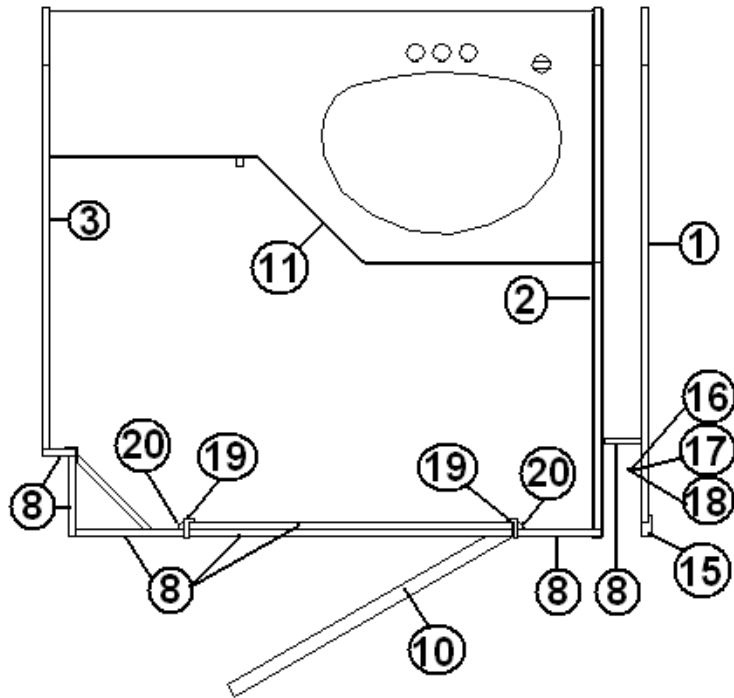
Wardrobe, 30'

	962175-05	Wardrobe Assembly
1.	962162-013	Face frame, wardrobe, aft, CS, Hickory
2.	962163-013	Face frame, wardrobe, fwd, Hickory
3.	800984-22	Panel, forward wardrobe
4.	801258-003	Panel, 1/2" G1S Hickory/Raw
5.	801260-003	Panel, 5/32" G1S Hickory/Raw 4'X8'
6.	800397-01	Cedar planked 5/32"
7.	800557-153	Door frame, Hickory
8.	371262-10	Mirror, safety 16.12" X 28.12"
9.	381754	Mirror clip R2
10.	381228-01	Grabber, door catch
11.	381999	Hinge, Orb
12.	382002	Cabinet door pull, Orb, 3" center
13.	380458	Hinge, piano, brown anodized
14.	380045	Tubing, 3/4IN metallic
15.	380046	Flange, chrome
16.	200975-04	Conduit, flexible black plastic
17.	104821	Support, roof locker, 74"
18.	800575-013	Molding, corner 80"L, Hickory
19.	104629	Extrusion, wall attachment
20.	962222	Closeout, wardrobe wires
20.	382003	Knob, 1.38" orb
21.	964945-01	Lift Up Shelf Assembly
22.	201016	Drawer 16" X 22"
23.	601244-01	Register, Rotaire, 4" brown
	203138-03	Extrusion, plastic, wall, beige
	701538	Carpet, velour black 48"
	500956	Light, brown w/switch

2010 CLASSIC TRAILER

FURNITURE, BATH

Bath Module, 27' Front Bed



See next page for P/N

2010 CLASSIC TRAILER

FURNITURE, BATH

Bath Module, 27' Front Bed

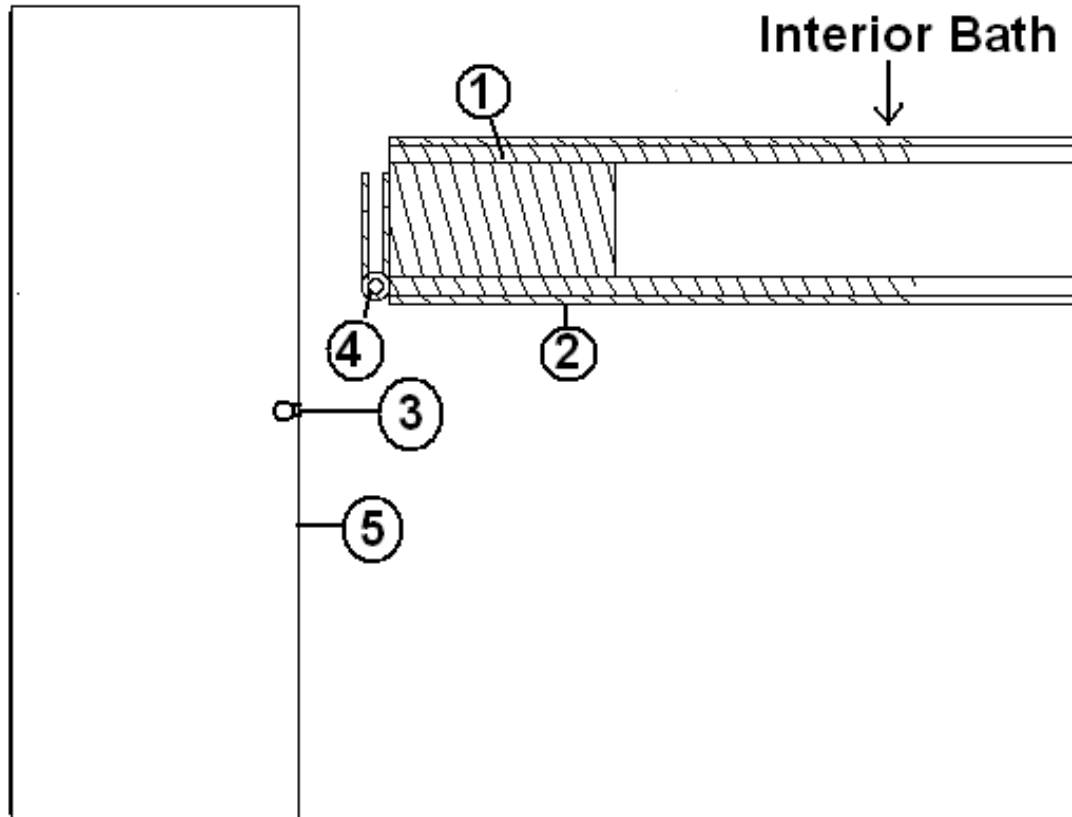
1.	801671-07	Panel, forward pantry
2.	801671-06	Panel, aft lavy
3.	801671-05	Panel, forward lavy
4.	801671-01	Panel, forward shower, Double bedroom
4.	801671-09	Panel, forward shower, Twin bedroom
5.	801671-02	Panel, aft shower
6.	801671-03	Panel, forward refer
7.	801671-04	Panel, aft refer
8.	*801509-003	Panel, Wood Veneer/Ascot
8.	*801831-003	Panel, Hickory/Crackle Cream .5" X 4' X 8'
9.	801258-003	Paneling, 1/2" Hickory
10.	966777	Bath door - 24" X 71"
11.	966708	Lavy assembly
12.	966720	Shower face assembly
13.	966722	Wardrobe, RS, hanging
14.	966726	Refer cabinet assembly
15.	*801172-07	Molding, corner, Ascot Sand 8'
15.	*801172-08	Molding, corner, Crackle Cream
16.	382005	Track, formed, foldette door, 20"
17.	381890-02	Track, straight, foldette
18.	702681-08	Foldette door, beige, 60"X 73"
19.	801665-003	"L" door jamb molding
20.	800638-023	Molding, quarter round
21.	203138-01	Extrusion, plastic, 1/2", white
	203081	Shower stall, 2 PC.
	703626-03	Shower door, orb w/ aqua glass
	961916	Shower stand assembly

*Ascot Sand was replaced by Crackle Cream during model year.

2010 CLASSIC TRAILER

FURNITURE, BATH

Door, Bath, 30', 27' Front Bed

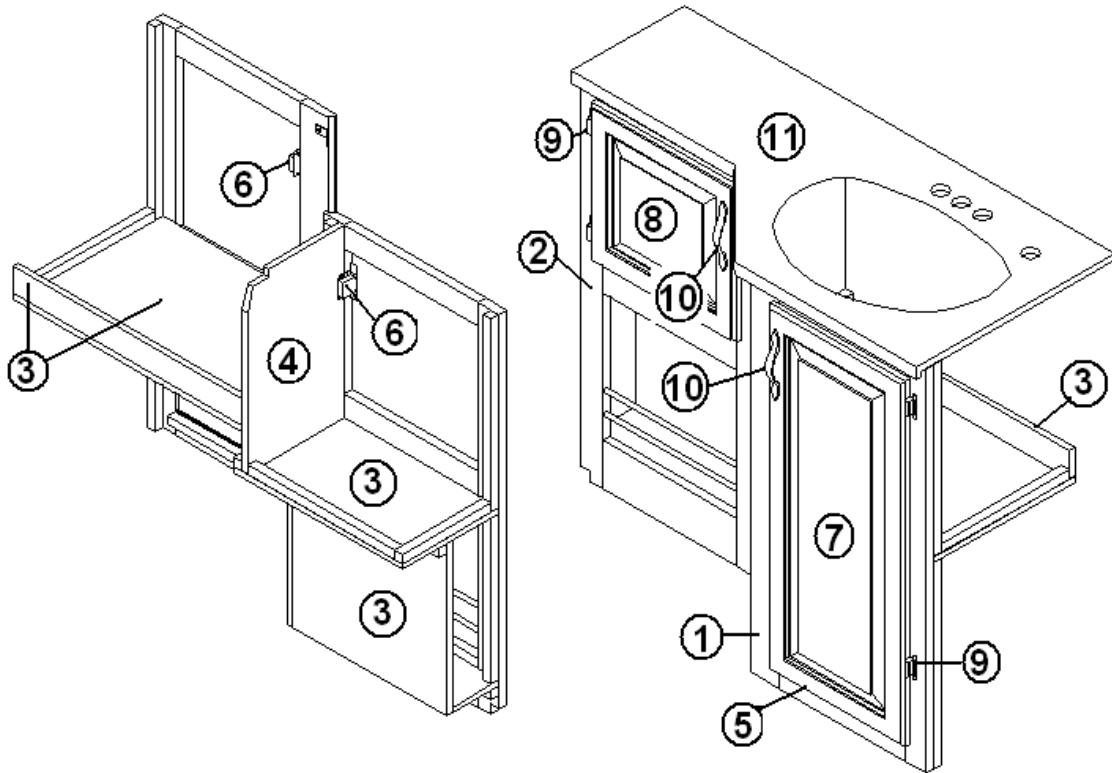


- | | |
|---------------|-----------------------------------|
| 966777 | Bath door w/ window |
| 1. 801260-003 | Paneling 5/32", G1S, Hickory /raw |
| 2. 800507-06 | Lauan -.75" X 4' x 8' |
| 3. 381771-01 | Latch, lever lockset, privacy |
| 4. 380458 | Piano hinge, 1/8" IN, brown |
| 5. 365268-04 | Edgebanding-.024"X 1.25" |
| 454320 | Door handle cover |

2010 CLASSIC TRAILER

FURNITURE, BATH

Lavatory, 27' Front Bed

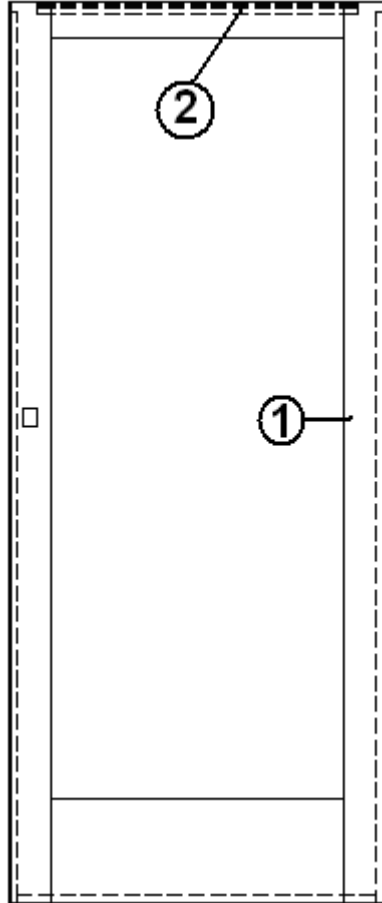


- | | |
|---------------|-------------------------------------|
| 966708 | Lavy assembly, 27' |
| 1. 966706-003 | Face frame, lavatory, aft |
| 2. 966707-003 | Face frame, lavatory, forward |
| 3. 801259-003 | Paneling, 1/2", Hickory/raw |
| 4. 801258-003 | Paneling 1/2", Hickory / Hickory |
| 5. 380458 | Hinge, piano, copper |
| 6. 381228-01 | Catch, grabber door |
| 7. 800597-943 | Door, raised panel, 13" X 30.25" |
| 8. 800597-903 | Door, raised panel, 13.81" X 13.00" |
| 9. 381999 | Hinge, orb |
| 10. 382002 | Pull, cabinet door, 3" center, orb |
| 11. 602114 | Top, lavy |
| 195329-202 | Hemisphere, clear bump-on 190 M |

2010 CLASSIC TRAILER

FURNITURE, BATH

Shower Face Frame, 30', 27', Front Bed Model

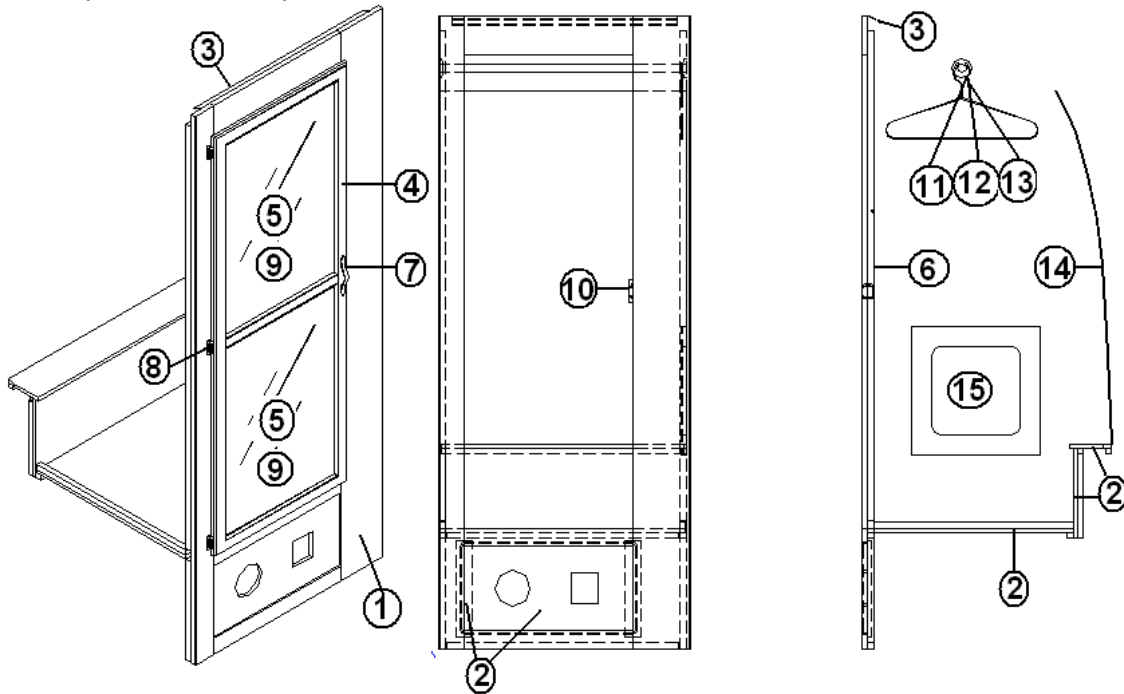


- | | |
|---------------|---------------------------|
| 966720 | Shower face assembly |
| 1. 966719-003 | Shower face frame |
| 2. 104821 | Support, roof locker, 74" |

2010 CLASSIC TRAILER

FURNITURE, BATH

Wardrobe, Roadside, 27' Front Bed

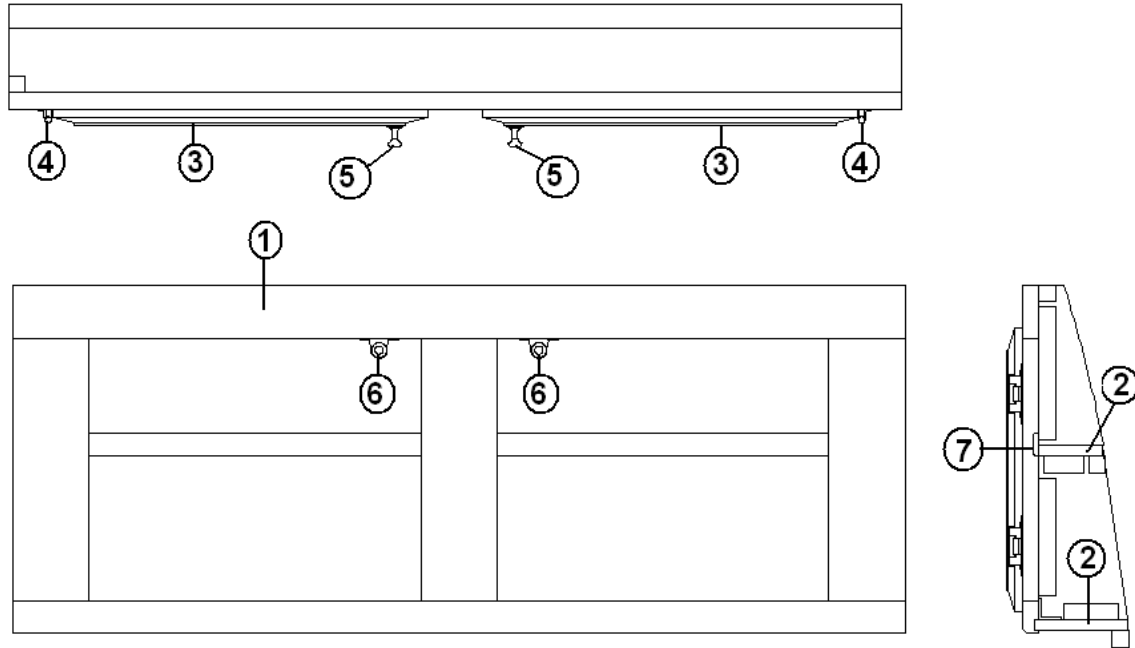


- | | |
|---------------|---|
| 966722 | Wardrobe assembly, RS |
| 1. 966721-003 | Face frame, RS wardrobe |
| 2. 801259-003 | Paneling, 1/2", Hickory/raw |
| 3. 104821 | Support, roof locker, 74" |
| 4. 800557-103 | Door frame, 22.00" X 60.00" |
| 5. 371262-04 | Mirror, safety- 19.12 X 28.12 |
| 6. 801260-003 | Paneling 5/32", G1S, Hickory /raw |
| 7. 382002 | Pull, cabinet door, 3"center, orb |
| 8. 381999 | Hinge, orb |
| 9. 381754 | Mirror clip |
| 10. 381228-01 | Catch, grabber door |
| 11. 500956 | Light, wardrobe, #PD210-111 brown w/ switch |
| 12. 380045 | Tubing 3/4" |
| 13. 380046 | Flange, chrome |
| 14. 200975-04 | Conduit, flexible black plastic |
| 15. 966723 | Closeout assembly |
| 365250-003 | Edgebanding, 5/8", Hickory |
| 701538-01 | Carpet - Econolier w/ PSA back |
| 382003 | Knob, 1.38", orb |

2010 CLASSIC TRAILER

FURNITURE, BATH

Medicine Cabinet, Lower, 27' Front Bed

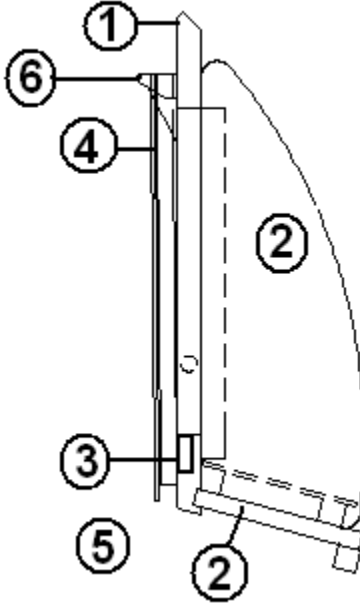


- | | |
|---------------|------------------------------------|
| 966710 | Medicine cabinet lower, 41" |
| 1. 966709-003 | Face frame, medicine cabinet |
| 2. 801258-003 | Paneling 1/2", Hickory / Hickory |
| 3. 800599-573 | Drawer face 17.25" X 13.00" |
| 4. 381999 | Hinge, orb |
| 5. 382002 | Pull, cabinet door, 3" center, orb |
| 6. 381074 | Catch, bulldog, #65S (copper) |
| 7. 800573-013 | Molding, door edge, Hickory |

2010 CLASSIC TRAILER

FURNITURE, BATH

Medicine Cabinet, Upper, 27' Front Bed

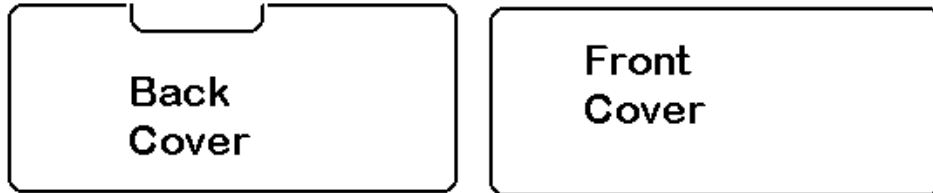


- | | |
|---------------|----------------------------------|
| 966712 | Medicine cabinet, upper |
| 1. 966711-003 | Face frame, medicine cabinet |
| 2. 801258-003 | Paneling 1/2", Hickory / Hickory |
| 3. 381228-01 | Catch, grabber door |
| 4. 372203-17 | Mirror, safety, 33.31" X 14" |
| 5. 385940-02 | Mirror pull |
| 6. 385935 | Hinge, brass, pivot |
| 380024 | Arms, support, RH |

2010 CLASSIC TRAILER

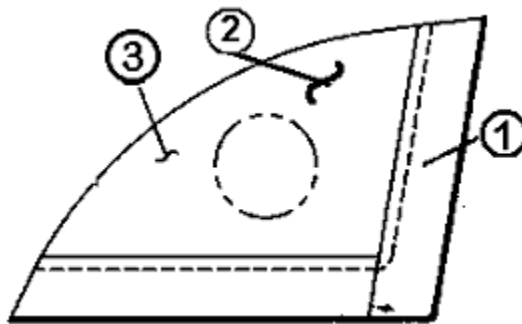
FURNITURE, GALLEY

Range Covers, All units



601911-01 Range covers, Corian, set, 3-Burner Sandstone

Roof Locker End Caps, RH & LH, All units



- 963828-02 Roof Locker RH End cap Assembly
- 963828-03 Roof Locker LH End cap Assembly
- 1. 963829-023 LH Frame, Hickory
- 1. 963829-013 RH Frame, Hickory
- 2. 801259-003 Panel 5/32"G1S Hickory/Raw
- 3. 700414 3/8" foam

Galley Flip Up Shelf, Corian, 31' D, 30'

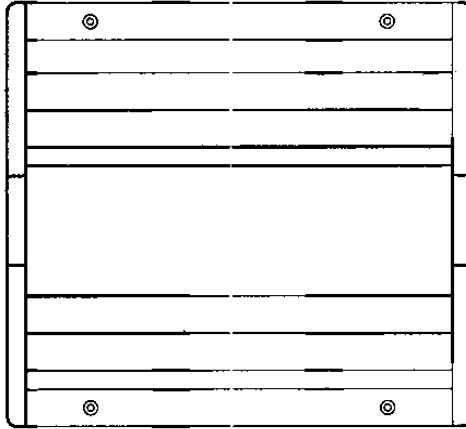


601905-01 Galley flip up shelf, Corian, Sandstone
381614 Folding shelf bracket

2010 CLASSIC TRAILER

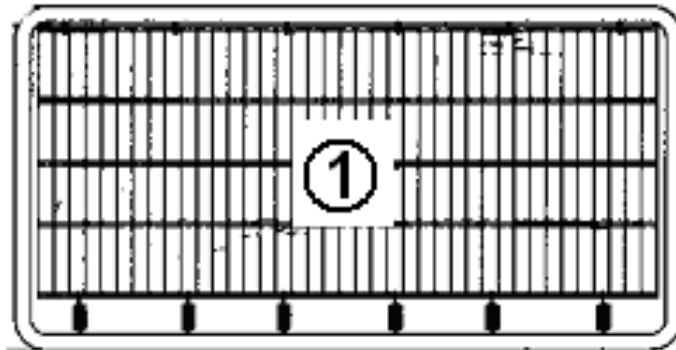
FURNITURE, GALLEY

Spice Rack, All Units



963991-003 Spice rack, Hickory

Dinette Seat Top/Flex Spring, all Dinettes

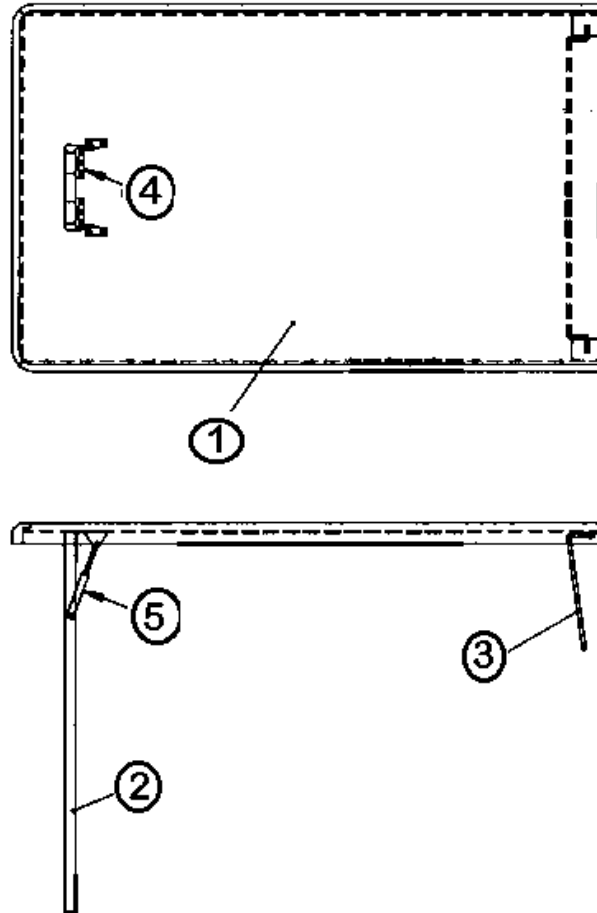


- 1. 964334-01 Dinette Seat Spring, 21.36" x 42.00"
- 2. 703125-03 Top, Dinette seat, Urethane

2010 CLASSIC TRAILER

FURNITURE, GALLEY

Dinette table, 26", 31, 30'



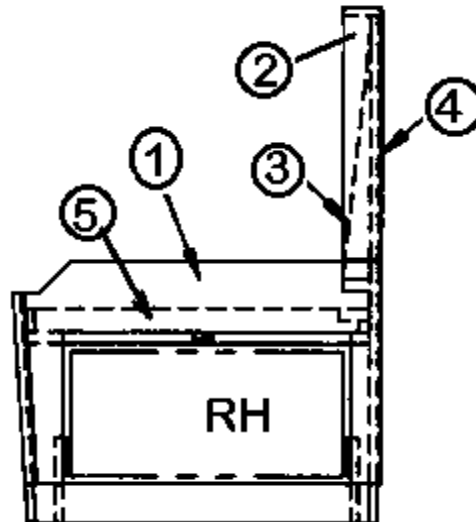
- 963794
- 1. 963674-003
- 2. 962177-033
- 3. 380284-02
- 4. 380210
- 5. 381147

Dinette table assembly, Nomar, 26"
Top, dinette, resistovar, 26 X 42 Hickory
Leg, hardwood, 30.50", Hickory
Table hinge bracket
Hinge, plain steel
Door support, spring loaded

2010 CLASSIC TRAILER

FURNITURE, GALLEY

Dinette Seat, RH, 31', 30'

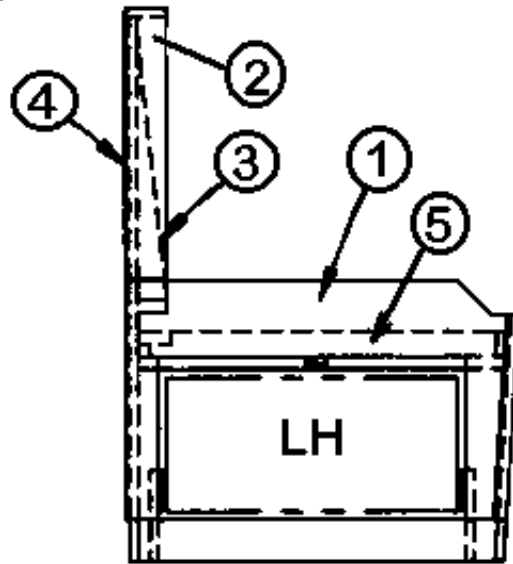


- 964954-04 Dinette Seat Assembly, RH, 30', 31'
- 1. 964949-05 RH Dinette Seat Sub-Assembly
- 2. 964528-04 Back sub-assembly, RH, 30', 31'
- 3. 964498-01 Cushion Support, Dinette RH, 41.63"
- 4. 965076 Upholstered back, 42" wide, 30', 31'
- 5. 964334-01 Flex spring seat
- 382002 Cabinet door pull, Orb, 3" center
- 381529 Hinge, compartment door
- 381228-01 Catch, grabber door
- 964908-01 Drawer box - 17.50 X 26.00 X 8.00
- 381090 Slide, drawer, 22" (EA=1 PAIR)
- 701538 Carpet, Econolier, velour black
- 703446 Silk film sheeting #SFS 36 AIR

2010 CLASSIC TRAILER

FURNITURE, GALLEY

Dinette Seat, LH, 31', 30'

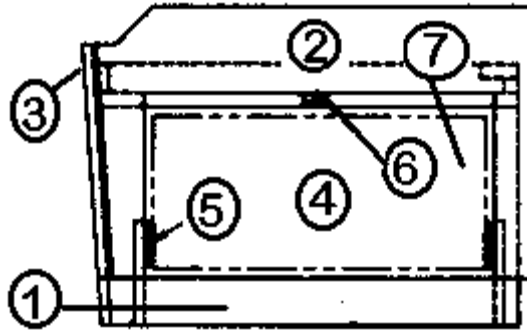


- 964953-02 Dinette Seat Assembly, LH, 30'
- 964953-03 Dinette Seat Assembly, LH, 31'
- 1. 964949-02 LH Dinette Seat Sub-Assembly
- 2. 964528-02 Back sub-assembly, LH, 30'
- 2. 964528-05 Back sub-assembly, LH, 31'
- 3. 964449-01 Cushion Support, Dinette LH, 41.63"
- 4. 964529-01 Upholstered back, 17" wide, 31', 30 Ft.
- 5. 964334-01 Flex spring seat

2010 CLASSIC TRAILER

FURNITURE, GALLEY

Dinette Seat Sub Assembly, 31' D, 30'



964949-02

964949-05

1. 801259-003

2. 700414

3. 801415-007

4. 964908-01

5. 381090

6. 381228-01

7. 701538

Dinette Seat Sub Assembly, LH, 30'

Dinette Seat Sub Assembly, RH, 31' D

Panel, 1/2" G1S Hickory

Foam 3/8 X 72" X 52'

Corner trim, 1" radius

Drawer box - 17.50 X 26.00 X 8.00"

Slide, drawer, 22" (EA=1 PAIR)

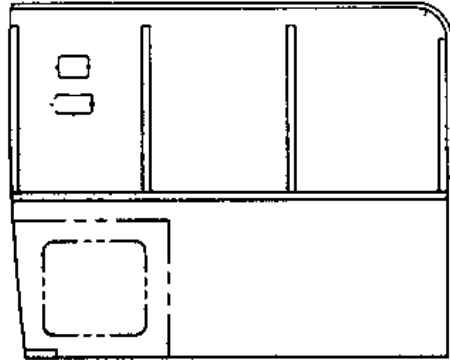
Catch, grabber door

Carpet, Econolier, velour black 48"

2010 CLASSIC TRAILER

FURNITURE, GALLEY

Dinette Seat Back Sub Assembly, Upholstered, 31', 30'

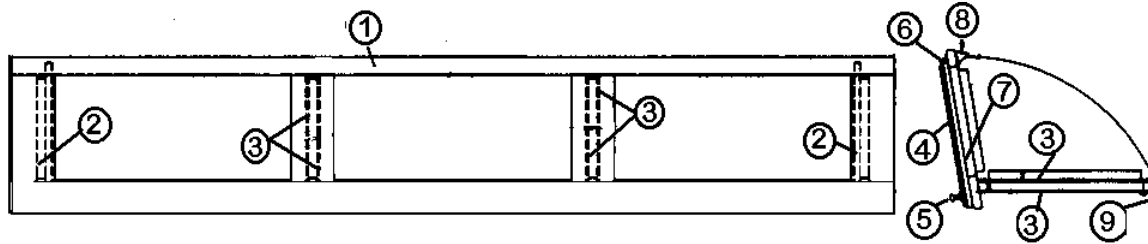


- 964528-02 Upholstered Dinette Seat Back, RH, 30'
- 964528-04 Upholstered Dinette Seat Back, LH, 31'
- 964528-05 Upholstered Dinette Seat Back, LH, 31'

2010 CLASSIC TRAILER

FURNITURE, GALLEY

Roof Locker, Dinette, 30',

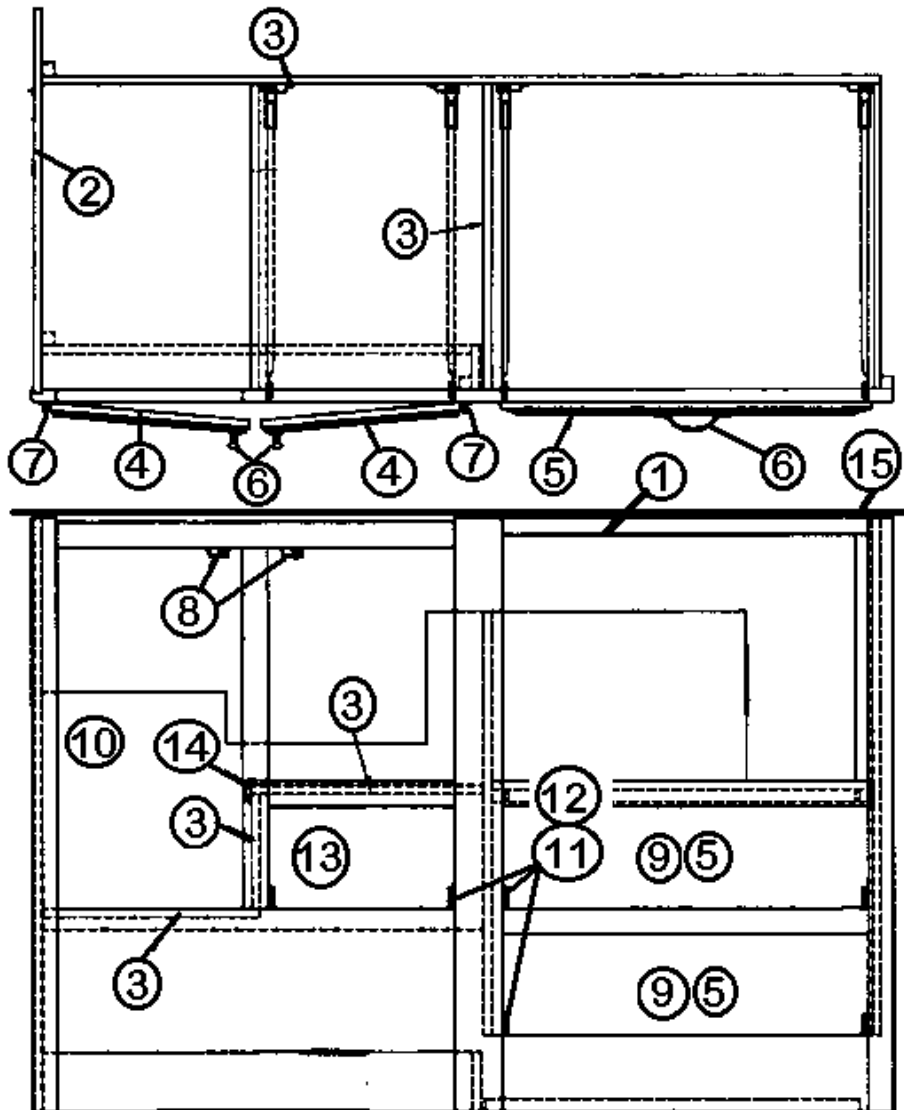


963763-06	Roof Locker Assembly, Dinette
1. 963764-013	Face frame, dinette roof locker, Hickory
2. 801258-003	Panel, 1/2" G2S Hickory/Hickory 4' X 7'
3. 801260-003	Panel, 1/8" G1S, Hickory/Raw 4' x 7'
4. 800597-073	Door, raised panel 12.25 X 21.00" Hickory
5. 382002	Cabinet door pull, Orb, 3" center
6. 381999	Hinge, Orb
7. 381147	Door support, spring loaded
8. 104821	Support, roof locker, 74"
9. 100013	Extrusion, wall attachment
100097	Extrusion, alum. curtain track
800571-013	Molding, flat .52W X 80" Hickory

2010 CLASSIC TRAILER

FURNITURE, GALLEY

Galley, 31' D, 30', Forward, Microwave Section



See next page for P/N

2010 CLASSIC TRAILER

FURNITURE, GALLEY

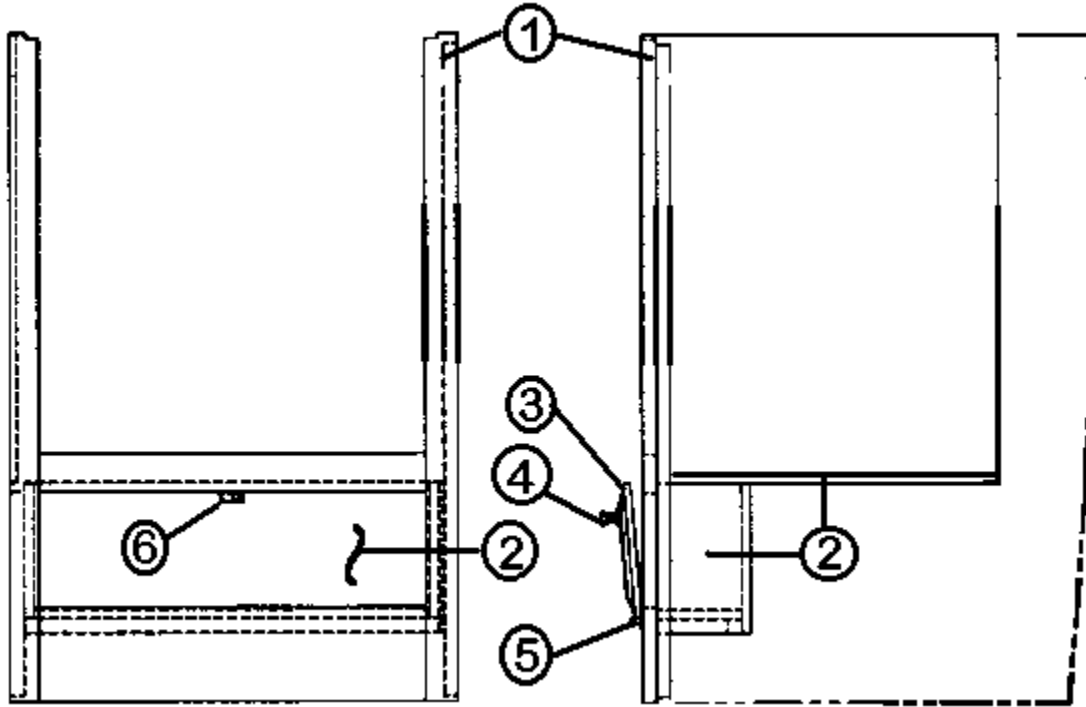
Galley, 31' D, 30', Forward, Microwave Section

	964966-09	Galley assembly, forward microwave section
1.	964629-003	Face frame, galley, Hickory
2.	801258-003	Panel, ½" G2S, Hickory/Hickory 4' X 7'
3.	801259-003	Panel, ½' G1S, Hickory/Raw
4.	800597-503	Door, 12.00" X 29.50", Hickory
5.	800599-213	Drawer face, 7.00" X 23.00" Hickory
6.	382002	Cabinet door pull, Orb, 3" center
7.	381999	Hinge, Orb
8.	381228-01	Catch, grabber door
9.	964910-01	Drawer box- 20.88" X 18.00" X 5.00"
10.	381133	Rack sack, 6.5 liter, white
11.	381526-03	Drawer slide-18" (PER PR)
12.	381526-06	Adjustable rear bracket (PER PR)
13.	964910-02	Drawer box, 10.00" X 18.00" X 5.00"
14.	801172-013	Molding, corner. 8' long, Hickory
15.	602136	Top assembly, galley, Corian, Sandstone
	800631-003	Handrail, 23" long, Hickory
	200980-01	Tray, silverware, almond, 9 X 13
	602227	Dispenser, Liquid Soap/Lotion

2010 CLASSIC TRAILER

FURNITURE, GALLEY

Galley, 31', 30', Full Oven

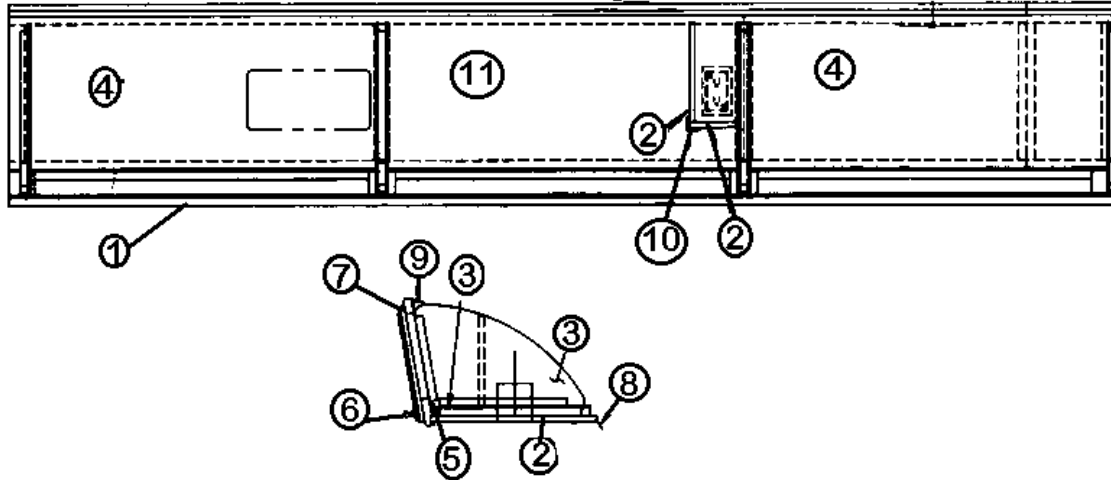


- | | |
|---------------|--------------------------------------|
| 964600-07 | Galley, Full oven |
| 1. 964599-003 | Face frame, galley oven, Hickory |
| 2. 801259-003 | Panel, GS, Hickory vinyl/raw |
| 3. 800599-383 | Drawer face, 7.00" X 21.50", Hickory |
| 4. 382002 | Cabinet door pull, Orb, 3" center |
| 5. 381999 | Hinge, Orb |
| 6. 381228-01 | Catch, grabber door |

2010 CLASSIC TRAILER

FURNITURE, GALLEY

Roof Locker, 31', 30', Galley

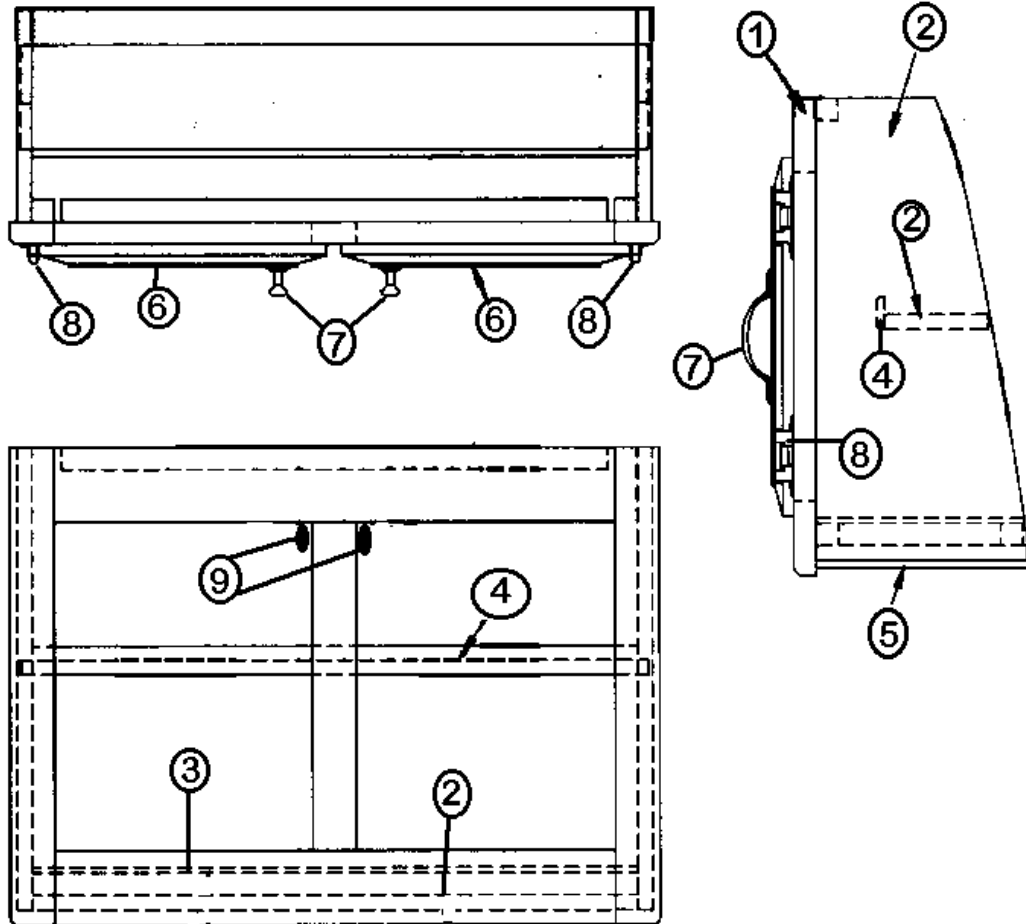


- | | |
|----------------|---|
| 963761-08 | Galley, roof locker assembly |
| 1. 962167-013 | Face frame, galley roof locker, Hickory |
| 2. 801258-003 | Panel, 1/2" Hickory/Hickory 4' X 7' |
| 3. 801260-003 | Panel, 5/32"G1S Hickory/Raw 4'X 8' |
| 4. 800597-013 | Door, 10.50" X 22.00" Hickory |
| 5. 381147 | Support, spring loaded door |
| 6. 382002 | Cabinet door pull, Orb, 3" center |
| 7. 381999 | Hinge, Orb |
| 8. 104829 | Support, roof locker, galley |
| 9. 104821 | Support, roof locker, 74" |
| 10. 800575-013 | Molding, corner,, 80" Long Hickory |
| 11. 800597-123 | Door, 10.50" X 26.25" Hickory |
| 100097 | Extrusion, alum. curtain track |
| 962197-05 | Box assembly, priority switch |

2010 CLASSIC TRAILER

FURNITURE, GALLEY

Spice Cabinet, 31', 30'

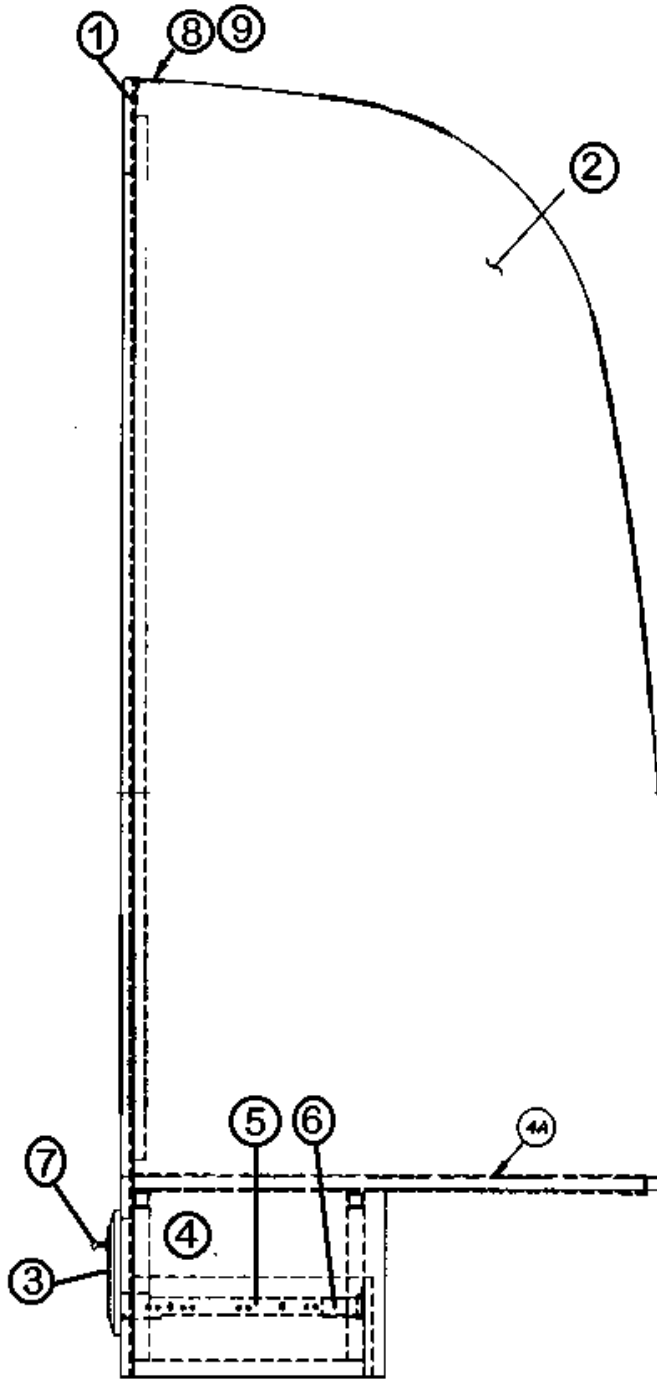


- | | |
|---------------|-------------------------------------|
| 962225-06 | Spice cabinet assembly |
| 1. 962224-013 | Face frame, spice cabinet |
| 2. 801258-003 | Panel, 1/2", Hickory/Hickory |
| 3. 801260-003 | Panel, 5/32", Hickory/Raw 4' X 8' |
| 4. 800573-013 | Molding, edge - 3/32" X 80" Hickory |
| 5. 800572-013 | Molding, panel 23/32" X 80" Hickory |
| 6. 800599-593 | Drawer face, 9.75" X 12.00" Hickory |
| 7. 382002 | Cabinet door pull, Orb, 3" center |
| 8. 381999 | Hinge, Orb |
| 9. 381228-01 | Catch, grabber door |

2010 CLASSIC TRAILER

FURNITURE, GALLEY

Refrigerator Cabinet, 31', 30'



See next page for P/N

2010 CLASSIC TRAILER

FURNITURE, GALLEY

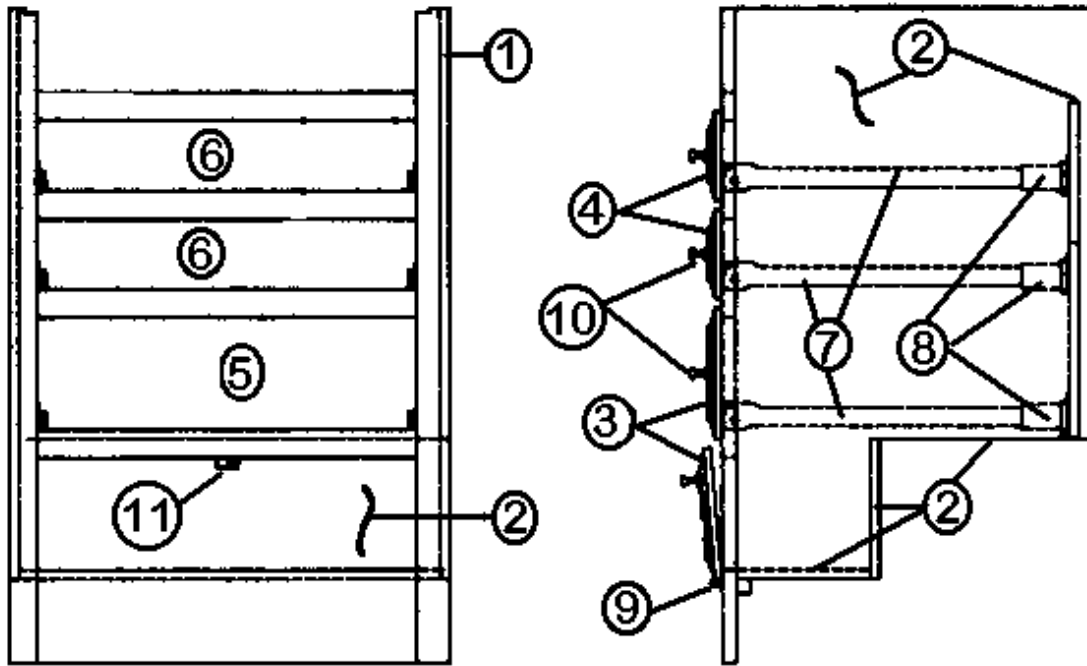
Refrigerator Cabinet, 31', 30'

964310-03	Refer cabinet assembly, 31D
964310-04	Refer cabinet assembly, 30'
1. 963724-013	Face frame, refer, Hickory
2. 801127-10	Panel, forward refer, 31'
2. 801772	Panel, forward refer, 30'
2. 800599-213	Drawer face 7.00" X 23.00", Hickory
3. 964910-13	Drawer box- 19.69" X 14.00" X 5.00"
4. 381526-01	Drawer slide 14" (PR)
5. 381526-06	Bracket, adjustable rear (PR)
6. 382002	Cabinet door pull, Orb, 3" center
7. 104821	Support, roof locker, 74"
8. 330038	Rivet, blind AD 54 ABS
203138-03	Extrusion, plastic wall, beige
963730-02	Refer stand

2010 CLASSIC TRAILER

FURNITURE, GALLEY

Galley, 31', 30', 27' Front Bed, MW W/3-Burner, Cook top Section

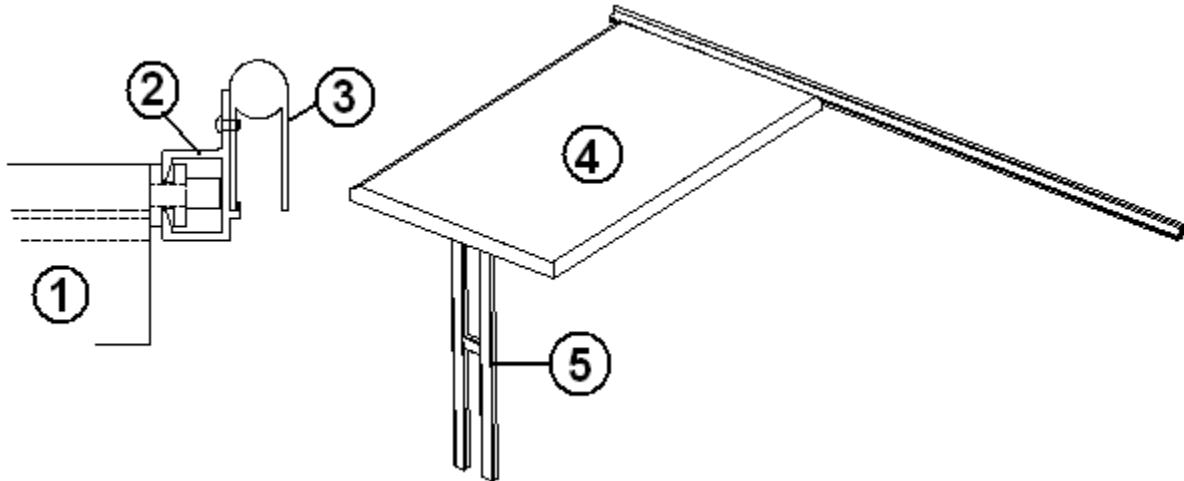


- | | | |
|-----|------------|-------------------------------------|
| | 964598-02 | Galley assembly / cooktop |
| 1. | 964597-003 | Face frame, cooktop, Hickory |
| 2. | 801259-003 | Panel, 1/2" G1S Hickory/Raw |
| 3. | 800599-383 | Drawer face 7.00" X 21.50" Hickory |
| 4. | 800599-583 | Drawer face 4.75" X 21.50" Hickory |
| 5. | 964910-03 | Drawer box- 19.50" X 18.00" X 5.00" |
| 6. | 964906-02 | Drawer box- 19.50" X 18.00" X 2.75" |
| 7. | 381526-03 | Drawer slide 18" (PR) |
| 8. | 381526-06 | Bracket, adjustable rear (PR) |
| 9. | 381999 | Hinge, Orb |
| 10. | 382002 | Cabinet door pull, Orb, 3" center |
| 11. | 381228-01 | Catch, grabber door |

2010 CLASSIC TRAILER

FURNITURE, GALLEY

Dinette Table, 31', Sliding

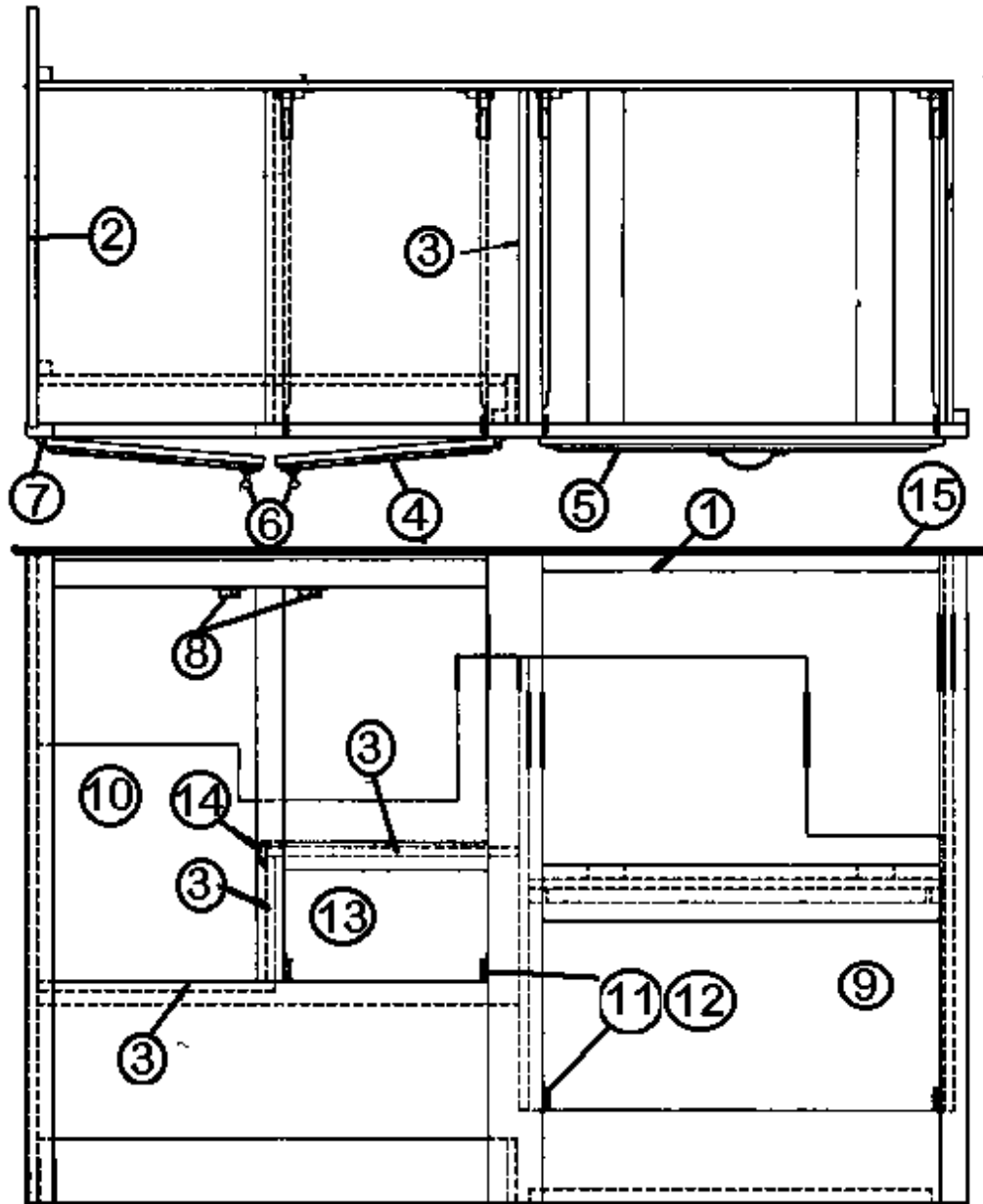


- | | |
|---------------|--|
| 966410-01 | Dinette table assembly, 26" |
| 1. 101253 | Extrusion, credenza hinge, movable |
| 2. 380203-01 | Piano hinge, 1/8" pin, anodized |
| 3. 201155 | Sliding guide, plastic |
| 4. 963674-003 | Top, dinette, resistovar 26 X 42 Hickory |
| 5. 962177-033 | Leg, hardwood, 30.50", Hickory |

2010 CLASSIC TRAILER

FURNITURE, GALLEY

Galley, 30', 31', 27' Front Bed, MW W/3-Burner



See next page for P/N

2010 CLASSIC TRAILER

FURNITURE, GALLEY

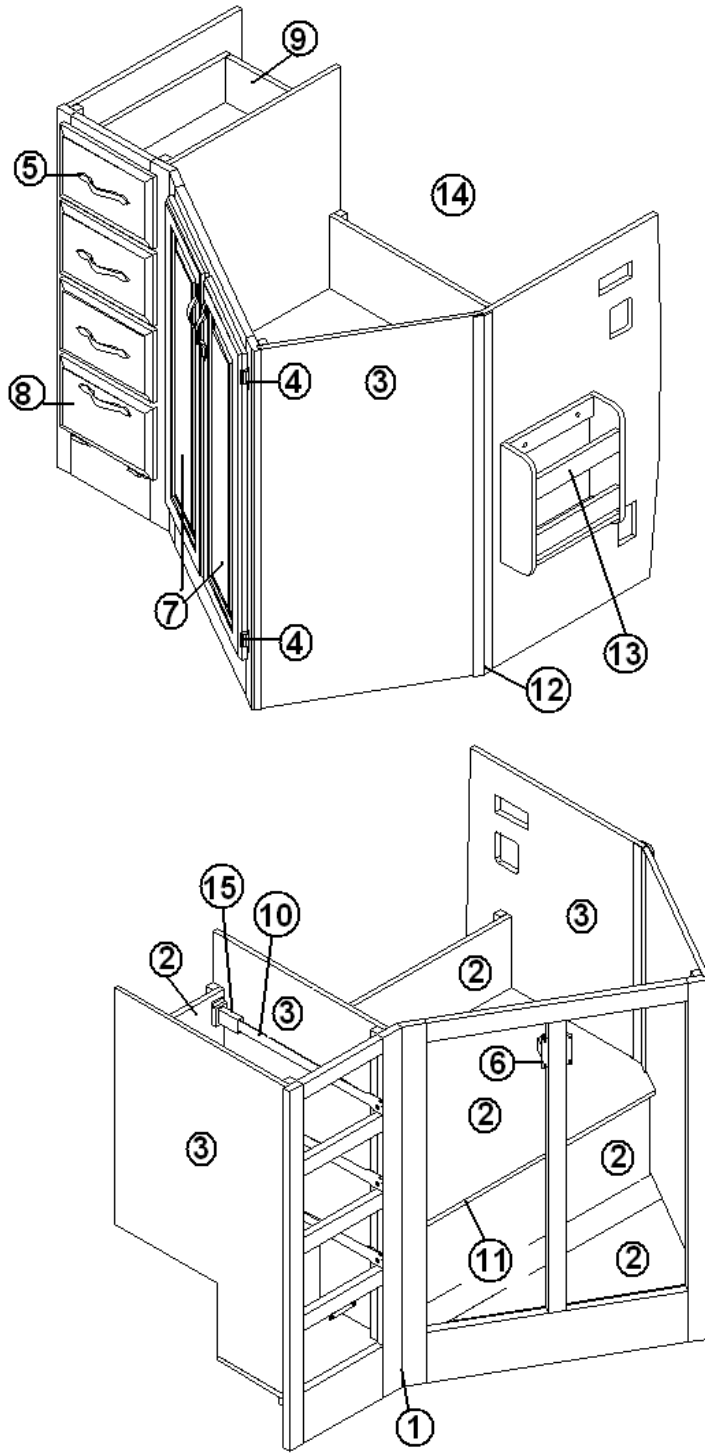
Galley, 30', 31', 27' Front Bed, MW W/3-Burner

964964-03	Galley, Forward Convection MW Section
1. 964363-013	Face frame, galley forward microwave, Hickory
2. 801258-006	Panel ½" G2S Hickory/Hickory 4' X 7'
3. 801259-003	Panel ½" G1S Hickory/Raw
4. 800597-503	Door 12.00" X 29.50", Hickory
5. 800599-263	Drawer face 11.75" X 22.25", Hickory
6. 382002	Cabinet door pull, Orb, 3" center
7. 381999	Hinge, Orb
8. 381228-01	Catch, grabber door
9. 964908-02	Drawer box- 20.75" X 18.00" X 8.00"
10. 381133	Rack sack, 6.5 Liter, white
11. 381526-03	Drawer slide 18"(PR)
12. 381526-06	Adjustable rear bracket (PR)
13. 964910-02	Drawer box- 10.00" X 18.00" X 5.00"
14. 801172-013	Molding, corner 8' L, Hickory
15. 602136	Top assembly, galley, Corian, Sandstone

2010 CLASSIC TRAILER

FURNITURE, GALLEY

Galley, 27' Front Bed, Aft Section



See next page for P/N

2010 CLASSIC TRAILER

FURNITURE, GALLEY

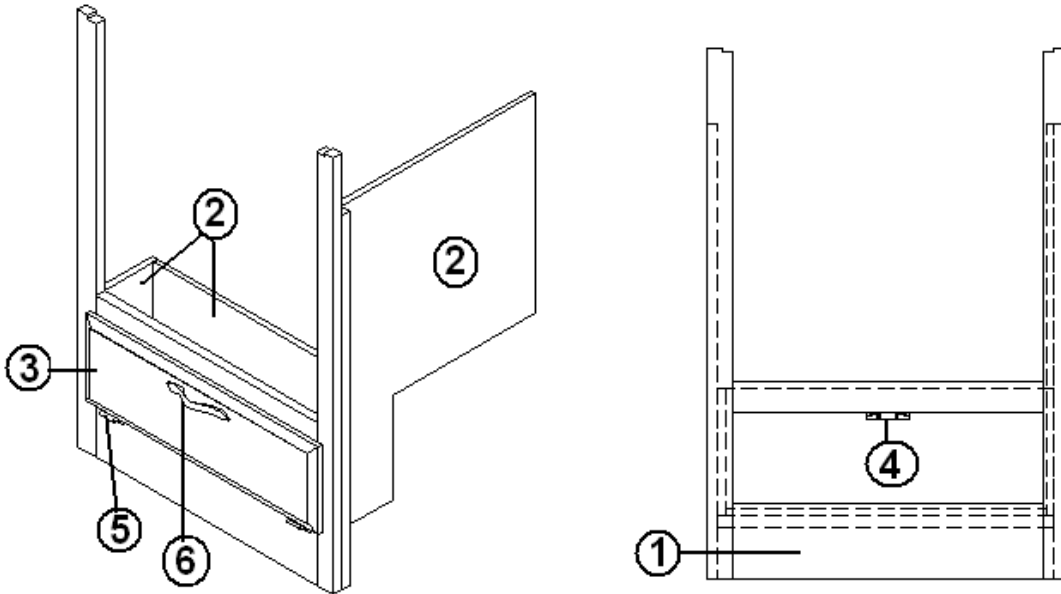
Galley, 27' Front Bed, Aft Section

- | | | |
|-----|------------|------------------------------------|
| | 966742 | Aft galley assembly |
| 1. | 966741-003 | Face frame, aft galley |
| 2. | 801259-003 | Paneling, 1/2", Hickory/Raw |
| 3. | 801258-003 | Paneling 1/2", Hickory / Hickory |
| 4. | 381999 | Hinge, orb |
| 5. | 382002 | Pull, cabinet door, 3" center, orb |
| 6. | 381228-01 | Catch, grabber door |
| 7. | 800597-093 | Door, 11.00" X 29.75" |
| 8. | 800599-013 | Drawer face, 7" X 10.50" |
| 9. | 964910-23 | Drawer box, 5" X 8" X 17" |
| 10. | 381526-03 | Drawer slide |
| 11. | 800572-013 | Molding, panel edge |
| 12. | 115032 | Angle, galley corner |
| 13. | 963990-003 | Magazine rack |
| 14. | 602128 | Top, Corian, galley |
| 15. | 381526-06 | Drawer slide, adjustable bracket |

2010 CLASSIC TRAILER

FURNITURE, GALLEY

Galley, 27' Front Bed, Oven Section

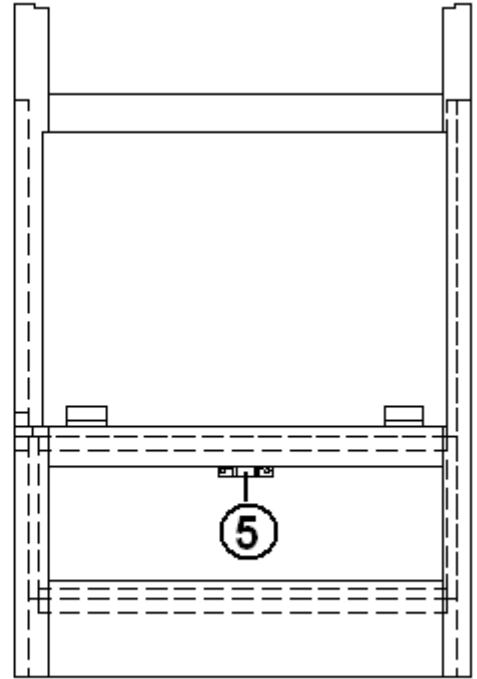
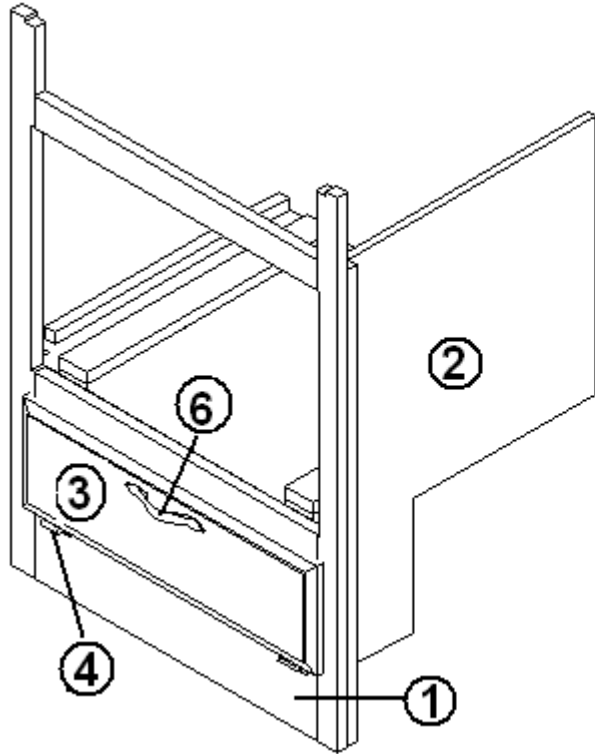


- | | |
|---------------|-----------------------------------|
| 966744 | Galley, oven section |
| 1. 966743-003 | Face frame, galley, oven section |
| 2. 801259-003 | Paneling, 1/2", Hickory/raw |
| 3. 800599-383 | Drawer face 7.00 X 21.50 |
| 4. 381228-01 | Catch, grabber door |
| 5. 381999 | Hinge, orb |
| 6. 382002 | Pull, cabinet door, 3"center, orb |

2010 CLASSIC TRAILER

FURNITURE, GALLEY

Galley, 27' Front Bed, Convection Microwave Section

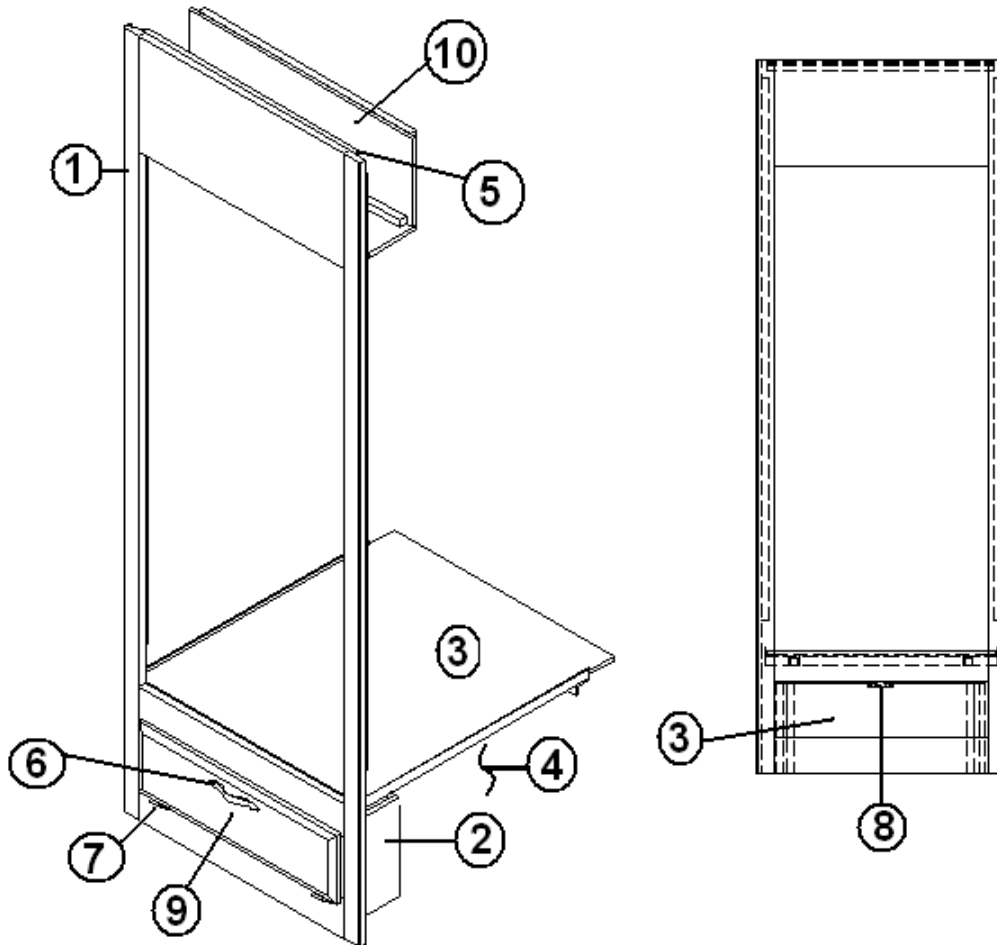


- | | |
|---------------|--------------------------------------|
| 966746 | Galley, microwave option section |
| 1. 966745-003 | Face frame, microwave option section |
| 2. 801259-003 | Paneling, 1/2", Hickory/raw |
| 3. 800599-383 | Drawer face 7.00 X 21.50 |
| 4. 381999 | Hinge, orb |
| 5. 381228-01 | Catch, grabber door |
| 6. 382002 | Pull, cabinet door, 3"center, orb |

2010 CLASSIC TRAILER

FURNITURE, GALLEY

Refrigerator Cabinet, 27' Front Bed

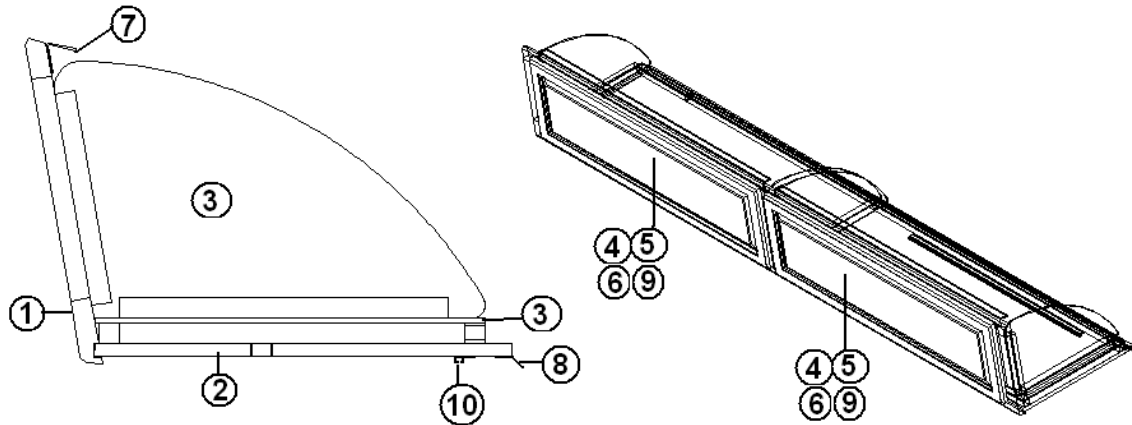


- | | | |
|-----|------------|------------------------------------|
| | 966726 | Refer cabinet |
| 1. | 966724-003 | Face frame, refer cabinet |
| 2. | 801259-003 | Paneling, 1/2" Hickory/Raw |
| 3. | 801260-003 | Paneling, 5/32" Hickory/Raw |
| 4. | 104821 | Support, roof locker, 74" |
| 5. | 966725 | Refer stand |
| 6. | 382002 | Pull, cabinet door, 3" center, orb |
| 7. | 381999 | Hinge, orb |
| 8. | 381228-01 | Catch, grabber door |
| 9. | 800599-213 | Drawer face 7.00" X 23.00" |
| 10. | 966793 | Air defoiler, upper refer |

2010 CLASSIC TRAILER

FURNITURE, GALLEY

Roof Locker, Galley, 27' Front Bed

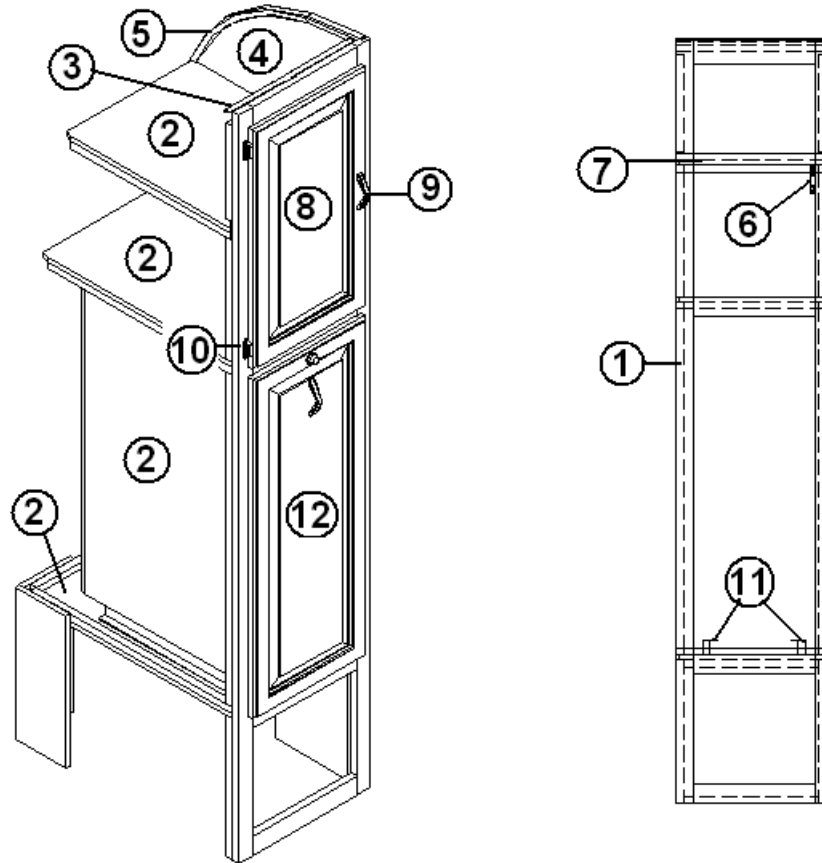


- | | | |
|-----|------------|------------------------------------|
| | 966717 | Galley roof locker |
| 1. | 963354-01 | Face frame, galley roof locker |
| 2. | 801258-003 | Paneling, 1/2" Hickory/Hickory |
| 3. | 801260-003 | Paneling, 5/32" Hickory/Raw |
| 4. | 800597-413 | Door, 10.50" X 32.00" |
| 5. | 381147 | Support, spring loaded door |
| 6. | 382002 | Pull, cabinet door, 3" center, orb |
| 7. | 104829 | Support, roof locker, galley |
| 8. | 100013 | Extrusion, wall attachment |
| 9. | 381999 | Hinge, orb |
| 10. | 100097 | Extrusion, curtain track |
| | 500540-01 | Light, ceiling, galley and vanity |

2010 CLASSIC TRAILER

FURNITURE, GALLEY

Pantry Cabinet, 27' Front Bed

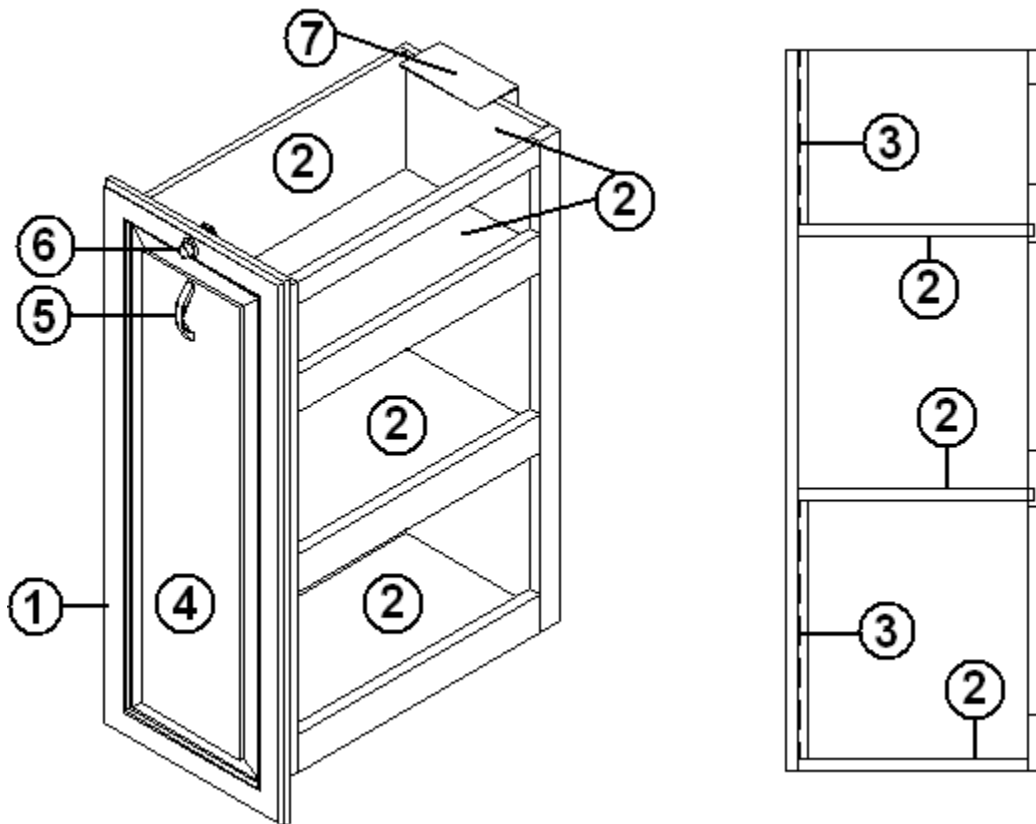


- | | | |
|-----|------------|------------------------------------|
| | 966976 | Pantry assembly |
| 1. | 966975-003 | Face frame, pantry assembly |
| 2. | 801258-003 | Paneling, 1/2" Hickory/Hickory |
| 3. | 104821 | Support, roof locker, 74" |
| 4. | 801671-08 | Panel, aft pantry |
| 5. | 203138-03 | Extrusion, plastic wall, beige |
| 6. | 381228-01 | Catch, grabber door |
| 7. | 800573-013 | Molding, door edge, Hickory |
| 8. | 800597-983 | Door, 15.25' X 25" |
| 9. | 382002 | Pull, cabinet door, 3" center, orb |
| 10. | 381999 | Hinge, orb |
| 11. | 381944-01 | Slide 18" (PR) |
| 12. | 966977 | Pantry, S/O assembly |

2010 CLASSIC TRAILER

FURNITURE, GALLEY

Pantry Cabinet Slide Out, 27' Front Bed

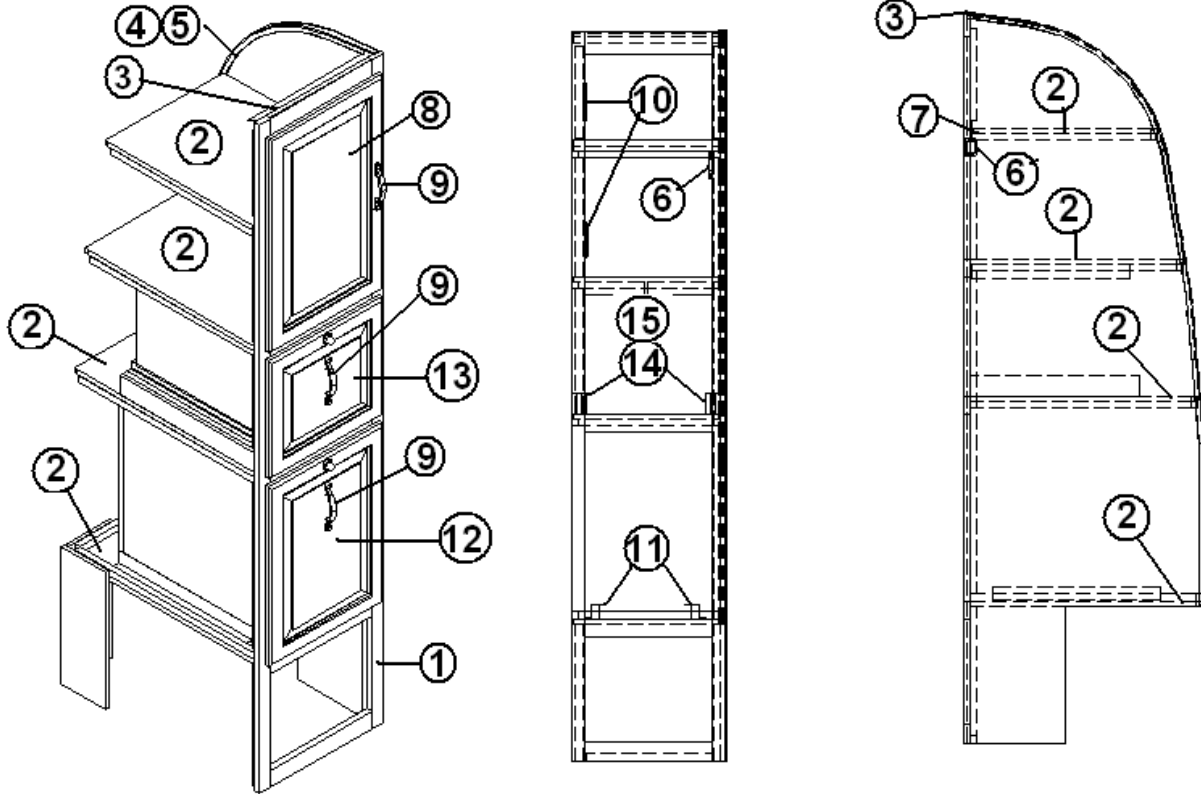


- | | |
|---------------|------------------------------------|
| 966977 | Pantry, S/O assembly |
| 1. 966736-003 | Face frame, pantry S/O assembly |
| 2. 801258-003 | Paneling, 1/2" Hickory/Hickory |
| 3. 114811 | Aluminum angle .50" X .50" |
| 4. 800597-993 | Door, 15.25: X 35.50" |
| 5. 382002 | Pull, cabinet door, 3" center, orb |
| 6. 381408 | Lock, push button style, black |
| 7. 104887 | Positive stop, pantry |
| 365268-03 | Edgebanding-.024"X .63" |

2010 CLASSIC TRAILER

FURNITURE, GALLEY

Pantry w/Microwave, 27' Front Bed



See next page for P/N

2010 CLASSIC TRAILER

FURNITURE, GALLEY

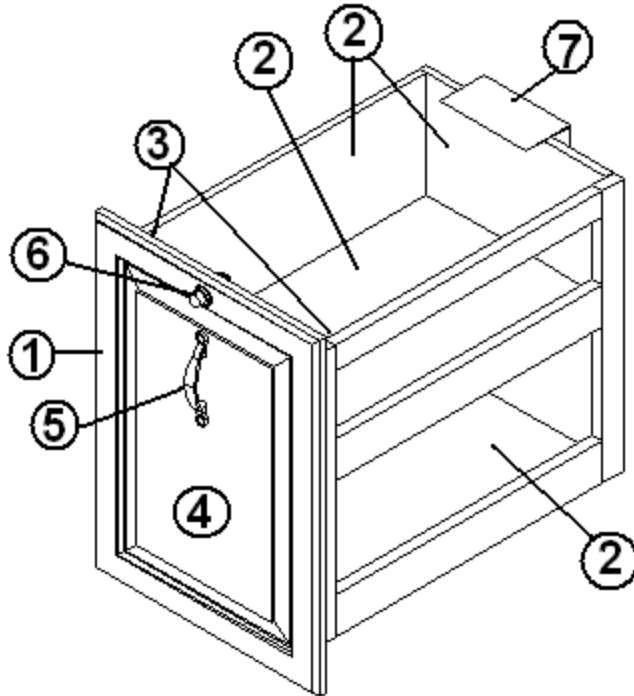
Pantry w/Microwave, 27' Front Bed

- | | | |
|-----|------------|---------------------------------------|
| | 966978 | Pantry, 27', Microwave Option |
| 1. | 966981-003 | Face frame, pantry w/microwave option |
| 2. | 801258-003 | Panel, ½", Hickory/Hickory |
| 3. | 104821 | Roof locker support, 74" |
| 4. | 801671-08 | Panel, aft pantry |
| 5. | 203138-03 | Wall trim, ½" Beige, plastic |
| 6. | 381228-01 | Grabber catch cabinet door |
| 7. | 800573-013 | Door edge molding, 1.38" x 80" |
| 8. | 800597-983 | Door, raised panel, 15.25" x 25.00" |
| 9. | 382002 | Pull, cabinet door |
| 10. | 381999 | Hinge, cabinet door |
| 11. | 381944-01 | Slide, 18" |
| 12. | 966979 | Pantry pullout assembly |
| 13. | 966980 | Microwave pullout assembly |
| 14. | 801180-003 | Panel, ½", Hickory/Vinyl |
| 15. | 381192 | Drawer slide, 18' |
| | 701538-01 | Carpet, Econoliner |

2010 CLASSIC TRAILER

FURNITURE, GALLEY

Pantry Slide Out, 27' Front Bed, Microwave Option

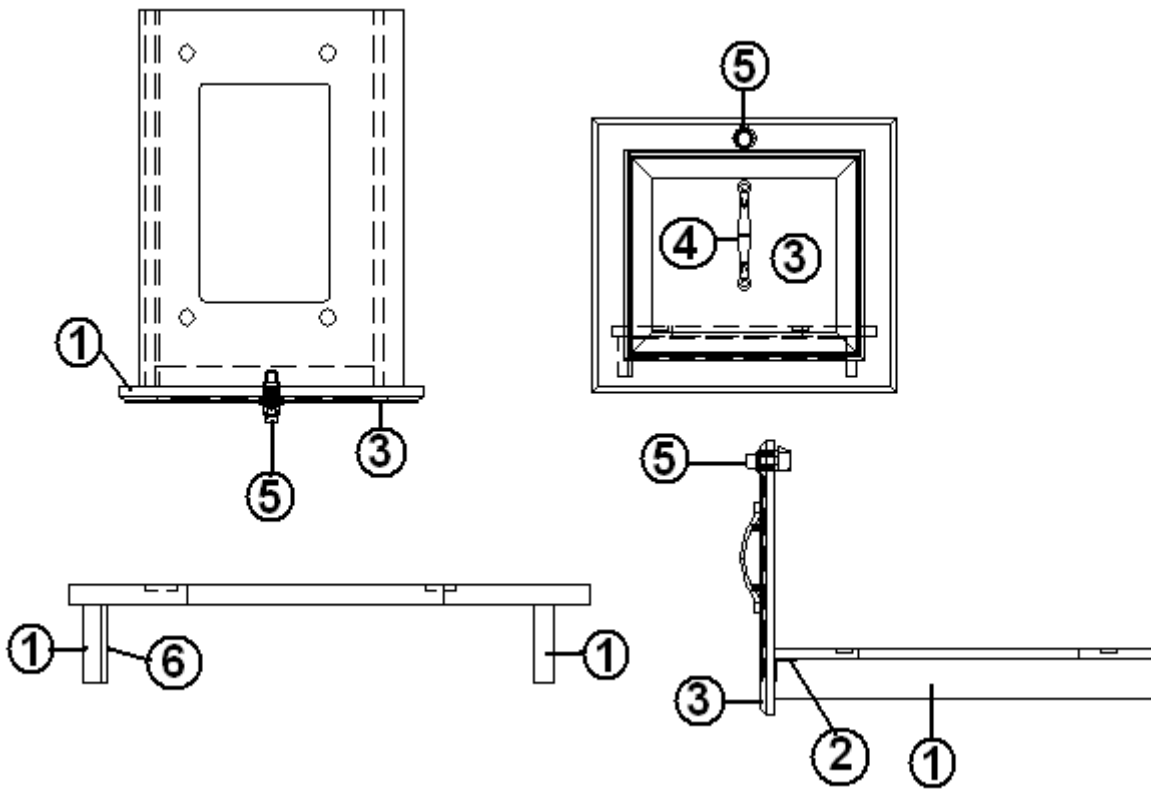


- | | |
|---------------|---|
| 966979 | Pantry Slide Out, 27', Microwave Option |
| 1. 966982-003 | Face frame, pantry slide out w/microwave option |
| 2. 801258-003 | Panel, 1/2", Hickory/Hickory |
| 3. 114811 | Aluminum angle, 1/2" x 1/2" |
| 4. 800597-101 | Door, raised panel, 15.25" x 21.00" |
| 5. 382002 | Pull, cabinet door |
| 6. 381408 | Lock, push button style |
| 7. 104887 | Positive stop, pantry |

2010 CLASSIC TRAILER

FURNITURE, GALLEY

Pantry Cabinet Microwave Slide Out, 27' Front Bed

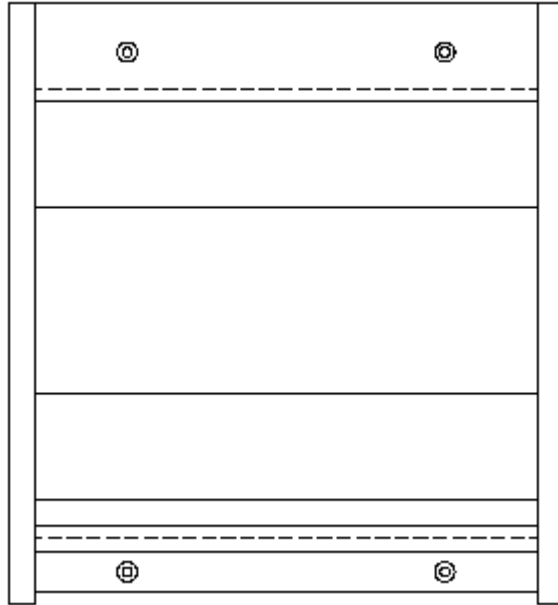


- 966980 Microwave Slide Out, 27', Microwave Option
- 1. 801258-003 Panel, 1/2", Hickory/Hickory
 - 2. 114812 Aluminum angle, 1" x 1"
 - 3. 800597-100 Door, raised panel, 15.25" x 13.75"
 - 4. 382002 Pull, cabinet door
 - 5. 381408 Lock, push button style
 - 6. 800507-01 Luan, 1/8" x 4' x 8'

2010 CLASSIC TRAILER

FURNITURE, GALLEY

Magazine Rack, 31' D, 30'

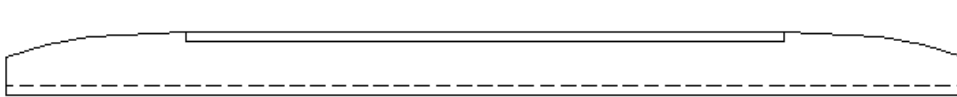


963990-003 Magazine Rack, Hickory

2010 CLASSIC TRAILER

FURNITURE, LOUNGE

Closeout Panels, Lounge, 31' D, 30'

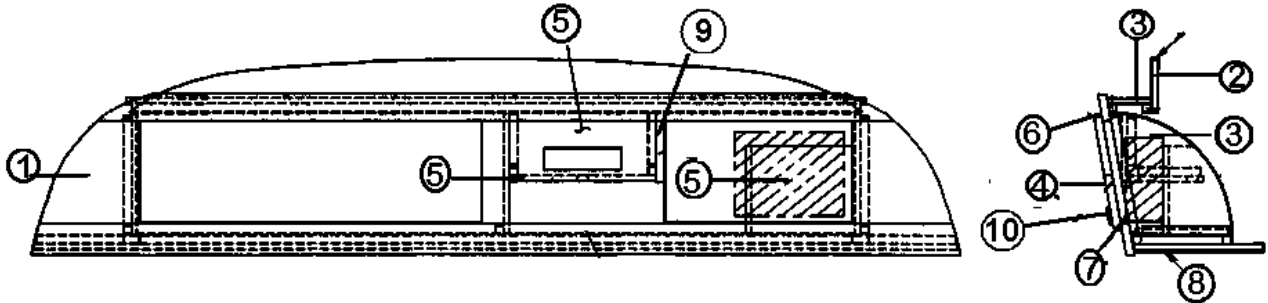


- | | |
|-----------|-----------------------------------|
| 962563-01 | Closeout assembly, lounge rear |
| 801027-05 | Panel, lounge, rear closeout |
| 801027-06 | Panel, kill switch mtg. |
| 382002 | Cabinet door pull, Orb, 3" center |

2010 CLASSIC TRAILER

FURNITURE, LOUNGE

Roof Locker, Front End, All Rear Bed Units, 31' D, 30'

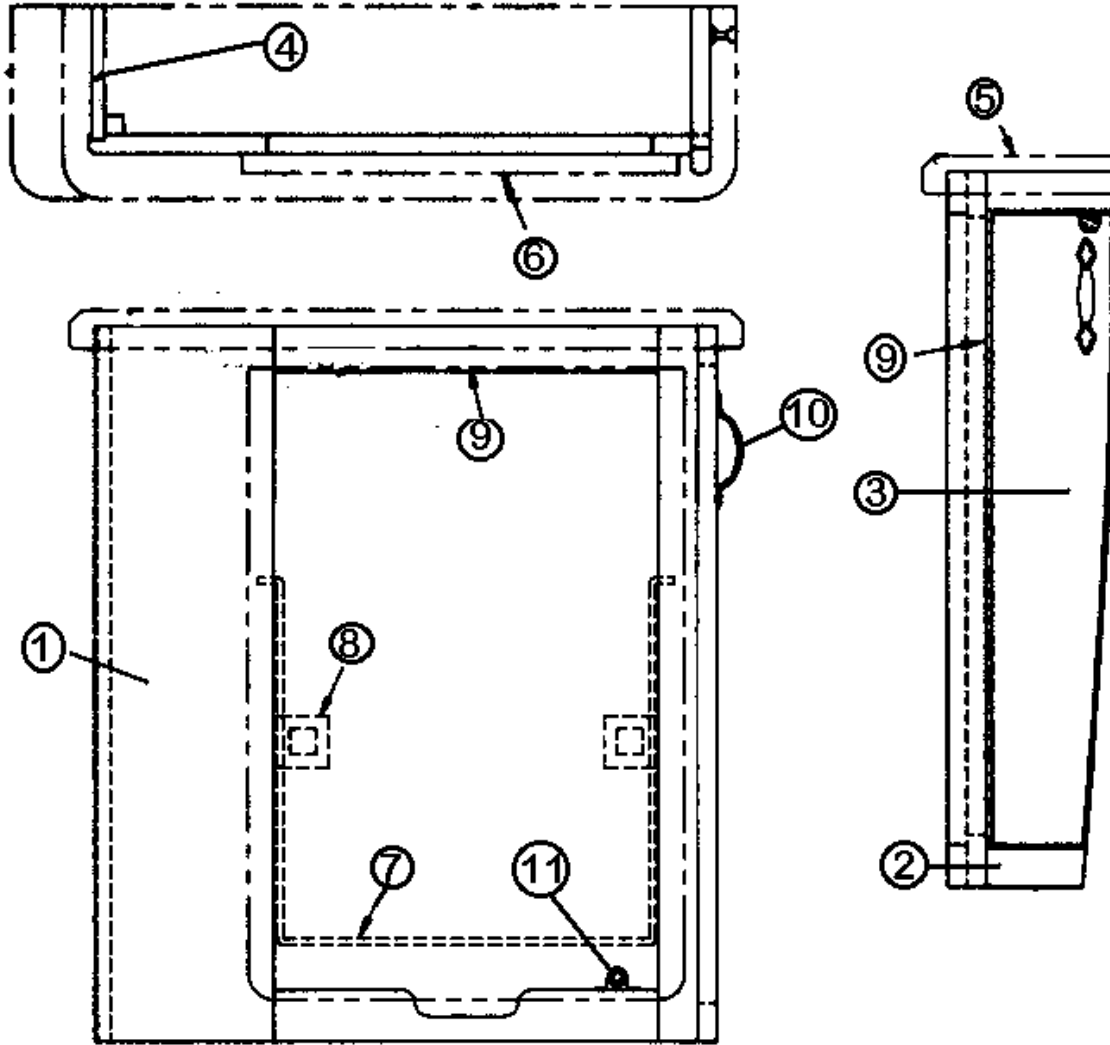


963506-12	Roof Locker, Front end Liner
963506-03	Roof Locker, Front end Liner
1. 963498-003	Face frame, fwd/aft, roof locker, Hickory
2. 801258-003	Panel 1/2" G2S Hickory/Hickory
3. 801260-003	Panel 5/32"G1S Hickory/RAW
4. 800597-853	Door, 10.50" X 32.50", Hickory
5. 801259-003	Panel 1/2", G1S Hickory/Raw
6. 382000	Hinge, semi-concealed, BP7550-OR
7. 381147	Door support, spring loaded
8. 702482-03	Headliner, textured
9. 965049-003	Side panel, radio shelf, Hickory
10. 382002	Cabinet door pull, Orb, 3" center

2010 CLASSIC TRAILER

FURNITURE, LOUNGE

Writing Table/Chair Storage, 31' D, 30'



See next page for P/N

2010 CLASSIC TRAILER

FURNITURE, LOUNGE

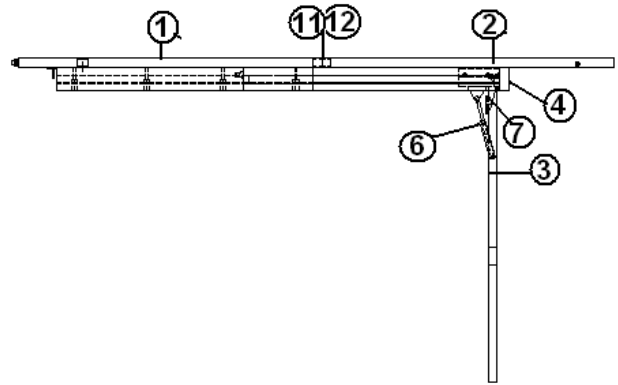
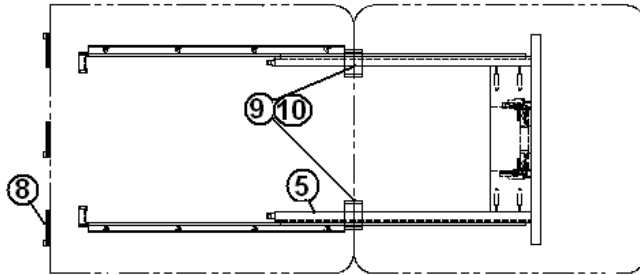
Writing Table/Chair Storage, 31' D, 30'

	961959-04	Writing table, w/chair storage
1.	961955-023	Face frame, chair storage, Hickory
2.	961956-013	Frame end w/table, chair, Hickory
3.	961957-013	Door, Hickory, chair storage
4.	801258-003	Panel ½' G2S, Hickory/Hickory 4' x 8'
5.	962875-003	Top Assembly, NOMAR, Limited, Hickory
6.	962880-003	Top Assembly, NOMAR, Limited, Hickory
7.	380492	Bracket, table
8.	340018	Catch plate J-1
9.	380458	Hinge piano, brown anodized
10.	382002	Cabinet door pull, Orb, 3" center
11.	381228-01	Catch, grabber door
	964280-003	Countertop edge molding, Hickory

2010 CLASSIC TRAILER

FURNITURE, LOUNGE

Table, Lift Up, 30'

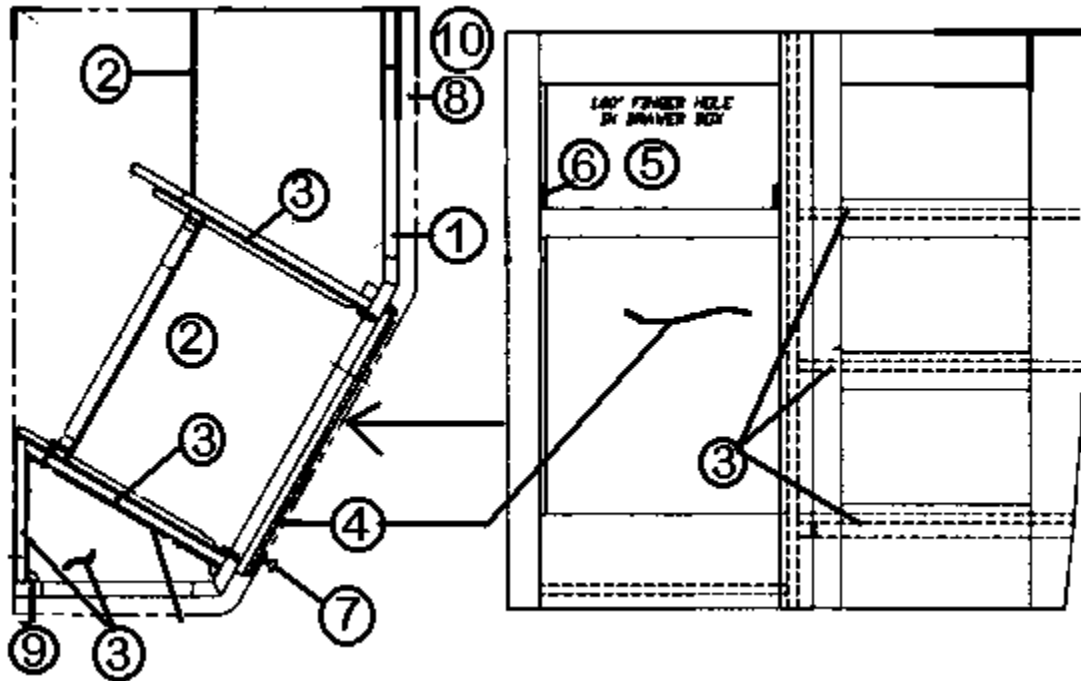


- | | |
|---------------|-------------------------------------|
| 966126-04 | Table, lift up, 24", Hickory |
| 1. 962878-023 | Leaf, table, lower, Hickory |
| 2. 962879-023 | Leaf, table, upper, Hickory |
| 3. 962177-033 | Leg, hardwood 30.50", Hickory |
| 4. 960419-013 | Facer board, lift up table, Hickory |
| 5. 381306 | Slides, table, lift up, RH & LH #20 |
| 6. 381147 | Door support, spring loaded |
| 7. 385935-01 | Hinge, pivot, zinc plated |
| 8. 201155 | Sliding guide, plastic - table |
| 9. 380040 | Hinge, Soss, invisible, LH/RH |
| 10. 345319-08 | Screw, particle board, #8 X 1.00" |
| 11. 380037 | Retainer, spring lock |
| 12. 380038 | Eyelet, lock GS 5 10 brass |
| 13. 381074 | Catch, bulldog #65S (copper) |
| 380203-01 | Piano hinge 1/8" |
| 101253 | Credenza hinge, moveable |

2010 CLASSIC TRAILER

FURNITURE, LOUNGE

End Table, 30'



See next page for P/N

2010 CLASSIC TRAILER

FURNITURE, LOUNGE

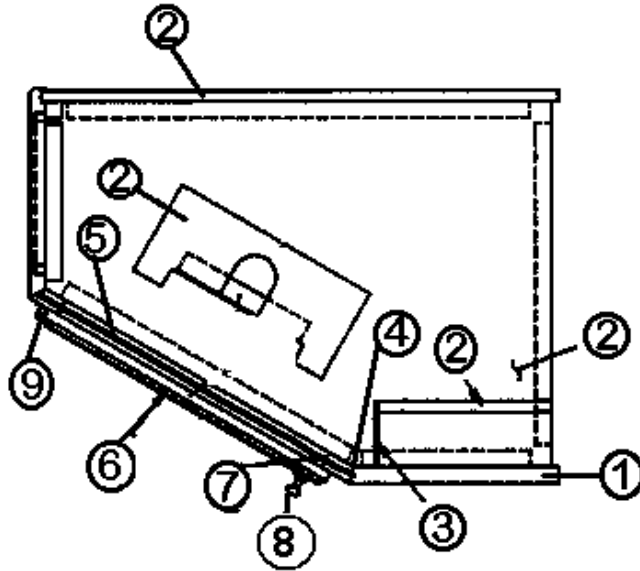
End Table, 30'

963219-03	End table
1. 962291-013	Face frame, end table, Hickory
2. 801260-003	Panel 5/32"G1S Hickory/Raw 4' X 8'
3. 801258-003	Panel 1/2" G2S Hickory/Hickory 4' X 7'
4. 800597-513	Door, 15.75" X 23.00", Hickory
5. 964910-14	Drawer box- 13.75" X 13.00" X 5.00"
6. 381526-01	Drawer slide-14" (PR)
7. 382002	Cabinet door pull, Orb, 3" center
8. 962876-003	Top, end table
9. 800638-023	Molding, 1/4" round .5", Hickory
10. 964280-003	Counter top, edge molding, Hickory

2010 CLASSIC TRAILER

FURNITURE, LOUNGE

TV Cabinet, 30'

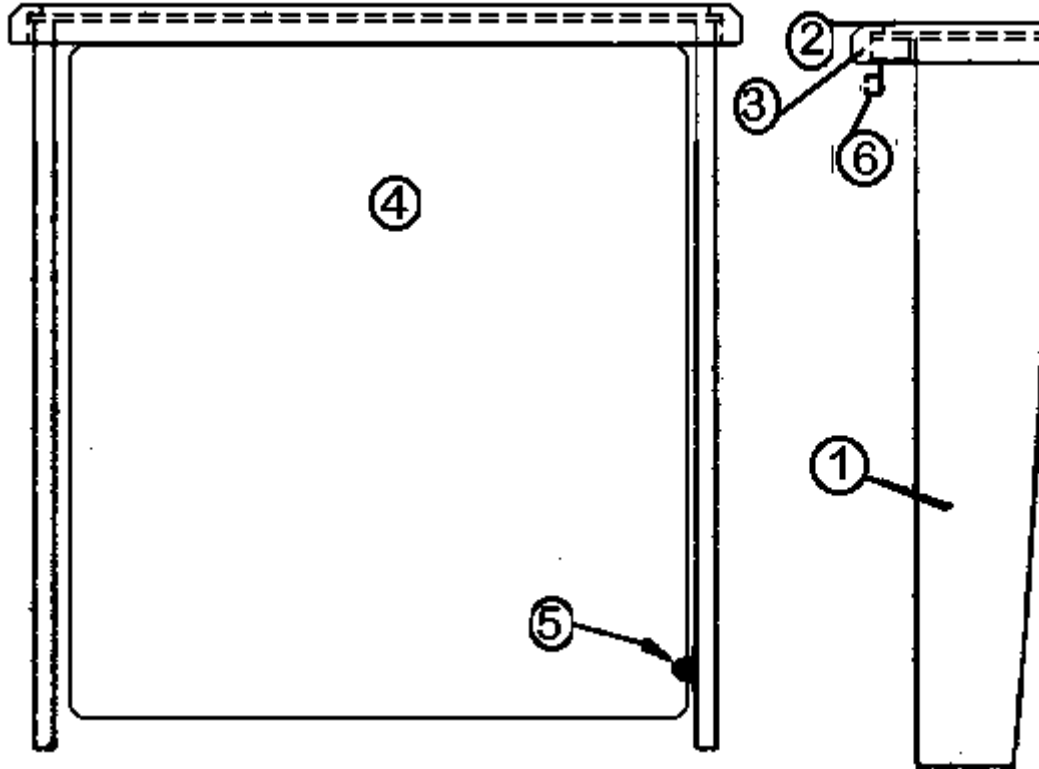


- | | |
|---------------|---|
| 962202-06 | Tv cabinet assembly, w/o tv, vinyl |
| 1. 962200-013 | Face frame, tv cabinet, Hickory |
| 2. 801258-003 | Panel 1/2" G2S, Hickory/Hickory 4' X 7' |
| 3. 801260-003 | Panel, 5/32"G1S Hickory/Raw 4' X 8' |
| 4. 114811 | Aluminum angle .50 X .50 |
| 5. 203138-03 | Extrusion, plastic wall, beige |
| 6. 800597-953 | Door frame, 15.00" X 14.50", Hickory |
| 7. 381228-01 | Catch, grabber door |
| 8. 382002 | Cabinet door pull, Orb, 3" center |
| 9. 381999 | Hinge, Orb |
| 365268-03 | Edgebanding-5/8" |

2010 CLASSIC TRAILER

FURNITURE, LOUNGE

Lift Up Table Cabinet, 30'

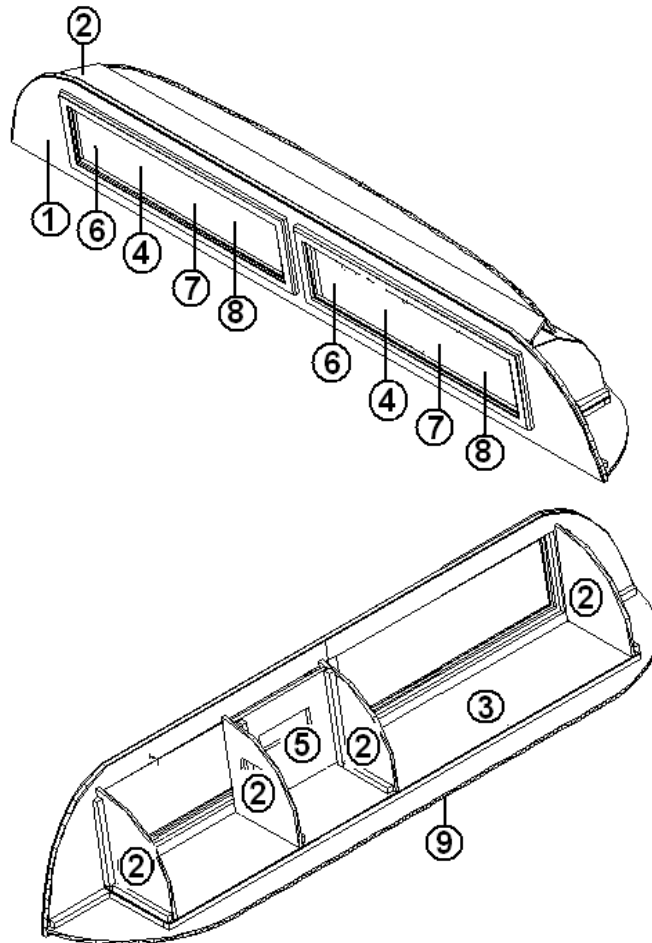


- | | |
|---------------|------------------------------------|
| 962015-02 | Lift up table |
| 1. 962381-013 | Fwd stile, RS, credenza, Hickory |
| 2. 962875-003 | Top, writing table, chair storage |
| 3. 964280-003 | Counter top edge, molding, Hickory |
| 4. 966126-04 | Table, lift up 24.00", Hickory |
| 5. 381074 | Bulldog catch |
| 6. 101253 | Extr. Credenza, hinge moveable |

2010 CLASSIC TRAILER

FURNITURE, LOUNGE

Roof Locker, Rear End, 27' Front Bed Model

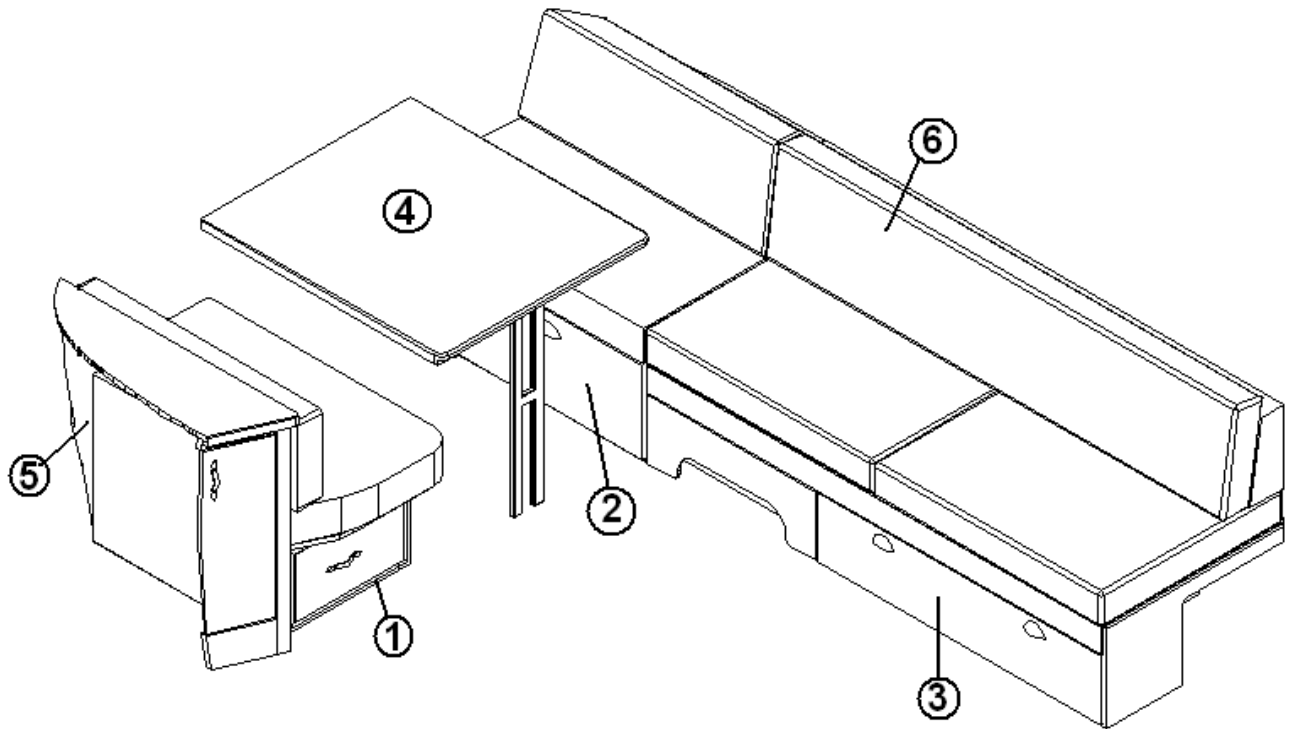


- | | |
|---------------|--|
| 966730-02 | Roof locker assembly, rear w/audio upgrade |
| 1. 963498-003 | Face frame, roof locker |
| 2. 801258-003 | Paneling, 1/2" Hickory/Hickory |
| 3. 801260-003 | Paneling, 5/32" Hickory/Raw |
| 4. 800597-853 | Door, 10.5" x 32.5" |
| 5. 801259-003 | Paneling, 1/2" Hickory/Raw |
| 6. 381999 | Hinge, orb |
| 7. 382002 | Pull, cabinet door, 3" center, orb |
| 8. 381147 | Support, spring loaded, door |
| 9. 702482-03 | Headliner, spectra opal, textured |

2010 CLASSIC TRAILER

FURNITURE, LOUNGE

Sofa/Dinette Module 27' Front Bed

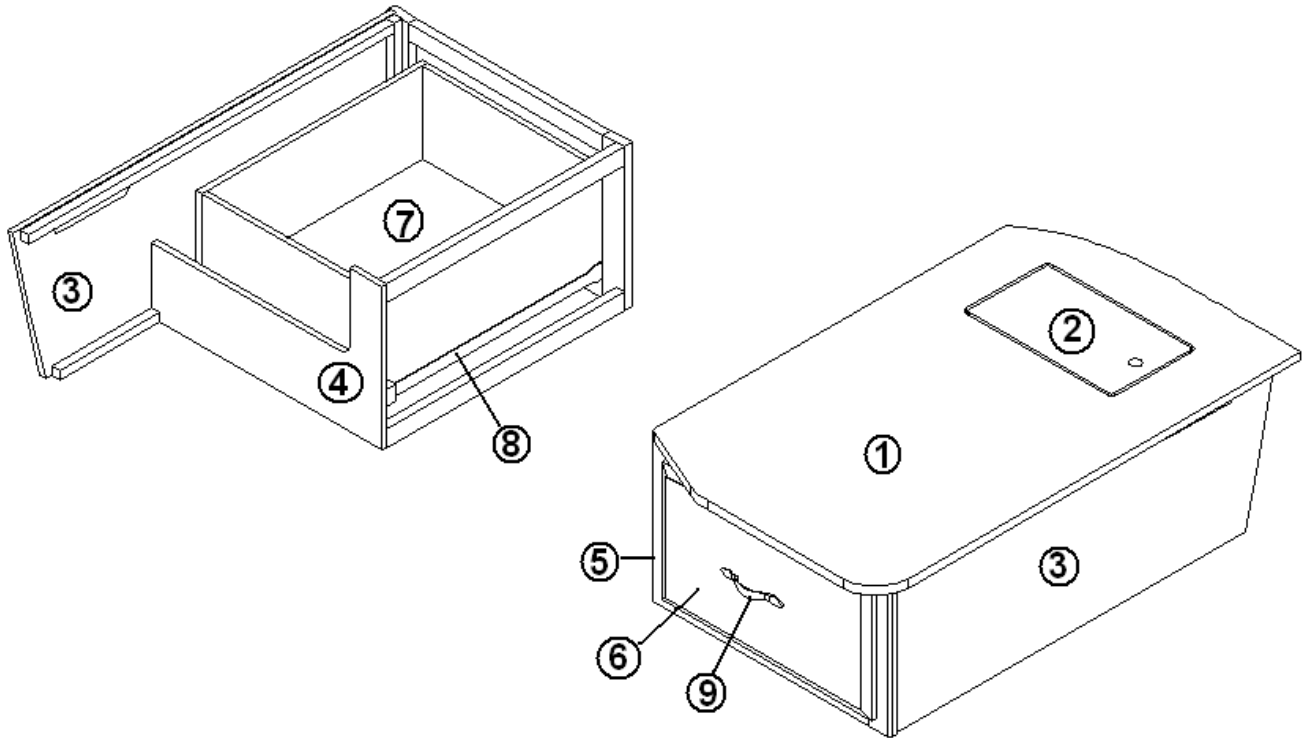


- | | |
|-----------|-------------------------------|
| 1. 967171 | Dinette seat, curbside |
| 2. 967170 | Dinette seat, roadside |
| 3. 967300 | Sofa assembly, 27' Front Bed |
| 3. 966773 | Table assembly |
| 4. 966765 | Chair storage assembly |
| 5. 703630 | Fabric/Foam kit, sofa/dinette |

2010 CLASSIC TRAILER

FURNITURE, LOUNGE

Dinette Seat, Curbside, 27' Front Bed

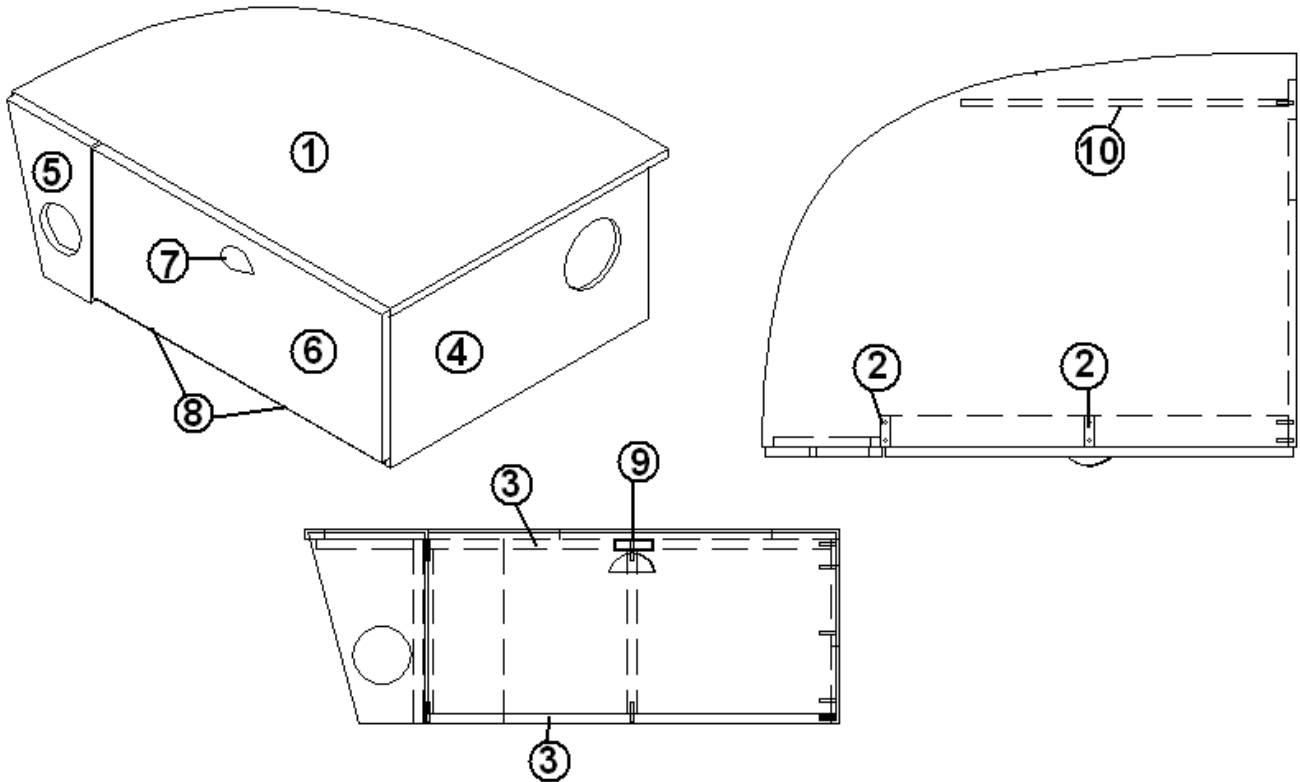


- | | |
|---------------|------------------------------------|
| 967171 | Dinette Seat, Curbside |
| 1. 967171-1A | Seat top, curbside |
| 2. 967171-1B | Compartment door |
| 3. 967171-2A | Side panel, curbside dinette seat |
| 4. 967171-3A | Panel, rear, curbside dinette seat |
| 5. 967172-003 | Face frame, curbside dinette seat |
| 6. 800599-853 | Drawer face, 11.13" x 19.50" |
| 7. 964908-07 | Drawer box, 17" x 21" x 8" |
| 8. 381526-05 | Drawer slide |
| 9. 382002 | Pull, cabinet door, 3" center, orb |

2010 CLASSIC TRAILER

FURNITURE, LOUNGE

Dinette Seat, Roadside, 27' Front Bed

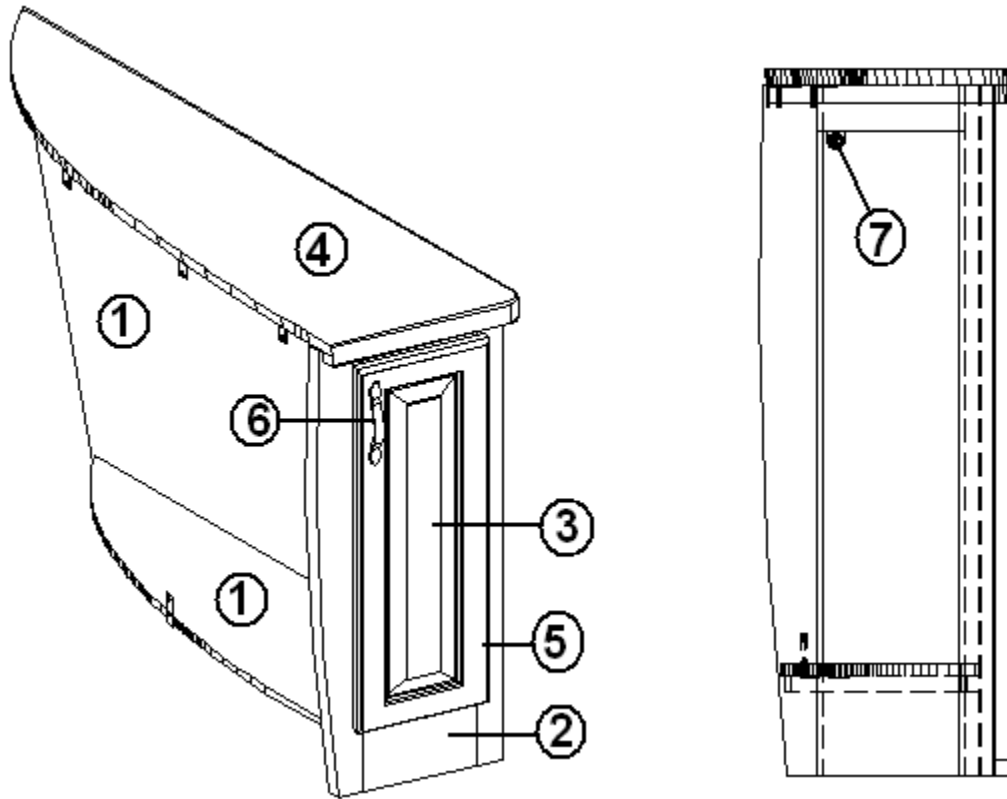


- | | |
|---------------|---|
| 967170 | Dinette Seat, Roadside |
| 1. 967170-1A | Seat top, 29.50"x 40.13", roadside |
| 2. 967170-1B | Stile, 2.25" x 12.38", roadside dinette seat |
| 3. 967170-1C | Panel, 22.25" x 30.75", roadside dinette seat |
| 4. 967170-2A | Panel, 27.50" x 13.75", roadside dinette seat |
| 5. 967170-2B | Panel, 8.88" x 14.38", roadside dinette seat |
| 6. 967170-2C | Door, roadside dinette seat |
| 7. 382001 | Pull, drawer, orb |
| 8. 381072 | Hinge, 3" x 1.78", open, gold |
| 9. 381228-01 | Door grabber catch |
| 10. 967170-9A | Panel, white, 13.88" x 24.63" |

2010 CLASSIC TRAILER

FURNITURE, LOUNGE

Chair Storage Cabinet, 27' Front Bed

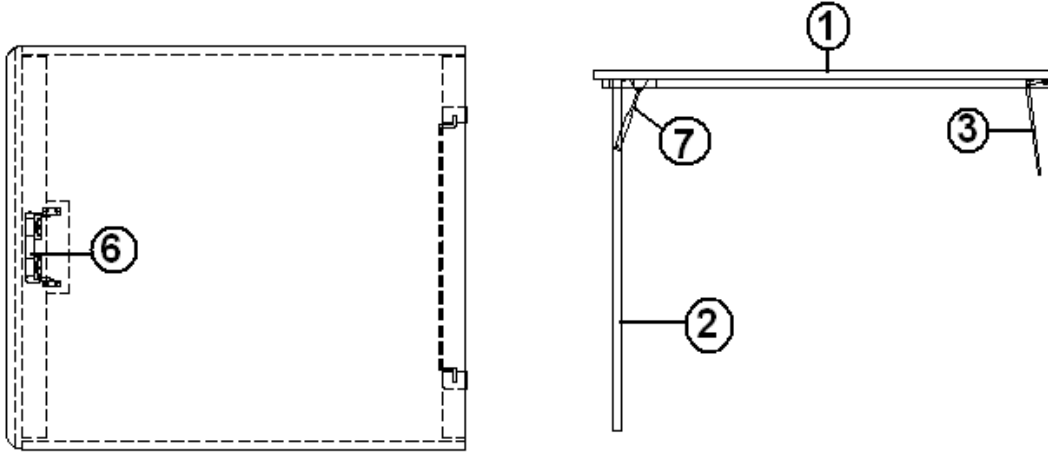


- | | |
|---------------|------------------------------------|
| 966765 | Chair storage cabinet |
| 1. 801258-003 | Paneling, 1/2" Hickory/Hickory |
| 2. 966764-003 | Face frame, chair storage cabinet |
| 3. 800597-933 | Door, 8"X 24.75 |
| 4. 966771-003 | Top, chair storage cabinet |
| 5. 381999 | Hinge, orb |
| 6. 382002 | Pull, cabinet door, 3" center, orb |
| 7. 381074 | Catch, bulldog |

2010 CLASSIC TRAILER

FURNITURE, LOUNGE

Dinette Table, 27' Front Bed

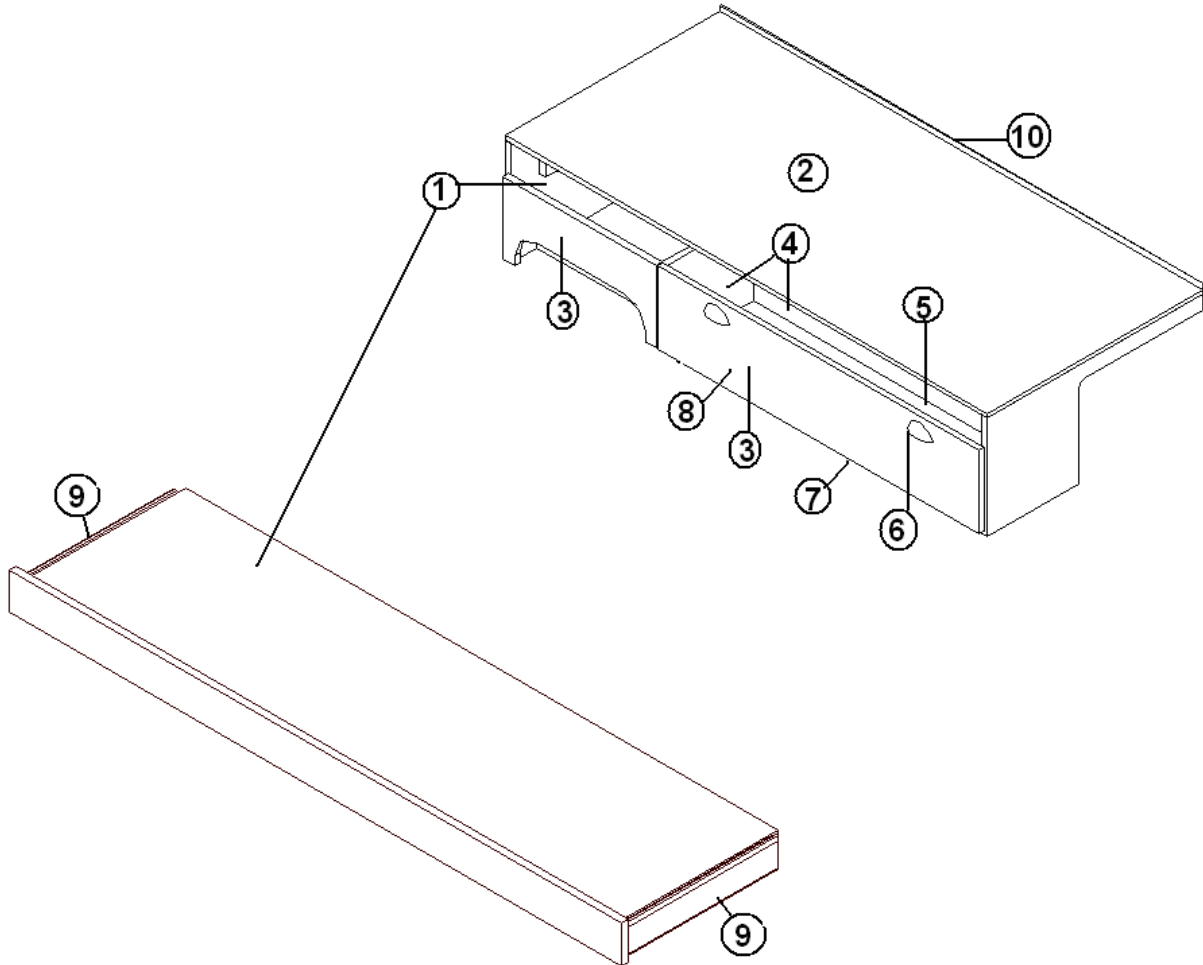


- | | |
|---------------|---------------------------------|
| 966773 | Table, dinette |
| 1. 966772-003 | Top, dinette table, 34" X 40" |
| 2. 962177-033 | Leg, hardwood, 30.50" |
| 3. 380284-02 | Table hinge bracket |
| 4. 380284-03 | Table hinge brackets, not shown |
| 5. 340018 | Catch plate J-1, not shown |
| 6. 380210 | Hinge, plain steel |
| 7. 381147 | Support, spring loaded door |

2010 CLASSIC TRAILER

FURNITURE, LOUNGE

Sofa, 27' Front Bed

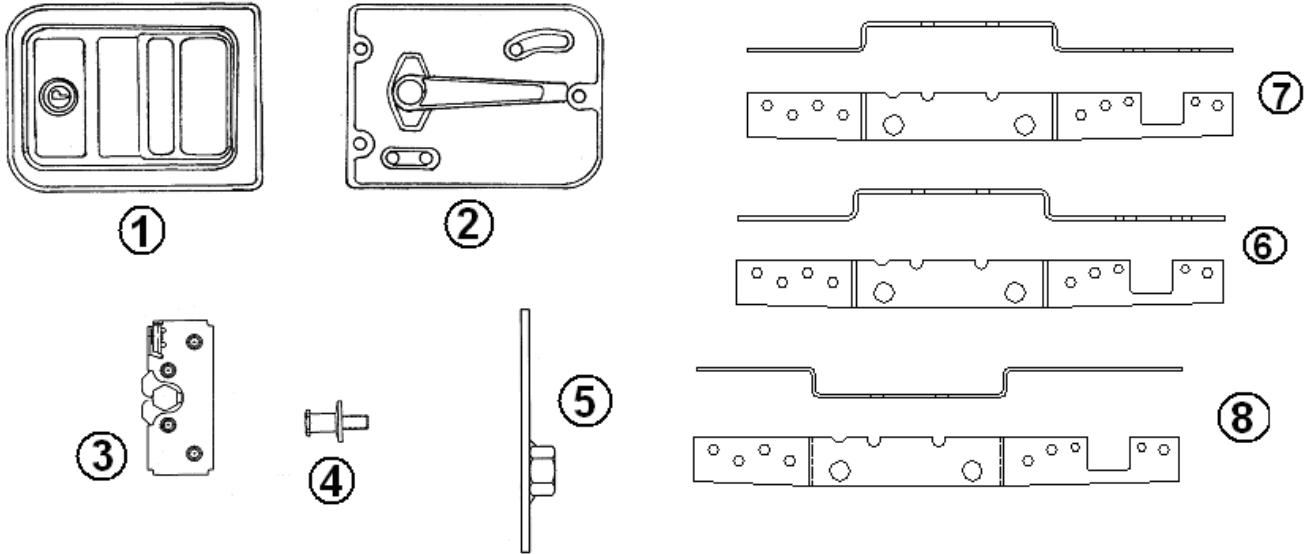


- | | |
|---------------|---------------------------------------|
| 967300 | Sofa Assembly |
| 1. 967301 | Sofa bed assembly |
| 2. 701538-01 | Carpet, Econolier w/ sticking backing |
| 3. 801258-003 | Panel, Hickory/Hickory, .5" |
| 4. 801259-003 | Paneling, 1/2" Hickory/Raw |
| 5. 801392 | Panel, White liner/White liner |
| 6. 382001 | Pull, drawer, orb |
| 7. 381072-01 | Hinge 3" X 2 |
| 8. 381228-01 | Catch, grabber door |
| 9. 381826 | Slide, ball bearing, 16" |
| 10. 101115 | Aluminum sheet, .60" x 3.25" x 66" |

2010 CLASSIC TRAILER

HARDWARE

Main Door Latch/Lock

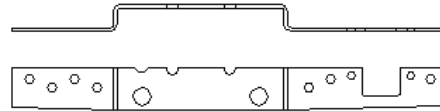
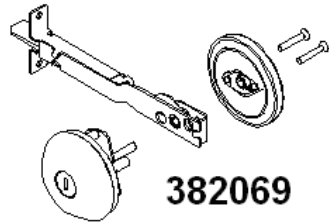


- | | |
|--------------|--|
| 1. 381547-01 | Main door lock, outside housing |
| 2. 381547-07 | Main door lock, inside plate |
| 3. 381547-03 | Double rotary latch, main door |
| 4. 381547-04 | Striker bolt w/washer, main door lock |
| 5. 381550 | Plate, striker bolt mounting |
| 6. 382067 | Outer reinforcement plate, RH/LH hinged door |
| 7. 382066 | Inner reinforcement plate, LH hinged door |
| 8. 382068 | Inner reinforcement plate, RH hinged door |
| 381547-08 | Screw package, main door lock |
| 385595 | Pocket strike, #10-10-810 |

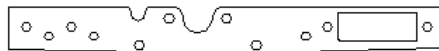
2010 CLASSIC TRAILER

HARDWARE

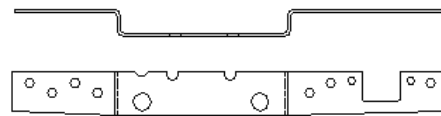
Deadbolt Assembly, Main Door, Round, Trimark



382066



382067



382068

115413



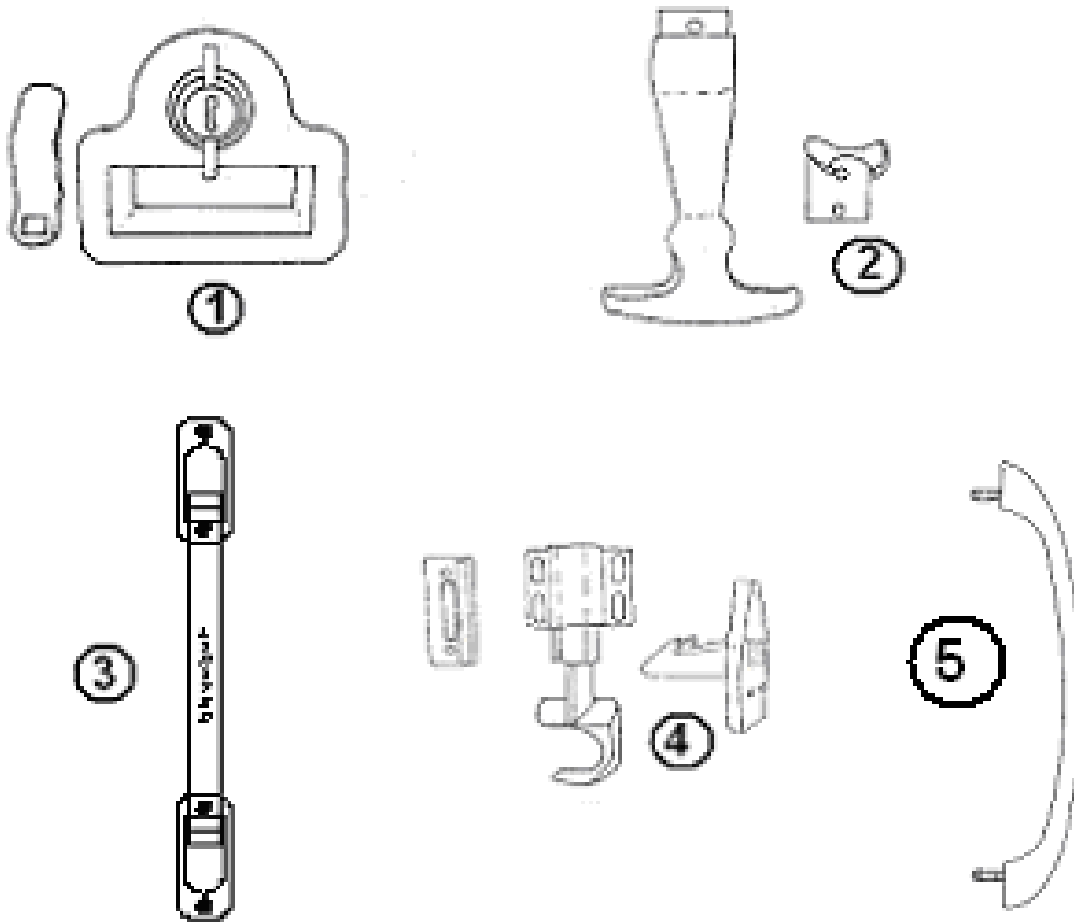
115415

- 382069 Deadbolt assembly, round, Trimark
- 382066 Inner reinforcement plate, LH hinged door
- 382067 Outer reinforcement plate, RH/LH hinged door
- 382068 Inner reinforcement plate, RH hinged door
- 115413 Door hat section
- 115415 Door hat section assembly

2010 CLASSIC TRAILER

HARDWARE

Exterior Latches/Locks/Handles

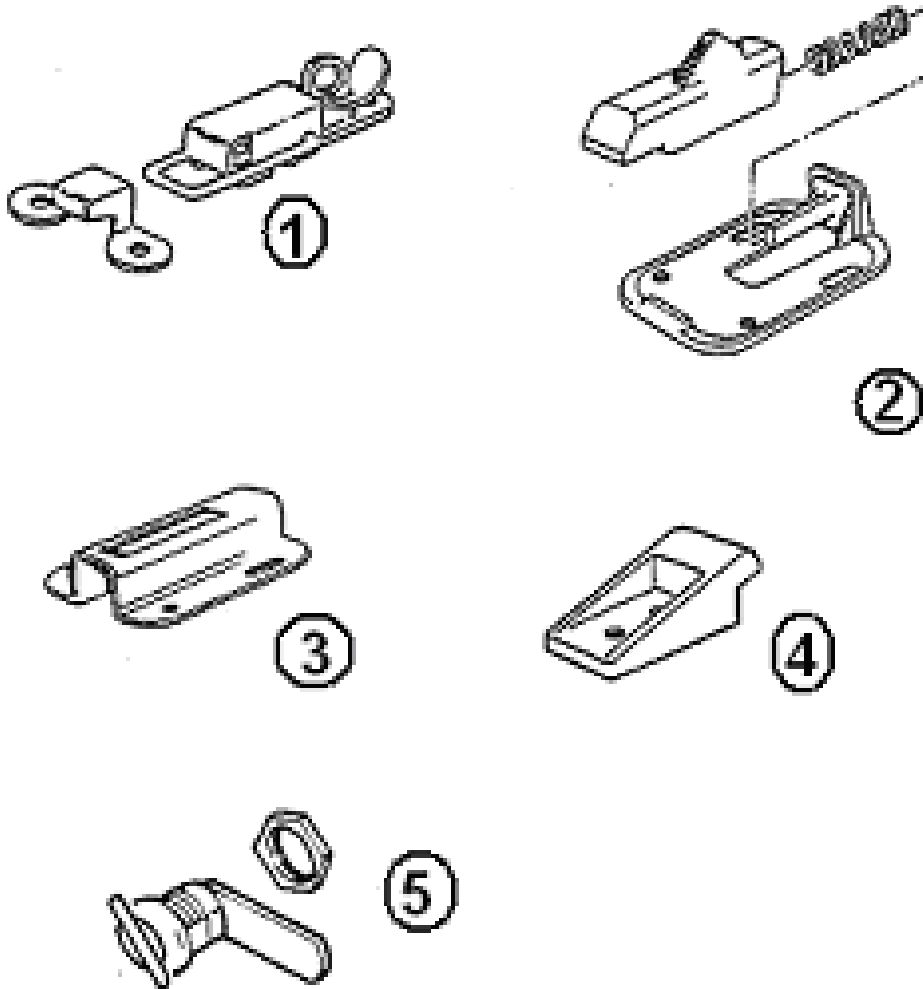


- | | |
|--------------|---------------------------------|
| 1. 380770 | Twist lock, black |
| 2. 381021-01 | Rubber T handle |
| 3. 511344-01 | Grab handle, embossed "Limited" |
| 4. 381454 | Latch, screen door, Bullet |
| 5. 101171 | Grab handle, main door |
| 5. 382074 | Gasket, grab handle, main door |

2010 CLASSIC TRAILER

HARDWARE

Exterior Latches/Locks/Handles

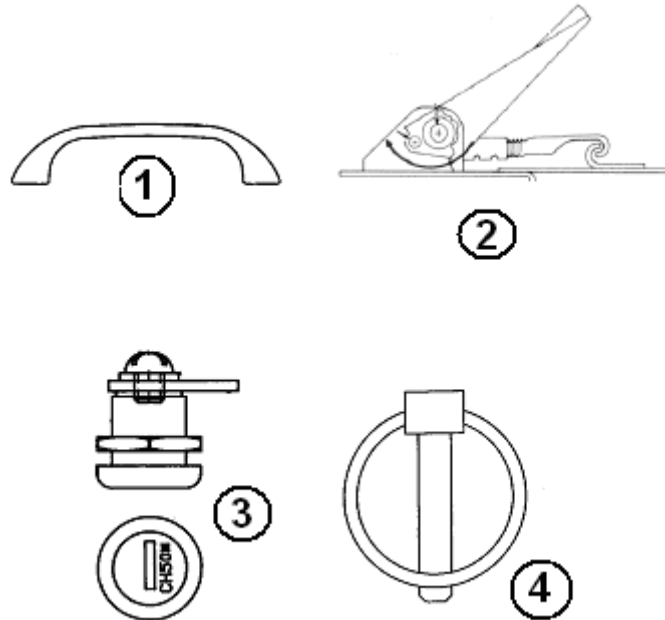


- | | |
|--------------|---|
| 1. 340023-01 | Pad lockable catch |
| 1. 380291 | Main door holdback, (use w/housing #380290) |
| 2. 380290 | Latch housing, main door holdback |
| 3. 201056 | Catch, main door holdback |
| 4. 381430 | Twist lock, straight cam |

2010 CLASSIC TRAILER

HARDWARE

Exterior Latches/Locks/Handles

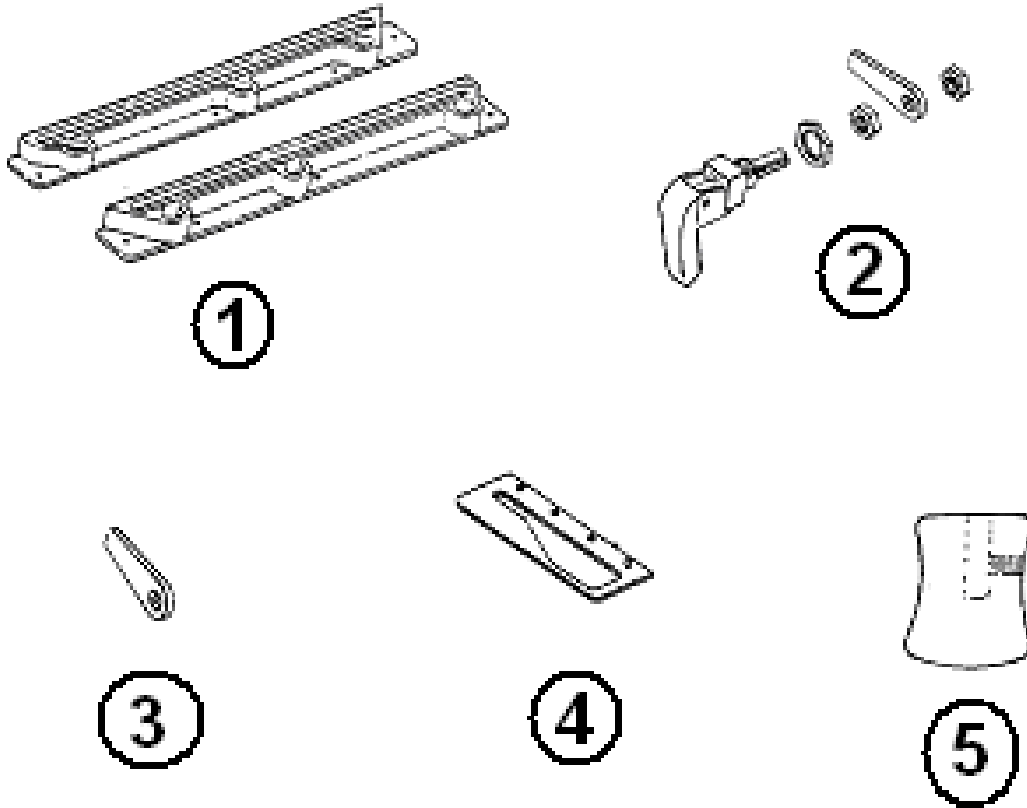


- | | |
|--------------|--|
| 1. 380004 | Handle, screen door |
| 2. 382091-01 | Tension latch, stainless steel |
| 2. 382091-02 | Strike, tension latch, stainless steel |
| 3. 381397 | Key cylinder w/cam |
| 4. 310028 | Lynch pin roll out storage tray |

2010 CLASSIC TRAILER

HARDWARE

Window, Opening

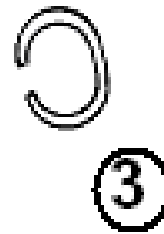
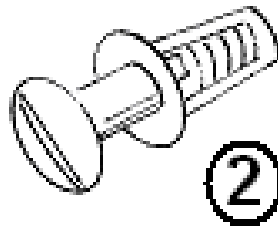
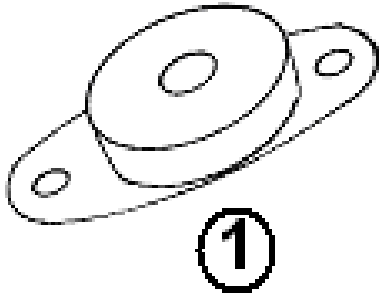


- | | |
|--------------|----------------------------------|
| 1. 0802-0001 | Window guide, RH |
| 1. 0802-0002 | Window guide, LH |
| 2. 010020 | Lower window latch, chrome |
| 2. 195467-05 | Lower window latch, w/red handle |
| 3. 685123 | Pawl, window latch, straight |
| 4. 1101-0011 | Striker plate, window latch LH |
| 4. 1101-0012 | Striker plate, window latch RH |
| 5. 380230-03 | Knob window arm, silver |
| 5. 380230-04 | Knob, window arm, red |

2010 CLASSIC TRAILER

HARDWARE

Window Stone Guard

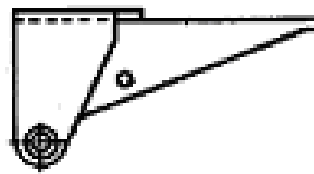
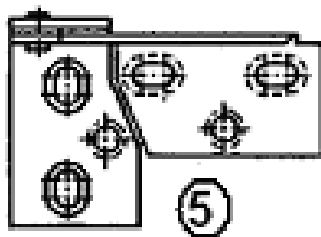
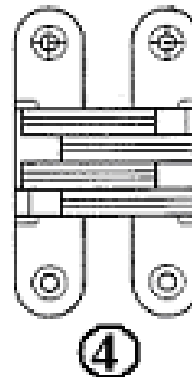
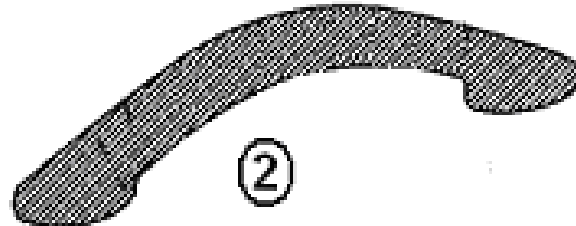
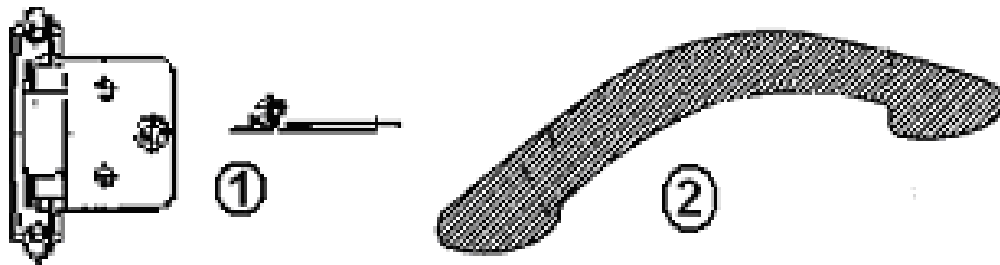


- | | | |
|-----------|---|---------------------|
| 1. 685359 | Rubber receptacle | 1/4 latch, South-co |
| 2. 685342 | Stud, 1/4 turn latch | South-co |
| 3. 685362 | Retaining ring | 1/4 turn stud |
| 685363 | Slip joint hinge | |
| 683960 | Support arm, rock guard | |
| 683959 | Bracket, arm support | |
| 114749 | Hinge "Y" assembly | |
| 114750 | Hinge "J" rock guard | |
| 381021-01 | Draw latch, black rubber | |
| 114819-01 | Wrap protector hold back, 1.62" | |
| 114819-02 | Wrap protector hold back, 2.50" | |
| 114819-03 | Wrap protector hold back, 5.00" | |
| 101401 | Extrusion, door latch housing/Stone guard | |
| 345417 | Nut, acorn, hex locking, SS | 1/4-20 |
| 345376 | Nut, hex HD | 1/4-20 SS |
| 345336-07 | Cap screw HEX HD | 1/4-20 X .75" |

2010 CLASSIC TRAILER

HARDWARE

Interior Latches/Hinges/Handles

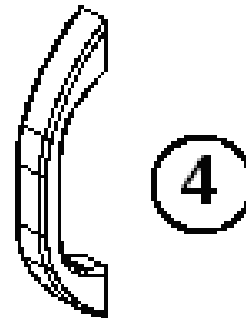
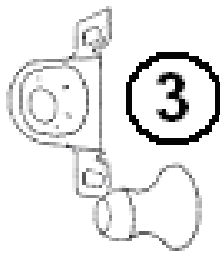
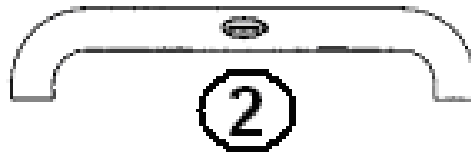
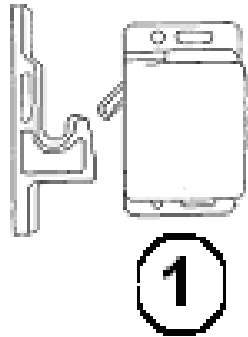


1. 381999 Hinge, Orb
2. 382002 Cabinet door pull, Orb, 3" center
3. 381147 Door support spring loaded
4. 380040 Soss hinge credenza table
5. 385935-01 Hinge, pivot, chrome for bath mirror

2010 CLASSIC TRAILER

HARDWARE

Interior Latches/Hinges/Handles



- | | |
|--------------|---|
| 1. 381228 | Grabber door latch w/catch, 10 lb. Rating |
| 1. 381228-01 | Grabber door latch w/catch, 3lb. Rating |
| 2. 381772 | Head knocker, white, interior door jamb |
| 3. 381074 | Bull dog door catch |
| 4. 381737 | Handle assist, molded, interior |

2010 CLASSIC TRAILER

HARDWARE

Interior Latches/Hinges/Handles



- | | |
|--------------|--------------------------|
| 1. 201427 | Finger pull, light brown |
| 2. 385940-02 | Mirror pull, chrome |
| 382001 | Drawer Pull, Orb |

Foldette Door Strap/ Pantry Button Latch

- | | |
|--------|---|
| 700811 | Button cap, Handy #36, clear vinyl strap |
| 700812 | Button bottom, Handy #36, clear vinyl strap |
| 381581 | Strap, clear plastic .75"W |
| 381408 | Pantry latch, button style, black |

Sliding Door

- | | |
|-----------|---|
| 381443-01 | Sliding door set (includes, carriers, top plate, track) |
| 381443-03 | Angle stop |
| 201427 | Finger pull, sliding door assy. |
| 200009 | Sliding door guide, bath |
| 381100 | Sliding door guide, shower |

2010 CLASSIC TRAILER

HARDWARE

Interior Rubber Bumpers/Door Knob/Mirror Clip/Clock



1



2



3



4



5

- | | |
|---------------|--|
| 1. 360012 | Bumper, rubber, white, stick-on, cylindrical |
| 2. 360016 | Bumper rubber gray, square 3/8 x 3/8 |
| 3. 195329-202 | Bumper, rubber, brown, stick on, oval |
| 4. 381754 | Clip, mirror, retainer, metal |
| 5. 382003 | Knob, 1.38" orb |
| 382001 | Dinette seat drawer pull |
| 381899 | Clock, Attimo, brushed nickel accent |

2010 CLASSIC TRAILER

HARDWARE

Drawer Slides

381192	Drawer slide, 18"
381526-01	Drawer slide-950-RV, 14"
381526-03	Drawer slide-950-RV, 18"
381526-04	Drawer slide-950-RV, 20"
381526-05	Drawer slide
381526-06	Rear bracket, drawer, adjustable
381400	Slide, drawer, 14", 2900-14
381400-01	Slide, drawer, 12", 2900-12
381415	Slide, drawer, Delta Travel lock, Twin night stand
381090	Slide, 22", dinette drawer
381944-01	Slide, drawer, Pantry, 27'
381826	Slide, 16', 27' sofa

Bath Accessories

602126	Toilet paper holder w/ lid, Truffle
602125	Towel bar, 18", Truffle
602127	Towel ring, Truffle
602130	Holder, toilet paper, recessed, orb

2010 CLASSIC TRAILER

HARDWARE

Writing Table

380492	Bracket, table, writing
340018	Plate, catch
380458	Hinge, piano, brown anodized
382002	Cabinet door pull, Orb, 3" center
381228-01	Catch, grabber door C3-803

Bed Lift

381067-09	Gas prop, bed 90lbs.
381262	Bracket w/ball stud, gas prop
381084	Ball stud
381085	Clip retaining
381310	Prop upper bracket assembly

2010 CLASSIC TRAILER

HARDWARE

Wardrobe

380045	Clothes rod
200975-04	Conduit, flexible, black (covers clothes rod)
380046	Bracket, clothes rod end, chrome flange
381298	"J" bracket, center clothes rod support
381527	Speedy shelf strips

Galley

381133	Rack pack, 6.5 Liter, white
381708	Waste basket-11.38 X 8.25 X 12"
200980-01	Tray, silverware, Almond, 9" X 13"

Sewer Hose Parts/Keys/ Trailer Level

381647	Key, water fill CH 751
381269	Trailer level, Level Master
381889	Keychain, Airstream, Corian
195329-240	Sewer hose adaptor
340084-52	Clamp, hose SAE #52

2010 CLASSIC TRAILER

HARDWARE

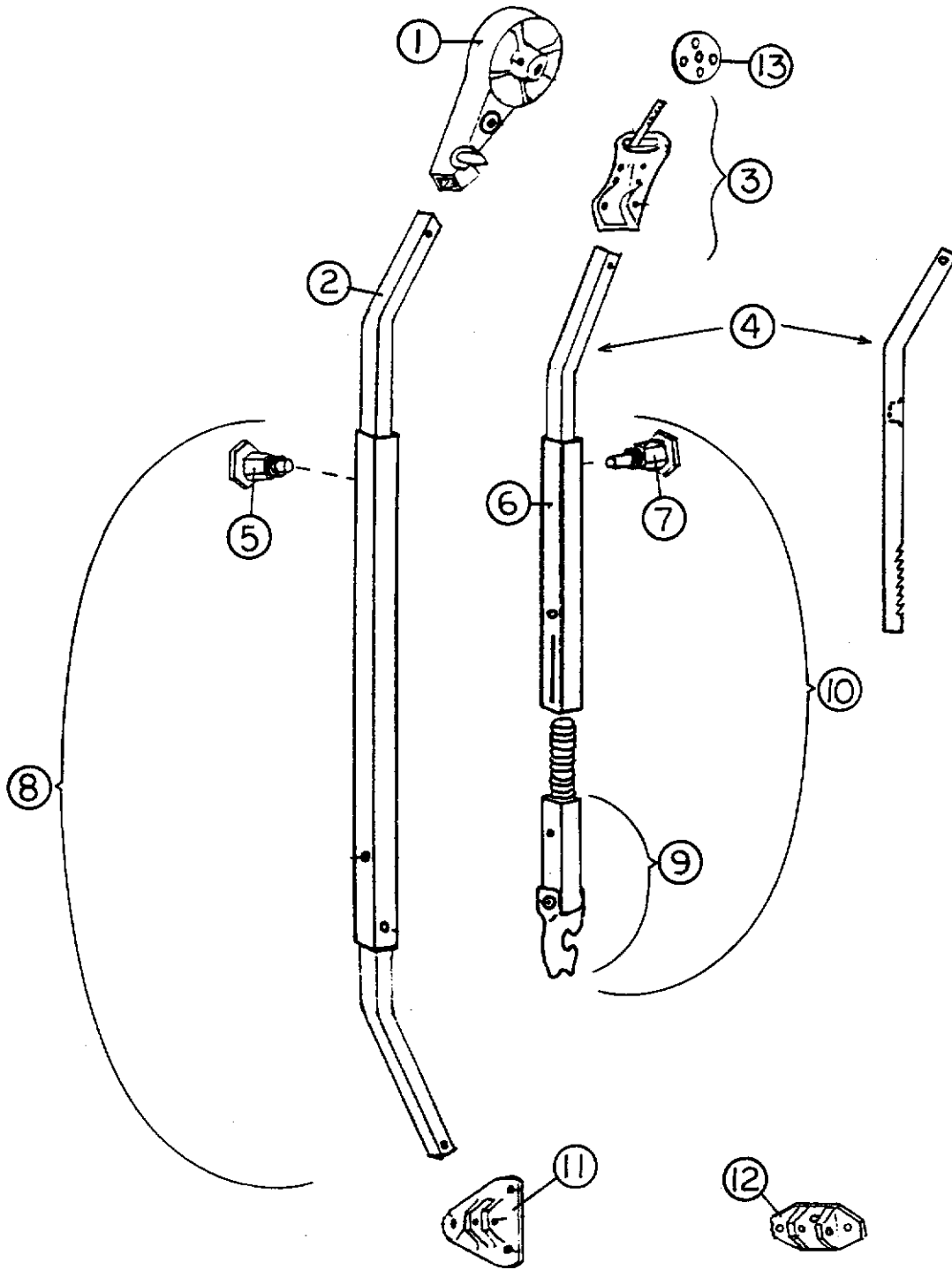
Interior/Exterior Hinges

381500	Hinge, piano reversed, battery box
381552-03	Hinge assembly, main door upper
381552-04	Hinge assembly, main door lower
381531-01	Hinge, screen door, upper
381531-02	Hinge, screen door lower
380988	Hinge, refer access door, underbelly compartment door, electrical box
380203-01	Piano hinge, credenza, bed, tool Box, refer access
380458	Hinge, brown, writing table
380284-02	Hinge bracket, dinette table
380210	Hinge, plain steel, dinette table
381605-02	Hinge, piano S.S. 25.00", wrap protectors
381605-03	Hinge, piano, wrap protectors,
381999	Hinge, orb
380773	Hinge, access door, gas bottle cover
382000	Hinge, semi concealed, roof lockers
385935-01	Hinge, pivot, zinc plated, medicine cabinet
380774-02	Hinge, 48.00", compartment door, trunk door

2010 CLASSIC TRAILER

Hardware

Awning



See next page for P/N

2010 CLASSIC TRAILER

Hardware

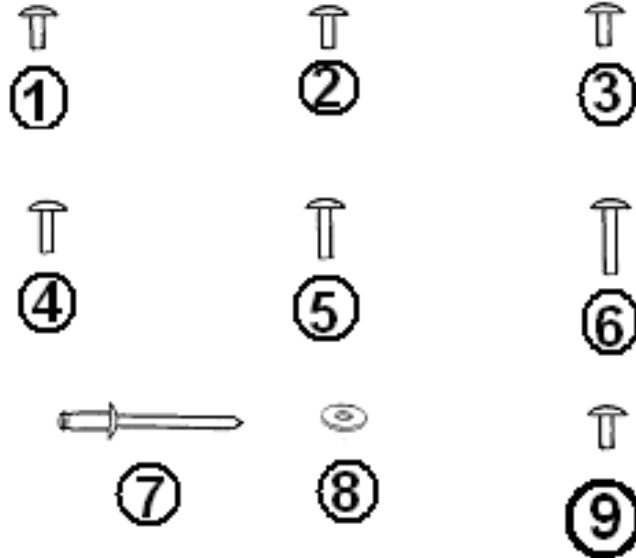
Awning

- | | | |
|-----|------------|-------------------------------|
| 1) | 74043W-04 | Head assembly, front |
| 1a) | 74043W-05 | Head assembly, Rear |
| 2) | 74047W-09 | Main arm bar, front |
| 2a) | 74047W-10 | Main arm bar, rear |
| 3) | 74056W | Clamp assembly, front, curved |
| 3a) | 74056W-01 | Clamp assembly, rear, curved |
| 4) | 74061WS-07 | Rafter arm bar, satin |
| 5) | 74054W | Snap stud assembly |
| 6) | 74063W-04 | Rafter arm tube, satin |
| 7) | 74072W | Ratchet stud |
| 8) | 74048WS-12 | Main arm tube assembly, front |
| 8a) | 74048WS-13 | Main arm tube assembly, rear |
| 9) | 74068W-03 | Claw bar assembly |
| 10) | 74048WS-14 | Rafter arm assembly |
| 11) | 74055W | Base hinge, rib mount |
| 12) | 74055W-01 | Base hinge, floor mount |
| 13) | 74060W | Clamp wheel |

2010 CLASSIC TRAILER

Hardware

Rivets, Buck

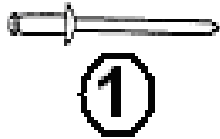


- | | |
|--------------|---|
| 1. 325043 | Rivet, 1/8", 1/4" length (hard) |
| 2. 325000-01 | Rivet, 1/8", 1/4" length anodized clear |
| 3. 325000-03 | Rivet, 1/8", length 1/4", long, anodized white |
| 4. 325001-01 | Rivet, 1/8", length 5/16", anodized clear |
| 5. 325002-01 | Rivet, 1/8", length 3/8", anodized clear |
| 6. 325004-01 | Rivet, 1/8", length 1/2", anodized clear |
| 7. 330127-03 | Rivet, grip range .063-.125, aluminum body,
aluminum mandrel |
| 8. 300101 | 1/8" I.D., Washer, aluminum |
| 9. 325003-01 | Rivet, anodized clear, 1/8 X 7/16 |

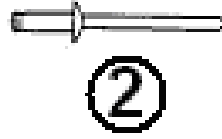
2010 CLASSIC TRAILER

Hardware

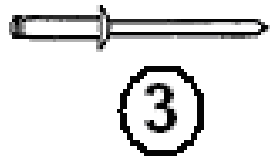
Rivets, Pop



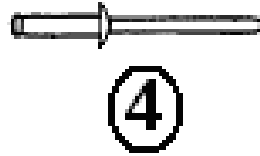
①



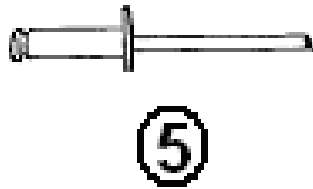
②



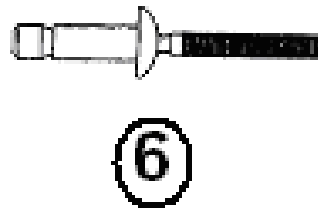
③



④



⑤



⑥

1. 330126-02 Pop Rivet, dia. 1/8" grip range .126-.187, S.S.
2. 330126-03 Pop Rivet, dia., 1/8" grip range .126-.250, S.S.
3. 330148 Pop Rivet, AD43-45ABS, aluminum
4. 330128-050 Pop Rivet, dia., 1/8" .251"-.312" white
5. 330038 Pop Rivet, dia. .150". (#20 bit) grip range 126-.250, aluminum body & mandrel (screen door)
6. 330016-04 Pop rivet, closed end, sealing
325103 Pop Rivet, dia. 1/4" grip range .080-.325, SS body, steel mandrel
- 330126-04 Pop rivet, dome head, SSD45
- 330126-05 Pop rivet, dome head, SSD46
- 330126-06 Pop rivet, dome head, SSD48

2010 CLASSIC TRAILER

Hardware

Labels and Tags

385193	Label, "12V distribution panel inside"
386119	Label, do not store combustible
385068	Tag, cooking appliance warning
386118	Label, lp gas, tri-warning
385517	Label, kill switch warning
385521	Label, emergency egress window
386122	Label, comfort heating
386121	Label, "if you smell gas"
385465	Exit label, English
385560	Label, air-conditioner rating
385812	Label, California hazardous substance
386120	Label, smoke alarm warning
385359	Label, microwave or air-conditioner
385837	Label, refrigeration ignition
386012	Label, warning-water heater
386123	Label, potable water only
386192	Hang tag, smoke/CO detector
386193	Label, wheel torque warning
386082	Label, THOR, 5.25" x .75"
386142	Label, check wheel lug
386114	Label, RVIA, silver
385062	Decal, 110-125 voltage AC
385565	Label, holding tank flushing
386226	Label, RV master weight
386038	Label, CSA, Holding tank fresh water
385966	Label, inverter circuit
386160	Label, inverter switch
385101	Tag, aux., dump valve
385099	Tag, Black tank dump
386066	Label, warning – please read static
386019	Label, 1 amp. fuse max.
385020	Sticker, self adhering, jack placement

2010 CLASSIC TRAILER

HARDWARE

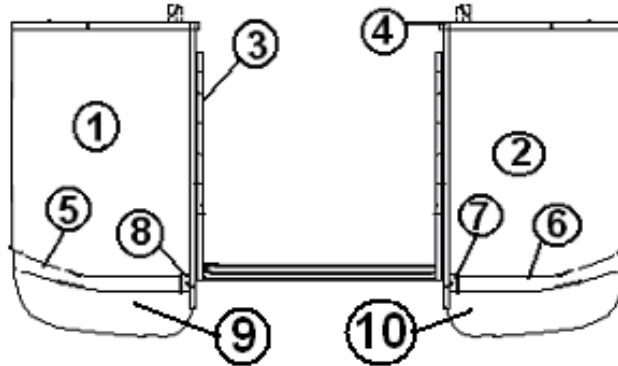
Labels and Tags CSA

- 386105 Label, TV/VCR Receptacle, CSA only
- 385949 Label, potable water CSA
- 385950 Label, smoke detector CSA
- 385951 Label, range fresh air CSA
- 385952 Label, lp warning CSA
- 385953 Label, if you smell gas CSA
- 385954 Label, range warning CSA
- 385466 Label, exit, (French)
- 385971 Label, fuse, exterior light
- 385973 Label, fuse 12 volt

2010 CLASSIC TRAILER

HARDWARE

Wrap Protector/Holdbacks

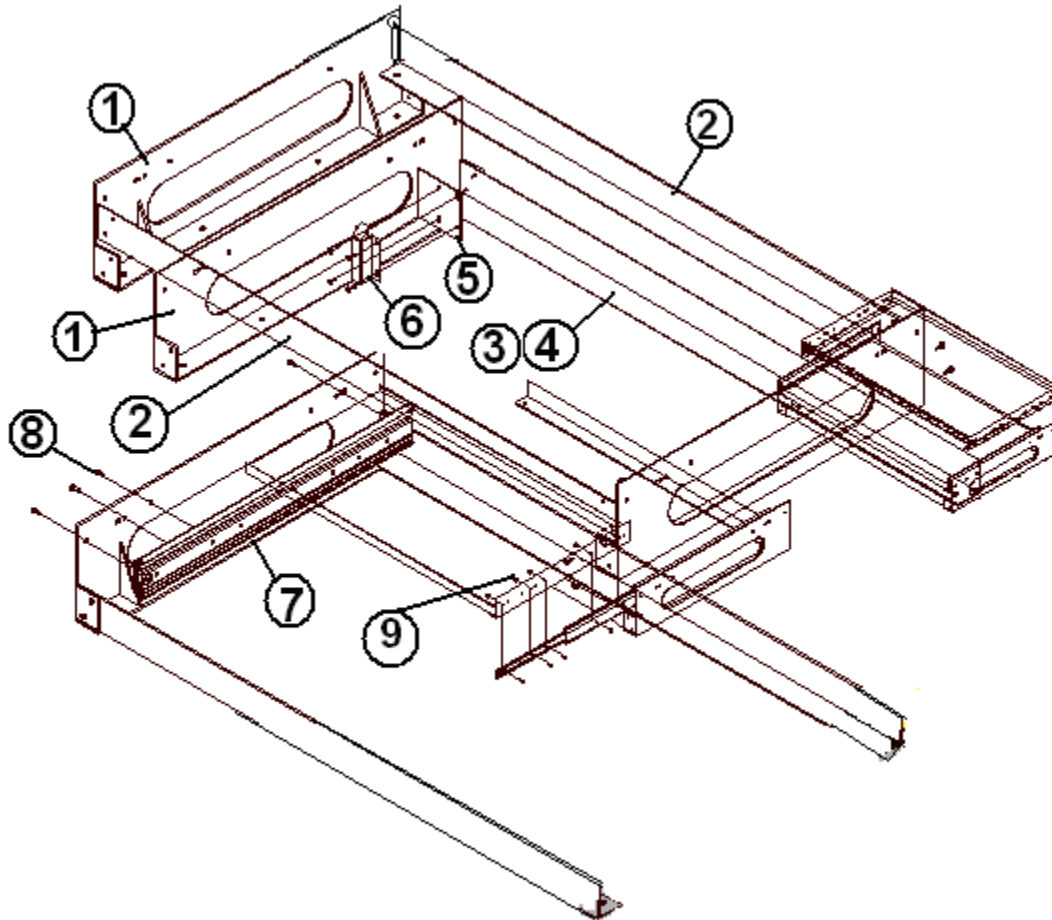


966273-100	Wrap Protector, complete set
1. 966272	Wrap Protector, CS
2. 966273	Wrap Protector, RS
3. 381605-03	Hinge, stainless, wrap protector, 25" long
4. 100742-01	Extrusion, mirror/wrap trim protector
5. 114460	Extrusion, rub rail
6. 201763-01	Insert, rub rail, chrome
7. 114465-01	Casting, closeout, rubrail, RH
8. 114465-02	Casting, closeout, rubrail LH
9. 200542-01	Wrap, underbelly, front RS, Haircell
10. 200543-01	Wrap, underbelly, front CS, Haircell
101401	Extrusion, door latch housing/stone
345417	Nut acorn, hex, locking SS 1/4-
345376	Nut, hex HD 1/4-20 SS
345336-07	Cap screw hex HD 1/4-20 hex .75"
114819	Wrap protector hold back, 2.75"
114819-02	Wrap protector hold back, 2.00"
114819-03	Wrap protector hold back, 5.00"
500096	Reflector, amber

2010 CLASSIC TRAILER

HARDWARE

Rear Storage Slide, "W" Bed



- | | |
|---------------|--------------------------------------|
| 921245 | Slide assembly, rear storage |
| 1. 454596 | Floor mounting bracket, rear storage |
| 2. 454597 | Angle, crossmember, rear storage |
| 3. 454598 | Slide bracket, rear storage |
| 4. 454599 | Storage box, crossmember |
| 5. 454600 | Latch, bracket |
| 6. 382035 | Latch, sundecker |
| 7. 382036 | Slide, 24" Accuride, end |
| 8. 320120-500 | Screw, 10-32, flat head |
| 9. 350029 | Lock nut, 10-32 |

2010 CLASSIC TRAILER

PLUMBING, LPG SYSTEM

LP Bottles and Fittings

601712	LP tank, 40# aluminum
601731	Regulator and hose assembly, Marshall Brass
601685-01	18" LP Hose
601685-02	18" LP Hose, CSA
6000491	Hold down rod, threaded, 1/2"-13
100949	Bracket, bottle hold, cast aluminum
410238	"T" handle, threaded, cast aluminum

LP Bottle Cover

921233	Gas bottle cover w/o decal, 40lbs
382091-01	Tension latch, stainless steel
382091-02	Strike, tension latch, stainless steel
200845	Lid, plastic, bottle cover
380773	Hinge, access door
114070	J-trim, extrusion, aluminum

2010 CLASSIC TRAILER

PLUMBING, FRESH WATER

Fresh Tank System

601864-01	Tank, fresh water 54.5 gallon
601620	Pan, fresh water tank
601243	Drain cock, fresh water tank
602185-01	Drain Valve, 90 degree lead free
601723	Filter screen, water
453712	Shield, fresh water tank drain
381435	Hatch, white plastic, water hose exit
600155	1 1/2" plug Clean out
602185	Drain valve, 90 degree

Fresh Water Gravity Fill System

601194	Water fill w/lock, gray
601239-01	Tubing, 1.375" ID, ribbed w/flats
601240-01	Tubing, 1/2" I.D. X 3/32" wall thickness

City Water Hookup System

601467	Sill cock, 1/2" FP w/wheel handle
601469	Vacuum breaker, 3/4" garden hose
601392-04	Water fill, chrome
600139	Check valve, brass
601659	Riser 1/2" FPT X 12" CPVC
601589	Adaptor, brass, 3/8" FPT x 1/2" MPT

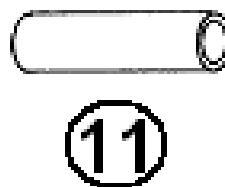
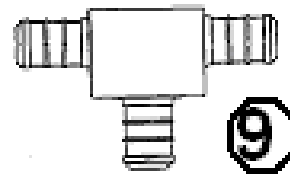
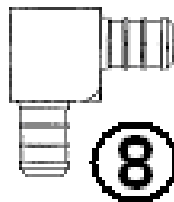
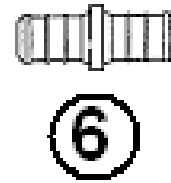
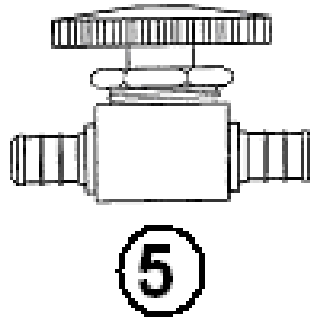
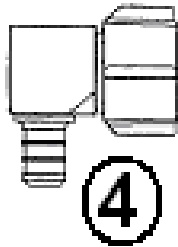
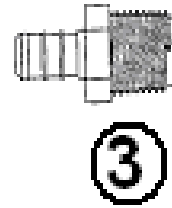
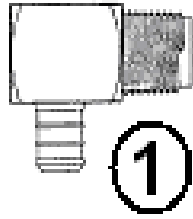
Water Pump System

602202	Water pump, Sureflo
602204	Flex hose, 1/2", Sureflo water pump
601668-01	Strainer, fresh water pump
600103	Spring SS 20 IN

2010 CLASSIC TRAILER

PLUMBING, FRESH WATER

Fresh Water Line/Fittings



See next page for P/N

2010 CLASSIC TRAILER

PLUMBING, FRESH WATER

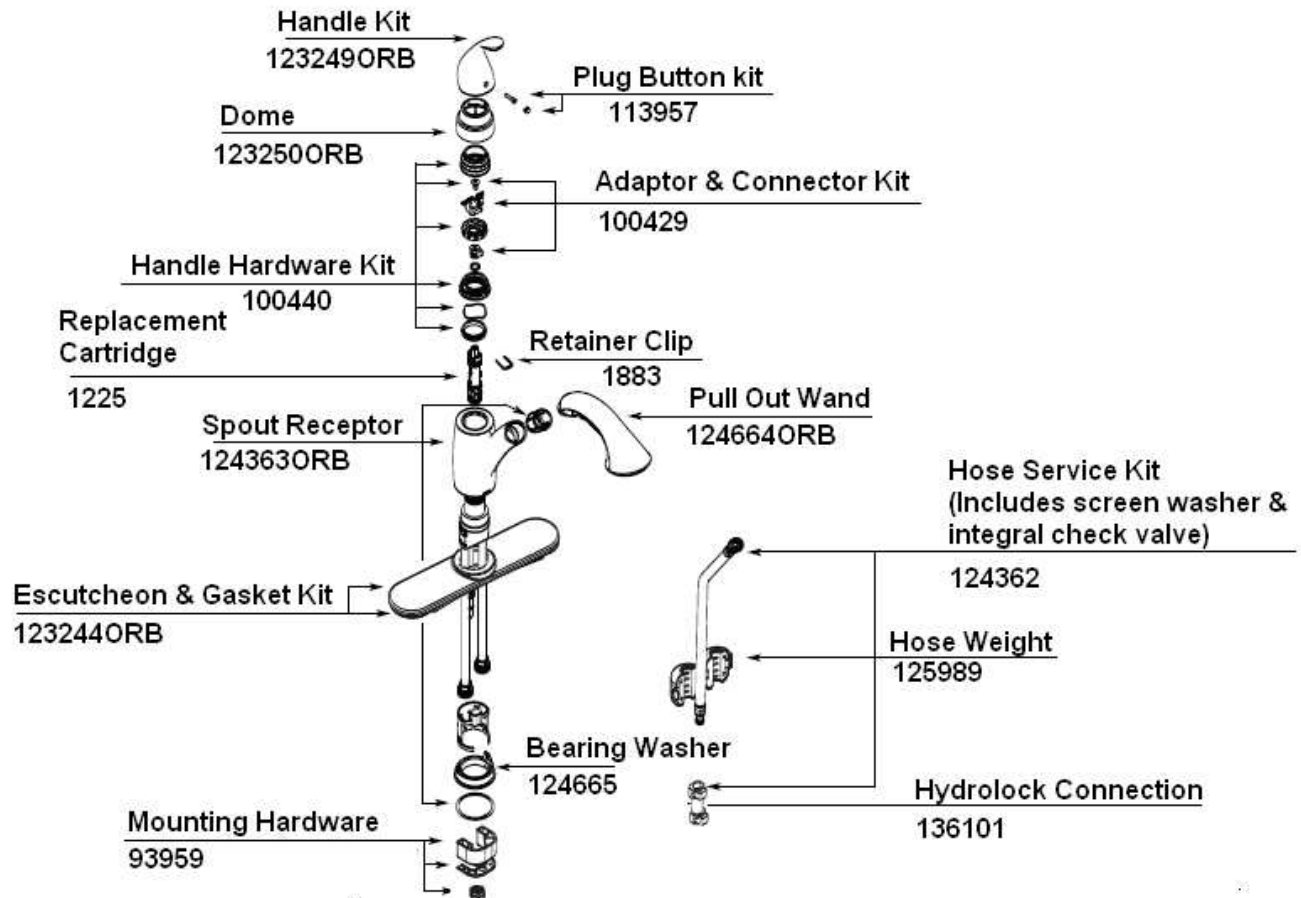
Fresh Water Line/Fittings

1. 601698-04 Elbow, 1/2" barb x 1/2" MPT
2. 601698-03 Coupler, 1/2" barb x 1/2" FPT
3. 601698-02 Coupler, 1/2" barb x 1/2" MPT
4. 601698-05 Elbow 1/2 barb x 1/2" FPT
5. 601698-22 Shut-off, 1/2" barb x 1/2" barb
6. 601698-08 Coupler, 1/2" x 1/2" barb
7. 601698-09 Plug, 1/2" barb
8. 601698-10 Elbow 1/2" barb x 1/2" barb
9. 601698-11 Tee, 1/2" x 1/2" x 1/2"
10. 601698-15 Crimp ring, 1/2 E-Pex, 1/2" (black)
11. 601698-01 E-Pex tube, 1/2"
11. 601698-21 E-Pex tube, 1/2", Red
- 600836 Elbow, 3/8 MPT X 1/2", barb, copper
- 601237 Elbow 90 D 1.25 MPT X 1.25 barb
- 602185 Drain Valve, 90 degree, fresh water tank
- 601698-10 QQE 33 X 1/2 barb el
- 601698-11 QQT 333 X 1/2 barb tee
- 602137 Valve, shut off, water purifier

2010 CLASSIC TRAILER

PLUMBING, FAUCETS

Faucet, Galley, Moen
 Model 7545ORB
 Moen Parts & Warranty
 1-800 BUY MOEN

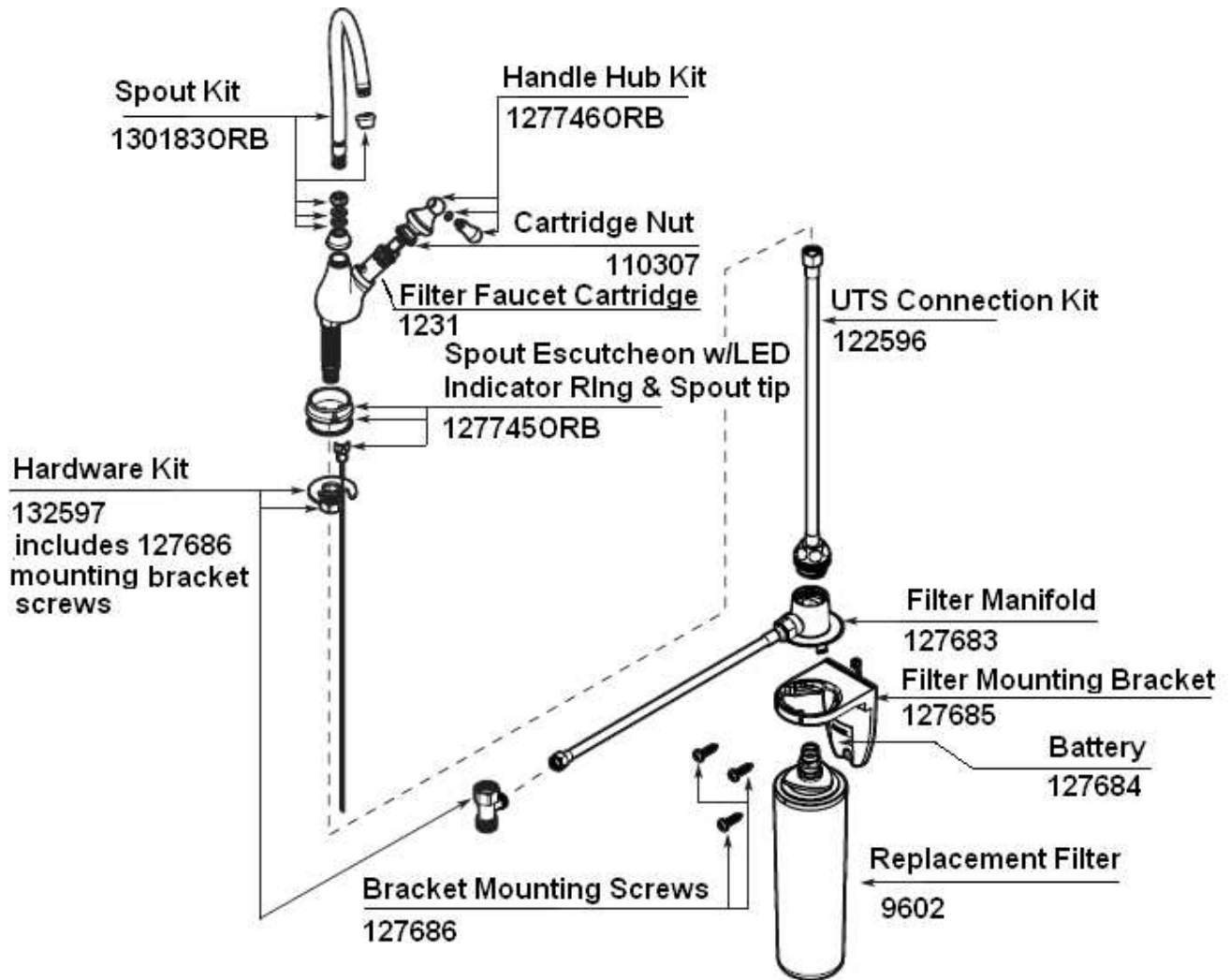


602224 Faucet w/pull out spray, galley, Moen
 602137 Valve, shut off, water purifier

2010 CLASSIC TRAILER

PLUMBING, FAUCETS

Faucet, Drinking, Galley, Moen
Model 77200ORB
Moen Parts & Warranty
1-800 BUY MOEN

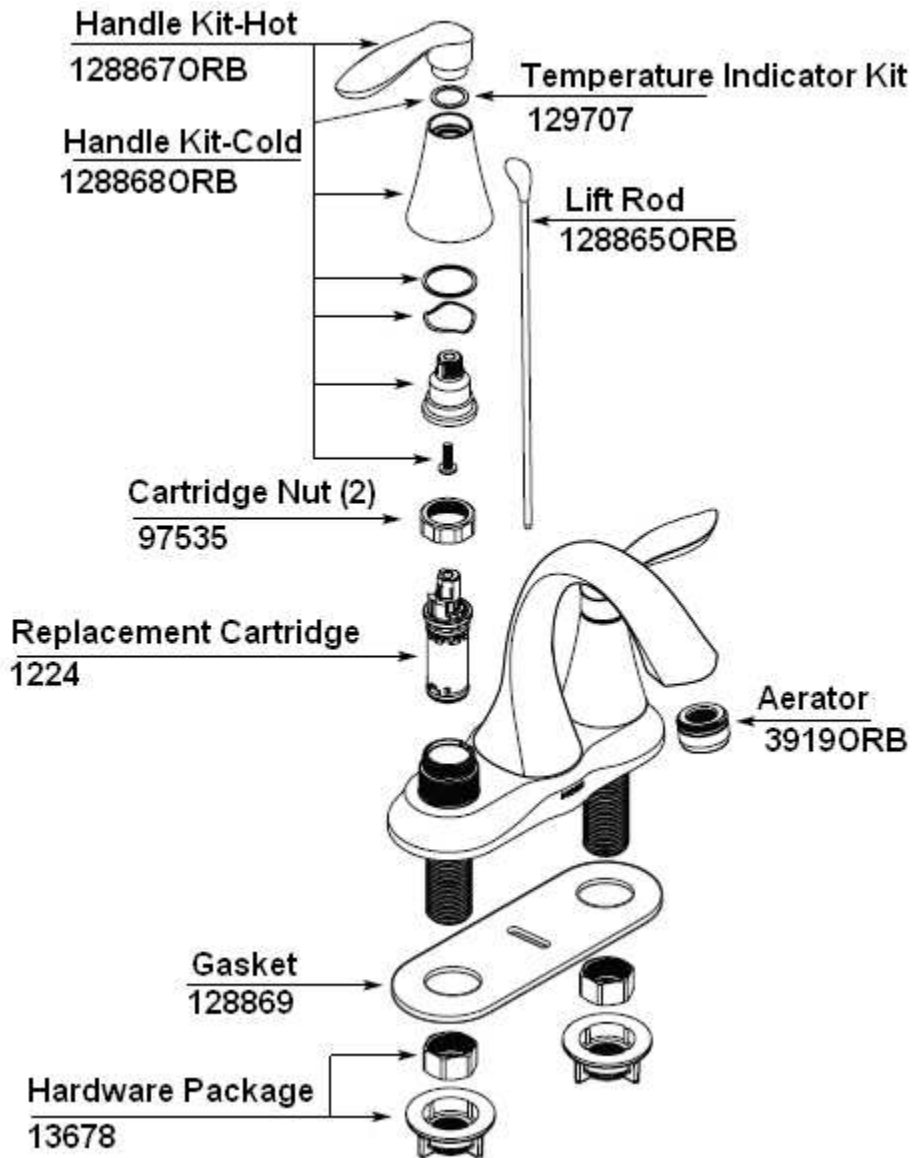


602225 Drinking faucet w/water filter, Moen

2010 CLASSIC TRAILER

PLUMBING, FAUCETS

Faucet/Soap Dispenser, Lavatory, Moen
Model 6410ORB
Moen Parts & Warranty
1-800 BUY MOEN



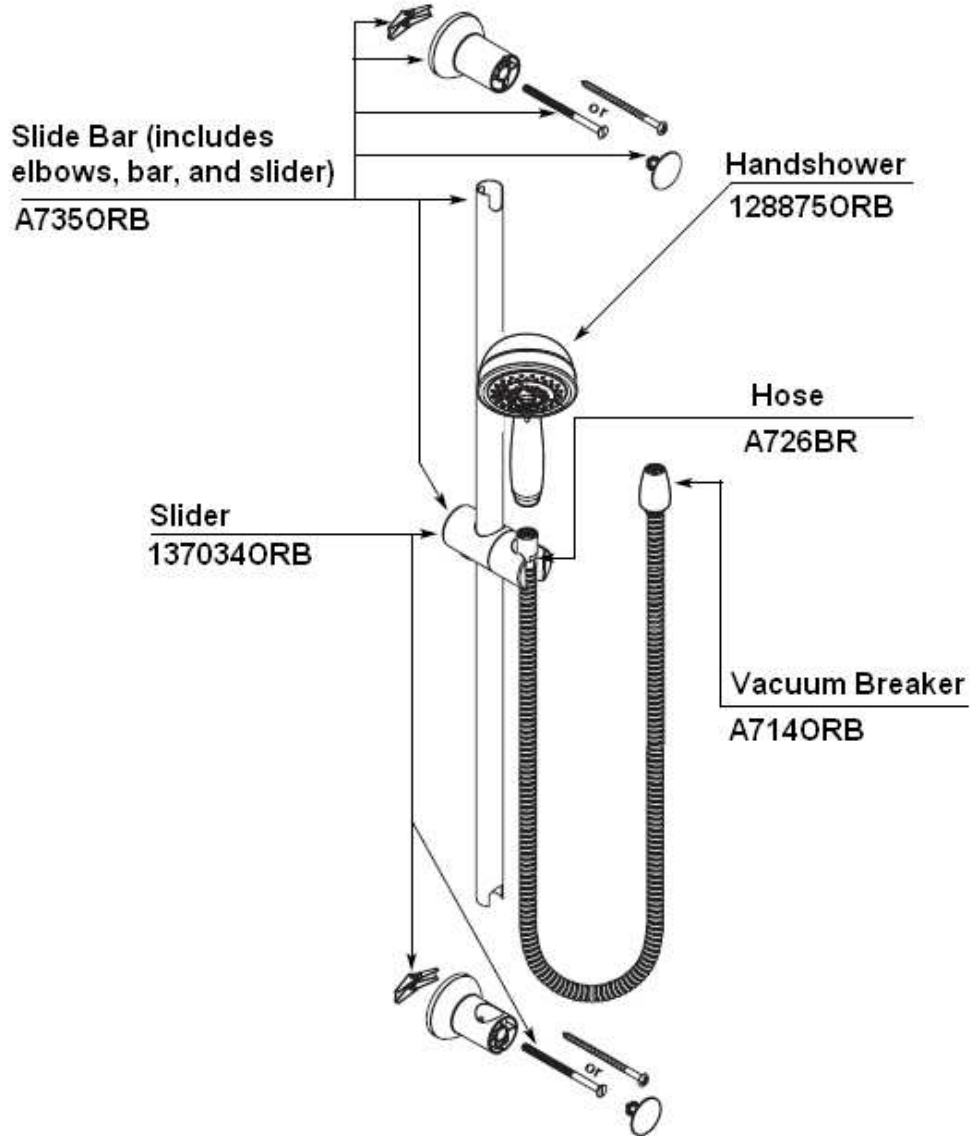
602226
602227

Lavatory faucet, Moen
Liquid soap and lotion dispenser

2010 CLASSIC TRAILER

PLUMBING, FAUCETS

Faucet, Shower, Handheld w/Slide Bar, Moen
Model 3867ORB
Moen Parts & Warranty
1-800 BUY MOEN



- | | |
|-----------|------------------------------------|
| 602229 | Shower, Handheld w/Slide Bar, Moen |
| 602228 | Shower valve trim kit |
| 602230 | Elbow, water supply, accent drop |
| 602119 | Drain, Pop Up |
| 601831 | Valve, 4 port, Posi-Temp |
| 601592-04 | Hose guide, shower, hardware, CSA |

2010 CLASSIC TRAILER

PLUMBING, DRAIN SYSTEM

Drain Tanks/Pan, 31'

601850-03	Tank, gray, holding
601848-07	Tank, black, holding
200954	Slope pad-22.75" X 55"
601228	Closeout, septic pan
601619	Pan, waste tank, 31'

Drain Tanks/Pan, 30'

601850-02	Tank, holding, gray, 30ft.
601848-06	Tank, holding, black, 30ft.
601619	Pan, waste tank, 30ft.
200954	Slope pad-22.75" X 55"

Drain Tanks/Pan, 27' Front Bed

601850-04	Tank, holding, gray
601848-09	Tank, holding, black
601626	Pan, waste tank
203149	Slope pad

Holding Tank Pan Closeout

601228	Closeout, septic pan
--------	----------------------

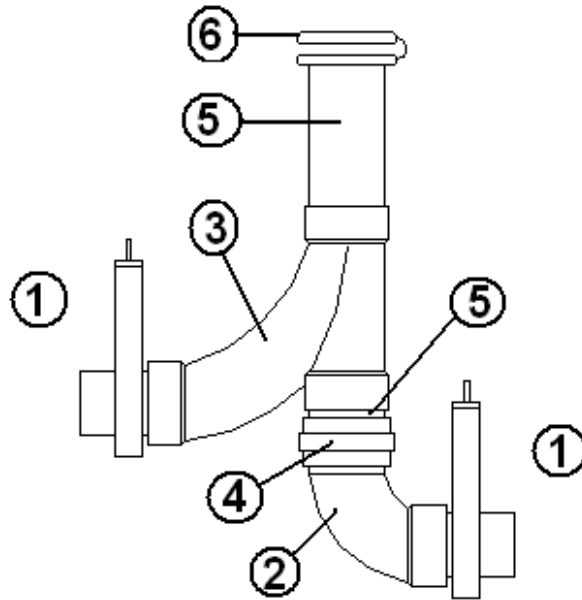
Styrofoam Insulation, Tank Pans

200152	Styrofoam 1/2" X 6" X 42"
200507	Styrofoam, 1 X 25 X 55"

2010 CLASSIC TRAILER

PLUMBING, DRAIN SYSTEM

Dump Valve System



- | | | |
|----|-----------|--|
| 1. | 601607-11 | Valve assembly, 3" spigot x 3" spigot |
| 2. | 600820 | 3" Single socket 90 degree |
| 3. | 600187 | 3" Wye. Combination & 1/8" bend |
| 4. | 600289 | Calder coupler 3" rubber |
| 5. | 601160-04 | Pipe, ABS, 3" |
| 6. | 601607-07 | Termination Cap |
| | 601531 | Fitting-90 degree 3" H X ST |
| | 200943 | Dump valve, closeout |
| | 601607-06 | Termination adaptor, 3" HUB X 3" BA |
| | 04190 | Dump valve handle 19 Ext. Thetford |
| | 380481-A | 7 X 8 Rubber boot 3-1/2" diameter hole |
| | 385101 | Tag, aux tank dump valve handle |
| | 385099 | Tag, main tank dump valve handle |
| | 114086 | Bracket, dump valve handle |

2010 CLASSIC TRAILER

PLUMBING, DRAIN SYSTEM

Sinks, Galley, 27', 30', 31'

602129	Sink, double bowl, Bisque, 27" X 16"
602117	Basket, strainer, 3 1/2" Venetian
381635	Clip, sink, undermount, Corian
320130-05	Screw, #10-32 X .75" slot, hex
602132-01	Sink cover, 12.9" X 14.8" Sandstone (PR)

Sink, Lavatory

203367-02	Bowl, lavatory, Karran
320131	Wing nut, Karran sink
453833	Clip, sink mount, Karran sink, Surf. Bone
320129	Insert, threaded 1/4' O.D. X 1/4' L

2010 CLASSIC TRAILER

PLUMBING, DRAIN SYSTEM

Shower Stall, 27' Front Bed Model, 30'

203081	Shower stall, 2 piece
600594	Strainer with rubber stopper
602164-02	Tailpiece w/ nuts and washers 1.5
602164-01	P-trap w/ compression nut 1.5"

Shower stall, 31'

203046-03	Shower stall, angled, 2 piece
600594	Strainer with rubber stopper
602164-02	Tailpiece w/ nuts and washers 1.5
602164-01	P-trap w/ compression nut 1.5"

Tank Flush, Black

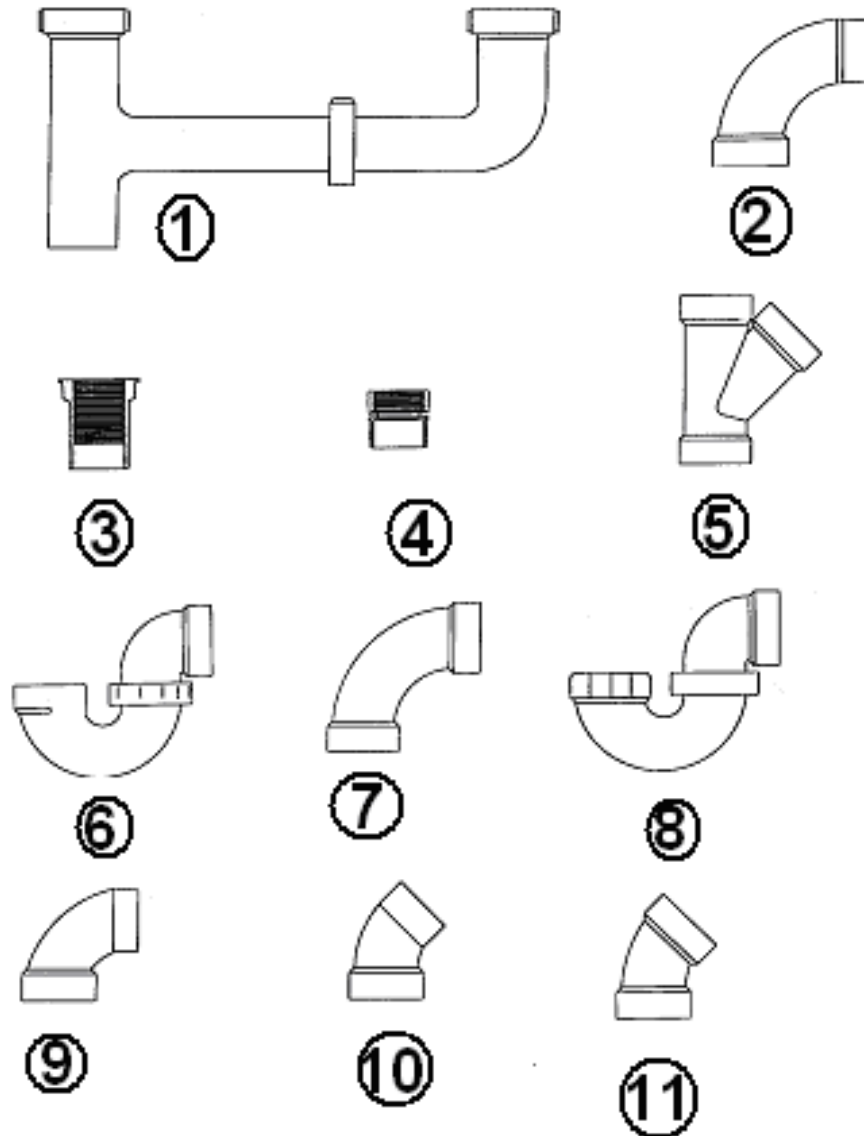
601441	Tank flush, no-fuss (vacuum breaker & check valve)
601441-02	Tank flush, no-fuss (vacuum breaker & check valve)

CSA ONLY

2010 CLASSIC TRAILER

PLUMBING, DRAIN SYSTEM

Drain Line Fitting



See next page for P/N

2010 CLASSIC TRAILER

PLUMBING, DRAIN SYSTEM

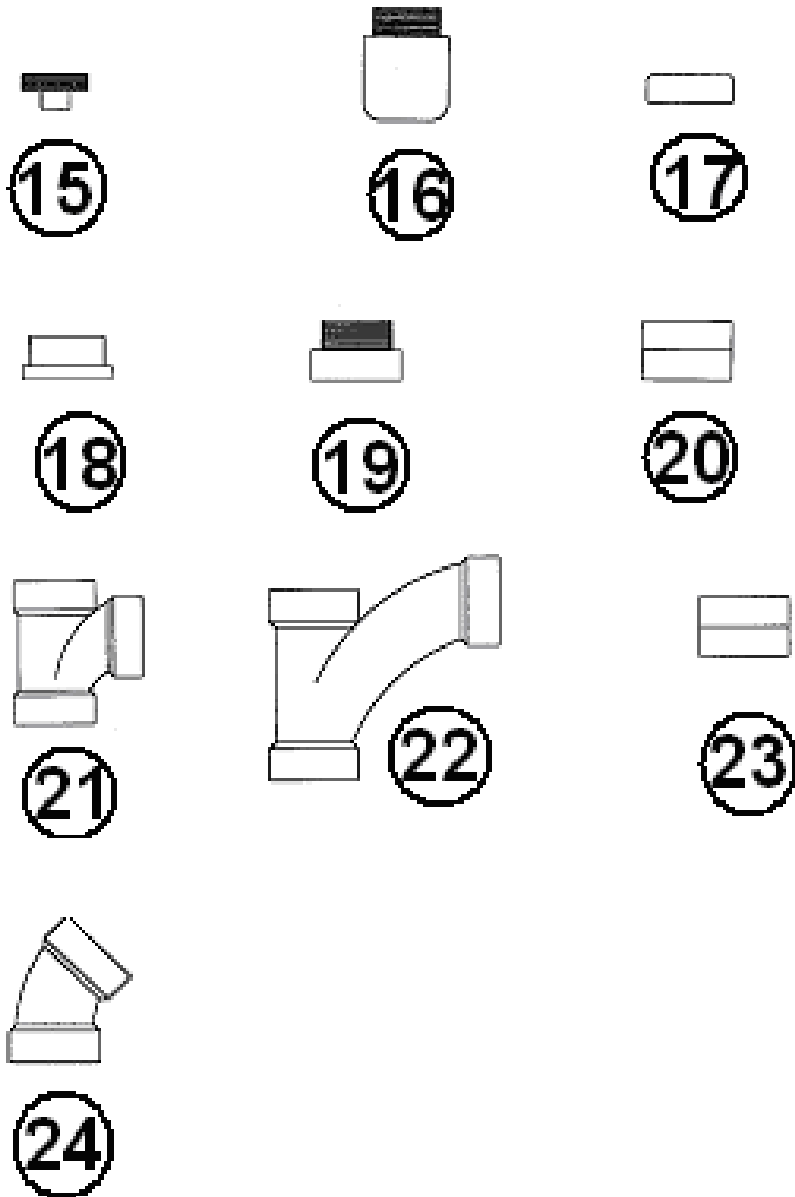
Drain Line Fittings

1. 600378 Continuous waste
2. 600431 Elbow, 90 degree, long street
3. 600625-01 Plug, trap, 1-1/2" adapter, female
4. 600822 Swivel adaptor
5. 600094 Wye, #2301
6. 600144 P-trap, 1.5" w/o slip nut
7. 600035 Elbow, 90 degree, long turn
8. 600622 P-trap, 1.5" with slip nut
9. 600662 Elbow, 90 degree, short street
10. 600027 Elbow, 45 degree, long street
11. 600050 Elbow, 45 degree, long turn
- 601868 Sanitary tee-SPIG X HUB X HUB

2010 CLASSIC TRAILER

PLUMBING, DRAIN SYSTEM

Drain Line Fittings



See next page for P/N

2010 CLASSIC TRAILER

PLUMBING, DRAIN SYSTEM

Drain Line Fittings

15. 600155	Plug, 1.5"
16. 600538	Vent, 1.5"
17. 601677	Cap, 1.5"
18. 601263	Reducer, 1.5" to 1.25"
19. 601676	Adapter
20. 600308	Adapter, w/female threads
21. 600156	Tee, sanitary, 1.5"
22. 600182	Wye, 1.5", 1/8" bend
23. 600227	Coupling, 1.5"
24. 600030	Elbow, 45 degrees, long turn
601318	Tee, bi-directional clean out, 1.5"

Drain Pipe

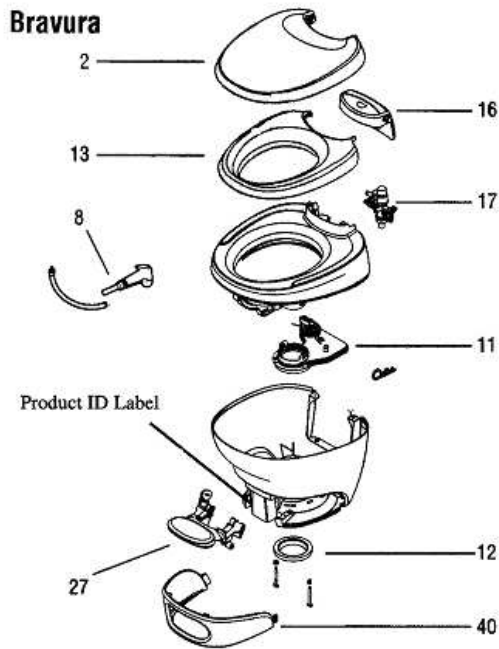
601160-04	Pipe, 3" ABS
601160-02	Pipe, 1.5" ABS
602185	Brass Adapter, Drain Valve
601165-02	Water line risers, 54"

2010 CLASSIC TRAILER

PLUMBING, DRAIN SYSTEM

Toilet, 27' Front Bed, 31', 30',

Illustration Only, Order all parts from Thetford
Before ordering parts, record the Product ID information.



No. Description	No. Description
1 Hinge Pins (2)	22 Bracket & 2 Screws [†]
2 Seat Cover	23 Float Assy.
3 Vacuum Breaker	24 Actuator Assy.
4 Flush Tube	25 Base to Bowl Screws (9)
5 Flush Nozzle Assy.	26 Closet Bolt Pkg.
6 Overflow Trap	27 Pedal Pkg. [†]
7 Water Supply Tube	28 Base
8 Hand Spray Kit (Water Saver Option Only)	29 Retainer & Screw [†]
9 Side Access Covers (2)	30 Sealant
10 Water Valve	31 Blade Spring
11 Lower Mechanism Assy.	32 Blade
12 Closet Flange Seal & Bolt Pkg.	33 Blade Seal
13 Seat	34 Blade Track
14 Hinge Post Kit	35 Flapper
15 Upper Mechanism Assy.	36 Overflow Tube
16 Pod	37 Nozzle Assy.
17 Water Module	38 Bowl
18 Water Valve Link	39 Reservoir Assy.
19 Lever Assy.*	40 Shroud
20 Wire Replacement Pkg. [†]	
21 Mechanism Cover	

Specify High or Low
 * Hand Flush only
[†] Foot-Pedal Flush only

690442-02 Toilet, High profile w/water saver, Parchment
 600065 Flange, floor, threaded
 601165-02 Riser, water line, 54"
 601164 Nipple 3/8IN MPT X 1/2" MPT

2010 CLASSIC TRAILER

SAFETY EQUIPMENT

Detectors

510781	Smoke detector
510891	Smoke detector, CSA
511309	LPG detector
512318	Holder, W/1 amp fuse, inline
512178	Detector, carbon monoxide 9 V

Fire Extinguisher

600162-01	Fire extinguisher
600162-02	Fire extinguisher, CSA

2010 CLASSIC TRAILER

SEALER/GASKETS/PAINT

Sealer

360001	Sealant, #884058
360002	Sealant, Vulkem 11.5 oz. tube
360209	Sealant, seam
360176	Sealant, Almond, kitchen and bath
360180	Sealant, Sikaflex #221
360210	Sealant, Paralastic 4334-014
360283-01	Sealant, silicone, Corian, white

Gaskets

365232	Gasket, main/baggage door
365013-01	Gasket, screen door, underbelly compartment doors
382117	Gasket, window frame to glass
365035	Gasket, access doorjamb
381830	Wiper gasket, refrigerator baffle, 1.12" x 2"
365030	Seal, door hinge 3-3/4 wide
381663	Gasket, D-Seal, PDM sponge, door bell
*382117	Gasket, Rectangular – Window
*	First usage on units manufactured in April/2009

2010 CLASSIC TRAILER

Tape/Microwave Insulation

685510	Seam Tape, black, for between end segments.
365221	Tape, double coated, 1/32 urethane
365222	Tape, double coated, .08" x 3/4"
365016	Tape, foam, double face, 1/2" wide
365001	Tape, double coated foam
*365286-01	Seam tape, Ascot Sand
*365325-01	Seam tape, Crackle Cream 1.12W

*Ascot Sand was replaced by Crackle Cream during model year on units manufactured 1/12/10 and after.

Paint

360213	Paint, Metallic Aluminum, Centari #65751
360308	Paint, Pewter
360151	Paint, gray metallic, Centari #44146A
360213-100	Paint, aluminum metallic (16 oz. can)

2010 CLASSIC TRAILER

UPHOLSTERY/FOAM/MATTRESS

Bedsread, Twin bed

702485-356	Bed spread, twin, Cocoa
702485-346	Bed spread, twin, Jade
702485-337	Bed spread, twin, Praline

Bedsread, Double Bed

702676-356	Bed spread, double, Cocoa
702676-346	Bed spread, double, Jade
702676-337	Bed spread, double, Praline

Pillow

701611	Pillow, 21" x 31"
--------	-------------------

Mattress, Twin Beds, All Models

703691-01	Mattress, curbside rear, roadside front, 34" x 78"
703691-02	Mattress, curbside front, roadside rear, 34" x 78"

Mattress, Double Bed, 27 FB, 30', 31'

703692	Mattress, 60" x 75", w/45 degree corner
--------	---

2010 CLASSIC TRAILER

UPHOLSTERY/FOAM/MATTRESS

Sofa Armrests, 31', 30'

963400-01	Armrest support assembly, RS
963399-01	Sub assembly, face armrest support
965624-01	Cushion assembly, armrest RS, fabric
965624-05	Cushion assembly, armrest, RS, leather
703281-01	Foam, armrest, lounge RS
963400-06	Armrest support assembly, CS notched, 31' D
963399-03	Sub assembly, face, armrest support CS
965624-03	Cushion assembly, armrest, CS notched, fabric
965624-07	Cushion assembly, armrest, CS notched, leather
703281-03	Foam, armrest, lounge CS notched
201399	Trim, flexible S-100-LG, off white

Sofa, 30', 31'

703625-356	Sofa 74", Cocoa, Villa Cloth
703625-346	Sofa 74", Jade, Villa Cloth
703625-337	Sofa 74", Praline, Villa Cloth
703625-02	Sofa, 74", Villa Ultra Leather

2010 CLASSIC TRAILER

UPHOLSTERY/FOAM/MATTRESS

Wall Paper Border, Lavatory

703609	Jade, 5.25", wallpaper border
703689	Praline, wall border
703399	Border, wall, Crystal Creek

Dinette Seat Covers/Top, 31' D, 30'

998070-356	Cover, seat, side dinette, Cocoa
998070-346	Cover, seat, side dinette, Jade
998070-337	Cover, seat, side dinette, Praline
998071-356	Cover, back, side dinette, Cocoa
998071-346	Cover, back, side dinette, Jade
998071-337	Cover, back, side dinette, Praline
703125-03	Top, dinette seat, urethane-buckskin

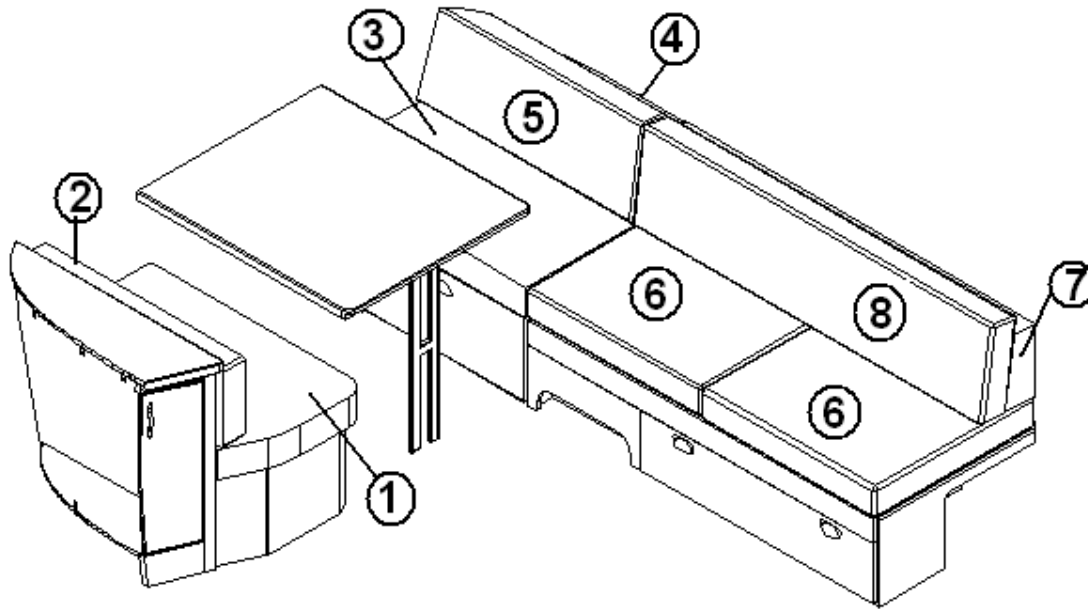
Dinette Seat Foam, 31', 30'

702464-21	Foam, upper back, dinette
702464-13	Foam, lower back, dinette
702464-14	Foam, aft seat, dinette
702464-15	Foam, forward seat, dinette

2010 CLASSIC TRAILER

UPHOLSTERY/FOAM/MATTRESS

Dinette Seat Covers/Foam Assemblies, 27' Front Bed Models



- | | |
|--------------|--|
| 1. 703630-01 | Curbside seat, seat cover/foam assembly |
| 2. 703630-02 | Curbside backrest, seat cover/foam assembly |
| 3. 703630-03 | Roadside seat, seat cover/foam assembly |
| 4. 703630-04 | Roadside back filler, seat cover/foam assembly |
| 5. 703630-05 | Roadside backrest, seat cover/foam assembly |
| 6. 703630-07 | Lounge bottom, seat cover/foam assembly |
| 7. 703630-06 | Lounge wedge, seat cover/foam assembly |
| 8. 703630-08 | Backrest, seat cover/foam assembly |
| 703651 | Foam Filler Wedge |

2010 CLASSIC TRAILER

UPHOLSTERY/FOAM/MATTRESS

Chairs

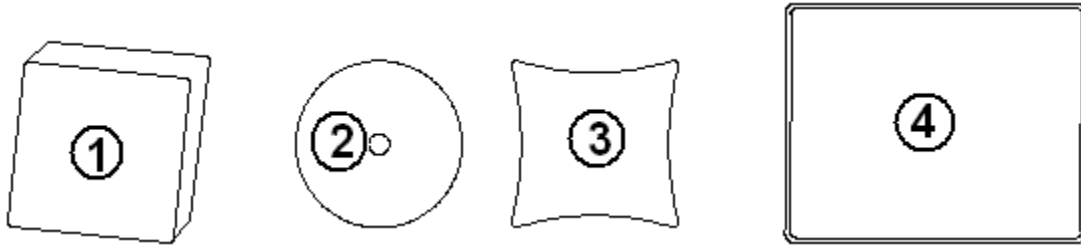
- *382004 Chair, ZipDee, Pacific Blue
- *382004-02 Silkscreen for ZipDee Chair
- 703009-05 Folding, free standing option, 31' D
- 703376 Chair, fan back w/cushion, 31' D option, free standing
- 998152 Chair, cushion only, 31' D option, free standing

* WHEN ORDERING A ZIP DEE CHAIR BOTH PARTS NUMBERS 380004 AND 382004-02 MUST BE ORDERED TO RECEIVE A SILK SCREENED ZIP DEE CHAIR

2010 CLASSIC TRAILER

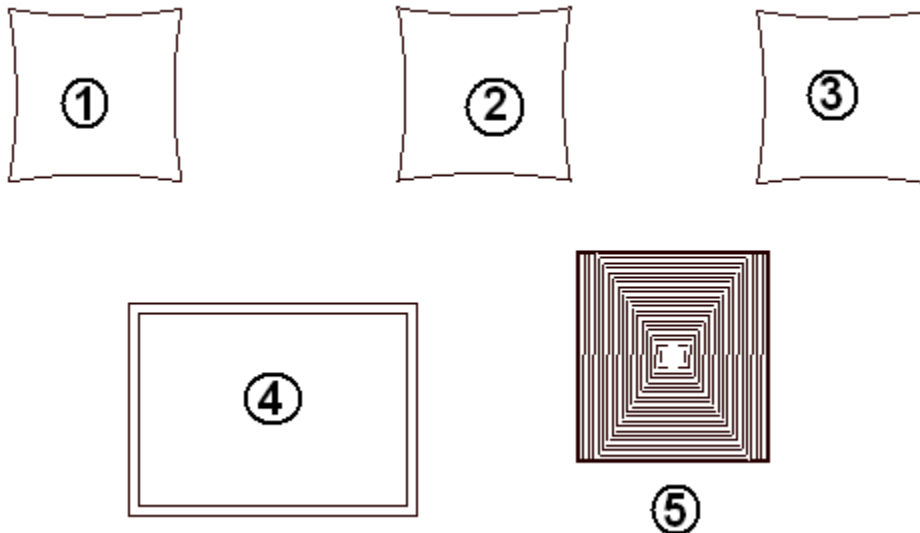
UPHOLSTERY/FOAM/MATTRESS

Pillow Kit, Cocoa



- | | |
|--------------|-------------------------------|
| 1. 703561-01 | Accent pillow, lounge |
| 2. 703561-02 | Accent pillow, lounge/bedroom |
| 3. 703561-03 | Accent pillow, lounge/bedroom |
| 4. 703561-04 | Pillow sham |

Pillow Kit, Praline

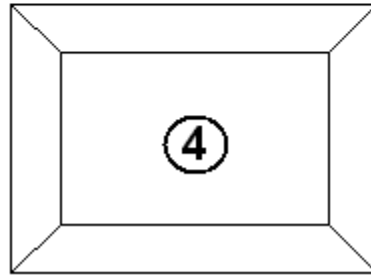
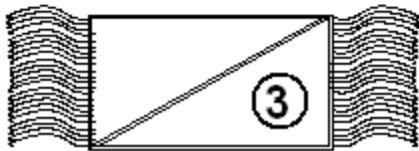
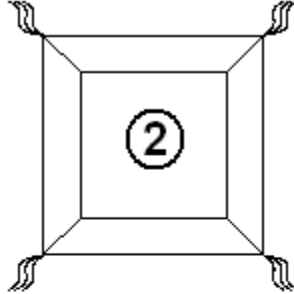
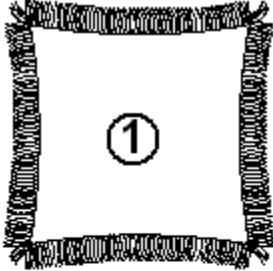


- | | |
|--------------|---------------------------------|
| 703685-06 | Pillow Kit, Praline, Double bed |
| 703685-07 | Pillow Kit, Praline, Twin bed |
| 1. 703685-01 | Lounge pillow, beige |
| 2. 703685-02 | Lounge pillow, dark brown |
| 3. 703685-04 | Bedroom pillow, brown |
| 4. 703685-03 | Bedroom pillow, gold |
| 5. 703685-05 | Bedroom pillow |

2010 CLASSIC TRAILER

UPHOLSTERY/FOAM/MATTRESS

Pillow Kit, Jade



- | | |
|--------------|-----------------------------|
| 703607-05 | Pillow Kit, Queen bed, Jade |
| 703607-06 | Pillow Kit, Twin bed, Jade |
| 1. 703607-01 | Lounge pillow |
| 2. 703607-02 | Lounge and bedroom pillow |
| 3. 703607-03 | Lounge and bedroom pillow |
| 4. 703607-04 | Bedroom pillow |

2010 CLASSIC TRAILER

VENTS/FANS/SKYLIGHTS

Vent, Power, Bathroom

690266-01	Ventilator, power, bathroom
690266-02	Ventilator, power, bathroom, CSA
372072-01	Screen, Ceiling Vent, CSA Only
201666-01	Molding, J 3/16" Almond, plastic

Vent, w/Power Lift

381541-12	Roof vent w/power lift
381541-11	Switch, white, ceiling vent
201666	Molding, J 3/16" Almond, plastic

Range exhaust

511792-01	Range hood, w/fan and light, UL
511792-03	Range hood, w/fan and light CSA
453484-03	Ext., range hood end cap LH Silver
453484-04	Ext., range hood end cap RH Silver
453158	Extension, range vent
114462	Duct, range exhaust transition
114230-04	Closeout, formed, range exhaust, 4.40"
511017-11	Vent cover, exterior, range hood, gray

Vent, Refrigerator

100341	Refrigerator, vent collar, large
101394	Cover, refrigerator vent, large
381042	Mesh, galvanized, .017" X 36"

2010 CLASSIC TRAILER

VENTS/FANS/SKYLIGHTS

Vent, Holding Tanks

690264-03 Plumbing flashing V-2049-1 WHITE
380228 Wire hardware cloth

Vent, Power, Fantastic

381841 Vent, Fantastic, exhaust only
511657 Fantastic Fan W/410KIB Control

Sky Light. Lounge

381318-05 Skylight, 19.5" x 19.5", galley/lounge
114485 Mounting frame, skylight
201962 Trim ring, skylight
702804-03 Shade, pleated, skylight, 19.25" x 20.00"

Sky Light. Bath

381318-06 Skylight, 14.5" x 22.5" bath
114486 Mounting frame, skylight, bath
114485 Mounting frame, skylight
201963 Trim ring, 14" x 22", skylight, white
702804-04 Shade, pleated, skylight, 14.5" x 22.75"

2010 CLASSIC TRAILER

WOOD/LAMINATES/INTERIOR TRIM

Cedar/Lauan Panels

800507-01	Paneling, lauan, 1/8" x 4' x 8'
800507-02	Paneling, lauan 1/4" x 4' x 8'
800507-03	Paneling, lauan 3/8" x 4' x 8'
800507-06	Paneling, lauan .3/4" x 4' x 8'
800397-01	Cedar, planked, 5/32"x 4' x 8'

Edge banding

365238-01	Edgebanding, .93"X .055", Natural Oak
365238-04	Edgebanding tape PVC 5/8" C.WH
365268-03	Edgebanding, .024" X .63", OAK
365268-04	Edgebanding, .024" X 1.25" OAK

Paneling

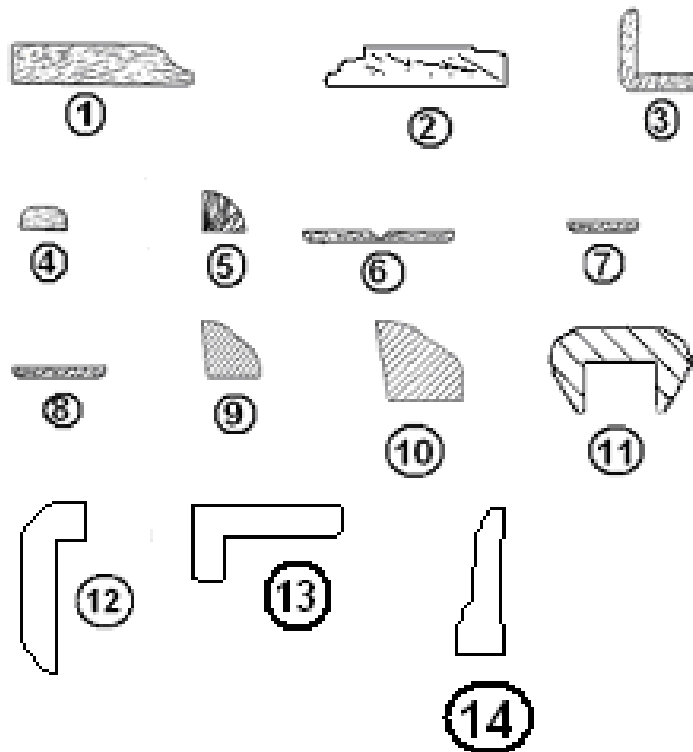
801258-003	Paneling 1/2" x 4' x 8', G2S, Hickory / Hickory
801259-003	Paneling, 1/2" x 4' x 8', G1S, Hickory /raw
801260-003	Paneling 5/32" x 4' x 8', G1S, Hickory /raw
*801505	Paneling, Ascot Sand/Raw .125" X 4' X 8'
*801828	Panel, Crackle Cream/Raw .125" X4 X 8'
*801506	Paneling, Ascot Sand/Raw .5" X 4' X 8'
*801829	Panel, Crackle Cream/Raw .5" X 4' X 8'
*801507	Paneling, Ascot Sand/Sand G2S .5" X 4'x 8'
*801830	Panel, Crackle Cream/Crackle Cream, .5" X 4' X 8'
*801509-003	Panel, Hickory/Ascot Sand
*801831-003	Panel, Hickory/Crackle Cream .5" X 4' X 8'
801368	Paneling, White liner/White liner 18MM
801392	Paneling, White liner/White liner 12MM

*Ascot Sand was replaced by Crackle Cream during model year.

2010 CLASSIC TRAILER

WOOD/LAMINATES/INTERIOR TRIM

Molding, Wood, Hickory



- | | |
|----------------|--|
| 1. 801206-013 | Molding, floor, 43", Hickory |
| 2. 801265-003 | Molding, chair rail, Hickory |
| 3. 800575-013 | Molding, corner, Hickory |
| 4. 800571-013 | Molding, flat 1/4"x 33/64"x 80" Hickory |
| 5. 800638-023 | Molding, quarter round, Hickory |
| 6. 801172-013 | Molding, flexible corner, Hickory |
| 6. *801172-07 | Molding, flexible corner, Ascot Sand |
| 6. 801172-08 | Molding, flexible corner, Crackle Cream |
| 7. 800572-013 | Molding, flat radius, .88", Hickory |
| 8. 800573-013 | Molding, flat radius, 1.13", Hickory |
| 8. 801175-08 | Molding, flat .81", Crackle Cream |
| 9. 801492-003 | Molding, threshold, main door, carpet, Hickory |
| 10. 801492-003 | Molding, threshold, main door, linoleum, Hickory |
| 11. 800766-003 | Paneling Trim, Hickory, 1/2" Panel |
| 12. 800617-013 | Molding, Wainscot, 84" |
| 13. 801665-003 | Molding, "L", door jamb |
| 14. 801266-003 | Molding, baseboard, Hickory |

*Ascot Sand was replaced by Crackle Cream during model year.

2010 CLASSIC TRAILER

NOTES

