

# ***INTERSTATE MOTORHOME***

***PARTS  
BOOK***

**2010**



# 2010 INTERSTATE MOTORHOME TABLE OF CONTENTS

## SECTION I A through C

### APPLIANCES

<a href="#">Air Conditioner/Furnace</a> .....	I-1
<a href="#">Microwave/Cook Top</a> .....	I-1
<a href="#">Coffee Maker/Refrigerator</a> .....	I-1
<a href="#">Water Heater/Generator</a> .....	I-2

### EXTERIOR SHELL

<a href="#">Curbside Wall</a> .....	I-3
<a href="#">Roadside Wall</a> .....	I-5
<a href="#">Medallions</a> .....	I-7
<a href="#">Window Blackouts</a> .....	I-7
<a href="#">Body Kits</a> .....	I-8

### INTERIOR BODY

<a href="#">Interior Panels, Rear Door</a> .....	I-12
<a href="#">Interior Trim/Skin</a> .....	I-12
<a href="#">Closeouts, Windows, Pillars, Roof</a> .....	I-13
<a href="#">Floor Assembly</a> .....	I-14
<a href="#">Ceiling Panels</a> .....	I-15
<a href="#">Interior Aluminum Wall &amp; Door Panels</a> .....	I-17

### CHASSIS

<a href="#">Spare Tire Carrier</a> .....	I-20
<a href="#">Wheel Simulator</a> .....	I-21
<a href="#">Step/Step Well</a> .....	I-22
<a href="#">Exhaust System/Skid Bar</a> .....	I-23

# 2010 INTERSTATE MOTORHOME TABLE OF CONTENTS

## SECTION II D through E

### DOOR/WINDOWS/AWNING

<a href="#">Exterior Door</a> .....	II-1
<a href="#">Windows</a> .....	II-1
<a href="#">Awning</a> .....	II-2

<a href="#">DRAPES/SHADES/VALANCES</a> .....	II-3
--	------

### ELECTRICAL, 110 VOLT

<a href="#">Energy Management System</a> .....	II-9
<a href="#">Shoreline Hookup</a> .....	II-9
<a href="#">Inverter</a> .....	II-9
<a href="#">Receptacles</a> .....	II-10
<a href="#">Breaker</a> .....	II-10

### Electrical, 12 volt

<a href="#">Battery Box/Vent</a> .....	II-11
<a href="#">Battery System, Coach</a> .....	II-14
<a href="#">Lights</a> .....	II-14
<a href="#">Switches</a> .....	II-15
<a href="#">Distribution Panel, 12 Volt</a> .....	II-16
<a href="#">Dump Valve/Heating Pad, Holding Tanks</a> .....	II-16
<a href="#">Monitor Panel</a> .....	II-16
<a href="#">Rear View Monitor</a> .....	II-16

### ENTERTAINMENT

<a href="#">Radio Wiring</a> .....	II-17
<a href="#">Television Reception System</a> .....	II-17
<a href="#">Television Systems</a> .....	II-18

# 2010 INTERSTATE MOTORHOME TABLE OF CONTENTS

## SECTION III F through H

FASTENER (common fastener available locally are not listed)

[Rivets](#)..... III-1

[FLOOR COVERING](#) ..... III-2

### FURNITURE

[Lavatory](#) ..... III-3

[Galley](#).....III-17

[Lounge](#) .....III-42

[Bedroom](#).....III-54

[Interior Door/Mirror](#) .....III-62

[Edge Banding](#) .....III-63

[Trim, Wood/Plastic](#) .....III-64

[Panels, Wood/Laminated](#) .....III-64

### HARDWARE

[Captains Chair, 2<sup>nd</sup> Row](#).....III-65

[Lounge](#) .....III-66

[Clothes Line](#) .....III-66

[Interior Handles, Fastener, Latches](#) .....III-67

[Hinges](#).....III-68

[Bath Accessories](#) .....III-68

[Labels and Tags](#) .....III-69

[Safety Equipment](#).....III-69

# 2010 INTERSTATE MOTORHOME TABLE OF CONTENTS

## SECTION IV L through Z

### PLUMBING

<a href="#">LPG Tank/Mounting Hardware/Heat Shield</a> .....	IV-1
<a href="#">LPG System</a> .....	IV-2
<a href="#">Fresh Water Tank/Gravity Fill</a> .....	IV-4
<a href="#">Fresh Water Pump/Lines</a> .....	IV-5
<a href="#">Faucet &amp; Sink, Galley</a> .....	IV-7
<a href="#">Faucet, Wet Bath</a> .....	IV-7
<a href="#">Shower, Exterior</a> .....	IV-7
<a href="#">City Water Hookup</a> .....	IV-7
<a href="#">Freshwater Fittings</a> .....	IV-8
<a href="#">Tanks/Valves/Heating Pad, Gray/Black</a> .....	IV-9
<a href="#">Black Tank Support and Cover</a> .....	IV-9
<a href="#">Gray Tank Support Rods/Brackets</a> .....	IV-10
<a href="#">Plumbing Closeouts</a> .....	IV-10
<a href="#">Macerator Pump</a> .....	IV-11
<a href="#">Drain System</a> .....	IV-12
<a href="#">Toilet</a> .....	IV-18

<a href="#">SEALER/GASKETS/UNDERCOATING</a> .....	IV-20
---	-------

### UPHOLSTERY/FOAM/MATTRESS

<a href="#">Cab Seats</a> .....	IV-21
<a href="#">Chair, Captains, 2<sup>nd</sup> Row</a> .....	IV-21
<a href="#">Mattresses, Bedspreads, Sheets, Pillows</a> .....	IV-22
<a href="#">Lounge Sofa</a> .....	IV-23
<a href="#">Shower Curtain</a> .....	IV-23

<a href="#">VENTS/FANS</a> .....	IV-24
----------------------------------	-------

# 2010 INTERSTATE MOTORHOME

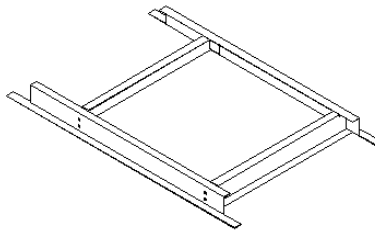
## APPLIANCES

### Air Conditioner

*690586-01	AIR CONDITIONER, 13,500, LO-PROFILE
*690586-03	AIR CONDITIONER, CEILING PACKAGE
*690586-04	WALL THERMOSTAT, AIR CONDITIONER
*690323-41	AIR CONDITIONER, 13,500 BTU W/ ANALOG RELAY KIT
*690323-20	ELECTRONIC ANALOG THERMOSTAT
*690380-10	INTERIOR AIR BOX/SHROUD
*690380-11	DUCT ADAPTER
340086	MINIATURE SCREW TYPE HOSE CLAM
601240-01	TUBING 1/2 I.D.
690323-SHDWH	SHROUD, A/C PAINTED WHITE

\*690586-01,-03,-04 WERE REPLACED BY 690323-41, -20, -10,  
AND -11 DURING THE 2010 MODEL YEAR

### Roof Air Conditioner Frame



115397 Roof AC frame

### Furnace

690395-04	FURNACE, 16,000 BTU, w/BLACK DOOR
454674	VENT BACKER PLATE, FURNACE,
511228	THERMOSTAT, ROOM, OFF WHITE

### Microwave/Cook Top

690597	MICROWAVE, 1.2 CONVECTION, APOLLO
690576	COOK TOP, 2-BURNER, SMEV

### Coffee Maker

## 2010 INTERSTATE MOTORHOME

690598 COFFEE MAKER, CONTOUR

Refrigerator

690599 REFRIGERATOR, NOVAKOOL, 3.1 LH DOOR  
690599-01 REFRIGERATOR, NOVAKOOL, 3.1 RH DOOR  
115166-08 INSERT, REFER PANEL, 16.56" X 28.00"



# 2010 INTERSTATE MOTORHOME

## APPLIANCES

### Water Heater

690602	WATER HEATER, 6 GALLON, GAS
690209	Water heater exterior door, brushed aluminum
381648	COVER, LATCH HOLE, WATER HEATER
690417-05	SWITCH, WATER HEATER, DUAL
967295	STAND-WATER HEATER
452652	FRAME ASSEMBLY, EXTERIOR
454653	CLOSEOUT, INSIDE LOWER WATER HEATER FRAME
454654	CLOSEOUT, UPPER WATER HEATER

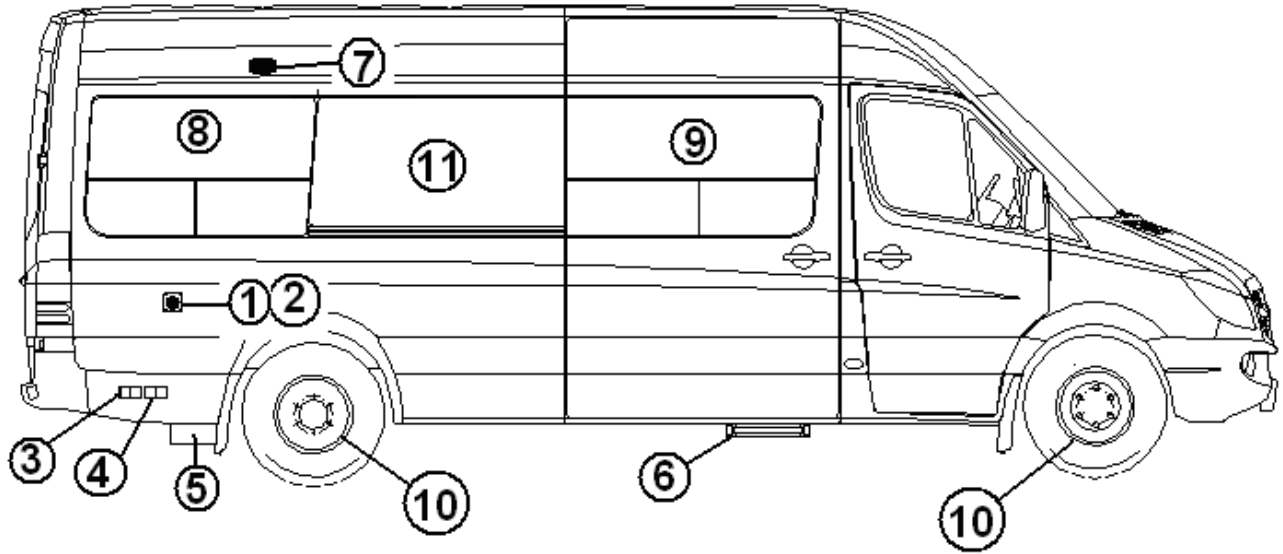
### Generator, LP

511811-01	GENERATOR, ONAN, 2.5KV-FA LP VAPOR
511811-02	SWITCH, REMOTE, W/HR METER ONAN
511811-04	MOUNTING, KIT, UNDER FLOOR, ONAN, 2.5KV
511811-09	PIPE, GENERATOR EXHAUST
511811-08	HARNESS, MATING PIGTAIL
454670	Support, generator switchover box
454663	Mounting bracket, generator, complete set
454663-01	BRACKET, ROADSIDE GENERATOR MOUNTING
454663-02	BRACKET, CURBSIDE-AFT GEN MOUNTING
454705	SHIELD, GENERATOR EXHAUST
0451204	HANGER, EXHAUST, ONAN GENERATOR
510562	SWITCH, GENERATOR SWITCH
510817-01	SINGLE GANG, WEATHER PROOF BOX
510817-02	SINGLE GANG, WEATHER PROOF EXTENTION RING
500836	POSITIVE BATTERY CABLE

# 2010 INTERSTATE MOTORHOME

## EXTERIOR SHELL

### Curbside Wall



Part numbers are on the next page.

# 2010 INTERSTATE MOTORHOME

## EXTERIOR SHELL

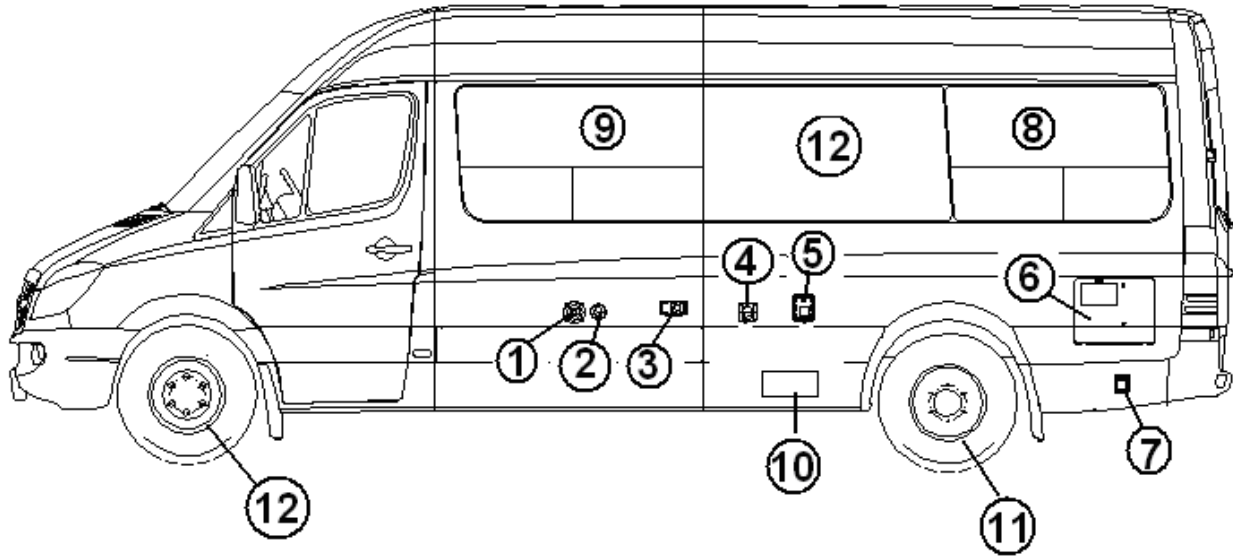
### Curbside Wall

1. 203638-01 Cone vent, white
2. 203638-02 Grille, white
3. 512399 Cover, Outlet, 10 Volt, exterior, gray
3. 500563-03 RECEPTACLE, WHITE
3. 500563-04 PLATE, 1-GANG WHITE
4. 511796 CABLE-EXT. TV/12V POWER PORT
5. 454680 LPG remote fill assembly, (includes bracket, switch, HOSE 602109-02, and valves)
5. 386147 DECAL-ON/OFF LP REMOTE FILL
5. 602207 LP hose, 1/2" x 120" long
5. 602206 LP hose, 1/4" x 120" long
5. 454676 Bracket, LPG remote fill
5. 203650 Cover, remote fill
6. 512391 STEP, POWER
7. 512288 Light, patio, black
8. 372260-05 WINDOW, RIGHT HAND REAR, W/VENTS
9. 372260-03 WINDOW, RIGHT HAND MIDDLE, FIXED
10. 401000 Wheel simulator, set of 4
11. 372260-06 WINDOW, SLIDING DOOR, W/VENTS

# 2010 INTERSTATE MOTORHOME

## EXTERIOR SHELL

### Roadside Wall



Part numbers are on the next page.

# 2010 INTERSTATE MOTORHOME

## EXTERIOR SHELL

### Roadside Wall

1. 601392-05 City water fill w/regulator, chrome
2. 602190 Water fill, gravity
3. 690395-02 Furnace 16,000 BTU
4. 602189-01 Outlet, exterior shower
5. 382083 Hatch, electrical switches
6. 690602 Water heater
7. 512099 Power inlet, 30 amp, stainless steel
8. 372260-04 Window, rear left hand, vented
9. 372260-01 Window, front left hand, vented
10. 381766 Access hatch, 7.75" X 12.63"
11. 401000 Wheel simulator
12. 372260-02 Window, left hand middle, fixed

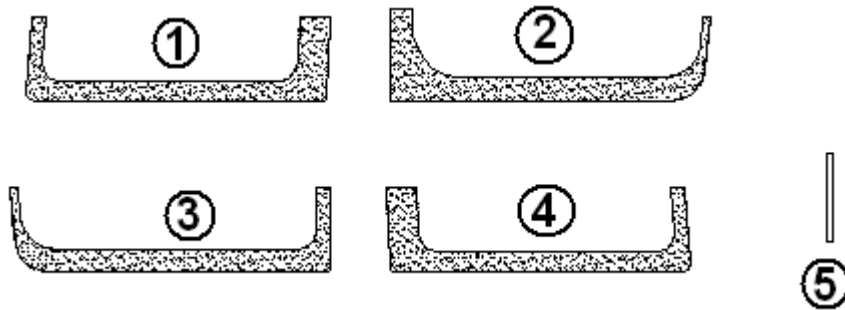
# 2010 INTERSTATE MOTORHOME

## EXTERIOR SHELL

### Medallions

- 386213 NAMEPLATE-INTERSTATE 3" X 10"  
386211 MEDALLION, "AIRSTREAM", 1.69" X 12.69" BLACK INLAY

### Window Blackouts, Exterior

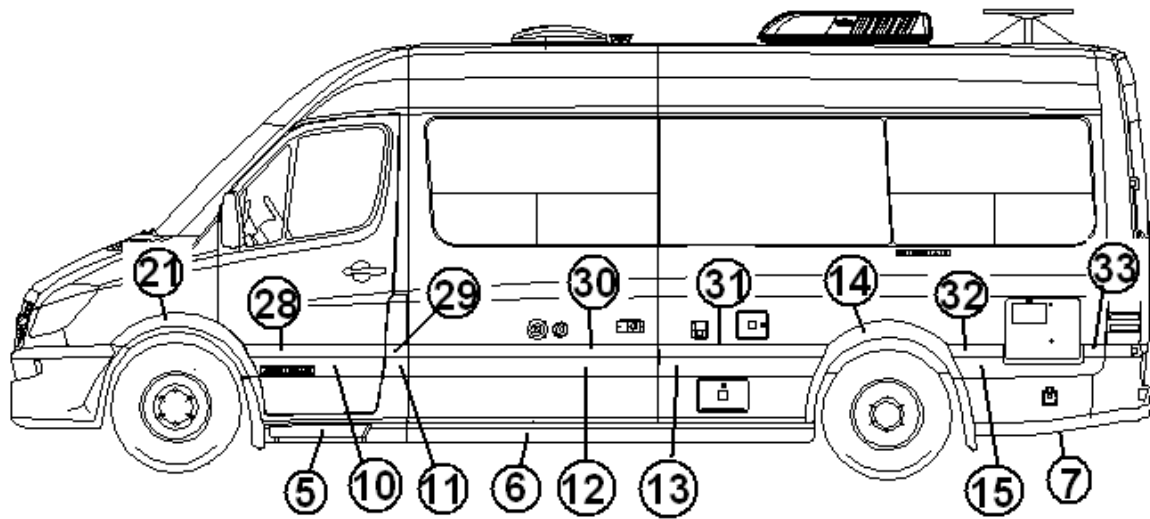
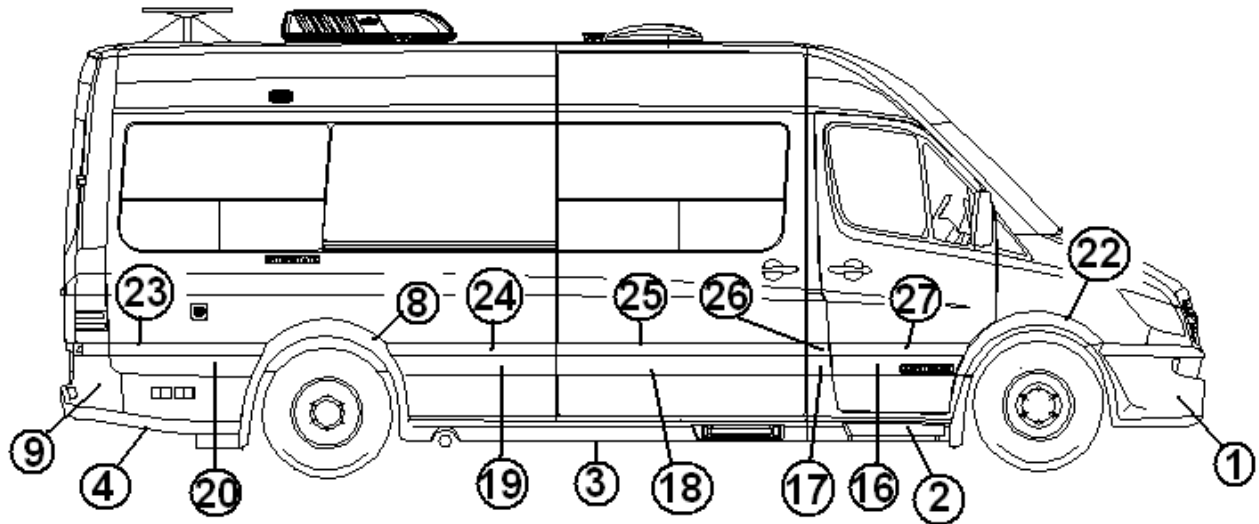


- 386215 KIT, WINDOW BLACKOUT  
1. 386215-01 Curbside rear blackout  
2. 386215-02 Curbside front blackout  
3. 386215-03 Roadside front blackout  
4. 386215-04 Roadside rear blackout  
5. 386215-05 Filler strip, 1.5"x 17"

# 2010 INTERSTATE MOTORHOME

## EXTERIOR SHELL

Body Kit, Silver



Part numbers are on the next page

# 2010 INTERSTATE MOTORHOME

## EXTERIOR SHELL

### Body Kit, Silver

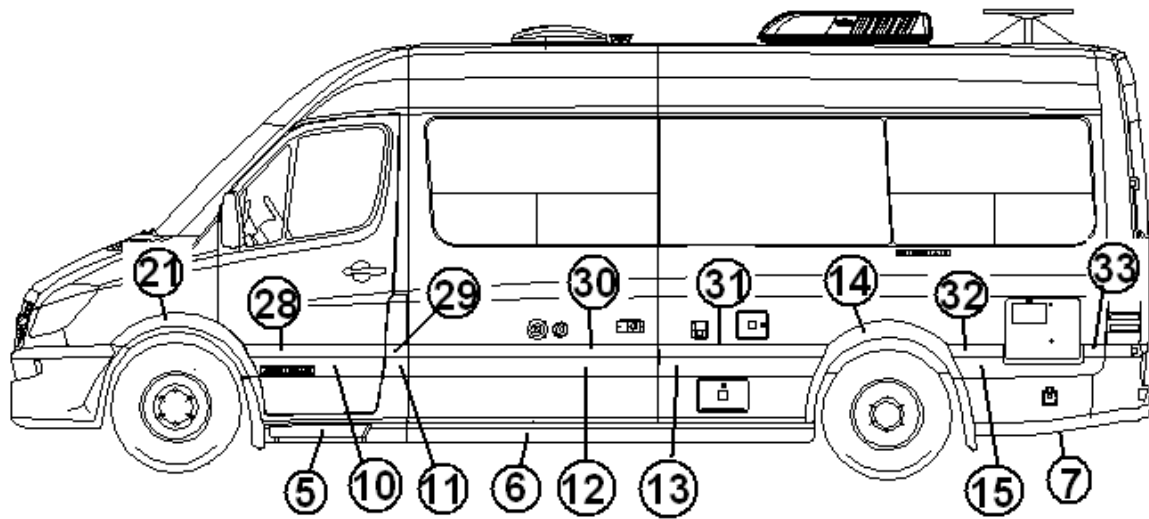
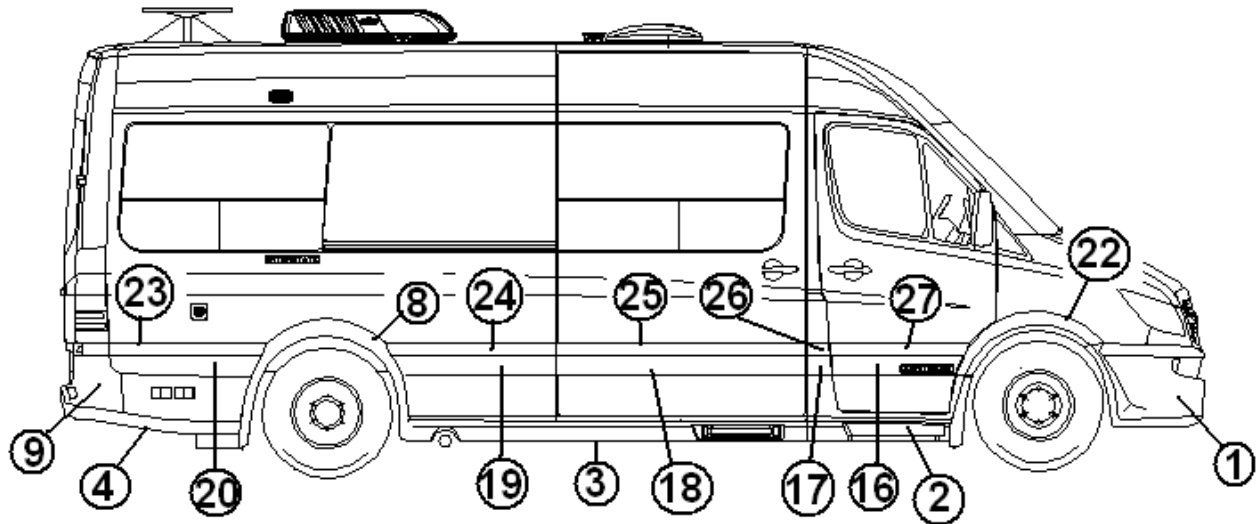
1. 203624-01	BUMPER, FRONT
2. 203624-02	STEP, PASSENGER
3. 203624-03	ROCKER, PASS SIDE
4. 203624-04	TRANSION, PASSENGER REAR
5. 203624-05	STEP, DRIVER
6. 203624-06	ROCKER, DRIVER SIDE
7. 203624-07	TRANSION, DRIVER SIDE
8. 203624-08	FLARE, PASSENGER REAR
9. 203624-09	BUMPER, REAR
10. 203624-10	PANEL, DRIVER FRONT DOOR
11. 203624-11	PILLAR, B-PILLAR, DRIVER SIDE
12. 203624-12	PANEL, DRIVER SIDE BODY,
13. 203624-13	PANEL, DRIVER SIDE MIDDLE REAR
14. 203624-14	FLARE, DRIVER REAR
15. 203624-15	PANEL, DRIVER SIDE, REAR QUARTER PANEL
16. 203624-16	PANEL, PASSENGER SIDE, FRONT DOOR
17. 203624-17	PILLAR, B-PILLAR, PASSSENGER SIDE
18. 203624-18	PANEL, PASSENGER, SLIDER DOOR
19. 203624-19	PANEL, PASSENGER SIDE MIDDLE REAR
20. 203624-20	PANEL, PASSENGER REAR QUARTER PANEL
21. 203624-21	FLARE, DRIVER FRONT
22. 203624-22	FLARE, PASSENGER, FRONT
23. 203624-25	TRIM, PASSENGER SIDE QUARTER, CHROME
24. 203624-26	TRIM, PASSENGER MIDDLE REAR, CHROME
25. 203624-27	TRIM, PASSENGER SLIDE DOOR, CHROME
26. 203624-28	TRIM, B-PILLAR PASSENGER SIDE, CHROME
27. 203624-29	TRIM, PASSENGER, FRONT DOOR, CHROME
28. 203624-30	TRIM, DRIVER SIDE DOOR, CHROME
29. 203624-31	TRIM, B PILLAR DRIVER SIDE, CHROME
30. 203624-32	TRIM, DRIVER SIDE BODY, CHROME
31. 203624-33	TRIM, DRIVER SIDE MIDDLE REAR CHROME
32. 203624-34	TRIM, DRIVER'S REAR QTR, FRONT CHROME
33. 203624-35	TRIM, DRIVER'S REAR QTR REAR, CHROME
203624-36	STEP TREAD, CURBSIDE AND ROADSIDE
203624-37	STEP BRACKET KIT, CURBSIDE AND ROADSIDE
203624-38	MOUNTING HARDARE KIT



# 2010 INTERSTATE MOTORHOME

## EXTERIOR SHELL

Body Kit, White



Part numbers are on the next page

# 2010 INTERSTATE MOTORHOME

## EXTERIOR SHELL

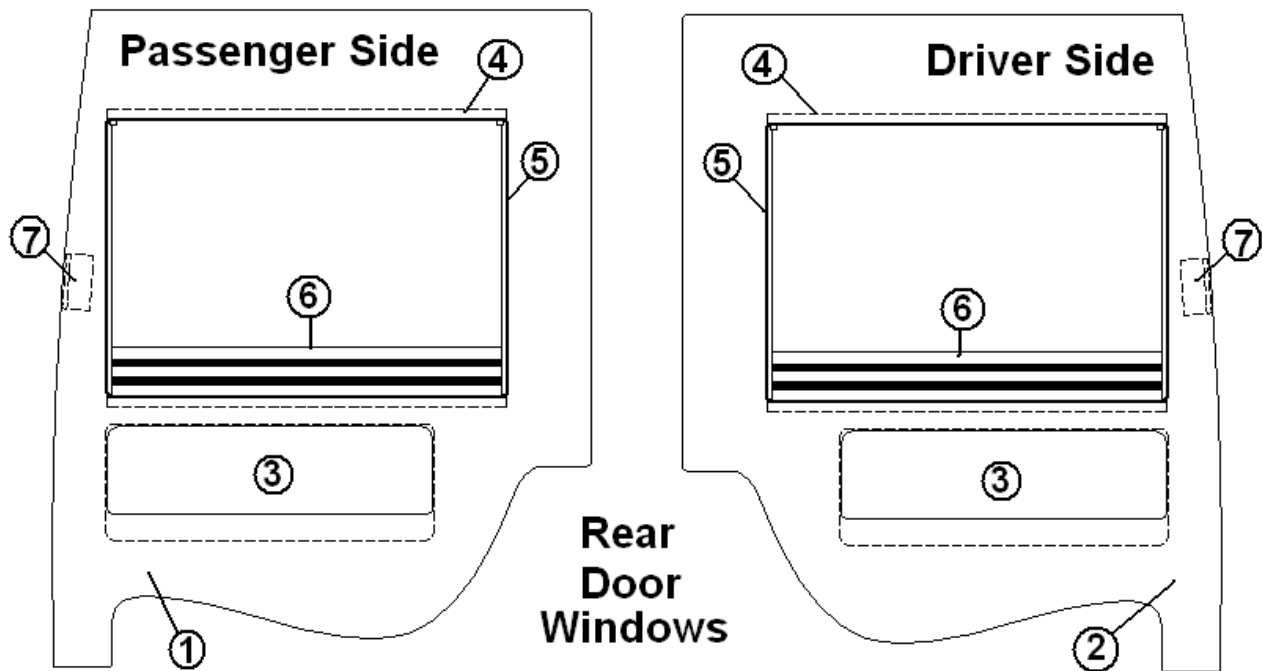
### Body Kit, White

1. 203624-01W	BUMPER, FRONT
2. 203624-02W	STEP, PASSENGER
3. 203624-03W	ROCKER, PASS SIDE
4. 203624-04W	TRANSION, PASSENGER REAR
5. 203624-05W	STEP, DRIVER
6. 203624-06W	ROCKER, DRIVER SIDE
7. 203624-07W	TRANSION, DRIVER SIDE
8. 203624-08W	FLARE, PASSENGER REAR
9. 203624-09W	BUMPER, REAR
10. 203624-10W	PANEL, DRIVER FRONT DOOR
11. 203624-11W	PILLAR, B-PILLAR, DRIVER SIDE
12. 203624-12W	PANEL, DRIVER SIDE BODY,
13. 203624-13W	PANEL, DRIVER SIDE MIDDLE REAR
14. 203624-14W	FLARE, DRIVER REAR
15. 203624-15W	PANEL, DRIVER SIDE, REAR QUARTER PANEL
16. 203624-16W	PANEL, PASSENGER SIDE, FRONT DOOR
17. 203624-17W	PILLAR, B-PILLAR, PASSSENGER SIDE
18. 203624-18W	PANEL, PASSENGER, SLIDER DOOR
19. 203624-19W	PANEL, PASSENGER SIDE MIDDLE REAR
20. 203624-20W	PANEL, PASSENGER REAR QUARTER PANEL
21. 203624-21W	FLARE, DRIVER FRONT
22. 203624-22W	FLARE, PASSENGER, FRONT
23. 203624-25	TRIM, PASSENGER SIDE QUARTER, CHROME
24. 203624-26	TRIM, PASSENGER MIDDLE REAR, CHROME
25. 203624-27	TRIM, PASSENGER SLIDE DOOR, CHROME
26. 203624-28	TRIM, B-PILLAR PASSENGER SIDE, CHROME
27. 203624-29	TRIM, PASSENGER, FRONT DOOR, CHROME
28. 203624-30	TRIM, DRIVER SIDE DOOR, CHROME
29. 203624-31	TRIM, B PILLAR DRIVER SIDE, CHROME
30. 203624-32	TRIM, DRIVER SIDE BODY, CHROME
31. 203624-33	TRIM, DRIVER SIDE MIDDLE REAR CHROME
32. 203624-34	TRIM, DRIVER'S REAR QTR, FRONT CHROME
33. 203624-35	TRIM, DRIVER'S REAR QTR REAR, CHROME
203624-36	STEP TRAD, CURBSIDE AND ROADSIDE
203624-37	STEP BRACKET KIT, CURBSIDE AND ROADSIDE
203624-38	MOUNTING HARDARE KIT

# 2010 INTERSTATE MOTORHOME

## INTERIOR SHELL

### Interior Panels, Rear Door



- |              |                                 |
|--------------|---------------------------------|
| 1. 203626-01 | Close off, rear curbside window |
| 2. 203626-02 | Close off, rear roadside window |
| 3. 203627    | Bucket, rear window             |
| 4. 800506-04 | Plywood                         |
| 5. 203225-01 | Trim lok, gray                  |
| 6. 703858-01 | Shade, 21.38" x 14.88"          |
| 7. 115421    | Angle bracket, rear door panel  |

### Interior Skin/Trim

- |           |  |
|-----------|--|
| 203628    | Closeout, Roadside "B" pillar, bottom  |
| 203629    | Close out, sliding door header         |
| 203631-01 | Closeout, roadside wheel well          |
| 203631-02 | Closeout, curbside wheel well          |
| 203637    | Pads, sound dampener, rear wheel wells |
| 203632    | Close off, step                        |

# 2010 INTERSTATE MOTORHOME

## INTERIOR SHELL

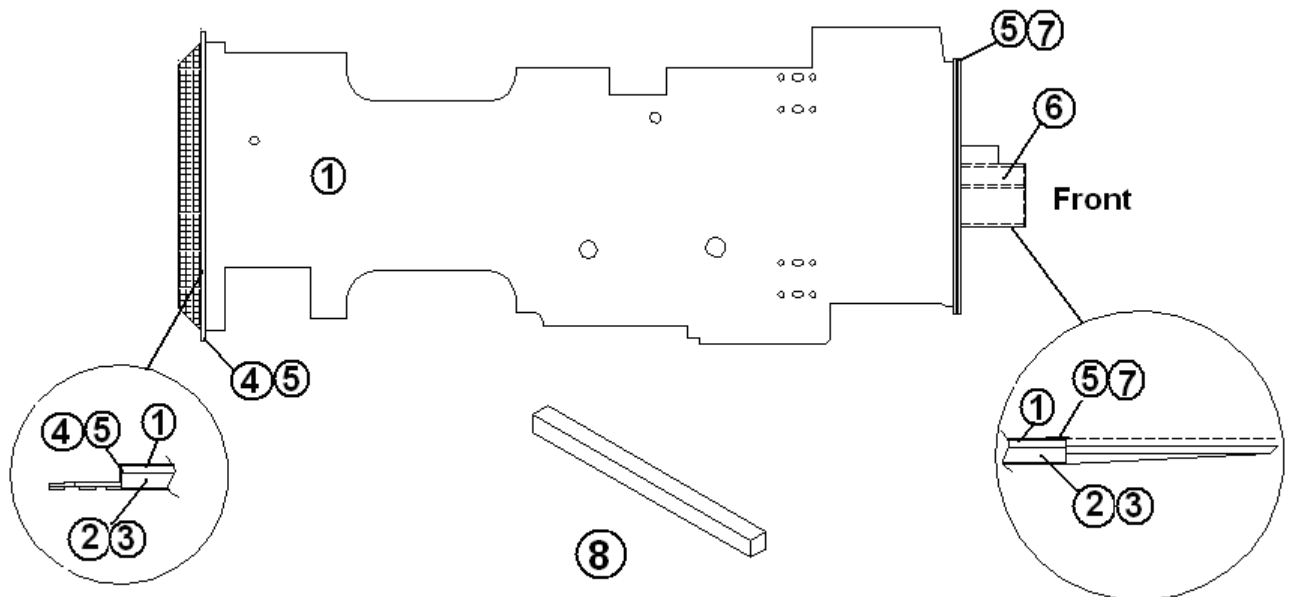
### Closeouts, Windows, Pillar, & Roof

203651-01	CLOSEOUT, CURBSIDE, "C" PILLAR
203651-02	CLOSEOUT, CURBSIDE, FRONT WINDOW
203651-03	CLOSEOUT, CURBSIDE, REAR WINDOW
203651-04	CLOSEOUT, CURBSIDE, LOWER PILLAR
203651-05	CLOSEOUT, CURBSIDE, REAR UPPER PILLAR
203651-06	CLOSEOUT, ROADSIDE, FRONT WINDOW
203651-07	CLOSEOUT, ROADSIDE, FRONT WINDOW, AFT
203651-08	CLOSEOUT, ROADSIDE, MIDDLE WINDOW
203651-09	CLOSEOUT, ROADSIDE, REAR WINDOW
203651-10	CLOSEOUT, ROADSIDE, REAR LOWER PILLAR
203651-11	CLOSEOUT, ROADSIDE, REAR UPPER PILLAR
203651-12	CLOSEOUT, ROOF, CENTER

# 2010 INTERSTATE MOTORHOME

## INTERIOR SHELL

### Floor Assembly

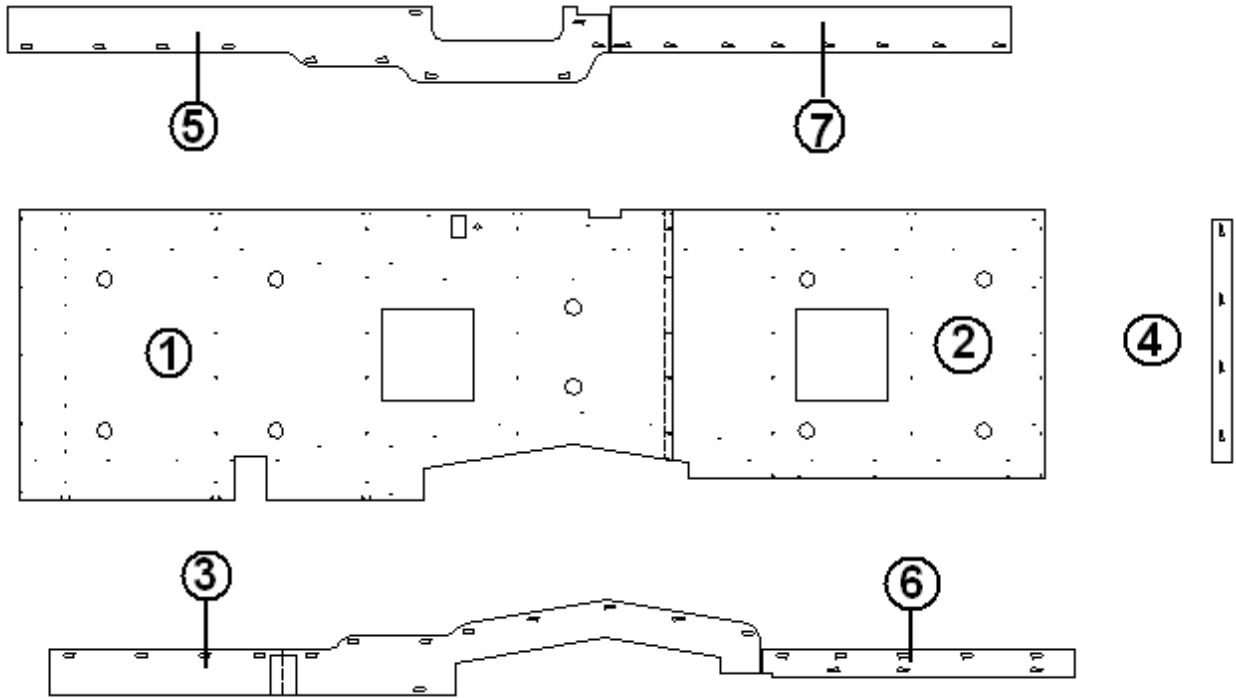


- |              |  |
|--------------|--|
| 1. 703798    | NLA – USE 703856 Vinyl flooring, Beau Golden Oak |
| 1. 703856    | Vinyl flooring, Beau Golden Oak                  |
| 1. 703841    | Vinyl flooring, Beau Junta, Onyx option          |
| 1. 703816    | Vinyl flooring, Beau Junta, Sand Pearl option    |
| 2. 932009    | Floor assembly                                   |
| 3. 345330-09 | Screw, ¼ x 20 x 3", self tapping                 |
| 4. 454678    | Angle rear transition cap                        |
| 5. 345353-03 | Screw, #6 flat head                              |
| 6. 923012    | Cab to main floor transition assembly            |
| 7. 114869    | Extrusion, threshold compartment                 |
| 8. 801807    | FILLER, FLOOR TRANSITION                         |
| 702754       | UNDERBELLY, DARCO 102" WIDE BLACK                |

# 2010 INTERSTATE MOTORHOME

## INTERIOR SHELL

### Ceiling Panels, Twin

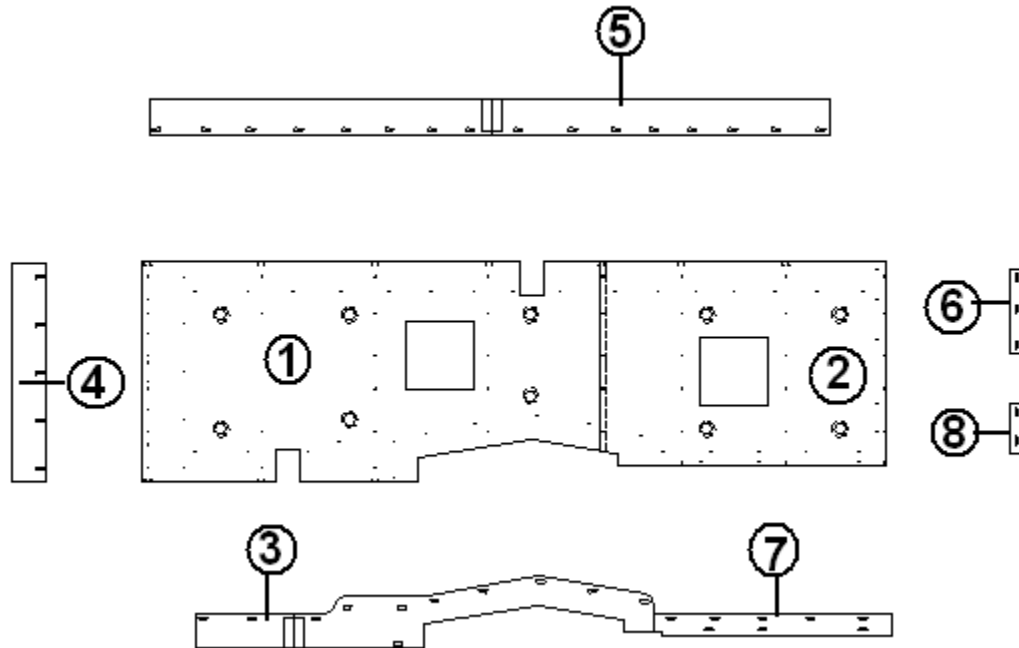


1. 923038-01 Aluminum ceiling panel, rear
2. 923038-02 Aluminum ceiling panel, front
3. 923038-03 Aluminum ceiling panel, curbside, padded
4. 923038-04 Luan ceiling panel, rear, padded
5. 923038-05 Luan ceiling panel, roadside, padded
6. 923038-06 Luan ceiling panel, front, padded
7. 923038-07 Luan ceiling panel, door, padded
- 701764 FOAM, 1/4"
- 703750 SUEDE, D'ORO-DOVE GREY
- 382062 FASTENER, FINNED, .25"

# 2010 INTERSTATE MOTORHOME

## INTERIOR SHELL

### Ceiling Panels, Lounge



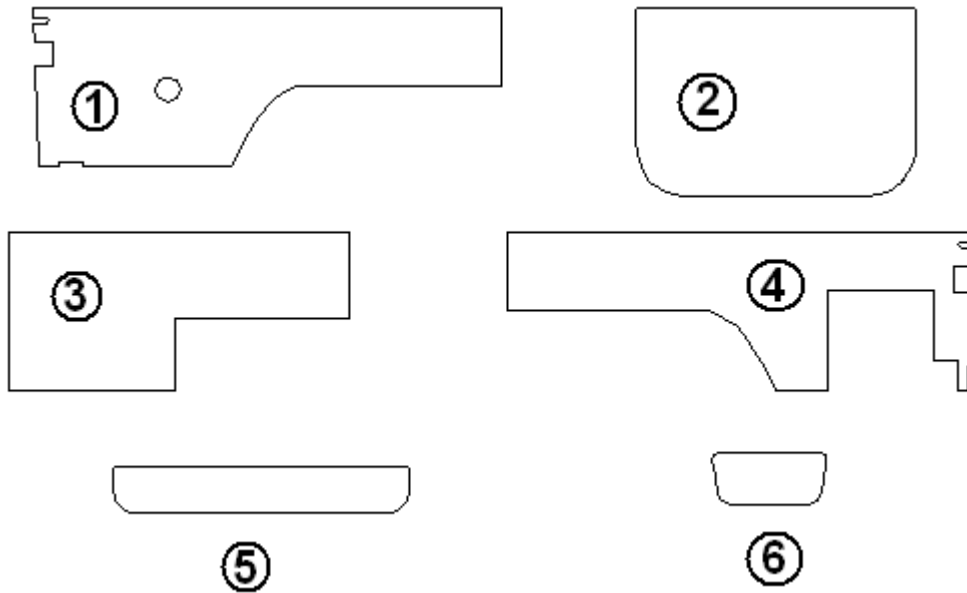
1. 920039-01 Aluminum ceiling panel, rear
  2. 920039-02 Aluminum ceiling panel, front
  3. 920039-03 Aluminum ceiling panel, curbside, padded
  4. 920039-04 Luan ceiling panel, rear, padded
  5. 920039-05 Luan ceiling panel, roadside, padded
  6. 920039-06 Luan ceiling panel, front, padded
  7. 920039-07 Luan ceiling panel, door, padded
  8. 920039-08 Luan ceiling panel, door, padded
- 701764 FOAM, 1/4"
- 703750 SUEDE, D'ORO, DOVE GREY
- 382062 FASTENER, FINNED, .25

# 2010 INTERSTATE MOTORHOME

## INTERIOR SHELL

### Interior Aluminum Door & Wall Panels

Aluminum panels replaced with addition of window boxes during model year.



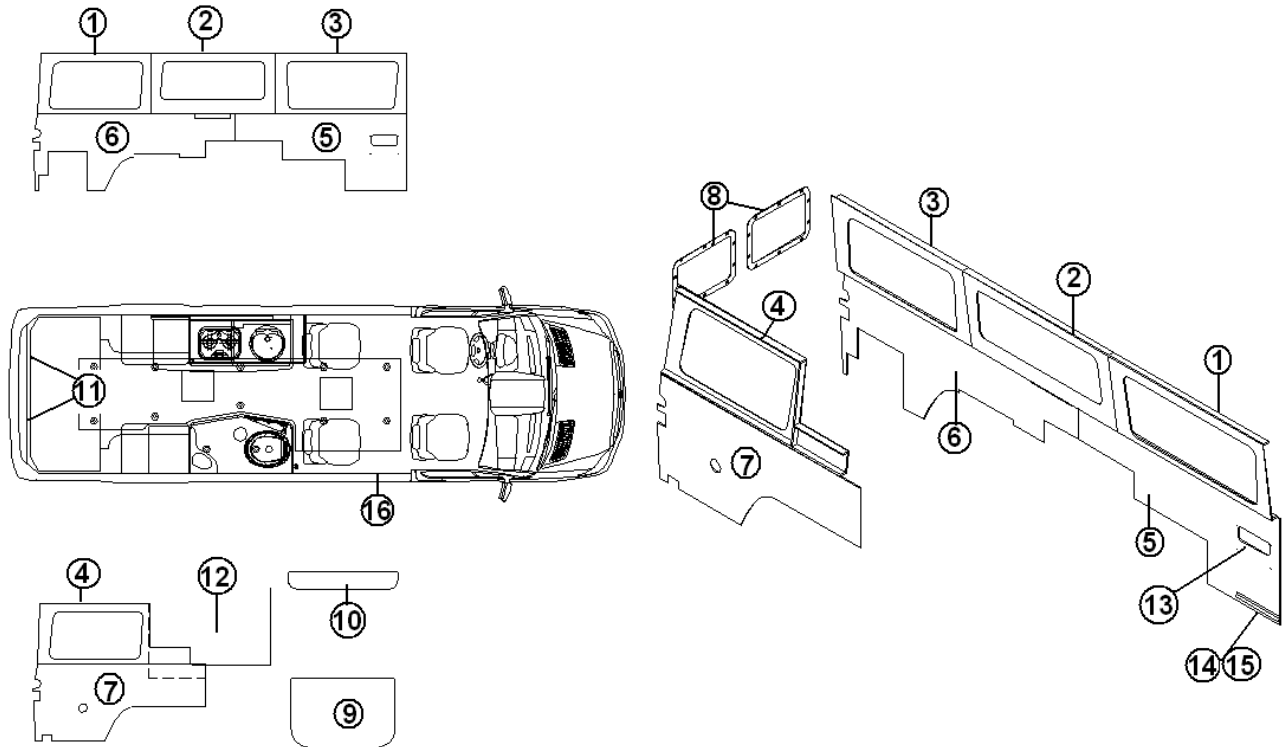
- |              |                                       |
|--------------|---------------------------------------|
| 1. 115434-01 | PANEL, ALUMINUM, CURBSIDE LOWER REAR  |
| 2. 115434-02 | PANEL, ALUMINUM, CURBSIDE SLIDER DOOR |
| 3. 115434-03 | PANEL, ALUMINUM, ROADSIDE LOWER       |
| 4. 115434-04 | PANEL, ALUMINUM, ROADSIDE, LOWER REAR |
| 5. 115434-05 | PANEL, CURBSIDE, SLIDER DOOR          |
| 6. 115434-06 | PANEL, ALUMINUM, REAR DOOR            |
| 203473       | CAP, SCREW COVER, PVC, WHITE          |
| 381081-05    | SNAP CAP, GRAY                        |
| 382057       | KNOCKDOWN, 8MM                        |
| 382057-01    | CAP, KNOCKDOWN, LIGHT BROWN           |



# 2010 INTERSTATE MOTORHOME

## INTERIOR SHELL

### Interior Panel w/Window Boxes, Lounge

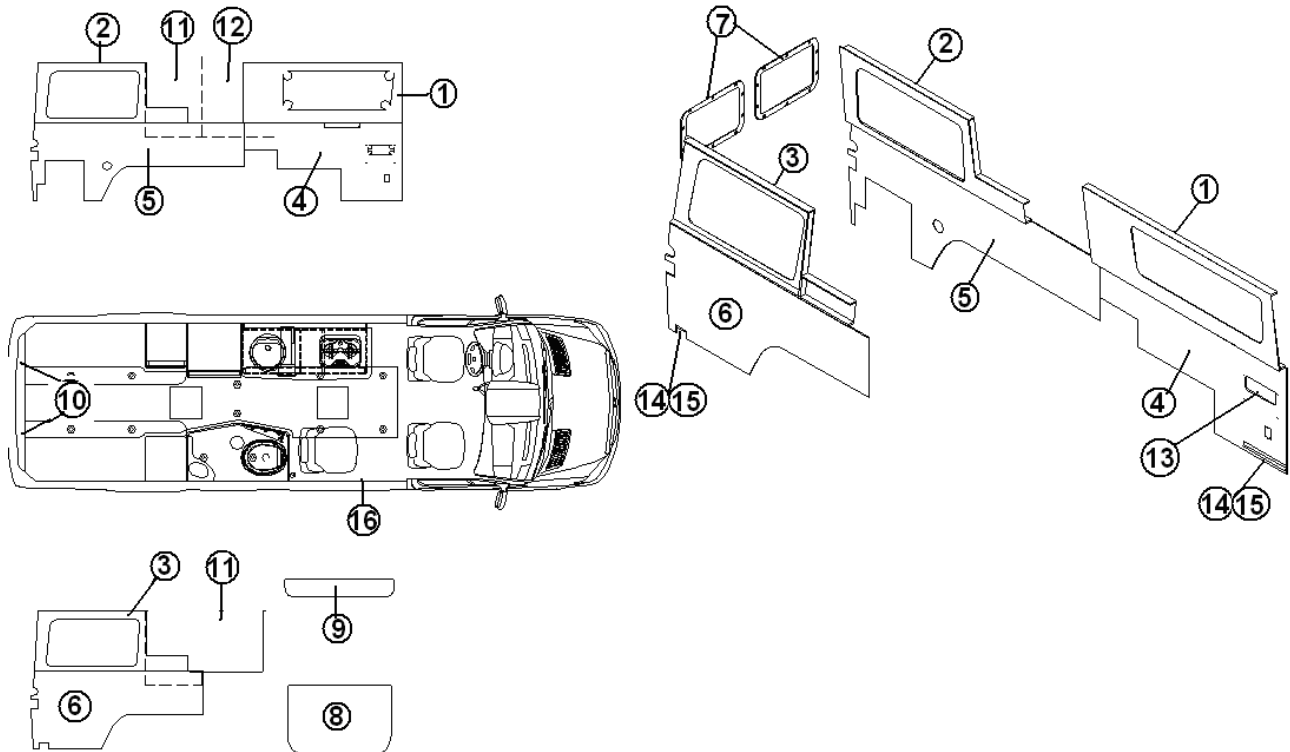


- |                 |                                      |
|-----------------|--------------------------------------|
| 1. 967563-01    | BOX ASSEMBLY, ROADSIDE FORWARD       |
| 2. 967563-02    | BOX ASSEMBLY, ROADSIDE MIDDLE        |
| 3. 967563-03    | BOX ASSEMBLY, ROADSIDE AFT           |
| 4. 967563-04    | BOX ASSEMBLY, CURBSIDE AFT           |
| 5. 967563-05    | PANEL, ROADSIDE FORWARD              |
| 6. 967563-06    | PANEL, ROADSIDE AFT                  |
| 7. 967563-07    | PANEL, CURBSIDE AFT                  |
| 8. 967563-08    | PANEL, REAR DOOR, WINDOW             |
| 9. 998206-01    | PANEL, LOWER SLIDING DOOR            |
| 10. 998206-02   | PANEL, UPPER SLIDING DOOR            |
| 11. 998206-03   | PANEL, ROADSIDE/CURBSIDE AFT DOOR    |
| 12. 195389-01   | .63 grey aluminum sheet, cut to fit. |
| 13. 203644-01   | POCKET, BLACK TANK VENT              |
| 14. 800573-0114 | MOLDING, FLAT DOOR, EDGE ALCHEMY     |
| 15. 800638-0114 | MOLDING, QUARTER RD .5" ALCHEMY      |
| 16. 998201      | CURTAIN ASSEMBLY, SLIDING DOOR       |

# 2010 INTERSTATE MOTORHOME

## INTERIOR SHELL

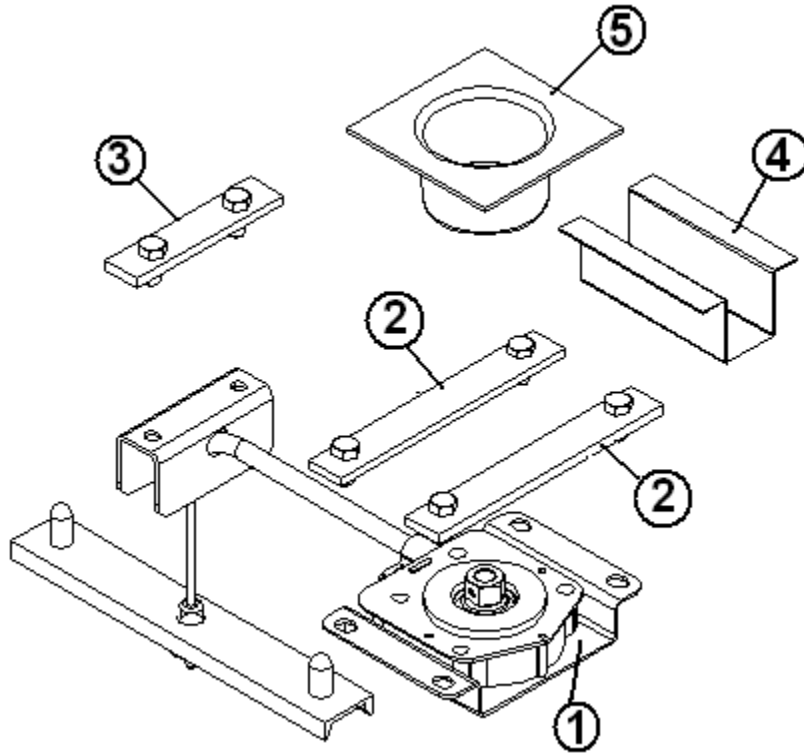
### Interior Panel w/Window Boxes, Twin



- |                 |                                      |
|-----------------|--------------------------------------|
| 1. 967562-01    | BOX ASSEMBLY, ROADSIDE FORWARD       |
| 2. 967562-02    | BOX ASSEMBLY, ROADSIDE REAR          |
| 3. 967562-03    | BOX ASSEMBLY, CURBSIDE REAR          |
| 4. 967562-04    | PANEL, ROADSIDE FORWARD              |
| 5. 967562-05    | PANEL, ROADSIDE AFT                  |
| 6. 967563-06    | PANEL, CURBSIDE AFT                  |
| 7. 967562-07    | PANEL, REAR DOOR, WINDOW             |
| 8. 998206-01    | PANEL, LOWER SLIDING DOOR            |
| 9. 998206-02    | PANEL, UPPER SLIDING DOOR            |
| 10. 998206-03   | PANELS, ROADSIDE/CURBSIDE AFT DOOR   |
| 11. 195389-01   | .63 grey aluminum sheet, cut to fit. |
| 12. 454741      | PANEL, GALLEY/WARDROBE CLOSEOUT      |
| 13. 203644-01   | POCKET, BLACK TANK VENT              |
| 14. 800573-0114 | MOLDING, FLAT DOOR, EDGE ALCHEMY     |
| 15. 800638-0114 | MOLDING, QUARTER RD .5" ALCHEMY      |
| 16. 998201      | CURTAIN ASSEMBLY, SLIDING DOOR       |

# 2010 INTERSTATE MOTORHOME CHASSIS

## Spare Tire Carrier



- 1. 454665 Spare tire carrier
- 2. 454669 Bracket, spare tire carrier
- 3. 454667 Bracket, spare tire carrier
- 4. 454713 Hat section, spare tire
- 5. 203646 Closeout, spare tire winch
- 382099 Socket,  $\frac{3}{4}$ " deep well,  $\frac{3}{8}$ " drive
- 381667 Ratchet,  $\frac{3}{8}$ " drive

# 2010 INTERSTATE MOTORHOME

## CHASSIS

### Wheel Simulator

401000            WHEEL SIMULATOR KIT, 16" (SET OF 4)

#### Front Wheels

401000-101    Front wheel liner  
401000-102    Front simulator hook  
401000-103    Screw, front liner, 5/16-18 x 1.25", Philips  
401000-104    Front hook compression spring  
401000-105    Lock washer, split, SS, 5/16"

#### Rear Wheels

401000-106    Rear wheel liner  
401000-107    Hat, rear wheel liner  
401000-108    Bolt, carriage, 1/4"-20 x 1/2", SS  
401000-109    Nut, KEPS, SS, 1/4"-20, zinc  
401000-110    Rear bracket  
401000-111    Screw, rear liner, 5/16-18 x .75", Philips  
401000-112    Washer, internal tooth lock, 5/16"

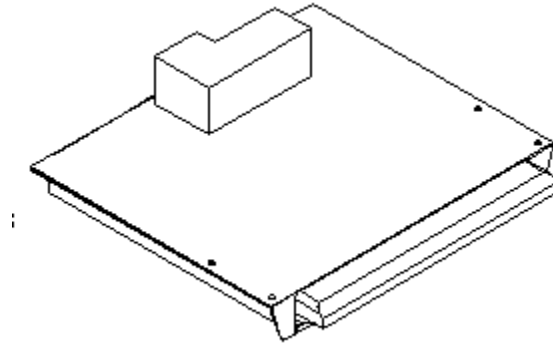
### Aluminum Wheels

410970-01    Aluminum wheel, front  
410970-02    Aluminum wheel, rear  
410970-03    Trim Kit, front wheel  
410970-04    Trim Kit, rear wheel

# 2010 INTERSTATE MOTORHOME

## CHASSIS

### Step, Electric



512391	STEP, POWER
512391-100	CONTROLLER, POWER STEP
454731	BRACKET, STEP MOUNTING
454732	BRACKET, STEP HANGER
512301	Buzzer, warning, two tone, step & awning
385577	FILM, STEP AREA, TAPE CLEAR, 3.5" WIDE

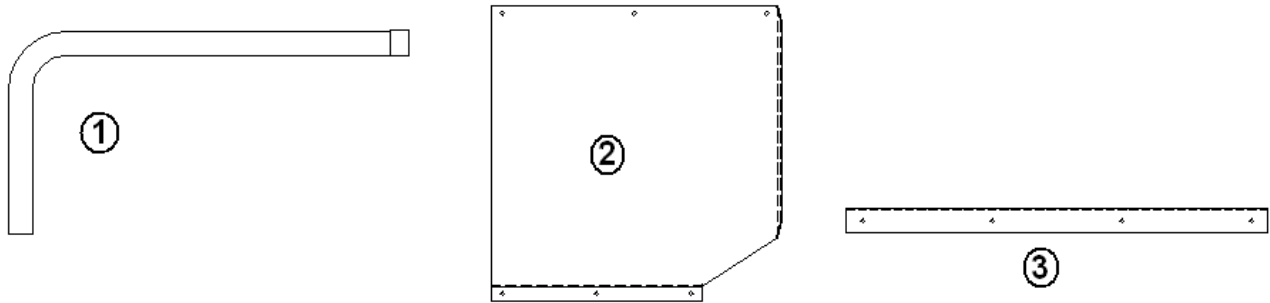
### Step Well

203632	Step close out, plastic
203661	TRIM RING, STEP WELL POCKET
382097	CORD, BLACK BUNGEE, 14" W/CLIPS
967479	POCKET ASSY, STEP WELL
701538-01	CARPET, ECONOLIER W/PSA BACK
512377	LIGHT, COURTESY, W/SS BEZEL, LED

# 2010 INTERSTATE MOTORHOME

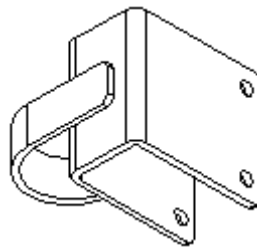
## CHASSIS

### Exhaust System



1. 454656 EXHAUST TAILPIPE  
454696-01 Wrap, exhaust, 34" long  
454696-02 Wrap, exhaust, 14" long  
454696-03 Clamp  
340073-10 CLAMP, MUFFLER, 2.5"  
340073-15 CLAMP, MUFFLER, 2.75"  
381509 Hanger, Tailpipe
2. 454708 Water tank heat shield
3. 454709 Angle, water tank heat shield

### Skid Bar Assembly



- 454685 Skid bar assembly

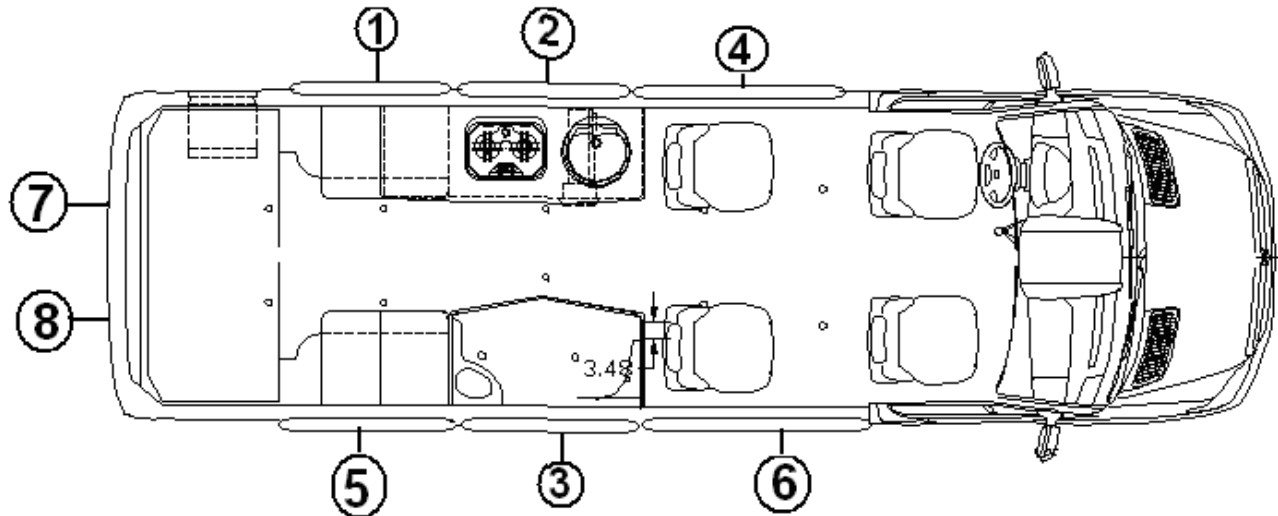
# 2010 INTERSTATE MOTORHOME

## DOOR/WINDOWS/AWNING

### Exterior Doors

381766	Access hatch, exterior switches, 7.75" X 12.63"
601392-05	City water fill w/regulator, chrome
602190	Water fill, gravity
602189-01	Outlet, exterior shower
382072	Hatch, LP remote compartment & dump valve switch door.
382083	Cover, macerator switch

### Windows



1. 372260-01	Rear window, roadside
2. 372260-02	Rear window, curbside
3. 372260-03	Front window, roadside
4. 372260-04	Siding door awning
5. 372260-05	Window, roadside, non-venting, opening
6. 372260-06	Window, curbside, non-venting, opening
7. 372261-01	WINDOW-REAR DOOR ROADSIDE
8. 372261-02	WINDOW-REAR DR. CURBSIDE
382117	GASKET, RECTANGLE POST
381842	TRIM-LOK, 1/16" BLK PEBBLE FIN
345480	SCREW- #8 X .75" TORQUE HD
360323-01	SIKAFLEX-#227 BLACK TUBE

## 2010 INTERSTATE MOTORHOME

### DOOR/WINDOWS/AWNING

#### Awning, Patio

*703746-03	AWNING, PATIO, WHITE (white paint scheme)
*703746-04	AWNING, PATIO, TITANIUM (gray paint scheme)
703746-05	AWNING MOUNTING BRACKET
703746-01	MOTOR, WHITE (white paint scheme)
703746-02	MOTOR, TITANIUM (gray paint scheme)
512301	Buzzer, warning, two tone, step & awning
510844-01	Relay, Bosch
510844-02	Relay socket, Bosch
703467-03	Strap, awning leg storage
703815	BAG, AWNING POLES, TWIN

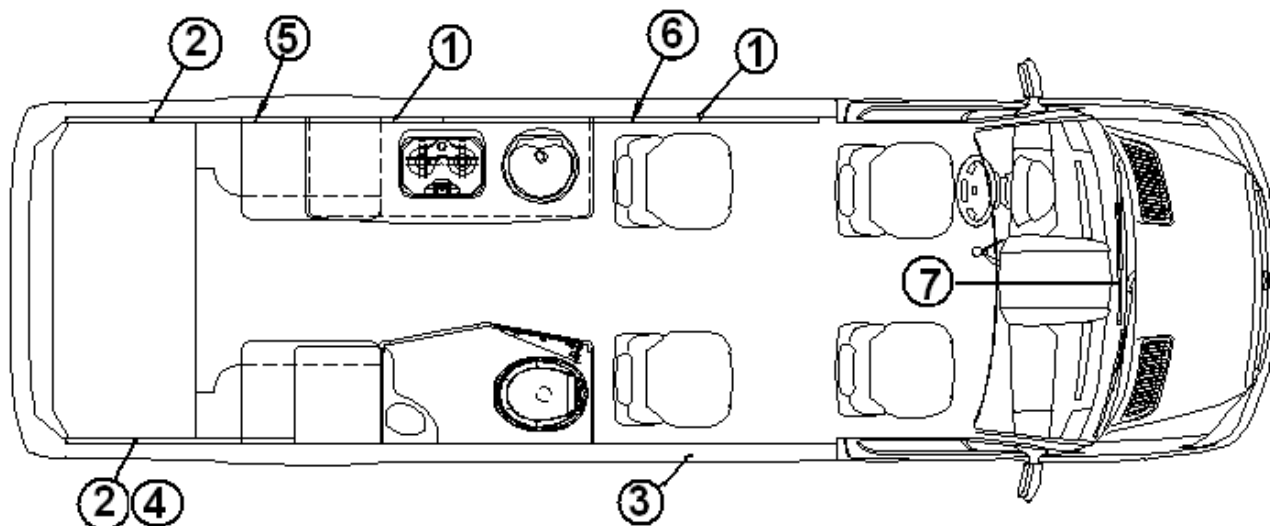
\*All mounting and operational hardware included. Same awnings used for electric option, add motor w/water proof connector.



# 2010 INTERSTATE MOTORHOME

## DRAPES/BLINDS/VALANCES

Drapes/Shades/Valances w/o Window Boxes, Lounge

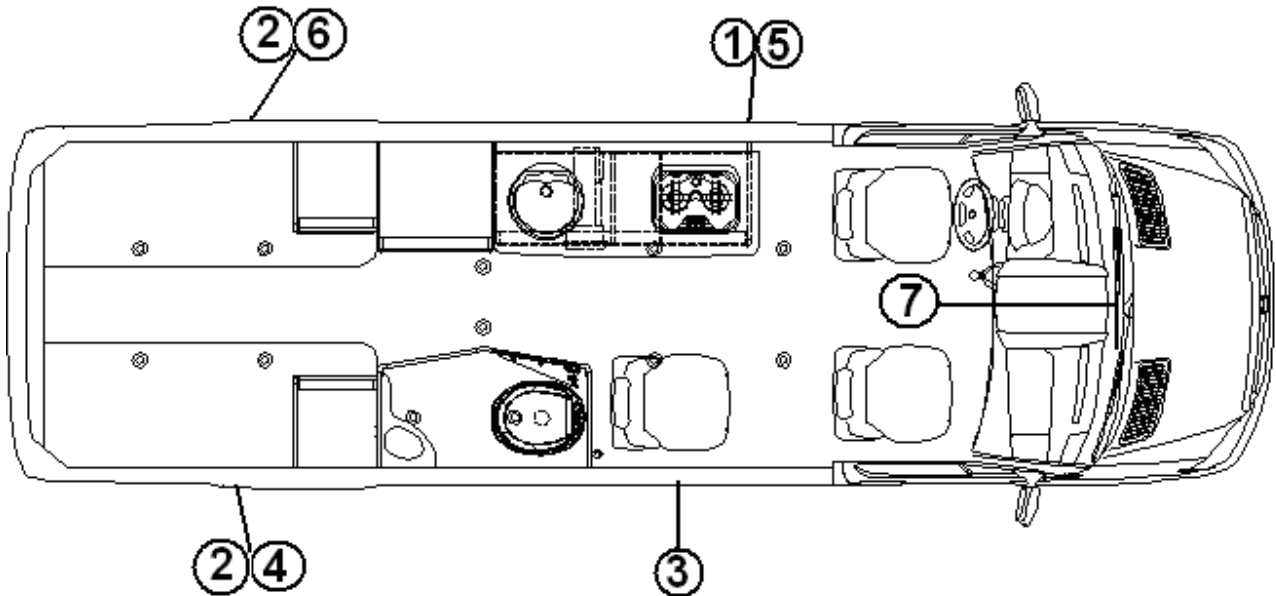


1. 703858-02 SHADE, DAY/NIGHT, 54" X 29", Sand pearl, Gray and tan 2-Tone
1. 703859-02 SHADE, DAY/NIGHT, 54" X 29", Onyx
2. 703858-03 SHADE, DAY/NIGHT, 48" X 29", Sand pearl, Gray and tan 2-Tone
2. 703859-03 SHADE, DAY/NIGHT, 48" X 29", Onyx
3. 998201 Curtain assembly, sliding door
4. 967399 Valance, curbside rear
5. 967400 Valance, roadside rear
6. 967401 Valance, roadside front
7. 703761-379 Curtain, Windshield, 119" X 33.5", 2-Tone Tan
7. 703761-389 Curtain, Windshield, 119" X 33.5", 2-Tone Gray
7. 703761-399 Curtain, Windshield, 119" X 33.5", Sand Pearl
7. 703761-400 Curtain, Windshield, 119" X 33.5", ONYX
- 967402-11 Galley blind, close out

# 2010 INTERSTATE MOTORHOME

## DRAPES/BLINDS/VALANCES

Drapes/Shades/Valances, Twin w/o Window Boxes

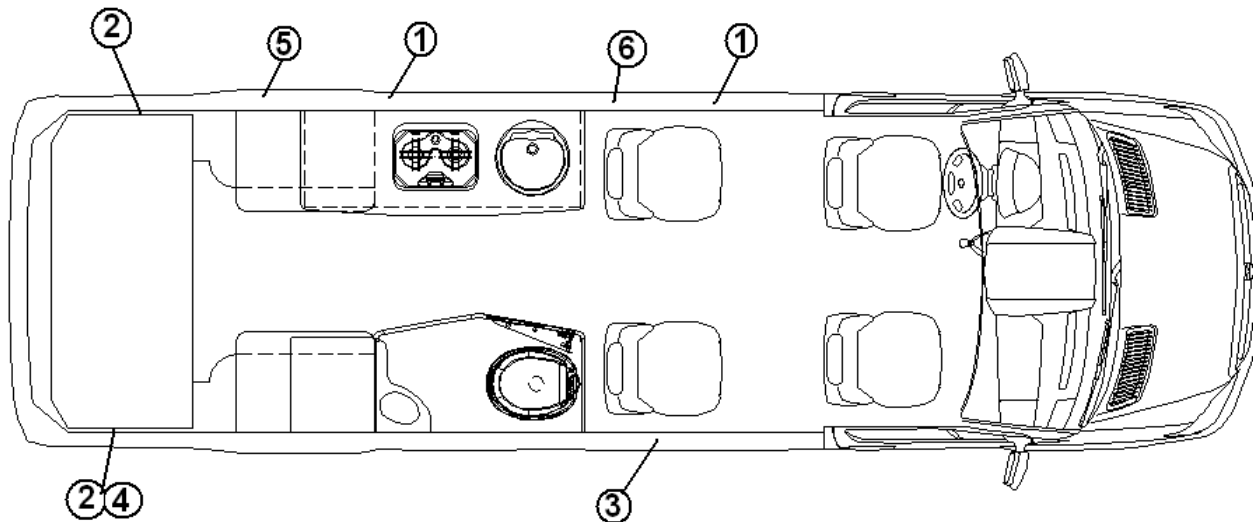


1. 703858-02 SHADE, DAY/NIGHT, 54" X 29", Sand pearl, Gray and Tan 2-Tone
1. 703859-02 SHADE, DAY/NIGHT, 54" X 29", Onyx
2. 703858-03 SHADE, DAY/NIGHT, 48" X 29", Sand pearl, Gray and Tan 2-Tone
2. 703859-03 SHADE, DAY/NIGHT, 48" X 29", Onyx
3. 998201 CURTAIN ASSY, SLIDING DOOR
4. 967399 VALANCE ASSY, CS REAR, 49.50"
5. 967477 VALANCE ASSY, ROADSIDE FRONT, 57"
6. 967476 VALANCE ASSY, RS REAR 49.5"
7. 703761-379 Curtain, Windshield, 119" X 33.5", 2-Tone Tan
7. 703761-389 Curtain, Windshield, 119" X 33.5", 2-Tone Gray
7. 703761-399 Curtain, Windshield, 119" X 33.5", Sand Pearl
7. 703761-400 Curtain, Windshield, 119" X 33.5", ONYX

# 2010 INTERSTATE MOTORHOME

## DRAPES/BLINDS/VALANCES

Drapes/Shades/Valances, Lounge w/o Window Boxes

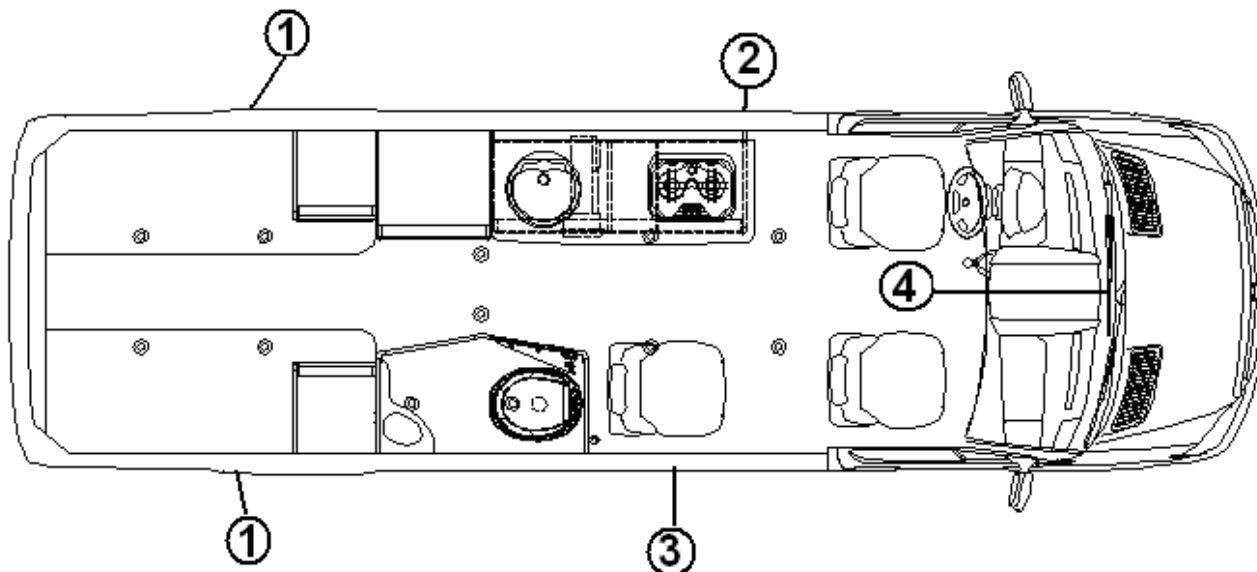


- |              |                                     |
|--------------|-------------------------------------|
| 1. 703858-02 | SHADE, DAY/NIGHT, 54" X 29", PEWTER |
| 2. 703858-03 | SHADE, DAY/NIGHT, 48" X 29", PEWTER |
| 3. 998201    | CURTAIN ASSY, SLIDING DOOR          |
| 4. 967399    | VALANCE ASSY, CS REAR, 49.50"       |
| 5. 967400    | VALANCE ASSY, 81.5", RS REAR        |
| 6. 967401    | VALANCE ASSY, 81", RS FRONT         |

# 2010 INTERSTATE MOTORHOME

## DRAPES/BLINDS/VALANCES

Drapes/Shades/Valances w/Window Boxes, Lounge

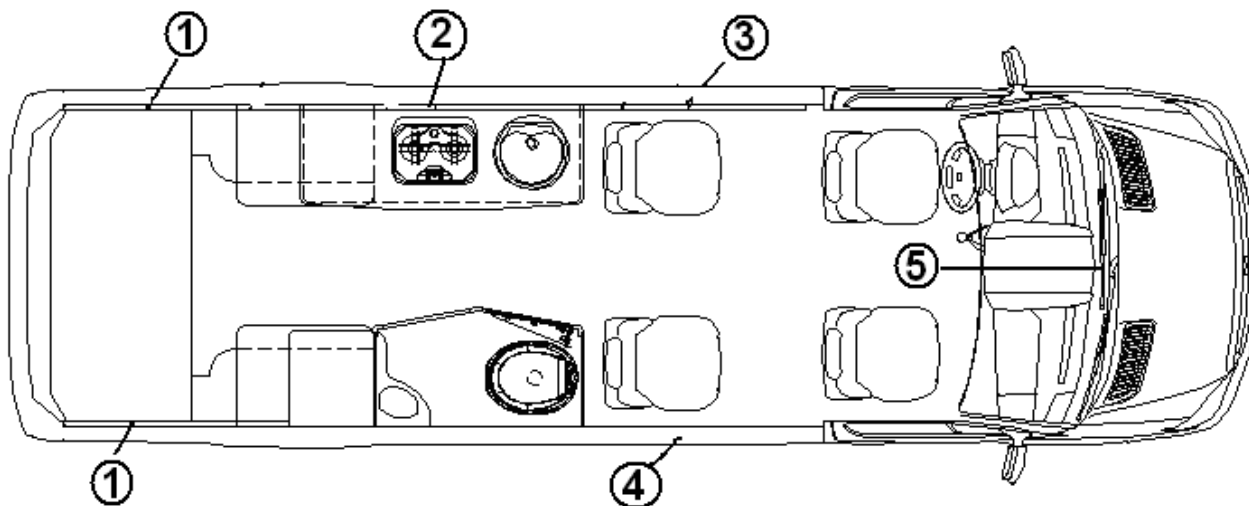


- |               |  |
|---------------|--|
| 1. 703859-02  | SHADE, DAY/NIGHT, 44" X 26"                    |
| 2. 703859-04  | SHADE, DAY/NIGHT, 51.25" X 26"                 |
| 3. 998201     | CURTAIN ASSEMBLY, SLIDING DOOR                 |
| 4. 703761-379 | Curtain, Windshield, 119" X 33.5", 2-Tone Tan  |
| 4.703761-389  | Curtain, Windshield, 119" X 33.5", 2-Tone Gray |
| 4.703761-399  | Curtain, Windshield, 119" X 33.5", Sand Pearl  |
| 4.703761-400  | Curtain, Windshield, 119" X 33.5", ONYX        |

# 2010 INTERSTATE MOTORHOME

## DRAPES/BLINDS/VALANCES

Drapes/Shades/Valances w/Window Boxes, Twin



- |               |  |
|---------------|--|
| 1. 703859-02  | SHADE, DAY/NIGHT, 44" X 26"                    |
| 2. 703859-03  | SHADE, DAY/NIGHT, 48.50" X 26"                 |
| 3. 703859-04  | SHADE, DAY/NIGHT, 51.25" X 26"                 |
| 4. 998201     | CURTAIN ASSEMBLY, SLIDING DOOR                 |
| 5. 703761-379 | Curtain, Windshield, 119" X 33.5", 2-Tone Tan  |
| 5.703761-389  | Curtain, Windshield, 119" X 33.5", 2-Tone Gray |
| 5.703761-399  | Curtain, Windshield, 119" X 33.5", Sand Pearl  |
| 5.703761-400  | Curtain, Windshield, 119" X 33.5", ONYX        |

# 2010 INTERSTATE MOTORHOME

## DRAPES/BLINDS/VALANCES

### Drape Parts/Material

703771	FABRIC WHITE, KRISTI STEEL, SAND PEARL, GRAY AND TAN 2-TONE
703861	FABRIC, BENTON STONE, 54", ONYX
700021	HOOK, VELCRO, WHITE
700020	PILE VELCRO
700045	GLIDES, CURTAIN, G3 W/ELASTIC
700005	FASTENER, CAP
700006	FASTENER SOCKET
340030	FASTENER STUD NICKEL PLATED
100097	Curtain track extrusion, sliding door curtain

# 2010 INTERSTATE MOTORHOME

## ELECTRICAL, 110 VOLT

### Energy Management System

#### Lounge

- 512290-01 30A Energy Management Module
- 512290-02 Display panel, 30A Energy Management System
- 512290-03 Main control board, Energy Management Module

#### Twin

- 512357-01 DISPLAY, PCS, Energy Management System
- 512357-02 CONTROL, POWER, Energy Management System
- 512361 DISTRIBUTION CENTER, 30A/15A AC/DC
- 511330 BOX, SWITCH, 3" X 2" X 3.5"
- 512186 EXTENSION RING, GFCI
- 512308 BOX, SHALLOW, SWITCH & OUTLET

#### Shoreline Hookup

- 512099 POWER INLET, 30 AMP 125 V SS
- 512297 30 amp power cord, 25', super flex

#### Inverter

- 512279-01 Inverter/Charger, 750 watt
- 512279-02 Remote display panel, Inverter/Charger
- 512277 Fuse holder, inline
- 512278-125 Fuse, BF1-32, 125 amp

# 2010 INTERSTATE MOTORHOME

## ELECTRICAL, 110 VOLT

### Receptacles

511451-02	Receptacle, 20 amp, single, brown
512096	Receptacle, GFI 15 amp w/black cover
511912	Wall plate, single gang, snap on, chrome
511815-01	Receptacle, duplex, black
512052	Receptacle, self contained, clamp type
512052-01	Back cap, for 512052, self contained receptacle
512399	Outlet, 10 Volt, exterior, gray
500563-03	RECEPTACLE, WHITE
500563-04	PLATE, 1-GANG WHITE
500785	OUTLET, DUPLEX BROWN T&B

### Breaker

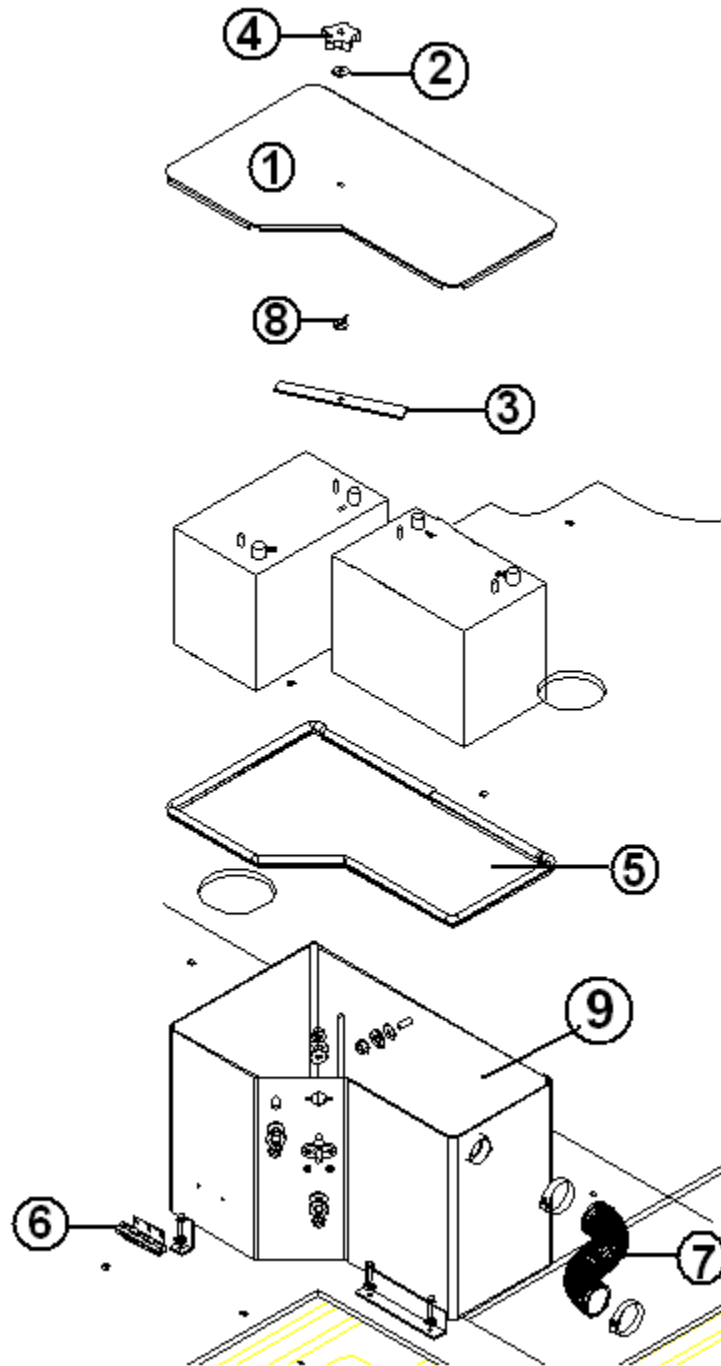
510564-02	Breaker, Bryant, 30 AMP
510564-04	Breaker, Bryant, 20-20 AMP dual
510564-05	Breaker, Bryant, 30-20 AMP, dual
510564-08	Breaker, Bryant, 20-15 AMP dual



# 2010 INTERSTATE MOTORHOME

## ELECTRICAL, 12 VOLT

### Battery Box/Vent, Twin Bed



Part Numbers are on the Next Page.

# 2010 INTERSTATE MOTORHOME

## ELECTRICAL, 12 VOLT

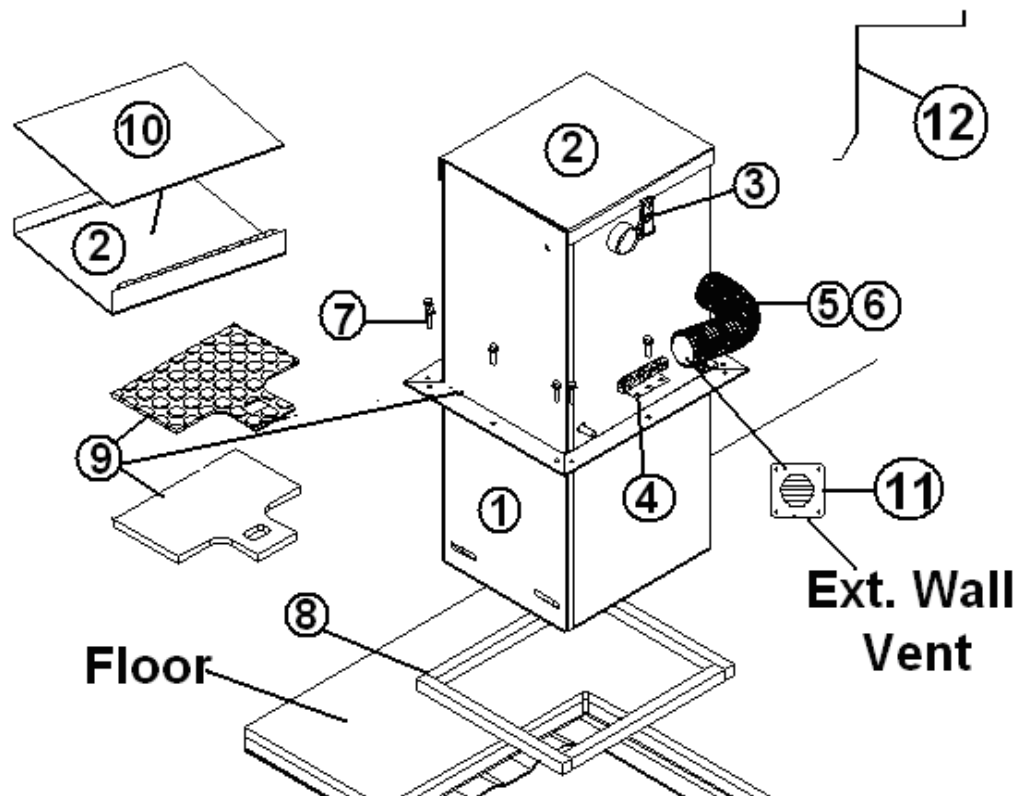
### Battery Box/Vent, Twin Bed

1. 916010-04 Lid, battery box
2. 300154 WASHER, RUBBER
3. 916010-05 BATTERY HOLD DOWN
4. 350191 KBOBE NUT, 5 PT. 3/8-16 THREAD
5. 382093 SEAL, 3/16" HATCH, BLACK W/SAND
6. 510743 GROUND BAR, 3-1/2" LONG
7. 602192 Hose, black ribbed, 1.75 ID
8. 350193 NUT, WING, 3/8"-16
9. 916010 BATTERY BOX ASSEMBLY

# 2010 INTERSTATE MOTORHOME

## ELECTRICAL, 12 VOLT

### Battery Box/Vent, Lounge



- |               |  |
|---------------|--|
| 1. 916007     | Battery Box                                    |
| 2. 410962     | Lid, battery box                               |
| 3. 380903-01  | Latch  |
| 3. 380903-02  | Latch striker                                  |
| 4. 510743     | Grounding Bar                                  |
| 5. 602192     | Hose, black ribbed, 1.75 ID                    |
| 6. 340084-40  | Clamp, hose                                    |
| 7. 345084     | Screw  |
| 8. 365314     | Seal, closed cell foam, .75" x .75"            |
| 9. 967334     | Shelf assembly, battery box, w/rubber flooring |
| 9. 703560     | Rubber flooring, black                         |
| 10. 365315    | Sheet, neoprene foam rubber                    |
| 11. 203638-01 | Cone vent, white, exterior                     |
| 12. 203638-02 | Grille, white, exterior                        |
| 13. 454679    | Battery hold down strap                        |
| 380203-02     | PIANO HINGE, BLACK ANODIZED 72"                |

# 2010 INTERSTATE MOTORHOME

## ELECTRICAL, 12 VOLT

### Battery System, Coach

512283	Battery, 12 volt, deep cycle, GRP 24, AGM
512280	Battery Separator, 12VDC, LOUNGE MODEL
512360	Battery Separator, 12VDC, TWIN BED MODEL
512327-04	CABLE, 2 GA BLACK, 20"
512327-03	CABLE, 2 GA RED, 10"
512281-02	Stud, pass through, w/red base
512313	BATTERY DISCONNECT, MAIN, REMOVABLE HANDLE
510948-04	BAR, BUSS, CIRCUIT BREAKER CONNECTION
510947-30	BREAKER, 12V DC, TYPE II, #12V30
510947-20	BREAKER, 12V DC, TYPE II, #12V20
510947-50	BREAKER, 12V DC, TYPE II, #12V50
512278-150	FUSE, TYPE BF1-32, 150A
454679	STRAP, BATTERY HOLDDOWN, TWIN BED
510946-04	BRACKET, 4 POSITION, CIRCUIT .BREAKER, 12V, #8536-2

### Exterior Lights/Outlet

512288	Light, Patio, exterior waterproof
512101	Plate w/12 volt outlet, galley
511294	LIGHT LICENSE PLATE

### Lights, Interior

512310	Rope Light, white
512310-01	CAP, END, ROPE LIGHT, .375"
512394	PIGTAIL, ROPE LIGHTING, 8" POWER CONNECTOR
512311	Terminal, .176" bullet, rope light
512376	LIGHT, SHOWER, SS TRIM RING, LED
99900P-948	LIGHT, ROUND, LED, FLUSH MOUNTING
512392	LIGHT, READING W/SWITCH, LED, BLACK

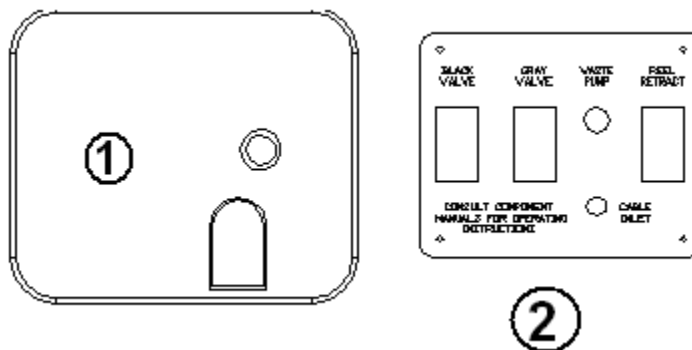
# 2010 INTERSTATE MOTORHOME

## ELECTRICAL, 12 VOLT

### Switches, Interior

512287	SWITCH ASSEMBLY, 3-GANG, 2-BLACK, 1-RED
512312	SWITCH ASSEMBLY, BLACK MOMENTARY
511979	SWITCH ASSEMBLY, 3-GANG, BLACK
690417-05	SWITCH, WATER HEATER, DUAL
511977	SWITCH ASSEMBLY, 1-GANG, BLACK

### Switch Panel, Exterior Utility Compartment



1. 382083	Hatch, sidewall switches w/cable inlet hole
2. 512350	Switch panel, exterior w/TV cable inlet
510658	Switch w/weather proof boot, sewer light
510623	Coax connector
510623-01	Coax connector locking nut
510947-10	BREAKER, 12V DC, TYPE II, #12V10

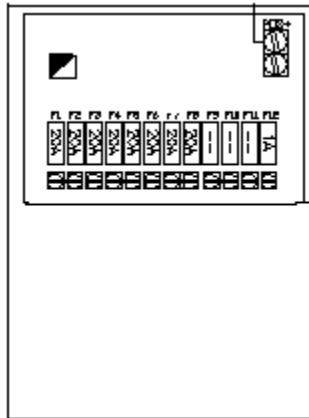
### Solar Panel

511846	KIT, CHARGE CONTROLLER DISPLAY
511142-01	PANEL, SOLAR 50 WATT
511142-02	BRACKET, MOUNTING, SOLAR PANEL
511165-01	Conduit, .5", black
500773-10	FUSE, ATC, 12 VDC, 10 AMP
195466-251	30 AMP FUSE HOLDER W/COVER

# 2010 INTERSTATE MOTORHOME

## ELECTRICAL, 12 VOLT

### Distribution/Breaker panel, 12VDC



- 512282 Distribution/Breaker panel, 12VDC
- 512363 KIT, CABLE, MAIN 12V DC TWIN
- 500773-07 FUSE, ATC, 12VDC, 7.5 AMP

### Tank Heating Pad/Remote Dump Valve

- 511812 PAD, HEATING HOLD TANK #TH-718
- 512411 WASTE VALVE, ELECTIC, BARKER

### Monitor Panel

- 512284-01 Display, monitor panel
- 512284-02 Tank sensor harness
- 512284-03 Tank sensor, (no hoods)

### Monitor, Rear View

- 512299 Monitor, rear view camera
- 511948 Camera, rear view
- 511645 "Y" adaptor, male to 2-female, RCA
- 512056 Coupler, barrel, RCS, gold, F/F

# 2010 INTERSTATE MOTORHOME

## ENTERTAINMENT

### Radio Wiring

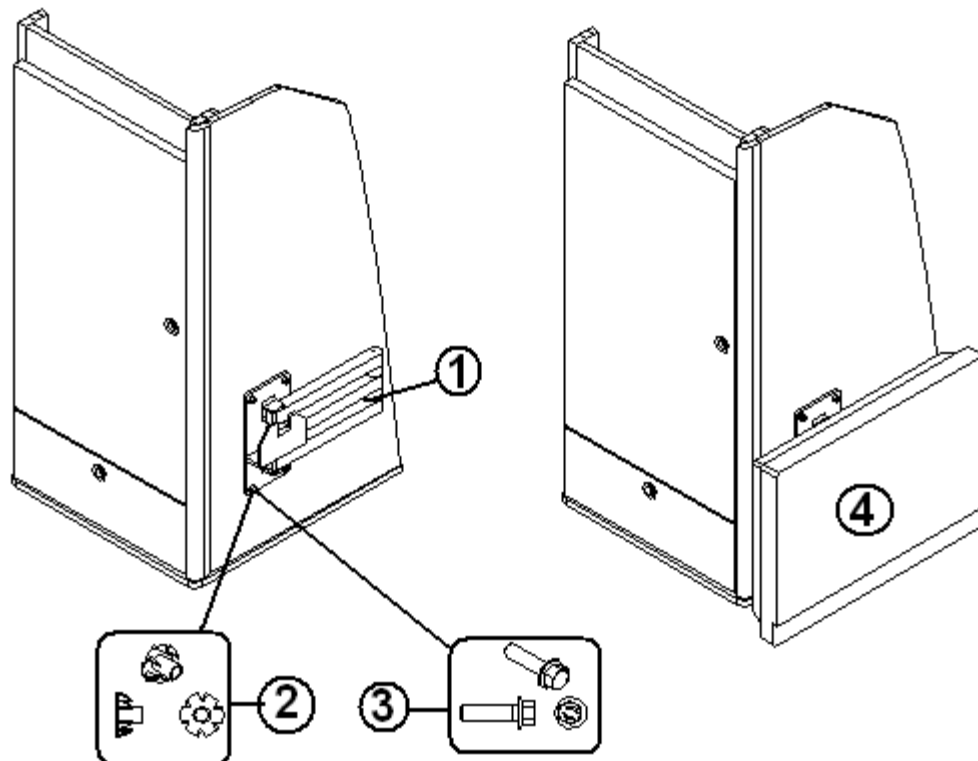
512309	Terminal, Sprinter radio
512311	Terminal, tube heat shrink, bullet
512367	Speaker, 5 1/4" 50 watt, white
510844-01	Relay, Bosch
510844-02	Relay socket, Bosch

### Television Reception System

511735-01	Antenna, TV, Omni-directional
511635	PLATE, DUAL CABLE ENTRY
510788-06	Amplifier, TV antenna
510612	Coax, 75 ohm, standard
510623	Connector, coax, male to male
510616	F CONNECTOR, COAX, 75 OHM
511534	DUAL COAX PLATE WHITE
510623	Coax connector and
510623-01	Coax connector locking nut added inside hatch.
511796	CABLE TV OUTLET/12V POWER PORT, EXTERIOR
510621-02	SPLITTER, COAX, 2-WAY
511287	RECEPTACLE SINGLE 15 AMP
512366-25	CABLE, HDMI MALE/MALE, 25'
511827	PLATE, WALL FLUSH MOUNT COAX-WHITE
512025-01	JUNCTION DEVICE- WHITE
512025-02	PLATE-SNAP ON ONE GANG SCD WHT
512405-01	COAX LEAD/JUMPER W/CONN. 6"
512406	CONNECTOR-RG6 HEX COMPRESSION
512407	CABLE-RG6 COAX
500563-03	RECEPT-WHITE 15 A#WRDU15-WT
500563-04	PLATE-DECOR. 1-GANG WH#NP26W

# 2010 INTERSTATE MOTORHOME ENTERTAINMENT

Television, Rear TV Option, Lounge



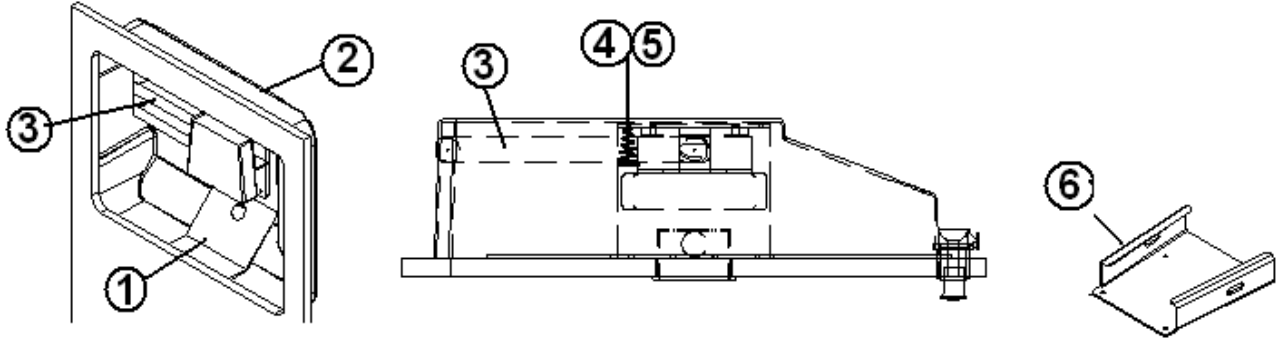
- |           |  |
|-----------|--|
| 1. 512293 | Mount, wall w/articulating arm             |
| 2. 350189 | Tee nut, 1/4" x 20                         |
| 3. 345461 | Screw, hex head cap, 1/4" x 20             |
| 4. 690600 | TV, LCD, 19" w/DVD player, Toshiba         |
| 510623    | Connector, coax, male to male              |
| 510623-01 | Nut, locking, coax, male to male connector |



# 2010 INTERSTATE MOTORHOME

## ENTERTAINMENT

Television, Rear TV Option, Twin



- |           |                                    |
|-----------|------------------------------------|
| 1. 454719 | BRACKET, TV DOOR MOUNT             |
| 2. 203660 | CLOSEOUT, TV DOOR MOUNT            |
| 3. 512293 | MOUNT, TV DOUBLE ARM, TOUCH LOCK   |
| 4. 345466 | SPRING, CONICAL COMPRESSION        |
| 5. 320078 | SCREW, 8 X 3-8                     |
| 6. 454733 | BRACKET, TV MOUNT MITTO            |
| 690600    | TV, LCD, 19" w/DVD player, Toshiba |



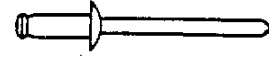
# 2010 INTERSTATE MOTORHOME

## FASTENER

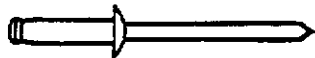
### Rivets



330126-02  
rivet, pop  
dia. 1/8 "  
grip range .126-.187  
stainless steel  
stainless steel mandrel



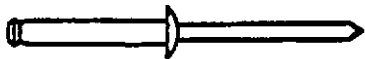
330126-03  
rivet, pop  
dia. 1/8 "  
grip range .126-.250  
body stainless steel body  
stainless steel mandrel



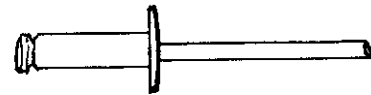
330127-05  
rivet, pop  
dia. 1/8 "  
grip range .251-.312  
aluminum body  
aluminum mandrel



330128-05  
rivet, pop  
dia. 1/8 "  
grip range .251-.312  
aluminum body, white  
aluminum mandrel



330127-08  
rivet, pop  
dia. 1/8 "  
grip range .325-.565  
aluminum body  
aluminum mandrel



330038  
rivet, pop  
dia. .150 (#20 bit)  
grip range .126-.250  
aluminum body  
aluminum mandrel  
(used-screen door hinge)



325103  
dia. 1/4 "  
grip range .080-.325  
SS body, steel mandrel

# 2010 INTERSTATE MOTORHOME

## FURNITURE

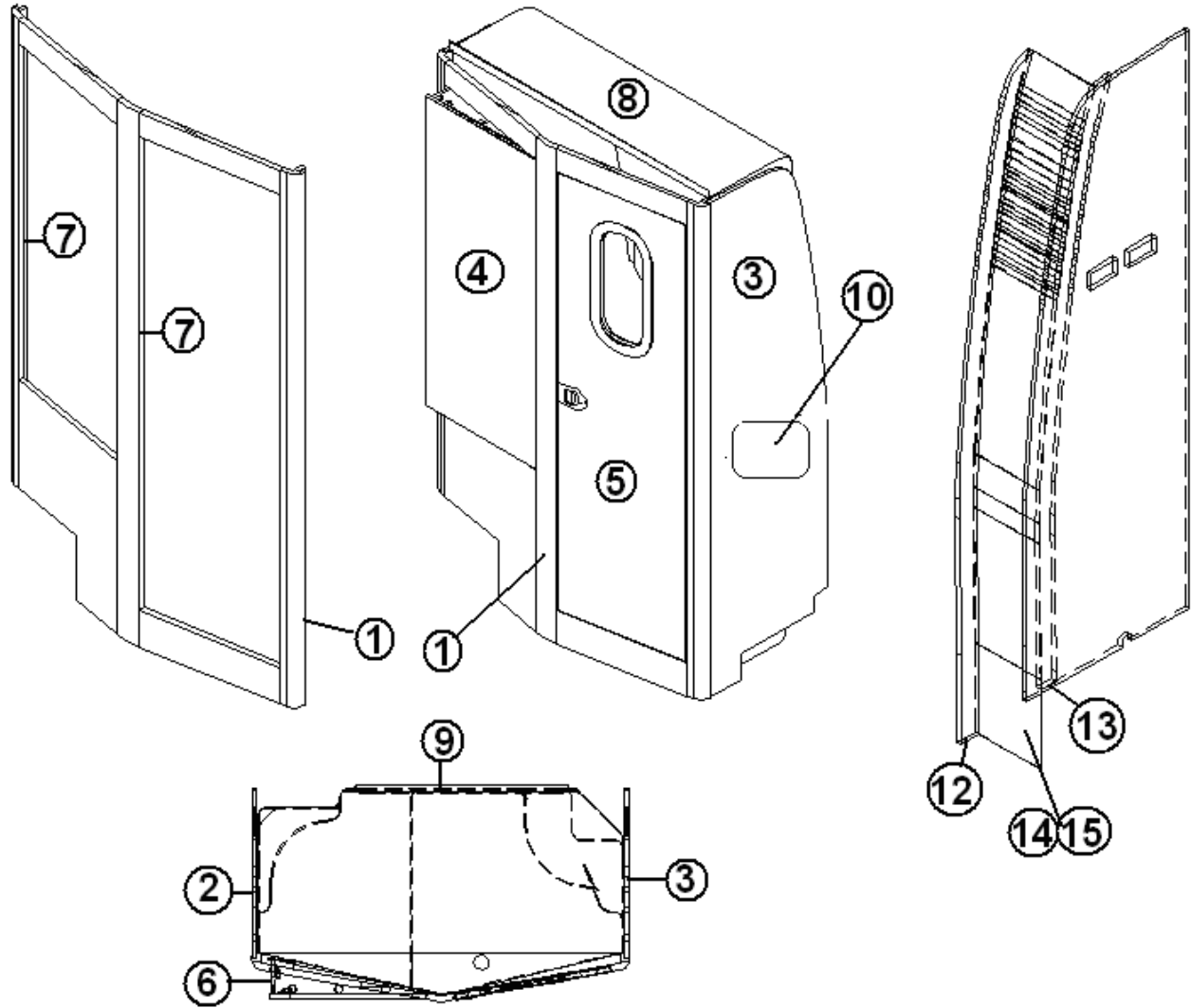
### Linoleum/Mats/Carpet

703466-01	CARPET, TAPIOCA, 96"WIDE
801782	Plywood mat overlay, flooring
702754	UNDERBELLY DARCO 102" WIDE BLACK
454718	TRIM, FLOOR TERMINATION
703759-18	Floor mat, Cab, Gray, used on Grey color scheme
703759-19	Floor mat, Cab, Gray, used on Sand Pearl & Tan
color scheme	
703763	Mat, shower

# 2010 INTERSTATE MOTORHOME

## FURNITURE, BATH

### Wet Bath Module



Part numbers on the next page

# 2010 INTERSTATE MOTORHOME

## FURNITURE, BATH

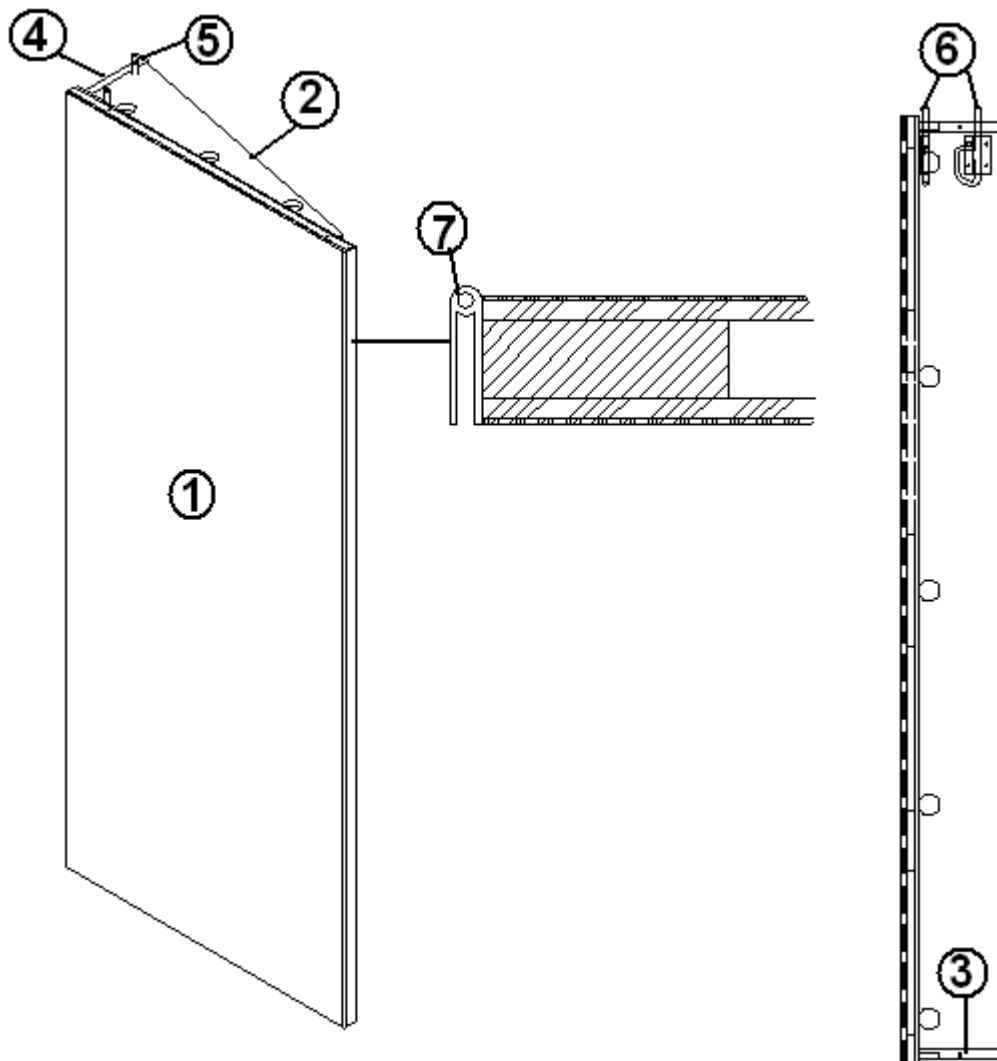
### Wet Bath Module

1. 967217-014	WET BATH FACE ASSEMBLY, Gray and tan
2- tone	
1. 967217-0019	WET BATH FACE ASSEMBLY, ONYX
1. 967217-0022	WET BATH FACE ASSEMBLY, SAND PEARL
2. 111684-112	PANEL, 20.68 X 64.90
3. 111684-113	PANEL, 20.68 X 73.90
4. 967219-11	DOOR, FORWARD, WET BATH
5. 967218-11	DOOR, AFT, WET BATH
6. 967231-11	CLOSEOUT, FORWARD BATH DOOR
7. 115064	TRIM, ALUMINUM, COUNTER TOP
8. 203265	SHOWER STALL
9. 203637	PADS, SOUND DAMPENER
10. 111684-1110	Panel, 11.88 x 13.88
12. 111684-1112	Panel, 2.25 x 73.14
13. 111684-1113	Panel, 2.00 x 64.40
14. 101131-01	Aluminum, underbelly, 8" x 72.50"
15. 701538-01	Carpet, w/backing
115427	Backer outside panel
115426	Backer, shower panel, front
115428	Backer, shower panel, rear
100097	Curtain track extrusion, aluminum
203641	Shower trim, upper
203642	Shower trim, lower

# 2010 INTERSTATE MOTORHOME

## FURNITURE, BATH

### Lavatory Door, Forward

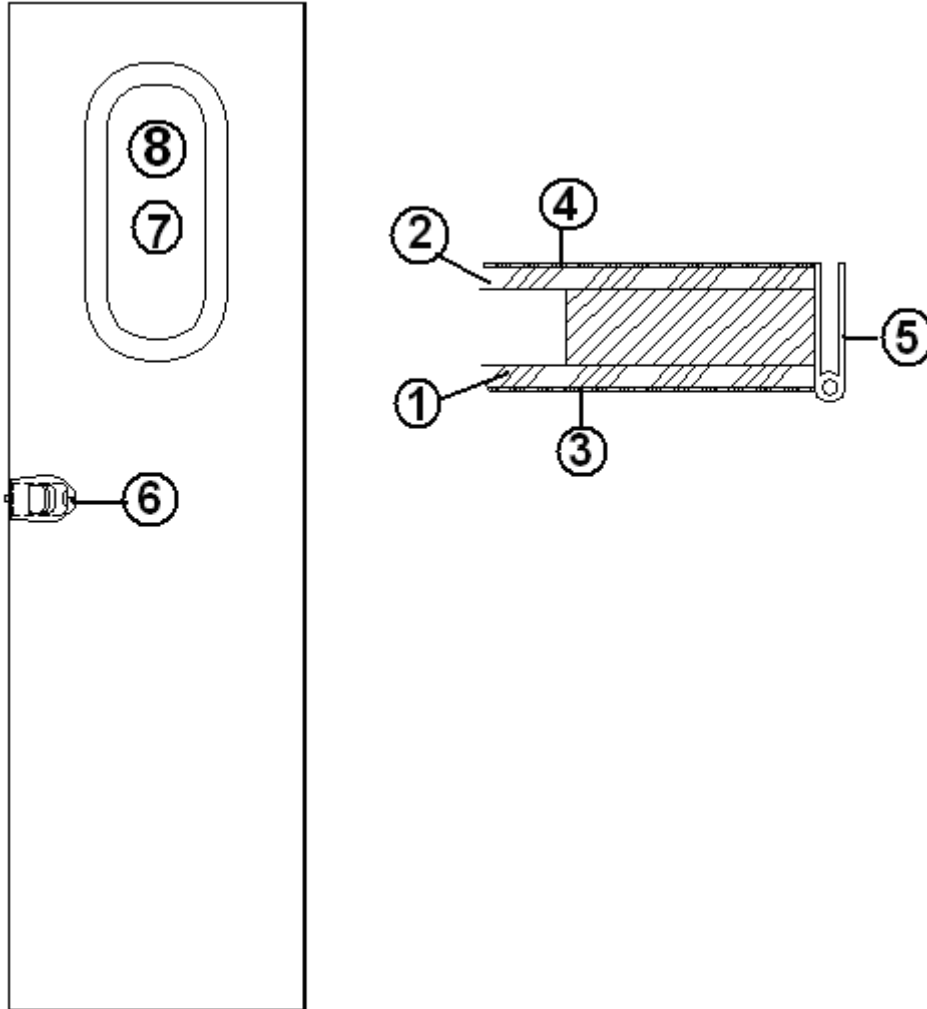


- |                |   |
|----------------|---|
| 1. 967219-11   | DOOR, FORWARD, WET BATH                               |
| 2. 967231-112  | PANEL, 4 x 17   |
| 3. 967231-113  | PANEL, 4 x 17   |
| 4. 967231-114  | PANEL, 4 x 45.63                                      |
| 5. 800573-0114 | MOLDING, DOOR EDGE, 1.09" X 80", Gray and tan 2- tone |
| 5. 800573-0119 | MOLDING, DOOR EDGE, 1.09" X 80", ONYX                 |
| 6. 381856      | CATCH, TENSION, 2-BALL                                |
| 7. 380458      | PIANO HINGE, 1/8" PIN                                 |
| 385940-02      | MIRROR PULL, CHROME                                   |

# 2010 INTERSTATE MOTORHOME

## FURNITURE, BATH

Lavatory Door, Aft



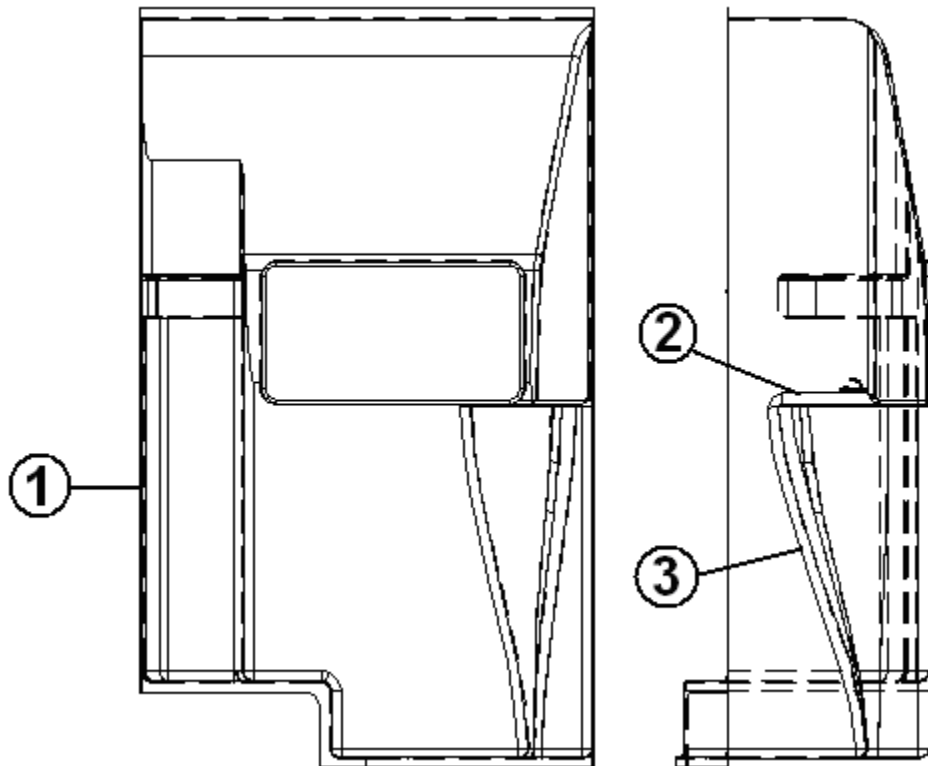
- |               |                                       |
|---------------|---------------------------------------|
| 967218-11     | Lavatory, Aft Door                    |
| 1. 967218-111 | PANEL, 20 x 67                        |
| 2. 967218-112 | PANEL, 20 x 67                        |
| 3. 967218-113 | LAMINATE, VERTICAL, 20" X 67"         |
| 4. 967218-114 | LAMINATE, VERTICAL, 20" X 67"         |
| 5. 380458     | PIANO HINGE, 1/8" PIN                 |
| 6. 382055     | LATCH, PRIVACY, OMNI, LAVATORY DOOR   |
| 6. 382061     | STRIKER, OMNI FLAT LATCH              |
| 7. 371384     | WINDOW, BATH DOOR                     |
| 8. 203653     | WINDOW CLOSEOFF                       |
| 801815-0014   | BLOCK, WOOD, DOOR CATCH, GOLD ALCHEMY |
| 801815-0019   | BLOCK, WOOD, DOOR CATCH, ONYX         |



# 2010 INTERSTATE MOTORHOME

## FURNITURE, BATH

### Shower Module



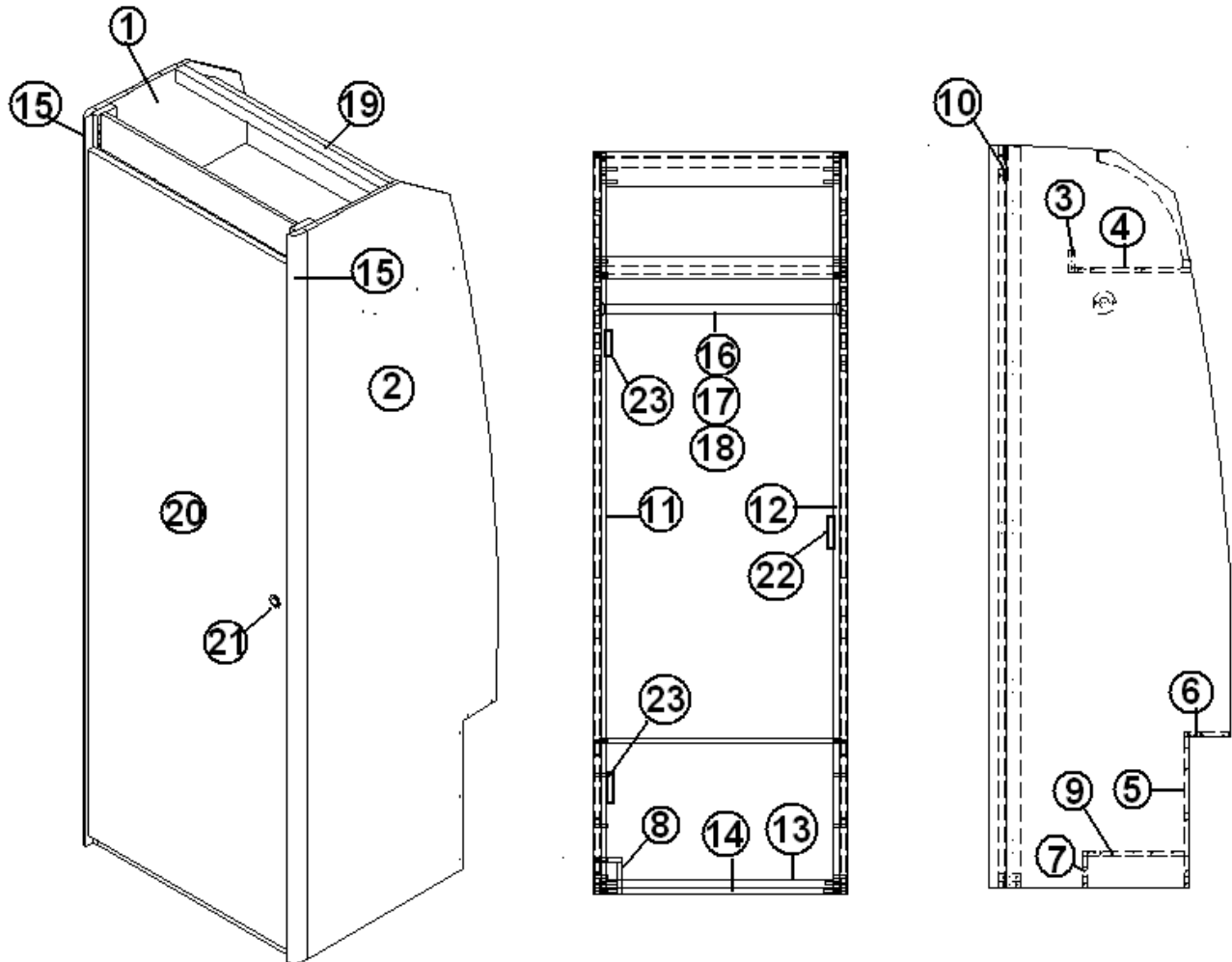
- 1. 203625 Wet bath shower module (includes sink, under sink access panel, and shower)
- 2. 602251 FAUCET
- 3. 203625-02 Panel, access, under sink
- 602175 Dry roll toilet paper holder
- 115423 Aluminum backer, toilet paper holder
- 382098 Handle, 14.25", Glass Chrome (Towel bar)
- 195362-39 Strainer, sink drain
- 454726 CLOSEOUT, SHOWER BACK

# 2010 INTERSTATE MOTORHOME

## FURNITURE, BATH

Wardrobe, Bath, No TV, Twin Bed, Gray and Tan 2-Tone, 967469-11

Note 967469-11 replaced by 967566-11 on units released after 3/18/2010



Part Number on Next Page

# 2010 INTERSTATE MOTORHOME

## FURNITURE, BATH

Wardrobe, Bath, No TV, Twin Bed, Gray and Tan 2-Tone, 967469-11

Note 967469-11 replaced by 967566-11 on units released after 3/18/2010

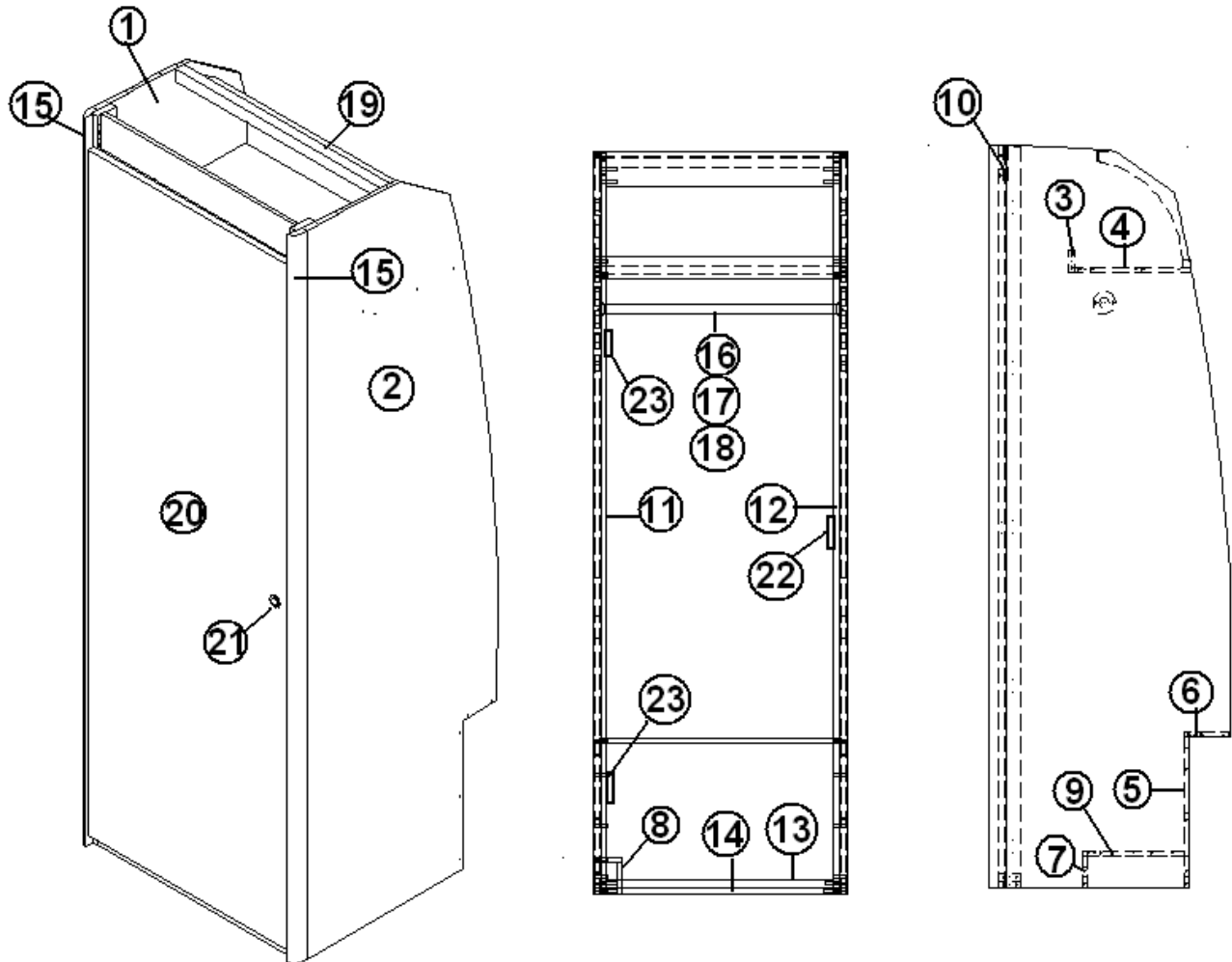
967469-11	WARDROBE ASSY
1. 967469-111	PANEL, W/R 22.81 X 73.57
2. 967469-112	PANEL, W/R 22.81 X 73.57
3. 967469-113	PANEL, W/R 24.00 X 2.25
4. 967469-114	PANEL, W/R 24.00 X 12.25
5. 967469-115	PANEL, W/R 24.00 X 15.00
6. 967469-116	PANEL, W/R 24.00 X 4.50
7. 967469-117	PANEL, W/R 2.25 X 3.25
8. 967469-118	PANEL, W/R 9.50 X 3.25
9. 967469-119	PANEL, W/R 2.25 X 10.00
10. 967469-1110	PANEL, W/R 22.5 X 3.50
11. 967469-1111	PANEL, W/R 2.25 X 73.63.00
12. 967469-1112	PANEL, W/R 2.25 X 73.63.00
13. 967469-1113	PANEL, W/R CAB. 2.25 X 22.50
14. 967469-1114	PANEL, W/R 2.25 X 22.50
15. 801706-0019	CORNER TRIM-90D 1", ONYX
15. 801706-0014	CORNER TRIM-90D 1", GOLD ALCHEMY
16. 200975-04	CONDUIT,FLEXIBLE BLACK PLASTIC
17. 380045	TUBING 3/4" ELEC METALLIC
18. 380046	FLANGE CHROME
19. 967471	COVER ASSY-WIRE W/R
20. 967470	DOOR ASSY-W/R
21. 382044	HANDLE-BRUSHED NICKEL
22. 381228-01	DOOR, GRABBER CATCH
23. 381607	HINGE, DOOR
701538-01	CARPET-ECONOLIER W/PSA BACK

# 2010 INTERSTATE MOTORHOME

## FURNITURE, BATH

Wardrobe, Bath, No TV, Twin Bed, 967566-11

Note 967566-11 replaced 967469-11 on units released after 3/18/2010



Part Number on Next Page

# 2010 INTERSTATE MOTORHOME

## FURNITURE, BATH

Wardrobe, Bath, No TV, Twin Bed, 967566-11

Note 967566-11 replaced 967469-11 on units released after 3/18/2010

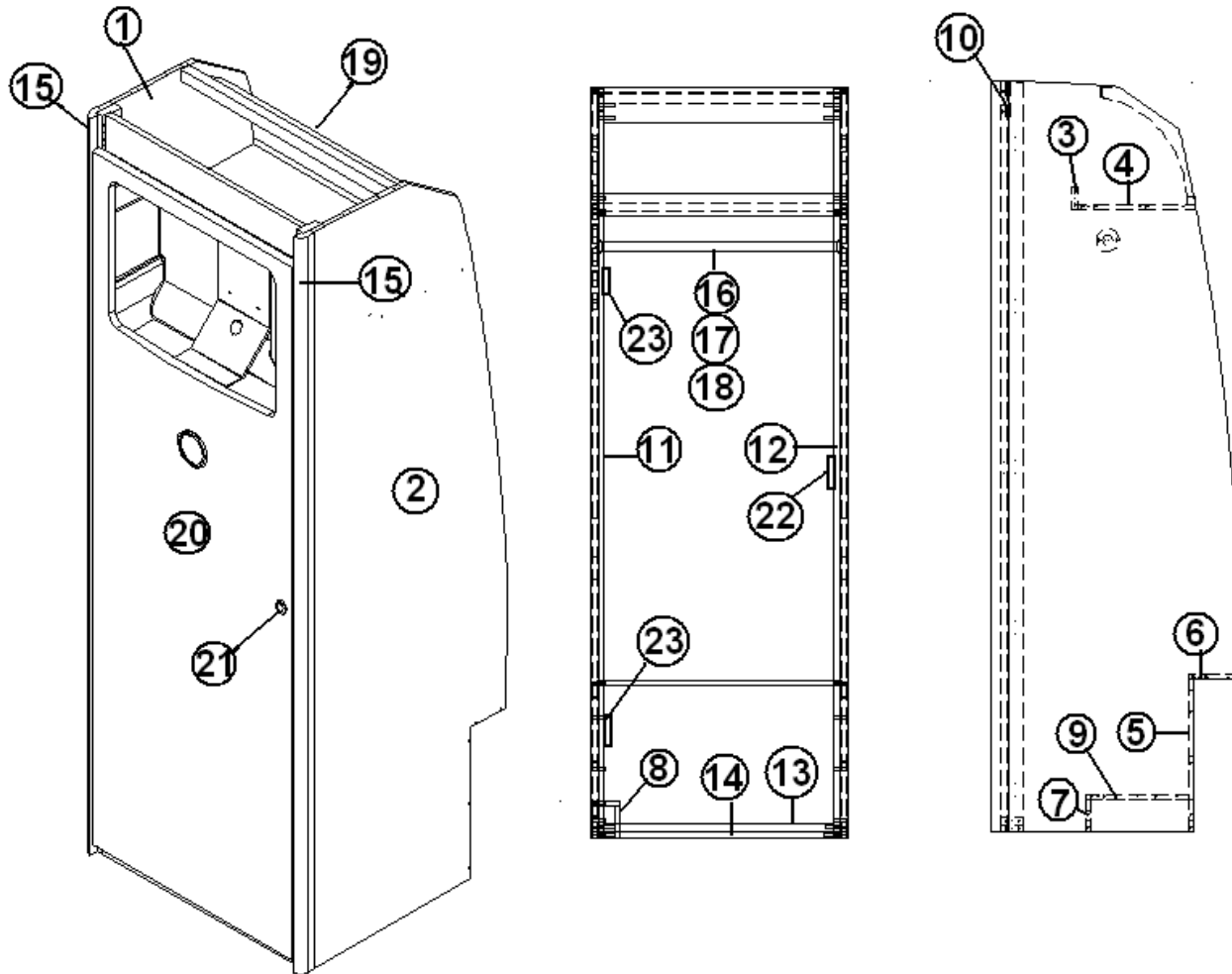
967566-11	WARDROBE ASSY
1. 967566-111	PANEL, W/R 22.81 X 73.57
2. 967566-112	PANEL, W/R 22.81 X 73.57
3. 967566-113	PANEL, W/R 24.00 X 2.25
4. 967566-114	PANEL, W/R 24.00 X 12.25
5. 967566-115	PANEL, W/R 24.00 X 15.00
6. 967566-116	PANEL, W/R 24.00 X 4.50
7. 967566-117	PANEL, W/R 2.25 X 3.25
8. 967566-118	PANEL, W/R 9.50 X 3.25
9. 967566-119	PANEL, W/R 2.25 X 10.00
10. 967566-1110	PANEL, W/R 22.5 X 3.50
11. 967566-1111	PANEL, W/R 2.25 X 73.63
12. 967566-1112	PANEL, W/R 2.25 X 73.63
13. 967566-1113	PANEL, W/R CAB. 2.25 X 22.50
14. 967566-1114	PANEL, W/R 2.25 X 22.50
15. 801706-0019	CORNER TRIM-90D 1", ONYX
15. 801706-0014	CORNER TRIM-90D 1", GOLD ALCHEMY
16. 200975-04	CONDUIT,FLEXIBLE BLACK PLASTIC
17. 380045	TUBING 3/4" ELEC METALLIC
18. 380046	FLANGE CHROME
19. 967471	COVER ASSY-WIRE W/R
20. 967470	DOOR ASSY-W/R
21. 382044	HANDLE-BRUSHED NICKEL
22. 381228-01	DOOR, GRABBER CATCH
23. 381607	HINGE, DOOR
701538-01	CARPET-ECONOLIER W/PSA BACK

# 2010 INTERSTATE MOTORHOME

## FURNITURE, BATH

Wardrobe, Bath, w/TV, Twin Bed, Gray and Tan 2-Tone, 967473-11

Note: 967473-11 was replaced by 967567 on units released after 3/18/2010



Part Number on Next Page

# 2010 INTERSTATE MOTORHOME

## FURNITURE, BATH

Wardrobe, Bath, w/TV, Twin Bed, Gray and Tan 2-Tone, 967473-11

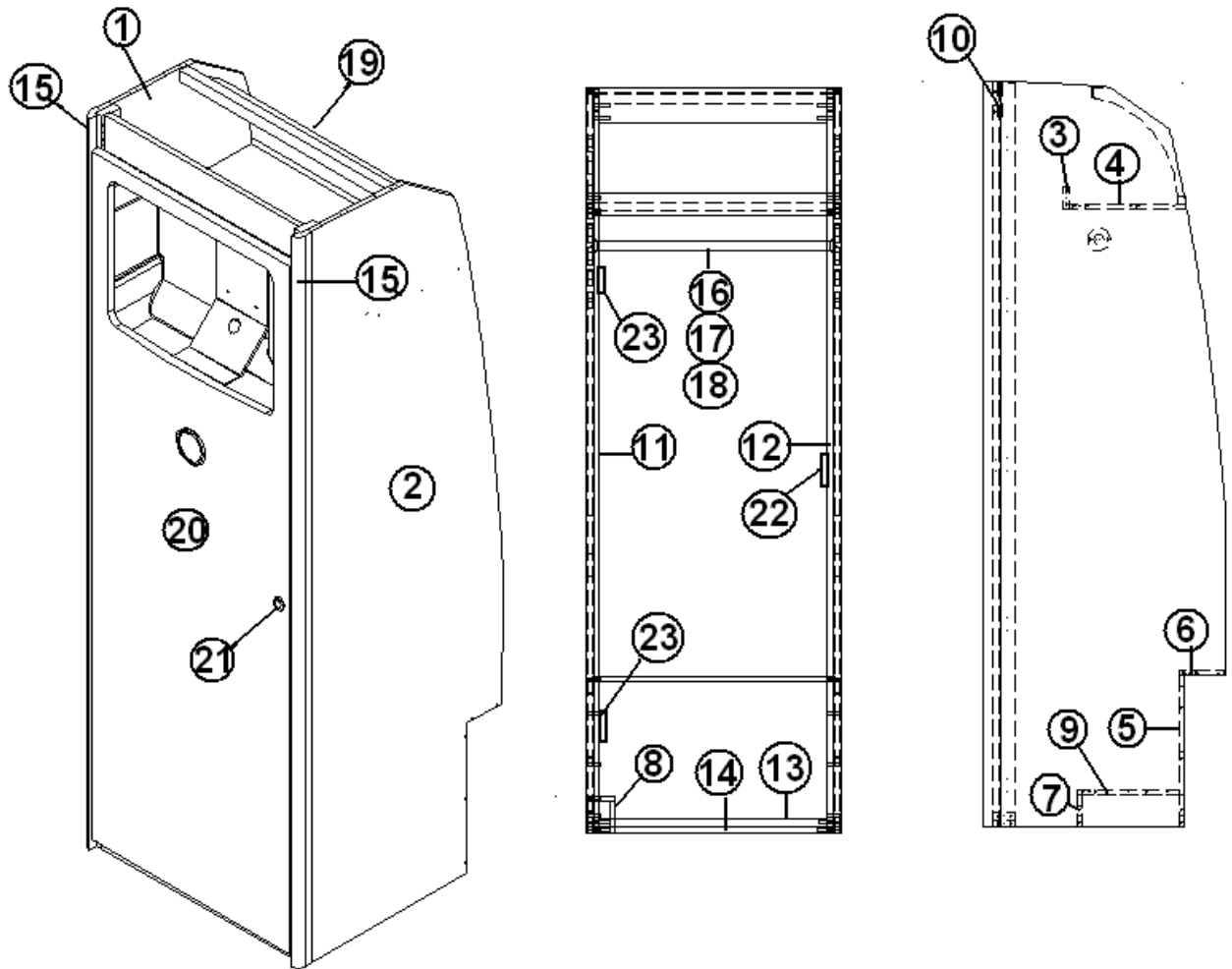
Note: 967473-11 was replaced by 967567 on units released after 3/18/2010

967473-11	WARDROBE ASSY
1. 967473-111	PANEL, W/R 22.81 X 73.57
2. 967473-112	PANEL, W/R 22.81 X 73.57
3. 967473-113	PANEL, W/R 24.00 X 2.25
4. 967473-114	PANEL, W/R 24.00 X 11.50
5. 967473-115	PANEL, W/R 24.00 X 15.00
6. 967473-116	PANEL, W/R 24.00 X 4.13
7. 967473-117	PANEL, W/R 2.25 X 3.25
8. 967473-118	PANEL, W/R 9.50 X 3.25
9. 967473-119	PANEL, W/R 2.25 X 10.00
10. 967473-1110	PANEL, W/R 22.50 X 3.50
11. 967473-1111	PANEL, W/R 2.25 X 73.63.
12. 967473-1112	PANEL, W/R 2.25 X 73.63.
13. 967473-1113	PANEL, W/R CAB. 2.25 X 22.50
14. 967473-1114	PANEL, W/R 2.25 X 22.50
15. 801706-0019	CORNER TRIM-90D 1", ONYX
15. 801706-0014	CORNER TRIM-90D 1", GOLD ALCHEMY
16. 200975-04	CONDUIT,FLEXIBLE BLACK PLASTIC
17. 380045	TUBING 3/4" ELEC METALLIC
18. 380046	FLANGE CHROME
19. 967471	COVER ASSY-WIRE W/R
20. 967472	DOOR ASSY-W/R
21. 382044	HANDLE-BRUSHED NICKEL
22. 381228-01	DOOR, GRABBER CATCH
23. 381607	HINGE, DOOR
701538-01	CARPET-ECONOLIER W/PSA BACK

# 2010 INTERSTATE MOTORHOME

Wardrobe, Bath, w/TV, Twin Bed, 967567-11

Note: 967473-11 replaced by 967567 on units released after 3/18/2010



Part Number on Next Page



# 2010 INTERSTATE MOTORHOME

## FURNITURE, BATH

Wardrobe, Bath, w/TV, Twin Bed, 967567-11

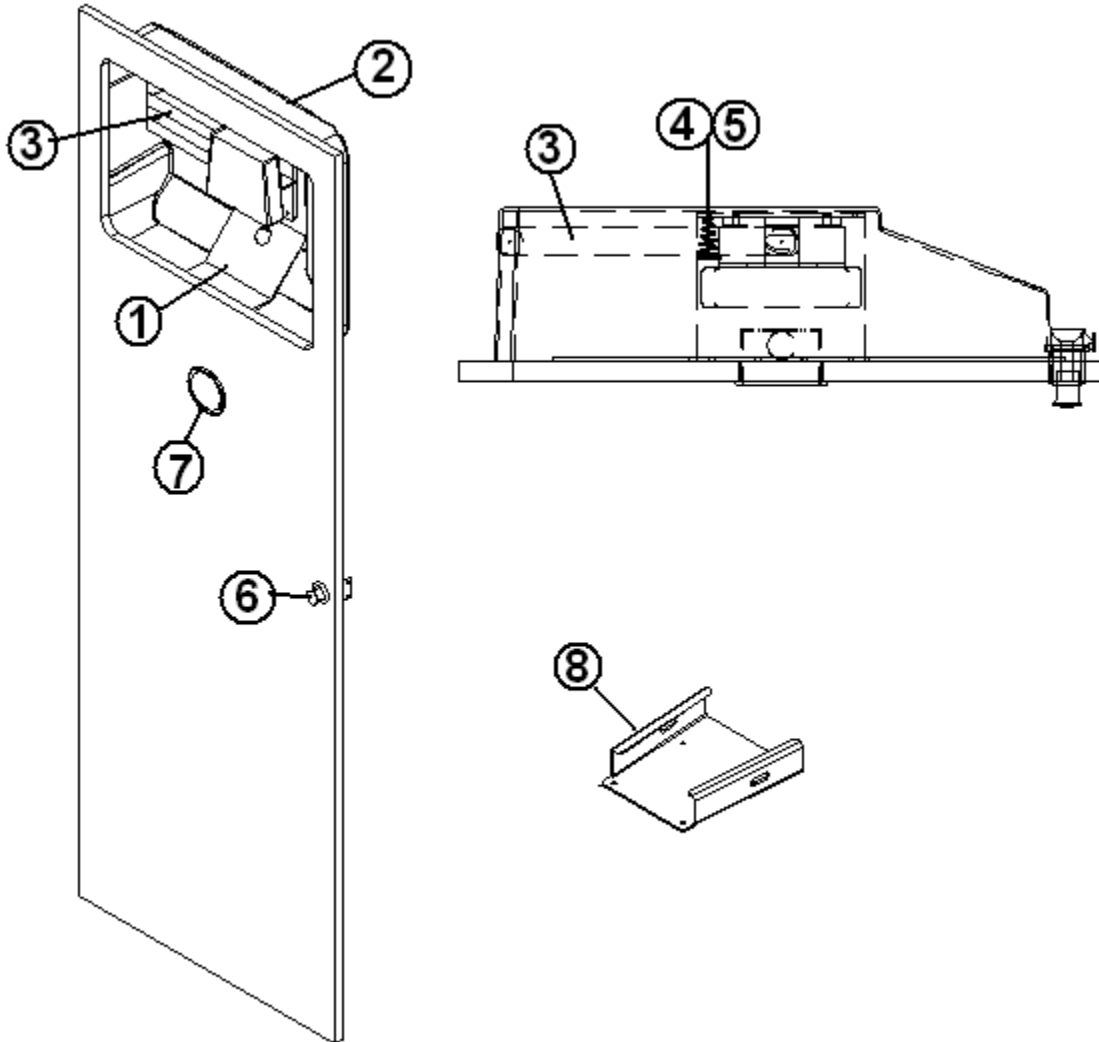
Note: 967473-11 replaced by 967567-11 on units released after 3/18/2010

967567-11	WARDROBE ASSY
1. 967567-111	PANEL, W/R 22.81 X 73.57
2. 967567-112	PANEL, W/R 22.81 X 73.57
3. 967567-113	PANEL, W/R 24.00 X 2.25
4. 967567-114	PANEL, W/R 24.00 X 11.50
5. 967567-115	PANEL, W/R 24.00 X 15.00
6. 967567-116	PANEL, W/R 24.00 X 4.13
7. 967567-117	PANEL, W/R 2.25 X 3.25
8. 967567-118	PANEL, W/R 9.50 X 3.25
9. 967567-119	PANEL, W/R 2.25 X 10.00
10. 967567-1110	PANEL, W/R 22.50 X 3.50
11. 967567-1111	PANEL, W/R 2.25 X 73.63.
12. 967567-1112	PANEL, W/R 2.25 X 73.63.
13. 967567-1113	PANEL, W/R CAB. 2.25 X 22.50
14. 967567-1114	PANEL, W/R 2.25 X 22.50
15. 801706-0019	CORNER TRIM-90D 1", ONYX
15. 801706-0014	CORNER TRIM-90D 1", GOLD ALCHEMY
16. 200975-04	CONDUIT,FLEXIBLE BLACK PLASTIC
17. 380045	TUBING 3/4" ELEC METALLIC
18. 380046	FLANGE CHROME
19. 967471	COVER ASSY-WIRE W/R
20. 967472	DOOR ASSY-W/R
21. 382044	HANDLE-BRUSHED NICKEL
22. 381228-01	DOOR, GRABBER CATCH
23. 381607	HINGE, DOOR
701538-01	CARPET-ECONOLIER W/PSA BACK

# 2010 INTERSTATE MOTORHOME

## FURNITURE, BATH

Door, Wardrobe, Bath, w/TV, Twin Bed



- 967472  
1. 454719  
2. 203660  
3. 512293  
4. 345466  
5. 320078  
6. 382096-01  
7. 203662  
8. 454733  
690600

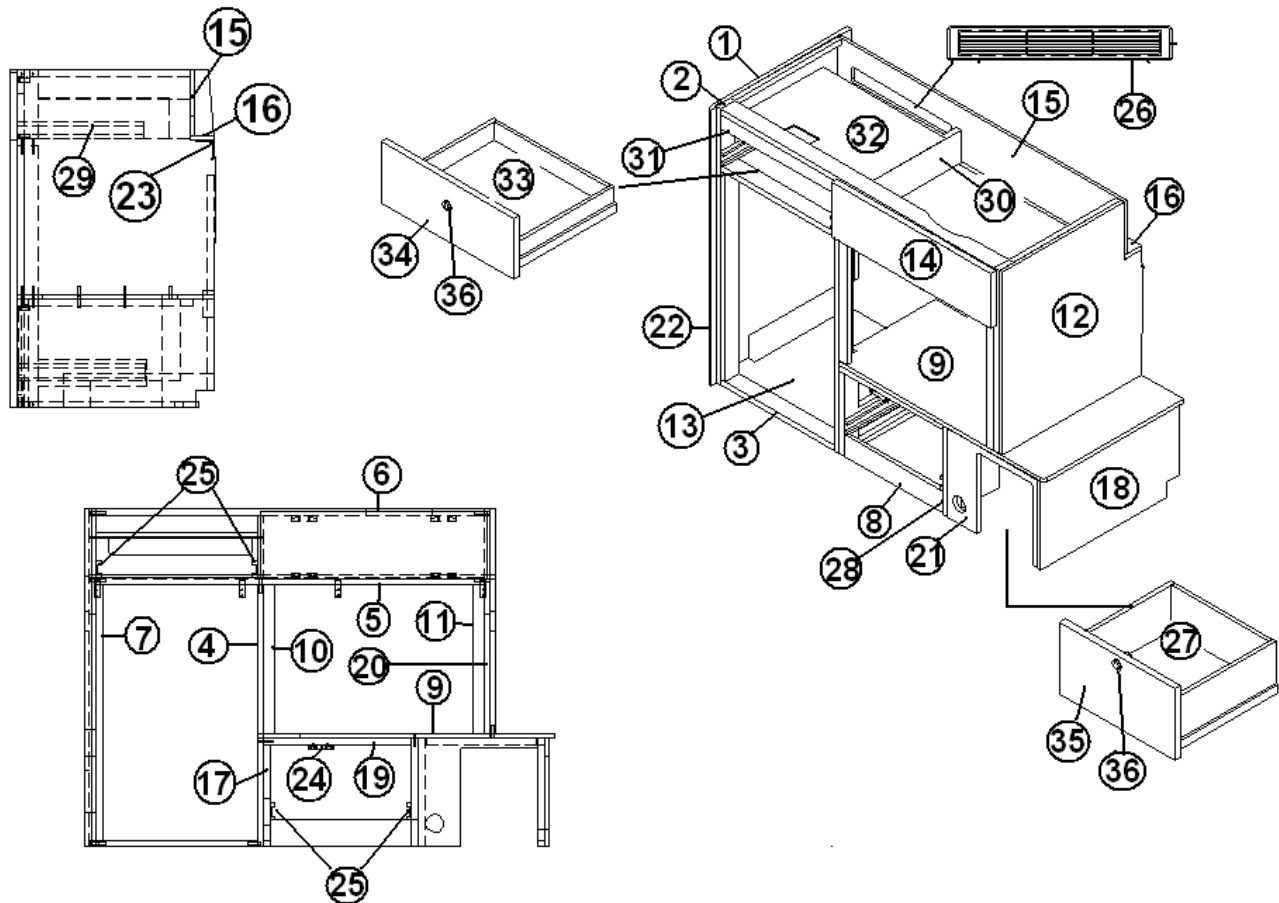
DOOR ASSY-W/R W/TV NCV3 TWIN  
BRACKET-TV DR MOUNT NCV3 TWIN  
CLOSEOUT-TV DR MOUNT NCV3 TWIN  
MOUNT-TV DBL ARM TOUCH LOCK  
SPRING-CONICAL COMPRESSION #30  
SCREW,8 X 3-8  
LATCH, PUSH/CLOSE, CHROME  
CUPHOLDER, BLACK 3.38"  
BRACKET, TV MOUNT  
TV W/DVD LCD 19"

# 2010 INTERSTATE MOTORHOME

## FURNITURE, GALLEY

Galley, Lounge, 967150-11

967456-11 replaced 967150-11, 10/08/2010



Parts numbers are on the next page

# 2010 INTERSTATE MOTORHOME

## FURNITURE, GALLEY

Galley, Lounge, 967150-11

967456-11 replaced 967150-11, 10/08/2010

967150-11	GALLEY ASSEMBLY
1. 967150-111	PANEL, 21.12 X 37.25
2. 967150-112	PANEL, 2.25 X 37.25
3. 967150-113	PANEL, 2.25 X 17.75
4. 967150-114	PANEL, 16.00 X 29.00
5. 967150-115	PANEL, 2.25 X 42.75
6. 967150-116	PANEL, 2.25 X 42.75
7. 967150-117	PANEL, 2.25 X 28.25
8. 967150-118	PANEL, 15.50 X 3
9. 967150-119	PANEL, 21.72 X 32.75
10. 967150-1110	PANEL, 1.25 X 16.50
11. 967150-1111	PANEL, 1.25 X 16.50
12. 967150-1112	PANEL, 21.72 X 24.75
13. 967150-1113	PANEL, 18.50 X 17.75
14. 967150-1114	PANEL, 7.37 X 24.87
15. 967150-1115	PANEL, 7.25 X 44.75
16. 967150-1116	PANEL, 2.72 X 45.75
17. 967150-1117	PANEL, 14.25 X 11.25
18. 967150-1118	PANEL, 21.7 X 12.00
19. 967150-1119	PANEL, 2.25 X 16.25
20. 967150-1120	PANEL, 2.25 X 24.75
21. 967150-1121	PANEL, 14.00 X 12.00
22. 801706-0014	CORNER TRIM, 90 DEG, SILVER
23. 380264	CORNER BRACKET
24. 381228-01	CATCH GRABBER DOOR
25. 381400	DRAWER SLIDE, 14", PAIR
26. 386206	LOUVERED VENT
27. 967229-11	DRAWER BOX ASSEMBLY, GALLEY
28. 967150-1131	PANEL, 18.00 X 12.00
29. 967150-1132	PANEL, 14.00 X 4.38
30. 967150-1133	PANEL, 18.00 X 6.75
31. 967150-1134	PANEL, 17.75 X 1.75
32. 801507-01	PANEL, 19.25 x 14.50
33. 967314-11	DRAWER BOX, GALLEY, UPPER
34. 967314-111	PANEL, UPPER GALLEY DRAWER FRONT
35. 967229-111	PANEL, LOWER GALLEY DRAWER FRONT
36. 382059-01	KNOB, PUSH/PULL
200980-01	Tray, silverware, 9" x 13.25" x 1.75"

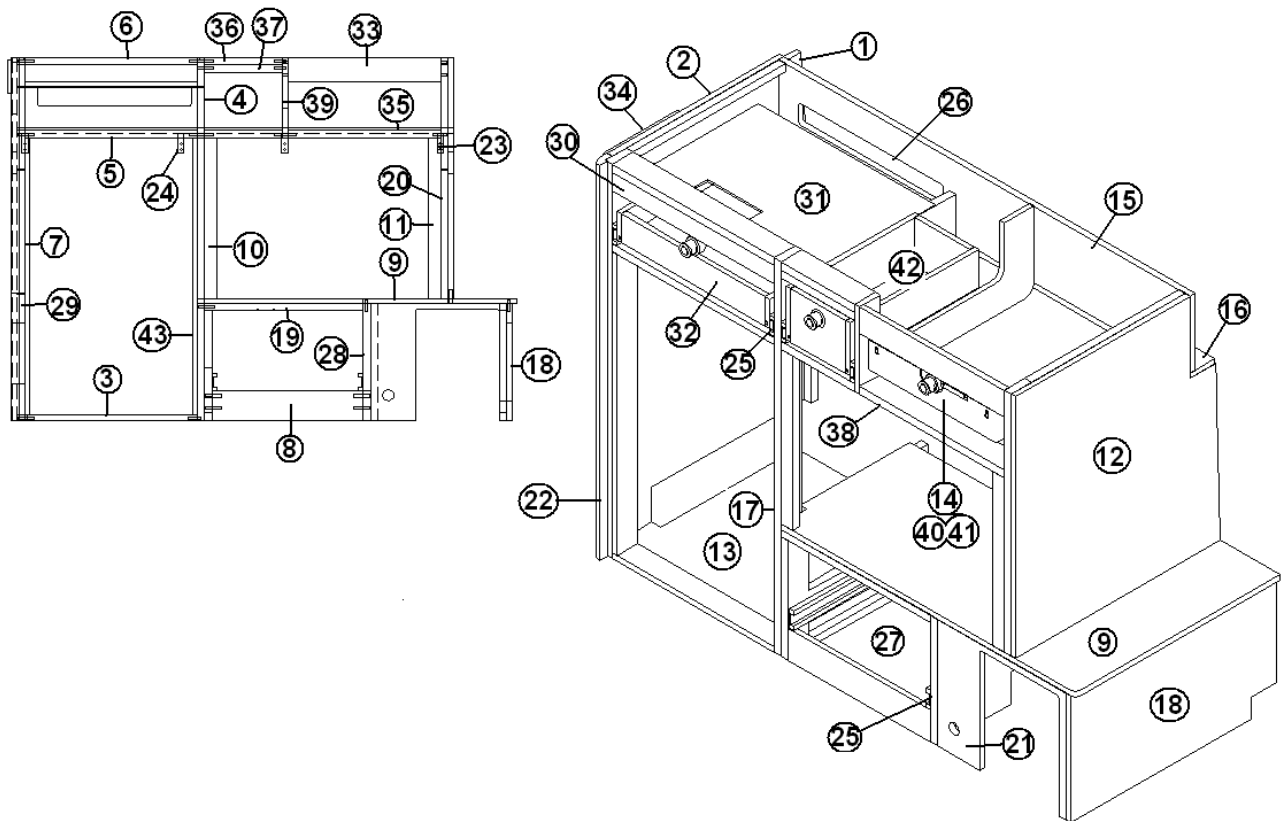
# 2010 INTERSTATE MOTORHOME

## FURNITURE, GALLEY

Galley, Lounge, 967456-11

967456-11 replaced 967150-11 on units built on and after 10/08/2010.

967564-11 replaced 967456-11 on units built on and after 01/10/2010



# 2010 INTERSTATE MOTORHOME

## FURNITURE, GALLEY

Galley, Lounge, 967456-11

967456-11 replaced 967150-11 on units built on and after 10/08/2010.

967564-11 replaced 967456-11 on units built on and after 01/10/2010

967456-11	GALLEY CABINET ASSEMBLY
1. 967456-111	PANEL, GALLEY, 21.12 X 37.25
2. 967456-112	PANEL, GALLEY, 2.25 X 37.25
3. 967456-113	PANEL, GALLEY, 2.25 X 17.75
4. 967456-114	PANEL, GALLEY, 19.00 X 37.25
5. 967456-115	PANEL, GALLEY, 2.25 X 17.75
6. 967456-116	PANEL, GALLEY, 2.25 X 17.75
7. 967456-117	PANEL, GALLEY, 2.25 X 28.50
8. 967456-118	PANEL, GALLEY, 15.50 X 3.00
9. 967456-119	PANEL, GALLEY, 22.39 X 32.75
10. 967456-1110	PANEL, GALLEY, 1.25 X 16.50
11. 967456-1111	PANEL, GALLEY, 1.25 X 16.50
12. 967456-1112	PANEL, GALLEY, 21.72 X 24.75
13. 967456-1113	PANEL, GALLEY, 18.50 X 17.75
14. 967456-1114	PANEL, GALLEY, 6.88 X 15.88
15. 967456-1115	PANEL, GALLEY, 7.25 X 44.75
16. 967456-1116	PANEL, GALLEY, 2.72 X 44.75
17. 967456-1117	PANEL, GALLEY, 14.25 X 11.25
18. 967456-1118	PANEL, GALLEY, 21.47 X 12.00
19. 967456-1119	PANEL, GALLEY, 2.25 X 16.25
20. 967456-1120	PANEL, GALLEY, 2.25 X 24.75
21. 967456-1121	PANEL, GALLEY, 14.00 X 12.00
22. 801706-0014	TRIM, CORNER, 90D, 1" RADIUS, G. ALCHEMY
23. 380264	CORNER BRACKET
24. 381228-01	CATCH, GRABBER, DOOR
25. 381400	SLIDE, DRAWER, 14"
26. 386206	VENT, LOUVERED, 2.63 X 17.50, BLACK
27. 967229	DRAWER BOX, GALLEY
28. 967456-1131	PANEL, GALLEY 18.00 X 12.00
29. 967456-1132	PANEL, GALLEY 14.50 X 4.38
30. 967456-1134	PANEL, GALLEY 17.75 X 1.75

Part numbers continued on next page

# 2010 INTERSTATE MOTORHOME

## FURNITURE, GALLEY

Galley, Lounge, Galley, Lounge, 967456-11 CONTINUED

967456-11 replaced 967150-11, 10/08/2010

967564 REPLACED 967456, 01/10/2010

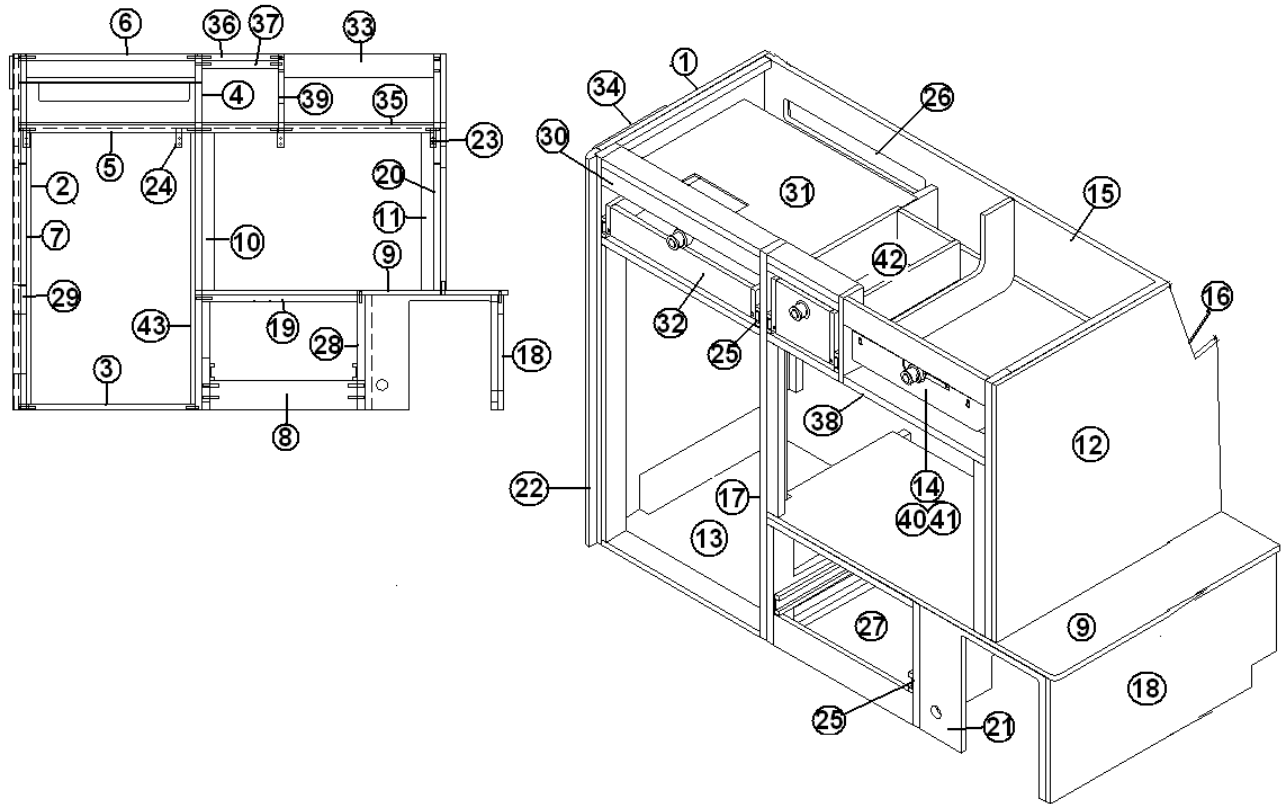
31. 967456-1135	PANEL, GALLEY 19.25 X 14.50
32. 967457	BOX ASSY, DRAWER GALLEY, UPPER
33. 967456-1138	PANEL, GALLEY 2.25 X 15.75
34. 967456-1139	PANEL, GALLEY 8.25 X 3.50
35. 967456-1140	PANEL, GALLEY 2.25 X 8.00
36. 967456-1141	PANEL, GALLEY 2.25 X 8.00
37. 967456-1142	PANEL, GALLEY 2.25 X 8.00
38. 967456-1143	PANEL, GALLEY 2.25 X 15.75
39. 967456-1144	PANEL, GALLEY 8.25 X 19.00
40. 381685-01	HINGE, SCISSOR TRAY
41. 381686	TRAY, 14", PLASTIC, WHITE
42. 967485	DRAWER BOX ASSY, GALLEY
43. 967456-1148	PANEL, GALLEY 2.25 X 28.50
382059-01	KNOB, PUSH/PULL, SUGATSUNE

# 2010 INTERSTATE MOTORHOME

## FURNITURE, GALLEY

Galley, Lounge, 967564-11

967564 replaced 967456 on units built on and after 01/10/2010





# 2010 INTERSTATE MOTORHOME

## FURNITURE, GALLEY

Galley, Lounge, 967564-11

967564 replaced 967456 on units built on and after 01/10/2010

967564-11	GALLEY CABINET ASSEMBLY
1. 967564-111	PANEL, GALLEY, 21.72 X 37.25
2. 967564-112	PANEL, GALLEY, 2.25 X 37.25
3. 967564-113	PANEL, GALLEY, 2.25 X 17.75
4. 967564-114	PANEL, GALLEY, 19.00 X 37.25
5. 967564-115	PANEL, GALLEY, 2.25 X 17.75
6. 967564-116	PANEL, GALLEY, 2.25 X 17.75
7. 967564-117	PANEL, GALLEY, 2.25 X 28.50
8. 967564-118	PANEL, GALLEY, 15.50 X 3.00
9. 967564-119	PANEL, GALLEY, 22.39 X 32.75
10. 967564-1110	PANEL, GALLEY, 1.25 X 16.50
11. 967564-1111	PANEL, GALLEY, 1.25 X 16.50
12. 967564-1112	PANEL, GALLEY, 21.72 X 24.75
13. 967564-1113	PANEL, GALLEY, 18.50 X 17.75
14. 967564-1114	PANEL, GALLEY, 6.88 X 15.88
15. 967564-1115	PANEL, GALLEY, 7.25 X 44.75
16. 967564-1116	PANEL, GALLEY, 2.72 X 44.75
17. 967564-1117	PANEL, GALLEY, 14.25 X 11.25
18. 967564-1118	PANEL, GALLEY, 21.47 X 12.00
19. 967564-1119	PANEL, GALLEY, 2.25 X 16.25
20. 967564-1120	PANEL, GALLEY, 2.25 X 24.75
21. 967564-1121	PANEL, GALLEY, 14.00 X 12.00
22. 801706-0014	TRIM, CORNER, 90D, 1" RADIUS, G. ALCHEMY
23. 380264	CORNER BRACKET
24. 381228-01	CATCH, GRABBER, DOOR
25. 381400	SLIDE, DRAWER, 14"
26. 386206	VENT, LOUVERED, 2.63 X 17.50, BLACK
27. 967229	DRAWER BOX, GALLEY
28. 967564-1131	PANEL, GALLEY 18.00 X 12.00
29. 967564-1132	PANEL, GALLEY 14.50 X 4.38
30. 967564-1134	PANEL, GALLEY 17.75 X 1.75

Part numbers continued on next page

# 2010 INTERSTATE MOTORHOME

## FURNITURE, GALLEY

Galley, Lounge, 967564-11 CONTINUED

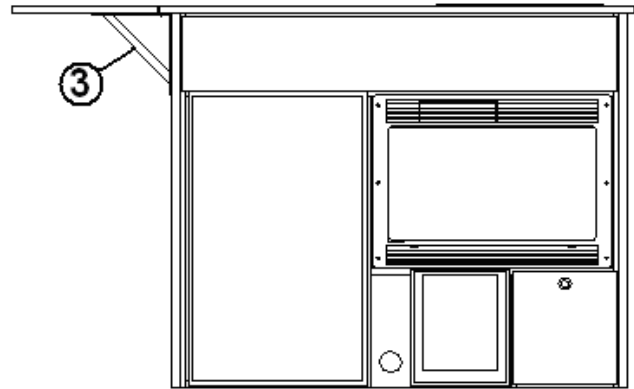
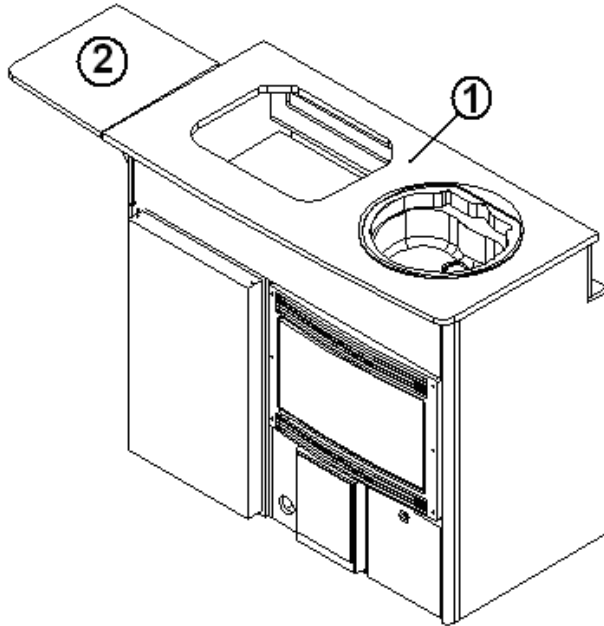
967564 replaced 967456 on units built on and after 01/10/2010

31. 967564-1135	PANEL, GALLEY 19.25 X 14.50
32. 967457	BOX ASSY, DRAWER GALLEY, UPPER
33. 967564-1138	PANEL, GALLEY 2.25 X 15.75
34. 967564-1139	PANEL, GALLEY 8.25 X 3.50
35. 967564-1140	PANEL, GALLEY 2.25 X 8.00
36. 967564-1141	PANEL, GALLEY 2.25 X 8.00
37. 967564-1142	PANEL, GALLEY 2.25 X 8.00
38. 967564-1143	PANEL, GALLEY 2.25 X 15.75
39. 967564-1144	PANEL, GALLEY 8.25 X 19.00
40. 381685-01	HINGE, SCISSOR TRAY
41. 381686	TRAY, 14", PLASTIC, WHITE
42. 967485	DRAWER BOX ASSY, GALLEY
43. 967564-1148	PANEL, GALLEY 2.25 X 28.50
382059-01	KNOB, PUSH/PULL, SUGATSUNE

# 2010 INTERSTATE MOTORHOME

## FURNITURE, GALLEY

### Galley Top, Lounge

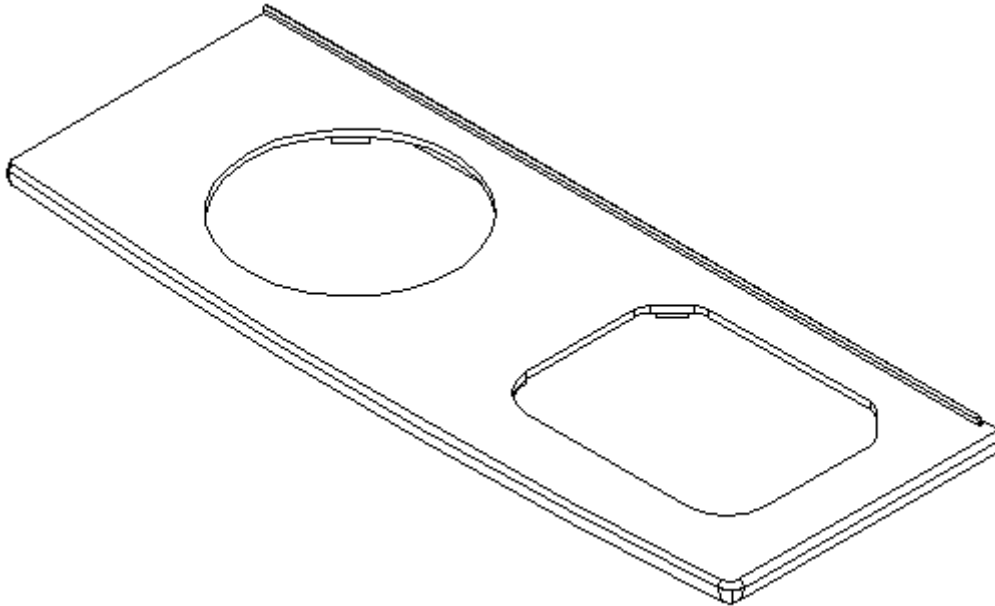


- |              |  |
|--------------|--|
| 1. 967232-11 | GALLEY TOP, LAMINATE, STANDARD GREY        |
| 1. 967232-06 | GALLEY TOP, LAMINATE, OPTIONAL TAN         |
| 1. 602232-01 | GALLEY TOP, CORIAN, GREY 2-TONE            |
| 1. 602232-02 | GALLEY TOP, CORIAN, TAN 2-TONE             |
| 1. 602232-03 | GALLEY TOP, CORIAN, SAND PEARL             |
| 1. 602232-04 | GALLEY TOP, CORIAN, ONYX                   |
| 2. 967233-11 | GALLEY FLIP SHELF, LAMINATE, STANDARD GREY |
| 2. 967233-06 | GALLEY FLIP SHELF, LAMINATE, OPTIONAL TAN  |
| 2. 602233-01 | GALLEY FLIP SHELF, CORIAN, GREY 2-TONE     |
| 2. 602233-02 | GALLEY FLIP SHELF, TAN 2-TONE              |
| 2. 602233-03 | GALLEY FLIP SHELF, SAND PEARL              |
| 2. 602233-04 | GALLEY FLIP SHELF, ONYX                    |
| 3. 381614    | BRACKET, FOLDING SHELF                     |

# 2010 INTERSTATE MOTORHOME

## FURNITURE, GALLEY

### Galley Top, Twin



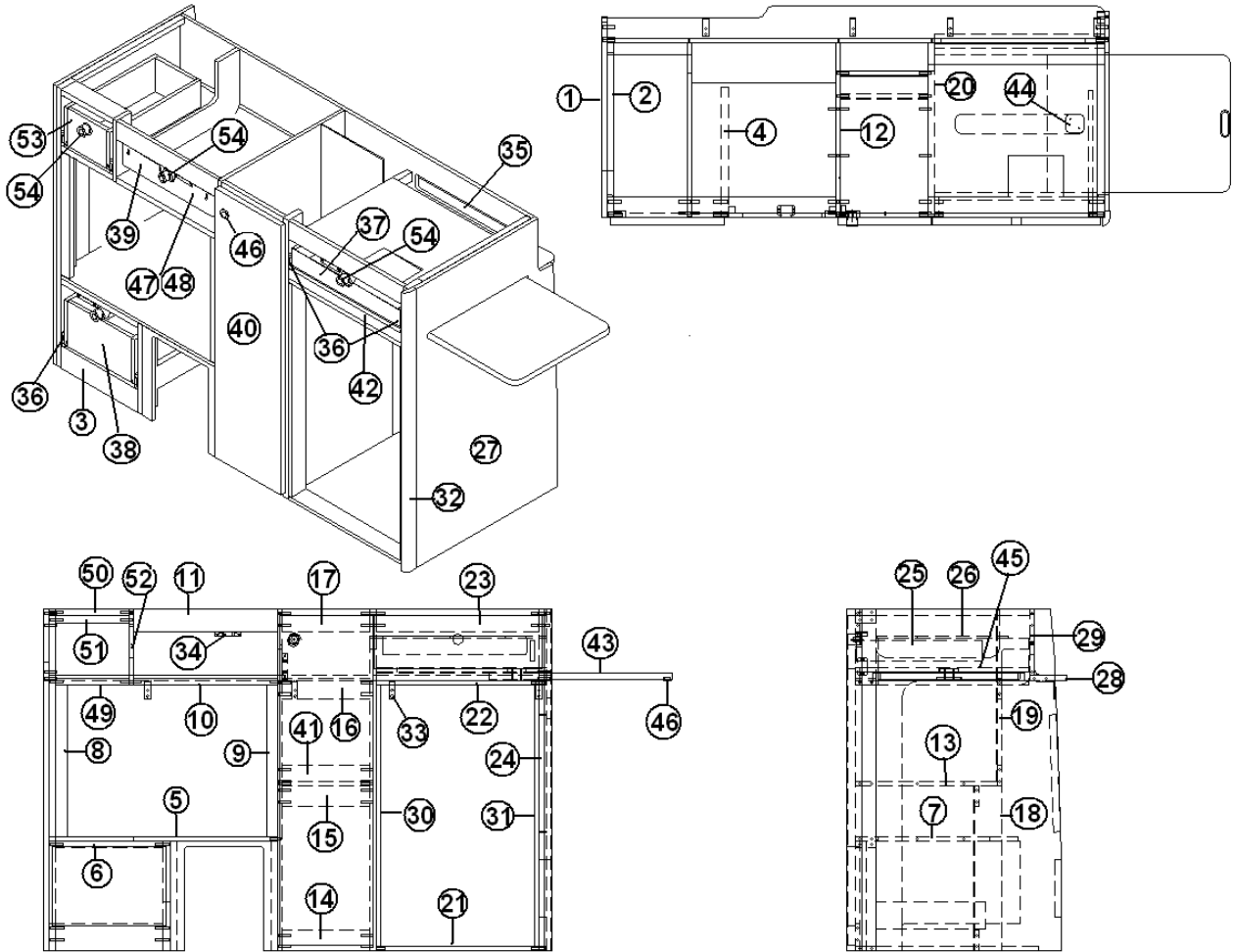
967478	GALLEY TOP, LAMINATE
602235-01	GALLEY TOP, CORIAN, GREY 2-TONE
602235-02	GALLEY TOP, CORIAN, TAN 2- TONE
602235-03	GALLEY TOP, CORIAN, SAND PEARL
602235-04	GALLEY TOP, CORIAN, ONYX
967233-11	GALLEY FLIP SHELF, LAMINATE, STANDARD GREY
967233-06	GALLEY FLIP SHELF, LAMINATE, OPTIONAL TAN
602233-01	GALLEY FLIP SHELF, CORIAN, GREY 2-TONE
602233-02	GALLEY FLIP SHELF, TAN 2- TONE
602233-03	GALLEY FLIP SHELF, SAND PEARL
602233-04	GALLEY FLIP SHELF, ONYX
381614	BRACKET, FOLDING, GALLEY FLIP SHELF

# 2010 INTERSTATE MOTORHOME

## FURNITURE, GALLEY

Galley, Twin, 967459

967565 replaced 967459 on units built on or after 3/18/10



Part numbers are on the next page

# 2010 INTERSTATE MOTORHOME

## FURNITURE, GALLEY

Galley, Twin, 967459

967565 replaced 967459 on units built on or after 3/18/10

967459-11	CABINET ASSY, GALLEY
1. 967459-111	PANEL, GALLEY CABINET, 21.85 X 37.25
2. 967459-112	PANEL, GALLEY CABINET, 18 X 37.25
3. 967459-113	PANEL, GALLEY 11.75 X 30
4. 967459-114	PANEL, GALLEY CABINET, 12.00 X 14.25
5. 967459-115	PANEL, GALLEY CABINET, 11.75 X 12
6. 967459-116	PANEL, GALLEY CABINET, 11.75 X 2.25
7. 967459-117	PANEL, GALLEY CABINET, 25.00 X 17.75
8. 967459-118	PANEL, GALLEY CABINET, 1.25 X 16.50
9. 967459-119	PANEL, GALLEY CABINET, 1.25 X 16.50
10. 967459-1110	PANEL, GALLEY CABINET, 2.25 X 5.75
11. 967459-1111	PANEL, GALLEY CABINET, 15.75 X 2.50
12. 967459-1112	PANEL, GALLEY CABINET, 19.00 X 37.25
13. 967459-1113	PANEL, GALLEY CABINET, 9.50 X 15.50
14. 967459-1114	PANEL, GALLEY CABINET, 2.25 X 9.50
15. 967459-1115	PANEL, GALLEY CABINET, 2.25 X 9.50
16. 967459-1116	PANEL, GALLEY CABINET, 2.25 X 9.50
17. 967459-1117	PANEL, GALLEY CABINET, 9.50 X 2.50
18. 967459-1118	PANEL, GALLEY CABINET, 9.50 X 18.00
19. 967459-1119	PANEL, GALLEY CABINET, 9.50 X 18.75
20. 967459-1120	PANEL, GALLEY CABINET, 19.00 X 37.25
21. 967459-1122	PANEL, GALLEY CABINET, 2.25 X 17.75
22. 967459-1123	PANEL, GALLEY CABINET, 19.00 X 18.50
23. 967459-1124	PANEL, GALLEY CABINET, 17.75 X 2.50
24. 967459-1125	PANEL, GALLEY CABINET, 2.25 X 37.25
25. 967459-1126	PANEL, GALLEY CABINET, 3.25 X 16.50
26. 967459-1127	PANEL, GALLEY CABINET, 19.25 X 14.50
27. 967459-1128	PANEL, GALLEY CABINET, 21.75 X 37.25
28. 967459-1129	PANEL, GALLEY CABINET, 4.13 X 54.25
29. 967459-1130	PANEL, GALLEY CABINET, 7.25 X 54.25
30. 967459-1134	PANEL, GALLEY 2.25 X 28.50
31. 967459-1135	PANEL, GALLEY 2.25 X 28.50

Continued on next page

# 2010 INTERSTATE MOTORHOME

## FURNITURE, GALLEY

Galley, Twin, 967459

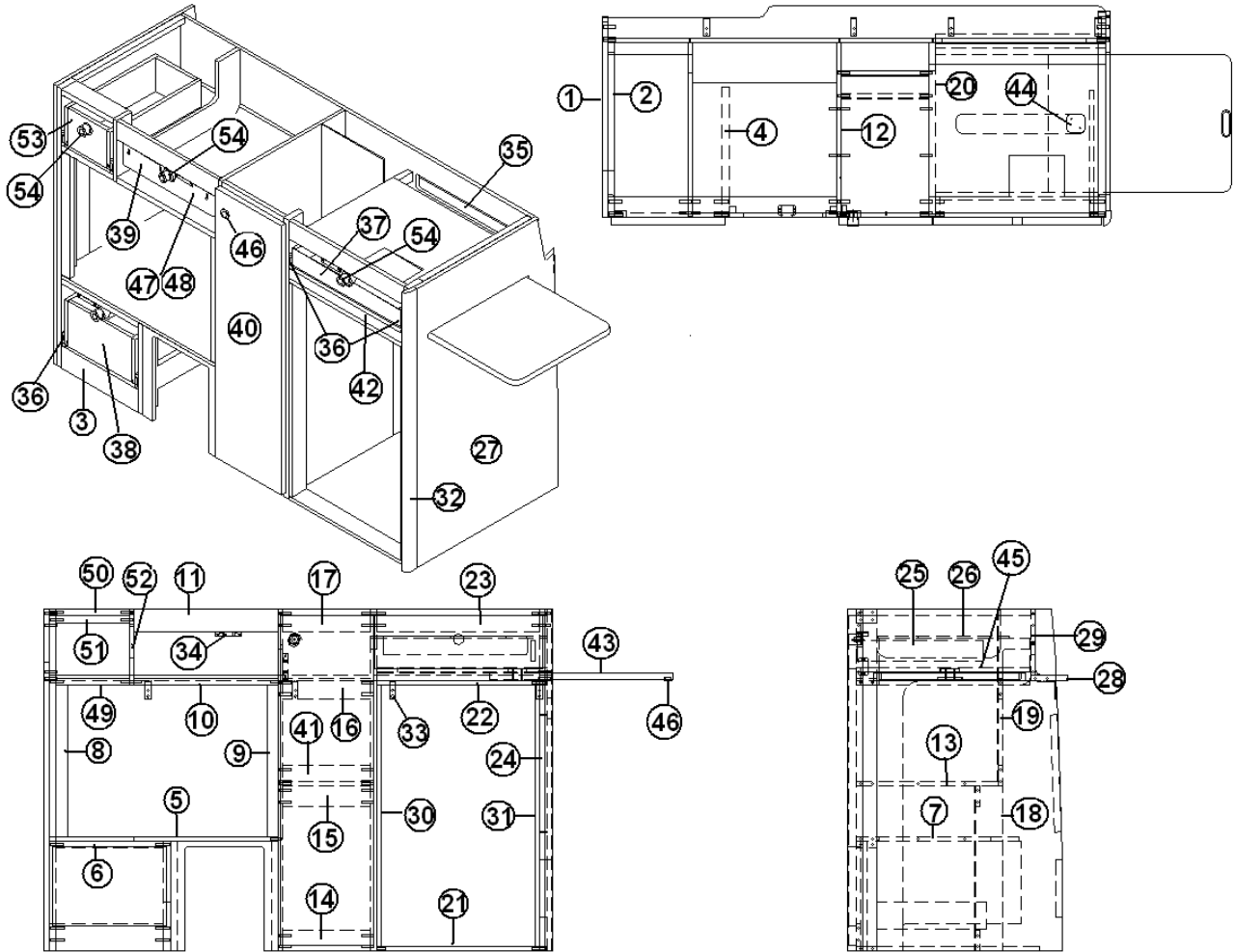
32. 801706-0019	CORNER TRIM, 90D, 84"
33. 382064	CORNER BRACE
34. 381228-01	CATCH, GRABBER, DOOR
35. 386206	VENT, LOUVERED, 2.63 X 17.50, BLACK
36. 381400	SLIDE DRAWER, 14"
37. 967481	DRAWER BOX ASSY, GALLEY
37. 967481-13	DRAWER BOX ASSY, GALLEY, SAND PEARL
38. 967460	DRAWER BOX ASSEMBLY
39. 967459-1144	PANEL, GALLEY CABINET, 15.88 X 6.88
40. 967459-1145	PANEL, GALLEY CABINET, 10.13 X 35.88
41. 967459-1150	PANEL, GALLEY 2.25 X 9.50
42. 967459-1151	PANEL, GALLEY, CABINET, 17.75 X 1.38
43. 967459-1152	PANEL, GALLEY, CABINET, 15.00 X 20.00
44. 967459-1153	PANEL, 2.00 X 2.00 GALLEY CABINET
45. 967459-1154	PANEL, GALLEY CAB 18.50 X 18.50
46. 382030	PULL, RECESSED FINGER
47. 381685-01	HINGE, SCISSOR TRAY
48. 381686	TRAY, 14" PLASTIC
49. 967459-1158	PANEL, GALLEY 2.25 X 8.00
50. 967459-1159	PANEL, GALLEY 2.25 X 8.00
51. 967459-1160	PANEL, GALLEY 2.25 X 8.00
52. 967459-1161	PANEL, GALLEY 8.25 X 19.00
53. 967485	DRAWER BOX ASSY
54. 382059-01	KNOB, PUSH/PULL
381708	WASTEBASKET, 11.38 X 8.25 X 12.00
200980-01	Tray, silverware, 9" x 13.25" x 1.75"

# 2010 INTERSTATE MOTORHOME

## FURNITURE, GALLEY

Galley, Lounge, Twin, 967565

967565 replaced 967459 on units built on or after 3/18/10





# 2010 INTERSTATE MOTORHOME

## FURNITURE, GALLEY

Galley, Lounge, Twin, 967565

967565 replaced 967459 on units built on or after 3/18/10

967565-11	CABINET ASSY, GALLEY
1. 967565-111	PANEL, GALLEY CABINET, 21.85 X 37.25
2. 967565-112	PANEL, GALLEY CABINET, 18 X 37.25
3. 967565-113	PANEL, GALLEY 11.75 X 30
4. 967565-114	PANEL, GALLEY CABINET, 12.00 X 14.25
5. 967565-115	PANEL, GALLEY CABINET, 11.75 X 12
6. 967565-116	PANEL, GALLEY CABINET, 11.75 X 2.25
7. 967565-117	PANEL, GALLEY CABINET, 25.00 X 17.75
8. 967565-118	PANEL, GALLEY CABINET, 1.25 X 16.50
9. 967565-119	PANEL, GALLEY CABINET, 1.25 X 16.50
10. 967565-1110	PANEL, GALLEY CABINET, 2.25 X 5.75
11. 967565-1111	PANEL, GALLEY CABINET, 15.75 X 2.50
12. 967565-1112	PANEL, GALLEY CABINET, 19.00 X 37.25
13. 967565-1113	PANEL, GALLEY CABINET, 9.50 X 15.50
14. 967565-1114	PANEL, GALLEY CABINET, 2.25 X 9.50
15. 967565-1115	PANEL, GALLEY CABINET, 2.25 X 9.50
16. 967565-1116	PANEL, GALLEY CABINET, 2.25 X 9.50
17. 967565-1117	PANEL, GALLEY CABINET, 9.50 X 2.50
18. 967565-1118	PANEL, GALLEY CABINET, 9.50 X 18.00
19. 967565-1119	PANEL, GALLEY CABINET, 9.50 X 18.75
20. 967565-1120	PANEL, GALLEY CABINET, 19.00 X 37.25
21. 967565-1122	PANEL, GALLEY CABINET, 2.25 X 17.75
22. 967565-1123	PANEL, GALLEY CABINET, 19.00 X 18.50
23. 967565-1124	PANEL, GALLEY CABINET, 17.75 X 2.50
24. 967565-1125	PANEL, GALLEY CABINET, 2.25 X 37.25
25. 967565-1126	PANEL, GALLEY CABINET, 3.25 X 16.50
26. 967565-1127	PANEL, GALLEY CABINET, 19.25 X 14.50
27. 967565-1128	PANEL, GALLEY CABINET, 21.75 X 37.25
28. 967565-1129	PANEL, GALLEY CABINET, 4.13 X 54.25
29. 967565-1130	PANEL, GALLEY CABINET, 7.25 X 54.25
30. 967565-1134	PANEL, GALLEY 2.25 X 28.50
31. 967565-1135	PANEL, GALLEY 2.25 X 28.50

Continued on next page

# 2010 INTERSTATE MOTORHOME

## FURNITURE, GALLEY

Galley, Lounge, Twin, 967565

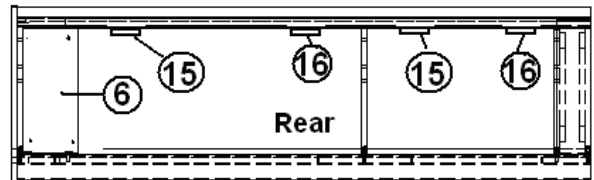
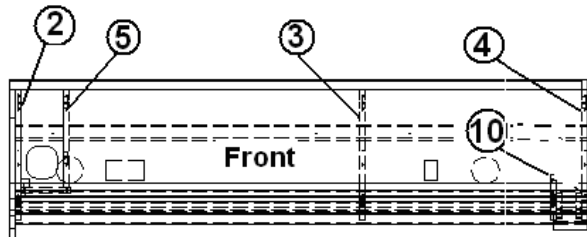
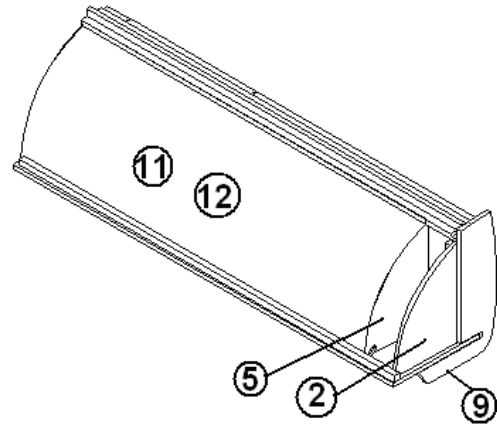
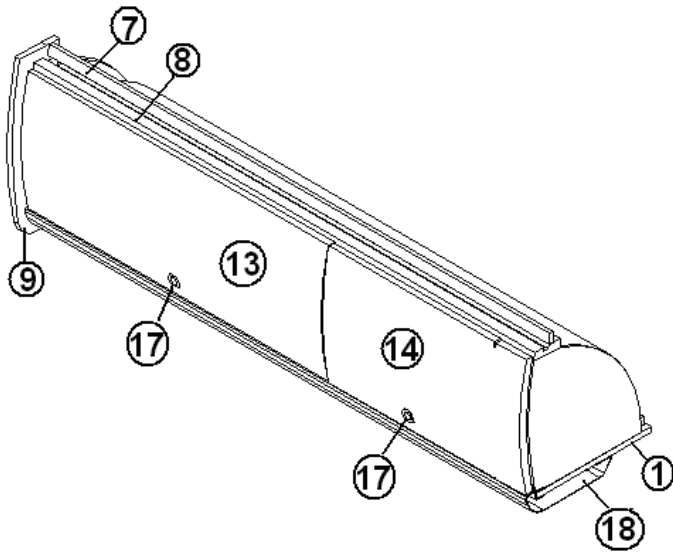
967565 replaced 967459 on units built on or after 3/18/10

32. 801706-0019	CORNER TRIM, 90D, 84"
33. 382064	CORNER BRACE
34. 381228-01	CATCH, GRABBER, DOOR
35. 386206	VENT, LOUVERED, 2.63 X 17.50, BLACK
36. 381400	SLIDE DRAWER, 14"
37. 967481	DRAWER BOX ASSY, GALLEY, GOLD ALCHEMY
37. 967481-13	DRAWER BOX ASSY, GALLEY, SAND PEARL
38. 967460	DRAWER BOX ASSEMBLY
39. 967565-1144	PANEL, GALLEY CABINET, 15.88 X 6.88
40. 967565-1145	PANEL, GALLEY CABINET, 10.13 X 35.88
41. 967565-1150	PANEL, GALLEY 2.25 X 9.50
42. 967565-1151	PANEL, GALLEY, CABINET, 17.75 X 1.38
43. 967565-1152	PANEL, GALLEY, CABINET, 15.00 X 20.00
44. 967565-1153	PANEL, 2.00 X 2.00 GALLEY CABINET
45. 967565-1154	PANEL, GALLEY CAB 18.50 X 18.50
46. 382030	PULL, RECESSED FINGER
47. 381685-01	HINGE, SCISSOR TRAY
48. 381686	TRAY, 14" PLASTIC
49. 967565-1158	PANEL, GALLEY 2.25 X 8.00
50. 967565-1159	PANEL, GALLEY 2.25 X 8.00
51. 967565-1160	PANEL, GALLEY 2.25 X 8.00
52. 967565-1161	PANEL, GALLEY 8.25 X 19.00
53. 967485	DRAWER BOX ASSY
54. 382059-01	KNOB, PUSH/PULL
967478	Galley Top
381708	WASTEBASKET, 11.38 X 8.25 X 12.00
200980-01	Tray, silverware, 9" x 13.25" x 1.75"

# 2010 INTERSTATE MOTORHOME

## FURNITURE, GALLEY

Roof Locker, Roadside Lounge, 53"



# 2010 INTERSTATE MOTORHOME

## FURNITURE, GALLEY

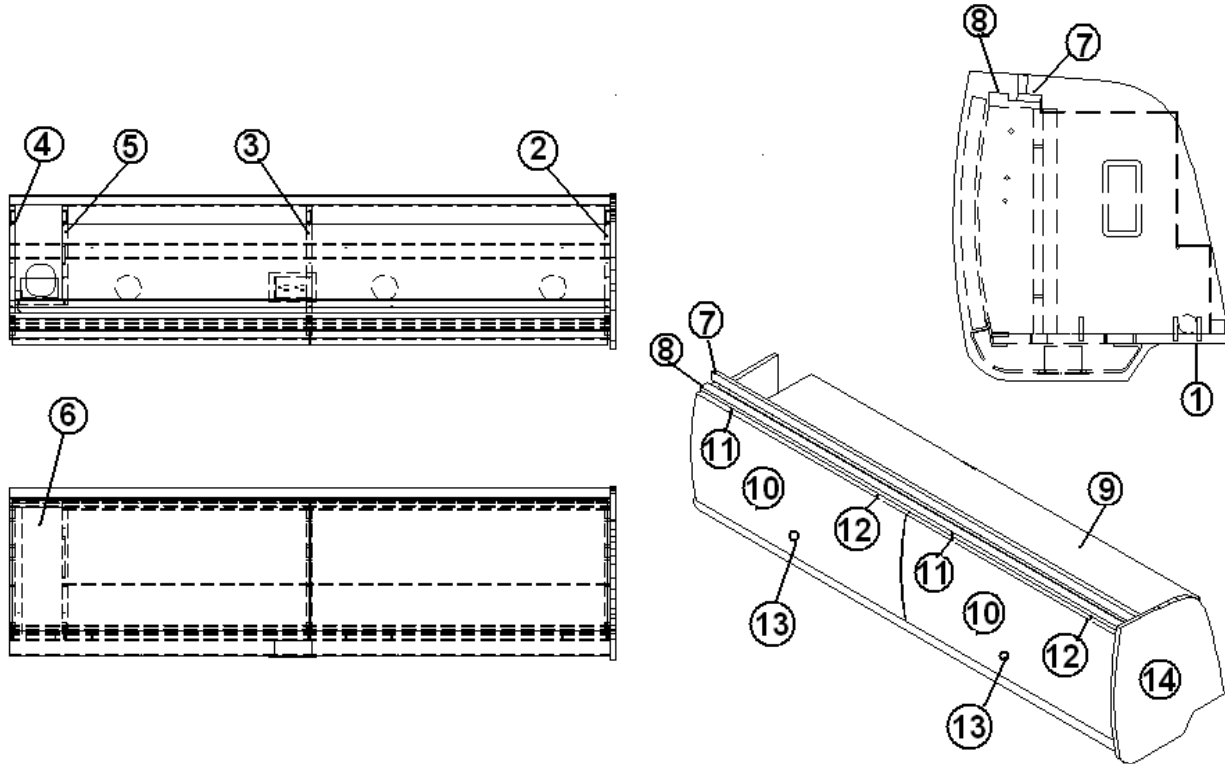
### Roof Locker, Roadside Lounge, 53"

967222-11	Roof locker, roadside, 53"
1. 967222-111	Panel, 12.00 x 53.02
2. 967222-112	Panel, 11.83 x 12.12
3. 967222-113	Panel, 11.83 x 12.12
4. 967222-114	Panel, 11.83 x 12.12
5. 967222-115	Panel, 8.88 x 12.00
6. 967222-116	Panel, 4.50 x 12.00
7. 967222-117	Panel, 1.00 x 52.50
8. 967222-118	Panel, 2.75 x 52.50
9. 967222-119	Panel, 10.15 x 16.46
10. 967222-1110	Panel, 2.41 x 10.07
11. 115405-03	Roof locker back, aluminum, 48"
12. 701538-01	Carpet, Econoliner, PSA
13. 801785-0114	Door, radius, 12.38" x 31.50"
14. 801785-0714	Door, radius, 12.38" x 20.50"
15. 381840-01	Hinge, LH
16. 381840-02	Hinge, RH
17. 382059-01	Knob, push/pull
18. 115406	Roof locker extrusion, 37.63"

# 2010 INTERSTATE MOTORHOME

## FURNITURE, GALLEY

### Roof Locker, Roadside Forward, Twin

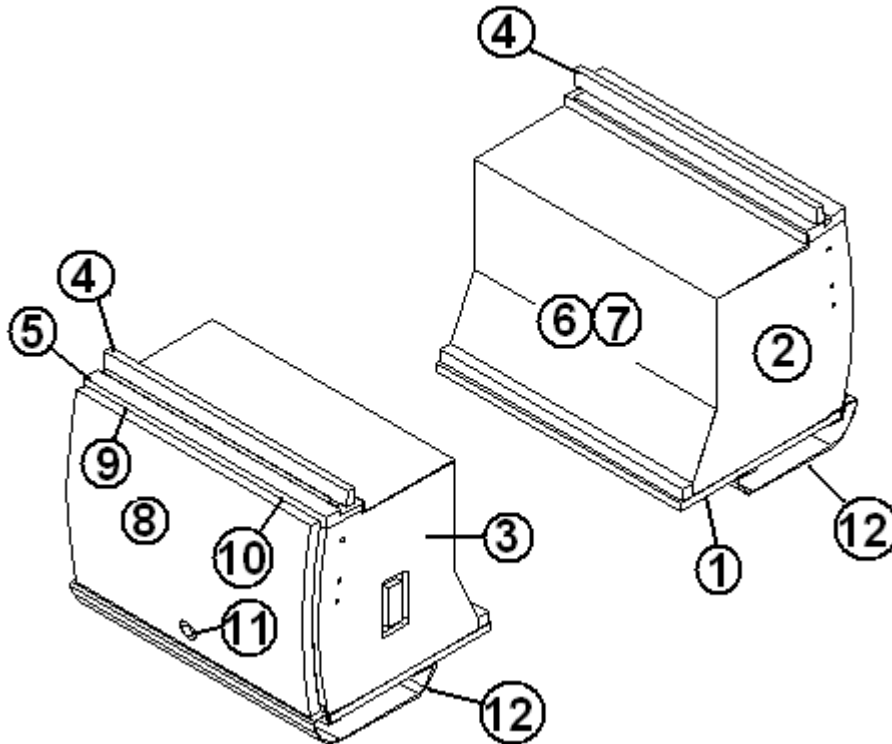


967462-11	ROOF LOCKER, RS FWD
1. 967462-111	PANEL, ROADSIDE ROOF LOCKER, 12.5 X 56.88
2. 967462-112	PANEL, ROADSIDE ROOF LOCKER, 12.28 X 12.12
3. 967462-113	PANEL, ROADSIDE ROOF LOCKER, 12.28 X 12.12
4. 967462-114	PANEL, ROADSIDE ROOF LOCKER, 12.28 X 12.12
5. 967462-115	PANEL, ROADSIDE ROOF LOCKER, 8.84 X 11.73
6. 967462-116	PANEL, ROADSIDE ROOF LOCKER, 5 X 12
7. 967462-117	PANEL, ROADSIDE ROOF LOCKER, 1 X 56.88
8. 967462-118	PANEL, ROADSIDE ROOF LOCKER, 2.75 X 56.88
115473-01	BACK, ROOF LOCKER CABINET 51.88" TWIN
801785-0214	DOOR, 12.38 X 28.13
381840-01	HINGE, OVERHEAD SPRING LH
381840-02	HINGE, OVERHEAD SPRING RH
382059-01	KNOB, PUSH/PULL
967463-11	ENDCAP, ROOFLOCKER
115406	EXTRUSION, ROOF LOCKER, 9.075" WIDE

# 2010 INTERSTATE MOTORHOME

## FURNITURE, GALLEY

### Roof Locker, Roadside, 18", Lounge



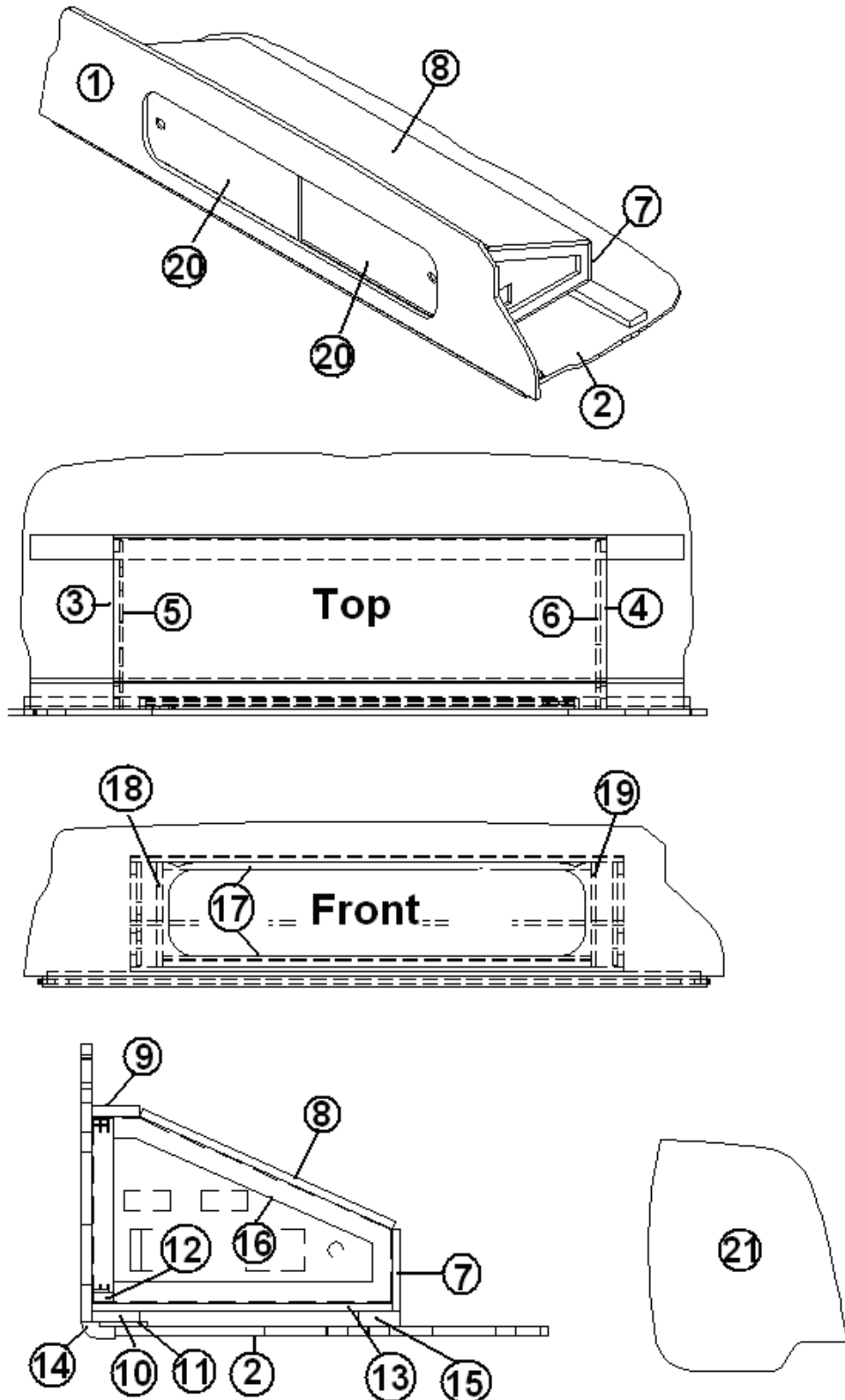
967235-11	Roof locker, Roadside, 18"
1. 967235-111	Panel, 12.00 x 18.00
2. 967235-112	Panel, 11.83 x 12.12
3. 967235-113	Panel, 11.83 x 12.12
4. 967235-114	Panel, 1.00 x 18.00
5. 967235-115	Panel, 2.75 x 18.00
6. 115405-04	Roof locker back, aluminum, 18"
7. 701538-01	Carpet, Econoliner, PSA
8. 801785-0414	Door, radius, 12.38" x 17.38"
9. 381840-01	Hinge, LH
10. 381840-02	Hinge, RH
11. 382059-01	Knob, push/pull
12. 115406	Roof locker extrusion, 18"

# 2010 INTERSTATE MOTORHOME

## FURNITURE, GALLEY

Roof Locker, Front End

967238 replaced by 967503 during model year.



# 2010 INTERSTATE MOTORHOME

## FURNITURE, GALLEY

### Roof Locker, Front End

967238 replaced by 967503 during model year.

967238-11	Roof Locker, Front End
1. 967238-111	Panel, 13.12 x 58.94
2. 967238-112	Panel, 20.50 x 56.50
3. 967238-113	Panel, 8.79 x 14.25
4. 967238-114	Panel, 8.79 x 14.25
5. 967238-115	Panel, 8.67 x 14.13
6. 967238-116	Panel, 8.67 x 14.13
7. 967238-117	Panel, 3.88 x 41.50
8. 967238-118	Panel, 13.12 x 41.50
9. 967238-119	Panel, 2.25 x 41.50
10. 967238-1110	Panel, 2.25 x 55.00
11. 967238-1111	Panel, 2.25 x 55.00
12. 967238-1112	Panel, 1.00 x 36.00
13. 967238-1113	Panel, 14.25 x 41.50
14. 801706-0014	Corner trim, 90 degree, silver
14. 801706-0019	Corner trim, 90 degree, Onyx
15. 850082	Poplar, 2"
16. 701538-01	Carpet, Econoliner, PSA
17. 203480	Sliding door track
18. 967238-1122	Panel, 1.00 x 8.00
19. 967238-1123	Panel, 1.00 x 8.00
20. 203633-01	Door, Plexiglas, 7.88" x 18.50"
21. 967228-11	End cap, roof locker 14.58" X 16.46"

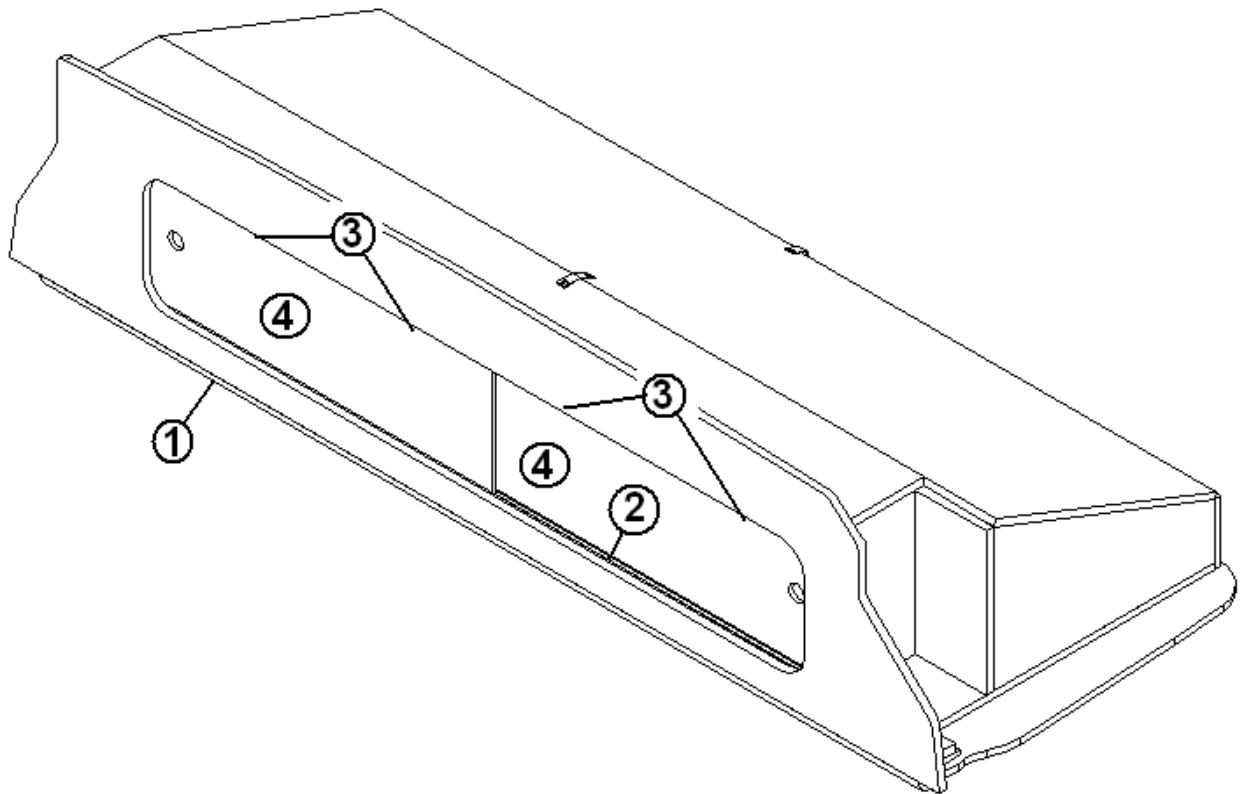


# 2010 INTERSTATE MOTORHOME

## FURNITURE, GALLEY

Roof Locker, Front End, 967503

967238 replaced by 967503 during model year.

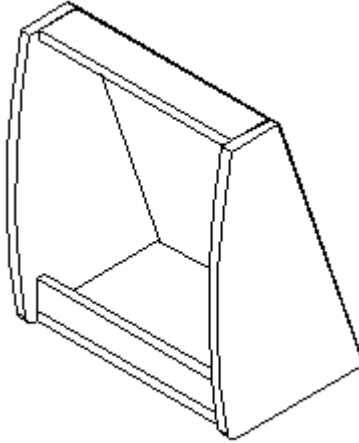


967503-11	Roof Locker, Front End
1. 801706-0014	Corner trim, 90 degree, silver
1. 801706-0019	Corner trim, 90 degree, Onyx
2. 203480	Sliding door track
3. 454613	Spring leaf
4. 203633-01	Door, Plexiglas, 7.88" x 18.50"

# 2010 INTERSTATE MOTORHOME

## FURNITURE, GALLEY

Front Shelf Closeout Assembly, for R/L 967238 only

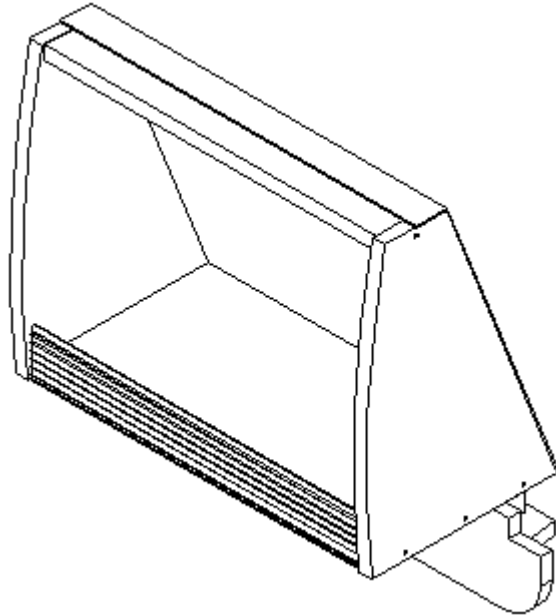


967328-11      Front Shelf Closeout Assembly

# 2010 INTERSTATE MOTORHOME

## FURNITURE, GALLEY

Front Shelf Closeout Assembly, for R/L 967503 only

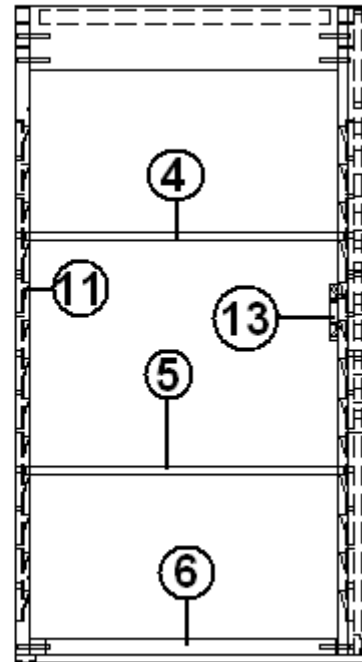
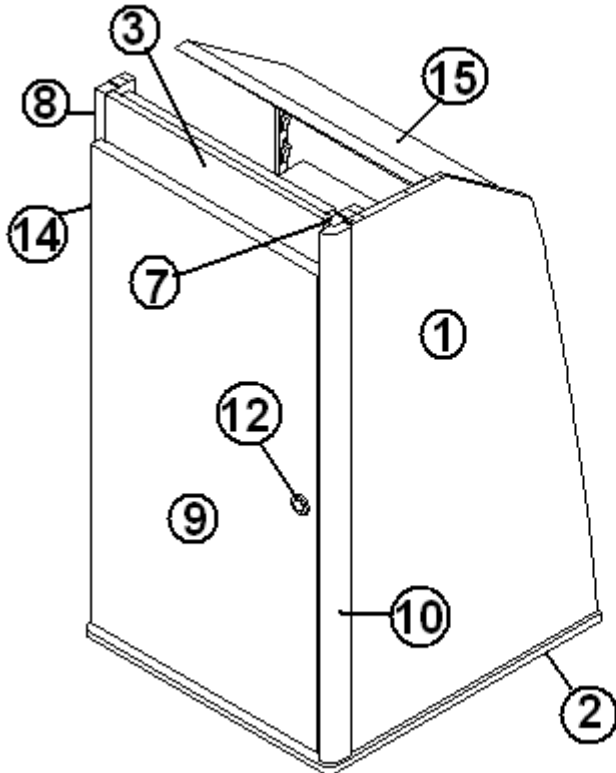


967505-11 Front Shelf Closeout Assembly

# 2010 INTERSTATE MOTORHOME

## FURNITURE, LOUNGE

### Wardrobe, Hanging

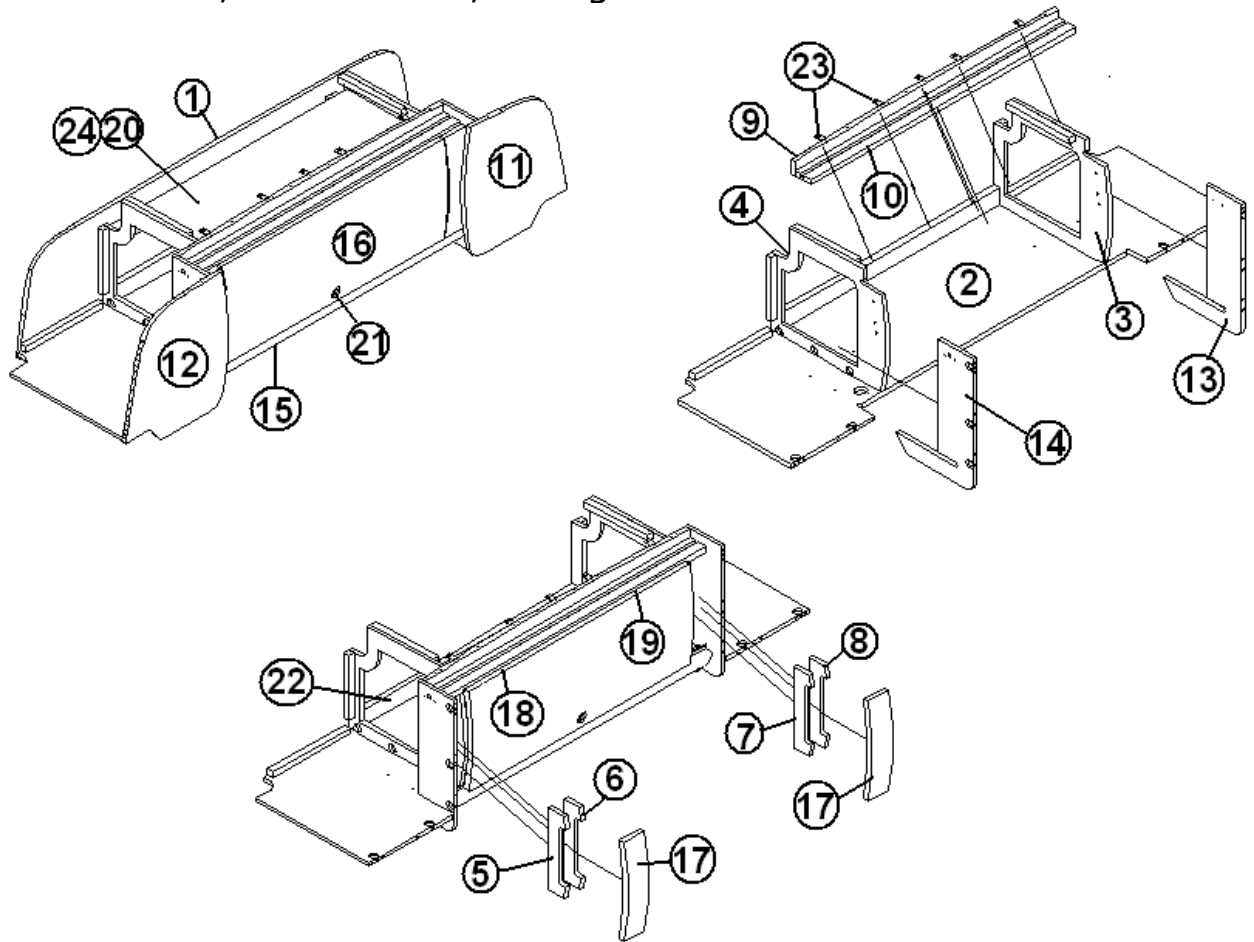


967204-11	Wardrobe, Hanging
1. 967204-111	PANEL, 18.07 X 33.50
2. 967204-112	PANEL, 18.25 X 19.88
3. 967204-113	PANEL, 16.00 X 3.25
4. 967204-115	PANEL, 14.75 X 16.50
5. 967204-116	PANEL, 17.25 X 16.50
6. 967204-117	PANEL, 2.25 X 16.00
7. 967204-118	PANEL, 2.25 X 33.50
8. 967204-119	PANEL, 2.25 X 33.50
9. 967204-1110	PANEL, 16.63 X 30.25
10. 801706-0014	CORNER TRIM, 90 DEG, SILVER
10. 801706-0019	CORNER TRIM, 90 DEG, ONYX
11. 381527	SPEEDY SHELF STRIPS
12. 382059-01	KNOB, PUSH/PULL
13. 381228-01	DOOR, GRABBER CATCH
14. 381607	HINGE, DOOR
15. 967234	WIRE COVER ASSEMBLY
115420	Wardrobe close off

# 2010 INTERSTATE MOTORHOME

## FURNITURE, LOUNGE

### Roof Locker, Center Rear, Lounge



# 2010 INTERSTATE MOTORHOME

## FURNITURE, LOUNGE

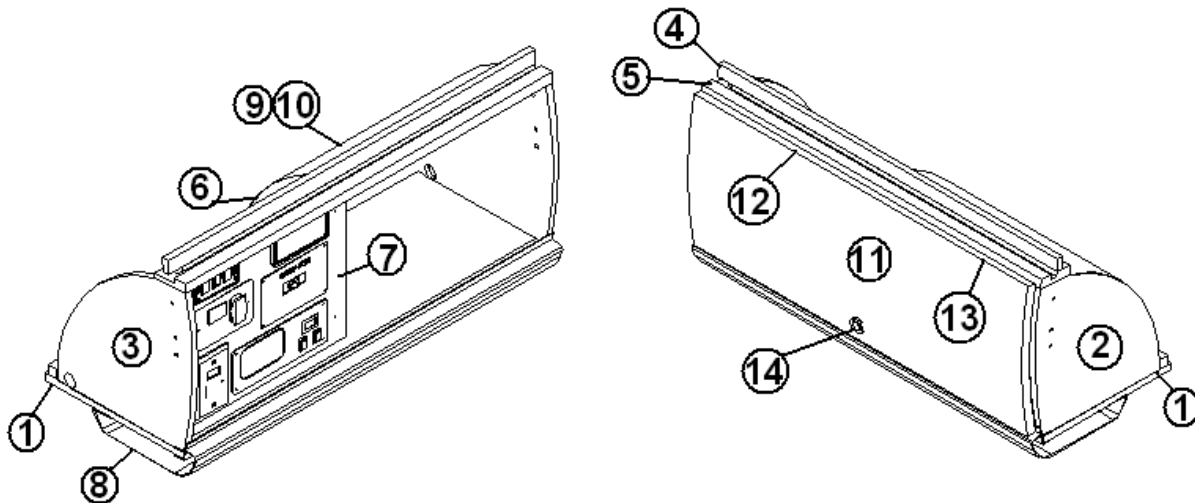
### Roof Locker, Center Rear, Lounge

967220-11	Roof locker, rear center
1. 967220-111	Panel, 12.56 x 56.02
2. 967220-112	Panel, 18 x 62.63
3. 967220-113	Panel, 16.36 x 14.04
4. 967220-114	Panel, 16.36 x 14.04
5. 967220-115	Panel, 2.19 x 10.02
6. 967220-116	Panel, 2.19 x 10.02
7. 967220-117	Panel, 2.19 x 10.02
8. 967220-118	Panel, 2.19 x 10.02
9. 967220-119	Panel, 2.21 x 37.63
10. 967220-1110	Panel, 2.25 x 37.63
11. 967220-1111	Panel, 13.76 x 16.46
12. 967220-1112	Panel, 13.76 x 16.46
13. 967220-1113	Panel, 10.96 x 16.46
14. 967220-1114	Panel, 10.96 x 16.46
15. 115406	Roof locker extrusion, 37.63"
16. 801785-0114	Door, radius, 12.38" x 31.50"
17. 801785-0514	Door, radius, 12.38" x 2.88"
18. 381840-01	Hinge, LH
19. 381840-02	Hinge, RH
20. 115412	Rear locker closeout, aluminum
21. 382059-01	Knob, push/pull
22. 850082	Poplar, 2"
23. 380041	"L" bracket
24. 701538-01	Carpet, econoliner

# 2010 INTERSTATE MOTORHOME

## FURNITURE, LOUNGE

### Roof Locker, Curbside Rear, Lounge

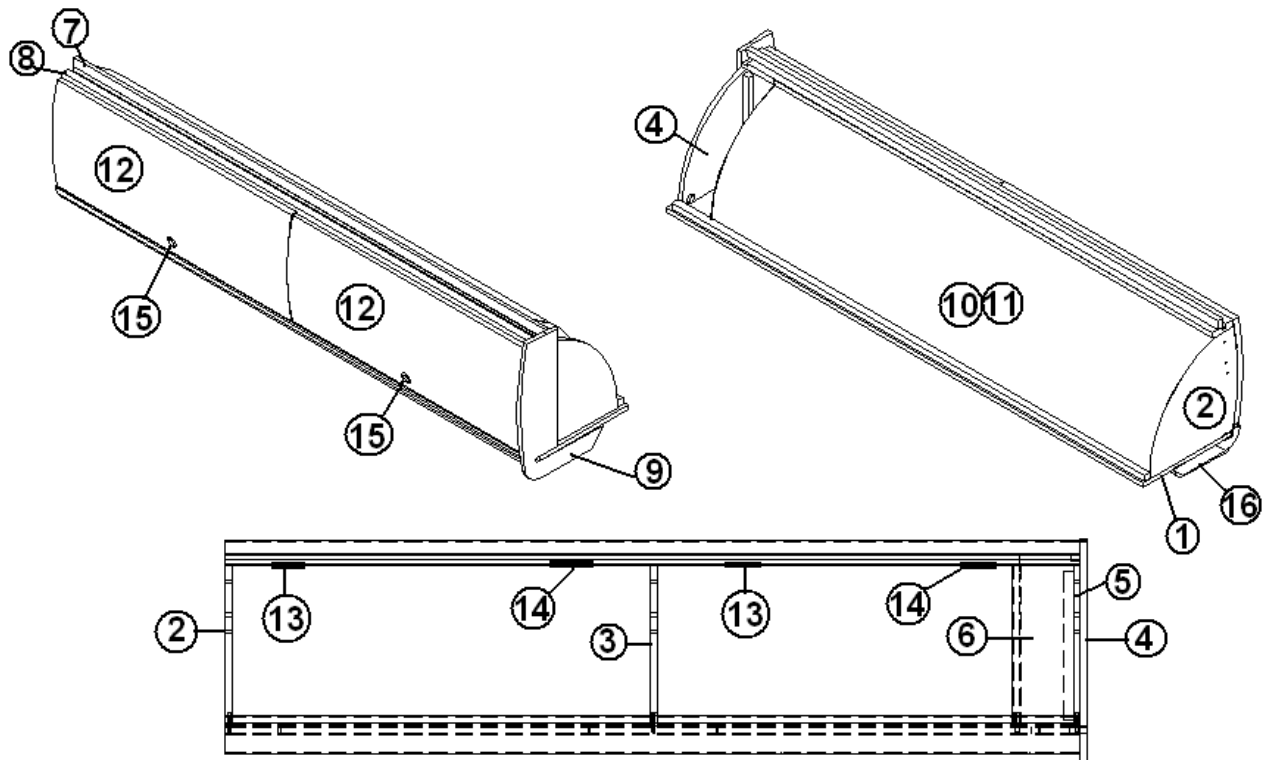


967221-11	Roof locker, curbside rear
1. 967221-111	Panel, 12.00 x 32.00
2. 967221-112	Panel, 11.83 x 12.12
3. 967221-113	Panel, 11.83 x 12.12
4. 967221-114	Panel, 1.00 x 32.00
5. 967221-115	Panel, 2.75 x 32.00
6. 967221-117	Panel, 8.88 x 12.00
7. 967221-118	Panel, 15.38 x 12.00
8. 115406	Roof locker extrusion, 37.63"
9. 115405-01	Aluminum roof locker back
10. 701538-01	Carpet, econoliner
11. 801785-0114	Door, radius, 12.38" x 31.50"
12. 381840-01	Hinge, LH
13. 381840-02	Hinge, RH
14. 382059-01	Knob, push/pull

# 2010 INTERSTATE MOTORHOME

## FURNITURE, LOUNGE

### Roof Locker, Roadside Rear, Lounge



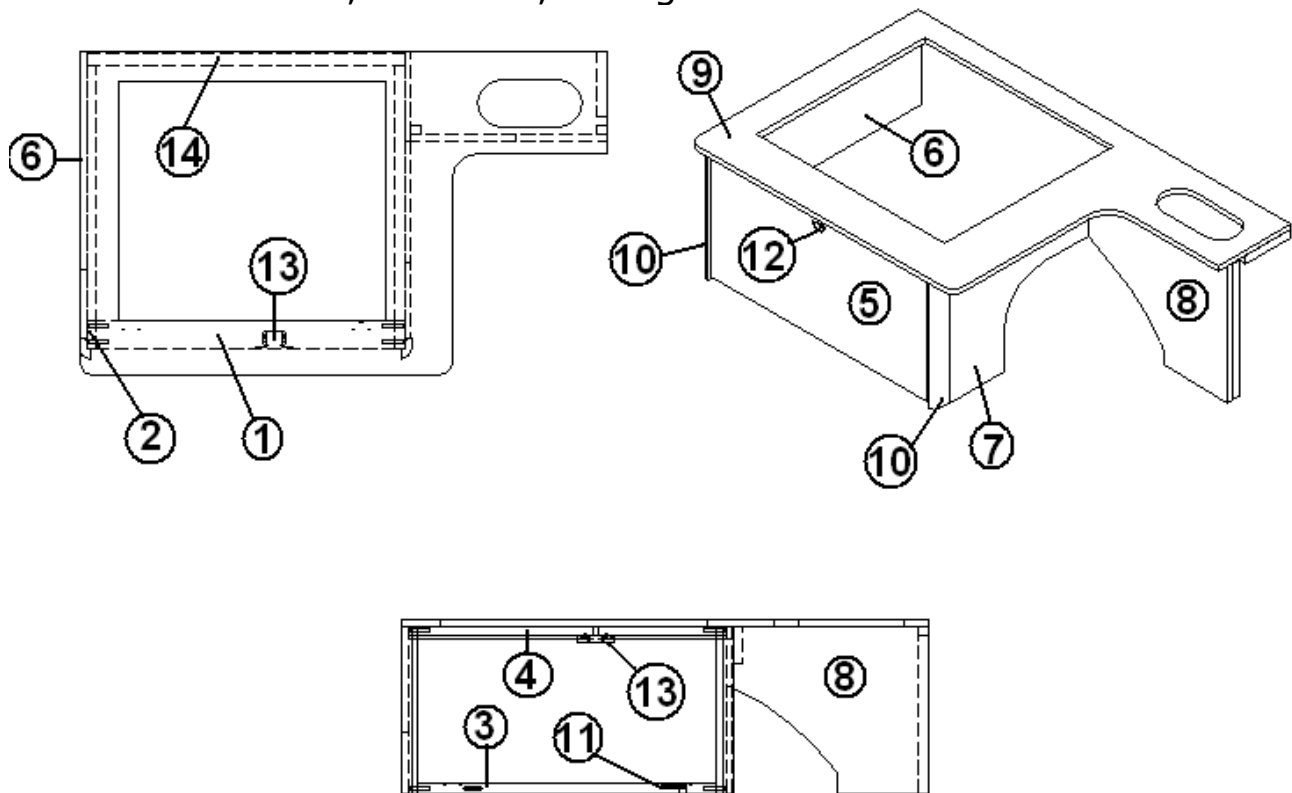
967223-11	Roof locker, roadside rear
1. 967223-111	Panel, 12.00 x 64.02
2. 967223-112	Panel, 11.83 x 12.12
3. 967223-113	Panel, 11.83 x 12.12
4. 967223-114	Panel, 11.83 x 12.12
5. 967223-115	Panel, 8.88 x 12.00
6. 967223-116	Panel, 4.50 x 12.00
7. 967223-117	Panel, 1.00 x 63.50
8. 967223-118	Panel, 2.75 x 63.50
9. 967223-1110	Panel, 10.15 x 16.46
10. 115405-02	Aluminum roof locker back, 59"
11. 701538-01	Carpet, econoliner
12. 801785-0114	Door, radius, 12.38" x 31.50"
13. 381840-01	Hinge, LH
14. 381840-02	Hinge, RH
15. 382059-01	Knob, push/pull
16. 115406	Roof locker extrusion, 63.50"



# 2010 INTERSTATE MOTORHOME

## FURNITURE, LOUNGE

### Dinette Seat Base, Curbside, Lounge

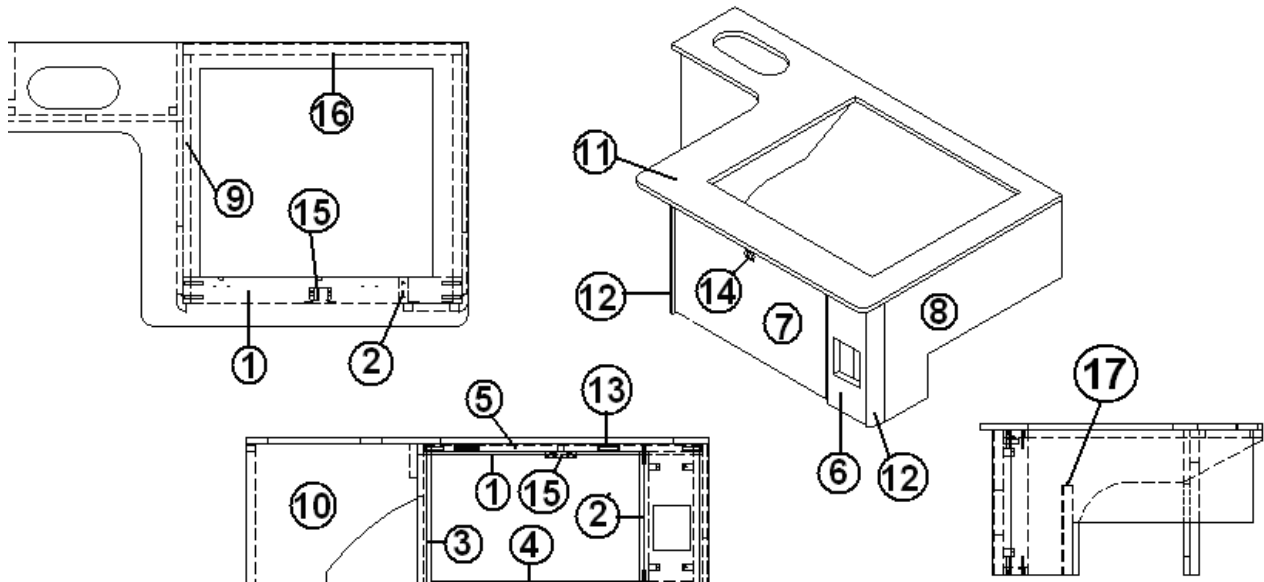


967239-11	Dinette Seat base, Curbside
1. 967239-111	Panel, 2.25 x 13.12
2. 967239-112	Panel, 2.25 x 13.12
3. 967239-113	Panel, 2.25 x 23.50
4. 967239-114	Panel, 2.25 x 23.50
5. 967239-115	Panel, 24.13 x 12.24
6. 967239-116	Panel, 22.50 x 13.12
7. 967239-117	Panel, 22.50 x 13.12
8. 967239-118	Panel, 15.36 x 13.12
9. 967239-119	Panel, 25.31 x 41.42
10. 801706-0014	Corner trim, 90 degree, silver
11. 381607	Hinge
12. 382059-01	Knob, push/pull
13. 381228-01	Grabber catch, door
14. 114812	Angle, aluminum, 1" x 1"
967239-1118	Closeout, 8 x 25

# 2010 INTERSTATE MOTORHOME

## FURNITURE, LOUNGE

### Dinette Seat Base, Roadside, Lounge

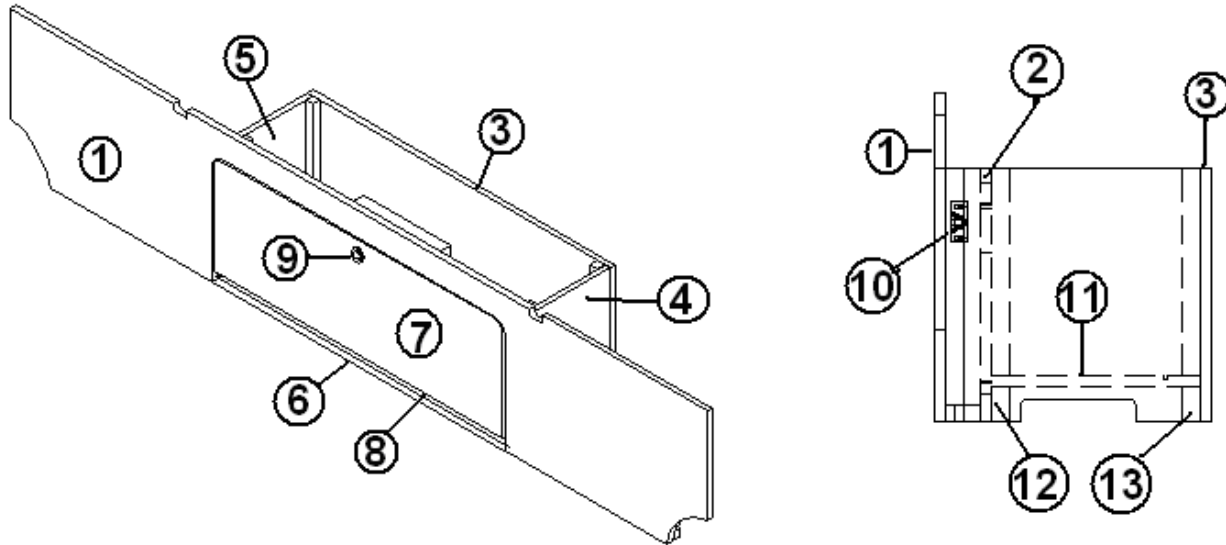


967240-11	Dinette Seat base, roadside
1. 967240-111	Panel, 2.25 x 13.12
2. 967240-112	Panel, 2.25 x 11.62
3. 967240-113	Panel, 2.25 x 13.12
4. 967240-114	Panel, 2.25 x 23.50
5. 967240-115	Panel, 2.25 x 23.50
6. 967240-116	Panel, 4.94 x 13.12
7. 967240-117	Panel, 19.25 x 12.24
8. 967240-118	Panel, 22.75 x 13.12
9. 967240-119	Panel, 22.5 x 13.12
10. 967240-1110	Panel, 10.36 x 13.12
11. 967240-1111	Panel, 25.31 x 41.42
12. 801706-0014	Corner trim, 90 degree, silver
13. 381607	Hinge
14. 382059-01	Knob, push/pull
15. 381228-01	Grabber catch, door
16. 114812	Angle, aluminum, 1" x 1"
17. 967240-1121	Panel, closeout, 8 x 25

# 2010 INTERSTATE MOTORHOME

## FURNITURE, LOUNGE

### Sofa, Rear, Seat Base, Lounge

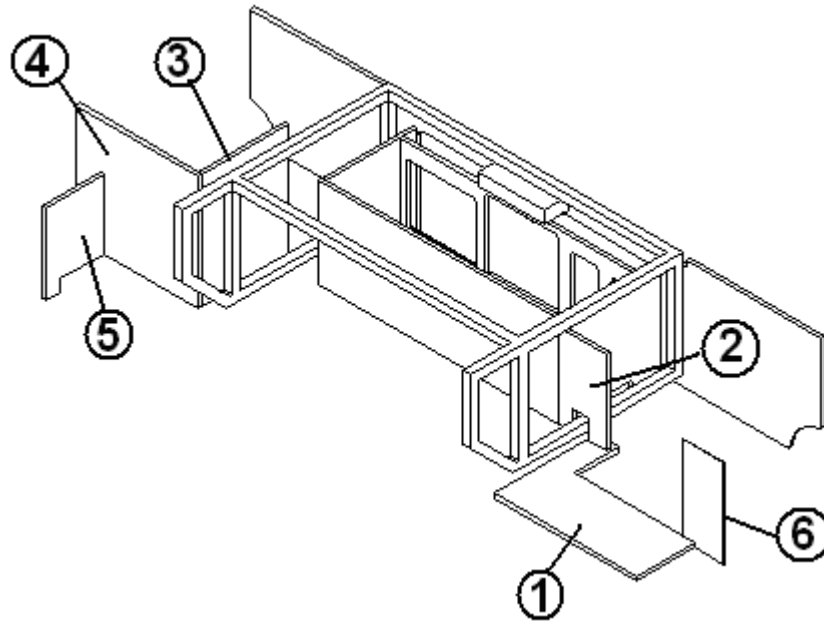


- |                 |                                   |
|-----------------|-----------------------------------|
| 967241-11       | Dinette Seat base, roadside       |
| 1. 967241-111   | Panel, 13.50 x 69.59              |
| 2. 967241-112   | Panel, 29.13 x 11.00              |
| 3. 967241-113   | Panel, 30.25 x 11.00              |
| 4. 967241-114   | Panel, 9.50 x 11.00               |
| 5. 967241-115   | Panel, 9.50 x 11.00               |
| 6. 967241-116   | Panel, 1.13 x 29.50               |
| 7. 967241-117   | Panel, 28.88 x 10.00              |
| 8. 380458       | Hinge, piano, copper              |
| 9. 382059-01    | Knob, push/pull                   |
| 10. 381074      | CATCH BULL DOG                    |
| 11. 967241-1114 | Panel, 9.00 x 8.00                |
| 12. 967241-1115 | Panel, 1.5 x 8.00                 |
| 13. 967241-1116 | Panel, 1.5 x 8.00                 |
| 345474          | Cap screw, hex head, 1/2" x 1.75" |
| 345476          | Cap screw, hex head, 1/2" x 3.5"  |
| 345477          | Cap screw, hex head, 1/2" x 5"    |

# 2010 INTERSTATE MOTORHOME

## FURNITURE, LOUNGE

### Sofa, Rear, Seat Base Close Outs, Lounge

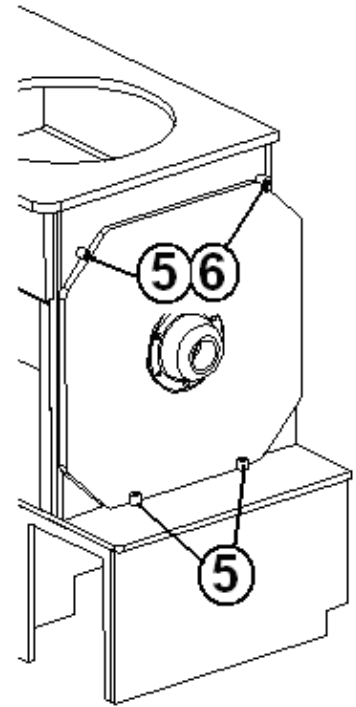
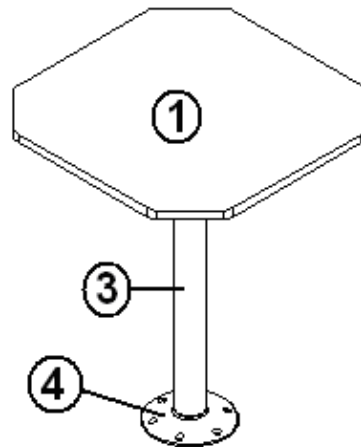
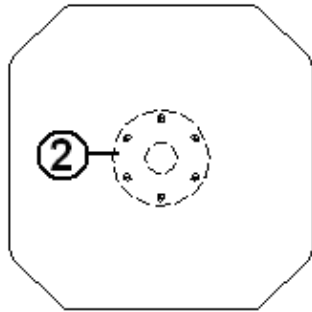


1. 967324-111 Sofa bed close out, 17.5 x 12.5
2. 967324-112 Sofa bed close out, 10.25 x 5.75
3. 967324-113 Sofa bed close out, 14 x 10.5
4. 967324-114 Sofa bed close out, 14 x 15
5. 967324-115 Sofa bed close out, 9.75 x 7
6. 115424 Aluminum sheet cut to Closeout, 5" x 10.75"

# 2010 INTERSTATE MOTORHOME

## FURNITURE, LOUNGE

### Table, Pedestal



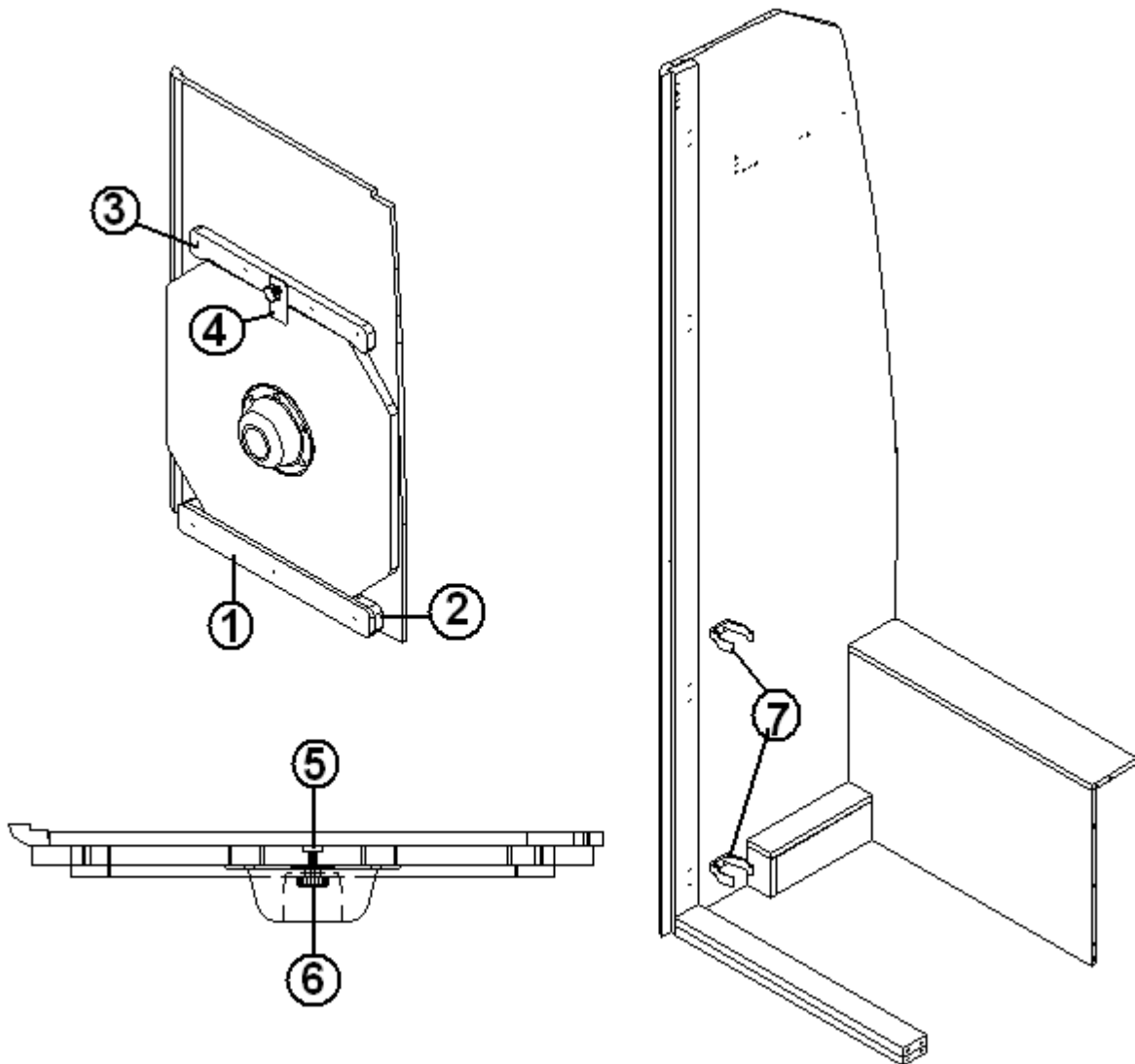
- 967242-11
- 967242-06
- 1. 967242-111
- 1. 602234-01
- 1. 602234-02
- 1. 602234-03
- 1. 602234-04
- 2. 381975
- 3. 381974
- 4. 381976
- 5. 381136
- 6. 382078
- 382077

- Table assembly
- Table assembly, solid surface option
- Table top, G. Alchemy
- Table top, Grey solid surface option
- Table top, Tan solid surface option
- Table top, Sand Pearl solid surface option
- Table top, Onyx solid surface option
- Pedestal socket, table top
- Pedestal leg, thread lock
- Pedestal socket, floor, thread lock
- Rubber bumper
- Screen clip
- Post storage clip, pedestal table

# 2010 INTERSTATE MOTORHOME

## FURNITURE, LOUNGE

### Table, Pedestal Storage, Twin

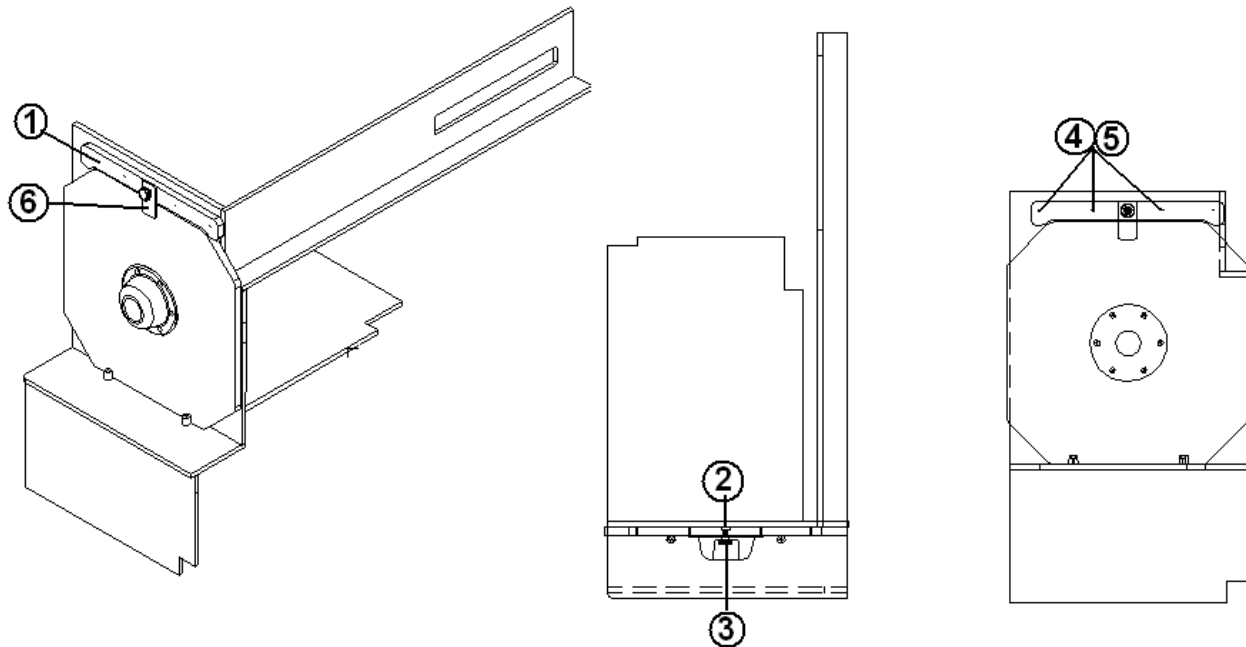


1. 111806-1 PANEL, TABLE STROAGE, 19.00 X 2.25, Gold ALCHEMY
1. 111806-131 PANEL, TABLE STROAGE, 19.00 X 2.25, SAND PEARL
2. 111806-2 PANEL, TABLE STROAGE, 19.00 X 2.25, Gold ALCHEMY
2. 111806-132 PANEL, TABLE STROAGE, 19.00 X 2.25, SAND PEARL
3. 111806-3 PANEL, TABLE STROAGE ,17.50 X 2.25, Gold ALCHEMY
3. 111806-133 PANEL, TABLE STROAGE , 17.50 X 2.25, SAND PEARL
4. 454721 BRACKET, PEDESTAL TABLE STORAGE
5. 350189 NUT, TEE, 6 PRONG 1/4-20
6. 382095 KNOB, KNURLED, 1/4-20 X .50"
7. 382077 CLIP, 2.38", POST STORAGE

# 2010 INTERSTATE MOTORHOME

## FURNITURE, LOUNGE

### Table, Pedestal Storage, Lounge

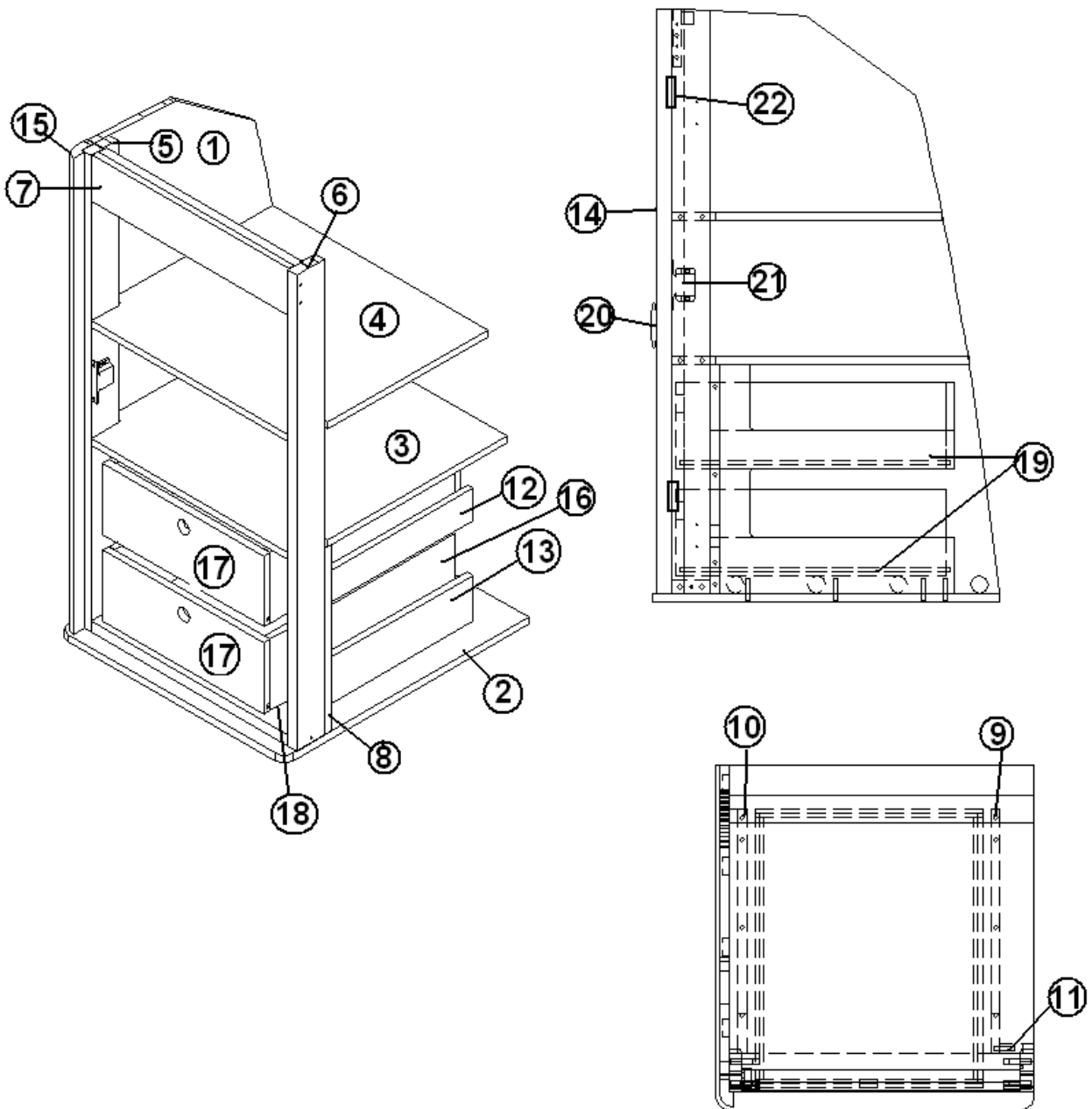


1. 111810-1 PANEL, 17.50 X 2.25, Gold Alchemy
  - 1.111810-131 PANEL, 17.50 X 2.25, Gold Alchemy
  2. 350189 NUT, TEE 6 PRONG 1/4-20
  3. 382095 KNOB, KNURLED 1/4-20 X .50"
  4. 381609-02 SCREW, HAFELE, EUROPEAN, #9, 1"
  5. 381610-03 COVER CAP, PLASTIC
  6. 381136 RUBBER BUMPER
- 454721BRACKET PED TABLE STORAGE  
382077CLIP, 2.38" POST STORAGE

# 2010 INTERSTATE MOTORHOME

## FURNITURE, BEDROOM

### Wardrobe, Hanging, Twin Bedroom



P/Ns are on the next page.



# 2010 INTERSTATE MOTORHOME

## FURNITURE, BEDROOM

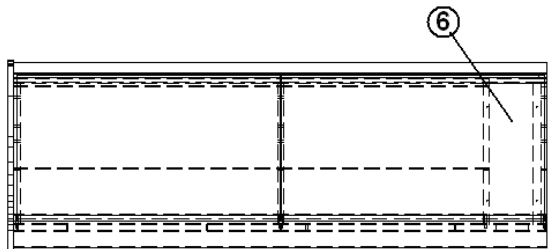
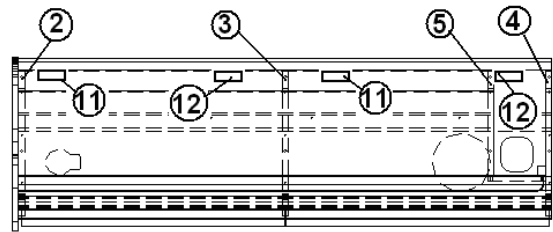
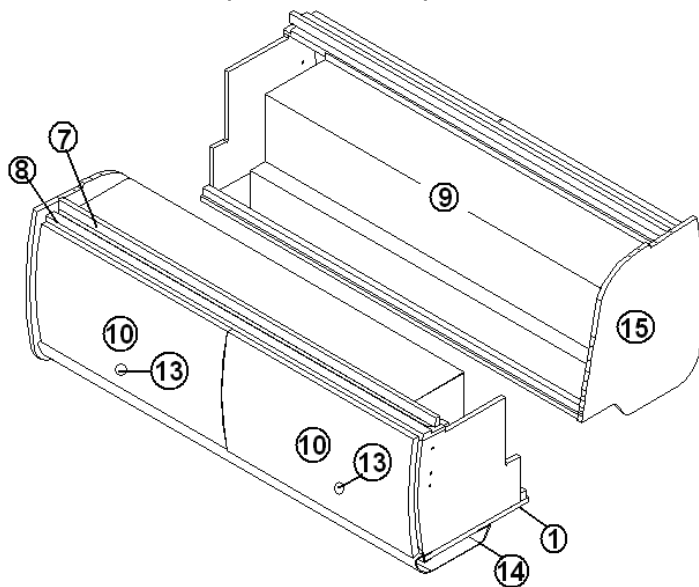
### Wardrobe, Hanging, Twin Bedroom

967461-11	W/R ASSY, HANGING
1. 967461-111	PANEL, W/R 18.07 X 33.50
2. 967461-112	PANEL, W/R 18.25 X 19.88
3. 967461-113	PANEL, W/R 17.06 X 17.50
4. 967461-114	PANEL, W/R 15.5 X 17.50
5. 967461-115	PANEL, W/R 2.25 X 33.50
6. 967461-116	PANEL, W/R 2.25 X 33.50
7. 967461-117	PANEL, W/R 3.25 X 16
8. 967461-118	PANEL, W/R 2.25 X 16
9. 967461-119	PANEL, W/R 14 X 13.13
10. 967461-1110	PANEL, W/R 14 X 13.13
11. 967461-1111	PANEL, W/R 13.13 X 1.94
12. 967461-1112	PANEL, W/R 2.25 X 14
13. 967461-1113	PANEL, W/R 3.25 X 14
14. 967461-1114	PANEL, W/R 16.63 X 30.25
15. 801706-0014	CORNER TRIM, SILVER
15. 801706-0019	CORNER TRIM, ONYX
16. 801262-08	DRAWER SIDE, 5" X 15"
17. 967461-0017	DRAWER FRONT, 5" X 13.06"
18. 801262-07	DRAWER BOTTOM, 15.50" X 12.56"
19. 381400	SLIDE DRAWER, 2900-14" P
20. 382059-01	KNOB-PUSH/PULL SUGATSUNE
21. 381228-01	CATCH GRABBER DOOR
22. 381607	HINGE ASSY
967234	COVER ASSY-WIRE

# 2010 INTERSTATE MOTORHOME

## FURNITURE, BEDROOM

### Roof Locker, Roadside, Twin Bedroom

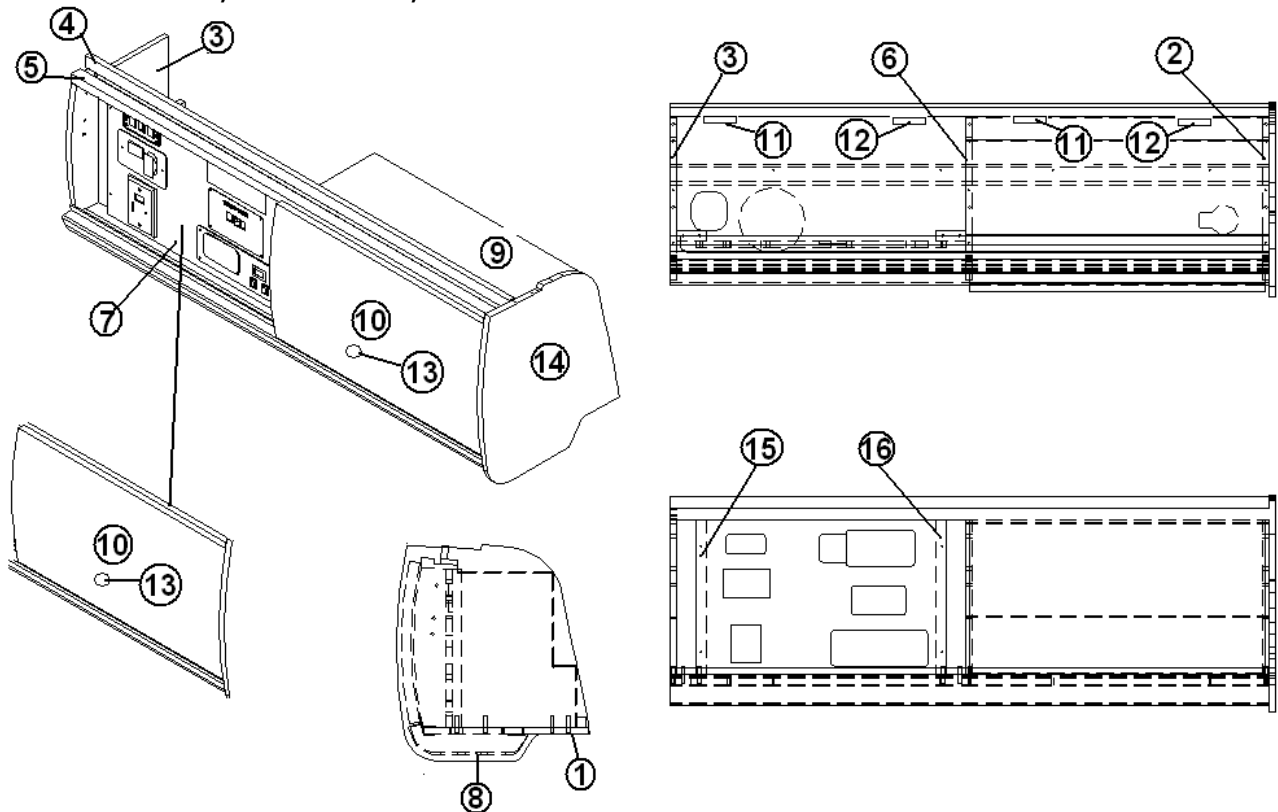


967465-11	R/L ASSY-RS AFT
1. 967465-111	PANEL, AFT R/L 12.5 X 45.50
2. 967465-112	PANEL, AFT R/L 12.28 X 12.12
3. 967465-113	PANEL, AFT R/L 12.28 X 12.12
4. 967465-114	PANEL, AFT R/L 12.28 X 12.12
5. 967465-115	PANEL, AFT R/L 8.84 X 11.73
6. 967465-116	PANEL, AFT R/L 5 X 12.00
7. 967465-117	PANEL, AFT R/L 1 X 45.50
8. 967465-118	PANEL, AFT R/L 2.75 X 45.50
9. 115473-02	BACK, ALUM.R/L. 40.5"
10. 801785-0814	DOOR, PLYFOAM RADIUS, 12.38 X 28.13
11. 381840-01	HINGE, OVERHEAD SPRING, LH
12. 381840-02	HINGE, OVERHEAD SPRING, RH
13. 382059-01	KNOB, PUSH/PULL, SUGATSUNE
14. 115406	EXTRUSION, R/L 9.075" WIDE ALUMINUM
15. 967475	ENDCAP, ROOFLOCKER

# 2010 INTERSTATE MOTORHOME

## FURNITURE, BEDROOM

### Roof Locker, Curbside, Twin Bedroom



967466-11

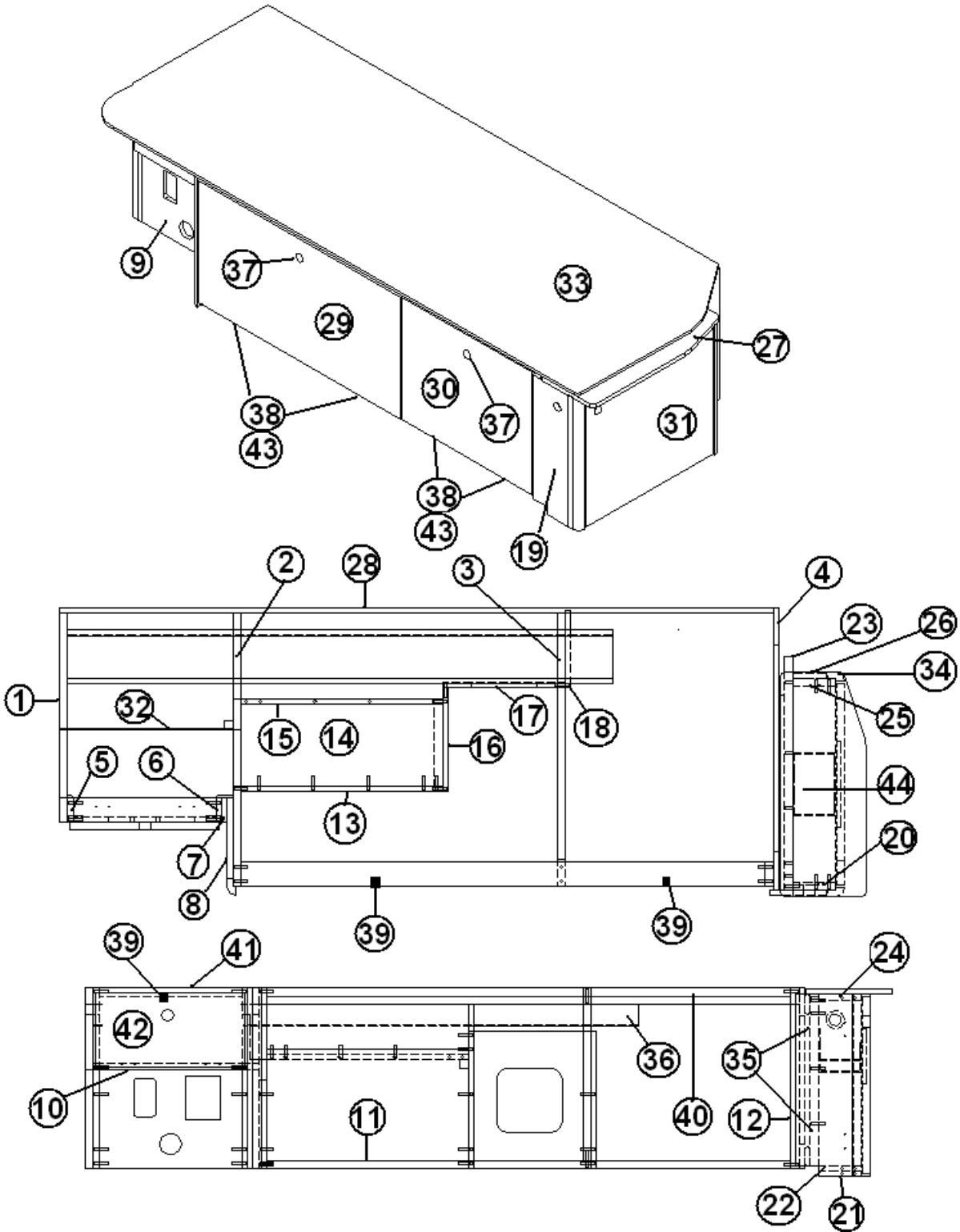
R/L ASSY, CS

- |                 |  |
|-----------------|--|
| 1. 967466-111   | PANEL, CS R/L, 12.5 X 45.50              |
| 2. 967466-112   | PANEL, CS R/L, 12.28 X 12.12             |
| 3. 967466-113   | PANEL, CS R/L, 12.28 X 12.12             |
| 4. 967466-114   | PANEL, CS R/L, 1 X 45.50                 |
| 5. 967466-115   | PANEL, CS R/L, 2.75 X 45.50              |
| 6. 967466-117   | PANEL, CS R/L, 12.28 X 12.12             |
| 7. 967466-118   | PANEL, CS R/L, 19 X 12.00                |
| 8. 115406       | EXTRUSION, R/L 9.075" WIDE ALUM          |
| 9. 115473-03    | BACK, ALUMINUM R/L, 23"                  |
| 10. 801785-0814 | DOOR, PLYFOAM 35", RADIUS, 12.38 X 22.44 |
| 11. 381840-01   | HINGE, OVERHEAD SPRING LH                |
| 12. 381840-02   | HINGE, OVERHEAD SPRING RH                |
| 13. 382059-01   | KNOB, PUSH/PULL SUGATSUNE                |
| 14. 967475      | ENDCAP, ROOFLOCKER                       |
| 15. 967466-1122 | PANEL, CS R/L, 2.25 X 12.00              |
| 16. 967466-1123 | PANEL, CS R/L, 2.25 X 12.00              |

# 2010 INTERSTATE MOTORHOME

## FURNITURE, BEDROOM

Bed, Curbside, Twin Bedroom



P/Ns are on the next page.

# 2010 INTERSTATE MOTORHOME

## FURNITURE, BEDROOM

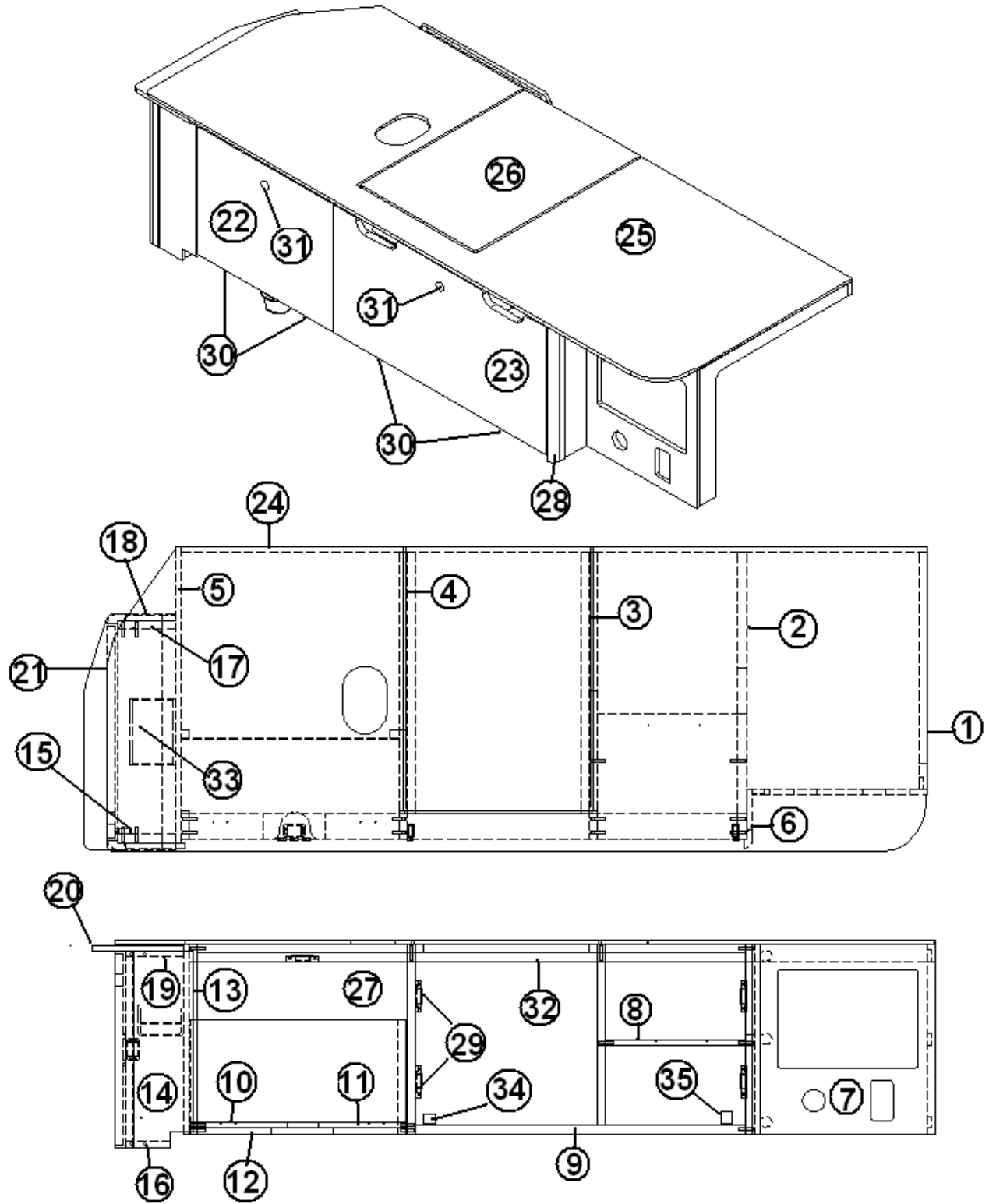
### Bed, Curbside, Twin Bedroom

967468-11	BED, CS TWIN
1. 967468-111	PANEL, CS BED, 19.22 X 16.63
2. 967468-112	PANEL, CS BED, 25.09 X 16.63
3. 967468-113	PANEL, CS BED, 25.09 X 15.88
4. 967468-114	PANEL, CS BED, 25.97 X 16.63
5. 967468-115	PANEL, CS BED, 2.25 X 16.63
6. 967468-116	PANEL, CS BED, 2.25 X 16.63
7. 967468-119	PANEL, CS BED, 2.25 X 16.63
8. 967468-1110	PANEL, CS BED, 7.38 X 16.63
9. 967468-1111	PANEL, CS BED, 13.13 X 9.13
10. 967468-1112	PANEL, CS BED, 8.50 X 15.13
11. 967468-1113	PANEL, CS BED, 2.25 X 48.13
12. 967468-1121	PANEL, CS BED, 2.25 X 16.63
13. 967468-1122	PANEL, CS BED, 11 X 18.50
14. 967468-1123	PANEL, CS BED, 8 X 18.50
15. 967468-1124	PANEL, CS BED, 4.63 X 18.50
16. 967468-1125	PANEL, CS BED, 9.5 X 15.13
17. 967468-1126	PANEL, CS BED, 12.63 X 11.25
18. 967468-1127	PANEL, CS BED, 6.75 X 12.63
19. 967468-1128	PANEL, CS BED, 5.19 X 16.75
20. 967468-1129	PANEL, CS BED, 3.88 X 16.75
21. 967468-1130	PANEL, CS BED, 3.88 X 18.00
22. 967468-1131	PANEL, CS BED, 3.88 X 18.00
23. 967468-1132	PANEL, CS BED, 21.5 X 15.81
24. 967468-1133	PANEL, CS BED, 23.5 X 18
25. 967468-1134	PANEL, CS BED, 3.88 X 16.75
26. 967468-1135	PANEL, CS BED, 3.13 X 16.75
27. 967468-1136	PANEL, CS BED, 7.88 X 20.63
28. 967468-1137	PANEL, CS BED, 1.5 X 65.50
29. 967468-1138	PANEL, CS BED, 29.69 X 15.25
30. 967468-1139	PANEL, CS BED, 19 X 15.25
31. 967468-1140	PANEL, CS BED, 18.62 X 16.31
32. 967468-1141	PANEL, CS BED, 5.00 X 15.00
33. 967468-1142	PANEL, CS BED, 26.75 X 72.00
34. 801706-0014	CORNER TRIM, SILVER
34. 801706-0019	CORNER TRIM, ONYX
35. 381192	SLIDE, DRAWER, 18"
36. 115475	TROUGH, ALUMINUM HAT SECTION 54"
37. 382044	HANDLE, BRUSHED NICKEL
38. 381607	HINGE ASSY
39. 381228-01	CATCH, GRABBER, DOOR
40. 967468-1150	PANEL, CS BED, 2.25 X 48.13
41. 967468-1151	PANEL, CS BED, 2.25 X 13.13
42. 967468-1152	PANEL, CS BED, 13.75 X 6.00
43. 382094	BRACKET, CORD
44. 381607-03	BASEPLATE, HINGE, PLASTIC

# 2010 INTERSTATE MOTORHOME

## FURNITURE, BEDROOM

Bed, Roadside, Twin Bedroom



P/Ns are on the next page.

# 2010 INTERSTATE MOTORHOME

## FURNITURE, BEDROOM

### Bed, Roadside, Twin Bedroom

967467-11	BED, RS
1. 967467-111	PANEL, TWIN BED, 20.72 X 16.63
2. 967467-112	PANEL, TWIN BED, 25.09 X 16.63
3. 967467-113	PANEL, TWIN BED, 25.09 X 15.88
4. 967467-114	PANEL, TWIN BED, 25.09 X 16.63
5. 967467-115	PANEL, TWIN BED, 25.97 X 16.63
6. 967467-116	PANEL, TWIN BED, 3.63 X 16.63
7. 967467-1110	PANEL, TWIN BED, 15.38 X 16.63
8. 967467-1112	PANEL, TWIN BED, 11 X 12.31
9. 967467-1113	PANEL, TWIN BED, 2.25 X 29
10. 967467-1123	PANEL, TWIN BED, 8.75 X 19.13
11. 967467-1124	PANEL, TWIN BED, 2.25 X 6.75
12. 967467-1125	PANEL, TWIN BED, 2.25 X 6.75
13. 967467-1126	PANEL, TWIN BED, 2.25 X 16.63
14. 967467-1127	PANEL, TWIN BED, 5.19 X 17.19
15. 967467-1128	PANEL, TWIN BED, 5.13 X 17.19
16. 967467-1129	PANEL, TWIN BED, 3.94 X 18
17. 967467-1130	PANEL, TWIN BED, 5.13 X 17.19
18. 967467-1131	PANEL, TWIN BED, 4.38 X 17.19
19. 967467-1132	PANEL, TWIN BED, 5.13 X 18
20. 967467-1133	PANEL, TWIN BED, 8 X 20.63
21. 967467-1134	DOOR, TWIN BED, 16.81 X 18.63
22. 967467-1135	DOOR, TWIN BED, 19 X 15.25
23. 967467-1136	PANEL, TWIN BED, 29.69 X 15.25
24. 967467-1137	PANEL, TWIN BED, 1.5 X 65.5
25. 967467-1138	PANEL, TWIN BED, 26.75 X 72
26. 967467-1139	PANEL, TWIN BED, 16.19 X 23.13
27. 967467-1140	PANEL, TWIN BED, 10.00 X 19.00
28. 801706-0014	CORNER TRIM, SILVER
29. 801706-0019	CORNER TRIM, ONYX
30. 381228-01	CATCH, GRABBER, DOOR
31. 381607	HINGE ASSY.
32. 382044	HANDLE, BRUSHED NICKEL
33. 967467-1147	PANEL, TWIN BED, 2.25 X 48.13
34. 382094	BRACKET, CORD ALUMINUM
35. 967467-1149	PANEL, TWIN BED, 3.00 X 3.00
36. 967467-1150	PANEL, TWIN BED, 3.00 X 3.00

## 2010 INTERSTATE MOTORHOME

### FURNITURE, PANELING/INTERIOR DOOR

#### Interior Door/Mirror

203633-01	Door, sliding glass, 7.88" X 18.50"
967218-11	Door assembly, aft bath
967219-11	Door assembly, forward bath
371423-02	Mirror, wall mount, bronze finish.
371423-01	RETAINER CLIP, MIRROR, 1.88"
967470	DOOR, BATH WARDROBEM TWIN BED, NO TV
967471	DOOR, BATH WARDROBEM TWIN BED, W/TV

#### Roof Locker Doors, Gray and tan 2-Tone

801785-0114	Door, roof locker, radius, 12.38" x 31.50"
801785-0214	Door, radius, 12.38" X 28.13"
801785-0414	Door, roof locker, radius, 12.38" x 17.38"
801785-0514	Door, roof locker, radius, 12.38" x 25.00"
801785-0714	Door, radius, 12.38" x 20.50"
801785-0814	Door, radius, 12.38" X 28.13"

#### Roof Locker Doors, Sand Pearl

801785-0122	Door, roof locker, radius, 12.38" x 31.50"
801785-0222	Door, radius, 12.38" X 28.13"
801785-0422	Door, roof locker, radius, 12.38" x 17.38"
801785-0522	Door, roof locker, radius, 12.38" x 25.00"
801785-0714	Door, radius, 12.38" x 20.50"
801785-0822	Door, radius, 12.38" X 28.13"



## 2010 INTERSTATE MOTORHOME

### FURNITURE, PANELING/INTERIOR DOOR

#### Roof Locker Doors, Onyx

801785-0119	Door, roof locker, radius, 12.38" x 31.50"
801785-0219	Door, radius, 12.38" X 28.13"
801785-0419	Door, roof locker, radius, 12.38" x 17.38"
801785-0519	Door, roof locker, radius, 12.38" x 25.00"
801785-0719	Door, radius, 12.38" x 20.50"
801785-0819	Door, radius, 12.38" X 28.13"

#### Edge Banding

365313-01	EDGE BAND, GOLD ALCHEMY, .63"
365313-02	EDGE BAND, GOLD ALCHEMY, 1.63"
365313-03	EDGE BAND, GOLD ALCHEMY, 1.125"
365321-01	EDGE BAND, SAND PEARL, .63"
365321-02	EDGE BAND, SAND PEARL, 1.63"
365321-03	EDGE BAND, SAND PEARL, 1.125"
365328-01	EDGE BAND, ONYX, .63"
365328-02	EDGE BAND, ONYX, .94"
365304-01	EDGE BAND, SAND CRYSTAL .88"

## 2010 INTERSTATE MOTORHOME

### FURNITURE, PANELING/INTERIOR DOOR

#### Trim, Wood/Plastic

203440	T-MOLDING, BLACK EMBOSSED 13/16"
801706-0014	CORNER TRIM, 90 DEGREE, GOLD ALCHEMY
801706-0019	CORNER TRIM, 90 DEGREE, ONYX
801706-0022	CORNER TRIM, 90 DEGREE, SAND PEARL
203462-0114	SCREW CAP COVER PVC, GOLD ALCHEMY
800573-0114	MOLDING, DOOR EDGE, G. ALCHEMY, 80"
800573-0119	MOLDING, DOOR EDGE, ONYX, 80"
800573-0122	MOLDING, DOOR EDGE, SAND PEARL, 80"
801818	Plug, wood, 3/8", tapered
114070	EXTRUSION, J-TRIM, MILL FINISH
381081-05	Screw head snap cap, light grey

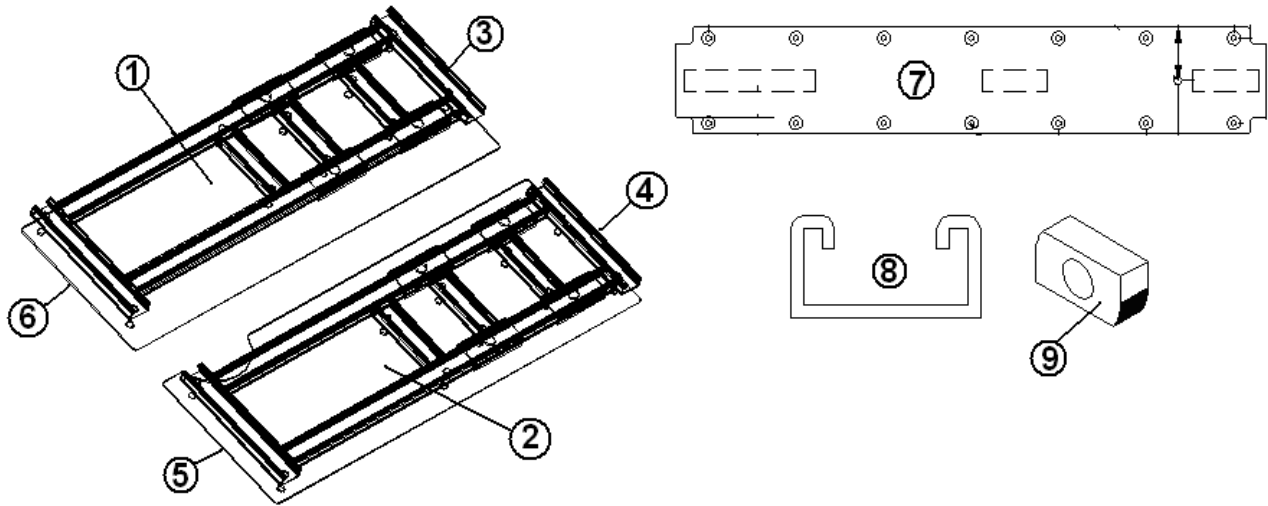
#### Wood Panels/Laminate

801438	PANEL, 3MM, WHITELINER/RAW
801796-01	PANEL, ALCHEMY/ALCHEMY, 18MM, VERITCAL
801797-01	PANEL, ALCHEMY/LINER, 12MM, VERITCAL
801801-01	PANEL, ALCHEMY/ALCHEMY 12MM, VERITCAL
801855-01	PANEL, A.NIGHT/A.NIGHT 18MM
801856-01	PANEL, A.NIGHT/A.NIGHT 12MM
801392	PANEL, WHTLIN/WHTLIN 12MM
801823	PANEL, TAN B./TAN B. 12MM
801822	PANEL, TAN B./TAN B.18MM
801719	PANEL, SAND CRYSTAL/WHITE, 18MM

# 2010 INTERSTATE MOTORHOME

## HARDWARE

### Captains Chair Pedestal Assemblies, 2<sup>nd</sup> Row

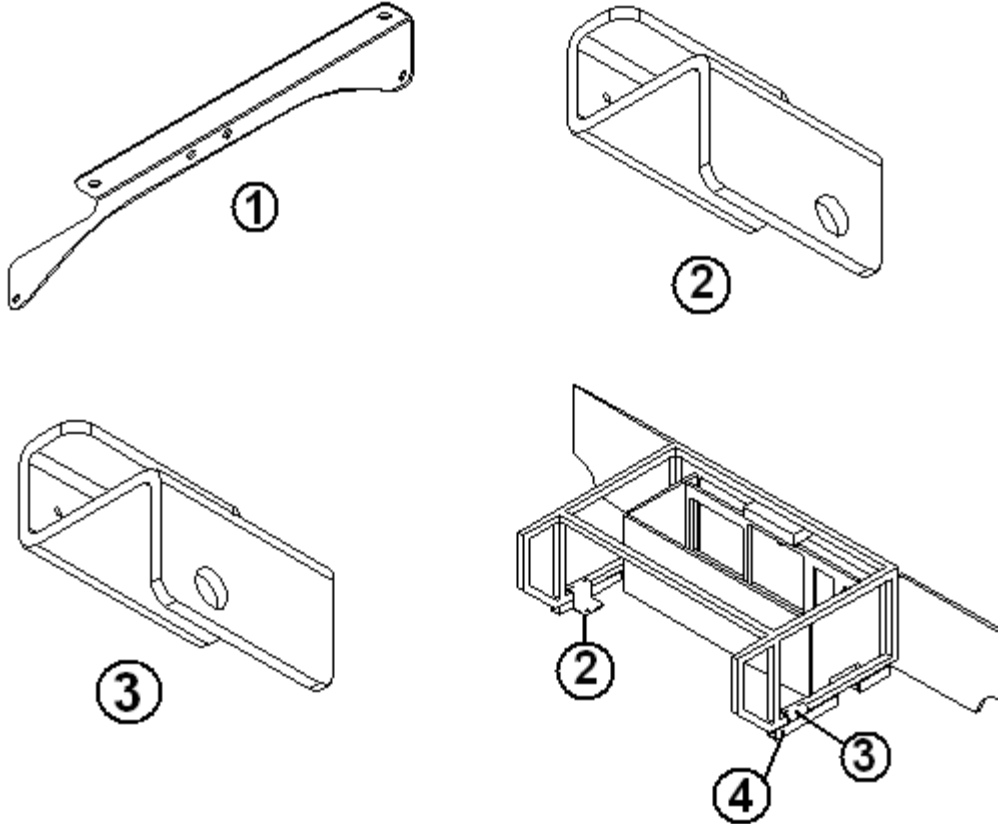


- |              |                                  |
|--------------|----------------------------------|
| 1. 916009-01 | Seat pedestal assembly, roadside |
| 2. 916009-02 | Seat pedestal assembly, curbside |
| 3. 454677-01 | Weldment, roadside seat pedestal |
| 4. 454677-02 | Weldment, curbside seat pedestal |
| 5. 454673-01 | Plate, seat pedestal, w/notch    |
| 6. 454673-02 | Plate, seat pedestal             |
| 7. 454671    | Plate, seat anchor               |
| 8. 454655    | Rail, uni-strut                  |
| 9. 401001    | Nut, 1.37, cam                   |
| 325127       | RIVET, MAGNA LOK .38"            |
| 325128       | RIVET, BULB TITE .25"            |

# 2010 INTERSTATE MOTORHOME

## HARDWARE

### Lounge Seat Belts /Cup Holder



- |              |   |
|--------------|---|
| 1. 454675    | Seat belt bracket                             |
| 2. 454682-01 | Bracket, LH sofa                              |
| 3. 454682-02 | Bracket, RH sofa                              |
| 4. 454684    | Tubing, steel, 1.25" x 1.25"                  |
| 382075-01    | Seat belt, 74" belt w/24" buckle, black       |
| 382075-03    | Seat belt, 74" belt w/24" buckle, Sand Pearl  |
| 382075-04    | Seat belt, 100" belt w/30" buckle, Sand Pearl |
| 382075-02    | Seat belt, 100" belt w/30" buckle, black      |
| 203610       | Cup holder, double                            |

### Clothesline, Retractable

- |        |                          |
|--------|--------------------------|
| 382063 | Clothesline, Retractable |
|--------|--------------------------|

# 2010 INTERSTATE MOTORHOME

## HARDWARE

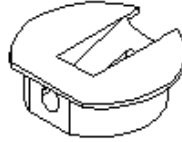
### Handles/Latches/Fastener, Interior



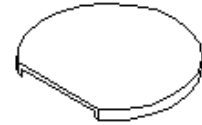
①



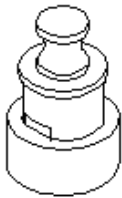
②



③



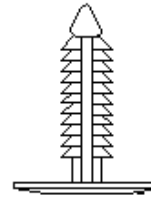
④



⑤



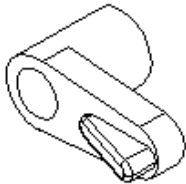
⑥



⑦



⑧



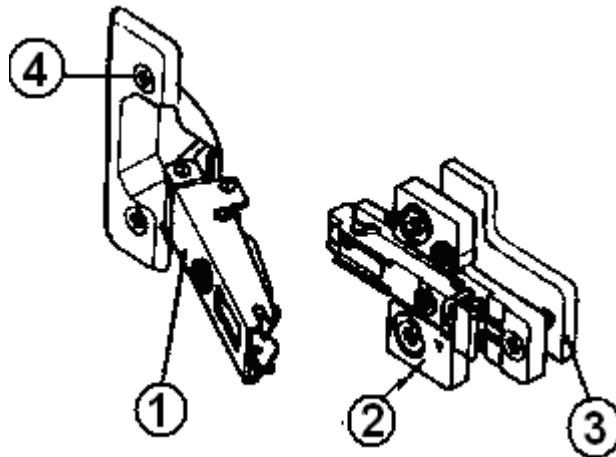
⑨

- |              |  |
|--------------|--|
| 1. 382055    | LATCH, PRIVACY, LAVATORY DOOR          |
| 2. 382061    | STRIKER, LATCH, PRIVACY, LAVATORY DOOR |
| 3. 382057    | KNOCK DOWN FASTENER                    |
| 4. 382057-01 | FASTENER COVER CAP, LIGHT BROWN        |
| 5. 382059-01 | KNOB, PUSH/PULL, CHROME                |
| 6. 386206    | VENT, LOUVERED, BLACK                  |
| 7. 382062    | Fastener, finned, .25"                 |
| 8. 382077    | Post storage clip, pedestal table      |
| 9. 382078    | Screen clip                            |

# 2010 INTERSTATE MOTORHOME

## HARDWARE

### Hinges



- |              |                                    |
|--------------|------------------------------------|
| 381607       | HINGE ASSY-GRASS EURO              |
| 1. 381607-01 | HINGE-GRASS EURO W/80307 PLASTIC,  |
|              | CABINETS                           |
| 2. 381607-02 | BASEPLATE, GRASS HINGE             |
| 3. 381607-03 | BASEPLATE, GRASS PLASTIC           |
| 4. 381607-04 | HINGE SCREW, GRASS                 |
| 380458       | HINGE PIANO BROWN, SHOWER DOOR     |
| 381840-01    | HINGE, ROOFLOCKER, SPRING LH #372. |
| 381840-02    | HINGE, ROOFLOCKER, SPRING RH #372. |
| 380203-02    | PIANO HINGE, BLACK ANODIZED 72"    |

### Bath Accessories

- |        |  |
|--------|--|
| 602175 | TOILET ROLL HOLDER, DRYROLL              |
| 382076 | SOAP DISPENSER, 3- BOTTLE, CHROME        |
| 382098 | Handle, 14.25", Glass Chrome (Towel bar) |

# 2010 INTERSTATE MOTORHOME

## HARDWARE

### Labels and Tags

386121	Label, LP gas warning label (odor)
386122	Warning label/cooking appliance
385261	CLEANING INSTRUCTION LABEL
386120	Label, smoke detector
385812	LABEL CALIF. HAZARDOUS SUBSTANCE
385465	Exit label, English
386119	LABEL "DO NOT STORE COMBUSTIBLE"
386124	LABEL, REFUELING WARNING
386207	LABEL, CAUTION, DOOR STEP
386222	Sticker, curbside rear door handle
386113	LABEL-RVIA GOLD
386082	LABEL THOR, 5.25" X .75'
386123	LABEL "POTABLE WATER ONLY"
386118	Label, LP gas warning/fill
385062	Decal, 110-125 voltage AC
602205-12	STICKER, INSTRUCTION MACERATOR
602189-03	DECAL, EXTERIOR SHOWER
386147	DECAL-ON/OFF LP REMOTE FILL
386227	LABEL, HITCH WEIGHT RATING
386061	LABEL, REMOVE PANEL FOR ACCESS
386189	LABEL, WARNING NO SEATBELTS
386237	LABEL, LOCK/UNLOCK

### Detector/Fire Extinguisher

512260	Smoke/Carbon dioxide detector
511309	LPG detector
690381-02	Fire extinguisher

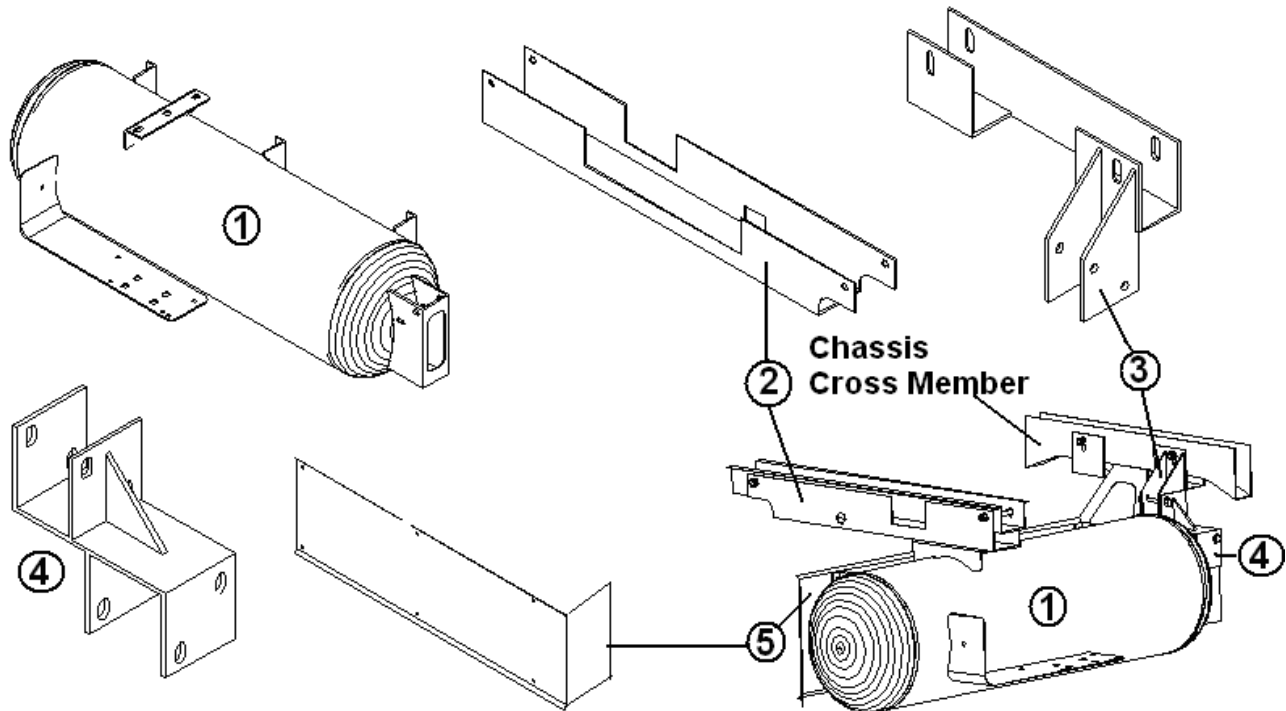




# 2010 INTERSTATE MOTORHOME

## PLUMBING, LPG

### LPG Tank/Mounting Brackets/Heat Shield

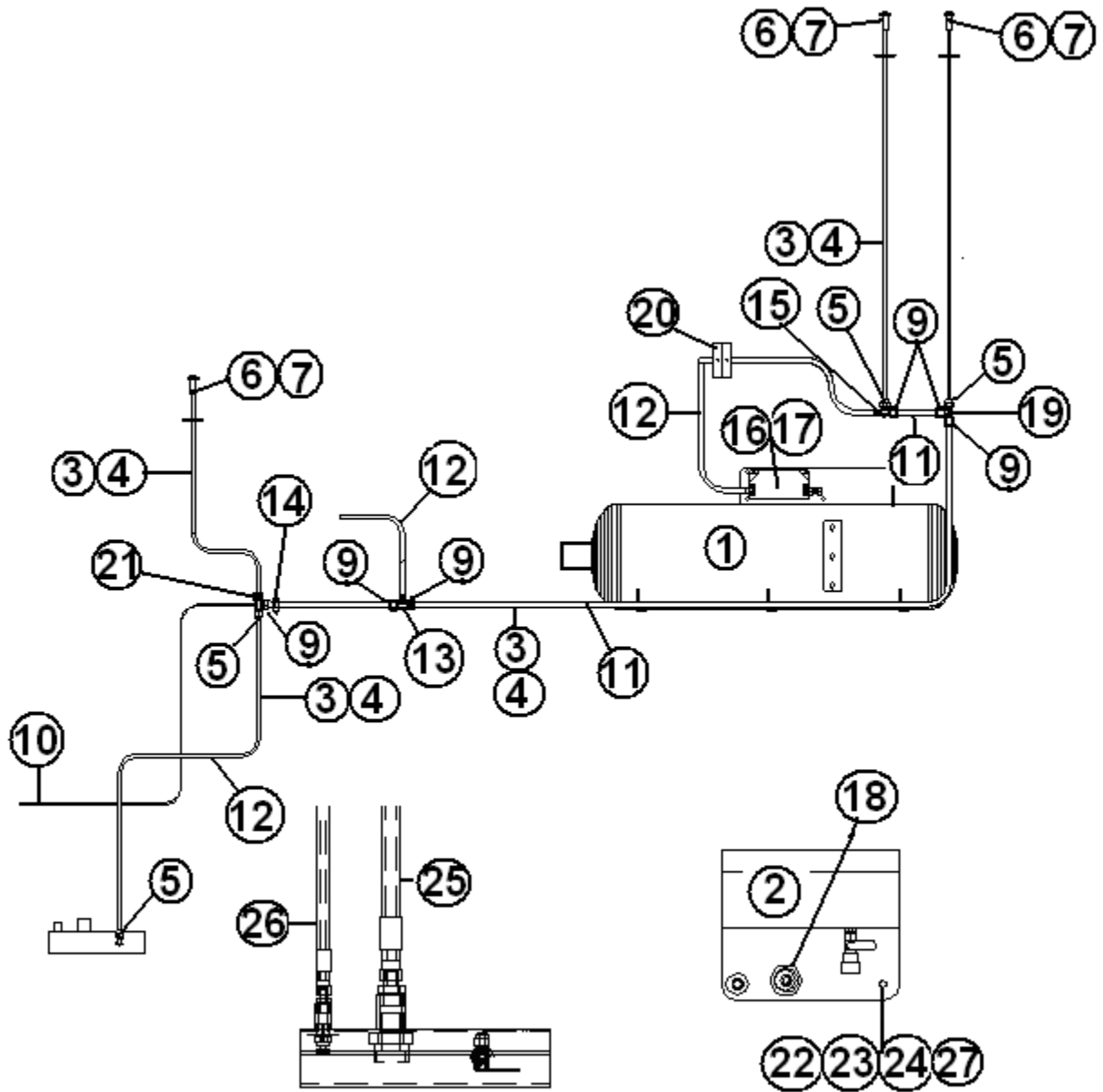


- |           |                                      |
|-----------|--------------------------------------|
| 1. 602188 | LP tank                              |
| 2. 454657 | Mounting bracket, front, LP tank     |
| 3. 454658 | Mounting bracket, rear, LP tank      |
| 4. 454659 | Mounting bracket, LP tank to chassis |
| 5. 454662 | Heat shield, LP tank                 |
| 345270-01 | BOLT 3/8-16 HEX HEAD 3.50"           |
| 345272-02 | 3/8" x 16 x 4" bolt, GRD 5           |
| 350147-37 | Nut, nylox, 3/8" x 16                |
| 300072-06 | Washer, lock                         |
| 345084    | Screw, thread cutting, 1/4 x 14 x 1" |
| 203650    | COVER-REMOTE FILL                    |
| 380203-02 | PIANO HINGE, BLACK ANODIZED, 72"     |
| 382106-01 | FASTNER, PLUNGER                     |
| 382106-02 | FASTNER, GROMMET                     |

# 2010 INTERSTATE MOTORHOME

## PLUMBING, LPG

### LPG System



ITEM 8 USED EVERY 4 FEET TO SUPPORT GAS LINES

Part numbers are on the next page.

# 2010 INTERSTATE MOTORHOME

## PLUMBING, LPG

### LPG System

1. 602188 LP tank
  2. 454680 LPG remote fill assembly, (includes bracket, switch, HOSE 602109-02, and valves)
  - 2.454676 Bracket only, LPG remote fill
  3. 600008 Tubing, copper, .38" ID
  4. 601698-01 Tubing, E-Pex, .5"
  5. 600435 Nuts, forged, .38"
  6. 380887 Grommet, floor
  7. 380886 Grommet, floor
  8. 340085-05 Clamp, coy
  9. 600436 Nuts, forged, .63"
  10. 500839 Wire, copper, ground
  11. 600004 Tubing, copper, .63"
  12. 602104 Hose, .38" x 48"
  13. 600000 Tee, brass, 5/8 x 5/8 x 3/8
  14. 600661 Ground fittings
  15. 600003 Tee, 5/8 x 3/8 x 3/8
  16. 601875-05 Cover, regulator
  17. 601875-04 Regulator, two stage
  18. 602109-03 Dust cap
  19. 601472 Tee, 5/8 x 3/8 x 3/8
  20. 454686 LP Regulator hose stand off bracket
  21. 601882 ELBOW, 90 DEGREE, 3/8" X FLR X 1/4" MPT R
  22. \*511805 SWITCH, ROTARY ON/OFF LP VALVE
  - 22.\*512434 SWITCH, HEAVY DUTY 25AMP #5582-10
  23. \*\*381852 KNOB LP REMOTE SWITCH
  24. 386147 DECAL "ON/OFF", LP REMOTE FILL
  25. 602207 LP hose, 1/2" x 120" long
  26. 602206 LP hose, 1/4" x 120" long
  27. 602109-02 Hose quick disconnect, grille port
  - 601881 Fitting, 3/8" M FL X 1/4" MPT R x 1.5" BARB
  - 602221 TEE, BRASS, 3/8" X 3/8" X 5/8"
  - 601675 FITTING, BRASS, 3/8" X M FL X M NPT
- \* 511805 WAS REPLACED BY 512434 DURING MODEL YEAR  
\*\* 381852 WAS DELETED DURING MODEL YEAR

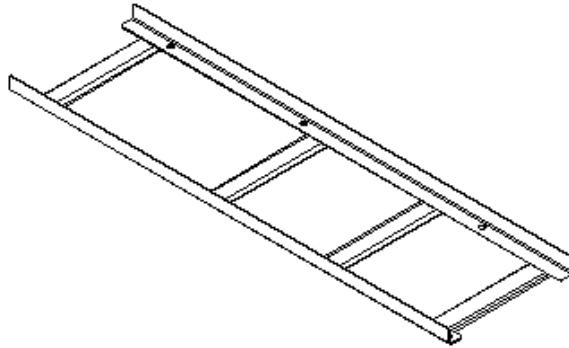
# 2010 INTERSTATE MOTORHOME

## PLUMBING, FRESHWATER

### Freshwater Tank/Gravity Water Fill System

602184	TANK, FRESH WATER 27GALLON
602187	Water pickup tube, elbow w/15" tube
454664-01	Rod, freshwater tank, 14"
454664-02	Rod, freshwater tank, 12.75"
454664-03	Rod, freshwater tank, 13.5"
602208	Fitting, 1.5" MPT x 1.5" barb
602210	Fitting, brass, .625" barb x .75" MPT
602209-03	Hose, Garden type, white, 5/8" ID
602209-04	Hose, Garden type, white, 3/4" ID
602198	Hose, water fill, 1.5"
511812	Pad, heating
203634	Styrofoam, 1" x 48" x 96"
602190	Water fill, gravity
203648	Close off, water tank, plastic
203656	SPACER, WATER TANK
386223	STRAP-TANK RUBBER

### Fresh Water Tank Support Assembly

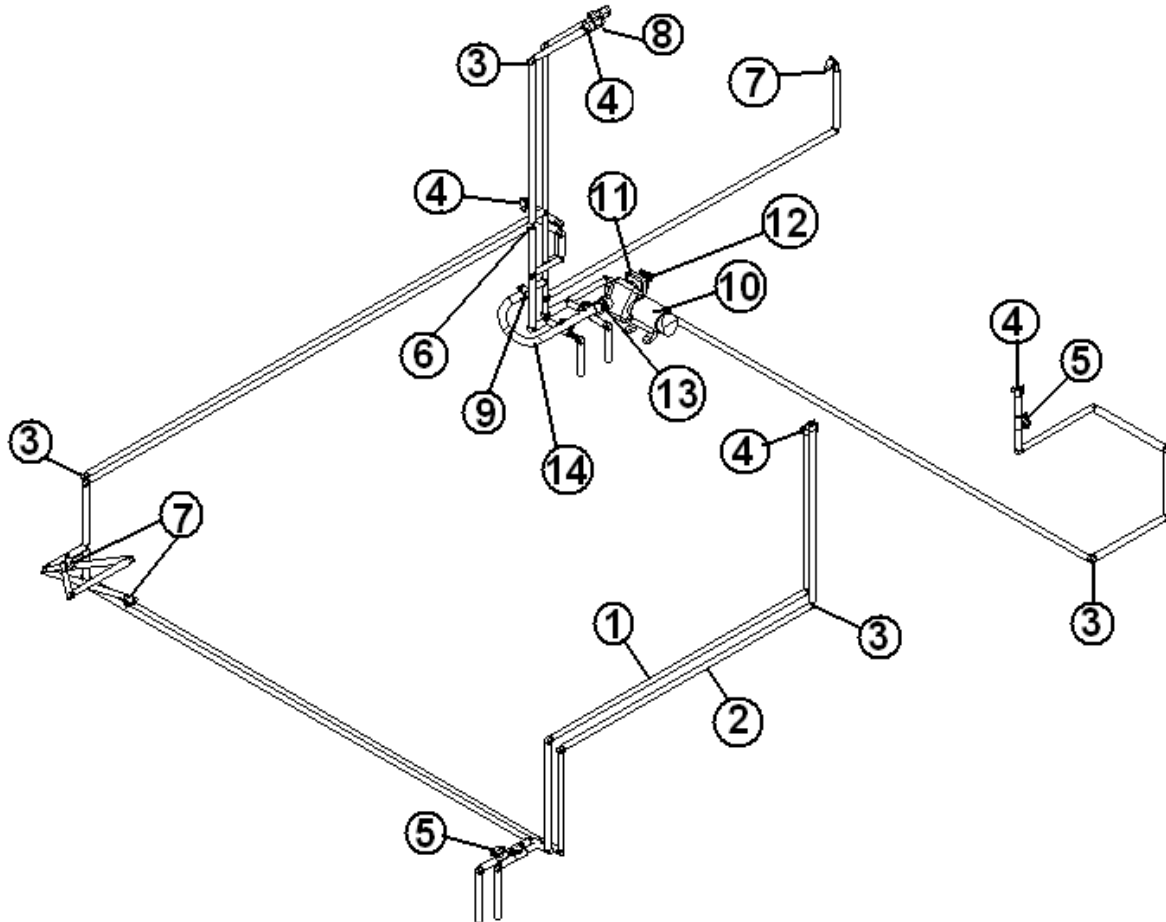


454661	Fresh water tank support assembly
--------	-----------------------------------

# 2010 INTERSTATE MOTORHOME

## PLUMBING, FRESHWATER

### Freshwater System/Pump/Lines/Fittings, Lounge

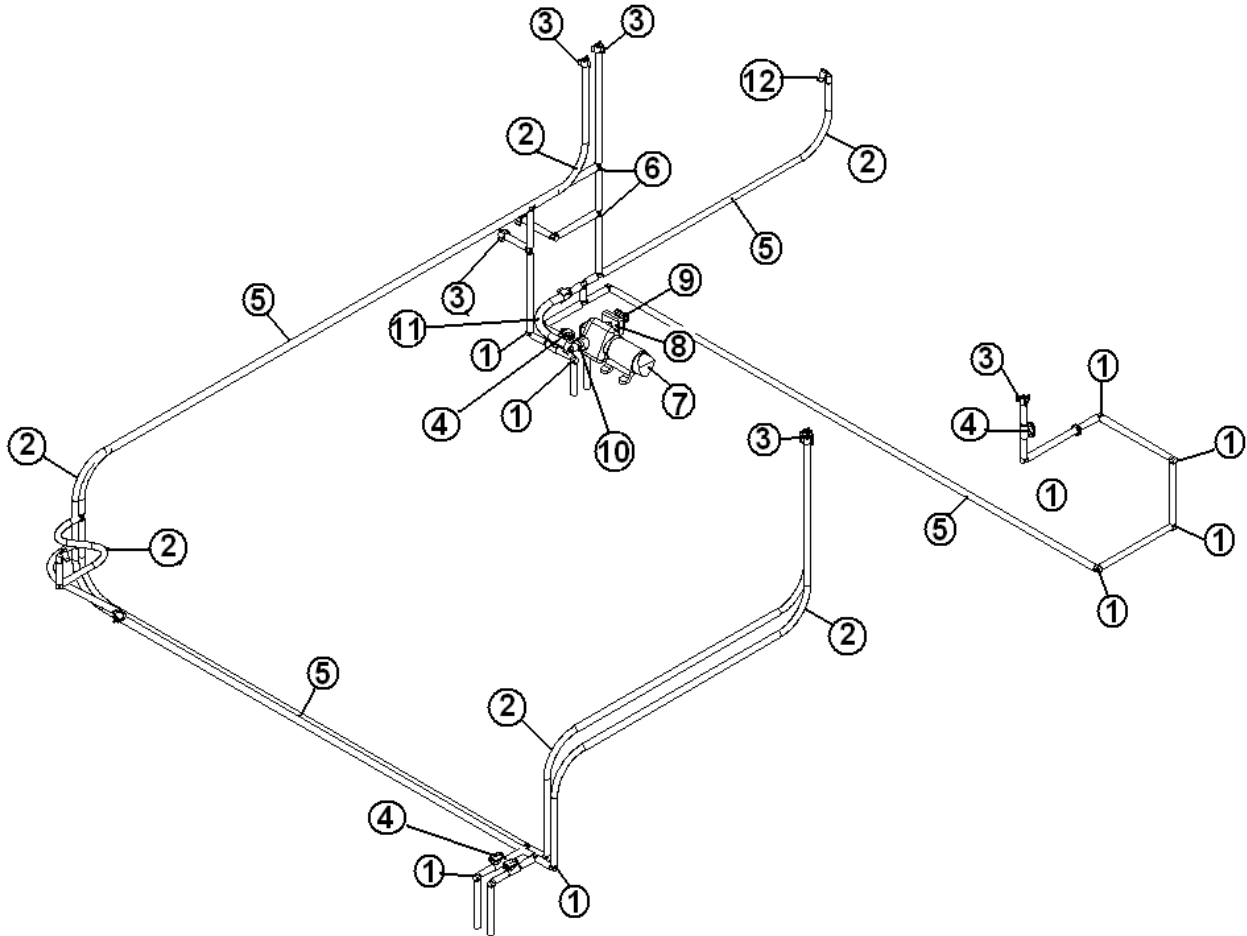


- |               |                                     |
|---------------|-------------------------------------|
| 1. 601698-01  | E-Pex tube, 1/2"                    |
| 2. 601698-21  | TUBING E-PEX 1/2" RED               |
| 3. 601698-10  | Elbow 1/2" barb x 1/2" barb         |
| 4. 601698-03  | Coupler, 1/2" barb x 1/2" FPT       |
| 4. 602217     | Rubber washer, exterior shower      |
| 5. 601698-22  | Shut-off, 1/2" barb x 1/2" barb     |
| 6. 601698-11  | Tee, 1/2" x 1/2" x 1/2"             |
| 7. 601698-05  | Elbow 1/2" barb x 1/2" FPT          |
| 8. 600139     | Check valve                         |
| 9. 601698-02  | Coupler, 1/2" barb x 1/2" MPT       |
| 10. 602177-01 | Water pump, Flojet                  |
| 11. 602177-02 | Strainer assembly, mini             |
| 12. 602177-03 | Pump port, quick connect, 3/4" barb |
| 13. 602177-04 | Pump port, quick connect, 1/2" barb |
| 14. 602186    | Flex hose, 20" w/swivel connection  |

# 2010 INTERSTATE MOTORHOME

## PLUMBING, FRESHWATER

### Freshwater System/Pump/Lines/Fittings, Twin

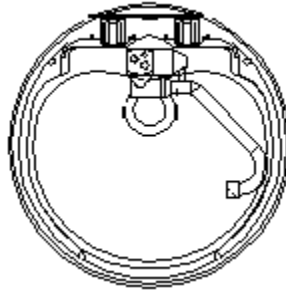


- |               |                                     |
|---------------|-------------------------------------|
| 1. 601698-10  | Elbow 1/2" barb x 1/2" barb         |
| 2. 601774     | ELBOW SUPPORT-90D 1/2"              |
| 3. 601698-03  | Coupler, 1/2" barb x 1/2" FPT       |
| 4. 601698-22  | Shut-off, 1/2" barb x 1/2" barb     |
| 5. 601698-21  | TUBING E-PEX 1/2" RED               |
| 5. 601698-01  | E-Pex tube, 1/2"                    |
| 6. 601698-11  | Tee, 1/2" x 1/2" x 1/2"             |
| 7. 602177-01  | Water pump, Flojet                  |
| 8. 602177-02  | Strainer assembly, mini             |
| 9. 602177-03  | Pump port, quick connect, 3/4" barb |
| 10. 602177-04 | Pump port, quick connect, 1/2" barb |
| 11. 602186    | Flex hose, 20" w/swivel connection  |
| 12. 602217    | Rubber washer, exterior shower      |
| 601698-05     | Elbow 1/2 barb x 1/2" FPT           |

# 2010 INTERSTATE MOTORHOME

## PLUMBING, FRESHWATER

### Faucet & Sink Assembly, Galley

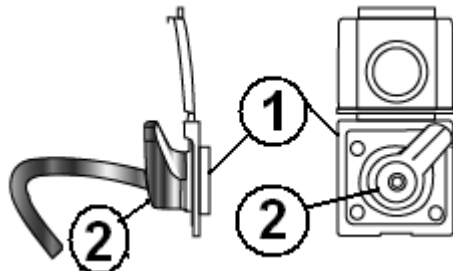


- 602197 SINK & FAUCET ASSEMBLY, GALLEY
- 602153 FAUCET ONLY, WATER TAP, STAINLESS STEEL
- 195362-39 Strainer, 2"

### Faucet, Wet Bath

- 602251 FAUCET-PULL OUT
- 801806 Backer, faucet (installed under faucet for support)

### Shower, Exterior



- 1. 602189-01 SHOWER BASE OUTLET
- 2. 602189-02 SHOWER HOSE/VALVE
- 3. 602189-03 SHOWER DECAL

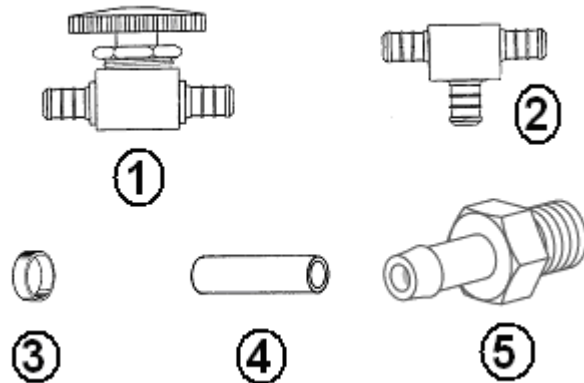
### City Water Hook Up

- 601392-05 City water hookup w/regulator
- 602198 Hose, potable water

# 2010 INTERSTATE MOTORHOME

## PLUMBING, FRESHWATER

### Fresh Water Fittings



- |              |                                    |
|--------------|------------------------------------|
| 1. 601698-22 | Shut-off, 1/2" barb x 1/2" barb    |
| 2. 601698-11 | Tee, 1/2" x 1/2" x 1/2"            |
| 3. 601698-15 | Crimp ring, 1/2E-Pex, 1/2" (black) |
| 4. 601698-01 | E-Pex tube, 1/2"                   |
| 4. 601698-21 | TUBING E-PEX 1/2" RED              |
| 5. 602199    | Adaptor, 3/8" barb x 1/2" MIP      |
| 203085       | PLUG WATER LINE 1/2" PLASTIC B     |
| 601238       | ADAPTOR 1.25 MPT X 1.25 BARB       |

### Waterline Cross Car Close Out, Twin



454720 CLOSEOUT, CROSS CAR, WATER LINES



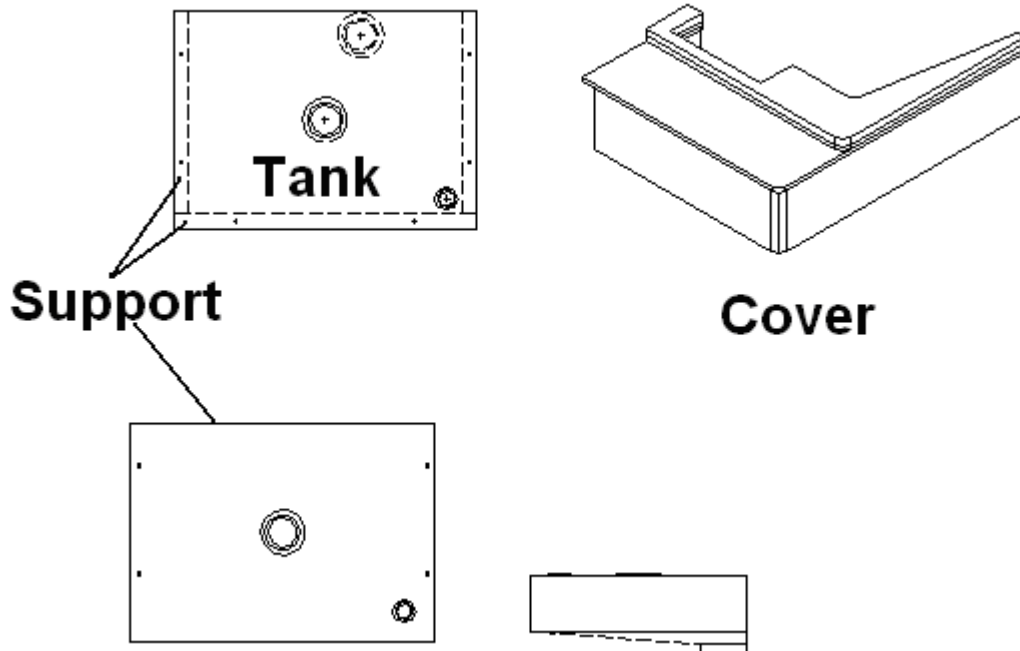
# 2010 INTERSTATE MOTORHOME

## PLUMBING, DRAIN

### Tanks/Valves/Heating Pad

602182	Black water tank
602191	Grey water tank
115490-01	BRACKET, BLACK TANK RETAINER, LH
115490-02	BRACKET, BLACK TANK RETAINER, RH
115491	CLOSEOUT, BLACK TANK BRACKET
203634	Styrofoam, 1" x 48" x 96"
203045	Styrofoam, 1/4" X 48" X 50'
511813-06	SWITCH, HD WATERPROOF LED INDICATOR LIGHT
511812	PAD-HEATING HOLDING TANK #TH-718
511813-04	SWITCH CABLE W/CONNECTOR, HEATING PAD
*511813-01	VALVE, DRAINMASTER ELECTRIC WASTE
*512411	VALVE, BARKER, ELECTRIC WASTE
	*Valves changed during model year.
512410	HARNESS, DUMP VALVE

### Black Tank, Support & Cover



967316-11	Cover assembly, black tank
203643	Cover, black tank, upper
203644	Pocket, black tank vent

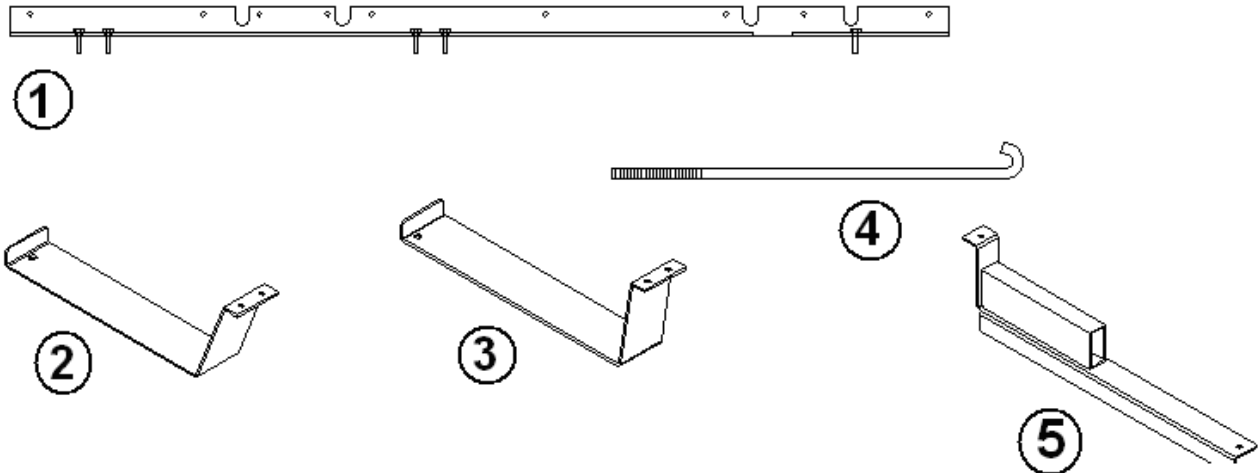
## 2010 INTERSTATE MOTORHOME

203645      Cover, black tank lower  
801415-0014      Corner trim, 1" radius

# 2010 INTERSTATE MOTORHOME

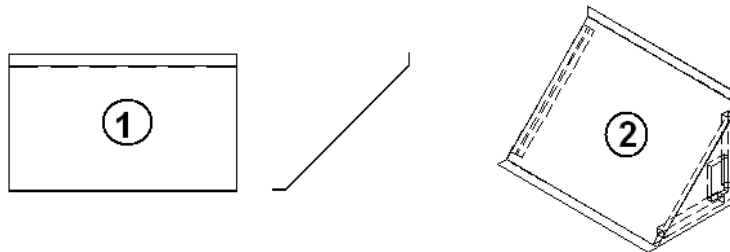
## PLUMBING, DRAIN

### Support Rod/Brackets, Gray Tank



- |           |                            |
|-----------|----------------------------|
| 1. 454688 | Bracket, gray tank         |
| 2. 454689 | Bracket, gray tank, front  |
| 3. 454690 | Bracket, gray tank, middle |
| 4. 454687 | Rod, gray tank             |
| 5. 454691 | Bracket, gray tank, rear   |
| 386223    | Strap, tank, rubber        |

### Plumbing Close Outs

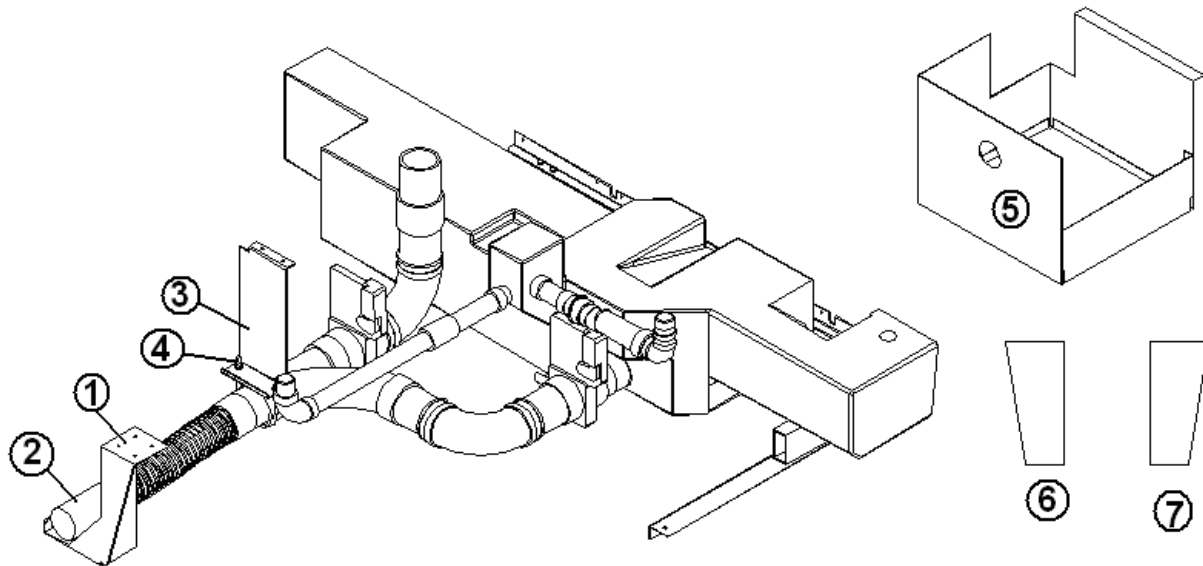


- |           |                              |
|-----------|------------------------------|
| 1. 115424 | Plumbing close out, roadside |
| 2. 967320 | Plumbing close out, curbside |

# 2010 INTERSTATE MOTORHOME

## PLUMBING, DRAIN

### Macerator Pump System



512323

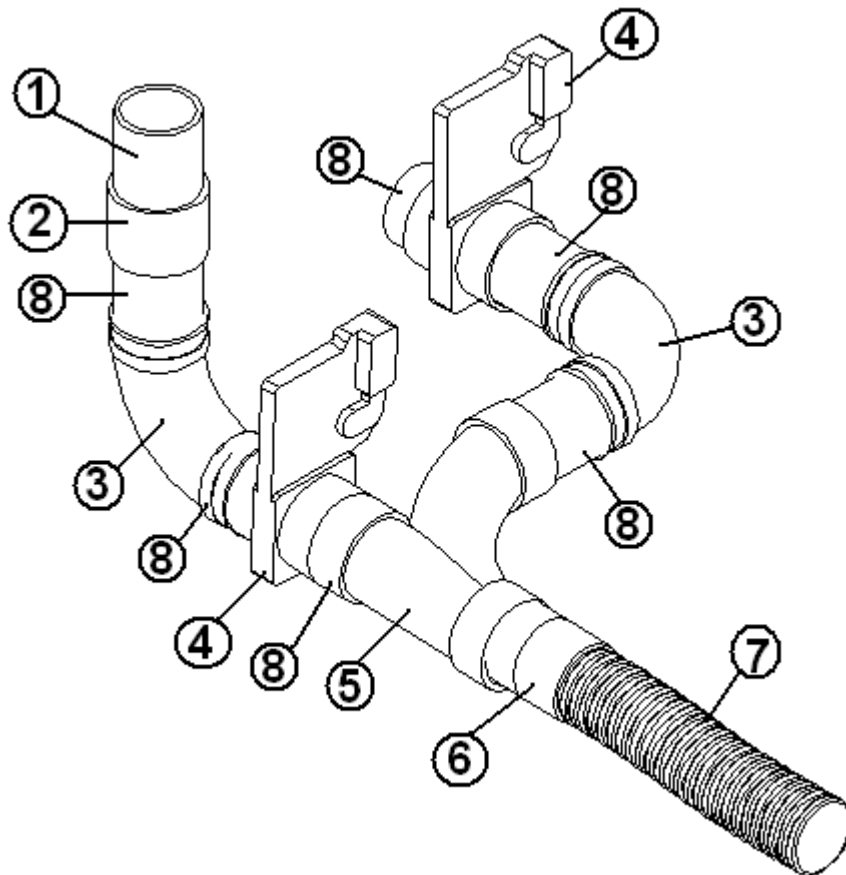
Hose reel w/hose, macerator pump

- |              |  |
|--------------|--|
| 1. 602205-02 | Mounting bracket                             |
| 2. 602176    | Macerator pump                               |
| 3. 454692    | Bracket, drain plumbing                      |
| 4. 340084-20 | Clamp, hose, stainless steel                 |
| 5. 454693    | Box, macerator pump hose reel                |
| 6. 454724-01 | CLOSEOUT-LH SIDE MAS.PUMP                    |
| 7. 454724-02 | CLOSEOUT-RH MAS.PUMP                         |
| 203666       | CLOSEOUT-MACERATOR COMPT., ABS               |
| 203225-01    | Trim lok, gray                               |
| 601197-02    | WATER HOOK-UP, CHROME                        |
| 602186       | Hose, 20" flex                               |
| 454683       | Hose reel mounting bracket                   |
| 602205-01    | 20 amp switch                                |
| 602205-03    | 1/4" self tapping screws                     |
| 602205-07    | ADAPTER- .75" BARB MACERATOR                 |
| 602205-08    | HOSE-.75" X 12" TRANSPARENT                  |
| 602205-09    | ADAPTER-VALVE 1"TO .75"MACERATOR             |
| 602205-10    | Valve, drip proof, w/2 adaptor for reel hose |
| 602205-11    | Hose clamp, stainless steel, 1"              |
| 602205-12    | Instruction sticker                          |

# 2010 INTERSTATE MOTORHOME

## PLUMBING, DRAIN

Drain System, Below Floor, From Tank to Pump

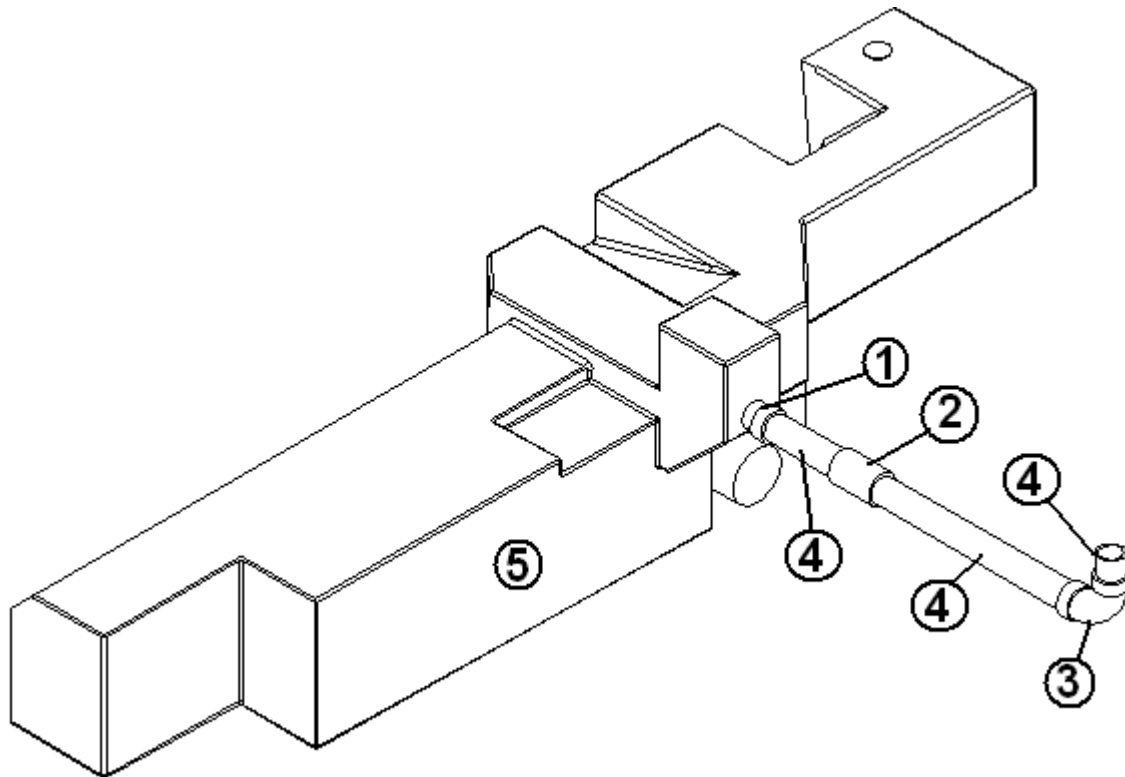


- |              |  |
|--------------|--|
| 1. 601267-04 | NIPPLE, 3" DIAMETER, THREADED ONE END, 10" LONG  |
| 2. 600253    | COUPLING, 3"                                     |
| 3. 602181    | ELBOW, 3" FLEXIBLE                               |
| 4. 512411    | VALVE, ELECTRIC, WASTE                           |
| 512410       | HARNESS, DUMP VALVE                              |
| 5. 600187    | 3" WYE, COMB AND 1/8 BEND                        |
| 6. 602205-04 | Adaptor for 3" connection hose                   |
| 7. 602205-05 | 3" flexible connection hose, 3' long, w/2 clamps |
| 8. 601160-04 | PIPE, ABS DVW, 3"                                |
| 600289       | CALDER COUPLING 3IN (RUBBER)                     |

# 2010 INTERSTATE MOTORHOME

## PLUMBING, DRAIN

### Drain System, Below Floor from Galley

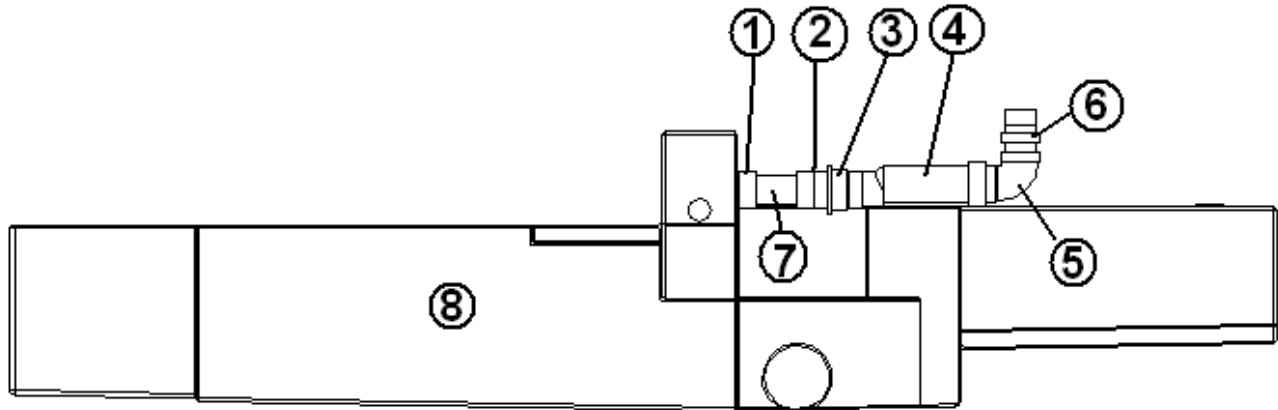


- |           |                                    |
|-----------|------------------------------------|
| 1. 602194 | Adaptor, PVC, 1.125 hub x MPT      |
| 2. 602200 | Coupling, 1.25", flexible          |
| 3. 602236 | Elbow, 1.25" x 45 degree, long ELL |
| 4. 602195 | Pipe, 1.25" white PVC              |
| 5. 602191 | Grey water tank                    |

# 2010 INTERSTATE MOTORHOME

## PLUMBING, DRAIN

### Drain System, Below Floor to Shower

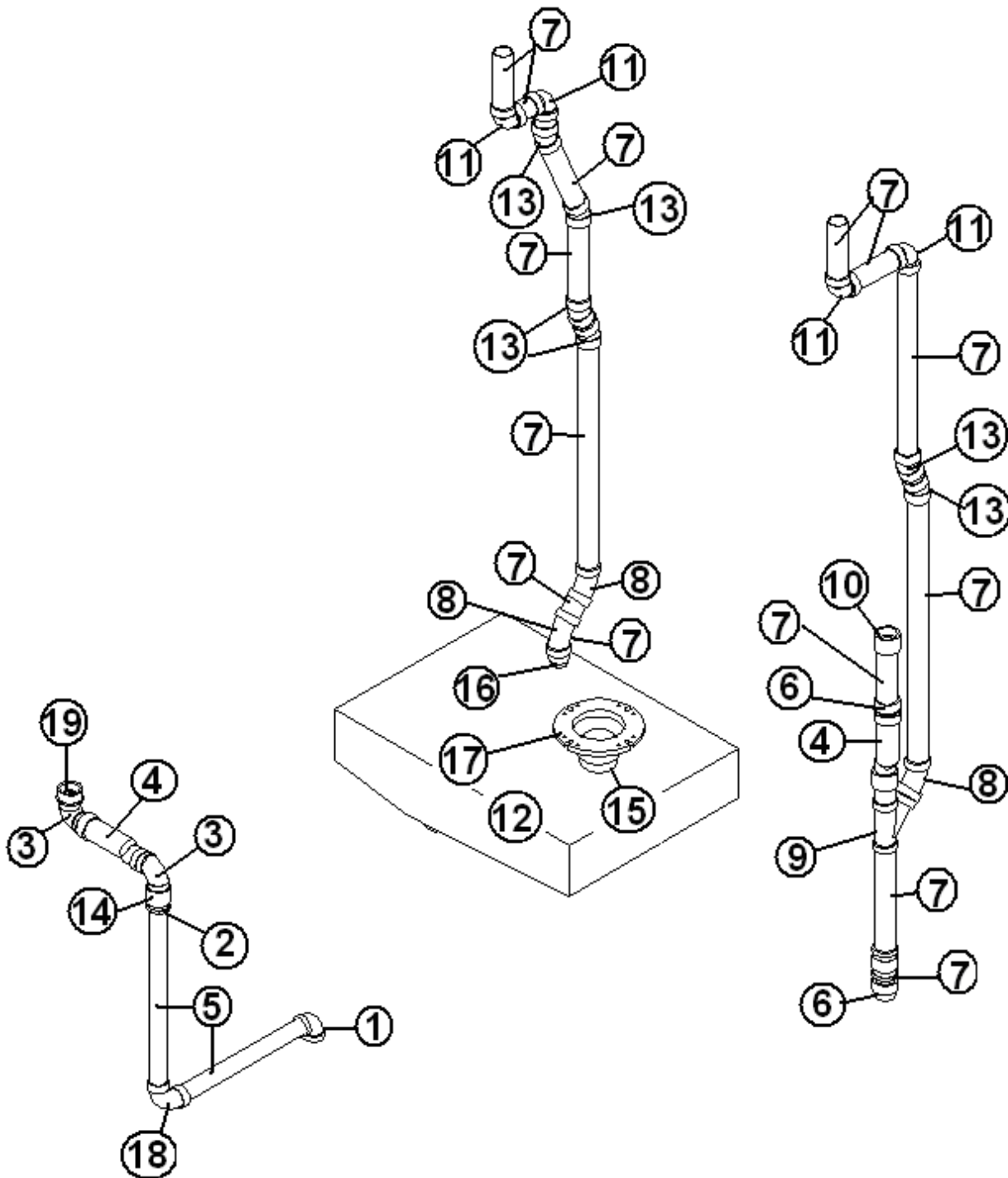


- |              |                                 |
|--------------|---------------------------------|
| 1. 602194    | Adaptor, PVC, 1.125 hub x MPT   |
| 2. 602215    | BUSHING, 1.5" X 1.25", PVC      |
| 3. 602231    | SWIVEL, ADAPTOR, 1.5" HUB X FPT |
| 4. 690603-01 | Valve, HEPVO, waste             |
| 5. 690603-02 | Adaptor, angle                  |
| 6. 601676    | ADAPTOR, THREADED, 1.5" MALE    |
| 7. 602195    | Pipe, 1.25" white PVC           |
| 8. 602191    | Grey water tank                 |

# 2010 INTERSTATE MOTORHOME

## PLUMBING, DRAIN

### Drain System, Above Floor



Part numbers are on the next page.



# 2010 INTERSTATE MOTORHOME

## PLUMBING, DRAIN

### Drain System, Above Floor

1. 602196	Elbow, Slip x slip, 1.25", PVC
2. 602215	BUSHING, 1.5" X 1.25", PVC
3. 690603-01	Valve, HEPVO, waste
4. 690603-02	Adaptor, angle
5. 602195	Pipe, 1.25" white PVC
6. 602214	ADAPTER, 1.5" MPT X 1.5", SLIP PVC
7. 601160-02	PIPE, ABS DVW, 1.5"
8. 600030	ELL ABS, 45degrees, long turn
9. 600094	WYE
10. 602231	ADAPTOR, 1.5" HUB X FPT
11. 600033	Elbow, vent, 1.5", 90 degrees
12. 602182	Tank, black
13. 600116	ELL 1/2
14. 602212	ADAPTER, 1.5" FPT X 1.5" SLIP PVC
15. 601267-04	NIPPLE, 3", THREADED ONE END, 10" LONG
16. 601676	ADAPTER, THREADED, 1 1/2" MALE
17. 601266	Flange, toilet
18. 602236	90 DEG LGONG TURN, ABS, 1.25" HXH
19. 602213	ADAPTER, 1.5" SPIGOT X 1.5" MPT, PV

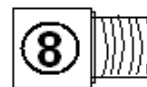
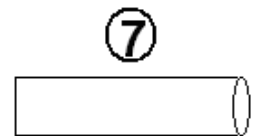
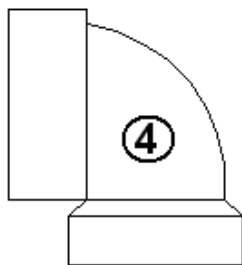
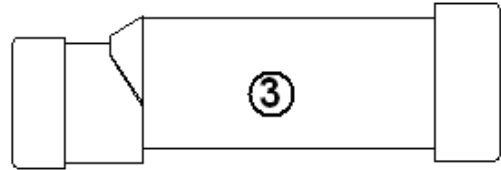
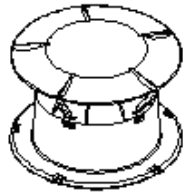
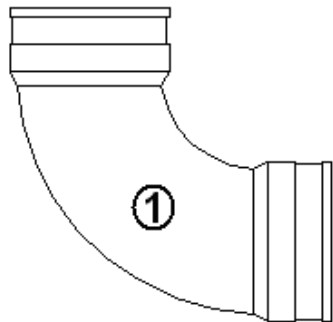
### Tank Flush

601698-01	E-PEX 1/2" TUBING
602242	ELBOW, BRASS, .5MPT X .5MPT
601884	CENTER SET NUT, PLASTIC
602256-10	ELBOW, POLY .5 BARB
602256-03	ADAPATOR, POLY, .5 BARB X .5 FPT SWIVEL
602256-05	ELBOW, POLY .5 BARB X .5 FPT SWIVEL
601441	SYSTEM, TANK FLUSH
601698-15	1/2" CRIMP RING

# 2010 INTERSTATE MOTORHOME

## PLUMBING, DRAIN

### Plumbing Fittings

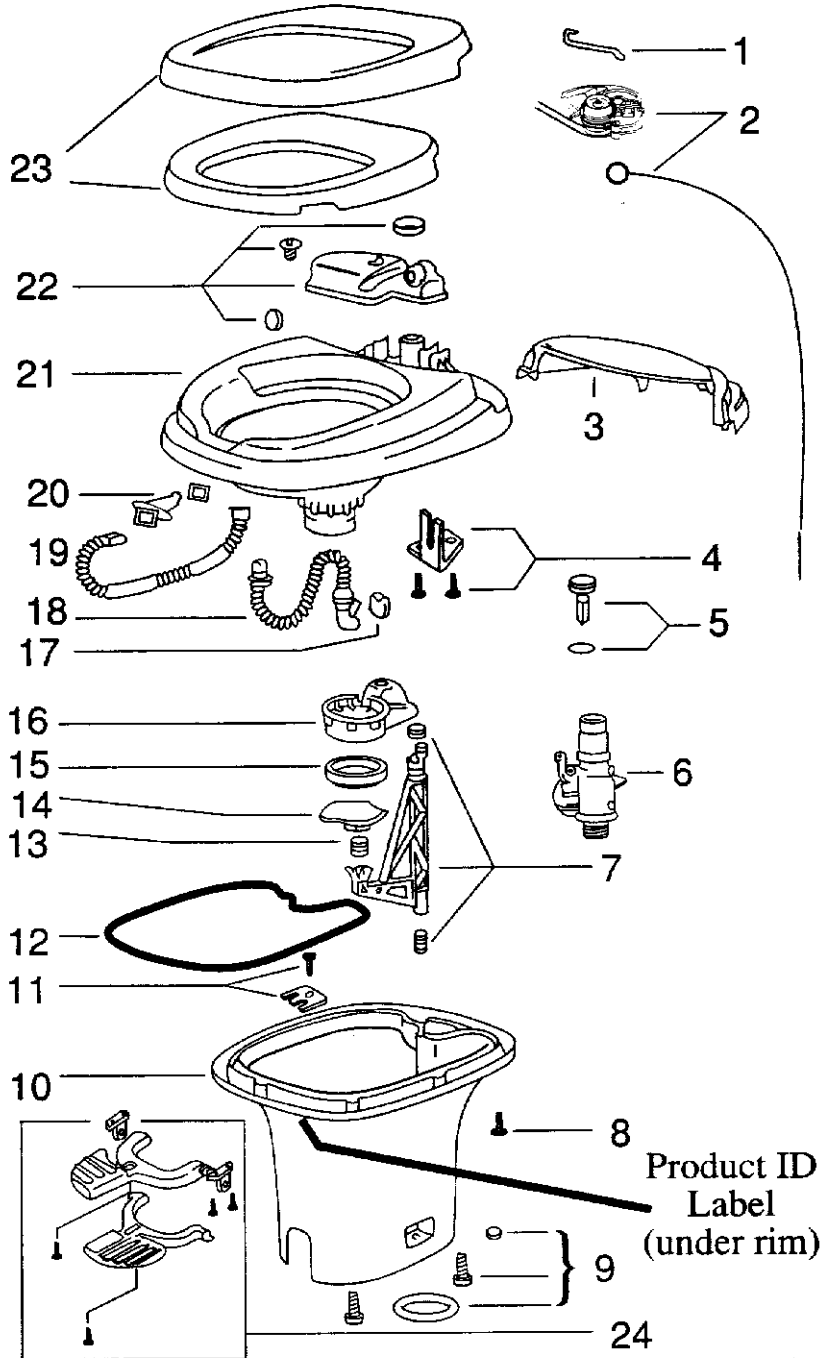


- |              |  |
|--------------|--|
| 1. 602181    | ELBOW, 3" FLEXIBLE                     |
| 2. 690601    | COVER, TANK VENT, BLACK                |
| 3. 690603-01 | Valve, HEPVO, waste                    |
| 4. 690603-02 | Adaptor, angle                         |
| 5. 601267-04 | NIPPLE, 3", THREADED ONE END, 10" LONG |
| 6. 602196    | Elbow, Slip x slip, 1.25", PVC         |
| 7. 602195    | Pipe, 1.25" white PVC                  |
| 8. 602194    | Adaptor, PVC, 1.125 hub x MPT          |
| 602211       | PLUG, .75" MPT PLASTIC                 |
| 602212       | ADAPTER, 1.5" FPT X 1.5", SLIP, PVC    |
| 602213       | ADAPTER, 1.5" SPIG. X 1.5" MPT PVC     |

# 2010 INTERSTATE MOTORHOME

## PLUMBING, DRAIN

### Toilet w/o Water Saver



P/N Next Page

# 2010 INTERSTATE MOTORHOME

## PLUMBING, DRAIN

### Toilet w/o Water Saver

690495-02	Toilet complete, Aqua Magic IV
1. 690387-513	Water valve link
2. 690387-571	Wire replacement package
3. 690387-562	Mechanism cover, white
4. 690387-634	Bracket assembly
5. 690387-631	Float assembly
6. 690387-168	Water valve replacement package
7. 690387-632	Actuator assembly
8. 690387-659	Screw base to bowl
9. 690387-524	Closet bolt package
10. 690387-356	Base, white, low
10. 690387-062	Base, white, high
11. 690387-636	Retainer assembly
12. 690387-387	Sealant, base to bowl
13. 690387-519	Blade spring
14. 690387-262	Blade
15. 690387-481	Blade seal
16. 690387-520	Blade track
17. 690387-512	Flapper
18. 690387-511	Overflow tube
19. 690387-509	Flush tube
20. 690387-637	Nozzle assembly
21. 690387-726	Bowl
22. 690387-630	Reservoir tank assembly
23. 690387-162	Seat and cover assembly
24. 690387-821	Pedal package

## 2010 INTERSTATE MOTORHOME

### SEALER/GASKETS/UNDERCOATING

#### SEALER

360001	Sealant, #884058
360268-01	SEAL LIQUA ELASTOMIC ROOF WHITE
360323	Sealant, Sikaflex #227, white
360324	Sika Lick, spray bottle
360323-01	Sealant, Sikaflex #227, black, tube
360180	ADHESIVE SEAL, SIKAFLEX 221
365190	SEAL RUBBER ADHESIVE, ¾" X 3
360074	SEALANT, GE RTV 102, WHITE, 3 OZ.

#### Under Coating

360327	Undercoating, 17 Oz. Aerosol can
--------	----------------------------------

#### GASKETS

365314	SEAL, CLOSED CELL FOAM.75"X.75", battery box
365315	SEAL, FOAM SHEET, .13" X 57"W, battery box
365185-20	2" GASKET TAPE, Black tank

# 2010 INTERSTATE MOTORHOME

## UPHOLSTERY/SOFA/SEATS

### Driver/Passenger Seat/Skirt

Cab captain chair come with chassis. Airstream sends the chair out to be recovered to the motorhome color scheme.

703806-379	Skirt, driver's seat pedestal, tan, 2-tone
703806-389	Skirt, driver's seat pedestal, grey, 2-tone
703806-399	Skirt, driver's seat pedestal, Sand Pearl
703806-400	Skirt, driver's seat pedestal, Onyx
703807-389	Skirt, passenger's seat pedestal, grey, 2-tone
703807-379	Skirt, passenger's seat pedestal, tan, 2-tone
703807-399	Skirt, passenger's seat pedestal, Sand Pearl
703807-400	Skirt, passenger's seat pedestal, Onyx
703758-379	Front cab chair, Tan 2-tone
703758-389	Front cab chair, Gray 2-tone
703823-399	Front cab chair, SAND PEARL
703823-400	Front cab chair, Onyx

### Chair, Captains, 2<sup>nd</sup> Row

703756-379	Chair w/seat belt, Tan
703756-389	Chair w/seat belt, Gray
703821-399L	Chair w/seat belt, SAND PEARL
703821-400L	Chair w/seat belt, Onyx

### Trunk Liner

703805-379	SET TRUNK LINER 3PC, TAN, 2-TONE
703805-389	SET TRUNK LINER 3PC, GRAY, 2-TONE
703805-399	SET TRUNK LINER 3PC, SAND PEARL
703805-400	SET TRUNK LINER 3PC, ONYX

# 2010 INTERSTATE MOTORHOME

## UPHOLSTERY/SOFA/SEATS

### Mattress, Twin Bed

- 703808-01 MATTRESS, 27" X 74", RS TWIN
- 703808-02 MATTRESS, 27" X 74", CS TWIN

### Bedspreads & Sheet, Twin Bed

- 703811-379 Bedspread, 2-tone Tan
- 703811-389 Bedspread, 2-Tone Grey
- 703811-399 Bedspread, Sand Pearl
- 703811-400 Bedspread, Onyx
- 702485-404 BEDSPREAD "A", WILLOW
- 703825 Sheet set

### Pillows, Twin Bed

- 701611 Pillow, 21" x 31"
- 703813-04 PILLOW KIT, 2 TONE TAN
- 703813-01 Pillow, 2-tone tan, 16" x 16"
- 703813-02 Pillow, 2-tone tan, 16" x 10"
- 703814-04 PILLOW KIT, 2 TONE GRAY
- 703813-03 Pillow Sham, 2-tone tan, 28" x 20"
- 703814-01 Pillow, 2-tone grey, 16" x 16"
- 703814-02 Pillow, 2-tone grey, 16" x 10"
- 703814-03 Pillow Sham, 2-tone grey, 28" x 20"
- 703818-04 PILLOW KIT, SAND PEARL
- 703818-01 Pillow, Sand Pearl, 16" x 16"
- 703818-02 Pillow, Sand Pear, 16" x 10"
- 703818-03 Pillow Sham, Sand Pear, 28" x 20"

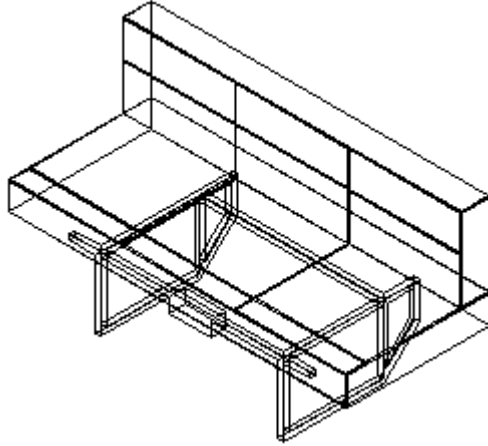
### Pillows, Lounge

- 703865-01 Pillow, Onyx, 16" x 16"
- 703865-02 Pillow, Onyx, 16" x 10"
- 703817-01 Pillow, Sand Pearl, 16" x 16"
- 703817-02 Pillow, Sand Pearl, 16" x 10"

# 2010 INTERSTATE MOTORHOME

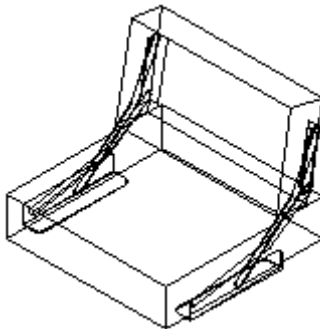
## UPHOLSTERY/FOAM/MATTRESS

### Sofa, Power



- 703755-379L Sofa, power w/2 armrests, Tan leather
- 703820-399L Sofa, power w/2 armrests, Sand Pearl
- 703755-389L Sofa, power w/2 armrests, Gray leather
- 703820-400L Sofa, power w/2 armrests, Onyx

### Sofa, Manual 29" Jackknife



- 703757-379L Sofa, jackknife, 29", Tan leather
- 703757-389L Sofa, jackknife, 29", Gray leather
- 703822-399L Sofa, jackknife, 29", Sand Pearl
- 703822-400L Sofa, jackknife, 29", Gray Onyx

### Shower Curtain

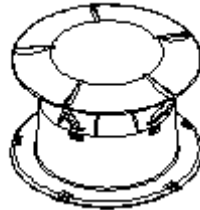
- 998202 Shower curtain assembly
- 100097 Curtain track



# 2010 INTERSTATE MOTORHOME

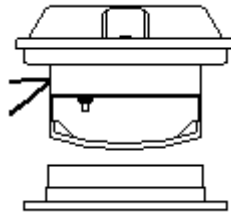
## VENTS/FANS

### Roof Vent, Holding Tanks



690601 COVER, TANK VENT, BLACK  
203640 CEILING SPACER, TANK VENT

### Bath Power Vent



690266-04 VENT W/2" WHITE GARNISH  
203639 CEILING SPACER, BATH VENT

### Power Vent, Ceiling

382058 Maxx Vent, exhaust only  
115403 Vent frame assembly, roof







