

AIRSTREAM

AN AMERICAN LEGEND

SPORT TRAILER

Parts Book

2009

2009 SPORT
TABLE OF CONTENTS
SECTION I
A through B

APPLIANCES

Air Conditioner	I-1
Furnace	I-1
Microwave	I-1
Range/Cook Top	I-1
Refrigerator	I-2
Water Heater	I-2

BODY

End shell, Aft	I-3
End shell, Front	I-5
Roof	I-9
RS Wall, 17'	I-11
CS Wall, 17'	I-13
RS Wall, 22'	I-15
CS Wall, 22'	I-17
RS Wall, 22' Front Bed w/o Galley Window	I-19
RS Wall, 22' Front Bed w/Galley Window	I-21
CS Wall, 22' Front Bed	I-23
Underbelly Wraps	I-25
Wrap Protector	I-25
Body Interior	I-26

2009 SPORT
TABLE OF CONTENTS
SECTION II
C through E

CHASSIS

Axles, Shocks	II-1
Tires, Wheels	II-1
Step	II-1
Hose Carrier	II-2
Safety Chains	II-2
Hitch Jacks	II-2
Stabilizing Jacks	II-2

DECALS/EXTERIOR TRIM	II-3
--	------

DOORS/WINDOWS/AWNING

Doors	II-4
Windows	II-10
Stone Guard	II-11
Awning	II-13

DRAPES/BLINDS	II-16
-------------------------------------	-------

ELECTRICAL

110 volt	II-25
12 volt	II-26

ENTERTAINMENT	II-29
-------------------------------------	-------

2009 SPORT
TABLE OF CONTENTS
SECTION III
F through H

FLOOR COVERING

Mats	III-1
Vinyl Flooring	III-1

FURNITURE

Interior Doors	III-2
Lounge	III-3
Galley	III-17
Lavatory	III-42
Bedroom	III-51

HARDWARE

Exterior locks/hinges	III-54
Interior Cabinet Latches/Hinges	III-58
Bath Accessories	III-62
Wardrobe/Drapes	III-62
Sewer Hose/Water Fill Key/Silverware Tray	III-62
Detectors/Fire Extinguisher	III-63
Rivets	III-64

2009 SPORT
TABLE OF CONTENTS
SECTION IV
L through Z

[LABELS and TAGS](#) IV-1

PLUMBING

[LPG](#) IV-2
[Fresh water](#) IV-4
[Faucets/Sinks](#) IV-9
[Drain Water](#) IV-11
[Toilet](#) IV-17

[SEALER](#) IV-19

[GASKETS/PAINT](#) IV-20

UPHOLSTERY

[Pillow Kits](#) IV-21
[Bedsread, Mattress, Sheets, Pillow Cases](#) IV-22
[Dinette/Sofa Seat Covers/Foam](#) IV-23

[VENTS/FANS](#) IV-27

[SKY LIGHTS](#) IV-27

[PLYWOOD/PANELING](#) IV-28

[EDGEBANDING/LUAN](#) IV-29

[INTERIOR TRIM/WOOD/PLASTIC](#) IV-30

2009 SPORT

APPLIANCES

Air Conditioners

690586-01 AIR CONDITIONER, 13,500, LO-PROFILE
690586-02 CEILING PACKAGE, FREEBLOW-COOL
601240-01 Black drain tubing, 1/2" ID

Furnace

690573 Furnace, Hydroflame, 22', 17'
600247 Hose, 4", flex heat duct
600193 Hose, 2", flex heat duct
600526 Flange, 4"
601244-03 REGISTER-ROTAIRE #3840-96 4", BLACK
601244-02 REGISTER, ROTAIRE #3840-96, 4", WHITE
511228 Thermostat, furnace, off white
601348 TEE, HEAT DUCT, 4 X 4 X 2
114252 ADAPTER-DUCT, 4.00" TO 2.00"

Microwaves

690581-03 MICROWAVE, CONVECTION TAPPEN, SILVER, 22',
17'
690594-03 MICROWAVE, CONVECTION, SILVER SLYVANIA, 22',
17'
690581-04 TRIM KIT FOR TAPPEN OR SYLVANIA MICROWAVE

Range/Cook Top

690576 COOKTOP-2 BURNER SMEV 8022 ST.
690585 OVEN, 30LT S.S. W/WINDOWED DOOR

2009 SPORT

APPLIANCES

Refrigerators

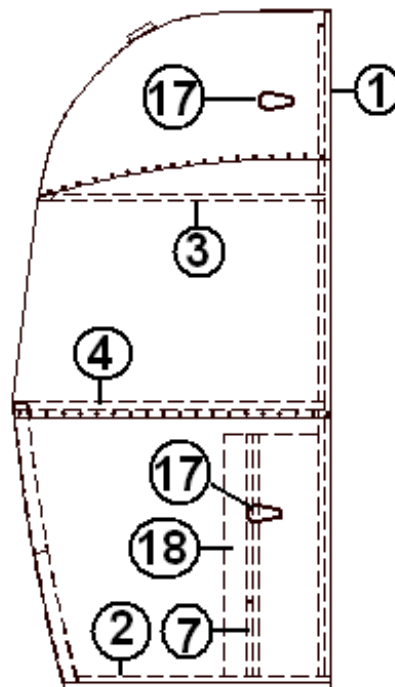
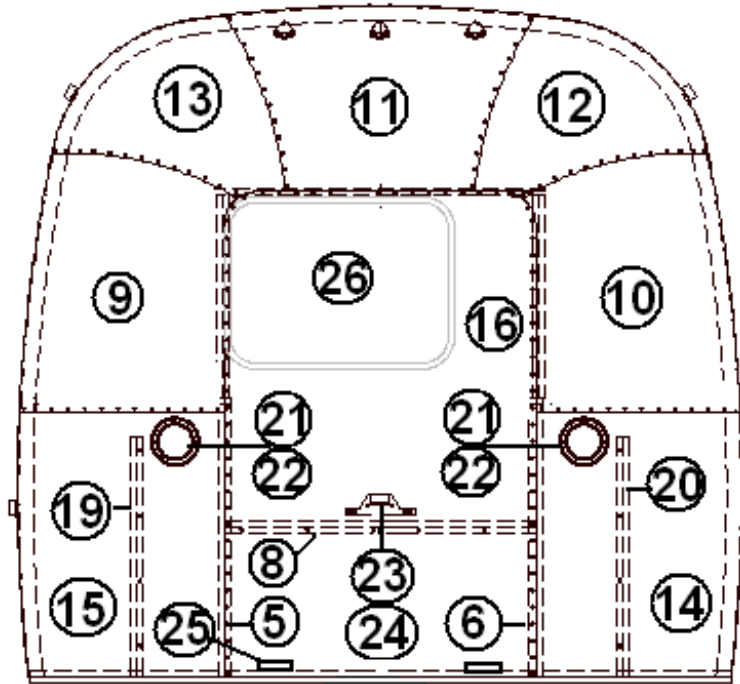
690393-08 REFRIGERATOR, 4CF, LH DOOR, RM2451LB, 22'
690604-01 REFRIGERATOR, 4CF, LH DOOR, RM8501LB, BLACK
FRONT, 22' FRONT BED
965934-02 INSERT, DOOR, REFRIGERATOR 20.62" X 32.62",
22', 22' FRONT BED
690470-02 REFRIGERATOR, 3CF, RH DOOR RM2351RB, 17'
965934-04 INSERT, DOOR, REFRIGERATOR, 19.5" X 26", 17'
690394 POWER VENTILATOR, REFRIGERATOR
511836 SWITCH, REFRIGERATOR/FAN, WHITE
114883-01 BAFFLE, REFRIGERATOR CABINET, LOWER, 25.50"
114883-02 BAFFLE, REFER CABINET, UPPER, 25.50"
365009 FOAM EURETHANE INSULATION 1 X
365013-01 TAPE CHARCOAL LOW DENSITY FOAM
381830 WIPER, RUBBER, 1.125" X 2" LONG

Water Heater

690199 Water heater, electronic ignition
690209 Access cover, brushed aluminum
381648 COVER LATCH HOLE, WATER HEATER
601671 ELBOW, STREET, 90DEG ½", GALVENIZED
967194 STAND ASSY, WATER HEATER

2009 SPORT EXTERIOR BODY

Aft End, 17', 22'



See next page for P/N.

2009 SPORT

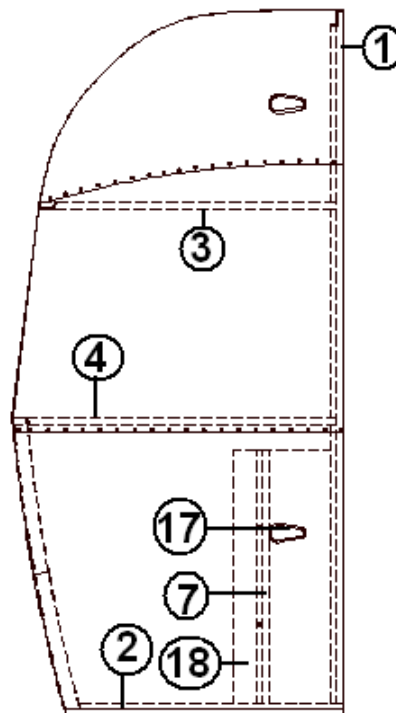
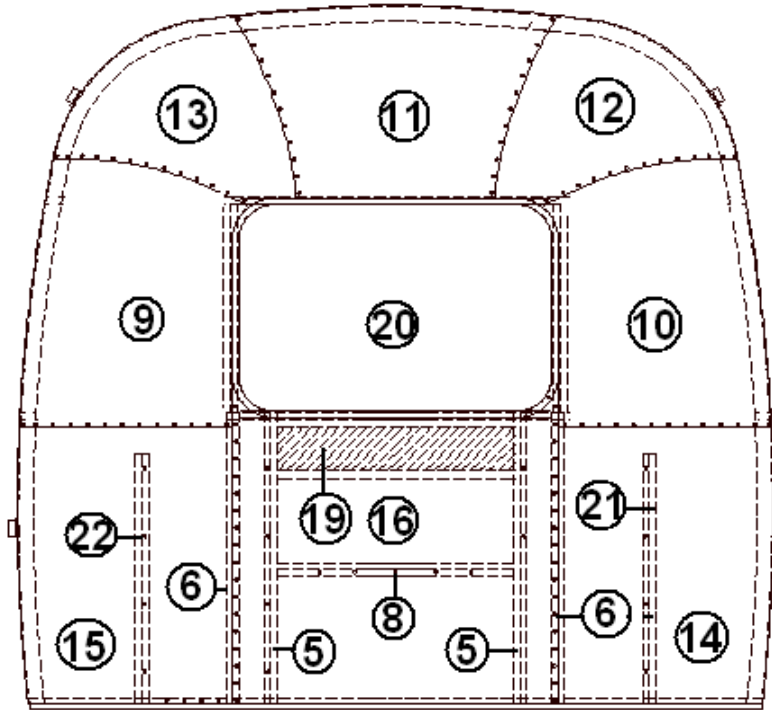
EXTERIOR BODY

Aft End, 17', 22'

967108	END SHELL, AFT
1. 99900M-015	ZERO BOW
2. 115384	FLOOR BOW
3. 99900M-016	BOW, UPPER WINDOW
4. 99900M-017	BOW, LOWER WINDOW
5. 114505-01	BRACE, FRONT, VERTICAL ,CS
6. 114505-02	BRACE, FRONT, VERTICAL, RS
7. 101315	BRACE, VERTICAL, REAR
8. 104408	EXTRUSION, Z RIB
9. 114888	SEGMENT, CENTER LEFT "BRIGHT"
10. 114889	SEGMENT, CENTER RIGHT "BRIGHT"
11. 99900M-049	SEGMENT, CENTER
12. 114890	SEGMENT, #26 "BRIGHT"
13. 114891	SEGMENT, #27 "BRIGHT"
14. 114894	SEGMENT, #28 "BRIGHT"
15. 114895	SEGMENT, #29 "BRIGHT"
16. 114880-201	ALUMINUM SHEET .040" X 51" X 201"
17. 512227	LIGHT, CLEARANCE, RED, LED
18. 114849-03	ALUMINUM SHEET, .060" X 36"W X 8', GRAY
19. 101315-01	BRACE, VERTICAL, REAR, LH
20. 101315-02	BRACE, VERTICAL, REAR, RH
21. 511860-01	LIGHT, 4"LED, RED
22. 511860-02	BEZEL, 4" ROUND, CHROME W/VISOR
23. 511407	LICENSE PLATE HOLDER, W/LIGHT, BLACK
24. 511407-01	GASKET, BLACK FOR LICENSE PLATE LIGHT
25. 510446	REFLECTOR, RED STICK-ON
26. 371381-21	WINDOW, FLAT, W/8" VENT WINDOW

2009 SPORT EXTERIOR BODY

Front End 17', 22', Single Front Window



See next page for P/N.

2009 SPORT

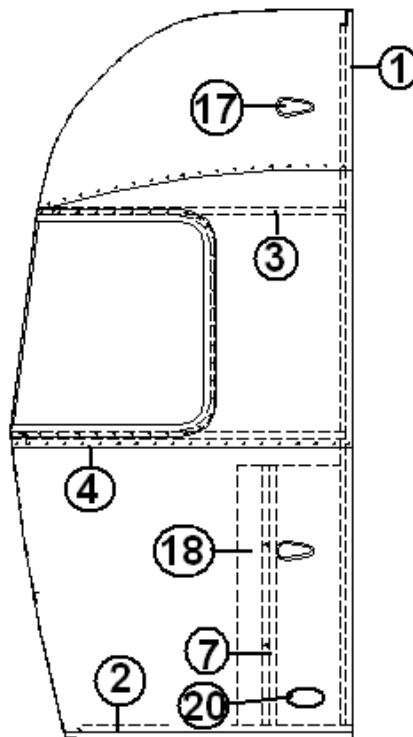
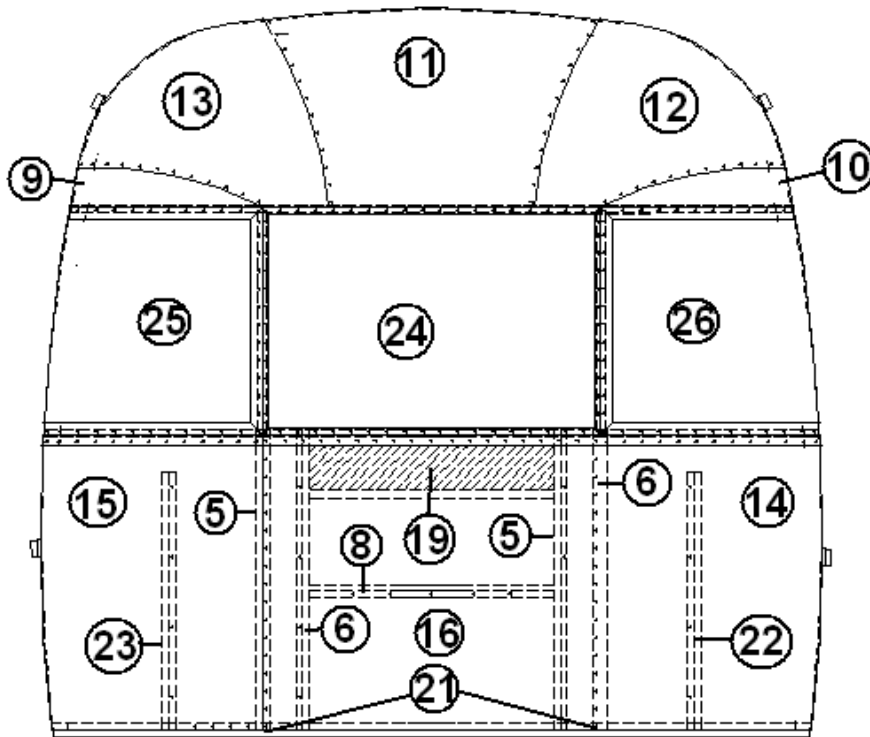
EXTERIOR BODY

Front End 17', 22', Single Front Window

967107	END SHELL, FRONT
1. 99900M-015	ZERO BOW
2. 115384	FLOOR BOW
3. 99900M-016	BOW, UPPER WINDOW
4. 99900M-017	BOW, LOWER WINDOW
5. 114505-01	BRACE, FRONT, VERTICAL ,CS
6. 114505-02	BRACE, FRONT, VERTICAL, RS
7. 101315	BRACE, VERTICAL, REAR
8. 104408	EXTRUSION, Z RIB
9. 114888	SEGMENT, CENTER LEFT "BRIGHT"
10. 114889	SEGMENT, CENTER RIGHT "BRIGHT"
11. 99900M-049	SEGMENT, CENTER
12. 114890	SEGMENT, #26 "BRIGHT"
13. 114891	SEGMENT, #27 "BRIGHT"
14. 114894	SEGMENT, #28 "BRIGHT"
15. 114895	SEGMENT, #29 "BRIGHT"
16. 114880-307	ALUMINUM SHEET .040" X 51" X 307"
17. 512226	Light, clearance, amber LED
18. 114849-03	ALUMINUM SHEET, .060" X 36"W X 8', GRAY
19. 453629	HAT SECTION, DINETTE TABLE SUPPORT
20. 371381-19	WINDOW, 36.25" X 24.19" FLAT, SPLIT
21. 101315-01	BRACE, VERTICAL, REAR,, LH
22. 101315-02	BRACE, VERTICAL, REAR, RH
500096	REFLECTOR, AMBER

2009 SPORT EXTERIOR BODY

Front End 17', 22', Panoramic Front Window



See next page for P/N.

2009 SPORT

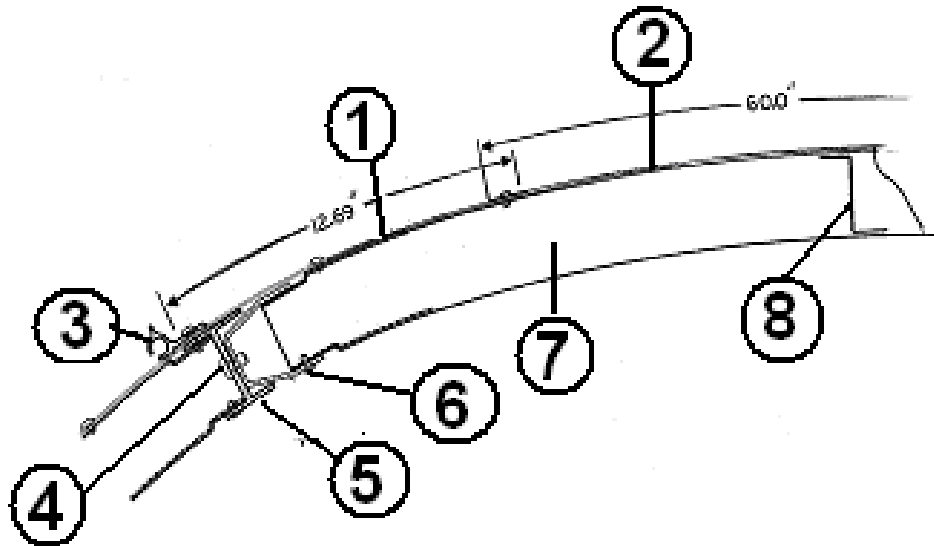
EXTERIOR BODY

Front End 17', 22', w/Panoramic Front Window Option

967333	END SHELL, FRONT
1. 99900M-015	ZERO BOW
2. 115384	FLOOR BOW
3. 99900M-016	BOW, UPPER WINDOW
4. 99900M-017	BOW, LOWER WINDOW
5. 114505-01	BRACE, FRONT, VERTICAL ,CS
6. 114505-02	BRACE, FRONT, VERTICAL, RS
7. 101315	BRACE, VERTICAL, REAR
8. 104408	EXTRUSION, Z RIB
9. 114888	SEGMENT, CENTER LEFT "BRIGHT"
10. 114889	SEGMENT, CENTER RIGHT "BRIGHT"
11. 99900M-049	SEGMENT, CENTER
12. 114890	SEGMENT, #26 "BRIGHT"
13. 114891	SEGMENT, #27 "BRIGHT"
14. 114894	SEGMENT, #28 "BRIGHT"
15. 114895	SEGMENT, #29 "BRIGHT"
16. 114880-307	ALUMINUM SHEET, CUT TO 41" X 37.55"
17. 512226	Light, clearance, amber LED
18. 114849-03	ALUMINUM SHEET, GRAY, CUT TO 12" X 19"
19. 453629	HAT SECTION, DINETTE TABLE SUPPORT
20. 500096	REFLECTOR, AMBER
21. 114813	ANGLE, 1'X 1.5"X 1.25"
22. 101315-01	BRACE, VERTICAL, REAR,, LH
23. 101315-02	BRACE, VERTICAL, REAR, RH
24. 99900P-049	WINDOW, FRONT, W/SQUARE CORNERS
25. 372089-101	ROADSIDE WRAP WINDOW
26. 372088-101	CURBSIDE WRAP WINDOW

2009 SPORT EXTERIOR BODY

Roof



- | | |
|---------------|---|
| 1. 114362 | Aluminum sheet, .050 x 7", white |
| 2. 114489-262 | Aluminum sheet, white, .032 x 60" x 262 |
| 3. 114290-02 | Extrusion, awning/drip rail |
| 4. 340123-02 | Rivet, Huck, 3/16 x 1/2" |
| 5. 104707-01 | Extrusion, "I" beam |
| 6. 114987-02 | Extrusion, roof corner |
| 7. 99900M-001 | Roof bow |
| 8. 104408 | Extrusion, Z bar, horizontal |
| 325000-03 | Rivet, buck, white, 1/8" x 1/4" |

Shell Attachment

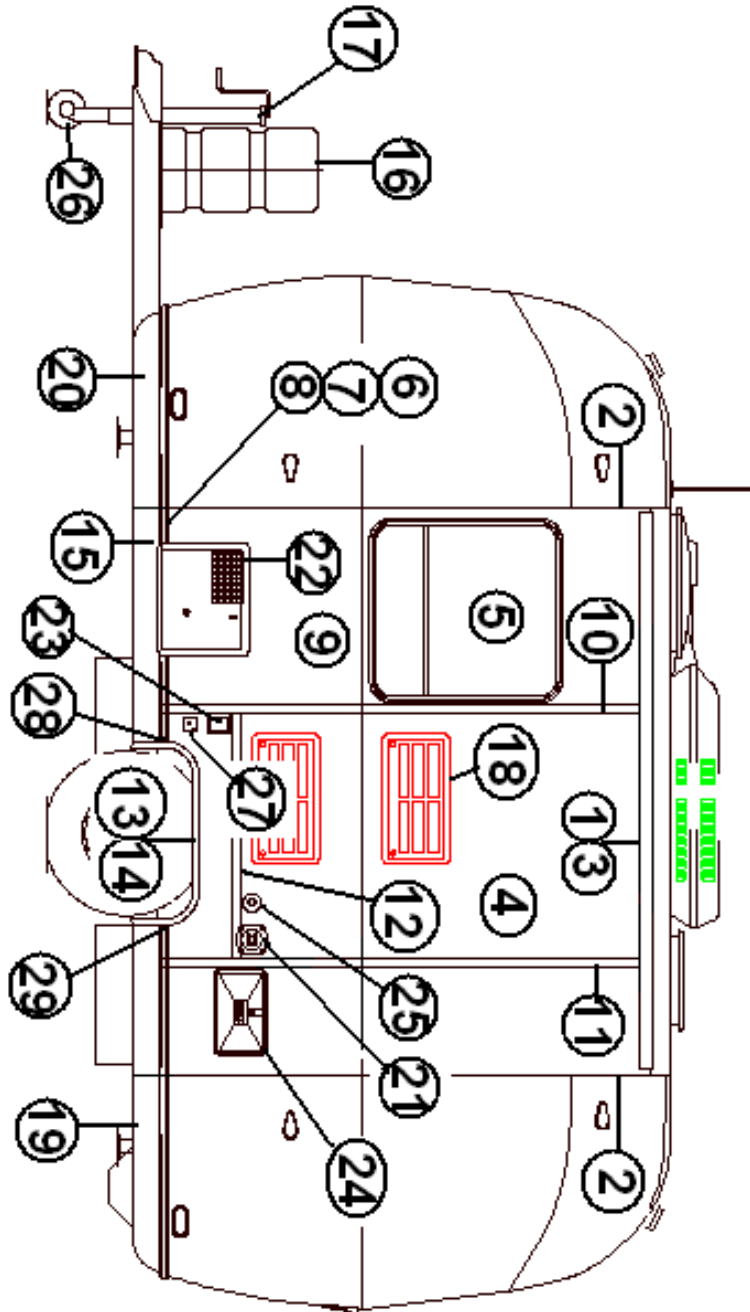
- | | |
|-----------|-------------------------------|
| 300023-02 | WASHER, HOLD DOWN-HOLE OFFSET |
|-----------|-------------------------------|

2009 SPORT

NOTES

2009 SPORT EXTERIOR BODY

Wall, Roadside, 17'



Part numbers on the next page

2009 SPORT

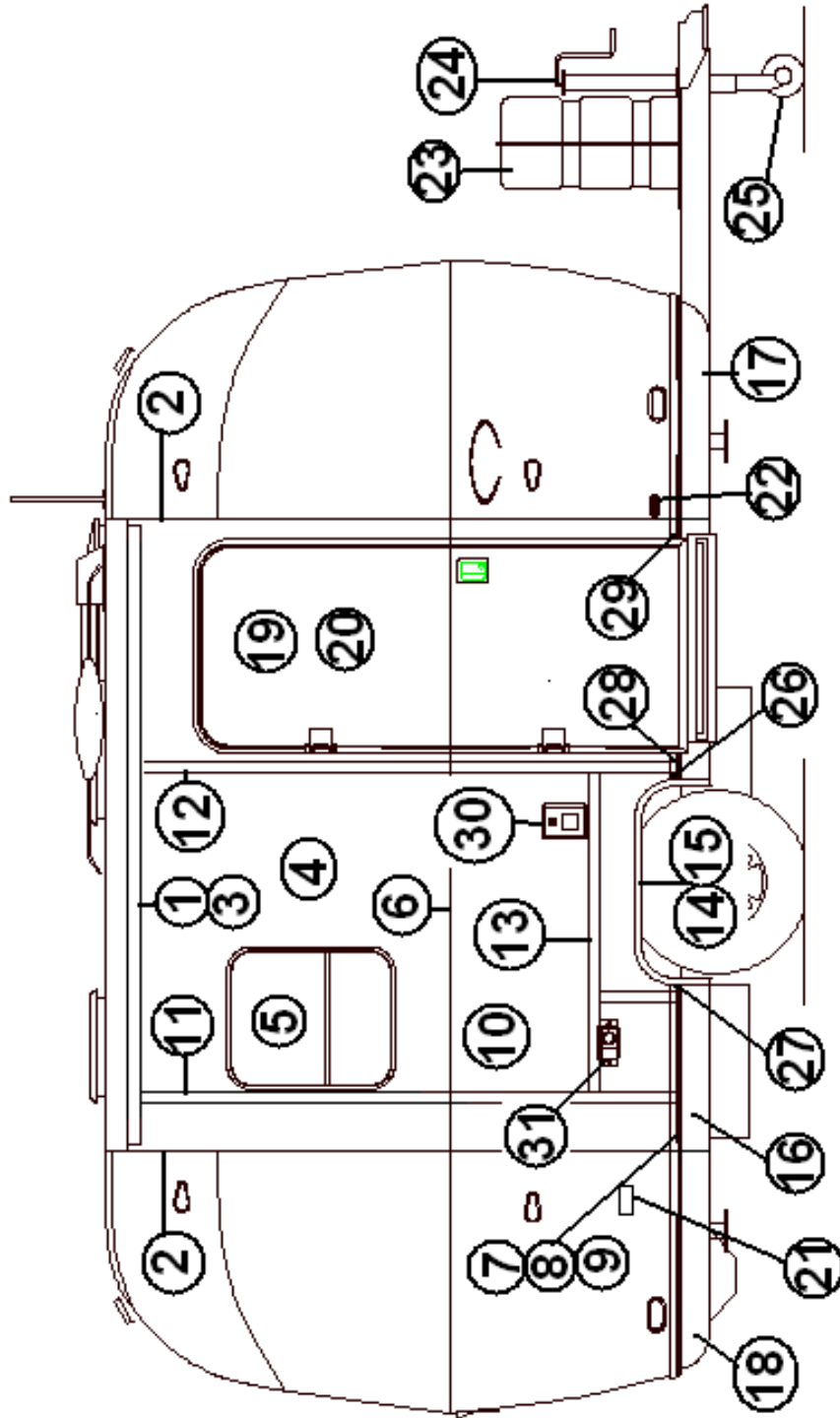
EXTERIOR BODY

Wall, Roadside, 17'

- | | |
|---------------|---|
| 1. 114290-02 | Extrusion, awning/drip rail |
| 2. 99900M-015 | Rib, end bow |
| 3. 104707-01 | Extrusion, "I" beam |
| 4. 114880-201 | Aluminum sheet, upper, .040 x 51 x 201" |
| 5. 371381-20 | Window, 28.25" X 29.75", Egress |
| 6. 114460 | Extrusion, rub rail |
| 7. 201763-01 | Insert, rub rail, chrome, 1" |
| 8. 100986 | Floor channel |
| 9. 114879-201 | Aluminum sheet, lower, .040 x 33 x 201" |
| 10. 114387-02 | Bow, Z rib, L |
| 11. 114387-01 | Bow, Z rib, RH |
| 12. 100986 | Wheel well stiffener (floor channel) |
| 13.114003-04 | Wheel well trim, inner, single axle |
| 14.114004-04 | Wheel well trim, outer, single axle |
| 15.203621 | Underbelly roll, black plastic |
| 16.203617 | Cover, 20# LPG bottles, plastic |
| 17.410945 | Hitch Jack |
| 18.690470-01 | Vent, side wall mounting, Refrigerator |
| 19.203303-03 | Banana wrap, black, RS rear |
| 20.203303-01 | Banana wrap, black, RS front |
| 21.601392-05 | City water fill |
| 22.690199 | Water Heater |
| 23.511416-02 | Power inlet, 30A, 125V, MALE |
| 24.601876 | Shower, exterior, white |
| 25.601441 | Black tank flush |
| 26.410946 | Hitch jack wheel |
| 27.512249 | Cable TV connector w/cover |
| 28.114466-02 | Casting, rub rail end, wheel well, LH |
| 29.114466-01 | Casting, rub rail end, wheel well, RH |

2009 SPORT EXTERIOR BODY

Wall, Curbside, 17'



Part numbers on the next page

2009 SPORT

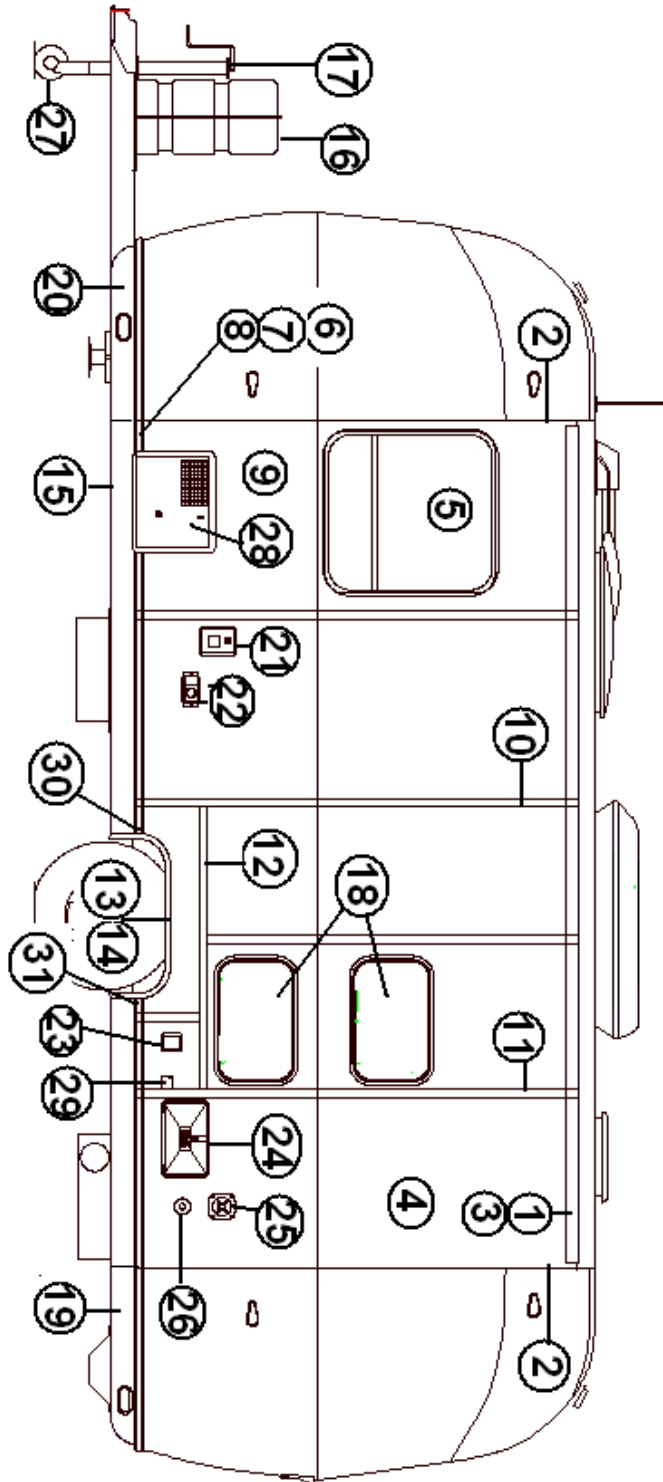
EXTERIOR BODY

Wall, Curbside, 17'

1. 114290-02 Extrusion, awning/drip rail
2. 99900M-015 Rib, end bow
3. 104707-01 Extrusion, "I" beam
4. 114880-201 Aluminum sheet, upper, .040 x 51 x 201"
5. 371381-02 Window, 19.25" X 22.75" W/8" VENT
6. 100034 "Z" bar, 48"
7. 114460 Extrusion, rub rail
8. 201763-01 Insert, rub rail, chrome, 1"
9. 100986 Floor channel
10. 114879-201 Aluminum sheet, lower, .040 x 33 x 201"
11. 114387-02 Bow, Z rib, L
12. 114387-01 Bow, Z rib, RH
13. 100986 Wheel well stiffener (floor channel)
14. 114003-04 Wheel well trim, inner, single axle
15. 114004-04 Wheel well trim, outer, single axle
16. 203621 Underbelly roll, black plastic
17. 203303-02 Banana wrap, black, CS front
18. 203303-04 Banana wrap, black, CS rear
19. 115207-09 Door, main, LH hinge, Sport
20. 114654 Screen door, main, LH hinge
21. 510676-01 Outlet, exterior, 120 Volt
22. 512252 Step light, LED, S.S.
23. 203617 Cover, 20# LPG bottles, plastic
24. 410945 Hitch Jack
25. 410946 Hitch jack wheel
26. 114466-01 Casting, rub rail end, wheel well, RH
27. 114466-02 Casting, rub rail end, wheel well, LH
28. 114465-01 Casting, rub rail end, RH
29. 114465-02 Casting, rub rail end, LH
30. 601194 Water fill, fresh
31. 690573 Furnace, 12,000 BTU

2009 SPORT EXTERIOR BODY

Wall, Roadside, 22'



Part numbers on the next page

2009 SPORT

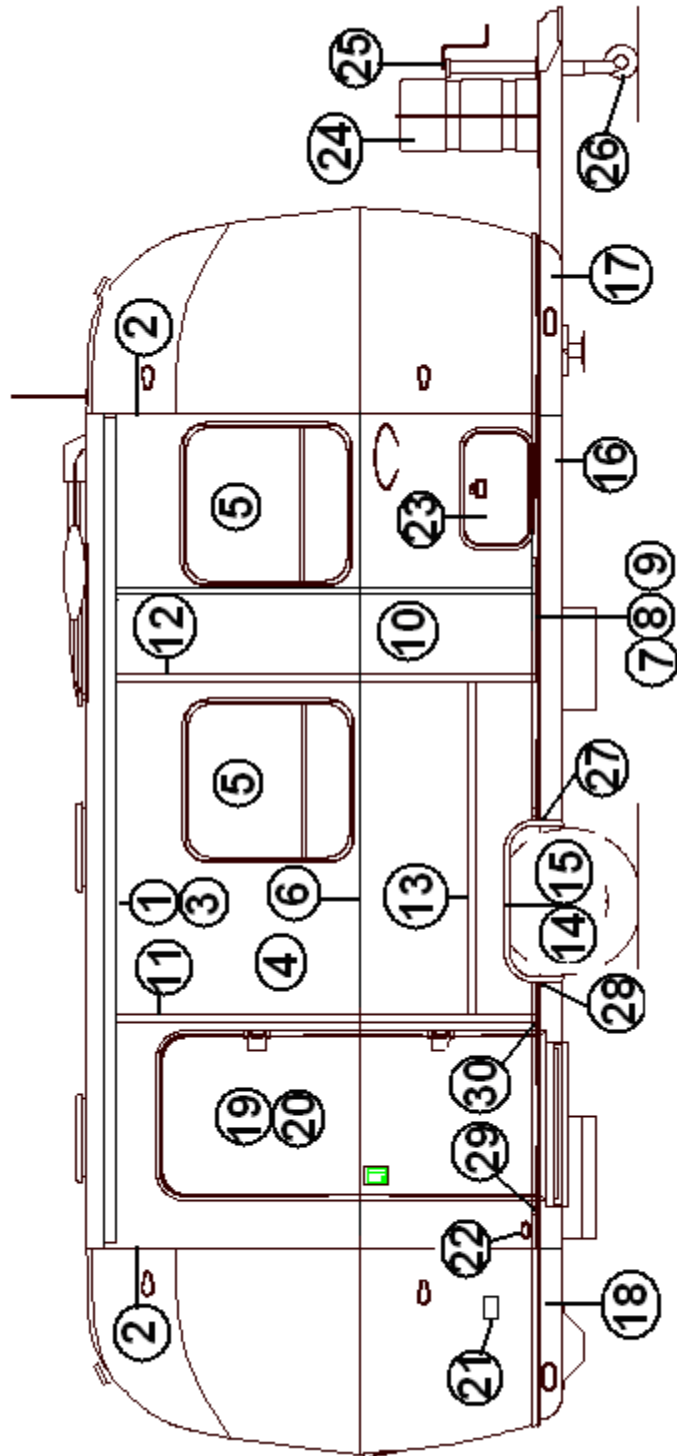
EXTERIOR BODY

Wall, Roadside, 22'

1. 114290-02 Extrusion, awning/drip rail
2. 99900M-015 Rib, end bow
3. 104707-01 Extrusion, "I" beam
4. 114880-201 Aluminum sheet, upper, .040 x 51 x 201"
5. 371381-20 Window, 28.25" X 29.75", Egress
6. 114460 Extrusion, rub rail
7. 201763-01 Insert, rub rail, chrome, 1"
8. 100986 Floor channel
9. 114879-201 Aluminum sheet, lower, .040 x 33 x 201"
10. 114387-02 Bow, Z rib, L
11. 114387-01 Bow, Z rib, RH
12. 100986 Wheel well stiffener (floor channel)
13. 114003-04 Wheel well trim, inner, single axle
14. 114004-04 Wheel well trim, outer, single axle
15. 203621 Underbelly roll, black plastic
16. 203617 Cover, 20# LPG bottles, plastic
17. 410945 Hitch Jack
18. 922243 Door assembly, refrigerator assess
19. 203303-03 Banana wrap, black, RS rear
20. 203303-01 Banana wrap, black, RS front
21. 601194 Water fill, fresh
22. 690573 Furnace, 12,000 BTU
23. 511416-02 Power inlet, 30A, 125V, MALE
24. 601876 Shower, exterior, white
25. 601392-05 City water fill
26. 601441 Black tank flush
27. 410946 Hitch jack wheel
28. 690199 Water heater
29. 512249 Cable TV connector w/cover
30. 114466-02 Casting, rub rail end, wheel well, LH
31. 114466-01 Casting, rub rail end, wheel well, RH

2009 SPORT EXTERIOR BODY

Wall, Curbside, 22'



Part numbers on the next page

2009 SPORT

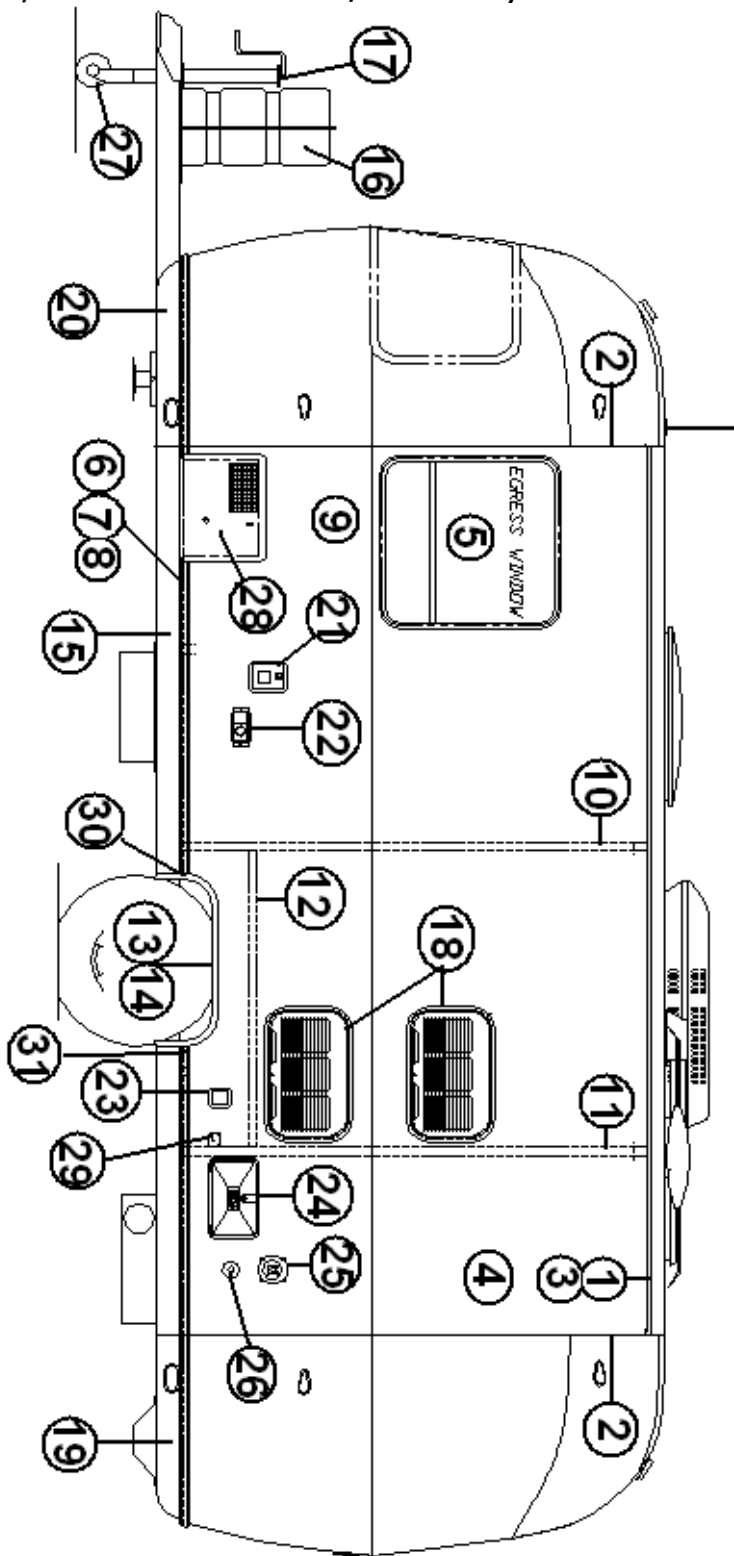
EXTERIOR BODY

Wall, Curbside, 22'

1. 114290-02 Extrusion, awning/drip rail
2. 99900M-015 Rib, end bow
3. 104707-01 Extrusion, "I" beam
4. 114880-201 Aluminum sheet, upper, .040 x 51 x 201"
5. 371381-22 Window, 28.25" X 29.75" W/8" VENT
6. 100034 "Z" bar, 48"
7. 114460 Extrusion, rub rail
8. 201763-01 Insert, rub rail, chrome, 1"
9. 100986 Floor channel
10. 114879-201 Aluminum sheet, lower, .040 x 33 x 201"
11. 114387-02 Bow, Z rib, L
12. 114387-01 Bow, Z rib, RH
13. 100986 Wheel well stiffener (floor channel)
14. 114003-04 Wheel well trim, inner, single axle
15. 114004-04 Wheel well trim, outer, single axle
16. 203621 Underbelly roll, black plastic
17. 203303-02 Banana wrap, black, CS front
18. 203303-04 Banana wrap, black, CS rear
19. 115207-08 Door, main, RH hinge, Sport
20. 114654-01 Screen door, main, RH hinge
21. 510676-01 Outlet, exterior, 120 Volt
22. 512252 Step light, LED, S.S.
23. 100679-01 Side access door assembly, 20" x 11"
24. 203617 Cover, 20# LPG bottles, plastic
25. 410945 Hitch Jack
26. 410946 Hitch jack wheel
27. 114466-01 Casting, rub rail end, wheel well, RH
28. 114466-02 Casting, rub rail end, wheel well, LH
29. 114465-01 Casting, rub rail end, RH
30. 114465-02 Casting, rub rail end, LH

2009 SPORT EXTERIOR BODY

Wall, Roadside, 22' Front Bed W/O Galley Window



Part numbers on the next page

2009 SPORT

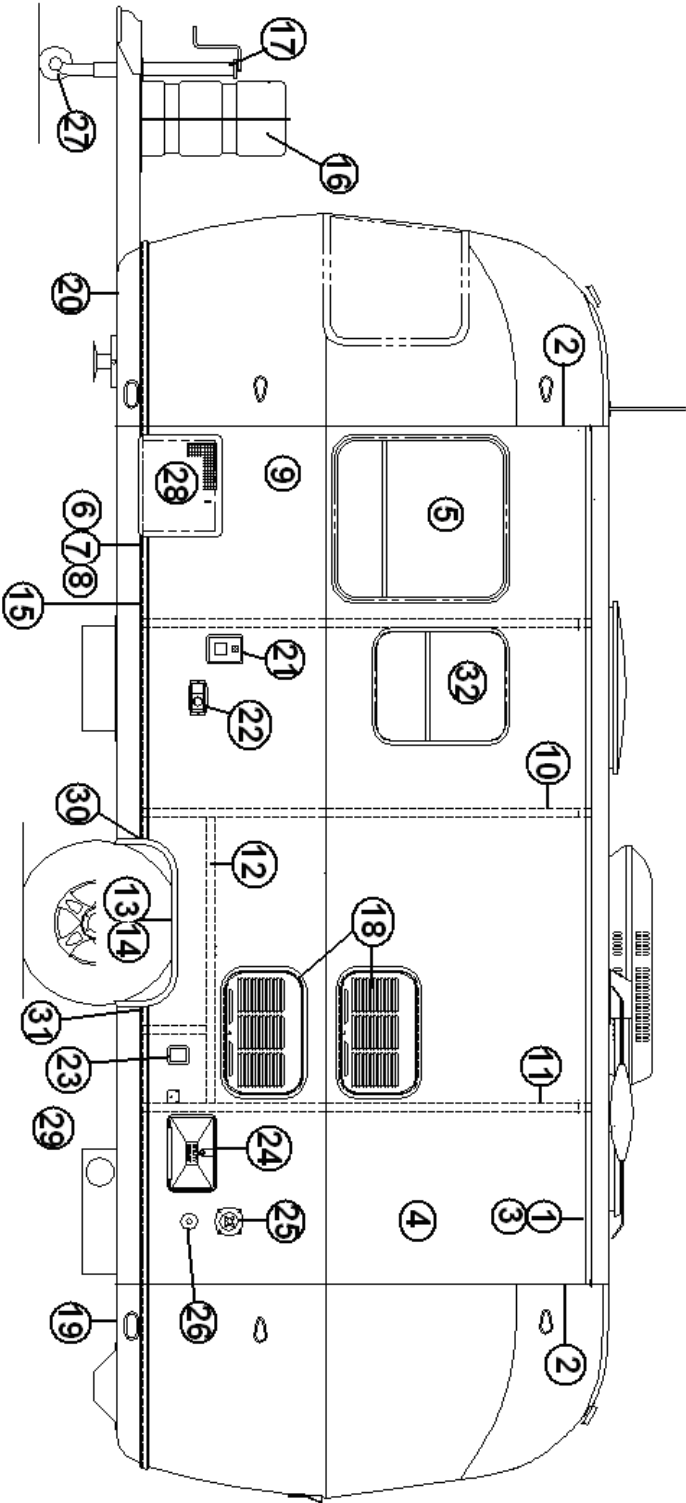
EXTERIOR BODY

Wall, Roadside, 22' Front Bed W/O Galley Window

1. 114290-02	Extrusion, awning/drip rail
2. 99900M-015	Rib, end bow
3. 104707-01	Extrusion, "I" beam
4. 114880-201	Aluminum sheet, upper, .040 x 51 x 201"
5. 371381-20	Window, 28.25" X 29.75", Egress
6. 114460	Extrusion, rub rail
7. 201763-01	Insert, rub rail, chrome, 1"
8. 100986	Floor channel
9. 114879-201	Aluminum sheet, lower, .040 x 33 x 201"
10. 114387-02	Bow, Z rib, L
11. 114387-01	Bow, Z rib, RH
12. 100986	Wheel well stiffener (floor channel)
13. 114003-04	Wheel well trim, inner, single axle
14. 114004-04	Wheel well trim, outer, single axle
15. 203621	Underbelly roll, black plastic
16. 203617	Cover, 20# LPG bottles, plastic
17. 410945	Hitch Jack
18. 922243	Door assembly, refrigerator assess
19. 203303-03	Banana wrap, black, RS rear
20. 203303-01	Banana wrap, black, RS front
21. 601194	Water fill, fresh
22. 690573	Furnace, 12,000 BTU
23. 511416-02	Power inlet, 30A, 125V, MALE
24. 601876	Shower, exterior, white
25. 601392-05	City water fill
26. 601441	Black tank flush
27. 410946	Hitch jack wheel
28. 690199	Water heater
29. 512249	Cable TV connector w/cover
30. 114466-02	Casting, rub rail end, wheel well, LH
31. 114466-01	Casting, rub rail end, wheel well, RH

2009 SPORT EXTERIOR BODY

Wall, Roadside, 22' Front Bed W/Galley Window



Part numbers on the next page

2009 SPORT

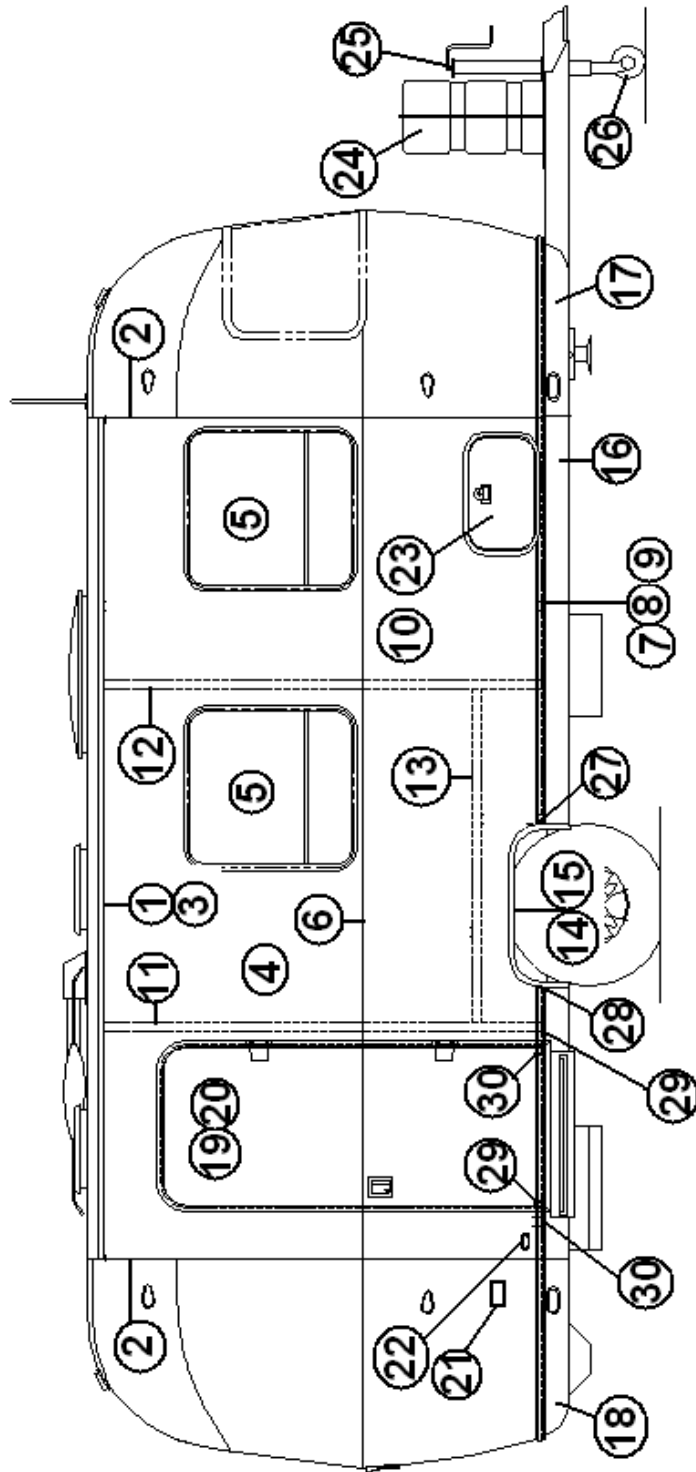
EXTERIOR BODY

Wall, Roadside, 22' Front Bed W/Galley Window

1. 114290-02	Extrusion, awning/drip rail
2. 99900M-015	Rib, end bow
3. 104707-01	Extrusion, "I" beam
4. 114880-201	Aluminum sheet, upper, .040 x 51 x 201"
5. 371381-20	Window, 28.25" X 29.75", Egress
6. 114460	Extrusion, rub rail
7. 201763-01	Insert, rub rail, chrome, 1"
8. 100986	Floor channel
9. 114879-201	Aluminum sheet, lower, .040 x 33 x 201"
10. 114387-02	Bow, Z rib, L
11. 114387-01	Bow, Z rib, RH
12. 100986	Wheel well stiffener (floor channel)
13. 114003-04	Wheel well trim, inner, single axle
14. 114004-04	Wheel well trim, outer, single axle
15. 203621	Underbelly roll, black plastic
16. 203617	Cover, 20# LPG bottles, plastic
17. 410945	Hitch Jack
18. 922243	Door assembly, refrigerator assess
19. 203303-03	Banana wrap, black, RS rear
20. 203303-01	Banana wrap, black, RS front
21. 601194	Water fill, fresh
22. 690573	Furnace, 12,000 BTU
23. 511416-02	Power inlet, 30A, 125V, MALE
24. 601876	Shower, exterior, white
25. 601392-05	City water fill
26. 601441	Black tank flush
27. 410946	Hitch jack wheel
28. 690199	Water heater
29. 512249	Cable TV connector w/cover
30. 114466-02	Casting, rub rail end, wheel well, LH
31. 114466-01	Casting, rub rail end, wheel well, RH
32. 371381-02	Window, 19.25" x 22.75"

2009 SPORT EXTERIOR BODY

Wall, Curbside, 22' Front Bed



Part numbers on the next page

2009 SPORT

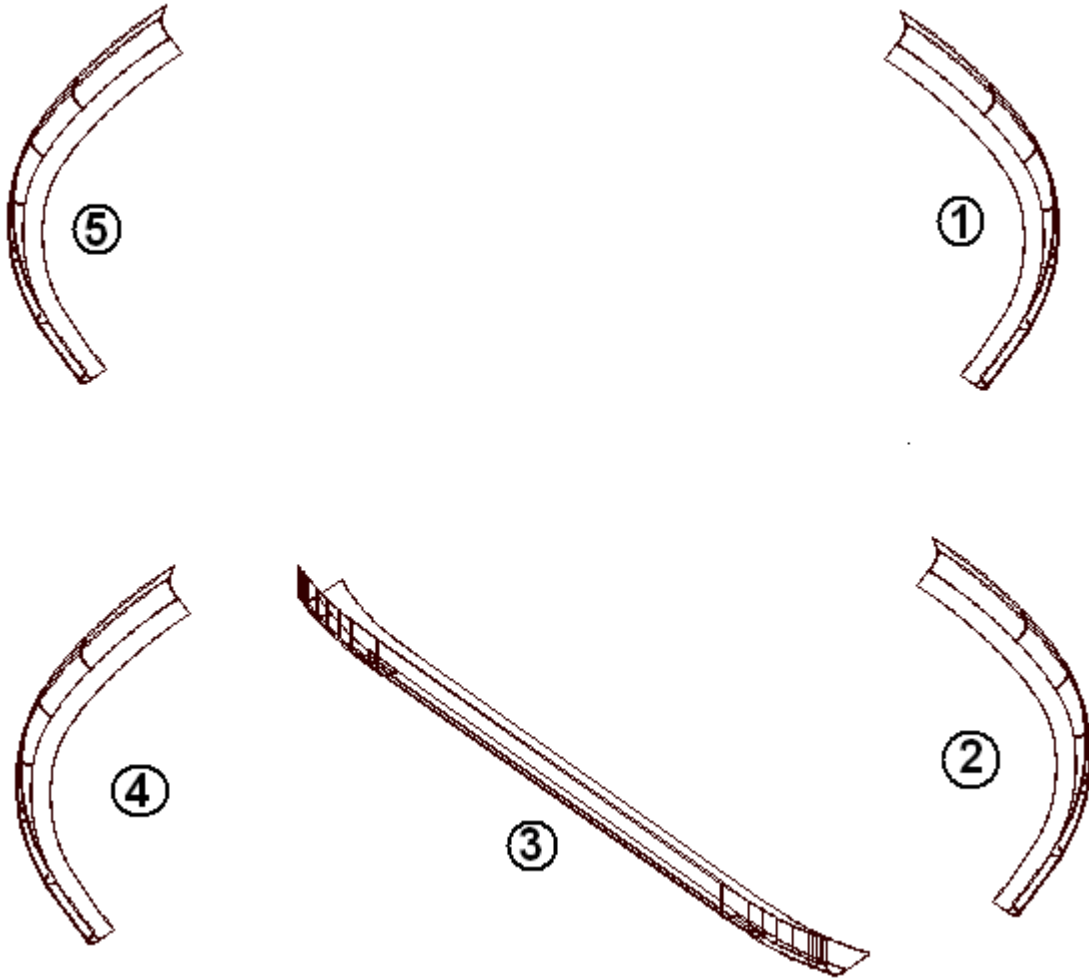
EXTERIOR BODY

Wall, Curbside, 22' Front Bed

1. 114290-02 Extrusion, awning/drip rail
2. 99900M-015 Rib, end bow
3. 104707-01 Extrusion, "I" beam
4. 114880-201 Aluminum sheet, upper, .040 x 51 x 201"
5. 371381-22 Window, 28.25" X 29.75" W/8" VENT
6. 100034 "Z" bar, 48"
7. 114460 Extrusion, rub rail
8. 201763-01 Insert, rub rail, chrome, 1"
9. 100986 Floor channel
10. 114879-201 Aluminum sheet, lower, .040 x 33 x 201"
11. 114387-02 Bow, Z rib, L
12. 114387-01 Bow, Z rib, RH
13. 100986 Wheel well stiffener (floor channel)
14. 114003-04 Wheel well trim, inner, single axle
15. 114004-04 Wheel well trim, outer, single axle
16. 203621 Underbelly roll, black plastic
17. 203303-02 Banana wrap, black, CS front
18. 203303-04 Banana wrap, black, CS rear
19. 115207-08 Door, main, RH hinge, Sport
20. 114654-01 Screen door, main, RH hinge
21. 510676-01 Outlet, exterior, 120 Volt
22. 512252 Step light, LED, S.S.
23. 100679-01 Side access door assembly, 20" x 11"
24. 203617 Cover, 20# LPG bottles, plastic
25. 410945 Hitch Jack
26. 410946 Hitch jack wheel
27. 114466-01 Casting, rub rail end, wheel well, RH
28. 114466-02 Casting, rub rail end, wheel well, LH
29. 114465-01 Casting, rub rail end, RH
30. 114465-02 Casting, rub rail end, LH

2009 SPORT
EXTERIOR BODY

Underbelly Skin/Wraps



1. 203303-01 Banana wrap, black, RS Front
 2. 203303-02 Banana wrap, black, RS Rear
 3. 203619 Underbelly wrap, center rear
 4. 203303-03 Banana wrap, black, CS Rear
 5. 203303-04 Banana wrap, black, CS Front
- 114679 Aluminum underbelly, .019" x 65.75 x coil

Wrap Protector

- 203618-01 FILM, 3D BODY, RS, 34.11 X 38.5
203618-02 FILM, 3D BODY, CS, 34.11 X 38.5

2009 SPORT

INTERIOR BODY

Interior Skin

114445 Aluminum sheet, .032" x 34" x coil
114853-01 Aluminum sheet, .032" x 57" x coil

Wall/Headliner Fabric

703552 WALL LINER GEA SILVER, 96" 15 OZ
703552-01 WALL LINER GEO SILVER, 72" 14OZ

Wheel Well Insulator

203289 LINER, WHEEL WELL ABS
201568 FOAM, 3 TUFCOTE ACOUSTICAL

Main Door Threshold

702963 VINYL EMBOSSED 1.75W THRESHOLD

Wall/Skin Trim

114157-01 Extrusion, end liner, upper, white
201728-06 Extrusion, ceiling trim retainer, gray
203225 Trim, flexible, "U", white
203225-01 Trim, flexible, "U", GRAY
203138-04 EXTRUSION, PLASTIC WALL OAK
203138-01 EXTRUSION, PLASTIC WALL WHITE

2009 SPORT
INTERIOR BODY

Interior Aft End Segments



1. 114892-01 Interior Center Segment
2. 114890-01 Interior Segment

Galley Wall Board/Back splash

- | | |
|--------|---|
| 111654 | Galley backsplash, 17' |
| 111635 | Galley backsplash, 22' |
| 111786 | Galley backsplash, 22' FB w/Galley Window |
| 114070 | J-TRIM, ALUMINUM |

2009 SPORT

CHASSIS

Axles

410875-24 Axle, 4500 #, 22'

410875-23 Axle, 3500#, 17'

Tire/Wheel, 17'

410944 TIRE/WHEEL ASSY 14" ALUMINUM

400985 CENTER CAP, STAINLESS STEEL

400923 LUG NUT, 1/2" ACORN TYPE

410848-01 TIRE/WHEEL ASSY 14"STEEL, SPARE

Tire/Wheel, 22'

410949 TIRE/WHEEL, 15" ALUMINUM

400844 COVER, HUB DUST, 4" STAINLESS

400923 LUG NUT, 1/2" ACORN TYPE

410843-01 TIRE/WHEEL ASSY 15" "D" SPARE

Spare Tire Carrier

450414 "A" frame spare tire carrier

994073 BRACKET FOR SPARE TIRE

Step, Single

400962 STEP-MAIN DOOR STEEL 24"

2009 SPORT

CHASSIS

Hose Carrier

601544-02 E-Z Hose carrier, 46in., black
104704-01 SHIM, 3 X 3

Safety Chain Hook

400945 5/16" clevis, safety slip hook

Hitch Jack

410945 JACK, ECLIPSE, MANUAL
410946 WHEEL, JACK, JOCKEY

Jacks, Stabilizing

400914-03 STABILIZER JACK 20", LIGHTWEIGHT
400914-02 HANDLE, 15" (STABILIZER JACK)
400914-04 FOOT PADS, STABILIZER JACK (Set of Four)
454425 SPACER, STABILIZER JACK

2009 SPORT

DECALS/EXTERIOR TRIM

Decals/Logos/Nameplates

386219	NAMEPLATE, SPORT, 3" X 10"
386205	DECAL, "AIRSTREAM", CHROME, 16"
386068	MEDALLION 3" LOGO, AIRSTREAM

Beltline

114328	Extrusion, belt line molding
201912	Molding, belt line insert, chrome
114417	Casting, belt line close out

Rub Rail trim

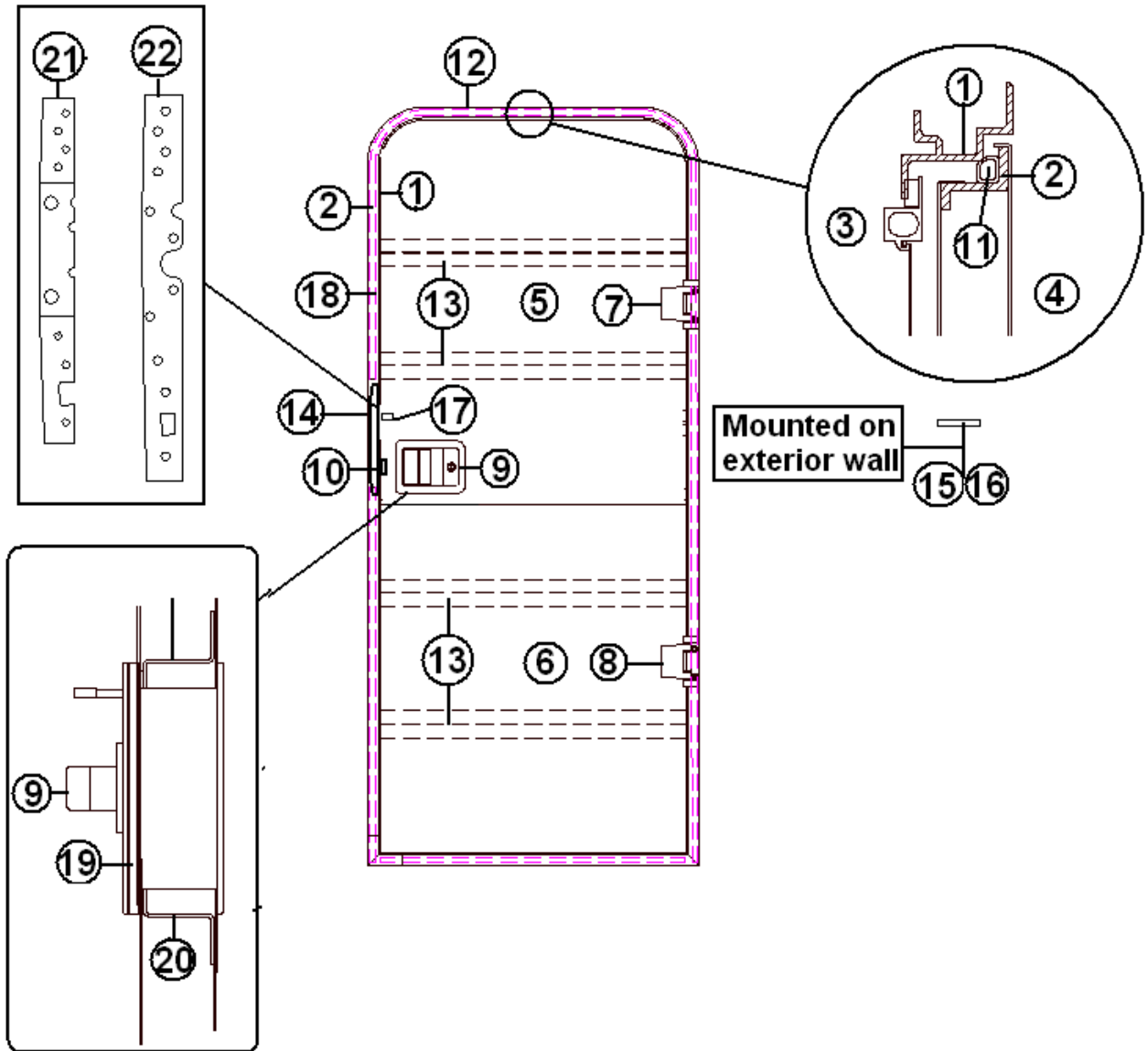
114460	Extrusion, rub rail
201763-01	Insert, rub rail, chrome, 1"
114466-01	Close out, casting, rub rail, angled RH
114466-02	Close out, casting, rub rail, angled LH
114465-01	Close out, casting, rub rail RH
114465-02	Close out, casting, rub rail LH

Reflectors

500096	REFLECTOR, AMBER
510446	REFLECTOR, RED, STICK-ON

2009 SPORT DOORS/WINDOWS/AWNING

Main Door, RH Hinge



Part numbers on the next page

2009 SPORT

DOORS/WINDOWS/AWNING

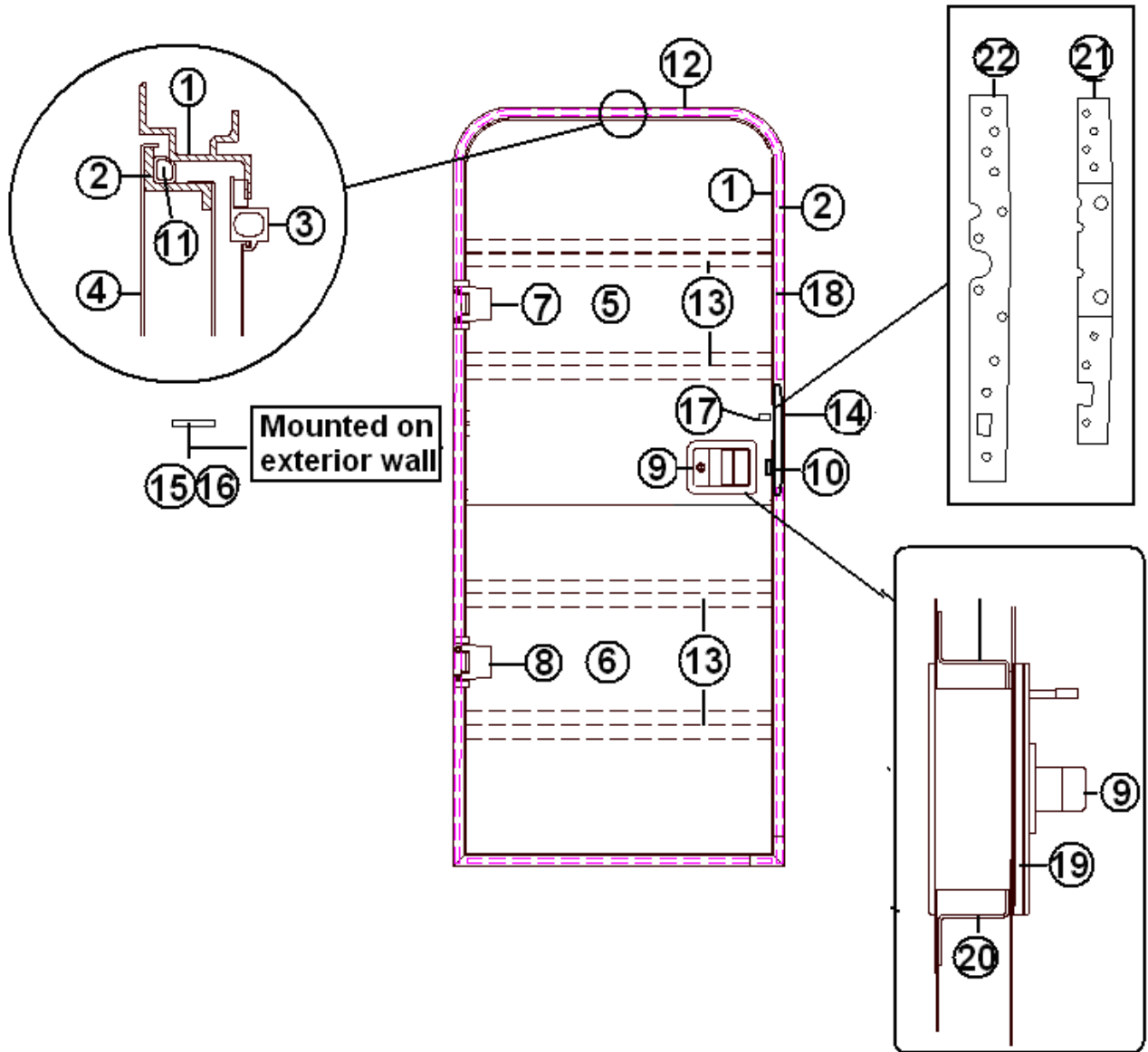
Main Door, RH Hinge

- 115207-08 Main door assembly, RH Hinge
- 1. 114652-01 Jamb, main door, pre-formed
- 2. 114653-01 Frame, main door, pre-formed
- 3. 114654-01 Screen door assembly, RH Hinge
- 4. 114448-02 Skin, exterior, upper main door
- 5. 114449-03 Skin, exterior, lower main door
- 6. 114475 MAIN DOOR SKIN INNER
- 7. 381552-03 HINGE ASSY. MAIN DOOR UPPER
- 8. 381552-04 HINGE ASSY. MAIN DOOR LOWER
- 9. Trimark latch assembly parts shown in hardware section
- 10. 385595 Pocket strike, main door
- 11. 365232 Seal, main door
- 12. 114363 Drip cap, main door
- 13. 114658 Inner door, "Z" bar, upper & lower
- 14. 101171 HANDLE, CAST ALUMINUM
- 14. 382074 Gasket, grab handle, main door
- 15. 380290 Housing. Latch, mounted on side sheet
- 16. 380291 Latch assembly, mounted on side sheet
- 17. 201056 Striker, main door, black plastic
- 18. 114507-03 Trim, main door
- 19. 203370 Spacer, door latch
- 20. 114657 Hat section, formed, main door
- 21. 382067 OUTER LATCH, REINFORCEMENT, RH/LH
- 22. 382068 Inner reinforcement plate, RH hinged door

2009 SPORT

DOORS/WINDOWS/AWNING

Main Door, LH Hinge



Part numbers on the next page

2009 SPORT

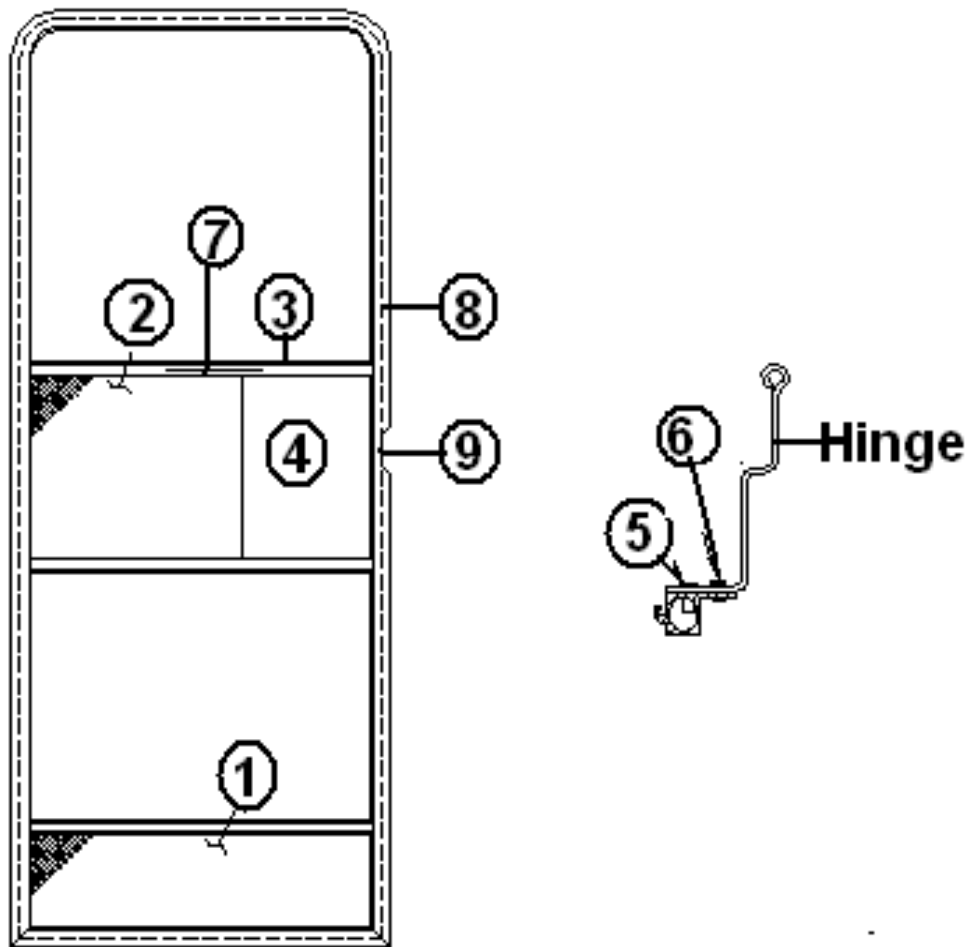
DOORS/WINDOWS/AWNING

Main Door, LH Hinge

- 115207-09 Main door assembly, RH Hinge
- 1. 114652 Jamb, main door, pre-formed
- 2. 114653 Frame, main door, pre-formed
- 3. 114654 Screen door assembly, RH Hinge
- 4. 114448-03 Skin, exterior, upper main door
- 5. 114449-03 Skin, exterior, lower main door
- 6. 114475 MAIN DOOR SKIN INNER
- 7. 381552-03 HINGE ASSY. MAIN DOOR UPPER
- 8. 381552-04 HINGE ASSY. MAIN DOOR LOWER
- 9. Trimark latch assembly parts shown in hardware section
- 10. 385595 Pocket strike, main door
- 11. 365232 Seal, main door
- 12. 114363 Drip cap, main door
- 13. 114658 Inner door, "Z" bar, upper & lower
- 14. 101171 HANDLE, CAST ALUMINUM
- 14. 382074 Gasket, grab handle, main door
- 15. 380290 Housing. Latch, mounted on side sheet
- 16. 380291 Latch assembly, mounted on side sheet
- 17. 201056 Striker, main door, black plastic
- 18. 114507-03 Trim, main door
- 19. 203370 Spacer, door latch
- 20. 114657 Hat section, formed, main door
- 21. 382067 OUTER LATCH, REINFORCEMENT, RH/LH
- 22. 382066 Inner reinforcement plate, LH hinged door

2009 SPORT
DOORS/WINDOWS/AWNING

Screen Door



Part numbers on the next page

2009 SPORT

DOORS/WINDOWS/AWNING

Screen Door

114654	SCREEN DOOR ASSY. LH HINGE
114654-01	SCREEN DOOR ASSY. RH HINGE
1. 114648-01	Kick panel screen door
2. 114561-01	Panel, slider, screen door
3. 104784-78	EXTR.SCREEN DOOR STIFENER #VH-9
4. 203287-02	Close out, plastic, screen door
5. 330126-03	RIVET POP, A52ABS
6. 325122	Rivet, hard, 5/32
7. 380004	HANDLE WITH 8/32 X 1 SCREW
8. 365013-01	Gasket, screen door, foam tape
9. 683946	BUG SEAL, edge of screen door close out
115171-01	SCREEN DOOR GUARD TOP
115171-02	SCREEN DOOR GUARD BOTTOM
380079	Screen, gray
200518	Spline, gray, screen insert
701624	VELCRO LOOP 5/8" WIDE
701625	VELCRO HOOK, 5/8" WIDE
381454	Screen door hold back latch, Bullet
386068	MEDALLION 3" LOGO, AIRSTREAM
381531-01	Hinge, screen door, upper
381531-02	Hinge, screen door, lower

2009 SPORT

DOORS/WINDOWS/AWNING

Refrigerator Exterior Access Door

922243	Door, refrigerator access, assembly
922156	REFRIGERATOR access door only
104417	Jamb, refrigerator access door
104439	Louvered panel, refrigerator access door
380988	HINGE, CONTINUOUS .5IN LEAF 16IN
203225	Trim, flexible
381812	Latch, twist Lock

Exterior Shower Door

601876	Shower Door, exterior, white
--------	------------------------------

Access Door, Small, Side

100679-01	Small, access door assembly
365035	Seal, side access door
380773	HINGE, ACCESS DOOR
380770	LOCK & CASTING ASSEMBLY
115295	SPACER, FORMED COMPARTMENT DOOR
115296	JAMB, FORMED COMPARTMENT DOOR
365035	RUBBER SEAL, ACCESS DOOR

Windows, Standard

371381-19	Window, 36.25" x 24.19", front end, 17', 22'
371381-20	Window, 28.25 "x 29.75", egress, RS, 17', 22'
371381-21	Window, flat w/8" vent, aft end, 17', 22'
371381-22	Window, 28.25" x 29.75" w/8" vent, CS 22'
371381-02	Window, 19.25 X 22.75, 8" Vent
381665	GASKET "D" SEAL .50W X .36H BLACK

2009 SPORT

DOORS/WINDOWS/AWNING

Windows, Panoramic

99900P-049	WINDOW, FRONT, W/SQUARE CORNERS
372089-101	ROADSIDE WRAP WINDOW
372088-101	CURBSIDE WRAP WINDOW
320127-04	SCREW SHEET METAL #8 QDPH BLK
99900P-052	SCREEN, FRONT WINDOW
380230-03	KNOB, WINDOW ARM, PLASTIC/SILVER

Window Trim

110460-07	Trim ring, window, 31.25" x 29.75", White
110460-10	Trim ring, window, 26.25 "X 19.25", White
110460-13	Trim ring, window, 36.25" X 24.19"
110460-14	Trim ring, window, 27" X 28"
110460-02	Trim ring, window, 19.25' x 22.75", White
203225-01	TRIM LOK, GRAY, EDGE TRIM

Window Stone Guard, Standard

110102-04	Rock guard
203472-07	Plexi-glass, front window
683960	Arm support
683959	Arm support bracket
114749	HINGE "Y" ASSY.
114750	HINGE "J"
685364	BRKT, UPPER HINGE-45.375-STONEGUARD
381021	Latch, draw flexible

2009 SPORT

DOORS/WINDOWS/AWNING

Window Stone Guard, Panoramic Window Option

685275-101	CURBSIDE WRAP SOLAR GRAY STONEGUARD
685275-102	ROADSIDE WRAP SOLAR GRAY STONEGUARD
110102-05	Rock guard, center piece only
203472-08	Plexi-glass, front window stone guard
683960	Arm support
683959	Arm support bracket
114749	HINGE "Y" ASSY.
114750	HINGE "J"
685364	BRKT, UPPER HINGE-45.375-STONEGUARD
381021-01	Latch, draw flexible
685360	BRACKET, STONEGUARD, UPPER WRAP

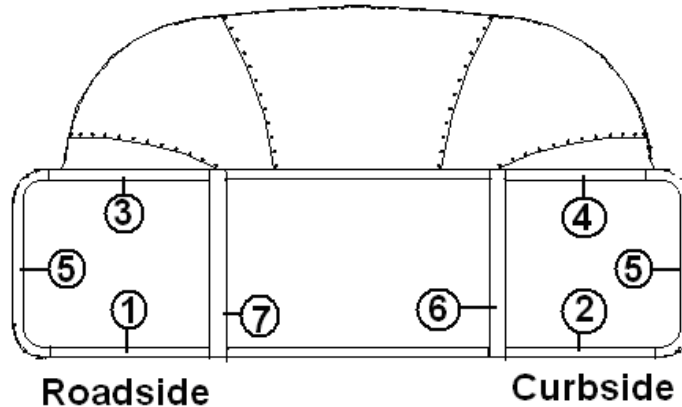
Stone guard frame

114815-01	Extrusion, frame aluminum
685354	Front window key, 90-degree angle riveted to inside corner of metal frame
685378-01	¼" rubber spline
685351	Rubber frame, black
101401	Extrusion, door latch housing
685355	SLIP JOINT S.S.HINGE

2009 SPORT

DOORS/WINDOWS/AWNING

Panoramic Window Trim



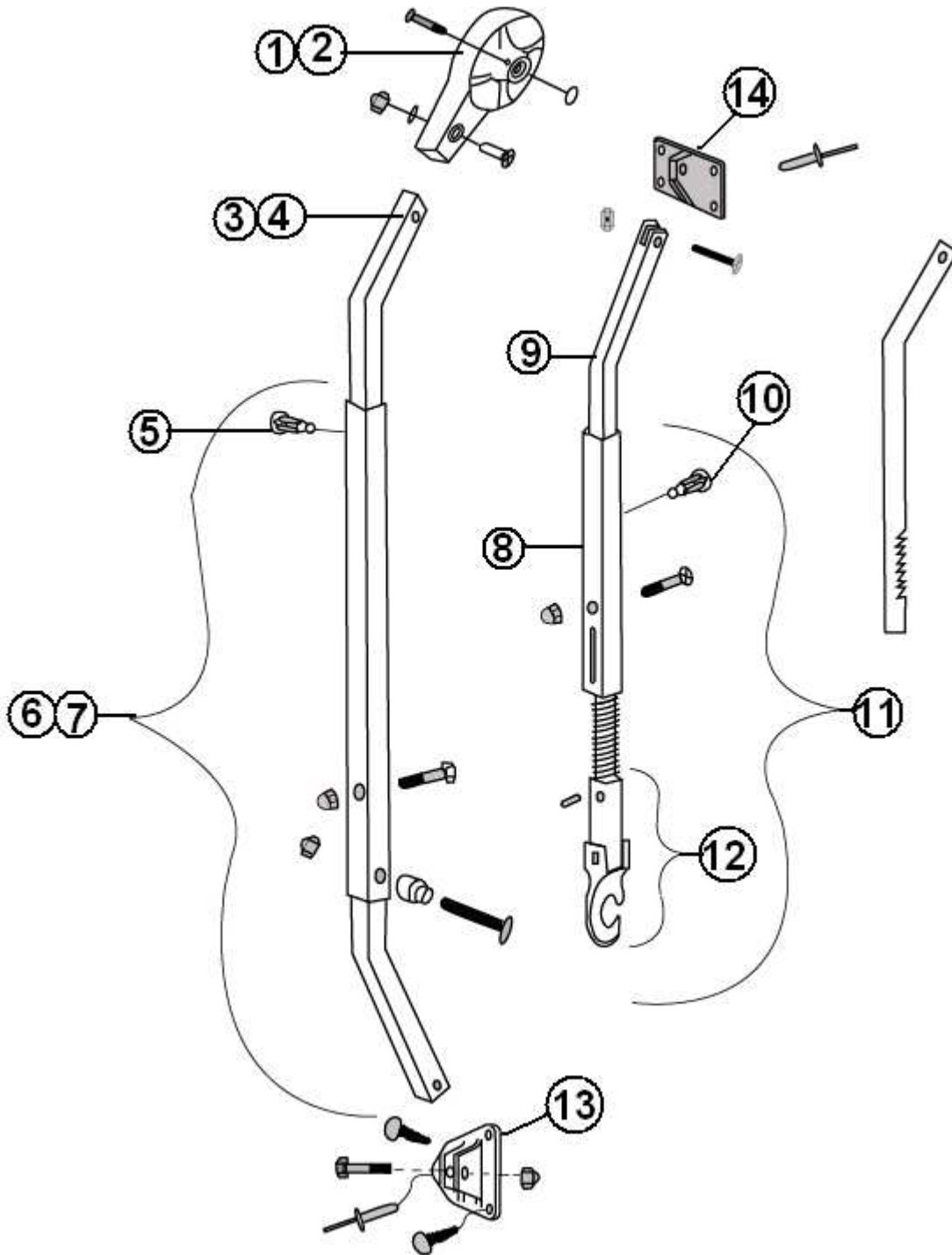
- | | |
|--------------|------------------------------|
| 1. 201579-02 | TRIM RING, LOWER, ALUMINUM |
| 2. 201580-02 | TRIM RING, LOWER, ALUMINUM |
| 3. 201581-05 | TRIM RING, UPPER, ALUMINUM |
| 4. 201581-06 | TRIM RING, UPPER, ALUMINUM |
| 5. 201578-02 | END CAP, TRIM RING, ALUMINUM |
| 6. 110900-03 | TRIM FORMED, ALUMINUM, RH |
| 7. 110900-04 | TRIM FORMED, ALUMINUM, LH |
| 203225-01 | TRIM LOK, ALUMINUM .75" |

Awnings, Patio

- | | |
|-----------|---------------------------------------|
| 703727-03 | Awning, patio, 7' 5.25", Zip Dee, 17' |
| 703727-02 | Awning, patio, 9' 8", Zip Dee, 22' |
| 703727-01 | Hardware package, Zip Dee |
| 385577 | TAPE CLEAR WEAR STRIP 3.5" WIDE |

2009 SPORT HARDWARE

Awning Hardware, Lightweight, Patio



Part numbers on the next page

2009 SPORT

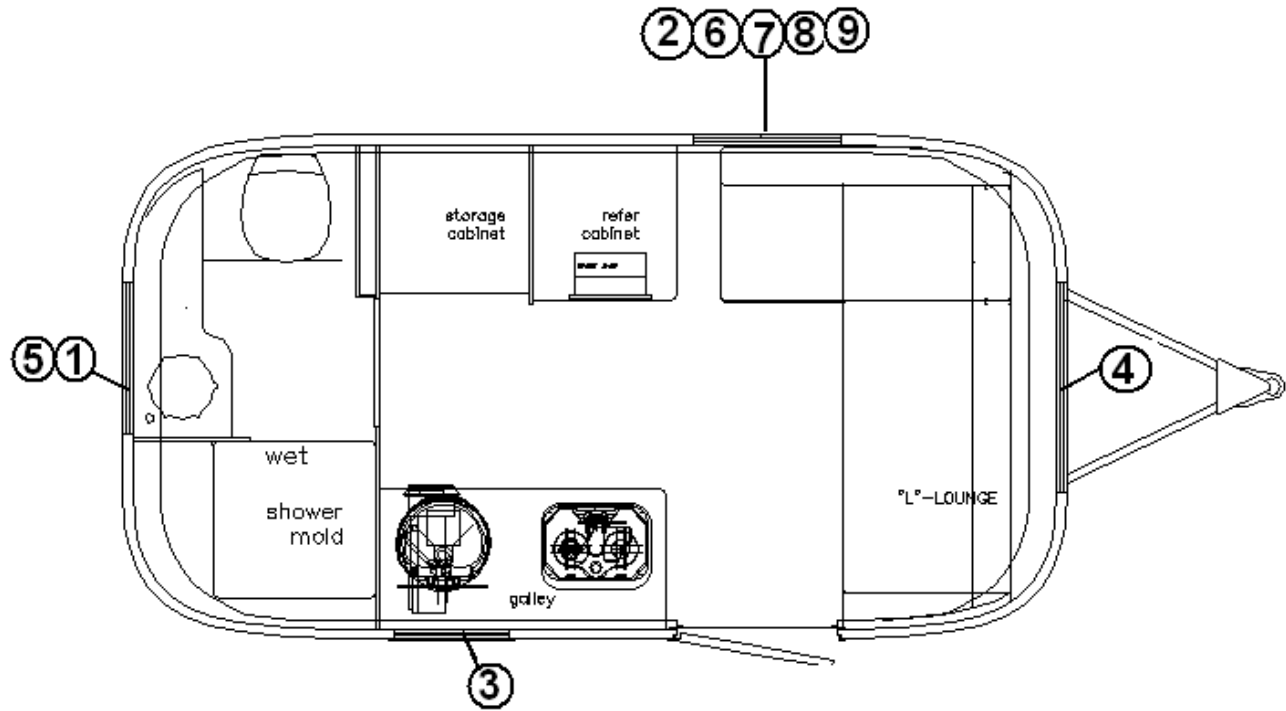
HARDWARE

Patio Awning Hardware

703727-01	Awning hardware, complete package
1. 74043W-08	Front head casting
2. 74043W-09	Rear head casting
3. 74047W-13	Main arm bar, front
4. 74047W-14	Main arm bar, rear
5. 74054W	Snap stud assembly
6. 74048WS-18	Front main tube bar assembly
7. 74048WS-19	Rear main tube bar assembly
8. 74063W-05	Rafter arm tube
9. 74061WS-09	Rafter arm bar
10. 74072W	Ratchet stud
11. 74048WS-20	Rafter arm tube assembly
12. 74068W-05	Claw bar assembly
13. 74055W	Base hinge
14. 74056W-02	Rafter base, flat

2009 SPORT DRAPES/BLINDS

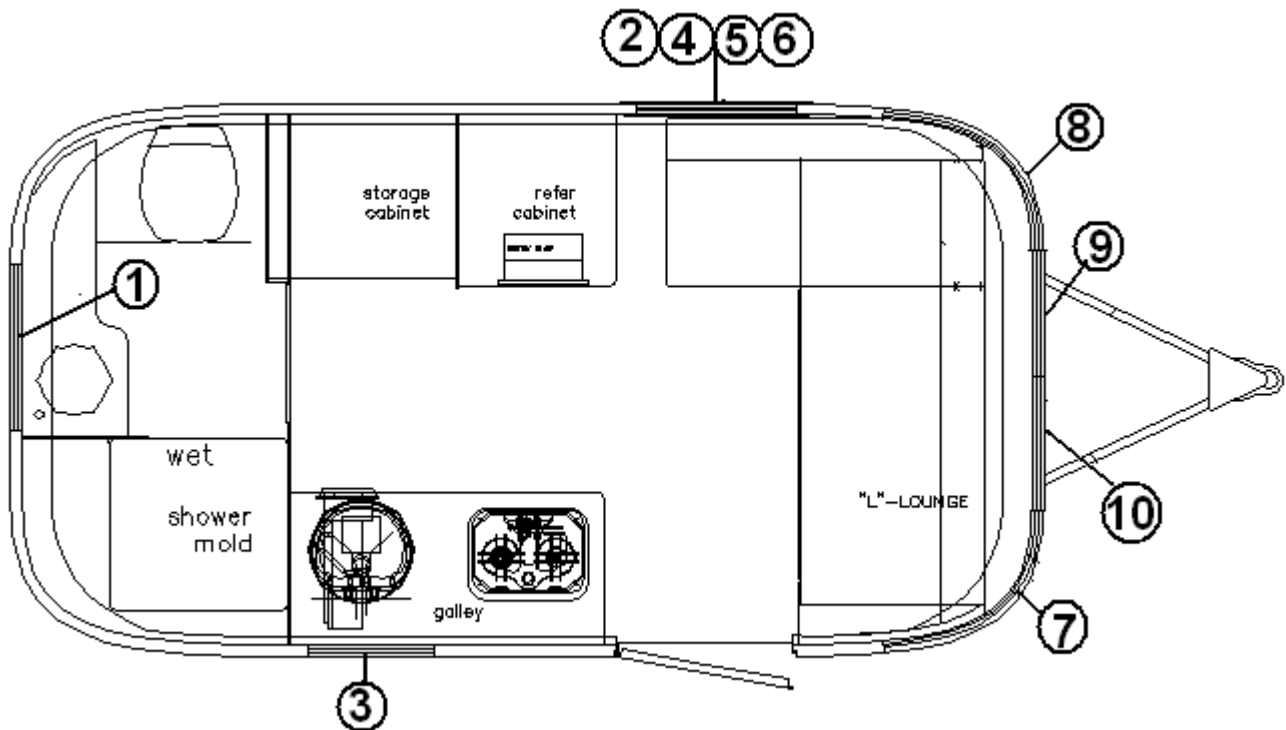
Drapes/Blinds, 17'



- | | |
|---------------|---------------------------------|
| 1. 703191-07 | BLIND, 27.5W X 22L |
| 2. 703191-21 | BLIND, 29.00 X 32.00 |
| 3. 703191-04 | BLIND, 21 X 23 |
| 4. 703191-23 | BLIND, 38.00 X 27.00 |
| 5. 115396-03 | BLIND COVER, 27.5" |
| 6. 115396-02 | BLIND COVER, 29" |
| 7. 115425-01 | VALANCE, ALUMINUM, 29.75" |
| 8. 345353-03 | SCREW, #6 X 0.75, FLAT HD- PHIL |
| 9. 195329-202 | HEMISPHERE, CLEAR BUM-ON |

2009 SPORT DRAPES/BLINDS

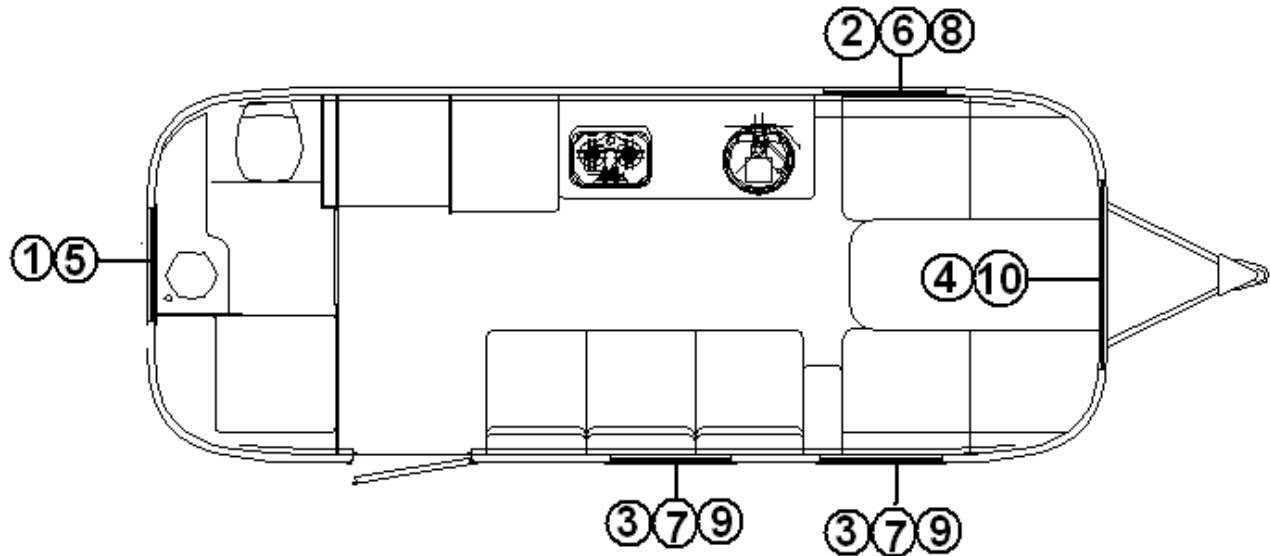
Drapes/Blinds 17', w/Front panoramic Windows



- | | |
|---------------|---|
| 1. 703191-07 | BLIND, 27.5"W X 32"L, BRUSHED ALUMINUM |
| 2. 703191-21 | BLIND, 29.00" X 32.00" , BRUSHED ALUMINUM |
| 3. 703191-04 | BLIND, 21" X 23", BRUSHED ALUMINUM |
| 4. 115396-03 | BLIND COVER, 27.50" |
| 5. 115396-02 | BLIND COVER, 29" |
| 6. 115425-01 | VALANCE, ALUMINUM, 29.75" |
| 7. 998144-09 | DRAPE, CURBSIDE SIDE PANEL, 40" X 25.50" |
| 8. 998144-11 | DRAPE, ROADSIDE SIDE PANEL 40" X 25.50" |
| 9. 998144-13 | DRAPE, CURBSIDE FRONT PANEL |
| 10. 998144-14 | DRAPE , ROADSIDE FRONT PANEL |

2009 SPORT DRAPES/BLINDS

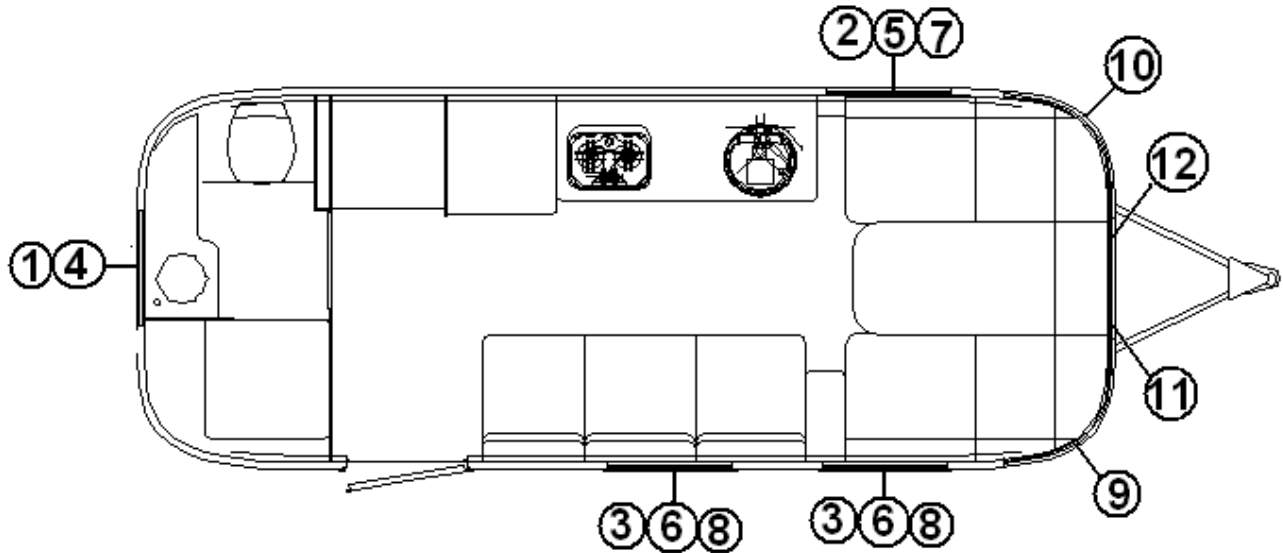
Drapes/Blinds 22'



- | | | |
|-----|-----------|-------------------------------------|
| 1. | 703191-07 | BLIND, MINI-METAL, 27.5W X 22L |
| 2. | 703191-21 | BLIND, 29.00 X 32.00, ALUMINUM-MINI |
| 3. | 703191-22 | BLIND, 31.00 X 32.00, ALUMINUM-MINI |
| 4. | 703191-23 | BLIND, 38.00 X 27.00, ALUMINUM-MINI |
| 5. | 115396-03 | MINI, BLIND COVER, 27.5" |
| 6. | 115396-02 | MINI, BLIND COVER, 29" |
| 7. | 115396-01 | MINI, BLIND COVER, 31" |
| 8. | 115425-01 | VALANCE, ALUMINUM, 29.75" |
| 9. | 115425-02 | VALANCE, ALUMINUM, 31.75" |
| 10. | 115425-03 | VALANCE, ALUMINUM, 38.75" |

2009 SPORT DRAPES/BLINDS

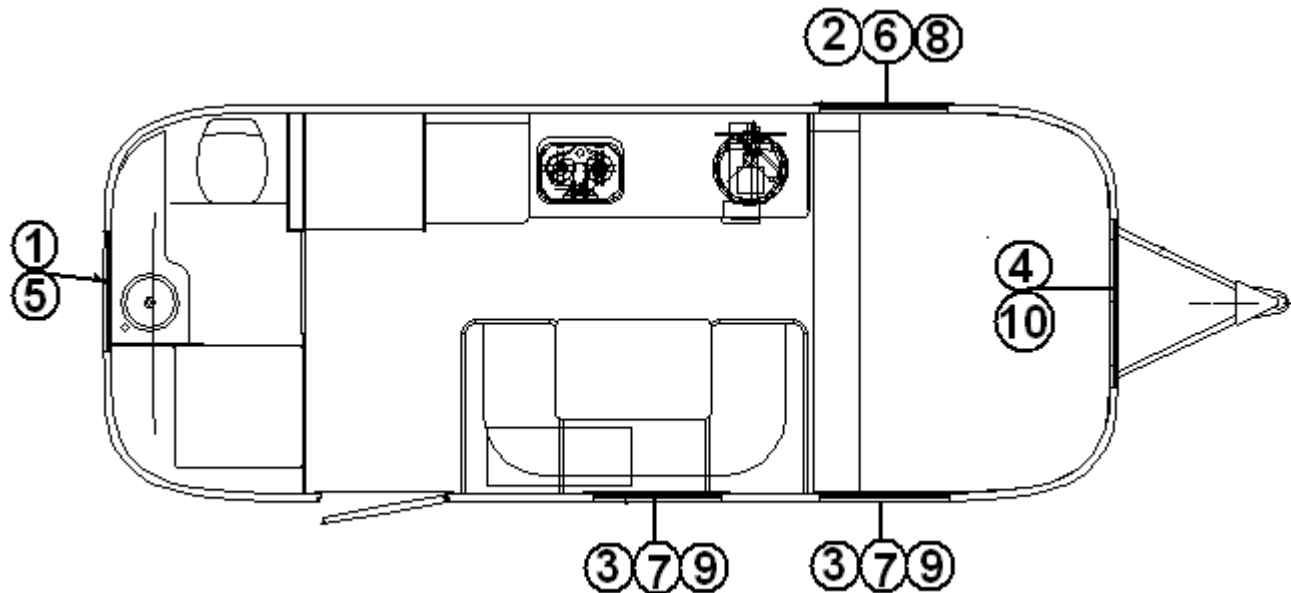
Drapes/Blinds, 22' W/Panoramic Windows



- | | |
|---------------|---|
| 1. 703191-07 | BLIND, 27.5"W X 32"L, BRUSHED ALUMINUM |
| 2. 703191-21 | BLIND, 29.00" X 32.00" , BRUSHED ALUMINUM |
| 3. 703191-22 | BLIND, 21" X 23", BRUSHED ALUMINUM |
| 4. 115396-03 | BLIND COVER, 27.50" |
| 5. 115396-02 | BLIND COVER, 29" |
| 6. 115396-01 | BLIND COVER, 31" |
| 7. 115425-01 | VALANCE, ALUMINUM, 29.75" |
| 8. 115425-02 | VALANCE, ALUMINUM, 31.75" |
| 9. 998144-09 | DRAPE, CURBSIDE SIDE PANEL, 25.50" x 40" |
| 10. 998144-11 | DRAPE, ROADSIDE SIDE PANEL 25.50" X 40" |
| 11. 998144-13 | DRAPE, CURBSIDE FRONT PANEL |
| 12. 998144-14 | DRAPE , ROADSIDE FRONT PANEL |

2009 SPORT DRAPES/BLINDS

Drapes/Blinds 22' Front Bed w/o Galley Window

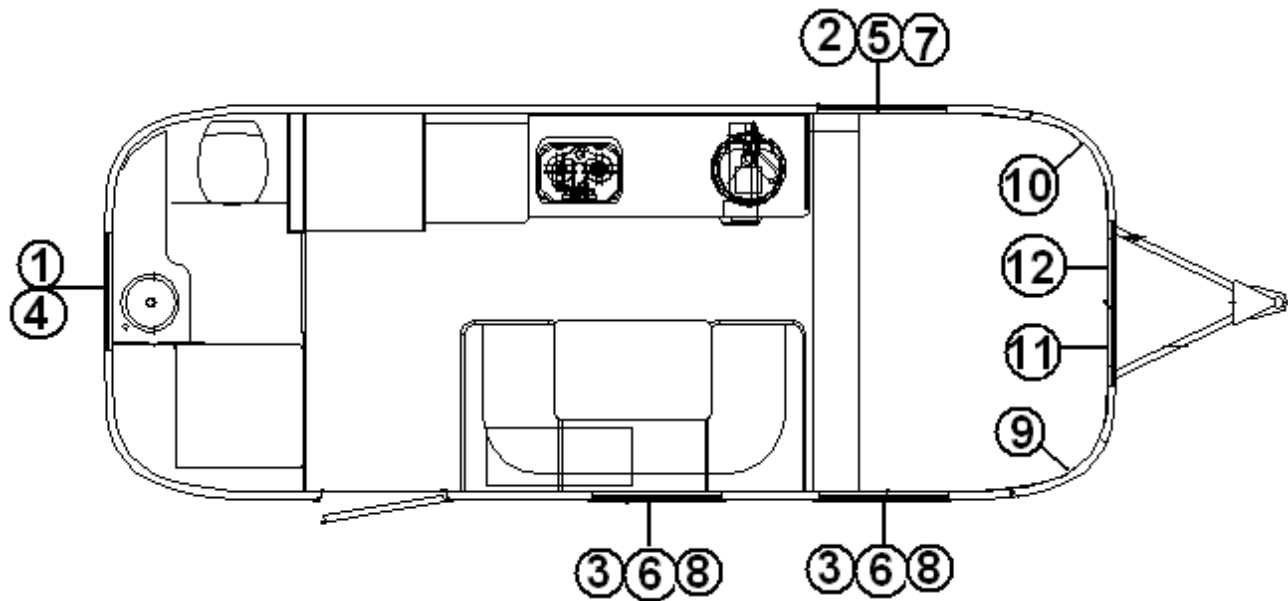


- | | | |
|-----|------------|-------------------------------------|
| 1. | 703191-07 | MINI BLIND, METAL, 27.5W X 22L |
| 2. | 703191-21 | MINI BLIND, ALUMINUM, 29.00 X 32.00 |
| 3. | 703191-22 | MINI BLIND, ALUMINUM, 31.00 X 32.00 |
| 4. | 703191-23 | MINI BLIND, ALUMINUM, 38.00 X 27.00 |
| 5. | 115396-03 | BLIND COVER, 27.5" |
| 6. | 115396-02 | BLIND COVER, 29.0" |
| 7. | 115396-01 | BLIND COVER, 31" |
| 8. | 115425-01 | VALANCE, ALUMINUM, 29.75" |
| 9. | 115425-02 | VALANCE, ALUMINUM, 31.75" |
| 10. | 115425-03 | VALANCE, ALUMINUM, 38.75" |
| | 345353-03 | SCREW, #6 X 0.75, FLAT HEAD, PHIL |
| | 195329-202 | ROUND STCK ON BUMPER, CLEAR |

2009 SPORT

DRAPES/BLINDS

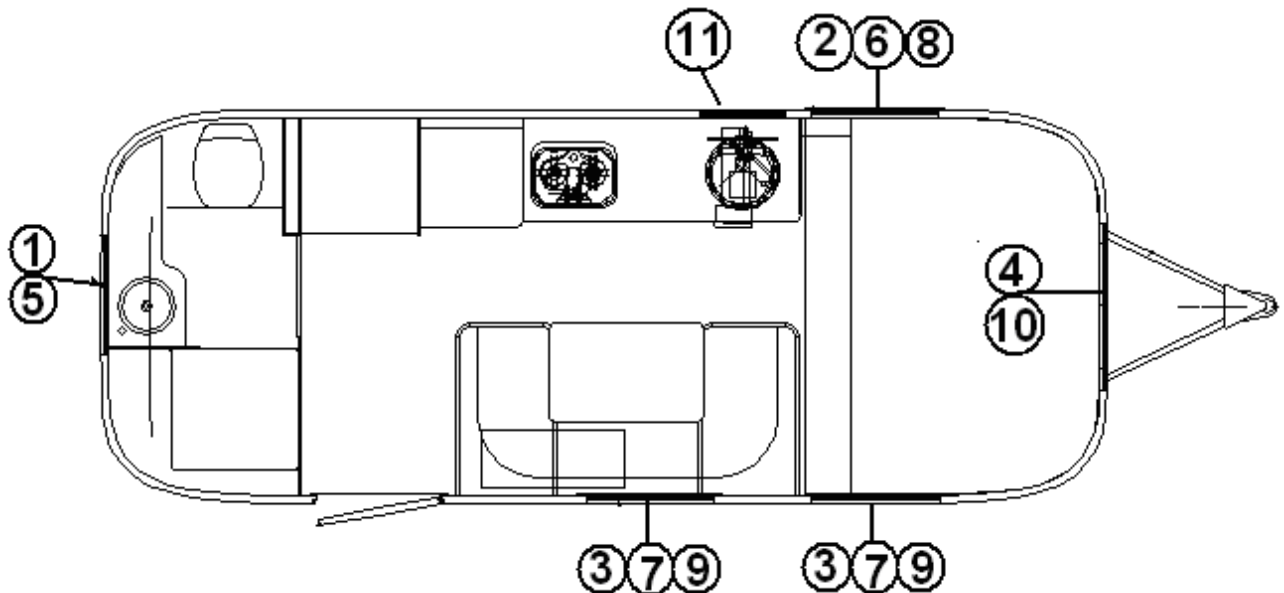
Drapes/Blinds, 22' Front Bed W/Panoramic Windows, w/o Galley Window



- | | |
|---------------|-------------------------------------|
| 1. 703191-07 | MINI BLIND, METAL, 27.5W X 22L |
| 2. 703191-21 | MINI BLIND, ALUMINUM, 29.00 X 32.00 |
| 3. 703191-22 | MINI BLIND, ALUMINUM, 31.00 X 32.00 |
| 4. 115396-03 | BLIND COVER, 27.5" |
| 5. 115396-02 | BLIND COVER, 29.0" |
| 6. 115396-01 | BLIND COVER, 31" |
| 7. 115425-01 | VALANCE, ALUMINUM, 29.75" |
| 8. 115425-03 | VALANCE, ALUMINUM, 38.75" |
| 9. 998144-09 | DRAPE, CS SIDE PANEL, 37" X 25.50" |
| 10. 998144-11 | DRAPE, RS SIDE PANEL, 37" X 25.50" |
| 11. 998144-13 | DRAPE, CS REAR PANEL |
| 12. 998144-14 | DRAPE, RS REAR PANEL |
| 345353-03 | SCREW, #6 X 0.75, FLAT HEAD, PHIL |
| 195329-202 | ROUND STCK ON BUMPER, CLEAR |

2009 SPORT DRAPES/BLINDS

Drapes/Blinds 22' Front Bed w/Galley Window

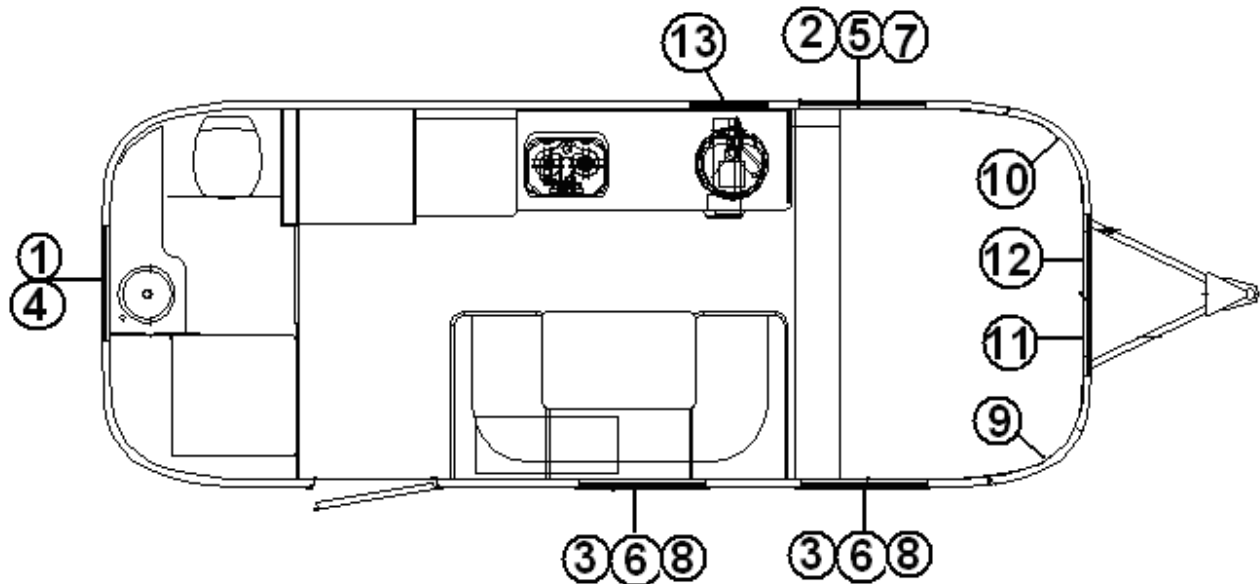


- | | |
|---------------|---|
| 1. 703191-07 | MINI BLIND, METAL, 27.5W X 22L |
| 2. 703191-21 | MINI BLIND, ALUMINUM, 29.00 X 32.00 |
| 3. 703191-22 | MINI BLIND, ALUMINUM, 31.00 X 32.00 |
| 4. 703191-23 | MINI BLIND, ALUMINUM, 38.00 X 27.00 |
| 5. 115396-03 | BLIND COVER, 27.5" |
| 6. 115396-02 | BLIND COVER, 29.0" |
| 7. 115396-01 | BLIND COVER, 31" |
| 8. 115425-01 | VALANCE, ALUMINUM, 29.75" |
| 9. 115425-02 | VALANCE, ALUMINUM, 31.75" |
| 10. 115425-03 | VALANCE, ALUMINUM, 38.75" |
| 11. 703191-04 | MINI-BLIND, 21" X 23", BRUSHED ALUMINUM |
| 345353-03 | SCREW, #6 X 0.75, FLAT HEAD, PHIL |
| 195329-202 | ROUND STCK ON BUMPER, CLEAR |

2009 SPORT

DRAPES/BLINDS

Drapes/Blinds, 22' Front Bed W/Panoramic Windows, W/Galley Window



- | | |
|---------------|-------------------------------------|
| 1. 703191-07 | MINI BLIND, METAL, 27.5W X 22L |
| 2. 703191-21 | MINI BLIND, ALUMINUM, 29.00 X 32.00 |
| 3. 703191-22 | MINI BLIND, ALUMINUM, 31.00 X 32.00 |
| 4. 115396-03 | BLIND COVER, 27.5" |
| 5. 115396-02 | BLIND COVER, 29.0" |
| 6. 115396-01 | BLIND COVER, 31" |
| 7. 115425-01 | VALANCE, ALUMINUM, 29.75" |
| 8. 115425-03 | VALANCE, ALUMINUM, 38.75" |
| 9. 998144-09 | DRAPE, CS SIDE PANEL, 37" X 25.50" |
| 10. 998144-11 | DRAPE, RS SIDE PANEL, 37" X 25.50" |
| 11. 998144-13 | DRAPE, CS REAR PANEL |
| 12. 998144-14 | DRAPE, RS REAR PANEL |
| 13. 703191-04 | MINI-BLIND, 21" X 23", BRUSHED |
| ALUMINUM | |
| 345353-03 | SCREW, #6 X 0.75, FLAT HEAD, PHIL |
| 195329-202 | ROUND STCK ON BUMPER, CLEAR |

2009 SPORT

DRAPES/BLINDS

Drapes, Installation

345353-03	SCREW, #6 X 0.75 FLAT HD, PHILIPS
195329-202	HEMISPHERE, CLEAR BUMP-ON
700473	DRAPERY LINING, MARLINE WHITE
700045	GLIDES CURTAIN G3 W/ELASTIC
700020	PILE, VELCRO
700021	HOOK, VELCRO, WHITE
101225	EXTRUSION, ALUMINUM CURTAIN TRACK
101217	EXTRUSION CURTAIN TRACK
200784	ENDS, CURTAIN TRACK, RH WHITE
200785	ENDS, CURTAIN TRACK, LH WHITE

2009 SPORT

ELECTRICAL, 110 VOLT

Shore Line Cord

511416-02 POWER INLET, 30A, 125V, MALE
511416-03 POWER CORD, 30A, 30' W/CONN UL/CSA

Converter

512237 POWER CENTER, AC/DC, BLACK
510743 GROUND BAR, 3 1/2" LONG

Breakers

510564-05 BREAKER BRYANT 30-20
510564-04 BREAKER BRYANT 20-20
510564-06 BREAKER- BRYANT 20 GFI

Switches

500913-03 SWITCH T & B WHITE

Exterior Outlet/Circuit Tester

510676-01 Outlet, exterior, gray
511023 Circuit tester (loose item)

Receptacles

511451-02 RECEPTACLE 20A SINGLE BROWN
500563-01 RECEPTACLE, 15A 125V T&B TYPE
500563-100 SCREW-WHITE FOR P/N 500563-01
382070 Non-skid rubber dot for 500563-01
511287 Receptacle, 15 amp, single
511814-01 RECEPTACLE, DUPLEX GRAY SELF CONTAINED
511814-02 PLATE, DECORATOR 1 GANG GRAY

2009 SPORT
ELECTRICAL, 12 VOLT

Battery/Battery Box

511596	BATTERY-DEEP CYCLE GRP.24
381814	Wing nut, battery hold down
381613	Cover, black plastic for hold down wing nut
500836-02	Positive battery cable
500837	Negative Battery cable
511595	BATTERY BOX

7-Way Cable

500886-01	7-Way cable w/plug
510947-20	20 amp BREAKER, 12V DC, TYPE II, #12V20
510946-06	Bracket, 6 PO Breaker, 12V, #8536-2
510947-30	Breaker, 12V DC, TYPE II, #12V30
510948-12	Bar, buss, Circuit breaker, connector
510743	GROUND BAR, 3 ½" LONG

Switches, 12 Volt

512245	Switch assembly, 2-way, white
511745	SWITCH ASSY- THREE GANG WHITE
510658	SWITCH W/WEATHER-PROOF BOOT
511836	SWITCH, REFRIGERATOR/FAN WHITE #AH-AS

2009 SPORT
ELECTRICAL, 12 VOLT

Battery Disconnect

510626 Switch, master battery disconnect

Break Away Switch

0300027 Break away switch, Bargman
454526 BRACKET, BREAK AWAY SWITCH

Monitor Panel and Sensor

511788-01 Monitor panel, CATCON Micropulse
511789-01 BOOT-SENSOR #500-20010-05
511789 SENSOR, TANK MONITOR
511286-01 WIRE FLAT TELEPHONE 26 GA. BLACK
511286-02 WIRE FLAT TELEPHONE 26 GA. IVORY
511252 PLUG PHONE 4 CONDUCTOR
511393 COUPLER-MODULAR EXTENSION, 4 CONDUCTOR

External TV Jack Inlet

512249 COVER, EXTERIOR ONE CABLE CONNECTOR

Interior Lights

512243 LIGHT, 12V DLB W/SWITCH
512242 LIGHT, 12V SINGLE BULB W/SWITCH

Breakers, 12 Volt

510947-20 20 amp BREAKER, 12V DC, TYPE II, #12V20
510947-30 Breaker, 12V DC,TYPE II, #12V30

2009 SPORT
ELECTRICAL, 12 VOLT

Exterior Lights

- | | |
|-----------|---|
| 512252 | STEP LIGHT, L.E.D., SS |
| 512227 | Red LED clearance light |
| 512227-01 | Chrome base, red LED clearance light |
| 512227-02 | Sealed light bezel, red LED clearance light |
| 512227-03 | Foam gasket, red LED clearance light |
| 512226 | Amber LED clearance light |
| 512226-01 | Chrome base, amber LED clearance light |
| 512226-02 | Sealed light bezel, amber LED clearance light |
| 512226-03 | Foam gasket, amber LED clearance light |
| 511407 | LICENSE PLATE HOLDER, W/LIGHT, BLACK |
| 511407-01 | GASKET, BLACK FOR LICENSE PLATE LIGHT |

Tail Light Assembly

- | | |
|-----------|---------------------------------|
| 511860-01 | LIGHT, 4"LED, RED |
| 511860-02 | BEZEL, 4" ROUND, CHROME W/VISOR |

12 Volt Interior Receptacle

- | | |
|------------|-----------------------|
| 195466-250 | 12 Receptacle w/cover |
|------------|-----------------------|

Fuses

- | | |
|-----------|------------------------------|
| 500773-03 | FUSE, ATC, 12V DC, 3 AMP |
| 512318 | FUSE HOLDER W/1 AMP AGC FUSE |
| 500883-01 | FUSE 12, CSA 1 AMP |
| 681936 | AGC-1 FUSE |

2009 SPORT ENTERTAINMENT

Radio/Antenna

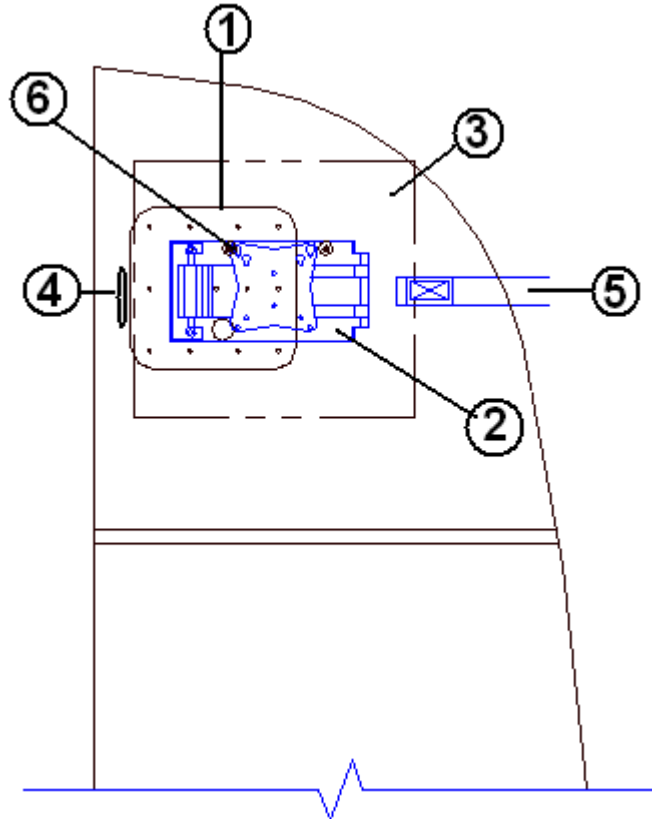
512239	Radio, AM/FM/CD
500913-03	SWITCH , T & B WHITE
511807	Antenna, AM/FM rubber, 13"
511339-01	SPEAKER, AUDIOVOX, 5.25"
511339-02	GRILL, SPEAKER, WHITE, 6"
512150	Adaptor, radio plug
512318	HOLDER W/1 AMP FUSE, IN-LINE
681936	AGC-1 FUSE

TV Antenna/Jack

510788-01	TV antenna, Winegard, long boom
510788-03	Amplifier, TV antenna
510788-04	Hardware package, interior, Winegard
510623	Connector, coax, male to male
511534	Dual coax plate, Satellite TV, hook up
512249	Jack, One cable, TV, exterior w/cover
511375	JACK MODULAR TELEPHONE TA-1020

2009 SPORT ENTERTAINMENT

Video Upgrade



- | | |
|---------------|--------------------------------------|
| 1. 454477 | BRACKET, TV MOUNT, 19" TV |
| 2. 512256-01 | BRACKET, TV, ARTICULATING ARM, BLACK |
| 3. *690584 | TV W/DVD, COLOR, STERIO, LCD, 15" |
| 3. *690577 | TV W/DVD, COLOR, STEREO LCD, 15" |
| 3. *690577-01 | 6' Dc power cord for 690577 |
| 4. 381566 | LOOP, FOOTMAN, STEEL, 1.625"X .56 |
| 5. 703455-03 | STRAP, 46" |
| 6. 381136 | RUBBER BUMPER |

*690584 Toshiba TV was replaced by 690577 Coby TV and 690577-01 power cord TV during model year.

2009 SPORT
FLOOR COVERING

Floor Mats

702549 MATT ENTRANCE W/AIRSTREAM LOGO

Vinyl Flooring

703766 FLOORING, VINYL, BEAU-YASMINE 90

203594-02 FLOOR TRIM, ASH GREY

801492-0114 THRESHOLD, MAIN DOOR, GOLD ALCHEMY

2009 SPORT

FURNITURE, DOORS

Doors, Roof Locker

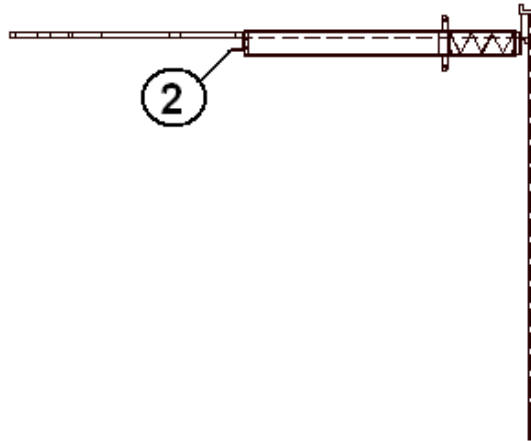
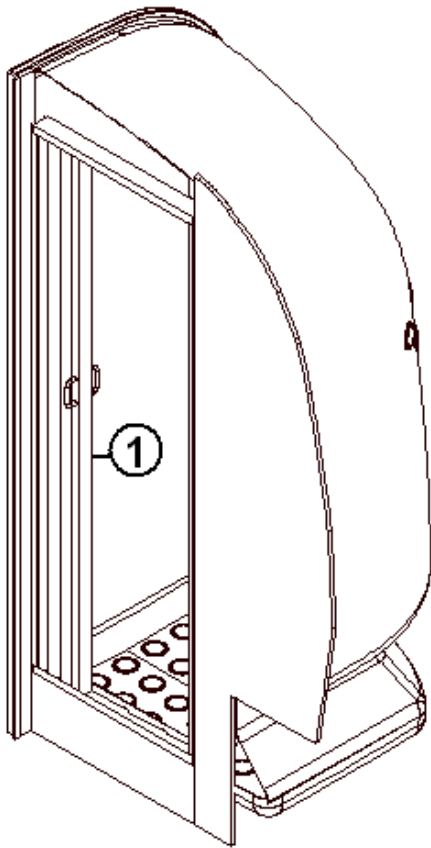
- 967104-01 DOOR, TAMBOUR, 9.88 X 25.38
- 967104-02 DOOR, TAMBOUR, 9.88 X 26.88
- 967104-03 DOOR, TAMBOUR, 9.88 X 16.63
- 967104-04 DOOR, TAMBOUR, 9.88" X 23.38"
- 967104-06 DOOR, TAMBOUR, 9.88" X 28.25"

- 101265-01 EXTRUSION, BLACK, TAMBOUR DOOR HANDLE
- 201163-01 ENDCAP, BLACK, TAMBOUR DOOR HANDLE

Doors, Bath, 17', 22', 22' Front Bed

- 967257 DOOR ASSEMBLY "C" BATH, 22" X 72"

Doors, Shower, 17', 22', 22' Front Bed

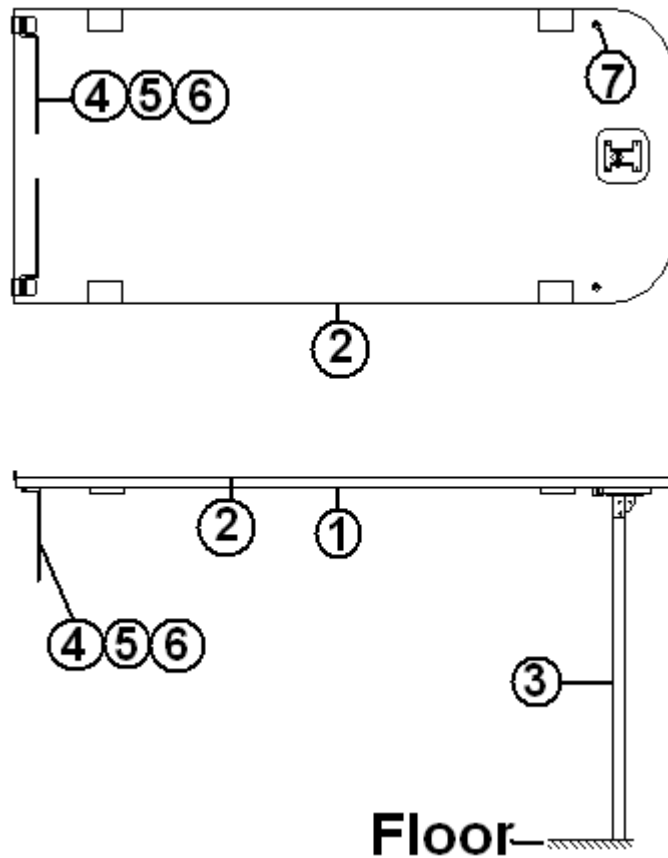


- 1. 703725
- 2. 101134

SHOWER DOOR
Aluminum angle, 1/8" x 1 x 1.5"

2009 SPORT
FURNITURE, LOUNGE

Dinette Table, 22'

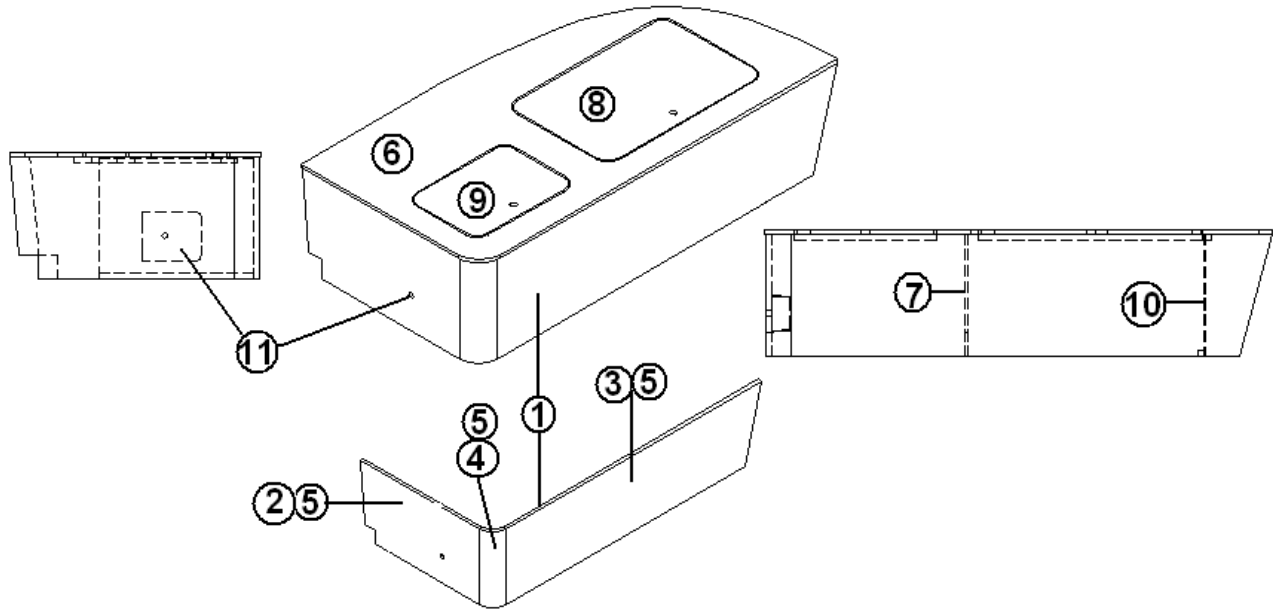


- | | |
|---------------|------------------------------------|
| 967263-08 | DINETTE TABLE ASSY |
| 1. 967263-081 | PANEL, TABLE TOP, 26 X 58 |
| 2. 115177 | TRIM, COUNTER TOP, 1.25", ALUMINUM |
| 3. 381881-04 | LEG, FOLDING TABLE 30.5" |
| 4. 380284-02 | TABLE HINGE BRACKET |
| 5. 380284-03 | TABLE HINGE BRACKETS |
| 6. 340018 | CATCH PLATE J-1 |
| 7. 381136 | RUBBER BUMPER |

2009 SPORT

FURNITURE, LOUNGE

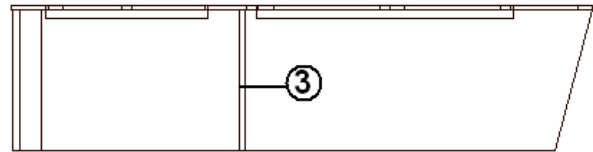
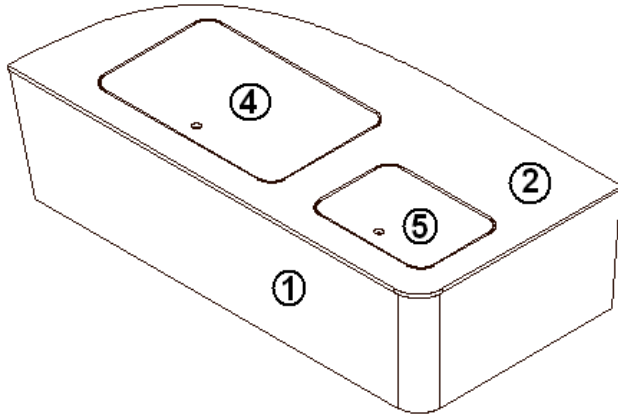
Dinette Seat Base, Roadside, 22'



- | | |
|---------------|-------------------------------------|
| 967262-08 | BASE ASSY, ROADSIDE DINETTE |
| 1. 967269-08 | BASE SUB ASSEMBLY, ROADSIDE DINETTE |
| 2. 967269-081 | PANEL, 14.25 X 26.01 |
| 3. 967269-082 | PANEL, 14.25 X 56.04 |
| 4. 801345 | RADIUS PLYWOOD, 3" |
| 5. 801793-01 | LAMINATE, GOLD ALCHEMY, VERTICAL |
| 6. 967262-082 | PANEL, 29.19 X 59.09 |
| 7. 967262-083 | PANEL, 14.25 X 26.01 |
| 8. 967262-086 | PANEL, 16.50 X 25.63 |
| 9. 967262-087 | PANEL, 11.50 X 16.00 |
| 10. 701538-01 | CARPET, ECONOLIER, W/PSA BAC |
| 11. 201787-01 | POCKET, DEADBOLT, INTERIOR |

2009 SPORT
FURNITURE, LOUNGE

Dinette Seat Base, Curbside, 22'

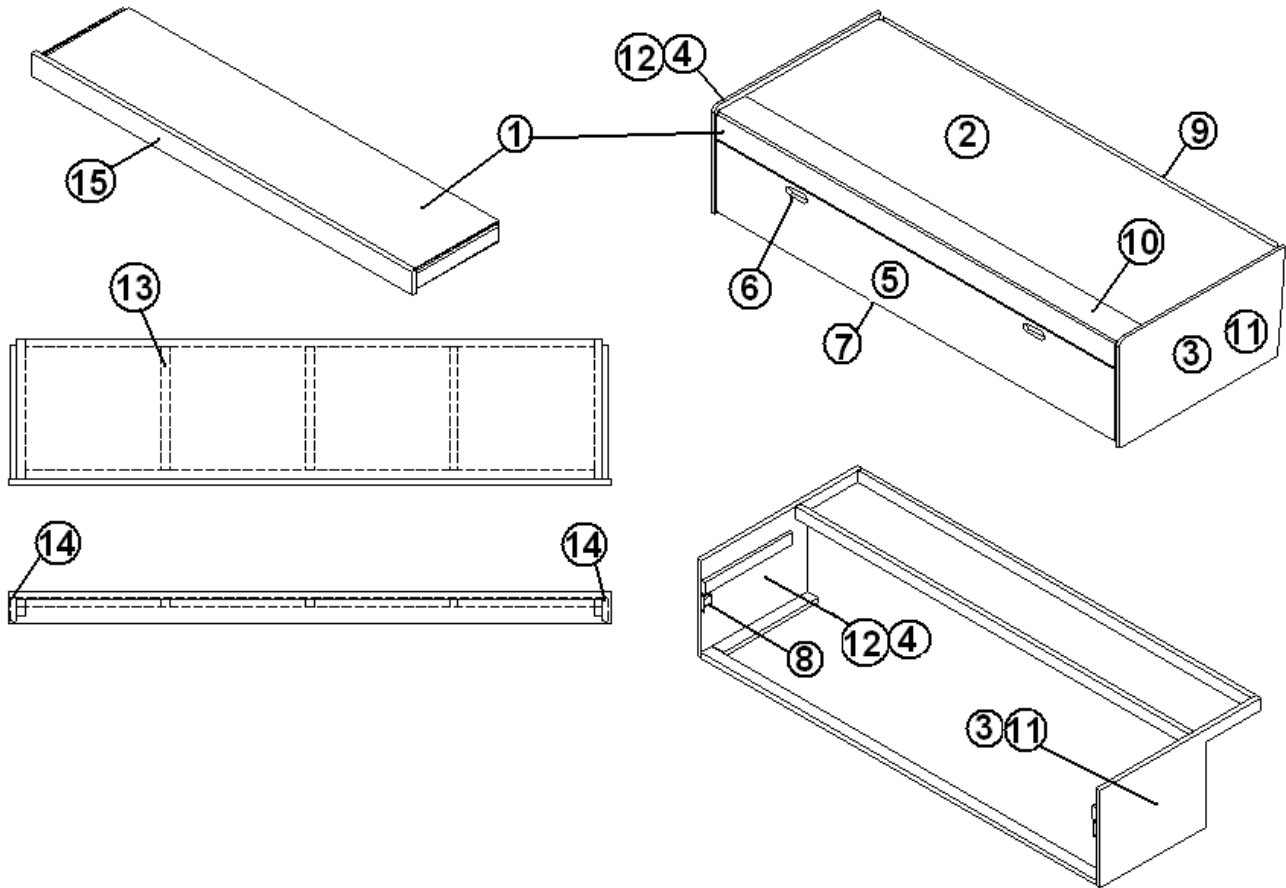


- | | |
|---------------|---------------------------------------|
| 967261-08 | BASE ASSY, CS DINETTE |
| 1. 967268 | BASE SUB ASSY, CS DINETTE |
| 2. 967261-082 | PANEL, CS DINETTE BASE, 29.09 X 59.09 |
| 3. 967261-083 | PANEL, CS DINETTE BASE, 14.25 X 28.01 |
| 4. 967261-086 | PANEL, CS DINETTE BASE, 16.00 X 25.63 |
| 5. 967261-087 | PANEL, CS DINETTE BASE, 11.5 X 16 |
| 966702 | CLOSEOUT ASSY, BOOTH SEATS |

2009 SPORT

FURNITURE, LOUNGE

Sofa, 74", 22'

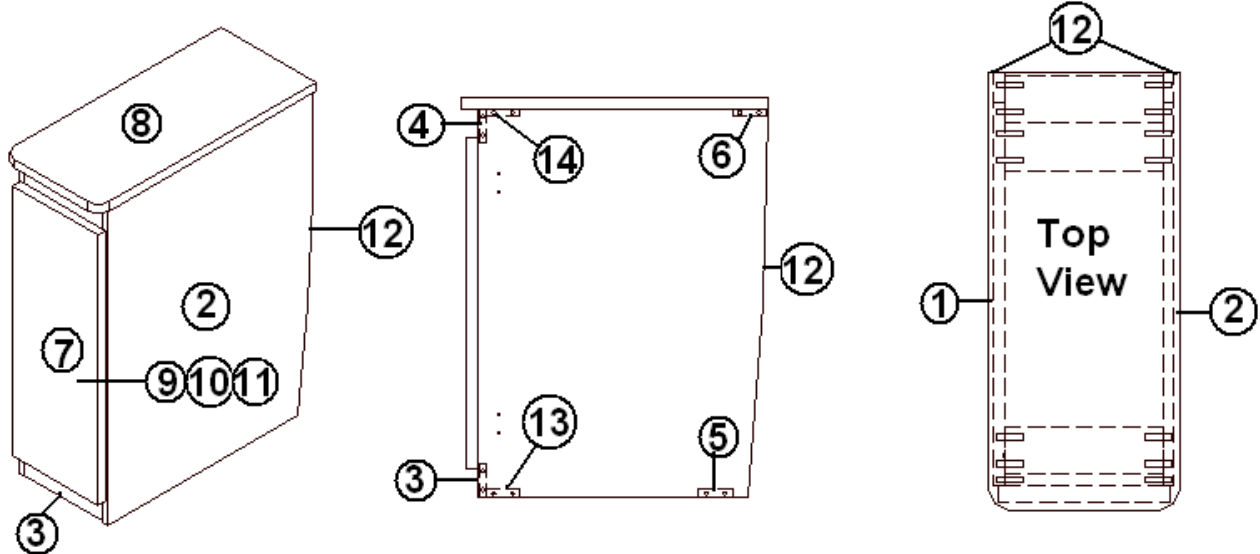


- | | |
|-----------------|--------------------------------|
| 967258-08 | SOFA ASSY, 74" |
| 1. 967259-08 | SOFA BED ASSY |
| 2. 967258-082 | PANEL, SOFA BED, 29.5 X 74 |
| 3. 967258-083 | PANEL, SOFA BED, 15.5 X 29.5 |
| 4. 967258-084 | PANEL, SOFA BED, 15.50 X 29.50 |
| 5. 967258-0812 | DOOR, SOFA BED 11.25 X 73.13 |
| 6. 381775 | DRAWER PULL, FLUSH SATIN |
| 7. 381072-01 | HINGE, 3" X 2" |
| 8. 381228-01 | CATCH, GRABBER, DOOR |
| 9. 114809 | ALUMINUM ANGLE, 1.50 X 1.50 |
| 10. 967258-0820 | PANEL, SOFA BED, 5 X 74 |
| 11. 967258-0821 | PANEL, SOFA BED, 30.46 X 17 |
| 12. 967258-0822 | PANEL, SOFA BED, 30.46 X 17 |
| 13. 915990 | WELDMENT, SOFA BED |
| 14. 381826 | SLIDE, BALL BEARING, 16" |
| 15. 967259-084 | PANEL, SOFA BED, 3.88 X 73.13 |

2009 SPORT

FURNITURE, LOUNGE

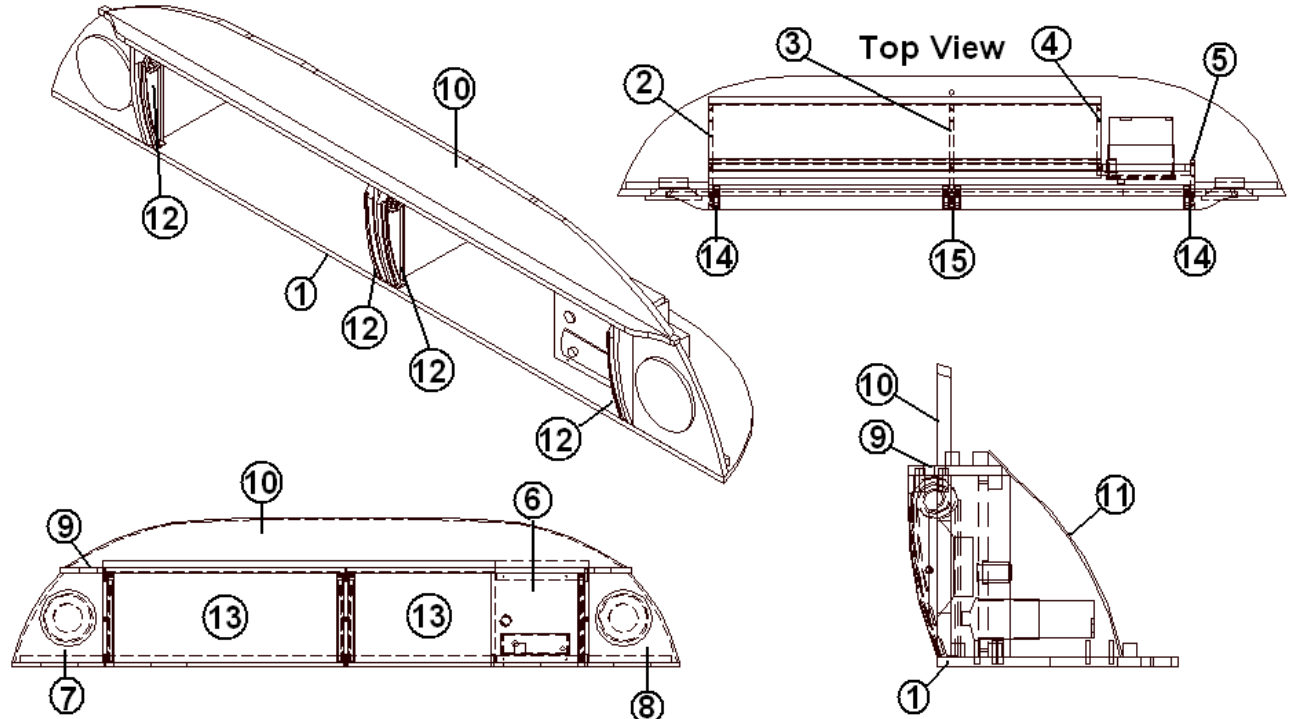
Nightstand, 22'



- | | |
|-----------------|-------------------------------------|
| 967260-08 | NIGHTSTAND ASSY |
| 1. 967260-081 | PANEL, 19.48 X 26 |
| 2. 967260-082 | PANEL, 19.48 X 26 |
| 3. 967260-083 | PANEL, 2.25 X 7.5 |
| 4. 967260-084 | PANEL, 2.25 X 7.5 |
| 5. 967260-085 | PANEL, 2.25 X 7.5 |
| 6. 967260-086 | PANEL, 2.25 X 7.5 |
| 7. 967260-087 | DOOR, N/S, 8.13 X 22.13 |
| 8. 967260-088 | TOP, N/S, 9 X 20.62 |
| 9. 382044 | HANDLE, BRUSHED NICKEL |
| 10. 381607 | HINGE ASSY |
| 11. 381228-01 | CATCH, GRABBER, DOOR |
| 12. 203138-01 | WALL EXTRUSION, PLASTIC 1/2", WHITE |
| 13. 967260-0818 | PANEL, N/S, 2.25 X 7.5 |
| 14. 967260-0819 | PANEL, N/S, 2.25 X 7.5 |

2009 SPORT FURNITURE, LOUNGE

Liner Locker, Front, 17', 22'



Part numbers on the next page

2009 SPORT

FURNITURE, LOUNGE

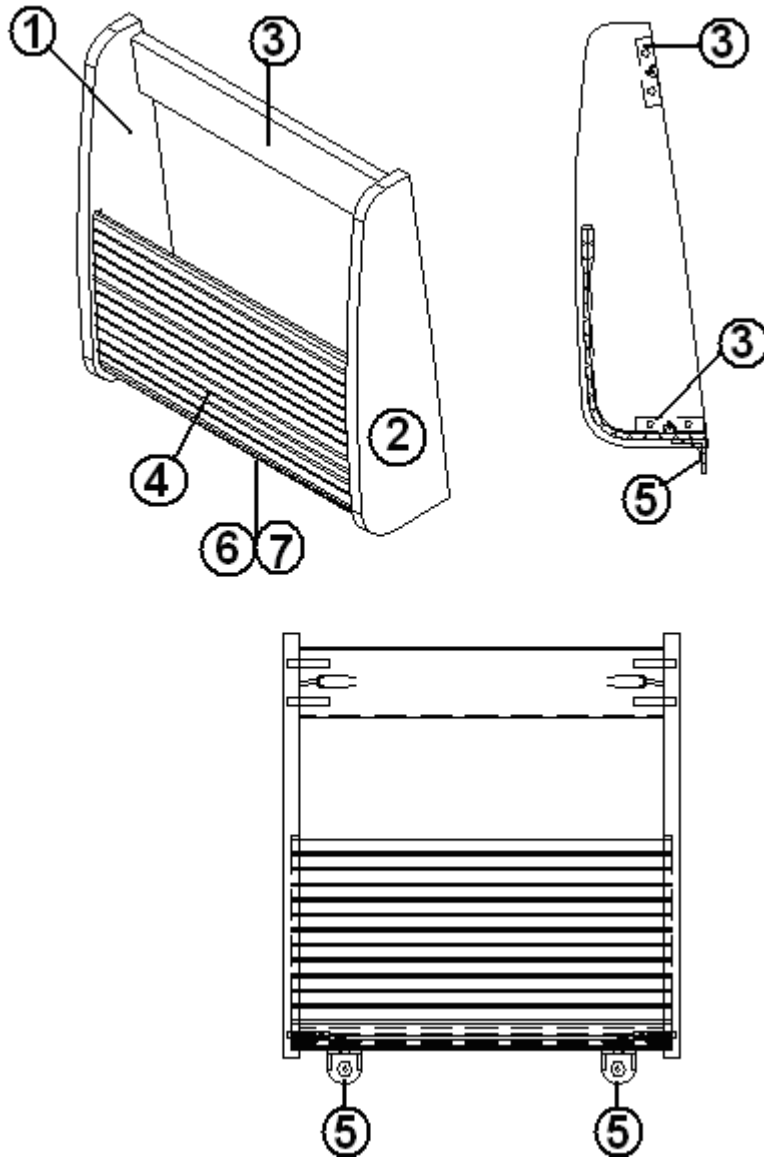
Liner Locker, Front, 17', 22'

967098	ROOFLOCKER, FRONT ENDLINER
1. 967098-1	PANEL, ROOFLOCKER, 13 X 72.87
2. 967098-2	PANEL, ROOFLOCKER, 9.46 X 9.81
3. 967098-3	PANEL, ROOFLOCKER, 9.21 X 9.81
4. 967098-4	PANEL, ROOFLOCKER, 5.15 X 9.81
5. 967098-5	PANEL, ROOFLOCKER, 9.46 X 9.81
6. 967098-6	PANEL, ROOFLOCKER, 10.19 X 9.81
7. 967098-7	PANEL, ROOFLOCKER, 9.94 X 9.81
8. 967098-8	PANEL, ROOFLOCKER, 9.94 X 9.81
9. 967098-9	PANEL, ROOFLOCKER, 5 X 62.39
10. 967098-10	PANEL, ROOFLOCKER, 4.5 X 61.3
11. 967098-11	PANEL, ROOFLOCKER, 13.5 X 42.81
12. 201164-02	SPIRALS, ROOFLOCKER, PLATINUM, LH/RH
13. 967104-01	DOOR, TAMBOUR 9.88 X 25.38
14. 115382-01	TRIM, ALUMINUM, ROOFLOCKER, .688 X 10
15. 115382-02	TRIM, ALUMINUM, ROOFLOCKER, 1.88 X 10
800368-02	TAMBOUR, SILVER, 4' X 8' SHEET
101265-01	EXTRUSION, BLACK, TAMBOUR DOOR HANDLE
201163-01	ENDCAP, BLACK, TAMBOUR DOOR HANDLE

2009 SPORT

FURNITURE, LOUNGE

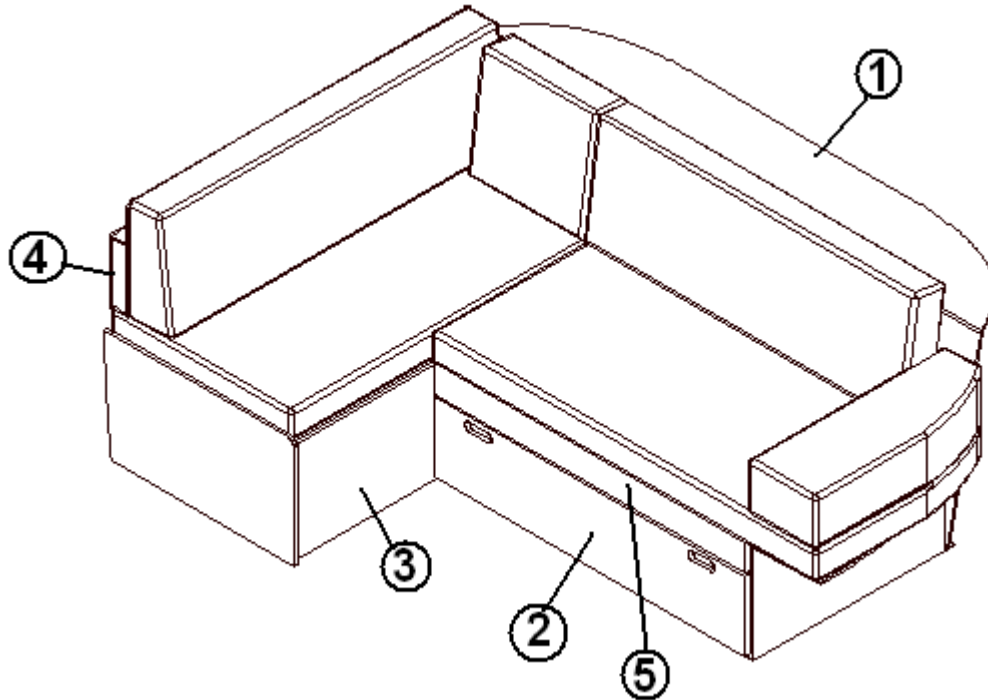
Magazine Rack, 22', 22' Front Bed



- | | |
|--------------|----------------------------------|
| 967138 | MAGAZINE RACK |
| 1. 967138-1 | PANEL, MAGAZINE RACK, 4.375 X 14 |
| 2. 967138-2 | PANEL, MAGAZINE RACK, 4.38 X 14 |
| 3. 967138-4 | PANEL, MAGAZINE RACK, 2.25 X 12 |
| 4. 967104-03 | DOOR, TAMBOUR, 9.88" X 16.50" |
| 5. 385963 | BRACKET, ANGLED, LAMBREQUIN |
| 6. 101265-01 | EXTRUSION, BLACK DOOR HANDLE |
| 7. 201163-01 | ENDCAP, BLACK HANDLE (PR) |
| 381609-05 | SCREW HAFELE EUROPEAN #9 1 1/2 |
| 381610-01 | COVER CAP PLAS. EUROPEAN WHITE |

2009 SPORT
FURNITURE, LOUNGE

L Sofa Assembly, 17'

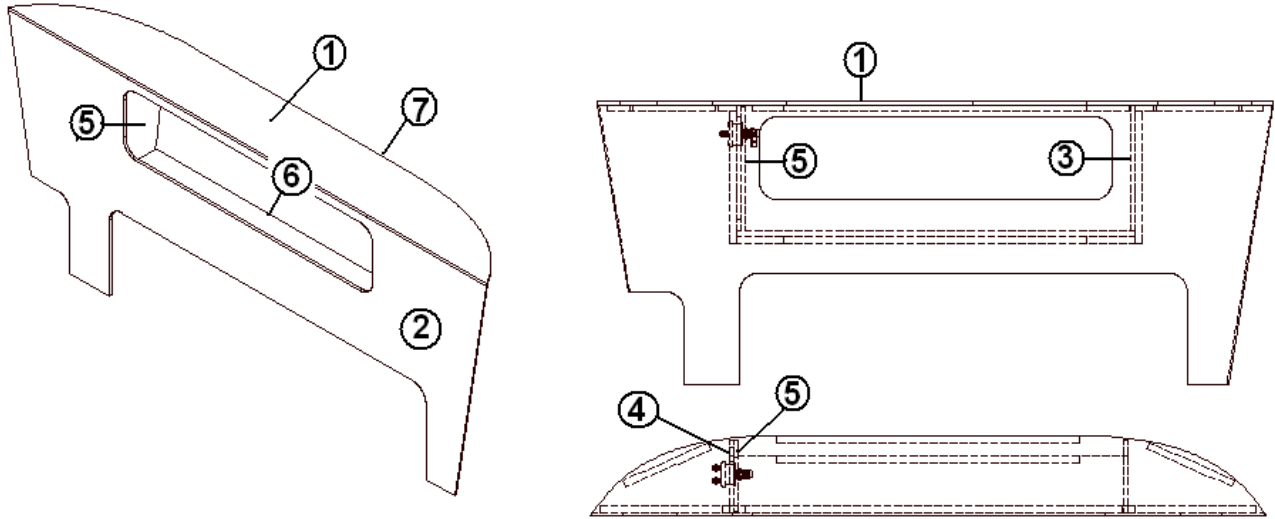


- | | |
|--------------|--------------------------------|
| 1. 967120-08 | SOFA BACK ASSY. |
| 2. 967404-08 | SOFA ASSY. |
| 3. 967405-08 | SOFA "L"SECTION ASSY. |
| 4. 967136 | CUSHION ASSEMBLY, BACK SUPPORT |
| 5. 967403-08 | SOFA BED ASSY. |
| 703672 | FABRIC, UDD STRAW |

2009 SPORT

FURNITURE, LOUNGE

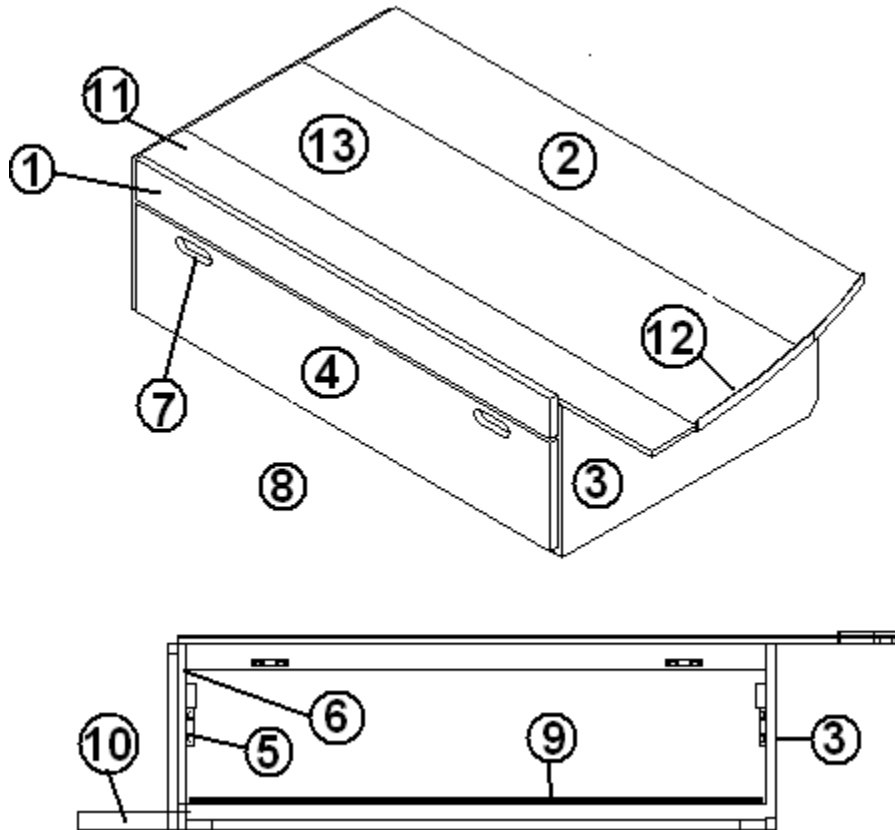
Sofa Back Assembly, 17'



- | | |
|---------------|------------------------------------|
| 967120-08 | SOFA BACK ASSY. |
| 1. 967120-081 | PANEL, SOFA BACK 11.69 X 75.99 |
| 2. 967120-082 | PANEL, SOFA BACK 75.98 X 30.13 |
| 3. 967120-083 | PANEL, SOFA BACK 10.87 X 13.63 |
| 4. 967120-084 | PANEL, SOFA BACK 10.87 X 13.63 |
| 5. 967120-085 | PANEL, SOFA BACK 8 X 13.38 |
| 6. 967120-086 | PANEL, SOFA BACK 9.13 X 43 |
| 7. 203138-01 | EXTRUSION, PLASTIC, 1/2", WHITE |
| 702482-03 | HEADLINER, SPECTRA OPAL X TEXTURED |

2009 SPORT
FURNITURE, LOUNGE

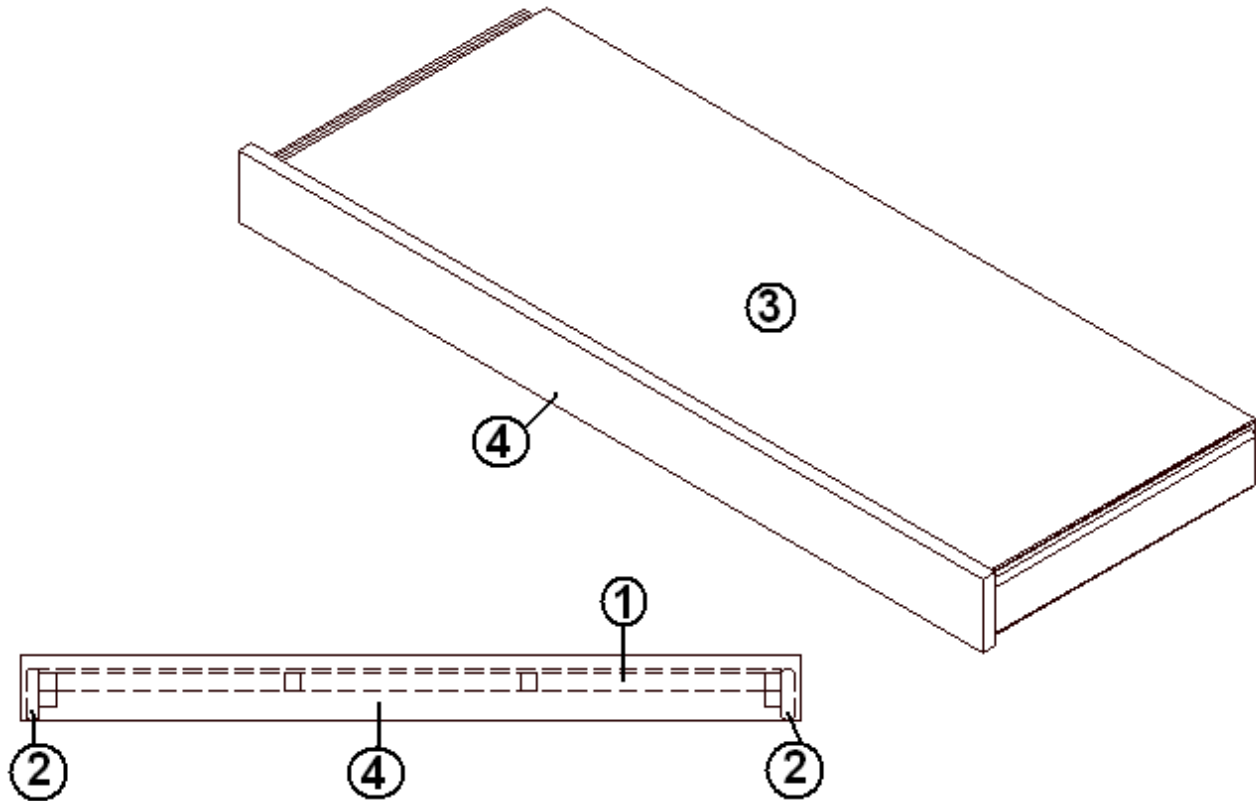
Sofa, 17'



- | | |
|---|---|
| <p>967404-08</p> <p>1. 967403-08</p> <p>2. 967404-082</p> <p>3. 967404-083</p> <p>4. 967404-084</p> <p>5. 967404-085</p> <p>6. 967404-086</p> <p>7. 381774</p> <p>8. 381072</p> <p>9. 381228-01</p> <p>10. 967404-0815</p> <p>11. 114809</p> <p>12. 114811</p> <p>13. 967404-0818</p> | <p>SOFA ASSY.</p> <p>SOFA BED ASSY.</p> <p>PANEL, SOFA TOP, 28.25 X 56.36</p> <p>PANEL, SOFA, 28.25 X 14.5</p> <p>DOOR, SOFA, 10.25 X 45.63</p> <p>PANEL, SOFA, 14.50 X 28.25</p> <p>PANEL, SOFA, 3.00 X 14.00</p> <p>HANDLE, DRAWER/DOOR</p> <p>HINGE, 3" X 1 7/8", OPEN GOLD</p> <p>CATCH, GRABBER DOOR</p> <p>PANEL, SOFA, 5.0 X 56.36</p> <p>ALUMINUM ANGLE, 1.50 X 1.50</p> <p>ALUMINUM ANGLE, .50 X .50</p> <p>PANEL, SOFA, 18.00 X 56.36</p> |
|---|---|

2009 SPORT
FURNITURE, LOUNGE

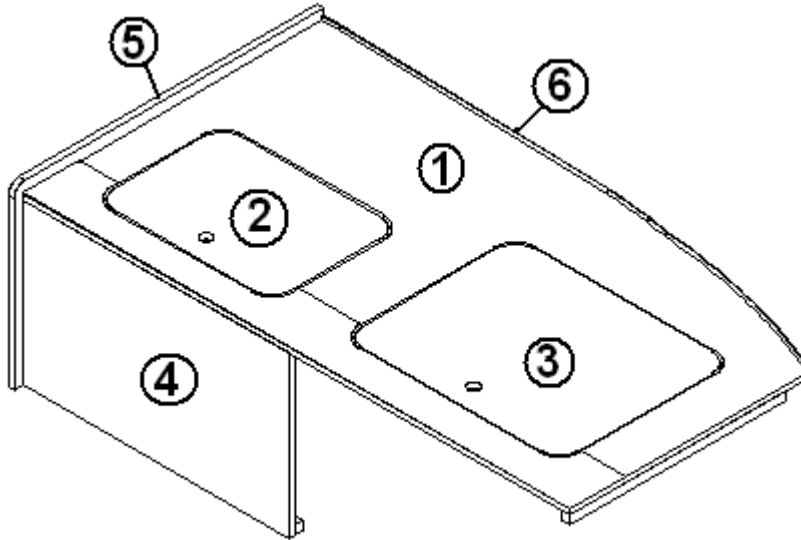
Sofa Bed, 17'



- | | |
|---------------|------------------------------------|
| 967403-08 | SOFA BED ASSY. |
| 1. 915997 | WELDMENT, SOFA BED |
| 2. 381826 | SLIDE-BALL BEARING 16" 28'CCD |
| 3. 967403-083 | PANEL, SOFA BED TOP, 17.00 X 43.50 |
| 4. 967403-084 | PANEL, SOFA BED, 3.88 X 45.63 |

2009 SPORT
FURNITURE, LOUNGE

Sofa, L-Section, 17'

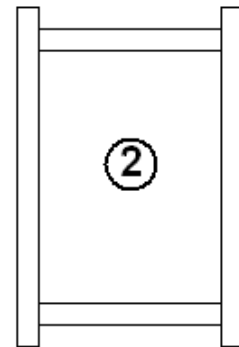
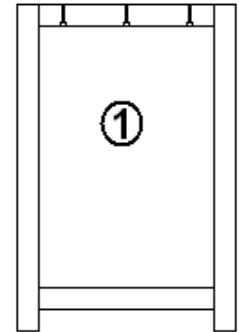
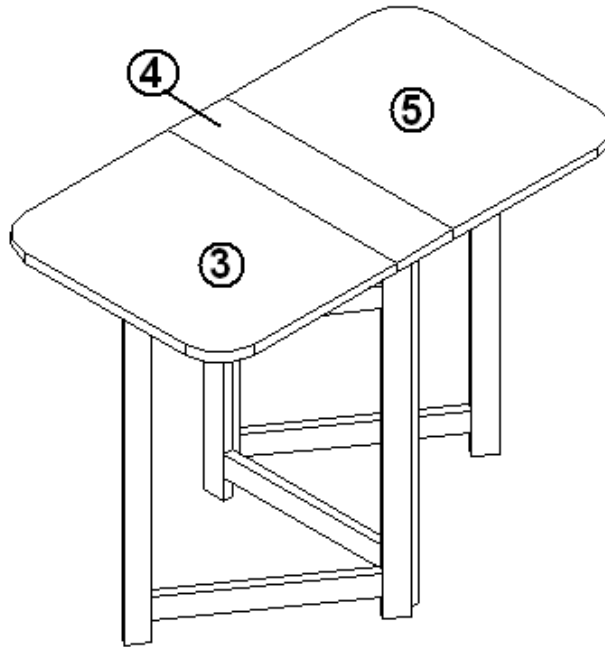
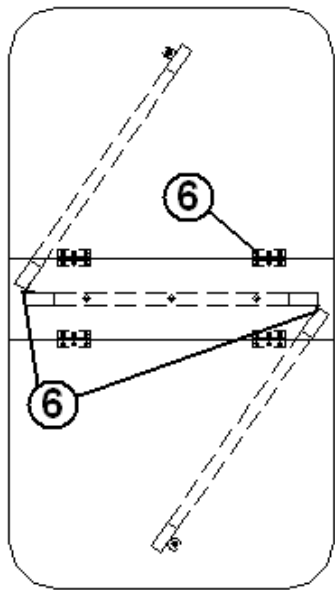


- | | |
|---------------|-----------------------------|
| 967405-08 | SOFA, "L"SECTION ASSY. |
| 1. 967405-081 | PANEL, L SOFA, 27 X 49.5 |
| 2. 967405-082 | PANEL, L SOFA, 11.5 X 16 |
| 3. 967405-083 | PANEL, L SOFA, 15.5 X 19.5 |
| 4. 967405-084 | PANEL, L SOFA, 14.5 X 24 |
| 5. 967405-085 | PANEL, L SOFA, 16 X 28 |
| 6. 114812 | ALUMINUM ANGLE, 1.00 X 1.00 |

2009 SPORT

FURNITURE, LOUNGE

Table, Folding, 17'

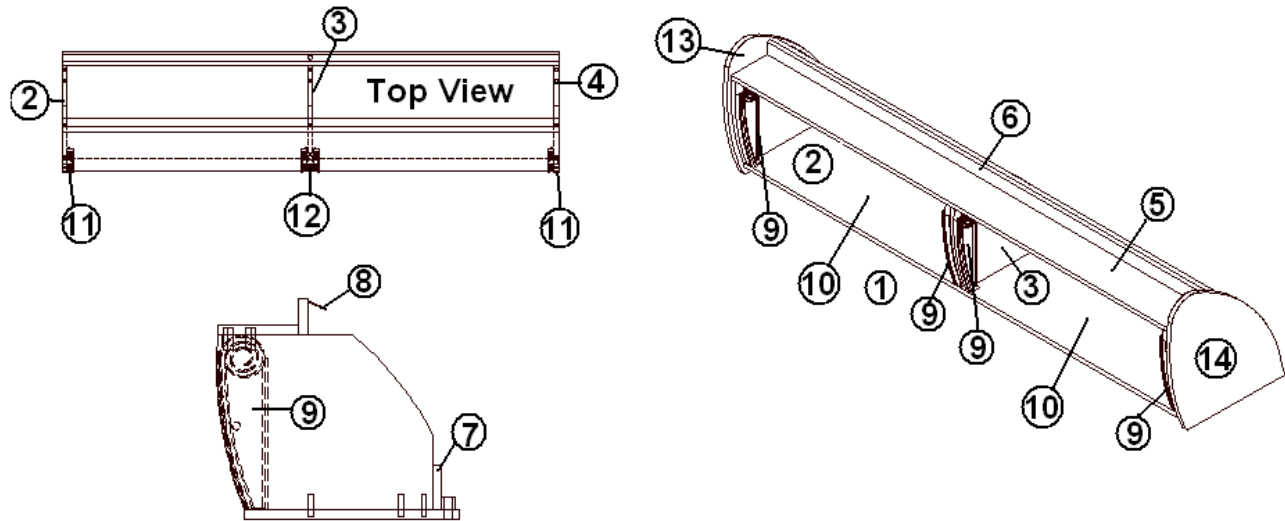


- | | |
|---|---|
| <ul style="list-style-type: none"> 967409-08 1. 967139-0014 2. 967140-0014 3. 967409-083 4. 967409-084 5. 967409-085 6. 382051 320097-01 381136 381566 703455-04 | <ul style="list-style-type: none"> TABLE ASSY, SOFA CENTER FOLDING TABLE LEG FRAME SIDE FOLDING TABLE LEG PANEL, SOFA TABLE, 20 X 15.5 PANEL, SOFA TABLE, 20 X 5 PANEL, SOFA TABLE, 20 X 15.5 HINGE, SURFACE MOUNT, BRASS SCREW, #6 X 1/2", OVAL HEAD, BRASS RUBBER BUMPER LOOP, FOOTMAN STEEL, 1.625" X .56 STRAP, 18", FOLDING TABLE |
|---|---|

2009 SPORT

FURNITURE, GALLEY

Roof Locker, Galley, 22', 22; Front Bed w/o Galley Window

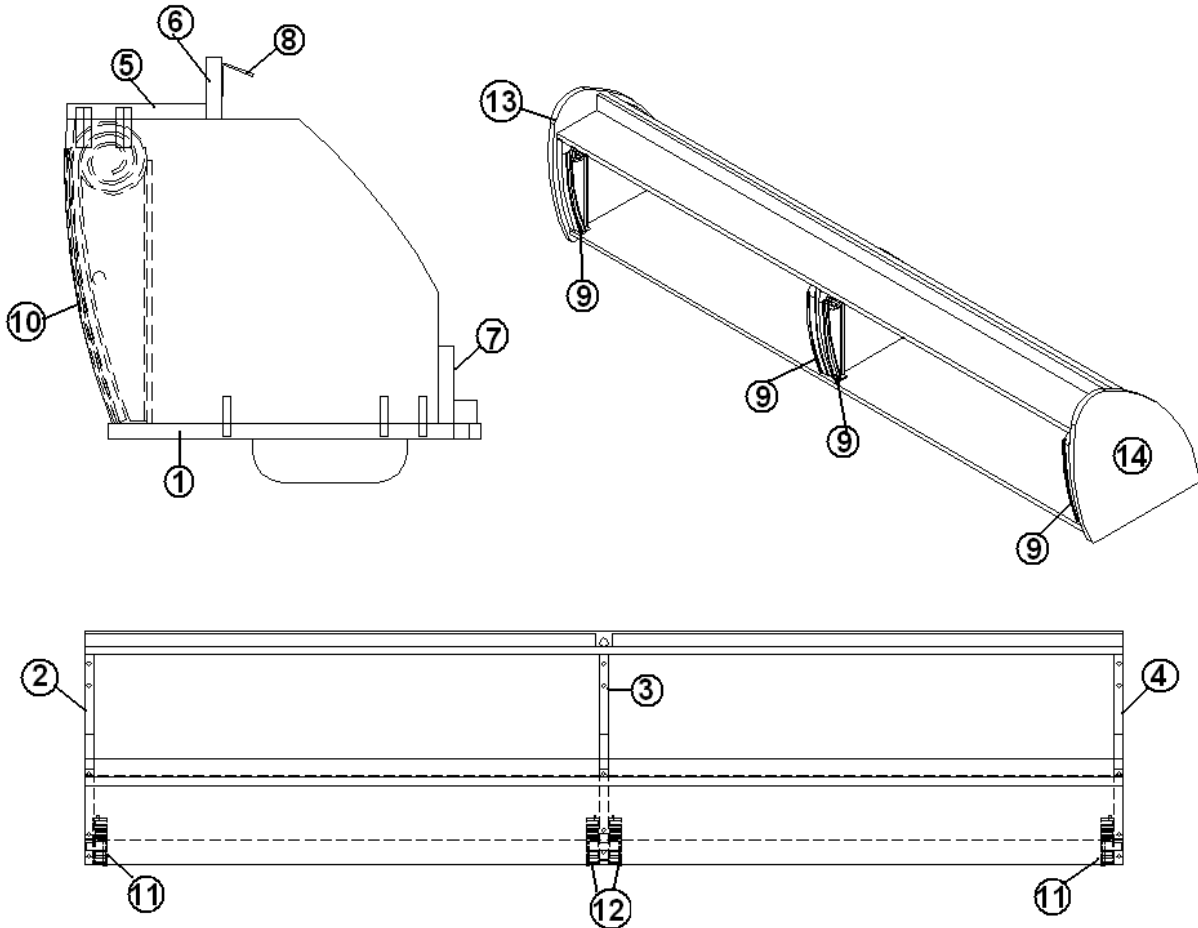


<p>967099</p> <p>1. 967099-1</p> <p>2. 967099-2</p> <p>3. 967099-3</p> <p>4. 967099-4</p> <p>5. 967099-5</p> <p>6. 967099-6</p> <p>7. 967099-7</p> <p>8. 104821</p> <p>9. 201164-02</p> <p>10. 967104-02</p> <p>11. 115382-01</p> <p>12. 115382-02</p> <p>13. 967099-15</p> <p>14. 967099-16</p> <p>101265-01</p> <p>201163-01</p>	<p>Roof locker, Galley</p> <p>PANEL, GALLEY, ROOF LOCKER, 12 X 56</p> <p>PANEL, GALLEY, ROOF LOCKER, 12.04 X 9.81</p> <p>PANEL, GALLEY, ROOF LOCKER, 11.79 X 9.81</p> <p>PANEL, GALLEY, ROOF LOCKER, 12.04 X 9.81</p> <p>PANEL, GALLEY, ROOF LOCKER, 4.5 X 56</p> <p>PANEL, GALLEY, ROOF LOCKER, 2 X 56</p> <p>PANEL, GALLEY, ROOF LOCKER, 2.5 X 56</p> <p>SUPPORT, ROOFLOCKER, 74"</p> <p>SPIRALS, R/L, PLATINUM, LH/RH</p> <p>DOOR, TAMBOUR 9.88 X 26.88</p> <p>TRIM, ALUMINUM, R/L, .688 X 10</p> <p>TRIM, ALUMINUM, R/L, 1.88 X 10</p> <p>PANEL, GALLEY, ROOF LOCKER, 14.57 X 14.74</p> <p>PANEL, GALLEY, ROOF LOCKER, 14.57 X 14.74</p> <p>EXTRUSION, BLACK DOOR HANDLE</p> <p>ENDCAP-BLACK HANDLE (PR)</p>
--	--

2009 SPORT

FURNITURE, GALLEY

Roof Locker, Galley, 22' Front Bed w/Galley Window



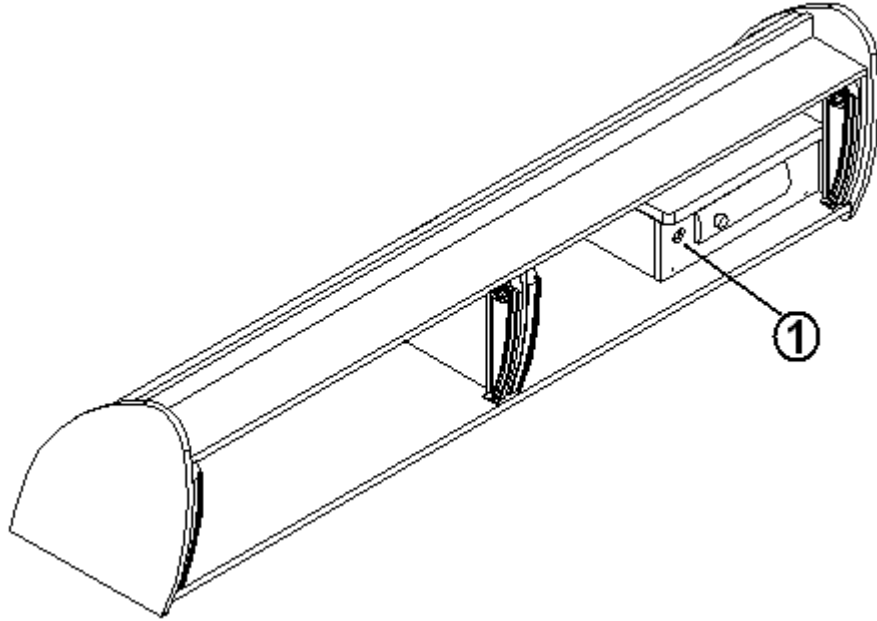
967482

Roof locker, galley

- | | |
|---------------|------------------------------------|
| 1. 967482-1 | Roof locker panel, 12.00" x 59.50" |
| 2. 967482-2 | Roof locker panel, 12.05" x 9.81" |
| 3. 967482-3 | Roof locker panel, 11.79" x 9.81" |
| 4. 967482-4 | Roof locker panel, 12.04" x 8.81" |
| 5. 967482-5 | Roof locker panel, 4.50" x 59.50" |
| 6. 967482-6 | Roof locker panel, 2.00" x 59.50" |
| 7. 967482-7 | Roof locker panel, 2.50" x 59.50" |
| 8. 104821 | Support, roof locker, 74" |
| 9. 201164-02 | Roof locker spirals, platinum |
| 10. 967104-06 | DR., Tambour, 9.88" x 28.25" |
| 11. 115382-01 | Aluminum trim, .63" x 10.00" |
| 12. 115382-02 | Aluminum trim, .1.75" x 10.00" |
| 13. 967482-15 | Roof locker panel, 14.57" x 14.74" |
| 14. 967482-16 | Roof locker panel, 14.57" x 14.74" |

2009 SPORT
FURNITURE, GALLEY

Roof Locker Radio Shelf, 22; Front Bed

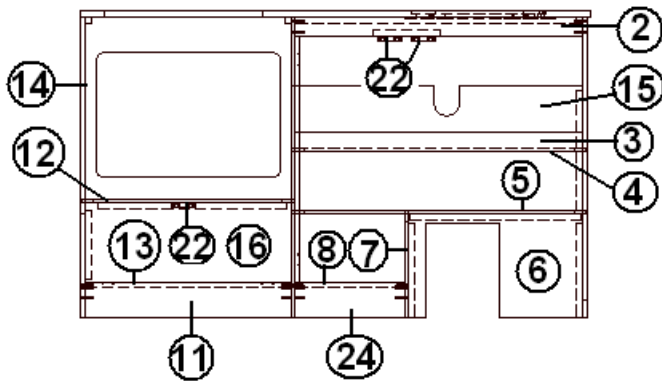
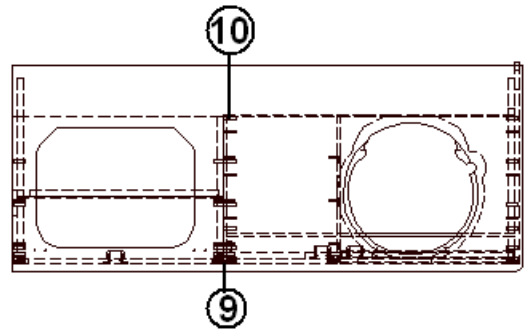
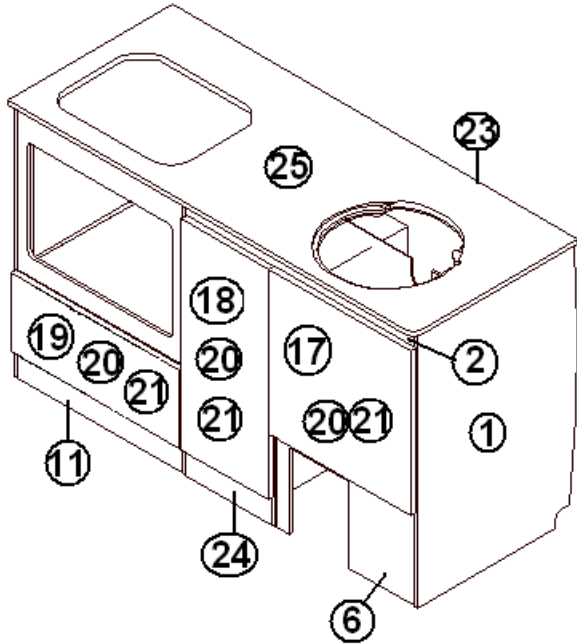


1. 967434

SHELF, STEREO

2009 SPORT FURNITURE, GALLEY

Galley, 22'



Part numbers on the next page

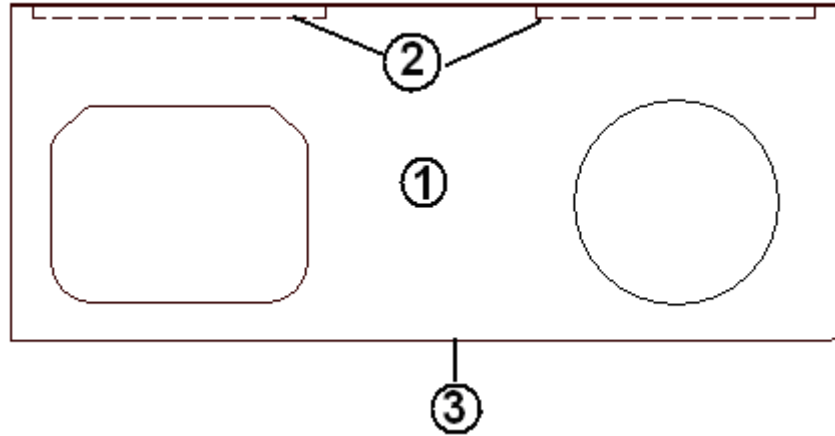
2009 SPORT
FURNITURE, GALLEY

Galley, 22'

967250-08	GALLEY ASSY
1. 967250-081	PANEL, GALLEY, 23.5 X 35
2. 967250-082	PANEL, GALLEY, 2.25 X 32.5
3. 967250-083	PANEL, GALLEY. 2.25 X 20
4. 967250-084	PANEL, GALLEY, 13.62 X 20
5. 967250-085	PANEL, GALLEY, 17.12 X 20
6. 967250-086	PANEL, GALLEY, 20 X 12
7. 967250-087	PANEL, GALLEY, 23.5 X 35
8. 967250-0812	PANEL, GALLEY, 12 X 12
9. 967250-0813	PANEL, GALLEY, 2.25 X 28.75
10. 967250-0814	PANEL, GALLEY, 23.5 X 35
11. 967250-0815	PANEL, GALLEY, 4 X 35.5
12. 967250-0816	PANEL, GALLEY, 17 X 23
13. 967250-0817	PANEL, GALLEY, 7.13 X 23
14. 967250-0818	PANEL, GALLEY, 23.5 X 35
15. 967250-0819	PANEL, GALLEY, 20 X 15
16. 967250-0821	PANEL, GALLEY, 23 X 9.81
17. 967250-0822	DOOR-GAL 20.65 X 20.88
18. 967250-0823	DOOR-GAL 11.61 X 29.38
19. 967250-0824	DOOR-GAL 23.63 X 9.94
20. 382044	HANDLE, BRUSHED NICKEL
21. 381607	HINGE ASSY
22. 381228-01	CATCH, GRABBER, DOOR
23. 203138-04	EXTRUSION, PLASTIC, 1/2" OAK
24. 967250-0846	PANEL, GALLEY, 4 X 12.75
25. 967251-08	TOP, GALLEY
201051	DRAWER, 10 X 22

2009 SPORT
FURNITURE, GALLEY

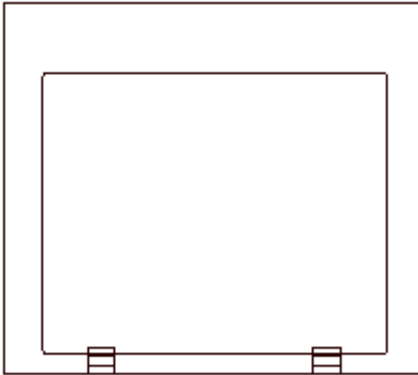
Galley Top, 22'



- | | |
|---------------|---------------------------------|
| 967251-08 | TOP-GALLEY 22' |
| 1. 967251-081 | PANEL, GALLEY TOP, 24.12 X 57.5 |
| 2. 114812 | ALUMINUM ANGLE, 1.00 X 1.00 |
| 3. 115064 | TRIM, ALUMINUM COUNTER TOP |

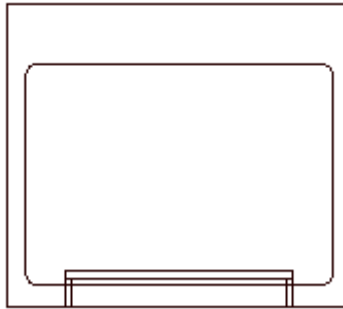
2009 SPORT
FURNITURE, GALLEY

Oven Face Frame, 17, 22'



967266-082 FACE FRAME, OVEN

Microwave Option Face Frame, 17, 22'



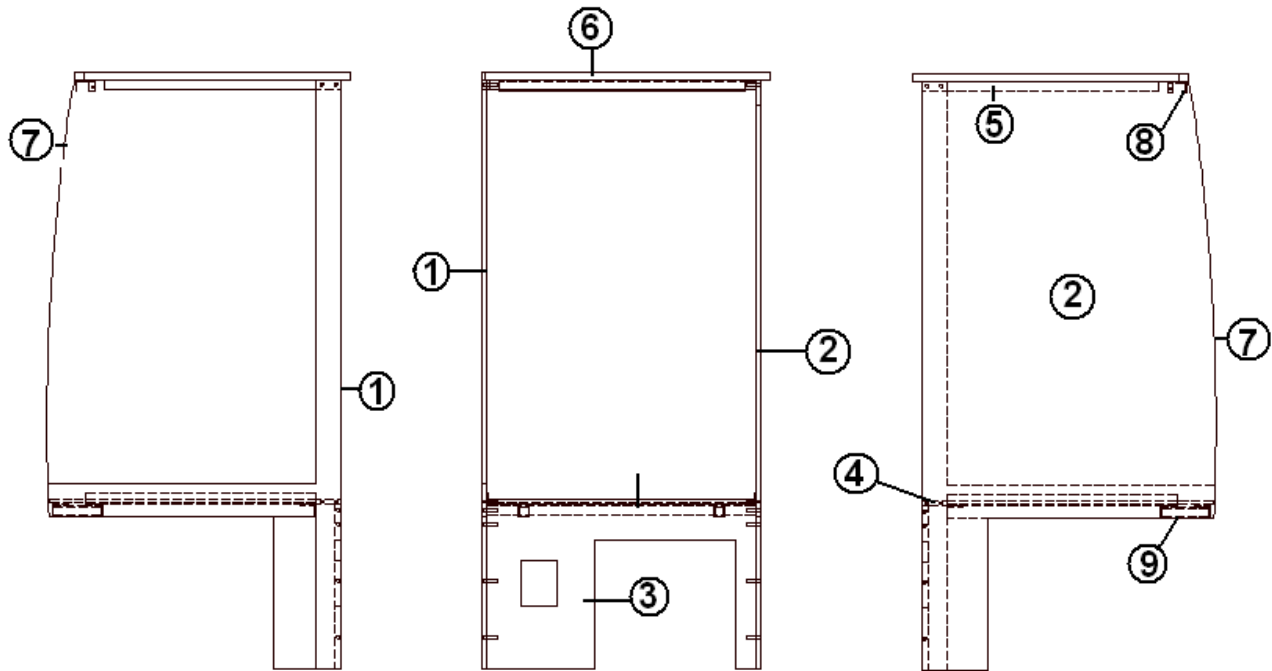
967267-081

FACE FRAME MICROWAVE OVEN OPTION

2009 SPORT

FURNITURE, GALLEY

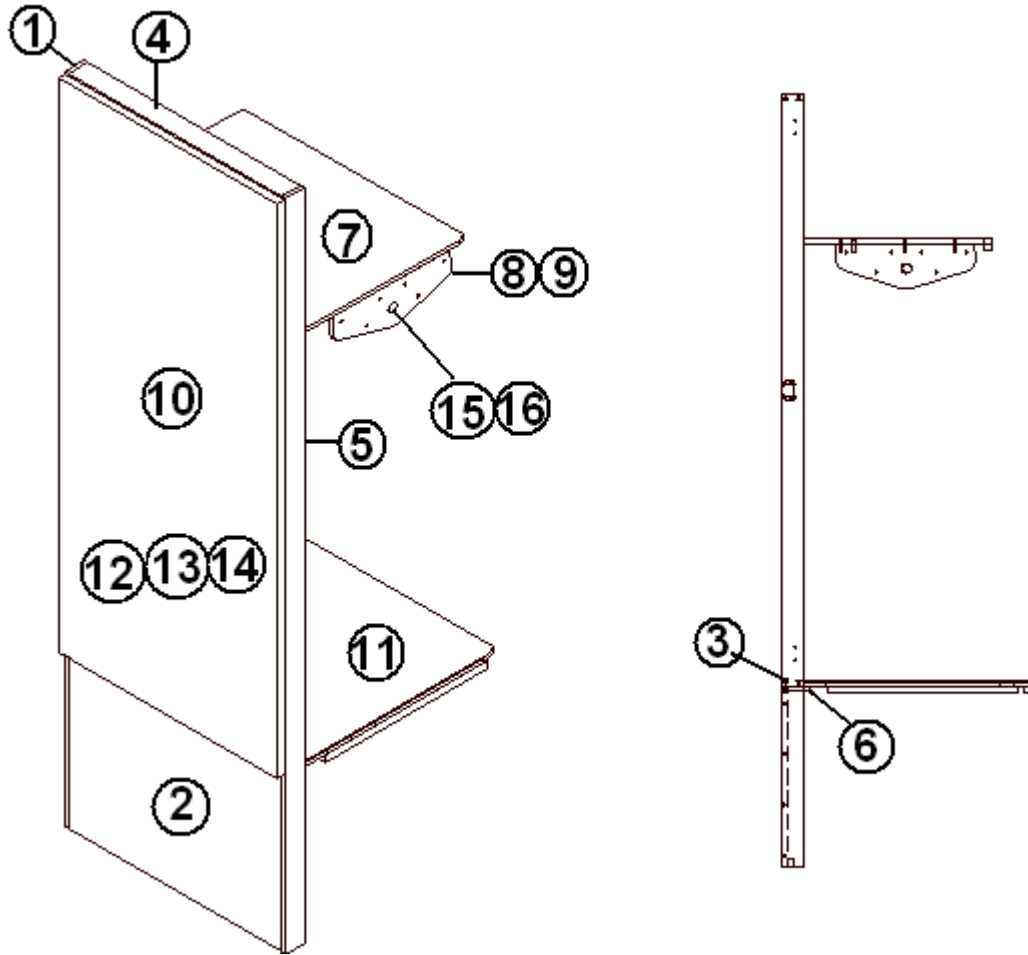
Refrigerator Cabinet, 22'



- | | |
|--|---|
| <p>967252-08</p> <p>1. 967252-081</p> <p>2. 967252-082</p> <p>3. 967252-083</p> <p>4. 967252-084</p> <p>5. 967252-085</p> <p>6. 967252-087</p> <p>7. 203138-01</p> <p>8. 114812</p> <p>9. 966559</p> | <p>REFRIGERATOR CABINET</p> <p>PANEL, 26.33 X 52.44</p> <p>PANEL, 26.33 X 52.44</p> <p>PANEL, 24 X 14.62</p> <p>PANEL, 2.25 X 24</p> <p>PANEL, 2.25 X 24</p> <p>PANEL, 25.75 X 24.56</p> <p>WALL EXTRUSION, PLASTIC, 1/2" WHITE</p> <p>ALUMINUM ANGLE 1.00 X 1.00</p> <p>REFRIGERATOR STAND</p> |
|--|---|

2009 SPORT
FURNITURE, GALLEY

Storage Cabinet, Roadside, 17', 22', 22' Front Bed



Part numbers on the next page.

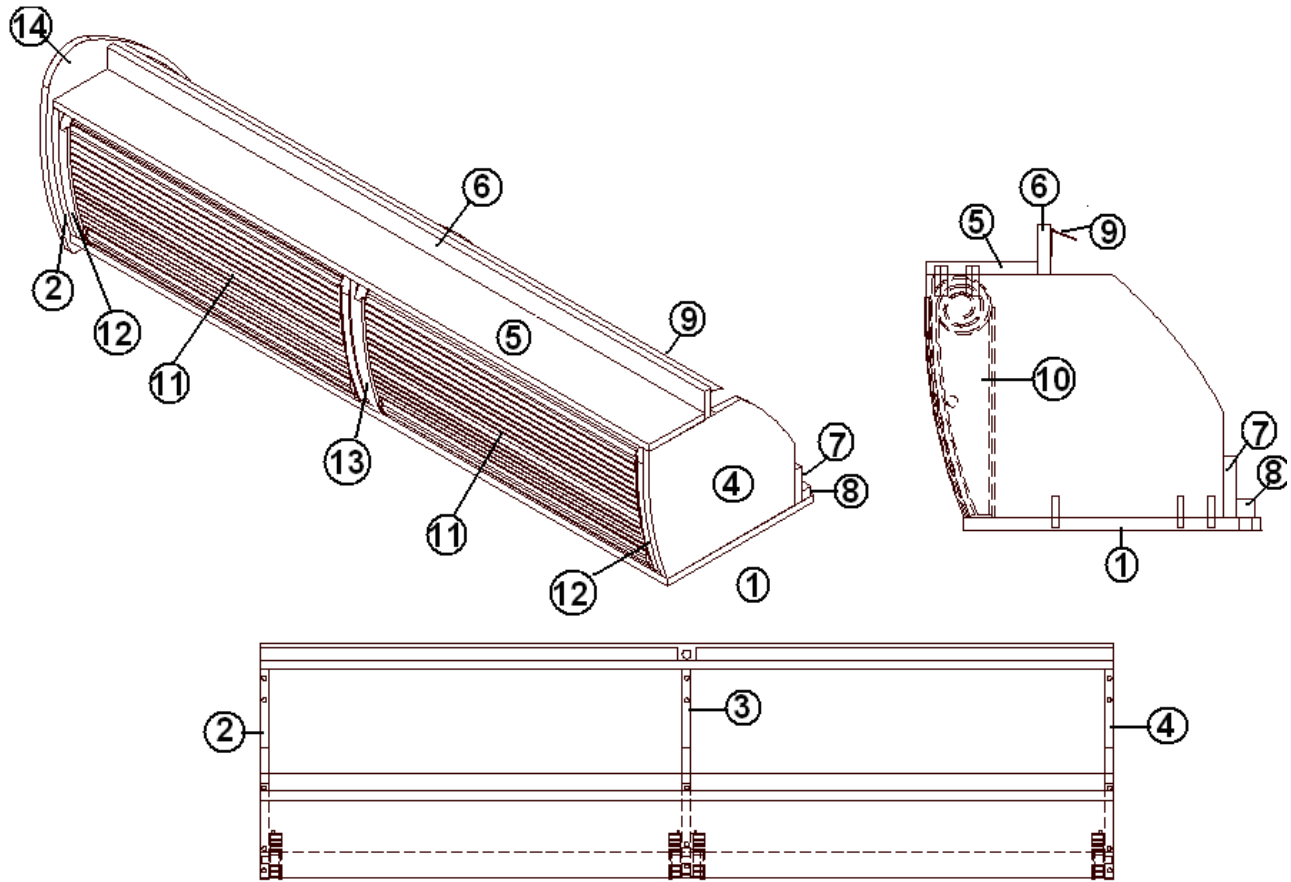
2009 SPORT
FURNITURE, GALLEY

Storage Cabinet, Roadside, 17', 22', 22' Front Bed

967253-08	STORAGE CABNET
1. 967253-081	PANEL, 2.25 X 77.75
2. 967253-083	PANEL, 27 X 17.5
3. 967253-084	PANEL, 2.25 X 27
4. 967253-085	PANEL, 2.25 X 27
5. 967253-086	PANEL, 2.25 X 77.75
6. 967253-087	PANEL, 2.25 X 27
7. 967253-0810	PANEL, 18.75 X 28
8. 967253-0811	PANEL, 14 X 4.4
9. 967253-0812	PANEL, 14 X 4.5
10. 967253-0813	PANEL, 27.62 X 59.38
11. 701538-01	CARPET, ECONOLIER W/PSA BACK
12. 382044	HANDLE-BRUSHED NICKEL
13. 381607	HINGE ASSY
14. 381228	CATCH, GRABBER DOOR
15. 380045	TUBING, 3/4"
16. 200975-04	CONDUIT, FLEXIBLE, BLACK PLASTIC

2009 SPORT FURNITURE, GALLEY

Roof Locker, Galley, 17'



Part numbers on the next page.

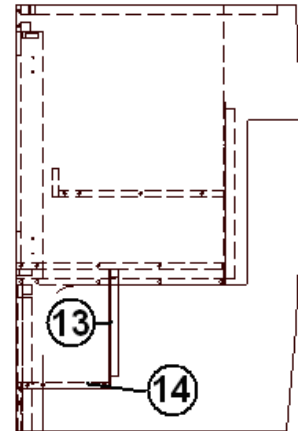
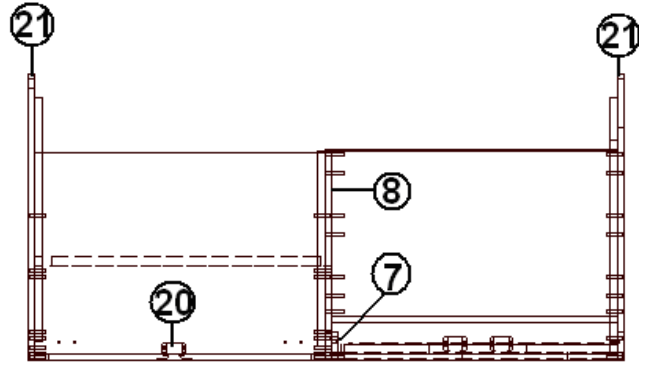
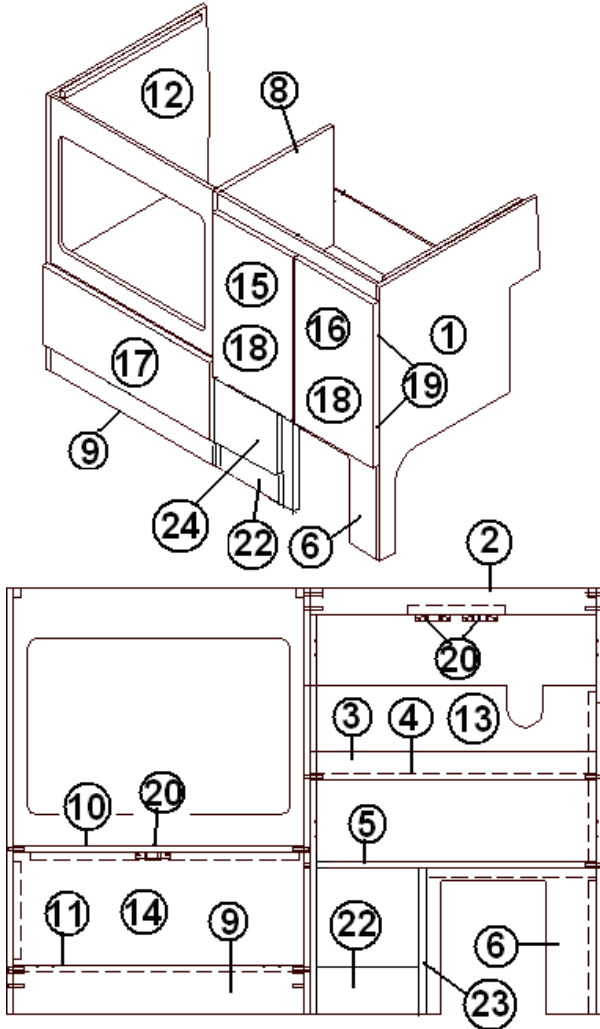
2009 SPORT
FURNITURE, GALLEY

Roof Locker, Galley, 17'

967134	ROOF LOCKER, GALLEY
1. 967134-1	PANEL, GALLEY ROOF LOCKER, 12 X 49
2. 967134-2	PANEL, GALLEY ROOF LOCKER, 12.04 X 9.81
3. 967134-3	PANEL, GALLEY ROOF LOCKER, 11.79 X 9.81
4. 967134-4	PANEL, GALLEY ROOF LOCKER, 12.04 X 9.81
5. 967134-5	PANEL, GALLEY ROOF LOCKER, 4.5 X 49
6. 967134-6	PANEL, GALLEY ROOF LOCKER, 2 X 49
7. 967134-7	PANEL, GALLEY ROOF LOCKER, 2.5 X 49
8. 800025-01	PINE, 3/4" X 3/4", STAINED
9. 104821	SUPPORT, ROOFLOCKER, 74"
10. 201164-02	SPIRALS, ROOF LOCKER PLATINUM, LH/RH
11. 967104-04	DOOR, TAMBOUR, 9.88" X 23.38"
12. 115382-01	TRIM, ALUMINUM, ROOF LOCKER, .688 X 10
13. 115382-02	TRIM, ALUMINUM, ROOF LOCKER, 1.88 X 10
14. 967134-15	PANEL, GALLEY ROOF LOCKER, 14.57 X 14.74
101265-01	EXTRUSION-BLACK DOOR HANDLE
201163-01	ENDCAP, BLACK HANDLE (PR)

2009 SPORT FURNITURE, GALLEY

Galley, 17'



Part numbers on the next page.

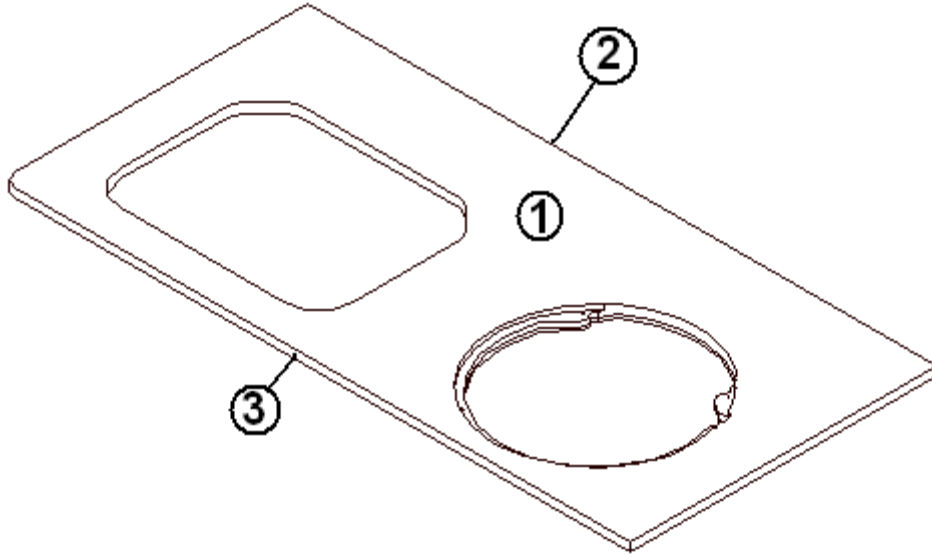
2009 SPORT
FURNITURE, GALLEY

Galley, 17'

967406-08	GALLEY ASSY.
1. 967406-081	PANEL, GALLEY, 23.5 X 35
2. 967406-082	PANEL, GALLEY, 2.25 X 23.5
3. 967406-083	PANEL, GALLEY, 2.25 X 23.5
4. 967406-084	PANEL, GALLEY, 13.62 X 23.5
5. 967406-085	PANEL, GALLEY, 17.12 X 23.5
6. 967406-086	PANEL, GALLEY, 23.5 X 12
7. 967406-087	PANEL, GALLEY, 2.25 X 20.25
8. 967406-088	PANEL, GALLEY, 17.12 X 35
9. 967406-089	PANEL, GALLEY, 4 X 24
10. 967406-0810	PANEL, GALLEY, 17 X 24
11. 967406-0811	PANEL, GALLEY, 7.13 X 24
12. 967406-0812	PANEL, GALLEY, 23.5 X 35
13. 967406-0813	PANEL, GALLEY, 24 X 15
14. 967406-0814	PANEL, GALLEY, 24.5 X 9.81
15. 967406-0815	DOOR-GALLEY, 11.75 X 20.88
16. 967406-0816	DOOR-GALLEY, 11.75 X 20.88
17. 967406-0817	DOOR-GALLEY, 24.63 X 9.94
18. 382044	HANDLE-BRUSHED NICKEL
19. 381607	HINGE ASSY
20. 381228-01	CATCH, GRABBER, DOOR
21. 203138-04	EXTRUSION, PLASTIC ½", OAK
22. 967406-0826	PANEL, GALLEY, 8.19 X 4.0
23. 967406-0827	PANEL, GALLEY, 2.25 X 12.00
24. 967406-0828	DOOR, GALLEY, 8.22 X 8.38
967407-08	TOP, GALLEY, 17'

2009 SPORT
FURNITURE, GALLEY

Galley Top, 17'

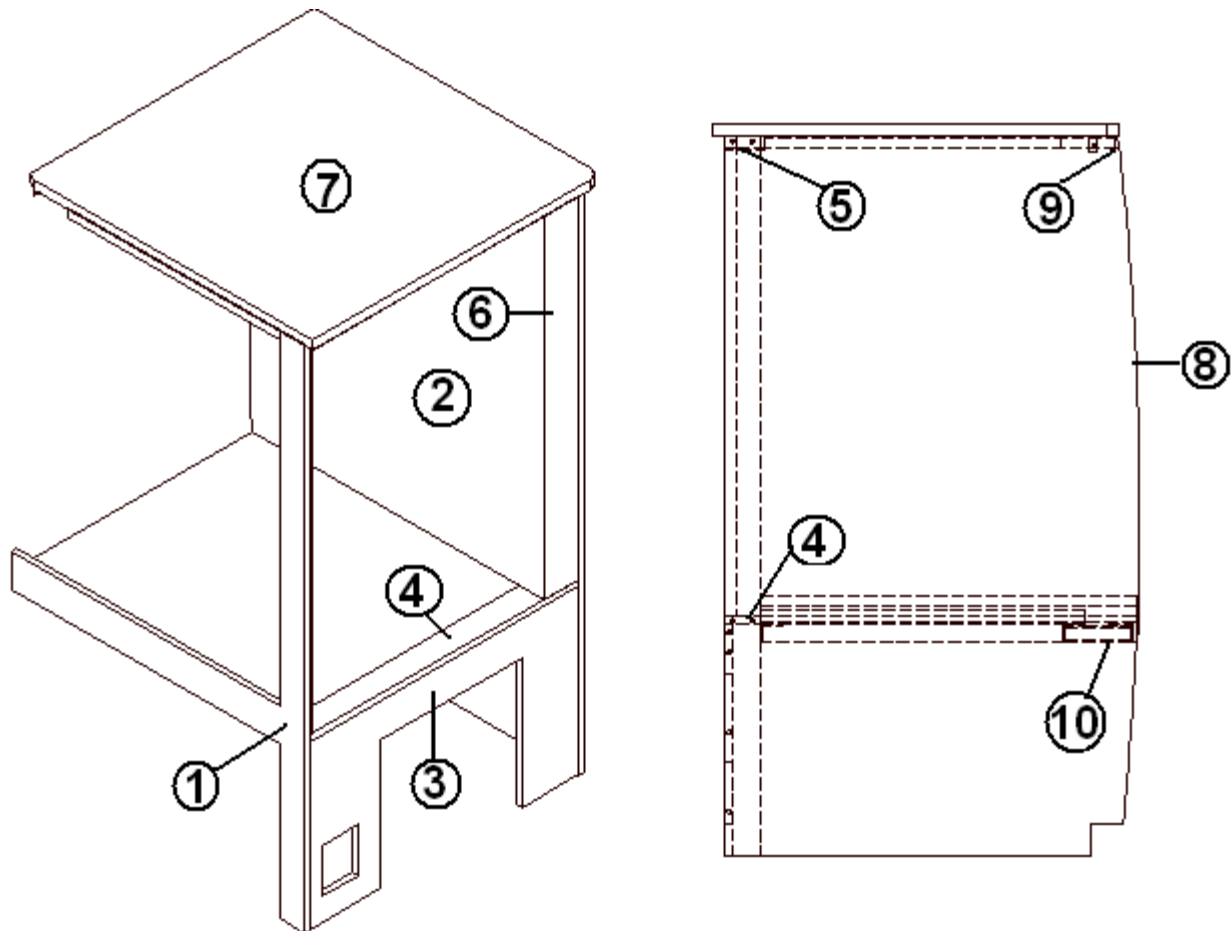


- | | |
|---------------|---------------------------------|
| 967407-08 | TOP-GALLEY |
| 1. 967407-081 | PANEL, GALLEY TOP, 24.12 X 57.5 |
| 2. 114812 | ALUMINUM ANGLE, 1.00 X 1.00 |
| 3. 115064 | TRIM, ALUMINUM, COUNTER TOP |

2009 SPORT

FURNITURE, GALLEY

Refrigerator Cabinet, 17'



<p>967408-08</p> <p>1. 967408-081</p> <p>2. 967408-082</p> <p>3. 967408-083</p> <p>4. 967408-084</p> <p>5. 967408-085</p> <p>6. 967408-086</p> <p>7. 967408-087</p> <p>8. 203138-04</p> <p>9. 114812</p> <p>10. 966559</p>	<p>REFRIGERATOR CABINET</p> <p>PANEL, REFRIGERATOR 26.25 X 45.63</p> <p>PANEL, REFRIGERATOR 26.25 X 45.63</p> <p>PANEL, REFRIGERATOR 24 X 14.62</p> <p>PANEL, REFRIGERATOR 2.25 X 24</p> <p>PANEL, REFRIGERATOR 2.25 X 24</p> <p>PANEL, REFRIGERATOR 3 X 29.75</p> <p>PANEL, REFRIGERATOR 25.75 X 25.64</p> <p>EXTRUSION, PLASTIC, 1/2", OAK W</p> <p>ALUMINUM ANGLE, 1.00 X 1.00</p> <p>REFRIGERATOR STAND ASSY</p>
--	--

2009 SPORT
FURNITURE, GALLEY

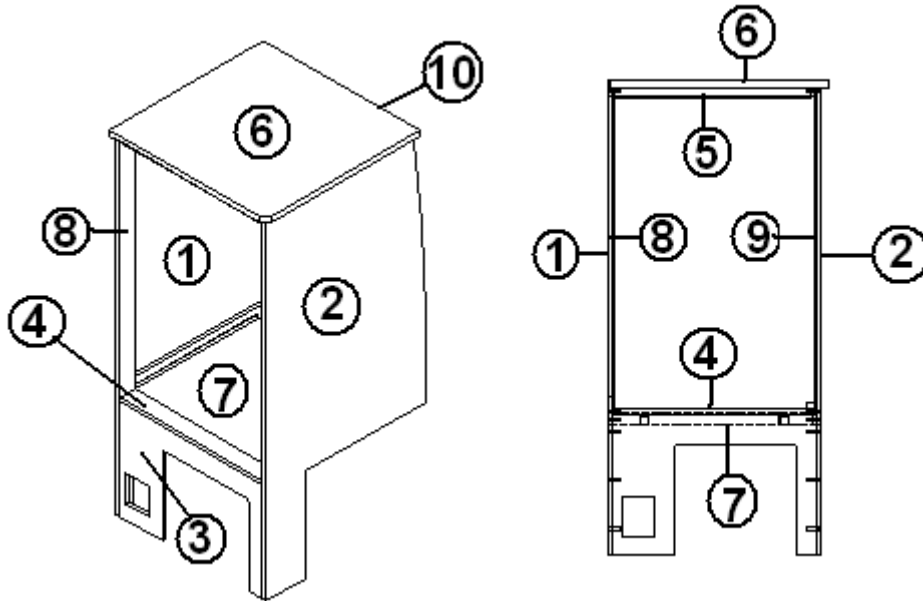
Spice rack, 17', 22', 22' Front Bed

382052 SPICE RACK, CHROME

2009 SPORT

FURNITURE, GALLEY

Refrigerator Cabinet, 22' Front Bed

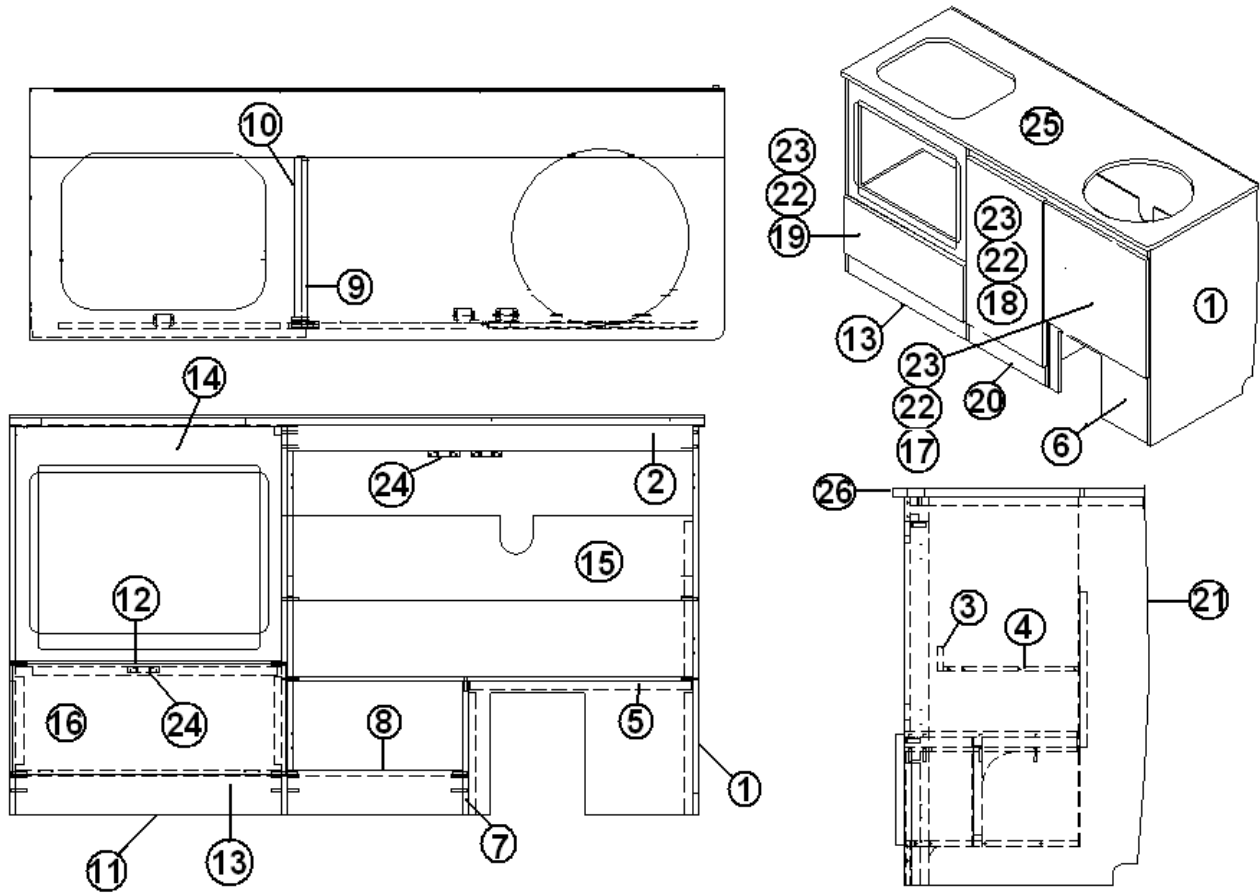


967441 CABINET, REFRIGERATOR

- 1. 967441-1 PANEL, REFER CABINET, 23.51 X 48.38
- 2. 967441-2 PANEL, REFER CABINET, 23.5 X 48.38
- 3. 967441-3 PANEL, REFER CABINET, 21 X 14.62
- 4. 967441-4 PANEL, REFER CABINET, 2.25 X 21.00
- 5. 967441-5 PANEL, REFER CABINET, 2.25 X 21.00
- 6. 967441-6 PANEL, REFER CABINET, 22.75 X 22.46
- 7. 967441-7 PANEL, REFER CABINET, 21.07 X 20.69
- 8. 967441-8 PANEL, REFER CABINET, 2.25 X 32.50
- 9. 967441-9 PANEL, REFER CABINET, 23.51 X 33.13
- 10. 203138-01 EXTRUSION, PLASTIC WALL, WHITE
- 114812 ALUMINUM ANGLE, 1.00 X 1.00
- 966559 REFRIGERATOR STAND

2009 SPORT FURNITURE, GALLEY

Galley, 22' Front Bed



Part numbers on the next page.

2009 SPORT
FURNITURE, GALLEY

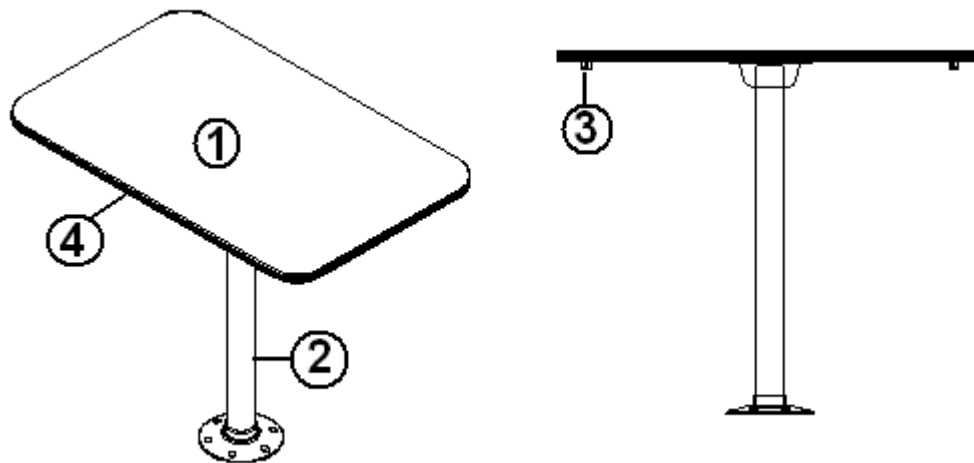
Galley, 22' Front Bed

967439	GALLEY ASSY.
1. 967439-1	PANEL, GALLEY, 21.96 X 35.00
2. 967439-2	PANEL, GALLEY, 2.25 X 36.50
3. 967439-3	PANEL, GALLEY, 2.25 X 36.50
4. 967439-4	PANEL, GALLEY, 12.12 X 36.50
5. 967439-5	PANEL, GALLEY, 15.62 X 36.50
6. 967439-6	PANEL, GALLEY, 20.25 X 12.00
7. 967439-7	PANEL, GALLEY, 15.62 X 12.00
8. 967439-8	PANEL, GALLEY, 15.12 X 15.75
9. 967439-9	PANEL, GALLEY, 2.25 X 28.75
10. 967439-10	PANEL, GALLEY, 15.62 X 35.00
11. 967439-11	PANEL, GALLEY, 4.00 X 24.00
12. 967439-12	PANEL, GALLEY, 15.50 X 24.00
13. 967439-13	PANEL, GALLEY, 5.63 X 24.00
14. 967439-14	PANEL, GALLEY, 15.55 X 35.00
15. 967439-15	PANEL, GALLEY, 37.00 X 23.50
16. 967439-16	PANEL, GALLEY, 24.00 X 9.81
17. 967439-17	DOOR, GALLEY, 20.75 X 20.88
18. 967439-18	DOOR, GALLEY, 15.75 X 29.38
19. 967439-19	PANEL, GALLEY, 24.63 X 9.94
20. 967439-20	PANEL, GALLEY, 4.00 X 15.75
21. 203138-03	EXTRUSION, PLASTIC WALL, WHITE
22. 382044	HANDLE, BRUSHED NICKEL
23. 381607	HINGE ASSY.
24. 381228-01	CATCH, GRABBER, DOOR
25. 967440	TOP, GALLEY
26. 115064	TRIM, ALUMINUM COUNTER TOP
201051	DRAWER, 10 X 22

2009 SPORT

FURNITURE, GALLEY

Dinette Table, 22' Front Bed, Obsolete

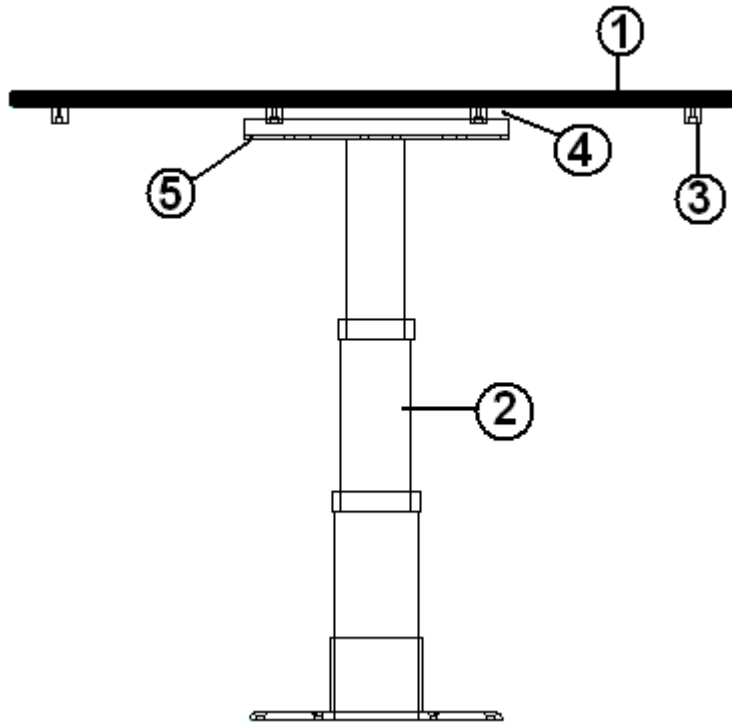


- *967450 DINETTE TABLE
- 1. 967450-1 PANEL, DINETTE TABLE ,34.75 X 21.88
 - 2. 381974 LEG, PEDESTAL
 - 3. 381136 RUBBER BUMPER
 - 4. 115472 TRIM, ALUMINUM, COUNTER TOP

This assembly obsolete during model year, replaced by 967484

2009 SPORT
FURNITURE, GALLEY

Dinette Table, 22' Front Bed, New



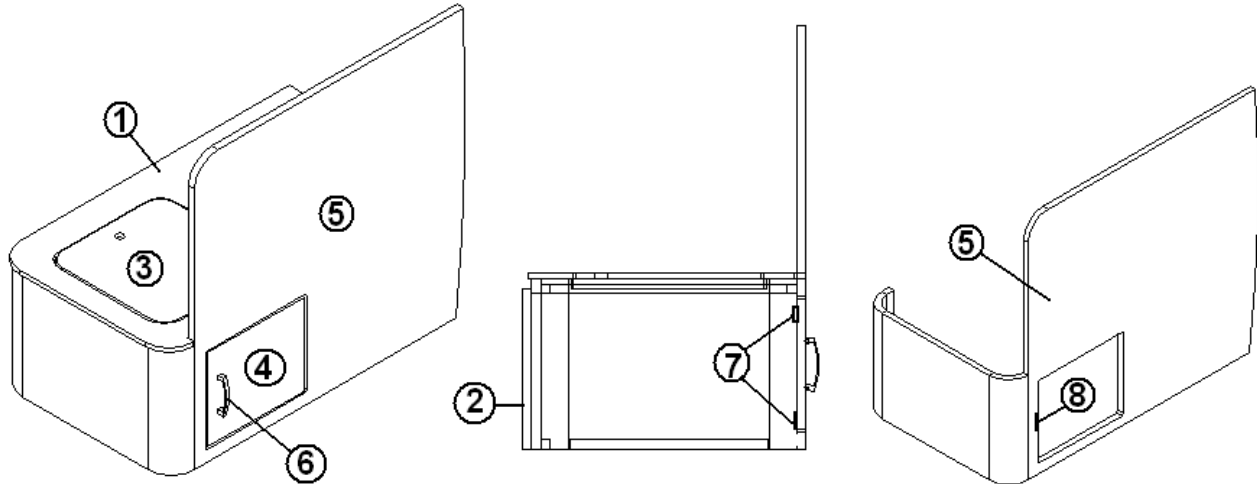
- *9674484 DINETTE TABLE
- 1. 967484-1 DINETTE TABLE TOP, 34.75 X 21.88
- 2. 382073-01 BRACKET, PEDESTAL TABLE
- 3. 381136 RUBBER BUMPER
- 4. 381400 DRAWER SLIDE, 12"
- 5. 967484-6 PANEL, PEDESTAL TABLE, 12.63" X 12.63"

This assembly replaced 967450 during model year

2009 SPORT

FURNITURE, GALLEY

Dinette Seat, Rear, 22' Front Bed

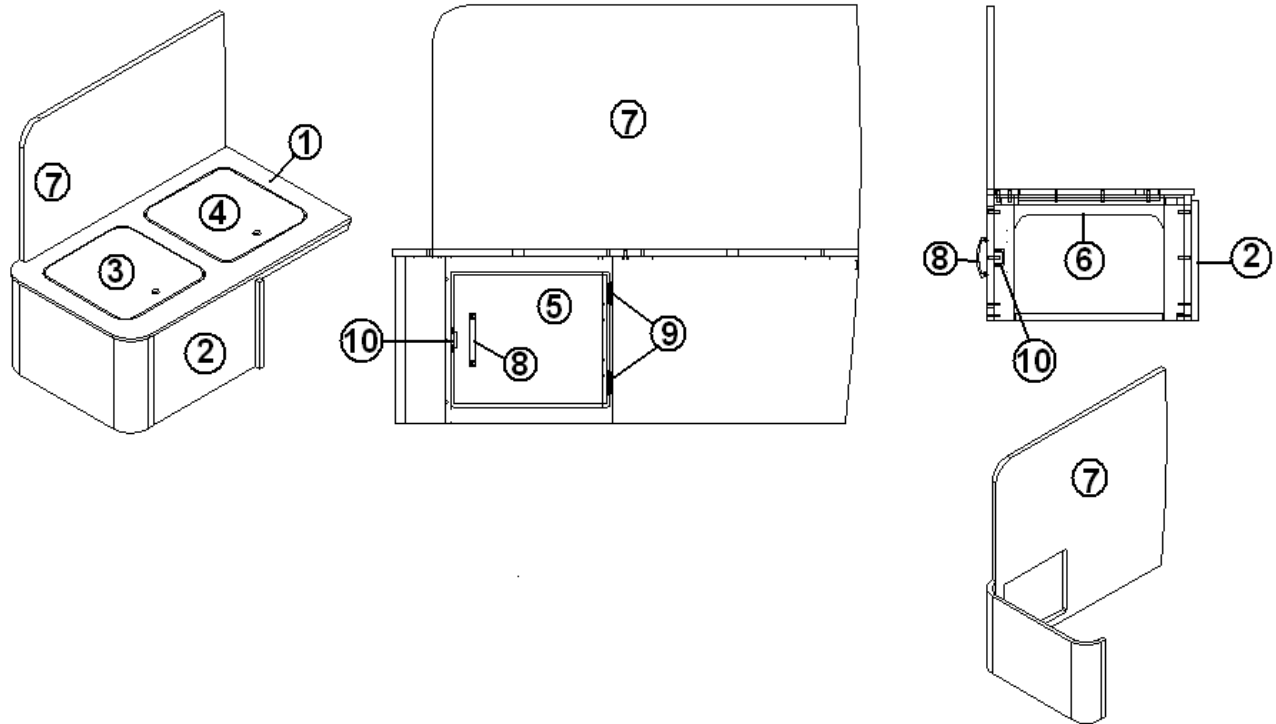


- | | |
|--------------|------------------------------------|
| 967446 | SEAT ASSY, REAR DINETTE |
| 1. 967446-1 | PANEL, DINETTE SEAT, 22.5 X 38.08 |
| 2. 967446-2 | PANEL, DINETTE SEAT, 13.75 X 33.81 |
| 3. 967446-3 | PANEL, DINETTE SEAT, 14.5 X 15.50 |
| 4. 967446-6 | PANEL, DINETTE SEAT, 12.5 X 10.50 |
| 5. 967443 | DINETTE SEAT SUB ASSY. |
| 6. 382044 | HANDLE, BRUSHED NICKEL |
| 7. 381607 | HINGE ASSY. |
| 8. 381228-01 | CATCH, GRABBER, DOOR |

2009 SPORT

FURNITURE, GALLEY

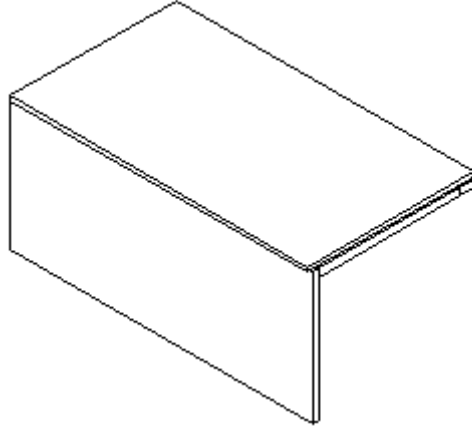
Dinette Seat, Forward, 22' Front Bed



- | | |
|---|---|
| <p>967447</p> <p>1. 967447-1</p> <p>2. 967447-2</p> <p>3. 967447-3</p> <p>4. 967447-4</p> <p>5. 967447-7</p> <p>6. 967447-8</p> <p>7. 967444</p> <p>8. 382044</p> <p>9. 381607</p> <p>10. 381228-01</p> | <p>SEAT ASSEMBLY, FORWARD, DINETTE</p> <p>PANEL, DINETTE SEAT, 22.5 X 38.08</p> <p>PANEL, DINETTE SEAT, 13.75 X 33.81</p> <p>PANEL, DINETTE SEAT, 14.5 X 15.50</p> <p>PANEL, DINETTE SEAT, 14.5 X 15.50</p> <p>PANEL, DINETTE SEAT, 12.5 X 10.50</p> <p>PANEL, DINETTE SEAT, 20.75 X 13.75</p> <p>FORWARD DINETTE SEAT SUB ASSEMBLY</p> <p>HANDLE, BRUSHED NICKEL</p> <p>HINGE ASSY</p> <p>CATCH, GRABBER, DOOR</p> |
|---|---|

2009 SPORT
FURNITURE, GALLEY

Dinette Seat, Middle, 22' Front Bed

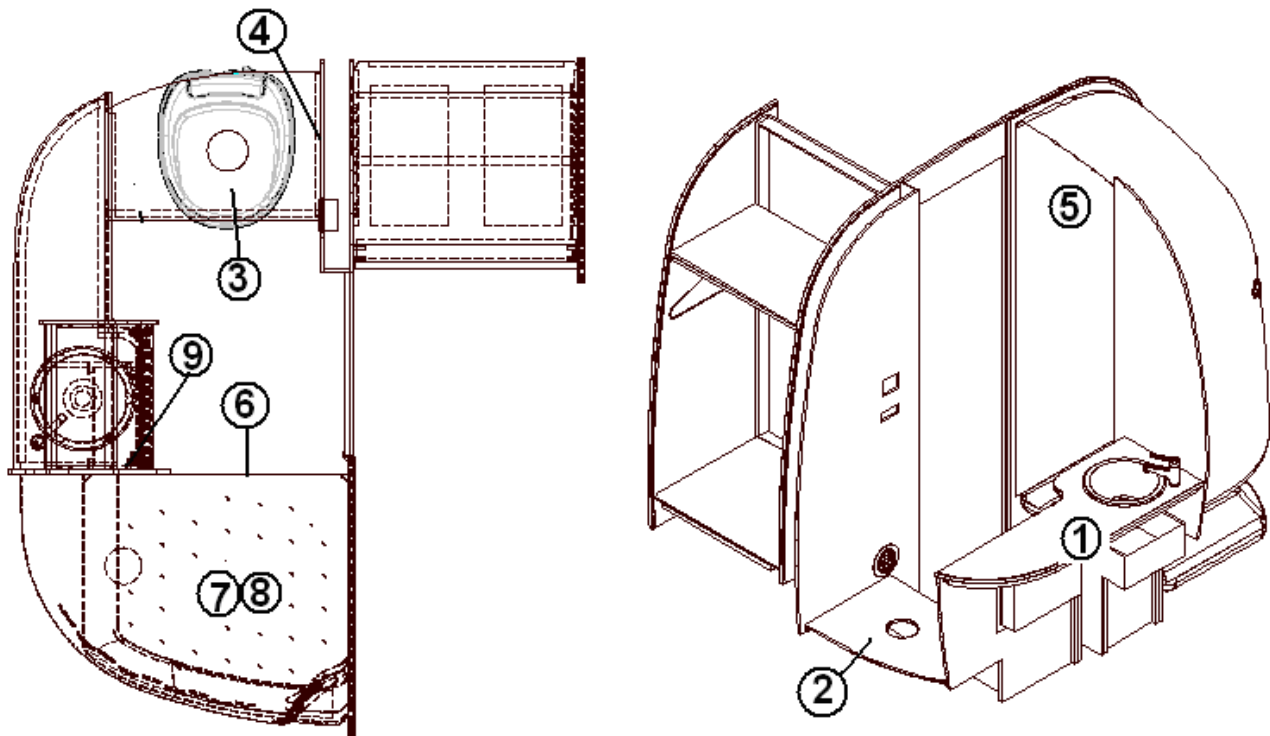


967445

DINETTE SEAT, MIDDLE DINETTE

2009 SPORT FURNITURE, BATH

Bath Module, 17', 22', 22' Front Bed

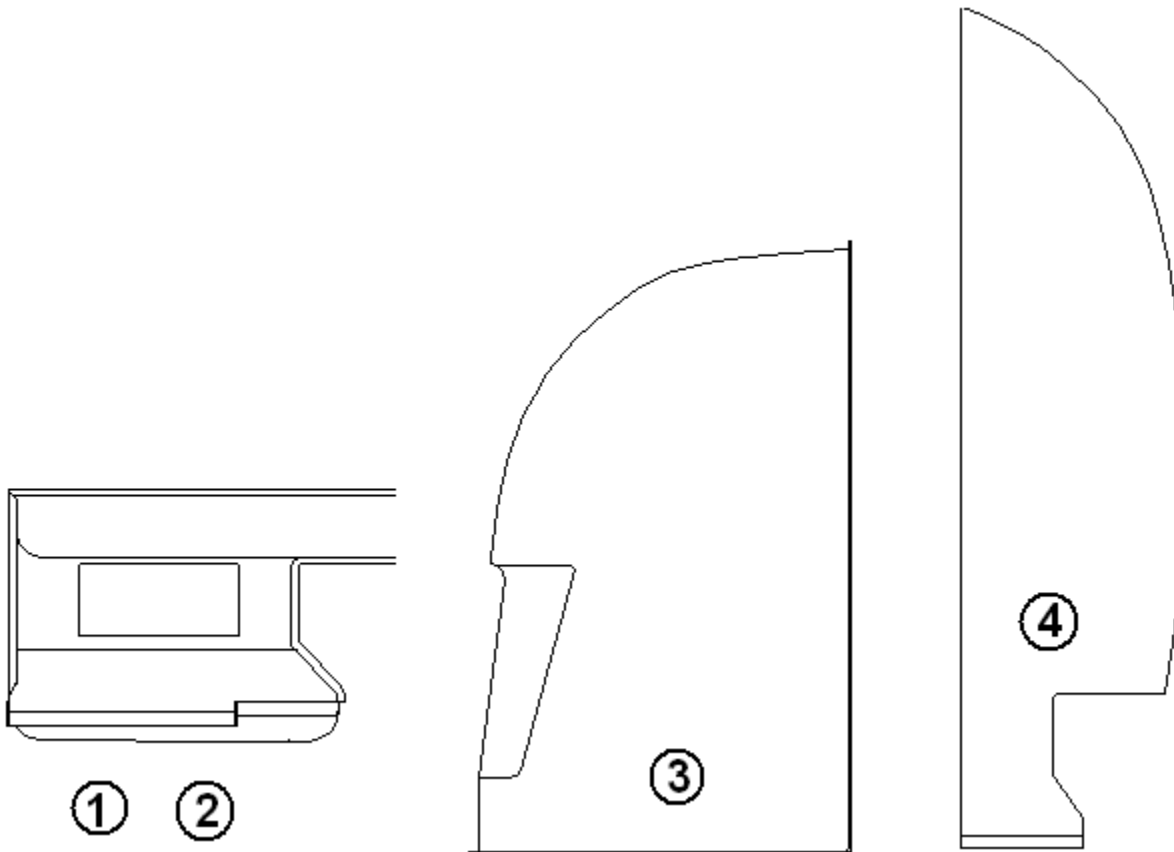


- 1. 967255 LAVATORY ASSEMBLY
- 2. 967254 STAND, TOILET
- 3. 690495 TOILET, THETFORD, AQUAMAGIC V-LO
- 4. *381923 HANDLE, PULL 14.25", TOWEL BAR
- 4.*382098 Handle, 14.25", Glass Chrome (Towel bar)
- 5. 203615 SHOWER ASSEMBLY
- 6. 703725 DOOR, SHOWER
- 7. 967113 SHOWER STAND
- 8. 967114 SHOWER SEAT SUPPORT
- 9. 371423 MIRROR, WALL MOUNT, NICKEL

*382098 replaced 381923 handle towel bar during model year.

2009 SPORT
FURNITURE, BATH

Shower Assembly, 17', 22', 22' Front Bed

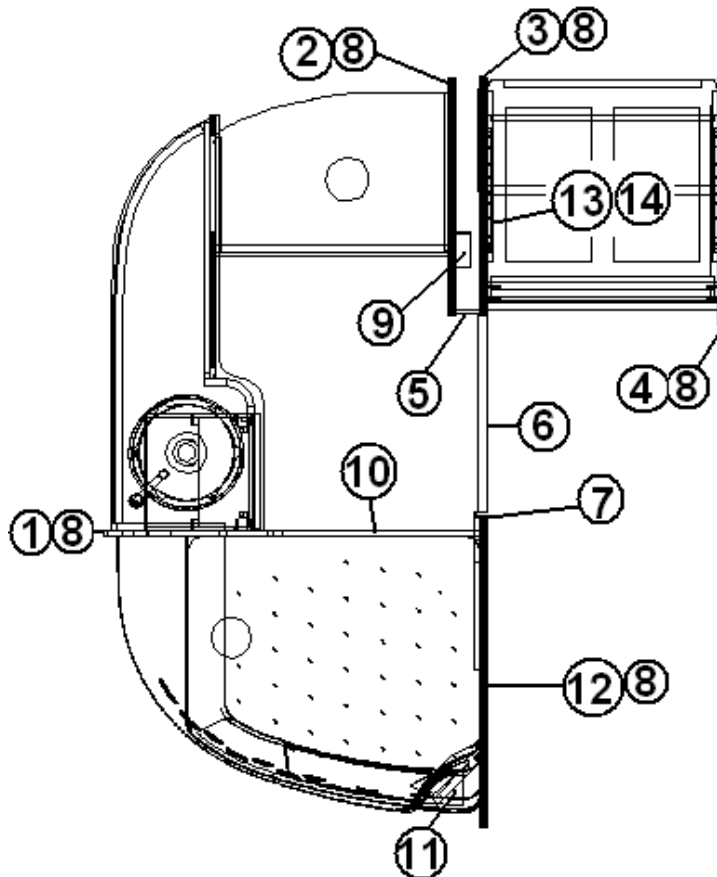


- 203615 SHOWER ASSEMBLY
- 1. *203615-01 Shower base assembly
 - 2. *203615-02 Shower base assembly
 - 3. 203615-03 Shower surround
 - 4. 203615-04 Shower panel
- Items 1 & 2 are bonded together at the vendor before delivery.

2009 SPORT

FURNITURE, BATH

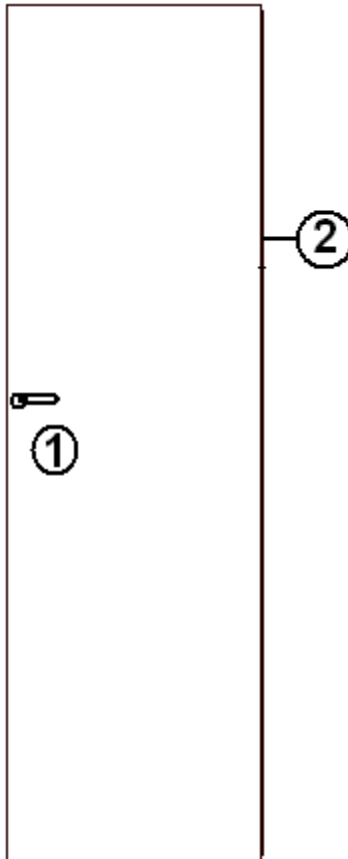
Bath Panels, 17', 22', 22' Front Bed



- | | |
|-----------------|----------------------------------|
| 1. 111718-082 | PANEL, BATH, 18.92 X 79.19 |
| 2. 111718-083 | PANEL, BATH, 26.38 X 78.05 |
| 3. 111718-084 | PANEL, BATH, 26.23 X 77.09 |
| 4. 111718-085 | PANEL, BATH, 27.51 X 79.14 |
| 5. 111718-086 | PANEL, BATH, 3.00 X 78.06 |
| 6. 967257 | DOOR, BATH 22" X 72" |
| 7. 801665-WH | MOLDING-L, DOOR JAMB |
| 8. 203138-01 | EXTRUSION, PLASTIC, 1/2", WHITE |
| 9. 601244-02 | REGISTER, ROTAIRE, 4", WHITE |
| 10. 111718-0817 | PANEL, BATH, 23.25 X 7.25 |
| 11. 111718-0822 | PANEL, BATH, 5.5 X 5.5 |
| 12. 967273 | SUB ASSEMBLY, FORWARD BATH PANEL |
| 13. 111718-0824 | PANEL, BATH, 5.50 X 5.50 |
| 14. 111718-0825 | PANEL, BATH, 9.50 X 9.50 |

2009 SPORT
FURNITURE, BATH

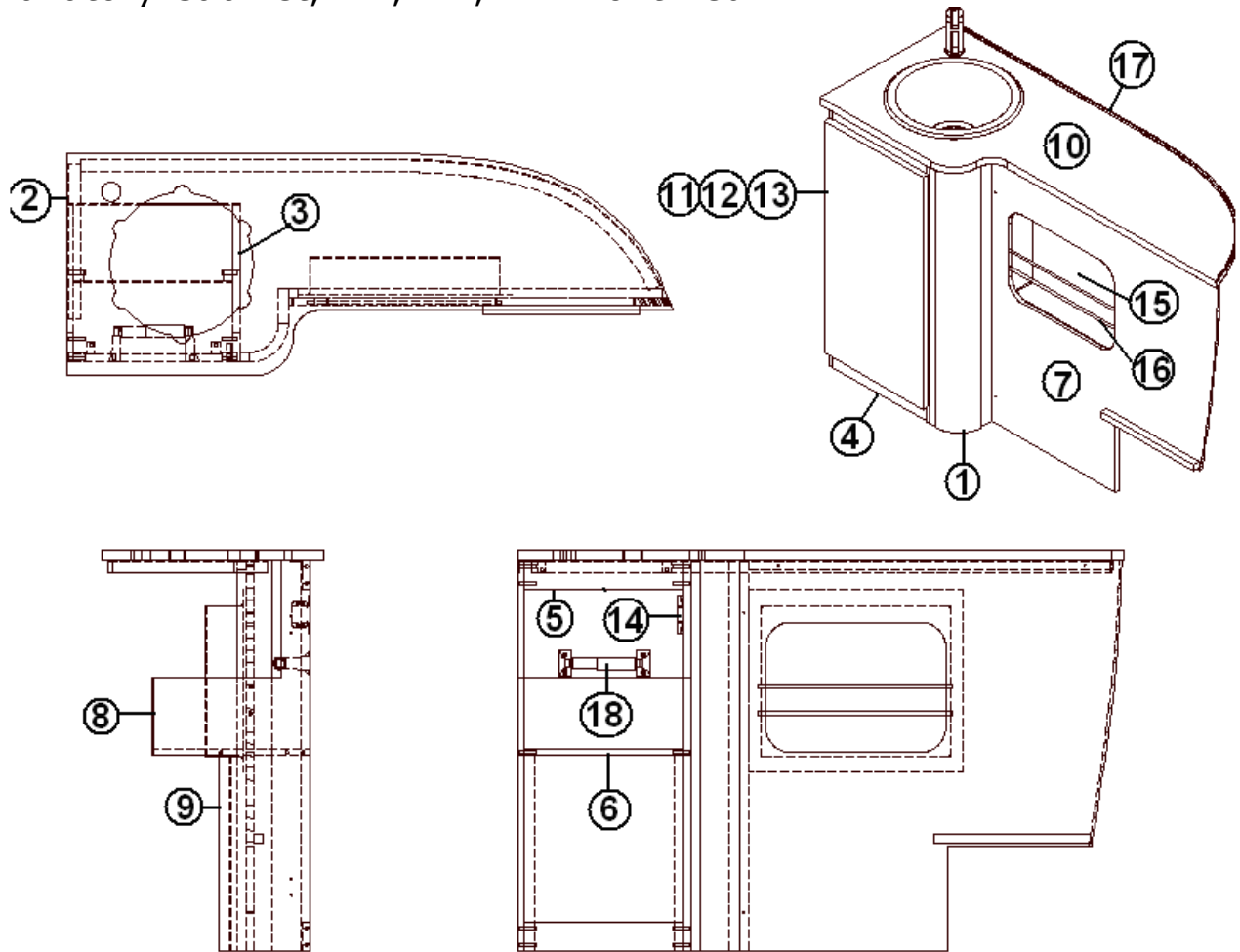
Bath Door, 17', 22', 22' Front Bed



- | | |
|--------------|-----------------------|
| 967257 | DOOR, BATH, 22" X 72" |
| 1. 381771 | LATCH, LEVER |
| 2. 380203-01 | PIANO HINGE, 1/8" PIN |

2009 SPORT
FURNITURE, BATH

Lavatory Cabinet, 17', 22', 22' Front Bed



Part numbers on the next page.

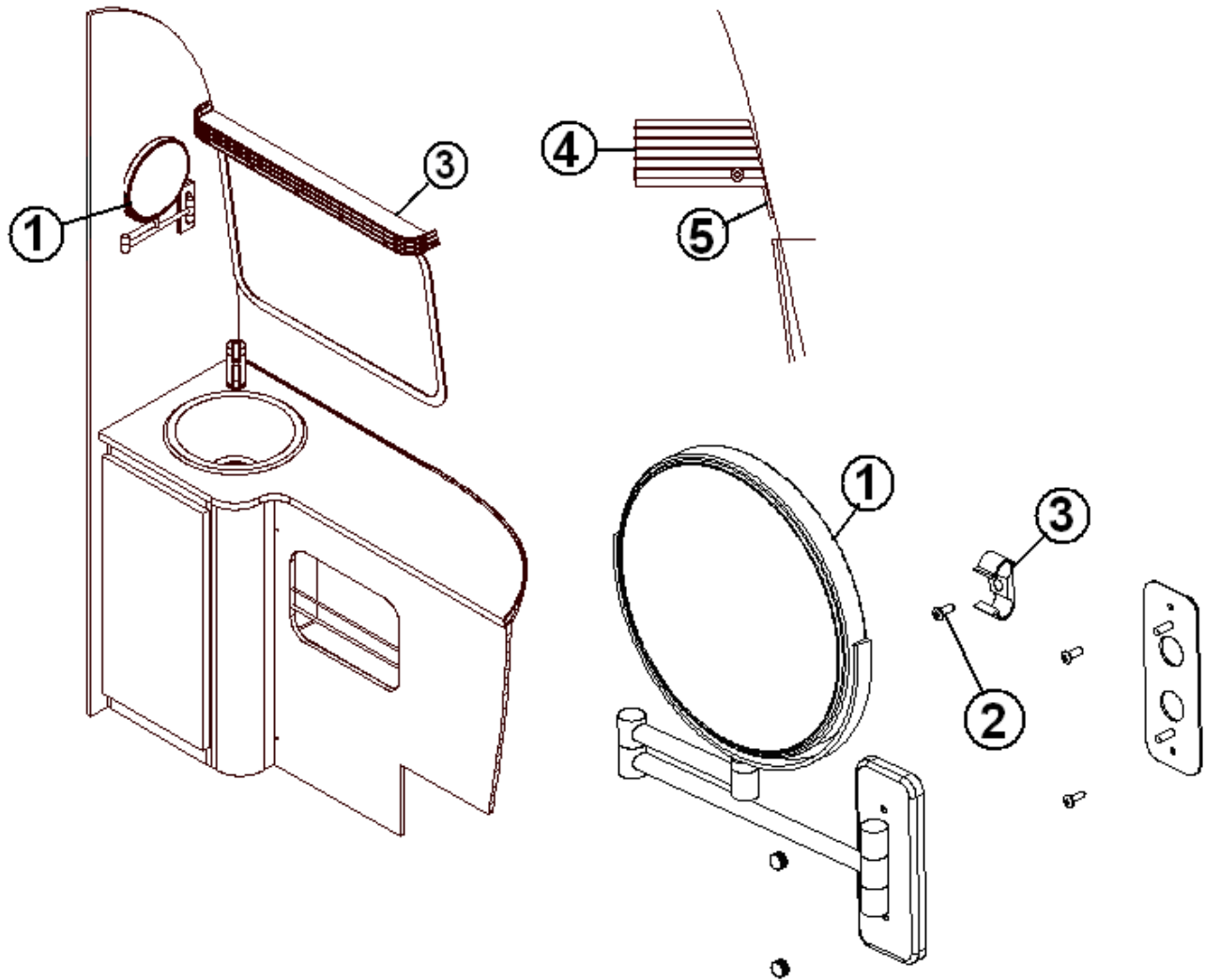
2009 SPORT
FURNITURE, BATH

Lavatory Cabinet, 17', 22', 22' Front Bed

967255	LAVATORY CABINET
1. 967256	LAVATORY RADIUS ASSEMBLY
2. 967255-2	PANEL, LAVATORY, 12 X 30
3. 967255-3	PANEL, LAVATORY, 12 X 30
4. 967255-4	PANEL, LAVATORY, 2.25 X 12.23
5. 967255-5	PANEL, LAVATORY, 2.25 X 12.23
6. 967255-6	PANEL, LAVATORY, 11.94 X 12.23
7. 967255-7	PANEL, LAVATORY, 31.53 X 30
8. 967255-8	PANEL, LAVATORY, 13.23 X 6
9. 967255-9	PANEL, LAVATORY, 12.23 X 15
10. 967255-10	PANEL, LAVATORY, 17.05 X 46.53
11. 967255-11	DOOR, LAVATORY 12.85 X 26.13
12. 381607	HINGE ASSEMBLY
13. 382044	PULL, BAR, BRUSHED NICKEL
14. 381228-01	CATCH GRABBER, DOOR
15. 203383	RACK, MAGAZINE ABS
16. 115042	ROD, .25", ALUMINUM, 6' LENGTH
17. 115064	TRIM, ALUMINUM COUNTER TOP
18. 380034	TOILET PAPER HOLDER, CHROME
114812	ALUMINUM ANGLE, 1.00 X 1.00
203445	T-MOLDING BLK FLEXIBLE POLY .5

2009 SPORT
FURNITURE, BATH

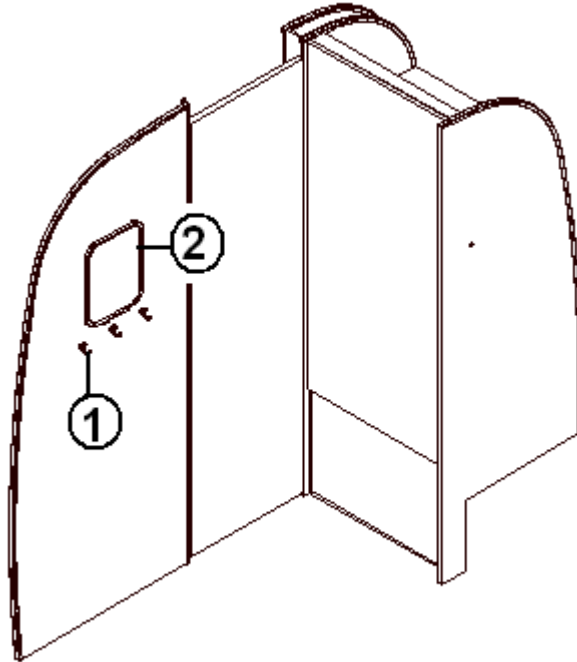
Lavatory Mirror/Rear Bath Shelf, 17', 22', 22' Front Bed



- | | |
|--------------|---------------------------------|
| 1. 371423 | MIRROR, WALL MOUNT NICKEL |
| 2. 320035 | SCREW 8 X 1/2 PH TYPE A PHIL WD |
| 3. 371423-01 | RETAINER CLIP, 1 7/8" LONG |
| 4. 967135 | SHELF-REAR BATH |
| 5. 115394 | ANGLE, REAR BATH SHELF |

2009 SPORT
FURNITURE, BATH

Dry Erase Board/Coat Hooks, 22', 22' Front Bed

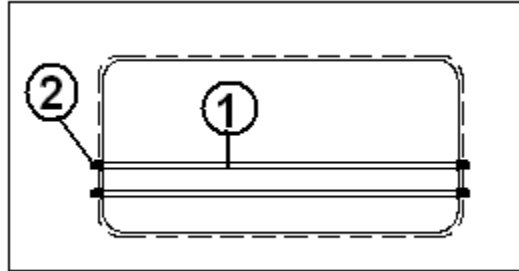


1. 381945
2. 381834

BOARD, DRY/ERASE 11" X 14", MAGNET
ALUMINUM COAT HOOK

2009 SPORT
FURNITURE, BATH

Shower Shelf Rods, 17', 22', 22' Front Bed

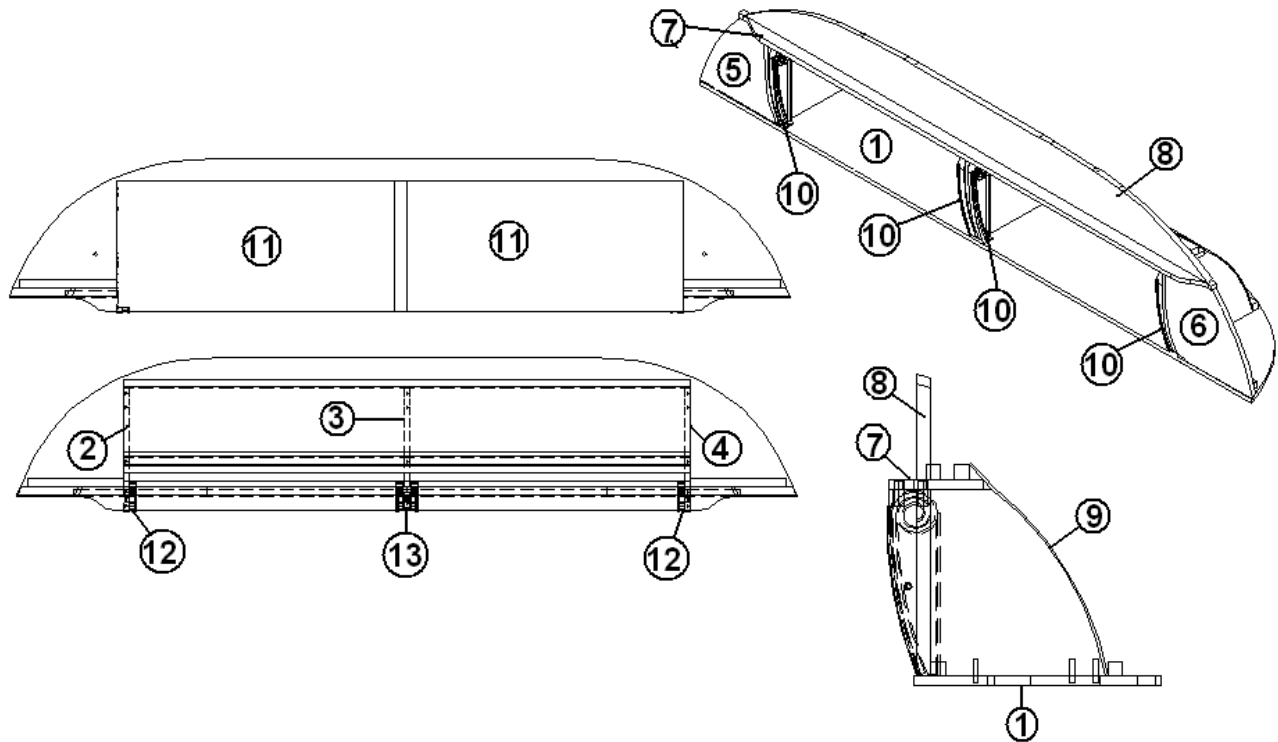


- | | |
|--------------|------------------------------|
| 1. 115042 | Rod, aluminum, 1/4", 6' long |
| 2. 380019-01 | Bushing, snap, 1/4" |

2009 SPORT

FURNITURE, BEDROOM

Roof Locker, Front, 22' Front Bed

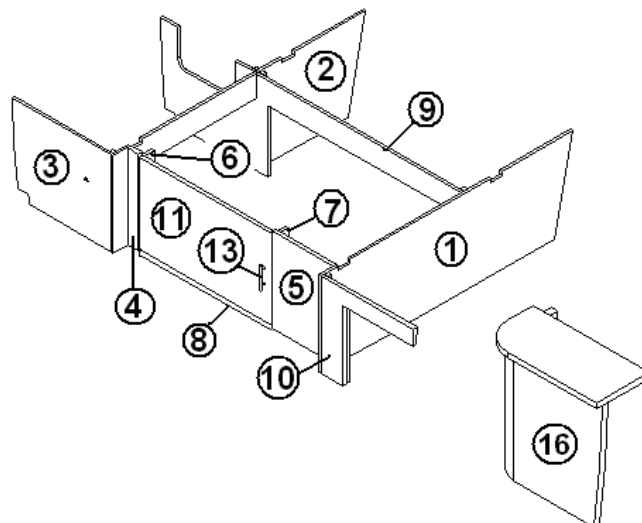
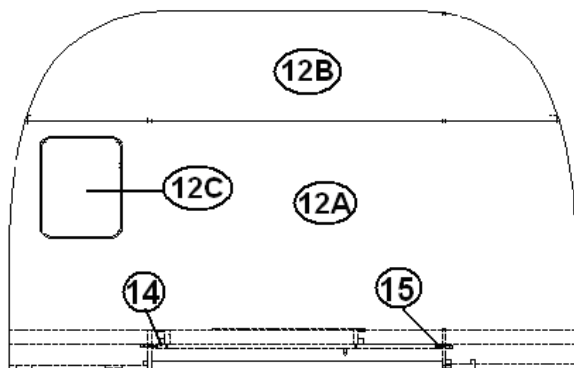


<p>967435</p> <p>1. 967435-1</p> <p>2. 967435-2</p> <p>3. 967435-3</p> <p>4. 967435-4</p> <p>5. 967435-5</p> <p>6. 967435-6</p> <p>7. 967435-7</p> <p>8. 967435-8</p> <p>9. 967435-9</p> <p>10. 201164-02</p> <p>11. 967104-01</p> <p>12. 115382-01</p> <p>13. 115382-02</p>	<p>ROOF LOCKER, FRONT</p> <p>PANEL, FRONT ROOF LOCKER, 13.00 X 72.87</p> <p>PANEL, FRONT ROOF LOCKER, 9.46 X 9.81</p> <p>PANEL, FRONT ROOF LOCKER, 9.21 X 9.81</p> <p>PANEL, FRONT ROOF LOCKER, 9.46 X 9.81</p> <p>PANEL, FRONT ROOF LOCKER, 9.94 X 9.81</p> <p>PANEL, FRONT ROOF LOCKER, 9.94 X 9.81</p> <p>PANEL, FRONT ROOF LOCKER, 5.00 X 62.39</p> <p>PANEL, FRONT ROOF LOCKER, 5.50 X 61.30</p> <p>PANEL, FRONT ROOF LOCKER, 13.50 X 42.80</p> <p>SPIRALS, R/L, PLATINUM, LH/RH</p> <p>DOOR, TAMBOUR, 9.88 X 25.25</p> <p>TRIM, ALUMINUM, ROOF LOCKER, 6.88 X 10.00</p> <p>TRIM, ALUMINUM, ROOF LOCKER, 1.88 X 10.00</p>
--	---

2009 SPORT

FURNITURE, BEDROOM

Bed, 22' Front Bed

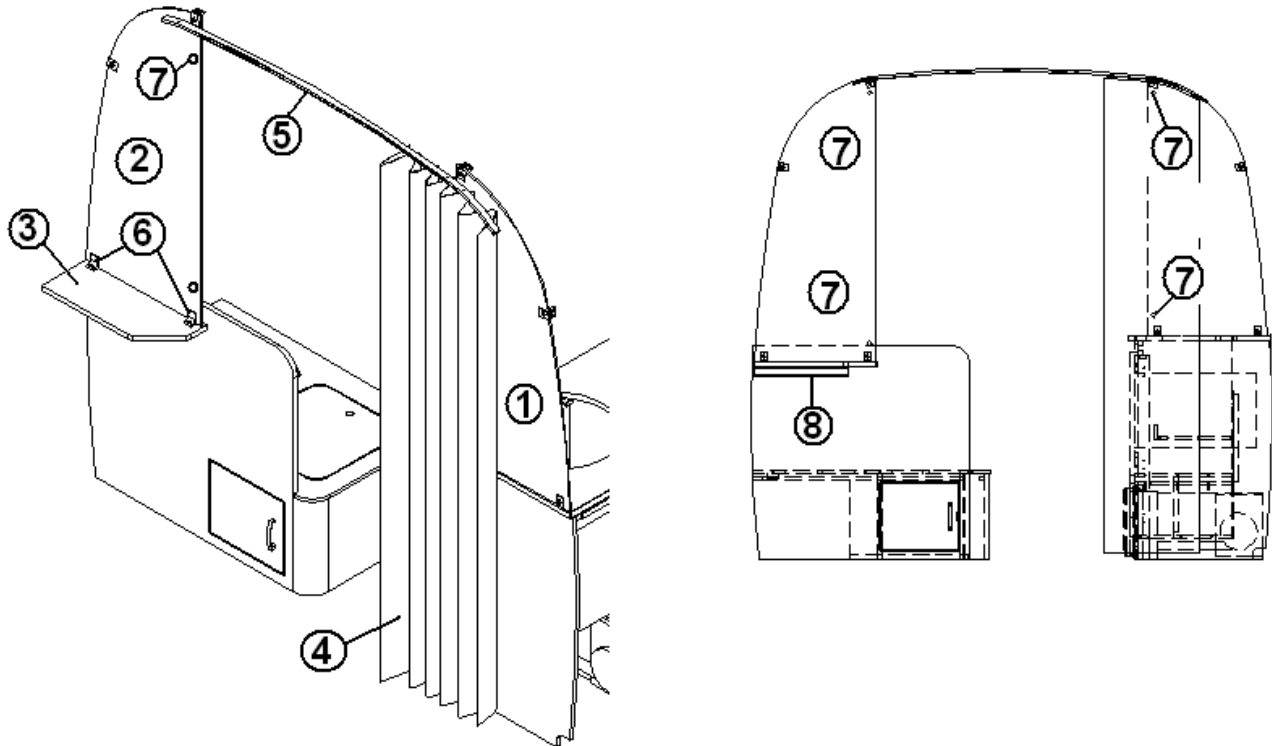


- | | |
|-----------------|---------------------------|
| 967436 | BED ASSY. |
| 1. 967436-1 | PANEL, BED, 17.50 X 52.29 |
| 2. 967436-2 | PANEL, BED, 17.50 X 52.53 |
| 3. 967436-3 | PANEL, BED, 20.38 X 17.50 |
| 4. 967436-4 | PANEL, BED, 2.25 X 17.50 |
| 5. 967436-5 | PANEL, BED, 12.63 X 17.50 |
| 6. 967436-6 | PANEL, BED, 2.25 X 16.75 |
| 7. 967436-7 | PANEL, BED, 2.25 X 16.75 |
| 8. 967436-8 | PANEL, BED, 2.25 X 27.00 |
| 9. 967436-9 | PANEL, BED, 17.50 X 62.69 |
| 10. 967436-10 | PANEL, BED, 19.14 X 17.50 |
| 11. 967436-11 | DOOR, BED, 27.63 X 16.50 |
| 12A. 967436-12A | BED TOP |
| 12B. 967436-12B | BED TOP |
| 12C. 967436-12C | BED TOP DOOR |
| 13. 382044 | HANDLE, BRUSHED NICKEL |
| 14. 381607 | HINGE ASSY. |
| 15. 381228-01 | CATCH, GRABBER, DOOR |
| 16. 967451 | BED CLOSEOUT |

2009 SPORT

FURNITURE, BEDROOM

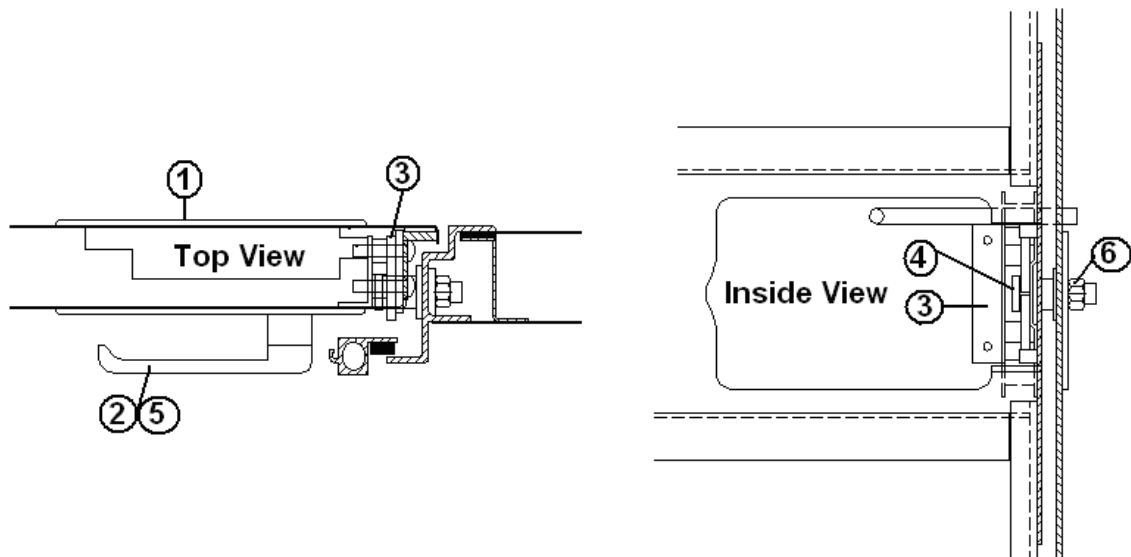
Privacy Panels, Curtain, 22' Front Bed



- | | |
|--------------|--|
| 1. 203658 | PANEL, PRIVACY, RS |
| 2. 203659 | PANEL, PRIVACY, CS |
| 3. 967452 | SHELF, BEDROOM |
| 4. 703801 | CURTAIN, DIVIDING, 51" X 76" |
| 5. 381563-01 | FOLDETTTE DOOR TRACK, STRAIGHT, 60" GRAY |
| 6. 381782 | PULL, GLASS DOOR, CHROME PLATED |
| 7. 700822 | HOOK, VELCRO, CIRCLE, ADHESIVE |
| 8. 115455 | ANGLE, ALUMINUM, .25 X 1.5 X 2.5 X 300" |

2009 SPORT HARDWARE

Main Door Lock, Right Hand Hinge

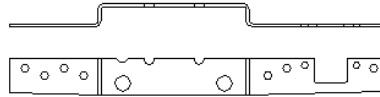
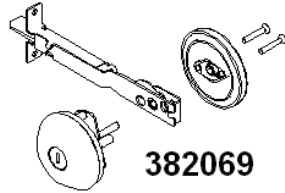


- | | |
|--------------|--------------------------------------|
| 1. 381547-09 | Main door lock, outside, housing |
| 2. 381547-11 | Main door lock, inside plate |
| 3. 381547-10 | Double rotary latch, main door lock |
| 4. 381547-04 | Striker bolt w/washer main door lock |
| 5. 381547-08 | Screw package, main door lock |
| 6. 381550 | Plate, Striker Bolt |
| 385595 | POCKET-STRIKE |
| 381889 | KEY CHAIN, AIRSTREAM, CORIAN |
| 381901 | KEY RACK |

2009 SPORT

HARDWARE

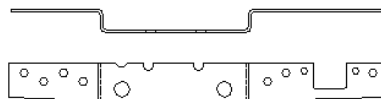
Deadbolt Assembly, Main Door, Round, Trimark



382066



382067



382068

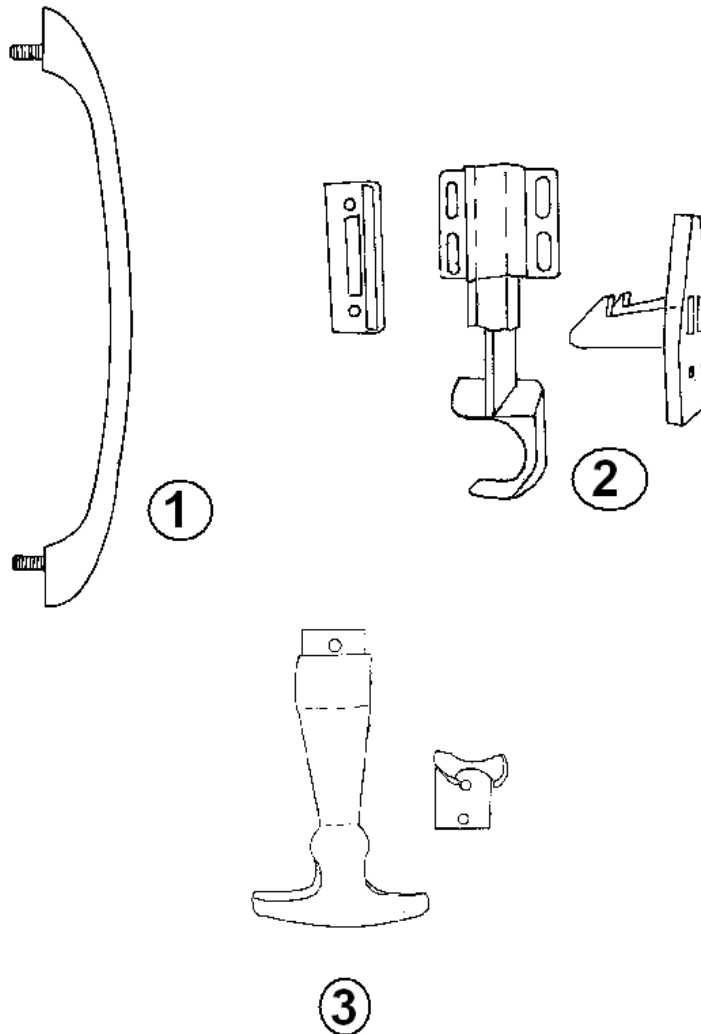
115413



- 382069 Deadbolt assembly, round, Trimark
- 382066 Inner reinforcement plate, LH hinged door
- 382067 Outer reinforcement plate, RH/LH hinged door
- 382068 Inner reinforcement plate, RH hinged door
- 115413 Door hat section
- 115415 Door hat section assembly

2009 SPORT HARDWARE

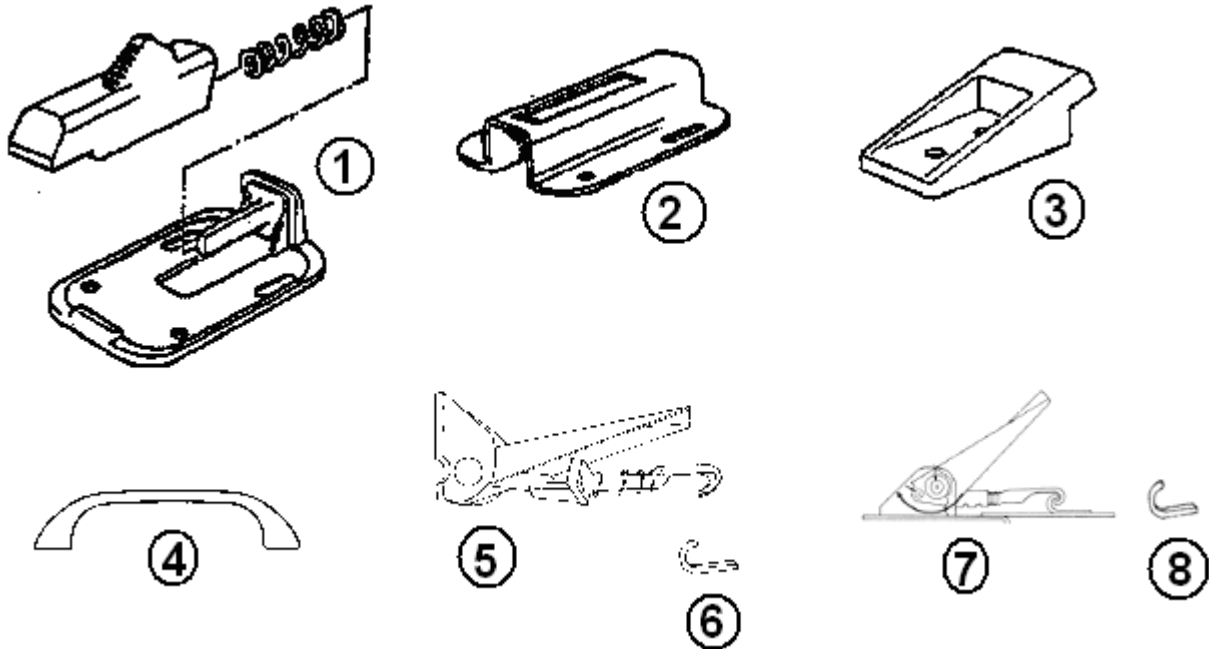
Exterior Latches/Locks



- | | |
|--------------|------------------------------------|
| 1. 101171 | Grab handle, main door |
| 1. 382074 | Gasket, grab handle, main door |
| 2. 381454 | Latch, screen door, Bullet |
| 3. 381021-01 | Rubber T handle, 90 degree bracket |

2009 SPORT HARDWARE

Exterior Latches/Locks

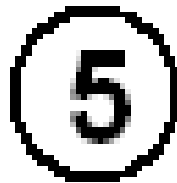
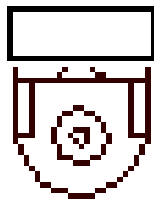
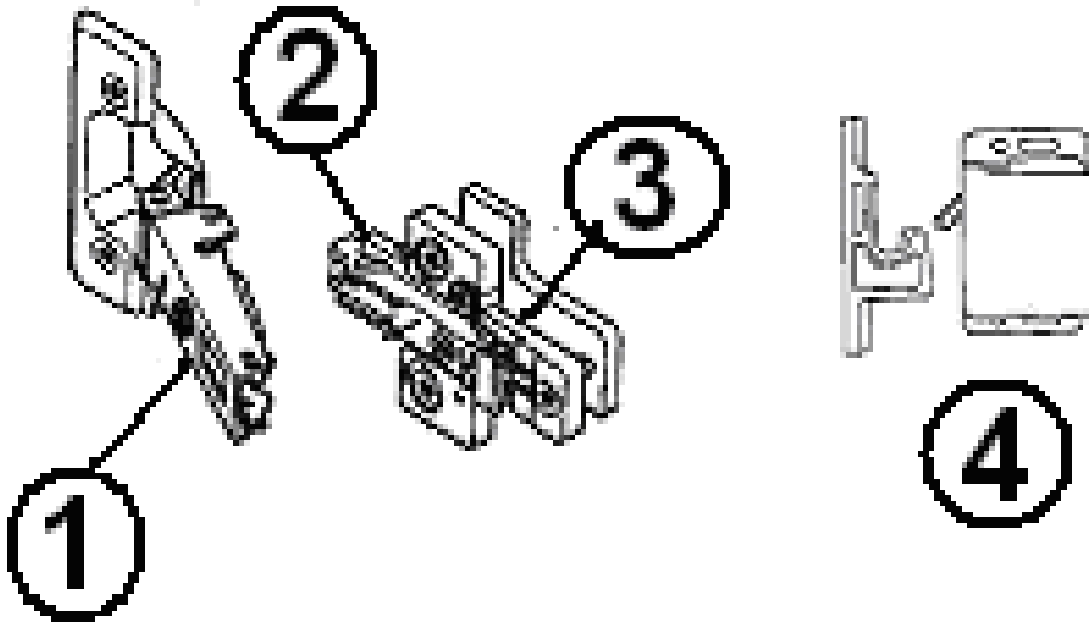


1. 380291 Main door holdback, (use w/housing # 380290)
2. 380290 Latch housing, holdback
3. 201056 Catch, main door
4. 380004 Handle, screen door
5. *380903-01 LATCH ONLY, FOR BOTTLE COVER
6. *380903-02 STRIKE ONLY, FOR BOTTLE COVER
7. *382091-01 Tension latch, stainless steel
8. *382091-02 Strike, tension latch, stainless steel

P/N 380903-01 and 380903-02 were replaced by P/N 382091-01 and 382091-02. Use replacements on all units.

2009 SPORT
HARDWARE

Interior Cabinet/Latches/Hinges



Part number on the next page

2009 SPORT

HARDWARE

Interior Cabinet/Latches/Hinges

1. 381607-01 Hinge, cabinet
2. 381607-02 Base, metal
3. 381607-03 Base, plastic
3. 381607-04 HINGE SCREW
4. 381228-01 Grabber door, latch w/catch, 3lb. Rating
5. 385963 BRACKET, ANGLED, LAMBREQUIN

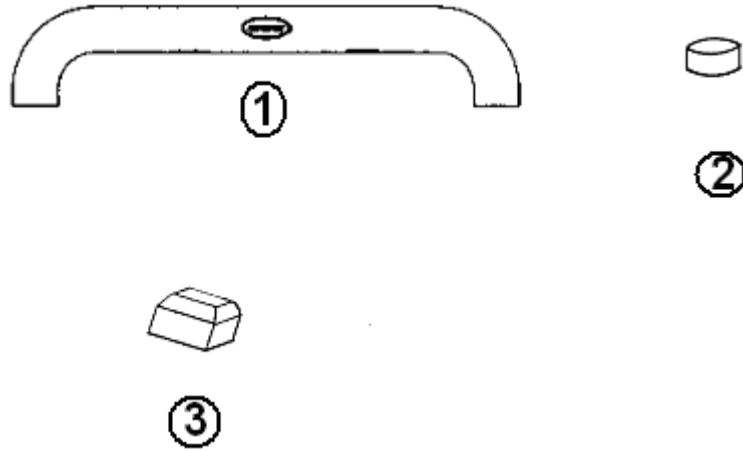
Interior Hinges

- 381072 HINGE 3" X 2", OPEN GOLD, SOFA BED
380203-01 PIANO HINGE, BATH DOOR
382051 HINGE SURFACE MOUNT, BRASS, FOLDING TABLE

2009 SPORT

HARDWARE

Head knocker, Rubber Bumpers



- | | |
|--------------|---|
| 1. 381772 | Head knocker, white (mounts on interior top door jamb). |
| 2. 360012 | Bumper, rubber white, stick-on, cylindrical |
| 2. 360012-01 | Bumper, rubber brown, stick-on, cylindrical |
| 3. 360016 | Bump on, rubber gray, square 3/8" x 3/8" |
| 381610-01 | COVER CAP PLAS. EUROPEAN WHITE |

2009 SPORT
HARDWARE

Interior Latches/Hinges



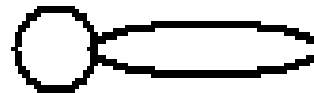
①



②



③



④

- | | |
|-----------|---|
| 1. 382044 | HANDLE, BRUSHED NICKEL |
| 2. 381774 | HANDLE-DRAWER/DOOR, SOFA BED |
| 3. 381737 | Grab bar, interior, mounts on interior doorjamb |
| 4. 381771 | Latch Swinging bath door |

2009 SPORT

HARDWARE

Bathroom Accessories

380034 Toilet paper holder, chrome
*381923 Handle, pull, (towel bar)
*382098 Handle, 14.25", Glass Chrome (Towel bar)
380017 Holder, tumbler and toothbrush

*382098 replaced 381923 handle towel bar during model year.

Wardrobe Clothes Rod

380045 Clothes rod
200975-04 Conduit, flexible, black (covers clothes rod)
380046 Bracket, clothes rod

Drapes

700005 FASTENER, CAP
700006 FASTENER SOCKET
700020 PILE VELCRO
700021 HOOK, VELCRO, WHITE

Sewer Hose Clamp/Water Fill key/Silverware Tray

340084-52 CLAMP, HOSE SAE #52
381647 KEY WATER FILL CH 751
195329-240 SEWER HOSE ADAPTOR, elbow
200980-01 TRAY, SILVERWARE, ALMOND, 9" X 13"

2009 SPORT

HARDWARE

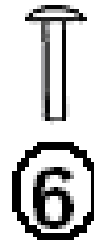
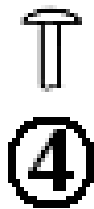
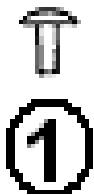
Detectors, Fire Extinguishers

510781	Smoke detector
510891	Smoke Detector CSA only
511309	LPG detector
512318	HOLDER W/1 AMP FUSE, IN-LINE
511411	JUNCTION BOX-7 TERMINAL 50-10-170
511375	JACK MODULAR TELEPHONE TA-1020
452412	BRACKET, FUSE BLOCK, 12V
600162-01	Fire extinguisher
600162-02	Fire extinguisher, CSA
203387	POCKET, RECESSED, EXXTINGUISHER BRACKET
512178	DETECTOR CARBON MONOXIDE 9 VOLT

2009 SPORT

Hardware

Rivets, Buck

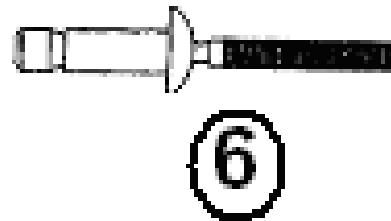
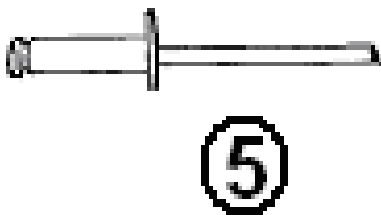
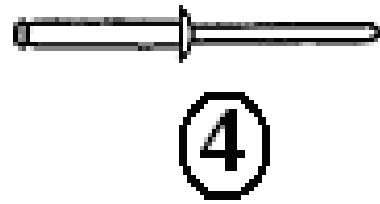
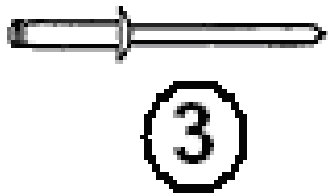
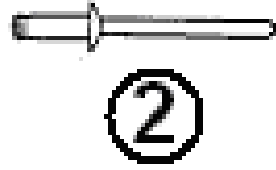
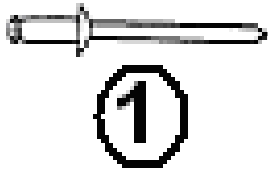


- | | |
|--------------|---|
| 1. 325043 | Rivet, 1/8", 1/4" length (hard) |
| 2. 325000-01 | Rivet, 1/8", 1/4" length anodized clear |
| 2. 325000 | Rivet, 1/8", 1/4" length clear |
| 3. 325000-03 | Rivet, 1/8", length 1/4", long, anodized white |
| 4. 325001-01 | Rivet, 1/8", length 5/16", anodized clear |
| 5. 325002-01 | Rivet, 1/8", length 3/8", anodized clear |
| 5. 325002 | Rivet, 1/8", length 3/8" |
| 6. 325004-01 | Rivet, 1/8", length 1/2", anodized clear |
| 7. 330127-03 | Rivet, grip range .063-.125, aluminum body,
aluminum mandrel |
| 8. 300101 | 1/8" I.D., Washer, aluminum |

2009 SPORT

Hardware

Rivets, Pop



1. 330126-02 Pop Rivet, diameter 1/8", grip range .126-.187, S.S. body and mandrel
2. 330126-03 Pop Rivet, diameter 1/8", 1/8" grip range .126-.250, S.S. body and mandrel
3. 330148 Pop Rivet, AD43-45ABS
4. 330127-080 Pop Rivet, diameter 1/8", grip range .325"-.565" aluminum, body & mandrel
5. 330038 Pop Rivet, diameter 1/8" .150". (#20 bit) grip range .126-.250, aluminum body & mandrel (used-screen door hinge)
6. 325103 Pop Rivet, diameter 1/8"1/4" grip range .080-.325, SS body, steel mandrel

2009 SPORT

LABELS AND TAGS

Labels and Tags

385193	Label, "12V distribution panel inside"
386119	Label, "DON'T USE AREA FOR STORAGE"
385068	Tag, cooking appliance warning
386118	Label, LP gas warning/fill
385517	Label, kill switch warning
385521	Label, emergency egress window
386122	Warning label/cooking appliance
386121	Label, LP gas warning label (odor)
385465	Exit label, English
385560	Label, air conditioner rating
385812	Label, Calif. hazardous substance
386120	Label, smoke detector
385359	Label, microwave or air conditioner
385837	Label, refrigeration ignition
386012	Label warning, water heater
386123	LABEL "POTABLE WATER ONLY"
386114	LABEL-RVIA SILVER
386192	HANG TAG: SMOKE/CO DETECTOR BATTERY
386193	LABEL WHEEL TORQUE WARNING
386098	LABEL, FUSE, 12 V
386082	DECAL, THOR, .75" X 5.25"
385418-01	Label, Federal registration
386019	LABEL 1 AMP FUSE MAX.
385020	STICKER SELF ADHERING, JACK
385062	Decal, 110-125 voltage AC
385565	Label, holding tank flushing
386097	LABEL, FUSE 12 VOLT

2009 SPORT

PLUMBING, LPG SYSTEM

Gas Bottles

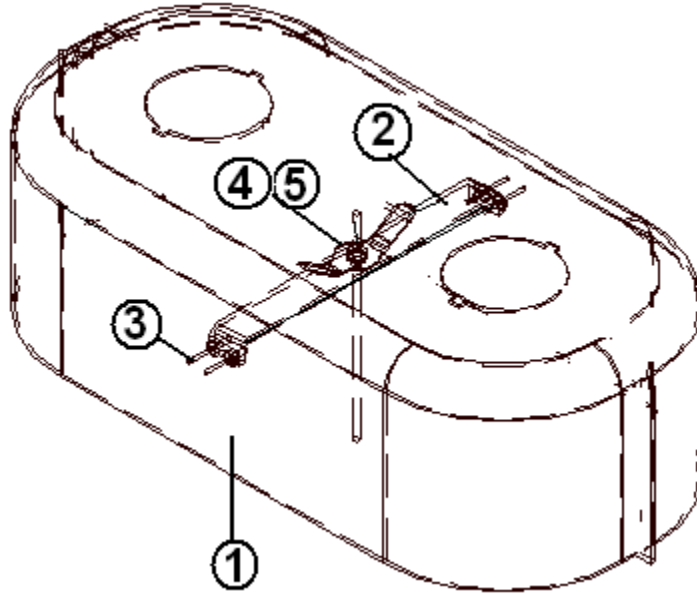
601781	LP gas bottle, 20lb. steel
601686	Base plate, LP tank mounting
601687	Hold down kit, LP tank

Gas regulator and Fittings

601731	LP regulator, w/pigtails, mounting Bracket & cover
601685-01	LP hose, 1/2" FPT x 3/8" flare
600004	Copper tubing, 5/8"
600008	Copper tubing, 3/8"
600435	Flare nut, forged, 3/8"
600436	Flare nut, forged, 5/8"
600000	Tee, brass, 5/8" x 5/8" x 3/8"
600661	GROUNDING CLAMP 1/2 TO 1 SIZE
600001	NUT BRASS FLARE 416 5/8
500038	LUG GROUND
500839	WIRE, BARE COPPER 8 GA.
601698-01	E-PEX 1/2" TUBING
380887	GROMMET, FLOOR
380886	GROMMET, FLOOR
600010	NUT, BRASS, FLARE, 3/8"
600003	TEE 5/8 X 3/8 X 3/8
601281	TEE, BRASS, UNION, 5/8 X 5/8 X 5/8

2009 SPORT
PLUMBING, LPG SYSTEM

Gas Bottle Cover

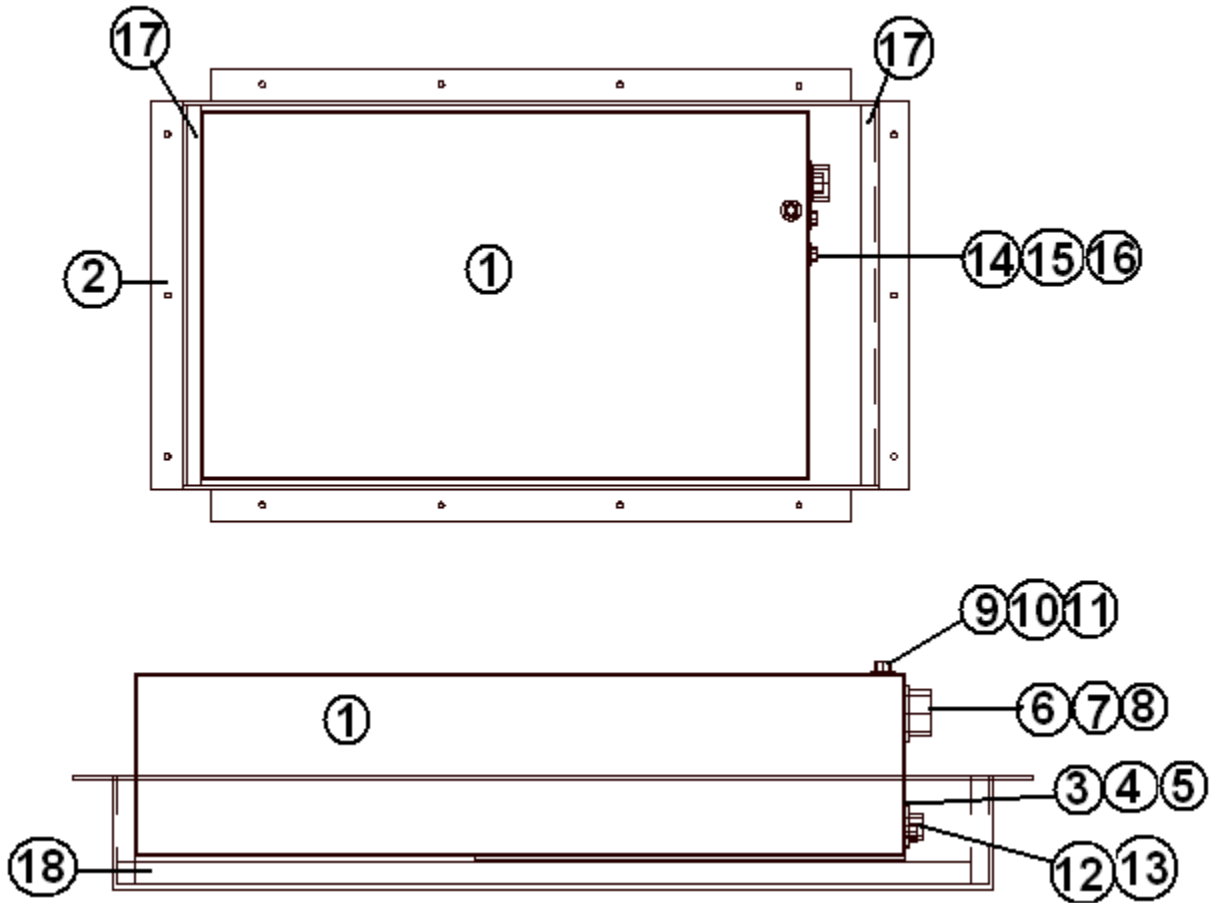


- 1. 203617
- 2. 454645
- 3. 330034
- 4. 381814
- 5. 381613

- Gas bottle cover
- Bracket, LP cover
- AD 68 Pop rivet
- Nut, wing, 5/16"
- LP wing handle

2009 SPORT
PLUMBING, FRESH WATER

Fresh Water Tank, 17', 22'



Part Numbers on the Next Page

2009 SPORT

PLUMBING, FRESH WATER

Fresh Water Tank, 17', 22'

- | | |
|---------------|------------------------------------|
| 1. 602168 | TANK, FRESH WATER |
| 2. 454627 | PAN, FRESH WATER TANK |
| 3. 601810 | VALVE-1/2"FPT X 1/2" FPT KBI |
| 4. 601811 | ELBOW-1/2"MPT X 1/2" FPT STREET |
| 5. 601812 | NIPPLE-BRASS 1/2" X 2" |
| 6. 601237 | ELBOW 90 D 1.25 MPT X 1.25 BAR |
| 7. 601239 | TUBING 1.375 I.D. RIBBED |
| 8. 0260043-20 | WORM CLAMP #20 |
| 9. 601698-04 | QQE33BTX 1/2BX1/2MPT BARB EL |
| 10. 601240-01 | TUBING 1/2 I.D. X 3/32 WALL THREAD |
| 11. 340086 | MINIATURE SCREW TYPE HOSE CLAMP |
| 12. 601698-04 | QQE33BTX 1/2BX1/2MPT BARB EL |
| 13. 601698-01 | E-PEX 1/2" TUBING |
| 14. 602185 | Drain Valve, 90 degree |
| 15. 602185 | Drain Valve, 90 degree |
| 16. 601698-03 | QQSFC33XPXP 1/2"B X 1" FPT SW AD |
| 17. 200507 | STYROFOAM, 1 X 25 X 55 |
| 18. 200152 | STYROFOAM, 1/2' X 6 X 42 |

2009 SPORT

PLUMBING, FRESH WATER

Water Fill/Pump and Fittings

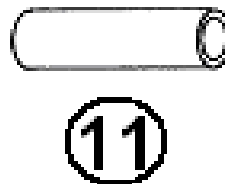
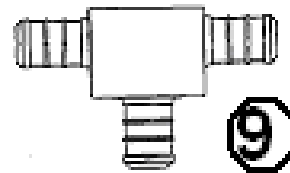
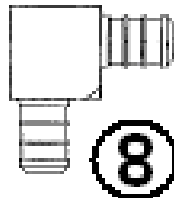
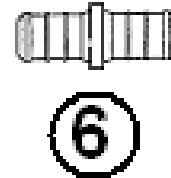
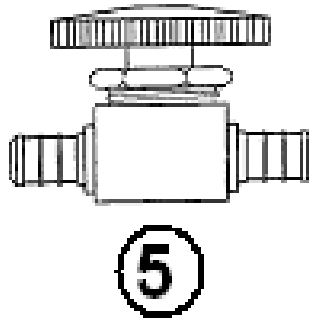
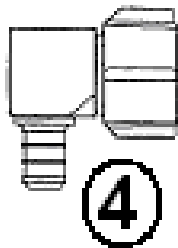
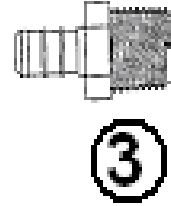
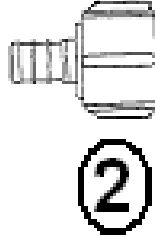
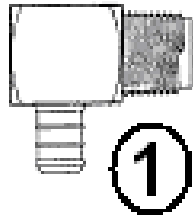
601194	Water fill w/lock, gray
601237	Plastic elbow, 90 degree, 1.25" MPT x 1.25" barb
601239	Tubing, 1.375" I.D., flexible, water fill hose
602169	Water pump, Shurflo
601668	Filter, pre water pump
602185	Drain Valve, 90 degree
601531	FITTING-90 DEGREE 3" H X ST
203085	PLUG WATER LINE 1/2" PLASTIC BLK
601658	VALVE 1/2" STOP CPVC
601659	RISER 1/2" FPT X 12" CPVC
601392-05	CITY WATER FILL W/REGULATOR CHROME

City Water Hookup

600362	Connector, 1/2"FPT x water hose, swivel
600336	Plug with chain
601690	Nipple, 1/2" MPT x 2.50"
601689	Drop ell, 90 degree, 1/2" FPT
600309	Regulator, Watts, 1/2" FPT
600315	PUMP GUARD FILTER
601661	NIPPLE 1/2" BRASS HEX
601237	ELBOW 90 D 1.25 MPT X 1.25 BAR

2009 SPORT
PLUMBING, FRESH WATER

Fresh Water Fittings



Part Numbers Are On The Next page

2009 SPORT

PLUMBING, FRESH WATER

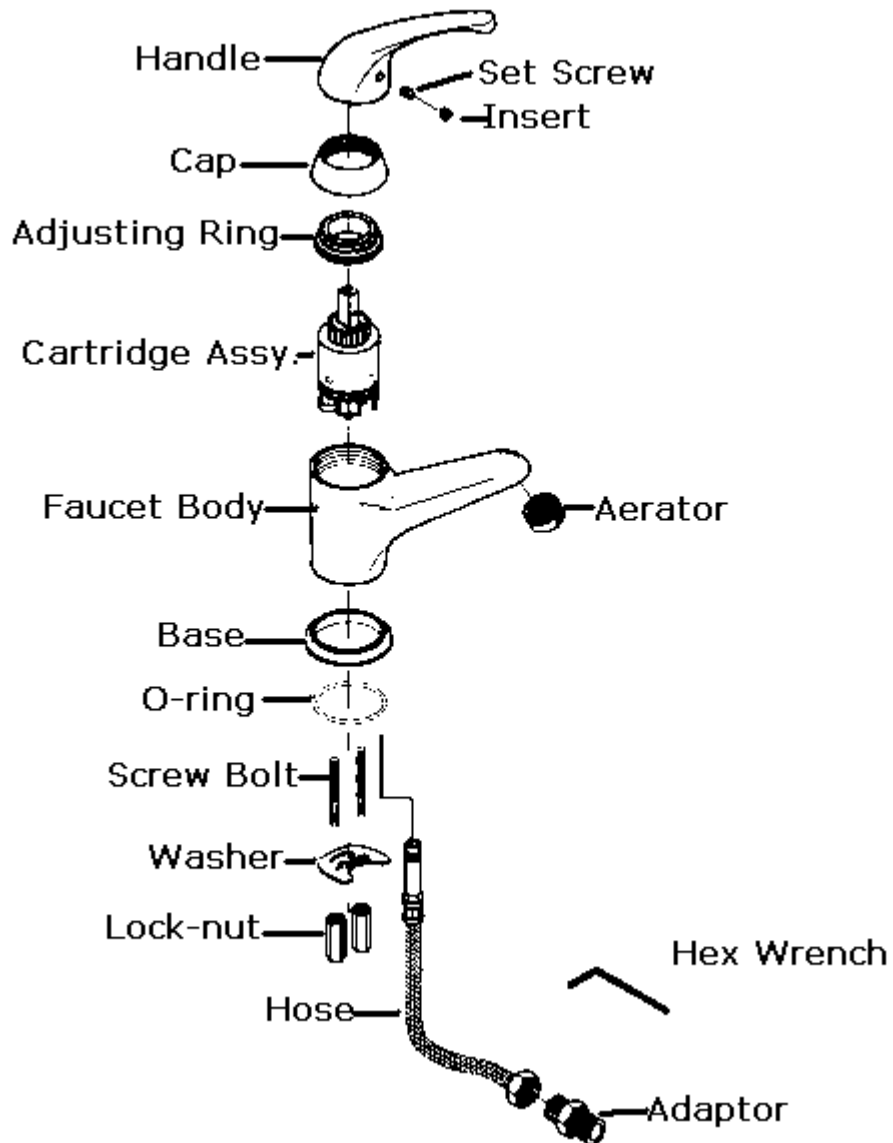
Fresh Water Fittings

- | | |
|---------------|------------------------------------|
| 1. 601698-04 | Elbow, 1/2" barb x 1/2" MPT |
| 2. 601698-03 | Coupler, 1/2" barb x 1/2" FPT |
| 3. 601698-02 | Coupler, 1/2" barb x 1/2" MPT |
| 4. 601698-05 | Elbow 1/2 barb x 1/2" FPT |
| 5. 601698-22 | Shut-off, 1/2" barb x 1/2" barb |
| 6. 601698-08 | Coupler, 1/2" x 1/2" barb |
| 7. 601698-09 | Plug, 1/2" barb |
| 8. 601698-10 | Elbow 1/2" barb x 1/2" barb |
| 9. 601698-11 | Tee, 1/2" x 1/2" x 1/2" |
| 10. 601698-15 | Crimp ring, 1/2E-Pex, 1/2" (black) |
| 11. 601698-01 | E-Pex tube, 1/2" |
| 11. 601698-21 | E-Pex tube, 1/2", Red |
| 600836 | ELBOW 3/8 MPT X 1/2", BARB-COPPER |
| 601237 | ELBOW 90 D 1.25 MPT X 1.25 BAR |
| 601810 | VALVE, 1/2" FPT X 1/2" FPT KBI |
| 601811 | ELBOW, 1/2" MPT X 1/2' FPT STREET |
| 601812 | NIPPLE-BRASS 1/2" X 2.0" |
| 340085-06 | CLAMP, LOOP, STEEL W/RUBBER, .75 |

2009 SPORT
PLUMBING, FRESHWATER

FAUCET-SMALL LEVER HANDLE BATH, 601842

Model 97155BR
ITC Inc.
230 East Lakewood Blvd.
Holland, MI 49424
Tel. 616-396-1355



601842 FAUCET-SMALL LEVER HANDLE BATH

2009 SPORT

PLUMBING, FRESH WATER

Faucet, Chrome Shower Trim Kit, 17', 22'

601358	SHOWER HARDWARE UNIT, CHROME
602170-01	SHOWER VALVE, CHROME
602170-02	ELBOW 6401, SHOWER KIT
601661	NIPPLE, 1/2", BRASS, HEX

Sink/Faucet, Galley

602197	SINK w/FAUCET, FLUSH SMEV S.S. SATIN, GALLEY
602153	FAUCET ONLY, WATER TAP, STAINLESS STEEL
602149	SINK ONLY, SMEV S.S, GALLEY
195362-39	Strainer, 2"

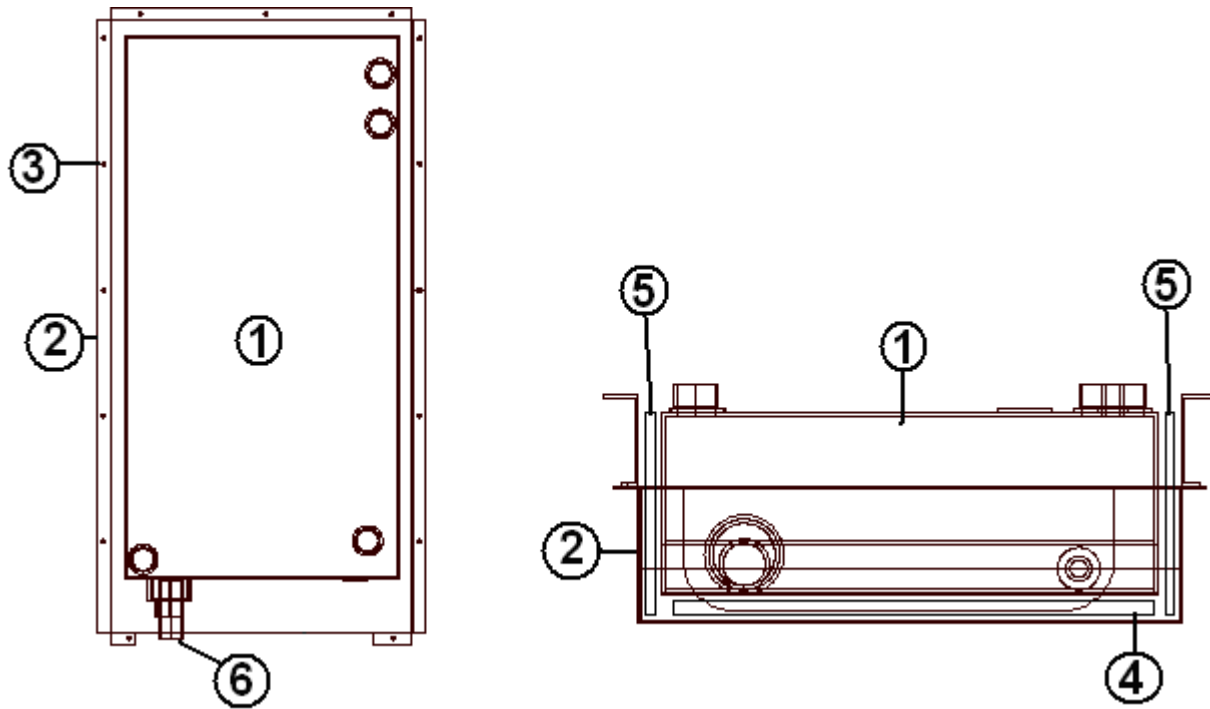
Sink, Lavatory, 17', 22'

601804-01	SINK-LAVY YUKON ROUND
601813	TAIL PIECE, LIFT/TURN DRAIN

2009 SPORT

PLUMBING, DRAIN

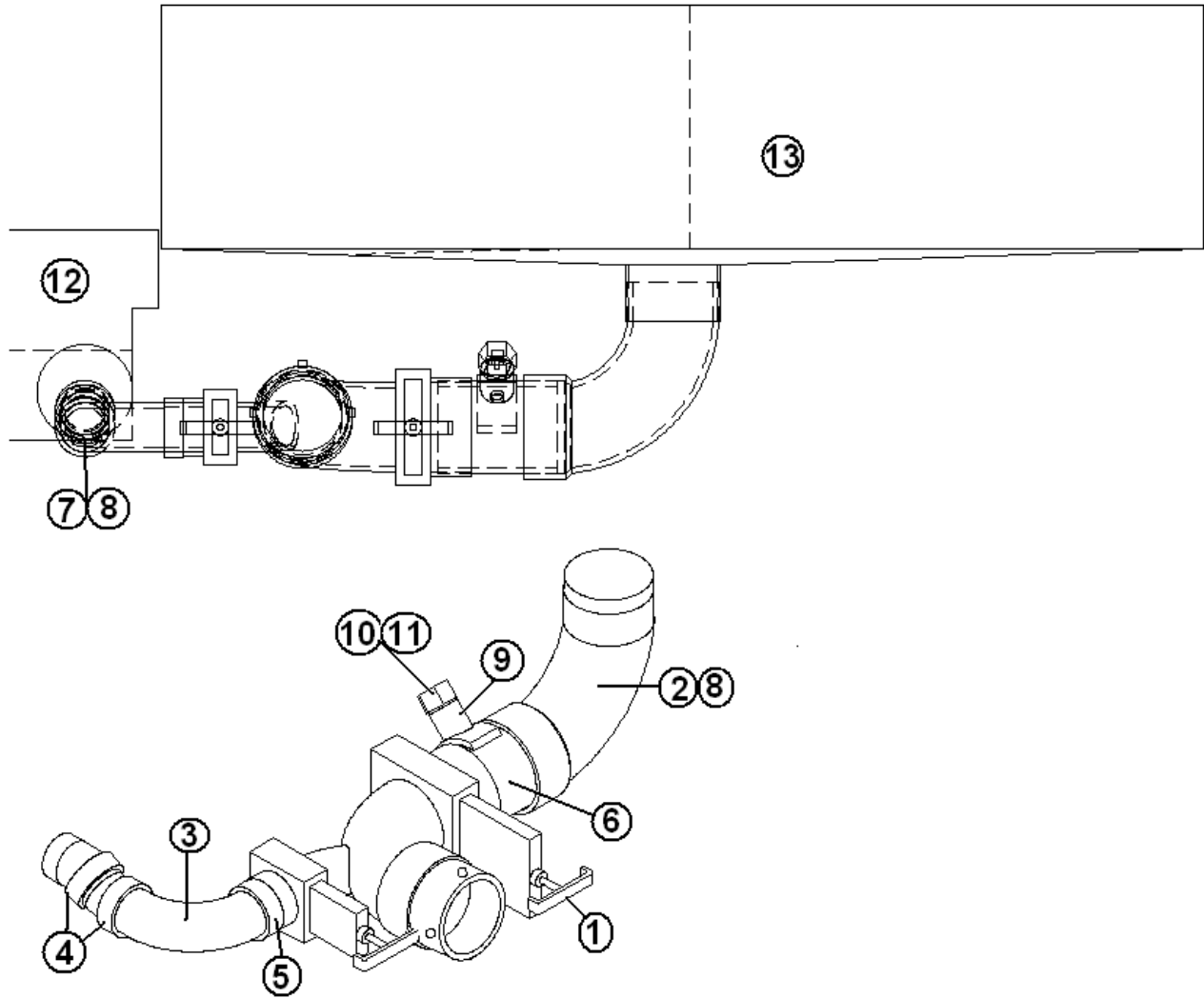
Grey Tank, 17', 22'



- | | |
|--------------|--|
| 1. 602166 | TANK, GRAY, HOLDING, 24 GALLON |
| 2. 602167 | PAN, GRAY TANK |
| 3. 345074-05 | SCREW 5/16-18 X 7/8, HEX WASHER |
| 4. 200507 | STYROFOAM, 1" X 25" X 55", WATER TIGHT |
| 5. 200152 | STYROFOAM, 1/2" X 6" X 42" |
| 6. 601160-02 | PIPE, ABS DVW, 1-1/2" |
| 454642 | STRAP, BLACK TANK FORWARD |
| 454641 | STRAP, BLACK TANK AFT |

2009 SPORT PLUMBING, DRAIN

Drain Valves/Tanks, 17', 22'



Part numbers on the next page.

2009 SPORT

PLUMBING, DRAIN

Drain Valves/Tanks, 17', 22', 22' Front Bed

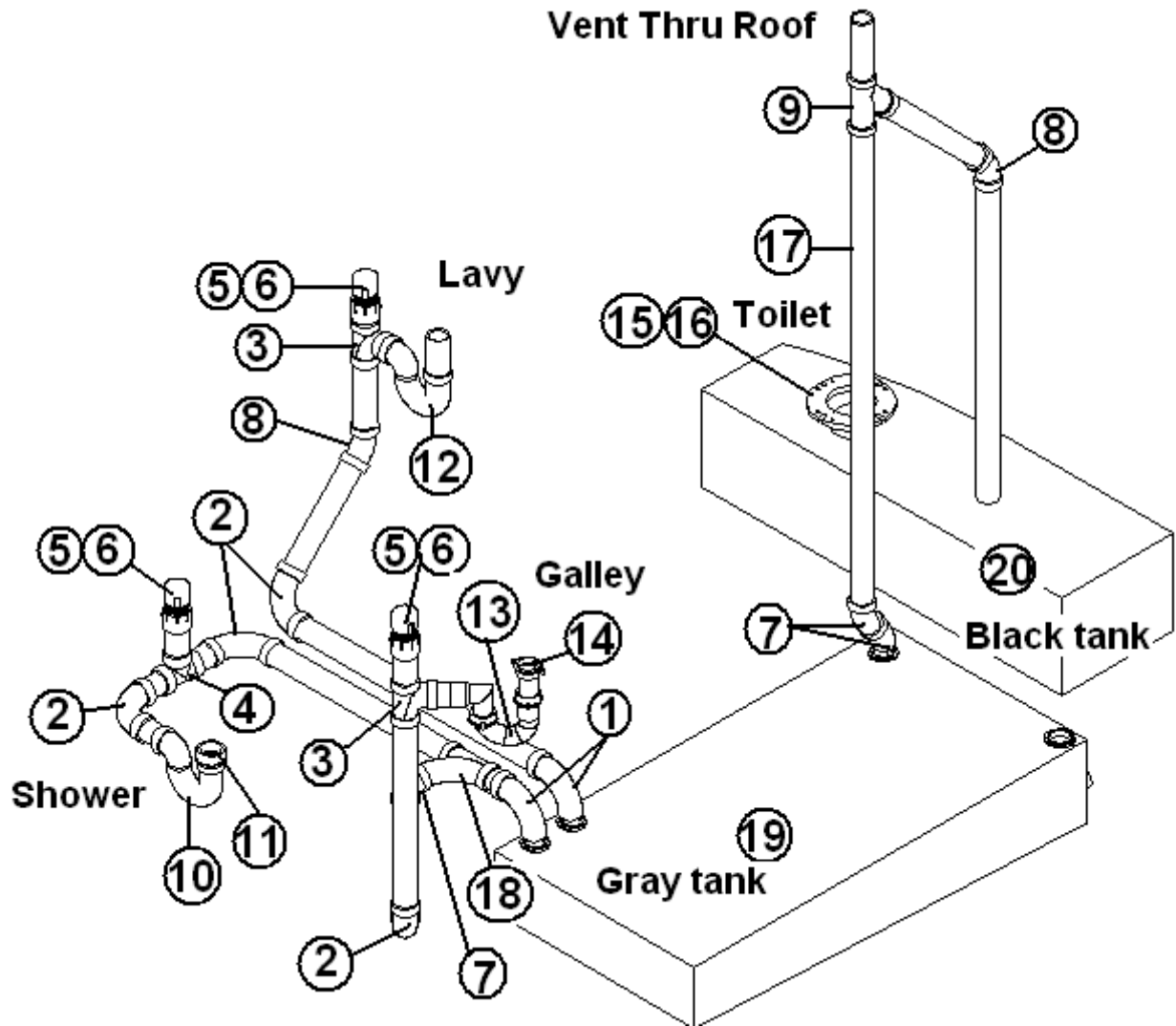
1. 601482 Dump Valve Rotating assembly
2. 600183 3" Ell, long sweep
3. 600431 Elbow, 90, 1½"
4. 604800 Street Ell, 1.5", 22.5 Degrees, ABS
5. 601160-02 Pipe, ABS DVW, 1½"-2.00" Long
6. 601160-04 Pipe, ABS DVW, 3"- 4" Long
7. 195329-229 Reducer adaptor, 3" to 1.5"
8. 340092 Clamp, worm type T40C-75-388-SB
9. 601846 ADAPTOR-3"PIPE, CATCON
10. 511789 Sensor, tank monitor
11. 511789-01 Boot, Sensor
12. 602166 Holding tank, gray
13. 601854-02 Black tank
- 114916 Bracket, dump valve
- 200507 STYROFOAM, 1" X 25" X 55"
- 200152 STYROFOAM, ½" X 6" X 42"
- 601846 ADAPTOR, 3"PIPE CATCON
- 601266 FLANGE, CLOSET, 3 X 4, SLIP FIT

Black Tank Flush

- 601441 Tank flush system

2009 SPORT PLUMBING, DRAIN

Drain System, 17'



2009 SPORT
PLUMBING, DRAIN

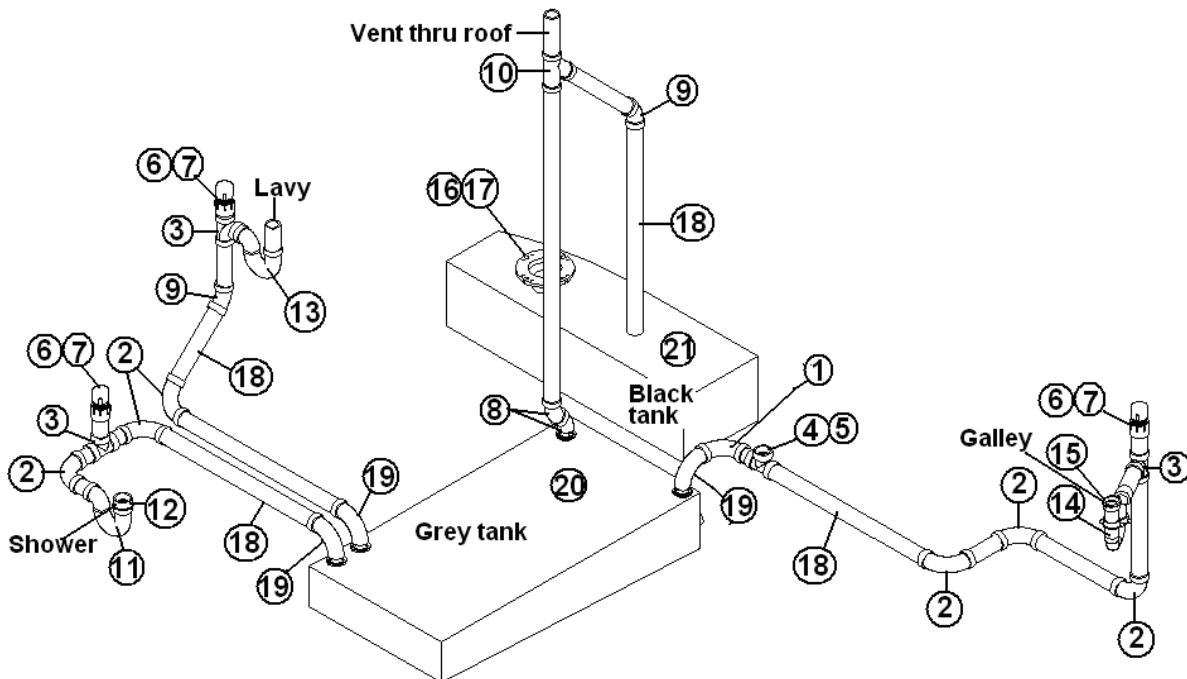
Drain System, 17'

- | | |
|---------------|-------------------------------------|
| 1. 600662 | 1.5" ELBOW, SHORT RADIUS |
| 2. 600035 | ELL ABS LONG SWEEP, 1.5" |
| 3. 600156 | TEE SANITARY |
| 4. 601318 | TEE BI-DIRECTIONAL CLEANOUT |
| 5. 600538 | VENT, V-200, AUTOMATIC |
| 6. 600308 | ADAPTER, ABS, FEMALE SLOAN |
| 7. 600027 | ELBOW, ABS, LONG ST, 45 DEGREES |
| 8. 600030 | ELL, ABS, 45 DEGREES, LONG TURN |
| 9. 600094 | WYE |
| 10. 602164-01 | P TRAP W/COMPRESSION NUT ,1.5" |
| 11. 602164-02 | TAILPIECE, W/NUTS & WASHERS 1.5" |
| 12. 600144 | P TRAP, ABS, 1.5" |
| 13. 600622 | P-TRAP, 1.5", W/SLIP NUT & WASHER |
| 14. 601714-01 | TAIL PIECE, 1.5" X 4"(GALLEY DRAIN) |
| 15. 601266 | FLANGE, CLOSET, 3" X 4", SLIP FIT |
| 16. 601267-02 | NIPPLE, THREADED ONE END, 6" LONG |
| 17. 601160-02 | PIPE, ABS DVW, 1.5" |
| 18. 600182 | WYE, 1.5" X 1.5" X 1.5", 1/8" BEND |
| 19. 602166 | Holding tank, gray |
| 20. 601854-02 | Black tank |

2009 SPORT

PLUMBING, DRAIN

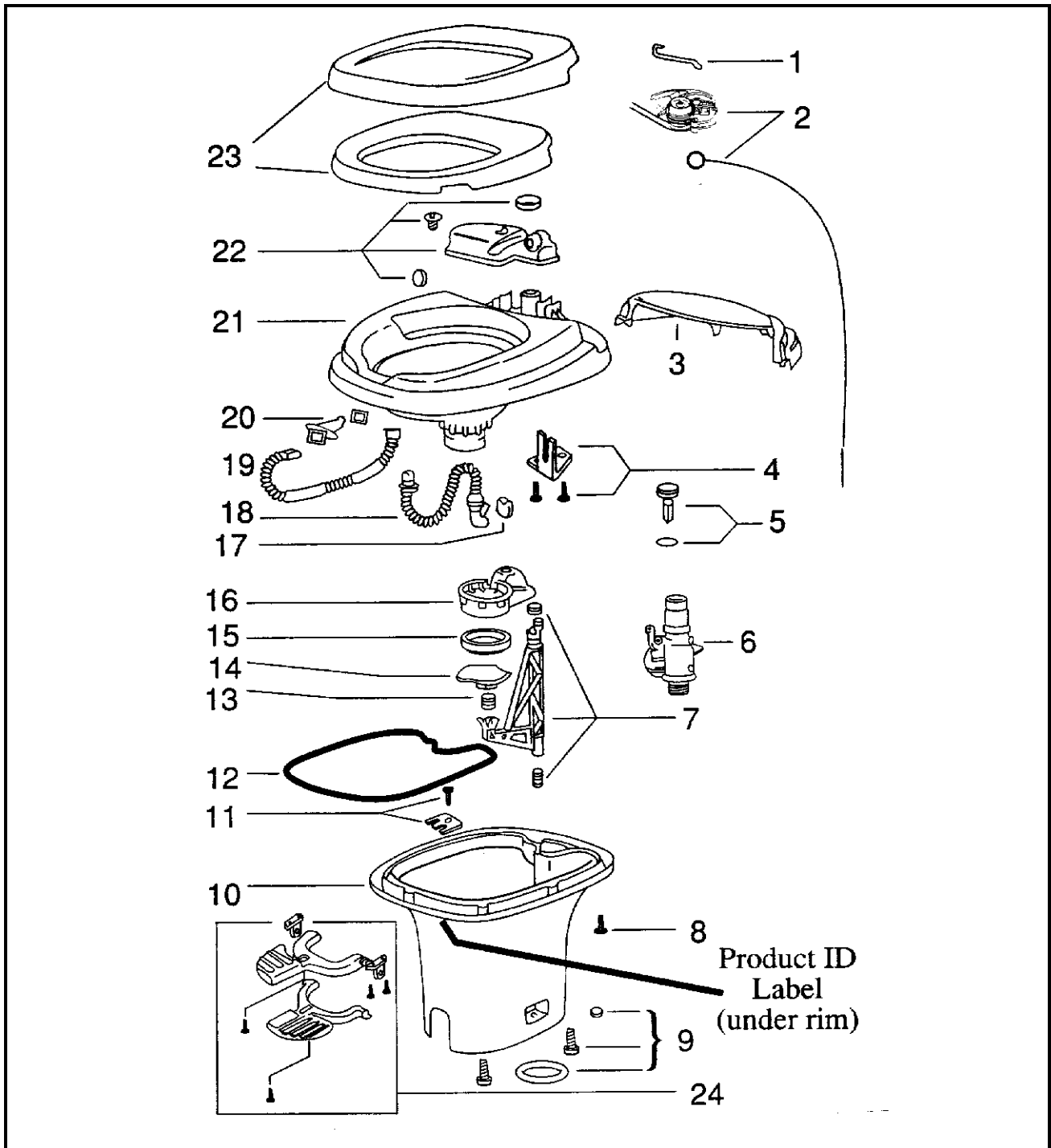
Drain System, 22', 22 Front Bed



- | | |
|---------------|-------------------------------------|
| 1. 600431 | ELBOW, 90 DEGREE, 1.5" |
| 2. 600035 | ELL ABS LONG SWEEP, 1.5" |
| 3. 600156 | TEE SANITARY |
| 4. 601318 | TEE BI-DIRECTIONAL CLEANOUT |
| 5. 600155 | PLUG, CLEANOUT, 1.5" |
| 6. 600538 | VENT, V-200, AUTOMATIC |
| 7. 600308 | ADAPTER, ABS, FEMALE SLOAN |
| 8. 600027 | ELBOW, ABS, LONG ST, 45 DEGREES |
| 9. 600030 | ELL, ABS, 45 DEGREES, LONG TURN |
| 10. 600094 | WYE |
| 11. 602164-01 | P TRAP W/COMPRESSION NUT ,1.5" |
| 12. 602164-02 | TAILPIECE, W/NUTS & WASHERS 1.5" |
| 13. 600144 | P TRAP, ABS, 1.5" |
| 14. 600622 | P-TRAP, 1.5", W/SLIP NUT & WASHER |
| 15. 601714-01 | TAIL PIECE, 1.5" X 4"(GALLEY DRAIN) |
| 16. 601266 | FLANGE, CLOSET, 3" X 4", SLIP FIT |
| 17. 601267-02 | NIPPLE, THREADED ONE END, 6" LONG |
| 18. 601160-02 | PIPE, ABS DVW, 1.5" |
| 19. 600662 | 1.5" ELBOW, SHORT RADIUS |
| 20. 602166 | GRAY HOLDING TANK |
| 21. 601854-02 | BLACK HOLDING TANK |

2009 SPORT PLUMBING, DRAIN

Toilet



2009 SPORT
PLUMBING, DRAIN

Toilet

690495 Aqua Magic V, Low Profile

- | | |
|----------------|---------------------------------|
| 1) 690387-513 | Water valve link |
| 2) 690387-571 | Wire replacement package |
| 3) 690387-562 | Mechanism cover, white |
| 4) 690387-634 | Bracket assembly |
| 5) 690387-631 | Float assembly |
| 6) 690387-168 | Water valve replacement package |
| 7) 690387-632 | Actuator assembly |
| 8) 690387-659 | Screw base to bowl |
| 9) 690387-524 | Closet bolt package |
| 10) 690387-356 | Base, white, low |
| 11) 690387-636 | Retainer assembly |
| 12) 690387-387 | Sealant, base to bowl |
| 13) 690387-519 | Blade spring |
| 14) 690387-262 | Blade |
| 15) 690387-481 | Blade seal |
| 16) 690387-520 | Blade track |
| 17) 690387-512 | Flapper |
| 18) 690387-511 | Overflow tube |
| 19) 690387-509 | Flush tube |
| 20) 690387-637 | Nozzle assembly |
| 21) 690387-726 | Bowl |
| 22) 690387-630 | Reservoir tank assembly |
| 23) 690387-162 | Seat and cover assembly |
| 24) 690387-821 | Pedal package |
| 601266 | FLANGE, CLOSET, 3 X 4, SLIP FIT |

2009 SPORT
SEALER/GASKETS/PAINT

SEALER

360001	Sealant, #884058
360209	Sealant, seam
360176	Sealant, Almond, kitchen and bath
360180	Sealant, Sika-flex, gray
360180-04	Sealant, Sikaflex #221, black
360210	Sealant, Paralastic 4334-014
360283-01	SEALANT SILICONE CORIAN G. WHITE

2009 SPORT

GASKETS/PAINT

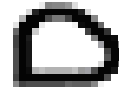
Gaskets



①



②



③

- | | |
|--------------|--|
| 1. 365035 | Gasket Access doorjamb, access doors |
| 2. 365013-01 | Gasket screen door |
| 3. 365232 | Gasket main door |
| 381665 | Gasket, D seal, window frame to shell |
| 365016 | Tape, foam, double face, 1/2" wide |
| 365235 | TAPE DBL COATED .12 X 1.00 |
| 365001-02 | Tape, vinyl foam, double face, 3/4" wide |
| 685510 | SEAM TAPE, BLACK 1/32" X 7/8" X 200 |
| 683946 | BUG SEAL, edge of screen door close out |
| 365190 | Rubber seal, refrigerator compartment |
| 382074 | Gasket, grab handle, main door |

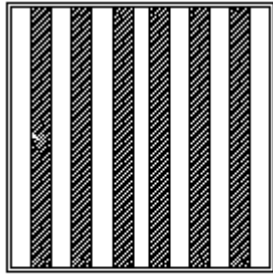
Paint

- | | |
|------------|-------------------------------------|
| 360213 | Paint, aluminum metallic |
| 360213-100 | Paint, aluminum metallic, 16 OZ CAN |
| 360151 | Paint, gray metallic, Centari |
| 360317-01 | Paint, Pewter, Gallon |
| 360260-01 | Paint, Pewter, 16 OZ CAN |

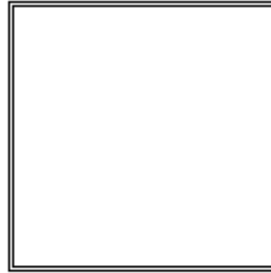
2009 SPORT

UPHOLSTERY/FOAM/MATTRESS

Pillow Kit, Sharksfin, 17', 22'



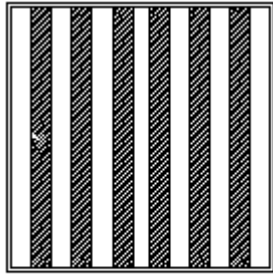
①



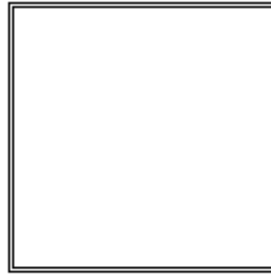
②

- | | |
|--------------|-----------------------|
| 703736-03 | Pillow Kit, Sharksfin |
| 1. 703736-01 | Pillow, Sharksfin |
| 2. 703736-02 | Pillow, Sharksfin |

Pillow Kit, Oatmeal, 17', 22'



①



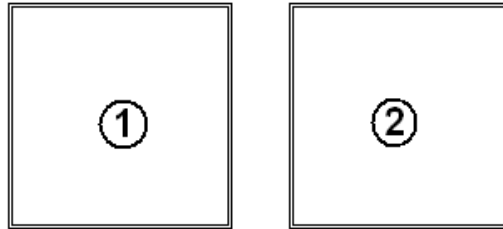
②

- | | |
|--------------|---------------------|
| 703728-03 | Pillow Kit, Oatmeal |
| 1. 703728-01 | Pillow, Oatmeal |
| 2. 703728-02 | Pillow, Oatmeal |

2009 SPORT

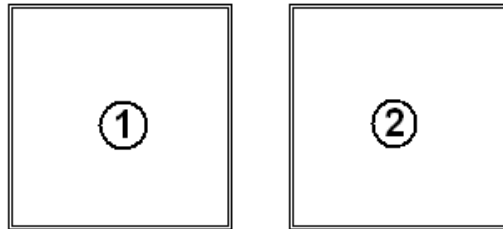
UPHOLSTERY/FOAM/MATTRESS

Pillow Kit, MOCHABLUE



- 703793-03 Pillow kit, MOCHABLUE
- 1. 703793-01 Pillow, AMBROSIA PEWTER FABRIC
- 2. 703793-02 Pillow, SOLILIQUE MOCHABLUE FABRIC

Pillow Kit, Cinnabar



- 703792-03 Pillow Kit, Cinnabar
- 1. 703792-01 Pillow, Cinnabar, ambrosia fabric
- 2. 703792-02 Pillow, Cinnabar, soliloque fabric

Pillow

701611 PILLOW, 21" X 31"

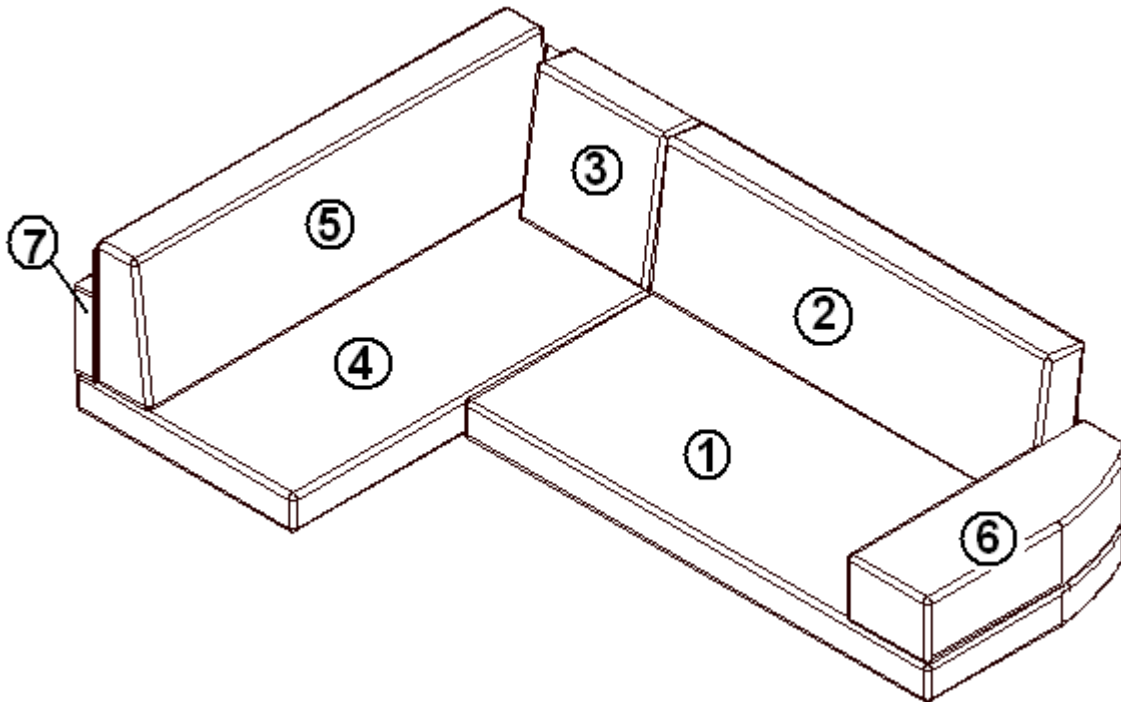
Bedsread, Sheets, Pillow Cases, Mattress, 22' Front Bed

- 703799-01 SLEEP SYSTEM, TRAVASAK, SAND, OATMEAL, CINNABAR, MOCHABLUE
- 703799-02 SLEEP SYSTEM, TRAVASAK, BERRY, SHARKSFIN
- 703804 MATTRESS, 54" X 83.25"

2009 SPORT

UPHOLSTERY/FOAM/MATTRESS

L-Sofa Seat Foam/Covers, 17'

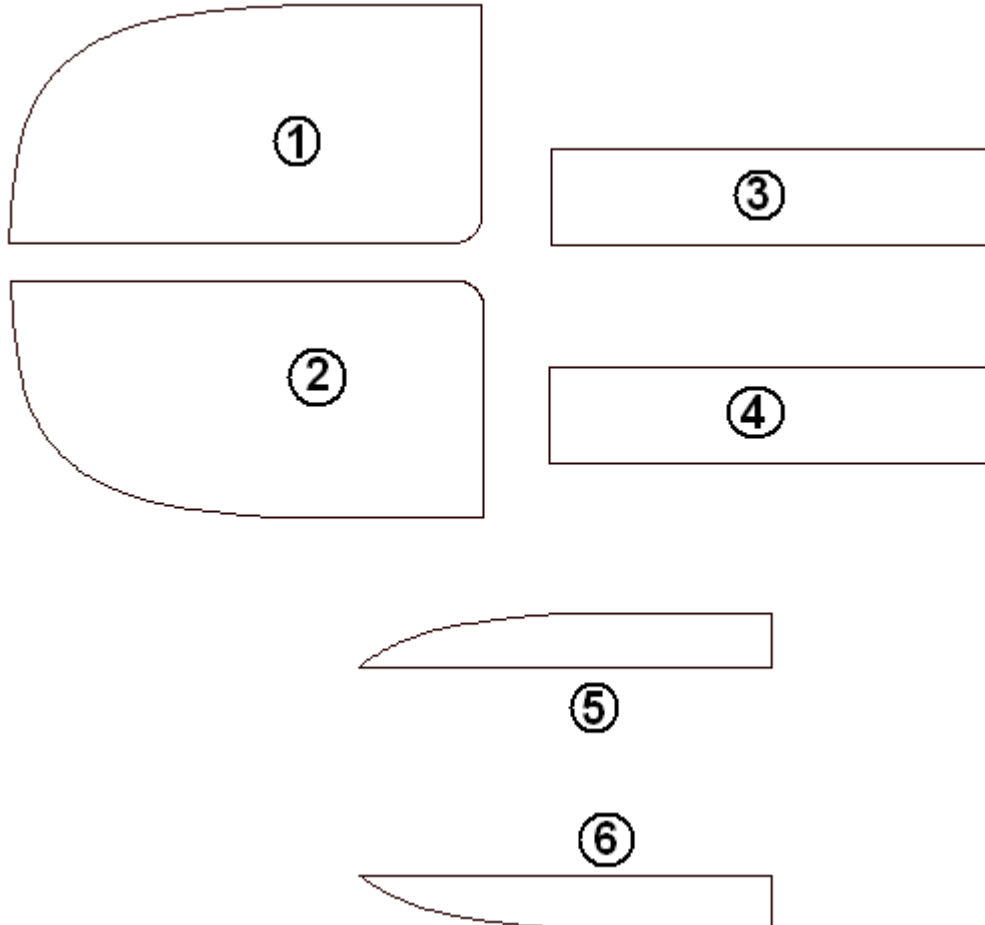


703726	FOAM CUSHION KIT
1. 703726-01	FOAM CUSHION, BOTTOM MAIN
1. 998199-01	FABRIC ASSY, BOTTOM MAIN
2. 703726-02	FOAM CUSHION, BACK, MAIN
2. 998199-02	FABRIC ASSY, BACK, MAIN
3. 703726-03	FOAM CUSHION, SMALL BACK
3. 998199-03	FABRIC ASSY, SMALL BACK
4. 703726-04	FOAM CUSHION, BASE SIDE
4. 998199-04	FABRIC ASSY, BASE SIDE
5. 703726-05	FOAM CUSHION, BACK SIDE FRONT
5. 998199-05	FABRIC ASSY, BACK SIDE FRONT
6. 703726-06	FOAM CUSHION, CURBSIDE ARMREST/PILLOW
6. 998199-06	FABRIC ASSY, CURBSIDE ARMREST/PILLOW
7. 703726-07	FOAM CUSHION, WEDGE, MAIN BACK
7. 998199-07	FABRIC ASSY, WEDGE, MAIN BACK

2009 SPORT

UPHOLSTERY/FOAM/MATTRESS

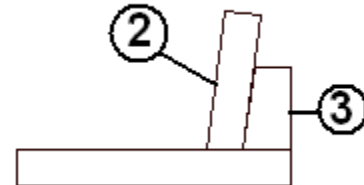
Dinette Seat Foam/Covers, 22'



- | | |
|--------------|----------------------------------|
| 1. 998196-01 | COVER, CS DINETTE SEAT |
| 1. 703720-01 | FOAM, CS DINETTE SEAT |
| 2. 998196-02 | COVER, CS DINETTE SEAT BACK REST |
| 2. 703720-02 | FOAM, CS DINETTE SEAT BACK REAT |
| 3. 998196-03 | COVER, CS DINETTE SEAT FILLER |
| 3. 703720-03 | FOAM, CS DINETTE SEAT FILLER |
| 4. 998196-04 | COVER, RS DINETTE SEAT |
| 4. 703720-04 | FOAM, RS DINETTE SEAT |
| 5. 998196-05 | COVER, RS DINETTE SEAT BACK REST |
| 5. 703720-05 | FOAM, RS DINETTE SEAT BACKREAT |
| 6. 998196-06 | COVER, RS DINETTE SEAT FILLER |
| 6. 703720-06 | FOAM, RS DINETTE SEAT FILLER |

2009 SPORT
UPHOLSTERY/FOAM/MATTRESS

Sofa Seat Foam/Covers, 22'

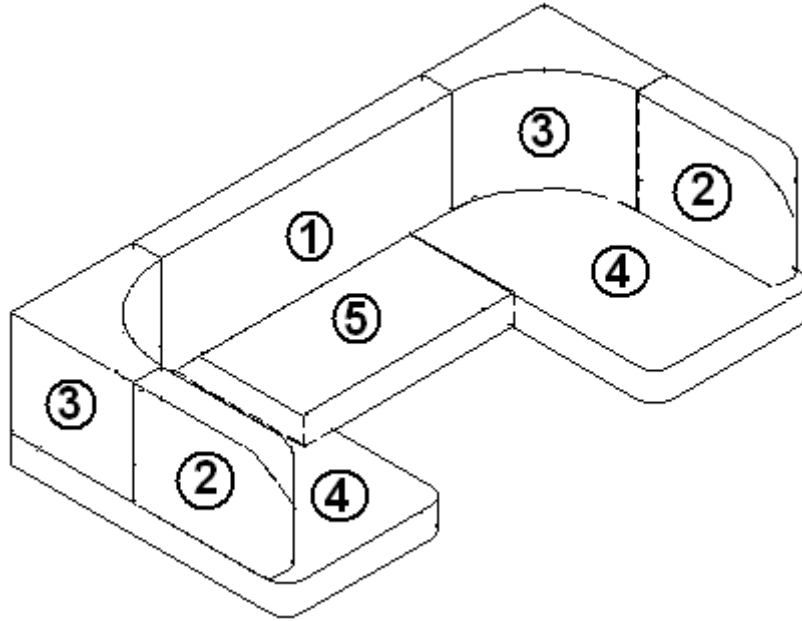


- | | |
|--------------|-------------------------|
| 1. 998197-01 | COVER, LOUNGE SEAT |
| 1. 703721-01 | FOAM, LOUNGE SEAT |
| 2. 998197-02 | COVER, LOUNGE BACK REST |
| 2. 703721-02 | FOAM, LOUNGE BACK REST |
| 3. 998197-03 | COVER, LOUNGE FILLERS |
| 3. 703721-03 | FOAM, LOUNGE FILLERS |

2009 SPORT

UPHOLSTERY/FOAM/MATTRESS

Dinette Seat Foam/Covers, 22' Front Bed



- | | |
|--------------|------------------------------|
| 1. 998204-01 | SEAT COVER, MIDDLE BACK REST |
| 1. 703802-01 | FOAM, MIDDLE BACK REST |
| 2. 998204-02 | SEAT COVER, SIDE BACK REST |
| 2. 703802-02 | FOAM, SIDE BACK REST |
| 3. 998204-03 | SEAT COVER, CORNER BACK REST |
| 3. 703802-03 | FOAM, CORNER BACK REST |
| 4. 998204-04 | SEAT COVER, SEAT BOTTOM |
| 4. 703802-04 | FOAM, SEAT BOTTOM |
| 5. 998204-05 | SEAT COVER, CENTER SEAT BACK |
| 5. 703802-05 | FOAM, CENTER SEAT BACK |

2009 SPORT

VENTS/FANS/SKY LIGHTS

Vent, Black Tank, Roof

690264-03 Vent pipe cover, white
380228 Wire, hardware cloth

Roof vent, Non-Power

381606-01 Vent, roof, 14" x 14", non-power, white
381606-02 Trim ring, interior, roof vent, white

Vent Fan, Refrigerator

690394 Power ventilator, refrigerator
511836 Switch, refrigerator fan

Vent, Power, Roof

512253 VENT, COMFORT AIR, EXHAUST ONLY

Sky light, 19" x 19"

381318-05 Skylight, 19.5" x 19.5"
201962 Trim, skylight, 19.5" x 19.5"
702804-03 Shade, skylight, pleated, 19.50" x 20"
114485 Mounting Frame, Sky light
382053 Corner brace, skylight mounting frame
320139 Screw, assembly w/sealing washer

2009 SPORT

WOOD/LAMINATES/TRIM

PLYWOOD

800506-04	Plywood, 3/4" x 4' x 8'
800506-06	Plywood, 3/4" x 4' x 8'
800506-05	Plywood, 5/8" x 4' x 8'
800976-01	Plywood, tongue and groove, 19/32' (floor)
801351	LITE PLY-18MM (.75") 4' X 8'

PANELING

801355-01	LAMINATE, FROSTY WHITE ,VERTICAL
801368	18MM WHITELINER/WHITELINER
800368-02	TAMBOUR, SILVER, 4' X 8' SHEET
801369	PANEL, FROST WHITE/WHITELINER
801378	18MM WHITELINER/BACKER
801392	12MM GOLD ALCHEMY/LINER
801438	PANEL, FROST WHITE VINYL/RAW 2.7MM
801697	PANEL, FROSTY/FROSTY 12MM
801698	12MM WHITELINER/BACKER
801703	12MM FROSTY WHITE/WHITE LINER
801725	3MM BRUSHED STAINLESS STEEL/RAW
801745	LAMINATE, ABET 292 LUCIDA
801757	18MM WHITE DÉCOR MAPLE/WHITE LINER
801793-01	LAMINATE, GOLD ALCHEMY VERTICAL
801795	18MM GOLD ALCHEMY/WHITELINER
801796	18MM GOLD ALCHEMY/GOLD ALCHEMY
801797	12MM GOLD ALCHEMY/LINER

2009 SPORT

WOOD/LAMINATES/TRIM

Edge banding

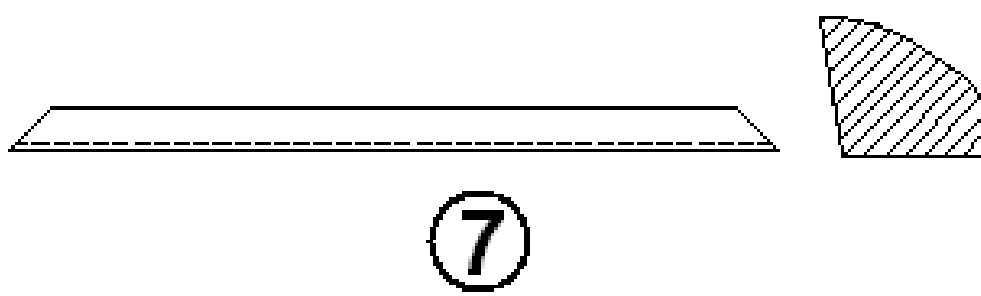
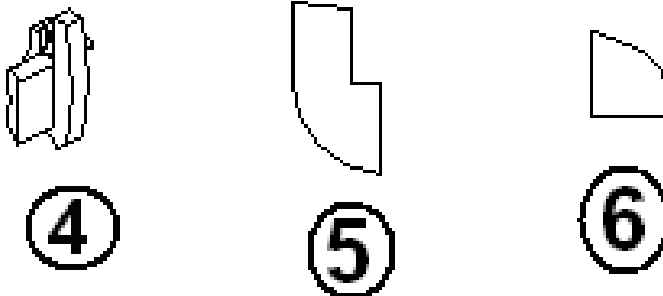
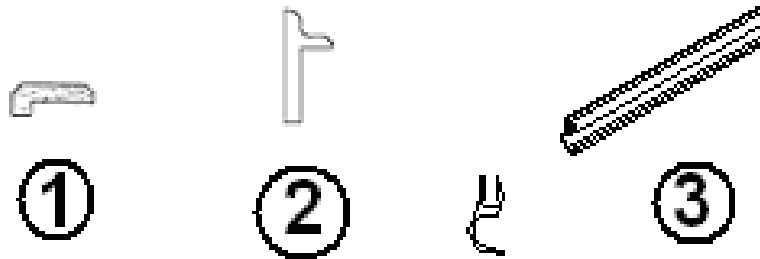
365305-02	EDGEBANDING, BRUSHED ALUMINUM, 5/8"
365313-01	EDGEBANDING, .63", GOLD ALCHEMY
365313-02	EDGEBANDING, 94", GOLD ALCHEMY
365313-03	EDGEBANDING, 94", GOLD ALCHEMY
365238-04	EDGEBANDING TAPE PVC 5/8", WHITE
365238-05	EDGEBANDING, TAPE PVC, 1.25", WHITE
365267-01	EDGEBANDING, .63", WHITE
365267	EDGEBANDING, .1.125", WHITE
365240-01	EDGEBANDING, .1.31", WHITE
365305-01	EDGEBANDING, 15/16", BRUSHED ALUMINUM
365305-02	EDGEBANDING, .63", BRUSHED ALUMINUM

LUAN

800507-01	Panel, Luan, 1/8 x 4' x 8'
800507-02	Panel, Luan, 1/4" x 4' x 8', raw/raw
800507-03	Panel, Luan, 3/8" x 4' x 8', raw/raw
800507-04	Panel, Luan, 1/2" x 4' x 8', raw/raw
800507-06	Panel, Luan, .75" x 4' x 8', raw/raw

2009 SPORT
WOOD/LAMINATES/TRIM

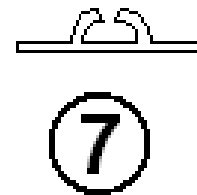
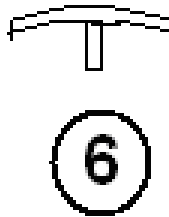
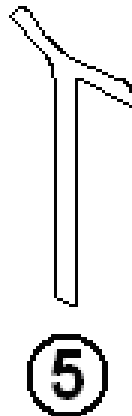
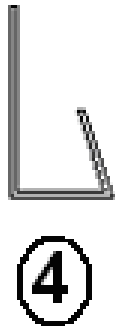
TRIM, WOOD



- 1. 801665-WH MOLDING-L, DOOR JAMB
- 2. 115064 Trim, Aluminum Counter top
- 3. 101265-01 EXTRUSION, BLACK DOOR HANDLE
- 4. 201163-01 ENDCAP-BLACK HANDLE (PR)
- 5. 801706-0114 Molding, corner trim, 90 degree, Gold Alchemy
- 6. 800638-0114 Molding, quarter round, Gold Alchemy
- 7. 801492-0114 THRESHOLD MAIN DOOR, unit w/linoleum

2009 SPORT
WOOD/LAMINATES/TRIM

TRIM, PLASTIC



- | | |
|--------------|--|
| 1. 203225 | Trim lock, WHITE |
| 1. 203225-01 | Trim lock, GRAY |
| 2. 201728-06 | Extrusion plastic, ceiling trim, gray |
| 3. 203138-04 | Extrusion, plastic Panel edging, OAK |
| 3. 203138-01 | Extrusion, plastic Panel edging, WHITE |
| 3. 203464-01 | Extrusion, plastic Panel edging, OAK |
| 4. 201666 | MOLDING, J-3/16, PLASTIC, ALMOND |
| 5. 201673 | Molding, cove, roof lockers, WHITE |
| 5. 201673-01 | Molding, cove, roof lockers, OAK |
| 6. 203445 | T-Molding, 9/16", BLACK |
| 6. 203445-01 | T-Molding, 9/16", WHITE |
| 6. 203597 | T-Molding, 13/16", WHITE |
| 6. 203440 | T-Molding, 13/16", BLACK |
| 7. 201728-01 | EXTRUSION, CEILING TRIM RETAINER |

