

AIRSTREAM

INTERNATIONAL TRAVEL TRAILER

PARTS BOOK

2009

2009 INTERNATIONAL TRAVEL TRAILER
TABLE OF CONTENTS
SECTION I

APPLIANCES

Air Conditioner, Furnace	I-1
Microwave, Range ,	I-2
Refrigerator ,	I-3
Water Heater, Range Hood	I-4

BODY

End shell, aft	I-5
End shell, front	I-20
16 Ft. CCD RS Wall	I-32
16 Ft. CCD CS Wall	I-34
19 Ft. CCD RS Wall	I-36
19 Ft. CCD CS Wall	I-38
23 FT. D, RS Wall	I-40
23 Ft. D, CS Wall	I-42
25 Ft. Sleep Six RS Wall	I-44
25 Ft. Sleep Six CS Wall	I-46
25 Ft. Front Bed RS Wall	I-48
25 Ft. Front Bed CS Wall	I-50
27 Ft RS Wall	I-52
27 Ft CS Wall	I-54
28 Ft CCD RS Wall	I-56
28 Ft CCD CS Wall	I-58
Roof, Floor	I-60
Wrap Protectors	I-61
Body Interior	I-62

2009 INTERNATIONAL TRAVEL TRAILER
TABLE OF CONTENTS
SECTION I

CHASSIS

Axles, Shocks, Tires, Wheels	I-56
Spare Tire Carrier, Step,	I-57
Hitch Jack, Safety Chains	I-57
Bumper/Bumper Storage	I-58
Jacks, Hose Carrier, Underbelly Metal	I-60
Diamond Plate, Compartment Bottom	I-61
Hitch Coupler	I-61
Brakes	I-62
Rear Storage Bumper Slide Out (option)	I-64

SECTION II

DECAL/EXTERIOR TRIM	II-1
---	------

DOORS/WINDOWS/AWNING

Exterior Doors	II-2
Windows, Window Trim & Screens	II-9
Window Rock Guard	II-17
Awnings	II-18

DRAPES/BLINDS/VALANCES

16 Ft. Signature	II-20
16 Ft. DWR	II-22
19 Ft. Signature	II-23
23 Ft. D Signature	II-25
25 Ft. Signature Front Bed	II-27
25 Ft. Signature Sleep Six	II-29
27 Ft. Signature Front Bed	II-31
28 Ft. Signature	II-33
Drape trim and track	II-35
Drape Parts/Material	II-36

2009 INTERNATIONAL TRAVEL TRAILER
TABLE OF CONTENTS
SECTION II

ELECTRICAL

[110 volt](#) II-37
[12 volt](#)..... II-39
[Exterior light/reflectors](#) II-42

ENTERTAINMENT

[Radio/Antenna](#) II-45
[Television Antenna/Jacks](#)..... II-45
[Satellite Radio/External Speakers](#) II-46
[Audio/Audio Video Upgrade Packages](#) II-47
[Flat Screen TV Installation](#) II-49
[TV Storage Shelf, 16'](#) II-52

SECTION III

FASTENERS

[Rivets](#)..... III-1

[FLOOR COVERING](#) III-3

FURNITURE DRAWINGS & CHARTS

[PLEASE READ BEFORE ORDERING ANY FURNITURE PARTS.](#)

[Drawer Slides/Boxes](#) III-4
[Mirrors](#) III-4
[Interior Doors](#) III-5
[Bedroom](#) III-7
[Lavatory](#) III-126
[Galley](#)..... III-221
[Lounge](#) III-367

2009 INTERNATIONAL TRAVEL TRAILER
TABLE OF CONTENTS
SECTION III

HARDWARE

Exterior locks/hinges	III-423
Window Hardware	III-424
Cabinet Hinge/Catch	III-428
Interior Trim	III-429
Lavatory Accessories	III-430
Interior Hinges	III-430
Dinette Table Hardware	III-430
Bed Gas Springs	III-430
Clock/Coat Rack	III-430
Awning Hardware	III-431
Trailer Level	III-432
Dinnerware Kit	III-432

SECTION IV

LABELS and TAGS	IV-1
---------------------------------------	------

PLUMBING

LPG	IV-3
Fresh Water	IV-10
Freshwater Fittings	IV-18
Faucets	IV-20
Drain Water	IV-24
Toilet	IV-38
Black Tank Flush/Loose parts	IV-42

SAFETY EQUIPMENT	IV-43
SEALER/GASKETS	IV-44
PAINT	IV-45

2009 INTERNATIONAL TRAVEL TRAILER
TABLE OF CONTENTS
SECTION IV

UPHOLSTERY/FOAM/MATTRESS

Pillows	IV-46
Mattresses	IV-46
Bedspreads	IV-47
Cushions/Fabric Assemblies	IV-49
VENTS/FANS	IV-52
SKY LIGHTS	IV-55
WOOD/LAMINATES/TRIM	IV-54

2009 INTERNATIONAL TRAVEL TRAILER

APPLIANCES

Air Conditioner

690323-32	AC 13,500 BTU W/HEAT PUMP
690323-37	AIR CONDITIONER, 15,000 BTU w/Heat Pump
690323-03	AIR CONDITIONER, DOMETIC HEAT STRIP
690380-10	INTAKE AIR BOX AND CEILING SHROUD, WHITE
690380-11	DUST ADAPTOR, USE WITH 690380-10
690323-31	COMFORT CONTROL CENTER
511252	PLUG PHONE 4 CONDUCTOR
961270	Pan Assembly, drain, air conditioner
601240-01	TUBING 1/2ID X 5/8OD BLACK PLASTIC
195329-143	AIR CONDITIONER 11,000 BTU
690323-05	AIR BOX/RETURN GRILL MANUAL
690323-100	Shroud, exterior, Penquin air conditioner

Furnace

690439-01	FURNACE W/BLACK DOOR, 12,000 BTU, 16'
690395-02	FURNACE 16,000 BTU 19', W/BLACK DOOR
690274-01	FURNACE, 30,000BTU, 28'
690274-04	HYDROFLAME FURNACE, 23' D, 25', 27' FB
690274-09	Door exterior, Hydroflame
511228	THERMOSTAT ROOM #36684 OFF WHITE
600193	2" DUCT THERMAFLEX FLEXIBLE, DUCT
600247	4" HOSE, HEAT DUCT FLEX
601244-01	REGISTER-ROTAIRE #3840-96 4" BROWN
203070	REGISTER PLASTIC BROWN 2" X 10"
601244-03	REGISTER, ROTAIRE, BLACK
601244-02	REGISTER-ROTAIRE 4" WHITE
690429	LOUVER-2" BLACK ROUND
600526	FLANGE, 4 IN
601348	TEE, HEAT DUCT, 4" X 4" X 2"
114079	ADAPTER-DUCT, 4.00"" TO 2.00""

2009 INTERNATIONAL TRAVEL TRAILER

APPLIANCES

Microwave

690549-01	MICROWAVE OVEN, TAPPEN STAINLESS STEEL
690549-02	MICROWAVE, TAPPEN, BLACK, TM9030
690549-03	MICROWAVE, TAPPEN TRIM, STAINLESS STEEL
690549-04	MICROWAVE, TAPPEN TRIM, BLACK
690580-01	MICROWAVE, TAPPEN, BLACK TM5030, 27' FB only
690581-01	MICROWAVE, TAPPEN, BLACK 23' D, Canadian only
690581-02	MICROWAVE, TRIM KIT, BLACK 23' D, Canadian only
690345-01	MICROWAVE, CONVECTION SHARP R-820BK
690345-03	TRIM RING, CONVECTION MICROWAVE
690581-03	Tappen Silver Convection Microwave
690581-04	Trim Kit, Silver, for Tappen Microwave
690592-01	Microwave, Convection, Black, Haier MWG1008B
690594-01	Microwave, Sylvania Convection, Black
690594-02	Trim ring, Sylvania Black Microwave
690407-03	MICROWAVE, DOMETIC, SILVER
690407-04	MICROWAVE TRIM RING, DOMETIC, SILVER

Range

690471	Cook-top, 2-burner, black glass top, 16'
690396-10	COOKTOP-3 BURNER S.S. TOP, 19', 25', 28'
690396-09	RANGE, 22" W/S.S. TOP/DOOR, 19', 23' D, 25', 27' FB, 28'
690396-03	Range bi-fold cover, black

2009 INTERNATIONAL TRAVEL TRAILER

APPLIANCES

Refrigerator

690393-07	REFER-4CF 2-WAY RH RM2451RB, 19'
690470-02	REFER-3CF 2-WAY RH DR RM2352RB, 16'
690540	REFER- 5 CU FT AMERICANA, 23' D
690574-02	REFER, 7CU FT RH #RM3762RB, 25' FB, 27' FB
690574-01	REFER-7CU FT LH DR #RM3762LB, 25' SS, 28'
965934-07	INSERT, REFER ROUND DOOR, 19.5" x 26", 16'
965934-05	INSERT ASSY-REFER UPPER 23.75" X 32", 25', 25' SS' 28'
965934-06	INSERT ASSY-REFER LOWER, 23.75" X 32", 25', 25' SS' 28'
115166-03	INSERT, ALUMINUM, REFER 20.62" X 38.62", 23D
801728-01	INSERT, REFER 23.75" X 17", 25' FB, 27' FB, Wenge, OB
801728-02	INSERT, REFER 23.75" X 32.38", 25' FB, 27' FB, Wenge, OB
801728-03	INSERT, REFER, 20.62" X 32.62", 19', Wenge
801728-0103	INSERT, REFER, 20.62" X 32.62", 19', OB
967067	INSERT, REFER, 19.5" X 26", DWR

2009 INTERNATIONAL TRAVEL TRAILER

APPLIANCES

Water Heater

690199	ELECTRONIC IGNITION WATER HEATER
320006	SCREW, SHEET METAL, 8 X 3/4" BH PHIL
690209	BRUSHED ALUM ACCESS COVER
601671	ELBOW STREET 90DEG 1/2"
381648	COVER LATCH HOLE WATER HEATER

Range Hood

512210	RANGE HOOD, BARALDI, 12V
454590	EXTENSION-RANGE VENT BARALDI
511791-02	RANGE HOOD-VENTLINE SILVER, CSA
511017-11	EXTERIOR VENT GRAY
115175	DUCT-RANGE EXHAUST TRANSITION
114913	ANGLE RANGE HOOD
365016	TAPE FOAM DUBL-KOTE - 1/2"
365190	SEAL, RUBBER, ADHESIVE, 3/4" X 3/4"
203600	CAP COVER, SCREW, GRAY

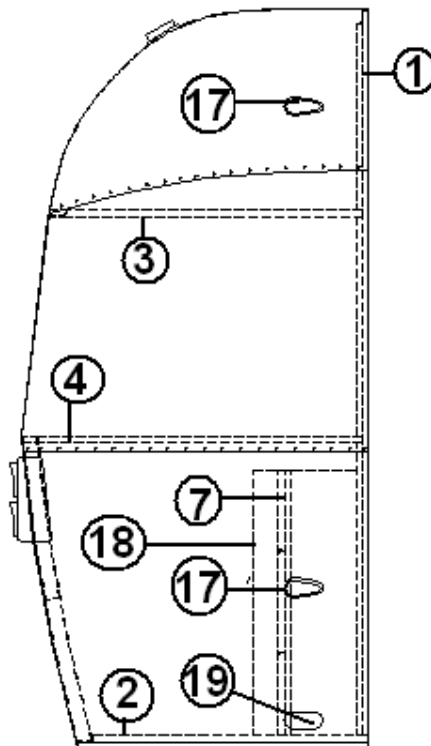
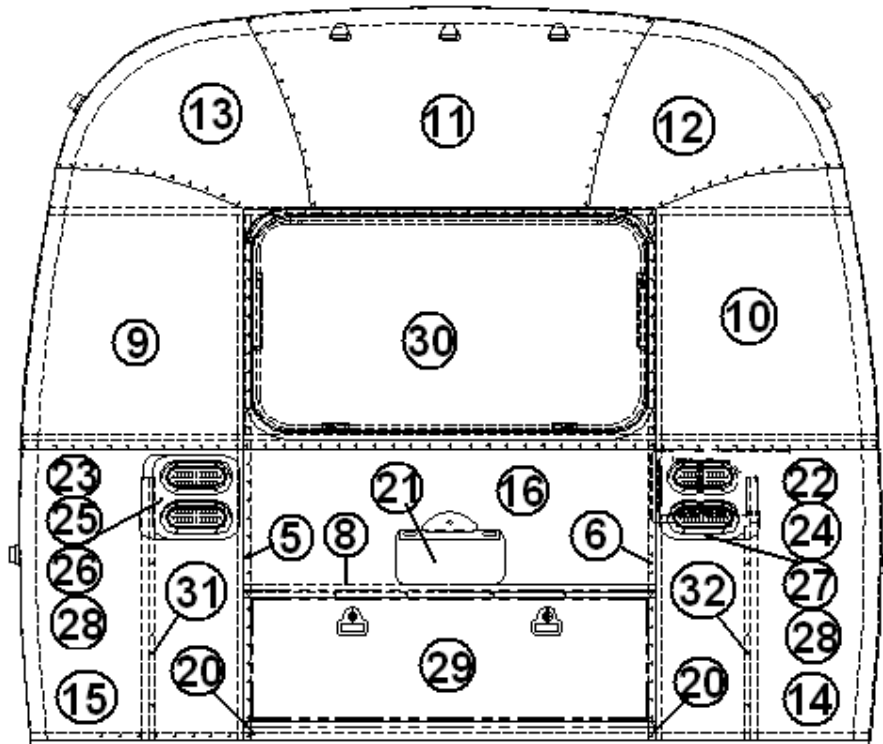
2009 INTERNATIONAL TRAVEL TRAILER

NOTES

2009 INTERNATIONAL TRAVEL TRAILER

EXTERIOR SHELL

AFT END, 16'



Part Numbers are on the Next Page

2009 INTERNATIONAL TRAVEL TRAILER

EXTERIOR SHELL

AFT END, 16'

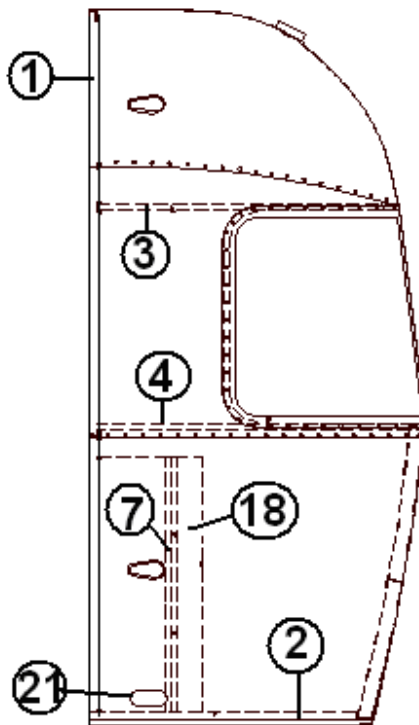
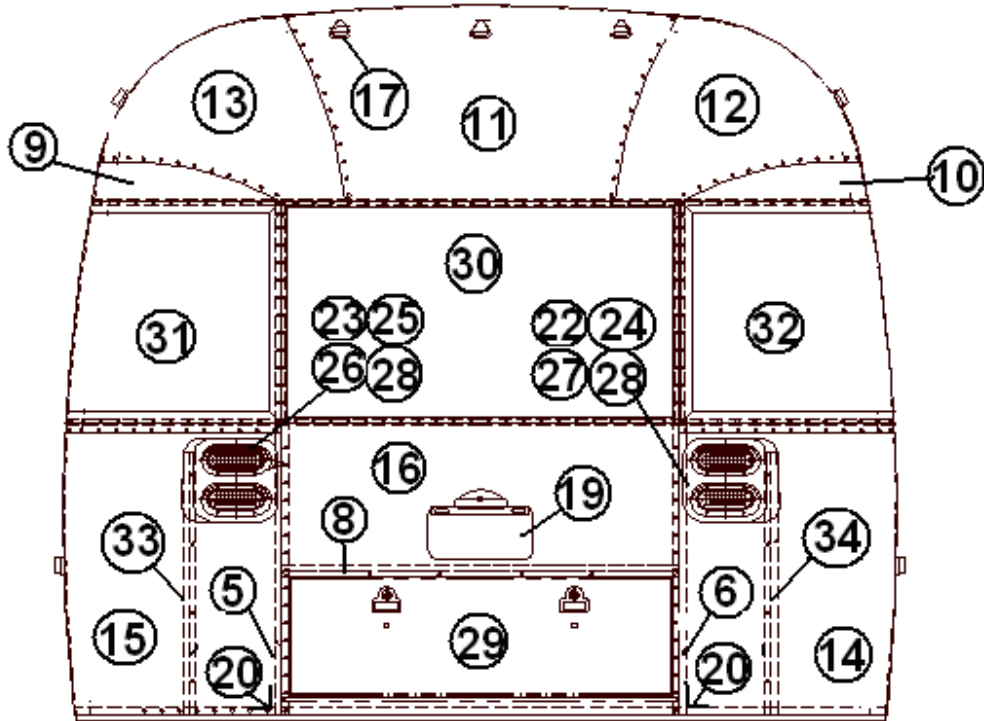
922709	Aft Shell, 16'
1. 114994	Weldment, zero bow
2. 104463	BOW FLOOR, NARROW BODY TRAILER
3. 104351	BOW-UPPER WINDOW-NARROW BODY
4. 104343	BOW-LOWER WINDOW-NARROW BODY
5. 114505-01	SUPPORT LOWER END SHELL LH
6. 114505-02	SUPPORT LOWER END RH
7. 101315	BRACE VERTICAL REAR
8. 104408	EXTRUSION, Z RIB
9. 114888	SEGMENT-CENTER LEFT "BRIGHT"
10 114889	SEGMENT-CENTER RIGHT "BRIGHT"
11. 114892	SEGMENT #25 NARROW BRIGHT
12. 114890	SEGMENT-#26 "BRIGHT"
13. 114891	SEGMENT-#27 "BRIGHT"
14. 114894	SEGMENT-#28 "BRIGHT"
15. 114895	SEGMENT-#29 "BRIGHT"
16. 114880-198	ALUMINUM SHEET .040" X 51" X 198"
17. 512227	Light, clearance, red LED
18. 114849-03	ALUMINUM SHEET, .060 26"W X 8'
19. 500095	REFLECTOR, OVAL, RED
20. 114813	ANGLE, 1" X 1 1/2"
21. 511407	License plate light/holder, Black
21. 511407-01	Gasket, License plate light/holder
22. *952696-02	TAILLIGHT ASSY, CS
22. *952929-02	TAIL LIGHT ASSEMBLY, CURBSIDE
23. *952696-01	TAILLIGHT ASSY, RS
23. *952929-01	TAIL LIGHT ASSEMBLY, ROADSIDE
24. 203386-01	POCKET-INNER TAILLIGHT LH
25. 203386-02	POCKET-INNER TAILLIGHT RH
26. 115073-01	BRACKET-R.S. TAILLIGHT
27. 115073-02	BRACKET-C.S. TAILLIGHT
28. 115074	BRACKET-CENTER TAILLIGHT
29. 922711	DOOR ASSY-TRUNK
30. 371326	WINDOW REAR ROUND CORNERS
31. 101315-01	Vertical brace, rear, LH
32. 101315-02	Vertical brace, rear, RH

* LED tail light assemblies 952696-01 and -02 were replaced by 952929-01 and -02 during International 2009 model year. Trim ring and LED light changed, casting remained the same. New assembly no longer needs the brackets and plastic pockets.

2009 INTERNATIONAL TRAVEL TRAILER

EXTERIOR SHELL

AFT END, 16' w/Rear Panoramic Windows



Part Numbers are on the Next Page

2009 INTERNATIONAL TRAVEL TRAILER

EXTERIOR SHELL

AFT END, 16' w/Rear Panoramic Window Option

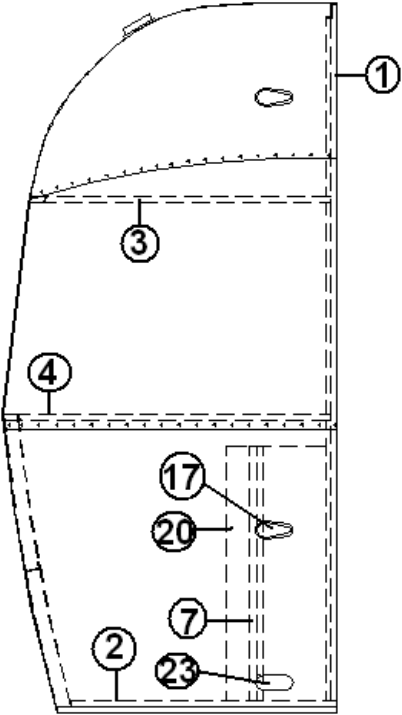
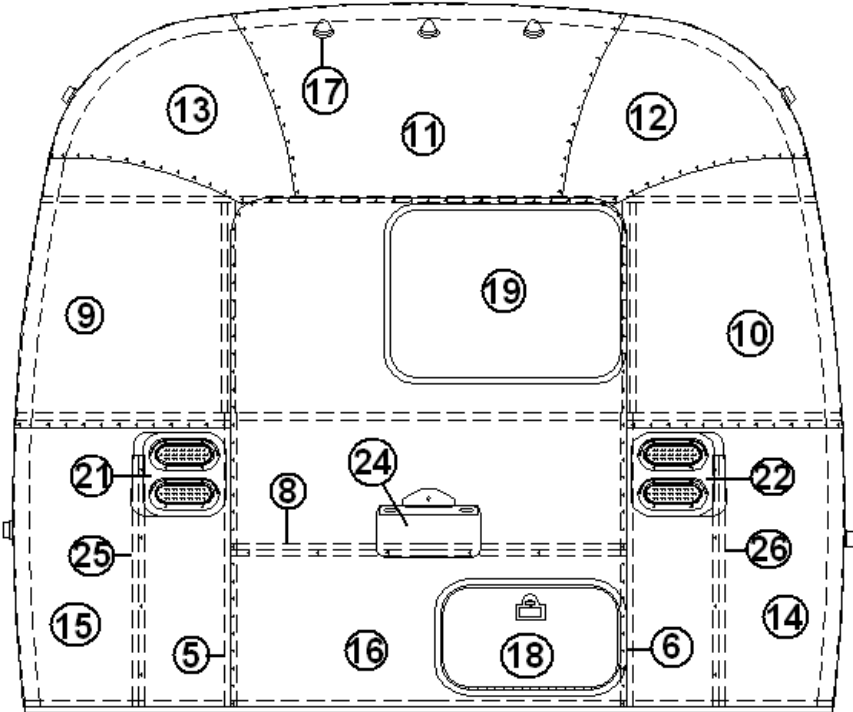
- | | |
|----------------|------------------------------------|
| 922729 | Aft Shell, 16' |
| 1. 114994 | Weldment, zero bow |
| 2. 104463 | BOW FLOOR, NARROW BODY TRAILER |
| 3. 104351 | BOW-UPPER WINDOW-NARROW BODY |
| 4. 104343 | BOW-LOWER WINDOW-NARROW BODY |
| 5. 114505-01 | SUPPORT LOWER END SHELL LH |
| 6. 114505-02 | SUPPORT LOWER END RH |
| 7. 101315 | BRACE VERTICAL REAR |
| 8. 104408 | EXTRUSION, Z RIB |
| 9. 114888 | SEGMENT-CENTER LEFT "BRIGHT" |
| 10. 114889 | SEGMENT-CENTER RIGHT "BRIGHT" |
| 11. 114892 | SEGMENT #25 NARROW BRIGHT |
| 12. 114890 | SEGMENT-#26 "BRIGHT" |
| 13. 114891 | SEGMENT-#27 "BRIGHT" |
| 14. 114894 | SEGMENT-#28 "BRIGHT" |
| 15. 114895 | SEGMENT-#29 "BRIGHT" |
| 16. 114880-198 | ALUMINUM SHEET .040" X 51" X 198" |
| 17. 512227 | Light, clearance, red LED |
| 18. 114849-03 | ALUMINUM SHEET, .060 26"W X 8' |
| 19. 511407 | License plate light/holder, Black |
| 19. 511407-01 | Gasket, License plate light/holder |
| 20. 114813 | ANGLE, 1" X 1.5" |
| 21. 500095 | REFLECTOR RED RECTANGULAR |
| 22. *952696-02 | TAILLIGHT ASSY-CS |
| 22. *952929-02 | TAIL LIGHT ASSEMBLY, CURBSIDE |
| 23. *952696-01 | TAILLIGHT ASSY-RS |
| 23. *952929-01 | TAIL LIGHT ASSEMBLY, ROADSIDE |
| 24. 203386-01 | POCKET-INNER TAILLIGHT LH |
| 25. 203386-02 | POCKET-INNER TAILLIGHT RH |
| 26. 115073-01 | BRACKET-R.S. TAILLIGHT |
| 27. 115073-02 | BRACKET-C.S. TAILLIGHT |
| 28. 115074 | BRACKET-CENTER TAILLIGHT |
| 29. 922711 | DOOR ASSY-TRUNK |
| 30. 371328 | Window, center, dark glass |
| 31. 372089-101 | Curbside front wrap window |
| 32. 372088-101 | Roadside, front wrap window |
| 33. 101315-01 | Vertical brace, rear, LH |
| 34. 101315-02 | Vertical brace, rear, RH |

* LED tail light assemblies 952696-01 and -02 were replaced by 952929-01 and -02 during model year. Trim ring and LED light changed, casting remained the same. New assembly no longer needs the brackets and plastic pockets.

2009 INTERNATIONAL TRAVEL TRAILER

EXTERIOR SHELL

AFT END 19', 23' D



Part Numbers are on the Next Page

2009 INTERNATIONAL TRAVEL TRAILER

EXTERIOR SHELL

AFT END 19', 23' D

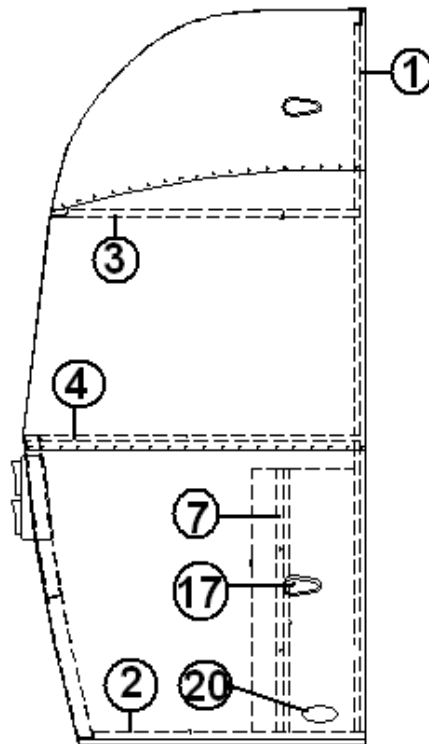
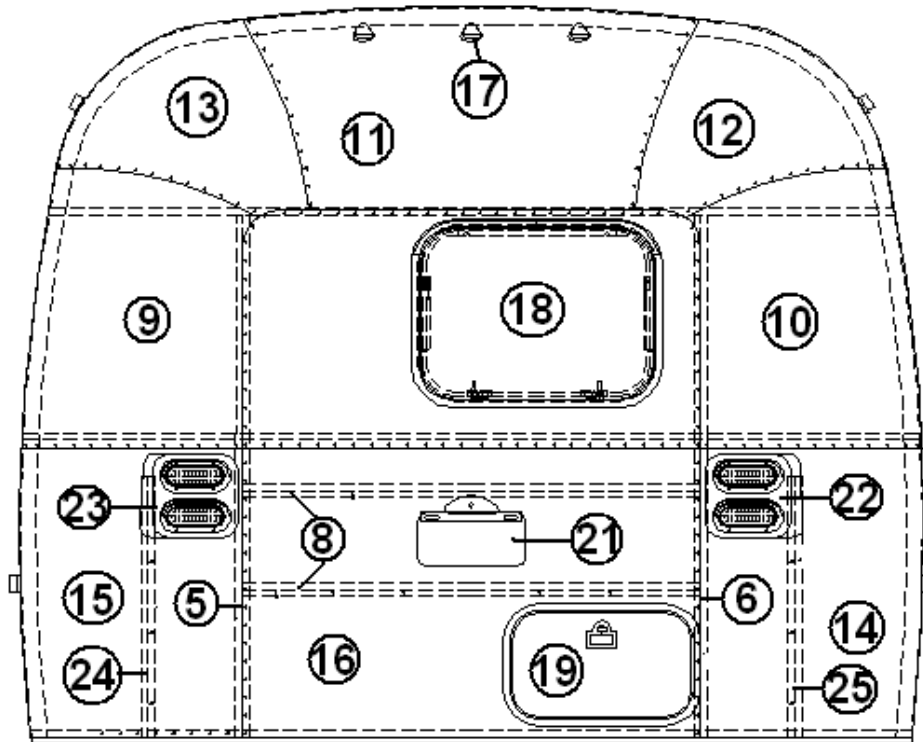
964513-08	AFT SHELL
1. 114994	End bow
2. 104463	Floor bow
3. 104351	Upper window bow
4. 104343	Lower window bow
5. 114505-01	Support, lower end, LH
6. 114505-02	Support, lower end, RH
7. 101315	Brace, vertical rear
8. 104408	Z-rib
9. 114888	Segment, center left
10. 114889	Segment, center right
11. 114892	Segment #25
12. 114890	Segment #26
13. 114891	Segment #27
14. 114894	Segment #28
15. 114895	Segment #29
16. 114880-201	Alum. Sheet, cut down to .040 x 19.0" x 51.0"
17. 512227	Light, clearance, red LED
17. 100679-01	Door assembly, side access
18. 37218-01	WINDOW-21" X 28" OPENING, REAR END
19. 114849-03	Aluminum sheet, gray
21. *952696-02	TAILLIGHT ASSY-CS
21. *952929-02	TAIL LIGHT ASSEMBLY, CURBSIDE
22. *952696-01	TAILLIGHT ASSY-RS
22. *952929-01	TAIL LIGHT ASSEMBLY, ROADSIDE
23. 500095	Red reflector, rectangular
24. 511407	License plate light/holder, Black
24. 511407-01	Gasket, License plate light/holder
25. 101315-01	SUPPORT-LOWER END SHELL, LH
26. 101315-02	SUPPORT LOWER END SHELL, RH

* LED tail light assemblies 952696-01 and -02 were replaced by 952929-01 and -02 during model year. Trim ring and LED light changed, casting remained the same. New assembly no longer needs the brackets and plastic pockets.

2009 INTERNATIONAL TRAVEL TRAILER

EXTERIOR SHELL

AFT END, 25' SLEEP SIX



Part Numbers are on the Next Page

2009 INTERNATIONAL TRAVEL TRAILER

EXTERIOR SHELL

AFT END, 25' SLEEP SIX

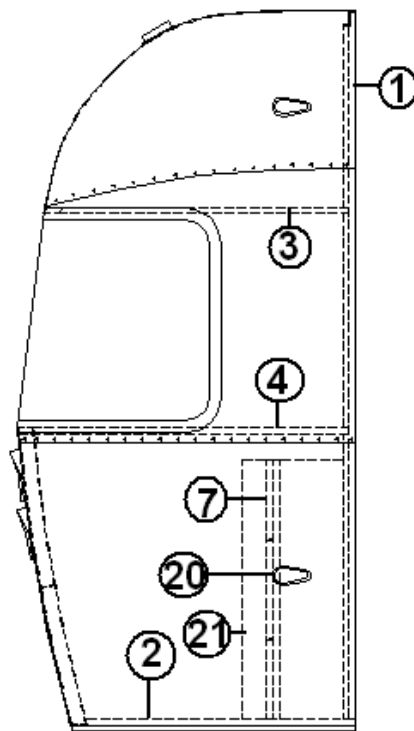
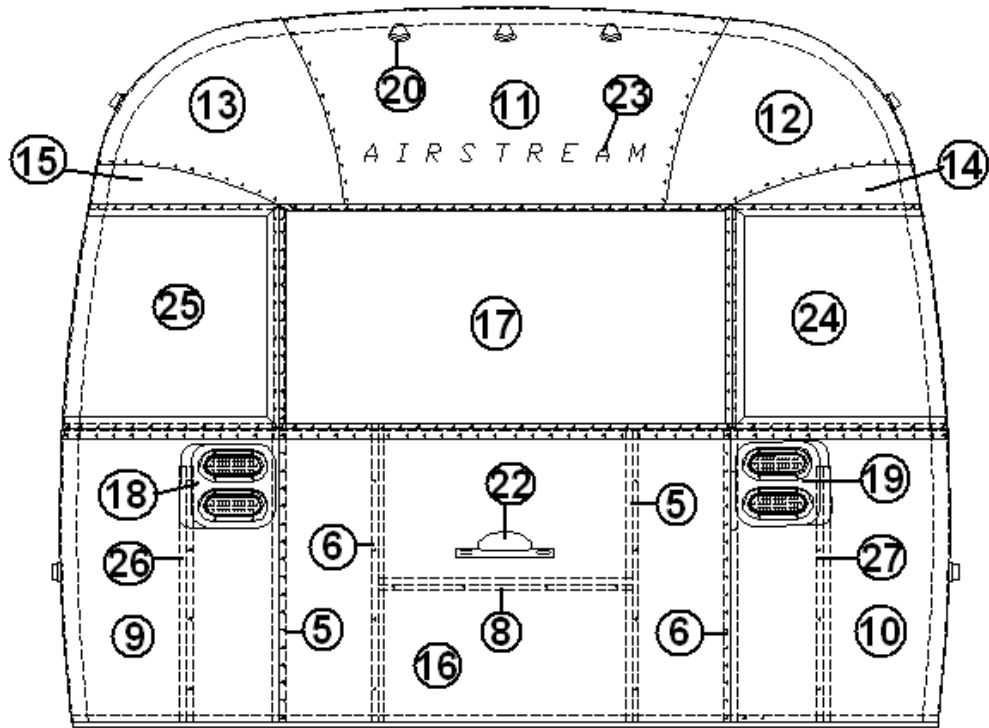
922706	AFT END, 25'
1. 114993	End bow
2. 114676	Floor bow
3. 114678	Upper window bow
4. 114677	Lower window bow
5. 114505-01	Support, lower end, LH
6. 114505-02	Support, lower end, RH
7. 101315	Brace, vertical rear
8. 104408	Z-rib
9. 114888	Segment, center left
10. 114889	Segment, center right
11. 114893	Segment #25
12. 114890	Segment #26
13. 114891	Segment #27
14. 114894	Segment #28
15. 114895	Segment #29
16. 114357-307	Alum. Sheet, .060 x 19.0" x 51.0"
17. 512227	Light, clearance, red LED
18. 372218-01	Window 21" x 28", egress
19. 100679	Trunk door assembly
20. 500095	Red reflector, rectangular
21. 511407	License plate light/holder, Black
21. 511407-01	Gasket, License plate light/holder
22. *952696-02	TAILLIGHT ASSY-CS
22. *952929-02	TAIL LIGHT ASSEMBLY, CURBSIDE
23. *952696-01	TAILLIGHT ASSY-RS
23. *952929-01	TAIL LIGHT ASSEMBLY, ROADSIDE
24. 101315-01	Vertical Brace, LH
25. 101315-02	Vertical Brace, RH

* LED tail light assemblies 952696-01 and -02 were replaced by 952929-01 and -02 during model year. Trim ring and LED light changed, casting remained the same. New assembly no longer needs the brackets and plastic pockets.

2009 INTERNATIONAL TRAVEL TRAILER

EXTERIOR SHELL

AFT END, 25' Front Bed, 27' Front Bed



Part Numbers are on the Next Page

2009 INTERNATIONAL TRAVEL TRAILER

EXTERIOR SHELL

AFT END, 25' Front Bed, 27' FB

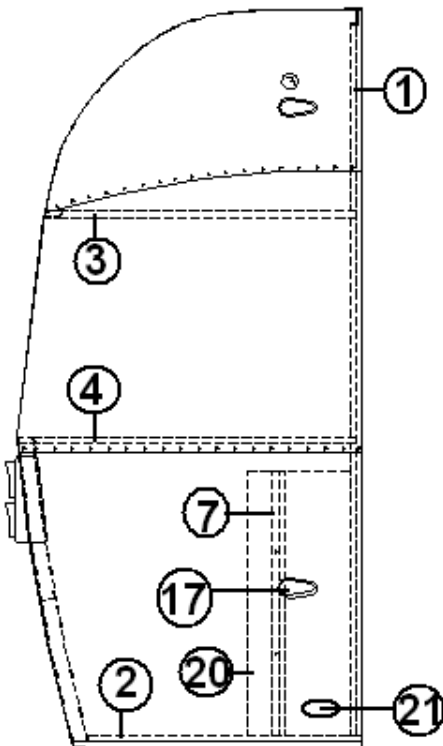
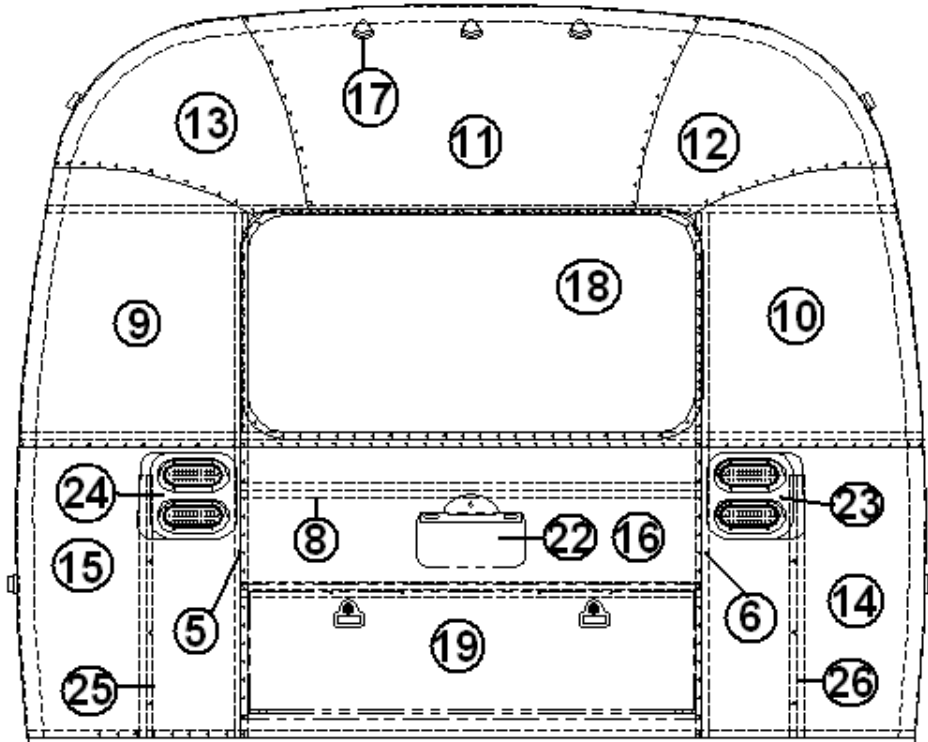
921227-02	End shell complete, Aft
1. 114993	End bow
2. 114676	Floor bow
3. 114678	Upper window bow
4. 114677	Lower window bow
5. 114505-01	Support, lower end, LH
6. 114505-02	Support, lower end, RH
7. 101315	Brace, vertical rear
8. 104408	Extrusion rib
9. 114895	Segment #29
10. 114894	Segment #28
11. 114893	Segment #25
12. 114890	Segment #26
13. 114891	Segment #27
14. 114889	Segment, center right
15. 114888	Segment, center left
16. 114880-201	Alum. sheet, cut down to 040 x 45.25 x 51.0
17. 371346-02	WINDOW-48.97" FLAT FRT/WRAP
18. *952696-02	TAILLIGHT ASSY-CS
18. *952929-02	TAIL LIGHT ASSEMBLY, CURBSIDE
19. *952696-01	TAILLIGHT ASSY-RS
19. *952929-01	TAIL LIGHT ASSEMBLY, ROADSIDE
20. 512227	Light, clearance, red LED
21. 114849-03	Alum. Sheet, 040 x 12.0" x 29.0"
22. 511407	License plate light/holder, Black
22. 511407-01	Gasket, License plate light/holder
23. 386150	Decal, "AIRSTREAM"
24. 372088-101	WINDOW CORNER WRAP RS FRT, CS
25. 372089-101	WINDOW CORNER WRAP CS FRT, RS
26. 101315-01	SUPPORT-LOWER END SHELL, LH
27. 101315-02	SUPPORT LOWER END SHELL, RH

* LED tail light assemblies 952696-01 and -02 were replaced by 952929-01 and -02 during model year. Trim ring and LED light changed, casting remained the same. New assembly no longer needs the brackets and plastic pockets.

2009 INTERNATIONAL TRAVEL TRAILER

EXTERIOR SHELL

AFT END, 28'



Part Numbers are on the Next Page

2009 INTERNATIONAL TRAVEL TRAILER

EXTERIOR SHELL

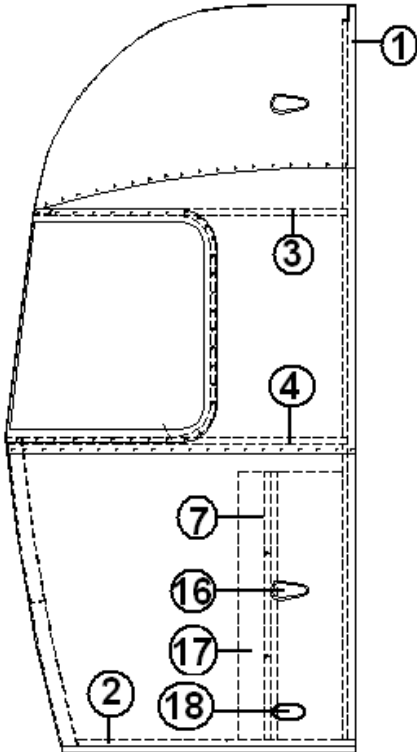
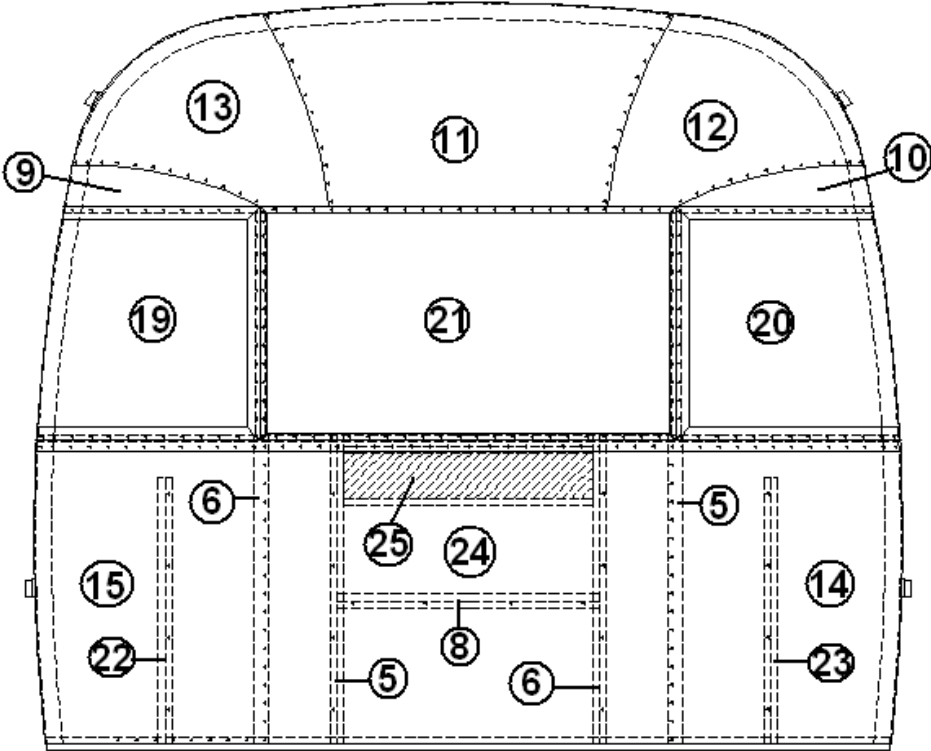
AFT END, 28'

922677	Aft End Assembly
1. 114993	End bow
2. 114676	Floor bow
3. 114678	Upper window bow
4. 114677	Lower window bow
5. 114505-01	Support, lower end, LH
6. 114505-02	Support, lower end, RH
7. 101315	Brace, vertical rear
8. 104408	Z-rib
9. 114888	Segment, center left
10. 114889	Segment, center right
11. 114893	Segment #25
12. 114890	Segment #26
13. 114891	Segment #27
14. 114894	Segment #28
15. 114895	Segment #29
16. 114880-307	Alum. Sheet, .060 x 19.0" x 51.0"
17. 512227	Light, clearance, red LED
18. 371348-02	Window, Rear w/ red handles
19. 921159	Trunk door assembly
20. 114849-03	Alum. Sheet, 040 x 12.0" x 29.0"
21. 500095	Red reflector, rectangular
22. 511407	License plate light/holder, Black
22. 511407-01	Gasket, License plate light/holder
23. *952696-02	TAILLIGHT ASSY-CS
23. *952929-02	TAIL LIGHT ASSEMBLY, CURBSIDE
24. *952696-01	TAILLIGHT ASSY-RS
24. *952929-01	TAIL LIGHT ASSEMBLY, ROADSIDE
25. 101315-01	Brace, vertical, rear, LH
26. 101315-02	Brace, vertical, rear, RH

* LED tail light assemblies 952696-01 and -02 were replaced by 952929-01 and -02 during model year. Trim ring and LED light changed, casting remained the same. New assembly no longer needs the brackets and plastic pockets.

2009 INTERNATIONAL TRAVEL TRAILER

FRONT END, 16'



Part Numbers are on the Next Page

2009 INTERNATIONAL TRAVEL TRAILER

EXTERIOR SHELL

FRONT END, 16'

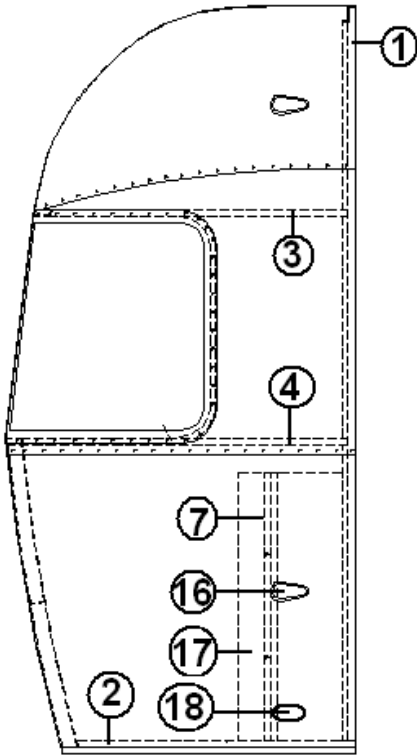
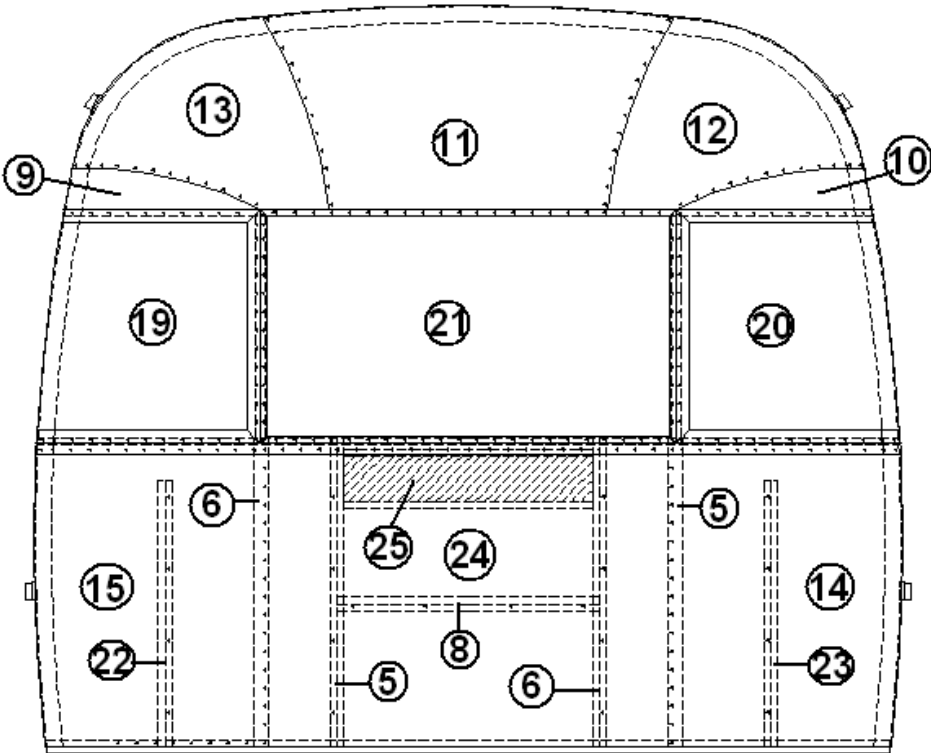
922626-01	Front End Shell
1. 114994	Weldment, end bow, NB
2. 104463	Floor bow, captive extrusion
3. 104351	Upper, window bow
4. 104343	Lower, window bow
5. 114505-01	Brace, vertical rear
6. 114505-02	Brace, vertical rear
7. 101315	Brace, vertical rear
8. 104408	Rib bow
9. 114888	Segment, center left, bright
10. 114889	Segment, center right, bright,
11. 114892	Segment, #25, NB, bright
12. 114890	Segment, #26, bright
13. 114891	Segment, #27, bright
14. 114894	Segment, #28, bright
15. 114895	Segment, #29, bright
16. 512226	Light, clearance, amber LED
17. 114849-03	Aluminum sheet, 060 x 12.00" x 29.00"
18. 500096	Reflector, amber
19. 372089-101	CS front panoramic window
20. 372088-101	RS front panoramic window
21. 371328	Front window,
21a. 371328-100	Front window glass only
22. 101315-01	Brace, vertical, rear, LH
23. 101315-02	Brace, vertical, rear, RH
24. 114880-307	Aluminum sheet, .040" x 5" x 307" "cut down"
25. 453629	Hat section, 27.25" long, Front dinette models only

16' Model has marker light, item 16, at 20.38" from floor for wrap protector, 19' and 23' D models are at 17.00"

2009 INTERNATIONAL TRAVEL TRAILER

EXTERIOR SHELL

FRONT END, 19', 23' D



Part Numbers are on the Next Page

2009 INTERNATIONAL TRAVEL TRAILER

EXTERIOR SHELL

FRONT END, 19', 23' D

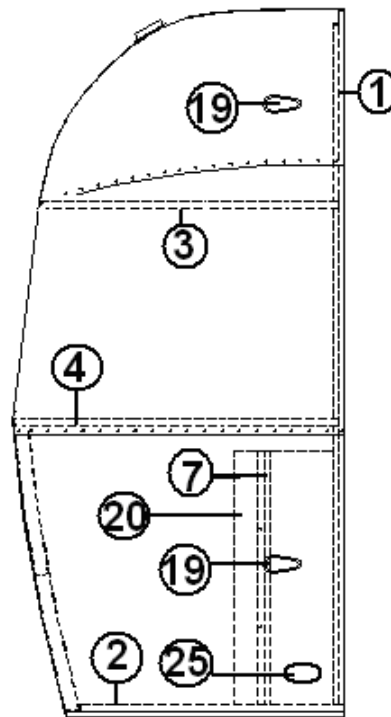
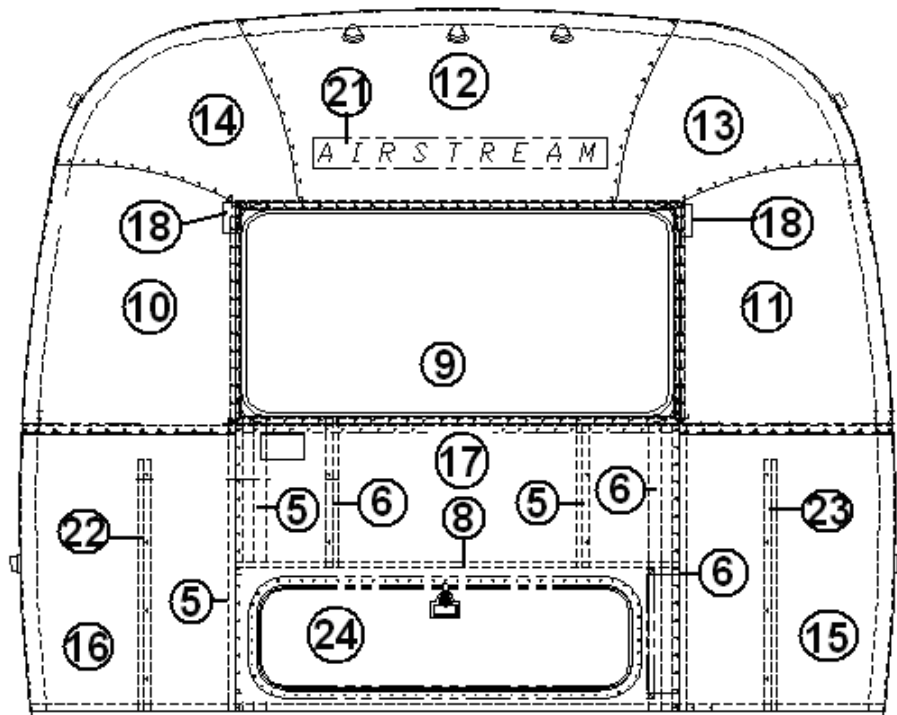
922626	Front End Shell
1. 114994	Weldment, end bow, NB
2. 104463	Floor bow, captive extrusion
3. 104351	Upper, window bow
4. 104343	Lower, window bow
5. 114505-01	Support, lower end shell, left-hand
6. 114505-02	Brace, vertical rear
7. 101315	Brace, vertical rear
8. 104408	Rib bow
9. 114888	Segment, center left, bright
10. 114889	Segment, center right, bright
11. 114892	Segment, #25, NB, bright
12. 114890	Segment, #26, bright
13. 114891	Segment, #27, bright
14. 114894	Segment, #28, bright
15. 114895	Segment, #29, bright
16. 512226	Light, clearance, amber LED
17. 114849-03	Aluminum sheet, 060 x 12.00" x 29.00"
18. 500096	Reflector, amber
19. 372089-101	CS front panoramic window
20. 372088-101	RS front panoramic window
21. 371328	Front window, complete assembly
21. 371328-100	Front window glass w/Hardware only
22. 101315-01	Brace, vertical, rear, LH
23. 101315-02	Brace, vertical, rear, RH
24. 114880-307	Aluminum sheet, .040" x 5" x 307" "cut down"
25. 453629	Hat section, 27.25" long, Front dinette models only

19' and 23' D models have marker light, item 16, at 17.00" from floor for wrap protector, 16' model is at 20.38"

2009 INTERNATIONAL TRAVEL TRAILER

EXTERIOR SHELL

Front End Shell, 25' Front Bed



Part Numbers are on the Next Page

2009 INTERNATIONAL TRAVEL TRAILER

EXTERIOR SHELL

Front End Shell, 25' Front Bed

921240	Front Shell 25', Front Bed
1. 114993	End bow
2. 114676	Floor bow
3. 114678	Upper window bow
4. 114677	Lower window bow
5. 114505-01	Support, lower end, LH
6. 114505-02	Support, lower end, RH
7. 101315	Brace, vertical rear
8. 104408	Z-rib
9. 371348-03	Window, front, rounded corners
10. 114888	Segment, center left
11. 114889	Segment, center right
12. 114893	Segment #25
13. 114890	Segment #26
14. 114891	Segment #27
15. 114894	Segment #28
16. 114895	Segment #29
17. 101115	Alum. sheet, .060" x 41.00" x 51"
18. 115316	Aluminum angle, end shell insert
19. 512226	Light, clearance, amber LED
20. 114829-03	Aluminum sheet, Pewter, 26" x 8"
21. 386150	Logo, "Airstream"
22. 101315-01	Brace, rear vertical, LH
23. 101315-02	Brace, rear vertical, RH
24. *922711	TRUNK DOOR ASSY., W/SQAURE CORNERS
24. *922288-02	TRUNK DOOR ASSY., W/ROUND CORNERS
25. 500096	Reflector, amber

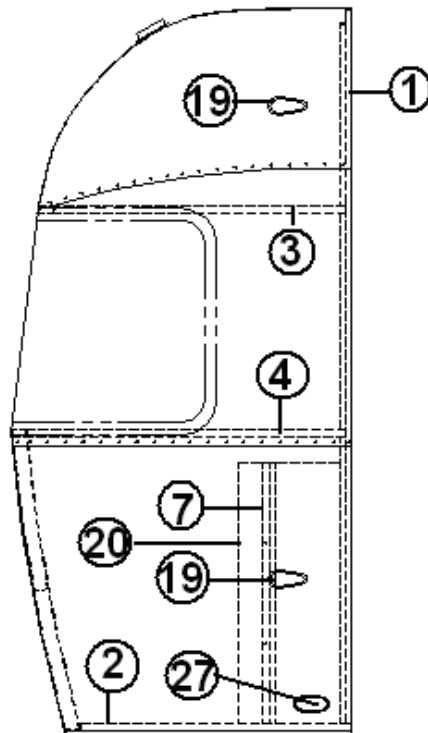
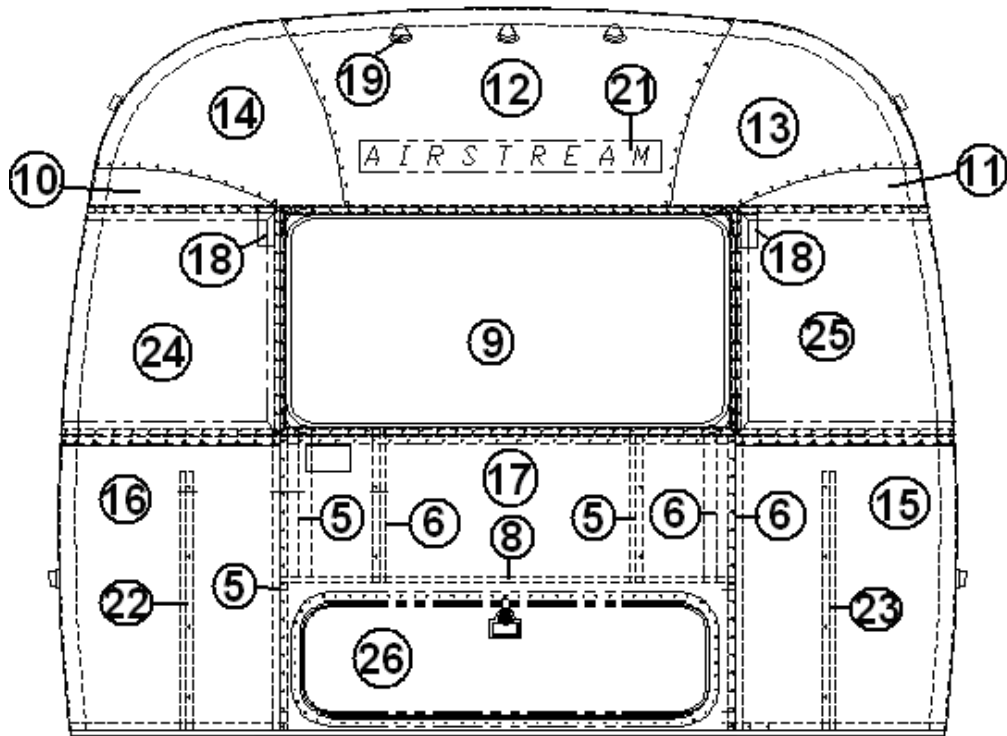
*Twin bed option only.

*922288-02 DOOR W/ROUND CORNERS REPLACED 922711 DOOR W/SQUARE CORNERS DURING MODEL YEAR.

2009 INTERNATIONAL TRAVEL TRAILER

EXTERIOR SHELL

Front End Shell, 25' Front Bed w/Panoramic Windows



Part Numbers are on the Next Page

2009 INTERNATIONAL TRAVEL TRAILER

EXTERIOR SHELL

Front End Shell, 25' Front Bed w/Panoramic Windows

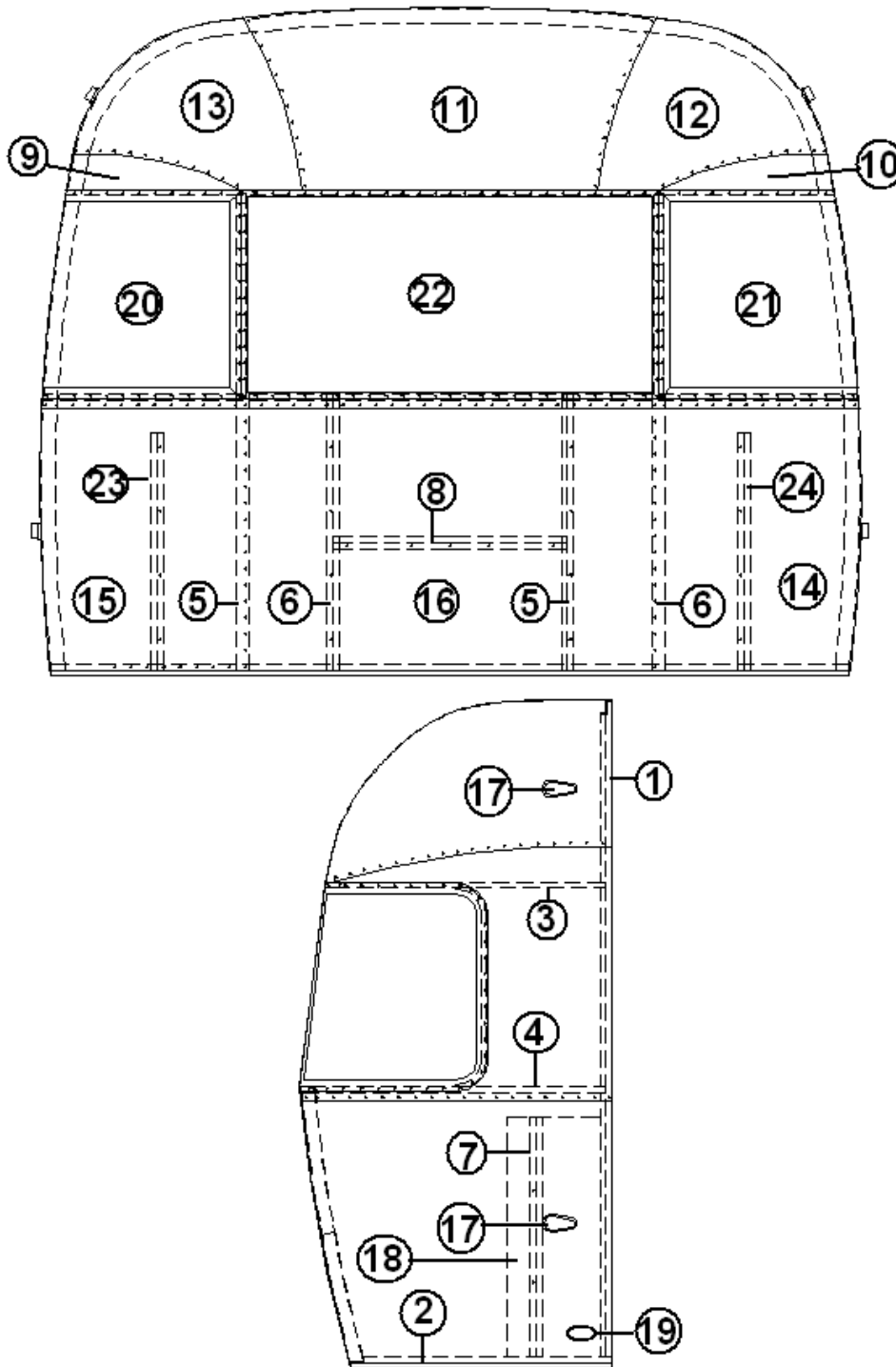
921240-01	Front Shell 25', Front Bed w/Panoramic Windows
1. 114993	End bow
2. 114676	Floor bow
3. 114678	Upper window bow
4. 114677	Lower window bow
5. 114505-01	Support, lower end, LH
6. 114505-02	Support, lower end, RH
7. 101315	Brace, vertical rear
8. 104408	Z-rib
9. 371346-02	Window, front, w/panoramic windows
10. 114888	Segment, center left
11. 114889	Segment, center right
12. 114893	Segment #25
13. 114890	Segment #26
14. 114891	Segment #27
15. 114894	Segment #28
16. 114895	Segment #29
17. 101115	Alum. sheet, .060" x 41.00" x 51"
18. 115316	Aluminum angle, end shell insert
19. 512226	Light, clearance, amber LED
20. 114829-03	Aluminum sheet, Pewter, 26" x 8"
21. 386150	Logo, "Airstream"
22. 101315-01	Brace, rear vertical, LH
23. 101315-02	Brace, rear vertical, RH
24. 372088-101	Panoramic window, CS front
25. 372089-101	Panoramic window, RS front
26. *922711	TRUNK DOOR ASSY., W/SQAURE CORNERS
26. *922288-02	TRUNK DOOR ASSY., W/ROUND CORNERS
27. 500096	Reflector, amber

*Twin bed option only.

*922288-02 DOOR W/ROUND CORNERS REPLACED 922711 DOOR W/SQUARE CORNERS DURING MODEL YEAR.

2009 INTERNATIONAL TRAVEL TRAILER EXTERIOR SHELL

Front End, 25' Sleep Six, 28'



Part Numbers are on the Next Page

2009 INTERNATIONAL TRAVEL TRAILER

EXTERIOR SHELL

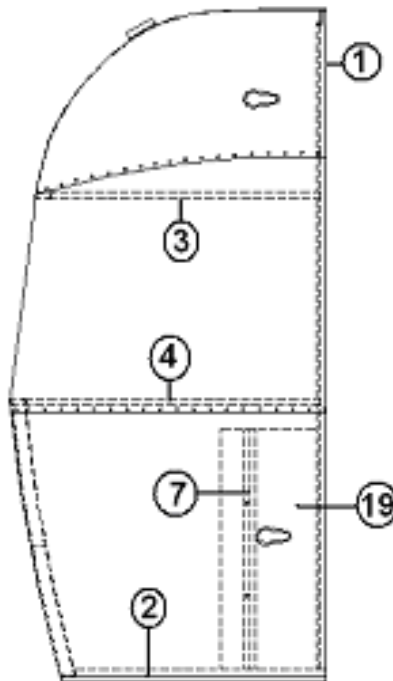
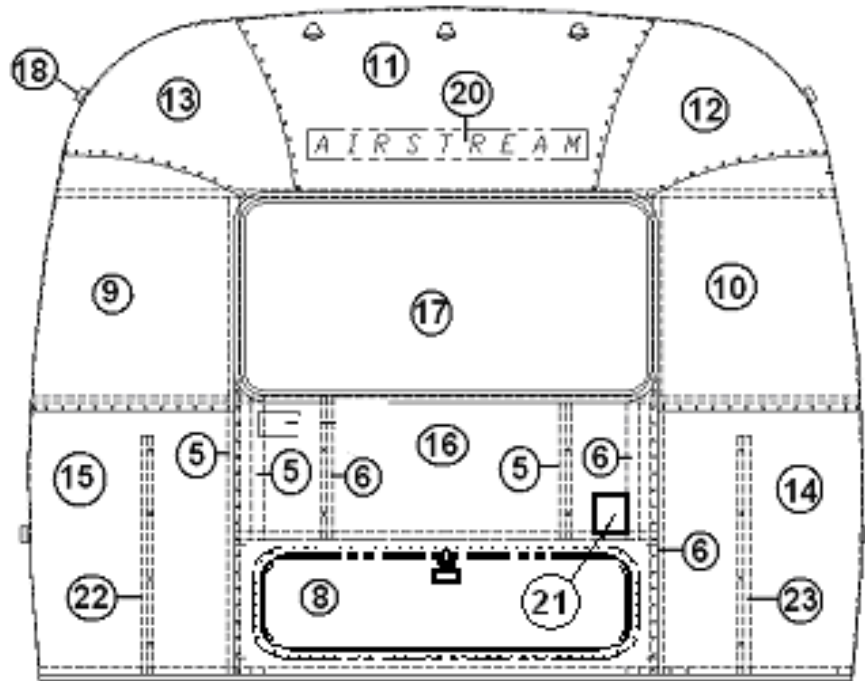
Front End, 25' Sleep Six, 28'

922676	Front end shell
1. 114993	End bow
2. 114676	Floor bow
3. 114678	Upper window bow
4. 114677	Lower window bow
5. 114505-01	Support, lower end, LH
6. 114505-02	Support, lower end, RH
7. 101315	Brace, vertical rear
8. 104408	Z-rib
9. 114888	Segment, center left
10. 114889	Segment, center right
11. 114893	Segment #25
12. 114890	Segment #26
13. 114891	Segment #27
14. 114894	Segment #28
15. 114895	Segment #29
16. 101115	Alum. sheet, .060" x 41.00" x 51"
17. 512226	Light, clearance, amber LED
18. 114829-03	Aluminum sheet, Pewter 26" x 8"
19. 500096	Reflector, amber
20. 372089-101	Panoramic window, CS front
21. 372088-101	Panoramic window, RS front
22. 371346-02	WINDOW, 48.97" Front/Rear End
23. 101315-01	Brace, vertical, rear, LH
24. 101315-02	Brace, vertical, rear, RH

2009 INTERNATIONAL TRAVEL TRAILER

EXTERIOR SHELL

Front End, 27' FB



Part Numbers are on the Next Page

2009 INTERNATIONAL TRAVEL TRAILER

EXTERIOR SHELL

Front End, 27' FB

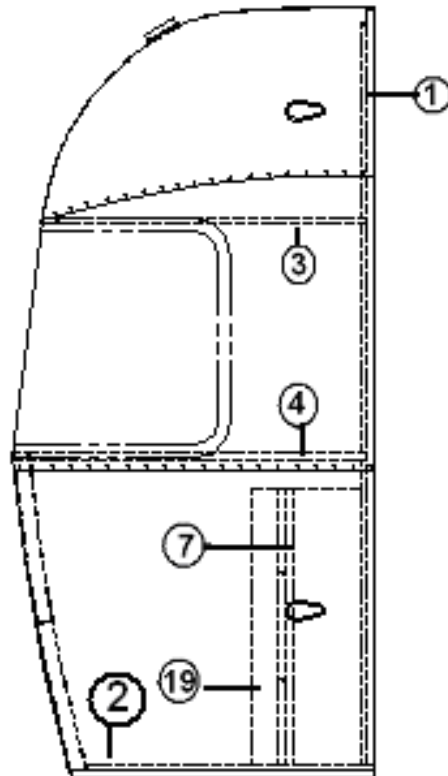
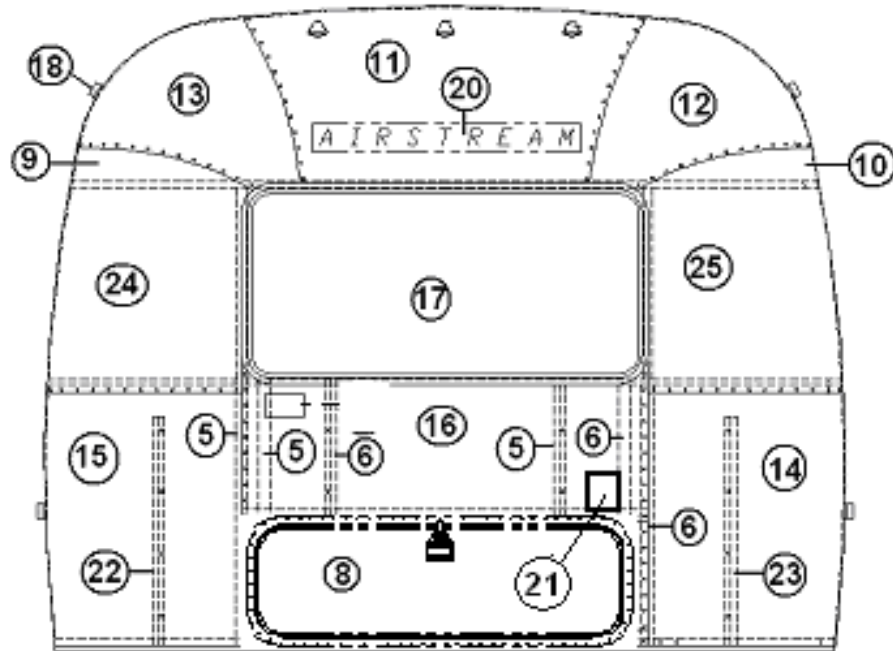
921244	End shell, front 27' FB
1. 114993	WELDMENT ZERO BOW "WB"
2. 114676	BOW FLOOR ALTERED
3. 114678	BOW UP WINDOW ALTERED
4. 114677	BOW LOWER WINDOW ALTERED
5. 114505-01	SUPPORT LOWER END SHELL LH
6. 114505-02	SUPPORT LOWER END RH
7. 101315	BRACE VERTICAL REAR
8. *922711	TRUNK DOOR ASSY., W/SQAURE CORNERS
8. *922288-02	TRUNK DOOR ASSY., W/ROUND CORNERS
9. 114888	SEGMENT-CENTER LEFT "BRIGHT"
10. 114889	SEGMENT-CENTER RIGHT "BRIGHT"
11. 114893	SEGMENT-#25 WIDE BODY "BRIGHT"
12.114890	SEGMENT-#26 "BRIGHT"
13.114891	SEGMENT-#27 "BRIGHT"
14.114894	SEGMENT-#28 "BRIGHT"
15.114895	SEGMENT-#29 "BRIGHT"
16.114880-307	ALUMINUM, .040" X 51" X 307"
17.371348-03	Window, 49.63 x 24.19", Silver handles
18. 512226	Light, clearance, amber LED
18.114849-03	ALUMINUM, .060 26"W X 8' GRAY
19.386150	AIRSTREAM LOGO, BLACK
20.511416-02	Power inlet, generator prep, (Optional)
21.101315-01	Vertical brace, LH
22.101315-02	Vertical brace, RH

*922288-02 DOOR W/ROUND CORNERS REPLACED 922711 DOOR W/SQUARE CORNERS DURING MODEL YEAR.

2009 INTERNATIONAL TRAVEL TRAILER

EXTERIOR SHELL

Front End, 27' FB, w/Panoramic Windows



Part Numbers are on the Next Page

2009 INTERNATIONAL TRAVEL TRAILER

EXTERIOR SHELL

Front End, 27' FB, w/Panoramic Windows

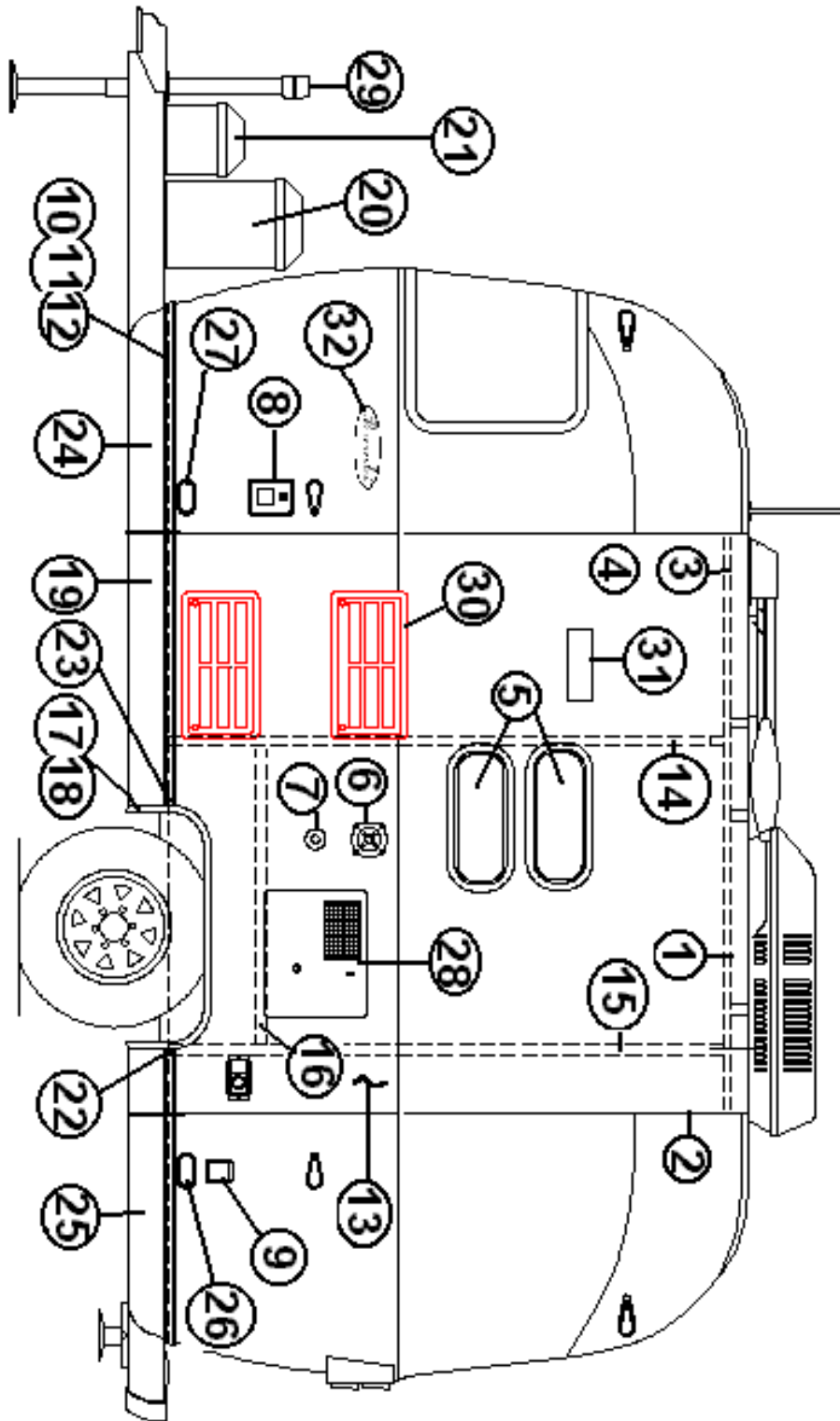
921244-01	End shell, front w/Panoramic Windows, 27' FB
1. 114993	WELDMENT ZERO BOW "WB"
2. 114676	BOW FLOOR ALTERED
3. 114678	BOW UP WINDOW ALTERED
4. 114677	BOW LOWER WINDOW ALTERED
5. 114505-01	SUPPORT LOWER END SHELL LH
6. 114505-02	SUPPORT LOWER END RH
7. 101315	BRACE VERTICAL REAR
8. *922711	TRUNK DOOR ASSY., W/SQAURE CORNERS
8. *922288-02	TRUNK DOOR ASSY., W/ROUND CORNERS
9. 114888	SEGMENT-CENTER LEFT "BRIGHT"
10. 114889	SEGMENT-CENTER RIGHT "BRIGHT"
11. 114893	SEGMENT-#25 WIDE BODY "BRIGHT"
12. 114890	SEGMENT-#26 "BRIGHT"
13. 114891	SEGMENT-#27 "BRIGHT"
14. 114894	SEGMENT-#28 "BRIGHT"
15. 114895	SEGMENT-#29 "BRIGHT"
16. 114880-307	ALUMINUM, .040" X 51" X 307"
17. 371346-02	Window, 49.63 x 24.19", Silver handles
18. 512226	Light, clearance, amber LED
19. 114849-03	ALUMINUM, .060 26"W X 8' GRAY
20. 386150	AIRSTREAM LOGO, BLACK
21. 511416-02	Power inlet, generator prep, (Optional)
22. 101315-01	Vertical brace, LH
23. 101315-02	Vertical brace, RH
24. 372089-101	Panoramic window, CS front
25. 372088-101	Panoramic window, RS front

*922288-02 DOOR W/ROUND CORNERS REPLACED 922711 DOOR W/SQUARE CORNERS DURING MODEL YEAR.

2009 INTERNATIONAL TRAVEL TRAILER

EXTERIOR SHELL

Roadside Wall, 16'



2009 INTERNATIONAL TRAVEL TRAILER

EXTERIOR SHELL

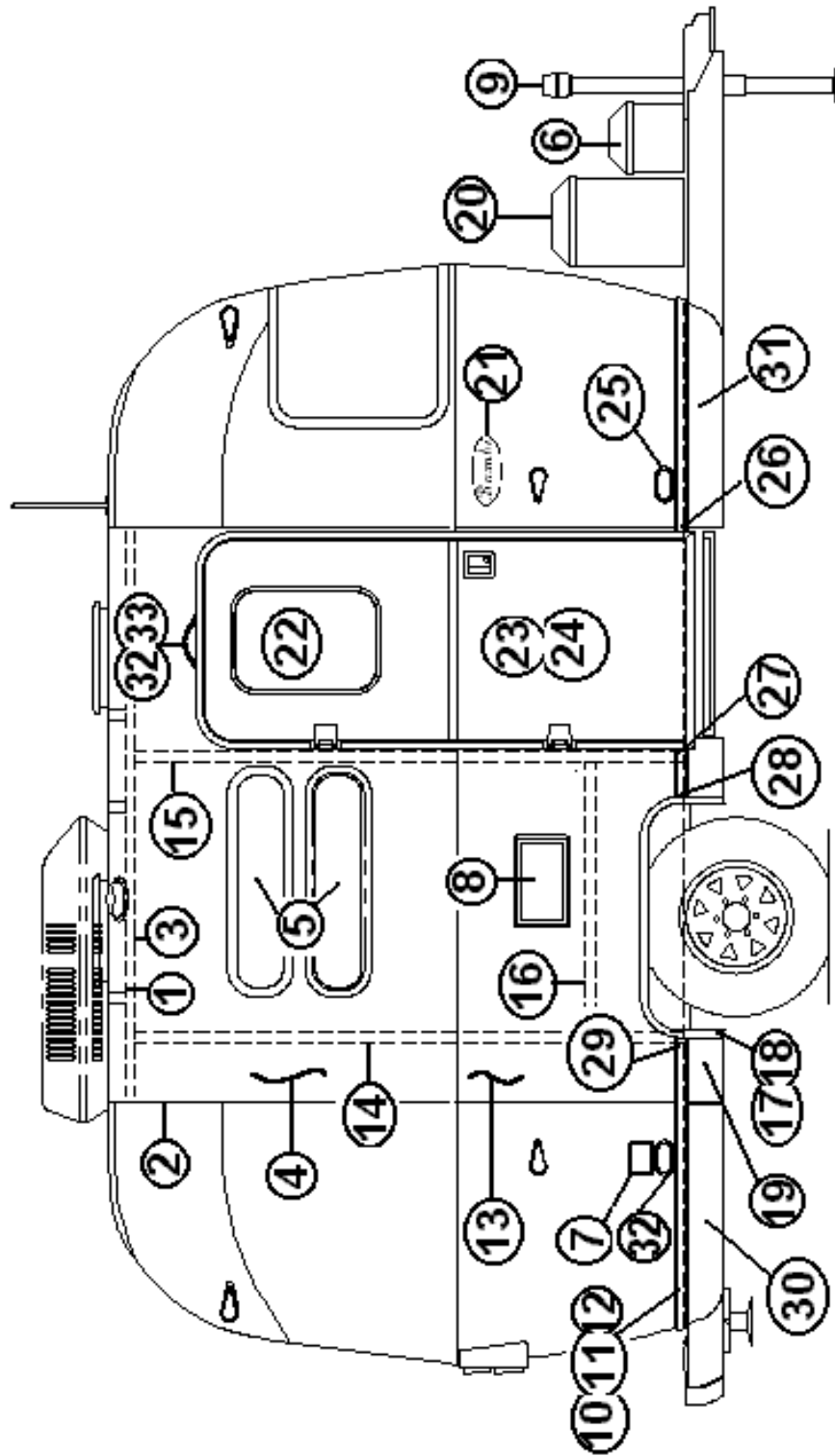
Roadside Wall, 16'

1. 114290-02	Extrusion, awning/drip rail
2. 114994	Rib, end bow
3. 104707-05	Extrusion, "I" beam
4. 114880-201	Aluminum sheet, .040 x 51 x 201"
5. 371269-01	Window, 18" stacked
6. 601392-05	City water hook up, chrome
7. 601441	SYSTEM, TANK FLUSH
8. 601194	WATER FILL W/LOCK, GRAY, W/LABEL
9. 511416-02	POWER INLET, 30A, 125V, MALE
10. 114460	Extrusion, rub rail
11. 201763-01	Insert, rub rail, chrome, 1"
12. 100986	Floor channel
13. 114879-201	Aluminum sheet, .040 x 33 x 201"
14. 114387-02	Bow, Z rib, LH
15. 114387-01	Bow, Z rib, RH
16. 100986	Wheel well stiffener (floor channel)
17. 114003-03	Wheel well trim, inner, single axle
18. 114004-03	Wheel well trim, outer, single axle
19. 203304	ROLL, UNDERBELLY, BLACK PLASTIC
20. 915778	COVER ASSY, LP BOTTLE
21. 511595	Battery box
22. 114466-01	Casting, rub rail end, wheel well, RH
23. 114466-02	Casting, rub rail end, wheel well, LH
24. 203303-01	BANANA WRAP BLACK RS FRONT
25. 203303-02	BANANA WRAP, BLACK RS REAR
26. 500095	Reflector, red, rectangular
27. 500096	Reflector, amber
28. 690209	BRUSHED ALUM ACCESS COVER
29. 400961	Jack, power
30. 690470-01	VENT-REFER-PLASTIC RADIUS CORNER
30a. 115038-01	Vent jamb
31. 511017-11	EXTERIOR VENT GRAY
32. 386125	NAMEPLATE, BAMBI, RED-WHITE-BLUE

2009 INTERNATIONAL TRAVEL TRAILER

EXTERIOR SHELL

Curbside Wall, 16'



2009 INTERNATIONAL TRAVEL TRAILER

EXTERIOR SHELL

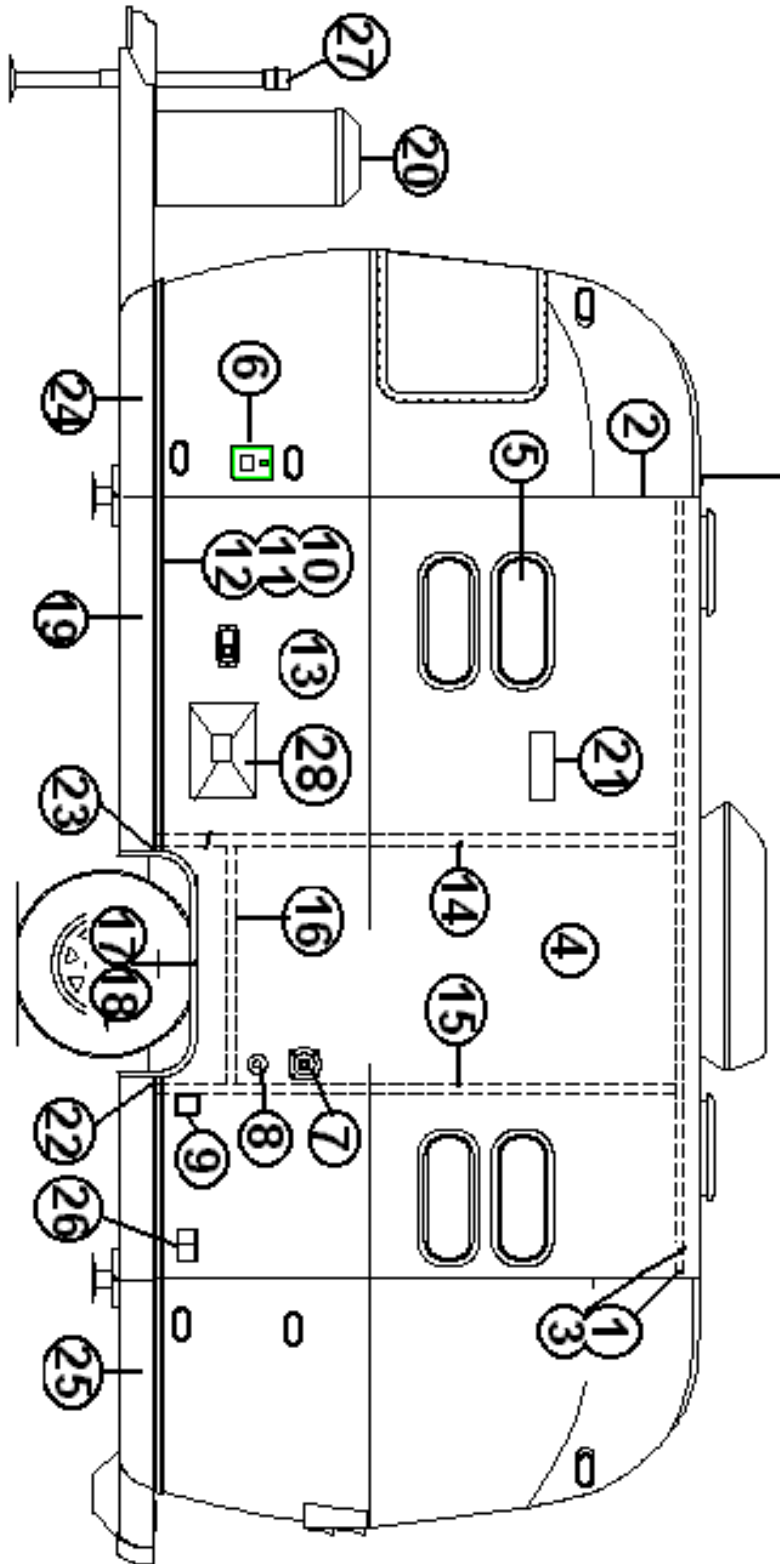
Curbside Wall, 16'

1. 114290-02 Extrusion, awning/drip rail
2. 114994 Rib, end bow
3. 104707-05 Extrusion, "I" beam
4. 114880-201 Aluminum sheet, .040 x 51 x 201"
5. 371270-01 WINDOW 30" STACK
6. 511595 Battery box
7. 510676-01 OUTLET, EXTERIOR, 120 VOLT, GR
8. 381766 HATCH, WATER SERVICE, 7.75" X 12.63"
9. 400961 Jack, power
10. 114460 Extrusion, rub rail
11. 201763-01 Insert, rub rail, chrome, 1"
12. 100986 Floor channel
13. 114879-201 Aluminum sheet, .040 x 33 x 201"
14. 114387-01 Bow, Z rib, RH
15. 114387-02 Bow, Z rib, LH
16. 100986 Wheel well stiffener (floor channel)
17. 114003-03 Wheel well trim, inner, single axle
18. 114004-03 Wheel well trim, outer, single axle
19. 203304 ROLL, UNDERBELLY, BLACK PLASTIC
20. 915778 COVER ASSY-LP BOTTLE
21. 386125 NAMEPLATE, BAMBI, RED-WHITE-BLUE
22. 371400-01 WINDOW-MAIN DOOR
23. 115207-04 Main door assembly
24. 114654 Screen door assembly
25. 114652 Jamb, main door, pre-formed
26. 114465-01 Casting, rub rail end, door, RH
27. 114465-02 Casting, rub rail end, door, LH
28. 114466-01 Casting, rub rail end, wheel well, RH
29. 114466-02 Casting, rub rail end, wheel well, LH
30. 203303-01 BANANA WRAP BLACK CS REAR
31. 203303-02 BANANA WRAP, BLACK CS FRONT
32. 101323 CASTING, ALUMINUM STEP, LIGHT POLISHED
33. 201185 LENS STEP LIGHT

2009 INTERNATIONAL TRAVEL TRAILER

EXTERIOR SHELL

Roadside Wall, 19'



2009 INTERNATIONAL TRAVEL TRAILER

EXTERIOR SHELL

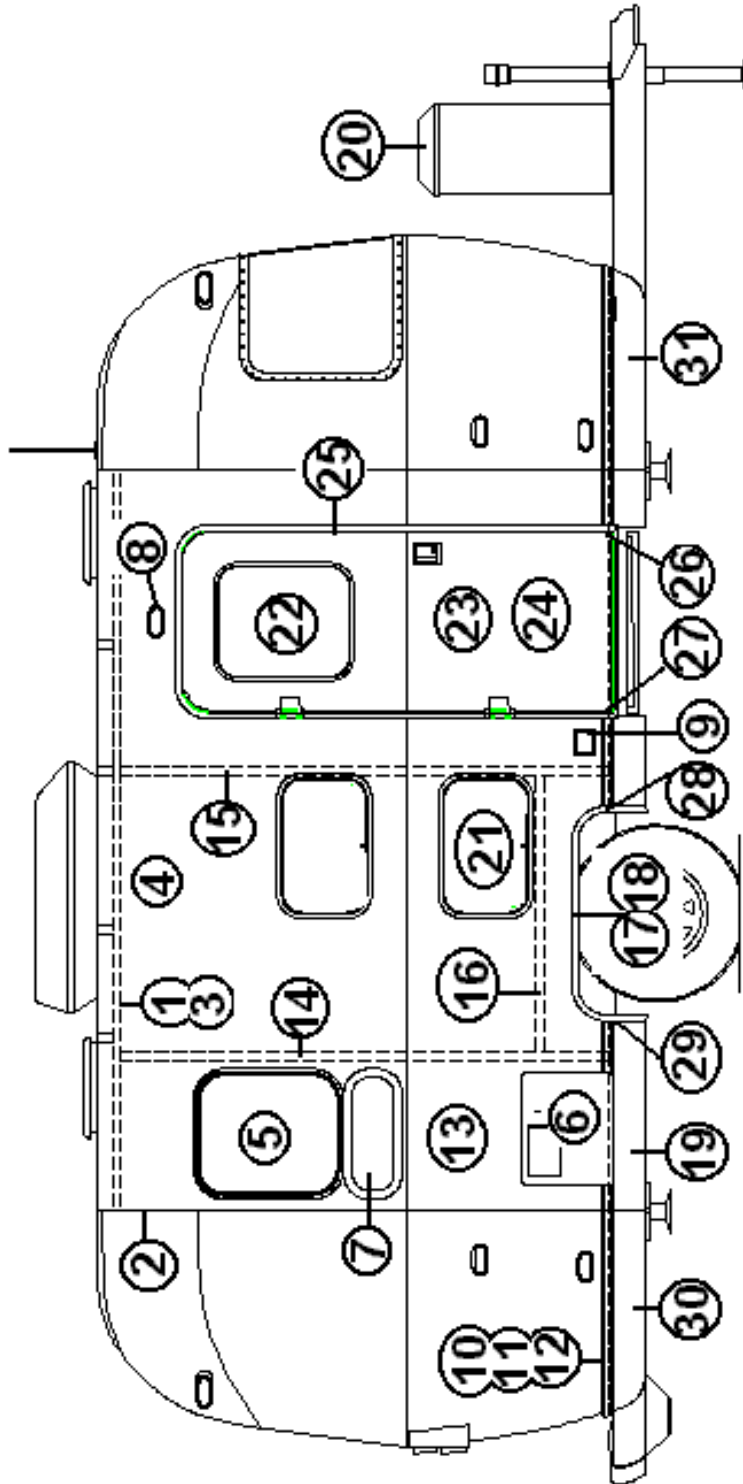
Roadside Wall, 19'

1. 114290-02 Extrusion, awning/drip rail
2. 114994 Rib, end bow
3. 104707-05 Extrusion, "I" beam
4. 114880-201 Aluminum sheet, upper, .040 x 51" x 201"
5. 371269-01 Window, 18" stacked
6. 601194 Water fill w/lock, gray
- 6a. 381647 CH 751 Key only
7. 601392-05 City water hook-up
8. 601441 SYSTEM, TANK FLUSH
9. 511416-02 Power inlet, 30 amp.
10. 114460 Extrusion, rub rail
11. 201763-01 Insert, rub rail, chrome, 1"
12. 100986 Floor channel
13. 114880-201 Aluminum sheet, lower, .040 x 33" x 201"
14. 114387-02 Bow, Z rib, LH
15. 114387-01 Bow, Z rib, RH
16. 100986 Wheel well stiffener (floor channel)
17. 114003-04 Wheel well trim, inner, single axle
18. 114004-04 Wheel well trim, outer, single axle
19. 101131-01 Underbelly wrap, .024 x 22.5, pewter
20. 921232 Cover, 30# LPG bottles
21. 511017-11 Vent cover, range exhaust
22. 114466-01 Casting, rub rail end, wheel well, RH
23. 114466-02 Casting, rub rail end, wheel well, LH
24. 203251-01 Banana wrap, RS front
25. 203251-03 Banana wrap, RS rear
- 26a. 104619 Mounting plate, telephone & TV jack
- 26b. 510624-01 Modular phone quick jack, white
27. 400961 Jack, power
28. 601876 Shower, exterior

2009 INTERNATIONAL TRAVEL TRAILER

EXTERIOR SHELL,

Curbside Wall, 19'



2009 INTERNATIONAL TRAVEL TRAILER

EXTERIOR SHELL

Curbside Wall, 19'

1. 114290-02 Extrusion, awning/drip rail
2. 114994 Rib, end bow
3. 104707-05 Extrusion, "I" beam
4. 114880-201 Aluminum sheet, upper, .040 x 51 x 201"
5. *371323-01 Window, 18" opening
6. 690259-03 Cover and mounting flange, Atwood
7. *371269-01 Window, 18" stacked
8. 101323 Casting, step light, polished
8. 201185 Lens, step light
9. 511416-02 30-amp, male power inlet
10. 114460 Extrusion, rub rail
11. 201763-01 Insert, rub rail, chrome, 1"
12. 100986 Floor channel
13. 114879-201 Aluminum sheet, lower, .040 x 33 x 201"
14. 114387-02 Bow, Z rib, LH
15. 114387-01 Bow, Z rib, RH
16. 100986 Wheel well stiffener (floor channel)
17. 114003-04 Wheel well trim, inner, single axle
18. 114004-04 Wheel well trim, outer, single axle
19. 101131-01 Underbelly wrap, .024 x 22.5, pewter
20. 921232 Cover, 30# LPG bottles
21. 922243 Door assembly, refrigerator assess
22. 371400-01 WINDOW-MAIN DOOR
23. 115207-04 Main door assembly
24. 114654 Screen door assembly
25. 114652 Jamb, main door, pre-formed
26. 114465-01 Casting, rub rail end, door, RH
27. 114465-02 Casting, rub rail end, door, LH
28. 114466-01 Casting, rub rail end, wheel well, RH
29. 114466-02 Casting, rub rail end, wheel well, LH
30. 203251-04 Banana wrap, CS rear
31. 203251-02 Banana wrap, CS front

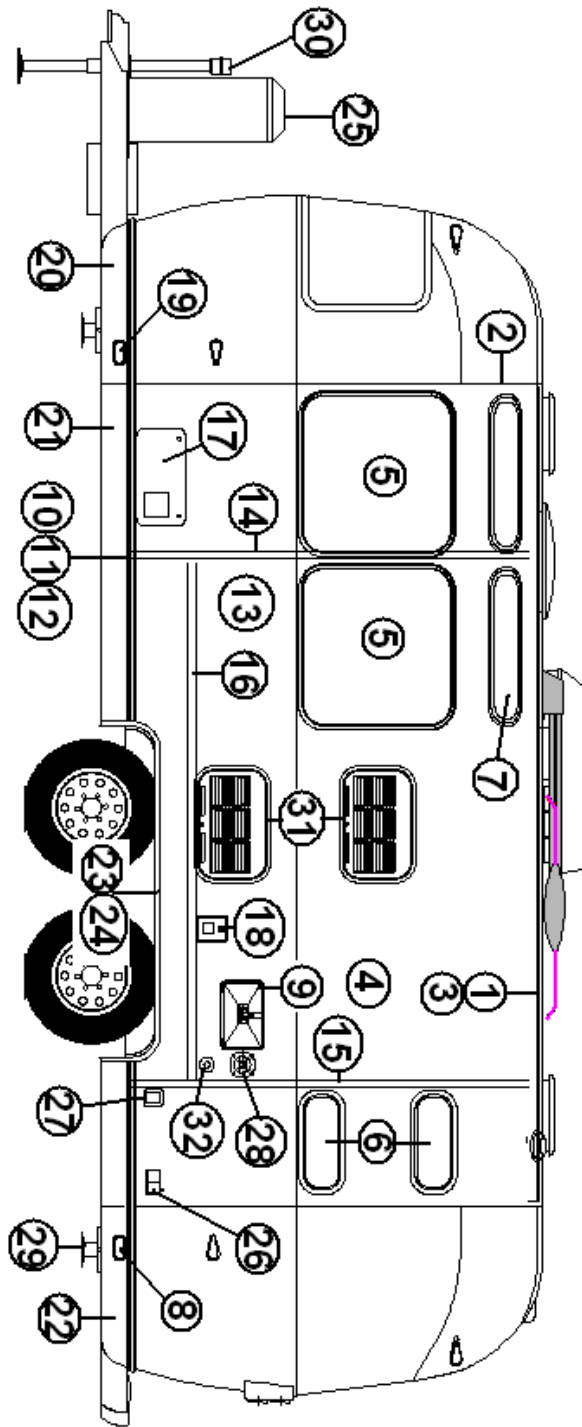
*Bunk option replaces items 5 and 7 with:

371286-01 18" x 30' Fixed window

2009 INTERNATIONAL TRAVEL TRAILER

EXTERIOR SHELL

Roadside Wall, 23' D



Part Numbers on the next page

2009 INTERNATIONAL TRAVEL TRAILER

EXTERIOR SHELL

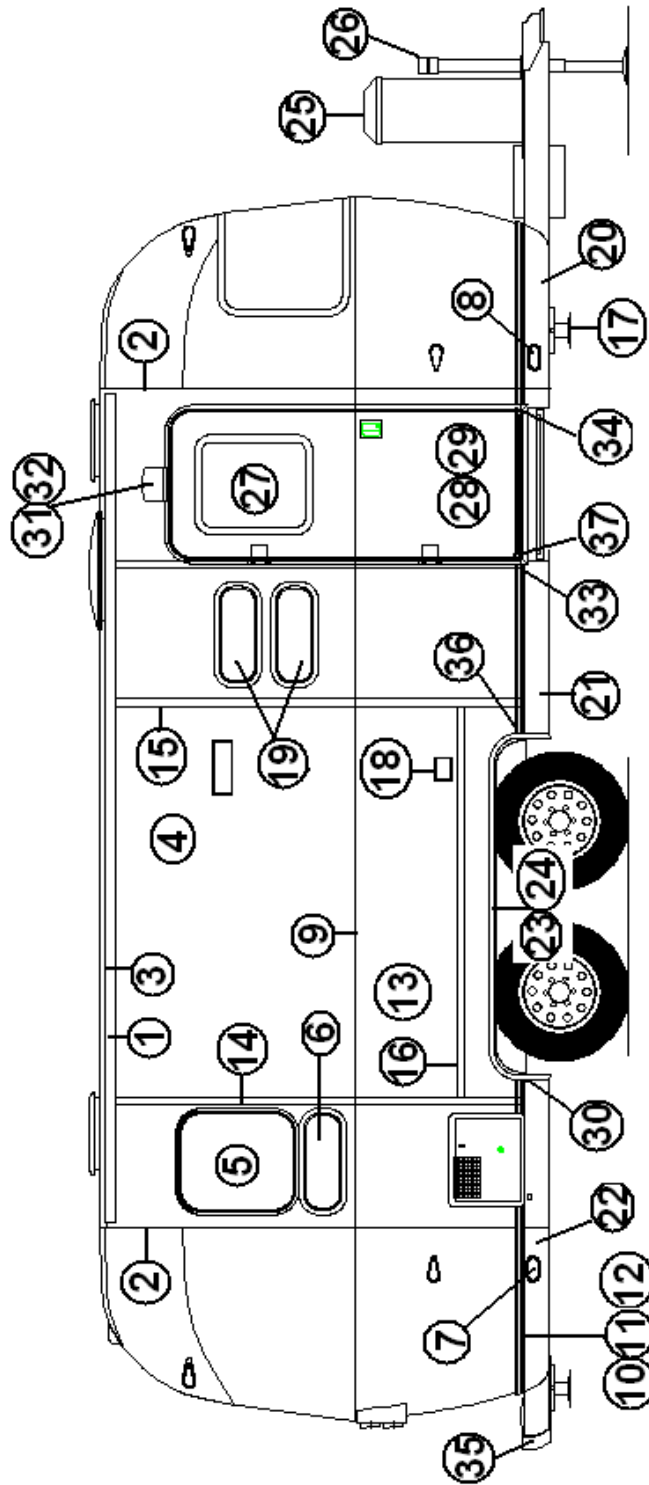
Roadside Wall, 23' D

- | | |
|----------------|--|
| 1. 114290-01 | Extrusion, awning/drip rail |
| 2. 114994 | Rib, end bow |
| 3. 104707-05 | Extrusion, "I" beam |
| 4. 114880-201 | Alum, sheet, upper, .040" x 51" x 201" |
| 5. 371380 | Window, 30" tall |
| 6. 371269-01 | Window, 18" fixed window |
| 7. 922770-02 | Vista View window, 30" |
| 8. 500095 | REFLECTOR RED |
| 9. 601876 | Shower, exterior |
| 10. 114460 | Extrusion, rub rail |
| 11. 201763-01 | Insert, rub rail, chrome, 1" |
| 12. 100986 | Floor channel |
| 13. 114879-201 | Alum. sheet, lower, .040" x 33" x 201" |
| 14. 114387-01 | Bow, Z rib, RH |
| 15. 114387-02 | Bow, Z rib, LH |
| 16. 100986 | Wheel well stiffener (floor channel) |
| 17. 690274-09 | Door exterior, Hydroflame |
| 18. 601194 | Water fill, exterior |
| 19. 500096 | REFLECTOR, AMBER |
| 20. 203303-01 | Banana wrap, RS front |
| 21. 203304 | ROLL, UNDERBELLY, BLACK PLASTIC |
| 22. 203303-02 | Banana, rear corner, RS |
| 23. 114004-02 | Wheel well trim, outer, tandem axle |
| 24. 114003-02 | Wheel well trim, inner, tandem axle |
| 25. 921232 | Bottle cover, LP |
| 26. 104619 | MTG. PLATE, TELEPHONE & TV JACK |
| 26. 510616 | F CONNECTOR, COAX, 75 OHM |
| 26. 511375 | JACK MODULAR TELEPHONE |
| 27. 511416-02 | 30-amp, male power inlet |
| 28. 601392-05 | City water hook-up, chrome w/regulator |
| 29. 400914-03 | Stabilizer jack, 20" |
| 29a. 400914-02 | Handle, stabilizer jack |
| 30. 400961 | POWER JACK |
| 31. 690470-01 | Vent, sidewall, refrigerator access |
| 31A, 115038-01 | Door Jamb |
| 32. 601441 | Black tank flush system |

2009 INTERNATIONAL TRAVEL TRAILER

EXTERIOR SHELL

Curbside Wall, 23' D



Part Numbers on the next page

2009 INTERNATIONAL TRAVEL TRAILER

EXTERIOR SHELL

Curbside Wall, 23' D

1. 114290-01 Extrusion, awning/drip rail
2. 114994 Rib, end bow
3. 104707-05 Extrusion, "I" beam
4. 114880-201 Window sheet, .040" x 51" x 201"
5. *371323-01 Window, 18", opening window
6. *371269-01 Window, 18" stacked
7. 500096 REFLECTOR, AMBER
8. 500095 REFLECTOR RED
9. 100034 "Z" bar 48"
10. 114460 Extrusion, rub rail
11. 201763-01 Insert, rub rail, chrome, 1"
12. 100986 Floor channel
13. 114879-201 Side sheet, .040" x 33" x 201"
14. 114387-01 Bow, Z rib, RH
15. 114387-02 Bow, Z rib, LH
16. 100986 Wheel well stiffener (floor channel)
17. 400914-03 Stabilizer jack, 20"
17. 400914-02 Handle, stabilizer jack
18. 510676-01 Outlet, exterior 110 volt, gray
19. 371269-01 Window, 18" stacked
20. 203303-02 Banana wrap, CS front
21. 203304 ROLL, UNDERBELLY, BLACK PLASTIC
22. 203303-01 Banana wrap, CS rear
23. 114004-02 Wheel well trim, outer, tandem axle
24. 114003-02 Wheel well trim, inner, tandem axle
25. 921232 Bottle cover, LP
26. 400961 POWER JACK
26. 410598 FOOT PAD, POWER JACK
27. 371400-01 Window, main door
28. 115207-04 Main door assembly
29. 114654 Screen door assembly
30. 114466-02 Casting, rub rail end, wheel well, LH
31. 101323 Casting, main door light
32. 201185 Lens, main door light
33. 114465-02 Close out rub rail, LH
34. 114465-01 Close out rub rail, RH
35. 410932 Bumper, polished
36. 114466-01 Casting, rub rail end, wheel well, RH
37. 114466-02 Casting, rub rail end, wheel well

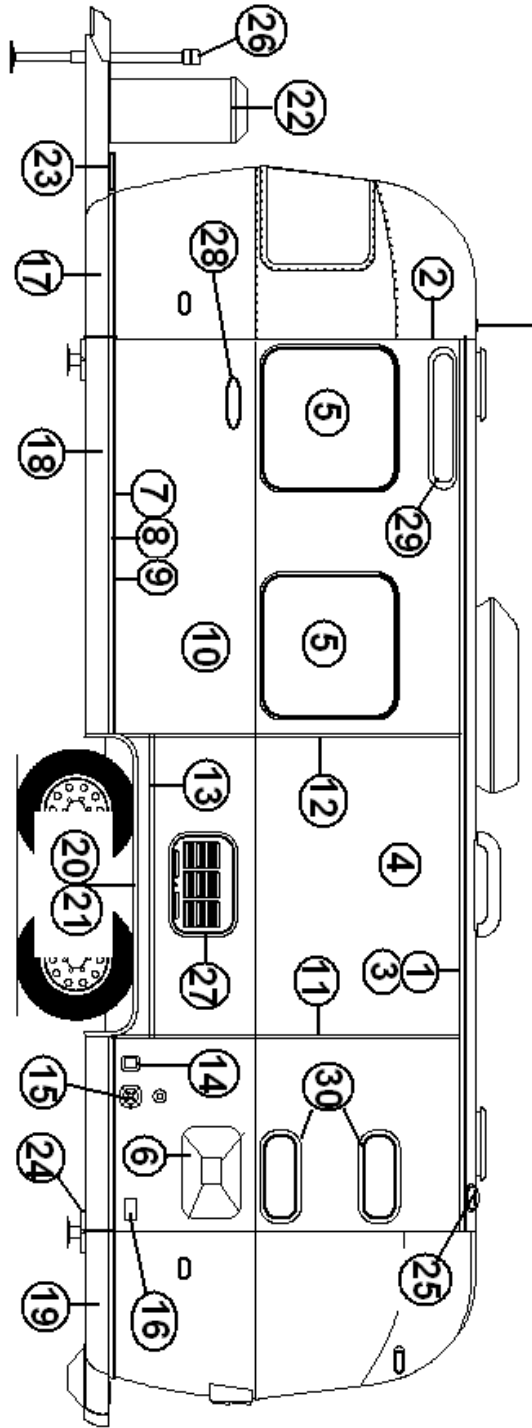
*Bunk option replaces items 5 and 6 with:

371286-01 18" x 30' Fixed window

2009 INTERNATIONAL TRAVEL TRAILER

EXTERIOR SHELL

Roadside Wall, 25' SLEEP SIX



PN Next Page

2009 INTERNATIONAL TRAVEL TRAILER

EXTERIOR SHELL

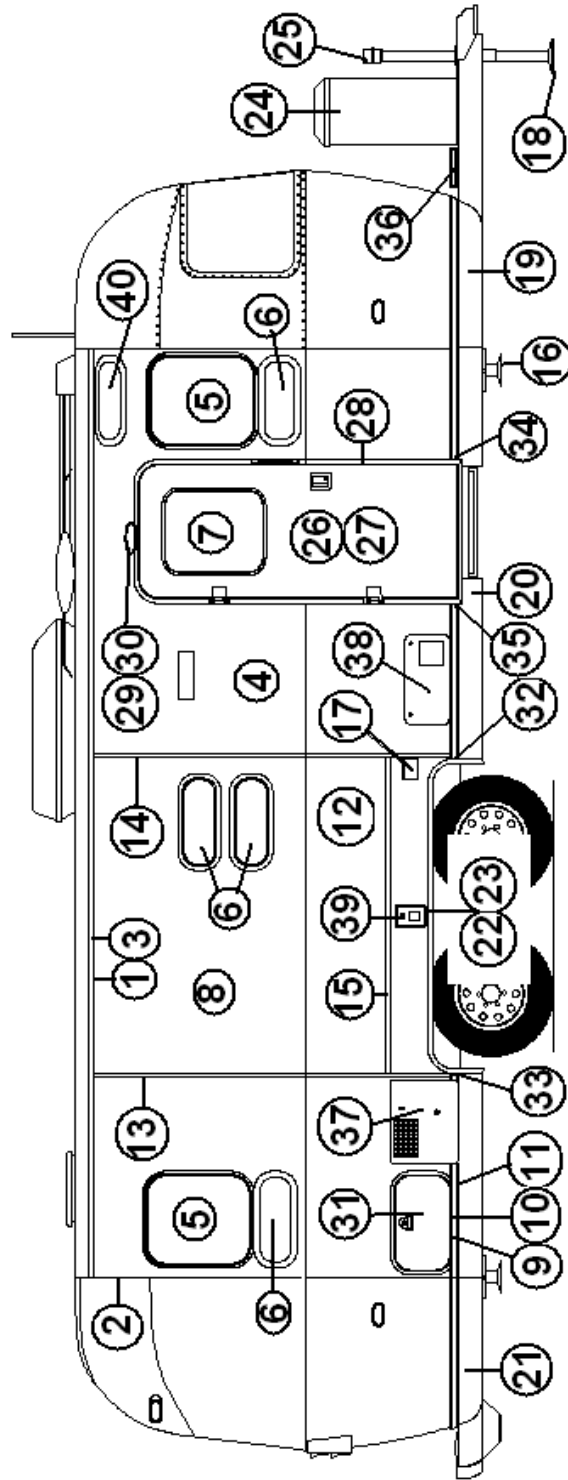
Roadside Wall, 25' SLEEP SIX

1. 114290-01	Extrusion, awning/drip rail
2. 114993	Rib, end bow
3. 104707-05	Extrusion, "I" beam
4. 114880-201	Alum, sheet, upper, .040" x 51" x 201"
5. 371380	Window, opening, 30" tall
6. 601876	Shower, exterior white
7. 114460	Extrusion, rub rail
8. 201763-01	Insert, rub rail, chrome, 1"
9. 100986	Floor channel
10. 114879-201	Alum. sheet, lower, .040" x 33" x 201"
11. 114387-01	Bow, Z rib, RH
12. 114387-02	Bow, Z rib, LH
13. 100986	Wheel well stiffener (floor channel)
14. 511416-02	30-amp, male power inlet
15. 601392-05	City water hook-up, chrome w/regulator
16. 510624-01	MODULAR PHONE QUICK JACK WHITE
16a. 104619	MTG. PLATE, EXT. TELE. & TV JACK
17. 200542-01	Banana wrap, RS front
18. 101131-01	Underbelly wrap, .024" x 22.5", Pewter
19. 200543-01	Banana, rear corner, RS
20. 114004-02	Wheel well trim, outer, tandem axle
21. 114003-02	Wheel well trim, inner, tandem axle
22. 921232	Bottle cover, LP
23. 410551-02	LID BATTERY BOX
24. 400093	Stabilizer jack, 20", ALUMINUM
24a. 400093-04	Handle, stabilizer jack
25. 690266-01	Bath power ventilator
26. 400961	Jack, Power
27. 922243	Refer access door, 104417 Jamb
28. 386108	NAMEPLATE-INTERNATIONAL
29. 922770-01	Vista View Window, 30"
30. 371269-01	WINDOW 18" STACK

2009 INTERNATIONAL TRAVEL TRAILER

EXTERIOR SHELL

Curbside Wall, 25' SLEEP SIX



PN Next Page

2009 INTERNATIONAL TRAVEL TRAILER

EXTERIOR SHELL

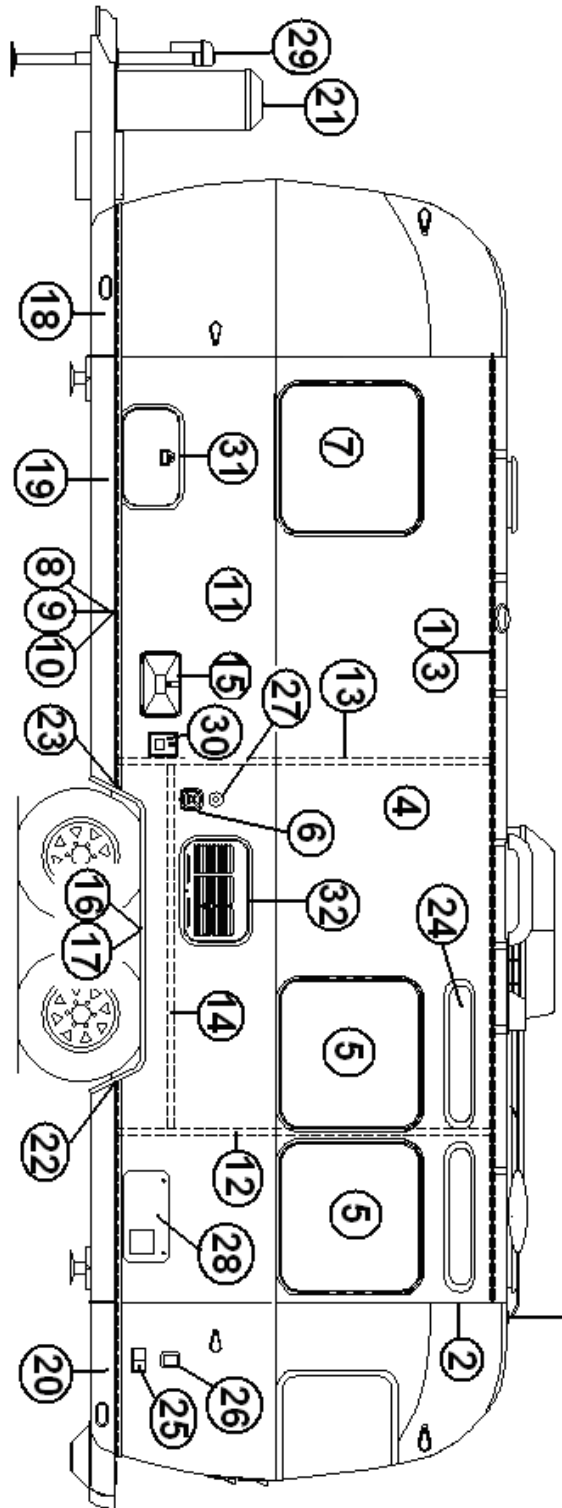
Roadside Wall, 25' SLEEP SIX

1. 114290-01 Extrusion, awning/drip rail
2. 114993 End bow
3. 104707-05 Extrusion, "I" beam
4. 114880-201 Window sheet, .040" x 51" x 201"
5. 371323-01 WINDOW-18" OPENING
5. 371286-01 WINDOW, 18" X 30" FIXED, BUNK OPTION ONLY
6. 371269-01 WINDOW 18" STACK
7. 371400-01 WINDOW-MAIN DOOR
8. 100034 "Z" bar 48"
9. 114460 Extrusion, rub rail
10. 201763-01 Insert, rub rail, chrome, 1"
11. 100986 Floor channel
12. 114879-201 Side sheet, .040" x 33" x 201"
13. 114387-01 Bow, Z rib, RH
14. 114387-02 Bow, Z rib, LH
15. 100986 Wheel well stiffener (floor channel)
16. 400093 Stabilizer jack, 20"
- 16a. 400093-04 Handle, stabilizer jack
17. 510676-01 Outlet, exterior 110 volt, gray
18. 410598 Super Jack footpad
19. 200543-01 Banana wrap, CS front
20. 101131-01 Underbelly wrap, .024 x 22.5, Pewter
21. 200542-01 Banana wrap, CS rear
22. 114004-02 Wheel well trim, outer, tandem axle
23. 114003-02 Wheel well trim, inner, tandem axle
24. 921232 Bottle cover, LP
25. 400961 Jack, Super
26. 115207-04 Main door assembly
27. 114654 Screen door assembly
28. 114652 Main door jamb, formed
29. 101323 Casting, main door light
30. 201185 Lens, main door light
31. 100679-01 Side Access Door Assembly
32. 114466-01 Casting, rub rail end, wheel well, RH
33. 114466-02 Casting, rub rail end, wheel well, LH
34. 114465-01 Close out rub rail, RH
35. 114465-02 Close out rub rail, LH
36. 410551-02 LID BATTERY BOX
37. 690209 Access door, Atwood water heater
38. 690274-09 Door exterior, Hydroflame
39. 601194 WATER FILL W/LOCK, GRAY, W/LABEL
40. 922770-02 Vista View Window, 18"

2009 INTERNATIONAL TRAVEL TRAILER

EXTERIOR BODY

Roadside Wall, 25' Front Bed



Part Numbers are on the Next Page

2009 INTERNATIONAL TRAVEL TRAILER

EXTERIOR BODY

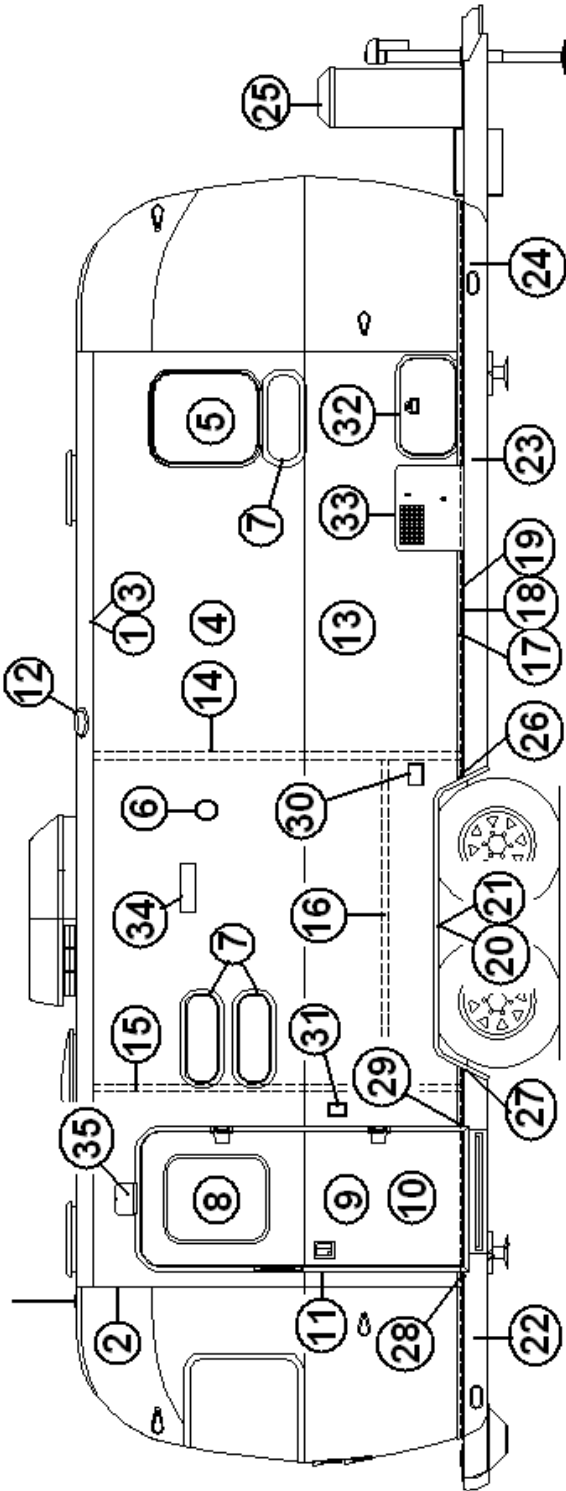
Roadside Wall, 25' Front Bed

1. 114290-01 Extrusion, awning/drip rail
2. 114993 Rib, end bow
3. 104707-01 Extrusion, "I" beam
4. 114880-201 Alum. sheet, upper, .040" x 51" x 201"
5. 371380 Window, 30" opening, tall
6. 601392-05 City water hook-up
7. 371380-01 30" egress window
8. 114460 Extrusion, rub rail
9. 201763-01 Insert, rub rail, chrome, 1"
10. 100986 Floor channel
11. 114879-201 Alum. sheet, lower, .040" x 33" x 201"
12. 114387-01 Bow, Z rib, RH
13. 114387-02 Bow, Z rib, LH
14. 100986 Wheel well stiffener (floor channel)
15. 601876 Shower, exterior, white
16. 114004-02 Wheel well trim, outer, tandem axle
17. 114003-02 Wheel well trim, inner, tandem axle
18. 200542-01 Banana wrap, RS front
19. 101131-01 Underbelly wrap, .024" x 22.5", Pewter
20. 200544 Banana wrap, RS rear
21. 921232 Cover, 30# LPG bottles
22. 114466-01 Casting, rub rail end, wheel well, RH
23. 114466-02 Casting, rub rail end, wheel well, LH
24. 922770-02 Vista View Window, 30"
25. 104619 MTG. PLATE, TELEPHONE & TV JACK
25. 510616 F CONNECTOR, COAX, 75 OHM
25. 511375 JACK MODULAR TELEPHONE
26. 511416-02 POWER INLET, 30A, 125V, MALE. GRAY
27. 601441 Black tank Flush
28. 690274-09 Door exterior, Hydroflame
29. 400961 POWER JACK
30. 601194 Water fill w/lock, gray w/label
31. 100679-01 Side Access Door Assembly
32. 922243 Refer Access door

2009 INTERNATIONAL TRAVEL TRAILER

EXTERIOR BODY

Curbside Wall, 25' Front Bed



Part Numbers are on the Next Page

2009 INTERNATIONAL TRAVEL TRAILER

EXTERIOR BODY

Curbside Wall, 25' Front Bed

1. 114290-01 Extrusion, awning/drip rail
2. 114993 Rib, end bow
3. 104707-05 Extrusion, "I" beam
4. 114880-201 Alum. sheet, upper, .040" x 51" x 201"
5. 371323-01 Window, 18" opening
6. 500092 Flood light and lens
7. 371269-01 Window, 18" stack
8. 371400-01 Window, main door, etched
9. 114654-01 Screen door assembly, RH hinge
10. 115207-06 Main door assembly RH hinge
11. 114652-01 Jamb, main door, RH hinge
12. 690266-01 Shower roof vent
13. 114879-201 Alum. sheet, lower, .040" x 33 x 201"
14. 114387-01 Bow, Z rib, RH
15. 114387-02 Bow, Z rib, LH
16. 100986 Wheel well stiffener (floor channel.
17. 114460 Extrusion, rub rail
18. 201763-01 Insert, rub rail, chrome, 1"
19. 100986 Floor channel
20. 114004-02 Wheel well trim, outer, tandem axle
21. 114003-02 Wheel well trim, inner, tandem axle
22. 200545 Banana wrap, CS rear
23. 101131-01 Underbelly wrap, .024" x 22.5, Pewter
24. 200543-01 Banana wrap, CS front
25. 921232 Cover, 30# LPG bottles
26. 114466-01 Casting, rub rail end, wheel well, RH
27. 114466-02 Casting, rub rail end, wheel well, LH
28. 114465-02 CASTING CLOSEOUT, RUB RAIL LH
29. 114465-01 CASTING CLOSEOUT, RUB RAIL RH
30. 510676-01 OUTLET, EXTERIOR, 120 VOLT, GRAY
31. 510732-02 UTILITY LIGHT #1327
32. 100679-01 Side Access Door Assembly
33. 690199 Water Heater
34. 511017-11 EXTERIOR VENT GRAY
35. 101323 CASTING, STEPLIGHT

2009 INTERNATIONAL TRAVEL TRAILER

EXTERIOR BODY

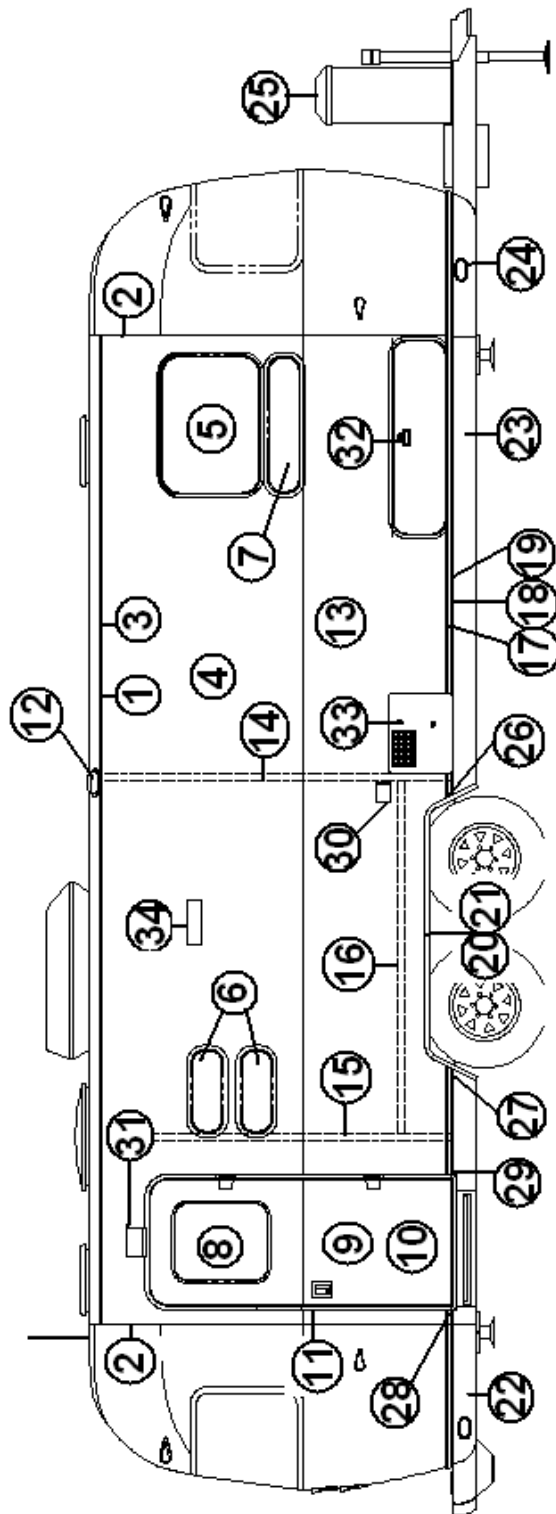
Roadside Wall, 27' Front Bed

1. 114290-02 Extrusion, awning/drip rail
2. 114993 Rib, end bow
3. 104707-06 Extrusion, "I" beam
4. 114880-238 Alum. sheet, upper, .040" x 51" x 238"
5. 371380 Window, 30" opening, tall
6. 601392-05 City water hook-up
7. 371380-01 30" egress window
8. 114460 Extrusion, rub rail
9. 201763-01 Insert, rub rail, chrome, 1"
10. 100986 Floor channel
11. 114879-238 Alum. sheet, lower, .040" x 33" x 238"
12. 114387-01 Bow, Z rib, RH
13. 114387-02 Bow, Z rib, LH
14. 100986 Wheel well stiffener (floor channel)
15. 601876 Shower, exterior, white
16. 114004-02 Wheel well trim, outer, tandem axle
17. 114003-02 Wheel well trim, inner, tandem axle
18. 200542-01 Banana wrap, RS front
19. 101131-01 Underbelly wrap, .024" x 22.5", Pewter
20. 200544 Banana wrap, RS rear
21. 921231 Cover, 30# LPG bottles
22. 114466-01 Casting, rub rail end, wheel well, RH
23. 114466-02 Casting, rub rail end, wheel well, LH
24. 922770-02 Vista View Window, 30"
25. 104619 MTG. PLATE, TELEPHONE & TV JACK
25. 510616 F CONNECTOR, COAX, 75 OHM
25. 511375 JACK MODULAR TELEPHONE
26. 511416-02 POWER INLET, 30A, 125V, MALE - GRAY
27. 601441 Black tank Flush
28. 690274-09 Door exterior, Hydroflame
29. 400961 POWER JACK
30. 601194 Water fill w/lock, gray w/label
31. 922228-02 Door, side access, large
32. 922243 Refer Access door

2009 INTERNATIONAL TRAVEL TRAILER

EXTERIOR BODY

Curbside Wall, 27' Front Bed



Part Numbers are on the Next Page

2009 INTERNATIONAL TRAVEL TRAILER

EXTERIOR BODY

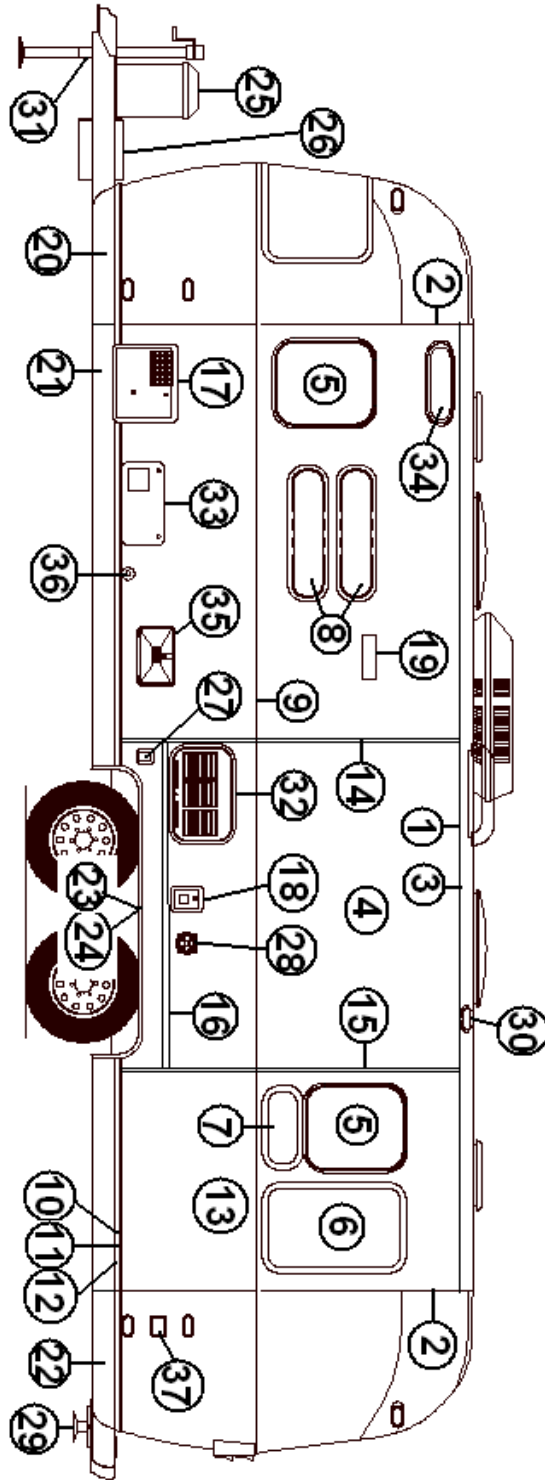
Curbside Wall, 27' Front Bed

1. 114290-02 Extrusion, awning/drip rail
2. 114993 Rib, end bow
3. 104707-06 Extrusion, "I" beam
4. 114880-238 Alum. sheet, upper, .040" x 51" x 238"
5. 371324-02 Window, 30" opening
6. 371269-01 Window, 18" Stack
7. 371270-01 Window, 30" stack
8. 371400-01 Window, main door, etched
9. 114654-01 Screen door assembly, RH hinge
10. 115207-05 Main door assembly RH hinge
11. 114652-01 Jamb, main door, RH hinge
12. 690266-01 Shower roof vent
13. 114879-238 Alum. sheet, lower, .040" x 33 x 238"
14. 114387-01 Bow, Z rib, RH
15. 114387-02 Bow, Z rib, LH
16. 100986 Wheel well stiffener (floor channel.
17. 114460 Extrusion, rub rail
18. 201763-01 Insert, rub rail, chrome, 1"
19. 100986 Floor channel
20. 114004-02 Wheel well trim, outer, tandem axle
21. 114003-02 Wheel well trim, inner, tandem axle
22. 200545 Banana wrap, CS rear
23. 101131-01 Underbelly wrap, .024" x 22.5, Pewter
24. 200543-01 Banana wrap, CS front
25. 921231 Cover, 30# LPG bottles
26. 114466-01 Casting, rub rail end, wheel well, RH
27. 114466-02 Casting, rub rail end, wheel well, LH
28. 114465-02 CASTING CLOSEOUT, RUB RAIL LH
29. 114465-01 CASTING CLOSEOUT, RUB RAIL RH
30. 510676-01 OUTLET, EXTERIOR, 120 VOLT, GRAY
31. 101323 CASTING, STEPLIGHT
32. 922228-02 Door, side access, large
33. 690199 Water Heater
34. 511017-11 EXTERIOR VENT GRAY

2009 INTERNATIONAL TRAVEL TRAILER

EXTERIOR SHELL

Roadside Wall, 28'



P/N on the next page.

2009 INTERNATIONAL TRAVEL TRAILER

EXTERIOR SHELL

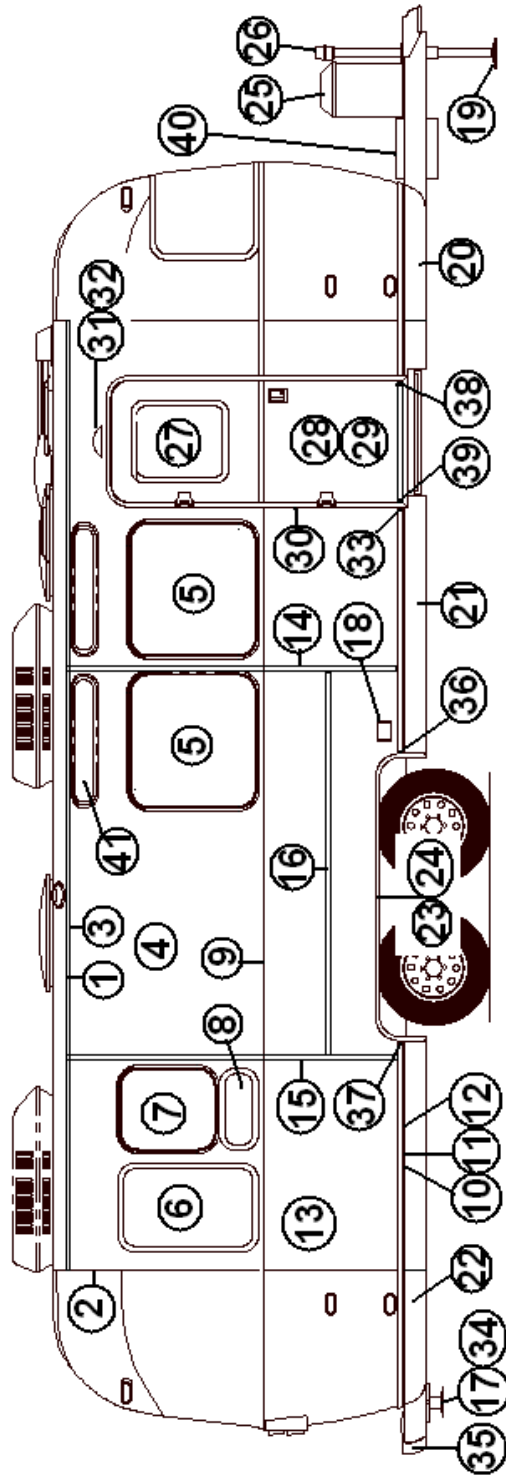
Roadside Wall, 28'

1. 114290-02 Extrusion, awning/drip rail
2. 114993 Rib, end bow
3. 104707-06 Extrusion, "I" beam
4. 114880-238 Alum, sheet, upper, .040" x 51" x 238"
5. 371323-01 Window, 18", opening window
6. 371286-01 Window, 18", curved fixed window
7. 371269-01 Window, 18" stacked
8. 371270-01 Window, 30" stacked
9. 100034 "Z" bar, 48"
10. 114460 Extrusion, rub rail
11. 201763-01 Insert, rub rail, chrome, 1"
12. 100986 Floor channel
13. 114879-238 Alum. sheet, lower, .040" x 33" x 238"
14. 114387-01 Bow, Z rib, RH
15. 114387-02 Bow, Z rib, LH
16. 100986 Wheel well stiffener (floor channel)
17. 690209 Access door, Atwood water heater
18. 601194 Water fill, w/lock
19. 511017-11 Vent cover, exterior range exhaust
20. 200542-01 Banana wrap, RS front
21. 101131-01 Underbelly wrap, .024" x 22.5", Pewter
22. 200543-01 Banana, rear corner, RS
23. 684936 Wheel well trim, outer, tandem axle
24. 684937 Wheel well trim, inner, tandem axle
25. 921232 Bottle cover, LP
26. 410551-02 LID BATTERY BOX
27. 511416-02 30-amp, male power inlet
28. 601392-05 City water hook-up, chrome w/regulator
29. 400093-01 Stabilizer jack, each
- 29A. 400093-02 Handle, stabilizer jack
30. 690266-01 Bath power ventilator
31. 400961 Jack, Power
32. 922243 Refer access door, 104417 Jamb
33. 690274-09 Door exterior, Hydroflame
34. 922770-01 Vista View Window, 18"
35. 601876 Shower, exterior, white
36. 601441 Black tank Flush
37. 510676-01 Outlet, exterior 110 volt, gray

2009 INTERNATIONAL TRAVEL TRAILER

EXTERIOR SHELL

Curbside Wall, 28'



P/N on the next page.

2009 INTERNATIONAL TRAVEL TRAILER

EXTERIOR SHELL

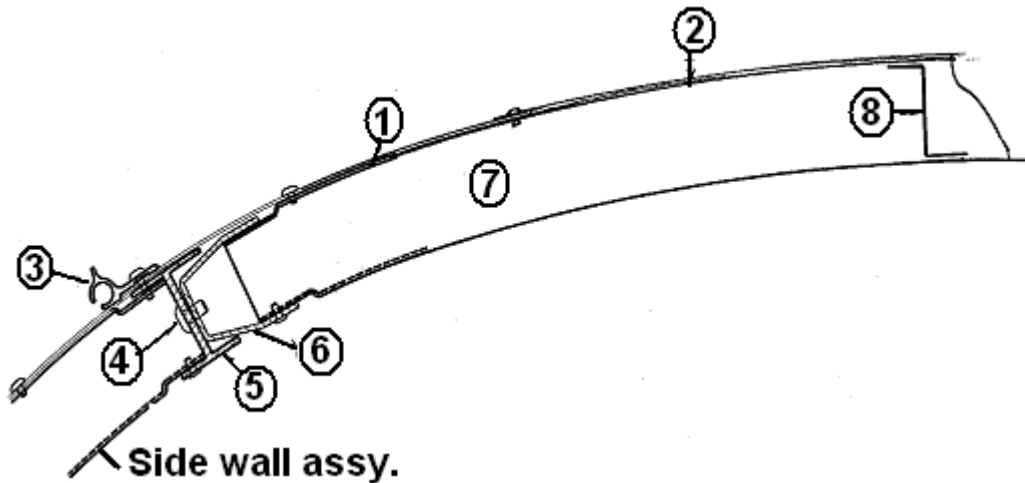
Curbside Wall, 28'

1. 114290-01 Extrusion, awning/drip rail
2. 114993 End bow
3. 104707-06 Extrusion, "I" beam
4. 114880-238 Window sheet, .040" x 51" x 238"
5. 371380 Window, Tall, 30" opening
6. 371286-01 Window, 18" X 30" curved fixed
7. 371323-01 Window, 18" opening
8. 371269-01 Window, 18" stacked
9. 100034 "Z" bar 48"
10. 114460 Extrusion, rub rail
11. 201763-01 Insert, rub rail, chrome, 1"
12. 100986 Floor channel
13. 114879-238 Side sheet, .040" x 33" x 238"
14. 114387-01 Bow, Z rib, RH
15. 114387-02 Bow, Z rib, LH
16. 100986 Wheel well stiffener (floor channel)
17. 400093-02 Handle, stabilizer jack
18. 510676-01 Outlet, exterior 110 volt, gray
19. 410598 Super Jack footpad
20. 200543-01 Banana wrap, CS front
21. 101131-01 Underbelly wrap, .024 x 22.5, Pewter
22. 200542-01 Banana wrap, CS rear
23. 684936 Wheel well trim, outer, tandem axle
24. 684937 Wheel well trim, inner, tandem axle
25. 921232 Bottle cover, LP
26. 400961 Jack, Super w/light
27. 371400-01 Window, main door
28. 115207-04 Main door assembly
29. 114654 Screen door assembly
30. 114652 Main door jamb, formed
31. 101323 Casting, main door light
32. 201185 Lens, main door light
33. 114465-02 Close out rub rail, LH
34. 400093-01 Stabilizer jack, each
35. 410831 Bumper, polished
36. 114466-01 Casting, rub rail end, wheel well, RH
37. 114466-02 Casting, rub rail end, wheel well, LH
38. 114465-01 Close out rub rail, RH
39. 114465-02 Close out rub rail, LH
40. 410551-02 LID BATTERY BOX
41. 922770-02 Vista View Window, 30"

2009 INTERNATIONAL TRAVEL TRAILER

EXTERIOR SHELL

Roof End View



1.	114669-307	Alum. Sheet, white, .032" x 12.69" x 307"
2.	114489-198	Alum. Sheet, white, .032" x 60" x 198"
2.	114489-238	Alum. Sheet, white, .032" x 60" x 238"
2.	114489-262	Alum. Sheet, white, .032" x 60" x 262"
2.	114489-307	Alum. Sheet, white, .032" x 60" x 307"
3.	114290-01	Extrusion, awning/drip rail, 197"
4.	330139-01	RIVET MAGNALOK SS 1/4"
5.	104707-06	Extrusion, "I" beam, 258"
6.	114987-01	Extrusion, roof corner, 194"
7.	114387-03	N/B ROOF BOW, ASSEMBLY
8.	104408	Extrusion, Z-bar, horizontal
	330139-01	RIVET, MAGNALOK SS 1/4"
	325000-03	RIVET ANODIZED WHITE 1/8" X 1/4"

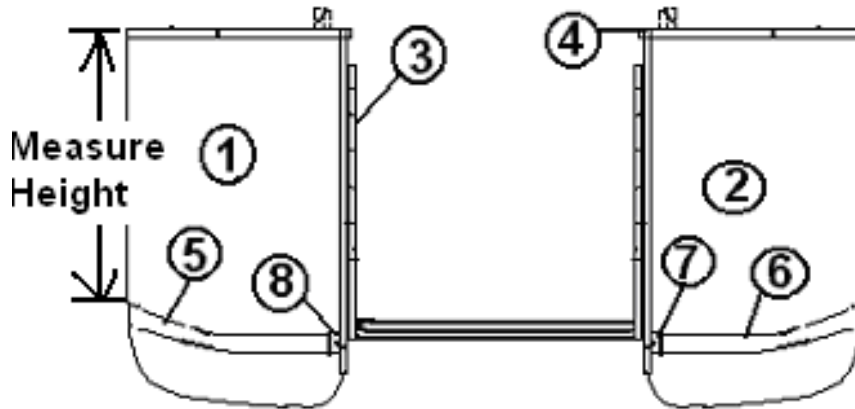
FLOORING, SUB STRUCTURE

800976-01	PLYWOOD TONGUE & GROOVE 19/32 X 97"
345073-21	1/4-20 X 3 SCREW WAFERHEAD
100986	EXTRUSION, FLOOR
300023-02	WASHER, HOLD DOWN-HOLE OFFSET
345084	SCREW-1/4-14X1 THREAD. CUTTING

2009 INTERNATIONAL TRAVEL TRAILER

EXTERIOR SHELL

Wrap Protector/Holdbacks



109325-02	Wrap Protector, Complete Set, 16, 19'
109325-100	Wrap Protector, Complete Set, 25', 27', 23' D, 28'
1. 966276	Wrap Protector, CS, 28" Tall, 23' D, 25', 27', 28'
1. 685365-100	Wrap Protector, CS, 28" Tall, 16, 19'
2. 966277	Wrap Protector, RS, 28" Tall, 23' D, 25', 27', 28'
2. 685366-100	Wrap Protector, RS, 28" Tall, 16, 19'
3. 381605-03	Hinge, stainless, wrap protector, 25"
4. 100742-01	Extrusion, mirror/wrap trim protector
5. 114460	Extrusion, rub rail
6. 201763-01	Insert, rub rail, chrome
7. 114465-01	CASTING CLOSEOUT RUB RAIL RH
8. 114465-02	CASTING CLOSE-OUT RUB RAIL LH
114819-01	Wrap protector hold back, 1.62"
114819-02	Wrap protector hold back, 2.50"
114819-03	Wrap protector hold back, 5.00"
101401	EXTRUSION, DOOR LATCH HOUSING/STONE
345417	NUT ACORN, HEX, LOCKING SS 1/4-
345376	NUT HEX HD 1/4-20 SS
345336-07	CAP SCREW HEX HD 1/4-20 HEX .75"
500096	REFLECTOR, AMBER

2009 INTERNATIONAL TRAVEL TRAILER

INTERIOR SHELL

SKIN

114879-201	ALUMINUM SHEET, .040" X 33"W X 201"
114880-201	ALUMINUM SHEET, .040" X 51"W X 201"
114879-238	ALUMINUM SHEET, .040" X 33" X 238"
114880-238	ALUMINUM SHEET, .040" X 51" X 238"
114879-262	ALUMINUM SHEET .040" X 33" X 262"
114880-262	ALUMINUM SHEET .040" X 51" X 262"
114879-307	ALUMINUM SHEET .040" X 33" X 307"
114880-307	ALUMINUM SHEET .040" X 51" X 307"
330128-05	RIVET 1/8 IN (WHITE) AD45ABS

INTERIOR SHELL TRIM

114507-03	TRIM, MAIN DOOR
381772	HEAD KNOCKER-ENTRANCE DOOR
201666	MOLDING-J 3/16" ALMOND PLASTIC, bath wall
110900-03	TRIM FORMED INT. FRONT WRAP ALUM.
110900-04	TRIM FORMED INTERIOR FRONT WRAP ALUM
114157-01	EXTRUSION END LINER UPPER WHITE
371319-06	TRIM RING-MAIN DOOR WINDOW
203138-01	EXTRUSIO, PLASTIC WALL, WHITE
203138-03	EXTRUSION PLASTIC WALL BEIGE
203138-04	EXTRUSION, PLASTIC 1/2" OAK W
203138-05	EXTRUSION, PLASTIC 1/2", WALL, BLACK

INTERIOR WHEEL WELL LINER

200844	WHEEL WELL, TANDEM, 66.50", A.B.S, 28'
203289	LINER, WHEEL WELL-ABS, 16'
200514	WHEEL WELL INSULATOR, PLASTIC, TANDEM

2009 INTERNATIONAL TRAVEL TRAILER

CHASSIS

Axles

- *410875-11 AXLE, 3500#, 16'
- *410875-22 AXLE, 4300#, 16' DWR
- *410875-11 was replaced by 410875-22 on 16' Bambi during model year. Check manufacturing tag on side of trailer for GVWR (gross vehicular weight rating). 4300 lbs GVWR used 410875-22, 3500 lb GVWR uses 410875-11.
- 410875-07 AXLE, 4300#, 19'
- 410875-14 AXLE, #3000 W/10" BRAKES, 23' D
- 410875-09 AXLE, 3800 lbs. 25', 28', 27' FB

Axles, CSA

- *454231 AXLE, 4300#, 16'
- *410875-22 AXLE, 4300#, 16'
- *410231 was replaced by 410875-22 on 16' Bambi during model year.
- 454232 AXLE, 5000#, 19'

Shocks

- 0220003 Shock assembly
- 0250173-15 Bolt, grade 5, 5/8"-18 x 1.5", shock mount
- 0130068-818 Nut, hex head flanged, 5/8"-18, shock mount

Tires/Wheels, 14", 16', 23' D Models

- 400996 Tire/Wheel assembly, 14", 10 hole pattern
- 400985 COVER, DUST, 4", STAINLESS STEEL
- 400923 LUG NUT-1/2" ACORN TYPE

Tires/Wheels, 15", 19', 25', 28', 27' FB Models

- 410840-01 TIRE/WHEEL ASSY "D" RANGE
- 400844 COVER, HUB DUST, 4", STAINLESS STEEL
- 400923 LUG NUT-1/2" ACORN TYPE

2009 INTERNATIONAL TRAVEL TRAILER

CHASSIS

Tires/Wheels, 16' DWR

410843-01 WHEEL ASSEMBLY, STEEL, 15"
400998 WHEEL COVER, 15", POP ON (PAIR)
400923 LUG NUT, 1/2" ACORN TYPE

Spare Tire and Carrier

410848 TIRE W/14" STEEL WHEEL-SPARE
410848-01 Spare tire, steel rim 14"
410843-01 SPARE TIRE/WHEEL ASSEMBLY 15" "D"
450414 "A" frame spare tire carrier
994073 Bracket, Spare Tire

Step Assembly, 16', 19'

400962 STEP, MAIN DOOR STEEL 24"
0250175-03 SCREW HHCS GR5 3/8-16 X 3/4"
0260100 3/8-16 U-TYPE CAGE NUT

Step Assembly, 23' D, 25', 27' FB, 28'

381863-01 STEP, DOUBLE W/DOUBLE TREAD
0250175-03 SCREW HHCS GR5 3/8-16 X 3/4"
0260100 3/8-16 U-TYPE CAGE NUT

Hitch Jack, Manual

3320028 FRONT-WIND MANUAL JACK, ATWOOD
410598 FOOT PAD #12231

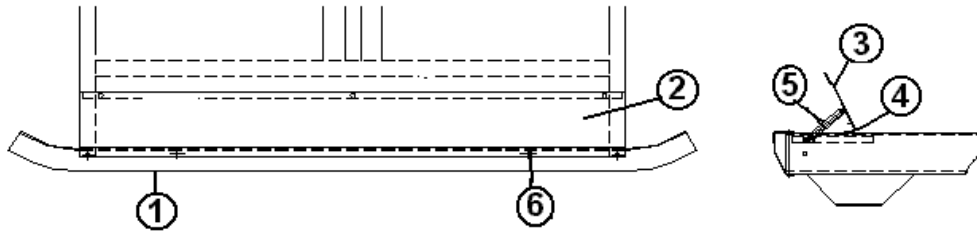
Safety Chains

400953 Safety Chain, 1/4" x 30"
400945 5/16" clevis, safety slip hook

2009 INTERNATIONAL TRAVEL TRAILER

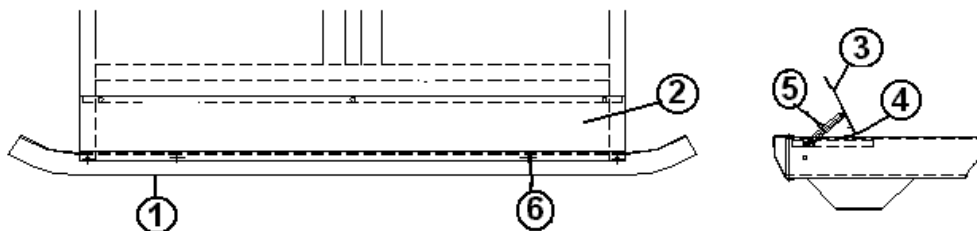
CHASSIS

Bumper/Bumper Storage Assembly, 16'



- | | |
|--------------|----------------------------------|
| 1. 410847 | BUMPER, 16' |
| 2. 453946 | BOTTOM-STORAGE COMPARTMENT, 16' |
| 3. 453948 | LID REAR BUMPER COMPARTMENT, 16' |
| 4. 380203-02 | HINGE PIANO 1/8 PIN |
| 5. 380024 | ARMS SUPPORT RIGHT HAND |
| 6. 380067 | LOCK CAM BUMPER LID LATCH |
| 365013-01 | TAPE CHARCOAL LOW DENSITY FOAM |

Bumper/Bumper Storage Assembly, 19'

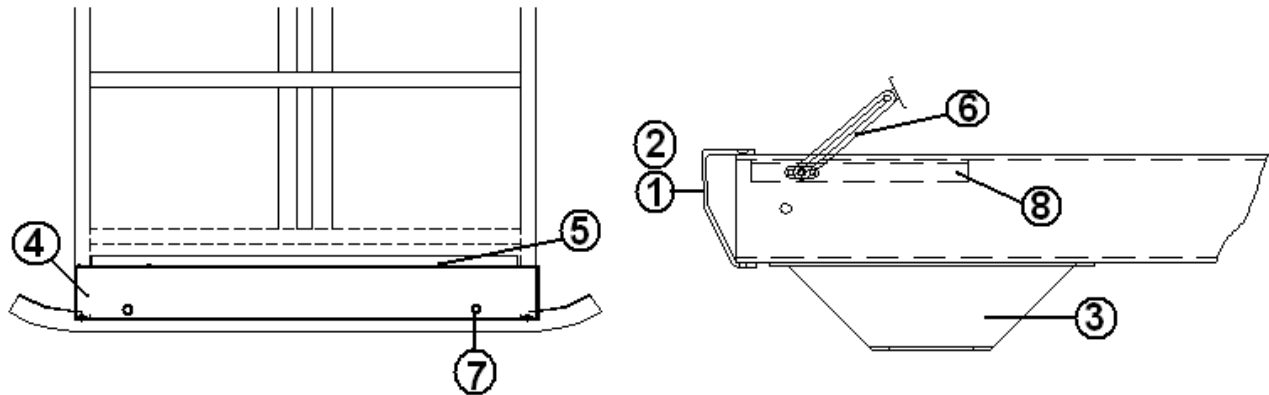


- | | |
|--------------|--------------------------------|
| 1. 410932 | BUMPER |
| 2. 453627 | BOTTOM-STORAGE COMPARTMENT |
| 3. 454214 | LID REAR BUMPER COMPARTMENT |
| 4. 380203-02 | HINGE PIANO 1/8 PIN |
| 5. 380024 | ARMS SUPPORT RIGHT HAND |
| 6. 380067 | LOCK CAM BUMPER LID LATCH |
| 365013-01 | TAPE CHARCOAL LOW DENSITY FOAM |

2009 INTERNATIONAL TRAVEL TRAILER

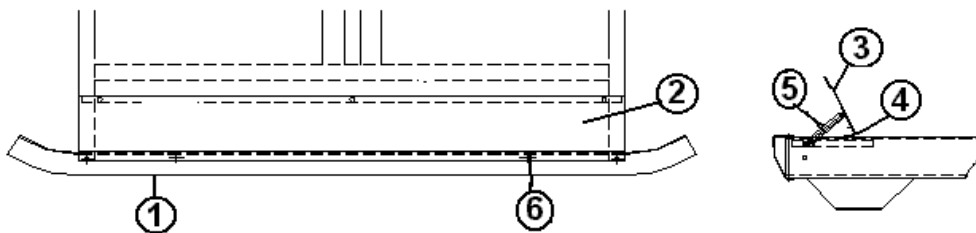
CHASSIS

Bumper/Bumper Storage Assembly, 23' D



- | | |
|--------------|--------------------------------|
| 1. 410932 | BUMPER-REAR |
| 2. 345073-08 | SCREW 1/4-20 X 1 3/8 WAFER HD. |
| 3. 454314 | BOTTOM-SEWER HOSE COMPARTMENT |
| 4. 454315 | LID-REAR HOSE CARRIER |
| 5. 380203-02 | HINGE PIANO |
| 6. 380024 | ARMS SUPPORT RIGHT HAND |
| 7. 380067 | LOCK CAM |
| 8. 114812 | ALUMINUM ANGLE 1.00 X 1.00" |
| 365013-01 | TAPE CHARCOAL LOW DENSITY FOAM |

Bumper/Bumper Storage Assembly, 25', 27' FB, 28'



- | | |
|--------------|----------------------------------|
| 1. 410831 | REAR BUMPER |
| 2. 453538 | BOTTOM-SEWER HOSE COMPART, 28' |
| 3. 453497 | LID REAR BUMPER COMPARTMENT, 28' |
| 4. 380203-02 | HINGE PIANO 1/8 PIN |
| 5. 380024 | ARMS SUPPORT RIGHT HAND |
| 6. 380067 | LOCK CAM BUMPER LID LATCH |
| 365013-01 | TAPE CHARCOAL LOW DENSITY FOAM |

2009 INTERNATIONAL TRAVEL TRAILER

CHASSIS

Stabilizing Jacks, 16', 19'

400914-03	STABILIZER JACK 20"
400914-02	HANDLE-15"(STABILIZER JACK)
400914-04	Stabilizer jack footpad, set of 4
385020	STICKER SELF ADHERING, JACK
454425	SPACER-STABILIZER JACK

Stabilizing Jacks, 23'D, 25' FB, 27' FB, 28'

400093	Stabilizing jacks, BAL w/handle, set of 4, 19'
400093-01	BAL jack, each
400093-02	CRANK, STABILIZER JACK (BAL)
400093-04	Foot pad, BAL jack
400093-05	BAL JACKS, BACK, W/FOOTPAD & CRANK
385020	STICKER SELF ADHERING, JACK

Power Jack

400961	POWER JACK
410598	FOOT PAD, POWER JACK

Hose Carrier

601544-02	EZ HOSE CARRIER-BLACK 45
454422	SPACER-SEWER HOSE CARRIER, 16' model
104704-01	SHIM, 3" X 3"

Underbelly

101131-01	Aluminum, underbelly wrap, .024" x 22.5, gray
114679	ALUMINUM UNDERBELLY .019" X" 65.75"
200093	INSULATION, FIBERGLASS

2009 INTERNATIONAL TRAVEL TRAILER

CHASSIS

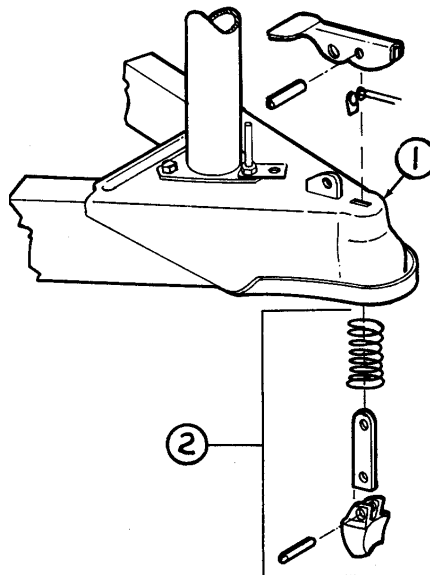
Compartment Bottom

115209-01	ALUMINUM DIAMOND PLATE-.025" X 4' X 90"
115209-02	ALUMINUM DIAMOND PLATE-.025" X 4' X 74"
115212-01	Tread plate, 28.16" X 53.25", 28'
115212-04	Tread plate, under bed storage, 23' D
115212-09	Tread plate, under bed storage, 27' FB Twin

Cross Car Electrical Raceway, 28'

453296	CROSSCAR ELECTRICAL RACEWAY
--------	-----------------------------

Hitch Coupler



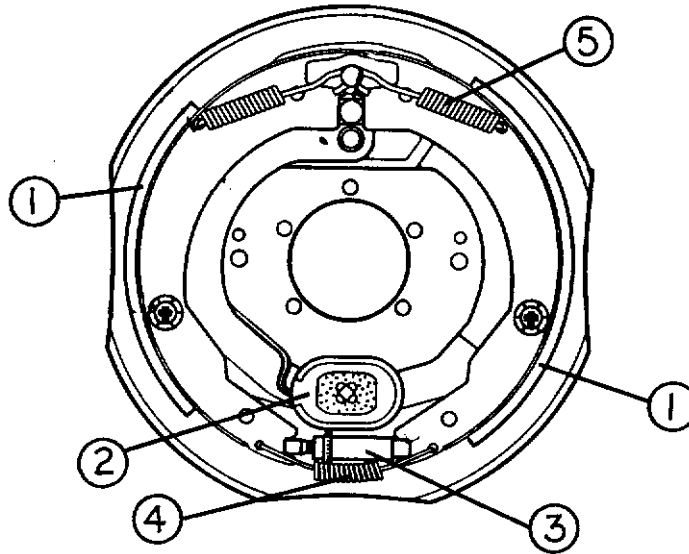
1. 680343	Coupler assembly, 2 5/16"
2. 680345	Repair kit, 2 5/16" coupler

2009 INTERNATIONAL TRAVEL TRAILER

CHASSIS

10" BRAKE ASSEMBLY

3160255	Brake drum 10", 5 lug
685016	Inner bearing, #L68149
685017	Inner race, # L68111
680380	Outer bearing, #L44649
680387	Outer race, #L44610
680377	Grease seal
3160096	Brake assembly, RH, 10" Dexter
3160097	Brake assembly. LH, 10" Dexter



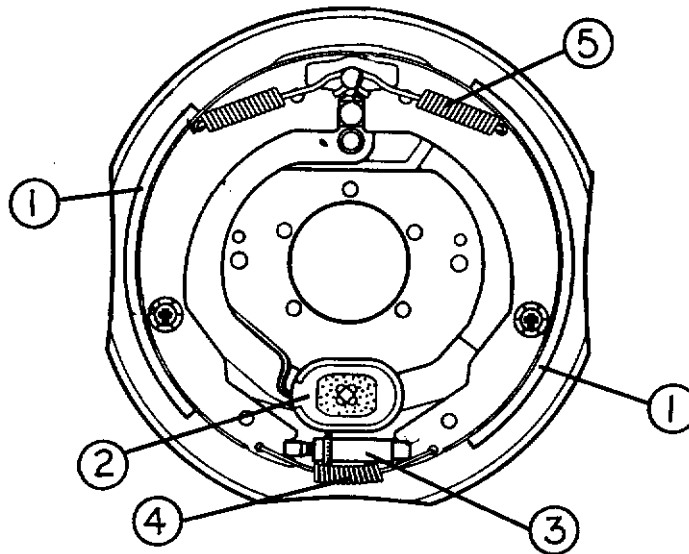
- | | |
|---------------|---|
| 1. 3160097-62 | Shoe and lining kit (includes hold down spring and pin) |
| 2. 3160097-65 | Magnet kit |
| 3. 3160097-63 | Adjuster assembly |
| 4. 3160097-64 | Adjusting screw spring |
| 5. 3160097-61 | Retractor spring |

2009 INTERNATIONAL TRAVEL TRAILER

CHASSIS

12" BRAKE ASSEMBLY

3160121	Brake drum, 12", 6 lug
450659	Inner bearing, #25580
680364	Inner race, #25520
450658	Outer bearing, #LM67048
680365	Outer race, #LM67010
680370-100	Grease seal
3160347	Brake assembly, RH, 12" Dexter
3160348	Brake assembly, LH, 12" Dexter

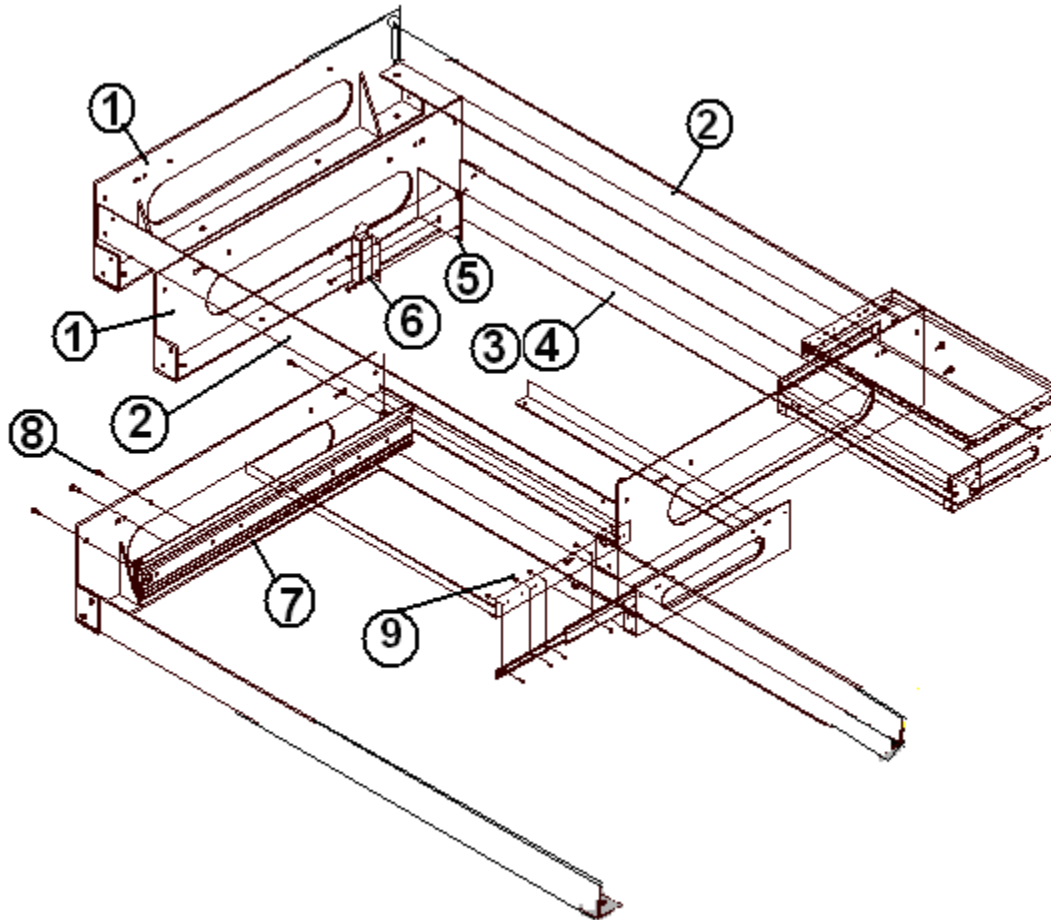


1. 3160348-62	Shoe and lining kit (includes hold down spring and pin)
2. 3160348-65	Magnet kit
3. 3160348-63	Adjuster assembly
4. 3160348-64	Adjusting screw spring
5. 3160348-61	Retractor spring

2009 INTERNATIONAL TRAVEL TRAILER

CHASSIS

Rear Storage Slide, "W" Bed



- | | |
|---------------|--------------------------------------|
| 1. 454596 | FLOOR MOUNTING BRACKET, REAR STORAGE |
| 2. 454597 | ANGLE, CROSSMEMBER, REAR STOW |
| 3. 454598 | SLIDE BRACKET, REAR STOW |
| 4. 454599 | STORAGE BOX CROSSMEMBER |
| 5. 454600 | LATCH BRACKET |
| 6. 382035 | LATCH, SUNDECKER |
| 7. 382036 | SLIDE, 24" ACCURIDE END |
| 8. 320120-500 | SCREW, 10-32, FLAT HEAD |
| 9. 350029 | LOCK NUT, 10-32 |

2009 INTERNATIONAL TRAVEL TRAILER

EXTERIOR TRIM

Decal/Medallions

386068	MEDALLION 3" LOGO, AIRSTREAM, Main door
386125	NAMEPLATE, BAMBI, RED-WHITE-BLUE
386130-01	NAMEPLATE-CCD, BLACK, CHRIS DEAM
386108	NAMEPLATE-INTERNATIONAL
386152	DECAL-AIRSTREAM 2.4"X 28"
386191	MEDALLION, OCEAN BREEZE
386200	NAMEPLATE, DWR
386196	DECAL, SIGNATURE SERIES

Beltline

114328	Extrusion, belt line molding
201912	Molding, belt line insert, chrome
114417	Casting, belt line close out

Rub Rail Trim

114460	Extrusion, rub rail
201763-01	Insert, rub rail, chrome, 1"
114466-01	Close out, casting, rub rail, angled RH
114466-02	Close out, casting, rub rail, angled LH
114465-01	Close out, casting, rub rail RH
114465-02	Close out, casting, rub rail LH

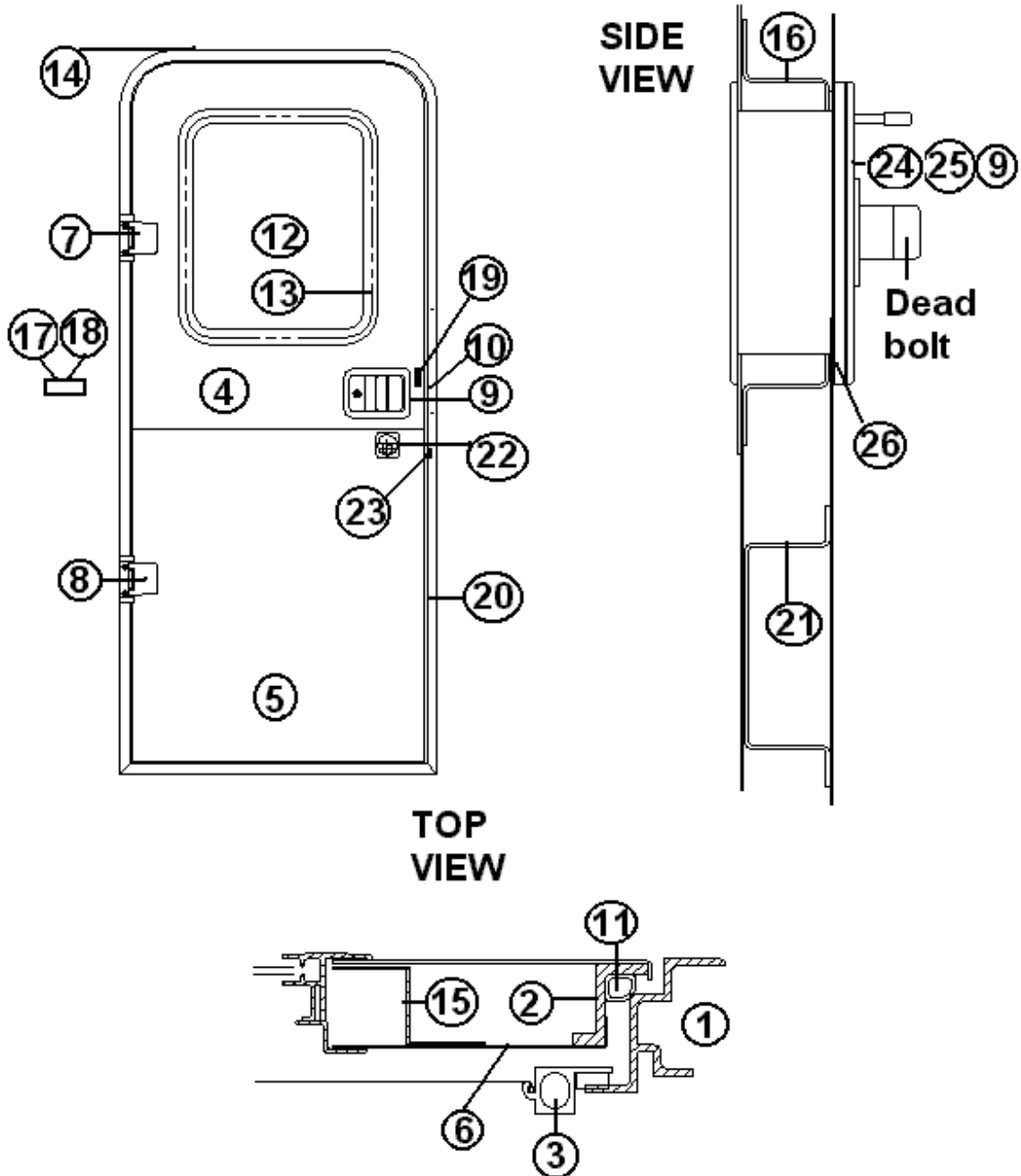
Reflectors

500095	REFLECTOR RED RECTANGULAR
500096	REFLECTOR, AMBER
510446	REFLECTOR, RED, STICK-ON

2009 INTERNATIONAL TRAVEL TRAILER

DOORS, EXTERIOR

Door, Main, LH Hinge



2009 INTERNATIONAL TRAVEL TRAILER

DOORS, EXTERIOR

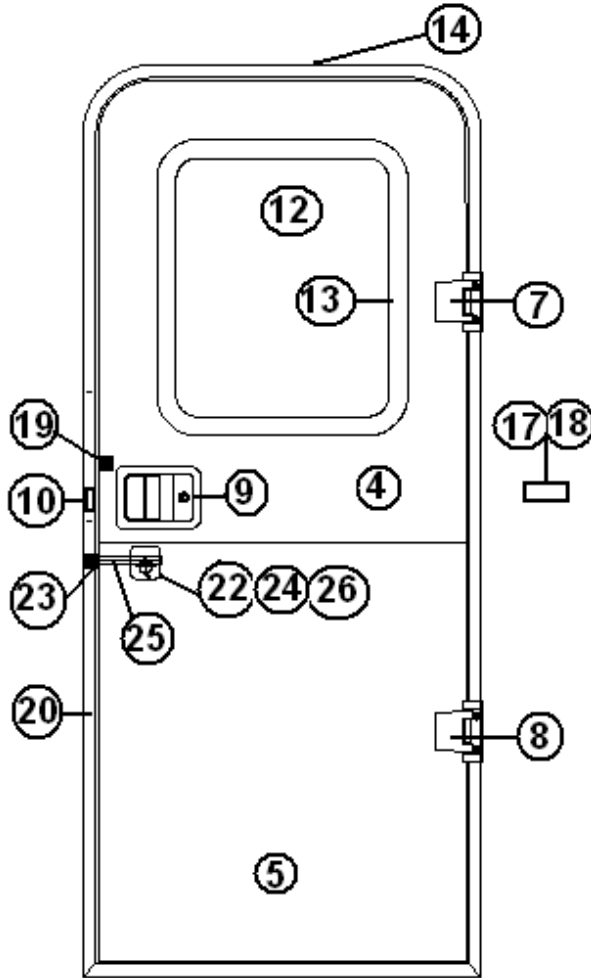
Main Door, LH Hinge

- 115207-04 Main door assembly
- 1. 114653 Frame, main door, pre-formed
- 2. 114652 Jamb, main door, pre-formed
- 3. 114654 Screen door assembly
- 4. 114448-03 Skin, exterior, upper main door
- 5. 114449-03 Skin, exterior, lower main door
- 6. 114475 MAIN DOOR SKIN INNER
- 7. 381552-03 HINGE ASSY. MAIN DOOR UPPER
- 8. 381552-04 HINGE ASSY. MAIN DOOR LOWER
- 9. See hardware section for door latch parts
- 10. 385595 Pocket strike, main door
- 11. 365232 Seal, main door
- 12. 371400-01 WINDOW, MAIN DOOR, ETCHED
- 13. 115208 TRIM RING- MAIN DR.WINDOW
- 14. 114363 Drip cap, main door
- 15. 114658 Inner door, "Z" bar, upper & lower
- 16. 114657 Hat section, formed, main door
- 17. 380290 Housing. Latch, mounted on side sheet
- 18. 380291 Latch assembly, mounted on side sheet
- 19. 201056 Striker, main door, black plastic
- 20. 114507-03 Trim, main door
- 21. 115415 Hat section assembly, round dead bolt
- 22. 382069 Deadbolt assembly, round, Trimark
- 23. 381326 Striker w/ Trimark deadbolt
- 24. 345321-12 Screw, flat head, black
- 25. 453851 Bolt, Trimark, deadbolt
- 26. 203370 Spacer, deadbolt assembly
- 203495 SPACER-DOOR STAY MAIN
- 203494 BASE PLATE DOOR LATCH

2009 INTERNATIONAL TRAVEL TRAILER

DOORS, EXTERIOR

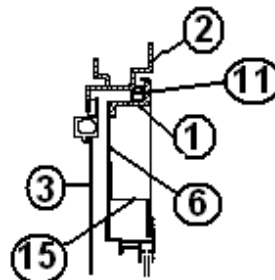
Main Door, RH Hinge



**Latch
Assembly**



**Top
View**



2009 INTERNATIONAL TRAVEL TRAILER

DOORS, EXTERIOR

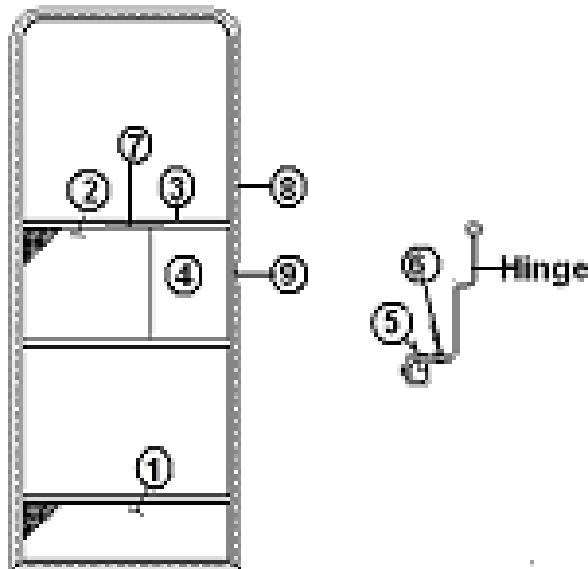
Main Door, RH Hinge

115207-05	Main door assembly, RH hinge, 27' FB
115207-06	Main door assembly, RH hinge, 25' FB
1. 114652-01	Jamb, main door, pre-formed
2. 114653-01	Frame, main door, pre-formed
3. 114654-01	Screen door assembly, RH Hinge
4. 114448-02	Skin, exterior, upper main door
5. 114449-02	Skin, exterior, lower main door
6. 114475	MAIN DOOR SKIN INNER
7. 381552-02	HINGE ASSY. MAIN DOOR UPPER
8. 381552-01	HINGE ASSY. MAIN DOOR LOWER
9.	Trimark latch assembly parts shown in hardware section
10. 385595	Pocket strike, main door
11. 365232	Seal, main door
12. 371400-01	Window, main door, etched
13. 203370	Spacer, Trimark door Latch
14. 114363	Drip cap, main door
15. 114658	Inner door, "Z" bar, upper & lower
16. 114657	Hat section, formed, main door
17. 380290	Housing. Latch, mounted on side sheet
18. 380291	Latch assembly, mounted on side sheet
19. 201056	Striker, main door, black plastic
20. 114507-03	Trim, main door
21. 115415	Hat section assembly, round dead bolt
22. 382069	Deadbolt assembly, round, Trimark
23. 381326	Striker w/ Trimark deadbolt
24. 345321-12	Screw, flat head, black
25. 453851	Bolt, Trimark, deadbolt
26. 203370	Spacer, deadbolt assembly
203495	SPACER-DOOR STAY MAIN
203494	BASE PLATE DOOR LATCH

2009 INTERNATIONAL TRAVEL TRAILER

DOORS, EXTERIOR

Main Door Screen Assembly



114654	SCREEN DOOR ASSY. LH HINGE
114654-01	SCREEN DOOR ASSY. RH HINGE
1. 114648-01	Kick panel screen door
2. 114561-01	Panel, slider, screen door
3. 104784-78	EXTR.SCREENDOOR STIFENER #VH-9
4. 203287-02	Close out, plastic, screen door
5. 330126-03	RIVET POP SSD44SSBS
6. 325122	Rivet, hard, 5/32
7. 380004	HANDLE WITH 8/32 X 1 SCREW
8. 365013-01	Gasket, screen door, foam tape
9. 683946	BUG SEAL, edge of screen door close out
380079	Screen, gray
200518	Spline, gray, screen insert
701624	VELCRO LOOP 5/8" WIDE
701625	VELCRO HOOK, 5/8" WIDE
381454	Screen door hold back latch, Bullet
386068	MEDALLION 3" LOGO, AIRSTREAM

Screen Door Guard

115171-01	Guard, screen door, top
115171-02	Guard, screen door, bottom

2009 INTERNATIONAL TRAVEL TRAILER

DOORS, EXTERIOR

Door, Refer Access

922243	ASSEMBLY, REFER ACCESS DOOR, 19', 25', 28'
922156	DOOR, REFER ACCESS
104417	JAMB, REFRIGERATOR ACCESS
104439	LOUVERED PANEL, REFER ACCESS DOOR
380988	HINGE, CONTINUOUS .5IN LEAF 16IN
203225	TRIM LOCK WHITE #1375 1/8 W-3
381812	LATCH TWIST CHROME

Access Door, Small, Side/Rear End

100679-01	Small, access door assembly, rear or side
365035	Seal, side access door
380773	HINGE, ACCESS DOOR
380770	LOCK & CASTING ASSEMBLY
115295	SPACER, FORMED COMPARTMENT DOOR
115296	JAMB, FORMED COMPARTMENT DOOR

Access Door, Battery

410551-02	LID BATTERY BOX
381430	LOCK, TWIST, STRAIGHT CAM
380203-01	PIANO HINGE 1/8", Battery box lid
381814	NUT-WING 5/16 #1809
381613	PLASTISOL COVER-LP WING HANDLE

Furnace Door

690274-09	Door exterior, Hydroflame
-----------	---------------------------

Access Door, Water Service, 16'

381766	HATCH-ACCESS 7.75" X 12.63"
115153	CLOSEOUT-UTILITY DOOR
115167	JAMB-INNER WALL UTILITY DOOR

2009 INTERNATIONAL TRAVEL TRAILER

DOORS, EXTERIOR

Access Door, Trunk/Side Assembly, 61.50"

921159	DOOR ASSY TRUNK
114673	PANEL OUTER TRUNK DOOR
114674	PANEL INNER TRUNK DOOR
114675	JAMB TRUNK DOOR
380203-01	PIANO HINGE 1/8" PIN
380770	LOCK & CASTING ASSEMBLY
360016	BUMP-ON RUBBER
365035	RUBBER SEAL ACCESS DOOR
381065-10	10" CABLE SUPPORT

Access Door, Rear End, 16', 27', 28'

*922711	DOOR ASSEMBLY-TRUNK
115158	PANEL, OUTER TRUNK DOOR
115159	PANEL, INNER TRUNK DOOR
115157	JAMB-TRUNK DOOR
380203-01	PIANO HINGE 1/8" PIN
380770	LOCK & CASTING ASSEMBLY
360016	BUMP-ON RUBBER
365035	RUBBER SEAL ACCESS DOOR
701538-01	CARPET-ECONOLIER W/PSA BACK
701538	CARPET, ECONOLIER VELOUR BLACK
381065-10	10" CABLE SUPPORT

Front access door, Front bed Models

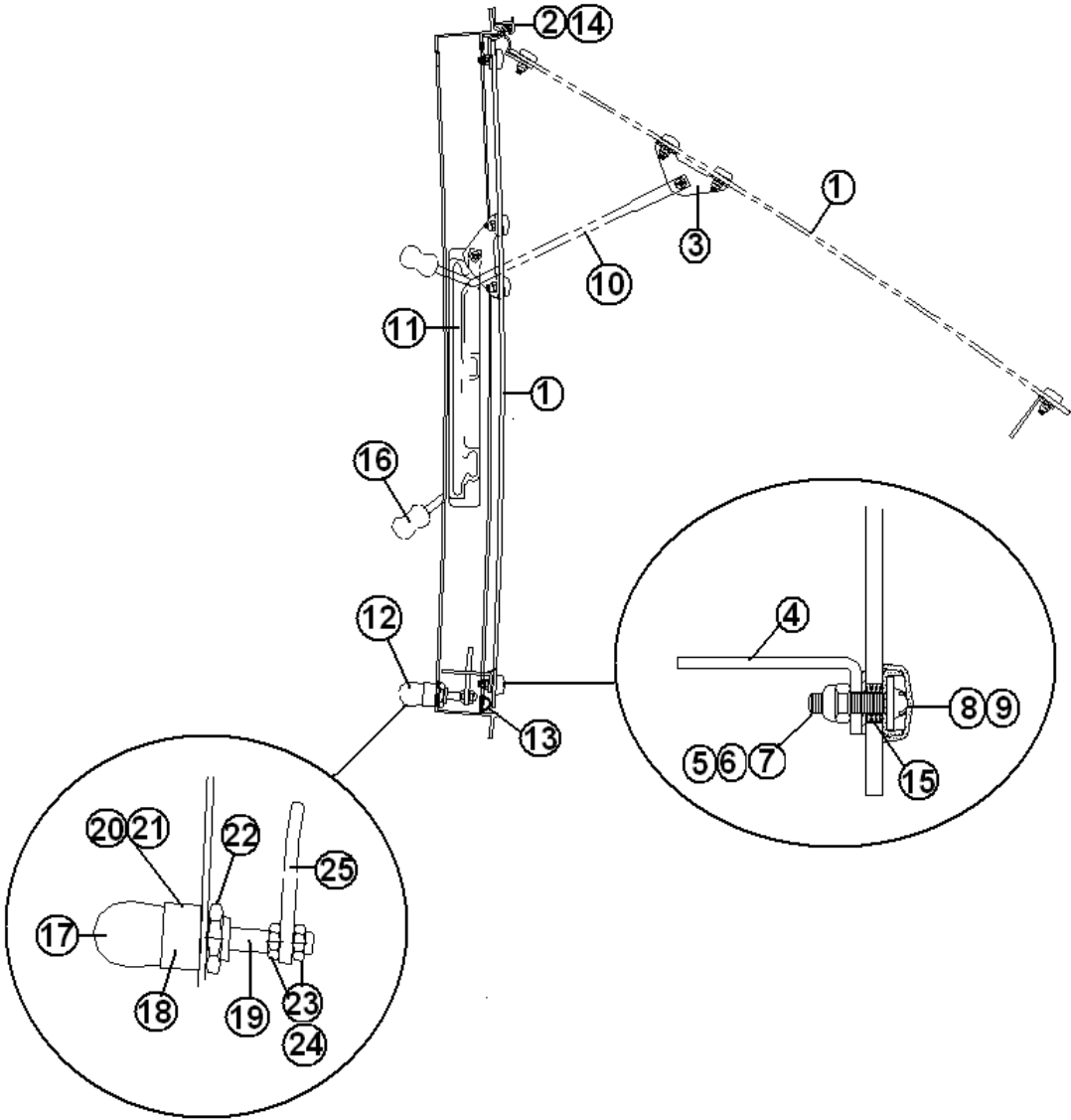
*922288-02	DOOR ASSY, ROUND CORNERS
104831	JAMB, FRONT ACCESS DOOR
380203-01	PIANO HINGE 1/8"
380770	LOCK & CASTING, BLACK
360016	BUMP-ON RUBBER
365035	RUBBER SEAL ACCESS DOOR
381065-10	10" CABLE SUPPORT

* 922288-02 REPLACED 922711 DURING MODEL YEAR.

2009 INTERNATIONAL TRAVEL TRAILER

WINDOWS/SCREENS

Opening Windows Diagram



Part numbers on next page

2009 INTERNATIONAL TRAVEL TRAILER

WINDOWS/SCREENS

1. 371323-100	Glass w/hardware, 18" window
1. 371324-100	Glass w/hardware, 30" window
2. 371323-101	Hinge, 18" window
2. 371324-101	Hinge, 30" window
3. 1101-0010	Bracket, window prop
4. 685124	Striker plate, window latch
5. 0706-0004	Flat washer
6. 0703-0001	Screw, #8-32 x .625", black, SS
7. 0702-0010	Nut, Nylox, #8-32, black SS
8. 0802-0004	Screw cover, 12-12 #100, black
9. 0802-0005	Washer, 12-12 screw cover bottom
10. 100903	Operating arm, RH
10. 100903-01	Operating arm, LH
11. 0802-0001	Guide, operating arm, RH
11. 0802-0002	Guide, operating arm, LH
12. 010020	Latch assembly, chrome
13. 381665	Gasket seal
14. 0101-0017	Male hinge extrusion, 1/2" pc.
15. 0706-0003	Bushing, window, acrylic
16. 380230-03	Window arm knob, silver
16. 380230-04	Window arm knob, red
17. 1101-0005	Latch handle, chrome
17. 195467-05	Latch handle, red
18. 1101-0007	Latch body
19. 1101-0008	Latch shaft
20. 1101-0009	Latch spring
21. 0707-0002	Pin, drive lock, 5/32" x 5/8", zinc
22. 0702-0001	Nut, hex panel, 5/8"-24, zinc
23. 0702-0002	Nut, jam, hex, 5/16-24
24. 385123	Washer, flat, .53" OD x .328" ID
25. 685123	Latch paw

2009 INTERNATIONAL TRAVEL TRAILER

WINDOWS/SCREENS

Windows and Screens, 16'

371400-01	WINDOW-MAIN DOOR
371269-01	WINDOW 18" STACK
371270-01	WINDOW 30" STACK
371328	WINDOW CENTER DARK GLASS
371326	WINDOW REAR ROUND CORNER
372176-03	SCREEN REAR ESCAPE
372173-02	SCREEN-FRONT WINDOW CLEAR FRAME
372088-101	WINDOW CORNER WRAP RS FRT, CS
372089-101	WINDOW CORNER WRAP CS FRT, RS

Windows and Screens, 19'

371269-01	Window, 18" stacked
371400-01	WINDOW, MAIN DOOR ETCHED
371323-01	Window, 18" OPENING
371328	Window, FRONT END, DARK GLASS
372088-101	Window, CORNER WRAP RS FRT, CS
372089-101	Window, CORNER WRAP CS FRT, RS
372229	WINDOW, 21"X 28" OPENING
372174-03	SCREEN, 18"OPENING WINDOW RAW M
371347-03	SCREEN, SQUARE FRT WINDOW
372230	SCREEN-21"X 28" CLEAR 19'

2009 INTERNATIONAL TRAVEL TRAILER

WINDOWS/SCREENS

Windows and Screens, 23' D

371323-01	Window, 18" opening
372174-03	SCREEN, 18" OPENING WINDOW
371269-01	WINDOW, 18" STACK
371380	WINDOW, OPENING, 30" TALL
372215-01	SCREEN, 30"OPENING WINDOW TALL
372218-01	WINDOW, 21" X 28" OPENING EGRESS
372220-01	SCREEN, 21" X 28", EGRESS WINDOW
371328	WINDOW, 43" FLAT, FRONT
372173-02	WINDOW SCREEN, FRONT WINDOW
372088-101	CURBSIDE WRAP WINDOW
372089-101	ROADSIDE WARP WINDOW
371400-01	WINDOW, MAIN DOOR
922770-02	VISTA VIEW, 30"

Windows and Screens, 25' Sleep Six

371269-01	WINDOW 18" STACK
371400-01	WINDOW-MAIN DOOR
371323-01	WINDOW-18" OPENING
371286-01	WINDOW, 18" X 30", FIXED, BUNK OPTION ONLY
371346-02	WINDOW, 48.97" Front End
371380	WINDOW-OPENING 30" TALL
372088-101	WINDOW CORNER WRAP RS FRT, CS
372089-101	WINDOW CORNER WRAP CS FRT, RS
372218-01	WINDOW-21" X 28" EGRESS, Rear End
922770-02	VISTA VIEW- 30"
922770-01	VISTA VIEW- 18"
372174-03	SCREEN-18"OPENING WINDOW RAW M
371347-03	SCREEN-SQUARE FRT WINDOW RAW M
372220-01	SCREEN-21"X 28" ALT EGRESS-MIL
372215-01	SCREEN-30"OPENING WINDOW TALL

2009 INTERNATIONAL TRAVEL TRAILER

WINDOWS/SCREENS

Windows and Screens, 25' Front Bed

371323-01	WINDOW, 18" OPENING
371380	WINDOW, OPENING 30" TALL
371380-01	WINDOW, 30" TALL, EGRESS
371270-01	Window, 30" stack
922770-02	VISTA VIEW, 30"
371348-03	WINDOW, FRONT W/SILVER HANDLES
372088-101	WINDOW, CORNER WRAP CS
372089-101	WINDOW, CORNER WRAP RS
371346-02	WINDOW, 48.97" FLAT REAR
371400-01	WINDOW, MAIN DOOR, ETCHED
372174-03	SCREEN, 18"OPENING WINDOW
371347-03	SCREEN, SQUARE FRT WINDOW
372215-01	SCREEN, 30"OPENING WINDOW TALL
372215-02	SCREEN, 30" x 30", CURVED, ALTERNATE EGRESS

Windows and Screens, 27' FB

371324-02	WINDOW, 30" OPENING
371380	WINDOW, OPENING 30" TALL
371380-01	WINDOW, 30" TALL, EGRESS
371270-01	WINDOW, 30" STACK
371348-03	WINDOW-FRONT W/SILVER HANDLES
372088-101	WINDOW CORNER WRAP RS FRT, CS
372089-101	WINDOW CORNER WRAP CS FRT, RS
371346-02	WINDOW, 48.97" FLAT FRT/WRAP RR
372175	SCREEN, 30"CURVED WINDOW
372175-01	SCREEN, 30", CURVED, ALTERNATE EGRESS
372176-02	SCREEN, FRONT, W/ROUND CORNERS
372234	SCREEN-REAR WINDOW (SQ.CORNERS)
372215-02	SCREEN, 30" x 30", CURVED, ALTERNATE EGRESS

2009 INTERNATIONAL TRAVEL TRAILER

WINDOWS/SCREENS

Windows and Screens, 28'

371269-01	WINDOW 18" STACK
371270-01	WINDOW 30" STACK
371286-01	WINDOW 18 X 30 CURVED FIXED
371400-01	WINDOW-MAIN DOOR
371323-01	WINDOW-18" OPENING
371346-02	WINDOW FRONT DARK GLASS
371348-02	WINDOW-REAR W/RED HANDLES
371380	WINDOW-OPENING 30" TALL
922770-02	VISTA VIEW- 30"
922770-01	VISTA VIEW- 18"
195510-19	GLASS AND HARDWARE FOR 371380 WINDOW
372088-101	WINDOW, PANORAMIC, RS FRONT
372089-101	WINDOW, PANORAMIC, CS FRONT
372174-03	SCREEN-18"OPENING WINDOW
371347-03	SCREEN-SQUARE FRT WINDOW
371349-03	SCREEN-REAR ESCAPE
372215-01	SCREEN-30"OPENING WINDOW TALL

Window Screen Assembly

683946	SEAL, FUZZ GRY (SCREEN)
380079	Screen, gray
200518	Spline, gray, screen insert

Vista View Window, Trim, Shade, 18"

922770-01	VISTA VIEW, 18"
203490-03	TRIM RING, 18" VISTA VIEW
703462-03	SHADE, PULL 19.25" X 9.5", 18" VISTA VIEW
922772-01	BACKER, VISTA VIEW BLIND 18"

2009 INTERNATIONAL TRAVEL TRAILER

WINDOWS/SCREENS

Vista View Window, Trim, Shade, 30"

922770-02	VISTA VIEW, 30"
203490-04	TRIM RING, 30" VISTA VIEW
703462-04	SHADE, PULL 31.25" X 9.5", 30" VISTA VIEW
922772-02	BACKER, VISTA VIEW BLIND 30"

Main Door Trim

371319-06	TRIM RING, MAIN DOOR
-----------	----------------------

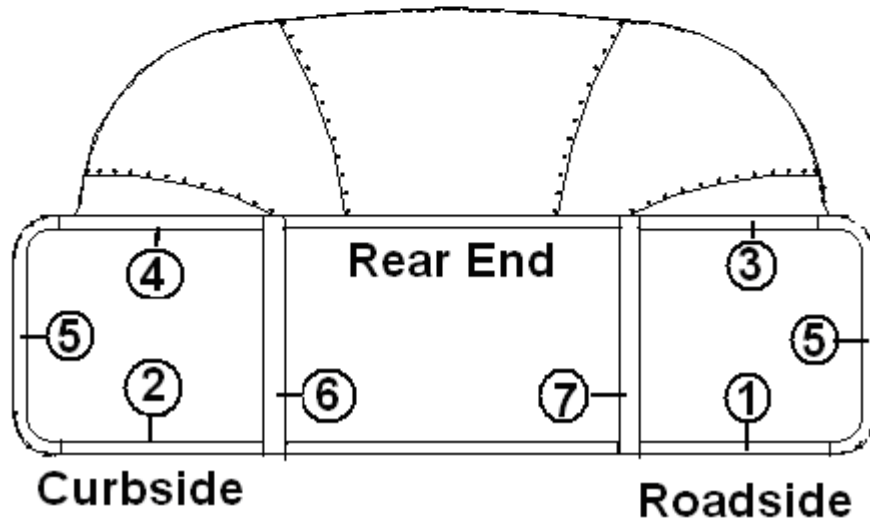
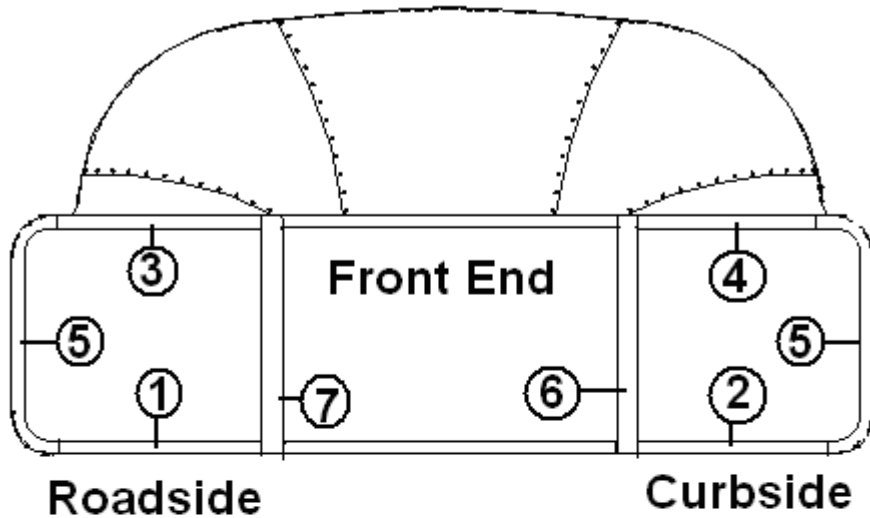
Stacked Window Trim

372225	TRIM RING INNER SUPPORT 30"
372226	TRIM RING INNER SUPPORT 18"
372228	TRIM RING-18"X 30" WINDOW
372227	TRIM RING-INNER SPACER 18" X 30"
372222	TRIM RING-30" STACK WINDOW CLEAR
372223	TRIM RING-18" STACK WINDOW CLEAR
203225-01	TRIM, gray flexible, goes around window rings
200967-01	TRIM RING, 18" X 30", FIXED

2009 INTERNATIONAL TRAVEL TRAILER

WINDOWS/SCREENS

Panoramic Window Trim



- | | |
|--------------|---------------------------|
| 1. 201579-02 | TRIM RING, LOWER, GRAY |
| 2. 201580-02 | TRIM RING, LOWER, GRAY |
| 3. 201581-05 | TRIM RING, UPPER, GRAY |
| 4. 201581-06 | TRIM RING, UPPER, GRAY |
| 5. 201578-02 | END CAP, TRIM RING GRAY |
| 6. 110900-03 | TRIM FORMED, ALUMINUM, RH |
| 7. 110900-04 | TRIM FORMED, ALUMINUM, LH |
| 203225-01 | TRIM LOK, GRAY .75" |

2009 INTERNATIONAL TRAVEL TRAILER

WINDOWS/SCREENS

Window Stone Guard

110102-01	Stone Guard, 1 piece, 27' FB, 25' FB
685275-100	3-Piece Stone, Panoramic Windows, Narrow Body
110188-01	3-Piece Stone, Panoramic Windows, Wide Body
685275-101	CS wrap window solar protector, stone guard
685275-102	RS wrap window solar protector, stone guard
685275-103	Stone guard, center piece only, 45.25", 16', 19'
110102	Stone guard, center piece only, Wide Body
685358	Turn fast stud
685362	Retainer, split ring
685359	Rubber receptacle
685361	Bracket, rubber receptacle
685363	Slip joint hinge, SS, CS per pair
683960	Arm support
683959	Arm support bracket
114749	HINGE "Y" ASSY. (ROCKGUARD ASSY.)
114750	HINGE "J" (ROCKGUARD ASSY.)
685364	BRKT, UPPER HINGE-45.375-STONEGUARD
381021-01	Latch, draw flexible
114815-01	Extrusion, frame aluminum
685354	Front window key, 90-degree angle riveted to inside corner of metal frame
685378-01	¼" rubber spline
685351	Rubber frame, black
290812-01	Plexi-glass, 28" x 84 " sheet
685355	SLIP JOINT S.S.HINGE
101401	Extrusion, door latch housing
380291	LATCH ASSY SET
380290	Housing for latch 380291
201056	STRIKER, MAIN DOOR, PLASTIC, BLACK

2009 INTERNATIONAL TRAVEL TRAILER

AWNINGS

PATIO AWNINGS

702993-13	AWNING, PATIO, 6' 8.25", 16'
702993-23	AWNING, PATIO, 6' 8.25", 16', Ocean Breeze
702993-26	AWNING, PATIO, 6' 8.25", 16' DWR
702993-09	AWNING, PATIO, 9' 8", 19'
702993-21	AWNING, PATIO 9'8", 19' Ocean Breeze
702993-15	AWNING, PATIO13' 5.25", 23' D
702993-20	AWNING, PATIO13' 5.25", 23' D, Ocean Breeze
702993-06	AWNING, PATIO, 16' 4.50", 25'
702993-18	AWNING-PATIO 16' 4.5", 25' Ocean Breeze
702993-17	AWNING, PATIO, 18' 4", 27' FB
702993-22	AWNING, PATIO, 18' 5.5", OCEAN BREEZE, 27' FB
702993-08	AWNING, PATIO, 18' 4 ½", 28' Signature
702993-24	AWNING, PATIO, 18' 4.5", OCEAN BREEZE, 28'
702993	HARDWARE MOUTING ZIP DEE #HE-AS7
385577	TAPE, CLEAR, WEAR STRIP, 3.5" WIDE

2009 INTERNATIONAL TRAVEL TRAILER

AWNINGS

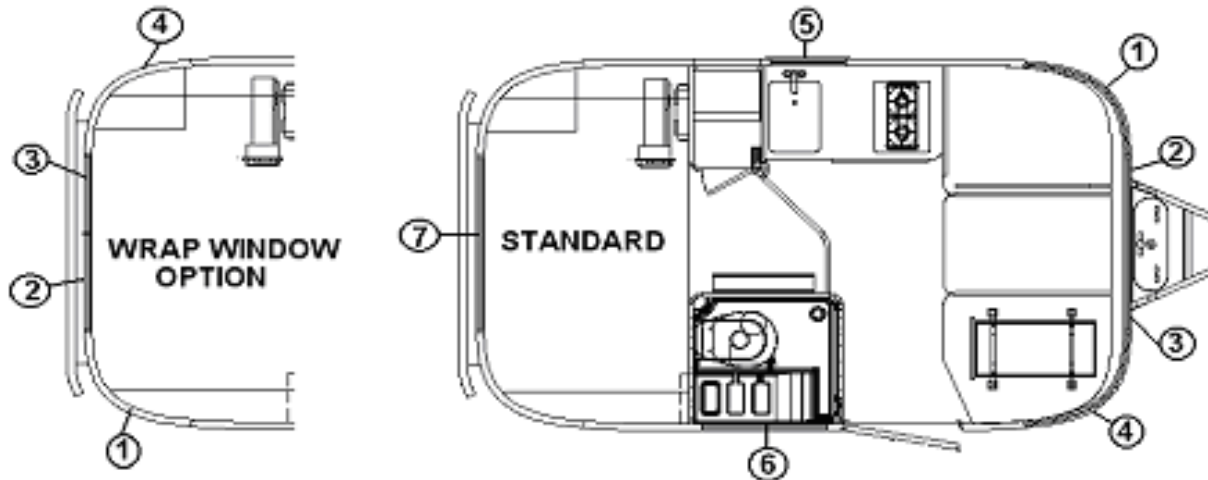
Window Awnings

703181-01 Awning, 47", rear window, Charcoal, 19'
703181-25 AWNING, WINDOW, 9'8", 19' Ocean Breeze
703181-13 Awning, 9' 8" RS window, Charcoal, 19'
703181-23 AWNING, REAR WINDOW, 47", Ocean Breeze, 19',
23' D
703181-16 AWNING 13' 5.25" WINDOW, 23' D
703181-24 AWNING, WINDOW, 13' 5.25", Ocean Breeze, 23' D
703181-05 Awning, 16' 4.5" RS window, Charcoal, 25' SS
703181-19 AWNING, WINDOW 52.63", 25'SS, Ocean Breeze
703181-18 AWNING, WINDOW 16' 4.5", 25' FB, Ocean Breeze
703181-15 Awning, 52.63", Rear window, Charcoal, 25'SS,
27'FB, 28'
703181-21 AWNING, WINDOW, 18' 6.25", 27' FB
703181-26 AWNING, WINDOW, 18' 6.25", 27' FB, Ocean Breeze
703181-22 AWNING, REAR WINDOW, 52.63", 25' FB, 27' FB,
28', Ocean Breeze
703181-12 Awning, 18' 4.5" RS window, Charcoal, 28'
703181-27 AWNING, WINDOW, 18' 4.50", 28' Ocean Breeze
385577 TAPE, CLEAR, WEAR STRIP, 3.5" WIDE

2009 INTERNATIONAL TRAVEL TRAILER

DRAPES/BLINDS

Drape/Shades, 16' Wenge

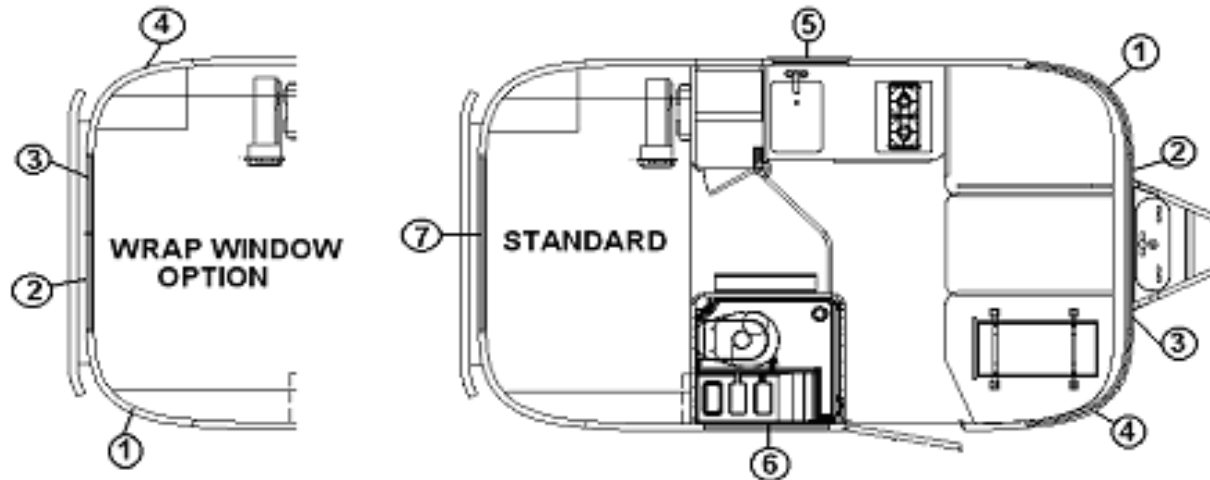


- | | |
|--------------|------------------------------------|
| 1. 998144-11 | DRAPE, RS SIDE PANEL, 40" X 25.5" |
| 2. 998144-12 | DRAPE, RS FRONT PANEL, 23" X 25.5" |
| 3. 998144-10 | DRAPE, CS FRONT PANEL, 23" X 25.5" |
| 4. 998144-09 | DRAPE, CS SIDE PANEL 40" X 25.5 |
| 5. 703700-07 | SHADE, PULL 17.75" X 34.00" L |
| 6. 703700-04 | SHADE, PULL, 29.75" X 34.00" L |
| 7. 703700-06 | SHADE, PULL 42.75" X 34" L |

2009 INTERNATIONAL TRAVEL TRAILER

DRAPES/BLINDS

Drape/Shades, 16' Ocean Breeze

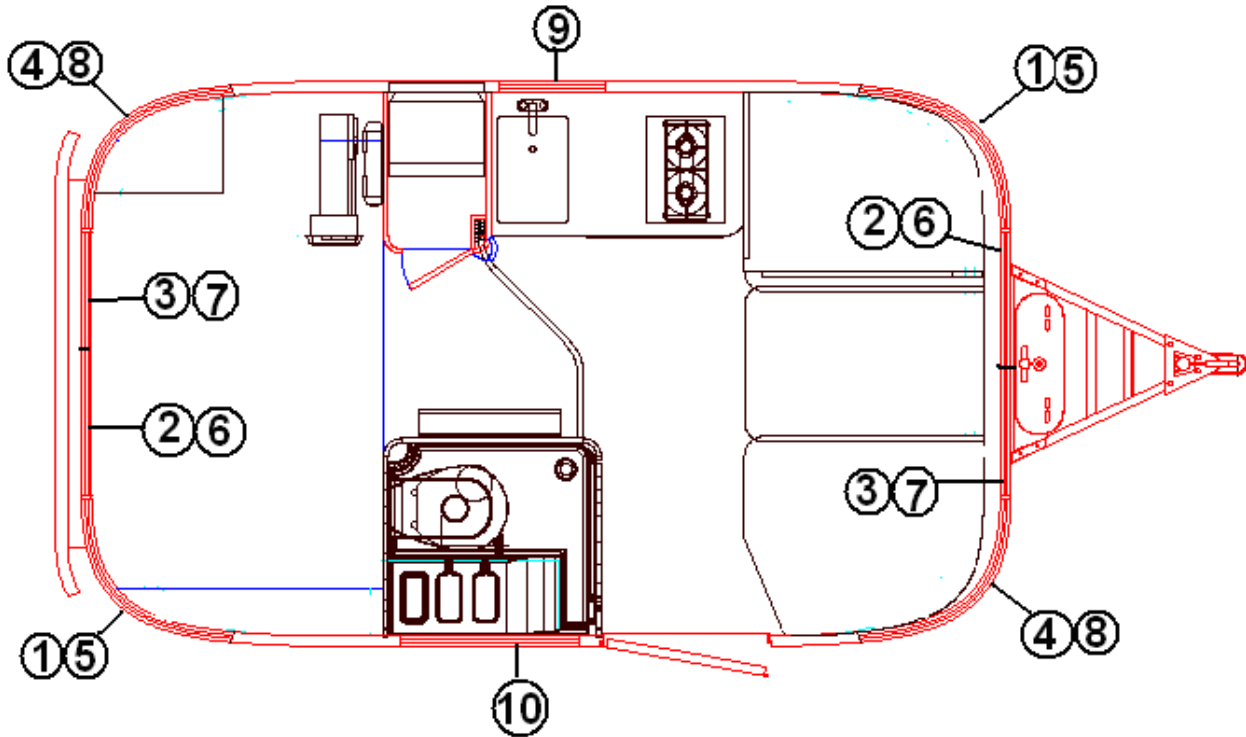


1. 998144-11OB DRAPE, RS SIDE PANEL, 40" X 25.5"
2. 998144-12OB DRAPE, RS FRONT PANEL, 23" X 25.5"
3. 998144-10OB DRAPE, CS FRONT PANEL, 23" X 25.5"
4. 998144-09OB DRAPE, CS SIDE PANEL 40" X 25.5
5. 703700-07 SHAD,E PULL 17.75" X 34.00" L
6. 703700-04 SHADE, PULL, 29.75" X 34.00"L
7. 703700-06 SHADE, PULL 42.75" X 34"L

2009 INTERNATIONAL TRAVEL TRAILER

DRAPES/BLINDS

Drape/Shades, 16 Ft. DRW

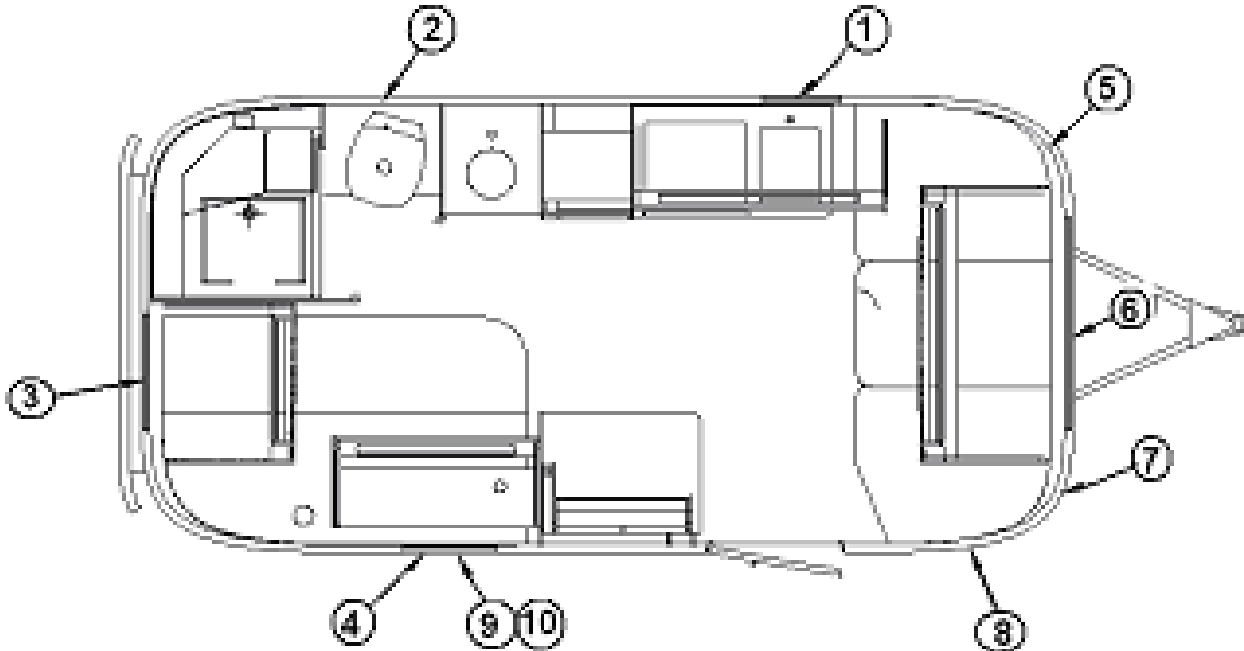


- | | |
|---------------|--------------------------------------|
| 1. 998195-01 | SHEER, FLAT, PANEL, LH, 37.50 X 25.5 |
| 2. 998195-02 | SHEER, FLAT, PANEL, LH, 23 X 25.5 |
| 3. 998195-03 | SHEER, FLAT, PANEL, RH, 23 X 25.5 |
| 4. 998195-01 | SHEER, FLAT, PANEL, LH, 37.5 X 25.5 |
| 5. 998194-01 | SHEER, FLAT, PANEL, LH, 38 X 25.5 |
| 6. 998194-02 | SHEER, FLAT, PANEL, RH, 22 X 25.5 |
| 7. 998194-03 | SHEER, FLAT, PANEL, RH, 22 X 25.5 |
| 8. 998194-04 | SHEER, FLAT, PANEL, RH, 38 X 25.5 |
| 9. 703700-04 | SHADE 29.75" X 34"L |
| 10. 703700-07 | SHADE 17.75 X 34L |
| 703709 | FABRIC, FLUCTUATION, DRAPE |
| 703710 | FABRIC, SPAN, SHEER |
| 703711 | Curtain, dividing, 51" x 72" |

2009 INTERNATIONAL TRAVEL TRAILER

DRAPES/BLINDS

Drapes/Shades, 19' Wenge



- | | |
|---------------|--|
| 1. 703700-01 | SHADE 19.00 X 24.00L |
| 2. 703700-07 | SHADE 17.75 X 34L |
| 3. 703700-05 | SHADE 19" X 34"L |
| 4. 703700-03 | SHADE 25.25 X 34L |
| 5. 998144-11 | DRAPE, ROADSIDE SIDE PANEL, 37" X 25.5" |
| 6. 998144-12 | DRAPE, CURBSIDE FRONT PANEL, 23" X 25.5" |
| 7. 998144-10 | DRAPE, CURBSIDE FRONT PANEL, 23" X 25.5" |
| 8. 998144-09 | DRAPE, CURBSIDE SIDE PANEL, 37" X 25.5" |
| 9. 998164-01 | CURTAIN PANEL, 16" NO PLEATS X 12" |
| 10. 998164-02 | CURTAIN PANEL, 16" NO PLEATS X 17" |

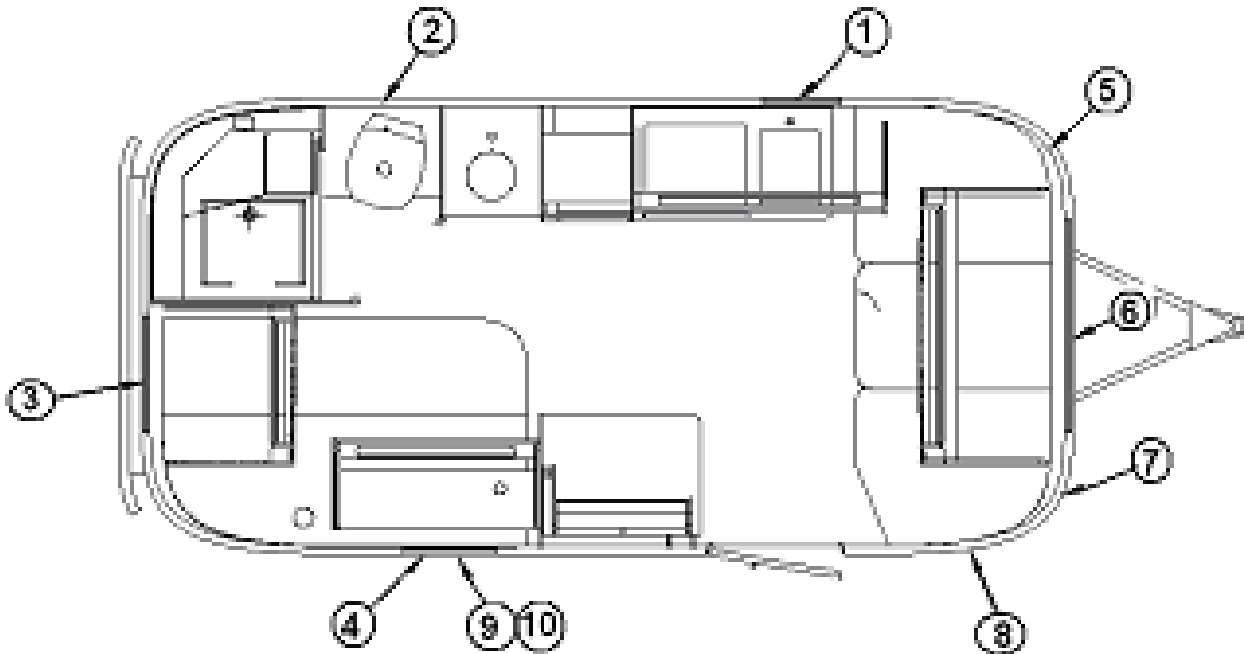
ITEM 4 NOT USED ON BUNK MODEL

ITEMS 9 & 10 USED ON BUNK MODEL ONLY

2009 INTERNATIONAL TRAVEL TRAILER

DRAPES/BLINDS

Drapes/Shades, 19' Ocean Breeze



- | | |
|----------------|--|
| 1. 703700-01 | SHADE 19.00 X 24.00L |
| 2. 703700-07 | SHADE 17.75 X 34L |
| 3. 998171-17 | CURTAIN PANEL, 16" X 22" |
| 4. 998171-18 | CURTAIN PANEL, 12" X 34.5" |
| 5. 998144-11OB | DRAPE, ROADSIDE SIDE PANEL, 37" X 25.5" |
| 6. 998144-12OB | DRAPE, CURBSIDE FRONT PANEL, 23" X 25.5" |
| 7. 998144-10OB | DRAPE, CURBSIDE FRONT PANEL, 23" X 25.5" |
| 8. 998144-09OB | DRAPE, CURBSIDE SIDE PANEL, 37" X 25.5" |
| 9. 998164-01 | CURTAIN PANEL, 16" NO PLEATS X 12" |
| 10. 998164-02 | CURTAIN PANEL, 16" NO PLEATS X 17" |

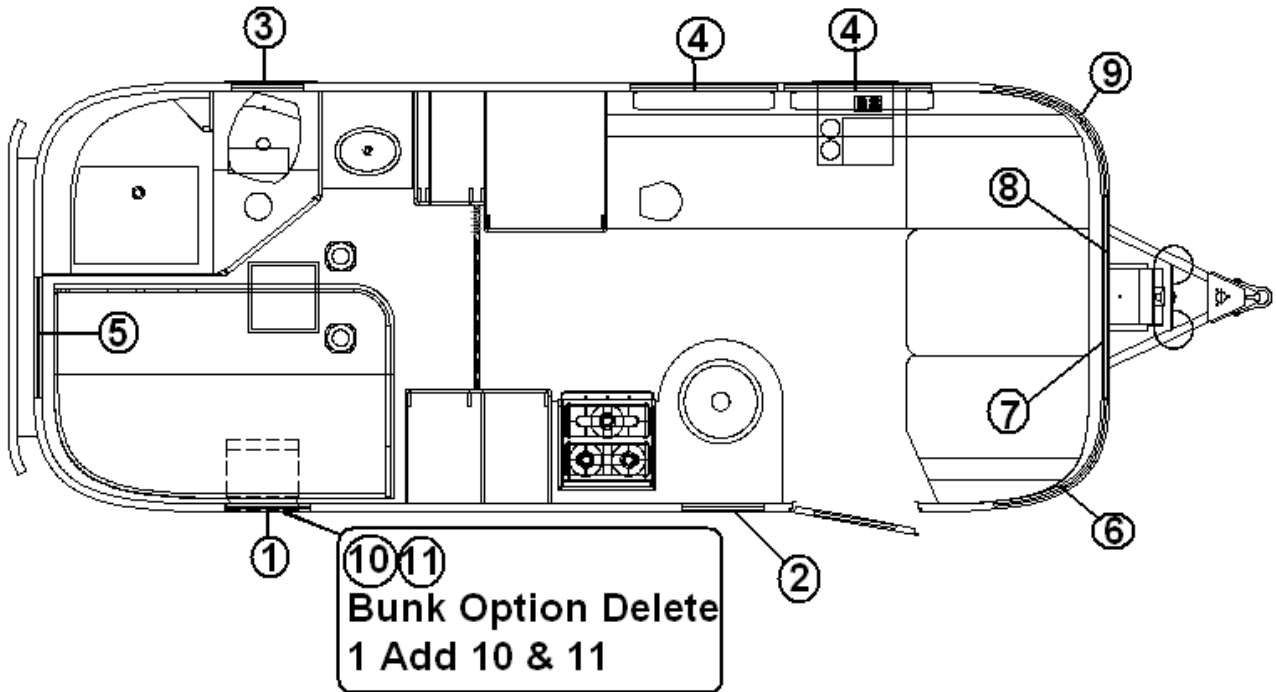
ITEM 4 NOT USED ON BUNK MODEL

ITEMS 9 & 10 USED ON BUNK MODEL ONLY

2009 INTERNATIONAL TRAVEL TRAILER

DRAPES/BLINDS

Drapes/Shades, 23' D Wenge

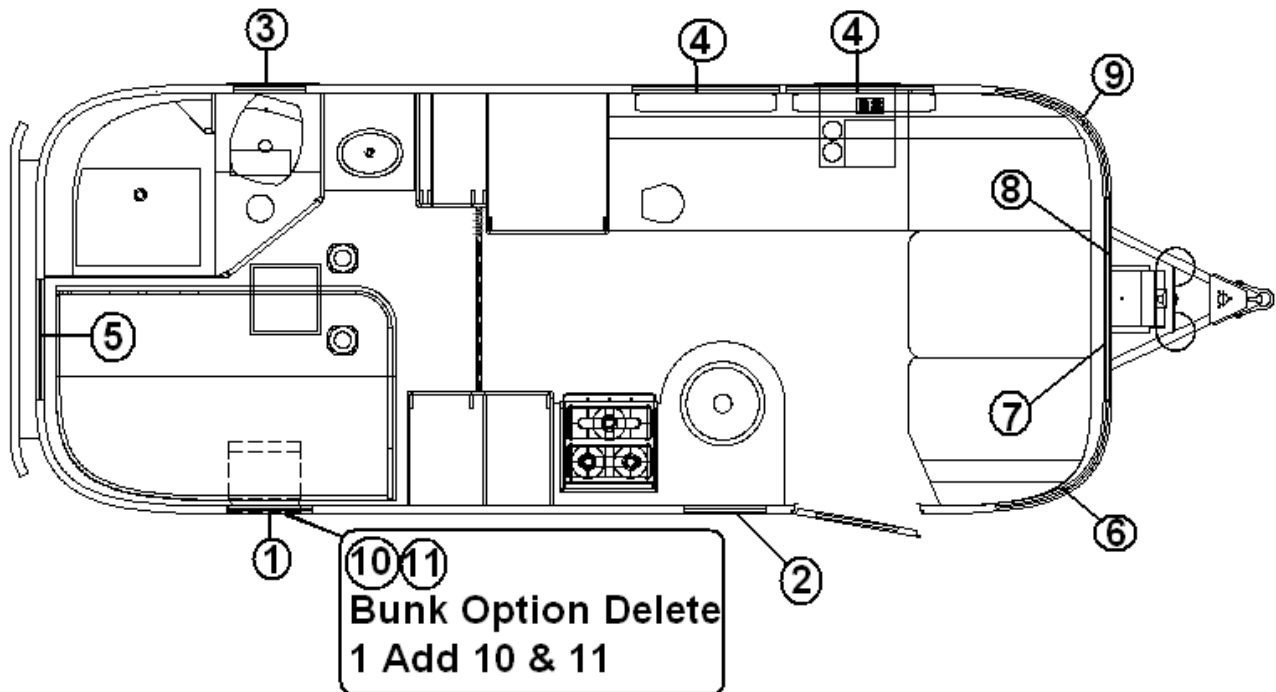


1. 703700-05	SHADE, PULL, 19.00W X 34.00L
2. 703700-01	SHADE, PULL, 19.00W X 24.00L
3. 703700-07	SHADE, PULL, 18.50W X 34.00L
4. 703700-04	SHADE, PULL, 29.75W X 34.00L
5. 703700-03	SHADE, PULL, 25.25W X 34.00L
6. 998144-09	DRAPE, CS SIDE PANEL, 37" X 25.5"
7. 998144-10	DRAPE, CS FRONT PANEL, 23" X 25.5"
8. 998144-12	DRAPE, CS FRONT PANEL, 23" X 25.5"
9. 998144-11	DRAPE, RS SIDE PANEL, 37" X 25.5"
10. 998164-02	CURTAIN PANEL, 16" NO PLEATES X 17"L
11. 998164-01	CURTAIN PANEL, 16" NO PLEATES X 12"L
703462-04	SHADE, PULL, 31.25 X 9.5, GRAY, VISTA VIEW

2009 INTERNATIONAL TRAVEL TRAILER

DRAPES/BLINDS

Drapes/Shades, 23' D Ocean Breeze

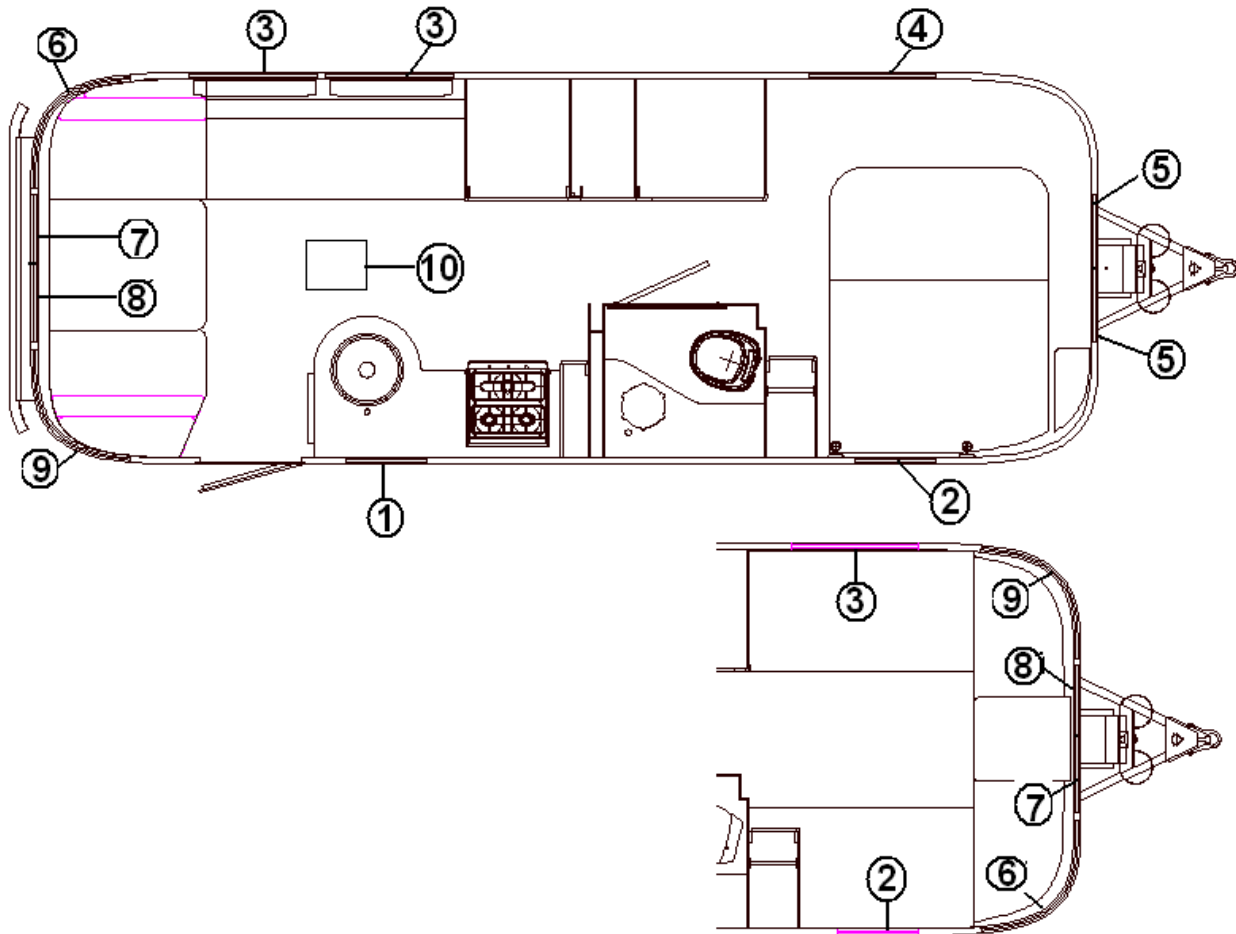


- | | |
|-----------------|--|
| 1. 998171-18 | PANEL, CURTAIN, 12"W X 34.5" |
| 2. 703700-01 | SHADE, PULL, 19.00W X 24.00L |
| 3. 703700-07 | SHADE, PULL, 17.75W X 34.00L |
| 4. 703700-04 | SHADE, PULL, 29.75W X 34.00L |
| 5. 998171-17 | PANEL, CURTAIN, 15.5" X 22" |
| 6. 998144-09OB | DRAPE, CS SIDE PANEL, 40" X 25.5" |
| 7. 998144-10OB | DRAPE, CS FRONT PANEL, 23" X 25.5" |
| 8. 998144-12OB | DRAPE, RS FRONT PANEL, 23" X 25.5" |
| 9. 998144-11OB | DRAPE, CS SIDE PANEL, 37" X 25.5" |
| 10. 998164-02OB | CURTAIN PANEL, 16" NO PLEATES X 17"L |
| 11. 998164-01OB | CURTAIN PANEL, 16" NO PLEATES X 12"L |
| 703462-04 | SHADE, PULL, 31.25 X 9.5, GRAY, VISTA VIEW |

2009 INTERNATIONAL TRAVEL TRAILER

DRAPES/BLINDS

Drapes/Shades, 25' Front Bed Wenge

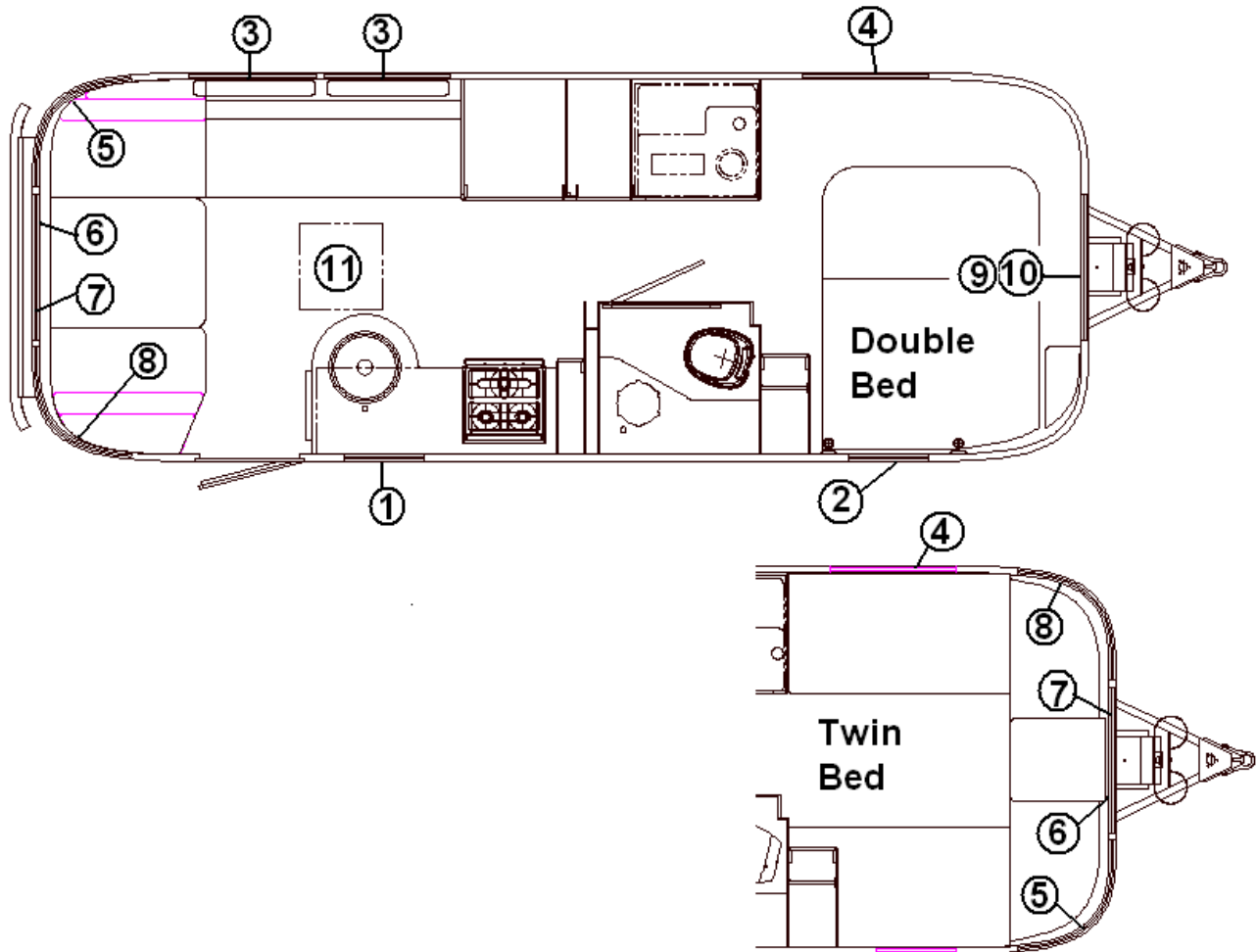


- | | |
|---------------|--|
| 1. 703700-05 | SHADE, PULL, 19.00W X 34.00L |
| 2. 703700-07 | SHADE, PULL, 17.75W X 34.00L |
| 3. 703700-04 | SHADE, PULL, 29.75W X 34.00L |
| 4. 703700-04 | SHADE, PULL, 29.75W X 34.00L |
| 5. 998171-09 | CURTAIN, 28.5" X 25.5" |
| 6. 998144-11 | DRAPE, ROADSIDE SIDE PANEL, 37" X 25.5 |
| 7. 998144-05 | DRAPE, CS FRONT PANEL, 27" X 29" |
| 8. 998144-07 | DRAPE, RS FRONT PANEL, 27" X 29" |
| 9. 998144-09 | DRAPE, CS SIDE PANEL, 37" X 25.5" |
| 10. 702804-03 | SHADE, PLEATED, SKYLIGHT |

2009 INTERNATIONAL TRAVEL TRAILER

DRAPES/BLINDS

Drapes/Shades, 25' Front Bed Ocean Breeze

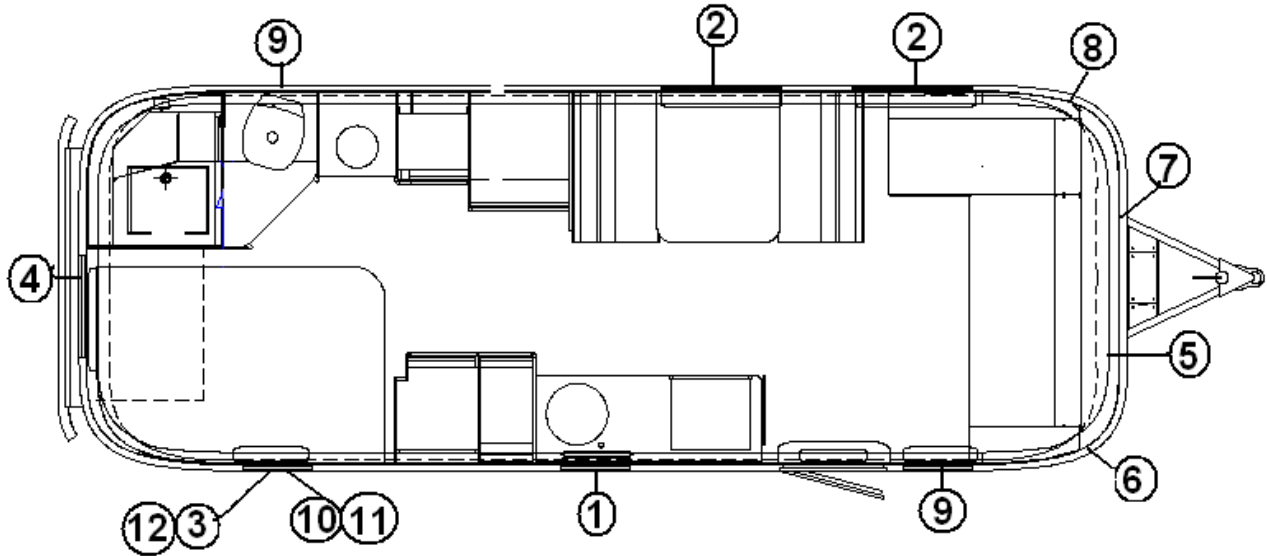


- | | |
|-----------------|--|
| 1. 703700-05 | SHADE, PULL, 19.00W X 34.00L |
| 2. 998171-18 | CURTAIN, 14" X 34.5" |
| 3. 998171-04 | CURTAIN, 18" X 34.5" |
| 4. 998171-20 | CURTAIN, 18" X 34.5" |
| 5. 998144-110B | DRAPE, ROADSIDE SIDE PANEL, 37" X 25.5 |
| 6. 998144-050B | DRAPE, CS FRONT PANEL, 27" X 29" |
| 7. 998144-070B | DRAPE, RS FRONT PANEL, 27" X 29" |
| 8. 998144-090B | DRAPE, CS SIDE PANEL, 37" X 25.5" |
| 9. 998144-060B | DRAPE, 30" X 29" |
| 10. 998144-080B | DRAPE, CS SIDE PANEL, 30" X 29" |
| 11. 702804-03 | SHADE, PLEATED, SKYLIGHT |

2009 INTERNATIONAL TRAVEL TRAILER

DRAPES/BLINDS

Drapes/Shades, 25' Sleep Six Wenge

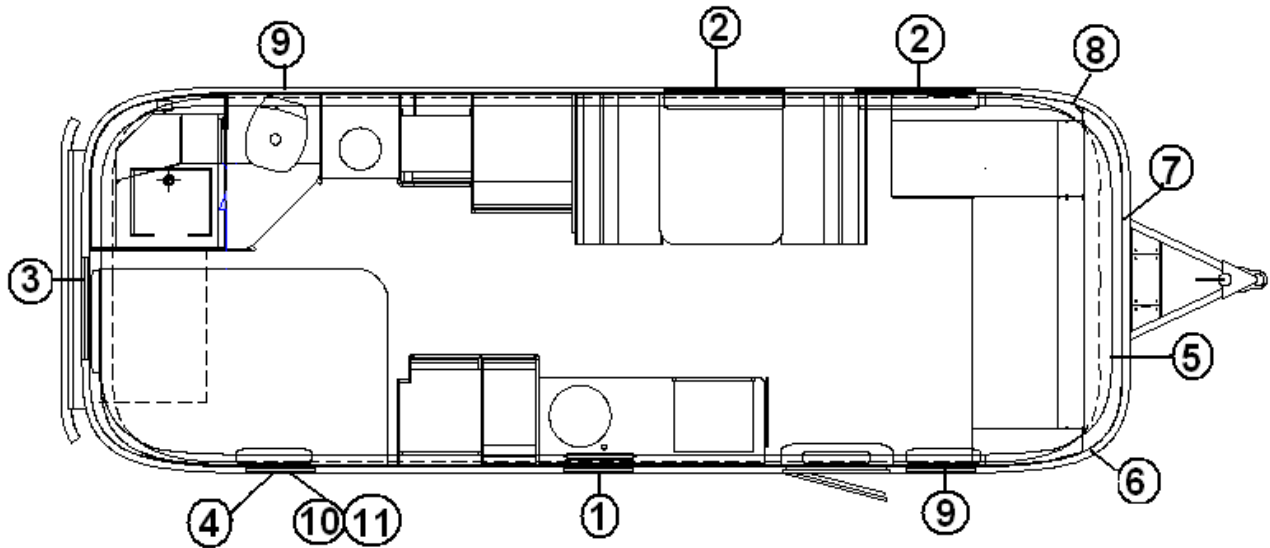


- | | |
|---------------|---|
| 1. 703700-01 | SHADE-PULL WHITE 19.00"X 24.00 |
| 2. 703700-04 | SHADE-PULL WHITE 29.75" X 34.00" |
| 3. 703700-05 | SHADE 19" X 34"L, STANDARD |
| 4. 703445-03 | PULL SHADE W/TAB, 25.25" X 24.00" |
| 5. 998144-05 | DRAPE-CS FRONT PANEL 27" X 25.50" |
| 6. 998144-09 | DRAPE-CS SIDE PANEL, 37" X 25.50" |
| 7. 998144-07 | DRAPE-RS FRONT PANEL 27"X 25.50" |
| 8. 998144-11 | DRAPE-RS SIDE PANEL 37" X 25.50" |
| 9. 703700-07 | SHADE PULL, 17.75" X 34.00" |
| 10. 998164-01 | CURTAIN, 16" X 17", BUNK OPTION |
| 11. 998164-02 | CURTAIN, 16" X 17", BUNK OPTION |
| 12. 703700-03 | SHADE 25.25" X 34"L, BUNK OPTION |
| 703462-03 | SHADE, PULL 19.25" X 9.5", 18" VISTA VIEW |
| 703462-04 | SHADE, PULL 31.25" X 9.5", 30" VISTA VIEW |

2009 INTERNATIONAL TRAVEL TRAILER

DRAPES/BLINDS

Drapes/Shades, 25' Sleep Six Ocean Breeze

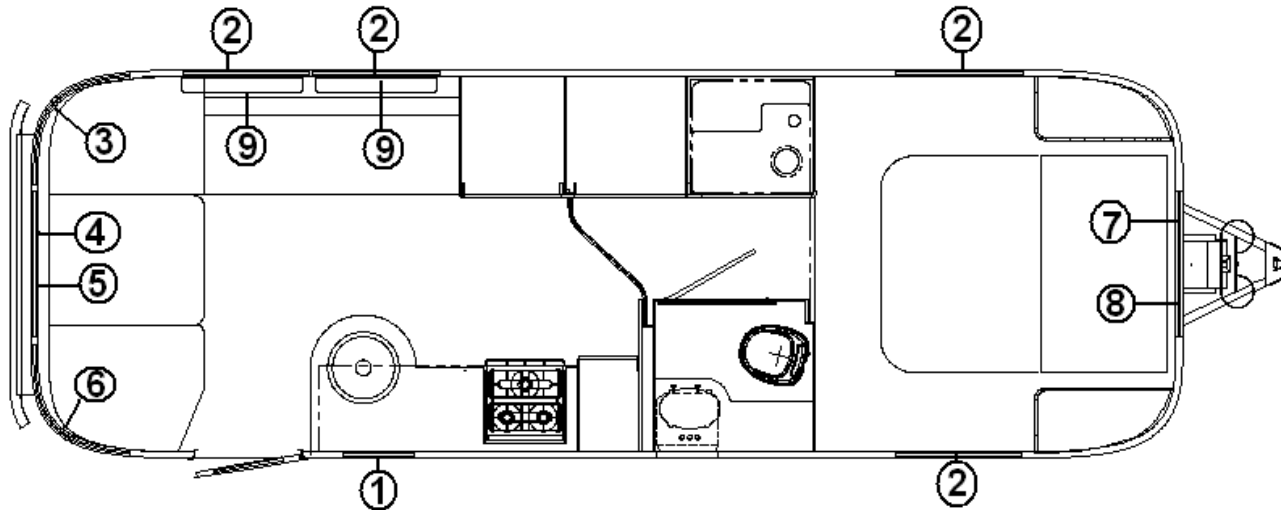


- | | |
|---------------|---|
| 1. 703700-01 | SHADE-PULL WHITE 19.00" X 24.00 |
| 2. 703700-04 | SHADE-PULL WHITE 29.75" X 34.00" |
| 3. 998171-17 | DRAPE, REAR, 15.50" X 22.00" |
| 4. 998171-18 | DRAPE, REAR, 12.00" X 34.50" |
| 5. 998144-05 | DRAPE-CS FRONT PANEL 27" X 25.50" |
| 6. 998144-09 | DRAPE-CS SIDE PANEL, 37" X 25.50" |
| 7. 998144-07 | DRAPE-RS FRONT PANEL 27" X 25.50" |
| 8. 998144-11 | DRAPE-RS SIDE PANEL 37" X 25.50" |
| 9. 703700-07 | SHADE PULL, 17.75" X 34.00" |
| 10. 998164-01 | CURTAIN, 16" X 17", BUNK OPTION |
| 11. 998164-02 | CURTAIN, 16" X 17", BUNK OPTION |
| 703462-03 | SHADE, PULL 19.25" X 9.5", 18" VISTA VIEW |
| 703462-04 | SHADE, PULL 31.25" X 9.5", 30" VISTA VIEW |

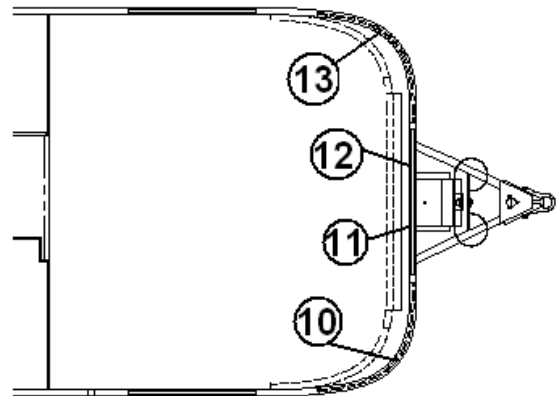
2009 INTERNATIONAL TRAVEL TRAILER

DRAPES/BLINDS

Drapes/Shades, 27' Front Bed Wenge



**Panoramic
Window Option**

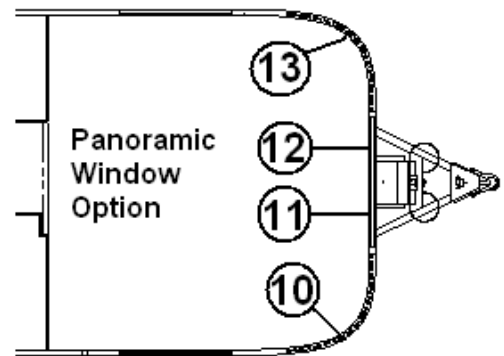
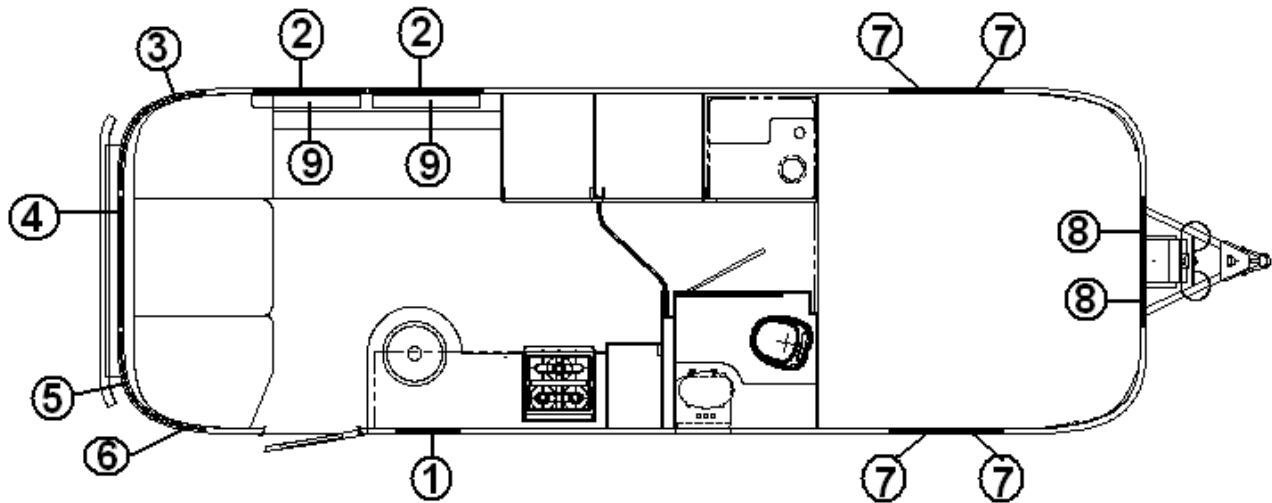


- | | |
|---------------|---|
| 1. 703700-05 | SHADE, 19.00"W X 34.00"L |
| 2. 703700-04 | SHADE, 29.75"W X 34.00"L |
| 3. 998144-09 | DRAPE, CS SIDE PANEL, 37" X 25.5" |
| 4. 998144-05 | DRAPE, CS FRONT PANEL, 27"X 29" |
| 5. 998144-07 | DRAPE, RS FRONT PANEL, 27"X 29" |
| 6. 998144-11 | DRAPE, RS SIDE PANEL, 37" X 25.5" |
| 7. 998144-06 | DRAPE, CS REAR PNL, 30"X 29" |
| 8. 998144-08 | DRAPE, RS REAR PNL, 30"X 29" |
| 9. 703462-04 | SHADE, 31.25" X9.5", Gray Vista View |
| 10. 998144-09 | Drape, CS side panel, 37" x 25.5" |
| 11. 998144-05 | Drape, CS front panel, 27" x 25.5" |
| 12. 998144-07 | Drape, RS front panel, 27" x 25.5" |
| 13. 998144-11 | Drape, RS side panel, 37" x 25.5" |
| 703462-04 | SHADE, PULL, 31.25 X 9.5, GRAY VISTA VIEW |

2009 INTERNATIONAL TRAVEL TRAILER

DRAPES/BLINDS

Drapes/Shades, 27' Front Bed Ocean Breeze

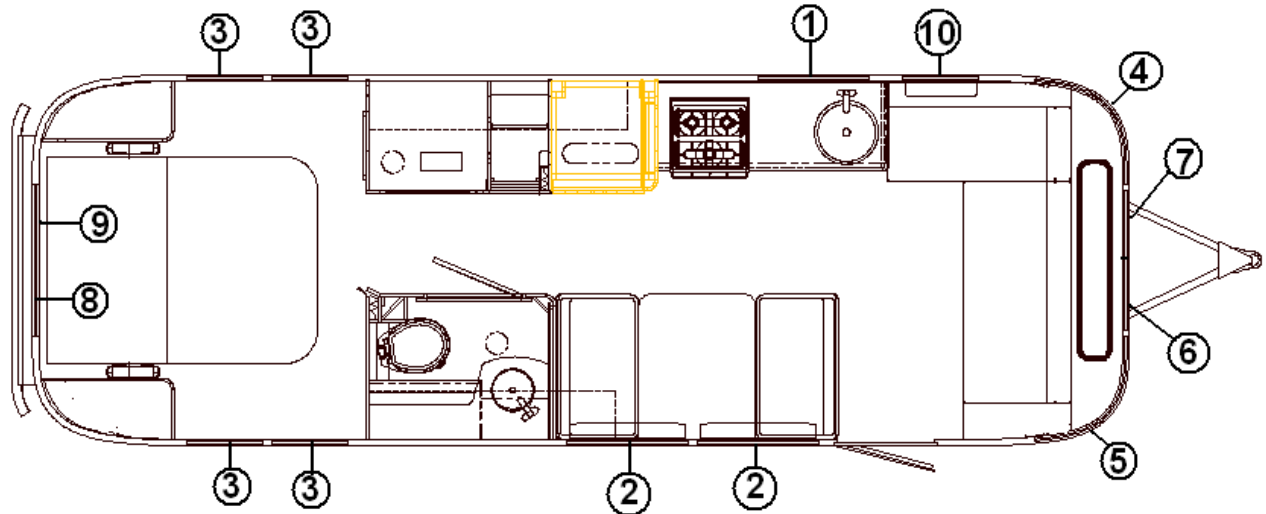


- | | |
|---------------|---------------------------------------|
| 1. 703700-01 | SHADE, 19.00"W X 24.00"L WHITE |
| 2. 703700-04 | SHADE, 29.75"W X 34.00"L WHITE |
| 3. 998144-09 | DRAPE, CS SIDE PANEL, 37" X 25.5" |
| 4. 998144-05 | DRAPE, CS FRONT PANEL, 27"X 29" |
| 5. 998144-07 | DRAPE, RS FRONT PANEL, 27"X 29" |
| 6. 998144-11 | DRAPE, RS SIDE PANEL, 37" X 25.5" |
| 7. 998171-20 | DRAPE, CS REAR PNL, 18"X 35.50" |
| 8. 998171-21 | DRAPE, RS REAR PNL, 30"X 30" |
| 9. 703462-04 | SHADE, 31.25" X 9.5", Gray Vista View |
| 10. 998144-09 | Drape, CS side panel, 37" x 25.5" |
| 11. 998144-05 | Drape, CS front panel, 27" x 25.5" |
| 12. 998144-07 | Drape, RS front panel, 27" x 25.5" |
| 13. 998144-11 | Drape, RS side panel, 37" x 25.5" |

2009 INTERNATIONAL TRAVEL TRAILER

DRAPES/BLINDS

Drapes/Shades, 28' Wenge

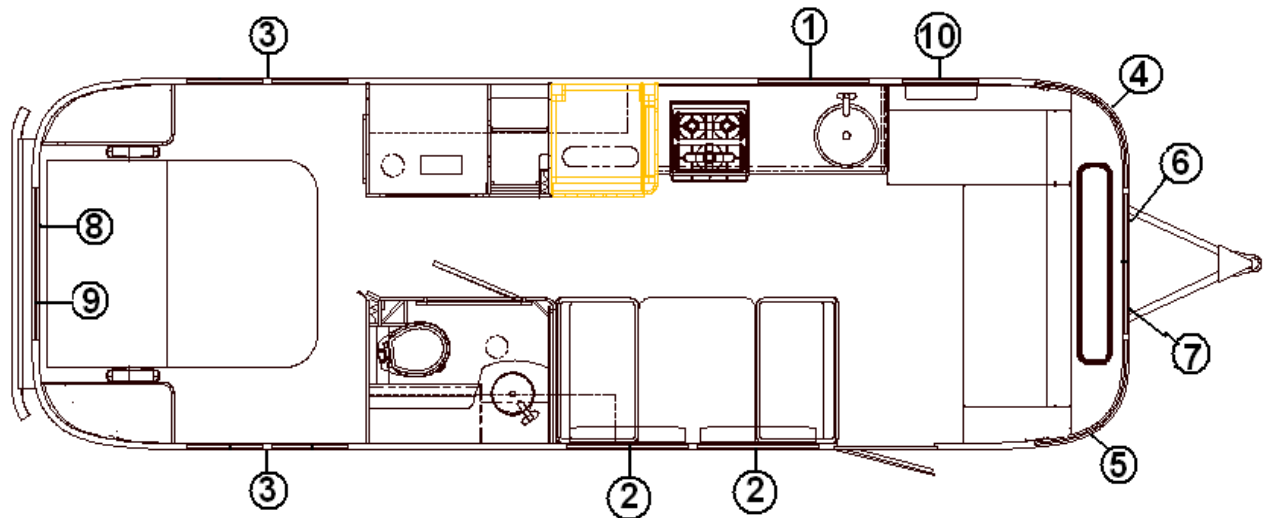


- | | |
|---------------|----------------------------------|
| 1. 703700-02 | SHADE, 32.5" X 24L |
| 2. 703700-04 | SHADE, 29.75" X 34"L |
| 3. 703700-05 | SHADE, 19" X 34"L |
| 4. 998144-11 | DRAPE, RS SIDE PANEL 37" X 25.5 |
| 5. 998144-09 | DRAPE, CS SIDE PANEL 37" X 25.5 |
| 6. 998144-07 | DRAPE, RS FRONT PANEL, 27" X 29" |
| 7. 998144-05 | DRAPE, CS FRONT PANEL, 27" X 29" |
| 8. 998144-06 | DRAPE, CS REAR PANEL, 30" X 29" |
| 9. 998144-08 | DRAPE, RS REAR PANEL, 30" X 29" |
| 10. 703700-07 | SHADE, 17.75" X 34"L |

2009 INTERNATIONAL TRAVEL TRAILER

DRAPES/BLINDS

Drapes/Shades, 28' Ocean Breeze

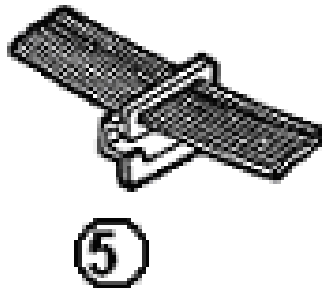
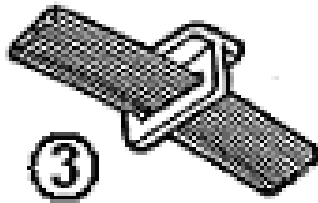


1. 703700-02 SHADE, 32.5" X 24L
2. 703700-04 SHADE, 29.75" X 34"L
3. 998171-24OB PANEL, 27.00" W X 34.00"L
4. 998144-11OB DRAPE, RS SIDE PANEL 37" X 25.5
5. 998144-09OB DRAPE, CS SIDE PANEL 37" X 25.5
6. 998144-07OB DRAPE, RS FRONT PANEL, 27" X 29"
7. 998144-05OB DRAPE, CS FRONT PANEL, 27" X 29"
8. 998144-06OB DRAPE, CS REAR PANEL, 30" X 29"
9. 998144-08OB DRAPE, RS REAR PANEL, 30" X 29"
10. 703700-07 SHADE, 1.75" X 34"L

2009 INTERNATIONAL TRAVEL TRAILER

DRAPES/BLINDS

Drape Hardware



- | | |
|-----------|-----------------------------|
| 1. 101220 | Bracket, curtain stand off |
| 2. 101217 | Track, curtain |
| 3. 700044 | Glides, w/elastic, T" type |
| 4. 101225 | Bracket, curtain, stand off |
| 5. 700045 | Glides, w/elastic, "G" type |
| 6. 200785 | End, curtain track, LH |
| 7. 200784 | End, curtain track, RH |

2009 INTERNATIONAL TRAVEL TRAILER

DRAPES/BLINDS

Drape Parts/Material

702761	FABRIC WHITE. WENGE
700473	DRAPERY LINING, MARLINE WHITE, 48", WENGE
703709	FABRIC, FLUCTUATION, DRAPE, Ocean Breeze
703710	FABRIC, SPAN, SHEER, Ocean Breeze
700013	PERMA TAPE #4813-3IN 100 YD ROLL
700045	GLIDES, CURTAIN, G3 W/ELASTIC
700005	FASTENER, CAP
700006	FASTENER SOCKET
700020	PILE VELCRO
700021	HOOK, VELCRO, WHITE
340030	FASTENER STUD NICKEL PLATED
100099	EXTR, ALUM. CURTAIN TRACK TOP

2009 INTERNATIONAL TRAVEL TRAILER

ELECTRICAL, 110 VOLT

Shoreline Cord/Converter

511416-02	30-amp, male power inlet for power cord
511416-03	POWER CORD 30A, 30' W/CONN UL/CSA
511416-01	POWER CORD, 30 AMP, CSA
511654-01	POWER CENTER-110V/12V MAGNATEK, BROWN
511654-02	POWER CENTER-110V/12V MAGNATEK, WHITE

Breakers/Breaker Box

453573	MOUNTING BRACKET-BREAKER BOX
510564-03	Breaker, Bryant, 15-15
510564-04	Breaker 20-20, Bryant, CSA
510564-05	Breaker 30-20, Bryant
510564-06	Breaker 20 GFI, Bryant, CSA
510564-07	Breaker 15 GFI, Bryant, CSA

Interior/Exterior Receptacles

500563-01	Receptacle, 15 amp, white
500563-100	SCREW-WHITE FOR P/N 500563-01
382070	Non-skid rubber dot for 500563-01
511287	Receptacle, 15 amp, single
510676-01	Outlet, exterior, gray
511023	Circuit tester (loose item)
500967-01	COVER, BLANK, ELECTRICAL OUTLET, IVORY
511451-02	RECEPTACLE 20A SINGLE BROWN XL
510888-07	RECEPTACLE COVER, WHITE

Junction Box

510014	BOX JUNCTION OCTAGON #54151-C
510015	BOX COVER #54C-1
510475	CLIP, GROUND
510110	CLAMPS ADHESIVE BACKED

2009 INTERNATIONAL TRAVEL TRAILER

ELECTRICAL, 110 VOLT

Generator Prep, Optional

510562	SWITCH, GENERATOR SWITCH OVER AUTO TS
511416-02	POWER INLET, 30A, 125V, MALE
385062	DECAL 110-125 VOLTAGE AC
511654-03	POWER CENTER, MAGNETEK, BLACK W/30 AMP A/C TRANSFER SWITCH
511654-04	POWER CENTER, MAGNETEK, WHITE W/30 AMP A/C TRANSFER SWITCH

Microwave Switch, 27' Front Bed

201787-01	POCKET DEADBOLT INTERIOR 2.25D
511451-02	RECEPTACLE 20A SINGLE BROWN XL
512221	SWITCH-LEVER 300V 10A

Inverter, 600 Watt

511968	INVERTER 600W W/REMOTE
511969	110A FUSE & FUSE BLACK
500039	GROUND LUG
500563-01	RECEPTACLE, 15A 125V T & B TYPE
500563-100	SCREW-WHITE FOR P/N 500563-01
382070	Non-skid rubber dot for 500563-01
511451-01	RECEPTACLE 20A SINGLE WHITE XL
511286-03	WIRE, TELE.26GA FLAT RED#191824

Tester, 110 Volt Circuit Analyzer

511023	TESTER CIRCUIT ANALYZER 3 WIRE
--------	--------------------------------

2009 INTERNATIONAL TRAVEL TRAILER

ELECTRICAL, 12 VOLT

Battery

511596	Battery, deep cycle, lead acid
511595	Battery box
500836	Positive battery cable
500837	Negative Battery cable
203415	BATTERY TRAY
340023-01	CATCH, ASSEMBLY
512049-01	CABLE-RED JUMPER BAT. 6GA 7.75
512049-02	CABLE-BLK JUMPER BAT.6GA 7.75"
510947-20	BREAKER, 12V DC, TYPE II, #12V, 20 Amp

Battery Disconnect

511655-01	BEZEL ASSY-BLACK/SILVER
511655-02	RELAY 100 AMP 12VOLT
511655-03	CABLE, 20 Ft.
511655-05	CABLE, BDO, 30'

Interior Lights

512242	LIGHT, INCANDESCENT W/SINGLE SWITCH
511694	Reading light, halogen, Nickel
511297-01	LIGHT-HALOGEN, READING W/SWITCH NICKEL
511695	SPOTLIGHT-BRUSHED NICKEL
511695-01	SPOT LIGHT-SURFACE MOUNT HALOGEN BRIGHT
512037	SCONCE, WALL, OCEAN BREEZE
512180	SHADE-LAMP 1/2 MOON W/REED, OCEAN BREEZE
511971	LIGHT, 12V DLB W/SWITCH
511694-01	READING LIGHT-HALO.NICKEL/BRASS
511970	LIGHT, 12V SINGLE W/SWITCH

2009 INTERNATIONAL TRAVEL TRAILER

ELECTRICAL, 12 VOLT

Monitor System

511788-01	Monitor panel, CATCON Micropulse
511252	PLUG PHONE 4 CONDUCTOR
511789	SENSOR-TANK MONITOR #500-10050
511393	COUPLER-MODULAR EXTENSION 4 CONDUCTOR
511286-01	WIRE-TELEPHONE 26GA FLAT BACK
511286-02	WIRE-TELEPHONE 26GA FLAT IVORY
511789-01	BOOT-SENSOR #500-20010-05

Solar Panel System

511828	BATTERY-12V DEEP CYCLE AGM
511845	BATTERY-12V DEEP CYC.GP.27 MAT, 23' D
511142-01	PANEL-SOLAR 53 WATT VLX-53
511142-02	BRACKET-MOUNTING KIT SOLAR PANEL
512318	HOLDER W/1 AMP FUSE, IN-LINE
510328	FUSE, AGC 10
385947	LABEL-10 AMP FUSE MAX
511846	KIT-CHARGE CONTROLLER DISPLAY
511851	CABLE- CAT 5E BLUE
511852	CONNECTOR- RJ45E
512049-03	JUMPER CABLE, BATTERY, W/.38 ENDS

7-Way Cable/Breakaway Switch

500886-01	7-Way cable w/plug
510743	Ground bar, 3 1/2" long
511411	Junction box, 7 terminals
0300027	Break away switch, Bargman
454526	Bracket, breakaway switch

2009 INTERNATIONAL TRAVEL TRAILER

ELECTRICAL, 12 VOLT

Switches

500913-03	SWITCH T & B WHITE
500933	SWITCH-WATER HEATER ELECTRONIC
502056	Mounting plate, 12 volt switch
510947-20	BREAKER, 12V DC, TYPE II, #12V 20APP
511100	SWITCH BODY WITH SWITCHES
511327	Switch body w/rocker, single, white
511658	SWITCH BODY W/COVER 3-GANG
511665	SWITCH ASSY-CEILING WHITE
511566-01	SWITCH COVER-2 GANG BLK-#10072
511566-02	Cover, switch, Printed, Two Gang, White
511567-01	SWITCH BODY W/ROCKER SW 2 GANG BLACK
511567-02	Switch body w/Rocker switches two gang white
511669	SWITCH ASSY-SHOWER WHITE
511672	SWITCH BODY W/COVER 3 GANG BLACK
511673	SWITCH COVER-TWO GANG BLACK
511674	SWITCH COVER-ONE GANG BLACK
511731-01	SWITCH-WATER HEATER BLACK
511763	SWITCH W/COVER & INDICATOR, LOUNGE/PATIO
511781	SWITCH ASSY-LIGHTED 2GANG ROCK
511784	SWITCH BODY W/COVER 4-GANG BLACK
511785	COVER-SWITCH SPDT INDIRECT BLACK
511799	SWITCH-W/COVER VANITY/INDIRECT
511809	SWITCH BODY W/COVER 4-GANG
511817	COUPLER ASSY-IN LINE PHONE JACK
511844	SWITCH BODY W/COVER 4-GANG
510888-05	RECEPTACLE W/COVER GFI WHITE
511975	SWITCH ASSY-4 GANG BLACK
511977	SWITCH ASSY-SPDT BLACK 28' INT
511976	SWITCH ASSY SPST 1 GANG BLACK
511979	SWITCH ASSY-3 GANG BLACK
511980	SWITCH ASSY-4 GANG BLACK
511999	SWITCH ASSY-2 GANG BLACK
512217-01	SWITCH BLANK BLACK

2009 INTERNATIONAL TRAVEL TRAILER

ELECTRICAL, 12 VOLT

Exterior Lights

500092	Patio light, round, Signal Stat
14699WR	Bulb, patio light #1156
510732-02	Utility light (by main door)
512252	Utility light (by main door), LED
511407	License plate light/holder, Black
511407-01	Gasket, License plate light/holder
512227	Red LED clearance light
512227-01	Chrome base, red LED clearance light
512227-02	Sealed light bezel, red LED clearance light
512227-03	Foam gasket, red LED clearance light
512226	Amber LED clearance light
512226-01	Chrome base, amber LED clearance light
512226-02	Sealed light bezel, amber LED clearance light
512226-03	Foam gasket, amber LED clearance light
510112	AMBER CLEARANCE LIGHT, DOUBLE BULB, CSA
511294	LIGHT LICENSE PLATE, 23'D
994165	Entrance light assembly above main door
101323	CASTING, ALUM STEP LIGHT, POLISHED
201185	LENS STEP LIGHT
512129	SOCKET, #921 BULB
512128	BULB, 12V/18WATT, WEDGE BASE CLE

2009 INTERNATIONAL TRAVEL TRAILER

ELECTRICAL, 12 VOLT

LED tail light assemblies 952696-01 and -02 were replaced by 952929-01 and -02 during model year. Trim ring and LED light changed, casting remained the same. New assembly no longer needs the brackets and plastic pockets.

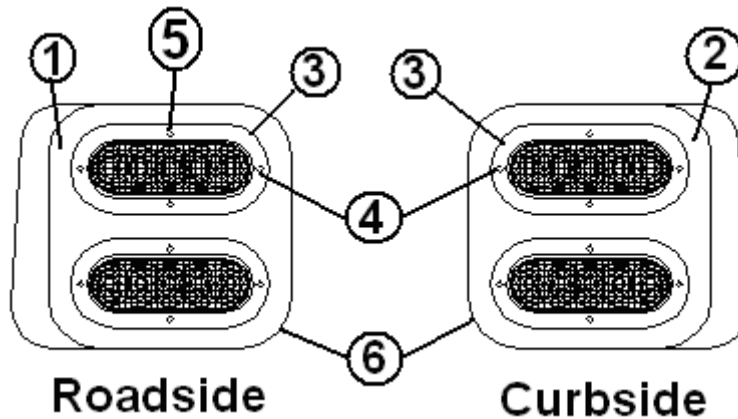
Taillight Assembly, 952696

952696-01	Tail light assembly RS
952696-02	Tail light assembly CS
511664-01	CASTING-TAILLIGHT R.S.
511664-02	CASTING-TAILLIGHT C.S.
511661	TAILLIGHT-LED OVAL 6"
203386-01	POCKET-INNER TAILLIGHT LH
203386-02	POCKET-INNER TAILLIGHT RH
511662	TRIM RING-TAILLIGHT W/VISOR
115073-01	BRACKET-R.S. TAILLIGHT
115073-02	BRACKET-C.S. TAILLIGHT
115074	BRACKET-CENTER TAIL LIGHT
381041-11	PLUG HEYCO BLACK 1.5" HOLE SIZE
500095	Red rectangular reflector, in other places

2009 INTERNATIONAL TRAVEL TRAILER

ELECTRICAL, 12 VOLT

Taillight Assembly, 952929



952929-01	TAIL LIGHT ASSEMBLY, LED, ROADSIDE
952929-02	TAIL LIGHT ASSEMBLY, LED, CURBSIDE
1. 511664-01	TAIL LIGHT CASTING, ROADSIDE
2. 511664-02	TAIL LIGHT CASTING, CURBSIDE
3. 512330-01	6" OVAL LED TAIL LIGHT
4. 512331	TRIM RING, OVAL TAIL LIGHT, CHROME
5. 345473	SCREW, #6 X 3/4", STAINLESS STEEL
6. 512351	GASKET, TAIL LIGHT BEZEL

12 Volt Outlet/Breaker

452412-01	BRACKET FUSE BLOCK 12V
510807	Outlet, 12 volt
511121	Mounting plate, 12 volt receptacle

FUSE BLOCK ASSY. 12V CSA

964082	FUSE BLOCK ASSY. 12V CSA
452412-01	BRACKET, FUSE BLOCK, 12V, CSA
511313	BLOCK, FUSE, ATC, 12V, 6 POSITION
511314	BUSHING, UNIVERSAL, 1" I.D. BLACK
511345	FUSE, 30A AGU GLASS TUBE, BUSSMAN

2009 INTERNATIONAL TRAVEL TRAILER

ENTERTAINMENT

Radio/Speakers/Antenna

511732	Radio AM/FM/CD, #CDX-CA400
512215-01	SPEAKER, 6.5", model SP65CO
512215-02	GRILL, 6.5", WHITE
203599	Speaker, Spacer, 5/8"
511807	ANTENNA, AM/FM RUBBER 13"
500913-03	SWITCH T&B WHITE

TV Antenna/Booster System

510788-01	Antenna, TV Wineguard, long boom
510788-05	ANTENNA-TV WINEGARD SHORT BOOM, 16 Ft.
500484-05	Antenna lead & extension, 72"
500484-04	ANTENNA LEAD & EXTENSION 48"
500484-07	ANTENNA LEAD & EXTENSION 144"
510788-03	Amplifier, TV antenna
510788-04	Hardware package, interior, Winegard
510612	Coax, 75 ohm, standard
510623	Connector, coax, male to male
510616	F CONNECTOR, COAX, 75 OHM
114396	Trough, TV antenna, roof

TV/Telephone Jacks/Wiring

500996	Jack, TV/phone, gray, Exterior
510654-01	TV jack/12 volt w/splitter, white
510624-01	Modular phone quick jack, white
512181	BOX, SHALLOW, SWITCH & OUTLET, 16'
452981	PHONE JACK PROTECTIVE PLATE
104619	Mounting plate, exterior telephone/TV jack
510741	BOX/ELECTRICAL, 1-1/2" X 2" X 3"
510174	TELEPHONE WIRE
511534	DUAL COAX PLATE, WHITE, TT
690266-03	EXTENSION GARNISH 4" ROOF

2009 INTERNATIONAL TRAVEL TRAILER

ENTERTAINMENT

TV Hookup Blank Plate

512025-01 V JUNCTION DEVICE, SELF CONTAINED, WHITE
512025-02 PLATE, SNAP ON, ONE GANG SCD, WHITE

Satellite Radio Upgrade, Sirius System

511866-01 SATELLITE RADIO RECEIVER, SIRUS
511866-02 SATELLITE RADIO KIT-HOME ADAPTER
511866-05 KIT-SIRIUS SATELLITE RADIO
511866-03 BRACKET, DOCKING STA.RECEIVER MTG
511866-04 PLANE-ANTENNA GROUND
511863-02 A/B Selector Switch Kit
512024 Jack, Audio Prep
512142 Fuse, Slow blow, 2-amp

Satellite Radio Upgrade, XM Radio System

512220 SATELLITE RADIO SYS-XM SKYF12
511862 SWITCH-SOURCE SELECTOR #XA-300
511926 AUXILLARY AUDIO SWITCHER-JVC
512142 FUSE-GLASS SLOW BLOW 2A
512024 Jack, Audio Prep

External Wireless Speakers

511987 SPEAKER-OUTDOOR WIRELESS
386161 DECAL-AIRSTREAM .7"X6.4" BLACK

2009 INTERNATIONAL TRAVEL TRAILER

ENTERTAINMENT

Audio Upgrade Package

511191	CD changer, 10 unit, Sony CDX-434RF
512215-01	SPEAKER, 6.5", model SP65CO
512215-02	GRILL, 6.5", WHITE
203599	Speaker, Spacer, 5/8"
511822	SUB WOOFER-POWERED 6.5" WEDGE
512024	JACK- 12V DC AUDIO PREP
511863-02	SPEAKER CONTROL MODULE-RLM SERVER
511827	WALL PLATE FLUSH MOUNT COAX-WH
511646	PATCH CORD 3-WAY 20" RCA
511703	CORD-PATCH MALE/MALE 2-WAY 20'
966405	Shelf, CD changer
201991	HOUSING DOCKING LIGHT, USED FOR SUBWOOFER COVER, 16'

2009 INTERNATIONAL TRAVEL TRAILER

ENTERTAINMENT

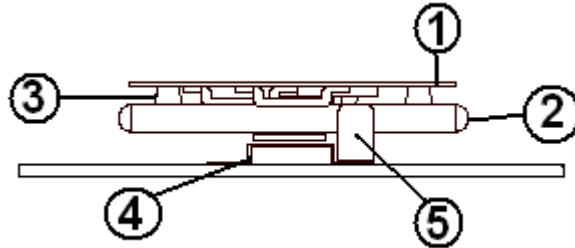
Audio/Video Upgrade Package

512059	RADIO AM/FM/CD/DVD
511839-01	HARNESS-MODIFIED JVC RADIO PIG
511835	PATCH CORD 30' 3-WAY MALE TO MALE
511834	PATCH CORD 30' DUAL MALE TO MALE
511703	CORD-PATCH MALE/MALE 2-WAY 20'
500913-03	SWITCH T & B WHITE
511732	Radio, AM/FM/CD, CDX-CA710X
512215-01	SPEAKER, 6.5", model SP65CO
512215-02	GRILL, 6.5", WHITE
203466	SPEAKER, SPACER, 6.5", model SP65CO
203599	Speaker, Spacer, 5/8"
511856	WIRING KIT- 4 WAY FLAT EXT.SPEAKER
690543	TELEVISION, 15" FLAT SCREEN
511863-02	A/B Selector Switch Kit
966405	Shelf, CD changer
512024	Jack, Audio Prep
511822	SUB WOOFER-POWERED 6.5" WEDGE
511645	Y' ADAPTER MALE TO 2-FEMALE
386159	LABEL-FLAT SCREEN TV
454618	TV bracket extension, RH
454619	TV bracket extension, LH
345460	M5 pan Philips screw

2009 INTERNATIONAL TRAVEL TRAILER

ENTERTAINMENT

Flat Screen TV & Bracket Installation, 15" TV, DWR only



- | | |
|-----------|-------------------------------------|
| 1. 454476 | Bracket, TV mount Wall, 15" |
| 2. 512105 | Bracket, articulating arm, flat TV |
| 3. 381136 | Cap Hood bumper |
| 4. 381566 | Loop, footman steel |
| 5. 454478 | TV mount stabilizer bracket, 15" TV |
| 6. 690543 | TV, 15" Sony |
| 7. 703455 | Strap, 20" TV |
| 8. 510110 | Clamps, adhesive backed |
| 9. 512162 | END CAP, 1" OFF WHITE |

2009 INTERNATIONAL TRAVEL TRAILER

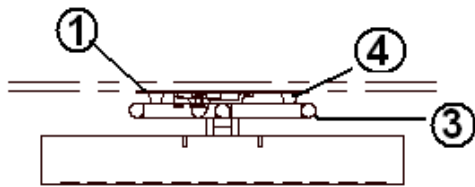
ENTERTAINMENT

Flat Screen TV & Bracket Installation, 19", TV

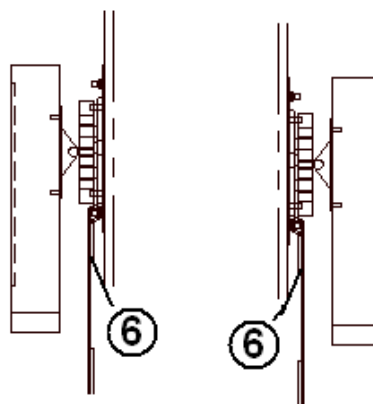
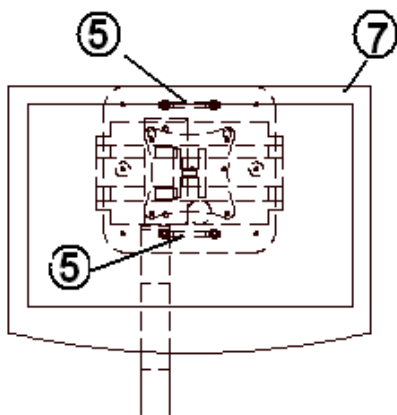
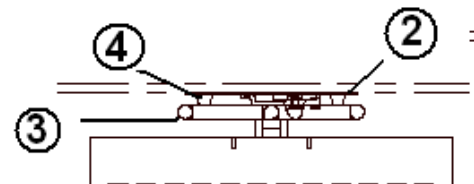
Right hand used on 16', 23', 25' SLP6

Left hand used on 19', 25' FB, 27' FB, 28'

Right Hand Installation



Left Hand Installation

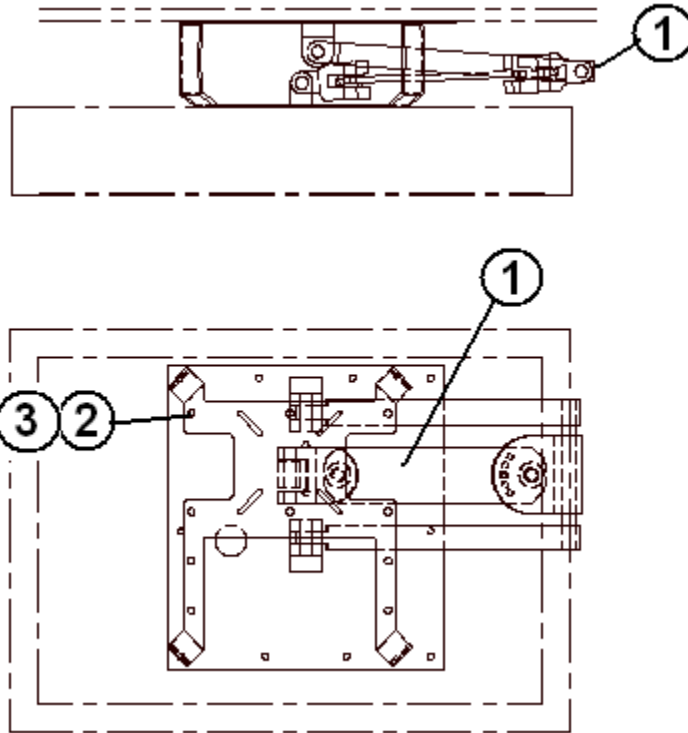


- | | |
|--------------|------------------------------------|
| 1. 454477 | Bracket, TV mount Wall, RH |
| 2. 454434 | Bracket, TV mount Wall, LH |
| 3. 512105 | Bracket, articulating arm, flat TV |
| 4. 381136 | Rubber bumper |
| 5. 381566 | Loop, footman steel |
| 6. 703455-02 | Strap |
| 7. 690590 | TV, 19" LCD, Samsung |

2009 INTERNATIONAL TRAVEL TRAILER

ENTERTAINMENT

Flat Screen TV & Bracket Installation, 23" TV



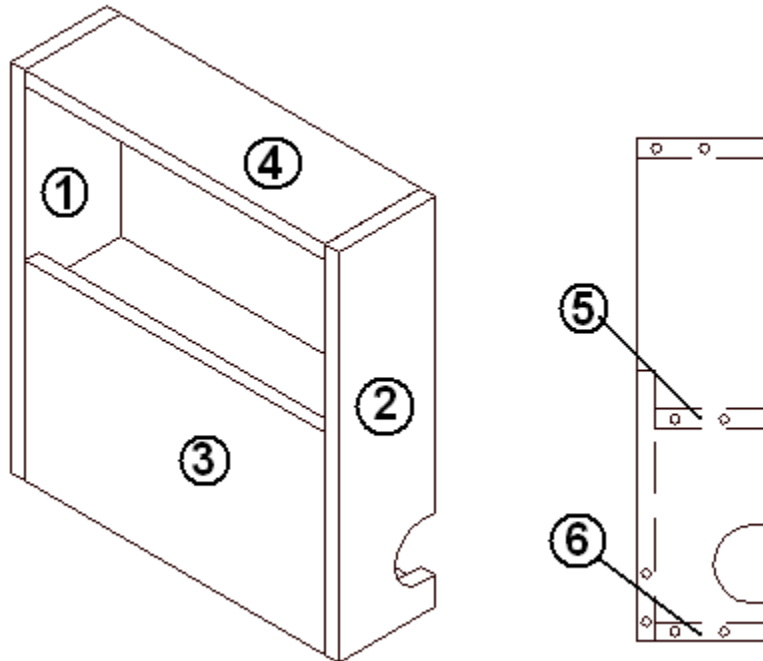
- | | |
|-------------|-----------------------------------|
| 1. *512238 | Articulating Arm, MovieW |
| 1. **512352 | Articulating Arm |
| 2. 345478 | Screw, M4 x 25MM, Phil Pan head |
| 3. 381136 | Bumper, rubber |
| 512265 | Adaptor right angle, RCA |
| 512268 | TV antenna coaxial cable lead, 9' |
| 690588 | 22" LCD TV, Samsung |
| 512273 | POWER CORD, 8', SAMSUNG TV |
| 512265 | RCA cord adaptor, angled |
| 381136 | Spacer bumpers, TV bracket |

*512238 replaced by 512352 during model year. New hole pattern in panel required.

2009 INTERNATIONAL TRAVEL TRAILER

ENTERTAINMENT

TV Storage Shelf, 16' Wenge

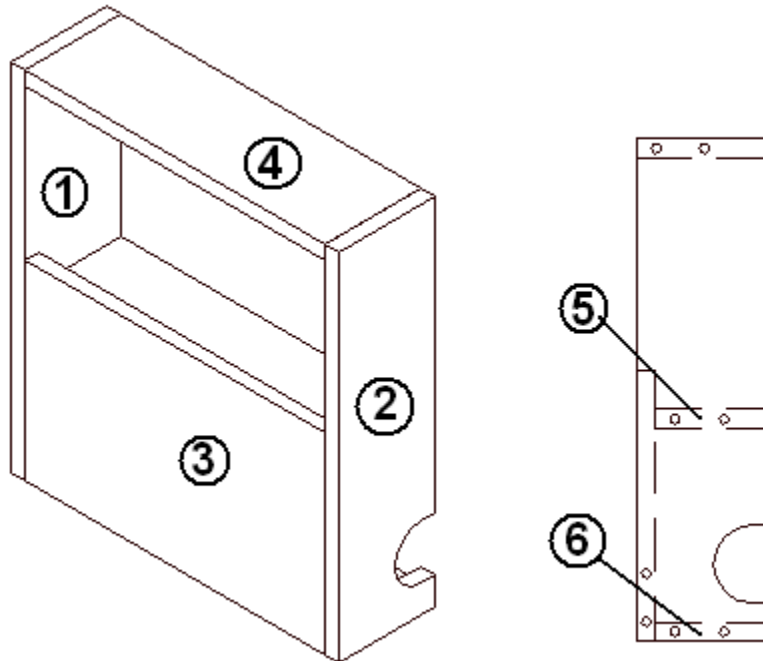


967016	SHELF -TV STORAGE
1. 967016-1	PANEL, TV SHELF, 3.5 X 13
2. 967016-2	PANEL, TV SHELF, 3.5 X 13
3. 967016-3	PANEL, TV SHELF, 7.00 X 1.00
4. 967016-4	PANEL, TV SHELF, 3.5 X 11
5. 967016-5	PANEL, TV SHELF, 3 X 11
6. 967016-6	PANEL, TV SHELF, 3 X 11

2009 INTERNATIONAL TRAVEL TRAILER

ENTERTAINMENT

TV Storage Shelf, 16' Ocean Breeze



- | | |
|---------------|------------------------------|
| 967016-01 | SHELF, TV STORAGE |
| 1. 967016-011 | PANEL, TV SHELF, 3.5 X 13 |
| 2. 967016-012 | PANEL, TV SHELF, 3.5 X 13 |
| 3. 967016-013 | PANEL, TV SHELF, 7.00 X 1.00 |
| 4. 967016-014 | PANEL, TV SHELF, 3.5 X 11 |
| 5. 967016-015 | PANEL, TV SHELF, 3 X 11 |
| 6. 967016-016 | PANEL, TV SHELF, 3 X 11 |

2009 INTERNATIONAL TRAVEL TRAILER

FASTENERS

Rivets



325043(hard)
325000 (soft)
Rivet, buck type
dia. 1/8"
length 1/4"



325000-01
Rivet, buck type
dia. 1/8"
length 1/4"
anodized clear



325000-03
Rivet, buck type
dia. 1/8"
length 1/4"
anodized white



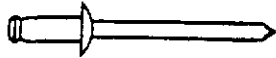
325001-01
Rivet, buck type
dia. 1/8"
length 5/16"
anodized clear



325002
Rivet, buck type
dia. 1/8"
length 3/8"
anodized clear



325004-01
Rivet, buck type
dia. 1/8"
length 1/2"
anodized clear



330129-08 Brown
dia. 1/8"
grip range .063-.125
aluminum body
aluminum mandrel



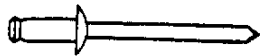
300101
1/8" I.D.
washer, aluminum

*Common bolts and screws readily available at local hardware outlets have not been listed.

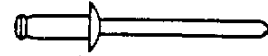
2009 INTERNATIONAL TRAVEL TRAILER

*FASTENERS

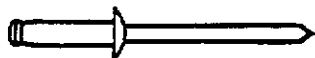
Rivets



330126-02
rivet, pop
dia. 1/8 "
grip range .126-.187
stainless steel
stainless steel mandrel



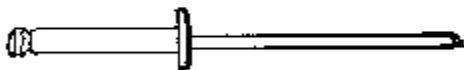
330126-03
rivet, pop
dia. 1/8 "
grip range .126-.250
body stainless steel
stainless steel mandrel



330148
rivet, pop
AD43-45ABS
grip range .251-.312
aluminum body
aluminum mandrel



330128-050
rivet, pop
dia. 1/8 "
grip range .251-.312
aluminum body, white
aluminum mandrel



330038
rivet, pop
dia. .150 (#20 bit)
grip range .126-.250
Aluminum body
aluminum mandrel
(used-screen door hinge)



325103
dia. 1/4 "
grip range .080-.325
SS body, steel mandrel

*Common bolts and screws not listed.

2009 INTERNATIONAL TRAVEL TRAILER

FURNITURE

Floor Covering

703530-01	FLOORING-VINYL URBAN SETTING, OCEAN BREEZE
703659	FLOORING VINYL LEGACY LAGUNA, WENGE
703704	FLOORING, LONWOOD VINYL, DWR
365257	ADHESIVE, AHB MULTI PURPOSE FLOOR
702665	Rug cushion, non-slip
702549	MATT ENTRANCE W/AIRSTREAM LOGO
701538	CARPET, ECONOLIER VELOUR BLACK 48"
203594-02	FLOOR TRIM, UN7021 ASH GREY

Furniture/Cushion Batting

701538-01	CARPET, ECONOLIER W/PSA BACKING, used on furniture
703347	FABRIC-CHARCOAL TWEED, used on cushions

2009 INTERNATIONAL TRAVEL TRAILER

FURNITURE

Drawer Slides

381192	SLIDE, DRAWER, 18"
381833-01	DRAWER SLIDE-UNDER SHELF 18" (PAIR)
381773-02	DRAWER SLIDE 3 3/8" X 13 3/4" (PAIR)
381773-03	DRAWER SLIDE 15.75"
381773-11	DRAWER SLIDE, 4.63" X 18.5" (PAIR)
381773-15	DRAWER SLIDE-5.875"X 15.75"(PAIR)
381773-16	DRAWER SLIDE-5.88"X 17.38"(PAIR)
381773-17	DRAWER SLIDE, 5.875"X 18.5" (PAIR)
381773-25	DRAWER SLIDE, 8.38"X 21.63" (PAIR)

Drawer Boxes

964909-11	DRAWER BOX, 10" X 14.00" X 19"
965553-01	DRAWER BOX, 4.38" X 12.5" X 17"
965554-03	DRAWER BOX, 5.625" X 17.25" X 17.00"
965554-04	DRAWER BOX, 5.63" X 12.5" X 17"
965955-02	DRAWER BOX, 16.46" X 10.88" X 12"
965560-02	DRAWER BOX, 5.63"X 9.25"X 14"
965560-03	DRAWER BOX, 5.63" X 13.5" X 12"
965560-05	DRAWER BOX, 5.63" X 16.5" X 15.25"
965584-01	DRAWER BOX, 3.38" X 13.75" X 13"
965642-01	DRAWER BOX, 19.75"

Mirrors

372203-05	MIRROR, POLISHED EDGES, 19.00" X 14"
372203-09	GLASS SAFETY MIRRORED 14" X 22"
372203-15	MIRROR- POL EDGES- 17.00" X 25.25"
372203-24	MIRROR, POLISHED EDGES, 9.50" X 20"
372203-26	MIRROR, POLISHED EDGES 13.62" X 58"
372203-30	MIRROR, SAFETY 14"H X 30"W, 28' Medicine cabinet
372203-33	MIRROR, SAFETY .125" X 14" X 40"
381220-01	MIRROR CLIP, #309NP NICKEL PLATE
381220-02	MIRROR CLIP, #318NP NICKEL PLATE
371422	MIRROR, ROUND, 16", 16' DWR

2009 INTERNATIONAL TRAVEL TRAILER

FURNITURE

Doors, Roof Lockers, Wenge

965563-01	DOOR, SLIDING, PLEXIGLASS, 17.50" x 11.31"
965563-03	DOOR, SLIDNG, PLEXIGLASS, 15.00" x 11.31"
965563-05	DOOR, SLIDING, PLEXIGLASS 11.75 x 11.31"
965563-08	DOOR, PLEXIGLASS SLIDING 11.31" X 30"
965563-09	DOOR-SLIDING PLEXIGLASS 26" x 11.31"

Doors, Roof Lockers, Ocean Breeze

203357-01	Door, sliding Plexiglas 11.31" X 17.5", Ocean Breeze
203357-02	Door, sliding Plexiglas, 11.31" x 26", Ocean Breeze
203357-03	Door, sliding Plexiglas, 11.31" x 30", Ocean Breeze
203357-04	Door, sliding Plexiglas 11.31" x 15", Ocean Breeze
203357-05	Door, sliding Plexiglas 11.31" X 11.75", Ocean Breeze

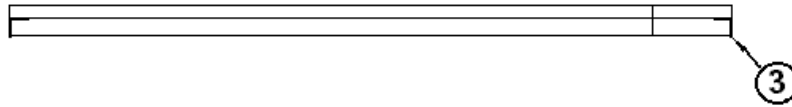
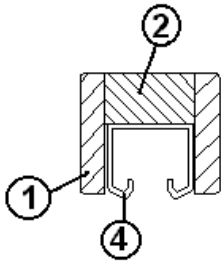
Doors, Roof Lockers, 16' DWR

967066-01	DOOR, ALUMINUM, 11.50" X 25.75"
967066-02	DOOR, ALUMINUM, 11.5" X 17"

2009 INTERNATIONAL TRAVEL TRAILER

FURNITURE

Doors, Foldette

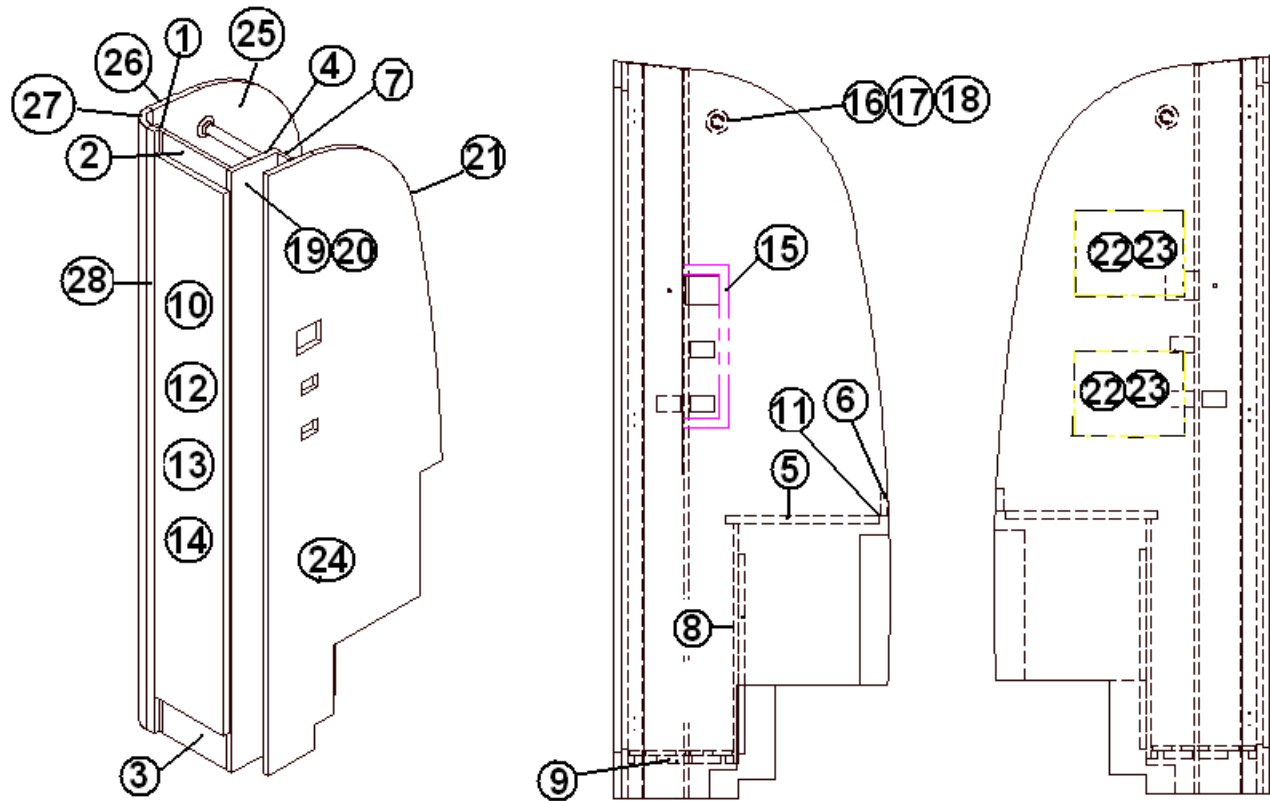


702681-07	DOOR-FOLDETTE 60"X 73" GREY
702681-04	DOOR FOLDETTE, IRVINE, 56" X 73"
702681-03	DOOR FOLDETTE, 46" X 73", BEIGE
1. 801343-01	PANEL, Oak, 4' X 8' VERTICAL
2. 800304	PINE, 5/8" X 2 1/2"
3. 452258	BRACKET, MTG. FOLDETTE DOOR
4. 381769	TRACK, FOLDETTE DOOR, 23' D
4. 381838-01	TRACK, FOLDETTE DOOR METAL 16'TRL
4. 381563-01	TRACK, FORMED FOLDETTE DOOR, 19', 27' FB, 28'
4. 381890-01	TRACK, FORMED FOLDETTE, 25' FB, 27' FB
4. 381890-02	TRACK, STRAIGHT FOLDETTE, 25' FB, 27' FB
701342-01	STRAP, VINYL, HOLD-BACK, 7.0"LONG
200003-01	END CAP MOUNTING, BLACK
101038	EXTRUSION, HEADER, 110" BROWN

2009 INTERNATIONAL TRAVEL TRAILER

FURNITURE, BEDROOM

Wardrobe, 16' Signature, Roadside, Wenge



Part numbers are on the next page.

2009 INTERNATIONAL TRAVEL TRAILER

FURNITURE, BEDROOM

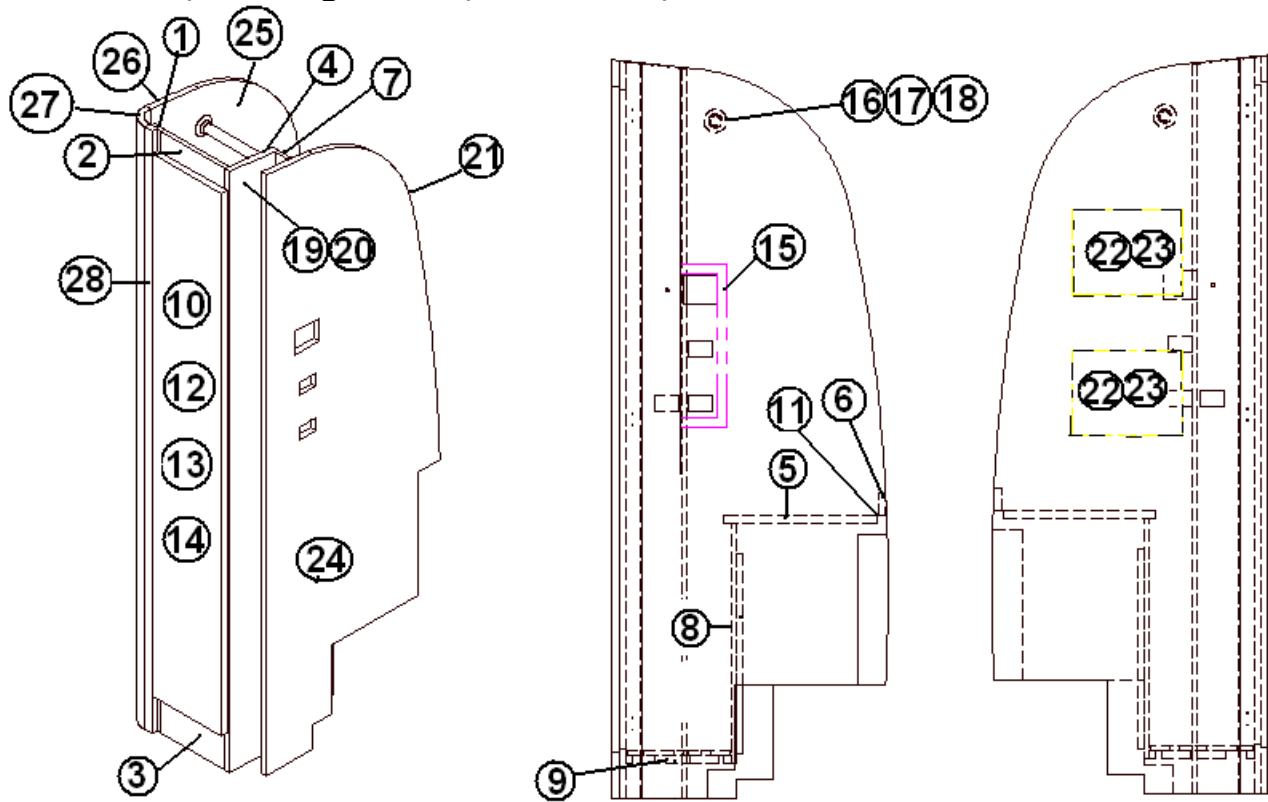
Wardrobe, 16' Signature, Roadside, Wenge

967020	ROADSIDE WARDROBE
1. 967020-1	PANEL, 1.5 X 78.28
2. 967020-2	PANEL, 9.75 X 3
3. 967020-3	PANEL, 9.75 X 5.25
4. 967020-4	PANEL, 6.5 X 78.28
5. 967020-5	PANEL, 16.25 X 16.25
6. 967020-6	PANEL, 2.5 X 16.25
7. 967020-7	PANEL, 2.25 X 77.55
8. 967020-8	PANEL, 16.5 X 25.5
9. 967020-9	PANEL, 16.25 X 10.92
10. 967020-11	DOOR, 10.44X70.66
11. 380203-01	PIANO HINGE
12. 381607-01	HINGE, GRASS EURO
13. 382029-05	HANDLE, BAR 21.33"
14.381228-01	CATCH GRABBER DOOR
15.200773	CLOSEOUT, READING LIGHT
16.380045	TUBING ¾", ELECTRICAL, METALLIC
17.380046	FLANGE CHROME
18.200975-04	CONDUIT, FLEXIBLE BLACK PLASTIC
19.381838-01	TRACK, FOLDETTE DOOR
20.702681-07	DOOR, FOLDETTE 60" X 73" GREY
21.203464	TRIM, PANEL, BLACK, ¾"
22.386106-01	RACK-MAGAZINE WHITE
23.386107	ROD-MAGAZINE RACK
24.967020-26	PANEL, 26.25 X 78.17
25.967026	PANEL, SUB ASSY, AFT WARDROBE
26.967026-1	PANEL, AFT WARDROBE
27.801345	RADIUS PLYWOOD, .75" X 3' X 8'
28.967026-2	PANEL, 1 X 78.5

2009 INTERNATIONAL TRAVEL TRAILER

FURNITURE, BEDROOM

Wardrobe, 16' Signature, Roadside, Ocean Breeze



Part numbers are on the next page.

2009 INTERNATIONAL TRAVEL TRAILER

FURNITURE, BEDROOM

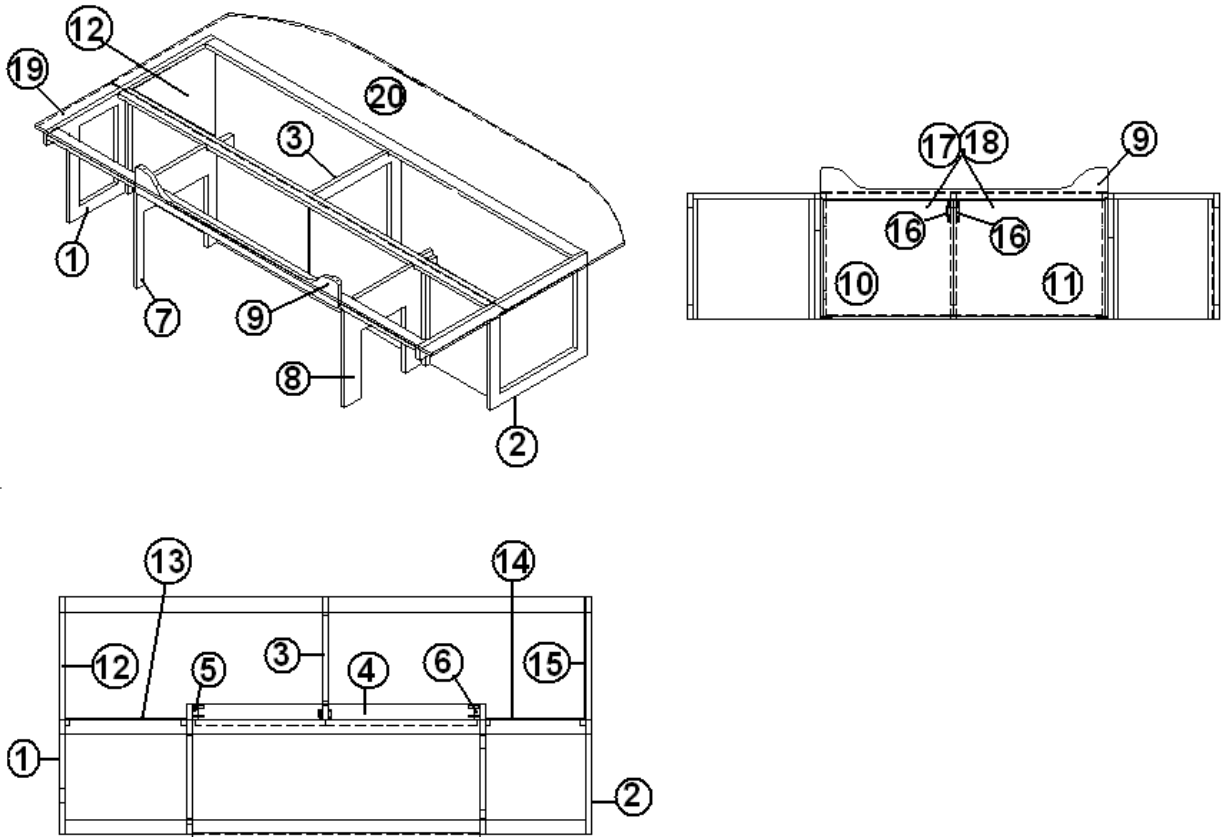
Wardrobe, 16' Signature, Roadside, Ocean Breeze

967020-01	ROADSIDE WARDROBE
1. 967020-011	PANEL, 1.5 X 78.28
2. 967020-012	PANEL, 9.75 X 3
3. 967020-013	PANEL, 9.75 X 5.25
4. 967020-014	PANEL, 6.5 X 78.28
5. 967020-015	PANEL, 16.25 X 16.25
6. 967020-016	PANEL, 2.5 X 16.25
7. 967020-017	PANEL, 2.25 X 77.55
8. 967020-018	PANEL, 16.5 X 25.5
9. 967020-019	PANEL, 16.25 X 10.92
10. 967020-0111	DOOR, 10.44X70.66
11. 380203-01	PIANO HINGE
12. 381607-01	HINGE, GRASS EURO
13. 382046	PULL, BAMBOO, W/BUSHED NICKEL ENDS
14. 381228-01	CATCH GRABBER DOOR
15. 200773	CLOSEOUT, READING LIGHT
16. 380045	TUBING 3/4", ELECTRICAL, METALLIC
17. 380046	FLANGE CHROME
18. 200975-04	CONDUIT, FLEXIBLE BLACK PLASTIC
19. 381838-01	TRACK, FOLDETTTE DOOR
20. 702681-07	DOOR, FOLDETTTE 60" X 73" GREY
21. 203464-03	TRIM, PANEL, WHITE, 3/4"
22. 386106-01	RACK, MAGAZINE WHITE
23. 386107	ROD, MAGAZINE RACK
24. 967020-0126	PANEL, 26.25 X 78.17
25. 967026-01	PANEL, SUB ASSY, AFT WARDROBE
26. 967026-011	PANEL, AFT WARDROBE
27. 801345	RADIUS PLYWOOD, .75X 3X 8'
28. 967026-012	PANEL, 1 X 78.5

2009 INTERNATIONAL TRAVEL TRAILER

FURNITURE, BEDROOM

Bed, 16' Signature, Wenge



Part numbers on the next page

2009 INTERNATIONAL TRAVEL TRAILER

FURNITURE, BEDROOM

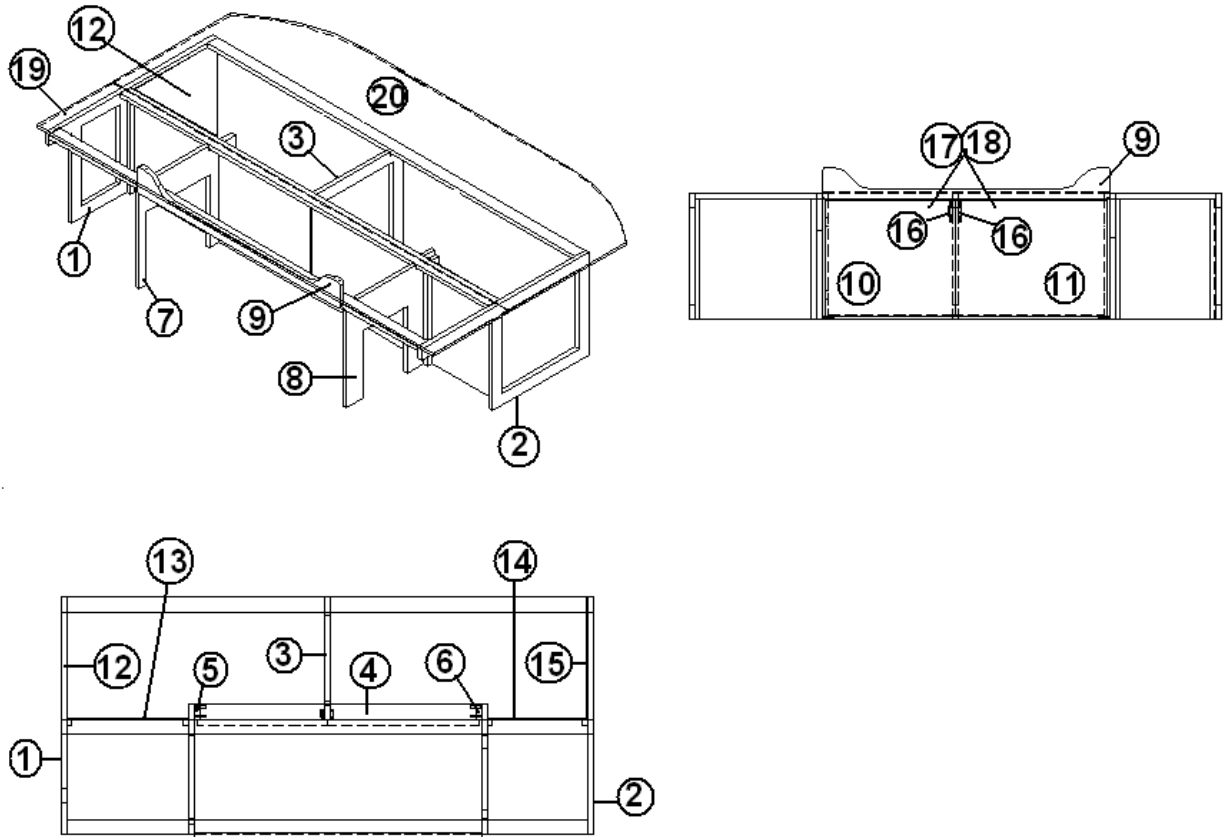
Bed, 16' Signature, Wenge

967008	BED ASSY
1. 967008-1	PANEL, BED 33 X 17.5
2. 967008-2	PANEL, BED 33 X 17.5
3. 967008-3	PANEL, BED 17 X 17.5
4. 967008-4	PANEL, BED 2.25 X 38.5
5. 967008-5	PANEL, BED 2.25 X 17.5
6. 967008-6	PANEL, BED 2.25 X 17.5
7. 967008-7	PANEL, BED 18.25 X 17.5
8. 967008-8	PANEL, BED 18.25 X 17.5
9. 967008-9	PANEL, BED 4.5 X 40
10. 967008-10	DOOR, BED 18 X 16
11. 967008-11	DOOR, BED 21 X 16
12. 967008-12	PANEL, BED 16.88 X 16.75
13. 967008-13	PANEL, BED 17 X 17.5
14. 967008-14	PANEL, BED 14 X 17.5
15. 967008-15	PANEL, BED 16.88 X 16.75
16. 381228-01	CATCH, GRABBER DOOR
17. 381607-01	HINGE, GRASS EURO
18. 382029-00	HANDLE-BAR 7.48"
19. 967008-22	PANEL, BED TOP 15 X 78
20. 967008-23	PANEL, BED TOP 30.24 X 78
703695	MATTRESS, 48" X 78" W/DOUBLE RADIUS
CORNER	

2009 INTERNATIONAL TRAVEL TRAILER

FURNITURE, BEDROOM

Bed, 16' Signature, Ocean Breeze



Part numbers on the next page

2009 INTERNATIONAL TRAVEL TRAILER

FURNITURE, BEDROOM

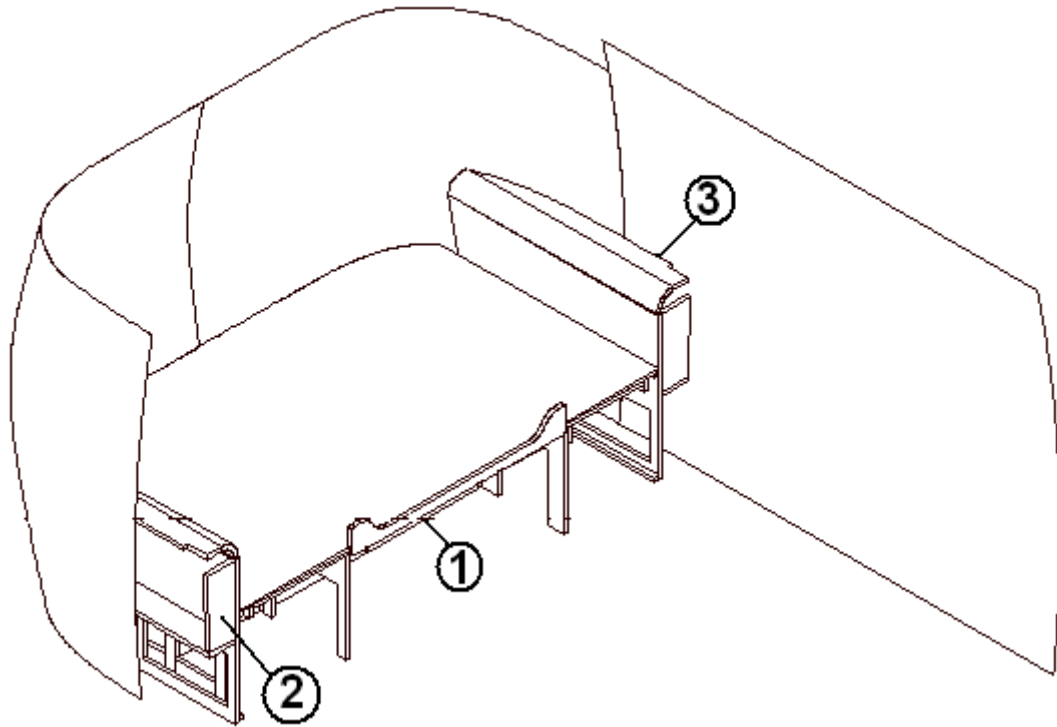
Bed, 16' Signature, Ocean Breeze

967008-01	BED ASSY
1. 967008-011	PANEL, BED 33 X 17.5
2. 967008-012	PANEL, BED 33 X 17.5
3. 967008-013	PANEL, BED 17 X 17.5
4. 967008-014	PANEL, BED 2.25 X 38.5
5. 967008-015	PANEL, BED 2.25 X 17.5
6. 967008-016	PANEL, BED 2.25 X 17.5
7. 967008-017	PANEL, BED 18.25 X 17.5
8. 967008-018	PANEL, BED 18.25 X 17.5
9. 967008-019	PANEL, BED 4.5 X 40
10. 967008-0110	DOOR, BED 18 X 16
11. 967008-0111	DOOR, BED 21 X 16
12. 967008-0112	PANEL, BED 16.88 X 16.75
13. 967008-0113	PANEL, BED 17 X 17.5
14. 967008-0114	PANEL, BED 14 X 17.5
15. 967008-0115	PANEL, BED 16.88 X 16.75
16. 381228-01	CATCH, GRABBER DOOR
17. 381607-01	HINGE, GRASS EURO
18. 382046	PULL, BAMBOO, W/BUSHED NICKEL ENDS
19. 967008-0122	PANEL, BED TOP 15 X 78
20. 967008-0123	PANEL, BED TOP 30.24 X 78
703695	MATTRESS, 48 X 78 W/DLB RC

2009 INTERNATIONAL TRAVEL TRAILER

FURNITURE, BEDROOM

Bed, 16' DWR, Layout

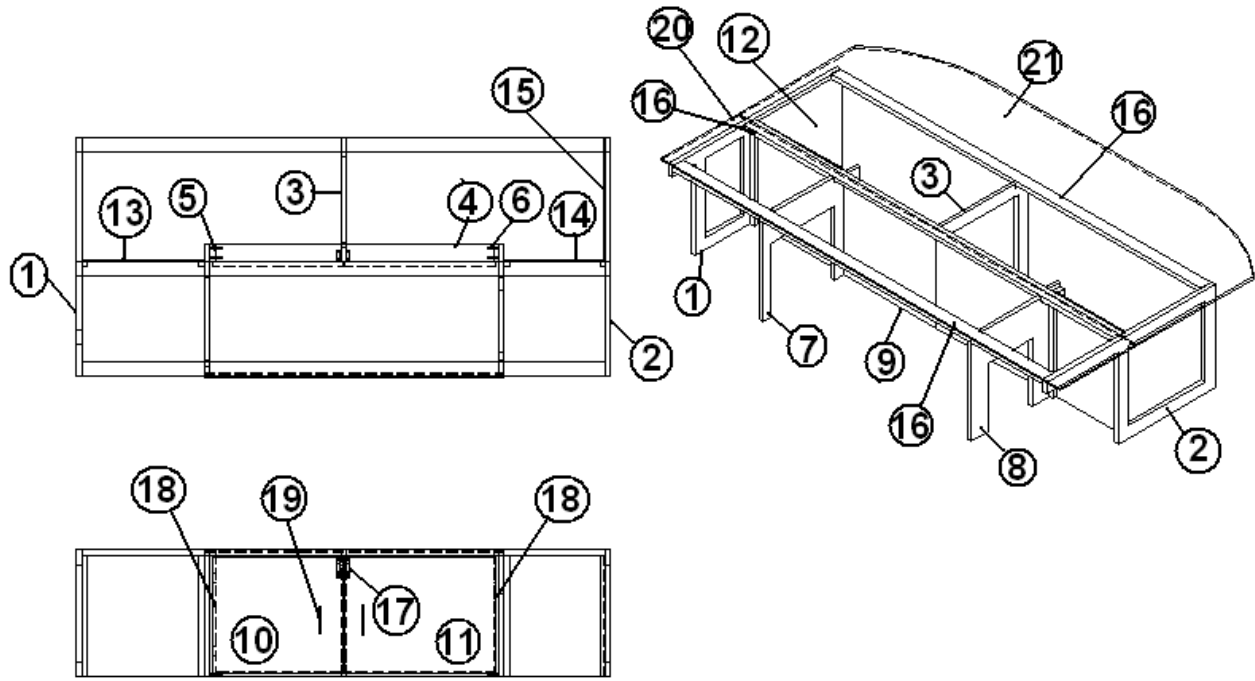


- | | |
|-----------|------------------------------|
| 1. 967046 | BED ASSY- DWR |
| 2. 967017 | HAMPER/HEADBOARD, LH |
| 3. 967018 | HAMPER/HEADBOARD, RH |
| 703711 | Curtain, dividing, 51" x 72" |

2009 INTERNATIONAL TRAVEL TRAILER

FURNITURE, BEDROOM

Bed, 16' DWR



Part numbers on the next page

2009 INTERNATIONAL TRAVEL TRAILER

FURNITURE, BEDROOM

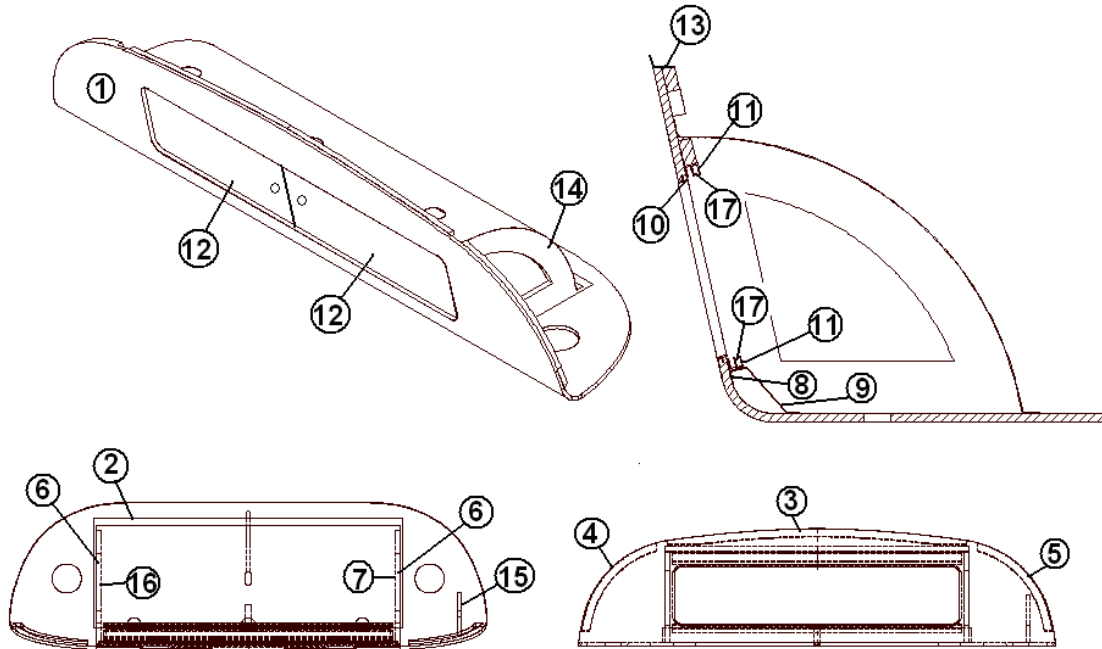
Bed, 16' DWR

967046	BED, 16' DWR
1. 967046-1	PANEL, 33.00 X 17.50
2. 967046-2	PANEL, 33.00 X 17.50
3. 967046-3	PANEL, 17.00 X 17.50
4. 967046-4	PANEL, 2.25 X 38.50
5. 967046-5	PANEL, 2.25 X 17.50
6. 967046-6	PANEL, 2.25 X 17.50
7. 967046-7	PANEL, 18.25 X 17.50
8. 967046-8	PANEL, 18.25 X 17.50
9. 967046-9	PANEL, 18.00 X 16.00
10. 801758-04	PANEL, 33.00 X 17.50
11. 801758-05	PANEL, 33.00 X 17.50
12. 967046-12	PANEL, 16.88 X 16.75
13. 967046-13	PANEL, 17.00 X 17.50
14. 967046-14	PANEL, 14.00 X 17.50
15. 967046-15	PANEL, 16.88 X 16.75
16. 967046-16	POPLAR, 2"
17. 381228-01	CATCH GRABBER DOOR C3-803
18. 381607	HINGE ASSY
19. 382038	HANDLE
20. 967046-22	PANEL, 15.00 X 78.00
21. 967046-23	PANEL, 30.24 X 78.00
703695	MATTRESS
115377	MOLDING, ALUMINUM TRIM 13/16"

2009 INTERNATIONAL TRAVEL TRAILER

FURNITURE, BEDROOM

Roof Locker, 16' DWR, Rear End Liner

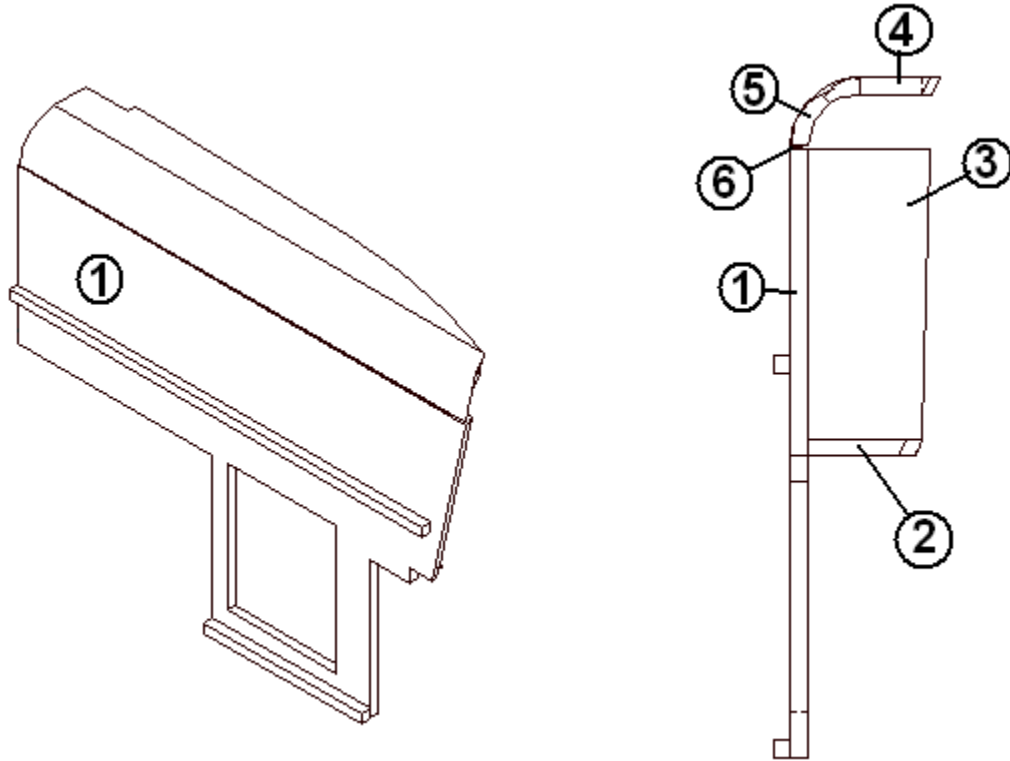


967058	R/L ASSY, AFT LINER
1. 801763	FACE, LINER R/L, AFT
2. 967058-2	PANEL, 21.00 X 54.25
3. 801596-01	BACKER W/B LINER LOCKER, CENTER
4. 801596-02	BACKER LINER LOCKER, LH
5. 801596-03	BACKER, LINER LOCKER, RH
6. 801594	DIVIDER, LINER LOCKER
7. 801766-02	DIVIDER, RH LINER R/L
8. 115261-02	ANGLE, LOCKER TRACK SUPPORT
9. 115226-01	BRACKET, CENTERSUPPORT
10. 203445-01	T-MOLDING, .5625", WHITE
11. 203388	TRACK, SLIDING DOOR
12. 967066-01	DOOR, 11.69" X 26"
13. 201673	REVERSE COVE MOLDING, WHITE
14. 115264-02	PAN, LINER LOCKER
15. 801710	SUPPORT, DIVIDER, R/L
16. 801766-01	DIVIDER, LH LINER R/L
17. 382041	CHANNEL, .3125" SCHLEGEL BLACK

2009 INTERNATIONAL TRAVEL TRAILER

FURNITURE, BEDROOM

Bed, 16' Signature, 16' DWR, Hamper-Headboard LH, Wenge

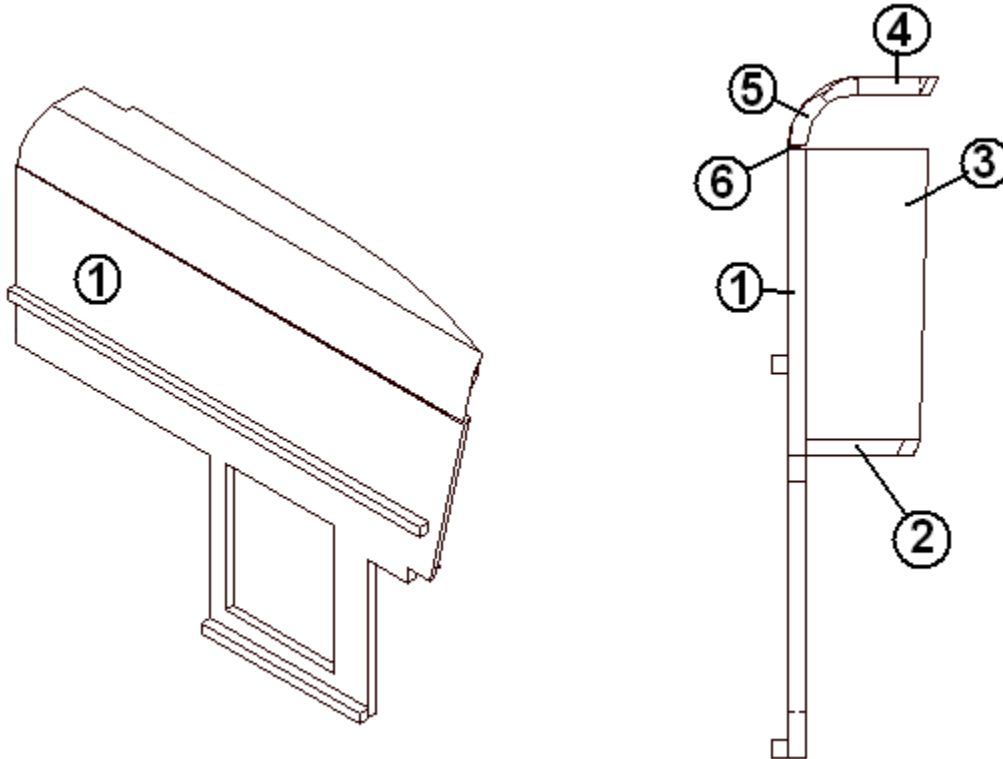


967017	HAMPER/HEADBOARD-LH
1. 967017-1	PANEL, HAMPER/HEAD 39.25 X 26.5
2. 967017-2	PANEL, HAMPER/HEAD 4.96 X 36.24
3. 967017-3	PANEL, HAMPER/HEAD 5.35 X 12.63
4. 967017-4	PANEL, HAMPER/HEAD 3.47 X 37.68
5. 801345	RADIUS PLYWOOD, .75" X 3" X 8'
6. 380458	HINGE, PIANO COPPER
702482-03	HEADLINER SPECTRA OPAL

2009 INTERNATIONAL TRAVEL TRAILER

FURNITURE, BEDROOM

Bed, 16' Signature, Hamper-Headboard LH, Ocean Breeze

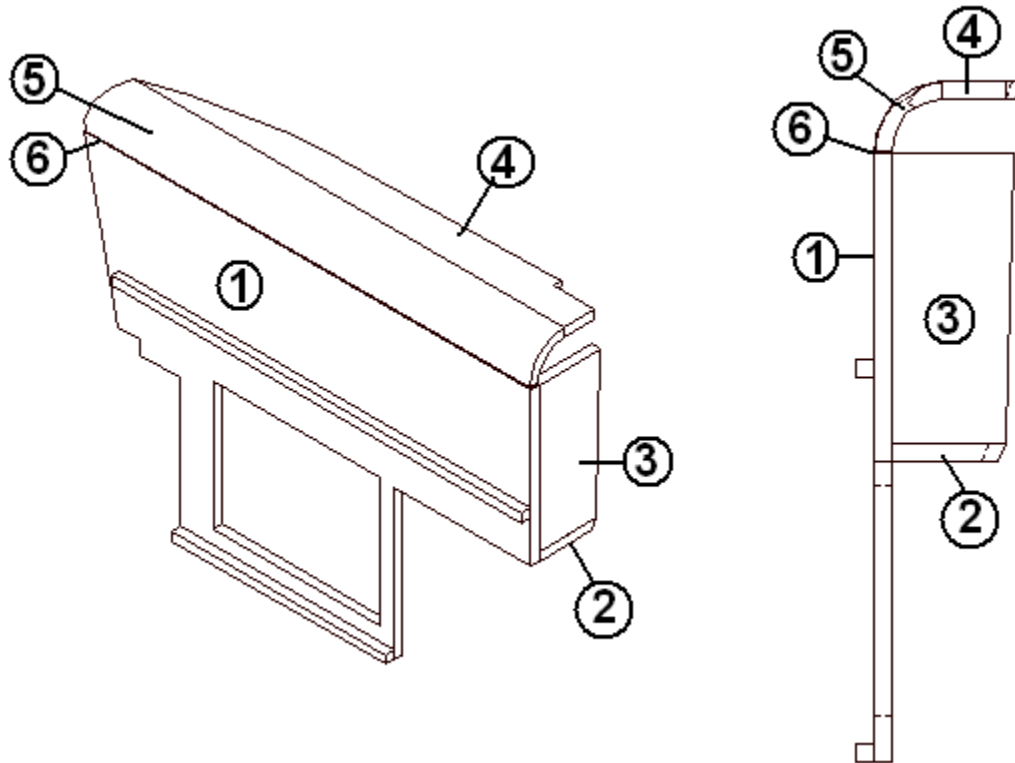


967017-01	HAMPER/HEADBOARD-LH
1. 967017-011	PANEL, HAMPER/HEAD 39.25 X 26.5
2. 967017-012	PANEL, HAMPER/HEAD 4.96 X 36.24
3. 967017-013	PANEL, HAMPER/HEAD 5.35 X 12.63
4. 967017-014	PANEL, HAMPER/HEAD 3.47 X 37.68
5. 801345	RADIUS PLYWOOD, .75" X 3" X 8'
6. 380458	HINGE, PIANO COPPER
702482-03	HEADLINER SPECTRA OPAL

2009 INTERNATIONAL TRAVEL TRAILER

FURNITURE, BEDROOM

Bed, 16' Signature, 16' DWR, Hamper-Headboard RH, Wenge

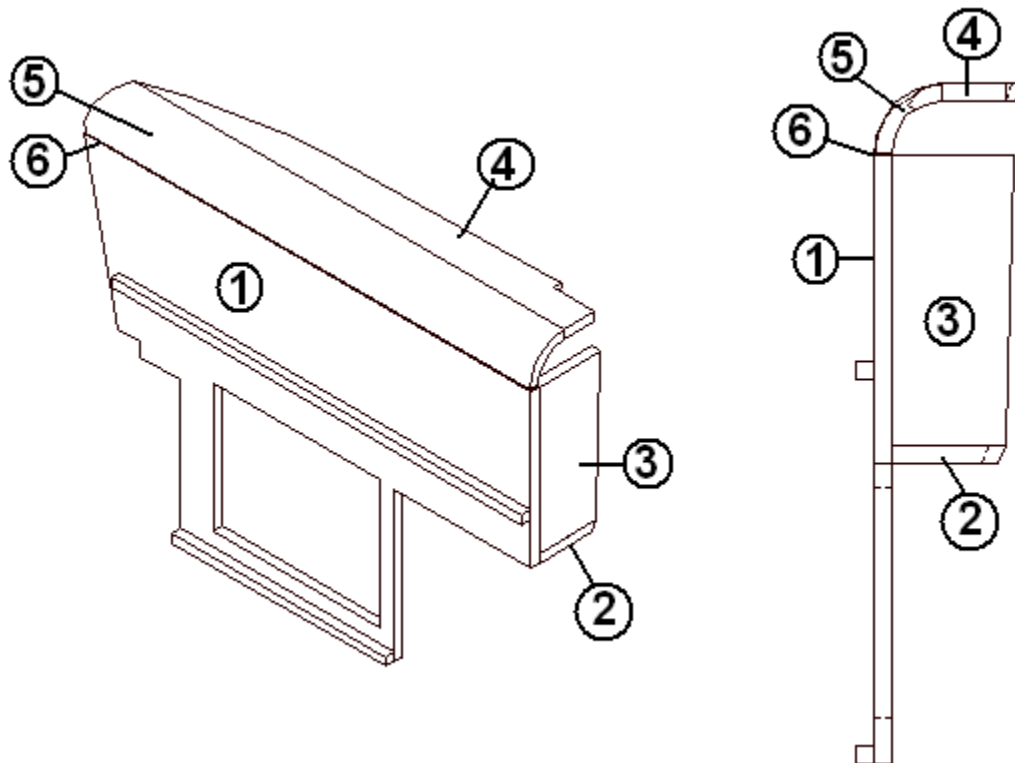


967018	HAMPER/HEADBOARD, RH
1. 967018-1	PANEL, HAMPER/HEAD RH 39.25 X 26.5
2. 967018-2	PANEL, HAMPER/HEAD RH 4.96 X 36.24
3. 967018-3	PANEL, HAMPER/HEAD RH 5.35 X 12.63
4. 967018-4	PANEL, HAMPER/HEAD RH 3.47 X 37.68
5. 801345	RADIUS PLYWOOD .75"X 3"X 8'
6. 380458	HINGE, PIANO COPPER
702482-03	HEADLINER SPECTRA OPAL

2009 INTERNATIONAL TRAVEL TRAILER

FURNITURE, BEDROOM

Bed, 16' Signature, Hamper-Headboard RH, Ocean Breeze

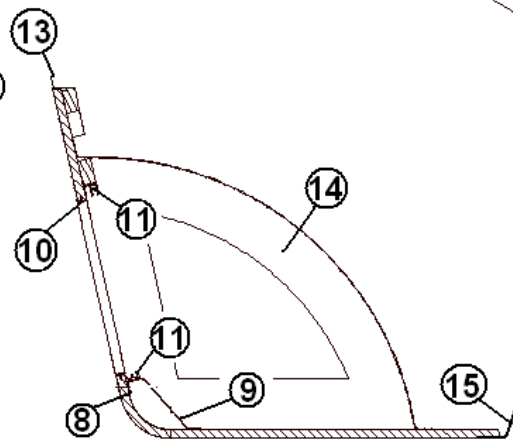
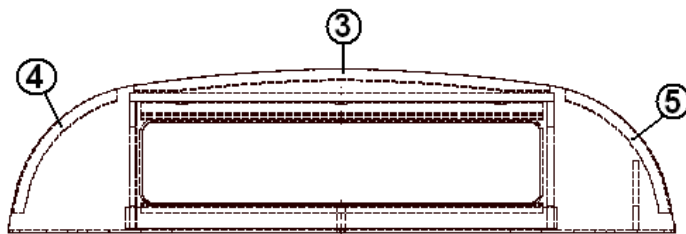
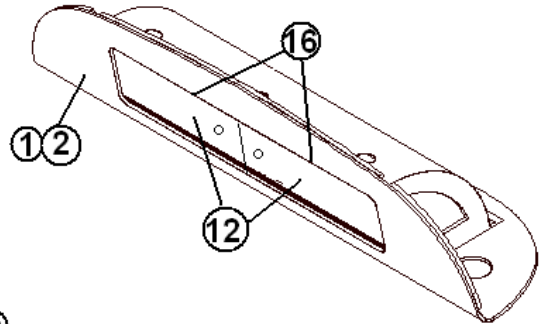
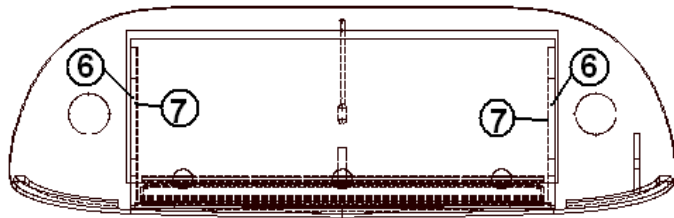


967018-01	HAMPER/HEADBOARD, RH
1. 967018-011	PANEL, HAMPER/HEAD RH 39.25 X 26.5
2. 967018-012	PANEL, HAMPER/HEAD RH 4.96 X 36.24
3. 967018-013	PANEL, HAMPER/HEAD RH 5.35 X 12.63
4. 967018-014	PANEL, HAMPER/HEAD RH 3.47 X 37.68
5. 801345	RADIUS PLYWOOD .75"X 3"X 8'
6. 380458	HINGE, PIANO COPPER
702482-03	HEADLINER SPECTRA OPAL

2009 INTERNATIONAL TRAVEL TRAILER

FURNITURE, BEDROOM

Roof Locker, 16' Signature, Rear End Liner, Wenge



Part numbers on the next page

2009 INTERNATIONAL TRAVEL TRAILER

FURNITURE, BEDROOM

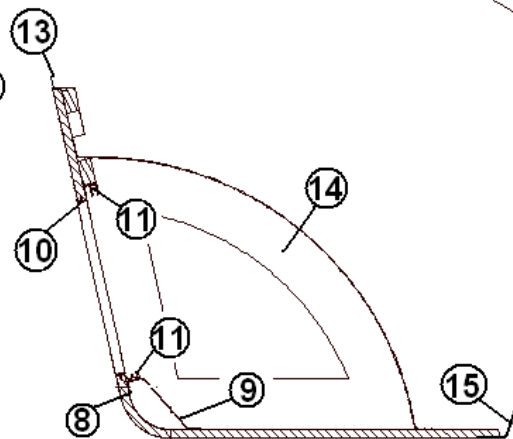
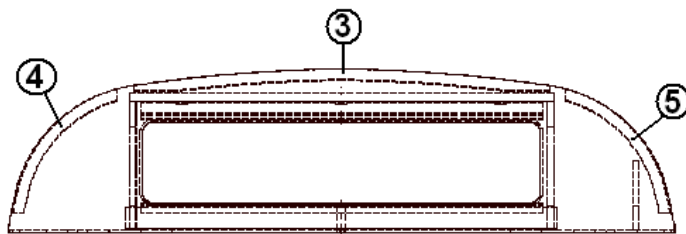
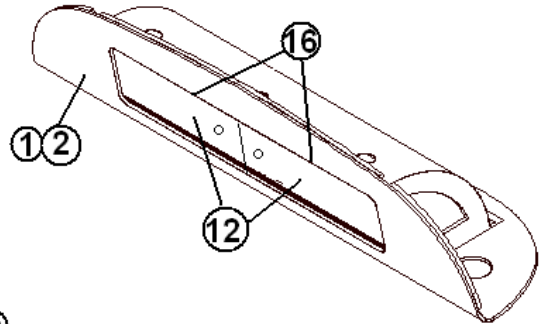
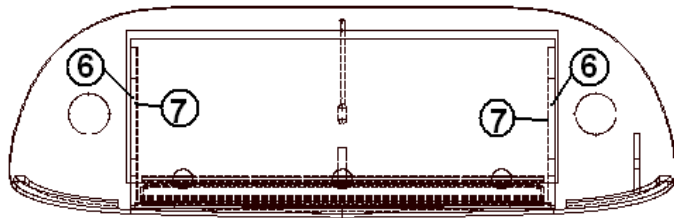
Roof Locker, 16' Signature, Rear End Liner, Wenge

967025	R/L ASSY-NB REAR
1. 801739	FACE, R/L NB REAR
2. 801716	PANEL, PRELAMINATED, WENGE/LINER
3. 801596-01	BACKER W/B LINER LOCKER CENTER
4. 801596-02	BACKER LINER LOCKER LH
5. 801596-03	BACKER, LINER LOCKER RH
6. 801594	DIVIDER, LINER LOCKER
7. 801595	DIVIDER, LINER LOCKER
8. 115261-02	ANGLE FORMED LOCKER TRACK SUPPORT
9. 115226-01	BRACKET, LOCKER CENTER SUPPORT
10. 203445-01	T-MOLDING, 5625" WHITE
11. 203388	TRACK, SLIDING DOOR
12. 965563-05	DOOR, 11.31" x 11.75"
13.201673	REVERSE COVE MOLDING, WHITE
14.115264-02	PAN-LINER LOCKER N/B
15.801710	SUPPORT DIVIDER-R/L
16.454613	SPRING-LEAF R/L

2009 INTERNATIONAL TRAVEL TRAILER

FURNITURE, BEDROOM

Roof Locker, 16' Signature, Rear End Liner, Ocean Breeze



Part numbers on the next page

2009 INTERNATIONAL TRAVEL TRAILER

FURNITURE, BEDROOM

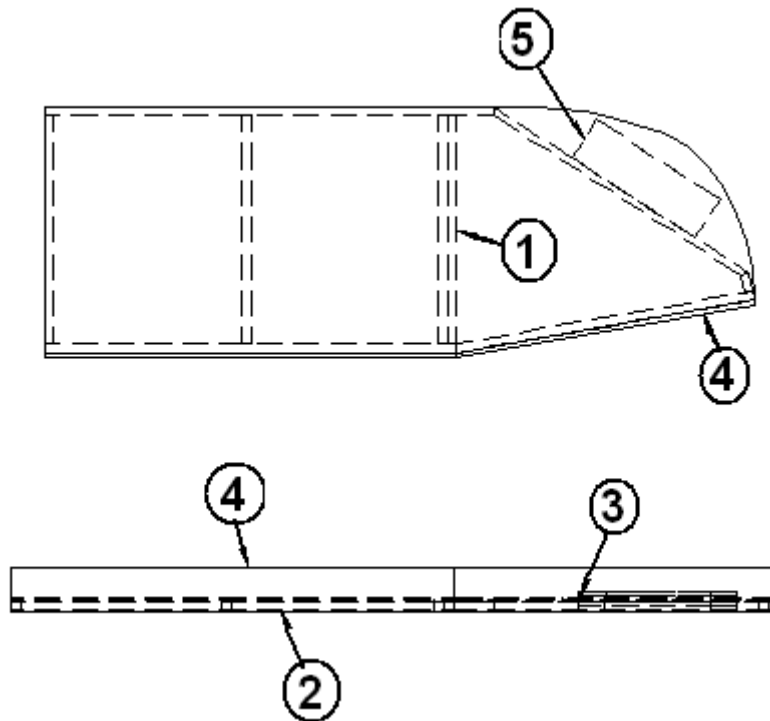
Roof Locker, 16' Signature, Rear End Liner, Ocean Breeze

967025-01	R/L ASSY-NB REAR
1. 801739-01	FACE, R/L NB REAR
2. 801369	PANEL, PRELAMINATED, WHITE/WHITE LINER
3. 801596-01	BACKER W/B LINER LOCKER CENTER
4. 801596-02	BACKER LINER LOCKER LH
5. 801596-03	BACKER, LINER LOCKER RH
6. 801594	DIVIDER, LINER LOCKER
7. 801595	DIVIDER, LINER LOCKER
8. 115261-02	ANGLE FORMED LOCKER TRACK SUPPORT
9. 115226-01	BRACKET, LOCKER CENTER SUPPORT
10. 203508-01	T-MOLDING, 5625"
11. 203388	TRACK, SLIDING DOOR
12. 203357-03	DOOR, LUMICOR, 11.31" x 11.75"
13. 201673	REVERSE COVE MOLDING, WHITE
14. 115264-02	PAN-LINER LOCKER N/B
15. 801710	SUPPORT DIVIDER-R/L
16. 454613	SPRING-LEAF R/L

2009 INTERNATIONAL TRAVEL TRAILER

FURNITURE, BEDROOM

Bed, 19' Signature, Upper Bunk

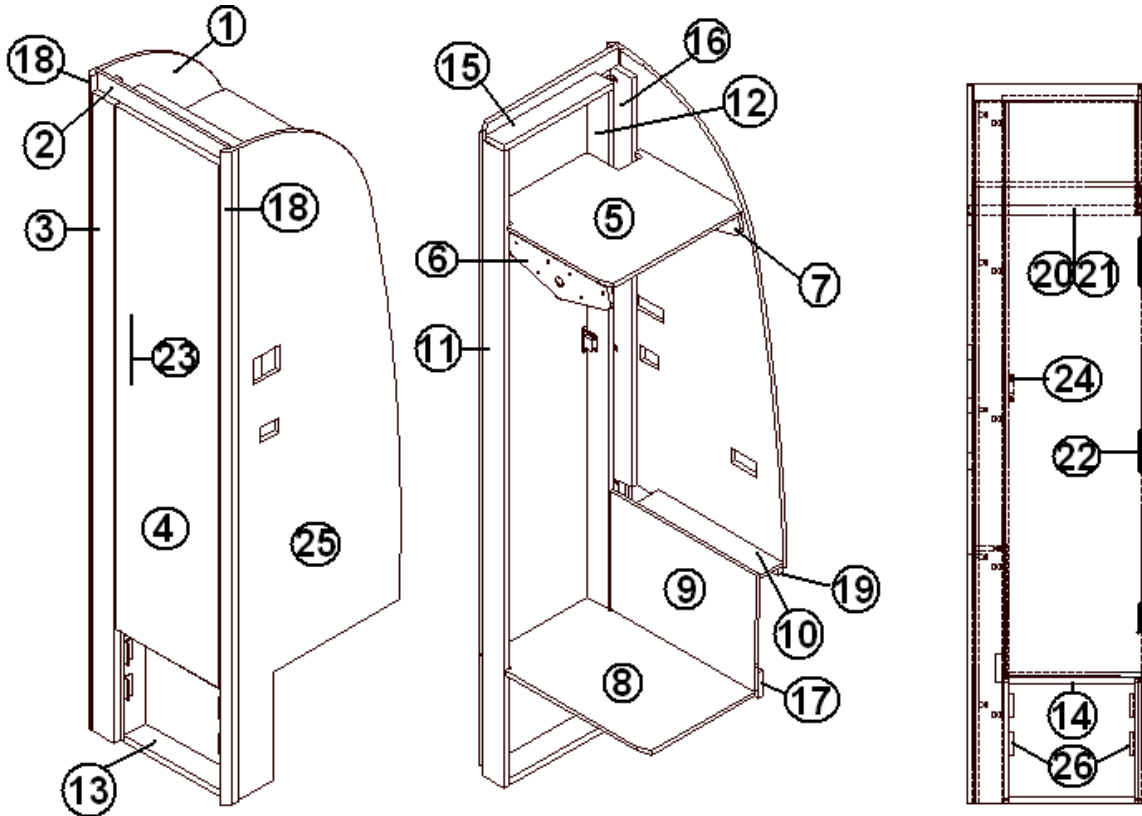


966352-01	UPPER BUNK
1. 915841	WELDMENT-UPPER BUNK
2. 801438	PNL-FRT WHT VINYL/RAW 2.7MM
3. 800507-03	LAUAN, 3/8" X 4' X 8'
4. 801456-01	PANEL, BLACK MAPLE/WHITE LINER 12MM
5. 801392	PANEL, WHITELINER/WHITELINER 12MM
381736-03	BRACE-UPPER BUNK BED
703501	MATTRESS-UPPER BUNK 4"
114743	ANGLE ALUMINUM, 11" X 1.50" X 2.00"
703468	UPPER BUNK SAFETY NET
703526	THROW-TOP BUNK BED
365209	TAPE-FOAM

2009 INTERNATIONAL TRAVEL TRAILER

FURNITURE, BEDROOM

Wardrobe, 19' Signature, Roadside, Wenge



Part Number on the next page

2009 INTERNATIONAL TRAVEL TRAILER

FURNITURE, BEDROOM

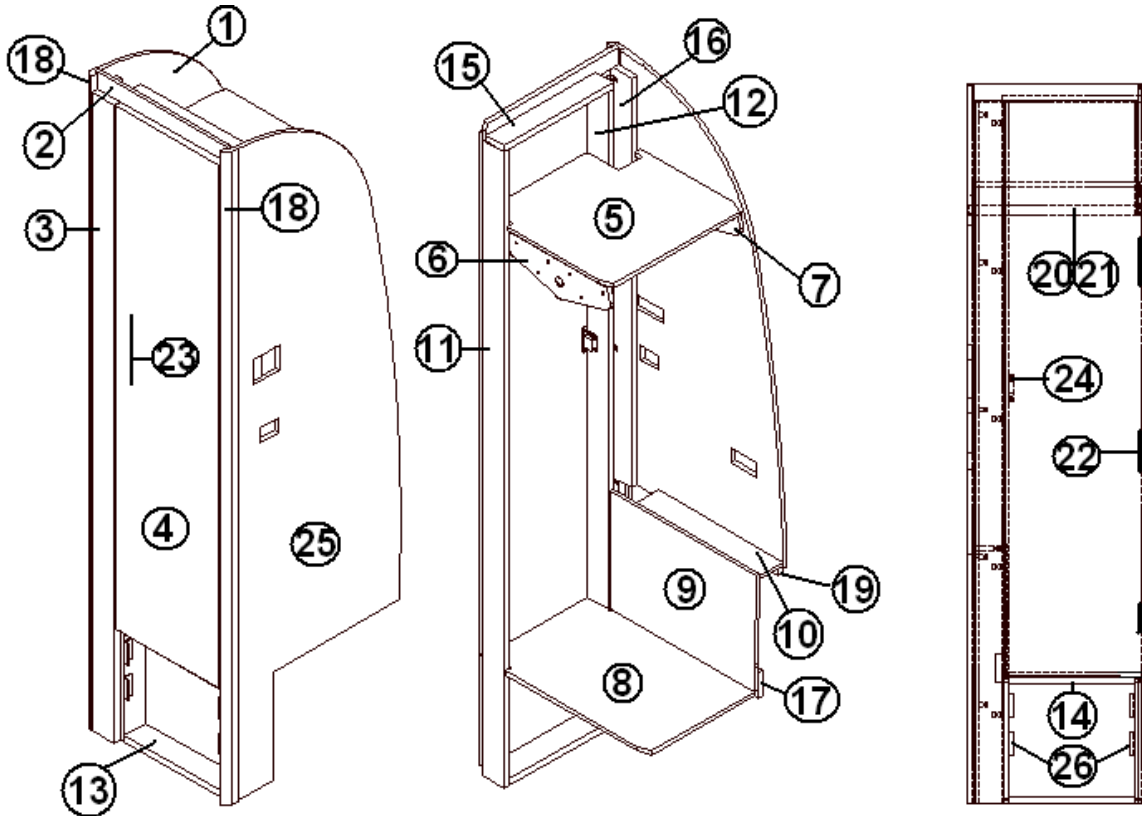
Wardrobe, 19' Signature, Roadside, Wenge

966957	WARDROBE ASSEMBLY
1. 966957-1	PANEL, 2.13" X 18.38"
2. 966957-2	PANEL, 22.38" X 77.76"
3. 966957-3	PANEL, 3.13" X 77.19"
4. 966957-4	DOOR, 14.25" X 62.38"
5. 966957-5	PANEL, 17.50" X 18.38"
6. 966957-6	PANEL, 14.00" X 4.50"
7. 966957-7	PANEL, 14.00" X 4.50"
8. 966957-8	PANEL, 15.12" X 22.88"
9. 966957-9	PANEL, 14.00" X 20.17"
10. 966957-10	PANEL, 3.25" X 17.13"
11. 966957-11	PANEL, 3.00" X 75.88"
12. 966957-12	PANEL, 3.00" X 75.88"
13. 966957-13	PANEL, 3.00" X 13.63"
14. 966957-14	PANEL, 3.00" X 13.63"
15. 966957-15	PANEL, 2.50" X 15.13"
16. 966957-16	PANEL, 3.00" X 75.88"
17. 801351	PANEL, 3.00" X 18.00", LITE PLY
18. 801706-0016	CORNER TRIM, 90 DGREE
19. 800025-01	PINE, 3/4" X 3/4"
20. 380045	TUBING 3/4", METALLIC
21. 200975-04	CONDUIT, FLEXIBLE BLACK PLASTIC
22. 381607	HINGE ASSY
23. 382029-03	HANDLE-BAR 11.25"
24. 381228-01	GRABBER CATCH, DOOR
25. 966957-30	PANEL, 77.78" X 22.50"
26. 114811	ALUMINUM ANGLE .50 X .50

2009 INTERNATIONAL TRAVEL TRAILER

FURNITURE, BEDROOM

Wardrobe, 19' Signature, Roadside, Ocean Breeze



Part Number on the next page

2009 INTERNATIONAL TRAVEL TRAILER

FURNITURE, BEDROOM

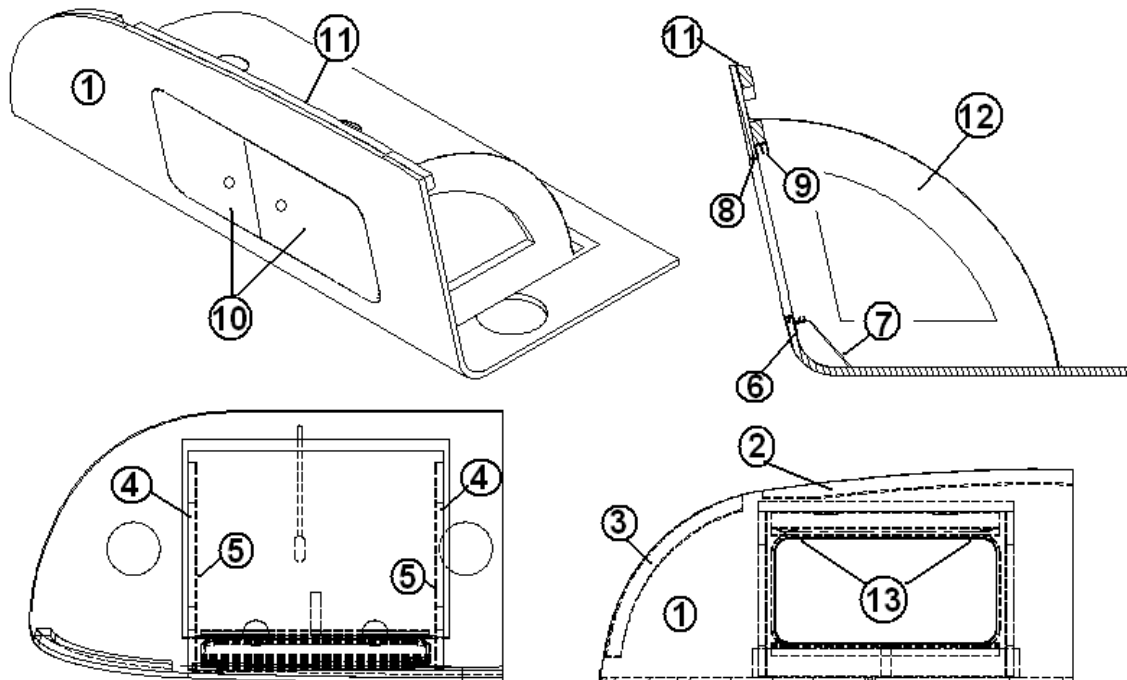
Wardrobe, 19' Signature, Roadside, Ocean Breeze

966957-01	WARDROBE ASSEMBLY
1. 966957-011	PANEL, 2.13" X 18.38"
2. 966957-012	PANEL, 22.38" X 77.76"
3. 966957-013	PANEL, 3.13" X 77.19"
4. 966957-014	DOOR, 14.25" X 62.38"
5. 966957-015	PANEL, 17.50" X 18.38"
6. 96957-016	PANEL, 14.00" X 4.50"
7. 966957-017	PANEL, 14.00" X 4.50"
8. 966957-018	PANEL, 15.12" X 22.88"
9. 966957-019	PANEL, 14.00" X 20.17"
10. 966957-0110	PANEL, 3.25" X 17.13"
11. 966957-0111	PANEL, 3.00" X 75.88"
12. 966957-0112	PANEL, 3.00" X 75.88"
13. 966957-0113	PANEL, 3.00" X 13.63"
14. 966957-0114	PANEL, 3.00" X 13.63"
15. 966957-0115	PANEL, 2.50" X 15.13"
16. 966957-0116	PANEL, 3.00" X 75.88"
17. 801351	PANEL, 3.00" X 18.00", LITE PLY N
18. 801706-WH	CORNER TRIM, 90 DGREE
19. 800025-01	PINE, 3/4" X 3/4"
20. 380045	TUBING 3/4", METALLIC
21. 200975-04	CONDUIT, BLACK PLASTIC
22. 381607	HINGE ASSY
23. 382046	PULL, BAMBOO, W/BUSHED NICKEL ENDS
24. 381228-01	GRABBER CATCH, DOOR
25. 966957-0130	PANEL, 77.78" X 22.50"
26. 114811	ALUMINUM ANGLE .50 X .50

2009 INTERNATIONAL TRAVEL TRAILER

FURNITURE, BEDROOM

Roof Locker, 19', 23' D Signature, Rear End Liner, Wenge

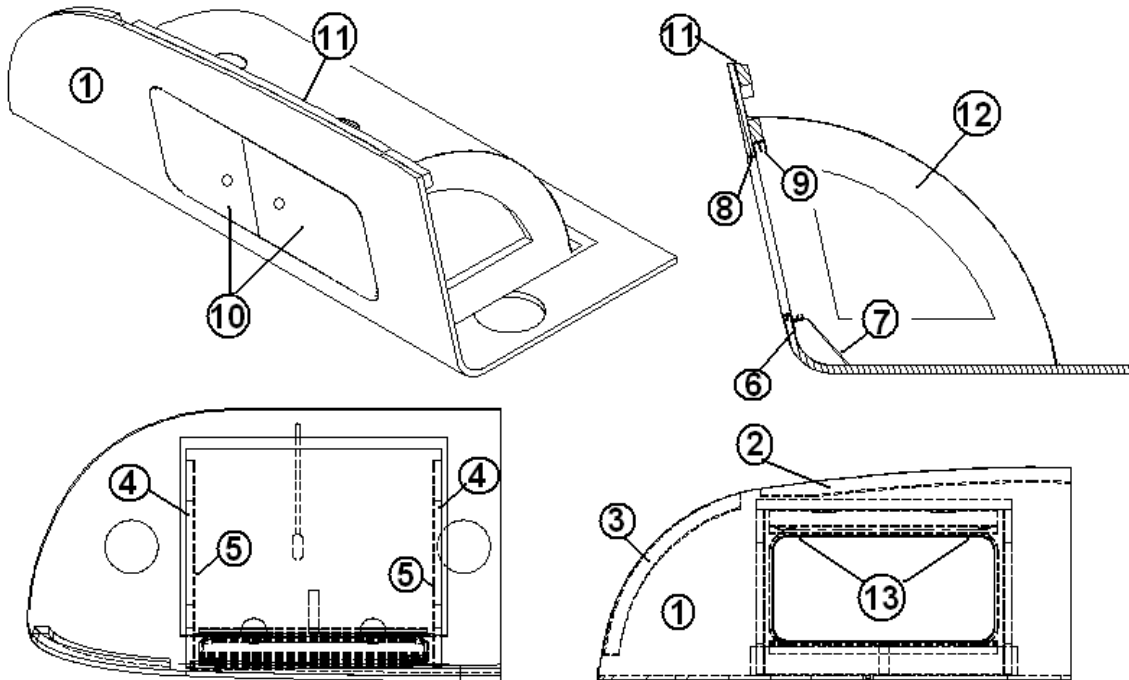


966933	LINER LOCKER ASSY NB REAR CORNER
1. 801730	FACE-LINER LOCKER NB REAR CORNER
2. 801596-01	BACKER W/B LINER LOCKER CENTER
3. 801596-02	BACKER LINER LOCKER LH
4. 801594	DIVIDER-LINER LOCKER
5. 801595	DIVIDER LINER LOCKER CCD
6. 115261-04	ANGLE, FORMED LCKR TRACK SUPPORT
7. 115226-01	BRACKET, FORMED, CENTER SUPPORT
8. 203508-01	PLY T-TRIM 9/16"
9. 203388	SLIDING DOOR TRACK, 56-1/5"
10. 965563-05	DOOR, PLEXIGLASS, 11.31" x 11.75"
11. 201673	REVERSE COVE MOLDING, WHITE
12. 115264-04	PAN-LINER LOCKER N/B REAR
13. 454613	SPRING, LEAF ROOF LOCKER

2009 INTERNATIONAL TRAVEL TRAILER

FURNITURE, BEDROOM

Roof Locker, 19', 23' D Signature, Rear End Liner, Ocean Breeze

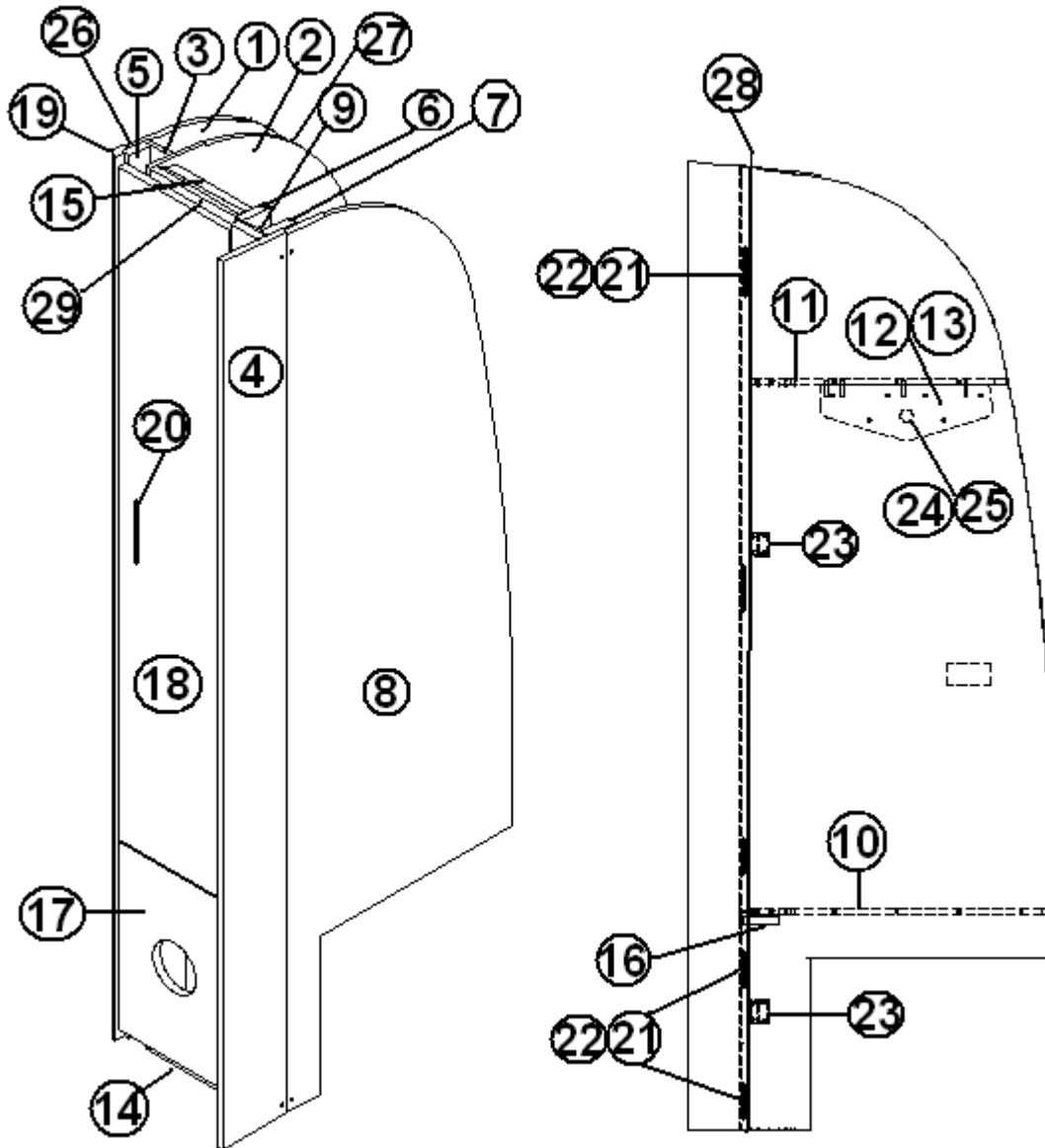


- | | |
|---------------|----------------------------------|
| 966933-01 | LINER LOCKER ASSY NB REAR CORNER |
| 1. 801730 | FACE-LINER LOCKER NB REAR CORNER |
| 2. 801596-01 | BACKER W/B LINER LOCKER CENTER |
| 3. 801596-02 | BACKER LINER LOCKER LH |
| 4. 801594 | DIVIDER-LINER LOCKER |
| 5. 801595 | DIVIDER LINER LOCKER CCD |
| 6. 115261-04 | ANGLE, FORMED LCKR TRACK SUPPORT |
| 7. 115226-01 | BRACKET, FORMED, CENTER SUPPORT |
| 8. 203508-01 | PLY T-TRIM 9/16" |
| 9. 203388 | SLIDING DOOR TRACK, 56-1/5" |
| 10. 203357-05 | DOOR, LUMICOR, 11.31"X11.75" |
| 11. 201673 | REVERSE COVE MOLDING, WHITE |
| 12. 115264-04 | PAN-LINER LOCKER N/B REAR |
| 13. 454613 | SPRING, LEAF ROOF LOCKER |

2009 INTERNATIONAL TRAVEL TRAILER

FURNITURE, BEDROOM

Wardrobe, 23' D Signature, Roadside, Wenge



Part Numbers on the Next Page

2009 INTERNATIONAL TRAVEL TRAILER

FURNITURE, BEDROOM

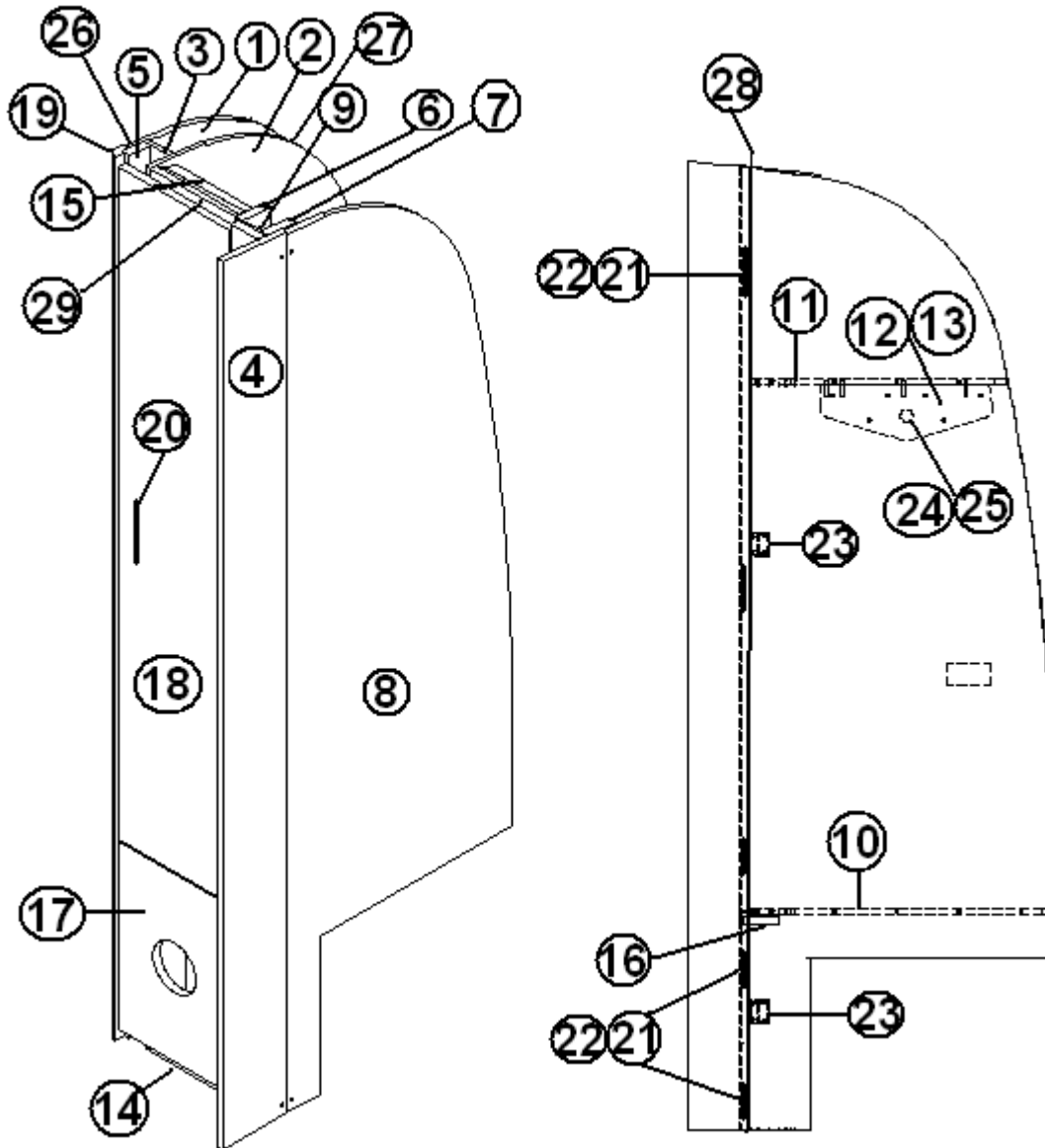
Wardrobe, 23' D Signature, Roadside, Wenge

966949	WARDROBE ASSY, R.S.
1. 966949-1	PANEL, RS W/R, 23.78 X 77.82
2. 966949-2	PANEL, RS W/R, 24.56 X 78.06
3. 966949-3	PANEL, RS W/R, 2.5 X 77.8
4. 966949-4	PANEL, RS W/R, 6.60 X 78.53
5. 966949-5	PANEL, RS W/R, 2.25 X 78.06
6. 966949-6	PANEL, RS W/R, 3.0 X 78.06
7. 966949-7	PANEL, RS W/R, 3.0 X 78.06
8. 966949-8	PANEL, RS W/R, 23.05 X 77.83
9. 966949-9	PANEL, RS W/R, 1.87 X 77.69
10. 966949-11	PANEL, RS W/R, 11.89 X 24.59
11. 966949-12	PANEL, RS W/R, 11.89 X 20.74
12. 966949-13	PANEL, RS W/R, 14.0 X 4.49
13. 966949-14	PANEL, RS W/R, 14.0 X 4.49
14. 966949-15	PANEL, RS W/R, 8.51 X 2.25
15. 966949-16	PANEL, RS W/R, 8.51 X 2.25
16. 966949-17	PANEL, RS W/R, 2.25 X 8.51
17. 966949-18	DOOR RS W/R, 11.38 X 16.68
18. 966949-19	DOOR R/S W/R, 11.38 X 59.5
19. 801706-0016	CORNER TRIM 90 DEG
20. 382029-03	HANDLE BAR, 11.25"
21. 381607	HINGE ASSY
22. 320006	SCREW, SHEET METAL, 8 X 3/4 BH PHI
23. 381228	CATCH, GRABBER, DOOR
24. 380045	TUBING 3/4", METAL
25. 200975-04	CONDUIT, FLEXIBLE BLACK PLASTIC
26. 203138-05	EXTRUSION, PLASTIC 1/2" WALL BLACK
27. 203138-01	EXTRUSION, PLASTIC WALL-WHITE
28. 115085	ANGLE ALUMINUM, ROOFLOCKERS
29. 966949-35	PANEL, RS W/R, 2.94 X 78.00

2009 INTERNATIONAL TRAVEL TRAILER

FURNITURE, BEDROOM

Wardrobe, 23' D Signature, Roadside, Ocean Breeze



Part Numbers on the Next Page

2009 INTERNATIONAL TRAVEL TRAILER

FURNITURE, BEDROOM

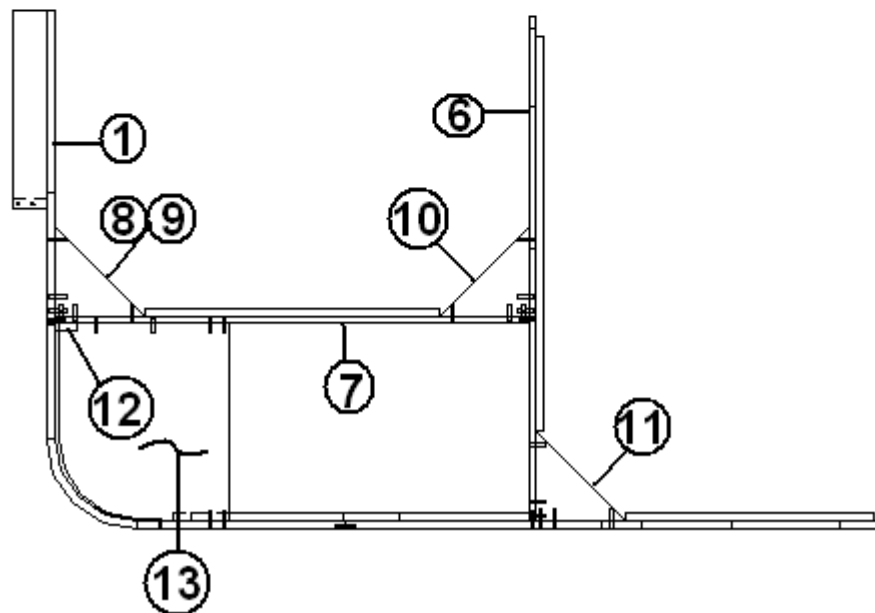
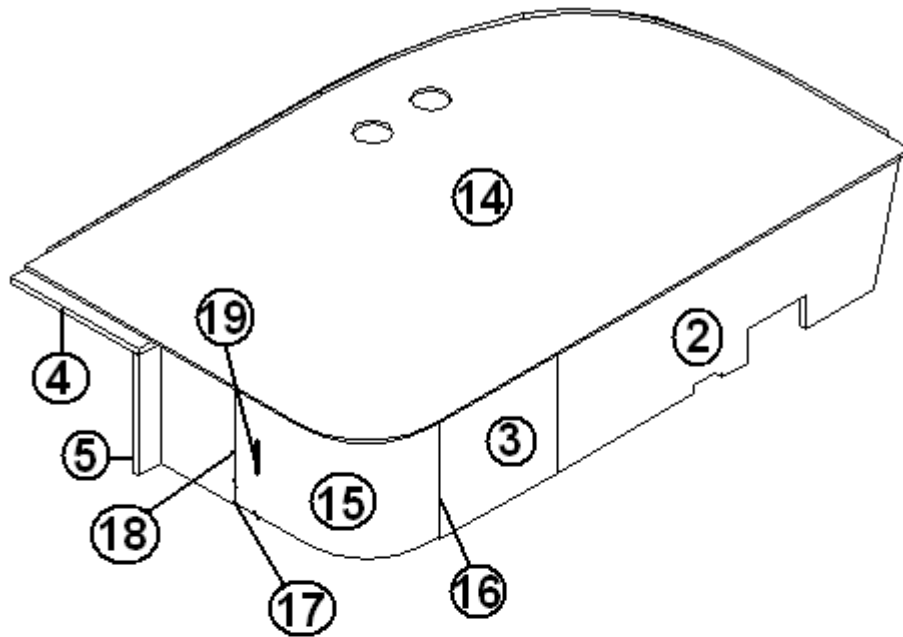
Wardrobe, 23' D Signature, Roadside, Ocean Breeze

966949-01	WARDROBE ASSY, R.S., O.B.
1. 966949-011	PANEL, RS W/R, 23.78 X 77.82
2. 966949-012	PANEL, RS W/R, 24.56 X 78.06
3. 966949-013	PANEL, RS W/R, 2.5 X 77.8
4. 966949-014	PANEL, RS W/R, 6.60 X 78.53
5. 966949-015	PANEL, RS W/R, 2.25 X 78.06
6. 966949-016	PANEL, RS W/R, 3.0 X 78.06
7. 966949-017	PANEL, RS W/R, 3.0 X 78.06
8. 966949-018	PANEL, RS W/R, 23.05 X 77.83
9. 966949-019	PANEL, RS W/R, 1.87 X 77.69
10. 966949-0111	PANEL, RS W/R, 11.89 X 24.59
11. 966949-0112	PANEL, RS W/R, 11.89 X 20.74
12. 966949-0113	PANEL, RS W/R, 14.0 X 4.49
13. 966949-0114	PANEL, RS W/R, 14.0 X 4.49
14. 966949-0115	PANEL, RS W/R, 8.51 X 2.25
15. 966949-0116	PANEL, RS W/R, 8.51 X 2.25
16. 966949-0117	PANEL, RS W/R, 2.25 X 8.51
17. 966949-0118	DOOR RS W/R, 11.38 X 16.68
18. 966949-0119	DOOR R/S W/R, 11.38 X 59.5
19. 801706-WH	CORNER TRIM 90 DEG
20. 382046	PULL, BAMBOO, W/BUSHED NICKEL ENDS
21. 381607	HINGE ASSY
22. 320006	SCREW, METAL, 8 X 3/4 BH PHI
23. 381228	CATCH, GRABBER, DOOR
24. 380045	TUBING 3/4", METAL
25. 200975-04	CONDUIT, BLACK PLASTIC
26. 203138-01	EXTRUSION, PLASTIC WALL-WHITE
27. 203138-01	EXTRUSION, PLASTIC WALL-WHITE
28. 115085	ANGLE ALUMINUM, ROOFLOCKERS
29. 966949-0135	PANEL, RS W/R, 2.94 X 78.00

2009 INTERNATIONAL TRAVEL TRAILER

FURNITURE, BEDROOM

Bed, 19', 23' D Signature, Wenge



Part Numbers on the Next Page

2009 INTERNATIONAL TRAVEL TRAILER

FURNITURE, BEDROOM

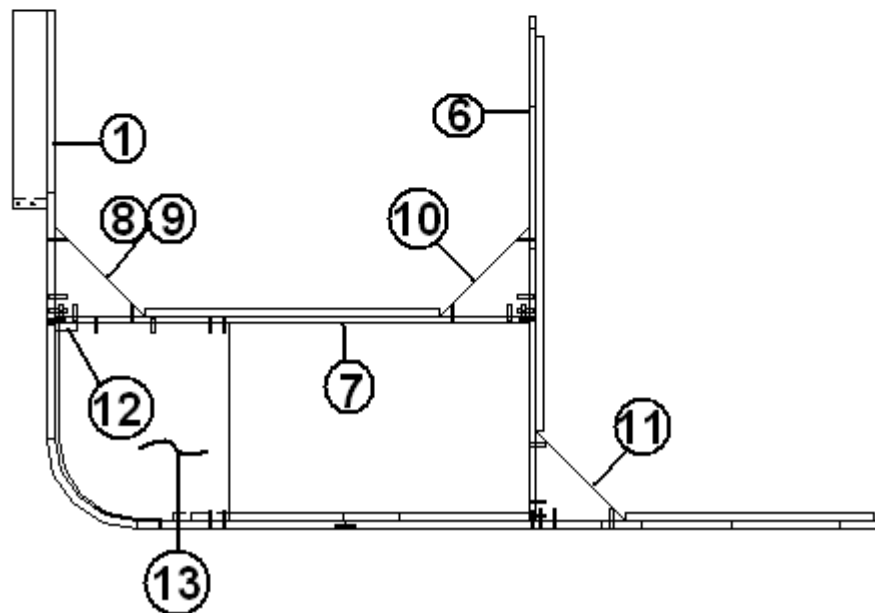
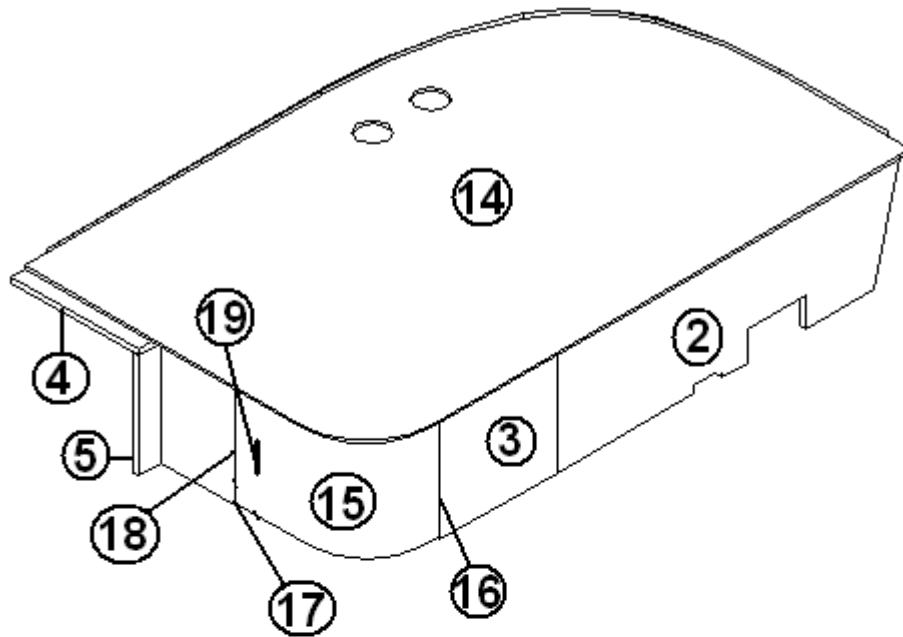
Bed, 19', 23' D Signature, Wenge

966926	BED ASSY, CORNER
1. 966926-1	PANEL, CORNER BED, 27.75 X 15.125
2. 966926-2	PANEL, CORNER BED, 47.63 X 15.125
3. 966926-3	PANEL, CORNER BED, 16.19 X 15.125
4. 966926-4	PANEL, CORNER BED, 17.5 X 3.0
5. 966926-5	PANEL, CORNER BED, 3.0 X 14.36
6. 966926-6	PANEL, CORNER BED, 44.75 X 15.125
7. 966926-7	PANEL, CORNER BED, 42.0 X 15.125
8. 966926-8	PANEL, CORNER BED, 8.0 X 8.0
9. 966926-9	PANEL, CORNER BED, 8.0 X 8.0
10. 966926-10	PANEL, CORNER BED, 8.0 X 8.0
11. 966926-11	PANEL, CORNER BED, - 8.0 X 8.0
12. 966926-12	PANEL, CORNER BED, 2.0 X 13.5
13. 966926-13	PANEL, CORNER BED, 15.19 X 17.625
14. 966926-14	PANEL, CORNER BED, 47.14 X 75.12
15. 966925	DOOR ASSY, RADIUS, BED
16. 381853	HINGE, CONTINUOUS ALUM PIANO
17. 203587	WEDGE, RADIUS BED BASE DOOR
18. 381948	K-CATCH
19. 382029-00	HANDLE, BAR 7.48"
203419	BOX STORAGE, 23"L X 16.75"W X 11.88
203439	STORAGE BOX, 17"L X 11.13"W X 6.38"
701538-01	CARPET, ECONOLIER W/PSA BACK

2009 INTERNATIONAL TRAVEL TRAILER

FURNITURE, BEDROOM

Bed, 19', 23' D Signature, Ocean Breeze



Part Numbers on the Next Page

2009 INTERNATIONAL TRAVEL TRAILER

FURNITURE, BEDROOM

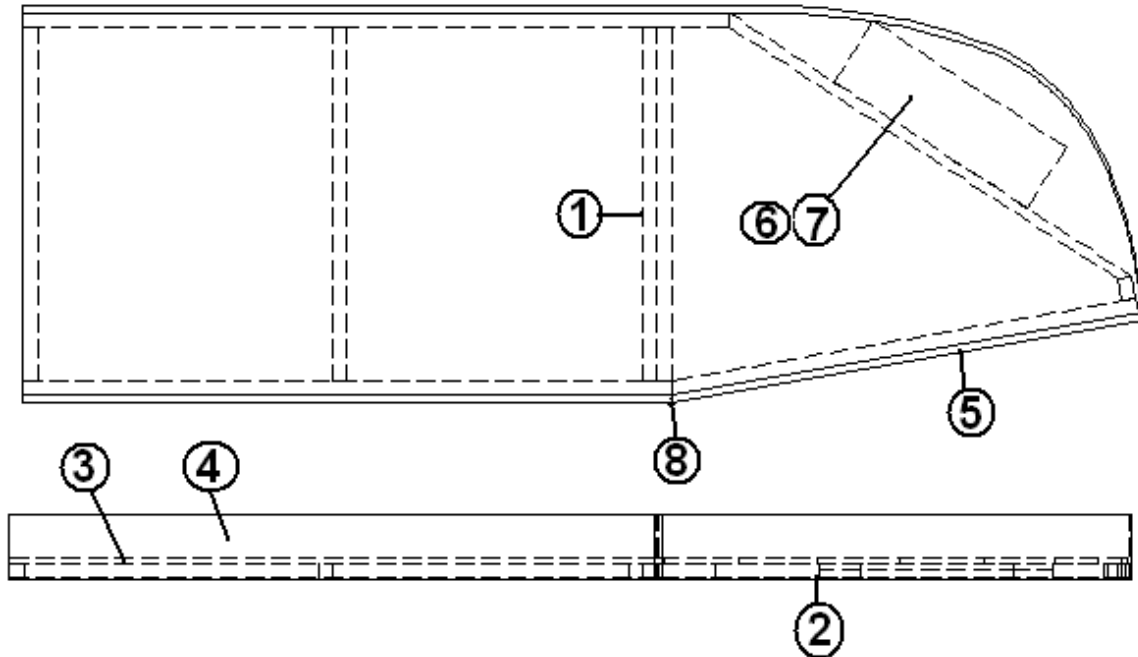
Bed, 19', 23' D Signature, Ocean Breeze

966926-01	BED ASSY, CORNER
1. 966926-011	PANEL, BED, 27.75 X 15.125
2. 966926-012	PANEL, BED, 47.63 X 15.125
3. 966926-013	PANEL, BED, 16.19 X 15.125
4. 966926-014	PANEL, BED, 17.5 X 3.0
5. 966926-015	PANEL, BED, 3.0 X 14.36
6. 966926-016	PANEL, BED, 44.75 X 15.125
7. 966926-017	PANEL, BED, 42.0 X 15.125
8. 966926-018	PANEL, BED, 8.0 X 8.0
9. 966926-019	PANEL, BED, 8.0 X 8.0
10. 966926-0110	PANEL, BED, 8.0 X 8.0
11. 966926-0111	PANEL, BED, 8.0 X 8.0
12. 966926-0112	PANEL, BED, 2.0 X 13.5
13. 966926-0113	PANEL, BED, 15.19 X 17.625
14. 966926-0114	PANEL, BED, 47.14 X 75.12
15. 966925-01	DOOR ASSY, RADIUS, BED
16. 381853	HINGE, CONTINUOUS ALUM PIANO
17. 203587	WEDGE, RADIUS BED BASE DOOR
18. 381948	K-CATCH
19. 382046	PULL, BAMBOO, W/BUSHED NICKEL ENDS
203419	BOX STORAGE, 23"L X 16.75"W X 11.88
203439	STORAGE BOX, 17"L X 11.13"W X 6.38"
701538-01	CARPET, ECONOLIER W/PSA BACK

2009 INTERNATIONAL TRAVEL TRAILER

FURNITURE, BEDROOM

Bed, 23' D Signature, Upper Bunk, Wenge

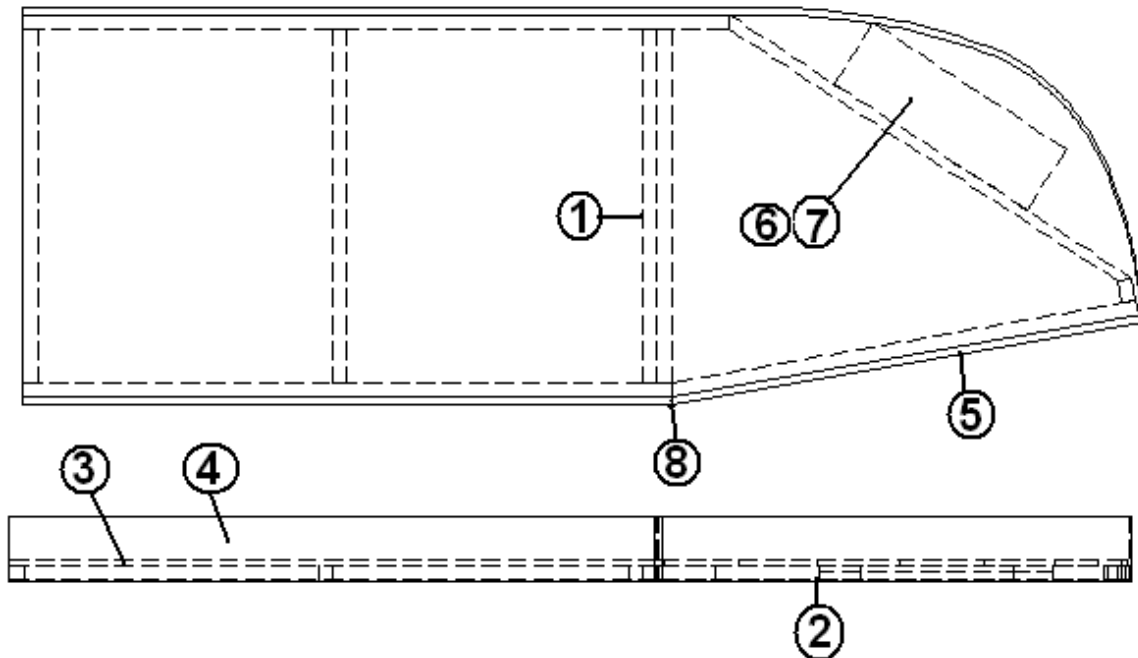


966953	BUNK BED ASSY UPPER
1. 915841	WELDMENT-UPPER BUNK
2. 966953-2	PANEL, BUNK 27 X 77.69
3. 966953-3	PANEL, BUNK, LUAN
4. 966953-4	PANEL, BUNK 45.00 X 4.50
5. 966953-5	PANEL, BUNK 33.25 X 4.50
6. 966953-7	PANEL, UPPER BUNK 16.00 X 5.00
7. 966953-8	PANEL, UPPER BUNK 16.00 X 5.00
8. 203445	T-MOLDING BLK FLEXIBLE POLY .5
381736-03	BRACE-UPPER BUNK BED
114743	ANGLE ALUM .11 X 1.50 X 2.00

2009 INTERNATIONAL TRAVEL TRAILER

FURNITURE, BEDROOM

Bed, 19', 23' D Signature, Upper Bunk, Ocean Breeze

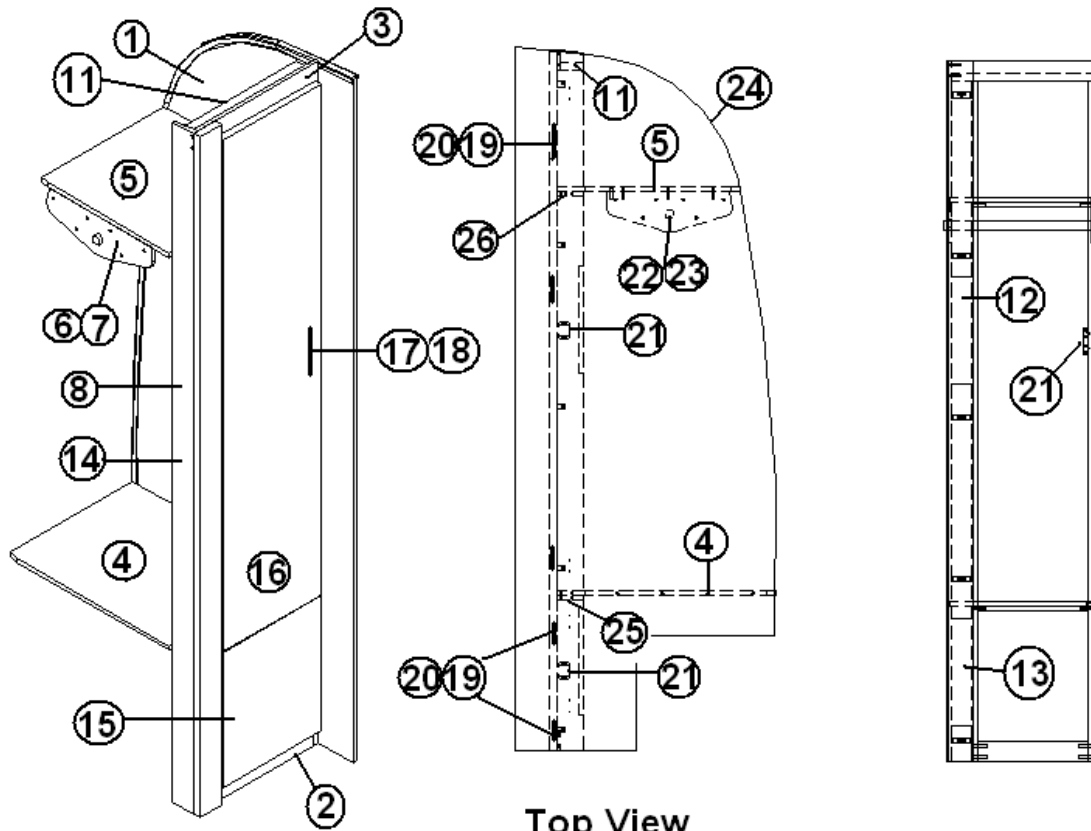


966953-01	BUNK BED ASSY UPPER
1. 915841	WELDMENT-UPPER BUNK
2. 966953-012	PANEL, BUNK 27 X 77.69
3. 966953-013	PANEL, BUNK, LUAN
4. 966953-014	PANEL, BUNK 45.00 X 4.50
5. 966953-015	PANEL, BUNK 33.25 X 4.50
6. 966953-017	PANEL, UPPER BUNK 16.00 X 5.00
7. 966953-018	PANEL, UPPER BUNK 16.00 X 5.00
8. 203445	T-MOLDING BLK FLEXIBLE POLY .5
381736-03	BRACE-UPPER BUNK BED
114743	ANGLE ALUM .11 X 1.50 X 2.00

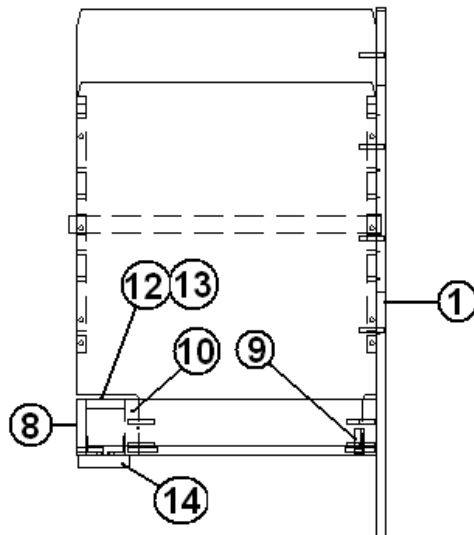
2009 INTERNATIONAL TRAVEL TRAILER

FURNITURE, BEDROOM

Wardrobe, 23' D Signature Upper Bunk Option, Curbside, Wenge



Top View



Part Numbers on the Next Page

2009 INTERNATIONAL TRAVEL TRAILER

FURNITURE, BEDROOM

Wardrobe, 23' D Signature Upper Bunk Option, Curbside, Wenge

966951	WARDROBE ASSY CS, BUNK OPTION
1. 966951-1	PANEL, CS W/R BUNK, 29.13 X 78.42
2. 966951-2	PANEL, CS W/R BUNK, 12.315 X 2.25
3. 966951-3	PANEL, CS W/R BUNK, 16.0 X 2.25
4. 966951-4	PANEL, CS W/R BUNK, 16.5 X 24.47
5. 966951-5	PANEL, CS W/R BUNK, 16.5 X 20.47
6. 966951-6	PANEL, CS W/R BUNK, 4.48 X 14.0
7. 966951-7	PANEL, CS W/R BUNK, 4.48 X 14.0
8. 966951-8	PANEL, CS W/R BUNK, 3.0 X 78.14
9. 966951-9	PANEL, CS W/R BUNK, 3.0 X 75.88
10. 966951-10	PANEL, CS W/R BUNK, 3.0 X 75.88
11. 966951-11	PANEL, CS W/R BUNK, 2.5 X 16.0
12. 966951-12	PANEL, CS W/R BUNK, 2.18 X 12.0
13. 966951-13	PANEL, CS W/R BUNK, 2.18 X 12.0
14. 966951-15	PANEL, CS W/R BUNK, 2.88 X 78.14
15. 966951-16	DOOR, 12.94 X 15.5 CS W/R, BUNK
16. 966951-17	DOOR, 12.94 X 58.63 CS W/R, BUNK
17. 382029-03	HANDLE BAR, 11.25"
18. 345001-08	SCREW, #8-32 X 1"
19. 381607	HINGE ASSY-GRASS
20. 381607-04	HINGE SCREW-GRASS
21. 381228	CATCH, GRABBER, DOOR
22. 380045	TUBING ¾", METALLIC
23. 200975-04	CONDUIT, FLEXIBLE BLACK PLASTIC
24. 203138-05	EXTRUSION, PLASTIC, ½" WALL BLACK
25. 966951-30	PANEL, CS W/R BUNK, 3.0 X 12.31
26. 966951-31	PANEL, CS W/R BUNK, 3.0 X 12.31

2009 INTERNATIONAL TRAVEL TRAILER

FURNITURE, BEDROOM

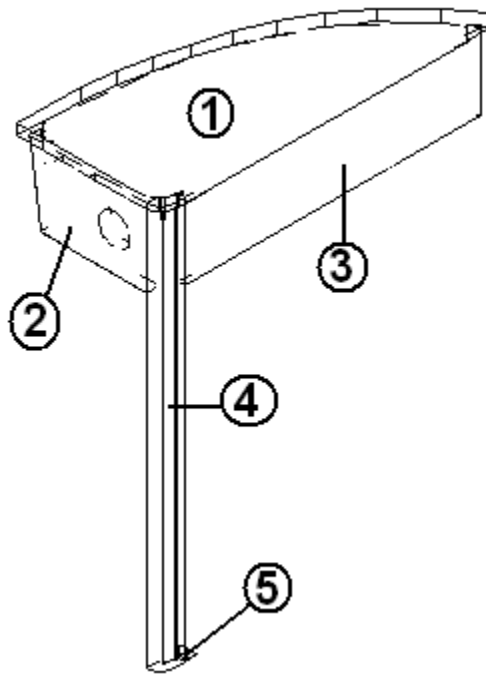
Wardrobe, 23' D Signature Upper Bunk Option, Curbside, Ocean Breeze

966951-01	WARDROBE ASSY CS, BUNK OPTION
1. 966951-011	PANEL, CS W/R BUNK, 29.13 X 78.42
2. 966951-012	PANEL, CS W/R BUNK, 12.315 X 2.25
3. 966951-013	PANEL, CS W/R BUNK, 16.0 X 2.25
4. 966951-014	PANEL, CS W/R BUNK, 16.5 X 24.47
5. 966951-015	PANEL, CS W/R BUNK, 16.5 X 20.47
6. 966951-016	PANEL, CS W/R BUNK, 4.48 X 14.0
7. 966951-017	PANEL, CS W/R BUNK, 4.48 X 14.0
8. 966951-018	PANEL, CS W/R BUNK, 3.0 X 78.14
9. 966951-019	PANEL, CS W/R BUNK, 3.0 X 75.88
10. 966951-0110	PANEL, CS W/R BUNK, 3.0 X 75.88
11. 966951-0111	PANEL, CS W/R BUNK, 2.5 X 16.0
12. 966951-0112	PANEL, CS W/R BUNK, 2.18 X 12.0
13. 966951-0113	PANEL, CS W/R BUNK, 2.18 X 12.0
14. 966951-0115	PANEL, CS W/R BUNK, 2.88 X 78.14
15. 966951-0116	DOOR, 12.94 X 15.5 CS W/R, BUNK
16. 966951-0117	DOOR, 12.94 X 58.63 CS W/R, BUNK
17. 17. 382046	PULL, BAMBOO, W/BUSHED NICKEL ENDS
18. 345001-08	SCREW, #8-32 X 1"
19. 381607	HINGE ASSY-GRASS
20. 381607-04	HINGE SCREW-GRASS
21. 381228	CATCH, GRABBER, DOOR
22. 380045	TUBING 3/4", METALLIC
23. 200975-04	CONDUIT, FLEXIBLE BLACK PLASTIC
24. 203138-05	EXTRUSION, PLASTIC, 1/2" WALL BLACK
25. 966951-0130	PANEL, CS W/R BUNK, 3.0 X 12.31
26. 966951-0131	PANEL, CS W/R BUNK, 3.0 X 12.31

2009 INTERNATIONAL TRAVEL TRAILER

FURNITURE, BEDROOM

Nightstand, 25' Front Bed Signature, Double Bed, Wenge

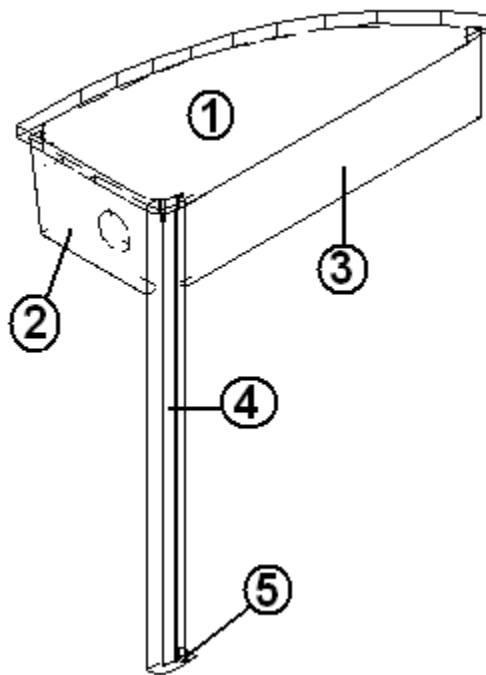


- 966899 Nightstand, 25' FB Double Bed, Wenge
- 1. 966899-1 Panel, 9.38 x 21.19
 - 2. 966899-2 Panel, 7.63 x 5.00
 - 3. 966899-3 Panel, 18.75 x 5.00
 - 4. 801706-0016 Corner trim, 90 degree radius
 - 5. 380041 Corner bracer

2009 INTERNATIONAL TRAVEL TRAILER

FURNITURE, BEDROOM

Nightstand, 25' Front Bed Signature, Double Bed, Ocean Breeze

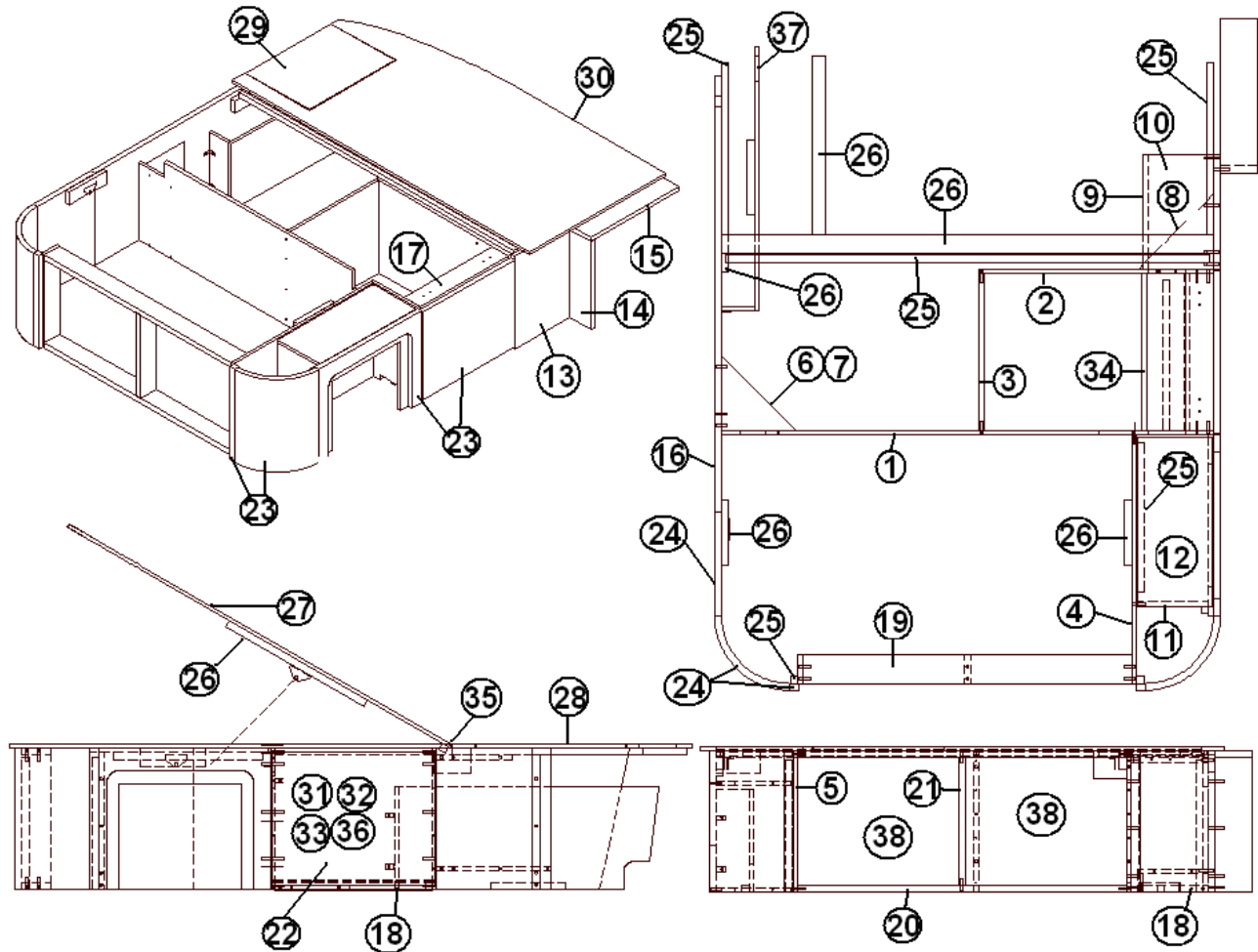


- | | |
|---------------|---|
| 966899-01 | Nightstand, 25' FB Double Bed, Ocean Breeze |
| 1. 966899-011 | Panel, 9.38 x 21.19 |
| 2. 966899-012 | Panel, 7.63 x 5.00 |
| 3. 966899-013 | Panel, 18.75 x 5.00 |
| 4. 801706-WH | Corner trim, 90 degree radius |
| 5. 380041 | Corner brace |

2009 INTERNATIONAL TRAVEL TRAILER

FURNITURE, BEDROOM

Bed, 25' Front Bed Signature, Double, Wenge



967072	BASE ASSY BED
1. 967072-1	PANEL, 15.13 X 52.50
2. 967072-2	PANEL, 25.00 X 15.13
3. 967072-3	PANEL, 16.75 X 15.13
4. 967072-4	PANEL, 26.50 X 15.13
5. 967072-5	PANEL, 3.00 X 15.13
6. 967072-6	PANEL, 8.00 X 8.00,, TRIANGLE
7. 967072-7	PANEL, 8.00 X 8.00, TRIANGLE
8. 967072-8	PANEL, 8.00 X 8.00, TRIANGLE
9. 967072-9	PANEL, 2.00 X 12.25

Part Numbers continued on the next page

2009 INTERNATIONAL TRAVEL TRAILER

FURNITURE, BEDROOM

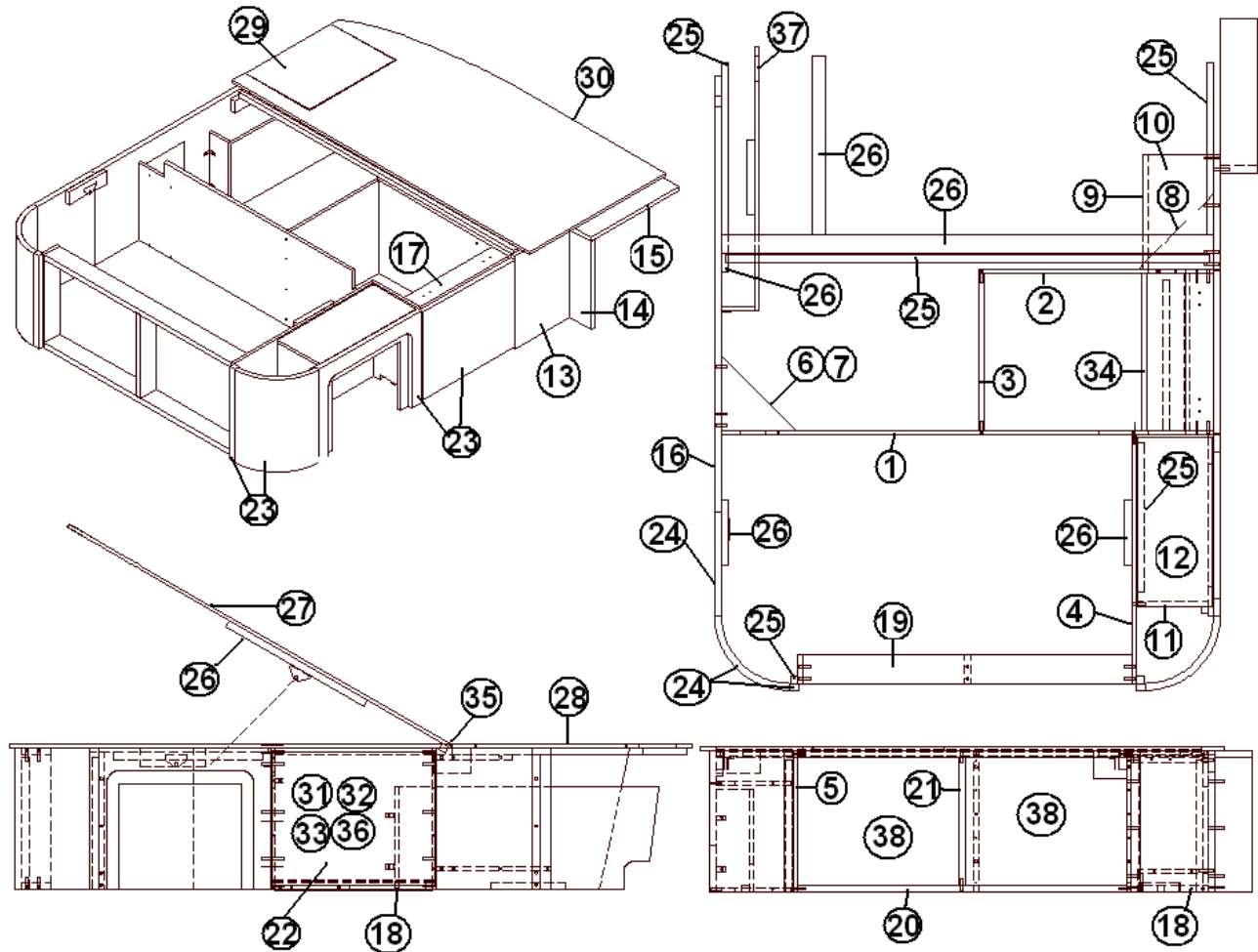
Bed, 25' Front Bed Signature, Double, Wenge

10.	967072-10	PANEL, 7.5 X 12.25
11.	967072-11	PANEL, 7.69 X 14.63
12.	967072-12	PANEL, 8.06 X 18.06
13.	967072-13	PANEL, 12.31 X 15.13
14.	967072-14	PANEL, 4.00 X 14.38
15.	967072-15	PANEL, 4.00 X 16.50
16.	967072-16	PANEL, 46.62 X 15.13
17.	967072-17	PANEL, 3.00 X 16.75
18.	967072-18	PANEL, 3.00 X 16.75
19.	967072-19	PANEL, 3.00 X 35.13
20.	967072-20	PANEL, 3.00 X 35.13
21.	967072-21	PANEL, 3.00 X 13.63
22.	967072-22	DOOR 17.38 X 14.25
23.	967069	RADIUS ASSY
24.	967070	RADIUS ASSY FWD
25.	800025-01	PINE 3/4" X 3/4" STAINED
26.	850082	POPLAR, .75 X 2.00
27.	800507-03	LAUAN, 3/8" X 47.00 X 56.00
28.	800507-03	LAUAN, 3/8" X 25.62 x 56.00
29.	800507-03	LAUAN, 3/8" x 12 x 16
30.	115151	ANGLE, BED SUPPORT, 43"
31.	381607	HINGE ASSY
32.	382029-04	HANDLE, BAR 15"
33.	381228-01	CATCH, GRABBER, DOOR
34.	115101	CLOSEOUT, BED BASE, WIRES, 17.19"
35.	380203-01	HINGE, PIANO
36.	201016	DRAWER, 16 X 22
37.	967071	WIRING CLOSEOUT
38.	203419	BOX STORAGE, 23"L X 16.75"W X 11.88"

2009 INTERNATIONAL TRAVEL TRAILER

FURNITURE, BEDROOM

Bed, 25' Front Bed Signature, Double, Ocean Breeze



967072-01	BASE ASSY BED
1. 967072-011	PANEL, 15.13 X 52.50
2. 967072-012	PANEL, 25.00 X 15.13
3. 967072-013	PANEL, 16.75 X 15.13
4. 967072-014	PANEL, 26.50 X 15.13
5. 967072-015	PANEL, 3.00 X 15.13
6. 967072-016	PANEL, 8.00 X 8.00,, TRIANGLE
7. 967072-017	PANEL, 8.00 X 8.00, TRIANGLE
8. 967072-018	PANEL, 8.00 X 8.00, TRIANGLE
9. 967072-019	PANEL, 2.00 X 12.25

Part Numbers continued on the next page

2009 INTERNATIONAL TRAVEL TRAILER

FURNITURE, BEDROOM

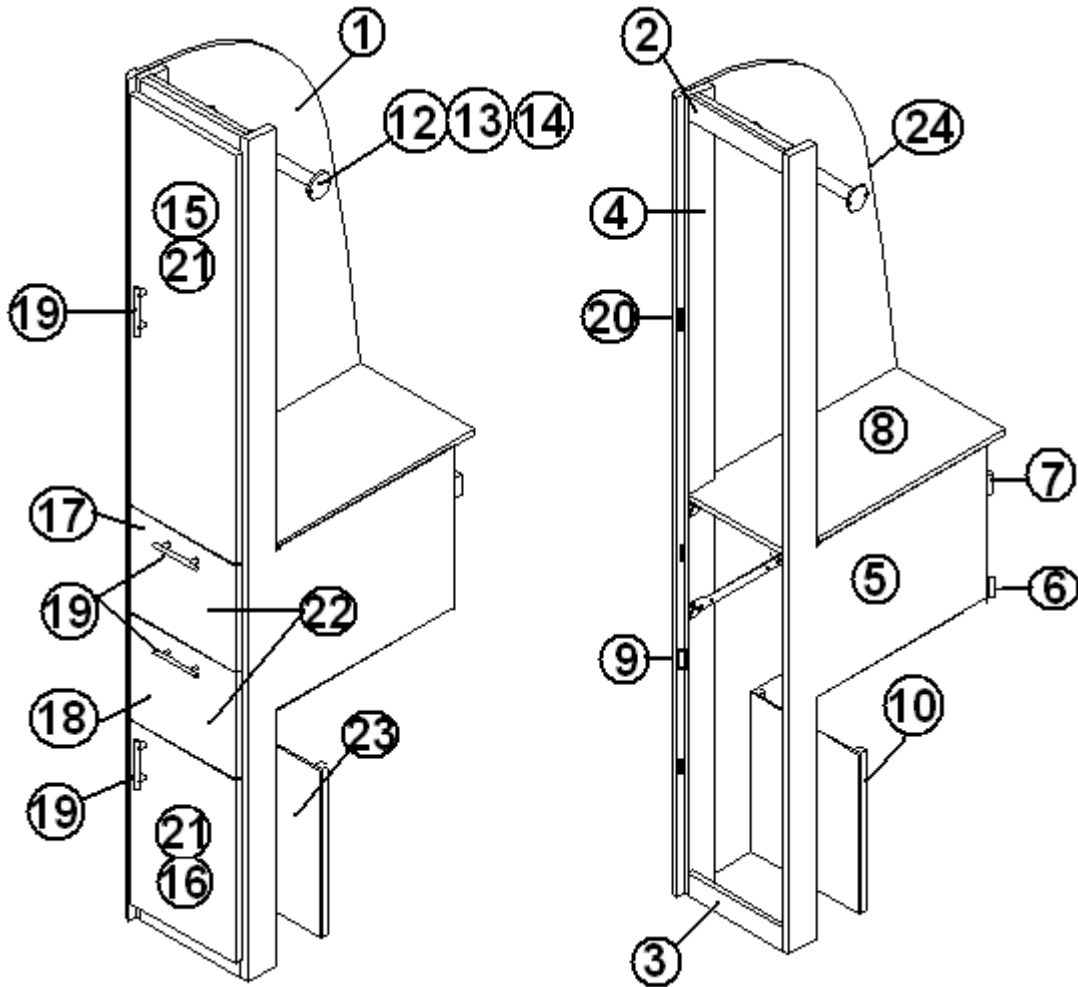
Bed, 25' Front Bed Signature, Double, Ocean Breeze

10. 967072-0110	PANEL, 7.5 X 12.25
11. 967072-0111	PANEL, 7.69 X 14.63
12. 967072-0112	PANEL, 8.06 X 18.06
13. 967072-0113	PANEL, 12.31 X 15.13
14. 967072-0114	PANEL, 4.00 X 14.38
15. 967072-0115	PANEL, 4.00 X 16.50
16. 967072-0116	PANEL, 46.62 X 15.13
17. 967072-0117	PANEL, 3.00 X 16.75
18. 967072-0118	PANEL, 3.00 X 16.75
19. 967072-0119	PANEL, 3.00 X 35.13
20. 967072-0120	PANEL, 3.00 X 35.13
21. 967072-0121	PANEL, 3.00 X 13.63
22. 967072-0122	DOOR 17.38 X 14.25
23. 967069-01	RADIUS ASSY
24. 967070-01	RADIUS ASSY FWD
25. 800025-01	PINE 3/4" X 3/4" STAINED
26. 850082	POPLAR, .75 X 2.00
27. 800507-03	LAUAN, 3/8" X 47.00 X 56.00
28. 800507-03	LAUAN, 3/8" X 25.62 x 56.00
29. 800507-03	LAUAN, 3/8" x 12 x 16
30. 115151	ANGLE, BED SUPPORT, 43"
31. 381607	HINGE ASSY
32. 382046	PULL, BAMBOO, W/BUSHED NICKEL ENDS
33. 381228-01	CATCH, GRABBER, DOOR
34. 115101	CLOSEOUT, BED BASE, WIRES, 17.19"
35. 380203-01	HINGE, PIANO
36. 201016	DRAWER, 16 X 22
37. 967071-01	WIRING CLOSEOUT
38. 203419	BOX STORAGE, 23"L X 16.75"W X 11.88"

2009 INTERNATIONAL TRAVEL TRAILER

FURNITURE, BEDROOM

Wardrobe, 25' Front Bed Signature, Double Bedroom, Wenge



Part Numbers on the next page

2009 INTERNATIONAL TRAVEL TRAILER

FURNITURE, BEDROOM

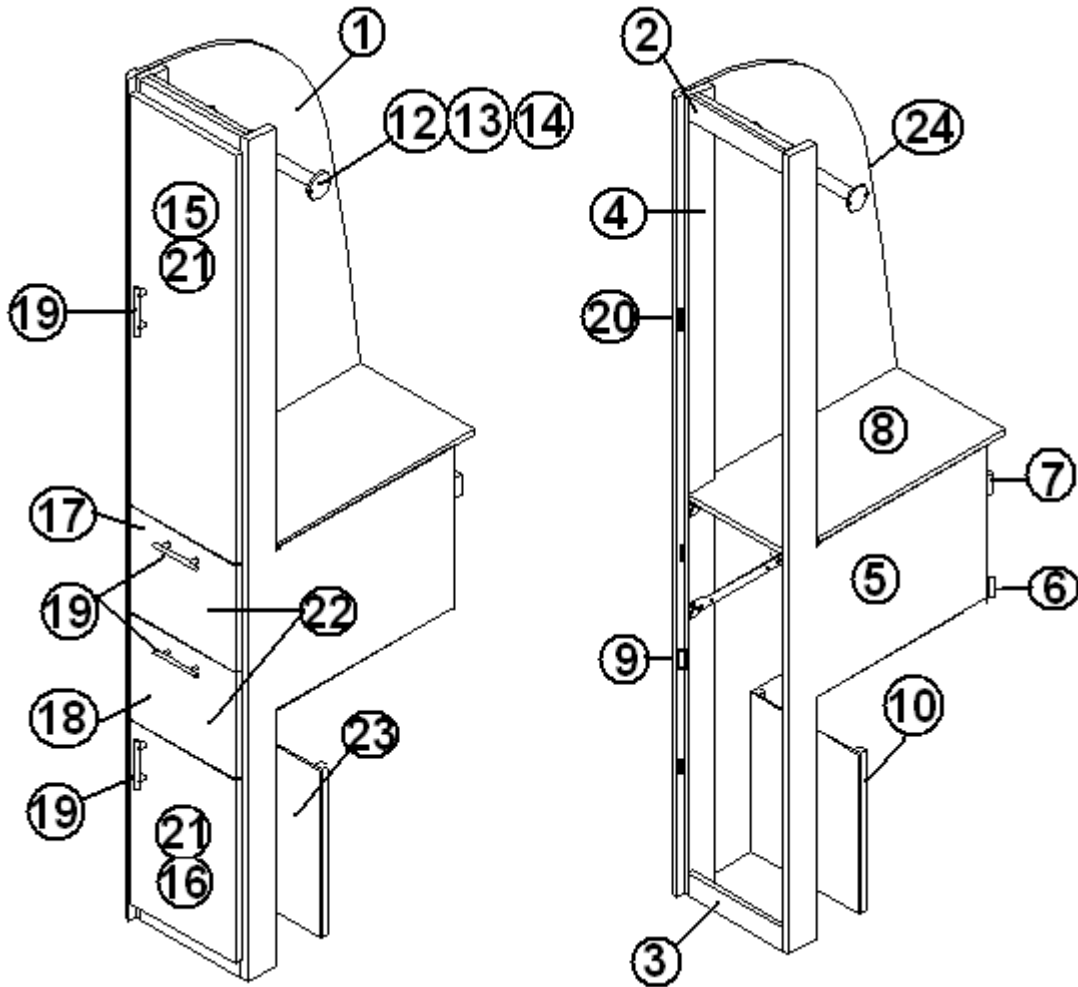
Wardrobe, 25' Front Bed Signature, Double Bedroom, Wenge

966901	Wardrobe, Double Bedroom
1. 966901-1	PANEL, 24.25 X 78.16
2. 966901-2	PANEL, 10.75 X 2.25
3. 966901-3	PANEL, 10.75 X 2.13
4. 966901-4	PANEL, 3 X 78.31
5. 966901-5	PANEL, 22.25 X 78.31
6. 966901-6	PANEL, 2 X 12.25
7. 966901-7	PANEL, 2 X 12.25
8. 966901-8	PANEL, 24.31 X 12.25
9. 801706-0016	CORNER TRIM-90D 1"RADIUS
10. 800025-01	PINE, 3/4" X 3/4", STAINED
11.800030	PINE, 3/4" X 2"
12.380046	FLANGE CHROME
13.380045	TUBING, 3/4", METALLIC
14.200975-04	CONDUIT, FLEXIBLE BLACK PLASTIC
15.966901-15	DOOR, BED W/R 11.38" X 38.13"
16.966901-16	DOOR, BED W/R 11.38" X 17"
17.966901-17	DOOR, BED W/R 11.38" X 9.88"
18.966901-18	DOOR, BED W/R 11.38" X 9.88"
19.382029-00	HANDLE-BAR 7.48"
20.381228-01	CATCH GRABBER DOOR
21.381607	HINGE ASSY
22.965555-02	DRAWER BOX ASSY, 8.00" X 9.5" X 20
23.966901-26	PANEL, 12.25 X 15.63
24.203138-05	EXTRUSION, PLASTIC 1/2" WALL, BLACK
381773-25	DRAWER SLIDE, 8.38"X 21.63" (PAIR)
203434	SPACER, PLASTIC .75" DOOR SLIDE

2009 INTERNATIONAL TRAVEL TRAILER

FURNITURE, BEDROOM

Wardrobe, 25' Front Bed Signature, Double Bedroom, Ocean Breeze



Part Numbers on the next page

2009 INTERNATIONAL TRAVEL TRAILER

FURNITURE, BEDROOM

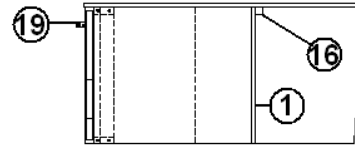
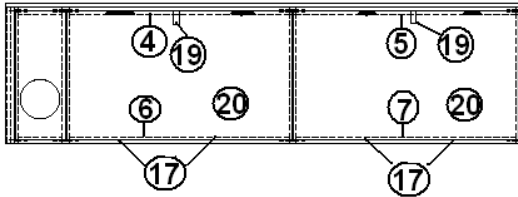
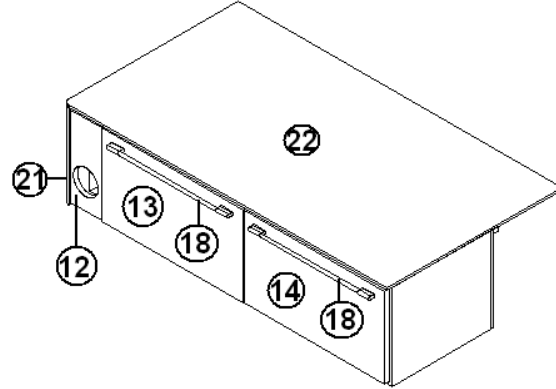
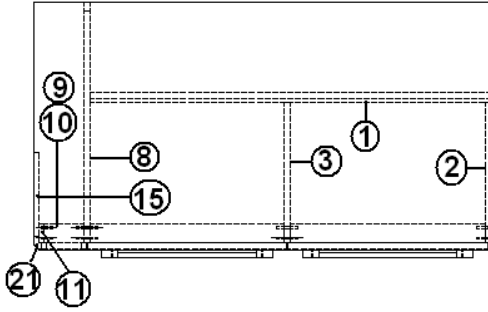
Wardrobe, 25' Front Bed Signature, Double Bedroom, Ocean Breeze

966901-01	Wardrobe, Double Bedroom
1. 966901-011	PANEL, 24.25 X 78.16
2. 966901-012	PANEL, 10.75 X 2.25
3. 966901-013	PANEL, 10.75 X 2.13
4. 966901-014	PANEL, 3 X 78.31
5. 966901-015	PANEL, 22.25 X 78.31
6. 966901-016	PANEL, 2 X 12.25
7. 966901-017	PANEL, 2 X 12.25
8. 966901-018	PANEL, 24.31 X 12.25
9. 801706-WH	CORNER TRIM-90D 1"RADIUS
10. 800025-01	PINE, 3/4" X 3/4", STAINED
11. 800030	PINE, 3/4" X 2"
12. 380046	FLANGE CHROME
13. 380045	TUBING, 3/4", METALLIC
14. 200975-04	CONDUIT, FLEXIBLE BLACK PLASTIC
15. 966901-0115	DOOR, BED W/R 11.38" X 38.13"
16. 966901-0116	DOOR, BED W/R 11.38" X 17"
17. 966901-0117	DOOR, BED W/R 11.38" X 9.88"
18. 966901-0118	DOOR, BED W/R 11.38" X 9.88"
19. 382046	PULL, BAMBOO, W/BUSHED NICKEL ENDS
20. 381228-01	CATCH GRABBER DOOR
21. 381607	HINGE ASSY
22. 965555-02	DRAWER BOX ASSY, 8.00" X 9.5" X 20
23. 966901-0126	PANEL, 12.25 X 15.63
24. 203138-01	EXTRUSION, PLASTIC 1/2" WALL, WHITE
381773-25	DRAWER SLIDE, 8.38"X 21.63" (PAIR)
203434	SPACER, PLASTIC .75" DOOR SLIDE

2009 INTERNATIONAL TRAVEL TRAILER

FURNITURE, BEDROOM

Bed, 25' Front Bed Signature, Roadside Twin, Wenge



Part Numbers on the next page

2009 INTERNATIONAL TRAVEL TRAILER

FURNITURE, BEDROOM

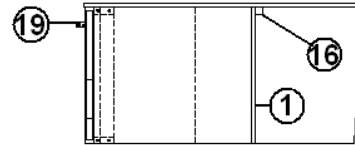
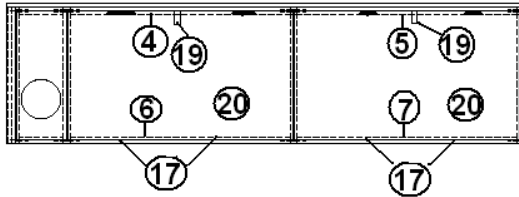
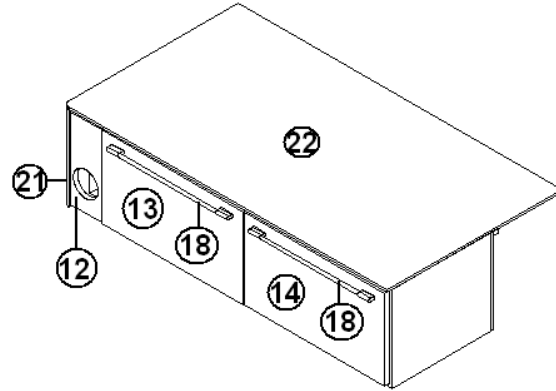
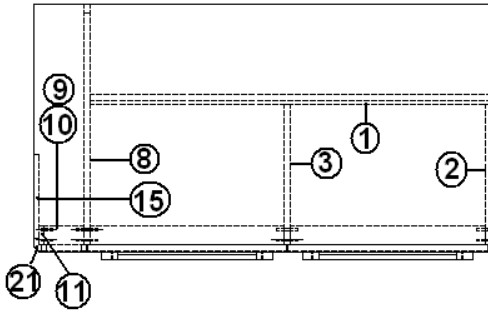
Bed, 25' Front Bed Signature, Roadside Twin, Wenge

966913	BED ASSY, RS 25FB
1. 966913-1	PANEL, ROADSIDE BED, 50.25 X 15.13
2. 966913-2	PANEL, ROADSIDE BED, 17.5 X 15.13
3. 966913-3	PANEL, ROADSIDE BED, 17.5 X 15.13
4. 966913-4	PANEL, ROADSIDE BED, 2.25 X 24.38
5. 966913-5	PANEL, ROADSIDE BED, 2.25 X 24.38
6. 966913-6	PANEL, ROADSIDE BED, 2.25 X 24.38
7. 966913-7	PANEL, ROADSIDE BED, 2.25 X 24.38
8. 966913-8	PANEL, ROADSIDE BED, 30 X 15.13
9. 966913-9	PANEL, ROADSIDE BED, 2.25 X 4.94
10. 966913-10	PANEL, ROADSIDE BED, 2.25 X 4.94
11. 966913-11	PANEL, ROADSIDE BED, 2.25 X 15.13
12. 966913-12	PANEL, ROADSIDE BED, 5.56 X 14.25
13. 966913-13	DOOR, ROADSIDE BED 25" X 14.25"
14. 966913-14	DOOR, ROADSIDE BED 25" X 14.25"
15. 966913-15	PANEL, ROADSIDE BED, 10.5 X 15.13
16. 800025-01	PINE ¾" X ¾" STAINED
17. 381607	HINGE ASSY-GRASS EURO-SAFARI
18. 382029-05	HANDLE BAR 21.33"
19. 381228-01	CATCH GRABBER DOOR
20. 203419	BOX STORAGE 23"L X 16.75"W X 11.88
21. 801706-0016	CORNER TRIM, 90D 1"RADIUS
22. 966913-23	TOP, ROADSIDE BED, 31 X 57.25

2009 INTERNATIONAL TRAVEL TRAILER

FURNITURE, BEDROOM

Bed, 25' Front Bed Signature, Roadside Twin, Ocean Breeze



Part Numbers on the next page

2009 INTERNATIONAL TRAVEL TRAILER

FURNITURE, BEDROOM

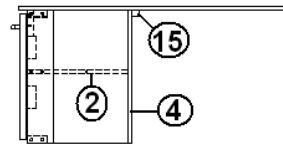
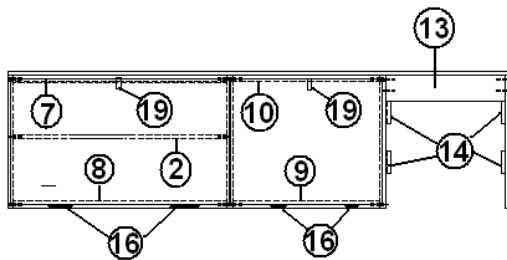
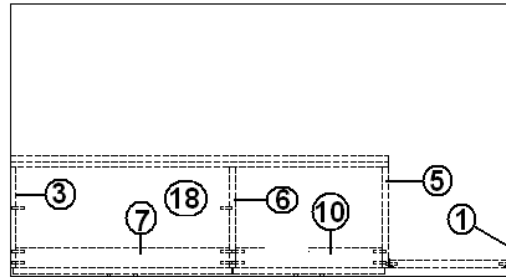
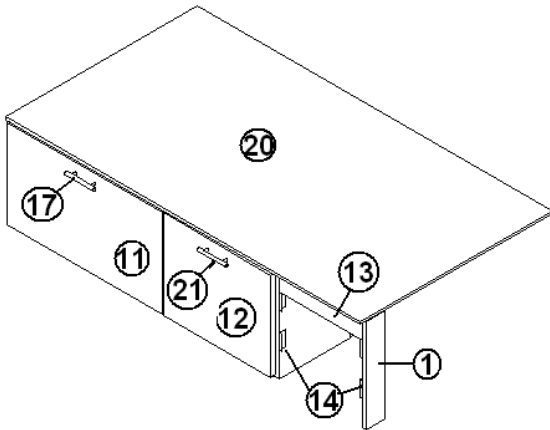
Bed, 25' Front Bed Signature, Roadside Twin, Ocean Breeze

966913-01	BED ASSY-RS 25FB
1. 966913-011	PANEL, ROADSIDE BED, 50.25 X 15.13
2. 966913-012	PANEL, ROADSIDE BED, 17.5 X 15.13
3. 966913-013	PANEL, ROADSIDE BED, 17.5 X 15.13
4. 966913-014	PANEL, ROADSIDE BED, 2.25 X 24.38
5. 966913-015	PANEL, ROADSIDE BED, 2.25 X 24.38
6. 966913-016	PANEL, ROADSIDE BED, 2.25 X 24.38
7. 966913-017	PANEL, ROADSIDE BED, 2.25 X 24.38
8. 966913-018	PANEL, ROADSIDE BED, 30 X 15.13
9. 966913-019	PANEL, ROADSIDE BED, 2.25 X 4.94
10. 966913-0110	PANEL, ROADSIDE BED, 2.25 X 4.94
11. 966913-0111	PANEL, ROADSIDE BED, 2.25 X 15.13
12. 966913-0112	PANEL, ROADSIDE BED, 5.56 X 14.25
13. 966913-0113	DOOR, ROADSIDE BED 25" X 14.25"
14. 966913-0114	DOOR, ROADSIDE BED 25" X 14.25"
15. 966913-0115	PANEL, ROADSIDE BED, 10.5 X 15.13
16. 800025-01	PINE ¾" X ¾" STAINED
17. 381607	HINGE ASSY-GRASS EURO-SAFARI
18. 382046	PULL, BAMBOO, W/BUSHED NICKEL ENDS
19. 381228-01	CATCH GRABBER DOOR
20. 203419	BOX STORAGE 23"L X 16.75"W X 11.88
21. 801706-WH	CORNER TRIM, 90D 1"RADIUS
22. 966913-0123	TOP, ROADSIDE BED, 31 X 57.25

2009 INTERNATIONAL TRAVEL TRAILER

FURNITURE, BEDROOM

Bed, 25' Front Bed Signature, Curbside Twin, Wenge



Part Numbers on the next page

2009 INTERNATIONAL TRAVEL TRAILER

FURNITURE, BEDROOM

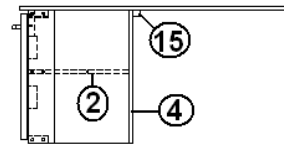
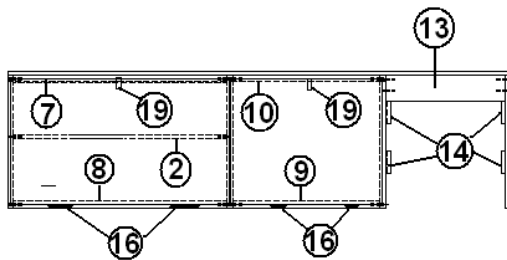
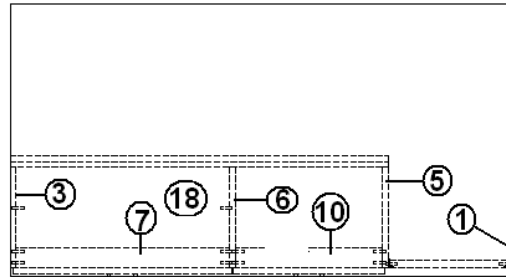
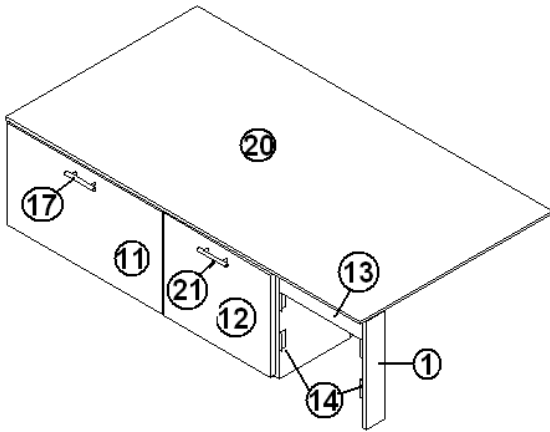
Bed, 25' Front Bed Signature, Curbside Twin, Wenge

966912	BED ASSY-CS
1. 966912-1	PANEL, CURBSIDE BED 3 X 15.13
2. 966912-2	PANEL, CURBSIDE BED 11.5 X 24.38
3. 966912-3	PANEL, CURBSIDE BED 11.5 X 15.13
4. 966912-4	PANEL, CURBSIDE BED 43.13 X 15.13
5. 966912-5	PANEL, CURBSIDE BED 11.5 X 15.13
6. 966912-6	PANEL, CURBSIDE BED 11.5 X 15.13
7. 966912-7	PANEL, CURBSIDE BED 2.25 X 24.38
8. 966912-8	PANEL, CURBSIDE BED 2.25 X 24.38
9. 966912-9	PANEL, CURBSIDE BED 2.25 X 16.75
10. 966912-10	PANEL, CURBSIDE BED 2.25 X 16.75
11. 966912-11	DOOR, CURBSIDE BED 25" X 14.25"
12. 966912-12	DOOR, CURBSIDE BED 17.38" X 14.25"
13. 966912-13	PANEL, CURBSIDE BED, 3 X 13.63
14. 100067	ALUMINUM ANGLE, 1/16 X 1/2 X 1/
15. 800025-01	PINE 3/4" X 3/4" STAINED
16. 381607	HINGE ASSY.
17. 382029-05	HANDLE BAR 21.33"
18. 201051	DRAWER 10 X 22
19. 381228-01	CATCH, GRABBER DOOR
20. 966912-22	BED TOP, LAUAN
21. 382029-04	HANDLE BAR 15"

2009 INTERNATIONAL TRAVEL TRAILER

FURNITURE, BEDROOM

Bed, 25' Front Bed Signature, Curbside Twin, Ocean Breeze



Part Numbers on the next page

2009 INTERNATIONAL TRAVEL TRAILER

FURNITURE, BEDROOM

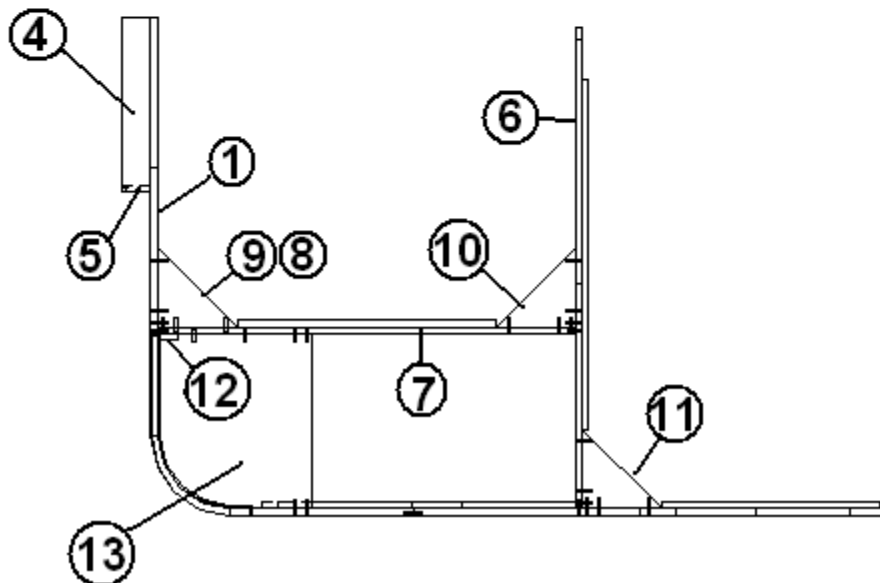
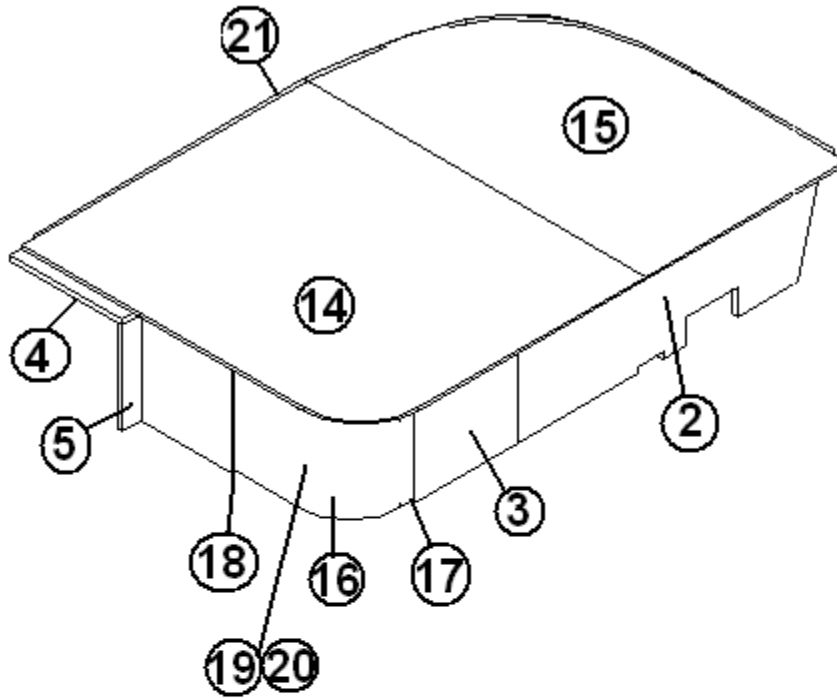
Bed, 25' Front Bed Signature, Curbside Twin, Ocean Breeze

966912-01	BED ASSY-CS
1. 966912-011	PANEL, CURBSIDE BED, 3 X 15.13
2. 966912-012	PANEL, CURBSIDE BED, 11.5 X 24.38
3. 966912-013	PANEL, CURBSIDE BED, 11.5 X 15.13
4. 966912-014	PANEL, CURBSIDE BED, 43.13 X 15.13
5. 966912-015	PANEL, CURBSIDE BED, 11.5 X 15.13
6. 966912-016	PANEL, CURBSIDE BED, 11.5 X 15.13
7. 966912-017	PANEL, CURBSIDE BED, 2.25 X 24.38
8. 966912-018	PANEL, CURBSIDE BED, 2.25 X 24.38
9. 966912-019	PANEL, CURBSIDE BED, 2.25 X 16.75
10. 966912-0110	PANEL, CURBSIDE BED, 2.25 X 16.75
11. 966912-0111	DOOR, CURBSIDE BED, 25" X 14.25"
12. 966912-0112	DOOR, CURBSIDE BED, 17.38" X 14.25"
13. 966912-0113	PANEL, CURBSIDE BED, 3 X 13.63
14. 100067	ALUMINUM ANGLE, 1/16 X 1/2 X 1/2
15. 800025-01	PINE 3/4" X 3/4" STAINED
16. 381607	HINGE ASSY.
17. 1382046	PULL, BAMBOO, W/BUSHED NICKEL ENDS
18. 201051	DRAWER 10 X 22
19. 381228-01	CATCH, GRABBER DOOR
20. 966912-22	BED TOP, LAUAN
21. 382046	PULL, BAMBOO, W/BUSHED NICKEL ENDS

2009 INTERNATIONAL TRAVEL TRAILER

FURNITURE, BEDROOM

Bed, 25' Sleep Six Signature, Wenge



Part numbers on the next page

2009 INTERNATIONAL TRAVEL TRAILER

FURNITURE, BEDROOM

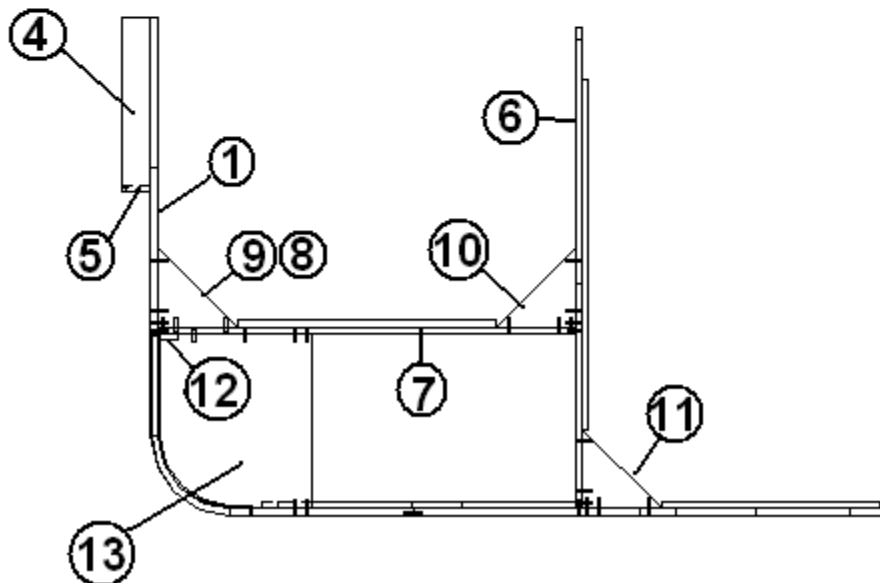
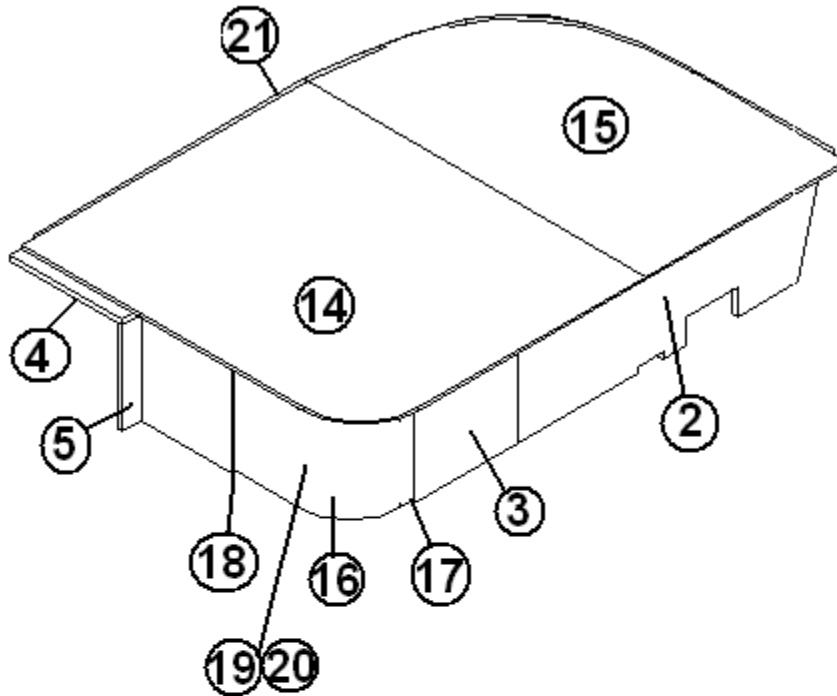
Bed, 25' Sleep Six Signature, Wenge

967027	BED ASSY
1. 967027-1	PANEL, 31.75 X 15.125
2. 967027-2	PANEL, 47.63 X 15.125
3. 967027-3	PANEL, 16.19 X 15.125
4. 967027-4	PANEL, 17.5 X 3.0
5. 967027-5	PANEL, 3.0 X 14.36
6. 967027-6	PANEL, 48.25 X 15.125
7. 967027-7	PANEL, 42.0 X 15.125
8. 967027-8	PANEL, 8.0 X 8.0
9. 967027-9	PANEL, 8.0 X 8.0
10. 967027-10	PANEL, 8.0 X 8.0
11. 967027-11	PANEL, 8.0 X 8.0
12. 967027-12	PANEL, 2.0 X 13.5
13. 967027-13	PANEL, 8.0 X 8.0 ANGLE
14. 800507-03	PANEL, LAUAN, 3/8" x 44.50 x 53.00
15. 800507-03	PANEL, LAUAN, 3/8" x 31.34 x 53.00
16. 966925	DOOR, RADIUS, BED
17. 381853	HINGE, CONTINUOUS
18. 203587	WEDGE, RADIUS BED BASE DOOR
19. 381948	K-CATCH
20. 382029-00	HANDLE, BAR, 7.48"
21. 115150	ANGLE, BED SUPPORT
203419	BOX STORAGE, 23"L X 16.75"W X 11.88
203439	STORAGE BOX, 17"L X 11.13"W X 6.38"
703694	MATTRESS, 54" X 76", CORNER DOUBLE

2009 INTERNATIONAL TRAVEL TRAILER

FURNITURE, BEDROOM

Bed, 25' Sleep Six Signature, Ocean Breeze



Part numbers on the next page

2009 INTERNATIONAL TRAVEL TRAILER

FURNITURE, BEDROOM

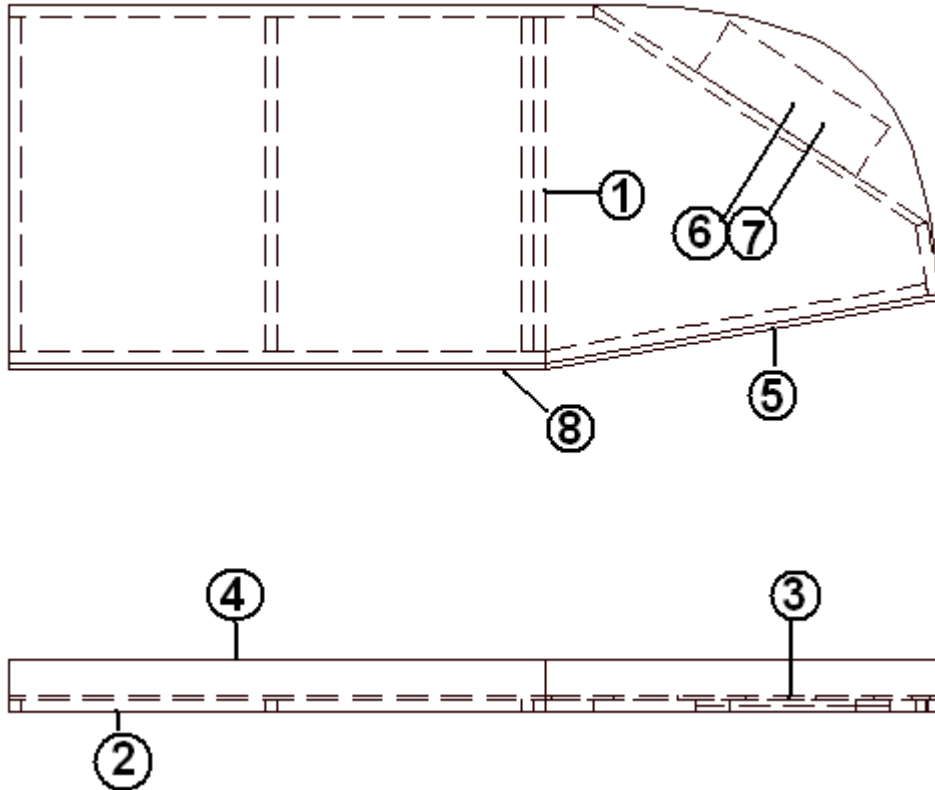
Bed, 25' Sleep Six Signature, Ocean Breeze

967027-01	BED ASSY
1. 967027-011	PANEL, 31.75 X 15.125
2. 967027-012	PANEL, 47.63 X 15.125
3. 967027-013	PANEL, 16.19 X 15.125
4. 967027-014	PANEL, 17.5 X 3.0
5. 967027-015	PANEL, 3.0 X 14.36
6. 967027-016	PANEL, 48.25 X 15.125
7. 967027-017	PANEL, 42.0 X 15.125
8. 967027-018	PANEL, 8.0 X 8.0
9. 967027-019	PANEL, 8.0 X 8.0
10. 967027-0110	PANEL, 8.0 X 8.0
11. 967027-0111	PANEL, 8.0 X 8.0
12. 967027-0112	PANEL, 2.0 X 13.5
13. 967027-0113	PANEL, 8.0 X 8.0 ANGLE
14. 800507-03	PANEL, LAUAN, 3/8" x 44.50 x 53.00
15. 800507-03	PANEL, LAUAN, 3/8" x 31.34 x 53.00
16. 966925-01	DOOR, RADIUS, BED
17. 381853	HINGE, CONTINUOUS
18. 203587	WEDGE, RADIUS BED BASE DOOR
19. 381948	K-CATCH
20. 382046	PULL, BAMBOO, W/BUSHED NICKEL ENDS
21. 115150	ANGLE, BED SUPPORT
203419	BOX STORAGE, 23"L X 16.75"W X 11.88
203439	STORAGE BOX, 17"L X 11.13"W X 6.38"
703694	MATTRESS, 54" X 76", CORNER DOUBLE

2009 INTERNATIONAL TRAVEL TRAILER

FURNITURE, BEDROOM

Bed, 25' Sleep Six Signature, Upper Bunk Option, Wenge

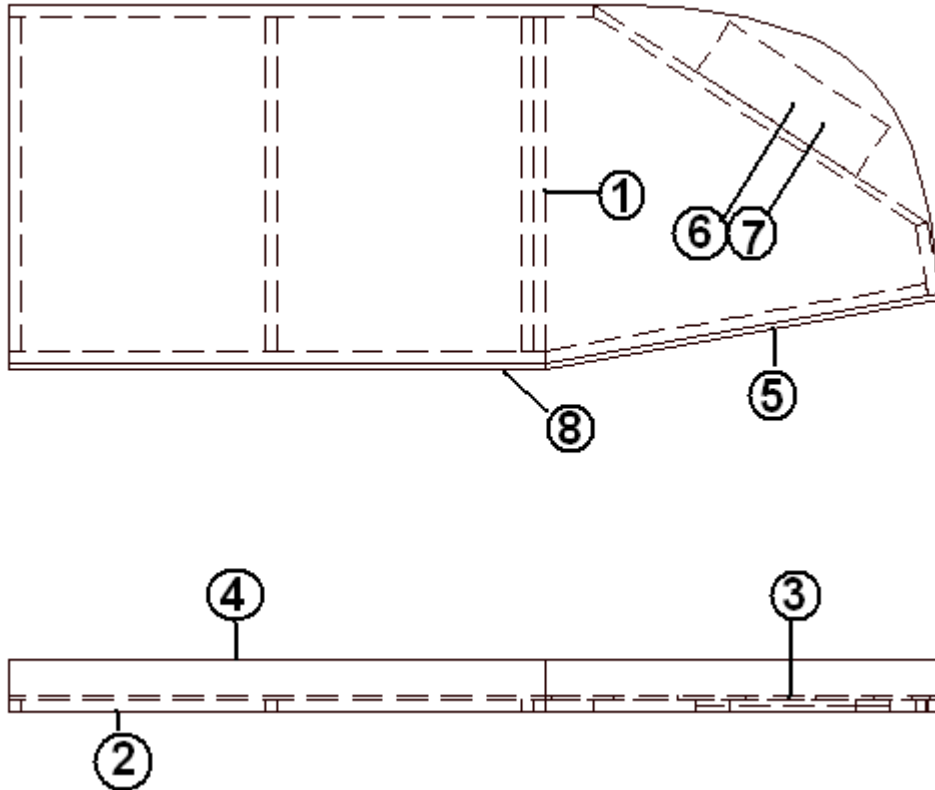


- | | |
|----------------|-------------------------------|
| 967036 | BUNK BED, UPPER |
| 1. 915742 | WELDMENT, UPPER BUNK BED |
| 2. 967036-2 | PANEL, 30.00 X 78.00 BUNK |
| 3. 967036-3 | PANEL LAUAN, 3/8" X 30 X 78 |
| 4. 967036-4 | PANEL, 4.50 X 45.00 |
| 5. 967036-5 | PANEL, 4.50 X 33.60 |
| 6. 967036-7 | PANEL, 16.00 X 5.00 |
| 7. 967036-8 | PANEL, 16.00 X 5.00 |
| 8. 801706-0016 | CORNER TRIM |
| 381736-03 | BRACE, UPPER BUNK BED |
| 703451 | MATTRESS, 4" X 30" X 78" FOAM |
| 703468 | UPPER BUNK SAFETY NET |
| 703482-01 | THROW, TOP BUNK |

2009 INTERNATIONAL TRAVEL TRAILER

FURNITURE, BEDROOM

Bed, 25' Sleep Six Signature, Upper Bunk Option, Ocean Breeze

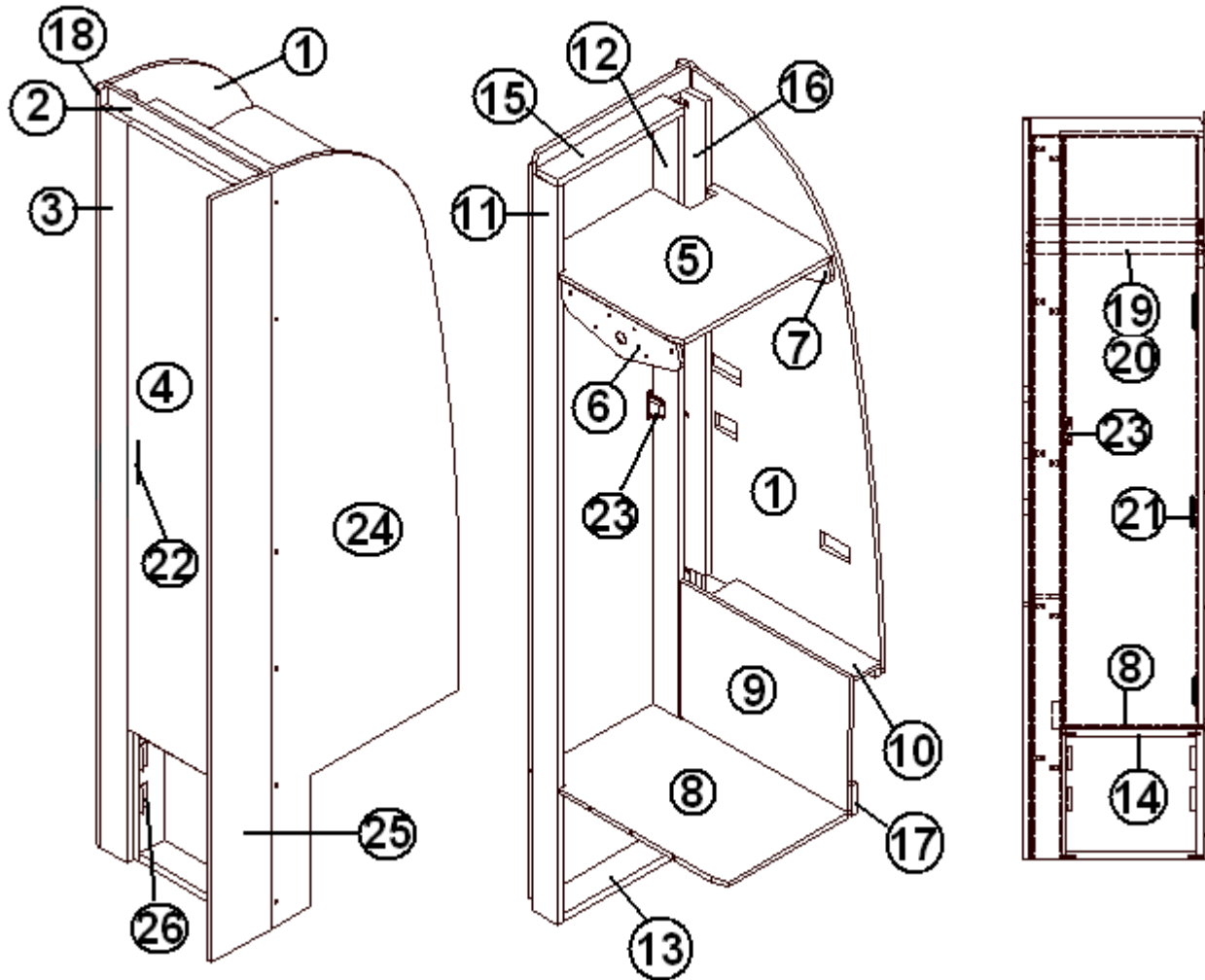


- | | |
|---------------|-------------------------------|
| 967036-01 | BUNK BED, UPPER |
| 1. 915742 | WELDMENT, UPPER BUNK BED |
| 2. 967036-012 | PANEL, 30.00 X 78.00 BUNK |
| 3. 967036-013 | PANEL LAUAN, 3/8" X 30 X 78 |
| 4. 967036-014 | PANEL, 4.50 X 45.00 |
| 5. 967036-015 | PANEL, 4.50 X 33.60 |
| 6. 967036-017 | PANEL, 16.00 X 5.00 |
| 7. 967036-018 | PANEL, 16.00 X 5.00 |
| 8. 801706-WH | CORNER TRIM |
| 381736-03 | BRACE, UPPER BUNK BED |
| 703451 | MATTRESS, 4" X 30" X 78" FOAM |
| 703468 | UPPER BUNK SAFETY NET |
| 703482-01 | THROW, TOP BUNK |

2009 INTERNATIONAL TRAVEL TRAILER

FURNITURE, BEDROOM

Wardrobe, 25' Sleep Six Signature, Roadside, Wenge



Part numbers on the next page.

2009 INTERNATIONAL TRAVEL TRAILER

FURNITURE, BEDROOM

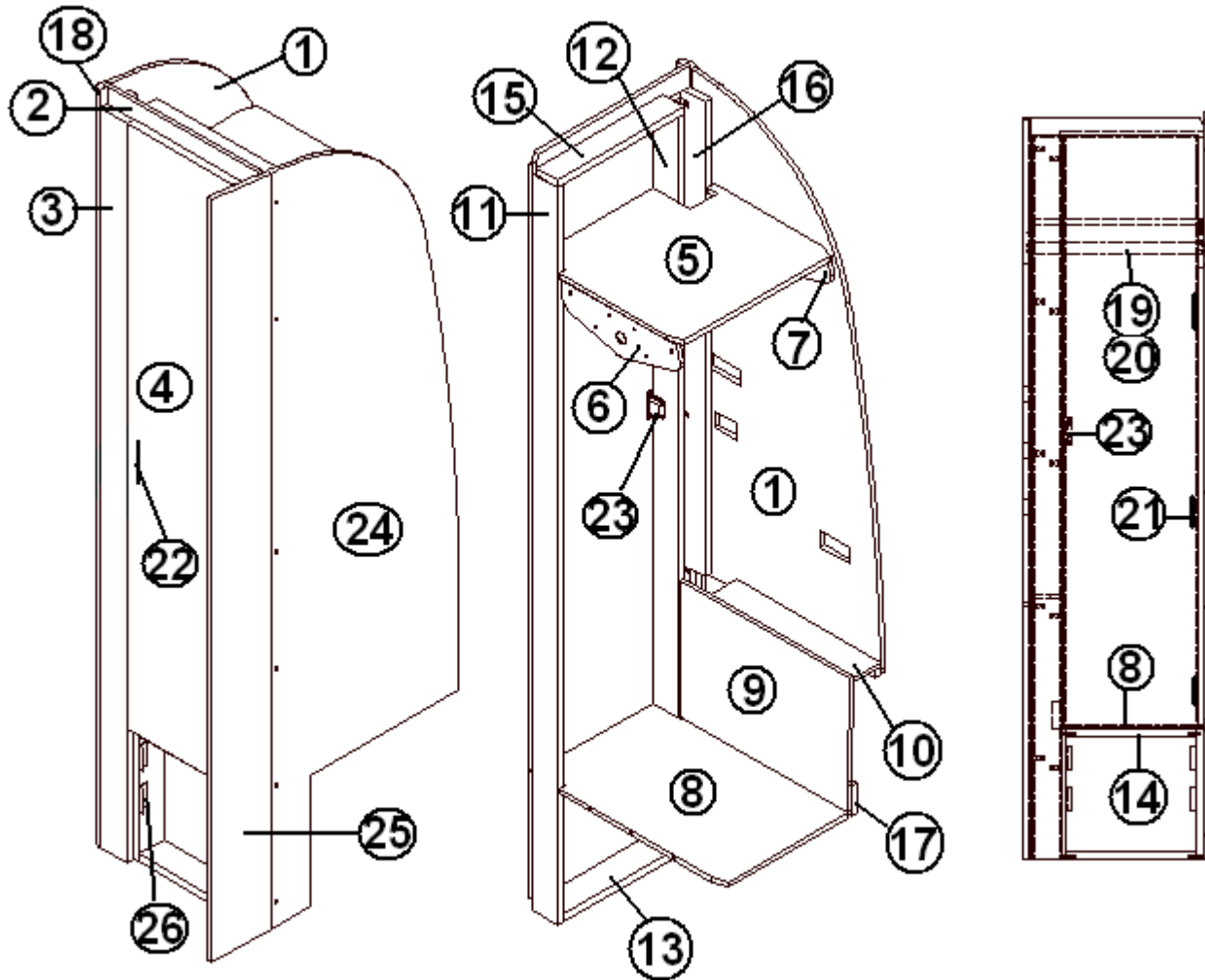
Wardrobe, 25' Sleep Six Signature, Roadside, Wenge

967028	WARDROBE, ROADSIDE
1. 967028-1	PANEL, 31.75 X 15.125
2. 967028-2	PANEL, 2.13 X 18.38
3. 967028-3	PANEL, 3.13 X 76.19
4. 967028-4	DOOR, 14.25 X 62.38
5. 967028-5	PANEL, 17.50 X 18.38
6. 967028-6	PANEL, 14.00 X 4.50
7. 967028-7	PANEL, 14.00 X 4.50
8. 967028-8	PANEL, 15.12 X 22.88
9. 967028-9	PANEL, 14.00 X 20.17
10. 967028-10	PANEL, 3.25 X 17.13
11. 967028-11	PANEL, 3.00 X 75.88
12. 967028-12	PANEL, 3.00 X 75.88
13. 967028-13	PANEL, 3.00 X 13.63
14. 967028-14	PANEL, 3.00 X 13.63
15. 967028-15	PANEL, 2.50 X 15.13
16. 967028-16	PANEL, 3.00 X 75.88
17. 967028-17	PANEL, 3.00 X 18.00
18. 801706-0016	CORNER TRIM ,90 DEGREE, 1" RADIUS WENGE
19. 380045	TUBING 3/4"ELEC METALLIC
20. 200975-04	CONDUIT, FLEXIBLE BLACK PLASTIC
21. 381607	HINGE ASSY.
22. 382029-03	HANDLE, BAR, 11.25"
23. 381228-01	CATCH, GRABBER DOOR
24. 967028-30	PANEL, 22.50 X 77.78
25. 967028-31	PANEL, 7.0 X 78.60
26. 114811	ALUMINUM ANGLE, .50 X .50

2009 INTERNATIONAL TRAVEL TRAILER

FURNITURE, BEDROOM

Wardrobe, 25' Sleep Six Signature, Roadside, Ocean Breeze



Part numbers on the next page.

2009 INTERNATIONAL TRAVEL TRAILER

FURNITURE, BEDROOM

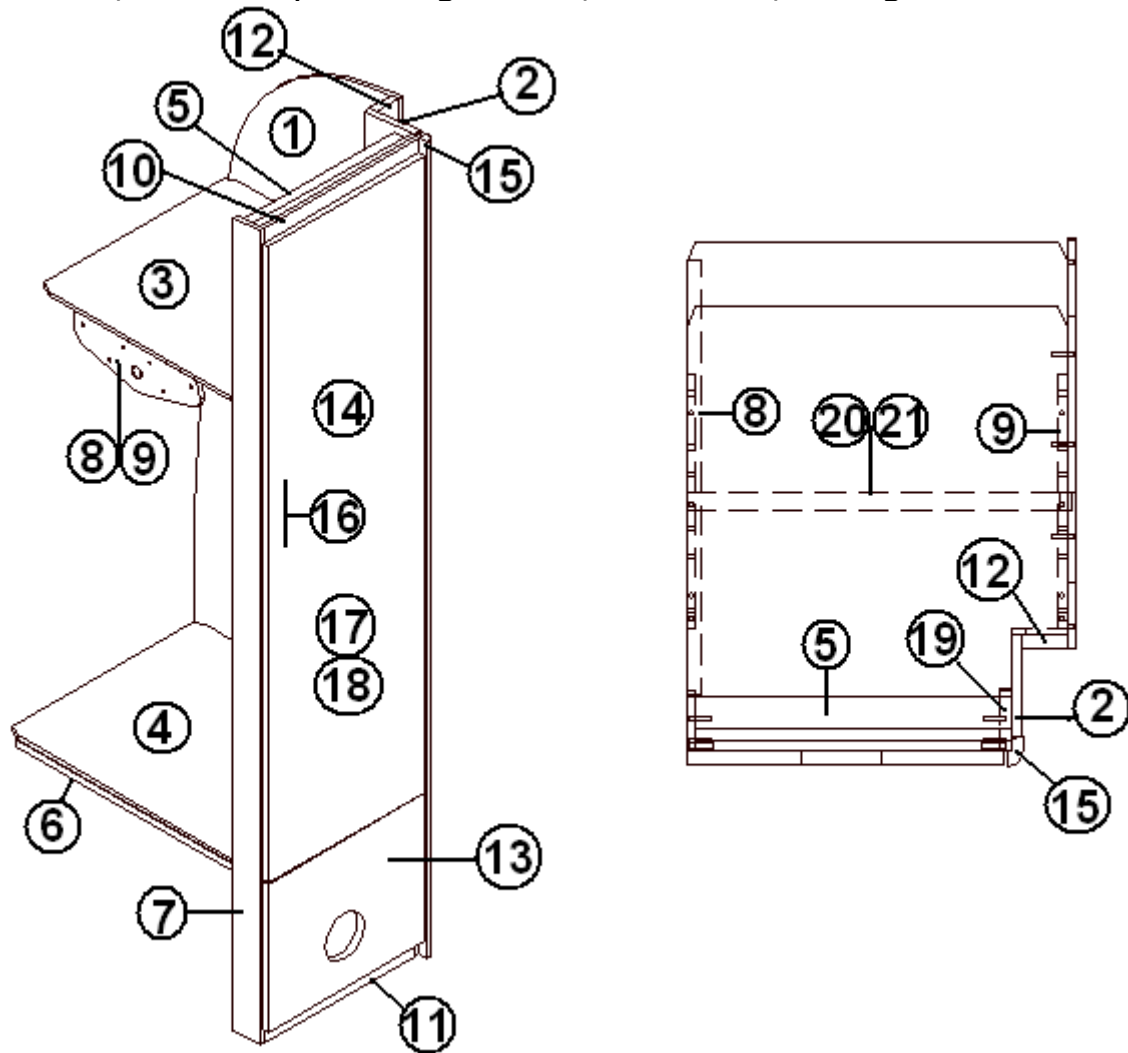
Wardrobe, 25' Sleep Six Signature, Roadside, Ocean Breeze

967028-01	WARDROBE, ROADSIDE
1. 967028-011	PANEL, 31.75 X 15.125
2. 967028-012	PANEL, 2.13 X 18.38
3. 967028-013	PANEL, 3.13 X 76.19
4. 967028-014	DOOR, 14.25 X 62.38
5. 967028-015	PANEL, 17.50 X 18.38
6. 967028-016	PANEL, 14.00 X 4.50
7. 967028-017	PANEL, 14.00 X 4.50
8. 967028-018	PANEL, 15.12 X 22.88
9. 967028-019	PANEL, 14.00 X 20.17
10. 967028-0110	PANEL, 3.25 X 17.13
11. 967028-0111	PANEL, 3.00 X 75.88
12. 967028-0112	PANEL, 3.00 X 75.88
13. 967028-0113	PANEL, 3.00 X 13.63
14. 967028-0114	PANEL, 3.00 X 13.63
15. 967028-0115	PANEL, 2.50 X 15.13
16. 967028-0116	PANEL, 3.00 X 75.88
17. 967028-0117	PANEL, 3.00 X 18.00
18. 801706-007	CORNER TRIM, 1" RADIUS, OAK
19. 380045	TUBING 3/4"ELEC METALLIC
20. 200975-04	CONDUIT, FLEXIBLE BLACK PLASTIC
21. 381607	HINGE ASSY.
22. 382046	PULL, BAMBOO, W/BUSHED NICKEL ENDS
23. 381228-01	CATCH, GRABBER DOOR
24. 967028-0130	PANEL, 22.50 X 77.78
25. 967028-0131	PANEL, 7.0 X 78.60
26. 114811	ALUMINUM ANGLE, .50 X .50

2009 INTERNATIONAL TRAVEL TRAILER

FURNITURE, BEDROOM

Wardrobe, 25' Sleep Six Signature, Curbside, Wenge



Part numbers on the next page.

2009 INTERNATIONAL TRAVEL TRAILER

FURNITURE, BEDROOM

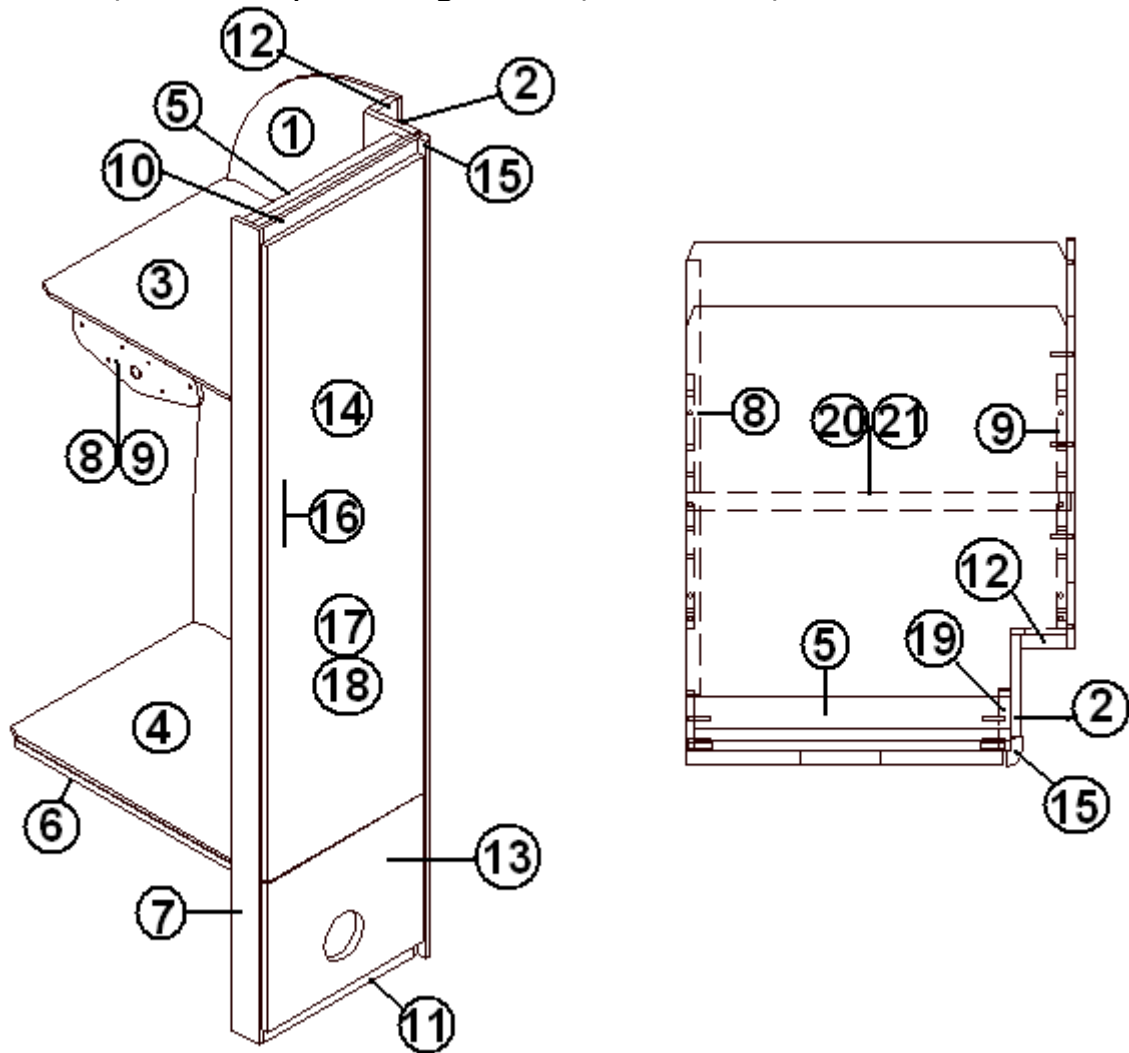
Wardrobe, 25' Sleep Six Signature, Curbside, Wenge

967037	WARDROBE, CURBSIDE
1. 967037-1	PANEL, 22.7 X 77.83
2. 967037-2	PANEL, 5.63 X 78.49
3. 967037-3	PANEL, 21.00 X 24.56
4. 967037-4	PANEL, 21.00 X 28.13
5. 967037-5	PANEL, 2.50 X 17.50
6. 967037-6	PANEL, 3.00 X 16.75
7. 967037-7	PANEL, 3.00 X 78.56
8. 967037-8	PANEL, 4.50 X 14.00
9. 967037-9	PANEL, 4.50 X 14.00
10. 967037-10	PANEL, 1.50 X 17.50
11. 967037-11	PANEL, 2.00 X 16.75
12. 967037-12	PANEL, 2.50 X 77.89
13. 967037-13	PANEL, 17.50 X 14.25
14. 967037-14	DOOR 17.5 X 61.25
15. 801706-0016	CORNER TRIM 90 DEG 1" RADIUS, WENGE
16. 382029-04	HANDLE, BAR 15"
17. 381228-01	CATCH GRABBER DOOR
18. 381607	HINGE ASSY
19. 967037-20	PANEL, 3 X 77.89 CS W/R
20. 380045	TUBING 3/4", METAL
21. 200975-04	CONDUIT, FLEXIBLE BLACK PLASTIC

2009 INTERNATIONAL TRAVEL TRAILER

FURNITURE, BEDROOM

Wardrobe, 25' Sleep Six Signature, Curbside, Ocean Breeze



Part numbers on the next page.

2009 INTERNATIONAL TRAVEL TRAILER

FURNITURE, BEDROOM

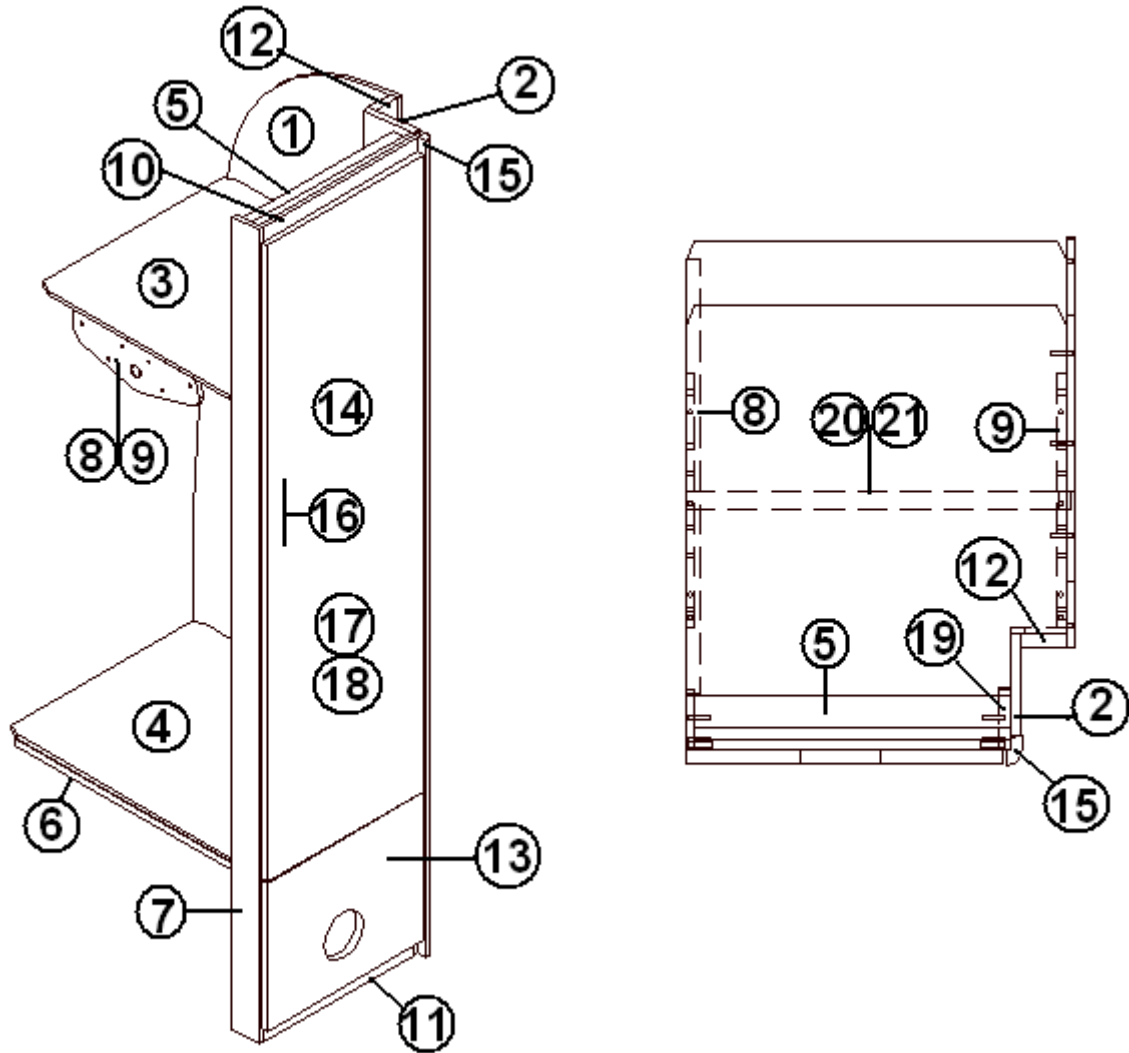
Wardrobe, 25' Sleep Six Signature, Curbside, Ocean Breeze

967037-01	WARDROBE, CURBSIDE
1. 967037-011	PANEL, 22.7 X 77.83
2. 967037-012	PANEL, 5.63 X 78.49
3. 967037-013	PANEL, 21.00 X 24.56
4. 967037-014	PANEL, 21.00 X 28.13
5. 967037-015	PANEL, 2.50 X 17.50
6. 967037-016	PANEL, 3.00 X 16.75
7. 967037-017	PANEL, 3.00 X 78.56
8. 967037-018	PANEL, 4.50 X 14.00
9. 967037-019	PANEL, 4.50 X 14.00
10. 967037-0110	PANEL, 1.50 X 17.50
11. 967037-0111	PANEL, 2.00 X 16.75
12. 967037-0112	PANEL, 2.50 X 77.89
13. 967037-0113	PANEL, 17.50 X 14.25
14. 967037-0114	DOOR 17.5 X 61.25
15. 801706-007	CORNER TRIM 90 DEG 1" RADIUS, OAK
16. 382046	PULL, BAMBOO, W/BUSHED NICKEL ENDS
17.381228-01	CATCH GRABBER DOOR
18.381607	HINGE ASSY
19.967037-0120	PANEL, 3 X 77.89
20.380045	TUBING 3/4", METAL
21.200975-04	CONDUIT, FLEXIBLE BLACK PLASTIC

2009 INTERNATIONAL TRAVEL TRAILER

FURNITURE, BEDROOM

Wardrobe, 25' Sleep Six Signature Bunk Option, Curbside, Wenge



Part numbers on the next page.

2009 INTERNATIONAL TRAVEL TRAILER

FURNITURE, BEDROOM

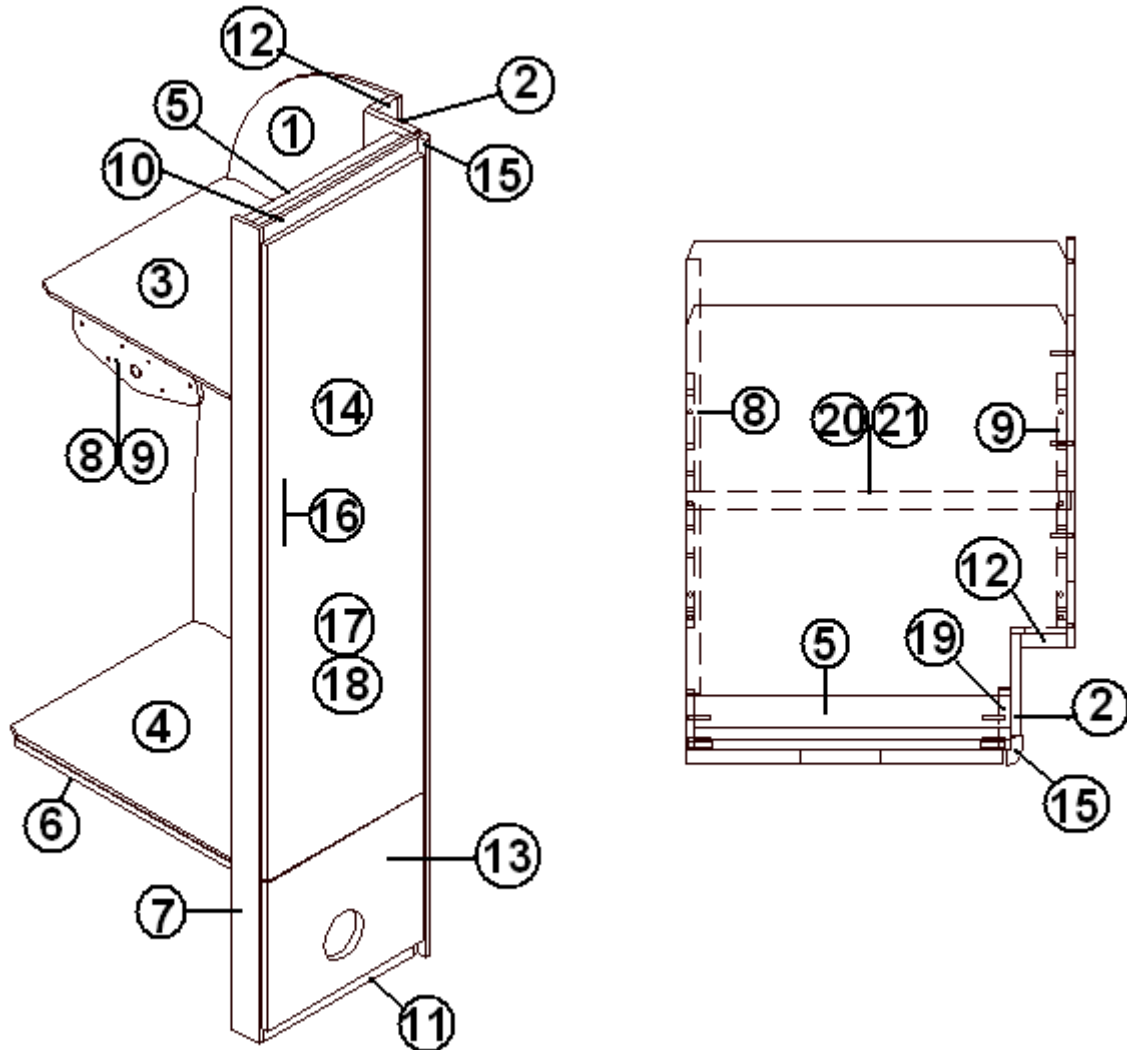
Wardrobe, 25' Sleep Six Signature Bunk Option, Curbside, Wenge

967038	WARDROBE, CURBSIDE
1. 967038-1	PANEL, 31.7 X 77.83
2. 967038-2	PANEL, 5.63 X 78.49
3. 967038-3	PANEL, 21.00 X 24.56
4. 967038-4	PANEL, 21.00 X 28.13
5. 967038-5	PANEL, 2.50 X 17.50
6. 967038-6	PANEL, 3.00 X 16.75
7. 967038-7	PANEL, 3.00 X 78.56
8. 967038-8	PANEL, 4.50 X 14.00
9. 967038-9	PANEL, 4.50 X 14.00
10. 967038-10	PANEL, 1.50 X 17.50
11. 967038-11	PANEL, 2.00 X 16.75
12. 967038-12	PANEL, 2.50 X 77.89
13. 967038-13	PANEL, 17.50 X 14.25
14. 967038-14	DOOR 17.5 X 61.25
15. 801706-0016	CORNER TRIM 90 DEG 1" RADIUS, WENGE
16. 382029-04	HANDLE, BAR 15"
17. 381228-01	CATCH GRABBER DOOR
18. 381607	HINGE ASSY
19. 967038-20	PANEL, 3 X 77.89 CS W/R
20. 380045	TUBING 3/4", METAL
21. 200975-04	CONDUIT, FLEXIBLE BLACK PLASTIC

2009 INTERNATIONAL TRAVEL TRAILER

FURNITURE, BEDROOM

Wardrobe, 25' Sleep Six Signature Bunk Option, Curbside, Ocean Breeze



Part numbers on the next page.

2009 INTERNATIONAL TRAVEL TRAILER

FURNITURE, BEDROOM

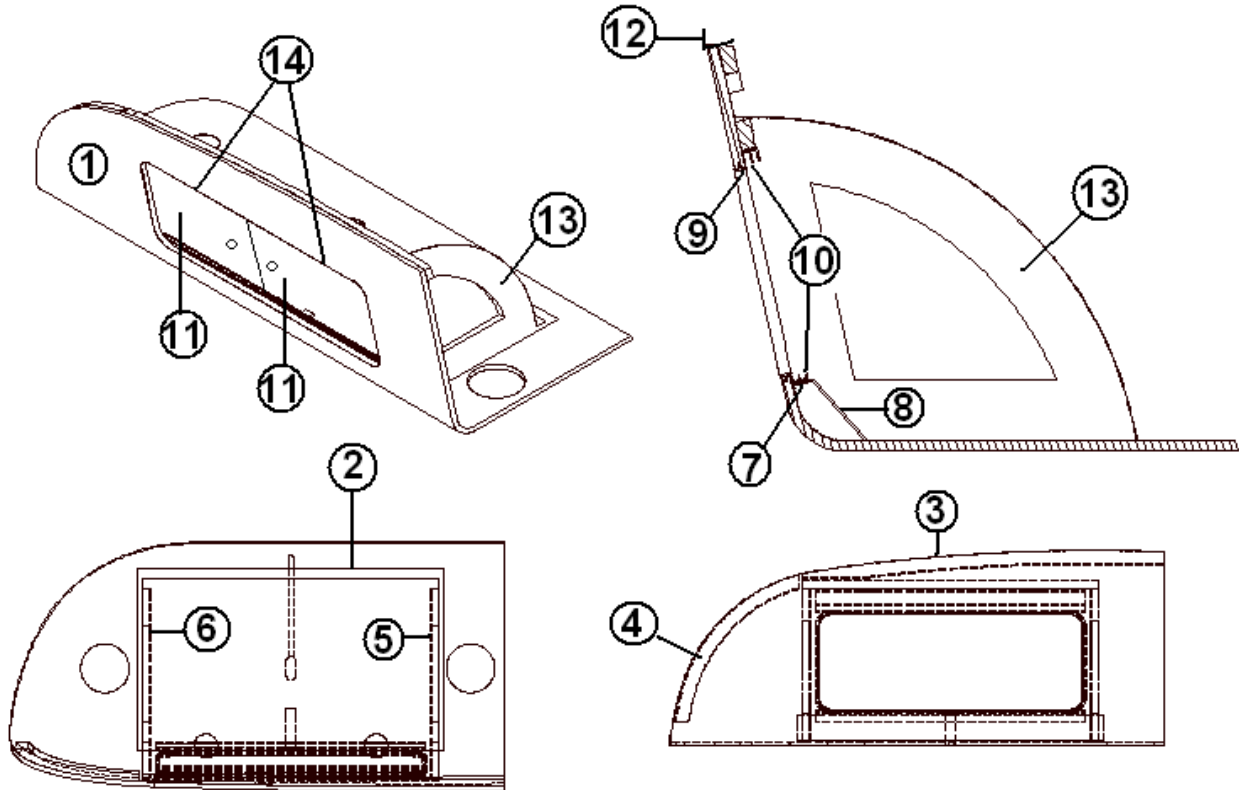
Wardrobe, 25' Sleep Six Signature Bunk Option, Curbside, Ocean Breeze

967038-01	WARDROBE, CURBSIDE
1. 967038-011	PANEL, 22.7 X 77.83
2. 967038-012	PANEL, 5.63 X 78.49
3. 967038-013	PANEL, 21.00 X 24.56
4. 967038-014	PANEL, 21.00 X 28.13
5. 967038-015	PANEL, 2.50 X 17.50
6. 967038-016	PANEL, 3.00 X 16.75
7. 967038-017	PANEL, 3.00 X 78.56
8. 967038-018	PANEL, 4.50 X 14.00
9. 967038-019	PANEL, 4.50 X 14.00
10. 967038-0110	PANEL, 1.50 X 17.50
11. 967038-0111	PANEL, 2.00 X 16.75
12. 967038-0112	PANEL, 2.50 X 77.89
13. 967038-0113	PANEL, 17.50 X 14.25
14. 967038-0114	DOOR 17.5 X 61.25
15. 801706-007	CORNER TRIM 90 DEG 1" RADIUS, OAK
16. 382046	PULL, BAMBOO, W/BUSHED NICKEL ENDS
17.381228-01	CATCH GRABBER DOOR
18.381607	HINGE ASSY
19.967038-0120	PANEL, 3 X 77.89
20.380045	TUBING 3/4", METAL
21.200975-04	CONDUIT, FLEXIBLE BLACK PLASTIC

2009 INTERNATIONAL TRAVEL TRAILER

FURNITURE, BEDROOM

Roof Locker, 25' Sleep Six Signature, Rear End Liner, Wenge

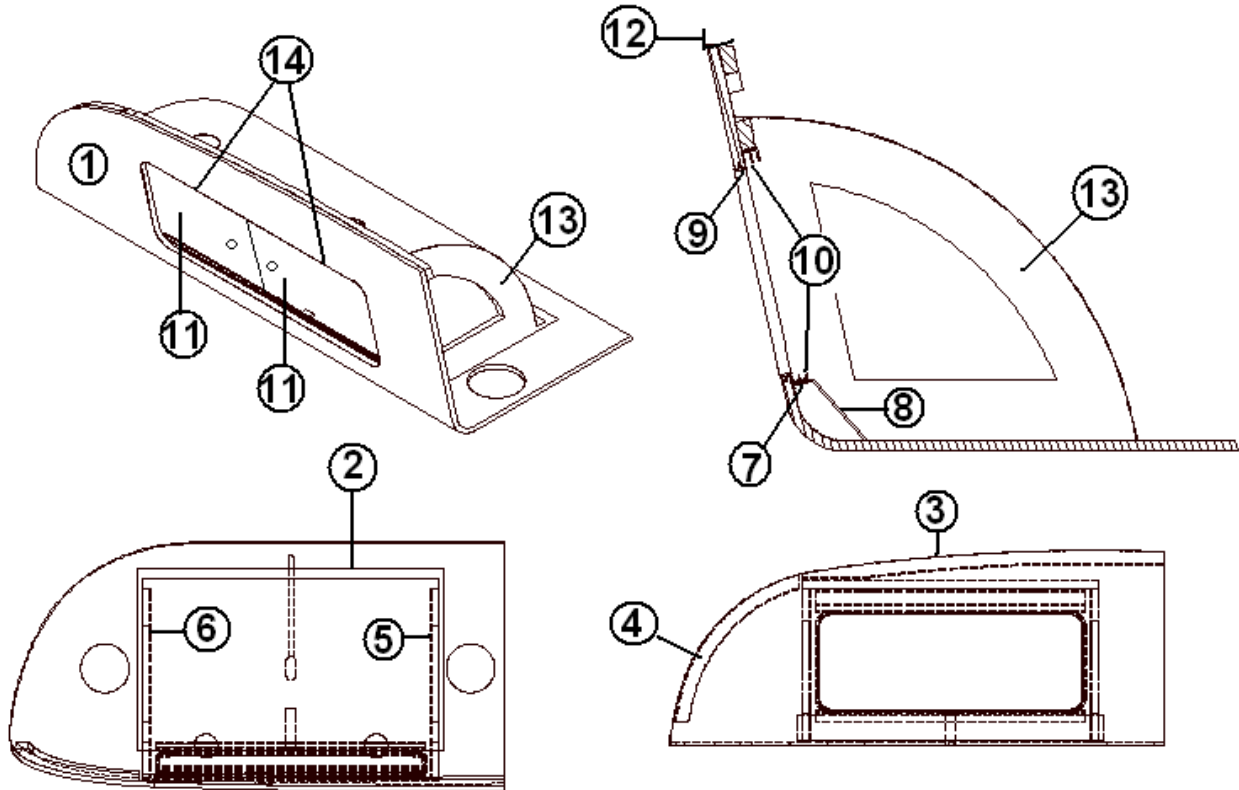


- | | |
|---------------|---------------------------------------|
| 967031 | LINER LOCKER ASSY WB REAR CORNER |
| 1. 801742 | FACE, LINER LOCKER W/B REAR CORNER |
| 2. 967031-2 | PANEL, 21 X 32.25 |
| 3. 801596-01 | BACKER, W/B LINER LOCKER CENTER |
| 4. 801596-02 | BACKER, LINER LOCKER LH |
| 5. 801594 | DIVIDER, LINER LOCKER |
| 6. 801595 | DIVIDER, LINER LOCKER |
| 7. 115261-03 | ANGLE, FORMED LCKR TRACK SUPPORT |
| 8. 115226-01 | BRACKET, FORMED LOCKER CENTER SUPPORT |
| 9. 203445-01 | T-MOLDING, 5625" WHITE |
| 10. 203388 | SLIDING DOOR TRACK |
| 11. 965563-03 | DOOR-SLIDING, 15.00" |
| 12. 201673 | REVERSE COVE MOLDING, WHITE |
| 13. 115264-03 | PAN, LINER LOCKER |
| 14. 454613 | SPRING, LEAF R/L |

2009 INTERNATIONAL TRAVEL TRAILER

FURNITURE, BEDROOM

Roof Locker, 25' Sleep Six Signature, Rear End Liner, Ocean Breeze

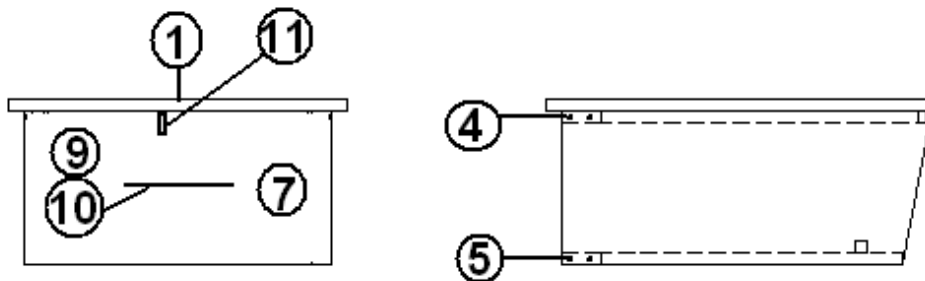
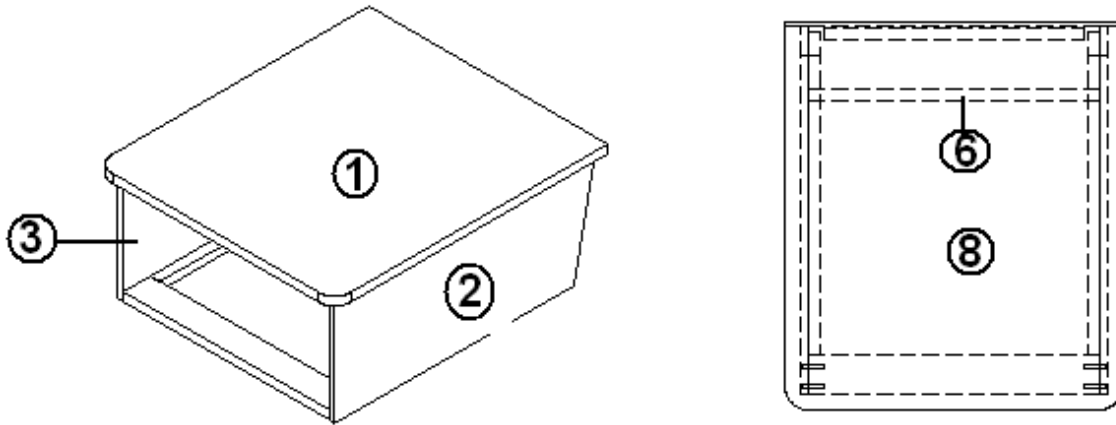


- | | |
|---------------|---------------------------------------|
| 967031-01 | LINER LOCKER ASSY WB REAR CORNER |
| 1. 801742-01 | FACE, LINER LOCKER W/B REAR CORNER |
| 2. 967031-012 | PANEL, 21 X 32.25 |
| 3. 801596-01 | BACKER, W/B LINER LOCKER CENTER |
| 4. 801596-02 | BACKER, LINER LOCKER LH |
| 5. 801594 | DIVIDER, LINER LOCKER |
| 6. 801595 | DIVIDER, LINER LOCKER |
| 7. 115261-03 | ANGLE, FORMED LCKR TRACK SUPPORT |
| 8. 115226-01 | BRACKET, FORMED LOCKER CENTER SUPPORT |
| 9. 203508-01 | T-MOLDING, 5625", PLYWOOD |
| 10. 203388 | SLIDING DOOR TRACK |
| 11. 203357-04 | DOOR, SLIDING, LUMICOR, 15.00" |
| 12. 201673 | REVERSE COVE MOLDING, WHITE |
| 13. 115264-03 | PAN, LINER LOCKER |
| 14. 454613 | SPRING, LEAF R/L |

2009 INTERNATIONAL TRAVEL TRAILER

FURNITURE, BEDROOM

Nightstand, 25' FB, 27' FB Signature, Twin Bedroom, Wenge

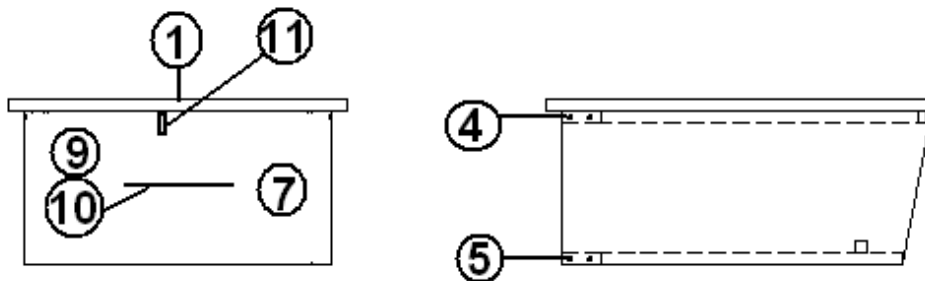
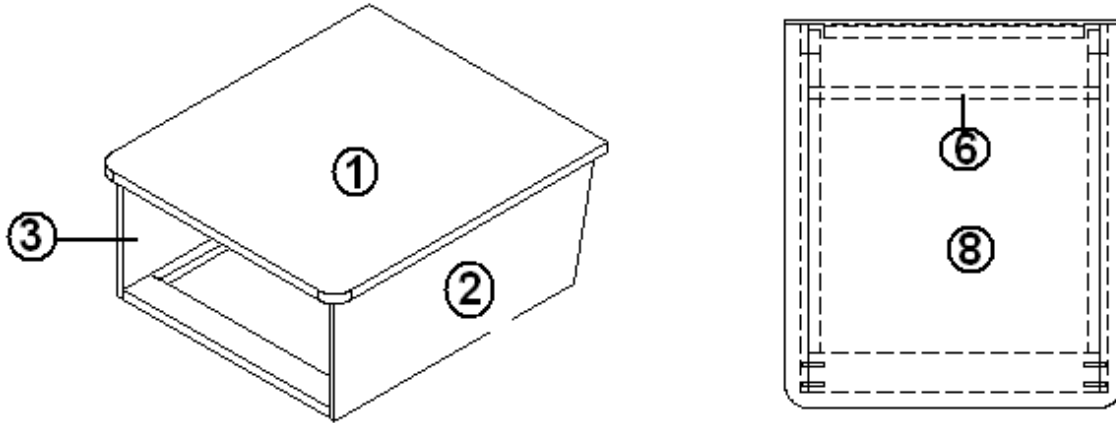


- | | |
|---------------|-----------------------------------|
| 966859 | NIGHTSTAND ASSEMBLY |
| 1. 966860 | TOP ASSY-NIGHTSTAND |
| 2. 966859-2 | PANEL, 23.50" X 9.75" |
| 3. 966859-3 | PANEL, 23.50" X 9.75" |
| 4. 966859-4 | PANEL, 18.50" X 2.50", BACKER |
| 5. 966859-5 | PANEL, 18.50" X 2.50", BACKER |
| 6. 966859-6 | PINE, 3/4" X 3/4", 10' LONG |
| 7. 966859-7 | DOOR, 19.13" X 8.88" |
| 8. 965554-03 | DRAWER BOX, 5.625" X 17.25" X 17" |
| 9. 382029-04 | HANDLE, BAR 15" |
| 10. 345001-08 | SCREW #8-32 X 1" |
| 11. 381228-01 | CATCH, GRABBER, DOOR |
| 381773-17 | DRAWER SLIDE-5.875"X 18.5" |

2009 INTERNATIONAL TRAVEL TRAILER

FURNITURE, BEDROOM

Nightstand, 25' FB, 27' FB Signature, Twin Bedroom, Ocean Breeze

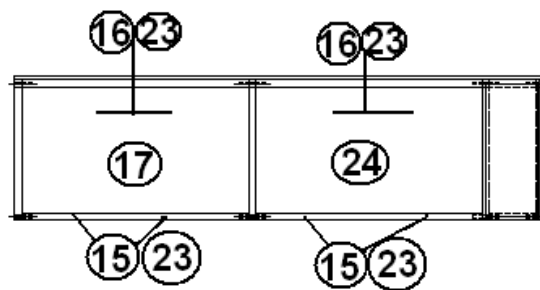
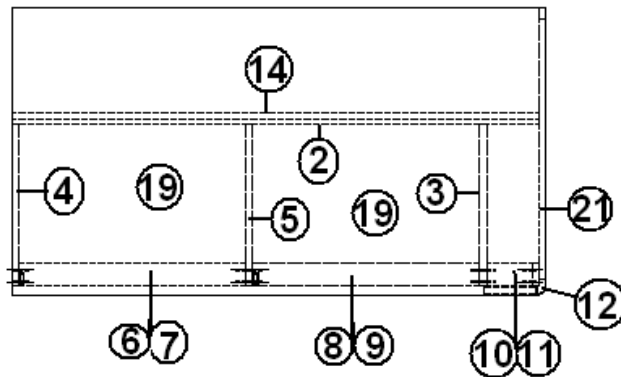
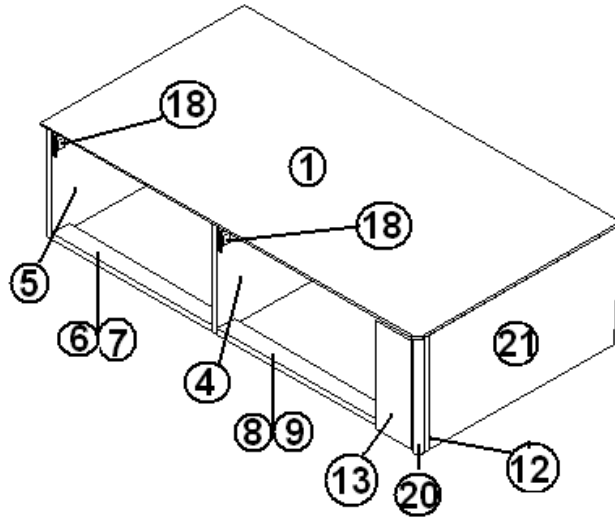


- | | |
|---------------|------------------------------------|
| 966859-01 | NIGHTSTAND ASSEMBLY |
| 1. 966860-01 | TOP, NIGHTSTAND |
| 2. 966859-012 | PANEL, 23.50" X 9.75" |
| 3. 966859-013 | PANEL, 23.50" X 9.75" |
| 4. 966859-014 | PANEL, 18.50" X 2.50" |
| 5. 966859-015 | PANEL, 18.50" X 2.50" |
| 6. 800025-01 | PINE, 3/4" X 3/4", 10' LONG |
| 7. 966859-017 | DOOR, 19.13" X 8.88" |
| 8. 965554-03 | DRAWER BOX, 5.625" X 17.25" X 17" |
| 9. 382046 | PULL, BAMBOO, W/BUSHED NICKEL ENDS |
| 10. 345001-08 | SCREW #8-32 X 1" |
| 11. 381228-01 | CATCH, GRABBER, DOOR |
| 381773-17 | DRAWER SLIDE-5.875"X 18.5" |

2009 INTERNATIONAL TRAVEL TRAILER

FURNITURE, BEDROOM

Bed, 27' Front Bed Signature Curbside Twin, Wenge



Part numbers on the next page

2009 INTERNATIONAL TRAVEL TRAILER

FURNITURE, BEDROOM

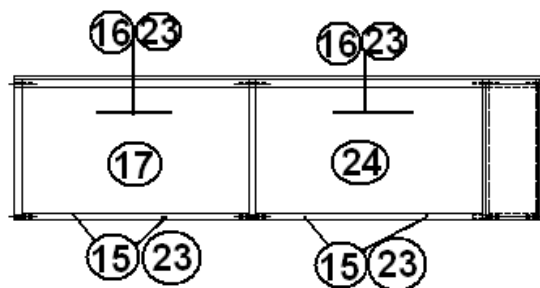
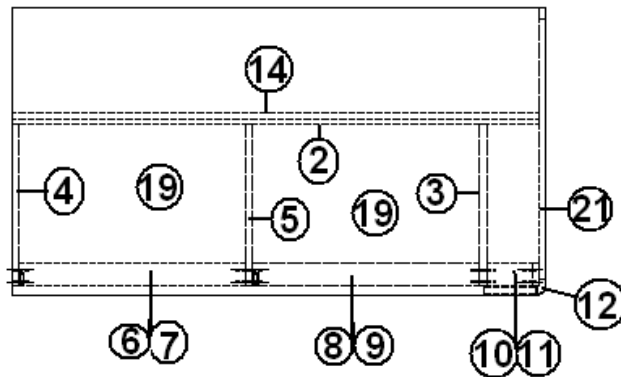
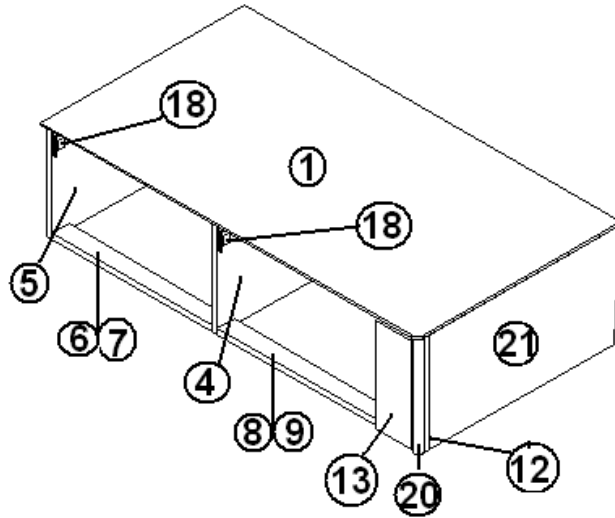
Bed, 27' Front Bed Signature Curbside Twin, Wenge

966856	BED ASSY, CS TWIN
1. 966856-1	LAUAN, BED TOP
2. 966856-2	PANEL, 56.69" X 15.13"
3. 966856-3	PANEL, 17.50" X 15.13"
4. 966856-4	PANEL, 17.50" X 15.13"
5. 966856-5	PANEL, 17.50" X 15.13"
6. 966856-6	PANEL, 2.50" X 24.38"
7. 966856-7	PANEL, 2.50" X 24.38"
8. 966856-8	PANEL, 2.50" X 24.38"
9. 966856-9	PANEL, 2.50" X 24.38"
10. 966856-10	PANEL, 2.5" X 4.94"
11. 966856-11	PANEL, 2.5" X 4.94"
12. 966856-12	PANEL, 1.5" X 15.13"
13. 966856-13	PANEL, 5.56" X 14.25"
14. 800025-01	PINE, 3/4" X 3/4", 4' 3" LONG
15. 381607	HINGE ASSY
16. 382029-05	HANDLE, BAR 21.33"
17. 966856-17	DOOR, 25" X 14.25"
18. 381228-01	CATCH GRABBER DOOR
19. 203419	BOX STORAGE, 23"L X 16.75"W X 11.88
20. 801706-0016	CORNER TRIM
21. 966856-22	PANEL, 29.50" X 15.13"
22. 345001-08	SCREW #8-32 X 1"
23. 381607-04	HINGE SCREW-GRASS
24. 966856-25	DOOR, 25" X 14.25"

2009 INTERNATIONAL TRAVEL TRAILER

FURNITURE, BEDROOM

Bed, 27' Front Bed Signature Curbside Twin, Ocean Breeze



Part numbers on the next page

2009 INTERNATIONAL TRAVEL TRAILER

FURNITURE, BEDROOM

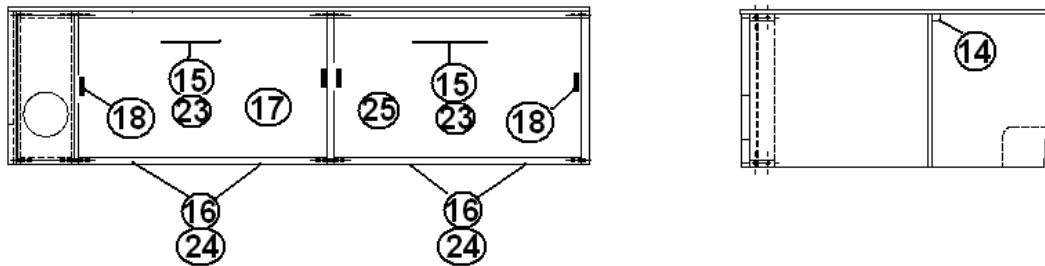
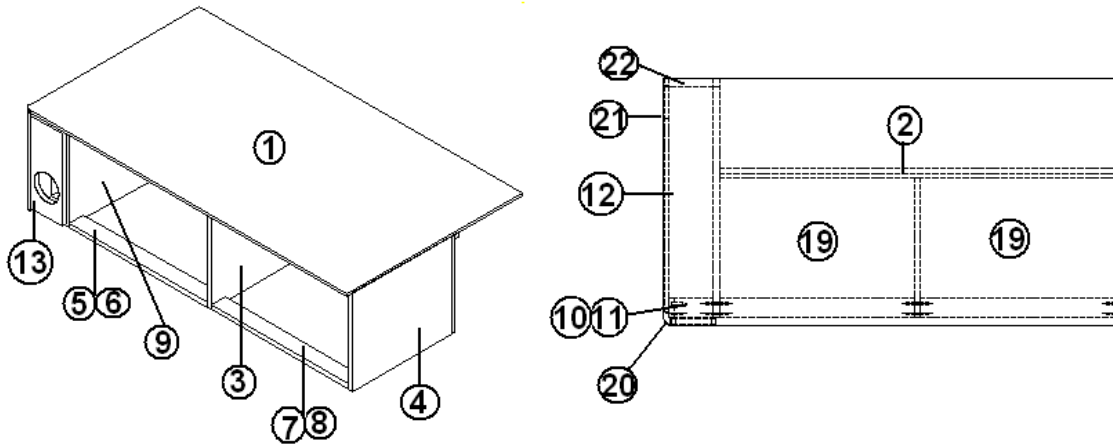
Bed, 27' Front Bed Signature Curbside Twin, Ocean Breeze

966856-01	BED ASSY, CS TWIN
1. 966856-1	LAUAN, BED TOP
2. 966856-012	PANEL, 56.69" X 15.13"
3. 966856-013	PANEL, 17.50" X 15.13"
4. 966856-014	PANEL, 17.50" X 15.13"
5. 966856-015	PANEL, 17.50" X 15.13"
6. 966856-016	PANEL, 2.50" X 24.38"
7. 966856-017	PANEL, 2.50" X 24.38"
8. 966856-018	PANEL, 2.50" X 24.38"
9. 966856-019	PANEL, 2.50" X 24.38"
10. 966856-0110	PANEL, 2.5" X 4.94"
11. 966856-0111	PANEL, 2.5" X 4.94"
12966856-0112	PANEL, 1.5" X 15.13"
13. 966856-0113	PANEL, 5.56" X 14.25"
14. 800025-01	PINE, ¾" X ¾", 4' 3 " LONG
15. 381607	HINGE, DOOR
16. 382046	PULL, BAMBOO, W/BUSHED NICKEL ENDS
17. 966856-0117	DOOR, 25" X 14.25"
18. 381228-01	CATCH GRABBER DOOR
19. 203419	BOX STORAGE, 23"L X 16.75"W X 11.88
20. 801706-WH	CORNER TRIM
21. 966856-0122	PANEL, 29.50" X 15.13"
22. 345001-08	SCREW #8-32 X 1"
23. 381607-04	HINGE SCREW-GRASS
24. 966856-0125	DOOR, 25" X 14.25"

2009 INTERNATIONAL TRAVEL TRAILER

FURNITURE, BEDROOM

Bed, 27' Front Bed Signature, Roadside Twin, Wenge



Part numbers on the next page

2009 INTERNATIONAL TRAVEL TRAILER

FURNITURE, BEDROOM

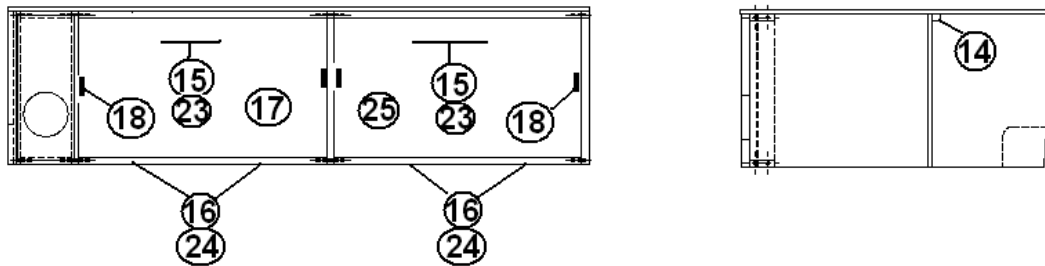
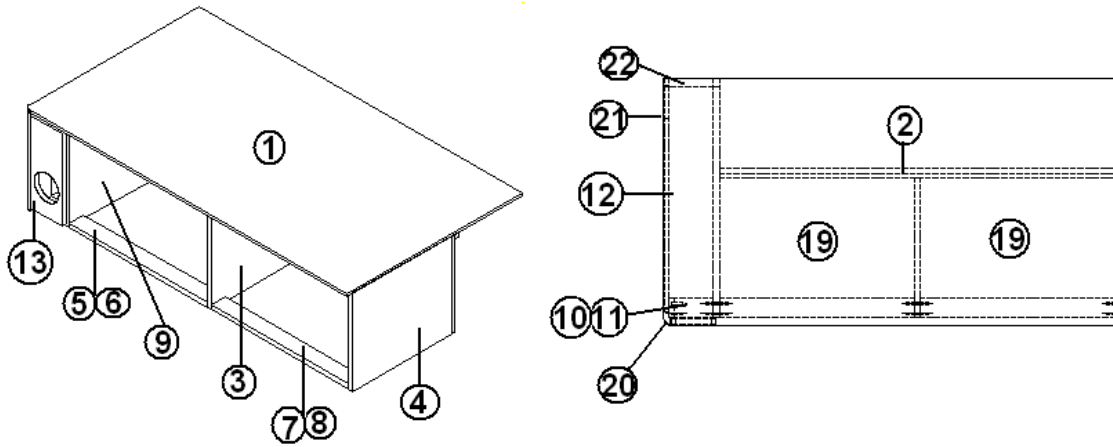
Bed, 27' Front Bed Signature, Roadside Twin, Wenge

966857	BED ASSY-RS TWIN
1. 966857-1	LAUAN, BED TOP
2. 966857-2	PANEL, 50.25" X 15.13"
3. 966857-3	PANEL, 17.50" X 15.13"
4. 966857-4	PANEL, 17.50" X 15.13"
5. 966857-5	PANEL, 2.50" X 24.38"
6. 966857-6	PANEL, 2.50" X 24.38"
7. 966857-7	PANEL, 2.50" X 24.38"
8. 966857-8	PANEL, 2.50" X 24.38"
9. 966857-9	PANEL, 30" X 15.13"
10. 966857-10	PANEL, 2.5" X 4.94"
11. 966857-11	PANEL, 2.5" X 4.94"
12. 966857-12	PANEL, 2.5" X 15.13"
13. 966857-13	PANEL, 5.56" X 14.25"
14. 800025-01	PINE, 3/4" X 3/4", 4' 3" LONG
15. 382029-05	HANDLE, BAR 21.33"
16. 381607	HINGE ASSY
17. 966857-17	DOOR, 25" X 14.25"
18. 381228-01	CATCH GRABBER DOOR
19. 203419	BOX STORAGE, 23"L X 16.75"W X 11.88
20. 801706-0016	CORNER TRIM
21. 966857-22	PANEL, 29.50" X 15.13"
22. 114879-201	ALUMINUM SHEET, 15.13" X 6.94"
23. 345001-08	SCREW #8-32 X 1"
24. 381607-04	HINGE SCREW-GRASS
25. 966857-26	DOOR, 25" X 14.25"

2009 INTERNATIONAL TRAVEL TRAILER

FURNITURE, BEDROOM

Bed, 27' Front Bed Signature, Roadside Twin, Ocean Breeze



Part numbers on the next page

2009 INTERNATIONAL TRAVEL TRAILER

FURNITURE, BEDROOM

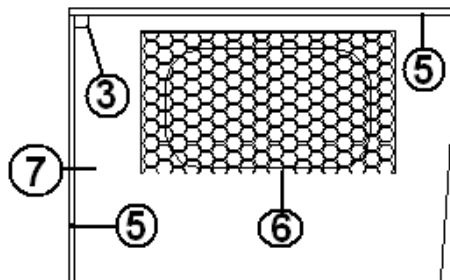
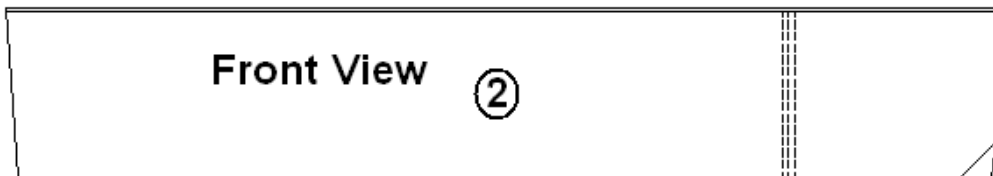
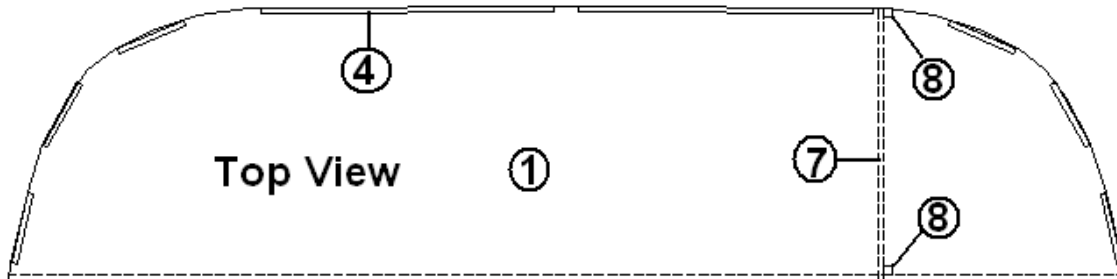
Bed, 27' Front Bed Signature, Roadside Twin, Ocean Breeze

966857-01	BED ASSY-RS TWIN
1. 966857-011	LAUAN, BED TOP
2. 966857-012	PANEL, 50.25" X 15.13"
3. 966857-013	PANEL, 17.50" X 15.13"
4. 966857-014	PANEL, 17.50" X 15.13"
5. 966857-015	PANEL, 2.50" X 24.38"
6. 966857-016	PANEL, 2.50" X 24.38"
7. 966857-017	PANEL, 2.50" X 24.38"
8. 966857-018	PANEL, 2.50" X 24.38"
9. 966857-019	PANEL, 30" X 15.13"
10. 966857-0110	PANEL, 2.5" X 4.94"
11. 966857-0111	PANEL, 2.5" X 4.94"
12. 966857-0112	PANEL, 2.5" X 15.13"
13. 966857-0113	PANEL, 5.56" X 14.25"
14. 800025-01	PINE, 3/4" X 3/4", 4' 3" LONG
15. 382046	PULL, BAMBOO, W/BUSHED NICKEL ENDS
16. 381607	HINGE, DOOR
17. 966857-0117	DOOR, 25" X 14.25"
18. 381228-01	CATCH GRABBER DOOR
19. 203419	BOX STORAGE, 23"L X 16.75"W X 11.88
20. 801706-WH	CORNER TRIM
21. 966857-0122	PANEL, 29.50" X 15.13"
22. 114879-201	ALUMINUM SHEET, 15.13" X 6.94"
23. 345001-08	SCREW #8-32 X 1"
24. 381607-04	HINGE SCREW-GRASS
25. 966857-0126	DOOR, 25" X 14.25"

2009 INTERNATIONAL TRAVEL TRAILER

FURNITURE, BEDROOM

Front Storage Box, 25' FB, 27' FB Signature, Wenge

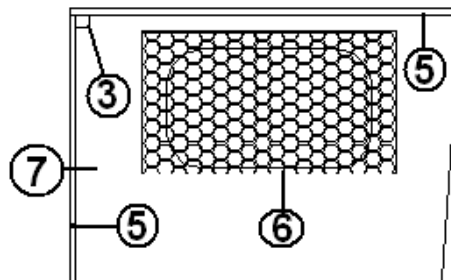
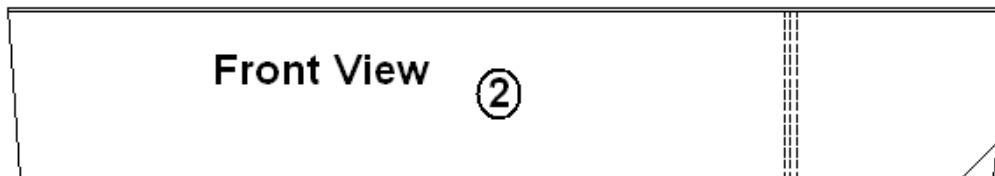
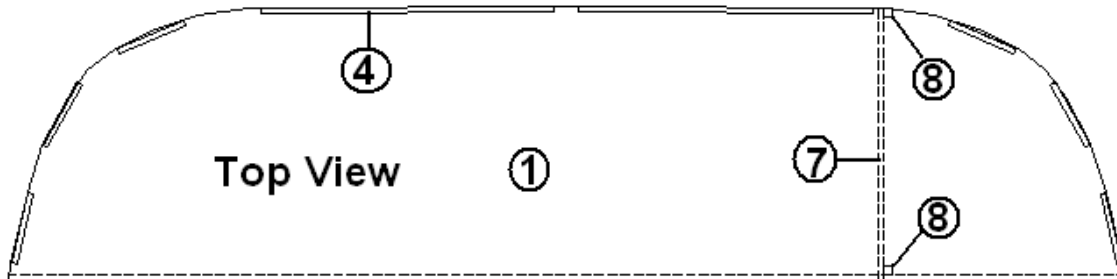


- | | |
|--------------|-------------------------------------|
| 966858 | Front storage box |
| 1. 966858-1 | PANEL, 23" X 93.50" |
| 2. 966858-2 | PANEL, 15" X 93.50" |
| 3. 800025-01 | PINE 3/4" X 3/4" STAINED, 8" LONG |
| 4. 100067 | ALUM ANGLE, 1/16" X 1/2" X 1/2" |
| 5. 701538-01 | CARPET-ECONOLIER |
| 6. 453783-05 | GRILL SCREEN |
| 7. 966858-8 | PANEL, 15" X 23" |
| 8. 800025-01 | PINE 3/4" X 3/4" STAINED, 2.6" LONG |

2009 INTERNATIONAL TRAVEL TRAILER

FURNITURE, BEDROOM

Front Storage Box, 25' FB, 27' FB Signature, Ocean Breeze

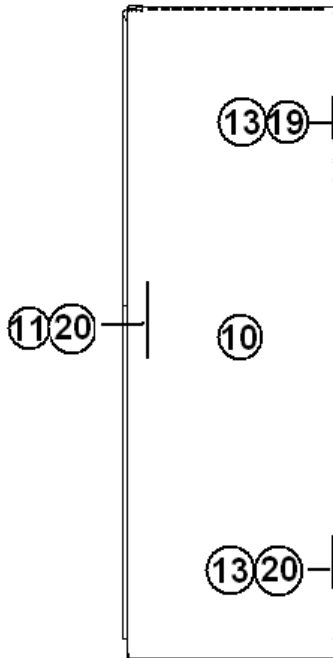
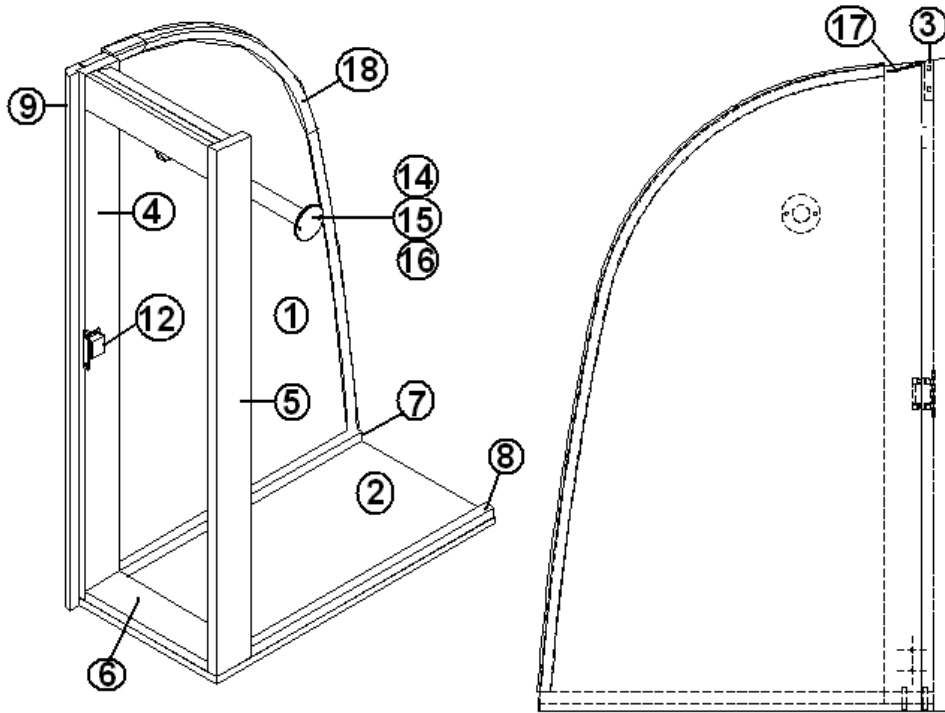


- | | |
|---------------|-------------------------------------|
| 966858-01 | Front storage box |
| 1. 966858-011 | PANEL, 23" X 93.50" |
| 2. 966858-012 | PANEL, 15" X 93.50" |
| 3. 800025-01 | PINE 3/4" X 3/4" STAINED, 8" LONG |
| 4. 100067 | ALUM ANGLE, 1/16" X 1/2" X 1/2" |
| 5. 701538-01 | CARPET-ECONOLIER |
| 6. 453783-05 | GRILL SCREEN |
| 7. 966858-018 | PANEL, 15" X 23" |
| 8. 800025-01 | PINE 3/4" X 3/4" STAINED, 2.6" LONG |

2009 INTERNATIONAL TRAVEL TRAILER

FURNITURE, BEDROOM

Hanging Wardrobe 25' FB, 27' FB Signature, Curbside Twin Bed, Wenge



Part numbers on the next page

2009 INTERNATIONAL TRAVEL TRAILER

FURNITURE, BEDROOM

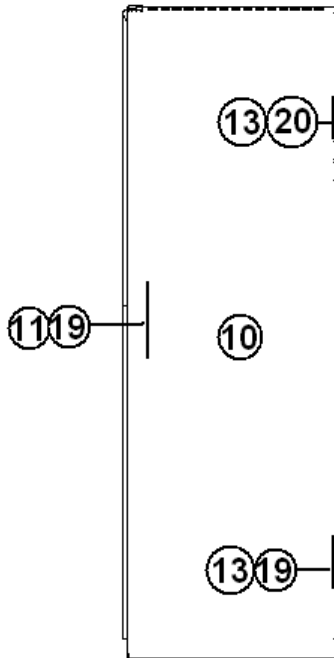
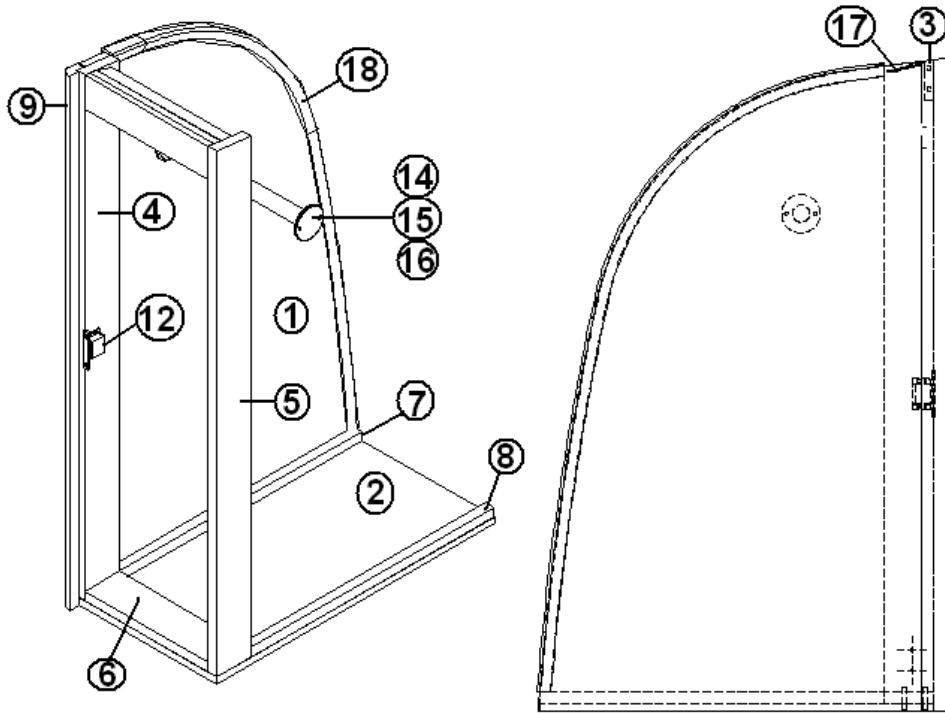
Hanging Wardrobe 25' FB, 27' FB Signature, Curbside Twin Bed,
Wenge

966852	Hanging Wardrobe, Curbside Twin Bed
1. 966852-1	PANEL, 23.59" X 40.19"
2. 966852-2	PANEL, 24.31" X 12.25"
3. 966852-3	PANEL, 10.75" X 2.50"
4. 966852-4	PANEL, 3.00" X 39.75"
5. 966852-5	PANEL, 3.00" X 39.75"
6. 966852-6	PANEL, 3.00" X 10.75"
7. 966852-7	PANEL, .75" X 21.19"
8. 966852-7	PANEL, .75" X 21.19"
9. 801706-0016	CORNER TRIM
10. 966852-9	DOOR, 11.38" X 38.88"
11. 382029-03	HANDLE, BAR 11.25"
12. 381228-01	CATCH, GRABBER DOOR
13. 381607	HINGE, ASSEMBLY
14. 380046	FLANGE, CHROME
15. 380045	TUBING, 3/4"
16. 200975-04	CONDUIT, FLEXIBLE BLACK PLASTIC
17. 115085	ANGLE, ALUMINUM, ROOFLOCKERS
18. 203138-05	EXTRUSION, PLASTIC, 1/2", WALL BLACK
19. 345001-08	SCREW #8-32 X 1"
20. 381607-04	HINGE SCREW-GRASS

2009 INTERNATIONAL TRAVEL TRAILER

FURNITURE, BEDROOM

Hanging Wardrobe, 25' FB, 27' FB Signature, Curbside Twin Bed, Ocean Breeze



Part numbers on the next page

2009 INTERNATIONAL TRAVEL TRAILER

FURNITURE, BEDROOM

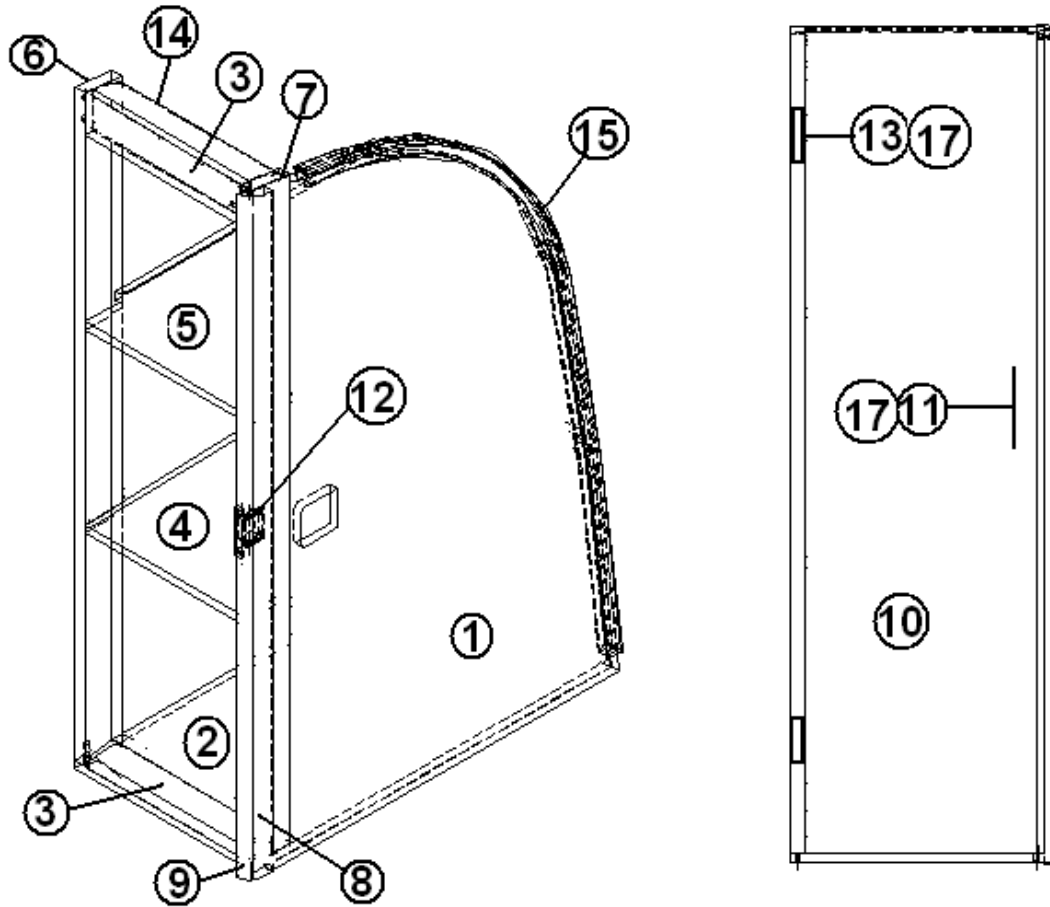
Hanging Wardrobe, 25' FB, 27' FB Signature, Curbside Twin Bed,
Ocean Breeze

966852-01	Hanging Wardrobe, Curbside Twin Bed
1. 966852-011	PANEL, 23.59" X 40.19"
2. 966852-012	PANEL, 24.31" X 12.25"
3. 966852-013	PANEL, 10.75" X 2.50"
4. 966852-014	PANEL, 3.00" X 39.75"
5. 966852-015	PANEL, 3.00" X 39.75"
6. 966852-016	PANEL, 3.00" X 10.75"
7. 966852-017	PANEL, .75" X 21.19"
8. 966852-018	PANEL, .75" X 21.19"
9. 801706-WH	CORNER TRIM
10. 966852-019	DOOR, 11.38" X 38.88"
11. 382046	PULL, BAMBOO, W/BUSHED NICKEL ENDS
12. 381228-01	CATCH, GRABBER DOOR
13. 381607	HINGE, DOOR
14. 380046	FLANGE, CHROME
15. 380045	TUBING, 3/4"
16. 200975-04	CONDUIT, FLEXIBLE BLACK PLASTIC
17. 115085	ANGLE, ALUMINUM, ROOFLOCKERS
18. 203138-01	EXTRUSION, PLASTIC, 1/2", WALL, WHITE
19. 345001-08	SCREW #8-32 X 1"
20. 381607-04	HINGE SCREW-GRASS

2009 INTERNATIONAL TRAVEL TRAILER

FURNITURE, BEDROOM

Hanging Linen Cabinet, 27' Front Twin Bed Signature, Wenge



Part numbers on the next page

2009 INTERNATIONAL TRAVEL TRAILER

FURNITURE, BEDROOM

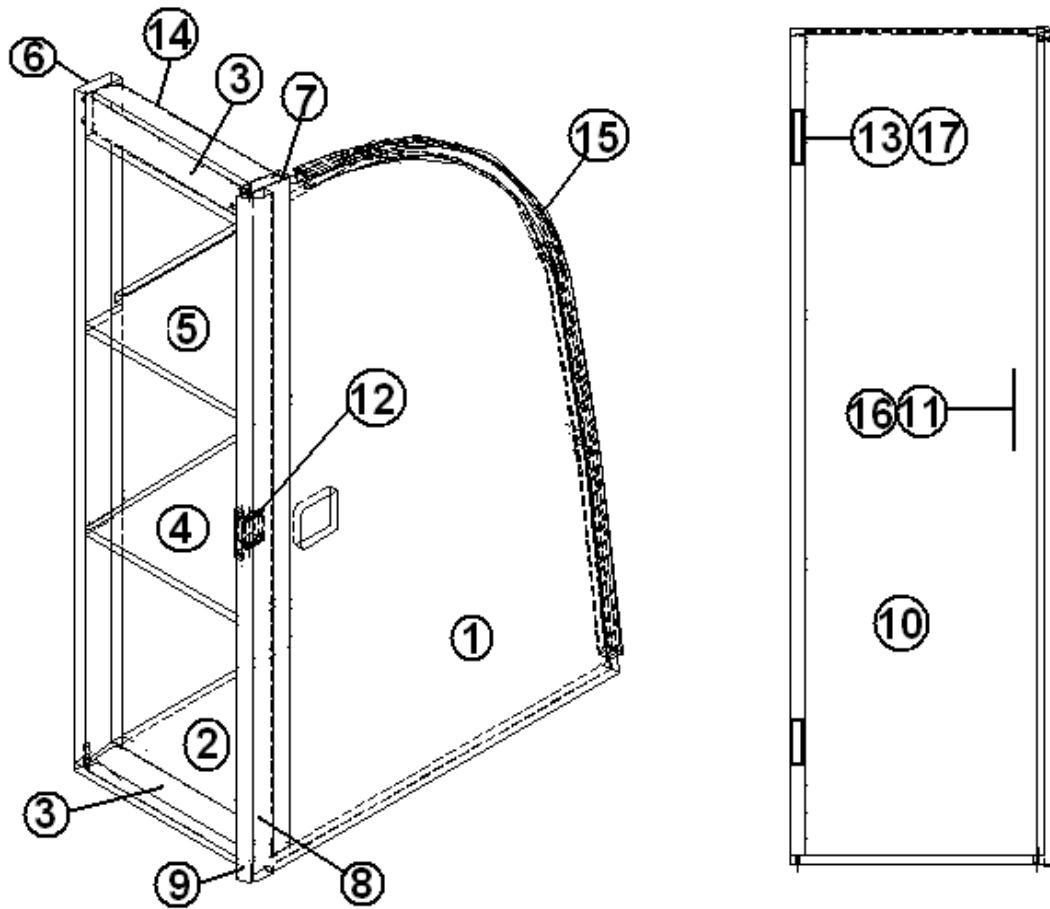
Hanging Linen Cabinet, 27' Front Twin Bed Signature, Wenge

966855	Hanging Linen Cabinet
1. 966855-1	PANEL, 23.59" X 40.19"
2. 966855-2	PANEL, 24.25" X 12.25"
3. 966855-3	PANEL, 10.75" X 2.50"
4. 966855-4	PANEL, 22.50" X 12.25"
5. 966855-5	PANEL, 20.25" X 12.25"
6. 966855-6	PANEL, 2.50" X 39.75"
7. 966855-7	PANEL, 2.50" X 39.75"
8. 966855-8	PANEL, 10.75" X 2.50"
9. 801706-0016	CORNER TRIM
10. 966855-9	DOOR, 11.38" X 38.88"
11. 382029-03	HANDLE, BAR 11.25"
12. 381228-01	CATCH, GRABBER DOOR
13. 381607	HINGE, ASSEMBLY
14. 115085	ANGLE, ALUMINUM, ROOFLOCKERS
15. 203138-05	EXTRUSION, PLASTIC, 1/2", WALL BLACK
16. 345001-08	SCREW #8-32 X 1"
17. 381607-04	HINGE SCREW-GRASS

2009 INTERNATIONAL TRAVEL TRAILER

FURNITURE, BEDROOM

Hanging Linen Cabinet, 27' Front Twin Bed Signature, Ocean Breeze



Part numbers on the next page

2009 INTERNATIONAL TRAVEL TRAILER

FURNITURE, BEDROOM

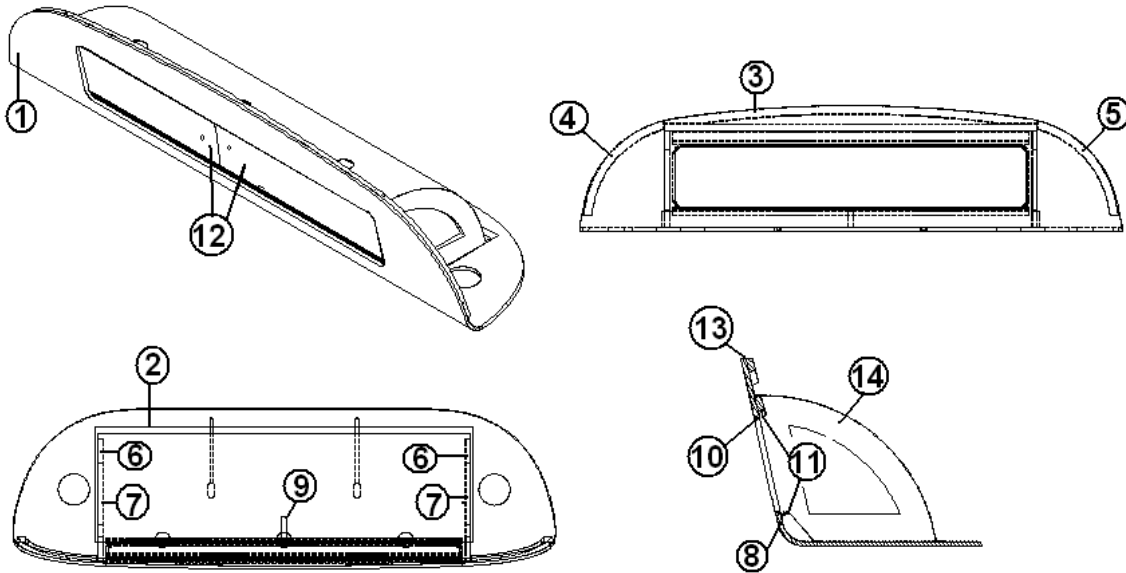
Hanging Linen Cabinet, 27' Front Twin Bed Signature, Ocean Breeze

966855-01	Hanging Linen Cabinet
1. 966855-011	PANEL, 23.59" X 40.19"
2. 966855-012	PANEL, 24.25" X 12.25"
3. 966855-013	PANEL, 10.75" X 2.50"
4. 966855-014	PANEL, 22.50" X 12.25"
5. 966855-015	PANEL, 20.25" X 12.25"
6. 966855-016	PANEL, 2.50" X 39.75"
7. 966855-017	PANEL, 2.50" X 39.75"
8. 966855-018	PANEL, 10.75" X 2.50"
9. 801706-WH	CORNER TRIM
10. 966855-019	DOOR, 11.38" X 38.88"
11. 382046	PULL, BAMBOO, W/BUSHED NICKEL ENDS
12. 381228-01	CATCH, GRABBER DOOR
13. 381607	HINGE, DOOR
14. 115085	ANGLE, ALUMINUM, ROOFLOCKERS
15. 203138-01	EXTRUSION, PLASTIC, 1/2", WALL, WHITE
16. 345001-08	SCREW #8-32 X 1"
17. 381607-04	HINGE SCREW-GRASS

2009 INTERNATIONAL TRAVEL TRAILER

FURNITURE, BEDROOM

Roof Locker, 25' FB, 27' FB Signature, Twin & "J" Queen Bed, Front End Liner, Wenge

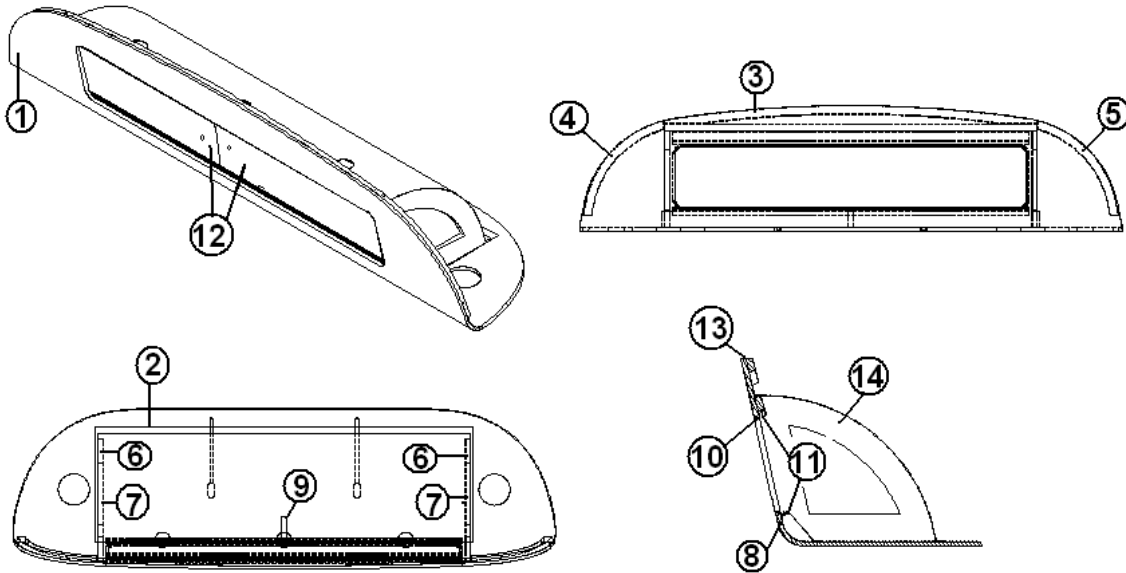


966870	ROOF LOCKER, FRONT END, 27' FB
1. 801723	FACE-FRONT R/L
2. 801355-01	LAMINATE, 21" X 62.25"
3. 801596-01	BACKER W/B LINER LOCKER CTR
4. 801596-02	BACKER W/B LINER LOCKER LH
5. 801596-03	BACKER, LINER LOCKER RH
6. 801594	DIVIDER, LINER LOCKER
7. 801595	DIVIDER, LINER LOCKER
8. 115261-01	ANGLE, LOCKER TRACK SUPPORT
9. 115226-01	BRACKET, LOCKER CTR SUPPORT
10. 203508-01	PLY T-TRIM 9/16"
11. 203388	TRACK, SLIDING DOOR
12. 965563-08	DOOR, SLIDING 11.31" X 30"
13. 201673	REVERSE COVE MOLDING, WHITE
14. 115264-01	PAN, LINER LOCKER W/B FRONT
454613	SPRING, LEAF R/L

2009 INTERNATIONAL TRAVEL TRAILER

FURNITURE, BEDROOM

Roof Locker, 25' FB, 27' FB Signature, Twin & "J" Queen Bed, Front End Liner, Ocean Breeze

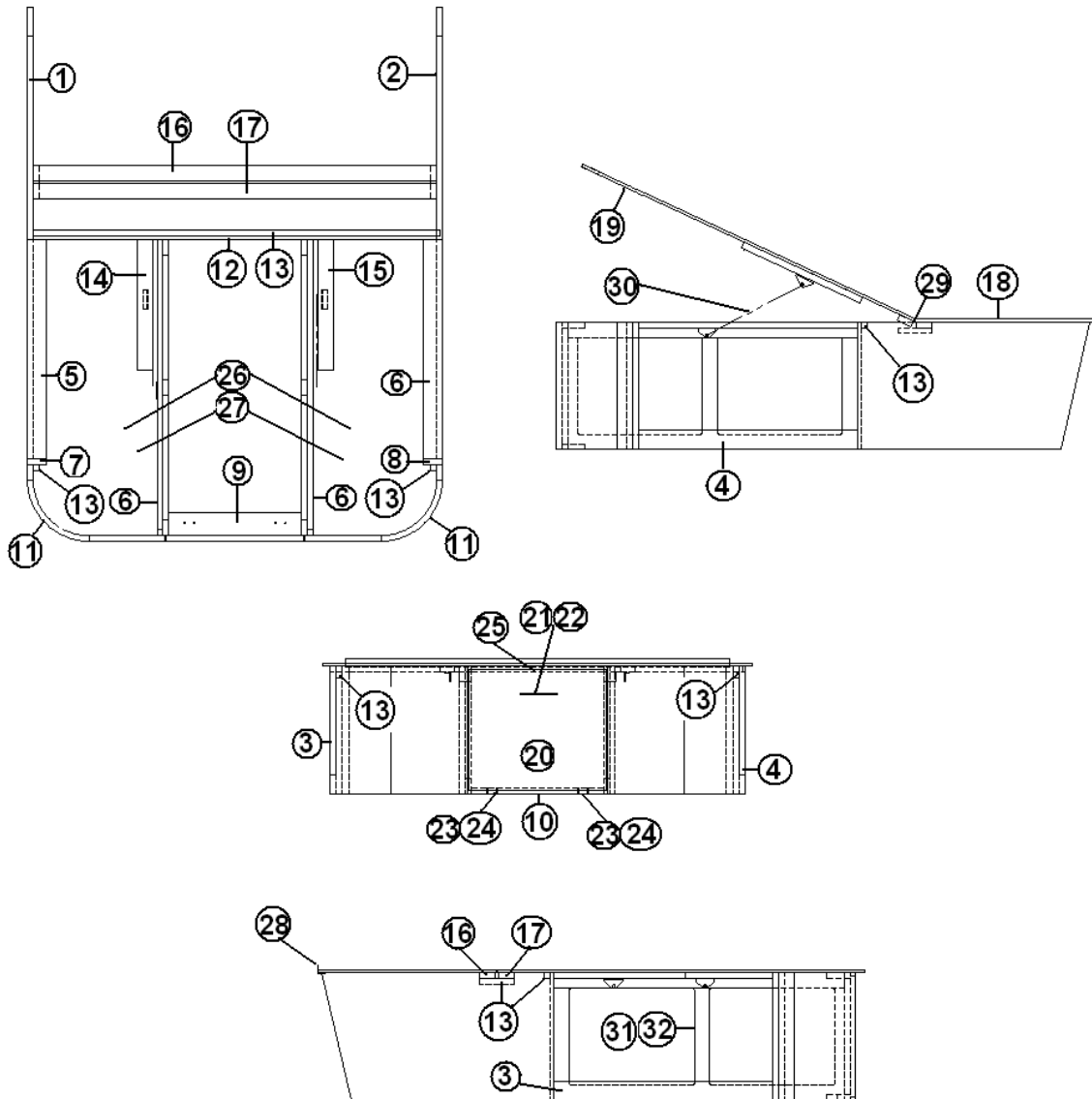


- 966870-01 ROOF LOCKER, FRONT END, 27' FB
- 1. 801723 FACE, FRONT R/L 27' FB
- 2. 801355-01 LAMINATE, 21" X 62.25"
- 3. 801596-01 BACKER W/B LINER LOCKER CTR
- 4. 801596-02 BACKER W/B LINER LOCKER LH
- 5. 801596-03 BACKER, LINER LOCKER RH
- 6. 801594 DIVIDER, LINER LOCKER
- 7. 801595 DIVIDER, LINER LOCKER
- 8. 115261-01 ANGLE, LOCKER TRACK SUPPORT
- 9. 115226-01 BRACKET, LOCKER CTR SUPPORT
- 10. 203508-01 PLY T-TRIM 9/16"
- 11. 203388 TRACK, SLIDING DOOR
- 12. 203357-03 DOOR, LUMICOR, SLIDING 11.31" X 30"
- 13. 201673 REVERSE COVE MOLDING, WHITE
- 14. 115264-01 PAN, LINER LOCKER W/B FRONT
454613 SPRING, LEAF

2009 INTERNATIONAL TRAVEL TRAILER

FURNITURE, BEDROOM

Bed, 27' Front Bed, 28' Signature, "J" & "W" Queen, Wenge



Part numbers on the next page

2009 INTERNATIONAL TRAVEL TRAILER

FURNITURE, BEDROOM

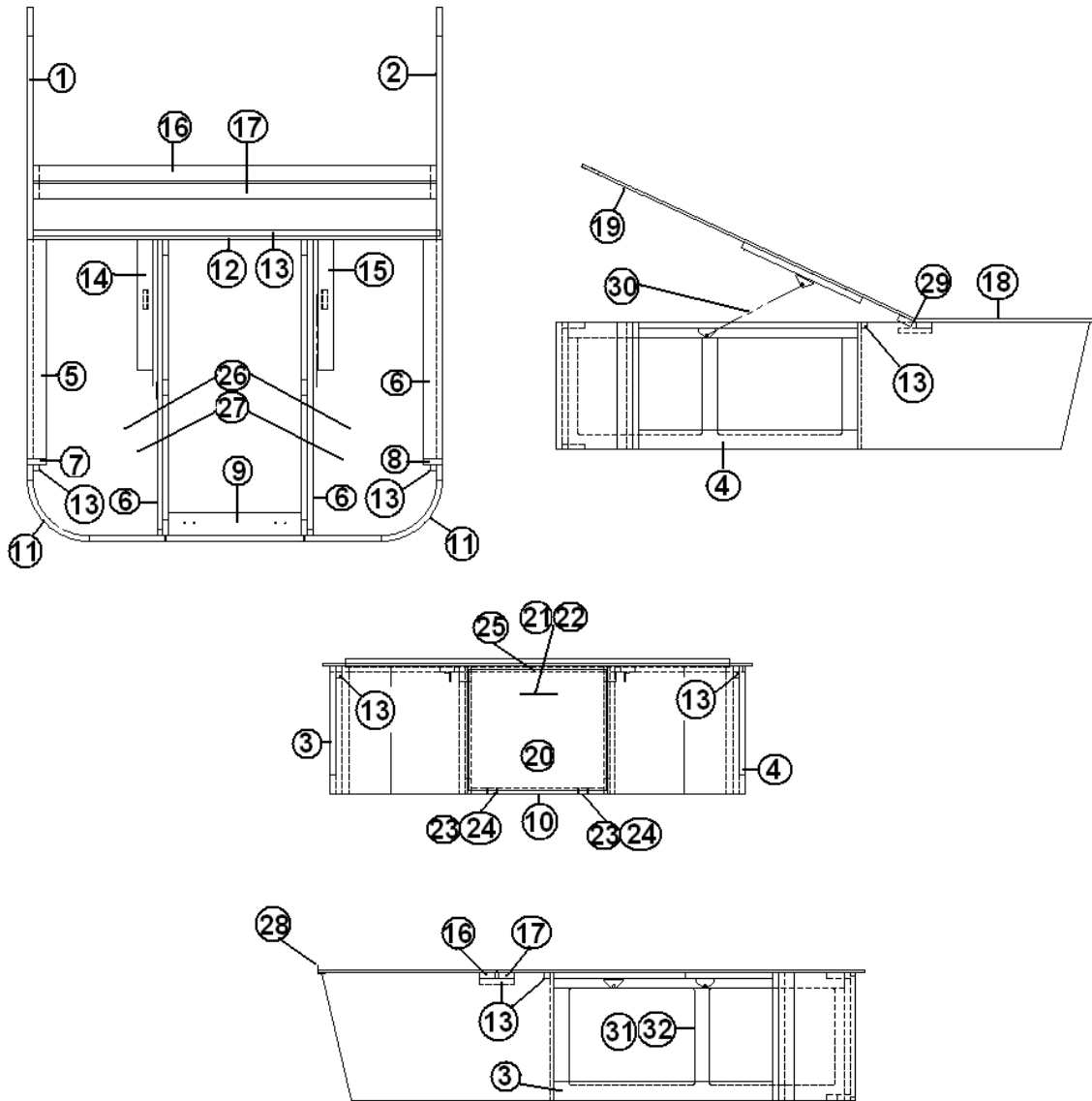
Bed, 27' Front Bed, 28' Signature, "J" & "W" Queen, Wenge

966863	BED ASSEMBLY, "J" & "W"
1. 966863-1	PANEL, 30.25" X 16.63"
2. 966863-2	PANEL, 30.25" X 16.63"
3. 966863-3	PANEL, 2.50" X 28.50"
4. 966863-4	PANEL, 2.50" X 28.50"
5. 966863-5	PANEL, 2.50" X 28.50"
6. 966863-6	PANEL, 2.50" X 28.50"
7. 966863-7	PANEL, 6.63" X 2.50"
8. 966863-8	PANEL, 6.63" X 2.50"
9. 966863-9	PANEL, 3.00" X 17.25"
10. 966863-10	PANEL, 3.00" X 17.25"
11. 966864	CORNER SUB-ASSY, BED
12. 966863-13	PANEL, 52.50" X 16.63"
13. 800025-01	PINE 3/4" X 3/4" STAINED, 8.72' LONG
14. 850082	POPLAR, .75" X 2.00"
15. 850082	POPLAR, .75" X 2.00"
16. 850082	POPLAR, .75" X 2.00"
17. 850082	POPLAR, .75" X 2.00"
18. 966863-19	LAUAN, 56" X 23.25"
19. 966863-20	LAUAN, 56" X 47.75"
20. 966863-17	DOOR, "J" & "W", 15.75" X 17.88"
21. 382029-04	HANDLE-BAR 15"
22. 345001-08	SCREW #8-32 X 1"
23. 381607	HINGE-ASSEMBLY
24. 381607-04	HINGE SCREW-GRASS
25. 381228-01	CATCH GRABBER DOOR
26. 203419	BOX STORAGE, 23"L x 16.75"W x 11.88
27. 203439	STORAGE BOX, 17"L X 11.13"W X 6.38"
28. 114812	ALUMINUM ANGLE 1.00" X 1.00"
29. 380203-01	HINGE PIANO
30. SPRING-GAS 90 LBS,	SEE HARDWARE SECTION
31. 966863-33	PANEL, 2.50" X 39.75"
32. 966863-34	PANEL, 10.75" X 2.50"

2009 INTERNATIONAL TRAVEL TRAILER

FURNITURE, BEDROOM

Bed, 27' Front Bed, 28' Signature, "J" & "W" Queen, Ocean Breeze



Part numbers on the next page

2009 INTERNATIONAL TRAVEL TRAILER

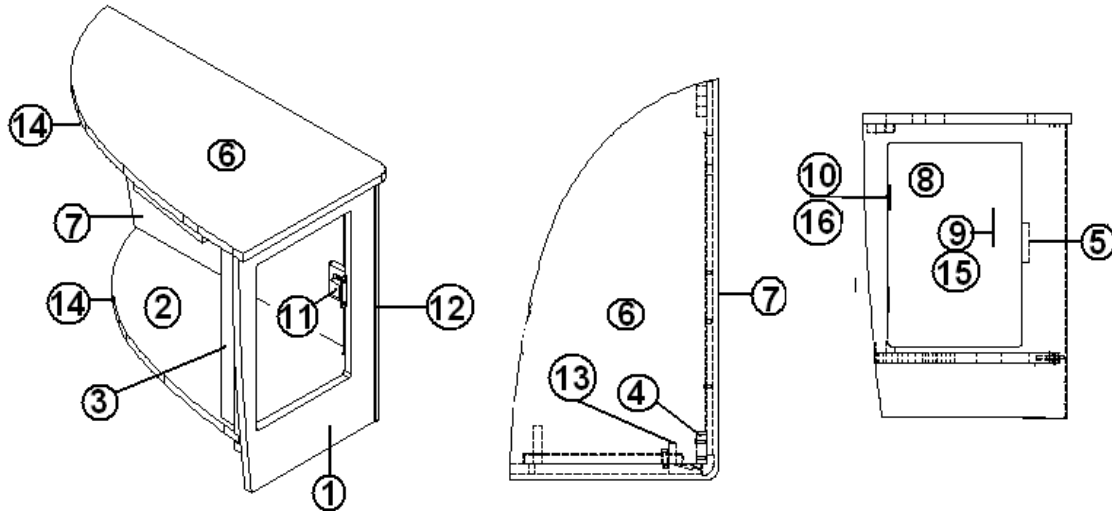
FURNITURE, BEDROOM

Bed, 27' Front Bed, 28' Signature, "J" & "W" Queen, Ocean Breeze	
966863-01	BED ASSEMBLY, "J" & "W"
1. 966863-011	PANEL, 30.25" X 16.63"
2. 966863-012	PANEL, 30.25" X 16.63"
3. 966863-013	PANEL, 2.50" X 28.50"
4. 966863-014	PANEL, 2.50" X 28.50"
5. 966863-015	PANEL, 2.50" X 28.50"
6. 966863-016	PANEL, 2.50" X 28.50"
7. 966863-017	PANEL, 6.63" X 2.50"
8. 966863-018	PANEL, 6.63" X 2.50"
9. 966863-019	PANEL, 3.00" X 17.25"
10. 966863-0110	PANEL, 3.00" X 17.25"
11. 966864-01	CORNER SUB-ASSY, BED
12. 966863-0113	PANEL, 52.50" X 16.63"
13. 800025-01	PINE 3/4" X 3/4" STAINED, 8.72' LONG
14. 850082	POPLAR, .75" X 2.00"
15. 850082	POPLAR, .75" X 2.00"
16. 850082	POPLAR, .75" X 2.00"
17. 850082	POPLAR, .75" X 2.00"
18. 966863-0119	LAUAN, 56" X 23.25"
19. 966863-0120	LAUAN, 56" X 47.75"
20. 966863-0117	DOOR, "J" & "W", 15.75" X 17.88"
21. 382046	PULL, BAMBOO, W/BUSHED NICKEL ENDS
22. 345001-08	SCREW #8-32 X 1"
23. 381607	HINGE, DOOR
24. 381607-04	HINGE SCREW-GRASS
25. 381228-01	CATCH GRABBER DOOR
26. 203419	BOX STORAGE, 23"L x 16.75"W x 11.88
27. 203439	STORAGE BOX, 17"L X 11.13"W X 6.38"
28. 114812	ALUMINUM ANGLE 1.00" X 1.00"
29. 380203-01	HINGE PIANO
30. SPRING-GAS 90 LBS, SEE HARDWARE SECTION	
31. 966863-0133	PANEL, 2.50" X 39.75"
32. 966863-0134	PANEL, 10.75" X 2.50"

2009 INTERNATIONAL TRAVEL TRAILER

FURNITURE, BEDROOM

Nightstand, 27' Front Bed Signature "J" Bedroom, LH, Wenge

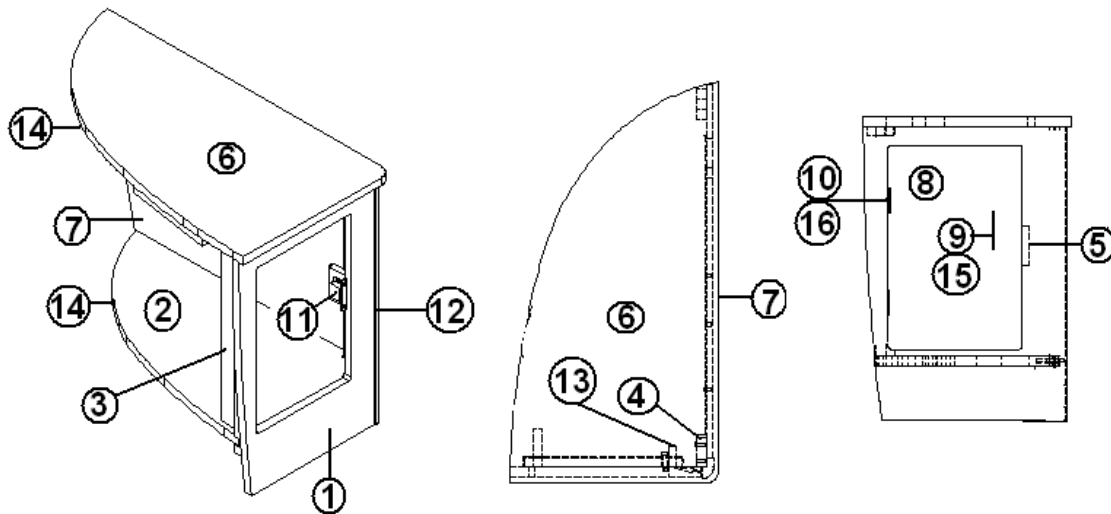


966868	NIGHTSTAND ASSY, LH
1. 966868-1	PANEL, 1.78" X 22.75"
2. 966868-2	PANEL, 27.69" X 14.13"
3. 966868-3	PANEL, 3.00" X 17.75"
4. 966868-4	PANEL, 2.25" X 27.75"
5. 966868-5	PANEL, 3.00" X 1.63"
6. 966868-6	PANEL, 16.09" X 31.06"
7. 966868-7	PANEL, 28.84" X 22.75"
8. 966868-8	DOOR, 9.88" X 15.31"
9. 382029-00	HANDLE-BAR 7.48"
10. 381607	HINGE-ASSEMBLY
11. 381228-01	CATCH GRABBER DOOR
12. 801706-0016	CORNER TRIM 90D 1"
13. 800025-01	PINE 3/4" X 3/4" STAINED
14. 201673	REVERSE COVE MOLDING, WHITE
15. 345001-08	SCREW #8-32 X 1"
16. 381607-04	HINGE SCREW-GRASS

2009 INTERNATIONAL TRAVEL TRAILER

FURNITURE, BEDROOM

Nightstand, 27' Front Bed Signature "J" Bedroom, LH, Ocean Breeze

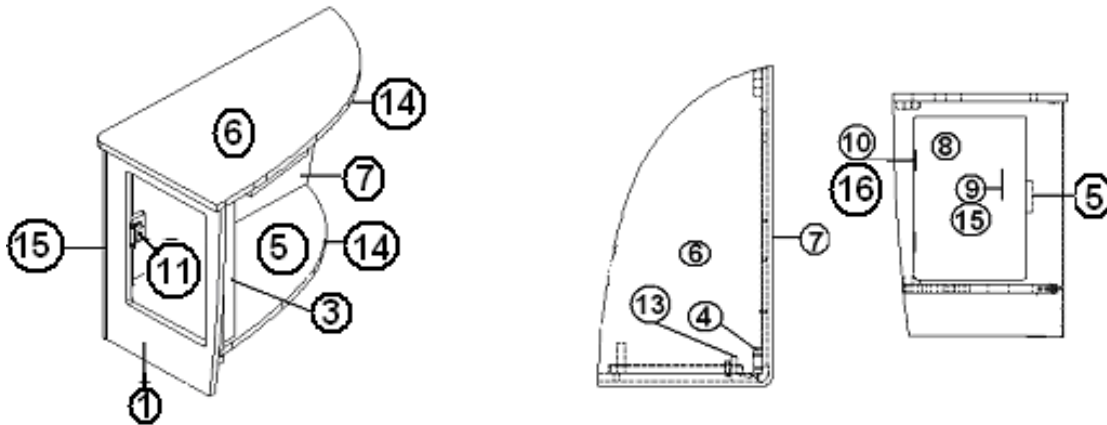


966868-01	NIGHTSTAND ASSY, LH
1. 966868-011	PANEL, 1.78" X 22.75"
2. 966868-012	PANEL, 27.69" X 14.13"
3. 966868-013	PANEL, 3.00" X 17.75"
4. 966868-014	PANEL, 2.25" X 27.75"
5. 966868-015	PANEL, 3.00" X 1.63"
6. 966868-016	PANEL, 16.09"X31.06"
7. 966868-017	PANEL, 28.84" X 22.75"
8. 966868-018	DOOR, 9.88" X 15.31"
9. 382046	PULL, BAMBOO, W/BUSHED NICKEL ENDS
10. 10. 381607	HINGE, DOOR
11. 11. 381228-01	CATCH GRABBER DOOR
12. 801706-WH	CORNER TRIM 90D 1"
13. 800025-01	PINE 3/4" X 3/4" STAINED
14. 201673	REVERSE COVE MOLDING, WHITE
15. 345001-08	SCREW #8-32 X 1"
16. 381607-04	HINGE SCREW-GRASS

2009 INTERNATIONAL TRAVEL TRAILER

FURNITURE, BEDROOM

Nightstand, 27' Front Bed Signature, RH "J" Bedroom, Wenge

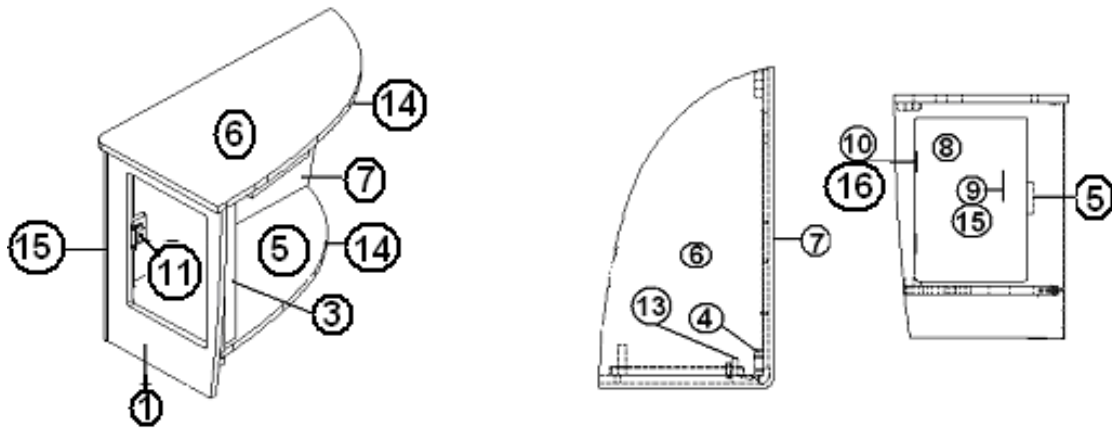


966851		NIGHTSTAND ASSY, RH
1.	966851-1	PANEL, 1.78" X 22.75"
2.	966851-2	PANEL, 27.69" X 14.13"
3.	966851-3	PANEL, 3.00" X 17.75"
4.	966851-4	PANEL, 2.25" X 27.75"
5.	966851-5	PANEL, 3.00" X 1.63",
6.	966851-6	PANEL, 16.09" X 31.06"
7.	966851-7	PANEL, 28.84" X 22.75"
8.	966851-8	DOOR, 9.88" X 15.31"
9.	382029-00	HANDLE-BAR 7.48"
10.	381607	HINGE-ASSEMBLY
11.	381228-01	CATCH GRABBER DOOR
12.	801706-0016	CORNER TRIM 90D 1"
13.	800025-01	PINE 3/4" X 3/4" STAINED
14.	201673	REVERSE COVE MOLDING, WHITE
15.	345001-08	SCREW #8-32 X 1"
16.	381607-04	HINGE SCREW-GRASS

2009 INTERNATIONAL TRAVEL TRAILER

FURNITURE, BEDROOM

Nightstand, 27' Front Bed Signature, RH "J" Bedroom, Ocean Breeze

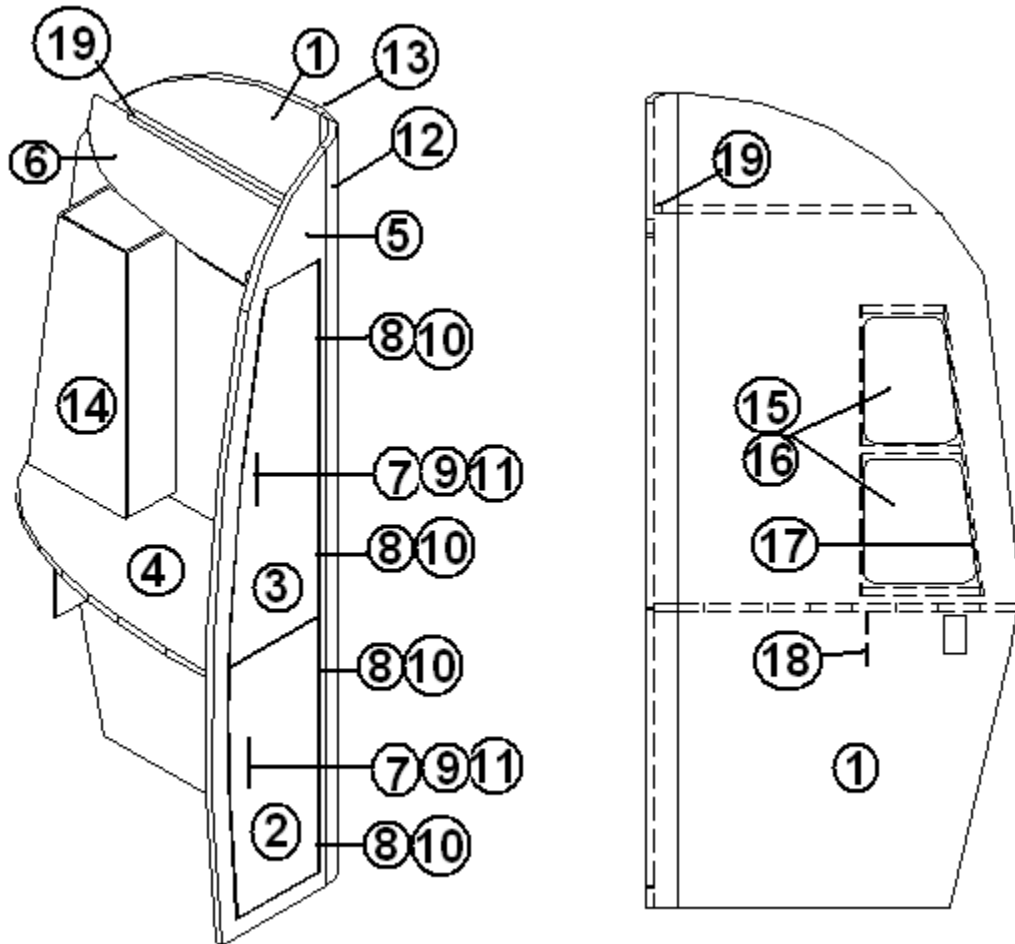


- | | |
|---------------|------------------------------------|
| 966851-01 | NIGHTSTAND ASSY, RH |
| 1. 966851-011 | PANEL, 1.78" X 22.75" |
| 2. 966851-012 | PANEL, 27.69" X 14.13" |
| 3. 966851-013 | PANEL, 3.00" X 17.75" |
| 4. 966851-014 | PANEL, 2.25" X 27.75" |
| 5. 966851-015 | PANEL, 3.00" X 1.63" |
| 6. 966851-016 | PANEL, 16.09"X31.06" |
| 7. 966851-017 | PANEL, 28.84" X 22.75" |
| 8. 966851-018 | DOOR, 9.88" X 15.31" |
| 9. 382046 | PULL, BAMBOO, W/BUSHED NICKEL ENDS |
| 10. 381607 | HINGE, DOOR |
| 11. 381228-01 | CATCH GRABBER DOOR |
| 12. 801706-WH | CORNER TRIM 90D 1" |
| 13. 800025-01 | PINE 3/4" X 3/4" STAINED |
| 14. 201673 | REVERSE COVE MOLDING, WHITE |
| 15. 345001-08 | SCREW #8-32 X 1" |
| 16. 381607-04 | HINGE SCREW-GRASS |

2009 INTERNATIONAL TRAVEL TRAILER

FURNITURE, BEDROOM

Closet, Left, 27' Front Bed, 28' Signature, "W" Bedroom, Wenge



Part numbers on the next page

2009 INTERNATIONAL TRAVEL TRAILER

FURNITURE, BEDROOM

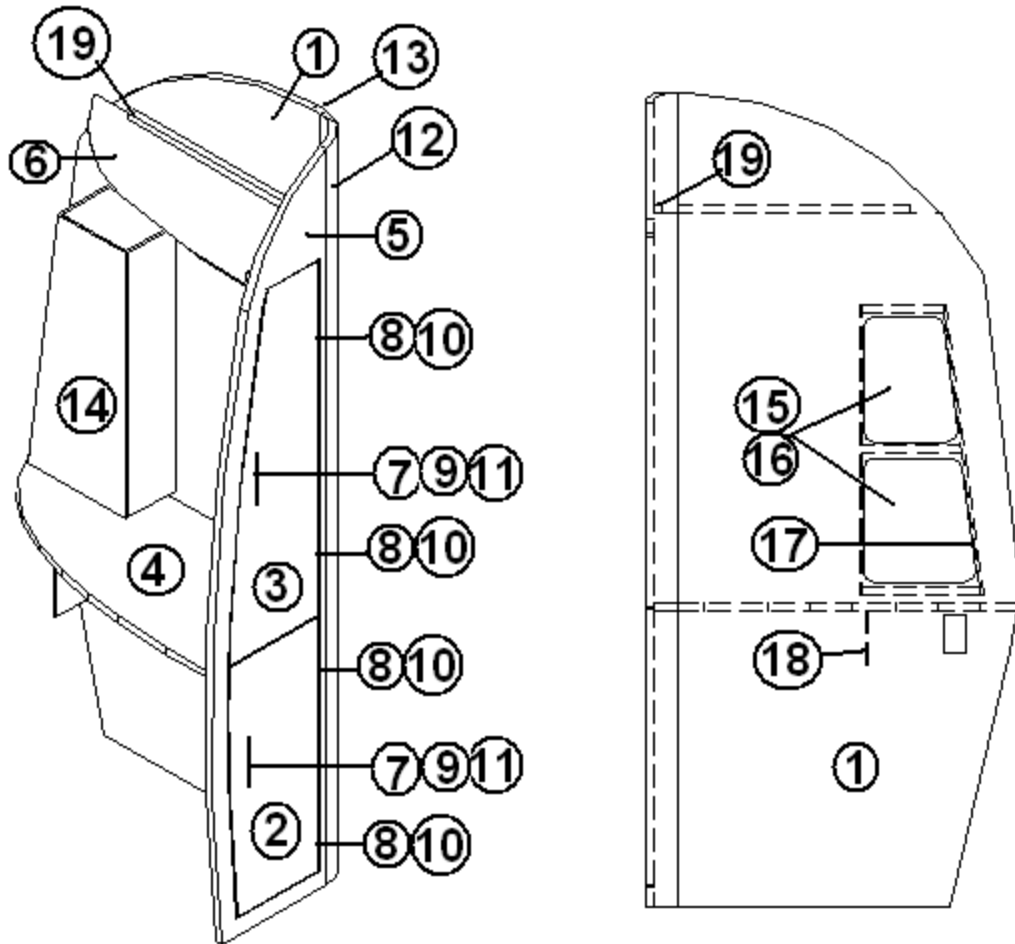
Closet, Left, 27' Front Bed, 28' Signature, "W" Bedroom, Wenge

966871	Closet, Left, "W" Bedroom
1. 966871-1	PANEL, 32.25" X 76.61"
2. 966871-02	DOOR, 10.06" X 26.06"
3. 966871-03	DOOR, 10.06" X 36.50"
4. 966871-4	PANEL, 34.35" X 15.92"
5. 966871-5	PANEL, 13.69" X 75.7", BACKER
6. 966871-6	PANEL, 29" X 10.81", BACKER
7. 382029-00	HANDLE-BAR 7.48"
8. 381607	HINGE-ASSEMBLY
9. 345001-08	SCREW #8-32 X 1"
10. 381607-04	HINGE SCREW-GRASS
11. 381228-01	CATCH, GRABBER DOOR
12. 801345	RADIUS PLYWOOD, .75"X 3"X 8'
13. 801711-01	LAMINATE, WENGE VERTICAL
14. 966875	BOOKSHELF ASSY, CS
15. 386106-01	RACK, MAGAZINE WHITE
16. 386107	ROD, MAGAZINE RACK
17. 203440	T MOLDING, BLACK EMBOSSED .8125
18. 966871-19	PANEL, 5" X 13.78", WHITE/RAW
19. 800025-01	PINE 3/4" X 3/4" STAINED

2009 INTERNATIONAL TRAVEL TRAILER

FURNITURE, BEDROOM

Closet, Left, 27' Front Bed, 28' Signature, "W" Bedroom, Ocean Breeze



Part numbers on the next page

2009 INTERNATIONAL TRAVEL TRAILER

FURNITURE, BEDROOM

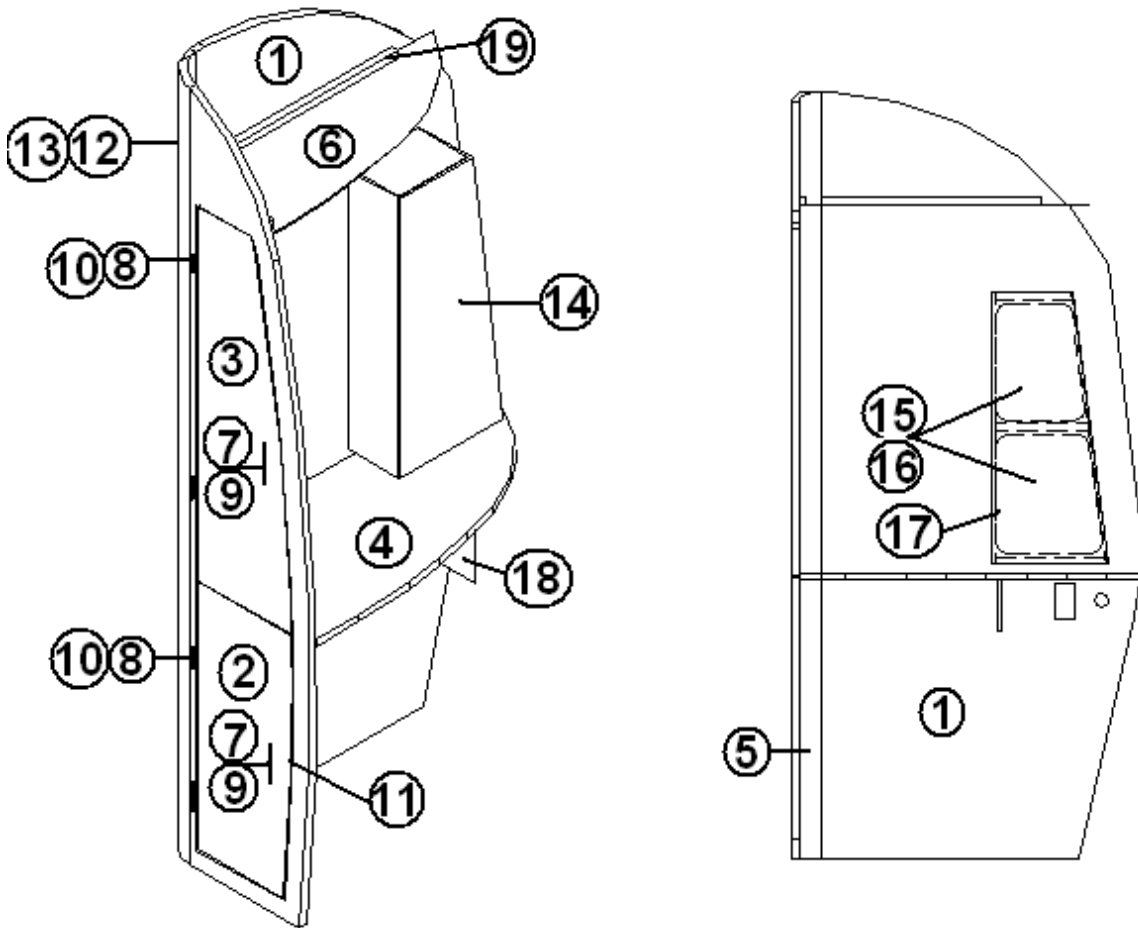
Closet, Left, 27' Front Bed, 28' Signature, "W" Bedroom, Ocean Breeze

966871-01	Closet, Left, "W" Bedroom
1. 966871-011	PANEL, 32.25" X 76.61"
2. 966871-0102	DOOR, 10.06" X 26.06"
3. 966871-0103	DOOR, 10.06" X 36.50"
4. 966871-014	PANEL, 34.35" X 15.92"
5. 966871-015	PANEL, 13.69" X 75.7"
6. 966871-016	PANEL, 29" X 10.81"
7. 382046	PULL, BAMBOO, W/BUSHED NICKEL ENDS
8. 381607	HINGE, DOOR
9. 345001-08	SCREW #8-32 X 1"
10. 381607-04	HINGE SCREW-GRASS
11. 381228-01	CATCH, GRABBER DOOR
12. 801345	RADIUS PLYWOOD, .75"X 3"X 8'
13. 801355-01	LAMINATE, WHITE
14. 966875-01	BOOKSHELF ASSY, CS
15. 386106-01	RACK, MAGAZINE WHITE
16. 386107	ROD, MAGAZINE RACK
17. 203597	T MOLDING, WHITE EMBOSSED .8125
18. 966871-0119	PANEL, 5" X 13.78", WHITE/RAW
19. 800025-01	PINE 3/4" X 3/4" STAINED

2009 INTERNATIONAL TRAVEL TRAILER

FURNITURE, BEDROOM

Closet, Right Rear, 27' FB, 28' Signature, "W" Bedroom, Wenge



Part numbers on the next page

2009 INTERNATIONAL TRAVEL TRAILER

FURNITURE, BEDROOM

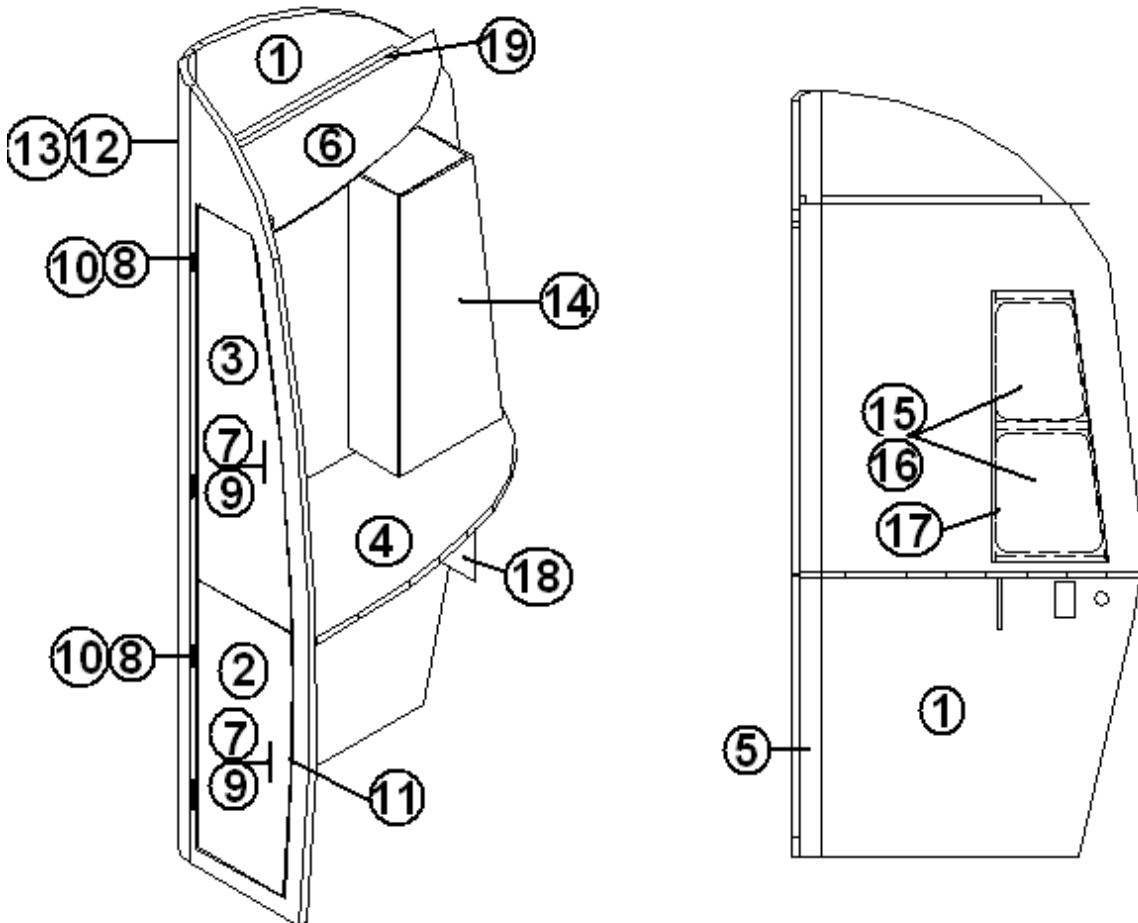
Closet, Right Rear, 27' FB, 28' Signature, "W" Bedroom, Wenge

966872	Closet, Right Rear
1. 966872-1	PANEL, 32.25" X 76.61"
2. 966872-02	DOOR, 10.06" X 26.06"
3. 966872-03	DOOR, 10.06" X 36.50"
4. 966872-4	PANEL, 34.35" X 15.92"
5. 966872-5	PANEL, 13.69" X 75.7", BACKER
6. 966872-6	PANEL, 29" X 10.81", BACKER
7. 382029-00	HANDLE-BAR 7.48"
8. 381607	HINGE-ASSEMBLY
9. 345001-08	SCREW #8-32 X 1"
10. 381607-04	HINGE SCREW-GRASS
11. 381228-01	CATCH, GRABBER DOOR
12. 801345	RADIUS PLYWOOD, .75"X 3"X 8'
13. 801711-01	LAMINATE, WENGE VERTICAL
14. 966874	BOOKSHELF ASSY, CS
15. 386106-01	RACK, MAGAZINE WHITE
16. 386107	ROD, MAGAZINE RACK
17. 203440	T MOLDING, BLACK EMBOSSED .8125
18. 966872-19	PANEL, 5" X 13.78", WHITE/RAW
19. 800025-01	PINE 3/4" X 3/4" STAINED

2009 INTERNATIONAL TRAVEL TRAILER

FURNITURE, BEDROOM

Closet, Right Rear, 27' FB, 28' Signature, "W" Bedroom, Ocean Breeze



Part numbers on the next page

2009 INTERNATIONAL TRAVEL TRAILER

FURNITURE, BEDROOM

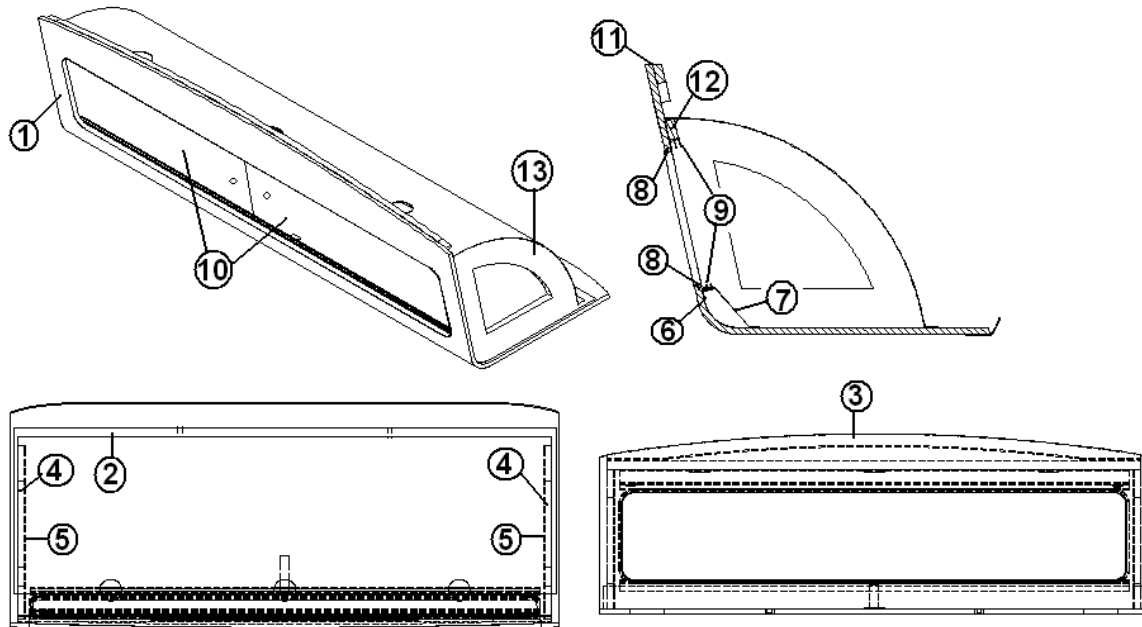
Closet, Right Rear, 27' FB, 28' Signature, "W" Bedroom, Ocean Breeze

966872-01	Closet, Right Rear
1. 966872-011	PANEL, 32.25" X 76.61"
2. 966872-0102	DOOR, 10.06" X 26.06"
3. 966872-0103	DOOR, 10.06" X 36.50"
4. 966872-014	PANEL, 34.35" X 15.92"
5. 966872-015	PANEL, 13.69" X 75.7"
6. 966872-016	PANEL, 29" X 10.81"
7. 382046	PULL, BAMBOO, W/BUSHED NICKEL ENDS
8. 381607	HINGE, DOOR
9. 345001-08	SCREW #8-32 X 1"
10. 381607-04	HINGE SCREW-GRASS
11. 381228-01	CATCH, GRABBER DOOR
12. 801345	RADIUS PLYWOOD, .75"X 3"X 8'
13. 801355-01	LAMINATE, WHITE
14. 966874-01	BOOKSHELF ASSY, CS
15. 386106-01	RACK, MAGAZINE WHITE
16. 386107	ROD, MAGAZINE RACK
17. 203597	T MOLDING, WHITE EMBOSSED .8125
18. 966872-0119	PANEL, 5" X 13.78", WHITE/RAW
19. 800025-01	PINE 3/4" X 3/4" STAINED

2009 INTERNATIONAL TRAVEL TRAILER

FURNITURE, BEDROOM

Roof Locker, 27' FB, 28' Signature, Front End Liner, "W" Bedroom, Wenge

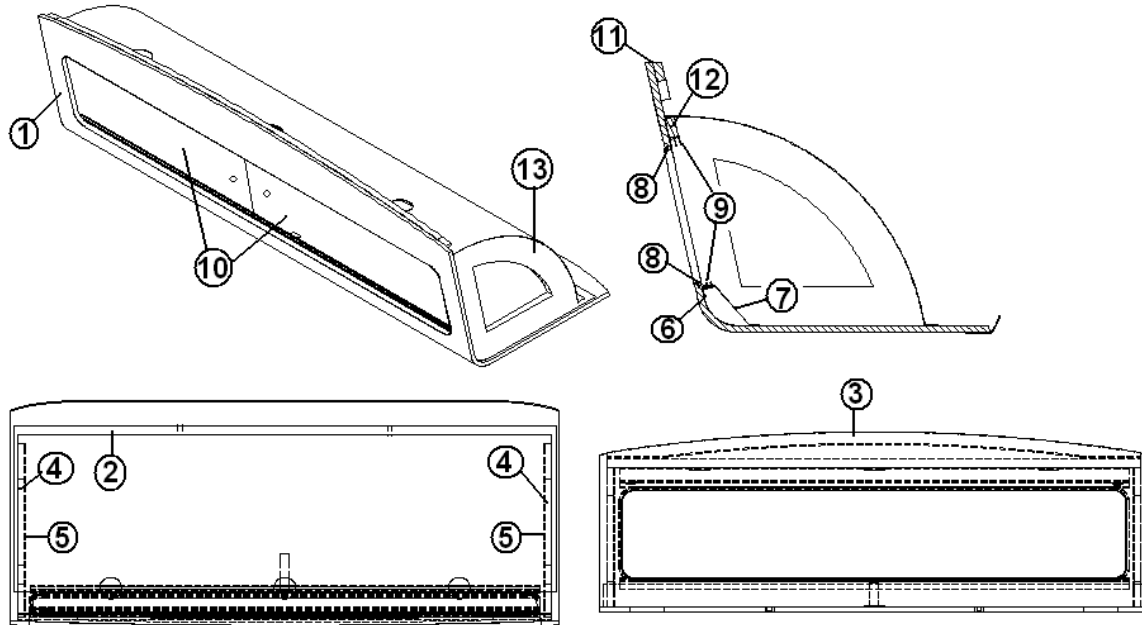


966862	Roof Locker, Front End Liner
1. 801720	ROOF LOCKER FACE
2. 966862-1	LAMINATE, 21" X 62.25", WHITE
3. 801596-01	BACKER W/B LINER LOCKER CTR
4. 801594	DIVIDER, LINER LOCKER
5. 801721	DIVIDER, R/L
6. 115261-01	ANGLE, LOCKER TRACK SUPPORT
7. 115226-01	BRACKET, LOCKER CTR SUPPORT
8. 203445-01	T-MOLDING, .5625" WHITE
9. 203388	TRACK, SLIDING DOOR
10. 965563-08	DOOR, SLIDING 11.31" X 30"
11. 201673	REVERSE COVE MOLDING, WHITE
12. 800028	PINE, 3/4" X 1-1/2"
13. 115264-01	PAN, LINER LOCKER W/B FRONT
454613	SPRING-LEAF R/L

2009 INTERNATIONAL TRAVEL TRAILER

FURNITURE, BEDROOM

Roof Locker, 27' FB, 28' Signature, Front End Liner, "W" Bedroom, Ocean Breeze

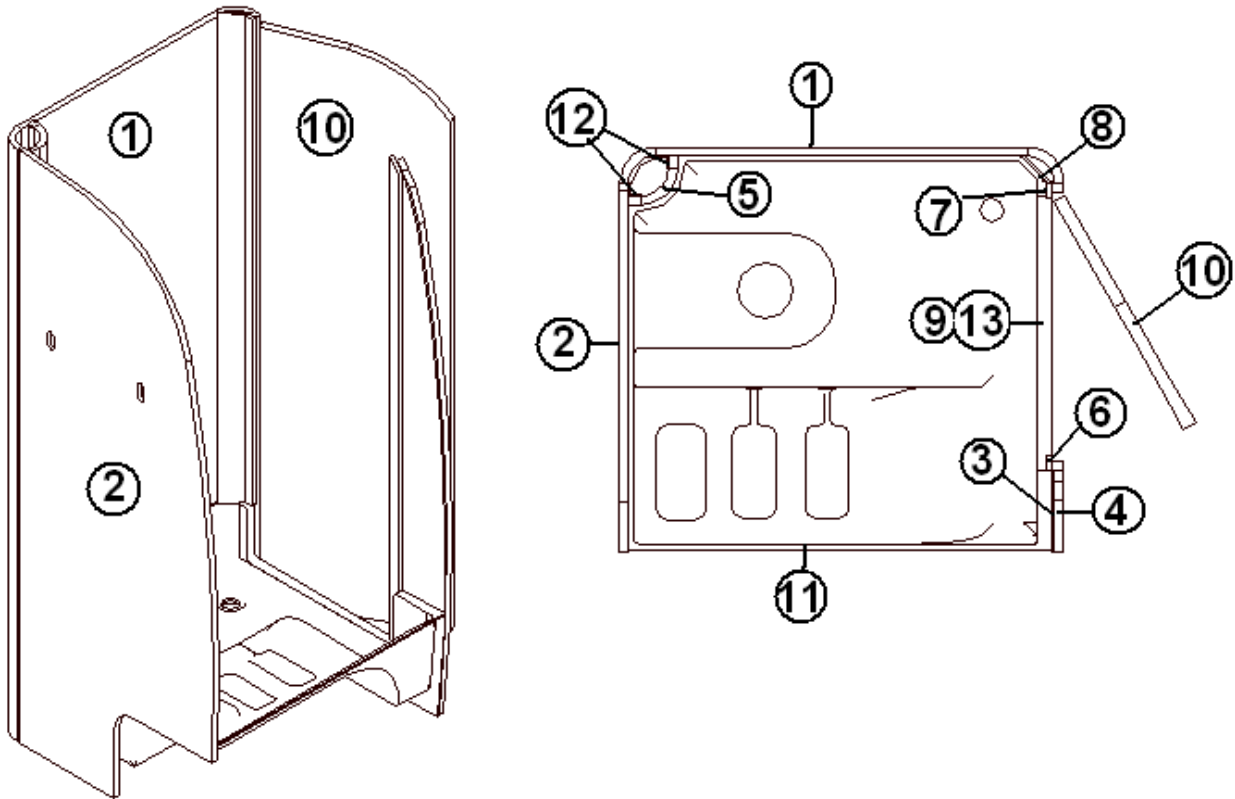


- | | |
|----------------|-------------------------------------|
| 966862-01 | Roof Locker, Front End Liner |
| 1. 801720 | ROOF LOCKER FACE |
| 2. 966862-011 | LAMINATE, 21" X 62.25", WHITE |
| 3. 801596-01 | BACKER W/B LINER LOCKER CTR |
| 4. 801594 | DIVIDER, LINER LOCKER |
| 5. 801721 | DIVIDER, R/L |
| 6. 115261-01 | ANGLE, LOCKER TRACK SUPPORT |
| 7. 115226-01 | BRACKET, LOCKER CTR SUPPORT |
| 8. 203508-01 | T-MOLDING, .5625" ply |
| 9. 203388 | TRACK, SLIDING DOOR |
| 10. 203357-03 | DOOR, LUMICOR, SLIDING 11.31" X 30" |
| 11. 201673 | REVERSE COVE MOLDING, WHITE |
| 12. 12. 800028 | PINE, 3/4" X 1-1/2" |
| 13. 115264-01 | PAN, LINER LOCKER W/B FRONT |
| 454613 | SPRING-LEAF R/L INT |

2009 INTERNATIONAL TRAVEL TRAILER

FURNITURE, BATH

Bath Layout, 16' Signature, Wenge, Ocean Breeze

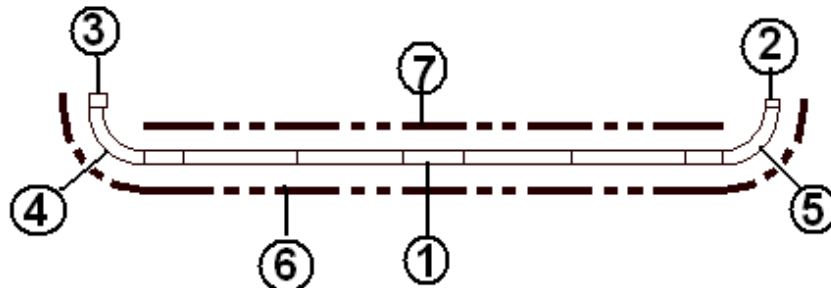
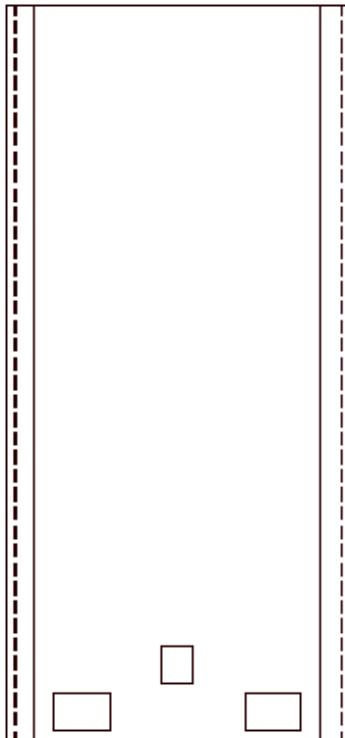


- | | |
|---------------|--------------------------------------|
| 1. 967011 | WALL ASSY-WET BATH |
| 2. 111588-2 | PANEL, WET BATH 29.74 X 78.61 |
| 3. 111588-3 | PANEL, WET BATH 6.74 X 69.35 |
| 4. 967012 | PANEL, SUB ASSY, WET BATH |
| 5. 967013 | CLOSEOUT-WET BATH |
| 6. 111588-6 | PANEL, WET BATH, 1.25 X 57.06 |
| 7. 111588-7 | PANEL, WET BATH, 1.25 X 64.47 |
| 8. 111588-8 | PANEL, WET BATH, 3.43 X 70.44 |
| 9. 111588-9 | PANEL, WET BATH, 24.5 X 6.25 |
| 10. 967014 | DOOR ASSY, WET BATH, WENGE |
| 10. 967015 | DOOR ASSY, WET BATH, OCEAN BREEZE |
| 11. 203444-01 | BASE, SHOWER, FIBERGLASS, WHITE |
| 12. 104913 | EXTRUSION, ANGLE, 1" X 1" X 1/16" |
| 13. 201666 | MOLDING, J-3/16 PLASTIC, ALMOND |
| 601847 | CABINET, MEDICINE W/MIRROR, 16"X 22" |

2009 INTERNATIONAL TRAVEL TRAILER

FURNITURE, BATH

Bath Wall Assembly, 16' Signature, Wenge, Ocean Breeze

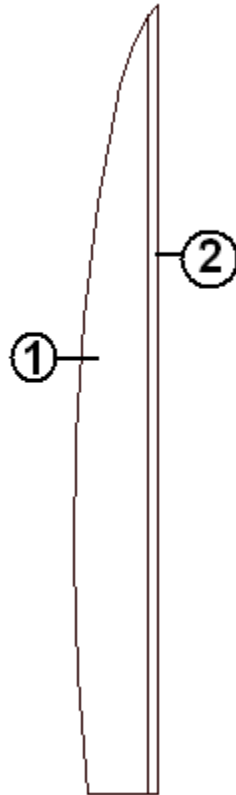


- | | |
|--------------|--------------------------------|
| 967011 | WALL ASSY, WET BATH |
| 1. 967011-1 | PANEL, WET BATH, 30.50 X 78.45 |
| 2. 967011-2 | PANEL, WET BATH, .5 X 78.45 |
| 3. 967011-3 | PANEL, WET BATH, 1 X 78.45 |
| 4. 801345 | RADIUS PLYWOOD, .75" X 3" X 8' |
| 5. 801345 | RADIUS PLYWOOD, .75" X 3" X 8' |
| 6. 801355-01 | LAMINATE, FROSTY WHITE |
| 7. 801635-01 | LAMINATE, ALMOND VERTICAL |

2009 INTERNATIONAL TRAVEL TRAILER

FURNITURE, BATH

Bath, 16' Signature, Forward Panel Sub-Assembly, Wenge, Ocean Breeze

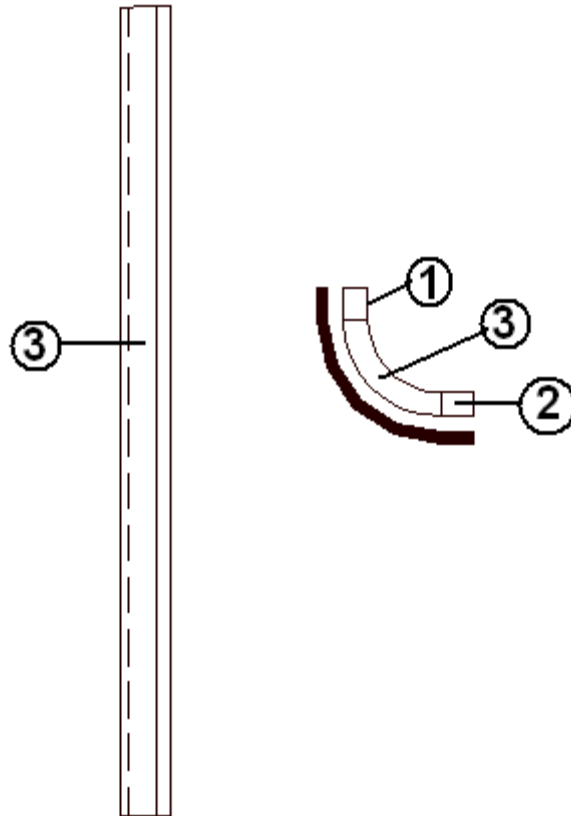


- | | |
|-------------|-------------------------------|
| 967012 | PANEL, SUB ASSY, WET BATH |
| 1. 967012-1 | PANEL, WET BATH, 6.75,X 69.37 |
| 2. 967012-2 | PANEL, WET BATH, 1 X 70.42 |

2009 INTERNATIONAL TRAVEL TRAILER

FURNITURE, BATH

Bath, 16' Signature, Closeout, Wenge, Ocean Breeze

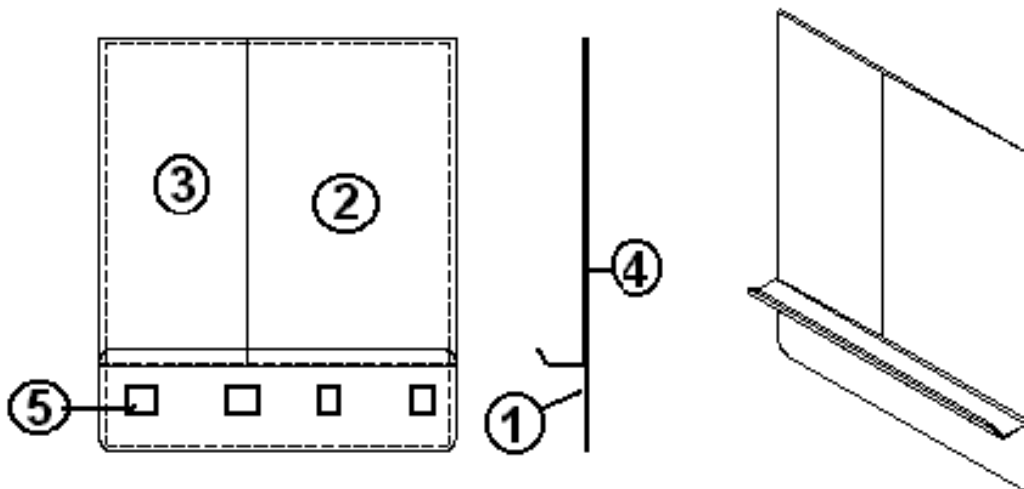


- | | |
|-------------|-------------------------------|
| 967013 | CLOSEOUT, WET BATH |
| 1. 967013-1 | PANEL, WET BATH 1 X 64.57 |
| 2. 967013-2 | PANEL, WET BATH 1 X 64.36 |
| 3. 801345 | RADIUS PLYWOOD .75" X 3" X 8' |

2009 INTERNATIONAL TRAVEL TRAILER

FURNITURE, BATH

Mirror/Coat Hanger, 16' Signature

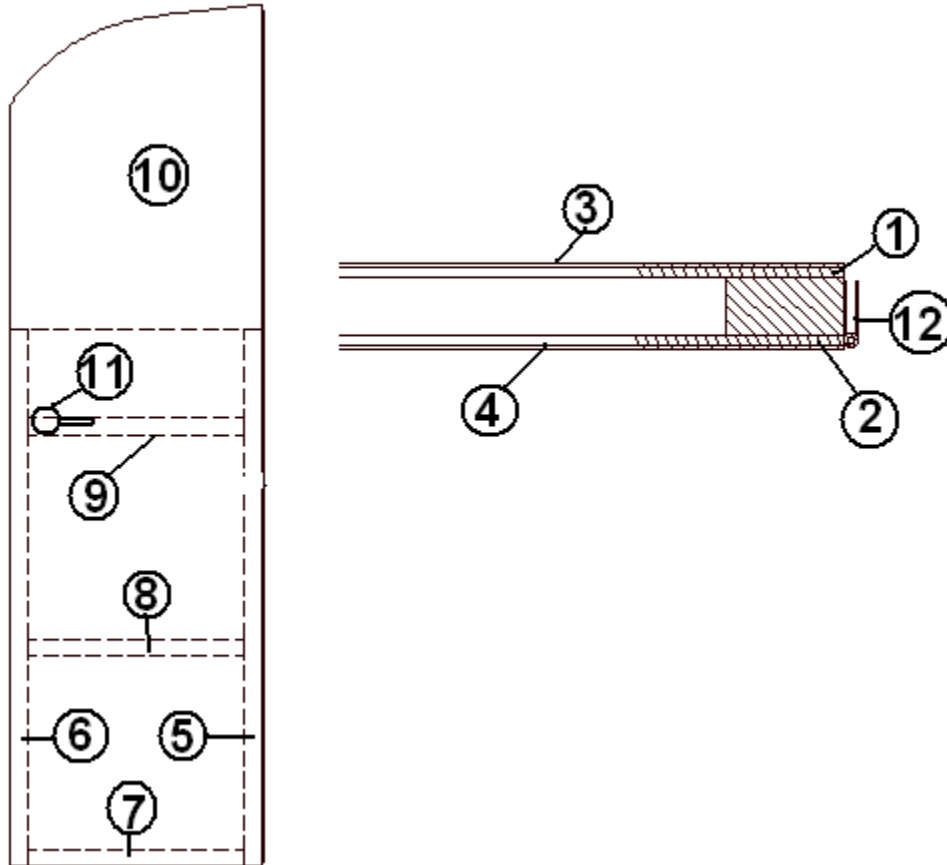


- | | |
|--------------|---------------------------------|
| 1. 203446-01 | SHELF-7.04" X 24" WHITE |
| 2. 372203-09 | GLASS SAFETY MIRRORED 14" X 22" |
| 3. 801468 | CORK BOARD-.25" X 10" X 22" |
| 4. 101115 | SHEET, ALUM .060" X 48" X 120" |
| 5. 381384 | HOOK-ALUMINUM, COAT 1.68" |
| 203599 | Speaker, Spacer, 5/8" |

2009 INTERNATIONAL TRAVEL TRAILER

FURNITURE, BATH

Door, Bath, 16' Signature, Wenge

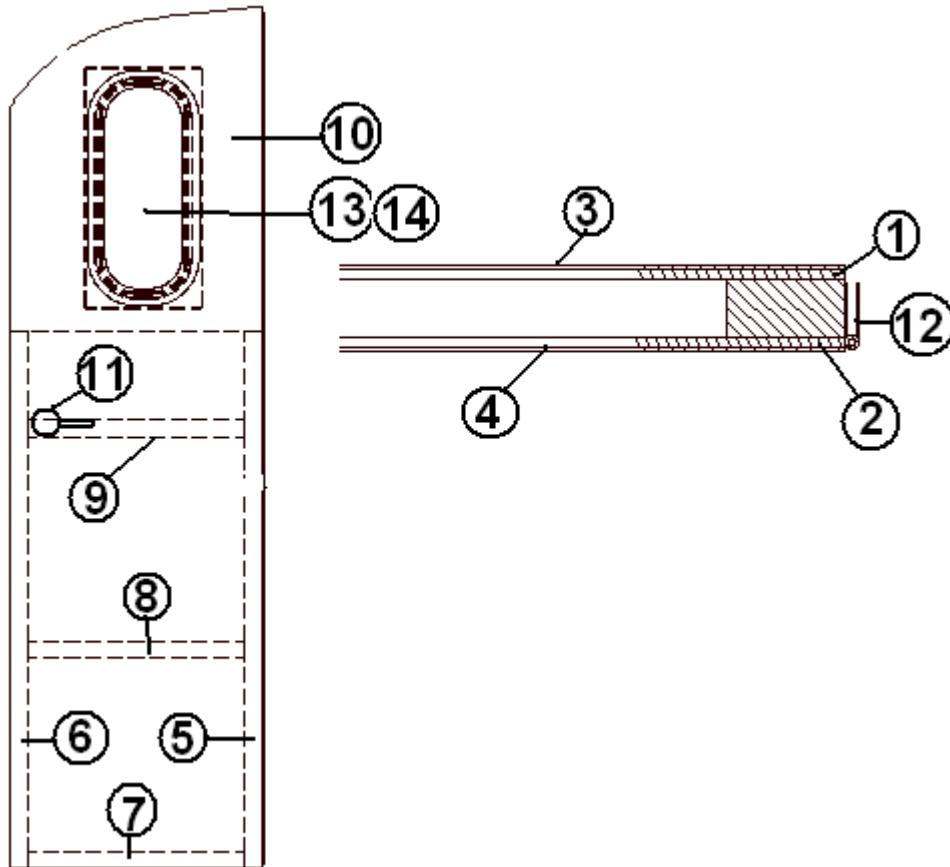


967014	DOOR ASSY, WET BATH
1. 967014-1	PANEL, DOOR, WET BATH 23.5 X 75.5
2. 967014-2	PANEL, WET BATH DR. 23.5 X 75.5
3. 801635-01	LAMINATE, ALMOND VERTICAL
4. 801355-01	LAMINATE, FROST WHITE
5. 967014-5	PANEL, LAUAN, 1.50 X 19.25
6. 967014-6	PANEL, LAUAN, 1.50 X 19.25
7. 967014-7	PANEL, LAUAN, 1.50 X 19.25
8. 967014-8	PANEL, LAUAN, 1.50 X 45.78
9. 967014-9	PANEL, LAUAN, 1.50 X 45.78
10. 967014-10	PANEL, WET BATH DOOR, 22.25 X 27.75
11. 381771	LATCH-LEVER LOCKSET PRIVACY
12. 380203-01	PIANO HINGE 1/8" PIN CLR ANODI

2009 INTERNATIONAL TRAVEL TRAILER

FURNITURE, BATH

Door, Bath, 16' Signature, Ocean Breeze



967015 DOOR ASSY, WET BATH

- | | |
|---------------|-------------------------------------|
| 1. 967015-1 | PANEL, DOOR, WET BATH 23.5 X 75.5 |
| 2. 967015-2 | PANEL, WET BATH DR. 23.5 X 75.5 |
| 3. 801635-01 | LAMINATE, ALMOND VERTICAL |
| 4. 801355-01 | LAMINATE, FROST WHITE |
| 5. 967015-5 | PANEL, LAUAN, 1.50 X 19.25 |
| 6. 967015-6 | PANEL, LAUAN, 1.50 X 19.25 |
| 7. 967015-7 | PANEL, LAUAN, 1.50 X 19.25 |
| 8. 967015-8 | PANEL, LAUAN, 1.50 X 45.78 |
| 9. 967015-9 | PANEL, LAUAN, 1.50 X 45.78 |
| 10. 967015-10 | PANEL, WET BATH DOOR, 22.25 X 27.75 |
| 11. 381771 | LATCH-LEVER LOCKSET PRIVACY |
| 12. 380203-01 | PIANO HINGE 1/8" PIN CLR ANODI |
| 13. 371384 | WINDOW, 18" |
| 14. 203475 | TRIM, 18" STACK WINDOW |

2009 INTERNATIONAL TRAVEL TRAILER

FURNITURE, BATH

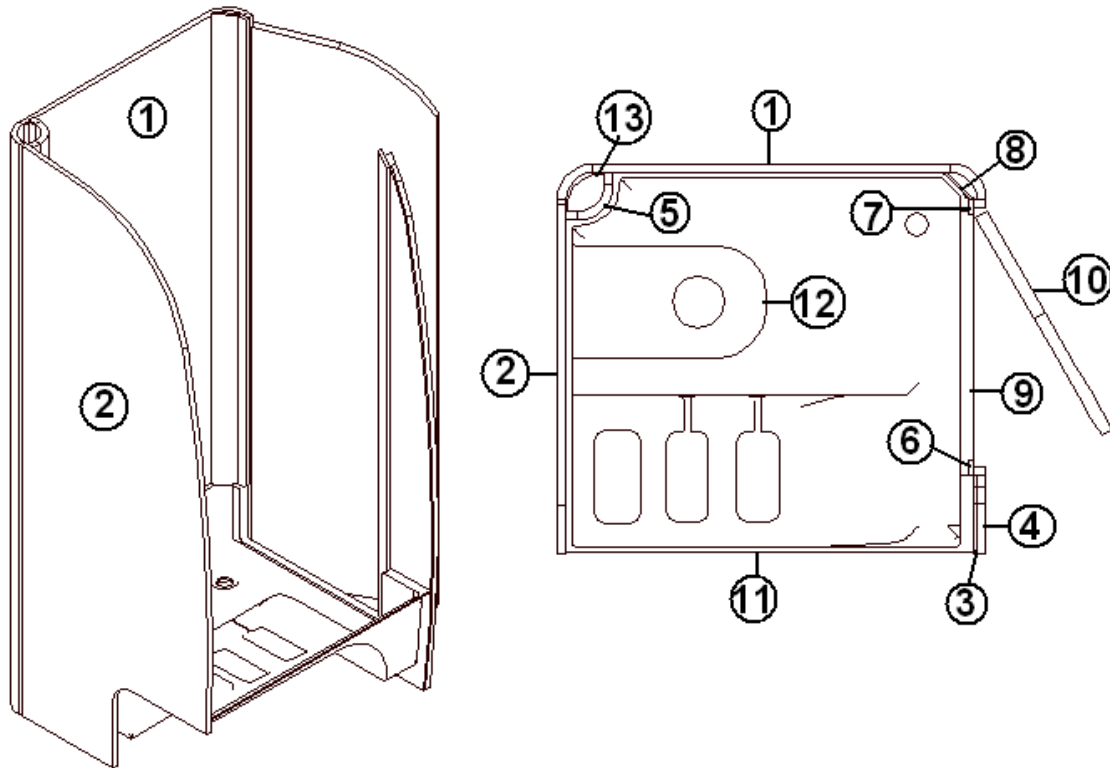
Shower Curtain, 16' Signature

703467-01	SHOWER CURTAIN, SQUARE CORNER
703467-02	SHOWER CURTAIN, CONTOURED
703652	FABRIC, SNOW, SHOWER CURTAIN
700103	WEBBING 1/2IN FOR SHOWER CURTAIN
700045	GLIDES CURTAIN G3 W/ELASTIC
700021	HOOK, VELCRO, WHITE
700020	PILE VELCRO
703467-03	STRAP-SHOWER CURTAIN
381581	STRAP CLEAR PLASTIC .75" WIDE
700811	BUTTON CAP, HANDY
700812	BUTTON BOTTOM, HANDY

2009 INTERNATIONAL TRAVEL TRAILER

FURNITURE, BATH

Bath Layout, 16' DWR

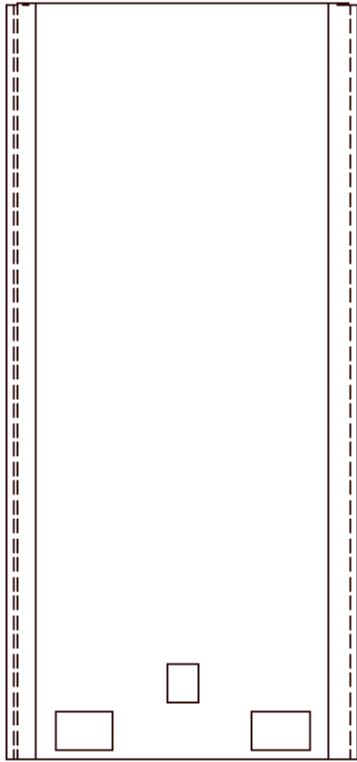


- | | |
|---------------|-----------------------------------|
| 1. 967052 | WALL ASSY, WET BATH |
| 2. 111611-2 | PANEL, 29.74 X 78.61 |
| 3. 111611-3 | PANEL, 6.74 X 69.35 |
| 4. 967053 | WALL SUB ASSY, FORWARD BATH |
| 5. 967054 | CLOSEOUT, WET BATH |
| 6. 111611-6 | PANEL, 1.25 X 64.00 |
| 7. 111611-7 | PANEL, 1.25 X 64.47 |
| 8. 111611-8 | PANEL, 3.43 X 70.44 |
| 9. 111611-9 | PANEL, 24.50 X 6.25 |
| 10. 967055 | DOOR ASSY, WET BATH |
| 11. 203444-01 | BASE, SHOWER |
| 12. 690472 | TOILET, CHINA HI PROFILE, WHITE |
| 13. 104913 | EXTRUSION, ANGLE, 1" X 1" X 1/16" |

2009 INTERNATIONAL TRAVEL TRAILER

FURNITURE, BATH

Bath Wall Assembly, 16' DWR



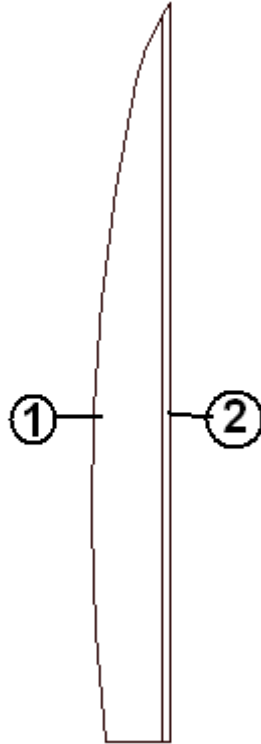
967052

WALL ASSY, WET BATH

2009 INTERNATIONAL TRAVEL TRAILER

FURNITURE, BATH

Bath Wall 16' DWR, Forward Sub-Assembly



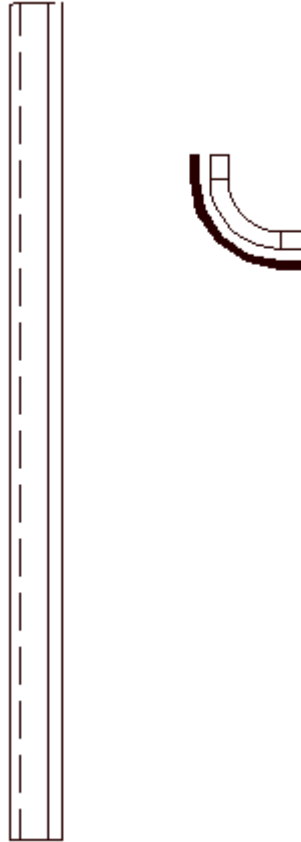
- 967053
1. 967053-1
2. 967053-2

WALL SUB ASSY, FORWARD, BATH
PANEL, 6.75 X 69.37
PANEL, 1.00 X 70.42

2009 INTERNATIONAL TRAVEL TRAILER

FURNITURE, BATH

Bath Wall Assembly, 16' DWR, Close Out



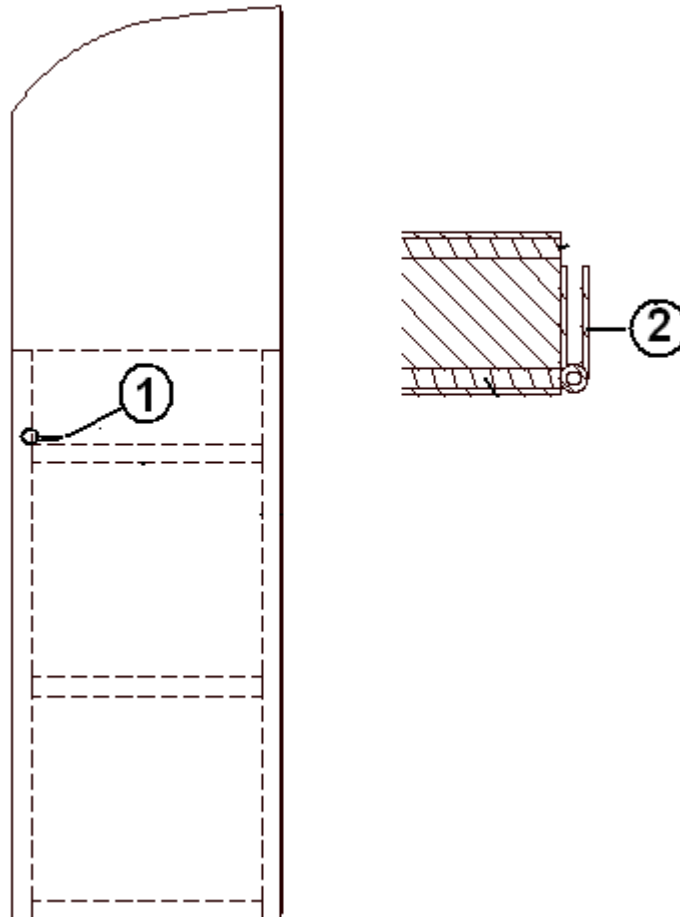
967054

CLOSEOUT, WET BATH

2009 INTERNATIONAL TRAVEL TRAILER

FURNITURE, BATH

Bath Door, 16' DWR

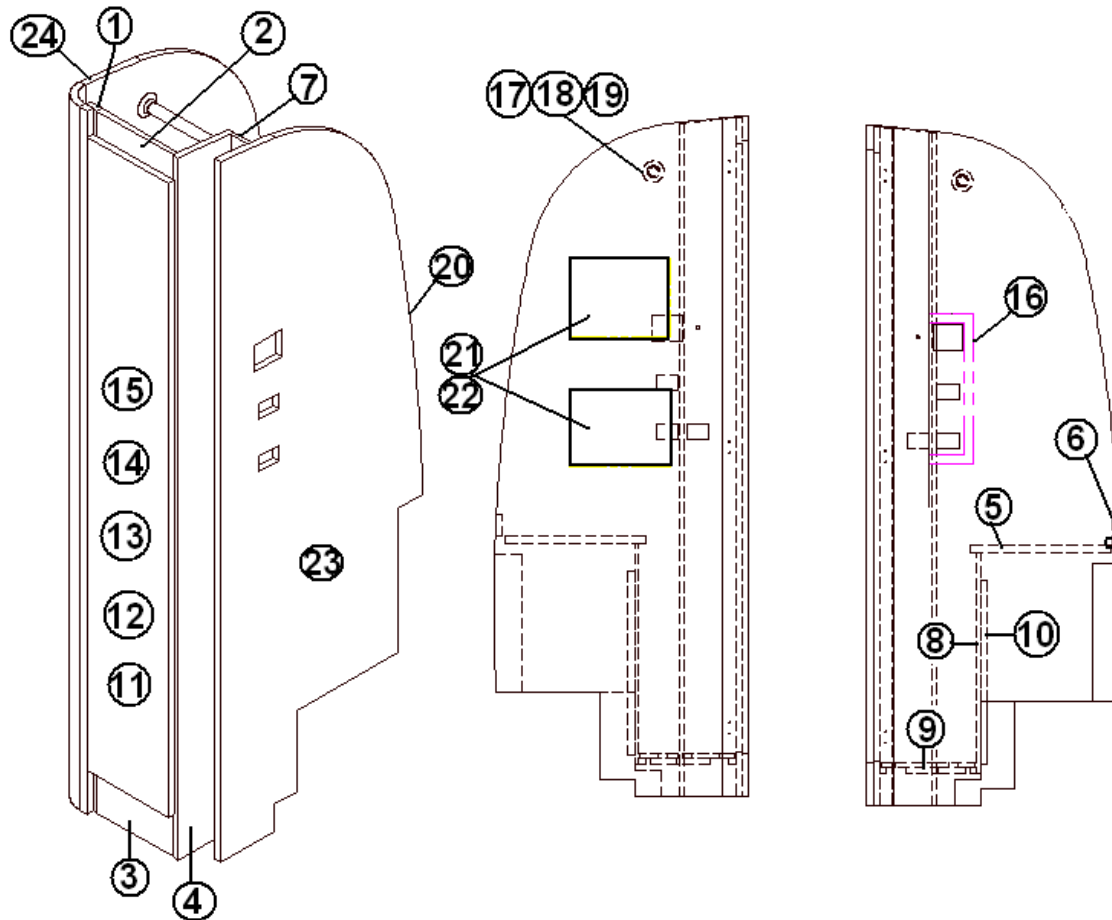


967055	DOOR ASSY-WET BATH
1. 381771	LATCH, LEVER, LOCKSET PRIVACY
2. 380203-01	PIANO HINGE 1/8" PIN
382043	RACK, MULTI PURPOSE CHROME
371422	MIRROR, ROUND 16" DSM CSB POL

2009 INTERNATIONAL TRAVEL TRAILER

FURNITURE, BATH

Wardrobe, 16' DWR



Part numbers are on the next page

2009 INTERNATIONAL TRAVEL TRAILER

FURNITURE, BATH

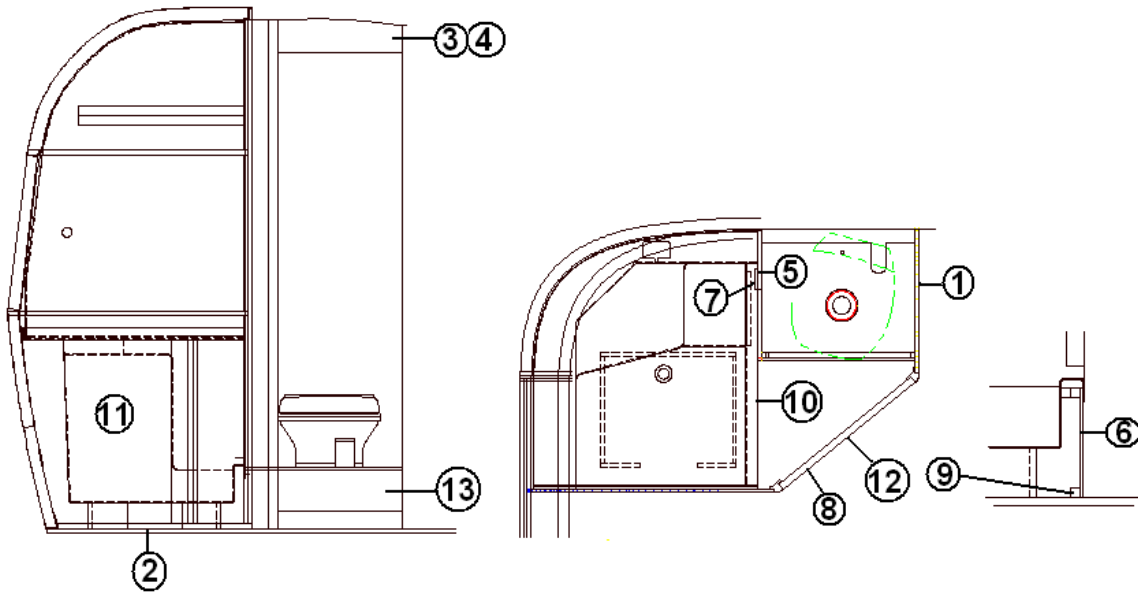
Wardrobe, 16' DWR

967051	WARDROBE, ROADSIDE, DWR
1. 967051-1	PANEL, 1.0 X 78.28
2. 967051-2	PANEL, 9.75 X 3.00
3. 967051-3	PANEL, 9.75 X 5.25
4. 967051-4	PANEL, 6.50 X 78.28
5. 967051-5	PANEL, 16.25 X 16.25
6. 967051-6	PANEL, 2.50 X 16.25
7. 967051-7	PANEL, 2.25 X 77.55
8. 967051-8	PANEL, 16.50 X 25.50
9. 967051-9	PANEL, 16.25 X 10.92
10. 800025-01	PINE, 3/4" X 3/4", STAINED
11. 801758-06	DOOR, RS W/R, 10.44" X 70.66"
12. 380203-01	PIANO HINGE 1/8" PIN
13. 381607	HINGE ASSY
14. 382038	HANDLE, 6.69", FLAT, HAFELE SILVER
15. 381228-01	CATCH GRABBER DOOR
16. 200773	CLOSEOUT, READING LIGHT
17. 380045	TUBING, 3/4", METAL
18. 380046	FLANGE, CHROME
19. 200975-04	CONDUIT, FLEXIBLE, BLACK, PLASTIC
20. 203464-02	TRIM, PANEL, .75", BEIGE
21. 386106-01	RACK, MAGAZINE, WHITE
22. 386107	ROD, MAGAZINE RACK
23. 967051-23	PANEL, 26.25 X 78.17
24. 967056	PANEL, SUB ASSY, AFT WARDROBE
381838-01	TRACK, FOLDETTTE DOOR, METAL
702681-07	DOOR, FOLDETTTE 60"X 73" GREY

2009 INTERNATIONAL TRAVEL TRAILER

FURNITURE, BATH

Bath Lay Out, 19' Signature, Wenge

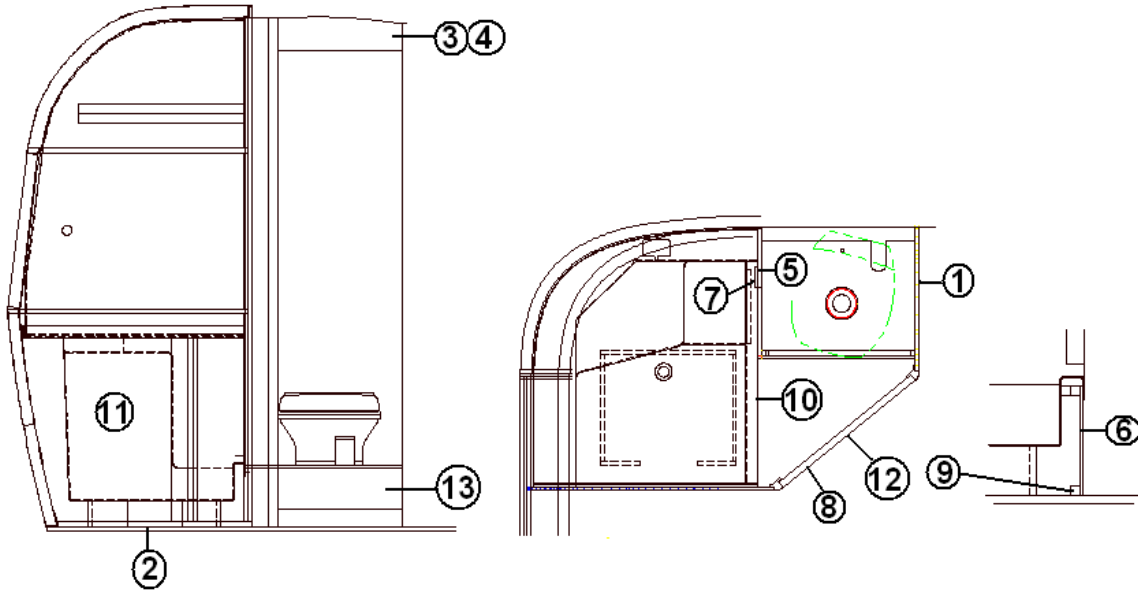


- | | |
|----------------|-----------------------------------|
| 1. 111563-1 | PANEL, 23 X 77.84 |
| 2. 111563-2 | PANEL, 38.34 X 79.48 |
| 3. 111563-3 | PANEL, 26.13 X 4.75 |
| 4. 111563-4 | PANEL, 26.13 X 4.75 |
| 5. 111563-5 | PANEL, 12 X 66.63 |
| 6. 111563-6 | PANEL, 9 X 23 |
| 7. 111563-7 | PANEL, 63 X 3 |
| 8. 801394-0016 | CORNER TRIM, 45 DEGREE, 2" RADIUS |
| 9. 800025-01 | PINE 3/4" X 3/4" STAINED |
| 10. 702937-03 | SHOWER DOOR, ROLL AWAY 62 X 36 |
| 11. 203114 | SHOWER 2 PC FIBERGLASS |
| 12. 966939 | DOOR, BATH, 25.50 X 72.00 |
| 13. 966941 | STAND ASSY, TOILET |

2009 INTERNATIONAL TRAVEL TRAILER

FURNITURE, BATH

Bath Lay Out, 19' Signature, Ocean Breeze

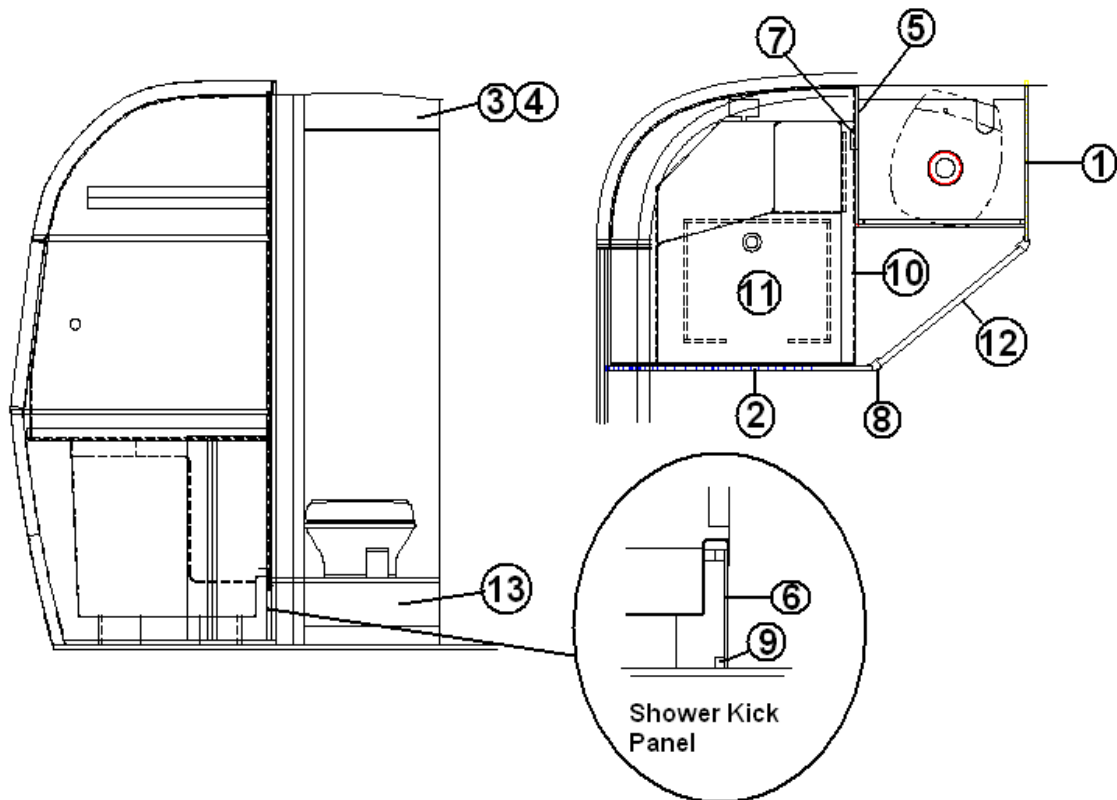


- | | |
|---------------|--|
| 1. 111563-011 | PANEL, 23 X 77.84 |
| 2. 111563-012 | PANEL, 38.34 X 79.48 |
| 3. 111563-013 | PANEL, 26.13 X 4.75 |
| 4. 111563-014 | PANEL, 26.13 X 4.75 |
| 5. 111563-015 | PANEL, 12 X 66.63 |
| 6. 111563-016 | PANEL, 9 X 23 |
| 7. 111563-017 | PANEL, 63 X 3 |
| 8. 801394-OB | CORNER TRIM, WHITE, 45 DEGREE, 2" RADIUS |
| 9. 800025-01 | PINE 3/4" X 3/4" STAINED |
| 10. 702937-03 | SHOWER DOOR, ROLL AWAY 62 X 36 |
| 11. 203114 | SHOWER 2 PC FIBERGLASS |
| 12. 966940 | DOOR, BATH, 25.50 X 72.00 |
| 13. 966941 | STAND ASSY, TOILET |

2009 INTERNATIONAL TRAVEL TRAILER

FURNITURE, BATH

Shower Compartment, 23' D, 25' SS, Signature, Wenge

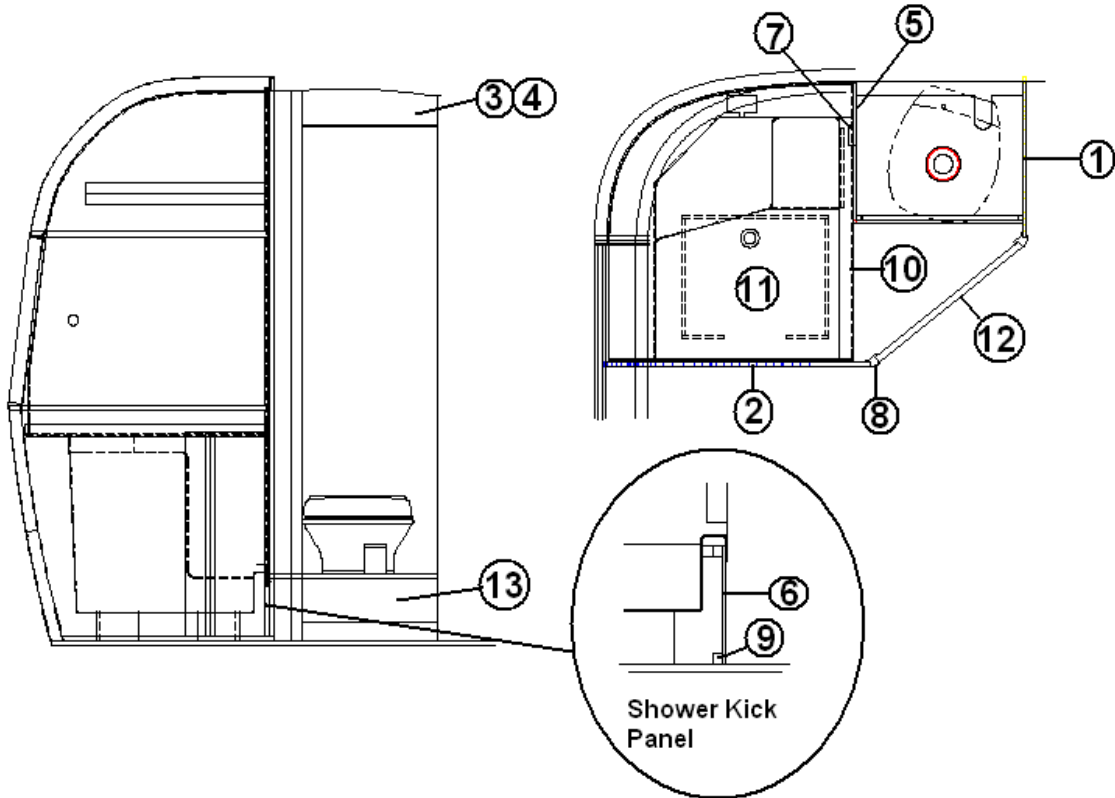


- | | |
|----------------|----------------------------------|
| 1. 111557-1 | PANEL, SHOWER, 23.00" X 77.84" |
| 2. 111557-2 | PANEL, SHOWER, 38.34" X 79.48" |
| 3. 111557-3 | PANEL, SHOWER, 26.13" X 4.75" |
| 4. 111557-4 | PANEL, SHOWER, 26.13 X 4.75" |
| 5. 111557-5 | PANEL, SHOWER, 12.00" X 66.63" |
| 6. 111557-6 | PANEL, SHOWER, 9.00" X 23.00" |
| 7. 111557-7 | PANEL, SHOWER, 63.00" X 3.00" |
| 8. 801394-0016 | CORNER TRIM 45 DEGREE, 2" RADIUS |
| 9. 800025-01 | PINE, 3/4" X 3/4" STAINED |
| 10. 702937-03 | SHOWER DOOR, ROLL AWAY 62" X 36" |
| 11. 203114 | SHOWER, 2 PC FIBERGLASS |
| 12. 966939 | DOOR ASSY, BATH 25.50" X 72.00" |
| 13. 966941 | STAND ASSY, TOILET |

2009 INTERNATIONAL TRAVEL TRAILER

FURNITURE, BATH

Shower Compartment, 23' D, 25' SS, Signature, Ocean Breeze

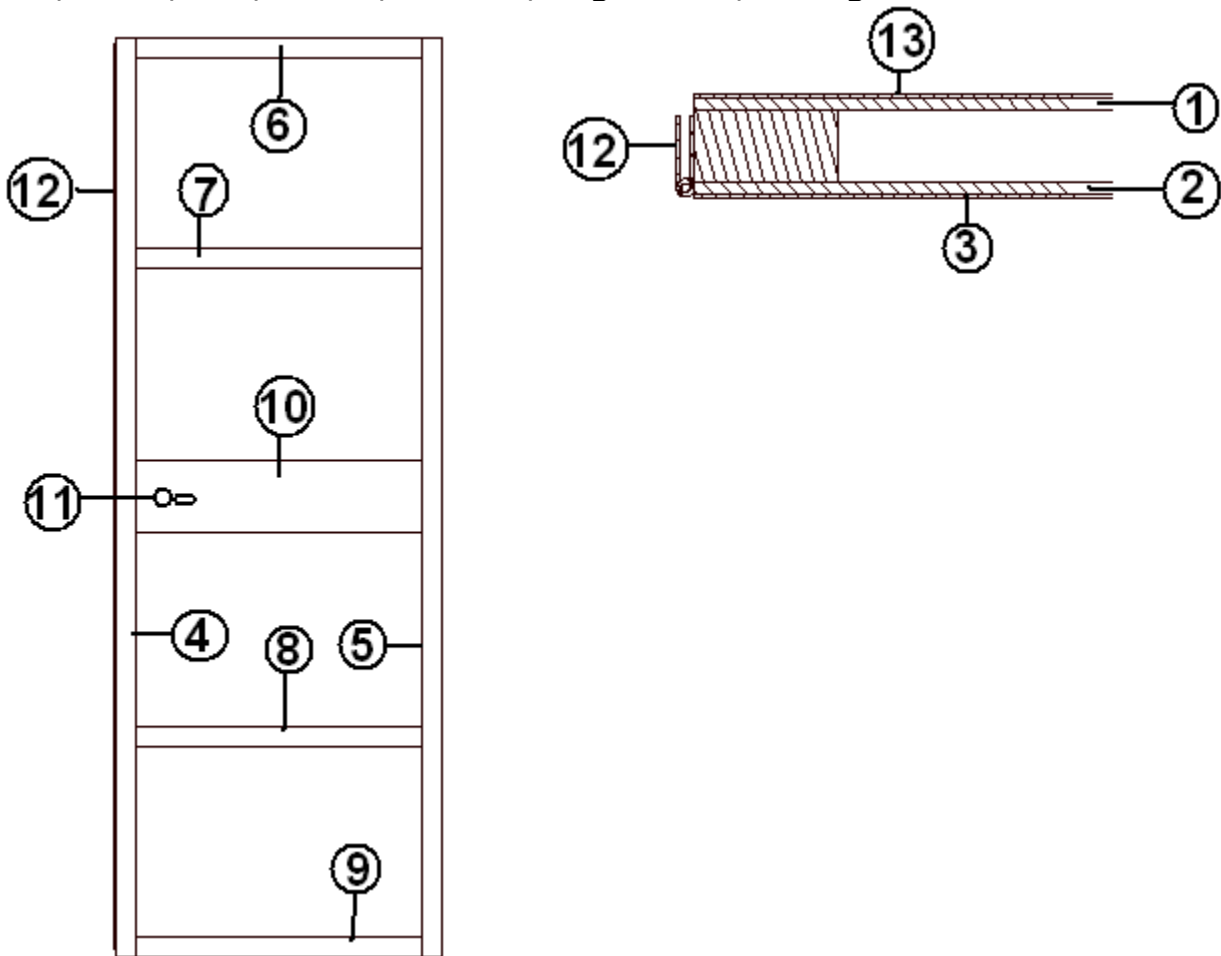


- | | |
|---------------|----------------------------------|
| 1. 111557-011 | PANEL, SHOWER, 23.00" X 77.84" |
| 2. 111557-012 | PANEL, SHOWER, 38.34" X 79.48" |
| 3. 111557-013 | PANEL, SHOWER, 26.13" X 4.75" |
| 4. 111557-014 | PANEL, SHOWER, 26.13 X 4.75" |
| 5. 111557-015 | PANEL, SHOWER, 12.00" X 66.63" |
| 6. 111557-016 | PANEL, SHOWER, 9.00" X 23.00" |
| 7. 111557-017 | PANEL, SHOWER, 63.00" X 3.00" |
| 8. 801394-OB | CORNER TRIM 45 DEGREE, 2" RADIUS |
| 9. 800025-01 | PINE, 3/4" X 3/4" STAINED |
| 10. 702937-03 | SHOWER DOOR, ROLL AWAY 62" X 36" |
| 11. 203114 | SHOWER, 2 PC FIBERGLASS |
| 12. 966940 | DOOR ASSY, BATH 25.50" X 72.00" |
| 13. 966941 | STAND ASSY, TOILET |

2009 INTERNATIONAL TRAVEL TRAILER

FURNITURE, BATH

Door, Bath, 19', 23' D, 25' SS, Signature, Wenge

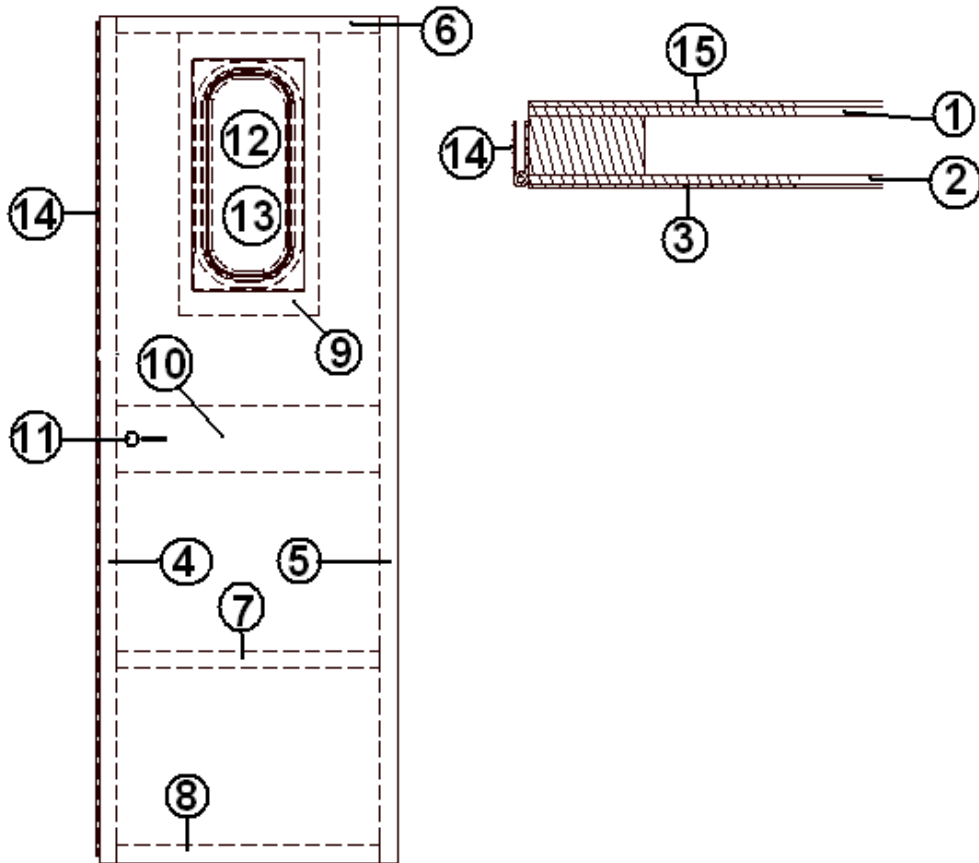


966939	Bath door
1. 966939-1	LAUAN, 1/8" X 27" X 74"
2. 966939-2	LAUAN, 1/8" X 27" X 74"
3. 801711-01	LAMINATE, WENGE VERTICAL
4. 966939-4	Lauan, 1.50" x 72.5"
5. 966939-5	Lauan, 1.50" x 72.5"
6. 966939-6	Lauan, 1.50" x 23.25"
7. 966939-7	Lauan, 1.50" x 23.25"
8. 966939-8	Lauan, 1.50" x 23.25"
9. 966939-9	Lauan, 1.50" x 23.25"
10. 966939-10	Lauan, 5.69" x 23.25"
11. 382034	LATCH-FLUSH MOUNT
12. 380203-01	PIANO HINGE 1/8" PIN CEAR ANODIZED
13. 801355-01	LAMINATE, WHITE VERTICLE

2009 INTERNATIONAL TRAVEL TRAILER

FURNITURE, BATH

Door, Bath, 19', 23' D, 25' SS, Signature, Ocean Breeze



966940

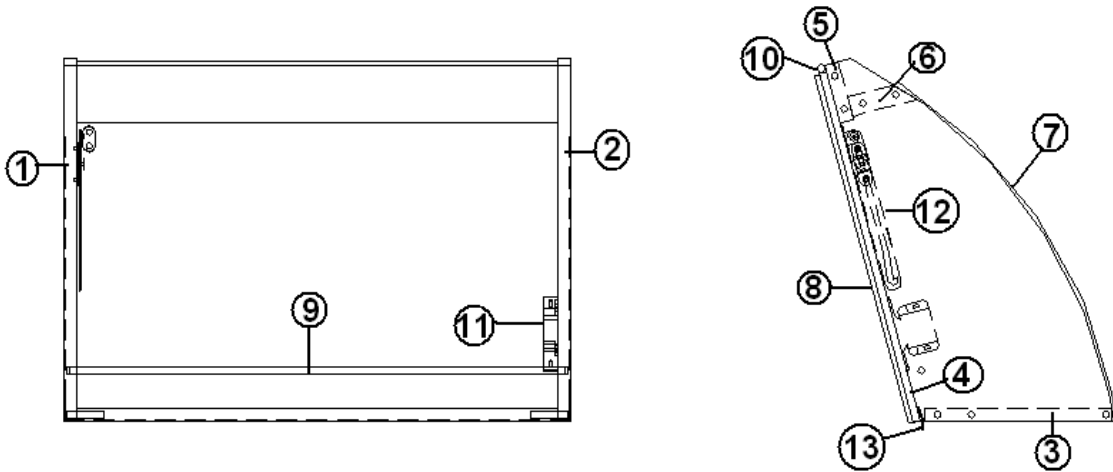
Bath door

- | | |
|---------------|------------------------------------|
| 1. 800507-01 | LAUAN, 1/8" X 27" X 74" |
| 2. 800507-01 | LAUAN, 1/8" X 27" X 74" |
| 3. 801355-01 | LAMINATE, FROSTY WHITE |
| 4. 800507-06 | Lauan, 1.50" x 72.5" |
| 5. 800507-06 | Lauan, 1.50" x 72.5" |
| 6. 800507-06 | Lauan, 1.50" x 23.25" |
| 7. 800507-06 | Lauan, 1.50" x 23.25" |
| 8. 800507-06 | Lauan, 1.50" x 23.25" |
| 9. 800507-06 | Lauan, 1.50" x 23.25" |
| 10. 800507-06 | Lauan, 5.69" x 23.25" |
| 11. 382034 | LATCH-FLUSH MOUNT |
| 12. 371384 | BATH WINDOW 18" |
| 13. 203475 | TRIM, 18" STACK WINDOW |
| 14. 380203-01 | PIANO HINGE 1/8" PIN CEAR ANODIZED |
| 15. 801355-01 | LAMINATE, WHITE VERTICLE |

2009 INTERNATIONAL TRAVEL TRAILER

FURNITURE, BATH

Medicine Cabinet, Upper, 19', 23' D, 25' SS, Signature, Wenge

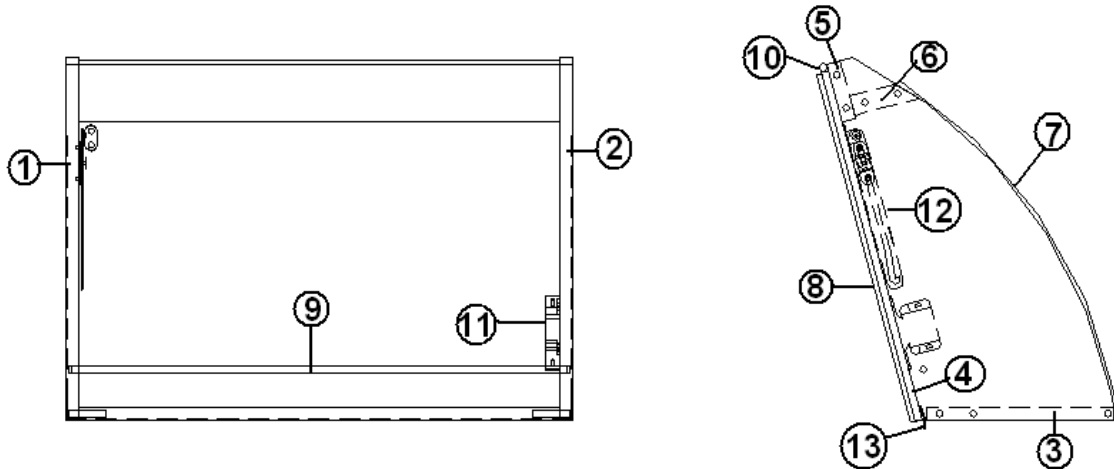


966921		CABINET, UPPER MEDICINE
1.	966921-1	PANEL, UPPER CABINET 10.44 X 13.5
2.	966921-2	PANEL, UPPER CABINET 10.44 X 13.50
3.	966921-3	PANEL, UPPER CABINET 7.00 X 17.97
4.	966921-4	PANEL, UPPER CABINET 13.75 X 18.75
5.	966921-5	PANEL, UPPER CABINET 2.25 X 17.97
6.	966921-6	PANEL, UPPER CABINET 2.50 X 17.97
7.	966921-7	PANEL, UPPER CABINET 16.125 X 19.0
8.	372203-05	MIRROR- POL EDGES- 19.00 X 14.00
9.	115042	ROD, .25" ALUMINUM, 6' LENGTH
10.	385935-01	HINGE, PIVOT ZINC PLATED
11.	381228-01	CATCH, GRABBER DOOR
12.	380024	ARMS, SUPPORT RIGHT HAND
13.	385940-02	MIRROR PULL, CHROME

2009 INTERNATIONAL TRAVEL TRAILER

FURNITURE, BATH

Medicine, Cabinet, Upper, 19', 23' D, 25' SS, Signature, Ocean Breeze

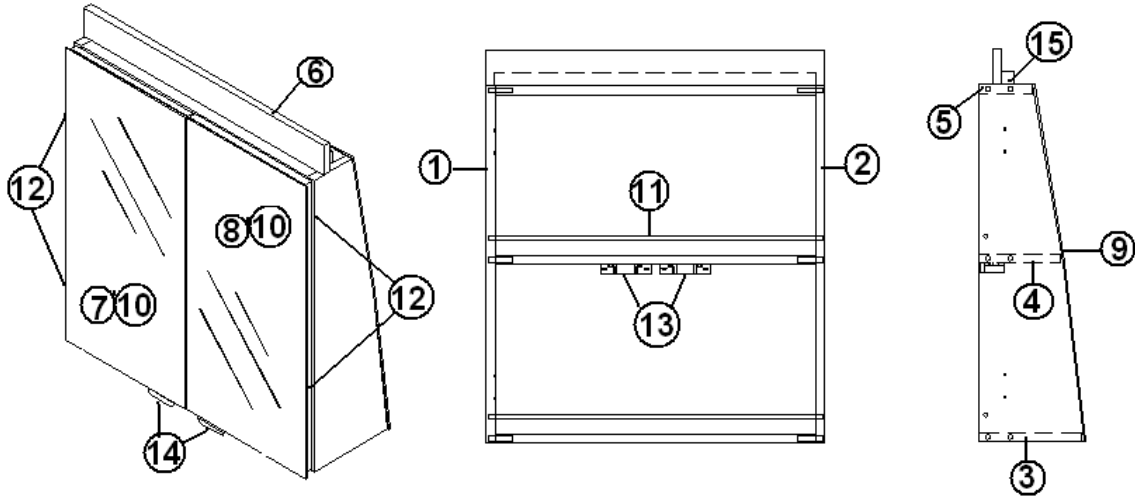


966921-01	CABINET, UPPER MEDICINE
1. 966921-011	PANEL, UPPER CABINET 10.44 X 13.5
2. 966921-012	PANEL, UPPER CABINET 10.44 X 13.50
3. 966921-013	PANEL, UPPER CABINET 7.00 X 17.97
4. 966921-014	PANEL, UPPER CABINET 13.75 X 18.75
5. 966921-015	PANEL, UPPER CABINET 2.25 X 17.97
6. 966921-016	PANEL, UPPER CABINET 2.50 X 17.97
7. 966921-017	PANEL, UPPER CABINET 16.125 X 19.0
8. 372203-05	MIRROR- POL EDGES- 19.00 X 14.00
9. 115042	ROD, .25" ALUMINUM, 6' LENGTH
10. 385935-01	HINGE, PIVOT ZINC PLATED
11. 381228-01	CATCH, GRABBER DOOR
12. 380024	ARMS, SUPPORT RIGHT HAND
13. 385940-02	MIRROR PULL, CHROME

2009 INTERNATIONAL TRAVEL TRAILER

FURNITURE, BATH

Medicine Cabinet, Lower, 19', 23' D, 25' SS, Signature, Wenge

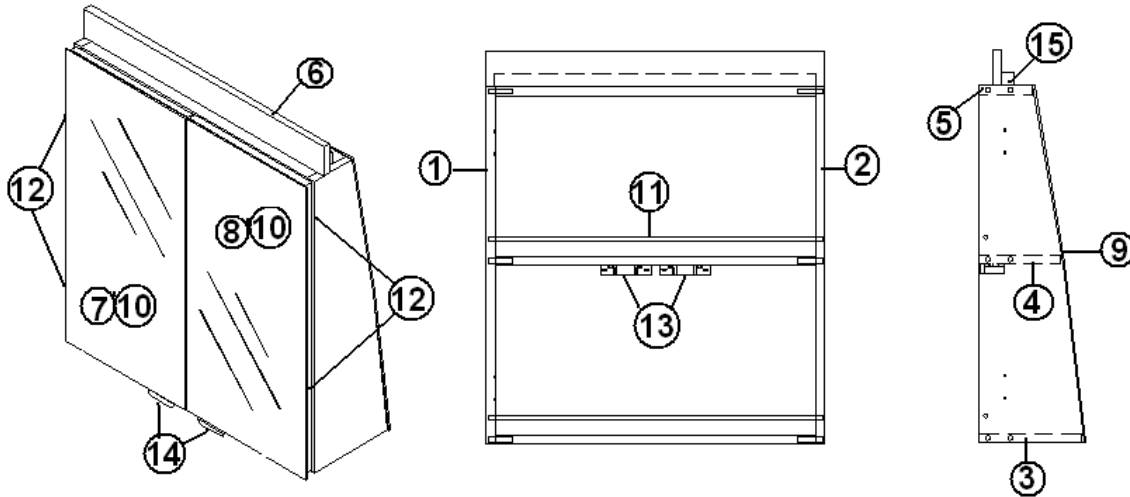


966922	CABINET ASSY-LOWER MED 19"
1. 966922-1	PANEL, LOWER CABINET, 5.89 X 20.00
2. 966922-2	PANEL, LOWER CABINET, 5.89 X 20.00
3. 966922-3	PANEL, LOWER CABINET, 5.75 X 17.97
4. 966922-4	PANEL, LOWER CABINET, 4.56 X 17.97
5. 966922-5	PANEL, LOWER CABINET, 3.00 X 17.97
6. 966922-6	PANEL, LOWER CABINET, 2.00 X 19.00
7. 966922-7	PANEL, LOWER CABINET, 9.25 X 19.75
8. 966922-8	PANEL, LOWER CABINET, 9.25 X 19.75
9. 966922-9	PANEL, LOWER CABINET, 20.25 X 19.00
10. 372203-24	MIRROR, 9.50 X 20.00
11. 115042	ROD, .25" ALUMINUM, 6' LENGTH
12. 385935-01	HINGE, PIVOT, ZINC PLATED
13. 381228-01	CATCH, GRABBER DOOR
14. 385940-02	MIRROR, PULL CHROME
15. 800025-01	PINE, 3/4" X 3/4" STAINED

2009 INTERNATIONAL TRAVEL TRAILER

FURNITURE, BATH

Medicine Cabinet, Lower, 19', 23' D, 25' SS, Signature, Ocean Breeze

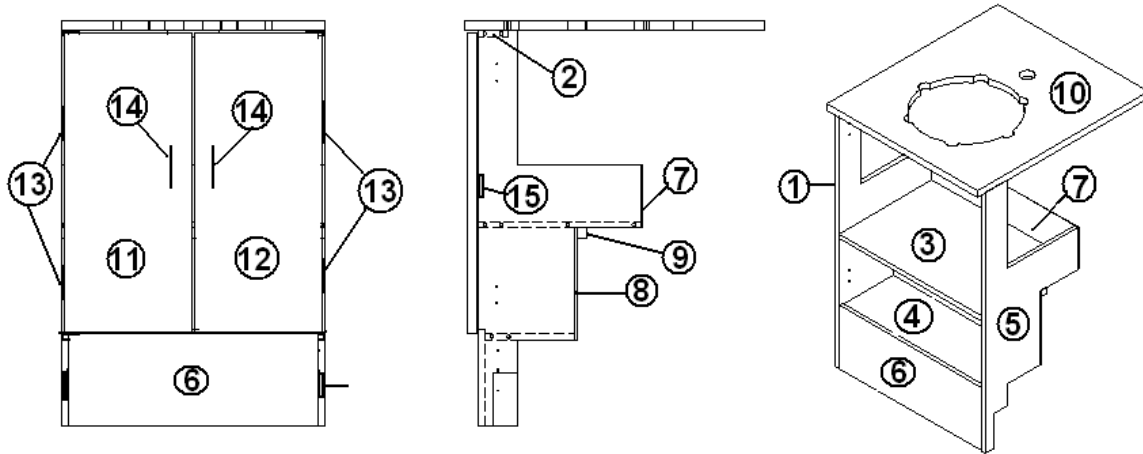


- | | |
|---------------|-------------------------------------|
| 966922-01 | CABINET ASSY-LOWER MED 19" |
| 1. 966922-011 | PANEL, LOWER CABINET, 5.89 X 20.00 |
| 2. 966922-012 | PANEL, LOWER CABINET, 5.89 X 20.00 |
| 3. 966922-013 | PANEL, LOWER CABINET, 5.75 X 17.97 |
| 4. 966922-014 | PANEL, LOWER CABINET, 4.56 X 17.97 |
| 5. 966922-015 | PANEL, LOWER CABINET, 3.00 X 17.97 |
| 6. 966922-016 | PANEL, LOWER CABINET, 2.00 X 19.00 |
| 7. 966922-017 | PANEL, LOWER CABINET, 9.25 X 19.75 |
| 8. 966922-018 | PANEL, LOWER CABINET, 9.25 X 19.75 |
| 9. 966922-019 | PANEL, LOWER CABINET, 20.25 X 19.00 |
| 10. 372203-24 | MIRROR, 9.50 X 20.00 |
| 11. 115042 | ROD, .25" ALUMINUM, 6' LENGTH |
| 12. 385935-01 | HINGE, PIVOT, ZINC PLATED |
| 13. 381228-01 | CATCH, GRABBER DOOR |
| 14. 385940-02 | MIRROR, PULL CHROME |
| 15. 800025-01 | PINE, 3/4" X 3/4" STAINED |

2009 INTERNATIONAL TRAVEL TRAILER

FURNITURE, BATH

Lavatory Cabinet, 19', 23' D, 25' SS, Signature, Wenge

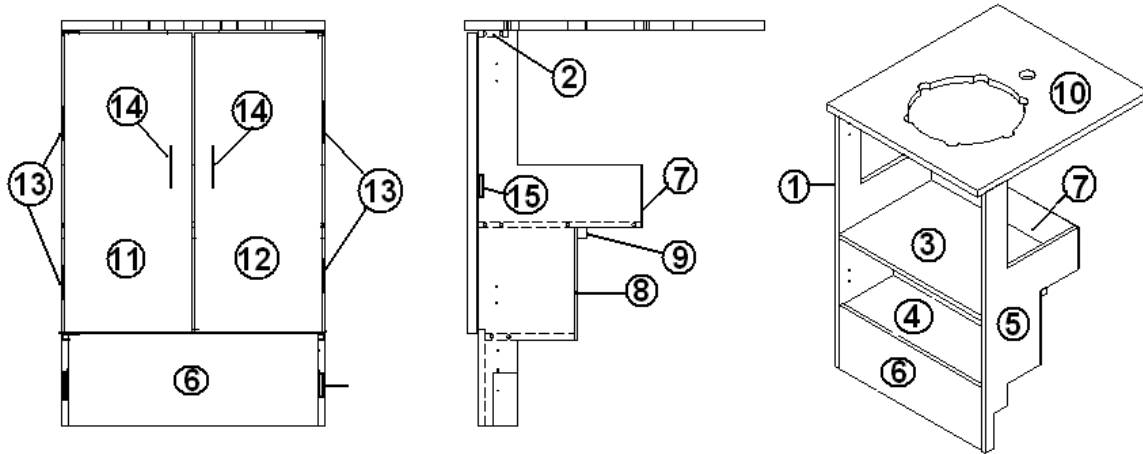


966919	CABINET ASSY. LAVATORY
1. 966919-1	PANEL, LAVY CABINET, 12.38 X 30.00
2. 966919-2	PANEL, LAVY CABINET, 2.25 X 19.00
3. 966919-3	PANEL, LAVY CABINET, 12.38 X 19.00
4. 966919-4	PANEL, LAVY CABINET, 6.81 X 19.00
5. 966919-5	PANEL, LAVY CABINET, 12.38 X 30.00
6. 966919-6	PANEL, LAVY CABINET, 19.00 X 7.25
7. 966919-7	PANEL, LAVY CABINET, 4.75 X 20.00
8. 966919-8	PANEL, LAVY CABINET, 8.50 X 20.00
9. 800025-01	PINE 3/4" X 3/4" STAINED
10. 966920	TOP ASSY. LAVY
11. 966919-13	DOOR, LAVY 9.75" X 22.88"
12. 966919-14	DOOR, LAVY 9.75" X 22.88"
13. 381607	HINGE ASSY
14. 382029-00	HANDLE BAR, 7.48"
15. 381228-01	CATCH GRABBER DOOR

2009 INTERNATIONAL TRAVEL TRAILER

FURNITURE, BATH

Lavatory Cabinet, 19', 23' D, 25' SS, Signature, Ocean Breeze



966919-01

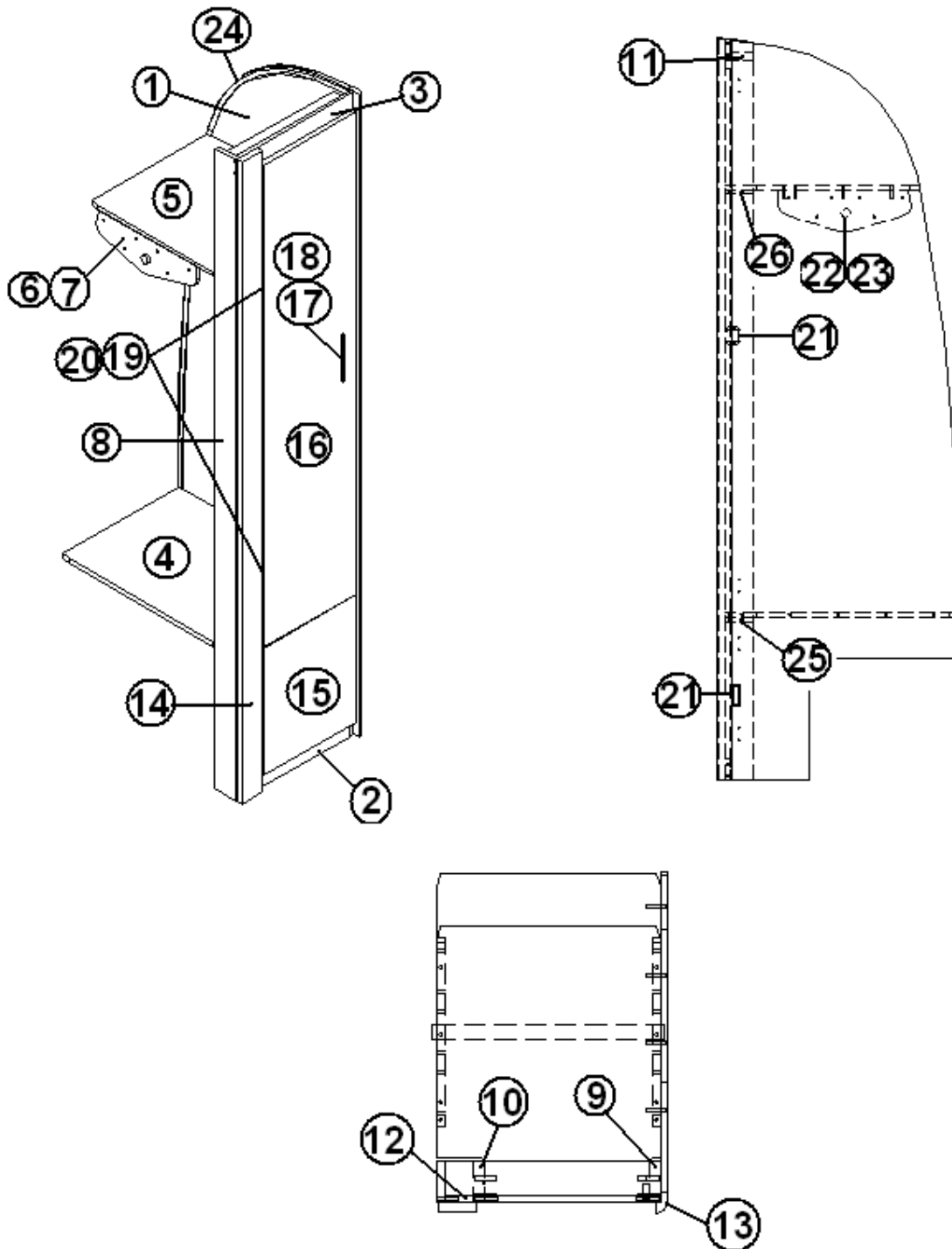
CABINET ASSY. LAVATORY

- | | |
|-----------------|------------------------------------|
| 1. 966919-011 | PANEL, LAVY CABINET, 12.38 X 30.00 |
| 2. 966919-012 | PANEL, LAVY CABINET, 2.25 X 19.00 |
| 3. 966919-013 | PANEL, LAVY CABINET, 12.38 X 19.00 |
| 4. 966919-014 | PANEL, LAVY CABINET, 6.81 X 19.00 |
| 5. 966919-015 | PANEL, LAVY CABINET, 12.38 X 30.00 |
| 6. 966919-016 | PANEL, LAVY CABINET, 19.00 X 7.25 |
| 7. 966919-017 | PANEL, LAVY CABINET, 4.75 X 20.00 |
| 8. 966919-018 | PANEL, LAVY CABINET, 8.50 X 20.00 |
| 9. 800025-01 | PINE 3/4" X 3/4" STAINED |
| 10. 966920-01 | TOP ASSY. LAVY |
| 11. 966919-0113 | DOOR, LAVY 9.75" X 22.88" |
| 12. 966919-0114 | DOOR, LAVY 9.75" X 22.88" |
| 13. 381607 | HINGE ASSY |
| 14. 382046 | PULL, BAMBOO, W/BUSHED NICKEL ENDS |
| 15. 381228-01 | CATCH GRABBER DOOR |

2009 INTERNATIONAL TRAVEL TRAILER

FURNITURE, BATH

Wardrobe, 23' D Signature, Curbside, Wenge



Part Numbers are on the Next page

2009 INTERNATIONAL TRAVEL TRAILER

FURNITURE, BATH

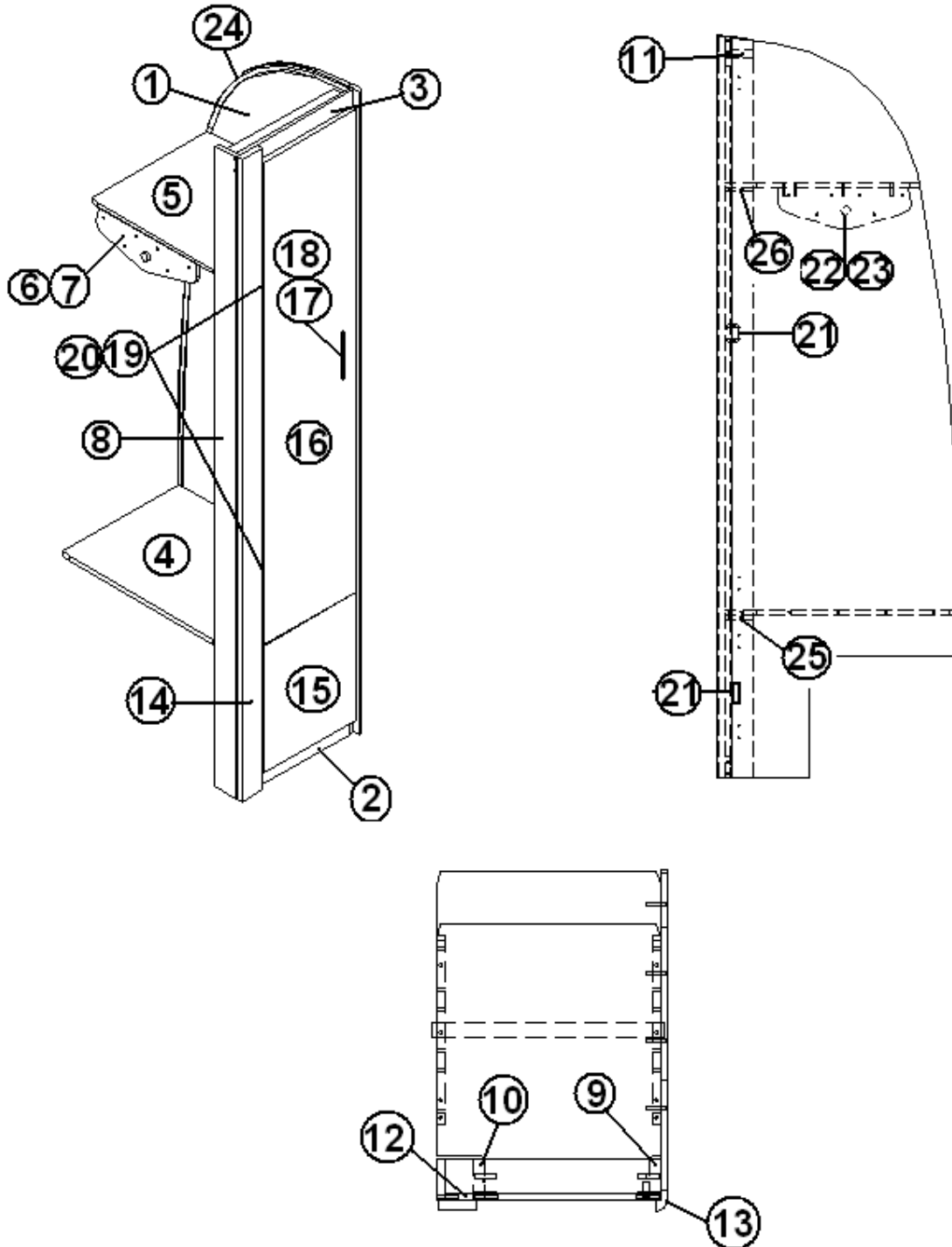
Wardrobe, 23' D Signature, Curbside, Wenge

966934	WARDROBE ASSY CS
1. 966934-1	PANEL, CS W/R, 23.8 X 77.9
2. 966934-2	PANEL, CS W/R, 12.315 X 2.25
3. 966934-3	PANEL, CS W/R, 16.0X 2.25
4. 966934-4	PANEL, CS W/R, 16.5 X 24.47
5. 966934-5	PANEL, CS W/R, 16.5 X 20.47
6. 966934-6	PANEL, CS W/R, 4.48 X 14.0
7. 966934-7	PANEL, CS W/R, 4.48 X 14.0
8. 966934-8	PANEL, CS W/R, 3.0 X 78.14
9. 966934-9	PANEL, CS W/R, 3.0 X 75.88
10. 966934-10	PANEL, CS W/R, 3.0 X 75.88
11. 966934-11	PANEL, CS W/R, 2.5 X 16.0
12. 966934-12	PANEL, CS W/R, 2.18 X 12.0
13. 801706-0016	CORNER TRIM 90 DEG 1"
14. 966934-15	PANEL, CS W/R 2.88 X 78.14
15. 966934-16	DOOR CS W/R 12.94" X 15.50"
16. 966934-17	DOOR CS W/R 12.94 X 58.63
17. 382029-03	HANDLE, BAR 11.25"
18. 345001-08	MACH SCREW #8-32 X 1"
19. 381607	HINGE ASSY
20. 320006	SCREW SHEET METAL 8X3/4 BH PHI
21. 381228	CATCH GRABBER DOOR
22. 380045	TUBING 3/4", METALLIC
23. 200975-04	CONDUIT, FLEXIBLE BLACK PLASTIC
24. 203138-05	EXTRUSION, PLASTIC 1/2" WALL BLACK
25. 966934-30	PANEL, CS W/R, 3.0 X 12.31
26. 966934-31	PANEL, CS W/R, 3.0 X 12.31

2009 INTERNATIONAL TRAVEL TRAILER

FURNITURE, BATH

Wardrobe, 23' D Signature, Curbside, Ocean Breeze



Part Numbers are on the Next page

2009 INTERNATIONAL TRAVEL TRAILER

FURNITURE, BATH

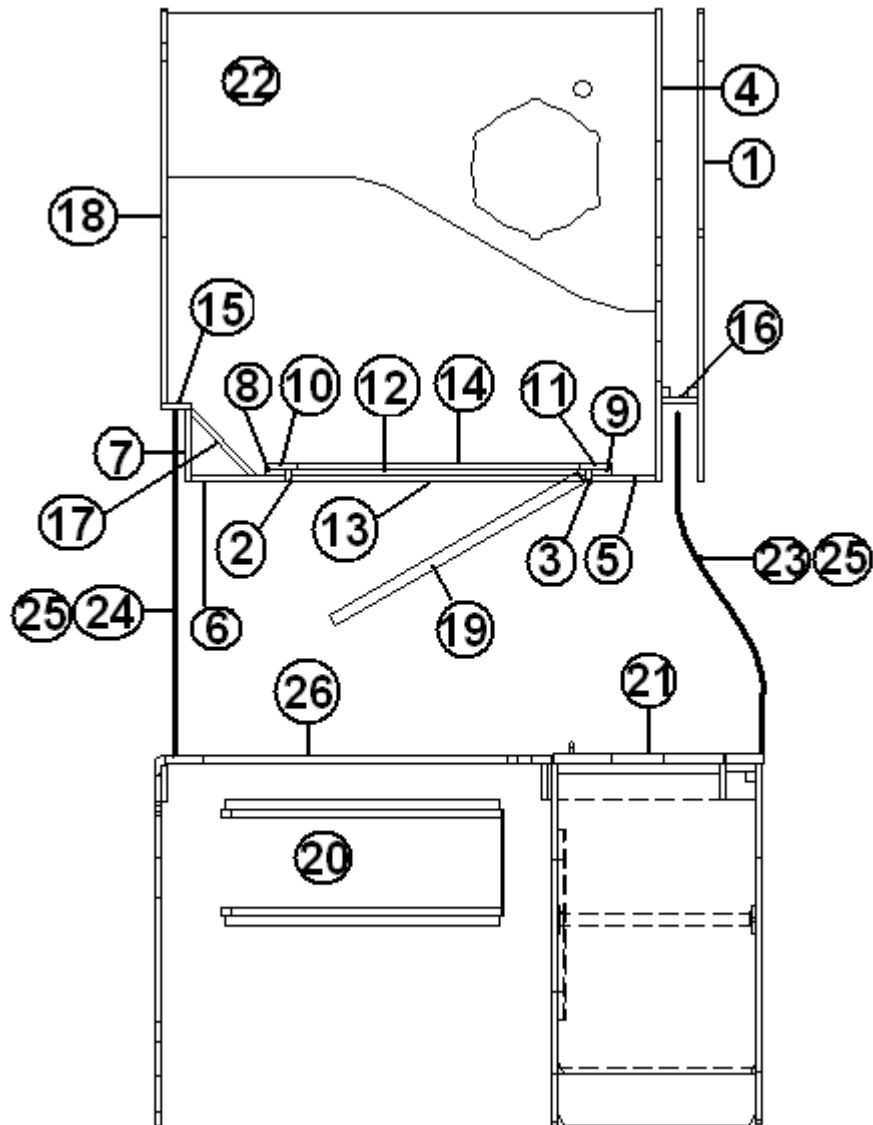
Wardrobe, 23' D Signature, Curbside, Ocean Breeze

966934-01	WARDROBE ASSY CS
1. 966934-011	PANEL, CS W/R, 23.8 X 77.9
2. 966934-012	PANEL, CS W/R, 12.315 X 2.25
3. 966934-013	PANEL, CS W/R, 16.0X 2.25
4. 966934-014	PANEL, CS W/R, 16.5 X 24.47
5. 966934-015	PANEL, CS W/R, 16.5 X 20.47
6. 966934-016	PANEL, CS W/R, 4.48 X 14.0
7. 966934-017	PANEL, CS W/R, 4.48 X 14.0
8. 966934-018	PANEL, CS W/R, 3.0 X 78.14
9. 966934-019	PANEL, CS W/R, 3.0 X 75.88
10. 966934-0110	PANEL, CS W/R, 3.0 X 75.88
11. 966934-0111	PANEL, CS W/R, 2.5 X 16.0
12. 966934-0112	PANEL, CS W/R, 2.18 X 12.0
13. 801706-WH	CORNER TRIM 90 DEG 1"
14. 966934-0115	PANEL, CS W/R 2.88 X 78.14
15. 966934-0116	DOOR CS W/R 12.94" X 15.50"
16. 966934-0117	DOOR CS W/R 12.94 X 58.63
17. 382046	PULL, BAMBOO, W/BUSHED NICKEL ENDS
18. 345001-08	MACH SCREW #8-32 X 1"
19. 381607	HINGE ASSY
20. 320006	SCREW, METAL 8X3/4 BH PHI
21. 381228	CATCH GRABBER DOOR
22. 380045	TUBING 3/4", METALLIC
23. 200975-04	CONDUIT, BLACK PLASTIC
24. 203138-01	EXTRUSION, PLASTIC 1/2" WHITE
25. 966934-0130	PANEL, CS W/R, 3.0 X 12.31
26. 966934-0131	PANEL, CS W/R, 3.0 X 12.31

2009 INTERNATIONAL TRAVEL TRAILER

FURNITURE, BATH

Bath Lay Out, 25' Signature Front Bed, Wenge



Part Numbers on the Next Page

2009 INTERNATIONAL TRAVEL TRAILER

FURNITURE, BATH

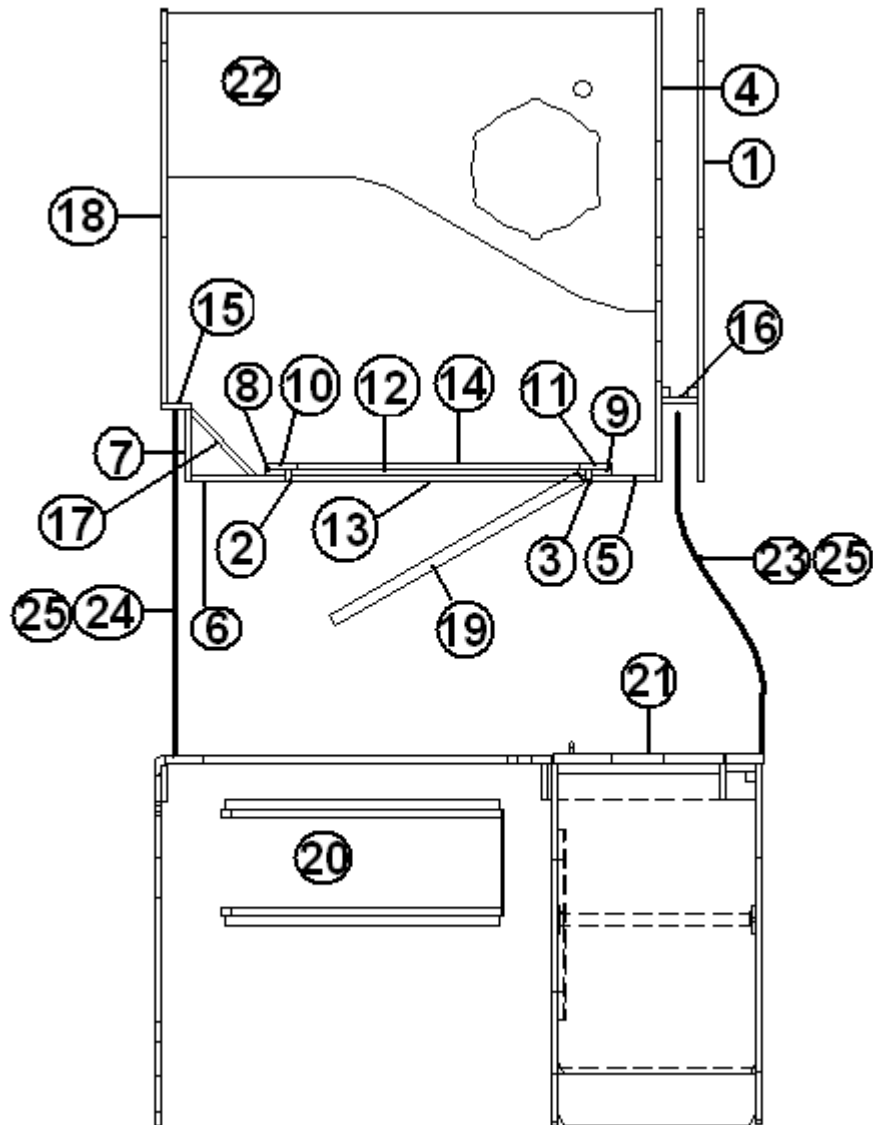
Bath Lay Out, 25' Signature Front Bed, Wenge

1. 111565-1	PANEL, BATH, 79.44" X 39.50"
2. 111565-2	PANEL, BATH, 1.13" X 79.25"
3. 111565-3	PANEL, BATH, 1.13" X 79.25"
4. 111565-4	PANEL, BATH, 79.50" X 39.50"
5. 111565-5	PANEL, BATH, 5.375" X 79.5"
6. 111565-6	PANEL, BATH, 8.00" X 79.5"
7. 111565-7	PANEL, BATH, 6.00" X 79.5"
8. 111565-8	PANEL, BATH, 1.75" X 79.5"
9. 111565-9	PANEL, BATH, 1.75" X 79.5"
10. 111565-10	PANEL, BATH, 2.75" X 79.5"
11. 111565-11	PANEL, BATH, 2.75" X 79.5"
12. 111565-12	PANEL, BATH, 24.625" X 3.50"
13. 111565-13	PANEL, BATH, 24.625" X 3.50"
14. 111565-14	PANEL, BATH, 23.625" X 3.75"
15. 111565-15	PANEL, BATH, 2.50" X 79.25"
16. 111565-16	PANEL, BATH, 3.00" X 79.25"
17. 111565-17	PANEL, BATH, 8.00" X 79.13"
18. 111565-18	PANEL, BATH, 79.00" X 33.00"
19. 966894	DOOR ASSY, BATH 24"X72"
20. 966879	SHOWER COMPARTMENT ASSY
21. 966905	WARDROBE ASSY.
22. 966902	LAVATORY CABINET ASSY
23. 381890-01	TRACK, FORMED FOLDETTTE
24. 381890-02	TRACK, STRAIGHT FOLDETTTE
25. 702681-07	DOOR, FOLDETTTE 60"X 73" GREY
26. 703626-01	SHOWER DOOR-BRUSHED NICKEL

2009 INTERNATIONAL TRAVEL TRAILER

FURNITURE, BATH

Bath Lay Out, 25' Signature Front Bed, Ocean Breeze



Part Numbers on the Next Page

2009 INTERNATIONAL TRAVEL TRAILER

FURNITURE, BATH

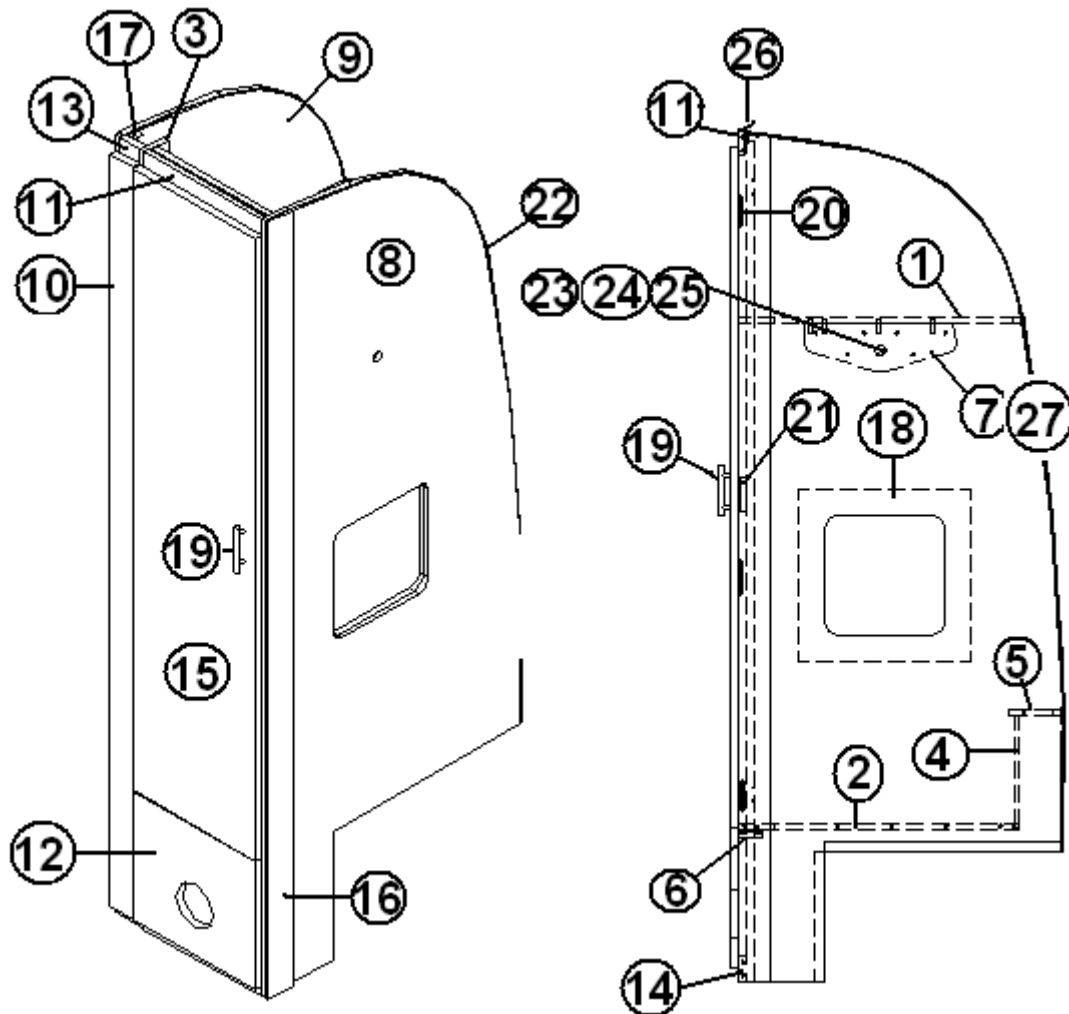
Bath Lay Out, 25' Signature Front Bed, Ocean Breeze

1. 111565-011	PANEL, BATH, 79.44" X 39.50"
2. 111565-012	PANEL, BATH, 1.13" X 79.25"
3. 111565-013	PANEL, BATH, 1.13" X 79.25"
4. 111565-014	PANEL, BATH, 79.50" X 39.50"
5. 111565-015	PANEL, BATH, 5.375" X 79.5"
6. 111565-016	PANEL, BATH, 8.00" X 79.5"
7. 111565-017	PANEL, BATH, 6.00" X 79.5"
8. 111565-018	PANEL, BATH, 1.75" X 79.5"
9. 111565-019	PANEL, BATH, 1.75" X 79.5"
10. 111565-0110	PANEL, BATH, 2.75" X 79.5"
11. 111565-0111	PANEL, BATH, 2.75" X 79.5"
12. 111565-0112	PANEL, BATH, 24.625" X 3.50"
13. 111565-0113	PANEL, BATH, 24.625" X 3.50"
14. 111565-0114	PANEL, BATH, 23.625" X 3.75"
15. 111565-0115	PANEL, BATH, 2.50" X 79.25"
16. 111565-0116	PANEL, BATH, 3.00" X 79.25"
17. 111565-0117	PANEL, BATH, 8.00" X 79.13"
18. 111565-0118	PANEL, BATH, 79.00" X 33.00"
19. 966895	DOOR ASSY, BATH, 24" X 72"
20. 966879-01	SHOWER COMPT ASSY
21. 966905-01	WARDROBE ASSY.
22. 966902-01	LAVATORY CABINET ASSY
23. 381890-01	TRACK, FORMED FOLDETTE
24. 381890-02	TRACK, STRAIGHT FOLDETTE
25. 702681-07	DOOR-FOLDETTE 60" X 73" GREY
26. 703626-01	SHOWER DOOR-BRUSHED NICKEL

2009 INTERNATIONAL TRAVEL TRAILER

FURNITURE, BATH

Wardrobe, 25' Signature Front Bed, Wenge



Part Numbers on the Next Page

2009 INTERNATIONAL TRAVEL TRAILER

FURNITURE, BATH

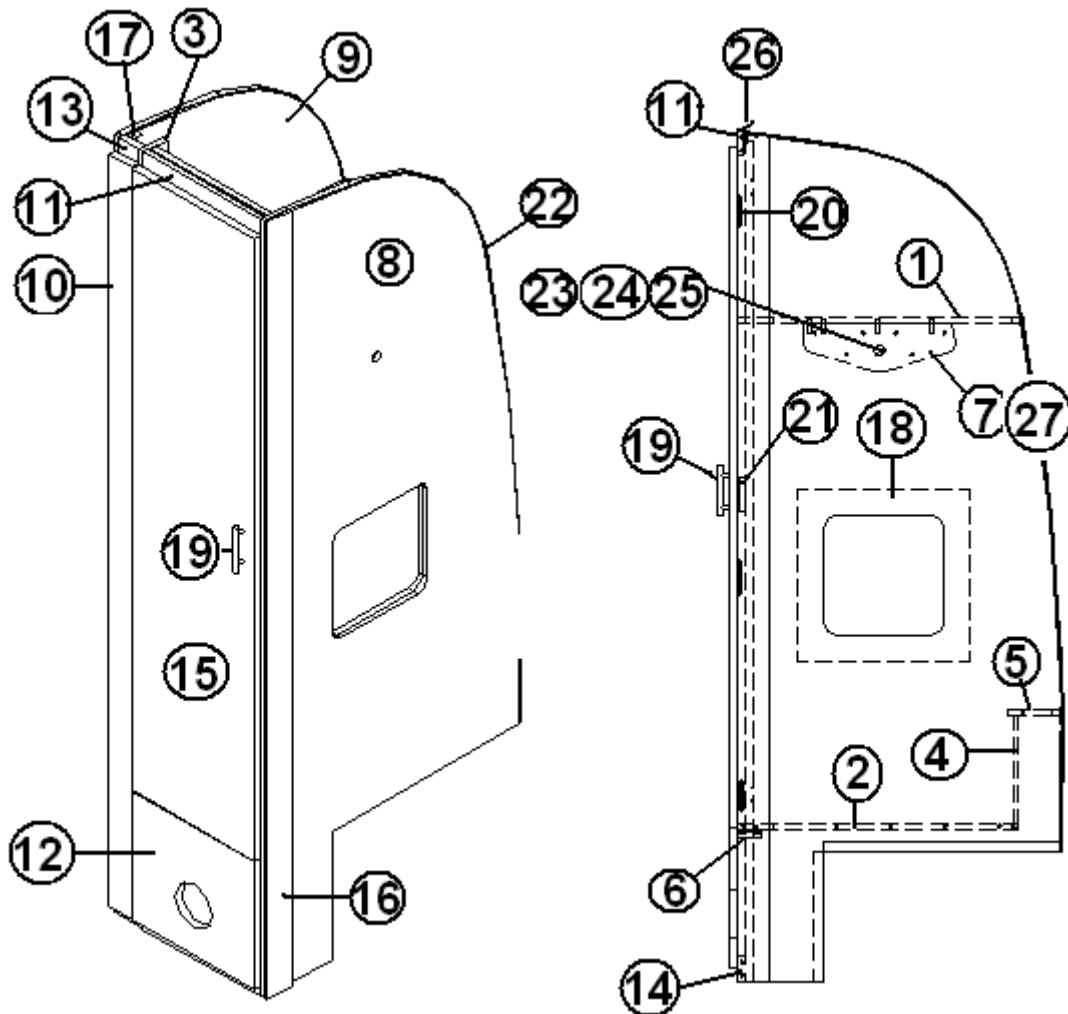
Wardrobe, 25' Signature Front Bed, Wenge

966905	Wardrobe, 25' Front Bed, Wenge
1. 966905-1	PANEL, 16.56" X 26.50"
2. 966905-2	PANEL, 16.56" X 26.00"
3. 966905-3	PANEL, 3" X 78.88"
4. 966905-4	PANEL, 10" X 16.56"
5. 966905-5	PANEL, 5.25" X 16.56"
6. 966905-6	PANEL, 2.5" X 13.63"
7. 966905-7	PANEL, 4.5" X 14.00"
8. 966905-8	PANEL, 30.09" X 78.88"
9. 966905-9	PANEL 30.09" X 78.88"
10. 966905-10	PANEL, 2.69" X 76.19"
11. 966905-11	PANEL, 13.63" X 2.5"
12. 966905-12	PANEL, 14.25" X 13.00"
13. 966905-13	PANEL, 2.44" X 78.88"
14. 966905-14	PANEL, 2.5" X 13.63"
15. 966905-15	DOOR, 14.25" X 63.06"
16. 800507-02	PANEL, 3.0" X 78.88", LAUAN
17. 800025-01	PINE, 3/4" X 3/4" STAINED
18. 966883	CLOSEOUT
19. 382029-03	HANDLE, BAR 11.25"
20. 381228-01	CATCH GRABBER DOOR
21. 381607	HINGE ASSY, GRASS EURO
22. 203138-04	EXTRUSION, PLASTIC, 1/2" OAK
23. 380045	TUBING 3/4", METAL
24. 200975-04	CONDUIT, FLEXIBLE BLACK PLASTIC
25. 380046	FLANGE CHROME
26. 104821	SUPPORT, ROOFLOCKER, 74"
27. 966905-30	Panel, 4.5 x 14.00

2009 INTERNATIONAL TRAVEL TRAILER

FURNITURE, BATH

Wardrobe, 25' Signature Front Bed, Ocean Breeze



Part Numbers on the Next Page

2009 INTERNATIONAL TRAVEL TRAILER

FURNITURE, BATH

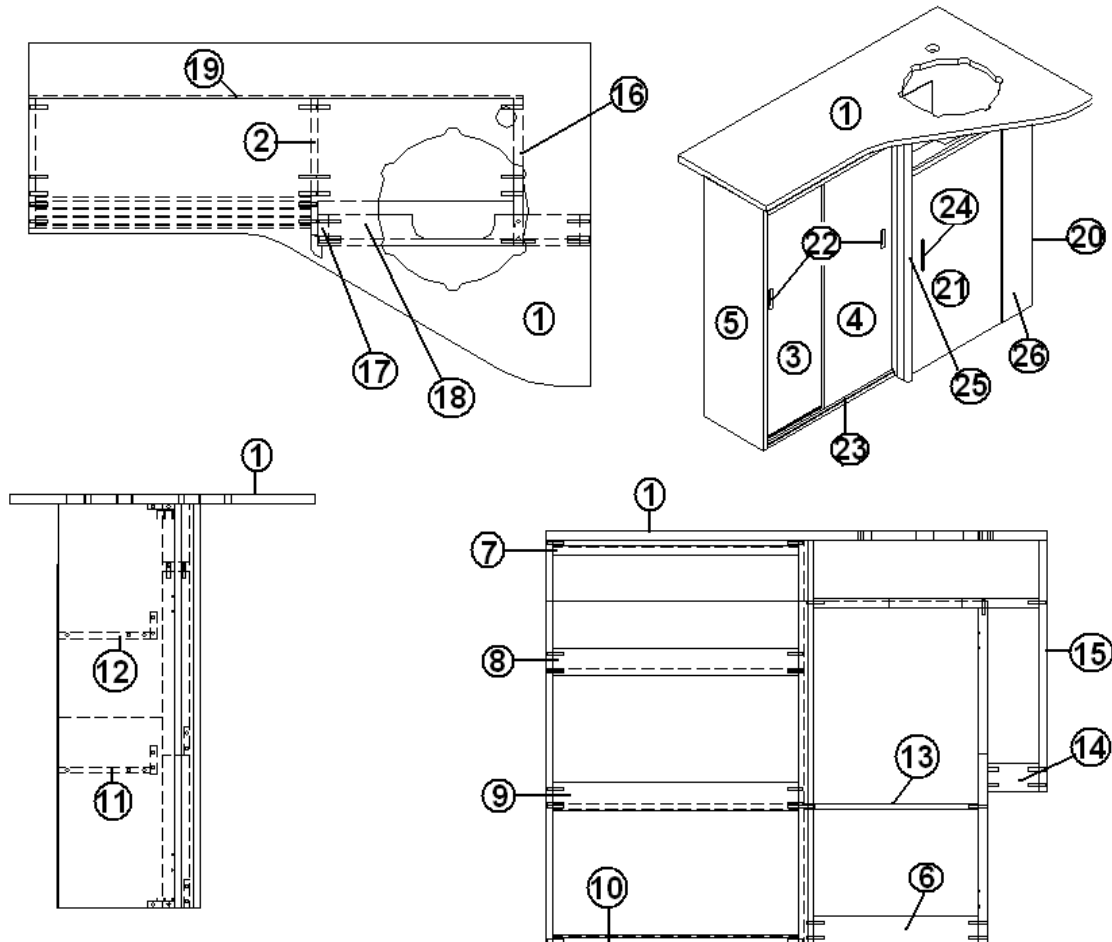
Wardrobe, 25' Signature Front Bed, Ocean Breeze

966905-01	Wardrobe, 25' Front Bed, Wenge
1. 966905-011	PANEL, 16.56" X 26.50"
2. 966905-012	PANEL, 16.56" X 26.00"
3. 966905-013	PANEL, 3" X 78.88"
4. 966905-014	PANEL, 10" X 16.56"
5. 966905-015	PANEL, 5.25" X 16.56"
6. 966905-016	PANEL, 2.5" X 13.63"
7. 966905-017	PANEL, 4.5" X 14.00"
8. 966905-018	PANEL, 30.09" X 78.88"
9. 966905-019	PANEL 30.09" X 78.88"
10. 10. 966905-0110	PANEL, 2.69" X 76.19"
11. 11. 966905-0111	PANEL, 13.63" X 2.5"
12. 966905-0112	PANEL, 14.25" X 13.00"
13. 966905-0113	PANEL, 2.44" X 78.88"
14. 966905-0114	PANEL, 2.5" X 13.63"
15. 966905-0115	DOOR, 14.25" X 63.06"
16. 800507-02	PANEL, 3.0" X 78.88", LAUAN
17. 800025-01	PINE, 3/4" X 3/4" STAINED
18. 966883-01	CLOSEOUT
19. 382046	PULL, BAMBOO, W/BUSHED NICKEL ENDS
20. 381607	HINGE ASSY, GRASS EURO
21. 381228-01	CATCH GRABBER DOOR
22. 203138-01	EXTRUSION, PLASTIC, 1/2" white
23. 380045	TUBING 3/4", METAL
24. 200975-04	CONDUIT, BLACK PLASTIC
25. 380046	FLANGE CHROME
26. 104821	SUPPORT, ROOFLOCKER, 74"
27. 966905-0130	Panel, 4.5 x 14.00

2009 INTERNATIONAL TRAVEL TRAILER

FURNITURE, BATH

Lavatory Cabinet, 25' Front Bed Signature, Wenge



Part Numbers on the Next Page

2009 INTERNATIONAL TRAVEL TRAILER

FURNITURE, BATH

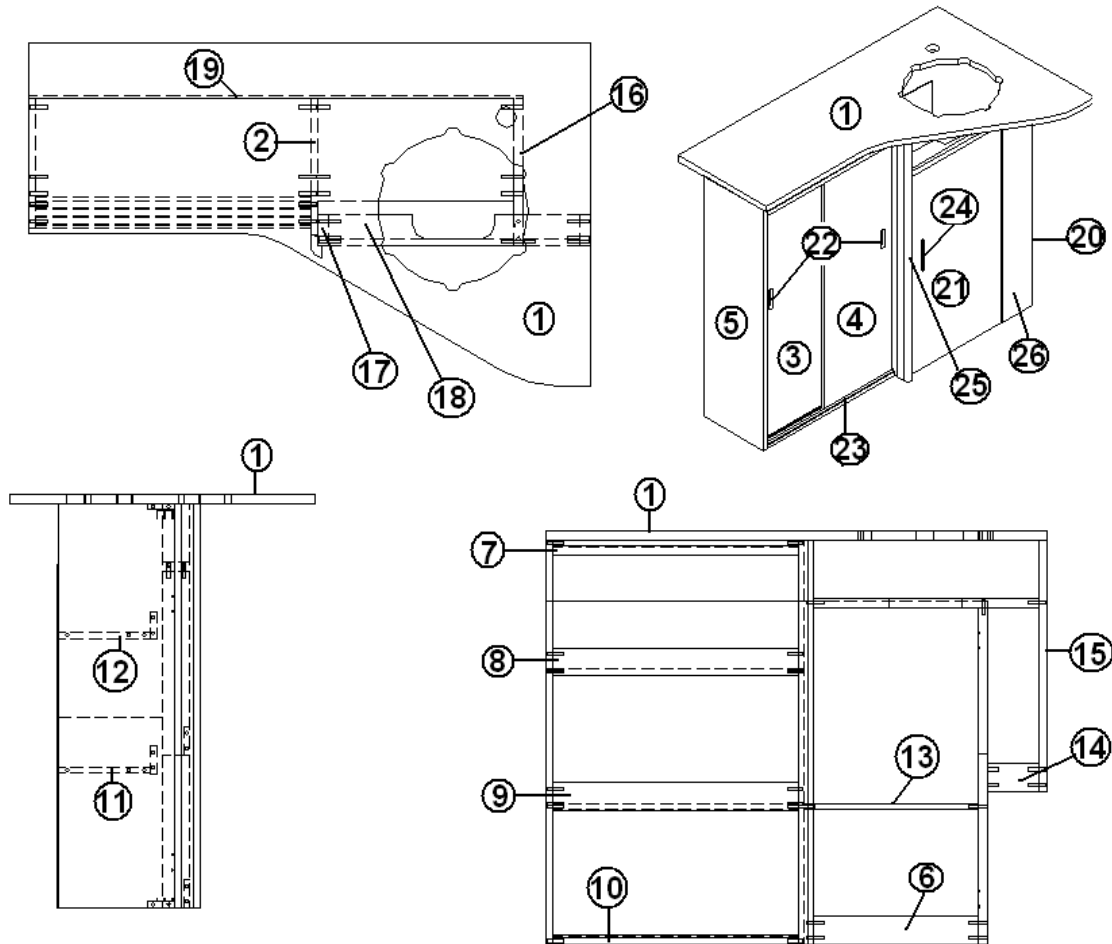
Lavatory Cabinet, 25' Front Bed Signature, Wenge

966902	LAVATORY CABINET
1. 966903	LAVATORY TOP
2. 966902-2	PANEL, LAVY 10 X 33
3. 966902-3	PANEL, LAVY 10.81 X 31.5
4. 966902-4	PANEL, LAVY 10.81 X 31.5
5. 966902-5	PANEL, LAVY 9.5 X 33
6. 966902-6	PANEL, LAVY 2.25 X 13.5
7. 966902-7	PANEL, LAVY 2.25 X 20.12
8. 966902-8	PANEL, LAVY 2.25 X 20.12
9. 966902-9	PANEL, LAVY 2.25 X 20.12
10. 966902-10	PANEL, LAVY 2.25 X 20.12
11. 966902-11	PANEL, LAVY 7.5 X 20.12
12. 966902-12	PANEL, LAVY 7.5 X 20.12
13. 966902-13	PANEL, LAVY 7.5 X 14.25
14. 966902-14	PANEL, LAVY 2.25 X 4.12
15. 966902-15	PANEL, LAVY 2.25 X 20.5
16. 966902-16	PANEL, LAVY 10.75 X 27.5
17. 966902-17	PANEL, LAVY 25.00 X 33.00
18. 966902-18	PANEL, LAVY, 2.25 X 18.38
19. 966902-19	PANEL, LAVY 28 X 36.12
20. 801706-0016	CORNER TRIM, 90D, 1"RADIUS
21. 966902-23	DOOR, LAVY, 14.13" X 27.13"
22. 382030	PULL, RECESSED FINGER
23. 115374	EXTRUSION, SLIDING DR TRACK .5"
24. 382029-03	HANDLE BAR 11.25"
25. 381228-01	CATCH, GRABBER DOOR
26. 966902-31	PANEL, LAVY 4.75 X 27.12
381607	HINGE ASSY.

2009 INTERNATIONAL TRAVEL TRAILER

FURNITURE, BATH

Lavatory Cabinet, 25' Front Bed Signature, Ocean Breeze



Part Numbers on the Next Page

2009 INTERNATIONAL TRAVEL TRAILER

FURNITURE, BATH

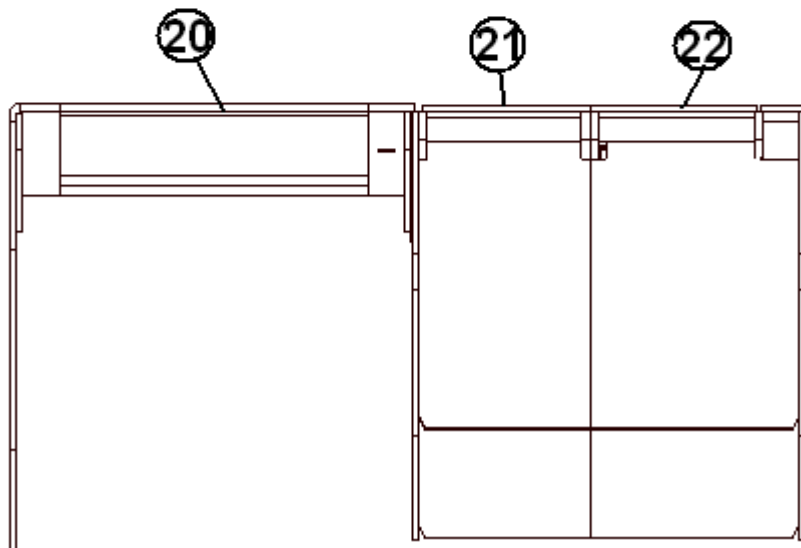
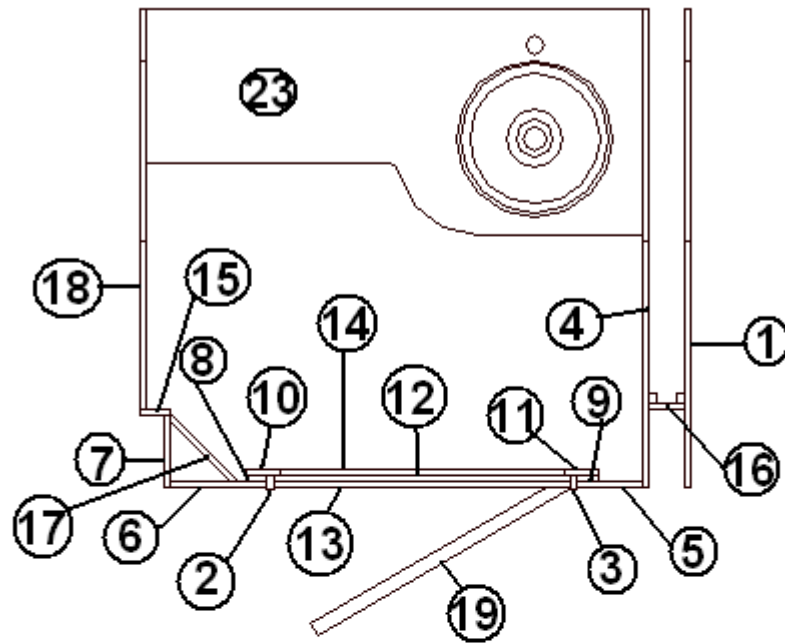
Lavatory Cabinet, 25' Front Bed Signature, Ocean Breeze

966902-01	LAVATORY CABINET
1. 966903-01	LAVATORY TOP
2. 966902-012	PANEL, LAVY 10 X 33
3. 966902-013	PANEL, LAVY 10.81 X 31.5
4. 966902-014	PANEL, LAVY 10.81 X 31.5
5. 966902-015	PANEL, LAVY 9.5 X 33
6. 966902-016	PANEL, LAVY 2.25 X 13.5
7. 966902-017	PANEL, LAVY 2.25 X 20.12
8. 966902-018	PANEL, LAVY 2.25 X 20.12
9. 966902-019	PANEL, LAVY 2.25 X 20.12
10. 966902-0110	PANEL, LAVY 2.25 X 20.12
11. 966902-0111	PANEL, LAVY 7.5 X 20.12
12. 966902-0112	PANEL, LAVY 7.5 X 20.12
13. 966902-0113	PANEL, LAVY 7.5 X 14.25
14. 966902-0114	PANEL, LAVY 2.25 X 4.12
15. 966902-0115	PANEL, LAVY 2.25 X 20.5
16. 966902-0116	PANEL, LAVY 10.75 X 27.5
17. 966902-0117	PANEL, LAVY 2.25 X 33
18. 966902-0118	PANEL, LAVY 2.25 X 18.38
19. 966902-0119	PANEL, LAVY 28 X 36.12
20. 801706-WH	CORNER TRIM, 90D, 1"RADIUS
21. 966902-0123	DOOR, LAVY, 14.13" X 27.13"
22. 382030	PULL, RECESSED FINGER
23. 115374	SLIDING DOOR TRACK, .5"
24. 24. 382046	PULL, BAMBOO, W/BUSHED NICKEL ENDS
25. 381228-01	CATCH, GRABBER DOOR
26. 966902-0131	PANEL, LAVY 4.75 X 27.12
381607	HINGE ASSY.

2009 INTERNATIONAL TRAVEL TRAILER

FURNITURE, BATH

Bath Lay Out, 27' Signature Double Front Bed, Wenge



Part number save on the next page

2009 INTERNATIONAL TRAVEL TRAILER

FURNITURE, BATH

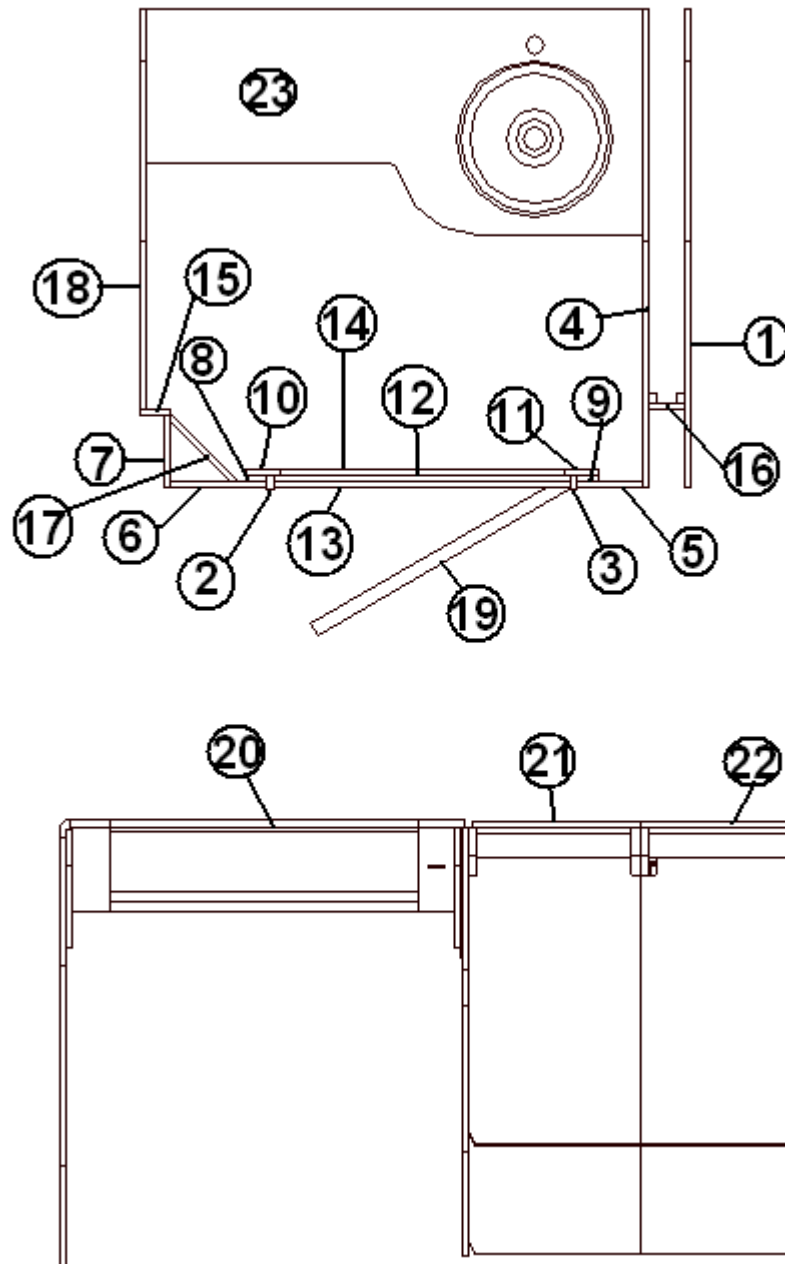
Bath Lay Out, 27' Signature Double Front Bed, Wenge

1. 111533-1	PANEL, 79.44 X 39.5
2. 111533-2	PANEL, 1.13 X 79.25
3. 111533-3	PANEL, 1.13 X 79.25
4. 111533-4	PANEL, 79.5 X 39.5
5. 111533-5	PANEL, 5.375 X 79.5
6. 111533-6	PANEL, 8 X 79.5
7. 111533-7	PANEL, 6 X 79.5
8. 111533-8	PANEL, 1.75 X 79.5
9. 111533-9	PANEL, 1.75 X 79.5
10. 111533-10	PANEL, 2.75 X 79.5
11. 111533-11	PANEL, 2.75 X 79.5
12. 111533-12	PANEL, 24.625 X 3.5
13. 111533-13	PANEL, 24.625 X 3.5
14. 111533-14	PANEL, 23.625 X 3.75
15. 111533-15	PANEL, 2.5 X 79.25
16. 111533-16	PANEL, 3 X 79.25
17. 111533-17	PANEL, 8 X 79.13
18. 111533-18	PANEL, 79 X 33
19. 966894	DOOR ASSY, BATH, 24" X 72"
20. 966879	SHOWER COMPARTMENT
21. 966880	WARDROBE, FORWARD
22. 966881	WARDROBE, AFT
23. 966884	LAVATORY CABINET
203138-05	EXTRUSION, PLASTIC, 1/2" WALL, BLACK
381890-01	TRACK, FORMED FOLDETTTE
381890-02	TRACK, STRAIGHT FOLDETTTE
702681-07	DOOR, FOLDETTTE 60"X 73" GREY

2009 INTERNATIONAL TRAVEL TRAILER

FURNITURE, BATH

Bath Lay Out, 27' Signature, Double Front Bed, Ocean Breeze



Part number save on the next page

2009 INTERNATIONAL TRAVEL TRAILER

FURNITURE, BATH

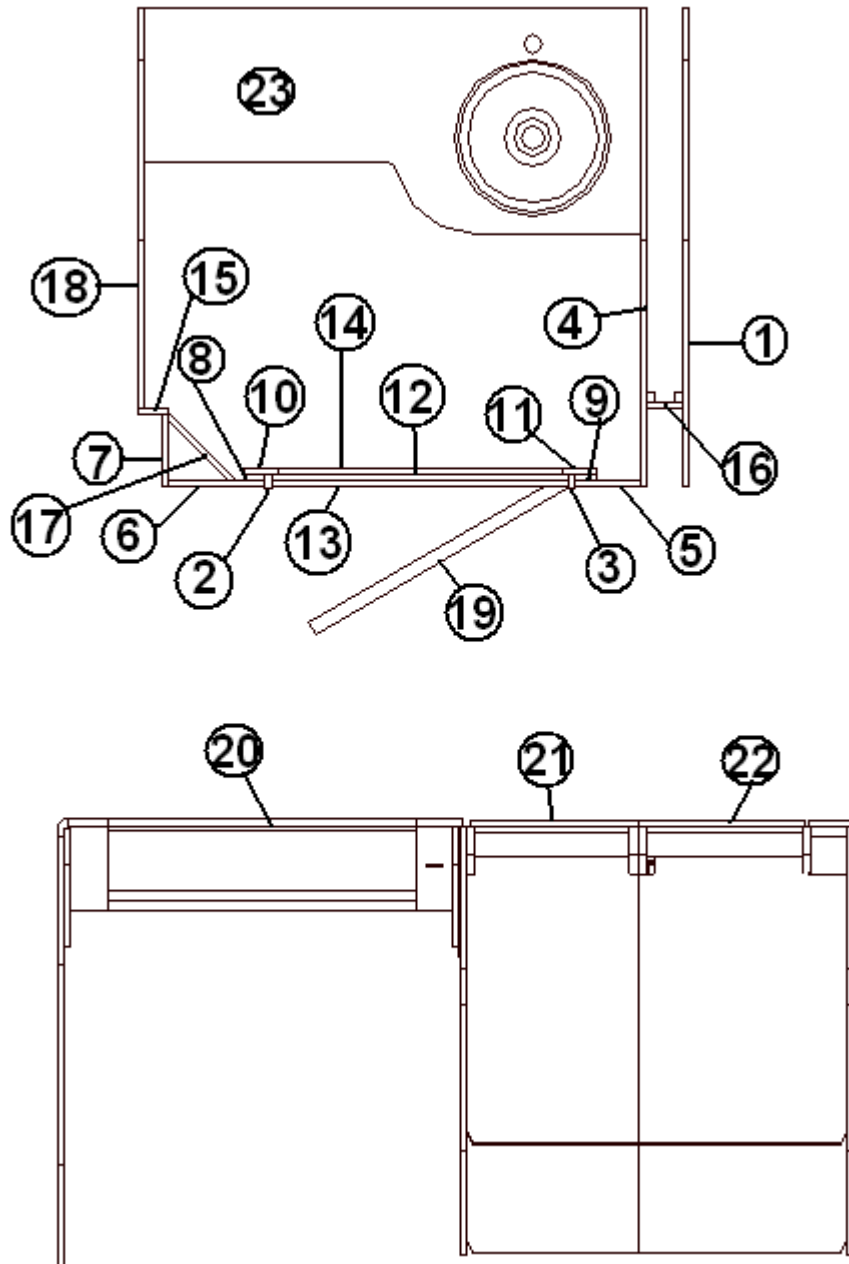
Bath Lay Out, 27' Signature, Double Front Bed, Ocean Breeze

1. 111533-011	PANEL, 79.44 X 39.5
2. 111533-012	PANEL, 1.13 X 79.25
3. 111533-013	PANEL, 1.13 X 79.25
4. 111533-014	PANEL, 79.5 X 39.5
5. 111533-015	PANEL, 5.375 X 79.5
6. 111533-016	PANEL, 8 X 79.5
7. 111533-017	PANEL, 6 X 79.5
8. 111533-018	PANEL, 1.75 X 79.5
9. 111533-019	PANEL, 1.75 X 79.5
10. 111533-0110	PANEL, 2.75 X 79.5
11. 111533-0111	PANEL, 2.75 X 79.5
12. 111533-0112	PANEL, 24.625 X 3.5
13. 111533-0113	PANEL, 24.625 X 3.5
14. 111533-0114	PANEL, 23.625 X 3.75
15. 111533-0115	PANEL, 2.5 X 79.25
16. 111533-0116	PANEL, 3 X 79.25
17. 111533-0117	PANEL, 8 X 79.13
18. 111533-0118	PANEL, 79 X 33
19. 966895	DOOR ASSY, BATH, 24" X 72"
20. 966879-01	SHOWER COMPARTMENT
21. 966880-01	WARDROBE, FORWARD
22. 966881-01	WARDROBE, AFT
23. 966884-01	LAVATORY CABINET
203138-05	EXTRUSION, PLASTIC, 1/2" WALL, BLACK
381890-01	TRACK, FORMED FOLDETTE
381890-02	TRACK, STRAIGHT FOLDETTE
702681-07	DOOR, FOLDETTE 60"X 73" GREY

2009 INTERNATIONAL TRAVEL TRAILER

FURNITURE, BATH

Bath Lay Out, 27' Signature, Twin Front Bed, Wenge



Part number save on the next page

2009 INTERNATIONAL TRAVEL TRAILER

FURNITURE, BATH

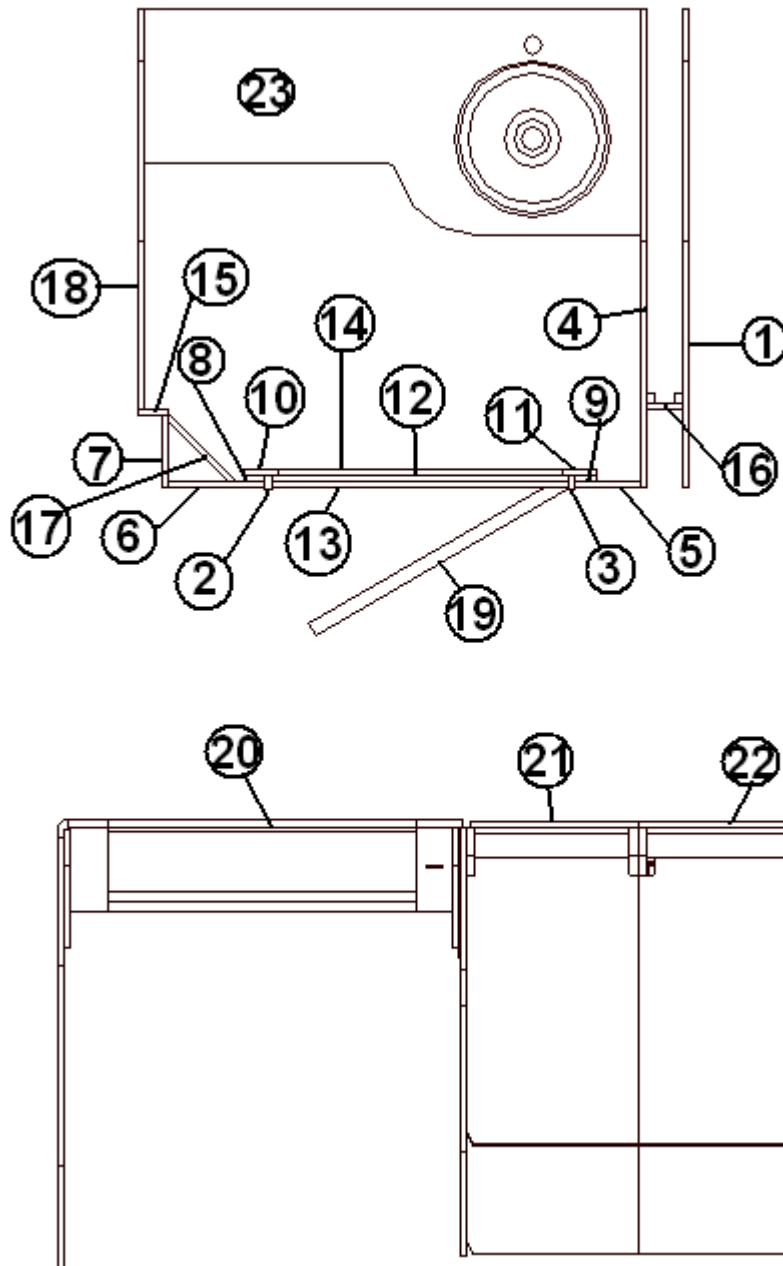
Bath Lay Out, 27' Signature, Twin Front Bed, Wenge

1. 111614-1	PANEL, 79.44 X 39.5
2. 111614-2	PANEL, 1.13 X 79.25
3. 111614-3	PANEL, 1.13 X 79.25
4. 111614-4	PANEL, 79.5 X 39.5
5. 111614-5	PANEL, 5.375 X 79.5
6. 111614-6	PANEL, 8 X 79.5
7. 111614-7	PANEL, 6 X 79.5
8. 111614-8	PANEL, 1.75 X 79.5
9. 111614-9	PANEL, 1.75 X 79.5
10. 111614-10	PANEL, 2.75 X 79.5
11. 111614-11	PANEL, 2.75 X 79.5
12. 111614-12	PANEL, 24.625 X 3.5
13. 111614-13	PANEL, 24.625 X 3.5
14. 111614-14	PANEL, 23.625 X 3.75
15. 111614-15	PANEL, 2.5 X 79.25
16. 111614-16	PANEL, 3 X 79.25
17. 111614-17	PANEL, 8 X 79.13
18. 111614-18	PANEL, 79 X 33
19. 966894	DOOR ASSY, BATH, 24" X 72"
20. 967060	SHOWER COMPARTMENT
21. 966880	WARDROBE, FORWARD
22. 966881	WARDROBE, AFT
23. 966884	LAVATORY CABINET
203138-05	EXTRUSION, PLASTIC, 1/2" WALL, BLACK
381890-01	TRACK, FORMED FOLDETTTE
381890-02	TRACK, STRAIGHT FOLDETTTE
702681-07	DOOR, FOLDETTTE 60"X 73" GREY

2009 INTERNATIONAL TRAVEL TRAILER

FURNITURE, BATH

Bath Lay Out, 27' Signature, Twin Front Bed, Ocean Breeze



Part number save on the next page

2009 INTERNATIONAL TRAVEL TRAILER

FURNITURE, BATH

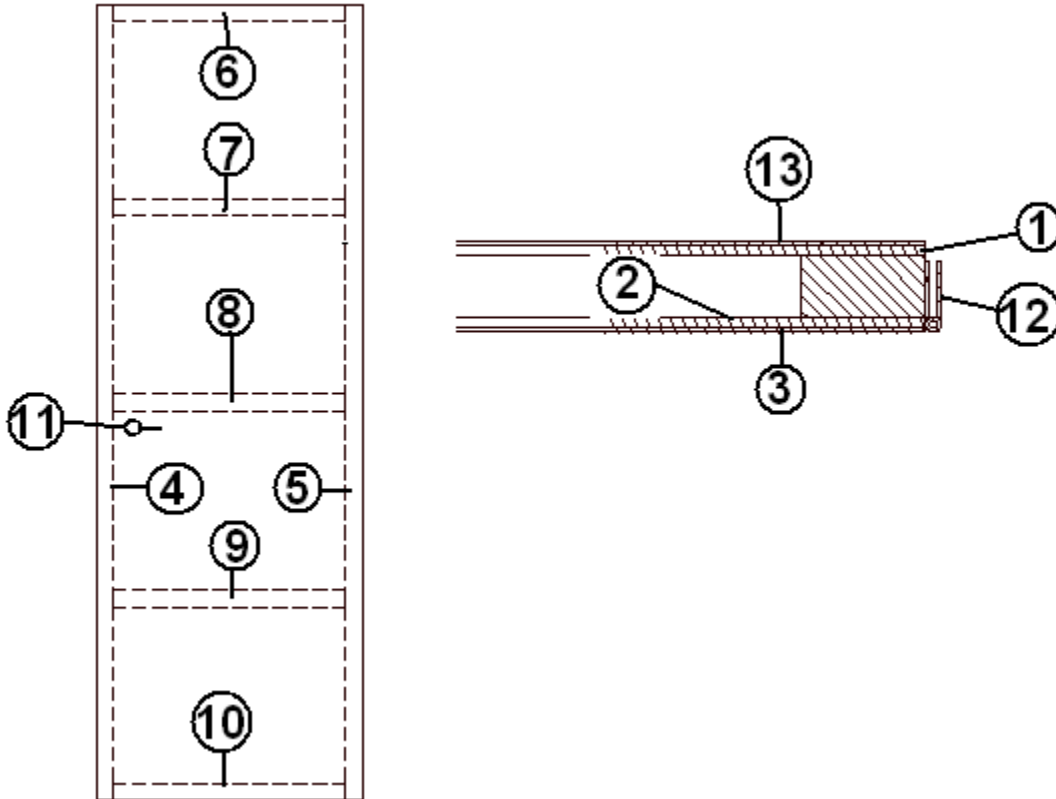
Bath Lay Out, 27' Signature, Twin Front Bed, Ocean Breeze

1. 111614-011	PANEL, 79.44 X 39.5
2. 111614-012	PANEL, 1.13 X 79.25
3. 111614-013	PANEL, 1.13 X 79.25
4. 111614-014	PANEL, 79.5 X 39.5
5. 111614-015	PANEL, 5.375 X 79.5
6. 111614-016	PANEL, 8 X 79.5
7. 111614-017	PANEL, 6 X 79.5
8. 111614-018	PANEL, 1.75 X 79.5
9. 111614-019	PANEL, 1.75 X 79.5
10. 111614-0110	PANEL, 2.75 X 79.5
11. 111614-0111	PANEL, 2.75 X 79.5
12. 111614-0112	PANEL, 24.625 X 3.5
13. 111614-0113	PANEL, 24.625 X 3.5
14. 111614-0114	PANEL, 23.625 X 3.75
15. 111614-0115	PANEL, 2.5 X 79.25
16. 111614-0116	PANEL, 3 X 79.25
17. 111614-0117	PANEL, 8 X 79.13
18. 111614-0118	PANEL, 79 X 33
19. 966895	DOOR ASSY, BATH, 24" X 72"
20. 966060-01	SHOWER COMPARTMENT
21. 966880-01	WARDROBE, FORWARD
22. 966881-01	WARDROBE, AFT
23. 966884-01	LAVATORY CABINET
203138-01	EXTRUSION, PLASTIC, 1/2" WALL, WHITE
381890-01	TRACK, FORMED FOLDETTE
381890-02	TRACK, STRAIGHT FOLDETTE
702681-07	DOOR, FOLDETTE 60"X 73" GREY

2009 INTERNATIONAL TRAVEL TRAILER

FURNITURE, BATH

Door, Bath, 25' FB, 27' FB Signature, Wenge



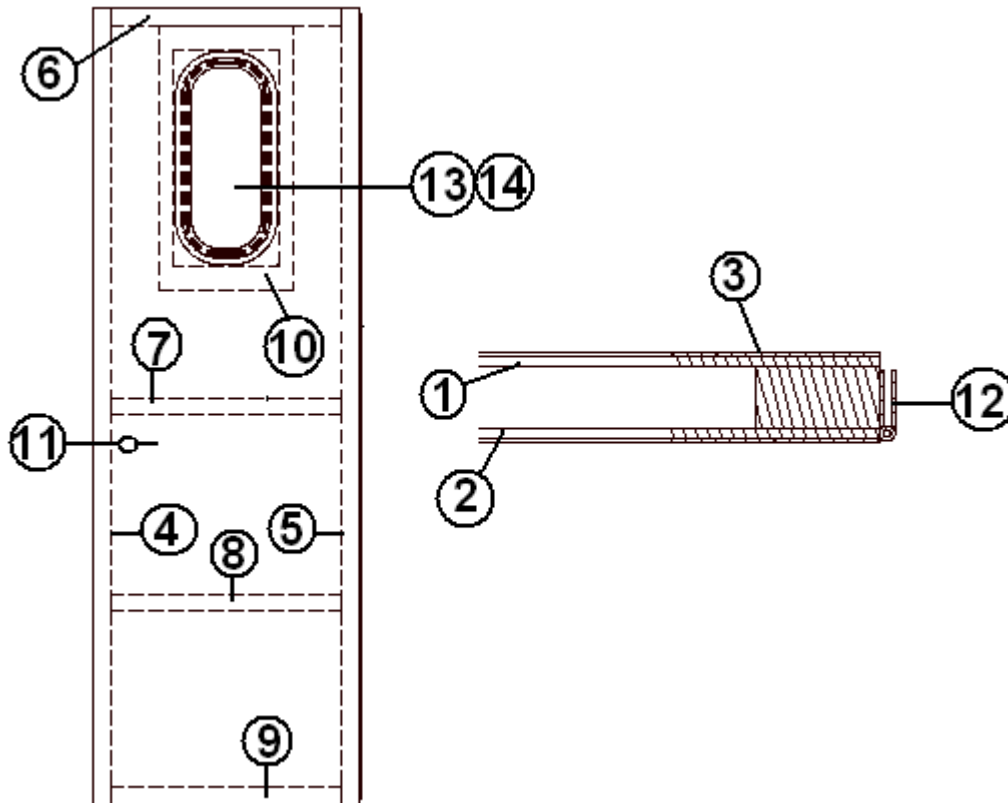
966894 Bath door

- 1. 966894-1 PANEL, .125", LAUAN 27.5 X 74
- 2. 966894-2 PANEL, .125", LAUAN 27.5 X 74
- 3. 966894-3 LAMINATE, 7.5 X 74
- 4. 966894-4 PANEL, .75"LAUAN, 1.5 X 72.5
- 5. 966894-5 PANEL, .75"LAUAN, 1.5 X 72.5
- 6. 966894-6 PANEL, .75"LAUAN, 1.5 X 21.75
- 7. 966894-7 PANEL, .75"LAUAN, 1.5 X 21.75
- 8. 966894-8 PANEL, .75"LAUAN, 1.5 X 21.75
- 9. 966894-9 PANEL, .75"LAUAN, 1.5 X 21.75
- 10. 966894-10 PANEL, .75"LAUAN, 1.5 X 21.75
- 11. 381771 LATCH-LEVER LOCKSET PRIVACY
- 12. 380203-01 PIANO HINGE
- 13. 966894-15 LAMINATE, 27.5 X 74

2009 INTERNATIONAL TRAVEL TRAILER

FURNITURE, BATH

Door, Bath, 25' FB, 27' FB Signature, Ocean Breeze

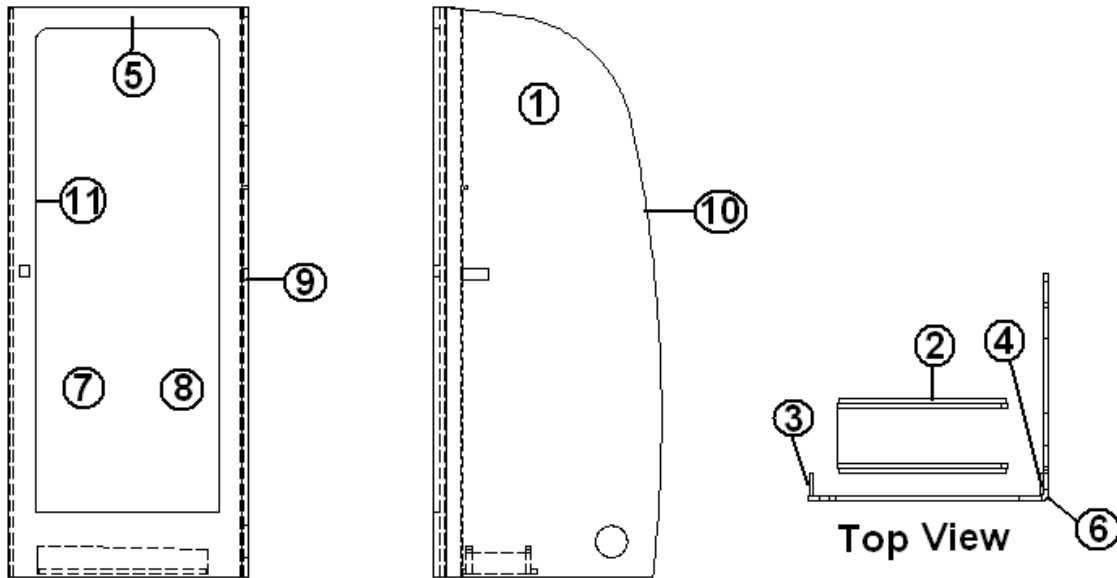


966895	Bath door
1. 966895-1	PANEL, .125", "LAUAN 27.5 X 74
2. 966895-2	PANEL, .125", "LAUAN 27.5 X 74
3. 966895-3	LAMINATE, 27.5 X 74
4. 966895-4	PANEL, .75 LAUAN, 1.5 X 72.5
5. 966895-5	PANEL, .75 LAUAN, 1.5 X 72.5
6. 966895-6	PANEL, .75 LAUAN, 1.5 X 21.75
7. 966895-7	PANEL, .75 LAUAN, 1.5 X 21.75
8. 966895-8	PANEL, .75 LAUAN, 1.5 X 21.75
9. 966895-9	PANEL, .75 LAUAN, 1.5 X 21.75
10. 966895-10	PANEL, .75 LAUAN, 12 X 24
11. 381771	LATCH-LEVER LOCKSET PRIVACY
12. 380203-01	PIANO HINGE
13. 371384	BATH WINDOW, 18"
14. 203475	TRIM, 18" STACK WINDOW

2009 INTERNATIONAL TRAVEL TRAILER

FURNITURE, BATH

Shower Compartment Assembly, 25' FB Twin & Double Bed, 27' FB Double Bed, Signature, Wenge

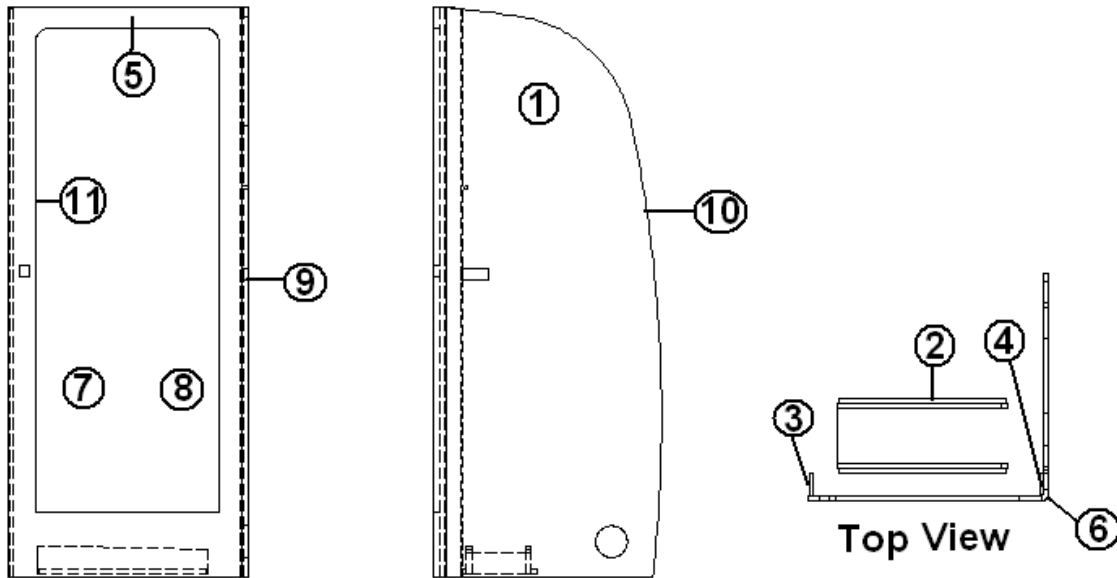


- | | |
|----------------|------------------------------------|
| 966879 | Shower Compartment Assembly, Wenge |
| 1. 966879-1 | PANEL, AFT SHOWER, WENGE |
| 2. 961916-01 | STAND ASSY-SHOWER |
| 3. 966879-3 | PANEL, 3" X 79.00" |
| 4. 966879-4 | PANEL, 3" X 79.00" |
| 5. 966879-5 | PANEL REXEL |
| 6. 801706-0016 | CORNER TRIM, 90D 1"RADIUS, 84" |
| 7. 203081 | SHOWER STALL, 2 PC. |
| 8. 703626-01 | SHOWER DOOR, BRUSHED NICKEL |
| 9. 365303-02 | EDGE BANDING, WENGE 1.125" |
| 10. 203138-05 | EXTRUSION, PLASTIC 1/2" WALL |
| 11. 203440 | T-MOLDING BLACK, FLEXIBLE POLY .5" |

2009 INTERNATIONAL TRAVEL TRAILER

FURNITURE, BATH

Shower Compartment Assembly, 25' FB Twin & Double Bed, 27' FB Double Bed Signature, Ocean Breeze

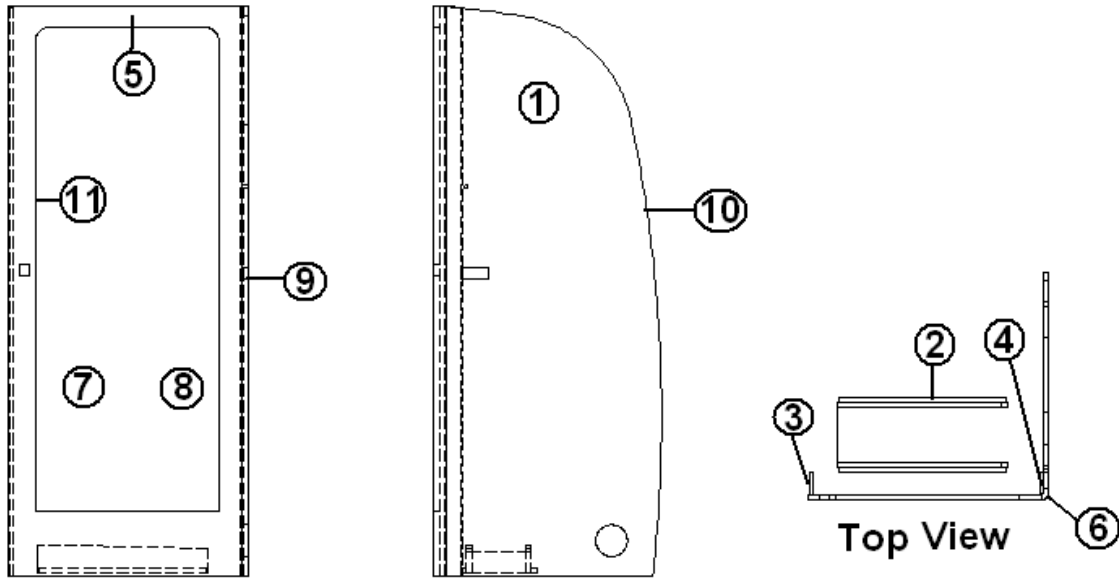


- | | |
|---------------|-------------------------------------|
| 966879-01 | Shower Compartment Assembly |
| 1. 966879-011 | PANEL, AFT SHOWER, WHITE |
| 2. 961916-01 | STAND ASSY-SHOWER |
| 3. 966789-013 | PANEL, 3" X 79.00" |
| 4. 966789-014 | PANEL, 3" X 79.00" |
| 5. 966789-015 | PANEL REXEL |
| 6. 801706-WH | CORNER TRIM, 90D 1"RADIUS, 84" |
| 7. 203081 | SHOWER STALL, 2 PC. |
| 8. 703626-01 | SHOWER DOOR, SILVER 27" |
| 9. 365267 | EDGE BANDING, PLYWOOD, 1.125" |
| 10. 203138-05 | EXTRUSION, PLASTIC 1/2" WALL |
| 11. 203597 | T-MOLDING, WHITE, FLEXIBLE POLY .5" |

2009 INTERNATIONAL TRAVEL TRAILER

FURNITURE, BATH

Shower Compartment Assembly, 27' FB Twin Signature, Wenge

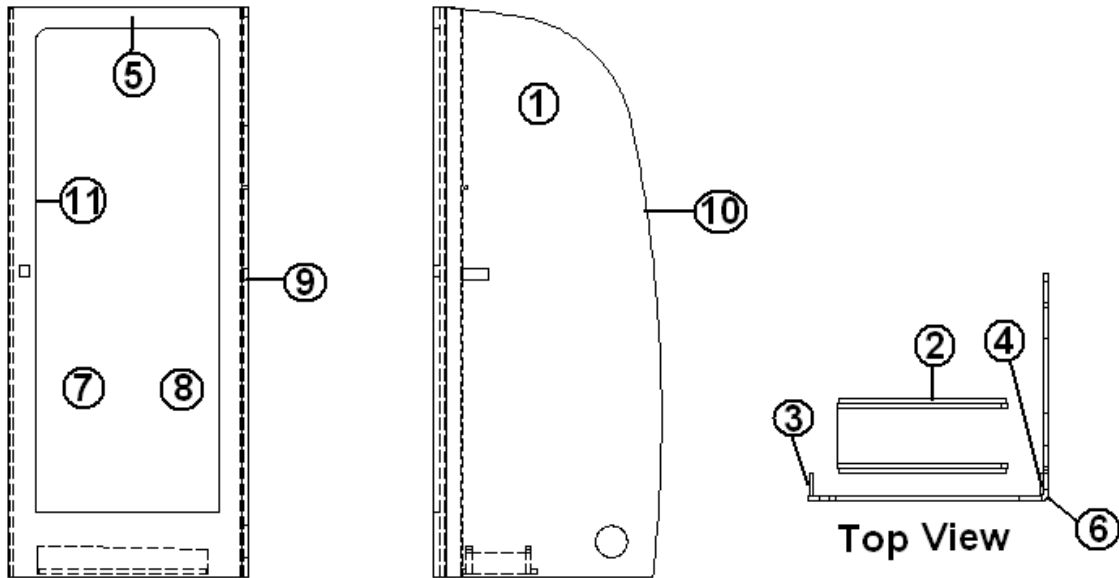


- | | |
|----------------|------------------------------------|
| 967060 | Shower Compartment Assembly, Wenge |
| 1. 967060-1 | PANEL, AFT SHOWER, WENGE |
| 2. 961916-01 | STAND ASSY-SHOWER |
| 3. 967060-3 | PANEL, 3" X 78.75" |
| 4. 967060-4 | PANEL, 3" X 78.75" |
| 5. 967060-5 | PANEL REXEL |
| 6. 801706-0016 | CORNER TRIM, 90D 1"RADIUS, 84" |
| 7. 203081 | SHOWER STALL, 2 PC. |
| 8. 703626-01 | SHOWER DOOR, SILVER 27" |
| 9. 365303-02 | EDGEBANDING, WENGE 1.125" |
| 10. 203138-05 | EXTRUSION, PLASTIC 1/2" WALL |
| 11. 203440 | T-MOLDING BLACK, .5" |

2009 INTERNATIONAL TRAVEL TRAILER

FURNITURE, BATH

Shower Compartment Assembly, 27' FB Twin, Signature, Ocean Breeze



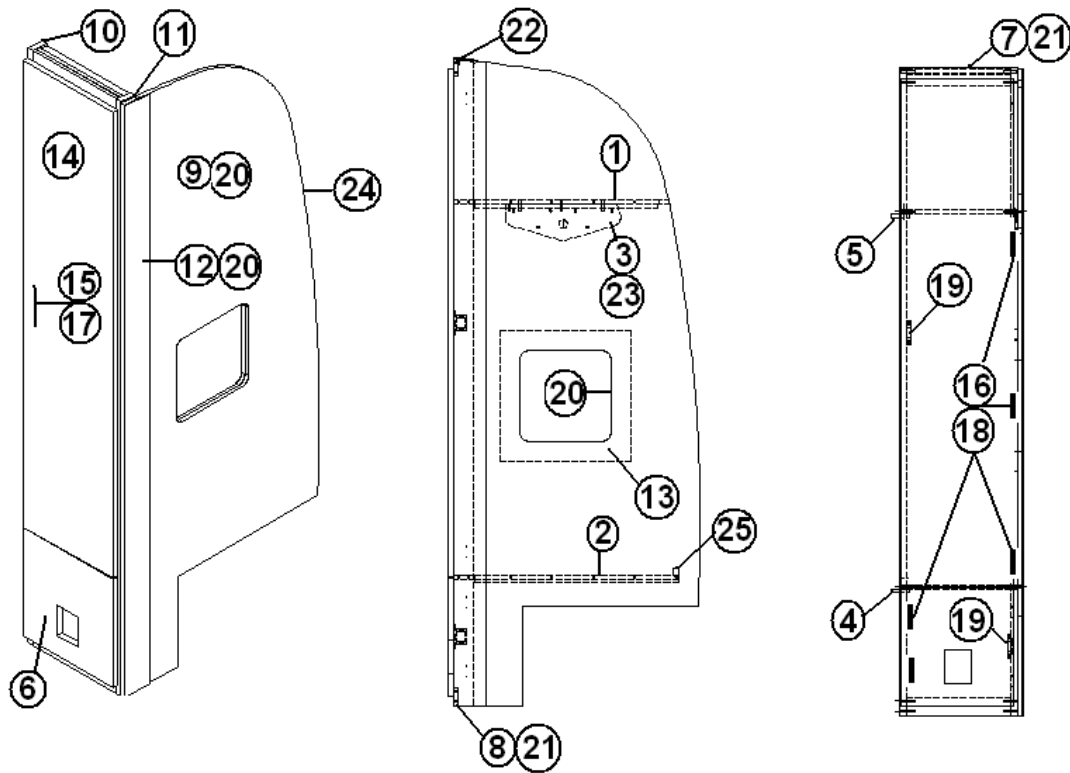
- 967060-01
- 1. 967060-011
- 2. 961916-01
- 3. 966789-013
- 4. 966789-014
- 5. 966789-015
- 6. 801706-WH
- 7. 203081
- 8. 703626-01
- 9. 365267
- 10. 203138-01
- 11. 203597

- Shower Compartment Assembly
- PANEL, AFT SHOWER, WHITE
- STAND ASSY-SHOWER
- PANEL, 3" X 78.75"
- PANEL, 3" X 78.75"
- PANEL REXEL
- CORNER TRIM, 90D 1"RADIUS, 84"
- SHOWER STALL, 2 PC.
- SHOWER DOOR, SILVER 27"
- EDGEBANDING, PLYWOOD, 1.125"
- EXTRUSION, PLASTIC 1/2" WALL
- T-MOLDING, WHITE, FLEXIBLE POLY .5"

2009 INTERNATIONAL TRAVEL TRAILER

FURNITURE, BATH

Wardrobe, 27' FB Signature, Forward, Wenge



Part numbers are on the next page.

2009 INTERNATIONAL TRAVEL TRAILER

FURNITURE, BATH

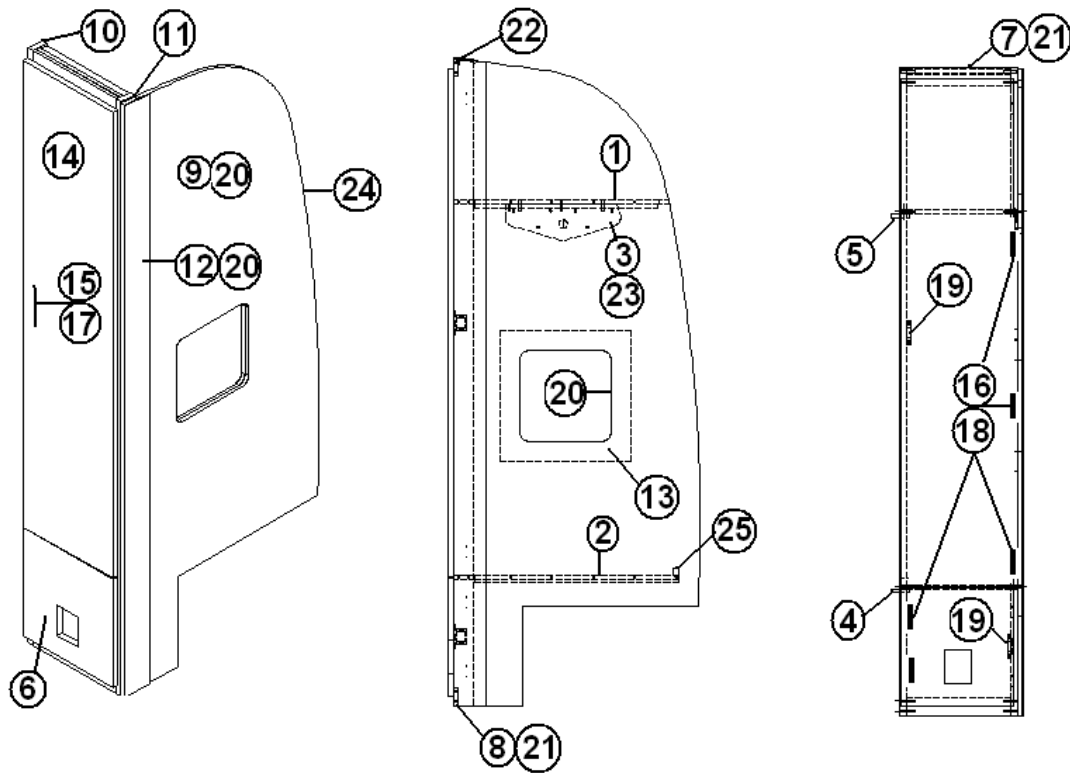
Wardrobe, 27' FB Signature, Forward, Wenge

966880	Wardrobe, forward, Wenge
1. 966880-1	Panel, 26" x 14.25"
2. 966880-2	Panel, 27.25" x 14.25"
3. 966880-3	Panel, 14" x 7"
4. 966880-4	Panel, 2.25" x 24.75"
5. 966880-5	Panel, 2.25" x 22.25"
6. 966880-6	Door, 13.75" x 14.38"
7. 966880-7	Panel, 12.75" x 2.25"
8. 966880-8	Panel, 12.75" x 2.25"
9. 966880-9	Panel, 29.87" x 78.54"
10. 966880-10	Panel, 78.69" x 2.25"
11. 966880-11	Panel, 78.69" x 2.25"
12. 966880-12	Panel, Forward, ¼" x 78.54" x 3.81"
13. 966883	CLOSEOUT, WARDROBE
14. 966880-14	DOOR, 13.75" X 61.75"
15. 382029-03	HANDLE, BAR, 11.25"
16. 381607	HINGE-ASSEMBLY
17. 345001-08	SCREW #8-32 X 1" REC TRUS
18. 381607-04	HINGE SCREW-GRASS
19. 381228-01	CATCH GRABBER DOOR C3-803
20. 365303-02	EDGEBANDING, WENGE, 1.125"
21. 365303-01	EDGEBANDING, WENGE, .63"
22. 104821	SUPPORT, ROOFLOCKER, 74"
23. 365238-04	EDGEBANDING, WHITE, .50"
24. 203138-04	EXTRUSION - PLASTIC 1/2" OAK
25. 800025-01	PINE, ¾" X ¾", STAINED

2009 INTERNATIONAL TRAVEL TRAILER

FURNITURE, BATH

Wardrobe, 27' FB Signature, Forward, Ocean Breeze



Part numbers are on the next page.

2009 INTERNATIONAL TRAVEL TRAILER

FURNITURE, BATH

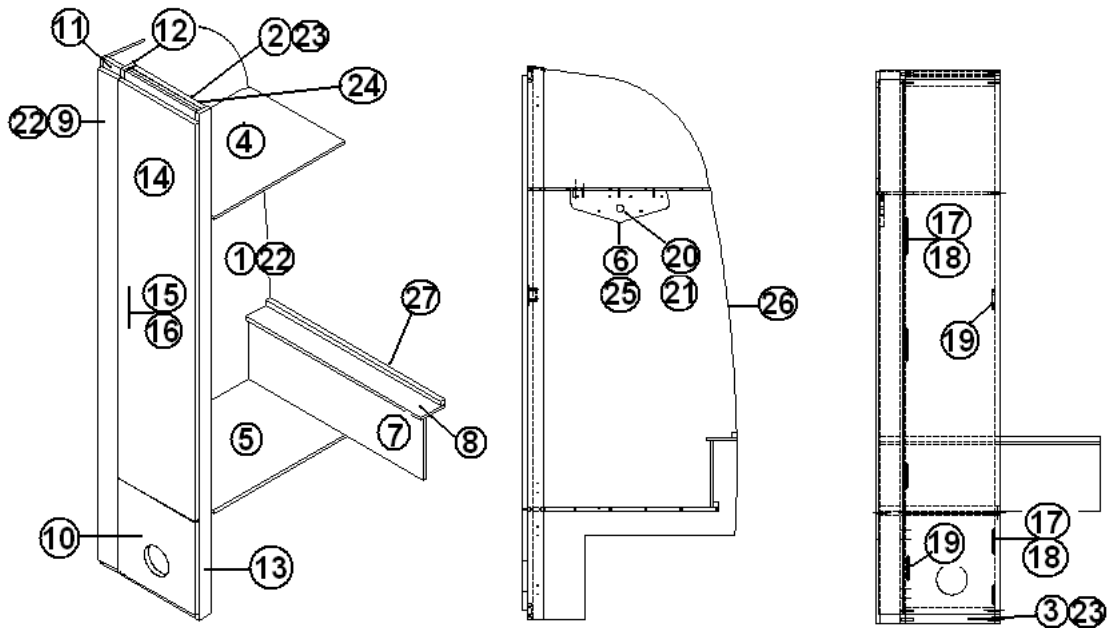
Wardrobe, 27' FB Signature, Forward, Ocean Breeze

966880-01	Wardrobe, forward
1. 966880-011	Panel, 26" x 14.25"
2. 966880-012	Panel, 27.25" x 14.25"
3. 966880-013	Panel, 14" x 7"
4. 966880-014	Panel, 2.25" x 24.75"
5. 966880-015	Panel, 2.25" x 22.25"
6. 966880-016	Door, 13.75" x 14.38"
7. 966880-017	Panel, 12.75" x 2.25"
8. 966880-018	Panel, 12.75" x 2.25"
9. 966880-019	Panel, 29.87" x 78.54"
10. 966880-0110	Panel, 78.69" x 2.25"
11. 966880-0111	Panel, 78.69" x 2.25"
12. 966880-0112	Lauan, ¼" x 78.54" x 3.81"
13. 966883-01	CLOSEOUT, WARDROBE
14. 966880-0114	DOOR, 13.75" X 61.75"
15. 382046	PULL, BAMBOO, W/BUSHED NICKEL ENDS
16. 381607	HINGE, DOOR
17. 345001-08	SCREW #8-32 X 1" REC TRUS
18. 381607-04	HINGE SCREW-GRASS
19. 381228-01	CATCH GRABBER DOOR C3-803
20. 365267	EDGE BANDING, PLYWOOD, 1.125"
21. 365267-01	EDGE BANDING, PLYWOOD, .63"
22. 104821	SUPPORT, ROOFLOCKER, 74"
23. 365267-01	EDGE BANDING, PLYWOOD, .50"
24. 203138-01	EXTRUSION, PLASTIC ½", WHITE
25. 800025-01	PINE, ¾" X ¾", STAINED

2009 INTERNATIONAL TRAVEL TRAILER

FURNITURE, BATH

Wardrobe, 27' FB Signature, Aft, Wenge



Part numbers are on the next page.

2009 INTERNATIONAL TRAVEL TRAILER

FURNITURE, BATH

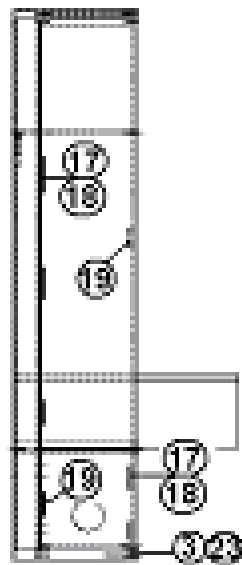
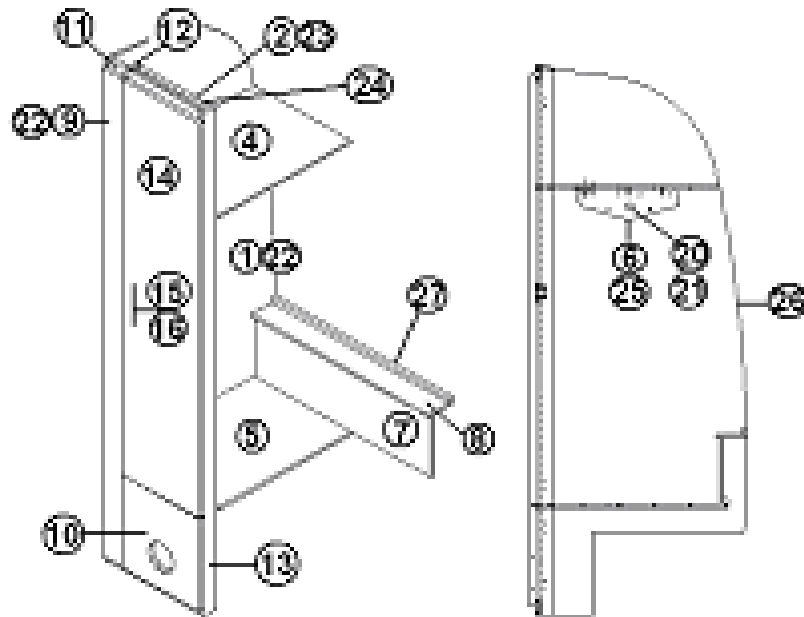
Wardrobe, 27' FB Signature, Aft, Wenge

966881	WARDROBE, AFT
1. 966881-1	Panel, 78.5" x 29.87"
2. 966881-2	Panel, 12.75" x 2.25"
3. 966881-3	Panel, 12.75" x 2.25"
4. 966881-4	Panel, 26" x 17.19"
5. 966881-5	Panel, 26" x 17.19"
6. 966881-6	Door, 14" x 7"
7. 966881-7	Panel, 9.5" x 31.44"
8. 966881-8	Panel, 4.31 x 31.44"
9. 966881-9	Panel, 3.44 x 76.29"
10. 966881-10	Door, aft wardrobe bottom
11. 966881-11	Panel, 2.94" x 78.60"
12. 966881-12	Panel, 78.69 x 2.25"
13. 966881-13	Panel, 78.69" x 2.25"
14. 966881-14	Door, aft wardrobe
15. 382029-03	HANDLE, BAR, 11.25"
16. 345001-08	SCREW #8-32 X 1"
17. 381607	HINGE-ASSEMBLY
18. 381607-04	HINGE SCREW-GRASS
19. 381228-01	CATCH GRABBER DOOR C3-803
20. 380045	TUBING, 3/4"
21. 200975-04	CONDUIT, FLEXIBLE, BLACK
22. 365303-02	EDGE BANDING, WENGE, 1.125"
23. 365303-01	EDGE BANDING, WENGE, .63"
24. 104821	SUPPORT, ROOFLOCKER, 74"
25. 365238-04	EDGE BANDING, WHITE, .50"
26. 203138-04	EXTRUSION - PLASTIC 1/2" OAK
27. 800025-01	PINE, 3/4" X 3/4", STAINED

2009 INTERNATIONAL TRAVEL TRAILER

FURNITURE, BATH

Wardrobe, 27' FB Signature, Aft, Ocean Breeze



Part numbers are on the next page.

2009 INTERNATIONAL TRAVEL TRAILER

FURNITURE, BATH

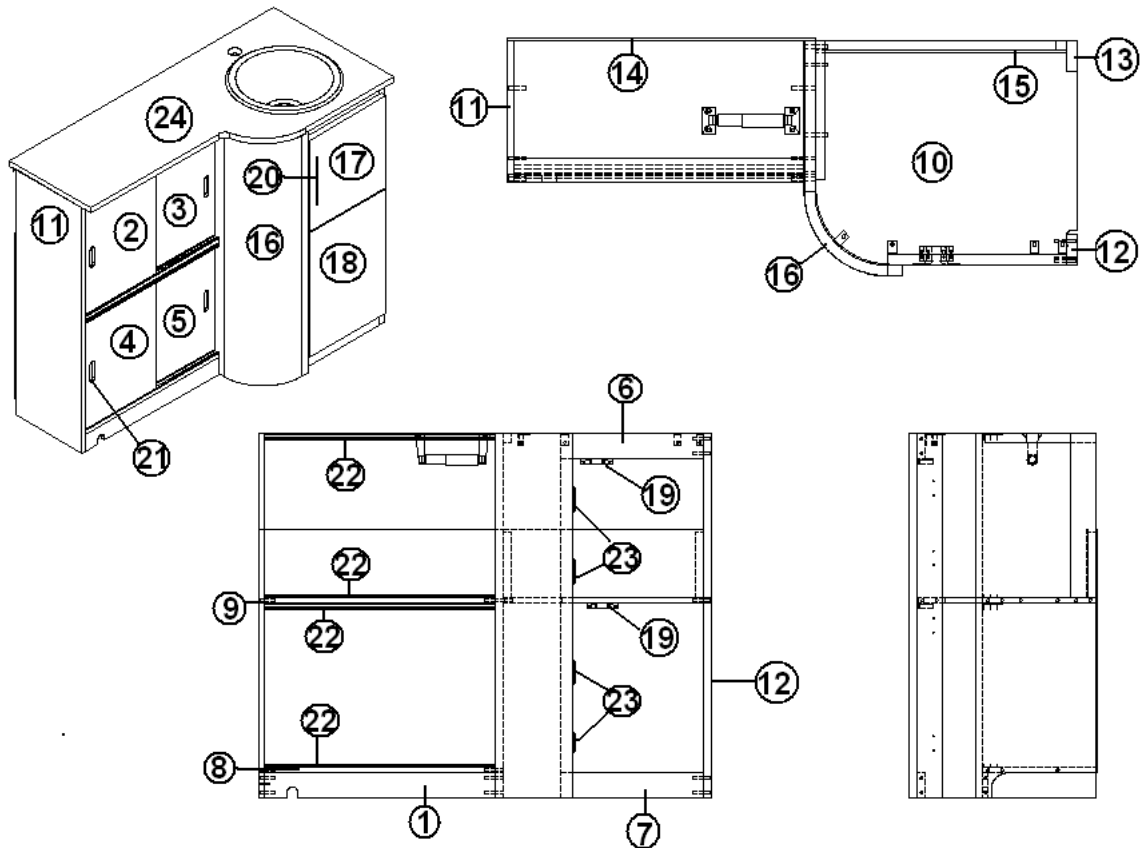
Wardrobe, 27' FB Signature, Aft, Ocean Breeze

966881-01	WARDROBE, AFT
1. 966881-011	Panel, 78.5" x 29.87"
2. 966881-012	Panel, 12.75" x 2.25"
3. 966881-013	Panel, 12.75" x 2.25"
4. 966881-014	Panel, 26" x 17.19"
5. 966881-015	Panel, 26" x 17.19"
6. 966881-016	Door, 14" x 7"
7. 966881-017	Panel, 9.5" x 31.44"
8. 966881-018	Panel, 4.31 x 31.44"
9. 966881-019	Panel, 3.44 x 76.29"
10. 966881-0110	Door, aft wardrobe bottom
11. 966881-0111	Panel, 2.94" x 78.60"
12. 966881-0112	Panel, 78.69 x 2.25"
13. 966881-0113	Panel, 78.69" x 2.25"
14. 966881-0114	Door, aft wardrobe
15. 382046	PULL, BAMBOO, W/BUSHED NICKEL ENDS
16. 345001-08	SCREW #8-32 X 1"
17. 381607	HINGE, DOOR
18. 381607-04	HINGE, SCREW
19. 381228-01	CATCH GRABBER DOOR C3-803
20. 380045	TUBING, 3/4"
21. 200975-04	CONDUIT, FLEXIBLE, BLACK
22. 365267	EDGE BANDING, PLYWOOD, 1.125"
23. 365267-01	EDGE BANDING, PLYWOOD, .63"
24. 104821	SUPPORT, ROOFLOCKER, 74"
25. 365267-01	EDGE BANDING, PLYWOOD, .50"
26. 203138-01	EXTRUSION, PLASTIC 1/2" WHITE
27. 800025-01	PINE, 3/4" X 3/4", STAINED

2009 INTERNATIONAL TRAVEL TRAILER

FURNITURE, BATH

Lavatory Cabinet, 27' FB Signature, Wenge



Part numbers are on the next page.

2009 INTERNATIONAL TRAVEL TRAILER

FURNITURE, BATH

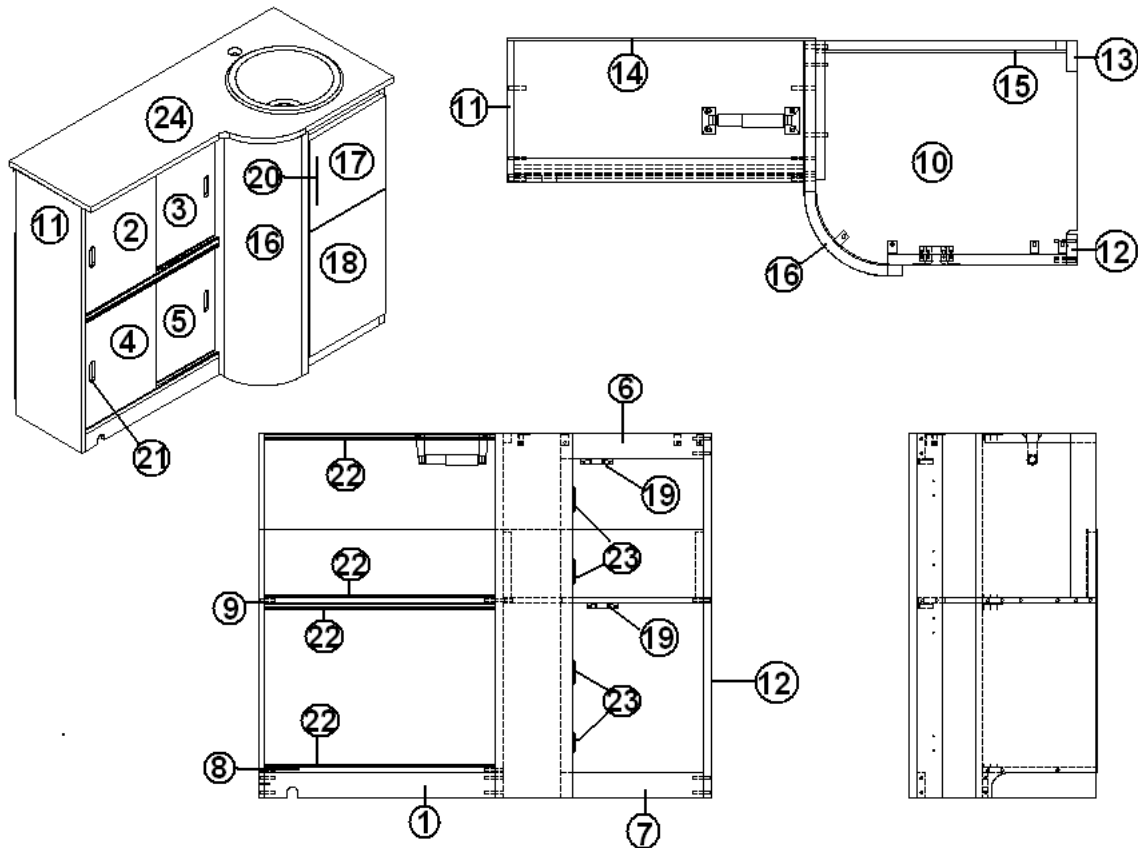
Lavatory Cabinet, 27' FB Signature, Wenge

966884	CABINET ASSEMBLY, LAVY
1. 966884-1	Panel, 22.85" x 2.25"
2. 966884-2	DOOR, 11.25" X 14"
3. 966884-3	DOOR, 11.25" X 14"
4. 966884-4	DOOR, 11.25" X 14"
5. 966884-5	DOOR, 11.25" X 14"
6. 966884-6	PANEL, 12.87" X 2.25"
7. 966884-7	PANEL, 12.87" X 2.25"
8. 966884-8	PANEL, 10.25" X 20.85"
9. 966884-9	PANEL, 10.25" X 20.85"
10. 966884-10	PANEL, 18.87" X 16.19"
11. 966884-11	PANEL, 10.25" X 33"
12. 966884-12	PANEL, 2.25" X 33"
13. 966884-13	PANEL, 2.25" X 14.87"
14. 966884-14	PANEL, 22.13" X 22.13" WHITE/RAW
15. 966884-15	PANEL, 18.12" X 6.25", WHITE/RAW
16. 966893	RADIUS SUB-ASSEMBLY
17. 966884-17	DOOR, 11.87" X 16.69"
18. 966884-18	DOOR, 11.87" X 12.31"
19. 381228-01	CATCH GRABBER DOOR C3-803
20. 382029-03	HANDLE, BAR 11.25"
21. 382030	PULL-RECESSED FINGER .7 X 2.7
22. 115374	SLIDING DOOR TRACK .5"
23. 381607	HINGE-ASSEMBLY
24. 966885	TOP ASSY, LAVY

2009 INTERNATIONAL TRAVEL TRAILER

FURNITURE, BATH

Lavatory Cabinet, 27' FB Signature, Ocean Breeze



Part numbers are on the next page.

2009 INTERNATIONAL TRAVEL TRAILER

FURNITURE, BATH

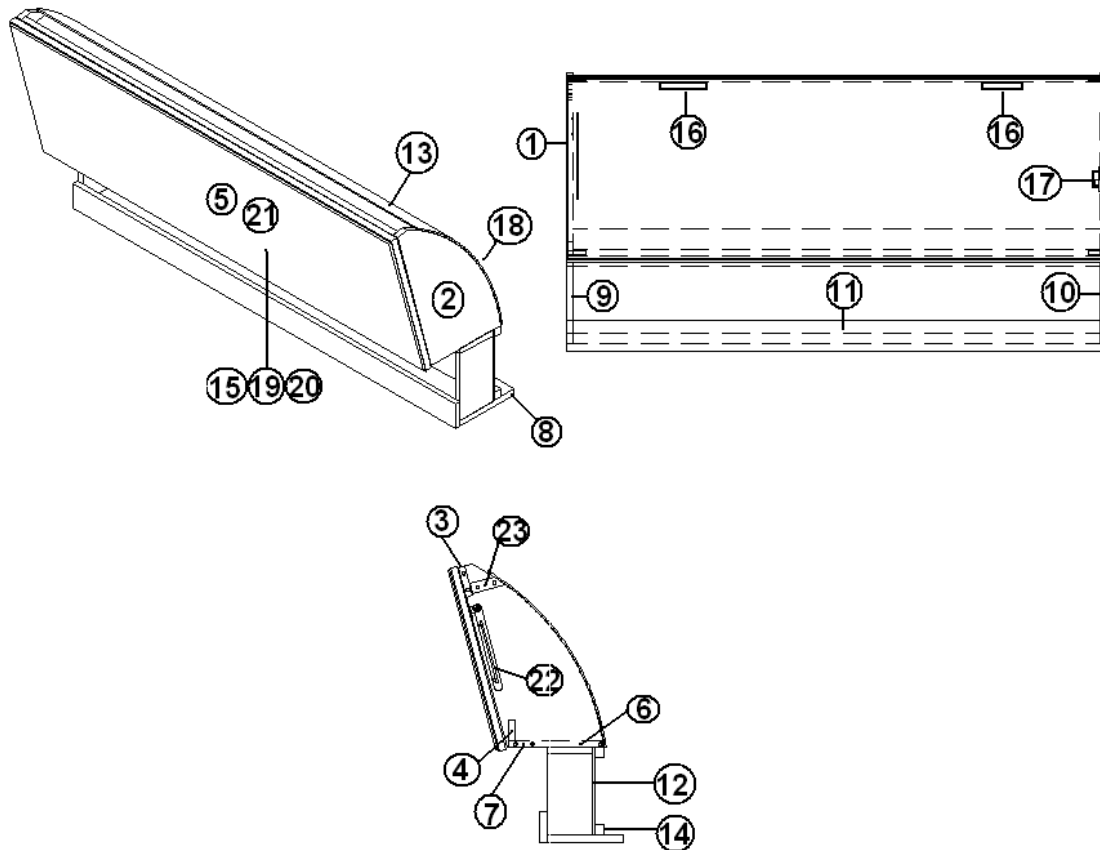
Lavatory Cabinet, 27' FB Signature, Ocean Breeze

966884-01	CABINET ASSEMBLY, LAVY
1. 966884-011	Panel, 22.85" x 2.25"
2. 966884-012	DOOR, 11.25" X 14"
3. 966884-013	DOOR, 11.25" X 14"
4. 966884-014	DOOR, 11.25" X 14"
5. 966884-015	DOOR, 11.25" X 14"
6. 966884-016	PANEL, 12.87" X 2.25"
7. 966884-017	PANEL, 12.87" X 2.25"
8. 966884-018	PANEL, 10.25" X 20.85"
9. 966884-019	PANEL, 10.25" X 20.85"
10. 966884-0110	PANEL, 18.87" X 16.19"
11. 966884-0111	PANEL, 10.25" X 33"
12. 966884-0112	PANEL, 2.25" X 33"
13. 966884-0113	PANEL, 2.25" X 14.87"
14. 966884-0114	PANEL, 22.13" X 22.13" WHITE/RAW
15. 966884-0115	PANEL, 18.12" X 6.25", WHITE/RAW
16. 966893-01	RADIUS SUB-ASSEMBLY
17. 966884-0117	DOOR, 11.87" X 16.69"
18. 966884-0118	DOOR, 11.87" X 12.31"
19. 381228-01	CATCH GRABBER DOOR C3-803
20. 382046	PULL, BAMBOO, W/BUSHED NICKEL ENDS
21. 382030	PULL, RECESSED FINGER .7 X 2.7
22. 200963-01	TRACK, SLIDING DOOR, VANITY, UPPER
22. 200963-02	TRACK, SLIDING DOOR, VANITY, LOWER
23. 381607	HINGE, DOOR
24. 966885-01	TOP ASSY, LAVY

2009 INTERNATIONAL TRAVEL TRAILER

FURNITURE, BATH

Medicine Cabinet, 25' FB, 27' FB, Signature, Wenge



Part numbers are on the next page.

2009 INTERNATIONAL TRAVEL TRAILER

FURNITURE, BATH

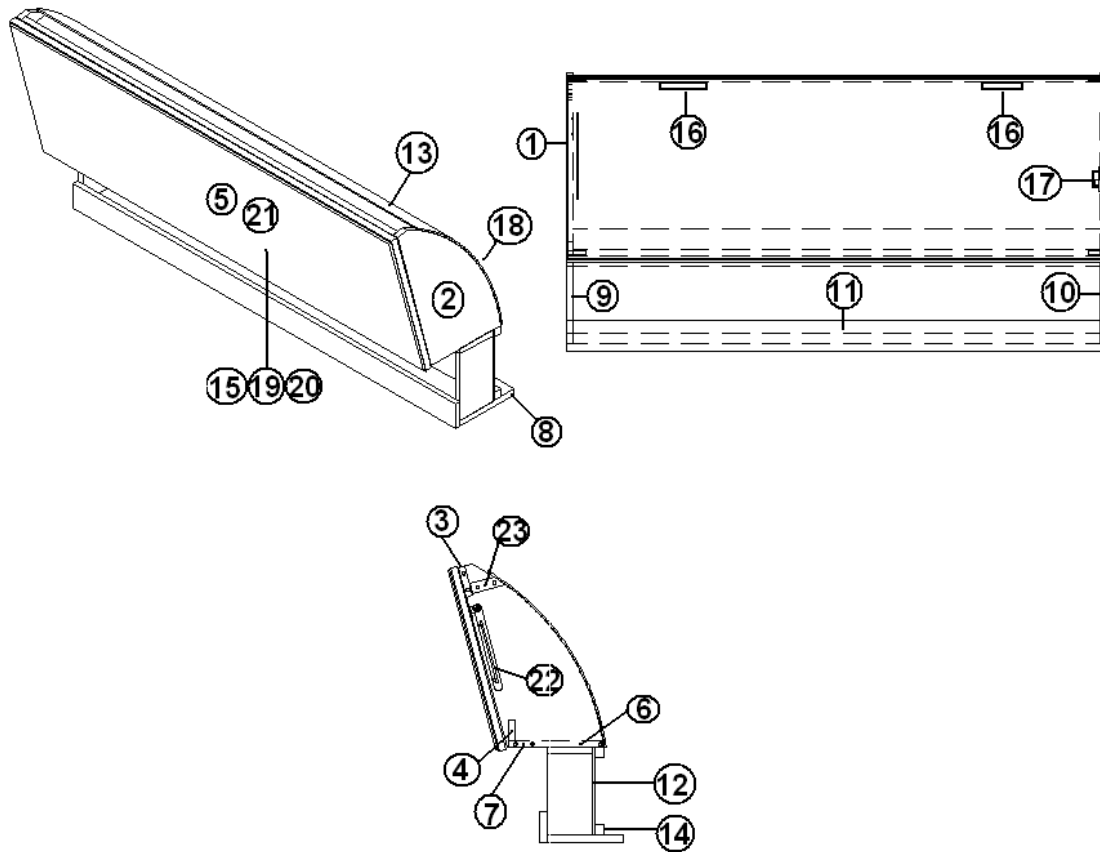
Medicine Cabinet, 25' FB, 27' FB, Signature, Wenge

966896	MEDICINE CABINET ASSY.
1. 966896-1	PANEL, 10.81. 13.56"
2. 966896-2	PANEL, 10.81. 13.56"
3. 966896-3	PANEL, 2.25" X 39"
4. 966896-4	PANEL, 1.50" X 39"
5. 966896-5	PANEL, 13.88" X 39.88"
6. 966896-6	PANEL, 7" X 39"
7. 966896-7	PANEL, 3.42" X 40"
8. 966896-8	PANEL, 5.67" X 40"
9. 966896-9	PANEL, 3.42" X 6"
10. 966896-10	PANEL, 3.42" X 6"
11. 966896-11	PANEL, 2.25" X 40"
12. 966896-12	PANEL, 6.5" X 40"
13. 966896-13	PANEL, 16.25" X 40"
14. 800025-01	PINE, 3/4" X 3/4", STAINED
15. 372203-33	MIRROR, SAFETY .125" X 14" X 40"
16. 385935-01	HINGE, PIVOT ZINC PLATED
17. 381228-01	CATCH GRABBER DOOR
18. 365238-04	EDGEBANDING. .5, WHITE
19. 365001	TAPE, DOUBLE COATED FOAM
20. 360180	ADHESIVE SEAL, SIKAFLEX 221, GRAY
21. 385940-02	MIRROR, PULL CHROME
22. 380024	ARMS SUPPORT, RIGHT HAND
23. 966896-23	PANEL, 2.50" X 39"

2009 INTERNATIONAL TRAVEL TRAILER

FURNITURE, BATH

Medicine Cabinet, 25' FB, 27' FB, Signature, Ocean Breeze



Part numbers are on the next page.

2009 INTERNATIONAL TRAVEL TRAILER

FURNITURE, BATH

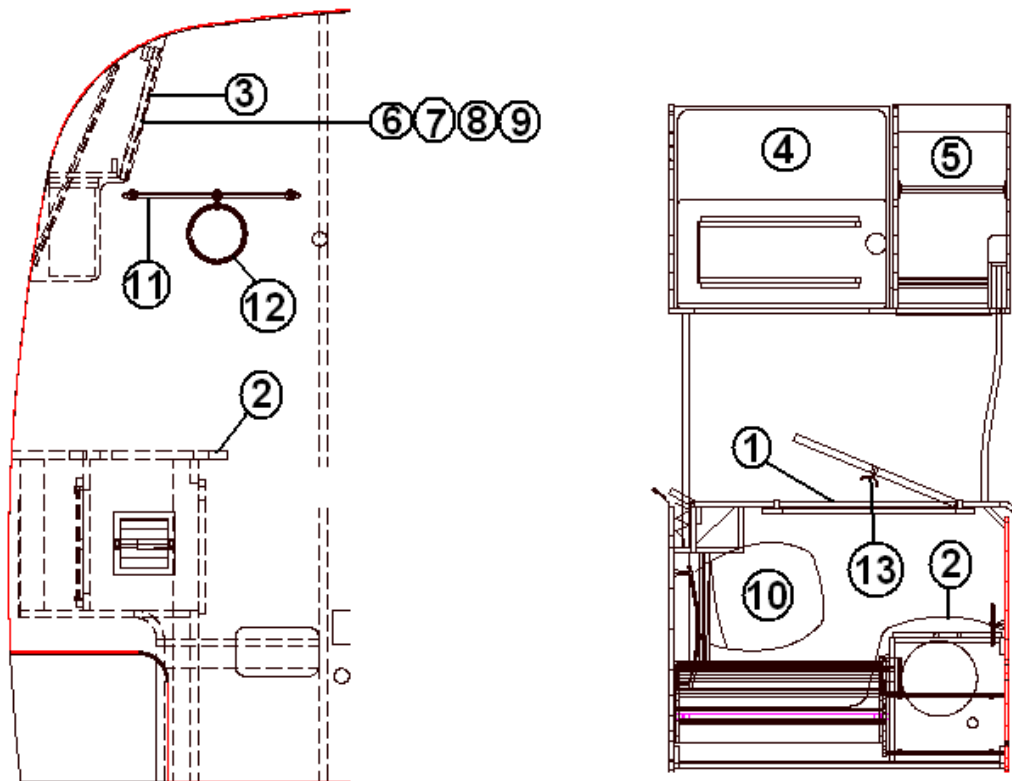
Medicine Cabinet, 25' FB, 27' FB, Signature, Ocean Breeze

966896-01	MEDICINE CABINET ASSY.
1. 966896-011	PANEL, 10.81. 13.56"
2. 966896-012	PANEL, 10.81. 13.56"
3. 966896-013	PANEL, 2.25" X 39"
4. 966896-014	PANEL, 1.50" X 39"
5. 966896-015	PANEL, 13.88" X 39.88"
6. 966896-016	PANEL, 7" X 39"
7. 966896-017	PANEL, 3.42" X 40"
8. 966896-018	PANEL, 5.67" X 40"
9. 966896-019	PANEL, 3.42" X 6"
10. 966896-0110	PANEL, 3.42" X 6"
11. 966896-0111	PANEL, 2.25" X 40"
12. 966896-0112	PANEL, 6.5" X 40", WHITE/RAW
13. 966896-0113	PANEL, 16.25" X 40", WHITE/RAW
14. 800025-01	PINE, ¾" X ¾", STAINED
15. 372203-33	MIRROR, SAFETY .125" X 14" X 40"
16. 385935-01	HINGE, PIVOT ZINC PLATED
17. 381228-01	CATCH GRABBER DOOR
18. 365238-04	EDGE BANDING. .5, WHITE
19. 365001	TAPE, DOUBLE COATED FOAM
20. 360180	ADHESIVE SEAL, SIKAFLEX 221, GRAY
21. 385940-02	MIRROR, PULL CHROME
22. 380024	ARMS SUPPORT, RIGHT HAND
23. 966896-0123	PANEL, 2.50" X 39"

2009 INTERNATIONAL TRAVEL TRAILER

FURNITURE, BATH

Bath Lay Out, 28' Signature, Wenge

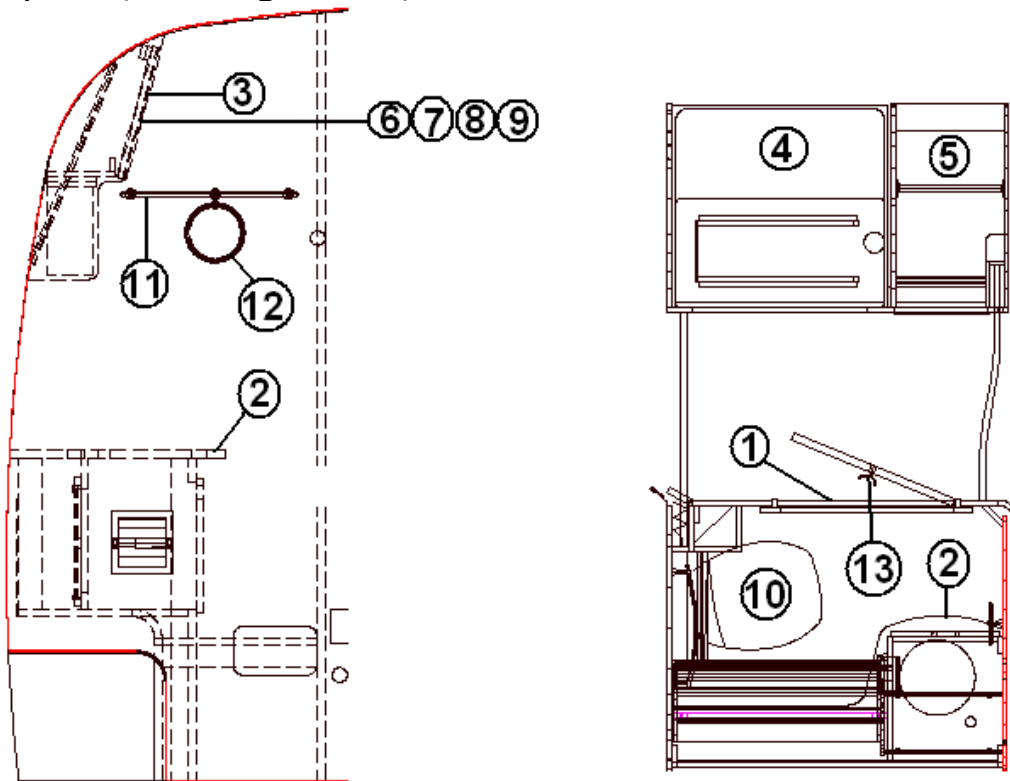


- | | |
|--------------|-----------------------------|
| 1. 966990 | FRONT WALL ASSY, LATRINE |
| 2. 966997 | LAVATORY CABINET |
| 3. 967003 | MEDICINE CABINET, UPPER 30" |
| 4. 966967 | SHOWER COMPT ASSY |
| 5. 966969 | WARDROBE ASSY ROADSIDE |
| 6. 372203-15 | MIRROR, 17.00 X 25.25 |
| 7. 800507-02 | LAUAN, 1/4"X 4' X 8' |
| 8. 381220-01 | MIRROR CLIP |
| 9. 381220-02 | MIRROR CLIP |
| 10. 690472 | TOILET, CHINA, WHITE |
| 11. 381776 | TOWEL BAR, CHROME, 18" |
| 12. 381777 | TOWEL RING, CHROME |
| 13. 381778 | ROBE HOOK, DOUBLE CHROME |

2009 INTERNATIONAL TRAVEL TRAILER

FURNITURE, BATH

Bath Lay Out, 28' Signature, Ocean Breeze

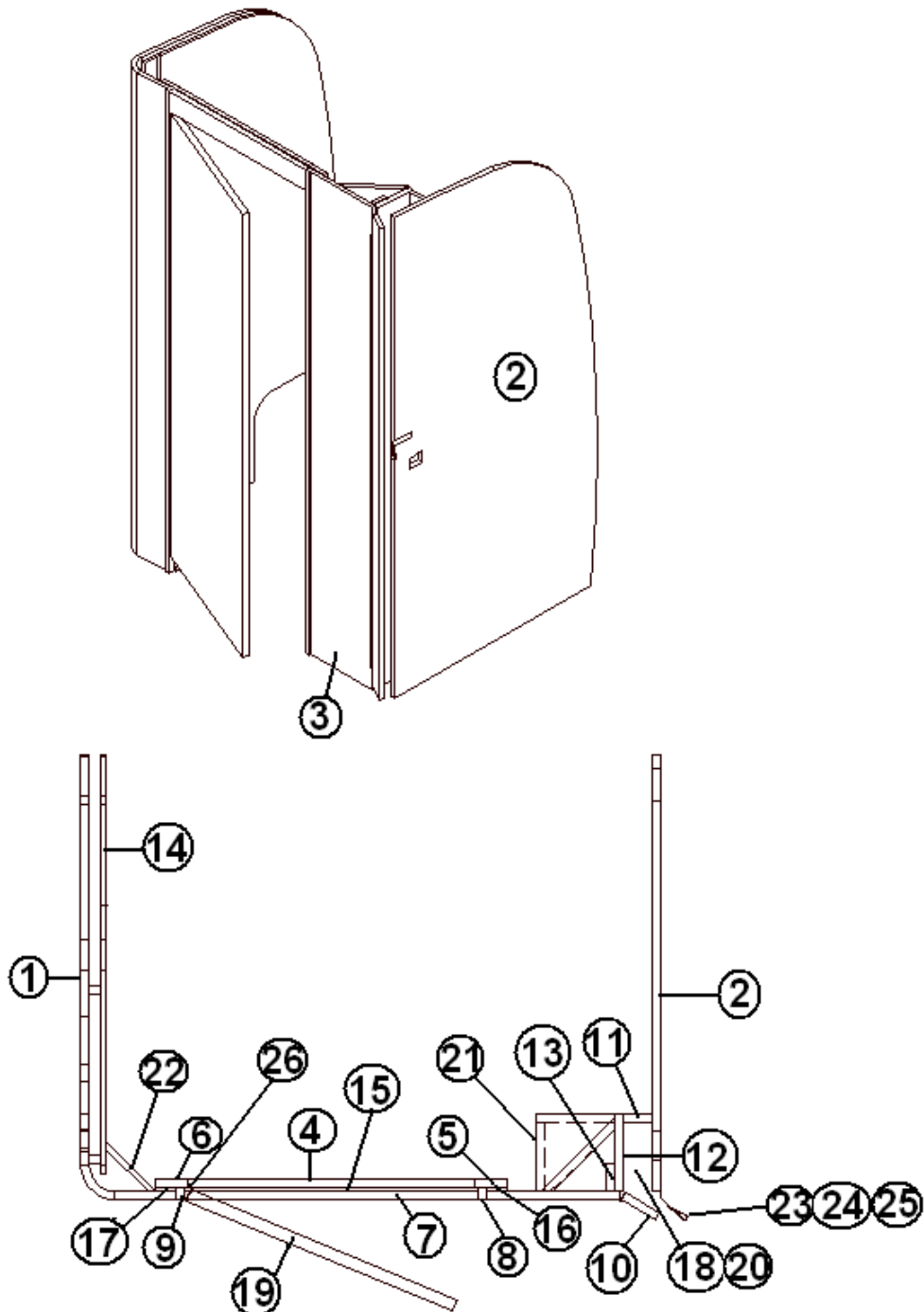


- | | |
|--------------|-----------------------------|
| 1. 966990-01 | FRONT WALL ASSY, LATRINE |
| 2. 966997-01 | LAVATORY CABINET |
| 3. 967003-01 | MEDICINE CABINET, UPPER 30" |
| 4. 966967-01 | SHOWER COMPT ASSY |
| 5. 966969-01 | WARDROBE ASSY ROADSIDE |
| 6. 372203-26 | MIRROR, 13.62 X 58. |
| 7. 800507-02 | LAUAN, 1/4"X 4' X 8' |
| 8. 381220-01 | MIRROR CLIP |
| 9. 381220-02 | MIRROR CLIP |
| 10. 690472 | TOILET, CHINA, WHITE |
| 11. 381776 | TOWEL BAR, CHROME, 18" |
| 12. 381777 | TOWEL RING, CHROME |
| 13. 381778 | ROBE HOOK, DOUBLE CHROME |

2009 INTERNATIONAL TRAVEL TRAILER

FURNITURE, BATH

Latrine Front Wall Assembly, 28' Signature, Wenge



Part Number on the Next Page

2009 INTERNATIONAL TRAVEL TRAILER

FURNITURE, BATH

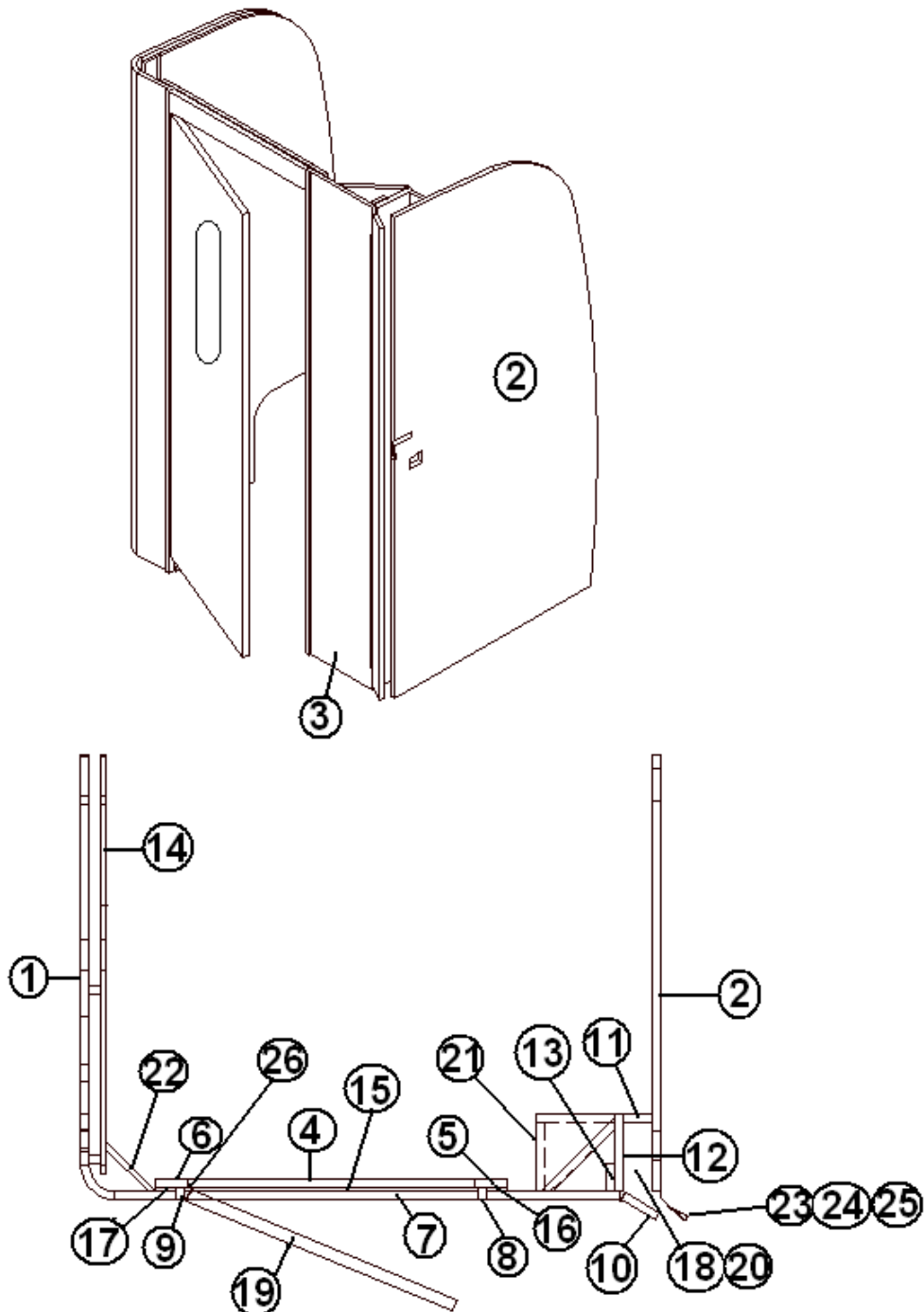
Latrine Front Wall Assembly, 28' Signature, Wenge

966990	FRONT WALL ASSY, LATRINE
1. 966991	WALL ASSY FWD BATH
2. 966990-2	PANEL, BATH, 38.58 X 79.22
3. 966990-3	PANEL, BATH, 11.69 X 79.50
4. 966990-4	PANEL, BATH, 25.25 X 3.75
5. 966990-5	PANEL, BATH, 2.88 X 79.32
6. 966990-6	PANEL, BATH, 2.88 X 79.32
7. 966990-7	PANEL, BATH, 26.00 X 3.41
8. 966990-8	PANEL, BATH, 1.06 X 79.42
9. 966990-9	PANEL, BATH, 1.06 X 79.42
10. 966990-10	DOOR, BATH, FRONT WALL, 3.44 X 77.4
11. 966990-11	PANEL, BATH, 2.5 X 78.82
12. 966990-12	PANEL, BATH, 6.75 X 79.34
13. 966990-13	PANEL, BATH, 2.5 X 79.38
14. 966990-14	PANEL, BATH, 37.08 X 79.15
15. 800507-02	LAUAN, 1/4" X 4' X 8'
16. 800507-02	LAUAN, 1/4" X 4' X 8'
17. 800507-02	LAUAN, 1/4" X 4' X 8'
18. 702681-07	DOOR, FOLDETTE 60"X 73" GREY
19. 966994	DOOR ASSY, BATH
20. 381802-01	TAP CAP #2 WHITE
21. 966996	CLOSEOUT, BLACK TANK VENT ASSY.
22. 966990-22	PANEL, BATH, 6.18 X 79.34
23. 381581	STRAP CLEAR PLASTIC .75"W
24. 700811	BUTTON CAP, HANDY
25. 700812	BUTTON BOTTOM, OAK
26. 380203-01	PIANO HINGE 1/8" PIN

2009 INTERNATIONAL TRAVEL TRAILER

FURNITURE, BATH

Latrine Front Wall Assembly, 28' Signature, Ocean Breeze



Part Number on the Next Page

2009 INTERNATIONAL TRAVEL TRAILER

FURNITURE, BATH

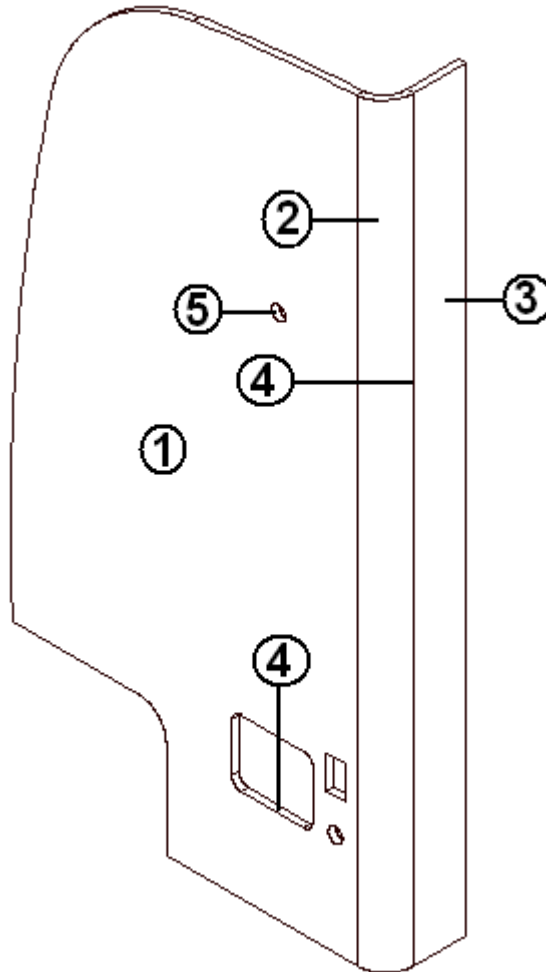
Latrine Front Wall Assembly, 28' Signature, Ocean Breeze

966990-01	FRONT WALL ASSY, LATRINE
1. 966991-01	WALL ASSY FWD BATH
2. 966990-012	PANEL, BATH, 38.58 X 79.22
3. 966990-013	PANEL, BATH, 11.69 X 79.50
4. 966990-014	PANEL, BATH, 25.25 X 3.75
5. 966990-015	PANEL, BATH, 2.88 X 79.32
6. 966990-016	PANEL, BATH, 2.88 X 79.32
7. 966990-017	PANEL, BATH, 26.00 X 3.41
8. 966990-018	PANEL, BATH, 1.06 X 79.42
9. 966990-019	PANEL, BATH, 1.06 X 79.42
10. 966990-0110	DOOR, BATH, FRONT WALL, 3.44 X 77.4
11. 966990-0111	PANEL, BATH, 2.5 X 78.82
12. 966990-0112	PANEL, BATH, 6.75 X 79.34
13. 966990-0113	PANEL, BATH, 2.5 X 79.38
14. 966990-0114	PANEL, BATH, 37.08 X 79.15
15. 800507-02	LAUAN, 1/4" X 4' X 8'
16. 800507-02	LAUAN, 1/4" X 4' X 8'
17. 800507-02	LAUAN, 1/4" X 4' X 8'
18. 702681-07	DOOR, FOLDETTE 60"X 73" GREY
19. 966995	DOOR ASSY, BATH
20. 381802-01	TAP CAP #2 WHITE
21. 966996	CLOSEOUT, BLACK TANK VENT ASSY.
22. 966990-0122	PANEL, BATH, 6.18 X 79.34
23. 381581	STRAP CLEAR PLASTIC .75"W
24. 700811	BUTTON CAP, HANDY
25. 700812	BUTTON BOTTOM, OAK
26. 380203-01	PIANO HINGE 1/8" PIN

2009 INTERNATIONAL TRAVEL TRAILER

FURNITURE, BATH

Latrine Wall, Forward, 28' Signature Wenge

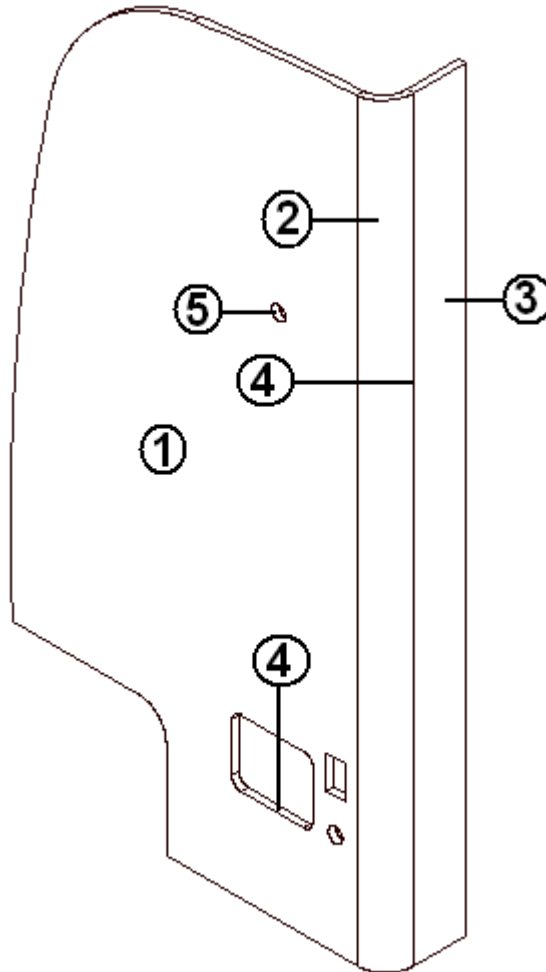


- | | |
|--------------|----------------------------------|
| 966991 | WALL ASSY FWD BATH |
| 1. 966991-1 | PANEL, 36.33 X 79.15 |
| 2. 801345 | RADIUS PLYWOOD, .75"X 3"X 8' |
| 3. 966991-3 | PANEL, 5.375 X 79.4 |
| 4. 203440 | T MOLDING, BLACK EMBOSSED, .8125 |
| 5. 381209-01 | GROMMET, W/CAP BLACK 1.5"HOLE |

2009 INTERNATIONAL TRAVEL TRAILER

FURNITURE, BATH

Latrine Wall, Forward, 28' Signature Ocean Breeze

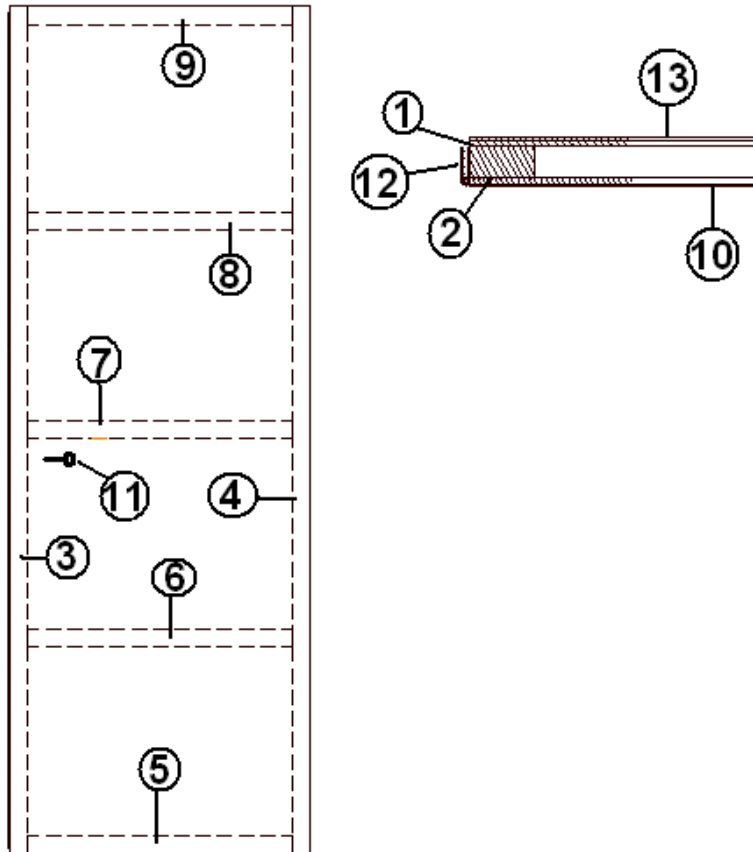


- | | |
|---------------|----------------------------------|
| 966991-01 | WALL, FOWARD BATH |
| 1. 966991-011 | PANEL, 36.33 X 79.15 |
| 2. 801345 | RADIUS PLYWOOD, .75"X 3"X 8' |
| 3. 966991-013 | PANEL, 5.375 X 79.4 |
| 4. 203597 | T MOLDING, WHITE EMBOSSED, .8125 |
| 5. 381209-01 | GROMMET, W/CAP BLACK 1.5"HOLE |

2009 INTERNATIONAL TRAVEL TRAILER

FURNITURE, BATH

Door, Bath, 28' Signature, Wenge

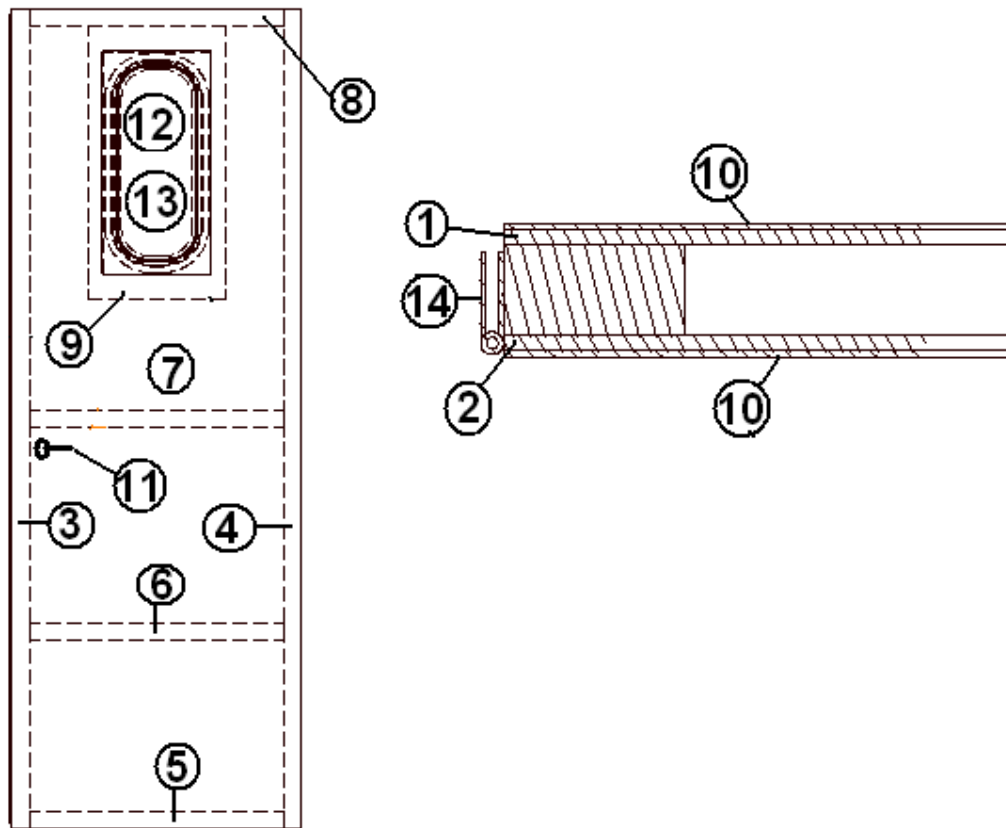


966994	Bath door
1. 966994-1	PANEL, LAUAN, 27" X 74"
2. 966994-2	PANEL, LAUAN, 27" X 74"
3. 966994-3	PANEL, LAUAN, 1.50" X 72.50"
4. 966994-4	PANEL, LAUAN, 1.50" X 72.50"
5. 966994-5	PANEL, LAUAN, 1.50" X 22.50"
6. 966994-6	PANEL, LAUAN, 1.50" X 22.50"
7. 966994-7	PANEL, LAUAN, 1.50" X 22.50"
8. 966994-8	PANEL, LAUAN, 1.50" X 22.50"
9. 966994-9	PANEL, LAUAN, 1.50" X 22.50"
10. 801711-01	LAMINATE, WENGE VERTICAL
11. 381771	LATCH, FLUSH MOUNT
12. 380203-01	PIANO HINGE 1/8" PIN
13. 801355-01	LAMINATE, WHITE VERTICLE

2009 INTERNATIONAL TRAVEL TRAILER

FURNITURE, BATH

Door, Bath, 28' Signature Ocean Breeze

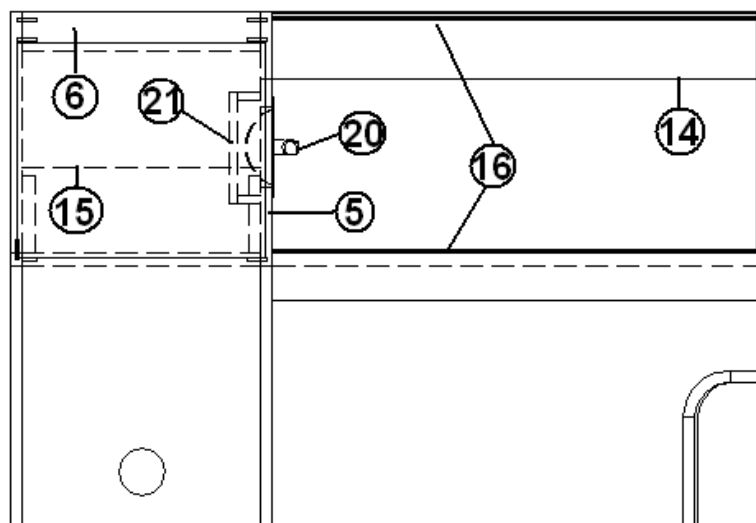
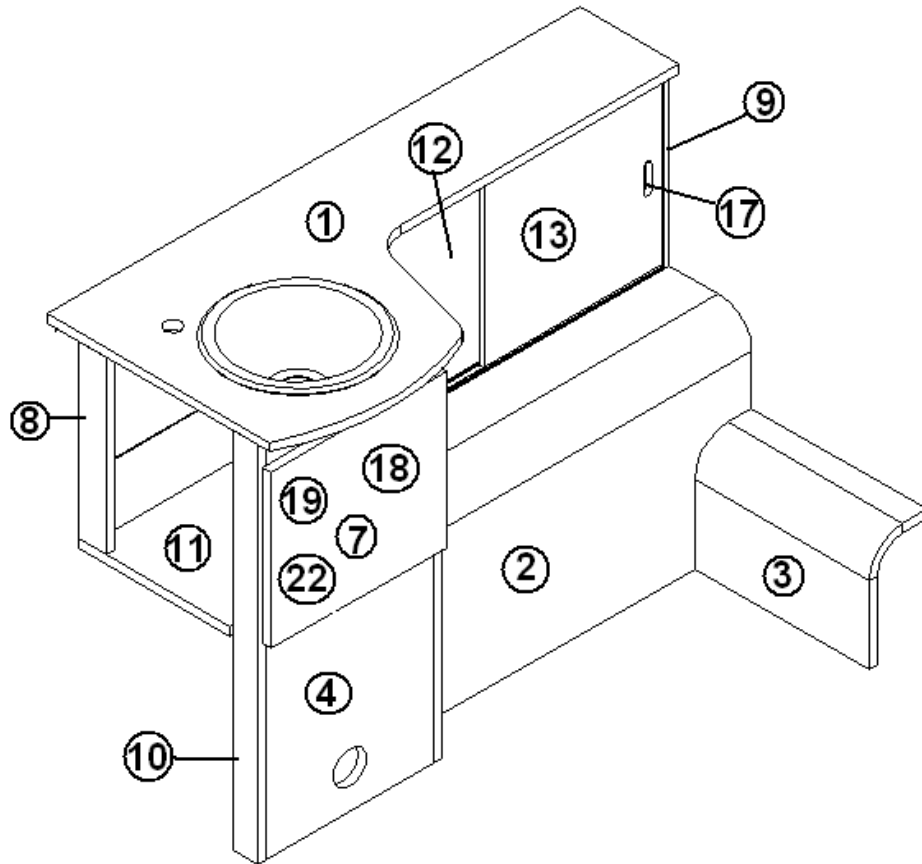


966995	BATH DOOR W/WINDOW, 28' Signature, CCD
1. 966995-1	PANEL, LAUAN, 27" X 74"
2. 966995-2	LAUAN, 27" X 74"
3. 966995-3	LAUAN, 1.50" X 72.50"
4. 966995-4	LAUAN, 1.50" X 72.50"
5. 966995-5	LAUAN, 1.50" X 22.50"
6. 966995-6	LAUAN, 1.50" X 22.50"
7. 966995-7	LAUAN, 1.50" X 22.50"
8. 966995-8	LAUAN, 1.50" X 22.50"
9. 966995-9	LAUAN, 1.50" X 22.50"
10. 801355-01	LAMINATE, WHITE VERTICLE
11. 381771	LATCH, FLUSH MOUNT
12. 371384	WINDOW, BATH DOOR
13. 203475	TRIM, STACK WINDOW
14. 380203-01	PIANO HINGE 1/8" PIN
381802-01	TAP CAP #2 WHITE

2009 INTERNATIONAL TRAVEL TRAILER

FURNITURE, BATH

Lavatory Cabinet, 28' Signature, Wenge



Part Number on the Next Page

2009 INTERNATIONAL TRAVEL TRAILER

FURNITURE, BATH

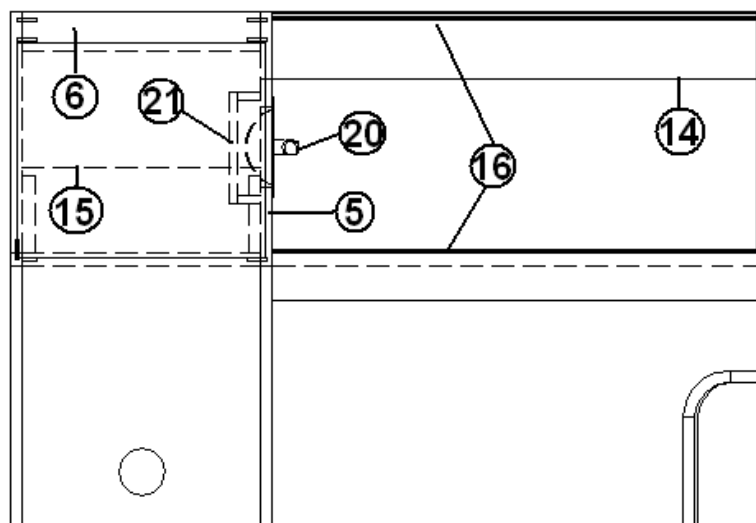
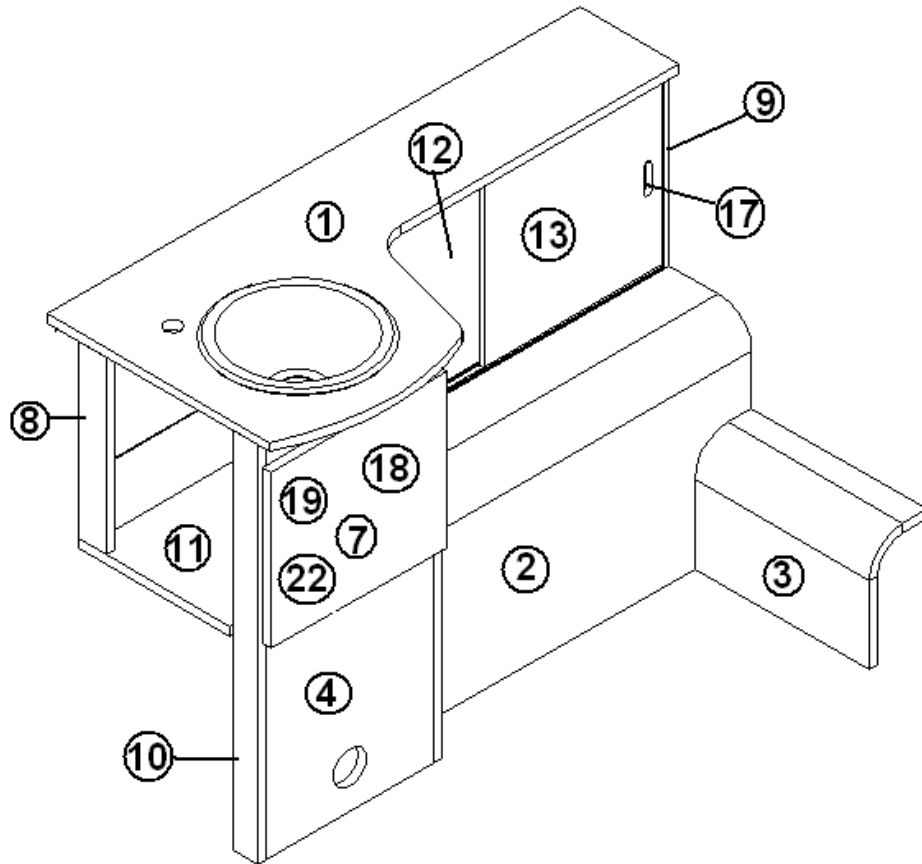
Lavatory Cabinet, 28' Signature, Wenge

967394	LAVY CABINET ASSY
1. 966998	LAVY TOP ASSY
2. 966999	BASE, CLOSE OUT, LAVY
3. 967002	PLUMBING, CLOSE OUT, LAVY
4. 967394-4	PANEL, LAVY CAB 15.25 X 17.50
5. 967394-5	PANEL, LAVY CAB 18.25 X 33.00
6. 967394-6	PANEL, LAVY CAB 2.25 X 15.25
7. 967394-7	DOOR, LAVY CAB 15.00 X 13.00
8. 967394-8	PANEL, LAVY CAB 2.25 X 15.50
9. 967394-9	PANEL, LAVY CAB 7.25 X 15.50
10. 967394-10	PANEL, LAVY CAB 2.25 X 33.00
11. 967394-11	PANEL, CAB 16.00 X 15.50
12. 967394-12	DOOR, LAVY CAB 16.00 X 15.13
13. 967394-13	DOOR, LAVY CAB 16.00 X 15.13
14. 967394-14	PANEL, LAVY CAB 12.00 X 32.13
15. 967394-15	PANEL, LAVY CAB 15.25 X 15.50
16. 115374	EXTRUSION, SLIDING DOOR TRACK, .5"
17. 382030	PULL, RECESSED FINGER, .7 X 2.75
18. 381607	HINGE ASSY
19. 381228-01	CATCH GRABBER DOOR
20. 381299	HOLDER RECESSED TOILET PAPER
21. 967006	CLOSEOUT PAPER HOLDER
22. 382029-00	HANDLE-BAR 7.48"
381607-04	HINGE SCREW, GRASS #6X5/8 FHP,N
114812	ALUMINUM ANGLE, 1.00" X 1.00"

2009 INTERNATIONAL TRAVEL TRAILER

FURNITURE, BATH

Lavatory Cabinet, 28' Signature, Ocean Breeze



Part Number on the Next Page

2009 INTERNATIONAL TRAVEL TRAILER

FURNITURE, BATH

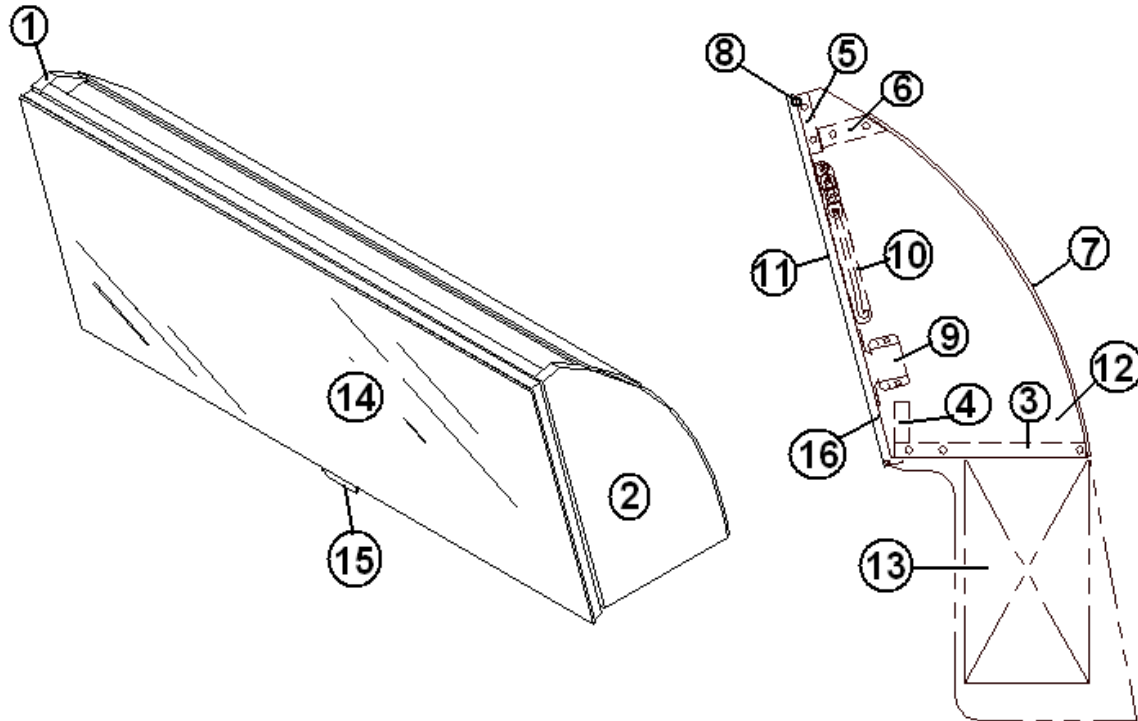
Lavatory Cabinet, 28' Signature, Ocean Breeze

967394-01	LAVY CABINET ASSY
1. 966998-01	LAVY TOP ASSY
2. 966999-01	BASE, CLOSE OUT, LAVY
3. 967002-01	PLUMBING, CLOSE OUT, LAVY
4. 967394-014	PANEL, LAVY CAB 15.25 X 17.50
5. 967394-015	PANEL, LAVY CAB 18.25 X 33.00
6. 967394-016	PANEL, LAVY CAB 2.5 X 15.25
7. 967394-017	DOOR, LAVY CAB 15.88 X 13.63
8. 967394-018	PANEL, LAVY CAB 2.5 0 X 15.50
9. 967394-019	PANEL, LAVY CAB 2.50 X 15.50
10. 967394-0110	PANEL, LAVY CAB 2.50 X 33.00
11. 967394-0111	PANEL, CAB 16.00 X 15.50
12. 967394-0112	PANEL, LAV CAB 15.50 X 31.50
13. 967394-0113	PANEL, LAVY CAB 12.00 X 32.13
14. 967394-0114	PANEL, LAVY CAB 15.25 X 5.50
15. 967394-0115	PANEL, LAVY CAB 15.25 X 15.50
16. 115374	EXTRUSION, SLIDING DOOR TRACK, .5"
17. 382030	PULL, RECESSED FINGER, .7 X 2.75
18. 381607	HINGE ASSY
19. 381228-01	CATCH GRABBER DOOR
20. 381299	HOLDER RECESSED TOILET PAPER
21. 967006	CLOSEOUT PAPER HOLDER
22. 382046	PULL, BAMBOO, W/BUSHED NICKEL ENDS
381607-04	HINGE SCREW, GRASS #6X5/8 FHP,N
114812	ALUMINUM ANGLE, 1.00" X 1.00"

2009 INTERNATIONAL TRAVEL TRAILER

FURNITURE, BATH

Medicine Cabinet w/Metal Cabinet, 28' Signature, Wenge

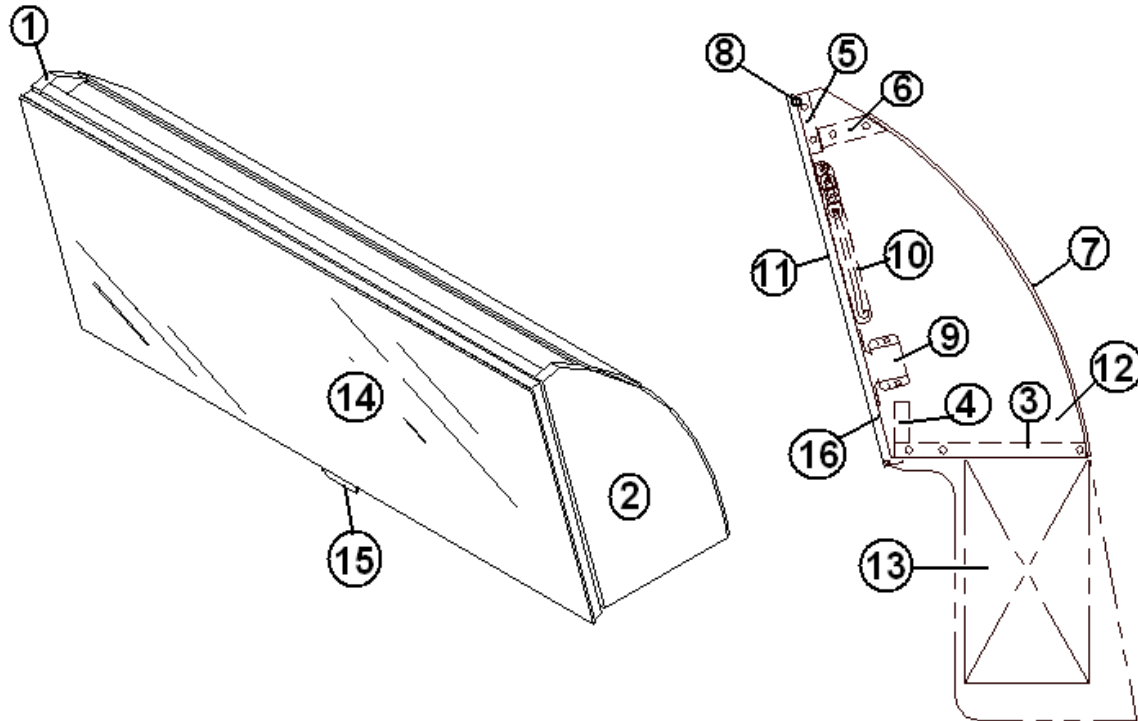


967003	MEDICINE CABINET, UPPER 30"
1. 967003-1	PANEL, 10.81 X 13.56
2. 967003-2	PANEL, 30" 10.81 X 13.56
3. 967003-3	PANEL, 7.00 X 28.97
4. 967003-4	PANEL, 1.50 X 28.97
5. 967003-5	PANEL, 2.25 X 28.97
6. 967003-6	PANEL, 30" 2.50 X 28.97
7. 967003-7	PANEL, 30" 16.125 X 30
8. 385935-01	HINGE, PIVOT, ZINC PLATED
9. 381228-01	CATCH, GRABBER DOOR
10. 380024	ARMS, SUPPORT, RIGHT HAND
11. 967004	DOOR, MEDICINE, 30"
12. 967005	CLOSE OUT, MEDICINE, CABINET
13. 381611-01	CABINET, MEDICINE COSMETIC 30"
14. 372203-30	MIRROR, SAFETY, 14"H X 30"W
15. 385940-02	MIRROR, PULL, CHROME
16. 195329-202	HEMISPHERE, CLEAR, BUMP-ON

2009 INTERNATIONAL TRAVEL TRAILER

FURNITURE, BATH

Medicine Cabinet w/Metal Cabinet, 28' Signature, Ocean Breeze

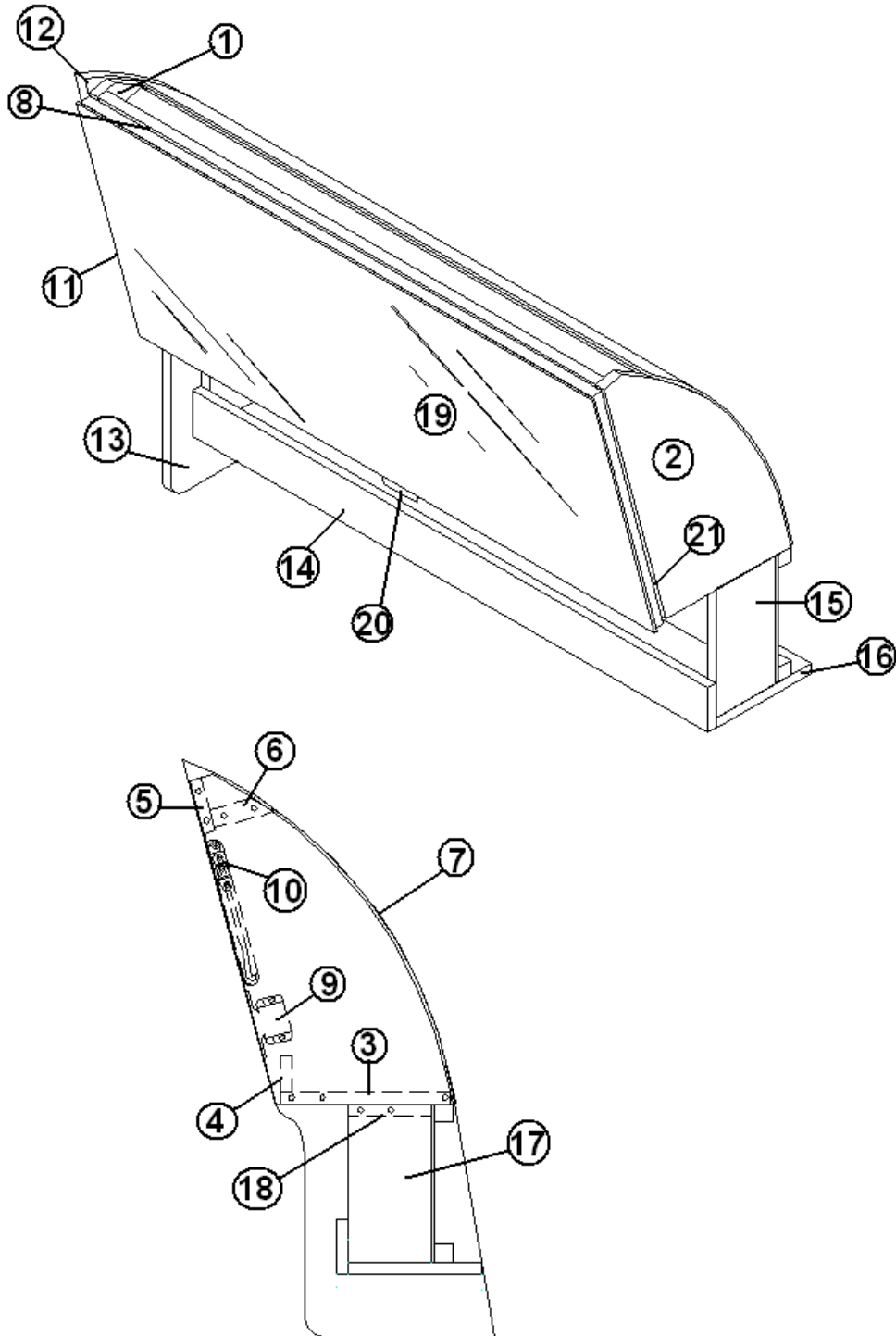


967003-01	MEDICINE CABINET, UPPER 30"
1. 967003-011	PANEL, 10.81 X 13.56
2. 967003-012	PANEL, 30" 10.81 X 13.56
3. 967003-013	PANEL, 7.00 X 28.97
4. 967003-014	PANEL, 1.50 X 28.97
5. 967003-015	PANEL, 2.25 X 28.97
6. 967003-016	PANEL, 30" 2.50 X 28.97
7. 967003-017	PANEL, 30" 16.125 X 30
8. 385935-01	HINGE, PIVOT, ZINC PLATED
9. 381228-01	CATCH, GRABBER DOOR
10. 380024	ARMS, SUPPORT, RIGHT HAND
11. 967004-01	DOOR, MEDICINE, 30"
12. 967005-01	CLOSE OUT, MEDICINE, CABINET
13. 381611-01	CABINET, MEDICINE COSMETIC 30"
14. 372203-30	MIRROR, SAFETY, 14"H X 30"W
15. 385940-02	MIRROR, PULL, CHROME
16. 195329-202	HEMISPHERE, CLEAR, BUMP-ON

2009 INTERNATIONAL TRAVEL TRAILER

FURNITURE, BATH

Medicine Cabinet w/o Metal cabinet, 28' Signature, Wenge



Part Number on the Next Page

2009 INTERNATIONAL TRAVEL TRAILER

FURNITURE, BATH

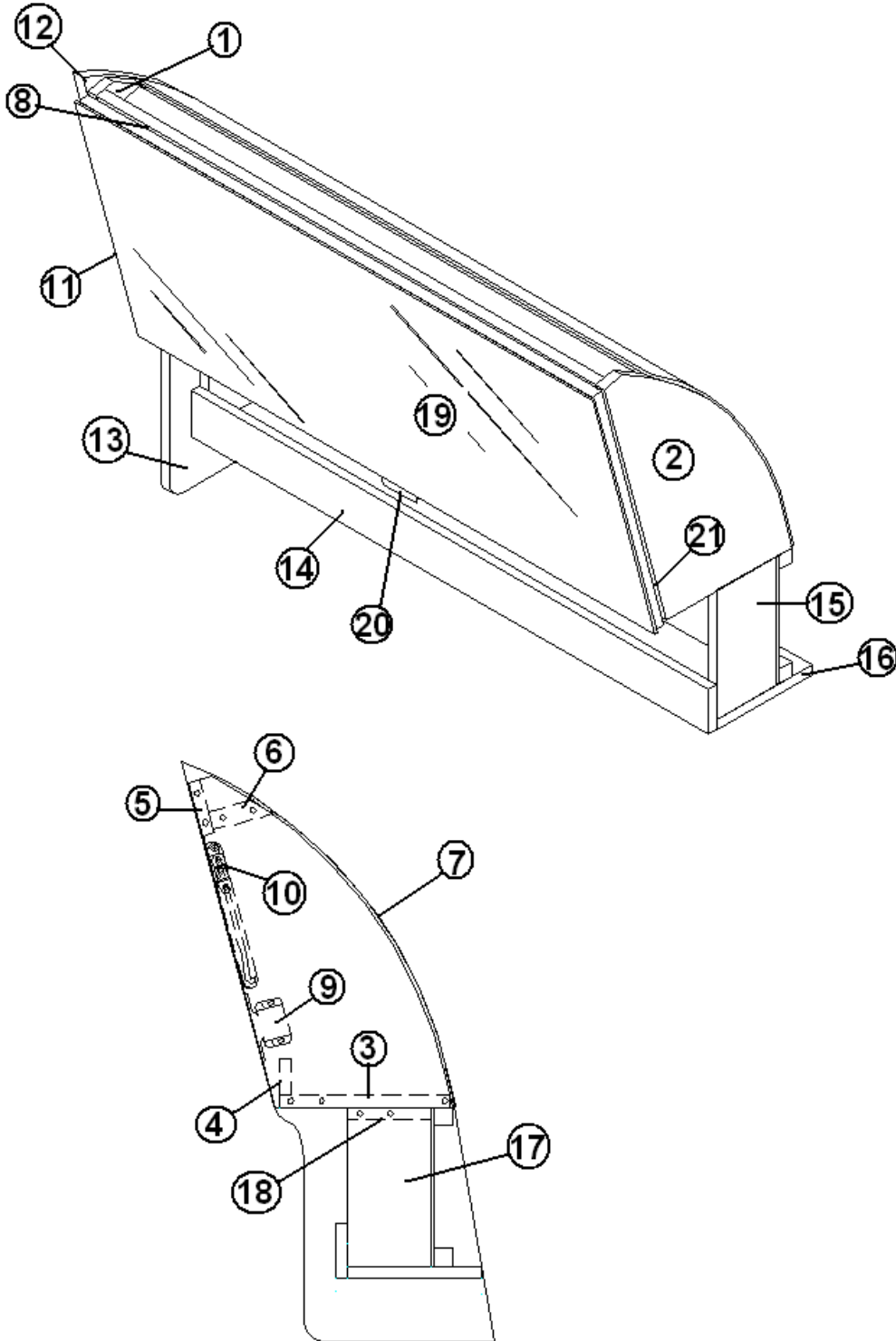
Medicine Cabinet w/o Metal cabinet, Wenge

967003	MEDICINE CABINET, UPPER 30"
1. 967003-1	PANEL, 10.81 X 13.56
2. 967003-2	PANEL, 30" 10.81 X 13.56
3. 967003-3	PANEL, 7.00 X 28.97
4. 967003-4	PANEL, 1.50 X 28.97
5. 967003-5	PANEL, 2.25 X 28.97
6. 967003-6	PANEL, 30" 2.50 X 28.97
7. 967003-7	PANEL, 30" 16.125 X 30
8. 385935-01	HINGE, PIVOT, ZINC PLATED
9. 381228-01	CATCH, GRABBER DOOR
10. 380024	ARMS, SUPPORT, RIGHT HAND
11. 967004	DOOR, MEDICINE, 30"
12. 967005	CLOSE OUT, MEDICINE, CABINET
13. 967003-15	PANEL, 3.42 X 6.50
14. 967003-16	PANEL, 2.25 X 29.97
15. 967003-17	PANEL, 3.42 X 6.50
16. 967003-18	PANEL, 5.50 X 29.97
17. 967003-20	PANEL, 6.50 X 29.97
18. 967003-21	PANEL, 3.42 X 28.97
19. 372203-30	MIRROR, SAFETY, 14"H X 30"W
20. 385940-02	MIRROR, PULL, CHROME
195329-202	HEMISPHERE, CLEAR, BUMP-ON

2009 INTERNATIONAL TRAVEL TRAILER

FURNITURE, BATH

Medicine Cabinet w/o Metal Cabinet, 28' Signature Ocean Breeze



Part Number on the Next Page

2009 INTERNATIONAL TRAVEL TRAILER

FURNITURE, BATH

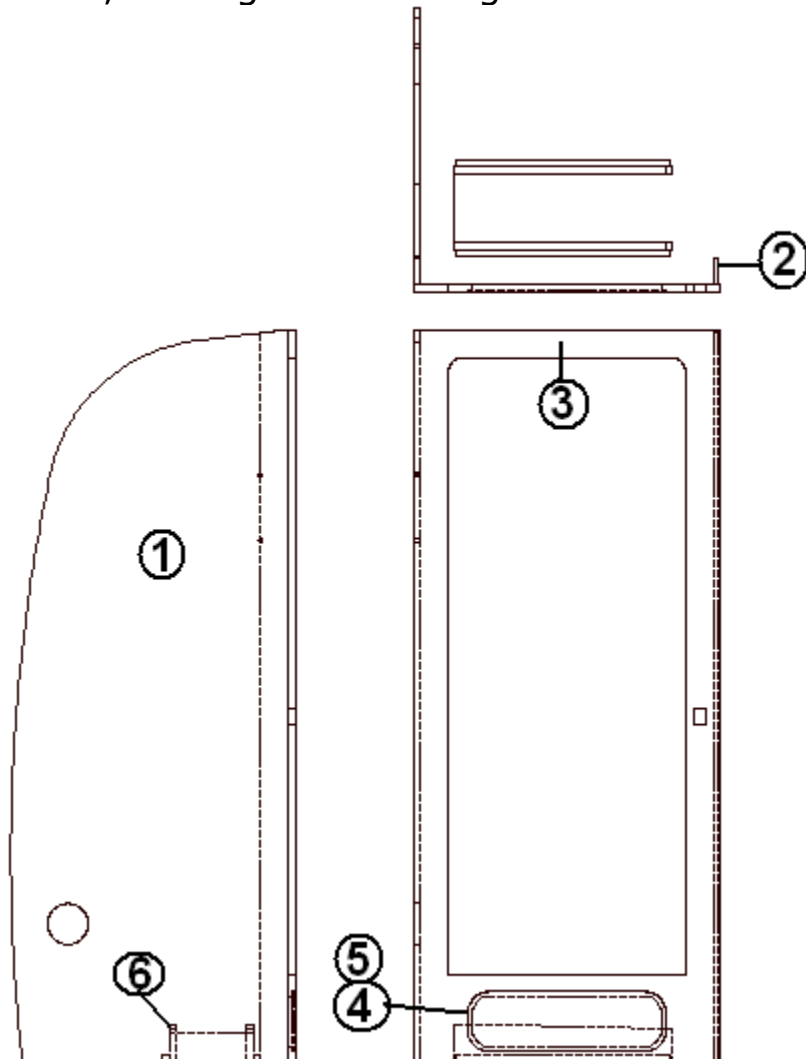
Medicine Cabinet w/o Metal Cabinet, 28' Signature Ocean Breeze

967003-01	MEDICINE CABINET, UPPER 30"
1. 967003-011	PANEL, 10.81 X 13.56
2. 967003-012	PANEL, 30" 10.81 X 13.56
3. 967003-013	PANEL, 7.00 X 28.97
4. 967003-014	PANEL, 1.50 X 28.97
5. 967003-015	PANEL, 2.25 X 28.97
6. 967003-016	PANEL, 30" 2.50 X 28.97
7. 967003-017	PANEL, 30" 16.125 X 30
8. 385935-01	HINGE, PIVOT, ZINC PLATED
9. 381228-01	CATCH, GRABBER DOOR
10. 380024	ARMS, SUPPORT, RIGHT HAND
11. 967004-01	DOOR, MEDICINE, 30"
12. 967005-01	CLOSE OUT, MEDICINE, CABINET
13. 967003-0115	PANEL, 3.42 X 6.50
14. 967003-0116	PANEL, 2.25 X 29.97
15. 967003-0117	PANEL, 3.42 X 6.50
16. 967003-0118	PANEL, 5.50 X 29.97
17. 967003-0120	PANEL, 6.50 X 29.97
18. 967003-0121	PANEL, 3.42 X 28.97
19. 372203-30	MIRROR, SAFETY, 14"H X 30"W
20. 385940-02	MIRROR, PULL, CHROME
21. 195329-202	HEMISPHERE, CLEAR, BUMP-ON

2009 INTERNATIONAL TRAVEL TRAILER

FURNITURE, BATH

Shower Compartment, 28' Signature Wenge

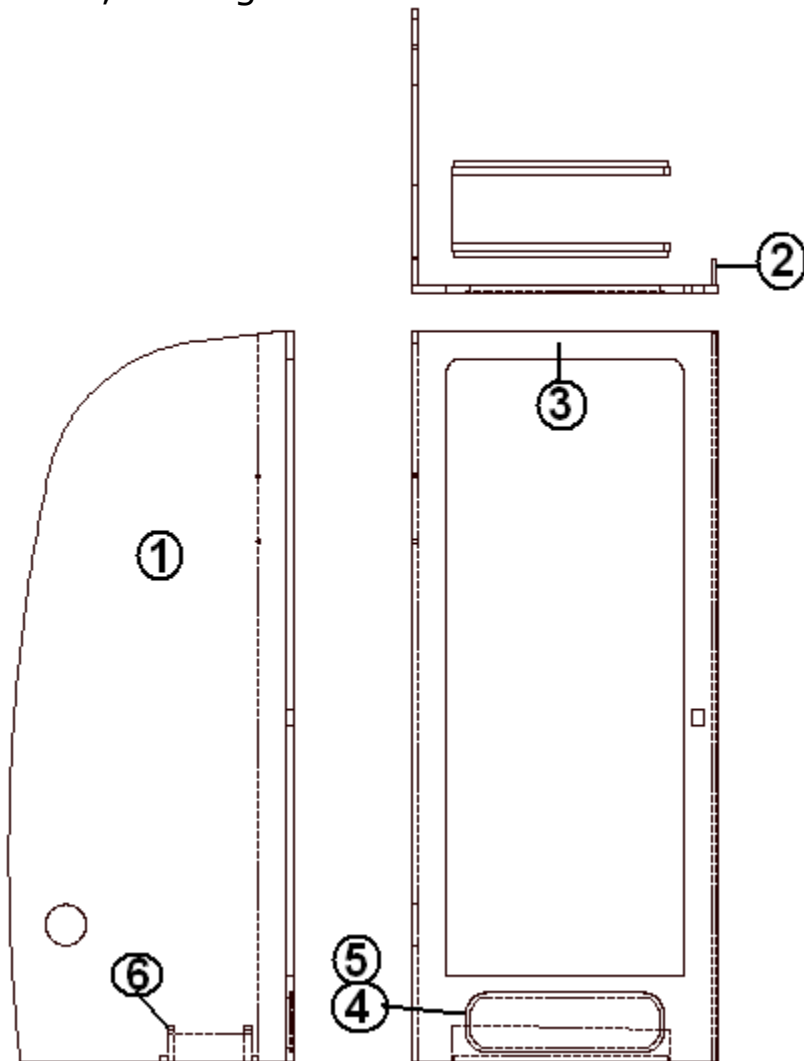


- | | |
|-------------|---------------------------------|
| 966967 | SHOWER COMPARTMENT |
| 1. 966967-1 | PANEL, SHOWER, 29.89 X 78.65 |
| 2. 966967-2 | PANEL, SHOWER, 3.0 X 78.71 |
| 3. 966967-3 | PANEL SHOWER, 33.06 X 78.71 |
| 4. 966967-4 | PANEL SHOWER, 21.44 X 6.44 |
| 5. 203440 | T MOLDING, BLACK EMBOSSED .8125 |
| 6. 965816 | STAND ASSY, SHOWER |
| 203081-01 | SHOWER STALL, 2 PC FIBERGLASS |
| 703626-01 | SHOWER DOOR, BRUSHED NICKEL |

2009 INTERNATIONAL TRAVEL TRAILER

FURNITURE, BATH

Shower Compartment, 28' Signature Ocean Breeze

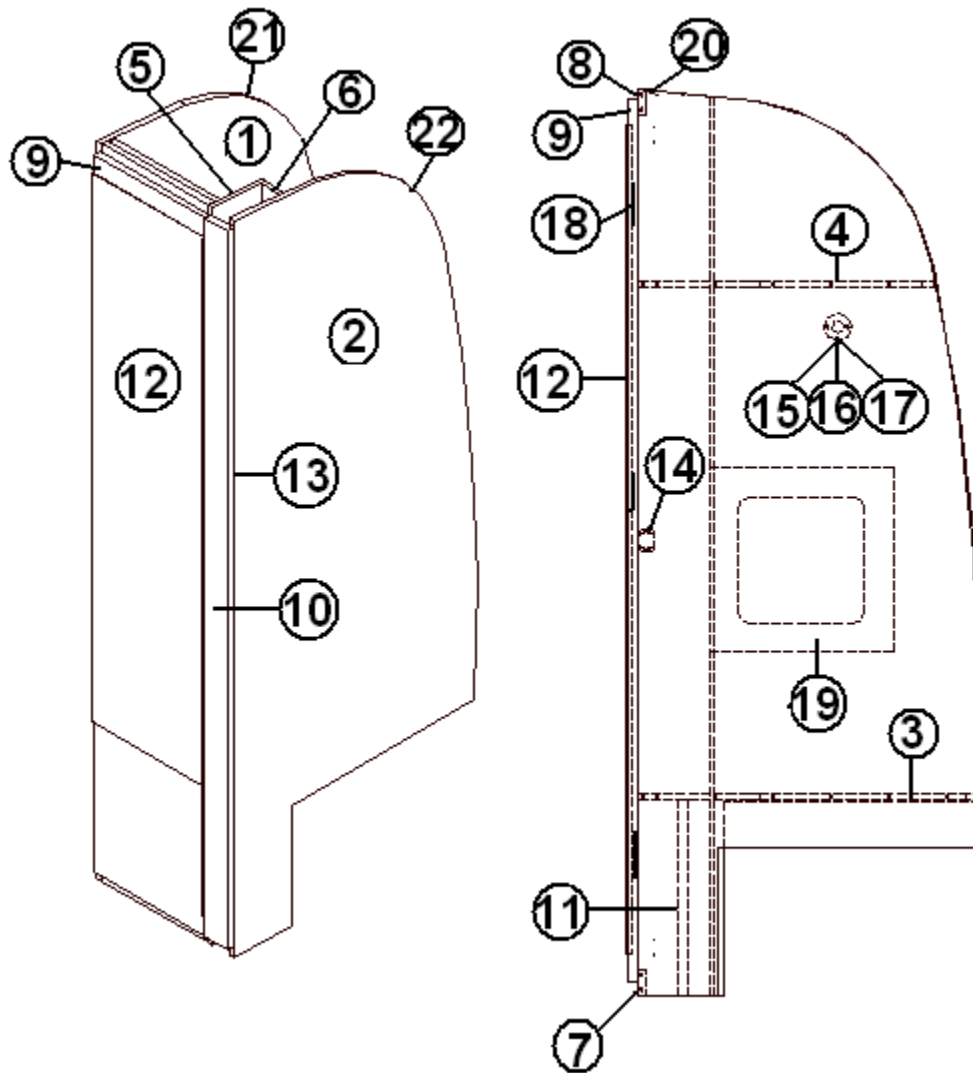


- | | |
|---------------|---------------------------------|
| 966967-01 | SHOWER COMPARTMENT |
| 1. 966967-011 | PANEL, SHOWER, 29.89 X 78.65 |
| 2. 966967-012 | PANEL, SHOWER, 3.0 X 78.71 |
| 3. 966967-013 | PANEL SHOWER, 33.06 X 78.71 |
| 4. 966967-014 | PANEL SHOWER, 21.44 X 6.44 |
| 5. 203597 | T MOLDING, WHITE EMBOSSED .8125 |
| 6. 965816 | STAND ASSY, SHOWER |
| 203081-01 | SHOWER STALL, 2 PC FIBERGLASS |
| 703626-01 | SHOWER DOOR, BRUSHED NICKEL |

2009 INTERNATIONAL TRAVEL TRAILER

FURNITURE, BATH

Wardrobe, 28' Signature, Roadside, Wenge



Part Number on the Next Page

2009 INTERNATIONAL TRAVEL TRAILER

FURNITURE, BATH

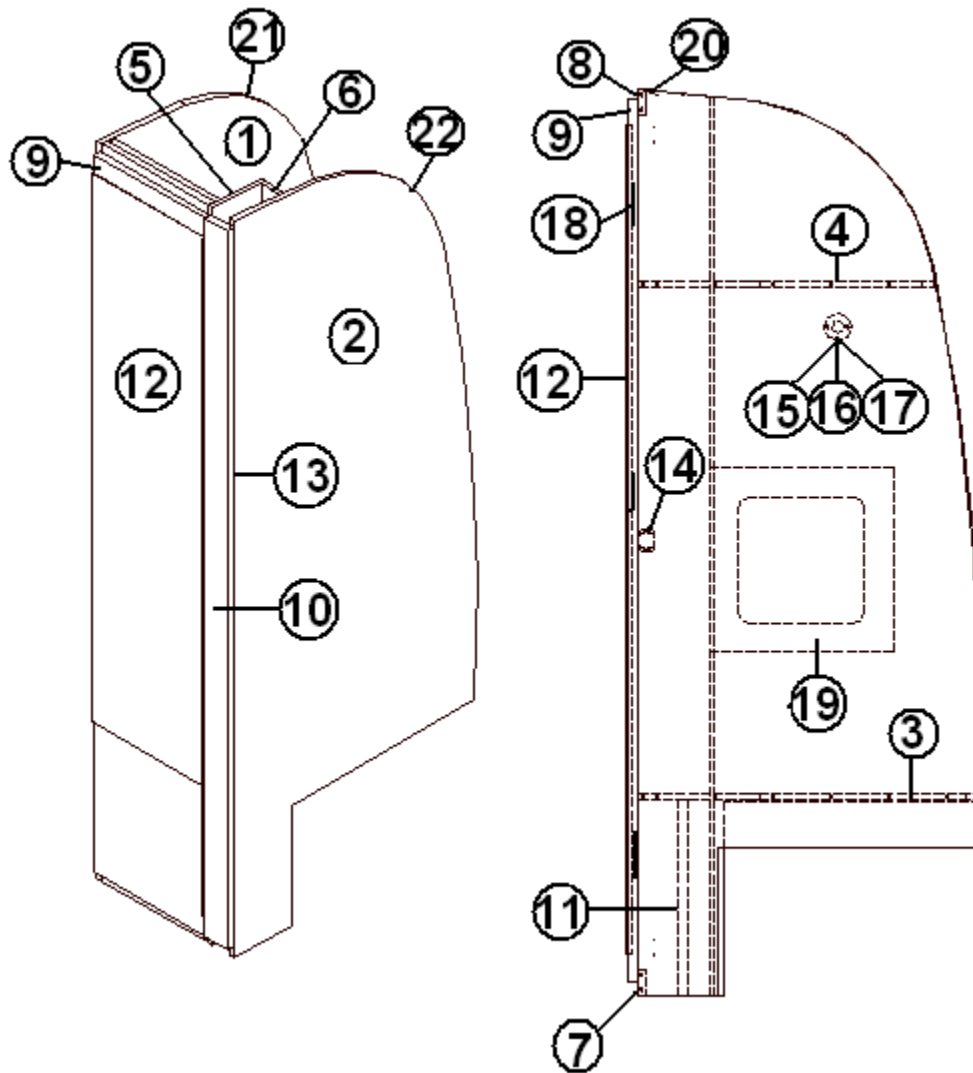
Wardrobe, 28' Signature, Roadside, Wenge

966969	WARDROBE ASSY R/S
1. 966969-1	PANEL, 29.85 X 78.65
2. 966969-2	PANEL, 29.58 X 78.65
3. 966969-3	PANEL, 29.73 X 15.81
4. 966969-4	PANEL, 25.79 X 15.81
5. 966969-5	PANEL, 6.75 X 78.65
6. 966969-6	PANEL, 2.31 X 77.94
7. 966969-7	PANEL, 2.25 X 13.00
8. 966969-8	PANEL, 2.25 X 13.00
9. 966969-9	DOOR RS W/R 13.62 X 76.56
10. 966969-10	DOOR RS W/R 2.77 X 76.56
11. 966969-11	PNL W/R RS 17.00 X 13.00
12.372203-26	MIRROR, 13.62" X 58.50"
13.380203-01	PIANO HINGE 1/8" PIN
14.381228	CATCH GRABBER DOOR
15.380046	FLANGE CHROME
16.380045	TUBING 3/4", METALLIC
17.200975-04	CONDUIT, FLEXIBLE BLACK PLASTIC
18.381607	HINGE ASSY.
19.966883	CLOSEOUT, W/R
20.104821	SUPPORT, ROOFLOCKER, 74"
21.203464	TRIM, PANEL BLACK 3/4"
22.203138-05	EXTRUSION, 1/2", WALL, BLACK
381220-01	MIRROR CLIP
381220-02	MIRROR CLIP

2009 INTERNATIONAL TRAVEL TRAILER

FURNITURE, BATH

Wardrobe, 28' Signature, Roadside, Ocean Breeze



Part Number on the Next Page

2009 INTERNATIONAL TRAVEL TRAILER

FURNITURE, BATH

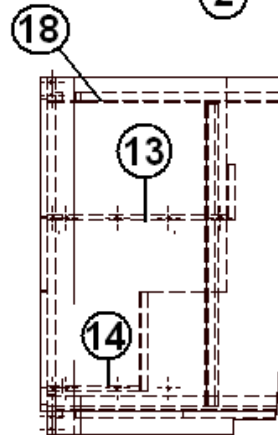
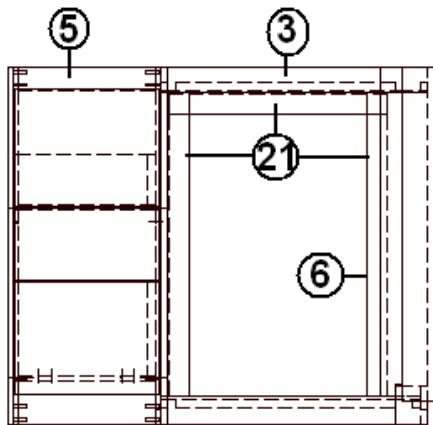
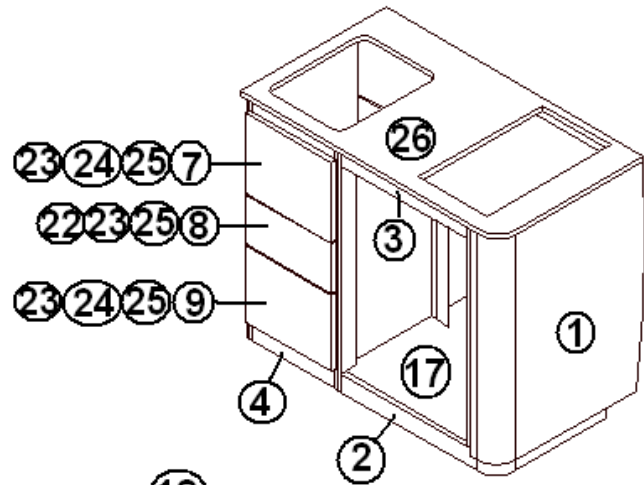
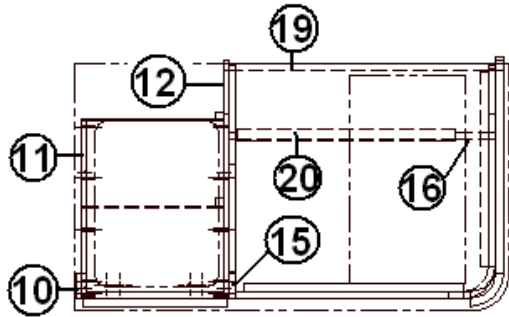
Wardrobe, 28' Signature, Roadside, Ocean Breeze

966969-01	WARDROBE ASSY R/S
1. 966969-011	PANEL, 29.85 X 78.65
2. 966969-012	PANEL, 29.58 X 78.65
3. 966969-013	PANEL, 29.73 X 15.81
4. 966969-014	PANEL, 25.79 X 15.81
5. 966969-015	PANEL, 6.75 X 78.65
6. 966969-016	PANEL, 2.31 X 77.94
7. 966969-017	PANEL, 2.25 X 13.00
8. 966969-018	PANEL, 2.25 X 13.00
9. 966969-019	DOOR RS W/R 13.62 X 76.56
10. 966969-0110	DOOR RS W/R 2.77 X 76.56
11. 966969-0111	PANEL, 17.00 X 13.00
12.372203-26	MIRROR, 13.62" X 58.50"
13.380203-01	PIANO HINGE 1/8" PIN
14.381228	CATCH GRABBER DOOR
15.380046	FLANGE CHROME
16.380045	TUBING 3/4", METALLIC
17.200975-04	CONDUIT, BLACK PLASTIC
18.381607	HINGE ASSY.
19.966883-01	CLOSEOUT, W/R
20.104821	SUPPORT, ROOFLOCKER, 74"
21.203464-03	TRIM, PANEL WHITE, 3/4"
22.203138-01	EXTRUSION, 1/2", WALL, WHITE
381220-01	MIRROR CLIP
381220-02	MIRROR CLIP

2009 INTERNATIONAL TRAVEL TRAILER

FURNITURE, GALLEY

Galley, 16' Signature, Wenge



Part Numbers are on the next page.

2009 INTERNATIONAL TRAVEL TRAILER

FURNITURE, GALLEY

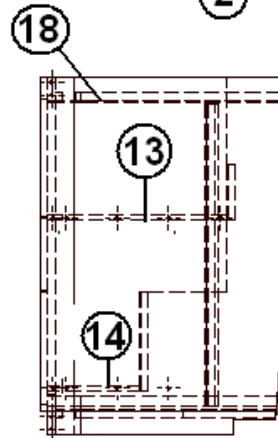
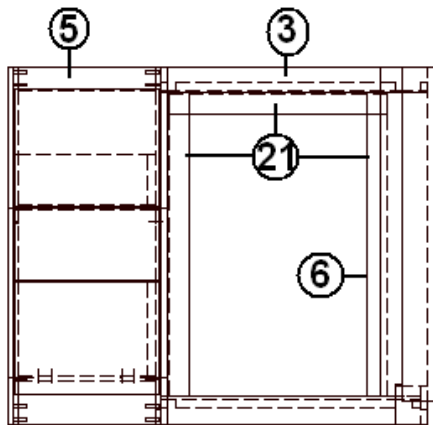
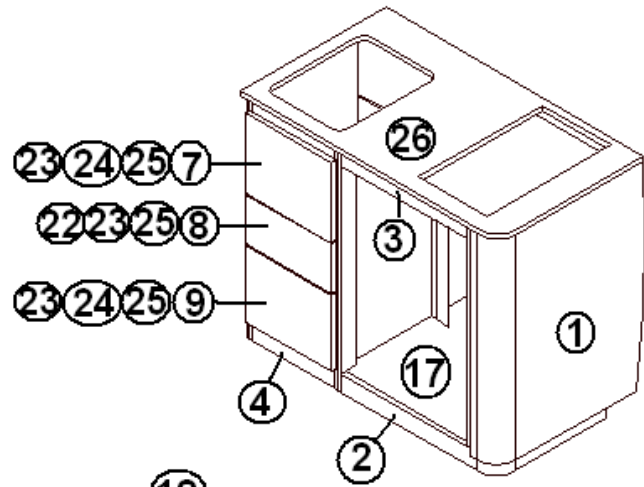
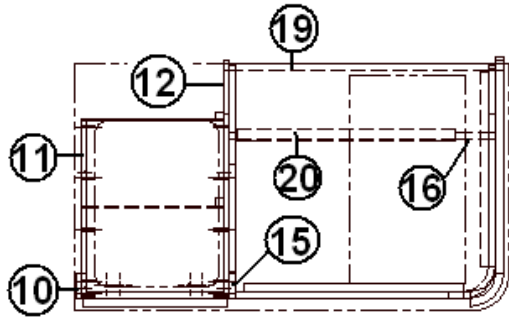
Galley, 16' Signature, Wenge

967021	GALLEY ASSY
1. 967022	PANEL, SUB ASSY, GALLEY
2. 967023	TOE KICK SUB ASSY
3. 967021-3	PANEL, GALLEY 20.75 X 2.5
4. 967021-4	PANEL, GALLEY 13.5 X 4.25
5. 967021-5	PANEL, GALLEY 13.5 X 2.25
6. 967021-6	PANEL, GALLEY 2.25 X 32.25
7. 967021-7	DR-GALLEY 14.13 X 11.44
8. 967021-8	DR-GALLEY 14.13 X 7.06
9. 967021-9	DR-GALLEY 14.13 X 10.94
10. 967021-10	PANEL, GALLEY 2.5 X 35
11. 967021-11	PANEL, GALLEY 17.5 X 35
12. 967021-12	PANEL, GALLEY 23.46 X 35
13. 967021-13	PANEL, GALLEY 17.5 X 13.5
14. 967021-14	PANEL, GALLEY 13.5 X 9
15. 967021-15	PANEL, GALLEY 2.5 X 35
16. 967021-16	PANEL, GALLEY 4 X 29.75
17. 967021-17	PANEL, LAUAN, 3/8" x 21.69 x 25.50
18. 967021-18	PANEL, LAUAN, 1/8" x 22.38 x 26.25
19. 967021-20	PANEL, GALLEY 14 X 5.5
20. 967021-21	PANEL, GALLEY 14 X 9.75
21. 381830	WIPER-RUBBER 1.125" X 2"
22. 967145-01	Drawer box, 4.63" x 13.50" x 14.88"
23. 382029-03	HANDLE, BAR 11.25"
24. 381607-01	HINGE, GRASS EURO
25. 381228-01	CATCH GRABBER DOOR
26. 967024	TOP ASSY, GALLEY
381773-15	DRAWER SLIDE, 5.875" X 15.75"
115064	TRIM, ALUMINUM. COUNTER TOP

2009 INTERNATIONAL TRAVEL TRAILER

FURNITURE, GALLEY

Galley, 16' Signature, Ocean Breeze



Part Numbers are on the next page.

2009 INTERNATIONAL TRAVEL TRAILER

FURNITURE, GALLEY

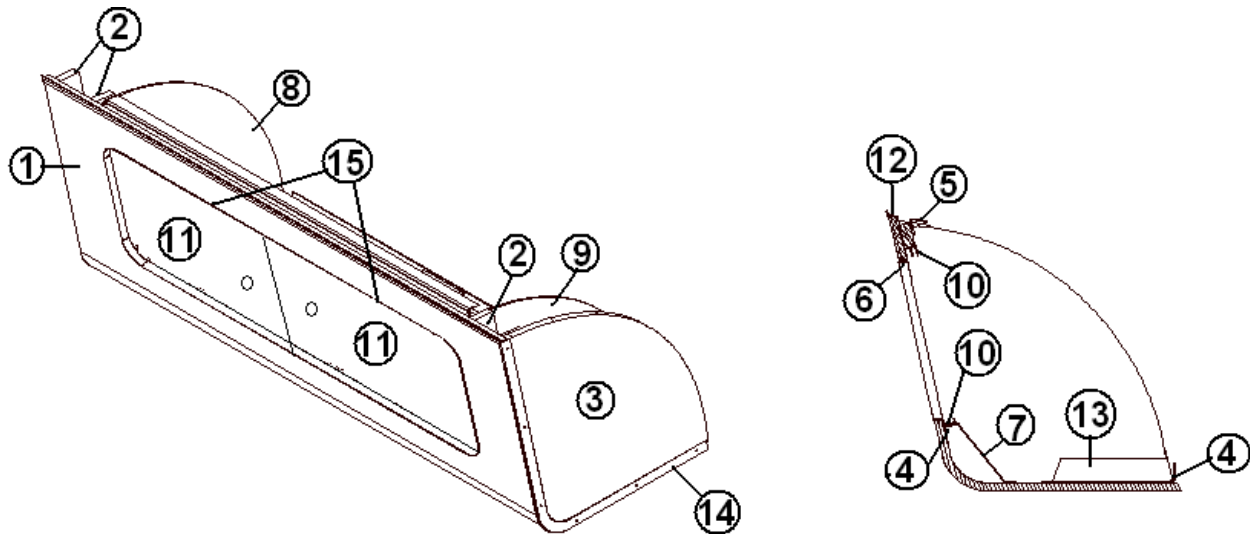
Galley, 16' Signature, Ocean Breeze

967021-01	GALLEY ASSY
1. 967022-01	PANEL, SUB ASSY, GALLEY
2. 967023-01	TOE KICK SUB ASSY
3. 967021-013	PANEL, GALLEY 20.75 X 2.5
4. 967021-014	PANEL, GALLEY 13.5 X 4.25
5. 967021-015	PANEL, GALLEY 13.5 X 2.25
6. 967021-016	PANEL, GALLEY 2.25 X 32.25
7. 967021-017	DOOR, GALLEY 14.13 X 11.44
8. 967021-018	DOOR, GALLEY 14.13 X 7.06
9. 967021-019	DOOR, GALLEY 14.13 X 10.94
10. 967021-0110	PANEL, GALLEY 2.5 X 35
11. 967021-0111	PANEL, GALLEY 17.5 X 35
12. 967021-0112	PANEL, GALLEY 23.46 X 35
13. 967021-0113	PANEL, GALLEY 17.5 X 13.5
14. 967021-0114	PANEL, GALLEY 13.5 X 9
15. 967021-0115	PANEL, GALLEY 2.5 X 35
16. 967021-0116	PANEL, GALLEY 4 X 29.75
17. 967021-0117	PANEL, LAUAN, 3/8" x 21.69 x 25.50
18. 967021-0118	PANEL, LAUAN, 1/8" x 22.38 x 26.25
19. 967021-0120	PANEL, GALLEY 14 X 5.5
20. 967021-0121	PANEL, GALLEY 14 X 9.75
21. 381830	WIPER-RUBBER 1.125" X 2"
22. 967154-01	Drawer box, 4.63" x 13.50" x 14.88"
23. 382046	PULL, BAMBOO, W/BUSHED NICKEL ENDS
24. 381607-01	HINGE, GRASS EURO
25. 381228-01	CATCH GRABBER DOOR
26. 967024-01	TOP ASSY, GALLEY
381773-15	DRAWER SLIDE, 5.875" X 15.75"
115064	TRIM, ALUMINUM. COUNTER TOP

2009 INTERNATIONAL TRAVEL TRAILER

FURNITURE, GALLEY

Roof Locker, 16' Signature, Galley, Wenge

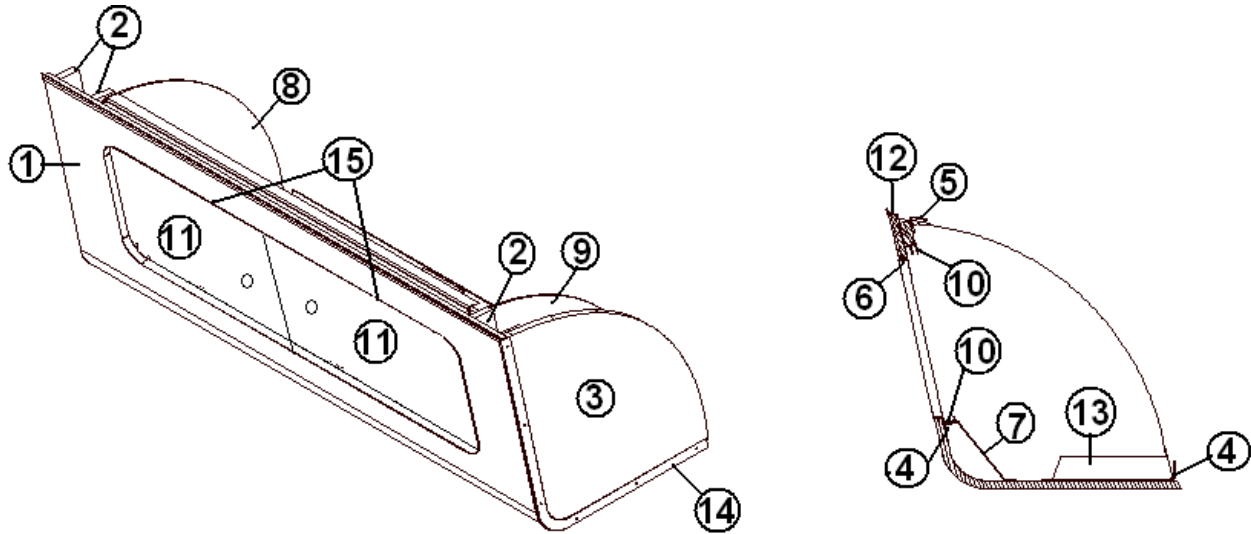


- | | |
|---------------|--------------------------------|
| 967019 | GALLEY ROOF LOCKER |
| 1. 801738 | FACE-R/L GALLEY |
| 2. 801545-05 | DIVIDER (PARTIAL) W/RANGE VENT |
| 3. 967019-4 | PANEL, 17.15 X 18.21 |
| 4. 115227-03 | ANGLE, LOCKER TRACK SUPPORT |
| 5. 104821 | SUPPORT, ROOFLOCKER, 74" |
| 6. 203445-01 | T-MOLDING, 5625" |
| 7. 115226 | BRACKET, LOCKER CENTER SUPPORT |
| 8. 801539-01 | DIVIDER, GALLEY LOCKER LH |
| 9. 801539-02 | DIVIDER, GALLEY LOCKER |
| 10. 203388 | SLIDING DOOR TRACK |
| 11. 965563-01 | DOOR SLIDING, 17.50" |
| 12. 201673 | REVERSE COVE MOLDING, WHITE |
| 13. 200772 | PAN, DEADBOLT, TRI-MARK |
| 14. 115375 | EXTRUSION FORMED R/L END |
| 15. 454613 | SPRING, LEAF R/L |

2009 INTERNATIONAL TRAVEL TRAILER

FURNITURE, GALLEY

Roof Locker, 16' Signature, Galley, Ocean Breeze

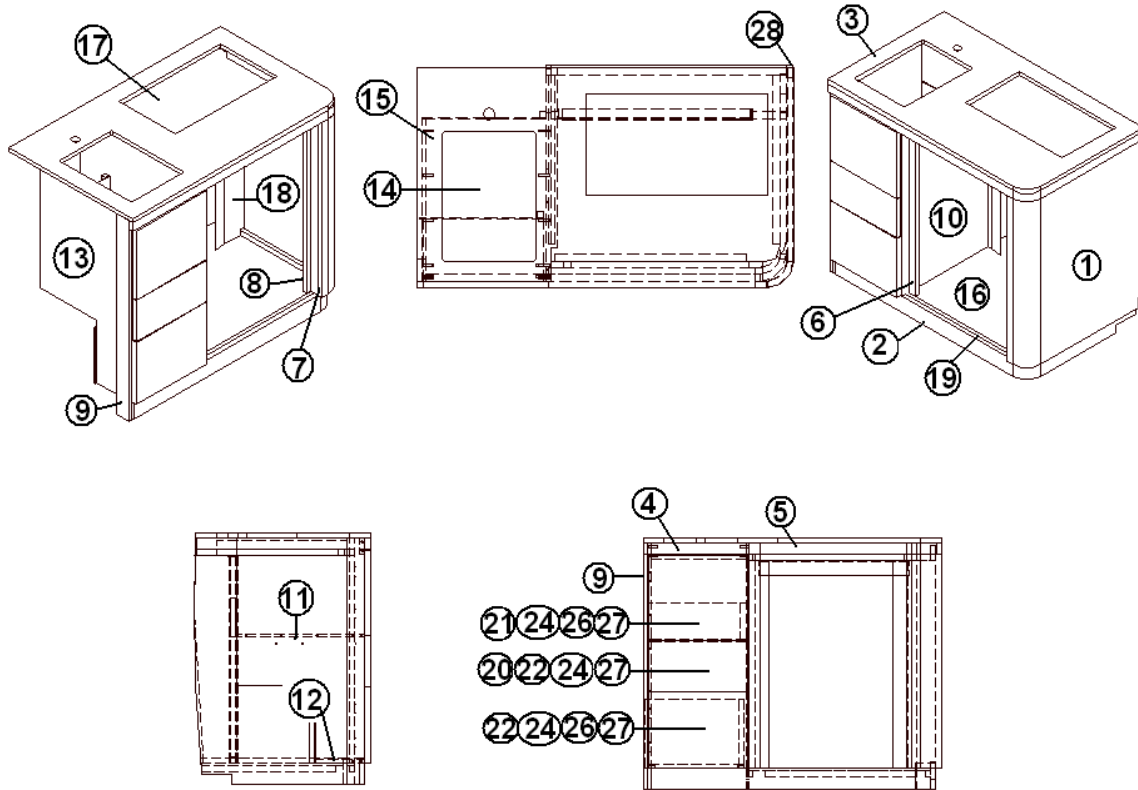


- | | |
|---------------|--------------------------------|
| 967019-01 | GALLEY ROOF LOCKER |
| 1. 801738 | FACE-R/L GALLEY |
| 2. 801545-05 | DIVIDER (PARTIAL) W/RANGE VENT |
| 3. 967019-014 | PANEL, 17.15 X 18.21 |
| 4. 115227-03 | ANGLE, LOCKER TRACK SUPPORT |
| 5. 104821 | SUPPORT, ROOFLOCKER, 74" |
| 6. 203508-01 | T-MOLDING, 5625" |
| 7. 115226 | BRACKET, LOCKER CENTER SUPPORT |
| 8. 801539-01 | DIVIDER, GALLEY LOCKER LH |
| 9. 801539-02 | DIVIDER, GALLEY LOCKER |
| 10. 203388 | SLIDING DOOR TRACK |
| 11. 203357-01 | DOOR SLIDING, LUMICOR, 17.50" |
| 12. 201673 | REVERSE COVE MOLDING, WHITE |
| 13. 200772 | PAN, DEADBOLT, TRI-MARK |
| 14. 115375 | EXTRUSION FORMED R/L END |
| 15. 454613 | SPRING, LEAF R/L |

2009 INTERNATIONAL TRAVEL TRAILER

FURNITURE, GALLEY

Galley, 16' DWR



Part numbers are on the next page

2009 INTERNATIONAL TRAVEL TRAILER

FURNITURE, GALLEY

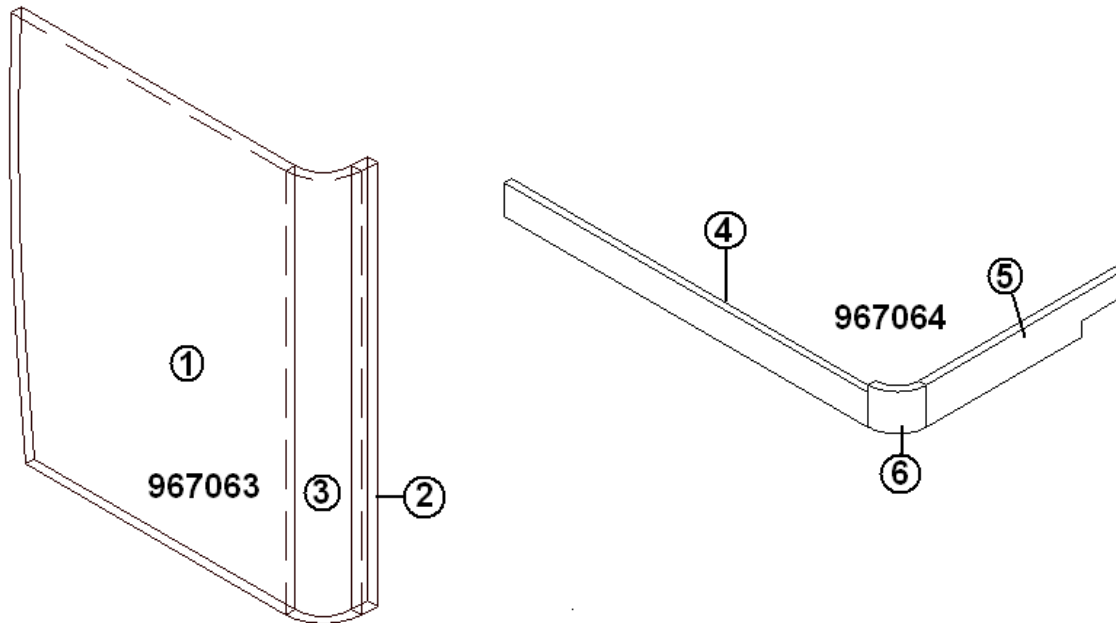
Galley, 16' DWR

967062	GALLEY BASE ASSY
1. 967063	PANEL, SUB ASSY, FORWARD GALLEY
2. 967064	TOEKICK SUB ASSY, FORWARD GALLEY
3. 967065	TOP ASSY, GALLEY
4. 967062-4	PANEL, 2.50 X 13.50
5. 967062-5	PANEL, 2.50 X 20.75
6. 967062-6	PANEL, 1.50 X 32.00
7. 967062-7	PANEL, 1.50 X 32.00
8. 967062-8	PANEL, 1.50 X 32.00
9. 967062-9	PANEL, 2.50 X 35.00
10. 967062-10	PANEL, 24.21 X 35.00
11. 967062-11	PANEL, 13.50 X 18.25
12. 967062-12	PANEL, 13.50 X 7.00
13. 967062-13	PANEL, 18.25 X 35.00
14. 967062-14	PANEL, 14.00 X 9.75
15. 967062-15	PANEL, 14.00 X 5.50
16. 967062-16	PANEL, 25.75 X 21.96
17. 967062-17	PANEL, 26.50 X 22.15
18. 967062-18	PANEL, 4.00 X 29.50
19. 967062-19	PANEL, 3.00 X 24.00
20. 967145-01	Drawer box, 4.63" x 13.50" x 14.88"
21. 801758-01	DOOR, GALLEY, 14.13" X 12"
22. 801758-02	DOOR, GALLEY, 14.13" X 7.06"
23. 801758-03	DOOR, GALLEY, 14.13" X 10.94"
24. 381228-01	CATCH GRABBER DOOR
25. 381830	WIPER, RUBBER, 1.125" X 2" L
26. 381607	HINGE ASSY
27. 382038	HANDLE, 6.69"FLAT HAFELE SILVER
28. 203464	TRIM, PANEL BLACK, ¾"

2009 INTERNATIONAL TRAVEL TRAILER

FURNITURE, GALLEY

Galley, 16' DWR, Forward Panel & Toe Kick Assemblies

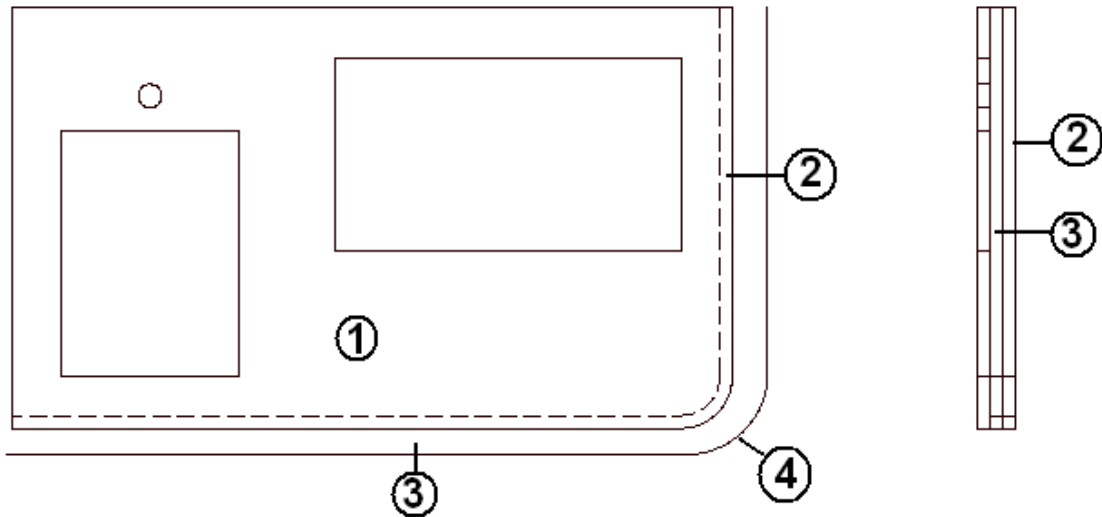


- | | |
|-------------|----------------------------------|
| 1. 967063 | PANEL, SUB ASSY, FORWARD GALLEY |
| 2. 967063-1 | PANEL, 30.50 X 21.95 |
| 3. 967063-2 | PANEL, 30.50 X 1.25 |
| 4. 967064 | TOEKICK SUB ASSY, FORWARD GALLEY |
| 5. 967064-1 | PANEL, 3.75 X 20.08 |
| 6. 967064-2 | PANEL, 2.75 X 37.50 |

2009 INTERNATIONAL TRAVEL TRAILER

FURNITURE, GALLEY

Galley, 16' DWR, Top

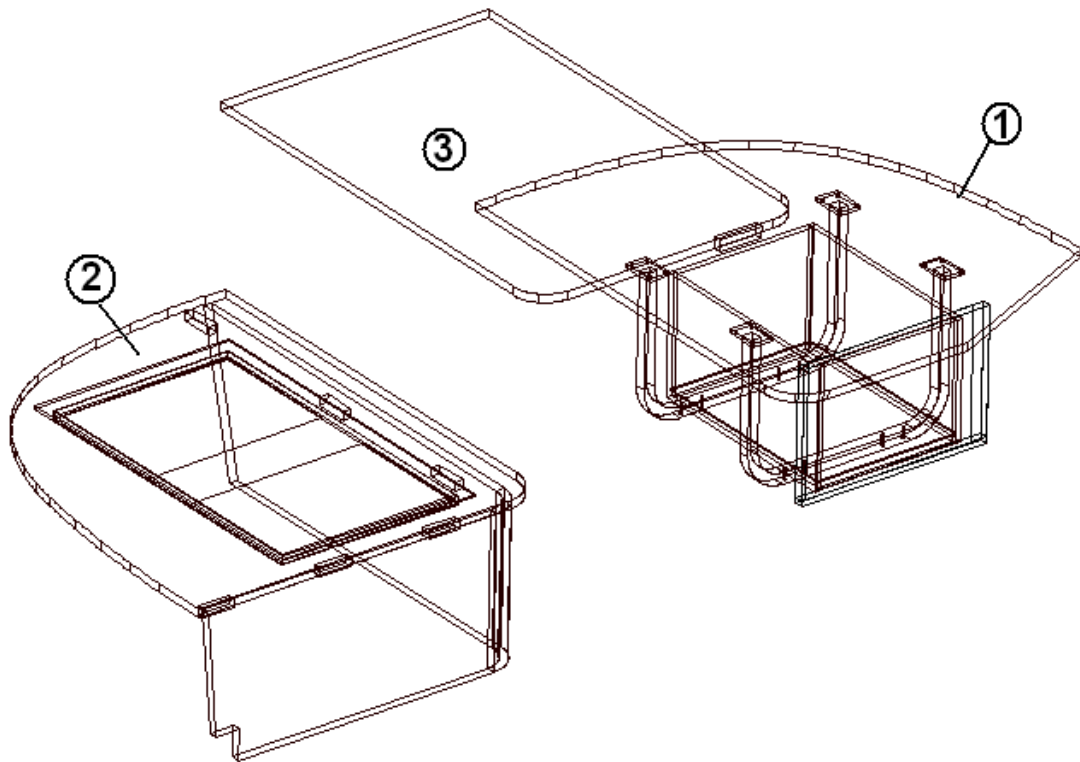


- | | |
|-------------|--------------------------------|
| 967065 | TOP ASSY, GALLEY |
| 1. 967065-1 | PANEL, 24.75 X 42.31 |
| 2. 967065-2 | PANEL, .75 X 21.75 x 39.31 |
| 3. 967065-3 | PANEL, .75 X 21.75 x 39.31 |
| 4. 801345 | Quarter round, 3" radius, 1.5" |

2009 INTERNATIONAL TRAVEL TRAILER

FURNITURE, GALLEY

Dinette, 16' DWR, Layout

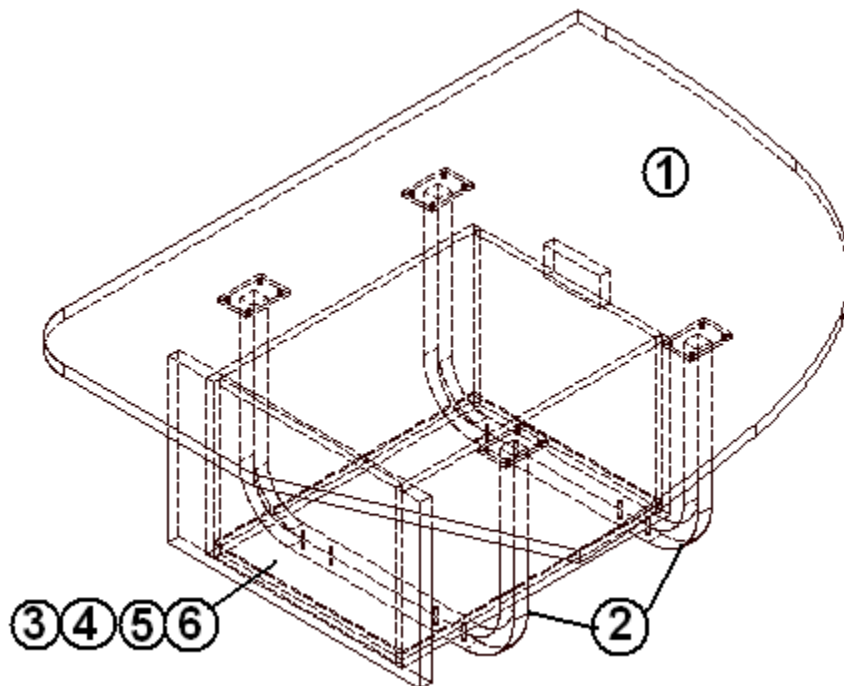


- 1. 967047 SEAT ASSY, CS DINETTE DWR
- 2. 967048 SEAT ASSY, RS DINETTE DWR
- 3. 967049 TABLE ASSY, DINETTE DWR

2009 INTERNATIONAL TRAVEL TRAILER

FURNITURE, GALLEY

Dinette, 16' DWR, Curbside Seat

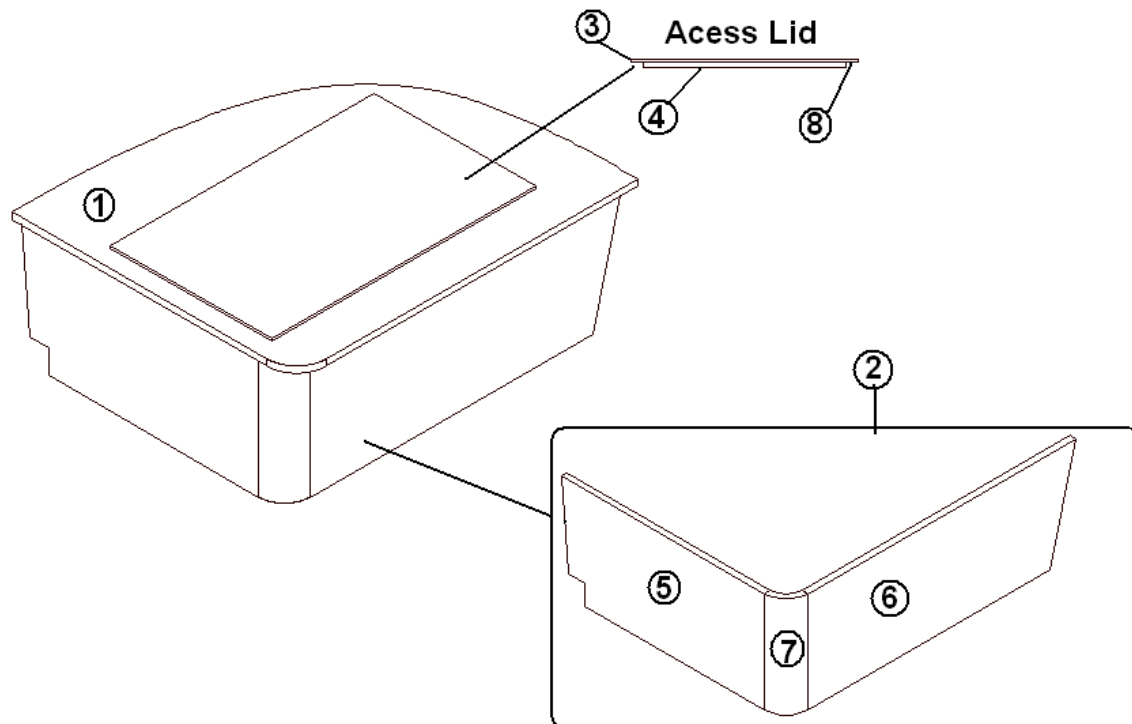


- | | |
|--------------|------------------------------------|
| 967047 | SEAT ASSY, CS DINETTE DWR |
| 1. 967047-1 | PANEL, 33.38 X 40.19 |
| 2. 454177 | LEG, DINETTE, ALUMINUM |
| 3. 964909-11 | DRAWER BOX, 10" X 14.00 X 19 |
| 4. 967047-4 | DRAWER FRONT, 18.00" X 11.50" |
| 5. 381833-01 | DRAWER SLIDE, UNDER SHELF 18" PR |
| 6. 381074 | CATCH BULL DOG #65S (COPPER) |
| 115377 | MOLDING, ALUMINUM, TRIM 13/16" |
| 381898 | SPACER, NYLON, .166ID X.24OD X.25L |

2009 INTERNATIONAL TRAVEL TRAILER

FURNITURE, GALLEY

Dinette, 16' DWR, Roadside Seat

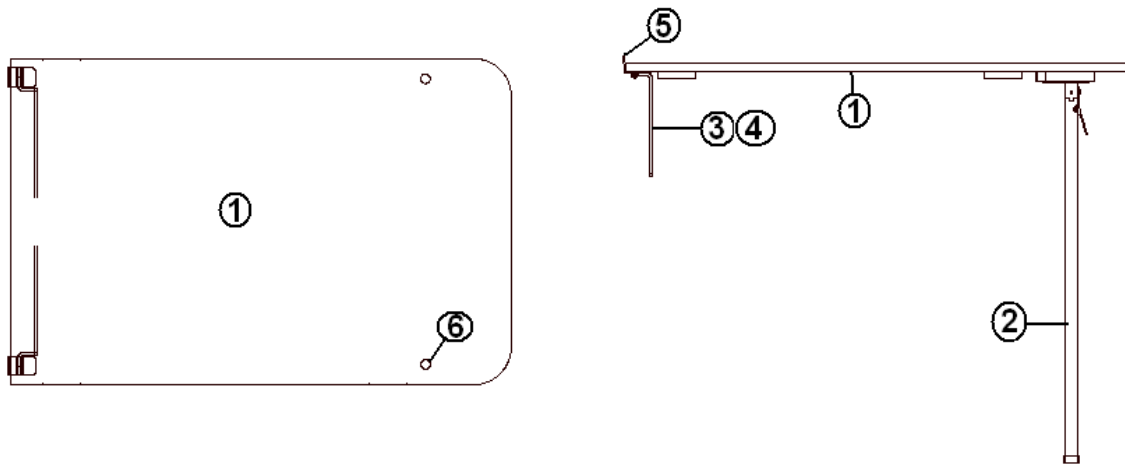


967048	SEAT ASSY, RS DINETTE DWR
1. 967048-1	SEAT TOP, 33.44 X 40.19
2. 967050	RS DINETTE SUB-ASSEMBLY
3. 967048-5	PANEL, 31.13 X 40.19
4. 967048-6	PANEL, 28.75 X 16.88
5. 967050-1	PANEL, 28.00 X 13.88
6. 967050-2	PANEL, 37.03 X 13.88
7. 801345	RADIUS PLYWOOD, .75" X 3" X
8. 701538-01	CARPET-ECONOLIER W/PSA BACK
115377	MOLDING, ALUMINUM TRIM 13/16"
701538-01	CARPET-ECONOLIER W/PSA BACK

2009 INTERNATIONAL TRAVEL TRAILER

FURNITURE, GALLEY

Dinette Table, 16' DWR

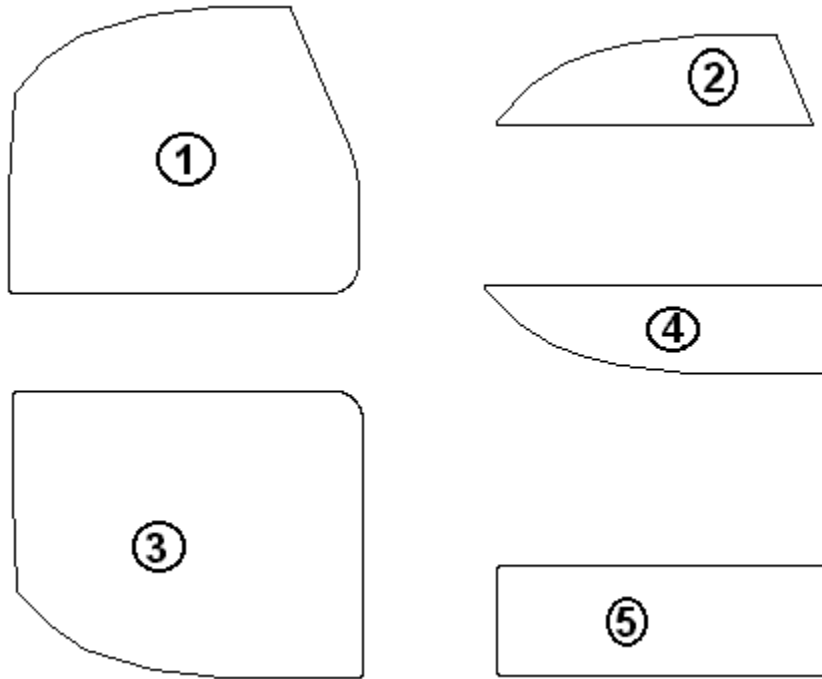


- | | |
|--------------|----------------------|
| 967049 | TABLE ASSY, DINETTE |
| 1. 967049-1 | TABLE TOP, 32" X 39" |
| 2. 381881-04 | LEG, FOLDING TABLE |
| 3. 380284-02 | TABLE HINGE BRACKET |
| 4. 380284-03 | TABLE HINGE BRACKETS |
| 5. 340018 | CATCH PLATE J-1 |
| 6. 381136 | RUBBER BUMPER |

2009 INTERNATIONAL TRAVEL TRAILER

FURNITURE, LOUNGE

Dinette, 16' DWR, Seat Assemblies/Cushions

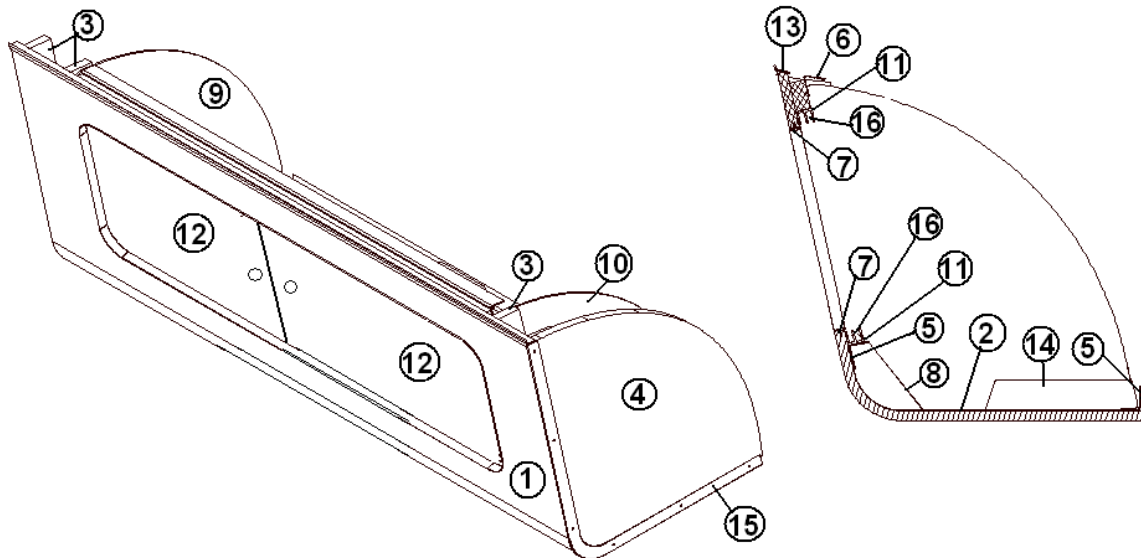


- | | |
|---------------|---|
| 1. 998150-01D | FABRIC/FOAM ASSEMBLY, CS DINETTE |
| 1a. 703368-01 | FOAM-SEAT CS DINETTE |
| 2. 998150-02D | FABRIC/FOAM FILLER ASSEMBLY, CS DINETTE
BACK |
| 2a. 703368-08 | CS BACK FILLER |
| 3. 998150-04D | FABRIC/FOAM SEAT ASSEMBLY, RS DINETTE |
| 3a. 703368-04 | FOAM, RS DINETTE SEAT |
| 4. 998150-05D | FABRIC/FOAM FILLER ASSEMBLY, RS DINETTE
SEAT |
| 4a. 703368-09 | FOAM, RS BACK FILLER |
| 5. 998150-06D | FABRIC/FOAM BACK REST ASSEMBLY-RS
DINETTE |
| 5a. 703368-10 | FOAM, RS BACK REST |
| 700022 | ZIPPER |
| 700020 | PILE VELCRO |
| 700021 | HOOK, VELCRO, WHITE |
| 703446 | SILK FILM SHEETING #SFS 36 AIR |

2009 INTERNATIONAL TRAVEL TRAILER

FURNITURE, GALLEY

Roof Locker, 16' DWR, Galley

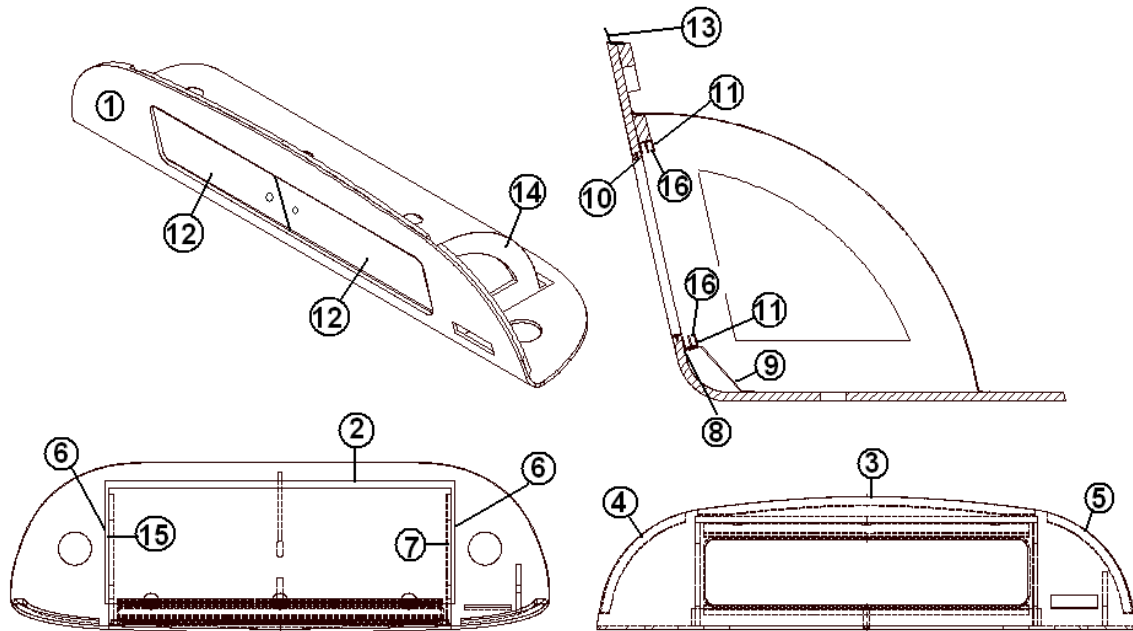


967057	ROOF LOCKER, GALLEY
1. 801762	FACE, GALLEY ROOF LOCKER
2. 967057-2	PANEL, 17.15 X 18.21
3. 801545-05	DIVIDER (PARTIAL) W/RANGE VENT
4. 967057-4	PANEL, 17.15 X 18.21
5. 115227-03	ANGLE, LOCKER, TRACK SUPPORT
6. 104821	SUPPORT, ROOFLOCKER, 74"
7. 203445-01	T-MOLDING, .5625", WHITE
8. 115226	BRACKET, CENTER SUPPORT
9. 801765-01	DIVIDER, LH, GALLEY R/L
10. 801765-02	DIVIDER, RH, GALLEY R/L
11. 203388	SLIDING DOOR TRACK
12. 967066-02	DOOR, 11.69" X 17.63"
13. 201673	REVERSE COVE MOLDING, WHITE
14. 200772	PAN, DEADBOLT, TRI-MARK
15. 115375	EXTRUSION, FORMED R/L END
16. 382041	CHANNEL-.3125" SCHLEGEL BLACK

2009 INTERNATIONAL TRAVEL TRAILER

FURNITURE, GALLEY

Roof Locker, 16' DWR, Front End Liner

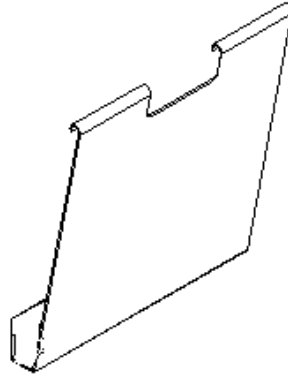


967059	R/L ASSY, FRONT LINER
1. 801764	FACE, FRONT LINER
2. 967059-02	PANEL, 21.00 X 54.25
3. 801596-01	BACKER W/B LINER LOCKER, CENTER
4. 801596-02	BACKER LINER LOCKER, LH
5. 801596-03	BACKER, LINER LOCKER, RH
6. 801594	DIVIDER, LINER LOCKER
7. 801766-03	DIVIDER, RH LINER, R/L, W/SWITCH
8. 115261-02	ANGLE, LOCKER TRACK SUPPORT
9. 115226-01	BRACKET, CENTER SUPPORT
10. 203445-01	T-MOLDING, .5625" WHITE
11. 203388	TRACK, SLIDING DOOR
12. 967066-01	DOOR, 11.69" X 26"
13. 201673	REVERSE COVE MOLDING
14. 115264-02	PAN, LINER LOCKER
15. 801766-01	DIVIDER, LH LINER R/L
16. 382041	CHANNEL, .3125", SCHLEGEL BLACK

2009 INTERNATIONAL TRAVEL TRAILER

FURNITURE, GALLEY

Magazine Rack, Signature, White



386106-01

RACK-MAGAZINE WHITE

386107

ROD-MAGAZINE RACK

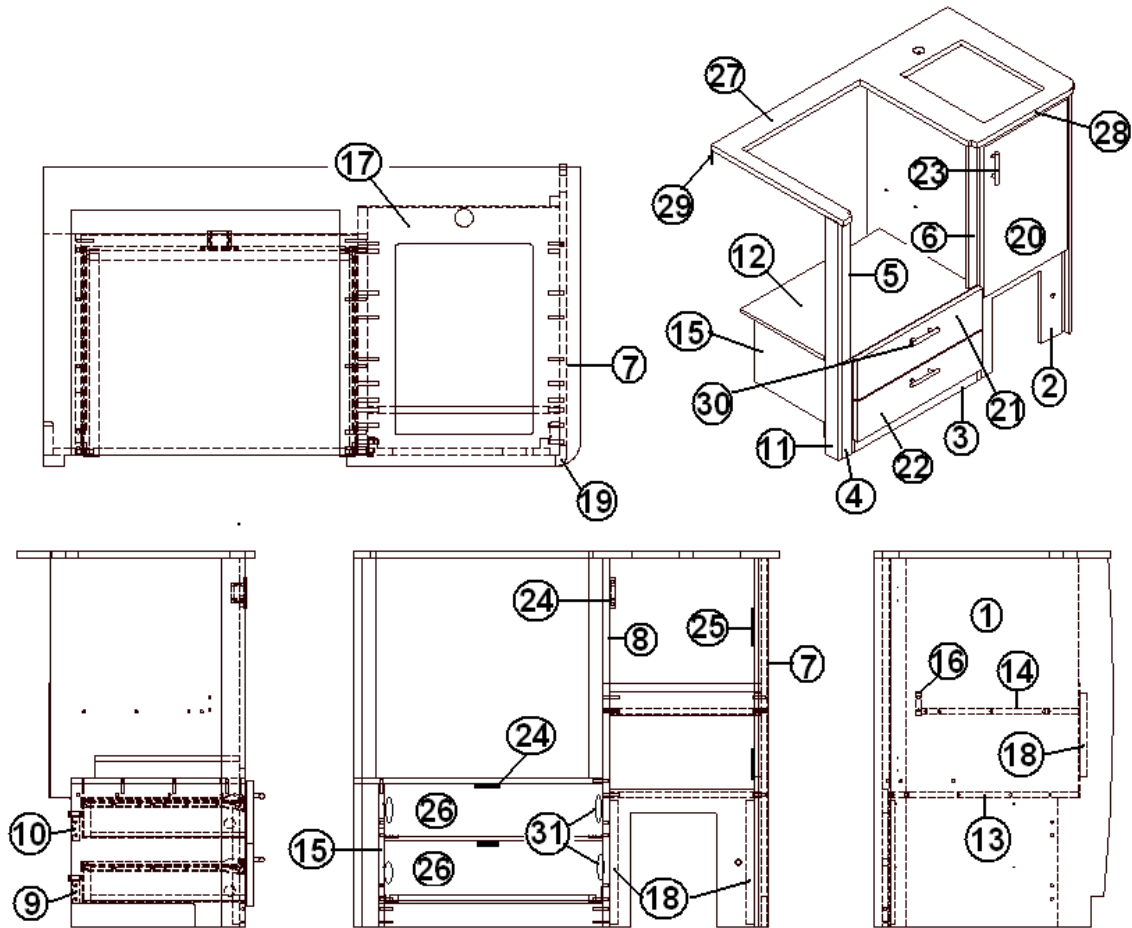
115064

TRIM-ALUM COUNTER TOP

2009 INTERNATIONAL TRAVEL TRAILER

FURNITURE, GALLEY

Galley, 19' Signature, W/Oven, Wenge



Part number on the next page

2009 INTERNATIONAL TRAVEL TRAILER

FURNITURE, GALLEY

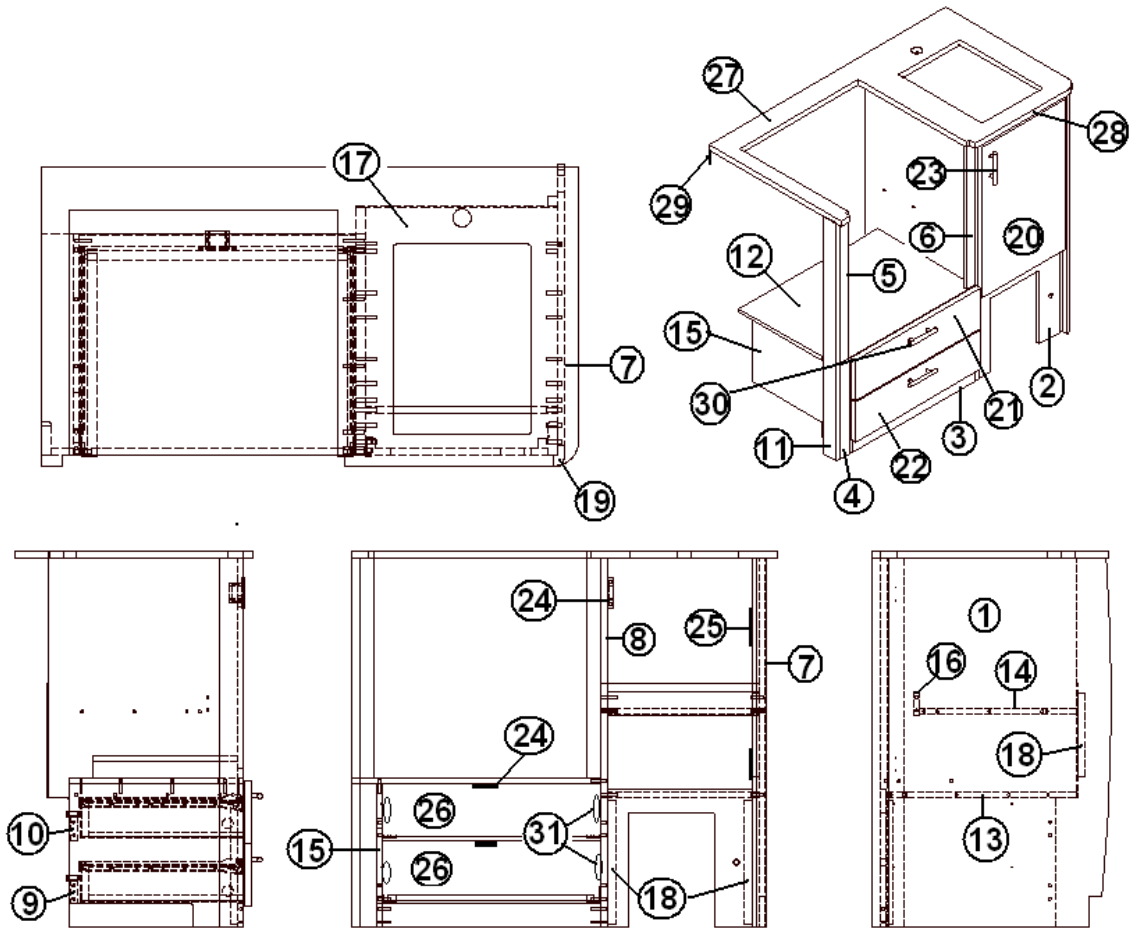
Galley, 19' Signature, W/Oven, Wenge

966959	GALLEY, STANDARD OVEN
1. 966959-1	PANEL, 21.68" X 35.50"
2. 966959-2	PANEL, 13.88" X 13.25"
3. 966959-3	PANEL, 2.25" X 21"
4. 966959-4	PANEL, 1.62" X 13.81"
5. 966959-5	PANEL, 1.31" X 21.19"
6. 966959-6	PANEL, 21.68" X 35.50"
7. 966959-8	PANEL, 2.25" X 35.50"
8. 966959-9	PANEL, 18.81" X 35.50"
9. 966959-10	PANEL, 2.25" X 21"
10. 966959-11	PANEL, 2.25" X 21"
11. 966959-12	PANEL, 2.25" X 35.50"
12. 966959-13	PANEL, 16.81" X 23.88"
13. 966959-14	PANEL, 18.31" X 14.62"
14. 966959-15	PANEL, 15.12" X 14.62"
15. 966959-16	PANEL, 16.81" X 13.81"
16. 966959-17	PANEL, 2.25" X 14.62"
17. 966959-22	PANEL, 11" X 15.38"
18. 800025-01	PINE 3/4" X 3/4" STAINED
19. 801706-0016	CORNER TRIM, 90 DEGREE RADIUS
20. 966959-25	DOOR, GALLEY 14.5" X 22.38"
21. 966959-26	FACE, DRAWER, GALLEY, 21.62" X 6"
22. 966959-27	FACE, DRAWER, GALLEY, 21.62" X 6"
23. 382029-03	HANDLE, BAR 11.25"
24. 381228-01	GRABBER CATCH, DOOR
25. 381607	HINGE ASSY
26. 965642-01	BOX ASSY. DRAWER 19.75"
27. 966965	GALLEY TOP ASSY
28. 115064	TRIM, ALUM COUNTER TOP
29. 114812	ALUMINUM ANGLE, 1.00" X 1.00"
30. 382029-05	HANDLE, BAR 21.33"
31. 381773-03	DRAWER SLIDE 15.75"

2009 INTERNATIONAL TRAVEL TRAILER

FURNITURE, GALLEY

Galley, 19' Signature, W/Oven, Ocean Breeze



Part number on the next page

2009 INTERNATIONAL TRAVEL TRAILER

FURNITURE, GALLEY

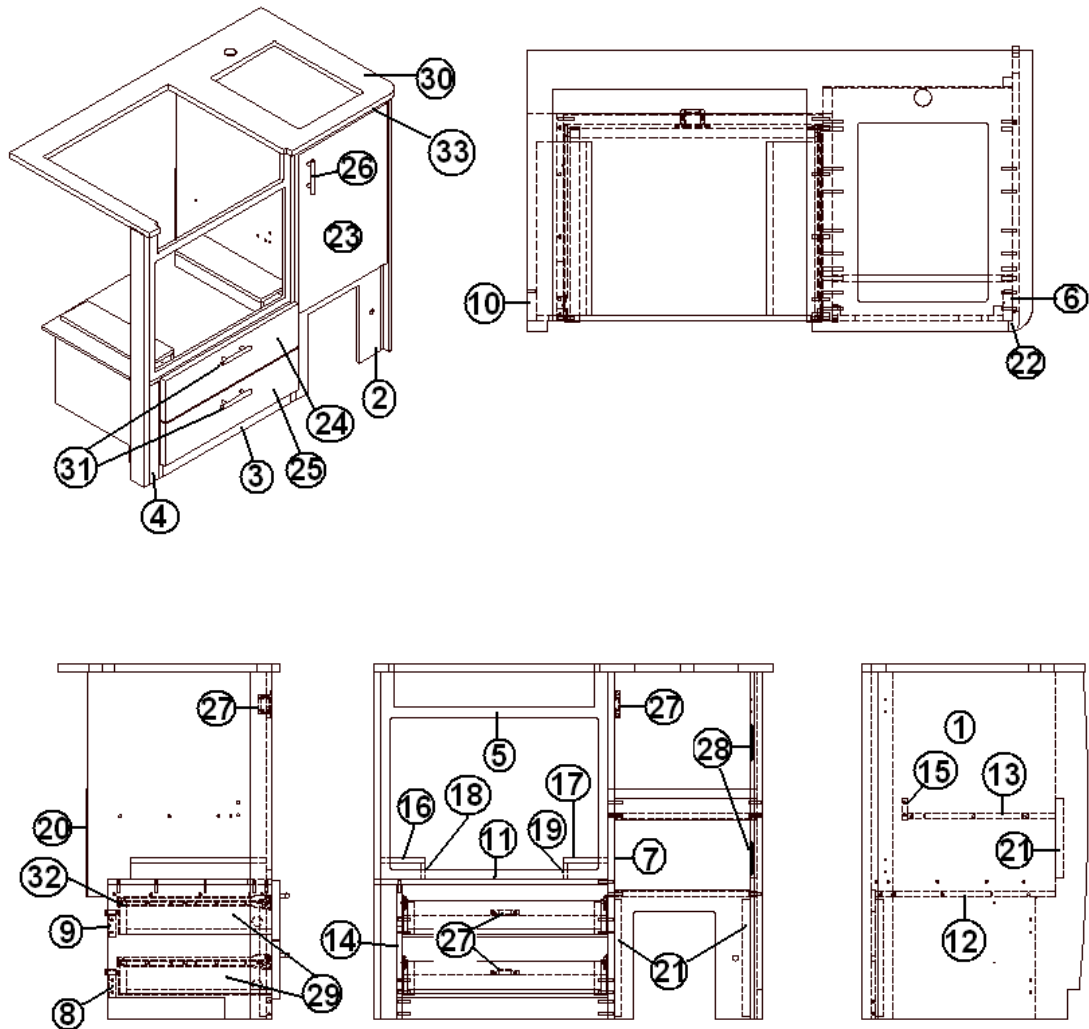
Galley, 19' Signature, W/Oven, Ocean Breeze

966959-01	GALLEY, STANDARD OVEN
1. 966959-011	PANEL, 21.68" X 35.50"
2. 966959-012	PANEL, 13.88" X 13.25"
3. 966959-013	PANEL, 2.25" X 21"
4. 966959-014	PANEL, 1.62" X 13.81"
5. 966959-015	PANEL, 1.31" X 21.19"
6. 966959-016	PANEL, 21.68" X 35.50"
7. 966959-018	PANEL, 2.25" X 35.50"
8. 966959-019	PANEL, 18.81" X 35.50"
9. 966959-0110	PANEL, 2.25" X 21"
10. 966959-0111	PANEL, 2.25" X 21"
11. 966959-0112	PANEL, 2.25" X 35.50"
12. 966959-0113	PANEL, 16.81" X 23.88"
13. 966959-0114	PANEL, 18.31" X 14.62"
14. 966959-0115	PANEL, 15.12" X 14.62"
15. 966959-0116	PANEL, 16.81" X 13.81"
16. 966959-0117	PANEL, 2.25" X 14.62"
17. 966959-0122	PANEL, 11" X 15.38"
18. 800025-01	PINE 3/4" X 3/4" STAINED
19. 801706-WH	CORNER TRIM, 90 DEGREE RADIUS
20. 966959-0125	DOOR, GALLEY 14.5" X 22.38"
21. 966959-0126	FACE, DRAWER, 21.62" X 6"
22. 966959-0127	FACE, DRAWER, , 21.62" X 6"
23. 382046	PULL, BAMBOO, W/BUSHED NICKEL ENDS
24. 381228-01	GRABBER CATCH, DOOR
25. 381607	HINGE ASSY
26. 965642-01	BOX ASSY. DRAWER 19.75"
27. 966965-01	GALLEY TOP ASSY
28. 115064	TRIM, ALUM COUNTER TOP
29. 1148125	ALUMINUM ANGLE, 1.00" X 1.00"
30. 382046	PULL, BAMBOO, W/BUSHED NICKEL ENDS
31. 381773-03	DRAWER SLIDE 15.75"

2009 INTERNATIONAL TRAVEL TRAILER

FURNITURE, GALLEY

Galley, 19' Signature, W/Microwave Option, Wenge



Part number on the next page

2009 INTERNATIONAL TRAVEL TRAILER

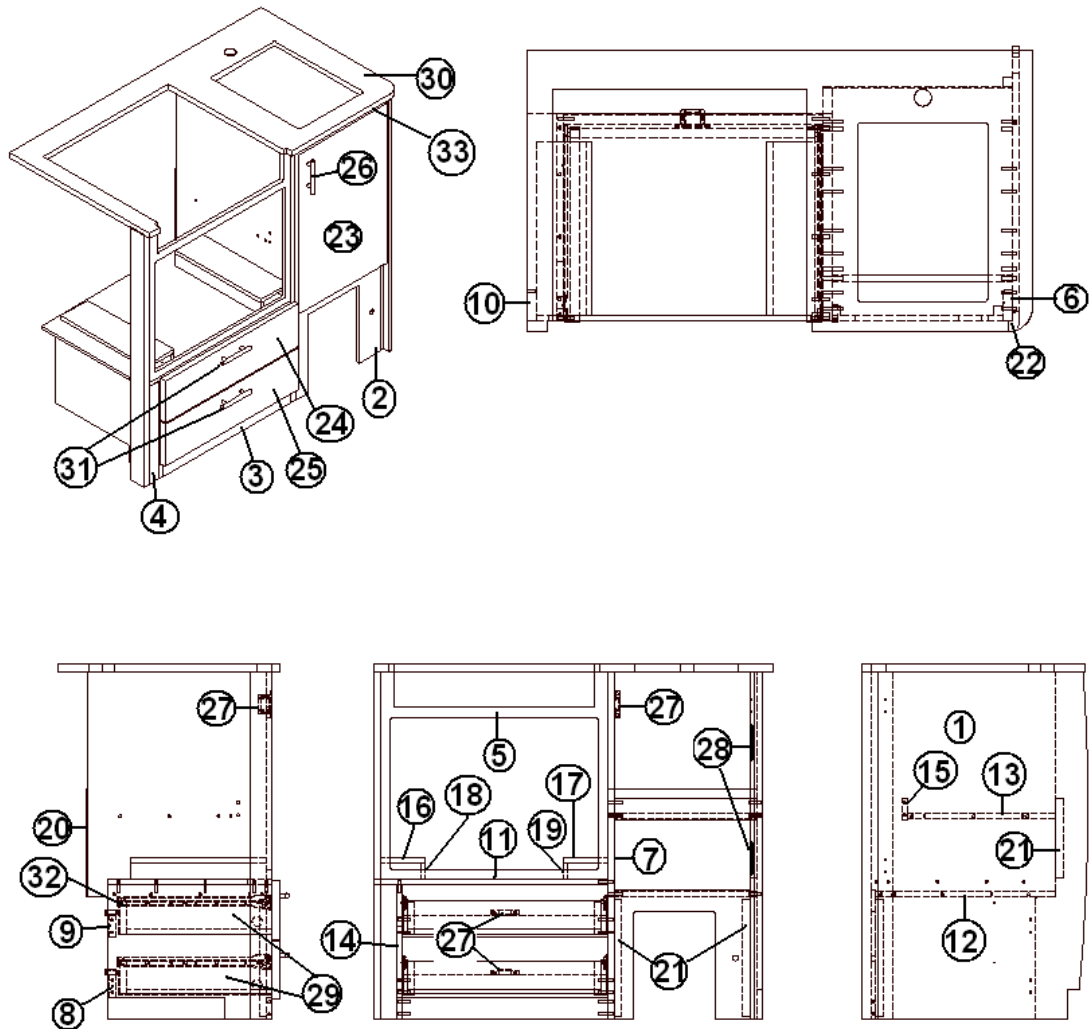
FURNITURE, GALLEY

Galley, 19' Signature, W/Microwave Option, Wenge	
966960	GALLEY, W/MICROWAVE OPTION
1. 966960-1	PANEL, 21.68" X 35.50"
2. 966960-2	PANEL, 13.88" X 13.25"
3. 966960-3	PANEL, 2.25" X 21"
4. 966960-4	PANEL, 1.62" X 13.81"
5. 966960-7	PANEL, 23.12" X 21.19"
6. 966960-8	PANEL, 2.25" X 35.50"
7. 966960-9	PANEL, 18.81" X 35.50"
8. 966960-10	PANEL, 2.25" X 21"
9. 966960-11	PANEL, 2.25" X 21"
10. 966960-12	PANEL, 2.25" X 35.50"
11. 966960-13	PANEL, 16.81" X 23.88"
12. 966960-14	PANEL, 18.31" X 14.62"
13. 966960-15	PANEL, 15.12" X 14.62"
14. 966960-16	PANEL, 16.81" X 13.81"
15. 966960-17	PANEL, 2.25" X 14.62"
16. 966960-18	PANEL, 4.50" X 14.00"
17. 966960-19	PANEL, 4.50" X 14.00"
18. 966960-20	PANEL, 1.69" X 14.00"
19. 966960-21	PANEL, 1.69" X 14.00"
20. 966960-22	PANEL, 11.00" X 15.38"
21. 800025-01	PINE 3/4" X 3/4" STAINED
22. 801706-0016	CORNER TRIM, 90 DEGREE RADIUS
23. 966960-25	DOOR, GALLEY 14.5" X 22.38"
24. 966960-26	FACE, DRAWER, GALLEY, 21.62" X 6"
25. 966960-27	FACE, DRAWER, GALLEY, 21.62" X 6"
26. 382029-03	HANDLE, BAR 11.25"
27. 381228-01	GRABBER CATCH, DOOR
28. 381607	HINGE ASSY
29. 965642-01	BOX ASSY. DRAWER 19.75"
30. 966965	GALLEY TOP ASSY
31. 382029-05	HANDLE, BAR 21.33"
32. 381773-03	DRAWER SLIDE 15.75"
33. 115064	TRIM, ALUM COUNTER TOP

2009 INTERNATIONAL TRAVEL TRAILER

FURNITURE, GALLEY

Galley, 19' Signature, W/Microwave Option, Ocean Breeze



Part number on the next page

2009 INTERNATIONAL TRAVEL TRAILER

FURNITURE, GALLEY

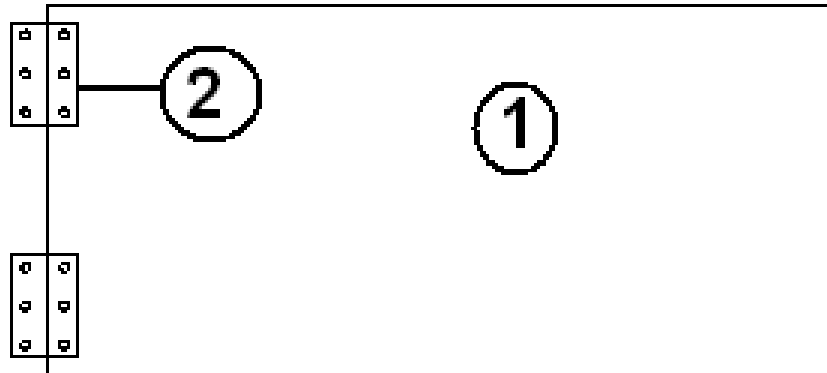
Galley, 19' Signature, W/Microwave Option, Ocean Breeze

966960-01	GALLEY, W/MICROWAVE OPTION
1. 966960-011	PANEL, 21.68" X 35.50"
2. 966960-012	PANEL, 13.88" X 13.25"
3. 966960-013	PANEL, 2.25" X 21"
4. 966960-014	PANEL, 1.62" X 13.81"
5. 966960-017	PANEL, 23.12" X 21.19"
6. 966960-018	PANEL, 2.25" X 35.50"
7. 966960-019	PANEL, 18.81" X 35.50"
8. 966960-0110	PANEL, 2.25" X 21"
9. 966960-0111	PANEL, 2.25" X 21"
10. 966960-0112	PANEL, 2.25" X 35.50"
11. 966960-0113	PANEL, 16.81" X 23.88"
12. 966960-0114	PANEL, 18.31" X 14.62"
13. 966960-0115	PANEL, 15.12" X 14.62"
14. 966960-0116	PANEL, 16.81" X 13.81"
15. 966960-0117	PANEL, 2.25" X 14.62"
16. 966960-0118	PANEL, 4.50" X 14.00"
17. 966960-0119	PANEL, 4.50" X 14.00"
18. 966960-0120	PANEL, 1.69" X 14.00"
19. 966960-0121	PANEL, 1.69" X 14.00"
20. 966960-0122	PANEL, 11.00" X 15.38"
21. 800025-01	PINE 3/4" X 3/4" STAINED
22. 801706-WH	CORNER TRIM, 90 DEGREE RADIUS
23. 966960-0125	DOOR, GALLEY 14.5" X 22.38"
24. 966960-0126	FACE, DRAWER, 21.62" X 6"
25. 966960-0127	FACE, DRAWER, 21.62" X 6"
26. 382046	PULL, BAMBOO, W/BUSHED NICKEL ENDS
27. 381228-01	GRABBER CATCH, DOOR
28. 381607	HINGE ASSY
29. 965642-01	BOX ASSY. DRAWER 19.75"
30. 966965	GALLEY TOP ASSY
31. 382046	PULL, BAMBOO, W/BUSHED NICKEL ENDS
32. 381773-03	DRAWER SLIDE 15.75"
33. 115064	TRIM, ALUM COUNTER TOP

2009 INTERNATIONAL TRAVEL TRAILER

FURNITURE, GALLEY

Galley, 19' Signature, Close Out shelf, Wenge

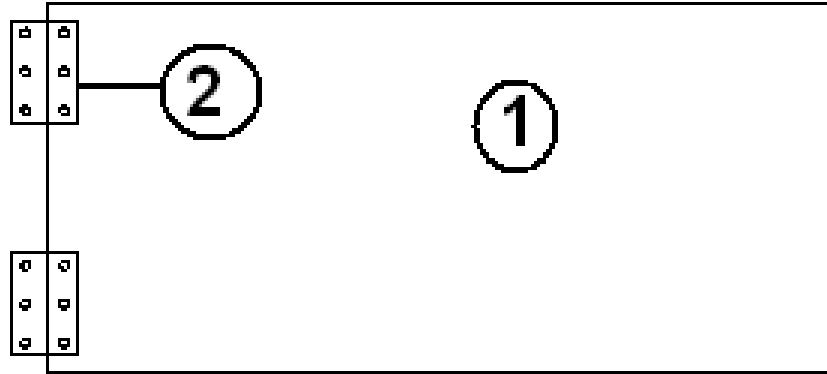


- | | |
|--------------|------------------------------------|
| 966956 | GALLEY CABINET CLOSEOUT SHELF, 19' |
| 1. 966956-1 | PANEL, 10.75 X 23.00 |
| 2. 381479-01 | HINGE, BRASS-CABINET, 2" X 1-3/8" |
| 381688 | BUMP ON |
| 381074 | CATCH BULL DOG #65S (COPPER) |
| 320114-04 | SCREW, .5" WOOD PH OVAL ZINC |

2009 INTERNATIONAL TRAVEL TRAILER

FURNITURE, GALLEY

Galley, 19' Signature, Close Out Shelf, Ocean Breeze

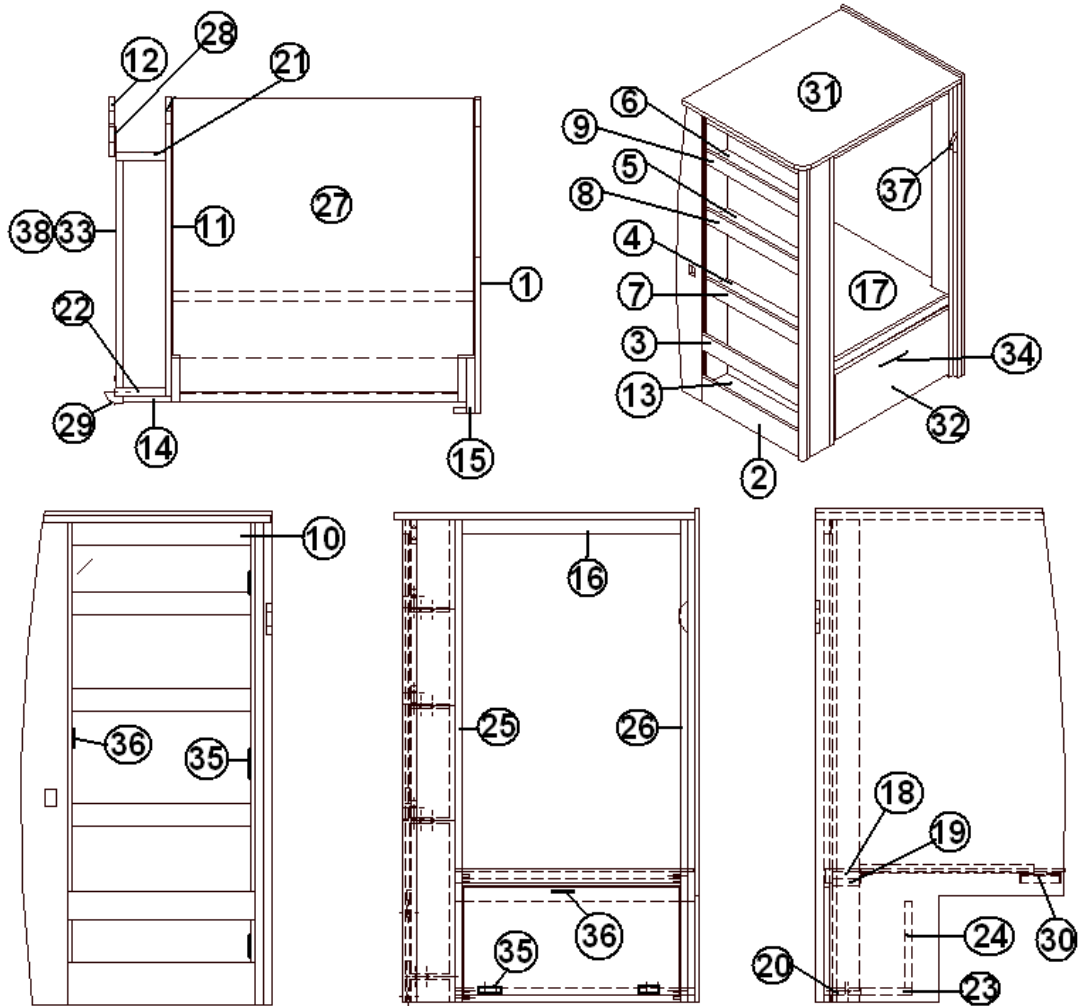


- | | |
|--------------|------------------------------------|
| 966956-01 | GALLEY CABINET CLOSEOUT SHELF, 19' |
| 1. 966956-01 | PANEL, 10.75 X 23.00 |
| 2. 381479-01 | HINGE, BRASS-CABINET, 2" X 1-3/8" |
| 381688 | BUMP ON |
| 381074 | CATCH BULL DOG #65S (COPPER) |
| 320114-04 | SCREW, .5" WOOD PH OVAL ZINC |

2009 INTERNATIONAL TRAVEL TRAILER

FURNITURE, GALLEY

Refrigerator Cabinet, 19' Signature, Wenge



Part number on the next page

2009 INTERNATIONAL TRAVEL TRAILER

FURNITURE, GALLEY

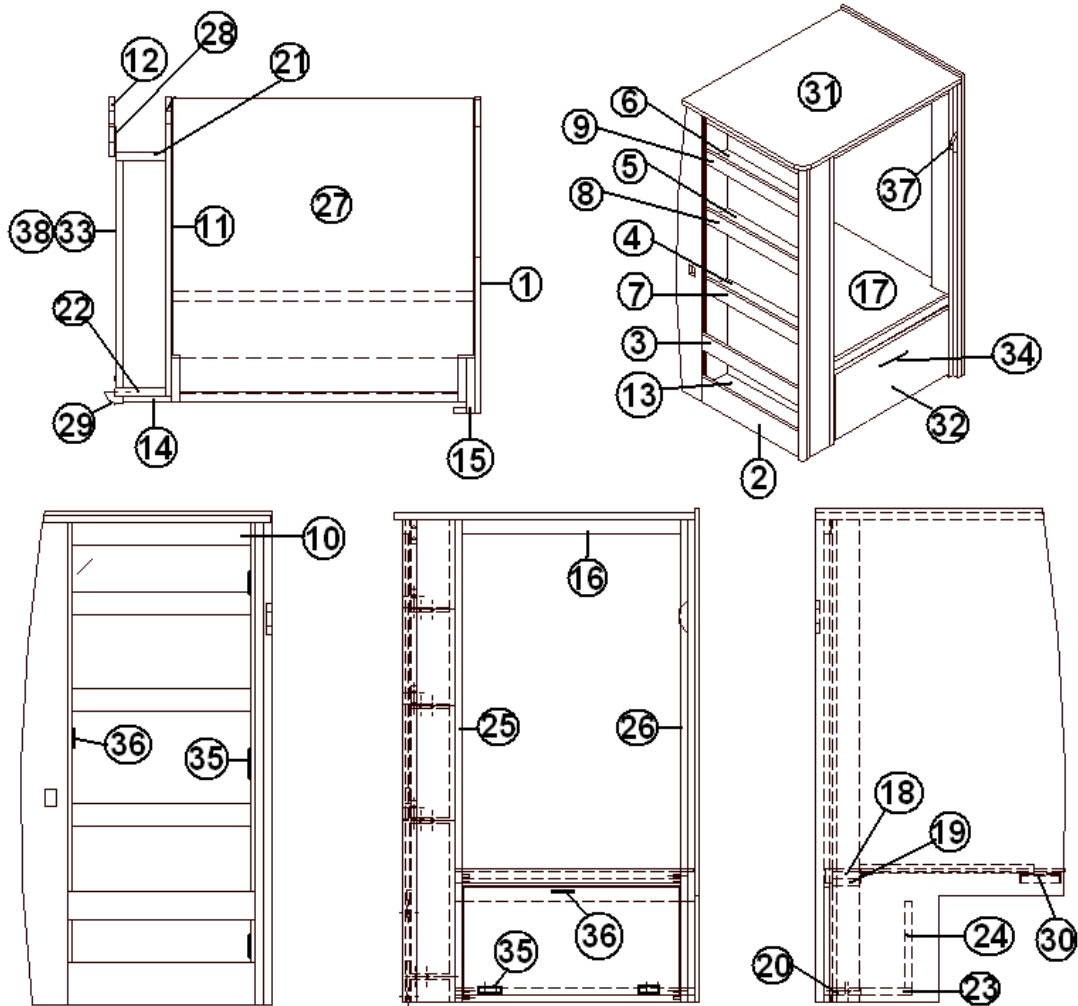
Refrigerator Cabinet, 19' Signature, Wenge

966952	Refrigerator Cabinet
1. 966952-1	PANEL, 27.33" X 53.75"
2. 966952-2	PANEL, 4.50" X 20.50"
3. 966952-3	PANEL, 3" X 20.50"
4. 966952-4	PANEL, 3.68" X 19.50"
5. 966952-5	PANEL, 3.68" X 19.50"
6. 966952-6	PANEL, 3.68" X 19.50"
7. 966952-7	PANEL, 2.50" X 19.50"
8. 966952-8	PANEL, 2.50" X 19.50"
9. 966952-9	PANEL, 2.50" X 19.50"
10. 966952-10	PANEL, 2.50" X 19.50"
11. 966952-11	PANEL, 25.83" X 52.50"
12. 966952-12	PANEL, 5.14" X 52.50"
13. 966952-13	PANEL, 4.25" X 19.50"
14. 966952-14	PANEL, 4.12" X 52.50"
15. 966952-15	PANEL, 4.75" X 52.50"
16. 966952-16	PANEL, 1.44" X 23.94"
17. 966952-17	PANEL, 3.00" X 23.94"
18. 966952-18	PANEL, 2.94" X 23.94"
19. 966952-19	PANEL, 2.94" X 23.94"
20. 966952-20	PANEL, 2.94" X 23.94"
21. 966952-21	PANEL, 4.25" X 52.50"
22. 966952-22	PANEL, 4.25" X 52.50"
23. 966952-23	PANEL, 8.69" X 26.19"
24. 966952-24	PANEL, 9.50" X 26.19"
25. 966952-25	PANEL, 3.75" X 52.50"
26. 966952-26	PANEL, 3.75" X 52.50"
27. 800507-03	PANEL, Luan, 3/8" x 25.94" x 25.37"
28. 800507-01	PANEL, Luan, 1/8" x 2.50" x 52.50"
29. 801706-0016	CORNER TRIM
30. 965630	STAND ASSY. REFER
31. 966952-31	PANEL, 3.75" X 24.88"
32. 966952-32	DOOR, 23.63" X 11.69"
33. 966952-33	DOOR, 20.00" X 31.31"
34. 382029-04	HANDLE-BAR 15"
35. 381607	HINGE ASSY
36. 381228-01	CATCH GRABBER DOOR
37. 964519-0016	BLOCK, POCKET DOOR LATCH
38. 382029-04	HANDLE-BAR 15"

2009 INTERNATIONAL TRAVEL TRAILER

FURNITURE, GALLEY

Refrigerator Cabinet, 19' Signature, Ocean Breeze



Part number on the next page

2009 INTERNATIONAL TRAVEL TRAILER

FURNITURE, GALLEY

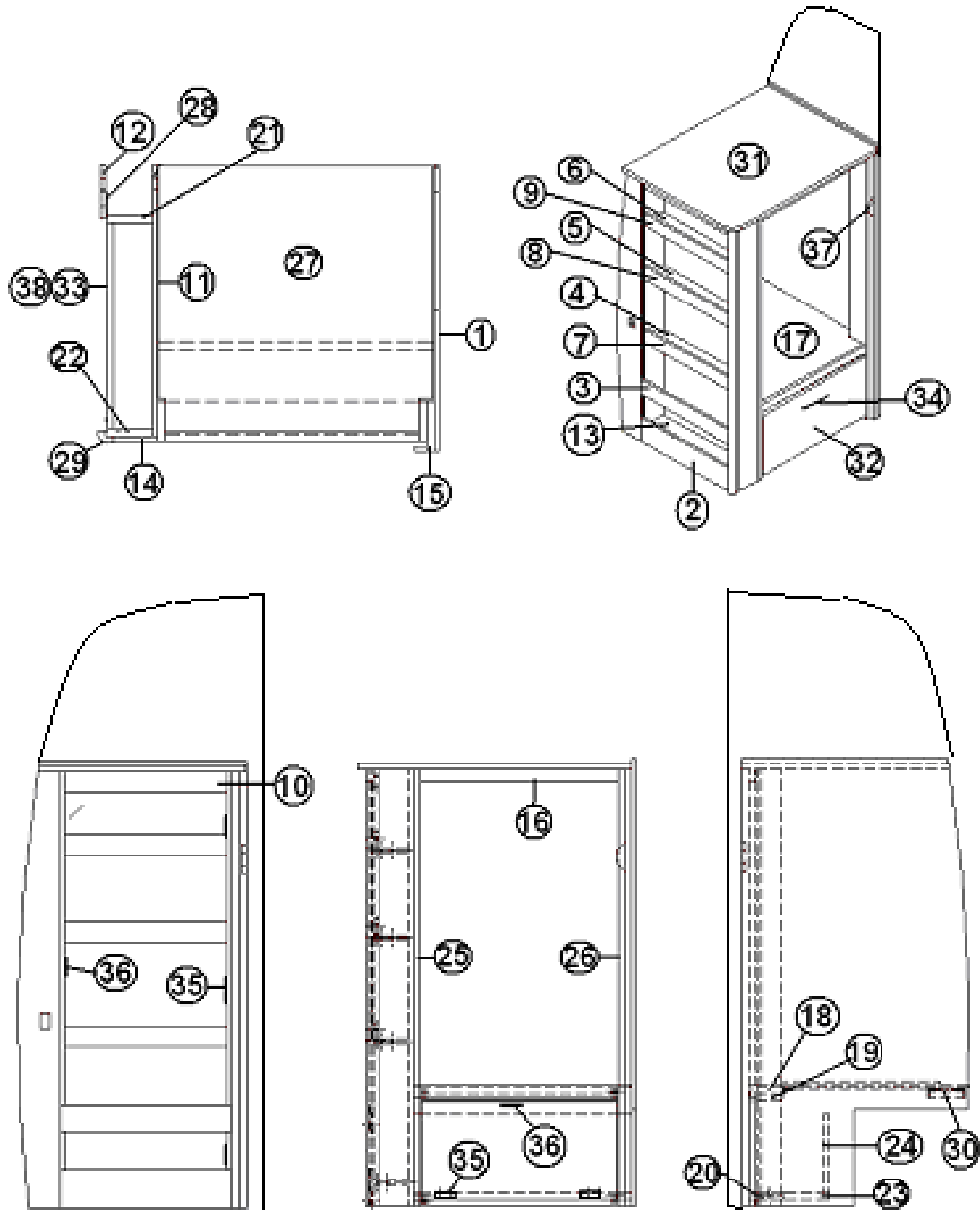
Refrigerator Cabinet, 19' Signature, Ocean Breeze

966652-01	Refrigerator Cabinet
1. 966952-011	PANEL, 27.33" X 53.75"
2. 966952-012	PANEL, 4.50" X 20.50"
3. 966952-013	PANEL, 3" X 20.50"
4. 966952-4	PANEL, 3.68" X 19.50"
5. 966952-015	PANEL, 3.68" X 19.50"
6. 966952-016	PANEL, 3.68" X 19.50"
7. 966952-017	PANEL, 2.50" X 19.50"
8. 966952-018	PANEL, 2.50" X 19.50"
9. 966952-019	PANEL, 2.50" X 19.50"
10. 966952-0110	PANEL, 2.50" X 19.50"
11. 966952-0111	PANEL, 25.83" X 52.50"
12. 966952-0112	PANEL, 5.14" X 52.50"
13. 966952-0113	PANEL, 4.25" X 19.50"
14. 966952-0114	PANEL, 4.12" X 52.50"
15. 966952-0115	PANEL, 4.75" X 52.50"
16. 966952-0116	PANEL, 1.44" X 23.94"
17. 966952-0117	PANEL, 3.00" X 23.94"
18. 966952-0118	PANEL, 2.94" X 23.94"
19. 966952-0119	PANEL, 2.94" X 23.94"
20. 966952-0120	PANEL, 2.94" X 23.94"
21. 966952-0121	PANEL, 4.25" X 52.50"
22. 966952-22	PANEL, 4.25" X 52.50"
23. 966952-0123	PANEL, 8.69" X 26.19"
24. 966952-0124	PANEL, 9.50" X 26.19"
25. 966952-0125	PANEL, 3.75" X 52.50"
26. 966952-0126	PANEL, 3.75" X 52.50"
27. 800507-03	PANEL, Luan, 3/8" x 25.94" x 25.37"
28. 800507-01	PANEL, Luan, 1/8" x 2.50" x 52.50"
29. 801706-WH	CORNER TRIM
30. 965630	STAND ASSY. REFER
31. 966952-0131	PANEL, 3.75" X 24.88"
32. 966952-0132	DOOR, 23.63" X 11.69"
33. 966952-0133	DOOR, 20.00" X 31.31"
34. 382046	PULL, BAMBOO, W/BUSHED NICKEL ENDS
35. 381607	HINGE ASSY
36. 381228-01	CATCH GRABBER DOOR
37. 964519-OB	BLOCK, POCKET DOOR LATCH
38. 382046	PULL, BAMBOO, W/BUSHED NICKEL ENDS

2009 INTERNATIONAL TRAVEL TRAILER

FURNITURE, GALLEY

Refrigerator Cabinet, 19' Signature, w/Bunk Option, Wenge



Part number on the next page

2009 INTERNATIONAL TRAVEL TRAILER

FURNITURE, GALLEY

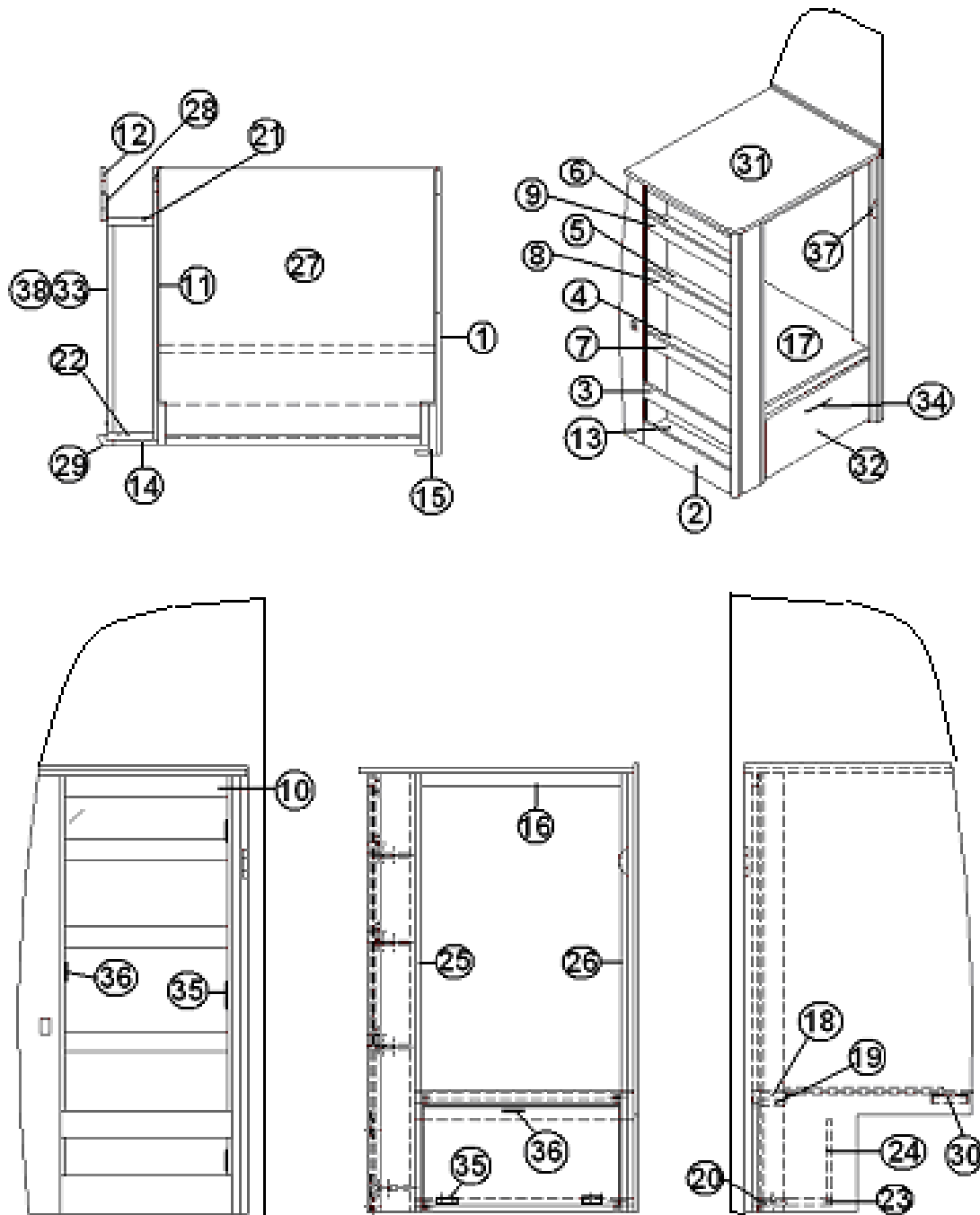
Refrigerator Cabinet, 19' Signature, w/Bunk Option, Wenge

966955	Refrigerator Cabinet
1. 966955-1	PANEL, 29.21" X 79.50"
2. 966955-2	PANEL, 4.50" X 20.50"
3. 966955-3	PANEL, 3" X 20.50"
4. 966955-4	PANEL, 3.68" X 19.50"
5. 966955-5	PANEL, 3.68" X 19.50"
6. 966955-6	PANEL, 3.68" X 19.50"
7. 966955-7	PANEL, 2.50" X 19.50"
8. 966955-8	PANEL, 2.50" X 19.50"
9. 966955-9	PANEL, 2.50" X 19.50"
10. 966955-10	PANEL, 2.50" X 19.50"
11. 966955-11	PANEL, 25.83" X 52.50"
12. 966955-12	PANEL, 5.14" X 52.50"
13. 966955-13	PANEL, 4.25" X 19.50"
14. 966955-14	PANEL, 4.12" X 52.50"
15. 966955-15	PANEL, 4.75" X 52.50"
16. 966955-16	PANEL, 1.44" X 23.94"
17. 966955-17	PANEL, 3.00" X 23.94"
18. 966955-18	PANEL, 2.94" X 23.94"
19. 966955-19	PANEL, 2.94" X 23.94"
20. 966955-20	PANEL, 2.94" X 23.94"
21. 966955-21	PANEL, 4.25" X 52.50"
22. 966955-22	PANEL, 4.25" X 52.50"
23. 966955-23	PANEL, 8.69" X 26.19"
24. 966955-24	PANEL, 9.50" X 26.19"
25. 966955-25	PANEL, 3.75" X 52.50"
26. 966955-26	PANEL, 3.75" X 52.50"
27. 800507-03	PANEL, Luan, 3/8" x 25.94" x 25.37"
28. 800507-01	PANEL, Luan, 1/8" x 2.50" x 52.50"
29. 801706-0016	CORNER TRIM
30. 965630	STAND ASSY. REFER
31. 966955-31	PANEL, 3.75" X 24.88"
32. 966955-32	DOOR, 23.63" X 11.69"
33. 966955-33	DOOR, 20.00" X 31.31"
34. 382029-04	HANDLE-BAR 15"
35. 381607	HINGE ASSY
36. 381228-01	CATCH GRABBER DOOR
37. 964519-0016	BLOCK, POCKET DOOR LATCH
38. 382029-04	HANDLE-BAR 15"

2009 INTERNATIONAL TRAVEL TRAILER

FURNITURE, GALLEY

Refrigerator Cabinet, 19' Signature, w/Bunk Option, Ocean Breeze



Part number on the next page

2009 INTERNATIONAL TRAVEL TRAILER

FURNITURE, GALLEY

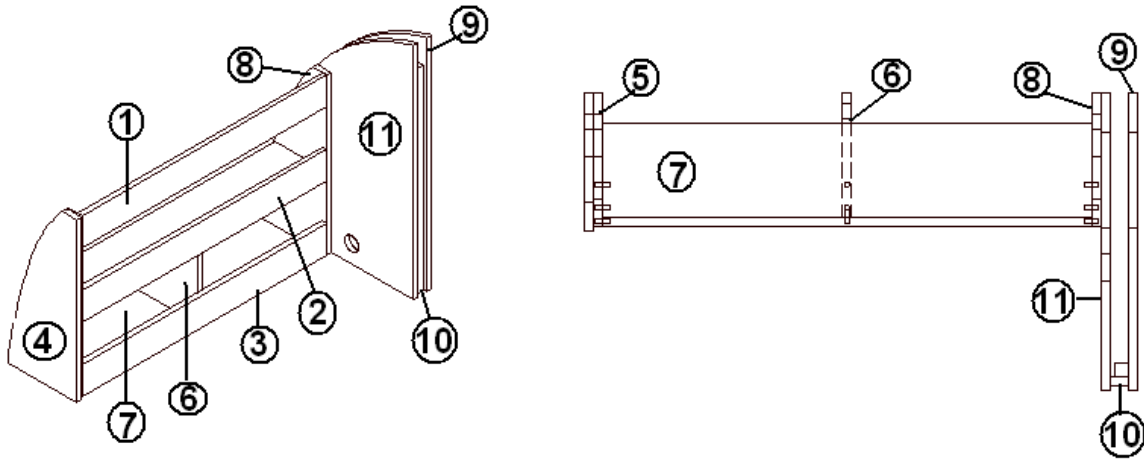
Refrigerator Cabinet, 19' Signature, w/Bunk Option, Ocean Breeze

966955-01	Refrigerator Cabinet
1. 966955-011	PANEL, 29.21" X 79.50"
2. 966955-012	PANEL, 4.50" X 20.50"
3. 966955-013	PANEL, 3" X 20.50"
4. 966955-014	PANEL, 3.68" X 19.50"
5. 966955-015	PANEL, 3.68" X 19.50"
6. 966955-016	PANEL, 3.68" X 19.50"
7. 966955-017	PANEL, 2.50" X 19.50"
8. 966955-018	PANEL, 2.50" X 19.50"
9. 966955-019	PANEL, 2.50" X 19.50"
10. 966955-0110	PANEL, 2.50" X 19.50"
11. 966955-0111	PANEL, 25.83" X 52.50"
12. 966955-0112	PANEL, 5.14" X 52.50"
13. 966955-0113	PANEL, 4.25" X 19.50"
14. 966955-0114	PANEL, 4.12" X 52.50"
15. 966955-0115	PANEL, 4.75" X 52.50"
16. 966955-16	PANEL, 1.44" X 23.94"
17. 966955-0117	PANEL, 3.00" X 23.94"
18. 966955-0118	PANEL, 2.94" X 23.94"
19. 966955-0119	PANEL, 2.94" X 23.94"
20. 966955-0120	PANEL, 2.94" X 23.94"
21. 966955-0121	PANEL, 4.25" X 52.50"
22. 966955-0122	PANEL, 4.25" X 52.50"
23. 966955-0123	PANEL, 8.69" X 26.19"
24. 966955-0124	PANEL, 9.50" X 26.19"
25. 966955-0125	PANEL, 3.75" X 52.50"
26. 966955-0126	PANEL, 3.75" X 52.50"
27. 800507-03	PANEL, Luan, 3/8" x 25.94" x 25.37"
28. 800507-01	PANEL, Luan, 1/8" x 2.50" x 52.50"
29. 801706-WH	CORNER TRIM
30. 965630	STAND ASSY. REFER
31. 966955-0131	PANEL, 3.75" X 24.88"
32. 966955-0132	DOOR, 23.63" X 11.69"
33. 966955-0133	DOOR, 20.00" X 31.31"
34. 382046	PULL, BAMBOO, W/BUSHED NICKEL ENDS
35. 381607	HINGE ASSY
36. 381228-01	CATCH GRABBER DOOR
37. 964519-007	BLOCK, POCKET DOOR LATCH
38. 382046	PULL, BAMBOO, W/BUSHED NICKEL ENDS

2009 INTERNATIONAL TRAVEL TRAILER

FURNITURE, GALLEY

Spice Rack, 19' Signature, Wenge

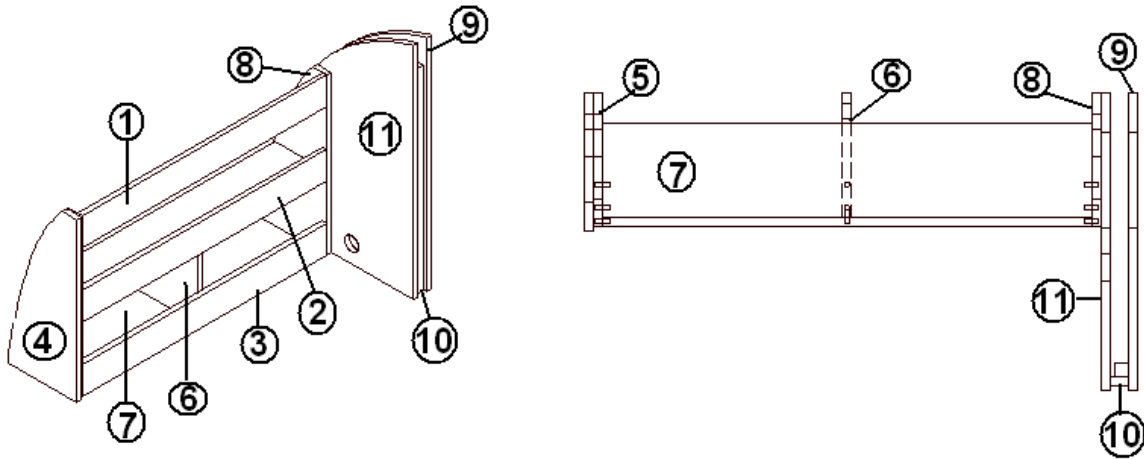


966954		SPICE RACK	
1.	966954-1	PANEL, 3.00" X 26.00"	
2.	966954-2	PANEL, 3.00" X 26.00"	
3.	966954-3	PANEL, 3.00" X 26.00"	
4.	966954-4	PANEL, 7.50" X 17.25"	
5.	966954-5	PANEL, 7.25" X 17.00"	
6.	966954-6	PANEL, 6.75" X 7.50"	
7.	966954-7	PANEL, 5.06" X 26.50"	
8.	966954-8	PANEL, 7.25" X 17.00"	
9.	966954-9	PANEL, 23.98" X 16.25"	
10.	966954-11	PANEL, 1.00" X 21.25"	
11.	966954-12	PANEL, 23.98" X 16.12"	

2009 INTERNATIONAL TRAVEL TRAILER

FURNITURE, GALLEY

Spice Rack, 19' Signature, Ocean Breeze

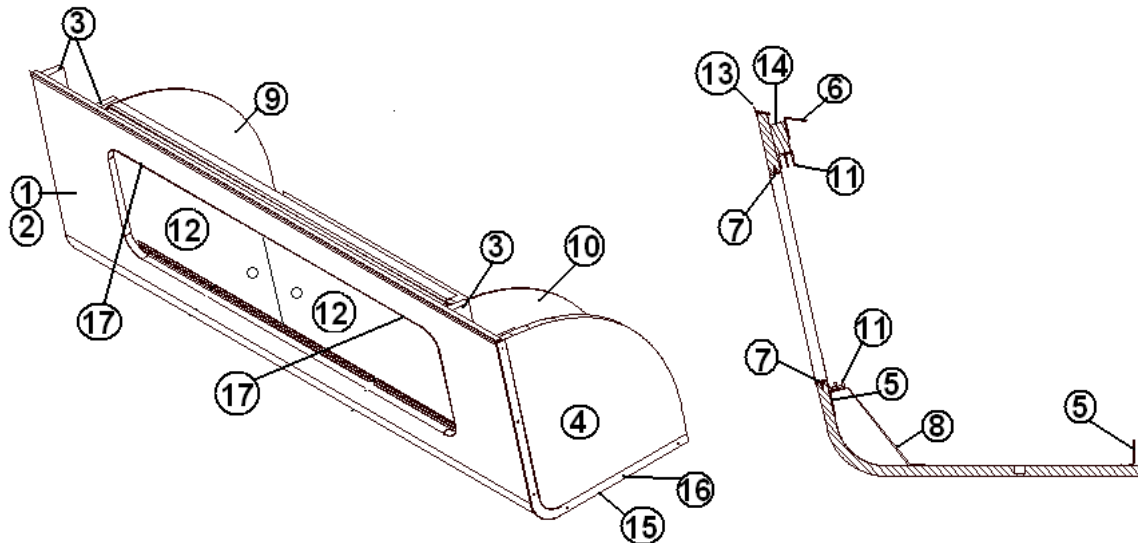


966954-01	SPICE RACK
1. 966954-011	PANEL, 3.00" X 26.00"
2. 966954-012	PANEL, 3.00" X 26.00"
3. 966954-013	PANEL, 3.00" X 26.00"
4. 966954-014	PANEL, 7.50" X 17.25"
5. 966954-015	PANEL, 7.25" X 17.00"
6. 966954-016	PANEL, 6.75" X 7.50"
7. 966954-017	PANEL, 5.06" X 26.50"
8. 966954-018	PANEL, 7.25" X 17.00"
9. 966954-019	PANEL, 23.98" X 16.25"
10. 966954-0111	PANEL, 1.00" X 21.25"
11. 966954-0112	PANEL, 23.98" X 16.12"

2009 INTERNATIONAL TRAVEL TRAILER

FURNITURE, GALLEY

Roof Locker, 19' Signature Galley, Wenge

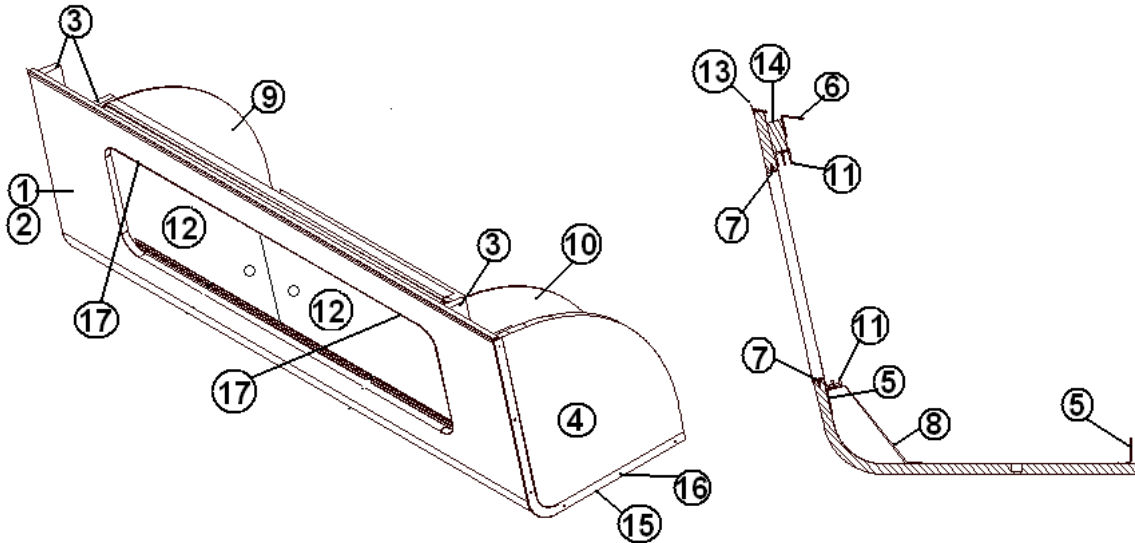


966958	LOCKER ASSY, GALLEY
1. 801733	LOCKER FACE, GALLEY
2. 801716	LAMINATE, WENGE/LINER, 17.25 X 36.75
3. 801545-02	DIVIDER (PARTIAL)
4. 966958-4	PANEL, 17.15 X 18.21
5. 115227	ANGLE, FORMED, 33"
6. 104821	SUPPORT, ROOFLOCKER, 74"
7. 203445-01	T-MOLDING, .5625" WHITE
8. 115226	BRACKET, FORMED, LOCKER CENTER
9. 801539-01	DIVIDER, GALLEY LOCKER LH
10. 801539-02	DIVIDER, GALLEY LOCKER
11. 203388	SLIDING DOOR TRACK, 56-1/5"
12. 965563-01	DOOR, PLEXGLASS 17.50"
13. 201673	COVE MOLDING, WHITE
14. 800028	PINE, 3/4" X 1-1/2"
15. 320006	SCREW, SHEET METAL 8X3/4 BH PHILIP
16. 115375	EXTRUSION, FORMED R/L END
17. 454613	SPRING, LEAF

2009 INTERNATIONAL TRAVEL TRAILER

FURNITURE, GALLEY

Roof Locker, 19' Signature Galley, Ocean Breeze

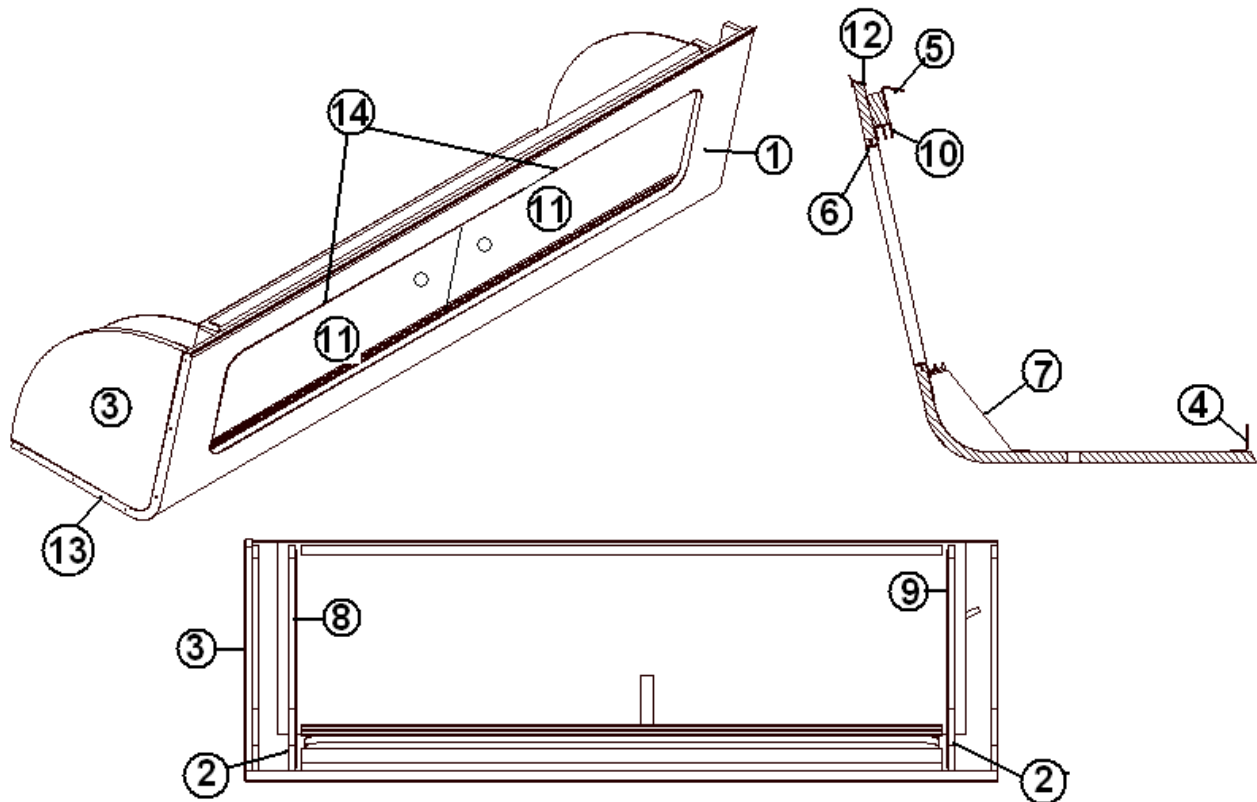


966958-01	LOCKER ASSY, GALLEY
1. 801733	LOCKER FACE, GALLEY
2. 966958-012	PANEL, 17.25 X 36.75
3. 801545-02	DIVIDER (PARTIAL)
4. 966958-014	LAMINATE, 17.15 X 18.21
5. 115227-03	ANGLE, FORMED
6. 104821	SUPPORT, ROOFLOCKER, 74"
7. 203508-01	T-MOLDING, .5625"
8. 115226	BRACKET, FORMED, LOCKER CENTER
9. 801539-01	DIVIDER, GALLEY LOCKER LH
10. 801539-02	DIVIDER, GALLEY LOCKER
11. 203388	SLIDING DOOR TRACK, 56-1/5"
12. 203357-01	DOOR, LUMICOR, 11.31" X 17.50"
13. 201673	COVE MOLDING, WHITE
14. 800028	PINE, 3/4" X 1-1/2"
15. 320006	SCREW, SHEET METAL 8X3/4 BH PHILIP
16. 115375	EXTRUSION, FORMED R/L END
17. 454613	SPRING, LEAF

2009 INTERNATIONAL TRAVEL TRAILER

FURNITURE, GALLEY

Roof Locker, 25' Sleep Six Signature, Galley, Wenge

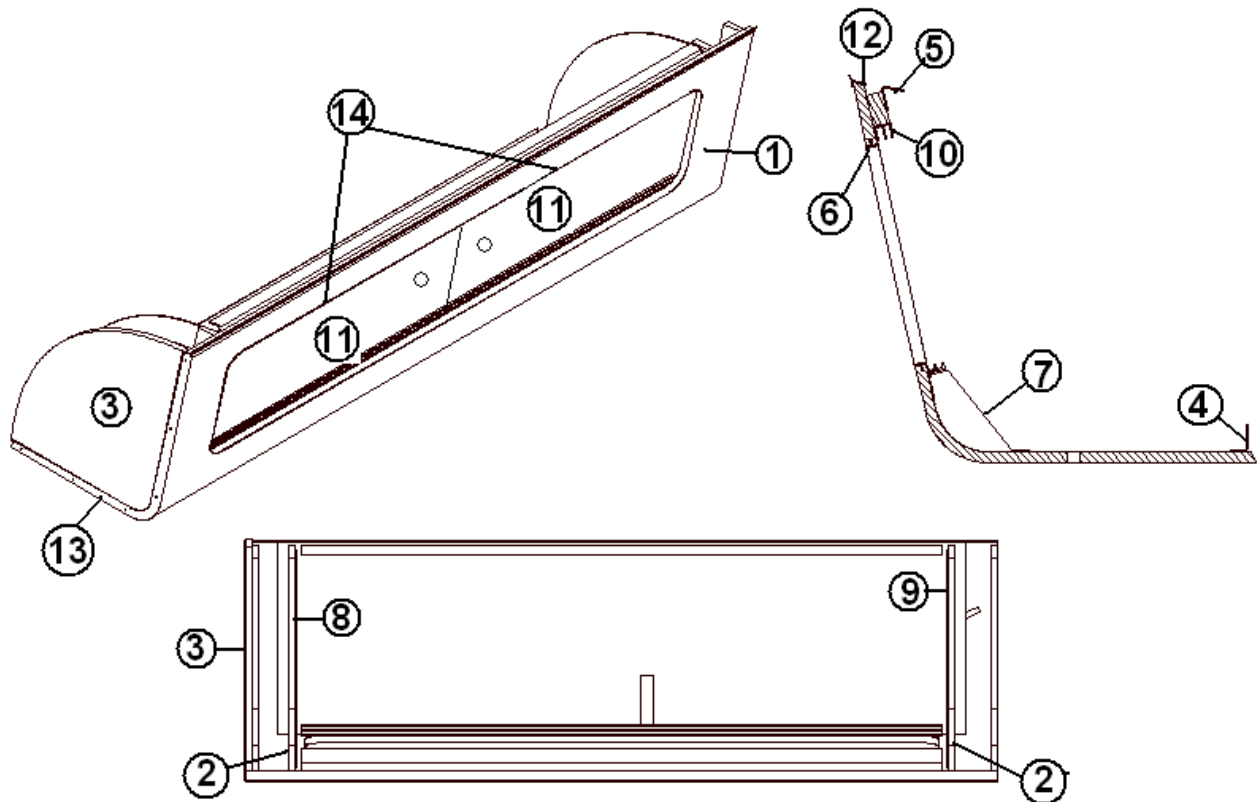


967030	LOCKER ASSY, GALLEY
1. 801741	LOCKER FACE, GALLEY
2. 801545-02	DIVIDER PARTIAL
3. 115227-02	ANGLE, FORMED, LOCKER TRACK SUPPORT
4. 967030-4	DIVIDER, FULL
5. 104821	SUPPORT, ROOFLOCKER, 74"
6. 203445-01	T-MOLDING, .5625" WHITE
7. 115226	BRACKET, LOCKER CENTER SUPPORT
8. 801539-01	DIVIDER, GALLEY LOCKER LH
9. 801539-02	DIVIDER, GALLEY LOCKER
10. 203388	SLIDING DOOR TRACK, 56-1/5"
11. 965563-09	DOOR, SLIDING 11.31"X 26"
12. 201673	REVERSE COVE MOLDING, WHITE
13. 115375	EXTRUSION, FORMED R/L END
14. 454613	SPRING, LEAF R/L

2009 INTERNATIONAL TRAVEL TRAILER

FURNITURE, GALLEY

Roof Locker, 25' Sleep Six Signature, Galley, Ocean Breeze

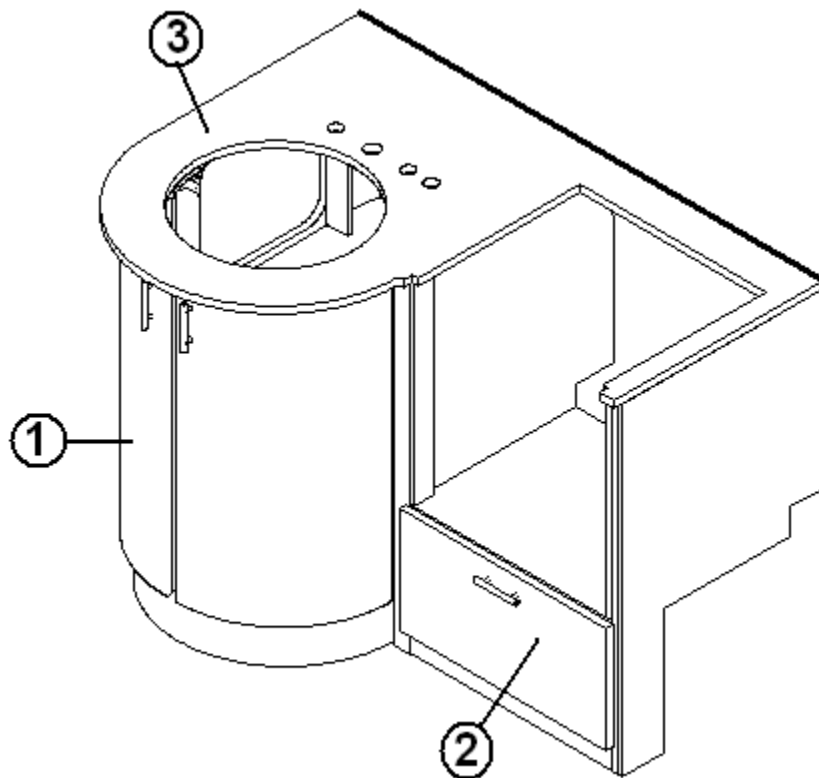


- | | |
|---------------|-------------------------------------|
| 967030-01 | LOCKER ASSY, GALLEY |
| 1. 801741-01 | LOCKER FACE, GALLEY |
| 2. 801545-02 | DIVIDER PARTIAL |
| 3. 115227-02 | ANGLE, FORMED, LOCKER TRACK SUPPORT |
| 4. 967030-014 | DIVIDER, FULL |
| 5. 104821 | SUPPORT, ROOFLOCKER, 74" |
| 6. 203508-01 | T-MOLDING, .5625" |
| 7. 115226 | BRACKET, LOCKER CENTER SUPPORT |
| 8. 801539-01 | DIVIDER, GALLEY LOCKER LH |
| 9. 801539-02 | DIVIDER, GALLEY LOCKER |
| 10. 203388 | SLIDING DOOR TRACK, 56-1/5" |
| 11. 203357-02 | DOOR, SLIDING 11.31"X 30" |
| 12. 201673 | REVERSE COVE MOLDING, WHITE |
| 13. 115375 | EXTRRUSION, FORMED R/L END |
| 14. 454613 | SPRING, LEAF R/L |

2009 INTERNATIONAL TRAVEL TRAILER

FURNITURE, GALLEY

Galley, 23' D Signature, Wenge

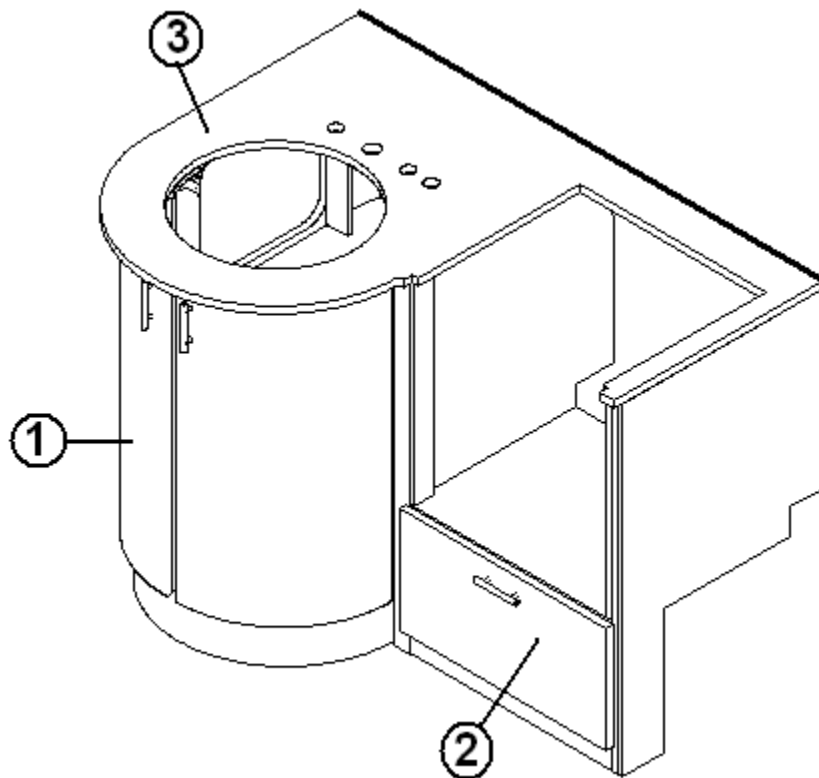


966946	GALLEY ASSY 23D
1. 966943	GALLEY, FWD SECTION
2. 966944	GALLEY, AFT SECTION
3. 966945	TOP ASSY, GALLEY
601806	SINK, S.S. ROUND GALLEY
602158	FAUCET, GALLEY ELKAY
601714-01	TAIL PIECE, 1-1/2X4"(GALLEY DRAIN)
601714-02	1½" SLIP NUT W/WINGS
601714-03	1½" BLACK RUBBER WASHER

2009 INTERNATIONAL TRAVEL TRAILER

FURNITURE, GALLEY

Galley, 23' D Signature, Ocean Breeze

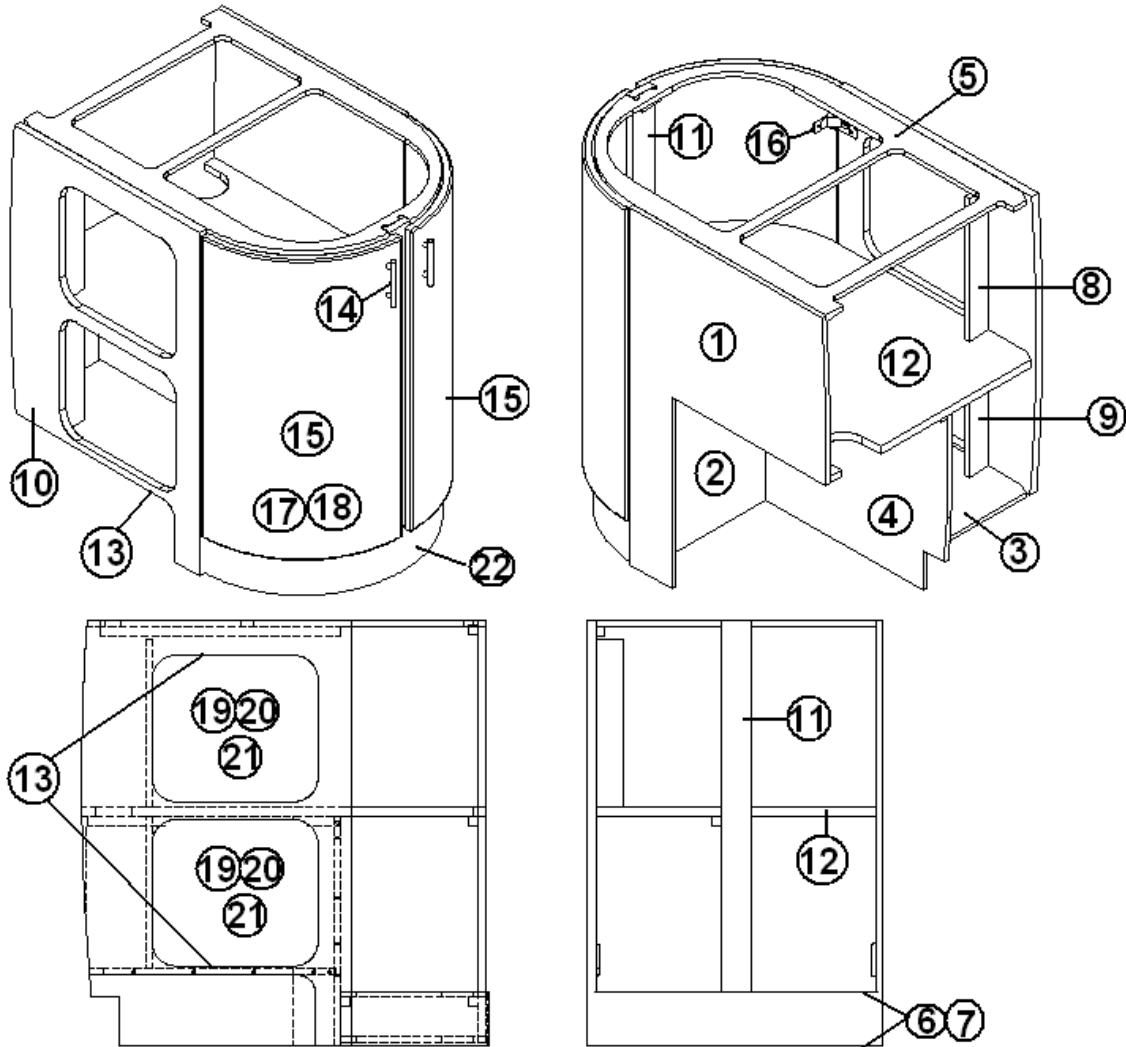


- | | |
|--------------|------------------------------------|
| 966946-01 | GALLEY ASSY 23' D |
| 1. 966943-01 | GALLEY, FWD SECTION |
| 2. 966944-01 | GALLEY, AFT SECTION |
| 3. 966945-01 | TOP ASSY, GALLEY |
| 601806 | SINK, S.S. ROUND GALLEY |
| 602158 | FAUCET, GALLEY ELKAY |
| 601714-01 | TAIL PIECE, 1-1/2X4"(GALLEY DRAIN) |
| 601714-02 | 1½" SLIP NUT W/WINGS |
| 601714-03 | 1½" BLACK RUBBER WASHER |

2009 INTERNATIONAL TRAVEL TRAILER

FURNITURE, GALLEY

Galley, 23' D Signature, Forward Section, Wenge



Part Numbers are on the Next page

2009 INTERNATIONAL TRAVEL TRAILER

FURNITURE, GALLEY

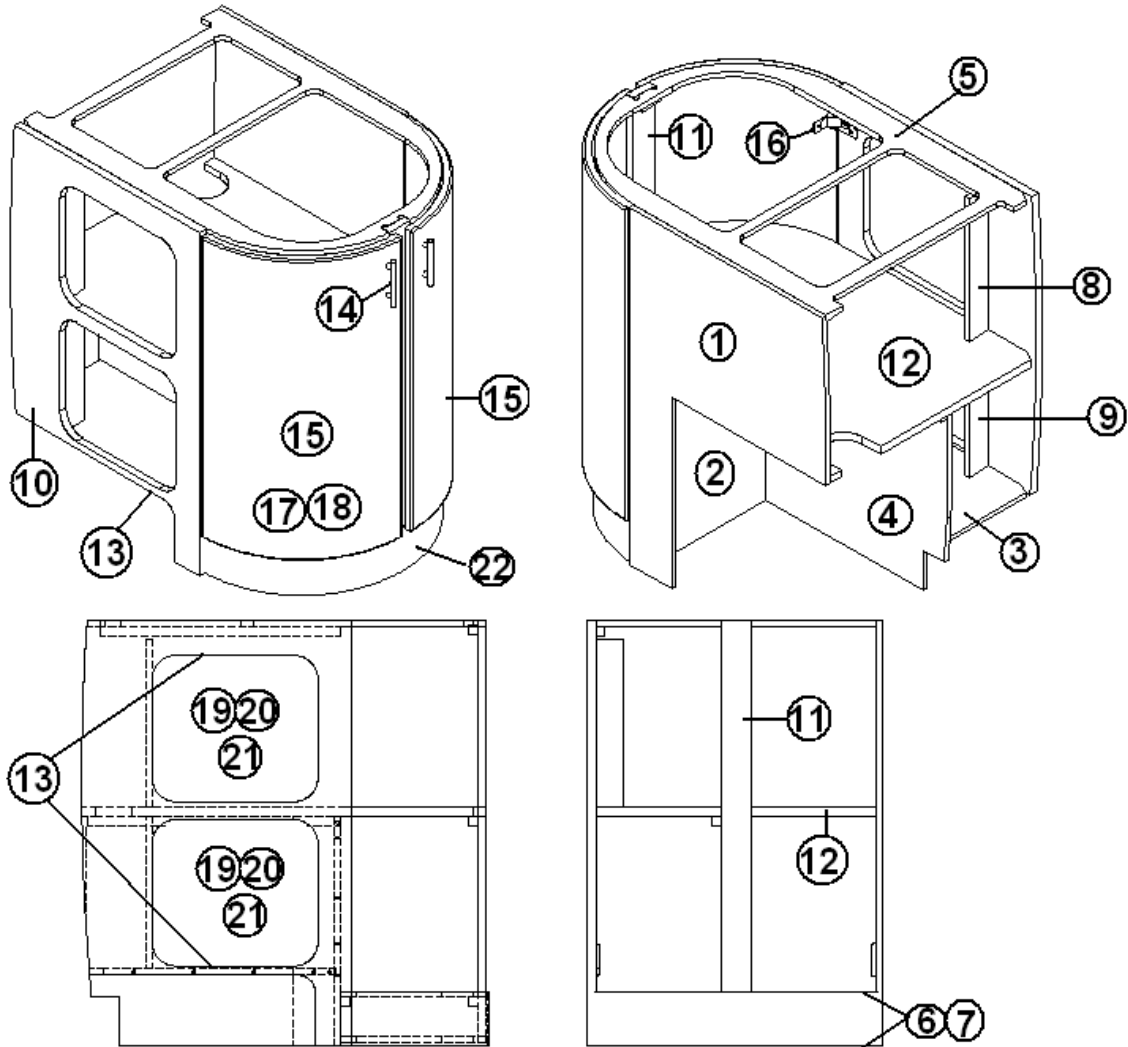
Galley, 23' D Signature, Forward Section, Wenge

966943	GALLEY, FORWARD SECTION
1. 966943-1	PANEL, 35.5 X 22.14
2. 966943-2	PANEL, 23.83 X 19.13
3. 966943-3	PANEL, 20.5 X 9.25
4. 966943-4	PANEL, 19.13 X 20.82
5. 966943-5	PANEL, 24.91X33.87
6. 966943-6	PANEL, 23.5 X 12.19
7. 966943-7	PANEL, 23.5 X 12.19
8. 966943-8	PANEL, 14.13 X 2.25
9. 966943-9	PANEL, 12.75 X 2.25
10. 966943-10	PANEL, 35.5 X 22.57
11.966943-11	PANEL, 2.44 X 35.5
12.966943-12	PANEL, 24.91 X 33.87
13.203445	T-MOLDING, BLACK FLEXIBLE POLY .5
14.382029-00	HANDLE-BAR 7.48"
15.966474-01	DOOR, RADIUS FOAM, 16.26" X 31"
16.381607	HINGE ASSY
17.381808	BRACKET, FACE, MOUNT HINGE
18.381856	CATCH-TENSION 2-BALL
19.381654	HINGE-NON BORE GLASS DOOR, BLACK
20.381707	STRIKE W/PULL, GLASS DOOR, BLACK
21.371391	DOOR, GLASS, 11.56" X 13.06"
22.115309	TOE KICK, GALLEY ALUMINUM

2009 INTERNATIONAL TRAVEL TRAILER

FURNITURE, GALLEY

Galley, 23' D Signature, Forward Section, Ocean Breeze



Part Numbers are on the Next page

2009 INTERNATIONAL TRAVEL TRAILER

FURNITURE, GALLEY

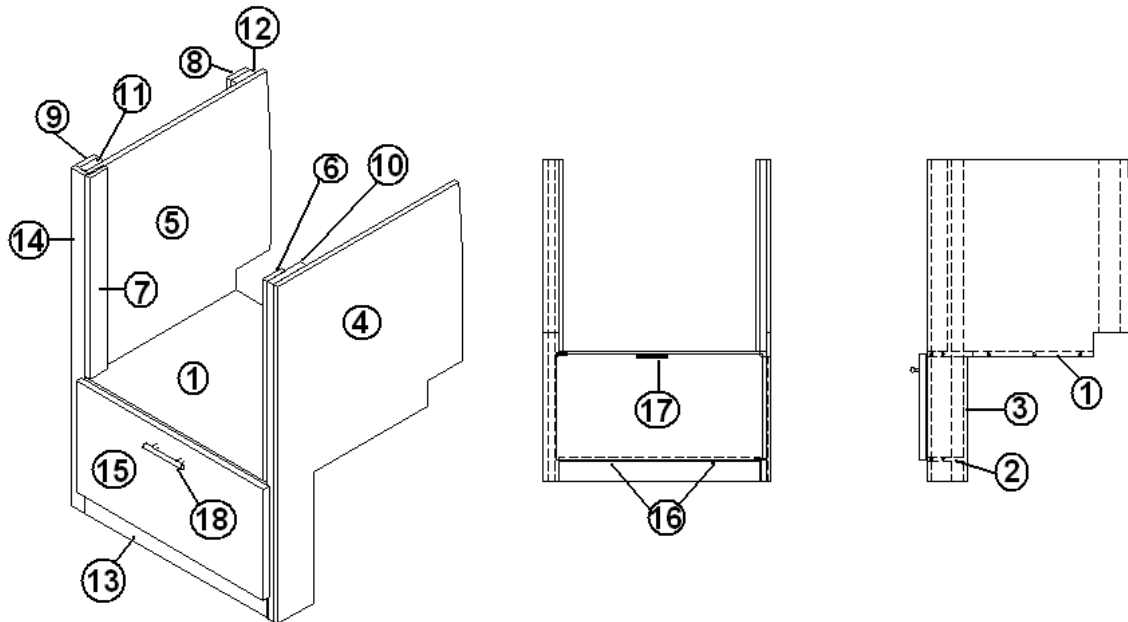
Galley, 23' D Signature, Forward Section, Ocean Breeze

966943-01	GALLEY FWD SECTION
1. 966943-011	PANEL, 35.5 X 22.14
2. 966943-012	PANEL, 23.83 X 19.13
3. 966943-013	PANEL, 20.5 X 9.25
4. 966943-014	PANEL, 19.13 X 20.82
5. 966943-015	PANEL, 24.91X33.87
6. 966943-016	PANEL, 23.5 X 12.19
7. 966943-017	PANEL, 23.5 X 12.19
8. 966943-018	PANEL, 14.13 X 2.25
9. 966943-019	PANEL, 12.75 X 2.25
10. 966943-0110	PANEL, 35.5 X 22.57
11. 966943-0111	PANEL, 2.44 X 35.5
12. 966943-0112	PANEL, 24.91 X 33.87
13. 203508-01	T-MOLDING, PLY
14. 382046	PULL, BAMBOO, W/BUSHED NICKEL ENDS
15. 966779	DOOR, RADIUS, 16.26" X 31"
16. 381607	HINGE ASSY
17. 381607-07	BRACKET-BLIND CORNER 90D
18. 381856	CATCH-TENSION 2-BALL
19. 381654	HINGE, GLASS DOOR, BLACK
20. 381707	STRIKE, GLASS DOOR, BLACK
21. 371391	DOOR, GLASS, 11.56" X 13.06"
22. 115309	TOE KICK, GALLEY ALUMINUM

2009 INTERNATIONAL TRAVEL TRAILER

FURNITURE, GALLEY

Galley, 23' D Signature, Aft Section, Wenge

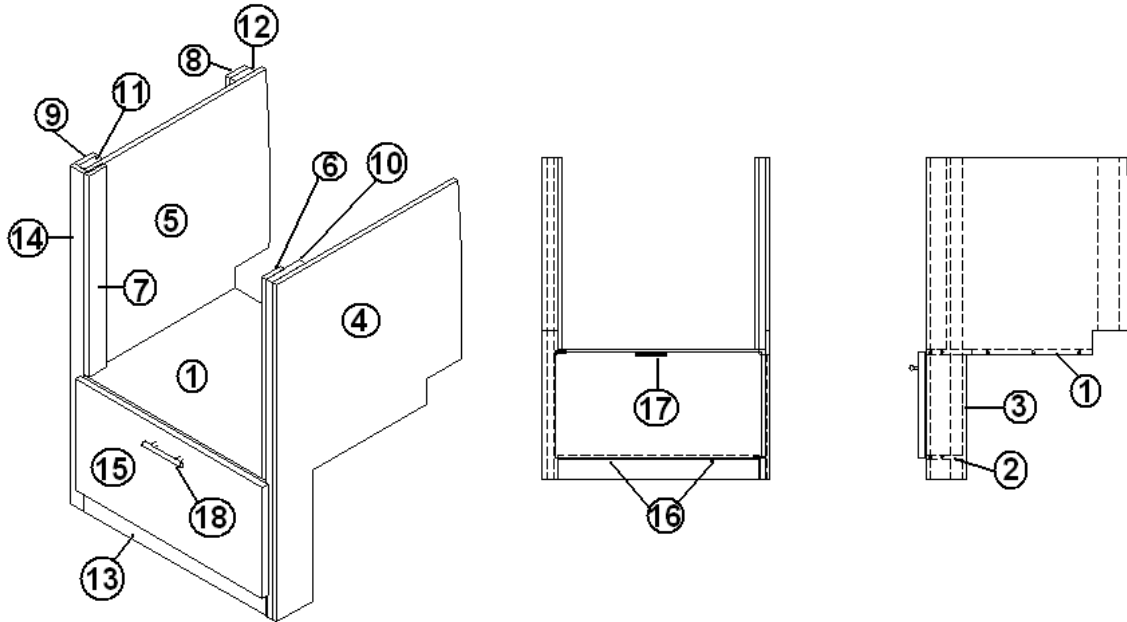


966944	GALLEY AFT SECTION
1. 966944-1	PANEL, 18.36 X 22.87
2. 966944-2	PANEL, 22.13 X 4.00
3. 966944-3	PANEL, 23.46 X 13.81
4. 966944-4	PANEL, 22.58 X 35.5
5. 966944-5	PANEL, 22.08 X 35.5
6. 966944-6	PANEL, 2.25 X 21.19
7. 966944-7	PANEL, 2.25 X 21.19
8. 966944-8	PANEL, 2.25 X 19.00
9. 966944-9	PANEL, 2.25 X 35.5
10. 966944-10	PANEL, 4.00 X 35.5
11. 966944-11	PANEL, 2.25 X 35.50
12. 966944-12	PANEL, 2.25 X 19.00
13. 966944-13	PANEL, 2.25 X 22.13
14. 966944-14	PANEL, 1.81 X 35.50
15. 966944-15	DOOR, GALLEY 22.81 X 11.69
16. 381607	HINGE ASSY
17. 381228-01	CATCH, GRABBER, DOOR
18. 382029-05	HANDLE BAR, 21.33"

2009 INTERNATIONAL TRAVEL TRAILER

FURNITURE, GALLEY

Galley, 23' D Signature, Aft Section, Ocean Breeze

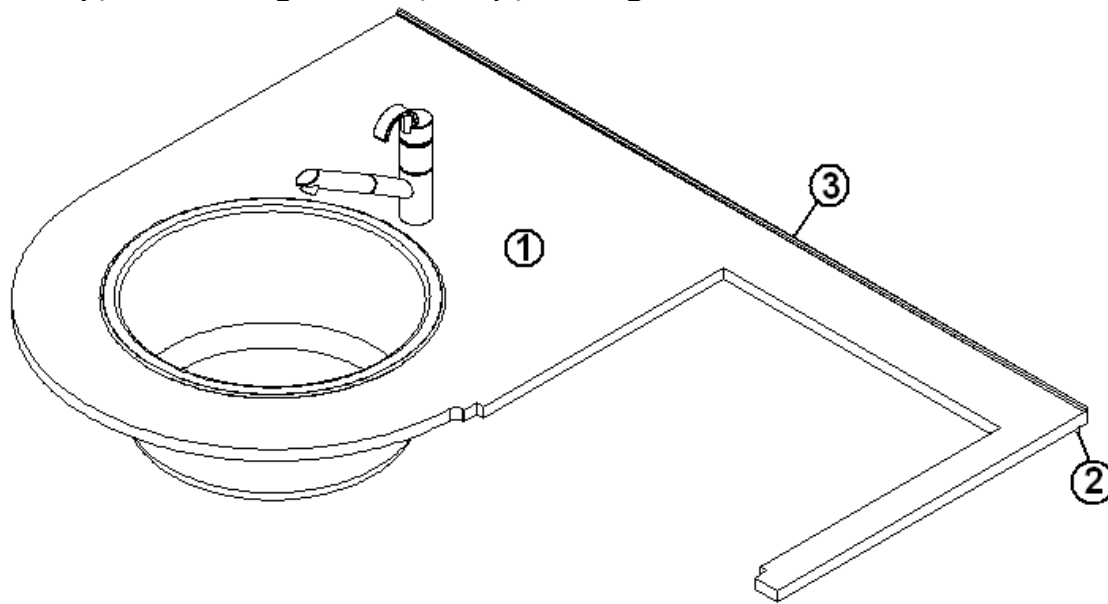


966944-01	GALLEY AFT SECTION
1. 966944-011	PANEL, 18.36 X 22.87
2. 966944-012	PANEL, 22.13 X 4.00
3. 966944-013	PANEL, 23.46 X 13.81
4. 966944-014	PANEL, 22.58 X 35.5
5. 966944-015	PANEL, 22.08 X 35.5
6. 966944-016	PANEL, 2.25 X 21.19
7. 966944-017	PANEL, 2.25 X 21.19
8. 966944-018	PANEL, 2.25 X 19.00
9. 966944-019	PANEL, 2.25 X 35.5
10. 966944-0110	PANEL, 4.00 X 35.5
11. 966944-0111	PANEL, 2.25 X 35.50
12. 966944-0112	PANEL, 2.25 X 19.00
13. 966944-0113	PANEL, 2.25 X 22.13
14. 966944-0114	PANEL, 1.81 X 35.50
15. 966944-0115	DOOR, GALLEY 22.81 X 11.69
16. 381607	HINGE ASSY
17. 381228-01	CATCH, GRABBER, DOOR
18. 382046	PULL, BAMBOO, W/BUSHED NICKEL ENDS

2009 INTERNATIONAL TRAVEL TRAILER

FURNITURE, GALLEY

Galley, 23' D Signature, Top, Wenge

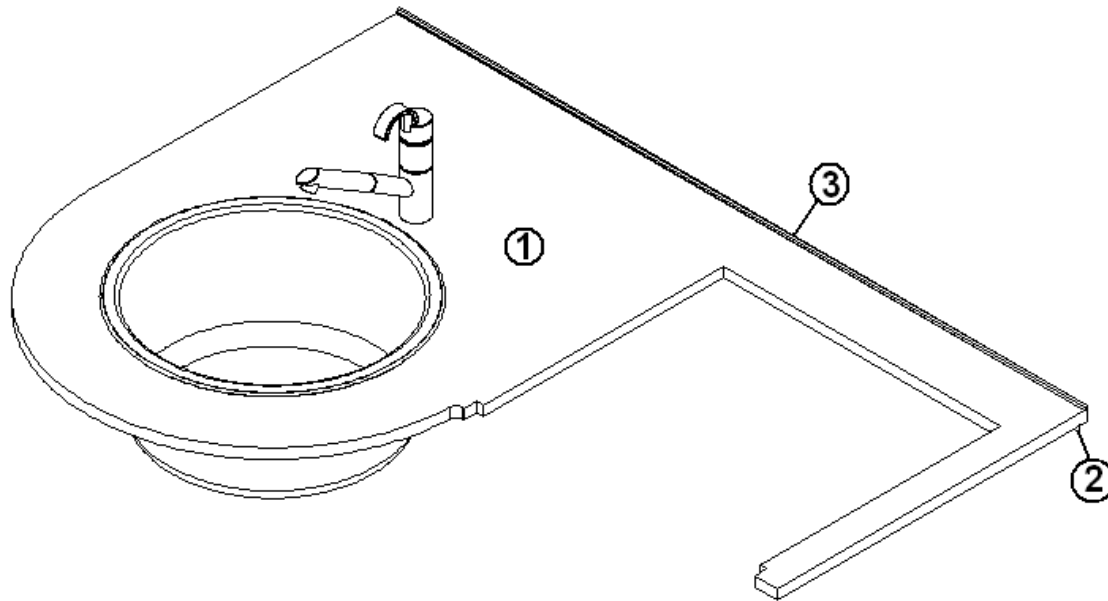


- | | |
|-------------|---------------------------------|
| 966945 | TOP ASSY, GALLEY |
| 1. 966945-1 | PANEL, GALLEY TOP, 36.61 X 51.0 |
| 2. 114812 | ALUM.INUM ANGLE, 1.00 X 1.00 |
| 3. 115064 | TRIM, ALUMINUM COUNTER TOP |

2009 INTERNATIONAL TRAVEL TRAILER

FURNITURE, GALLEY

Galley, 23' D Signature, Ocean Breeze



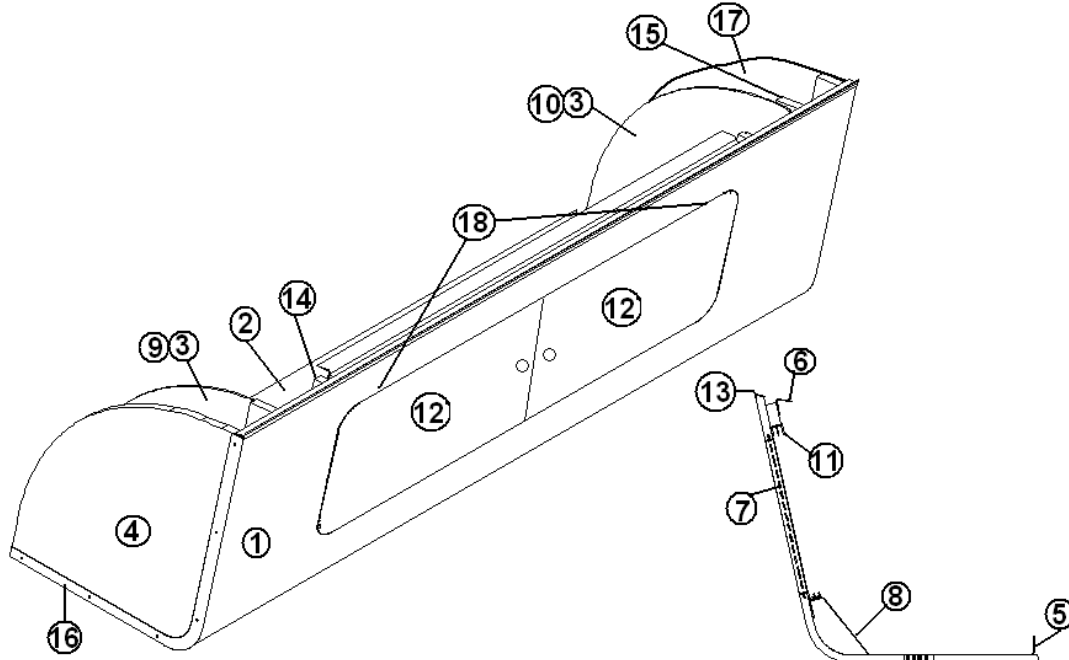
- 966945-01
- 1. 966945-011
- 2. 114812
- 3. 115064

TOP ASSY, GALLEY
PANEL, GALLEY TOP, 36.61 X 51.0
ALUM.INUM ANGLE, 1.00 X 1.00
TRIM, ALUMINUM COUNTER TOP

2009 INTERNATIONAL TRAVEL TRAILER

FURNITURE, GALLEY

Roof Locker, 23' D Signature, Galley, Wenge

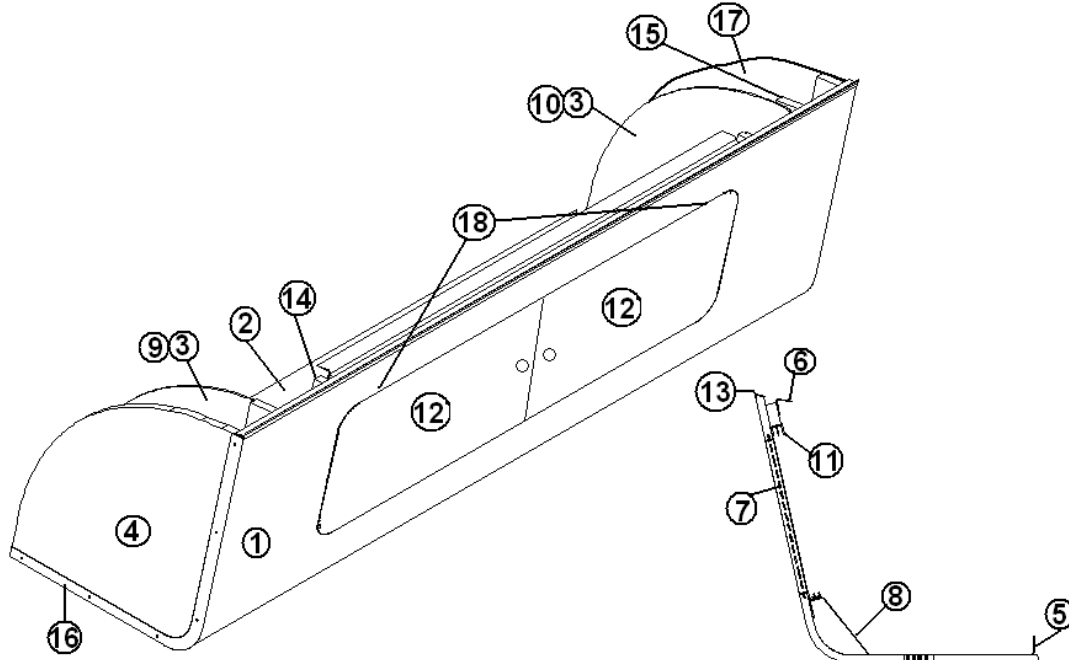


- | | |
|---------------|-----------------------------------|
| 966947 | LOCKER ASSY, GALLEY |
| 1. 801542-13 | LOCKER FACE, GALLEY |
| 2. 966947-1 | PANEL, 17.25 X 45.00 |
| 3. 801545-05 | DIVIDER (PARTIAL) W/RANGE VENT |
| 4. 966947-4 | PANEL, 18.31 X 17.28 |
| 5. 115227-03 | ANGLE, FORMED, 41" |
| 6. 104821 | SUPPORT, ROOFLCKER, 74" |
| 7. 203445-01 | T-MOLDING, .5625" WHITE |
| 8. 115226 | BRACKET, FORMED, LOCKER CENTER |
| 9. 801539-01 | DIVIDER, GALLEY LOCKER LH |
| 10. 801539-02 | DIVIDER, GALLEY LOCKER |
| 11. 203388 | SLIDING DOOR TRACK, 56-1/5" |
| 12. 965563-01 | DOOR, PLEXGLASS 17.50" |
| 13. 201673 | COVE MOLDING, WHITE |
| 11.966947-16 | PANEL, GALLEY LOCKER 1.00 X 15.56 |
| 12.966947-17 | PANEL, GALLEY LOCKER 1.00 X 15.56 |
| 13.201173 | WHITE ROOFLCKER END CAP |
| 14.801545-01 | DIVIDER, ROOF LOCKER, FULL |
| 15.454613 | SPRING, LEAF |

2009 INTERNATIONAL TRAVEL TRAILER

FURNITURE, GALLEY

Roof Locker, 23' D Signature, Galley, Ocean Breeze

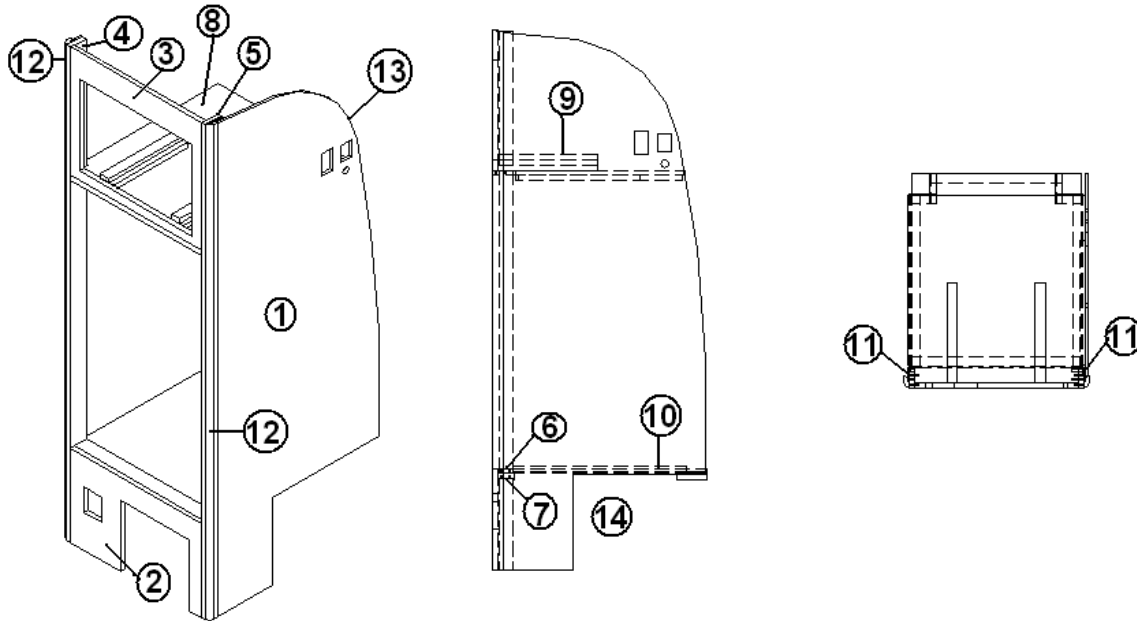


- | | |
|-----------------|-----------------------------------|
| 966947-01 | LOCKER ASSY, GALLEY |
| 1. 801542-13 | LOCKER FACE, GALLEY |
| 2. 966947-011 | PANEL, 17.25 X 45.00 |
| 3. 801545-05 | DIVIDER (PARTIAL) W/RANGE VENT |
| 4. 966947-014 | PANEL, 18.31 X 17.28 |
| 5. 115227-03 | ANGLE, FORMED, 41" |
| 6. 104821 | SUPPORT, ROOFLCKER, 74" |
| 7. 203445-01 | T-MOLDING, .5625" WHITE |
| 8. 115226 | BRACKET, FORMED, LOCKER CENTER |
| 9. 801539-01 | DIVIDER, GALLEY LOCKER LH |
| 10. 801539-02 | DIVIDER, GALLEY LOCKER |
| 11. 203388 | SLIDING DOOR TRACK, 56 1/5" |
| 12. 203357-01 | DOOR, LUMICOR, 11.31" X 17.5" |
| 13. 201673 | COVE MOLDING, WHITE |
| 14. 966947-0116 | PANEL, GALLEY LOCKER 1.00 X 15.56 |
| 15. 966947-0117 | PANEL, GALLEY LOCKER 1.00 X 15.56 |
| 16. 201173 | WHITE ROOFLCKER END CAP |
| 17. 801545-01 | DIVIDER, ROOF LOCKER, FULL |
| 18. 454613 | SPRING, LEAF |

2009 INTERNATIONAL TRAVEL TRAILER

FURNITURE, GALLEY

Refrigerator/Microwave Cabinet, 23' D Signature, Wenge

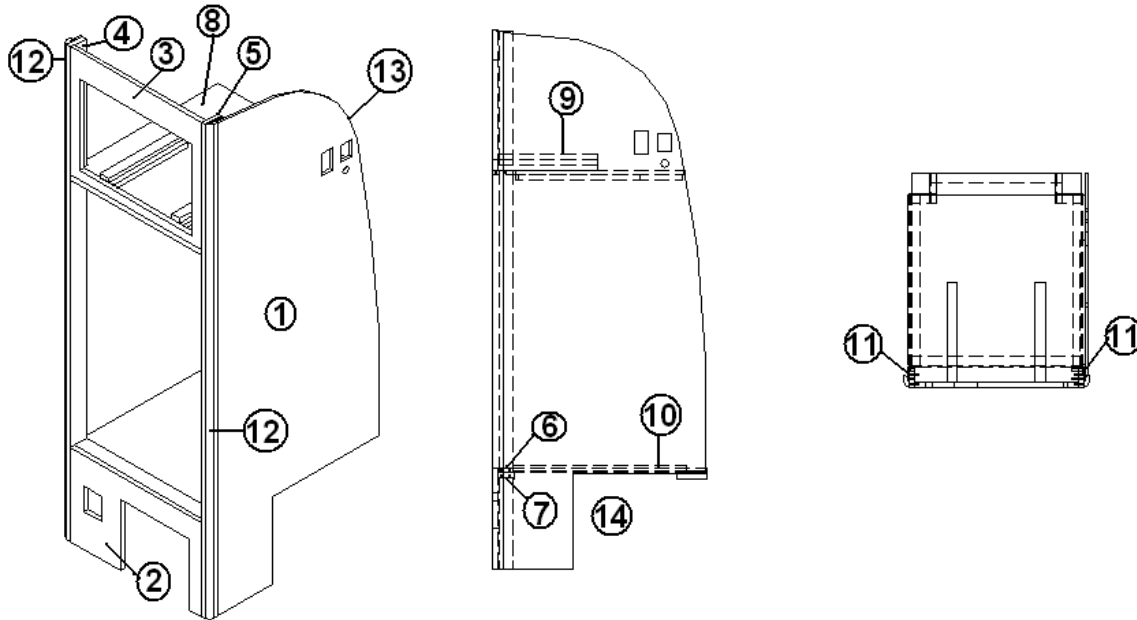


966948	CABINET ASSY REFER/MICRO
1. 966948-1	PANEL, 29.65 X 78
2. 966948-2	PANEL, 23.94 X 14.88
3. 966948-3	PANEL, 23.94 X 20.39
4. 966948-4	PANEL, 3.0 X 78.65
5. 966948-5	PANEL, 3.0 X 78.65
6. 966948-6	PANEL, 2.25 X 23.94
7. 966948-7	PANEL, 2.25 X 23.94
8. 966948-8	PANEL, 25.94 X 28.05
9. 800506-06	PANEL, PLYWOOD, 3/4" X 1.5 X 14.50
10. 800506-04	PANEL, PLYWOOD, 1/2" X 24.75 X 28.25
11. 800507-02	PANEL, LAUAN, 1/4" X 2.125 X 78.53
12. 801706-0016	CORNER TRIM 90 DEGREE, 1" RADIUS
13. 203138-05	EXTRUSION, PLASTIC, 1/2" WALL BLACK
14. 966811	STAND, REFRIGERATOR
381209-01	GROMMET W/CAP BLACK, 1.5"HOLE

2009 INTERNATIONAL TRAVEL TRAILER

FURNITURE, GALLEY

Refrigerator/Microwave Cabinet, 23' D Signature, Ocean Breeze

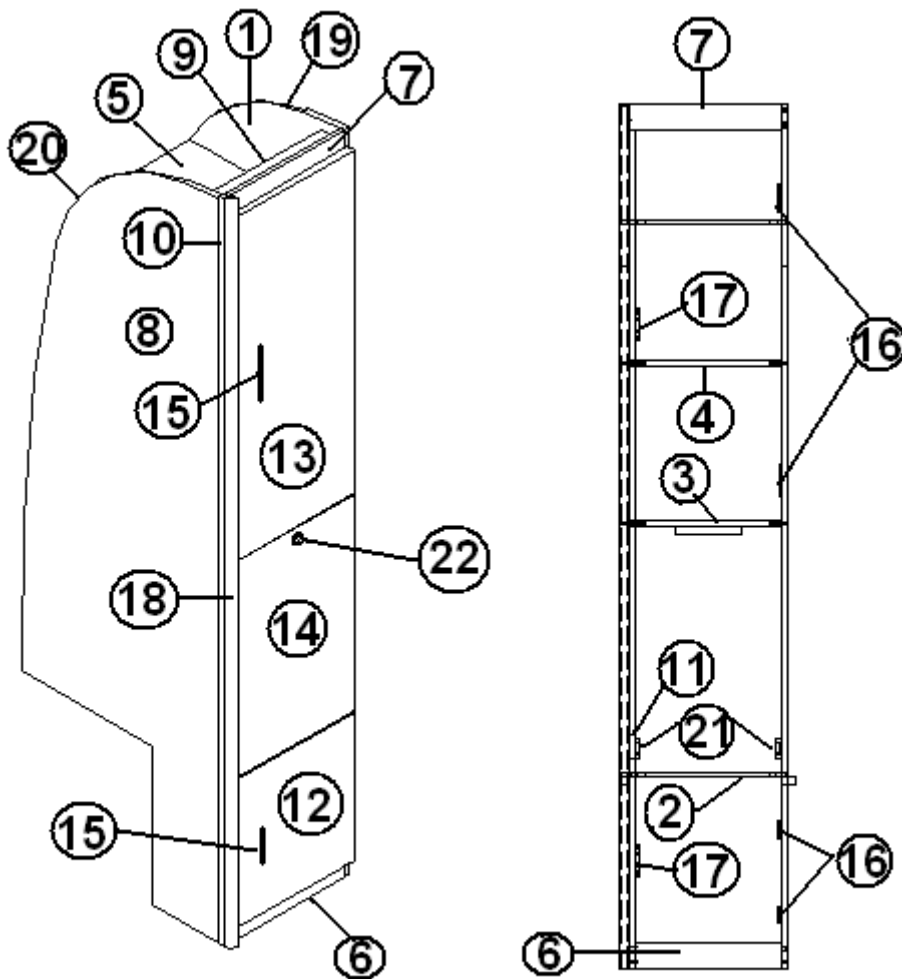


966948-01	CABINET ASSY REFER/MICRO
1. 966948-011	PANEL, 29.65 X 78
2. 966948-012	PANEL, 23.94 X 14.88
3. 966948-013	PANEL, 23.94 X 20.39
4. 966948-014	PANEL, 3.0 X 78.65
5. 966948-015	PANEL, 3.0 X 78.65
6. 966948-016	PANEL, 2.25 X 23.94
7. 966948-017	PANEL, 2.25 X 23.94
8. 966948-018	PANEL, 25.94 X 28.05
9. 800506-06	PANEL, PLYWOOD, 3/4" X 1.5 X 14.50
10. 800506-04	PANEL, PLYWOOD, 1/2" X 24.75 X 28.25
11. 800507-02	PANEL, LAUAN, 1/4" X 2.125 X 78.53
12. 801706-WH	CORNER TRIM, 90 DEGREE, 1" RADIUS
13. 203138-01	EXTRUSION, PLASTIC, 1/2" WHITE
14. 966811	STAND, REFRIGERATOR
381209-01	GROMMET, BLACK, 1.5" HOLE

2009 INTERNATIONAL TRAVEL TRAILER

FURNITURE, GALLEY

Pantry, 23' D Signature, Wenge



Part Numbers are on the Next page

2009 INTERNATIONAL TRAVEL TRAILER

FURNITURE, GALLEY

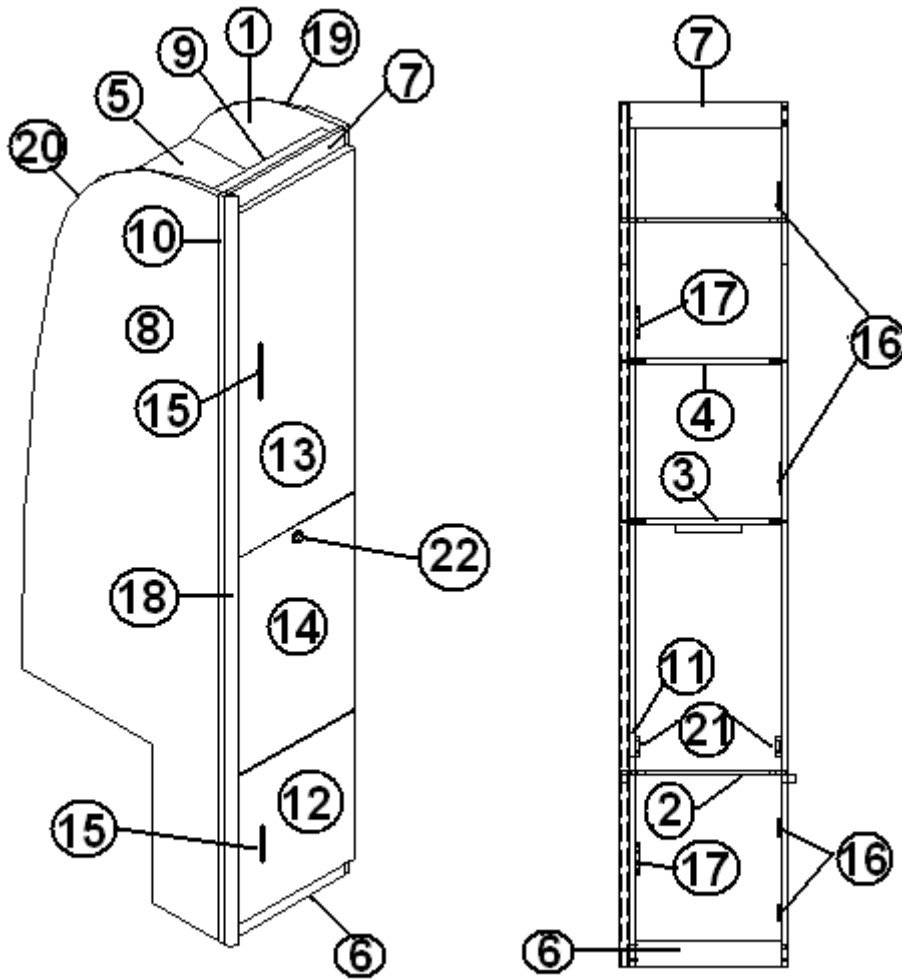
Pantry, 23' D Signature, Wenge

966936	PANTRY ASSY.
1. 966936-1	PANEL, PANTRY 24.55 X 78.14
2. 966936-2	PANEL, PANTRY 14.01 X 24.27
3. 966936-3	PANEL, PANTRY 14.01 X 23.84
4. 966936-4	PANEL, PANTRY 14.01 X 21.96
5. 966936-5	PANEL, PANTRY 14.01 X 18.71
6. 966936-6	PANEL, PANTRY 13.26 X 2.25
7. 966936-7	PANEL, PANTRY 14.01 X 2.26
8. 966936-8	PANEL, PANTRY 23.79 X 77.9
9. 966936-9	PANEL, PANTRY 2.5 X 14.01
10. 966936-10	PANEL, PANTRY 3.0 X 75.88
11. 966936-11	PANEL, PANTRY 2.5 X 20.0
12. 966936-12	DOOR, PANTRY 13.88 X 15.5
13. 966936-13	DOOR, PANTRY 13.88 X 35.88
14. 966935	PANTRY ASSY S/O
15. 382029-03	HANDLE BAR, 11.25"
16. 381607	HINGE ASSY.
17. 381228-01	CATCH GRABBER DOOR
18. 801706-0016	CORNER TRIM, 90 DEGREE, 1" RADIUS
19. 203138-01	EXTRUSION-PLASTIC WALL, WHITE
20. 203138-05	EXTRUSION, PLASTIC ½" WALL BLACK
21. 381925	DRAWER SLIDE, 24"
22. 381408	LOCK, PUSH, BUTTON STYLE, BLACK

2009 INTERNATIONAL TRAVEL TRAILER

FURNITURE, GALLEY

Pantry, 23' D Signature, Ocean Breeze



Part Numbers are on the Next page

2009 INTERNATIONAL TRAVEL TRAILER

FURNITURE, GALLEY

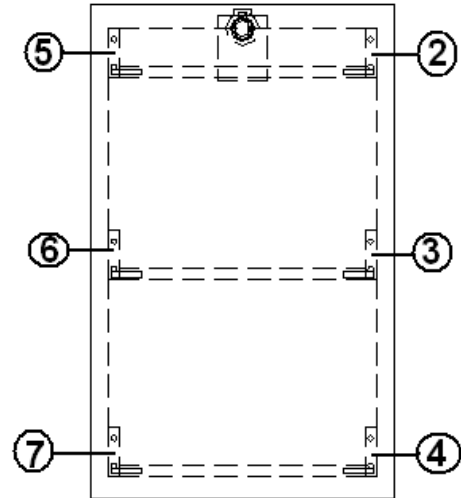
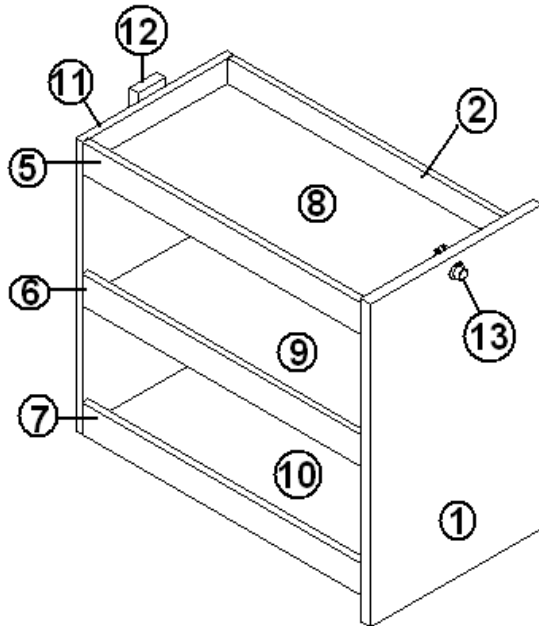
Pantry, 23' D Signature, Ocean Breeze

966936-01	PANTRY ASSY.
1. 966936-011	PANEL, PANTRY 24.55 X 78.14
2. 966936-012	PANEL, PANTRY 14.01 X 24.27
3. 966936-013	PANEL, PANTRY 14.01 X 23.84
4. 966936-014	PANEL, PANTRY 14.01 X 21.96
5. 966936-015	PANEL, PANTRY 14.01 X 18.71
6. 966936-016	PANEL, PANTRY 13.26 X 2.25
7. 966936-017	PANEL, PANTRY 14.01 X 2.26
8. 966936-018	PANEL, PANTRY 23.79 X 77.9
9. 966936-019	PANEL, PANTRY 2.5 X 14.01
10. 966936-0110	PANEL, PANTRY 3.0 X 75.88
11. 966936-0111	PANEL, PANTRY 2.5 X 20.0
12. 966936-0112	DOOR, PANTRY 13.88 X 15.5
13. 966936-0113	DOOR, PANTRY 13.88 X 35.88
14. 966935-01	PANTRY ASSY S/O
15. 382046	PULL, BAMBOO, W/BUSHED NICKEL ENDS
16. 381607	HINGE ASSY.
17. 381228-01	CATCH GRABBER DOOR
18. 801706-WH	CORNER TRIM, 90 DEGREE, 1" RAD
19. 203138-01	EXTRUSION-PLASTIC WALL, WHITE
20. 203138-01	EXTRUSION-PLASTIC WALL, WHITE
21. 381925	DRAWER SLIDE, 24"
22. 381408	LOCK, PUSH BUTTON, BLACK

2009 INTERNATIONAL TRAVEL TRAILER

FURNITURE, GALLEY

Pantry, 23' D Signature, Slide Out, Wenge

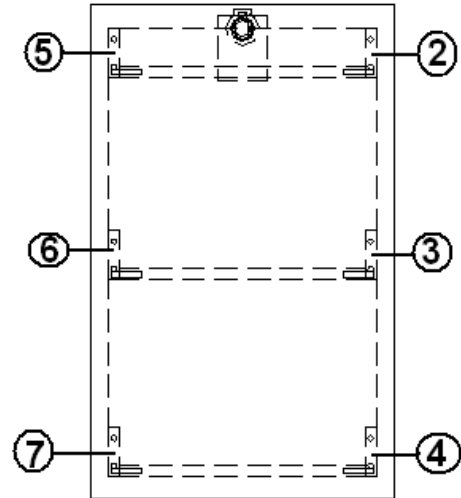
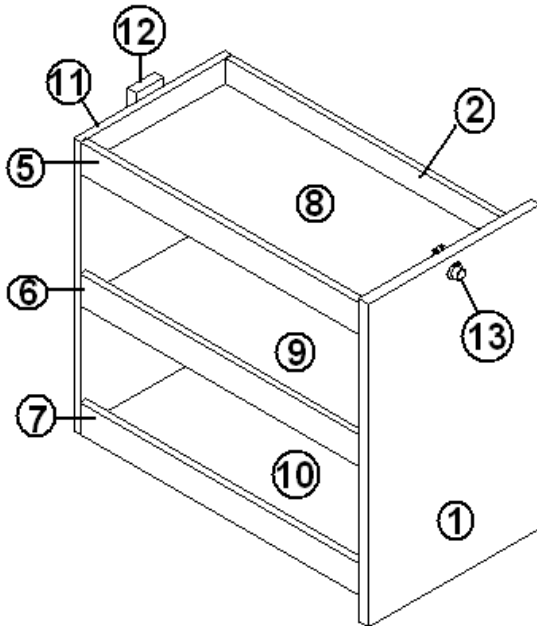


966935	PANTRY ASSY S/O
1. 966935-1	PANEL, S/O PANTRY, 12.25 X 20.5
2. 966935-2	PANEL, S/O PANTRY, 2.25 X 23.38
3. 966935-3	PANEL, S/O PANTRY, 2.25 X 23.38
4. 966935-4	PANEL, S/O PANTRY, 2.25 X 23.38
5. 966935-5	PANEL, S/O PANTRY, 2.25 X 23.38
6. 966935-6	PANEL, S/O PANTRY, 2.25 X 23.38
7. 966935-7	PANEL, S/O PANTRY, 2.25 X 23.38
8. 966935-8	PANEL, S/O PANTRY, 11.25 X 23.38
9. 966935-9	PANEL, S/O PANTRY, 11.25 X 23.38
10. 966935-10	PANEL, S/O PANTRY, 11.25 X 23.38
11. 966935-11	PANEL, S/O PANTRY, 13.88 X 22.62
12. 966935-12	PANEL, S/O PANTRY, 3.0 X 2.25
13. 381408	LOCK, PUSH, BUTTON STYLE, BLACK

2009 INTERNATIONAL TRAVEL TRAILER

FURNITURE, GALLEY

Pantry, 23' D Signature, Slide Out, Ocean Breeze

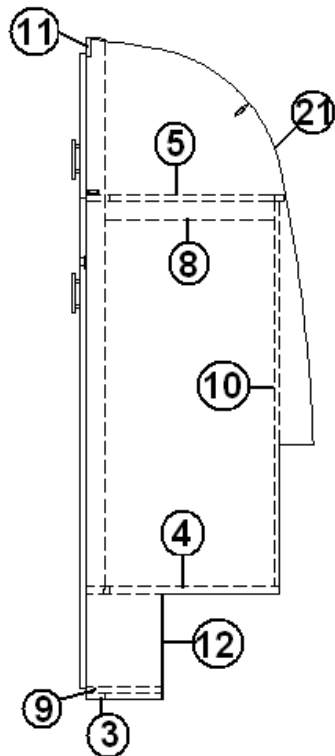
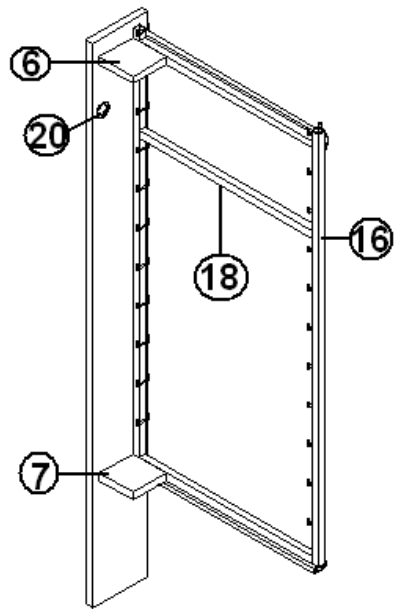
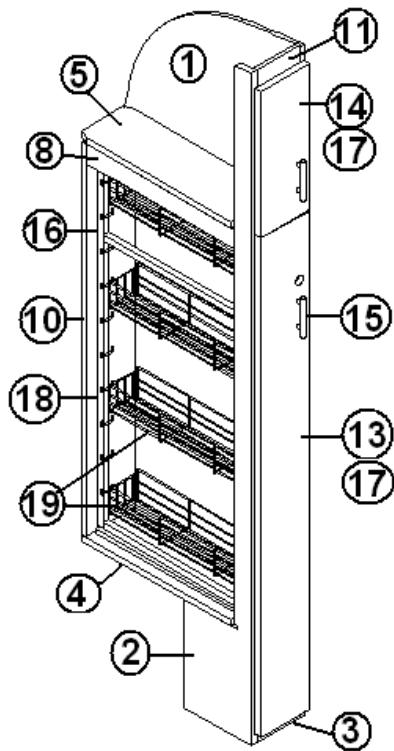


966935-01	PANTRY ASSY S/O
1. 966935-011	PANEL, PANTRY, 12.25 X 20.5
2. 966935-012	PANEL, PANTRY, 2.25 X 23.38
3. 966935-013	PANEL, PANTRY, 2.25 X 23.38
4. 966935-014	PANEL, PANTRY, 2.25 X 23.38
5. 966935-015	PANEL, PANTRY, 2.25 X 23.38
6. 966935-016	PANEL, PANTRY, 2.25 X 23.38
7. 966935-017	PANEL, PANTRY, 2.25 X 23.38
8. 966935-018	PANEL, PANTRY, 11.25 X 23.38
9. 966935-019	PANEL, PANTRY, 11.25 X 23.38
10. 966935-0110	PANEL, PANTRY, 11.25 X 23.38
11. 966935-0111	PANEL, PANTRY, 13.88 X 22.62
12. 966935-0112	PANEL, PANTRY, 3.0 X 2.25
13. 381408	LOCK, PUSH BUTTON, BLACK

2009 INTERNATIONAL TRAVEL TRAILER

FURNITURE, GALLEY

Pantry, 25' Front Bed Signature, Wenge



Part Numbers on the Next Page

2009 INTERNATIONAL TRAVEL TRAILER

FURNITURE, GALLEY

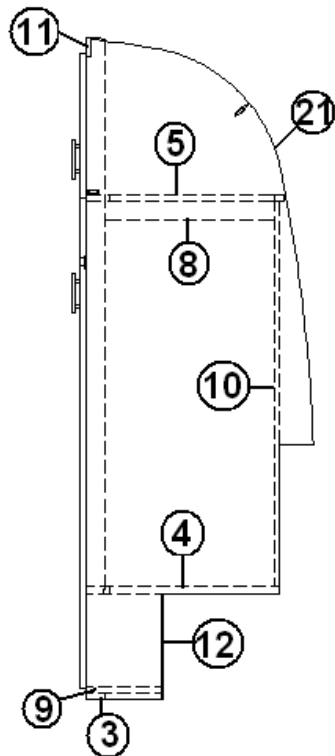
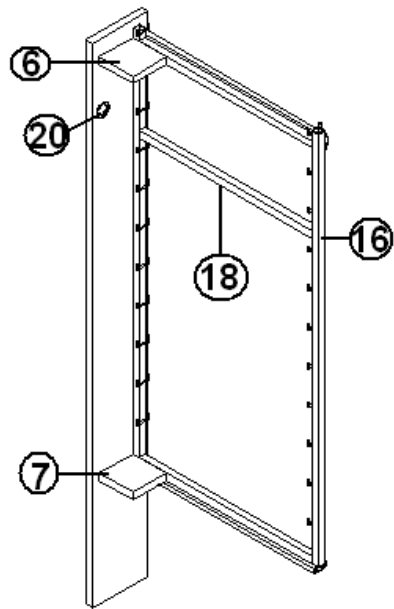
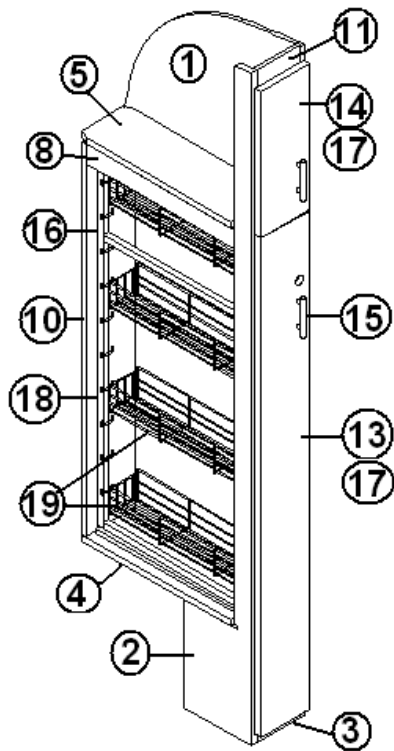
Pantry, 25' Front Bed Signature, Wenge

966904	PANTRY CABINET, 25' FB, WENGE
1. 966904-1	PANEL, PANTRY, 26.88" X 78.09"
2. 966904-2	PANEL, PANTRY, 9" X 78.25"
3. 966904-3	PANEL, PANTRY, 2.25" X 5.88"
4. 966904-4	PANEL, PANTRY, 6.63" X 22.75"
5. 966904-5	PANEL, PANTRY, 6.63" X 23.38"
6. 966904-6	PANEL, PANTRY, 4" X 4"
7. 966904-7	PANEL, PANTRY, 4" X 4"
8. 966904-8	PANEL, PANTRY, 2.25" X 20"
9. 966904-9	PANEL, PANTRY, 9" X 5.88"
10. 966904-10	PANEL, PANTRY, 6.63" X 45.63"
11. 966904-11	PANEL, PANTRY, 5.88" X 2.25"
12. 966904-12	PANEL, PANTRY, 7.13" X 12.50"
13. 966904-13	DOOR, PANTRY 6.5" X 58"
14. 966904-14	DOOR, PANTRY 6.5" X 17"
15. 382029-00	HANDLE BAR, 7.48"
16. 381228-01	CATCH GRABBER DOOR
17. 381607	HINGE, GRASS EURO
18. 381551-01	PANTRY RACK, 1.5"W X 45"H WHITE
19. 381551-02	WIRE BASKET, 4" WIDE WHITE
20. 381408	LOCK, PUSH, BUTTON STYLE, BLACK
21. 203138-05	EXTRUSION, PLASTIC, 1/2" WALL

2009 INTERNATIONAL TRAVEL TRAILER

FURNITURE, GALLEY

Pantry, 25' Front Bed Signature, Ocean Breeze



Part Numbers on the Next Page

2009 INTERNATIONAL TRAVEL TRAILER

FURNITURE, GALLEY

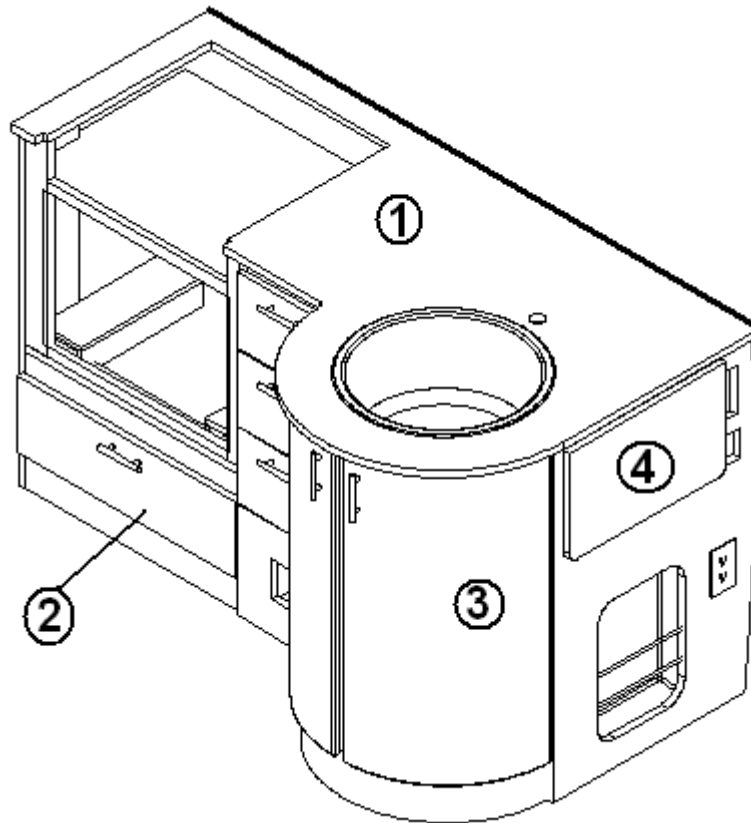
Pantry, 25' Front Bed Signature, Ocean Breeze

966904-01	PANTRY CABINET, 25' FB, WENGE
1. 966904-011	PANEL, PANTRY, 26.88" X 78.09"
2. 966904-012	PANEL, PANTRY, 9" X 78.25"
3. 966904-013	PANEL, PANTRY, 2.25" X 5.88"
4. 966904-014	PANEL, PANTRY, 6.63" X 22.75"
5. 966904-015	PANEL, PANTRY, 6.63" X 23.38"
6. 966904-016	PANEL, PANTRY, 4" X 4"
7. 966904-017	PANEL, PANTRY, 4" X 4"
8. 966904-018	PANEL, PANTRY, 2.25" X 20"
9. 966904-019	PANEL, PANTRY, 9" X 5.88"
10. 966904-0110	PANEL, PANTRY, 6.63" X 45.63"
11. 966904-0111	PANEL, PANTRY, 5.88" X 2.25"
12. 966904-0112	PANEL, PANTRY, 7.13" X 12.50"
13. 966904-0113	DOOR, PANTRY 6.5" X 58"
14. 966904-0114	DOOR, PANTRY 6.5" X 17"
15. 382046	PULL, BAMBOO, W/BUSHED NICKEL ENDS
16. 381228-01	CATCH GRABBER DOOR
17. 381607	HINGE, GRASS EURO
18. 381551-01	PANTRY RACK, 1.5"W X 45"H WHITE
19. 381551-02	WIRE BASKET, 4" WIDE WHITE
20. 381408	LOCK, PUSH, BUTTON STYLE, BLACK
21. 203138-01	EXTRUSION, PLASTIC, ½" WALL

2009 INTERNATIONAL TRAVEL TRAILER

FURNITURE, GALLEY

Galley, 25' Front Bed Signature, Wenge, Ocean Breeze

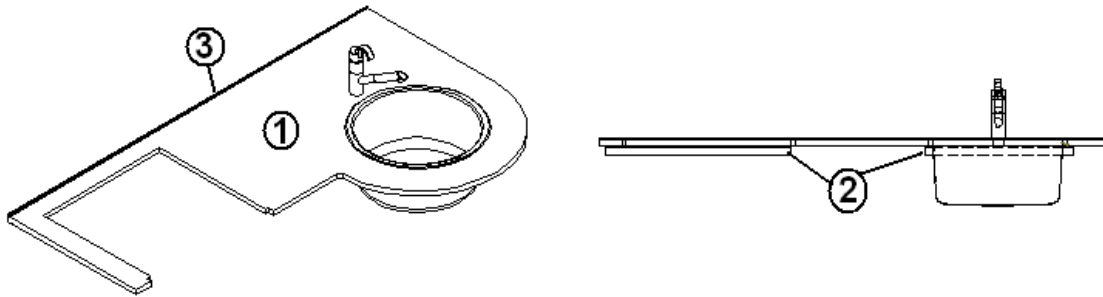


- | | |
|--------------|--|
| 966906 | Galley Assembly, Wenge |
| 966906-01 | Galley Assembly, Ocean Breeze |
| 966906-02 | Galley Assembly, w/Microwave, Wenge |
| 966906-03 | Galley Assembly, w/Microwave, Ocean Breeze |
| 1. 966909 | Top, Galley, Wenge |
| 1. 966909-01 | Top, Galley, Ocean Breeze |
| 2. 966908 | Galley Oven Section, Wenge |
| 2. 966950 | Galley Oven Section, w/Microwave, Wenge |
| 2. 966908-01 | Galley Oven Section, Ocean Breeze |
| 2. 966950-01 | Galley Oven Section, w/Microwave, Ocean Breeze |
| 3. 966907 | Galley, Aft Section, Wenge |
| 3. 966907-01 | Galley, Aft Section, Ocean Breeze |
| 4. 966910 | Flip Up Shelf, Galley, Wenge |
| 4. 966910-01 | Flip Up Shelf, Galley, Ocean Breeze |

2009 INTERNATIONAL TRAVEL TRAILER

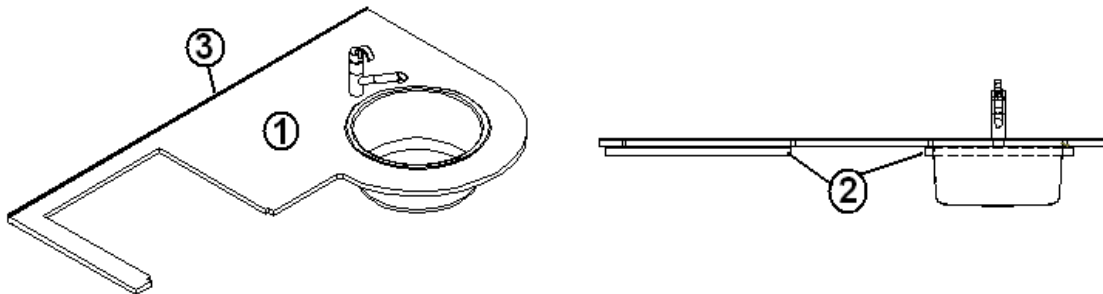
FURNITURE, GALLEY

Galley, 25' Front Bed Signature, Top, Wenge



- | | |
|-------------|------------------------------------|
| 966909 | TOP ASSY, GALLEY 25' FB |
| 1. 966909-1 | PANEL, GALLEY TOP, 36.13" X 63.04" |
| 2. 114812 | ALUMINUM ANGLE, 1.00" X 1.00" |
| 3. 115064 | TRIM, ALUMINUM COUNTER TOP |
| 601714-01 | TAIL PIECE 1-1/2X4"(GALLEY DRAIN) |
| 601714-02 | 1.5" SLIP NUT W/WINGS |
| 601714-03 | 1.5" BLACK RUBBER WASHER |

Galley, 25' Front Bed Signature, Top, Ocean Breeze

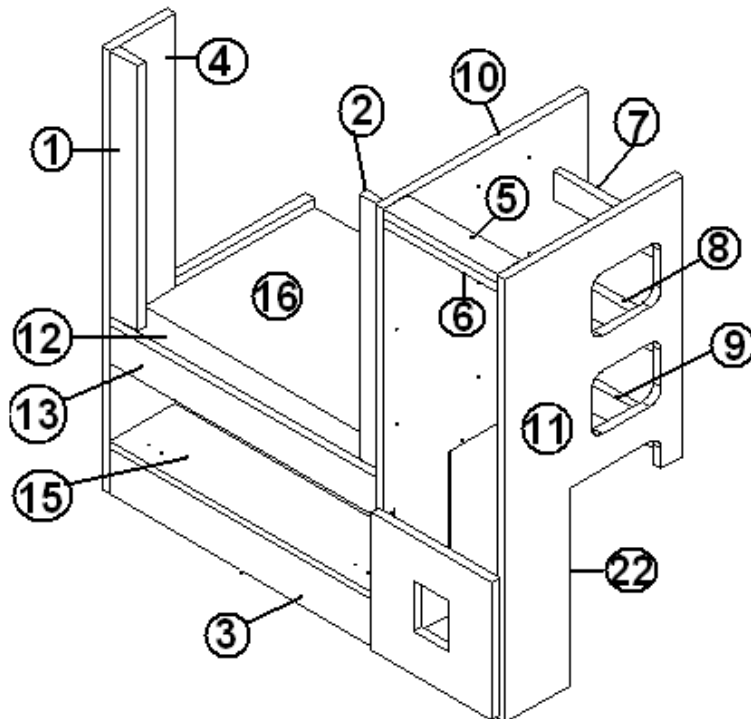
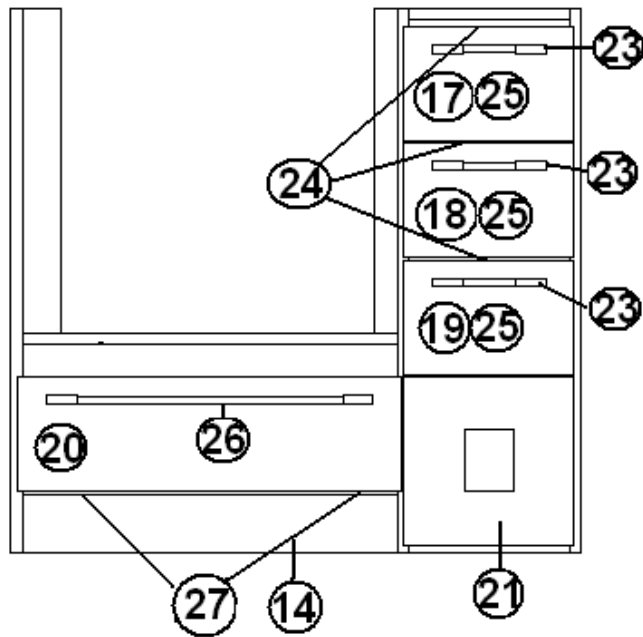


- | | |
|---------------|------------------------------------|
| 966909-01 | TOP ASSY, GALLEY 25' FB |
| 1. 966909-011 | PANEL, GALLEY TOP, 36.13" X 63.04" |
| 2. 114812 | ALUMINUM ANGLE, 1.00" X 1.00" |
| 3. 115064 | TRIM, ALUMINUM COUNTER TOP |
| 601714-01 | TAIL PIECE 1-1/2X4"(GALLEY DRAIN) |
| 601714-02 | 1.5" SLIP NUT W/WINGS |
| 601714-03 | 1.5" BLACK RUBBER WASHER |

2009 INTERNATIONAL TRAVEL TRAILER

FURNITURE, GALLEY

Galley, 25' Front Bed Signature, Oven Section, Wenge



Part Numbers on the Next Page

2009 INTERNATIONAL TRAVEL TRAILER

FURNITURE, GALLEY

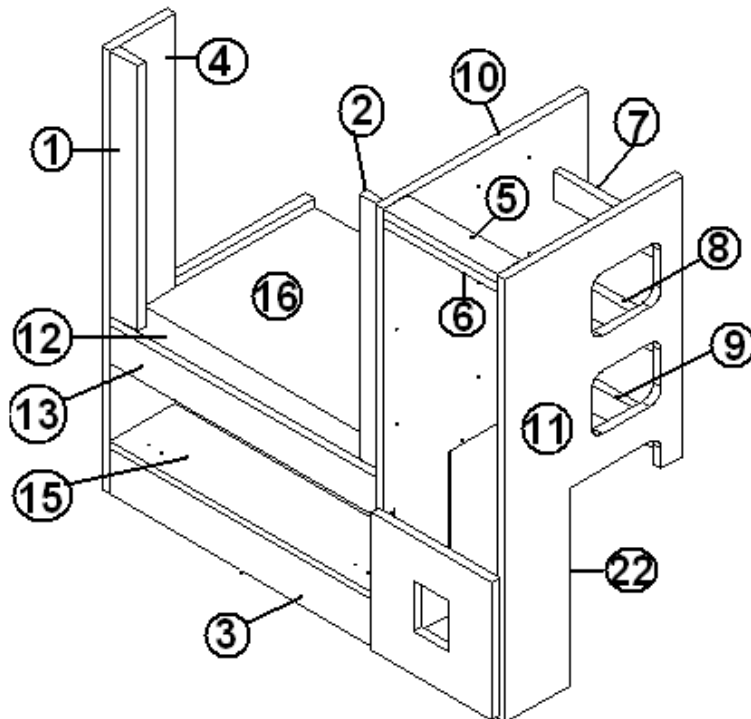
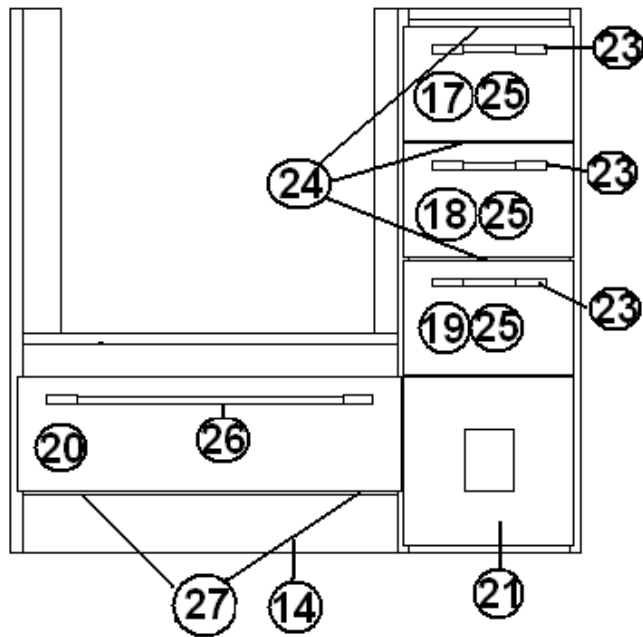
Galley, 25' Front Bed Signature, Oven Section, Wenge

966908	GALLEY, OVEN SECTION
1. 966908-1	PANEL, GALLEY 2.5 X 21.19"
2. 966908-2	PANEL, GALLEY 1.5 X 21.19"
3. 966908-3	PANEL, GALLEY 10.5 X 2.25"
4. 966908-4	PANEL, GALLEY 6 X 35.5"
5. 966908-5	PANEL, GALLEY 3 X 10.5"
6. 966908-6	PANEL, GALLEY 3" X 10.5"
7. 966908-7	PANEL, GALLEY 2.25" X 10.5"
8. 966908-8	PANEL, GALLEY 2.25" X 10.5"
9. 966908-9	PANEL, GALLEY 2.25" X 10.5"
10. 966908-10	PANEL, GALLEY 18.88" X 35.5"
11. 966908-11	PANEL, GALLEY 16.44" X 35.5"
12. 966908-12	PANEL, GALLEY 2.25" X 24.5"
13. 966908-13	PANEL, GALLEY 24.5" X 3"
14. 966908-14	PANEL, GALLEY 24.5" X 3.75"
15. 966908-15	PANEL, GALLEY 6" X 24.5"
16. 966908-16	PANEL, GALLEY 18.38" X 25.25"
17. 966908-17	DOOR, GALLEY, 11.13" X 7.5"
18. 966908-18	DOOR, GALLEY 11.13" X 7.5"
19. 966908-19	DOOR, GALLEY 11.13" X 7.5"
20. 966908-20	DOOR, GALLEY 25.13" X 7.5"
21. 966908-21	PANEL, GALLEY
22. 966908-22	PANEL, GALLEY
23. 382029-00	HANDLE-BAR 7.48"
24. 381228-01	CATCH GRABBER DOOR
25. 965560-02	DRAWER BOX, 5.63" X 9.25" X 14"
26. 382029-05	HANDLE, BAR 21.33"
27. 381607	HINGE ASSY-GRASS EURO
381773-15	DRAWER SLIDE-5.875"X 15.75" (PAIR)

2009 INTERNATIONAL TRAVEL TRAILER

FURNITURE, GALLEY

Galley, 25' Front Bed Signature, Oven Section, Ocean Breeze



Part Numbers on the Next Page

2009 INTERNATIONAL TRAVEL TRAILER

FURNITURE, GALLEY

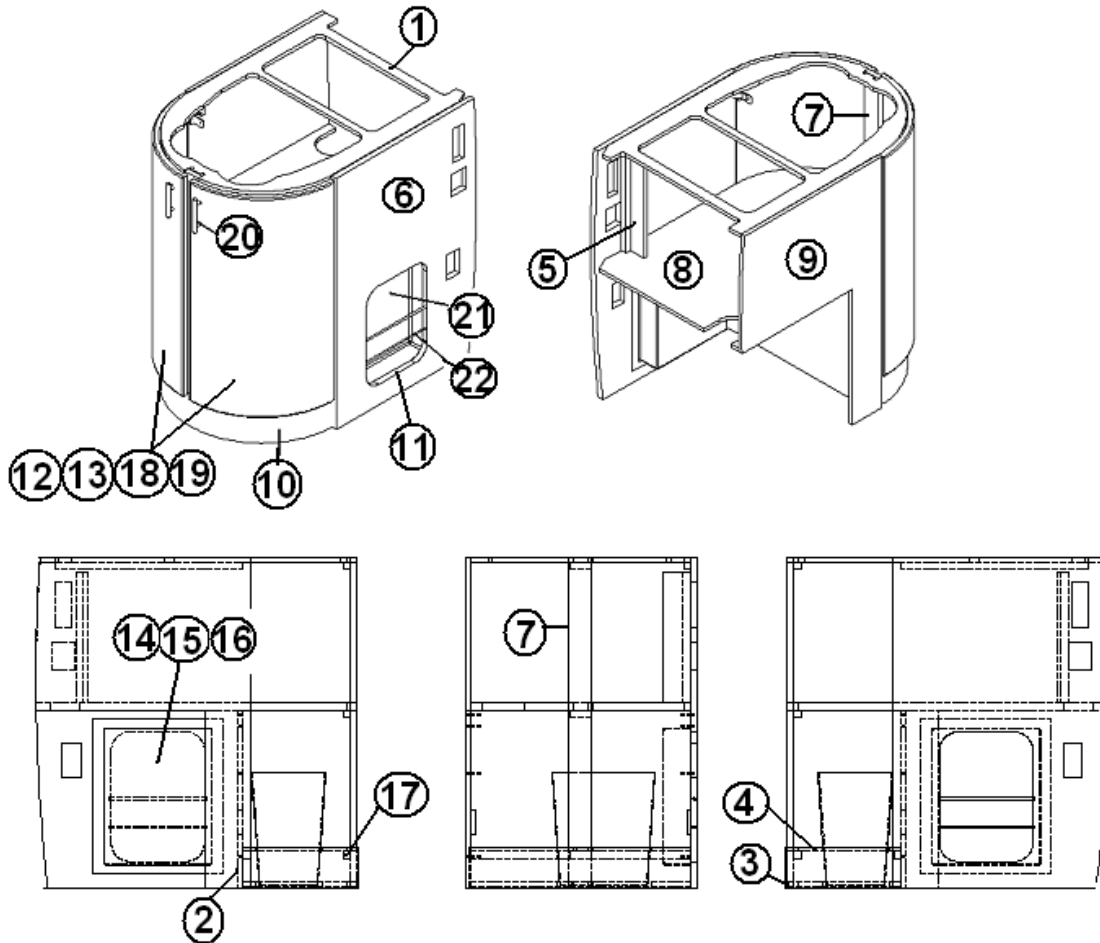
Galley, 25' Front Bed Signature, Oven Section, Ocean Breeze

966908-01	GALLEY, OVEN SECTION
1. 966908-011	PANEL, GALLEY 2.5 X 21.19"
2. 966908-012	PANEL, GALLEY 1.5 X 21.19"
3. 966908-013	PANEL, GALLEY 10.5 X 2.25"
4. 966908-014	PANEL, GALLEY 6 X 35.5"
5. 966908-015	PANEL, GALLEY 3 X 10.5"
6. 966908-016	PANEL, GALLEY 3" X 10.5"
7. 966908-017	PANEL, GALLEY 2.25" X 10.5"
8. 966908-018	PANEL, GALLEY 2.25" X 10.5"
9. 966908-019	PANEL, GALLEY 2.25" X 10.5"
10. 966908-0110	PANEL, GALLEY 18.88" X 35.5"
11. 966908-0111	PANEL, GALLEY 16.44" X 35.5"
12. 966908-0112	PANEL, GALLEY 2.25" X 24.5"
13. 966908-0113	PANEL, GALLEY 24.5" X 3"
14. 966908-0114	PANEL, GALLEY 24.5" X 3.75"
15. 966908-0115	PANEL, GALLEY 6" X 24.5"
16. 966908-0116	PANEL, GALLEY 18.38" X 25.25"
17. 966908-0117	DOOR, GALLEY, 11.13" X 7.5"
18. 966908-0118	DOOR, GALLEY 11.13" X 7.5"
19. 966908-0119	DOOR, GALLEY 11.13" X 7.5"
20. 966908-0120	DOOR, GALLEY 25.13" X 7.5"
21. 966908-0121	PANEL, GALLEY, 11.13" X 11"
22. 966908-0122	PANEL, GALLEY, 26.00" X 9.31"
23. 382046	PULL, BAMBOO, W/BUSHED NICKEL ENDS
24. 381228-01	CATCH GRABBER DOOR
25. 965560-02	DRAWER BOX, 5.63" X 9.25" X 14"
26. 382046	PULL, BAMBOO, W/BUSHED NICKEL ENDS
27. 381607	HINGE ASSY-GRASS EURO
381773-15	DRAWER SLIDE-5.875"X 15.75"

2009 INTERNATIONAL TRAVEL TRAILER

FURNITURE, GALLEY

Galley, 25' Front Bed Signature, Aft Section, Wenge



Part Numbers on the Next Page

2009 INTERNATIONAL TRAVEL TRAILER

FURNITURE, GALLEY

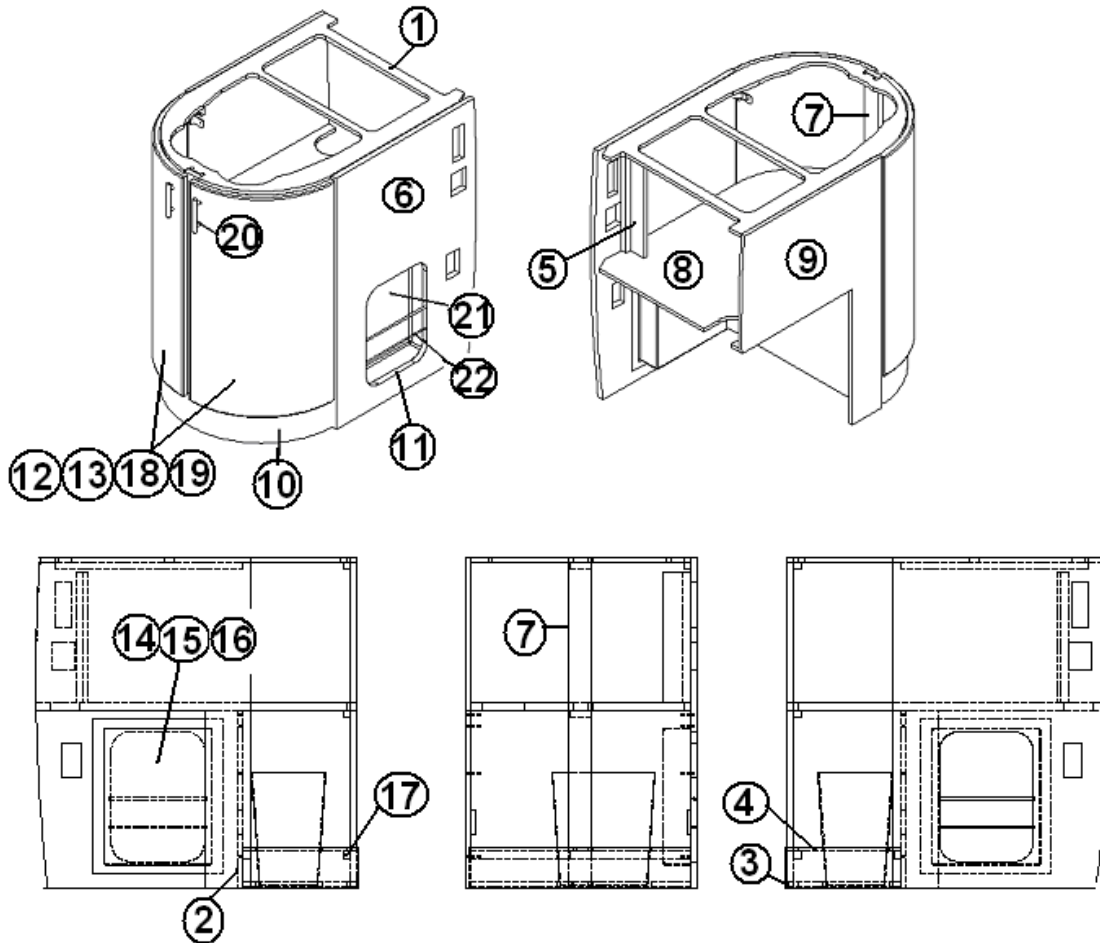
Galley, 25' Front Bed Signature, Aft Section, Wenge

966907	GALLEY AFT SECTION
1. 966907-1	PANEL, 23.5 X 33.94
2. 966907-2	PANEL, 23.54 X 19.13
3. 966907-3	PANEL, 23.5 X 12.21
4. 966907-4	PANEL, 23.5 X 12.21
5. 966907-5	PANEL, 3 X 14
6. 966907-6	PANEL, 35.5 X 23.04
7. 966907-7	PANEL, 2.44 X 35.5
8. 966907-8	PANEL, 24.91 X 34.4
9. 966907-9	PANEL, 23.06 X 35.5
10. 115309	TOE KICK, GALLEY ALUMINUM
11. 203440	T MOLDING, BLACK EMBOSSED .8125
12.381856	CATCH, TENSION 2-BALL
13.966474-01	DOOR, RADIUS, 16.26"X 31", WENGE
14.381654	HINGE, GLASS DOOR, BLACK
15.381707	STRIKE W/PULL, GLASS DOOR, BLACK
16.371391	DOOR, GLASS 11.56"X 13.06"
17.800025-01	PINE 3/4" X 3/4" STAINED
18.381607-07	BRACKET, BLIND CORNER 90D
19.381607	HINGE ASSY
20.382029-00	HANDLE BAR 7.48"
21.203383	RACK, MAGAZINE RACK
22.115042	ROD, .25" ALUMNUM
203483	COVER, ROUND SINK, 17.75"
381708	WASTEBASKET, 11.38" X 8.25" X 12"
966910	SHELF, GALLEY FLIP UP
381614	FOLDING SHELF BRACKET

2009 INTERNATIONAL TRAVEL TRAILER

FURNITURE, GALLEY

Galley, 25' Front Bed Signature, Aft Section, Ocean Breeze



Part Numbers on the Next Page

2009 INTERNATIONAL TRAVEL TRAILER

FURNITURE, GALLEY

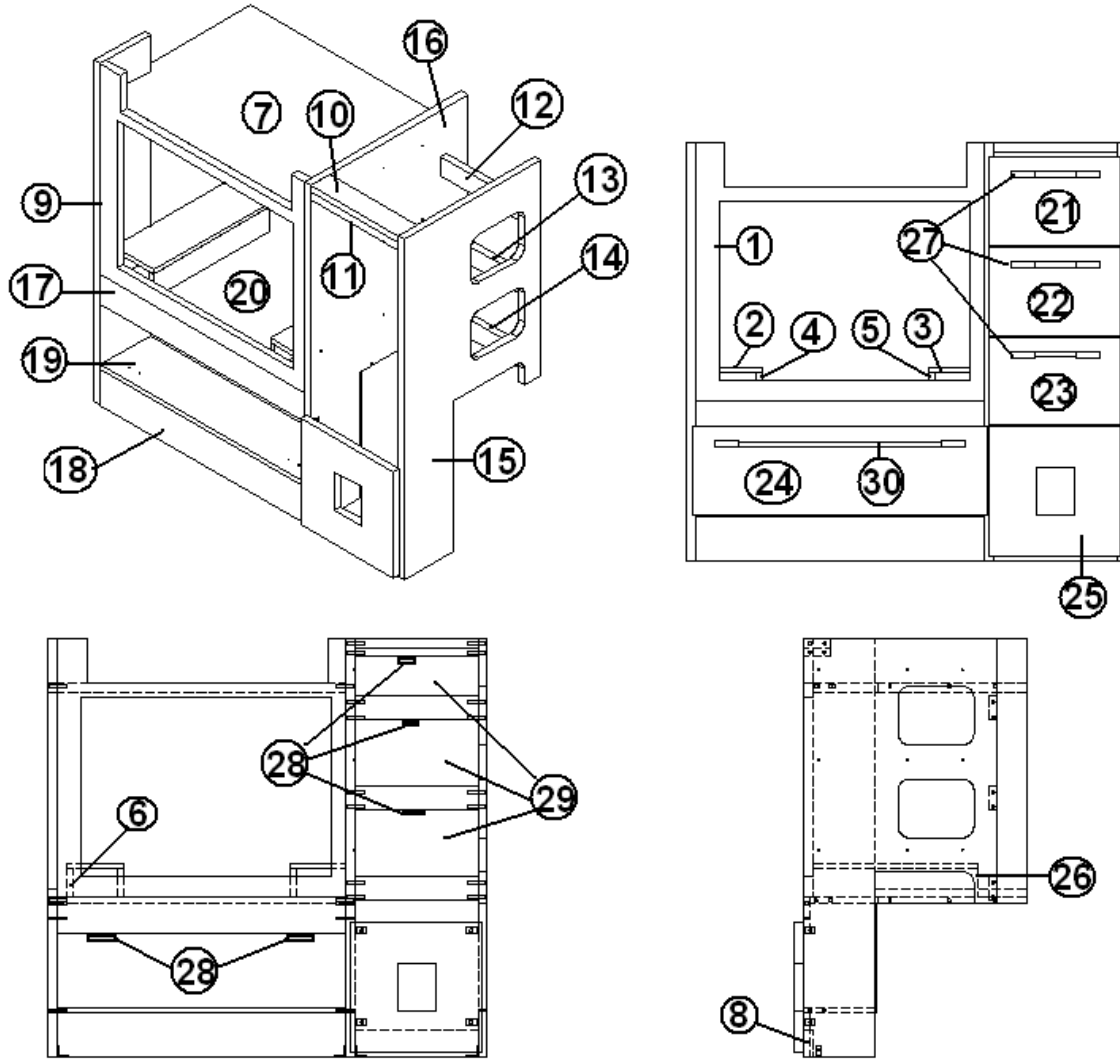
Galley, 25' Front Bed Signature, Aft Section, Ocean Breeze

966907-01	GALLEY AFT SECTION
1. 966907-011	PANEL, 23.5 X 33.94
2. 966907-012	PANEL, 23.54 X 19.13
3. 966907-013	PANEL, 23.5 X 12.21
4. 966907-014	PANEL, 23.5 X 12.21
5. 966907-015	PANEL, 3 X 14
6. 966907-016	PANEL, 35.5 X 23.04
7. 966907-017	PANEL, 2.44 X 35.5
8. 966907-018	PANEL, 24.91 X 34.4
9. 966907-019	PANEL, 23.06 X 35.5
10. 115309	TOE KICK, GALLEY ALUMINUM
11. 203597	T MOLDING, WHITE EMBOSSED
12.381856	CATCH, TENSION 2-BALL
13.966779	DOOR, 16.26"X 31", OCEAN BREEZE
14.381654	HINGE, GLASS DOOR, BLACK
15.381707	STRIKE W/PULL, GLASS DOOR
16.371391	DOOR, GLASS 11.56"X 13.06"
17.800025-01	PINE 3/4" X 3/4" STAINED
18.381607-07	BRACKET, BLIND CORNER 90D
19.381607	HINGE ASSY
20.382046	PULL, BAMBOO, W/BUSHED NICKEL ENDS
21.203383	RACK, MAGAZINE RACK
22.115042	ROD, .25" ALUMNUM
203483	COVER, ROUND SINK, 17.75"
381708	WASTEBASKET, 11.38" X 8.25" X 12"
966910-01	SHELF, GALLEY FLIP UP
381614	FOLDING SHELF BRACKET
203464-03	TRIM PANEL, WHITE 3/4"

2009 INTERNATIONAL TRAVEL TRAILER

FURNITURE, GALLEY

Galley, 25' Front Bed Signature, Oven Section, Microwave Option, Wenge



Part Numbers on the Next Page

2009 INTERNATIONAL TRAVEL TRAILER

FURNITURE, GALLEY

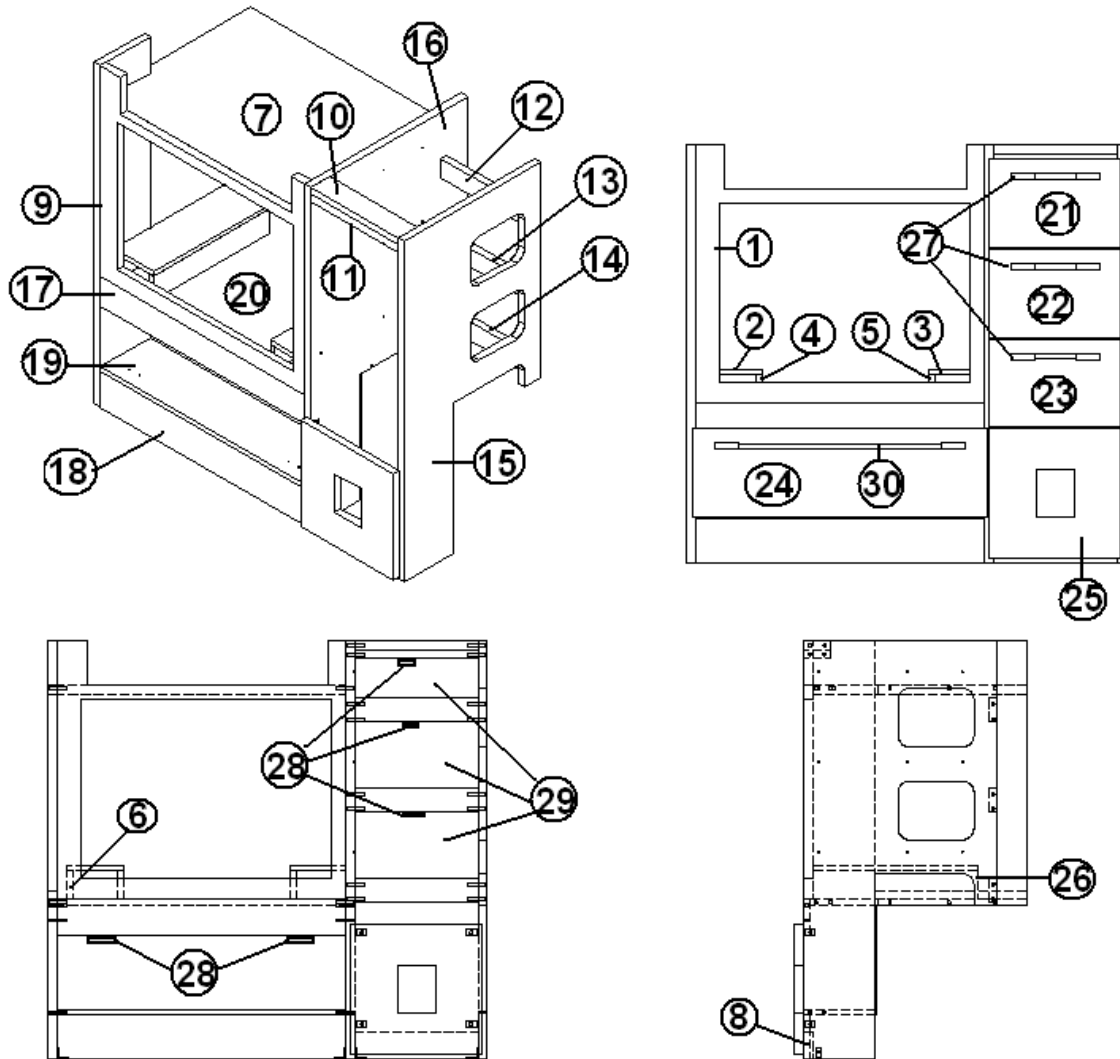
Galley, 25' Front Bed Signature, Oven Section, Microwave Option,
Wenge

966950	GALLEY, OVEN SECTION
1. 966950-1	PANEL, GALLEY 2.5 X 21.94"
2. 966950-2	PANEL, GALLEY 4.75 X 14.00"
3. 966950-3	PANEL, GALLEY 4.75 X 14.00"
4. 966950-4	PANEL, GALLEY 2.44 X 14.00"
5. 966950-5	PANEL, GALLEY 2.44 X 14.00"
6. 966950-6	PANEL, GALLEY 2.44 X 14.00"
7. 966950-7	PANEL, GALLEY 18.13" X 25.25"
8. 966950-8	PANEL, GALLEY 2.25" X 10.5"
9. 966950-9	PANEL, GALLEY 6.00" X 35.5"
10. 966950-10	PANEL, GALLEY 2.25" X 10.5"
11. 966950-11	PANEL, GALLEY 2.25" X 10.5"
12. 966950-12	PANEL, GALLEY 2.25" X 10.5"
13. 966950-13	PANEL, GALLEY 2.25" X 10.5"
14. 966950-14	PANEL, GALLEY 2.25" X 10.5"
15. 966950-15	PANEL, GALLEY 18.88" x 35.50"
16. 966950-16	PANEL, GALLEY 16.44" X 35.50"
17. 966950-17	PANEL, GALLEY, 3" X 24.50"
18. 966950-18	PANEL, GALLEY 3.75" X 24.5"
19. 966950-19	PANEL, GALLEY 6" X 24.5"
20. 966950-20	PANEL, GALLEY 18.38" X 25.25"
21. 966950-21	DOOR, GALLEY 11.13" X 7.5"
22. 966950-22	DOOR, GALLEY 11.13" X 7.5"
23. 966950-23	DOOR, GALLEY 11.13" X 7.5"
24. 966950-24	DOOR, GALLEY 25.13" X 7.5"
25. 966950-25	PANEL, GALLEY 11.13" X 11"
26. 966950-26	PANEL, GALLEY 26" X 9.31"
27. 382029-00	HANDLE-BAR 7.48"
28. 381228-01	CATCH GRABBER DOOR
29. 965560-02	DRAWER BOX, 5.63" X 9.25" X 14"
30. 382029-05	HANDLE, BAR 21.33"
381607	HINGE ASSY-GRASS EURO
381773-15	DRAWER SLIDE-5.875"X 15.75" (PAIR)

2009 INTERNATIONAL TRAVEL TRAILER

FURNITURE, GALLEY

Galley, 25' Front Bed Signature, Oven Section, Microwave Option, Ocean Breeze



Part Numbers on the Next Page

2009 INTERNATIONAL TRAVEL TRAILER

FURNITURE, GALLEY

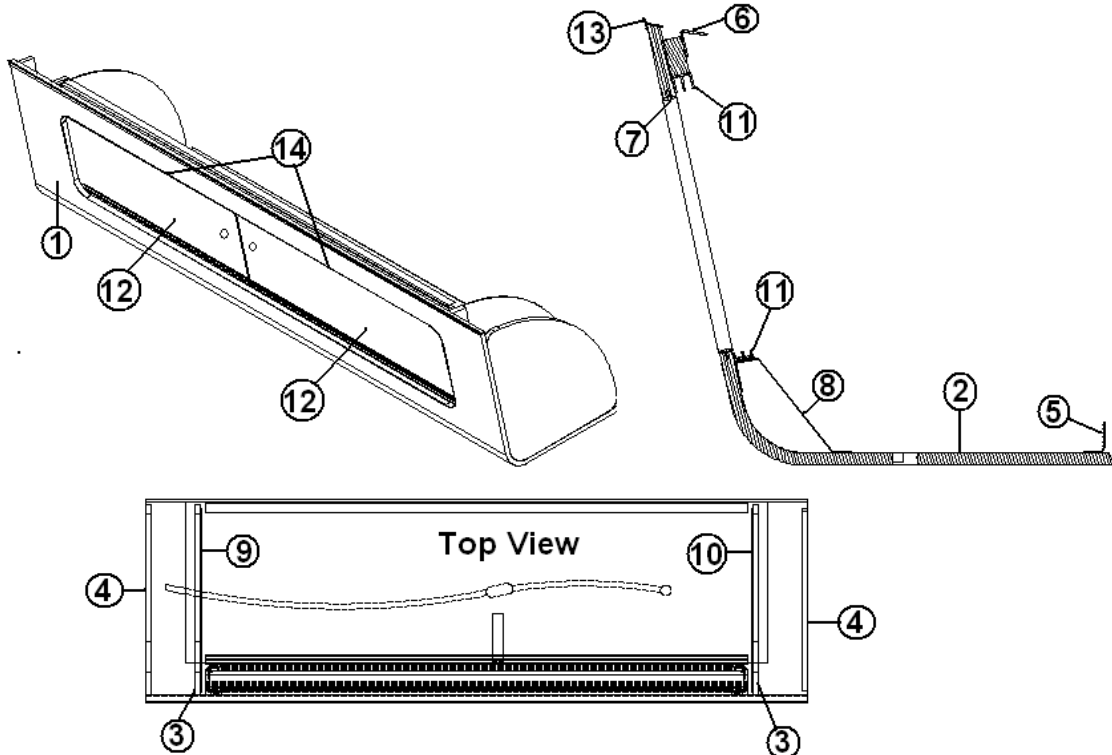
Galley, 25' FB Signature, Oven Section, Microwave, Ocean Breeze

966950-01	GALLEY, OVEN SECTION
1. 966950-011	PANEL, GALLEY 2.5 X 21.94"
2. 966950-012	PANEL, GALLEY 4.75 X 14.00"
3. 966950-013	PANEL, GALLEY 4.75 X 14.00"
4. 966950-014	PANEL, GALLEY 2.44 X 14.00"
5. 966950-015	PANEL, GALLEY 2.44 X 14.00"
6. 966950-016	PANEL, GALLEY 2.44 X 14.00"
7. 966950-017	PANEL, GALLEY 18.13" X 25.25"
8. 966950-018	PANEL, GALLEY 2.25" X 10.5"
9. 966950-019	PANEL, GALLEY 6.00" X 35.5"
10. 966950-0110	PANEL, GALLEY 2.25" X 10.5"
11. 966950-0111	PANEL, GALLEY 2.25" X 10.5"
12. 966950-0112	PANEL, GALLEY 2.25" X 10.5"
13. 966950-0113	PANEL, GALLEY 2.25" X 10.5"
14. 966950-0114	PANEL, GALLEY 2.25" X 10.5"
15. 966950-0115	PANEL, GALLEY 18.88" X 35.50"
16. 966950-0116	PANEL, GALLEY 16.44" X 35.50"
17. 966950-0117	PANEL, GALLEY, 3" X 24.50"
18. 966950-0118	PANEL, GALLEY 3.75" X 24.5"
19. 966950-0119	PANEL, GALLEY 6" X 24.5"
20. 966950-0120	PANEL, GALLEY 18.38" X 25.25"
21. 966950-0121	DOOR, GALLEY 11.13" X 7.5"
22. 966950-0122	DOOR, GALLEY 11.13" X 7.5"
23. 966950-0123	DOOR, GALLEY 11.13" X 7.5"
24. 966950-0124	DOOR, GALLEY 25.13" X 7.5"
25. 966950-0125	PANEL, GALLEY 11.13" X 11"
26. 966950-0126	PANEL, GALLEY 26" X 9.31"
27. 382046	PULL, BAMBOO, W/BUSHED NICKEL ENDS
28. 381228-01	CATCH GRABBER DOOR
29. 965560-02	DRAWER BOX, 5.63" X 9.25" X 14"
30. 382046	PULL, BAMBOO, W/BUSHED NICKEL ENDS
381607	HINGE ASSY-GRASS EURO
381773-15	DRAWER SLIDE-5.875"X 15.75"

2009 INTERNATIONAL TRAVEL TRAILER

FURNITURE, GALLEY

Roof Locker, 25' Front Bed Signature, Galley, Wenge

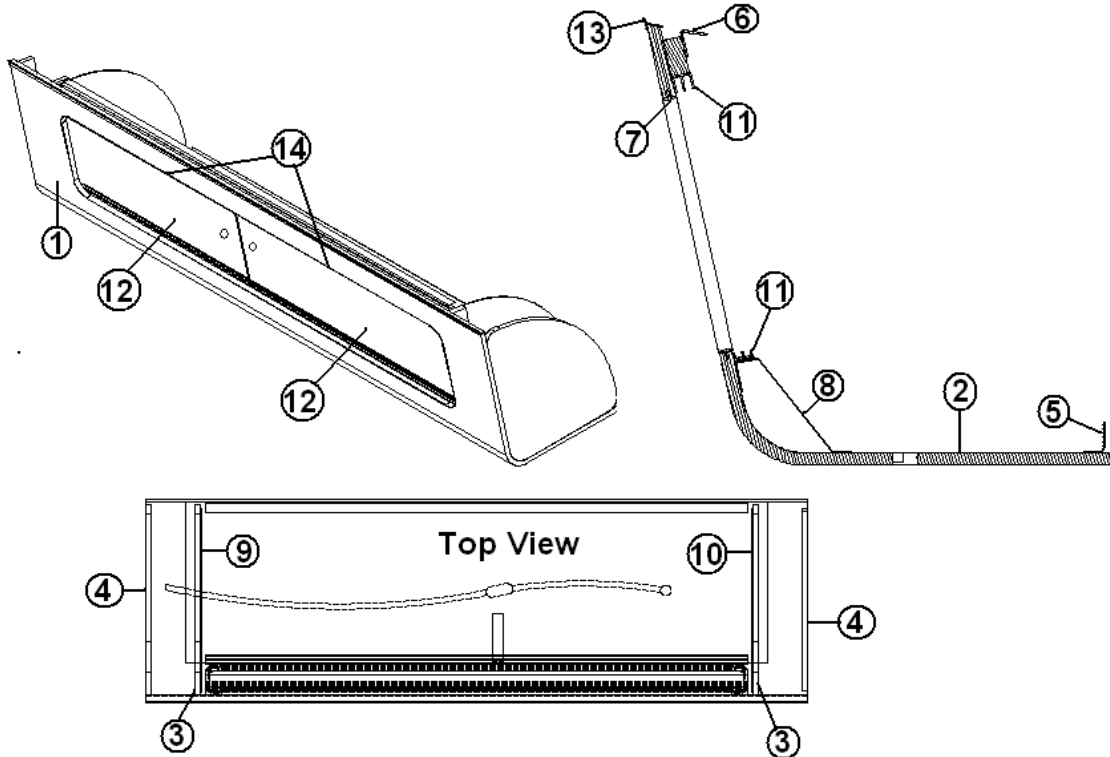


- | | |
|---------------|----------------------------------|
| 966911 | ROOF LOCKER, GALLEY 25FB |
| 1. 801726 | LOCKER FACE, GALLEY |
| 2. 801537 | PANEL, 12mm w/SPECIAL GROOVES F. |
| 3. 801545-02 | DIVIDER PARTIAL |
| 4. 115375 | EXTRUSION, FORMED R/L END |
| 5. 115227-02 | ANGLE, LOCKER TRACK SUPPORT |
| 6. 104821 | SUPPORT, ROOFLOCKER, 74" |
| 7. 203445-01 | T-MOLDING, .5625" WHITE |
| 8. 115226 | BRACKET, LOCKER CENTER SUPPORT |
| 9. 801539-01 | DIVIDER, GALLEY LOCKER LH |
| 10. 801539-02 | DIVIDER, GALLEY LOCKER |
| 11. 203388 | SLIDING DOOR TRACK, 56-1/5" |
| 12. 965563-09 | DOOR, SLIDING 11.31" X 26" |
| 13. 201673 | REVERSE COVE MOLDING, WHITE |
| 14. 454613 | SPRING-LEAF R/L |

2009 INTERNATIONAL TRAVEL TRAILER

FURNITURE, GALLEY

Roof Locker, 25' Front Bed Signature, Galley, Ocean Breeze

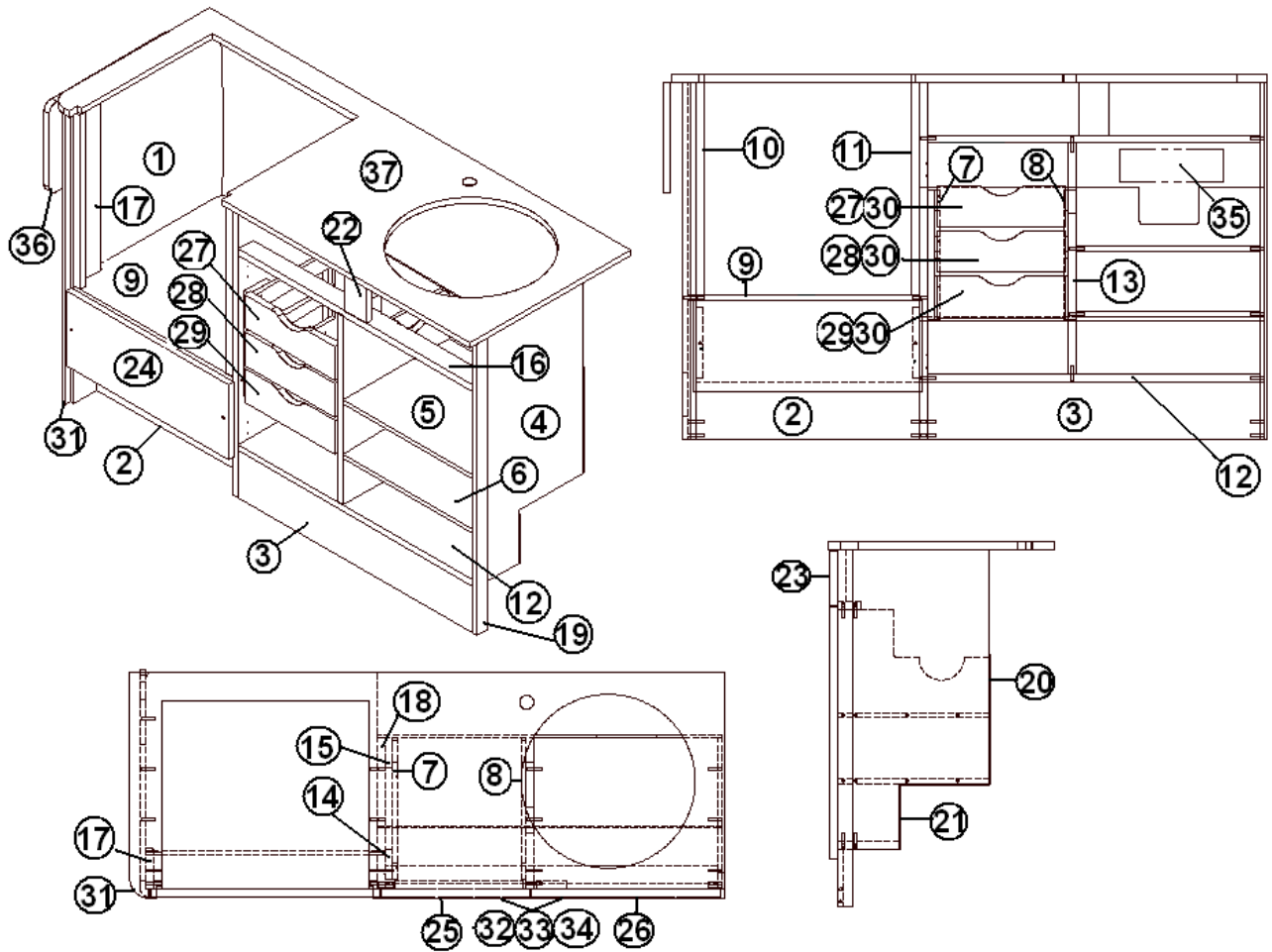


- | | |
|---------------|--------------------------------|
| 966911-01 | ROOF LOCKER, GALLEY |
| 1. 801726 | LOCKER FACE, GALLEY |
| 2. 801537 | PANEL, 12mm w/SPECIAL GROOVES |
| 3. 801545-02 | DIVIDER PARTIAL |
| 4. 115375 | EXTRUSION, FORMED R/L END |
| 5. 115227-02 | ANGLE, LOCKER TRACK SUPPORT |
| 6. 104821 | SUPPORT, ROOFLOCKER, 74" |
| 7. 203508-01 | T-MOLDING, .5625" WHITE |
| 8. 115226 | BRACKET, LOCKER CENTER SUPPORT |
| 9. 801539-01 | DIVIDER, GALLEY LOCKER LH |
| 10. 801539-02 | DIVIDER, GALLEY LOCKER |
| 11. 203388 | SLIDING DOOR TRACK, 56-1/5" |
| 12. 203357-02 | DOOR, SLIDING 11.31" X 26" |
| 13. 201673 | REVERSE COVE MOLDING, WHITE |
| 14. 454613 | SPRING-LEAF R/L |

2009 INTERNATIONAL TRAVEL TRAILER

FURNITURE, GALLEY

Galley, 25' Sleep Six Signature, Full Oven, Wenge



Part numbers on the next page

2009 INTERNATIONAL TRAVEL TRAILER

FURNITURE, GALLEY

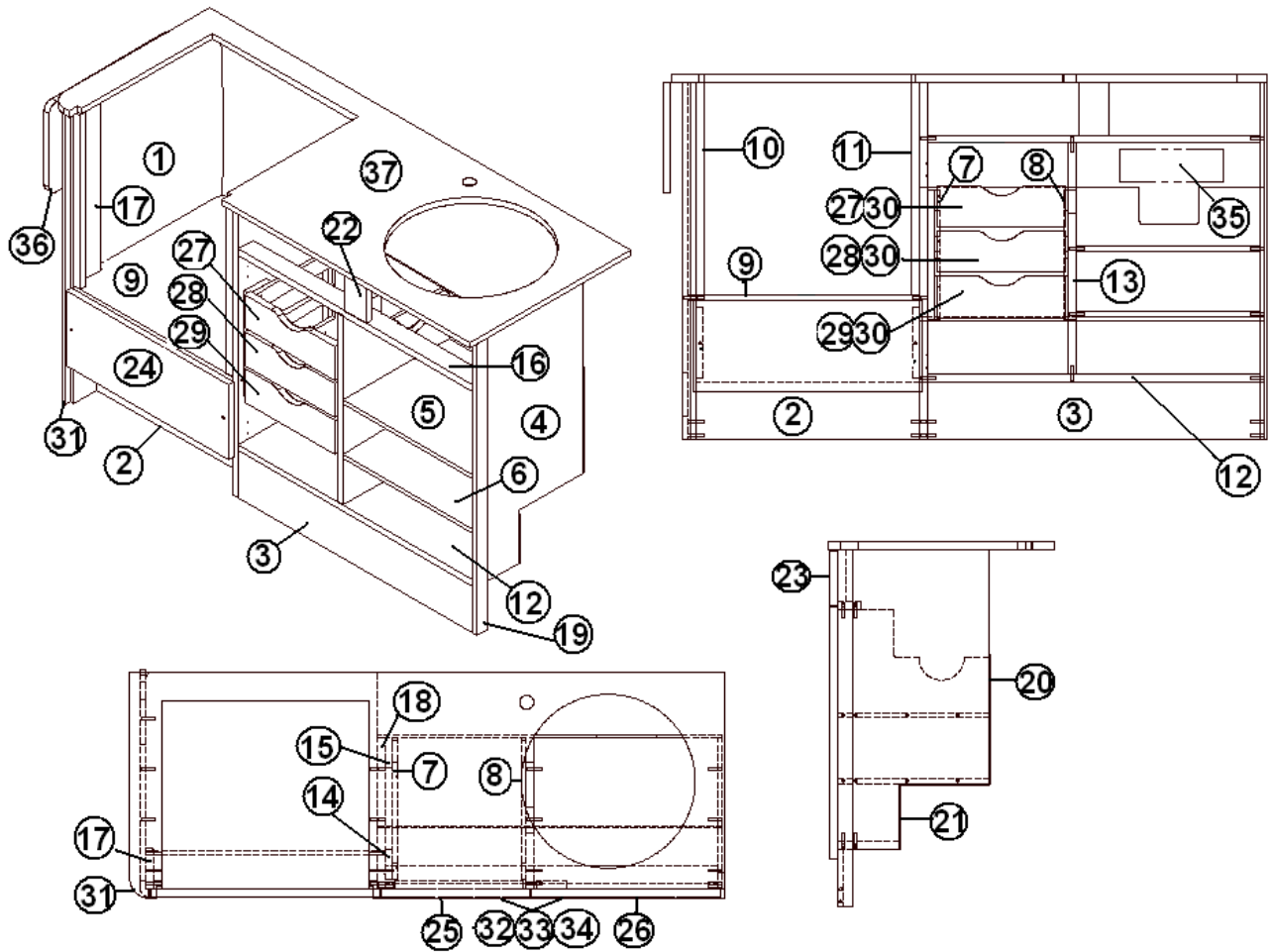
Galley, 25' Sleep Six Signature, Full Oven, Wenge

967042	GALLEY ASSY, FULL OVEN
1. 967042-1	PANEL, 20.91 X 35.50
2. 967042-2	PANEL, 5.75 X 22.25
3. 967042-3	PANEL, 5.75 X 33.00
4. 967042-4	PANEL, 15.00 X 35.50
5. 967042-5	PANEL, 15.00 X 18.25
6. 967042-6	PANEL, 15.00 X 18.25
7. 967042-7	PANEL, 14.12 X 12.75
8. 967042-8	PANEL, 14.12 X 12.75
9. 967042-9	PANEL, 21.50 X 23.00
10. 967042-10	PANEL, .88 X 21.19
11. 967042-11	PANEL, .88 X 21.19
12. 967042-12	PANEL, 6.00 X 33.00
13. 967042-13	PANEL, 15.00 X 23.00
14. 967042-14	PANEL, 3.00 X 12.75
15. 967042-15	PANEL, 3.00 X 12.75
16. 967042-16	PANEL, 2.25 X 33.00
17. 967042-17	PANEL, 3.75 X 35.50
18. 967042-18	PANEL, 15.00 X 35.50
19. 967042-19	PANEL, LAUAN, 1/8" X 1.5 X 35.5
20. 967042-20	PANEL, 12.75 X 34.25
21. 967042-21	PANEL, 6 X 34.25
22. 967042-22	PANEL, 3 X 5.25
23. 967042-23	PANEL, 5.38 X 33.63
24. 967042-24	PANEL, 9.06 X 22.81
25. 967042-25	DOOR, 14.63X25.0
26. 967042-26	DOOR, 18.88 X25.0
27. 967042-27	DOOR, 12.75 X 4.13
28. 967042-28	DOOR, 12.75 X 4.13
29. 967042-29	DOOR, 12.75 X 4.13
30. 965584-01	DRAWER BOX ASSY, 3.38" X 13.75" X 13
31. 801706-0016	CORNER TRIM 90 DEG 1" RADIUS WENGE
32. 381607	HINGE ASSY
33. 382029-04	HANDLE, BAR, 15"
34. 381228-01	CATCH, GRABBER DOOR
35. 381615	TRAY, 11" MOLDED PLASTIC
36. 966910	SHELF, GALLEY FLIP UP
37. 967041	TOP ASSY GALLEY
381773-02	SLIDE DRAWER 3-3/8H X 13-3/4L
381614	FOLDING SHELF BRACKET

2009 INTERNATIONAL TRAVEL TRAILER

FURNITURE, GALLEY

Galley, 25' Sleep Six Signature, Full Oven, Ocean Breeze



Part numbers on the next page

2009 INTERNATIONAL TRAVEL TRAILER

FURNITURE, GALLEY

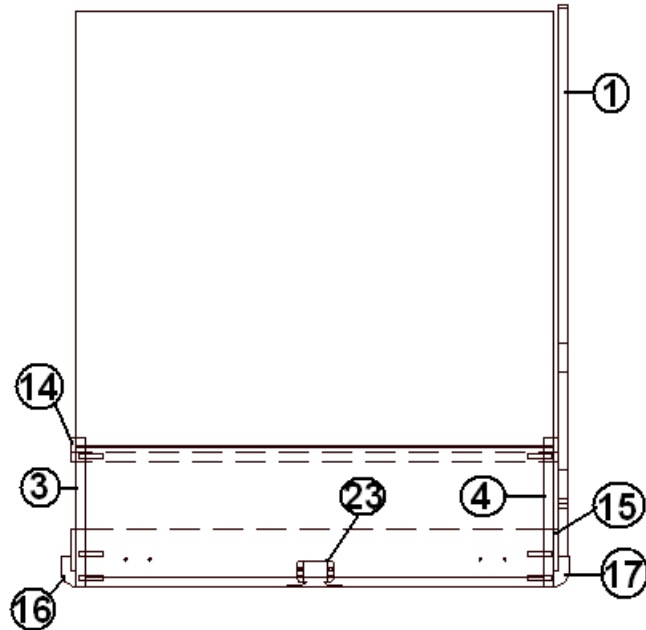
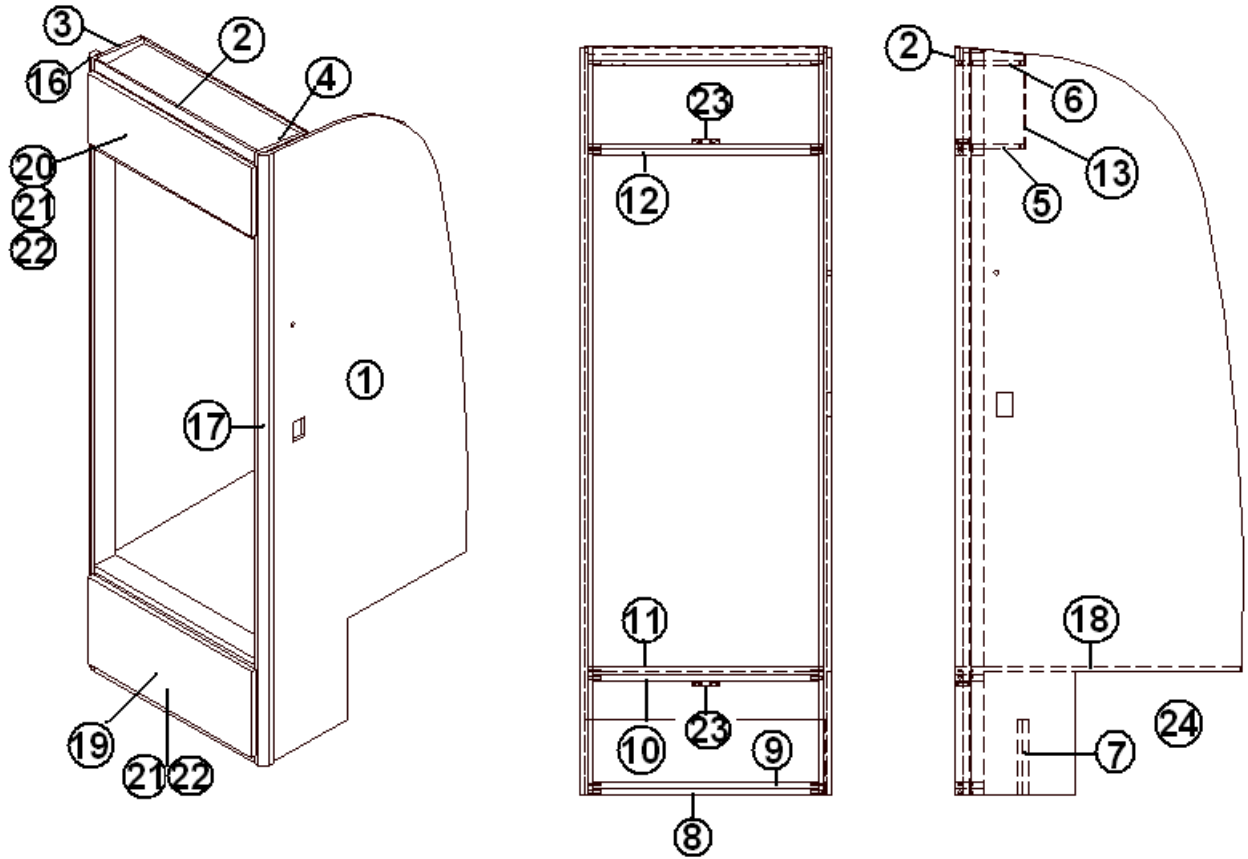
Galley, 25' Sleep Six Signature, Full Oven, Ocean Breeze

967042-01	GALLEY ASSY, FULL OVEN
1. 967042-011	PANEL, 20.91 X 35.50
2. 967042-012	PANEL, 5.75 X 22.25
3. 967042-013	PANEL, 5.75 X 33.00
4. 967042-014	PANEL, 15.00 X 35.50
5. 967042-015	PANEL, 15.00 X 18.25
6. 967042-016	PANEL, 15.00 X 18.25
7. 967042-017	PANEL, 14.12 X 12.75
8. 967042-018	PANEL, 14.12 X 12.75
9. 967042-019	PANEL, 21.50 X 23.00
10. 967042-0110	PANEL, .88 X 21.19
11. 967042-0111	PANEL, .88 X 21.19
12. 967042-0112	PANEL, 6.00 X 33.00
13. 967042-0113	PANEL, 15.00 X 23.00
14. 967042-0114	PANEL, 3.00 X 12.75
15. 967042-0115	PANEL, 3.00 X 12.75
16. 967042-0116	PANEL, 2.25 X 33.00
17. 967042-0117	PANEL, 3.75 X 35.50
18. 967042-0118	PANEL, 15.00 X 35.50
19. 967042-0119	PANEL, LAUAN, 1/8" X 1.5 X 35.5
20. 967042-0120	PANEL, 12.75 X 34.25
21. 967042-0121	PANEL, 6 X 34.25
22. 967042-0122	PANEL, 3 X 5.25
23. 967042-0123	PANEL, 5.38 X 33.63
24. 967042-0124	PANEL, 9.06 X 22.81
25. 967042-0125	DOOR, 14.63X25.0
26. 967042-0126	DOOR, 18.88 X25.0
27. 967042-0127	DOOR, 12.75 X 4.13
28. 967042-0128	DOOR, 12.75 X 4.13
29. 967042-0129	DOOR, 12.75 X 4.13
30. 965584-01	DRAWER BOX ASSY, 3.38" X 13.75" X 13
31. 801706-WH	CORNER TRIM 90 DEG 1" RADIUS WHITE
32. 381607	HINGE ASSY
33. 382046	PULL, BAMBOO, W/BUSHED NICKEL ENDS
34. 381228-01	CATCH, GRABBER DOOR
35. 381615	TRAY, 11" MOLDED PLASTIC
36. 966910-01	SHELF, GALLEY FLIP UP
37. 967041-01	TOP ASSY GALLEY
381773-02	SLIDE DRAWER 3-3/8H X 13-3/4L
381614	FOLDING SHELF BRACKET

2009 INTERNATIONAL TRAVEL TRAILER

FURNITURE, GALLEY

Refrigerator Cabinet, 25' Sleep Six Signature, Wenge



Part numbers on the next page

2009 INTERNATIONAL TRAVEL TRAILER

FURNITURE, GALLEY

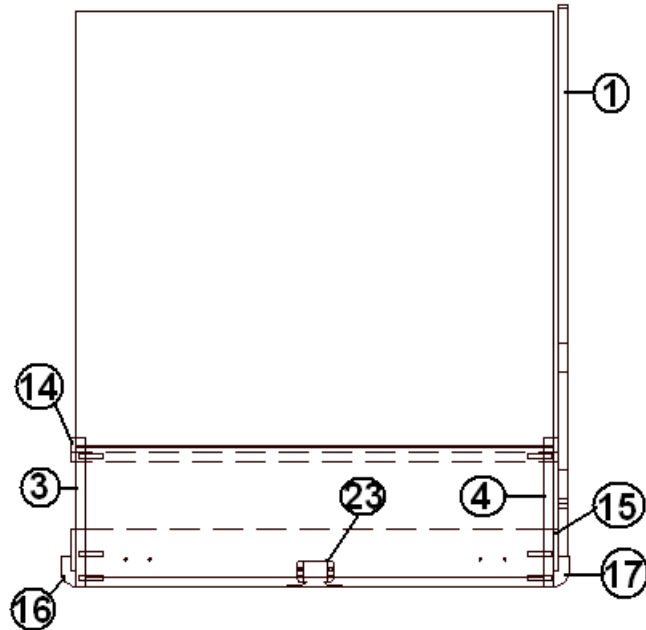
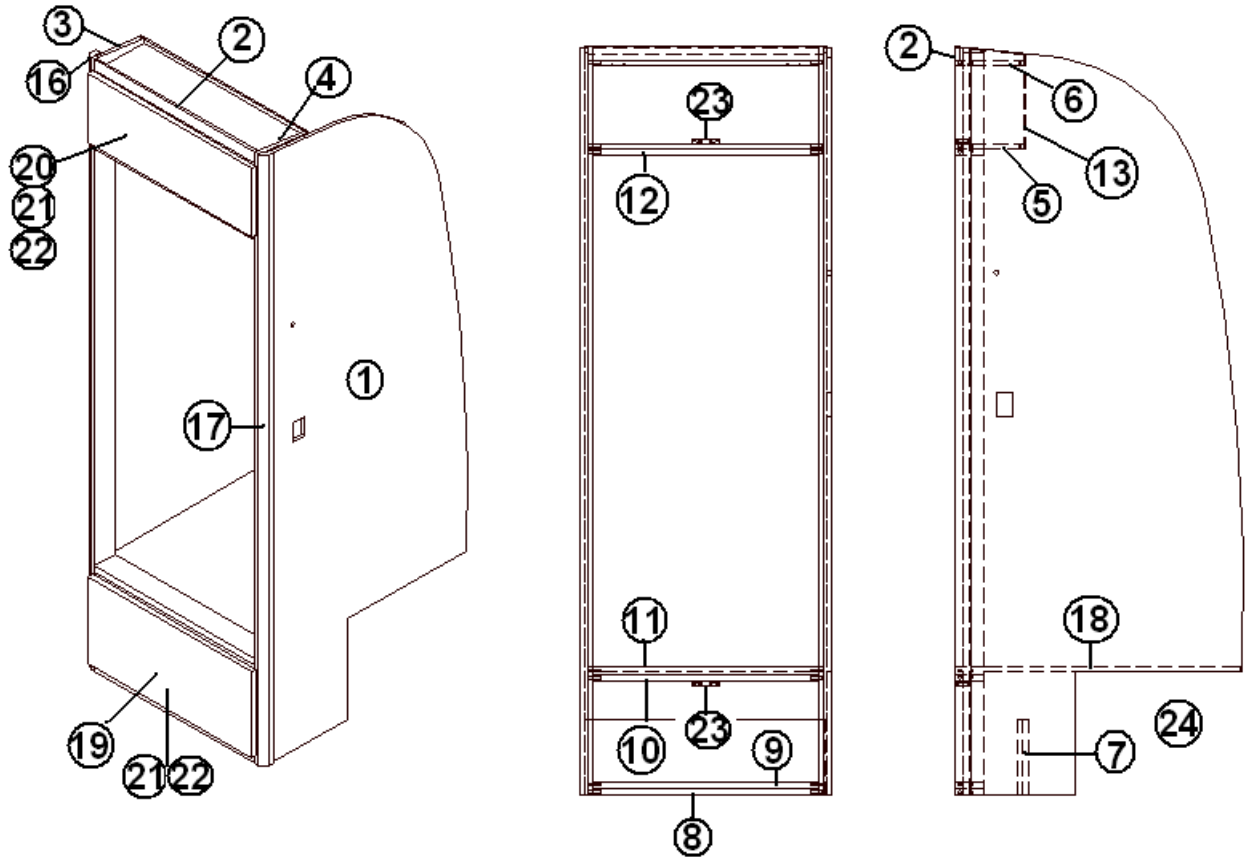
Refrigerator Cabinet, 25' Sleep Six Signature, Wenge

967035	REFRIGERATOR CABINET
1. 967035-1	PANEL, 28.5 X 78.49
2. 967035-2	PANEL, 1.38 X 23.81
3. 967035-3	PANEL, 7.25 X 78.63
4. 967035-4	PANEL, 7.25 X 78.63
5. 967035-5	PANEL, 7.25 X 23.81
6. 967035-6	PANEL, 7.25 X 23.81
7. 967035-7	PANEL, 8.0 X 25.25
8. 967035-8	PANEL, 3.0 X 23.81
9. 967035-9	PANEL, 3.0 X 23.81
10. 967035-10	PANEL, 3.0 X 23.81
11. 967035-11	PANEL, 3.0 X 23.81
12. 967035-12	PANEL, 3.0 X 23.81
13. 967035-13	PANEL, 9.81 X 24.81
12.800507-02	LAUAN,1/4"X 4'X 8'
13.800507-02	LAUAN,1/4"X 4'X 8'
14.801706-0016	CORNER TRIM 90 DEG 1", WENGE
15.801706-0016	CORNER TRIM 90 DEG 1", WENGE
16.800506-04	PLYWOOD, 1/2" X 4' X 8'
17.967035-19	DOOR, 24.44" X 11.125"
18.967035-20	DOOR, 24.44" X 8.88"
19.382029-05	HANDLE, BAR, 21.33"
20.381607	HINGE ASSY, GRASS
21.381228-01	CATCH GRABBER DOOR
22.966812	STAND, REFRIGERATOR

2009 INTERNATIONAL TRAVEL TRAILER

FURNITURE, GALLEY

Refrigerator Cabinet, 25' Sleep Six Signature, Ocean Breeze



Part numbers on the next page

2009 INTERNATIONAL TRAVEL TRAILER

FURNITURE, GALLEY

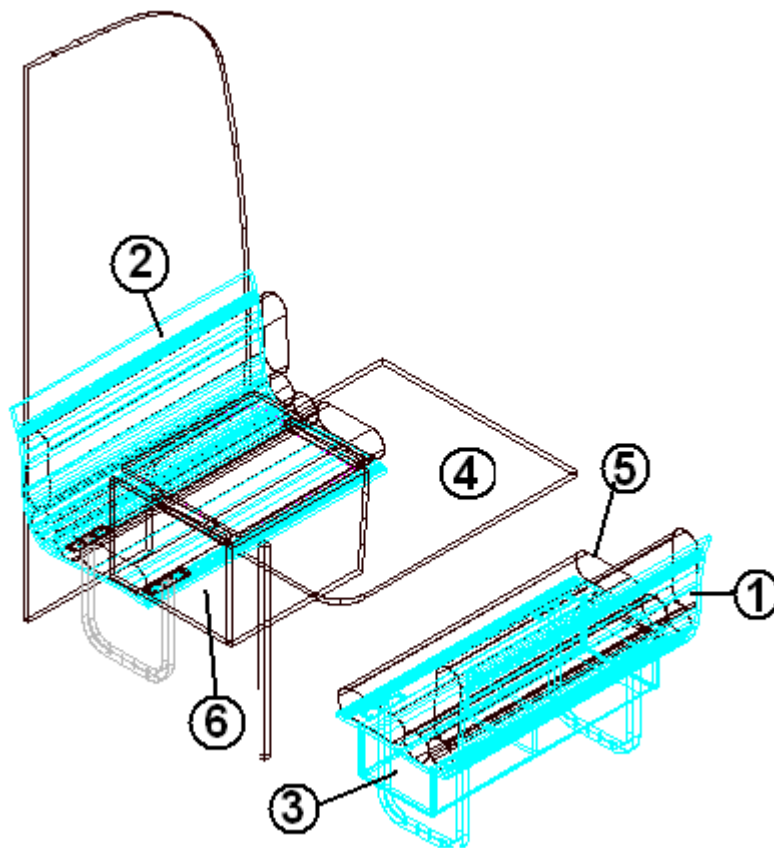
Refrigerator Cabinet, 25' Sleep Six Signature, Ocean Breeze

967035-01	REFRIGERATOR CABINET
1. 967035-011	PANEL, 28.5 X 78.49
2. 967035-012	PANEL, 1.38 X 23.81
3. 967035-013	PANEL, 7.25 X 78.63
4. 967035-014	PANEL, 7.25 X 78.63
5. 967035-015	PANEL, 7.25 X 23.81
6. 967035-016	PANEL, 7.25 X 23.81
7. 967035-017	PANEL, 8.0 X 25.25
8. 967035-018	PANEL, 3.0 X 23.81
9. 967035-019	PANEL, 3.0 X 23.81
10. 967035-0110	PANEL, 3.0 X 23.81
11. 967035-0111	PANEL, 3.0 X 23.81
12. 967035-0112	PANEL, 3.0 X 23.81
13. 967035-0113	PANEL, 9.81 X 24.81
14. 800507-02	LAUAN, 1/4" X 4' X 8'
15. 800507-02	LAUAN, 1/4" X 4' X 8'
16. 801706-WH	CORNER TRIM 90 DEG 1", WHITE
17. 801706-SL	CORNER TRIM 90 DEG 1", SILVER
18. 800506-04	PLYWOOD, 1/2" X 4' X 8'
19. 967035-0119	DOOR, 24.44" X 11.125"
20. 967035-0120	DOOR, 24.44" X 8.88"
21. 382046	PULL, BAMBOO, W/BUSHED NICKEL ENDS
22. 381607	HINGE ASSY, GRASS
23. 381228-01	CATCH GRABBER DOOR
24. 966812	STAND, REFRIGERATOR

2009 INTERNATIONAL TRAVEL TRAILER

FURNITURE, GALLEY

Dinette Layout, 25' Sleep Six Signature

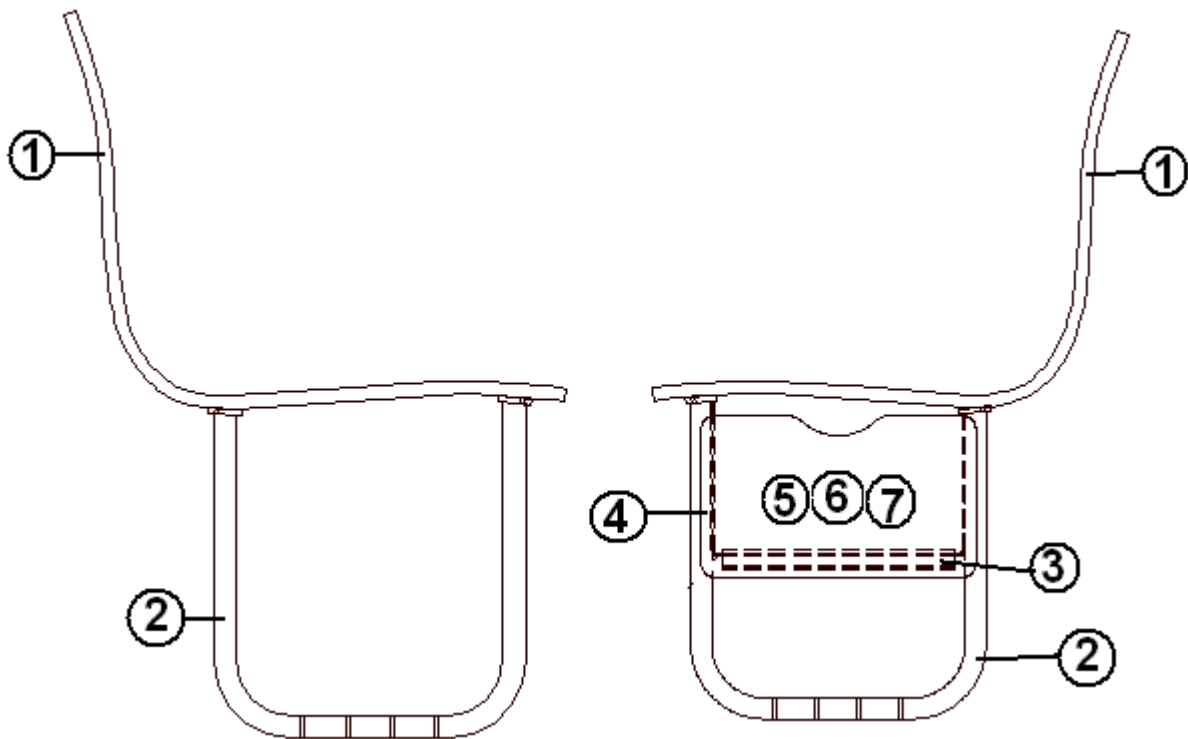


- | | |
|---------------|--------------------------------------|
| 1. 967032 | SEAT ASSY, FORWARD BOOTH |
| 2. 967033 | SEAT ASSY, AFT DINETTE |
| 3. 967034 | CLOSEOUT-UNDER DINETTE SEAT |
| 4. 966989 | DINETTE TABLE ASSEMBLY, WENGE |
| 4. 966989-01 | DINETTE TABLE ASSEMBLY, OCEAN BREEZE |
| 4. 967155 | DINETTE TABLE ASSEMBLY, SAND CRYSTAL |
| 5. 703352-047 | DINETTE CUSHIONS, CILANTRO |
| 5. 703352-057 | DINETTE CUSHIONS, PAPRIKA |
| 5. 703352-108 | DINETTE CUSHIONS, AQUAMARINE |
| 6. 203439 | STORAGE BOX-17"LX11.13"WX6.38" |

2009 INTERNATIONAL TRAVEL TRAILER

FURNITURE, GALLEY

Dinette Seat Assemblies, 25' Sleep Six Signature

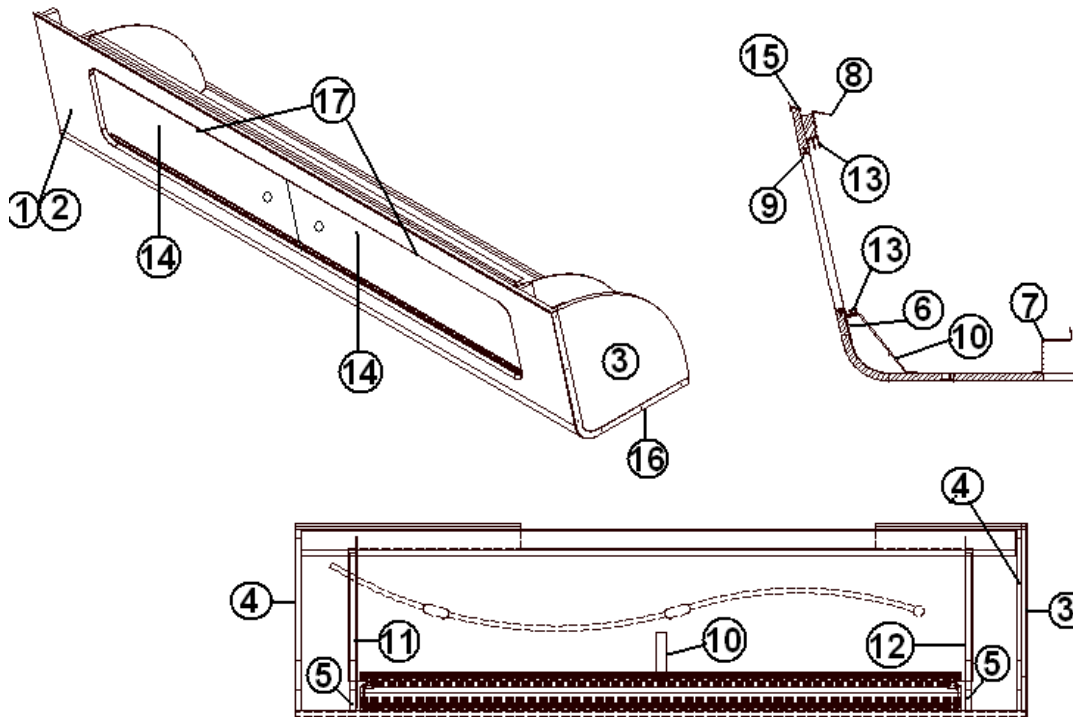


967032	DINETTE SEAT ASSEMBLY FORWARD
967033	DINETTE SEAT ASSEMBLY AFT
1. 801446	SEAT-DINETTE PLYMOLD CONTOURED
2. 115140	LEG-DINETTE BASE
3. 115141	CLOSEOUT-BOTTOM DINETTE SEAT
4. 203439	STORAGE BOX-17"LX11.13"WX6.38"
5. 967032-7	DOOR, DINETTE STORAGE, WENGE
5. 967032-017	DOOR, DINETTE STORAGE, OCEAN BREEZE
6. 381847-01	HINGE, PIANO ANGLE .88" X 72"
7. 381228-01	CATCH, GRABBER DOOR
114070	EXTRUSION, J-TRIM

2009 INTERNATIONAL TRAVEL TRAILER

FURNITURE, GALLEY

Roof Locker, 25' Sleep Six Signature, Dinette, Wenge

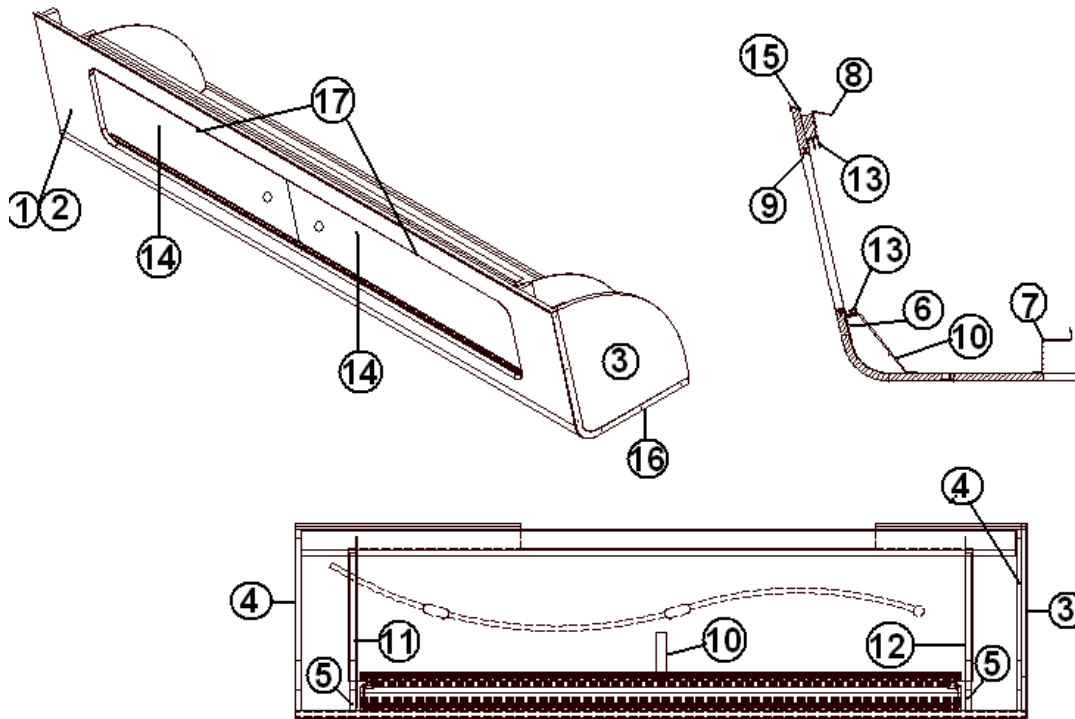


967029	LOCKER ASSY, DINETTE
1. 801740	LOCKER FACE, DINETTE
2. 801716	PANEL, LAMINATED, WENGE/LINER 18MM
3. 967029-3	PANEL, 17.15 X 18.21
4. 801545-02	DIVIDER, PARTIAL
5. 801545-03	DIVIDER, PARTIAL SHORT
6. 115227-01	ANGLE, FORMED, LOCKER TRACK SUPPORT
7. 115228-03	BLIND CLOSEOUT, FORMED, LOCKER
8. 104821	SUPPORT, ROOFLOCKER, 74"
9. 203445-01	T-MOLDING, 5625", WHITE
10. 115226	BRACKET, LOCKER CENTER SUPPORT
11. 801540-01	DIVIDER, DINETTE LOCKER, LH
12. 801540-02	DIVIDER, DINETTE LOCKER, RH
13. 203388	SLIDING DOOR TRACK
14. 965563-08	DOOR, SLIDING, 11.31"X 30"
15. 201673	REVERSE COVE MOLDING, WHITE
16. 115375	EXTRUSION, FORMED, R/L END
17. 454613	SPRING LEAF R/L

2009 INTERNATIONAL TRAVEL TRAILER

FURNITURE, GALLEY

Roof Locker, 25' Sleep Six Signature, Dinette, Ocean Breeze

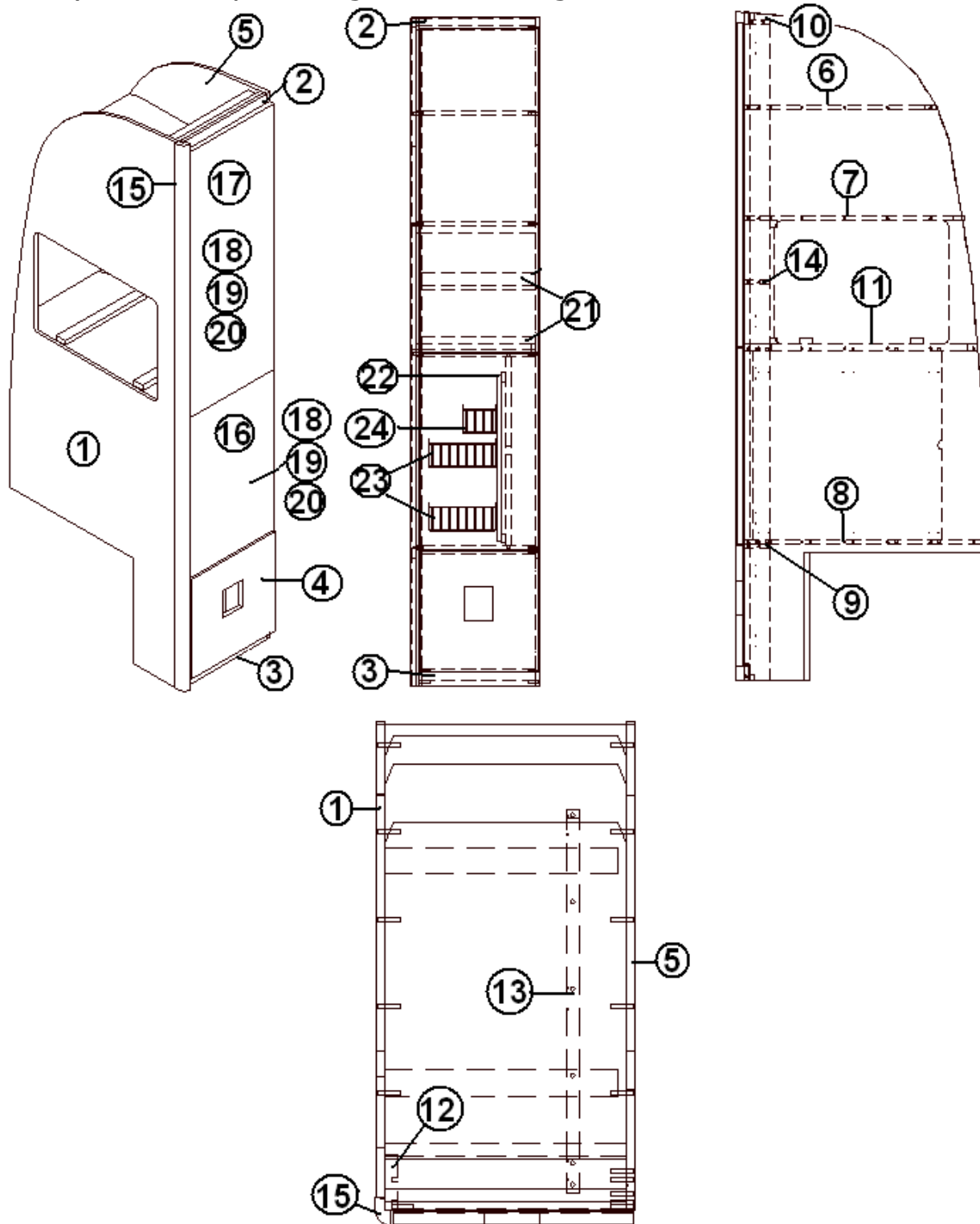


967029-01	LOCKER ASSY, DINETTE
1. 801740-01	LOCKER FACE, DINETTE
2. 801369-01	PANEL, LAMINATED, WHITE/LINER 18MM
3. 967029-013	PANEL, 17.15 X 18.21
4. 801545-02	DIVIDER, PARTIAL
5. 801545-03	DIVIDER, PARTIAL SHORT
6. 115227-01	ANGLE, FORMED, LOCKER TRACK SUPPORT
7. 115228-03	BLIND CLOSEOUT, FORMED, LOCKER
8. 104821	SUPPORT, ROOFLOCKER, 74"
9. 203508-01	T-MOLDING, 5625", PLYWOOD
10. 115226	BRACKET, LOCKER CENTER SUPPORT
11. 801540-01	DIVIDER, DINETTE LOCKER, LH
12. 801540-02	DIVIDER, DINETTE LOCKER, RH
13. 203388	SLIDING DOOR TRACK
14. 203357-03	DOOR, SLIDING, LUMICOR, 11.31" X 30"
15. 201673	REVERSE COVE MOLDING, WHITE
16. 115375	EXTRUSION, FORMED, R/L END
17. 454613	SPRING LEAF R/L

2009 INTERNATIONAL TRAVEL TRAILER

FURNITURE, GALLEY

Pantry, 25' Sleep Six Signature, Wenge



Part numbers on the next page

2009 INTERNATIONAL TRAVEL TRAILER

FURNITURE, GALLEY

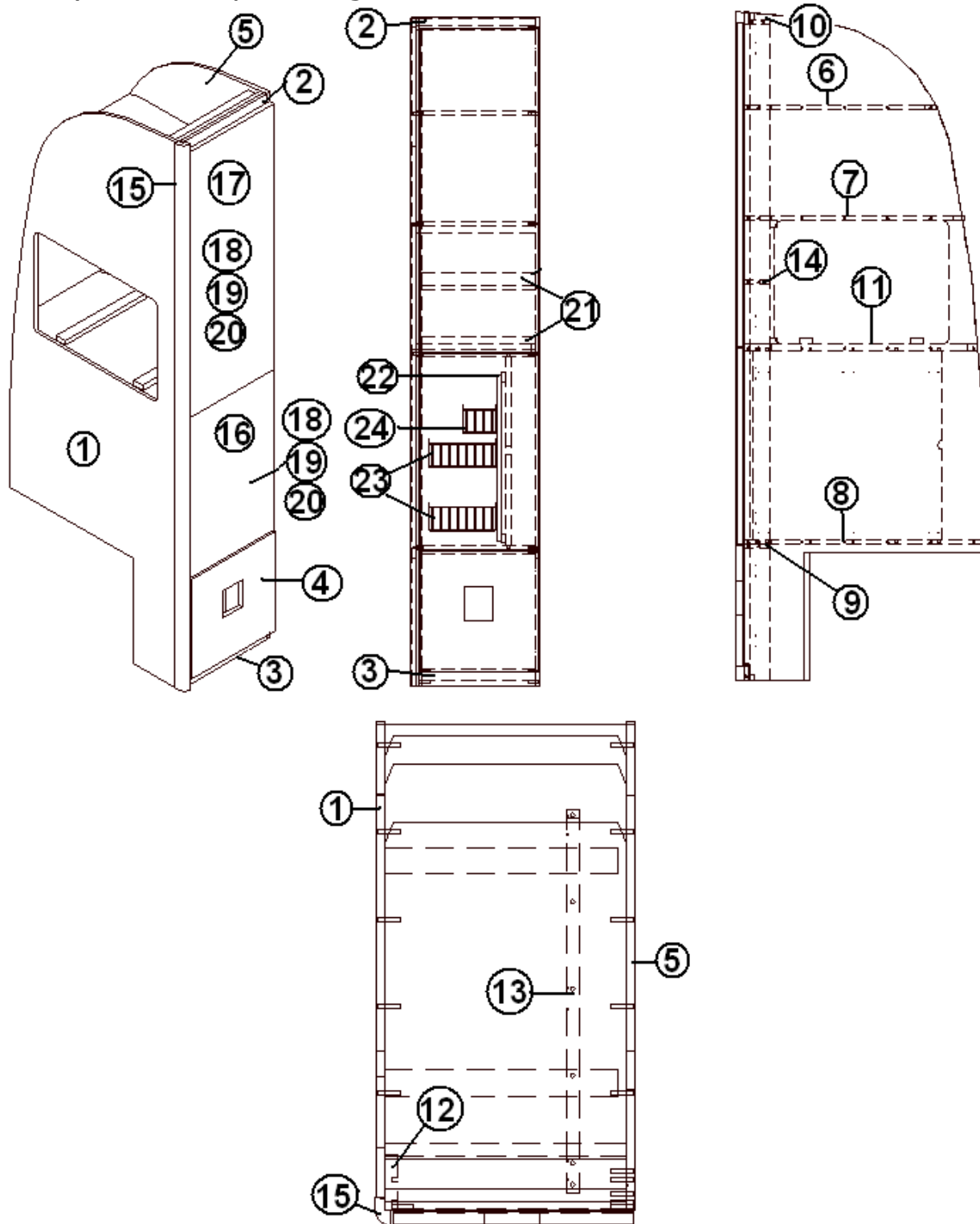
Pantry, 25' Sleep Six Signature, Wenge

967039	PANTRY ASSY
1. 967039-1	PANEL, 27.57 X 78.46
2. 967039-2	PANEL, 1.50 X 14.00
3. 967039-3	PANEL, 2.00 X 13.25
4. 967039-4	PANEL, 13.91X14.16
5. 967039-5	PANEL, 28.33 X 78.56
6. 967039-6	PANEL, 14.00 X 22.50
7. 967039-7	PANEL, 14.00 X 25.88
8. 967039-8	PANEL, 14.00 X 28.13
9. 967039-9	PANEL, 3.00 X 13.25
10. 967039-10	PANEL, 2.50 X 14.00
11. 967039-11	PANEL, 14.00 X 27.50
12. 967039-12	PANEL, 3.00 X 77.06
13. 967039-13	PANEL, 22.25 X 22.25
14. 967039-14	PANEL, 14.00 X 14.50
15. 801706-0016	CORNER TRIM, 90 DEG 1" RADIUS, WENGE
16. 967039-17	DOOR, 13.91 X 23
11.967039-18	DOOR, 13.91 X 38.13
12.382029-03	HANDLE, BAR, 11.25"
13.381228-01	CATCH, GRABBER DOOR
14.381607	HINGE ASSY
15.115083	SHELF EDGE
16.381551-03	ORGANIZER, WHITE, BASE CABINET
17.381551-04	BASKET, WIRE WHITE, 8"W
18.381551-02	WIRE BASKET, 4" WIDE, WHITE
381805	BOLT-SLIDE, 3"

2009 INTERNATIONAL TRAVEL TRAILER

FURNITURE, GALLEY

Pantry, 25' Sleep Six Signature, Ocean Breeze



Part numbers on the next page

2009 INTERNATIONAL TRAVEL TRAILER

FURNITURE, GALLEY

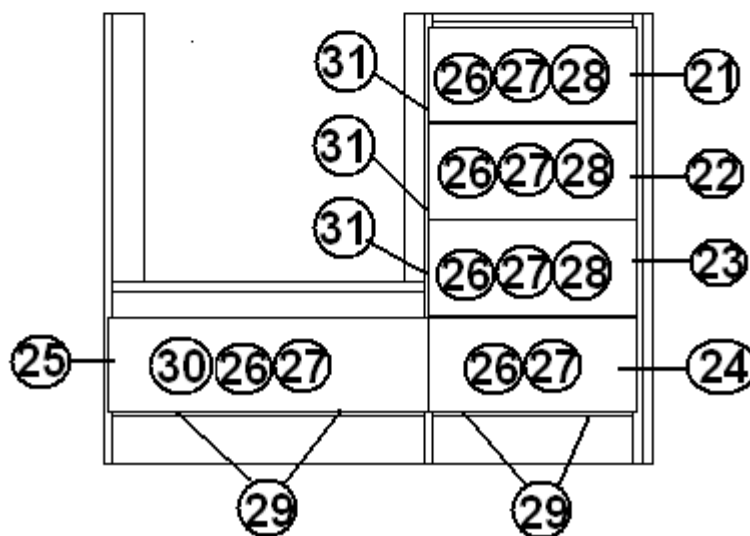
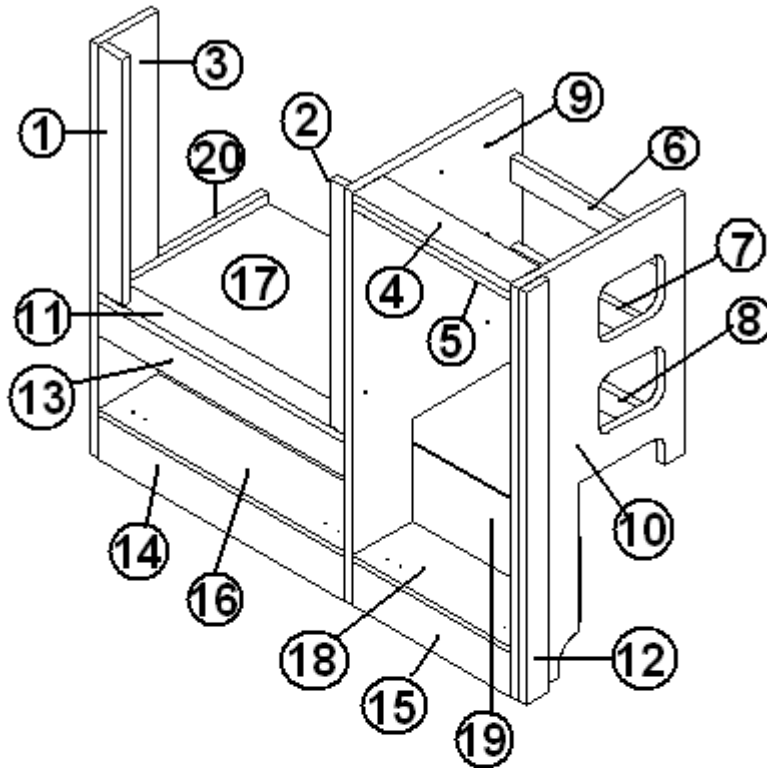
Pantry, 25' Sleep Six Signature, Ocean Breeze

967039-01	PANTRY ASSY
1. 967039-011	PANEL, 27.57 X 78.46
2. 967039-012	PANEL, 1.50 X 14.00
3. 967039-013	PANEL, 2.00 X 13.25
4. 967039-014	PANEL, 13.91X14.16
5. 967039-015	PANEL, 28.33 X 78.56
6. 967039-016	PANEL, 14.00 X 22.50
7. 967039-017	PANEL, 14.00 X 25.88
8. 967039-018	PANEL, 14.00 X 28.13
9. 967039-019	PANEL, 3.00 X 13.25
10. 967039-0110	PANEL, 2.50 X 14.00
11. 967039-0111	PANEL, 14.00 X 27.50
12. 967039-0112	PANEL, 3.00 X 77.06
13. 967039-0113	PANEL, 22.25 X 22.25
14. 967039-0114	PANEL, 14.00 X 14.50
15. 801706-007	CORNER TRIM, 90 DEG 1" RADIUS
16. 967039-0117	DOOR, 13.91 X 23
17. 967039-0118	DOOR, 13.91 X 38.13
18.382046	PULL, BAMBOO, W/BUSHED NICKEL ENDS
19. 381228-01	CATCH, GRABBER DOOR
20. 381607	HINGE ASSY
21. 115083	SHELF EDGE
22. 381551-03	ORGANIZER, WHITE, BASE CABINET
23. 381551-04	BASKET, WIRE WHITE, 8"W
24. 381551-02	WIRE BASKET, 4" WIDE, WHITE
381805	BOLT-SLIDE, 3"

2009 INTERNATIONAL TRAVEL TRAILER

FURNITURE, GALLEY

Galley, 27' FB Signature, Standard Oven Section, Wenge



Part numbers are on the next page

2009 INTERNATIONAL TRAVEL TRAILER

FURNITURE, GALLEY

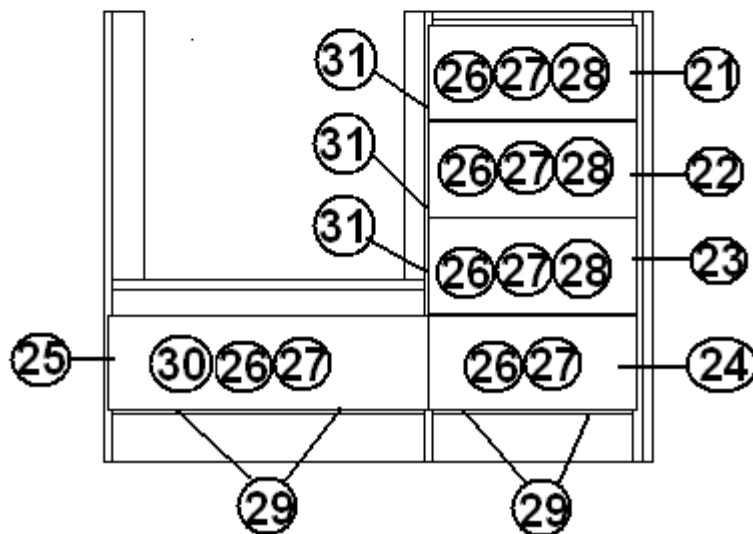
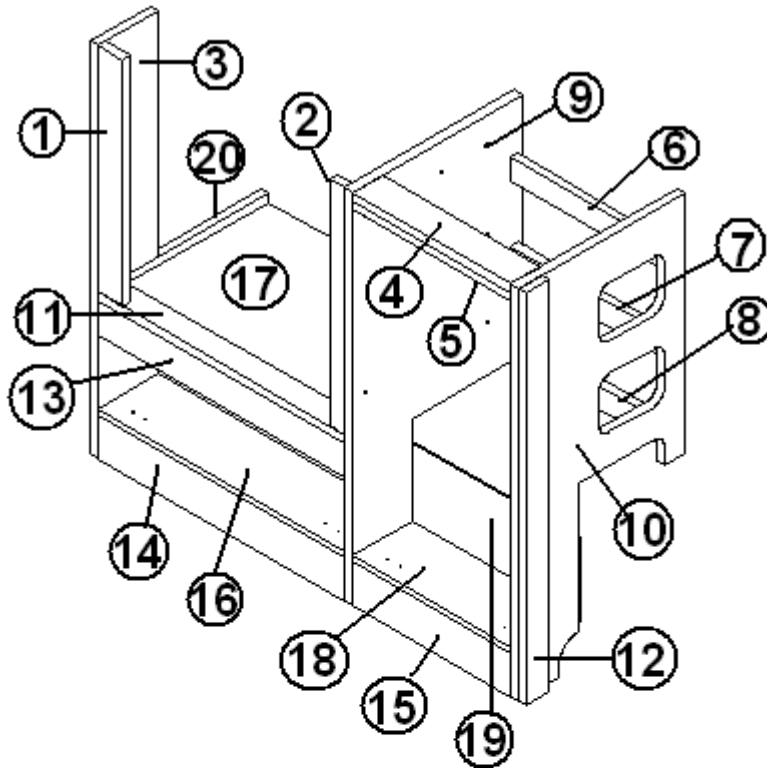
Galley, 27' FB Signature, Standard Oven Section, Wenge

966877	Galley, Standard Oven Section, Wenge
1. 966877-1	PANEL, 2.50" x 21.19"
2. 966877-2	PANEL, 1.50" x 21.19"
3. 966877-3	PANEL, 6" x 35.5"
4. 966877-4	PANEL, 15.75" x 3"
5. 966877-5	PANEL, 15.75" x 3"
6. 966877-6	PANEL, 2.25" x 15.75"
7. 966877-7	PANEL, 2.25" x 15.75"
8. 966877-8	PANEL, 2.25" x 15.75"
9. 966877-9	PANEL, 18.88" x 35.50"
10. 966877-10	PANEL, 16.44" x 35.50"
11. 966877-11	PANEL, 2.25" x 24.50"
12. 966877-12	PANEL, 2.25" x 24.50"
13. 966877-13	PANEL, 24.50" x 3.00"
14. 966877-14	PANEL, 24.50" x 3.75"
15. 966877-15	PANEL, 15.75" x 3.75"
16. 966877-16	PANEL, 6" x 24.50"
17. 966877-17	PANEL, 16.38" x 25.25"
18. 966877-18	PANEL, 6" x 25.25"
19. 966877-19	PANEL, 42.50" x 7.25", WHITE/RAW
20. 800025-01	PINE, 3/4" X 3/4", STAINED
21. 966877-21	DOOR, GALLEY, 16.38" X 7.5"
22. 966877-22	DOOR, GALLEY, 16.38" X 7.5"
23. 966877-23	DOOR, GALLEY, 16.38" X 7.5"
24. 966877-24	DOOR, GALLEY, 16.38" X 7.5"
25. 966877-25	DOOR, GALLEY, 25.13" X 7.5"
26. 382029-04	HANDLE-BAR 15"
27. 381228-01	CATCH GRABBER DOOR
28. 965560-05	DRAWER BOX, 5.63" X 16.5" X 15.25"
29. 381607	HINGE, ASSEMBLY
30. 382029-05	HANDLE, BAR 21.33"
31. 381773-15	DRAWER SLIDE, 5.875" X 15.75"(PAIR)

2009 INTERNATIONAL TRAVEL TRAILER

FURNITURE, GALLEY

Galley, 27' FB Signature, Standard Oven Section, Ocean Breeze



Part numbers are on the next page

2009 INTERNATIONAL TRAVEL TRAILER

FURNITURE, GALLEY

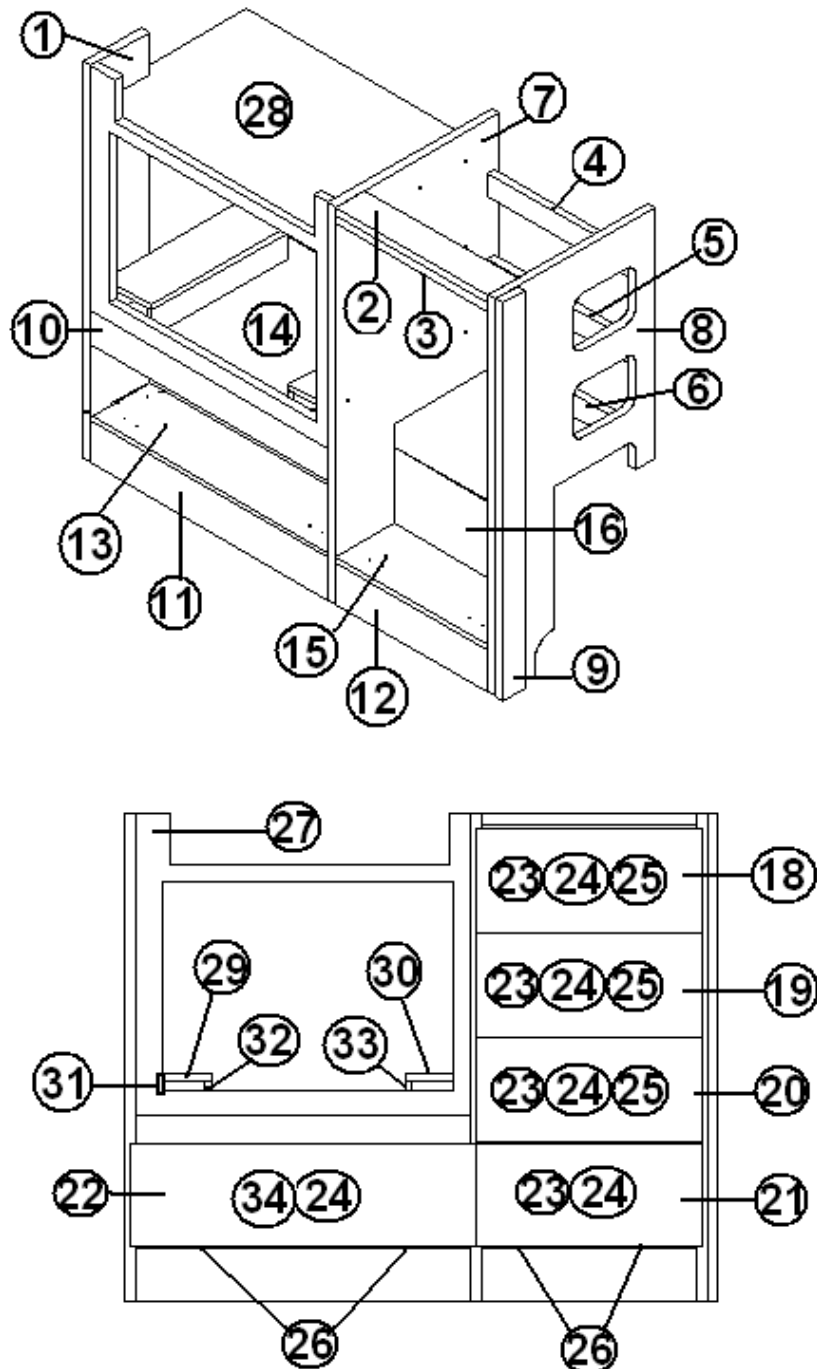
Galley, 27' FB Signature, Standard Oven Section, Ocean Breeze

966877-01	Galley, Standard Oven Section
1. 966877-011	PANEL, 2.50" x 21.19"
2. 966877-012	PANEL, 1.50" x 21.19"
3. 966877-013	PANEL, 6" x 35.5"
4. 966877-014	PANEL, 15.75" x 3"
5. 966877-015	PANEL, 15.75" x 3"
6. 966877-016	PANEL, 2.25" x 15.75"
7. 966877-017	PANEL, 2.25" x 15.75"
8. 966877-018	PANEL, 2.25" x 15.75"
9. 966877-019	PANEL, 18.88" x 35.50"
10. 966877-0110	PANEL, 16.44" x 35.50"
11. 966877-0111	PANEL, 2.25" x 24.50"
12. 966877-0112	PANEL, 2.25" x 24.50"
13. 966877-0113	PANEL, 24.50" x 3.00"
14. 966877-0114	PANEL, 24.50" x 3.75"
15. 966877-0115	PANEL, 15.75" x 3.75"
16. 966877-0116	PANEL, 6" x 24.50"
17. 966877-0117	PANEL, 16.38" x 25.25"
18. 966877-0118	PANEL, 6" x 25.25"
19. 966877-0119	PANEL, 42.50" x 7.25", WHITE/RAW
20. 800025-01	PINE, 3/4" X 3/4", STAINED
21. 966877-0121	DOOR, GALLEY, 16.38" X 7.5", ALMOND
22. 966877-0122	DOOR, GALLEY, 16.38" X 7.5", ALMOND
23. 966877-0123	DOOR, GALLEY, 16.38" X 7.5", ALMOND
24. 966877-0124	DOOR, GALLEY, 16.38" X 7.5", ALMOND
25. 966877-0125	DOOR, GALLEY, 25.13" X 7.5", ALMOND
26. 382046	PULL, BAMBOO, W/BUSHED NICKEL ENDS
27. 381228-01	CATCH GRABBER DOOR
28. 965560-05	DRAWER BOX, 5.63" X 16.5" X 15.25"
29. 381607	HINGE, DOOR
30. 382046	PULL, BAMBOO, W/BUSHED NICKEL ENDS
31. 381773-15	DRAWER SLIDE, 5.875" X 15.75"(PAIR)

2009 INTERNATIONAL TRAVEL TRAILER

FURNITURE, GALLEY

Galley, 27' FB Signature, Oven Section, Microwave Option, Wenge



Part numbers are on the next page

2009 INTERNATIONAL TRAVEL TRAILER

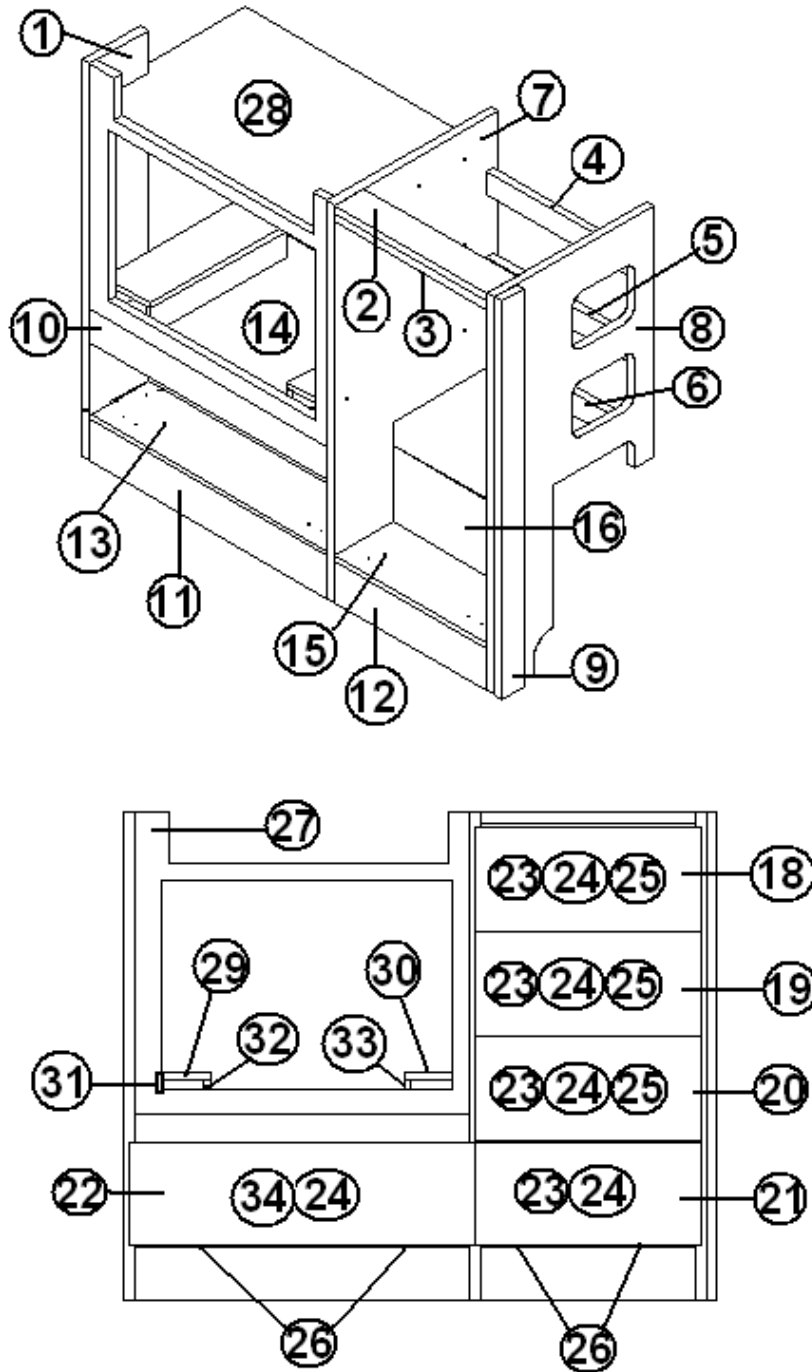
FURNITURE, GALLEY

Galley, 27' FB Signature, Oven Section, Microwave Option, Wenge 966878	GALLEY, OVEN SECTION, MICROWAVE OPTION
1. 966878-3	PANEL, 6" x 35.5"
2. 966878-4	PANEL, 15.75" x 3"
3. 966878-5	PANEL, 15.75" x 3"
4. 966878-6	PANEL, 2.25" x 15.75"
5. 966878-7	PANEL, 2.25" x 15.75"
6. 966878-8	PANEL, 2.25" x 15.75"
7. 966878-9	PANEL, 18.88" x 35.50"
8. 966878-10	PANEL, 16.44" x 35.50"
9. 966878-12	PANEL, 2.25" x 35.50"
10. 966878-13	PANEL, 24.50" x 3.00"
11. 966878-14	PANEL, 24.50" x 3.75"
12. 966878-15	PANEL, 15.75" x 3.75"
13. 966878-16	PANEL, 6" x 24.50"
14. 966878-17	PANEL, 16.38" x 25.25"
15. 966878-18	PANEL, 6" x 15.75"
16. 966878-19	PANEL, 42.50" x 7.25", WHITE/RAW
17. 800025-01	PINE, ¾" X ¾", STAINED
18. 966878-21	DOOR, GALLEY, 16.38" X 7.5"
19. 966878-22	DOOR, GALLEY, 16.38" X 7.5"
20. 966878-23	DOOR, GALLEY, 16.38" X 7.5"
21. 966878-24	DOOR, GALLEY, 16.38" X 7.5"
22. 966878-25	DOOR, GALLEY, 25.13" X 7.5"
23. 382029-04	HANDLE-BAR 15"
24. 381228-01	CATCH GRABBER DOOR
25. 965560-05	DRAWER BOX, 5.63" X 16.5" X 15.25"
26. 381607	HINGE, ASSEMBLY
27. 966878-33	PANEL, 24.50" x 21.94"
28. 966878-34	PANEL, 16.13" x 25.25"
29. 966878-35	PANEL, 4.75" x 14"
30. 966878-36	PANEL, 4.75" x 14"
31. 966878-37	PANEL, 2.44" x 14"
32. 966878-38	PANEL, 2.44" x 14"
33. 966878-39	PANEL, 2.44" x 14"
34. 382029-05	HANDLE, BAR 21.33"
381773-15	DRAWER SLIDE, 5.875" X 15.75"(PAIR)

2009 INTERNATIONAL TRAVEL TRAILER

FURNITURE, GALLEY

Galley, 27' FB Signature, Oven Section, Microwave Option, Ocean Breeze



Part numbers are on the next page

2009 INTERNATIONAL TRAVEL TRAILER

FURNITURE, GALLEY

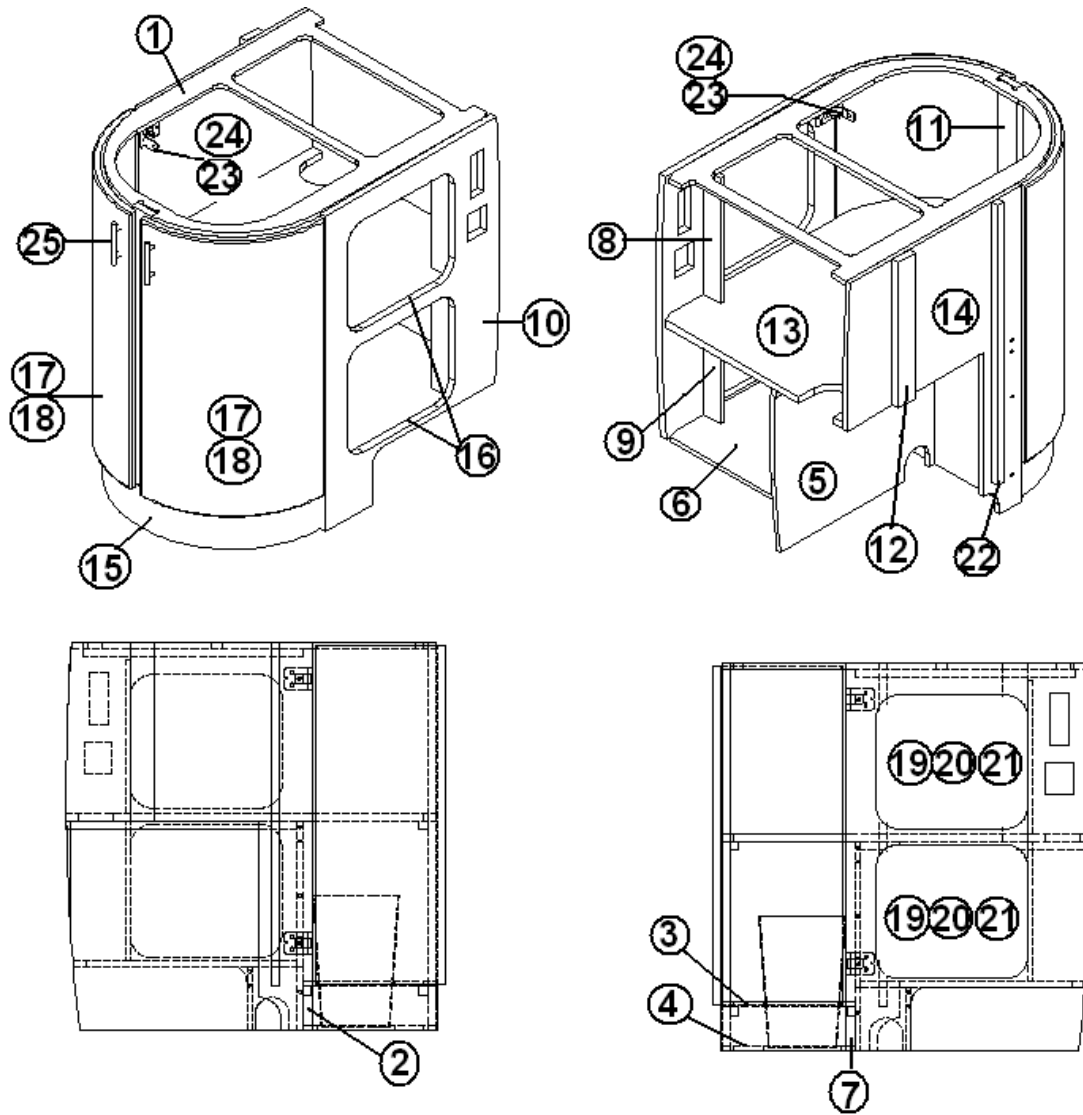
Galley, 27' FB Signature, Oven Section, Microwave, Ocean Breeze

966878-01	GALLEY, MICROWAVE OPTION
1. 966878-013	PANEL, 6" x 35.5"
2. 966878-014	PANEL, 15.75" x 3"
3. 966878-015	PANEL, 15.75" x 3"
4. 966878-016	PANEL, 2.25" x 15.75"
5. 966878-017	PANEL, 2.25" x 15.75"
6. 966878-018	PANEL, 2.25" x 15.75"
7. 966878-019	PANEL, 18.88" x 35.50"
8. 966878-0110	PANEL, 16.44" x 35.50"
9. 966878-0112	PANEL, 2.25" x 35.50"
10. 966878-0113	PANEL, 24.50" x 3.00"
11. 966878-0114	PANEL, 24.50" x 3.75"
12. 966878-0115	PANEL, 15.75" x 3.75"
13. 966878-0116	PANEL, 6" x 24.50"
14. 966878-0117	PANEL, 16.38" x 25.25"
15. 966878-0118	PANEL, 6" x 15.75"
16. 966878-0119	PANEL, 42.50" x 7.25", WHITE/RAW
17. 800025-01	PINE, 3/4" X 3/4", STAINED
18. 966878-0121	DOOR, GALLEY, 16.38" X 7.5", ALMOND
19. 966878-0122	DOOR, GALLEY, 16.38" X 7.5", ALMOND
20. 966878-0123	DOOR, GALLEY, 16.38" X 7.5", ALMOND
21. 966878-0124	DOOR, GALLEY, 16.38" X 7.5", ALMOND
22. 966878-0125	DOOR, GALLEY, 25.13" X 7.5", ALMOND
23. 382046	PULL, BAMBOO, W/BUSHED NICKEL ENDS
24. 381228-01	CATCH GRABBER DOOR
25. 965560-05	DRAWER BOX, 5.63" X 16.5" X 15.25"
26. 381607	HINGE, DOOR
27. 966878-0133	PANEL, 24.50" x 21.94"
28. 966878-0134	PANEL, 16.13" x 25.25"
29. 966878-0135	PANEL, 4.75" x 14"
30. 966878-0136	PANEL, 4.75" x 14"
31. 966878-0137	PANEL, 2.44" x 14"
32. 966878-0138	PANEL, 2.44" x 14"
33. 966878-0139	PANEL, 2.44" x 14"
34. 382046	PULL, BAMBOO, W/BUSHED NICKEL ENDS
381773-15	DRAWER SLIDE, 5.875" X 15.75"(PAIR)

2009 INTERNATIONAL TRAVEL TRAILER

FURNITURE, GALLEY

Galley, 27' FB Signature, Aft Section, Wenge



Part numbers are on the next page

2009 INTERNATIONAL TRAVEL TRAILER

FURNITURE, GALLEY

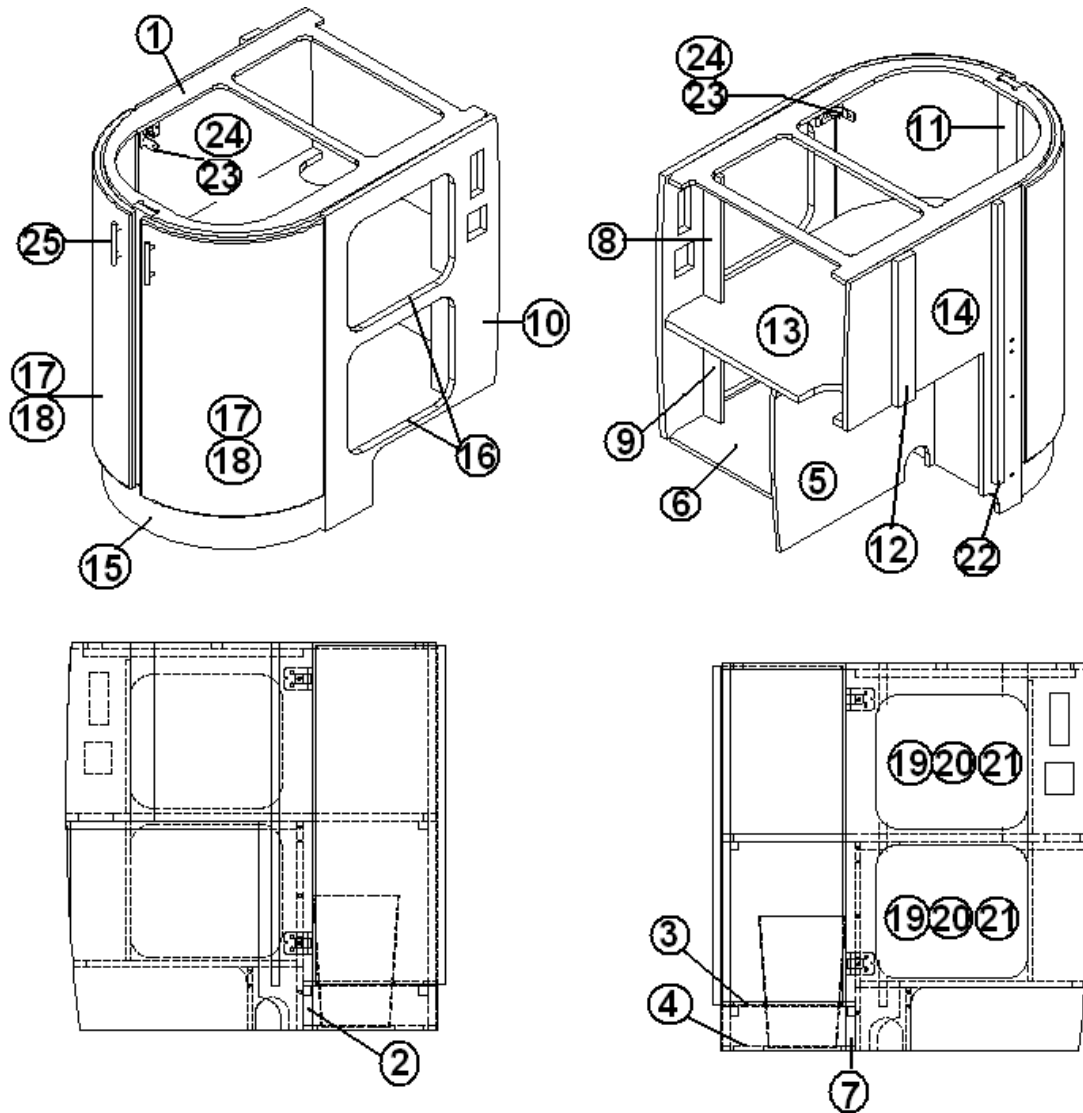
Galley, 27' FB Signature, Aft Section, Wenge

966873	GALLEY, AFT SECTION
1. 966873-1	PANEL, 23.5" x 33.44"
2. 966873-2	PANEL, 23.54" x 19.13"
3. 966873-3	PANEL, 23.50" x 12.21"
4. 966873-4	PANEL, 23.50" x 12.21"
5. 966873-5	PANEL, 19.13" x 20.82"
6. 966873-6	PANEL, 20.48" x 13.75"
7. 966873-7	PANEL, 5.88" x 13.75"
8. 966873-8	PANEL, 12.75" x 2.25"
9. 966873-9	PANEL, 14.13" x 2.25"
10. 966873-10	PANEL, 35.5" x 22.57"
11. 966873-11	PANEL, 2.50" x 35.50"
12. 966873-12	PANEL, 2.25" x 16.38"
13. 966873-13	PANEL, 24.91" X 33.88"
14. 966873-14	PANEL, 22.14" x 35.50"
15. 115309	TOE KICK, GALLEY ALUMINUM
16. 203440	T MOLDING, BLACK EMBOSSED .8125
17. 381856	CATCH, TENSION, 2-BALL
18. 966474-01	DOOR, RADIUS, 16.26" X 31", WENGE
19. 381654	HINGE, GLASS DOOR, BLACK
20. 381707	STRIKE W/PULL, GLASS DOOR BLACK
21. 371391	DOOR, GLASS 11.56" X 13.06"
22. 800025-01	PINE, ¾" X ¾", STAINED
23. 381607-07	BRACKET, BLIND CORNER, 90 DEGREE
24. 381607	HINGE, ASSEMBLY
25. 382029-05	HANDLE, BAR 21.33"
381708	WASTEBASKET
203483	Sink cover, round

2009 INTERNATIONAL TRAVEL TRAILER

FURNITURE, GALLEY

Galley, 27' FB Signature, Aft Section, Ocean Breeze



Part numbers are on the next page

2009 INTERNATIONAL TRAVEL TRAILER

FURNITURE, GALLEY

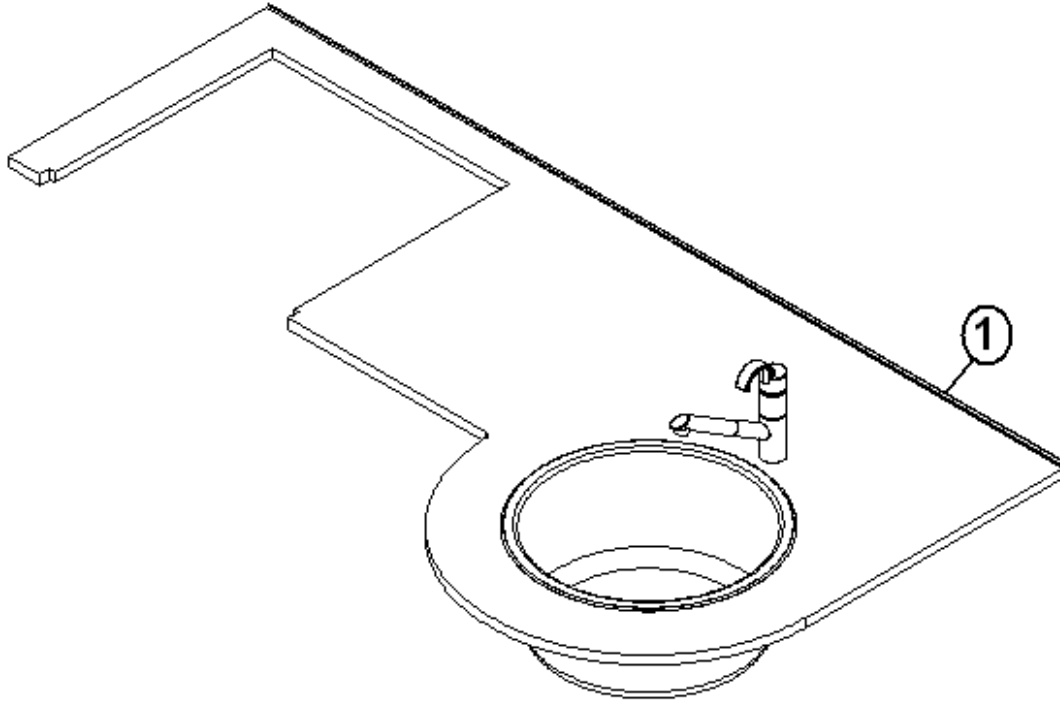
Galley, 27' FB Signature, Aft Section, Ocean Breeze

966873-01	GALLEY, AFT SECTION
1. 966873-011	PANEL, 23.5" x 33.44"
2. 966873-012	PANEL, 23.54" x 19.13"
3. 966873-013	PANEL, 23.50" x 12.21"
4. 966873-014	PANEL, 23.50" x 12.21"
5. 966873-015	PANEL, 19.13" x 20.82"
6. 966873-016	PANEL, 20.48" x 13.75"
7. 966873-017	PANEL, 5.88" x 13.75"
8. 966873-018	PANEL, 12.75" x 2.25"
9. 966873-019	PANEL, 14.13" x 2.25"
10. 966873-0110	PANEL, 35.5" x 22.57"
11. 966873-0111	PANEL, 2.50" x 35.50"
12. 966873-0112	PANEL, 2.25" x 16.38"
13. 966873-0113	PANEL, 24.91" X 33.88"
14. 966873-0114	PANEL, 22.14" x 35.50"
15. 115309	TOE KICK, GALLEY ALUMINUM
16. 203597	T MOLDING, WHITE EMBOSSED .8125
17. 381856	CATCH, TENSION, 2-BALL
18. 966779	DOOR, RADIUS, 16.26" X 31"
19. 381654	HINGE, GLASS DOOR, BLACK
20. 381707	STRIKE W/PULL, GLASS DOOR BLACK
21. 371391	DOOR, GLASS 11.56" X 13.06"
22. 800025-01	PINE, 3/4" X 3/4", STAINED
23. 381607-07	BRACKET, BLIND CORNER, 90 DEGREE
24. 381607	HINGE, DOOR
25. 382046	PULL, BAMBOO, W/BUSHED NICKEL ENDS
381708	WASTEBASKET
203483	Sink cover, round

2009 INTERNATIONAL TRAVEL TRAILER

FURNITURE, GALLEY

Galley Top, 27' FB Signature, Wenge, Ocean Breeze

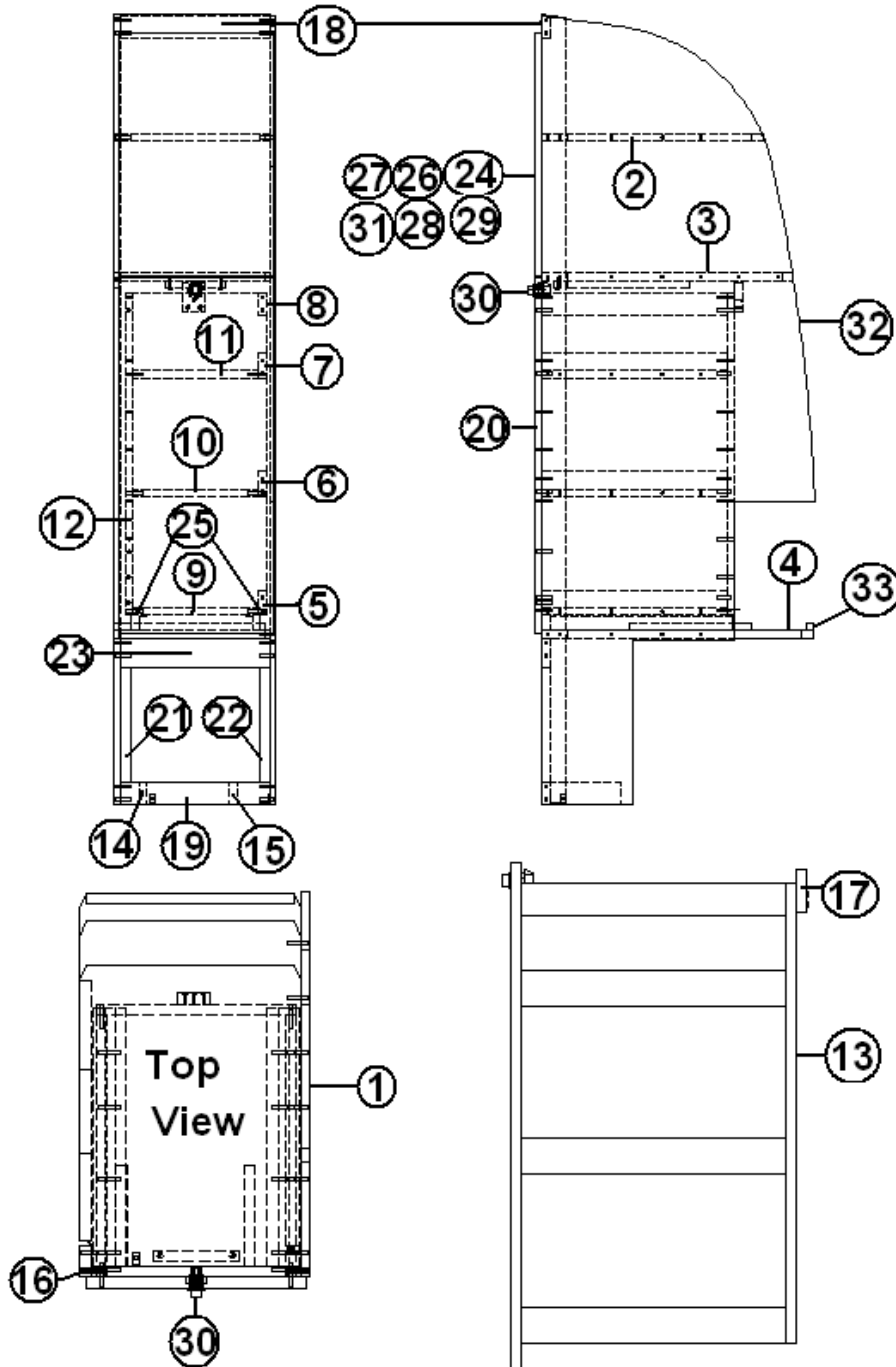


966876	TOP, GALLEY, WENGE
966876-01	TOP, GALLEY, OCEAN BREEZE
1. 115064	TRIM, ALUMINUM, COUNTER TOP

2009 INTERNATIONAL TRAVEL TRAILER

FURNITURE, GALLEY

Pantry, 27' FB Signature, Wenge



Part numbers are on the next page

2009 INTERNATIONAL TRAVEL TRAILER

FURNITURE, GALLEY

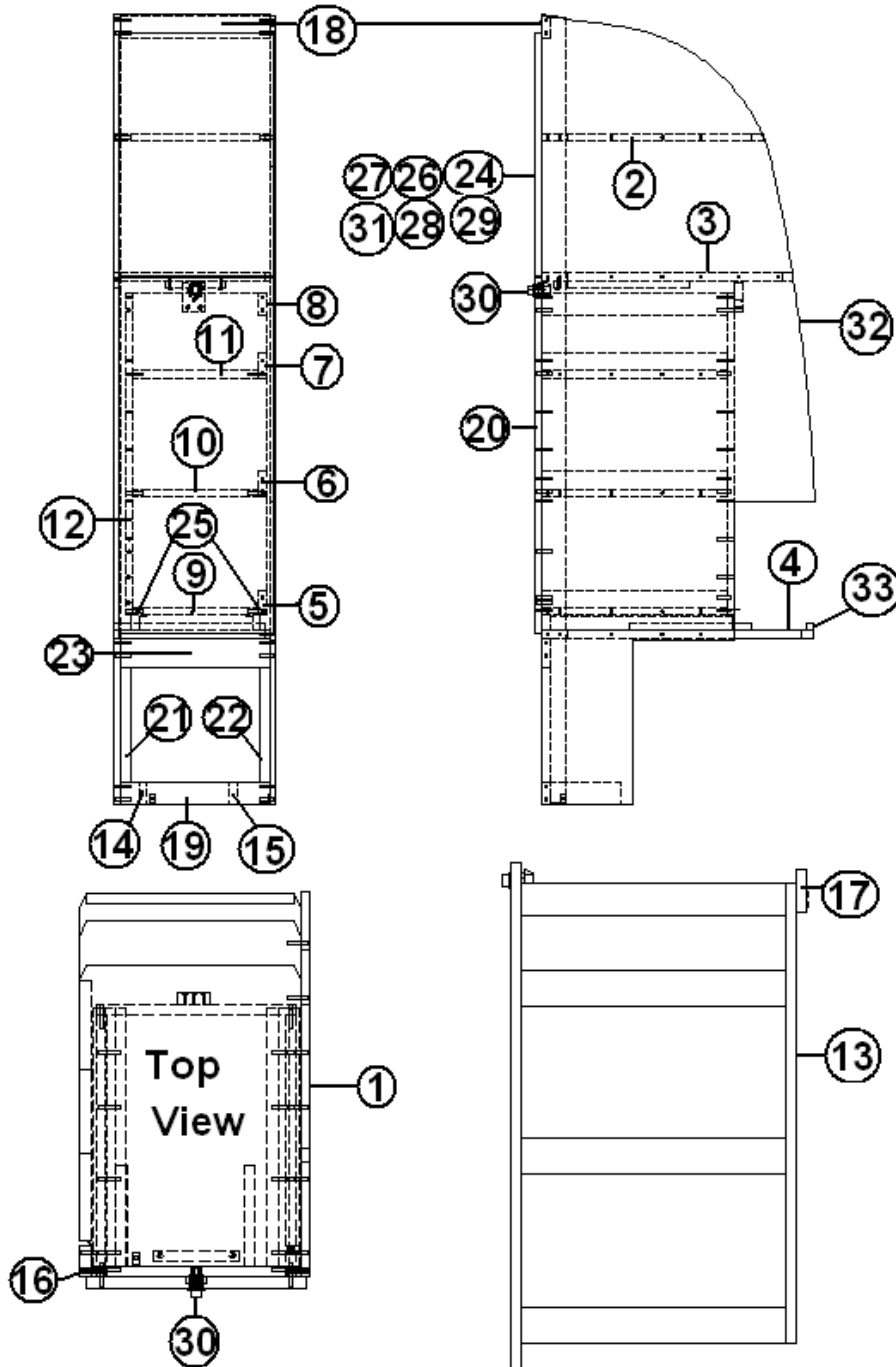
Pantry, 27' FB Signature, Wenge

966886	PANTRY ASSY
1. 966886-1	PANEL, 26.87" x 78.09"
2. 966886-2	PANEL, 21.75" x 15.38"
3. 966886-3	PANEL, 24.75" x 15.38"
4. 966886-4	PANEL, 26.75" x 15.38"
5. 966886-5	PANEL, 2.50" x 18.25"
6. 966886-6	PANEL, 2.50" x 18.25"
7. 966886-7	PANEL, 2.50" x 18.25"
8. 966886-8	PANEL, 2.50" x 18.25"
9. 966886-9	PANEL, 18.25" x 12.38"
10. 966886-10	PANEL, 18.25" x 12.38"
11. 966886-11	PANEL, 18.25" x 12.38"
12. 966886-12	PANEL, 18.25" x 32"
13. 966886-13	PANEL, 13.88" X 32"
14. 966886-14	PANEL, 2.25" x 7.00"
15. 966886-15	PANEL, 2.25" x 7.00"
16. 966886-16	PANEL, 2.25" x 78.25"
17. 966886-17	PANEL, 2.25" x 3.00"
18. 966886-18	PANEL, 14.63" x 2.25"
19. 966886-19	PANEL, 14.63" x 2.25"
20. 966886-20	PANEL, 15.25" x 35.31"
21. 966886-21	PANEL, 1.00" x 11.31"
22. 966886-22	PANEL, 1.00" x 11.31"
23. 966886-23	PANEL, 2.91" x 14.63"
24. 966886-24	DOOR, PANTRY 15.25" X 24.13
25. 381944-01	SLIDE 18", PER SET
26. 382029-04	HANDLE, BAR 15"
27. 381607	HINGE, ASSEMBLY
28. 345001-08	SCREW #8-32 X 1" REC TRUS
29. 381607-04	HINGE SCREW-GRASS
30. 381408	LOCK, PUSH, BUTTON STYLE, BLACK
31. 381228-01	CATCH GRABBER DOOR
32. 203445	T-MOLDING BLACK
33. 800025-01	PINE, 3/4" X 3/4", STAINED

2009 INTERNATIONAL TRAVEL TRAILER

FURNITURE, GALLEY

Pantry, 27' FB Signature, Ocean Breeze



Part numbers are on the next page

2009 INTERNATIONAL TRAVEL TRAILER

FURNITURE, GALLEY

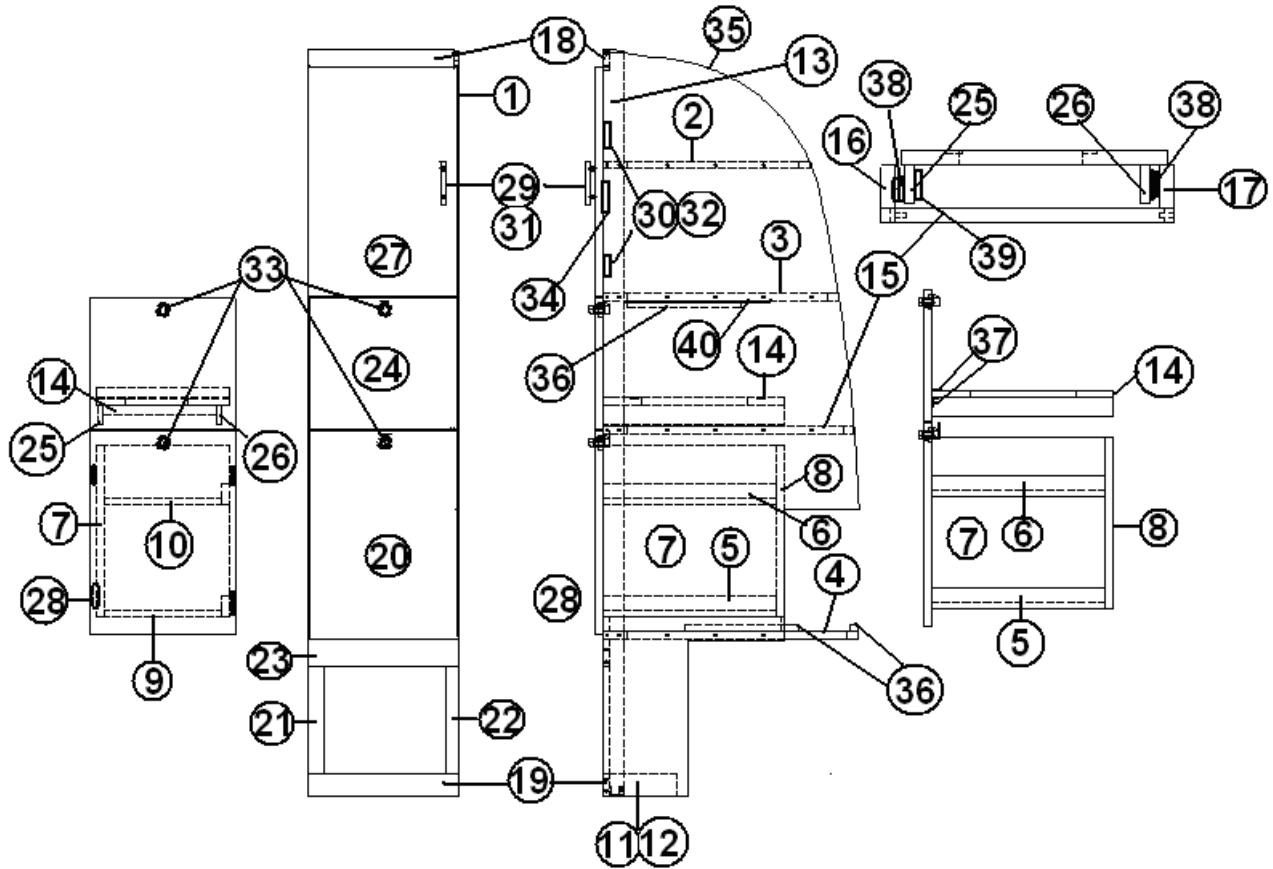
Pantry, 27' FB Signature, Ocean Breeze

966886-01	PANTRY ASSY
1. 966886-011	PANEL, 26.87" x 78.09", KALIDISCOPE/WHITE
2. 966886-012	PANEL, 21.75" x 15.38"
3. 966886-013	PANEL, 24.75" x 15.38"
4. 966886-014	PANEL, 26.75" x 15.38"
5. 966886-015	PANEL, 2.50" x 18.25"
6. 966886-016	PANEL, 2.50" x 18.25"
7. 966886-017	PANEL, 2.50" x 18.25"
8. 966886-018	PANEL, 2.50" x 18.25"
9. 966886-019	PANEL, 18.25" x 12.38"
10. 966886-0110	PANEL, 18.25" x 12.38"
11. 966886-0111	PANEL, 18.25" x 12.38"
12. 966886-0112	PANEL, 18.25" x 32"
13. 966886-0113	PANEL, 13.88" X 32"
14. 966886-0114	PANEL, 2.25" x 7.00"
15. 966886-0115	PANEL, 2.25" x 7.00"
16. 966886-0116	PANEL, 2.25" x 78.25"
17. 966886-0117	PANEL, 2.25" x 3.00"
18. 966886-0118	PANEL, 14.63" x 2.25"
19. 966886-0119	PANEL, 14.63" x 2.25"
20. 966886-0120	PANEL, 15.25" x 35.31"
21. 966886-0121	PANEL, 1.00" x 11.31"
22. 966886-0122	PANEL, 1.00" x 11.31"
23. 966886-0123	PANEL, 2.91" x 14.63"
24. 966886-0124	DOOR, PANTRY 15.25" X 24.13
25. 381944-01	SLIDE 18", PER SET
26. 382046	PULL, BAMBOO, W/BUSHED NICKEL ENDS
27. 381607	HINGE, DOOR
28. 345001-08	SCREW #8-32 X 1" REC TRUS
29. 381607-04	HINGE SCREW-GRASS
30. 381408	LOCK, PUSH, BUTTON STYLE, BLACK
31. 381228-01	CATCH GRABBER DOOR
32. 203508-01	EXTRUSION, PLASTIC 1/2"
33. 800025-01	PINE, 3/4" X 3/4", STAINED

2009 INTERNATIONAL TRAVEL TRAILER

FURNITURE, GALLEY

Pantry, 27' FB Signature, Slide out Microwave option, Wenge



- | | |
|---------------|------------------------------------|
| 966898 | PANTRY, Slide out Microwave option |
| 1. 966898-1 | PANEL, 78.09" x 26.87" |
| 2. 966898-2 | PANEL, 15.38" x 24.75" |
| 3. 966898-3 | PANEL, 21.75" x 15.38" |
| 4. 966898-4 | PANEL, 26.75" x 15.38" |
| 5. 966898-5 | PANEL, 2.25" x 18.25" |
| 6. 966898-6 | PANEL, 2.25" x 18.25" |
| 7. 966898-7 | PANEL, 18.00" x 18.25" |
| 8. 966898-8 | PANEL, 18.00" x 13.88" |
| 9. 966898-9 | PANEL, 12.38" x 18.25" |
| 10. 966898-10 | PANEL, 12.38" x 18.25" |
| 11. 966898-11 | PANEL, 2.25" x 7.00" |
| 12. 966898-12 | PANEL, 2.25" x 7.00" |

Continued on next page

2009 INTERNATIONAL TRAVEL TRAILER

FURNITURE, GALLEY

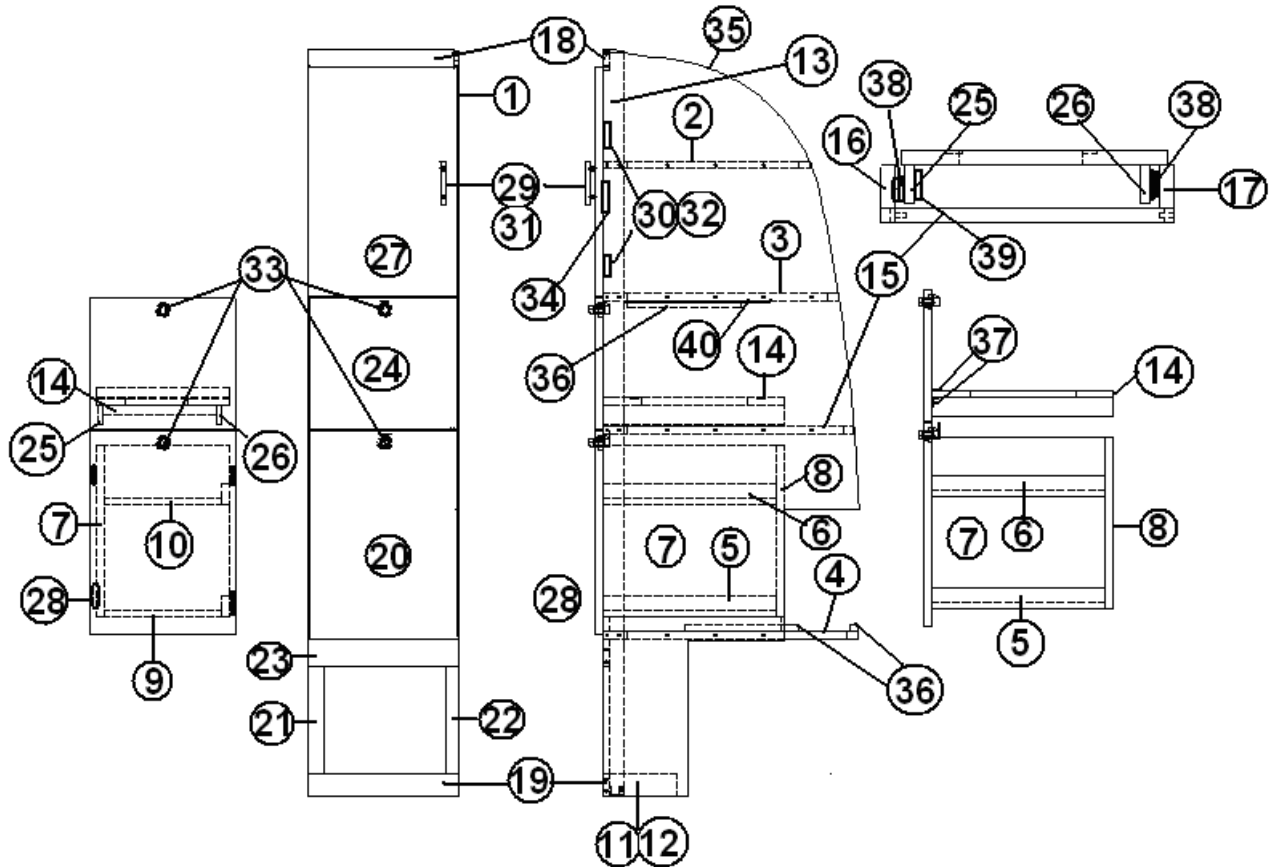
Pantry, Slide out Microwave option, 27' FB Signature, Wenge

13.966898-13	PANEL, 2.25" X 78.25"
14.966898-14	PANEL, 19.00" x 13.88"
15.966898-15	PANEL, 26.31" x 15.38"
16.966898-16	PANEL, 2.25" x 19.00"
17.966898-17	PANEL, 2.25" x 19.00"
18.966898-18	PANEL, 14.63" x 2.25"
19.966898-19	PANEL, 14.63" x 2.25"
20.966898-20	PANEL, 21.38" x 15.25"
21.966898-21	PANEL, 1.00" x 11.31"
22.966898-22	PANEL, 1.00" x 11.31"
23.966898-23	PANEL, 2.91" x 14.63"
24.966898-24	DOOR, PANTRY 13.81" X 15.25, WENGE
25.966898-25	PANEL, 2.00" x 19.00"
26.966898-26	PANEL, 2.00" x 19.00"
27.966898-27	DOOR, 15.25" X 24.13", WENGE
28.381944-01	SLIDE 18", PER SET
29.382029-00	HANDLE, BAR, 7.48"
30.381607	HINGE, ASSEMBLY
31.345001-08	SCREW #8-32 X 1" REC TRUS
32.381607-04	HINGE SCREW-GRASS
33.381408	LOCK, PUSH, BUTTON STYLE, BLACK
34.381228-01	CATCH GRABBER DOOR
35.203445	EXTRUSION, PLASTIC 1/2", OAK
36.800025-01	PINE, 3/4" X 3/4", STAINED
37.114812	ALUMINUM ANGLE, 1" X 1"
38.381192	SLIDE, DRAWER, 18", PAIR
39.800507-01	LAUAN, 2.00 x 19.00
40.966898-42	PANEL, 2.00 X 17.00

2009 INTERNATIONAL TRAVEL TRAILER

FURNITURE, GALLEY

Pantry, 27' FB Signature, Slide out, Microwave Option, Ocean Breeze



- | | |
|-----------------|------------------------------------|
| 966898-01 | PANTRY, Slide out Microwave option |
| 1. 966898-011 | PANEL, 78.09" x 26.87" |
| 2. 966898-012 | PANEL, 15.38" x 24.75" |
| 3. 966898-013 | PANEL, 21.75" x 15.38" |
| 4. 966898-014 | PANEL, 26.75" x 15.38" |
| 5. 966898-015 | PANEL, 2.25" x 18.25" |
| 6. 966898-016 | PANEL, 2.25" x 18.25" |
| 7. 966898-017 | PANEL, 18.00" x 18.25" |
| 8. 966898-018 | PANEL, 18.00" x 13.88" |
| 9. 966898-019 | PANEL, 12.38" x 18.25" |
| 10. 966898-0110 | PANEL, 12.38" x 18.25" |
| 11. 966898-0111 | PANEL, 2.25" x 7.00" |
| 12. 966898-0112 | PANEL, 2.25" x 7.00" |

Continued on next page

2009 INTERNATIONAL TRAVEL TRAILER

FURNITURE, GALLEY

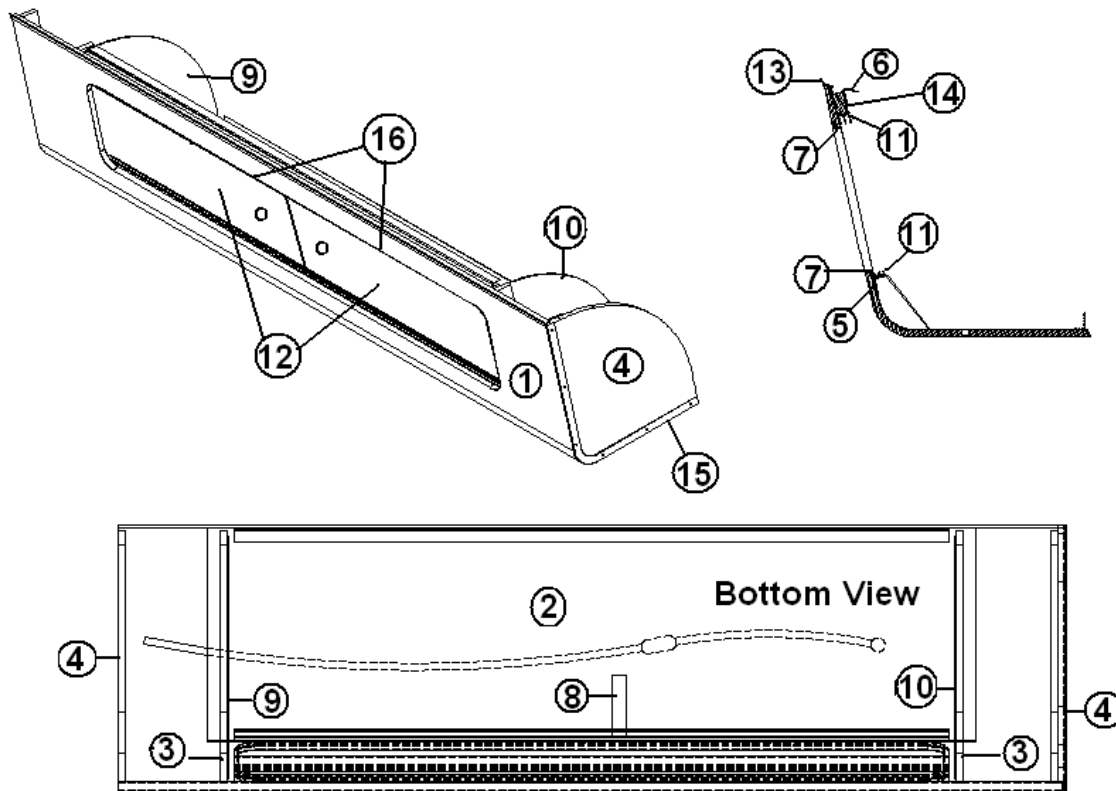
Pantry, Slide out Microwave option, 27' FB Signature, Ocean Breeze

13.966898-0113	PANEL, 2.25" X 78.25"
14.966898-0114	PANEL, 19.00" x 13.88"
15.966898-15	PANEL, 26.31" x 15.38"
16.966898-0116	PANEL, 2.25" x 19.00"
17.966898-0117	PANEL, 2.25" x 19.00"
18.966898-0118	PANEL, 14.63" x 2.25"
19.966898-0119	PANEL, 14.63" x 2.25"
20.966898-0120	PANEL, 21.38" x 15.25"
21.966898-0121	PANEL, 1.00" x 11.31"
22.966898-0122	PANEL, 1.00" x 11.31"
23.966898-0123	PANEL, 2.91" x 14.63"
24.966898-0124	DOOR, PANTRY 13.81" X 15.25, WHITE
25.966898-0125	PANEL, 2.00" x 19.00"
26.966898-0126	PANEL, 2.00" x 19.00"
27.966898-0127	DOOR, 15.25" X 24.13", WHITE
28.381944-01	SLIDE 18", PER SET
29.382046	PULL, BAMBOO, W/BUSHED NICKEL ENDS
30.381607	HINGE, DOOR
31.345001-08	SCREW #8-32 X 1" REC TRUS
32.381607-04	HINGE SCREW-GRASS
33.381408	LOCK, PUSH, BUTTON STYLE, BLACK
34.381228-01	CATCH GRABBER DOOR
35.203508-01	EXTRUSION, PLASTIC 1/2", PLY
36.800025-01	PINE, 3/4" X 3/4", STAINED
37.114812	ALUMINUM ANGLE, 1" X 1"
38.381192	SLIDE, DRAWER, 18", PAIR
39.800507-01	LAUAN, 2.00 x 19.00
40.966898-0142	PANEL, 2.00 x 17.00

2009 INTERNATIONAL TRAVEL TRAILER

FURNITURE, GALLEY

Roof Locker, 27' FB Signature Galley, Wenge

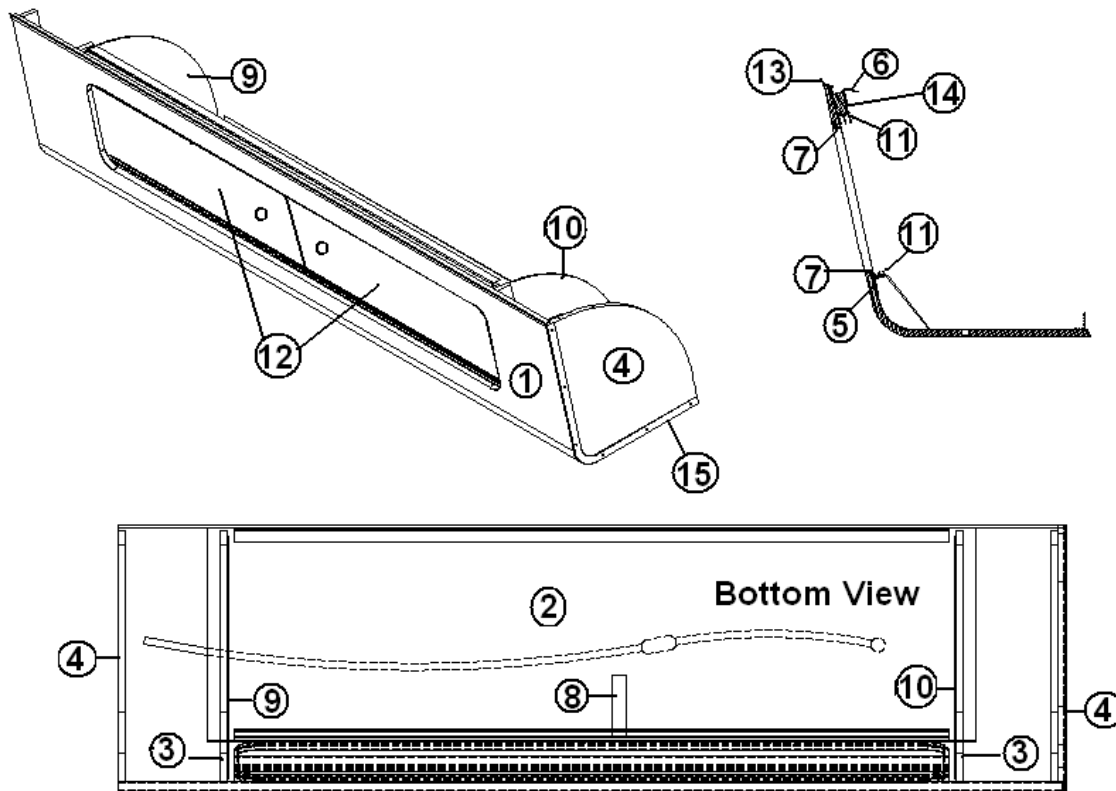


966854	R/L ASSY-GALLEY 27FB"
1. 801542-12	LOCKER FACE, GALLEY 32.31" X 67"
2. 801716	Laminate, CCD
3. 801545-02	DIVIDER PARTIAL
4. 966854-4	PANEL, 17.15 X 18.21
5. 115227-02	ANGLE, LOCKER TRACK SUPPORT
6. 104821	SUPPORT, ROOFLOCKER, 74"
7. 203445-01	T-MOLDING, 5625" WHITE
8. 115226	BRACKET, LOCKER CTR SUPPORT
9. 801539-01	DIVIDER-GALLEY LOCKER LH
10. 801539-02	DIVIDER-GALLEY LOCKER
11. 203388	SLIDING DOOR TRACK, 56-1/5"
12. 965563-09	DOOR-PLEX.SLIDING 11.31"X 26"
13. 201673	REVERSE COVE MOLDING, WHITE
14. 800028	PINE, 3/4" X 3/4", STAINED
15. 454587	Formed extrusion, roof locker
16. 454613	SPRING, LEAF R/L

2009 INTERNATIONAL TRAVEL TRAILER

FURNITURE, GALLEY

Roof Locker, 27' FB Signature, Galley, Ocean Breeze

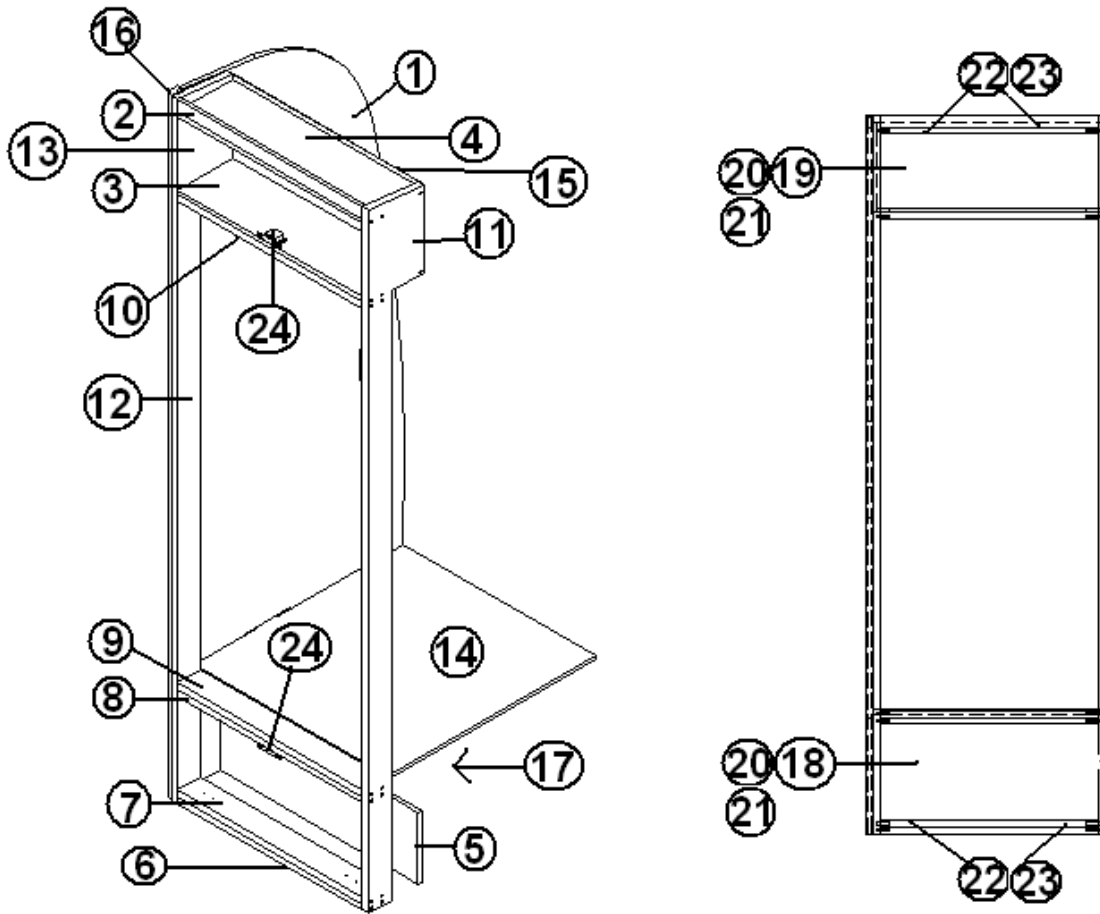


966854-01	R/L ASSY-GALLEY 27FB"
1. 801542-12	LOCKER FACE, GALLEY 32.31" X 67"
2. 801716	Laminate, CCD
3. 801545-02	DIVIDER PARTIAL
4. 966854-014	PANEL, 17.15 X 18.21
5. 115227-02	ANGLE, LOCKER TRACK SUPPORT
6. 104821	SUPPORT, ROOFLOCKER, 74"
7. 203508-01	T-MOLDING, 5625" PLY
8. 115226	BRACKET, LOCKER CTR SUPPORT
9. 801539-01	DIVIDER-GALLEY LOCKER LH
10. 801539-02	DIVIDER-GALLEY LOCKER
11. 203388	SLIDING DOOR TRACK, 56-1/5"
12. 203357-02	DOOR-PLEX.SLIDING 11.31"X 26"
13. 201673	REVERSE COVE MOLDING, WHITE
14. 800028	PINE, 3/4" X 3/4", STAINED
15. 115375	Formed extrusion, roof locker

2009 INTERNATIONAL TRAVEL TRAILER

FURNITURE, GALLEY

Refrigerator Cabinet, 25' FB, 27' FB, Signature, Wenge



Part numbers are on the next page

2009 INTERNATIONAL TRAVEL TRAILER

FURNITURE, GALLEY

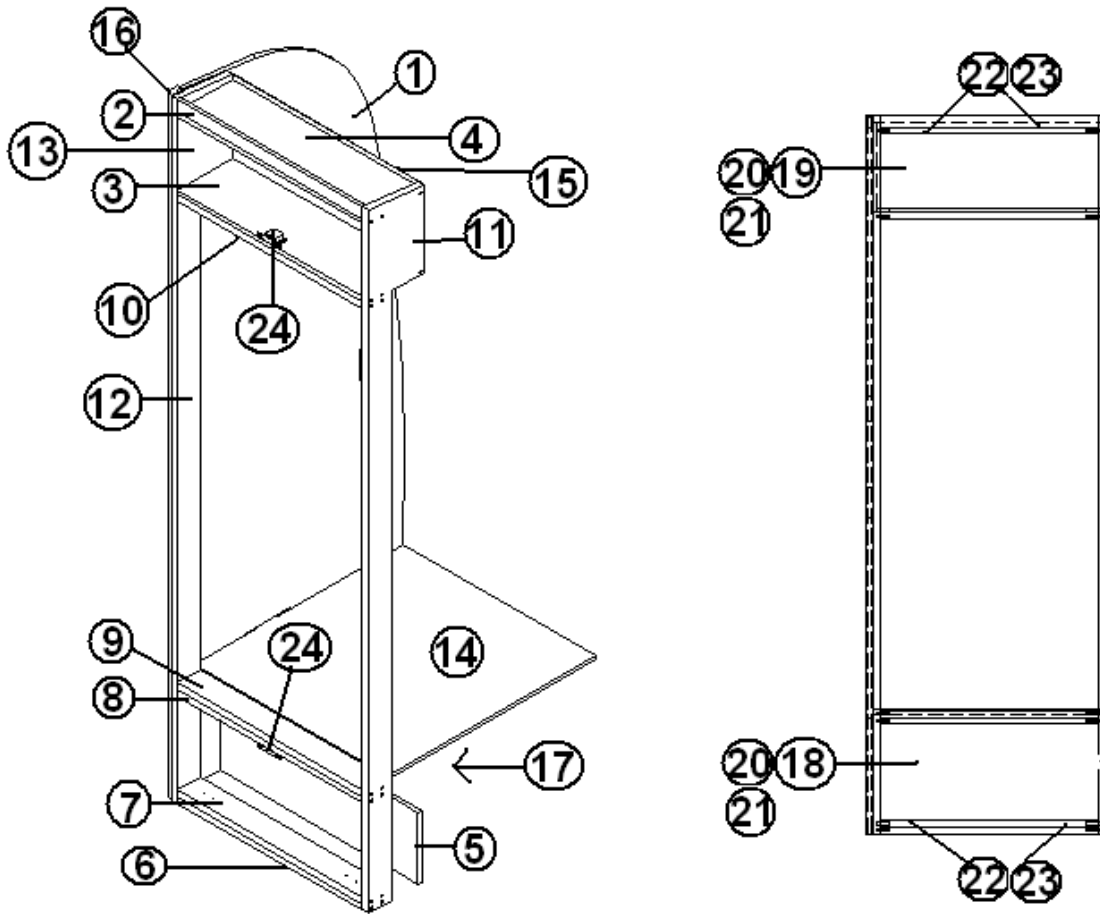
Refrigerator Cabinet, 25' FB, 27' FB, Signature, Wenge

966853	REFER CABINET
1. 966853-1	PANEL, 28.64" x 78.46"
2. 966853-2	PANEL, 23.81" x 1.38"
3. 966853-3	PANEL, 7.25" x 23.81"
4. 966853-4	PANEL, 7.25" x 23.81"
5. 966853-5	PANEL, 8" x 25.5"
6. 966853-6	PANEL, 3" x 23.81"
7. 966853-7	PANEL, 3" x 23.81"
8. 966853-8	PANEL, 3" x 23.81"
9. 966853-9	PANEL, 3" x 23.81"
10. 966853-10	PANEL, 3" x 23.81"
11. 966853-11	PANEL, 7.25" x 78.63"
12. 966853-12	PANEL, 7.25" x 78.63"
13. 966853-13	PANEL, LAUAN, 2.00 x 78.63
14. 966853-14	PANEL, PLYWOOD, 24.81" X 26.88
15. 966853-15	PANEL, 24.81" X 26.88, WHITE/RAW
16. 801706-0016	CORNER TRIM 90 DEG. 1"RADIUS
17. 966812	STAND, REFRIGERATOR
18. 966853-18	DOOR, 24.44"X11.69"
19. 966853-19	DOOR, 24.44" X 8.88"
20. 382029-05	HANDLE, BAR, 21.33"
21. 345001-08	SCREW, #8-32 X 1"
22. 381607	HINGE, ASSEMBLY
23. 381607-04	HINGE SCREW-GRASS
24. 381228-01	CATCH GRABBER DOOR

2009 INTERNATIONAL TRAVEL TRAILER

FURNITURE, GALLEY

Refrigerator Cabinet, 25' FB, 27' FB, Signature, Ocean Breeze



Part numbers are on the next page

2009 INTERNATIONAL TRAVEL TRAILER

FURNITURE, GALLEY

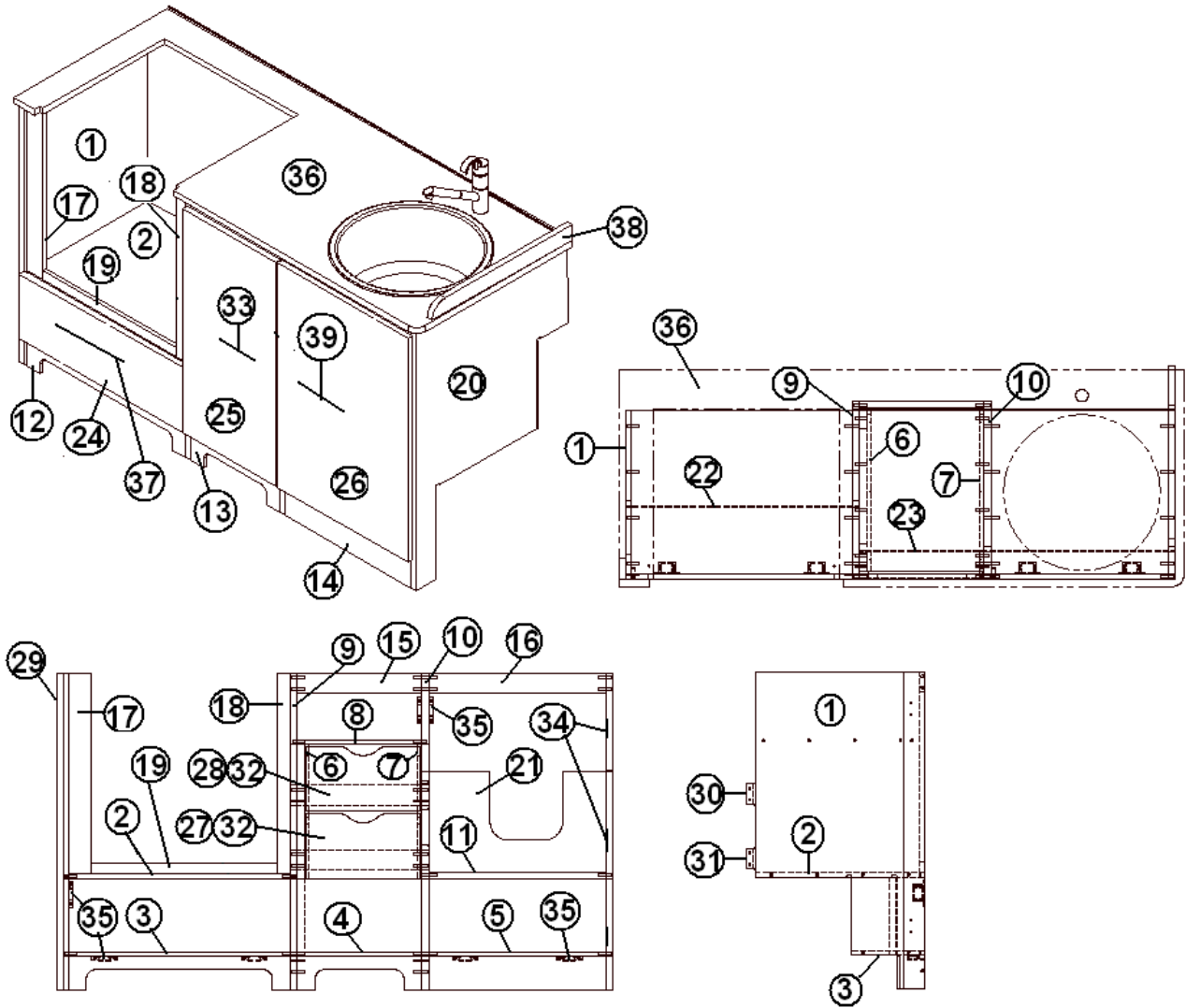
Refrigerator Cabinet, 25' FB, 27' FB, Signature, Ocean Breeze

966853-01	REFER CABINET
1. 966853-011	PANEL, 28.64"x 78.46"
2. 966853-012	PANEL, 23.81" x 1.38"
3. 966853-013	PANEL, 7.25" x 23.81"
4. 966853-014	PANEL, 7.25" x 23.81""
5. 966853-015	PANEL, 8" x 25.5"
6. 966853-016	PANEL, 3" x 23.81"
7. 966853-017	PANEL, 3" x 23.81"
8. 966853-018	PANEL, 3" x 23.81"
9. 966853-019	PANEL, 3" x 23.81"
10. 966853-0110	PANEL, 3" x 23.81"
11. 966853-0111	PANEL, 7.25" x 78.63"
12. 966853-0112	PANEL, 7.25" x 78.63"
13. 800507-02	PANEL, LAUAN, 2.00 x 78.63
14. 800506-04	PANEL, PLYWOOD, 24.81" X 26.88
15. 966853-0115	PANEL, 24.81" X 26.88, WHITE/RAW
16. 801706-SL	CORNER TRIM 90 DEG. 1"RADIUS
17. 966812	STAND, REFRIGERATOR
18. 966853-0118	DOOR, 24.44" X 11.69"
19. 966853-0119	DOOR, 24.44" X 8.88"
20. 382046	PULL, BAMBOO, W/BUSHED NICKEL ENDS
21. 345001-08	SCREW, #8-32 X 1"
22. 381607	HINGE, DOOR
23. 381607-04	HINGE SCREW-GRASS
24. 381228-01	CATCH GRABBER DOOR

2009 INTERNATIONAL TRAVEL TRAILER

FURNITURE, GALLEY

Galley, 28' Signature, Standard Oven, Wenge



Part Number on the Next page

2009 INTERNATIONAL TRAVEL TRAILER

FURNITURE, GALLEY

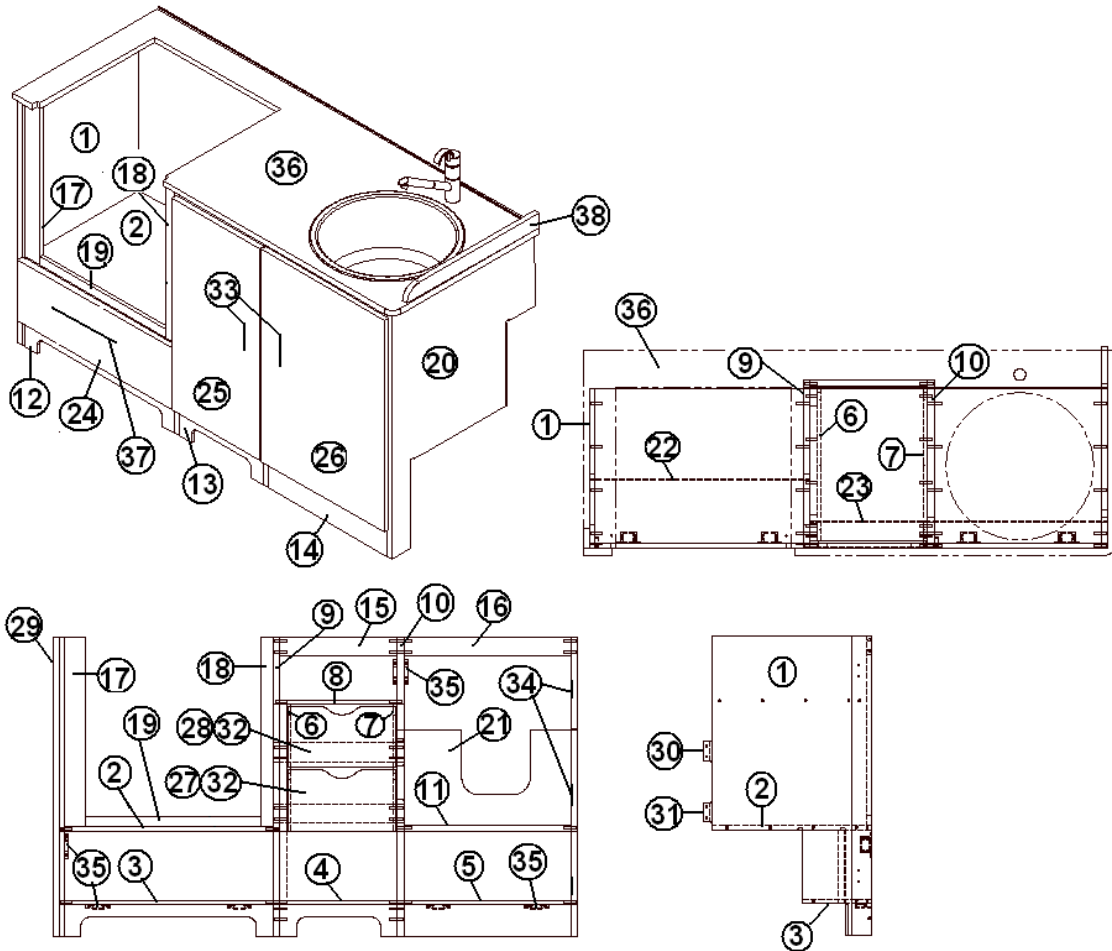
Galley, 28' Signature, Standard Oven, Wenge

966983	GALLEY ASSY.
1. 966983-1	PANEL, 18.63 X 35.00
2. 966983-2	PANEL, 18.63 X 24.50
3. 966983-3	PANEL, 8.00 X 24.50
4. 966983-4	PANEL, 3.00 X 13.75
5. 966983-5	PANEL, 3.0 X 19.50
6. 966983-6	PANEL, 17.75 X 14.84
7. 966983-7	PANEL, 17.75 X 14.84
8. 966983-8	PANEL, 17.75 X 13.75
9. 966983-9	PANEL, 19.63 X 35.00
10. 966983-10	PANEL, 19.63 X 35.00
11. 966983-11	PANEL, 18.63 X 19.50
12. 966983-12	PANEL, 3.75 X 24.50
13. 966983-13	PANEL, 3.75 X 13.75
14. 966983-14	PANEL, 3.75 X 19.50
15. 966983-15	PANEL, 2.25 X 13.75
16. 966983-16	PANEL, 2.25 X 19.50
17. 966983-17	PANEL, 2.50 X 22.19
18. 966983-18	PANEL, 1.50 X 22.19
19. 966983-19	PANEL, 1.25 X 20.50
20. 966983-20	PANEL, 23.52 X 35.00
21. 966983-21	PANEL, 21.00 X 11.75
22. 966983-22	PANEL, 8.56 X 25.75
23. 966983-23	PANEL, 8.56 X 34.75
24. 966983-24	DOOR 25.12 X 8.69
25. 966983-25	DOOR 14.38 X 30.00
26. 966983-26	DOOR 20.13 X 30.00
27. 966983-27	DRAWER FACE 12.63 X 7.17
28. 966983-28	DRAWER FACE 12.63 X 7.17
29. 801351	LITE PLY, .75" X 2.25 X 35.00
30. 801351	LITE PLY, .75" X 2.25 X 13.75
31. 801351	LITE PLY, .75" X 2.25 X 13.75
32. 965955-02	DRAWER BOX ASSEMBLY
33. 382029-03	HANDLE BAR, 11.25"
34. 381607	HINGE ASSY
35. 381228-01	CATCH GRABBER DOOR
36. 966985	GALLEY TOP ASSY
37. 382029-05	HANDLE BAR 21.33"
38. 967007	BACKSPLASH ASSY, 21.15"
39. 382029-04	HANDLE BAR, 15"
381773-16	DRAWER SLIDE, 5.88" X 17.38"

2009 INTERNATIONAL TRAVEL TRAILER

FURNITURE, GALLEY

Galley, 28' Signature, Standard Oven, Ocean Breeze



Part Number on the Next page

2009 INTERNATIONAL TRAVEL TRAILER

FURNITURE, GALLEY

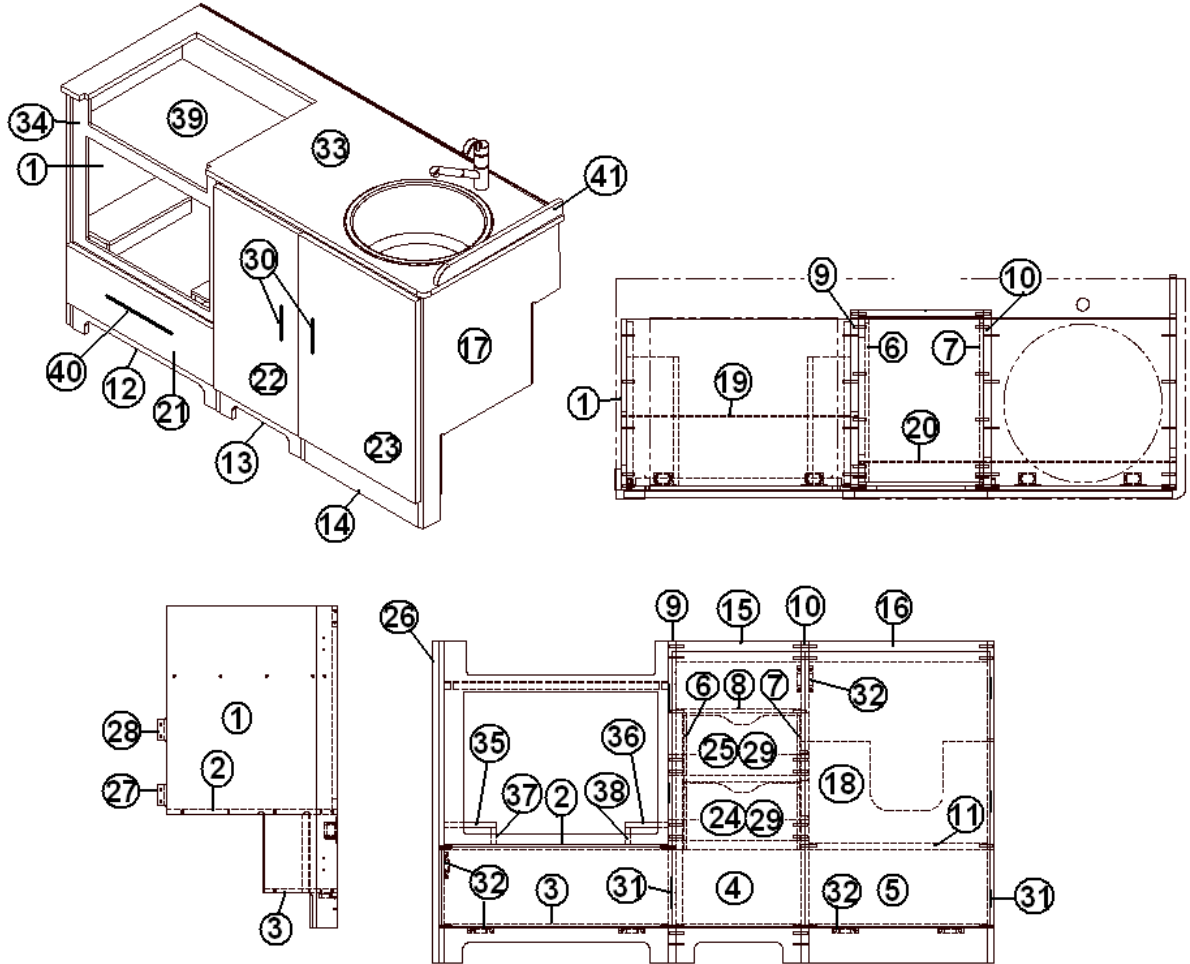
Galley, 28' Signature, Standard Oven, Ocean Breeze

966983-01	GALLEY ASSY.
1. 966983-011	PANEL, 18.63 X 35.00
2. 966983-012	PANEL, 18.63 X 24.50
3. 966983-013	PANEL, 8.00 X 24.50
4. 966983-014	PANEL, 3.00 X 13.75
5. 966983-015	PANEL, 3.0 X 19.50
6. 966983-016	PANEL, 17.75 X 14.84
7. 966983-017	PANEL, 17.75 X 14.84
8. 966983-018	PANEL, 17.75 X 13.75
9. 966983-019	PANEL, 19.63 X 35.00
10. 966983-0110	PANEL, 19.63 X 35.00
11. 966983-0111	PANEL, 18.63 X 19.50
12. 966983-0112	PANEL, 3.75 X 24.50
13. 966983-0113	PANEL, 3.75 X 13.75
14. 966983-0114	PANEL, 3.75 X 19.50
15. 966983-0115	PANEL, 2.25 X 13.75
16. 966983-0116	PANEL, 2.25 X 19.50
17. 966983-0117	PANEL, 2.50 X 22.19
18. 966983-0118	PANEL, 1.50 X 22.19
19. 966983-0119	PANEL, 1.25 X 20.50
20. 966983-0120	PANEL, 23.52 X 35.00
21. 966983-0121	PANEL, 21.00 X 11.75
22. 966983-0122	PANEL, 8.56 X 25.75
23. 966983-0123	PANEL, 8.56 X 34.75
24. 966983-0124	DOOR 25.12 X 8.69
25. 966983-0125	DOOR 14.38 X 30.00
26. 966983-0126	DOOR 20.13 X 30.00
27. 966983-0127	DRAWER FACE 12.63 X 7.17
28. 966983-0128	DRAWER FACE 12.63 X 7.17
29. 801351	LITE PLY, .75" X 2.25 X 35.00
30. 801351	LITE PLY, .75" X 2.25 X 13.75
31. 801351	LITE PLY, .75" X 2.25 X 13.75
32. 965955-02	DRAWER BOX ASSEMBLY
33. 382046	PULL, BAMBOO, W/BUSHED NICKEL ENDS
34. 381607	HINGE ASSY
35. 381228-01	CATCH GRABBER DOOR
36. 966985-01	GALLEY TOP ASSY
37. 382046	PULL, BAMBOO, W/BUSHED NICKEL ENDS
38. 967007-01	BACKSPLASH ASSY, 21.15"

2009 INTERNATIONAL TRAVEL TRAILER

FURNITURE, GALLEY

Galley, 28' Signature, Microwave Option, Wenge



Part Number on the Next page

2009 INTERNATIONAL TRAVEL TRAILER

FURNITURE, GALLEY

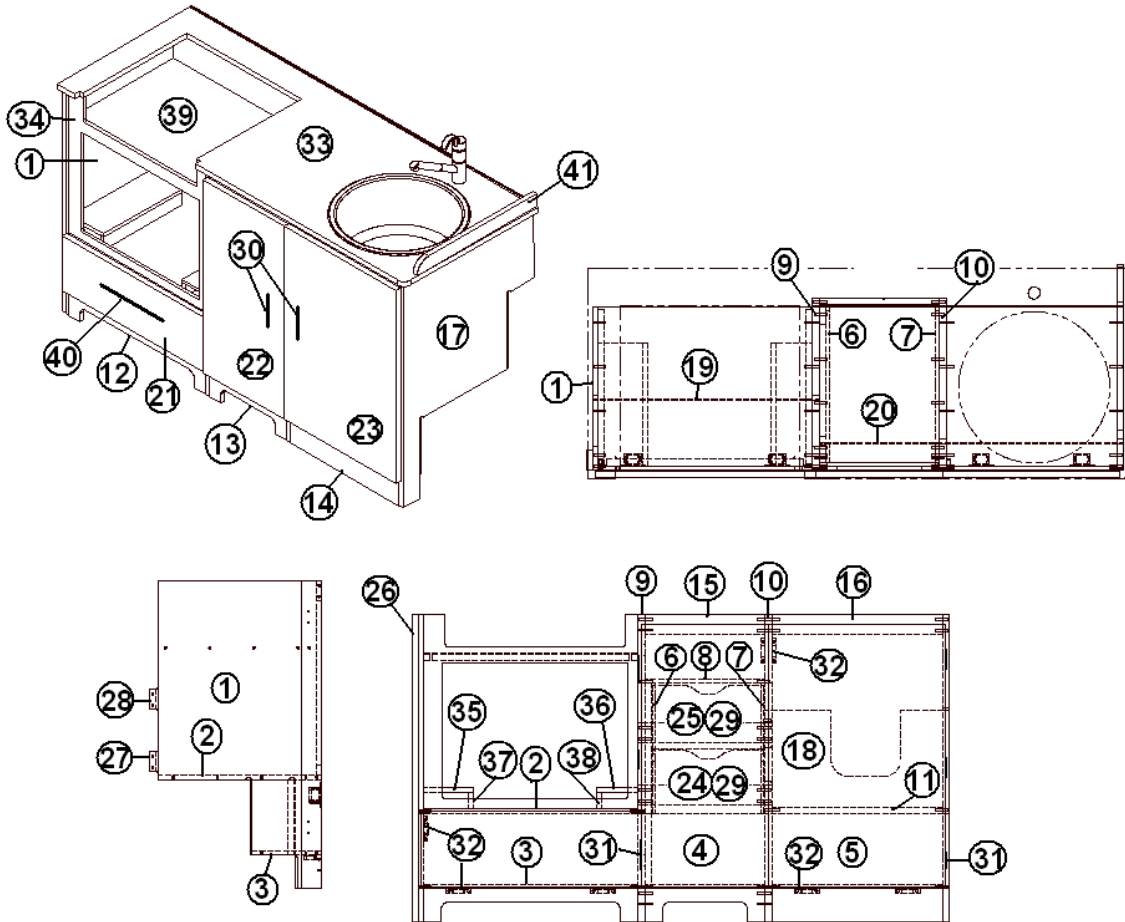
Galley, 28' Signature, Microwave Option, Wenge

966984	GALLEY ASSY.
1. 966984-1	PANEL, 18.63 X 35.00
2. 966984-2	PANEL, 18.63 X 24.50
3. 966984-3	PANEL, 8.00 X 24.50
4. 966984-4	PANEL, 3.00 X 13.75
5. 966984-5	PANEL, 3.0 X 19.50
6. 966984-6	PANEL, 17.75 X 14.84
7. 966984-7	PANEL, 17.75 X 14.84
8. 966984-8	PANEL, 17.75 X 13.75
9. 966984-9	PANEL, 19.63 X 35.00
10. 966984-10	PANEL, 19.63 X 35.00
11. 966984-11	PANEL, 18.63 X 19.50
12. 966984-12	PANEL, 3.75 X 24.50
13. 966984-13	PANEL, 3.75 X 13.75
14. 966984-14	PANEL, 3.75 X 19.50
15. 966984-15	PANEL, 2.25 X 13.75
16. 966984-16	PANEL, 2.25 X 19.50
17. 966984-20	PANEL, 23.52 X 35.00
18. 966984-21	PANEL, 21.00 X 11.75
19. 966984-22	PANEL, 8.56 X 25.75
20. 966984-23	PANEL, 8.56 X 34.75
21. 966984-24	DOOR, 25.12 X 8.69
22. 966984-25	DOOR, 14.38 X 30.00
23. 966984-26	DOOR, 20.13 X 30.00
24. 966984-27	DRAWER FACE, 12.63 X 7.17
25. 966984-28	DRAWER FACE, 12.63 X 7.17
26. 801351	LITE PLY, .75" X 2.25 X 35.00
27. 801351	LITE PLY, .75" X 2.25 X 13.75
28. 801351	LITE PLY, .75" X 2.25 X 13.75
29. 965955-02	DRAWER BOX ASSEMBLY
30. 382029-00	HANDLE BAR, 7.5"
31. 381607	HINGE ASSY
32. 381228-01	CATCH GRABBER DOOR
33. 966985	GALLEY TOP ASSY
34. 966984-42	PANEL, 24.50 X 22.19
35. 966984-43	PANEL, 5.69 X 14.00
36. 966984-44	PANEL, 4.69 X 14.00
37. 966984-45	PANEL, 1.94 X 14.00
38. 966984-46	PANEL, 1.94 X 14.00
39. 966984-47	PANEL, 18.12 X 24.50
40. 382029-05	HANDLE BAR 21.33"
41. 967007	BACKSPLASH ASSY, 21.15"

2009 INTERNATIONAL TRAVEL TRAILER

FURNITURE, GALLEY

Galley, 28' Signature, Microwave Option, Ocean Breeze



Part Number on the Next page

2009 INTERNATIONAL TRAVEL TRAILER

FURNITURE, GALLEY

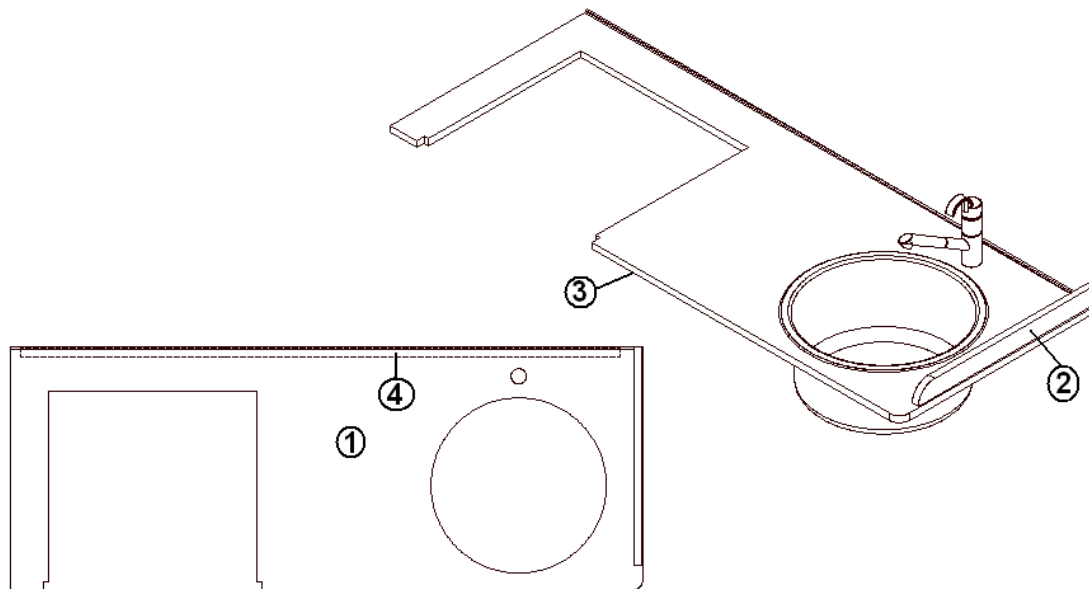
Galley, 28' Signature, Microwave Option, Ocean Breeze

966984-01	GALLEY ASSY.
1. 966984-011	PANEL, 18.63 X 35.00
2. 966984-012	PANEL, 18.63 X 24.50
3. 966984-013	PANEL, 8.00 X 24.50
4. 966984-014	PANEL, 3.00 X 13.75
5. 966984-015	PANEL, 3.0 X 19.50
6. 966984-016	PANEL, 17.75 X 14.84
7. 966984-017	PANEL, 17.75 X 14.84
8. 966984-018	PANEL, 17.75 X 13.75
9. 966984-019	PANEL, 19.63 X 35.00
10. 966984-0110	PANEL, 19.63 X 35.00
11. 966984-0111	PANEL, 18.63 X 19.50
12. 966984-1012	PANEL, 3.75 X 24.50
13. 966984-0113	PANEL, 3.75 X 13.75
14. 966984-0114	PANEL, 3.75 X 19.50
15. 966984-0115	PANEL, 2.25 X 13.75
16. 966984-0116	PANEL, 2.25 X 19.50
17. 966984-0120	PANEL, 23.52 X 35.00
18. 966984-0121	PANEL, 21.00 X 11.75
19. 966984-0122	PANEL, 8.56 X 25.75
20. 966984-0123	PANEL, 8.56 X 34.75
21. 966984-0124	DOOR, 25.12 X 8.69
22. 966984-0125	DOOR, 14.38 X 30.00
23. 966984-0126	DOOR, 20.13 X 30.00
24. 966984-0127	DRAWER FACE, 12.63 X 7.17
25. 966984-0128	DRAWER FACE, 12.63 X 7.17
26. 801351	LITE PLY, .75" X 2.25 X 35.00
27. 801351	LITE PLY, .75" X 2.25 X 13.75
28. 801351	LITE PLY, .75" X 2.25 X 13.75
29. 965955-02	DRAWER BOX ASSEMBLY
30. 382046	PULL, BAMBOO, W/BUSHED NICKEL ENDS
31. 381607	HINGE ASSY
32. 381228-01	CATCH GRABBER DOOR
33. 966985-01	GALLEY TOP ASSY
34. 966984-0142	PANEL, 24.50 X 22.19
35. 966984-0143	PANEL, 5.69 X 14.00
36. 966984-0144	PANEL, 4.69 X 14.00
37. 966984-0145	PANEL, 1.94 X 14.00
38. 966984-0146	PANEL, 1.94 X 14.00
39. 966984-0147	PANEL, 18.12 X 24.50
40. 382046	PULL, BAMBOO, W/BUSHED NICKEL ENDS
41. 967007-01	BACKSPLASH ASSY, 21.15"

2009 INTERNATIONAL TRAVEL TRAILER

FURNITURE, GALLEY

Galley, 28' Signature, Top, Wenge, Ocean Breeze

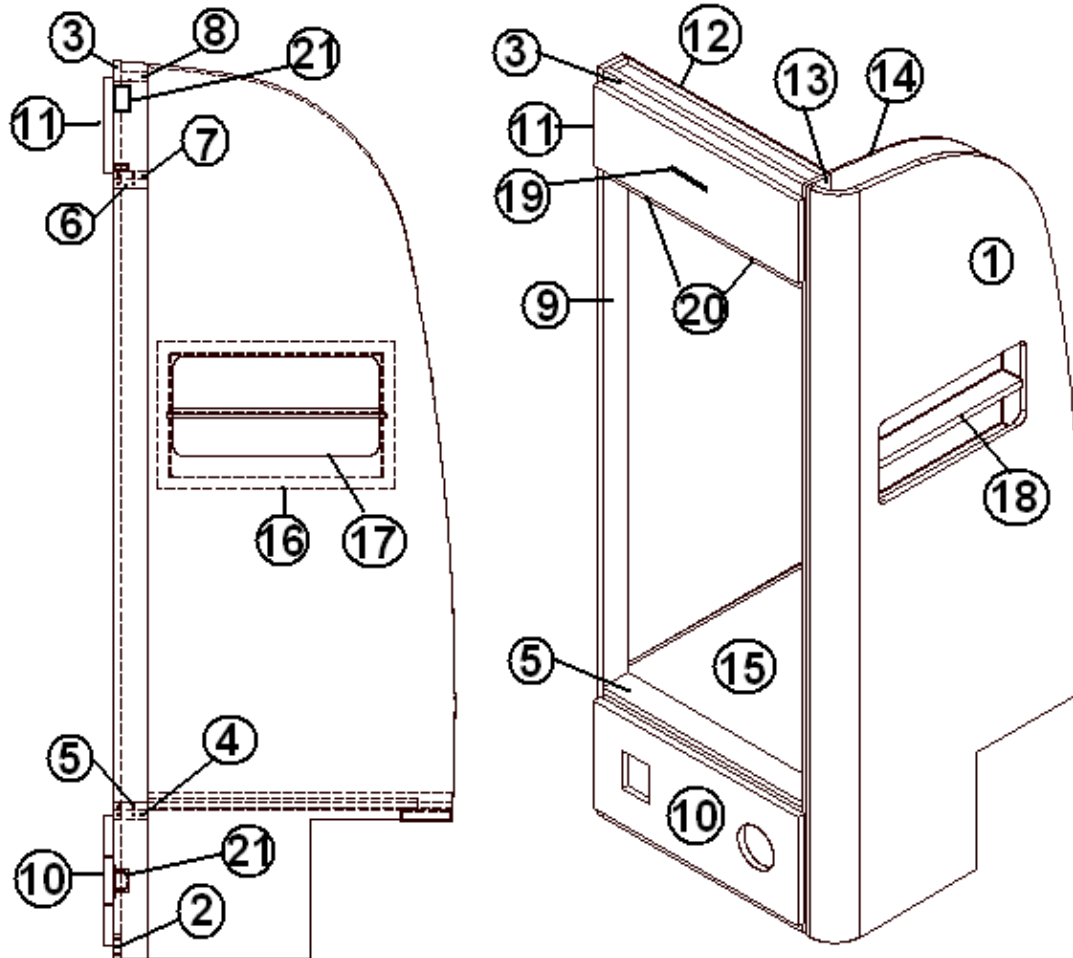


966985	GALLEY TOP ASSY, WENGE
966985-01	GALLEY TOP ASSY, OCEAN BREEZE
1. 966985-1	PANEL, 24.0 X 6.25, WENGE
1. 966985-011	PANEL, 24.0 X 6.25, OCEAN BREEZE
2. 967007	BACKSPLASH, 21.15", WENGE
2. 967007-01	BACKSPLASH, 21.15", OCEAN BREEZE
3. 114812	ALUMINUM ANGLE 1.00" X 1.00"
4. 115064	TRIM, ALUMINUM, COUNTER TOP

2009 INTERNATIONAL TRAVEL TRAILER

FURNITURE, GALLEY

Refrigerator Cabinet, 28' Signature, Wenge



Part Number on the Next page

2009 INTERNATIONAL TRAVEL TRAILER

FURNITURE, GALLEY

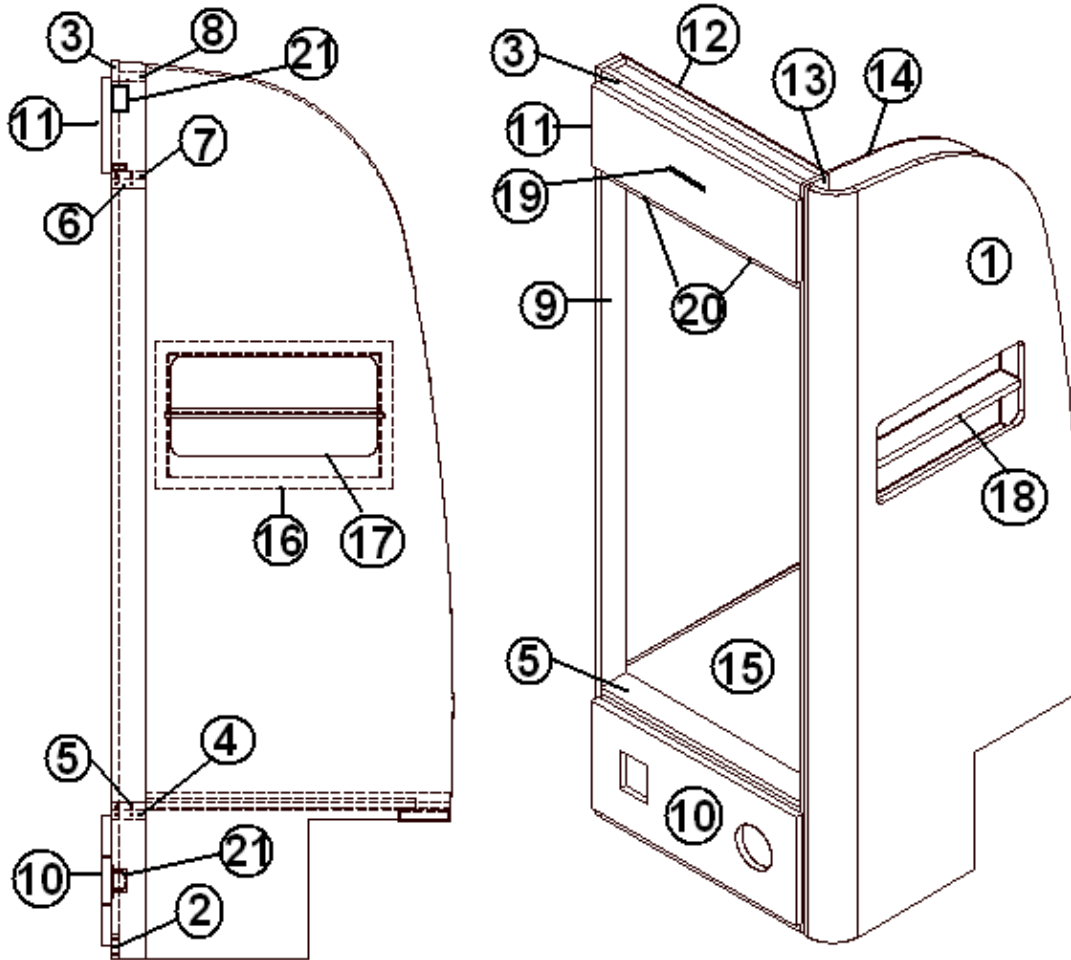
Refrigerator Cabinet, 28' Signature, Wenge

966992	CABINET ASSY, REFRIGERATOR
1. 966993	PANEL, ASSY, REFRIGERATOR
2. 966992-2	PANEL, 24.06 X 1.75
3. 966992-3	PANEL, 24.06 X 1.75
4. 966992-4	PANEL, 3.0 X 24.06
5. 966992-5	PANEL, 3.0 X 24.06
6. 966992-6	PANEL, 3.0 X 24.06
7. 966992-7	PANEL, 30 X 24.06
8. 966992-8	PANEL, 2.25 X 24.06
9. 966992-9	PANEL, 3.0 X 78.62
10. 966992-10	PANEL 24.69 X 11.38
11. 966992-11	DOOR 24.69 X 8.50
12. 966992-12	PANEL 10.86 X 25.31
13. 966992-13	PANEL 3.0 X 78.62
14. 800507-02	LAUAN, ¼" X 64.33" X 29.13"
15. 800507-04	LAUAN, ½" X 27.81" X 26.25
16. 203384	RACK, SPICE ABS
17. 203385	TRIM, "F"SELF EDGING
18. 203330	PLASTIC, FROSTED WHITE
19. 382029-05	HANDLE BAR 21.33"
20. 381607	HINGE ASSY.
21. 381228-01	CATCH GRABBER DOOR
966808	STAND ASSY, REFRIGERATOR

2009 INTERNATIONAL TRAVEL TRAILER

FURNITURE, GALLEY

Refrigerator Cabinet, 28' Signature, Ocean Breeze



Part Number on the Next page

2009 INTERNATIONAL TRAVEL TRAILER

FURNITURE, GALLEY

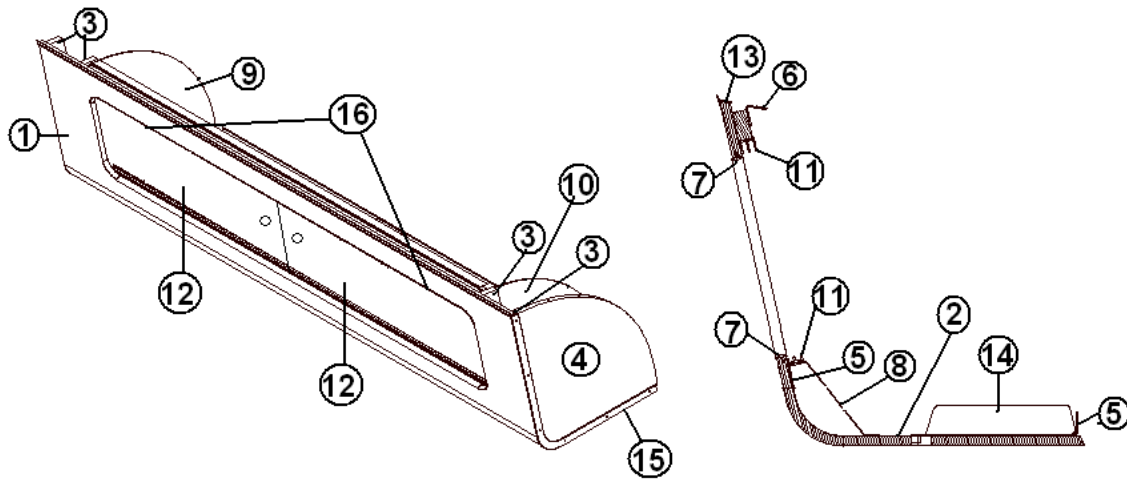
Refrigerator Cabinet, 28' Signature, Ocean Breeze

966992-01	CABINET ASSY, REFRIGERATOR
1. 966993-01	PANEL, ASSY, REFRIGERATOR
2. 966992-012	PANEL, 24.06 X 1.75
3. 966992-013	PANEL, 24.06 X 1.75
4. 966992-014	PANEL, 3.0 X 24.06
5. 966992-015	PANEL, 3.0 X 24.06
6. 966992-016	PANEL, 3.0 X 24.06
7. 966992-017	PANEL, 30 X 24.06
8. 966992-018	PANEL, 2.25 X 24.06
9. 966992-019	PANEL, 3.0 X 78.62
10. 966992-0110	PANEL 24.69 X 11.38
11. 966992-0111	DOOR 24.69 X 8.50
12. 966992-0112	PANEL 10.86 X 25.31
13. 966992-0113	PANEL 3.0 X 78.62
14. 800507-02	LAUAN, ¼" X 64.33" X 29.13"
15. 800507-04	LAUAN, ½" X 27.81" X 26.25
16. 203384	RACK, SPICE ABS
17. 203385	TRIM, "F"SELF EDGING
18. 203330	PLASTIC, FROSTED WHITE
19. 382046	PULL, BAMBOO, W/BUSHED NICKEL ENDS
20. 381607	HINGE ASSY.
21. 381228-01	CATCH GRABBER DOOR
966808	STAND ASSY, REFRIGERATOR

2009 INTERNATIONAL TRAVEL TRAILER

FURNITURE, GALLEY

Roof Locker, 28' Signature Galley, Wenge

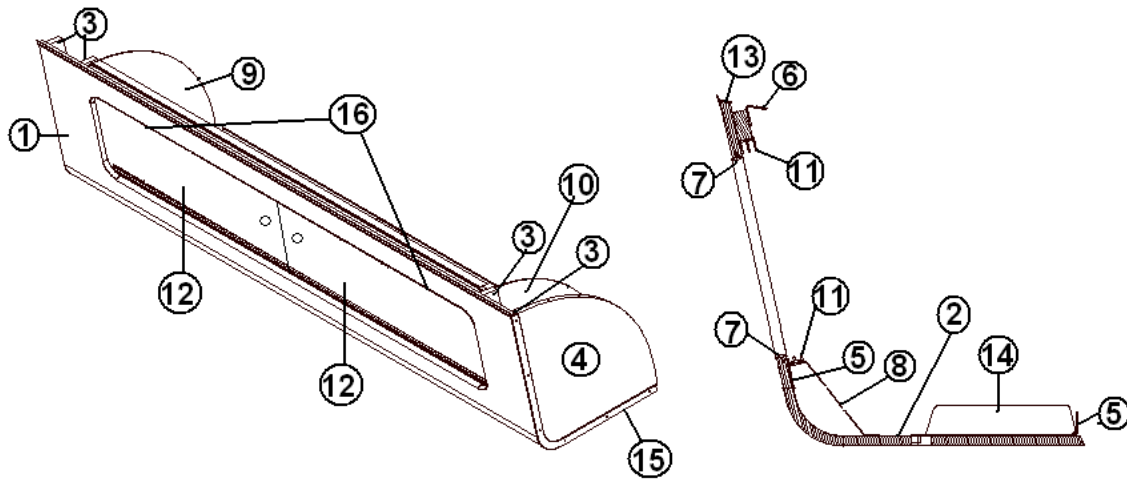


966968	LOCKER ASSY, GALLEY
1. 801542-03	LOCKER FACE. GALLEY
2. 801716	PANEL, WENGE/LINER 18MM
3. 801545-02	DIVIDER PARTIAL
4. 966968-4	PANEL, 17.15 X 18.21
5. 115227-02	ANGLE, LOCKER TRACK SUPPORT
6. 104821	SUPPORT, ROOFLocker, 74"
7. 203445-01	T-MOLDING, .5625" WHITE
8. 115226	BRACKET, LOCKER, CENTER SUPPORT
9. 801539-01	DIVIDER, GALLEY LOCKER LH
9. 801539-03	DIVIDER, R/L W/AUDIOSWITCHES
10. 801539-02	DIVIDER, GALLEY LOCKER
11. 203388	SLIDING DOOR TRACK, 56-1/5"
12. 965563-09	DOOR-PLEX.SLIDING 11.31" X 26"
13. 201673	REVERSE COVE MOLDING, WHITE
14. 200772	PAN, DEADBOLT
15. 115375	EXTRUSION, FORMED, R/L END
16. 454613	SPRING-LEAF R/L

2009 INTERNATIONAL TRAVEL TRAILER

FURNITURE, GALLEY

Roof Locker, 28' Signature Galley, Ocean Breeze

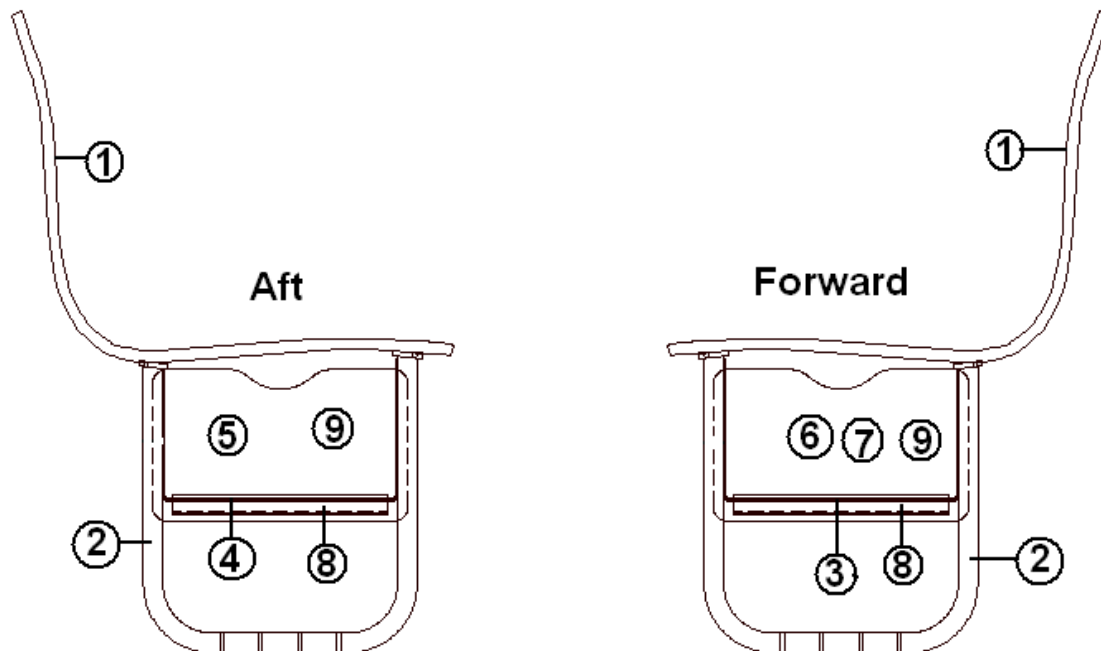


966968-01	LOCKER ASSY, GALLEY
1. 801542-03	LOCKER FACE. GALLEY
2. 801702	PANEL, ALMOND/LINER 18MM
3. 801545-02	DIVIDER PARTIAL
4. 966968-014	PANEL, 17.15 X 18.21
5. 115227-02	ANGLE, LOCKER TRACK SUPPORT
6. 104821	SUPPORT, ROOFLocker, 74"
7. 203508-01	T-MOLDING, .5625" Ply
8. 115226	BRACKET, LOCKER, CENTER SUPPORT
9. 801539-01	DIVIDER, GALLEY LOCKER LH
10. 801539-02	DIVIDER, GALLEY LOCKER
11. 203388	SLIDING DOOR TRACK
12. 203357-02	DOOR, LUMICOR, 11.31" X 26"
13. 201673	REVERSE COVE MOLDING, WHITE
14. 200772	PAN, DEADBOLT
15. 115375	EXTRUSION, FORMED, R/L END
16. 454613	SPRING-LEAF R/L

2009 INTERNATIONAL TRAVEL TRAILER

FURNITURE, GALLEY

Dinette Seats, 28' Signature, Wenge

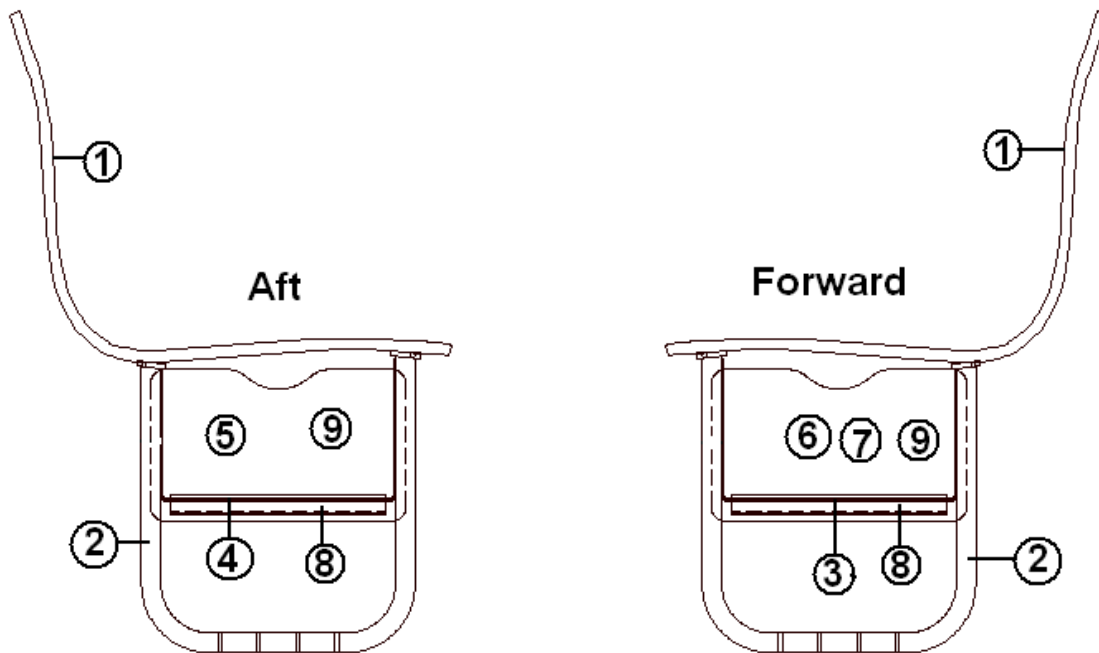


966986	SEAT ASSY, FORWARD BOOTH
966987	SEAT ASSY, AFT BOOTH, WENGE
1. 801446	SEAT, DINETTE, CONTOURED
2. 115140	LEG-DINETTE BASE
3. 115141	CLOSEOUT, BOTTOM, SEAT, 37"
4. 115141-02	CLOSEOUT, UNDER BOOTH SEAT, 15"
5. 966987-6	DOOR, 13.06 X 7.75, BOOTH SEAT
6. 203439	STORAGE BOX, 17"L X 11.13"W X 6.38"
7. 966986-7	DOOR, 13.07 X 7.75 BOOTH SEAT
8. 381847-01	HINGE PIANO ANGLE, 46"
9. 381228-01	CATCH GRABBER DOOR
114070	EXTRUSION, J-TRIM
114812	ALUMINUM ANGLE, 1.00" X 1.00"
966988	CLOSEOUT UNDER DINETTE SEAT

2009 INTERNATIONAL TRAVEL TRAILER

FURNITURE, GALLEY

Dinette Seats, 28' Signature, Ocean Breeze

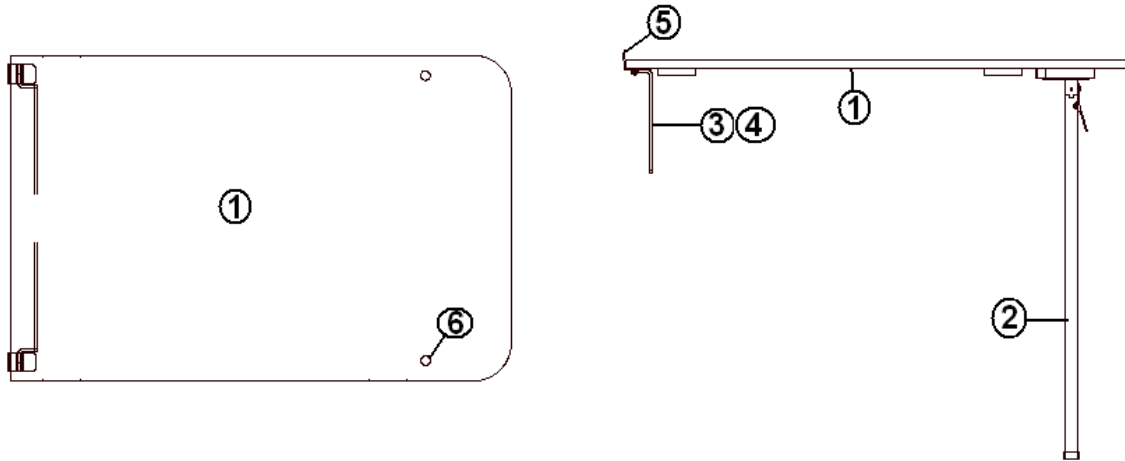


- | | |
|---------------|--|
| 966986-01 | SEAT ASSY, FORWARD BOOTH, OCEAN BREEZE |
| 966987-01 | SEAT ASSY, AFT BOOTH, OCEAN BREEZE |
| 1. 801446 | SEAT, DINETTE, CONTOURED |
| 2. 115140 | LEG-DINETTE BASE |
| 3. 115141 | CLOSEOUT, BOTTOM, SEAT, 37" |
| 4. 115141-02 | CLOSEOUT, UNDER BOOTH SEAT, 15" |
| 5. 966987-016 | DOOR, 13.06 X 7.75, BOOTH SEAT, OCEAN BREEZE |
| 6. 203439 | STORAGE BOX, 17"L X 11.13"W X 6.38" |
| 7. 966986-017 | DOOR, 13.07 X 7.75 BOOTH SEAT, OCEAN BREEZE |
| 8. 381847-01 | HINGE PIANO ANGLE, 46" |
| 9. 381228-01 | CATCH GRABBER DOOR |
| 114070 | EXTRUSION, J-TRIM |
| 114812 | ALUMINUM ANGLE, 1.00" X 1.00" |
| 966988-01 | CLOSEOUT UNDER DINETTE SEAT |

2009 INTERNATIONAL TRAVEL TRAILER

FURNITURE, GALLEY

Dinette Table, 25' SS, 28', Signature, Wenge

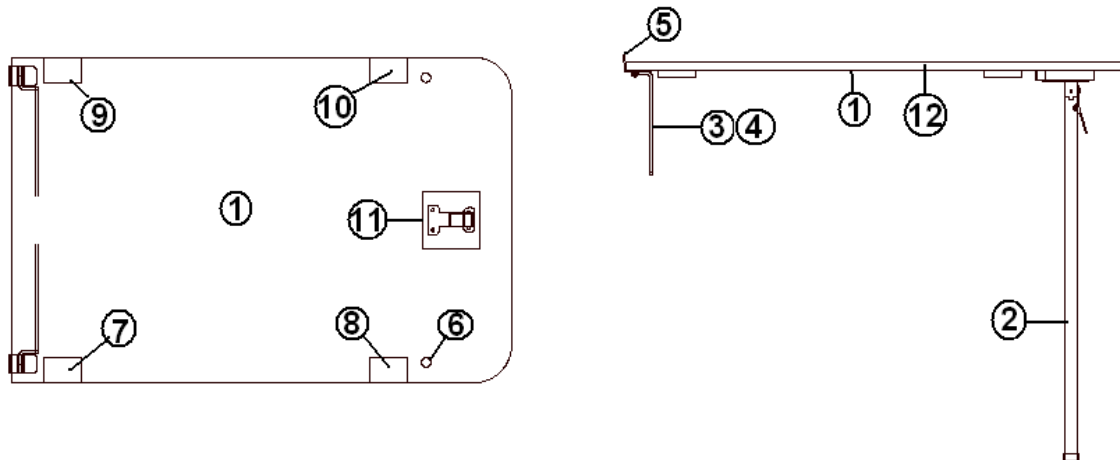


- | | |
|--------------|----------------------------------|
| 966989 | TABLE ASSY, DINETTE |
| 1. 966989-1 | PANEL, 32" X 39" |
| 2. 700065-01 | LEG-SNAPO FOLDING, 30.5IN CHROME |
| 3. 380284-02 | TABLE HINGE BRACKET |
| 4. 380284-03 | TABLE HINGE BRACKETS |
| 5. 340018 | CATCH PLATE J-1 |
| 6. 381136 | RUBBER BUMPER |

2009 INTERNATIONAL TRAVEL TRAILER

FURNITURE, GALLEY

Dinette Table, 25' SS, 28', Signature, Ocean Breeze

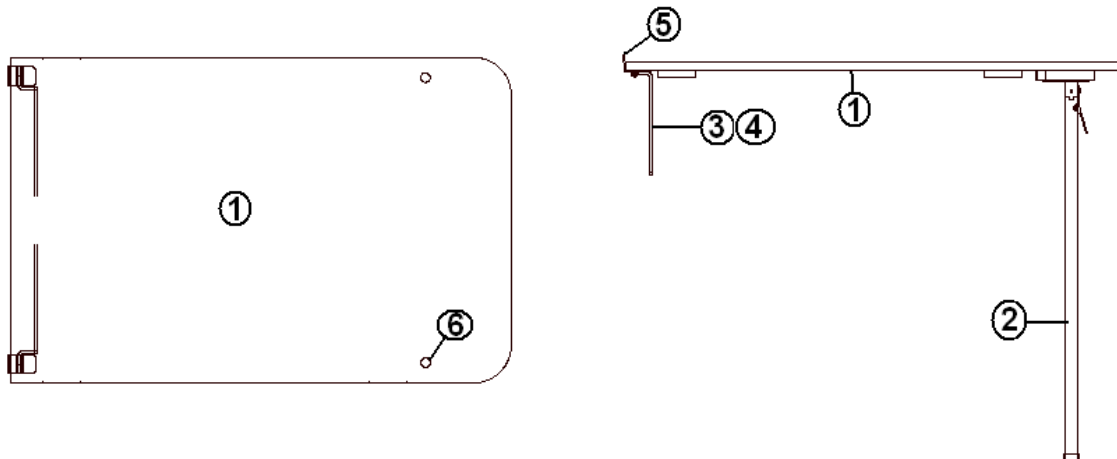


966989-01	TABLE ASSY, DINETTE
1. 966989-011	PANEL, 32" X 39"
2. 700065-01	LEG-SNAPO FOLDING, 30.5IN CHROME
3. 380284-02	TABLE HINGE BRACKET
4. 380284-03	TABLE HINGE BRACKETS
5. 340018	CATCH PLATE J-1
6. 381136	RUBBER BUMPER
7. 966989-018	PANEL, 2" X 3"
8. 966989-019	PANEL, 2" X 3"
9. 966989-0110	PANEL, 2" X 3
10. 966989-011	PANEL, 2" X 3"
11. 966989-012	PANEL, 4.63" X 4.63"
12. 115177	Trim, counter top, aluminum

2009 INTERNATIONAL TRAVEL TRAILER

FURNITURE, GALLEY

Dinette Table, 25' SS, 28', Signature, Sand Crystal



- | | |
|--------------|----------------------------------|
| 967155 | TABLE ASSY, DINETTE |
| 1. 967155-1 | TABLE TOP, SAND CRYSTAL |
| 2. 700065-01 | LEG-SNAPO FOLDING, 30.5IN CHROME |
| 3. 380284-02 | TABLE HINGE BRACKET |
| 4. 380284-03 | TABLE HINGE BRACKETS |
| 5. 340018 | CATCH PLATE J-1 |
| 6. 381136 | RUBBER BUMPER |

2009 INTERNATIONAL TRAVEL TRAILER

FURNITURE, GALLEY

SILVERWARE TRAY

200980-01 TRAY, SILVERWARE, ALMOND, 9" X 13"

CHAIR/MAGAZINE RACKS

386106-01 Magazine rack

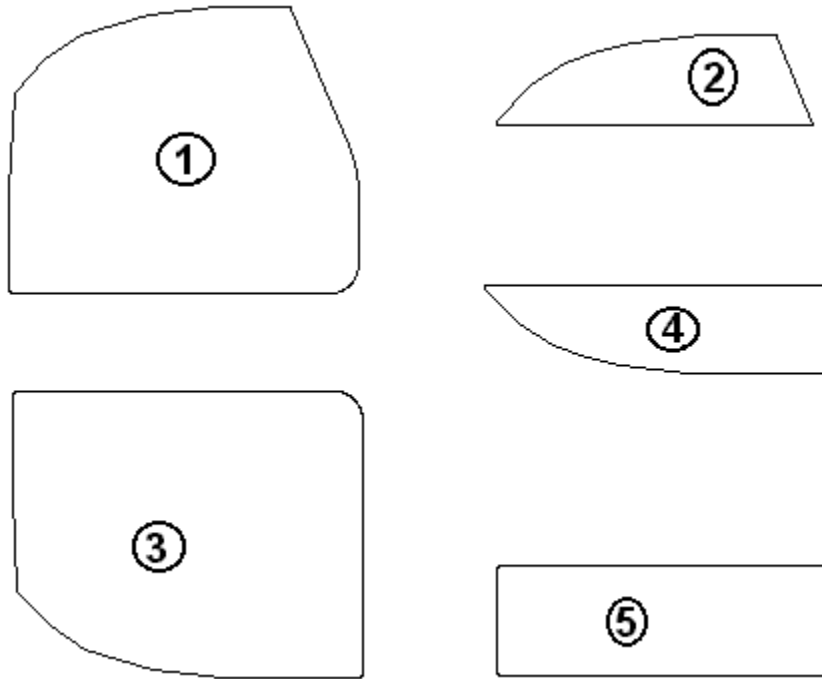
386107 Magazine rack rod

703712 CHAIR, TRIPOLINA, 16' DWR

2009 INTERNATIONAL TRAVEL TRAILER

FURNITURE, LOUNGE

Dinette Seat Cushions, 16', 19', Signature, Wenge

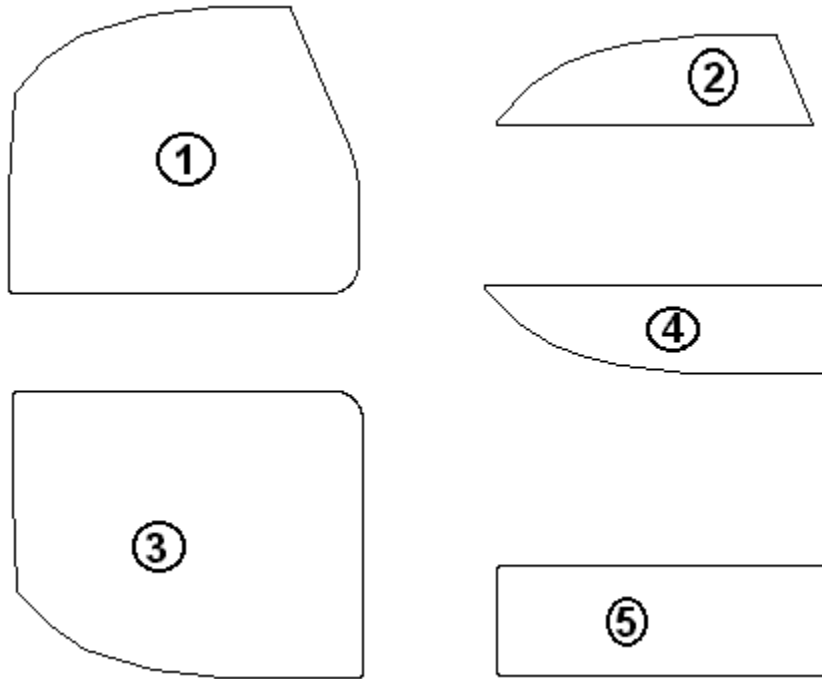


- | | |
|----------------|---------------------------------|
| 1. 998150-01 | SEAT ASSEMBLY-CS DINETTE |
| 1a. 703368-01 | FOAM-SEAT CS DINETTE |
| 1b. 998150-101 | COVER, CS DINETTE SEAT |
| 2. 998150-02 | FILLER ASSEMBLY-CS DINETTE BACK |
| 2a. 703368-02 | CS BACK FILLER |
| 2b. 998150-102 | COVER, CS DINETTE BACK |
| 3. 998150-04 | SEAT ASSEMBLY-RS DINETTE |
| 3a. 703368-04 | FOAM-RS DINETTE SEAT |
| 3b. 998150-104 | COVER, RS DINETTE SEAT |
| 4. 998150-05 | FILLER ASSEMBLY-RS DINETTE SEAT |
| 4a. 703368-05 | FOAM-RS BACK FILLER |
| 4b. 998150-106 | COVER, RS DINETTE SEAT FILLER |
| 5. 998150-06 | BACK REST ASSEMBLY-RS DINETTE |
| 5a. 703368-06 | FOAM-RS BACK REST |
| 5b. 998150-106 | COVER, BACK REST ASSEMBLY |
| 700022 | ZIPPER |
| 700020 | PILE VELCRO |
| 700021 | HOOK, VELCRO, WHITE |
| 703446 | SILK FILM SHEETING #SFS 36 AIR |

2009 INTERNATIONAL TRAVEL TRAILER

FURNITURE, LOUNGE

Dinette Seat Cushions, 16', 19', Signature, Ocean Breeze

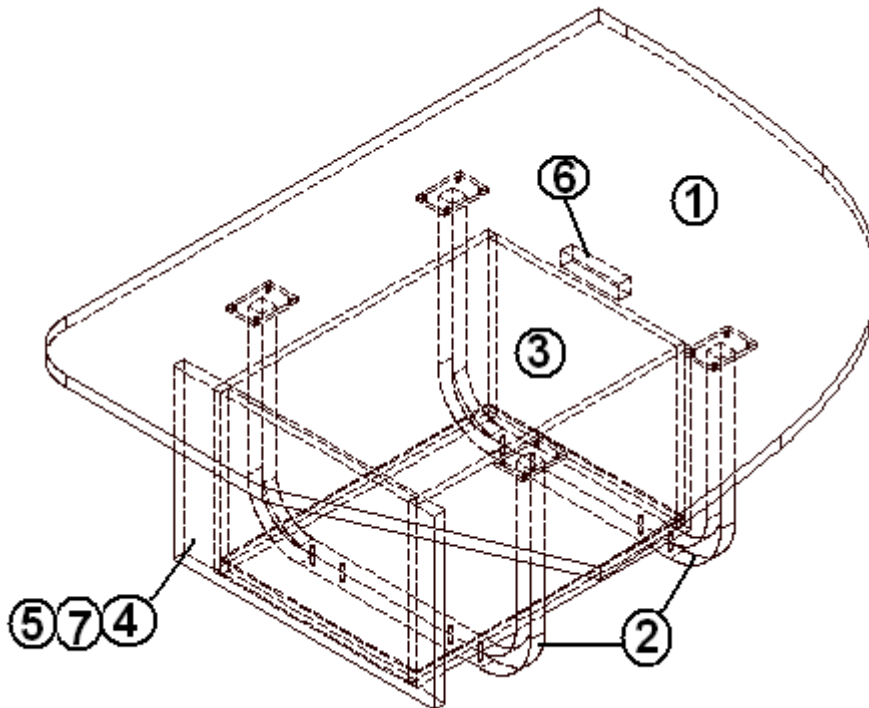


- 1. 998150-01OB SEAT ASSEMBLY-CS DINETTE
- 1a. 703368-01 FOAM-SEAT CS DINETTE
- 1b. 998150-101OB COVER, CS DINETTE SEAT
- 2. 998150-02 FILLER ASSEMBLY-CS DINETTE BACK
- 2a. 703368-02 CS BACK FILLER
- 2b. 998150-102OB COVER, CS DINETTE BACK
- 3. 998150-04OB SEAT ASSEMBLY-RS DINETTE
- 3a. 703368-04 FOAM-RS DINETTE SEAT
- 3b. 998150-104OB COVER, RS DINETTE SEAT
- 4. 998150-05 FILLER ASSEMBLY-RS DINETTE SEAT
- 4a. 703368-05 OB FOAM-RS BACK FILLER
- 4b. 998150-105OB COVER, RS DINETTE SEAT FILLER
- 5. 998150-06 BACK REST ASSEMBLY-RS DINETTE
- 5a. 703368-06 FOAM-RS BACK REST
- 5b. 998150-106OB COVER, BACK REST ASSEMBLY
- 700022 ZIPPER
- 700020 PILE VELCRO
- 700021 HOOK, VELCRO, WHITE
- 703446 SILK FILM SHEETING #SFS 36 AIR

2009 INTERNATIONAL TRAVEL TRAILER

FURNITURE, LOUNGE

Dinette Seat, 16', 19', Signature, Curbside, Wenge

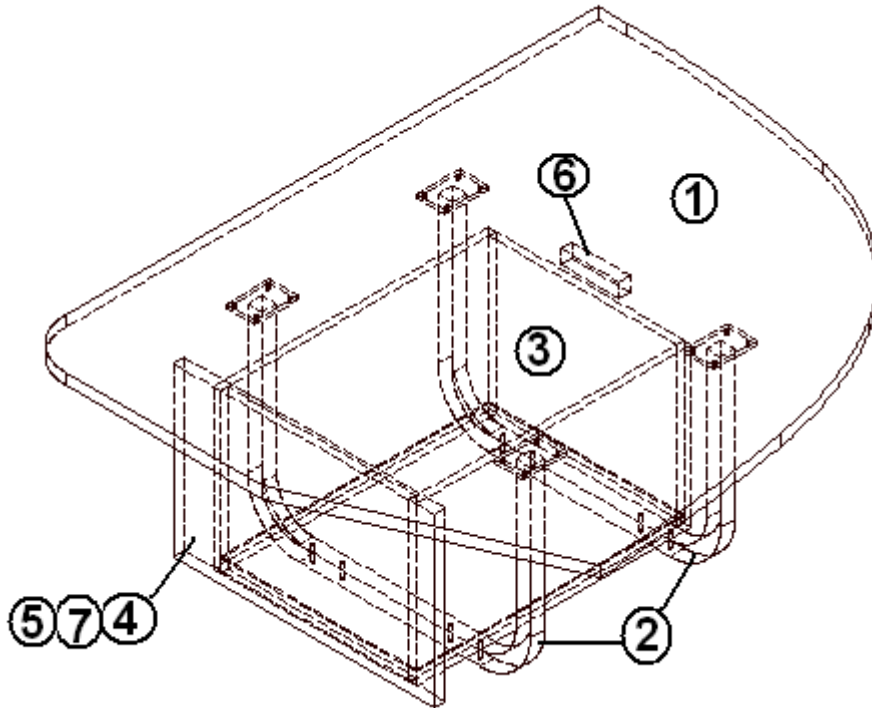


966961	SEAT ASSY, CS DINETTE
1. 966961-1	PANEL, 33.38 X 40.19
2. 454177	LEG, DINETTE ALUM
3. 964909-11	DRAWER BOX ASSY, 10" X 14.00 X 19
4. 966961-4	PANEL, 18 X 11.5
5. 381833-01	DRAWER SLIDE, UNDER SHELF 18"PR
6. 800581-01	LUMBER, OAK, 13/16 X 1.5
7. 381074	CATCH BULL DOG

2009 INTERNATIONAL TRAVEL TRAILER

FURNITURE, LOUNGE

Dinette Seat, 16', 19', Signature, Curbside, Ocean Breeze

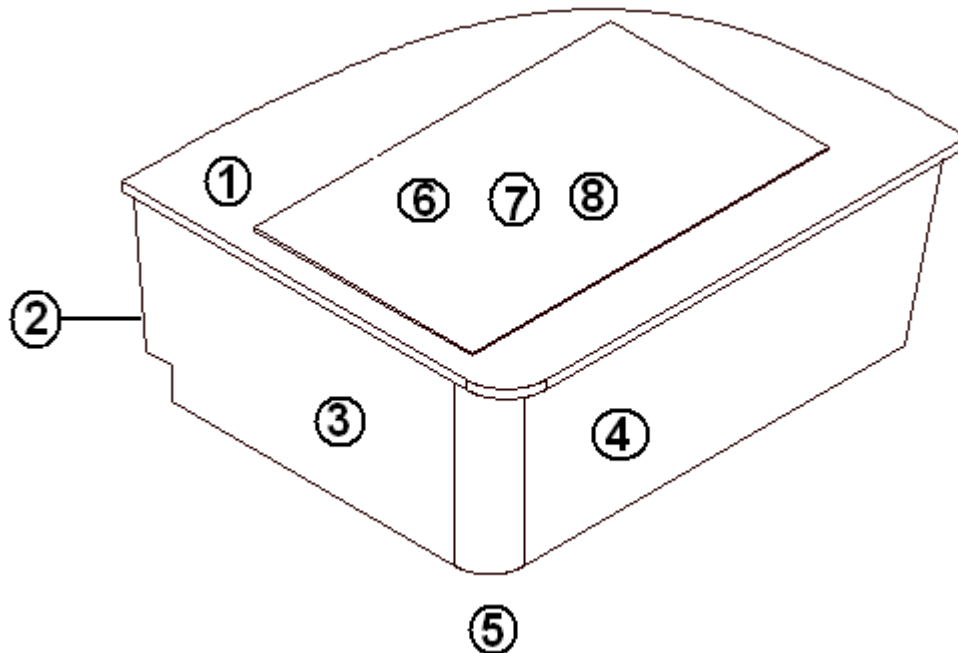


966961-01	SEAT ASSY, CS DINETTE
1. 966961-011	PANEL, 33.38 X 40.19
2. 454177	LEG, DINETTE ALUM
3. 964909-11	DRAWER BOX ASSY, 10" X 14.00 X 19
4. 966961-014	PANEL, 18 X 11.5
5. 381833-01	DRAWER SLIDE, UNDER SHELF 18"PR
6. 800581-01	LUMBER, OAK, 13/16 X 1.5
7. 381074	CATCH BULL DOG

2009 INTERNATIONAL TRAVEL TRAILER

FURNITURE, LOUNGE

Dinette Seat, 16', 19', Signature, Roadside, Wenge

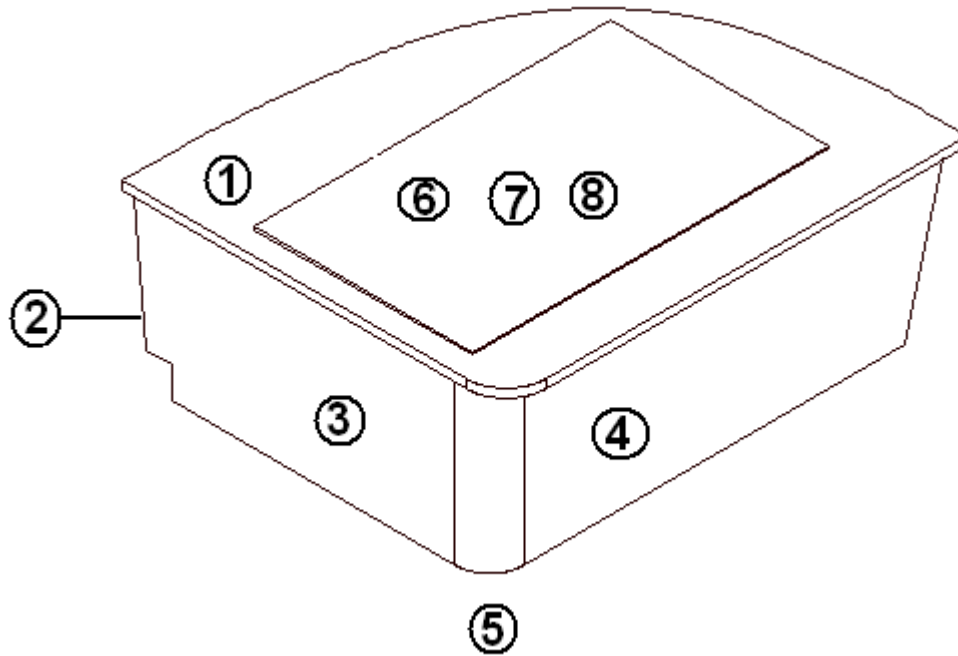


966962	SEAT, ROADSIDE DINETTE
1. 966962-1	PANEL, 33.44 X 40.19
2. 966964	SUB ASSY-RS DINETTE
3. 966964-1	RS DIN SUB ASSY, 28 X 13.88
4. 966964-2	RS DIN SUB ASSY-37.03 X 13.88
5. 801345	RADIUS PLYWOOD, .75"X 3"X 8'
6. 966962-5	LUAN PANEL, 31.13 X 19
7. 966962-6	LUAN PANEL, 28.75 X 16.88
8. 701538-01	CARPET-ECONOLIER

2009 INTERNATIONAL TRAVEL TRAILER

FURNITURE, LOUNGE

Dinette Seat, 16', 19', Signature, Roadside, Ocean Breeze

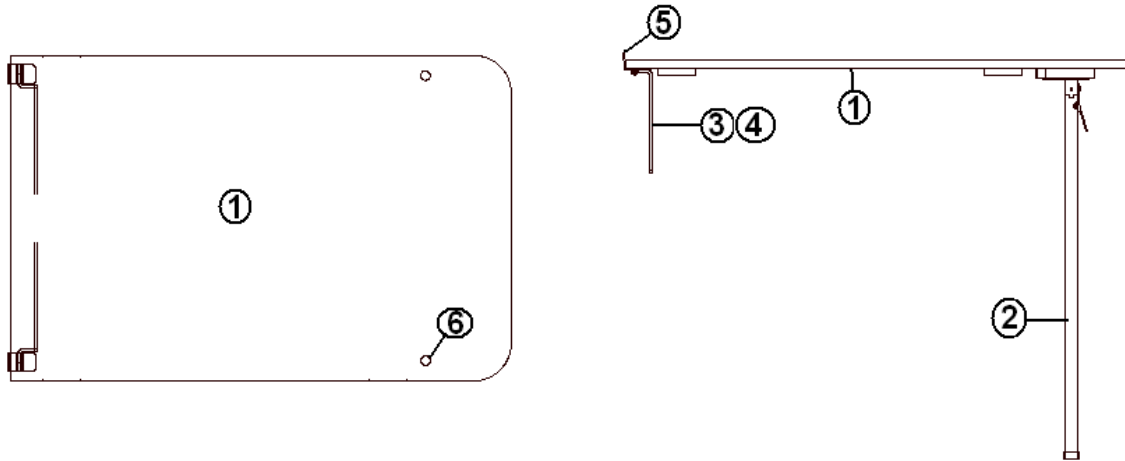


966962-01	SEAT, ROADSIDE DINETTE
1. 966962-011	PANEL, 33.44 X 40.19
2. 966964-01	SUB ASSY-RS DINETTE
3. 966964-011	RS DIN SUB ASSY, 28 X 13.88
4. 966964-012	RS DIN SUB ASSY-37.03 X 13.88
5. 801345	RADIUS PLYWOOD, .75"X 3"X 8'
6. 966962-5	LUAN PANEL, 31.13 X 19
7. 966962-6	LUAN PANEL, 28.75 X 16.88
8. 701538-01	CARPET-ECONOLIER

2009 INTERNATIONAL TRAVEL TRAILER

FURNITURE, LOUNGE

Dinette Table, 16', 19', Signature, Wenge

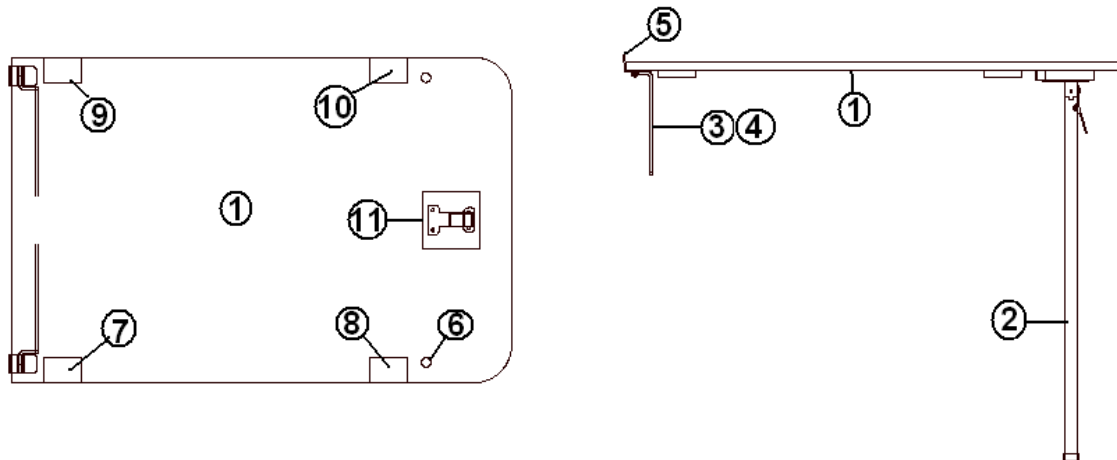


966963	TABLE ASSY, DINETTE
1. 966963-1	PANEL, 26" X 40"
2. 381881-04	LEG, FOLDING TABLE
3. 380284-02	TABLE HINGE BRACKET
4. 380284-03	TABLE HINGE BRACKETS
5. 340018	CATCH PLATE J-1
6. 381136	RUBBER BUMPER

2009 INTERNATIONAL TRAVEL TRAILER

FURNITURE, LOUNGE

Dinette Table, 16', 19', Signature, Ocean Breeze

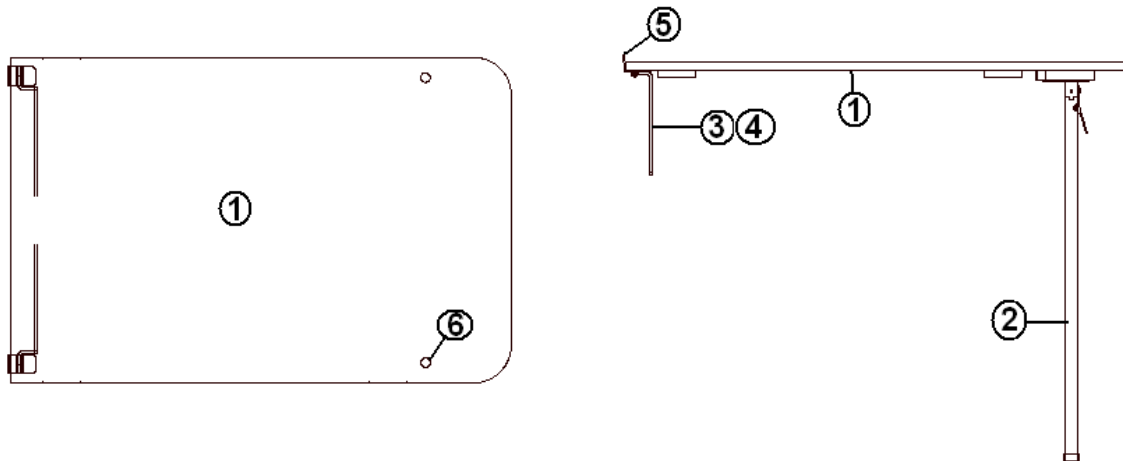


966963-01	TABLE ASSY, DINETTE
1. 966963-011	PANEL, 26" X 40"
2. 381881-04	LEG, FOLDING TABLE
3. 380284-02	TABLE HINGE BRACKET
4. 380284-03	TABLE HINGE BRACKETS
5. 340018	CATCH PLATE J-1
6. 381136	RUBBER BUMPER
7. 966963-018	PANEL, 2" X 3"
8. 966963-019	PANEL, 2" X 3"
9. 966963-0110	PANEL, 2" X 3
10. 966963-0111	PANEL, 2" X 3"
11. 966963-0112	PANEL, 4.63" X 4.63"

2009 INTERNATIONAL TRAVEL TRAILER

FURNITURE, LOUNGE

Dinette Table, 16', 19', Signature, Sand Crystal

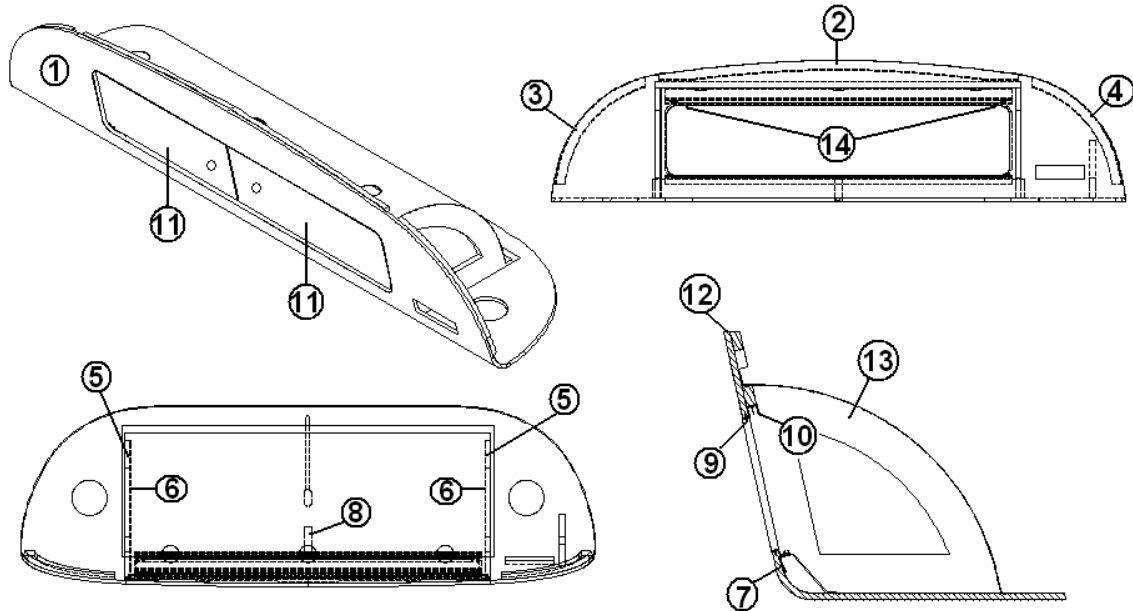


- | | |
|--------------|------------------------------------|
| 967153 | TABLE ASSY, DINETTE |
| 1. 967153-1 | TABLE TOP, 26" X 40", SAND CRYSTAL |
| 2. 381881-04 | LEG, FOLDING TABLE |
| 3. 380284-02 | TABLE HINGE BRACKET |
| 4. 380284-03 | TABLE HINGE BRACKETS |
| 5. 340018 | CATCH PLATE J-1 |
| 6. 381136 | RUBBER BUMPER |

2009 INTERNATIONAL TRAVEL TRAILER

FURNITURE, LOUNGE

Roof Locker, 16', 19', 23' D, Signature, Front End, Wenge

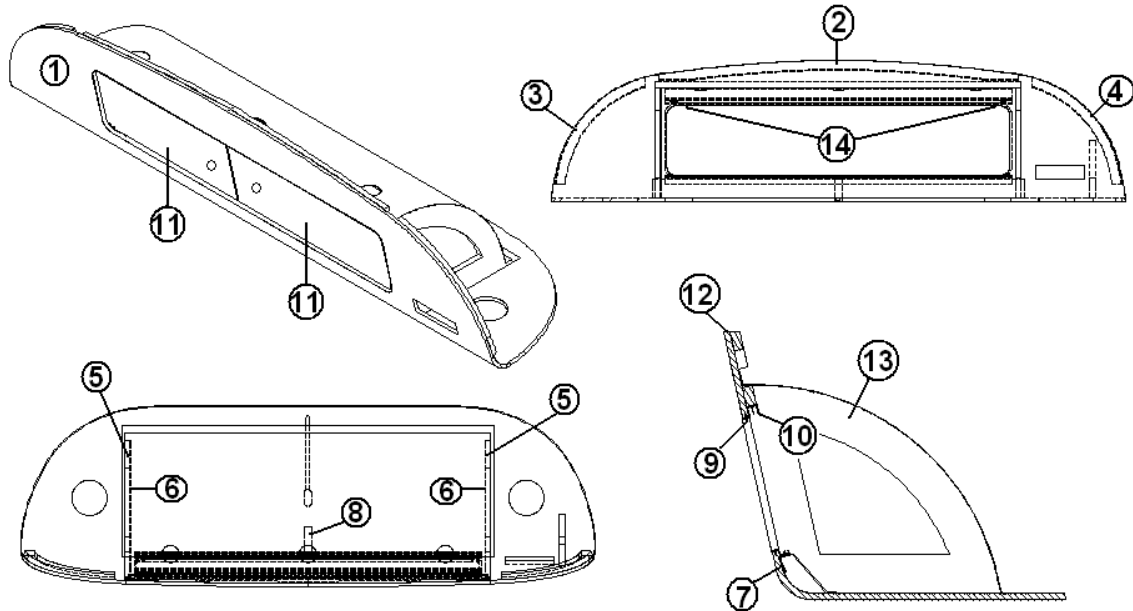


966942	LINER LOCKER ASSY
1. 801731	FACE-LINER LOCKER NB FRONT
2. 801596-01	BACKER, LINER LOCKER CENTER
3. 801596-02	BACKER, LINER LOCKER LH
4. 801596-03	BACKER, LINER LOCKER RH
5. 801594	DIVIDER, LINER LOCKER
6. 801595	DIVIDER LINER LOCKER
7. 115261-02	ANGLE FORMED, TRACK SUPPORT
8. 115226-01	BRACKET, FORMED LOCKER SUPPORT
9. 203445-01	T-MOLDING, 5625", WHITE
10. 203388	TRACK, SLIDING DOOR
11.965563-09	DOOR, PLEXIGLASS, 11.31" x 26
12.201673	REVERSE COVE MOLDING, WHITE
13.115264-02	PAN, LINER LOCKER
14.454613	SPRING, LEAF

2009 INTERNATIONAL TRAVEL TRAILER

FURNITURE, LOUNGE

Roof Locker, 16', 19', 23' D, Signature, Front End, Ocean Breeze

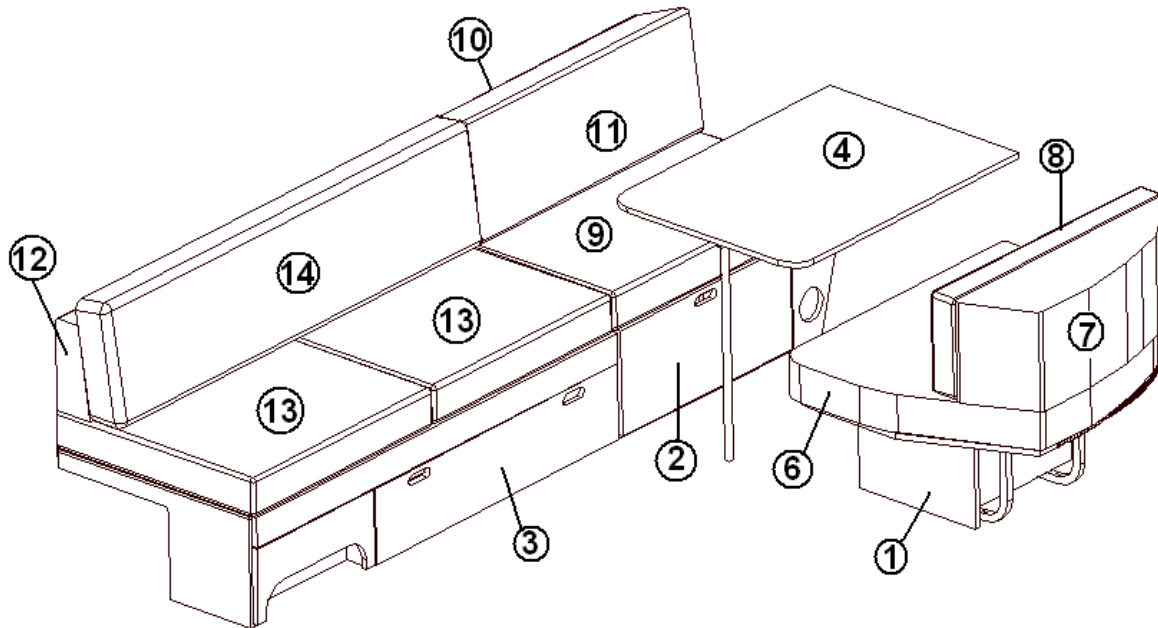


966942-01	LINER LOCKER ASSY.
1. 801731	FACE-LINER LOCKER NB FRONT
2. 801596-01	BACKER, LINER LOCKER CENTER
3. 801596-02	BACKER, LINER LOCKER LH
4. 801596-03	BACKER, LINER LOCKER RH
5. 801594	DIVIDER, LINER LOCKER
6. 801595	DIVIDER LINER LOCKER
7. 115261-02	ANGLE FORMED, TRACK SUPPORT
8. 115226-01	BRACKET, FORMED LOCKER SUPPORT
9. 203508-01	T-MOLDING, 5625"
10. 203388	TRACK, SLIDING DOOR
11. 203357-02	DOOR, LUMICOR, 11.31"X 26"
12. 201673	REVERSE COVE MOLDING, WHITE
13. 115264-02	PAN, LINER LOCKER
14. 454613	SPRING, LEAF

2009 INTERNATIONAL TRAVEL TRAILER

FURNITURE, LOUNGE

Dinette/Sofa Assembly, 23' D Signature

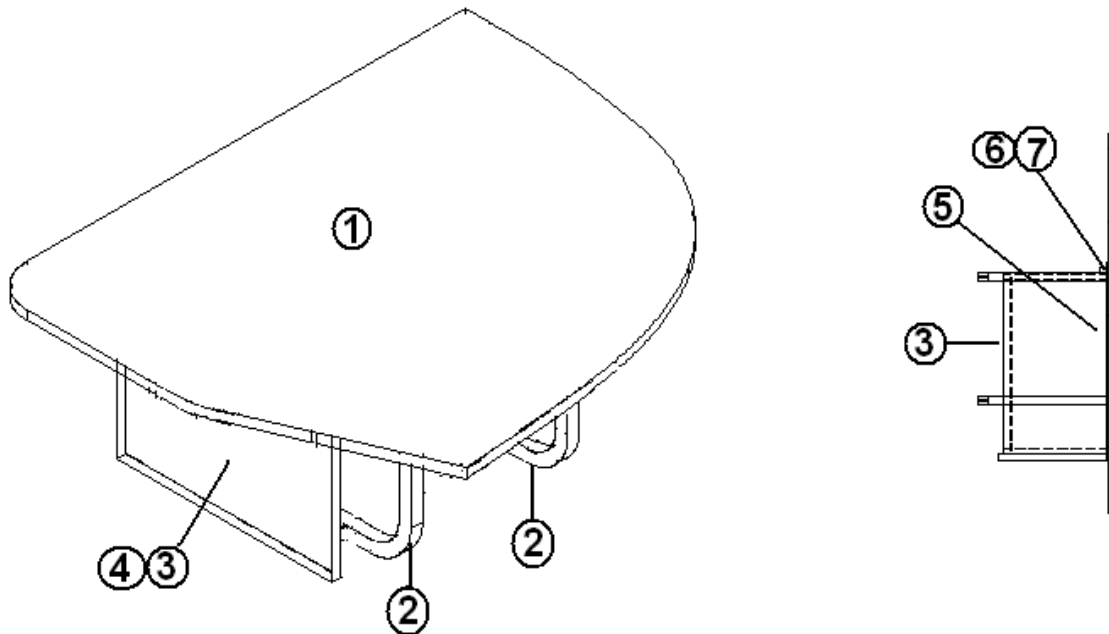


- | | |
|---------------|--------------------------------------|
| 1. 966928 | SEAT ASSY. ,CS DINETTE, WENGE |
| 1. 966928-01 | SEAT ASSY. ,CS DINETTE, OCEAN BREEZE |
| 2. 966930 | SEAT ASSY., RS DINETTE, WENGE |
| 2. 966930-01 | SEAT ASSY., RS DINETTE, OCEAN BREEZE |
| 3. 966929 | SOFA ASSY. , WENGE |
| 3. 966929-01 | SOFA ASSY, OCEAN BREEZE |
| 4. 966937 | TABLE ASSY., DINETTE, WENGE |
| 4. 967045-01 | TABLE ASSY., DINETTE, OCEAN BREEZE |
| 4. 967154 | TABLE ASSY., DINETTE, SAND CRYSTAL |
| 5. 703682 | FOAM KIT, DINETTE/LOUNGE CUSHION |
| 6. 998192-01 | SEAT ASSY, FABRIC, CS DINETTE |
| 7. 998192-02 | FABRIC ASSY, CS BACK FILLER |
| 8. 998192-03 | FABRIC ASSY, CS BACK REST |
| 9. 998192-04 | FABRIC ASSY, RS DINETTE SEAT |
| 10. 998192-05 | FABRIC ASSY, RS BACK FILLER |
| 11. 998192-06 | FABRIC ASSY, RS BACK REST |
| 12. 998192-07 | FABRIC, CUSHION WEDGE |
| 13. 998192-08 | FABRIC ASSY, CUSHION LOUNGE BOTTOM |
| 14. 998192-09 | FABRIC ASSY, CUSHION BACK REST |

2009 INTERNATIONAL TRAVEL TRAILER

FURNITURE, LOUNGE

Dinette Seat, 23' D Signature, Curbside, Wenge

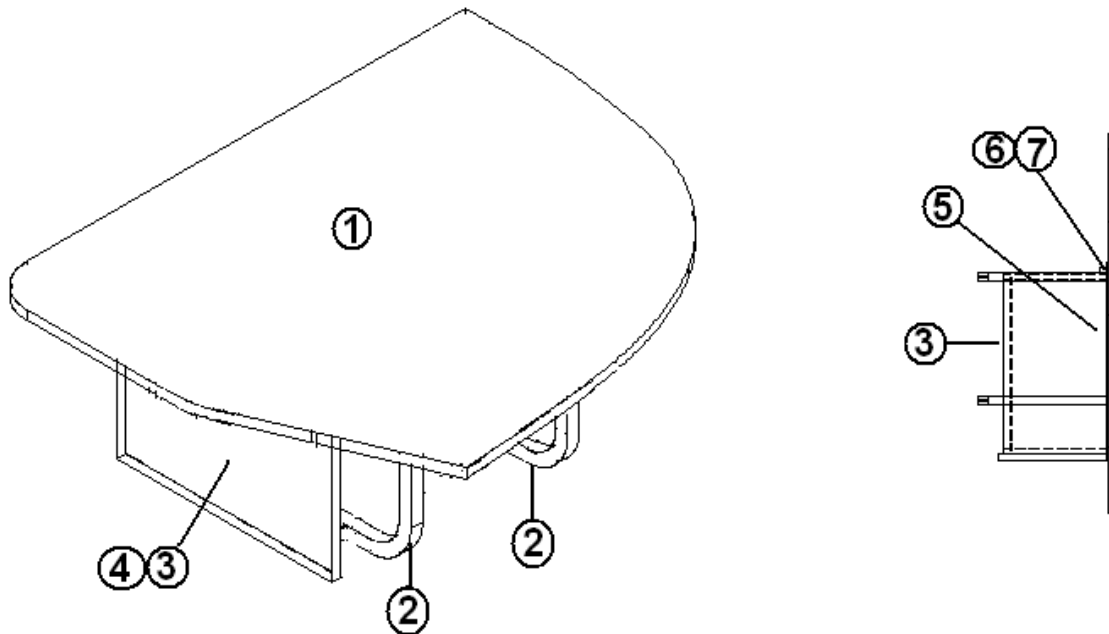


- | | |
|--------------|------------------------------------|
| 966928 | SEAT ASSY CS DINETTE |
| 1. 966928-1 | PANEL, CS SEAT 33.38 X 40.18 |
| 2. 454177 | LEG, DINETTE |
| 3. 964909-11 | DRAWER BOX ASSY, 10" X 14.00 X 19. |
| 4. 966928-4 | DOOR, CS SEAT, 11.50 X 18.00 |
| 5. 381833-01 | DRAWER SLIDE, UNDER SHELF 18"PR |
| 6. 800581-01 | LUMBER, OAK, 13/16 X 1.5" |
| 7. 381074 | CATCH BULL DOG #65S (COPPER) |

2009 INTERNATIONAL TRAVEL TRAILER

FURNITURE, LOUNGE

Dinette Seat, 23' D Signature, Curbside, Ocean Breeze

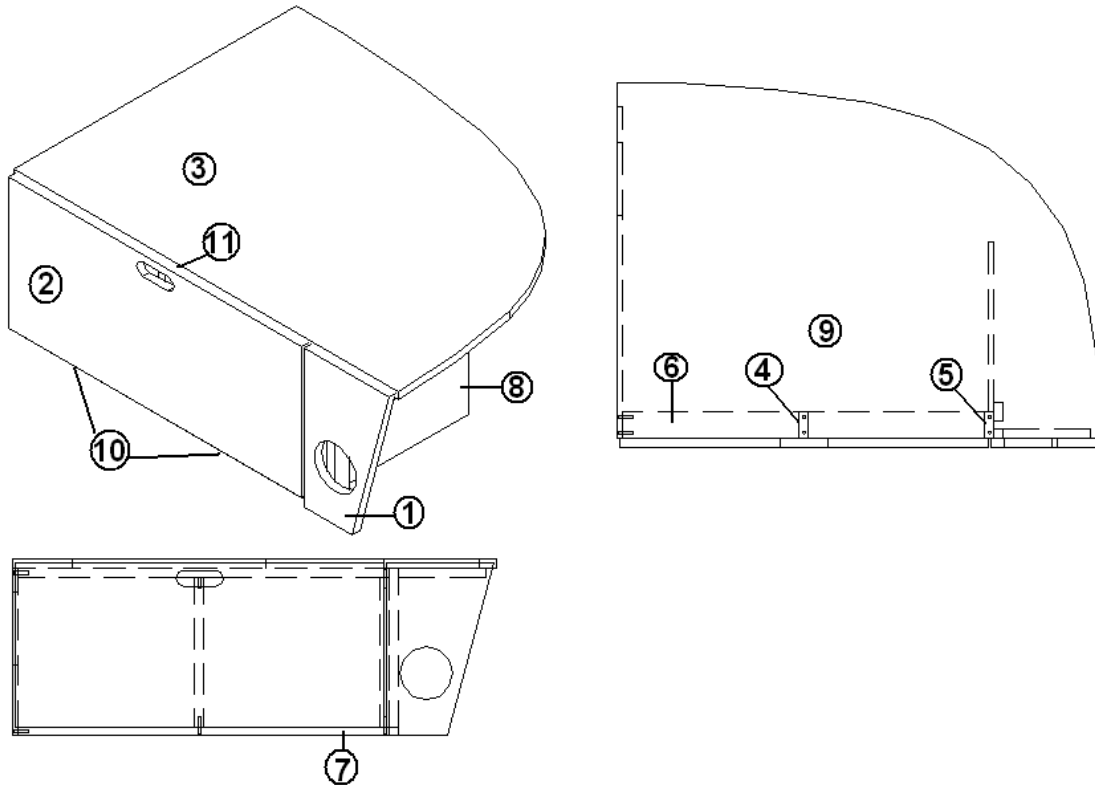


- | | |
|---------------|------------------------------------|
| 966928-01 | SEAT ASSY CS DINETTE |
| 1. 966928-011 | PANEL, CS SEAT 33.38 X 40.18 |
| 2. 454177 | LEG, DINETTE |
| 3. 964909-11 | DRAWER BOX ASSY, 10" X 14.00 X 19. |
| 4. 966928-014 | DOOR, CS SEAT, 11.50 X 18.00 |
| 5. 381833-01 | DRAWER SLIDE, UNDER SHELF 18"PR |
| 6. 800581-01 | LUMBER, OAK, 13/16 X 1.5" |
| 7. 381074 | CATCH BULL DOG #65S (COPPER) |

2009 INTERNATIONAL TRAVEL TRAILER

FURNITURE, LOUNGE

Dinette Seat, 23' D Signature, Roadside, Wenge

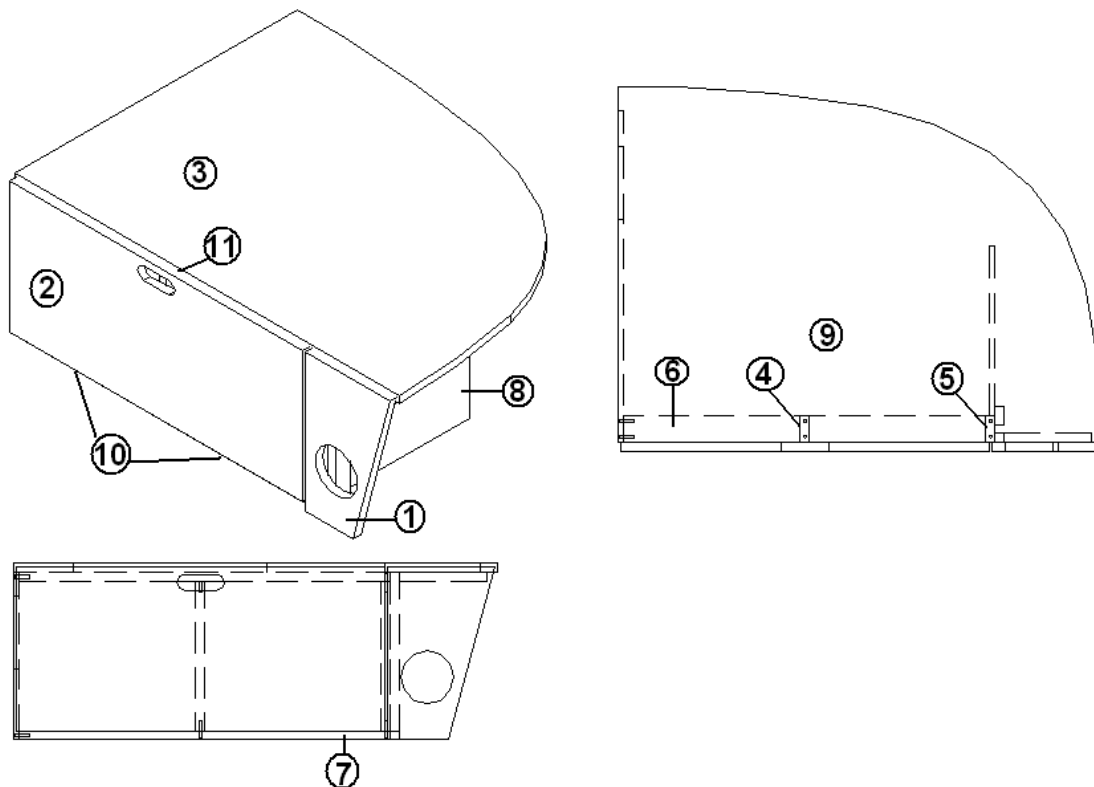


966930 SEAT ASSY RS DINETTE	
1. 966930-1	PANEL, RS DIN SEAT 8.88 X 14.38
2. 966930-2	PANEL, RS DIN SEAT 30.63 X 13.63
3. 966930-3	PANEL, RS DIN SEAT 29.5 X 40.19
4. 966930-4	PANEL, RS DIN SEAT 2.25 X 12.38
5. 966930-5	PANEL, RS DIN SEAT 2.25 X 12.38
6. 966930-6	PANEL, RS DIN SEAT 2.25 X 30.75
7. 966930-7	PANEL, RS DIN SEAT 2.25 X 30.75
8. 966930-8	PANEL, RS DIN SEAT 27.5 X 13.88
9. 966930-15	PANEL, RS DIN SEAT 14.00 X 13.88
10. 381775	DRAWER PULL
11. 381072	HINGE 3" X 1 7/8" OPEN GOLD
12. 381228-01	CATCH GRABBER DOOR

2009 INTERNATIONAL TRAVEL TRAILER

FURNITURE, LOUNGE

Dinette Seat, 23' D Signature, Roadside, Ocean Breeze

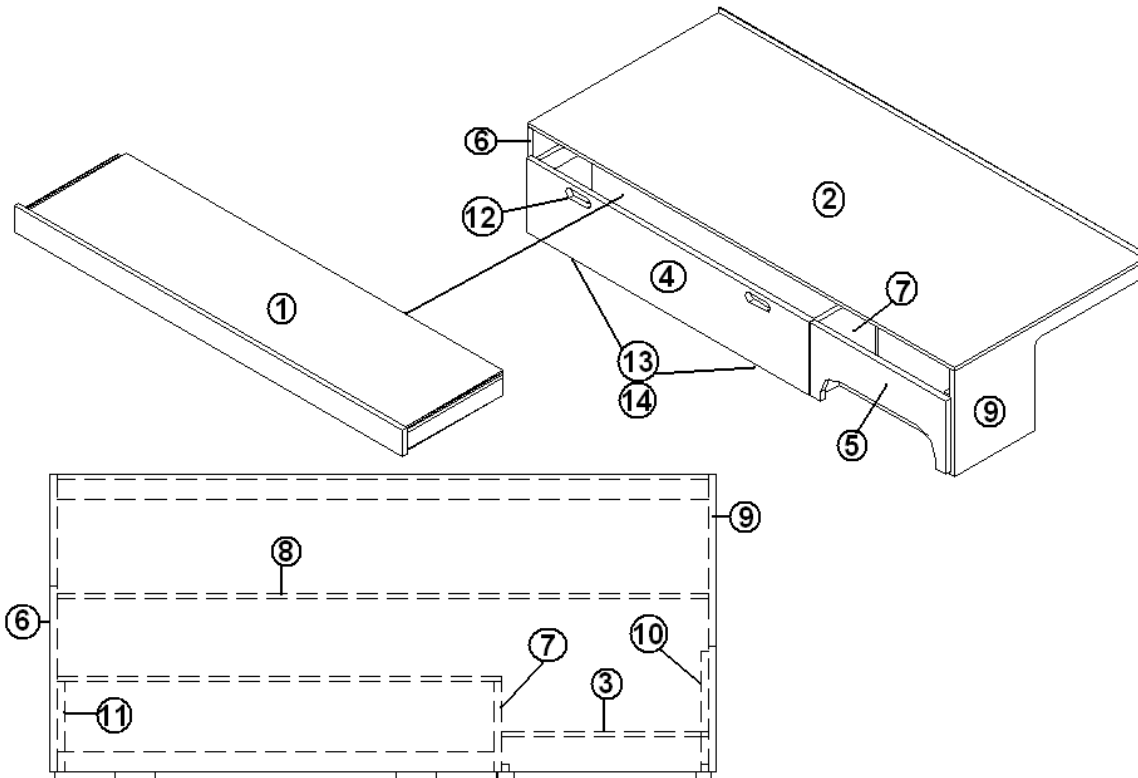


966930-01	SEAT ASSY RS DINETTE
1. 966930-011	PANEL, RS DIN SEAT 8.88 X 14.38
2. 966930-012	PANEL, RS DIN SEAT 30.63 X 13.63
3. 966930-013	PANEL, RS DIN SEAT 29.5 X 40.19
4. 966930-014	PANEL, RS DIN SEAT 2.25 X 12.38
5. 966930-015	PANEL, RS DIN SEAT 2.25 X 12.38
6. 966930-016	PANEL, RS DIN SEAT 2.25 X 30.75
7. 966930-017	PANEL, RS DIN SEAT 2.25 X 30.75
8. 966930-018	PANEL, RS DIN SEAT 27.5 X 13.88
9. 966930-0115	PANEL, RS DIN SEAT 14.00 X 13.88
10. 381775	DRAWER PULL
11. 381072	HINGE 3" X 1 7/8" OPEN GOLD
12. 381228-01	CATCH GRABBER DOOR

2009 INTERNATIONAL TRAVEL TRAILER

FURNITURE, LOUNGE

Sofa, 23' D Signature, Wenge

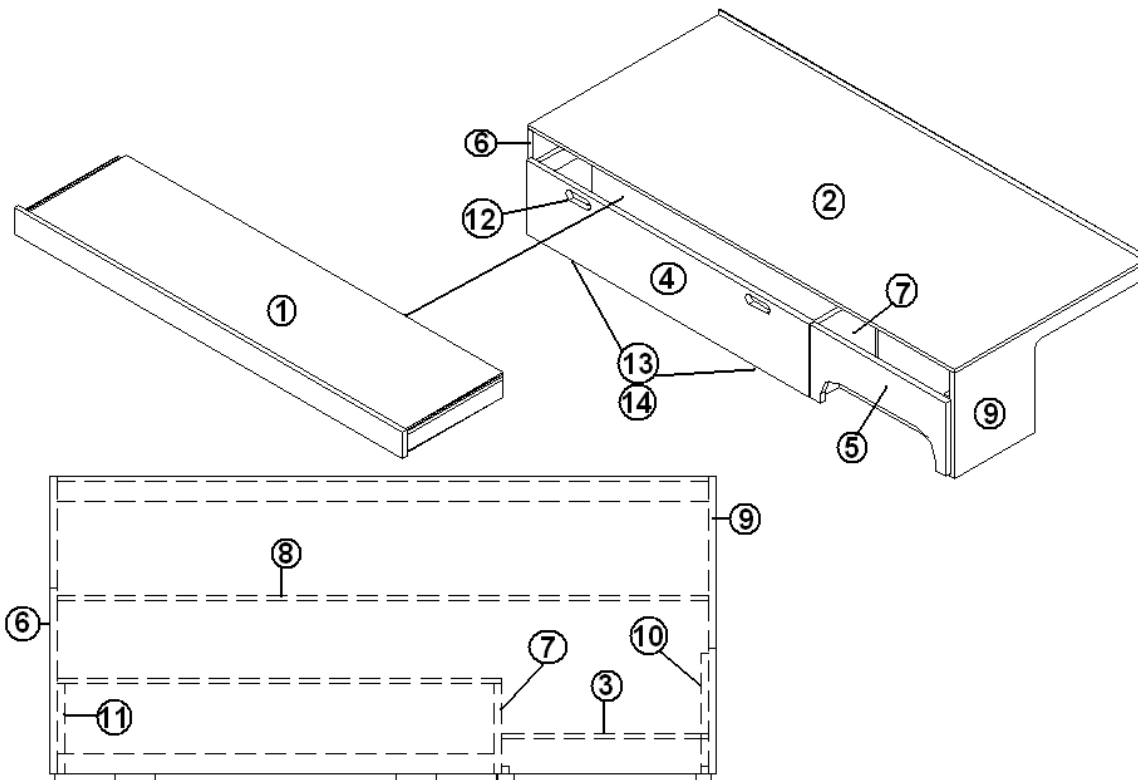


966929	SOFA ASSY.
1. 966888	SOFA BED ASSY.
1. 915811	WELDMENT, SOFA BED
2. 966929-2	PANEL, SOFA, 66.00 X 29.50
3. 966929-3	PANEL, SOFA, 20.5 X 5
4. 966929-4	PANEL, SOFA, 43.88 X 9.88
5. 966929-5	PANEL, SOFA, 21.13 X 9.88
6. 966929-6	PANEL, SOFA, 14.13 X 29.5
7. 966929-7	PANEL, SOFA, 10.13 X 9.00
8. 966929-8	PANEL, SOFA, 10.13 X 44.00
9. 966929-9	PANEL, SOFA, 14.13 X 29.5
10. 966929-10	PANEL, SOFA, 2.25 X 12.00
11. 966929-11	PANEL, SOFA, 2.25 X 9.00
12. 381775	DRAWER PULL
13. 381072	HINGE 3" X 1 7/8" OPEN GOLD
14. 381228-01	CATCH GRABBER DOOR
203447	STORAGE BOX-23.5" X 16.25" X 6.38"

2009 INTERNATIONAL TRAVEL TRAILER

FURNITURE, LOUNGE

Sofa, 23' D Signature, Ocean Breeze

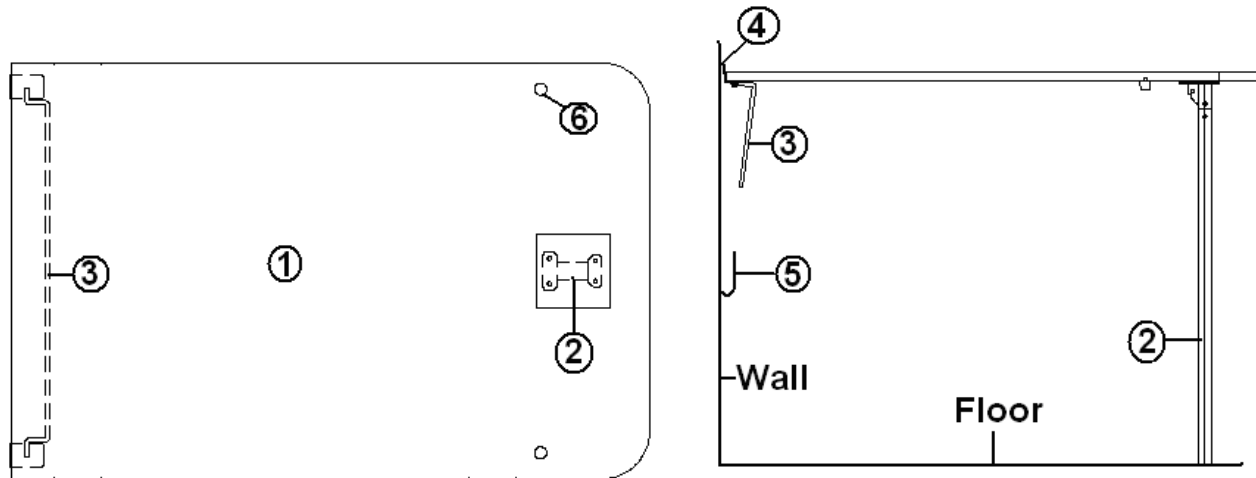


966929-01	SOFA ASSY.
1. 966888-01	SOFA BED ASSY.
1. 915811	WELDMENT, SOFA BED
2. 966929-012	PANEL, SOFA, 66.00 X 29.50
3. 966929-013	PANEL, SOFA, 20.5 X 5
4. 966929-014	PANEL, SOFA, 43.88 X 9.88
5. 966929-015	PANEL, SOFA, 21.13 X 9.88
6. 966929-016	PANEL, SOFA, 14.13 X 29.5
7. 966929-017	PANEL, SOFA, 10.13 X 9.00
8. 966929-018	PANEL, SOFA, 10.13 X 44.00
9. 966929-019	PANEL, SOFA, 14.13 X 29.5
10. 966929-0110	PANEL, SOFA, 2.25 X 12.00
11. 966929-0111	PANEL, SOFA, 2.25 X 9.00
12. 381775	DRAWER PULL
13. 381072	HINGE 3" X 1 7/8" OPEN GOLD
14. 381228-01	CATCH GRABBER DOOR
203447	STORAGE BOX-23.5" X 16.25" X 6.38"

2009 INTERNATIONAL TRAVEL TRAILER

FURNITURE, LOUNGE

Dinette Table, 23' D Signature, Wenge

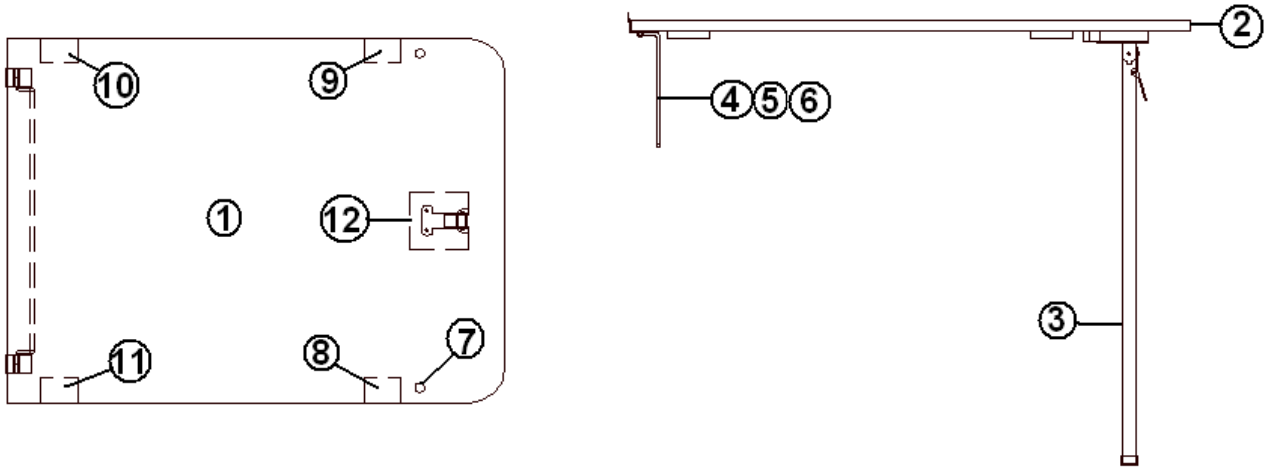


- | | |
|--------------|------------------------------------|
| 966937 | TABLE ASSY, DINETTE |
| 1. 966937-1 | PANEL, DINETTE TABLE 29.31 X 40.00 |
| 2. 381881-04 | LEG-FOLDING TABLE 30.5" |
| 3. 380284-02 | TABLE HINGE BRACKET |
| 4. 380284-03 | TABLE HINGE BRACKETS |
| 5. 340018 | CATCH PLATE J-1 |
| 6. 381136 | RUBBER BUMPER |

2009 INTERNATIONAL TRAVEL TRAILER

FURNITURE, LOUNGE

Dinette Table, 23' D Signature, Ocean Breeze

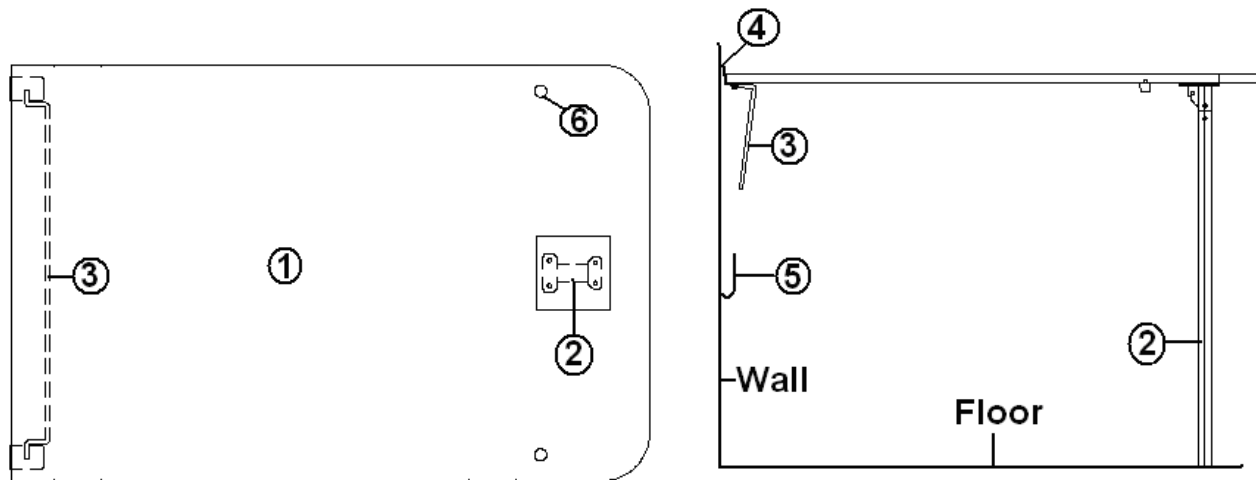


967045-01	TABLE ASSY, DINETTE
1. 967045-011	PANEL, TABLE 29.31 X 40.00
2. 115177	TRIM, COUNTER TOP
3. 381881-04	LEG, FOLDING TABLE 30.5"
4. 380284-02	TABLE HINGE BRACKET
5. 380284-03	TABLE HINGE BRACKETS
6. 340018	CATCH PLATE J-1
7. 381136	RUBBER BUMPER
8. 967045-018	PANEL, TABLE, 2.00 X 3.00
9. 967045-019	PANEL, TABLE, 2.00 X 3.00
10. 967045-0110	PANEL, TABLE, 2.00 X 3.00
11. 967045-0111	PANEL, TABLE, 2.00 X 3.00
12. 967045-0112	PANEL, TABLE, 4.63 X 4.63

2009 INTERNATIONAL TRAVEL TRAILER

FURNITURE, LOUNGE

Dinette Table, 23' D Signature, Sand Crystal

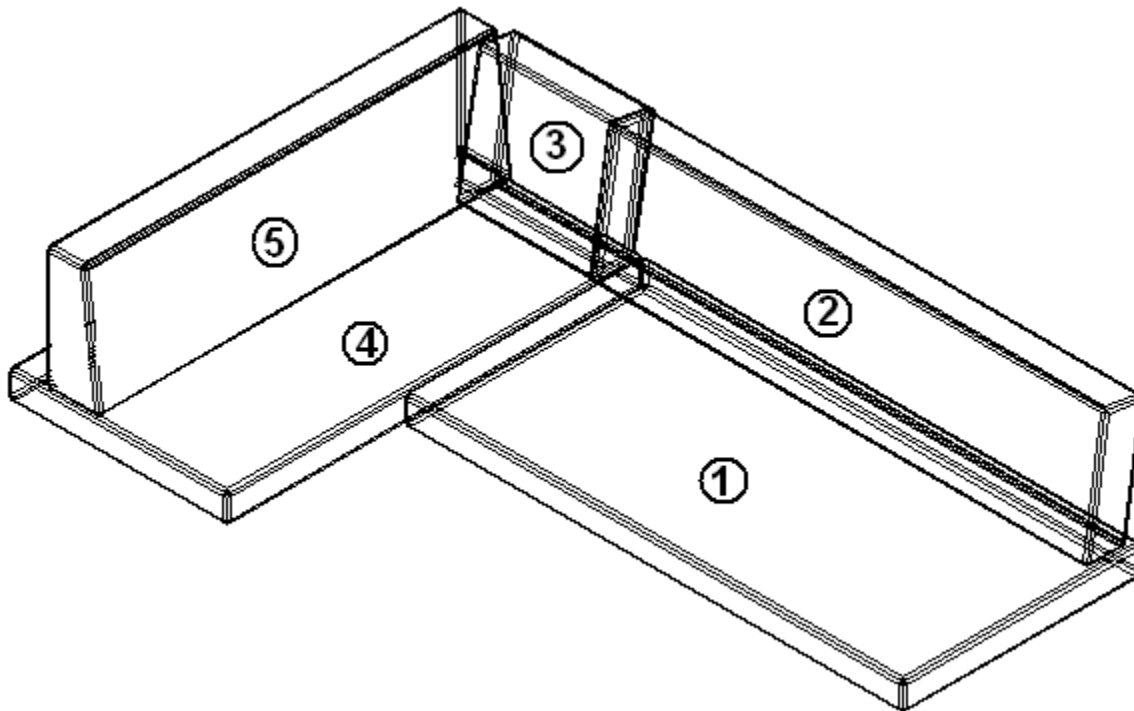


- | | |
|--------------|--|
| 967154 | TABLE ASSY, DINETTE, SAND CRYSTAL |
| 1. 967154-1 | TOP, TABLE 29.31 X 40.00, SAND CRYSTAL |
| 2. 381881-04 | LEG-FOLDING TABLE 30.5" |
| 3. 380284-02 | TABLE HINGE BRACKET |
| 4. 380284-03 | TABLE HINGE BRACKETS |
| 5. 340018 | CATCH PLATE J-1 |
| 6. 381136 | RUBBER BUMPER |

2009 INTERNATIONAL TRAVEL TRAILER

FURNITURE, LOUNGE

Sofa Cushions, 25' Sleep Six, 28', Signature

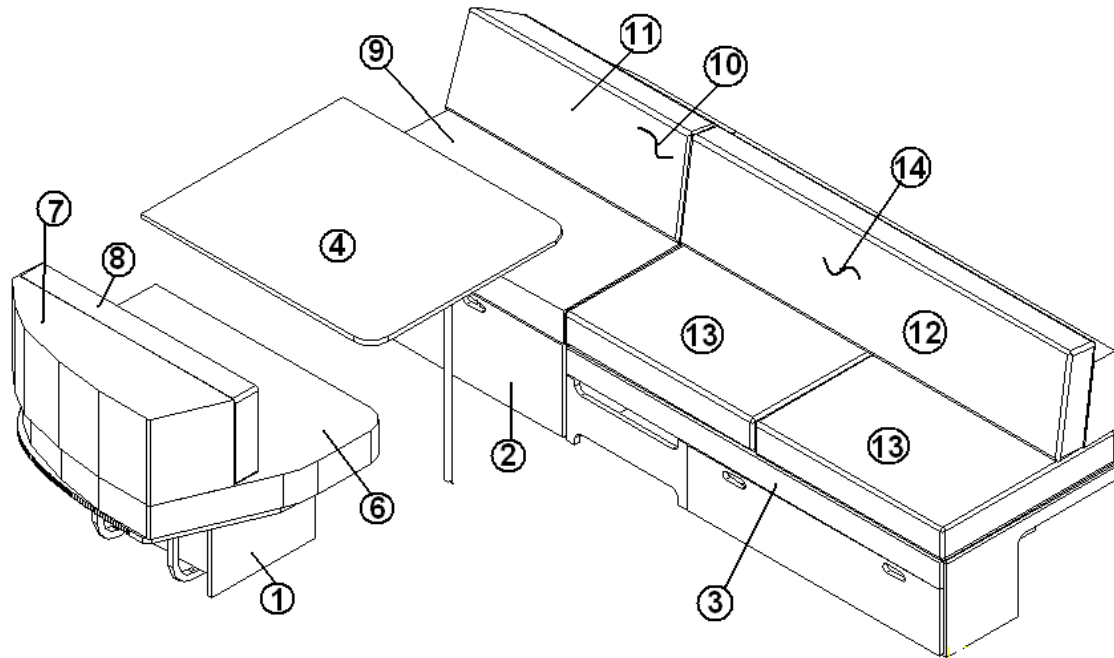


- | | |
|--------------|----------------------------------|
| 703340 | Cushion Kit, sofa |
| 1. 703340-01 | Foam cushion, bottom main |
| 2. 703340-02 | Foam cushion, back, main |
| 3. 703340-03 | Foam Cushion, Small Back Rest |
| 4. 703340-04 | Foam cushion, Base side |
| 5. 703340-05 | Foam Cushion, Back Rest Side |
| 703340-06 | FOAM-CUSHION WEDGE 78" |
| 965812 | CUSHION ASSY-FOAM WEDGE L LOUNGE |

2009 INTERNATIONAL TRAVEL TRAILER

FURNITURE, LOUNGE

Dinette/Sofa Assembly, 25' FB, 27' FB, Signature, Wenge



Parts numbers are on the next page

2009 INTERNATIONAL TRAVEL TRAILER

FURNITURE, LOUNGE

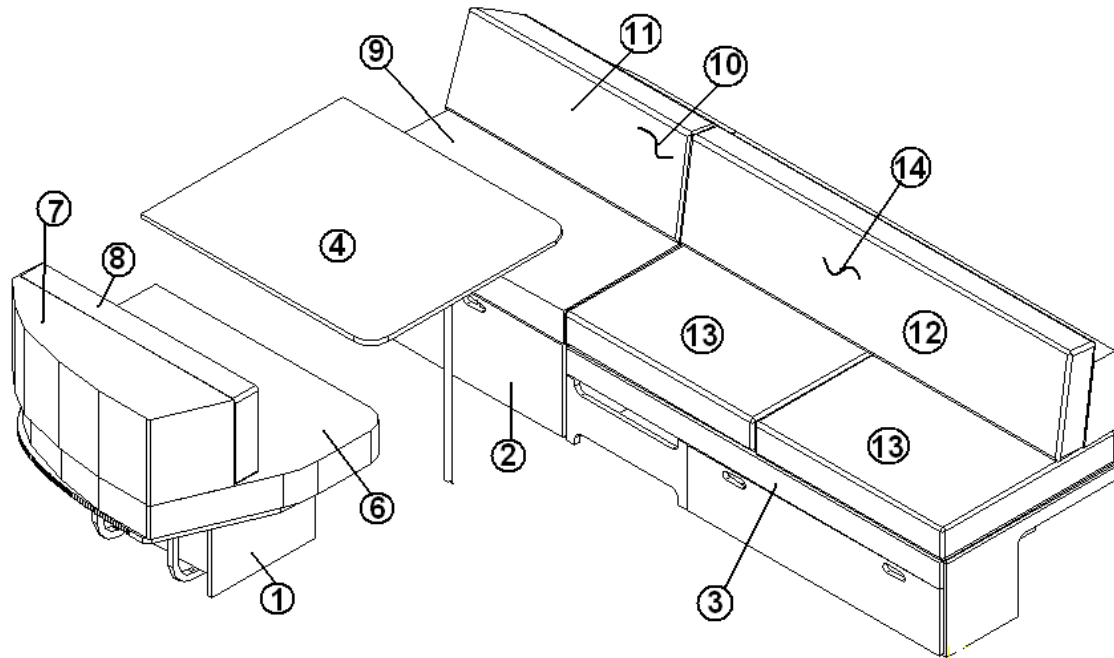
Dinette/Sofa Assembly, 25' FB, 27' FB, Signature, Wenge, Sand Crystal

- | | |
|---------------|-----------------------------------|
| 1. 966889 | SEAT ASSY, CS DINETTE |
| 2. 966890 | SEAT ASSY, RS DINETTE |
| 3. 966887 | SOFA ASSY |
| 4. 966866 | TABLE ASSY, DINETTE, WENGE |
| 4. 967156 | TABLE ASSY, DINETTE, SAND CRYSTAL |
| 5. 703486 | FOAM KIT, LOUNGE/DINETTE |
| 6. 998173-01 | FABRIC ASSY, CS DINETTE SEAT |
| 6. 703486-01 | Foam, Curbside dinette seat |
| 7. 998173-02 | FABRIC ASSY, CS BACK FILL |
| 7. 703486-02 | Foam, curbside back filler |
| 8. 998173-03 | FABRIC ASSY, CS BACK REST |
| 8. 703486-03 | Foam, curbside back rest |
| 9. 998173-04 | FABRIC ASSY, RS DINETTE SEAT |
| 9. 703486-04 | Foam, roadside dinette |
| 10. 998173-05 | FABRIC ASSY, RS BACK FILL |
| 10. 703486-05 | Foam, roadside back filler |
| 11. 998173-06 | FABRIC ASSY, RS BACK REST |
| 11. 703486-06 | Foam roadside backrest |
| 12. 998173-07 | FABRIC ASSY, DINETTE WEDGE |
| 12. 703486-07 | Foam cushion, lounge wedge |
| 13. 998173-08 | FABRIC ASSY, BOTTOM, CUSHION |
| 13. 703486-08 | Foam, cushion, lounge bottom |
| 14. 998173-09 | FABRIC ASSY, CUSHION BACK REST |
| 14. 703486-09 | Foam, cushion, backrest |

2009 INTERNATIONAL TRAVEL TRAILER

FURNITURE, LOUNGE

Dinette/Sofa Assembly, 25' FB, 27' FB, Signature, Ocean Breeze



Parts numbers are on the next page

2009 INTERNATIONAL TRAVEL TRAILER

FURNITURE, LOUNGE

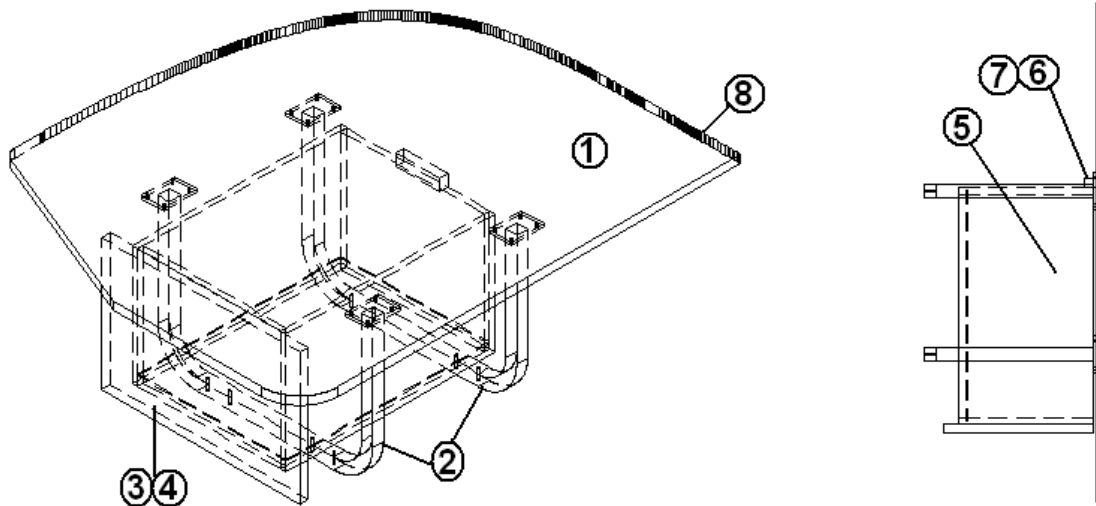
Dinette/Sofa Assembly, 25' FB, 27' FB, Signature, Ocean Breeze

1. 966889-01 SEAT ASSY, CS DINETTE
2. 966890-01 SEAT ASSY, RS DINETTE
3. 966887-01 SOFA ASSY
4. 967044 TABLE ASSY, DINETTE
5. 703486 FOAM KIT, LOUNGE/DINETTE
6. 998173-01OB FABRIC ASSY, CS DINETTE SEAT
6. 703486-01 Foam, Curbside dinette seat
7. 998173-02OB FABRIC ASSY, CS BACK FILL
7. 703486-02 Foam, curbside back filler
8. 998173-03OB FABRIC ASSY, CS BACK REST
8. 703486-03 Foam, curbside back rest
9. 998173-04OB FABRIC ASSY, RS DINETTE SEAT
9. 703486-04 Foam, roadside dinette
10. 998173-05OB FABRIC ASSY, RS BACK FILL
10. 703486-05 Foam, roadside back filler
11. 998173-06OB FABRIC ASSY, RS BACK REST
11. 703486-06 Foam roadside backrest
12. 998173-07OB FABRIC ASSY, DINETTE WEDGE
12. 703486-07 Foam cushion, lounge wedge
13. 998173-08OB FABRIC ASSY, BOTTOM, CUSHION
13. 703486-08 Foam, cushion, lounge bottom
14. 998173-09OB FABRIC ASSY, CUSHION BACK REST
14. 703486-09 Foam, cushion, backrest

2009 INTERNATIONAL TRAVEL TRAILER

FURNITURE, LOUNGE

Dinette Seat, 25' FB, 27' FB Signature, Curbside, Wenge

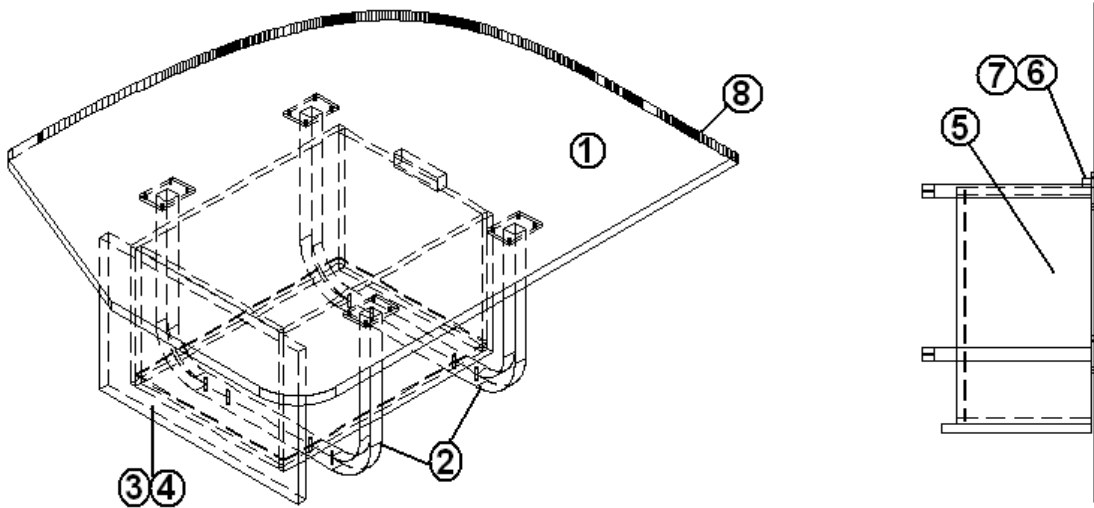


- | | |
|--------------|-------------------------------------|
| 966889 | SEAT, CS DINETTE |
| 1. 966889-1 | PANEL |
| 2. 454177 | LEG, DINETTE ALUM |
| 3. 964909-11 | DRAWER BOX ASSY, 10" X 14.00" X 19" |
| 4. 966889-4 | DOOR, DINETTE, 11.5"X 18" |
| 5. 381833-01 | DRAWER SLIDE-UNDER SHELF 18"PR |
| 6. 800581 | OAK, 13/16 X 1.5" X 4' |
| 7. 381074 | CATCH BULL DOG #65S (COPPER) |
| 8. 365303-02 | EDGE BANDING, WENGE 1.125" |
| 203439 | STORAGE BOX, 17"L X 11.13"W X 6.38" |

2009 INTERNATIONAL TRAVEL TRAILER

FURNITURE, LOUNGE

Dinette Seat, 25' FB, 27' FB Signature, Curbside, Ocean Breeze

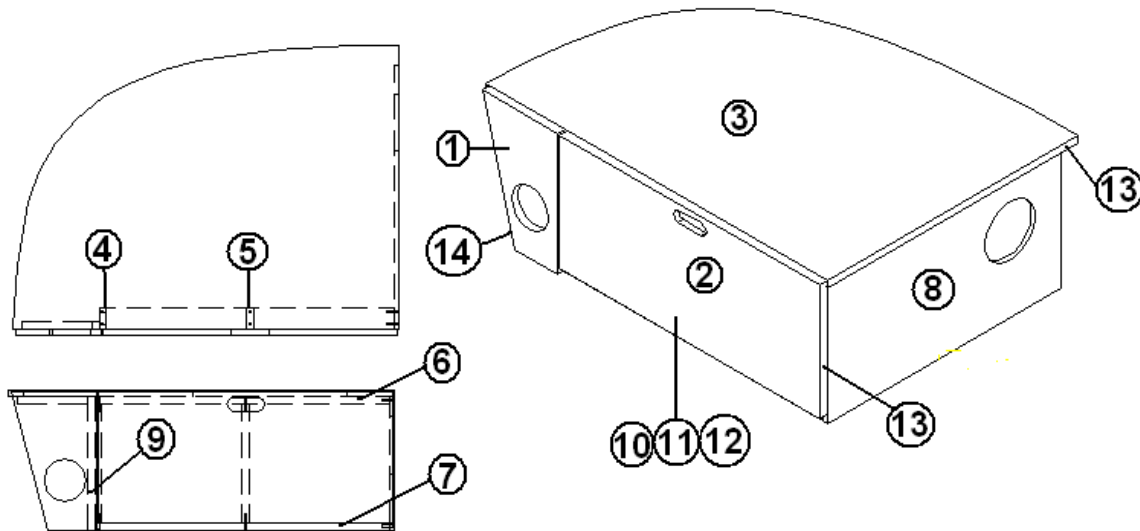


- | | |
|---------------|-------------------------------------|
| 966889-01 | SEAT, CS DINETTE |
| 1. 966889-011 | PANEL |
| 2. 454177 | LEG, DINETTE ALUM |
| 3. 964909-11 | DRAWER BOX ASSY, 10" X 14.00" X 19" |
| 4. 966889-014 | DOOR, DINETTE, 11.5" X 18" |
| 5. 381833-01 | DRAWER SLIDE-UNDER SHELF 18" PR |
| 6. 800581 | OAK, 13/16 X 1.5" X 4' |
| 7. 381074 | CATCH BULL DOG #65S (COPPER) |
| 8. 365267 | EDGE BANDING, PLY 1.125" |
| 203439 | STORAGE BOX, 17"L X 11.13"W X 6.38" |

2009 INTERNATIONAL TRAVEL TRAILER

FURNITURE, LOUNGE

Dinette Seat, 25' FB, 27' FB, Signature, Roadside, Wenge

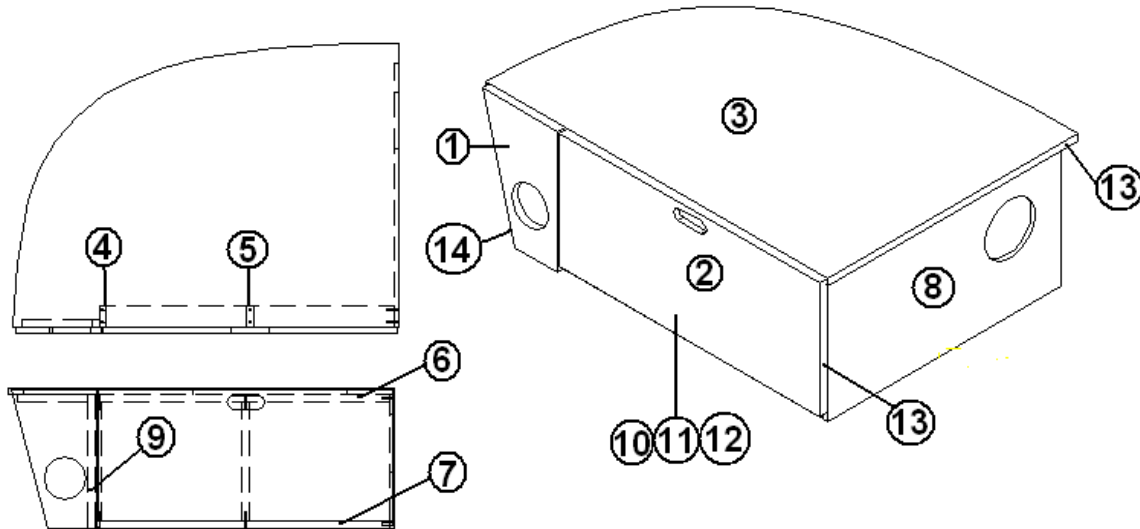


966890	SEAT, RS DINETTE
1. 966890-1	PANEL, 18MM
2. 966890-2	PANEL, 18MM
3. 966890-3	PANEL, 18MM
4. 966890-4	PANEL, 18MM
5. 966890-5	PANEL, 18MM
6. 966890-6	PANEL, 18MM
7. 966890-7	PANEL, 18MM
8. 966890-8	PANEL 12MM
9. 800025-01	Pine, 3/4" x 3/4", stained
10. 381775	DRAWER PULL
11. 381072	HINGE 3" X 1 7/8" OPEN GOLD
12. 381228-01	CATCH GRABBER DOOR
13. 365303-02	EDGE BANDING-WENGE 1.125"
14. 365303-01	EDGE BANDING-WENGE .63"
203439	STORAGE BOX, 17"L X 11.13"W X 6.38"

2009 INTERNATIONAL TRAVEL TRAILER

FURNITURE, LOUNGE

Dinette Seat, 25' FB, 27' FB, Signature, Roadside, Ocean Breeze

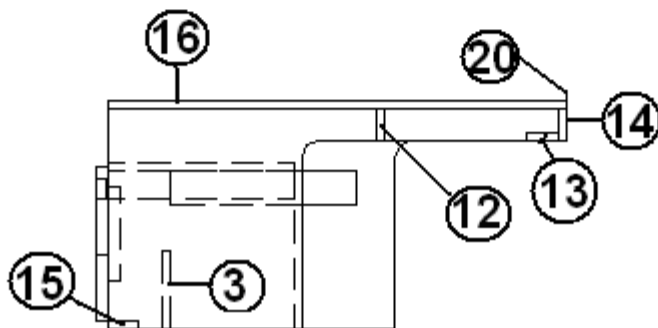
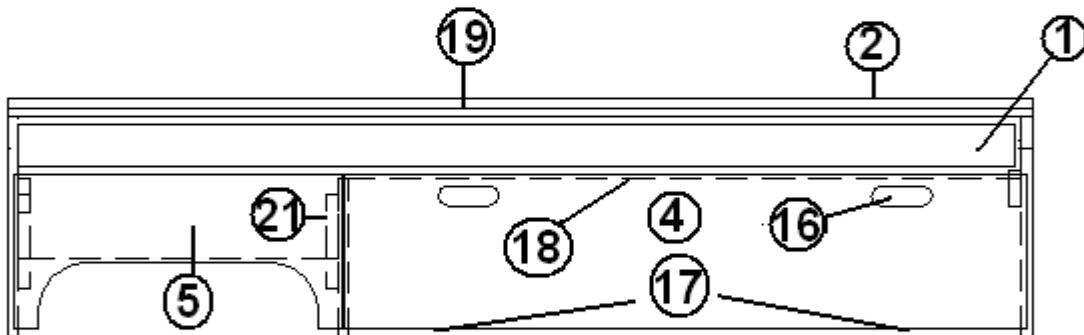
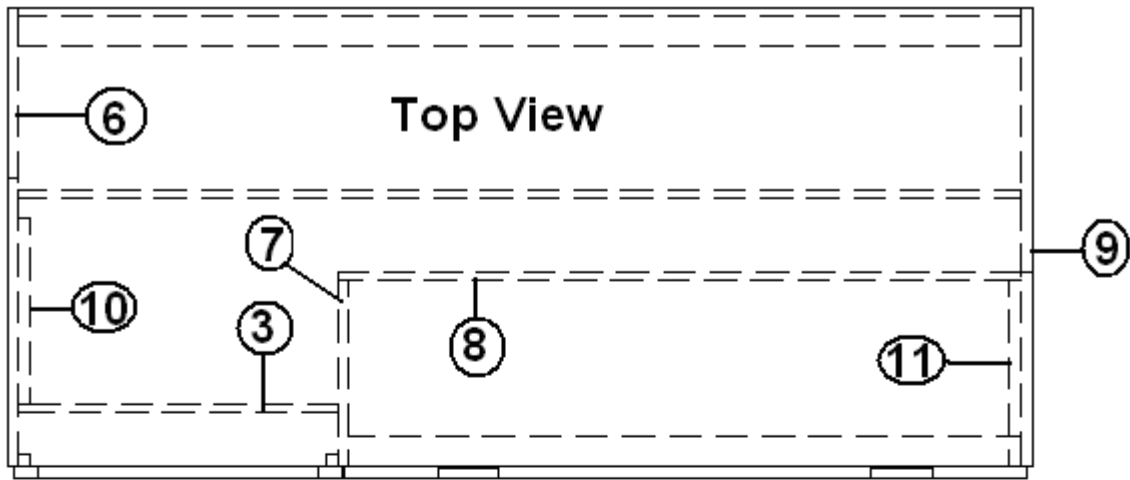


966890-01	SEAT, RS DINETTE
1. 966890-011	PANEL 18MM
2. 966890-012	PANEL 18MM
3. 966890-013	PANEL, 18MM
4. 966890-014	PANEL, 18MM
5. 966890-015	PANEL, 18MM
6. 966890-016	PANEL, 18MM
7. 966890-017	PANEL, 18MM
8. 966890-018	PANEL 12MM
9. 800025-01	Pine, 3/4" x 3/4", stained
10. 381775	DRAWER PULL
11. 381072	HINGE 3" X 1 7/8" OPEN GOLD
12. 381228-01	CATCH GRABBER DOOR
13. 365267	EDGE BANDING, 1.125"
14. 365267-01	EDGE BANDING, .63"
203439	STORAGE BOX, 17"L X 11.13"W X 6.38"

2009 INTERNATIONAL TRAVEL TRAILER

FURNITURE, LOUNGE

Sofa, 25' FB, 27' FB, Signature, Wenge



Part numbers on the next page

2009 INTERNATIONAL TRAVEL TRAILER

FURNITURE, LOUNGE

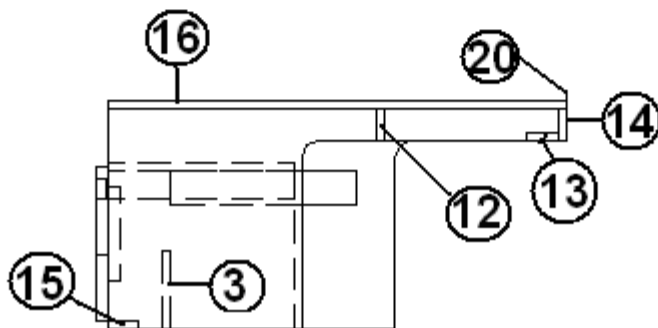
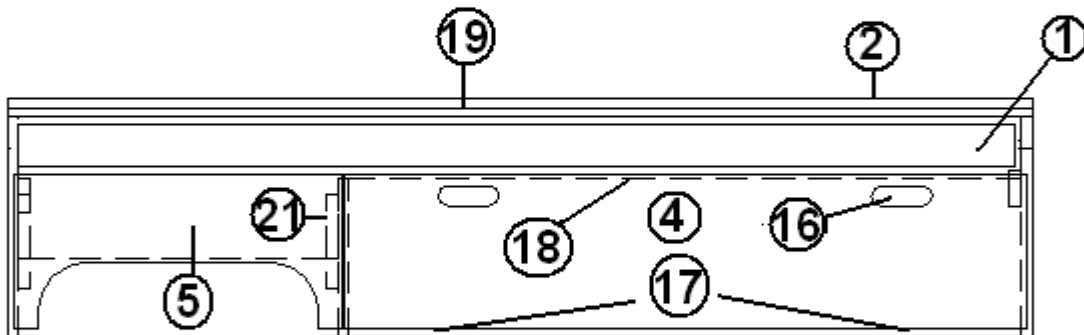
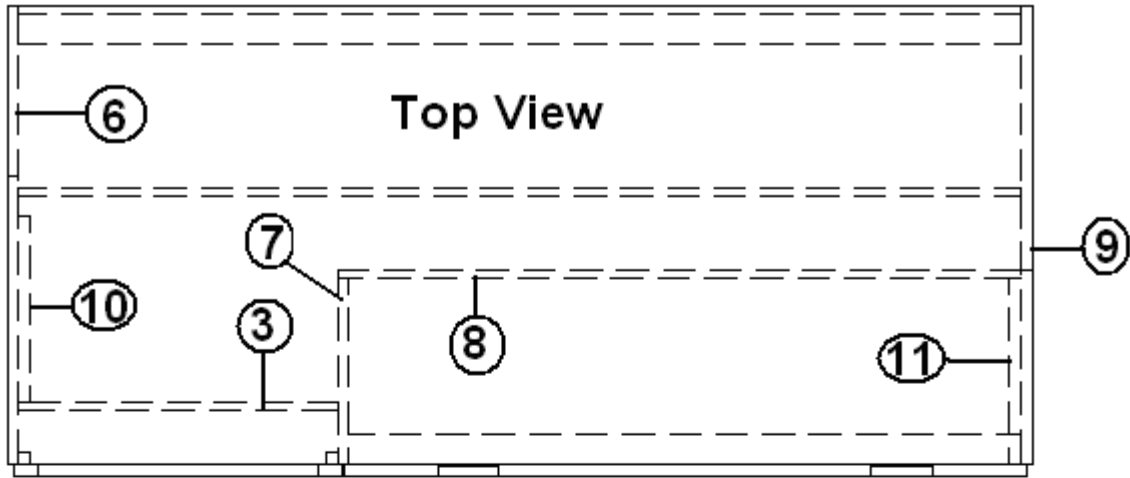
Sofa, 25' FB, 27' FB, Signature, Wenge

966887	SOFA ASSY
1. 966888	SOFA BED UPPER ASSY
2. 800506-04	PLYWOOD, ½" X 4'X 8'
3. 966887-3	PANEL REXEL, 12MM
4. 966887-4	PANEL, 18MM
5. 966887-5	PANEL, 18MM
6. 966887-6	PANEL, 18MM
7. 966887-7	PANEL, 18MM
8. 966887-8	PANEL 12MM
9. 966887-9	PANEL, 18MM
10. 966887-10	PANEL, 18MM
11. 966887-11	PANEL, 18MM
12. 850082	Poplar, .75" x 2.00", 64.5" long
13. 850082	Poplar, .75" x 2.00", 64.5" long
14. 850082	Poplar, .75" x 2.00", 64.5" long
15. 850082	Poplar, .75" x 2.00", 43.25" long
16. 382030	PULL-RECESSED FINGER
17. 381072	HINGE 3" X 1 7/8" OPEN GOLD
18. 381228-01	CATCH GRABBER DOOR
19. 801711-01	LAMINATE, WENGE
20. 101115	Sheet, aluminum, .060" x 3.25" x 66"
21. 800025-01	Pine ¾" x ¾", stained, 6" long
915811	WELDMENT-SOFA BED
381826	SLIDE-BALL BEARING
330031-03	RIVET DOME HEAD SSD64SSBS

2009 INTERNATIONAL TRAVEL TRAILER

FURNITURE, LOUNGE

Sofa, 25' FB, 27' FB, Signature, Ocean Breeze



Part numbers on the next page

2009 INTERNATIONAL TRAVEL TRAILER

FURNITURE, LOUNGE

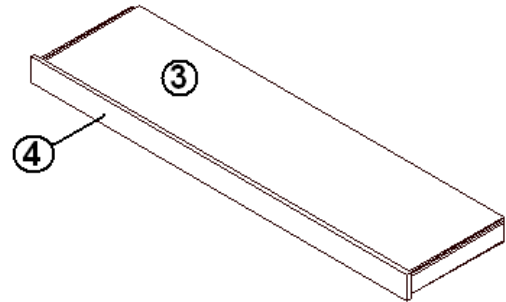
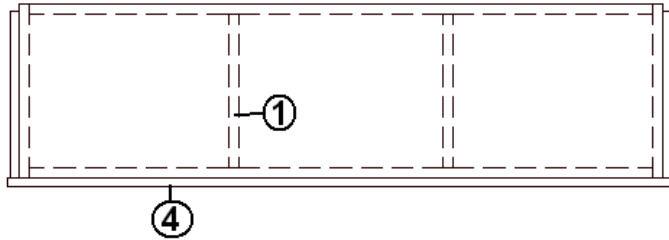
Sofa, 25' FB, 27' FB, Signature, Ocean Breeze

966887-01	SOFA ASSY
1. 966888-01	SOFA BED UPPER ASSY.
2. 800506-04	PLYWOOD, 1/2" X 4'X 8'
3. 966887-013	PANEL, 12MM
4. 966887-014	PANEL, 18MM
5. 966887-015	PANEL, 18MM
6. 966887-016	PANEL, 18MM
7. 966887-017	PANEL, 18MM
8. 966887-018	PANEL 12MM
9. 966887-019	PANEL, 18MM
10. 966887-0110	PANEL, 18MM
11. 966887-0111	PANEL, 18MM
12. 850082	Poplar, .75" x 2.00", 64.5" long
13. 850082	Poplar, .75" x 2.00", 64.5" long
14. 850082	Poplar, .75" x 2.00", 64.5" long
15. 850082	Poplar, .75" x 2.00", 43.25" long
16. 382030	PULL-RECESSED FINGER
17. 381072	HINGE 3" X 1 7/8" OPEN GOLD
18. 381228-01	CATCH GRABBER DOOR
19. 801355-01	Laminate, White
20. 101115	Sheet, aluminum, .060" x 3.25" x 66"
21. 800025-01	Pine 3/4" x 3/4", stained, 6" long
915811	WELDMENT-SOFA BED
381826	SLIDE-BALL BEARING
330031-03	RIVET DOME HEAD SSD64SSBS

2009 INTERNATIONAL TRAVEL TRAILER

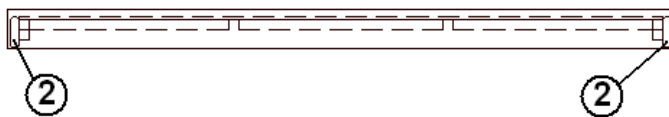
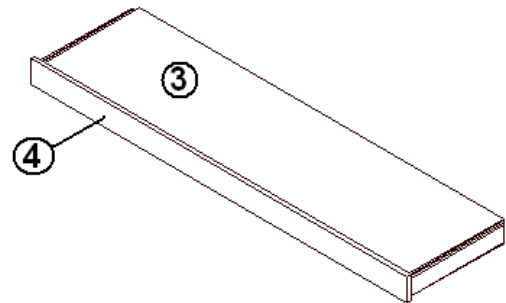
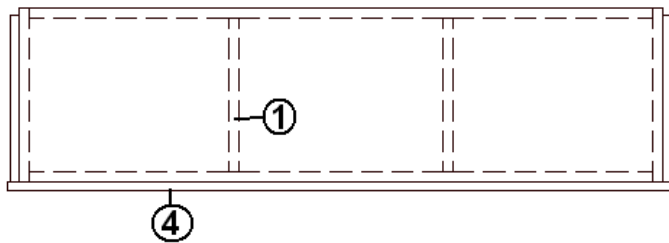
FURNITURE, LOUNGE

Sofa Bed, 25' FB, 27' FB, 23' D, Signature, Wenge



- | | |
|-------------|--------------------------------|
| 966888 | SOFA BED ASSY |
| 1. 915811 | WELDMENT, SOFA BED |
| 2. 381826 | SLIDE, BALL BEARING 16" |
| 3. 966888-3 | PANEL, SOFA TOP, 17.00 X 63.00 |
| 4. 966888-4 | PANEL, SOFA TOP, 3.88 x 65.13 |

Sofa Bed, 25' FB, 27' FB, 23' D, Signature, Ocean Breeze

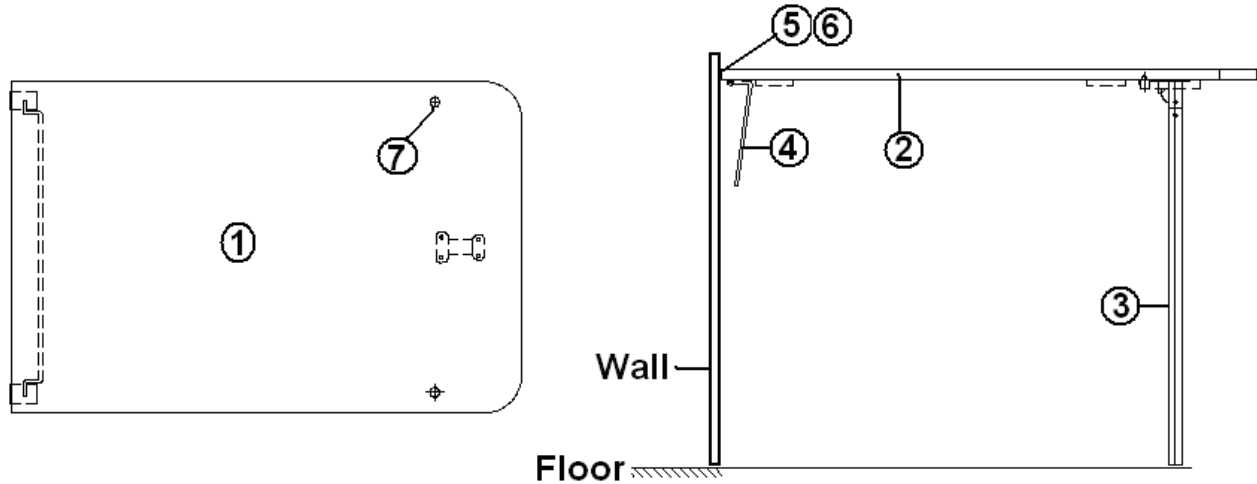


- | | |
|---------------|--------------------------------|
| 966888-01 | SOFA BED ASSY |
| 1. 915811 | WELDMENT, SOFA BED |
| 2. 381826 | SLIDE, BALL BEARING 16" |
| 3. 966888-3 | PANEL, SOFA TOP, 17.00 X 63.00 |
| 4. 966888-014 | PANEL, SOFA TOP, 3.88 x 65.13 |

2009 INTERNATIONAL TRAVEL TRAILER

FURNITURE, LOUNGE

Dinette Table, 25' FB, 27' FB, Signature, Wenge

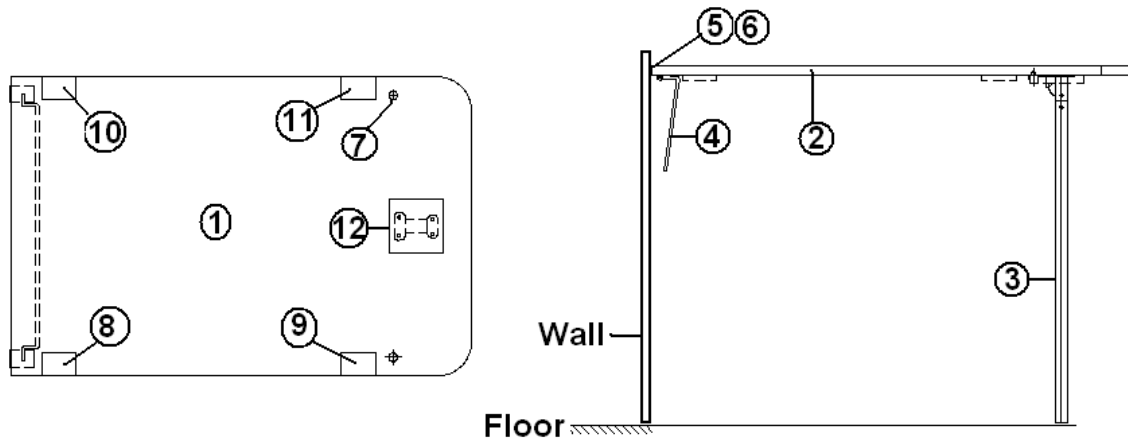


- | | |
|--------------|---------------------------------|
| 966866 | TABLE, DINETTE |
| 1. 966866-1 | PANEL, WENGE/LINER 18MM |
| 2. 365303-02 | EDGEBANDING, WENGE, 1.125" |
| 3. 381881-04 | LEG-SNAPO FOLDING, 30.5" CHROME |
| 4. 380284-02 | CENTER HINGE |
| 5. 380284-03 | TABLE HINGE BRACKET |
| 6. 340018 | CATCH PLATE J-1 |
| 7. 381136 | RUBBER BUMPER |

2009 INTERNATIONAL TRAVEL TRAILER

FURNITURE, LOUNGE

Dinette Table, 25' FB, 27' FB, Signature, Ocean Breeze

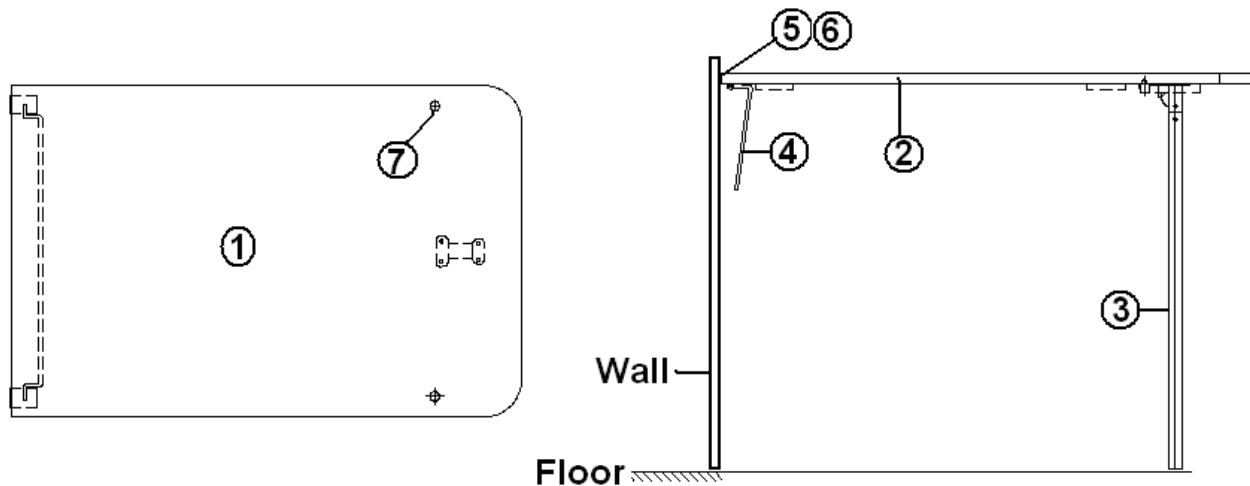


967044	TABLE, DINETTE
1. 967044-011	PANEL, Blue /white 18MM
2. 115177	TRIM, TOP, ALUMINUM, 1.125"
3. 381881-04	LEG, SNAPO FOLDING, 30.5" CHROME
4. 380284-02	CENTER HINGE
5. 380284-03	TABLE HINGE BRACKET
6. 340018	CATCH PLATE J-1
7. 381136	RUBBER BUMPER
8. 967044-8	PANEL, 2.00 x 3.00
9. 967044-9	PANEL, 2.00 x 3.00
10. 967044-10	PANEL, 2.00 x 3.00
11. 967044-11	PANEL, 2.00 x 3.00
12. 967044-12	PANEL, 2.00 x 3.00

2009 INTERNATIONAL TRAVEL TRAILER

FURNITURE, LOUNGE

Dinette Table, 25' FB, 27' FB, Signature, Sand Crystal

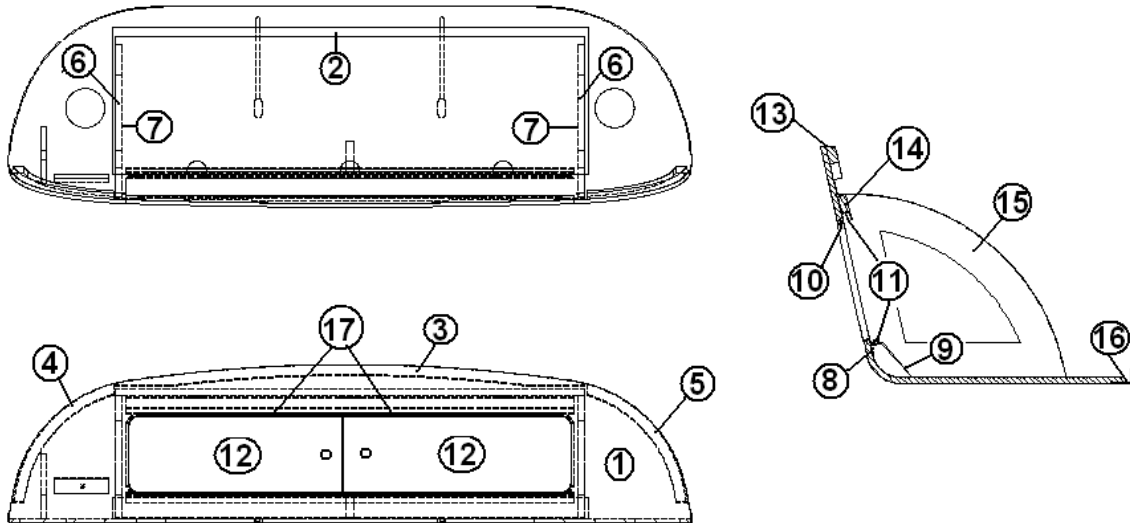


- | | |
|--------------|------------------------------------|
| 967156 | TABLE, DINETTE, SAND CRYSTAL |
| 1. 967156-1 | TABLE TOP, SAND CRYSTAL/LINER 18MM |
| 2. 365304-01 | EDGE BANDING, SAND CRYSTAL, 7/8" |
| 3. 381881-04 | LEG-SNAPO FOLDING, 30.5" CHROME |
| 4. 380284-02 | CENTER HINGE |
| 5. 380284-03 | TABLE HINGE BRACKET |
| 6. 340018 | CATCH PLATE J-1 |
| 7. 381136 | RUBBER BUMPER |

2009 INTERNATIONAL TRAVEL TRAILER

FURNITURE, LOUNGE

Roof Locker, End Liner, 25' FB Aft, 27' FB Aft, 25' Sleep Six Front, 28' Front, Signature, Wenge

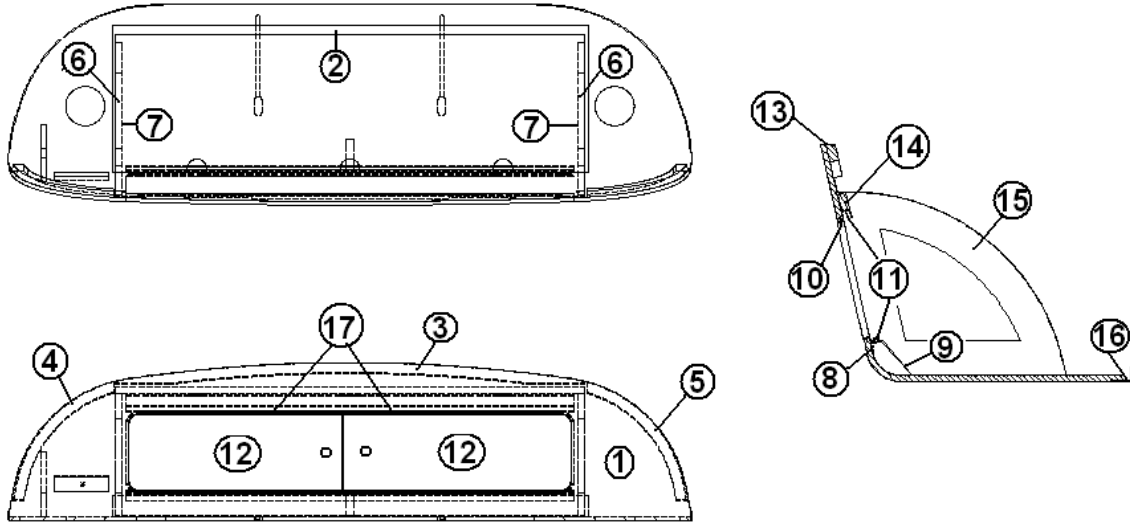


- | | |
|---------------|---|
| 966869 | R/L ASSY-AFT W/RADIO |
| 1. 801722 | FACE-AFT R/L W/RADIO |
| 2. 801355-01 | LAMINATE, FROSTY WHITE |
| 3. 801596-01 | BACKER, LINER LOCKER CENTER |
| 4. 801596-02 | BACKER LINER LOCKER, LH |
| 5. 801596-03 | BACKER, LINER LOCKER, RH |
| 6. 801594 | DIVIDER-LINER LOCKER |
| 7. 801595 | DIVIDER LINER LOCKER |
| 7. 801595-01 | Divider, liner locker, w Audio Switch Holes |
| 8. 115261-01 | ANGLE, LOCKER TRACK SUPPORT |
| 9. 115226-01 | BRACKET, LOCKER, CENTER SUPPORT |
| 10. 203508-01 | T-TRIM, 9/16" |
| 11. 203388 | TRACK, SLIDING DOOR |
| 12. 965563-08 | DOOR, SLIDING, 11.31" X 30" |
| 13. 201673 | REVERSE COVE MOLDING, WHITE |
| 14. 800028 | PINE, 3/4" X 1.5" |
| 15. 115264-01 | PAN, LINER LOCKER W/B FRONT |
| 16. 801710 | SUPPORT DIVIDER-R/L |
| 17. 454613 | LEAF SPRING, ROOF LOCKER |

2009 INTERNATIONAL TRAVEL TRAILER

FURNITURE, LOUNGE

Roof Locker, End Liner, 25' FB Aft, 27' FB Aft, 25' Sleep Six Front, 28' Front, Signature, Ocean Breeze

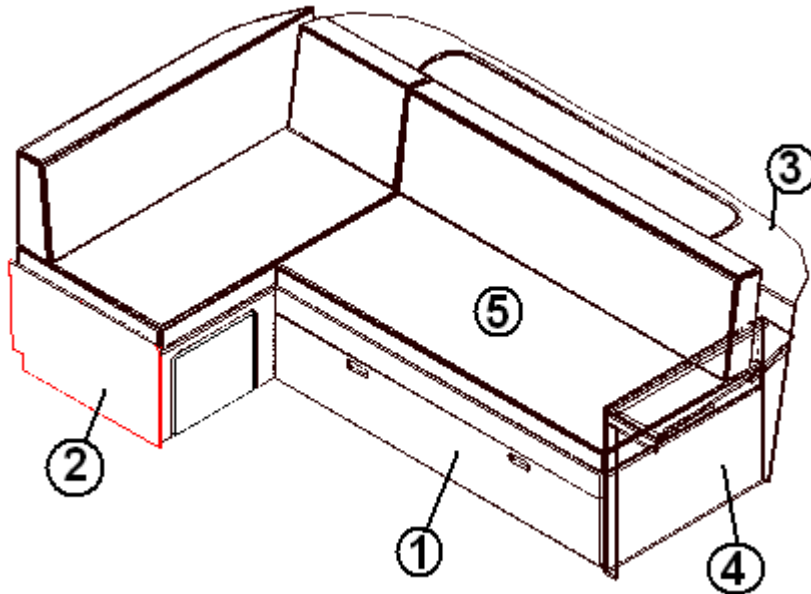


- | | |
|---------------|---|
| 966869-01 | R/L ASSY-AFT W/RADIO |
| 1. 801722 | FACE, AFT R/L W/RADIO |
| 2. 801355-01 | Laminate, White |
| 3. 801596-01 | BACKER, LINER LOCKER CENTER |
| 4. 801596-02 | BACKER LINER LOCKER, LH |
| 5. 801596-03 | BACKER, LINER LOCKER, RH |
| 6. 801594 | DIVIDER, LINER LOCKER |
| 7. 801595 | DIVIDER, LINER LOCKER |
| 7. 801595-01 | Divider, liner locker, w Audio Switch Holes |
| 8. 115261-01 | ANGLE, LOCKER TRACK SUPPORT |
| 9. 115226-01 | BRACKET, LOCKER, CENTER SUPPORT |
| 10. 203508-01 | T-TRIM, 9/16" |
| 11. 203388 | TRACK, SLIDING DOOR |
| 12. 203357-03 | DOOR, LUMICOR, 11.31" X 30" |
| 13. 201673 | REVERSE COVE MOLDING, WHITE |
| 14. 800028 | PINE, 3/4" X 1.5" |
| 15. 115264-01 | PAN, LINER LOCKER W/B FRONT |
| 16. 801710 | SUPPORT DIVIDER-R/L |
| 17. 454613 | SPRING-LEAF R/L |

2009 INTERNATIONAL TRAVEL TRAILER

FURNITURE, LOUNGE

Sofa, 28' Signature, Wenge

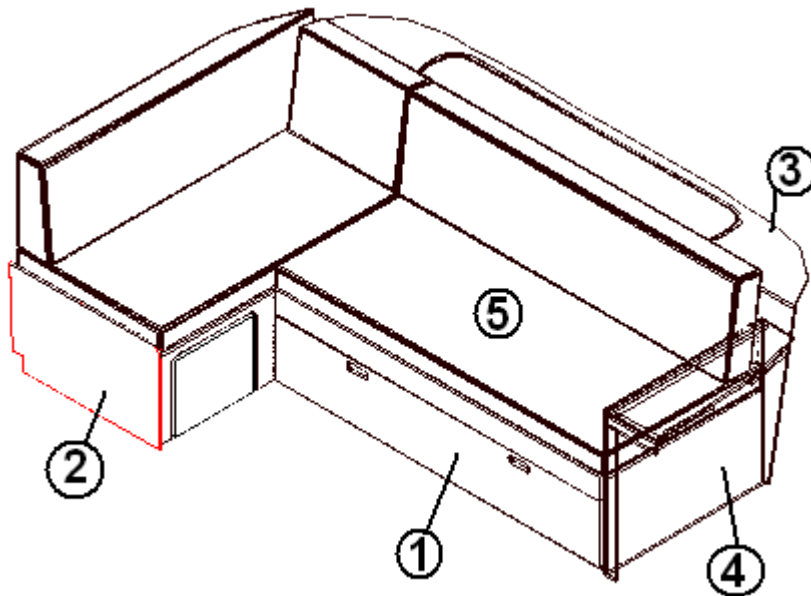


- | | |
|---------------|-------------------------------------|
| 1. 966970 | SOFA ASSY. |
| 2. 966972 | SOFA ASSY, L SECTION |
| 3. 966973 | BACK ASSY, SOFA |
| 4. 966974 | ARMREST ASSY, SOFA |
| 5. 703340-047 | CUSHION KIT, CILANTRO |
| 5. 703340-057 | CUSHION KIT, PAPRIKA |
| 965812 | CUSHION ASSY, FOAM WEDGE, L LOUNGE |
| 203447 | STORAGE BOX, 23.5" X 16.25" X 6.38" |

2009 INTERNATIONAL TRAVEL TRAILER

FURNITURE, LOUNGE

Sofa, 28' Signature, "L", Ocean Breeze

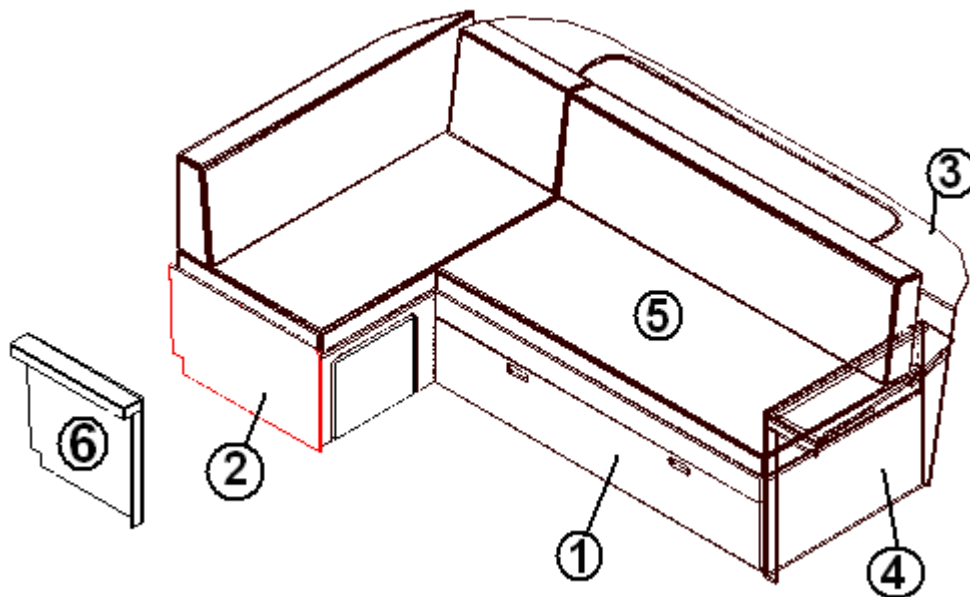


- | | |
|---------------|-------------------------------------|
| 1. 966970-01 | SOFA ASSY. |
| 2. 966972-01 | SOFA ASSY, L SECTION |
| 3. 966973-01 | BACK ASSY, SOFA |
| 4. 966974-01 | ARMREST ASSY, SOFA |
| 5. 703340-167 | CUSHION KIT, OCEAN BREEZE |
| 965812 | CUSHION ASSY, FOAM WEDGE, L LOUNGE |
| 203447 | STORAGE BOX, 23.5" X 16.25" X 6.38" |

2009 INTERNATIONAL TRAVEL TRAILER

FURNITURE, LOUNGE

Sofa, 25' Sleep Six Signature, Wenge

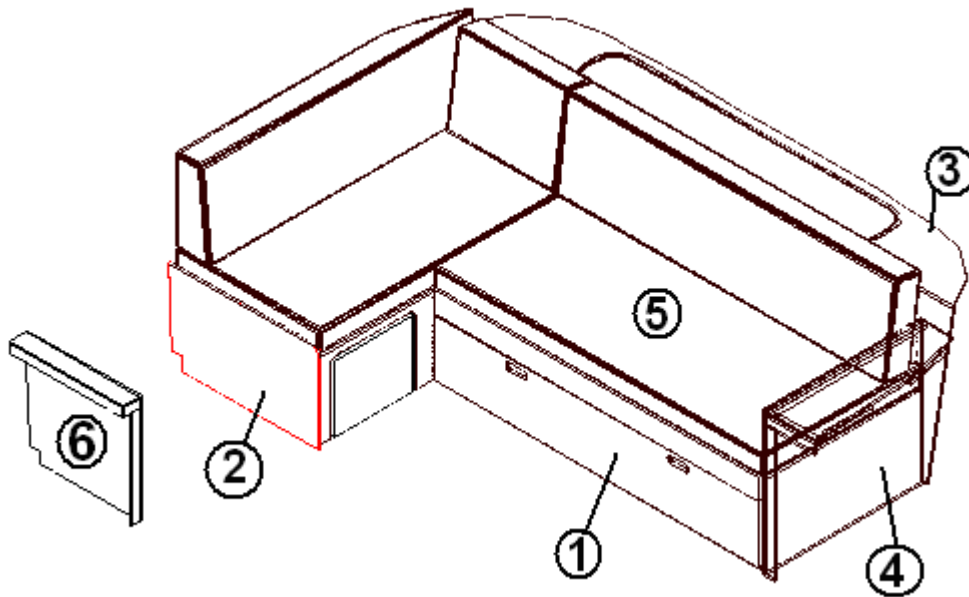


- | | |
|---------------|-------------------------------------|
| 1. 966971 | SOFA ASSY. |
| 2. 967040 | SOFA ASSY, L SECTION |
| 3. 966973 | BACK ASSY, SOFA |
| 4. 966974 | ARMREST ASSY, SOFA |
| 5. 703657-047 | CUSHION KIT, CILANTRO |
| 5. 703657-057 | CUSHION KIT, PAPRIKA |
| 6. 965852 | ARMREST ASSEMBLY, "L" LOUNGE |
| 965812 | CUSHION ASSY, FOAM WEDGE, L LOUNGE |
| 203447 | STORAGE BOX, 23.5" X 16.25" X 6.38" |

2009 INTERNATIONAL TRAVEL TRAILER

FURNITURE, LOUNGE

Sofa, 25' Sleep Six Signature, Ocean Breeze

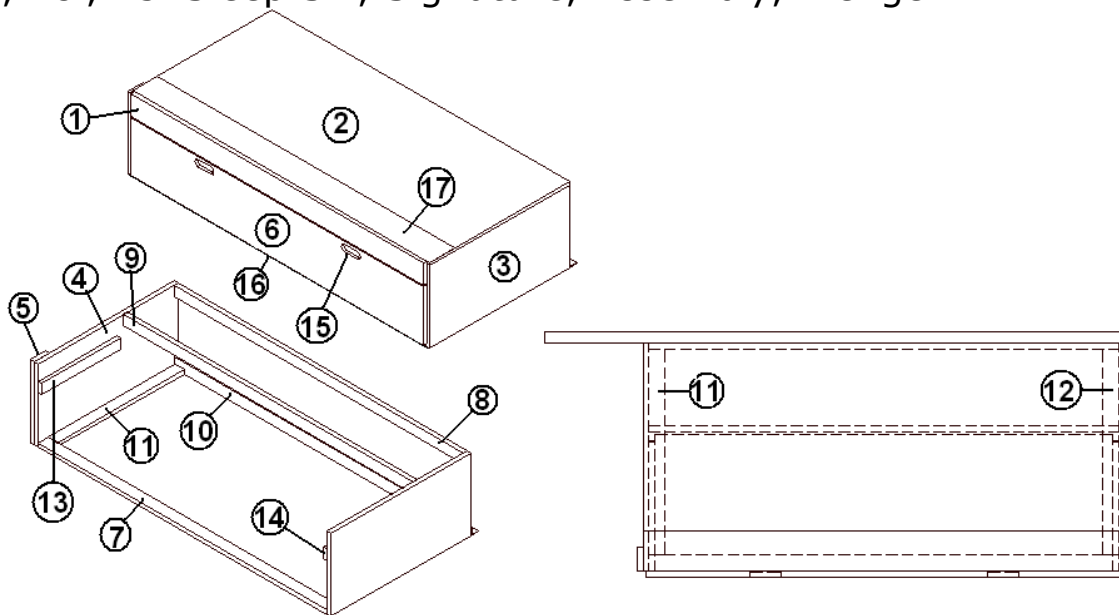


- | | |
|---------------|-------------------------------------|
| 1. 966970-01 | SOFA ASSY. |
| 2. 967040-01 | SOFA ASSY, L SECTION |
| 3. 966973-01 | BACK ASSY, SOFA |
| 4. 966974-01 | ARMREST ASSY, SOFA |
| 5. 703340-167 | CUSHION KIT, OCEAN BREEZE |
| 6. 965852-01 | ARMREST ASSEMBLY, "L" LOUNGE |
| 965812 | CUSHION ASSY, FOAM WEDGE, L LOUNGE |
| 203447 | STORAGE BOX, 23.5" X 16.25" X 6.38" |

2009 INTERNATIONAL TRAVEL TRAILER

FURNITURE, LOUNGE

Sofa, 28', 25' Sleep Six, Signature, Assembly, Wenge

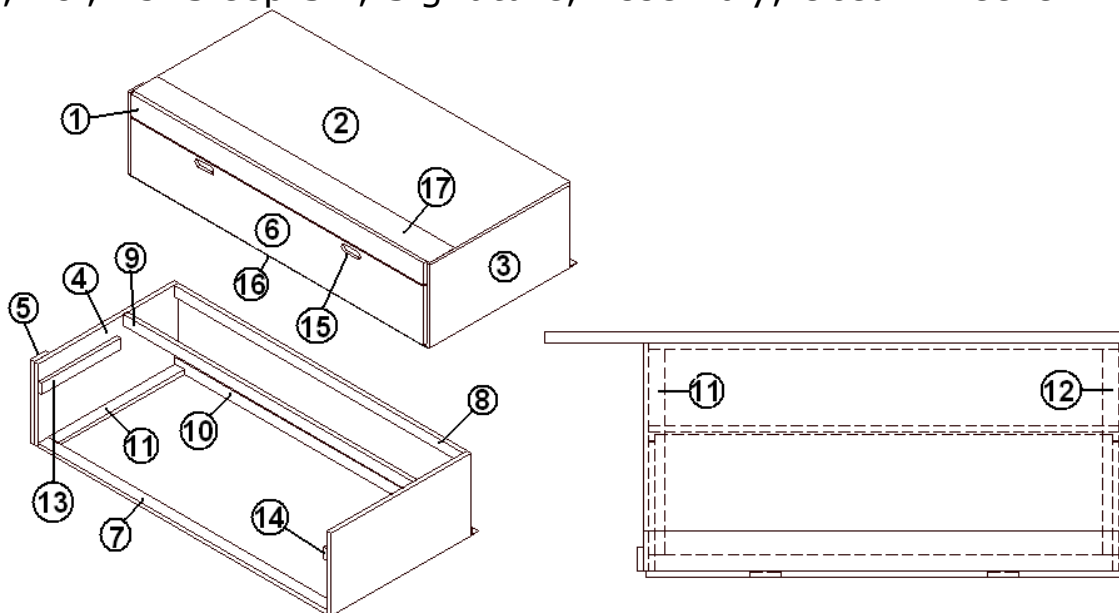


966970	SOFA ASSY.
1. 966971	SOFA BED ASSY.
2. 800506-04	PLYWOOD, 1/2" X 4' X 8'
3. 801351	LITE PLY, 18MM (.75") 4'X 8'
4. 801351	LITE PLY, 18MM (.75") 4'X 8'
5. 801351	LITE PLY, 18MM (.75") 4'X 8'
6. 966970-6	DOOR, 10.25" X 59.13"
7. 850082	POPLAR, .75 X 2.00
8. 850082	POPLAR, .75 X 2.00
9. 850082	POPLAR, .75 X 2.00
10. 850082	POPLAR, .75 X 2.00
11. 850082	POPLAR, .75 X 2.00
12. 850082	POPLAR, .75 X 2.00
13. 850082	POPLAR, .75 X 2.00
14. 850082	POPLAR, .75 X 2.00
15. 381775	DRAWER PULL, FLUSH SATIN
16. 381072-01	HINGE, 3" X 2" FIXED PIN
17. 801711-01	LAMINATE-WENGE VERTICAL
381228-01	CATCH GRABBER DOOR
114809	ALUM. ANGLE 1.50 X 1.50

2009 INTERNATIONAL TRAVEL TRAILER

FURNITURE, LOUNGE

Sofa, 28', 25' Sleep Six, Signature, Assembly, Ocean Breeze

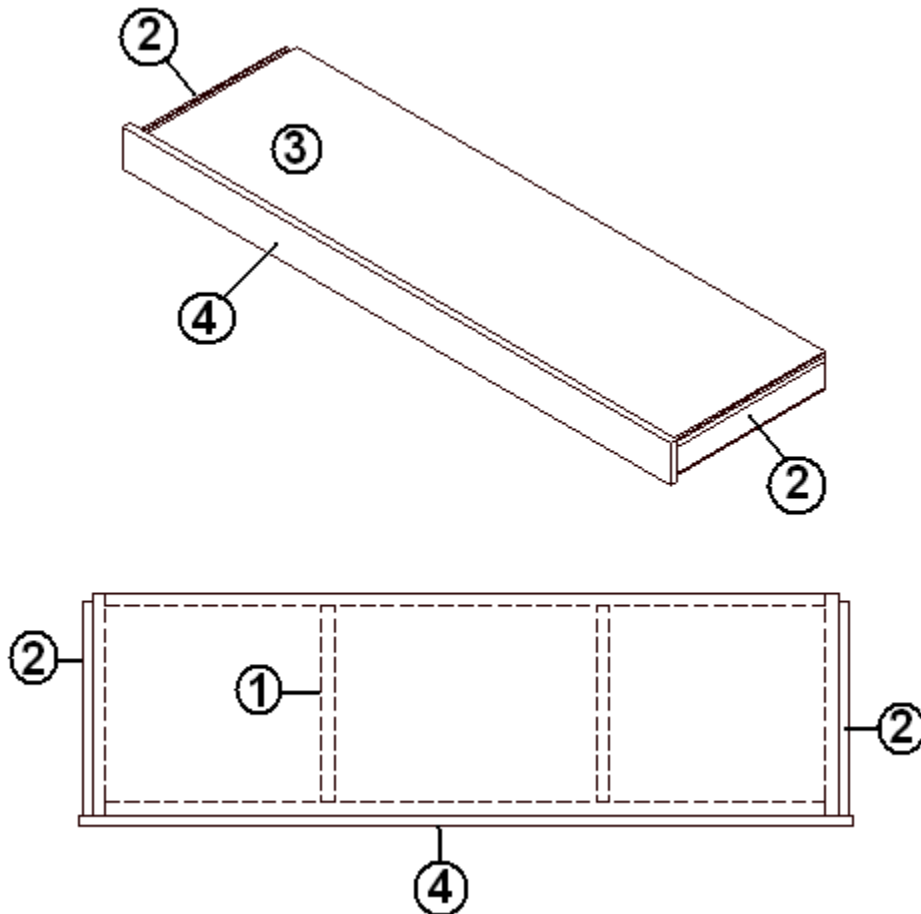


966970-01	SOFA ASSY.
1. 966971-01	SOFA BED ASSY.
2. 800506-04	PLYWOOD, 1/2" X 4' X 8'
3. 801351	LITE PLY, 18MM (.75") 4'X 8'
4. 801351	LITE PLY, 18MM (.75") 4'X 8'
5. 801351	LITE PLY, 18MM (.75") 4'X 8'
6. 966970-016	DOOR, 10.25" X 59.13"
7. 850082	POPLAR, .75 X 2.00
8. 850082	POPLAR, .75 X 2.00
9. 850082	POPLAR, .75 X 2.00
10. 850082	POPLAR, .75 X 2.00
11. 850082	POPLAR, .75 X 2.00
12. 850082	POPLAR, .75 X 2.00
13. 850082	POPLAR, .75 X 2.00
14. 850082	POPLAR, .75 X 2.00
15. 381775	DRAWER PULL, FLUSH SATIN
16. 381072-01	HINGE, 3" X 2" FIXED PIN
17. 801355-01	LAMINATE, WHITE, VERTICAL
381228-01	CATCH GRABBER DOOR
114809	ALUM. ANGLE 1.50 X 1.50

2009 INTERNATIONAL TRAVEL TRAILER

FURNITURE, LOUNGE

Sofa Bed, 28', 25' Sleep Six, Signature, Wenge

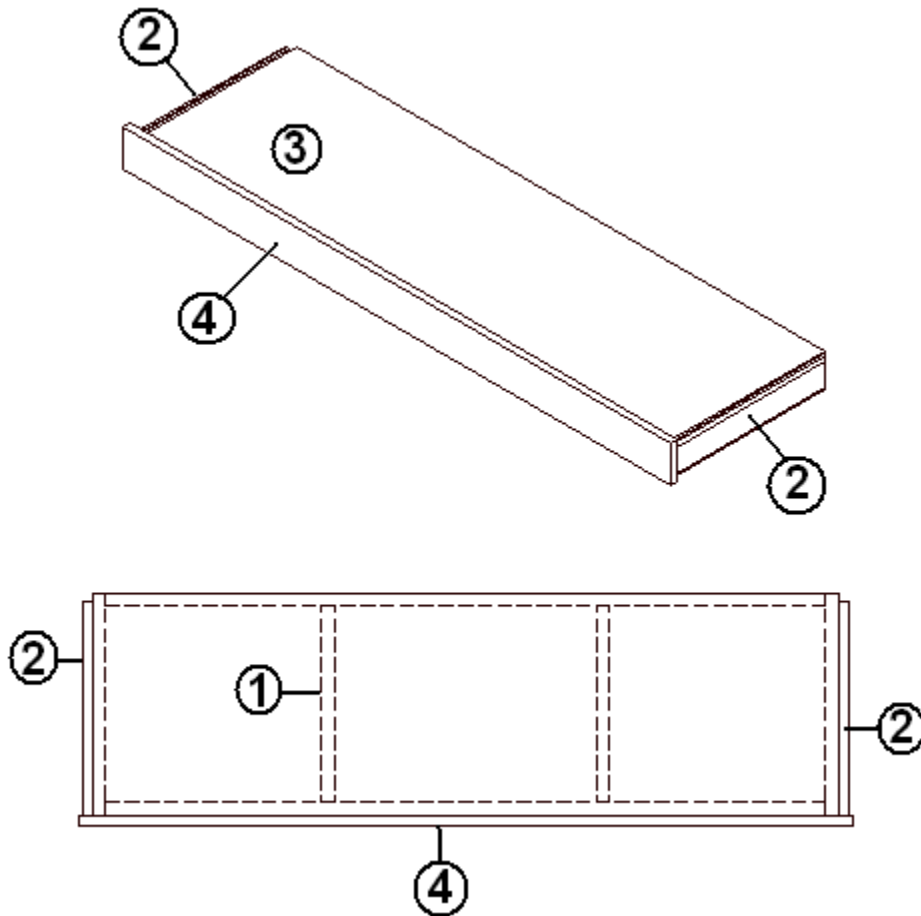


- | | |
|--------------|------------------------------|
| 966971 | SOFA BED ASSY |
| 1. 915708 | WELDMENT, SOFA BED |
| 2. 381826 | SLIDE, BALL BEARING, 16" |
| 3. 800507-02 | LAUAN, 1/4" X 4' X 8' |
| 4. 966971-4 | PANEL, SOFA BED 3.88 X 59.13 |
| 330031-03 | RIVET DOME HEAD SSD64SSBS |
| 320117-03 | SCREW, DRYWALL, #6 X 1.625" |

2009 INTERNATIONAL TRAVEL TRAILER

FURNITURE, LOUNGE

Sofa Bed, 28', 25' Sleep Six, Signature, Ocean Breeze

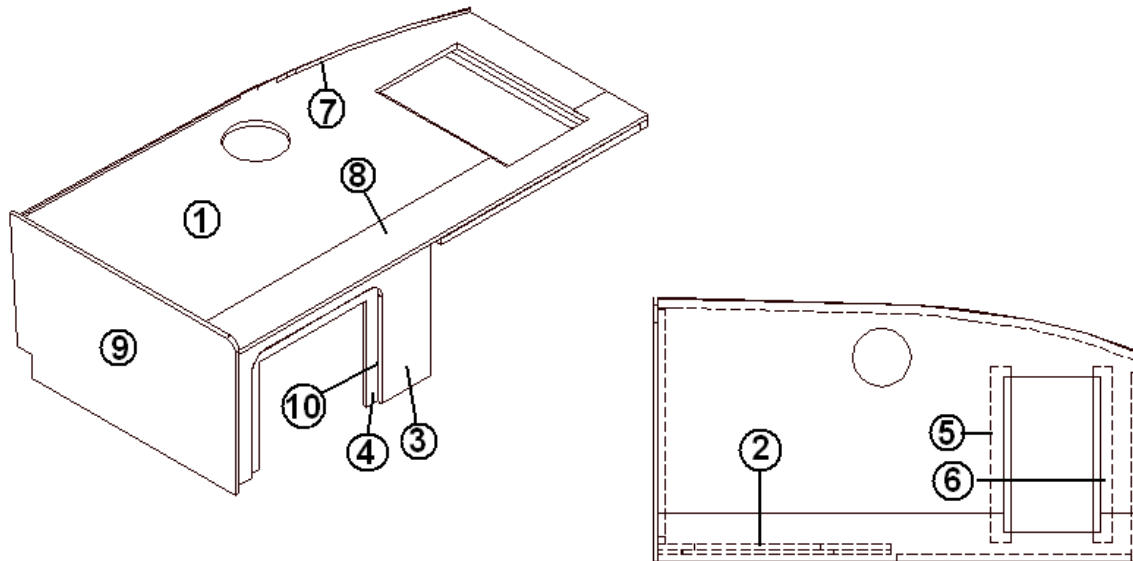


- | | |
|---------------|------------------------------|
| 966971-01 | SOFA BED ASSY |
| 1. 915708 | WELDMENT, SOFA BED |
| 2. 381826 | SLIDE, BALL BEARING, 16" |
| 3. 800507-02 | LAUAN, 1/4" X 4' X 8' |
| 4. 966971-014 | PANEL, SOFA BED 3.88 X 59.13 |
| 330031-03 | RIVET DOME HEAD SSD64SSBS |
| 320117-03 | SCREW, DRYWALL, #6 X 1.625" |

2009 INTERNATIONAL TRAVEL TRAILER

FURNITURE, LOUNGE

Sofa, 28' Signature, L-Section, Wenge

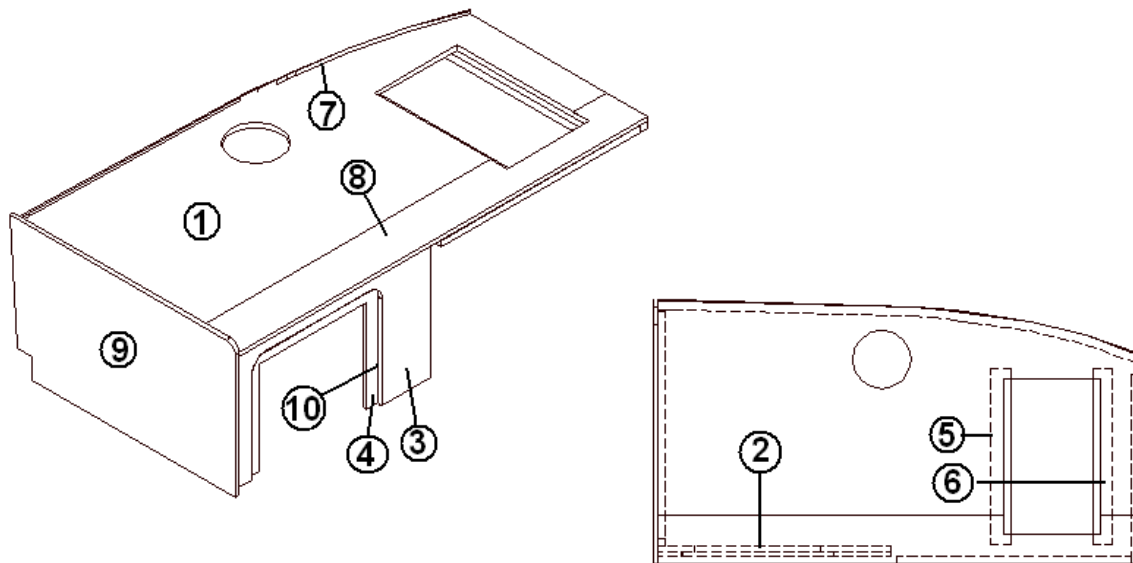


966972	SOFA ASSY L SECTION
1. 800506-04	PLYWOOD, 1/2" X 4' X 8'
2. 800506-04	PLYWOOD, 1/2" X 4' X 8'
3. 966972-3	PANEL, 24.00" X 14.50"
4. 966972-4	PANEL, 24.00 X 14.50
5. 850082	POPLAR, .75" X 2.00"
6. 850082	POPLAR, .75" X 2.00"
7. 114812	ALUMINUM ANGLE, 1.00" X 1.00"
8. 801711-01	LAMINATE, WENGE VERTICAL
9. 966972-11	PANEL, 16.00 X 27.29
10. 203445	T-MOLDING BLACK, FLEXIBLE POLY .5

2009 INTERNATIONAL TRAVEL TRAILER

FURNITURE, LOUNGE

Sofa, 28' Signature, L-Section, Ocean Breeze

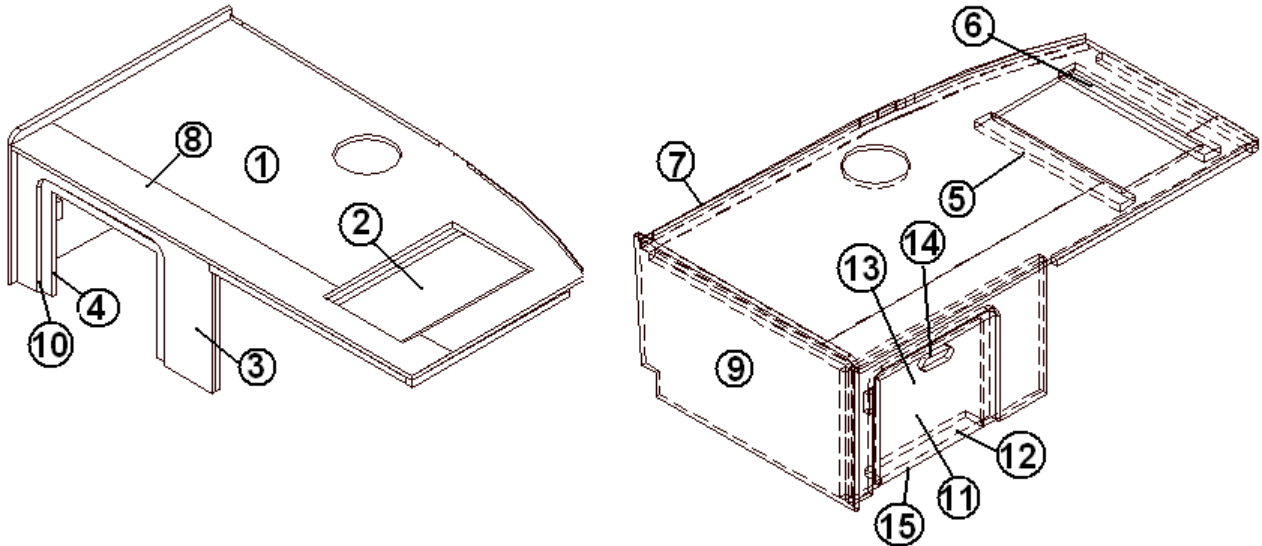


966972-01	SOFA ASSY L SECTION
1. 800506-04	PLYWOOD, 1/2" X 4' X 8'
2. 800506-04	PLYWOOD, 1/2" X 4' X 8'
3. 966972-013	PANEL, 24.00" X 14.50"
4. 966972-014	PANEL, 24.00 X 14.50
5. 850082	POPLAR, .75" X 2.00"
6. 850082	POPLAR, .75" X 2.00"
7. 114812	ALUMINUM ANGLE, 1.00" X 1.00"
8. 801355-01	LAMINATE, WHITE, VERTICAL
9. 966972-0111	PANEL, 16.00 X 27.29
10. 203508-01	T-MOLDING, PLY

2009 INTERNATIONAL TRAVEL TRAILER

FURNITURE, LOUNGE

Sofa, 25' Sleep Six Signature, L-Section, Wenge

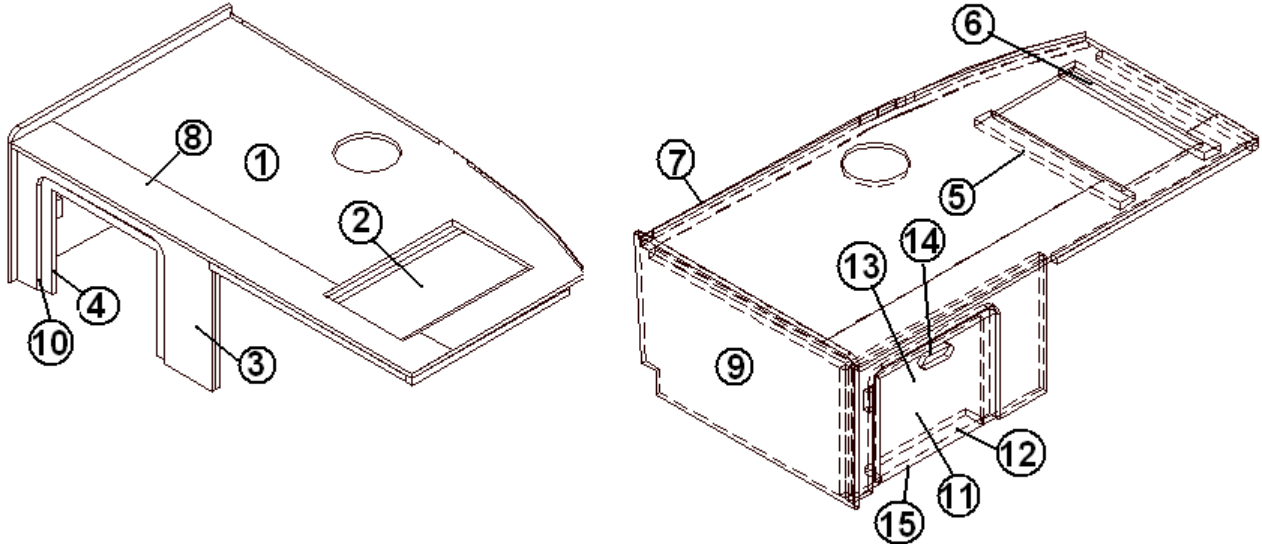


967040	SOFA ASSY "L" SECTION
1. 967040-1	BED TOP
2. 967040-2	BED TOP ACCESS DOOR
3. 967040-3	PANEL, 14.50 X 24.00
4. 967040-4	PANEL, 14.50 X 24.00
5. 967040-5	POPLAR, .75 X 2.00 X 18.00
6. 967040-6	POPLAR, .75 X 2.00 X 18.00
7. 114812	ALUMINUM ANGLE, 1.00 X 1.00
8. 967040-10	PANEL, 5 X 49.50
9. 967040-11	PANEL, 16 X 27.29
10. 203445	T-MOLDING BLACK, .5
11. 967040-13	DOOR, 11.25 X 14.25
12. 850082	POPLAR, 75 X 2.00 X 12.50
13. 381228-01	CATCH, GRABBER DOOR
14. 381775	DRAWER PULL
15. 381072-01	HINGE-3" X 2"

2009 INTERNATIONAL TRAVEL TRAILER

FURNITURE, LOUNGE

Sofa, 25' Sleep Six Signature, L-Section, Ocean Breeze



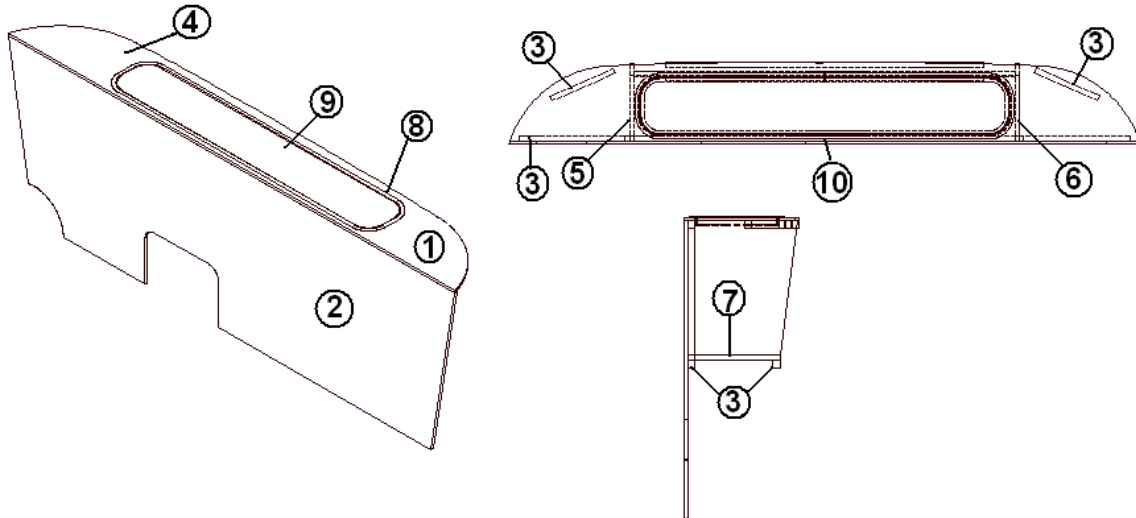
- 967040-01
- 1. 967040-1
- 2. 967040-2
- 3. 967040-013
- 4. 967040-014
- 5. 967040-5
- 6. 967040-6
- 7. 1148124
- 8. 967040-0110
- 9. 967040-0111
- 10. 203508-01
- 11. 967040-0113
- 12. 967040-14
- 13. 381228-01
- 14. 381775
- 15. 381072-01

- SOFA ASSY "L" SECTION
- BED TOP
- BED TOP ACCESS DOOR
- PANEL, 14.50 X 24.00
- PANEL, 14.50 X 24.00
- POPLAR, .75 X 2.00 X 18.00
- POPLAR, .75 X 2.00 X 18.00
- ALUMINUM ANGLE, 1.00 X 1.00
- PANEL, 5 X 49.50
- PANEL, 16 X 27.29
- T-MOLDING, WHITE, .5
- DOOR, 11.25 X 14.25
- POPLAR, 75 X 2.00 X 12.50
- CATCH, GRABBER DOOR
- DRAWER PULL
- HINGE-3" X 2"

2009 INTERNATIONAL TRAVEL TRAILER

FURNITURE, LOUNGE

Sofa Back, 25' Sleep Six, 28', Signature, Wenge

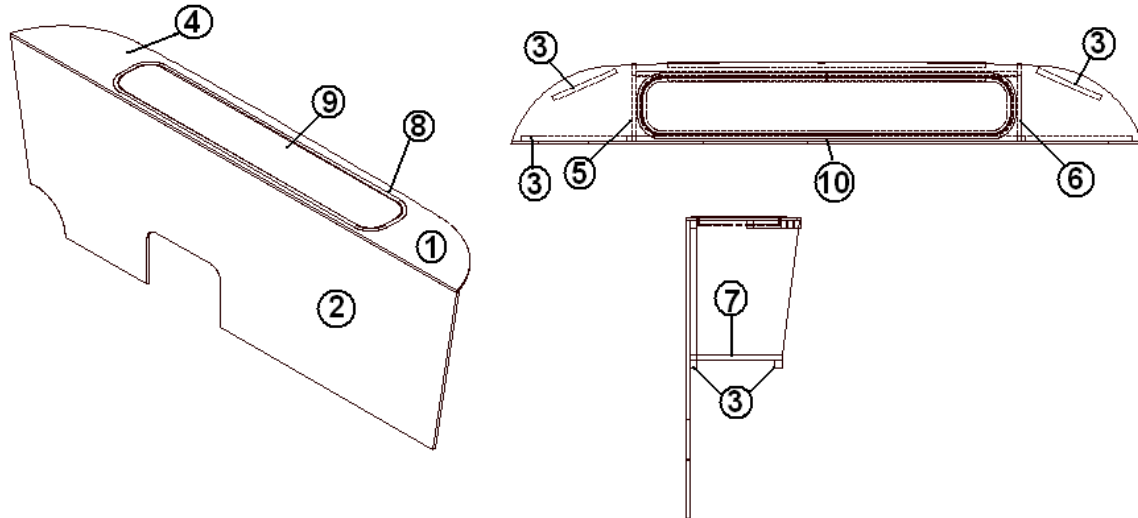


966973	BACK ASSY, SOFA
1. 800507-03	LAUAN, 3/8" X 4' X 8'
2. 800507-03	LAUAN, 3/8" X 4' X 8'
3. 800025-01	PINE, 3/4 X 3/4' STAINED
4. 701764	FOAM, 1/4"
4. 703663	FABRIC-PRISTINE TEAK
5. 966973-6	PANEL, 11.13 X 13.63
6. 966973-7	PANEL, 11.13 X 13.63
7. 966973-8	PANEL, 9.38 X 56.00
8. 115203	JAMB, SOFA BACK DOOR
9. 966134	DOOR, SOFA BACK
10. 381847-01	HINGE PIANO ANGLE, 46"
365013-01	TAPE CHARCOAL LOW DENSITY FOAM
381581	STRAP CLEAR PLASTIC .75"W

2009 INTERNATIONAL TRAVEL TRAILER

FURNITURE, LOUNGE

Sofa Back, 25' Sleep Six, 28', Signature, Ocean Breeze

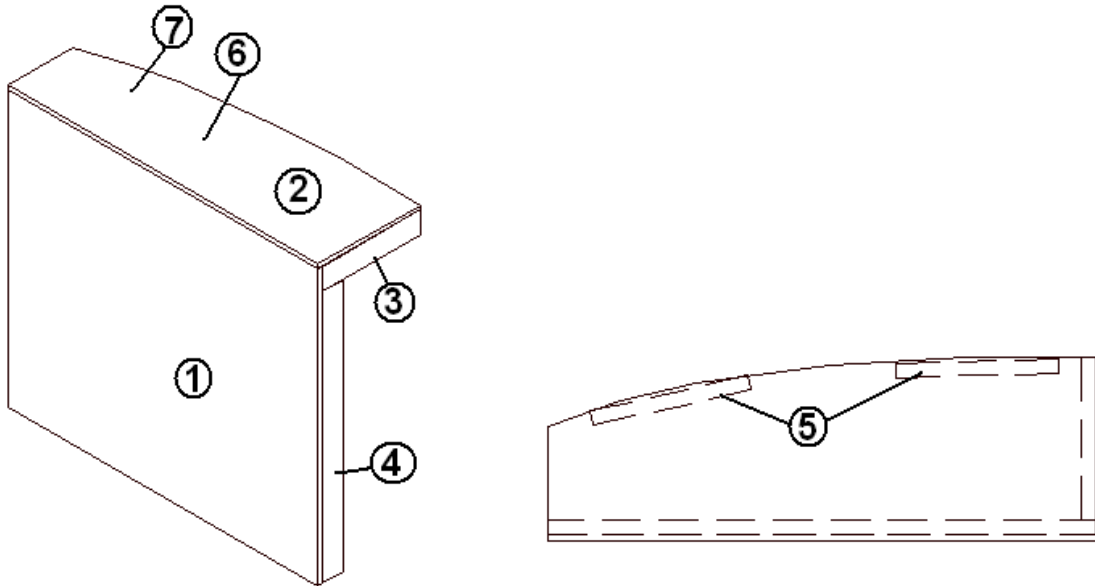


966973-01	BACK ASSY, SOFA
1. 800507-03	LAUAN, 3/8" X 4' X 8'
2. 800507-03	LAUAN, 3/8" X 4' X 8'
3. 800025-01	PINE, 3/4 X 3/4' STAINED
4. 701764	FOAM, 1/4"
4. 703548	FABRIC, CUZCO SLATE
5. 966973-016	PANEL, 11.13 X 13.63
6. 966973-017	PANEL, 11.13 X 13.63
7. 966973-018	PANEL, 9.38 X 56.00
8. 115203	JAMB, SOFA BACK DOOR
9. 966134	DOOR, SOFA BACK
10. 381847-01	HINGE PIANO ANGLE, 46"
365013	TAPE CHARCOAL LOW DENSITY FOAM
381581	STRAP CLEAR PLASTIC .75"W

2009 INTERNATIONAL TRAVEL TRAILER

FURNITURE, LOUNGE

Sofa, 25' Sleep Six, 28', Signature, Armrest, Wenge

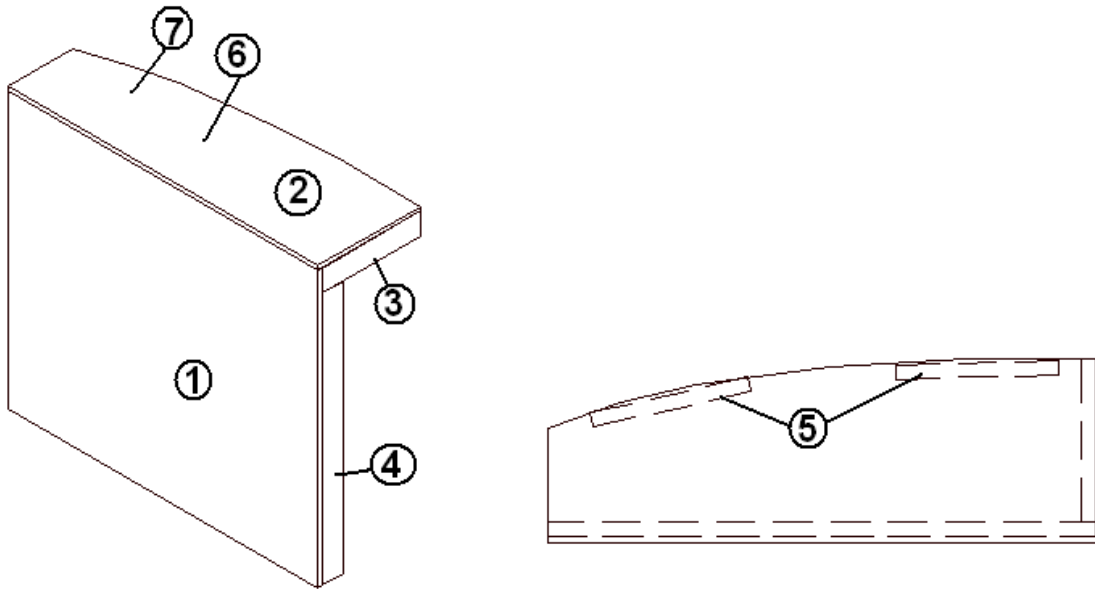


966974	ARMREST ASSY SOFA
1. 966974-1	LAUAN, 3/8" X 4' X 8'
2. 966974-2	LAUAN, 3/8" X 4' X 8'
3. 966974-3	LAUAN, 3/8" X 4' X 8'
4. 966974-4	LAUAN, .75" X 4' X 8'
5. 800025-01	PINE 3/4" X 3/4" STAINED
6. 701764	FOAM, 1/4"
7. 703663	FABRIC, PRISTINE TEAK

2009 INTERNATIONAL TRAVEL TRAILER

FURNITURE, LOUNGE

Sofa, 25' Sleep Six, 28', Signature, Armrest, Ocean Breeze

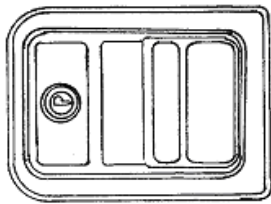


966974-01	ARMREST ASSY SOFA
1. 800507-03	LAUAN, 3/8" X 4'X 8'
2. 800507-03	LAUAN, 3/8" X 4'X 8'
3. 800507-03	LAUAN, 3/8" X 4'X 8'
4. 800507-06	LAUAN, .75" X 4' 8'
5. 800025-01	PINE 3/4" X 3/4" STAINED
6. 701764	FOAM, 1/4"
7. 703548	FABRIC, CUZCO SLATE

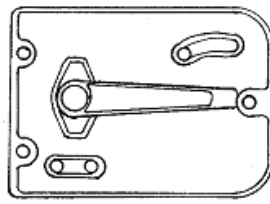
2009 INTERNATIONAL TRAVEL TRAILER

HARDWARE

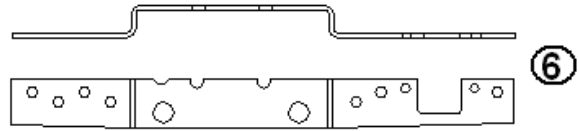
Main Door Latch/Deadbolt



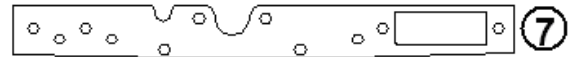
①



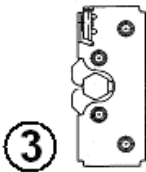
②



⑥



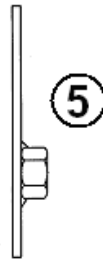
⑦



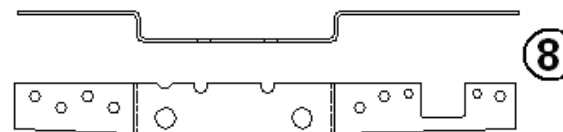
③



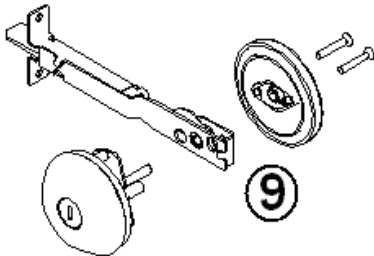
④



⑤



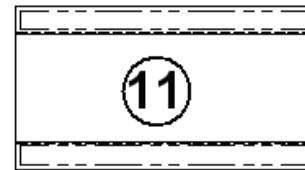
⑧



⑨



⑩



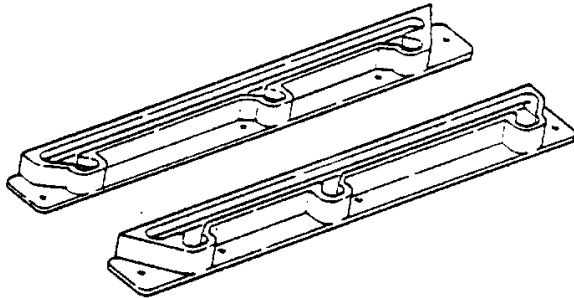
⑪

- | | |
|--------------|--|
| 1. 381547-01 | Main door lock, outside housing |
| 2. 381547-07 | Main door lock, inside plate |
| 3. 381547-03 | Double rotary latch, main door |
| 4. 381547-04 | Striker bolt w/washer, main door lock |
| 5. 381550 | Plate, striker bolt mounting |
| 6. 382066 | Inner reinforcement plate, LH hinged door |
| 7. 382067 | Outer reinforcement plate, RH/LH hinged door |
| 8. 382068 | Inner reinforcement plate, RH hinged door |
| 9. 382069 | Deadbolt assembly, round, Trimark |
| 10. 115413 | Door hat section |
| 11. 115415 | Door hat section assembly |
| 381547-08 | Screw package, main door lock |
| 385595 | Pocket strike, #10-10-810 |

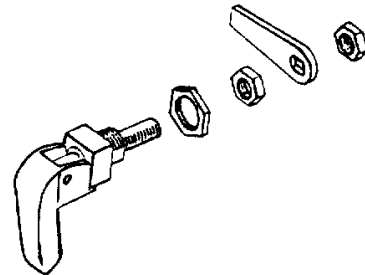
2009 INTERNATIONAL TRAVEL TRAILER

HARDWARE

WINDOW HARDWARE



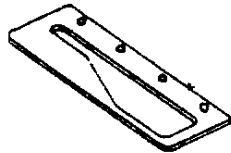
683975 Window guide, RH
683975-01 Window guide, LH



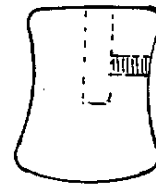
010020 Lower window latch
381088 Latch w/red handle



685123 Pawl,
window latch,
straight



685124 Striker
plate, window
latch



380230-03 Knob,
window arm
380230-04 Knob,
window arm, red

0703-0001
0703-0010
0706-0003
0706-0004
0802-0004
0802-0005

Screw 8-32 x 1/2", black
Screw 8-32 x 1/2", stainless
Washer, flat, nylon, clear
Washer, flat, nylon, black
Screw cap, black
Snap cap washer, clear

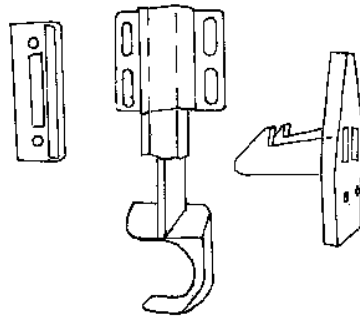
2009 INTERNATIONAL TRAVEL TRAILER

HARDWARE

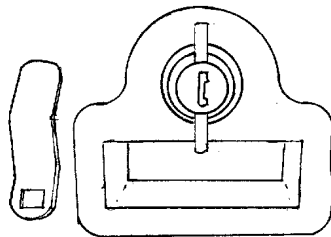
EXTERIOR LATCHES/LOCKS



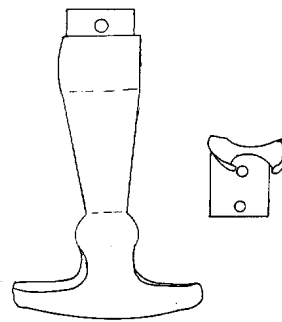
101171 Grab
Handle, main door



381454 Latch,
screen door, Bullet



380770-102 Twist lock, black

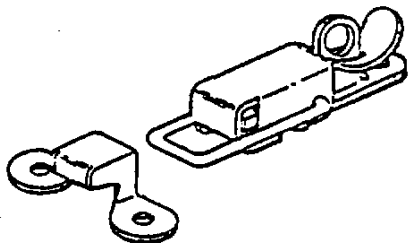


381021-01 Rubber T
handle

2009 INTERNATIONAL TRAVEL TRAILER

HARDWARE

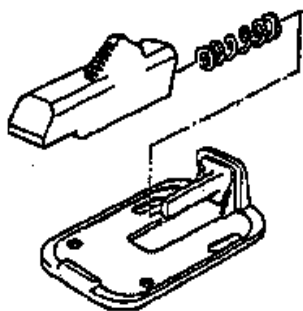
EXTERIOR LATCHES/LOCKS



340023-01 Catch
w/strike, battery box



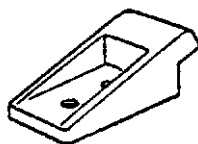
380067 Lock cam,
bumper lid



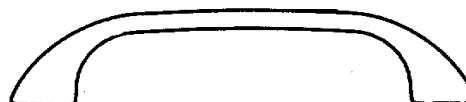
380291 Main door holdback,
(use w/housing #380290)



380290 Latch housing,



201056 Catch, main door
holdback

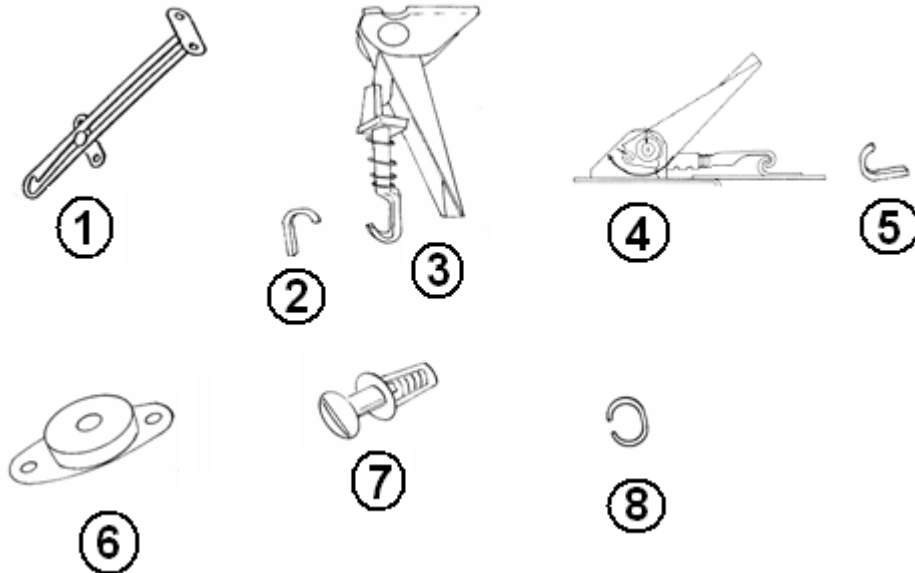


380004 Handle, screen door

2009 INTERNATIONAL TRAVEL TRAILER

HARDWARE

EXTERIOR LATCHES/LOCKS



- | | |
|---------------|--|
| 1. 380024 | Support arm, bumper lid |
| 2. *380903-01 | Latch, chrome, gas bottle cover |
| 3. *380903-02 | Strike, latch, chrome, gas bottle cover |
| 4. *382091-01 | Tension latch, stainless steel |
| 5. *382091-02 | Strike, tension latch, stainless steel |
| 6. 685359 | Rubber receptacle, 1/4 turn latch, Southco |
| 7. 685348 | Stud, 1/4 turn latch, Southco |
| 8. 685362 | Retaining ring, 1/4 turn stud |

*P/N 380903-01 and 380903-02 were replaced by P/N 382091-01 and 382091-02 on units with manufacturing dates 10/20/08 and after.

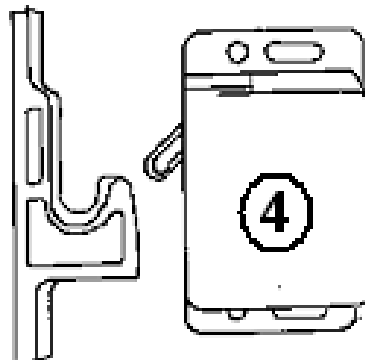
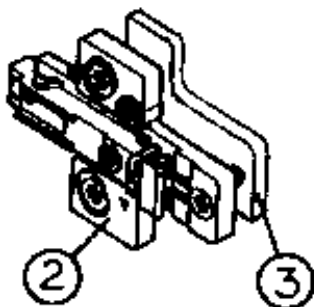
EXTERIOR HINGES

- | | |
|-----------|--|
| 381552-03 | Hinge assembly, main door, upper |
| 381552-04 | Hinge assembly, main door, lower |
| 381531-01 | Hinge, screen door, upper |
| 381531-02 | Hinge, screen door, lower |
| 380773 | Hinge, exterior access door, 13¼, gas bottle cover |
| 380203-01 | Piano hinge, 1/8" pin, Battery box lid, access doors |
| 380203-02 | PIANO HINGE, BLACK, HOSE CARRIER LID, 72" |
| 380988 | HINGE, CONTINUOUS, REFER ACCESS DOOR |

2009 INTERNATIONAL TRAVEL TRAILER

HARDWARE

INTERIOR CABINET HINGE/CATCH

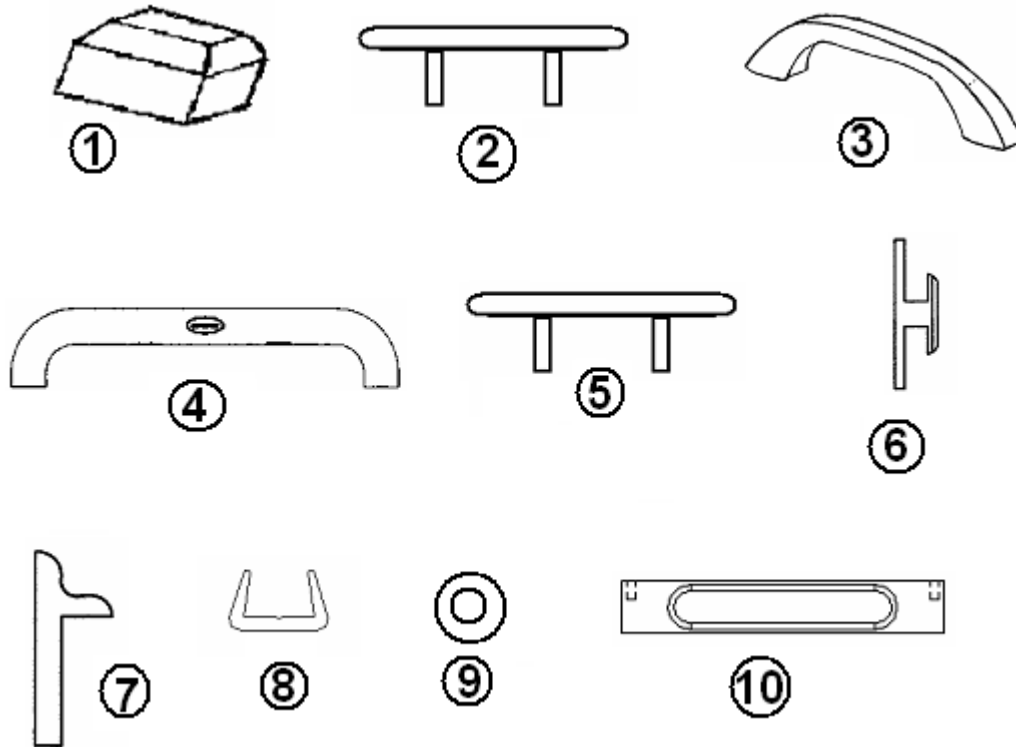


- | | |
|--------------|--------------------|
| 381607 | Hinge assembly |
| 1) 381607-01 | Hinge, cabinet |
| 2) 381607-02 | Base, metal |
| 3)*381607-03 | Base, plastic |
| 3) 381608-04 | Screw #6 x 5/8" |
| 4) 381228-01 | Grabber door latch |
| 5) 454320 | Door latch cover |
- *Not used in all applications

2009 INTERNATIONAL TRAVEL TRAILER

HARDWARE

INTERIOR TRIM



- | | |
|--------------|---|
| 1. 360016 | Bumper, rubber |
| 2. 382029-03 | HANDLE, BAR 11.25" |
| 2. 382029-05 | HANDLE, BAR 21.33" |
| 2. 382029-04 | HANDLE, BAR 15" |
| 2. 382029-00 | HANDLE, BAR 7.48 |
| 3. 381737 | Grab bar, interior, mounts on interior doorjamb |
| 4. 381772 | Head knocker, white |
| 5. 382046 | PULL, BAMBOO, W/BUSHED NICKEL ENDS |
| 6. 203385 | "F" Trim Black plastic |
| 7. 115064 | Molding Aluminum cove |
| 8. 203138-05 | EXTRUSION, PLASTIC WALL BLACK |
| 8. 203138-01 | EXTRUSION, PLASTIC WALL WHITE |
| 9. 381610-01 | SCREW CAP, WHITE |
| 9. 381610-04 | SCREW CAP, BLACK |
| 10. 382038 | Handle, DWR |

2009 INTERNATIONAL TRAVEL TRAILER

HARDWARE

BATHROOM ACCESSORIES

- 381776 TOWEL BAR, CHROME 18", 28', 25', 19', 23' D, 27' FB
- 381777 TOWEL RING, CHROME, 28', 25', 23' D, 27' FB
- 381778 ROBE HOOK, CHROME, 25', 28', 23' D, 27' FB
- 381299 Recessed toilet paper holder, 19', 25', 28', 27' FB
- 380034 TOILET PAPER HOLDER, CHROME, 27' FB
- 380017 TUMBLER & TOOTHBRUSH HOLDER, CHROME

MISCELLANEOUS INTERIOR HINGES

- 380203-01 Hinge, Bath Door, Wardrobe, clear
- 380458 HINGE PIANO BROWN, 16'

DINETTE TABLE HARDWARE

- 380284-02 TABLE HINGE BRACKET
- 380284-03 CENTER HINGE J-4
- 340018 CATCH PLATE J-1
- 700065-01 Snapo folding leg
- 381525 SASH LOCK, CONTEMPORARY MINI

BED GAS SPRINGS, 28', 25' Front Bed

- 380203-01 PIANO HINGE 1/8" PIN CLEAR ANODIZED
- 381067-09 SPRING, GAS 90 LBS.
- 381262 BRACKET, PROP, W/BALL
- 381310 GAS PROP BRKT. ASSY-UPPER
- 381084 BALL, STUD

Clock/Coat Rack, 16' DWR

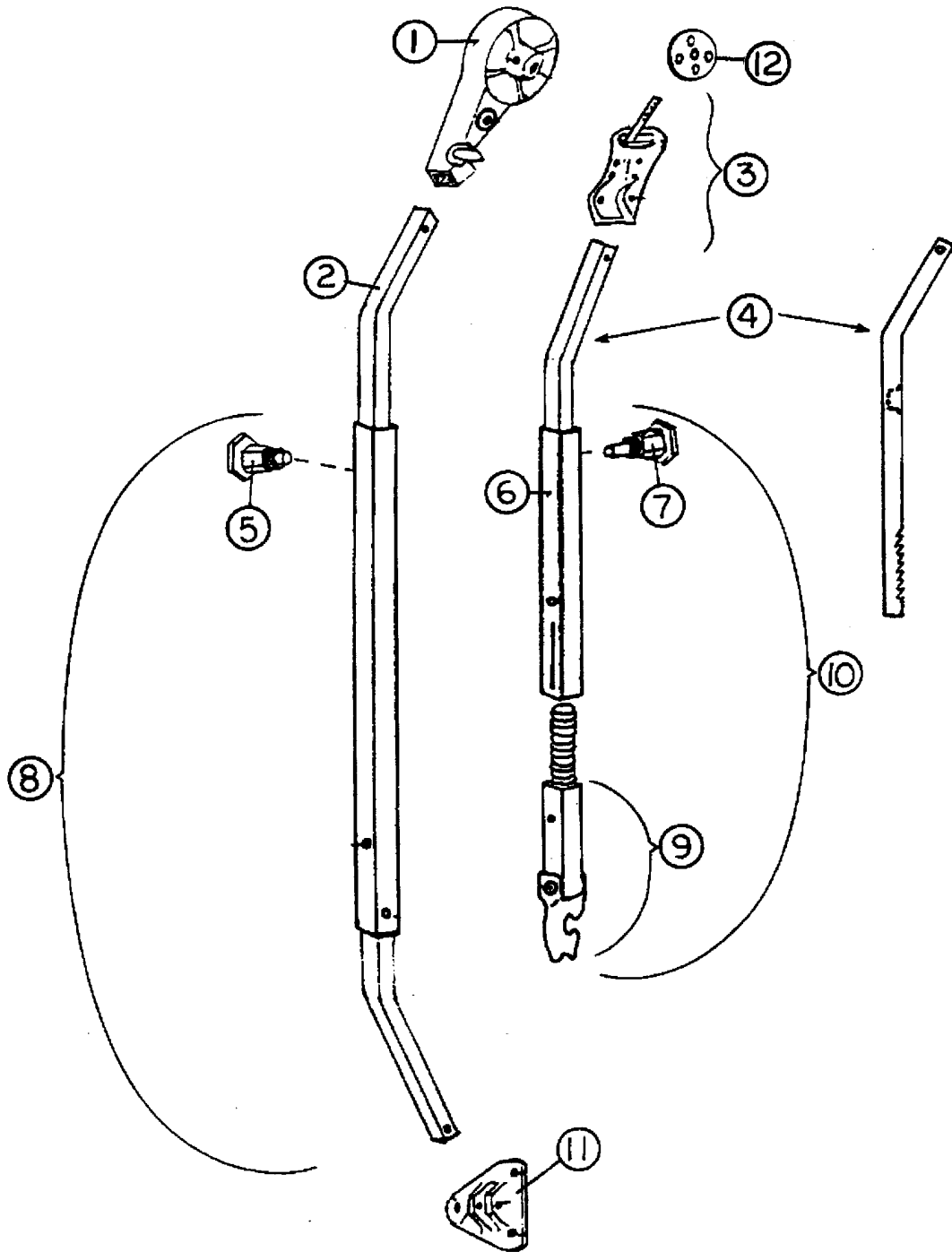
- 382039 CLOCK, NELSON BALL
- 382040 RACK, WIRE, COAT, STAINLESS STEEL

2009 INTERNATIONAL TRAVEL TRAILER

HARDWARE

AWNING HARDWARE

See next page for P/N



2009 INTERNATIONAL TRAVEL TRAILER

HARDWARE

AWNING HARDWARE

702993	Awning Hardware, complete Assembly
1. 74043W-06	Front head assembly
1. 74043W-07	Rear head assembly
2. 74047W-11	Front main arm bar
2. 74047W-12	Rear main arm bar
3. 74056W	Clamp assembly, front, curved
3. 74056W-01	Clamp assembly, rear, curved
4. 74061WS-08	Rafter arm bar, satin
5. 74054W	Snap stud assembly
6. 74063W-04	Rafter arm tube, satin
7. 74072W	Ratchet stud
8. 74048WS-15	Front main arm tube assembly
8. 74048WS-16	Rear main arm tube assembly
9. 74068W-04	Claw bar assembly
10. 74048WS-17	Rafter arm assembly
11. 74055W	Base hinge, rib mount
12. 74060W	Clamp wheel

Trailer Level

381269 TRAILER LEVEL

DINNERWARE KIT, 16' DWR

703715	PLATE, DINNER, WHITE MELAMINE
703716	PLATE, SALAD, WHITE MELAMINE
703717	BOWL, WHITE, MELAMINE
703718	MUG, WHITE, MELAMINE
382048-01	Gift Box, 8" x 8" x 8.5"
382048-02	Gift Box, 10" x 10" x 6"

2009 INTERNATIONAL TRAVEL TRAILER

LABELS AND TAGS

Labels and Tags

385193	Label, "12V distribution panel inside"
386119	Label, "DON'T USE AREA FOR STORAGE"
385068	Tag, cooking appliance warning
386118	Label, LP gas warning/fill
385517	Label, kill switch warning
385521	Label, emergency egress window
386122	Warning label/cooking appliance
386121	Label, LP gas warning label (odor)
385465	Exit label, English
385560	Label, air conditioner rating
385812	Label, Calif. hazardous substance
386120	Label, smoke detector
385359	Label, microwave or air conditioner
385837	Label, refrigeration ignition
386012	Label warning, water heater
386123	LABEL "POTABLE WATER ONLY"
386114	LABEL-RVIA SILVER
385062	Decal, 110-125 voltage AC
385565	Label, holding tank flushing
386142	CHECK WHEEL LUG LABEL
386082	LABEL THOR, 5.25" X .75'
386097	LABEL FUSE 12 V. Fuse Block Circuits
386019	LABEL 1 AMP FUSE MAX
385101	TAG AUX TANK DUMP VALVE HANDLE
385099	TAG MAIN TANK DUMP VALVE HANDLE
386111	LABEL 30 AMP FUSE MAX
386192	HANG TAG, SMOKE/CO DETECTOR BATTERY
386193	LABEL, WHEEL TORQUE WARNING
385020	Sticker, Self adhering, "JACK"
382048-03	Label, Design Within Reach

2009 INTERNATIONAL TRAVEL TRAILER

LABELS AND TAGS

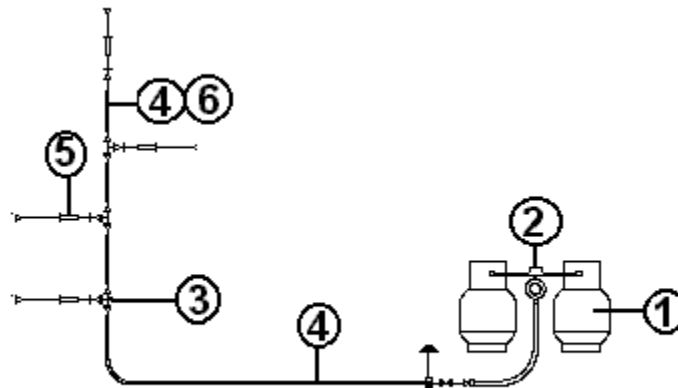
Labels and Tags, CSA

386038	LABEL CSA HOLDING TANKS FRESH
385949	LABEL "POTABLE WATER" CSA
385950	LABEL "SMOKE DETECTOR CSA
385951	LABEL "RANGE FRESH AIR" CSA
385952	LABEL "LP WARNING" CSA
385953	LABEL "IF YOU SMELL GAS" CSA
385954	LABEL "RANGE WARNING" CSA
385466	LABEL, EXIT, FRENCH
386105	LABEL, TV/VCR RECEPTABLE, CSA
385971	LABEL, FUSE, EXTERIOR LIGHT

2009 INTERNATIONAL TRAVEL TRAILER

PLUMBING, LPG

LPG SYSTEM, 16'

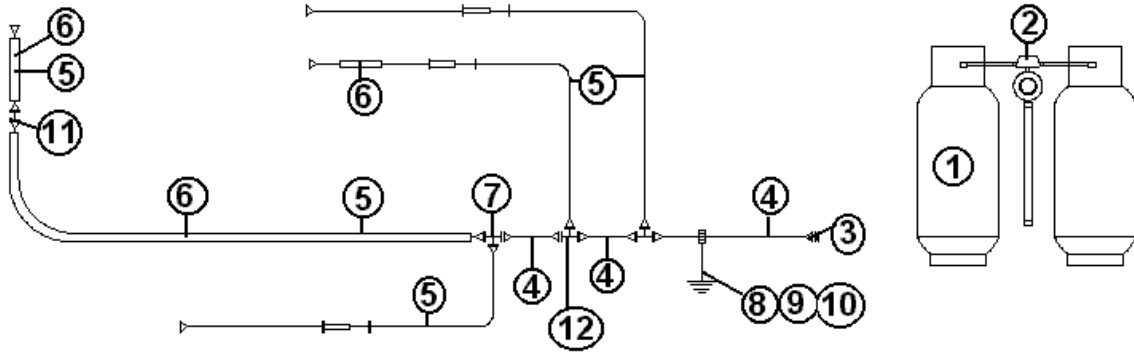


- | | |
|---------------|----------------------------------|
| 1. 601781 | LP TANK-20LB STEEL |
| 1A. 601781-01 | LP TANK-20LB STEEL, CSA |
| 2. 601731 | LP REGULATOR W/MTG. BRACKET |
| 3. 600000 | TEE BRASS 5/8 X 5/8 X 3/8 |
| 4. 600004 | TUBING COPPER 5/8 OD |
| 5. 600008 | TUBING COPPER 3/8OD |
| 6. 601698-01 | TUBING, .50IN,POLY. CSA APPROVE |
| 601686 | BASE PLATE - LP TANK |
| 601687 | HOLD DOWN KIT - LP TANK SAFARI |
| 601685-01 | LP HOSE-1/2"FPT X 3/8F-36" #19 |
| 601685-02 | LP HOSE 1/2"FPT X 3/8"FL-36, CSA |
| 381613 | PLASTISOL COVER-LP WING HANDLE |
| 600003 | TEE 5/8 X 3/8 X 3/8 |
| 600436 | FORGED FLARE NUTS 5/8IN |
| 600435 | FORGED FLARE NUTS 3/8IN |
| 380887 | GROMMET, FLOOR |
| 380886 | GROMMET, FLOOR |
| 600661 | GROUNDING CLAMP 1/2 TO 1 SIZE |
| 500839 | WIRE, BARE COPPER 8 GA. |
| 500038 | LUG GROUND |
| 340085-05 | CLAMP #COY 1109 5/8 IN. |
| 601734 | FITTING-BRASS 5/8 OD FLARE X 1 |
| 600000 | TEE BRASS 5/8 X 5/8 X 3/8 |
| 201649 | ACCESS COVER LP REGULATOR |

2009 INTERNATIONAL TRAVEL TRAILER

PLUMBING, LPG

LPG SYSTEM, 19'

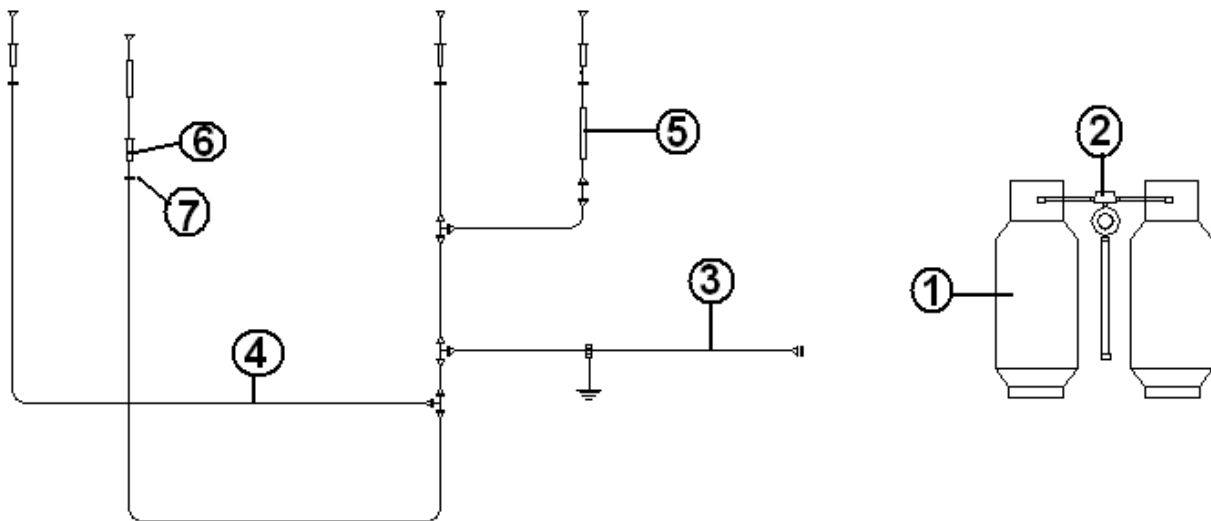


- | | |
|--------------|---------------------------------|
| 1. 601710-01 | CYLINDER 30# STEEL LP |
| 2. 601731 | LP REGULATOR W/MTG. BRACKET |
| 3. 600468 | UNION FLARE 5/8 X 5/8 |
| 4. 600004 | TUBING COPPER 5/8 OD |
| 5. 600008 | TUBING COPPER 3/8OD |
| 6. 601698-01 | TUBING, 1/2" E-PEX |
| 7. 600003 | TEE 5/8 X 3/8 X 3/8 |
| 8. 600661 | GROUNDING CLAMP 1/2" TO 1 |
| 9. 500839 | WIRE, BARE COPPER 8 GA. |
| 10. 500038 | LUG GROUND |
| 11. 600238 | 3/8IN FLARE UNION |
| 12. 600000 | TEE BRASS 5/8 X 5/8 X 3/8 |
| 601686 | BASE PLATE - LP TANK |
| 601687 | HOLD DOWN KIT - LP TANK |
| 601685-01 | LP HOSE-1/2" FPT X 3/8F-36" |
| 381613 | PLASTISOL COVER-LP WING HANDLE |
| 601159-02 | TUBING, .50IN,POLY. CSA APPROVE |

2009 INTERNATIONAL TRAVEL TRAILER

PLUMBING, LPG

LPG SYSTEM, 23'



- | | |
|--------------|---------------------------------|
| 1. 601710-01 | CYLINDER 30# STEEL LP |
| 2. 601731 | LP REGULATOR W/MTG. BRACKET |
| 3. 600008 | TUBING COPPER 3/8" OD |
| 4. 600008 | TUBING COPPER 3/8" OD |
| 5. 601698-01 | SHEATHING |
| 6. 380887 | GROMMET, FLOOR |
| 7. 380886 | GROMMET, UNDERBELLY |
| 340085-05 | CLAMP #COY 1109 5/8 IN. DIA. |
| 600238 | 3/8 IN FLARE UNION |
| 600435 | FORGED FLARE NUTS 3/8 IN. |
| 601686 | BASE PLATE - LP TANK MTG SAFAR |
| 601687 | HOLD DOWN KIT - LP TANK SAFARI |
| 601685-01 | LP HOSE-1/2"FPT X 3/8F-36" |
| 601685-02 | LP HOSE-1/2"FPT X 3/8F-36", CSA |
| 381613 | PLASTISOL COVER-LP WING HANDLE |
| 345084 | SCREW-1/4-14X1 THD.CUTTING |
| 350005 | NUT 3/8-16 UNC HEX HD PLATED |

2009 INTERNATIONAL TRAVEL TRAILER

PLUMBING, LPG

LPG SYSTEM, 25'

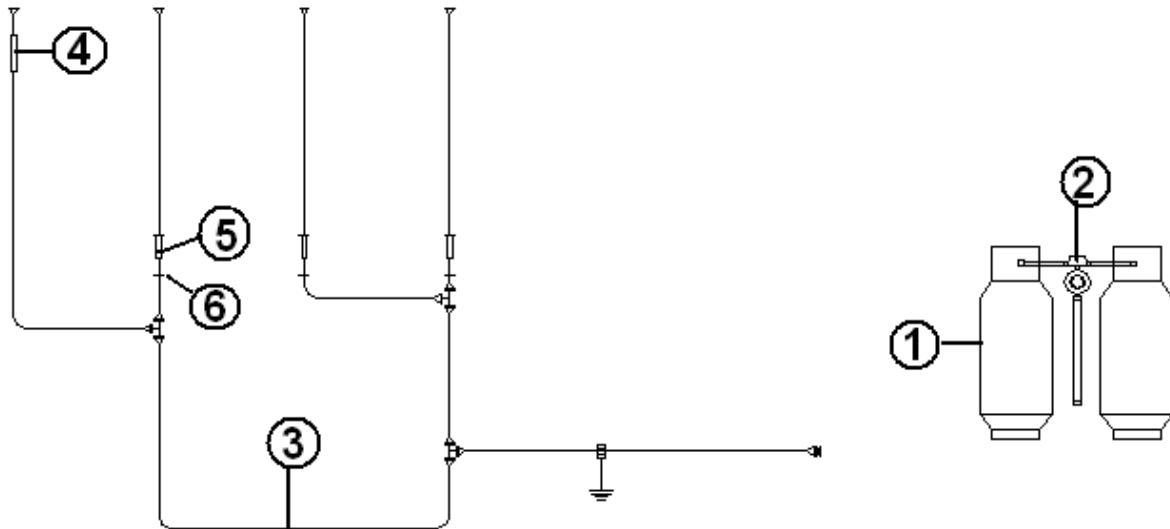
601710-01	CYLINDER 30# STEEL LP
601731	LP REGULATOR W/MTG. BRACKET
201649	ACCESS COVER LP REGULATOR
601687	HOLD DOWN KIT - LP TANK
601685-01	LP HOSE-1/2"FPT X 3/8F-36" #19
381613	PLASTISOL COVER-LP WING HANDLE
600004	TUBING COPPER 5/8 OD
600003	TEE 5/8 X 3/8 X 3/8
600008	TUBING COPPER 3/8OD
600435	FORGED FLARE NUTS 3/8IN
600661	GROUNDING CLAMP 1/2 TO 1 SIZE
345084	SCREW-1/4-14X1 THD.CUTTING
350005	NUT 3/8-16 UNC HEX HD PLATED
500038	LUG GROUND
340085-05	CLAMP #COY 1109 5/8 IN. DIA.
601698-01	E-PEX, 1/2", TUBING
601281	TEE BRASS UNION 5/8 X 5/8 X 5/8
600001	NUT BRASS FLARE 416 5/8

2009 INTERNATIONAL TRAVEL TRAILER

PLUMBING, LPG

LPG SYSTEM, 27' FB

Range WH Furn. Refer.

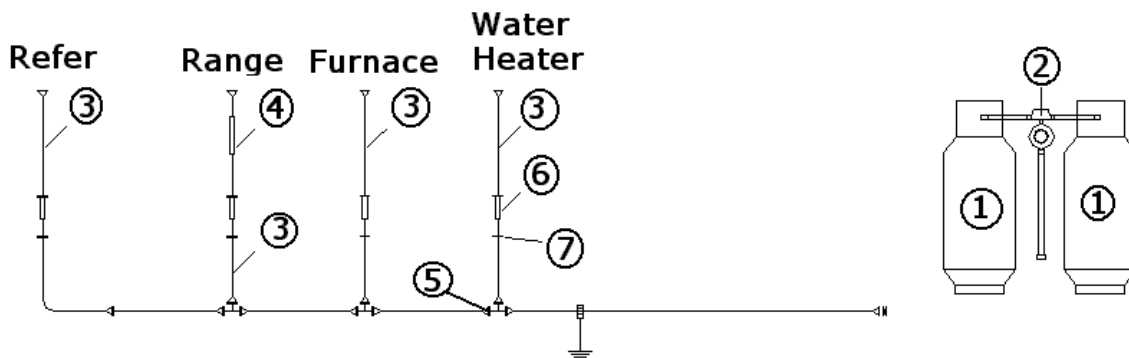


- | | |
|--------------|--------------------------------|
| 1. 601710-01 | CYLINDER 30# STEEL LP |
| 2. 601731 | LP REGULATOR W/MTG. BRACKET |
| 3. 600008 | TUBING COPPER 3/8" OD |
| 4. 601698-01 | SHEATHING |
| 5. 380887 | GROMMET, FLOOR |
| 6. 380886 | GROMMET, UNDERBELLY |
| 340085-05 | CLAMP #COY 1109 5/8 IN. DIA. |
| 600238 | 3/8IN FLARE UNION |
| 600435 | FORGED FLARE NUTS 3/8 IN. |
| 601686 | BASE PLATE, LP TANK MTG SAFAR |
| 601687 | HOLD DOWN KIT LP TANK SAFARI |
| 601685-01 | LP HOSE-1/2"FPT X 3/8F-36" #19 |
| 381613 | PLASTISOL COVER-LP WING HANDLE |
| 345084 | SCREW-1/4-14X1 THD.CUTTING |
| 350005 | NUT 3/8-16 UNC HEX HD PLATED |

2009 INTERNATIONAL TRAVEL TRAILER

PLUMBING, LPG

LPG SYSTEM 28'



- | | |
|--------------|--------------------------------|
| 1. 601710-01 | Bottle, LP, 30 LBS. |
| 2. 601731 | LP REGULATOR W/MTG. BRACKET |
| 3. 600008 | TUBING COPPER 3/8 OD |
| 4. 601698-01 | TUBING, 1/2", E-Pex |
| 5. 600435 | FORGED FLARE NUTS 3/8IN |
| 6. 380887 | GROMMET, FLOOR |
| 7. 380886 | GROMMET, FLOOR |
| 601685-01 | LP HOSE-1/2"FPT X 3/8F-36" #19 |

Below Floor Assembly

- | | |
|-----------|----------------------------------|
| 600001 | Flare nut, 5/8" |
| 600661 | Ground Clamp |
| 500038 | Ground C\clamp |
| 500839 | Wire, copper, #8 |
| 600004 | Copper line, 5/8" |
| 600000 | 5/8" x 5/8" x 3/8" Tee |
| 601545 | Flare union, 3/8" MPT x 5/8" MPT |
| 601698-01 | TUBING, 1/2", E-Pex |

2009 INTERNATIONAL TRAVEL TRAILER

PLUMBING, LPG

LP BOTTLES AND FITTINGS

601781	LP TANK, 20LB STEEL
601781-01	LP TANK, 20LB STEEL, CSA
601710-01	Bottle, LP, steel, 30#
601710-02	Bottle, LP, steel, CSA
601731	Regulator and hose assembly, Marshall Brass
601685-01	18" LP Hose
601785-02	18" LP Hose, CSA
601687	HOLD DOWN KIT - LP TANK
381613	PLASTISOL COVER-LP WING HANDLE
601686	BASE PLATE - LP TANK

LP BOTTLE COVER 19', 23' D, 27' FB, 25' & 28'

921232	Bottle cover, LP
*380903-01	Latch only
*380903-02	Strike only
*382091-01	Tension latch, stainless steel
*382091-02	Strike, tension latch, stainless steel
200841	Lid, plastic, bottle cover
380773	Hinge, access door
114070	J-trim, extrusion, aluminum

*P/N 380903-01 and 380903-02 were replaced by P/N 382091-01 and 382091-02 on units with manufacturing dates 10/20/08 and after.

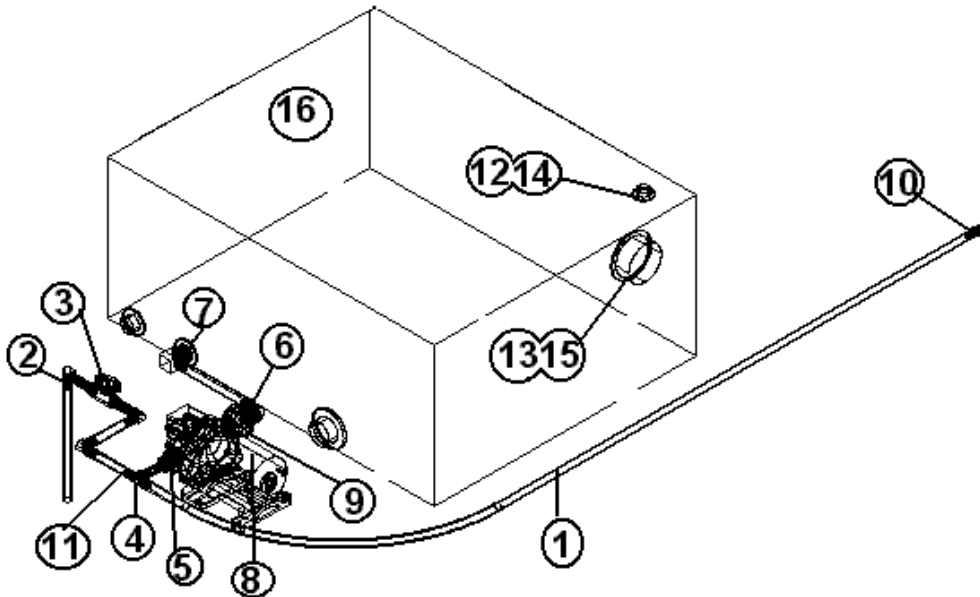
LP BOTTLE COVER, 16'

915778	COVER ASSY-LP BOTTLE, 16'
115202	LID LP BOTTLE COVER
115201	WRAP, LP BOTTLE COVER
381136	RUBBER BUMPER
114070	EXTRUSION. J-TRIM, MILL FINISH

2009 INTERNATIONAL TRAVEL TRAILER

PLUMBING, FRESHWATER

Fresh Water System, 16'



- | | |
|---------------|---|
| 1. 601698-01 | E-PEX 1/2" TUBING |
| 2. 601698-10 | QQE33X 1/2" BARB EL |
| 3. 601698-22 | BALL VALVE 1/4" TURN |
| 4. 601698-11 | QQT333X 1/2" BARB TEE |
| 5. 601698-03 | QQSFC33XPXP 1/2"B X 1/2" FPT SWIVEL ADAPTOR |
| 6. 601698-05 | QQE33BSXP 1/2" B X 1/2" FPT SWIVEL |
| 7. 601698-04 | QQE33BTX 1/2" BX1/2" MPT BARB EL |
| 8. 601061-03 | PUMP WATER SHURFLO |
| 9. 601668-01 | WATER PUMP PRE-FILTER |
| 10. 601698-08 | QQC33X 1/2" BARB COUPLING |
| 11. 601698-15 | 1/2" CRIMP RING |
| 12. 601240-01 | TUBING 1/2" I.D. X 3/32 WALL |
| 13. 601239-01 | TUBING 1.375" I.D. RIBBED |
| 14. 340084-12 | CLAMP, HOSE |
| 15. 340084-20 | CLAMP, HOSE |
| 16. 601861-01 | Fresh water tank |
| 600139 | CHECK VALVE, BRASS |
| 601531 | FITTING-90 DEGREE 3" H X ST |
| 203085 | PLUG WATER LINE 1/2" PLASTIC BLACK |
| 601658 | VALVE 1/2" STOP CPVC |
| 601659 | RISER 1/2" FPT X 12" CPVC |

2009 INTERNATIONAL TRAVEL TRAILER

PLUMBING, FRESHWATER

Water Fill/Tank System, 19'

600139	CHECK VALVE, BRASS
600309	REGULATOR, WATTS 1/2"
203085	PLUG WATER LINE 1/2" PLASTIC B
601861-01	Tank, fresh water
964478	SLOPE PAD-Fresh tank
453712	SHIELD FRESH WATER TANK DRAIN
602185	Drain Valve, 90 degree
601469	VACUUM BREAKER, 3/4IN GARDEN HOSE
601061-03	PUMP WATER SHURFLO 2088-404-14
601668-01	WATER PUMP PRE-FILTER
601194	WATER FILL W/LOCK, GRAY, W/LABEL
601267-04	NIPPLE 3" DIA. THD ONE 10" LG

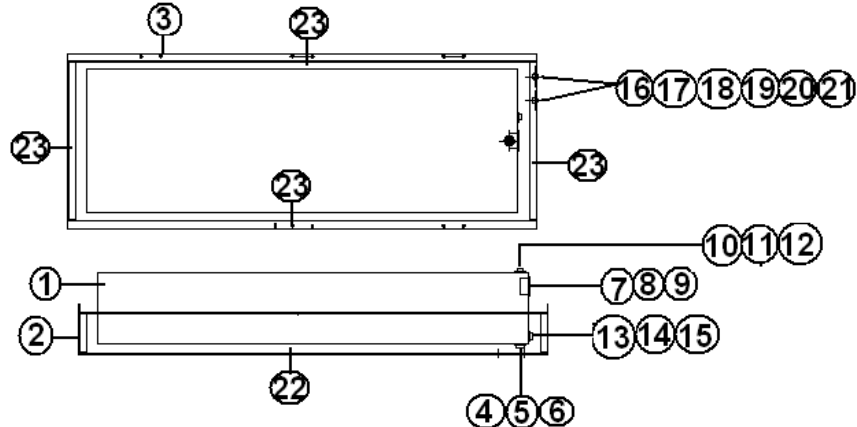
Tank Strap, Fresh Water Tank, 19'

454065	Aluminum strap
--------	----------------

2009 INTERNATIONAL TRAVEL TRAILER

PLUMBING, FRESHWATER

Fresh Water Tank Layout, 23' D



- | | |
|---------------|--|
| 1. 601863-02 | TANK, FRESH WATER 39 GALLON |
| 2. 966288 | TANK PAN |
| 3. 345074-05 | SCREW 5/16-18 X 7/8 HEX WASHER |
| 4. 601810 | VALVE, 1/2" FPT X 1/2" FPT KBI |
| 5. 601811 | ELBOW, 1/2" MPT X 1/2" FPT STREET |
| 6. 601812 | NIPPLE-BRASS 1/2" X 2.0" |
| 7. 601237 | ELBOW 90 D 1.25 MPT X 1.25 BAR |
| 8. 601239-01 | TUBING 1.375 I.D. RIBBED |
| 9. 0260043-20 | WORM CLAMP #20 |
| 10. 601698-04 | QQE33BTX 1/2" B X 1/2" MPT BARB EL |
| 11. 601240-01 | TUBING 1/2" I.D. X 3/32" WALL THREADED |
| 12. 340086 | MINIATURE SCREW TYPE HOSE CLAMP |
| 13. 601698-04 | QQE33BTX 1/2" B X 1/2" MPT BARB EL |
| 14. 601698-01 | E-PEX 1/2" TUBING |
| 15. 601698-15 | 1/2" CRIMP RING |
| 16. 602185 | Drain Valve, 90 degree |
| 17. 300124 | WASHER 1.25OD X.69ID X.09 TH Z |
| 18. 602185 | Drain Valve, 90 degree |
| 19. 601698-03 | QQSFC33XPXP 1/2" B X 1/2" FPT SW ADAPTOR |
| 20. 601698-01 | E-PEX 1/2" TUBING |
| 21. 601698-15 | 1/2" CRIMP RING |
| 22. 200507 | STYROFOAM, 1 X 25 X 55 |
| 23. 200152 | STYROFOAM, 1/2" X 6 X 42 |

2009 INTERNATIONAL TRAVEL TRAILER

PLUMBING, FRESHWATER

Fresh Water System, 25'

601863-01	TANK-FRESH WATER 39 GAL #W0199
601642	PAN-TANK ROTOCAST 25'SAFARI
453493	HANGER STRAP-TANK PAN SAFARI
601243	DRAIN COCK, FRESH WATER
600155	PLUG, CLEANOUT 1-1/2"
453712	SHIELD FRESH WATER TANK DRAIN
511252	PLUG PHONE 4 CONDUCTOR
511789	SENSOR-TANK MONITOR
511393	COUPLER-MODULAR EXTEN 4 CONDUCTOR
511789-01	BOOT, SENSOR
200152	STYROFOAM 1/2 X 6 X 42
453615	TANK SUPPORT STRIP-62" SAFARI
601723	FILTER SCREEN, WATER
601239-01	TUBING, 1.375" ID, RIBBED W/FLATS
601240-01	TUBING, 1/2" I.D. X 3/32 WALL

2009 INTERNATIONAL TRAVEL TRAILER

PLUMBING, FRESHWATER

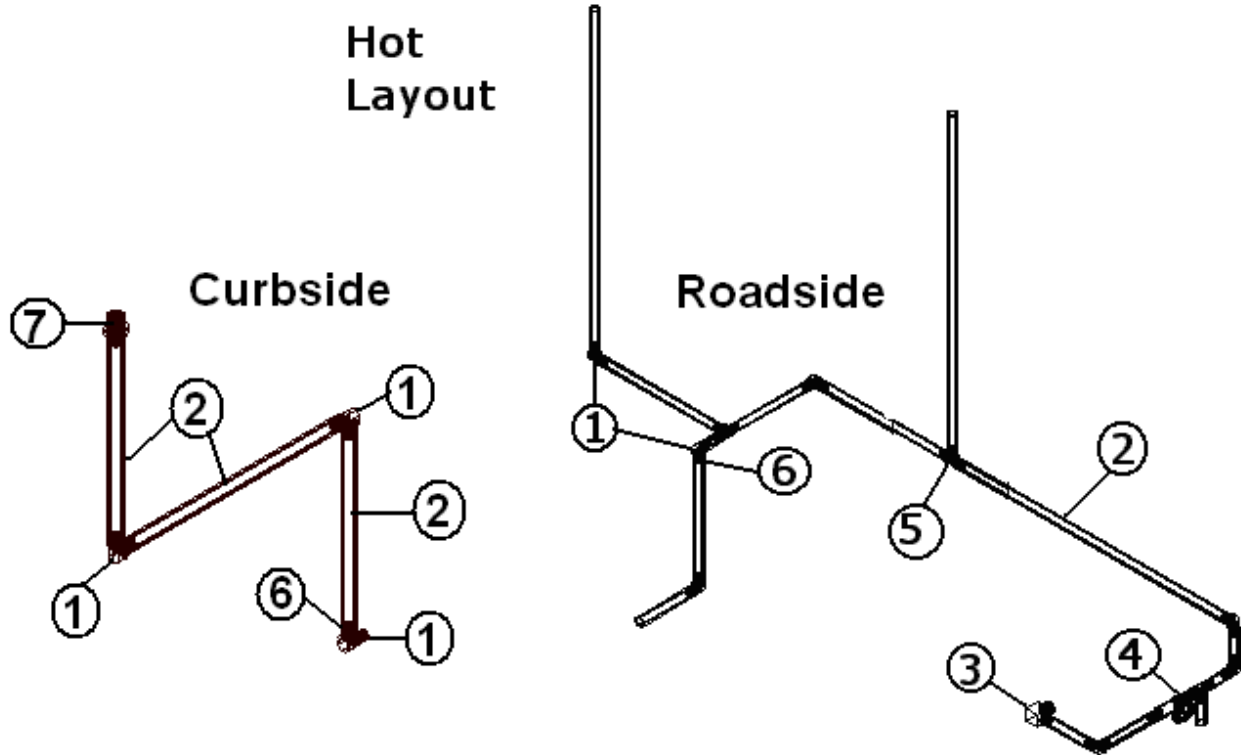
Fresh Water System, 27' FB

601863-01	TANK-FRESH WATER 39 GALLON
601620	PAN FRESH TANK
601243	DRAIN COCK, FRESH WATER
600155	PLUG, CLEANOUT 1-1/2
601004	COUPLING 1/2" BARB X 3/8 MPT
600836	ELBOW 3/8 MPT X 1/2"BARB-COPPE
601237	ELBOW 90 D 1.25 MPT X 1.25 BAR
601239-01	TUBING 1.375 I.D. RIBBED
601698-01	E-PEX 1/2" TUBING
601240-01	TUBING, 3/8 UD W/3/32"
340086	MINIATURE SCREW TYPE HOSE CLAMP
0260043-06	WORM CLAMP #6
0260043-28	WORM CLAMP #28
345853	SCREW PAN HD #8-32 X .25 PAN H
0250123-06	#8-32 X.25"PHILLIPS ,RD.HD.MACH
345074-05	SCREW 5/16-18 X 7/8HEX WASHER
200152	STYROFOAM 1/2 X 6 X 42
511018	HARNESS, TANK VENTLINE L7452

2009 INTERNATIONAL TRAVEL TRAILER

PLUMBING, FRESHWATER

Fresh Water Plumbing, Hot 28'

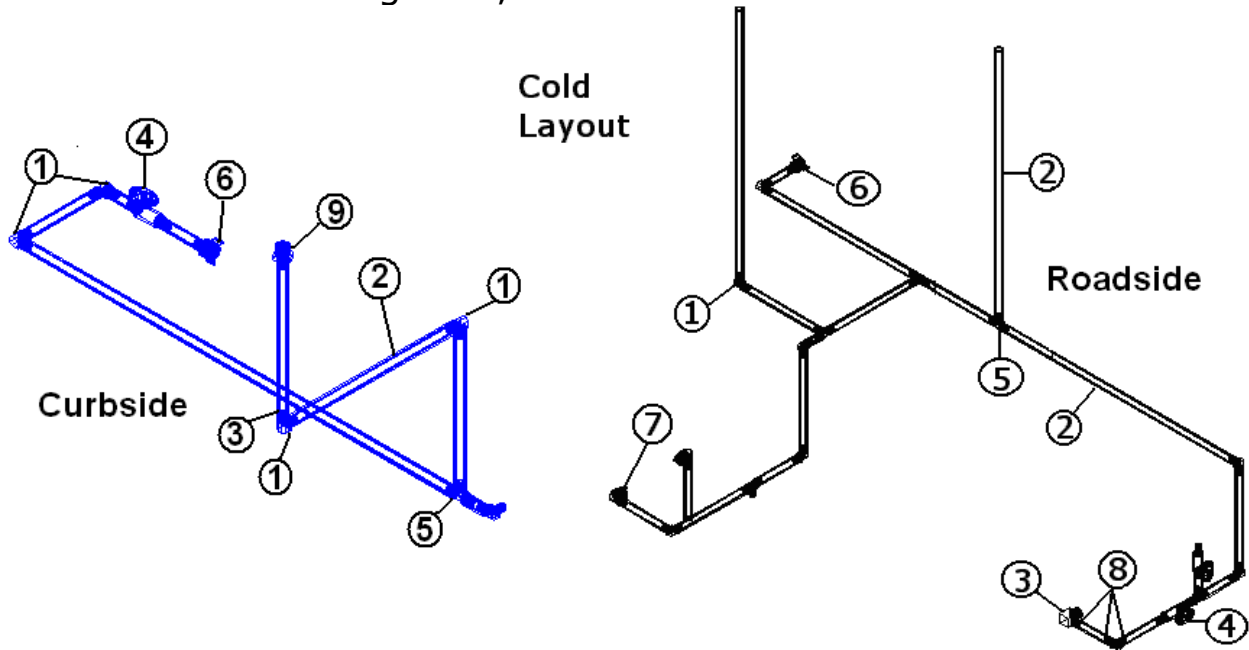


- | | |
|--------------|-----------------------------------|
| 1. 601698-10 | QQE33X 1/2 BARB EL |
| 2. 601698-21 | TUBING E-PEX 1/2' RED |
| 3. 601698-04 | QQE33BTX 1/2BX1/2MPT BARB EL |
| 4. 601698-22 | BALL VALVE 1/4 TURN |
| 5. 601698-11 | QQT333X 1/2 BARB TEE |
| 6. 601698-15 | 1/2 CRIMP RING |
| 7. 601698-02 | QQMC33X 1/2" B X 1/2" MPT ADAPTOR |

2009 INTERNATIONAL TRAVEL TRAILER

PLUMBING, FRESHWATER

Fresh Water Plumbing Cold, 28'



- | | |
|--------------|--|
| 1. 601698-10 | QQE33X 1/2 BARB EL |
| 2. 601698-01 | TUBING E-PEX 1/2" WHITE |
| 3. 601698-04 | QQE33BTX 1/2BX1/2MPT BARB EL |
| 4. 601698-22 | BALL VALVE 1/4 TURN |
| 5. 601698-11 | QQT333X 1/2 BARB TEE |
| 6. 601698-03 | QQSFC33XPXP 1/2"B X 1/2"FPT SWIVEL ADAPTOR |
| 7. 601698-05 | QQE33BSXP 1/2"B X 1/2" FPT SWIVEL |
| 8. 601698-15 | 1/2" CRIMP RING |
| 9. 601698-02 | QQMC33X 1/2"B X 1/2"MPT ADPT#147 |
| 601863-01 | TANK-FRESH WATER 39 GAL #W0199 |
| 601642 | PAN-TANK ROTOCAST |
| 453493 | HANGER STRAP-TANK PAN |
| 601243 | DRAIN COCK, FRESH WATER |
| 600155 | PLUG, CLEANOUT 1-1/2 |
| 601240-01 | TUBING 1/2" I.D. X 3/32 WALL THICKNESS |
| 453712 | SHIELD FRESH WATER TANK DRAIN |
| 601239-01 | TUBING-1.375"ID RIBBED W/FLATS |
| 453615 | TANK SUPPORT STRIP-62" |
| 601723 | FILTER SCREEN, WATER |

2009 INTERNATIONAL TRAVEL TRAILER

PLUMBING, FRESHWATER

Tank Fittings/Shield

601243	DRAIN COCK, FRESH WATER
600155	PLUG, CLEANOUT, 1 1/2"
453712	SHIELD, FRESH WATER TANK DRAIN
602185	Drain Valve, 90 degree

City Water Hook Up System

600336	PLUG WITH CHAIN
600315	PUMP GUARD FILTER
600362	CONNECTOR 3/4 X 1/2 HOSE
601689	DROP ELL 90 DEGREE FITTING
320098-02	SCREW,SMS,SS OVAL HD.PHIL
601661	NIPPLE 1/2" BRASS HEX
601690	NIPPLE-1/2"MPT X 2.50" BRASS
601237	ELBOW 90 D 1.25 MPT X 1.25 Brass
600227	PLASTIC COUPLINGS

Fresh Water Fill

601194	WATER FILL W/LOCK, GRAY, W/LABEL
601392-05	CITY WATER FILL W/REGULATOR
601239-01	TUBING 1.375 I.D. RIBBED
601240-01	TUBING, 3/8 UD W/3/32"

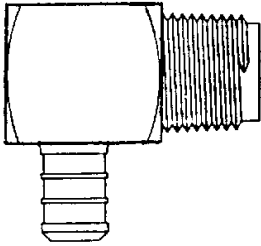
Water Pump

602202	Water pump, Sureflo
602204	Flex hose, 1/2", Sureflo water pump
601668-01	Water pump, pre-filter, Shurflo

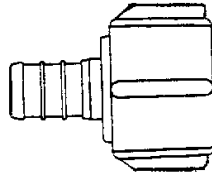
2009 INTERNATIONAL TRAVEL TRAILER

PLUMBING, FRESHWATER

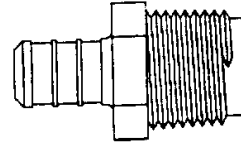
FRESH WATERLINE/FITTINGS



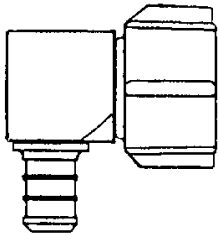
601698-04
Elbow, 1/2" barb
x 1/2" MPT



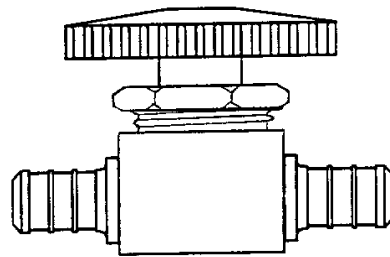
601698-03
Coupler, 1/2" barb
x 1/2" FPT



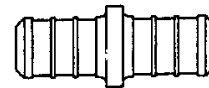
601698-02
Coupler, 1/2" barb
x 1/2" MPT



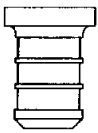
601698-05
Elbow 1/2" barb x
1/2" FPT



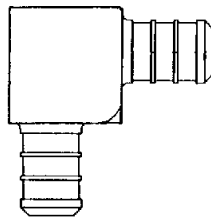
601698-22
Shut-off, 1/2" barb x
1/2" barb



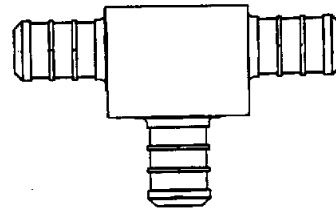
601698-08
Coupler
1/2" x 1/2" barb



601698-09
Plug, 1/2" barb



601698-10
Elbow 1/2" barb x
1/2" barb



601698-11
Tee, 1/2" x 1/2" x
1/2" barb

2009 INTERNATIONAL TRAVEL TRAILER

PLUMBING, FRESHWATER

FRESH WATERLINE/FITTINGS



601698-15
Crimp ring, 1/2



601698-01
E-Pex, 1/2" (black)

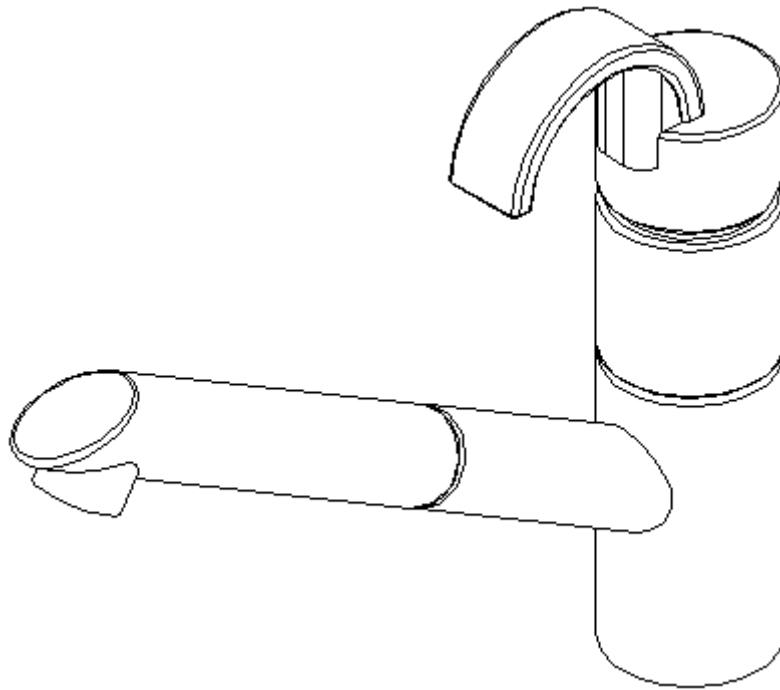


601698-21
E-Pex tube, 1/2" Red

2009 INTERNATIONAL TRAVEL TRAILER

PLUMBING, FRESHWATER

Faucet, Galley, Elkay, Model #LK-7120, Signature Series



602158

FAUCET, GALLEY ELKAY #LK-7120

2009 INTERNATIONAL TRAVEL TRAILER

PLUMBING, FRESHWATER

FAUCET-SMALL LEVER HANDLE BATH, 601842

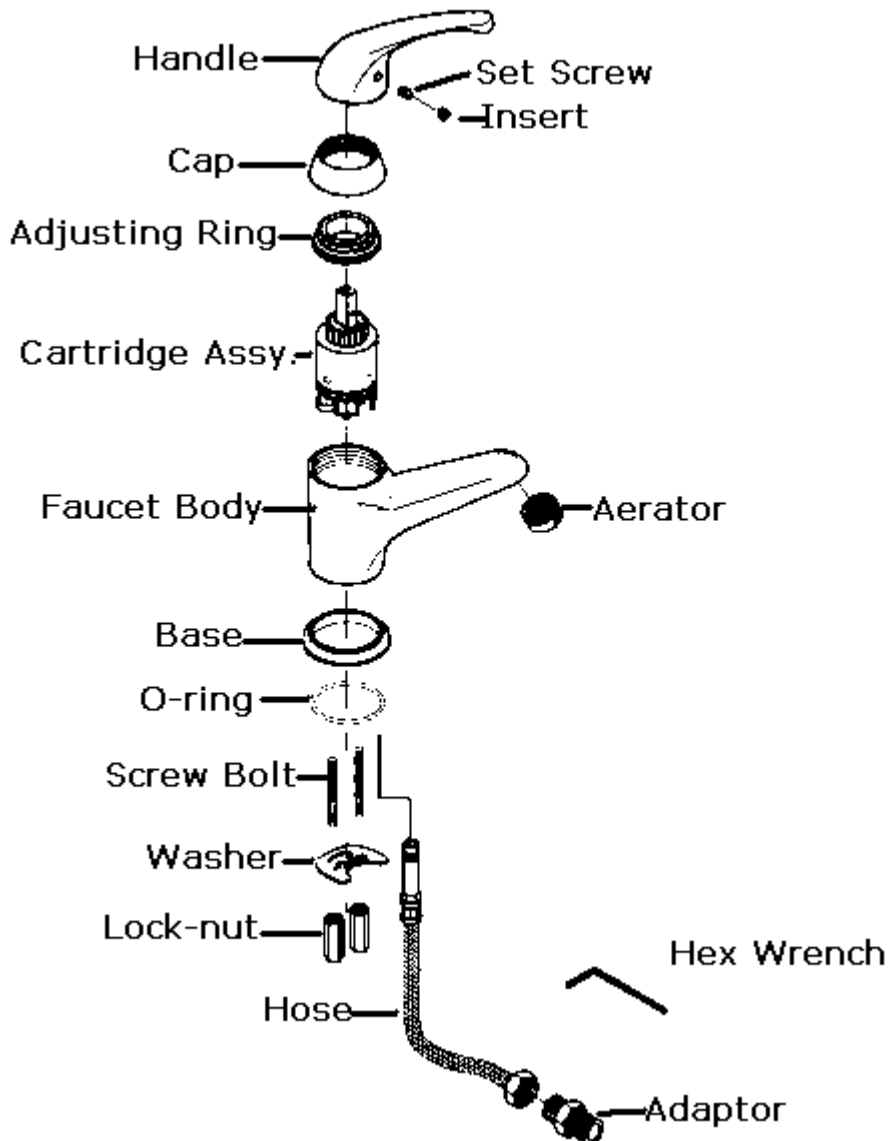
Model 97155BR

ITC Inc.

230 East Lakewood Blvd.

Holland, MI 49424

Tel. 616-396-1355



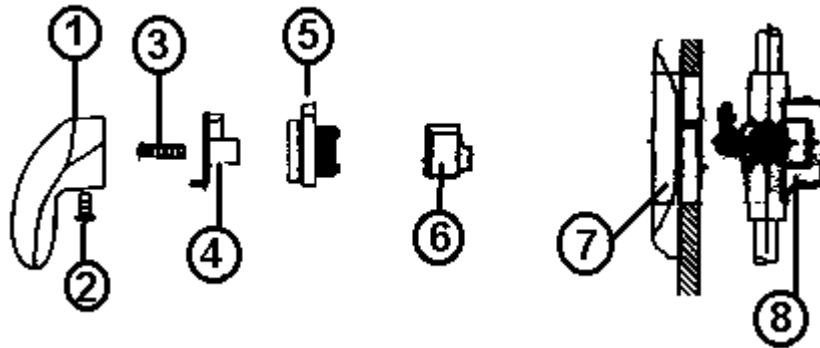
601842 FAUCET-SMALL LEVER HANDLE BATH

2009 INTERNATIONAL TRAVEL TRAILER

PLUMBING, FRESHWATER

Faucet, Shower, 19', 25', 28', 27' FB

601829 Faucet, Shower, Chrome, Moen MDL TL2391



1. Lever handle
2. Set screw
3. Handle screw
4. Handle adaptor
5. Brake
6. Key stop
7. Escutcheon
8. 601831 4-port posi-temp valve

600594 Strainer w/white rubber stopper

601358 Shower kit, includes:

Shower hose, shower head,
Vacuum breaker, wall mounts

601185-08 PLUG, PIPE 1/2" MALE NPT, STEEL

114969 COVER, VENT PIPE

601592-04 HOSE GUIDE, SHOWER HARDWARE

601661 NIPPLE, 1/2", BRASS HEX

2009 INTERNATIONAL TRAVEL TRAILER

PLUMBING, FRESHWATER

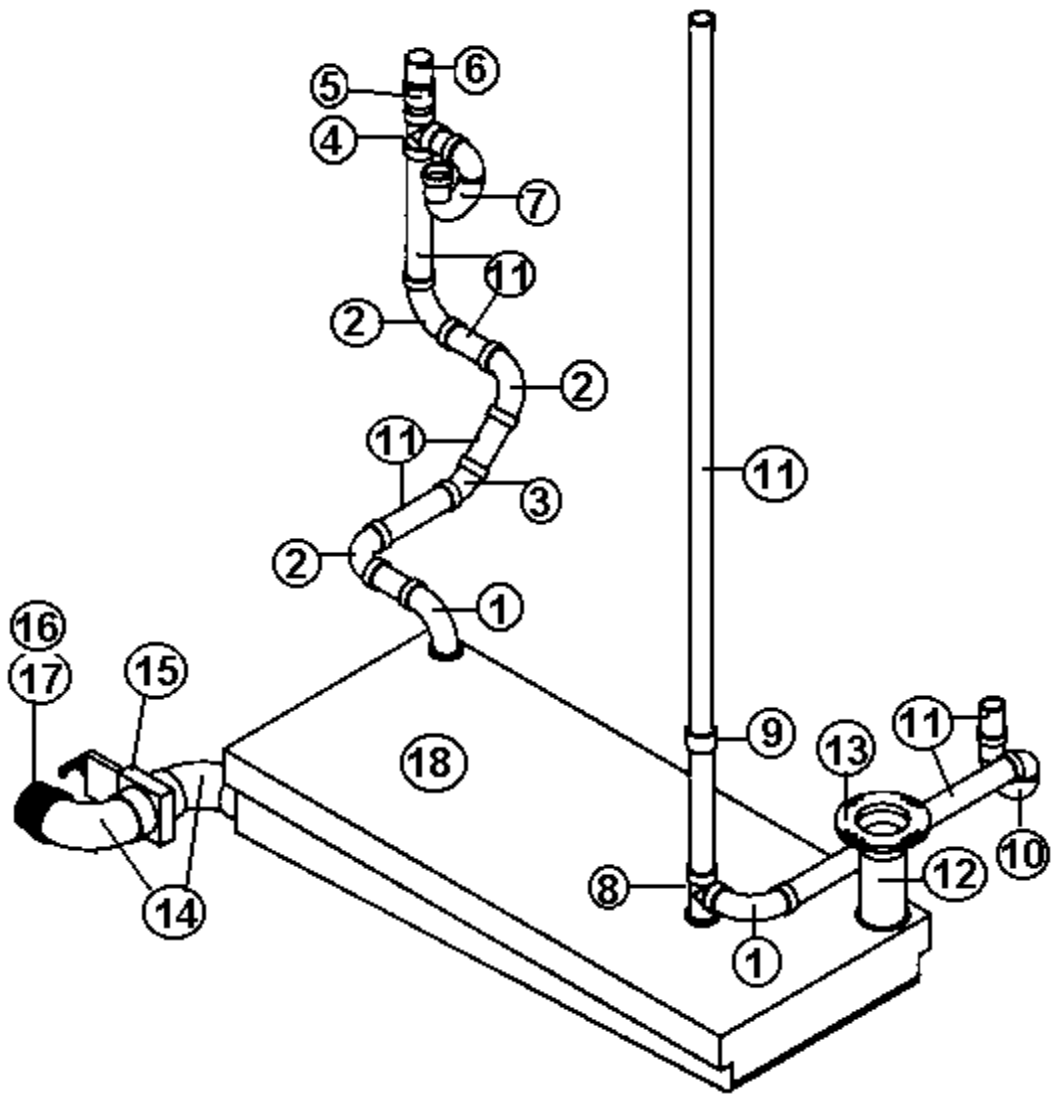
Faucet, Shower, 16'

604877-01	4 cp SHOWER VALVE W/FELT WASHER
604877-02	CP HANDSET HOSE W/WALL BRACKET
604877-03	1/2' CHROME SUPPLY ELBOW
604877-04	CP BRASS VACUUM BREAKER
601884	CENTER SET NUT - PLASTIC
360258-03	SEALANT-LATEX CAULK CLEAR 10.3

2009 INTERNATIONAL TRAVEL TRAILER

PLUMBING, DRAIN

DRAIN SYSTEM, 16'



P/N on Next Page

2009 INTERNATIONAL TRAVEL TRAILER

PLUMBING, DRAIN

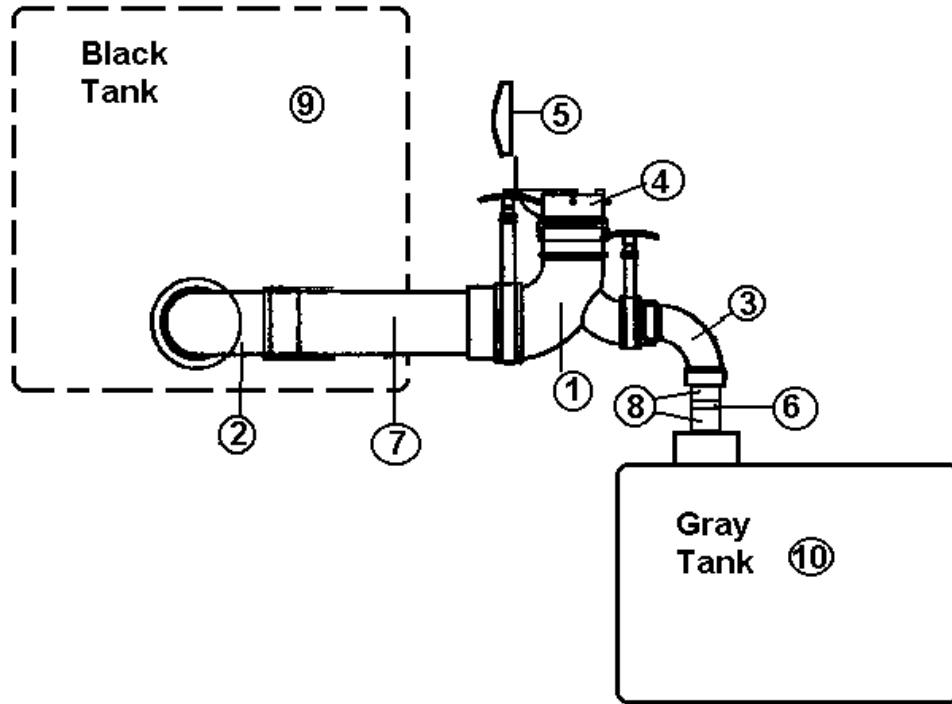
DRAIN SYSTEM, 16'

1. 600431	Elbow, 90, 1.5"
2. 600035	Ell, ABS, Long sweep, 1.5"
3. 600030	Ell. 45 degrees, long turn
4. 600156	Tee, sanitary
5. 600308	Adaptor, ABS, female, Sloan #2891
6. 600538	Vent, V-200 automatic
7. 600622	P-trap, 1.5" w/slip nut & washer
8. 601868	Sanitary tee, spig x hub x hub
9. 600227	Plastic couplings
10. 600144	P-trap, ABS DVW, 1.5"
11. 601160-02	Pipe, ABS, DVW, 1.5"
12. 601267-04	Nipple, 3" Dia. THD one, 10" long
13. 601266	Flange, closet, 3' x4", slip fit
14. 600820	3" single socket, 90 degree
12.601607-14	Dump valve, 3"
13.601607-06	Termination adaptor, 3" hub x 3" bay
14.601607-07	Termination cap, 3" bay
15.601844-05	Tank, black/gray combination
511789	SENSOR-TANK MONITOR #500-10050
453945-07	Close off, plumbing, black
601869	Tank pan
200507	STYROFOAM, 1 X 25 X 55"
200152	STYROFOAM 1/2 X 6 X 42"
600822	ADAPTER P-TRAP
602164-01	P TRAP W/COMPRESSION NUT 1.5"
602164-02	TAILPIECE W/NUTS & WASHERS 1.5
6011727	Shower drain w/grid top

2009 INTERNATIONAL TRAVEL TRAILER

PLUMBING, DRAIN

DRAIN SYSTEM, 19'



Part Numbers on the Next Page

2009 INTERNATIONAL TRAVEL TRAILER

PLUMBING, DRAIN

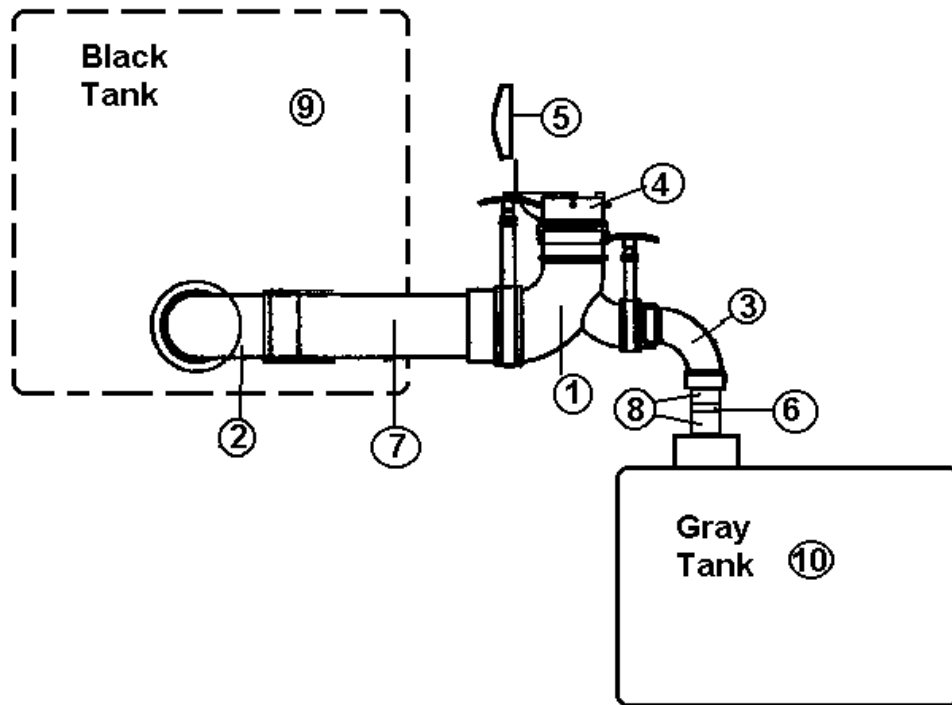
DRAIN SYSTEM, 19'

1. 601482	DUMP VALVE ROTATING ASSEMBLY
2. 600183	ELL LONG SWEEP ABS 3"
3. 600183	ELL ABS LONG SWEEP 1-1/2"
4. 600241-01	HOSE ADAPTOR, STRAIGHT
5. 001664	CAP POSITIVE SEAL THETFORD 3"
6. 601160-02	PIPE, ABS DVW, 1-1/2"
7. 601160-04	PIPE, ABS DVW, 3"
8. 601800	STRAIGHT ELBOW, 22 DEGREE, 1.5"
9. 601854-01	TANK-BLACK HOLDING 17.3 GALLON
10. 601844-01	TANK-GRAY HOLDING 21 GAL #0910
114916	BRACKET DUMP VALVE
601717	GRAY TANK PAN
453622	GRAY TANK PAN CLOSE-OUT
601228	BLACK TANK PAN CLOSEOUT
453977	STRAP-BLACK TANK FWD
453978	STRAP-BLACK TANK AFT
964478	SLOPE PAD-BLACK TANK
453712	SHIELD, FRESH WATER TANK DRAIN
601846	ADAPTOR-3"PIPE CATCON
600033	ELBOW, VENT, 1.50 90 DEG.
600035	ELL ABS LONG SWEEP 1 1/2"
600156	TEE SANITARY
600030	ELL ABS 45 DEGREES LONG TURN
600538	VENT V-200 AUTOMATIC
601200	ADAPT, AUTO VENT W/EXT. #A-201
601318	TEE BI-DIRECTIONAL CLEANOUT 1 1/2"
600155	PLUG, CLEANOUT 1 1/2"
600094	WYE #2301
600378	CONTINUOUS WASTE 1-1/2
600431	ELBOW, 90, 1-1/2 IN
601424	FLANGE, CLOSET 4" X 3", THREAD
600822	ADAPTER P-TRAP
602164-01	P TRAP W/COMPRESSION NUT 1.5"
602164-02	TAILPIECE W/NUTS & WASHERS 1.5

2009 INTERNATIONAL TRAVEL TRAILER

PLUMBING, DRAIN

DRAIN SYSTEM, 23' D



Part Numbers on the Next Page

2009 INTERNATIONAL TRAVEL TRAILER

PLUMBING, DRAIN

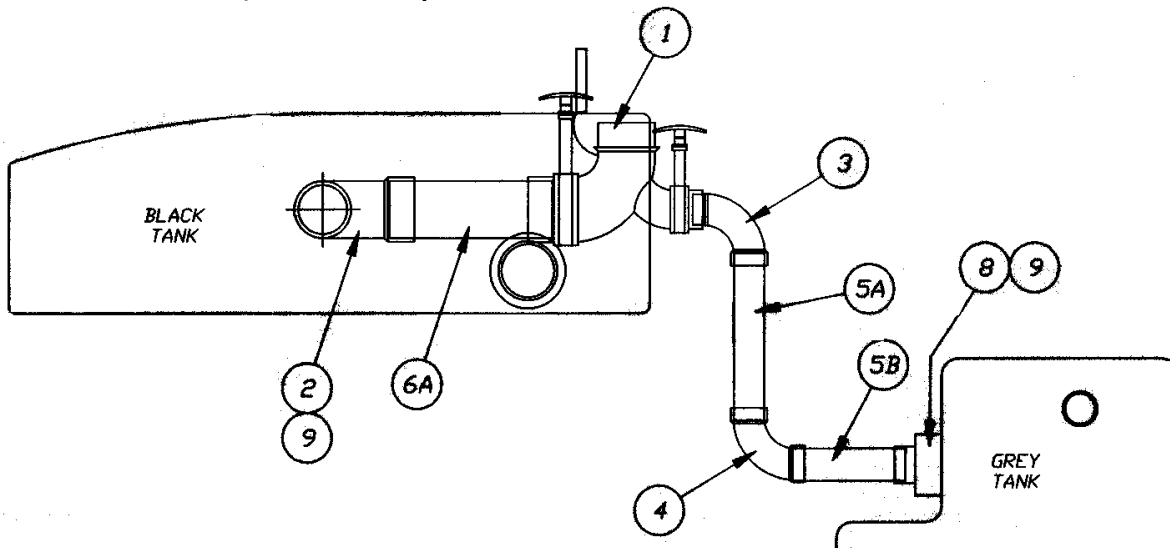
DRAIN SYSTEM, 23' D

- | | |
|---------------|----------------------------------|
| 1. 601482 | DUMP VALVE ROTATING ASSEMBLY |
| 2. 600183 | ELL LONG SWEEP ABS 3" |
| 3. 600035 | ELL ABS LONG SWEEP 1-1/2" |
| 4. 600241-01 | HOSE ADAPTOR, STRAIGHT |
| 5. 001664 | CAP POSITIVE SEAL THETFORD 3" |
| 6. 601160-02 | PIPE, ABS DVW, 1-1/2" |
| 7. 601160-04 | PIPE, ABS DVW, 3" |
| 8. 601800 | STRAIGHT ELBOW, 22 DEGREE, 1.5" |
| 9. 601854-01 | TANK-BLACK HOLDING 17.3 GALLON |
| 10. 601844-01 | TANK-GRAY HOLDING 21 GALLON |
| 602052 | PAN-GRAY TANK |
| 200152 | STYROFOAM 1/2 X 6 X 42" |
| 453493 | HANGER STRAP-TANK PAN |
| 200954 | SLOPE PAD, 22.75" X 55" |
| 453615 | TANK SUPPORT STRIP, 61.50" |
| 454566 | CLOSEOUT, GRAY TANK PAN |
| 600193 | 2" DUCT THERMAFLEX FLEXIBLE AIR |
| 453977 | STRAP-BLACK TANK FWD |
| 453978 | STRAP-BLACK TANK AFT |
| 601266 | Flange, closet, 3' x4", slip fit |

2009 INTERNATIONAL TRAVEL TRAILER

PLUMBING, DRAIN

DRAIN SYSTEM, 25' Sleep Six

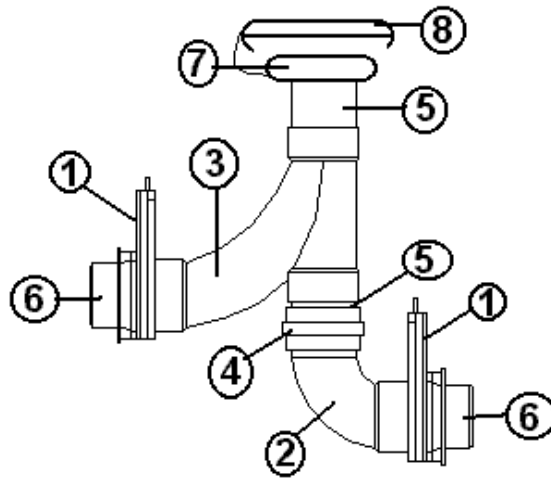


- | | |
|---------------|---------------------------------|
| 1. 601482 | Dump Valve Rotating assembly |
| 2. 600820 | Ell long sweep ABS 3" |
| 3. 600431 | Elbow, 90, 1½" |
| 4. 600035 | Ell ABS street, 1½" |
| 5A. 601160-02 | Pipe, ABS DVW, 1½"-10.00" Long |
| 5B. 601160-02 | Pipe, 1½"-ABS DVW, 7.00" Long |
| 6A. 601160-04 | Pipe, 3"-ABS DVW, 4" Long |
| 7. 114916 | Bracket, dump valve |
| 8. 195329-229 | Reducer adaptor, 3" to 1.5" |
| 9. 340092 | Clamp, worm type T40C-75-388-SB |
| 10. 601848-02 | Holding tank, gray |
| 10a. 453615 | TANK SUPPORT STRIP-62" |
| 10b. 453616 | TANK SUPPORT STRIP-22" |
| 10c. 453493 | HANGER STRAP-TANK PAN |
| 11. 601854-01 | Black tank |
| 11a, 453963 | STRAP-BLACK TANK FWD |
| 11b. 453964 | Strap, black tank AFT. |
| 601228 | CLOSEOUT, SEPTIC PAN |
| 601642 | PAN-TANK ROTOCAST |
| 203149 | SLOPE PAD-HOLDING TANKS |
| 601846 | ADAPTOR-3"PIPE CATCON |

2009 INTERNATIONAL TRAVEL TRAILER

PLUMBING, DRAIN

DRAIN VALVES/TANKS, 25' Front Bed

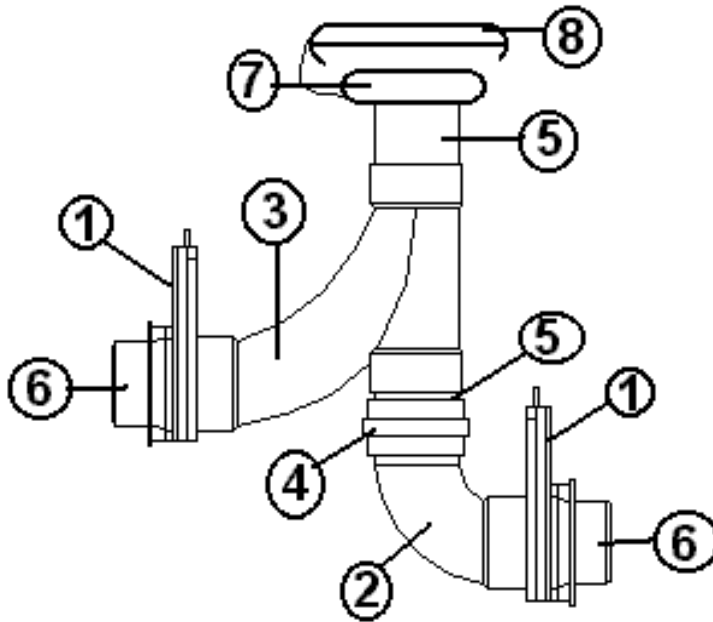


- | | |
|--------------|-----------------------------------|
| 1. 601431 | Dump valve w/o handle |
| 2. 600820 | 3" single socket, 90 Degree |
| 3. 600187 | 3" Wye, combination & 1/8" bend |
| 4. 600289 | Calder coupler, 3" |
| 5. 601160-04 | 3" ABS pipe |
| 6. 0310107 | WASTE VALVE ADAPTOR |
| 7. 01639 | Bayonet ring |
| 8. 01664 | Cap. Positive seal, Thetford |
| 04190 | DUMP VALVE HANDLE 19 EXT THETFORD |
| 380481 | BOOT RUBBER 3" DRAIN LINE |
| 385101 | TAG AUX TANK DUMP VALVE HANDLE |
| 385099 | TAG MAIN TANK DUMP VALVE HANDLE |
| 114086 | BRACKET DUMP VALVE HANDLE |
| 200152 | STYROFOAM 1/2" X 6" X 42" |
| 6012424 | FLANGE, CLOSET, 3 X 4, threaded |
| 601850-04 | TANK-GRAY 37 GAL. |
| 601848-09 | TANK-BLACK 39 GAL. |
| 453615 | TANK SUPPORT STRIP-61.50" |
| 601626 | Pan assembly, Waste Tank |

2009 INTERNATIONAL TRAVEL TRAILER

PLUMBING, DRAIN

DRAIN VALVES/TANKS, 27' FB

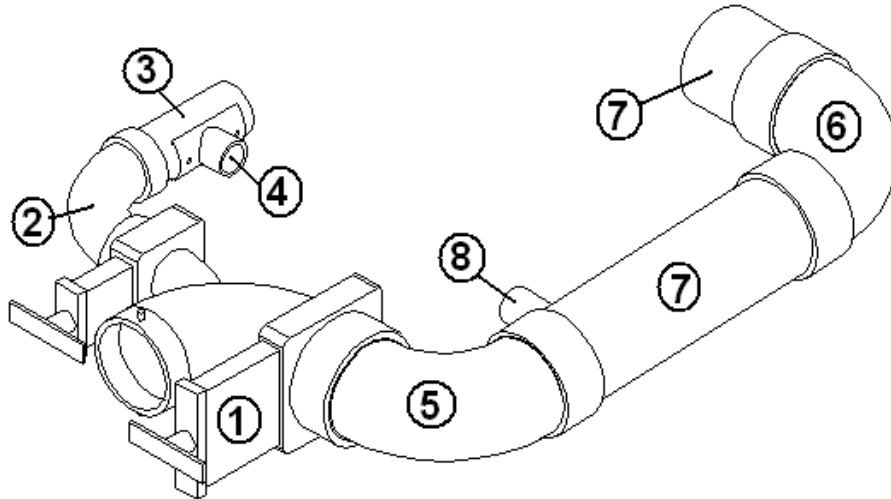


1. 601607-11 VALVE ASSY. 3" SPIGOT X 3"SPIGOT
2. 600820 3"SINGLE SOCKET 90DEGREE
3. 600187 3"WYE, COMB & 1/8 BEND
4. 600289 CALDER COUPLING 3IN (RUBBER)
5. 601160-04 PIPE, ABS DVW, 3"
6. 0310107 Adaptor, 3" tank valve
7. 601607-06 TERMINATION ADAPTOR - 3" HUB X 3"
8. 601607-07 TERMINATION CAP - 3" BAYONET
- 601850-04 TANK-GRAY 37 GAL.
- 601848-09 TANK-BLACK 39 GAL.
- 601626 PAN WASTE HOLDING TANKS
- 200954 SLOPE PAD, 22.75"X 55"
- 114086 BRACKET DUMP VALVE HANDLE
- 04190 DUMP VALVE HANDLE 19 EXT THETFORD
- 385101 TAG AUX TANK DUMP VALVE HANDLE
- 385099 TAG MAIN TANK DUMP VALVE HANDL
- 380481-A 7 X 8 RUBBER BOOT 3-1/2 DIA HOLE
- 200152 STYROFOAM 1/2 X 6 X 42
- 115361 DUMP VALVE MOUNTING PLATE

2009 INTERNATIONAL TRAVEL TRAILER

PLUMBING, DRAIN

Dump Valves/Tanks, 28'

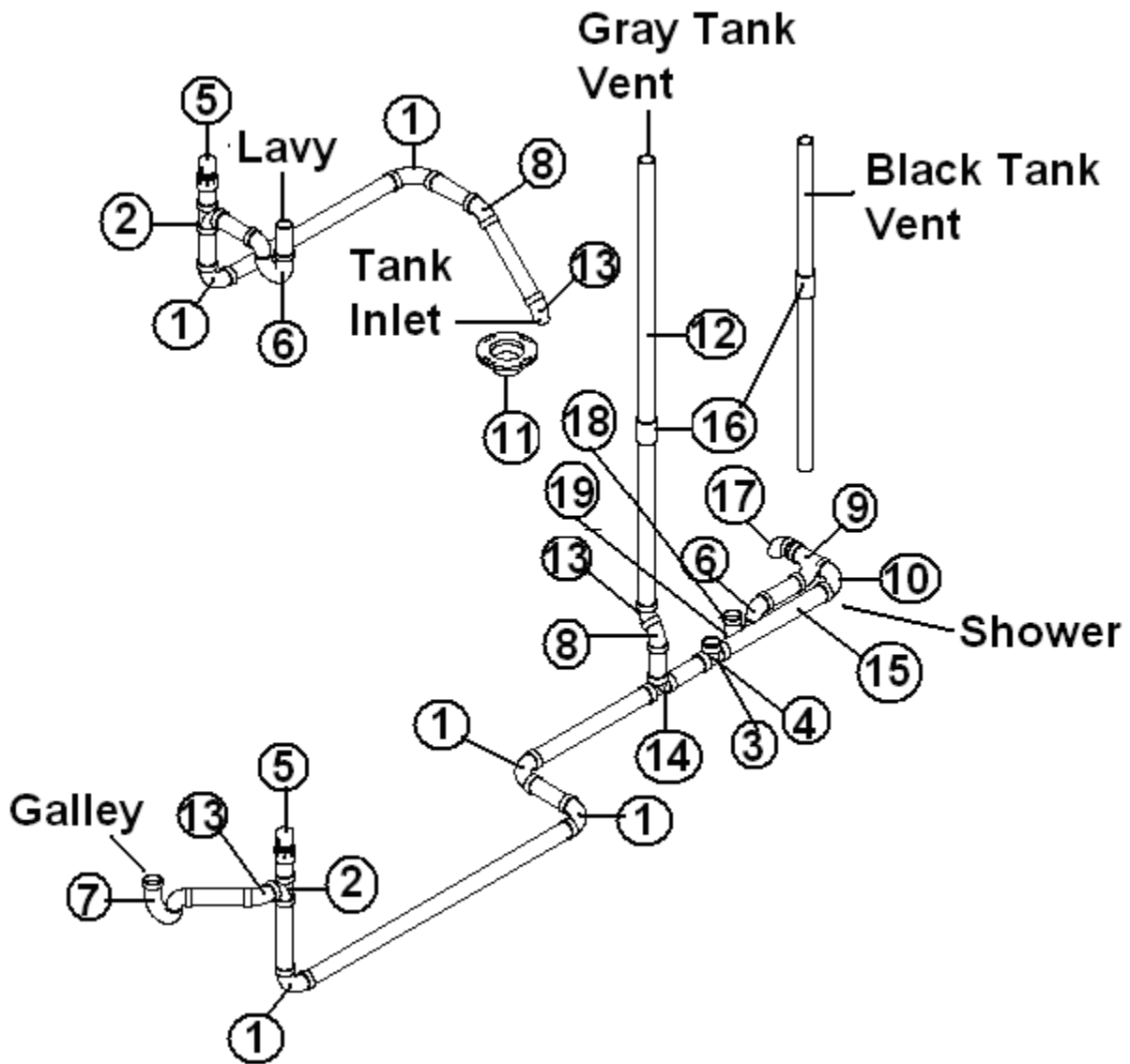


- | | |
|--------------|-------------------------------|
| 1. 601482 | DUMP VALVE ROTATING ASSEMBLY |
| 2. 600431 | ELBOW, 90, 1 1/2" |
| 3. 601160-02 | PIPE, ABS DVW, 1 1/2" |
| 4. 601845 | ADAPTOR-1.5", PIPE CATCON |
| 5. 600820 | 3"SINGLE SOCKET 90DEGREE |
| 6. 600183 | ELL LONG SWEEP ABS 3" |
| 7. 601160-04 | PIPE, ABS DVW, 3" |
| 8. 601846 | ADAPTOR, 3" PIPE CATCON |
| 0360494 | BOOT RUBBER |
| 601889-01 | TANK-BLACK 35 GALLON |
| 601890-02 | TANK-GRAY 37 GALLON |
| 601895 | PAN-BLACK/GRAY TANK |
| 203149 | SLOPE PAD-HOLDING TANKS |
| 200152 | STYROFOAM 1/2 X 6 X 42" |
| 454178-01 | STRAP-BLACK/GRAY TANK 52.25" |
| 454178-02 | STRAP-BLACK/GRAY TANK 5.25" H |
| 454178-05 | STRAP-BLACK/GRAY TANK 4.25" |

2009 INTERNATIONAL TRAVEL TRAILER

PLUMBING, DRAIN

DRAIN SYSTEM, 28'



Part Number on the next page

2009 INTERNATIONAL TRAVEL TRAILER

PLUMBING, DRAIN

DRAIN SYSTEM, 28'

- | | |
|---------------|------------------------------------|
| 1. 600035 | ELL ABS LONG SWEEP 1-1/2" |
| 2. 600156 | TEE SANITARY |
| 3. 602073 | TEE-FIXTURE 2" HUB X 2" HUB X 1.5" |
| 4. 600155 | PLUG, CLEANOUT 1-1/2" |
| 5. 600538 | VENT V-200 AUTOMATIC |
| 6. 600144 | P TRAP ABS 1-1/2 INCH |
| 7. 600622 | P-TRAP 1-1/2 W/SLIP NUT & WASHER |
| 8. 600030 | ELL ABS 45 DEGREES LONG TURN |
| 9. 600318 | WYE-1/8 BEND COMB, 2 X 2 X 1-1 |
| 10. 600372 | ELBOW-2"LONG TURN 90DEG STREET |
| 11. 601424 | FLANGE, CLOSET 4" X 3", THREAD |
| 12. 601160-02 | PIPE, ABS DVW, 1-1/2" |
| 13. 600027 | ELBOW ABS LONG ST 45 DEGREES |
| 14. 602072 | TEE-SANITARY - REDUCING 2" X 1.5" |
| 15. 601160-03 | PIPE, ABS DVW, 2" |
| 16. 600227 | PLASTIC COUPLINGS |
| 17. 602112 | ELBOW 90 DEG. SHORT STREET 2" |
| 18. 602124-02 | 1.5" Tail piece |
| 19. 602124-01 | P-trap, 1.5" |

2009 INTERNATIONAL TRAVEL TRAILER

PLUMBING, DRAIN

Sinks/showers, 16', Signature

601938	SINK, S/S, SINGLE BOWL, GALLEY
601714-01	TAIL PIECE 1-1/2X4"(GALLEY DRAIN)
601714-02	1-1/2" SLIP NUT W/WINGS
601714-03	1-1/2" BLACK RUBBER WASHER
203425	SINK COVER
203444-01	BASE-SHOWER FIBERGLASS WHITE

Sinks/showers, 19', Signature

702937-03	SHOWER DOOR, ROLL AWAY 62 X 36
203114	SHOWER, 2 PC FIBERGLASS
601938	SINK, S/S, SINGLE BOWL, GALLEY
601714-04	TAIL PIECE 1.5" X 6"(GALLEY DRAIN)
601714-02	1-1/2" SLIP NUT W/WINGS
601714-03	1-1/2" BLACK RUBBER WASHER
203425	SINK COVER
601804-01	SINK, 12" SS ROUND, BATH
601813	TAIL PIECE-LIFT/TURN DRAIN, BATH

Sinks/showers, 23' D, Signature

702937-03	SHOWER DOOR, ROLL AWAY 62 X 36
203114	SHOWER, 2 PC FIBERGLASS
601804-01	SINK, 12" SS ROUND, BATH
601813	TAIL PIECE-LIFT/TURN DRAIN, BATH
601806	SINK, S.S. ROUND GALLEY
203483	COVER, SINK ROUND 17.75" NATURAL

Sinks/showers, 25' Front Bed, Signature

203081	SHOWER STALL, 2 PC.
601804-01	SINK, LAVATORY, 12" SS ROUND
601806	SINK, GALLEY, S.S. ROUND
203483	COVER, GALLEY SINK ROUND 17.75"

2009 INTERNATIONAL TRAVEL TRAILER

PLUMBING, DRAIN

Sinks/showers, 25' Sleep Six, Signature

601804-01	SINK 12", BATH, SS ROUND WITH STUDS
203114	SHOWER 2 PC FIBER GLASS
601813	TAIL PIECE-LIFT/TURN DRAIN
601806	SINK-S.S. ROUND GALLEY
600968	BASKET STRAINER
601714-01	TAIL PIECE 1 1/2" X 4" (GALLEY DRAIN)
601714-02	1 1/2" SLIP NUT W/WINGS
601714-03	1 1/2" BLACK RUBBER WASHER
203483	COVER-SINK ROUND 17.75"

Sinks/showers, 27' Front Bed, Signature

601806	SINK-S.S. ROUND GALLEY
203483	COVER-SINK ROUND 17.75"
601714-01	TAIL PIECE 1-1/2X4"(GALLEY DRAIN)
601714-02	1-1/2" SLIP NUT W/WINGS
601714-03	1-1/2" BLACK RUBBER WASHER
601804-01	SINK, LAVATORY, 12" SS ROUND WITH STUDS
203081	SHOWER STALL, 2 PC.

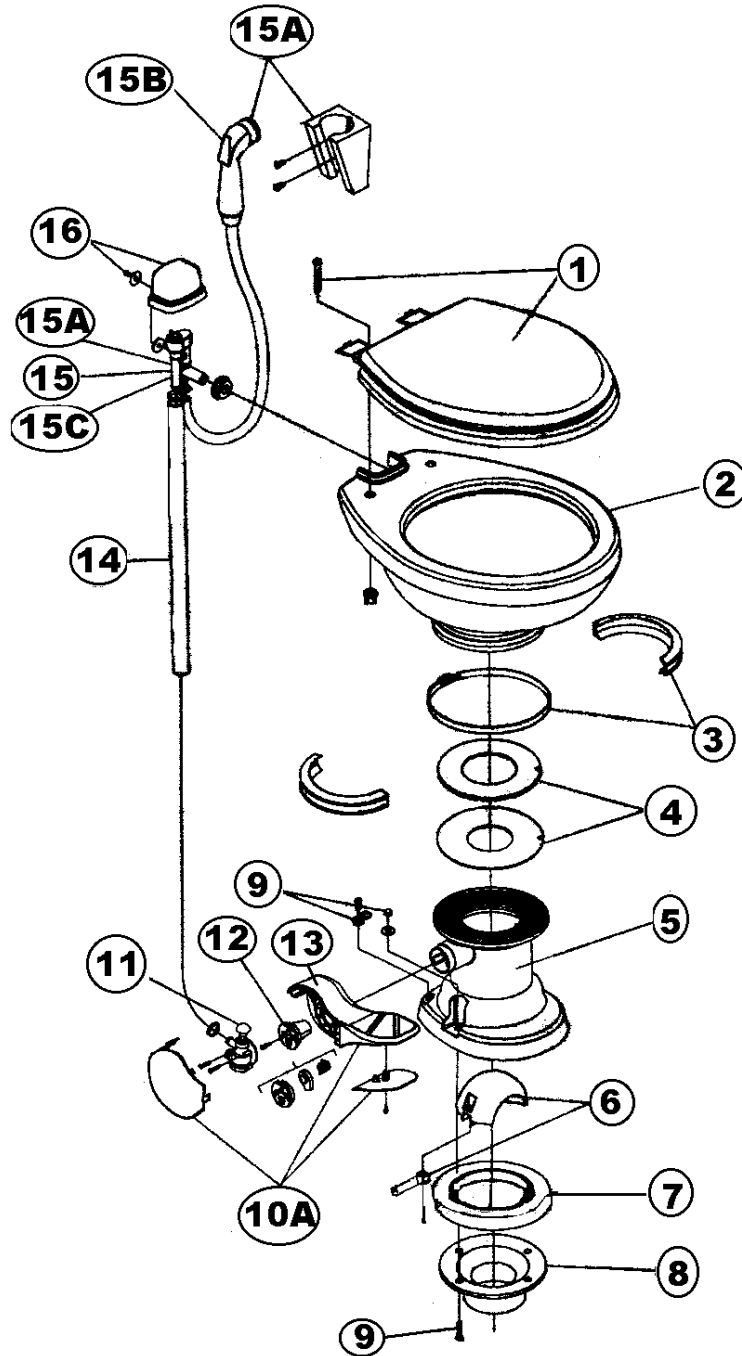
Sinks/showers, 28', Signature

203081-01	SHOWER STALL-2 PC FIBER 28'CCD
601804-01	SINK 12" SS ROUND WITH STUDS, LAVATORY
601806	SINK-S.S. ROUND GALLEY
601714-01	TAIL PIECE 1 1/2" X 4"(GALLEY DRAIN)
601714-02	1 1/2" SLIP NUT W/WINGS
601714-03	1 1/2" BLACK RUBBER WASHER
203483	COVER-SINK ROUND 17.75"
703626-01	SHOWER DOOR, BRUSHED NICKEL

2009 INTERNATIONAL TRAVEL TRAILER

PLUMBING, DRAIN

Toilet, 16', 19', 25' Sleep Six, 28'



P/N Next Page

2009 INTERNATIONAL TRAVEL TRAILER

PLUMBING, DRAIN

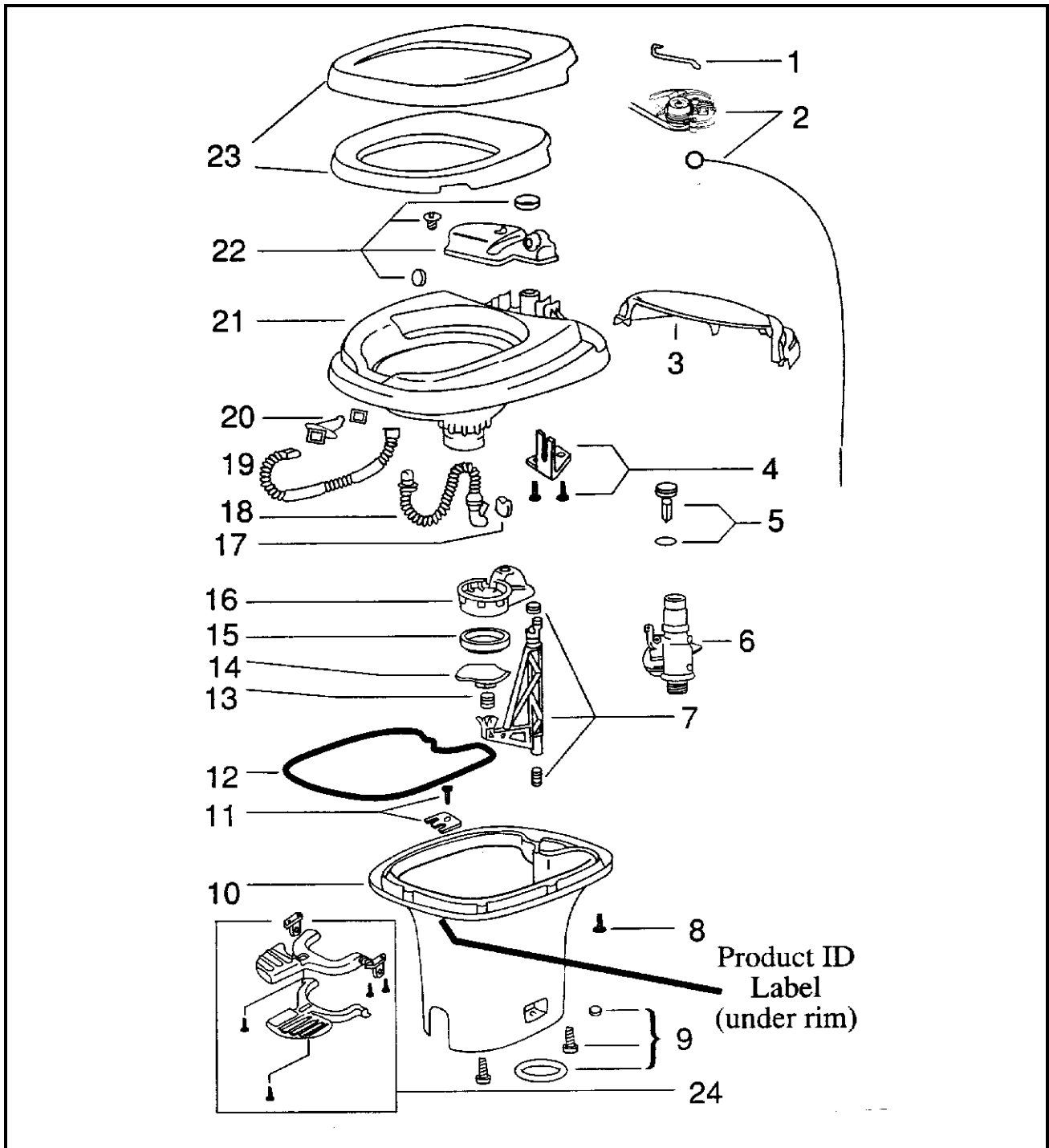
Toilet, 16', 19', 23' D, 25' Sleep Six, 28'

- 690472 Sealand, Traveler Lite, White, HIGH PROFILE, 16', 28'
- 690472-01 Sealand, Traveler Lite, White LOW PROFILE, 19', 23' D, 25' Sleep Six
 - 1. 344088 Seat Assembly
 - 2. 310790 China bowl kit
 - 3. 310025 Ring & half clamp kit
 - 4. 316140 Teflon & rubber seal kit
 - 5. 310792 Base kit, includes 3, 4, 6, 7, 9, 10A, 11 & 12
 - 6. 310681 Ball, shaft, cartridge kit
 - 7. 343938 Floor flange seal
 - 8. 600065 Flange, floor, threaded, Airstream
 - 8a. 601266 TOILET, FLANGE, CLOSET, 3" X 4", SLIP FIT
 - 9. 310794 Floor bolt mounting kit
 - 10. 310117 Pedal cover kit
 - 10A. 310682 Flush pedal kit (includes 12)
 - 11. 314349 Water valve kit
 - 12. 310683 Spring cartridge kit
 - 13. Pedal included w/Part 10A
 - 14. 340177 Supply hose
 - 15. 310687 Vacuum breaker kit
 - 15A. 319054 Vacuum breaker kit w/spray
 - 15B. 340683 Hand spray
 - 15C. 230335 Vacuum breaker (used w/spray)
 - 16. 310795 Vacuum breaker cover kit
- 601884 CENTER SET NUT, PLASTIC

2009 INTERNATIONAL TRAVEL TRAILER

PLUMBING, DRAIN

Toilet, 25' Front Bed, 27' Front Bed



2009 INTERNATIONAL TRAVEL TRAILER

PLUMBING, DRAIN

Toilet, 25' Front Bed, 27' Front Bed

690495-01	Aqua Magic V, High-Profile
1. 690387-513	Water valve link
2. 690387-571	Wire replacement package
3. 690387-562	Mechanism cover, white
4. 690387-634	Bracket assembly
5. 690387-631	Float assembly
6. 690387-168	Water valve replacement package
7. 690387-632	Actuator assembly
8. 690387-659	Screw base to bowl
9. 690387-524	Closet bolt package
10. 690387-356	Base, white, low
10a. 690387-062	Base, white, high
11. 690387-636	Retainer assembly
12. 690387-387	Sealant, base to bowl
13. 690387-519	Blade spring
14. 690387-262	Blade
15. 690387-481	Blade seal
16. 690387-520	Blade track
17. 690387-512	Flapper
18. 690387-511	Overflow tube
19. 690387-509	Flush tube
20. 690387-637	Nozzle assembly
21. 690387-726	Bowl
22. 690387-630	Reservoir tank assembly
23. 690387-162	Seat and cover assembly
24. 690387-821	Pedal package
601266	TOILET, FLANGE, CLOSET, 3" X 4", SLIP FIT

2009 INTERNATIONAL TRAVEL TRAILER

PLUMBING, DRAIN

Black Tank Flush

601441	SYSTEM, TANK FLUSH
601698-10	QQE33X 1/2" BARB EL
601698-05	QQE33BSXP 1/2" B X 1/2" FPT SWV EL
601698-03	QQSFC33XPXP 1/2" B X 1/2" FPT SW ADP
601698-15	1/2" CRIMP RING
601698-04	QQE33BTX 1/2" B X 1/2" MPT BARB EL
601698-01	E-PEX 1/2" TUBING
195329-229	REDUCER ADAPTOR 3" TO 1.5"

Plumbing Loose Parts

340084-52	CLAMP, HOSE SAE #52, for sewer hose
600241-01	SEWER HOSE ADAPTOR, STRAIGHT #02593
381647	KEY WATER FILL CH751
195329-240	SEWER HOSE ADAPTOR

2009 INTERNATIONAL TRAVEL TRAILER

SAFETY EQUIPMENT

Detectors/Fire Extinguishers

510781	Smoke detector
510891	Smoke Detector CSA only
511309	LPG detector
512318	HOLDER W/1 AMP FUSE, IN-LINE
386019	LABEL 1 AMP FUSE MAX
512178	DETECTOR, CARBON MONOXIDE
600162-01	Fire extinguisher
600162-02	Fire extinguisher, CSA
203387	POCKET-RECESSED FIRE EXT. BRACKET

2009 INTERNATIONAL TRAVEL TRAILER

SEALER/GASKETS/PAINT

SEALER

360001	Sealant, #884058
360002	Sealant, Vulkem 11.5 oz. tube
360209	Sealant, seam
360176	Sealant, Almond, kitchen and bath
360180-04	Sealant, Sikaflex #221, black
360180	Sealant, Sika-flex, gray
360210	Sealant, Paralastic 4334-014
360283	Sealant, silicone, Corian Bone
360283-01	SEALANT SILICONE CORIAN G. WHITE
685510	SEAM TAPE,BLACK,RUBBER 1/32 X 7/8 X 2

GASKETS/TAPE



365035, Gasket
Access doorjamb



365013-01, Gasket
screen door



365232, Gasket
main door

365190	SEAL, RUBBER, 3/4" X 3/4", Refer, Range hood
381665	Gasket, D seal, window frame to shell
0401-0002	Gasket, window frame to glass
365016	Tape, foam, double face, 1/2" wide
685510-01	Seam tape, exterior metal, black rubber, 1/2"
365013	TAPE CHARCOAL, FOAM, bumper lid, screen door,
365001	TAPE DOUBLE COATED FOAM
381830	Gasket wiper, L section, 1.12" x 2.00", seal around refer baffle
382074	Gasket, grab handle, main door

2009 INTERNATIONAL TRAVEL TRAILER

SEALER/GASKETS/PAINT

PAINT

360213	Paint, aluminum metallic
360151	Paint, gray metallic, Centari
360151-01	Paint, gray metallic, Centari, 16 oz. can
360317-01	Paint, Pewter, Gallon
360260-100	Paint, Pewter, 16 oz. can

2009 INTERNATIONAL TRAVEL TRAILER

UPHOLSTERY/FOAM/MATTRESS

Pillow Kits

701611	PILLOW, 21 X 31
703714	ACCENT PILLOW, MAHARAM, 16 DWR
703678-047	Pillows, Cilantro, bedroom
703678-057	Pillows, Paprika, bedroom
703678-167	Pillows, Ocean Breeze
703678-108	Pillows, Aquamarine

Mattress, 19', 23' D

703696	MATTRESS, 48" X 76" W/10"RADIUS
703501	MATTRESS, UPPER BUNK 4", 19'

Mattress, 16'

703695	MATTRESS, 48" X 78" W/DOUPLBE RADIUS CORNER
--------	---

Mattress, 25' Front Bed

703698	MATTRESS, 60" X 75", W/45 DEGREE CORNER
703697-01	Mattress, roadside front twin, 34" x 78"
703697-02	Mattress, curbside front twin, 34" x 78"

Mattress, 25' Sleep Six

703694	MATTRESS, 52" X 76"
703451	MATTRESS-UPPER BUNK 4"

Mattress, 27' FB

703699	Mattress, 60" x 75" w/11" Radius corner
703697-01	Mattress, roadside front twin, 34" x 78",
703697-02	Mattress, curbside front twin, 34" x 78"

Mattress, 28' Signature

703699	Mattress, 60" x 75", Queen "J"
--------	--------------------------------

2009 INTERNATIONAL TRAVEL TRAILER

UPHOLSTERY/FOAM/MATTRESS

Bedsread, 16'

- 703363-047 Bedsread, 16', Cilantro
- 703363-057 Bedsread, 16', Paprika

Bedding Set, 16' DWR

- 703713 Bedding, complete set
- 703713-01 Bedding, Flat sheet
- 703713-02 Bedding, Fitted sheet
- 703713-03 Bedding, Pillow cases, (pair)
- 703713-04 Bedding, Pillows, 18" x 18" (pair)
- 703713-05 Bedding, Coverlet, 6" box quilt

Bedsread, 19', 23' D

- 703197-167 Bedsread, Ocean Breeze
- 703197-047 Bedsread, Cilantro
- 703197-057 Bedsread, Paprika
- 703468 UPPER BUNK SAFETY NET
- 703526 THROW-TOP BUNK BED

Bedsread, 25' & 27' Front Bed Double, 28'

- 703356-167 Bedsread, 27' FB, 28' Signature, Ocean Breeze
- 703356-047 Bedsread, 27' FB, 28' Signature, Cilantro
- 703356-057 Bedsread, 27' FB, 28' Signature, Paprika

Bedsread, 25' & 27' Front Bed Twin

- 703654-167 Bedsread, Ocean Breeze
- 703654-047 Bedsread, Cilantro
- 703654-057 Bedsread, Paprika

2009 INTERNATIONAL TRAVEL TRAILER

UPHOLSTERY/FOAM/MATTRESS

Bedsread, 25' Sleep Six

703379-167	Bedsread, 25' model, Ocean Breeze
703379-047	Bedsread, 25' Signature, Cilantro
703379-057	Bedsread, 25' Signature, Paprika
703482-01	Throw, Bunk Bed
703468	UPPER BUNK SAFETY NET

Net, Storage Bag, 16'

703364	NET, STORAGE BAG BLACK 10"X 14"
--------	---------------------------------

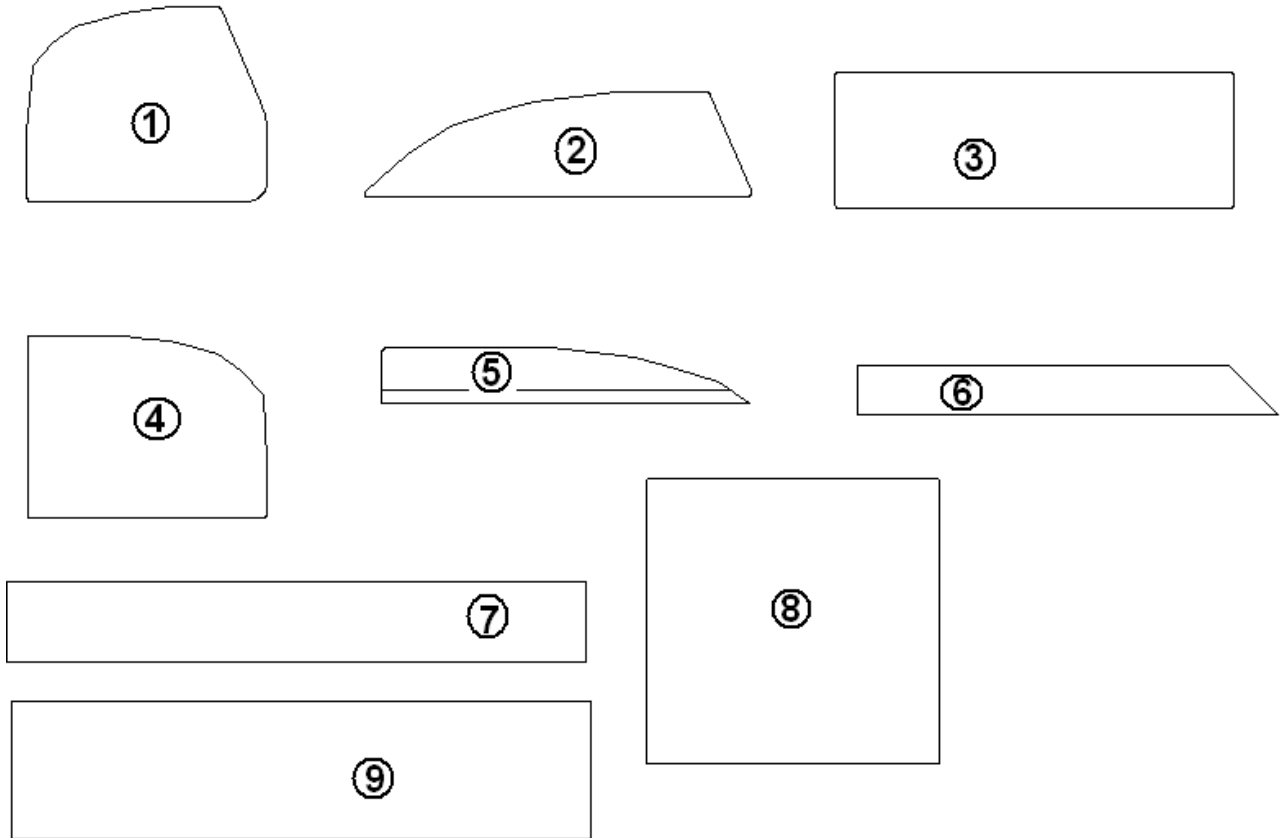
Foldette Door Vinyl Strap, 28', 25' Sleep Six

381581	STRAP CLEAR PLASTIC .75"W
700811	BUTTON CAP, HANDY
700812	BUTTON BOTTOM, HANDY, OAK

2009 INTERNATIONAL TRAVEL TRAILER

UPHOLSTERY/FOAM/MATTRESS

Cushions/Fabric Assemblies, 23' D Sofa



Part Numbers on the Next Page

2009 INTERNATIONAL TRAVEL TRAILER

UPHOLSTERY/FOAM/MATTRESS

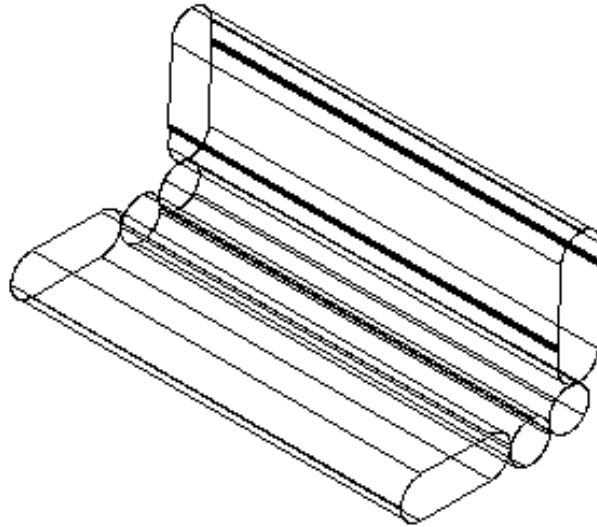
Cushions/Fabric Assemblies, 23' D Sofa

703682	FOAM KIT DINETTE/LOUNGE CUSHION
1. 703682-01	FOAM, CS DINETTE SEAT
1. 998192-01	FABRIC ASSY, CS DINETTE SEAT
2. 703682-02	FOAM, CS BACK FILLER
2. 998192-02	FABRIC ASSY, CS BACK FILLER
3. 703682-03	FOAM, CS BACKREST
3. 998192-03	FABRIC ASSY, CS BACK REST
4. 703682-04	FOAM, RS DINETTE SEAT
4. 998192-04	FABRIC ASSY, RS DINETTE SEAT
5. 703682-05	FOAM, RS BACK FILLER
5. 998192-05	FABRIC ASSY, RS BACK FILLER
6. 703682-06	FOAM, RS BACK REST
6. 998192-06	FABRIC ASSY, RS BACK REST
7. 703682-07	FOAM, CUSHION WEDGE
8. 998192-08	FABRIC ASSY, CUSHION LNGE BOT
8. 703682-08	FOAM, LOUNGE BOTTOM
9. 998192-09	FABRIC ASSY, CUSHION BACK REST
9. 703682-09	FOAM, BACKREST

2009 INTERNATIONAL TRAVEL TRAILER

UPHOLSTERY/FOAM/MATTRESS

Dinette Cushion Kit, 25' SS, 28', Signature



703352-167 OCEAN BREEZE
703352-047 CILANTRO
703352-057 PAPRIKA

L-Lounge Cushion Kit, 25' Sleep Six Signature

703657-057 CUSHION KIT, L-LOUNGE, PAPRIKA
703657-167 CUSHION KIT, L-LOUNGE, OCEAN BREEZE
703657-047 CUSHION KIT, L-LOUNGE, CILANTRO

2009 INTERNATIONAL TRAVEL TRAILER

VENTS/FANS/ SKY LIGHTS

Refer Vent, Roof, 19', 25', 27', 28'

100341 Refrigerator, vent collar, roof, large
101394 Cover, refrigerator vent, roof, large
381042 MESH, galvanized for refer vent. .017 X 36"

Refer Side Vent/Power Fan, 16', 19', 23' D

690394 Power ventilator, refrigerator
690470-01 VENT, SIDE WALL, REFER
115038-01 DOOR JAMB, REFRIGERATOR, CLOSEOUT, 16 Ft.
511997 SWITCH, REFER RED LED

Black Tank Roof Vent Pipe Cover

690264-03 Vent pipe cover
380228 Wire, hardware cloth

Vents, Non-Power

381606-01 Vent, roof, 14" x 14", non-power, white
381606-02 Trim ring, interior, roof vent, white

Vents, Power, Bath

690266-01 Ventilator, power, bath
690266-02 Ventilator, power, bath, CSA
690266-03 EXTENSION GARNISH 4", power vent

Vents, Power, Roof

381564-03 VENT W/WALL THERMOSTAT 2000TRS, Gray
381841 VENT, ROOF FANTASTIC EXHAUST ONLY
511657 FANTASTIC FAN W/410KIB CONTROL

2009 INTERNATIONAL TRAVEL TRAILER

VENTS/FANS/ SKY LIGHTS

Skylight, 14 ½" X 22 ½", 28'

114486	MOUNTING FRAME SKYLIGHT #1422
381318-06	SKYLIGHT 14-1/2 X 22-1/2 - TRL
201963	TRIM RING 14 X 22 SKYLIGHT WHI
702804-04	SHADE PLTD, SKYLIGHT, 14.50" X 22.75"
201666	MOLDING-J-3/16 PLASTIC, ALMOND
320139	Screw assembly w/rubber washer

Skylight, 19 ½" X 19 ½"

114485	MOUNTING FRAME SKYLIGHT
381318-05	SKYLIGHT 19 ½" X 19 ½"
201962	TRIM RING 19 X 19 SKYLIGHT WHI
702804-03	SHADE PLTD SKYLIGHT 19.25" X 20.00"
320139	Screw assembly w/rubber washer

2009 INTERNATIONAL TRAVEL TRAILER

WOOD TRIM /FORMICA/PANELING

PLYWOOD

800506-03	PLYWOOD, 3/8" X 4' X 8'
800506-05	Plywood, 5/8" x 4' x 8'
800506-06	PLYWOOD, 3/4" X 4' X 8'
800506-04	PLYWOOD, 1/2" X 4' X 8'
801351	LITE PLY-18MM (.75") 4' X 8'

Cabinet formed Radius Corners

801345	RADIUS PLYWOOD .75" X 3" X 8'
801348	RADIUS PLYWOOD-.75" X 8" X 6'

PANELING, LAUAN

800507-01	Panel, lauan, 1/8 x 4' x 8'
800507-02	Panel, Lauan, 1/4" x 4' x 8', raw/raw
800507-03	Panel, Lauan, 3/8" x 4' x 8', raw/raw
800507-04	Panel, Lauan, 1/2" x 4' x 8', raw/raw
800507-06	LAUAN, .75" X 4' 8'

MAIN DOOR THRESHOLD

702963	VINYL EMBOSSED 1.75W THRESHOLD
801492-02	THRESHOLD, EBONY STAIN, 16' DWR

2009 INTERNATIONAL TRAVEL TRAILER

WOOD TRIM /FORMICA/PANELING

Trim, Wall, Paneling

203508-01	T-trim, ply
201673	Cove molding, plastic, white
203138-01	Plastic wall extrusion, .5", white
203138-03	Plastic wall extrusion, .5", beige
203138-04	Plastic wall extrusion, .5", white
203138-05	Plastic wall extrusion, .5", black
203464	Plastic wall extrusion, .75", black
203464-02	Plastic wall extrusion, .75", Beige
203464-03	Plastic wall extrusion, .75", white
203597	T-molding, white embossed, 13.16"
115377	T-molding, ¾" aluminum
203445	T-MOLDING BLK FLEXIBLE POLY .56"
203445-01	T-MOLDING - .5625" WHITE
801706-0016	CORNER TRIM 90 DEG, WENGE
801706-WH	CORNER TRIM 90 DEG RAD PAINTED WHITE
801706-SL	CORNER TRIM 90 DEG 1" RAD SILVER VINYL WRAP

2009 INTERNATIONAL TRAVEL TRAILER

WOOD/LAMINATES/TRIM

Edge banding

365267	EDGE BANDING, 1.13" .024 PLY
365267-01	EDGE BANDING, .63" .024 PLY
365238-04	EDGE BANDING TAPE PVC 5/8" C. WHITE
365238-05	EDGE BANDING TAPE PVC 15/16" WHITE
365278-01	EDGE BANDING-BLACK MAPLE 1.13"
365278-03	EDGE BANDING-BLACK MAPLE .625"
365278-04	EDGE BANDING, .024" X 1.25" BLACK MAPLE
365268-01	EDGE BANDING-.024" X 1.13" TROPICAL OAK
365304-01	EDGE BANDING, SAND CRYSTAL, 7/8"
365303-02	EDGE BANDING, WENGE 1.125"
365303-01	EDGE BANDING, WENGE .63"
365309-01	EDGE BANDING, MAPLE SUGAR
365310-01	EDGE BANDING, BLACK, 15/16"
365310-02	EDGE BANDING, BLACK, 1 5/16"
365305-01	EDGE BANDING, BRUSHED ALUMINUM

2009 INTERNATIONAL TRAVEL TRAILER

WOOD TRIM /FORMICA/PANELING

Panels, Pre-laminated

801355-01	Paneling, Frosty White, Vertical
801368	Panel, White/white
801369	Panel, Frosty white/white
801369-01	Panel, Frosty white/white, vertical
801378	Panel, Rexel/raw
801436-01	Panel, BLACK MAPLE/WHITE 18M VERTICAL
801392	Panel, WHITE LINER/WHITE LINER 12MM
801445-01	Panel, BLACK MAPLE/GATOR .25" VERTICAL
801438	PANEL, FROST WHITE VINYL/RAW 2.7MM
801505	PANEL, ASCOT SAND/RAW .125" X 4' X 8'
801537	PANEL, 12MM w/SPECIAL GROOVES
801372	PANEL, RAVEN/WHITELINER, 18MM
801456-01	Panel, Black maple/Whiteline, 12MM
801699	PANELING, LIGHT BLUE/WHITELINER 18MM
801702	Paneling, Almond/Whiteline, 18 MM
801703	Paneling, Frosty White/White, 12MM
801804-01	Laminate, Wenge, Vertical Grain
801712	Paneling, WENGE/RAW, ¼"
801713-01	Paneling, WENGE/WHITELINER, 12MM
801714-01	Paneling, WENGE/FROSTY 12MM
801715-01	Paneling, WENGE/WENGE 12MM
801716-01	Paneling, WENGE/WHITE, 18MM, VERTICLE
801717-01	Paneling, WENGE/FROSTY WHITE, 18MM, VERTICLE
801718	Paneling, KALIDESCOPE/WHITE, 12MM
801719	Paneling, SOFT ROCK/WHITE, 18MM
801724	Paneling, BRUSHED ALUMINUM/LINER, 18MM
801725	Paneling, KALIDESCOPE/RAW, 3MM
801697	Paneling, Frosty White/ Frosty White, 12MM
801698	Paneling, White/Raw, 12MM
801746	Paneling, 12MM w/special grooves, DWR
801634	LAMINATE, KALEIDOSCOPE/ALUMINUM
801635	LAMINATE, ABET ALMOND
454620	Chemetal, 103 knock out
801751	Paneling, black/Whiteline

