

AIRSTREAM

AN AMERICAN LEGEND

SAFARI/BAMBI TRAILER

Parts Book

2008

2008 SAFARI- BAMBI
TABLE OF CONTENTS
SECTION I, A through B

APPLIANCES

Air Conditioner	I-1
Furnace	I-1
Range/Cook Top	I-2
Refrigerator	I-2
Water Heater	I-3
Microwave	I-3

BODY

End shell, aft	I-4
End shell, front	I-32
Roof	I-48
RS Wall, 28' W	I-50
CS Wall, 28' W	I-52
RS Wall 28' W Special Edition	I-54
CS Wall 28' W Special Edition	I-56
RS Wall, 27' Front Bed	I-58
CS Wall, 27' Front Bed	I-60
RS Wall, 27' Front Bed, Special Edition	I-62
CS Wall, 27' Front Bed, Special Edition	I-64
RS Wall, 25 SLP6 "C"	I-66
CS Wall, 25 SLP6 "C"	I-68
RS Wall 25 SLP6 Special Edition	I-70
CS Wall 25 SLP6 Special Edition	I-72
CS Wall, 25 "A & B"	I-74
RS Wall, 25 "A & B"	I-76
CS Wall, 25 A & B, Special Edition	I-78
RS Wall, 25 A & B, Special Edition	I-80
RS Wall, 25 Front Bed	I-82
CS Wall, 25 Front Bed	I-84
CS Wall 25 Front Bed Special Edition	I-86
RS Wall 25 Front Bed Special Edition	I-88
RS Wall, 23'	I-90
CS Wall, 23'	I-92
RS Wall, 23' Special Edition	I-94
CS Wall, 23' Special Edition	I-96

2008 SAFARI- BAMBI
TABLE OF CONTENTS
SECTION I, A through B

BODY

RS Wall, 23' Front Bed	I-98
CS Wall, 23' Front Bed	I-100
RS Wall, 23' Front Bed Special Edition	I-102
CS Wall, 23' Front Bed Special Edition	I-104
CS Wall, 20'	I-106
RS Wall 20'	I-108
CS Wall, 20' Special Edition	I-110
RS Wall 20' Special Edition	I-112
RS Wall, 19ft.	I-114
CS Wall, 19ft.	I-116
Wrap Protector	I-118
Body Interior	I-119

SECTION II
C through E

CHASSIS

Axles, Shocks	II-1
Step, Wheel Wells	II-1
Tires, Wheels	II-2
Stabilizing Jacks, Hose Carrier	II-3
Rear Bumper	II-4
Under Belly Metal	II-5
Coupler, Safety Chains, Hitch	II-6
Brakes/Grease Seal/Bearings	II-7
Hitch Jacks	II-9
Rear Bumper Slide Out Storage Drawer	II-11

2008 SAFARI- BAMBI
TABLE OF CONTENTS
SECTION II
C through E

<u>DECALS/EXTERIOR TRIM</u>	II-12
DOORS/WINDOWS/AWNING	
<u>Doors</u>	II-13
<u>Windows</u>	II-26
<u>Stone Guard</u>	II-33
<u>Awning</u>	II-35
<u>DRAPES/BLINDS/VALANCES</u>	II-36
ELECTRICAL	
<u>110 volt</u>	II-57
<u>12 volt</u>	II-59
<u>ENTERTAINMENT</u>	II-65

2008 SAFARI- BAMBI
TABLE OF CONTENTS
SECTION III
F through H

FLOOR COVERING

Carpet	III-1
Mats	III-1
Vinyl Flooring	III-1
Diamond Tread Plate	III-1

FURNITURE

Interior Doors	III-2
Mirrors	III-8
Drawer	III-8
Lounge	III-10
Galley	III-57
Lavatory	III-123
Bedroom	III-168

HARDWARE

Exterior locks/hinges	III-213
Interior drawer slides/hinges latches	III-218
Bath Accessories	III-222
Wardrobe, Drapes, Interior Hinges.	III-223
Detectors/Fire Extinguisher	III-224
Window	III-225
Awning hardware	III-227
Rivets	III-229

2008 SAFARI- BAMBI TABLE OF CONTENTS

SECTION IV L through Z

[LABELS and TAGS](#) IV-1

PLUMBING

[LPG](#) IV-3

[Fresh Water](#) IV-5

[Faucets](#) IV-10

[Drain Water](#) IV-15

[Toilet](#) IV-34

[SEALER](#) IV-36

[GASKETS/PAINT](#) IV-37

UPHOLSTERY

[Mattresses/Bedspreads](#) IV-38

[Sofa/Armrests](#) IV-40

[Pillows](#) IV-42

[Dinette Foam](#) IV-45

[Chairs](#) IV-46

[Seam Tape](#) IV-46

[VENTS/FANS](#) IV-47

[SKY LIGHTS](#) IV-48

[PLYWOOD/PANELING](#) IV-49

[EDGEBANDING/LUAN](#) IV-50

[INTERIOR TRIM](#) IV-51

2008 SAFARI- BAMBI

APPLIANCES

Air Conditioners

195329-143 Air conditioner, 11, 000 Dometic
690323-02 Air Conditioner, 13,500 Manual
690323-05 Air box/return grill, manual
690323-37 AC roof, 15,000 BTU w/Heat pump
690380-03 Air box-Penguin heat pump, polar white
961270 Pan Assembly, drain, air conditioner
690323-03 Heat strip, Dometic air conditioner
511252 PLUG PHONE 4 CONDUCTOR
690323-100 Shroud, exterior, Penguin
601240-01 Black drain tubing, ½" ID

Furnace

690395 Furnace, Hydroflame, 7916-II, 19'
690467 Furnace, 18,000 BTU, 20', 23'
690467-01 DIVERTER, FURNACE DISCHARGE, 20'
690274-04 Furnace, Hydroflame, 8525-IV, 25', 27
690274-01 Furnace, Hydroflame, 8531, 28'
690274-09 Door exterior, Hydroflame
600247 Hose, 4", flex heat duct
600193 Hose, 2", flex heat duct
600526 Flange, 4"
114079 ADAPTER, DUCT, 4.00" TO 2.00"
601348 TEE, HEAT DUCT, 4 X 4 X 2
601244-01 REGISTER-ROTAIRE #3840-96 4"BROWN
601244-03 REGISTER-ROTAIRE #3840-96 4", BLACK
203070 REGISTER PLASTIC BROWN 2" X 10"
600969 REGISTER, SAND, 4" x 6"
601429 Louver vent, 2", Black, round
511228 Thermostat, furnace, off white

2008 SAFARI- BAMBI

APPLIANCES

Range/Cook Top

690396-09 RANGE 22", W/OVEN S.S. TOP/DOOR
690396-10 Cook top, 3 burner, Stainless Steel
690396-03 Bi-fold cover

Refrigerators

690393-07 Refrigerator, 4 Cu. Ft. RH, RM2451RB, 19'
690393-08 REFRIGERATOR, 4CF, LH RM2451LB, 20'
690540 REFER- 5 CU FT, LH HINGE, 23'
690540-01 REFER, 5 CU FT, RH HINGE, 23' Front Bed
690574-01 Refrigerator 7CF, LH, RM3762LB, 25' SLP6, 28'
690574-02 Refrigerator 7CF, RH, RM3762RB, 25' A & B, 25' FB,
27' FB
965934-02 INSERT REFRIGERATOR DOOR, 20.62" X 32.62",
19', 20'
965934-05 INSERT, UPPER DOOR, REFRIGERATOR, 23.75" X
17", all 25' & 28'
965934-06 INSERT, LOWER, REFER, 23.7" X 32.38", all 25' &
28'
365190 SEAL RUBBER ADHESIVE 3/4" X 3"
690394 Power ventilator, refrigerator
511836 SWITCH, REFER/FAN, WHITE

2008 SAFARI- BAMBI

APPLIANCES

Water Heater

690199 Water heater, electronic ignition
690209 Access cover, brushed aluminum
381648 COVER LATCH HOLE, WATER HEATER

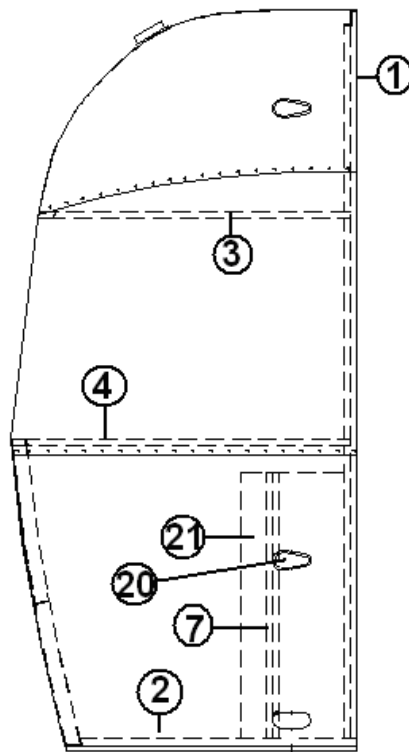
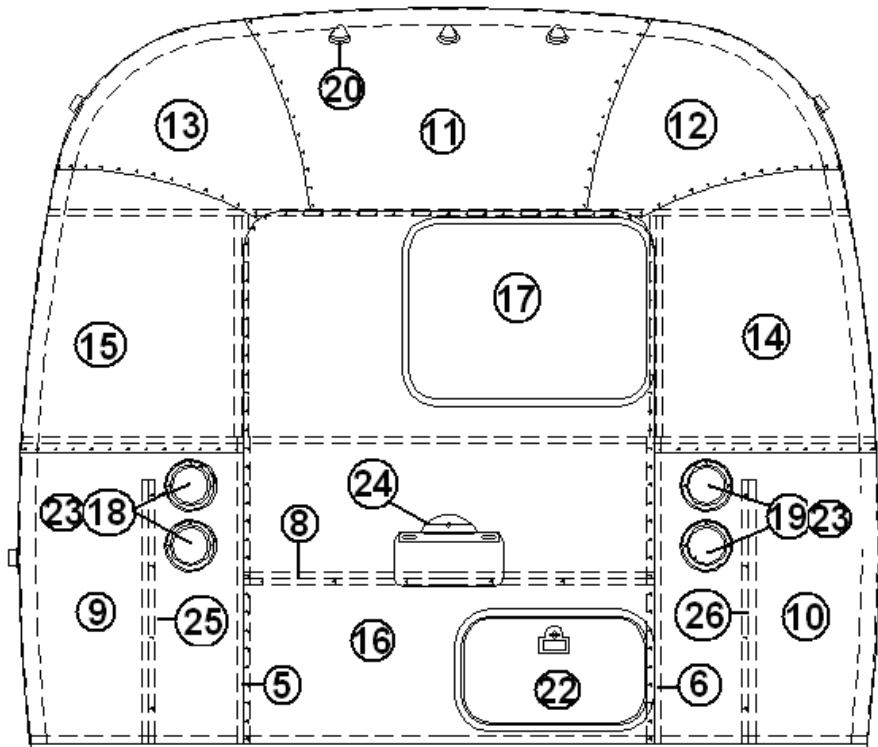
Microwaves

690549-02 MICROWAVE-TAPPEN, BLACK, 23', 25' models
690549-04 MICROWAVE-TAPPEN, TRIM KIT, BLACK, 23', 25'
models
690580-01 MICROWAVE-TAPPEN, BLACK, Model TM 5030B, 27'
FB model
690345-01 MICROWAVE-CONVECTION SHARP R-820BK, 19',
20', 23', 23' Front Bed models
690345-03 TRIM RING, CONVECTION MICROWAVE, SHARP, 19',
20', 23', 23' Front Bed models
690581-01 MICROWAVE CONVECTION TAPPEN BLACK, 19', 20',
23', 25' FB CSA models
690581-02 TRIM KIT, TAPPEN M/W TK1050B, 19', 20', 23', 25'
FB CSA models
690581-03 Tappen Silver Convection Microwave
690581-04 Trim Kit, Silver, for Tappen Microwave
690592-01 Microwave, Convection, Black, Haier, Model
MWG1008B
690594-01 Microwave, Sylvania Convection, Black
690594-02 Trim ring, Sylvania Black Microwave

2008 SAFARI- BAMBI

EXTERIOR BODY

AFT END, 19', 23'



Part Numbers are on the Next Page

2008 SAFARI- BAMBI

EXTERIOR BODY

AFT END, 19', 23'

964513-05	End shell complete
1. 114994	End bow
2. 104463	Floor bow
3. 104351	Upper window bow
4. 104343	Lower window bow
5. 114505-01	Support, lower end, LH
6. 114505-02	Support, lower end, RH
7. 101315	Brace, vertical rear
8. 104408	Extrusion rib
9. 114895	Segment #29
10. 114894	Segment #28
11. 114892	Segment #25(narrow body)
12. 114890	Segment #26
13. 114891	Segment #27
14. 114889	Segment, center right
15. 114888	Segment, center left
16. NPN	Alum. sheet, 050 x 41 x 45.25 x 51.0
17. 371381-15	Window, rear egress, 43.94 x 24.19
18. 500500-RS	TAILLIGHT ASSY- LED R.S.
19. 500500-CS	TAILLIGHT ASSY- LED C.S
20. **511751	Teardrop light, red
21. **512227	Light, clearance, red LED
21. 114849-03	Alum. Sheet, 040 x 12.0" x 29.0"
22. 100679-01	Door assembly, access
23. 201462	Pocket, ABS taillight
24. *511407	License plate light/holder, Black
24. *511407-01	Gasket, License plate light/holder
25. 101315-01	SUPPORT-LOWER END SHELL, LH
26. 101315-02	SUPPORT LOWER END SHELL, RH

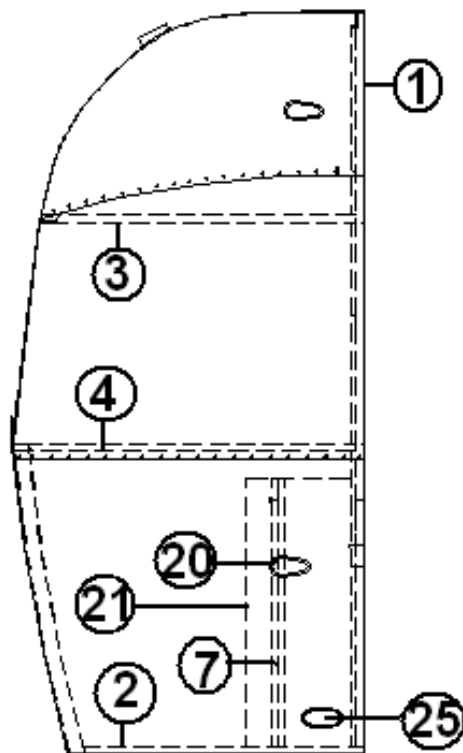
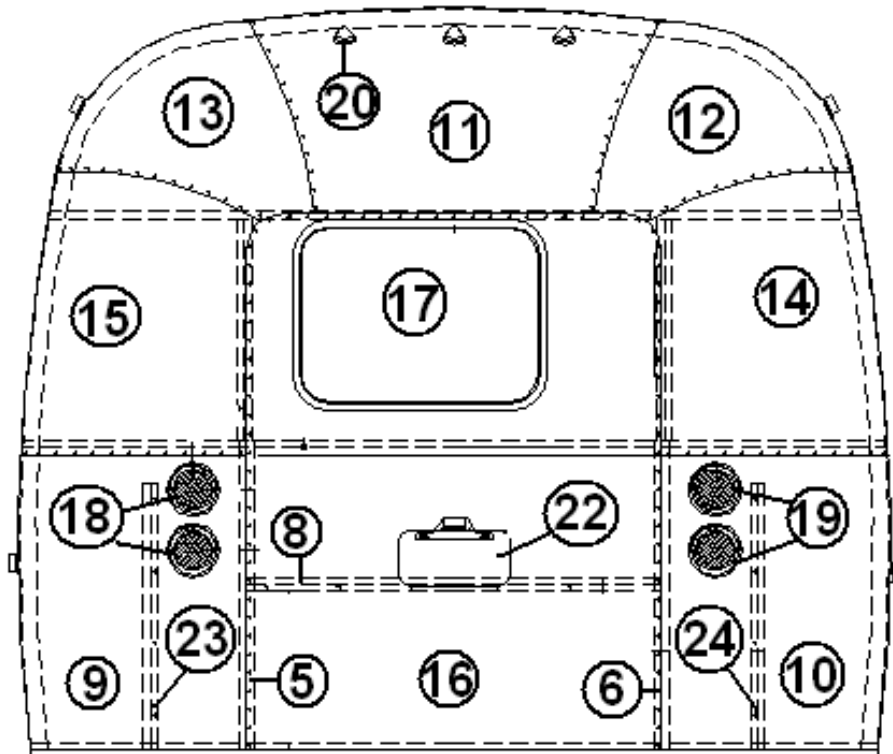
*Chrome light obsolete and replaced by black light during model year, service old w/new.

**LED clearance light replaced incandescent during model year

2008 SAFARI- BAMBI

EXTERIOR BODY

AFT END, 23' FRONT BED



Part Numbers are on the Next Page

2008 SAFARI- BAMBI

EXTERIOR BODY

AFT END, 23' FRONT BED

967149	End shell complete
1. 114994	End bow
2. 104463	Floor bow
3. 104351	Upper window bow
4. 104343	Lower window bow
5. 114505-01	Support, lower end, LH
6. 114505-02	Support, lower end, RH
7. 101315	Brace, vertical rear
8. 104408	Extrusion rib
9. 114895	Segment #29
10. 114894	Segment #28
11. 114892	Segment #25(narrow body)
12. 114890	Segment #26
13. 114891	Segment #27
14. 114889	Segment, center right
15. 114888	Segment, center left
16. 114880-201	Alum. Sheet, cut down to 41 x 51.
17. 371381-21	26.25" x 19.25", flat window w/8" screen
18. 500500-RS	TAILLIGHT ASSY- LED R.S.
19. 500500-CS	TAILLIGHT ASSY- LED C.S
20. **511751	Teardrop light, red
20. **512227	Light, clearance, red LED
21. 114849-03	Alum. Sheet, 040 x 12.0" x 29.0"
22. *511407	License plate light/holder, Black
22. *511407-01	Gasket, License plate light/holder
23. 101315-01	SUPPORT-LOWER END SHELL, LH
24. 101315-02	SUPPORT LOWER END SHELL, RH
25. 500095	Red reflector, rectangular

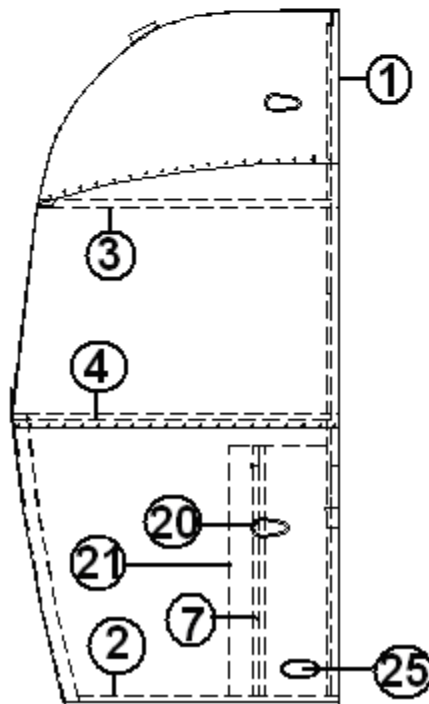
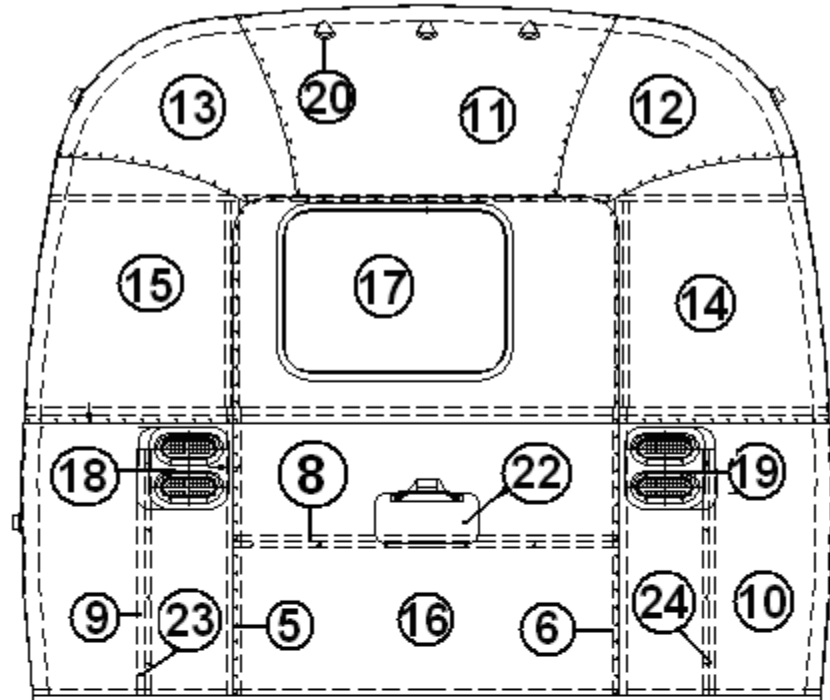
*Chrome light obsolete and replaced by black light during model year, service old w/new.

**LED clearance light replaced incandescent during model year

2008 SAFARI- BAMBI

EXTERIOR BODY

AFT END, 23' FRONT BED SPECIAL EDITION



Part Numbers are on the Next Page

2008 SAFARI- BAMBI

EXTERIOR BODY

AFT END, 23' FRONT BED SPECIAL EDITION

967149-01	End shell complete
1. 114994	End bow
2. 104463	Floor bow
3. 104351	Upper window bow
4. 104343	Lower window bow
5. 114505-01	Support, lower end, LH
6. 114505-02	Support, lower end, RH
7. 101315	Brace, vertical rear
8. 104408	Extrusion rib
9. 114895	Segment #29
10. 114894	Segment #28
11. 114892	Segment #25(narrow body)
12. 114890	Segment #26
13. 114891	Segment #27
14. 114889	Segment, center right
15. 114888	Segment, center left
16. 114880-201	Alum. Sheet, cut down to 41" x 51"
17. 372218	21" x 28" opening window
18. 952696-01	RS tail light assembly
19. 952696-02	CS tail light assembly
20. **511751	Teardrop light, red
20. **512227	Light, clearance, red LED
21. 114849-03	Alum. Sheet, 040 x 12.0" x 29.0"
22. *511407	License plate light/holder, Black
22. *511407-01	Gasket, License plate light/holder
23. 101315-01	SUPPORT-LOWER END SHELL, LH
24. 101315-02	SUPPORT LOWER END SHELL, RH
25. 500095	Red reflector, rectangular

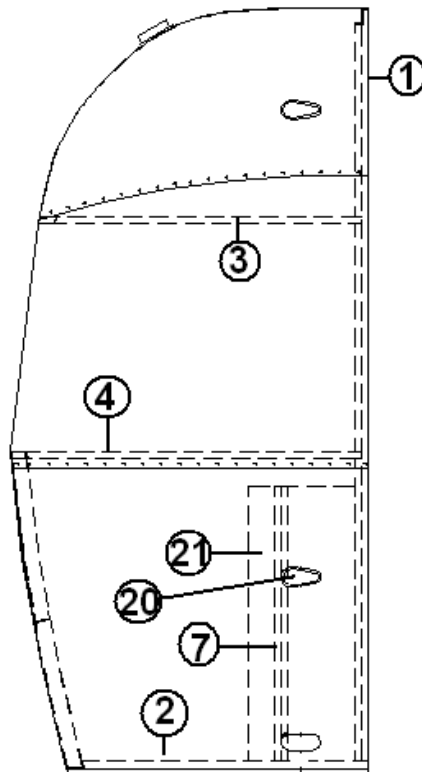
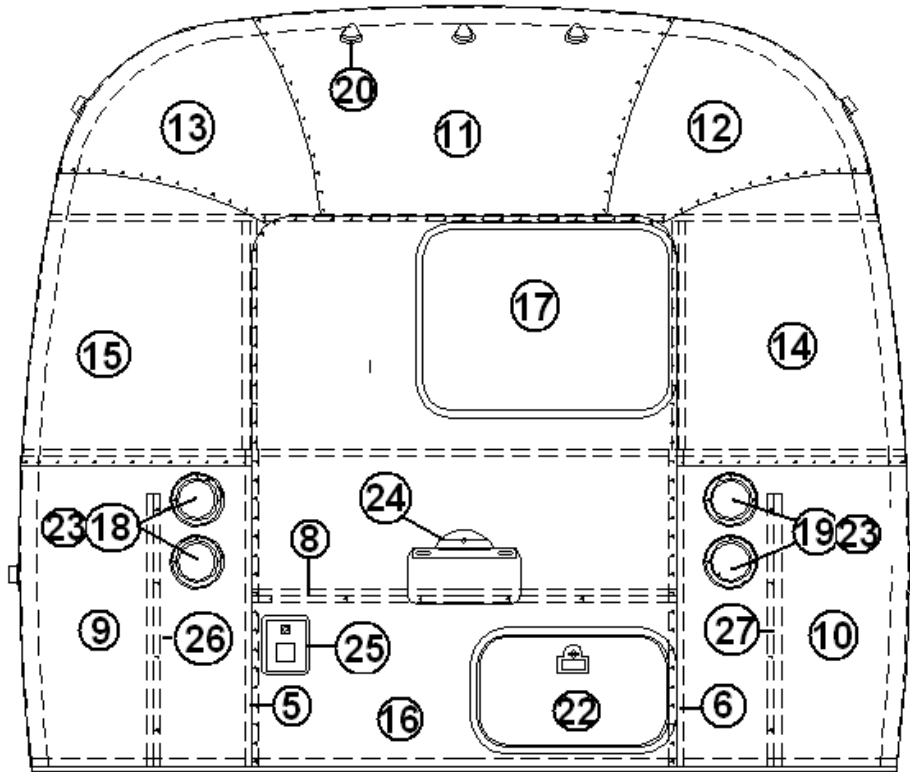
*Chrome light obsolete and replaced by black light during model year, service old w/new.

**LED clearance light replaced incandescent during model year

2008 SAFARI- BAMBI

EXTERIOR BODY

AFT END, 20'



Part Numbers are on the Next Page

2008 SAFARI- BAMBI

EXTERIOR BODY

AFT END, 20'

964513-06	End shell complete
1. 114994	End bow
2. 104463	Floor bow
3. 104351	Upper window bow
4. 104343	Lower window bow
5. 114505-01	Support, lower end, LH
6. 114505-02	Support, lower end, RH
7. 101315	Brace, vertical rear
8. 104408	Extrusion rib
9. 114895	Segment #29
10. 114894	Segment #28
11. 114892	Segment #25(narrow body)
12. 114890	Segment #26
13. 114891	Segment #27
14. 114889	Segment, center right
15. 114888	Segment, center left
16. 114880-201	Alum. sheet, .040 x 45.25" x 51.75"
17. 371381-15	Window, rear end, 26.25" X 19.25", Egress
18. 500500-RS	TAILLIGHT ASSY- LED R.S.
19. 500500-CS	TAILLIGHT ASSY- LED C.S
20. **511751	Teardrop light, red
20. **512227	Light, clearance, red LED
21. 114849-03	Alum. Sheet, 040 x 12.0" x 29.0"
22. 100679-01	Door assembly, access
23. 201462	Pocket, ABS taillight
24. *511407	License plate light/holder, Black
24. *511407-01	Gasket, License plate light/holder
25. 601194	WATER FILL W/LOCK, GRAY,W/LABEL
26. 101315-01	SUPPORT-LOWER END SHELL, LH
27. 101315-02	SUPPORT LOWER END SHELL, RH

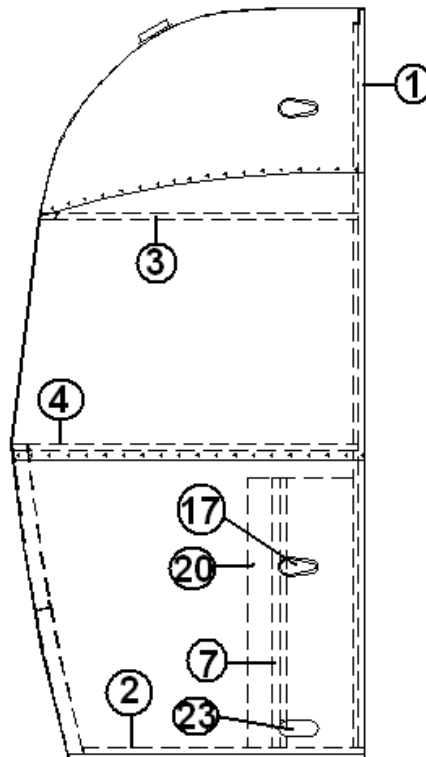
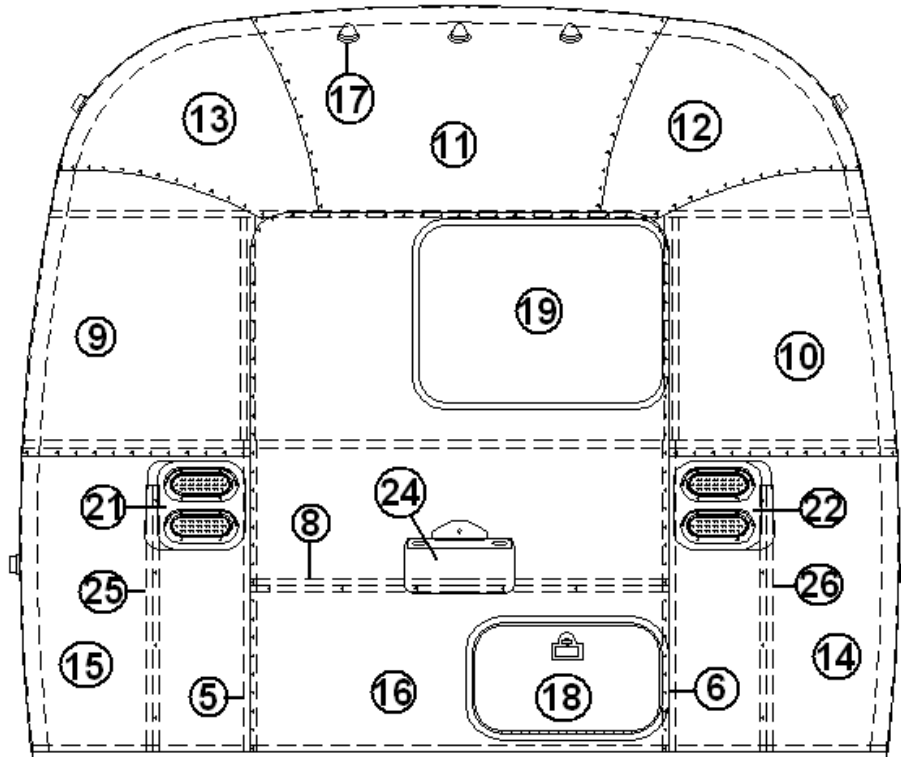
*Chrome light obsolete and replaced by black light during model year, service old w/new.

**LED clearance light replaced incandescent during model year

2008 SAFARI- BAMBI

EXTERIOR SHELL

AFT END, 19', 23' Special Edition



Part Numbers are on the Next Page

2008 SAFARI- BAMBI

EXTERIOR SHELL

AFT END, 19', 23' Special Edition

964513-08	AFT SHELL
1. 114994	End bow
2. 104463	Floor bow
3. 104351	Upper window bow
4. 104343	Lower window bow
5. 114505-01	Support, lower end, LH
6. 114505-02	Support, lower end, RH
7. 101315	Brace, vertical rear
8. 104408	Z-rib
9. 114888	Segment, center left
10. 114889	Segment, center right
11. 114892	Segment #25
12. 114890	Segment #26
13. 114891	Segment #27
14. 114894	Segment #28
15. 114895	Segment #29
16. 114880-201	Alum. Sheet, cut down to .040 x 19.0" x 51.0"
17. **511751	Marker light, tear drop
17. **512227	Light, clearance, red LED
18. 100679-01	Door assembly, side access
19. 372229	WINDOW-21" X 28" OPENING, REAR END
20. 114849-03	Aluminum sheet, gray
21. 952696-01	RS tail light assembly
22. 952696-02	CS tail light assembly
23. 500095	Red reflector, rectangular
24. *511407	License plate light/holder, Black
24. *511407-01	Gasket, License plate light/holder
25. 101315-01	SUPPORT-LOWER END SHELL, LH
26. 101315-02	SUPPORT LOWER END SHELL, RH

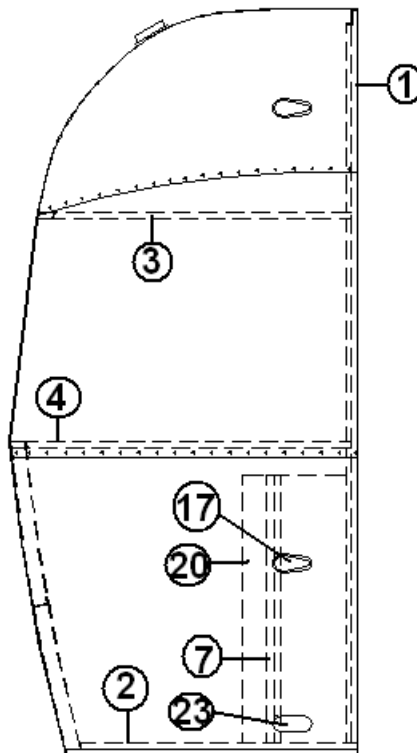
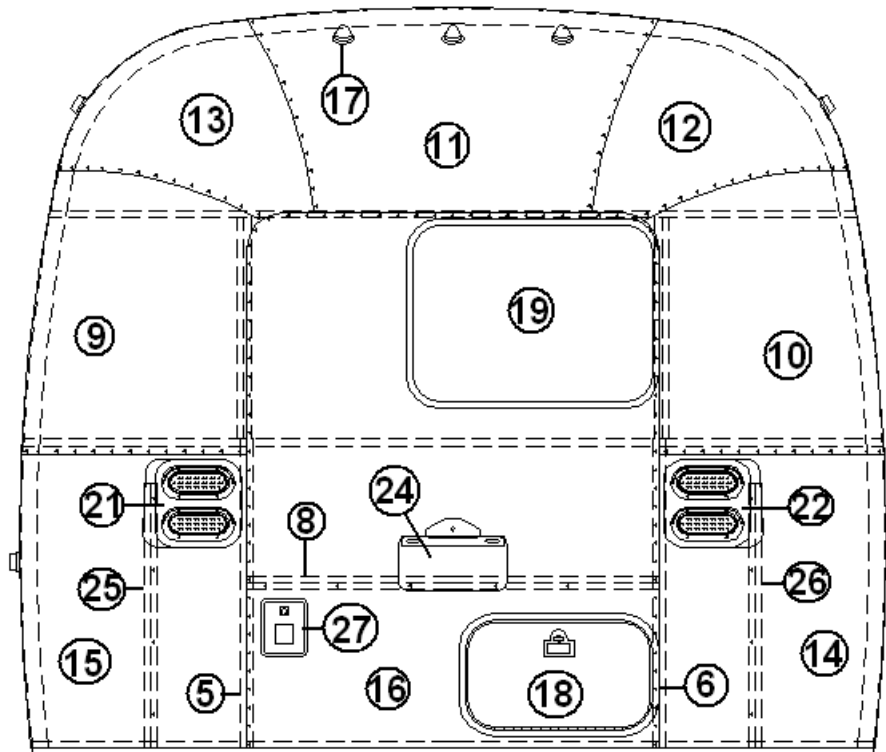
*Chrome light obsolete and replaced by black light during model year, service old w/new.

**LED clearance light replaced incandescent during model year

2008 SAFARI- BAMBI

EXTERIOR SHELL

AFT END, 20' Special Edition



Part Numbers are on the Next Page

2008 SAFARI- BAMBI

EXTERIOR SHELL

AFT END, 20' Special Edition

964513-07	AFT SHELL
1. 114994	End bow
2. 104463	Floor bow
3. 104351	Upper window bow
4. 104343	Lower window bow
5. 114505-01	Support, lower end, LH
6. 114505-02	Support, lower end, RH
7. 101315	Brace, vertical rear
8. 104408	Z-rib
9. 114888	Segment, center left
10. 114889	Segment, center right
11. 114892	Segment #25
12. 114890	Segment #26
13. 114891	Segment #27
14. 114894	Segment #28
15. 114895	Segment #29
16. 114880-201	Alum. Sheet, cut down to .040 x 19.0" x 51.0"
17. **511751	Marker light, tear drop
17. **512227	Light, clearance, red LED
18. 100679-01	Door assembly, side access
19. 372229	WINDOW-21" X 28" OPENING, REAR END
20. 114849-03	Aluminum sheet, gray
21. 952696-01	RS tail light assembly
22. 952696-02	CS tail light assembly
23. 500095	Red reflector, rectangular
24. *511407	License plate light/holder, Black
24. *511407-01	Gasket, License plate light/holder
25. 101315-01	SUPPORT-LOWER END SHELL, LH
26. 101315-02	SUPPORT LOWER END SHELL, RH
27. 601194	WATER FILL W/LOCK, GRAY,W/LABEL

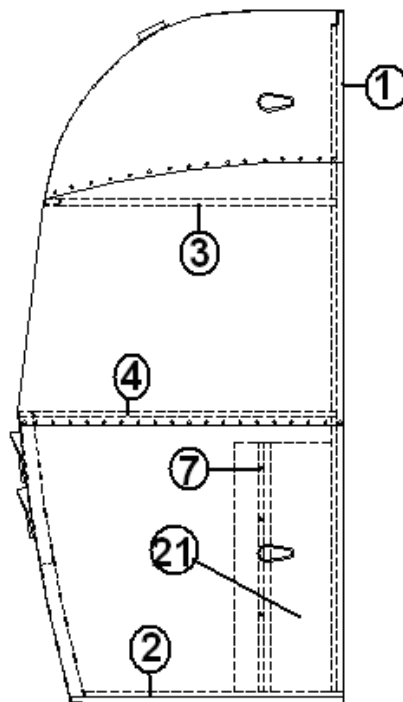
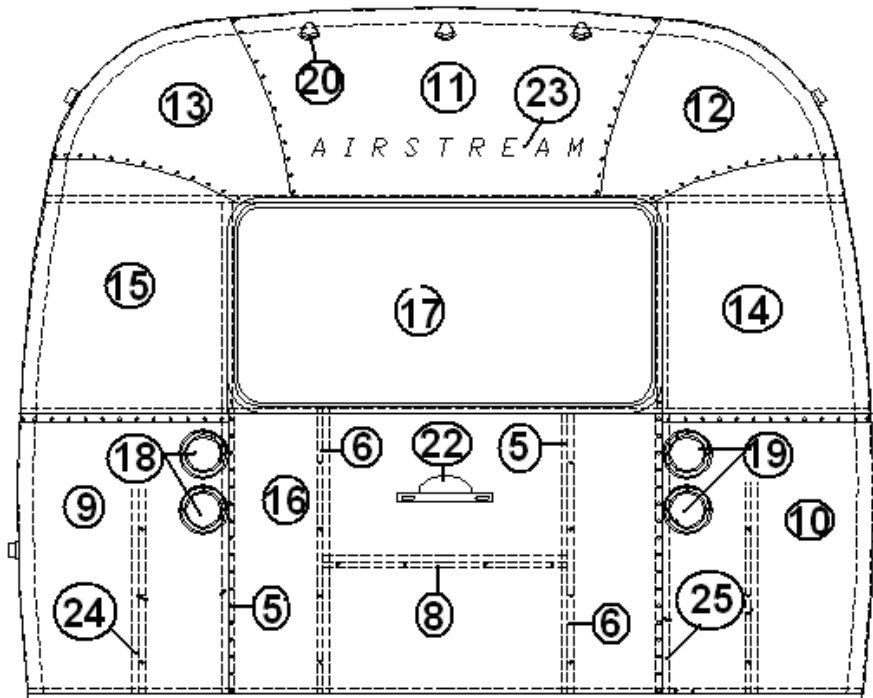
*Chrome light obsolete and replaced by black light during model year, service old w/new.

**LED clearance light replaced incandescent during model year

2008 SAFARI- BAMBI

EXTERIOR BODY

AFT END, 25' Front Bed, 27' Front Bed



Part Numbers are on the Next Page

2008 SAFARI- BAMBI

EXTERIOR BODY

AFT END, 25' Front Bed, 27' Front Bed

921227	End shell complete, Aft
1. 114993	End bow
2. 114676	Floor bow
3. 114678	Upper window bow
4. 114677	Lower window bow
5. 114505-01	Support, lower end, LH
6. 114505-02	Support, lower end, RH
7. 101315	Brace, vertical rear
8. 104408	Extrusion rib
9. 114895	Segment #29
10. 114894	Segment #28
11. 114893	Segment #25
12. 114890	Segment #26
13. 114891	Segment #27
14. 114889	Segment, center right
15. 114888	Segment, center left
16. 114880-201	Alum. sheet, cut down to 050 x 45.25x51.0
17. 371381-05	Window, rear egress, 43.94 x 24.19
18. 500500-RS	TAILLIGHT ASSY- LED R.S.
19. 500500-CS	TAILLIGHT ASSY- LED C.S
20. **511751	Teardrop light, red
20. **512227	Light, clearance, red LED
21. 114849-03	Alum. Sheet, 040 x 12.0" x 29.0"
22. *511407	License plate light/holder, Black
22. *511407-01	Gasket, License plate light/holder
23. 386150	Decal, "AIRSTREAM"
24. 101315-01	SUPPORT-LOWER END SHELL, LH
25. 101315-02	SUPPORT LOWER END SHELL, RH

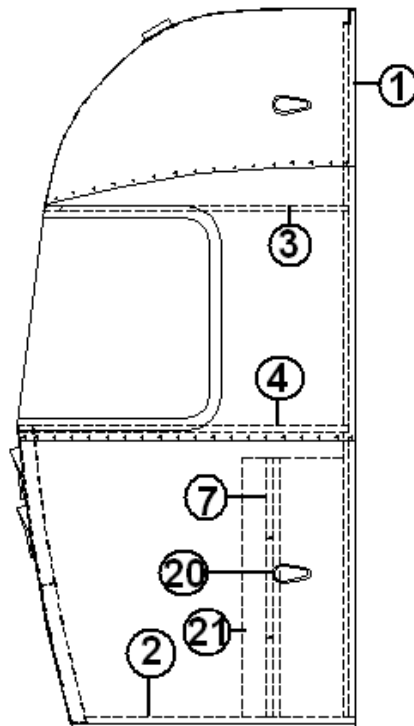
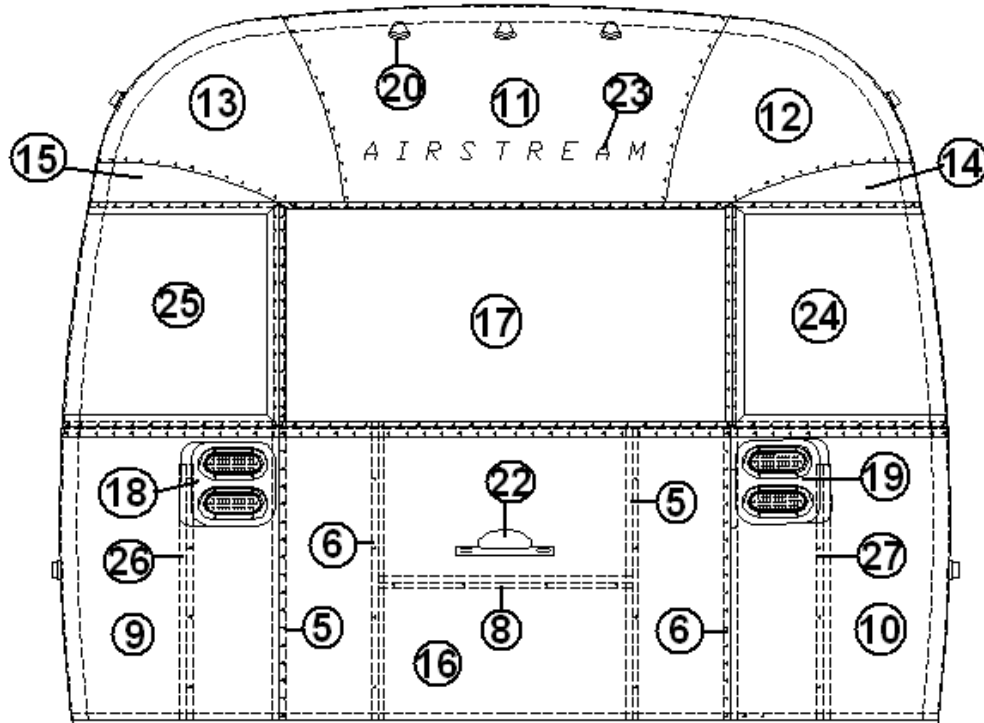
*Chrome light obsolete and replaced by black light during model year, service old w/new.

**LED clearance light replaced incandescent during model year

2008 SAFARI- BAMBI

EXTERIOR BODY

AFT END, 27' Front Bed, 25' Front Bed, Special Edition



Part Numbers are on the Next Page

2008 SAFARI- BAMBI

EXTERIOR BODY

AFT END, 27' Front Bed, 25' Front Bed, Special Edition

921227-01	End shell complete, Aft
1. 114993	End bow
2. 114676	Floor bow
3. 114678	Upper window bow
4. 114677	Lower window bow
5. 114505-01	Support, lower end, LH
6. 114505-02	Support, lower end, RH
7. 101315	Brace, vertical rear
8. 104408	Extrusion rib
9. 114895	Segment #29
10. 114894	Segment #28
11. 114893	Segment #25
12. 114890	Segment #26
13. 114891	Segment #27
14. 114889	Segment, center right
15. 114888	Segment, center left
16. 114880-201	Alum. sheet, cut down to 040 x 45.25 x 51.0
17. 371346-02	WINDOW-48.97" FLAT FRONT/WRAP
18. 952696-01	TAILLIGHT ASSY- LED R.S.
19. 952696-02	TAILLIGHT ASSY- LED C.S
20. **511751	Teardrop light, red
20. **512227	Light, clearance, red LED
21. 114849-03	Alum. Sheet, 040 x 12.0" x 29.0"
22. *511407	License plate light/holder, Black
22. *511407-01	Gasket, License plate light/holder
23. 386150	Decal, "AIRSTREAM"
24. 372088-101	WINDOW CORNER WRAP RS FRONT, CS
25 372089-101	WINDOW CORNER WRAP CS FRONT, RS
26. 101315-01	SUPPORT-LOWER END SHELL, LH
27. 101315-02	SUPPORT LOWER END SHELL, RH

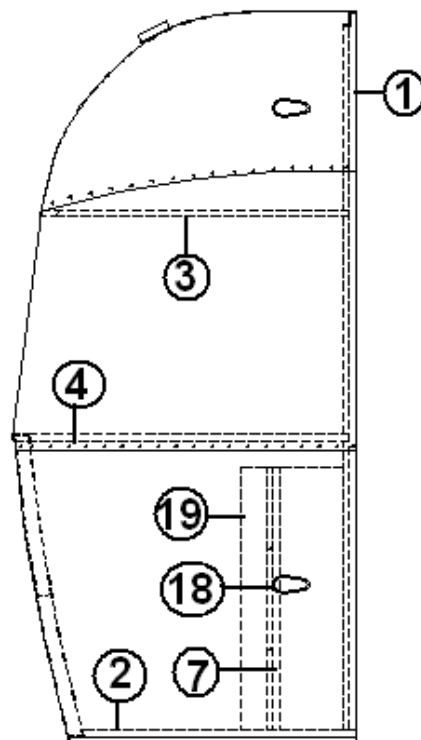
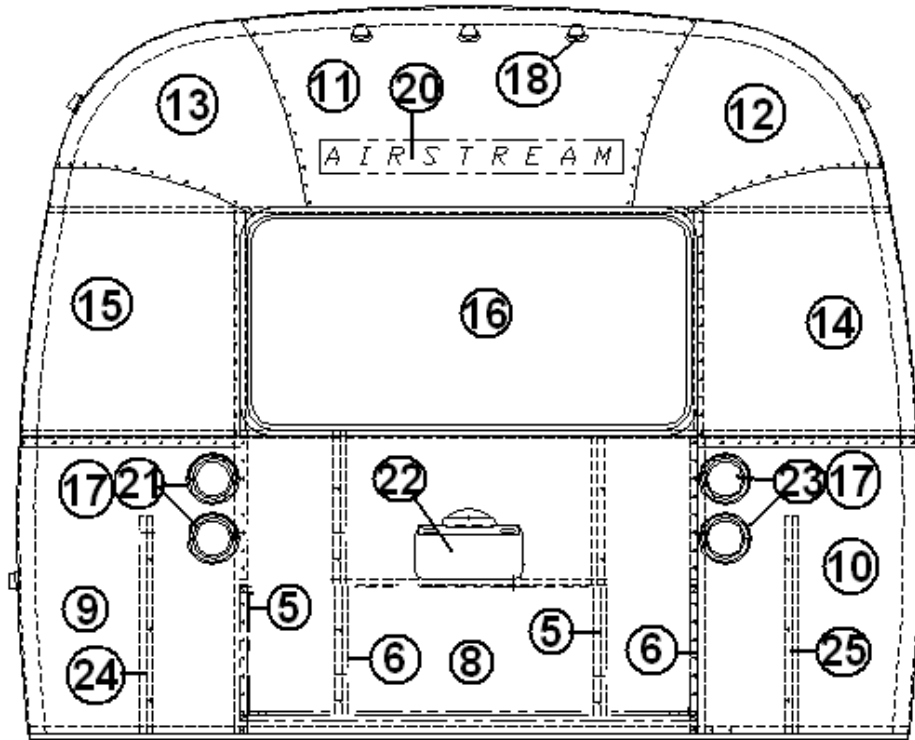
*Chrome light obsolete and replaced by black light during model year, service old w/new.

**LED clearance light replaced incandescent during model year

2008 SAFARI- BAMBI

EXTERIOR BODY

AFT END, 25' REAR DOUBLE BED



See next page for P/N

2008 SAFARI- BAMBI

EXTERIOR BODY

AFT END, 25' REAR DOUBLE BED

921180-07	End shell, 25' B
1. 114993	End bow
2. 114676	Floor bow
3. 114678	Upper window bow
4. 114677	Lower window bow
5. 114505-01	Support, lower end, LH
6. 114505-02	Support, lower end, RH
7. 101315	Brace, vertical rear
8. 114880-307	Alum. sheet, .050" x 19" x 51"
9. 114895	Segment, #29
10. 114894	Segment, #28
11. 114893	Segment #25
12. 114890	Segment #26
13. 114891	Segment #27
14. 114889	Segment, center right
15. 114888	Segment, center left
16. 371381-12	Window, rear egress, 49.63" x 24.19"
17. 201462	POCKET, ABS TAILLIGHT
18. **511751	Teardrop light, red
18. **512227	Light, clearance, red LED
19. 114849-03	Alum. Sheet, 040 x 12.0" x 29.0"
20. 386150	Decal, "AIRSTREAM"
21. 500500-RS	TAILLIGHT ASSY- LED R.S.
22. *511407	License plate light/holder, Black
22. *511407-01	Gasket, License plate light/holder
23. 500500-CS	TAILLIGHT ASSY- LED C.S.
24. 101315-01	Brace, vertical, rear, LH
25. 101315-02	Brace, vertical, rear, RH

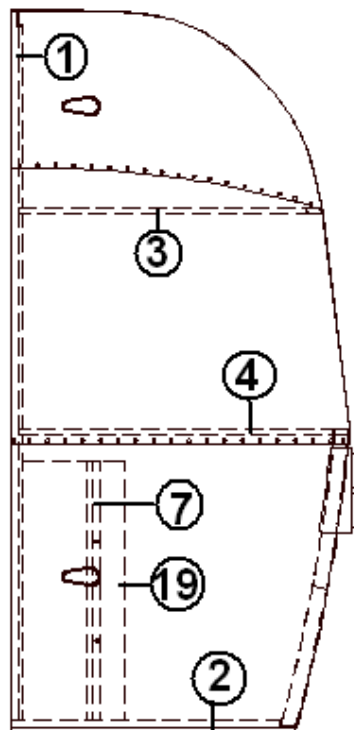
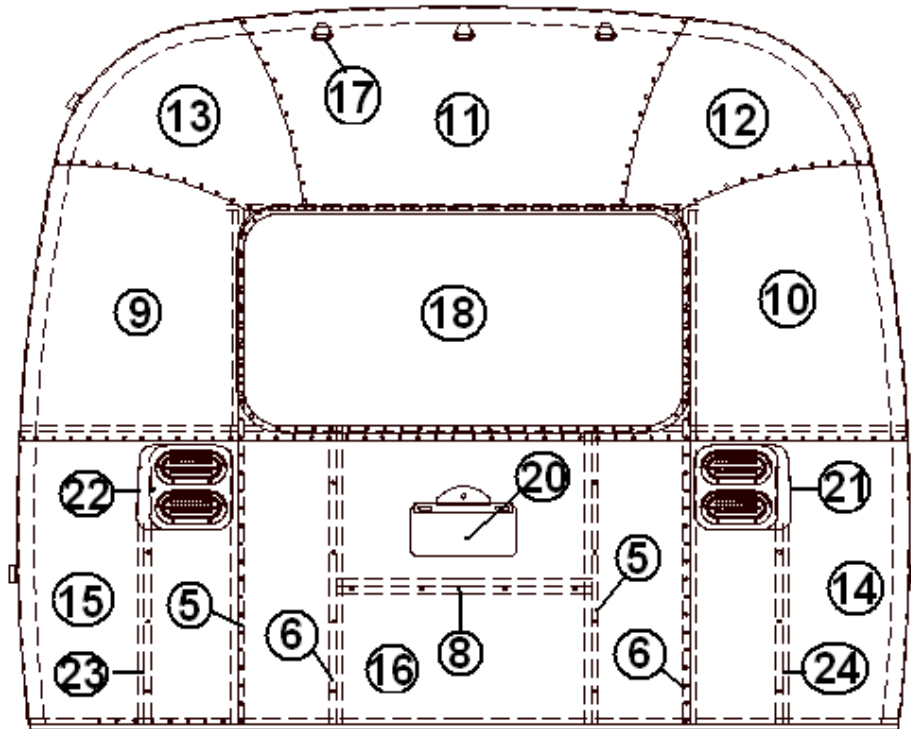
*Chrome light obsolete and replaced by black light during model year, service old w/new.

**LED clearance light replaced incandescent during model year

2008 SAFARI- BAMBI

EXTERIOR BODY

AFT END, 25' REAR DOUBLE BED, SPECIAL EDITION



See next page for P/N

2008 SAFARI- BAMBI

EXTERIOR BODY

AFT END, 25' REAR DOUBLE BED, SPECIAL EDITION

922991	End shell, 25 "B"
1. 114993	End bow
2. 114676	Floor bow
3. 114678	Upper window bow
4. 114677	Lower window bow
5. 114505-01	Support, lower end, LH
6. 114505-02	Support, lower end, RH
7. 101315	Brace, vertical rear
8. 104408	Extrusion Brace
9. 114888	Segment, center left
10. 114889	Segment, center right
11. 114893	Segment #25
12. 114890	Segment #26
13. 114891	Segment #27
14. 114894	Segment, #28
15. 114895	Segment, #29
16. 114880-307	Alum. sheet, .050" x 19" x 51"
17. **511751	Teardrop light, red
17. **512227	Light, clearance, red LED
18. 371348	Window, rear egress, 49.63" x 24.19"
19. 114849-03	Aluminum sheet, pewter, .040"x 12.0" x29.0".
20. *511407	License plate light/holder, Black
20. *511407-01	Gasket, License plate light/holder
21. 952696-02	TAILLIGHT ASSY, CS
22. 965696-01	TAILLIGHT ASSY, RS
23. 101315-01	Vertical Brace, LH
24. 101315-02	Vertical Brace, RH

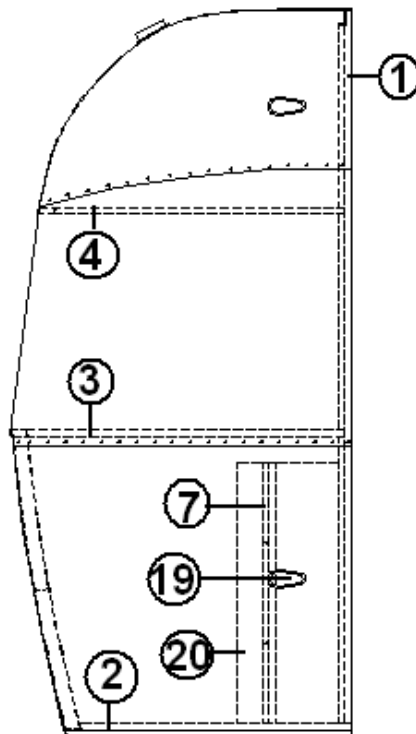
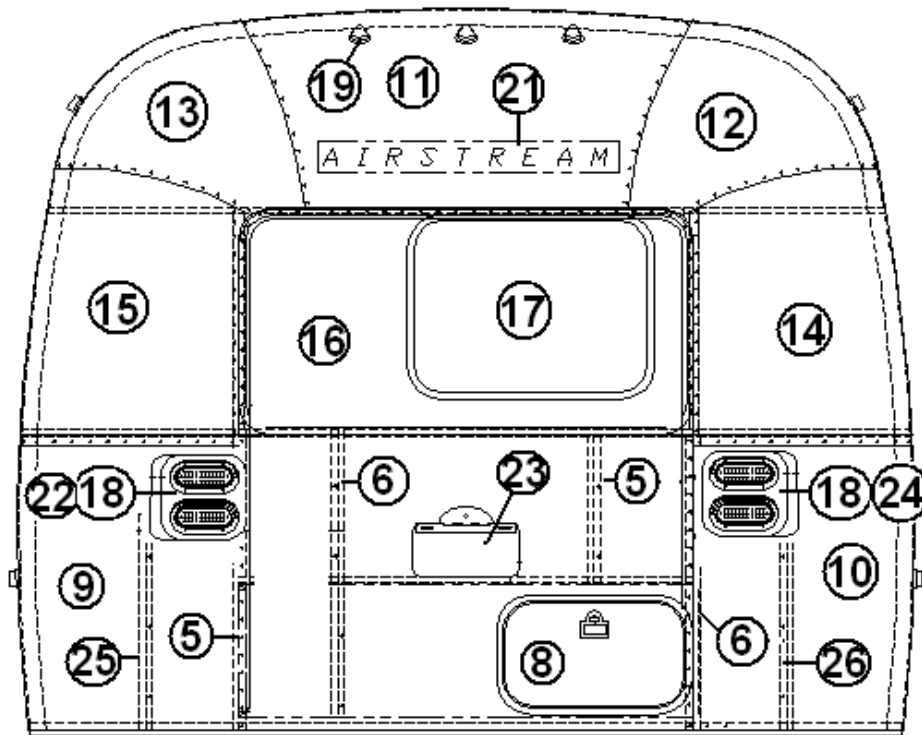
*Chrome light obsolete and replaced by black light during model year, service old w/new.

**LED clearance light replaced incandescent during model year

2008 SAFARI- BAMBI

EXTERIOR BODY

AFT END, 25' SLP6



See next page for P/N

2008 SAFARI- BAMBI

EXTERIOR BODY

AFT END, 25' SLP6

921180-06	End shell complete, 25' SS
1. 114993	End bow
2. 114676	Floor bow
3. 114678	Upper window bow
4. 114677	Lower window bow
5. 114505-01	Support, lower end, LH
6. 114505-02	Support, lower end, RH
7. 101315	Brace, vertical rear
8. 100679-01	Access door assembly, rear, Safari 25' SS
9. 114895	Segment, #29
10. 114894	Segment, #28
11. 114893	Segment #25
12. 114890	Segment #26
13. 114891	Segment #27
14. 114889	Segment, center right
15. 114888	Segment, center left
16. 114880-307	Alum. sheet, .050" x 19" x 51"
17. 371381-15	Window, rear egress, Safari 25' SS
18. 201462	POCKET, ABS TAILLIGHT
19. **511751	Teardrop light, red
19. **512227	Light, clearance, red LED
20. 114849-03	Alum. Sheet, 040 x 12.0" x 29.0"
21. 386150	Decal, "AIRSTREAM"
22. 500500-RS	TAILLIGHT ASSY- LED R.S.
23. *511407	License plate light/holder, Black
23. *511407-01	Gasket, License plate light/holder
24. 500500-CS	TAILLIGHT ASSY- LED C.S.
25. 101315-01	Vertical Brace, LH
26. 101315-02	Vertical Brace, RH

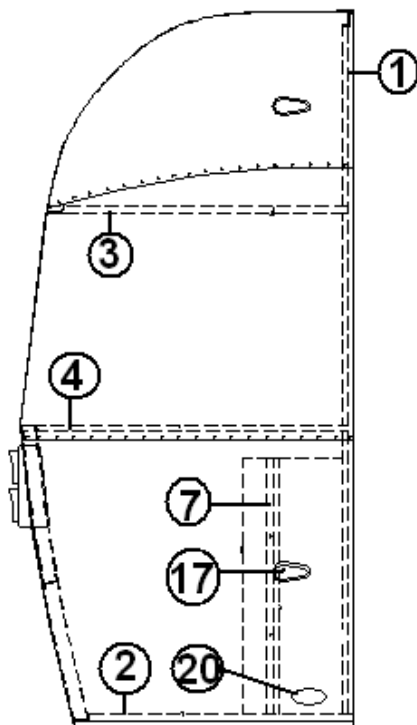
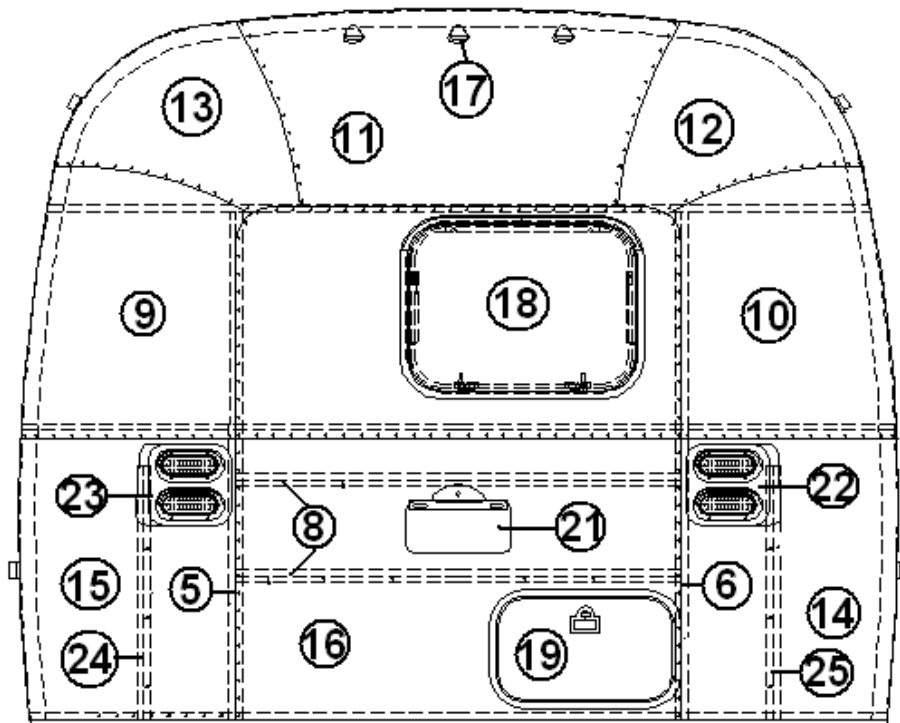
*Chrome light obsolete and replaced by black light during model year, service old w/new.

**LED clearance light replaced incandescent during model year

2008 SAFARI- BAMBI

EXTERIOR SHELL

AFT END, 25' SLEEP SIX, SPECIAL EDITION



Part Numbers are on the Next Page

2008 SAFARI- BAMBI

EXTERIOR SHELL

AFT END, 25' SLEEP SIX, SPECIAL EDITION

922706	AFT END, 25'
1. 114993	End bow
2. 114676	Floor bow
3. 114678	Upper window bow
4. 114677	Lower window bow
5. 114505-01	Support, lower end, LH
6. 114505-02	Support, lower end, RH
7. 101315	Brace, vertical rear
8. 104408	Z-rib
9. 114888	Segment, center left
10. 114889	Segment, center right
11. 114893	Segment #25
12. 114890	Segment #26
13. 114891	Segment #27
14. 114894	Segment #28
15. 114895	Segment #29
16. 114357-307	Alum. Sheet, .060 x 19.0" x 51.0"
17. **511751	Marker light, tear drop, red
17. **512227	Light, clearance, red LED
18. 372218-01	Window 21" x 28", egress
19. 100679	Trunk door assembly
20. 500095	Red reflector, rectangular
21. *511407	License plate light/holder, Black
21. *511407-01	Gasket, License plate light/holder
22. 952696-02	CS tail light assembly
23. 952696-01	RS tail light assembly
24. 101315-01	Vertical Brace, LH
25. 101315-02	Vertical Brace, RH

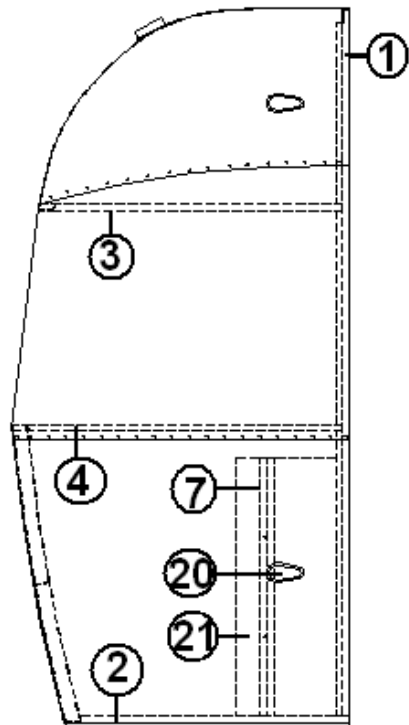
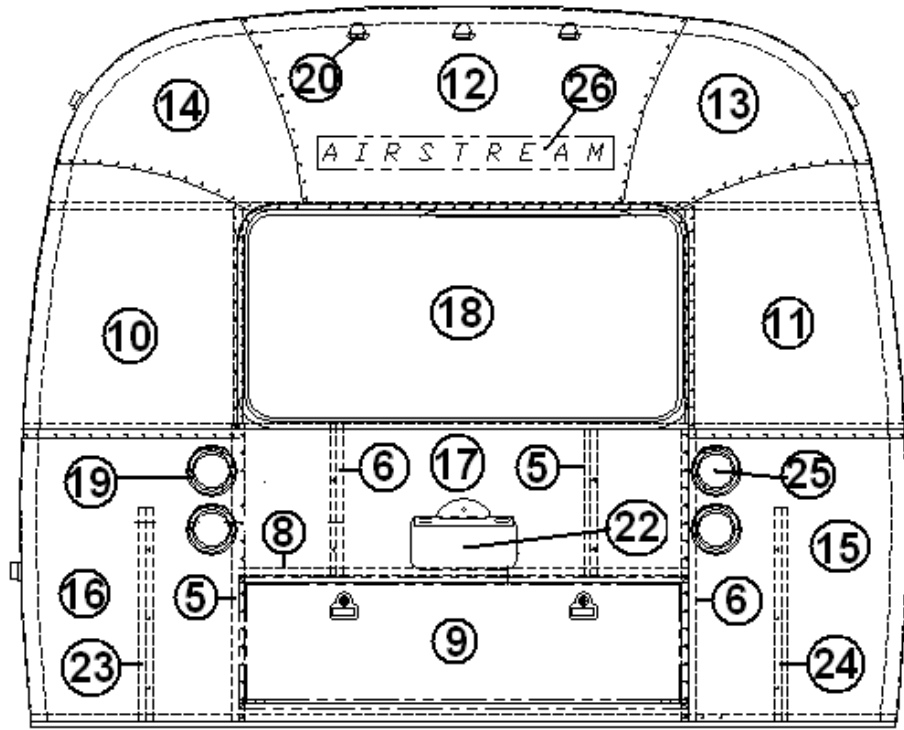
*Chrome light obsolete and replaced by black light during model year, service old w/new.

**LED clearance light replaced incandescent during model year

2008 SAFARI- BAMBI

EXTERIOR BODY

AFT END, 25' REAR TWIN BED, 28' W



See next page for P/N

2008 SAFARI- BAMBI

EXTERIOR BODY

AFT END, 25' REAR TWIN BED, 28' W

921180-05	End shell, 25 "A", 28'
1. 114993	End bow
2. 114676	Floor bow
3. 114678	Upper window bow
4. 114677	Lower window bow
5. 114505-01	Support, lower end, LH
6. 114505-02	Support, lower end, RH
7. 101315	Brace, vertical rear
8. 104408	Z Bar
9. 921159	Door assembly
10. 114888	Segment, center left
11. 114889	Segment, center right
12. 114893	Segment #25
13. 114890	Segment #26
14. 114891	Segment #27
15. 114894	Segment, #28
16. 114895	Segment, #29
17. 114880-307	Alum. sheet, .050" x 19" x 51"
18. 371381-12	Window, rear egress, 49.63" x 24.19"
19. 500500-RS	TAILLIGHT ASSY- LED R.S.
20. **511751	Teardrop light, red
20. **512227	Light, clearance, red LED
21. 114849-03	Alum. Sheet, 040 x 12.0" x 29.0"
22. *511407	License plate light/holder, Black
22. *511407-01	Gasket, License plate light/holder
23. 101315-01	Brace, vertical, rear, LH
24. 101315-02	Brace, vertical, rear, RH
25. 500500-CS	TAILLIGHT ASSY- LED C.S.
26. 386150	Decal, "AIRSTREAM"

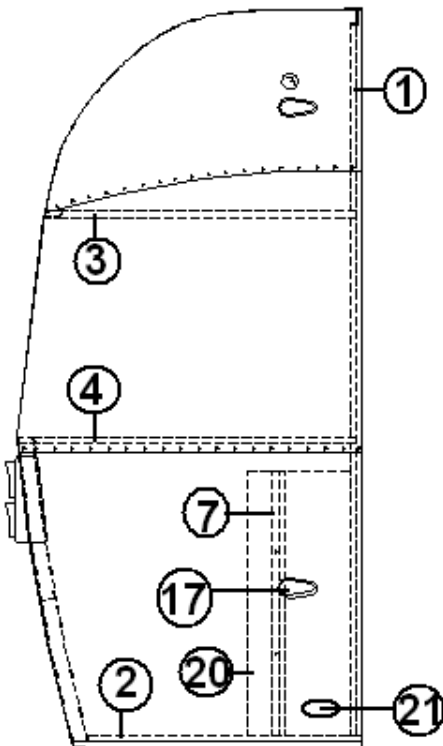
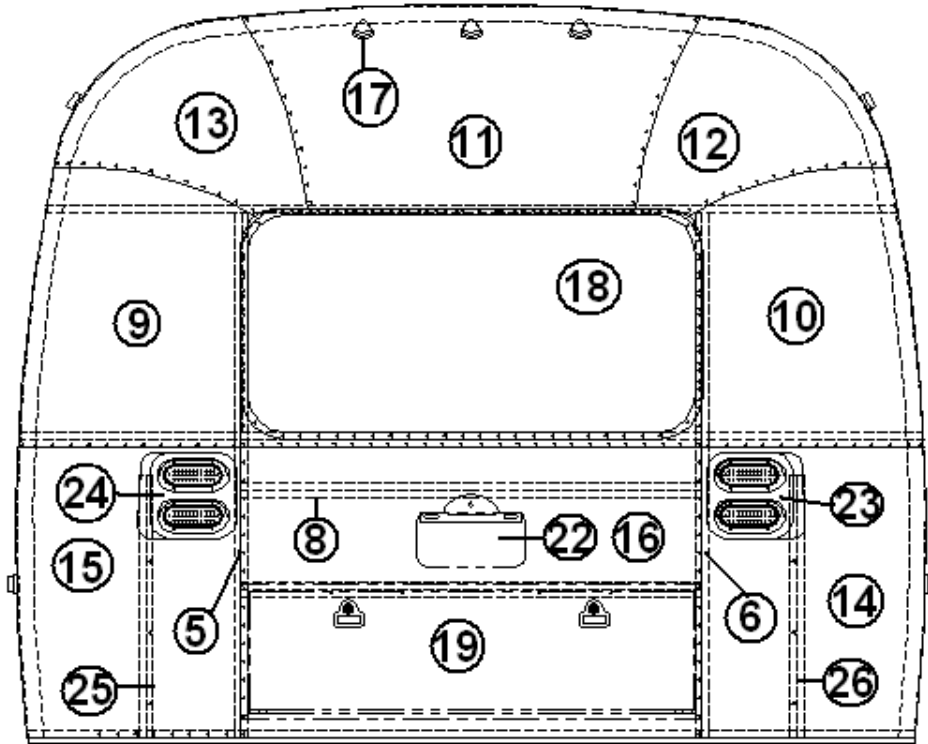
*Chrome light obsolete and replaced by black light during model year, service old w/new.

**LED clearance light replaced incandescent during model year

2008 SAFARI- BAMBI

EXTERIOR SHELL

AFT END, 25' Rear Twin Special Edition, 28', Special Edition



Part Numbers are on the Next Page

2008 SAFARI- BAMBI

EXTERIOR SHELL

AFT END, 25' Rear Twin Special Edition, 28', Special Edition

922677	Aft End Assembly
1. 114993	End bow
2. 114676	Floor bow
3. 114678	Upper window bow
4. 114677	Lower window bow
5. 114505-01	Support, lower end, LH
6. 114505-02	Support, lower end, RH
7. 101315	Brace, vertical rear
8. 104408	Z-rib
9. 114888	Segment, center left
10. 114889	Segment, center right
11. 114893	Segment #25
12. 114890	Segment #26
13. 114891	Segment #27
14. 114894	Segment #28
15. 114895	Segment #29
16. 114880-307	Alum. Sheet, .060 x 19.0" x 51.0"
17. **511751	Marker light, tear drop
17. **512227	Light, clearance, red LED
18. 371348-02	Window, Rear w/ red handles
19. 921159	Trunk door assembly
20. 114849-03	Alum. Sheet, 040 x 12.0" x 29.0"
21. 500095	Red reflector, rectangular
22. *511407	License plate light/holder, Black
22. *511407-01	Gasket, License plate light/holder
23. 952696-02	CS tail light assembly
24. 952696-01	RS tail light assembly
25. 101315-01	Brace, vertical, rear, LH
26. 101315-02	Brace, vertical, rear, RH

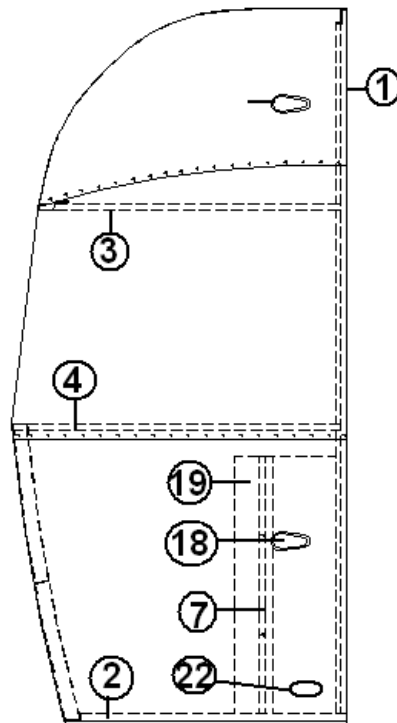
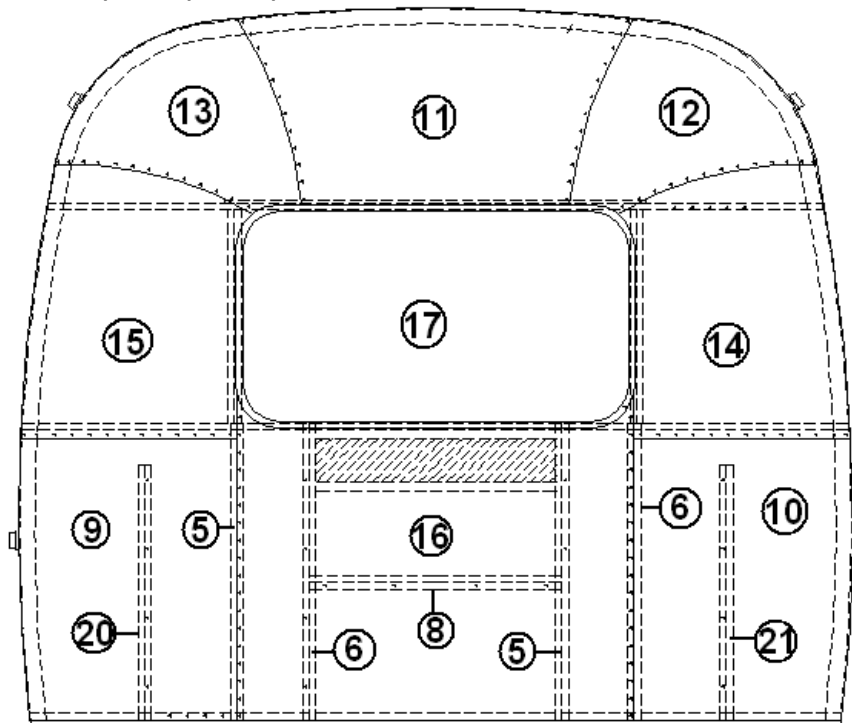
**LED clearance light replaced incandescent during model year

*Chrome light obsolete and replaced by black light during model year, service old w/new.

2008 SAFARI- BAMBI

EXTERIOR BODY

FRONT END 19', 20', 23', 23' Front Bed



See next page for P/N.

2008 SAFARI- BAMBI

EXTERIOR BODY

FRONT END 19', 20', 23', 23' Front Bed

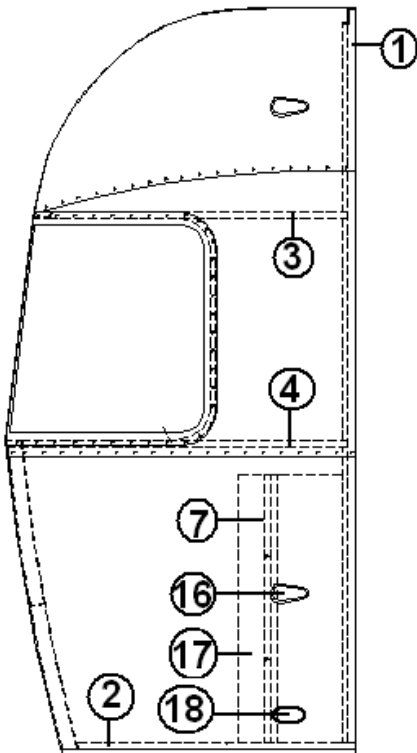
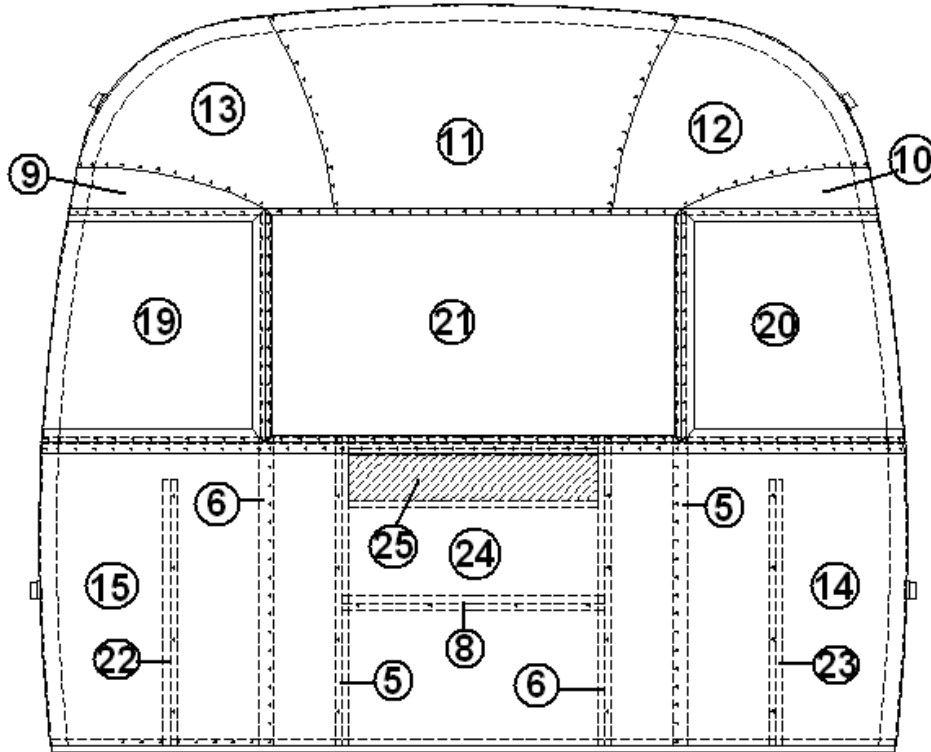
964512	Front End Shell
1. 114994	End bow
2. 104463	Floor bow
3. 104351	Upper window bow
4. 104343	Lower window bow
5. 114505-01	Support, lower end, LH
6. 114505-02	Support, lower end, RH
7. 101315	Brace, vertical rear
8. 104408	Extrusion, Z rib
9. 114895	Segment #29
10. 114894	Segment #28
11. 114892	Segment #25, (narrow body)
12. 114890	Segment #26
13. 114891	Segment #27
14. 114889	Segment, center right
15. 114888	Segment, center left
16. 114849-03	Aluminum sheet (Cut to 41" x 45.25").
17. 371381-10	Window, 43.94 x 24.19, Bambi
18. *511750	Light, teardrop, amber
18. *512226	Light, clearance, amber LED
19. 114849-03	Alum. Sheet, 040 x 12.0" x 29.0"
20. 101315-01	Brace, vertical, rear, LH
21. 101315-02	Brace, vertical, rear, RH
22. 500096	REFLECTOR, AMBER

*LED clearance light replaced incandescent during model year

2008 SAFARI- BAMBI

EXTERIOR SHELL

FRONT END, 19', 20', 23', 23' Front Bed Special Edition Models



Part Numbers are on the Next Page

2008 SAFARI- BAMBI

EXTERIOR SHELL

FRONT END, 19', 20', 23', 23' Front Bed Special Edition Models

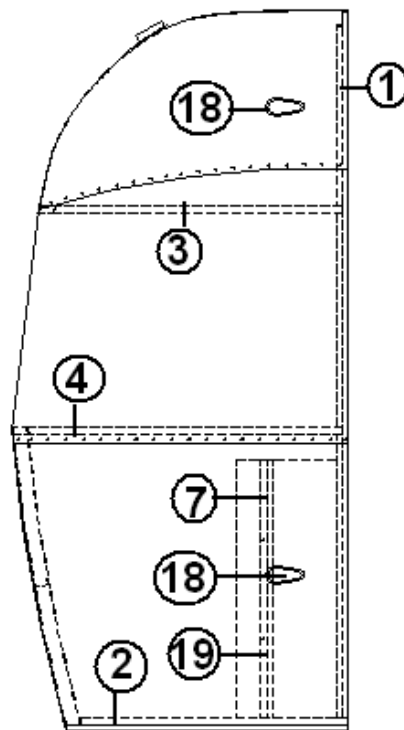
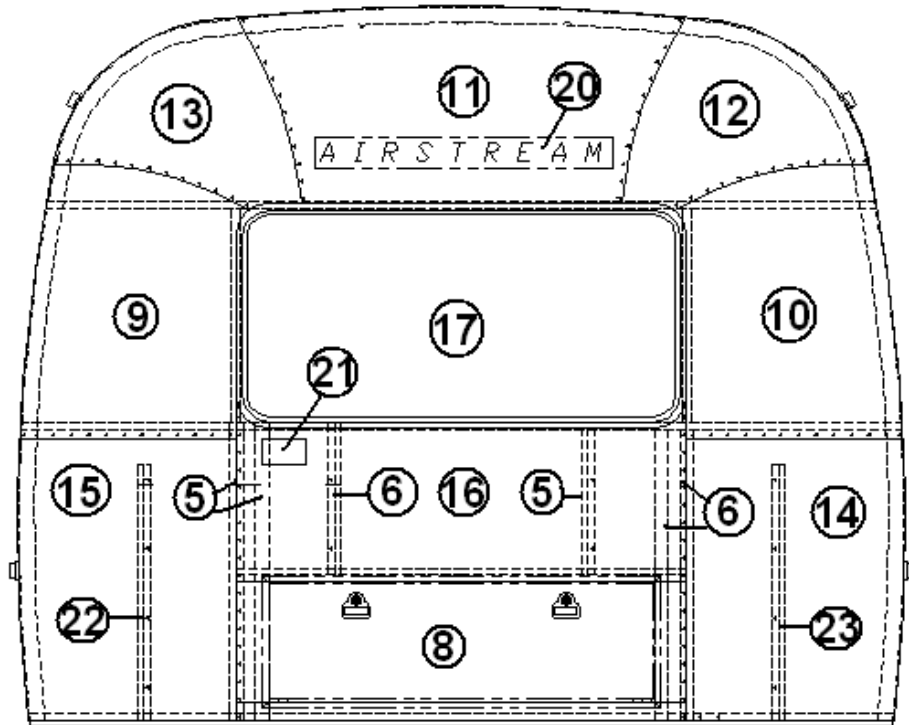
922626	Front End Shell
1. 114994	Weldment, end bow, NB
2. 104463	Floor bow, captive extrusion
3. 104351	Upper, window bow
4. 104343	Lower, window bow
5. 114505-01	Support, lower end shell, left-hand
6. 114505-02	Brace, vertical rear
7. 101315	Brace, vertical rear
8. 104408	Rib bow
9. 114888	Segment, center left, bright
10. 114889	Segment, center right, bright,
11. 114892	Segment, #25, NB, bright
12. 114890	Segment, #26, bright
13. 114891	Segment, #27, bright
14. 114894	Segment, #28, bright
15. 114895	Segment, #29, bright
16. *511750	Amber teardrop lights
16. *512226	Light, clearance, amber LED
17. 114849-03	Aluminum sheet, 060 x 12.00" x 29.00"
18. 500096	Reflector, amber
19. 372088-101	RS front panoramic window
20. 372089-101	CS front panoramic window
21. 371328	Front window,
21. 371328-100	Front window glass only
22. 101315-01	Brace, vertical, rear, LH
23. 101315-02	Brace, vertical, rear, RH
24. 114880-307	Aluminum sheet, .040" x 5" x 307" "cut down"
25. 453629	Hat section, 27.25" long, Front dinette models only

*LED clearance light replaced incandescent during model year

2008 SAFARI- BAMBI

EXTERIOR SHELL

Front End, 27' Front Bed



Part Numbers are on the Next Page

2008 SAFARI- BAMBI

EXTERIOR SHELL

Front End, 27' Front Bed

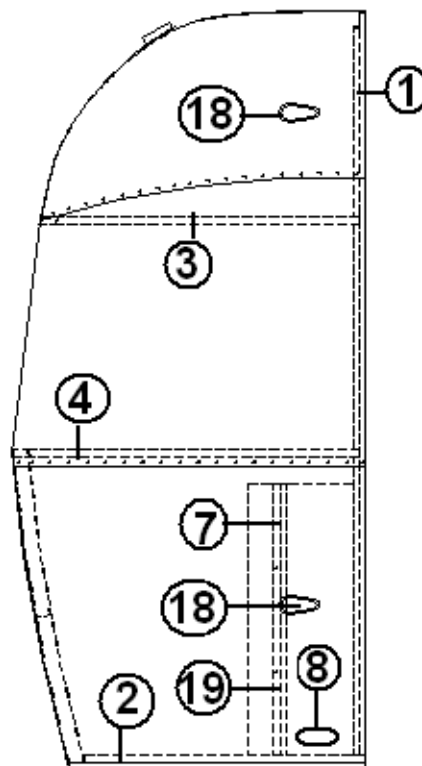
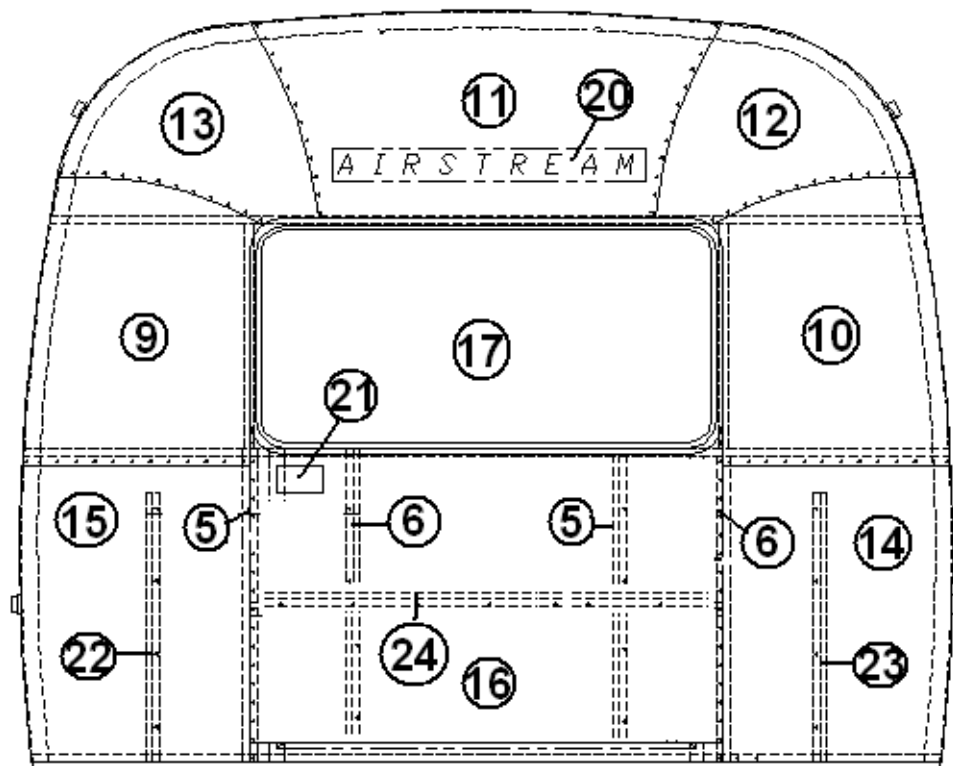
921225	End shell complete, front 27' FB
1. 114993	WELDMENT ZERO BOW "WB"
2. 114676	BOW FLOOR ALTERED
3. 114678	BOW UP WINDOW ALTERED
4. 114677	BOW LOWER WINDOW ALTERED
5. 114505-01	SUPPORT LOWER END SHELL LH
6. 114505-02	SUPPORT LOWER END RH
7. 101315	BRACE VERTICAL REAR
8. 922711	Door, trunk, delete on 25' FB
9. 114888	SEGMENT-CENTER LEFT "BRIGHT"
10. 114889	SEGMENT-CENTER RIGHT "BRIGHT"
11. 114893	SEGMENT-#25 WIDE BODY "BRIGHT"
12. 114890	SEGMENT-#26 "BRIGHT"
13. 114891	SEGMENT-#27 "BRIGHT"
14. 114894	SEGMENT-#28 "BRIGHT"
15. 114895	SEGMENT-#29 "BRIGHT"
16. 114880-307	ALUMINUM, .040" X 51" X 307"
17. 371381-05	WINDOW, 49.63 x 24.19"
18. *511750	MARKERLIGHT-AMBER TEARDROP
18. *512226	Light, clearance, amber LED
19. 114849-03	ALUMINUM, .060 26"W X 8' GRAY
20. 386150	AIRSTREAM LOGO, BLACK
21. 386118	LABEL, LP GAS
22. 101315-01	Brace, vertical, rear, LH
23. 101315-02	Brace, vertical, rear, RH

*LED clearance light replaced incandescent during model year

2008 SAFARI- BAMBI

EXTERIOR SHELL

Front End, 25' Front Bed



Part Numbers are on the Next Page

2008 SAFARI- BAMBI

EXTERIOR SHELL

Front End, 25' Front Bed

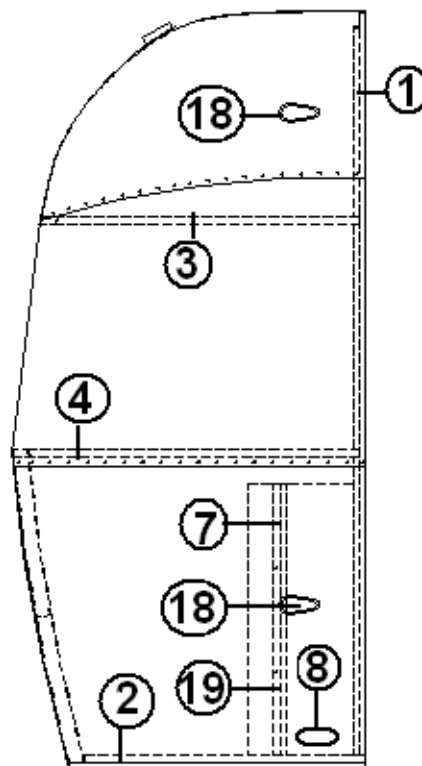
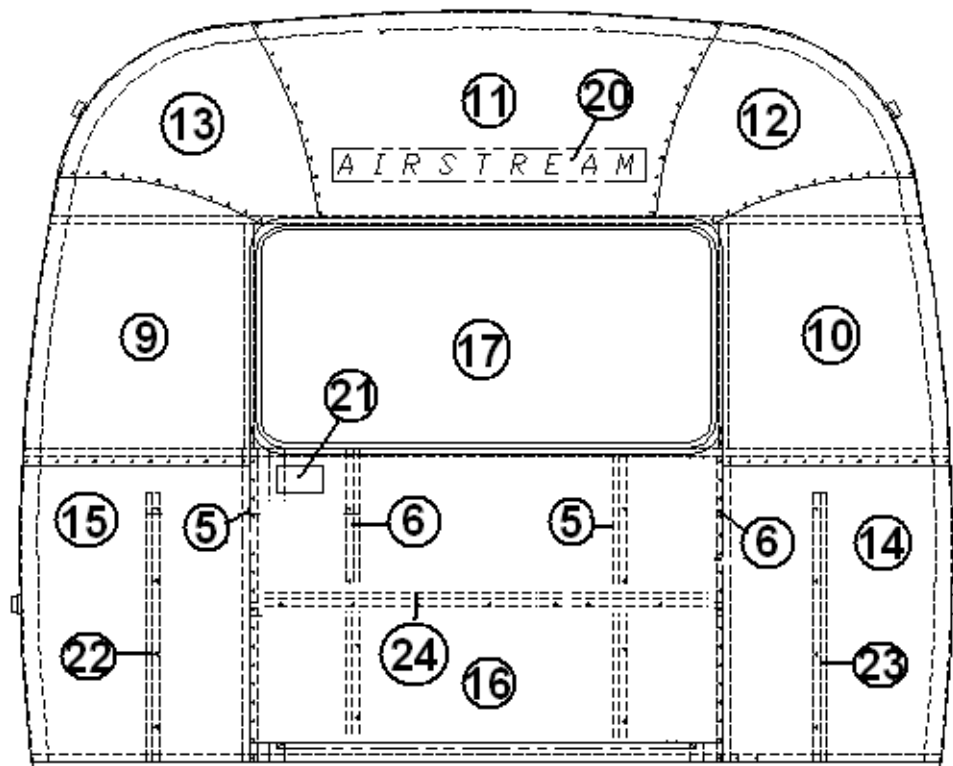
921225-01	End shell complete, front
1. 114993	WELDMENT ZERO BOW "WB"
2. 114676	BOW FLOOR ALTERED
3. 114678	BOW UP WINDOW ALTERED
4. 114677	BOW LOWER WINDOW ALTERED
5. 114505-01	SUPPORT LOWER END SHELL LH
6. 114505-02	SUPPORT LOWER END RH
7. 101315	BRACE VERTICAL REAR
8. 500096	Reflector, amber
9. 114888	SEGMENT-CENTER LEFT "BRIGHT"
10. 114889	SEGMENT-CENTER RIGHT "BRIGHT"
11. 114893	SEGMENT-#25 WIDE BODY "BRIGHT"
12. 114890	SEGMENT-#26 "BRIGHT"
13. 114891	SEGMENT-#27 "BRIGHT"
14. 114894	SEGMENT-#28 "BRIGHT"
15. 114895	SEGMENT-#29 "BRIGHT"
16. 114880-307	ALUMINUM, .040" X 51" X 307"
17. 371381-05	WINDOW, 49.63 x 24.19"
18. *511750	MARKERLIGHT-AMBER TEARDROP
18. *512226	Light, clearance, amber LED
19. 114849-03	ALUMINUM, .060 26"W X 8' GRAY
20. 386150	AIRSTREAM LOGO, BLACK
21. 386118	LABEL, LP GAS
22. 101315-01	Brace, vertical, rear, LH
23. 101315-02	Brace, vertical, rear, RH
24. 104408	Rib bow

*LED clearance light replaced incandescent during model year

2008 SAFARI- BAMBI

EXTERIOR SHELL

Front End, 25' Front Bed, Special Edition



Part Numbers are on the Next Page

2008 SAFARI- BAMBI

EXTERIOR SHELL

Front End, 25' Front Bed, Special Edition

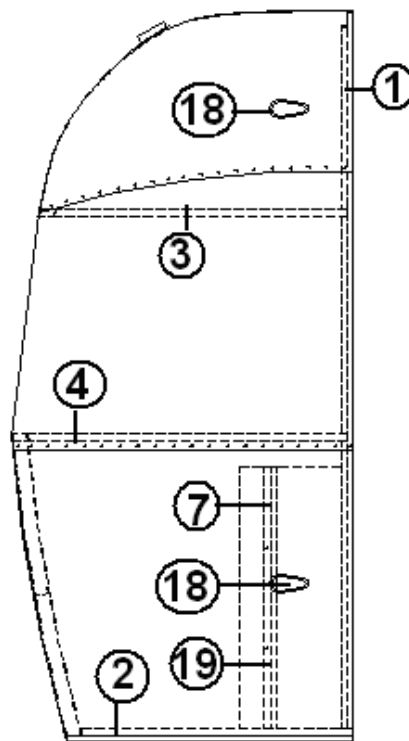
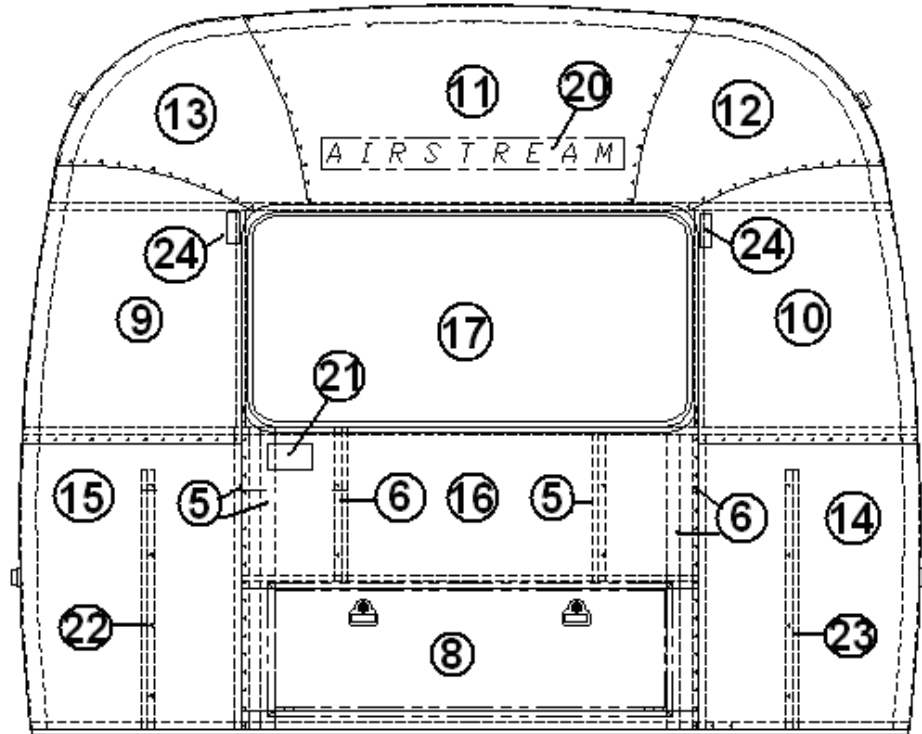
921225-02	End shell complete, front
1. 114993	WELDMENT ZERO BOW "WB"
2. 114676	BOW FLOOR ALTERED
3. 114678	BOW UP WINDOW ALTERED
4. 114677	BOW LOWER WINDOW ALTERED
5. 114505-01	SUPPORT LOWER END SHELL LH
6. 114505-02	SUPPORT LOWER END RH
7. 101315	BRACE VERTICAL REAR
8. 500096	Reflector, amber
9. 114888	SEGMENT-CENTER LEFT "BRIGHT"
10. 114889	SEGMENT-CENTER RIGHT "BRIGHT"
11. 114893	SEGMENT-#25 WIDE BODY "BRIGHT"
12. 114890	SEGMENT-#26 "BRIGHT"
13. 114891	SEGMENT-#27 "BRIGHT"
14. 114894	SEGMENT-#28 "BRIGHT"
15. 114895	SEGMENT-#29 "BRIGHT"
16. 114880-307	ALUMINUM, .040" X 51" X 307"
17. 371348-03	WINDOW, W/SILVER HANDLES
18. *511750	MARKERLIGHT-AMBER TEARDROP
18. *512226	Light, clearance, amber LED
19. 114849-03	ALUMINUM, .060 26"W X 8' GRAY
20. 386150	AIRSTREAM LOGO, BLACK
21. 386118	LABEL, LP GAS
22. 101315-01	Brace, vertical, rear, LH
23. 101315-02	Brace, vertical, rear, RH
24. 104408	Rib bow

*LED clearance light replaced incandescent during model year

2008 SAFARI- BAMBI

EXTERIOR SHELL

Front End, 27' Front Bed, Special Edition



Part Numbers are on the Next Page

2008 SAFARI- BAMBI

EXTERIOR SHELL

Front End, 27' Front Bed, Special Edition

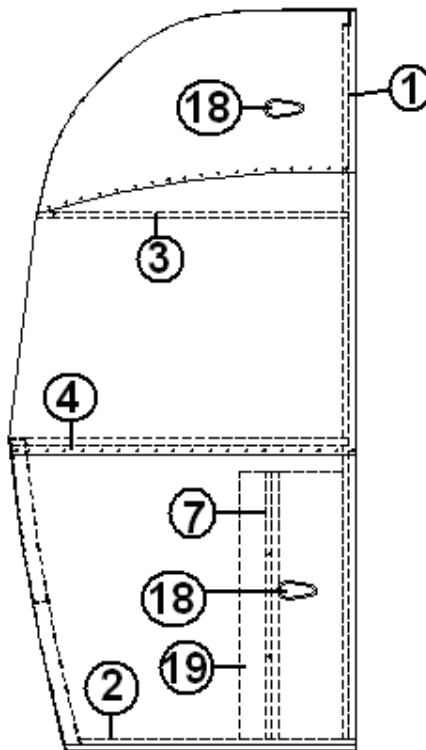
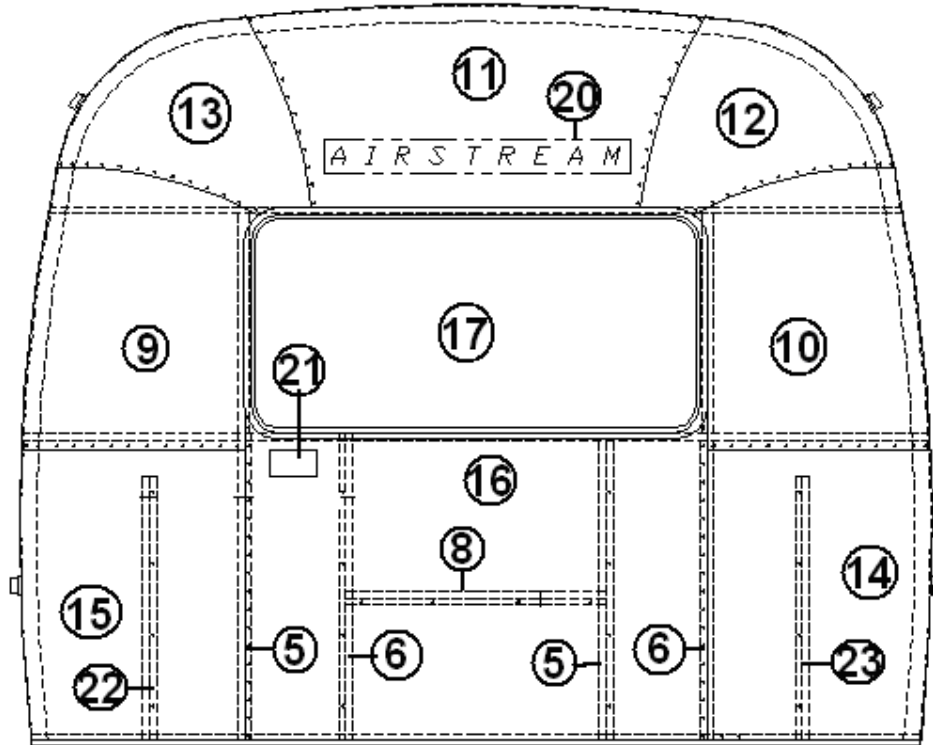
921225-03	End shell complete, front
1. 114993	WELDMENT ZERO BOW "WB"
2. 114676	BOW FLOOR ALTERED
3. 114678	BOW UP WINDOW ALTERED
4. 114677	BOW LOWER WINDOW ALTERED
5. 114505-01	SUPPORT LOWER END SHELL LH
6. 114505-02	SUPPORT LOWER END RH
7. 101315	BRACE VERTICAL REAR
8. 922711	TRUNK DOOR
9. 114888	SEGMENT-CENTER LEFT "BRIGHT"
10. 114889	SEGMENT-CENTER RIGHT "BRIGHT"
11. 114893	SEGMENT-#25 WIDE BODY "BRIGHT"
12. 114890	SEGMENT-#26 "BRIGHT"
13. 114891	SEGMENT-#27 "BRIGHT"
14. 114894	SEGMENT-#28 "BRIGHT"
15. 114895	SEGMENT-#29 "BRIGHT"
16. 114880-307	ALUMINUM, .040" X 51" X 307"
17. 371348-03	WINDOW, w/Silver handles
18. *511750	MARKERLIGHT-AMBER TEARDROP
18. *512226	Light, clearance, amber LED
19. 114849-03	ALUMINUM, .060 26"W X 8' GRAY
20. 386150	AIRSTREAM LOGO, BLACK
21. 386118	LABEL, LP GAS
22. 101315-01	Brace, vertical, rear, LH
23. 101315-02	Brace, vertical, rear, RH
24. 115316	ALUMINUM ANGLE, SHELL SUPPORT

*LED clearance light replaced incandescent during model year

2008 SAFARI- BAMBI

EXTERIOR BODY

FRONT END, 25' A & B, 25' SLP6, 28' W



Part Numbers are on the Next Page

2008 SAFARI- BAMBI

EXTERIOR BODY

FRONT END, 25' A & B, 25' SLP6, 28' W

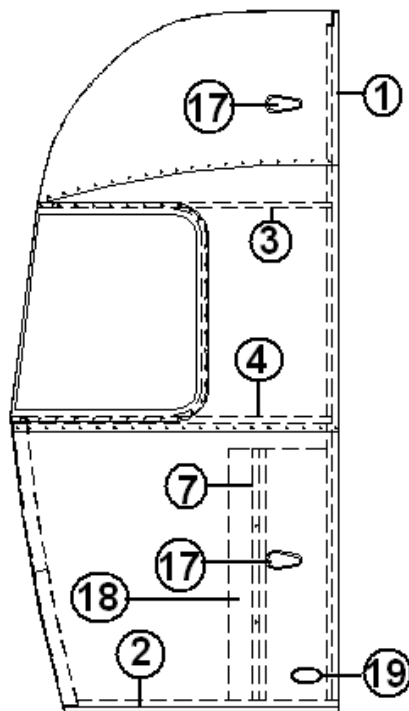
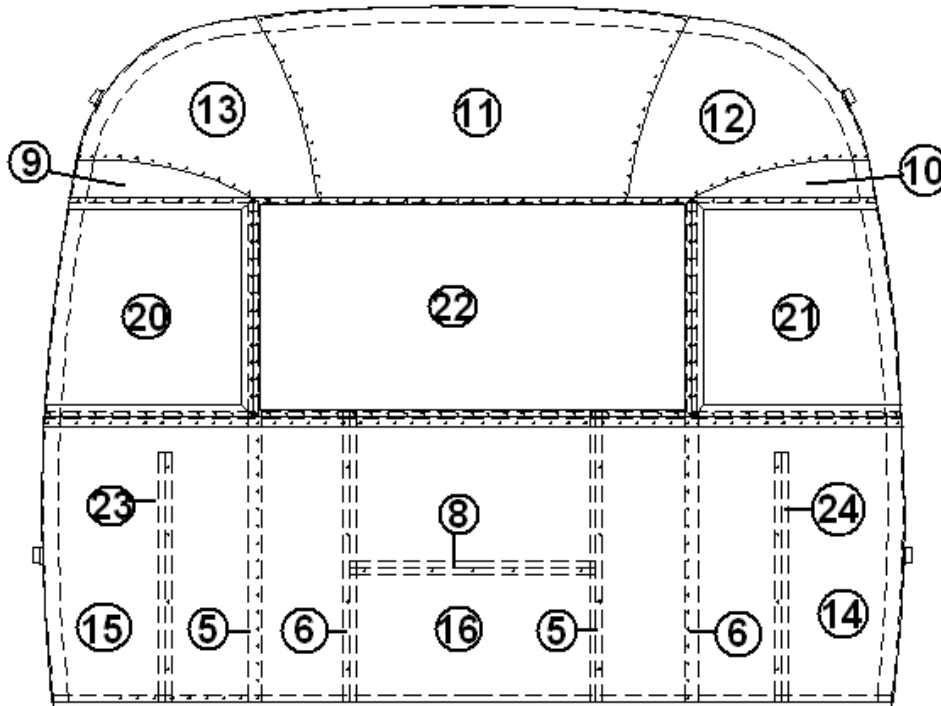
921179	End shell complete, front
1. 114993	End bow
2. 114676	Floor bow
3. 114678	Upper window bow
4. 114677	Lower window bow
5. 114505-01	Support, lower end, LH
6. 114505-02	Support, lower end, RH
7. 101315	Brace, vertical rear
8. 104408	Extrusion rib
9. 114888	Segment, center left
10. 114889	Segment, center right
11. 114893	Segment #25
12. 114890	Segment #26
13. 114891	Segment #27
14. 114894	Segment #28
15. 114895	Segment #29
16. 114880-307	Alum. sheet, .050 x 19.0 x 51.0
17. 371381-05	Window, 49.63 x 24.19", Safari
18. *511750	Light, teardrop, amber
18. *512226	Light, clearance, amber LED
19. 114849-03	Alum. Sheet, 040 x 12.0" x 29.0"
20. 386150	Decal, "AIRSTREAM"
21. 386118	LABEL, LP GAS
22. 101315-01	Brace, vertical, rear, LH
23. 101315-02	Brace, vertical, rear, RH

*LED clearance light replaced incandescent during model year

2008 SAFARI- BAMBI

EXTERIOR SHELL

FRONT END, 25' A & B, 25' SLP6, 28', Special Editions



Part Numbers are on the Next Page

2008 SAFARI- BAMBI

EXTERIOR SHELL

FRONT END, 25' A & B, 25' SLP6, 28', Special Editions

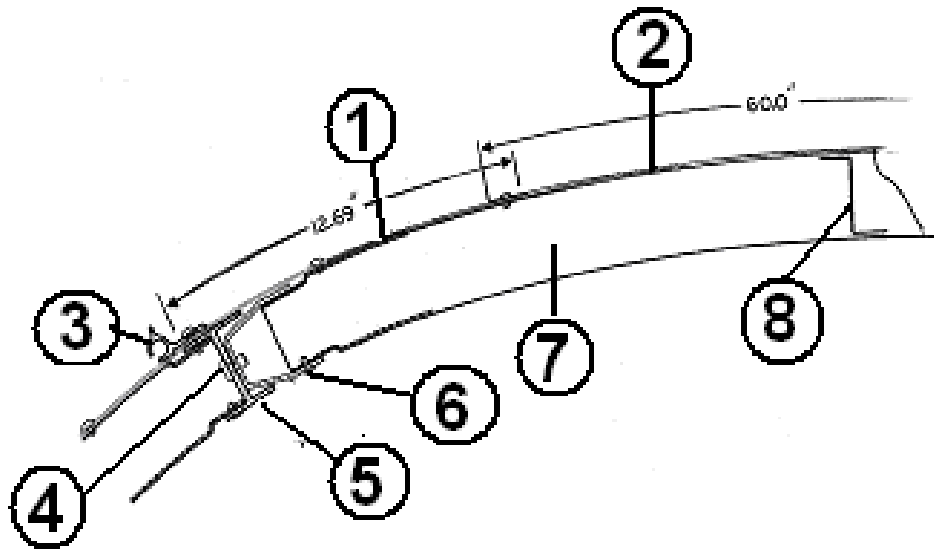
922676	Front end shell
1. 114993	End bow
2. 114676	Floor bow
3. 114678	Upper window bow
4. 114677	Lower window bow
5. 114505-01	Support, lower end, LH
6. 114505-02	Support, lower end, RH
7. 101315	Brace, vertical rear
8. 104408	Z-rib
9. 114888	Segment, center left
10. 114889	Segment, center right
11. 114893	Segment #25
12. 114890	Segment #26
13. 114891	Segment #27
14. 114894	Segment #28
15. 114895	Segment #29
16. 101115	Alum. sheet, .060" x 41.00" x 51"
17. *511750	Marker light teardrop, amber/chrome
17. *512226	Light, clearance, amber LED
18. 114829-03	Aluminum sheet, Pewter 26" x 8"
19. 500096	Reflector, amber
20. 372089-101	Panoramic window, CS front
21. 372088-101	Panoramic window, RS front
22. 371346-02	WINDOW, 48.97" Front/Rear End
23. 101315-01	Brace, vertical, rear, LH
24. 101315-02	Brace, vertical, rear, RH

*LED clearance light replaced incandescent during model year

2008 SAFARI- BAMBI

EXTERIOR BODY

ROOF, 25', 28'



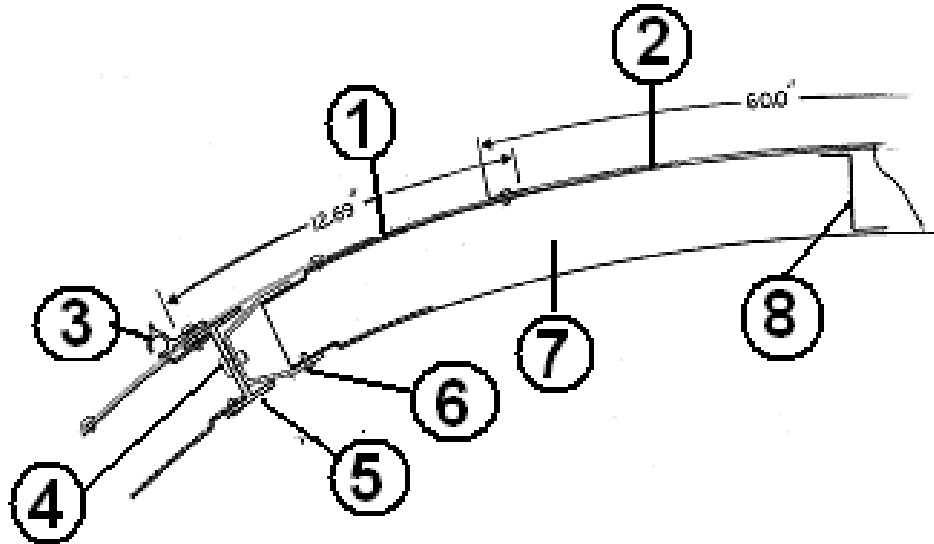
ROOF, 25', 27', 28'

- | | |
|----------------|--------------------------------------------------|
| 1. 114669-307 | Alum. sheet, white, .032" x 12.69" x 307" |
| 2. 114489-262 | Alum. sheet, white, .032" x 60.0" x 262" |
| 2a. 114489-198 | Alum. sheet, white, .032" x 60" x 198" |
| 3. 114290-01 | Extrusion, awning/drip rail, 197.25" |
| 4. 330139-01 | RIVET MAGNALOK SS 1/4" |
| 5. 104707-05 | Extrusion, "I" beam |
| 6. 114987-01 | Extrusion, roof corner, 194" |
| 6a. 114987-02 | Extrusion, roof corner, 258" |
| 7. 114668 | Roof bow |
| 8. 104408 | Extrusion, Z-bar, horizontal |
| 104948 | Air deflector, between roof A/C and refrigerator |

2008 SAFARI- BAMBI

EXTERIOR BODY

ROOF 19', 20', 23'



- | | |
|---------------|-------------------------------------------|
| 1. 114669-307 | Alum. sheet, white, .032" x 12.69" x 307" |
| 2. 114489-262 | Alum. sheet, white, .032 x 60" x 262" |
| 2. 114489-198 | Alum. sheet, white, .032 x 60" x 198" |
| 3. 114290-02 | Extrusion, awning/drip rail |
| 4. 340123-02 | Rivet, Huck, 3/16 x 1/2" |
| 5. 104707-06 | Extrusion, "I" beam |
| 6. 114987-02 | Extrusion, roof corner |
| 7. 114387-03 | Roof bow |
| 8. 104408 | Extrusion, Z bar, horizontal |

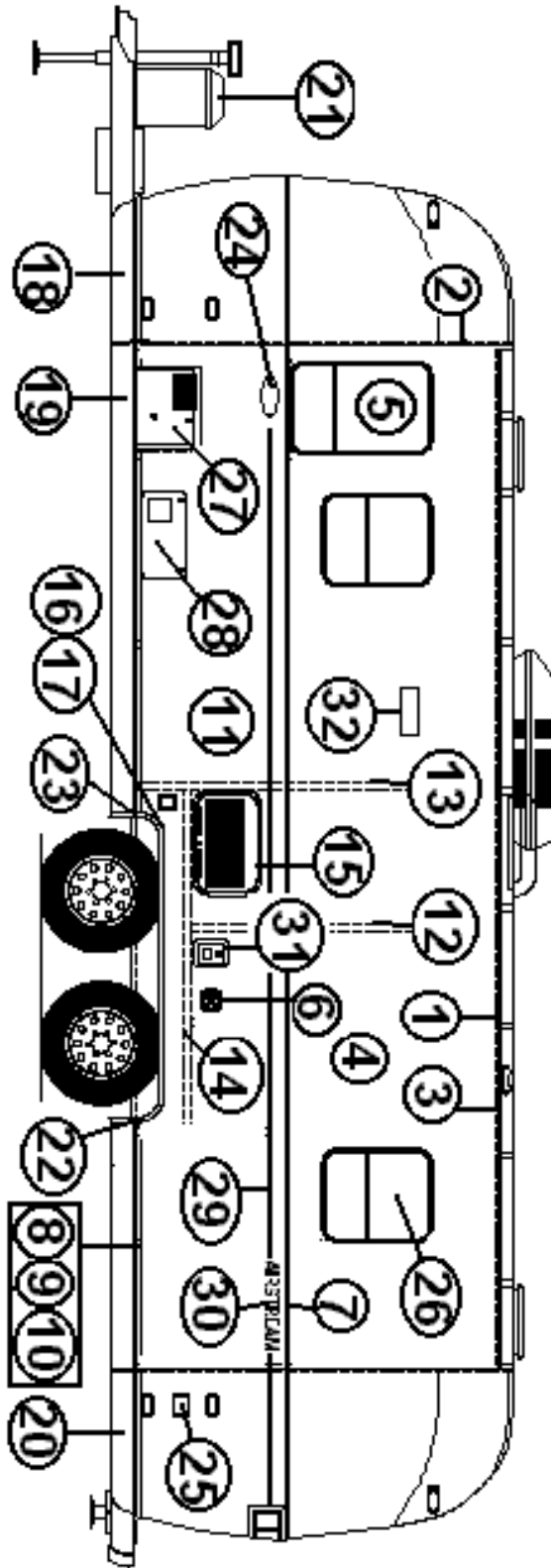
Shell Attachment

- | | |
|-----------|-------------------------------|
| 300023-02 | WASHER, HOLD DOWN-HOLE OFFSET |
|-----------|-------------------------------|

2008 SAFARI- BAMBI

EXTERIOR BODY

Wall, Roadside 28'W



Part Numbers are on the Next Page

2008 SAFARI- BAMBI

EXTERIOR BODY

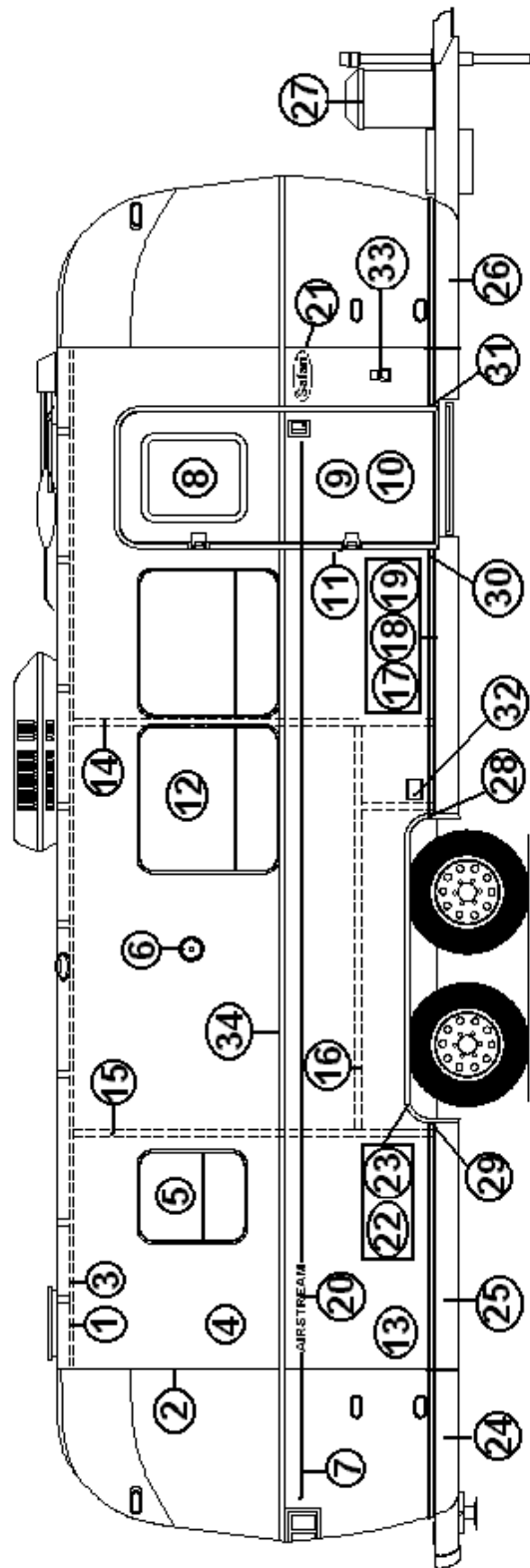
Wall, Roadside 28'

1. 114290-02 Extrusion, awning/drip rail, 261"
2. 114993 Rib, end bow
3. 104707-06 Extrusion, "I" beam, 258"
4. 114880-238 Alum. sheet, upper, .040" x 51" x 238"
5. 371381-07 Window, 19.25 X 29.75, 8" Vent
6. 601392-05 City water hook-up
7. 100034 "Z" bar, 48"
8. 114460 Extrusion, rub rail
9. 201763-01 Insert, rub rail, chrome, 1"
10. 100986 Floor channel
11. 114879-238 Alum. sheet, lower, .040" x 33" x 238"
12. 114387-01 Bow, Z rib, RH
13. 114387-02 Bow, Z rib, LH
14. 100986 Wheel well stiffener (floor channel.
15. 922243 Door, refrigerator access
16. 684936 Wheel well trim, inner, tandem axle
17. 684937 Wheel well trim, outer, tandem axle
18. 200542-01 Banana wrap, RS front
19. 101131-01 Underbelly wrap, .024" x 22.5", Pewter
20. 200544 Banana wrap, RS rear
21. 921232 Cover, 30# LPG bottles
22. 114466-01 Casting, rub rail end, wheel well, RH
23. 114466-02 Casting, rub rail end, wheel well, LH
24. 386127 Safari Name plate
25. 104619 MTG. PLATE, TELEPHONE & TV JACK
25. 510616 F CONNECTOR, COAX, 75 OHM
25. 511375 JACK MODULAR TELEPHONE
26. 371381-02 Window, 19.24" x 22.75"
27. 690209 Access cover, Atwood
28. 690274-09 Furnace cover, silver
29. 386088 Decal, black reflective
30. 386151 DECAL, AIRSTREAM 1.3"X 16" BLACK
31. 601194 Water fill w/lock, gray w/label
32. 511017-11 Vent cover, range exhaust
33. 511416-02 POWER INLET, 30A, 125V, MALE - GRAY

2008 SAFARI- BAMBI

EXTERIOR BODY

Wall, Curbside, 28' W



Part Numbers are on the Next Page

2008 SAFARI- BAMBI

EXTERIOR BODY

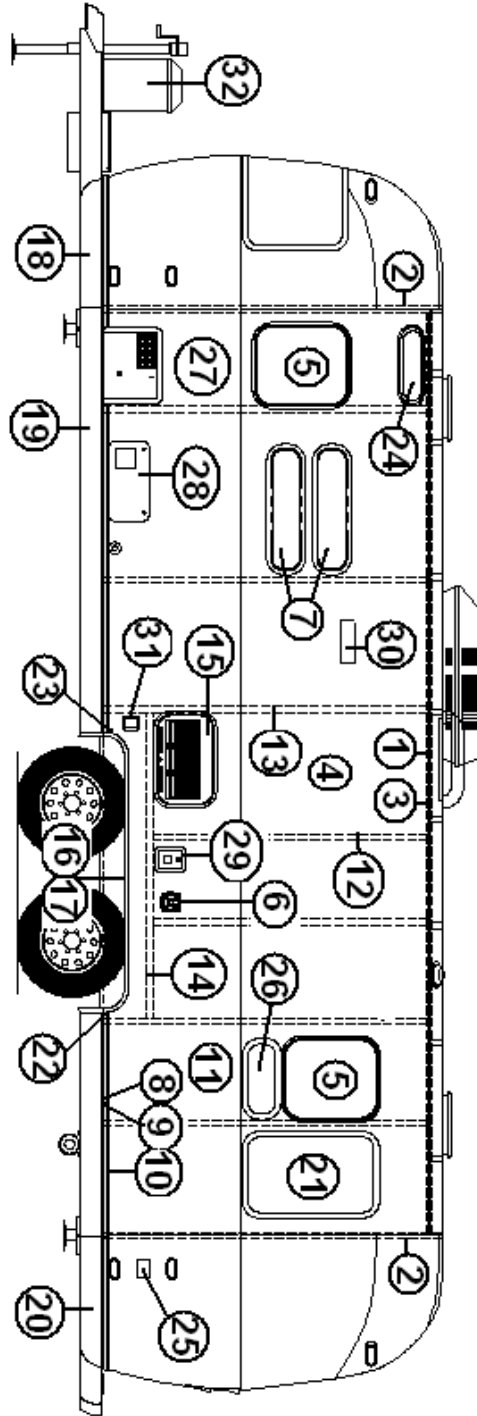
Wall, Curbside, 28' W

1. 114290-02 Extrusion, awning/drip rail, 261"
2. 114993 Rib, end bow
3. 104707-06 Extrusion, "I" beam, 258"
4. 114880-238 Alum. sheet, upper, .040" x 51" x 238"
5. 371381-02 Window, 19.25" x 22.75"
6. 500092 Flood light and lens
7. 386088 Decal, black reflective
8. 371381-16 Window, Main Door, 17.75" X 21.25"
9. 115207-01 Main door assembly
10. 114654 Screen door assembly
11. 114652 Jamb, main door
12. 371381-08 Window, 31.25" x 22.75"
13. 114879-238 Alum. sheet, lower, .040" x 33 x 238"
14. 114387-01 Bow, Z rib, RH
15. 114387-02 Bow, Z rib, LH
16. 100986 Wheel well stiffener (floor channel.
17. 114460 Extrusion, rub rail
18. 201763-01 Insert, rub rail, chrome, 1"
19. 100986 Floor channel
20. 386151 DECAL, AIRSTREAM 1.3"X 16" BLACK
21. 386127 Nameplate, Safari
22. 684936 Wheel well trim, inner, tandem axle
23. 684937 Wheel well trim, outer, tandem axle
24. 200545 Banana wrap, CS rear
25. 101131-01 Underbelly wrap, .024" x 22.5, Pewter
26. 200543-01 Banana wrap, CS front
27. 921232 Cover, 30# LPG bottles
28. 114466-01 Casting, rub rail end, wheel well, RH
29. 114466-02 Casting, rub rail end, wheel well, LH
30. 114465-02 CASTING CLOSEOUT, RUB RAIL LH
31. 114465-01 CASTING CLOSEOUT, RUB RAIL RH
32. 510676-01 OUTLET, EXTERIOR, 120 VOLT, GRAY
33. 512252 STEP LIGHT-LED STAINLESS STEEL
34. 100034 "Z" bar, 48"

2008 SAFARI- BAMBI

EXTERIOR BODY

Wall, Roadside, 28' W Special Edition



Part numbers are on the next page

2008 SAFARI- BAMBI

EXTERIOR BODY

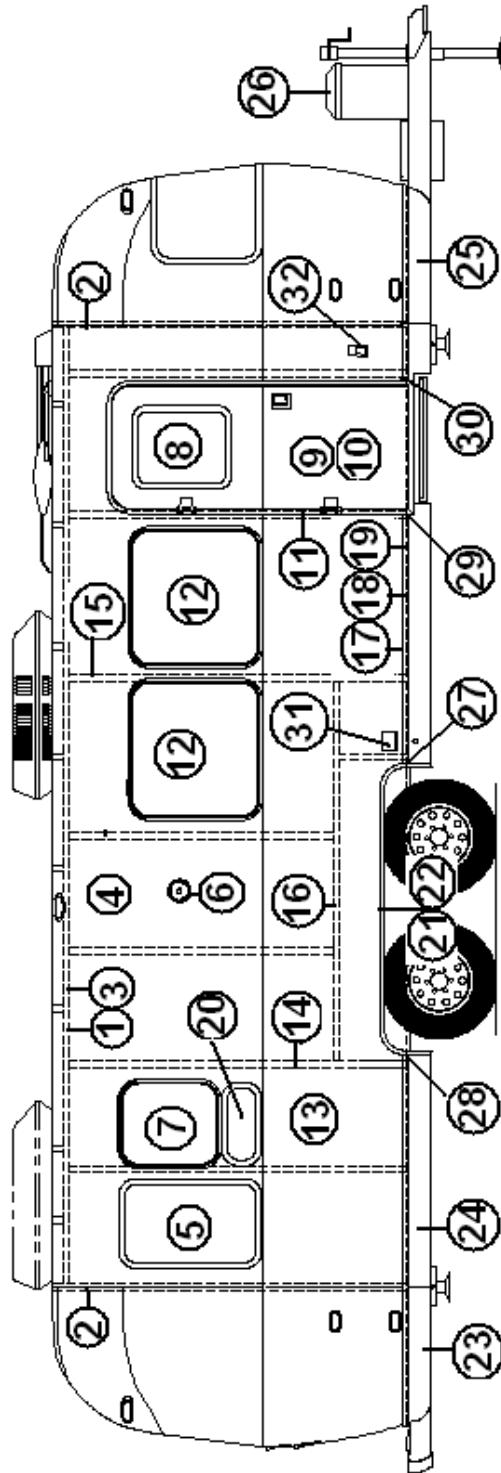
Wall, Roadside, 28' W Special Edition

1. 114290-02 Extrusion, awning/drip rail, 261"
2. 114993 Rib, end bow
3. 104707-06 Extrusion, "I" beam, 258"
4. 114880-238 Alum. sheet, upper, .040" x 51" x 238"
5. 371323-01 WINDOW-18" OPENING
6. 601392-05 City water hook-up
7. 371270-01 Window, 30" stacked
8. 114460 Extrusion, rub rail
9. 201763-01 Insert, rub rail, chrome, 1"
10. 100986 Floor channel
11. 114879-238 Alum. sheet, lower, .040" x 33" x 238"
12. 114387-01 Bow, Z rib, RH
13. 114387-02 Bow, Z rib, LH
14. 100986 Wheel well stiffener (floor channel.
15. 922243 Door, refrigerator access
16. 684936 Wheel well trim, inner, tandem axle
17. 684937 Wheel well trim, outer, tandem axle
18. 200542-01 Banana wrap, RS front
19. 101131-01 Underbelly wrap, .024" x 22.5", Pewter
20. 200544 Banana wrap, RS rear
21. 371286-01 Window, 18" X 30" curved fixed
22. 114466-01 Casting, rub rail end, wheel well, RH
23. 114466-02 Casting, rub rail end, wheel well, LH
24. 922770-01 Vista View Window, 18"
25. 104619 MTG. PLATE, TELEPHONE & TV JACK
25. 510616 F CONNECTOR, COAX, 75 OHM
25. 511375 JACK MODULAR TELEPHONE
26. 371269-01 Window, 18" stacked
27. 690209 Access cover, Atwood
28. 690274-09 Door exterior, Hydroflame
29. 601194 Water fill w/lock, gray w/label
30. 511017-11 Vent cover, range exhaust
31. 511416-02 POWER INLET, 30A, 125V, MALE - GRAY
32. 921232 Cover, 30# LPG bottles

2008 SAFARI- BAMBI

EXTERIOR BODY

Wall, Curbside, 28' W Special Edition



Part numbers are on the next page

2008 SAFARI- BAMBI

EXTERIOR BODY

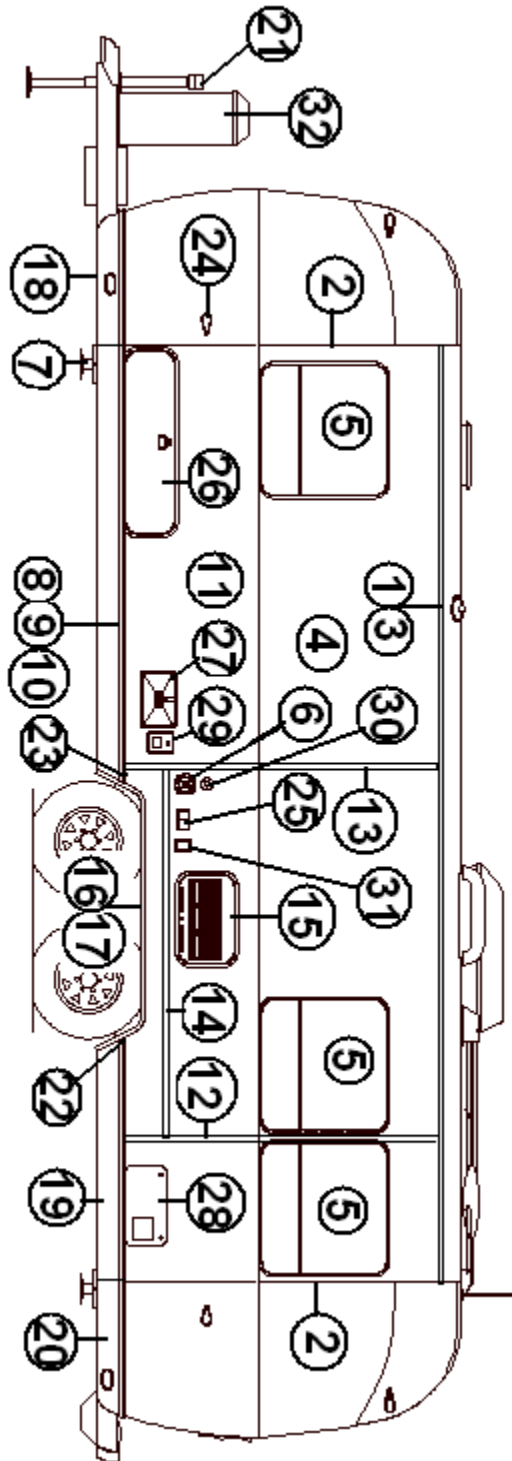
Wall, Curbside, 28' W Special Edition

1. 114290-02 Extrusion, awning/drip rail, 261"
2. 114993 Rib, end bow
3. 104707-06 Extrusion, "I" beam, 258"
4. 114880-238 Alum. sheet, upper, .040" x 51" x 238"
5. 371286-01 Window, 18" X 30" curved fixed
6. 500092 Flood light and lens
7. 371323-01 Window, 18" opening
8. 371400-01 Window, main door, etched
9. 115207-04 Main door assembly
10. 114654 Screen door assembly
11. 114652 Jamb, main door
12. 371380 Window, opening, 30" tall
13. 114879-238 Alum. sheet, lower, .040" x 33 x 238"
14. 114387-01 Bow, Z rib, RH
15. 114387-02 Bow, Z rib, LH
16. 100986 Wheel well stiffener (floor channel.
17. 114460 Extrusion, rub rail
18. 201763-01 Insert, rub rail, chrome, 1"
19. 100986 Floor channel
20. 371269-01 Window, 18" stacked
21. 684936 Wheel well trim, inner, tandem axle
22. 684937 Wheel well trim, outer, tandem axle
23. 200545 Banana wrap, CS rear
24. 101131-01 Underbelly wrap, .024" x 22.5, Pewter
25. 200543-01 Banana wrap, CS front
26. 921232 Cover, 30# LPG bottles
27. 114466-01 Casting, rub rail end, wheel well, RH
28. 114466-02 Casting, rub rail end, wheel well, L9
29. 114465-02 CASTING CLOSEOUT, RUB RAIL LH
30. 114465-01 CASTING CLOSEOUT, RUB RAIL RH
31. 510676-01 OUTLET, EXTERIOR, 120 VOLT, GRAY
32. 512252 STEP LIGHT-LED STAINLESS STEEL

2008 SAFARI- BAMBI

EXTERIOR BODY

Wall, Roadside, 27' FB



Part numbers are on the next page

2008 SAFARI- BAMBI

EXTERIOR BODY

Wall, Roadside, 27' FB

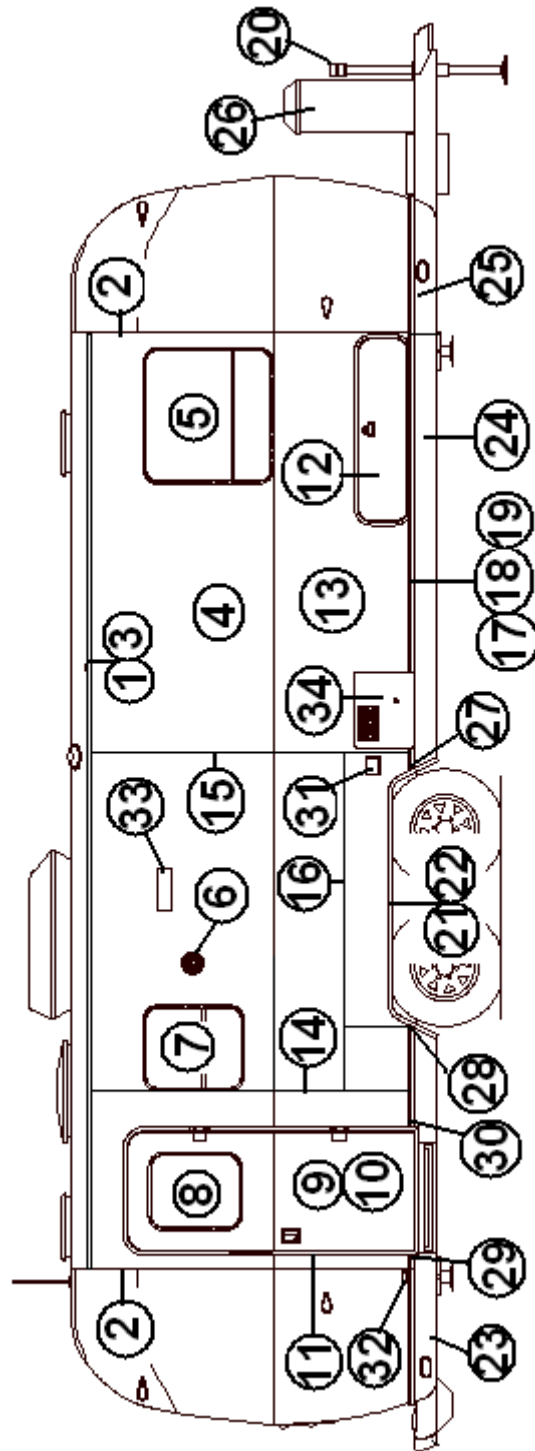
1. 114290-02 Extrusion, awning/drip rail, 261"
2. 114993 Rib, end bow
3. 104707-06 Extrusion, "I" beam, 258"
4. 114880-238 Alum. sheet, upper, .040" x 51" x 238"
5. 371381-08 Window, 31.25" x 29.75"
6. 601392-05 City water hook-up
7. 400093 Stabilizing jacks
8. 114460 Extrusion, rub rail
9. 201763-01 Insert, rub rail, chrome, 1"
10. 100986 Floor channel
11. 114879-238 Alum. sheet, lower, .040" x 33" x 238"
12. 114387-01 Bow, Z rib, RH
13. 114387-02 Bow, Z rib, LH
14. 100986 Wheel well stiffener (floor channel.
15. 922243 Door, refrigerator access
16. 684936 Wheel well trim, inner, tandem axle
17. 684937 Wheel well trim, outer, tandem axle
18. 200542-01 Banana wrap, RS front
19. 101131-01 Underbelly wrap, .024" x 22.5", Pewter
20. 200544 Banana wrap, RS rear
21. 511544 Power jack w/flag holder & light
22. 114466-01 Casting, rub rail end, wheel well, RH
23. 114466-02 Casting, rub rail end, wheel well, LH
24. *511750 Light, teardrop, amber
24. *512226 Light, clearance, amber LED
25. 104619 MTG. PLATE, TELEPHONE & TV JACK
25. 510616 F CONNECTOR, COAX, 75 OHM
25. 511375 JACK MODULAR TELEPHONE
26. 922288-01 Door, side access, long
27. 601876 Exterior shower hatch
28. 690274-09 Door exterior, Hydroflame
29. 601194 Water fill w/lock, gray w/label
30. 601441 Tank flush system
31. 511416-02 POWER INLET, 30A, 125V, MALE, GRAY
32. 921232 Cover, 30# LPG bottles

*LED clearance light replaced incandescent during model year

2008 SAFARI- BAMBI

EXTERIOR BODY

Wall, Curbside, 27' FB



Part numbers are on the next page

2008 SAFARI- BAMBI

EXTERIOR BODY

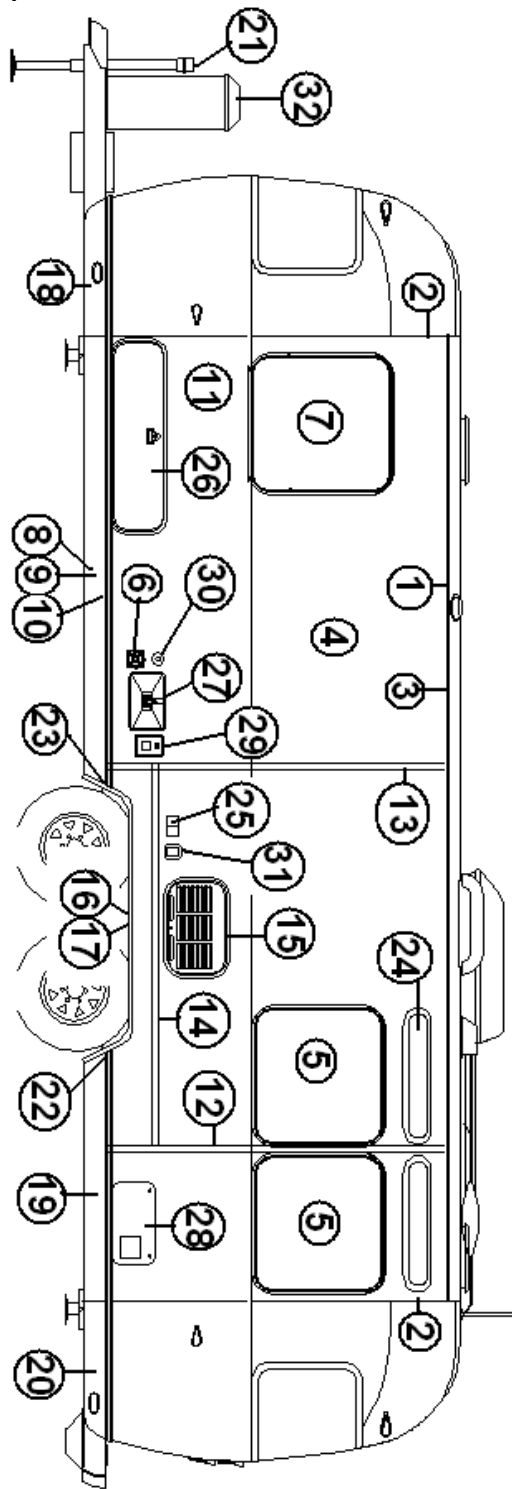
Wall, Curbside, 27' FB

1. 114290-02 Extrusion, awning/drip rail, 261"
2. 114993 Rib, end bow
3. 104707-06 Extrusion, "I" beam, 258"
4. 114880-238 Alum. sheet, upper, .040" x 51" x 238"
5. 371381-08 Window, 31.25" x 29.75"
6. 500092 Flood light and lens
7. 371381-07 Window, 19.25" x 29.75"
8. 371400-01 Window, main door
9. 115207-02 Main door assembly
10. 114654-01 Screen door assembly
11. 114652-01 Jamb, main door
12. 922288-01 Door, side access, long
13. 114879-238 Alum. sheet, lower, .040" x 33 x 238"
14. 114387-01 Bow, Z rib, RH
15. 114387-02 Bow, Z rib, LH
16. 100986 Wheel well stiffener (floor channel.
17. 114460 Extrusion, rub rail
18. 201763-01 Insert, rub rail, chrome, 1"
19. 100986 Floor channel
20. 511544 Power jack w/flag holder & light
21. 684936 Wheel well trim, inner, tandem axle
22. 684937 Wheel well trim, outer, tandem axle
23. 200545 Banana wrap, CS rear
24. 101131-01 Underbelly wrap, .024" x 22.5, Pewter
25. 200543-01 Banana wrap, CS front
26. 921232 Cover, 30# LPG bottles
27. 114466-01 Casting, rub rail end, wheel well, RH
28. 114466-02 Casting, rub rail end, wheel well, L9
29. 114465-02 CASTING CLOSEOUT, RUB RAIL LH
30. 114465-01 CASTING CLOSEOUT, RUB RAIL RH
31. 510676-01 OUTLET, EXTERIOR, 120 VOLT, GRAY
32. 512252 STEP LIGHT-LED STAINLESS STEEL
33. 511017-11 EXTERIOR VENT GRAY
34. 690209 Access cover, water heater

2008 SAFARI- BAMBI

EXTERIOR BODY

Wall, Roadside, 27' Special Edition



Part numbers are on the next page

2008 SAFARI- BAMBI

EXTERIOR BODY

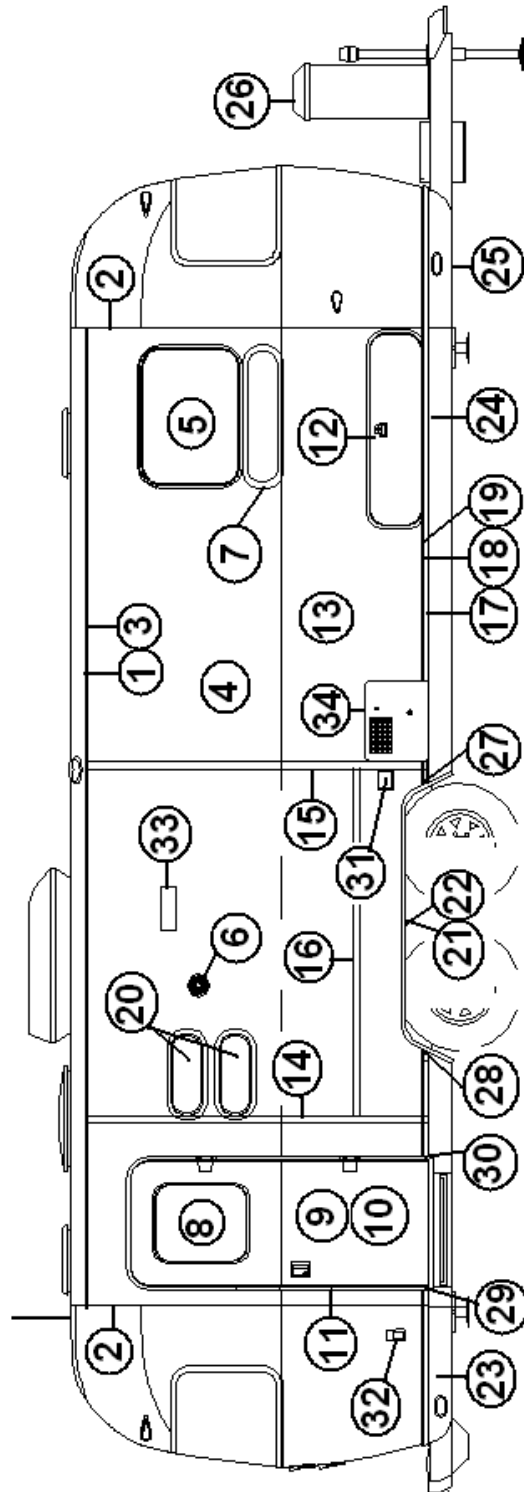
Wall, Roadside, 27' Special Edition

1. 114290-02 Extrusion, awning/drip rail, 261"
2. 114993 Rib, end bow
3. 104707-06 Extrusion, "I" beam, 258"
4. 114880-238 Alum. sheet, upper, .040" x 51" x 238"
5. 371380 Window, 30in. opening
6. 601392-05 City water hook-up
7. 371380-01 Window, 30" egress
8. 114460 Extrusion, rub rail
9. 201763-01 Insert, rub rail, chrome, 1"
10. 100986 Floor channel
11. 114879-238 Alum. sheet, lower, .040" x 33" x 238"
12. 114387-01 Bow, Z rib, RH
13. 114387-02 Bow, Z rib, LH
14. 100986 Wheel well stiffener (floor channel.
15. 922243 Door, refrigerator access
16. 684936 Wheel well trim, inner, tandem axle
17. 684937 Wheel well trim, outer, tandem axle
18. 200542-01 Banana wrap, RS front
19. 101131-01 Underbelly wrap, .024" x 22.5", Pewter
20. 200544 Banana wrap, RS rear
21. 511544 Power jack w/flag holder & light
22. 114466-01 Casting, rub rail end, wheel well, RH
23. 114466-02 Casting, rub rail end, wheel well, LH
24. 922770-02 Vista View, 30"
25. 104619 MTG. PLATE, TELEPHONE & TV JACK
25. 510616 F CONNECTOR, COAX, 75 OHM
25. 511375 JACK MODULAR TELEPHONE
26. 922288-01 Door, side access, long
27. 601876 Exterior shower hatch
28. 690274-09 Door exterior, Hydroflame
29. 601194 Water fill w/lock, gray w/label
30. 601441 Tank flush system
31. 511416-02 POWER INLET, 30A, 125V, MALE, GRAY
32. 921232 Cover, 30# LPG bottles

2008 SAFARI- BAMBI

EXTERIOR BODY

Wall, Curbside, 27', Special Edition



Part numbers are on the next page

2008 SAFARI- BAMBI

EXTERIOR BODY

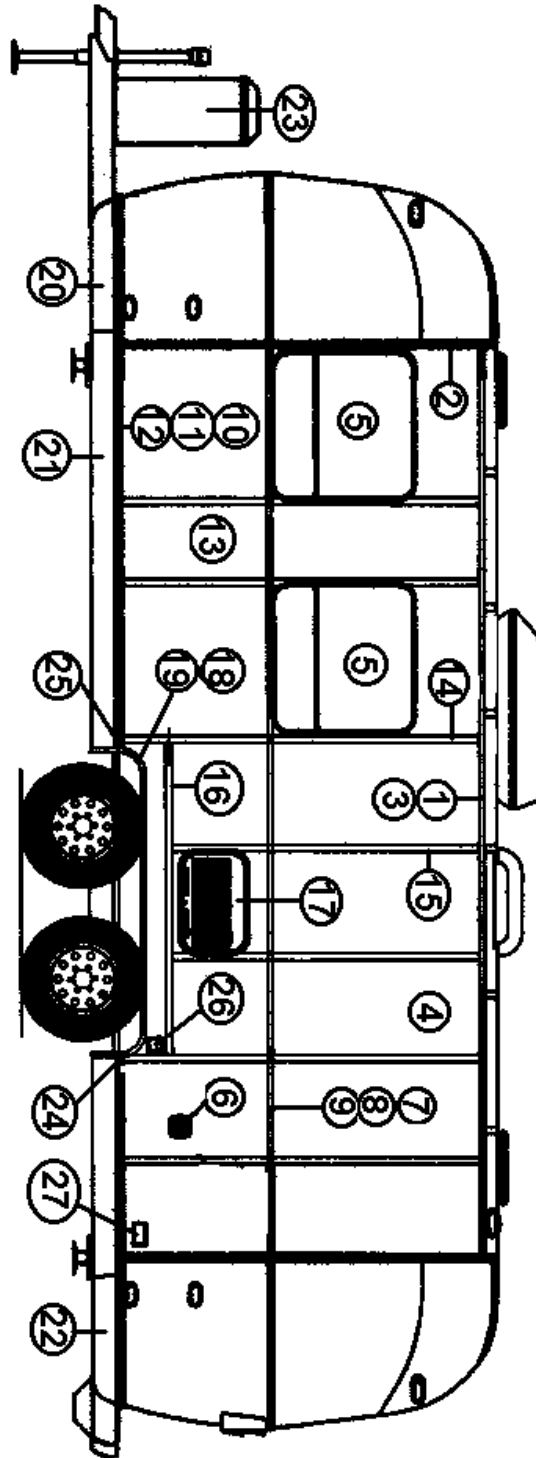
Wall, Curbside, 27', Special Edition

1. 114290-02 Extrusion, awning/drip rail, 261"
2. 114993 Rib, end bow
3. 104707-06 Extrusion, "I" beam, 258"
4. 114880-238 Alum. sheet, upper, .040" x 51" x 238"
5. 371324-02 Window, 30in. opening
6. 500092 Flood light and lens
7. 371270-01 WINDOW 30" STACK
8. 371400-01 Window, main door
9. 115207-05 Main door assembly
10. 114654-01 Screen door assembly
11. 114652-01 Jamb, main door
12. 922288-01 Door, side access, long
13. 114879-238 Alum. sheet, lower, .040" x 33 x 228"
14. 114387-01 Bow, Z rib, RH
15. 114387-02 Bow, Z rib, LH
16. 100986 Wheel well stiffener (floor channel.
17. 114460 Extrusion, rub rail
18. 201763-01 Insert, rub rail, chrome, 1"
19. 100986 Floor channel
20. 371269-01 Window, 18" stacked
21. 684936 Wheel well trim, inner, tandem axle
22. 684937 Wheel well trim, outer, tandem axle
23. 200545 Banana wrap, CS rear
24. 101131-01 Underbelly wrap, .024" x 22.5, Pewter
25. 200543-01 Banana wrap, CS front
26. 921232 Cover, 30# LPG bottles
27. 114466-01 Casting, rub rail end, wheel well, RH
28. 114466-02 Casting, rub rail end, wheel well, L9
29. 114465-02 CASTING CLOSEOUT, RUB RAIL LH
30. 114465-01 CASTING CLOSEOUT, RUB RAIL RH
31. 510676-01 OUTLET, EXTERIOR, 120 VOLT, GRAY
32. 512252 STEP LIGHT-LED STAINLESS STEEL
33. 511017-11 EXTERIOR VENT GRAY
34. 690209 Access cover, water heater

2008 SAFARI- BAMBI

EXTERIOR BODY

Wall, Roadside, 25' SLP6



See next page for P/N

2008 SAFARI- BAMBI

EXTERIOR BODY

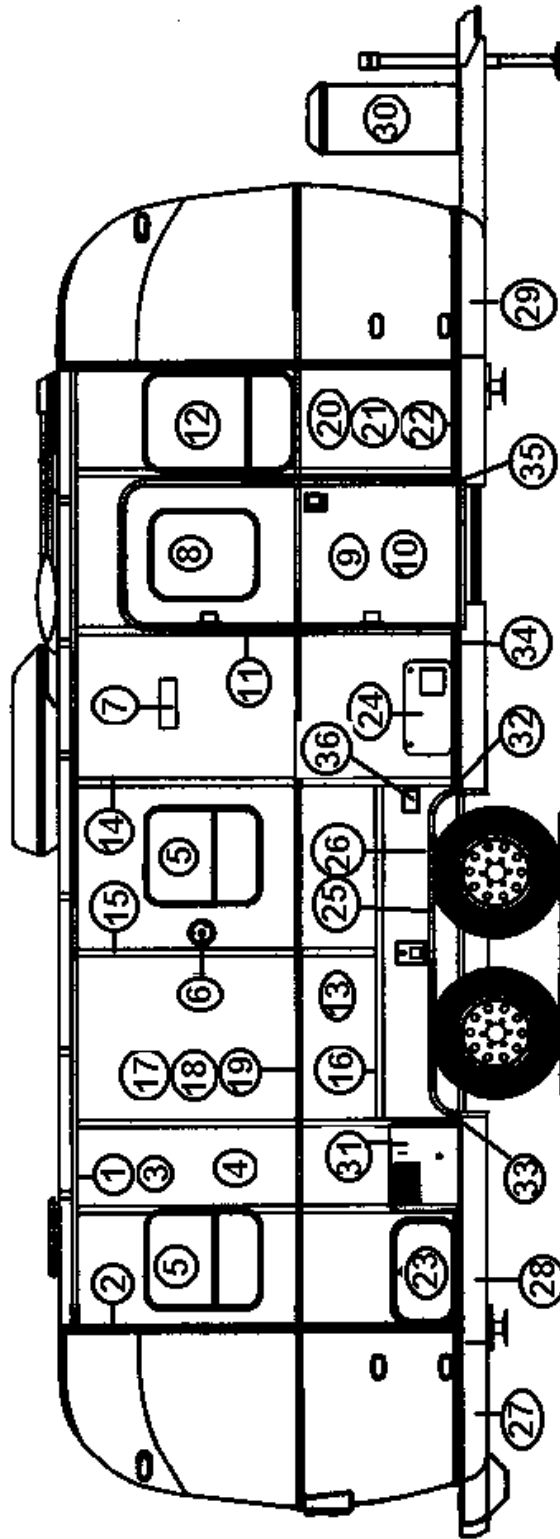
Wall, Roadside, 25' SLP6

- | | |
|----------------|-------------------------------------------|
| 1. 114290-01 | Extrusion, awning/drip rail |
| 2. 114993 | Rib, end bow |
| 3. 104707-05 | Extrusion, "I" beam |
| 4. 114880-201 | Aluminum sheet, upper, .040" x 51" x 201" |
| 5. 371381-08 | Window, 31.25" x 29.75" |
| 6. 601392-05 | City water hook-up |
| 7. 325002 | RIVET SHANK DIA 1/8" X3/8" PLAIN |
| 8. 365016 | Tape, double stick 1/2" |
| 9. 100034 | "Z" bar, 48" |
| 10. 114460 | Extrusion, rub rail |
| 11. 201763-01 | Insert, rub rail, chrome, 1" |
| 12. 100986 | Floor channel |
| 13. 114879-201 | Aluminum sheet, lower, .040" x 33" x 201" |
| 14. 114387-01 | Bow, Z rib, RH |
| 15. 114387-02 | Bow, Z rib, LH |
| 16. 100986 | Wheel well stiffener(floor channel) |
| 17. 922243 | Door, refrigerator access |
| 18. 684936 | Wheel well trim, inner, tandem axle |
| 19. 684937 | Wheel well trim, outer, tandem axle |
| 20. 200542-01 | Banana wrap, RS front |
| 21. 101131-01 | Underbelly wrap, .024" x 22.5", Pewter |
| 22. 200544 | Banana wrap, RS rear |
| 23. 921232 | Cover, 30# LPG bottles |
| 24. 114466-01 | Casting, rub rail end, wheel well, RH |
| 25. 114466-02 | Casting, rub rail end, wheel well, LH |
| 26. 511416-02 | POWER INLET, 30A, 125V, MALE - GRAY |
| 27. 104619 | MTG. PLATE, EXTERIOR TELEPHONE & TV JACK |
| 510616 | F CONNECTOR, COAX, 75 OHM |
| 511375 | JACK MODULAR TELEPHONE |

2008 SAFARI- BAMBI

EXTERIOR BODY

Wall, Curbside, 25' SLP6



See next page for P/N

2008 SAFARI- BAMBI

EXTERIOR BODY

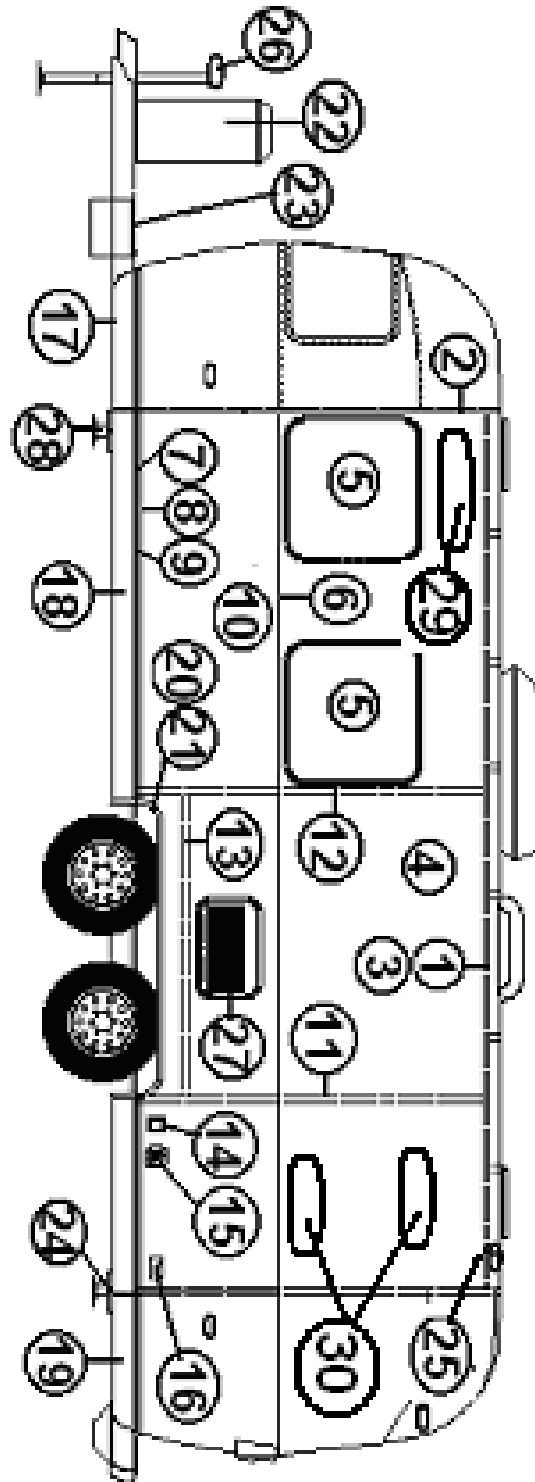
Wall, Curbside, 25' SLP6

1. 114290-01 Extrusion, awning/drip rail
2. 114993 Rib, end bow
3. 104707-05 Extrusion, "I" beam
4. 114880-201 Aluminum sheet, upper, .040" x 51" x 201"
5. 371381-02 Window, 19.25" x 22.75"
6. 500092 Flood light and lens
7. 511017-11 Vent cover, range exhaust
8. 371381-16 Window, Main Door, 17.75" X 21.25"
9. 115207-01 Main door assembly
10. 114654 Screen door assembly
11. 114652 Jamb, main door
12. 371381-07 Window, 19.25" x 29.75"
12. 371381-02 Window, 19.25" x 22.75", Bunk Option
13. 114879-201 Aluminum sheet, lower, .040" x 33 x 201"
14. 114387-01 Bow, Z rib, RH
15. 114387-02 Bow, Z rib, LH
16. 100986 Wheel well stiffener(floor channel.
17. 325002 RIVET SHANK DIA 1/8" X3/8" PLAIN
18. 365016 Tape, double stick 1/2"
19. 100034 "Z" bar, 48"
20. 114460 Extrusion, rub rail
21. 201763-01 Insert, rub rail, chrome, 1"
22. 100986 Floor channel
23. 100679-01 Access door w/jamb
24. 690274-09 Door exterior, Hydroflame
25. 684936 Wheel well trim, inner, tandem axle
26. 684937 Wheel well trim, outer, tandem axle
27. 200545 Banana wrap, CS rear
28. 101131-01 Underbelly wrap, .024" x 22.5, Pewter
29. 200543-01 Banana wrap, CS front
30. 921232 Cover, 30# LPG bottles
31. 690209 Access cover, Atwood
32. 114466-01 Casting, rub rail end, wheel well, RH
33. 114466-02 Casting, rub rail end, wheel well, LH
34. 114465-02 CASTING CLOSEOUT, RUB RAIL LH
35. 114465-01 CASTING CLOSEOUT, RUB RAIL RH
36. 510676-01 OUTLET, EXTERIOR, 120 VOLT, GRAY

2008 SAFARI- BAMBI

EXTERIOR SHELL

Wall, Roadside, 25' SS Special Edition



Part numbers are on the next page

2008 SAFARI- BAMBI

EXTERIOR SHELL

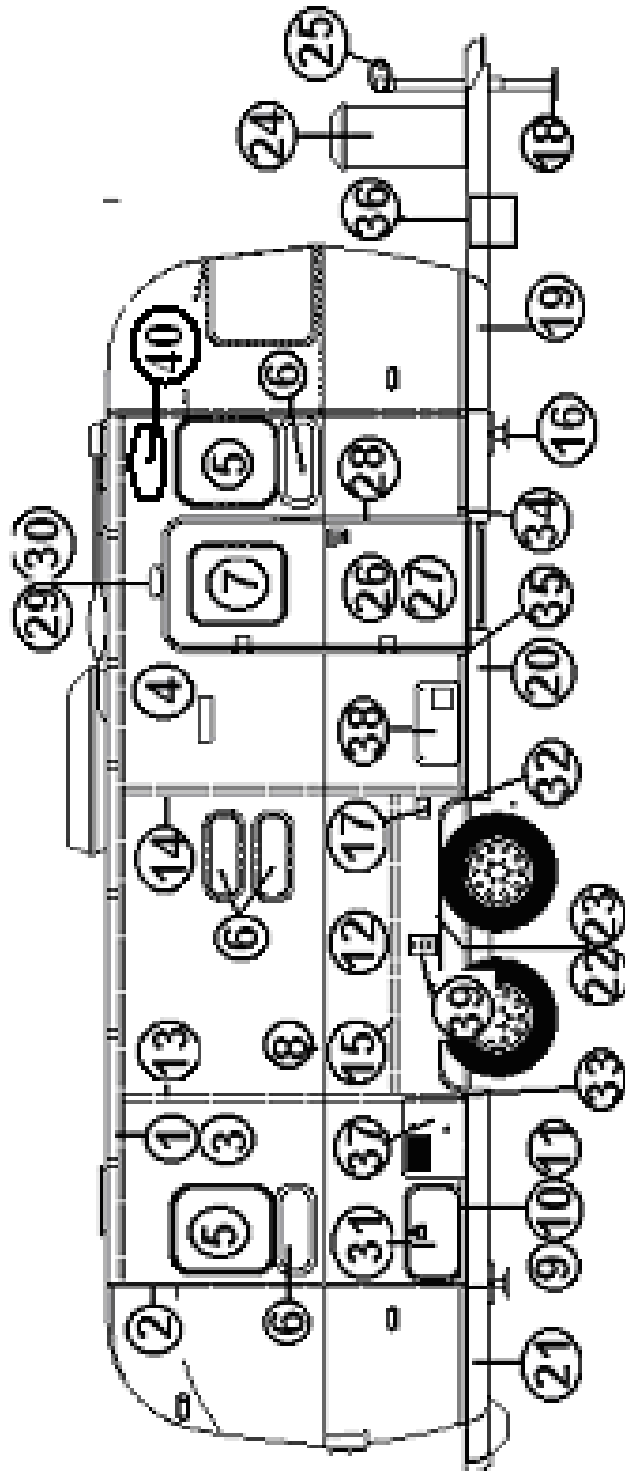
Wall, Roadside, 25' SS Special Edition

1. 114290-01 Extrusion, awning/drip rail
2. 114993 Rib, end bow
3. 104707-05 Extrusion, "I" beam
4. 114880-201 Alum, sheet, upper, .040" x 51" x 201"
5. 371380 Window, opening, 30" tall
6. 100034 "Z" bar, 48"
7. 114460 Extrusion, rub rail
8. 201763-01 Insert, rub rail, chrome, 1"
9. 100986 Floor channel
10. 114879-201 Alum. sheet, lower, .040" x 33" x 201"
11. 114387-01 Bow, Z rib, RH
12. 114387-02 Bow, Z rib, LH
13. 100986 Wheel well stiffener (floor channel)
14. 511416-02 30-amp, male power inlet
15. 601392-05 City water hook-up, chrome w/regulator
16. 510624-01 MODULAR PHONE QUICK JACK WHITE
- 16a. 104619 MTG. PLATE, EXT. TELE. & TV JACK
17. 200542-01 Banana wrap, RS front
18. 101131-01 Underbelly wrap, .024" x 22.5", Pewter
19. 200543-01 Banana, rear corner, RS
20. 684936 Wheel well trim, outer, tandem axle
21. 684937 Wheel well trim, inner, tandem axle
22. 921232 Bottle cover, LP
23. 410551-02 LID BATTERY BOX
24. 400093 Stabilizer jack, 20", ALUMINUM
- 24a. 400093-04 Handle, stabilizer jack
25. 690266-01 Bath power ventilator
26. 400961 Jack, Power
27. 922243 Refer access door, 104417 Jamb
28. 400093 Stabilizing jacks, BAL w/handle
29. 922770-02 VISTA VIEW- 30"
30. 371270-01 WINDOW 30" STACK

2008 SAFARI- BAMBI

EXTERIOR SHELL

Wall Curbside, 25' SS Special Edition



Part numbers are on the next page

2008 SAFARI- BAMBI

EXTERIOR SHELL

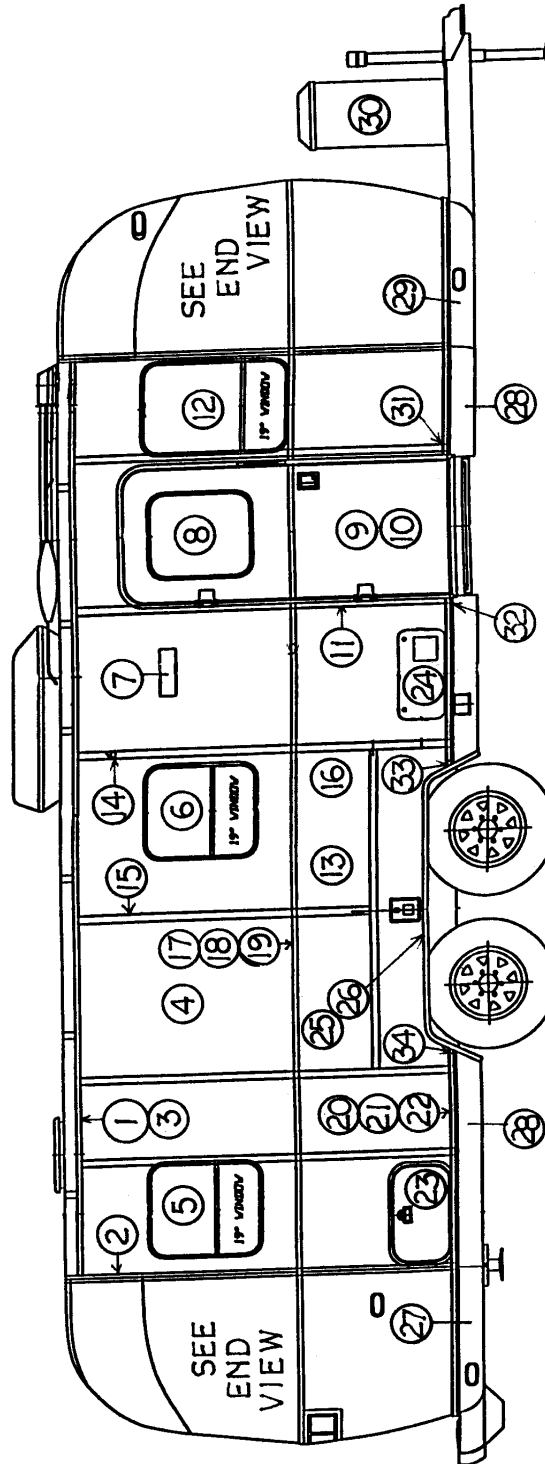
Wall Curbside, 25' SS Special Edition

- 1) 114290-01 Extrusion, awning/drip rail
- 2) 114993 End bow
- 3) 104707-05 Extrusion, "I" beam
- 4) 114880-201 Window sheet, .040" x 51" x 201"
- 5) 371323-01 WINDOW-18" OPENING
- 5) 371286-01 WINDOW, 18" X 30" FIXED, BUNK OPTION ONLY
- 6) 371269-01 WINDOW 18" STACK
- 7) 371400-01 Window, main door, etched
- 8) 100034 "Z" bar 48"
- 9) 114460 Extrusion, rub rail
- 10) 201763-01 Insert, rub rail, chrome, 1"
- 11) 100986 Floor channel
- 12) 114879-201 Side sheet, .040" x 33" x 201"
- 13) 114387-01 Bow, Z rib, RH
- 14) 114387-02 Bow, Z rib, LH
- 15) 100986 Wheel well stiffener (floor channel)
- 16) 400093 Stabilizer jack, 20"
- 16a) 400093-04 Handle, stabilizer jack
- 17) 510676-01 Outlet, exterior 110 volt, gray
- 18) 410598 Super Jack footpad
- 19) 200543-01 Banana wrap, CS front
- 20) 101131-01 Underbelly wrap, .024 x 22.5, Pewter
- 21) 200542-01 Banana wrap, CS rear
- 22) 684936 Wheel well trim, outer, tandem axle
- 23) 684937 Wheel well trim, inner, tandem axle
- 24) 921232 Bottle cover, LP
- 25) 400961 Jack, Super
- 26) 115207-04 Main door assembly
- 27) 114654 Screen door assembly
- 28) 114652 Main door jamb, formed
- 29) 101323 Casting, main door light
- 30) 201185 Lens, main door light
- 31) 100679-01 Access door, Small
- 32) 114466-01 Casting, rub rail end, wheel well, RH
- 33) 114466-02 Casting, rub rail end, wheel well, LH
- 34) 114465-01 Close out rub rail, RH
- 35) 114465-02 Close out rub rail, LH
- 36) 410551-02 LID BATTERY BOX
- 37) 690209 Access door, Atwood water heater
- 38) 690274-09 Door exterior, Hydroflame
- 39) 601194 WATER FILL W/LOCK, GRAY, W/LABEL
- 40) 922770-02 Vista View Window, 18"

2008 SAFARI- BAMBI

EXTERIOR BODY

Wall, Curbside, 25' Twin & Double Rear Bed



See next page for P/N

2008 SAFARI- BAMBI

EXTERIOR BODY

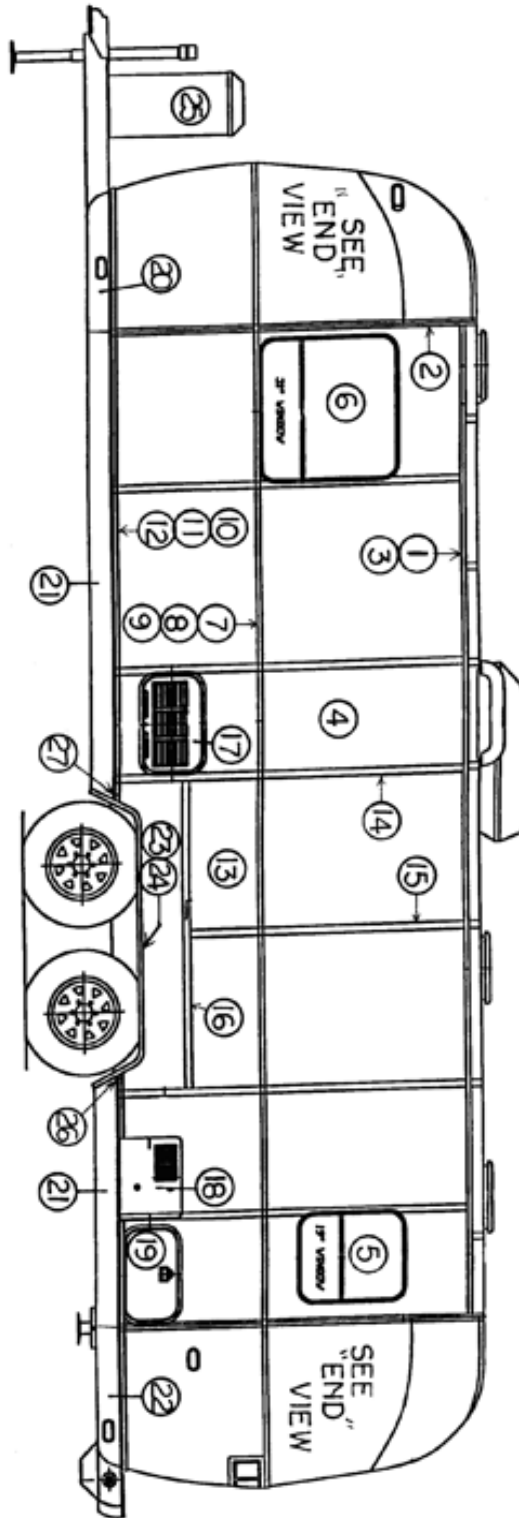
Wall, Curbside, 25' Twin & Double Rear Bed

1. 114290-01 Extrusion, awning/drip rail
2. 114993 Rib, end bow
3. 104707-05 Extrusion, "I" beam
4. 114880-201 Aluminum sheet, upper, .040" x 51" x 201"
5. 371381-02 Window, 19.25" x 22.75"
6. 371381-02 Window, 19.25" x 22.75"
7. 511017-11 Vent cover, range exhaust
8. 371381-16 Window, Main Door, 17.75" X 21.25"
9. 115207-01 Main door assembly
10. 114654 Screen door assembly
11. 114652 Jamb, main door
12. 371381-07 Window, 19.25" x 29.75"
13. 114879-201 Aluminum sheet, lower, .040" x 33" x 201"
14. 114387-01 Bow, Z rib, RH
15. 114387-02 Bow, Z rib, LH
16. 100986 Wheel well stiffener(floor channel.
17. 325002 RIVET SHANK DIA 1/8" X3/8" PLAIN
18. 365016 Tape, double stick 1/2"
19. 100034 "Z" bar, 48"
20. 114460 Extrusion, rub rail
21. 201763-01 Insert, rub rail, chrome, 1"
22. 100986 Floor channel
23. 100679-01 Access door w/jamb
24. 690274-09 Door exterior, Hydroflame
25. 684936 Wheel well trim, inner, tandem axle
26. 684937 Wheel well trim, outer, tandem axle
27. 200545 Banana wrap, CS rear
28. 101131-01 Underbelly wrap, .024" x 22.5", Pewter
29. 200543-01 Banana wrap, CS front
30. 921232 Cover, 30# LPG bottles
31. 114465-01 Casting, rub rail end, door, RH
32. 114465-02 Casting, rub rail end, door, LH
33. 114466-01 Casting, rub rail end, wheel well, RH
34. 114466-02 Casting rub rail end, wheel well, LH

2008 SAFARI- BAMBI

EXTERIOR BODY

Wall, Roadside, 25' Twin & Double Rear Bed



Part Numbers are on the Next Page

2008 SAFARI- BAMBI

EXTERIOR BODY

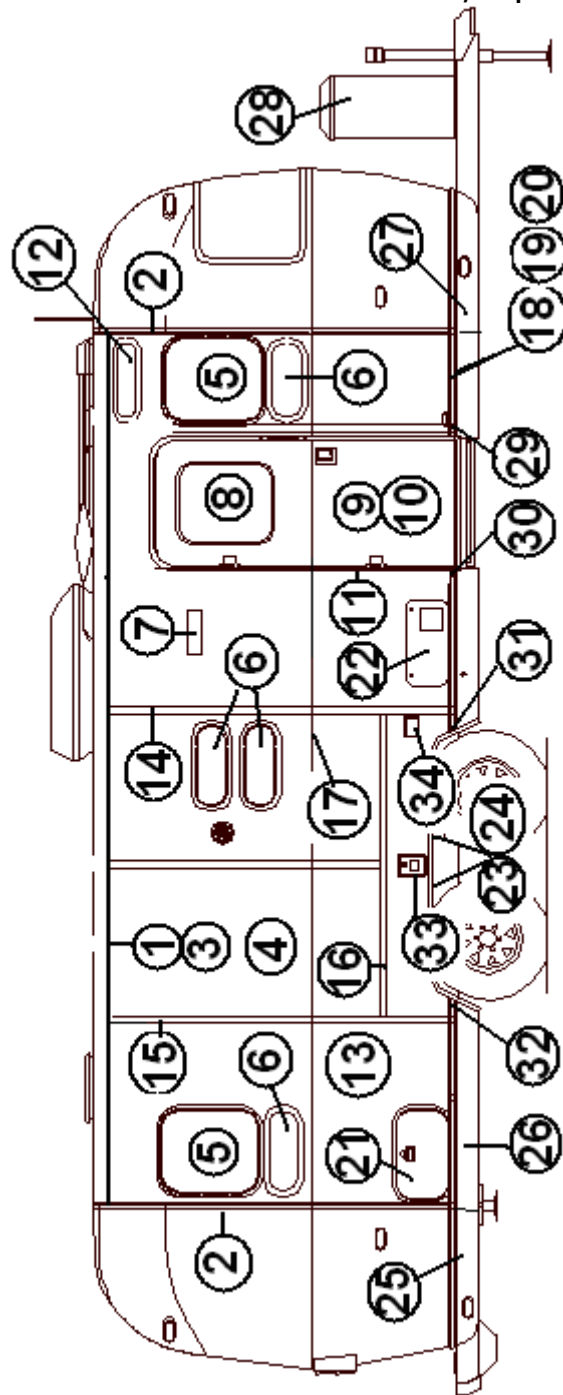
Wall, Roadside, 25' Twin & Double Rear Bed

1. 114290-01 Extrusion, awning/drip rail
2. 114993 Rib, end bow
3. 104707-05 Extrusion, "I" beam
4. 114880-201 Aluminum sheet, upper, .040" x 51" x 201"
5. 371381-02 Window, 19.25" x 22.75"
6. 371381-08 Window, 31.25" X 29.75"
7. 325002 RIVET SHANK DIA 1/8" X3/8" PLAIN
8. 365016 Tape, double stick 1/2"
9. 100034 "Z" bar, 48"
10. 114460 Extrusion, rub rail
11. 201763-01 Insert, rub rail, chrome, 1"
12. 100986 Floor channel
13. 114879-201 Aluminum sheet, lower, .040" x 33" x 201"
14. 114387-01 Bow, Z rib, RH
15. 114387-02 Bow, Z rib, LH
16. 100986 Wheel well stiffener(floor channel.
17. 922243 Door, refrigerator access
18. 690209 Access door, Atwood
19. 100679-01 Access door w/jamb
20. 200542-01 Banana wrap, RS front
21. 101131-01 Underbelly wrap, .024 x 22.5, Pewter
22. 200544 Banana wrap, RS rear
23. 684936 Wheel well trim, inner, tandem axle
24. 684937 Wheel well trim, outer, tandem axle
25. 921232 Cover, 30# LPG bottles
26. 114466-01 Casting, rub rail end, wheel well, RH
27. 114466-02 Casting, rub rail end, wheel well, LH

2008 SAFARI- BAMBI

EXTERIOR BODY

Wall, Curbside, 25' Twin & Double Rear Bed, Special Edition



See next page for P/N

2008 SAFARI- BAMBI

EXTERIOR BODY

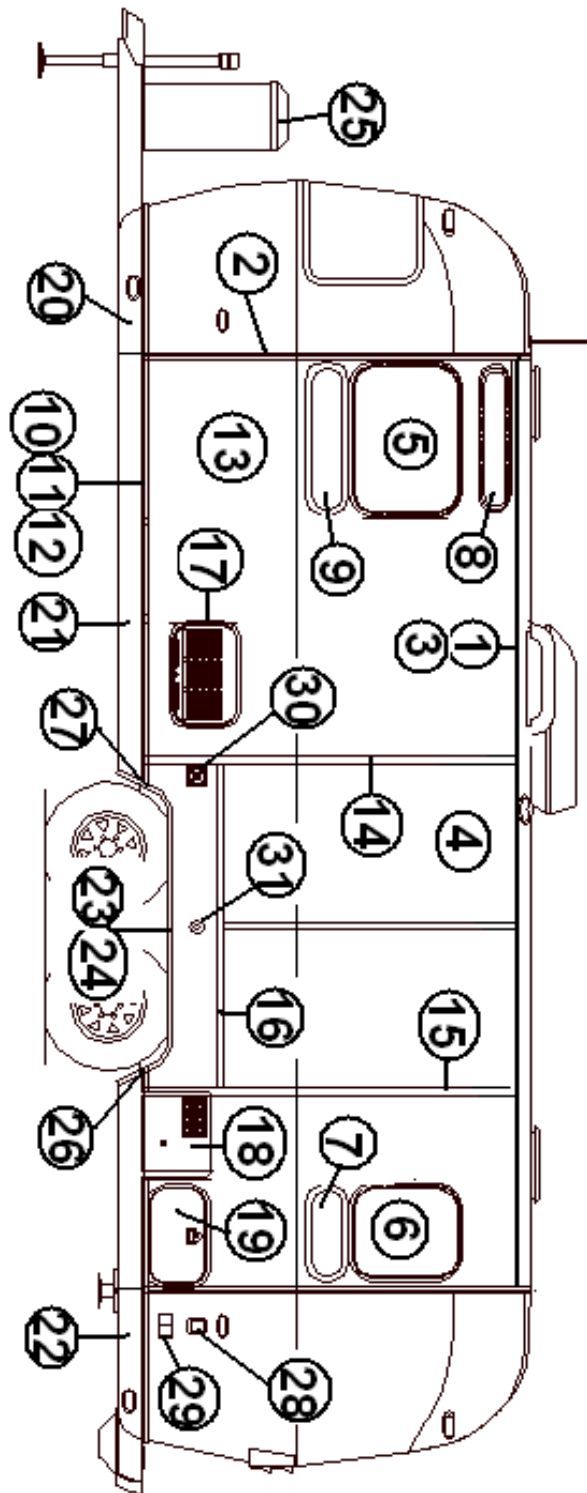
Wall, Curbside, 25' Twin & Double Rear Bed, Special Edition

1. 114290-01 Extrusion, awning/drip rail
2. 114993 Rib, end bow
3. 104707-05 Extrusion, "I" beam
4. 114880-201 Aluminum sheet, upper, .040" x 51" x 201"
5. 371323-01 WINDOW-18" OPENING
6. 371269-01 WINDOW 18" STACK
7. 511017-11 Vent cover, range exhaust
8. 371400-01 Window, main door, etched
9. 115207-04 Main door assembly
10. 114654 Screen door assembly
11. 114652 Jamb, main door
12. 922770-02 Vista View Window, 18"
13. 114879-201 Aluminum sheet, lower, .040" x 33" x 201"
14. 114387-01 Bow, Z rib, RH
15. 114387-02 Bow, Z rib, LH
16. 100986 Wheel well stiffener(floor channel.
17. 100034 "Z" bar, 48"
18. 114460 Extrusion, rub rail
19. 201763-01 Insert, rub rail, chrome, 1"
20. 100986 Floor channel
21. 100679-01 Access door w/jamb, TWIN ONLY
22. 690274-09 Cover, Hydroflame furnace
23. 684936 Wheel well trim, inner, tandem axle
24. 684937 Wheel well trim, outer, tandem axle
25. 200545 Banana wrap, CS rear
26. 101131-01 Underbelly wrap, .024" x 22.5", Pewter
27. 200543-01 Banana wrap, CS front
28. 921232 Cover, 30# LPG bottles
29. 114465-01 Casting, rub rail end, door, RH
30. 114465-02 Casting, rub rail end, door, LH
31. 114466-01 Casting, rub rail end, wheel well, RH
32. 114466-02 Casting rub rail end, wheel well, LH
33. 601194 Water fill w/lock, gray w/label
34. 510676-01 OUTLET, EXTERIOR, 120 VOLT, GRAY

2008 SAFARI- BAMBI

EXTERIOR BODY

Wall, Roadside, 25' Twin & Double Rear Bed, Special Edition



See next page for P/N

2008 SAFARI- BAMBI

EXTERIOR BODY

Wall, Roadside, 25' Twin & Double Rear Bed, Special Edition

1. 114290-01 Extrusion, awning/drip rail
2. 114993 Rib, end bow
3. 104707-05 Extrusion, "I" beam
4. 114880-201 Aluminum sheet, upper, .040" x 51" x 201"
5. 371324-02 Window, 30in. opening
6. 371323-01 Window, 18in. opening
7. 371269-01 Window, 18" stack
8. 922770-02 Vista View, 30"
9. 371270-01 Window, 30in., stack, stationary
10. 114460 Extrusion, rub rail
11. 201763-01 Insert, rub rail, chrome, 1"
12. 100986 Floor channel
13. 114879-201 Aluminum sheet, lower, .040" x 33" x 201"
14. 114387-01 Bow, Z rib, RH
15. 114387-02 Bow, Z rib, LH
16. 100986 Wheel well stiffener(floor channel.
17. 922243 Door, refrigerator access
18. 690209 Access door, Atwood
19. 100679-01 Access door w/jamb
20. 200542-01 Banana wrap, RS front
21. 101131-01 Underbelly wrap, .024 x 22.5, Pewter
22. 200544 Banana wrap, RS rear
23. 684936 Wheel well trim, inner, tandem axle
24. 684937 Wheel well trim, outer, tandem axle
25. 921232 Cover, 30# LPG bottles
26. 114466-01 Casting, rub rail end, wheel well, RH
27. 114466-02 Casting, rub rail end, wheel well, LH
28. 104619 MTG. PLATE, TELEPHONE & TV JACK
28. 510616 F CONNECTOR, COAX, 75 OHM
28. 511375 JACK MODULAR TELEPHONE
29. 511416-02 POWER INLET, 30A, 125V, MALE - GRAY
30. 601392-05 City water hook-up
31. 601441 Black tank Flush

2008 SAFARI- BAMBI

EXTERIOR BODY

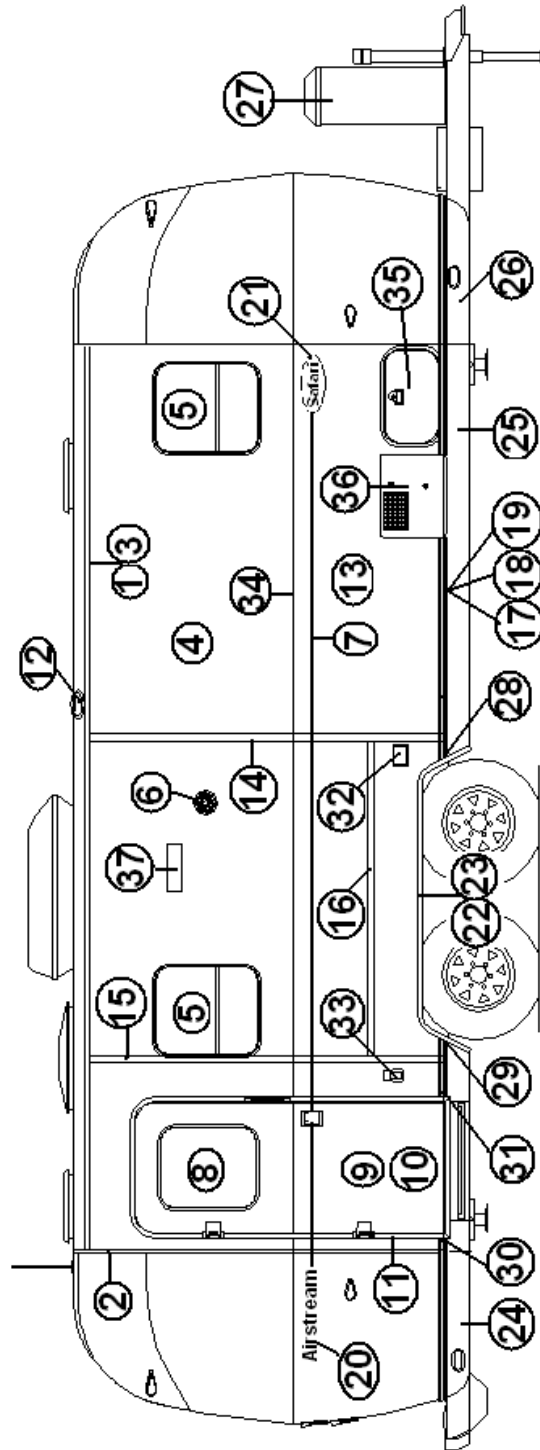
Wall, Roadside, 25' Front Bed

1. 114290-01 Extrusion, awning/drip rail
2. 114993 Rib, end bow
3. 104707-05 Extrusion, "I" beam
4. 114880-201 Alum. sheet, upper, .040" x 51" x 201"
5. 371381-08 Window, 31.25" X 29.75"
5. 371381-17 Window, Side egress, 31.25" X 29.75"
6. 601392-05 City water hook-up
7. 100034 "Z" bar, 48"
8. 114460 Extrusion, rub rail
9. 201763-01 Insert, rub rail, chrome, 1"
10. 100986 Floor channel
11. 114879-201 Alum. sheet, lower, .040" x 33" x 201"
12. 114387-01 Bow, Z rib, RH
13. 114387-02 Bow, Z rib, LH
14. 100986 Wheel well stiffener (floor channel)
15. 601876 Shower, exterior, white
16. 684936 Wheel well trim, inner, tandem axle
17. 684937 Wheel well trim, outer, tandem axle
18. 200542-01 Banana wrap, RS front
19. 101131-01 Underbelly wrap, .024" x 22.5", Pewter
20. 200544 Banana wrap, RS rear
21. 921232 Cover, 30# LPG bottles
22. 114466-01 Casting, rub rail end, wheel well, RH
23. 114466-02 Casting, rub rail end, wheel well, LH
24. 386127 Safari Name plate
25. 104619 MTG. PLATE, TELEPHONE & TV JACK
25. 510616 F CONNECTOR, COAX, 75 OHM
25. 511375 JACK MODULAR TELEPHONE
26. 511416-02 POWER INLET, 30A, 125V, MALE - GRAY
27. 601441 Black tank Flush
28. 690274-09 Cover, Hydroflame furnace
29. 386088 Decal, black reflective
30. 386151 DECAL, AIRSTREAM 1.3"X 16" BLACK
31. 601194 Water fill w/lock, gray w/label
32. 100679-01 Side Access Door Assembly
33. 922243 Refer Access door

2008 SAFARI- BAMBI

EXTERIOR BODY

Wall, Curbside, 25' Front Bed



Part Numbers are on the Next Page

2008 SAFARI- BAMBI

EXTERIOR BODY

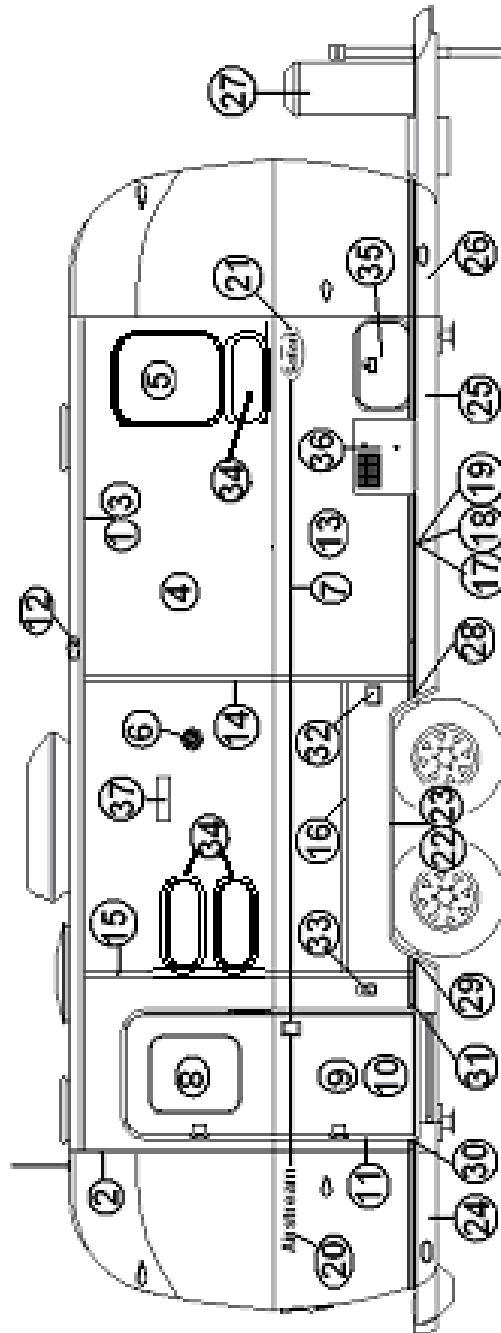
Wall, Curbside, 25' Front Bed

1. 114290-01 Extrusion, awning/drip rail
2. 114993 Rib, end bow
3. 104707-05 Extrusion, "I" beam
4. 114880-201 Alum. sheet, upper, .040" x 51" x 201"
5. 371381-02 Window, 19.25" X 22.75"
6. 500092 Flood light and lens
7. 386088 Decal, black reflective
8. 371381-16 Window, main door, 17.75" x 21.25", etched glass
9. 115207-02 Main door assembly
10. 114654-01 Screen door assembly
11. 114652-01 Jamb, main door
12. 690266-01 Shower roof vent
13. 114879-201 Alum. sheet, lower, .040" x 33 x 201"
14. 114387-01 Bow, Z rib, RH
15. 114387-02 Bow, Z rib, LH
16. 100986 Wheel well stiffener (floor channel.
17. 114460 Extrusion, rub rail
18. 201763-01 Insert, rub rail, chrome, 1"
19. 100986 Floor channel
20. 386151 DECAL, AIRSTREAM 1.3"X 16" BLACK
21. 386127 Nameplate, Safari
22. 684936 Wheel well trim, inner, tandem axle
23. 684937 Wheel well trim, outer, tandem axle
24. 200545 Banana wrap, CS rear
25. 101131-01 Underbelly wrap, .024" x 22.5, Pewter
26. 200543-01 Banana wrap, CS front
27. 921232 Cover, 30# LPG bottles
28. 114466-01 Casting, rub rail end, wheel well, RH
29. 114466-02 Casting, rub rail end, wheel well, LH
30. 114465-02 CASTING CLOSEOUT, RUB RAIL LH
31. 114465-01 CASTING CLOSEOUT, RUB RAIL RH
32. 510676-01 OUTLET, EXTERIOR, 120 VOLT, GRAY
33. 512252 STEP LIGHT-LED STAINLESS STEEL
34. 100034 "Z" bar, 48"
35. 100679-01 Side Access Door Assembly
36. 690199 Water Heater
37. 511017-11 EXTERIOR VENT GRAY

2008 SAFARI- BAMBI

EXTERIOR SHELL

Wall, Curbside, 25' Front Bed Special Edition



Part numbers are on the next page

2008 SAFARI- BAMBI

EXTERIOR SHELL

Wall, Curbside, 25' Front Bed Special Edition

1. 114290-01	Extrusion, awning/drip rail
2. 114993	Rib, end bow
3. 104707-05	Extrusion, "I" beam
4. 114880-201	Alum. sheet, upper, .040" x 51" x 201"
5. 371323-01	WINDOW-18" OPENING
6. 500092	Flood light and lens
7. 386088	Decal, black reflective
8. 371400-01	Window, main door, etched
9. 115207-05	Main door assembly
10. 114654-01	Screen door assembly
11. 114652-01	Jamb, main door
12. 690266-01	Shower roof vent
13. 114879-201	Alum. sheet, lower, .040" x 33 x 201"
14. 114387-01	Bow, Z rib, RH
15. 114387-02	Bow, Z rib, LH
16. 100986	Wheel well stiffener (floor channel.
17. 114460	Extrusion, rub rail
18. 201763-01	Insert, rub rail, chrome, 1"
19. 100986	Floor channel
20. 386151	DECAL, AIRSTREAM 1.3"X 16" BLACK
21. 386127	Nameplate, Safari
22. 684936	Wheel well trim, inner, tandem axle
23. 684937	Wheel well trim, outer, tandem axle
24. 200545	Banana wrap, CS rear
25. 101131-01	Underbelly wrap, .024" x 22.5, Pewter
26. 200543-01	Banana wrap, CS front
27. 921232	Cover, 30# LPG bottles
28. 114466-01	Casting, rub rail end, wheel well, RH
29. 114466-02	Casting, rub rail end, wheel well, LH
30. 114465-02	CASTING CLOSEOUT, RUB RAIL LH
31. 114465-01	CASTING CLOSEOUT, RUB RAIL RH
32. 510676-01	OUTLET, EXTERIOR, 120 VOLT, GRAY
33. 512252	STEP LIGHT-LED STAINLESS STEEL
34. 371269-01	WINDOW 18" STACK
35. 100679-01	Side Access Door Assembly
36. 690199	Water Heater
37. 511017-11	EXTERIOR VENT GRAY

2008 SAFARI- BAMBI

EXTERIOR BODY

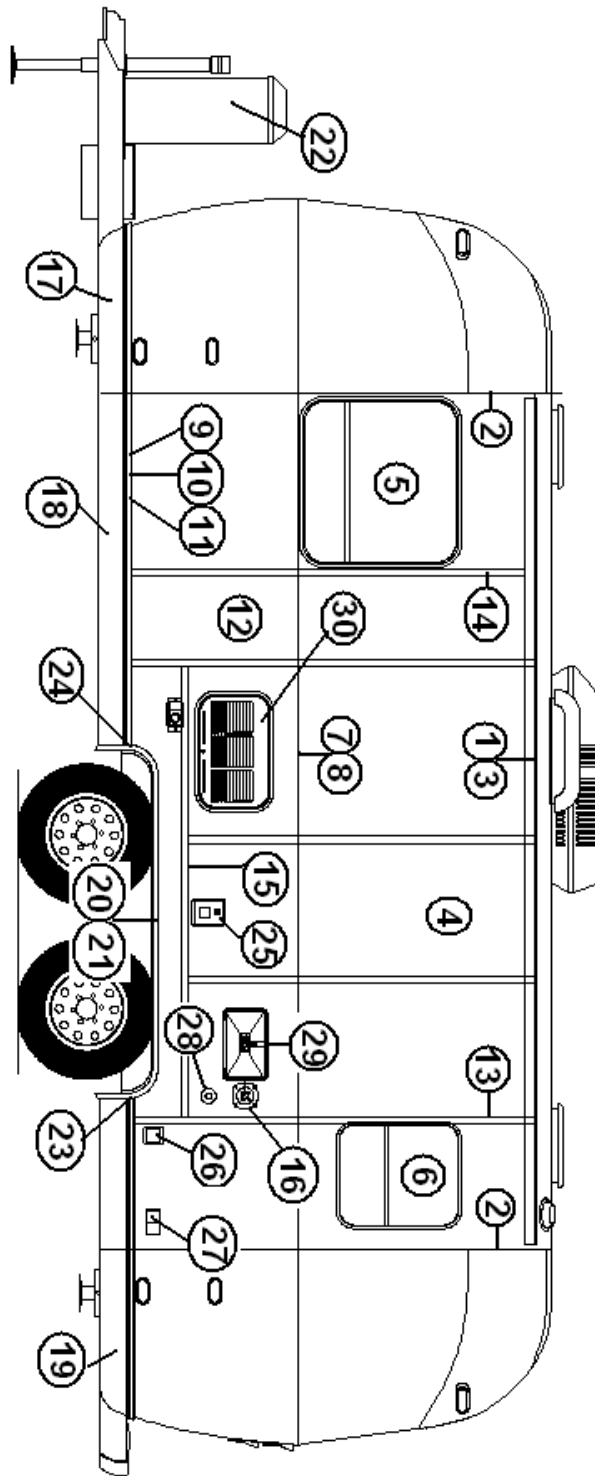
Wall, Roadside, 25' Front Bed Special Edition

1. 114290-01 Extrusion, awning/drip rail
2. 114993 Rib, end bow
3. 104707-05 Extrusion, "I" beam
4. 114880-201 Alum. sheet, upper, .040" x 51" x 201"
5. 371380-01 WINDOW, OPENING EGRESS
6. 601392-05 City water hook-up
7. 921232 Cover, 30# LPG bottles
8. 114460 Extrusion, rub rail
9. 201763-01 Insert, rub rail, chrome, 1"
10. 100986 Floor channel
11. 114879-201 Alum. sheet, lower, .040" x 33" x 201"
12. 114387-01 Bow, Z rib, RH
13. 114387-02 Bow, Z rib, LH
14. 100986 Wheel well stiffener (floor channel)
15. 601876 Shower, exterior, white
16. 684936 Wheel well trim, inner, tandem axle
17. 684937 Wheel well trim, outer, tandem axle
18. 200542-01 Banana wrap, RS front
19. 101131-01 Underbelly wrap, .024" x 22.5", Pewter
20. 200544 Banana wrap, RS rear
21. 371380 WINDOW-OPENING 30" TALL
22. 114466-01 Casting, rub rail end, wheel well, RH
23. 114466-02 Casting, rub rail end, wheel well, LH
24. 922770-02 VISTA VIEW- 30"
25. 104619 MTG. PLATE, TELEPHONE & TV JACK
25. 510616 F CONNECTOR, COAX, 75 OHM
25. 511375 JACK MODULAR TELEPHONE
26. 511416-02 POWER INLET, 30A, 125V, MALE - GRAY
27. 601441 Black tank Flush
28. 690274-09 Cover, Hydroflame furnace
29. 386088 Decal, black reflective
30. 386151 DECAL, AIRSTREAM 1.3"X 16" BLACK
31. 601194 Water fill w/lock, gray w/label
32. 100679-01 Side Access Door Assembly
33. 922243 Refer Access door

2008 SAFARI- BAMBI

EXTERIOR BODY

Wall, Roadside, 23'



Part number are on the next page

2008 SAFARI- BAMBI

EXTERIOR BODY

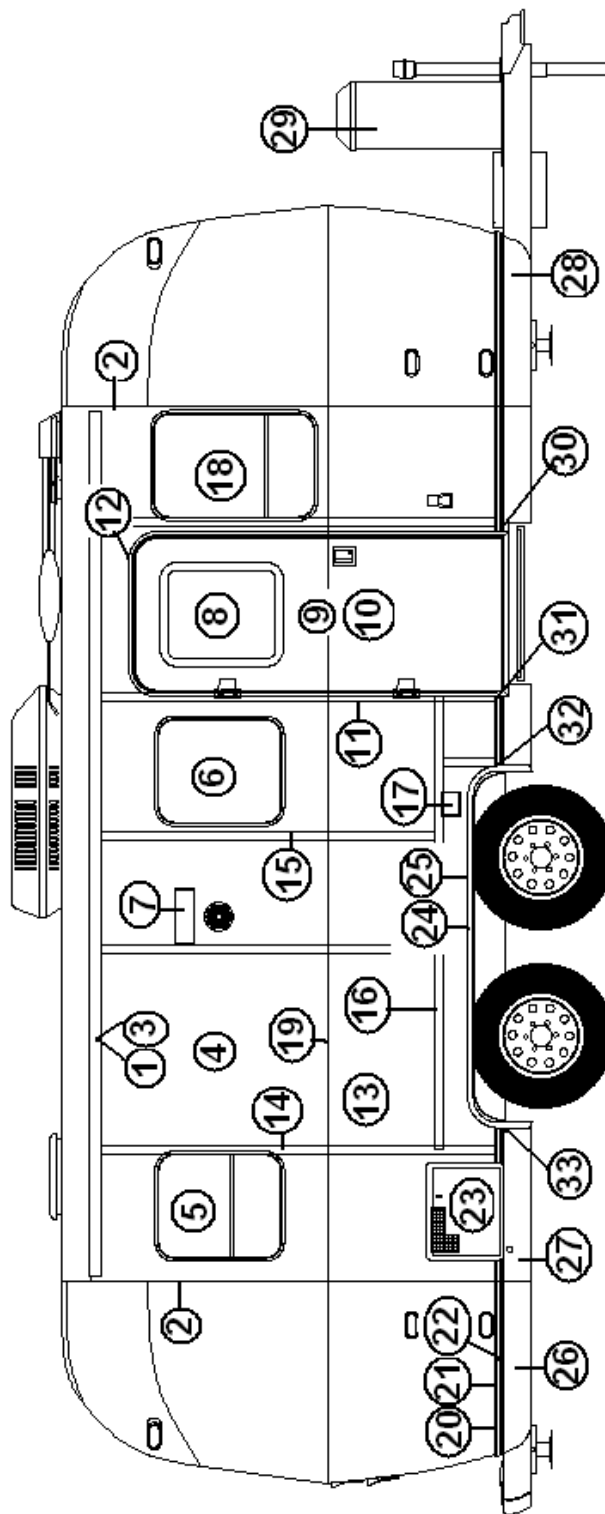
Wall, Roadside, 23'

1. 114290-01 Extrusion, awning/drip rail
2. 114994 Rib, end bow
3. 104707-05 Extrusion, "I" beam
4. 114880-201 Sheet, upper, .040" x 51" x 201"
5. 371381-08 WINDOW 31.25X29.75 8" VENT
6. 371381-02 WINDOW 19.25X22.75 8"VENT
7. 365016 Tape, double stick ½"
8. 100034 "Z" bar, 48"
9. 114460 Extrusion, rub rail
10. 201763-01 Insert, rub rail, chrome, 1"
11. 100986 Floor channel
12. 114879-201 Sheet, lower, .040" x 33" x 201"
13. 114387-01 Bow, Z rib, RH
14. 114387-02 Bow, Z rib, LH
15. 100986 Wheel well stiffener (floor channel.
16. 601392-05 City, water hook up
17. 203303-01 WRAP BLACK RS FRONT/CS REAR
18. 203304 ROLL, UNDERBELLY, BLACK PLASTIC
19. 203303-02 WRAP, BLACK CS FRONT/RS REAR
20. 684936 Wheel well trim, inner, tandem axle
21. 684937 Wheel well trim, outer, tandem axle
22. 921232 Cover, 30# LPG bottles
23. 114466-01 Casting, rub rail end, wheel well, RH
24. 114466-02 Casting, rub rail end, wheel well, LH
25. 601194 Water fill w/lock
26. 511416-02 Power inlet, shoreline
27. 104619 MTG. PLATE, TELEPHONE & TV JACK
27. 510616 F CONNECTOR, COAX, 75 OHM
27. 511375 JACK MODULAR TELEPHONE
28. 601197-02 Water hook-up for blank tank flush
29. 601876 Shower, exterior, white
30. 922243 Refer Access door

2008 SAFARI- BAMBI

EXTERIOR BODY

Wall, Curbside, 23'



Part numbers are on the next page

2008 SAFARI- BAMBI

EXTERIOR BODY

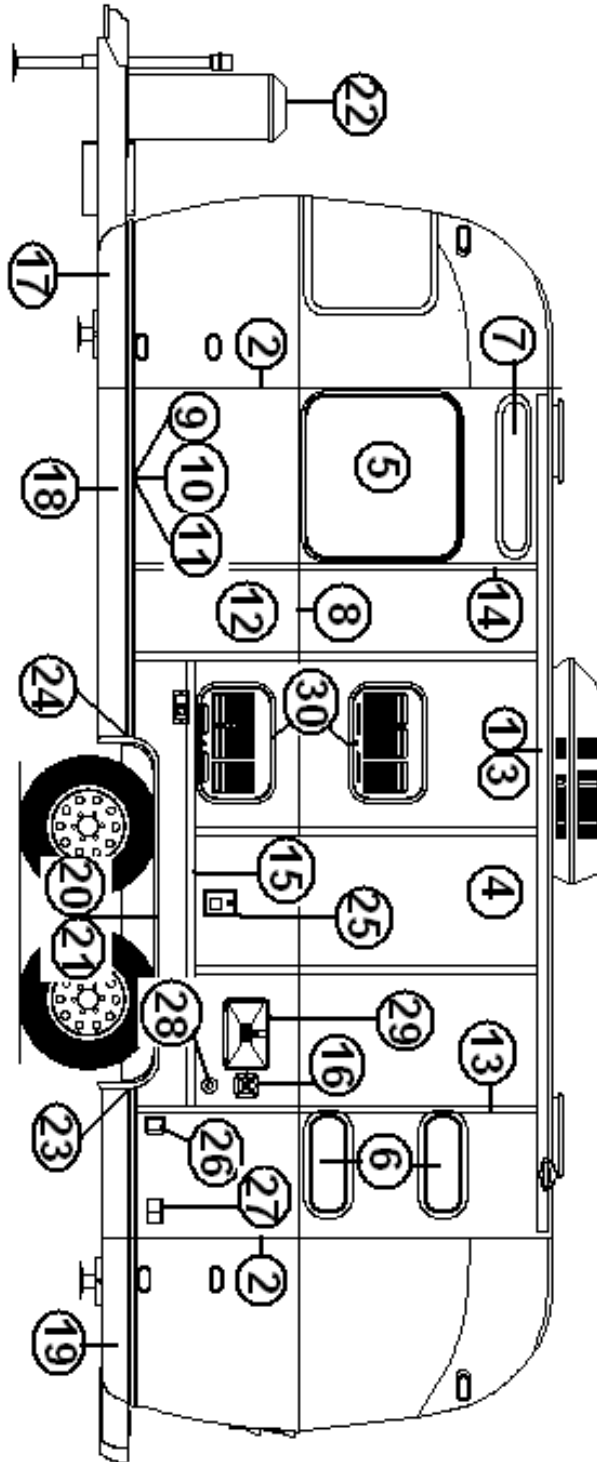
Wall, Curbside, 23'

1. 114290-01	Extrusion, awning/drip rail
2. 114994	Rib, end bow
3. 104707-05	Extrusion, "I" beam
4. 114880-201	Sheet, upper, .040" x 51" x 201"
5. 371381-02	WINDOW 19.25" X 22.75"
6. 371381-18	WINDOW- HEHR 19.25X22.75 FIXED
7. 511017-11	Vent cover, range exhaust
8. 371381-16	Window, Main Door, 17.75" X 21.25"
9. 115207-01	Main door assembly
10. 114654	Screen door assembly
11. 114652	Jamb, main door
12. 114363	Drip cap, main door
13. 114879-201	Sheet, lower, .040" x 33" x 201"
14. 114387-01	Bow, Z rib, RH
15. 114387-02	Bow, Z rib, LH
16. 100986	Wheel well stiffener(floor channel.
17. 510676-01	OUTLET, EXTERIOR, 120 VOLT, GR
18. 371381-07	WINDOW 19.25 X 29.75 8" VENT
19. 100034	"Z" bar, 48"
20. 114460	Extrusion, rub rail
21. 201763-01	Insert, rub rail, chrome, 1"
22. 100986	Floor channel
23. 690209	Access door, Atwood
24. 684936	Wheel well trim, inner, tandem axle
25. 684937	Wheel well trim, outer, tandem axle
26. 203303-01	WRAP BLACK RS FRONT/CS REAR
27. 203304	ROLL, UNDERBELLY, BLACK PLASTIC
28. 203303-02	WRAP, BLACK CS FRONT/RS REAR
29. 921232	Cover, 30# LPG bottles
30. 114465-01	Casting, rub rail end, door, RH
31. 114465-02	Casting, rub rail end, door, LH
32. 114466-01	Casting, rub rail end, wheel well, RH
33. 114466-02	Casting rub rail end, wheel well, LH

2008 SAFARI- BAMBI

EXTERIOR BODY

Wall, Roadside, 23' Special Edition



Part numbers are on the next page

2008 SAFARI- BAMBI

EXTERIOR BODY

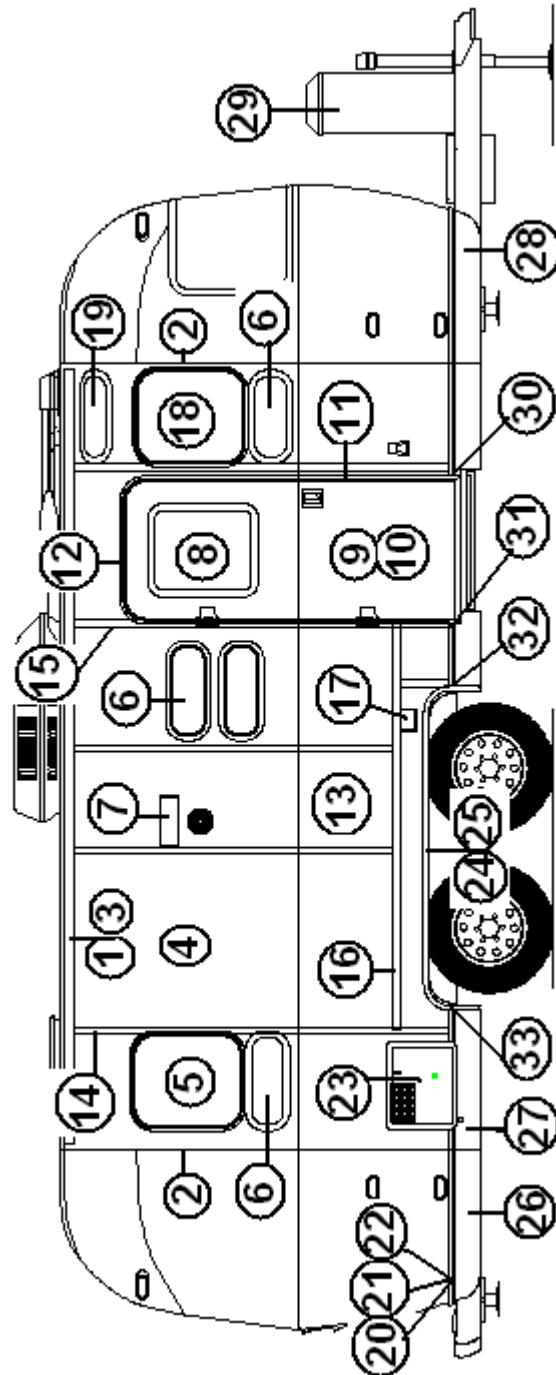
Wall, Roadside, 23' Special Edition

1. 114290-01 Extrusion, awning/drip rail
2. 114994 Rib, end bow
3. 104707-05 Extrusion, "I" beam
4. 114880-201 Sheet, upper, .040" x 51" x 201"
5. 371380 Window, opening, 30" tall
6. 371269-01 WINDOW 18" STACK
7. 922770-02 VISTA VIEW- 30"
8. 100034 "Z" bar, 48"
9. 114460 Extrusion, rub rail
10. 201763-01 Insert, rub rail, chrome, 1"
11. 100986 Floor channel
12. 114879-201 Sheet, lower, .040" x 33" x 201"
13. 114387-01 Bow, Z rib, RH
14. 114387-02 Bow, Z rib, LH
15. 100986 Wheel well stiffener (floor channel.
16. 601392-05 City, water hook up
17. 203303-01 WRAP BLACK RS FRONT/CS REAR
18. 203304 ROLL, UNDERBELLY, BLACK PLASTIC
19. 203303-02 WRAP, BLACK CS FRONT/RS REAR
20. 684936 Wheel well trim, inner, tandem axle
21. 684937 Wheel well trim, outer, tandem axle
22. 921232 Cover, 30# LPG bottles
23. 114466-01 Casting, rub rail end, wheel well, RH
24. 114466-02 Casting, rub rail end, wheel well, LH
25. 601194 Water fill w/lock
26. 511416-02 Power inlet, shoreline
27. 104619 MTG. PLATE, TELEPHONE & TV JACK
27. 510616 F CONNECTOR, COAX, 75 OHM
27. 511375 JACK MODULAR TELEPHONE
28. 601197-02 Water hook-up for blank tank flush
29. 601876 Shower, exterior, white
30. 922243 Refer Access door

2008 SAFARI- BAMBI

EXTERIOR BODY

Wall, Curbside, 23' Special Edition



Part numbers are on the next page

2008 SAFARI- BAMBI

EXTERIOR BODY

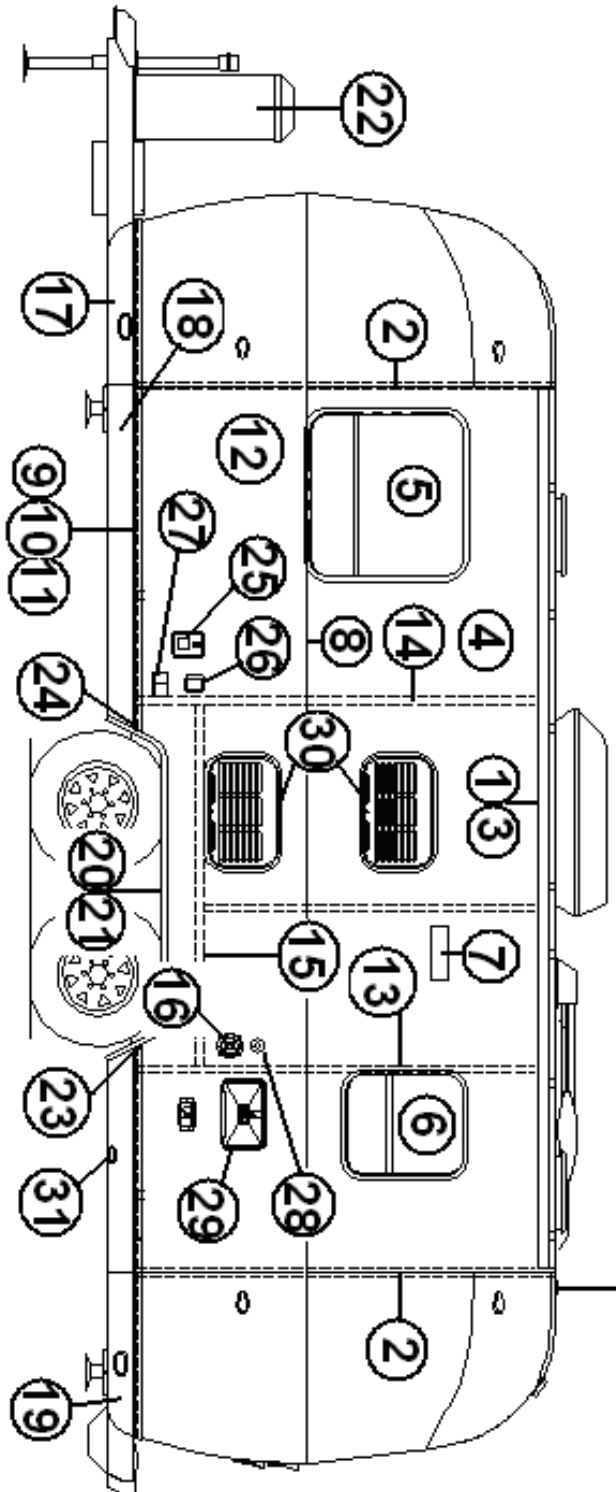
Wall, Curbside, 23' Special Edition

1. 114290-01 Extrusion, awning/drip rail
2. 114994 Rib, end bow
3. 104707-05 Extrusion, "I" beam
4. 114880-201 Sheet, upper, .040" x 51" x 201"
5. 371323-01 WINDOW-18" OPENING
6. 371269-01 WINDOW 18" STACK
7. 511017-11 Vent cover, range exhaust
8. 371400-01 Window, main door, etched
9. 115207-04 Main door assembly
10. 114654 Screen door assembly
11. 114652 Jamb, main door
12. 114363 Drip cap, main door
13. 114879-201 Sheet, lower, .040" x 33" x 201"
14. 114387-01 Bow, Z rib, RH
15. 114387-02 Bow, Z rib, LH
16. 100986 Wheel well stiffener(floor channel.
17. 510676-01 OUTLET, EXTERIOR, 120 VOLT, GR
18. 371323-01 WINDOW-18" OPENING
19. 922770-01 VISTA VIEW- 18"
20. 114460 Extrusion, rub rail
21. 201763-01 Insert, rub rail, chrome, 1"
22. 100986 Floor channel
23. 690209 Access door, Atwood
24. 684936 Wheel well trim, inner, tandem axle
25. 684937 Wheel well trim, outer, tandem axle
26. 203303-01 WRAP BLACK RS FRONT/CS REAR
27. 203304 ROLL, UNDERBELLY, BLACK PLASTIC
28. 203303-02 WRAP, BLACK CS FRONT/RS REAR
29. 921232 Cover, 30# LPG bottles
30. 114465-01 Casting, rub rail end, door, RH
31. 114465-02 Casting, rub rail end, door, LH
32. 114466-01 Casting, rub rail end, wheel well, RH
33. 114466-02 Casting rub rail end, wheel well, LH

2008 SAFARI- BAMBI

EXTERIOR BODY

Wall, Roadside, 23' Front Bed



Part numbers are on the next page

2008 SAFARI- BAMBI

EXTERIOR BODY

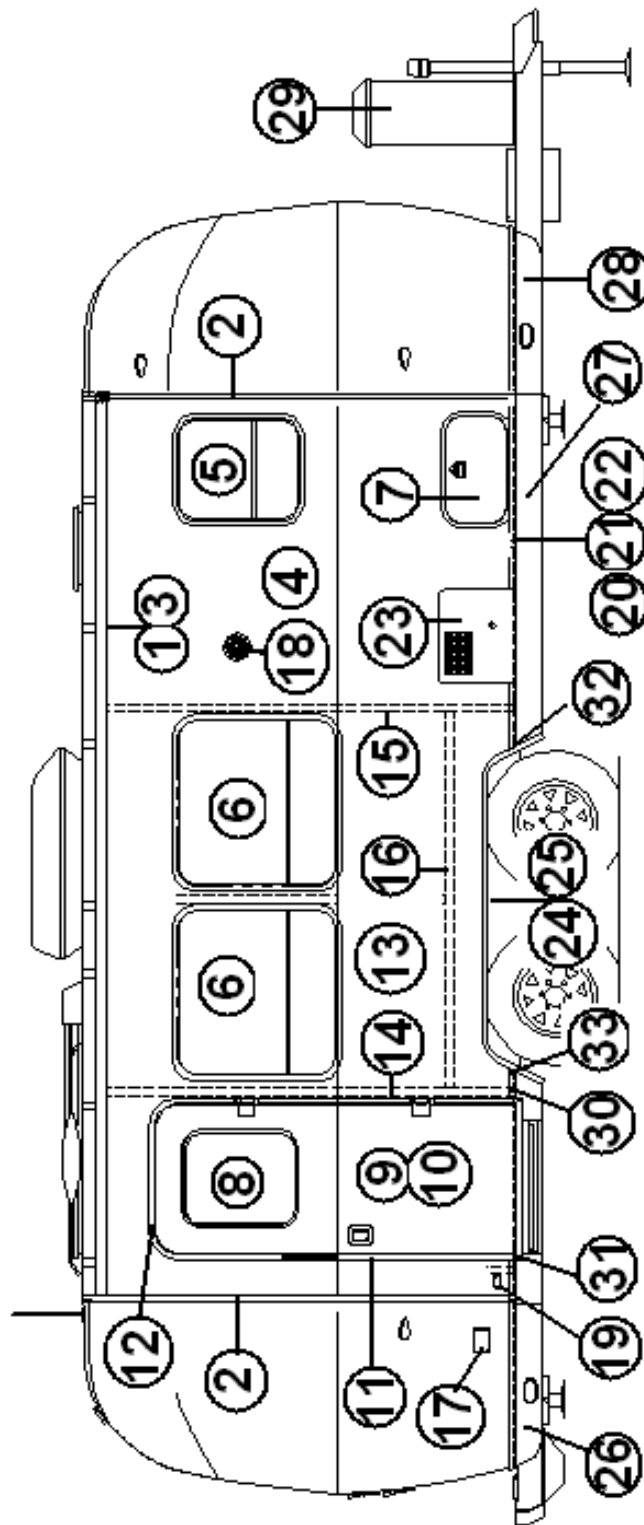
Wall, Roadside, 23' Front Bed

1. 114290-01 Extrusion, awning/drip rail
2. 114994 Rib, end bow
3. 104707-05 Extrusion, "I" beam
4. 114880-201 Sheet, upper, .040" x 51" x 201"
5. 371381-17 WINDOW 31.25X29.75 8" VENT, EGRESS
6. 371381-02 WINDOW 19.25X22.75 8"VENT
7. 511017-11 Vent cover, range exhaust
8. 100034 "Z" bar, 48"
9. 114460 Extrusion, rub rail
10. 201763-01 Insert, rub rail, chrome, 1"
11. 100986 Floor channel
12. 114879-201 Sheet, lower, .040" x 33" x 201"
13. 114387-01 Bow, Z rib, RH
14. 114387-02 Bow, Z rib, LH
15. 100986 Wheel well stiffener (floor channel.
16. 601392-05 City, water hook up
17. 203303-01 WRAP BLACK RS FRONT/CS REAR
18. 203304 ROLL, UNDERBELLY, BLACK PLASTIC
19. 203303-02 WRAP, BLACK CS FRONT/RS REAR
20. 684936 Wheel well trim, inner, tandem axle
21. 684937 Wheel well trim, outer, tandem axle
22. 921232 Cover, 30# LPG bottles
23. 114466-01 Casting, rub rail end, wheel well, RH
24. 114466-02 Casting, rub rail end, wheel well, LH
25. 601194 Water fill w/lock
26. 511416-02 Power inlet, shoreline
27. 104619 MTG. PLATE, TELEPHONE & TV JACK
27. 510616 F CONNECTOR, COAX, 75 OHM
27. 511375 JACK MODULAR TELEPHONE
28. 601197-02 Water hook-up for blank tank flush
29. 601876 Shower, exterior, white
30. 922243 Refer Access door
31. 510658 SWITCH W/WEATHER-PROOF BOOT
31. 511361 Light, flush mount, half moon shade, black

2008 SAFARI- BAMBI

EXTERIOR BODY

Wall, Curbside, 23' Front Bed



Part numbers are on the next page

2008 SAFARI- BAMBI

EXTERIOR BODY

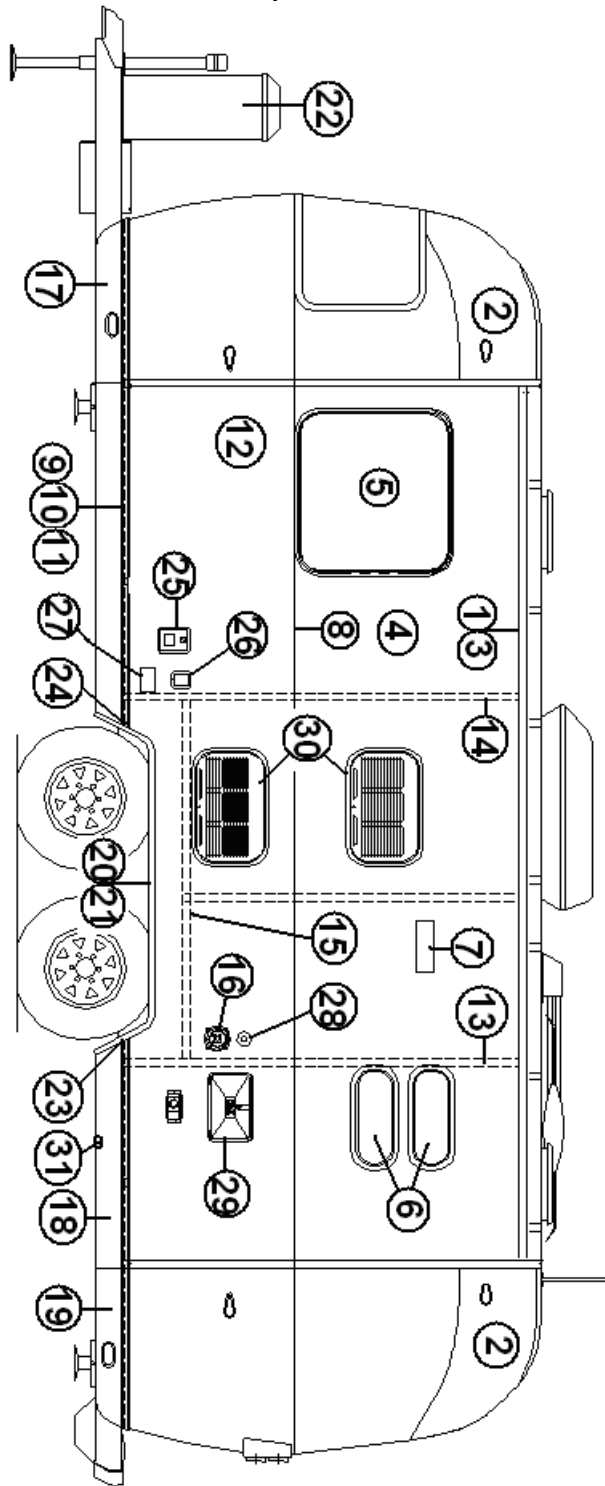
Wall, Curbside, 23' Front Bed

1. 114290-01 Extrusion, awning/drip rail
2. 114994 Rib, end bow
3. 104707-05 Extrusion, "I" beam
4. 114880-201 Sheet, upper, .040" x 51" x 201"
5. 371381-02 WINDOW 19.25" X 22.75"
6. 371381-08 WINDOW 31.25X29.75 8" VENT
7. 100679-01 Side Access Door Assembly
8. 371381-16 Window, Main Door, 17.75" X 21.25"
9. 115207-02 Main door assembly
10. 114654-01 Screen door assembly
11. 114652-01 Jamb, main door
12. 114363 Drip cap, main door
13. 114879-201 Sheet, lower, .040" x 33" x 201"
14. 114387-01 Bow, Z rib, RH
15. 114387-02 Bow, Z rib, LH
16. 100986 Wheel well stiffener, (floor channel)
17. 510676-01 OUTLET, EXTERIOR, 120 VOLT, GR
18. 500092 Patio light, round, Signal Stat
19. 512252 STEP LIGHT, L.E.D., SS
20. 114460 Extrusion, rub rail
21. 201763-01 Insert, rub rail, chrome, 1"
22. 100986 Floor channel
23. 690209 Access door, Atwood
24. 684936 Wheel well trim, inner, tandem axle
25. 684937 Wheel well trim, outer, tandem axle
26. 203303-01 WRAP BLACK RS FRONT/CS REAR
27. 203304 ROLL, UNDERBELLY, BLACK PLASTIC
28. 203303-02 WRAP, BLACK CS FRONT/RS REAR
29. 921232 Cover, 30# LPG bottles
30. 114465-01 Casting, rub rail end, door, RH
31. 114465-02 Casting, rub rail end, door, LH
32. 114466-01 Casting, rub rail end, wheel well, RH
33. 114466-02 Casting rub rail end, wheel well, LH

2008 SAFARI- BAMBI

EXTERIOR BODY

Wall, Roadside, 23' Front Bed Special Edition



Part numbers are on the next page

2008 SAFARI- BAMBI

EXTERIOR BODY

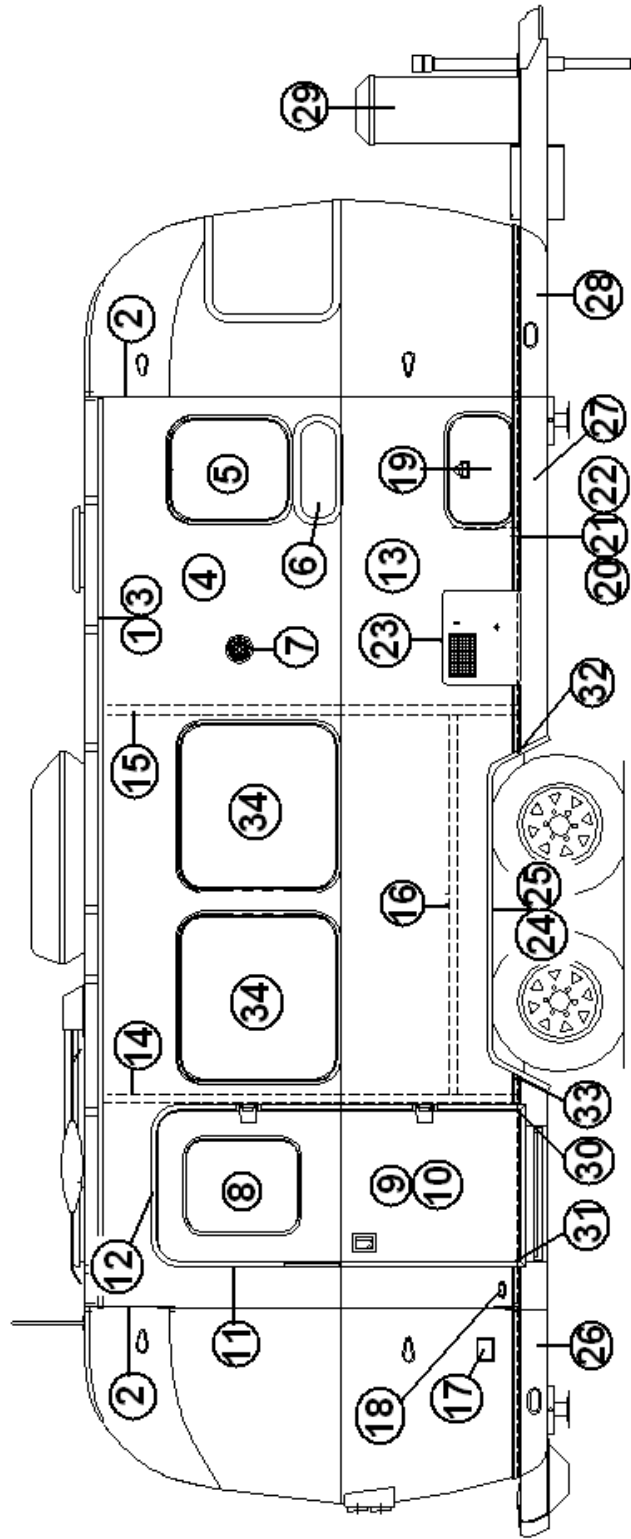
Wall, Roadside, 23' Front Bed Special Edition

1. 114290-01 Extrusion, awning/drip rail
2. 114994 Rib, end bow
3. 104707-05 Extrusion, "I" beam
4. 114880-201 Sheet, upper, .040" x 51" x 201"
5. 371380-01 Window, 30" opening egress
6. 371269-01 WINDOW 18" STACK
7. 511017-11 Vent cover, range exhaust
8. 100034 "Z" bar, 48"
9. 114460 Extrusion, rub rail
10. 201763-01 Insert, rub rail, chrome, 1"
11. 100986 Floor channel
12. 114879-201 Sheet, lower, .040" x 33" x 201"
13. 114387-01 Bow, Z rib, RH
14. 114387-02 Bow, Z rib, LH
15. 100986 Wheel well stiffener (floor channel.
16. 601392-05 City, water hook up
17. 203303-01 WRAP BLACK RS FRONT/CS REAR
18. 203304 ROLL, UNDERBELLY, BLACK PLASTIC
19. 203303-02 WRAP, BLACK CS FRONT/RS REAR
20. 684936 Wheel well trim, inner, tandem axle
21. 684937 Wheel well trim, outer, tandem axle
22. 921232 Cover, 30# LPG bottles
23. 114466-01 Casting, rub rail end, wheel well, RH
24. 114466-02 Casting, rub rail end, wheel well, LH
25. 601194 Water fill w/lock
26. 511416-02 Power inlet, shoreline
27. 104619 MTG. PLATE, TELEPHONE & TV JACK
27. 510616 F CONNECTOR, COAX, 75 OHM
27. 511375 JACK MODULAR TELEPHONE
28. 601197-02 Water hook-up for blank tank flush
29. 601876 Shower, exterior, white
30. 922243 Refer Access door
31. 510658 SWITCH W/WEATHER-PROOF BOOT
31. 511361 Light, flush mount, half moon shade, black

2008 SAFARI- BAMBI

EXTERIOR BODY

Wall, Curbside, 23' Front Bed Special Edition



Part numbers are on the next page

2008 SAFARI- BAMBI

EXTERIOR BODY

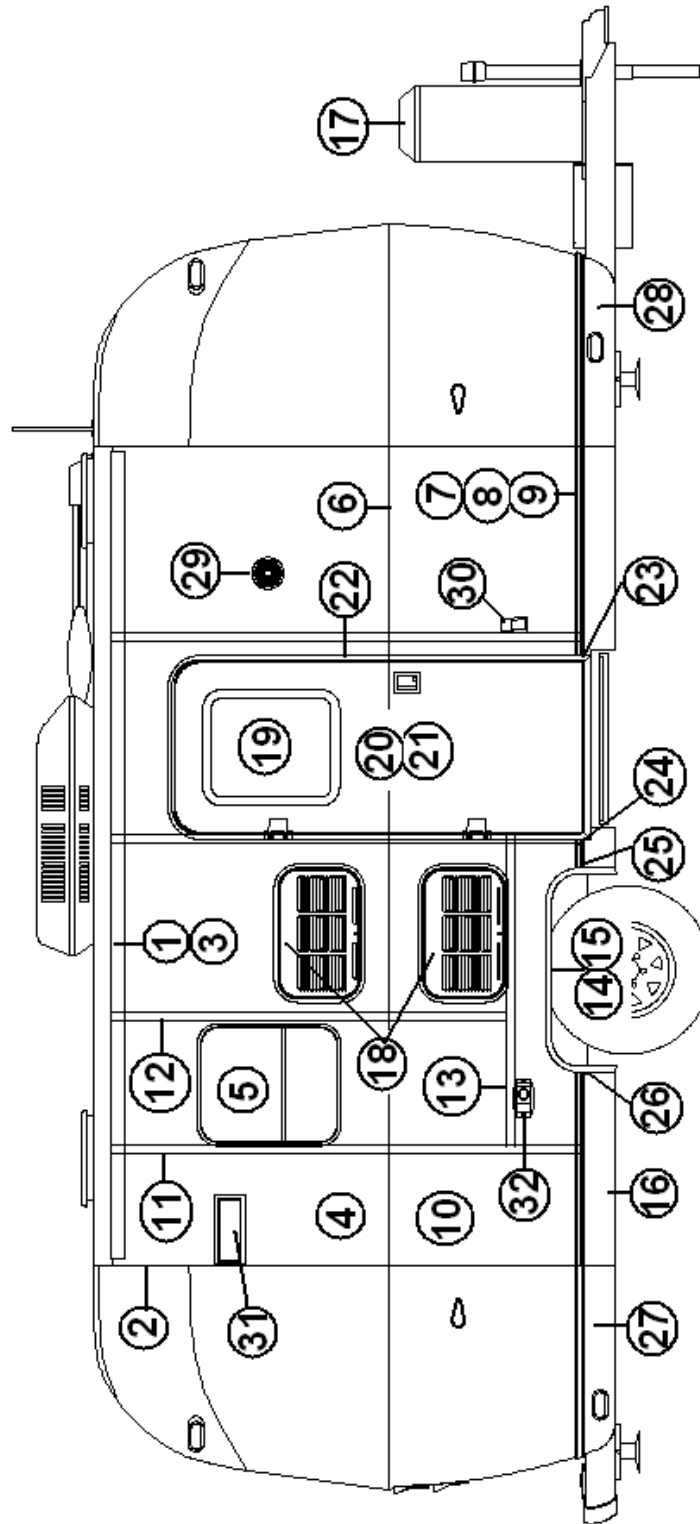
Wall, Curbside, 23' Front Bed Special Edition

1. 114290-01 Extrusion, awning/drip rail
2. 114994 Rib, end bow
3. 104707-05 Extrusion, "I" beam
4. 114880-201 Sheet, upper, .040" x 51" x 201"
5. 371323-01 WINDOW-18" OPENING
6. 371269-01 WINDOW 18" STACK
7. 500092 Patio light, round, Signal Stat
8. 371400-01 Window, main door, etched
9. 115207-05 Main door assembly
10. 114654-01 Screen door assembly
11. 114652-01 Jamb, main door
12. 114363 Drip cap, main door
13. 114879-201 Sheet, lower, .040" x 33" x 201"
14. 114387-01 Bow, Z rib, RH
15. 114387-02 Bow, Z rib, LH
16. 100986 Wheel well stiffener(floor channel.
17. 510676-01 OUTLET, EXTERIOR, 120 VOLT, GR
18. 512252 STEP LIGHT, L.E.D., SS
19. 100679-01 Side Access Door Assembly
20. 114460 Extrusion, rub rail
21. 201763-01 Insert, rub rail, chrome, 1"
22. 100986 Floor channel
23. 690209 Access door, Atwood
24. 684936 Wheel well trim, inner, tandem axle
25. 684937 Wheel well trim, outer, tandem axle
26. 203303-01 WRAP BLACK RS FRONT/CS REAR
27. 203304 ROLL, UNDERBELLY, BLACK PLASTIC
28. 203303-02 WRAP, BLACK CS FRONT/RS REAR
29. 921232 Cover, 30# LPG bottles
30. 114465-01 Casting, rub rail end, door, RH
31. 114465-02 Casting, rub rail end, door, LH
32. 114466-01 Casting, rub rail end, wheel well, RH
33. 114466-02 Casting rub rail end, wheel well, LH
34. 371380 Window, 30" tall, opening

2008 SAFARI- BAMBI

EXTERIOR BODY

Wall, Curbside, 20'



2008 SAFARI- BAMBI

EXTERIOR BODY

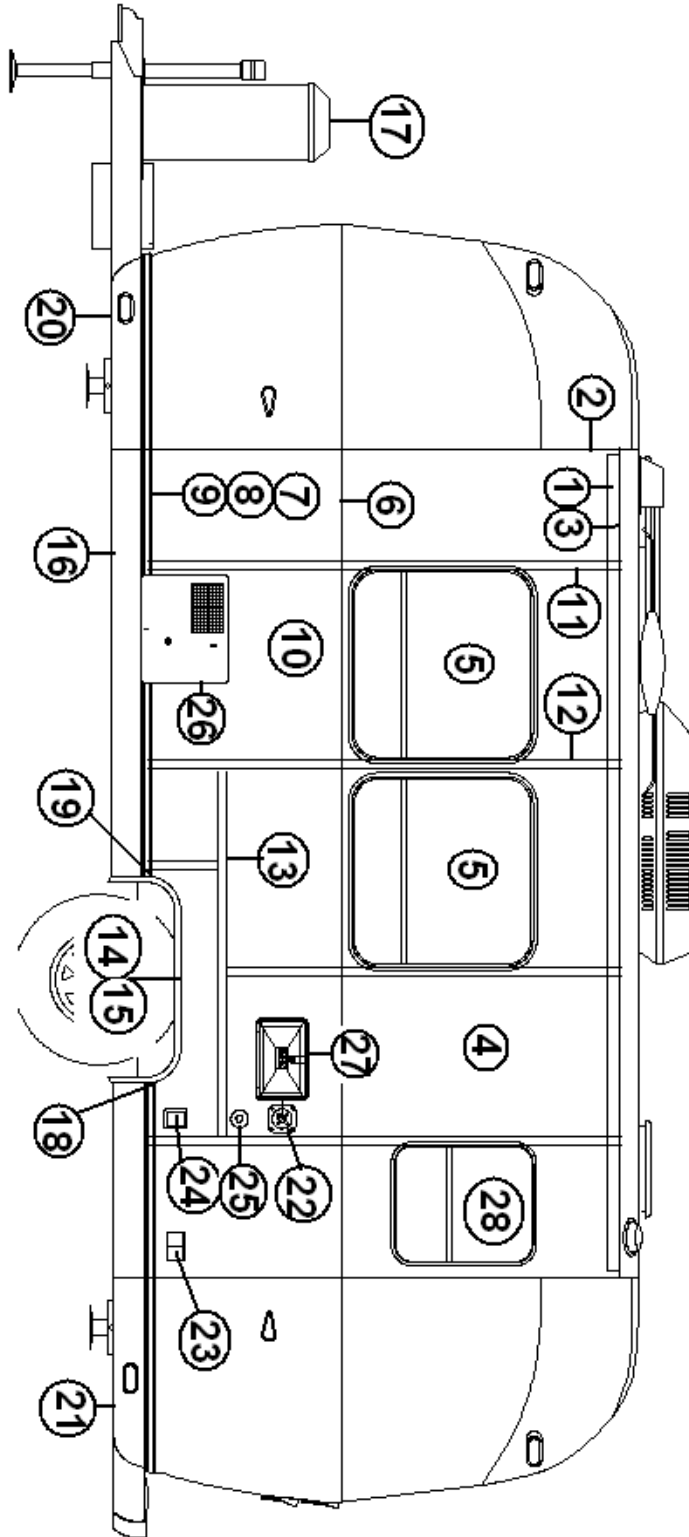
Wall, Curbside, 20'

1. 114290-01 Extrusion, awning/drip rail
2. 114994 Rib, end bow
3. 104707-05 Extrusion, "I" beam
4. 114880-201 Aluminum sheet, upper, .040 x 51 x 201"
5. 371381-02 Window, 19.25 x 22.75"
6. 100034 "Z" bar, 48"
7. 114460 Extrusion, rub rail
8. 201763-01 Insert, rub rail, chrome, 1"
9. 100986 Floor channel
10. 114879-201 Aluminum sheet, lower, .040 x 33 x 201"
11. 114387-02 Bow, Z rib, L
12. 114387-01 Bow, Z rib, RH
13. 100986 Wheel well stiffener (floor channel.
14. 114003-04 Wheel well trim, inner, single axle
15. 114004-04 Wheel well trim, outer, single axle
16. 101131-01 Underbelly wrap, .024 x 22.5, pewter
17. 921232 Cover, 30# LPG bottles
18. 922243 Door assembly, refrigerator assess
19. 371381-16 Window, Main Door, 17.75" X 21.25"
20. 115207-01 Main door assembly
21. 114654 Screen door assembly
22. 114652 Jamb, main door, pre-formed
23. 114465-01 Casting, rub rail end, door, RH
24. 114465-02 Casting, rub rail end, door, LH
25. 114466-01 Casting, rub rail end, wheel well, RH
26. 114466-02 Casting, rub rail end, wheel well, LH
27. 203251-04 Banana wrap, CS rear
28. 203251-02 Banana wrap, CS front
29. 500092 Flood light and lens
30. 512252 STEP LIGHT, LED STAINLESS STEEL
31. 511017-11 Vent cover, range exhaust
32. 690467-02 FURNACE, 18000 BTU

2008 SAFARI- BAMBI

EXTERIOR BODY

Wall, Roadside, 20'



2008 SAFARI- BAMBI

EXTERIOR BODY

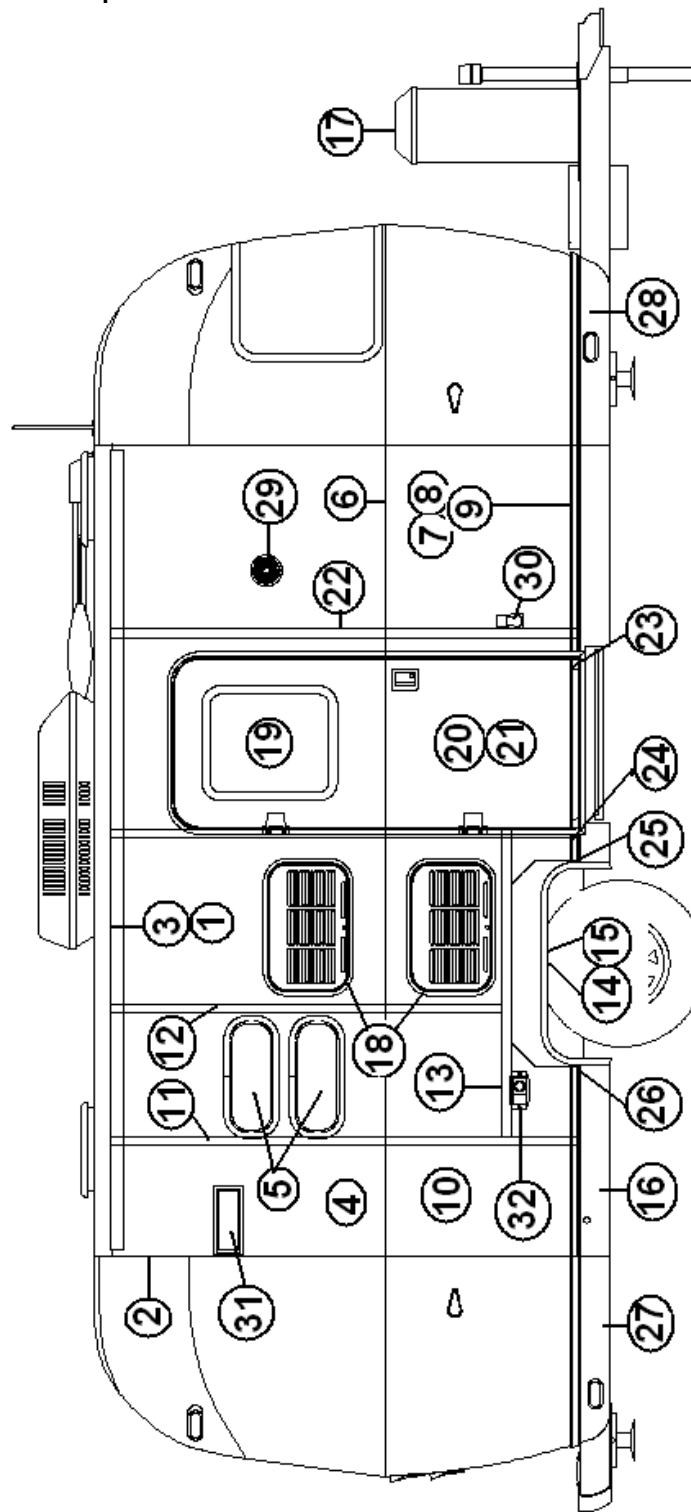
Wall, Roadside, 20'

- | | |
|----------------|----------------------------------------------|
| 1. 114290-01 | Extrusion, awning/drip rail |
| 2. 114994 | Rib, end bow |
| 3. 104707-05 | Extrusion, "I" beam |
| 4. 114880-201 | Aluminum sheet, upper, .040 x 51 x 201" |
| 5. 371381-08 | Window, 31.25" X 29.75" |
| 6. 100034 | "Z" bar, 48" |
| 7. 114460 | Extrusion, rub rail |
| 8. 201763-01 | Insert, rub rail, chrome, 1" |
| 9. 100986 | Floor channel |
| 10. 114879-201 | Aluminum sheet, lower, .040 x 33 x 201" |
| 11. 114387-02 | Bow, Z rib, LH |
| 12. 114387-01 | Bow, Z rib, RH |
| 13. 100986 | Wheel well stiffener (floor channel. |
| 14. 114003-04 | Wheel well trim, inner, single axle |
| 15. 114004-04 | Wheel well trim, outer, single axle |
| 16. 101131-01 | Underbelly wrap, .024 x 22.5, pewter |
| 17. 921232 | Cover, 30# LPG bottles |
| 18. 114466-01 | Casting, rub rail end, wheel well, RH |
| 19. 114466-02 | Casting, rub rail end, wheel well, LH |
| 20. 203251-01 | Banana wrap, RS front |
| 21. 203251-03 | Banana wrap, RS rear |
| 22. 601392-05 | City water hook-up |
| 23. 104619 | Mounting plate, exterior telephone & TV jack |
| 23. 511375 | JACK MODULAR TELEPHONE |
| 23. 510616 | F CONNECTOR, COAX, 75 OHM |
| 24. 510676-01 | Exterior 110-Volt Outlet |
| 25. 601441 | Tank Flush System |
| 26. 690199 | Water Heater |
| 27. 601876 | Shower, exterior, white |
| 28. 371381-02 | Window, 19.25" x 22.75" |

2008 SAFARI- BAMBI

EXTERIOR BODY

Wall, Curbside, 20' Special Edition



Part numbers on the next page

2008 SAFARI- BAMBI

EXTERIOR BODY

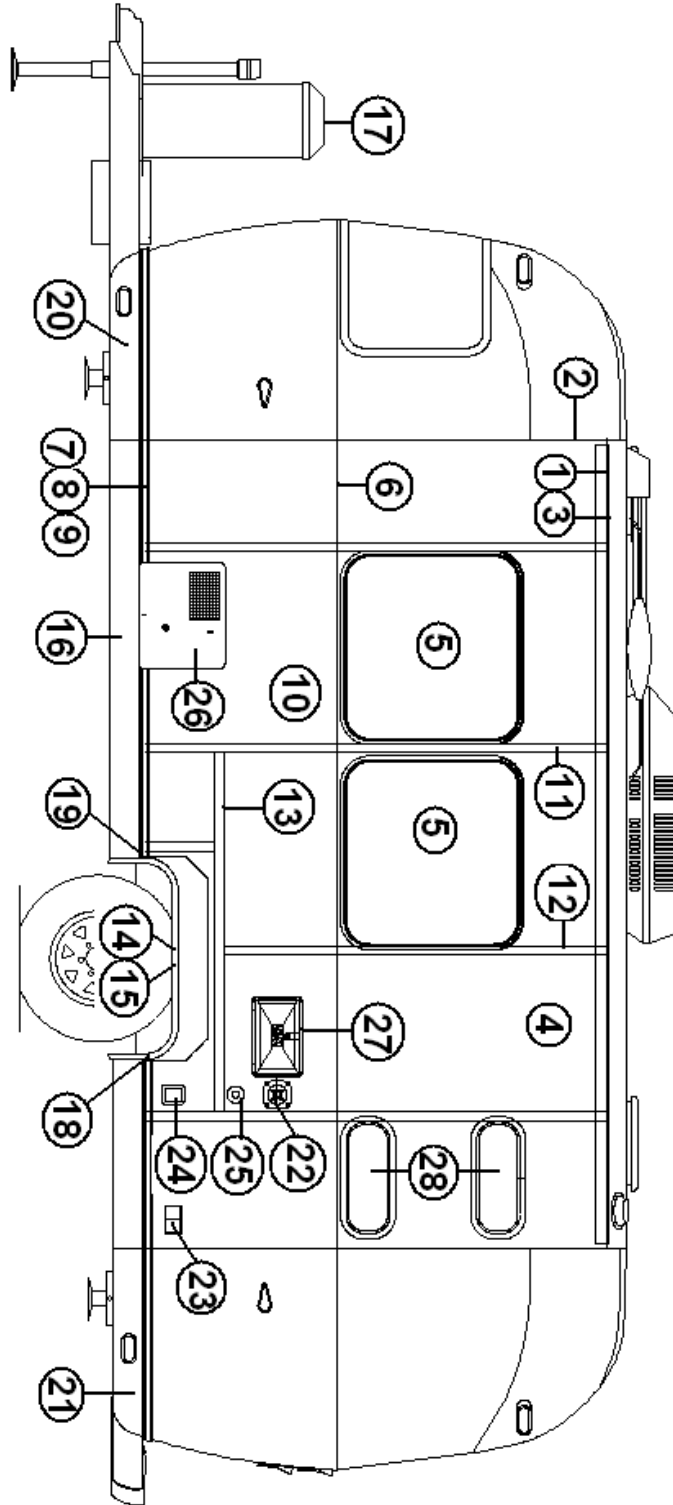
Wall, Curbside, 20' Special Edition

1. 114290-01	Extrusion, awning/drip rail
2. 114994	Rib, end bow
3. 104707-05	Extrusion, "I" beam
4. 114880-201	Aluminum sheet, .040 x 51 x 201"
5. 371269-01	Window, portal
6. 100034	"Z" bar, 48"
7. 114460	Extrusion, rub rail
8. 201763-01	Insert, rub rail, chrome, 1"
9. 100986	Floor channel
10. 114879-201	Aluminum sheet, .040 x 33 x 201"
11. 114387-02	Bow, Z rib, L
12. 114387-01	Bow, Z rib, RH
13. 100986	Wheel well stiffener (floor channel.
14. 114003-04	Wheel well trim, inner, single axle
15. 114004-04	Wheel well trim, outer, single axle
16. 101131-01	Underbelly wrap, .024 x 22.5, pewter
17. 921232	Cover, 30# LPG bottles
18. 922243	Door assembly, refrigerator assess
19. 371400-01	Window, Main Door, etched
20. 115207-04	Main door assembly
21. 114654	Screen door assembly
22. 114652	Jamb, main door, pre-formed
23. 114465-01	Casting, rub rail end, door, RH
24. 114465-02	Casting, rub rail end, door, LH
25. 114466-01	Casting, rub rail end, wheel well, RH
26. 114466-02	Casting, rub rail end, wheel well, LH
27. 203251-04	Banana wrap, CS rear
28. 203251-02	Banana wrap, CS front
29. 500092	Flood light and lens
30. 512252	STEP LIGHT-LED STAINLESS STEEL
31. 511017-11	Vent cover, range exhaust
32. 690467-02	FURNACE-18000 BTU

2008 SAFARI- BAMBI

EXTERIOR BODY

Wall, Roadside, 20' Special Edition



Part numbers on the next page

2008 SAFARI- BAMBI

EXTERIOR BODY

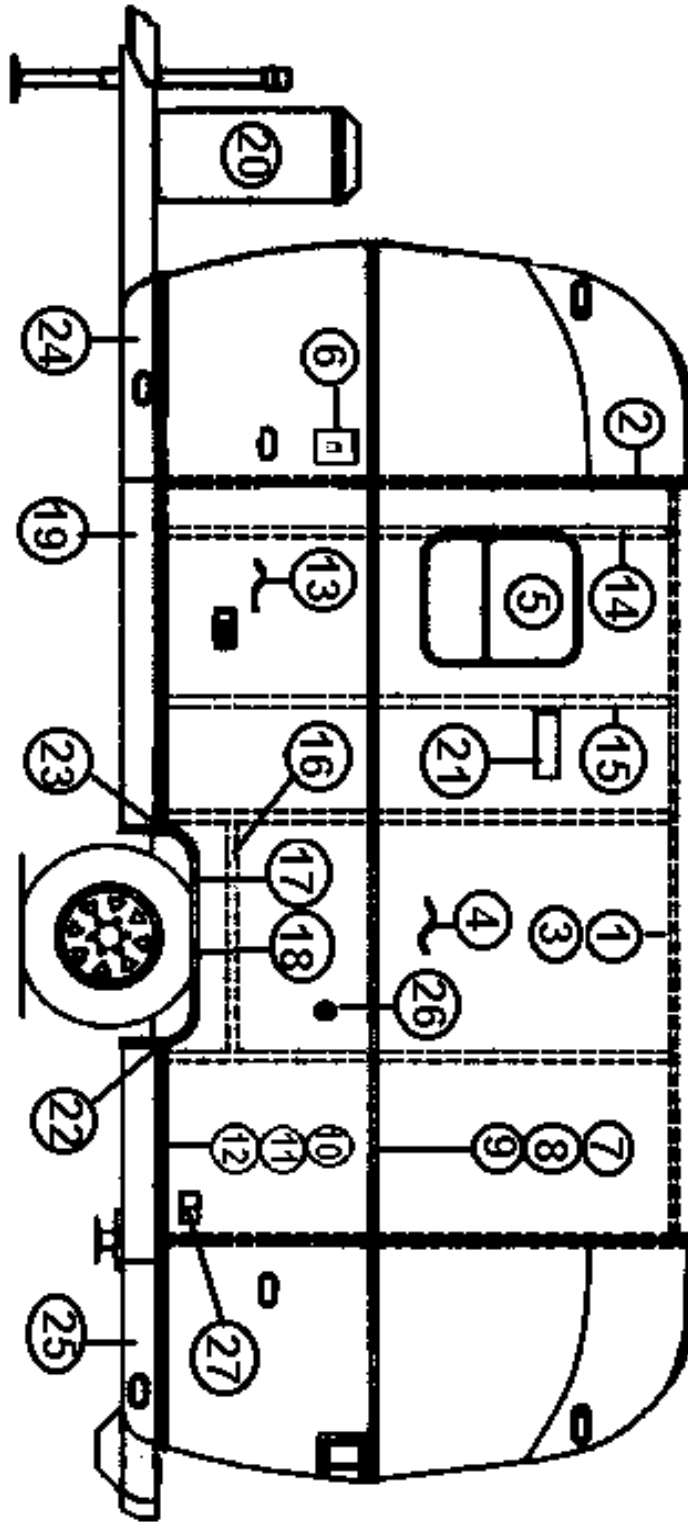
Wall, Roadside, 20' Special Edition

1. 114290-01	Extrusion, awning/drip rail
2. 114994	Rib, end bow
3. 104707-05	Extrusion, "I" beam
4. 114880-201	Aluminum sheet, .040 x 51 x 201"
5. 371380	Window, opening, 30" tall
6. 100034	"Z" bar, 48"
7. 114460	Extrusion, rub rail
8. 201763-01	Insert, rub rail, chrome, 1"
9. 100986	Floor channel
10. 114879-201	Aluminum sheet, .040 x 33 x 201"
11. 114387-02	Bow, Z rib, LH
12. 114387-01	Bow, Z rib, RH
13. 100986	Wheel well stiffener (floor channel.
14. 114003-04	Wheel well trim, inner, single axle
15. 114004-04	Wheel well trim, outer, single axle
16. 101131-01	Underbelly wrap, .024 x 22.5, pewter
17. 921232	Cover, 30# LPG bottles
18. 114466-01	Casting, rub rail end, wheel well, RH
19. 114466-02	Casting, rub rail end, wheel well, LH
20. 203251-01	Banana wrap, RS front
21. 203251-03	Banana wrap, RS rear
22. 601392-05	City water hook-up
23. 104619	Mounting plate, telephone & TV jack
23. 511375	JACK MODULAR TELEPHONE
23. 510616	F CONNECTOR, COAX, 75 OHM
24. 510676-01	Exterior 110-Volt Outlet
25. 601441	Tank Flush System
26. 690199	Water Heater
27. 601876	Shower, exterior, white
28. 371269-01	Window, portal

2008 SAFARI- BAMBI

EXTERIOR BODY

Wall, Roadside, 19'



Part numbers on the next page

2008 SAFARI- BAMBI

EXTERIOR BODY

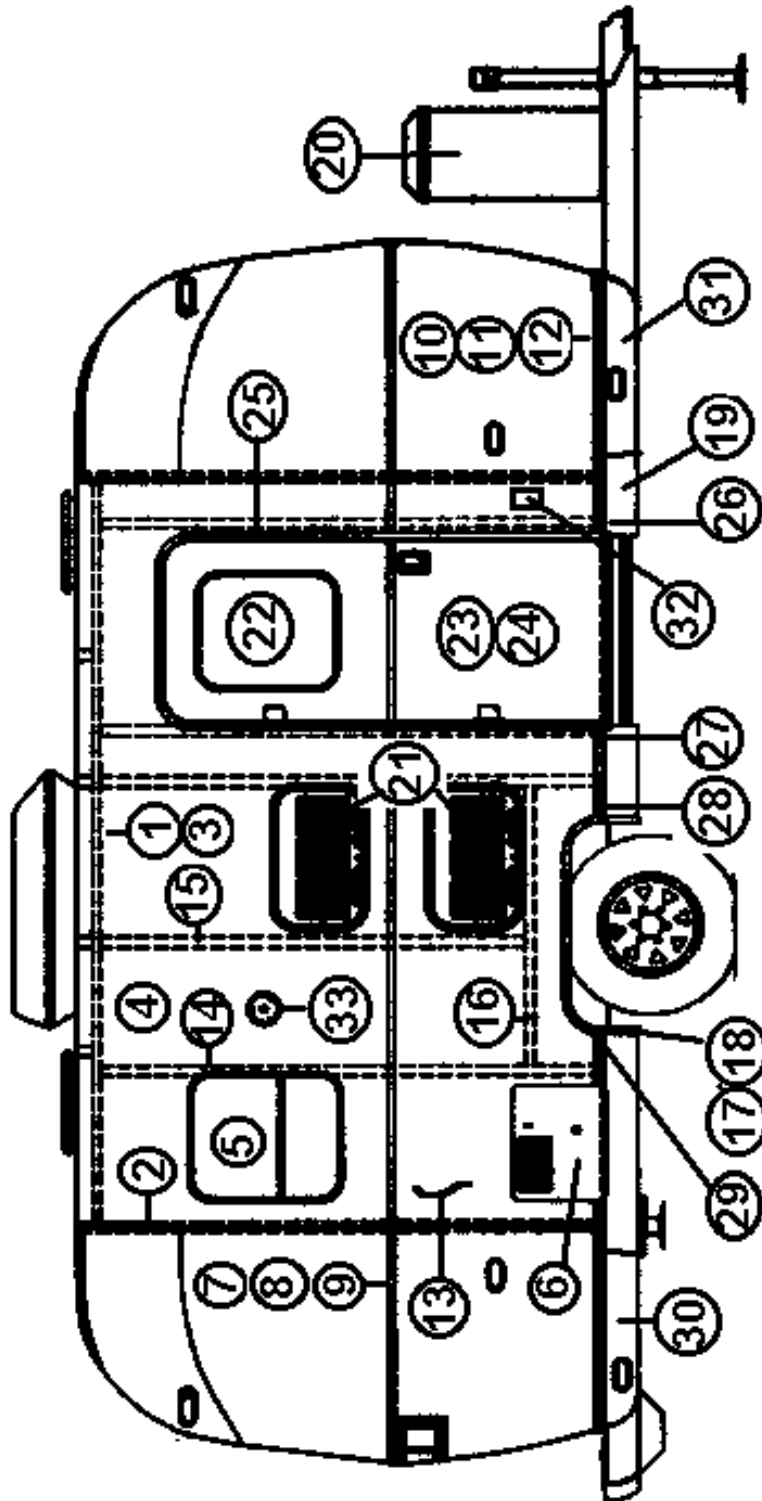
Wall, Roadside, 19'

1. 114290-01 Extrusion, awning/drip rail
2. 114994 Rib, end bow
3. 104707-05 Extrusion, "I" beam
4. 114880-201 Aluminum sheet, upper, .040 x 51 x 201"
5. 371381-02 Window, 19.25" x 22.75"
6. 601194 Water fill w/lock, gray
6. 381647 CH 751 Key only
7. 325002 RIVET SHANK DIA 1/8" X3/8" PLAIN
8. 365016 Tape, double stick 1/2"
9. 100034 "Z" bar, 48"
10. 114460 Extrusion, rub rail
11. 201763-01 Insert, rub rail, chrome, 1"
12. 100986 Floor channel
13. 114879-201 Aluminum sheet, lower, .040 x 33 x 201"
14. 114387-02 Bow, Z rib, LH
15. 114387-01 Bow, Z rib, RH
16. 100986 Wheel well stiffener (floor channel.
17. 114003-04 Wheel well trim, inner, single axle
18. 114004-04 Wheel well trim, outer, single axle
19. 101131-01 Underbelly wrap, .024 x 22.5, pewter
20. 921232 Cover, 30# LPG bottles
21. 511017-11 Vent cover, range exhaust
22. 114466-01 Casting, rub rail end, wheel well, RH
23. 114466-02 Casting, rub rail end, wheel well, LH
24. 203251-01 Banana wrap, RS front
25. 203251-03 Banana wrap, RS rear
26. 601392-05 City water hook-up
27. 104619 Mounting plate, exterior telephone & TV jack
- 511375 JACK MODULAR TELEPHONE
- 510616 F CONNECTOR, COAX, 75 OHM

2008 SAFARI- BAMBI

BODY

Wall, Curbside, 19'



Part numbers on the next page

2008 SAFARI- BAMBI

EXTERIOR BODY

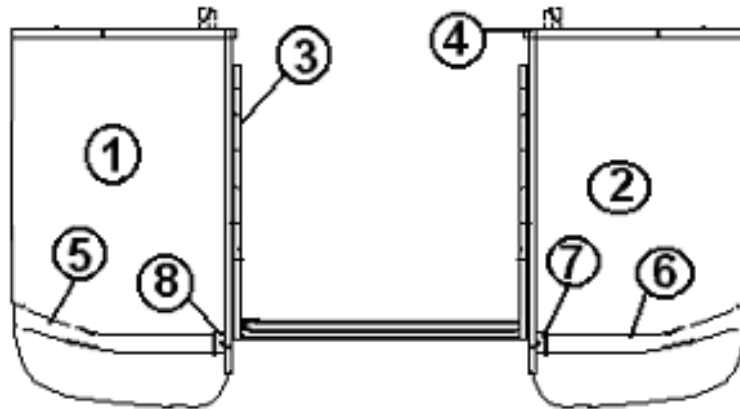
Wall, Curbside, 19'

1. 114290-02 Extrusion, awning/drip rail
2. 114994 Rib, end bow
3. 104707-05 Extrusion, "I" beam
4. 114880-201 Aluminum sheet, upper, .040 x 51 x 201"
5. 371381-02 Window, 19.25 x 22.75"
6. 690259-03 Cover and mounting flange, Atwood
7. 325002 RIVET SHANK DIA 1/8" X3/8" PLAIN
8. 365016 Tape, double stick 1/2"
9. 100034 "Z" bar, 48"
10. 114460 Extrusion, rub rail
11. 201763-01 Insert, rub rail, chrome, 1"
12. 100986 Floor channel
13. 114879-201 Aluminum sheet, lower, .040 x 33 x 201"
14. 114387-02 Bow, Z rib, LH
15. 114387-01 Bow, Z rib, RH
16. 100986 Wheel well stiffener (floor channel.
17. 114003-04 Wheel well trim, inner, single axle
18. 114004-04 Wheel well trim, outer, single axle
19. 101131-01 Underbelly wrap, .024 x 22.5,pewter
20. 921232 Cover, 30# LPG bottles
21. 922243 Door assembly, refrigerator assess
22. 371381-16 Window, Main Door, 17.75" X 21.25"
23. 115207-01 Main door assembly
24. 114654 Screen door assembly
25. 114652 Jamb, main door, pre-formed
26. 114465-01 Casting, rub rail end, door, RH
27. 114465-02 Casting, rub rail end, door, LH
28. 114466-01 Casting, rub rail end, wheel well, RH
29. 114466-02 Casting, rub rail end, wheel well, LH
30. 203251-04 Banana wrap, CS rear
31. 203251-02 Banana wrap, CS front

2008 SAFARI- BAMBI

EXTERIOR SHELL

Wrap Protector/Holdbacks



109325-100	Wrap Protector, Set, 20', 23', 25', 27', 28'
109325-02	Wrap Protector, Set, 19'
1. 966276	Wrap Protector, CS, 20', 23', 25', 27', 28'
1. 685365-100	Wrap Protector, CS, 19'
2. 966277	Wrap Protector, RS, 20', 23', 25', 27', 28'
2. 685366-100	Wrap Protector, RS, 19'
3. 381605-03	Hinge, stainless, wrap protector
4. 100742-01	Extrusion, mirror/wrap trim protector
5. 114460	Extrusion, rub rail
6. 201763-01	Insert, rub rail, chrome
7. 114465-01	CASTING CLOSEOUT RUB RAIL RH
8. 114465-02	CASTING CLOSE-OUT RUB RAIL LH
114819-01	Wrap protector hold back, 1.62"
114819-02	Wrap protector hold back, 2.50"
114819-03	Wrap protector hold back, 5.00"
101401	EXTRUSION, DOOR LATCH HOUSING/STONE
345417	NUT ACORN, HEX, LOCKING SS 1/4-
345376	NUT HEX HD 1/4-20 SS
345336-07	CAP SCREW HEX HD 1/4-20 HEX .75"

2008 SAFARI- BAMBI

INTERIOR BODY

Interior Skin

114445	Aluminum sheet, .032" x 34" x coil
114853-01	Aluminum sheet, .032" x 57" x coil
114879-201	ALUM.SHEET .040" X 33" X 201"
114880-201	ALUM.SHEET .040" X 51" X 201"
114879-262	ALUM.SHEET .040" X 33" X 262"
114880-262	ALUM.SHEET .040" X 51" X 262"

Wall/Headliner Fabric

703498	Wall liner, Hobnail Ivory, 70" Wide
703498-01	Wall liner, Hobnail Ivory, 96" Wide
702482-03	Head liner, Spectra Opal

Wall/Skin Trim

114157-01	Extrusion, end liner, upper, white
201728-01	Extrusion, ceiling trim retainer
201728-03	Extrusion, ceiling trim
203225	Trim, flexible, "U", white
203138-03	Extrusion, plastic, wall, beige
203138-04	EXTRUSION - PLASTIC WALL OAK
101077	Extrusion, main doorjamb trim, interior
114070	Extrusion, J-Trim, Aluminum
201399	TRIM FLEXIBLE S-100-LG OFF WHITE, Armrests

Galley Wall board/Back splash

801505	PANEL, ASCOT SAND/RAW .125" X 4'X8'
203159-02	DIVIDER BAR DECORATIVE ANTIQUIE
114879-201	ALUMINUM SHEET .040 X 33"W X 201", used for galley back splash. Specify length needed.

2008 SAFARI- BAMBI

CHASSIS

Axles

410875-07 Axle, 4300 #, 19'
410875-14 AXLE- #3000, 23'
410875-09 Axle, 3800#, 25', 27', 28' W
410875-19 Axle, 5000#, 20'

Axles, CSA

454232 AXLE- 5000# 12"BRAKES/15"WHEEL, 19', 20'

Shocks

0220003 Shock absorber
0250173-15 Bolt, grade 5, 5/8"-18 x 1.5", shock mount
0130068-818 Nut, hex head flanged, 5/8"-18, shock mount
0140053-62 WASHER DISC SPRING, SP, 5/8 I.D.

Step, Single, 19'

400962 STEP-MAIN DOOR STEEL 24"

Step, Double

381863-01 STEP-DOUBLE STEEL w/TREAD
0250175-03 SCREW HHCS GR5 3/8"-16 X 3/4"
0260100 3/8"-16 U-TYPE CAGE NUT

Wheel Well

200844 Wheel well, tandem
200514 Wheel well insulator, tandem
964183 CLOSEOUT ASSY-CS WHEELWELL-25' SS
453617 WHEEL WELL BOX, 19 ft.

2008 SAFARI- BAMBI

IMPORTANT: GREENBALL WHEEL ASSEMBLIES WERE REPLACED DURING 2008 MODEL YEAR WITH TREDIT ASSEMBLIES. SERVICE OLD WITH NEW IN PAIRS ONLY, FINISH IS SLIGHTLY DIFFERENT. TORQUE VALUES CHANGE FROM 110-120 FT LBS ON GREENBALL TO 100-110 FT LBS ON TREDIT.

Before unit 522959 released on 2/5/2008 the following 14" assembly was used on the 23' models.

410873	TIRE/WHEEL ASSY-14"
410920	CAP-CENTER S.S.
400923	LUG NUT, ½", ACORN TYPE
410848-01	SPARE TIRE/WHEEL ASSEMBLY

On and after unit 522959, released on 2/5/2008 the following 14" assembly was used on 23' models.

410952	TIRE/WHEEL ASSY-14"
410954	CAP-CENTER S.S.
400923	LUG NUT, ½", ACORN TYPE
410848-01	SPARE TIRE/WHEEL ASSEMBLY

Before unit 523336 released on 5/1/08 the following 15" assembly was used on all models except 23" models.

410874	TIRE/WHEEL ASSY 15"
400844	Dust cover, center hub
400923	lug nut, Acorn
410843-01	Spare Tire/wheel assembly, steel 15"

On and after unit 523336 released on 5/1/08 the following 15" assembly was used on all models except 23" models.

410953	TIRE/WHEEL ASSY 15"
400844-01	Dust cover, center hub
400923	lug nut, Acorn
410843-01	Spare Tire/wheel assembly, steel 15"

2008 SAFARI- BAMBI

CHASSIS

Spare Tire Carrier

450414 "A" frame spare tire carrier
994073 BRACKET FOR SPARE TIRE

Jacks, Stabilizing, 19'

400914-03 STABILIZER JACK 20", LIGHTWEIGHT
400914-02 HANDLE, 15" (STABILIZER JACK)
400914-04 FOOT PADS, STABILIZER JACK (Set of Four)

Jacks, Stabilizing, 20', 23', 25', 27', 28'

400093 Stabilizing jacks, BAL w/handle, (4 ea.)
400093-02 CRANK, STABILIZER JACK (BAL)
400093-01 BAL jack, (1 ea.)
400093-04 Foot pad, BAL jack

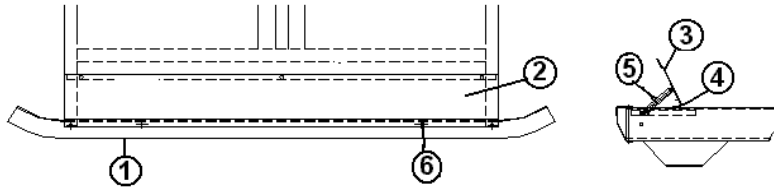
Hose Carrier

601544-02 E-Z Hose carrier, 46in., black
104704-01 SHIM, 3 X 3

2008 SAFARI- BAMBI

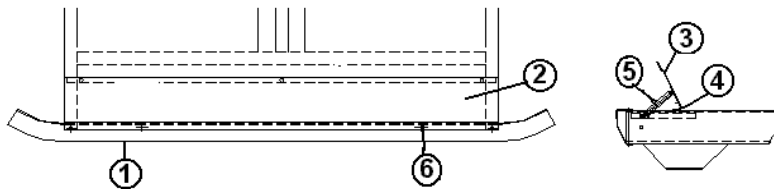
CHASSIS

Bumper Assembly, 19'



- | | |
|--------------|----------------------------------|
| 1. 410932 | BUMPER, 19 FT. |
| 2. 453627 | BOTTOM-STORAGE COMPARTMENT, 19' |
| 3. 454214 | LID REAR BUMPER COMPARTMENT, 19' |
| 4. 380203-02 | HINGE PIANO 1/8 PIN, BLACK |
| 5. 380024 | ARMS SUPPORT RIGHT HAND |
| 6. 380067 | LOCK CAM BUMPER LID LATCH |
| 365235 | TAPE DBL COATED .12"X 1.00" |
| 365013 | TAPE CHARCOAL LOW DENSITY FOAM |
| 452213-200 | SPACER, 2.00" |

Bumper Assembly, 20', 23'

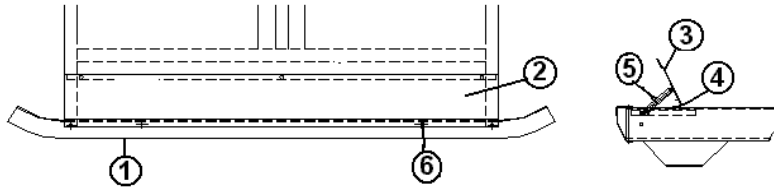


- | | |
|--------------|--------------------------------|
| 1. 410932 | BUMPER |
| 2. 454314 | BOTTOM-STORAGE COMPARTMENT |
| 3. 454315 | LID REAR BUMPER COMPARTMENT |
| 4. 380203-02 | HINGE PIANO 1/8 PIN, BLACK |
| 5. 380024 | ARMS SUPPORT RIGHT HAND |
| 6. 380067 | LOCK CAM BUMPER LID LATCH |
| 365235 | TAPE DBL COATED .12"X 1.00" |
| 365013 | TAPE CHARCOAL LOW DENSITY FOAM |

2008 SAFARI- BAMBI

CHASSIS

Bumper Assembly, 25', 27', 28'



- 1. 410831 BUMPER, 25', 27', 28'
- 2. 453538 BOTTOM-STORAGE COMPARTMENT, 25', 27', 28' W
- 3. 921239-01 LID ASSEMBLY, REAR BUMPER COMPARTMENT
- 3. 453497 LID ONLY, REAR BUMPER COMPARTMENT
- 4. 380203-02 HINGE PIANO 1/8 PIN
- 5. 380024 ARMS SUPPORT RIGHT HAND
- 6. 380067 LOCK CAM BUMPER LID LATCH
- 365235 TAPE DBL COATED .12"X 1.00"
- 365013 TAPE CHARCOAL LOW DENSITY FOAM

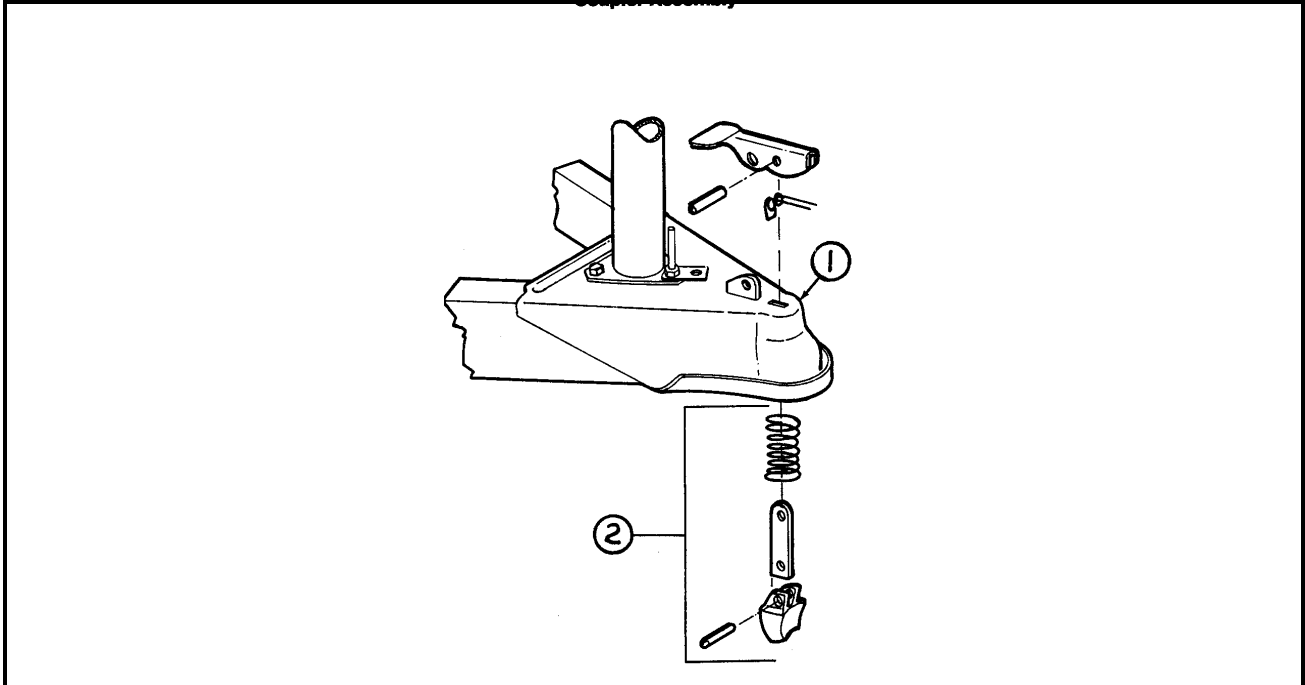
Underbelly

- 114679 Aluminum underbelly, .019" x 65.75 x coil
- 101131-01 Aluminum, underbelly wrap, .024" x 22.5, gray
- 203304 ROLL, UNDERBELLY, BLACK PLASTIC

2008 SAFARI- BAMBI

CHASSIS

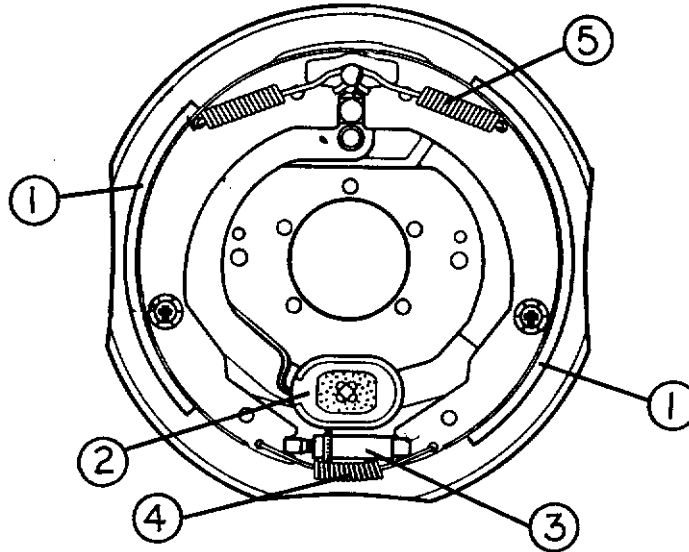
Hitch Coupler/Safety Chains



- | | |
|-----------|--------------------------------|
| 1. 680343 | Coupler assembly, 2 5/16" |
| 2. 680345 | Repair kit, 2 5/16" coupler |
| 400945 | 5/16" clevis, safety slip hook |

2008 SAFARI- BAMBI CHASSIS

10" BRAKE ASSEMBLY

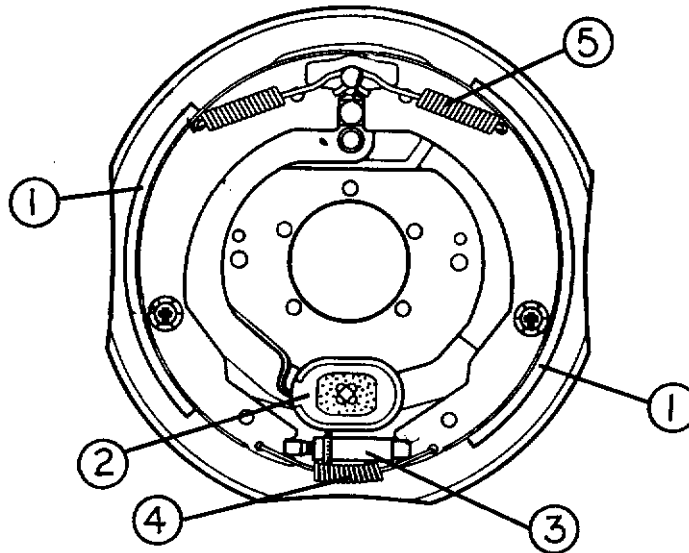


- | | |
|---------------|---------------------------------------------------------|
| 1. 3160097-62 | Shoe and lining kit (includes hold down spring and pin) |
| 2. 3160097-65 | Magnet kit |
| 3. 3160097-63 | Adjuster assembly |
| 4. 3160097-64 | Adjusting screw spring |
| 5. 3160097-61 | Retractor spring |
| 3160096 | Brake assembly, RH, 10" Dexter |
| 3160097 | Brake assembly. LH, 10" Dexter |
| 3160255 | Brake drum 10", 5 lug |
| 685016 | Inner bearing, #L68149 |
| 685017 | Inner race, # L68111 |
| 680380 | Outer bearing, #L44649 |
| 680387 | Outer race, #L44610 |
| 680377 | Grease seal |

2008 SAFARI- BAMBI

CHASSIS

12" BRAKE ASSEMBLY

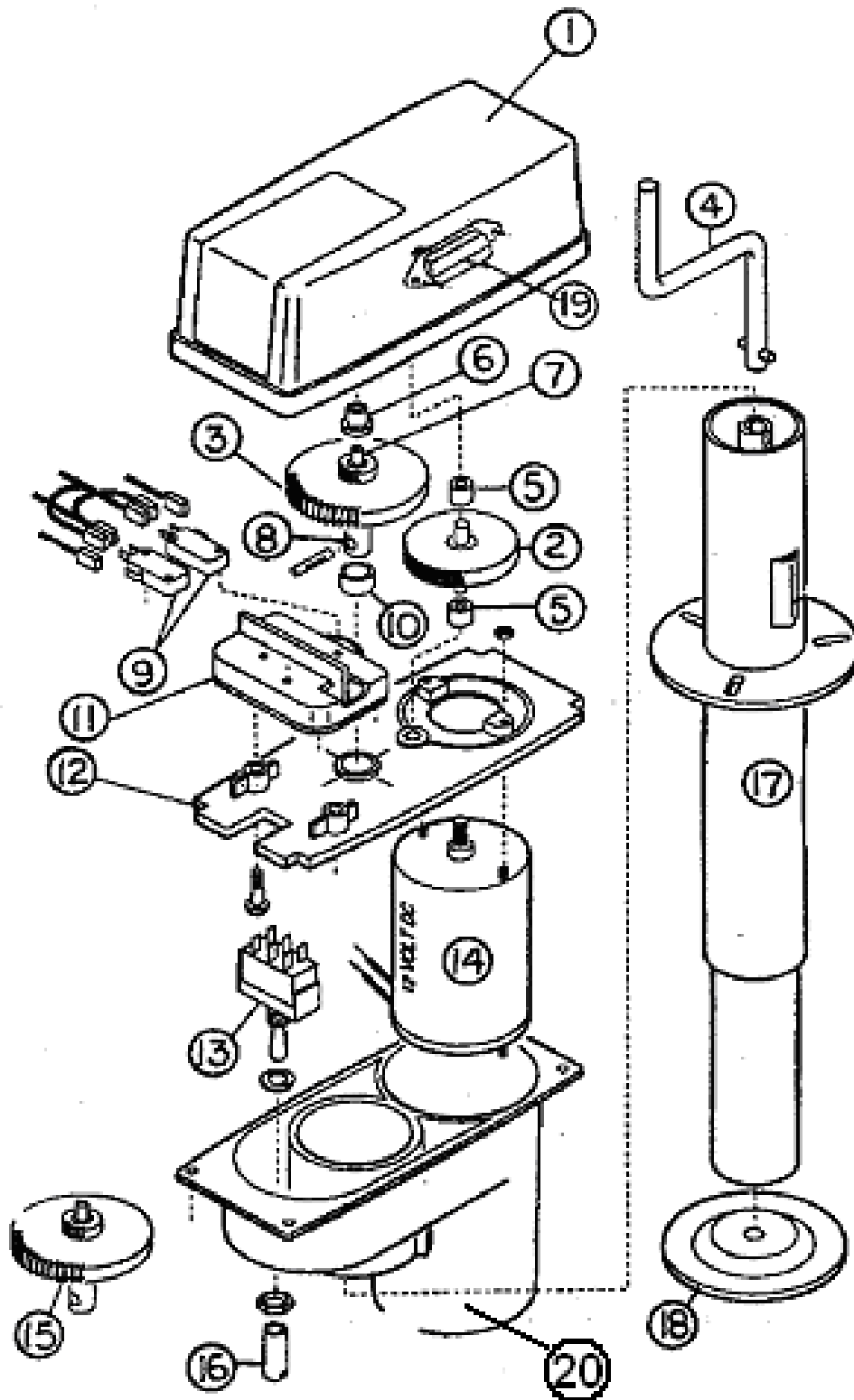


- | | |
|---------------|---------------------------------------------------------|
| 1. 3160348-62 | Shoe and lining kit (includes hold down spring and pin) |
| 2. 3160348-65 | Magnet kit |
| 3. 3160348-63 | Adjuster assembly |
| 4. 3160348-64 | Adjusting screw spring |
| 5. 3160348-61 | Retractor spring |
| 3160347 | Brake assembly, RH, 12" Dexter |
| 3160348 | Brake assembly, LH, 12" Dexter |
| 3160121 | Brake drum, 12", 6 lugs |
| 450659 | Inner bearing, #25580 |
| 680364 | Inner race, #25520 |
| 450658 | Outer bearing, #LM67048 |
| 680365 | Outer race, #LM67010 |
| 680370-100 | Grease seal |

2008 SAFARI- BAMBI

CHASSIS

Hitch Jack, Power



Part Numbers are on the next page

2008 SAFARI- BAMBI

CHASSIS

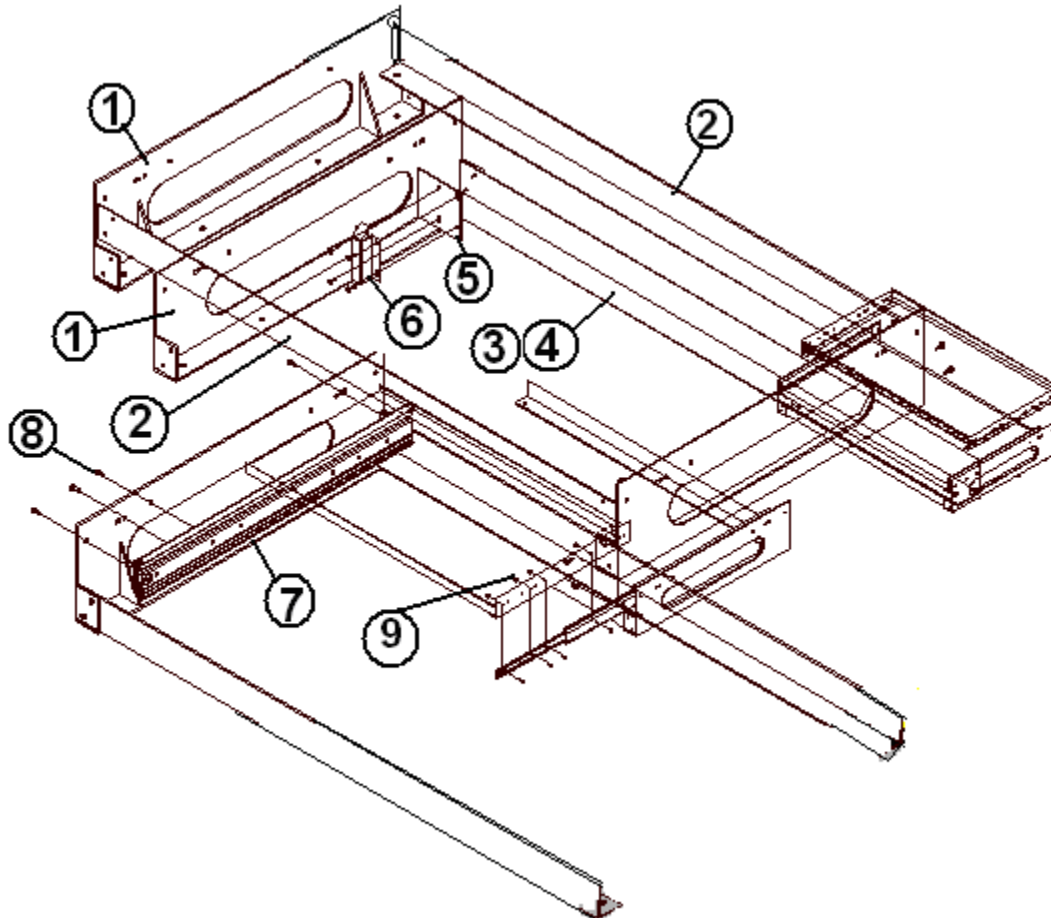
Power Hitch Jack

511544	Power jack w/flag holder & light
012251	Power head less post
1. 012198	Cover, Super Jack
2. 010051	Gear, fiber, Super Jack
3. 015551	Drive gear, Super Jack
4. 016199	Crank handle, manual, Super Jack
5. 080501	Bushing, bronze, Super Jack
6. 010055	Bushing, flange, Super Jack
7. 015552	Gear, pot/reed, Super Jack
8. 015553	Shaft, Super Jack
9. 081703	Micro switch, Super Jack
10. 080520	Bushing/bronze,7/16,Super Jack
11. 012252	Limit switch assembly, Super Jack
12. 012200	Center plate, Super Jack
13. 081704	Switch, toggle, Super Jack
14. 016263	Motor, 12V, Super Jack
15. 011675	Drive gear assembly, Super Jack
16. 010069	Switch cover, Super Jack
17. 011631	Jack post, Super Jack
18. 410598	Foot pad #12231
19. 026503	Light, Jack
20. 012199	Housing for Motor and Switch

2008 SAFARI- BAMBI

CHASSIS

Rear Storage Slide, "W" Bed



- | | |
|---------------|--------------------------------------|
| 1. 454596 | FLOOR MOUNTING BRACKET, REAR STORAGE |
| 2. 454597 | ANGLE, CROSSMEMBER, REAR STOW |
| 3. 454598 | SLIDE BRACKET, REAR STOW |
| 4. 454599 | STORAGE BOX CROSSMEMBER |
| 5. 454600 | LATCH BRACKET |
| 6. 382035 | LATCH, SUNDECKER |
| 7. 382036 | SLIDE, 24" ACCURIDE END |
| 8. 320120-500 | SCREW, 10-32, FLAT HEAD |
| 9. 350029 | LOCK NUT, 10-32 |

2008 SAFARI- BAMBI

DECALS/EXTERIOR TRIM

Decals/Logos/Nameplates

386088	DECAL, STRIPE, CENTER BLACK REFLECTIVE 5/16"
386127	NAMEPLATE SAFARI BLACK REFLECTIVE, D. LENZ
386126	NAMEPLATE-BAMBI BLACK/GRAY
386068	Medallion, screen door, 3", black
386150	DECAL, "AIRSTREAM", 2.4" X 28" BLACK
386151	DECAL, "AIRSTREAM", 1.3" X 16" BLACK
386157	DECAL-SPECIAL EDITION, 4.25" X 13"

Decal Option Package

386088	DECAL CTR BLACK REFLECTIVE
386127	NAMEPLATE SAFARI BLACK REFLECTIVE, D. LENZ
386167-02	DECAL-FRONT BLACK DIE CUT (PAIR)
386165-02	DECAL-BLACK MAIN STRIPE 6"
386166-02	DECAL, AFT DIE CUT BLACK (PAIR)
386151	DECAL, "AIRSTREAM", 1.3" X 16" BLACK

Rub Rail trim

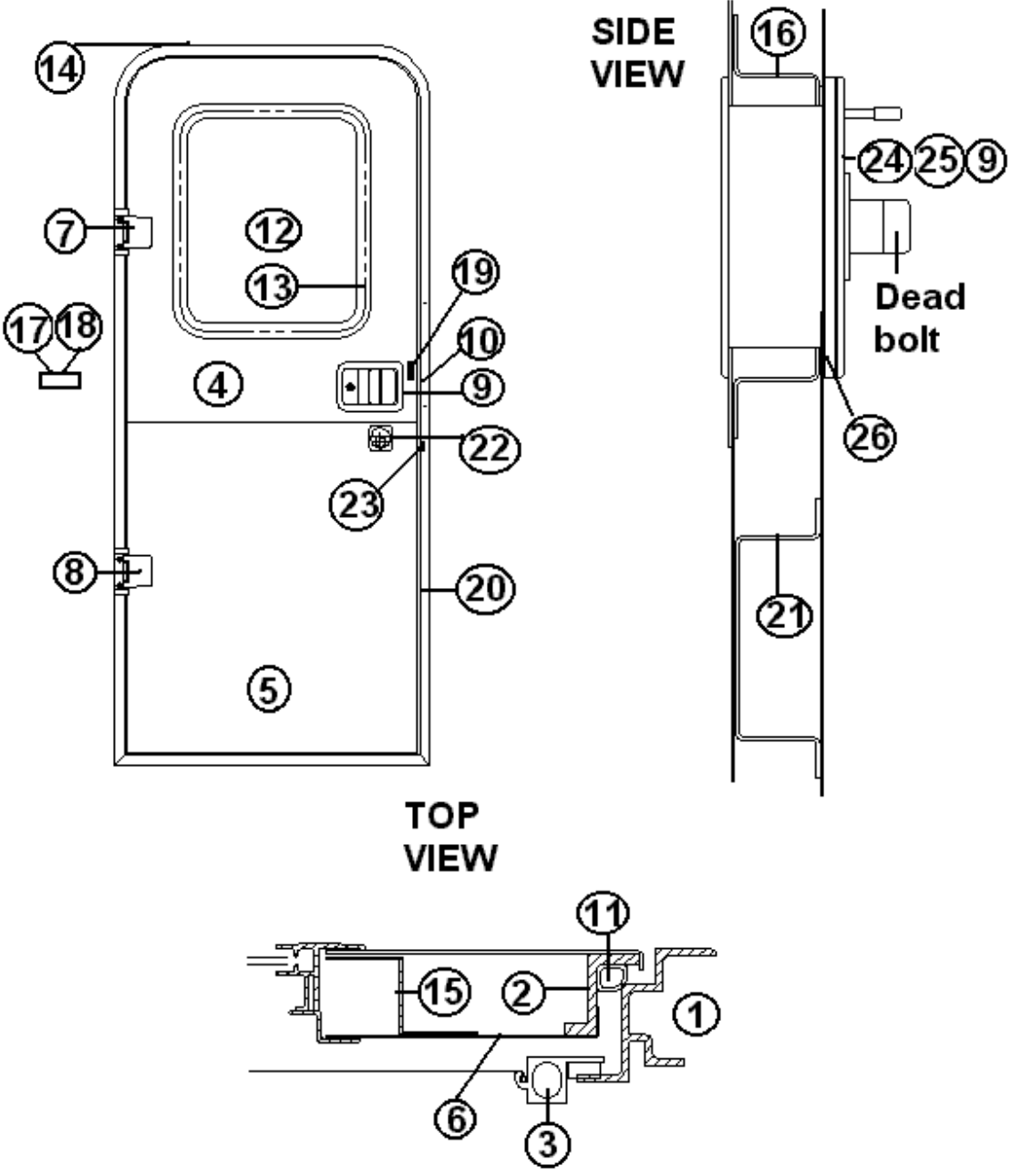
114460	Extrusion, rub rail
201763-01	Insert, rub rail, chrome, 1"
114466-01	Close out, casting, rub rail, angled RH
114466-02	Close out, casting, rub rail, angled LH
114465-01	Close out, casting, rub rail RH
114465-02	Close out, casting, rub rail LH

Reflectors

500095	REFLECTOR RED RECTANGULAR
500096	REFLECTOR, AMBER
510446	REFLECTOR, RED, STICK-ON

2008 SAFARI- BAMBI DOORS/WINDOWS/AWNING

Main Door, LH Hinge



2008 SAFARI- BAMBI

DOORS/WINDOWS/AWNING

Main Door, LH Hinge

- | | |
|--------------------|---------------------------------------|
| 115207-01 | Main door assembly, LH Hinge |
| 1. 114653 | Frame, main door, pre-formed |
| 2. 114652 | Jamb, main door, pre-formed |
| 3. 114654 | Screen door assembly |
| 4. 114448-03 | Skin, exterior, upper main door |
| 5. 114449-03 | Skin, exterior, lower main door |
| 6. 114475 | MAIN DOOR SKIN INNER |
| 7. 381552-03 | HINGE ASSY. MAIN DOOR UPPER |
| 8. 381552-04 | HINGE ASSY. MAIN DOOR LOWER |
| 9. Latch Assembly, | see hardware section |
| 10. 385595 | Pocket strike, main door |
| 11. 365208 | Seal, main door |
| 12. 371381-16 | Window, Main Door, 17.75" X 21.25 |
| 13. 110460-01 | TRIM RING-17.75" X 21.25" |
| 14. 114363 | Drip cap, main door |
| 15. 114658 | Inner door, "Z" bar, upper & lower |
| 16. 114657 | Hat section, formed, main door |
| 17. 380290 | Housing. Latch, mounted on side sheet |
| 18. 380291 | Latch assembly, mounted on side sheet |
| 19. 201056 | Striker, main door, black plastic |
| 20. 114655 | Trim ring formed, main door |
| 21. **115004 | Hat section assembly, dead bolt |
| 21. **115415 | Door hat section assembly |
| 22. *381323-01 | Dead bolt, complete assembly |
| 22. *382069 | Deadbolt assembly, round, Trimark |
| 23. 381326 | Striker w/ Trimark deadbolt |
| 24. 345321-12 | Screw, flat head, black |
| 25. 453851 | Bolt, Trimark, deadbolt |
| 26. 203370 | Spacer, deadbolt assembly |

Due to square dead bolt being discontinued by Trimark, Airstream switched to a round deadbolt in April, 2008. (Late 2008 model year) with the following changes:

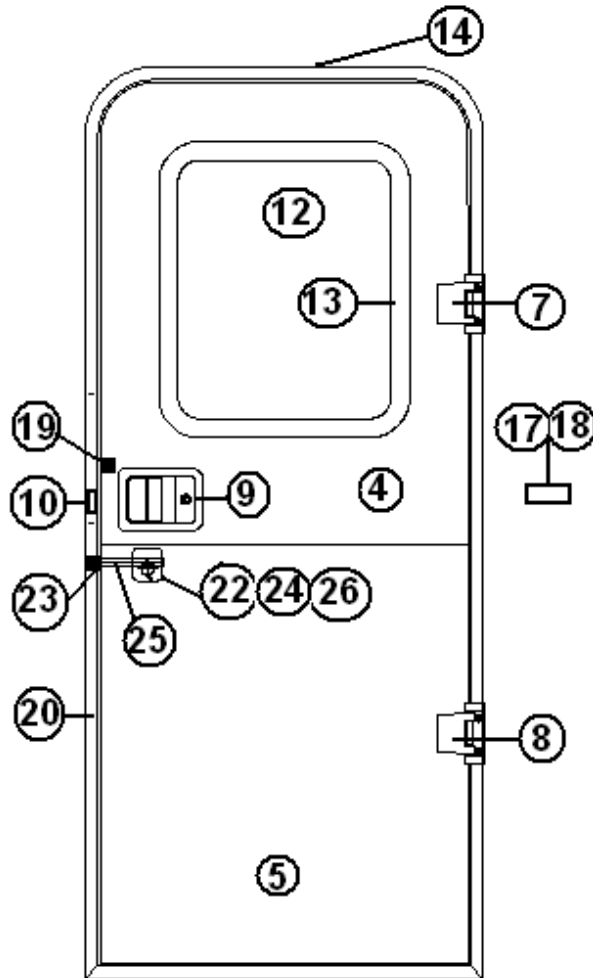
*381323-01 replaced by 382069

**115004 replaced by 115415

2008 SAFARI- BAMBI

DOORS/WINDOWS/AWNING

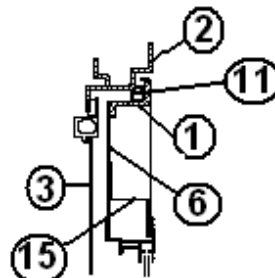
Main Door, RH Hinge



Latch Assembly



Top View



2008 SAFARI- BAMBI

DOORS/WINDOWS/AWNING

Main Door, RH Hinge

- 115207-02 Main door assembly, RH Hinge
- 1. 114652-01 Jamb, main door, pre-formed
- 2. 114653-01 Frame, main door, pre-formed
- 3. 114654-01 Screen door assembly, RH Hinge
- 4. 114448-02 Skin, exterior, upper main door
- 5. 114449-02 Skin, exterior, lower main door
- 6. 114475 MAIN DOOR SKIN INNER
- 7. 381552-02 HINGE ASSY. MAIN DOOR UPPER
- 8. 381552-01 HINGE ASSY. MAIN DOOR LOWER
- 9. Trimark latch assembly parts shown in hardware section
- 10. 385595 Pocket strike, main door
- 11. 365232 Seal, main door
- 12. 371381-16 WINDOW, MAIN DOOR
- 13. 203370 Spacer, Trimark door Latch
- 14. 114363 Drip cap, main door
- 15. 114658 Inner door, "Z" bar, upper & lower
- 16. 114657 Hat section, formed, main door
- 17. 380290 Housing. Latch, mounted on side sheet
- 18. 380291 Latch assembly, mounted on side sheet
- 19. 201056 Striker, main door, black plastic
- 20. 114655 Trim ring formed, main door
- 21. **115004 Hat section assembly, dead bolt
- 21. **115415 Door hat section assembly
- 22. *381323-01 Dead bolt, complete assembly
- 22. *382069 Deadbolt assembly, round, Trimark
- 23. 381326 Striker w/ Trimark deadbolt
- 24. 345321-12 Screw, flat head, black
- 25. 453851 Bolt, Trimark, deadbolt
- 26. 203370 Spacer, deadbolt assembly
- 101171 HANDLE, CAST ALUMINUM
- 382074 Gasket, grab handle, main door

Due to square dead bolt being discontinued by Trimark, Airstream switched to a round deadbolt in April, 2008. (Late 2008 model year) with the following changes:

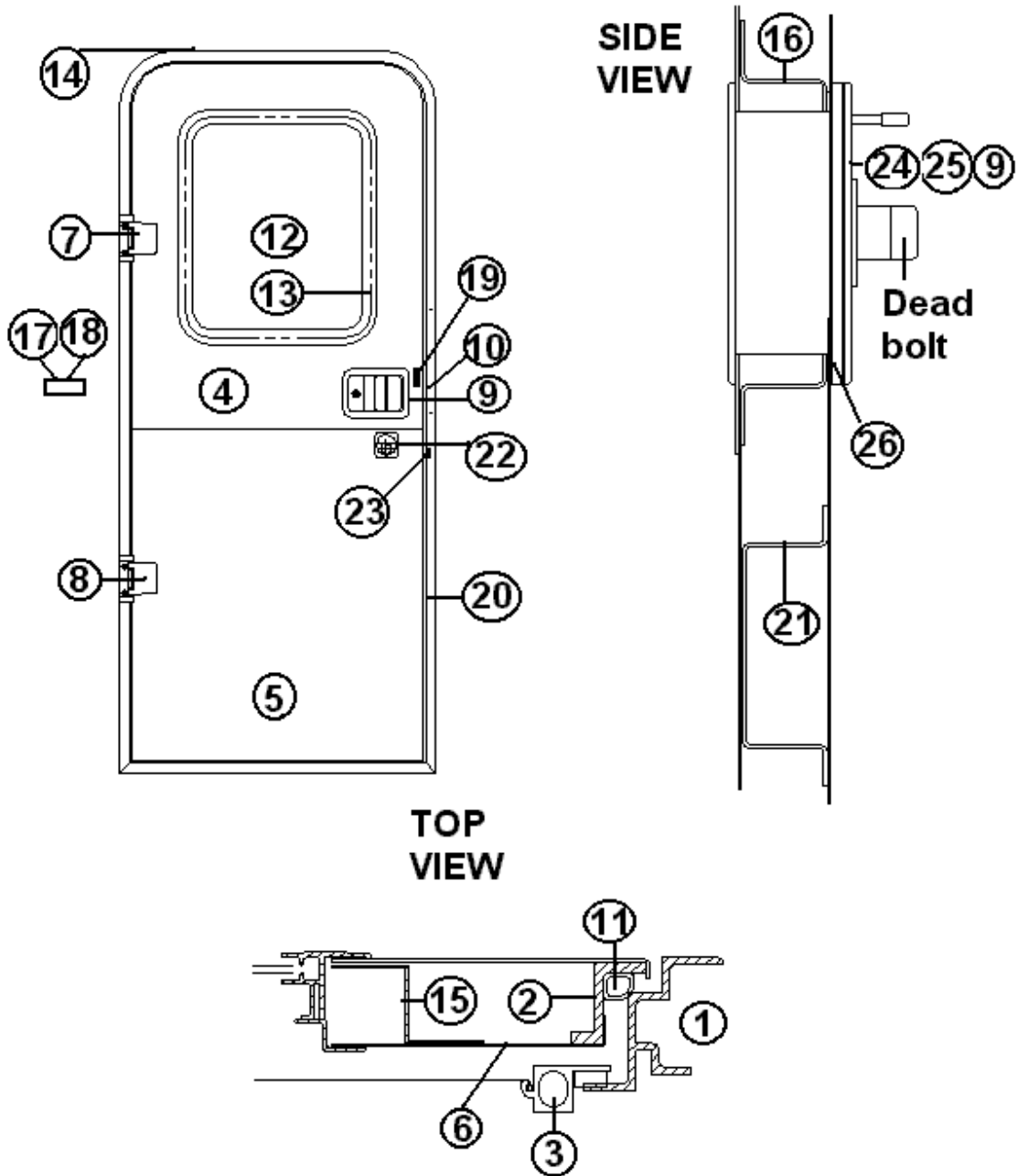
*381323-01 replaced by 382069 late in model year.

**115004 replaced by 115415

2008 SAFARI- BAMBI

DOORS, EXTERIOR

Door, Main, LH Hinge, Special Edition



2008 SAFARI- BAMBI

DOORS, EXTERIOR

Door, Main, LH Hinge, Special Edition

115207-04	Main door assembly, LH hinge
1. 114653	Frame, main door, pre-formed
2. 114652	Jamb, main door, pre-formed
3. 114654	Screen door assembly
4. 114448-03	Skin, exterior, upper main door
5. 114449-03	Skin, exterior, lower main door
6. 114475	MAIN DOOR SKIN INNER
7. 381552-03	HINGE ASSY. MAIN DOOR UPPER
8. 381552-04	HINGE ASSY. MAIN DOOR LOWER
9.	Trimark latch assembly parts shown in hardware section
10. 385595	Pocket strike, main door
11. 365232	Seal, main door
12. 371400-01	Window, main door, etched
13. 115208	Trim ring, main door window
14. 114363	Drip cap, main door
15. 114658	Inner door, "Z" bar, upper & lower
16. 114657	Hat section, formed, main door
17. 380290	Housing. Latch, mounted on side sheet
18. 380291	Latch assembly, mounted on side sheet
19. 201056	Striker, main door, black plastic
20. 114655	Trim ring formed, main door
21. ***115004	Hat section assembly, dead bolt
21. ***115415	Door hat section assembly
22. *381323-01	Dead bolt, complete assembly
22. *382069	Deadbolt assembly, round, Trimark
23. 381326	Striker w/ Trimark deadbolt
24. 345321-12	Screw, flat head, black
25. 453851	Bolt, Trimark, deadbolt
26. 203370	Spacer, deadbolt assembly
203495	SPACER-DOOR STAY MAIN
203494	BASE PLATE DOOR LATCH
511344-01	GRAB HANDLE EMBOSSED "LIMITED"

Due to square dead bolt being discontinued by Trimark, Airstream switched to a round deadbolt in April, 2008. (Late 2008 model year) with the following changes:

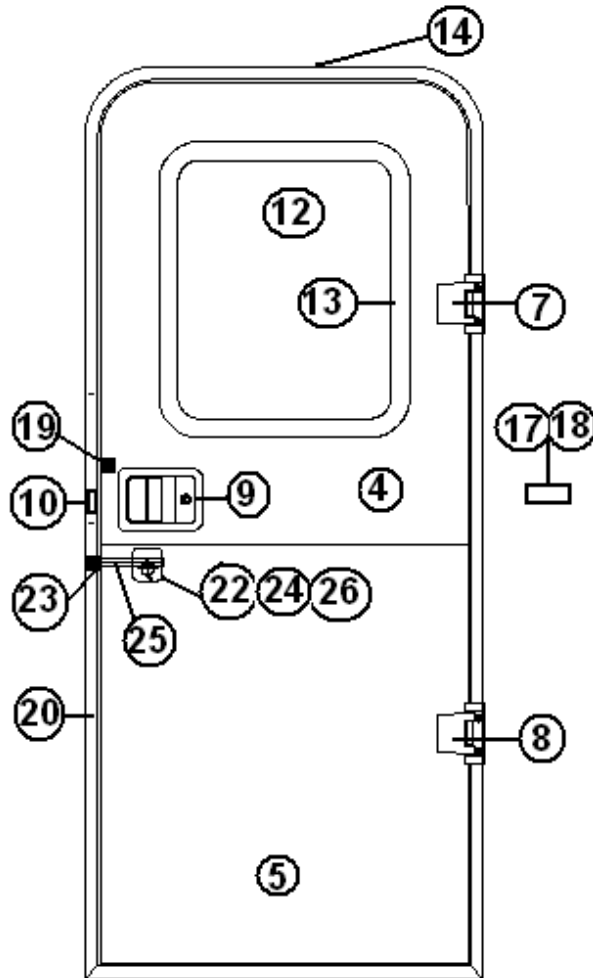
*381323-01 replaced by 382069 late in model year.

**115004 replaced by 115415

2008 SAFARI- BAMBI

DOORS, EXTERIOR

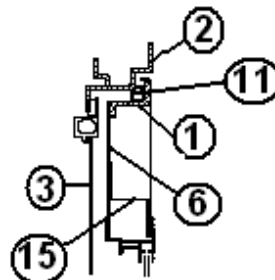
Main Door, RH Hinge, Special Edition



Latch Assembly



Top View



2008 SAFARI- BAMBI

DOORS, EXTERIOR

Main Door, RH Hinge, Special Edition

115207-05	Main door assembly, RH hinge
1. 114652-01	Jamb, main door, pre-formed
2. 114653-01	Frame, main door, pre-formed
3. 114654-01	Screen door assembly, RH Hinge
4. 114448-02	Skin, exterior, upper main door
5. 114449-02	Skin, exterior, lower main door
6. 114475	MAIN DOOR SKIN INNER
7. 381552-02	HINGE ASSY. MAIN DOOR UPPER
8. 381552-01	HINGE ASSY. MAIN DOOR LOWER
9. Trimark latch assembly parts shown in hardware section	
10. 385595	Pocket strike, main door
11. 365232	Seal, main door
12. 371400-01	Window, main door, etched
13. 203370	Spacer, Trimark door Latch
14. 114363	Drip cap, main door
15. 114658	Inner door, "Z" bar, upper & lower
16. 114657	Hat section, formed, main door
17. 380290	Housing. Latch, mounted on side sheet
18. 380291	Latch assembly, mounted on side sheet
19. 201056	Striker, main door, black plastic
20. 114655	Trim ring formed, main door
21. ***115004	Hat section assembly, dead bolt
21. ***115415	Door hat section assembly
22. *381323-01	Dead bolt, complete assembly
22. *382069	Deadbolt assembly, round, Trimark
23. 381326	Striker w/ Trimark deadbolt
24. 345321-12	Screw, flat head, black
25. 453851	Bolt, Trimark, deadbolt
26. 203370	Spacer, deadbolt assembly
203495	SPACER-DOOR STAY MAIN
203494	BASE PLATE DOOR LATCH
511344-01	GRAB HANDLE EMBOSSED "LIMITED"

Due to square dead bolt being discontinued by Trimark, Airstream switched to a round deadbolt in April, 2008. (Late 2008 model year) with the following changes:

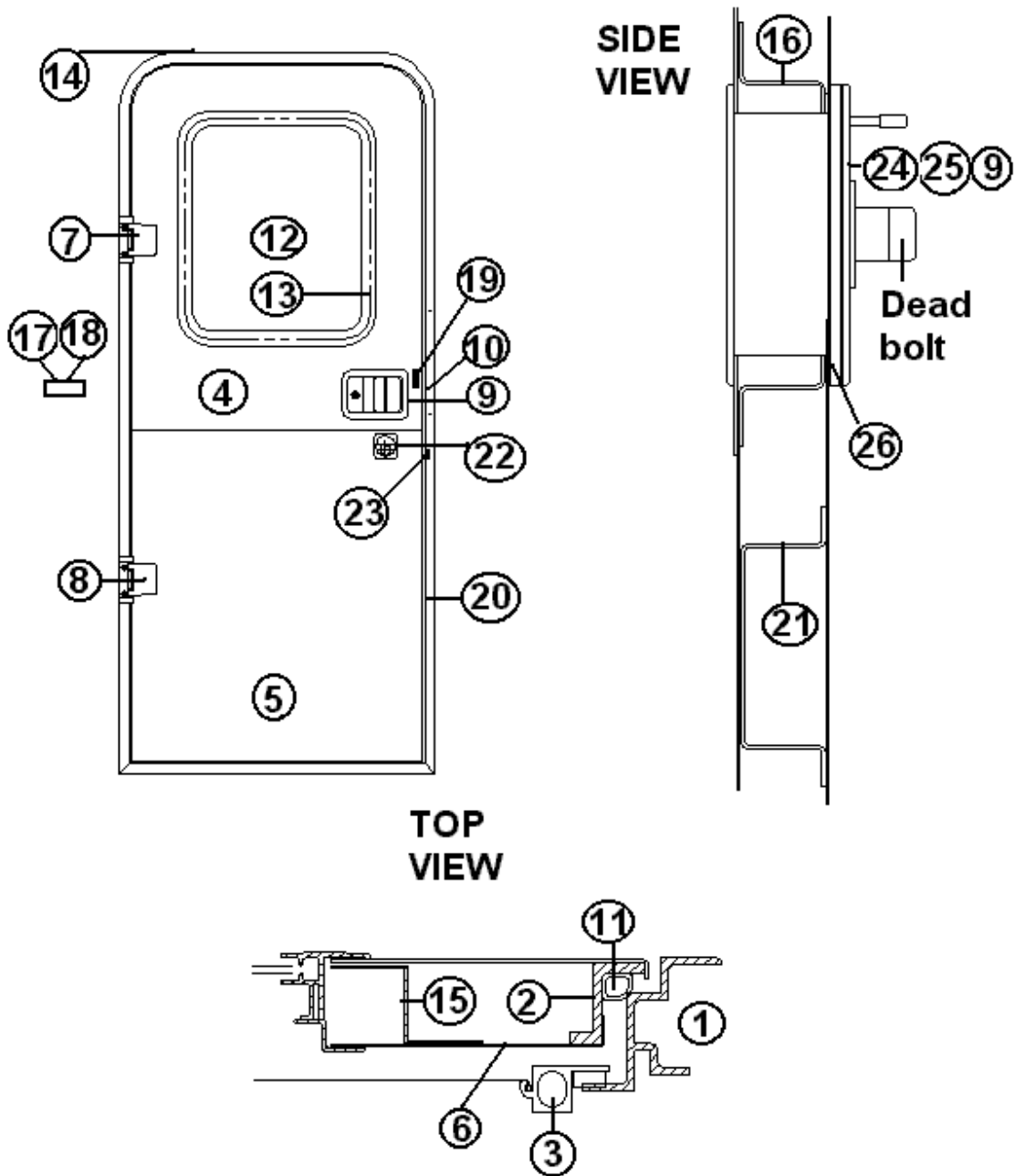
*381323-01 replaced by 382069 late in model year.

**115004 replaced by 115415

2008 SAFARI- BAMBI

DOORS, EXTERIOR

Main Door, LH Hinge, Special Edition



Part Number Are On The Next Page

2008 SAFARI- BAMBI

DOORS, EXTERIOR

Main Door, LH Hinge, Special Edition

115207-04	Main door assembly
1. 114653	Frame, main door, pre-formed
2. 114652	Jamb, main door, pre-formed
3. 114654	Screen door assembly
4. 114448-03	Skin, exterior, upper main door
5. 114449-03	Skin, exterior, lower main door
6. 114475	MAIN DOOR SKIN INNER
7. 381552-03	HINGE ASSY. MAIN DOOR UPPER
8. 381552-04	HINGE ASSY. MAIN DOOR LOWER
9.	See hardware section for door latch parts
10. 385595	Pocket strike, main door
11. 365232	Seal, main door
12. 371400-01	WINDOW, MAIN DOOR, ETCHED
13. 115208	TRIM RING- MAIN DR.WINDOW
14. 114363	Drip cap, main door
15. 114658	Inner door, "Z" bar, upper & lower
16. 114657	Hat section, formed, main door
17. 380290	Housing. Latch, mounted on side sheet
18. 380291	Latch assembly, mounted on side sheet
19. 201056	Striker, main door, black plastic
20. 114655	Trim ring formed, main door
21. ***115004	Hat section assembly, dead bolt
21. ***115415	Door hat section assembly
22. *381323-01	Dead bolt, complete assembly
22. *382069	Deadbolt assembly, round, Trimark
23. 381326	Striker w/ Trimark deadbolt
24. 345321-12	Screw, flat head, black
25. 453851	Bolt, Trimark, deadbolt
26. 203370	Spacer, deadbolt assembly
203495	SPACER-DOOR STAY MAIN
203494	BASE PLATE DOOR LATCH
511344-01	GRAB HANDLE EMBOSSED "LIMITED"

Due to square dead bolt being discontinued by Trimark, Airstream switched to a round deadbolt in April, 2008. (Late 2008 model year) with the following changes:

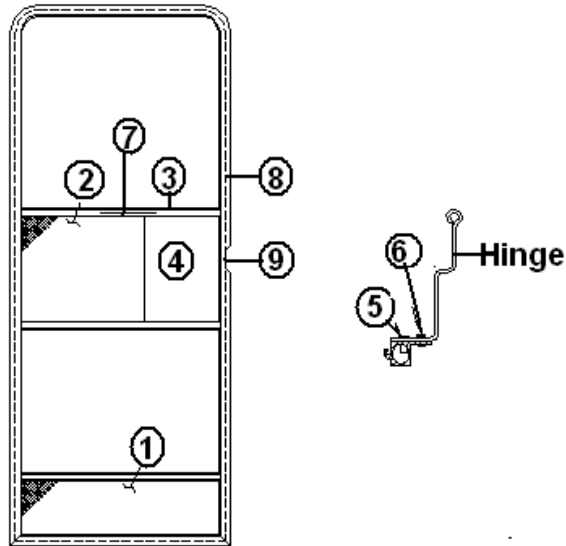
*381323-01 replaced by 382069 late in model year.

**115004 replaced by 115415

2008 SAFARI- BAMBI

DOORS/WINDOWS/AWNING

Screen Door



114654	SCREEN DOOR ASSY. LH HINGE
114654-01	SCREEN DOOR ASSY. RH HINGE
1. 114648-01	Kick panel screen door
2. 114561-01	Panel, slider, screen door
3. 104784-78	EXTR.SCREENDOOR STIFENER #VH-9
4. 203287-02	Close out, plastic, screen door
5. 330126-03	RIVET POP SSD44SSBS
6. 325122	Rivet, hard, 5/32
7. 380004	HANDLE WITH 8/32 X 1 SCREW
8. 365013-01	Gasket, screen door, foam tape
9. 683946	BUG SEAL, edge of screen door close out
32226W	Guard, screen door
115171-01	SCREEN DOOR GUARD TOP
115171-02	SCREEN DOOR GUARD BOTTOM
380079	Screen, gray
200518	Spline, gray, screen insert
701624	VELCRO LOOP 5/8" WIDE
701625	VELCRO HOOK, 5/8" WIDE
381454	Screen door hold back latch, Bullet
386068	MEDALLION 3" LOGO, AIRSTREAM
381531-01	Hinge, screen door, upper
381531-02	Hinge, screen door, lower

2008 SAFARI- BAMBI

DOORS/WINDOWS/AWNING

Refrigerator Door

922243	Door, refrigerator access, assembly
922156	Refer access door only
104417	Jamb, refrigerator access door
104439	Louvered panel, refrigerator access door
380988	HINGE, CONTINUOUS .5IN LEAF 16IN
203225	Trim, flexible
381812	Latch, twist Lock

Side/Rear Small Access Door

100679-01	Side access door assembly, 20" x 11"
365035	Seal, side access door
380770	LOCK & CASTING ASSEMBLY
380773	HINGE, ACCESS DOOR
115295	Spacer, formed, compartment door
115296	Jamb, formed, compartment door

Trunk Door, 25' Front Bed, 27' Front Bed

922711	DOOR ASSY
115157	JAMB-TRUNK DOOR
380203-01	PIANO HINGE 1/8"
380770	LOCK & CASTING, BLACK
360016	BUMP-ON RUBBER
365035	RUBBER SEAL ACCESS DOOR
381065-10	10" CABLE SUPPORT

Exterior Shower Door, 20', 23', 25' FB, 27' FB

601876	Shower Door, exterior, white
381766	HATCH-ACCESS 7.75" X 12.63"
115153	CLOSE OUT, UTILITY DOOR
115167	JAMB, INNER WALL UTILITY DOOR
381065-10	10" CABLE SUPPORT

2008 SAFARI- BAMBI
DOORS/WINDOWS/AWNING

Trunk Door, 28', 25' Twin

921159	Trunk door assembly, rear,
365035	Seal, access door
114675	Jamb, rear trunk door
380203-01	PIANO HINGE 1/8"
380770	LOCK & CASTING ASSEMBLY
360016	BUMP-ON RUBBER
365035	RUBBER SEAL ACCESS DOOR
381065-10	10" CABLE SUPPORT
701538-01	CARPET, ECONOLIER VELOUR BLACK 48"

Battery Box Lid

410551-02	LID BATTERY BOX
381430	LOCK, TWIST, STRAIGHT CAM
380203-01	PIANO HINGE 1/8" PIN
381814	Wing nut, battery hold down
381613	Black plastic cover, wing handle

2008 SAFARI- BAMBI

DOORS/WINDOWS/AWNING

Windows, Non riveted

371381-02	Window, 19.25" x 22.75"
371381-05	Window, 49.63 "x 24.19", front
371381-07	Window, 19.25" x 29.75"
371381-08	Window, 31.25" x 29.75"
371381-12	Window, 49.63" x 24.19", egress rear
371381-10	Window, 43.94" x 24.19"
371381-15	Window, rear, 26.25" x 19.25"
371381-16	Window, Main Door, 17.75" X 21.25"
371381-17	Window, Side Egress, 31.25" x 29.75"
371381-18	WINDOW, HEHR, 19.25 X 22.75 FIXED
371381-21	WINDOW, HEHR, 26.25" x 19.25"
381665	GASKET "D" SEAL .50W X .36H BLACK

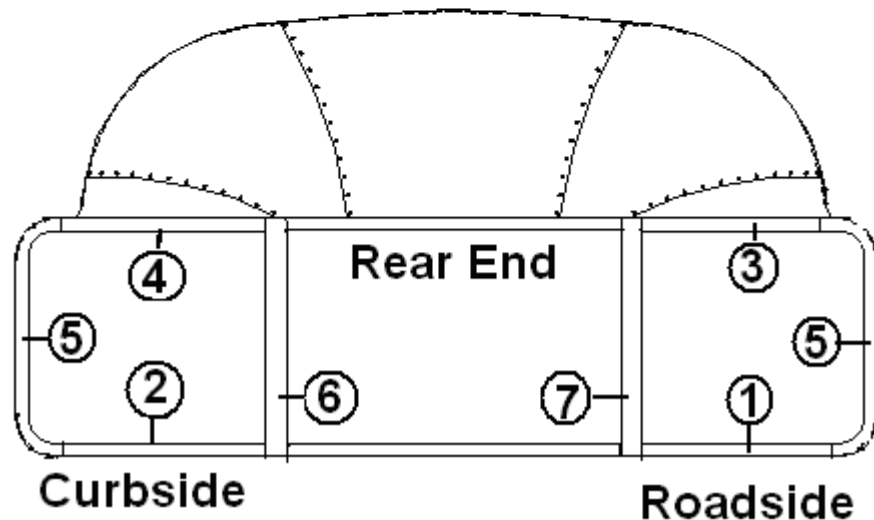
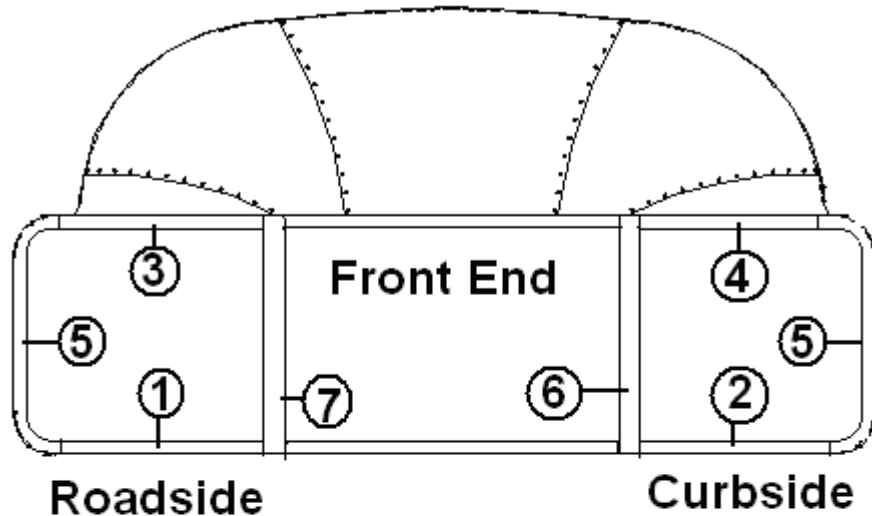
Window Trim, Non-Riveted

110460-01	Trim ring, window, 17.75" X 21.25", White
110460-02	Trim ring, window, 19.25' x 22.75", White
110460-05	Trim ring, window, 49.63" x 24.19", White
110460-06	Trim ring, window, 19.25" x 29.75", White
110460-07	Trim ring, window, 31.25" x 29.75", White
110460-08	Trim ring, window, 44.0" x 24.19", White
110460-10	Trim ring, window, 26.25 "X 19.25", White
110460-11	TRIM RING ALUMINUM, 19.25" X 22.75"
110460-12	Trim ring, window, 26.25 "X 19.25", Aluminum
201666	MOLDING-J 3/16" ALMOND PLASTIC
203225	TRIM LOK, WHITE, edge trim

2008 SAFARI- BAMBI

DOORS/WINDOWS/AWNING

Panoramic Window trim, Standard Cloth Covered Walls



- | | | |
|----|-----------|---------------------------|
| 1. | 201579-01 | TRIM RING, LOWER, WHITE |
| 2. | 201580-01 | TRIM RING, LOWER, WHITE |
| 3. | 201581-03 | TRIM RING, UPPER, WHITE |
| 4. | 201581-04 | TRIM RING, UPPER, WHITE |
| 5. | 201578-01 | END CAP, TRIM RING, WHITE |
| 6. | 110900-01 | TRIM FORMED, WHITE, RH |
| 7. | 110900-02 | TRIM FORMED, WHITE, LH |
| | 203225 | TRIM LOK, WHITE .75" |

2008 SAFARI- BAMBI

DOORS/WINDOWS/AWNING

Vista Views

922770-01 VISTA VIEW- 18"
203490-03 TRIM RING-18" VISTA VIEW
703462-03 SHADE-PULL 19.25"X9.5" VISTA VIEW
922772-01 BACKER-VISTA VIEW BLIND 18"
115222-02 Z BAR-FORMED 19.5"VISTA VIEW

922770-02 VISTA VIEW- 30"
203490-04 TRIM RING- 30" VISTA VIEW
703462-04 SHADE-PULL 31.25"X9.5"VISTA VIEW
922772-02 BACKER-VISTA VIEW BLIND 30"
115222-01 Z BAR-FORMED 31.5"VISTA VIEW

Windows, Riveted

371269-01 WINDOW 18" STACK
371400-01 WINDOW, MAIN DOOR, ETCHED
371323-01 WINDOW, 18" OPENING
371346-02 WINDOW, 48.97" FLAT FRONT/WRAP RR
371380 WINDOW, OPENING 30" TALL
372088-101 WINDOW CORNER WRAP RS FRONT, CS
372089-101 WINDOW CORNER WRAP CS FRONT, RS
372218-01 WINDOW, 21" X 28" EGRESS
372218 WINDOW, 21" x 28", NON EGRESS
371348-03 Window, front w/silver handles
371270-01 WINDOW 30" STACK
371328 WINDOW, FRONT, DARK GLASS
372229 WINDOW, 21" X 28" OPENING
371286-01 Window, 18" X 30" curved fixed
371324-02 Window, 30". Opening
371380-01 Window, 30" opening egress

2008 SAFARI- BAMBI

DOORS/WINDOWS/AWNING

Window Trim, Riveted Windows

372222	TRIM RING, 30" STACK WINDOW, CLEAR
372223	TRIM RING, 18" STACK WINDOW, CLEAR
371319-06	TRIM RING, MAIN DOOR
110900-03	TRIM FORMED, INTERIOR FRONT WRAP
110900-04	TRIM FORMED, INTERIOR FRONT WRAP
372225	TRIM RING, INNER SUPPORT, 30"
372226	TRIM RING, INNER SUPPORT, 18"
372227	TRIM RING, INNER SPACER, 18" X 30"
372228	TRIM RING, 18" X 30" WINDOW
200967-01	TRIM, WINDOW, 18" X 30", WHITE

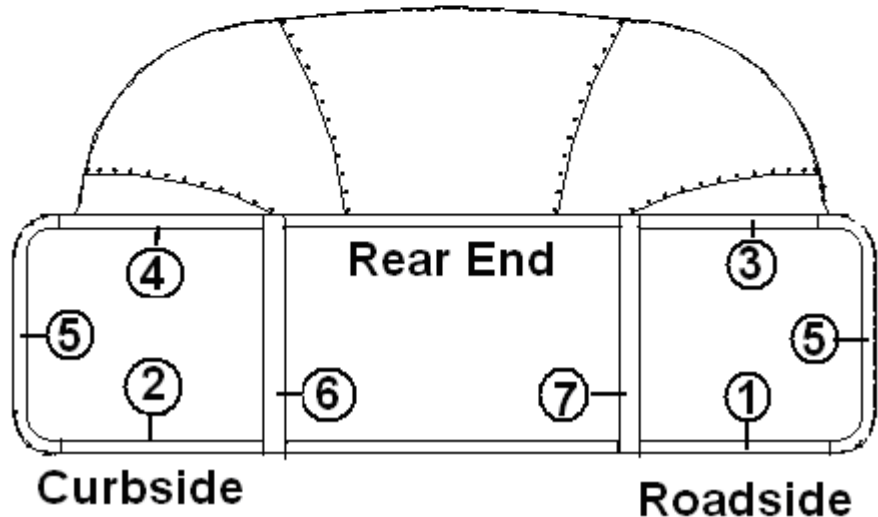
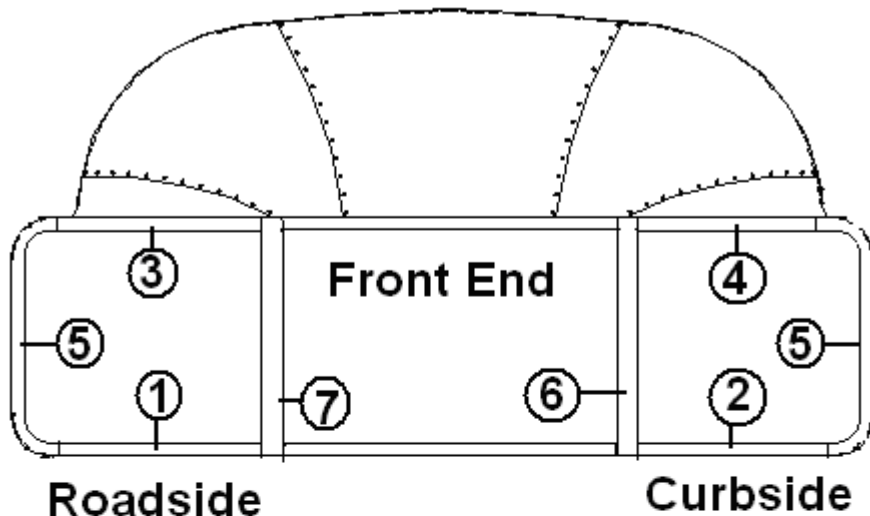
Window Screens, Riveted

372174-03	SCREEN, 18" OPENING WINDOW
371347-03	SCREEN, SQUARE FRONT WINDOW
372173-02	SCREEN, FRONT WINDOW
371349-03	SCREEN REAR ESCAPE
372220-01	SCREEN, 21"X 28", ALT EGRESS-MIL
372220-02	SCREEN, 21"X 28", ALT NON- EGRESS-MIL
372215-01	SCREEN, 30", OPENING WINDOW TALL
372215-02	SCREEN, 30", OPENING EGRESS WINDOW
372174-03	SCREEN, 18", OPENING WINDOW
371349-01	SCREEN, REAR ESCAPE STD
372230	SCREEN, REAR, 21" X 28"
372175-04	Screen, 30" tall opening window

2008 SAFARI- BAMBI

DOORS/WINDOWS/AWNING

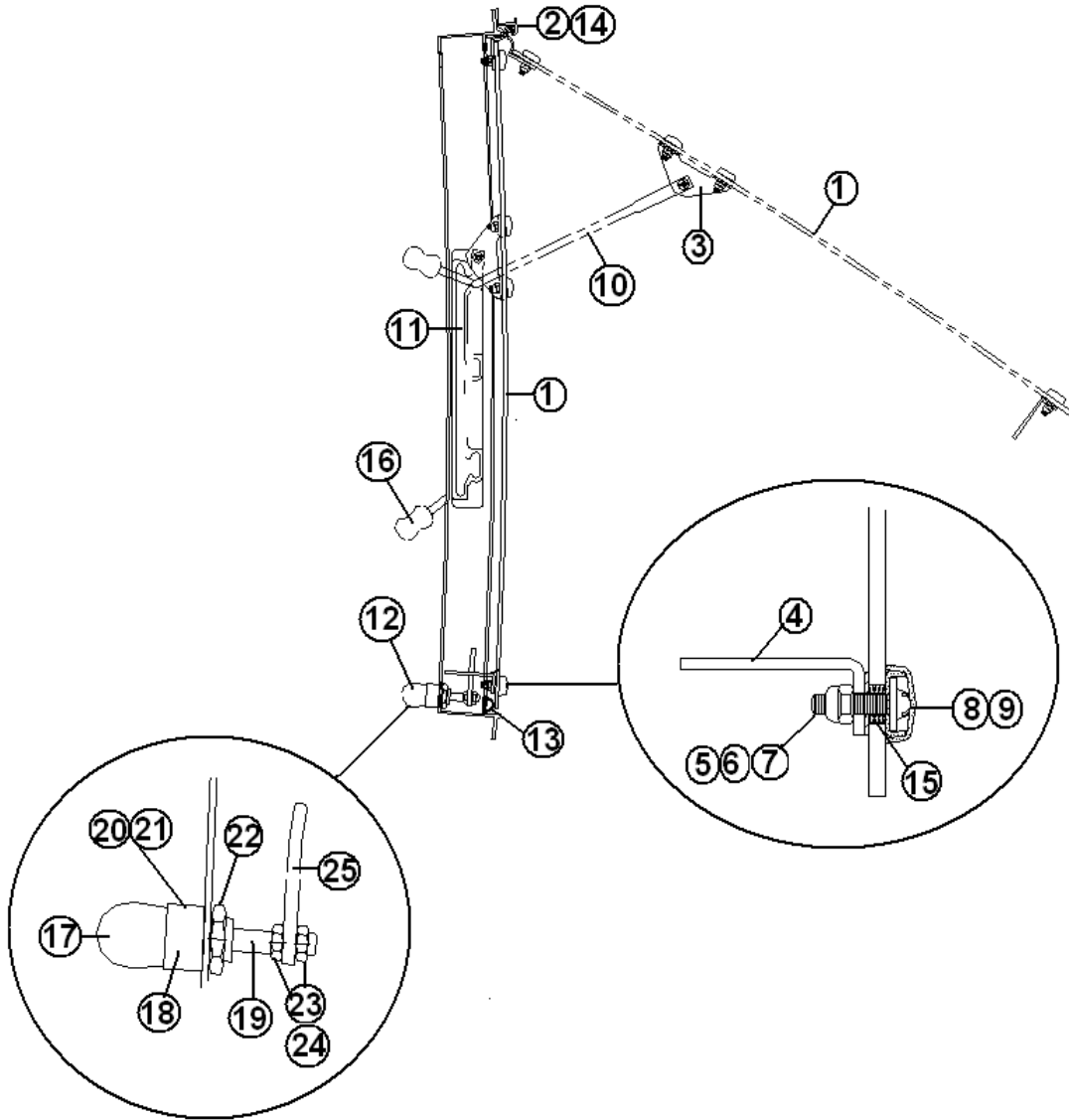
Panoramic Window Trim, Special Edition



- | | |
|--------------|---------------------------|
| 1. 201579-02 | TRIM RING, LOWER, GRAY |
| 2. 201580-02 | TRIM RING, LOWER, GRAY |
| 3. 201581-05 | TRIM RING, UPPER, GRAY |
| 4. 201581-06 | TRIM RING, UPPER, GRAY |
| 5. 201578-02 | END CAP, TRIM RING GRAY |
| 6. 110900-03 | TRIM FORMED, ALUMINUM, RH |
| 7. 110900-04 | TRIM FORMED, ALUMINUM, LH |
| 203225-01 | TRIM LOK, GRAY .75" |

2008 SAFARI- BAMBI DOORS/WINDOWS/AWNINGS

Window Parts Diagram



Part numbers on next page

2008 SAFARI- BAMBI

DOORS/WINDOWS/AWNINGS

- | | |
|---------------|-------------------------------------|
| 1. 371323-100 | Glass w/hardware, 18" window |
| 1. 371324-100 | Glass w/hardware, 30" window |
| 2. 371323-101 | Hinge, 18" window |
| 2. 371324-101 | Hinge, 30" window |
| 3. 1101-0010 | Bracket, window prop |
| 4. 685124 | Striker plate, window latch |
| 5. 0706-0004 | Flat washer |
| 6. 0703-0001 | Screw, #8-32 x .625", black, SS |
| 7. 0702-0010 | Nut, Nylox, #8-32, black SS |
| 8. 0802-0004 | Screw cover, 12-12 #100, black |
| 9. 0802-0005 | Washer, 12-12 screw cover bottom |
| 10. 100903 | Operating arm, RH |
| 10. 100903-01 | Operating arm, LH |
| 11. 0802-0001 | Guide, operating arm, RH |
| 11. 0802-0002 | Guide, operating arm, LH |
| 12. 010020 | Latch assembly, chrome |
| 13. 381665 | Gasket seal |
| 14. 0101-0017 | Male hinge extrusion, 1/2" pc. |
| 15. 0706-0003 | Bushing, window, acrylic |
| 16. 380230-03 | Window arm knob, silver |
| 16. 380230-04 | Window arm knob, red |
| 17. 1101-0005 | Latch handle, chrome |
| 17. 195467-05 | Latch handle, red |
| 18. 1101-0007 | Latch body |
| 19. 1101-0008 | Latch shaft |
| 20. 1101-0009 | Latch spring |
| 21. 0707-0002 | Pin, drive lock, 5/32" x 5/8", zinc |
| 22. 0702-0001 | Nut, hex panel, 5/8"-24, zinc |
| 23. 0702-0002 | Nut, jam, hex, 5/16-24 |
| 24. 385123 | Washer, flat, .53" OD x .328" ID |
| 25. 685123 | Latch paw |

2008 SAFARI- BAMBI

DOORS/WINDOWS/AWNING

Blinds, Riveted Windows

703191-04	BLIND, BRUSHED ALUMINUM, 21" X 23"
703191-08	BLIND, MINI-METAL 17.5"W X 22"
703191-10	BLIND, BRUSHED ALUMINUM, 17.5 X 33
703191-11	BLIND, BRUSHED ALUMINUM, 29.5 X 29
703191-12	BLIND, BRUSHED ALUMINUM, 29.25 X 27
703191-13	BLIND, BRUSHED ALUMINUM, 18.75 X 32
703191-15	BLIND, BRUSHED ALUMINUM, 24.75 X 19
703191-17	BLIND, BRUSHED ALUMINUM, 9.75" X 33.5"
703191-18	BLIND, 50.5"X28" MINI BLIND
703191-19	BLIND, 20" X 23" MINI BLIND
703191-20	BLIND, 31" X 24" MINI BLIND

Window Stone Guard

110102-02	Rock guard, 19', 20', 23'
110102-01	Rock guard, 19' SE, 25', 27', 28'W
683960	Arm support
683959	Arm support bracket
114749	HINGE "Y" ASSY.
114750	HINGE "J"
685364	BRKT, UPPER HINGE-45.375-STONEGUARD
114815-01	Extrusion, frame aluminum
685378-01	¼" rubber spline
685351	Rubber frame, black
290812-02	Plexi-glass, 28" x 10' sheet
381021	Latch, draw flexible

2008 SAFARI- BAMBI

DOORS/WINDOWS/AWNING

Window Stone Guard, Panoramic Windows

110188-01	3 Piece Stone Guard, 25', 27', 28' only
685275-100	3 Piece Stone Guard, 19', 20', 23' only
685275-101	CS wrap window stone guard, all units
685275-102	RS wrap window stone guard, all units
110102	Stone Guard, Center Piece, 25', 27', 28' only
685275-103	Stone Guard, Center Piece, 19', 20', 23' only
685358	Turn fast stud
685362	Retainer, split ring
685359	Rubber receptacle
685361	Bracket, rubber receptacle
685363	Slip joint hinge, SS, CS per pair
683960	Arm support
683959	Arm support bracket
114749	HINGE "Y" ASSY. (ROCKGUARD ASSY.)
114750	HINGE "J" (ROCKGUARD ASSY.)
685364	BRKT, UPPER HINGE-45.375-STONEGUARD
381021-01	Latch, draw flexible

Stone guard frame

114815-01	Extrusion, frame aluminum
685354	Front window key, 90-degree angle riveted to inside corner of metal frame
685378	¼" rubber spline
685351	Rubber frame, black
290812-01	Plexi-glass, 28" x 84 " sheet
101401	Extrusion, door latch housing
685355	SLIP JOINT S.S.HINGE

2008 SAFARI- BAMBI

DOORS/WINDOWS/AWNING

Awnings, Patio

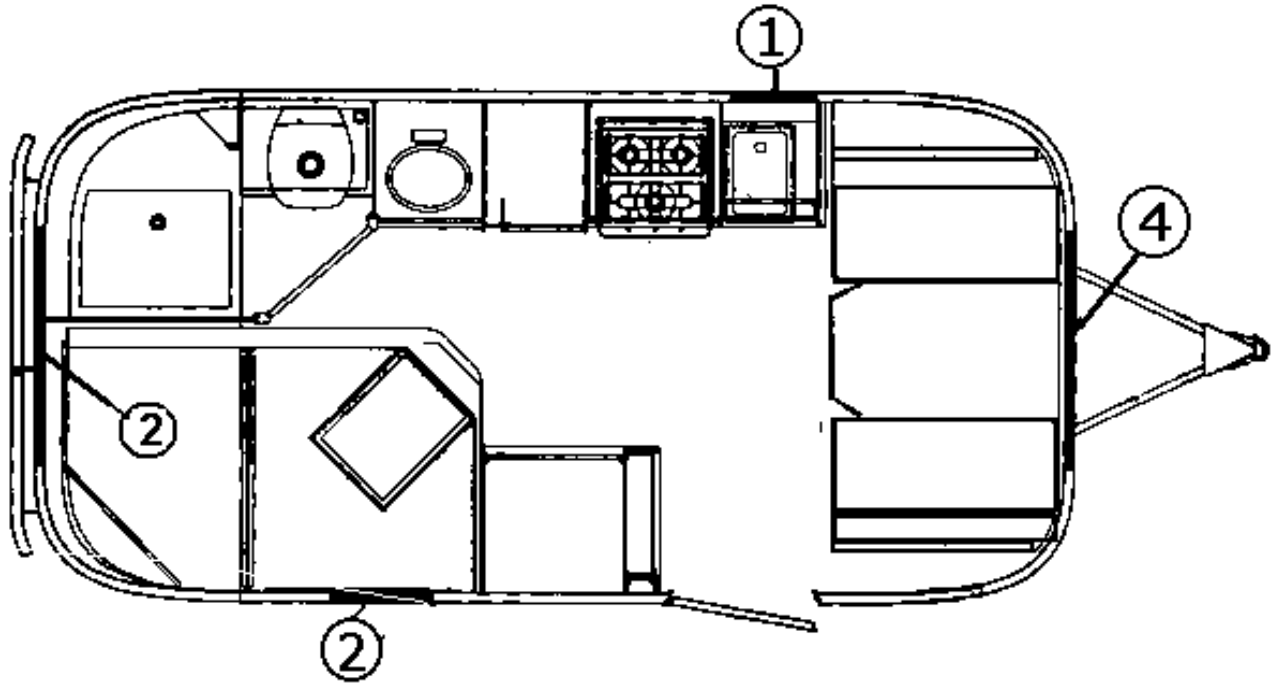
702993-09	Awning, patio, 9' 8", Zip Dee, 19'
702993-16	Awning, Patio, 11' 3" ¼", 20'
702993-15	Awning, patio, 13' 5 ¼", 23'
702993-27	Awning, Patio, 14' 2.25", 23' Front Bed
702993-06	Awning, patio, 16' 4½", 25'
702993-17	Awning, patio, 18' 5½", 27'
702993-08	Awning, patio, 18' 4", 28' W
702993	Hardware package, Zip Dee
385577	TAPE CLEAR WEAR STRIP 3.5" WIDE

Window Awnings

703181-13	AWNING, WINDOW, 9' 8", 19'
703181-17	AWNING, WINDOW 11' 3.25", 20'
703181-16	AWNING, WINDOW, 13' 5.25", 23'
703181-05	AWNING, WINDOW, 16' 4.5", 25', 25' SLP6, 25' FB
703181-15	AWNING, WINDOW, 52.50", 25 A & B', 25' SLP6, 27' FB, 28'
703181-20	AWNING, REAR WINDOW, 52.63", 25' FB
703181-21	AWNING, WINDOW, 18' 6.25", 27' FB
703181-12	AWNING, WINDOW, 18'4.5", 28'
703181-01	AWNING, WINDOW, 47"

2008 SAFARI- BAMBI
DRAPES/BLINDS/VALANCES

Drapes/Blinds 19'

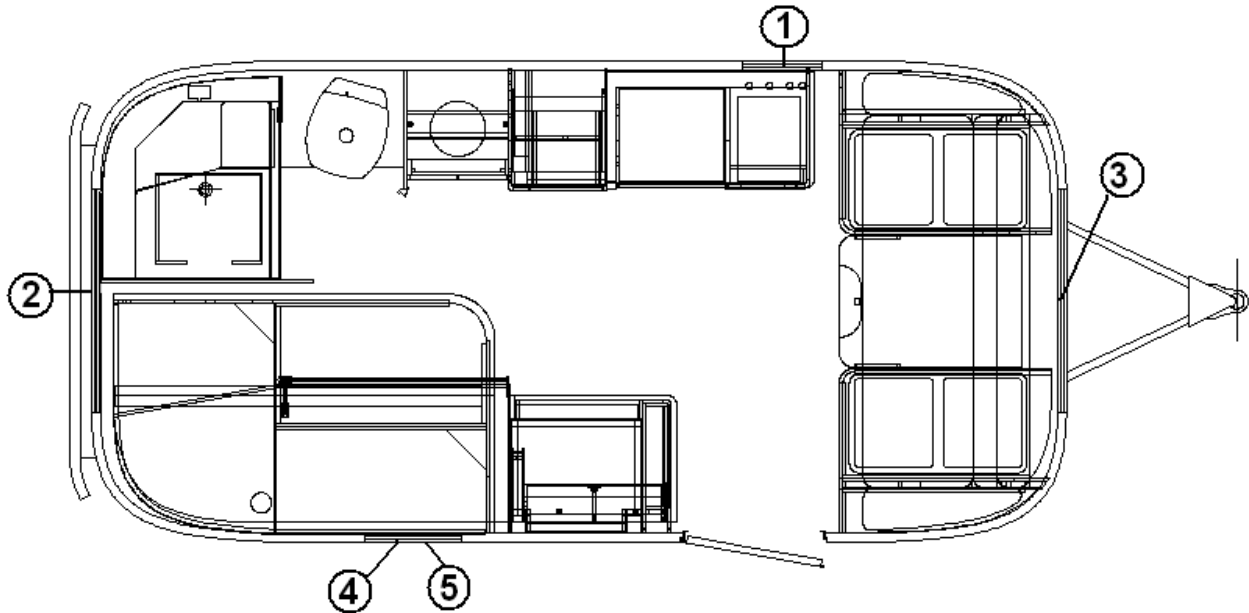


- 1. 703191-04 BLIND MINI METAL, 21" X 23"
- 2. 998171-03 CURTAIN, 14.5" X 26.5"
- 3. 998171-09 CURTAIN, 28.5" X 25.5"

2008 SAFARI- BAMBI

DRAPES/BLINDS/VALANCES

Drapes/Blinds 19' Bunk Option

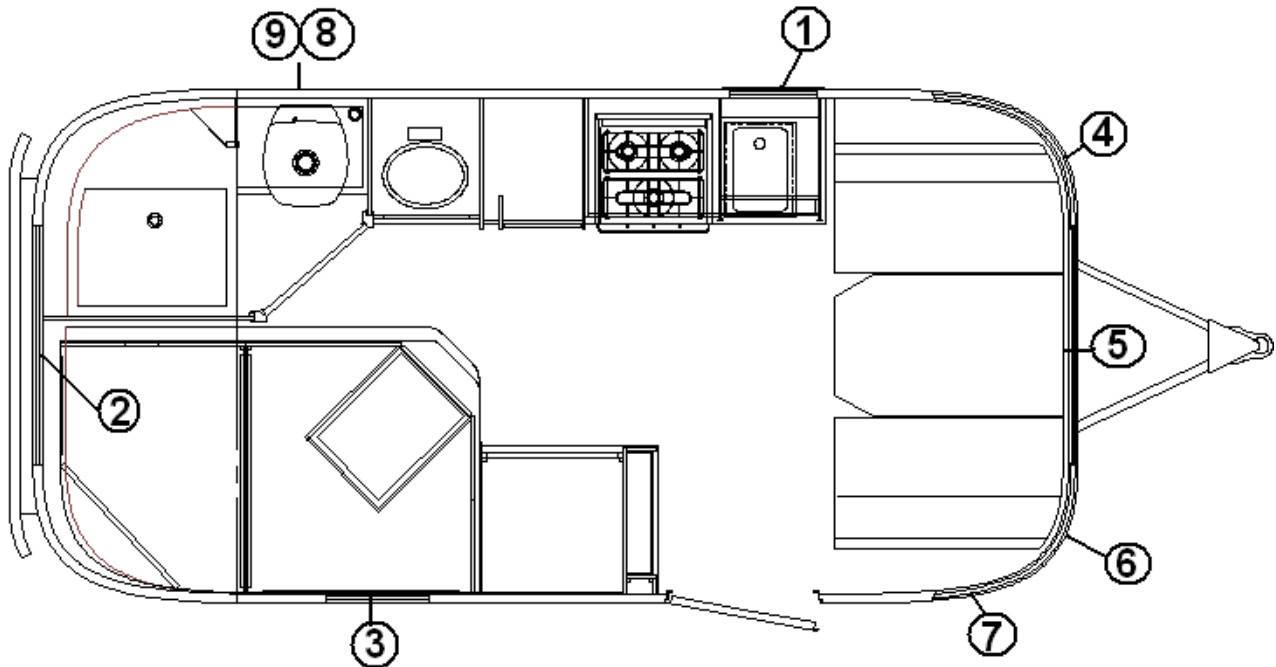


- | | |
|--------------|--------------------------------|
| 1. 703191-04 | BLIND MINI METAL, 21" X 23" |
| 2. 998171-03 | CURTAIN, 14.5" X 26.5" |
| 3. 998171-09 | CURTAIN, 28.5" X 25.5" |
| 4. 998164-01 | CURTAIN, STRAIGHT, 16"W X 12"L |
| 5. 998164-02 | CURTAIN, STRAIGHT, 16"W X 17"L |

2008 SAFARI- BAMBI

DRAPES/BLINDS/VALANCES

Drapes/Blinds 19', Special Edition

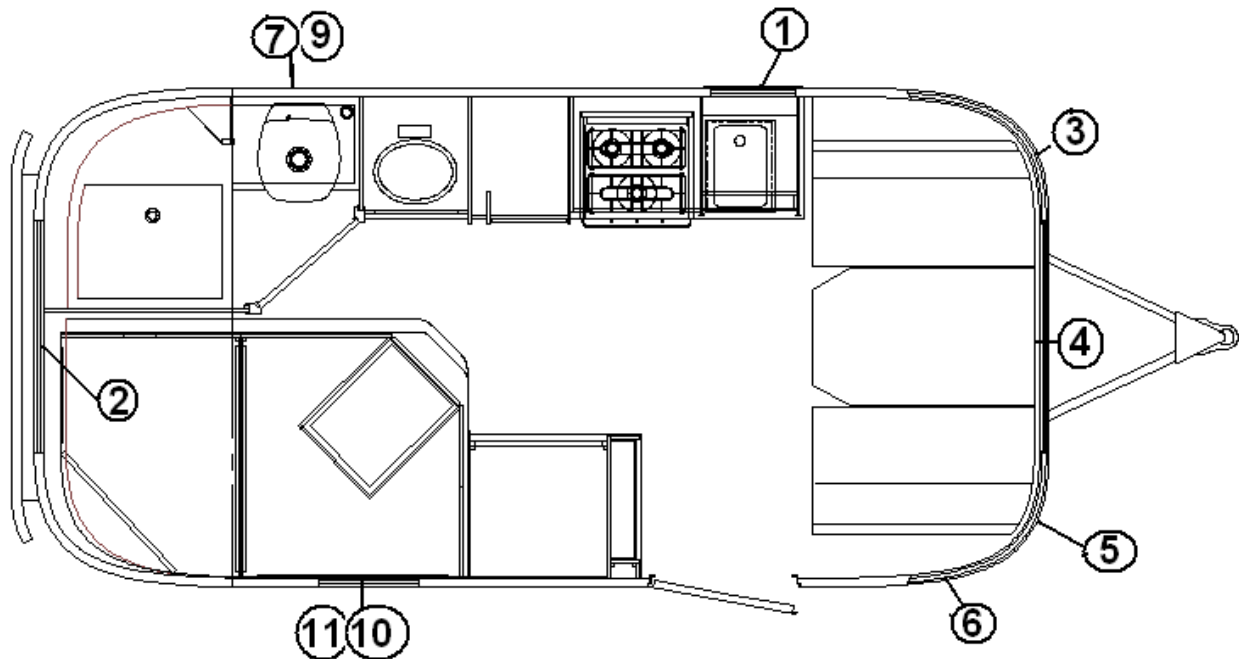


- | | |
|--------------|---------------------------------------|
| 1. 703191-04 | BLIND MINI METAL, 21" X 23" |
| 2. 703191-15 | BLIND BRUSHED ALUMINUM, 24.75" X 21"L |
| 3. 703191-13 | BLIND BRUSHED ALUMINUM, 18.75" X 32" |
| 4. 998144-11 | DRAPE, RS SIDE PANEL, 37" X 25.5" |
| 5. 998144-12 | DRAPE, RS FRONT PANEL, 23" X 25.5" |
| 6. 998144-10 | DRAPE, CS FRONT PANEL, 23" X 25.5" |
| 7. 998144-09 | DRAPE, CS SIDE PANEL, 37" X 25.5" |
| 8. 801589-02 | VALANCE ASSY-20" |
| 9. 703191-08 | BLIND, MINI-METAL 17.5"W X 22" |

2008 SAFARI- BAMBI

DRAPES/BLINDS/VALANCES

Drapes/Blinds 19', Special Edition, Bunk Option

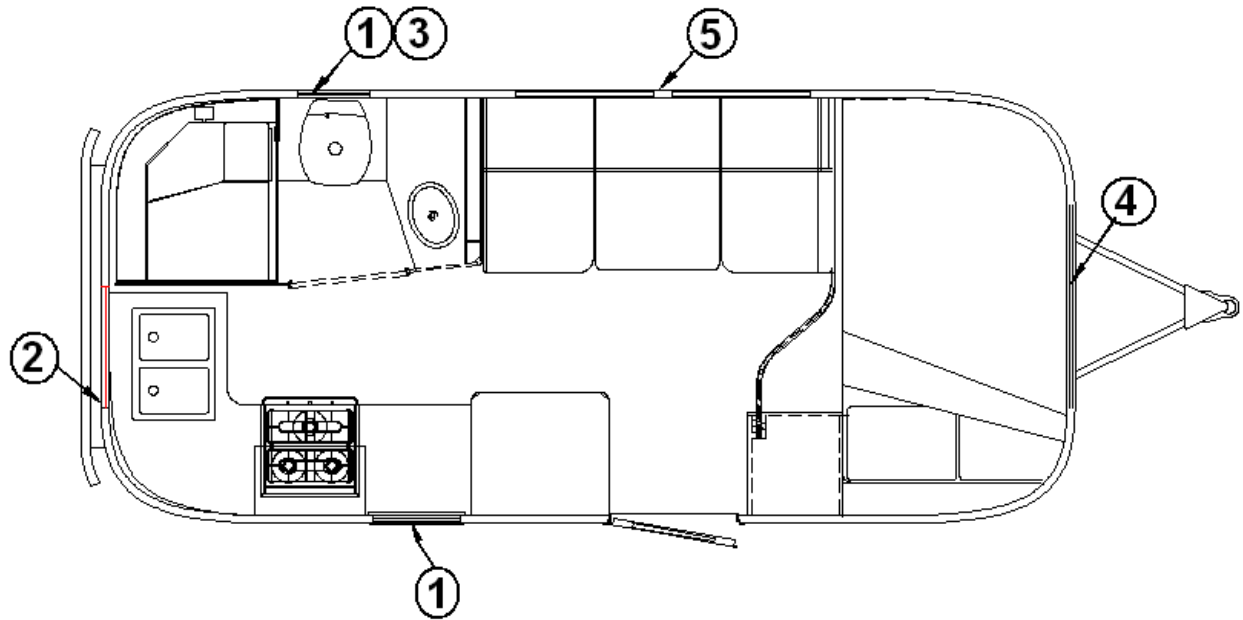


- | | | |
|-----|-----------|---------------------------------------|
| 1. | 703191-04 | BLIND MINI METAL, 21" X 23" |
| 2. | 703191-15 | BLIND BRUSHED ALUMINUM, 24.75" X 21"L |
| 3. | 998144-11 | DRAPE, CS SIDE PANEL, 37" X 25.5" |
| 4. | 998144-12 | DRAPE, CS FRONT PANEL, 23" X 25.5" |
| 5. | 998144-10 | DRAPE, CS FRONT PANEL, 23" X 25.5" |
| 6. | 998144-09 | DRAPE, CS SIDE PANEL, 37" X 25.5" |
| 7. | 801589-02 | VALANCE ASSY-20" |
| 8. | 703191-08 | BLIND, MINI-METAL 17.5"W X 22" |
| 9. | 998164-01 | CURTAIN PANEL, 16" X 17", NO PLEATS |
| 10. | 998164-02 | CURTAIN PANEL, 16" X 17", NO PLEATS |

2008 SAFARI- BAMBI

DRAPES/BLINDS/VALANCES

Drapes/Blinds 20'

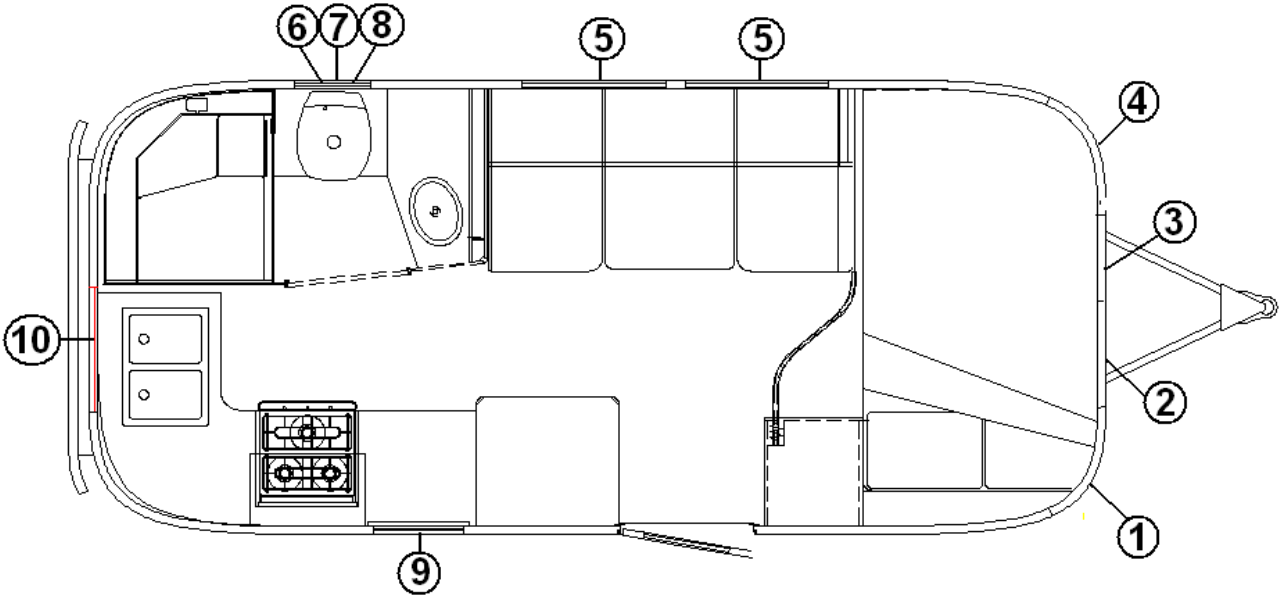


- | | |
|--------------|---------------------------------------|
| 1. 703191-04 | Blind, Mini-Metal, 21" X 23" |
| 2. 703191-15 | Blind, Mini-Metal, 24.75" X 21" |
| 3. 801589-03 | Valance, 22" |
| 4. 998171-09 | Curtain Assembly, 28.5" X 25.5" |
| 5. 998171-16 | Panel, Curtain, 34" Wide X 28.5" Long |

2008 SAFARI- BAMBI

DRAPES/BLINDS/VALANCES

Drapes/Blinds 20' Special Edition

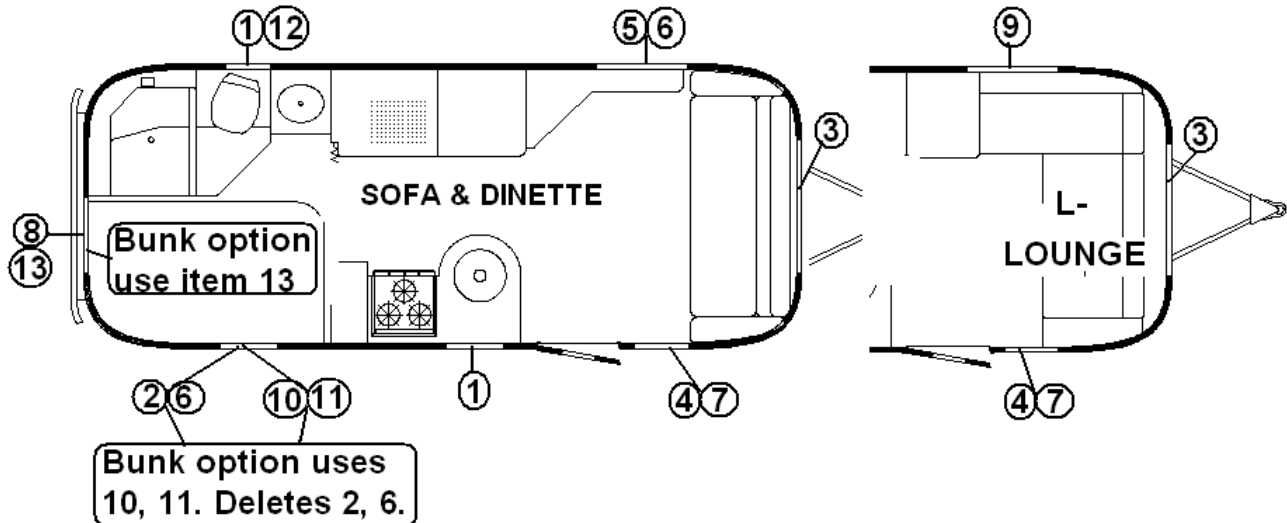


- | | | |
|-----|-----------|--------------------------------------------|
| 1. | 998144-09 | Drape, Curbside, side panel, 37" x 25.50" |
| 2. | 998144-10 | Drape, Curbside, front panel, 23" x 25.50" |
| 3. | 998144-12 | Drape, Roadside, front panel, 23" x 25.50" |
| 4. | 998144-11 | Drape, Roadside, side panel, 37" x 25.50" |
| 5. | 703191-11 | Blind, brushed aluminum, 29.50" x 29" long |
| 6. | 381898 | Spacer, nylon |
| 7. | 703191-10 | Blind, brushed aluminum, 17.50" x 33" |
| 8. | 801589-02 | Valance, assembly |
| 9. | 703191-04 | Blind, brushed aluminum, 21" x 23" |
| 10. | 703191-15 | Blind, brushed aluminum, 24.75" x 21" |

2008 SAFARI- BAMBI

DRAPES/BLINDS/VALANCES

Drapes/Blinds 23'

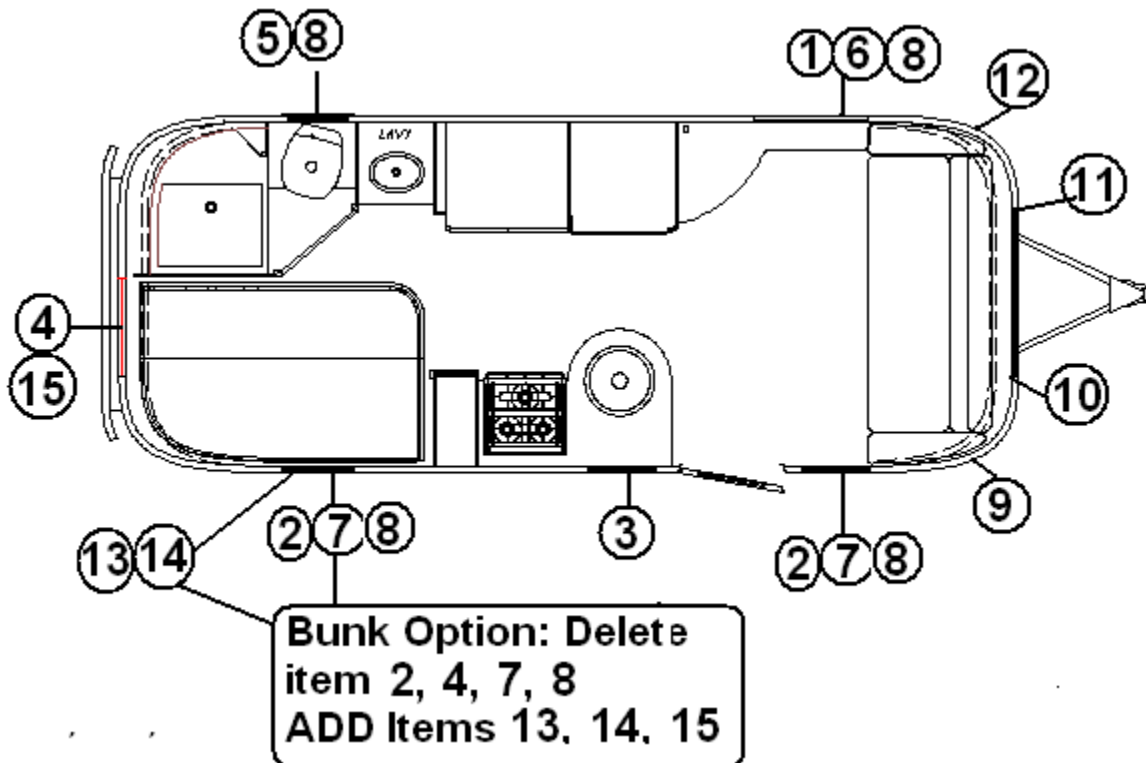


- | | | |
|-----|-----------|-----------------------------------------|
| 1. | 703191-04 | BLIND MINI METAL 21 X 23 BRUSH ALUMINUM |
| 2. | 998171-04 | CURTAIN ASSY, 16.5" X 26.5" |
| 3. | 998171-09 | CURTAIN ASSY, 28.5" X 25.5" |
| 4. | 998171-02 | CURTAIN ASSY, 13" X 35.5" |
| 5. | 998171-08 | CURTAIN ASSY, 18" X 35.5" |
| 6. | 966139-03 | VALANCE ASSY, 36" |
| 7. | 966139-02 | VALANCE ASSY, 26.5" |
| 8. | 998171-03 | CURTAIN ASSY, 14.5" X 26.5" |
| 9. | 998171-14 | CURTAIN ASSY, 18" X 34" |
| 10. | 998164-01 | CURTAIN ASSY, 16.5", NO PLEATS |
| 11. | 998164-01 | CURTAIN ASSY, 16.5", NO PLEATS |
| 12. | 966136 | Bathroom Valance |
| 13. | 998171-23 | CURTAIN ASSY, 14.00"W X 22.00"L |

2008 SAFARI- BAMBI

DRAPES/BLINDS/VALANCES

Drapes/Blinds 23' Special Edition

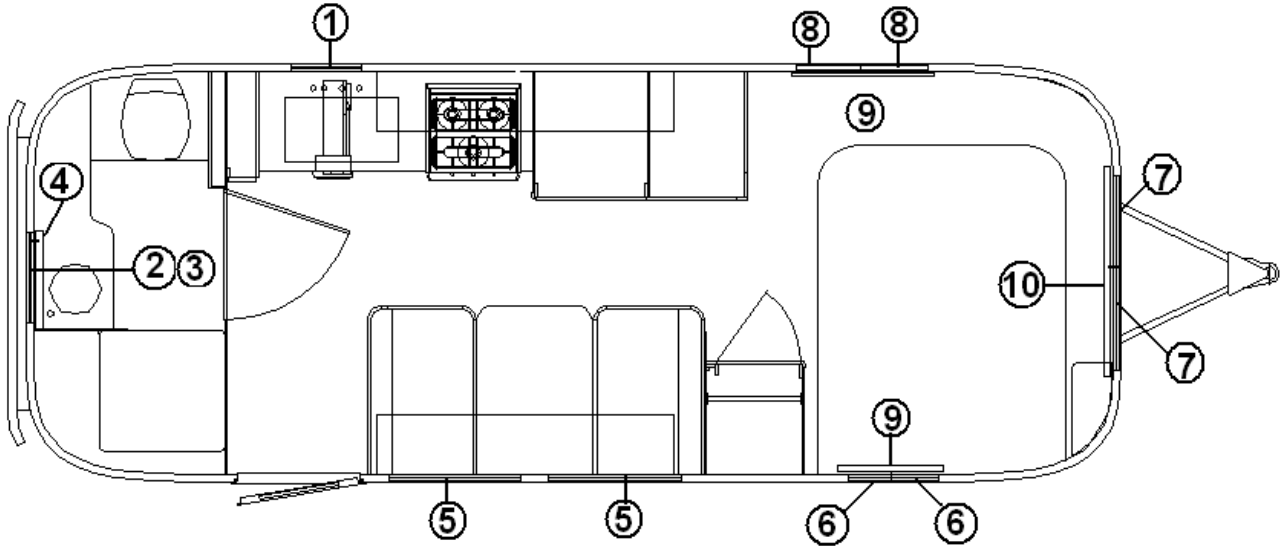


- | | |
|---------------|-------------------------------------------|
| 1. 703191-11 | Blind brushed aluminum, 29.5" x 29" Long |
| 2. 703191-13 | Blind brushed aluminum, 18.75" x 32" Long |
| 3. 703191-04 | Blind brushed aluminum, 21" x 23" Long |
| 4. 703191-15 | Blind brushed aluminum, 24.75" x 21" Long |
| 5. 703191-10 | Blind brushed aluminum, 17.5" x 33" Long |
| 6. 801589-01 | Valance assembly, 32" |
| 7. 801589-02 | Valance assembly, 20" |
| 8. 381898 | Nylon Spacer |
| 9. 998144-09 | Drape, Curbside, side panel, 37" x 25.5" |
| 10. 998144-10 | Drape, Curbside, front panel, 23" x 25.5" |
| 11. 998144-12 | Drape, Roadside, front panel, 33" x 25.5" |
| 12. 998144-11 | Drape, Roadside, side panel, 37" x 25.5" |
| 13. 998164-02 | Curtain panel, 16" no pleats x 17" Long |
| 14. 998164-01 | Curtain panel, 16" no pleats x 12" Long |
| 15. 998171-23 | CURTAIN ASSY, 14.00"W X 22.00"L |

2008 SAFARI- BAMBI

DRAPES/BLINDS/VALANCES

Drapes/Blinds 23' Front Bed

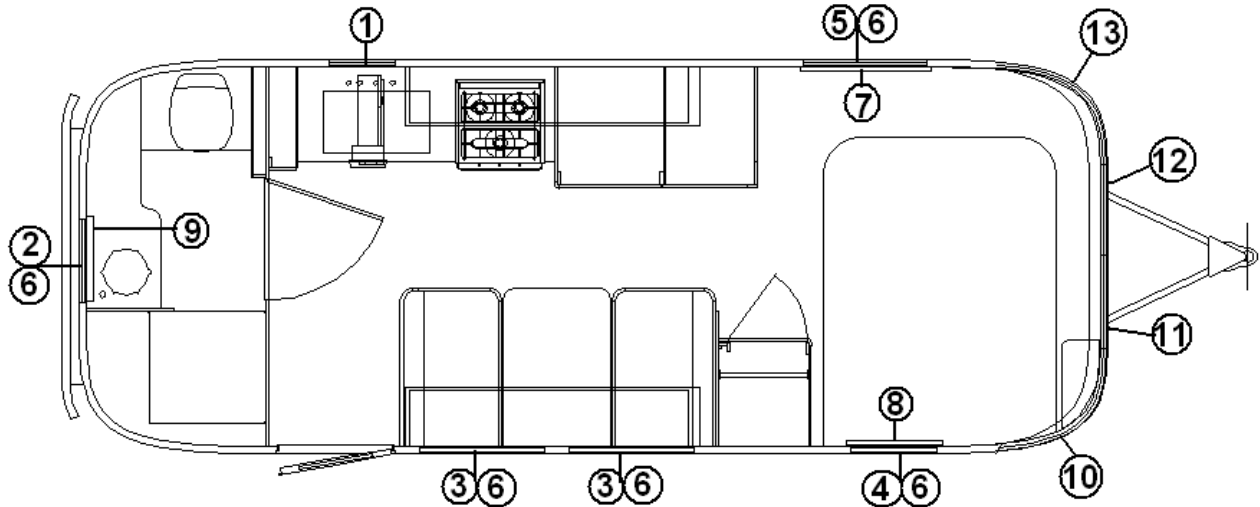


- | | |
|--------------------------------------------------------------------------------------------------------------------------------------------------------------------------------------------------------------------------------------------------------------------|---------------------------------------------------------------------------------------------------------------------------------------------------------------------------------------------------------------------------------------------------------------------------------------------------------------------------------------------------------------------------------------------------------|
| <ul style="list-style-type: none"> 1. 703191-04 2. 703191-07 3. 381898 4. 801589-04 5. 998171-16 6. 998171-04 7. 998171-09 8. 998171-08 9. 966139-03 10. 966139-04 | <ul style="list-style-type: none"> BLIND, 21" X 23", BRUSHED ALUMINUM BLIND, 27.5" X 22", BRUSHED ALUMINUM SPACER, NYLON VALANCE ASSY, 28.50" CURTAIN PANEL, 34" WIDE X 28.5" LONG CURTAIN ASSY, 16.5" X 26.5" CURTAIN ASSY, 28.5" X 25.5" CURTAIN ASSY, 18"X 35.5" VALANCE ASSY, 36" VALANCE ASSY, 57" |
|--------------------------------------------------------------------------------------------------------------------------------------------------------------------------------------------------------------------------------------------------------------------|---------------------------------------------------------------------------------------------------------------------------------------------------------------------------------------------------------------------------------------------------------------------------------------------------------------------------------------------------------------------------------------------------------|

2008 SAFARI- BAMBI

DRAPES/BLINDS/VALANCES

Drapes/Blinds 23' Front Bed Special Edition

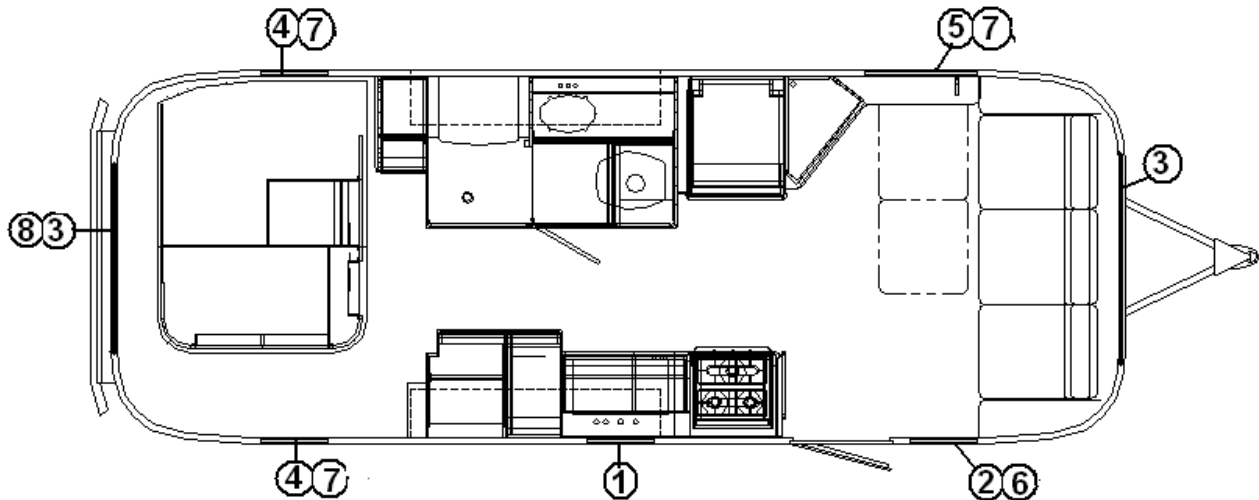


- | | | |
|-----|-----------|---------------------------------------------|
| 1. | 703191-04 | BLIND, 21" X 23", BRUSHED ALUMINUM |
| 2. | 703191-07 | BLIND, 27.5" X 22", BRUSHED ALUMINUM |
| 3. | 703191-11 | Blind brushed aluminum, 29.5" x 29" Long |
| 4. | 703191-13 | Blind brushed aluminum, 18.75" x 32" Long |
| 5. | 703191-17 | Blind brushed aluminum, 29.75" x 33.5" Long |
| 6. | 381898 | SPACER, NYLON |
| 7. | 801589-01 | Valance assembly, 32" |
| 8. | 801589-02 | Valance assembly, 20" |
| 9. | 801589-04 | VALANCE ASSY, 28.50" |
| 10. | 998144-09 | DRAPE, CS SIDE PANEL, 37" X 25.5" |
| 11. | 998144-10 | DRAPE, CS FRONT PANEL, 23" X 25.5" |
| 12. | 998144-12 | DRAPE, RS FRONT PANEL, 23" X 25.5" |
| 13. | 998144-11 | DRAPE, RS SIDE PANEL, 37" X 25.5" |

2008 SAFARI- BAMBI

DRAPES/BLINDS/VALANCES

Drapes/Blinds 25' Twin & Double Rear Bed

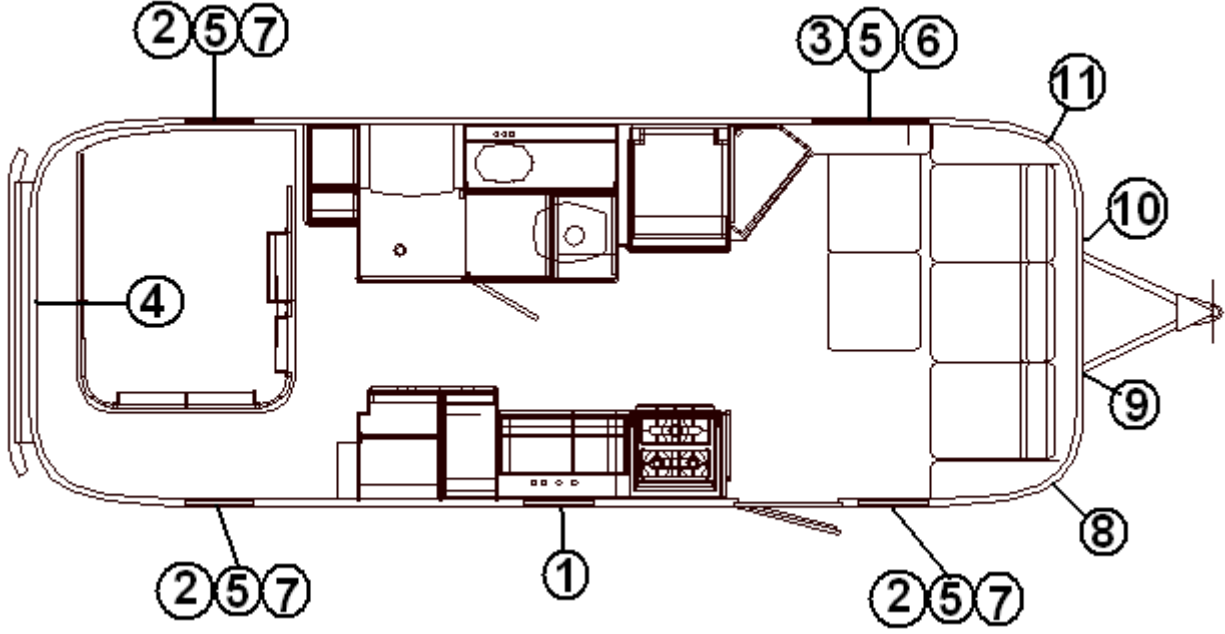


- | | |
|---------------|----------------------------|
| 1. 703191-04 | BLIND MINI METAL 21" X 23" |
| 2. 998171-02 | CURTAIN, 13" X 35.5" |
| 3. 998171-09 | CURTAIN, 28.5"X 25.5" |
| 4. 998171-04 | CURTAIN, 16.5"X 26.5" |
| 5. 998171-08 | CURTAIN, 18"X 35.5" |
| 6. 966139-02 | VALANCE, 26.5" |
| 7. 966139-03B | VALANCE, 36" BED |
| 8. 966139-04 | VALANCE, 57" BED |

2008 SAFARI- BAMBI

DRAPES/BLINDS/VALANCES

Drapes/Blinds 25' Twin & Double Rear Bed, Special Edition

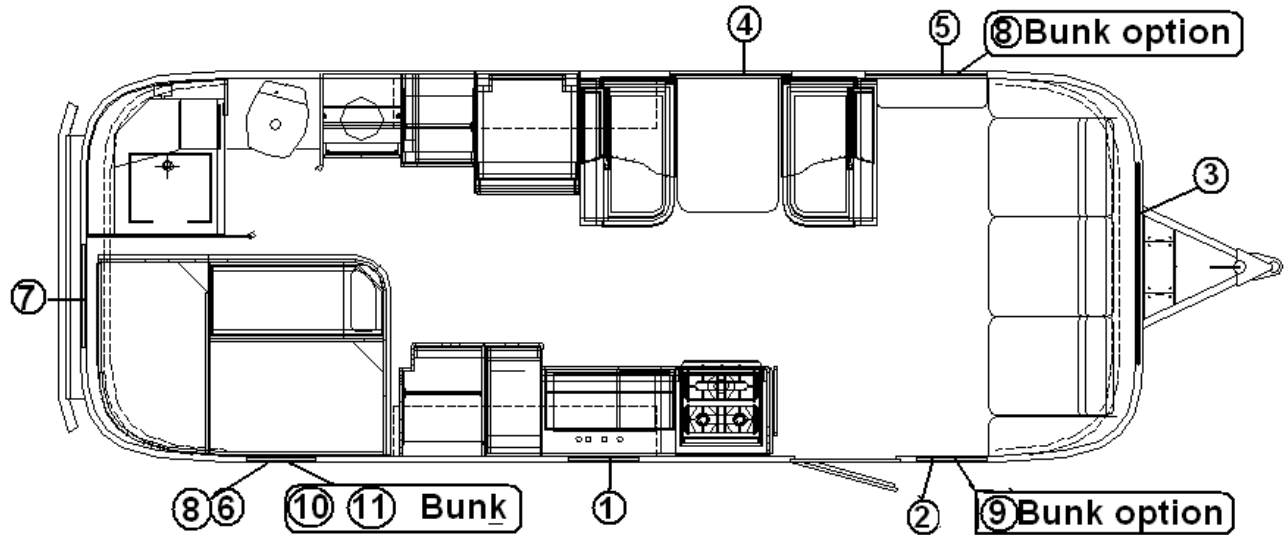


- | | | |
|-----|-----------|---------------------------------------|
| 1. | 703191-04 | BLIND, 21" X 23", BRUSH ALUMINUM |
| 2. | 703191-13 | BLIND, 18.75" X 32", BRUSH ALUMINUM |
| 3. | 703191-17 | BLIND, 29.75" X 33.5", BRUSH ALUMINUM |
| 4. | 703191-18 | BLIND, 50.5" X 28", BRUSH ALUMINUM |
| 5. | 381898 | SPACER, NYLON |
| 6. | 801589-01 | VALANCE ASSY, 32" |
| 7. | 801589-02 | VALANCE ASSY, 20" |
| 8. | 998144-09 | DRAPE, CS SIDE PANEL 37" X 25.5" |
| 9. | 998144-05 | DRAPE, CS FRONT PANEL, 27" X 29" |
| 10. | 998144-07 | DRAPE, RS FRONT PANEL, 27" X 29" |
| 11. | 998144-11 | DRAPE ,RS SIDE PANEL, 37" X 25.5 |

2008 SAFARI- BAMBI

DRAPES/BLINDS/VALANCES

Drapes/Blinds, 25' SLP6

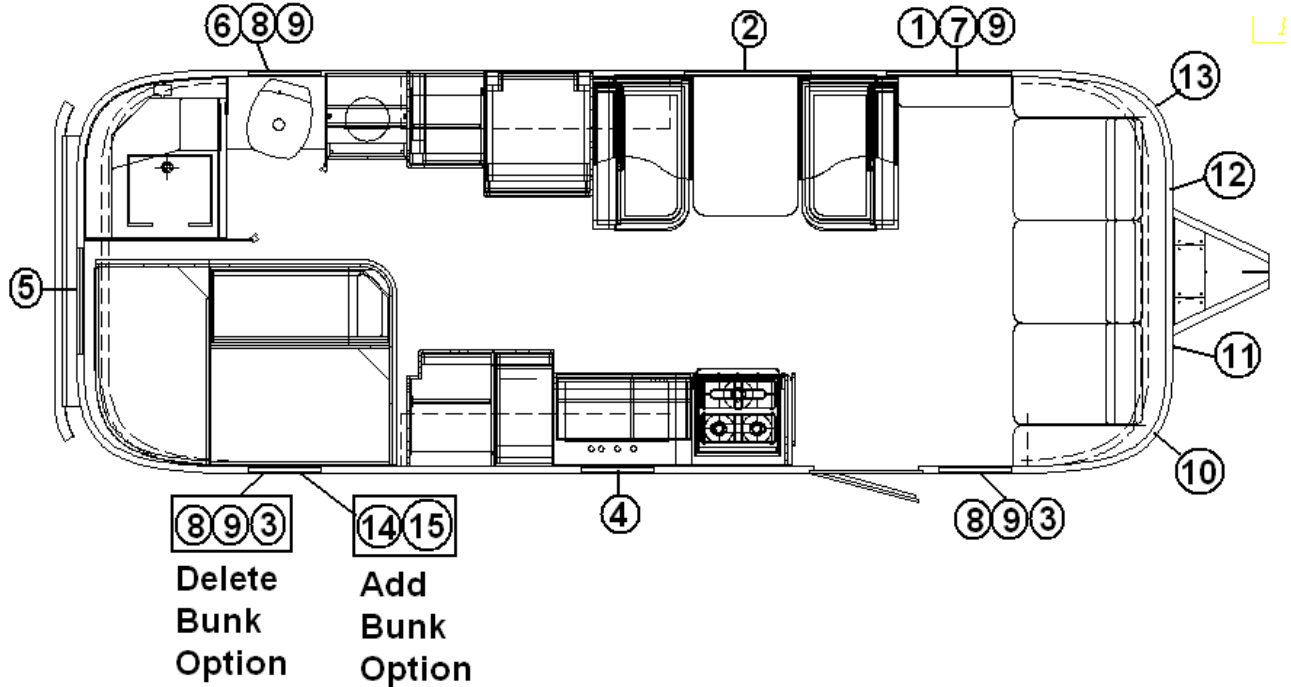


- | | |
|---------------|----------------------------|
| 1. 703191-04 | BLIND MINI METAL 21" X 23" |
| 2. 998171-02 | CURTAIN ASSY- 13" X 35.5" |
| 3. 998171-09 | CURTAIN ASSY- 28.5"X 25.5" |
| 4. 998171-05 | CURTAIN ASSY- 18"X 27.5" |
| 5. 998171-08 | CURTAIN ASSY- 18"X 35.5" |
| 6. 998171-04 | CURTAIN ASSY- 16.5"X 26.5" |
| 7. 998171-04 | CURTAIN ASSY- 16.5"X 26.5" |
| 8. 966139-03 | VALANCE ASSY-36" |
| 9. 966139-02 | VALANCE ASSY- 26.5" |
| 10. 998164-01 | CURTAIN ASSY- 16" X 26.5" |
| 11. 998164-02 | CURTAIN ASSY- 16" X 17" |

2008 SAFARI- BAMBI

DRAPES/BLINDS/VALANCES

Drapes/Blinds, 25' SLP6 Special Edition

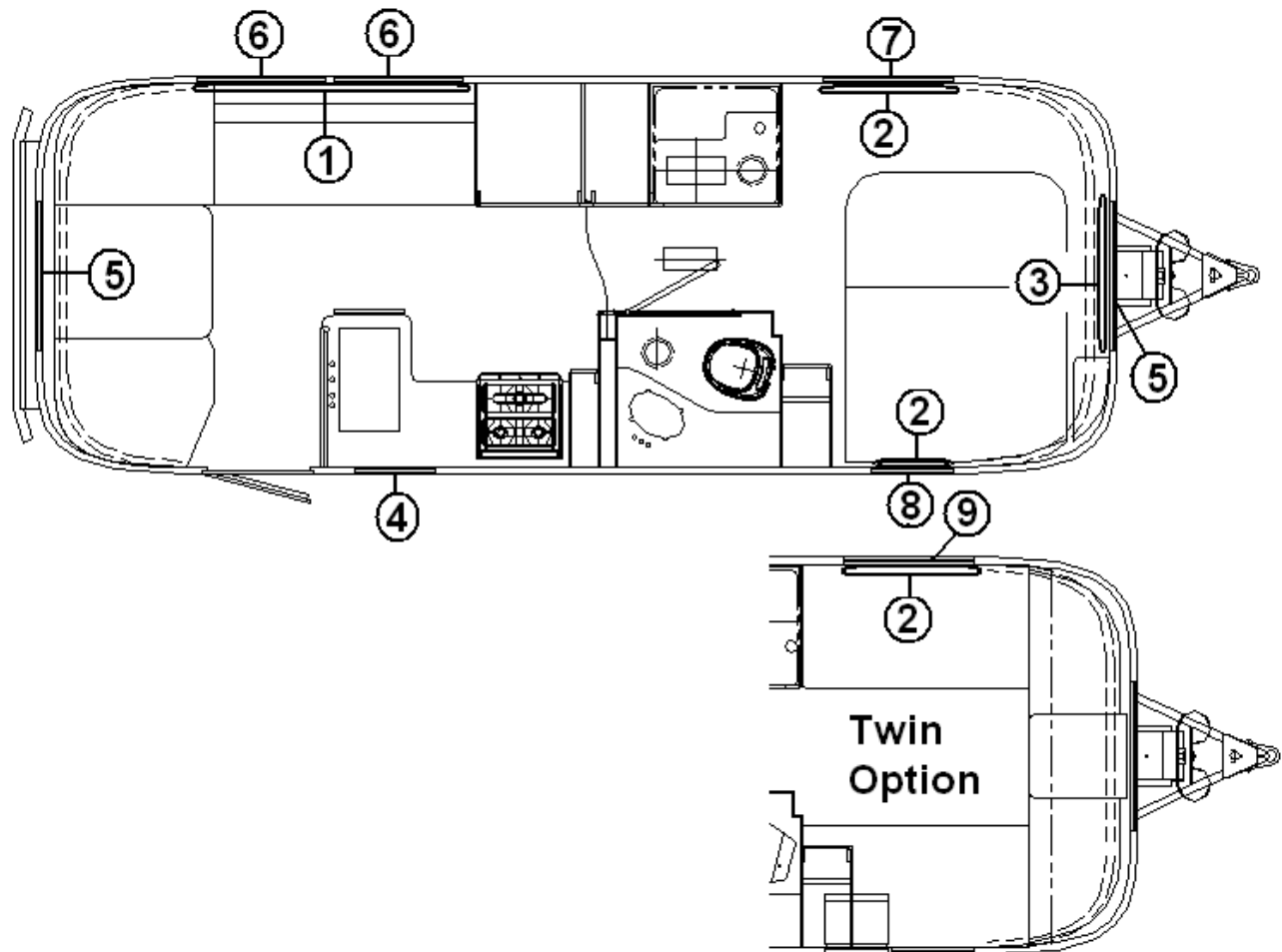


- | | |
|---------------------------------------------------------------------------------------------------------------------------------------------------------------------------------------------------------------------------------------------------------------------------------------------------------------------------------------------------------------------------------------|---------------------------------------------------------------------------------------------------------------------------------------------------------------------------------------------------------------------------------------------------------------------------------------------------------------------------------------------------------------------------------------------------------------------------------------------------------------------------------------------------------------------------------------------------------------------------------------------------------------------------------------------------------------------|
| <ul style="list-style-type: none"> 1. 703191-11 2. 703191-12 3. 703191-13 4. 703191-04 5. 703191-15 6. 703191-10 7. 801589-01 8. 801589-02 9. 381898 10. 998144-09 11. 998144-05 12. 998144-07 13. 998144-11 14. 998164-02 15. 998164-01 | <ul style="list-style-type: none"> BLIND BRUSHED ALUM 29.5 X 29L BLIND BRUSHED ALUM. 29.50 X 27 BLIND BRUSHED ALUM. 18.75 X 32 BLIND MINI METAL 21X23 BRUSH A BLIND BRUSHED ALUM 24.75 X 21L BLIND BRUSHED ALUM 17.5 X 33 VALANCE ASSY-32" VALANCE ASSY-20" SPACER-NYLON .166ID X.24 OD X .25L DRAPE, CURBSIDE PANEL, 34" X 25.50" DRAPE, CURBSIDE PANEL, 27" X 25.50" DRAPE, ROADSIDE PANEL, 27" X 25.50" DRAPE, ROADSIDE PANEL, 37" X 25.50" CURTAIN PANEL, 16" NO PLEATS, 12" L CURTAIN PANEL, 16" NO PLEATS, 17" L |
|---------------------------------------------------------------------------------------------------------------------------------------------------------------------------------------------------------------------------------------------------------------------------------------------------------------------------------------------------------------------------------------|---------------------------------------------------------------------------------------------------------------------------------------------------------------------------------------------------------------------------------------------------------------------------------------------------------------------------------------------------------------------------------------------------------------------------------------------------------------------------------------------------------------------------------------------------------------------------------------------------------------------------------------------------------------------|

2008 SAFARI- BAMBI

DRAPES/BLINDS/VALANCES

Drapes/Blinds 25' Front Bed

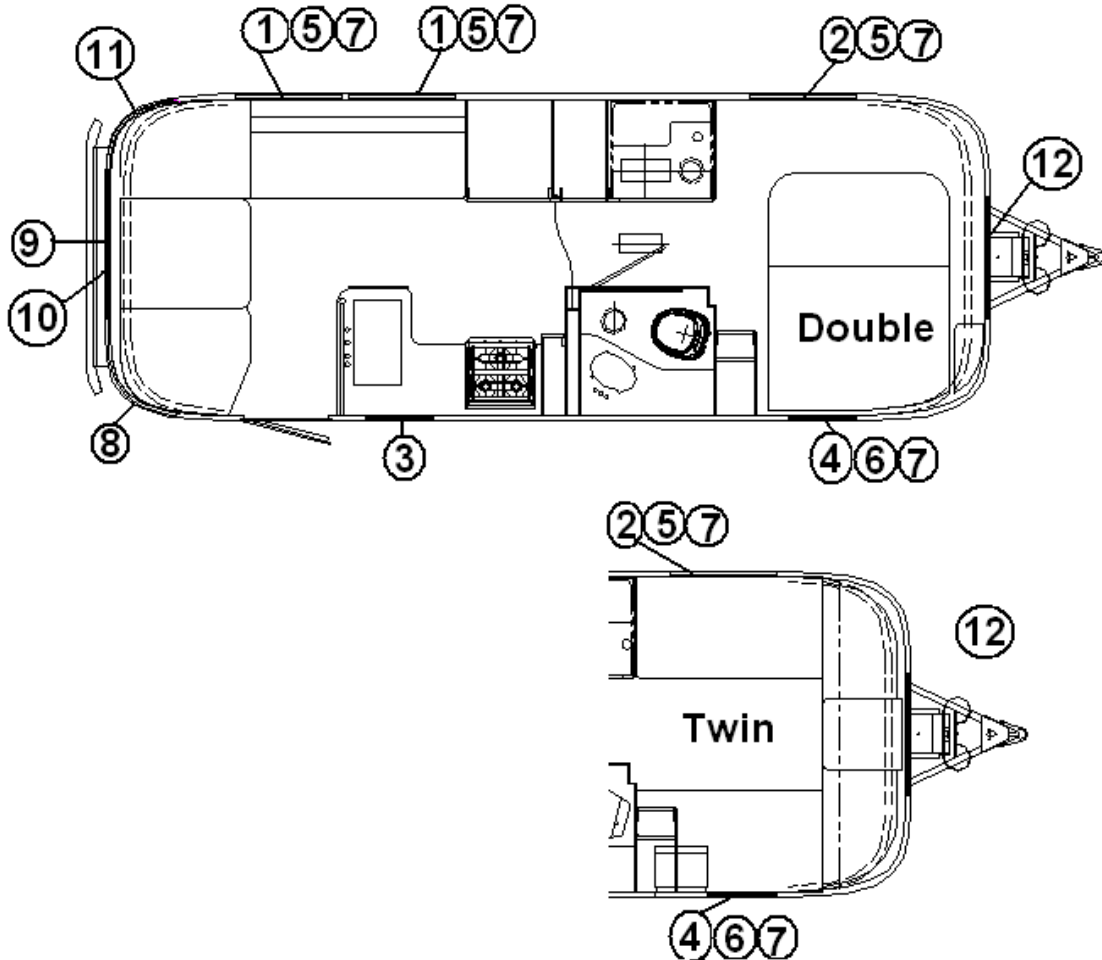


- | | |
|--------------|---------------------------------|
| 1. 966139-05 | Valance assembly, 69" |
| 2. 966139-03 | Valance assembly, 26" |
| 3. 966139-04 | Valance assembly, 57" |
| 4. 703191-04 | Blind, 21" x 23", Aluminum |
| 5. 998171-09 | Curtain assembly, 38.5" x 25.5" |
| 6. 998171-11 | Curtain assembly, 35" x 30.5" |
| 7. 998171-08 | Curtain assembly, 18." x 55.5" |
| 8. 998171-04 | Curtain assembly, 16.5" x 26.5" |
| 9. 998171-13 | Curtain assembly, 18" x 29.5" |

2008 SAFARI- BAMBI

DRAPES/BLINDS/VALANCES

Drapes/Blinds 25' Front Bed, Special Edition

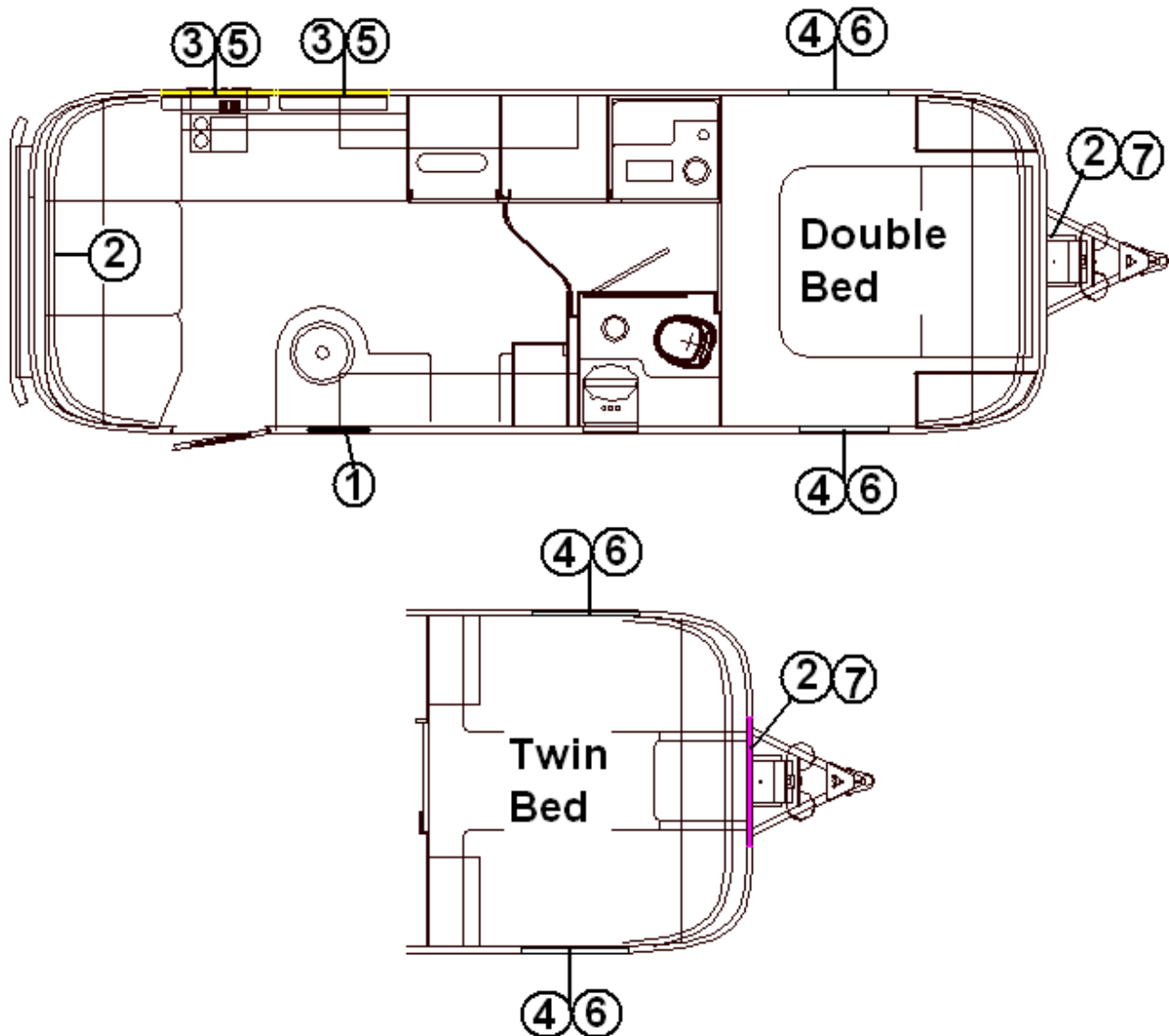


- | | |
|---------------|-------------------------------------|
| 1. 703191-11 | BLIND BRUSHED ALUM 29.5 X 29L |
| 2. 703191-17 | BLIND-29.75" X 33.5" MINI BLIND |
| 3. 703191-04 | BLIND BRUSHED ALUM. 21 X 23 |
| 4. 703191-13 | BLIND BRUSHED ALUM. 18.75 X 32 |
| 5. 801589-01 | VALANCE ASSY-32" |
| 6. 801589-02 | VALANCE ASSY-20" |
| 7. 381898 | SPACER-NYLON .166ID X .24OD X.25L |
| 8. 998144-09 | DRAPE, CS SIDE PANEL 37" X 25.5 |
| 9. 998144-07 | DRAPE, RS FRONT PANEL, 27" X 25.50" |
| 10. 998144-05 | DRAPE, CS FRONT PANEL, 27" X 25.50" |
| 11. 998144-11 | DRAPE, CS SIDE PANEL 37" X 25.5 |
| 12. 703191-18 | BLIND-50.5"X28" MINI BLIND |

2008 SAFARI- BAMBI

DRAPES/BLINDS/VALANCES

Drapes/Blinds 27' Front Bed

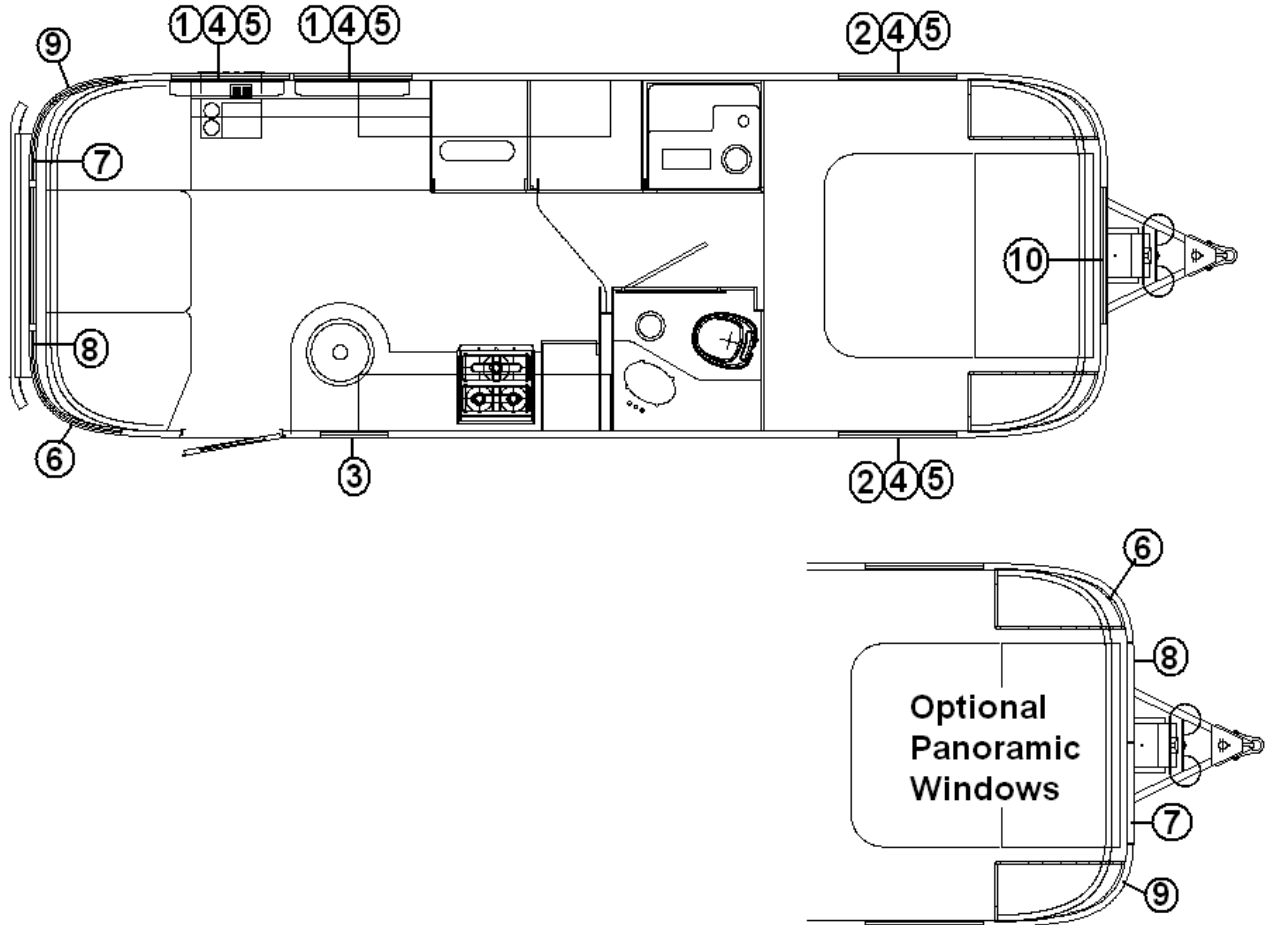


- | | |
|-----------|---------------------------------|
| 703191-04 | BLIND BRUSHED ALUM. 21 X 23 |
| 998171-09 | Curtain assembly, 38.5" x 25.5" |
| 998171-11 | Curtain assembly, 35" x 30.5" |
| 998171-08 | Curtain assembly, 18." x 55.5" |
| 966139-05 | Valance assembly, 69" |
| 966139-03 | Valance assembly, 26" |
| 966139-04 | Valance assembly, 57" |

2008 SAFARI- BAMBI

DRAPES/BLINDS/VALANCES

Drapes/Blinds 27', Special Edition

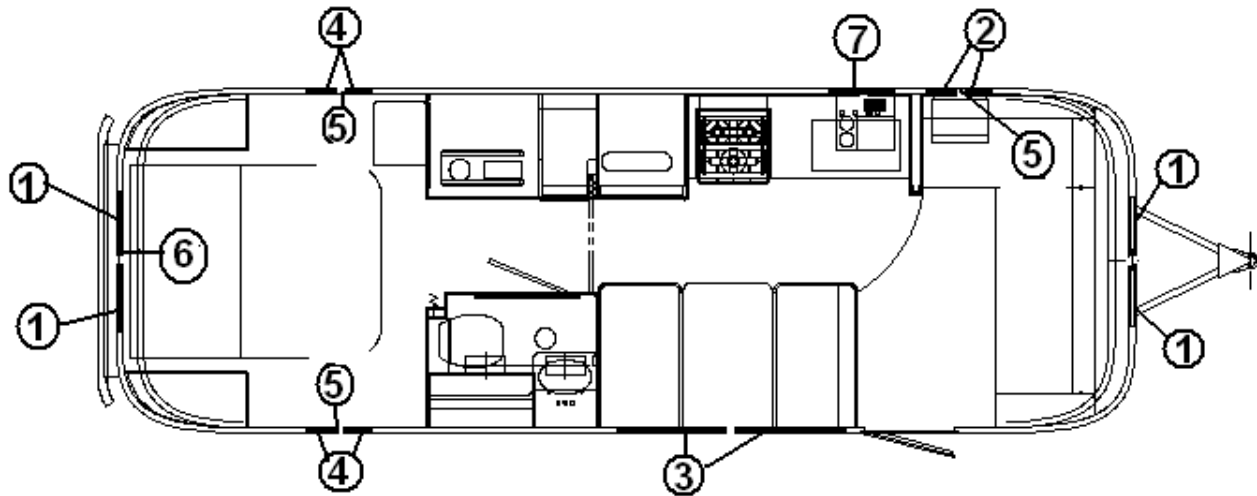


- | | |
|---------------|-------------------------------------------|
| 1. 703191-11 | BLIND, METAL, 29.5" X 29" ALUMINUM |
| 2. 703191-17 | BLIND, METAL, 29.75" X 33.5" ALUMINUM |
| 3. 703191-04 | BLIND, METAL, 21" X 23" ALUMINUM |
| 4. 801589-01 | VALANCE ASSEMBLY, 32" |
| 5. 381898 | SPACER, NYLON |
| 6. 998144-09 | DRAPE, CURBSIDE, SIDE PANEL, 37" X 25.5" |
| 7. 998144-07 | DRAPE, ROADSIDE, FRONT PANEL, 27" X 25.5" |
| 8. 998144-05 | DRAPE, CURBSIDE, FRONT PANEL, 27" X 25.5" |
| 9. 998144-11 | DRAPE, ROADSIDE, SIDE PANEL, 37" X 25.5" |
| 10. 703191-18 | BLIND, METAL, 50.5" X 28" ALUMINUM |

2008 SAFARI- BAMBI

DRAPES/BLINDS/VALANCES

Drapes/Blinds 28' W

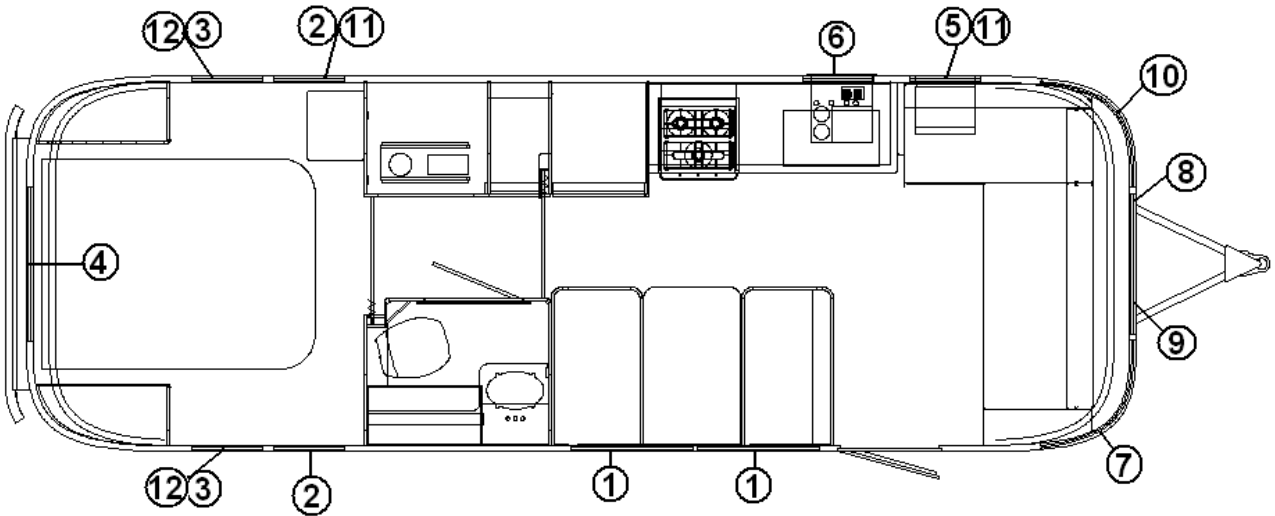


- | | | |
|----|-----------|-----------------------------------|
| 1. | 998171-09 | CURTAIN ASSY- 28.5" X 25.5" |
| 2. | 998171-02 | CURTAIN ASSY- 13" X 35.5" |
| 3. | 998171-15 | CURTAIN ASSY- 36.50"X 27.5" |
| 4. | 998171-01 | CURTAIN ASSY- 13" X 26.5" |
| 5. | 966139-02 | VALANCE ASSY- 26.5" |
| 6. | 966139-04 | VALANCE ASSY-57" |
| 7. | 701191-04 | Mini Blind, Brushed Aluminum |
| | 702355-01 | SHADE, PULL, MICHELL, 20-1/8 X 3' |

2008 SAFARI- BAMBI

DRAPES/BLINDS/VALANCES

Drapes/Blinds 28' W, Special Edition



- | | |
|---------------------------------------------------------------------------------------------------------------------------------------------------------------------------------------------------------------------------------------------------------------------------------------------------------------------|-----------------------------------------------------------------------------------------------------------------------------------------------------------------------------------------------------------------------------------------------------------------------------------------------------------------------------------------------------------------------------------------------------------------------------------------------------------------------------------------------------------------------------------|
| <ul style="list-style-type: none"> 1. 703191-12 2. 703191-10 3. 703191-19 4. 703191-18 5. 703191-08 6. 703191-20 7. 998144-09 8. 998144-07 9. 998144-05 10. 998144-11 11. 801589-02 12. 801589-03 | <ul style="list-style-type: none"> BLIND, BRUSHED ALUMINUM 29.50" X 27" BLIND, BRUSHED ALUMINUM 17.5" X 33" BLIND, 20" X 33" ALUMINUM MINI BLIND, 50.5" X 28 " ALUMINUM MINI BLIND, MINI-METAL 17.5" W X 22" BLIND, 31" X 24" ALUMINUM MINI DRAPE, CS SIDE PANEL 37" X 25.5 DRAPE, RS FRONT PANEL, 27"X 29" DRAPE, CS FRONT PANEL, 27"X 29" DRAPE, CS SIDE PANEL 37" X 25.5 VALANCE ASSY, 20" VALANCE ASSY, 22" |
|---------------------------------------------------------------------------------------------------------------------------------------------------------------------------------------------------------------------------------------------------------------------------------------------------------------------|-----------------------------------------------------------------------------------------------------------------------------------------------------------------------------------------------------------------------------------------------------------------------------------------------------------------------------------------------------------------------------------------------------------------------------------------------------------------------------------------------------------------------------------|

2008 SAFARI- BAMBI

DRAPES/BLINDS/VALANCES

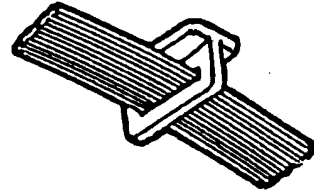
Drapes Hardware



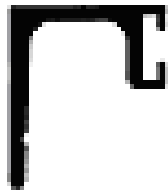
101220
Bracket, curtain
stand off



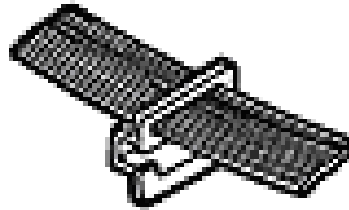
101217
Track, curtain



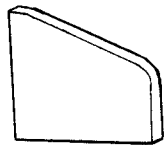
700044
Glides, w/elastic
"T" type



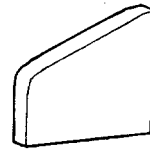
101225
Bracket, curtain
stand off



700045
Glides, w/elastic
"G" type



200785
End, curtain track, LH



200784
End, curtain track, RH

100099 EXTRUSION, ALUMINUM, CURTAIN TRACK TOP

2008 SAFARI- BAMBI

ELECTRICAL, 110 VOLT

Shore Line Cord

511416-02 30-amp, male power inlet
511416-03 POWER CORD, 30A, 30' W/CONN UL/CSA

Converter

511654-01 POWER CENTER-110V/12V MAGNATEK, BLACK
510743 GROUND BAR, 3 ½" LONG

Breakers, USA

510564-05 BREAKER BRYANT 30-20
510564-04 BREAKER BRYANT 20-20
510564-20GFI GFI BREAKER, TYPE BR, 20GFI, #GFCB-120
510564-06 BREAKER- BRYANT 20 GFI
453573 MOUNTING BRACKET, BREAKER BOX

Switches

500913-03 SWITCH T & B WHITE
511814-01 Receptacle, 15 amp, gray
511814-02 Decorator plate, gray

Microwave Switch, 27' FB Option

201787-01 POCKET DEADBOLT, INTERIOR
511451-02 RECEPTACLE, 20A, SINGLE, BROWN
512221 SWITCH, LEVER, 300V, 10A

Exterior Outlet/Circuit Tester

510676-01 Outlet, exterior, gray
511023 Circuit tester (loose item)

2008 SAFARI- BAMBI

ELECTRICAL, 110 VOLT

Junction Box

510014 BOX JUNCTION OCTAGON #54151-C
510015 BOX COVER #54C-1
510475 CLIP, GROUND

Breakers/Receptacles, CSA

510564-03 BREAKER BRYANT 15-15
510564-04 BREAKER BRYANT 20-20
510564-20GFI GFI BREAKER, TYPE BR, 20GFI, #GFCB-120
510888-05 RECEPTACLE W/COVER, GFI, WHITE
510888-06 SPACER, RECEPTACLE, GFI, WHITE
510888-07 RECEPTACLE COVER, WHITE

Receptacles

511451-01 RECEPTACLE 20A SINGLE WHITE
511451-02 RECEPTACLE 20A SINGLE BROWN
500563-01 RECEPTACLE, 15A 125V T&B TYPE
500563-100 SCREW-WHITE FOR P/N 500563-01
382070 Non-skid rubber dot for 500563-01
500967-01 COVER, BLANK, ELEC., IVORY #86
511287 Receptacle, 15 amp, single
511814-01 RECEPTACLE, DUPLEX GRAY SELF CONTAINED
511814-02 PLATE, DECORATOR 1 GANG GRAY

Generator Prep Option

510562 SWITCH, GENERATOR SWITCH OVER AUTO TS
511416-02 POWER INLET, 30A, 125V, MALE
385062 DECAL, 110-125 VOLTAGE, AC

2008 SAFARI- BAMBI

ELECTRICAL, 12 VOLT

Battery/Battery Box

511596	BATTERY-DEEP CYCLE GRP.24
511828	BATTERY-12V DEEP CYCLE AGM, w/solar panel option only
203415	Battery tray
381814	Wing nut, battery hold down
381613	Cover, black plastic for hold down wing nut
500836-02	Positive battery cable
500837	Negative Battery cable
512049-01	CABLE, RED JUMPER
512049-02	CABLE, BLACK JUMPER
410551-02	LID BATTERY BOX
381430	LOCK,TWIST,STRAIGHT CAM
380203-01	PIANO HINGE 1/8" PIN

7-Way Cable

500886-01	7-Way cable w/plug
510947-20	20 amp BREAKER, 12V DC, TYPE II, #12V20
510948-04	BAR BUSS CIRCUIT BREAKER
510743	GROUND BAR, 3 1/2" LONG

Fuse Box, CSA

964082	FUSE BLOCK ASSY. 12V CSA
452412-01	BRACKET FUSE BLOCK 12V CSA
511313	BLOCK FUSE ATC 12V 6 POSITION
511314	BUSHING UNIVERSAL 1" I.D. BLAC
511345	FUSE 30A AGU GLASS TUBE BUSSMA
510655-01	DOOR/FRAME ONLY W/LATCH 12V PA

2008 SAFARI- BAMBI

ELECTRICAL, 12 VOLT

Switches, 12 Volt

502056	Mounting plate, 12 volt switch
500967-01	COVER, BLANK, IVORY
511745	SWITCH ASSY- THREE GANG WHITE
511327	Switch body w/rocker, single, white
510868-03	Switch panel, 4 gang, white, by door
511567-01	SWITCH BODY W/ROCKER, 2 GANG BLACK
511567-02	Switch body w/Rocker switches, two gang white
511566-02	Cover, switch, Printed, Two Gang, White
511566-01	SWITCH COVER-2 GANG BLACK
511665	SWITCH ASSY, CEILING WHITE
510658	SWITCH W/WEATHER-PROOF BOOT
511810	SWITCH ASSY-4 GANG WHITE
511836	SWITCH, REFER/FAN WHITE #AH-AS
511682	SWITCH ASSY-3 GANG WHITE
511669	SWITCH ASSY-SHOWER WHITE
511658	SWITCH BODY W/COVER 3-GANG WHITE
511731	SWITCH-WATER HEATER
500933	SWITCH-WATER HEATER ELECTRONIC

Battery Disconnect

511655-01	BDO BEZEL ASSY-BLACK/SILVER
511655-02	BD RELAY 100 AMP, 12 VOLT
511655-03	CABLE, BDO/1, 20 FT
511655-05	CABLE-BDO/1, 30'

12 Volt Outlet

510807	Outlet, 12 volt
511121	Mounting plate, 12 volt receptacle

2008 SAFARI- BAMBI

ELECTRICAL, 12 VOLT

Inverter, 600 Watt, option

511968	INVERTER 600W W/REMOTE
511969	110A FUSE & FUSE BLACK
500039	GROUND LUG
500563-01	RECEPTACLE, 15A 125V T & B TYPE
500563-100	SCREW-WHITE FOR P/N 500563-01
382070	Non-skid rubber dot for 500563-01
511451-01	RECEPTACLE 20A SINGLE WHITE XL
512049-01	CABLE, RED JUMPER
512049-02	CABLE, BLACK JUMPER

Break away Switch

0300027	Break away switch, Bargman
400407	BRACKET, BRAKE AWAY SWITCH, 28', 27', 25'
454526	BRACKET, BREAK AWAY SWITCH, 19'

Monitor Panel and Sensor

511788-01	Monitor panel, CATCON Micropulse
511789-01	BOOT-SENSOR #500-20010-05
511789	SENSOR, TANK MONITOR
511286-01	WIRE FLAT TELEPHONE 26 GA. BLACK
511286-02	WIRE FLAT TELEPHONE 26 GA. IVORY
511252	PLUG PHONE 4 CONDUCTOR
511393	COUPLER-MODULAR EXTENSION, 4 CONDUCTOR
511817	COUPLER, IN LINE PHONE JACK

External Telephone/TV Jack

452981	PHONE JACK PROTECTIVE PLATE
104619	Mounting plate, exterior telephone/TV jack
511411	Junction box, 7 terminals
511375	JACK MODULAR TELEPHONE TA-1020
510616	F CONNECTOR, COAX, 75 OHM

2008 SAFARI- BAMBI

ELECTRICAL, 12 VOLT

Interior Telephone Jack

510624-01 MODULAR PHONE QUICK JACK WHITE
511375 JACK MODULAR TELEPHONE
510174 TELEPHONE WIRE
510654-01 TV jack, 12 volt w/splitter

TV Hook Up Blank Plate

512025-01 V JUNCTION DEVICE, SELF CONTAINED, WHITE
512025-02 PLATE, SNAP ON, ONE GANG SCD, WHITE

Solar Panel

511828 BATTERY-12V DEEP CYCLE AGM
512049-01 CABLE, RED JUMPER
512049-02 CABLE, BLACK JUMPER
511142-01 PANEL-SOLAR 53 WATT VLX-53
511142-02 BRACKET-MOUNTING KIT SOLAR PANEL
512318 HOLDER W/1 AMP FUSE, IN-LINE
500883-05 FUSE, 12 VOLT, AGC, 5 AMP.
385987 LABEL, 5 AMP FUSE MAXIMUM
510328 AGC 10 FUSE-FUSE PANEL
385947 LABEL 10 AMP FUSE MAX.
511846 KIT-CHARGE CONTROLLER DISPLAY
511851 CABLE- CAT 5E BLUE
511852 CONNECTOR- RJ45E

Chassis Electrical Conduit

600035 ELL ABS LONG SWEEP 1 ½"
601160-03 PIPE, ABS DVW, 2"
600193 2"DUCT THERMAFLEX FLEXIBLE AIR

2008 SAFARI- BAMBI

ELECTRICAL, 12 VOLT

Interior Lights

512243	LIGHT, 12V DLB W/SWITCH
512242	LIGHT, 12V SINGLE BULB W/SWITCH
511694-01	READING LIGHT, HALOGEN, NICKEL/BRASS
511695	SPOTLIGHT, BRUSHED NICKEL
511694	LIGHT, READING HALOGEN BRUSHED NICKEL

Exterior Lights

500092	Patio light, round, Signal Stat
510160	Bulb, patio light #1156
510651	Light, front access compartment, 25'
512252	STEP LIGHT, L.E.D., SS

*LED clearance light replaced incandescent during model year

*511751	Red incandescent teardrop lights
*512227	Red LED clearance light
*512227-01	Chrome base, red LED clearance light
*512227-02	Sealed light bezel, red LED clearance light
*512227-03	Foam gasket, red LED clearance light
*511750	Amber incandescent teardrop lights
*512226	Amber LED clearance light
*512226-01	Chrome base, amber LED clearance light
*512226-02	Sealed light bezel, amber LED clearance light
*512226-03	Foam gasket, amber LED clearance light

**Chrome light obsolete and replaced by black light during model year, service old w/new.

**511407	License plate light/holder, Black
**511407-01	Gasket, License plate light/holder

2008 SAFARI- BAMBI

ELECTRICAL, 12 VOLT

Tail Light Assembly, Standard

500500-RS	TAILLIGHT ASSY. LED R.S.
500500-CS	TAILLIGHT ASSY. LED C.S.
511860-01	LIGHT-4"LED RED
511860-02	BEZEL- 4" ROUND CHROME W/VISOR
381873	Gasket, Taillight

Tail lights, Round, Special Edition

952696-01	TAIL LIGHT ASSEMBLY, ROADSIDE
952696-02	TAIL LIGHT ASSEMBLY, CURBSIDE
511661	TAIL LIGHT-LED OVAL 6"
511664-01	CASTING-TAIL LIGHT R.S.
511664-02	CASTING-TAIL LIGHT C.S.
511662	TRIM RING-TAIL LIGHT W/VISOR
115073-01	BRACKET-R.S. TAILLIGHT
115073-02	BRACKET-C.S. TAIL LIGHT
115074	BRACKET-CENTER TAIL LIGHT
381873	Gasket, Taillight

2008 SAFARI- BAMBI

ENTERTAINMENT

Radio/Antenna

511732 Radio, AM/FM/CD, CDX-CA710X
500913-03 SWITCH , T & B WHITE
500484-05 Antenna lead & extension, 72"
511807 Antenna, AM/FM rubber, 13"
511827 Wall Plate, Coax, White
512215-01 SPEAKER, 6.5", model SP65CO
512215-02 GRILL, 6.5", WHITE
203599 Speaker, Spacer, 5/8"

TV Antenna/Jack

510788-01 TV antenna, Winegard, long boom
510788-05 TV antenna, Winegard, short boom
510788-03 Amplifier, TV antenna
510788-04 Hardware package, interior, Winegard
114396 TV antenna roof trough
510612 Coax, 75 ohm, standard
510623 Connector, coax, male to male
510616 CONNECTOR, COAX, 75 OHM
511827 WALL PLATE FLUSH MOUNT COAX-WHITE
511534 Dual coax plate, Satellite TV, hook up

Audio Upgrade Package

511191 CD CHANGER-10 DISK SONY CDX-75
511822 SUBWOOFER POWERED, 6.5 WEDGE
512215-01 SPEAKER, 6.5", model SP65CO
512215-02 GRILL, 6.5", WHITE
203599 Speaker, Spacer, 5/8"
511863-02 A/B Selector Switch Kit
512024 Jack, 12V, DC, Audio Prep

2008 SAFARI- BAMBI

ENTERTAINMENT

Audio/Video Upgrade Package, 15" TV

512059	RADIO AM/FM/CD/DVD, SONY
512215-01	SPEAKER, 6.5", model SP65CO
512215-02	GRILL, 6.5", WHITE
203599	Speaker, Spacer, 5/8"
511822	SUBWOOFER 8" ACTIVE SONY
511191	CD CHANGER, SONY
690543	TV, 15", SONY
381209-01	GROMMET-W/CAP BLACK 1.5" HOLE
511703	CORD-PATCH MALE/MALE 2-WAY 20'
511834	PATCH CORD 30' DUAL MALE TO MALE
511835	PATCH CORD 30' 3-WAY MALE TO MALE
500913-03	SWITCH T&B WHITE
511451-01	RECEPTACLE 20A SINGLE WHITE XL
511863-02	SPEAKER CONTROL MODULE-RLM SER
386159	LABEL-FLAT SCREEN TV

Audio/Video Upgrade Package, 19' Model Front Installation

511732	RADIO AM/FM/CD/CD CONTROLLER
512215-01	SPEAKER, 6.5", model SP65CO
512215-02	GRILL, 6.5", WHITE
203599	Speaker, Spacer, 5/8"
500913-03	SWITCH T&B WHITE
511839	RADIO AM/FM/CD/DVD KD-DV5000-2
511721	CHANGER-CD 12 DISC JVC #CH-X15
511856	WIRING KIT- 4 WAY FLAT EXT.SPE
511863	SWITCH-A/B SPEAKER-RADIO #AP-S
511863-01	MODULE-SPEAKER CONTROL #AT-RLM
511822	SUB WOOFER-POWERED 6.5" WEDGE
511863-02	A/B Selector Switch Kit
511926	Auxiliary audio switcher

2008 SAFARI- BAMBI

ENTERTAINMENT

Audio/Video Upgrades Package 23' TV

512059	RADIO-AM/FM/CD/DVD, SONY
512215-01	SPEAKER, 6.5", model SP65CO
512215-02	GRILL, 6.5", WHITE
511822	SUB WOOFER-POWERED 6.5" WEDGE
511191	CD CHANGER-10 DISK SONY CDX-75
511863-02	A/B Selector Switch Kit
512024	JACK, 12V DC AUDIO PREP
511835	PATCH CORD 30' 3-WAY MALE TO MALE
512105	BRKT-WALL ARTICULATING ARM
385587	CAP-HOOD BUMPER
511645	'Y' ADAPTER MALE TO 2-FEMALE R
511856	WIRING KIT- 4 WAY FLAT EXT.SPE
511829	CONNECTOR 'F' MALE/MALE ADAPTE
511834	PATCH CORD 30' DUAL MALE TO MALE
511703	CORD-PATCH MALE/MALE 2-WAY 20'
*690582	23" TV, Sony
*690588	23" LCD TV, Samsung
*512265	RCA cord adaptor, angled
*381136	Spacer bumpers, TV bracket
512273	POWER CORD, 8', SAMSUNG TV

*PN 690582 – Sony 23" LCD TV was replaced by 690588 – Samsung 23" LCD TV during model year. Need angled RCA cord adaptors and rubber spacers to Sony TV with Samsung until TV Bracket is modified.

TV/DVD Combo, 15"

690584 TV W/DVD COLOR STERIO LCD 15"

2008 SAFARI- BAMBI

ENTERTAINMENT

Audio/Video Upgrade Package, 19" TV

512059	RADIO, AM/FM/CD/DVD, SONY
512215-01	SPEAKER, 6.5", model SP65CO
512215-02	GRILL, 6.5", WHITE
203599	Speaker, Spacer, 5/8"
511822	SUBWOOFER, POWERED, 6.5" WEDGE
511191	CD CHANGER, 10 DISK, SONY, CDX-75
512268	LEAD TV ANTENNA COAXIAL CABLE
511703	CORD, PATCH, MALE/MALE, 2-WAY, 20'
511834	PATCH CORD, 30' DUAL MALE TO MALE
511835	PATCH CORD, 30' 3-WAY MALE TO MALE

2008 SAFARI- BAMBI

ENTERTAINMENT

Exterior TV/Telephone Jack

500996 Jack, TV/phone, gray
510741 BOX/ELECTRICAL, 1 ½" X 2" X 3"
510654-01 TV jack/12 volt w/splitter, white

Satellite Radio/Antenna System

511866-05 SATELLITE RADIO SYSTEM
511866-01 SATELLITE RADIO RECEIVER SIRUS
511866-02 SATELLITE RADIO KIT, HOME ADAPTER SIRUS
511866-03 BRACKET-DOCKING STATION RECEIVER
511866-04 PLANE-ANTENNA GROUND
511862 SWITCH-SOURCE SELECTOR #XA-300
511926 Auxiliary Audio Switcher
512142 Fuse, glass, slow-blow, 2 amp

XM Radio

512220 SATELLITE RADIO SYS-XM SKYF12
511862 SWITCH, SOURCE SELECTOR #XA-300
512142 FUSE, GLASS SLOW BLOW 2A
511926 AUXILLARY AUDIO SWITCHER, JVC

Satellite TV Jack

511534 Dual coax plate, Satellite TV, hook up

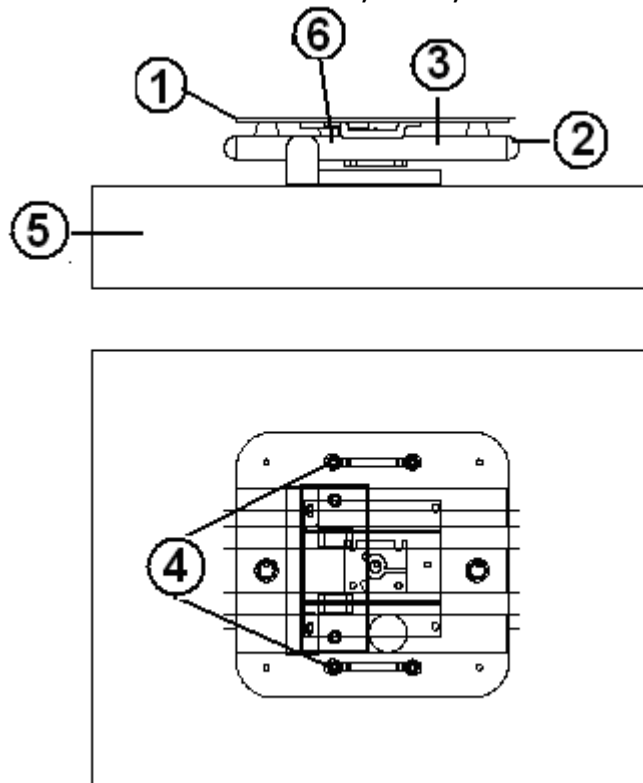
External Speakers, Wireless

511987 SPEAKER-OUTDOOR WIRELESS
386161 DECAL-AIRSTREAM .7" X 6.4" BLACK

2008 SAFARI- BAMBI

ENTERTAINMENT

Flat Screen TV/Bracket Installation, 15", TV



- | | |
|-----------|-------------------------------------|
| 690543 | TV, flat screen, 15' |
| 1. 454476 | Bracket, TV mount Wall, 15" |
| 2. 512105 | Bracket, articulating arm, flat TV |
| 3. 381136 | Rubber bumper |
| 4. 381566 | Loop, footman steel |
| 5. 703455 | Strap, 20" TV |
| 6. 454478 | TV mount stabilizer bracket, 15" TV |
| 510110 | Clamps, adhesive backed |
| 350147-25 | Nut, nylon lack, 1/4" x 20 |
| 300111-25 | Washer flat |
| 512162 | End cap, 1", off white |

2008 SAFARI- BAMBI

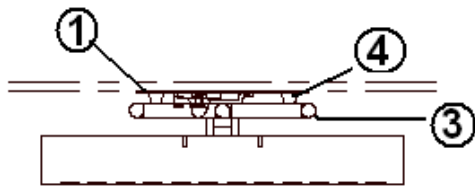
ENTERTAINMENT

Flat Screen TV/Bracket Installation, 19" TV

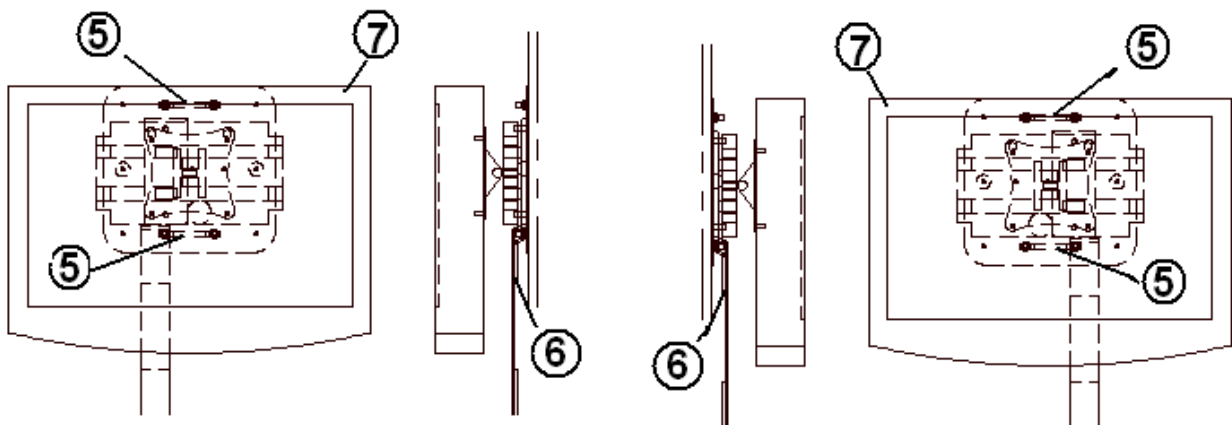
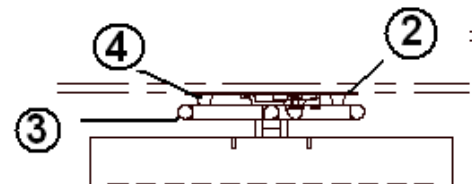
Right hand used on 20', 23', 25' A & B, 25' SLP6

Left hand used on 19', 25' FB, 27' FB, 28'

Right Hand Installation



Left Hand Installation

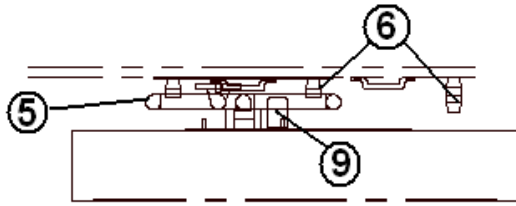


- | | |
|--------------|------------------------------------|
| 1. 454477 | Bracket, TV mount Wall, RH |
| 2. 454434 | Bracket, TV mount Wall, LH |
| 3. 512105-01 | Bracket, articulating arm, flat TV |
| 4. 381136 | Rubber bumper |
| 5. 381566 | Loop, footman steel |
| 6. 703455-03 | TV Strap, 46" |
| 7. 690590 | TV, 19" LCD, Samsung |

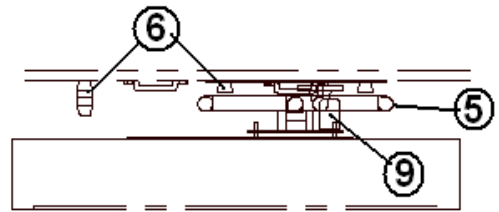
2008 SAFARI- BAMBI

ENTERTAINMENT

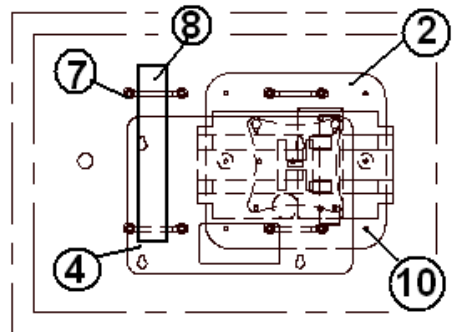
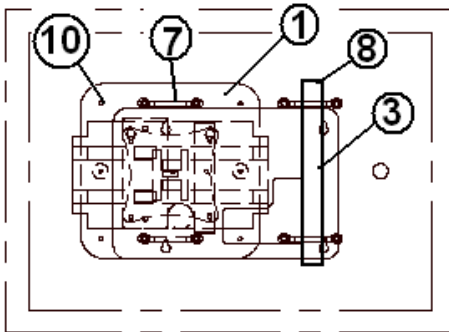
Flat Screen TV/Bracket Installation, 23" TV



23" TV Right Hand



23" TV Left Hand



- | | |
|--------------|------------------------------------|
| 1. 454477 | Bracket, TV mount Wall, RH |
| 2. 454434 | Bracket, TV mount Wall, LH |
| 3. 454618 | Bracket, TV Extension, RH |
| 4. 454619 | Bracket, TV Extension, LH |
| 5. 512105 | Bracket, articulating arm, flat TV |
| 6. 381136 | Rubber bumper |
| 7. 381566 | Loop, footman steel |
| 8. 703455-02 | Strap, 55" |
| 9. 454479 | TV mount stabilizer bracket |
| 10. 345460 | SCREW-M5 PH PHIL SS |
| 512568 | TV antenna coaxial cable lead, 9' |

2008 SAFARI- BAMBI

FLOOR COVERING

Carpet

702794-07	Carpet, Landscape Wheat, All Color Schemes
381183-01	EDGEING, CARPET RIPPLE ALUMINUM 12'
701538	Carpet, Velour-compartment liner
701538-01	CARPET-ECONOLIER W/PSA BACK
700173	Pad, carpet, 3/8" thick
700173-01	Pad, carpet, 1/2" thick

Floor Mats

702549	MATT ENTRANCE W/AIRSTREAM LOGO
--------	--------------------------------

Vinyl Flooring

**703719-01	FLOORING VINYL KAHIKI TUSCAN
**703659	LINOLEUM, WOOD PLANK
*203594-01	FLOOR TRIM, UN1275 MAGNOLIA
*203594-02	FLOOR TRIM, UN7021 ASH GREY

*203594-01 floor trim was replaced by 203594-02 (Silver) floor trim during model year.

**703719-01 was replaced by 703659 wood plank linoleum late in model year.

Diamond Tread Plate

115209-01	DIAMOND PLATE, .025" X 4' X 8'
115209-02	DIAMOND PLATE, 30" x 74"
115212-01	TREAD PLATE, 28.16" X 53.25", 28'
115212-03	TREAD PLATE, 29.79" X 60.31", 23'
115212-04	TREAD PLATE, 27" X 45" 19'
115212-05	TREAD PLATE, 30" X 42.63" 25' SS
115212-06	TREAD PLATE, 26.69" X 47.5" 25' SS
115212-08	TREAD PLATE, 25.11" X 48.48", 20'

2008 SAFARI- BAMBI

FURNITURE, DOORS

Doors, Roof Locker

965551-01	DOOR, 15.25" X 35.5"
965551-02	DOOR, 15.25" X 31.63"
965551-03	DOOR, 15.25" X 28.38"
965551-04	Door, 15" x 23.13"
965551-05	DOOR, 15.25" X 12.5" RH
965551-06	DOOR, 15.25" X 12.5" LH, Rear Locker
965551-06A	DOOR, 15.25" X 12.5" LH, Front locker
965551-09	Door, 15" x 4.06"
965551-10	DOOR, 15.25" X 6.19"
965551-11	DOOR, 15.25" X 12.5" RH
965551-12	DOOR, 15.25" X 12.5" LH

Doors, Wardrobe/Cabinet

Width x height

801341-18	DOOR, 9.50"X 28.38"
801341-19	DOOR, 14.25"X 63.38"
801341-22	DOOR, 17.50" X 61.25"
801341-23	DOOR, 14.00" X 23.00" L
801341-24	DOOR, 14.00" W X 38.13" L
801341-25	DOOR, 14.63" X 23.63"
801341-26	DOOR, 18.63" X 23.63"
801341-37	Door, 24.44" x 10.19"
801341-38	Door, 19.81" x 31.31"
801341-43	Door, 13.81" X 25.38"
801341-44	Door, 11.38" X 23.63"
801341-45	Door, 11.38" X 38.13"
801341-47	Door, 8.88" X 19.13"
801341-48	DOOR, RS TWIN BED 25.00"X 14.25"
801341-49	DOOR, 17.38" X 14.25
801341-50	DOOR, 11.38" X 17.00"

2008 SAFARI- BAMBI

FURNITURE, DOORS

Doors, Wardrobe/Cabinet (continued)

Width x height

801341-51	DOOR, 11.38" X 9.88"
801341-52	DOOR, 11.13" X 7.5"
801341-53	DOOR, 11.38" X 11.25"
801341-54	DOOR, 11.38" X 19.75"
801341-58	DOOR, 11.38" X 38.13"
801341-63	DOOR, 17.5" X 61.25"
801341-64	DOOR, 14.63" X 23.63"
801341-66	DOOR, 15.75" X 17.88"
801341-68	DOOR, 11.5" X 25.63"
801341-81	DOOR, 10.38" X 23.63"
801341-83	DOOR, 15.5" X 31.75"
801341-129	DOOR, 25.13" X 7.5"
801341-131	DOOR, 14.13" X 27.13"
801341-138	DOOR, 6.5" X 46.25"
801341-139	DOOR, 6.5" X 16.5"
801341-152	DOOR 9.25W" X 23L"
801341-153	DOOR 9.25W" X 38.12L"
801341-154	DOOR 14.50" X 22.38"
801341-155	DOOR 21.62" X 6.00"
801341-164	DOOR-15.03" X 62.25"
801341-165	DOOR-15.03" X 15.31"
801341-166	DOOR, 10.38" X 15.88"
801341-168	Door, 9.25" x 9.88"
801341-169	Door, 13.75' x 30.88"
801341-184	Door, 26.75" X 16.5"
801341-185	Door, 15.88" X 57.44"
801341-186	Door, 15.88" X 6"
801341-187	Door, 15.88" X 9.63"
801341-188	Door, 12.75" X 31.31"
801341-189	Door, 14.88" X 7.38"
801341-190	Door, 23.63" X 10.38"

2008 SAFARI- BAMBI

FURNITURE, DOORS

Doors, Wardrobe/Cabinet (continued)

Width x height

801341-191	Door, 8.69" X 22.38"
801341-192	Door, 17.75" X 25.75"
801341-208	DOOR, 17.13" X 7.5"
801341-209	DOOR, 13.75" X 61.75"
801341-210	DOOR, 15.25" X 24.13"
801341-211	DOOR, 16.31" X 30.88"
801341-212	DOOR, 14.25" X 63.06"
801341-213	DOOR, 7" X 15.31"
801341-223	Door, 24.44" x 16.13"
801341-228	DOOR, 24.44" X 11.69"
801341-229	DOOR, 24.44" X 8.88"
801341-230	Door, 24.44" x 8.13"
801341-243	Door, 18.63" x 23.63"
964385-16	Door, breaker box cover 7.5 x 13.75", 19 ft.

Doors, Wardrobe/Cabinet, 23' Front Bed Only

967190-0312	DOOR, LAVY, 18.67 X 26.13
967190-0313	DOOR, LAVY, 11.25 X 14.50
967190-0314	DOOR, LAVY, 11.25 X 14.50
967188-0312	DOOR, PANTRY, 6.50 X 46.25
967188-0313	DOOR, PANTRY, 6.50 X 11.63
967188-0314	DOOR, PANTRY, 6.50 X 17.00
967180-0318	DOOR, GALLEY, 16.00 X 16.18
967180-0319	DOOR, GALLEY, 19.88 X 16.18
967180-0326	DOOR, GALLEY, 25.63 X 10.75
966137	DOOR, DINETTE SEAT
967162-0312	DOOR, BEDROOM WARDROBE, 17.06 X 38.13
967162-0313	DOOR, BEDROOM WARDROBE 17.06 X 9.88
967162-0314	DOOR, BEDROOM WARDROBE 17.06 X 9.88
967162-0315	DOOR, BEDROOM WARDROBE 17.06 X 17.00
967163-0321	DOOR, ROADSIDE WARDROBE 18.69 X 62.56

2008 SAFARI- BAMBI

FURNITURE, DOORS

Doors, Bath

- 965567 DOOR ASSEMBLY "C" BATH, 25.50" X 72.00", 28',
25'A & B
- 966409 Door Assembly, "C" bath, 24" X 72.00", 25' FB, 27'
- 966047 DOOR, "C" BATH, 25' SLP6, 23', 19'
- 966554 BATH DOOR ASSY, W/MIRROR, 20'
- 967202-03 DOOR, BATH, 23' Front Bed

Doors, Shower, 25' SS, 25' A & B, 20', 19'

- 702937-03 SHOWER DOOR-ROLL AWAY, 62" X 36"

Door, Shower, 28', 27', 25' FB

- 703626-01 SHOWER DOOR, BRUSHED NICKEL
- 703626-100 LATCH-TRAVEL SHOWER DOOR

2008 SAFARI- BAMBI

FURNITURE, DOORS

Door, Shower, 23' Front Bed

703745 SHOWER DOOR, BROWN, 22" X 65" W/TRAVEL
LOCK

Doors, Foldette, 19', 25', 27', 28'

702681-03 DOOR FOLDETTE 46" X 73" BEIGE, 25' Twin &
Double Rear Bed, 25' FB, 27' FB Twin Bedroom, 28'

702681-08 FOLDETTE DOOR, BEIGE 60" X 73", 25' FB, 27' FB

702681-04 FOLDETTE IRVINE 56" X 73", 25' SLP6, 19'

101038 EXTRUSION, HEADER, BROWN, 25 SLP6

381563-01 Track, formed, foldette door, 19', 25' Twin & Double
Rear Bed, 27' Twin bedroom, 28'

452258 BRACKET, MTG. FOLDETTE DOOR, 25' FB, 27', 28',
19'

381890-01 TRACK-FORMED FOLDETTE 25' FB

381890-02 TRACK-STRAIGHT FOLDETTE 25' FB, 27'

382005 TRACK-FORMED FOLDETTE DOOR, 20", 27'

701342-01 Strap, holdback, 7"

381581 STRAP CLEAR PLASTIC .75"W

700811 BUTTON CAP, HANDY #36

700812 BUTTON BOTTOM, HANDY #36 OAK

Doors, Foldette, 23', 23' Front Bed

452258 BRACKET, MOUNTING, FOLDETTE DOOR

702681-08 DOOR-FOLDETTE, 60"X 73" BEIGE

701342-01 STRAP, VINYL, HOLD-BACK, 7.0"LONG

381768 TRACK-FOLDETTE DOOR, REAR BED

382056 TRACK, FOLDETTE DOOR, FRONT BED

Door, Foldette, 20'

702681-08 FOLDETTE DOOR, BEIGE 60" X 73"

381946 TRACK, FOLDETTE DR 20'

2008 SAFARI- BAMBI

FURNITURE, MIRRORS/DRAWERS

Mirrors

372203-04	Mirror, safety glass, medicine cabinet, 36" x 14"
372203-05	Mirror, safety glass, medicine cabinet, 19" x 14"
372203-15	MIRROR- POLISHED EDGES, 17.00" X 25.25"
372203-24	Mirror, safety glass, 9.50" x 20.00"
372203-30	Mirror, safety glass, medicine cabinet, 30" x 14"
372203-26	Mirror, safety glass, 13.62" X 58"
372203-33	MIRROR, SAFETY, .125" X 14" X 40"
371423	MIRROR, WALL MOUNT, NICKEL, 23' FB
203385	TRIM, "F", SELF EDGING, CLEAR, 23' FB
372213	TRIM, BRIGHT CHROME 1/8"
371397	MIRROR, 18.5" X 31", 20'
966089	TRIM RING-MIRROR, 20'
381220-01	MIRROR CLIP, #309NP NICKEL PLATE
381220-02	MIRROR CLIP, #318NP NICKLE PLATE
385940-02	MIRROR PULL CHROME
320097	SCREW, BRASS PLATED, OVAL HEAD
104965-01	RETAINER CLIP-GALLEY

2008 SAFARI- BAMBI

FURNITURE, MIRRORS/DRAWERS

Drawers/Drawer Boxes

201016	Drawer, plastic, 16" x 22", lounge
201051	DRAWER 10" X 22", twin bed
801399-01	DRAWER, HIDDEN, 13.00W X 3.38 H
801399-03	DRAWER, HIDDEN, 4.13" X 16.88"
964909-11	DRAWER BOX, 10" X 14.0" X 19", 19' Dinette
965553-03	DRAWER BOX, 4.38" X 7.88" X 17
965554-03	DRAWER BOX, 5.625" X 17.25" X 17"
965554-05	DRAWER BOX, 5.63" X 14.25" X 17.63"
965554-06	DRAWER BOX ASSY-5.63" X 23" X 21.75"
965555-02	DRAWER BOX, 8.00" X 9.5" X 20"
965555-03	DRAWER BOX, 7.88" X 20.68"
965555-04	DRAWER BOX, 8.00 X 15.00" X 20.00"
965558-02	DRAWER BOX, 8.00" X 11.5" X 14"
965558-04	DRAWER BOX, 8" X 15.25" X 14.88"
965560-02	DRAWER BOX, 5.63" X 9.25" X 14.00"
965560-05	DRAWER BOX, 5.63" X 16.5" X 15.25"
965584-01	DRAWER BOX ASSEMBLY 13.00"
965584-02	DRAWER BOX, 3.38" X 13.75" X 13."
965642-01	DRAWER BOX, 19.75", 19' Galley
965642-02	DRAWER BOX, 3.38" X 15.25" X 14.88"

2008 SAFARI- BAMBI

FURNITURE, MIRRORS/DRAWERS

Drawer Slides

381773-02	DRAWER SLIDE-3-3/8"H X 13.75"L
381773-03	DRAWER SLIDE 15.75"
381773-15	DRAWER SLIDE-5.875" X 15.75"
381773-17	DRAWER SLIDE-5.875" X 18.5"
381773-21	DRAWER SLIDE-8.38" X 15.75"
381773-25	DRAWER SLIDE-8.38" X 21.63"
381925	SLIDE-DRAWER 24" SIDE, 23' PANTRY
381833-01	DRAWER SLIDE-UNDER SHELF 18" PAIR, 19' DINETTE
381948	K-CATCH

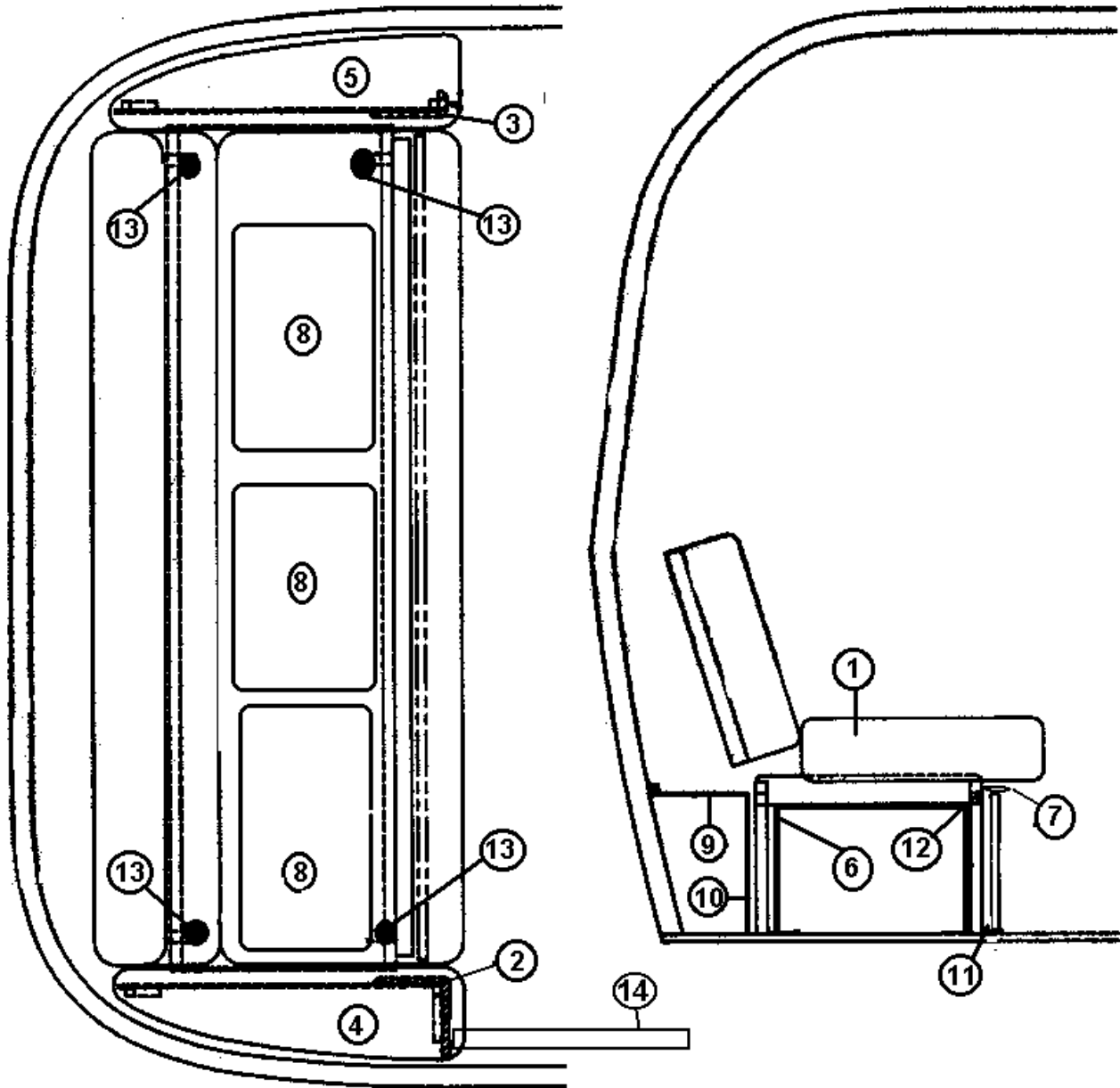
Storage Boxes

203419	STORAGE BOX 23"L X 16.75"W X 11.88"
203439	STORAGE BOX 17"L X 11.13"W X 6.38"
203447	STORAGE BOX 23.5" X 16.25" X 6.38"
965683	STORAGE BOX ASSY REAR TWIN BED, 25' A, 25' FB, 27' FB

2008 SAFARI- BAMBI

FURNITURE, LOUNGE

Front Lounge 25' SLP6



Parts Numbers on the Next Page

2008 SAFARI- BAMBI

FURNITURE, LOUNGE

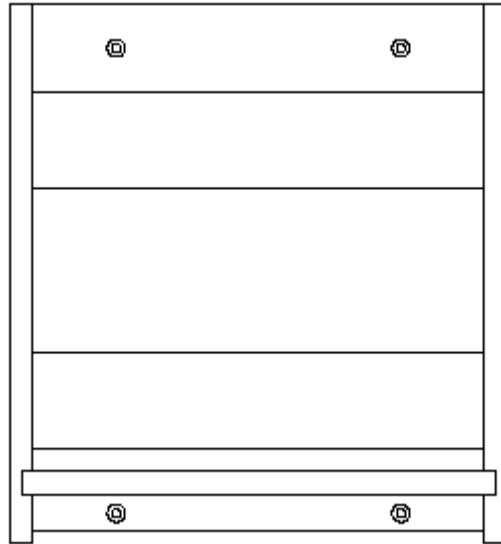
Front Lounge 25' SLP6

1. 702798-037	SOFA 74" CLOTH, OATMEAL
1. 702798-012	SOFA 74" CLOTH, STRATUS
1. 702798-195	SOFA 74" CLOTH, MIDNIGHT SUN
1. 702798-206	SOFA 74" CLOTH, BUTTERSCOTCH
1. 702798-076	SOFA 74" CLOTH, KIWI
1. 702798-03	SOFA, 74" ULTRA LEATHER
2. 963400-01	SUPPORT ASSY.-ARMREST RS
2. 965624-01	CUSHION ASSY, ARMREST, CLOTH, RS
2. 965624-05	CUSHION ASSY, ARMREST, LEATHER, RS
3. 963400-02	SUPPORT ASSY. ARMREST CS
3. 965624-02	CUSHION ASSY, ARMREST, CLOTH, CS
3. 965624-06	CUSHION ASSY, ARMREST, LEATHER, RS
4. 963399-01	SUB-ASSY. FACE ARMREST SUPPORT RS
5. 963399-02	SUB ASSY. FACE ARMREST SUPPORT CS
6. 453368-03	FLEXSTEEL SOFA LEGS
7. 381581	Strap
8. 203447	STORAGE BOX-23.5" X 16.25" X 6.38"
9. 965592	CLOSEOUT LOUNGE
10. 965593	CLOSEOUT PANEL BOTTOM SOFA
11. 381072-01	HINGE 3" X 2"
12. 381228-01	CATCH GRABBER DOOR
13. 345084	SCREW-1/4"-14 X 1" THREAD CUTTING
14. 114506-06	CLOSEOUT, WIRE, DINETTE, 57.13"

2008 SAFARI- BAMBI

FURNITURE, LOUNGE

Magazine Rack, 25 A & B, 25' SLP6



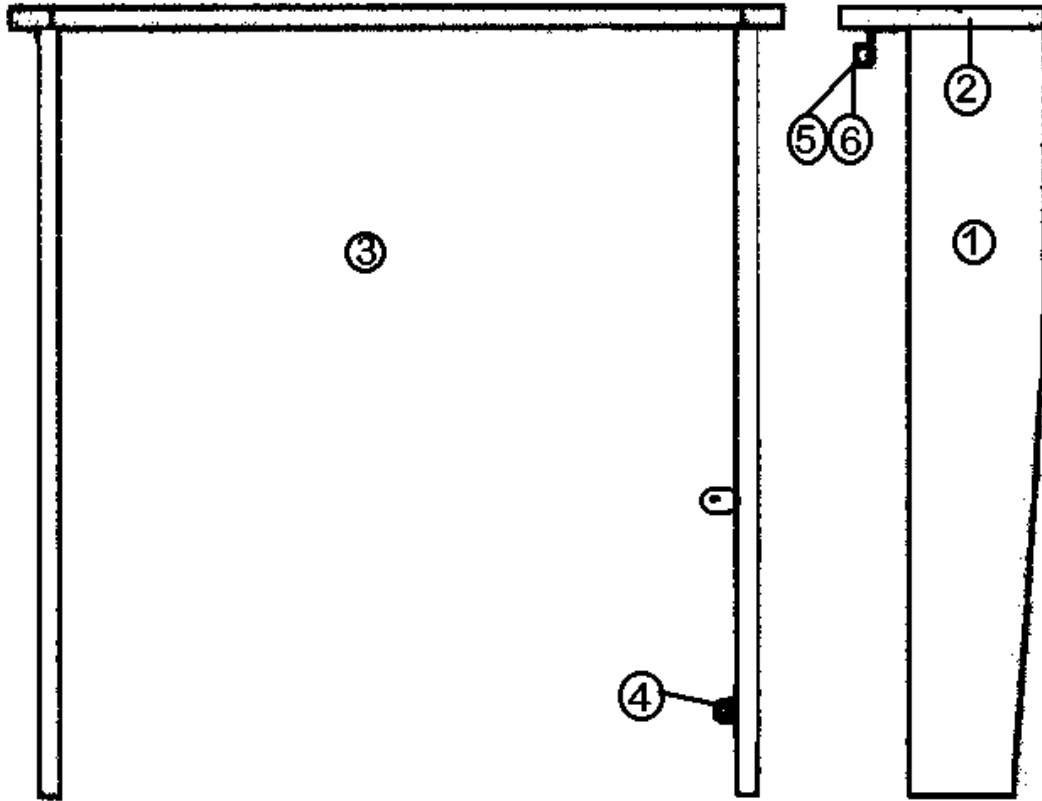
963990-007

Magazine Rack

2008 SAFARI- BAMBI

FURNITURE, LOUNGE

Table, Lift Up, Cabinet, 25' SLP6

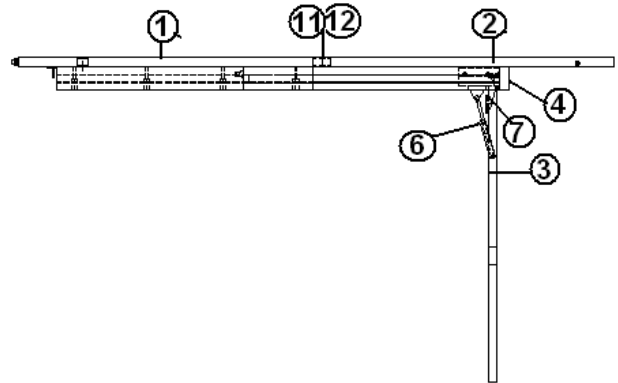
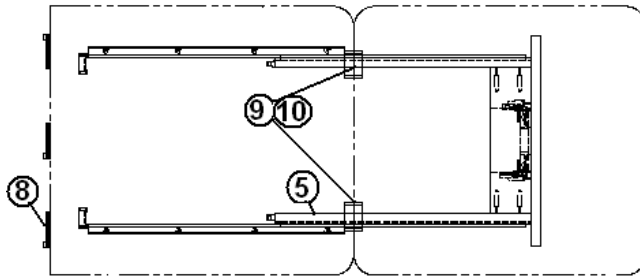


- | | |
|--------------|-----------------------------|
| 965608 | Cabinet, Lift up Table |
| 1. 801406 | Credenza leg, Tropical oak |
| 2. 801407 | Credenza top |
| 3. 966126-01 | Lift up table assembly, 24" |
| 4. 381074 | Bull dog catch |
| 5. 385935-01 | Hinge, pivot |

2008 SAFARI- BAMBI

FURNITURE, LOUNGE

Table, Lift Up, 23', 25' SLP6, 25' Twin & Double Rear Bed

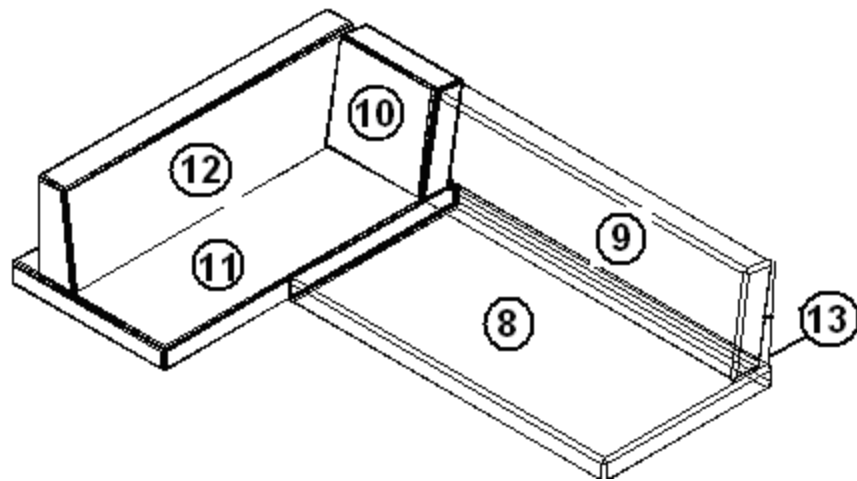
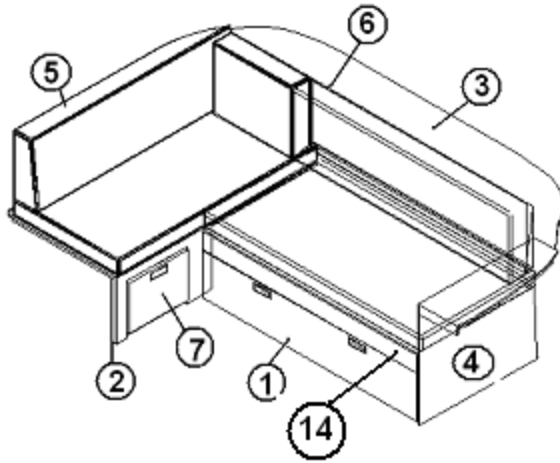


- | | |
|---------------|-------------------------------------|
| 966126-01 | TABLE, LIFT UP 24.00" |
| 1. 965596-01 | LEAF, TABLE, LOWER, TROPICAL OAK |
| 2. 965597-01 | LEAF, TABLE, UPPER, TROPICAL OAK |
| 3. 962177-037 | LEG HARDWOOD 30.50" |
| 4. 965595 | FACER BOARD, LIFT-UP TABLE, T. OAK |
| 5. 381306 | SLIDES, TABLE, LIFT-UP, RH & LH #20 |
| 6. 381147 | DOOR SUPPORT - SPRING LOADED |
| 7. 385935-01 | HINGE PIVOT ZINC PLATED |
| 8. 201155 | SLIDING GUIDE, PLASTIC -TABLE |
| 9. 380040 | HINGE SOSS INVISIBLE L & R HAND |
| 10. 345319-08 | SCREW, PARTICLE BOARD, #8 X 1.00" |
| 11. 380037 | RETAINER SPRING LOCK |
| 12. 380038 | EYELET LOCK GS 5 10 BRASS |
| 13. 381074 | CATCH BULL DOG #65S (COPPER) |

2008 SAFARI- BAMBI

FURNITURE, LOUNGE

Sofa "L" Lounge, 23'



Part number on the next page

2008 SAFARI- BAMBI

FURNITURE, LOUNGE

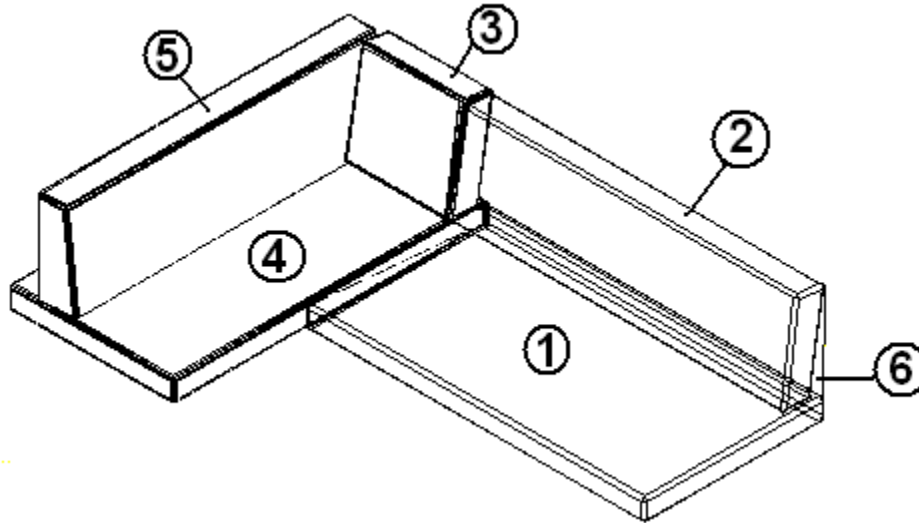
Sofa "L" Lounge, 23'

1. 966350	Sofa assembly
2. 965828	Sofa "L" section
3. 966444	Sofa back
3. 966611	Sofa back, Special Edition
4. 965831	Sofa armrest
5. 703577	"L" lounge cushion assembly
6. 998149-07	Back cushion support assembly
7. 965936	Door, "L" sofa
8. 998186-01	Fabric assembly bottom main cushion
9. 998186-02	Fabric assembly, back main cushion
10. 998186-03	Fabric assembly, side back rest
11. 998186-04	Fabric assembly, side base cushion
12. 998186-05	Fabric assembly, side back rest
13. 998186-06	Fabric assembly, wedge cushion
14. 966284-01	Top assembly, sofa bed
203439	STORAGE BOX 17"L X 11.13"W X 6.38"
203447	STORAGE BOX 23.5" X 16.25" X 6.38"
381072-01	HINGE 3" X 2"
381228-01	CATCH GRABBER DOOR C3-803
381826	SLIDE-BALL BEARING 16" 28'CCD
382044	PULL-BAR BRUSH NICKEL

2008 SAFARI- BAMBI

FURNITURE, LOUNGE

Sofa "L" Lounge Foam Kit, 23'

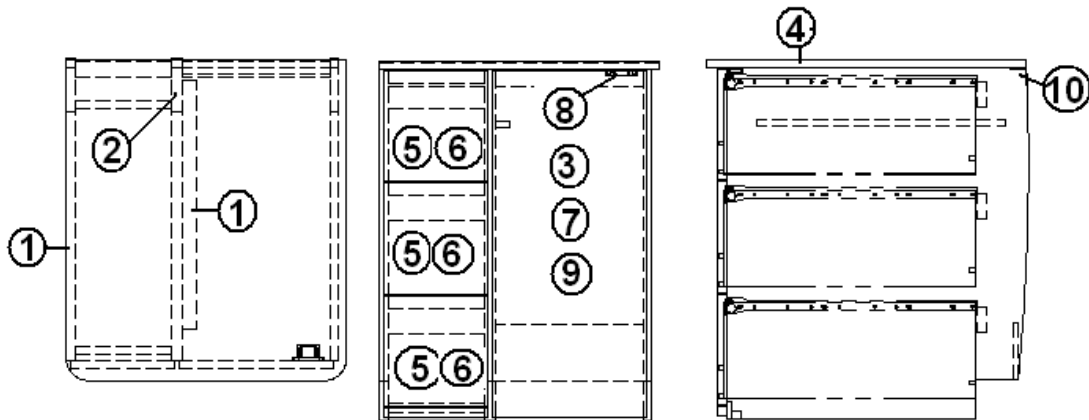


- | | |
|--------------|------------------------------|
| 1. 703577-01 | Foam cushion, bottom main |
| 2. 703577-02 | Foam cushion, back, main |
| 3. 703577-03 | Foam cushion, small back |
| 4. 703577-04 | Foam cushion, base side |
| 5. 703577-05 | Foam cushion, back rest side |
| 6. 703577-06 | Foam cushion wedge |

2008 SAFARI- BAMBI

FURNITURE, LOUNGE

Table/Stow Cabinet, 23'

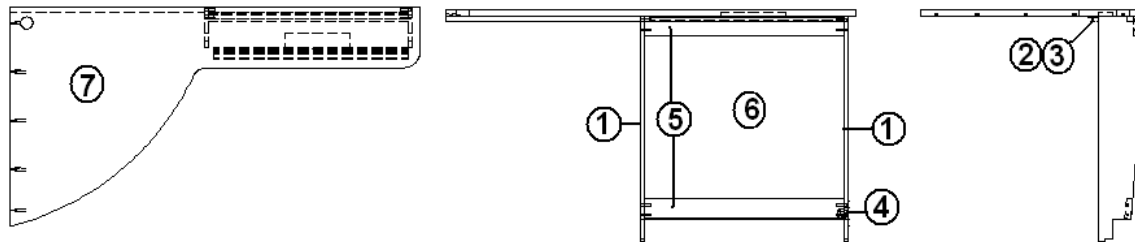


- | | |
|---------------|---------------------------------------|
| 966495-01 | Table Stow Cabinet, Sand Crystal |
| 966495-02 | Table Stow Cabinet, Midnight Sun |
| 1. 801383-01 | PANEL, TRP OAK/WHITE LINER |
| 2. 801378 | PANEL, WHITE LINER/GATOR 18 |
| 3. 701538-01 | CARPET, ECONOLIER VELOUR BLACK |
| 4. 966498-02 | Top, table/stow cabinet, Sand Crystal |
| 4. 966498-03 | Top, table/stow cabinet, Midnight Sun |
| 5. 965555-03 | Drawer box, 8" x 7.38" x 20" |
| 6. 801341-168 | Door, 9.25' x 9.88" |
| 7. 381607 | Hinge |
| 8. 381228-01 | Grabber catch |
| 9. 801341-169 | Door, 13.75' x 30.88" |
| 10. 114809 | Aluminum angle, 1.50" x 1.50" |
| 381408 | Push button lock |
| 703455 | STRAP, 20" |
| 381566 | LOOP FOOTMAN STEEL 1.625"X .56 |
| 382044 | PULL-BAR BRUSH NICKEL |

2008 SAFARI- BAMBI

FURNITURE, LOUNGE

Desk Assembly, 23', Standard

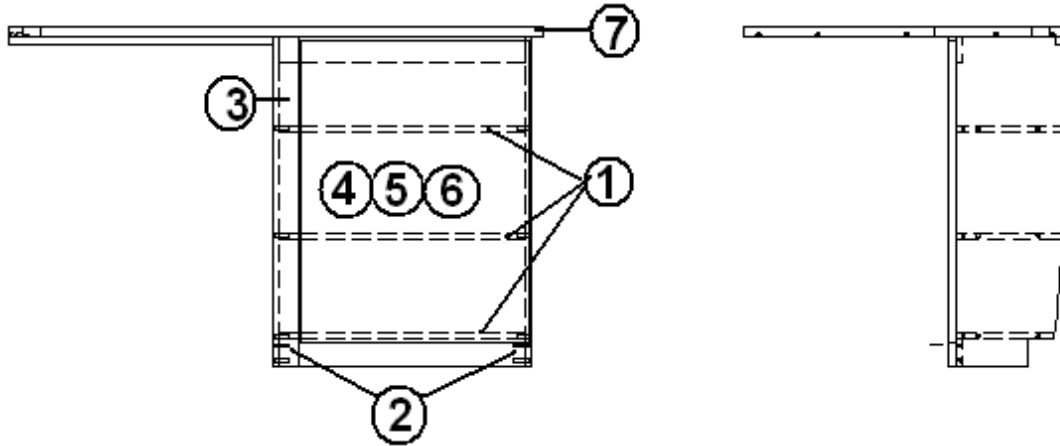


966494-01	DESK ASSY, SAND CRYSTAL
966494-02	DESK ASSY, MIDNIGHT SUN
1. 801406	LEG CREDENZA, OAK
2. 380203-01	PIANO HINGE 1/8" PIN
3. 101253	EXTRUSION CREDENZA HINGE
4. 381074	CATCH BULL DOG #65S (COPPER)
5. 801395	PANEL, OAK/OAK
6. 966126-01	TABLE, LIFT UP 24.00"W
7. 801648-02	CUTOUT-DESK TOP, SAND CRYSTAL
7. 801648-03	CUTOUT-DESK TOP, MIDNIGHT SUN
703578	Desk chair
381427	Holdback clip, desk chair

2008 SAFARI- BAMBI

FURNITURE, LOUNGE

Desk Assembly, 23', Dinette Option

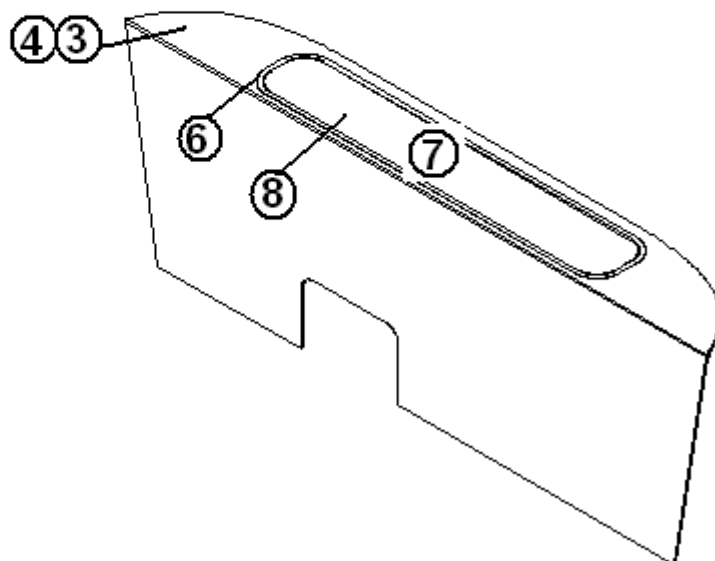
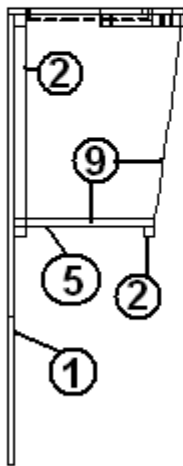
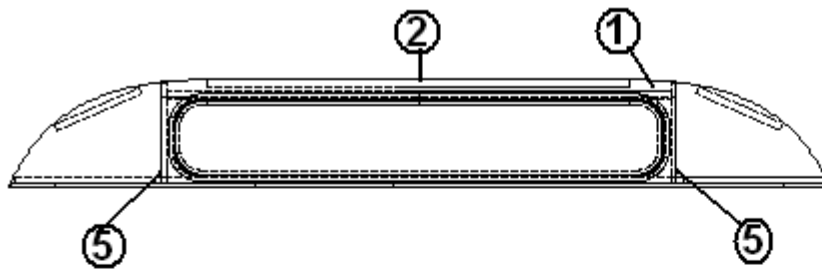


- | | |
|---------------|-----------------------------------------|
| 966493-01 | Desk, Dinette option, Sand Crystal |
| 966493-02 | Desk, Dinette option, Midnight Sun |
| 1. 801392 | PANEL WHITELINER/WHITELINER |
| 2. 801383-01 | PANEL, OAK/WHITELINER |
| 3. 801395 | PANEL, OAK/OAK |
| 4. 801341-167 | DOOR, 19.13" x 25.50" |
| 5. 381607 | HINGE ASSY |
| 6. 381228-01 | CATCH GRABBER DOOR |
| 7. 966476-02 | TOP, DESK, DINETTE OPTION, SAND CRYSTAL |
| 7. 966476-03 | TOP, DESK, DINETTE OPTION, MIDNIGHT SUN |
| 703578 | Desk chair |
| 381427 | Holdback clip, desk chair |

2008 SAFARI- BAMBI

FURNITURE, LOUNGE

Sofa Back, 23' Special Edition, 23' L-Lounge

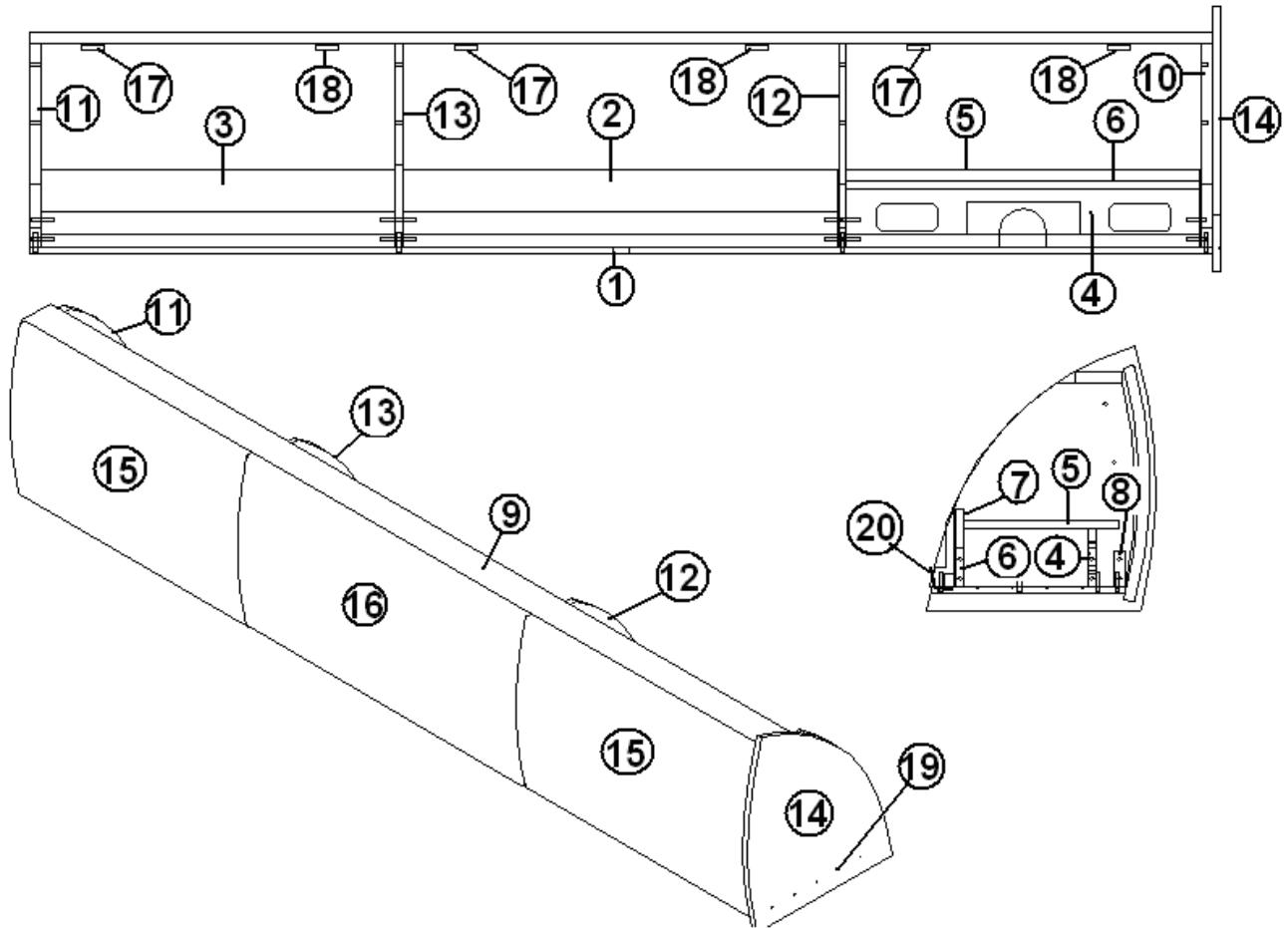


966444	SOFA BACK ASSY, L-LOUNGE
966611	SOFA BACK ASSY, SPECIAL EDITION
1. 800507-03	LAUAN, 3/8" X 4'X 8'
2. 800025-01	PINE 3/4" X 3/4" STAINED
3. 701764	FOAM, 1/4"
4. 703330	FABRIC, PATINA, 54"
5. 801392	PANEL, WHITELINER/WHITELINER
6. 115203	DOOR, JAMB
7. 966134	DOOR, SOFA BACK
8. 381847-01	HINGE-PIANO ANGLE .88" X 46"
365013	TAPE CHARCOAL LOW DENSITY FOAM
381581	STRAP CLEAR PLASTIC .75"W

2008 SAFARI- BAMBI

FURNITURE, LOUNGE

Roof Locker, Dinette, 23' Front Bed



Part numbers are on the next page.

2008 SAFARI- BAMBI

FURNITURE, LOUNGE

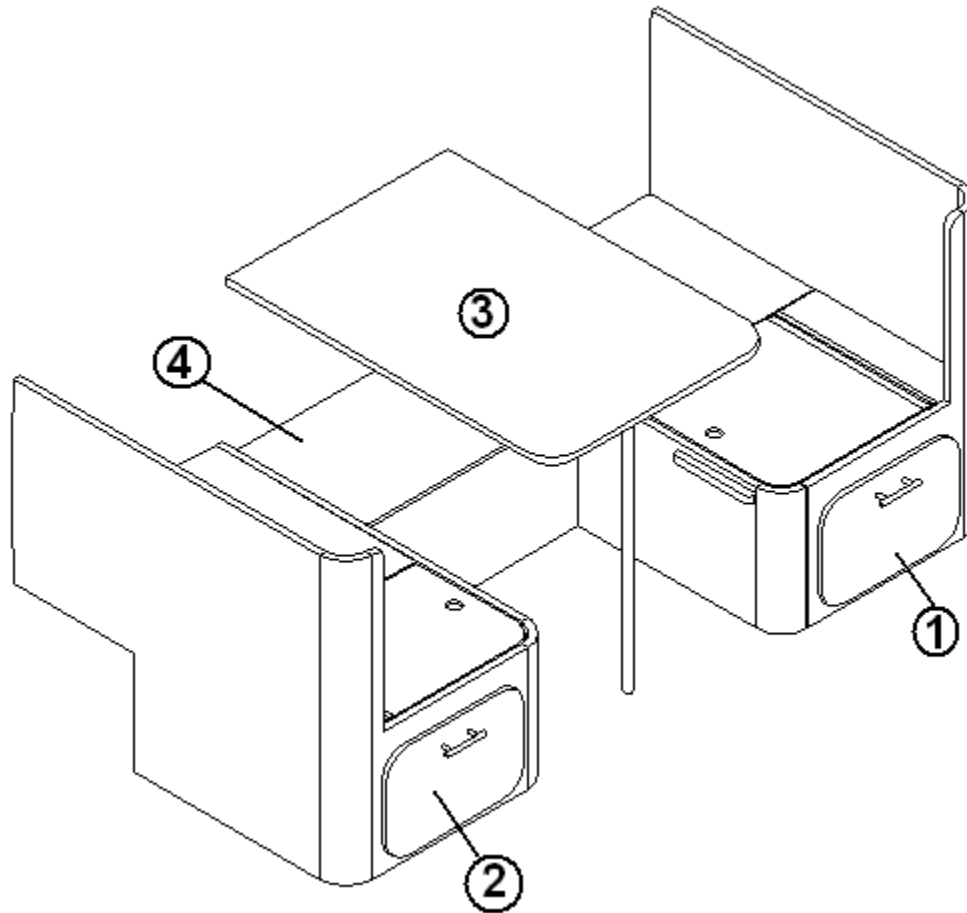
Roof Locker, Dinette, 23' Front Bed

967185-03	LOCKER ASSY, DINETTE
1. 967185-031	PANEL, 12.50 X 76.00
2. 967185-032	PANEL, 27.97 X 5.00
3. 967185-033	PANEL, 22.72 X 5.00
4. 967185-034	PANEL, 22.75 X 3.75
5. 967185-035	PANEL, 22.75 X 10.00
6. 967185-036	PANEL, 22.72 X 5.00
7. 967185-037	PANEL, 22.72 X 2.25
8. 967185-038	PANEL, 27.97 X 2.25
9. 967185-039	PANEL, 3.00 X 76.00
10. 967185-0310	PANEL, 13.18 X 13.00
11. 967185-0311	PANEL, 13.18 X 13.00
12. 967185-0312	PANEL, 13.18 X 13.00
13. 967185-0313	PANEL, 13.18 X 13.00
14. 967185-0314	PANEL, 14.76 X 17.07
15. 965551-04	DOOR, RADIUS, FOAM, 15.25" X 23.13
16. 965551-03	DOOR, RADIUS, FOAM, 15.25" X 28.38
17. 381840-01	HINGE, OVERHEAD SPRING LH
18. 381840-02	HINGE, OVERHEAD SPRING RH
19. 381902	HOOK, SCREW IN, STAINLESS STEEL
20. 115085	Angle, aluminum
511227-01	Raceway, wiring, white

2008 SAFARI- BAMBI

FURNITURE, LOUNGE

Dinette Seat/Table Module, 23' Front Bed

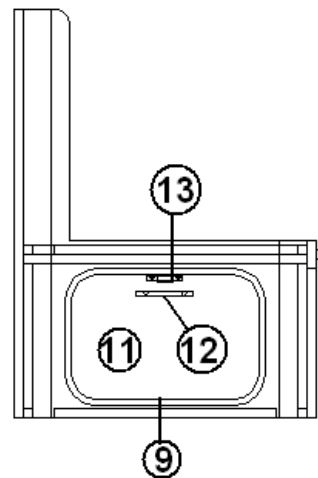
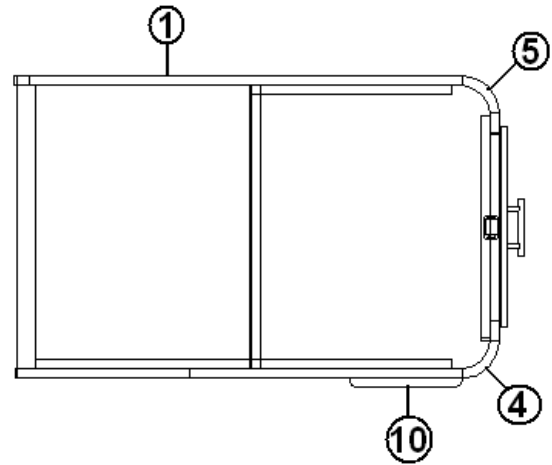
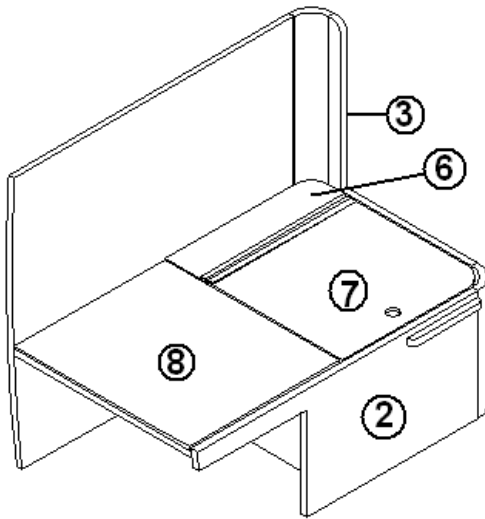


- | | |
|--------------|------------------------------|
| 1. 967166 | DINETTE SEAT, AFT |
| 2. 967165 | DINETTE SEAT, FORWARD |
| 3. 967206-03 | TABLE, DINNETE, SAND CRYSTAL |
| 3. 967206-04 | TABLE, DINNETE, MIDNIGHT SUN |
| 4. 967205-03 | CLOSEOUT, DINETTE |

2008 SAFARI- BAMBI

FURNITURE, LOUNGE

Dinette Seat, Aft, 23' Front Bed

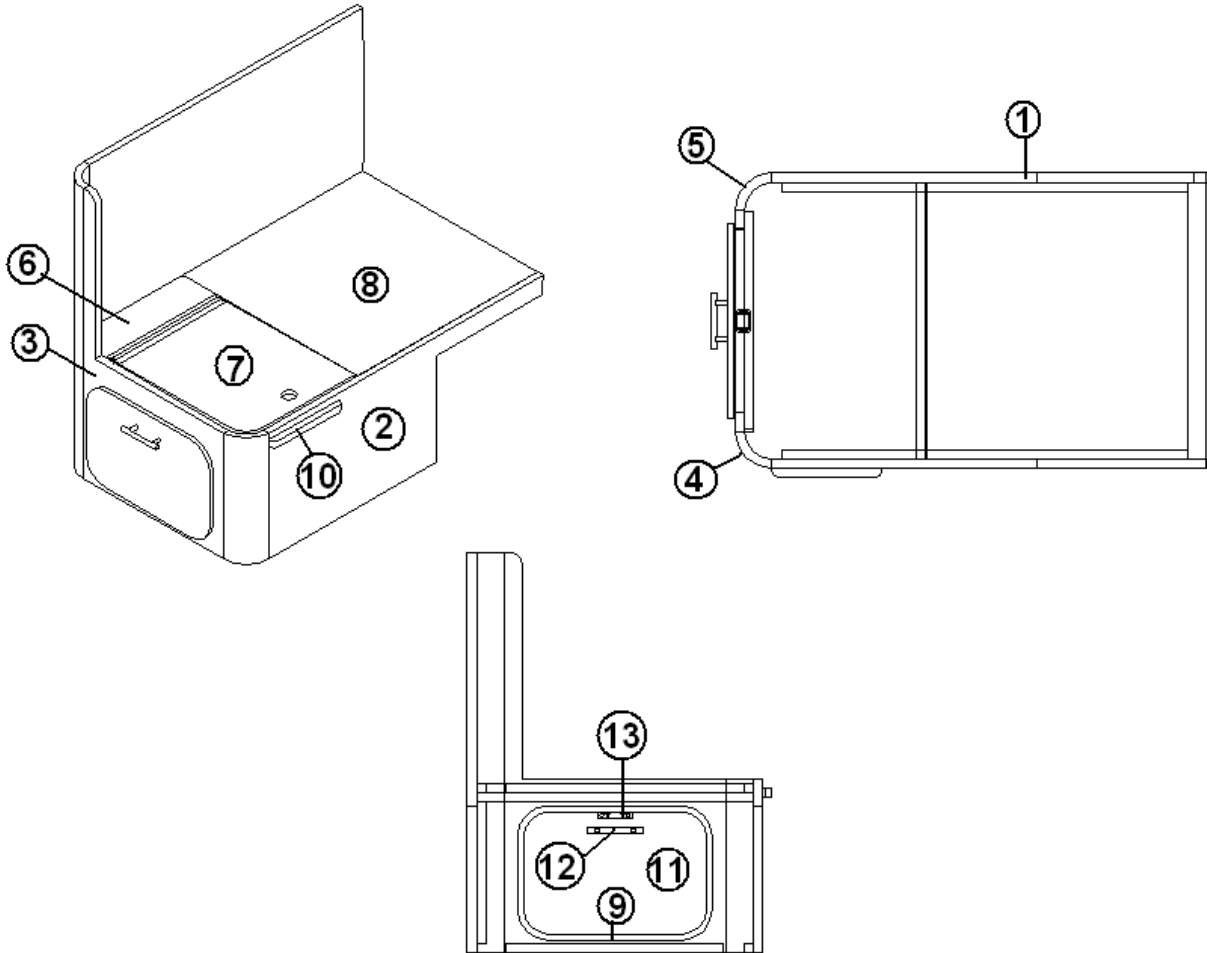


- | | |
|----------------|------------------------|
| 967166 | DINETTE SEAT, AFT |
| 1. 967166-1A | PANEL, 32.75" X 35.91" |
| 2. 967166-1B | PANEL, 14.25" X 35.75" |
| 3. 967166-1C | PANEL, 18.25" X 32.75" |
| 4. 967166-2A | PANEL, LAUAN |
| 5. 967166-2B | PANEL, LAUAN |
| 6. 967166-3A | PANEL, 4.75" X 18.65" |
| 7. 967166-3B | PANEL, 17.25" X 18.40" |
| 8. 967166-3C | PANEL, 19.23" X 22.25" |
| 9. 380458 | HINGE, PIANO COPPER |
| 10. 800470-007 | STOP, HARDWOOD |
| 11. 966137 | DOOR, DINETTE SEAT |
| 12. 382044 | HANDLE, BRUSHED NICKEL |
| 13. 381228-01 | CATCH, GRABBER, DOOR |

2008 SAFARI- BAMBI

FURNITURE, LOUNGE

Dinette Seat, Forward, 23' Front Bed

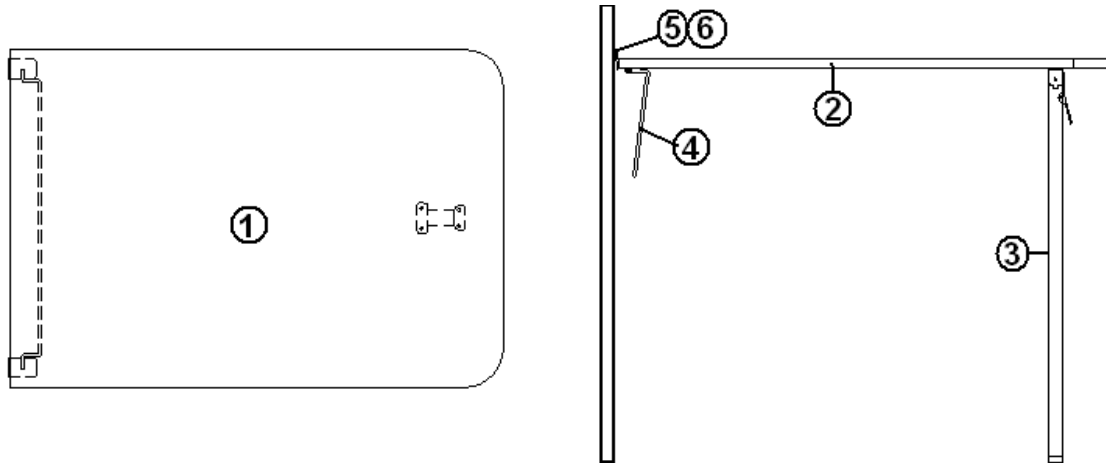


- | | |
|----------------|------------------------|
| 967165 | DINETTE SEAT, AFT |
| 1. 967165-1A | PANEL, 32.75" X 35.91" |
| 2. 967165-1B | PANEL, 14.25" X 35.75" |
| 3. 967165-1C | PANEL, 18.25" X 32.75" |
| 4. 967165-2A | PANEL, LAUAN |
| 5. 967165-2B | PANEL, LAUAN |
| 6. 967165-3A | PANEL, 4.75" X 18.65" |
| 7. 967165-3B | PANEL, 17.25" X 18.40" |
| 8. 967165-3C | PANEL, 19.23" X 22.25" |
| 9. 380458 | HINGE, PIANO COPPER |
| 10. 800470-007 | STOP, HARDWOOD |
| 11. 966137 | DOOR, DINETTE SEAT |
| 12. 382044 | HANDLE, BRUSHED NICKEL |
| 13. 381228-01 | CATCH, GRABBER, DOOR |

2008 SAFARI- BAMBI

FURNITURE, LOUNGE

Dinette Table, 23' Front Bed

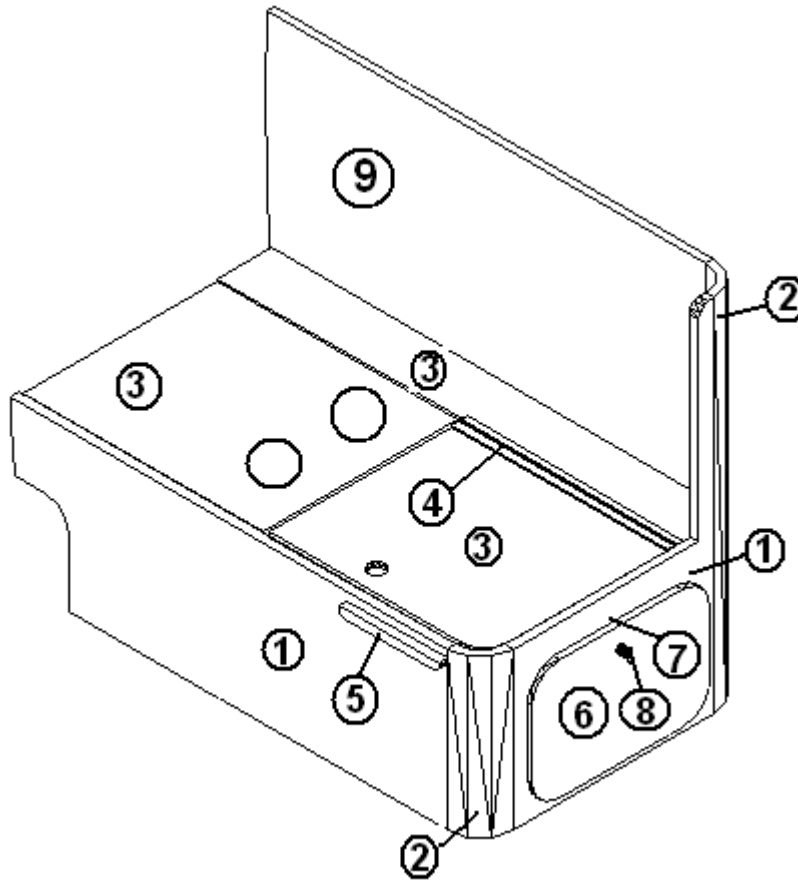


- | | |
|--------------|-----------------------------------|
| 967206-03 | TABLE, 38" DINNETE, SAND CRYSTAL |
| 967206-04 | TABLE, 38" DINNETE, MIDNIGHT SUN |
| 1. 967206-13 | PANEL, SAND CRYSTAL/WHITE LINER |
| 1. 967206-14 | PANEL, MIDNIGHT SUN/WHITE |
| 2. 365304-01 | EDGE BANDING, .88", SAND CRYSTAL |
| 2. 365273 | EDGE BANDING, 1.12", MIDNIGHT SUN |
| 3. 700065-01 | LEG-SNAPO FOLDING, 30.5" CHROME |
| 4. 380284-02 | TABLE HINGE BRACKET |
| 5. 380284-03 | TABLE HINGE BRACKET |
| 6. 340018 | CATCH PLATE J-1 |

2008 SAFARI- BAMBI

FURNITURE, LOUNGE

DINETTE SEAT, RH, 20'

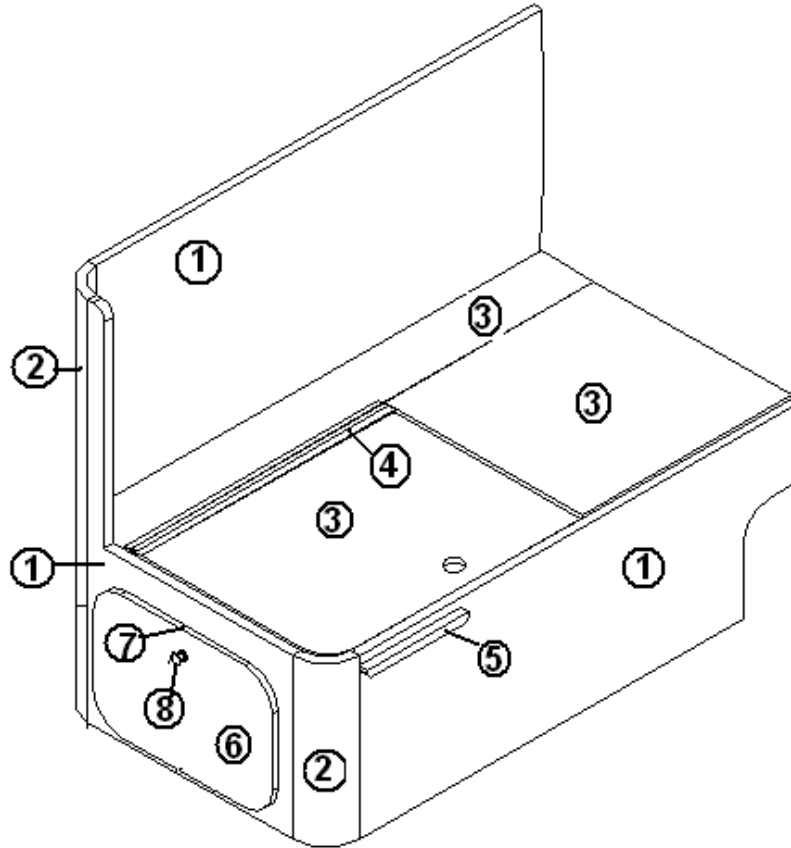


966557	SEAT ASSY, RH DINETTE
1. 801351	LITE PLY, 18MM (.75") 4' X 8'
2. 801345	RADIUS PLYWOOD .75" X 3" X 8'
3. 800507-03	LAUAN, 3/8" X 4'X 8'
3. 703309-06	FOAM, DINETTE, SEAT BOTTOM LH/RH
4. 380458	HINGE PIANO BROWN ANODIZED
5. 800470-007	STOP-HARDWOOD .75" DINETTE CLETE
6. 966137	DOOR ASSY-DINETTE SEAT
7. 381228-01	CATCH GRABBER DOOR
8. 382044	PULL-BAR BRUSH NICKEL
9. 703309-05	FOAM, DINETTE, RIGHT SIDE BACK
966702	CLOSEOUT ASSY, BOOTH SEATS

2008 SAFARI- BAMBI

FURNITURE, LOUNGE

DINETTE SEAT, LH, 20'

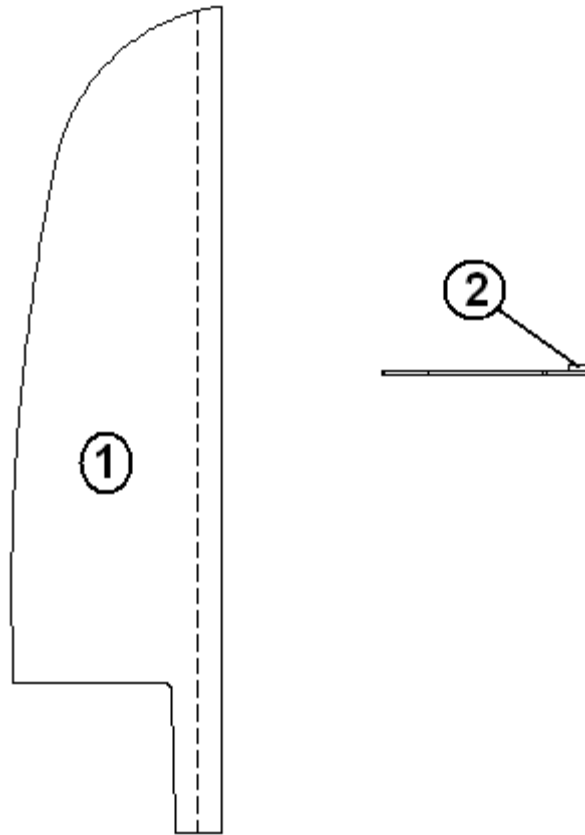


966558	SEAT ASSY-LH DINETTE 30'
1. 801351	LITE PLY, 18MM (.75") 4' X 8'
1. 703309-06	FOAM, DINETTE, SEAT BOTTOM LH/RH
2. 801345	RADIUS PLYWOOD .75" X 3" X 8'
3. 800507-03	LAUAN, 3/8" X 4'X 8'
3. 703309-04	FOAM, DINETTE, SIDE BACK
4. 380458	HINGE PIANO BROWN ANODIZED
5. 800470-007	STOP-HARDWOOD .75" DINETTE CLETE
6. 966137	DOOR ASSY-DINETTE SEAT SAF
7. 381228-01	CATCH GRABBER DOOR
8. 382044	PULL-BAR BRUSH NICKEL
966702	CLOSEOUT ASSY, BOOTH SEATS

2008 SAFARI- BAMBI

FURNITURE, LOUNGE

PANEL ASSEMBLY, DINETTE/BEDROOM, 20'



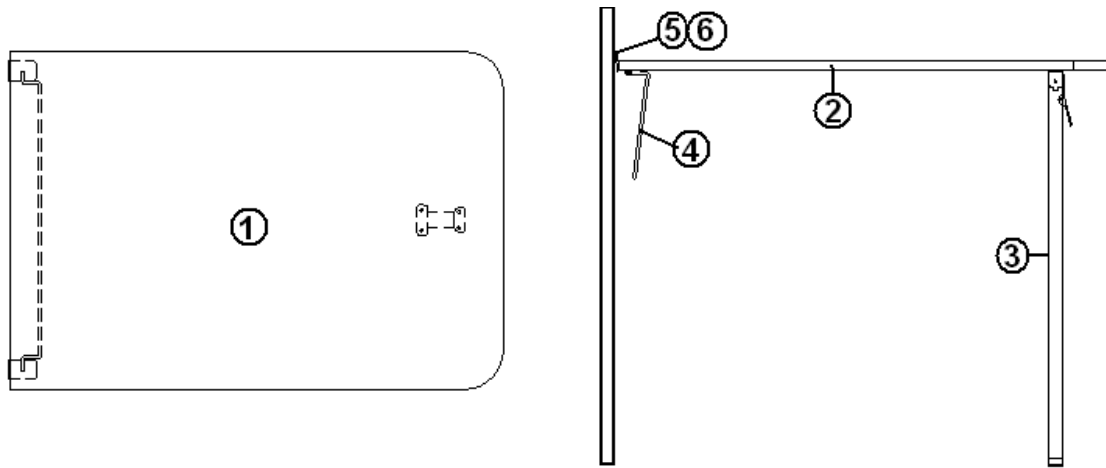
- 966563
- 1. 801658-04
- 2. 203138-04

PANEL ASSY. DINETTE/BED
PANEL, DINETTE/BED DIVIDER
EXTRUSION, PLASTIC, WALL, OAK

2008 SAFARI- BAMBI

FURNITURE, LOUNGE

DINNETE TABLE, 20'

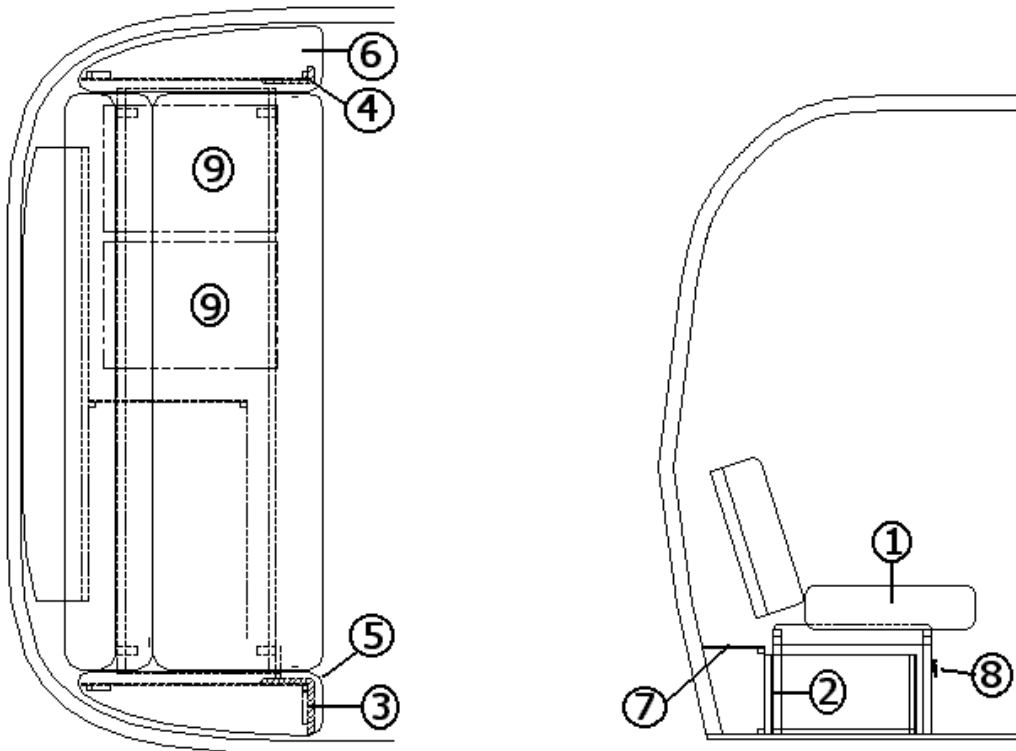


- | | |
|-----------------|--------------------------------------|
| 965947-02 | TABLE ASSY-38" DINNETE, SAND CRYSTAL |
| 965947-03 | TABLE ASSY-38" DINNETE, MIDNIGHT SUN |
| 1. 801719 | PANEL, SAND CRYSTAL/WHITE LINER |
| 1. 801770 | PANEL, MIDNIGHT SUN/WHITE |
| 2. 365304-01 | EDGE BANDING, .94", SAND CRYSTAL |
| 3. 2. 365311-01 | EDGE BANDING, 15/16", MIDNIGHT SUN |
| 4. 700065-01 | LEG-SNAPO FOLDING, 30.5" CHROME |
| 5. 380284-02 | TABLE HINGE BRACKET |
| 6. 380284-03 | TABLE HINGE BRACKET |
| 7. 340018 | CATCH PLATE J-1 |

2008 SAFARI- BAMBI

FURNITURE, LOUNGE

Front Lounge 23'

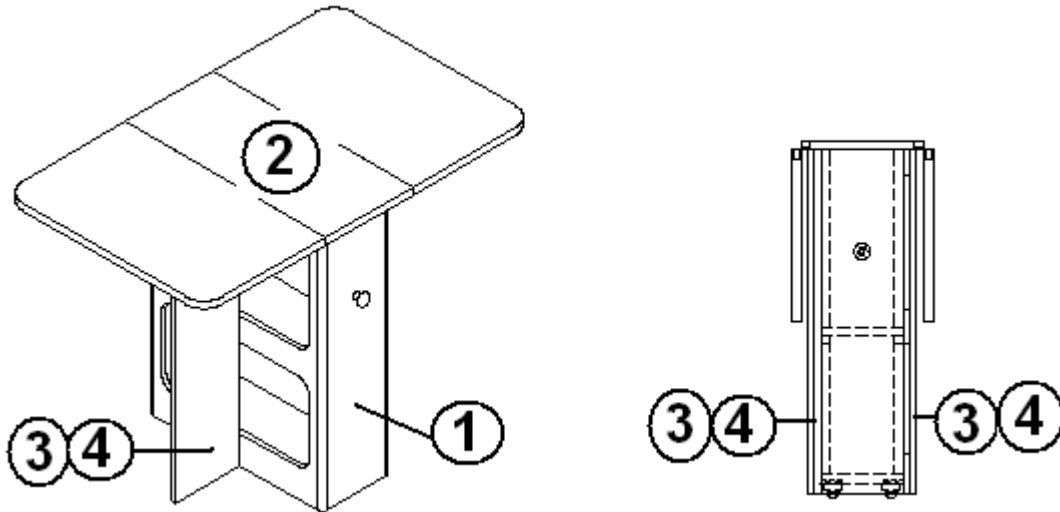


- | | |
|---------------|--------------------------------------|
| 1. 702798-012 | SOFA 74" CLOTH, STRATUS |
| 1. 702798-037 | SOFA 74" CLOTH, OATMEAL |
| 1. 702798-076 | SOFA 74" CLOTH, KIWI |
| 1.702798-195 | SOFA 74" CLOTH, MIDNIGHT SUN |
| 1.702798-206 | SOFA 74" CLOTH, BUTTERSCOTCH |
| 1. 702798-03 | SOFA, 74" ULTRA LEATHER |
| 2. 965806 | CLOSEOUT LOUNGE |
| 3. 965808-01 | SUPPORT ASSY.-ARMREST RS |
| 3. 965807-02 | SUB ASSY. FACE ARMREST SUPPORT RS |
| 4. 965808-02 | SUPPORT ASSY. ARMREST CS |
| 4. 965807-01 | FACE SUB ASSY-ARM.SUPPORT |
| 5. 965809-01 | Armrest Cushion Assy. RS, CLOTH SOFA |
| 5. 965809-03 | Armrest Cushion Assy. RS Leather |
| 6. 965809-02 | Armrest Cushion Assy. CS, CLOTH SOFA |
| 6. 965809-04 | Armrest Cushion Assy. CS Leather |
| 7. 965805 | Rear close-out assembly |
| 8. 381581 | STRAP, CLEAR |
| 9. 203447 | STORAGE BOX |

2008 SAFARI- BAMBI

FURNITURE, LOUNGE

Table, Gate, 23'

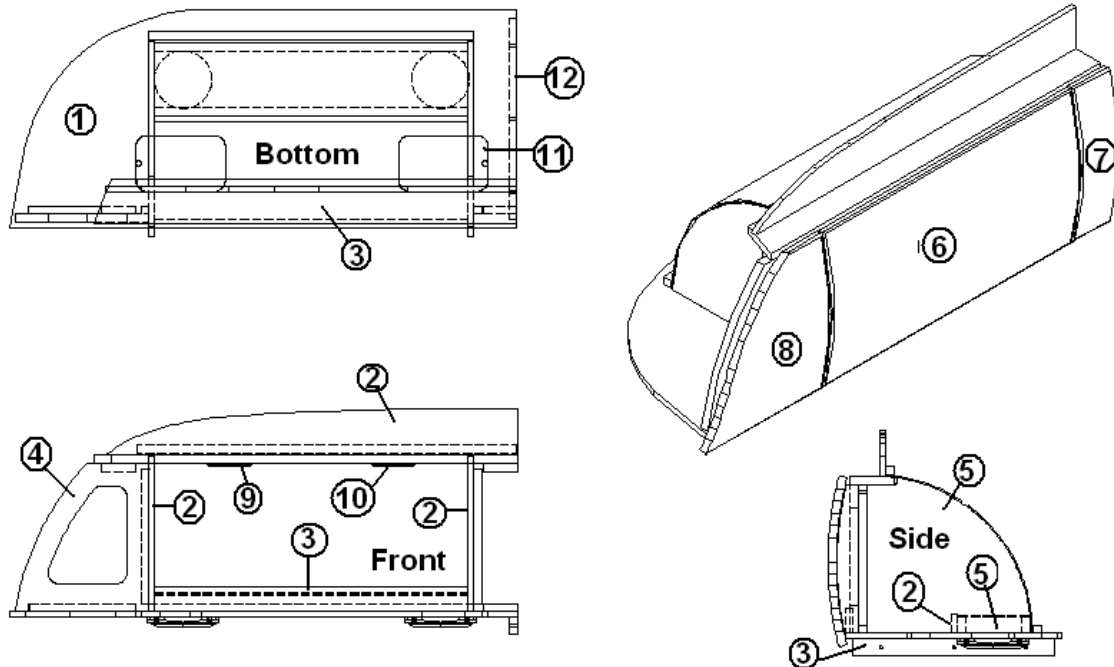


- 966508 Gate Table Assembly, 23'
1. 966507 Gate table base
2. 966506 Gate table top w/leaves
3. 801381-01 Panel, Oak/Oak
4. 381479 Hinge, brass cabinet
381796 KNOB HOLLOW 1.25"DIA BP1950H G
381941 FLANGE-MOUNT BALL TRANSFER#567
800638-027 MOLDING, 1/4 ROUND, .5", OAK

2008 SAFARI- BAMBI

FURNITURE, LOUNGE

End Liner Rear, 19', 19' SE, 23', 23' SE

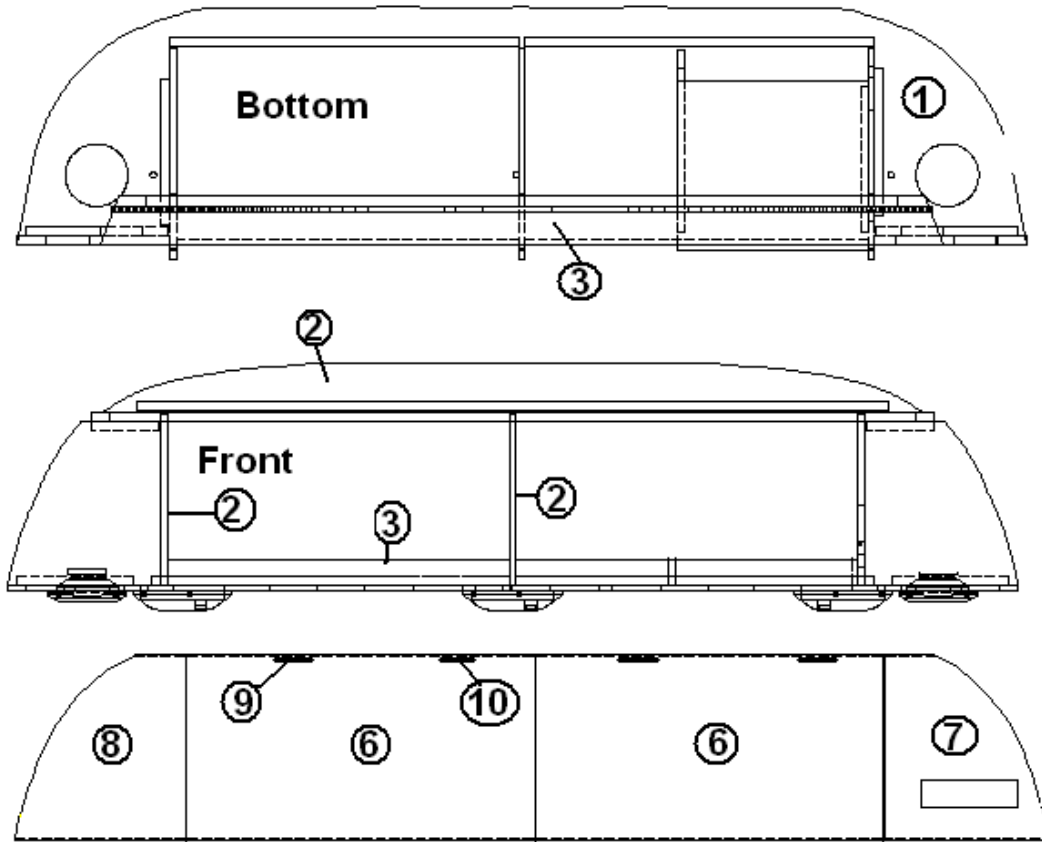


966033	ENDLINER, REAR, 19'
966033-01	ENDLINER, REAR, 19' & 23' Special Edition
1. 801383-01	PANEL, OAK/WHITELINER
2. 801392	PANEL, WHITELINER/WHITELINER
3. 801376-01	PANEL OAK/WHITELINER
4. 801438	PANEL, FROST WHITE VINYL/RAW
5. 965551-03	DOOR-RADIUS FOAM 15.25" X 28.38"
6. 965551-09	DOOR-RADIUS FOAM 15.25" X 4.06"
7. 965551-04	DOOR-RADIUS FOAM 15.25" X 23.13"
8. 965551-06A	DOOR-RADIUS FOAM LH 15.25" X 12.00"
9. 381840-01	HINGE-OVERHEAD SPRING LH
10. 381840-02	HINGE-OVERHEAD SPRING RH
11. 512243	LIGHT, 12V DLB W/SWITCH
12. 512215-01	SPEAKER, 6.5", model SP65CO
12. 512215-02	GRILL, 6.5", WHITE
12. 203599	Speaker, Spacer, 5/8"

2008 SAFARI- BAMBI

FURNITURE, LOUNGE

End Liner Front, 23', 19'

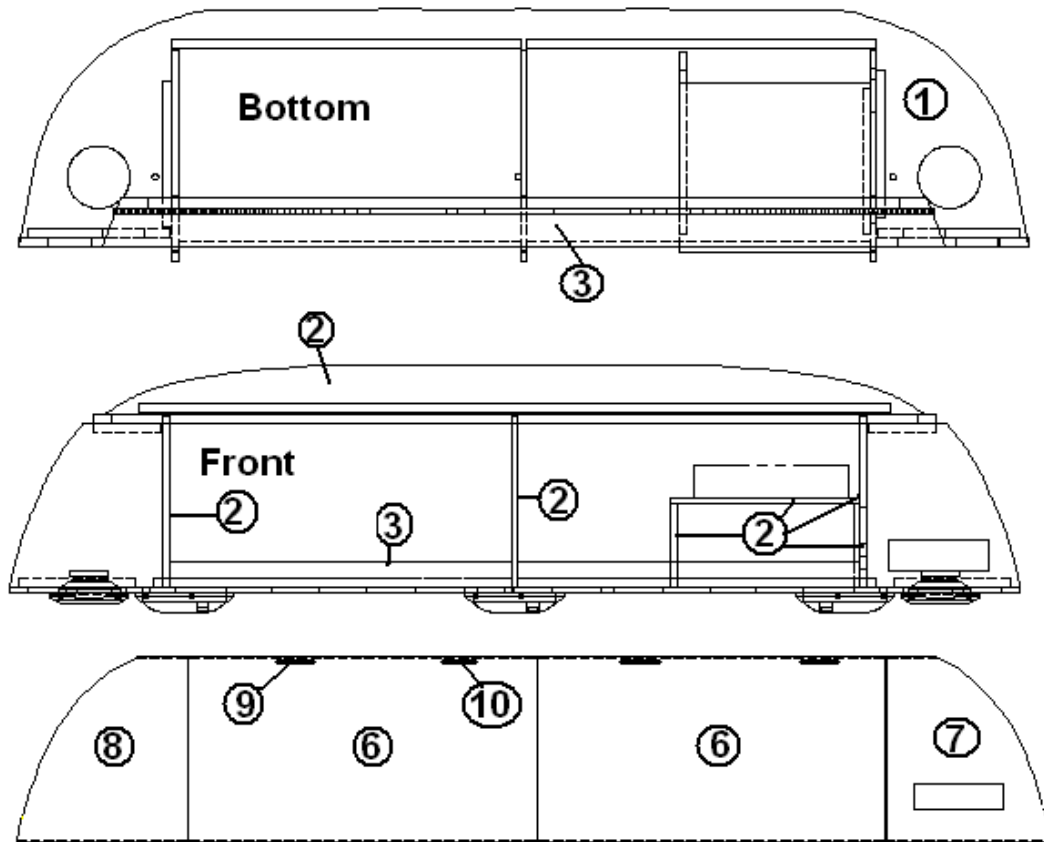


966032	ENDLINER FRONT W/RADIO, 19'
966032-01	ENDLINER FRONT W/RADIO /CD CHANGER, 19'
1. 801383-01	PANEL, OAK/WHITELINER
2. 801392	PANEL, WHITELINER/WHITELINER 12MM
3. 801376-01	PANEL OAK/WHITELINER 18MM
4. 800506-06	PLYWOOD, 3/4" X 4' X 8'
5. 801438	PANEL, FROST WHITE VINYL/RAW
6. 965551-03	DOOR-RADIUS FOAM 15.25"X 28.38"
7. 965551-06	DOOR, 15.25"X 12.5"
8. 965551-05	DOOR, 15.25"X 12.5"
9. 381840-01	HINGE-OVERHEAD SPRING LH
10. 381840-02	HINGE-OVERHEAD SPRING RH

2008 SAFARI- BAMBI

FURNITURE, LOUNGE

End Liner Front, 19' SE, 23' SE

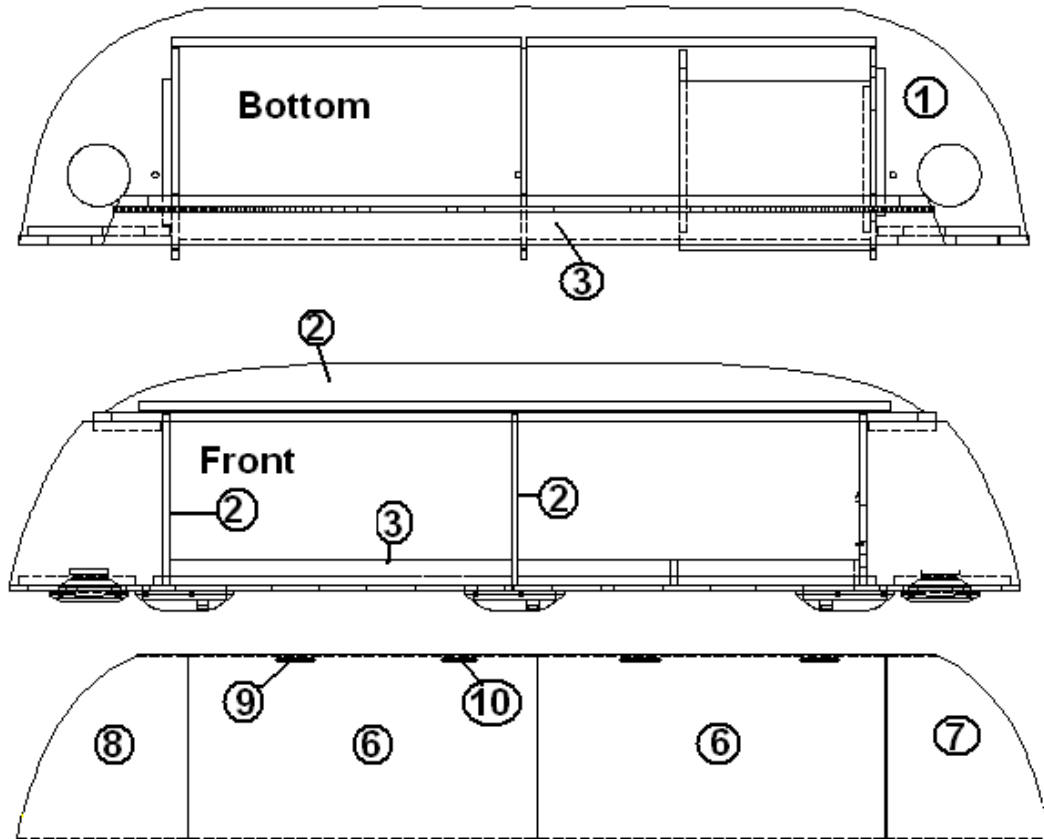


- | | |
|---------------|-------------------------------------|
| 966032-03 | ENDLINER FRONT W/RADIO, 19' SE, 23' |
| 1. 801383-01 | PANEL, OAK/WHITELINER |
| 2. 801392 | PANEL, WHITELINER/WHITELINER 12MM |
| 3. 801376-01 | PANEL OAK/WHITELINER 18MM |
| 4. 800506-06 | PLYWOOD, 3/4" X 4' X 8' |
| 5. 801438 | PANEL, FROST WHITE VINYL/RAW |
| 6. 965551-03 | DOOR-RADIUS FOAM 15.25"X 28.38" |
| 7. 965551-05 | DOOR-RADIUS FOAM 15.25"X 12.5" |
| 8. 965551-06 | DOOR, RADIUS FOAM 15.25"X 12.5" |
| 9. 381840-01 | HINGE-OVERHEAD SPRING LH |
| 10. 381840-02 | HINGE-OVERHEAD SPRING RH |

2008 SAFARI- BAMBI

FURNITURE, LOUNGE

End Liner Front, 20', 20' Special Edition

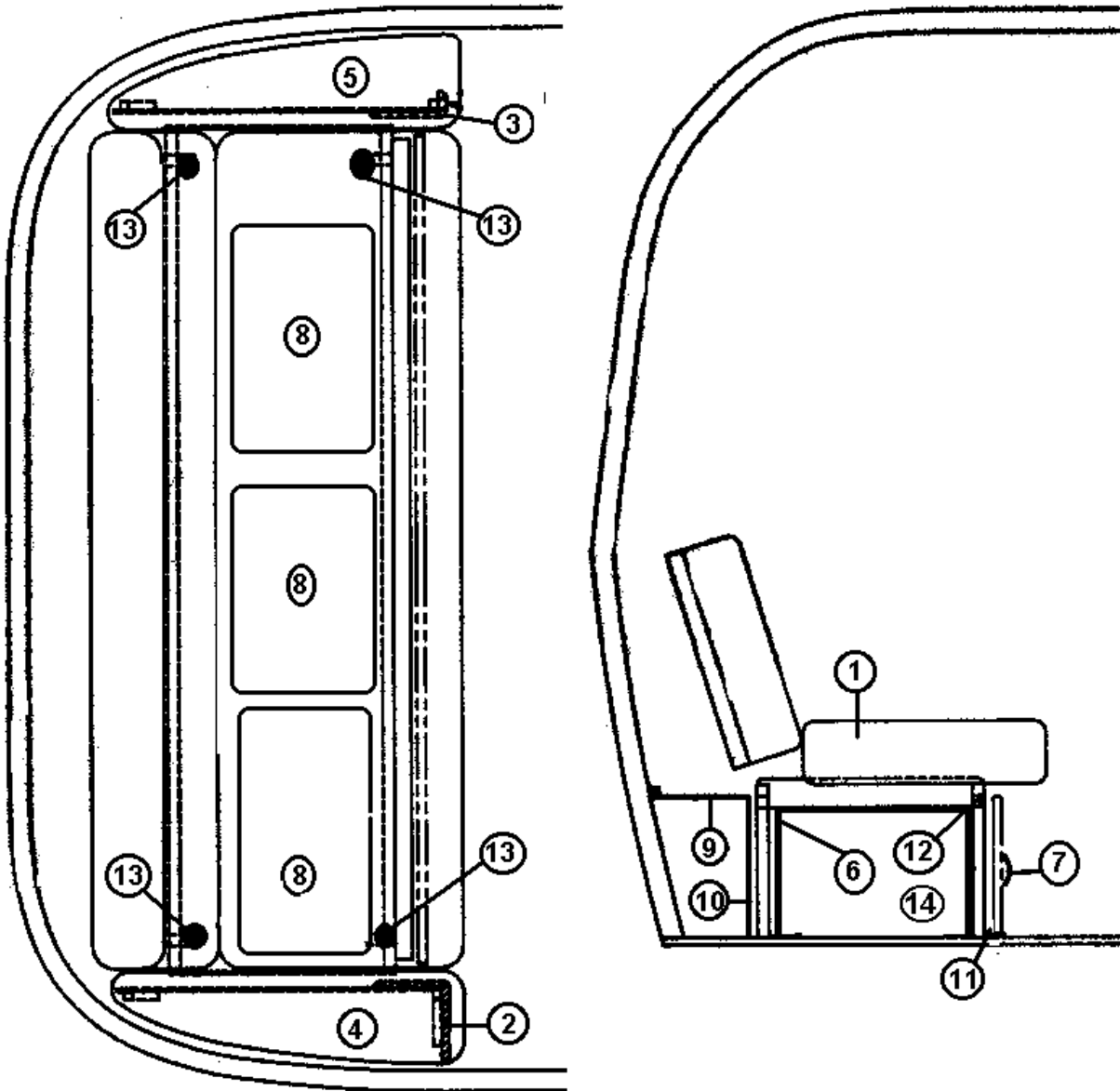


966032-06	ENDLINER FRONT, 20'
966032-07	ENDLINER FRONT, 20' Special Edition
1. 801383-01	PANEL, OAK/WHITELINER
2. 801392	PANEL, WHITELINER/WHITELINER 12MM
3. 801376-01	PANEL OAK/WHITELINER 18MM
4. 800506-06	PLYWOOD, 3/4" X 4' X 8'
5. 801438	PANEL, FROST WHITE VINYL/RAW
6. 965551-03	DOOR-RADIUS FOAM 15.25"X 28.38"
7. 965551-05	DOOR-RADIUS FOAM 15.25"X 12.5"
8. 965551-06	DOOR, 15.25"X 12.5"
9. 381840-01	HINGE-OVERHEAD SPRING LH
10. 381840-02	HINGE-OVERHEAD SPRING RH

2008 SAFARI- BAMBI

FURNITURE, LOUNGE

Front Lounge 25' Rear Twin & Double Bed



Part numbers are on the next page.

2008 SAFARI- BAMBI

FURNITURE, LOUNGE

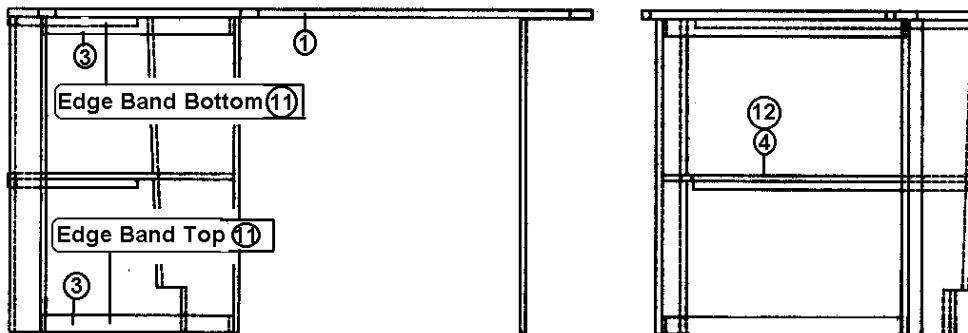
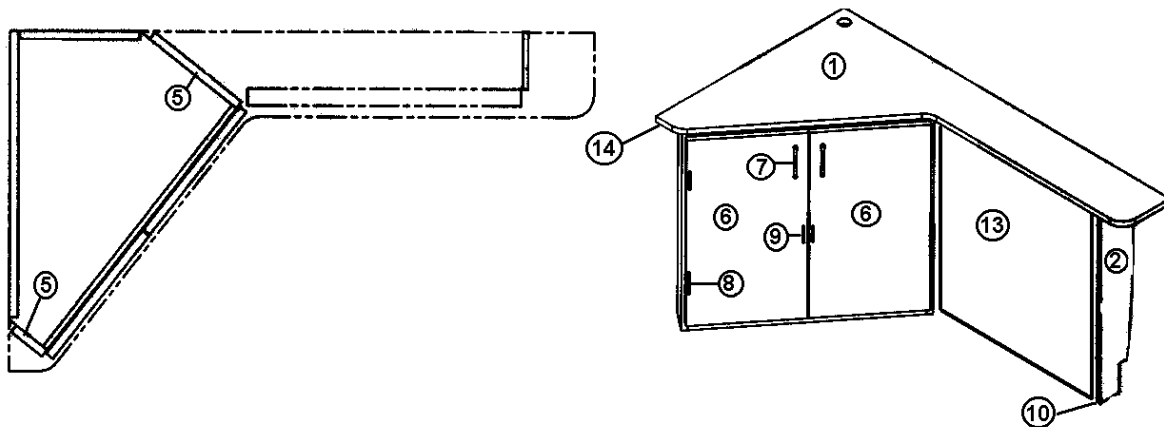
Front Lounge 25' Rear Twin & Double Bed

1. 702798-037 SOFA 74" CLOTH, OATMEAL
1. 702798-012 SOFA 74" CLOTH, STRATUS
1. 702798-195 SOFA 74" CLOTH, MIDNIGHT SUN
1. 702798-206 SOFA 74" CLOTH, BUTTERSCOTCH
1. 702798-076 SOFA 74" CLOTH, KIWI
1. 702798-03 SOFA, 74" ULTRA LEATHER
2. 963400-05 SUPPORT ASSY.-ARMREST RS
2. 965624-01 CUSHION ASSY, ARMREST, RS
2. 965624-05 CUSHION ASSY, ARMREST, RS, LEATHER
2. 703281-01 FOAM, ARMREST, LOUNGE, RS
3. 963400-02 SUPPORT ASSY. ARMREST CS
3. 965624-02 CUSHION ASSY, ARMREST, CS
3. 965624-06 CUSHION ASSY, ARMREST, CS, LEATHER
3. 703281-02 FOAM, ARMREST, LOUNGE, CS
4. 963399-04 SUB-ASSY. FACE ARMREST SUPPORT RS
5. 963399-02 SUB ASSY. FACE ARMREST SUPPORT CS
6. 453368-03 FLEXSTEEL SOFA LEGS
7. 381581 STRAP, CLEAR
8. 201016 DRAWER 16" X 22"
9. 964174 CLOSEOUT LOUNGE
10. 965420 CLOSEOUT PANEL BOTTOM SOFA
11. 381072-01 HINGE 3" X 2"
12. 381228-01 CATCH GRABBER DOOR
13. 345084 SCREW-1/4"-14 X 1" THREAD CUTTING
14. 203447 STORAGE BOX-23.5" X 16.25" X 6.38"

2008 SAFARI- BAMBI

FURNITURE, LOUNGE

Credenza Cabinet, 25' Twin & Double Rear Bed

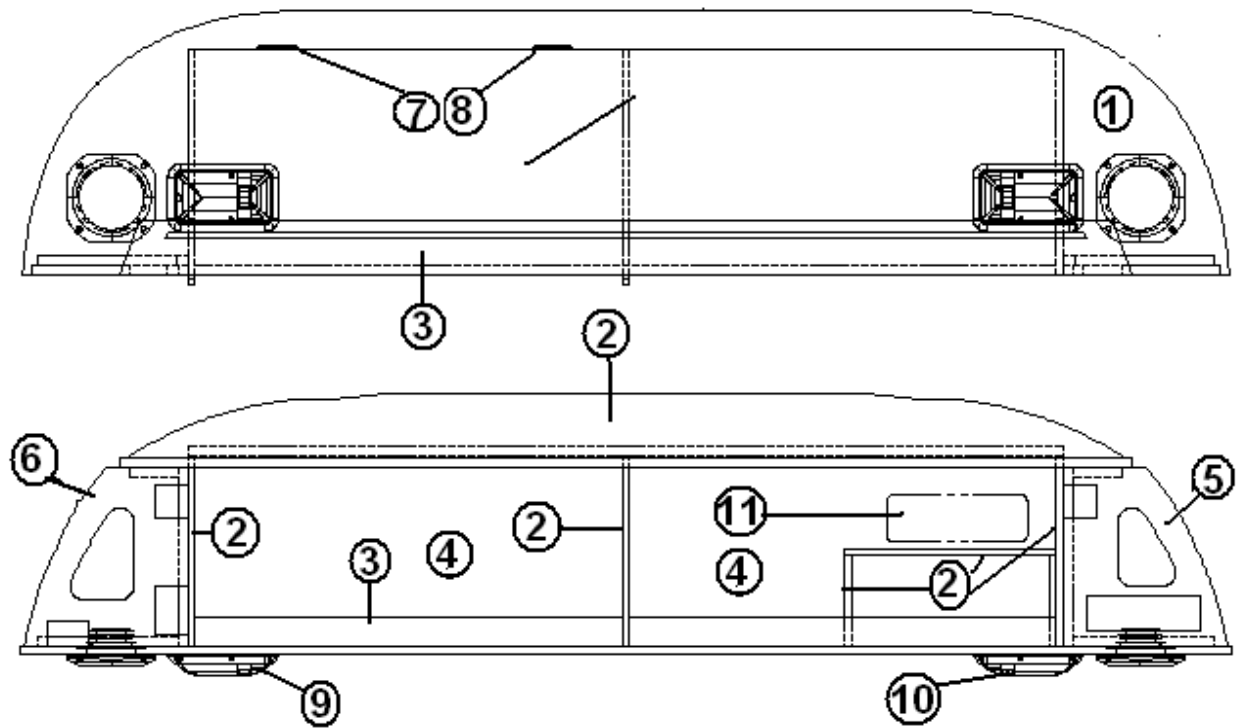


- | | |
|---------------|------------------------------------------|
| 965666-04 | Credenza Cabinet, Sand Crystal |
| 965666-05 | Credenza Cabinet Midnight Sun |
| 1. 965665-02 | TOP, CREDENZA, SAND CRYSTAL |
| 1. 965665-03 | TOP, CREDENZA, MIDNIGHT SUN |
| 2. 801383-01 | Paneling, Tropical Oak/White liner, 12mm |
| 3. 801392 | Paneling, White/White 12 MM |
| 4. 801376-01 | Paneling, Tropical Oak/White, 4' x 8' |
| 5. 801383-01 | PANEL, PRELAM TRP OAK/WHT LINER 12MM |
| 6. 801341-43 | Door, 13.81" x 25.38" |
| 7. 382044 | Door handle |
| 8. 381607 | Hinge assembly, Grass European |
| 9. 381228-01 | Door/drawer grabber catch, 3 lb. |
| 10. 365268-05 | EDGE BANDING-PVC-LAMITECK T. OAK |
| 11. 365268-03 | Edge tape, Tropical Oak, .625" |
| 12. 365201-04 | Edge tape, White, 5/8" wide |
| 13. 966126-01 | TABLE, LIFT UP, 24.00" Wide |
| 14. 365201-04 | Edge banding, 5/8" Colonial White |

2008 SAFARI- BAMBI

FURNITURE, LOUNGE

End Liner, 25' SLP6, 25' A & B, 27' J-Queen, 28' W



2008 SAFARI- BAMBI

FURNITURE, LOUNGE

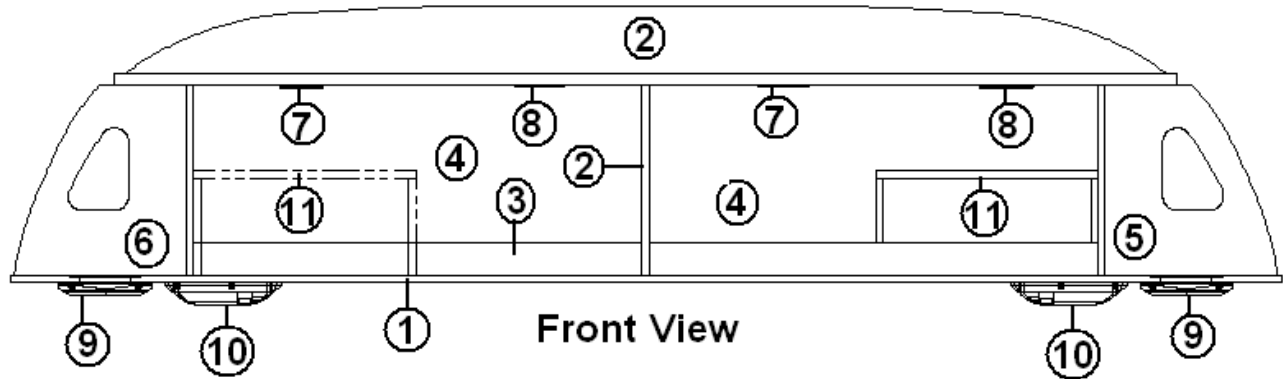
Roof Locker, End Liner, 25' SLP6, 25' A & B, 27' J-Queen, 28' W

966037-01	LOCKER, FRONT W/RADIO ON RIGHT SIDE, 25' A & B, 28' W
966037-02	LOCKER, REAR, DELETE RADIO, 25' A & B
966037-07	FRONT W/RADIO ON RIGHT SIDE, SPECIAL EDITION, 25'SLP6, 27' FB, 28'W
966037-08	LOCKER, FRONT W/RADIO & CD PLAYER ON RIGHT SIDE, 25' SLP6 SPECIAL EDITION
966037-11	FRONT W/O RADIO MOUNTING, 25' A& B SE
1. 801383-01	PANEL, OAK/WHITE LINER
2. 801392	PANEL, WHITELINER/WHITELINER
3. 801376-01	PANEL, OAK/WHITE LINER
4. 965551-02	DOOR-RADIUS FOAM 15.25"X 31.63
5. 965551-05	DOOR-RADIUS FOAM 15.25"X 12.5"
6. 965551-06	DOOR, w/o radio C/O, 15.25"X 12.5
6. 965551-11	DOOR, w/radio C/O, 15.25"X 12.5
7. 381840-01	HINGE-OVERHEAD SPRING LH #372.
8. 381840-02	HINGE-OVERHEAD SPRING RH #372.
9. 512243	LIGHT, 12V DLB W/SWITCH
10. 512215-01	SPEAKER, 6.5", model SP65CO
10. 512215-02	GRILL, 6.5", WHITE
10. 203599	Speaker, Spacer, 5/8"
11. 965792	CD OPTION, BOX
365268-05	EDGE BANDING-PVC-LAMITECK T. OAK
365268-03	EDGE BANDING-.024"X .63" OAK

2008 SAFARI- BAMBI

FURNITURE, LOUNGE

End Liner, 25' Front Bed, 27' Front Bed

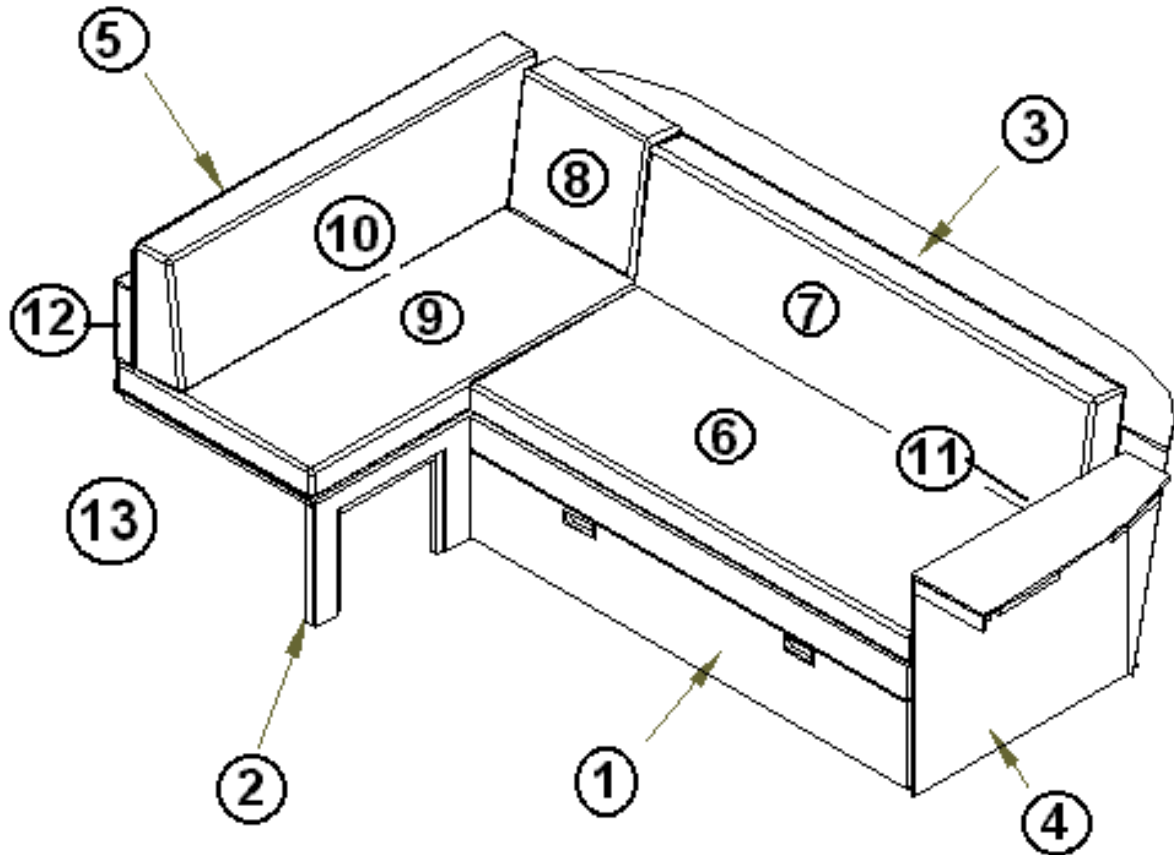


- | | |
|---------------|--------------------------------------------------------------|
| 966037-04 | FRONT, 25' FB, 27' FB, DELETE RADIO MOUNTING |
| 966037-05 | REAR, 25'FB, 27'FB, W/ RADIO LEFT SIDE |
| 966037-06 | FRONT, W/RADIO & CD PLAYER ON LEFT SIDE, 27'FB STANDARD |
| 966037-09 | REAR, W/ RADIO LEFT SIDE, 25' FB SE, 27' SE, 25' SE A & B |
| 966037-10 | REAR, W/RADIO & CD PLAYER ON LEFT SIDE, 25' FB SE, 27' FB SE |
| 966037-11 | FRONT DELETE RADIO MOUNTING, 25' FB S. E. |
| 1. 801383-01 | PANEL, OAK/WHITE LINER |
| 2. 801392 | PANEL, WHITELINER/WHITELINER |
| 3. 801376-01 | PANEL, OAK/WHITE LINER |
| 4. 965551-02 | DOOR-RADIUS FOAM 15.25"X 31.63 |
| 5. 965551-05 | DOOR-RADIUS FOAM 15.25"X 12.5" |
| 6. 965551-06 | DOOR-RADIUS FOAM 15.25"X 12.5" |
| 7. 381840-01 | HINGE-OVERHEAD SPRING LH #372. |
| 8. 381840-02 | HINGE-OVERHEAD SPRING RH #372. |
| 9. 512243 | LIGHT, 12 VOLT W/SWITCH |
| 10. 512215-01 | SPEAKER, 6.5", model SP65CO |
| 10. 512215-02 | GRILL, 6.5", WHITE |
| 10. 203599 | Speaker, Spacer, 5/8" |
| 11. 965792 | CD OPTION, BOX |
| 365268-05 | EDGE BANDING-PVC-LAMITECK T. OAK |
| 365268-03 | EDGE BANDING-.024"X .63" OAK |

2008 SAFARI- BAMBI

FURNITURE, LOUNGE

Sofa, Cushions/Foam, 28' W, 25' SLP6



Part numbers on the next page

2008 SAFARI- BAMBI

FURNITURE, LOUNGE

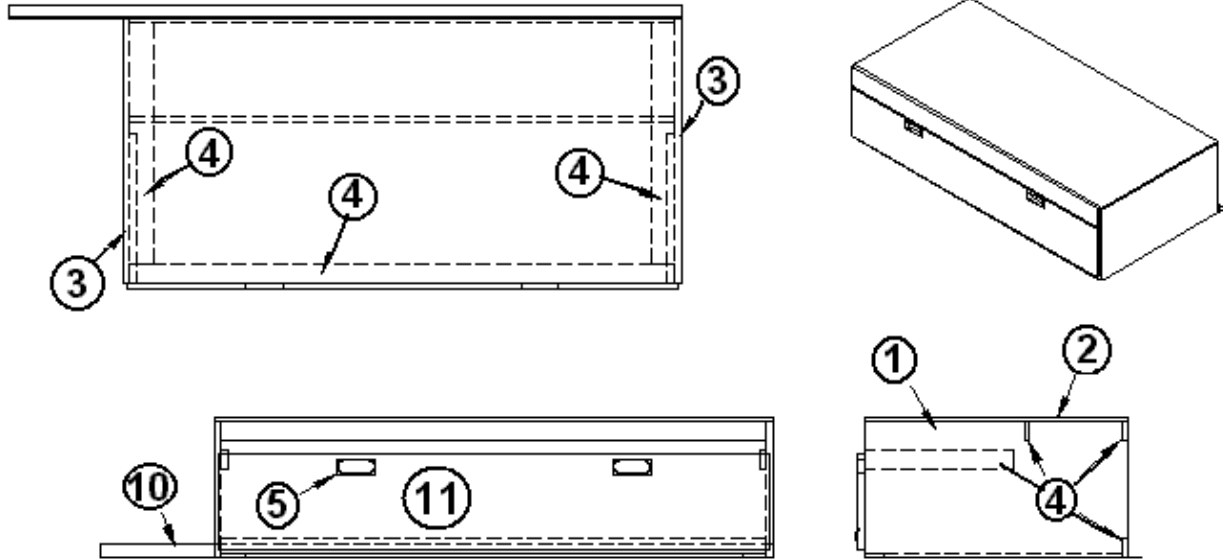
Sofa, Cushions/Foam, 28' W, 25' SLP6

- | | |
|---------------|-----------------------------------------|
| 1. 965827 | Sofa Assembly |
| 2. 965828 | Sofa "L" section assembly |
| 3. 966133 | Sofa back |
| 4. 965831 | Sofa arm rest, side |
| 5. 998149 | L-Lounge cushions assemblies |
| 6. 998149-01 | Bottom main fabric/cushion assembly |
| 6. 703340-01 | Bottom main cushion foam only |
| 7. 998149-02 | Back main cushion/fabric assembly |
| 7. 703340-02 | Back main cushion foam only |
| 8. 998149-03 | Small back cushion/fabric assembly |
| 8. 703340-08 | Small back cushion foam only |
| 9. 998149-04 | Base side cushion/fabric assembly |
| 9. 703340-04 | Base side cushion foam only |
| 10. 998149-05 | Back side front cushion/fabric assembly |
| 10. 703340-07 | Back side front cushion foam only |
| 11. 998149-06 | Wedge cushion/fabric assembly |
| 11. 703340-06 | Wedge cushion foam only |
| 12. 998149-07 | Back cushion support assembly |
| 13. 966065 | Armrest Assembly, Front, (NOT SHOWN) |

2008 SAFARI- BAMBI

FURNITURE, LOUNGE

Sofa Assembly, 28' W, 25' SLP6

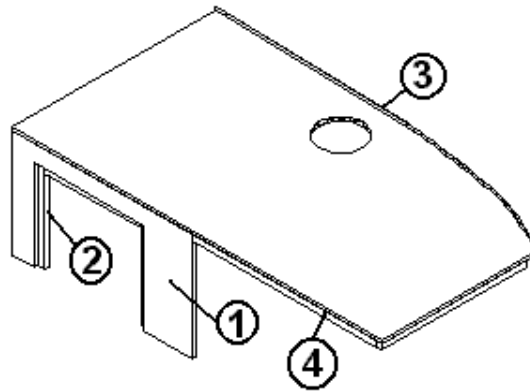


- | | |
|---------------|------------------------------------------|
| 965827 | Sofa Assembly |
| 1. 965829 | Sofa bed assembly |
| 2. 800507-02 | Luan, raw/raw, 1/4" |
| 3. 801351 | Lite ply, .75", 4' x 8' |
| 4. 850082 | Poplar, .75: x 2.00" |
| 5. 382044 | Handle, drawer/door |
| 6. 381072-01 | Hinge, 3" x 1 7/8", Open, Gold |
| 7. 365268-01 | Edgebanding, .024" x 1.13", Tropical Oak |
| 8. 381228-01 | Grabber door catch |
| 9. 114809 | Aluminum angle, 1.5" x 1.5" |
| 10. 365268-03 | Edgebanding, .024" x .63". Tropical Oak |
| 11. 965936 | Door, sofa option |
| 965852-01 | ARMREST ASSY."L" LOUNGE |
| 381826 | SLIDE-BALL BEARING |

2008 SAFARI- BAMBI

FURNITURE, LOUNGE

Sofa, L-section, 28' W, 25' SLP6, 23'

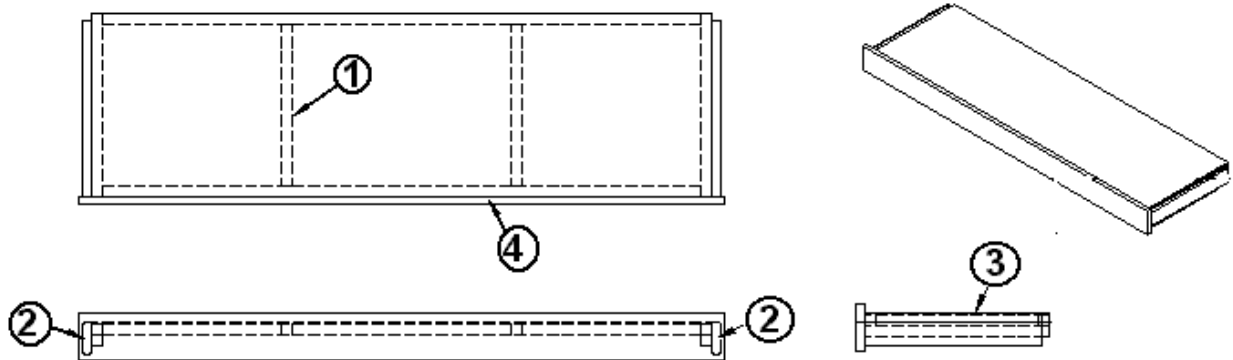


- | | |
|--------------|---------------------------------|
| 965828 | Sofa, L-section |
| 1. 800507-04 | Luan, raw/raw, 1/2" |
| 2. 850082 | Poplar, .75: x 2.00" |
| 3. 114812 | Aluminum angle, 1" x 1" |
| 4. 365268-05 | EDGEBANDING-PVC-LAMITECK T. OAK |

2008 SAFARI- BAMBI

FURNITURE, LOUNGE

Sofa Bed, 28' W, 25' SLP6

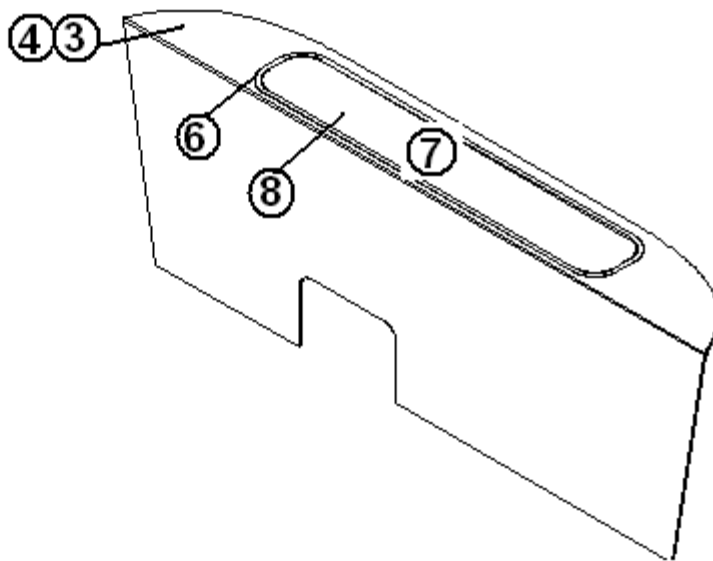
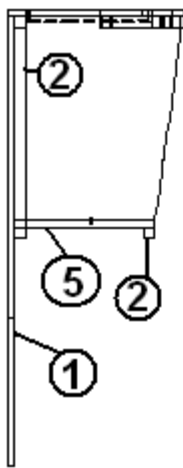
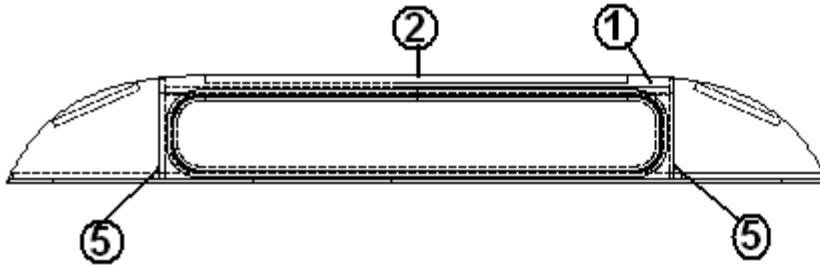


965829	Sofa Bed
1. 915708	Weldment, sofa bed
2. 381826	Slide, ball bearing
3. 800507-02	Luan, 1/4" x 4' x 8'
4. 801351	Lite ply, 18MM, .75" x 4' x 8'
5. 330031-03	Rivet, dome head, SSS64SSBS
6. 320117-03	Screw, Steel, Drywall, #6 x 1.625
381072-01	HINGE 3" X 2"
381581	STRAP CLEAR PLASTIC .75"W
365268-03	EDGE BANDING-.024"X .63", OAK
365268-05	EDGE BANDING-PVC-LAMITECK T. OAK
381228-01	CATCH GRABBER DOOR
114809	ALUMINUM ANGLE 1.50 X 1.50

2008 SAFARI- BAMBI

FURNITURE, LOUNGE

Sofa Back, 25' SLP6, 28' W

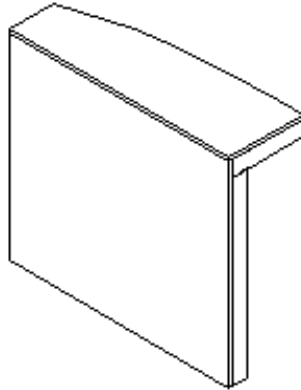


- | | |
|--------------|---------------------------------------|
| 966133 | SOFA BACK ASSEMBLY |
| 966132 | BACK ASSY-SOFA, 28' W Special Edition |
| 1. 800507-04 | LAUAN, 3/8" X 4'X 8' |
| 2. 800025-01 | PINE 3/4" X 3/4" STAINED |
| 3. 701764 | FOAM, 1/4" |
| 4. 703330 | FABRIC, PATINA |
| 5. 801392 | PANEL, WHITELINER/WHITELINER |
| 6. 115203 | DOOR, JAMB |
| 7. 966134 | DOOR, SOFA BACK |
| 8. 381847-01 | HINGE-PIANO ANGLE .88" X 46" |
| 365013 | TAPE CHARCOAL LOW DENSITY FOAM |
| 381581 | STRAP CLEAR PLASTIC .75"W |

2008 SAFARI- BAMBI

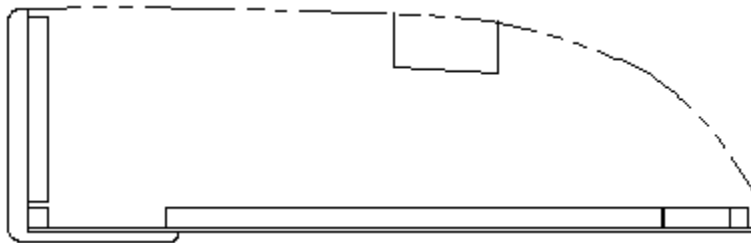
FURNITURE, LOUNGE

Sofa Armrest, 28' W, 25' SLP6, 23' L-Lounge



965831 Sofa Armrest

Sofa Armrest, 23'



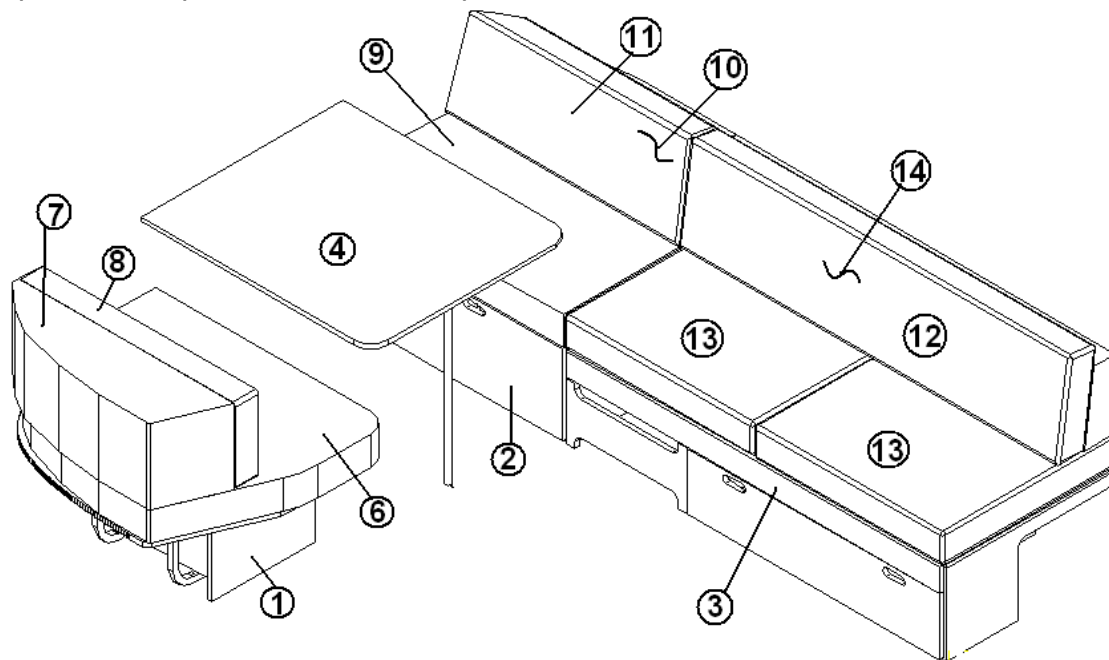
965808-01 SUPPORT ASSY.-ARMREST RS, SHOWN
965807-02 SUB ASSY. FACE ARMREST SUPPORT RS
965809-01 CUSHION ASSY-RS ARMREST

965808-02 SUPPORT ASSY. ARMREST CS, OPPOSITE
965807-01 SUB-ASSY. FACE ARMREST SUPPORT CS
965809-02 CUSHION ASSY-CS ARMREST

2008 SAFARI- BAMBI

FURNITURE, LOUNGE

Sofa, Dinette, 25' Front Bed, 27' Front Bed

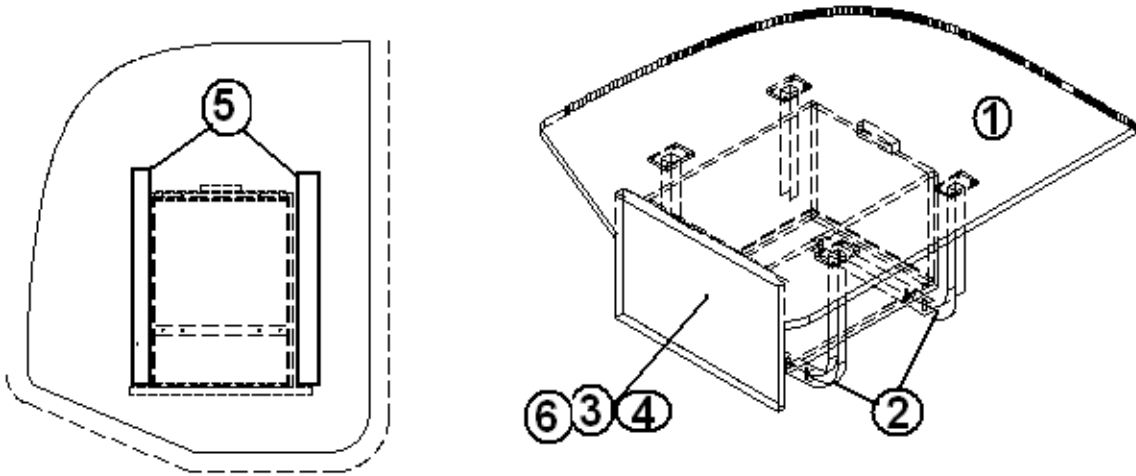


- | | |
|---------------|--------------------------------------|
| 1. 966221 | SEAT ASSY-CS DINETTE |
| 2. 966215 | SEAT ASSY-RS DINETTE |
| 3. 966217 | SOFA ASSY |
| 4. 966246-03 | TABLE ASSY, DINETTE, SAND CRYSTAL |
| 4. 966246-04 | TABLE ASSY, DINETTE, MIDNIGHT SUN |
| 5. 703486 | FOAM KIT-LNG/DINETTE |
| 6. 998173-01 | FABRIC ASSY-CS DIN.SEAT |
| 7. 998173-02 | FABRIC ASSY-CS BACK FILL |
| 8. 998173-03 | FABRIC ASSY-CS BACK REST |
| 9. 998173-04 | FABRIC ASSY-RS DIN SEAT |
| 10. 998173-05 | FABRIC ASSY-RS BACK FILL |
| 11. 998173-06 | FABRIC ASSY-RS BACK REST |
| 12. 998173-07 | FABRIC ASSY-DIN WEDGE |
| 13. 998173-08 | FABRIC ASSY-BOTT.CUSHION |
| 14. 998173-09 | FABRIC ASSY-CUSHION BACK REST |
| 203439 | STORAGE BOX, 17"L X 11.13"W X 6.38"H |

2008 SAFARI- BAMBI

FURNITURE, LOUNGE

Dinette Seat, Curbside, 25' Front Bed, 27' Front Bed

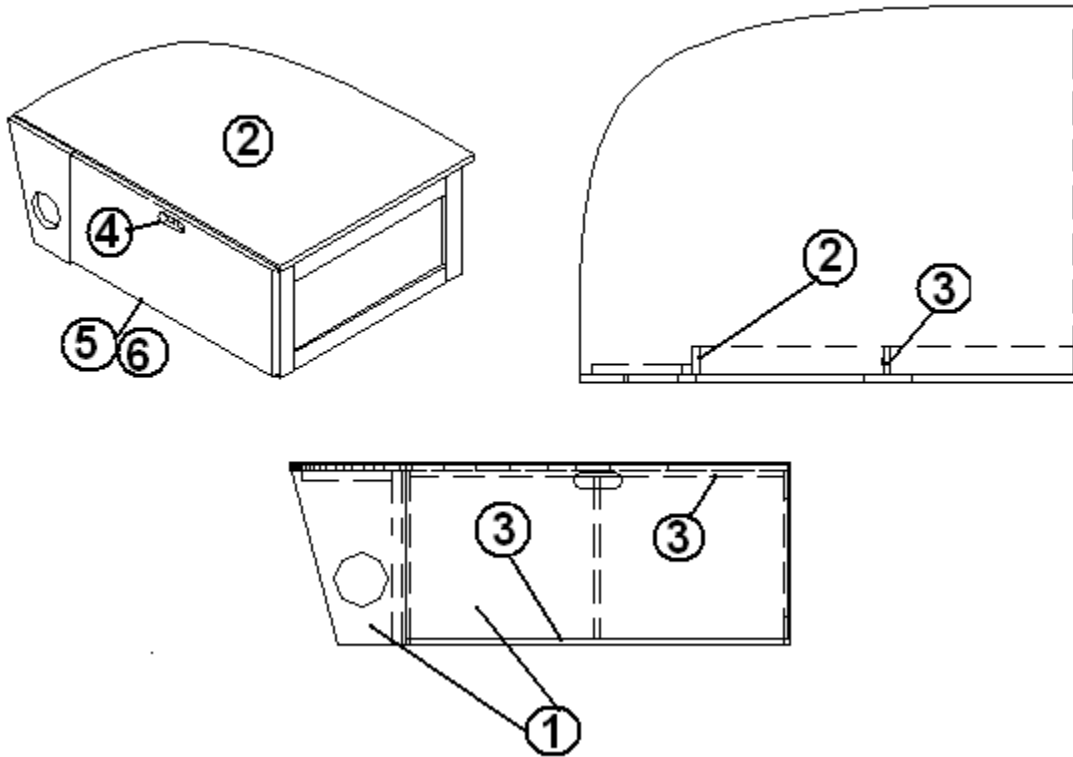


966221	SEAT ASSY-CS DINETTE
1. 801368	PANEL, WHITE/WHITE
2. 454177	LEG-DINETTE ALUM
3. 964909-11	DWR BOX ASSY-10" X 14.00 X 19
4. 801375-28	DOOR-DINETTE 11.5"X 18"
5. 381833-01	DRAWER SLIDE-UNDER SHELF 18"PR
6. 381074	CATCH BULL DOG #65S (COPPER)
365268-05	EDGE BANDING-PVC-LAMITECK T. OAK

2008 SAFARI- BAMBI

FURNITURE, LOUNGE

Dinette Seat, Roadside, 25' Front Bed, 27' Front Bed

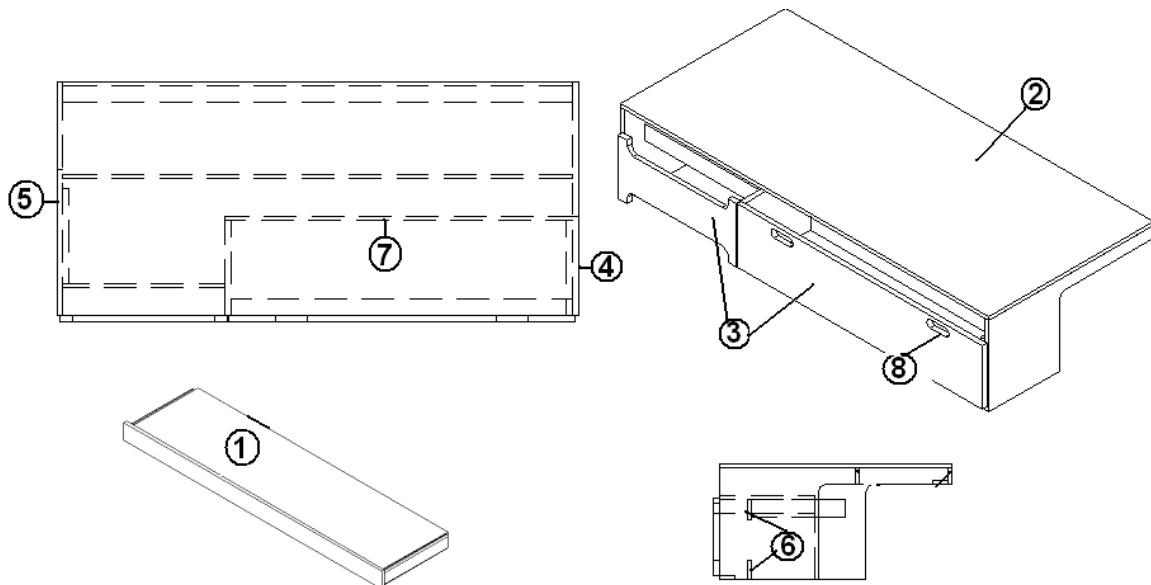


966215	SEAT ASSY-RS DINETTE
1. 801351	LITE PLY-18MM (.75") 4' X 8'
2. 801368	PANEL, WHITE/WHITE
3. 801392	PANEL, WHITE/WHITE 12MM
4. 382044	Door handle
5. 381072-01	HINGE 3" X 2"
6. 381228-01	CATCH GRABBER DOOR
365268-03	EDGE BANDING-.024"X .63" Oak
365268-05	EDGE BANDING-PVC-LAMITECK T. OAK

2008 SAFARI- BAMBI

FURNITURE, LOUNGE

Sofa Bed, 25' Front Bed, 27' Front Bed

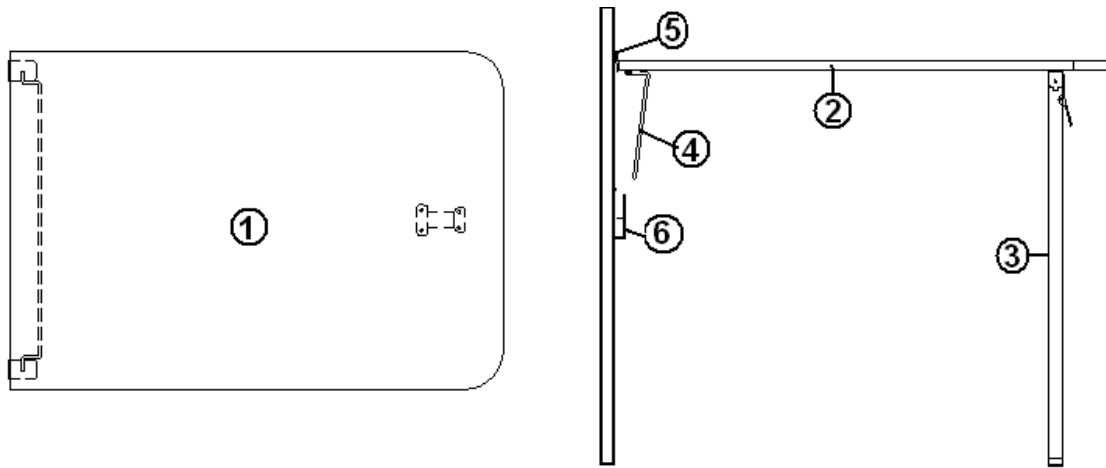


966217	SOFA ASSY
1. 966216	SOFA BED UPPER ASSY
2. 800506-04	PLYWOOD, 1/2" X 4' X 8'
3. 801351	LITE PLY-18MM (.75") 4' X 8'
4. 801368	PANEL, WHITE/WHITE
5. 801376-01	PANEL, OAK/WHITE 18MM
6. 801383-01	PANEL, OAK/WHITE
7. 801392	PANEL, WHITE/WHITE 12MM
8. 382044	Door handle
381072-01	HINGE 3" X 1 2"
381228-01	CATCH GRABBER DOOR
365268-03	EDGE BANDING-.024" X .63" OAK
365268-05	EDGE BANDING-PVC-LAMITECK T. OAK
915811	WELDMENT-SOFA BED
381826	SLIDE-BALL BEARING
330031-03	RIVET DOME HEAD SSD64SSBS

2008 SAFARI- BAMBI

FURNITURE, LOUNGE

Dinette Table, 25' Front Bed, 27' Front Bed



- | | |
|--------------|--------------------------------------|
| 966246-03 | TABLE ASSY-38" DINNETE, SAND CRYSTAL |
| 966246-04 | TABLE ASSY-38" DINNETE, MIDNIGHT SUN |
| 1. 801719 | PANEL, SAND CRYSTAL/WHITE LINER |
| 1. 801770 | PANEL, LABRADOR GRANITE |
| 2. 365304-01 | EDGE BANDING, SAND CRYSTAL |
| 2. 365311-01 | EDGE BANDING, LABRADOR GRANITE |
| 3. 381881-04 | LEG-SNAPO FOLDING, 30.5" CHROME |
| 4. 380284-02 | TABLE HINGE BRACKET |
| 5. 380284-03 | TABLE HINGE BRACKET |
| 6. 340018 | CATCH PLATE J-1 |
| 381136 | RUBBER BUMPER |

2008 SAFARI- BAMBI

FURNITURE, LOUNGE

TV Shelf, Black, 23'

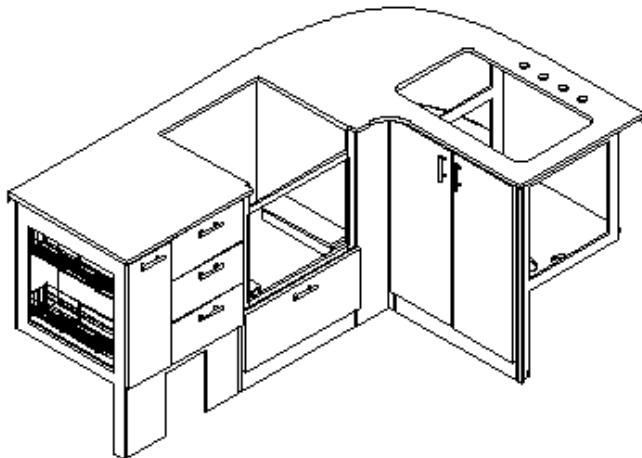
381241-009 TV SHELF W/MIRROR, BLACK

2008 SAFARI- BAMBI

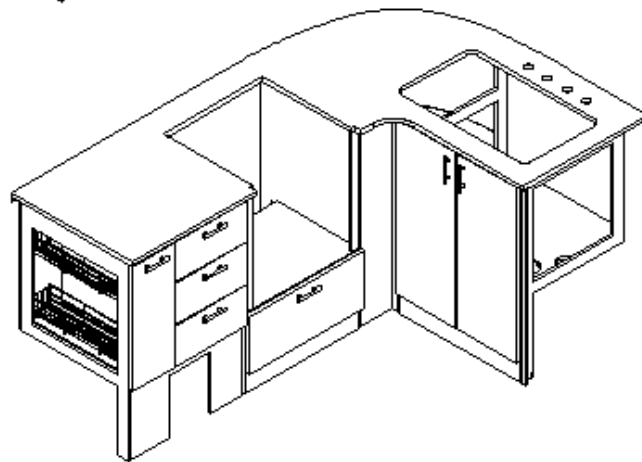
FURNITURE, GALLEY

Galley, 20'

Optional Cooktop/Microwave



Standard Oven



966556-05

GALLEY ASSY, W/OVEN, SAND CRYSTAL

966556-06

GALLEY ASSY, W/OVEN, MIDNIGHT SUN

966556-07

GALLEY ASSY, W/MICROWAVE & 3-BURNER
COOK TOP, SAND CRYSTAL

966556-08

GALLEY ASSY, W/MICROWAVE & 3-BURNER
COOK TOP, MIDNIGHT SUN

966552-01

BASE, GALLEY FORWARD, W/OVEN

966552-02

BASE, GALLEY FORWARD,
W/COOKTOP/MICROWAVE

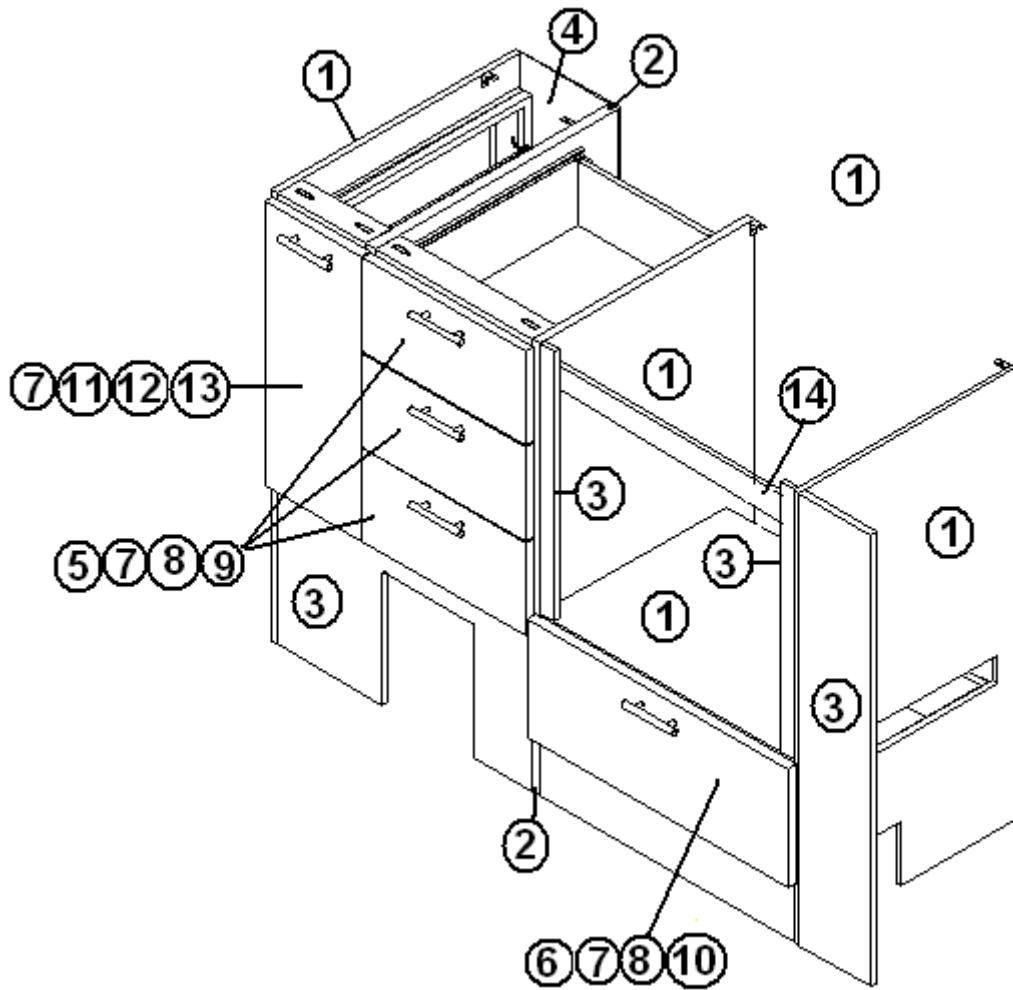
966553

BASE ASSY-GALLEY AFT

2008 SAFARI- BAMBI

FURNITURE, GALLEY

Galley 20', Forward Base



Part Numbers on the next page.

2008 SAFARI- BAMBI

FURNITURE, GALLEY

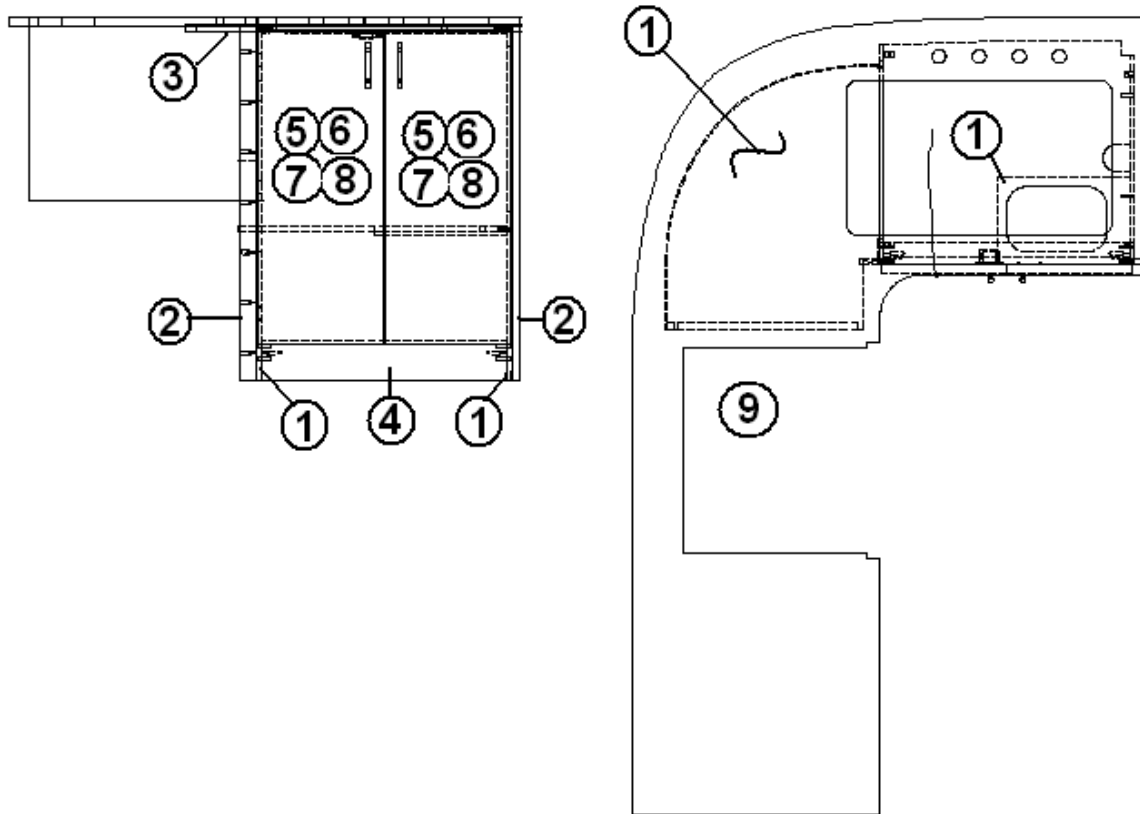
Galley 20', Forward Base

966552-01	BASE ASSY, GALLEY FWD, OVEN
966552-02	BASE ASSY, GALLEY FWD MICROWAVE
1. 801392	PANEL, WHITELINER/WHITELINER 12MM
2. 801368	PANEL, WHITELINER/WHITELINER 18MM
3. 801383-01	PANEL, OAK/WHITE LINER
4. 801438	PANEL, FROSTY WHITE VINYL/RAW 2.7 MM
5. 965554-05	DRAWER BOX ASSY-5.63" X 14.25" X 17.63"
5. 381773-17	DRAWER SLIDE, 5.875" X 18.5" (Pair)
6. 965554-06	DRAWER BOX ASSY-5.63" X23" X 21.75"
6. 381773-17	DRAWER SLIDE, 5.875" X 18.5" (Pair)
7. 382044	PULL-BAR BRUSH NICKEL
8. 381228-01	CATCH GRABBER DOOR
9. 801341-189	DOOR-GALLEY 14.88" X 7.38"
10. 801341-190	DOOR-GALLEY 23.63"X10.38"
11. 801341-191	DOOR-GALLEY 8.69"X22.38"
12.381551-03	ORGANIZER WHITE BASE
13.381551-02	WIRE BASKET 4" WIDE WHITE

2008 SAFARI- BAMBI

FURNITURE, GALLEY

Galley, 20', Aft Base

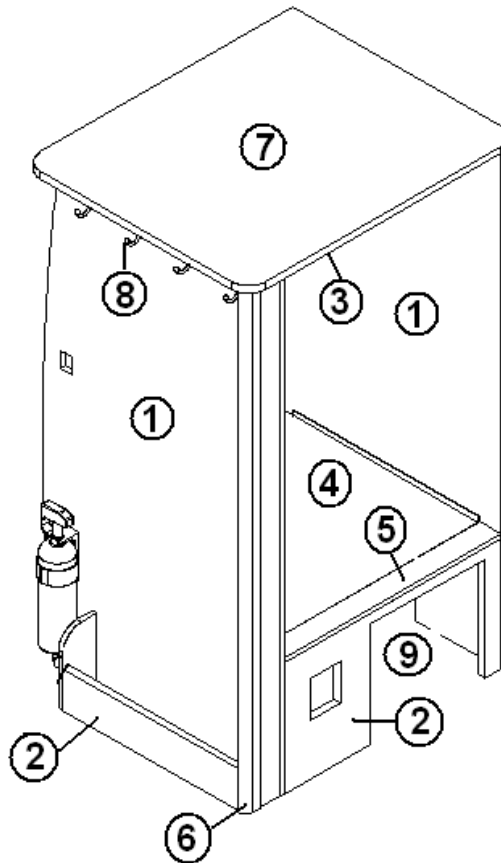


966553	BASE ASSY-GALLEY AFT
1. 801392	PANEL, WHITELINER/WHITELINER 12MM
2. 801706-007	CORNER TRIM-90D 1" RADIUS, OAK
3. 801368	PANEL, WHITELINER/WHITELINER 18MM
4. 801376-01	PANEL, T.OAK/WHITE LINER 18MM
5. 801341-188	DOOR-GALLEY 12.75" X 31.31"
6. 382044	PULL-BAR BRUSH NICKEL
7. 381228-01	CATCH GRABBER DOOR
8. 381607	HINGE ASSY-GRASS EURO
9. 966551-03	TOP ASSY-GALLEY SAND CRYSTAL
9. 966551-04	TOP ASSY-GALLEY MIDNIGHT SUN
115064	TRIM-ALUM COUNTER TOP

2008 SAFARI- BAMBI

FURNITURE, GALLEY

Refrigerator Cabinet, 20'

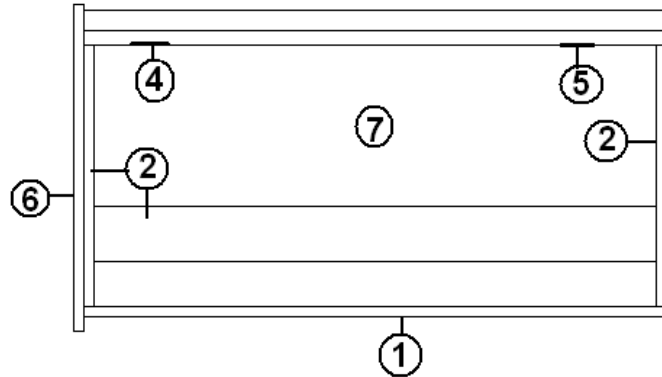
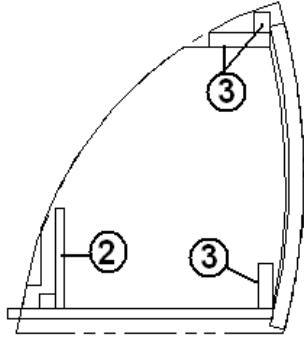


966560-01	REFER CABINET, SAND CRYSTAL
966560-02	REFER CABINET, MIDNIGHT SUN
1. 801383-01	PANEL, OAK/WHITE LINER
2. 801376-01	PANEL, T.OAK/WHITE LINER 18MM
3. 801368	PANEL, WHITELINER/WHITELINER 18MM
4. 801392	PANEL, WHITELINER/WHITELINER 12MM
5. 801381-01	PANEL, OAK/OAK 12MM
6. 801706-007	CORNER TRIM-90D 1" RADIUS, OAK
7. 966561-03	TOP ASSY-REFER, SAND CRYSTAL
7. 966561-04	TOP ASSY-REFER, MIDNIGHT SUN
8. 381384	HOOK-ALUM.COAT 1.68"
9. 966559	REFER STAND ASSY

2008 SAFARI- BAMBI

FURNITURE, GALLEY

Roof Locker, Rear Galley, 20'

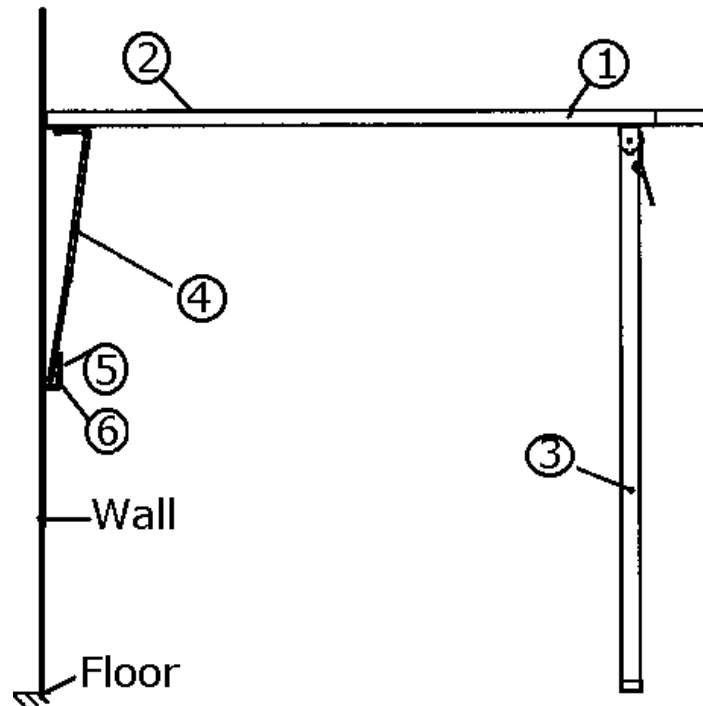


- | | |
|--------------|----------------------------------|
| 966565 | R/L ASSY, REAR GALLEY |
| 1. 801383-01 | PANEL, OAK/WHITE LINER |
| 2. 801392 | PANEL, WHITELINER/WHITELINER |
| 3. 801376-01 | PANEL, T.OAK/WHITE LINER 18MM |
| 4. 381840-01 | HINGE-OVERHEAD SPRING LH |
| 5. 381840-02 | HINGE-OVERHEAD SPRING RH |
| 6. 965587 | END CAP ASSEMBLY |
| 7. 965551-03 | DOOR-RADIUS FOAM 15.25" X 28.38" |

2008 SAFARI- BAMBI

FURNITURE, GALLEY

Dinette Table, 19', 23'

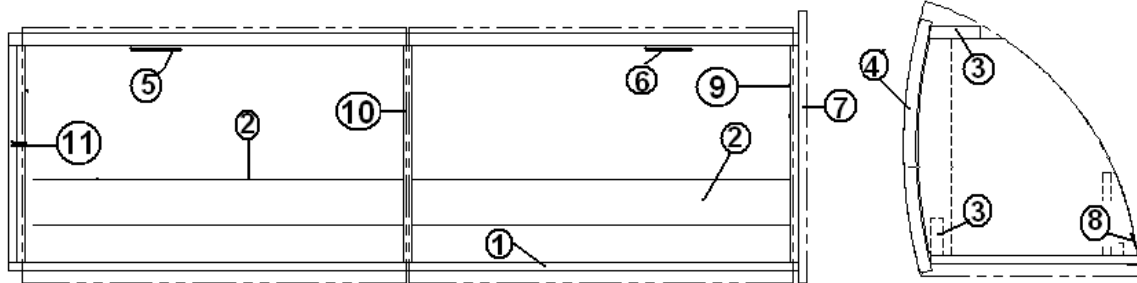


- | | |
|--------------|----------------------------------|
| 965575-02 | Dinette Table, Sand Crystal |
| 965575-03 | Dinette Table, Midnight Sun |
| 1. 801719 | PANEL, SAND CRYSTAL/WHITE, 18MM |
| 1. 801770 | PANEL, MIDNIGHT SUN/WHITE |
| 2. 365304-01 | EDGE BANDING, SAND CRYSTAL, .94" |
| 2. 365311-01 | EDGE BANDING, MIDNIGHT SUN |
| 3. 700065-01 | Snapo folding leg |
| 4. 380284-02 | Table hinge bracket |
| 5. 340015 | Center Hinge |
| 6. 340018 | Catch Plate |
| 381136 | RUBBER BUMPER |

2008 SAFARI- BAMBI

FURNITURE, GALLEY

ROOF LOCKER, GALLEY, 20', 19'

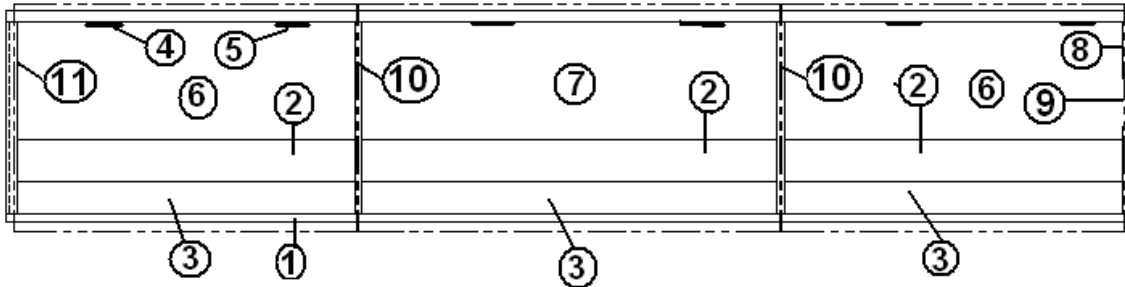


966034	ROOF LOCKER, GALLEY, 19'
966034-01	ROOF LOCKER, GALLEY, 20'
1. 801383-01	PANEL, OAK/WHITE LINER
2. 801392	PANEL, WHITELINER/WHITELINER
3. 801376-01	PANEL, OAK/WHITE LINER
4. 965551-04	DOOR-RADIUS FOAM 15.25" X 23.13"
5. 381840-01	HINGE-OVERHEAD SPRING LH #372.
6. 381840-02	HINGE-OVERHEAD SPRING RH #372.
7. 965587	END CAP ASSEMBLY
8. 115085	ANGLE ALUMINUM - ROOFLOCKERS
9. 966648-01	DIVIDER, GALLEY ROOF LOCKER
10. 966648-03	DIVIDER, CENTER, GALLEY ROOF LOCKER
11. 966648-02	DIVIDER, LH, GALLEY ROOF LOCKER
345276-04	SCREW HEX HD. CAP 1/4-20 X 1"
350147-25	NUT,NYLON LOCK, 1/4-20
365268-03	EDGE BANDING-.024" X .63" OAK
365268-05	EDGE BANDING-PVC-LAMITECK T. OAK
381902	HOOK-SS SCREW IN #29905 T36

2008 SAFARI- BAMBI

FURNITURE, GALLEY

ROOF LOCKER, DINETTE, 20'

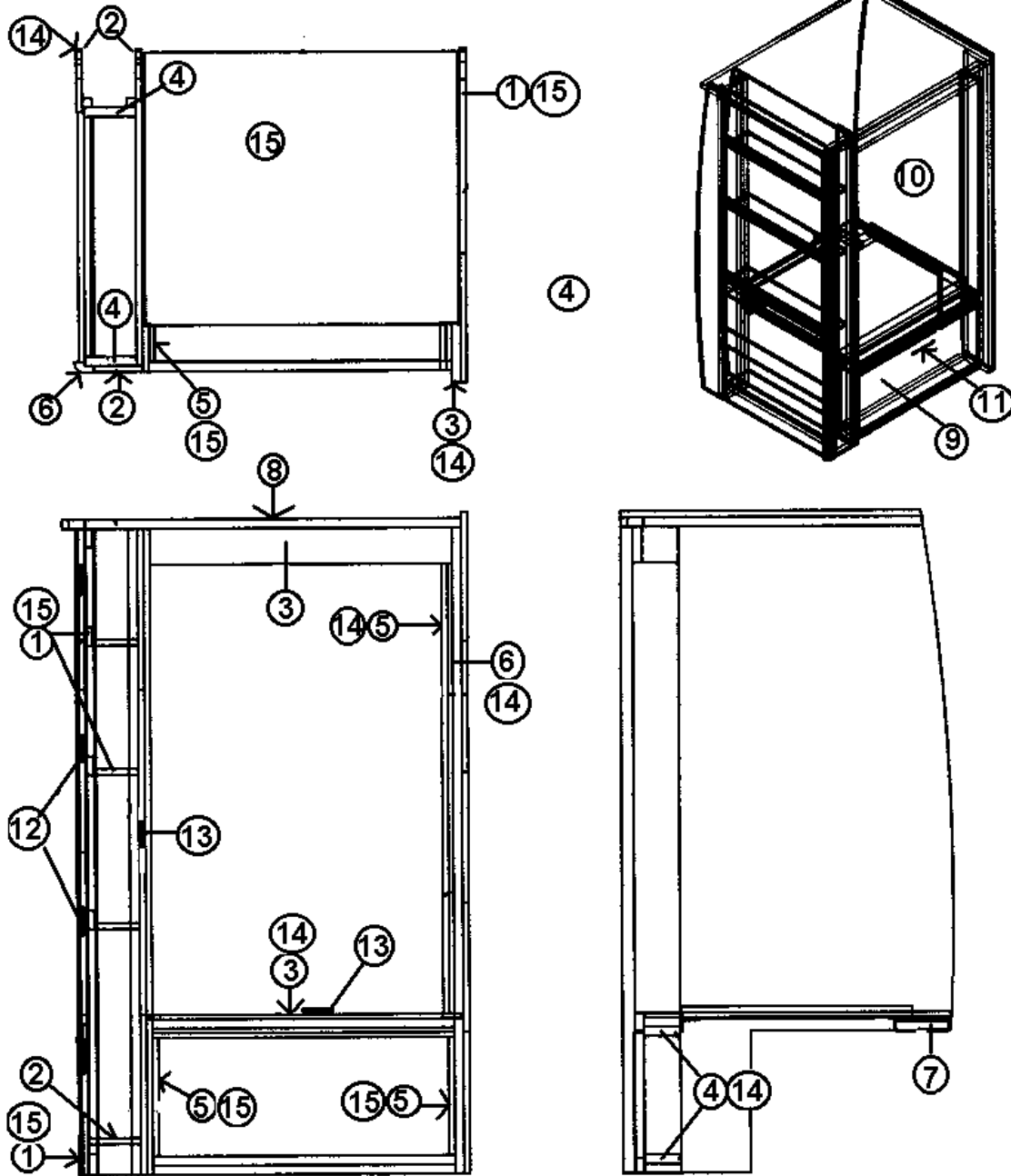


- | | |
|---------------|-------------------------------------|
| 966036-01 | ROOF LOCKER, DINETTE, 20' |
| 1. 801383-01 | PANEL, OAK/WHITE LINER |
| 2. 801392 | PANEL, WHITELINER/WHITELINER |
| 3. 801376-01 | PANEL, OAK/WHITE LINER |
| 4. 381840-01 | HINGE-OVERHEAD SPRING LH #372. |
| 5. 381840-02 | HINGE-OVERHEAD SPRING RH #372. |
| 6. 965551-04 | DOOR-RADIUS FOAM 15.25" X 23.13" |
| 7. 965551-03 | DOOR-RADIUS FOAM 15.25" X 28.38" |
| 8. 965587 | END CAP ASSEMBLY |
| 9. 966648-01 | DIVIDER, GALLEY ROOF LOCKER |
| 10. 966648-03 | DIVIDER, CENTER, GALLEY ROOF LOCKER |
| 11. 966648-02 | DIVIDER, LH, GALLEY ROOF LOCKER |
| 345276-04 | SCREW HEX HD. CAP 1/4-20 X 1" |
| 350147-25 | NUT, NYLON LOCK, 1/4-20 |

2008 SAFARI- BAMBI

FURNITURE, GALLEY

Refrigerator Cabinet, 19', 23' Bunk Option



Part numbers are on the next page.

2008 SAFARI- BAMBI

FURNITURE, GALLEY

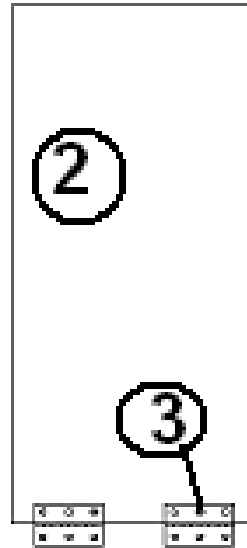
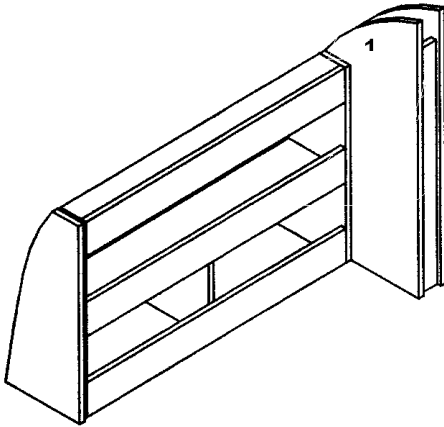
Refrigerator Cabinet, 19', 23' Bunk Option

965629-03	Refrigerator Cabinet, Sand Crystal
965629-04	Refrigerator Cabinet, Midnight Sun
965629-05	Refrigerator Cabinet Bunk Option, Sand Crystal
1. 801381-01	Paneling, Tropical Oak/Tropical Oak, 12MM
2. 801383-01	Paneling, Tropical Oak/White
3. 801376-01	Paneling, Tropical Oak/White, 4' x 8'
4. 801719	PANEL, SAND CRYSTAL/WHITE, 18MM
4. 801770	PANEL, LABRADOR GRANITE/WHITE, 18MM
5. 801392	Paneling, White/White 12 MM
6. 801706-017	Corner trim, 90°, 1" Radius
7. 965630	Refer stand assembly
8. 965628-03	Refer cabinet top assembly, Sand Crystal
8. 965628-04	Refer cabinet top assembly, Midnight Sun
9. 801341-37	Door, 24.44" x 10.19"
10. 801341-38	Door, 19.81" x 31.31"
11. 382044	Door handle
12. 381607	Hinge assembly, Grass European
13.381228-01	Door/drawer grabber catch
14. 365268-05	Edge tape, Lamitech
15. 365268-03	Edge tape, Tropical Oak, .625"
365304-01	EDGEBANDING, SAND CRYSTAL, .94"
365311-01	EDGEBANDING, LABRADOR GRANITE, .94"
801380-18	Panel, aft refrigerator
381830	WIPER-RUBBER 1.125"X 2" L
964519-007	BLOCK-POCKET DOOR LATCH
511836	SWITCH- REFER/FAN WHITE #AH-AS

2008 SAFARI- BAMBI

FURNITURE, GALLEY

Spice Cabinet/Shelf, Closeout, 19', 19' & 23' Bunk Option

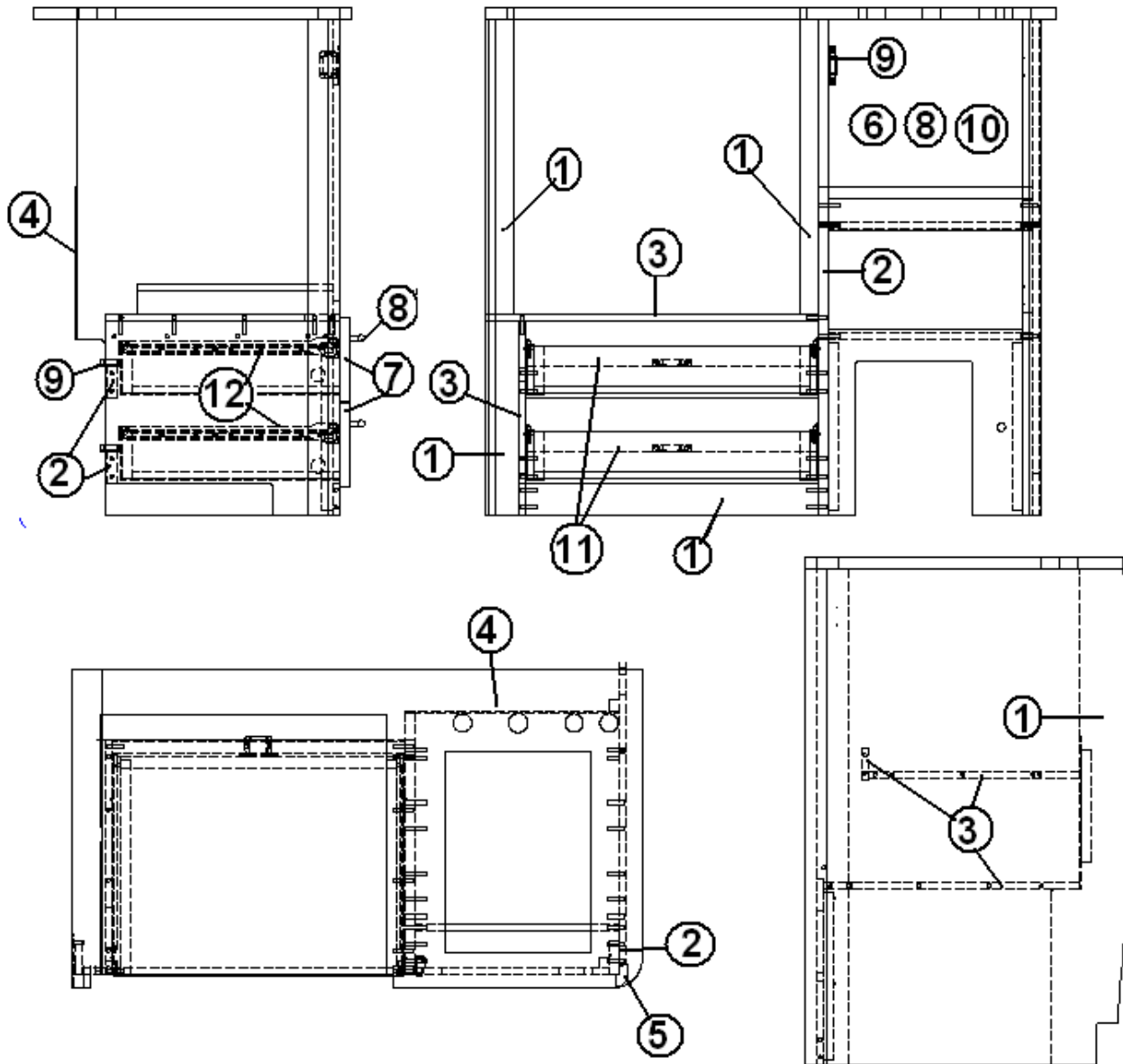


1. 965631 Spice Cabinet Assembly, 19'
1. 965631-01 Spice Cabinet Assembly, 23', 19' Bunk Option
2. 965632 CLOSE OUT ASSY. SHELF
3. 381479-01 HINGE, BRASS-CABINET, 2"X 1 3/8"

2008 SAFARI- BAMBI

FURNITURE, GALLEY

Galley w/Full Oven Assembly, 19'



Part Numbers are on the Next Page

2008 SAFARI- BAMBI

FURNITURE, GALLEY

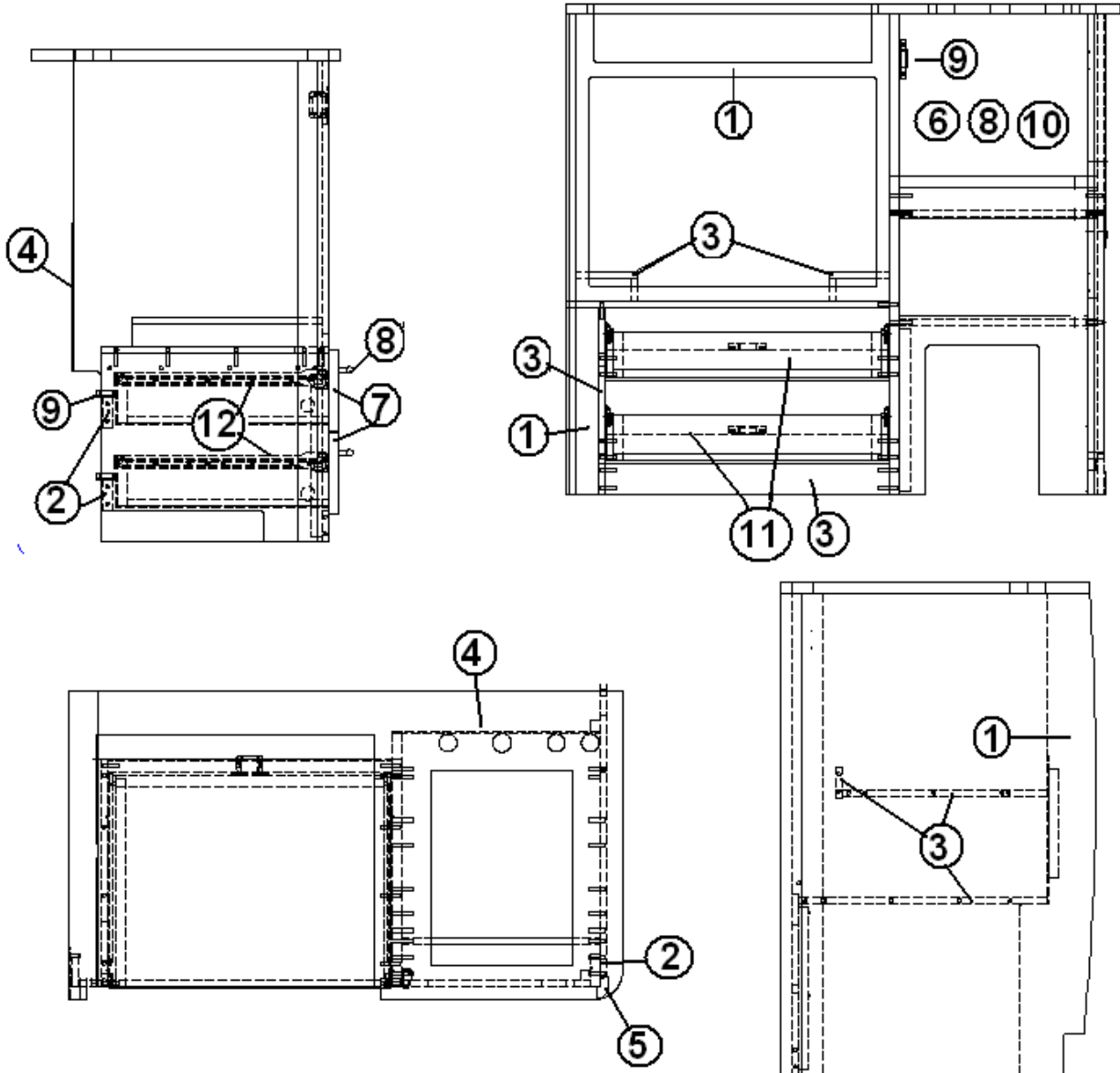
Galley w/Full Oven Assembly, 19'

966464-05	GALLEY ASSY, SAND CRYSTAL
966464-06	GALLEY ASSY, MIDNIGHT SUN
1. 801383-01	PANEL. OAK/ WHITELINER
2. 801368	PANEL, WHITELINER/ WHITELINER 18MM
3. 801392	PANEL, WHITELINER / WHITELINER 12MM
4. 801438	PANEL, WHITE VINYL/RAW 2.7MM
5. 801706-007	CORNER TRIM 90DEG. 1" RADIUS
6. 801341-154	DOOR 14.50" X 22.38"
7. 801341-155	DOOR 21.62" X 6.00"
8. 382044	PULL-BAR BRUSH NICKEL
9. 381228-01	CATCH GRABBER DOOR
10. 381607	HINGE ASSY-GRASS EURO
11. 965642-01	BOX ASSY. DRAWER 19.75"
12. 966465-03	GALLEY TOP ASSY, SAND CRYSTAL
12. 966465-04	GALLEY TOP ASSY, MIDNIGHT SUN
13. 381773-03	DRAWER SLIDE 15.75"
115064	TRIM-ALUM COUNTER TOP
114812	ALUMINUM ANGLE 1.00" X 1.00"

2008 SAFARI- BAMBI

FURNITURE, GALLEY

Galley w/Microwave Option, 19'



Part Numbers are on the Next Page

2008 SAFARI- BAMBI

FURNITURE, GALLEY

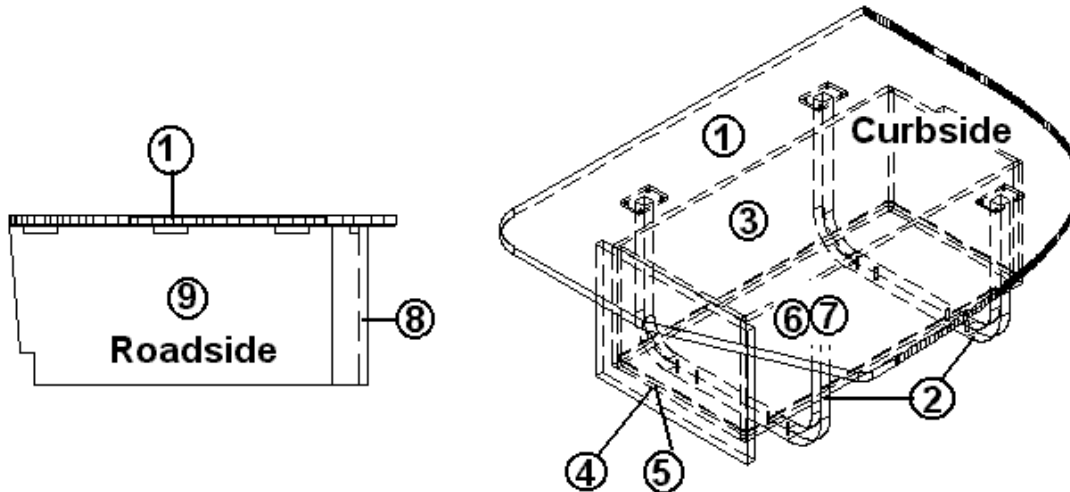
Galley w/Microwave Option, 19'

966464-07	GALLEY W/MICROWAVE, 19', SAND CRYSTAL
966464-08	GALLEY W/MICROWAVE, 19', MIDNIGHT SUN
1. 801383-01	PANEL. OAK/ WHITELINER 1
2. 801368	PANEL, WHITELINER/WHITELINER 18MM
3. 801392	PANEL, WHITELINER/WHITELINER 12MM
4. 801438	PANEL, WHITE VINYL/RAW, 2.7MM
5. 801706-007	CORNER TRIM 90DEG. 1" RADIUS
6. 801341-154	DOOR 14.50 X 22.38
7. 801341-155	DOOR 21.62 X 6.00
8. 382044	PULL-BAR BRUSH NICKEL
9. 381228-01	CATCH GRABBER DOOR
10. 381607	HINGE ASSY-GRASS EURO
11. 965642-01	BOX ASSY. DRAWER 19.75"
12. 966465-03	GALLEY TOP ASSY SAND CRYSTAL
12. 966465-04	GALLEY TOP ASSY FROSTY MIDNIGHT SUN
381773-03	DRAWER SLIDE 15.75"
365267	EDGEBANDING, 1.13" .024 PLY
115064	TRIM-ALUM COUNTER TOP
114812	ALUMINUM ANGLE 1.00" X 1.00"
801376-01	PANEL, OAK/WHITELINER 18MM

2008 SAFARI- BAMBI

FURNITURE, GALLEY

Dinette Seat, Roadside/ Curbside, 19', 23'

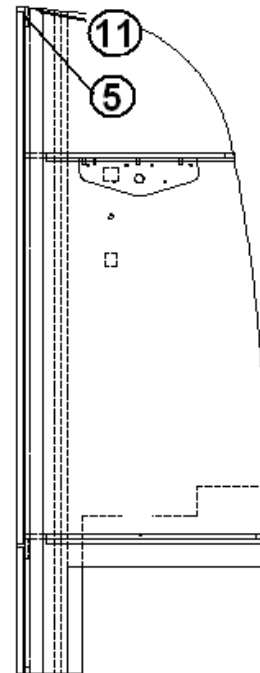
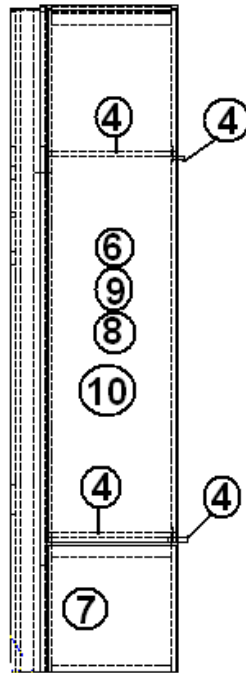
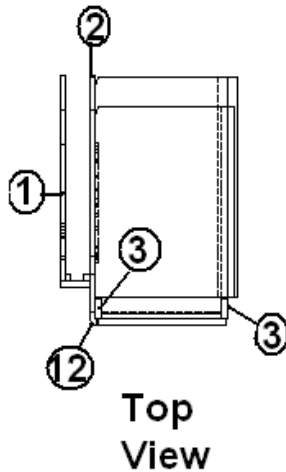


965866-01	Roadside Dinette Seat Assembly
965865-01	Curbside Dinette Seat Assembly
1. 801368	Panel, Whiteliner/Whiteliner, 18mm
2. 454177	Seat legs
3. 964909-11	Drawer box assembly
4. 801375-21	Drawer front
5. 801833-01	24" drawer slide w/mounting hardware
6. 800581-01	Oak block
7. 381704	Bulldog catch
8. 965932-01	RS dinette seat support
9. 701538-01	Trunk liner
381192	SLIDE, DRAWER, 18" (EACH=1 PAIR)
203474	NIPPLE-MOLDED PLASTIC
365267	EDGE BANDING-1.13" .024 PLY
365268-05	EDGE BANDING, LAMITECH
998150-01	SEAT ASSY-CS DINETTE CUSHION ASSEMBLY
998150-02	FILLER, CS DINETTE BACK CUSHION ASSY.
998150-04	SEAT ASSY-RS DINETTE CUSHION ASSEMBLY
998150-05	FILLER, RS DINETTE SEAT CUSHION ASSY.
998150-06	BACK REST, RS DINETTE CUSHION ASSEMBLY
203439	STORAGE BOX-17"L X 11.13"W X 6.38"

2008 SAFARI- BAMBI

FURNITURE, GALLEY

Wardrobe, Aft, 23'

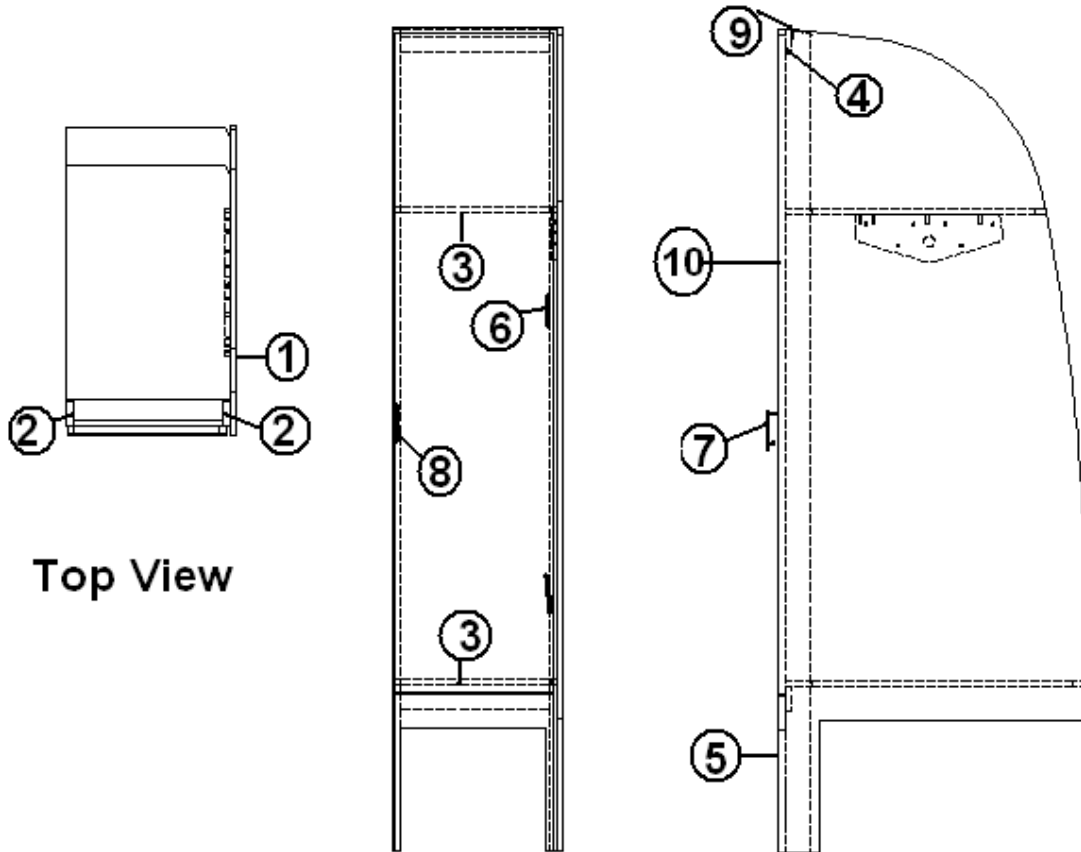


- | | |
|---------------|------------------------------|
| 966446 | WARDROBE, AFT |
| 1. 801629-05 | PANLE, FORWARD LAVY |
| 2. 801629-06 | PANEL, FORWARD WARDROBE |
| 3. 801368 | PANEL, WHITELINER/WHITELINER |
| 4. 801392 | PANEL, WHITELINER/WHITELINER |
| 5. 801383-01 | PANEL, OAK/ WHITELINER |
| 6. 801341-164 | DOOR-15.03" X 62.25" |
| 7. 801341-165 | DOOR-15.03" X 15.31" |
| 8. 381607 | HINGE ASSY |
| 9. 382044 | PULL-BAR BRUSH NICKEL |
| 10. 381228-01 | CATCH GRABBER DOOR |
| 11. 115085 | Aluminum angle |
| 12.801706-007 | CORNER TRIM, OAK |

2008 SAFARI- BAMBI

FURNITURE, GALLEY

Wardrobe, Forward, 23'



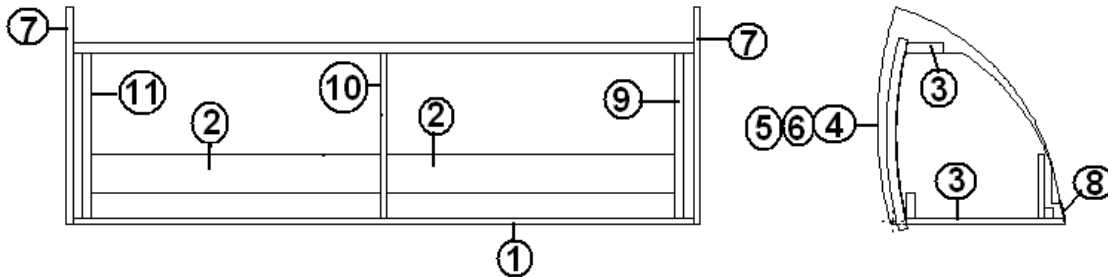
Top View

966447	FORWARD WARDROBE ASSEMBLY
1. 801629-04	PANEL, FORWARD WARDROBE
2. 801368	PANELWHITELINER/WHITELINER18MM
3. 801392	PANELWHITELINER/WHITELINER12MM
4. 801383-01	PANEL, TRP OAK/WHITELINER1
5. 801376-01	PANEL, OAK/WHITELINER18M
6. 381607	HINGE ASSY
7. 382044	PULL-BAR BRUSH NICKEL
8. 381228-01	CATCH GRABBER DOOR
9. 115085	ANGLE ALUMINUM, ROOF LOCKER
10. 801341-164	DOOR-15.03" X 62.25"

2008 SAFARI- BAMBI

FURNITURE, GALLEY

Roof Locker, Galley, 23'

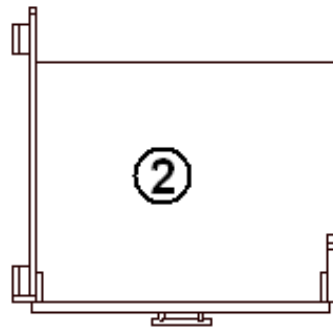
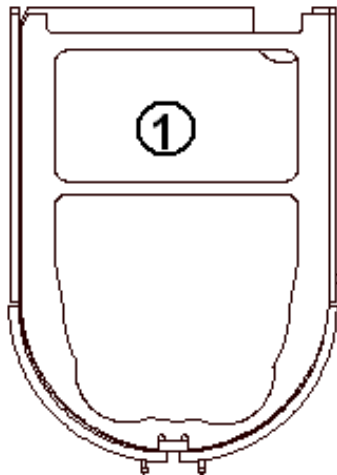
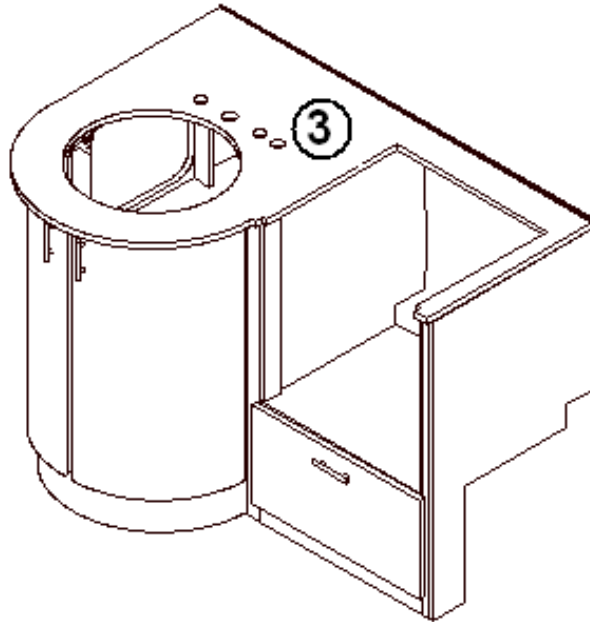


966473	R/L ASSY- GALLEY
1. 801383-01	PANEL, OAK/WHITELINER
2. 801392	PANELWHITELINER/WHITELINER12MM
3. 801376-01	PANEL, OAK/WHITELINER
4. 965551-04	DOOR-RADIUS FOAM 15.25" X 23.13"
5. 381840-01	HINGE-OVERHEAD SPRING LH
6. 381840-02	HINGE-OVERHEAD SPRING RH
7. 965587	END CAP ASSEMBLY
8. 801368	PANEL, WHITELINER/WHITELINER
9. 966648-01	DIVIDER-GALLEY R/LOCKER
10. 966648-03	DIVIDER CENTER GALLEY R/LOCKER
11. 966648-02	DIVIDER LH GALLEY ROOFLOCKER
381902	HOOK, STAINLESS STEEEL. SCREW IN
115085	ANGLE ALUMINUM, ROOFLOCKERS
345276-04	SCREW HEX HD. CAP 1/4-20 X 1
345275-04	1/4-20X1 FLAT PHIL M/S ZN
350147-25	NUT, NYLON LOCK, 1/4-20
365268-03	EDGEBANDING-.024"X .63" TROP.O
365268-05	EDGEBANDING-PVC-LAMITECK T.OAK

2008 SAFARI- BAMBI

FURNITURE, GALLEY

Galley, 23'

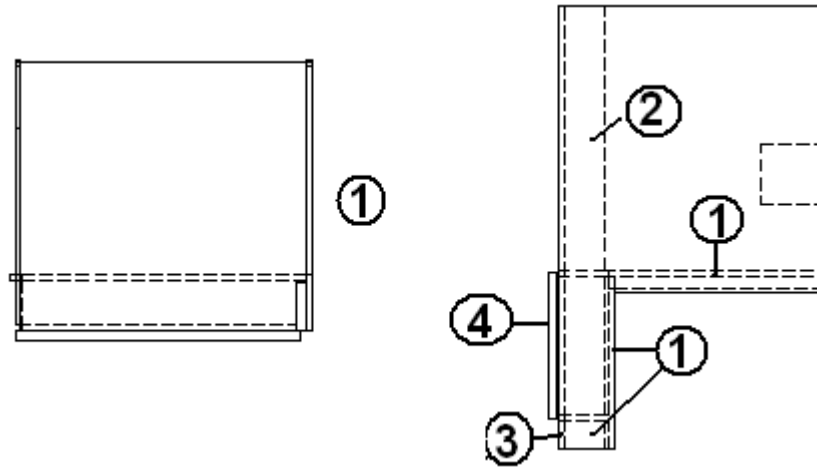


- | | |
|--------------|---------------------------|
| 966529-01 | Galley, 23', Sand Crystal |
| 966529-02 | Galley, 23', Midnight Sun |
| 1. 966488 | Galley, forward section |
| 2. 966487 | Galley, aft section |
| 3. 966489-02 | Galley top, Sand Crystal |
| 3. 966489-03 | Galley top, Midnight Sun |

2008 SAFARI- BAMBI

FURNITURE, GALLEY

Galley, 23', Aft Section

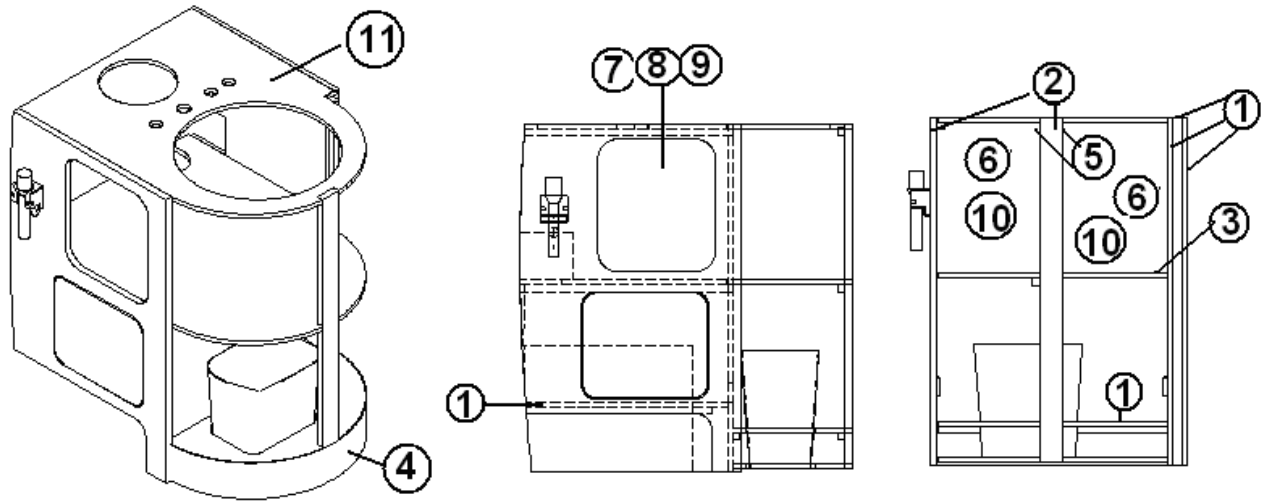


966487	GALLEY AFT SECT.ASSY
1. 801392	PANEL, WHITELINER/WHITELINER
2. 801368	PANEL, WHITELINER/WHITELINER
3. 801383-01	PANEL, TRP OAK/WHITELINER
4. 801376-01	PANEL, OAK/WHITELINER
381607	HINGE ASSY-GRASS EURO
381228-01	CATCH GRABBER DOOR
382044	PULL-BAR BRUSH NICKEL
115064	TRIM-ALUMINUM COUNTER TOP

2008 SAFARI- BAMBI

FURNITURE, GALLEY

Galley, 23', Forward Section

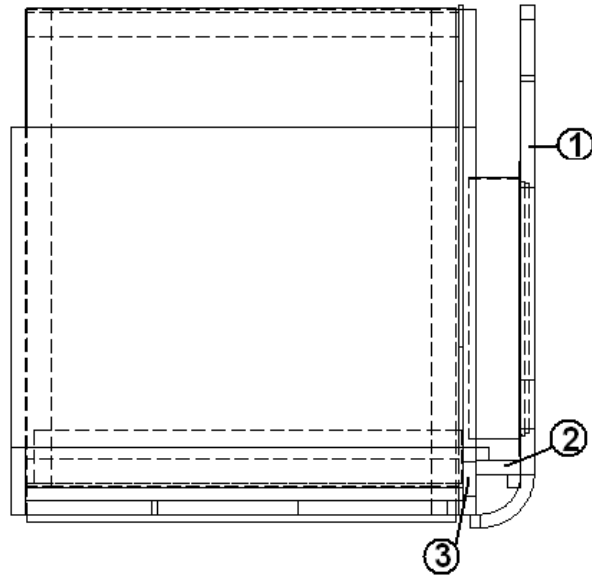
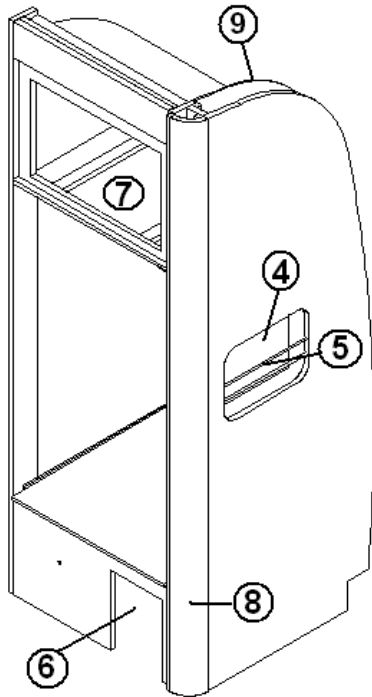


- | | |
|---------------|---------------------------------|
| 966488 | GALLEY FORWARD SECTION |
| 1. 801392 | PANEL, WHITELINER/WHITELINER |
| 2. 801376-01 | PANEL, OAK/WHITELINER |
| 3. 801368 | PANEL, WHITELINER/WHITELINER |
| 4. 115309 | Toe kick, aluminum |
| 5. 381856 | CATCH-TENSION 2-BALL |
| 6. 966474 | DOOR-RADIUS FOAM 16.81" X 31" |
| 7. 381654 | HINGE-NON BORE GLASS DOOR BLACK |
| 8. 381707 | STRIKE W/PULL-GLASS DOOR BLACK |
| 9. 371391 | DOOR-GLASS 11.56"X 13.06" |
| 10. 381607 | HINGE ASSY |
| 11. 966489-02 | TOP, GALLEY, SAND CRYSTAL |
| 11. 966489-03 | TOP, GALLEY, MIDNIGHT SUN |
| 382044 | PULL-BAR BRUSH NICKEL |
| 381228-01 | CATCH GRABBER DOOR |
| 203445 | T-MOLDING BLK FLEXIBLE POLY .5 |
| 381708 | WASTEBASKET-11.38 X 8.25 X 12. |

2008 SAFARI- BAMBI

FURNITURE, GALLEY

Refrigerator Cabinet, 23'

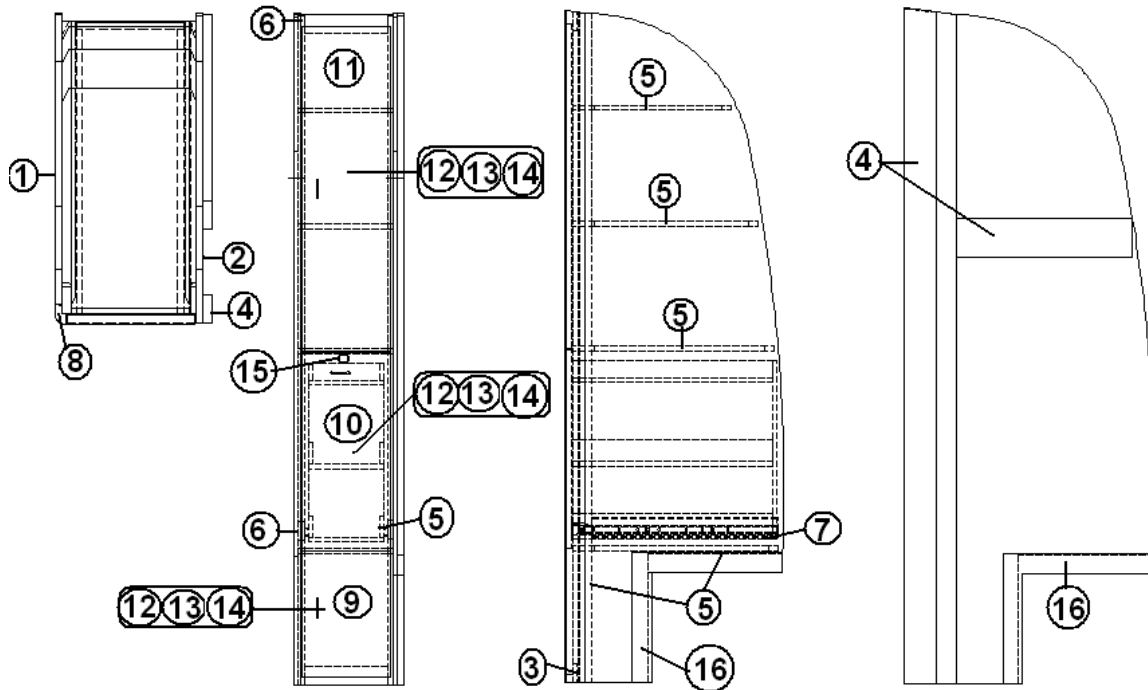


966477	REFER CABINET ASSY
966477-01	REFER CABINET ASSY, MICROWAVE OPTION
1. 966478	PANEL ASSY- REFER
2. 801368	PANELWHITELINER/WHITELINER
3. 801376-01	PANEL, OAK/WHITELINER
4. 203383	RACK-MAGAZINE ABS
5. 115042	ROD-.25"
6. 966480	STAND ASSY- REFER
7. 966485	COMPT.ASSY-MICROWAVE
8. 801345	RADIUS PLYWOOD .75" X 3" X 8'
9. 801629-03	PANEL, FORWARD, REFER
115370	BAFFLE, MICROWAVE OPTION ONLY

2008 SAFARI- BAMBI

FURNITURE, GALLEY

Pantry, 23'

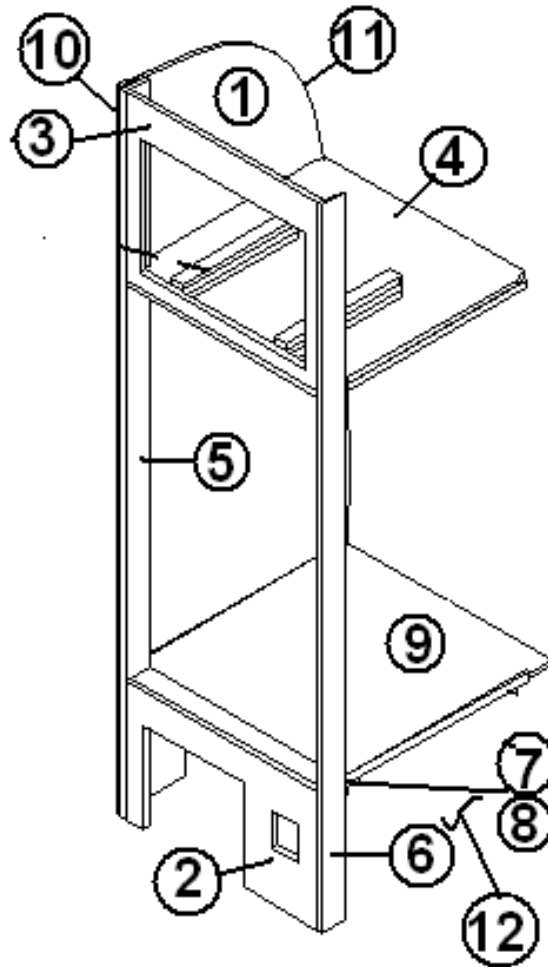


966440	PANTRY ASSY
1. 801629-01	PANLE, FORWARD PANTRY
2. 801629-02	PANEL, AFT PANTRY
2. 801629-07	PANEL, AFT PANTRY, Bunk Option
3. 801383	PANEL, OAK/WHITELINER
4. 801376-01	PANEL, OAK/WHITELINER
5. 801392	PANELWHITELINER/WHITELINER
6. 801368	PANELWHITELINER/WHITELINER
7. 381925	SLIDE-DRAWER 24"
8. 801706-007	CORNER TRIM-90D 1" RADIUS OAK
9. 801341-152	DOOR 9.25W X 23L
10. 801341-153	DOOR 9.25WX 38.12L
11. 801341-166	DOOR 10.38" W X 14.63"
12. 382044	Door handle
13. 381228-01	CATCH GRABBER DOOR
14. 381607	HINGE ASSY-GRASS EURO
15. 381408	LOCK, PUSH, BUTTON STYLE, BLACK
966503	SPACER, PANTRY/BED

2008 SAFARI- BAMBI

FURNITURE, GALLEY

Refrigerator/Microwave Cabinet, 23' Front Bed

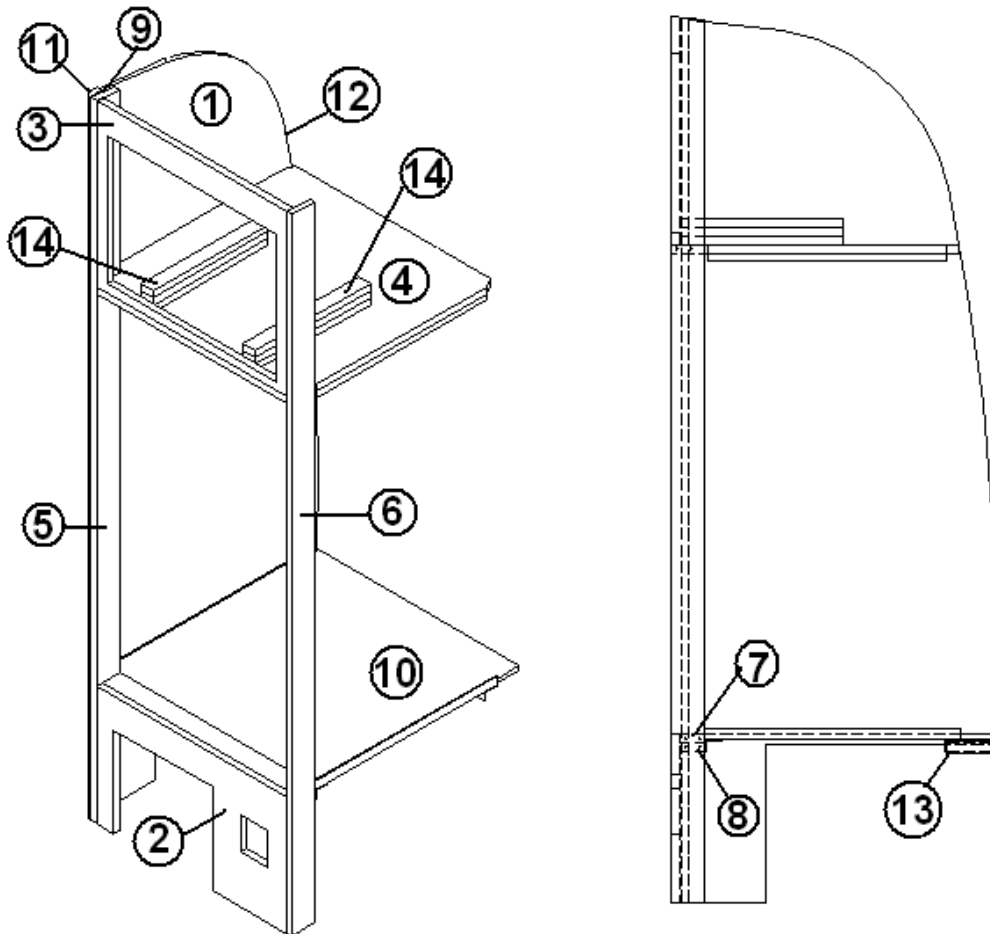


967164-03	CABINET ASSY, REFER/MW
1. 967164-031	PANEL, 27.22 X 78.10
2. 967164-032	PANEL, 23.94 X 14.88
3. 967164-033	PANEL, 23.94 X 20.16
4. 967164-034	PANEL, 25.56 X 25.50
5. 967164-035	PANEL, 3.00 X 78.39
6. 967164-036	PANEL, 3.00 X 78.39
7. 967164-037	PANEL, 2.25 X 23.94
8. 967164-038	PANEL, 2.25 X 23.94
9. 967164-039	PANEL, SHELF
10. 801393-007	CORNER TRIM 90 DEG 1" RADIUS, OAK
11. 203138-04	EXTRUSION, PLASTIC 1/2", OAK
12. 967176	REFRIGERATOR STAND ASSY.

2008 SAFARI- BAMBI

FURNITURE, GALLEY

Refrigerator/Convection Microwave Cabinet, 23' Front Bed

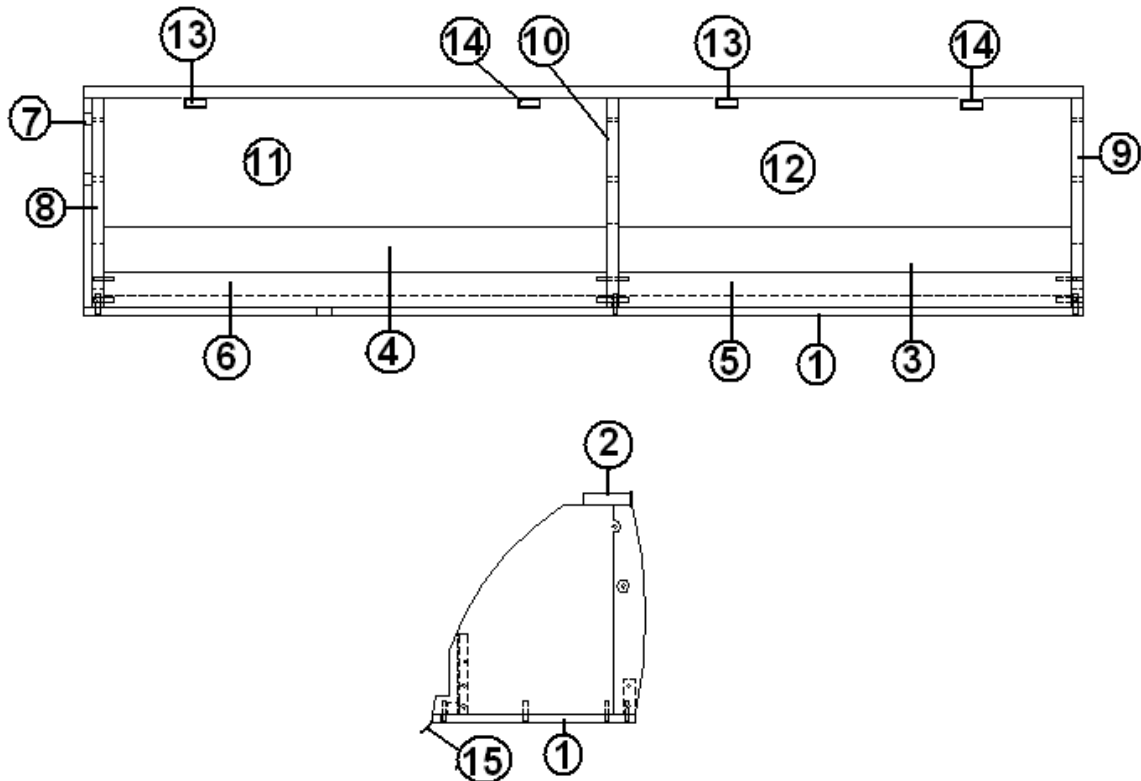


967177-03	REFER/CONVECTION MW CABINET
1. 967177-031	PANEL, 27.22 X 78.10
2. 967177-032	PANEL, 23.94 X 14.88
3. 967177-033	PANEL, 23.94 X 20.16
4. 967177-034	PANEL, 25.56 X 25.50
5. 967177-035	PANEL, 3.00 X 78.39
6. 967177-036	PANEL, 3.00 X 78.39
7. 967177-037	PANEL, 2.25 X 23.94
8. 967177-038	PANEL, 2.25 X 23.94
9. 967177-039	PANEL, 2.125 X 78.32
10. 967177-0310	PANEL, 25.25 X 25.75
11. 801393-007	CORNER TRIM 90 DEG 1" RADIUS, OAK
12. 203138-04	EXTRUSION, PLASTIC 1/2" OAK W
13. 967176	REFRIGERATOR STAND ASSY.
14. 967177-0317	PANEL, 1.50 X 14.50

2008 SAFARI- BAMBI

FURNITURE, GALLEY

Roof locker, Galley, 23' Front Bed

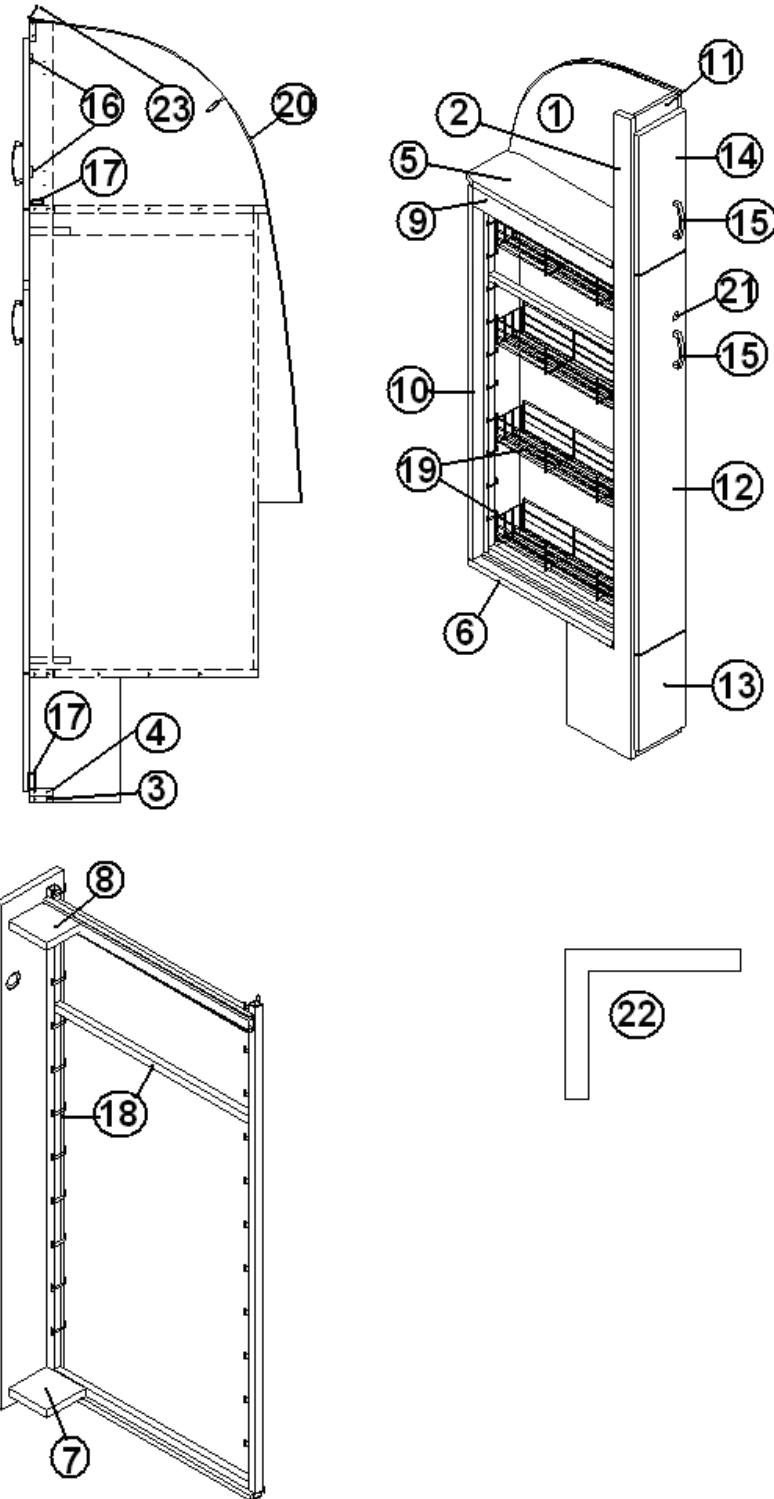


967186-03	ROOFLOCKER, GALLEY
1. 967186-031	PANEL, 12.5 X 61.88
2. 967186-032	PANEL, 3.00 X 61.88
3. 967186-033	PANEL, 27.97 X 5.00
4. 967186-034	PANEL, 31.10 X 5.00
5. 967186-035	PANEL, 27.97 X 2.25
6. 967186-036	PANEL, 31.10 X 2.25
7. 967186-037	PANEL, 2.00 X 13.00
8. 967186-038	PANEL, 13.18 X 13.00
9. 967186-039	PANEL, 13.18 X 13.00
10. 967186-0310	PANEL, 11.68 X 13.00
11. 965551-02	DOOR, RADIUS FOAM, 15.25" X 31.63"
12. 965551-03	DOOR, RADIUS FOAM, 15.25" X 28.38"
13. 381840-01	HINGE, OVERHEAD SPRING, LH
14. 381840-02	HINGE, OVERHEAD SPRING, RH
15. 115085	ANGLE , ALUMINUM
511227-01	RACEWAY, WIRING, WHITE

2008 SAFARI- BAMBI

FURNITURE, GALLEY

Pantry, 23' Front Bed



Part numbers are on the next page.

2008 SAFARI- BAMBI

FURNITURE, GALLEY

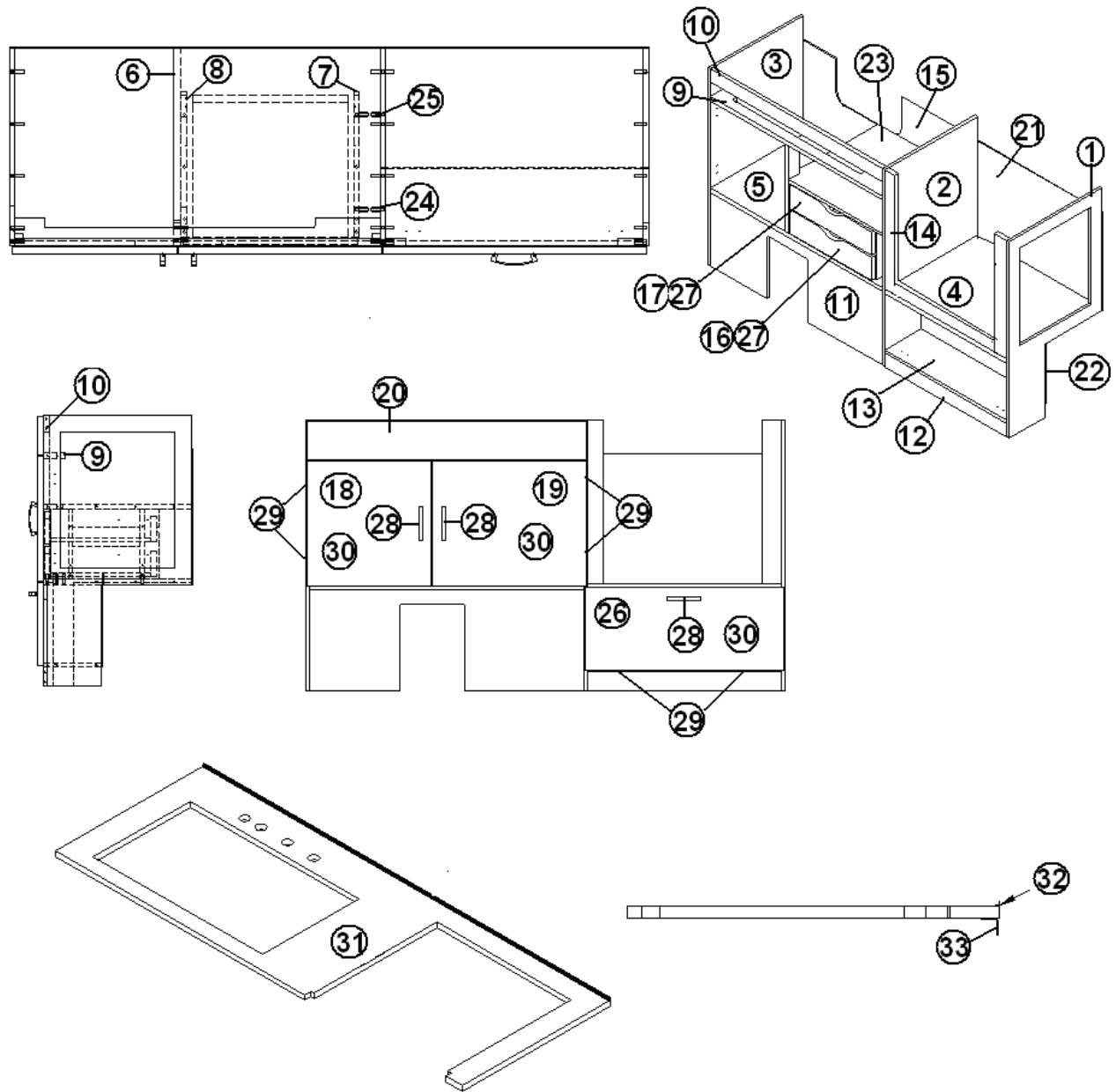
Pantry, 23' Front Bed

967188-03	PANTRY
1. 967188-031	PANEL, 26.87 X 78.09
2. 967188-032	PANEL, 9.00 X 78.25
3. 967188-033	PANEL, 5.88 X 2.25
4. 967188-034	PANEL, 5.88 X 2.25
5. 967188-035	PANEL, 23.63 X 6.63
6. 967188-036	PANEL, 22.75 X 6.63
7. 967188-037	PANEL, 4.00 X 4.00
8. 967188-038	PANEL, 4.00 X 4.00
9. 967188-039	PANEL, 20.00 X 2.25
10. 967188-0310	PANEL, 6.63 X 45.63
11. 967188-0311	PANEL, 5.88 X 2.25
12. 967188-0312	DOOR, 6.50 X 46.25, PANTRY
13. 967188-0313	DOOR, 6.50 X 11.63, PANTRY
14. 967188-0314	DOOR, 6.50 X 17.00, PANTRY
15. 382044	HANDLE, BRUSHED NICKEL
16. 381607	HINGE ASSEMBLY
17. 381228-01	CATCH, GRABBER DOOR, C3-803
18. 381551-01	PANTRY RACK, 1.5"W X 45"H WHITE
19. 381551-02	WIRE BASKET, 4" WIDE, WHITE
20. 203138-04	EXTRUSION, PLASTIC ½", OAK
21. 381408	LOCK, PUSH, BUTTON STYLE, BLACK
22. 966503	SPACER-BED/PANTRY
23. 104821	Roof locker support, 74"
203447	STORAGE BOX, 23.5 "X 16.25" X 6.38"

2008 SAFARI- BAMBI

FURNITURE, GALLEY

Galley, 23' Front Bed



Part numbers are on the next page.

2008 SAFARI- BAMBI

FURNITURE, GALLEY

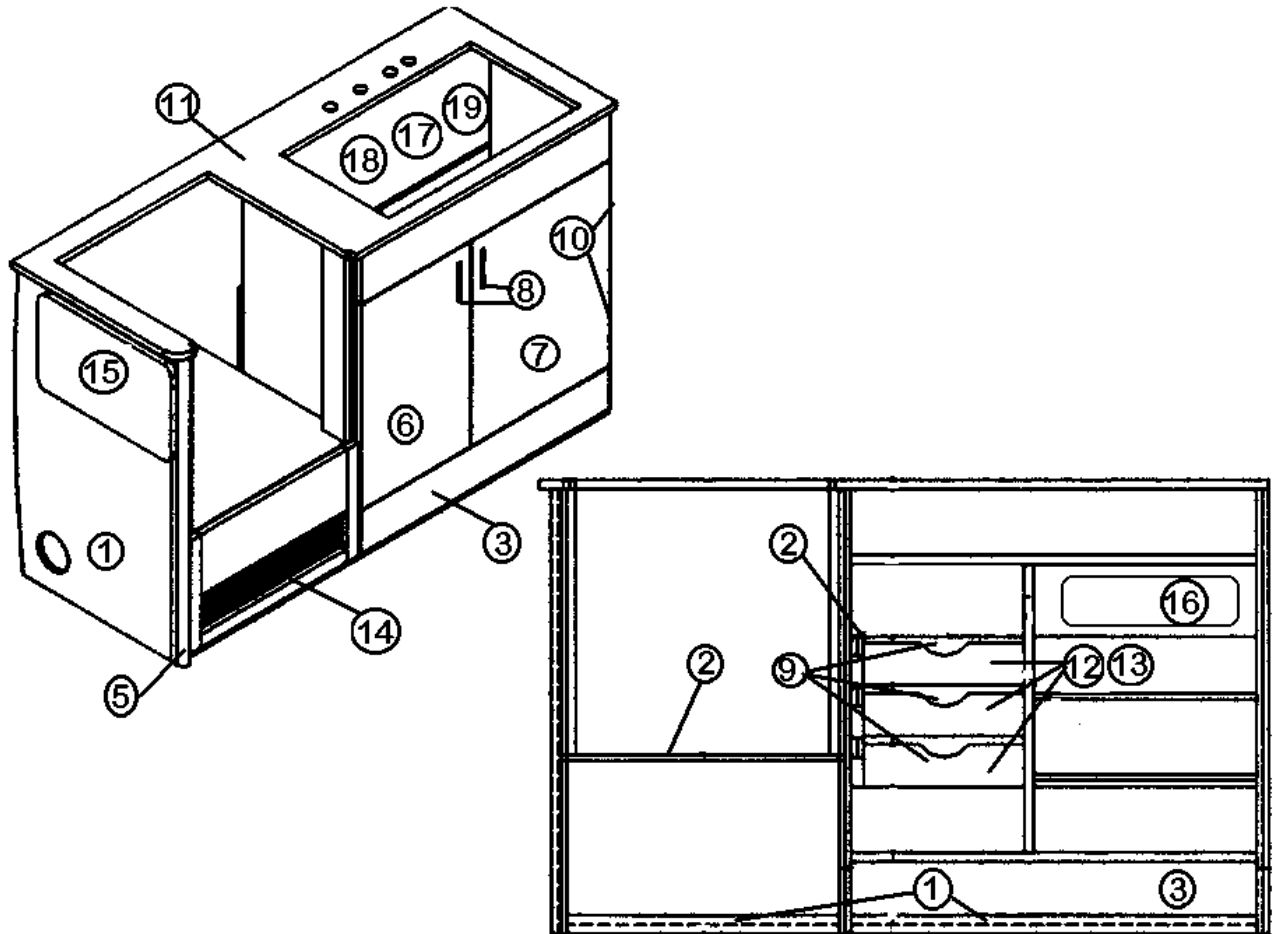
Galley, 23' Front Bed

967180-03	GALLEY, OAK
967180-04	GALLEY, MIDNIGHT SUN
1. 967180-031	PANEL, 19.13 X 35.00
2. 967180-032	PANEL, 19.13 X 35.00
3. 967180-033	PANEL, 19.13 X 35.00
4. 967180-034	PANEL, 19.13 X 25.00
5. 967180-035	PANEL, 19.13 X 35.38
6. 967180-036	PANEL, 19.13 X 15.56
7. 967180-037	PANEL, 14.13 X 9.09
8. 967180-038	PANEL, 14.13 X 9.09
9. 967180-039	PANEL, 2.75 X 35.38
10. 967180-0310	PANEL, 35.38 X 2.25
11. 967180-0311	PANEL, 35.38 X 13.06
12. 967180-0312	PANEL, 25.00 X 2.44
13. 967180-0313	PANEL, 7.50 X 25.00
14. 967180-0333	PANEL, 25.00 X 23.44
15. 967180-0334	PANEL, 35.88 X 13.63
16. 967180-0316	PANEL, 16.88 X 4.13
17. 967180-0317	PANEL, 16.88 X 4.13
18. 967180-0318	DOOR 16.00 X 16.18, GALLEY
19. 967180-0319	DOOR 19.88 X 16.18, GALLEY
20. 967180-0320	PANEL, 36.00 X 5.00
21. 967180-0321	PANEL, 17.62 X 61.88
22. 967180-0322	PANEL, 10.62 X 26.00
23. 967180-0323	PANEL, 19.13 X 20.00
24. 967180-0324	PANEL, 2.00 X 9.09
25. 967180-0325	PANEL, 2.00 X 9.09
26. 967180-0326	DOOR, 25.63 X 10.75
27. 965584-02	DRAWER BOX, 3.38" X 13.75" X 13.0
28. 382044	HANDLE-BRUSHED NICKEL
29. 381607	HINGE ASSEMBLY
30. 381228-01	CATCH GRABBER DOOR
31. 967181-03	GALLEY TOP, OAK
31. 967181-04	GALLEY TOP, MIDNIGHT SUN
32. 115064	TRIM, ALUMINUM, COUNTER TOP
33. 114812	ALUMINUM ANGLE, 1.00 X 1.00
381773-02	SLIDE, DRAWER

2008 SAFARI- BAMBI

FURNITURE, GALLEY

Galley, 25' Twin & Double Rear Bed, 25' SLP6, Full Oven



Part numbers on the next page

2008 SAFARI- BAMBI

FURNITURE, GALLEY

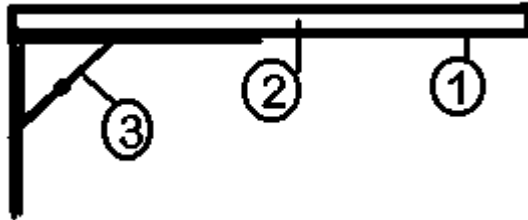
Galley, 25' Twin & Double Rear Bed, 25' SLP6, Full Oven

965582-03	Galley Assembly, Full Oven, 25', Sand Crystal
965582-04	Galley Assembly, Full Oven, 25', Midnight Sun
1. 801383-01	Paneling, Tropical Oak/White
2. 801392	Paneling, White/White 12 MM
3. 801376-01	Paneling, Tropical Oak/White, 4' x 8'
4. 801368	Paneling, White/White, Rexel
5. 801706-007	Corner trim, 90 °, 1" radius
6. 801341-25	Door, 14.63" x 23.63"
7. 801341-243	Door, 18.63" x 23.63"
8. 382044	Door handle
9. 381228-01	Door/drawer grabber catch
10. 381607	Hinge assembly, Grass European
11. 965583-02	Galley top assembly, Sand Crystal
11. 965583-03	Galley top assembly, Midnight Sun
12. 965584-01	Drawer box assembly
12. 381773-02	SLIDE DRAWER 3-3/8"H X 13-3/4"L
13. 801399-01	Drawer hidden, 13.00" x 3.38"
14. 453783-04	Grill screen, sheared and painted
15. 965581-02	Flip up shelf, galley, Sand Crystal
15. 965581-03	Flip up shelf, galley, Midnight Sun
15. 381614	FOLDING SHELF BRACKET
16. 381615	Tray, 11", Plastic molded
17. 602172	Sink, Stainless Steel, 16" x 27"
18. 601744-01	Mounting clip, sink
19. 203623	Sink cover, natural
20. 600968	Basket strainer
21. 365268-05	EDGE BANDING-PVC-LAMITECK T. OAK
22. 365268-03	EDGE BANDING-.024"X .63" AKO
381608-09	ROSETTE HAFELE
115064	TRIM, ALUMINUM, COUNTER TOP

2008 SAFARI- BAMBI

FURNITURE, GALLEY

Galley Flip up Shelf, 25' SLP6, 25' Twin & Double Rear Bed

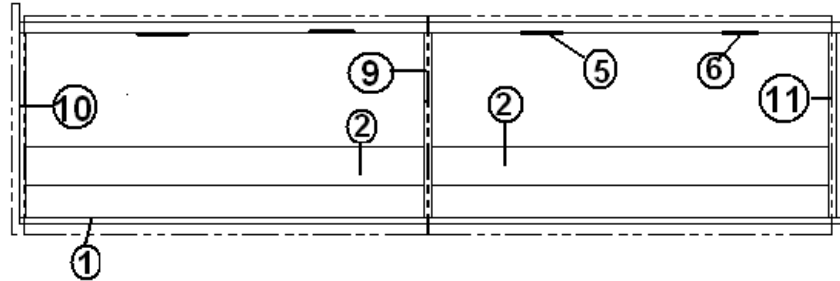
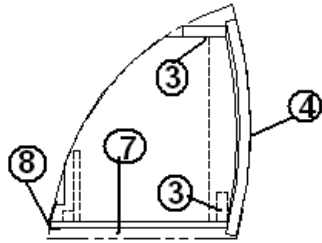


- | | |
|--------------|------------------------------------------------------------------|
| 965581-02 | Galley Flip up Shelf Assembly, Sand Crystal |
| 965581-03 | Galley Flip up Shelf Assembly, Midnight Sun |
| 1. 801719 | PANEL, SAND CRYSTAL/WHITE |
| 1. 801770 | PANEL, LABRADOR GRANITE/WHITE,
MIDNIGHT SUN |
| 2. 365304-01 | EDGE BANDING, .94, SAND CRYSTAL |
| 2. 365311-04 | EDGE BANDING, 15/16", LABRADOR GRANITE,
MIDNIGHT SUN GRAPHITE |
| 3. 381614 | FOLDING SHELF BRACKET |

2008 SAFARI- BAMBI

FURNITURE, GALLEY

Roof Locker, Galley, 25', A & B, 25' SLP6, 25' Front Bed

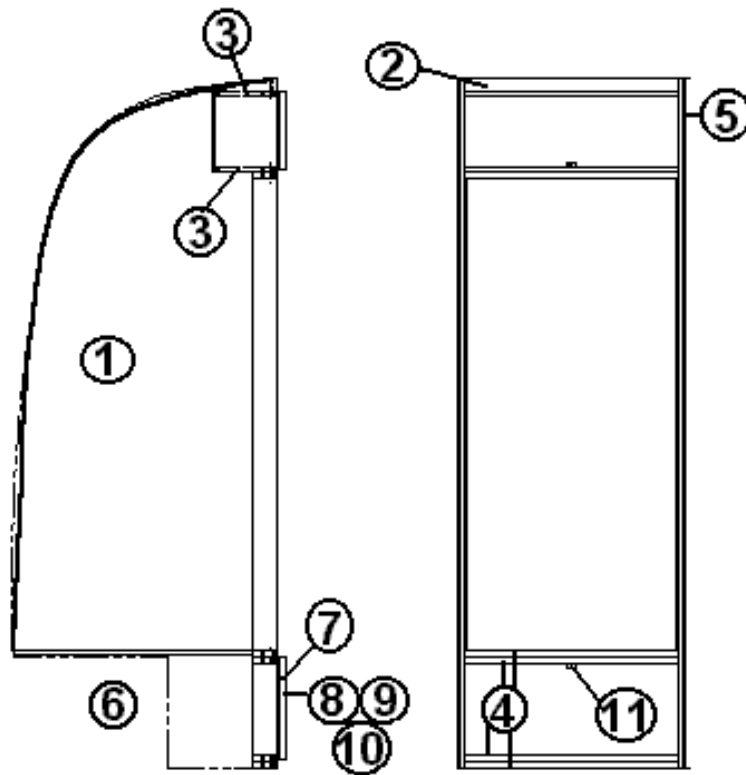


- | | |
|---------------|-----------------------------------|
| 966038 | ROOFLOCKER, GALLEY |
| 1. 801383-01 | PANEL, OAK/WHITE LINER |
| 2. 801392 | PANEL, WHITELINER/WHITELINER |
| 3. 801376-01 | PANEL, OAK/WHITE LINER |
| 4. 965551-03 | DOOR-RADIUS FOAM 15.25" X 28.38" |
| 5. 381840-01 | HINGE-OVERHEAD SPRING LH |
| 6. 381840-02 | HINGE-OVERHEAD SPRING RH |
| 7. 965587 | END CAP ASSEMBLY |
| 8. 115085 | ANGLE ALUMINUM |
| 9. 966648-03 | DIVIDER CENTER ROOFLOCKER |
| 10. 966648-01 | DIVIDER-GALLEY ROOFLOCKER |
| 11. 966648-02 | DIVIDER LH GALLEY ROOFLOCKER |
| 345276-04 | SCREW HEX HD. CAP 1/4-20 X 1 I |
| 350147-25 | NUT, NYLON LOCK, 1/4-20 |
| 801381-01 | PANEL, TROP OAK/TRP OAK 12 |
| 365268-03 | EDGE BANDING-.024"X .63" OAK |
| 365268-05 | EDGE BANDING-PVC-LAMITECK, T. OAK |
| 381902 | HOOK, Stainless Steel |

2008 SAFARI- BAMBI

FURNITURE, GALLEY

Refrigerator Cabinet Assembly, 25' SLP6

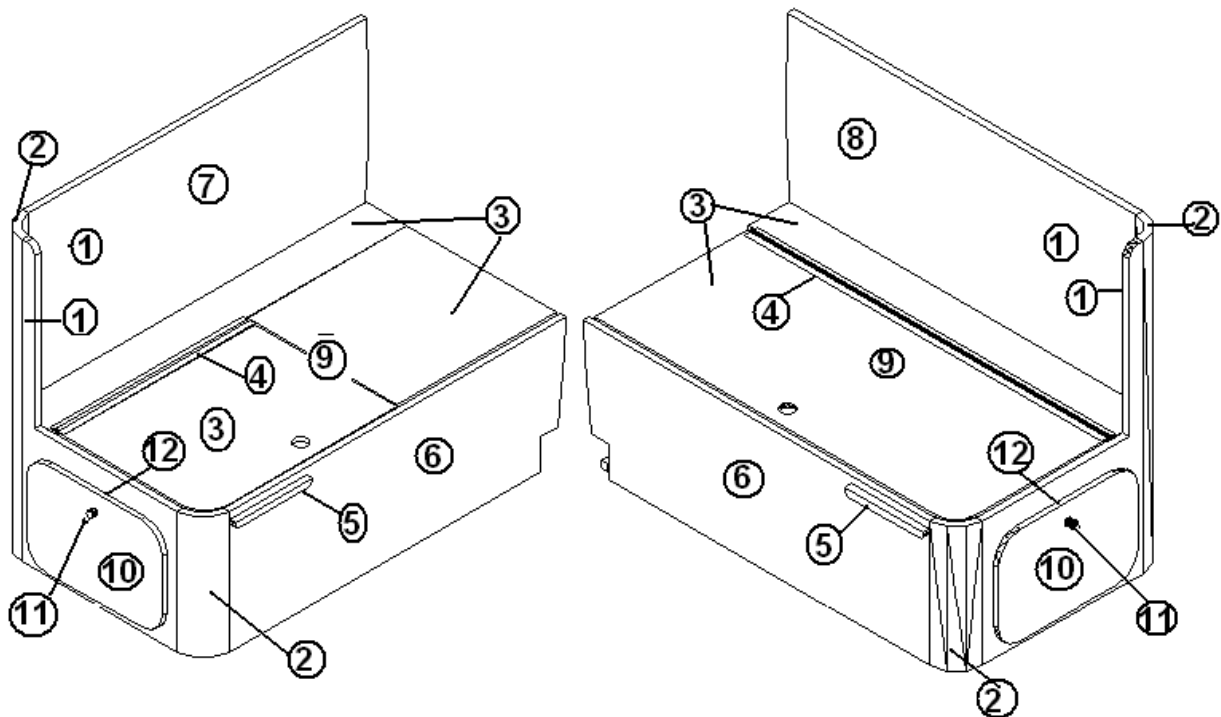


966803	Refrigerator Cabinet Assembly, 25' SLP6
1. 801704-03	PANEL-FWD REFER
2. 801383-01	PANEL, TROPICAL OAK/ WHITELINER
3. 801392	PANEL, WHITELINER/WHITELINER
4. 801368	PANEL, WHITELINER/WHITELINER
5. 801706-007	CORNER TRIM, 90 DEGREE, 1" RADIUS
6. 966812	STAND-REFER
7. 801341-228	DOOR-REFER CABINET, 24.44" X 11.69"
8. 801341-229	DOOR-REFER CABINET, 24.44" X 8.88"
9. 382044	HANDLE-DRAWER/DOOR
10. 381607	HINGE ASSY-GRASS EURO-SAFARI
11. 381228-01	CATCH GRABBER DOOR
12. 365268-05	EDGEBANDING-PVC-LAMITECK T. OAK

2008 SAFARI- BAMBI

FURNITURE, GALLEY

Dinette Seats, 25' SLP6

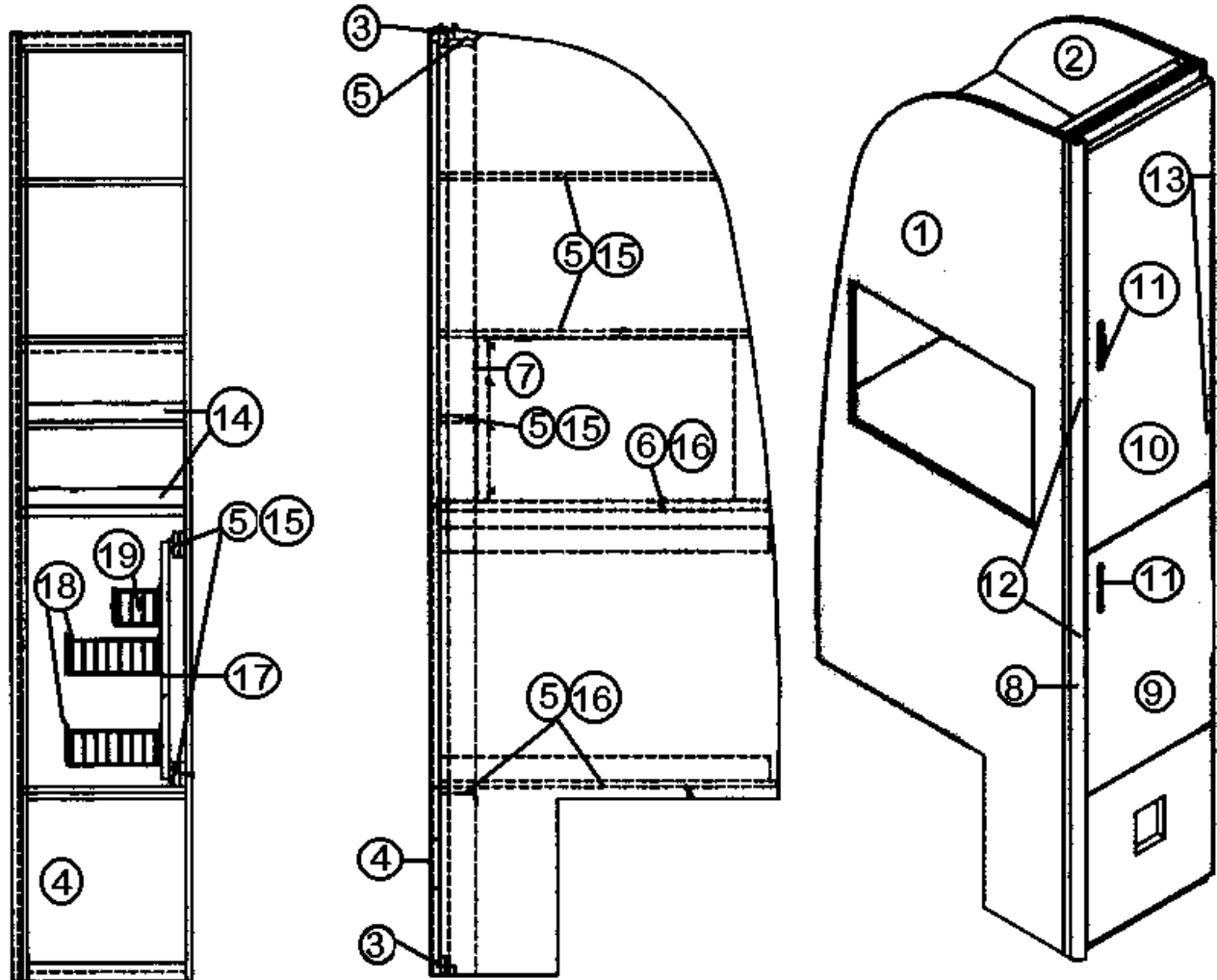


965930	SEAT ASSEMBLY- RH DINETTE
965931	SEAT ASSEMBLY- LH DINETTE 25'
1. 801351	LITE PLY-18MM (.75") 4'X 8'
2. 801345	RADIUS PLYWOOD .75"X 3"X 8'
3. 800507-03	LAUAN, 3/8"X 4'X 8'
4. 380458	HINGE PIANO BROWN ANODIZED
5. 800470-007	STOP-HARDWOOD
6. 700414	FOAM 3/8 X 86"X 52'
7. 703309-01	FOAM-DINETTE LEFT SIDE BACK
8. 703309-02	FOAM-DINETTE RIGHT SIDE BACK
9. 703309-03	FOAM-DINETTE SEAT BOTTOM LH/RH
10. 966137	DOOR ASSEMBLY
11. 381228-01	CATCH GRABBER
12. 381796	KNOB HOLLOW
700022	ZIPPER
700023	HEAD SLIDE, ZIPPER
800405-007	PLUG BUTTON, HARDWOOD

2008 SAFARI- BAMBI

FURNITURE, GALLEY

Pantry, 25' SLP6, 25' Twin & Double Rear Bed



Part numbers are on the next page.

2008 SAFARI- BAMBI

FURNITURE, GALLEY

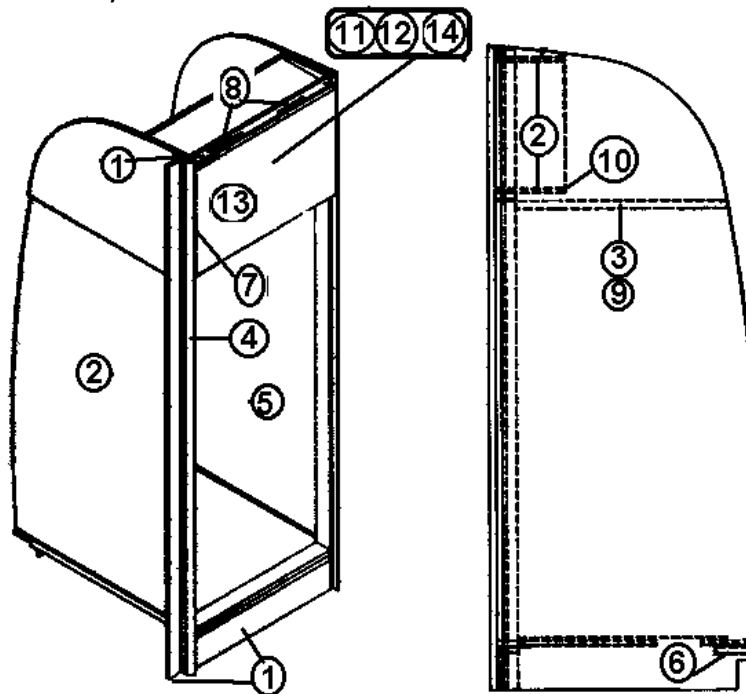
Pantry, 25' SLP6, 25' Twin & Double Rear Bed

965580	Pantry Assembly
1. 801380-09	Panel, Forward, Pantry
1. 801380-09-OPT	Panel, Forward, Pantry, delete microwave
2. 801380-10	Panel, Aft, Pantry
3. 801383-01	Paneling, Tropical Oak/White
4. 801376-01	Paneling, Tropical Oak/White, 4' x 8'
5. 801392	Paneling, White/White 12 MM
6. 801368	Paneling, White liner/White Liner
7. 801438	PANEL, FRONT WHITE VINYL/RAW
8. 801706-007	Corner trim, 90°, 1" Radius
9. 801341-23	Door, 14.00" x 23.00"
10. 801341-24	Door, 14.00" x 38.13"
11. 382044	Door handle
12. 381228-01	Door/drawer grabber catch
13. 381607	Hinge assembly, Grass European
14. 115083	Shelf edge, formed
15. 365268-03	EDGEBANDING-.024"X .63" OAK
16. 365268-05	EDGEBANDING-PVC-LAMITECK T.OAK
17. 381551-03	White base cabinet organizer
18. 381551-04	Wire basket, 8" wide
19. 381551-02	Wire basket, 4" wide
104965-01	RETAINER CLIP-GALLEY SINK-.88"
381805	BOLT, SLIDE, 3" ALUMINUM

2008 SAFARI- BAMBI

FURNITURE, GALLEY

Refrigerator Cabinet, 25' Twin & Double Rear Bed

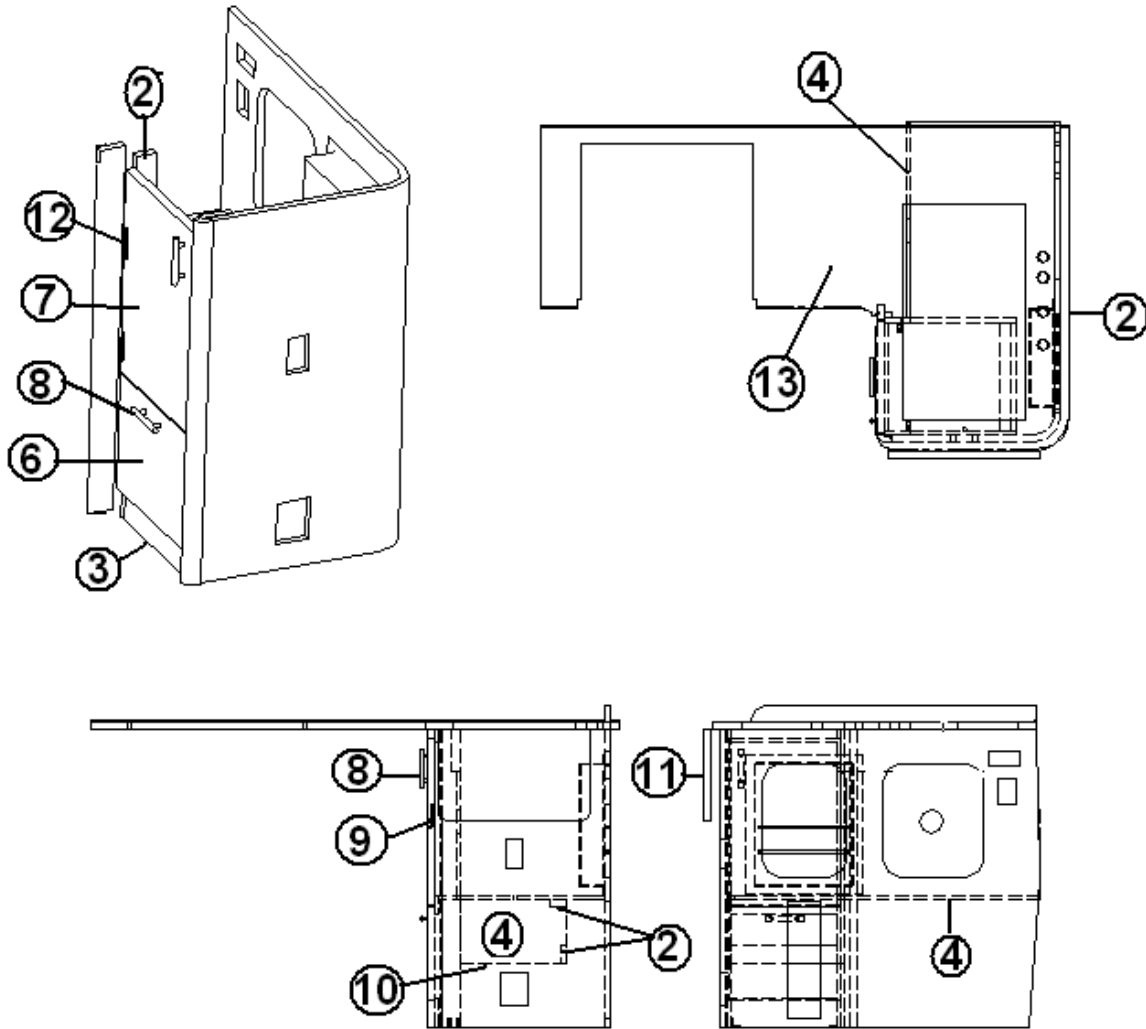


966800	Refrigerator Cabinet, 25' A & B
1. 801383-01	Paneling, White/Oak 12 MM
2. 801392	Paneling, White/White 12 MM
3. 801368	Laminate, White/White
4. 801706-007	Corner trim, 1" radius
5. 801704-01	Panel, forward refrigerator
6. 966811	Refrigerator stand
7. 381608-05	Lid stay, left Hafele
8. 381607	Hinge assembly, Grass European
9. 365268-05	EDGEBANDING-PVC-LAMITECK T. OAK
10. 365268-03	Edge tape, Tropical Oak, .625"
11. 382044	Door handle
12. 381228-01	Door/drawer grabber catch, 3 lb.
13. 801341-223	Door, 24.44" x 16.13"
14. 801438	PANEL, FROST WHITE VINYL/RAW
381830	WIPER-RUBBER 1.125" X 2"
966810	REFER CLOSE-OUT ASSY

2008 SAFARI- BAMBI

FURNITURE, GALLEY

Galley, 25' Front Bed, Sink Section



Part Numbers On The Next Page

2008 SAFARI- BAMBI

FURNITURE, GALLEY

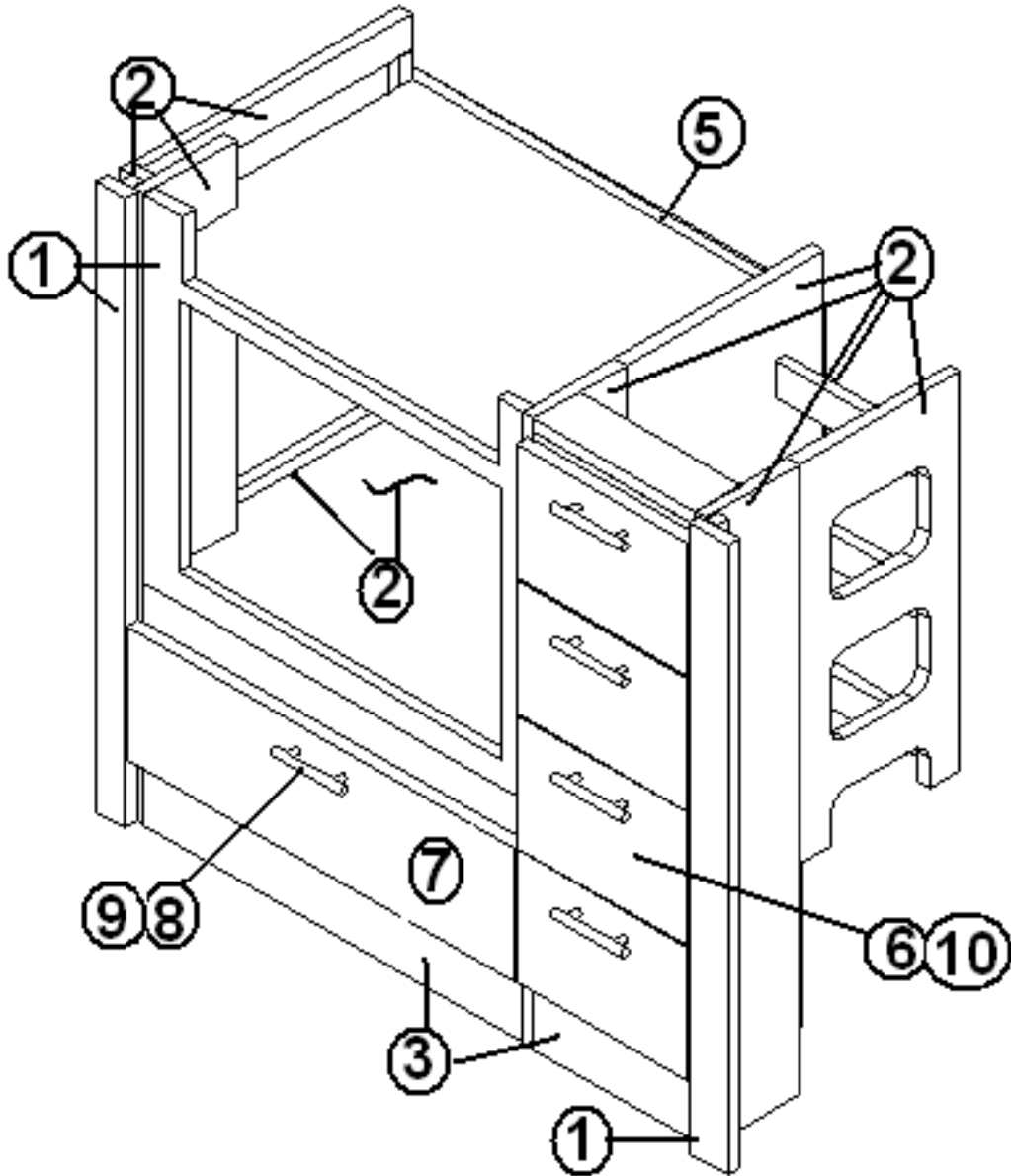
Galley, 25' Front Bed, Sink Section

966224-02	Galley, Sand Crystal
966224-03	Galley, 25' FB, Midnight Sun
1. 801376-01	PANEL, OAK/WHITE 18Mm
2. 801368	PANEL, WHITE/WHITE
3. 801383-01	PANEL, OAK/WHITE
4. 801392	PANEL, WHITE/WHITE 12MM
5. 801706-007	CORNER TRIM-90D 1" RADIUS OAK
6. 801341-53	DOOR-GALLEY 11.38" X 11.25"
7. 801341-54	DOOR-GALLEY 11.38" X 19.75"
8. 382044	PULL-BAR BRUSH NICKEL
9. 381228-01	CATCH GRABBER DOOR
10. 965558-02	DWR BOX ASSY, 8.00" X 11.5" X 14"
11. 965581-02	Galley Flip up Shelf Assembly, Sand Crystal
11. 965581-03	Galley Flip up Shelf Assembly, Midnight Sun
12. 381607	HINGE ASSY-GRASS EURO-SAFARI
13. 966222-02	TOP ASSY-GALLEY, SAND CRYSTAL
13. 966222-03	TOP ASSY-GALLEY MIDNIGHT SUN
381614	FOLDING SHELF BRACKET
965715-03	BACKSPLASH, SAND CRYSTAL
965715-04	BACKSPLASH, MIDNIGHT SUN
381773-21	DRAWER SLIDE, 8.38" X 15.75"
115064	TRIM-ALUM COUNTER

2008 SAFARI- BAMBI

FURNITURE, GALLEY

Galley, 25' Front Bed, Oven Section



Part Numbers On The Next Page

2008 SAFARI- BAMBI

FURNITURE, GALLEY

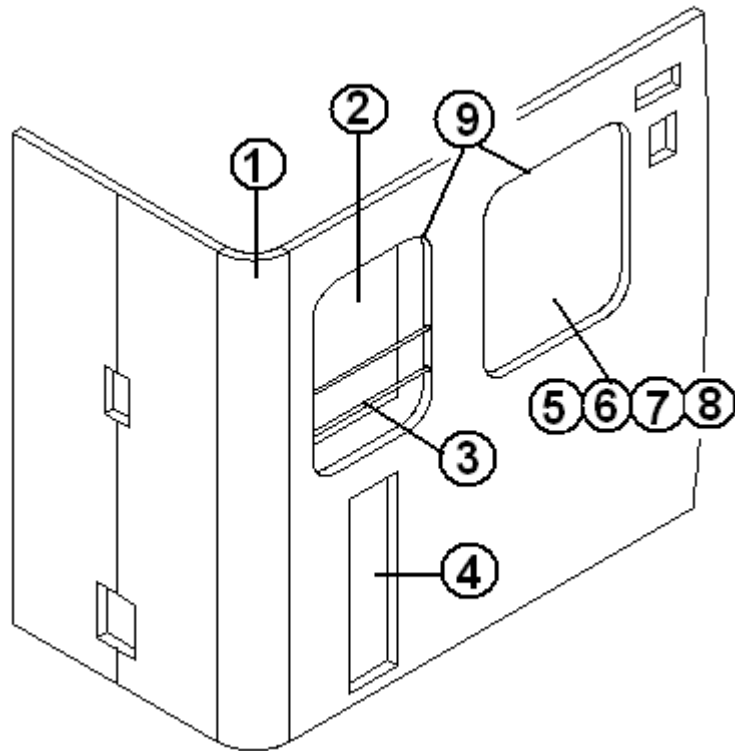
Galley, 25' Front Bed, Oven Section

966223	GALLEY OVEN
966223-01	GALLEY CONVECTION MICROWAVE
1. 801376-01	PANEL, OAK/WHITE 18MM
2. 801368	PANEL, WHITE/WHITE
3. 801383-01	PANEL, OAK/WHITE
4. 801392	PANEL, WHITE/WHITE 12MM
5. 801438	PANEL, WHITE VINYL/RAW
6. 801341-52	DOOR-GALLEY 11.13" X 7.5"
7. 801341-129	DOOR-GAL 25.13"X7.5"
8. 382044	PULL-BAR BRUSH NICKEL
9. 381228-01	CATCH GRABBER DOOR
10. 965560-02	DRAWER BOX ASSY-5.63"X 9.25"X 14"
381773-15	DRAWER SLIDE-5.875" X 15.75"

2008 SAFARI- BAMBI

FURNITURE, GALLEY

Panel Assembly, Forward, 25' Front Bed

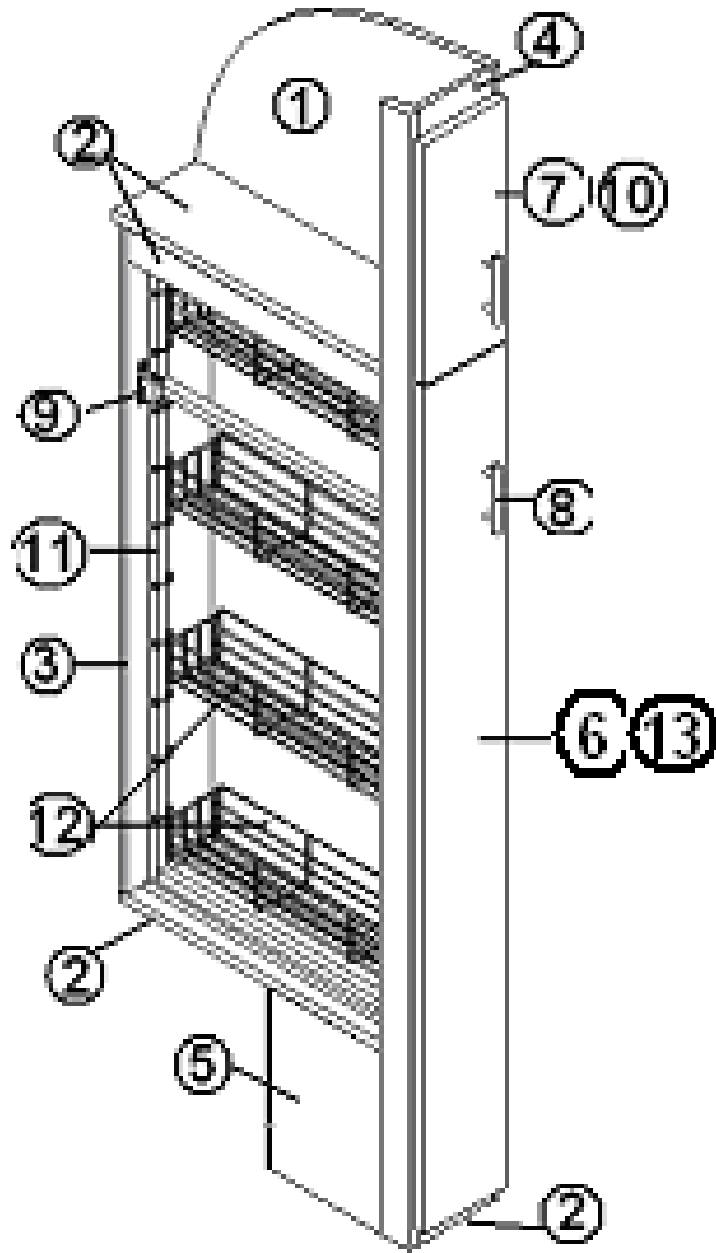


- 966236
- 1. 801345
- 2. 203383
- 3. 115042
- 4. 203387
- 5. 381653
- 6. 381654
- 7. 381707
- 8. 371391
- 9. 203440

- PANEL ASSY, FORWARD GALLEY
- RADIUS PLYWOOD .75" X 3" X 8'
- RACK-MAGAZINE ABS
- ROD-.25" ALUMINUM, 6' LENGTH
- POCKET-RECESSED FIRE EXT.BRKT.
- LATCH-SINGLE TOUCH BLACK XLLY
- HINGE-NON BORE GLASS DR.BLACK
- STRIKE W/PULL-GLASS DOOR BLACK
- DOOR, GLASS 11.56"X 13.06"
- T MOLDING-BLACK EMBOSSED .8125"

2008 SAFARI- BAMBI
FURNITURE, GALLEY

Pantry25' Front Bed



Part Numbers on The Next Page

2008 SAFARI- BAMBI

FURNITURE, GALLEY

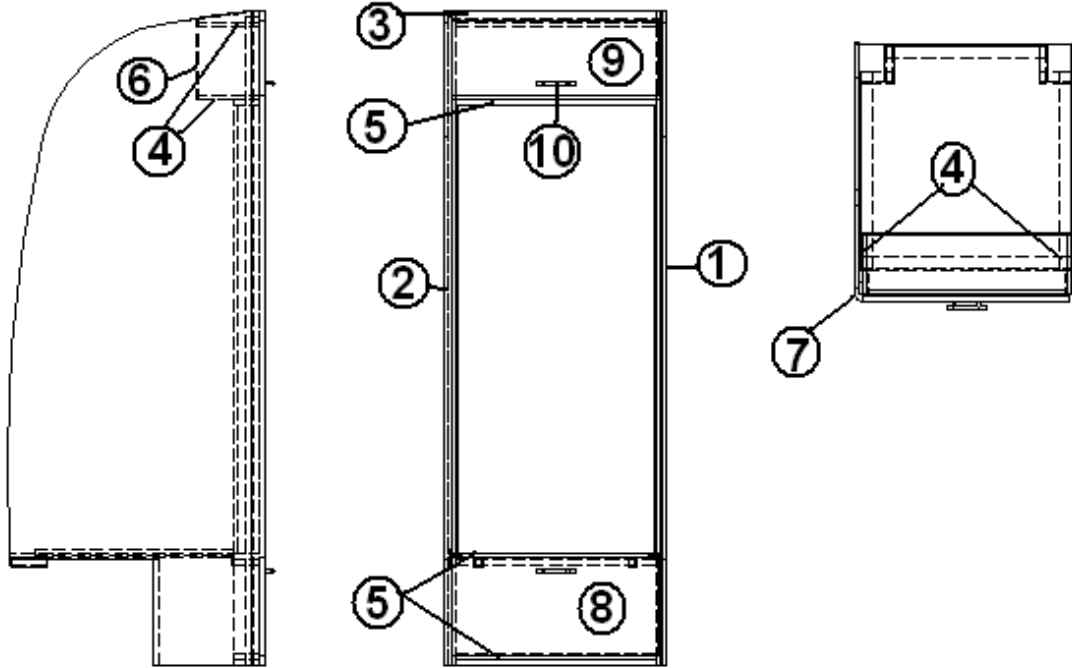
Pantry Cabinet, 25' Front Bed

966250	CABINET ASSY- PANTRY
1. 801548-08	PANEL, AFT PANTRY
2. 801368	PANEL, WHITE/WHITE
3. 801392	PANEL, WHITE/WHITE 12MM
4. 801383-01	PANEL, OAK/WHITE
5. 801438	PANEL, WHITE VINYL/RAW 2.7MM
6. 801341-138	DOOR-PANTRY 6.5" X 58"
7. 801341-139	DOOR-PANTRY 6.5"X 16.5"
8. 382044	PULL-BAR BRUSH NICKEL
9. 381228-01	CATCH GRABBER DOOR
10. 381607	HINGE ASSY
11. 381551-01	PANTRY RACK 1.5"W X 45"H WHITE
12.381551-02	WIRE BASKET 4" WIDE WHITE
13.381408	Push button latch.
203138-04	EXTRUSION, PLASTIC 1/2" OAK W

2008 SAFARI- BAMBI

FURNITURE, GALLEY

Refrigerator Cabinet, 25' Front Bed, 27' Front Bed

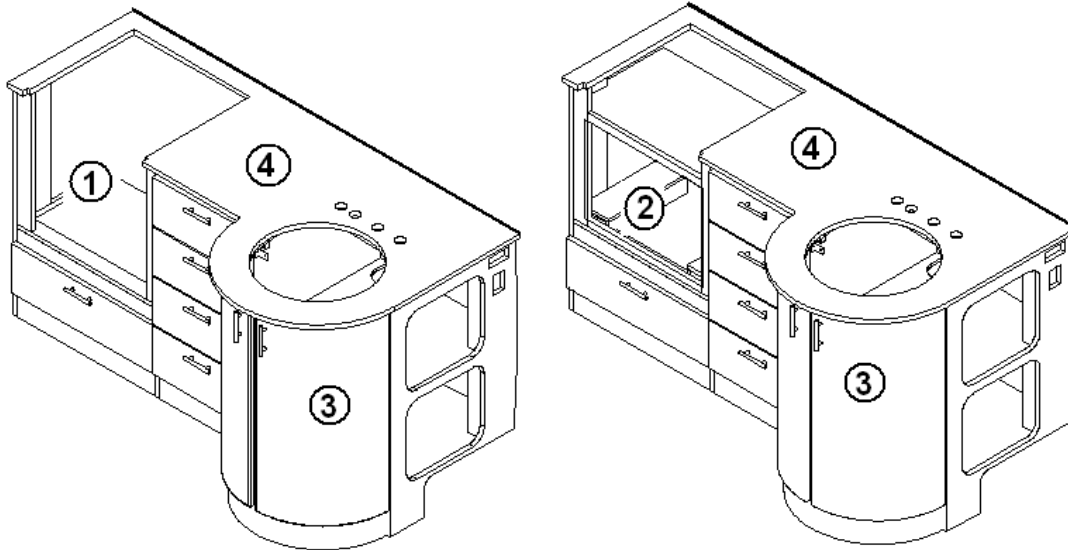


966805	CABINET ASSY- REFER
1. 801548-02	PANEL, FORWARD REFER
2. 801704-04	PANEL, AFT REFER
3. 801383-01	PANEL, OAK/WHITE 1
4. 801392	PANEL, WHITE/WHITE 12MM
5. 801368	PANEL, WHITE/WHITE 1
6. 801438	PANEL, WHITE VINYL/RAW
7. 801706-007	CORNER TRIM 90DEG. 1" RADIUS
8. 801341-228	DOOR-REFER CABINET, 24.44" X 11.69"
9. 801341-229	DOOR-REFER CABINET, 24.44" X 8.88"
10. 382044	PULL-BAR BRUSH NICKEL
381607	HINGE ASSY
381228-01	CATCH GRABBER DOOR
966812	STAND-REFER

2008 SAFARI- BAMBI

FURNITURE, GALLEY

Galley, 27'

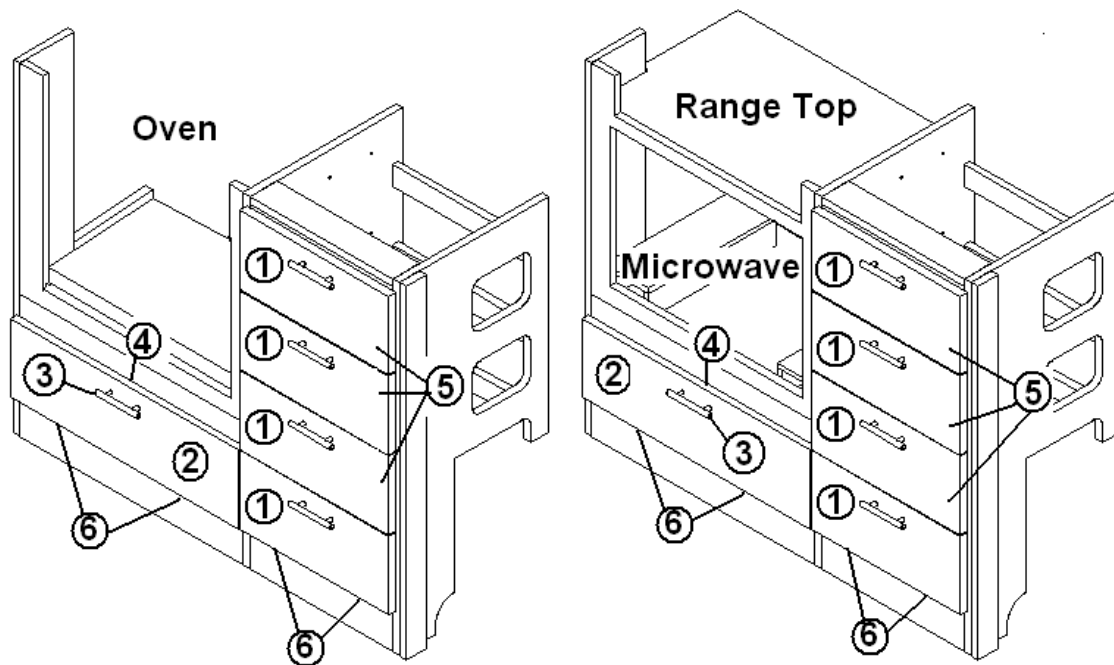


- | | |
|--------------|-----------------------------------|
| 966715-05 | Galley, Standard, Sand Crystal |
| 966715-06 | Galley, Standard, Midnight Sun |
| 966715-07 | Galley, w/Microwave, Sand Crystal |
| 966715-08 | Galley, w/Microwave, Midnight Sun |
| 1. 966713 | GALLEY, OVEN SECTION, W/OVEN |
| 2. 966713-01 | GALLEY, OVEN SECTION, W/MICROWAVE |
| 3. 966714 | GALLEY ASSY, AFT SECTION |
| 4. 966716-02 | TOP ASSY, GALLEY, SAND CRYSTAL |
| 4. 966716-03 | TOP ASSY, GALLEY, MIDNIGHT SUN |
| 4. 801672-03 | CUTOUT, GALLEY TOP, SAND CRYSTAL |
| 4. 801672-04 | CUTOUT, GALLEY TOP, MIDNIGHT SUN |

2008 SAFARI- BAMBI

FURNITURE, GALLEY

Galley, 27', Oven Section

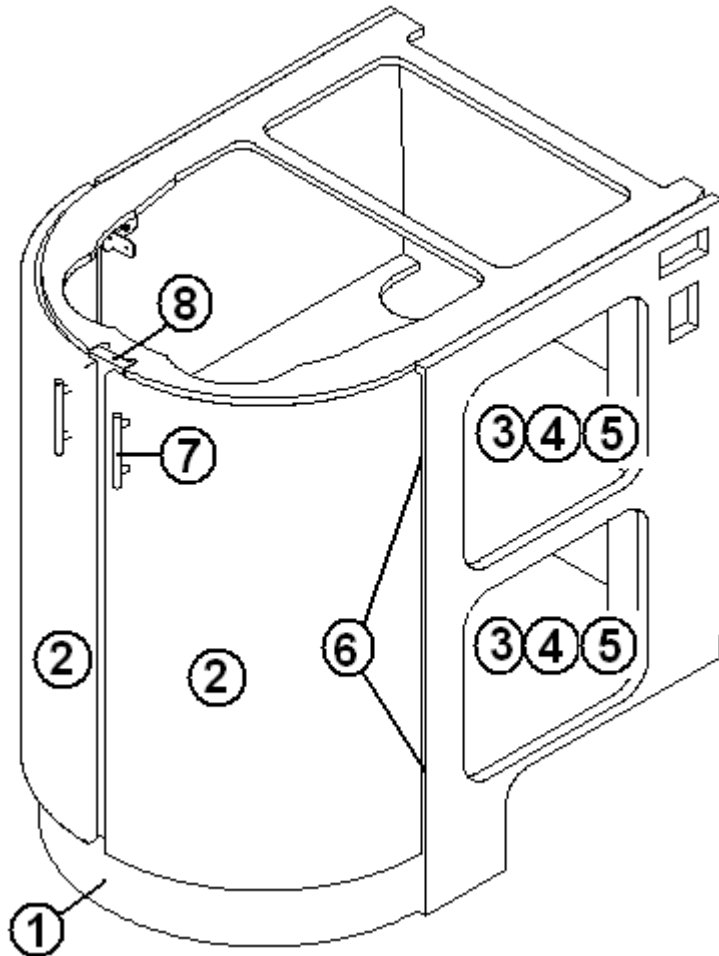


966713	GALLEY, OVEN SECTION, W/OVEN
966713-01	GALLEY, OVEN SECTION, W/MICROWAVE
1. 801341-208	DOOR, 17.13" X 7.5"
2. 801341-129	DOOR, 25.13" X 7.5"
3. 382044	PULL-BAR BRUSH NICKEL
4. 381228-01	CATCH GRABBER DOOR
5. 965560-05	DRAWER BOX ASSY, 5.63" X 16.5" X 15.25"
6. 381607	HINGE ASSY-GRASS EURO
381773-15	DRAWER SLIDE-5.875" X 15.75"

2008 SAFARI- BAMBI

FURNITURE, GALLEY

Galley, 27', Aft Section

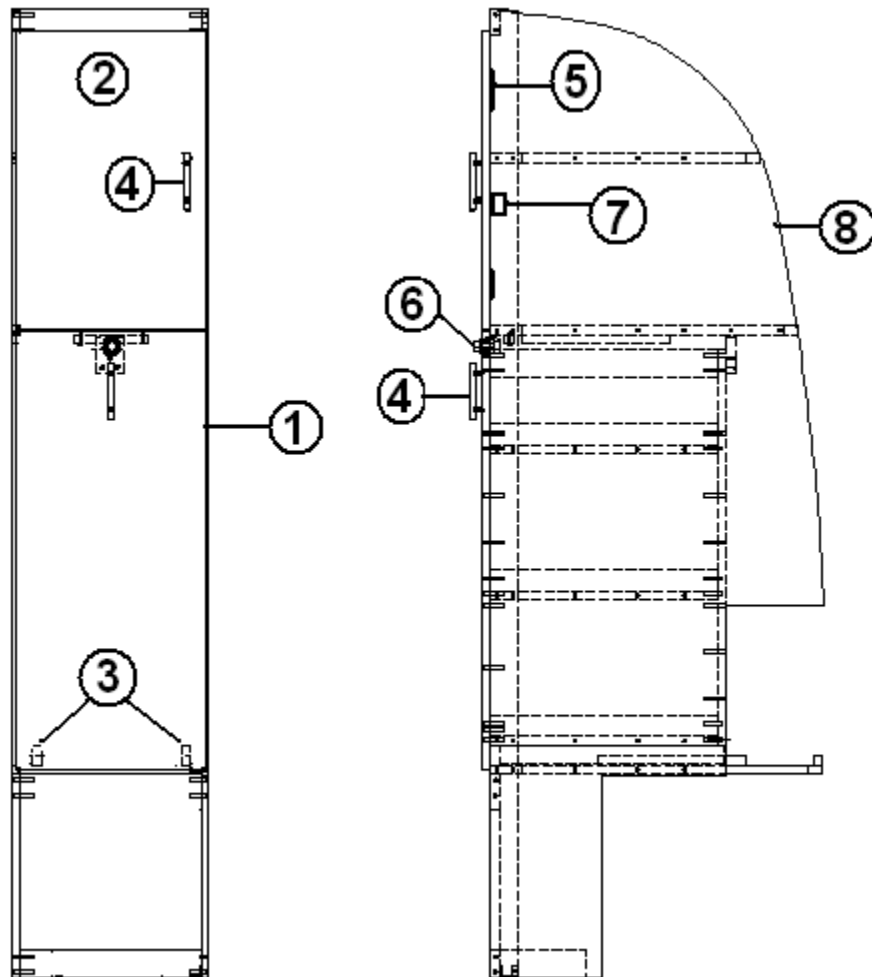


- | | |
|-----------|----------------------------------|
| 966714 | Galley, Aft Section |
| 1. 115309 | TOE KICK, GALLEY, ALUMINUM |
| 2. 966474 | DOOR, RADIUS FOAM 16.81"X31" |
| 3. 381654 | HINGE, NON BORE GLASS DOOR.BLACK |
| 4. 381707 | STRIKE W/PULL, GLASS DOOR BLACK |
| 5. 371391 | DOOR, GLASS 11.56"X 13.06" |
| 6. 381607 | HINGE ASSY-GRASS EURO |
| 7. 382044 | PULL BAR, BRUSH NICKEL |
| 8. 381856 | CATCH-TENSION 2-BALL |
| 203445 | T-MOLDING BLK FLEXIBLE POLY .5 |
| 381708 | WASTEBASKET-11.38 X 8.25 X 12. |

2008 SAFARI- BAMBI

FURNITURE, GALLEY

Pantry, 27'

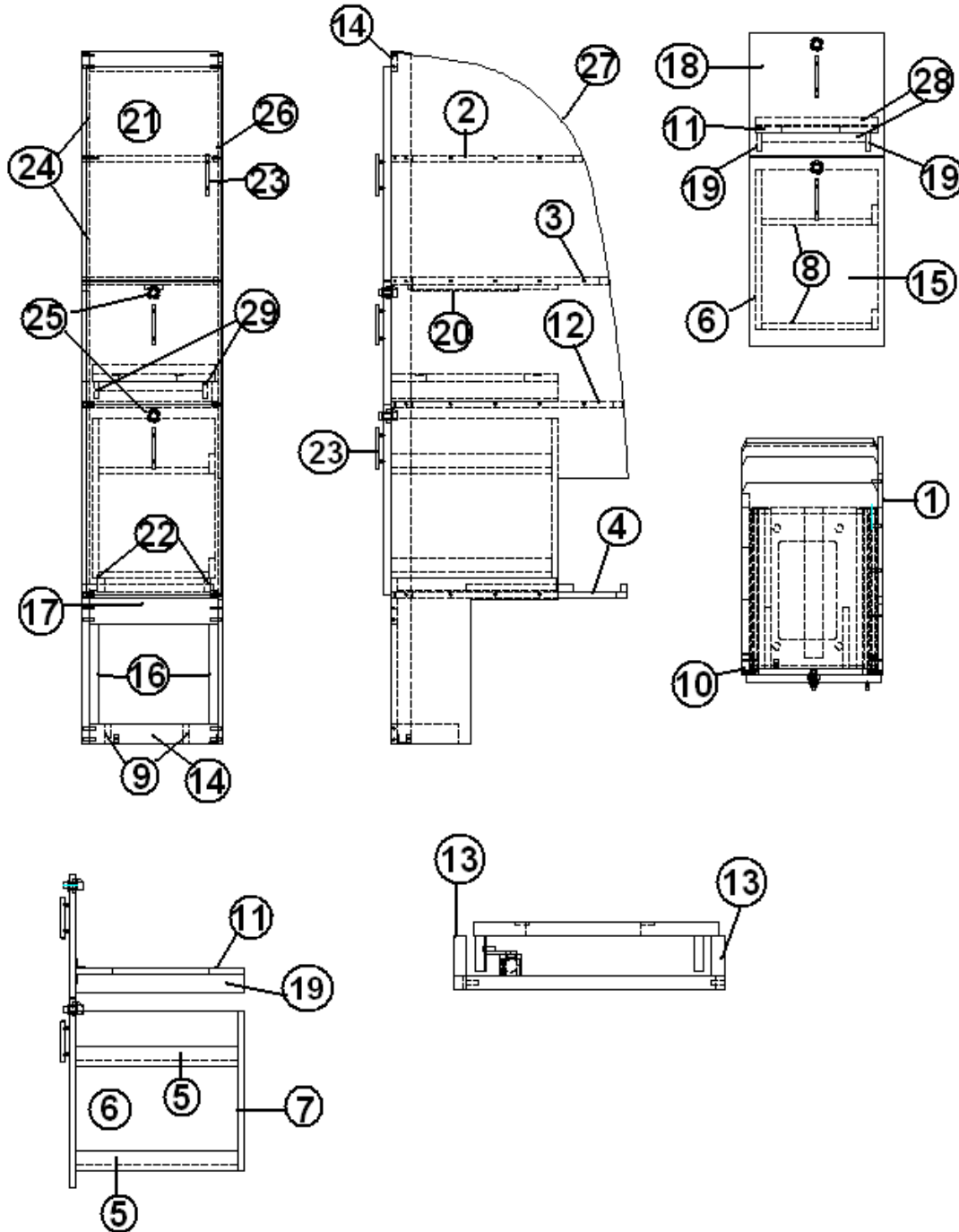


966749	PANTRY ASSY.
1. 801673-03	PANEL, AFT PANTRY
2. 801341-210	DOOR-PANTRY 15.25" X 24.13"
3. 381944-01	SLIDE 18"
4. 382044	PULL-BAR BRUSH NICKEL
5. 381607	HINGE ASSY-GRASS
6. 381408	LOCK, PUSH, BUTTON STYLE, BLAC
7. 381228-01	CATCH GRABBER DOOR
8. 203138-04	EXTRUSION, PLASTIC 1/2", OAK

2008 SAFARI- BAMBI

FURNITURE, GALLEY

Pantry, 27' Microwave Option



Part numbers on the next page.

2008 SAFARI- BAMBI

FURNITURE, GALLEY

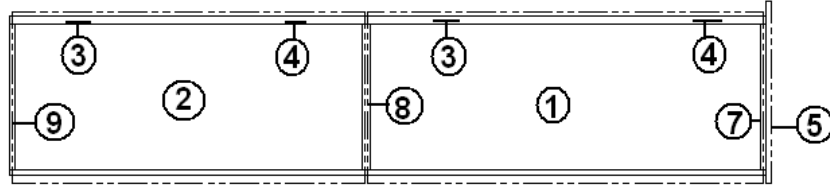
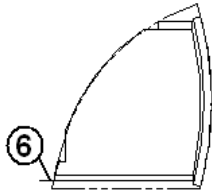
Pantry, 27' Microwave Option

966892	PANTRY ASSY,(M/W OPTION)
1. 801367-03	PANEL, SFT PANTRY
2. 966892-2A	PANEL, 21.75 x 15.38
3. 966892-2B	PANEL, 24.75 x 15.38
4. 966892-2C	PANEL, 26.75 x 15.38
5. 966892-2D	PANEL, 2.25 x 18.25
6. 966892-2E	PANEL, 18.00 x 18.25
7. 966892-2F	PANEL, 18.00 x 13.88
8. 966892-2G	PANEL, 12.38 x 18.25
9. 966892-2H	PANEL, 2.25 x 7.00
10. 966892-2I	PANEL, 2.25 x 78.25
11. 966892-2J	PANEL, 19.00 x 13.88
12. 966892-2K	PANEL, 26.31 x 15.38
13. 966892-2L	PANEL, 2.25 x 19.00
14. 966892-3A	PANEL, 14.63 x 2.25
15. 966892-3B	PANEL, 21.38 x 15.25
16. 966892-3C	PANEL, 1.00 x 11.31
17. 966892-3D	PANEL, 2.91 x 14.63
18. 966892-3E	PANEL, 13.81 x 15.25
19. 966892-4A	PANEL, 2.00 x 19.00
20. 966892-4B	PANEL, 2.00 x 17.00
21. 801341-210	DOOR, 15.25" x 24.13"
22. 381944-01	SLIDE, 18", PER SET
23. 382044	PULL, BAR, BRUSH NICKEL
24. 381607	HINGE ASSY
25. 381408	LOCK, PUSH, BUTTON STYLE, BLACK
26. 381228-01	CATCH GRABBER DOOR
27. 203138-04	EXTRUSION, PLASTIC 1/2" OAK W
28. 114812	ALUMINUM ANGLE, 1.00" x 1.00"
29. 381192	SLIDE, DRAWER, 18" (EACH=1 PAI
701538-01	CARPET, ECONOLIER

2008 SAFARI- BAMBI

FURNITURE, GALLEY

Roof Locker, Galley, 27'

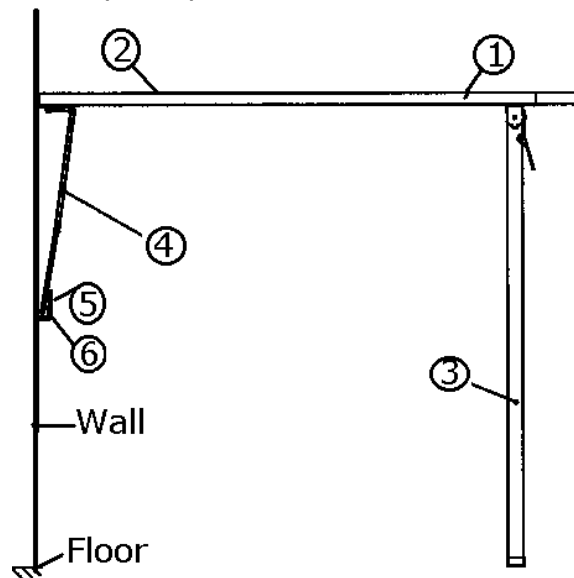


- | | |
|--------------|----------------------------------|
| 966778 | GALLEY ROO LOCKER ASSEMBLY |
| 1. 965551-01 | DOOR, RADIUS FOAM 15.25" X 35.5" |
| 2. 965551-02 | DOOR, RADIUS FOAM 15.25" X 31.63 |
| 3. 381840-01 | HINGE, OVERHEAD SPRING LH |
| 4. 381840-02 | HINGE, OVERHEAD SPRING RH |
| 5. 965587 | END CAP ASSEMBLY |
| 6. 115085 | ANGLE ALUMINUM, ROOFLOCKERS |
| 7. 966648-01 | DIVIDER, RH, ROOF LOCKER |
| 8. 966648-02 | DIVIDER LH, ROOF LOCKER |
| 9. 966648-03 | DIVIDER CENTER, ROOF LOCKER |
| 345276-04 | SCREW HEX HD. CAP 1/4-20 X 1 |
| 345275-04 | 1/4-20 X 1 FLAT PHIL M/S ZN |
| 350147-25 | NUT, NYLON LOCK, 1/4-20 |
| 381902 | HOOK, SS, SCREW IN |

2008 SAFARI- BAMBI

FURNITURE, GALLEY

Dinette Table, 25' SLP6, 27', 28' W

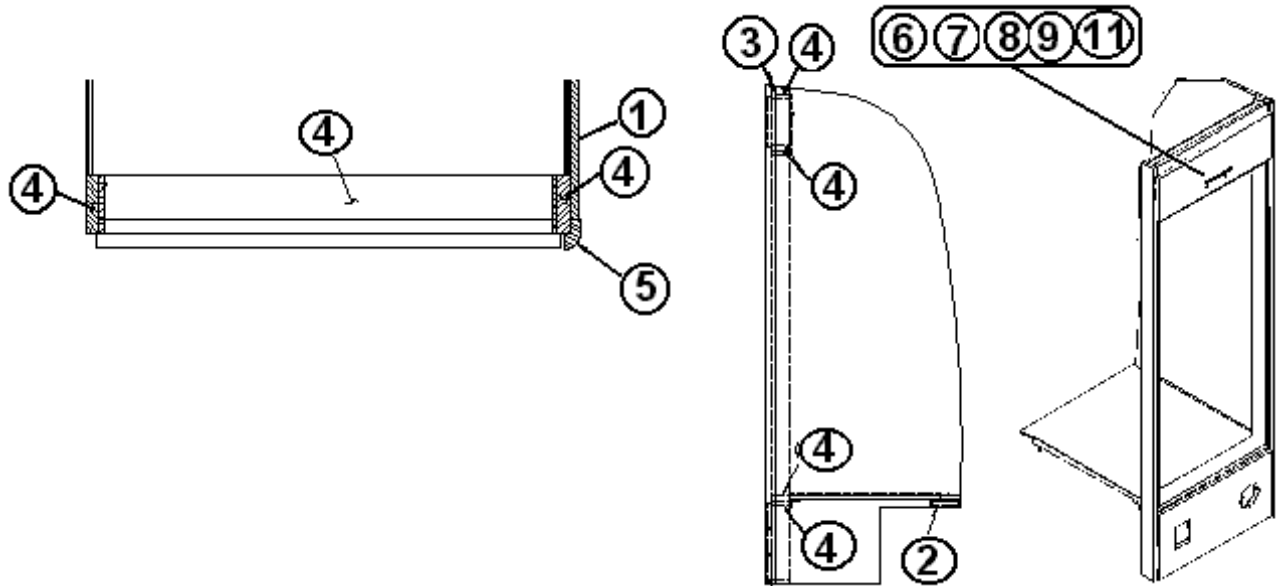


965646-02	Dinette Table Sand Crystal
965646-03	Dinette Table, Midnight Sun
1. 801719	PANEL, SAND CRYSTAL/WHITE, 18MM
1. 801770	PANEL, MIDNIGHT SUN/WHITE
2. 365304-01	EDGEBOARDING, SAND CRYSTAL, .94"
2. 365311-01	EDGEBOARDING, MIDNIGHT SUN
3. 700065-01	Snapo folding table leg
4. 380284-03	Table hinge bracket
5. 340015	Center hinge
6. 340018	Catch plate

2008 SAFARI- BAMBI

FURNITURE, GALLEY

Refrigerator Cabinet, 28' W

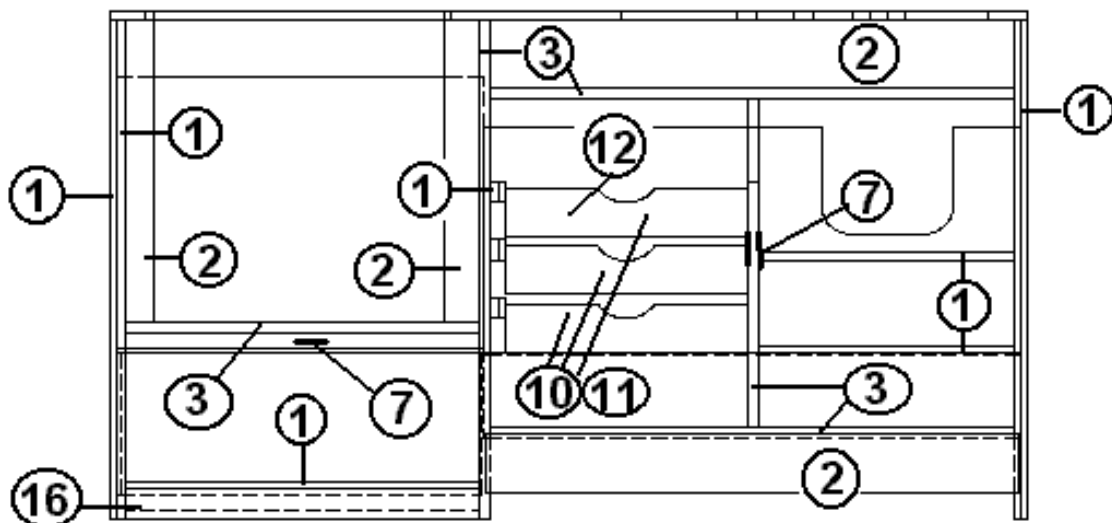
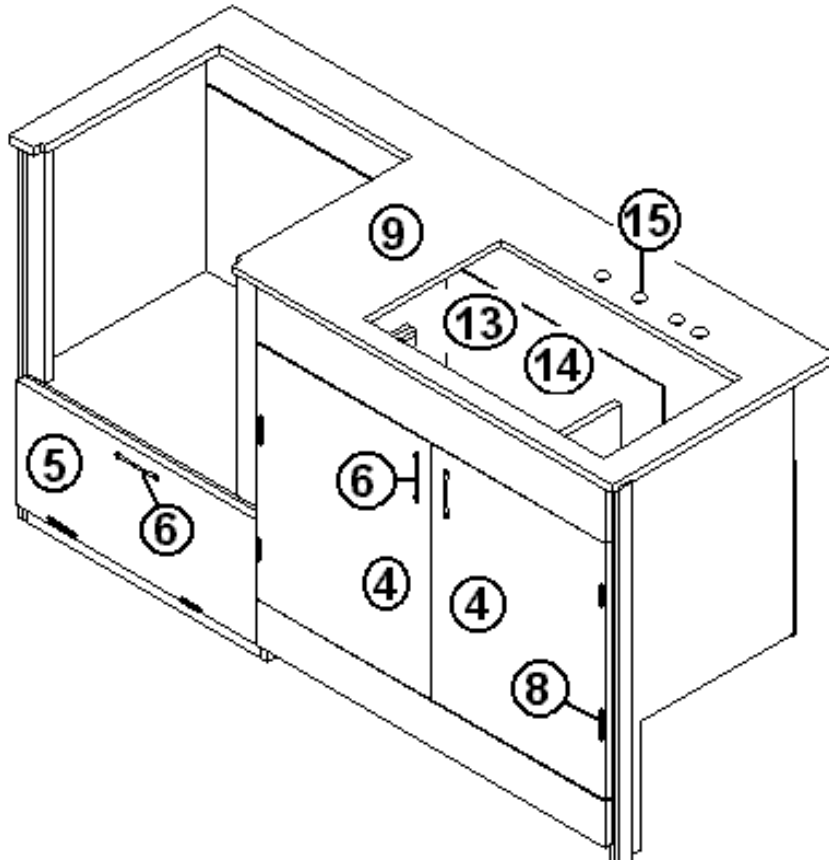


- | | |
|---------------|---------------------------------------|
| 966802 | Refrigerator Cabinet, 28' W |
| 1. 801704-02 | Forward refer panel |
| 2. 966809 | Refer stand assembly |
| 3. 801376-01 | Paneling, Trop. Oak/Trop. Oak, 18 MM |
| 4. 801368 | Paneling, Whiteliner/Whiteliner, 18MM |
| 5. 801706-007 | Corner trim, 90 degree 1" radius |
| 6. 801341-230 | Door, 24.44" x 8.13" |
| 7. 382044 | Handle, door |
| 8. 381607 | Hinge assembly |
| 9. 381228-01 | Door grabber catch |
| 10. 365268-05 | EDGEBANDING-PVC-LAMITECK T.OAK |
| 11. 381608-05 | Lid stay, left |
| 115168 | SHELF EDGE-FORMED |
| 200980-01 | TRAY, SILVER WARE, ALMOND, 9" X 13" |
| 115064 | TRIM, ALUMINUM COUNTER TOP |

2008 SAFARI- BAMBI

FURNITURE, GALLEY

Galley, 28' W, Full Oven



Part Numbers on next page

2008 SAFARI- BAMBI

FURNITURE, GALLEY

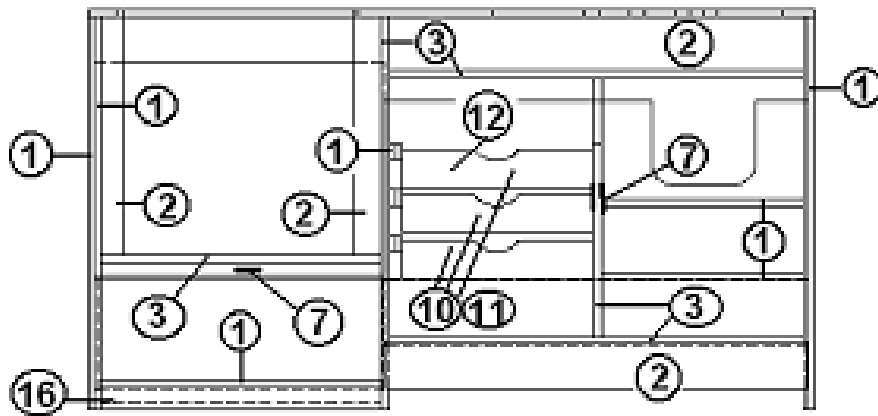
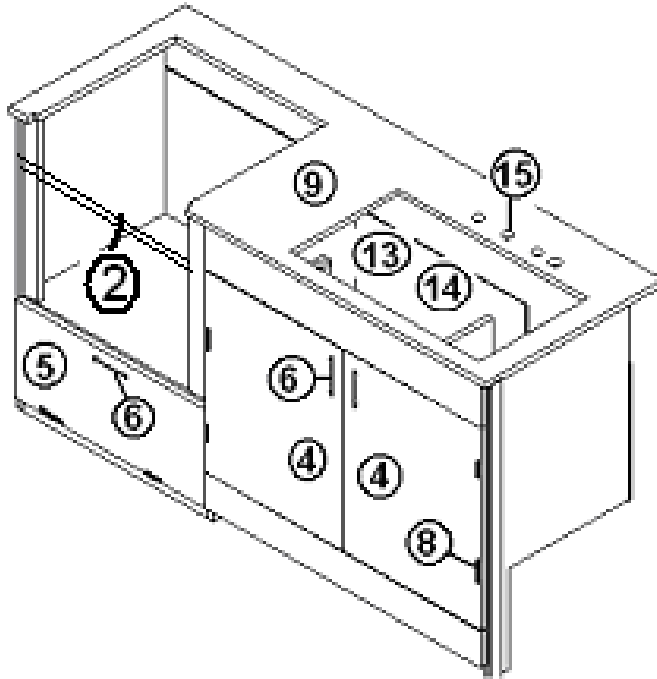
Galley, 28' W, Full Oven

965899-05	Galley, 28' W, Full Oven, Sand Crystal
965899-06	Galley, 28' W, Full Oven, Midnight Sun
1. 801392	Paneling, Whiteliner/Whiteliner
2. 801376-01	Paneling, Tropical Oak/Whiteliner, 18MM
3. 801368	Paneling, Whiteliner/Whiteliner, 18MM
4. 801341-26	Door, 18.63" x 23.63"
5. 801341-68	Door, 11.50" x 25.63"
6. 382044	Handle, Drawer/door
7. 381228-01	Door grabber catch
8. 381607	Hinge assembly
9. 965902-02	Galley top, Sand Crystal
9a. 965902-03	Galley top, Midnight Sun
10. 965584-02	Drawer box assembly
11. 801399-03	Drawer, 17.00" x 3.38"
12. 381615	Tray, silverware
13. 602172	Sink, Stainless Steel, 16" x 27"
13a. 601744-01	Mounting clip, sink
13b. 203623	Sink cover, natural
13. 600968	Basket strainer
14. 601894	Faucet, Moen, Chateau w/spray
15. 801383-01	Paneling, Tropical Oak/Whiteliner, 12MM
381773-02	SLIDE DRAWER 3-3/8H X 13-3/4L
965715-05	BACKSPLASH, GALLEY, SAND CRYSTAL
965715-06	BACKSPLASH, GALLEY, MIDNIGHT SUN

2008 SAFARI- BAMBI

FURNITURE, GALLEY

Galley, 28' W, Microwave, Convection Oven



2008 SAFARI- BAMBI

FURNITURE, GALLEY

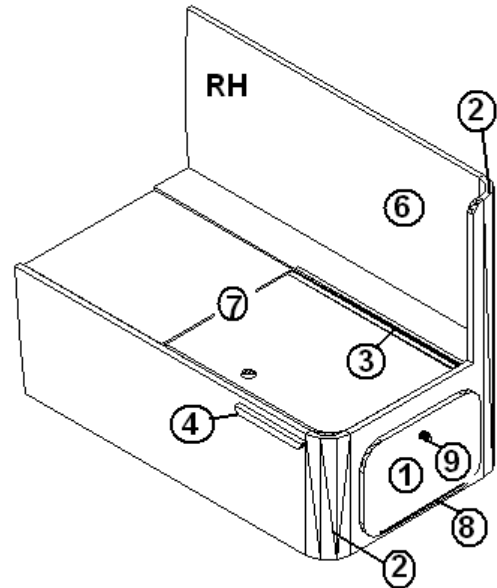
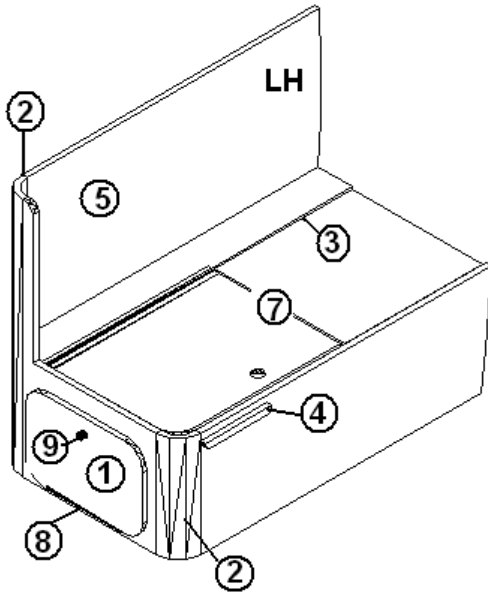
Galley, 28' W, Microwave, Convection Oven

965899-07	Galley, 28' W, Micro. Convection, Sand Crystal
965899-08	Galley, 28; W, Micro. Convection, Midnight Sun
1. 801392	Paneling, Whiteliner/Whiteliner
2. 801376-01	Paneling, Tropical Oak/Whiteliner, 18MM
3. 801368	Paneling, Whiteliner/Whiteliner, 18MM
4. 801341-26	Door, 18.63" x 23.63"
5. 801341-68	Door, 11.50" x 25.63"
6. 382044	Handle, Drawer/door
7. 381228-01	Door grabber catch
8. 381607	Hinge assembly
9. 965902-02	Galley top, Sand Crystal
9a. 965902-03	Galley top, Midnight Sun
10. 965584-02	Drawer box assembly
11. 801399-03	Drawer, 17.00" x 3.38"
12. 381615	Tray, silverware
13. 602172	Sink, Stainless Steel, 16" x 27"
13a. 601744-01	Mounting clip, sink
13b. 203425	Sink cover
14 600968	Basket strainer
15 601894	Faucet, Moen, 8" Manor w/spray
16 801383-01	Paneling, Tropical Oak/Whiteliner, 12MM
381773-02	SLIDE DRAWER 3-3/8H X 13-3/4L
965715-05	BACKSPLASH, GALLEY, SAND CRYSTAL
965715-06	BACKSPLASH, GALLEY, MIDNIGHT SUN

2008 SAFARI- BAMBI

FURNITURE, GALLEY

Dinette Seats, 28' W

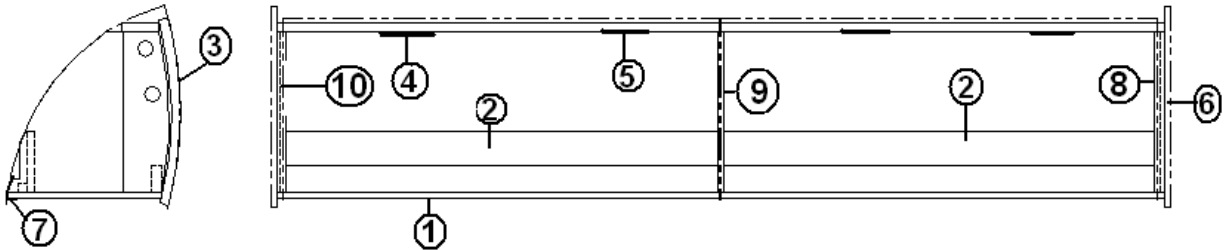


- | | |
|---------------|--------------------------------|
| 965894 | RH Dinette Seat |
| 965895 | LH Dinette Seat |
| 1. 966137 | DOOR, DINETTE |
| 2. 801345 | Radius plywood, .75" x 3" x 8' |
| 3. 380458 | Hinge, piano, brown |
| 4. 800470-007 | Stop, hardwood, 3/4" dinette |
| 5. 703309-01 | Foam, left side back |
| 6. 703309-02 | Foam, right side back |
| 7. 703309-03 | Foam, seat bottom |
| 8. 380458 | Hinge, piano, brown |
| 9. 381796 | Knob, Hollow |
| 700414 | Foam, 3/8" x 4' x 8' |
| 381228-01 | CATCH GRABBER DOOR |
| 800405-007 | PLUG BUTTON HARDWOOD |

2008 SAFARI- BAMBI

FURNITURE, GALLEY

Roof Locker, Dinette, 28' W, 25' SLP6

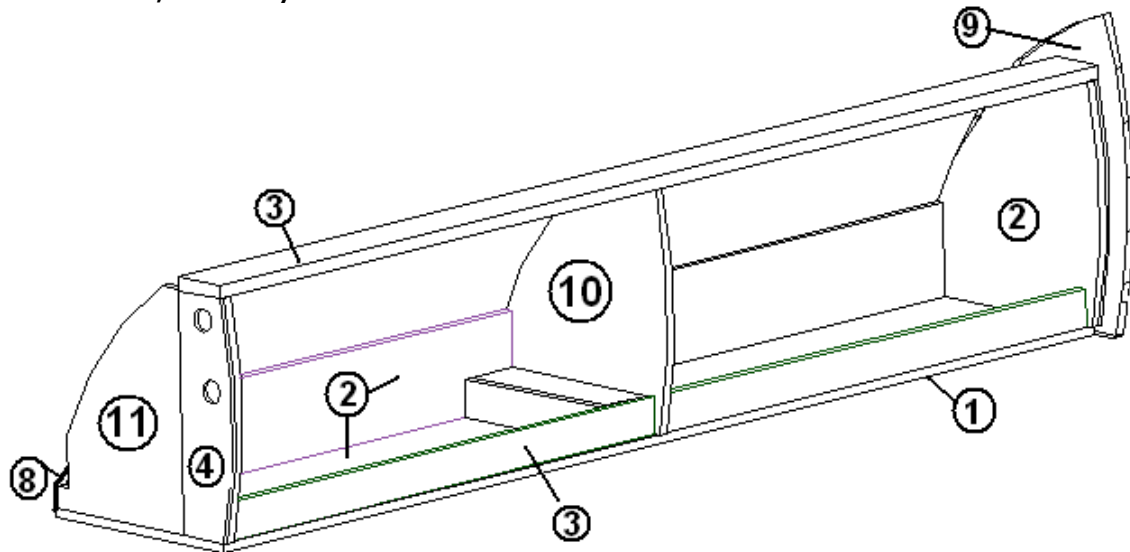


966040	Dinette Locker
1. 801383-01	PANEL, OAK/WHITE LINER
2. 801392	PANEL, WHITELINER/WHITELINER
3. 965551-01	DOOR-RADIUS FOAM 15.25" X 35.5"
4. 381840-01	HINGE-OVERHEAD SPRING LH
5. 381840-02	HINGE-OVERHEAD SPRING RH
6. 965587	END CAP ASSEMBLY
7. 115085-01	ALUMINUM ANGLE, ROOF LOCKER, 71.875"
8. 966648-01	DIVIDER-GALLEY R/LOCKER
9. 966648-03	DIVIDER CENTER GALLEY R/LOCKER
10. 966648-02	DIVIDER LH GALLEY ROOFLOCKER
345276-04	SCREW HEX HD. CAP 1/4-20 X 1 I
350147-25	NUT, NYLON LOCK, 1/4-20
365268-03	EDGEBANDING-.024"X .63", OAK
365268-05	EDGEBANDING-PVC-LAMITECK T. OAK

2008 SAFARI- BAMBI

FURNITURE, GALLEY

Roof Locker, Galley 28' W

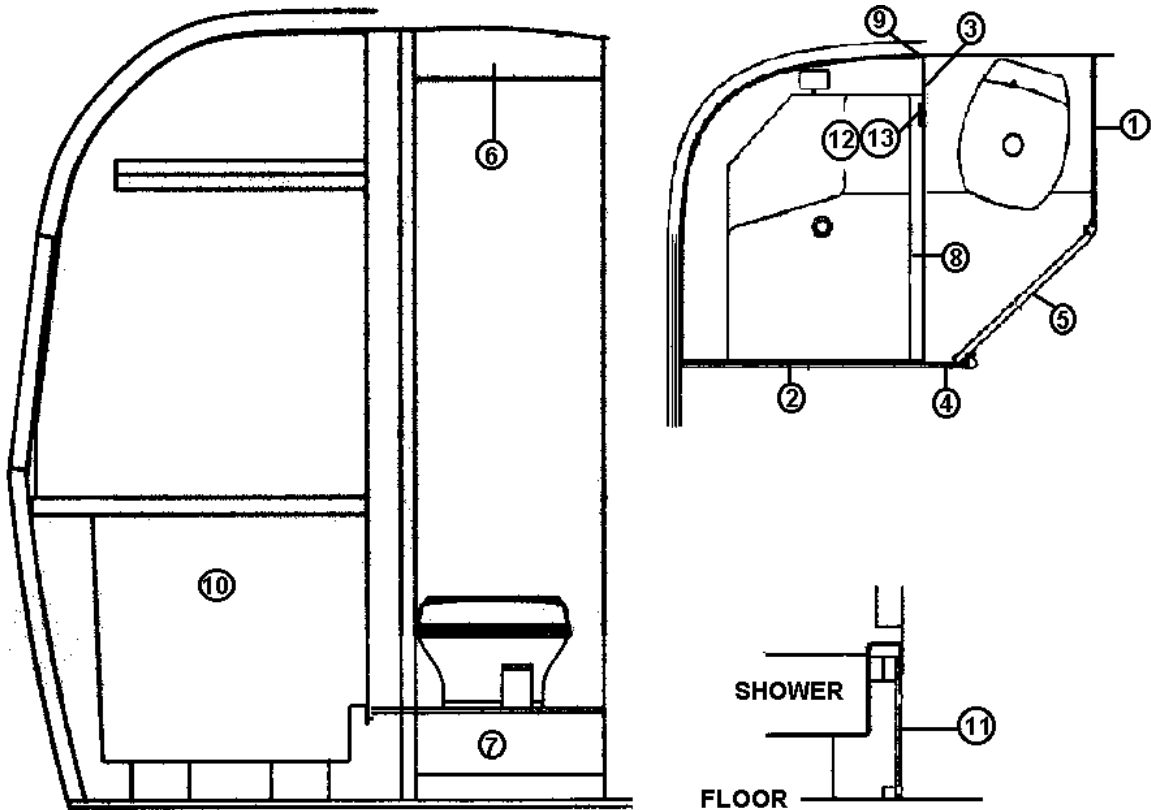


- 966042 ROOFLOCKER, GALLEY
- 1. 801383-01 PANEL, TRP OAK/WHITE LINER
 - 2. 966648-01 DIVIDER-GALLEY R/LOCKE
 - 3. 801376-01 PANEL, TROPICAL.OAK/WHITE LINER
 - 4. 800507-02 LAUAN, 1/4" X 4' X 8'
 - 5. 965551-02 DOOR-RADIUS FOAM 15.25" X 31.63
 - 6. 381840-01 HINGE-OVERHEAD SPRING LH #372.
 - 7. 381840-02 HINGE-OVERHEAD SPRING RH #372.
 - 8. 115085 ANGLE ALUMINUM, ROOFLOCKERS
 - 9. 965587 END CAP ASSEMBLY
 - 10. 966648-03 DIVIDER CENTER GALLEY R/LOCKER
 - 11. 966648-02 DIVIDER LH GALLEY ROOFLOCKER
- 381902 HOOK, STAINLESS STEEL

2008 SAFARI- BAMBI

FURNITURE, BATH

Bath Module 19', 23', 25' SLP6

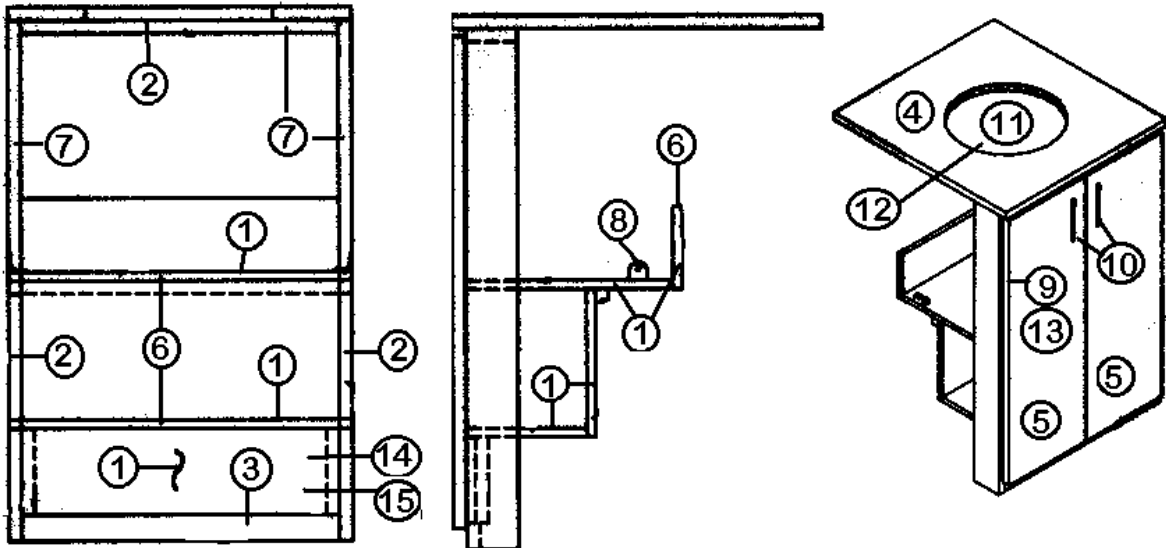


- | | |
|---------------|-------------------------------------|
| 1. 801380-01 | Panel, forward bath |
| 2. 801380-02 | Panel, aft bath |
| 3. 801380-03 | Panel, bath divider |
| 4. 801394-017 | Jamb, bath door, RS-CS |
| 5. 966047 | Door assembly, 25.50" X 72.00" |
| 6. 965564 | Header, bath door |
| 7. 966202 | Toilet stand assembly |
| 8. 702937-03 | Shower door, roll away, 62" x 36" |
| 9. 203138-04 | Extrusion, plastic, wall, Oak |
| 10. 203114 | Shower, 2 piece, fiberglass |
| 11. 965565-01 | Closeout, toe kick, shower |
| 12. 801506 | PANEL, ASCOT SAND/RAW .5" X 4' X 8' |
| 13. 365268-01 | EDGE BANDING-.024"X 1.13", OAK |

2008 SAFARI- BAMBI

FURNITURE, BATH

Lavatory Cabinet, 19', 23' 25' SLP6



Part Numbers on The Next Page

2008 SAFARI- BAMBI

FURNITURE, BATH

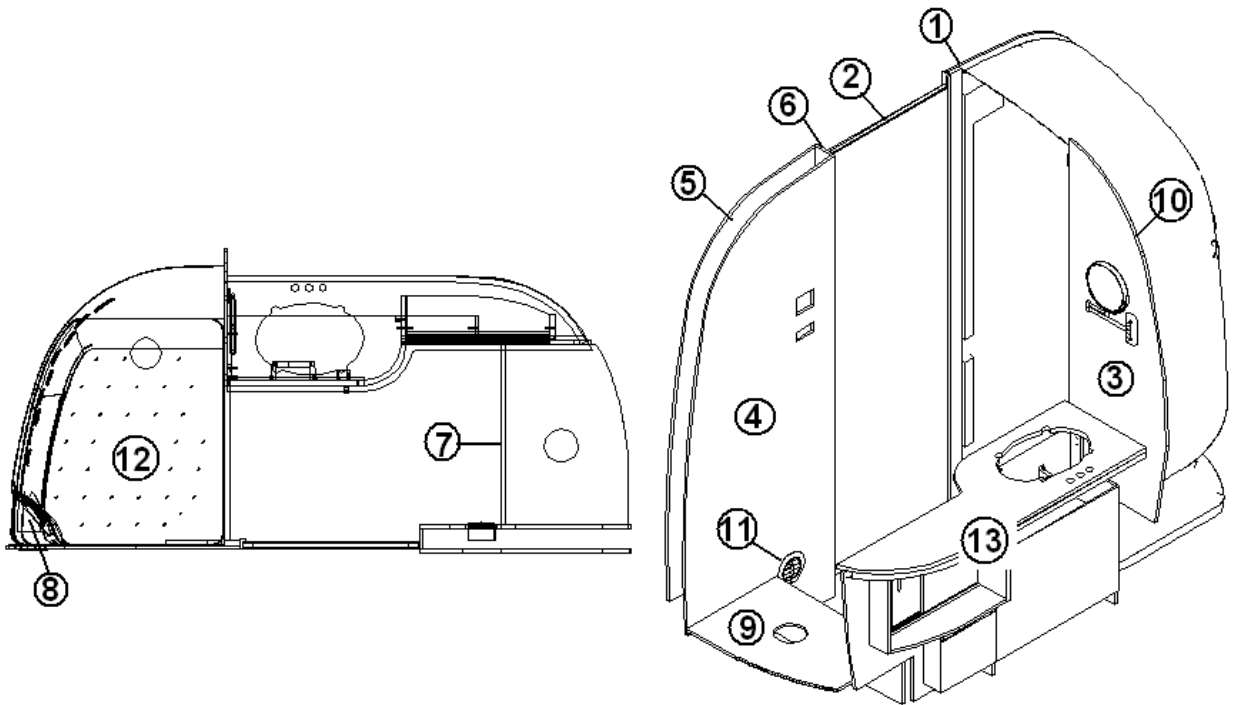
Lavatory Cabinet, 19', 23', 25' SLP6

965568-05	Lavatory Cabinet, Sand Crystal, Oval sink
965568-06	Lavatory Cabinet, Midnight Sun, Oval sink
965568-07	Lavatory Cabinet, Sand Crystal, round sink
965568-08	Lavatory Cabinet, Midnight Sun, round sink
1. 801392	Paneling, White/White 12 MM
2. 801438	PANEL, FROST WHITE VINYL/RAW
3. 801383-01	Paneling, Tropical Oak/White, 4' x 8'
4. 801385-03	Lavy top, Sand Crystal, w/oval sink
4. 801385-04	Lavy top, w/oval sink, Midnight Sun
4. 801610-02	Lavy top, w/round sink, Sand Crystal
4. 801610-03	Lavy top, w/round sink, Midnight Sun
5. 801341-18	Door, 9.50" x 28.38"
6. 365201-04	Edge tape, PVC, 5/8" Colonial White
7. 365268-05	EDGEBANDING-PVC-LAMITECK T. OAK
8. 381228-01	Door grabber catch
9. 381607	Hinge assembly, Grass European
10. 382044	Handle, drawer/door
11. 203410	SINK, LAVY 10" X 15" OVAL
11. 601804-01	SINK-LAVY YUKON ROUND
12. 601813	TAIL PIECE-LIFT/TURN DRAIN
13. 381609-02	Screw, Hafele European, #9-1"
14. 381610-01	Cover cap, plastic, European White
15. 381228-01	Door/drawer grabber catch

2008 SAFARI- BAMBI

FURNITURE, BATH

Bath Module, 23' Front Bed

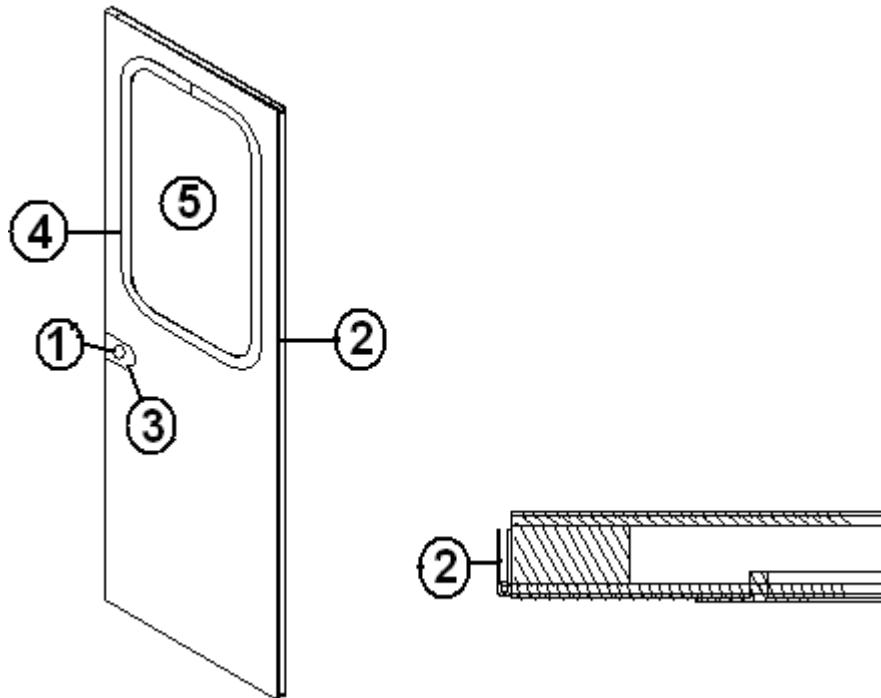


- | | |
|---------------|-------------------------------------|
| 1. 967203-03 | FORWARD PANEL ASSEMBLY, OAK |
| 2. 967202-03 | DOOR, BATH, OAK |
| 3. 111675-033 | PANEL, 19.92 X 77.4 |
| 4. 111675-034 | PANEL, 30.76 X 78.39 |
| 5. 111675-035 | PANEL, 30.76 X 78.39 |
| 6. 111675-036 | PANEL, 3.00 X 78.55 |
| 7. 111675-037 | PANEL, 23.25 X 7.25 |
| 8. 111675-038 | PANEL, 5.5 X 5.5 |
| 9. 967097 | TOILET STAND |
| 10. 203138-04 | WALL EXTRUSION, OAK |
| 11. 601244-01 | REGISTER, ROUND, BROWN |
| 12. 203615 | SHOWER |
| 13. 967190-03 | LAVATORY ASSEMBLY |
| 801665-007 | MOLDING "L" DOOR JAMB, TROPICAL OAK |

2008 SAFARI- BAMBI

FURNITURE, BATH

Door, Bath, 23' Front Bed

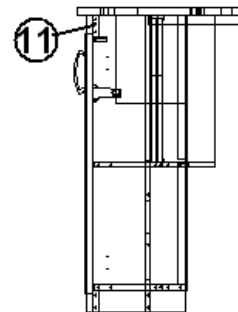
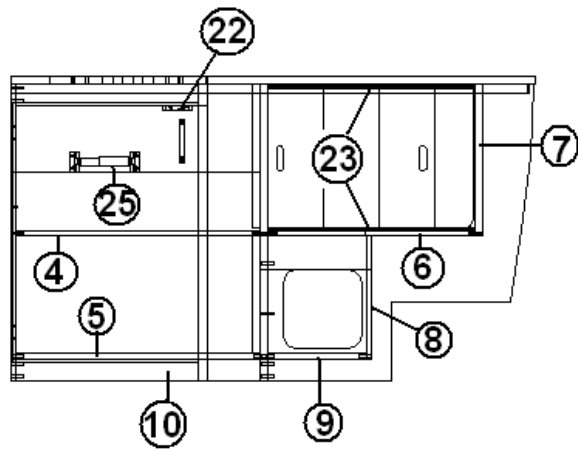
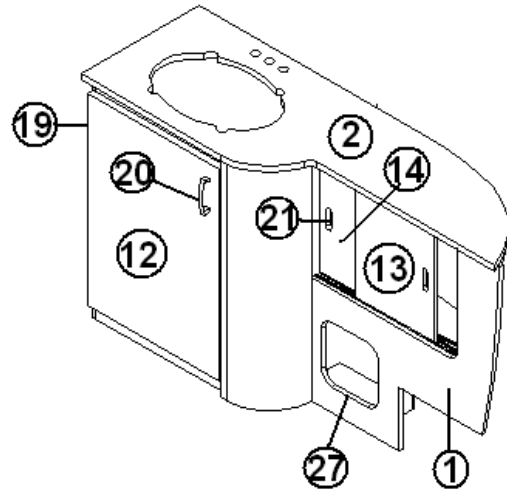
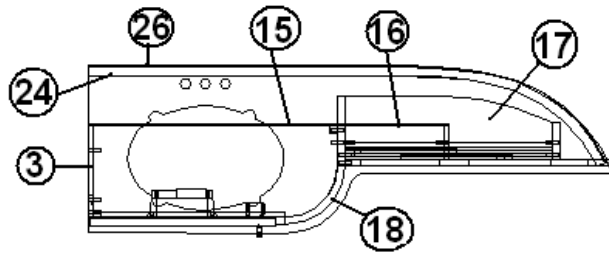


- | | |
|--------------|-----------------------------|
| 967202-03 | BATH DOOR, W/MIRROR |
| 1. 381771-01 | LATCH LEVER |
| 2. 380203-01 | HINGE PIANO |
| 3. 454320 | DOOR HANDLE COVER |
| 4. 966089 | MIRROR W/TRIM RING ASSEMBLY |
| 5. 371397 | MIRROR ONLY |

2008 SAFARI- BAMBI

FURNITURE, BATH

Lavatory Cabinet, 23' Front Bed



Part Numbers are on the next page

2008 SAFARI- BAMBI

FURNITURE, BATH

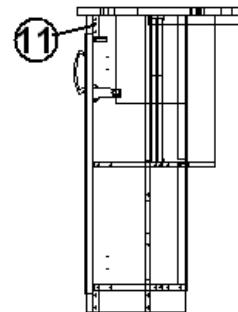
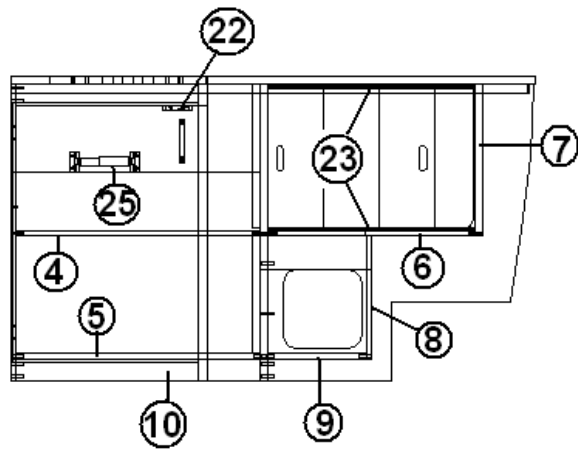
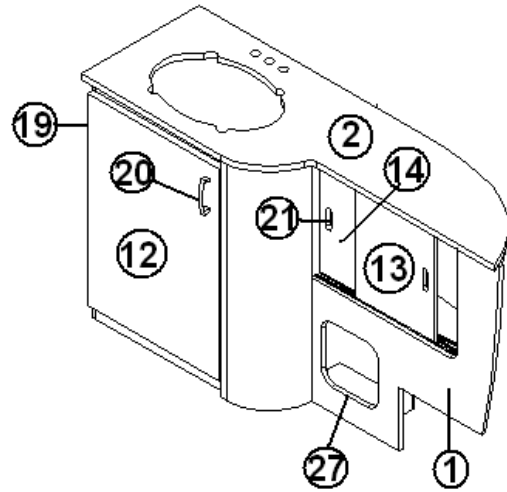
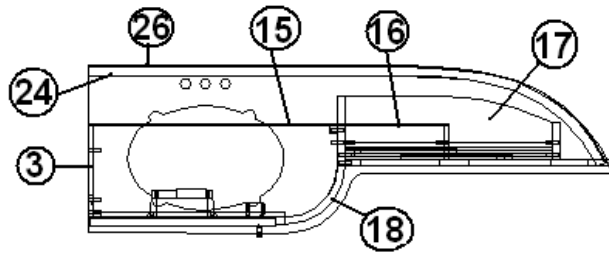
Lavatory Cabinet, 23' Front Bed

967190-03	LAVY ASSEMBLY, OAK
967190-04	LAVY ASSEMBLY, MIDNIGHT SUN
1. 967190-031	PANEL, 26.87 X 30.00
2. 967190-032	TOP, OAK
2. 967190-042	TOP, MIDNIGHT SUN
3. 967190-033	PANEL, 9.27 X 30.00
4. 967190-034	PANEL, 9.27 X 24.64
5. 967190-035	PANEL, 9.27 X 24.64
6. 967190-036	PANEL, 7.02 X 20.85
7. 967190-037	PANEL, ASSY 3.75 X 15.38
8. 967190-038	PANEL, 3.5 X 12.88
9. 967190-039	PANEL, 3.50 X 10.00
10. 967190-0310	PANEL, 2.25 X 19.42
11. 967190-0311	PANEL, 2.25 X 19.42
12. 967190-0312	DOOR-LAVY 18.67 X 26.13
13. 967190-0313	DOOR LAVY 11.25 X 14.50
14. 967190-0314	DOOR-LAVY 11.25 X 14.50
15. 967190-0315	PANEL, 25.17 X 18.75
16. 967190-0316	PANEL, 11.25 X 9.50
17. 967190-0317	PANEL, 22.38 X 7.50
18. 967198-03	SUB-ASSY, RADIUS, LAVY
19. 381607	HINGE ASSY-GRASS
20. 382044	PULL, BAR BRUSH NICKEL
21. 382030	PULL, RECESSED FINGER
22. 381228-01	CATCH GRABBER DOOR
23. 115374	EXTRUSION, SLIDING DOOR TRACK, .5"
24. 114812	ALUMINUM ANGLE, 1.00 X 1.00
25. 380034	TOILET PAPER HOLDER, CHROME
26. 201673	REVERSE COVE MOLDING, WHITE,
27. 203445	MOLDING BLACK, FLEXIBLE POLY .5

2008 SAFARI- BAMBI

FURNITURE, BATH

Lavatory Cabinet, 23' Front Bed CSA



Part Numbers are on the next page

2008 SAFARI- BAMBI

FURNITURE, BATH

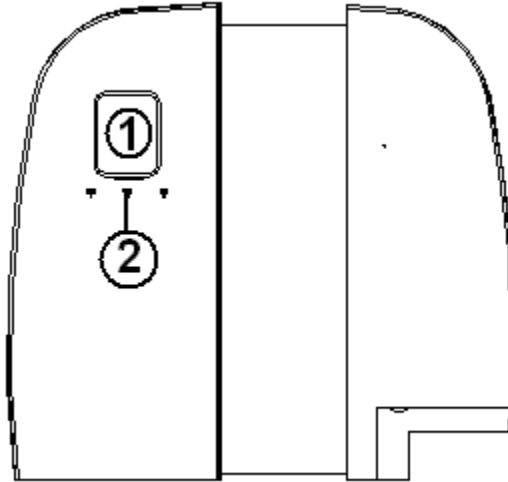
Lavatory Cabinet, 23' Front Bed CSA

967199-03	LAVY ASSEMBLY, OAK
967199-04	LAVY ASSEMBLY, MIDNIGHT SUN
1. 967199-031	PANEL, 26.87 X 30.00
2. 967199-032	TOP, OAK
2. 967199-042	TOP, MIDNIGHT SUN
3. 967199-033	PANEL, 9.27 X 30.00
4. 967199-034	PANEL, 9.27 X 24.64
5. 967199-035	PANEL, 9.27 X 24.64
6. 967199-036	PANEL, 7.02 X 20.85
7. 967199-037	PANEL, ASSY 3.75 X 15.38
8. 967199-038	PANEL, 3.5 X 12.88
9. 967199-039	PANEL, 3.50 X 10.00
10. 967199-0310	PANEL, 2.25 X 19.42
11. 967199-0311	PANEL, 2.25 X 19.42
12. 967199-0312	DOOR-LAVY 18.67 X 26.13
13. 967199-0313	DOOR LAVY 11.25 X 14.50
14. 967199-0314	DOOR-LAVY 11.25 X 14.50
15. 967199-0315	PANEL, 25.17 X 18.75
16. 967199-0316	PANEL, 11.25 X 9.50
17. 967199-0317	PANEL, 22.38 X 7.50
18. 967198-03	SUB-ASSY, RADIUS, LAVY
19. 381607	HINGE ASSY-GRASS
20. 382044	PULL, BAR BRUSH NICKEL
21. 382030	PULL, RECESSED FINGER
22. 381228-01	CATCH GRABBER DOOR
23. 115374	EXTRUSION, SLIDING DOOR TRACK, .5"
24. 114812	ALUMINUM ANGLE, 1.00 X 1.00
25. 380034	TOILET PAPER HOLDER, CHROME
26. 201673	REVERSE COVE MOLDING, WHITE,
27. 203445	MOLDING BLACK, FLEXIBLE POLY .5

2008 SAFARI- BAMBI

FURNITURE, BEDROOM

Erase board and Key Hooks, 23' Front Bed



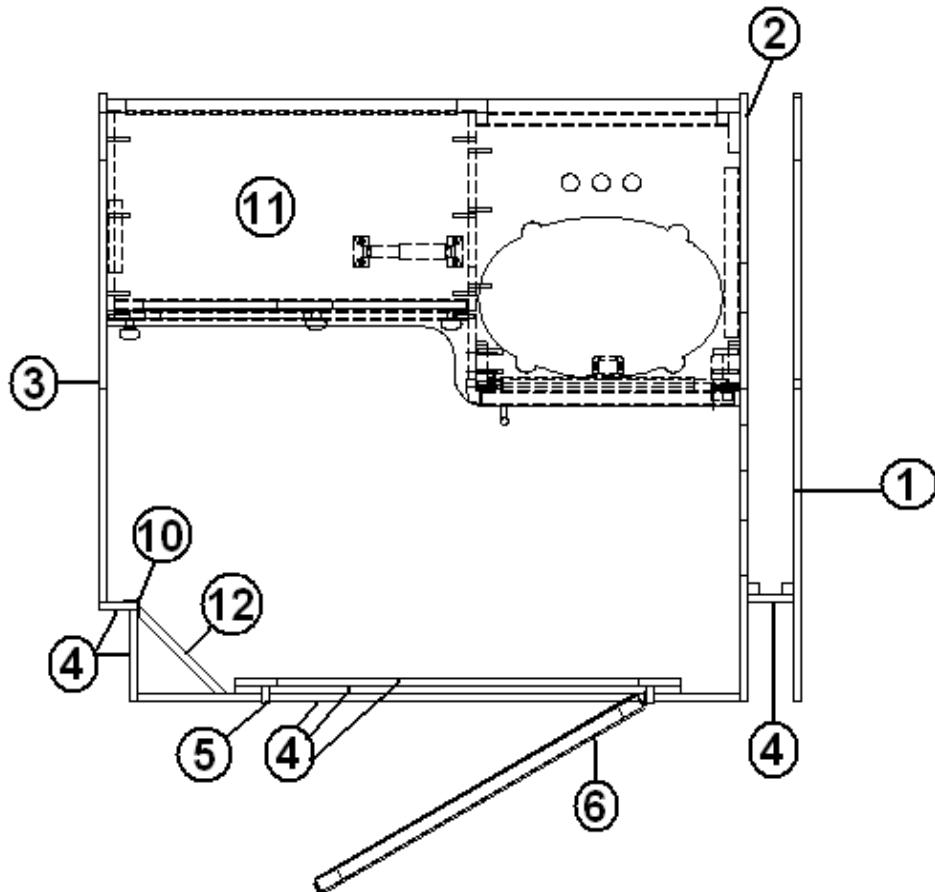
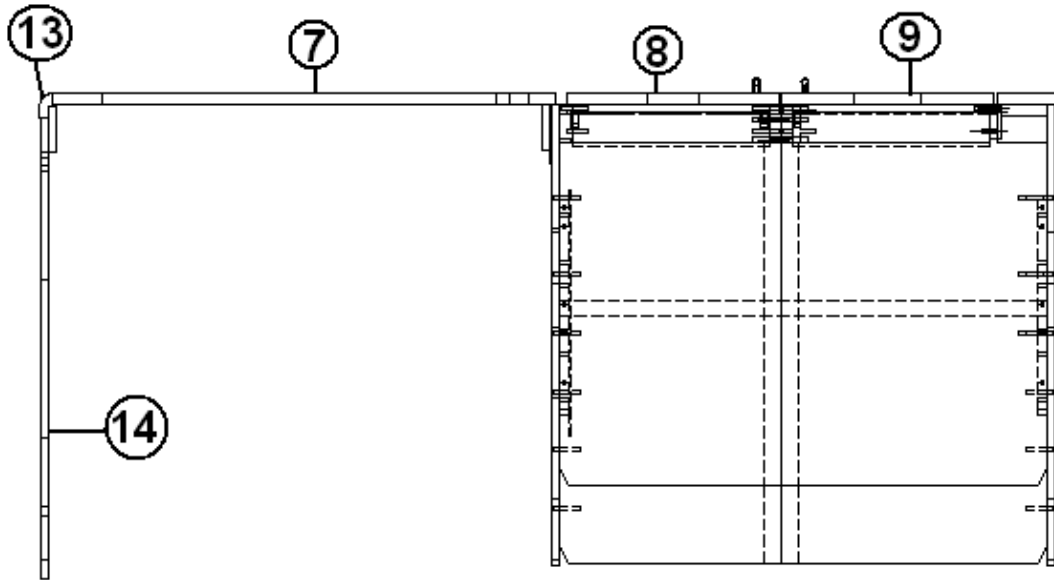
1. 381902
2. 381945

HOOK, STAINLESS STEEL, SCREW IN
BOARD, DRY/ERASE 11" X 14" MAGNETIC

2008 SAFARI- BAMBI

FURNITURE, BATH

Bath Module 27'



Part Numbers on the Next Page

2008 SAFARI- BAMBI

FURNITURE, BATH

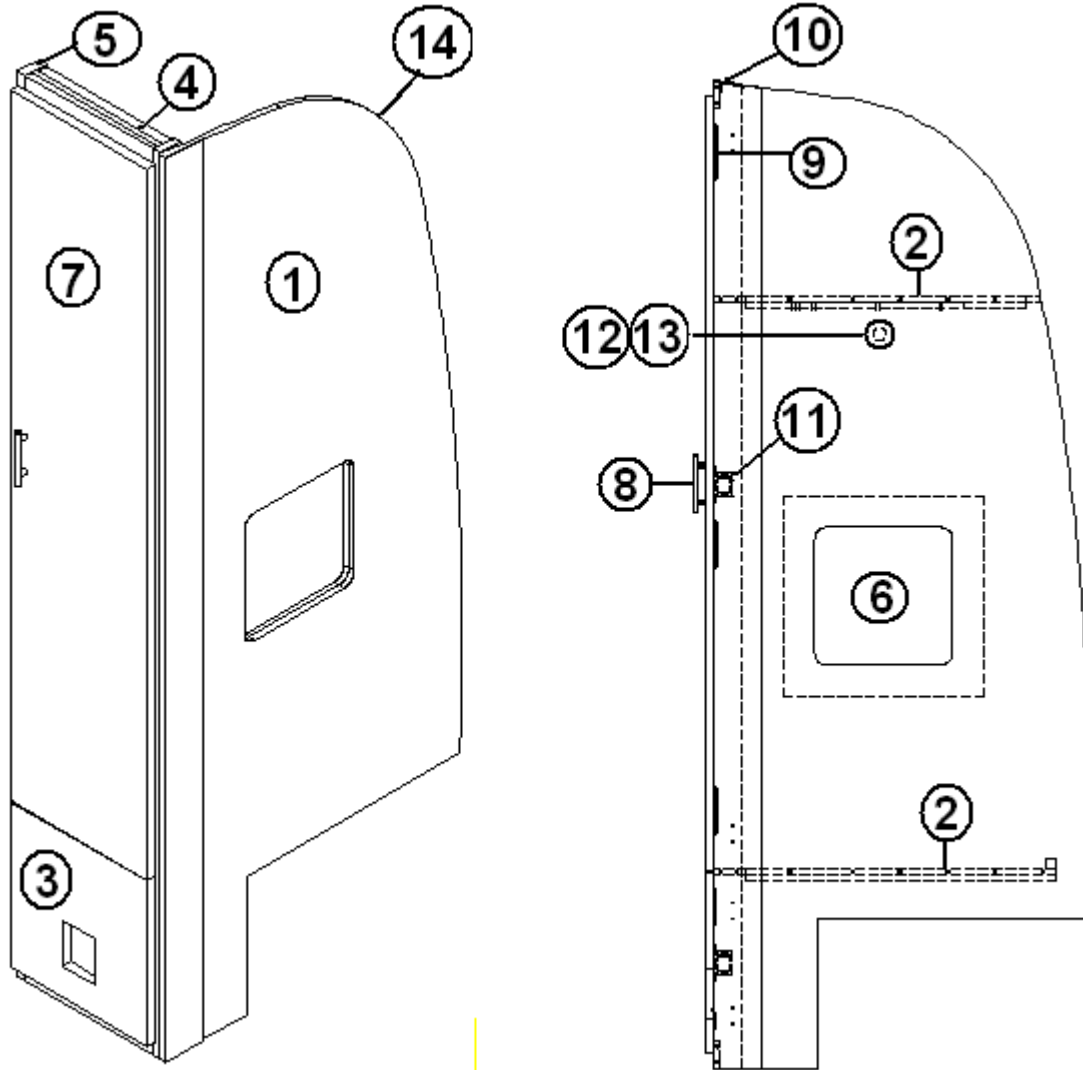
Bath Module 27'

- | | |
|----------------|---------------------------------------------|
| 1. 801548-07 | PANEL, BATH/PANTRY |
| 2. 801548-06 | PANEL, AFT BATH |
| 3. 801673-04 | PANEL, FWD BATHROOM |
| 4. 801510 | PANEL, OAK/ASCOT 12MM |
| 5. 801381-01 | PANEL, OAK/OAK 12MM |
| 6. 966409 | DOOR ASSY-"C"BATH 24" X 72.00" |
| 7. 966220 | Shower compartment assembly, Double bed |
| 7. 967061 | Shower compartment assembly, Twin bed |
| 8. 966747 | Wardrobe assembly, forward |
| 9. 966748 | Wardrobe assembly, aft |
| 10. 801172-07 | MOLDING-CORNER ASCOT SAND 8' |
| 11. 966768-04 | Lavatory cabinet, Sand Crystal w/oval sink |
| 11. 966768-05 | Lavatory cabinet, Midnight Sun w/oval sink |
| 11. 966768-06 | Lavatory cabinet, Sand Crystal w/round sink |
| 11. 966768-07 | Lavatory cabinet, Midnight Sun w/round sink |
| 12. 801506 | Panel, ascot sand/raw, .5" x 4' x 8' |
| 13. 801706-007 | Corner trim |
| 14. 801548-01 | Panel, aft shower, J Double Bed |
| 14. 801707-02 | Panel, aft shower, Twin Bed, Queen Double W |
- Bed
- | | |
|-----------|-----------------------|
| 961916-01 | Shower stand assembly |
|-----------|-----------------------|

2008 SAFARI- BAMBI

FURNITURE, BATH

Wardrobe, 27', Forward



Part Numbers On The Next Page

2008 SAFARI- BAMBI

FURNITURE, BATH

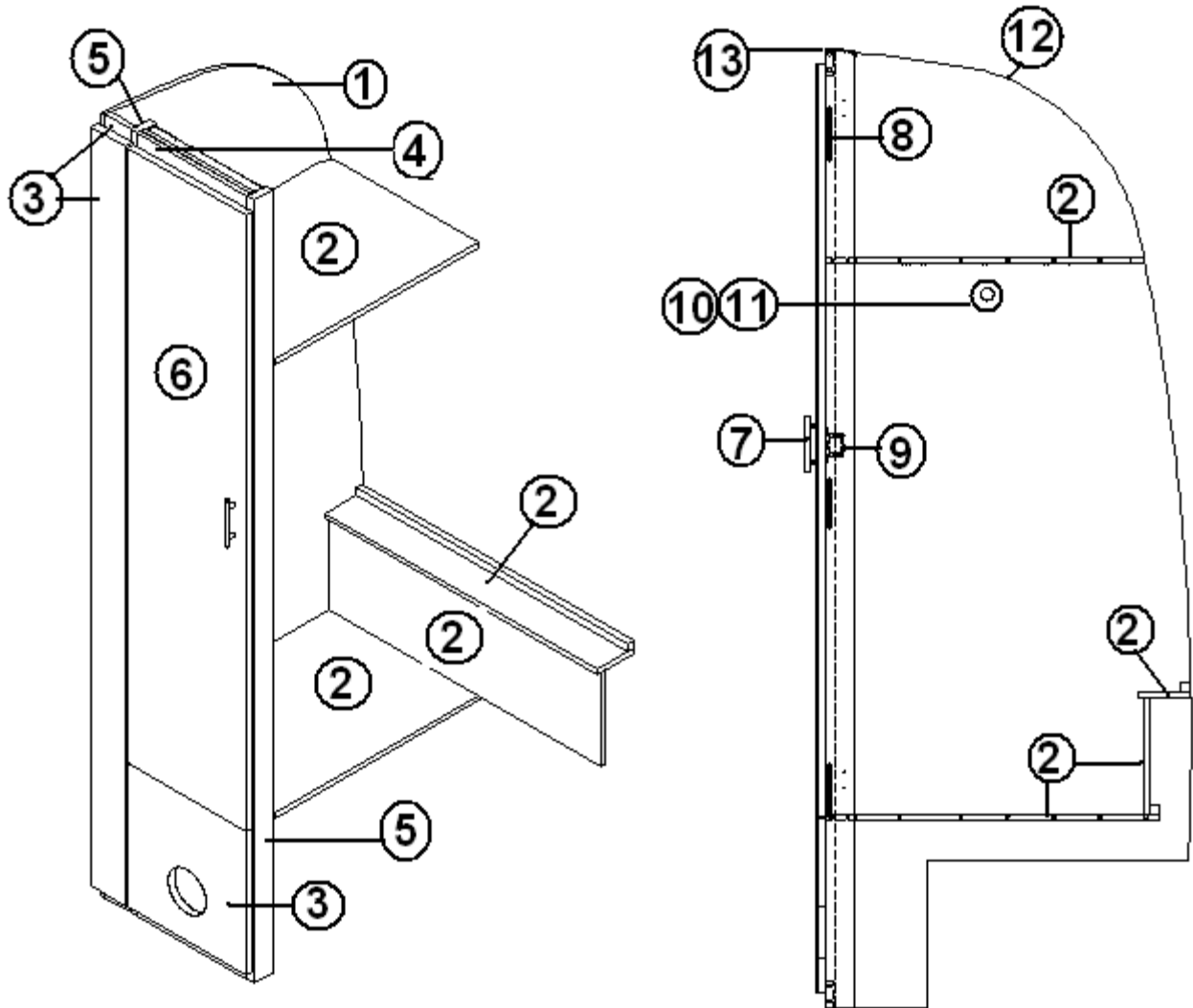
Wardrobe, 27', Forward

966747	WARDROBE ASSEMBLY, FORWARD
1. 801673-01	PANEL, FORWARD WARDROBE
2. 801392	PANEL, WHITELINER/WHITELINER
3. 801376-01	PANEL, OAK/ WHITELINER
4. 801383-01	PANEL, OAK/ WHITELINER
5. 801368	PANEL, WHITELINER/WHITELINER
6. 965762	CLOSEOUT ASSEMBLY, WARDROBE
7. 801341-209	DOOR, 13.75" X 61.75"
8. 382044	PULL-BAR BRUSH NICKEL
9. 381607	HINGE ASSY-EURO GRASS
10. 104821	SUPPORT, ROOFLOCKER, 74"
11. 381228-01	CATCH GRABBER DOOR
11.380045	Clothes rod
12.200975-04	Conduit, flexible, black (covers clothes rod)
13.203138-04	EXTRUSION, PLASTIC 1/2" OAK

2008 SAFARI- BAMBI

FURNITURE, BATH

Wardrobe, 27', Aft



Part Numbers On The Next Page

2008 SAFARI- BAMBI

FURNITURE, BATH

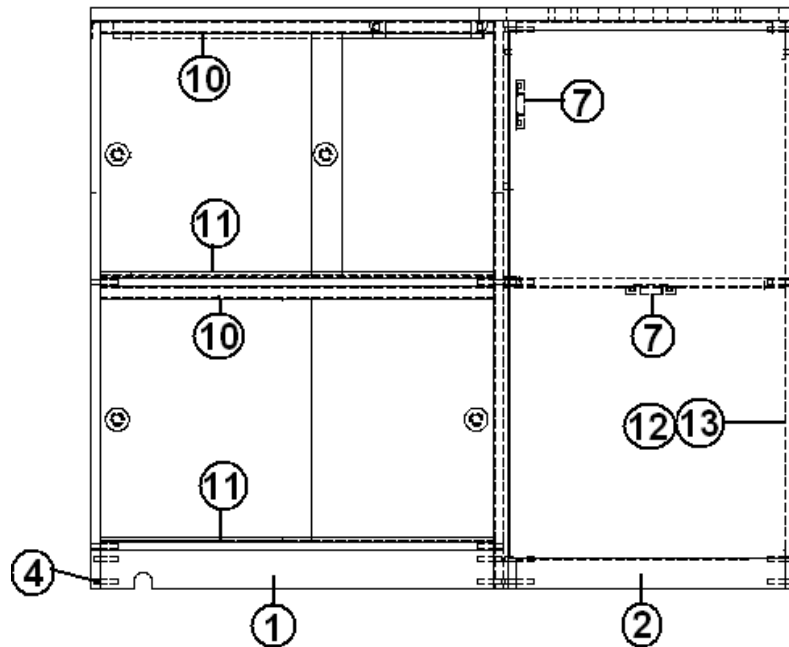
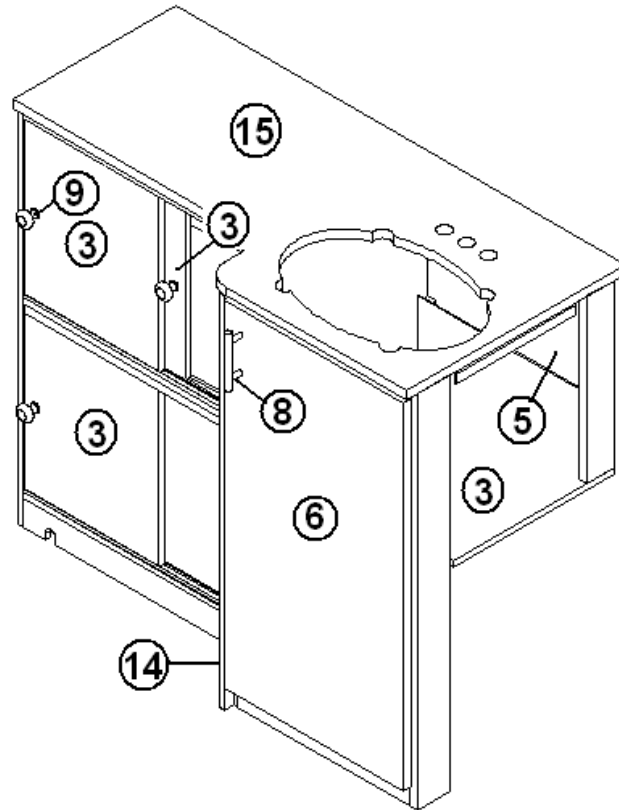
Wardrobe, 27', Aft

966748	WARDROBE ASSEMBLY, AFT
1. 801673-02	PANEL, AFT WARDROBE
2. 801392	PANEL, WHITELINER/WHITELINER
3. 801376-01	PANEL, OAK/ WHITELINER
4. 801383-01	PANEL, OAK/ WHITELINER
5. 801368	PANEL, WHITELINER/WHITELINER
6. 801341-209	DOOR, 13.75" X 61.75"
7. 382044	PULL-BAR BRUSH NICKEL
8. 381607	HINGE ASSY-GRASS EURO
9. 381228-01	CATCH GRABBER DOOR
10. 380045	Clothes rod
11. 200975-04	Conduit, flexible, black (covers clothes rod)
12.203138-04	EXTRUSION, PLASTIC 1/2" OAK
13.104821	SUPPORT, ROOFLOCKER, 74"

2008 SAFARI- BAMBI

FURNITURE, BATH

Lavatory Assembly, 27'



2008 SAFARI- BAMBI

FURNITURE, BATH

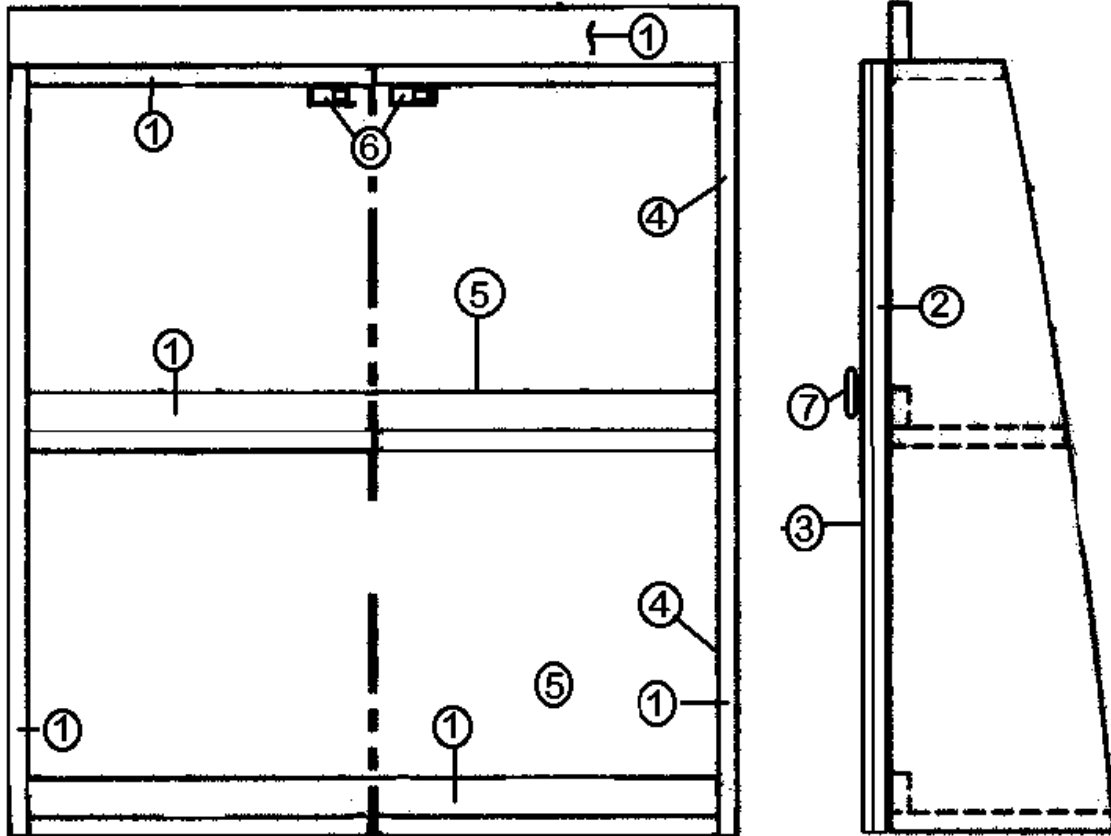
Lavatory Assembly, 27'

966768-04	Lavatory cabinet, Sand Crystal w/oval sink
966768-05	Lavatory cabinet, Sand Crystal w/round sink
966768-06	Lavatory cabinet, Midnight Sun w/oval sink
966768-07	Lavatory cabinet, Midnight Sun w/round sink
1. 801383-01	PANEL, TROPICAL OAK/WHITELINER
2. 801376-01	PANEL, TROPICAL OAK/WHITELINER
3. 801383-01	PANELING CUT TO 12.25" X 14"
4. 801368	PANEL, WHITELINER/WHITELINER
5. 801374	PANEL, WHITELINER/RAW
6. 801341-211	DOOR, 16.31" X 30.88"
7. 381228-01	CATCH GRABBER DOOR
8. 382044	PULL-BAR BRUSH NICKEL
9. 381796	KNOB HOLLOW 1.25"DIAMETER
10. 200963-01	TRACK, SLIDING DOOR, UPPER
11. 200963-02	TRACK, SLIDING DOOR, LOWER
12.381951	HINGE-FORMED .5"
13.381607	HINGE ASSY-GRASS EURO
14.801706-007	CORNER TRIM-90D 1" RADIUS, OAK
15.801674-04	LAVATORY TOP, SAND CRYSTAL OVAL SINK
15. 801674-05	LAVATORY TOP, SAND CRYSTAL, ROUND SINK
15. 801674-06	LAVATORY TOP, MIDNIGHT SUN OVAL SINK
15. 801674-07	LAVATORY TOP, MIDNIGHT SUN, ROUND SINK
203410	SINK, S.S., 10" X 15" OVAL
601804-01	SINK, 12' ROUND, S. S

2008 SAFARI- BAMBI

FURNITURE, BATH

Medicine Cabinet, Lower, 23', 25' SLP6, 19'

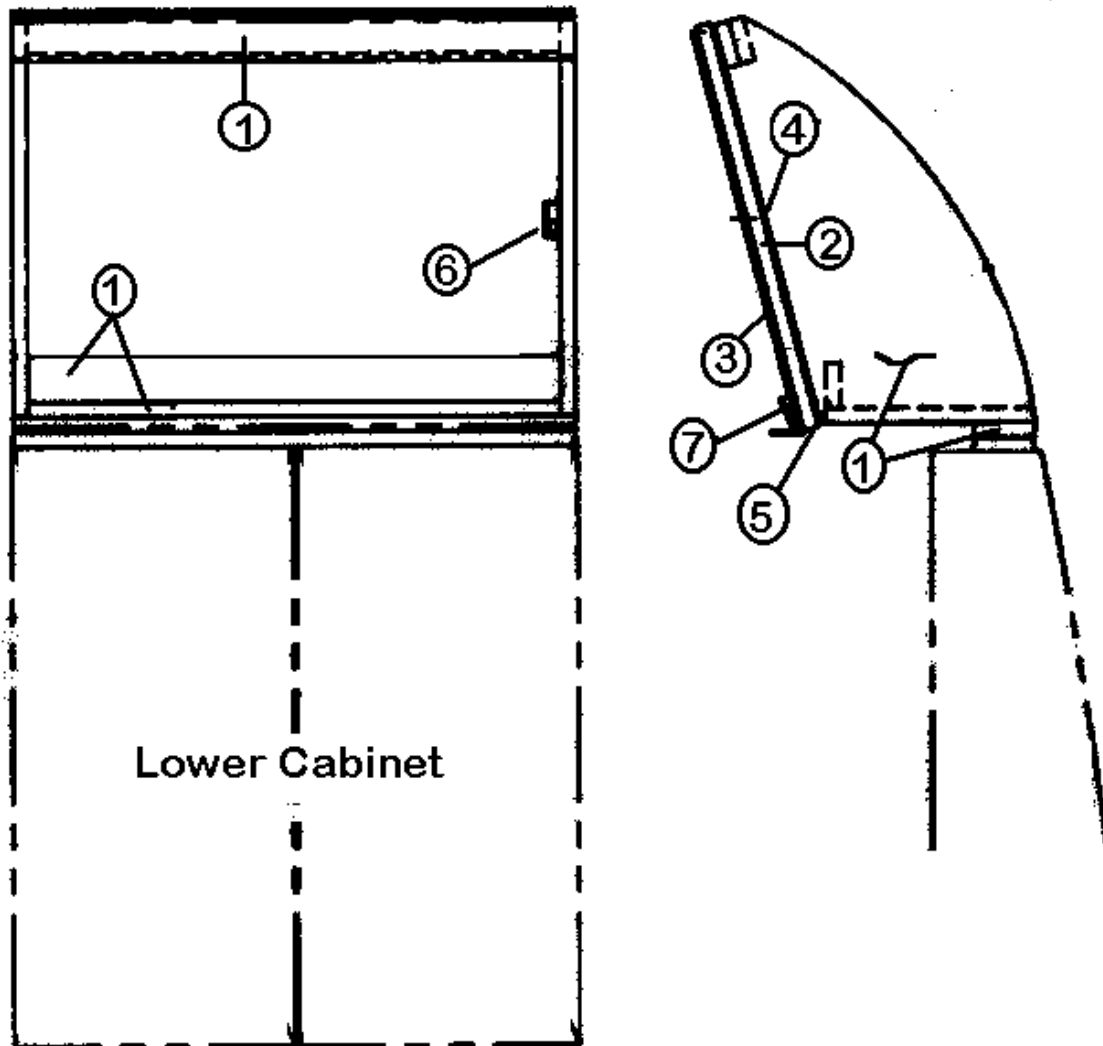


- | | |
|--------------|---------------------------------------|
| 965570 | Medicine Cabinet Assembly, Lower |
| 1. 801392 | PANEL, WHITELINER/WHITELINER |
| 2. 801438 | Paneling, White Vinyl/Raw |
| 3. 372203-24 | Glass, safety mirrored, 9.50" x 20" |
| 4. 385935-01 | Hinge, pivot, zinc plated |
| 5. 365201-04 | Edge tape, white, .625" |
| 6. 381228-01 | Door/drawer grabber catch |
| 7. 381835 | Handle, chrome/brass, door/drawer |
| 115042 | ROD, .25" Diameter, Aluminum, 6' Long |

2008 SAFARI- BAMBI

FURNITURE, BATH

Medicine Cabinet, Upper, 19', 23', 25' SLP6

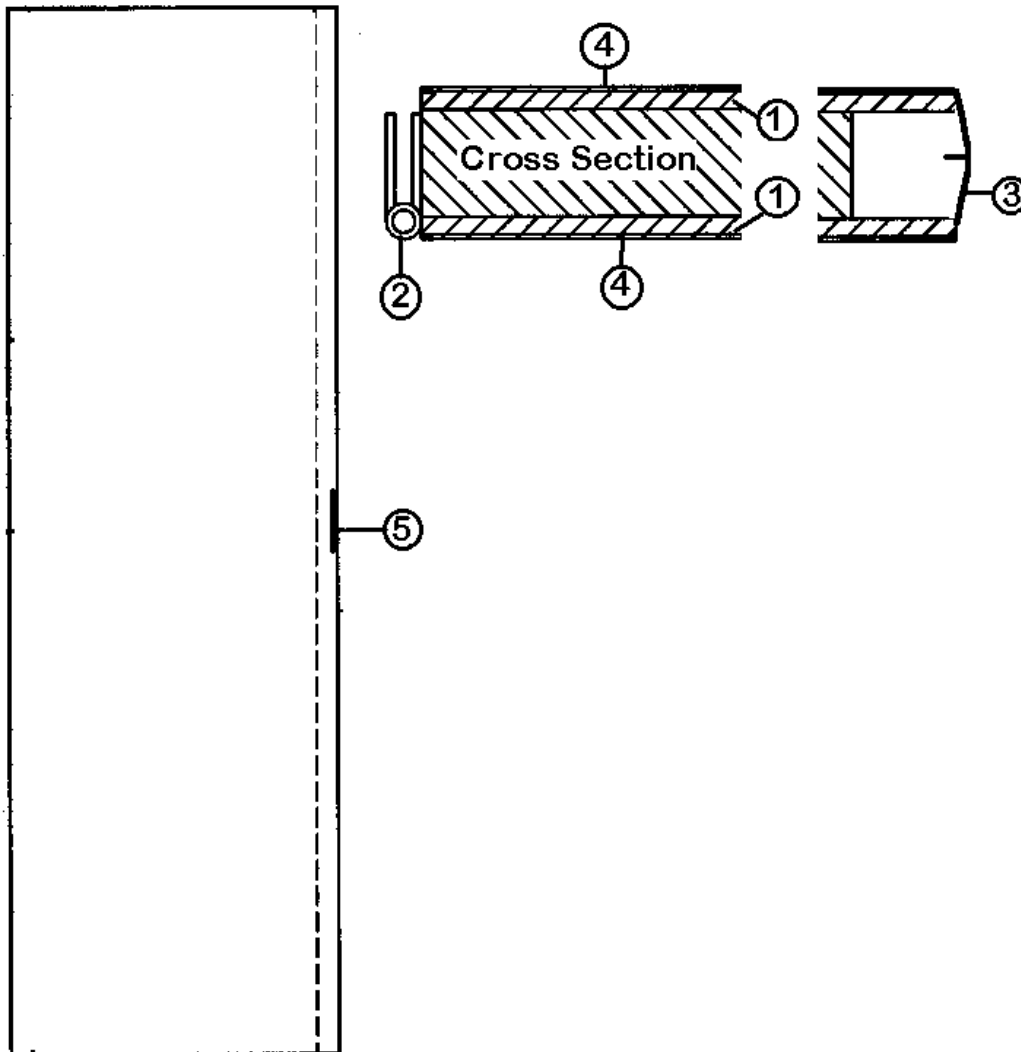


- | | |
|--------------|-----------------------------------|
| 965569 | Medicine Cabinet Assembly, Upper |
| 1. 801392 | PANEL, WHITELINER/WHITELINER |
| 2. 801368 | WHITELINERER/WHITELINERER |
| 3. 372203-05 | Glass, safety mirrored, 19" x 14" |
| 4. 385935-01 | Hinge, pivot, zinc plated |
| 5. 365201-04 | EDGEBANDING TAPE PVC 5/8" WHITE |
| 6. 381228-01 | Door/drawer grabber catch |
| 7. 381835 | Handle, chrome/brass, door/drawer |
| 380024 | ARMS SUPPORT, RIGHT HAND |

2008 SAFARI- BAMBI

FURNITURE, BATH

Door, Bath, 25' Twin, Double Rear & Front Bed, 27', 28' W



965567 Door Assembly, "C" bath, 25.50" X 72.00", 25' A & B, 28'W

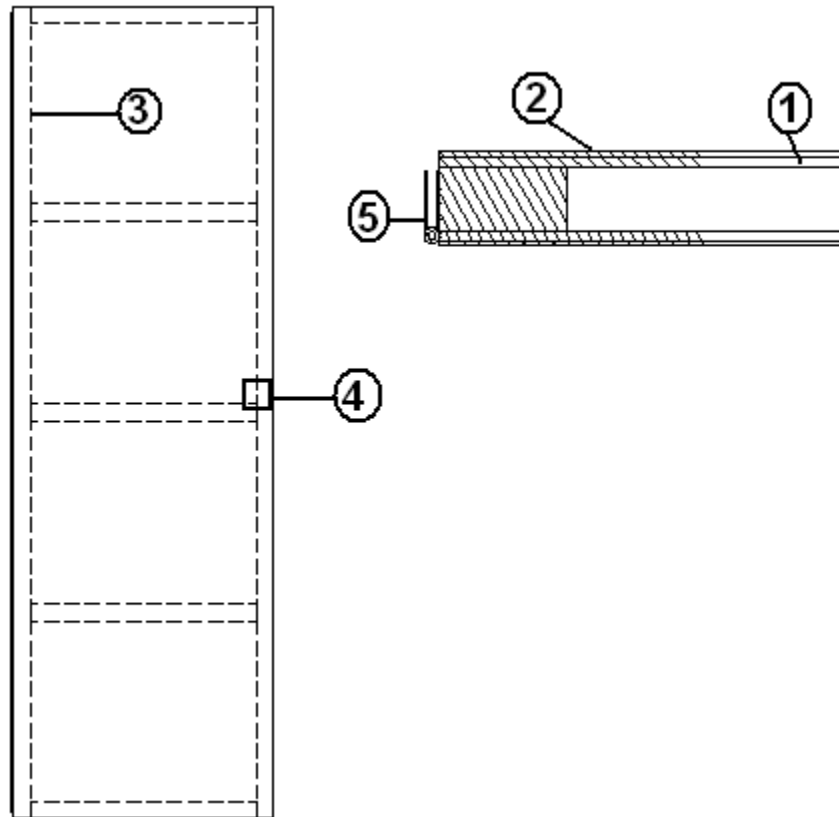
966409 Door Assembly, "C" bath, 24" X 72.00", 27', 25' FB

- 1. 800507-01 Luan
- 2. 380458 Hinge, piano, brown anodized
- 3. 365268-04 Edge tape, .024" x 1.25", Tropical Oak
- 4. 801343-01 Laminate, Tropical Oak
- 5. 381771-01 Latch, privacy, lever lock set
- 454320 DOOR HANDLE COVER

2008 SAFARI- BAMBI

FURNITURE, BATH

Door, Bath, 19', 23', 25' SLP6

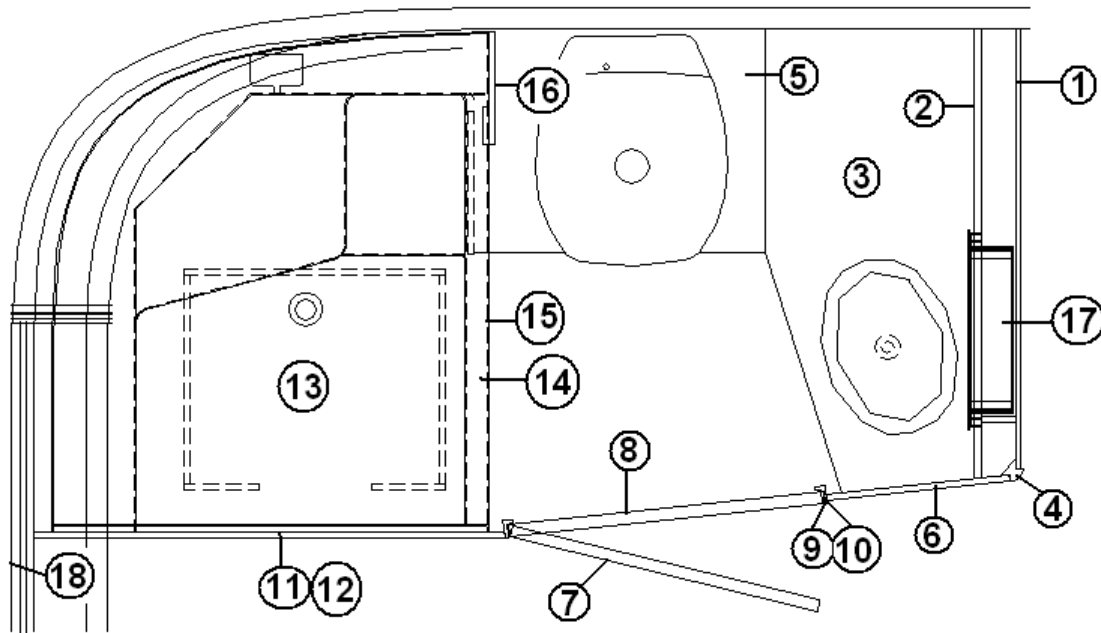


- | | |
|--------------|-------------------------------------------|
| 966047 | DOOR, "C" BATH |
| 1. 800507-01 | LAUAN, 1/8" X 4' X 8' |
| 2. 801343-01 | LAMINATE, TROPICAL OAK, 4' X 8', VERTICAL |
| 3. 800507-06 | LAUAN-.75" X 4' X 8' |
| 4. 381771-01 | LATCH-LEVER LOCKSET PRIVACY |
| 4. 382034 | LATCH, FLUSH MOUNT |
| 4. 454614 | STRIKE PLATE FOR FLUSH MOUNT LATCH |
| 5. 380458 | HINGE PIANO BROWN ANODIZED |
| 454320 | DOOR HANDLE COVER |
| 365268-04 | EDGE BANDING-.024" X 1.25" OAK |

2008 SAFARI- BAMBI

FURNITURE, BATH

BATH MODULE, 20'

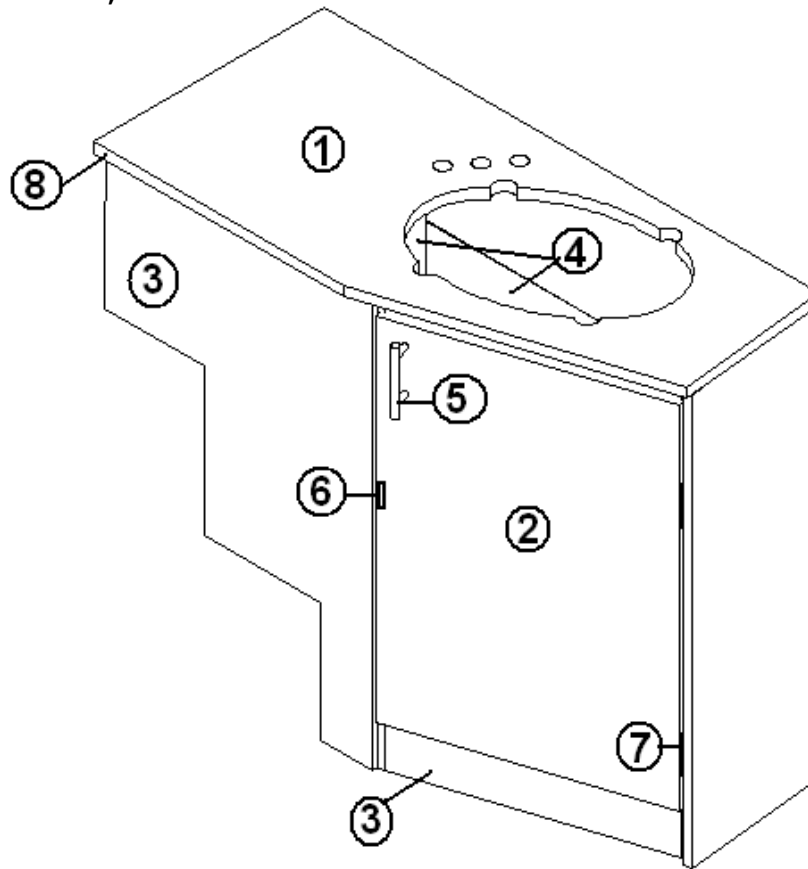


- | | |
|----------------|-------------------------------------|
| 1. 966569 | PANEL, AFT DINETTE ASSY |
| 2. 801658-06 | PANEL, AFT DINETTE |
| 3. 966555-04 | LAVY CAB.ASSY |
| 4. 801415-007 | CORNER TRIM, 1" RADIUS |
| 5. 966758 | STAND ASSY-TOILET |
| 6. 801658-07 | PANEL, FORWARD BATH |
| 7. 966554 | BATH DOOR ASSY-W/MIRROR |
| 8. 966568 | HEADER-BATH DOOR |
| 9. 801665-007 | "L" DOOR JAMB MOLDING |
| 10. 800638-027 | MOLDING, 1/4 ROUND,OAK, 1/2" |
| 11.801658-03 | PANEL, AFT BATH |
| 12.203138-04 | EXTRUSION, PLASTIC WALL OAK |
| 13.203114 | SHOWER 2 PC FIBERGLASS |
| 14.702937-03 | SHOWER DOOR-ROLL AWAY 62" X 36" |
| 15.965565 | CLOSEOUT, SHOWER |
| 16.801380-03 | PANEL, BATH DIVIDER |
| 17.601847 | CABINET, MEDICINE W/MIRROR 16"X 22" |
| 18. 801658-05 | PANEL, AFT BATH |

2008 SAFARI- BAMBI

FURNITURE, BATH

Lavatory Cabinet, 20'

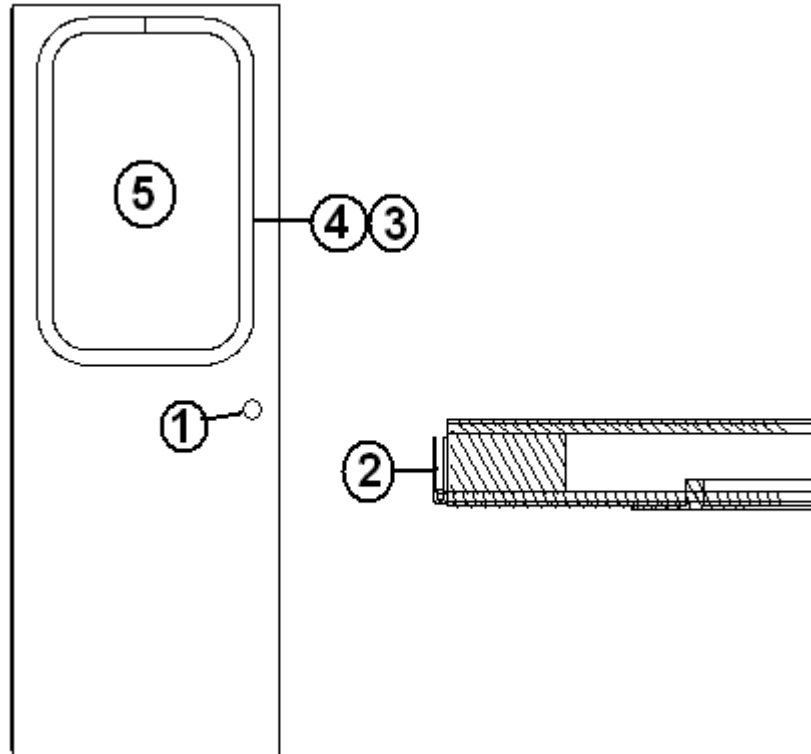


966555-04	LAVY CABINET, SAND CRYSTAL, OVAL SINK
966555-05	LAVY CABINET, GRANITE, ROUND SINK
966555-06	LAVY CABINET, SAND CRYSTAL, OVAL SINK
966555-07	LAVY CABINET, GRANITE, ROUND SINK
1. 801659-04	LAVY TOP, SAND CRYSTAL, OVAL SINK
1. 801659-05	LAVY TOP, MIDNIGHT SUN, ROUND SINK
1. 801659-06	LAVY TOP, SAND CRYSTAL, OVAL SINK
1. 801659-07	LAVY TOP, MIDNIGHT SUN, ROUND SINK
2. 801341-192	DOOR, LAVY 17.75"X25.75"
3. 801383-01	PANEL, OAK/WHITELINER
4. 801392	PANEL, WHITELINER/WHITELINER
5. 382044	PULL-BAR BRUSH NICKEL
6. 381228-01	CATCH GRABBER DOOR
7. 381607	HINGE ASSY-GRASS EURO
8. 201673	REVERSE COVE MOLDING, WHITE

2008 SAFARI- BAMBI

FURNITURE, BATH

Bath Door, 20'

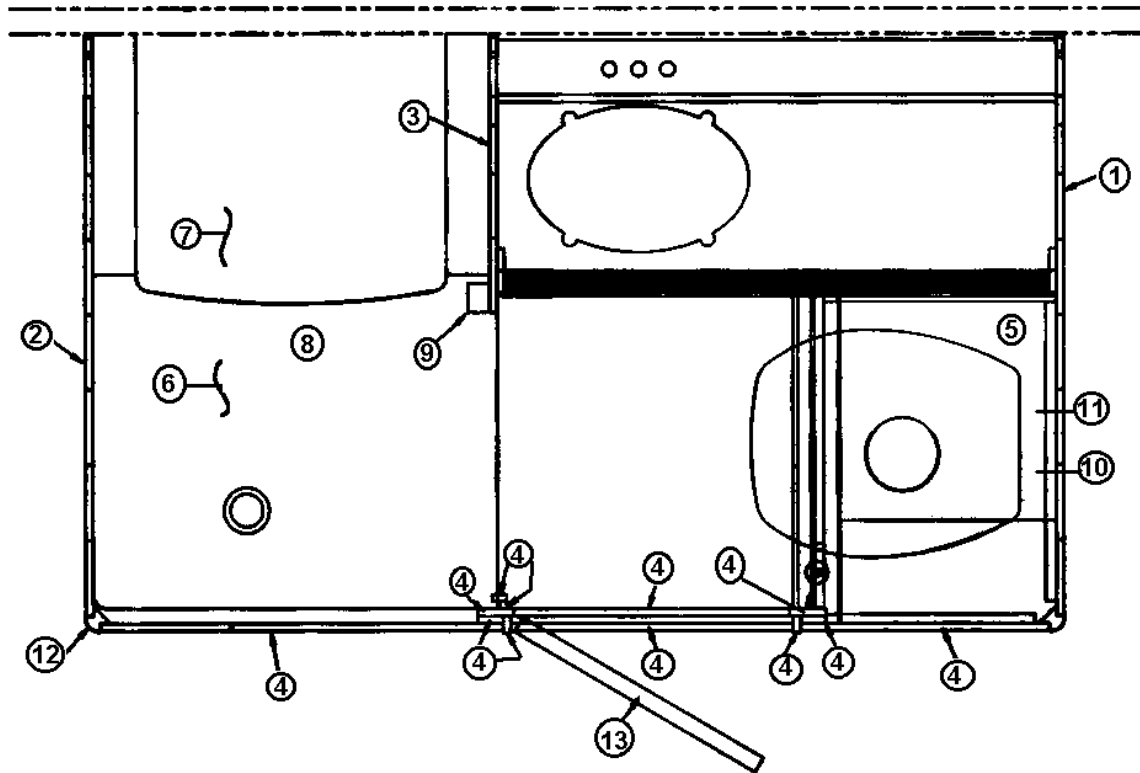


- | | |
|--------------|------------------------------------|
| 966554 | BATH DR ASSY-W/MIRROR |
| 6. 382034 | LATCH, FLUSH MOUNT |
| 1. 454614 | STRIKE PLATE FOR FLUSH MOUNT LATCH |
| 1. 381771-01 | LATCH LEVER |
| 7. 380458 | HINGE PIANO BROWN ANODIZED |
| 8. 966089 | TRIM RING-MIRROR |
| 9. 320034 | SCREW STAINLESS STEEL #8 X 5/8 |
| 10. 371397 | MIRROR, 18.5" X 31" W/4" RADIUS |
| 454320 | DOOR HANDLE COVER-SAF/CCD |

2008 SAFARI- BAMBI

FURNITURE, BATH

Bath Module 25' Twin & Double Rear Bed

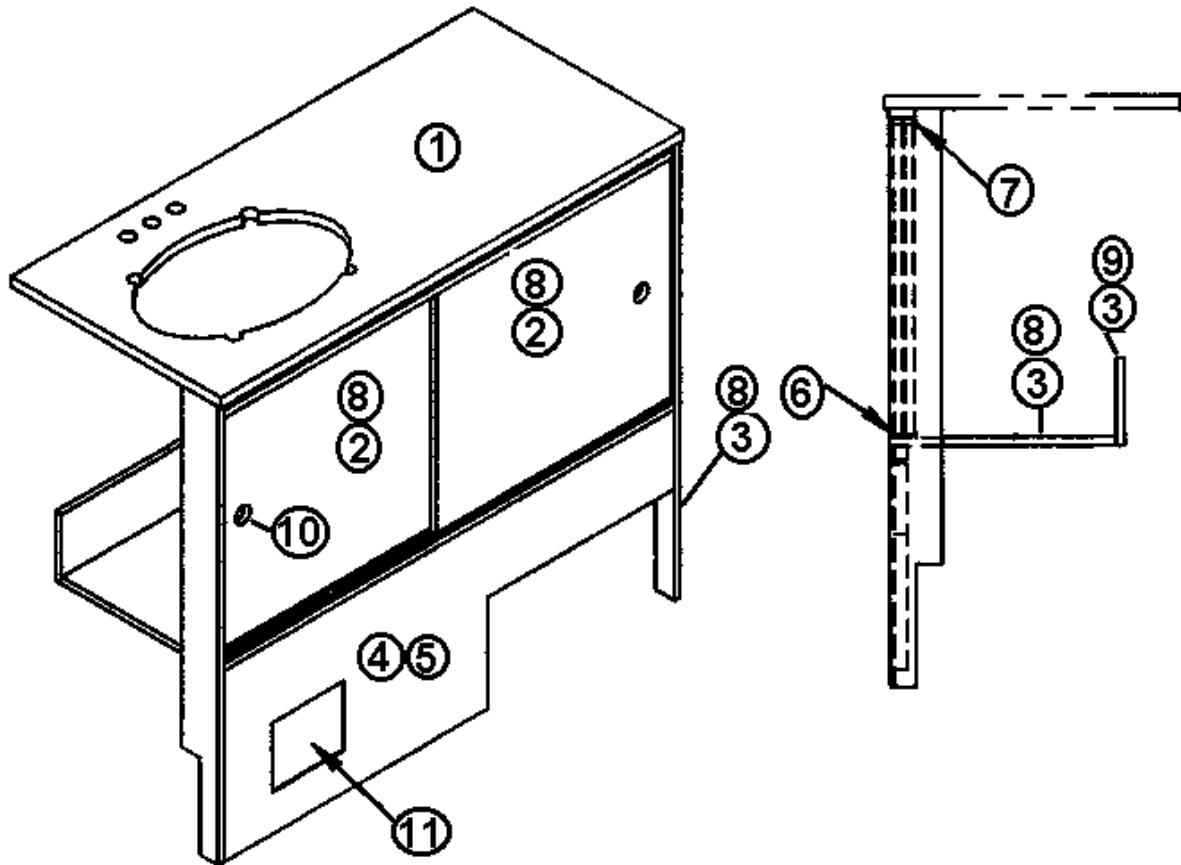


- | | |
|----------------|---------------------------------|
| 1. 801380-13 | Panel, Fwd, bath |
| 2. 801380-14 | Panel, Aft, bath |
| 3. 801380-15 | Panel, Middle, bath |
| 4. 801510 | PANEL, OAK/ASCOT 12MM |
| 5. 966208 | Toilet stand |
| 6. 964226 | Shower stand assembly |
| 7. 970028 | Shower seat support |
| 8. 201980 | Shower stall, fiberglass, 2 pc. |
| 9. 702937-03 | Shower door, Mylar roll-up |
| 10. 365268-03 | Edge tape, Tropical Oak, .625" |
| 11. 365201-04 | Edge tape, White, 5/8" wide |
| 12. 801415-007 | Corner trim, 1" radius |
| 13. 965567 | Bath door assembly |
| 115126 | CLOSE-OUT SHOWER |

2008 SAFARI- BAMBI

FURNITURE, BATH

Lavatory Cabinet, 25' Twin & Double Rear Bed



2008 SAFARI- BAMBI

FURNITURE, BATH

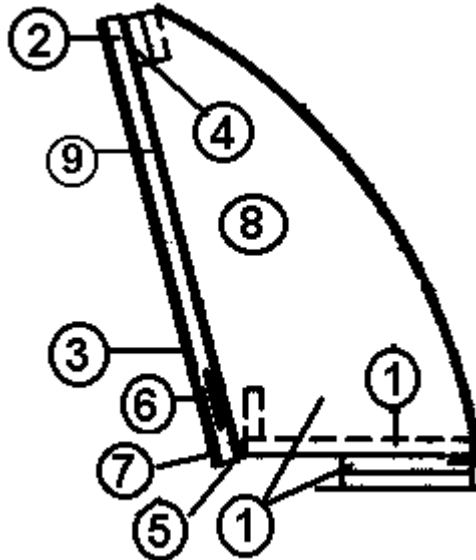
Lavatory Cabinet, 25' Twin & Double Rear Bed

965671-05	Lavatory, 25', Sand Crystal, oval sink
965671-06	Lavatory, 25', Midnight Sun w/ round sink
965671-07	Lavatory, 25', Sand Crystal, oval sink
965671-08	Lavatory, 25', Midnight Sun, w/round sink
1. 801414-03	Top, used w/oval sink, Sand Crystal
1. 801414-04	Top assembly, used w/oval sink, Midnight Sun
1. 801611-02	Top, used w/round sink, Sand Crystal
1. 801611-03	Top, used w/round sink, Midnight Sun
2. 801369	PANEL, FROSTWHITE/WHITE LINER
2. 801377	PANEL, GRAPHITE/REX 4' X 8' 18", Graphite
3. 801392	Paneling, White/White 12 MM
4. 800507-01	Luan, 1/8" x 4' x 8'
5. 801383-01	Paneling, Tropical Oak/White liner, 12mm
6. 200963-01	Track, sliding door, vanity, upper
7. 200963-02	Track, sliding door, vanity, lower
8. 365268-03	Edge tape, Tropical Oak, .625"
8. 365273	EDGEBANDING GRAPHITE
9. 365201-04	Edge tape, White, 5/8" wide
10. 381796	Knob, hollow
11. 600969-01	Register, 4" x 6", sand
203410	SINK-STAINLESS STEEL LAVY 10" X 15", OVAL
601804-01	SINK-LAVY YUKON ROUND

2008 SAFARI- BAMBI

FURNITURE, BATH

Medicine Cabinet, 25' Twin & Double Rear Bed

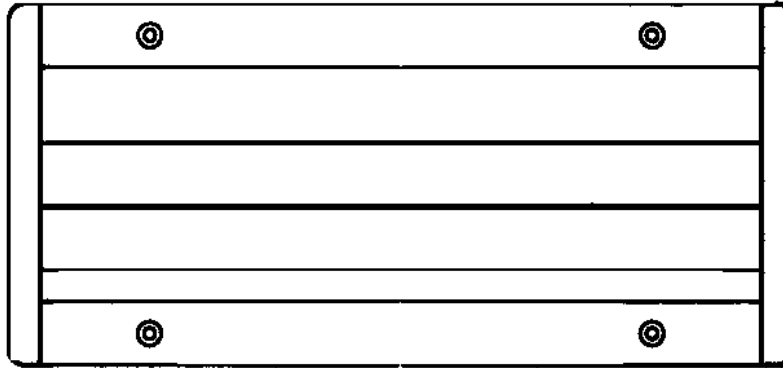


965676	Medicine Cabinet Assembly
1. 801392	PANEL, WHITELINER/WHITELINER
2. 801368	PANEL, WHITELINER/WHITELINER
3. 372203-04	Mirror, 36" x 14"
4. 385935-01	Hinge, pivot
5. 365201-04	Edge Tape, 5/8", colonial white
6. 381228	Grabber door catch
7. 381835	Handle, chrome/brass, door/drawer
8. 801355-01	Laminate, Frost White, 4' x 8', vertical
9. 380024	ARMS SUPPORT RIGHT HAND
381611-01	COSMETIC CABINET 30" X 9"

2008 SAFARI- BAMBI

FURNITURE, BATH

Spice Rack, 25' Twin & Double Rear Bed

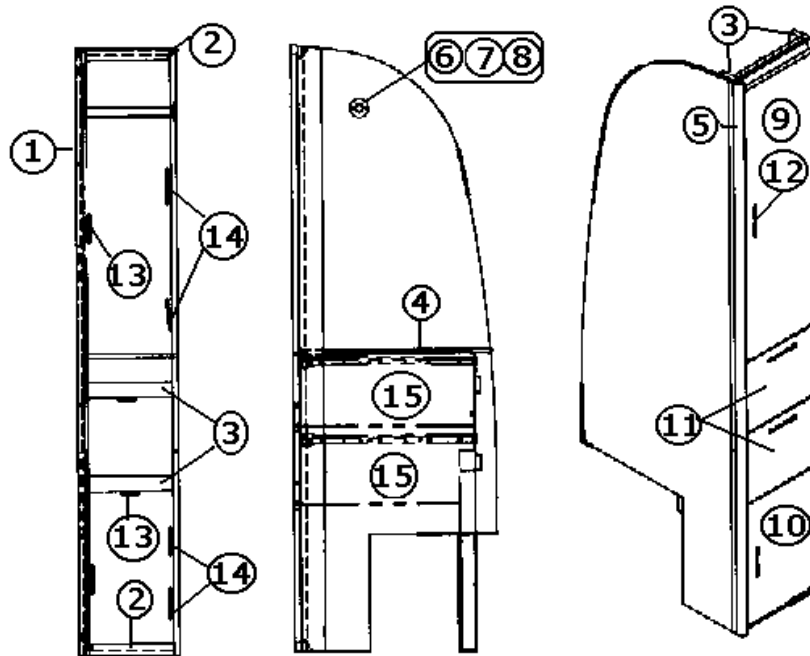


964532-007 Spice Rack, 20"

2008 SAFARI- BAMBI

FURNITURE, BATH

Wardrobe, w/Drawers, 25' Front Double Bed

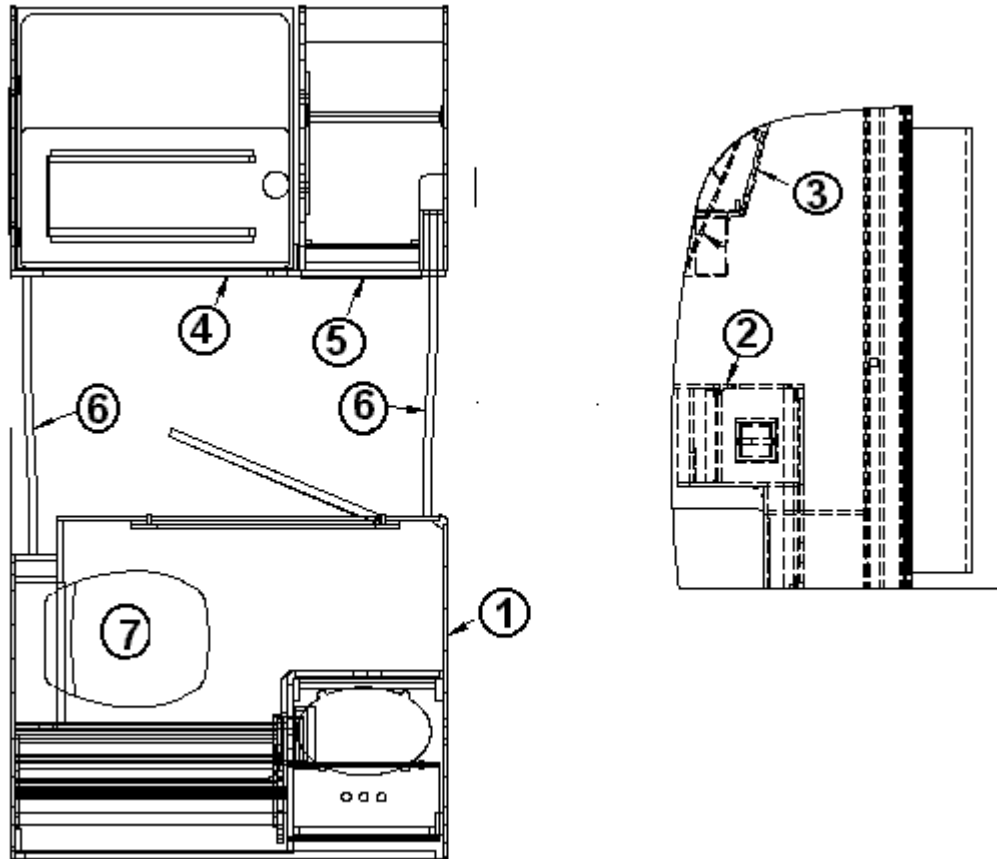


- | | |
|---------------|----------------------------------------|
| 965692-01 | Wardrobe Assembly, w/Drawers |
| 1. 801548-09 | Panel, Aft RS wardrobe |
| 2. 801383-01 | Panel, Tropical Oak/White liner |
| 3. 801368 | Panel, white Rexel/white Rexel |
| 4. 801392 | Panel, Tropical Oak/white liner, 12 mm |
| 5. 801706-007 | Corner trim, 90 degree radius |
| 6. 380046 | Chrome flange |
| 7. 380045 | Tubing, 3/4" metal |
| 8. 200975-04 | Conduit, black plastic |
| 9. 801341-58 | Door, 11.38" x 38.13" |
| 10. 801341-50 | Door, 11.38" x 17.00" |
| 11. 801341-51 | Door, 11.38" x 9.88" |
| 12. 382044 | Door handle |
| 13. 381228-01 | Grabber catch, door |
| 14. 381607 | Hinge assembly |
| 15. 965555-02 | Drawer box assembly |
| 16. 365268-05 | EDGE BANDING-PVC-LAMITECK T.OAK |
| 17. 365268-03 | Edge tape, Tropical Oak, .024" x .63" |
| 18. 203434 | Spacer plastic door slide |
| 381773-25 | DRAWER SLIDE-8.38"X 21.63" (PAIR) |
| 453571 | WIRE CLOSEOUT, DOUBLE BED |

2008 SAFARI- BAMBI

FURNITURE, BATH

Bath Module, 28' W

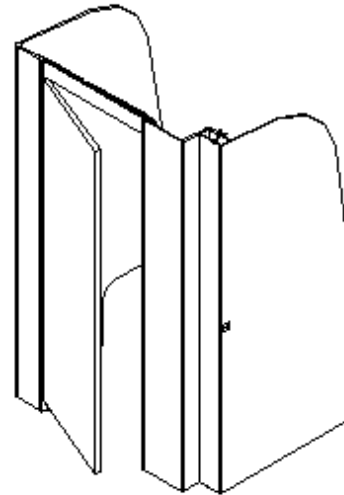
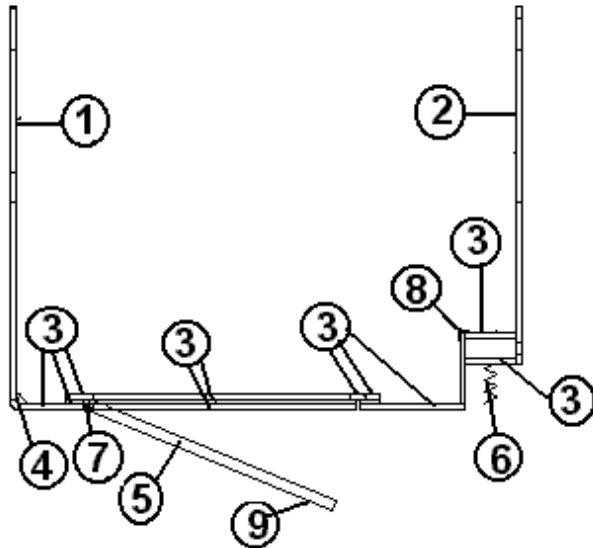


- | | |
|--------------|----------------------------------------|
| 1. 965874 | Bath module assembly |
| 2. 965875-05 | Lavy cabinet, Midnight Sun, oval sink |
| 2. 965875-06 | Lavy cabinet, Sand Crystal, oval sink |
| 2. 965875-07 | Lavy cabinet, Sand Crystal, round sink |
| 2. 965875-08 | Lavy cabinet, Midnight Sun, round sink |
| 3. 965714 | Medicine cabinet assembly |
| 4. 965856 | Shower compartment assembly |
| 5. 965848 | Wardrobe assembly |
| 6. 702681-03 | DOOR FOLDETTTE 46" X 73" BEIGE |
| 7. 690495-01 | TOILET THETFORD AQUAMAGIC V HI |
| PROFILE | |

2008 SAFARI- BAMBI

FURNITURE, BATH

Door/Walls Bath, 28' W

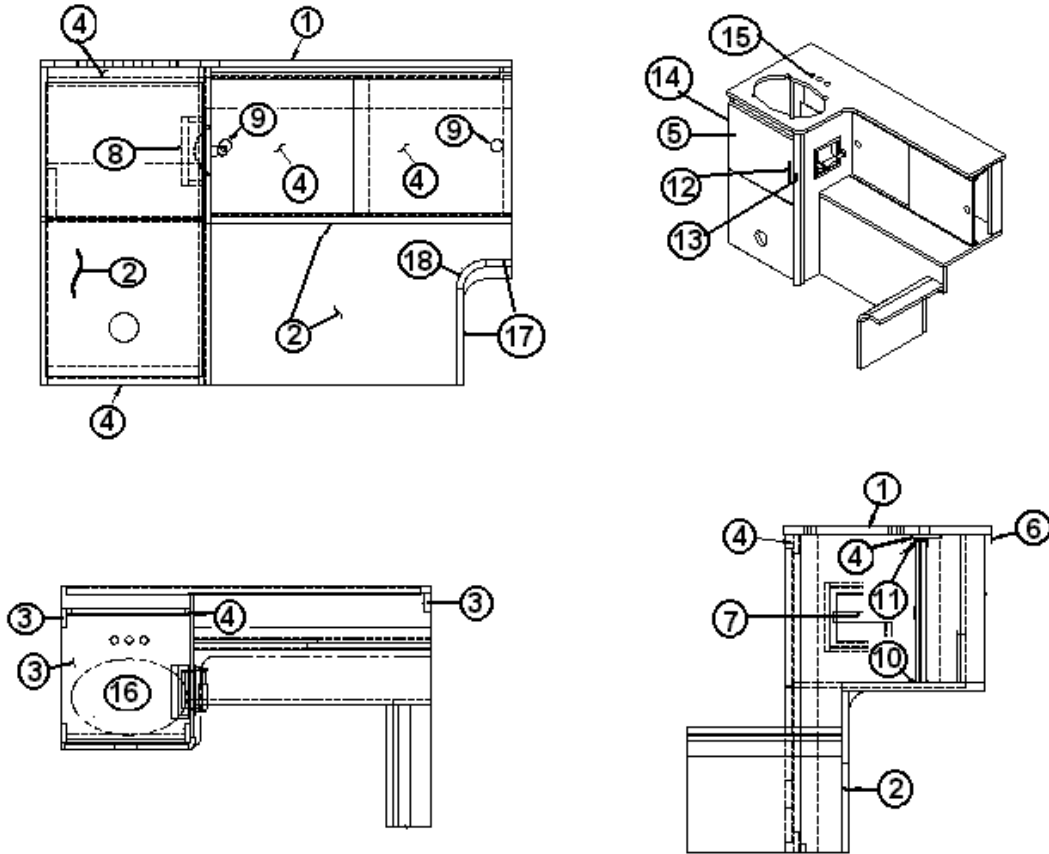


- | | |
|---------------|--------------------------------|
| 1. 801454-07 | Panel, forward latrine |
| 2. 801454-08 | Panel, aft latrine |
| 3. 801510 | PANEL, OAK/ASCOT |
| 4. 801415-007 | Corner trim, 1" radius |
| 5. 965567 | Door assembly, 25.50" x 72.00" |
| 6. 702681-03 | DOOR FOLDETTTE 46" X 73" BEIGE |
| 7. 380458 | Hinge, piano, brown anodized |
| 8. 801706-007 | Corner molding, Artic, 1.88" |
| 9. 381771-01 | Latch, privacy, lever lock set |

2008 SAFARI- BAMBI

FURNITURE, BATH

Lavatory Cabinet, 28' W



Part numbers on the next page.

2008 SAFARI- BAMBI

FURNITURE, BATH

Lavatory Cabinet Assembly, 28' W

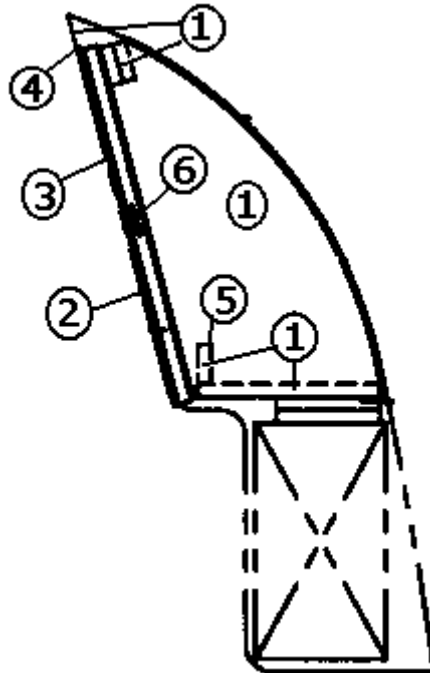
965875-05	Lavatory cabinet, Midnight Sun, w/oval sink
965875-06	Lavatory cabinet, Sand Crystal, w/oval sink
965875-07	Lavatory cabinet, Sand Crystal, w/round sink
965875-08	Lavatory cabinet, Midnight Sun, w/round sink
1. 965876-03	Lavatory top, Midnight Sun, used w/oval sink
1. 965876-04	Lavatory top, Sand Crystal, used w/oval sink
1. 801613-03	Lavatory top, Midnight Sun, used w/round sink
1. 801613-04	Lavatory top, Sand Crystal, used w/round sink
1. 801369	PANEL, FROST WHITE/WHITE LINER
2. 801383-01	Panel, Tropical Oak/Whiteliner, 12MM
3a. 801377	PANEL, GRAPHITE, 4' X 8' 18"
3. 801706-007	Corner trim, 90 degree, 1" radius
4. 801341-67	Door/drawer, 16.31" x 14.13"
5. 114812	Aluminum angle, 1" x 1"
6. 381299	Toilet holder, recessed
7. 965572	Paper holder closeout
8. 381796	Knob, hollow brass, nickel
10. 200963-02	Track, sliding door, vanity lower
11. 200963-01	Track, sliding door, vanity upper
12. 382044	Handle, drawer/door
13. 381228-01	Door grabber catch
14. 381607	Hinge assembly
15. *601825	Faucet, lavy chrome, Moen, Villetta
15. *602216	Faucet, lavy, Moen, Chateau
16. 203410	Sink, SS, 10" x 15", oval
16. 601804-01	SINK-LAVY YUKON ROUND, CSA Units Only
17. 801345	Radius, plywood, .75" x 3" x 8'
18. 365267	EDGE BANDING-1.13" .024 PLY
18. 365273	EDGE BANDING GRAPHITE

601825 replaced by 602216 late in model year, begins 523330.

2008 SAFARI- BAMBI

FURNITURE, BATH

Medicine Cabinet, 28' W

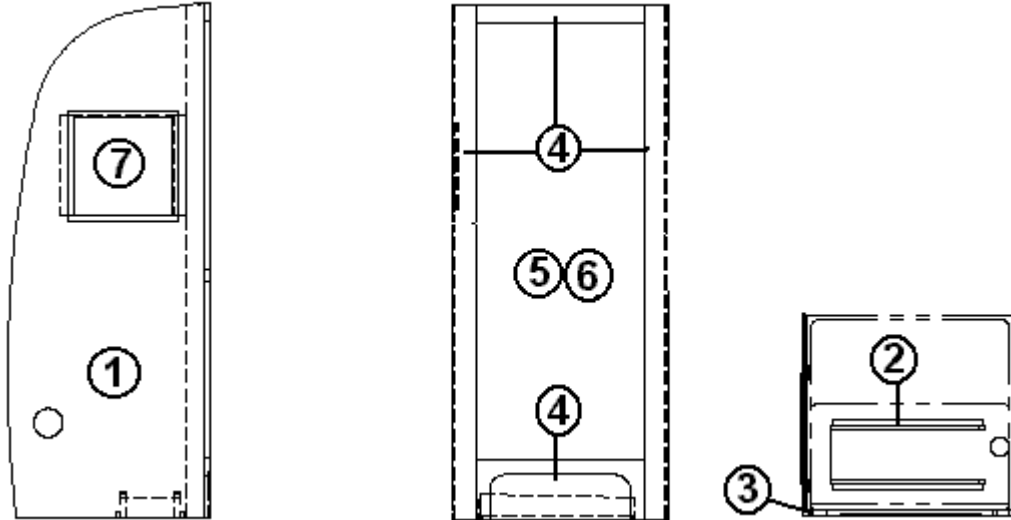


965714	Medicine Cabinet Assembly, 28' W
1. 801392	PANEL, WHITELINER/WHITELINER
2. 801368	PANEL, WHITELINERER/WHITELINERER
3. 372203-30	MIRROR-SAFETY 14" H X 30" W
4. 385935-01	HINGE PIVOT ZINC PLATED
5. 365201-04	EDGE BANDING TAPE PVC 5/8" COLONIAL WHITE
6. 381228-01	CATCH GRABBER DOOR C3-810
382044	HANDLE-BRUSHED NICKEL
381611-01	COSMETIC CABINET 30" X 9"
965987	CLOSE OUT-MEDICINE CABINET
380024	ARMS SUPPORT RIGHT HAND

2008 SAFARI- BAMBI

FURNITURE, BATH

Shower Compartment, 28' W



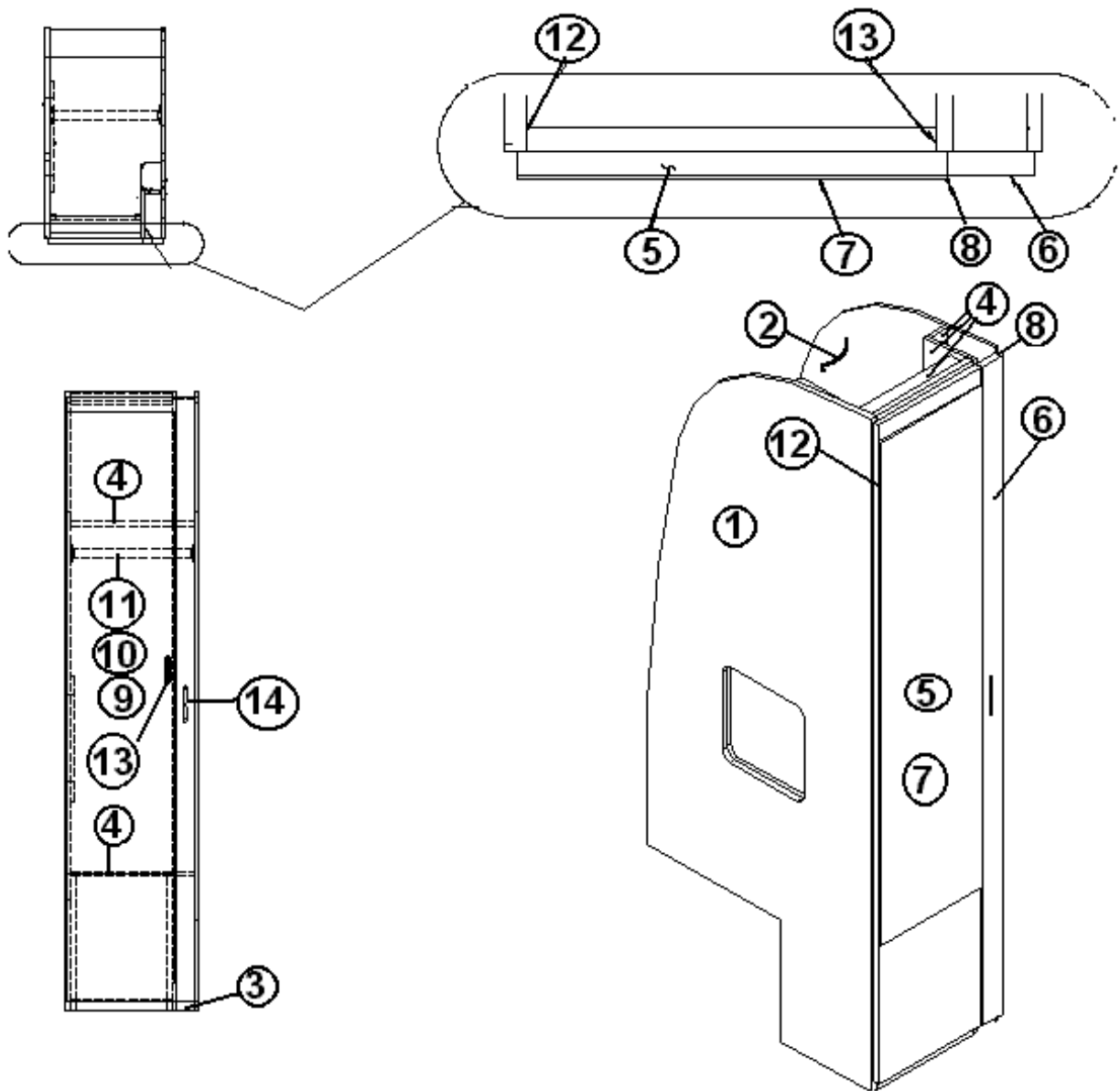
1. 801454-06
2. 965816
3. 801392
4. 801376-01
5. 203081-01
6. 703626-01
7. 381832
203445

- Panel, aft shower
Shower stand assembly
Panel, Whiteliner/Whiteliner, 12MM
Panel, Tropical Oak/Tropical Oak, 18MM
Shower stall. 2 piece
SHOWER DOOR-BRUSHED NICKEL
TV shelf, recessed
T-MOLDING BLK FLEXIBLE POLY .5

2008 SAFARI- BAMBI

FURNITURE, BATH

Wardrobe, 28' W



Part Numbers on the next page.

2008 SAFARI- BAMBI

FURNITURE, BATH

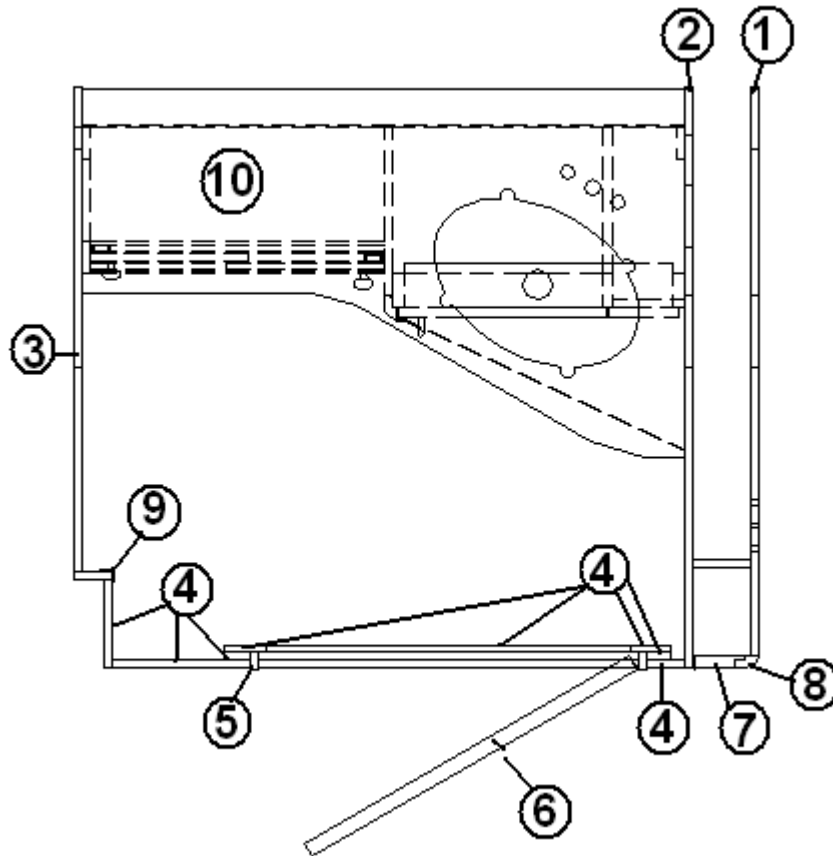
Wardrobe, 28' W

965848	Wardrobe Assembly, 28' W
1. 801454-05	Panel, forward wardrobe
2. 801454-04	Panel, aft wardrobe
3. 801376-01	Panel, Trop. Oak/Trop. Oak, 18 MM
4. 801392	Paneling, Whiteliner/Whiteliner
5. 801341-64	Door, 13.63" x 76.76"
6. 801341-63	Door, 2.75" x 75.56"
7. 372203-26	Mirror, polished edges, 13.62" x 58.50"
8. 380203-01	Hinge, piano
9. 380046	Flange, chrome
10. 380045	Tubing, metal, 3/4"
11. 200975-04	Conduit, black flexible
12. 381607	Hinge assy. European
13. 381228-01	Door grabber catch
14. 382044	Handle, door
965762	CLOSEOUT ASSY., WARDROBE

2008 SAFARI- BAMBI

FURNITURE, BATH

Bath Module, 25' Front Bed

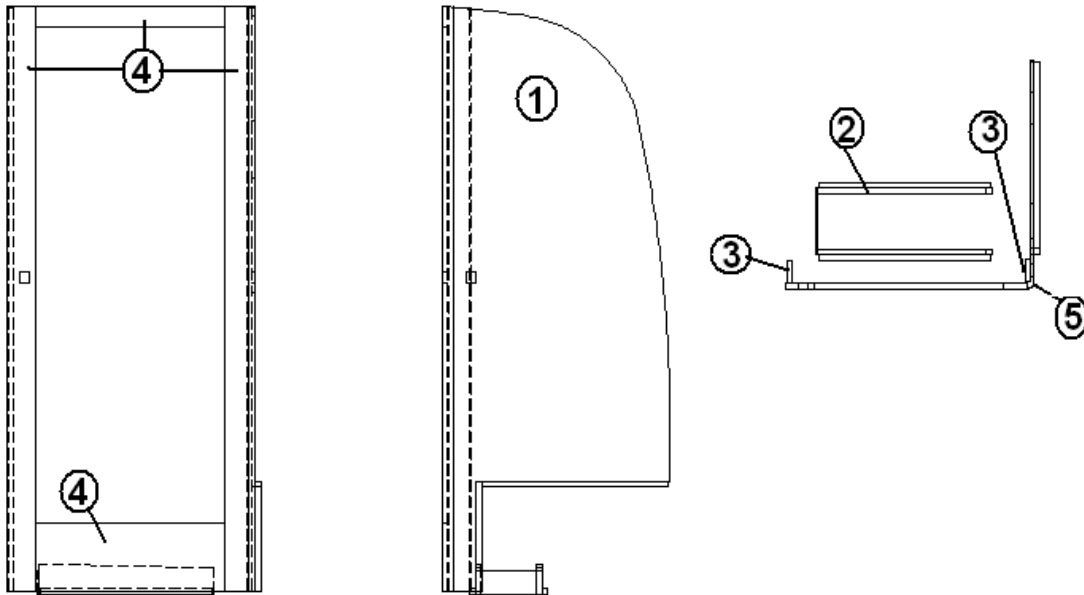


- | | |
|---------------|-------------------------------------------|
| 1. 801548-07 | PANEL, BATH/PANTRY |
| 2. 801548-06 | PANEL, AFT BATH |
| 3. 801548-05 | PANEL, FWD BATHROOM |
| 4. 801510 | PANEL, OAK/ASCOT 12MM |
| 5. 801381-01 | PANEL, OAK/OAK 12MM |
| 6. 966409 | DOOR ASSY-"C"BATH 24" X 72.00" |
| 7. 801383-01 | PANEL, OAK/WHITE LINER |
| 8. 801706-007 | CORNER TRIM 90DEG. 1" RADIUS |
| 9. 801172-07 | MOLDING-CORNER ASCOT SAND 8' |
| 10. 966237-04 | Lavatory, Sand Crystal used w/oval sink |
| 10. 966237-05 | Lavatory, Midnight Sun, used w/round sink |
| 10. 966237-06 | Lavatory, Sand Crystal, used w/round sink |
| 10. 966237-07 | Lavatory, Midnight Sun, used w/oval sink |
| 801548-01 | PANEL, AFT SHOWER |

2008 SAFARI- BAMBI

FURNITURE, BATH

Shower Compartment, 25' Front Bed

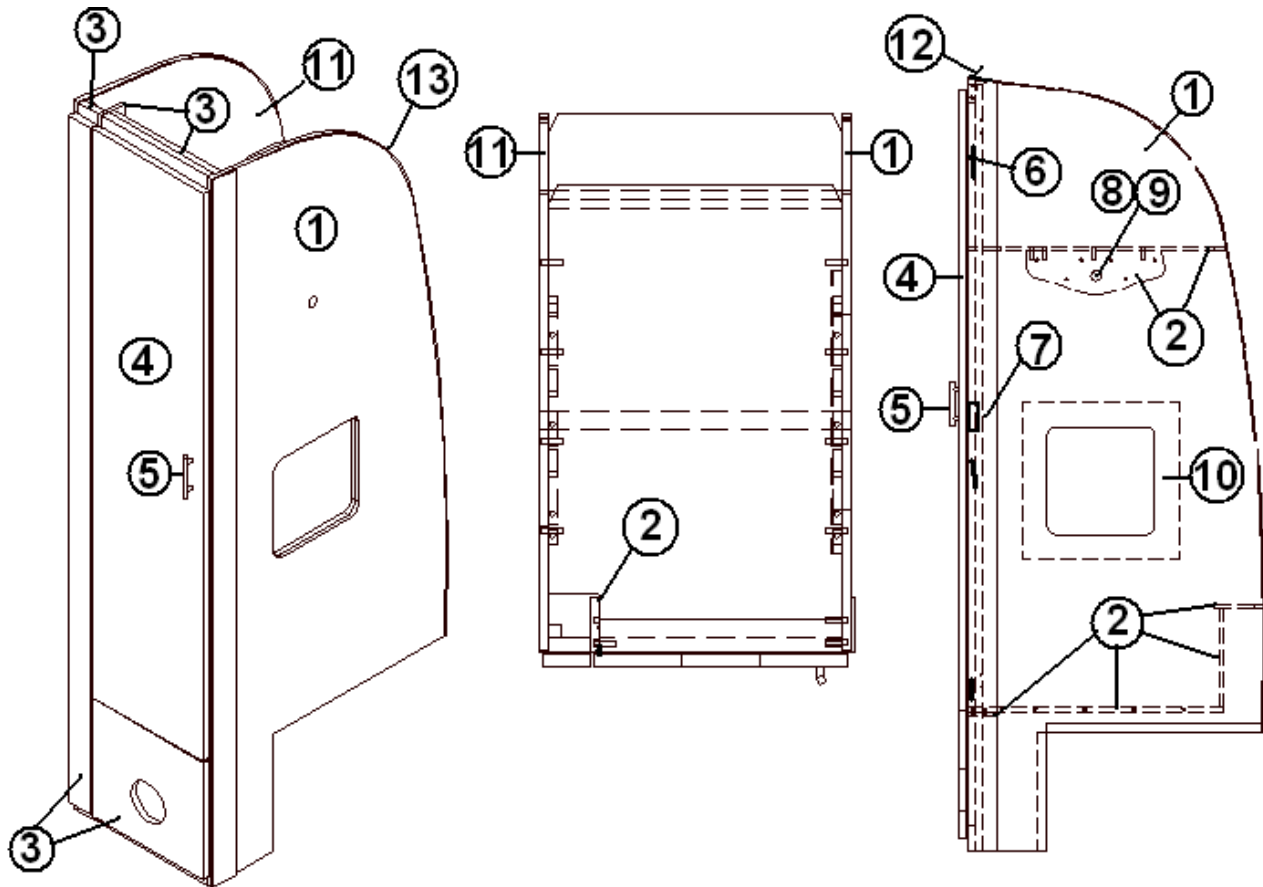


- | | |
|---------------|----------------------------------|
| 1. 801548-01 | PANEL, AFT SHOWER 25'FB |
| 2. 961916-01 | STAND ASSY-SHOWER |
| 3. 801392 | PANEL, WHITE/WHITE 12MM |
| 4. 801376-01 | PANEL, OAK/WHITE 18MM |
| 5. 801706-007 | CORNER TRIM-90D 1" RADIUS OAK |
| 203081 | SHOWER STALL 2 PC. |
| 703626-01 | SHOWER DOOR-BRUSHED NICKEL |
| 365268-05 | EDGE BANDING-PVC-LAMITECK T. OAK |

2008 SAFARI- BAMBI

FURNITURE, BATH

Wardrobe, 25' Front Bed

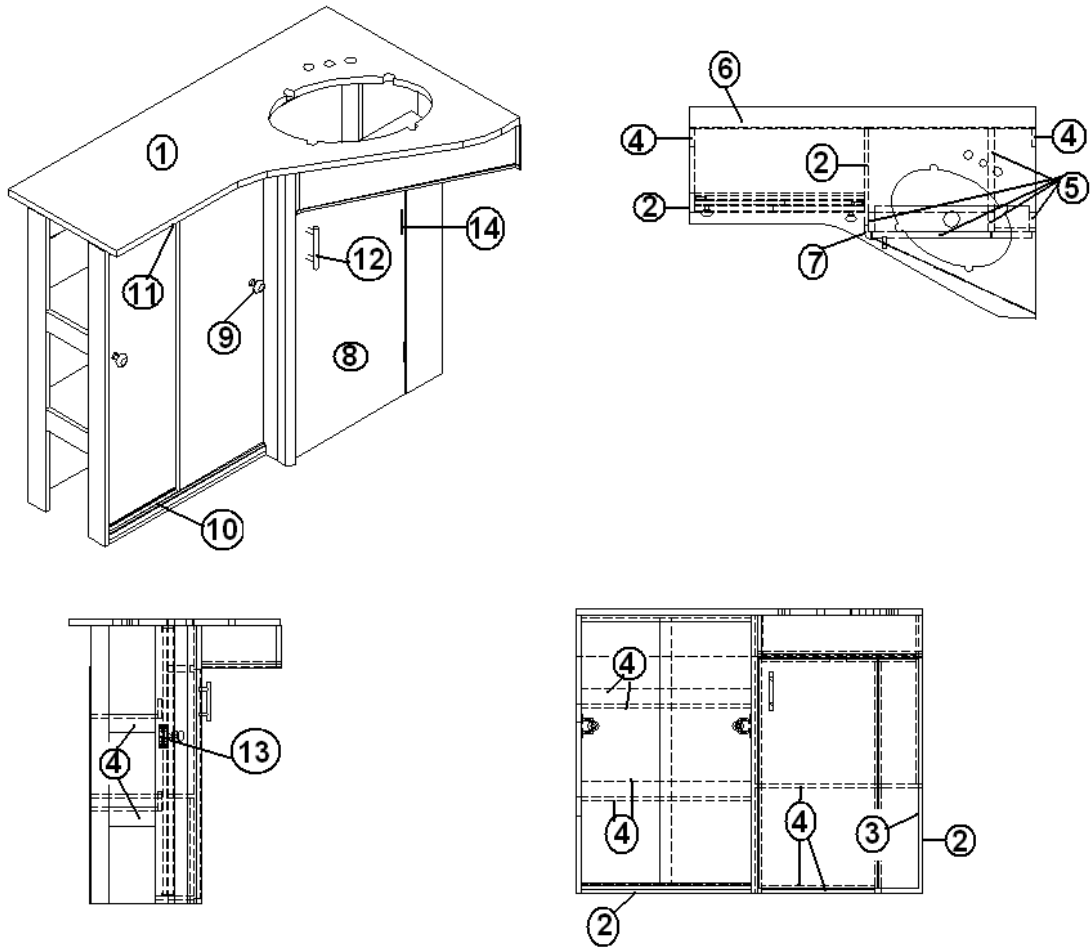


- | | |
|---------------|---------------------------------|
| 966240 | WARDROBE ASSY |
| 1. 801548-04 | PANEL, FWD W/R |
| 2. 801392 | PANEL, WHITE/WHITE 12MM |
| 3. 801376-01 | PANEL, OAK/WHITE 18M |
| 4. 801341-212 | DOOR-RS WARDROBE 14.25 X 62.38 |
| 5. 382044 | PULL-BAR BRUSH NICKEL |
| 6. 381607 | Hinge assembly |
| 7. 381228-01 | Grabber catch, door |
| 8. 380045 | TUBING 3/4" |
| 9. 200975-04 | CONDUIT, FLEXIBLE BLACK PLASTIC |
| 10. 965762 | CLOSEOUT ASSY. WARDROBE |
| 11. 801548-03 | PANEL, AFT REFRIGERATOR |
| 12. 104821 | ROOF LOCKER SUPPORT |
| 13. 203138-04 | EXTRUSION, PLASTIC, 1/2" OAK |
| 801172-07 | MOLDING-CORNER ASCOT SAND 8' |

2008 SAFARI- BAMBI

FURNITURE, BATH

Lavatory Cabinet, 25' Front Bed



Part Numbers On the Next Page

2008 SAFARI- BAMBI

FURNITURE, BATH

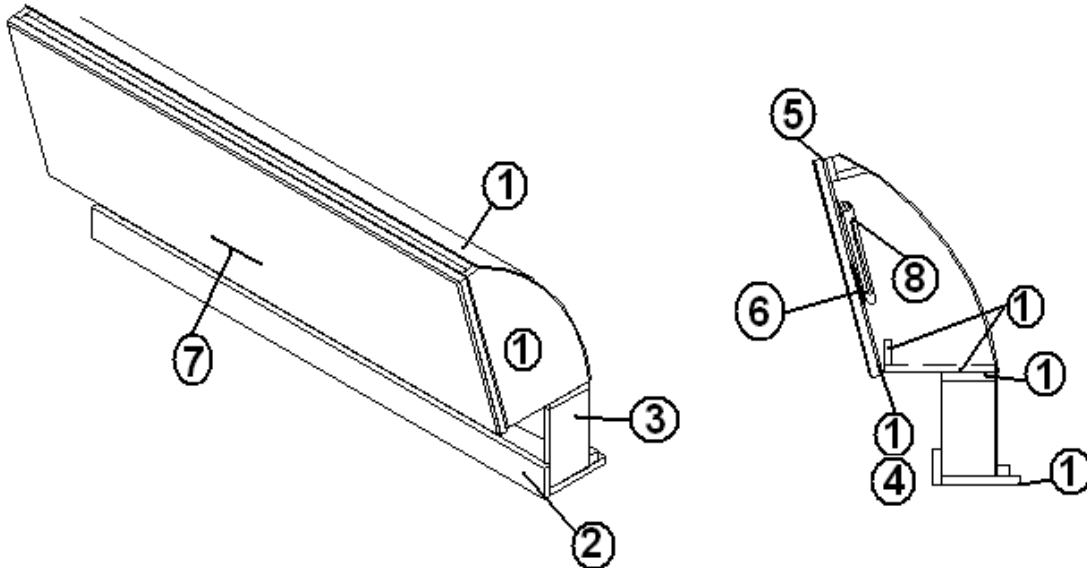
Lavatory Cabinet, 25' Front Bed

966237-04	Lavatory cabinet, Sand Crystal used w/oval sink
966237-05	Lavatory cabinet, Midnight Sun, used w/round sink
966237-06	Lavatory cabinet, Sand Crystal, used w/round sink
966237-07	Lavatory cabinet, Midnight Sun, used w/oval sink
1. 966242-02	Lavatory top, Sand Crystal, used on oval sink
1. 966242-03	Lavatory top, Midnight Sun, used on oval sink
1. 801615-02	Lavatory top, Sand crystal, used on round sink
1. 801615-03	Lavatory top, Midnight Sun, used on round sink
2. 801383-01	PANEL, OAK/WHITE
3. 801376-01	PANEL, OAK/WHITE 18MM
4. 801392	PANEL, WHITE/WHITE 12MM
5. 801368	PANEL, WHITE/WHITE
6. 801374	PANEL, WHITE LINER/RAW 3MM
7. 801706-007	CORNER TRIM 90DEG. 1" RADIUS
8. 801341-131	DOOR-LAVY 14.13"X 27.13"
9. 381796	KNOB HOLLOW 1.25"DIA BP1950H G
10. 200963-02	TRACK, SLIDING DOOR, VANITY, LOWER
11. 200963-01	TRACK,SLIDING DOOR, VANITY, UPPER
12. 382044	PULL-BAR BRUSH NICKEL
13. 381228-01	CATCH GRABBER DOOR
14. 381607	HINGE ASSY-GRASS EURO
454225	CLOSEOUT ASSY-LAVATORY
114070	EXTRUTION, J-TRIM, MILL FINISH

2008 SAFARI- BAMBI

FURNITURE, BATH

Medicine Cabinet, 25' Front Bed, 27' Front Bed

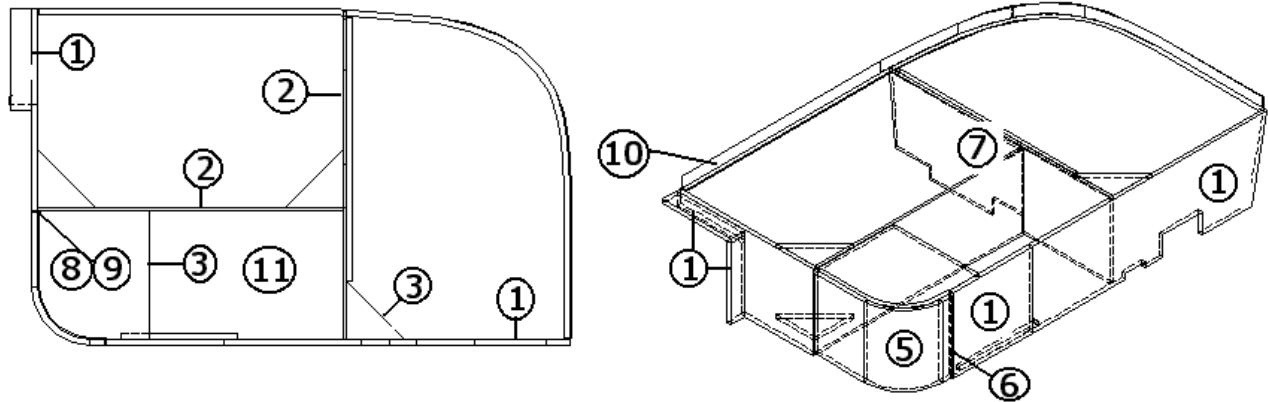


966225	MEDICINE CAB.ASSY
1. 801392	PANEL, WHITE/WHITE 12MM
2. 801383-01	PANEL, OAK/WHITE
3. 801438	PANEL, WHITE VINYL/RAW
4. 372203-33	MIRROR-SAFETY .125" X 14" X 40"
5. 385935-01	HINGE PIVOT ZINC PLATED
6. 381228-01	CATCH GRABBER DOOR
7. 381835	HANDLE-CHROME/BRASS
8. 380024	ARMS SUPPORT RIGHT HAND

2008 SAFARI- BAMBI

FURNITURE, BEDROOM

Bed, 19', 23'

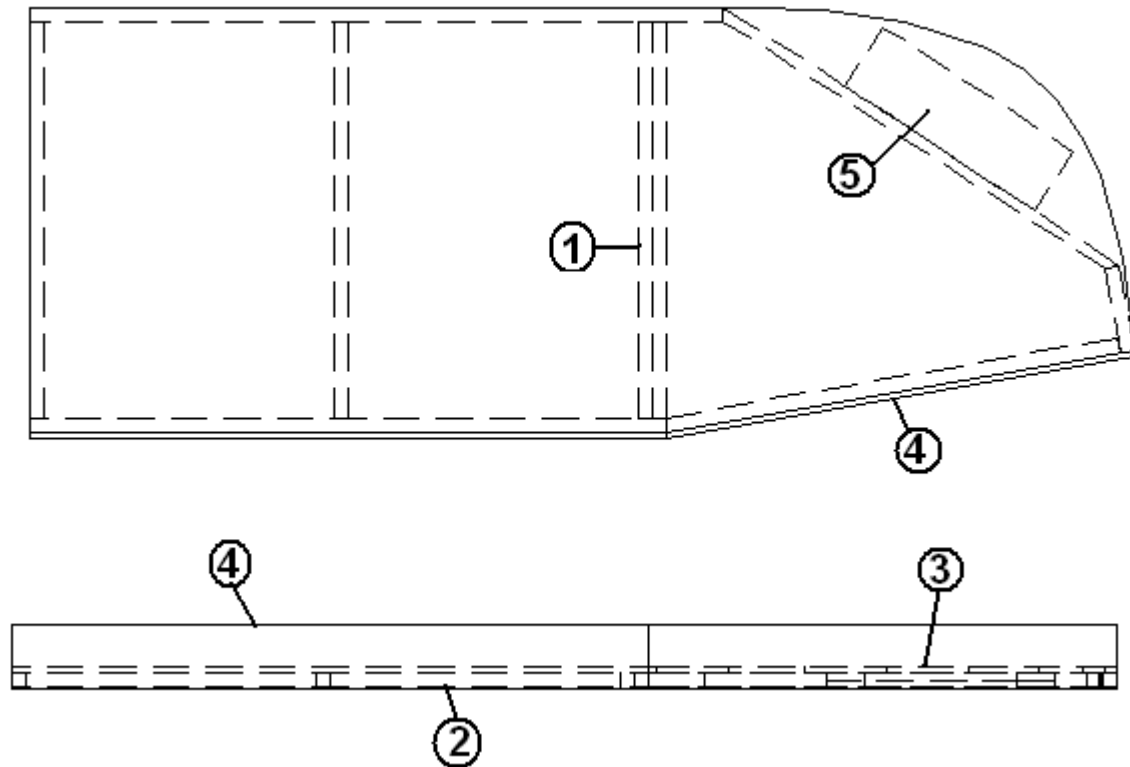


- | | |
|--------------|----------------------------------------|
| 965753 | Bed Base Assembly |
| 1. 801376-01 | Paneling, Tropical Oak/White, 4' x 8' |
| 2. 801392 | Paneling, White/White 12 MM |
| 3. 801351 | LITE PLY-18MM (.75") 4' X 8' |
| 4. 801348 | Radius plywood, .75" x 8" x 6' |
| 5. 966058 | DOOR ASSY. BED |
| 6. 381853 | HINGE, PIANO |
| 7. 703696 | MATTRESS-48" X 76" W/10" RADIUS CORNER |
| 8. 382044 | Door handle |
| 9. 381948 | K-CATCH |
| 10. 114813 | Aluminum angle |
| 11. 203419 | BOX STORAGE 23"L X 16.75" WX 11.88" |
| 11. 203439 | STORAGE BOX-17"L X 11.13"W X 6.38" |
| 701538-01 | CARPET, ECONOLIER W/PSA BACK |
| 115150 | ANGLE-BED SUPPORT 80" |
| 203587 | Wedge support, radius door |

2008 SAFARI- BAMBI

FURNITURE, BEDROOM

Bed, 19', 23', Upper Bunk

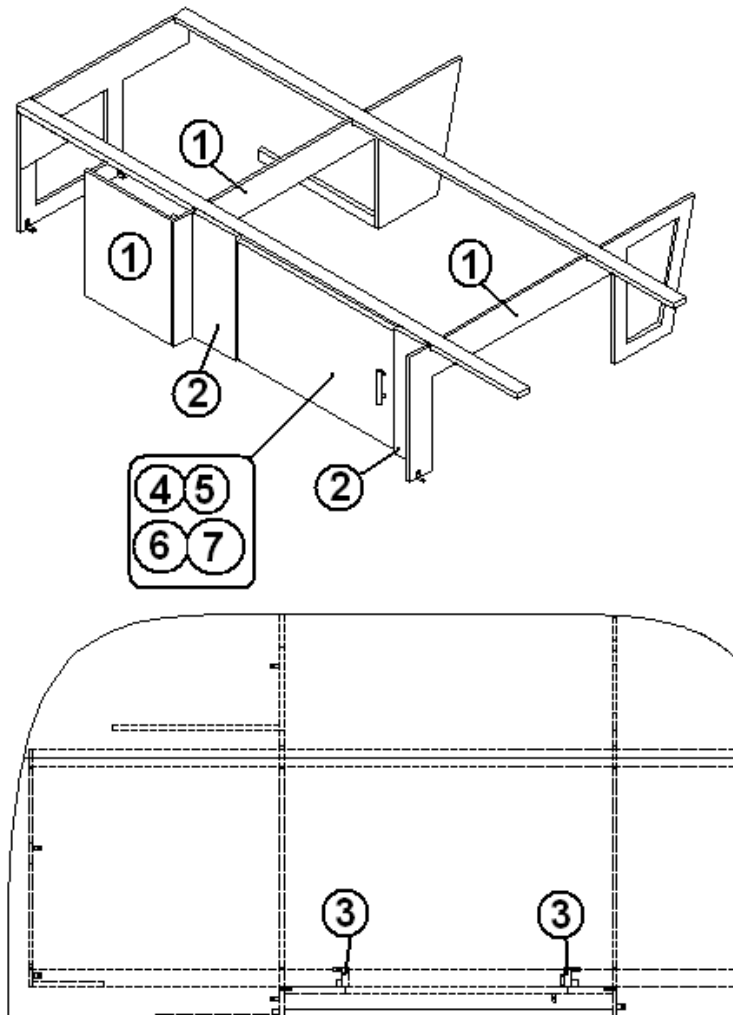


966352	BED, UPPER BUNK
1. 915841	WELDMENT- UPPER BUNK BED
2. 801438	PANEL, FROST WHITE VINYL/RAW
3. 800507-03	LAUAN, 3/8" X 4'X 8'
4. 801381-01	PANEL, OAK/OAK
5. 801392	PANEL, WHITELINER/WHITELINER
703468	UPPER BUNK SAFETY NET
381736-03	BRACE/RAIL-UPPER BUNK
703501	MATTRESS, UPPER BUNK

2008 SAFARI- BAMBI

FURNITURE, BEDROOM

Bed Base, 20'

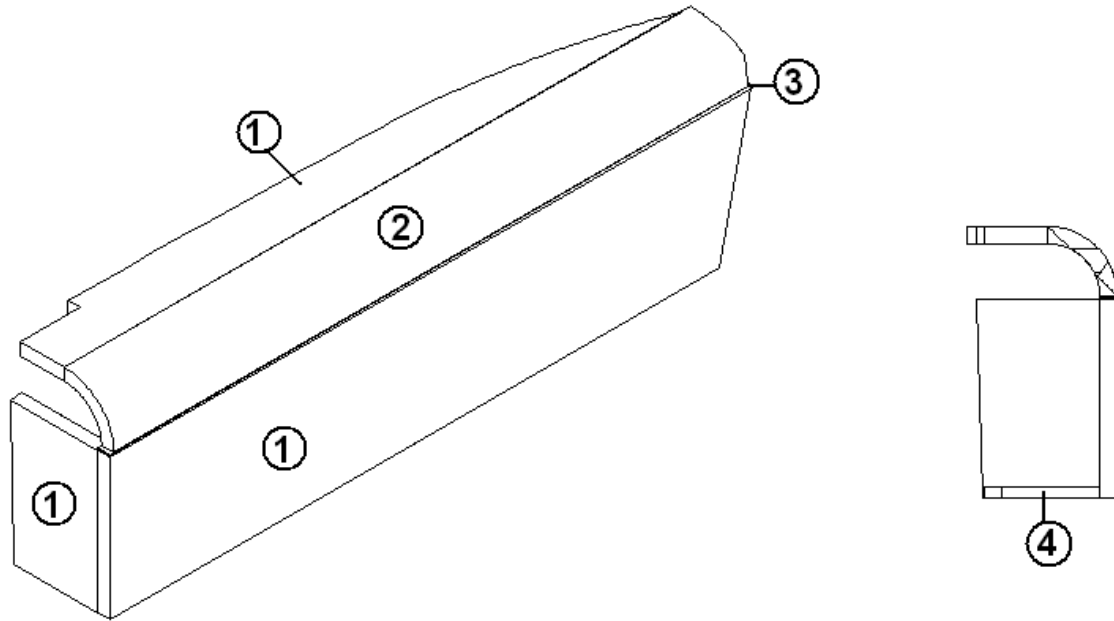


- | | |
|---------------|-----------------------------------|
| 966544 | BED ASSY. |
| 1. 801383-01 | PANEL, OAK/WHITE LINER 1 |
| 2. 801376-01 | PANEL, T.OAK/WHITE LINER 18MM |
| 3. 801368 | PANEL, WHITELINER/WHITELINER 18MM |
| 4. 801341-184 | DOOR-BED 26.75" X 16.5" |
| 5. 382044 | PULL-BAR BRUSH NICKEL |
| 6. 381607 | HINGE ASSY-GRASS EURO |
| 7. 381228-01 | CATCH GRABBER DOOR |

2008 SAFARI- BAMBI

FURNITURE, BEDROOM

Hamper, Roadside, 20'

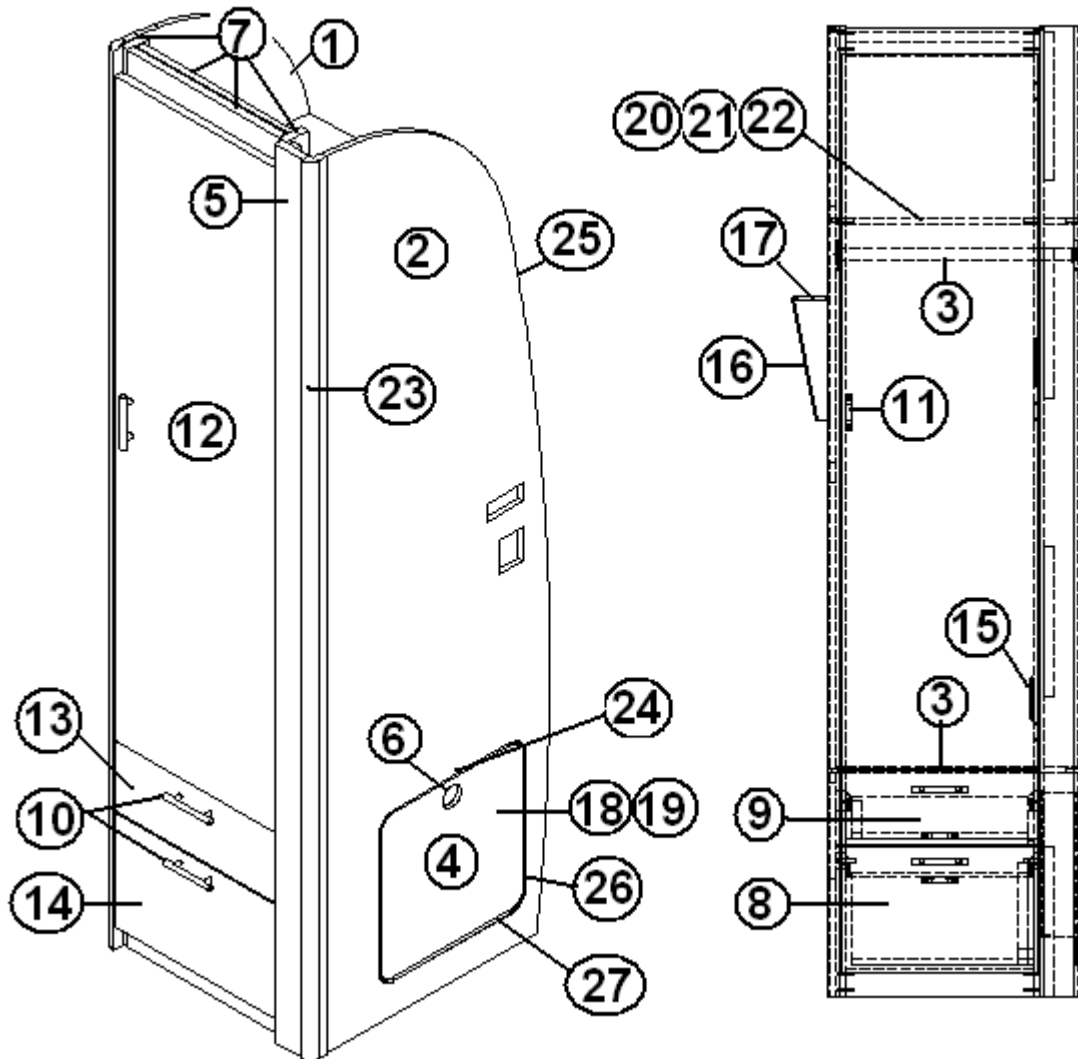


966545	RS HAMPER ASSY
1. 801378	PANEL, WHITE LINER/GATOR, 18MM
2. 801345	RADIUS PLYWOOD .75" X 3" X 8'
3. 380458	HINGE PIANO BROWN ANODIZED
4. 801392	PANEL, WHITELINER/WHITELINER 12MM
201673	REVERSE COVE MOLDING, WHITE, PLASTIC
702482-03	HEADLINER SPECTRA OPAL X TEXTURE

2008 SAFARI- BAMBI

FURNITURE, BEDROOM

Wardrobe, 20'



PART NUMBERS ON THE NEXT PAGE

2008 SAFARI- BAMBI

FURNITURE, BEDROOM

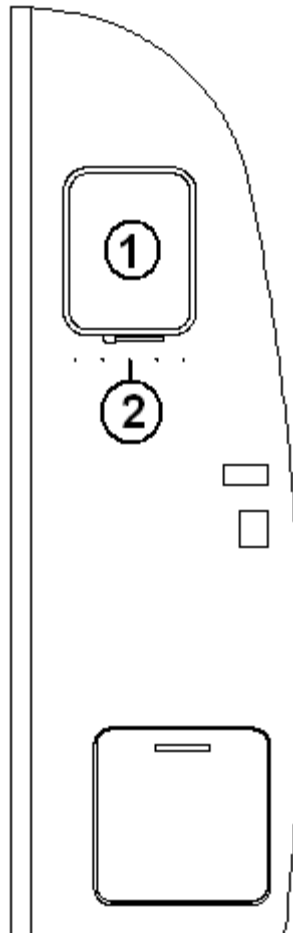
Wardrobe, 20'

966550	WARDROBE ASSY.
1. 801658-01	PANEL, FWD WARDROBE
2. 801658-02	PANEL, AFT WARDROBE
3. 801392	PANEL, WHITELINER/WHITELINER
4. 801383-01	PANEL, OAK/WHITE LINER
5. 801376-01	PANEL, T.OAK/WHITE LINER
6. 382026	PULL, FINGER, FLUSH, RECESSED, SS
7. 801368	PANEL, WHITELINER/WHITELINER
8. 965558-04	DRAWER BOX, 8" X 15.25" X 14.88"
8. 381773-21	DRAWER SLIDE-8.38" X 15.75"(PAIR)
9. 965642-01	DRAWER BOX, 3.38" X 15.25" X 14.88"
9. 381773-03	DRAWER SLIDE 15.75"
10. 382044	PULL-BAR BRUSH NICKEL
11. 381228-01	CATCH GRABBER DOOR
12.801341-185	DOOR-W/R 15.88" X 57.44"
13.801341-186	DOOR-W/R 15.88" X 6"
14.801341-187	DOOR-W/R 15.88" X 9.63"
15.381607	HINGE ASSY-GRASS EURO
16.386106-01	RACK, MAGAZINE WHITE
17.386107	ROD, MAGAZINE RACK
18.203383	RACK, MAGAZINE ABS
19.104821	SUPPORT, ROOFLOCKER, 74"
20.380045	TUBING ¾" ELECTRIC, METALLIC
21.200975-04	CONDUIT, FLEXIBLE BLACK PLASTIC
22.380046	FLANGE CHROME
23.801706-007	CORNER TRIM, 1" RADIUS, OAK
24.700822	HOOK, VELCRO, CIRCLE, ADHESIVE
25.203138-03	EXTRUSION PLASTIC WALL BEIGE
26.203445	T-MOLDING BLK FLEXIBLE POLY .5"
27.381951	HINGE, FORMED, PIANO

2008 SAFARI- BAMBI

FURNITURE, BEDROOM

Wardrobe Erase board and Key Hooks, 20'



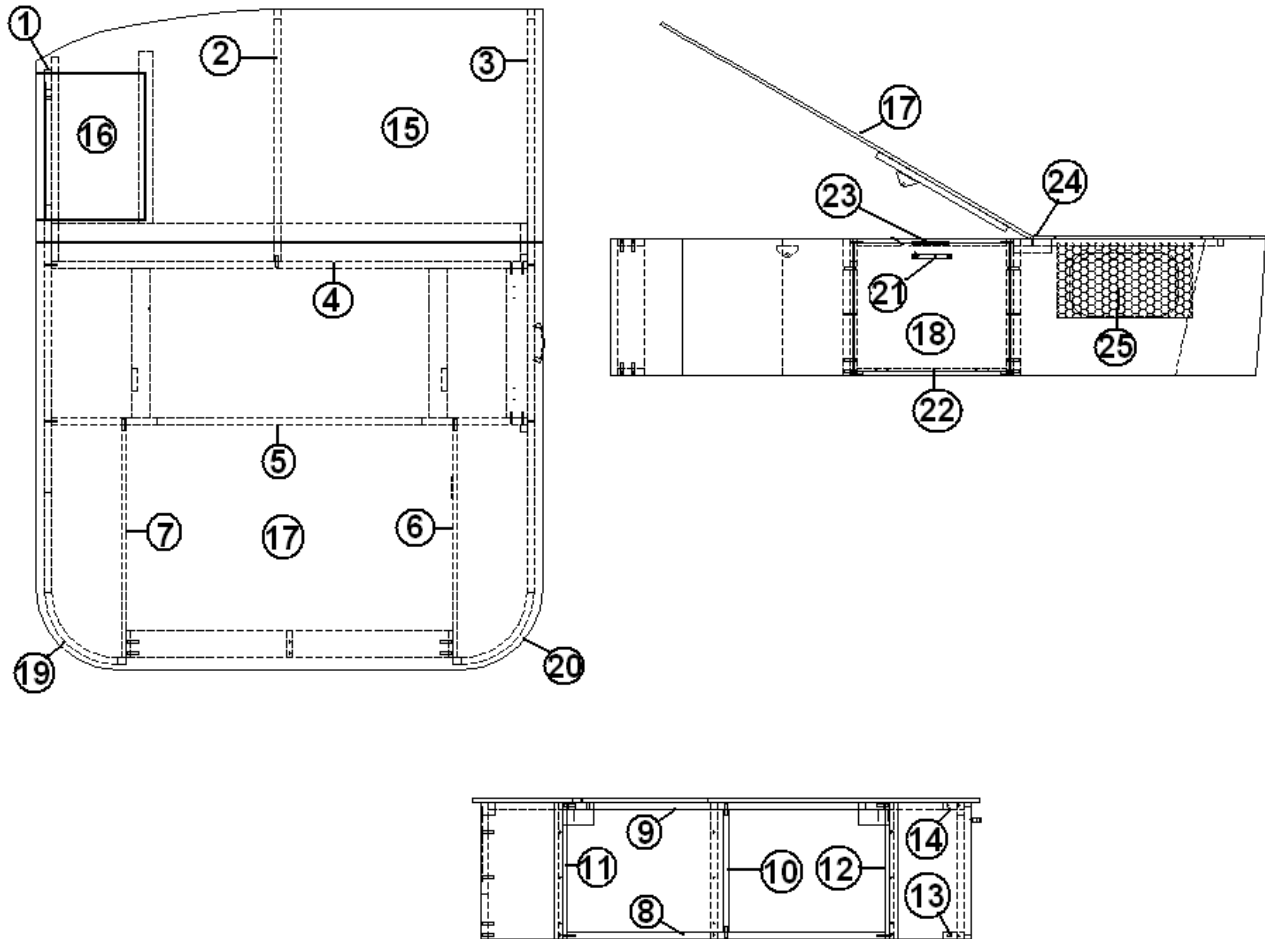
3. 381902
4. 381945

HOOK, STAINLESS STEEL, SCREW IN
BOARD, DRY/ERASE 11" X 14" MAGNETIC

2008 SAFARI- BAMBI

FURNITURE, BEDROOM

Bed, 23' Front Bed



PART NUMBERS ARE ON THE NEXT PAGE

2008 SAFARI- BAMBI

FURNITURE, BEDROOM

Bed, 23' Front Bed

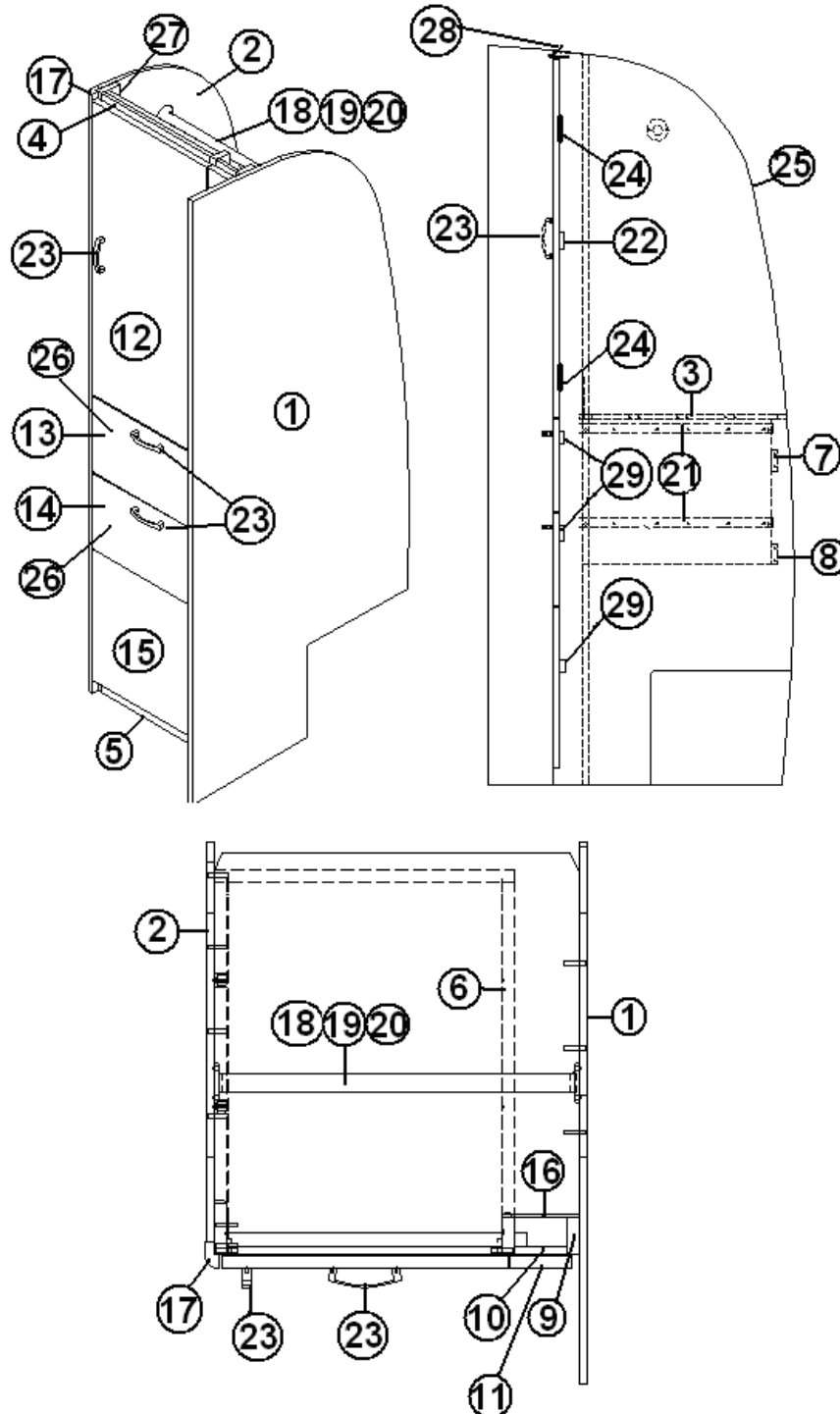
967167-03	BASE ASSY
1. 967167-031	PANEL, 15.13 X 46.62
2. 967167-032	PANEL, 28.11 X 15.13
3. 967167-033	PANEL, 27.8 X 15.13
4. 967167-034	PANEL, 15.13 X 52.5
5. 967167-035	PANEL, 15.13 X 52.50
6. 967167-036	PANEL, 25.75 X 15.13
7. 967167-037	PANEL, 25.75 X 15.13
8. 967167-038	PANEL, 3.00 X 35.13
9. 967167-039	PANEL, 3.00 X 35.13
10. 967167-0310	PANEL, 3.00 X 13.63
*11. 967167-0311	PANEL, 3.00 X 15.13
*12. 967167-0312	PANEL, 3.00 X 15.13
13. 967167-0313	PANEL, 16.50 X 2.25
14. 967167-0314	PANEL, 16.50 X 2.25
15. 967167-0315	PANEL, 56 X 26.53
16. 967167-0316	PANEL, 16 X 16
17. 967167-0317	PANEL, 56 X 47
18. 967167-0318	PANEL, 17.13 X 14.25
19. 967200-03	SUB ASSY, BED CORNER
20. 967201-03	SUB ASSY, BED CORNER
21. 382044	HANDLE, BRUSHED NICKEL
22. 381607	HINGE
23. 381228-01	CATCH GRABBER DOOR
24. 380203-01	PIANO HINGE 1/8" PIN CLR ANODIZED
25. 453783-05	GRILL SCREEN
703291	MATTRESS 60"X75" W/45DEG CORNE
203419	BOX STORAGE 23"LX16.75"WX11.88
381067-09	SPRING, GAS 90 LBS.
381262	BRACKET, PROP, W/BALL
381310	GAS PROP BRACKET ASSY, UPPER
381084	BALL, STUD
115209-02	DIAMOND PLATE 30" X 74"

***Items 11 and 12 deleted during model year.**

2008 SAFARI- BAMBI

FURNITURE, BEDROOM

Wardrobe, Bedroom, 23' Front Bed



PART NUMBERS ARE ON THE NEXT PAGE

2008 SAFARI- BAMBI

FURNITURE, BEDROOM

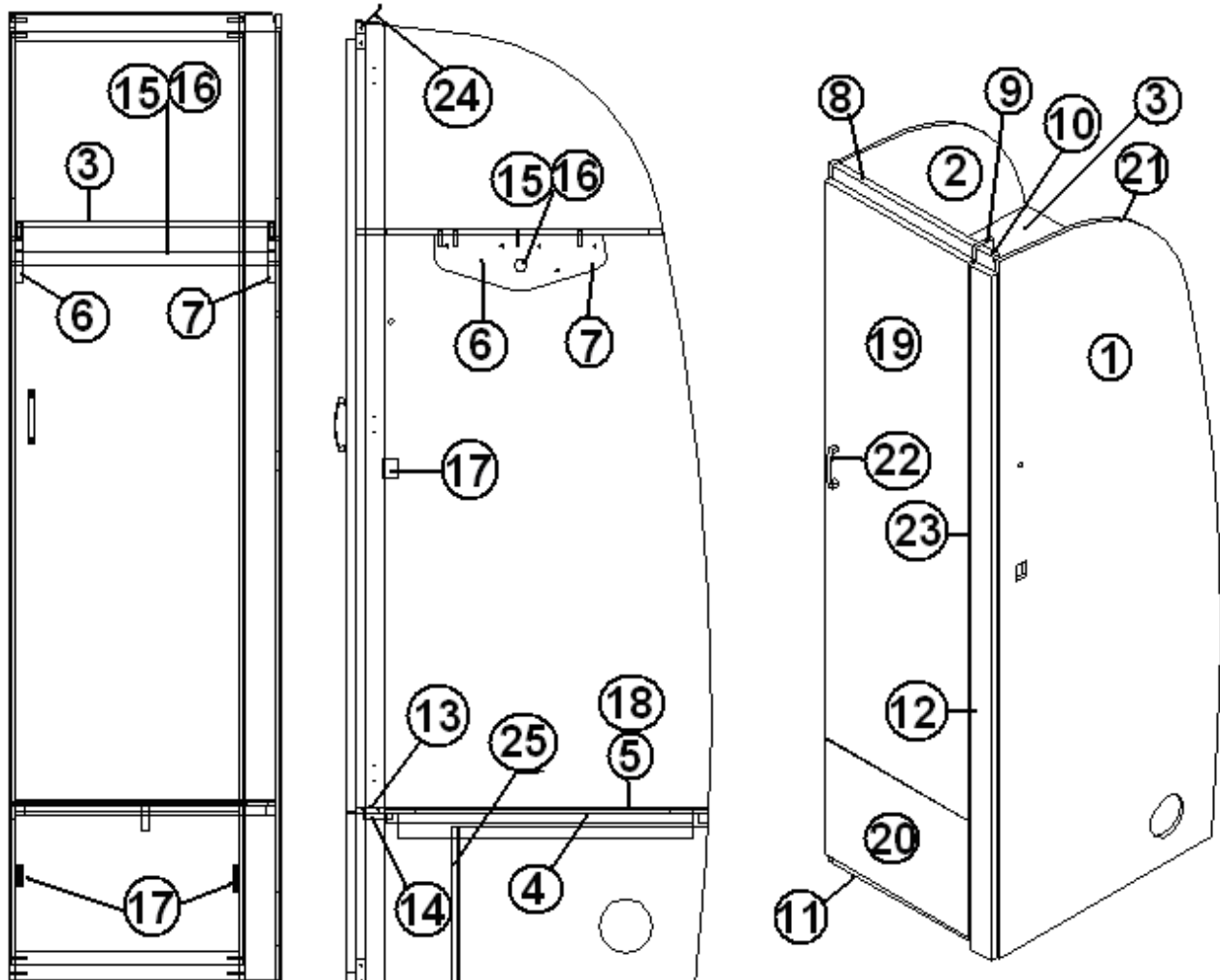
Wardrobe, Bedroom, 23' Front Bed

967162-03	WARDROBE, BEDROOM
1. 967162-031	PANEL, 32.47 X 78.51
2. 967162-032	PANEL, 23.98 X 77.77
3. 967162-033	PANEL, 24.00 X 21.75
4. 967162-034	PANEL, 2.25 X 16.44
5. 967162-035	PANEL, 2.25 X 16.44
6. 967162-036	PANEL, 22.25 X 77.84
7. 967162-037	PANEL, 17.94 X 2.25
8. 967162-038	PANEL, 17.94 X 2.25
9. 967162-039	PANEL, 2.25 X 77.84
10. 967162-0310	PANEL, 3.06 X 77.84
11. 967162-0311	PANEL, 3.69 X 75.25
12. 967162-0312	DOOR 17.06 X 38.13
13. 967162-0313	DOOR 17.06 X 9.88
14. 967162-0314	DOOR 17.06 X 9.88
15. 967162-0315	DOOR 17.06 X 17.00
16. 967162-0316	PANEL, 4 X 4.56
17. 801706-007	CORNER TRIM, 90 DEG. 1" RADIUS
18. 380045	TUBING, 3/4"
19. 200975-04	CONDUIT, FLEXIBLE BLACK PLASTIC
20. 380046	FLANGE CHROME
21. 381773-25	DRAWER SLIDE, 8.38"X 21.63" (PAIR)
21. 800028	PINE SUPPORTS, 3/4" x 1.5"
22. 381228-01	CATCH GRABBER DOOR
23. 382044	HANDLE-BRUSHED NICKEL
24. 381607	HINGE
25. 203138-04	EXTRUSION, PLASTIC 1/2" OAK
26. 965555-04	DRAWER BOX, 8.00 X 15.00" X 20.00"
27. 967162-0330	PANEL, 3.00 X 77.84
28. 104821	Roof locker support
29. 381228	CATCH GRABBER DOOR

2008 SAFARI- BAMBI

FURNITURE, BEDROOM

Wardrobe, Roadside, 23' Front Bed



PART NUMBERS ARE ON THE NEXT PAGE

2008 SAFARI- BAMBI

FURNITURE, BEDROOM

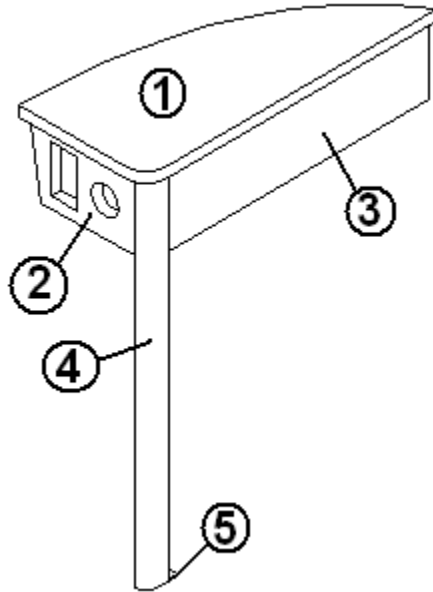
Wardrobe, Roadside, 23' Front Bed

967163-03	WARDROBE ASSY
1. 967163-031	PANEL, 28.79 X 78.24
2. 967163-032	PANEL, 28.79 X 78.24
3. 967163-033	PANEL, 24.88 X 21.00
4. 967163-034	PANEL, 22 X 26.25
5. 967163-035	PANEL, 22 X 26.25
6. 967163-036	PANEL, 14.00 X 4.5
7. 967163-037	PANEL, 14.00 X 4.50
8. 967163-038	PANEL, 2.25 X 18.06
9. 967163-039	PANEL, 2.25 X 78.28
10. 967163-0310	PANEL, 2.44 X 78.38
11. 967163-0311	PANEL, 2.25 X 18.06
12. 967163-0312	PANEL, 2.69 X 76.88
13. 967163-0313	PANEL, 2.25 X 18.06
14. 967163-0314	PANEL, 2.25 X 18.06
15. 380045	TUBING, 3/4"
16. 200975-04	CONDUIT, FLEXIBLE BLACK PLASTIC
17. 381228-01	CATCH, GRABBER, DOOR
18. 701538	CARPET, ECONOLIER, VELOUR BLACK
19. 967163-0321	DOOR, 18.69 X 62.56
20. 381607	HINGE
21. 382044	HANDLE, BRUSHED NICKEL
22. 967163-0322	DOOR, 18.69 X 13.00
23. 203138-04	EXTRUSION, PLASTIC 1/2"
24. 104821	Roof locker support
25. 967163-0329	PANEL, 14.13 X 21.00

2008 SAFARI- BAMBI

FURNITURE, BEDROOM

Nightstand, 23' Front Bed

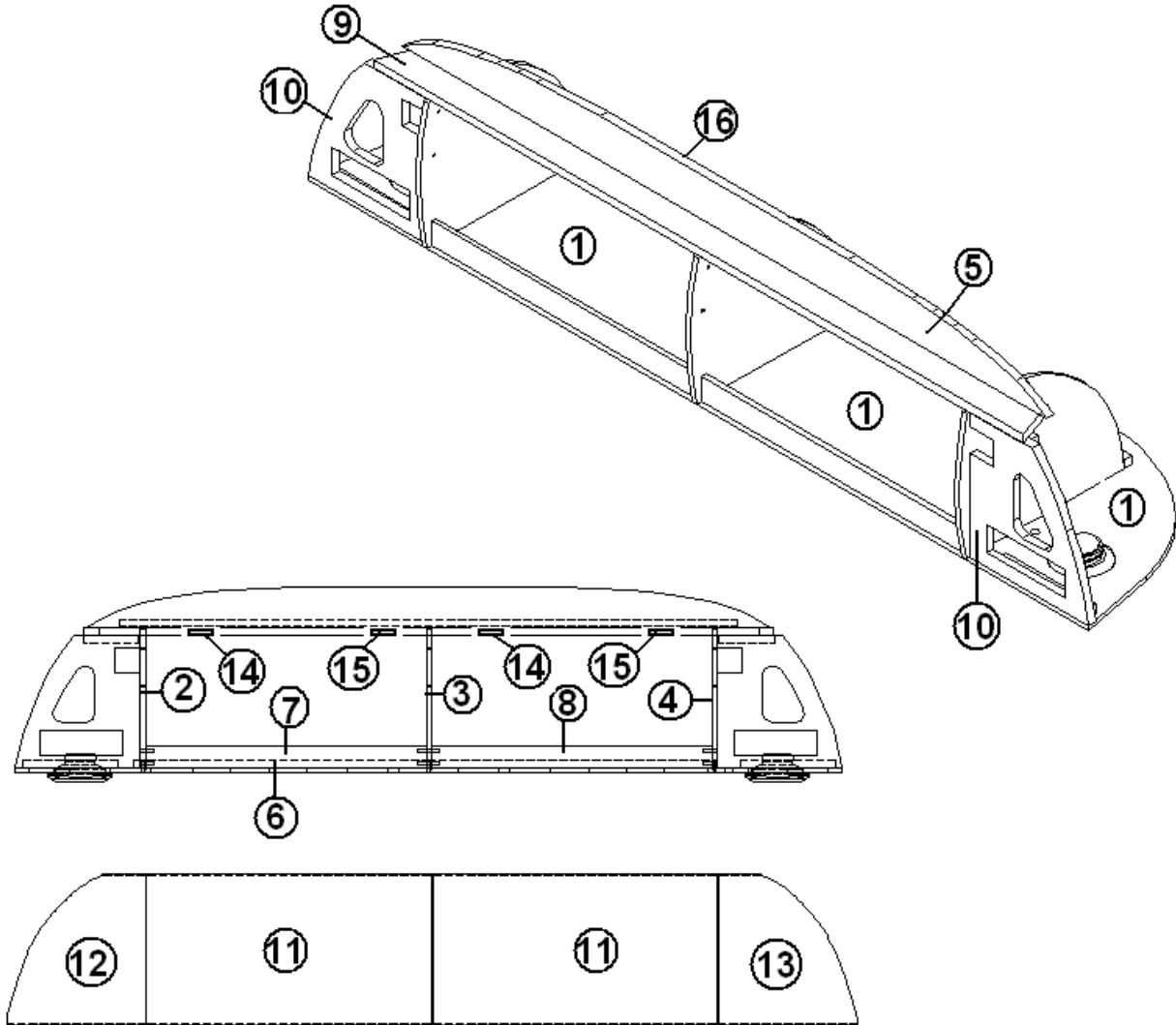


967189-03	NIGHTSTAND, SAND CRYSTAL
967189-04	NIGHTSTAND, MIDNIGHT SUN
1. 967189-031	TOP, 9.28 X 21.19, SAND CRYSTAL
1. 967189-041	TOP, 9.28 X 21.19, MIDNIGHT SUN
2. 967189-032	PANEL, 7.63 X 5.00
3. 967189-033	PANEL, 18.75 X 5.00
4. 801706-007	CORNER TRIM 90 DEG. 1" RADIUS
5. 380041	BRACE, 1", STANLEY CORNER

2008 SAFARI- BAMBI

FURNITURE, BEDROOM

Roof Locker, Bedroom End Liner, 23' Front Bed



PART NUMBERS ARE ON THE NEXT PAGE

2008 SAFARI- BAMBI

FURNITURE, BEDROOM

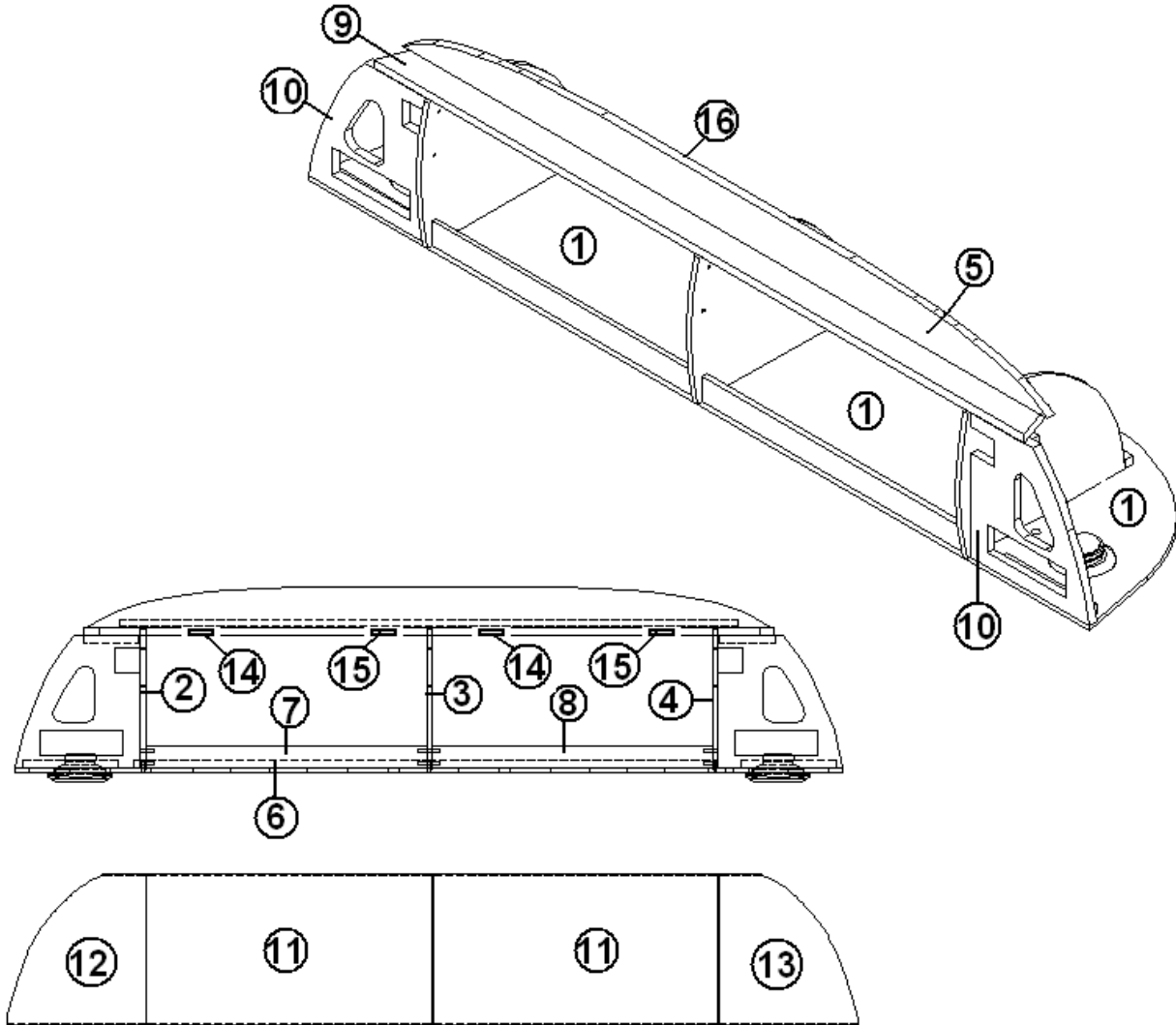
Roof Locker, Bedroom End Liner, 23' Front Bed

967193-03	FRONT ENDLINER ASSY.
1. 967193-031	PANEL, 19.50 X 82.50
2. 967193-032	PANEL, 17.34 X 13.89
3. 967193-033	PANEL, 17.34 X 13.89
4. 967193-034	PANEL, 17.34 X 13.89
5. 967193-035	PANEL, 4.13 X 68.13
6. 967193-036	PANEL, 4.00 X 68.25
7. 967193-037	PANEL, 28.00 X 2.25
8. 967193-038	PANEL, 28.00 X 2.25
9. 967193-039	PANEL, 57.50 X 22.00
10. 967193-0310	PANEL, 12.50 X 13.25
11. 965551-03	DOOR, RADIUS FOAM 15.25"X 28.38
12. 965551-05	DOOR, RADIUS FOAM 15.25"X 12.5"
13. 965551-06	DOOR, RADIUS FOAM 15.25"X 12.5
14. 381840-01	HINGE, OVERHEAD SPRING LH
15. 381840-02	HINGE, OVERHEAD SPRING RH
16. 201673-01	MOLDING, OAK, COVE

2008 SAFARI- BAMBI

FURNITURE, BEDROOM

Roof Locker, Bedroom End Liner, 23' Front Bed Special Edition



PART NUMBERS ARE ON THE NEXT PAGE

2008 SAFARI- BAMBI

FURNITURE, BEDROOM

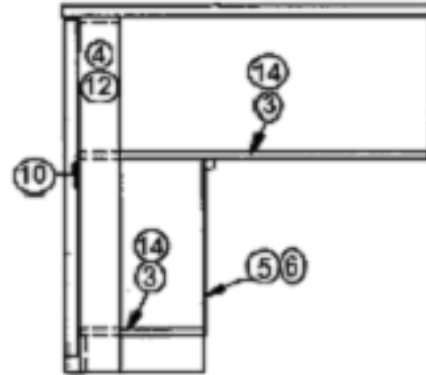
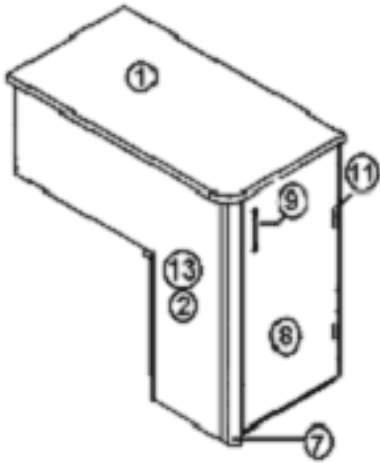
Roof Locker, Standard Bedroom End Liner, 23' Front Bed SE

967187-03	FRONT ENDLINER ASSY.
1. 967187-031	PANEL, 19.50 X 82.50
2. 967187-032	PANEL, 17.34 X 13.89
3. 967187-033	PANEL, 17.34 X 13.89
4. 967187-034	PANEL, 17.34 X 13.89
5. 967187-035	PANEL, 4.13 X 68.13
6. 967187-036	PANEL, 4.00 X 69.75
7. 967187-037	PANEL, 28.00 X 2.25
8. 967187-038	PANEL, 28.00 X 2.25
9. 967187-039	PANEL, 57.50 X 22.00
10. 967187-0310	PANEL, 12.50 X 13.25
11. 965551-03	DOOR, RADIUS FOAM 15.25"X 28.38
12. 965551-05	DOOR, RADIUS FOAM 15.25"X 12.5"
13. 965551-06	DOOR, RADIUS FOAM 15.25"X 12.5
14. 381840-01	HINGE, OVERHEAD SPRING LH
15. 381840-02	HINGE, OVERHEAD SPRING RH
16. 201673-01	MOLDING, OAK, COVE

2008 SAFARI- BAMBI

FURNITURE, BEDROOM

Nightstand, 25' Rear Double Bed

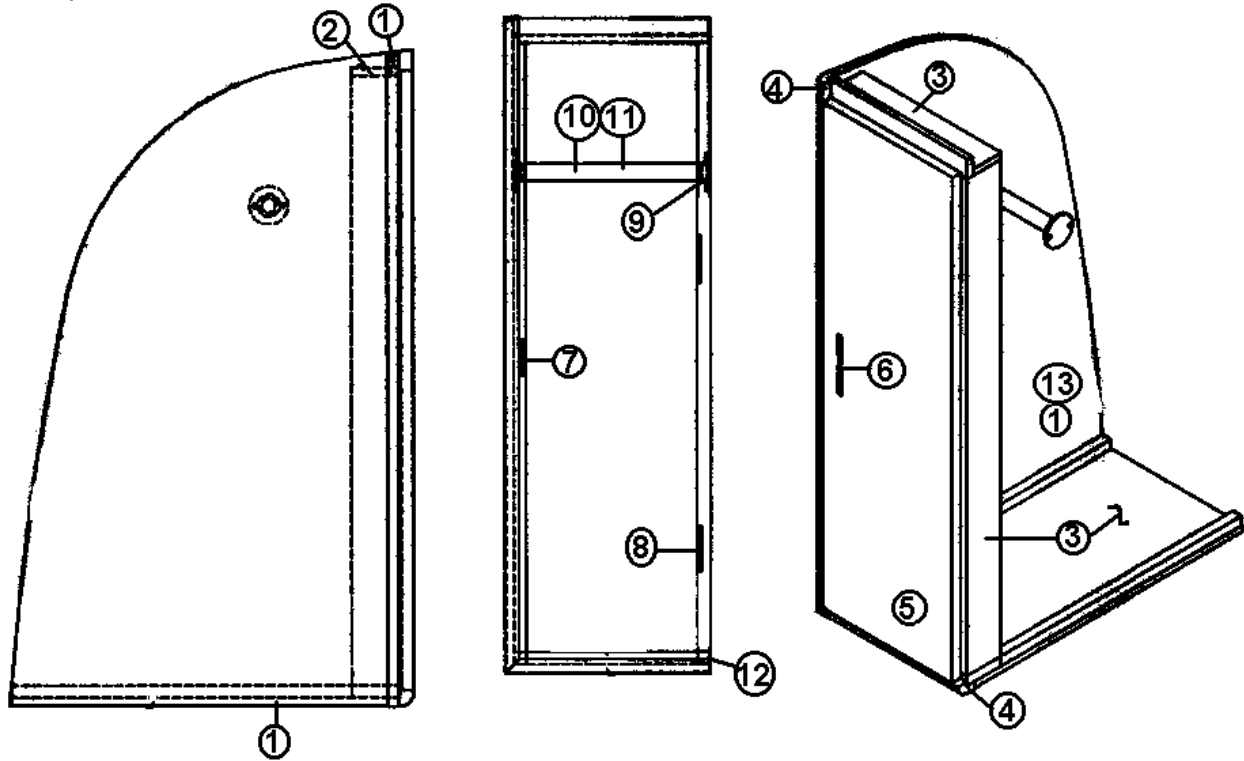


965668-02	Nightstand, 25' Rear Double Bed, Sand Crystal
965668-03	Nightstand, 25' Rear Double Bed, Midnight Sun
1. 965667-02	Nightstand top, Sand Crystal
1. 965667-03	Nightstand, top, Midnight Sun
2. 801719	Paneling, Sand Crystal/White Liner, 12mm
2. 801770	Panel, Labrador granite/White, 4' X 8'
3. 801392	Paneling, White/White 12 MM
4. 801376-01	Paneling, Tropical Oak/White, 4' x 8'
5. 800507-01	Luan, 1/8" x 4' x 8'
6. 801355-01	Laminate, Frost White, 4' x 8'
7. 801706-007	Corner trim. 90 degree, 1" radius
8. 801341-44	Door, 11.38" x 23.63"
9. 382044	Door handle
10. 381228-01	Door/drawer grabber catch, 3 lb.
11. 381607	Hinge assembly, Grass European
12. 365268-05	EDGEBANDING-PVC-LAMITECK T. OAK
13. 365268-03	Edge tape, Tropical Oak, .625"
14. 365201-04	Edge tape, White, 5/8" wide
453571	WIRE CLOSEOUT, DOUBLE BED

2008 SAFARI- BAMBI

FURNITURE, BEDROOM

Wardrobe, Hanging, Roadside, 25' Twin & Double, 25' Front Bed
Twin, 27' Twin

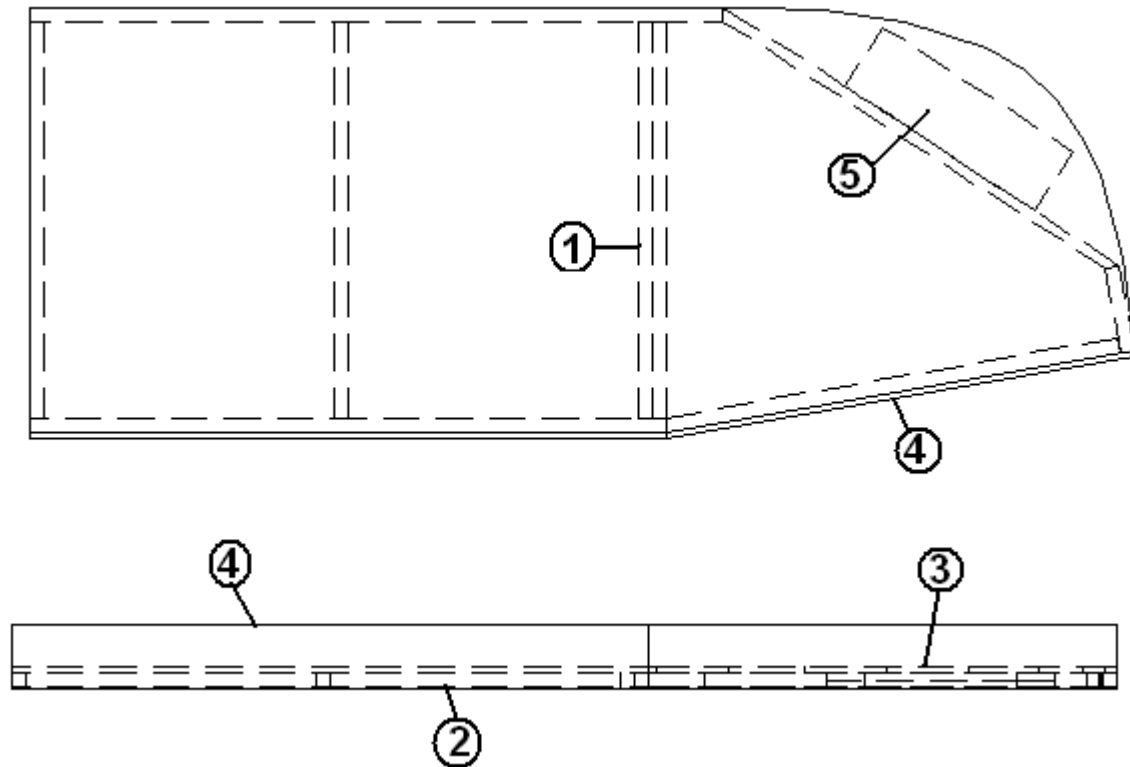


- | | |
|---------------|-------------------------------------|
| 965669 | RS Hanging Wardrobe |
| 1. 801381-01 | Paneling, Tropical Oak/Tropical Oak |
| 2. 801392 | Paneling, White/White 12 MM |
| 3. 801368 | Laminate, White/White |
| 4. 801706-007 | Corner trim, 1" radius |
| 5. 801341-45 | Door, 13.81" x 38.13" |
| 6. 382044 | Door handle |
| 7. 381228-01 | Door/drawer grabber catch, 3 lb. |
| 8. 381607 | Hinge assembly, Grass European |
| 9. 380046 | Flange, chrome |
| 10. 380045 | Tubing, 3/4" metallic |
| 11. 200975-04 | Conduit, flexible, black plastic |
| 12. 365268-05 | Edge tape, Tropical Oak |
| 13. 365240-01 | Edge tape, white, 1 5/16" |
| 381241-009 | TV SHELF W/MIRROR, BLACK |

2008 SAFARI- BAMBI

FURNITURE, BEDROOM

Bed, 25' SLP6, Upper Bunk

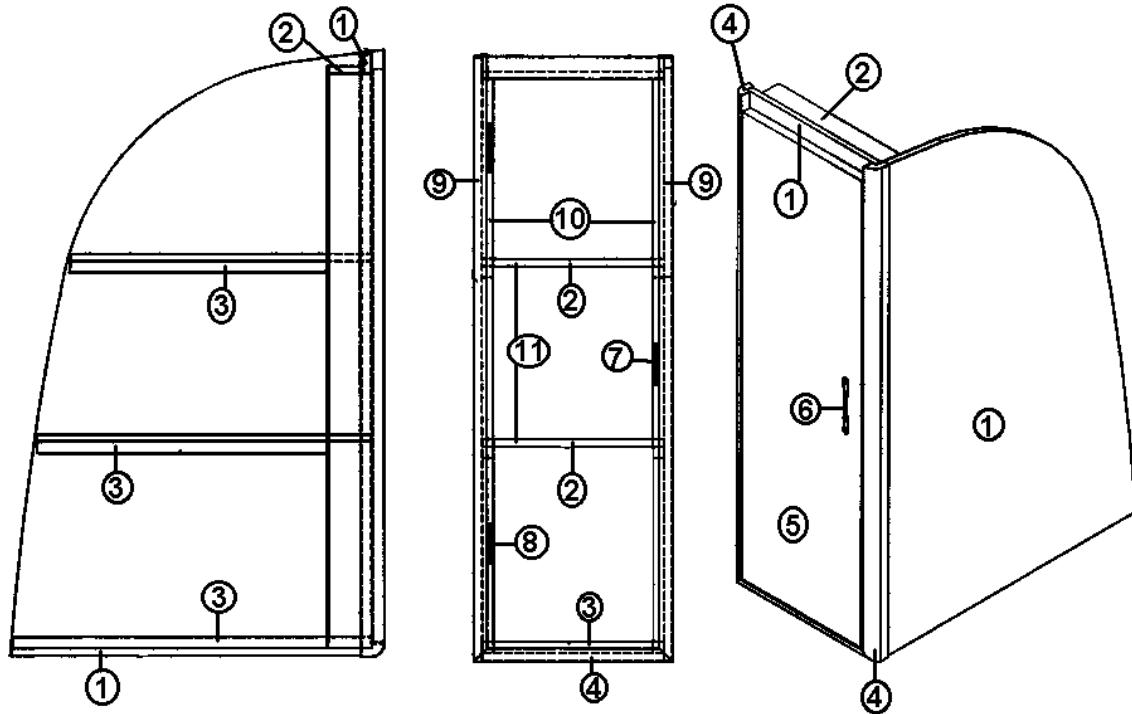


- | | |
|--------------|------------------------------|
| 966109 | BED, UPPER BUNK 30'SAF |
| 1. 915742 | WELDMENT- UPPER BUNK BED |
| 2. 801438 | PANEL, FROST WHITE VINYL/RAW |
| 3. 800507-03 | LAUAN, 3/8" X 4'X 8' |
| 4. 801381-01 | PANEL, OAK/OAK |
| 5. 801392 | PANEL, WHITELINER/WHITELINER |
| 703468 | UPPER BUNK SAFETY NET |
| 381736-04 | BRACE/RAIL-UPPER BUNK |

2008 SAFARI- BAMBI

FURNITURE, BEDROOM

Linen Cabinet, Hanging, Curbside, 25' Twin & Double Rear Bed

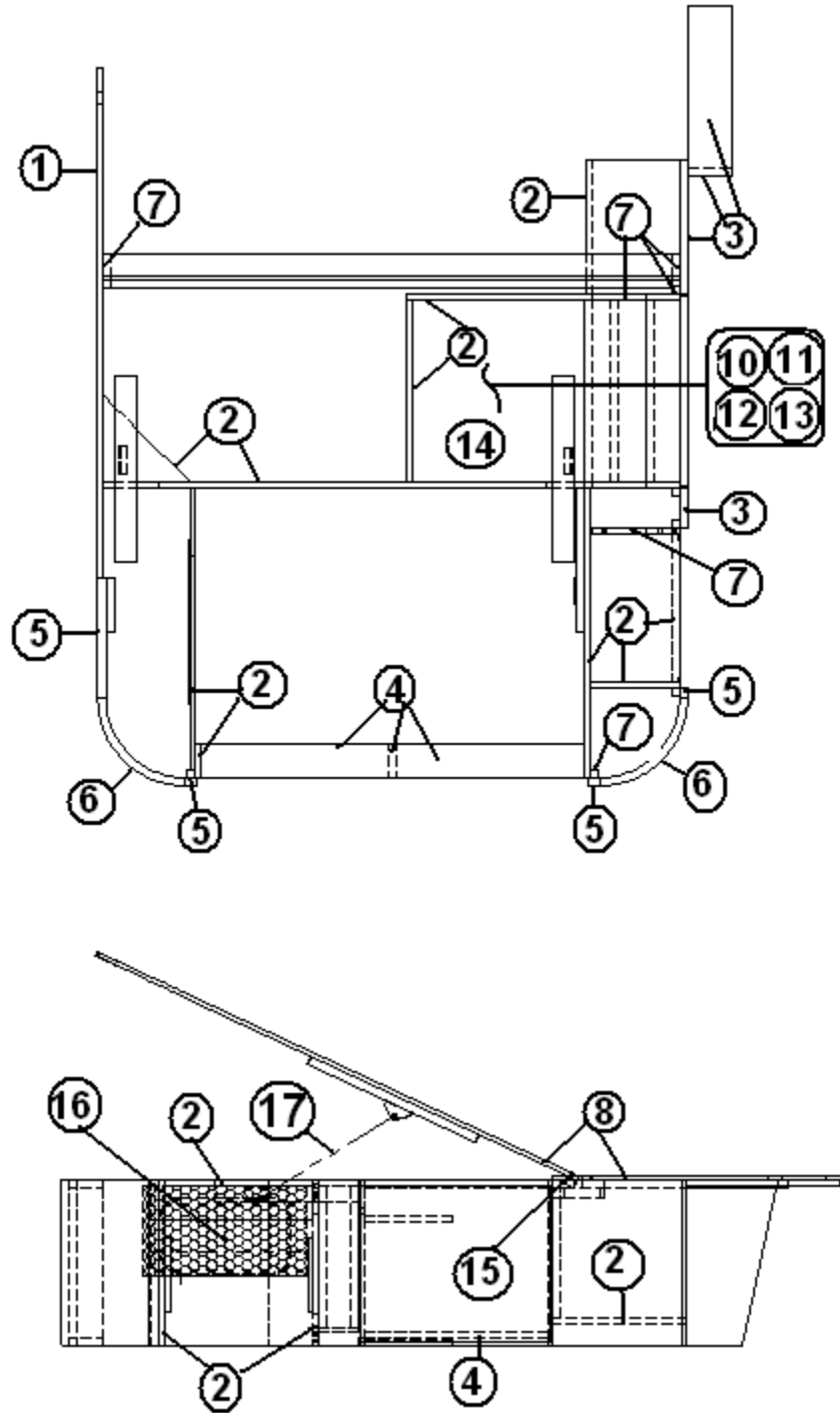


- | | |
|---------------|------------------------------------|
| 965682 | CS Hanging Linen Cabinet Assembly |
| 1. 801383-01 | Paneling, Tropical Oak/White Liner |
| 2. 801392 | Paneling, White/White 12 MM |
| 3. 801368 | Laminate, White/White |
| 4. 801706-007 | Corner trim, 1" radius |
| 5. 801341-45 | Door, 11.38" x 38.13" |
| 6. 382044 | Door handle |
| 7. 381228-01 | Door/drawer grabber catch, 3 lb. |
| 8. 381607 | Hinge assembly, Grass European |
| 9. 365268-05 | EDGEBANDING-PVC-LAMITECK T. OAK |
| 10. 365240-01 | Edge tape, white, 1 5/16" |
| 11. 365201-04 | Edge tape, White, 5/8" wide |

2008 SAFARI- BAMBI

FURNITURE, BEDROOM

Bed, Double, 25' Front Bed, 25' Rear Bed



2008 SAFARI- BAMBI

FURNITURE, BEDROOM

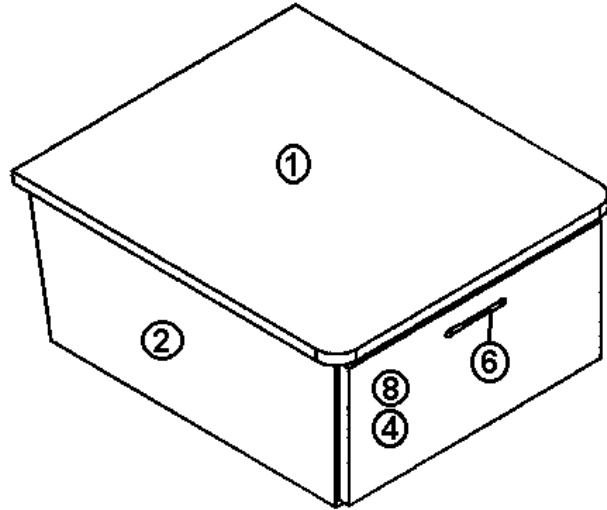
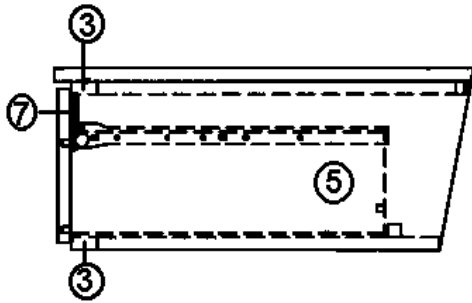
Bed, 25' Front Double Bed, 25' Rear Double Bed

966406-01	BED, DOUBLE, 25' REAR BED
966406-02	BED, DOUBLE, 25' FRONT BED
1. 801383-01	PANEL OAK/WHITE LINER 12MM
2. 801392	PANEL, WHITELINER/WHITELINER 12MM
3. 801376-01	PANEL OAK/WHITE LINER 18M
4. 801368	PANEL, WHITELINER/WHITELINER 18MM
5. 801351	LITE PLY-18MM (.75") 4'X 8'
6. 801348	RADIUS PLYWOOD, .75" X 8" X 6'
7. 800025-01	PINE 3/4" X 3/4" STAINED
8. 800507-03	LAUAN, 3/8"X 4'X 8'
9. 114811	ALUMINUM ANGLE .50" X .50"
10. 801341-49	DOOR-RS TWIN BED 17.38" X 14.25"
11. 381607	HINGE
12. 382044	Door handle
13. 381228-01	CATCH GRABBER DOOR
14. 203419	BOX STORAGE 23"L X16.75"W X11.88
15. 380203-01	HINGE PIANO, 1/8" PIN
16. 453783-05	GRILL SCREEN, 9.25"X 14.88"
17. 381067-09	SPRING-GAS 90 LBS.
17. 381262	BRACKET, PROP, W/BALL
17. 381310	GAS PROP BRACKET ASSY, UPPER
17. 381084	BALL, STUD
201016	DRAWER 16" X 22"
115151	ANGLE-BED SUPPORT 43"
115101	CLOSEOUT BED BASE WIRES 17.19"

2008 SAFARI- BAMBI

FURNITURE, BEDROOM

Nightstand, 25' Rear Twin, 25' Front Twin Bed, 27' Twin

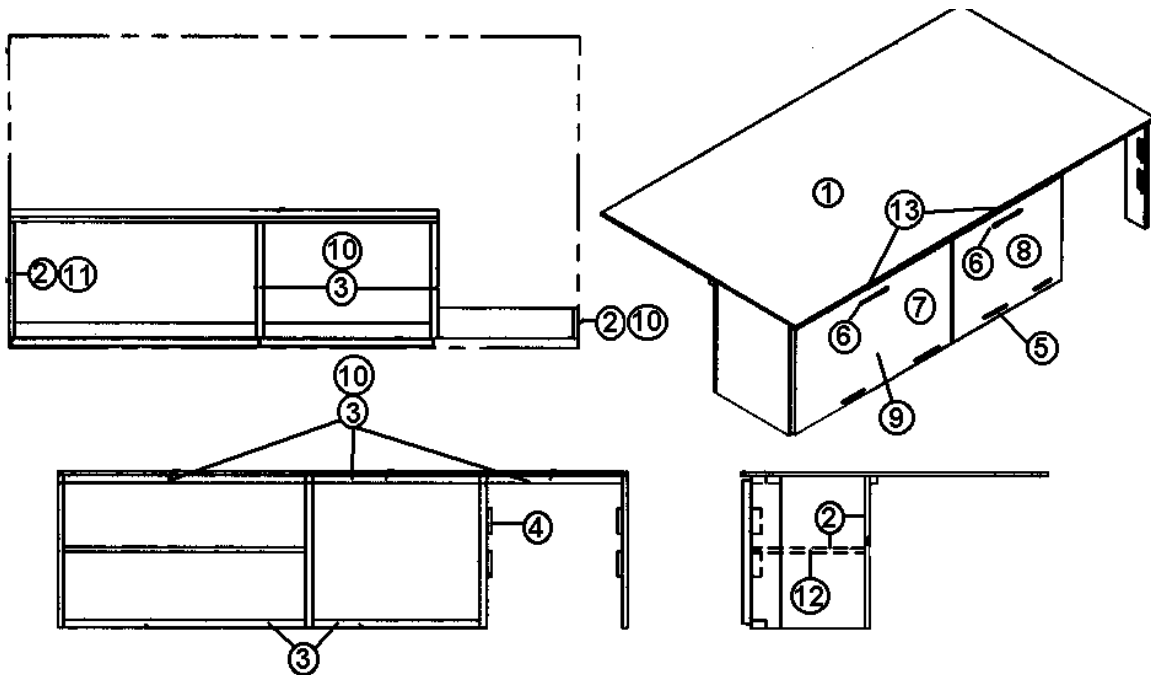


- | | |
|--------------|---------------------------------------|
| 965685-02 | Nightstand Assembly, Sand Crystal |
| 965685-03 | Nightstand Assembly, Midnight Sun |
| 1. 965684-02 | Nightstand top assembly, Sand Crystal |
| 1. 965684-03 | Nightstand top assembly, Midnight Sun |
| 2. 801383-01 | Paneling, Tropical Oak/White liner |
| 3. 801378 | Laminate, Tropical Oak/White liner |
| 4. 801341-47 | Door, 8.88" x 19.13" |
| 5. 965554-03 | Drawer box assembly |
| 6. 382044 | Door handle |
| 7. 381228-01 | Door/drawer grabber catch, 3 lb. |
| 8. 365268-03 | Edge tape, Tropical Oak, .625" |
| 381773-17 | DRAWER SLIDE-5.875"X 18.5" (PAIR) |

2008 SAFARI- BAMBI

FURNITURE, BEDROOM

Bed, 25' Rear, 25' Front, Roadside Twin

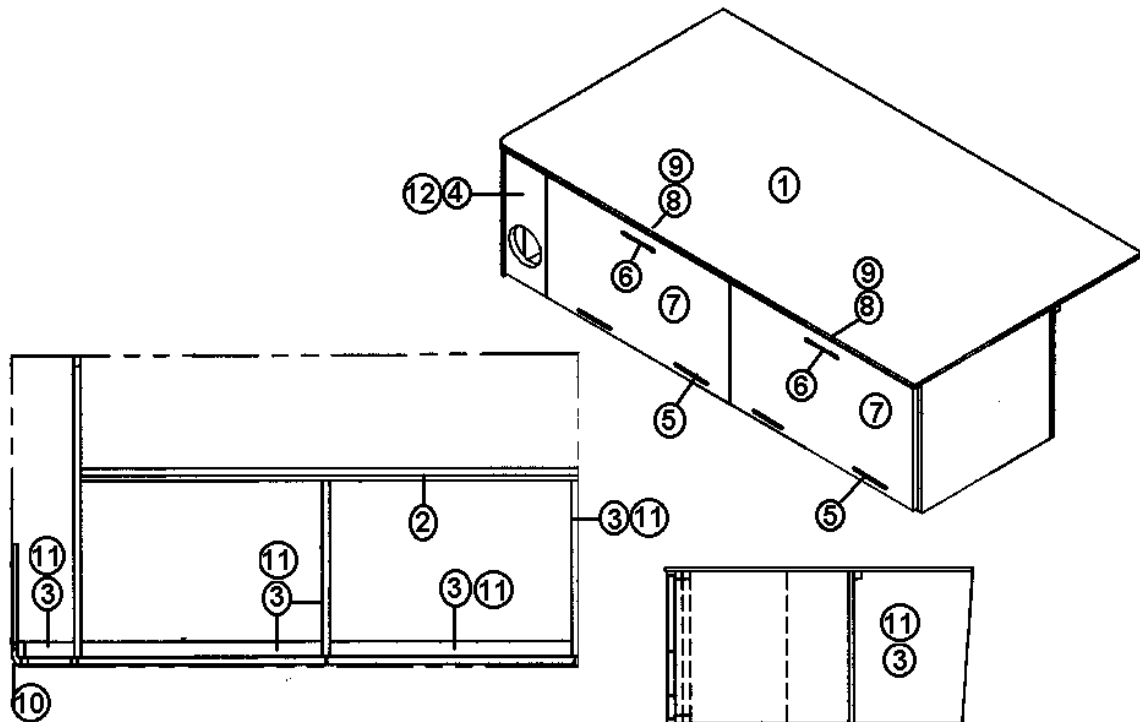


- | | |
|---------------|-------------------------------------|
| 965686 | RS Bed Base Assembly, 25' A |
| 1. 800507-03 | Luan, 3/8" x 4" x 8' |
| 2. 801392 | Paneling, White/White 12 MM |
| 3. 801368 | Laminate, White/White |
| 4. 114811 | Aluminum angle, 1/16" x 1/2" x 1/2" |
| 5. 385935-01 | Hinge, pivot |
| 6. 382044 | Door handle |
| 7. 801341-48 | Door, 25.00" x 14.25" |
| 8. 801341-49 | Door, 17.38" x 14.25" |
| 9. 201051 | Drawer, 10" x 22" |
| 10. 365268-05 | EDGEBANDING-PVC-LAMITECK T. OAK |
| 11. 365268-03 | Edge tape, Tropical Oak, .625" |
| 12. 365201-04 | Edge tape, White, 5/8" wide |
| 13. 381228-01 | Door/drawer grabber catch, 3 lb. |
| 701538-01 | CARPET-ECONOLIER W/PSA BACK |
| 965683 | STORAGE BOX ASSY REAR |

2008 SAFARI- BAMBI

FURNITURE, BEDROOM

Bed, 25' Rear, 25' Front, Curbside Twin

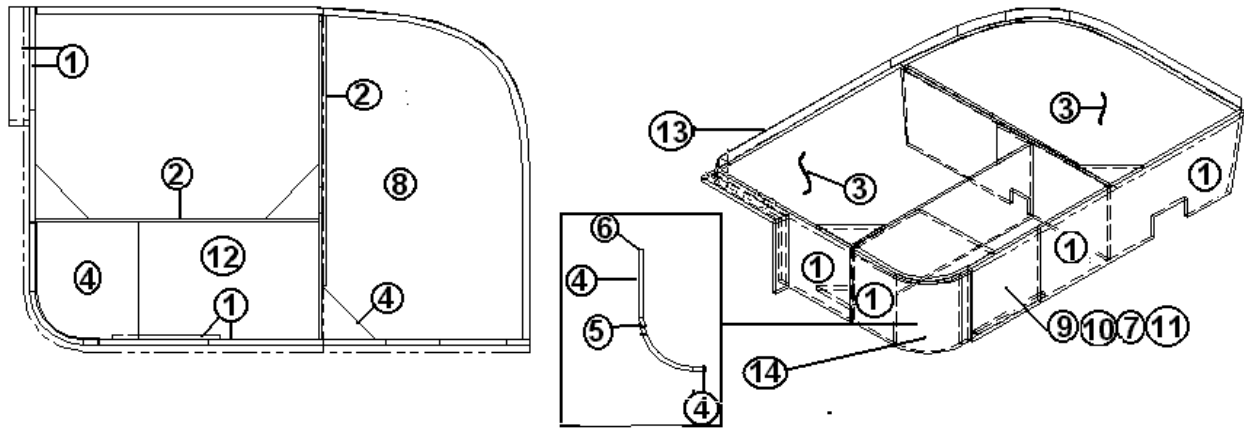


- | | |
|----------------|-------------------------------------------|
| 965687 | CS Bed Assembly, 25' A |
| 1. 800507-03 | Luan, 3/8" x 4" x 8' |
| 2. 801392 | Paneling, White/White 12 MM |
| 3. 801368 | Laminate, White/White |
| 4. 801376-01 | Laminate, Tropical Oak/White Liner |
| 5. 385935-01 | Hinge, pivot |
| 6. 382044 | Door handle |
| 7. 801341-48 | Door, 25.00" x 14.25" |
| 8. 381228-01 | Door/drawer grabber catch, 3 lb. |
| 9. 203419 | Storage box, 23"L x 16.75"W x 11.88"H |
| 10. 801706-007 | Corner trim, 1" radius |
| 11. 365268-05 | EDGEBANDING-PVC-LAMITECK T. OAK |
| 12. 801381-01 | Paneling, Tropical Oak/Tropical Oak, 12MM |
| 201051 | DRAWER 10 X 22 |
| 201016 | DRAWER 16 X 22 |

2008 SAFARI- BAMBI

FURNITURE, BEDROOM

Bed, 25 SLP6

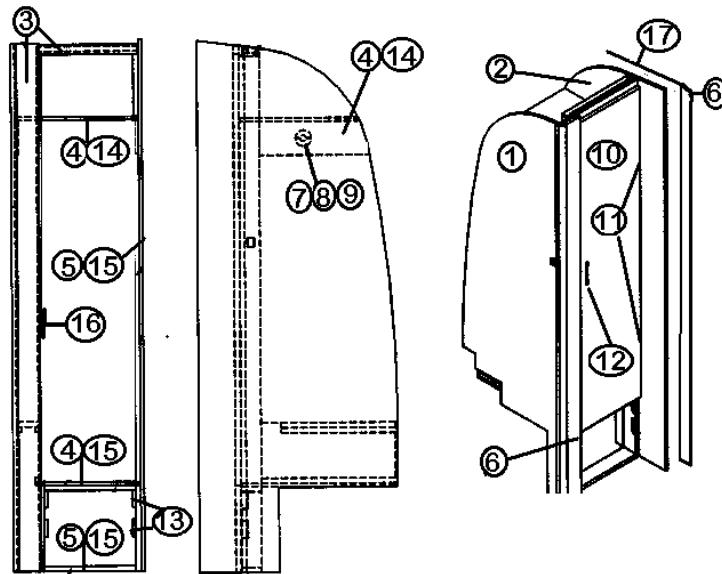


- | | |
|---------------|--------------------------------------|
| 965980 | BED BASE ASSEMBLY |
| 1. 801376-01 | PANEL, TROPICAL OAK/WHITELINER 18M |
| 2. 801392 | PANEL, WHITELINER/WHITELINER |
| 3. 800507-03 | LAUAN, 3/8" X 4' X 8' |
| 4. 801351 | LITE PLY-18MM (.75") 4' X 8' |
| 5. 801348 | RADIUS PLYWOOD-.75" X 8" X 6' |
| 6. 801343 | LAMINATE, TROPICAL OAK 4' X 8' |
| 7. 381853 | HINGE, PIANO |
| 8. 703694 | MATTRESS-54"X 76", CORNER DOUBLE |
| 9. 382044 | HANDLE-DRAWER/DOOR |
| 10. 381948 | K-CATCH |
| 11. 381228-01 | CATCH GRABBER DOOR |
| 12. 203419 | STORAGE BOX, 23"L X 16.75"W X 11.88" |
| 12. 203439 | STORAGE BOX, 17"L X 11.13"W X 6.38" |
| 13.115150 | ANGLE-BED SUPPORT 80" |
| 14.966058 | DOOR ASSY. BED |
| 203587 | WEDGE-RADIUS BED BASE DOOR |
| 701538 | CARPET,ECONOLIER VELOUR BLACK |
| 701538-02 | PSA BACKING-ECONOLINE CARPET |

2008 SAFARI- BAMBI

FURNITURE, BEDROOM

Wardrobe, Roadside, 25' SLP6

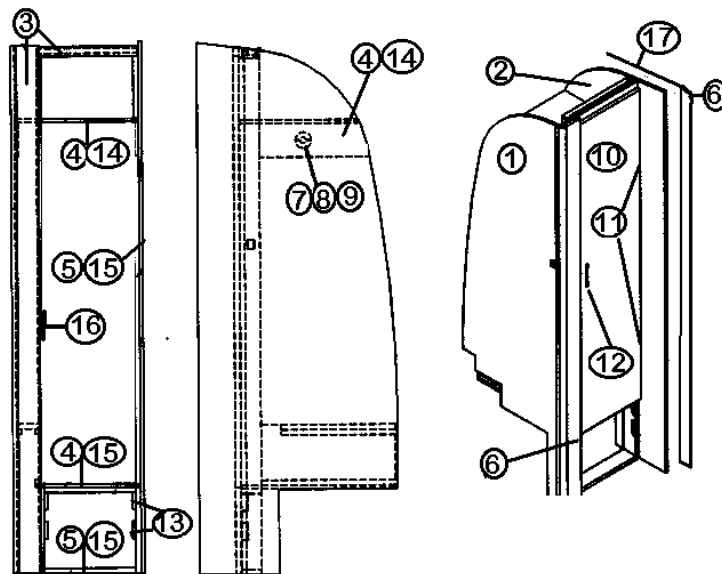


- | | |
|---------------|-------------------------------------|
| 965571 | RS Wardrobe Assembly, 25' SLP6 |
| 1. 801380-04 | Panel, RS Wardrobe, aft |
| 2. 801380-05 | Panel, aft Refer |
| 3. 801383-01 | Paneling, Tropical Oak/White |
| 4. 801392 | Paneling, White/White 12 MM |
| 5. 801368 | Paneling, White liner/White Liner |
| 6. 801706-007 | Corner trim, 90°, 1" Radius |
| 7. 380046 | Flange Chrome |
| 8. 380045 | Tubing, 3/4" Metallic |
| 9. 200975-04 | Conduit, black, flexible, plastic |
| 10. 801341-19 | Door, 14.25" x 63.38" |
| 11. 381607 | Hinge assembly, Grass European |
| 12. 382044 | Door handle |
| 13. 114811 | Aluminum angle, 1/16" x 1/2" x 1/2" |
| 14. 365201-04 | Edge tape, White, 5/8" wide |
| 15. 365268-05 | EDGEBANDING-PVC-LAMITECK T. OAK |
| 16. 381228-01 | Door/drawer grabber catch |
| 965644 | SHELF ASSY. RADIO |
| 381228-01 | CATCH GRABBER DOOR |

2008 SAFARI- BAMBI

FURNITURE, BEDROOM

Wardrobe, Roadside, 19'

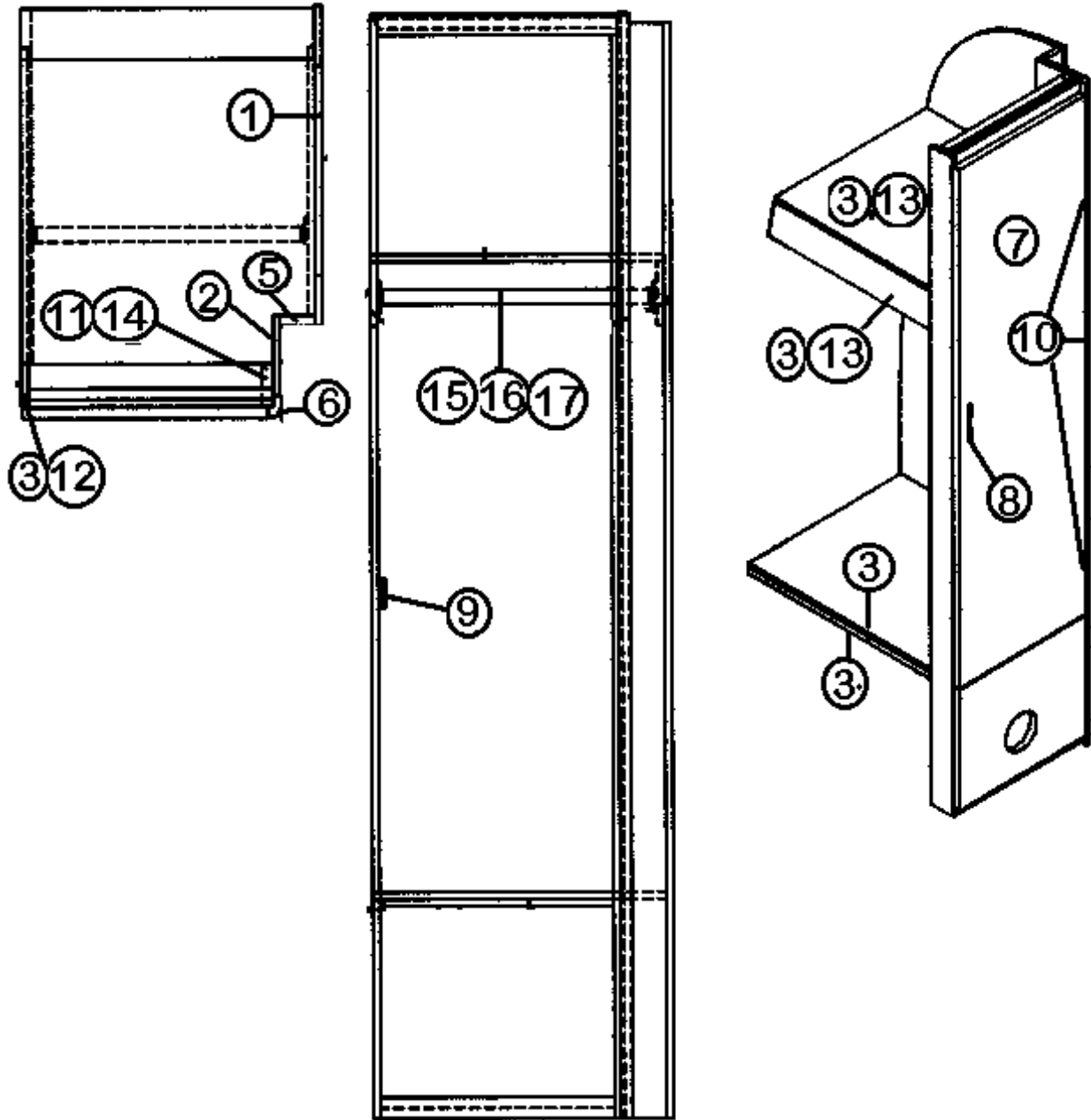


- | | |
|---------------|-------------------------------------|
| 965571-01 | RS Wardrobe Assembly, 19' |
| 1. 801380-04 | Panel, RS Wardrobe, aft |
| 2. 801380-11 | Panel, forward RS wardrobe |
| 3. 801383-01 | Paneling, Tropical Oak/White |
| 4. 801392 | Paneling, White/White 12 MM |
| 5. 801368 | Paneling, White liner/White Liner |
| 6. 801706-007 | Corner trim, 90°, 1" Radius |
| 7. 380046 | Flange Chrome |
| 8. 380045 | Tubing, 3/4" Metallic |
| 9. 200975-04 | Conduit, black, flexible, plastic |
| 10. 801341-19 | Door, 14.25" x 63.38" |
| 11. 381607 | Hinge assembly, Grass European |
| 12. 382044 | Door handle |
| 13. 114811 | Aluminum angle, 1/16" x 1/2" x 1/2" |
| 14. 365268-03 | Edge tape, Oak, 5/8" wide |
| 15. 365268-05 | EDGEBANDING-PVC-LAMITECK T. OAK |
| 16. 381228-01 | Door/drawer grabber catch |
| 964385-16 | DOOR-BREAKER BOX 7.5" X13.75" |
| 195503-07 | 1" wire way, white |

2008 SAFARI- BAMBI

FURNITURE, BEDROOM

Wardrobe, Curbside, 25' Twin & Double Rear Bed, 25' SLP6



Parts numbers are on the next page.

2008 SAFARI- BAMBI

FURNITURE, BEDROOM

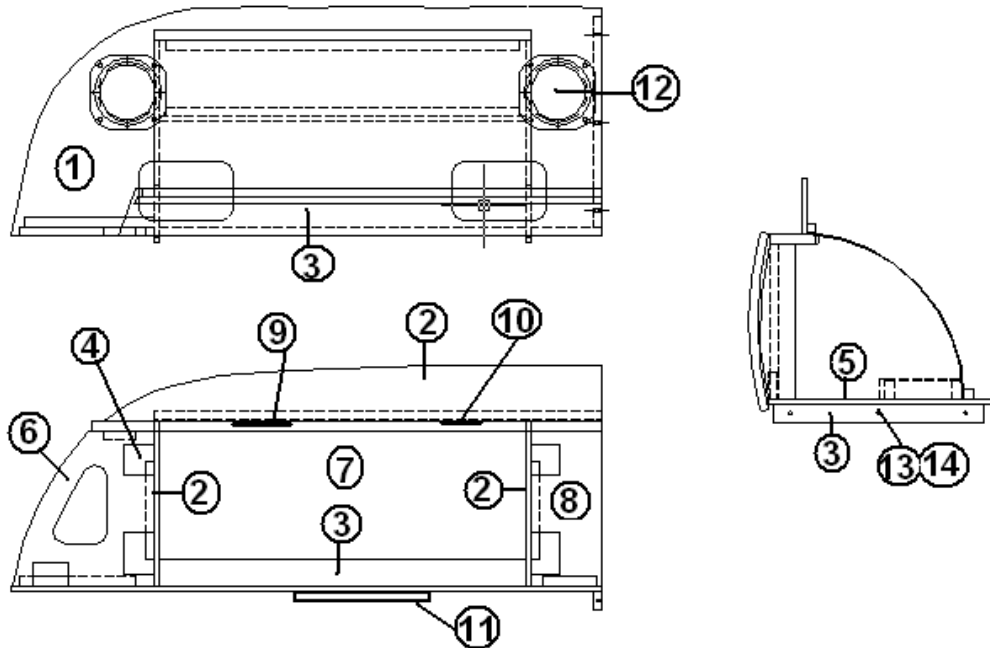
Wardrobe, Curbside, 25' Twin & Double rear Bed, 25' SLP6

965579	CS Wardrobe, 25' SLP6, 25' Double Bed
965579-01	CS Wardrobe, 25' Twin
965579-02	CS Wardrobe, 25' SLP6, Bunk Option
1. 801380-16	Panel, CS wardrobe, aft
1. 801380-17	Panel, CS wardrobe, aft, Bunk Option
2. 801380-08	Panel, Forward foldette door
3. 801392	Paneling, White/White 12 MM
4. 801383-01	Paneling, Tropical Oak/White
5. 801376-01	Paneling, Tropical Oak/White, 4' x 8'
6. 801706-007	Corner trim, 90°, 1" Radius, Tropical Oak
7. 801341-22	Door, 17.50" x 61.25"
8. 382044	Door handle
9. 381228-01	Door/drawer grabber catch
10. 381607	Hinge assembly, Grass European
11. 801368	Paneling, White liner/White Liner
12. 365268-03	Edge tape, Tropical Oak, .625"
13.365201-04	Edge tape, White, 5/8" wide
14.365268-05	EDGEBANDING-PVC-LAMITECK T. OAK
15.380046	Flange Chrome
16.380045	Tubing, 3/4" Metallic
17. 200975-04	Conduit, black, flexible, plastic

2008 SAFARI- BAMBI

FURNITURE, BEDROOM

End liner Cabinet, Rear 25' SLP6

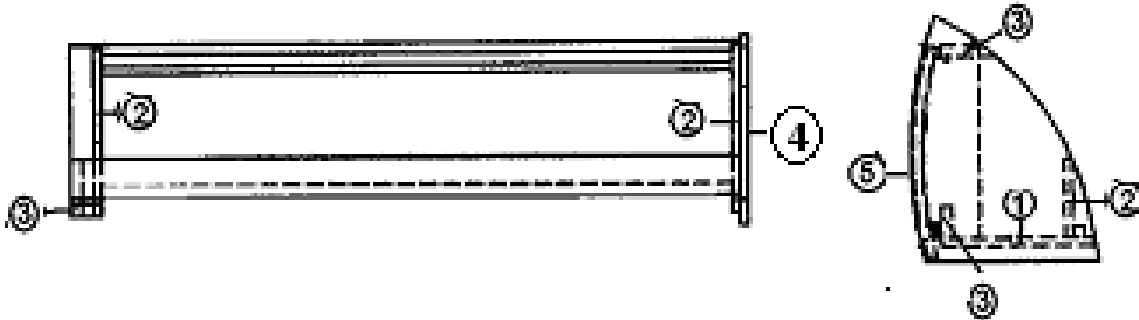


966039	ENDLINER ASSY. REAR
966039-01	ENDLINER ASSY. REAR, SPECIAL EDITION
1. 801383-01	PANEL, OAK/WHITE LINER
2. 801392	PANEL, WHITELINER/WHITELINER
3. 801376-01	PANEL, OAK/WHITE LINER
4. 800506-06	PLYWOOD, 3/4" X 4' X 8'
5. 801438	PANEL, FROST WHITE VINYL/RAW
6. 965551-06A	DOOR-RADIUS FOAM LH 15.25" X 12.
7. 965551-02	DOOR-RADIUS FOAM 15.25"X 31.63"
8. 965551-10	DOOR-RADIUS FOAM 15.25" X 6.19"
9. 381840-01	HINGE-OVERHEAD SPRING LH
10. 381840-02	HINGE-OVERHEAD SPRING RH
11. 512243	LIGHT, 12V DLB W/SWITCH
12. 512215-01	SPEAKER, 6.5", model SP65CO
12. 512215-02	GRILL, 6.5", WHITE
12. 203599	Speaker, Spacer, 5/8"
13. 381609-02	SCREW HAFELE EUROPEAN
14. 381610-03	COVER CAP-PLASTIC EUROPEAN PINE
365268-03	EDGE BANDING-.024"X .63" OAK
365268-05	EDGE BANDING-PVC-LAMITECK T. OAK

2008 SAFARI- BAMBI

FURNITURE, BEDROOM

Roof Locker, Bedroom, 25' Front Bed, 27' Twin, 23', 19'

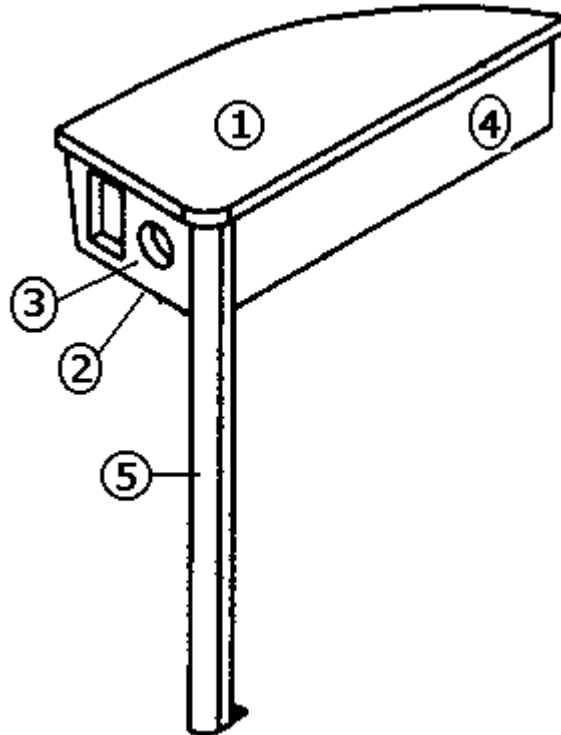


- | | |
|--------------|---------------------------------------|
| 966076 | Bedroom Locker Assembly |
| 1. 801383-01 | Paneling, Tropical Oak/White |
| 2. 801392 | Paneling, White/White 12 MM |
| 3. 801376-01 | Paneling, Tropical Oak/White, 4' x 8' |
| 4. 801381 | PANEL, TRP.OAK/TRP.OAK 12 |
| 5. 965552-01 | Door, radius foam, 13.75" x 41.00" |
| 381840-01 | Hinge, overhead spring, RH |
| 381840-02 | Hinge, overhead spring, LH |
| 365268-03 | Edge tape, Tropical Oak, .625" |
| 365268-05 | EDGEBANDING-PVC-LAMITECK T.OAK |
| 350147-25 | Nut, Nylon lock, 1/4" x 20 |
| 345275-04 | Screw, Flat head, 1/4" x 20 x 1" |

2008 SAFARI- BAMBI

FURNITURE, BEDROOM

Nightstand, 25' Front Double Bed

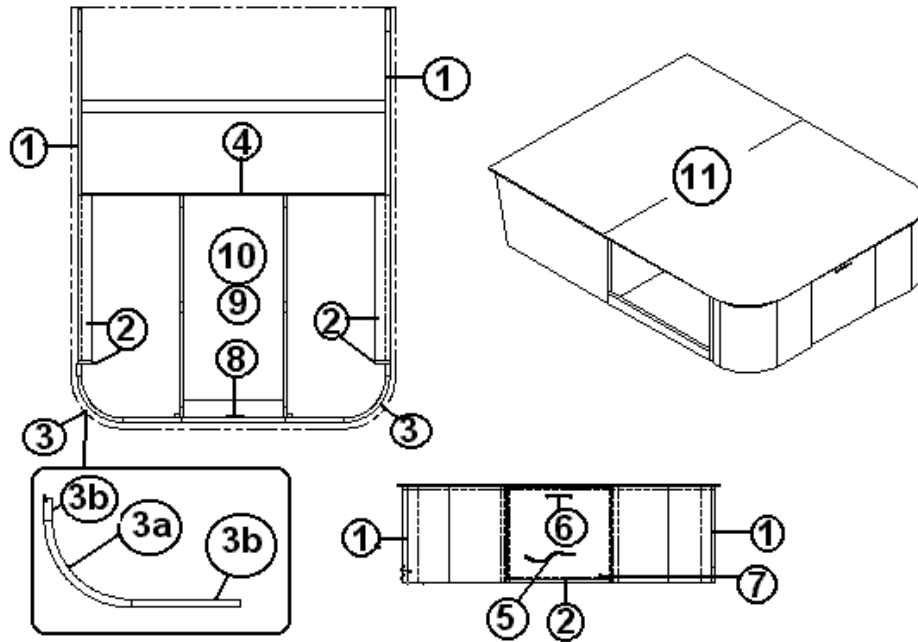


965711-05	Nightstand Assembly, Sand Crystal
965711-06	Nightstand Assembly, Midnight Sun
1. 801719	PANEL, SAND CRYSTAL/WHITE LINER
1a.801770	PANEL, MIDNIGHT SUN/WHITE LINER
2. 365304-01	EDGE BANDING, SAND CRYSTAL, 1.13"
2a.365311-01	Edge tape, Midnight Sun
2. 801376-01	Paneling, Trop. Oak/White liner, 18 mm
3. 801383-01	Paneling, Trop. Oak/White liner, 12 mm
4. 801706-007	Corner trim, 90 degree 1" radius
5. 365268-01	EDGE BANDING, T. OAK

2008 SAFARI- BAMBI

FURNITURE, BEDROOM

Bed, 27', 28' W, Double

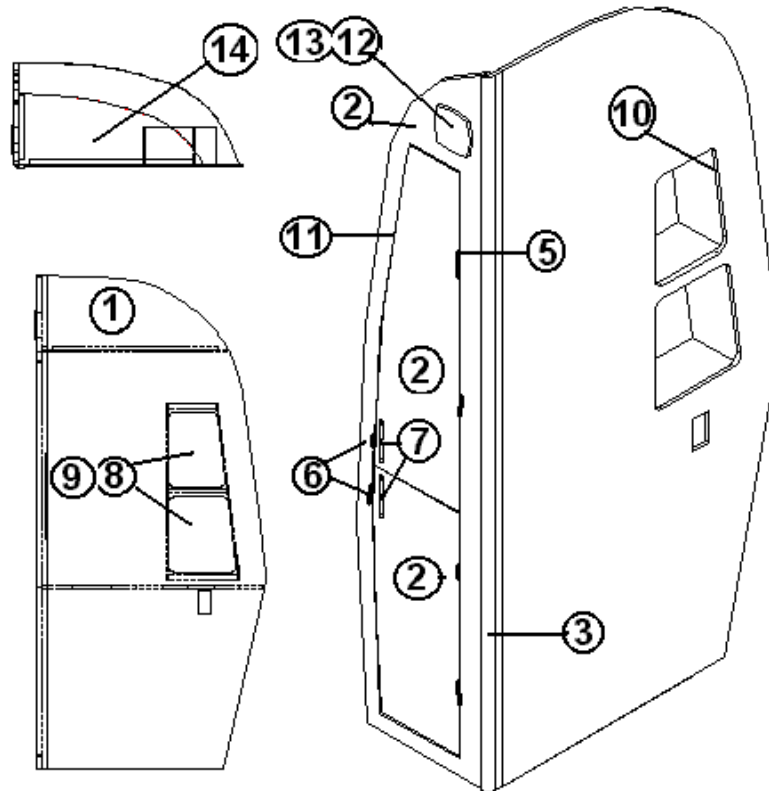


- | | |
|--------------|-------------------------------------------|
| 965857 | Bed base Assembly |
| 1. 801376-01 | Panel, Tropical Oak/Whiteline, 18MM |
| 2. 801368 | Panel, Whiteline/Whiteline, 18MM |
| 3. 965858 | Bed corner sub assembly |
| 3a. 801348 | Radius plywood, .75" x 8" x 3' |
| 3b. 801351 | Lite ply, .75" |
| 4. 801392 | Panel, Whiteline/Whiteline, 12MM |
| 5. 801341-66 | Door, bed base, 15.75" x 17.88" |
| 6. 382044 | PULL-BAR BRUSH NICKEL |
| 7. 381607 | Hinge assembly |
| 8. 381228-01 | Door grabber catch |
| 9. 203419 | Storage box, 23"L x 16.75"W x 11.88"H |
| 10. 203439 | STORAGE BOX-17"L X 11.13"W X 6.38" |
| 11. 703699 | Mattress, 60" x 75"H, w/11" radius corner |
| 114812 | ALUMINUM ANGLE 1.00" X 1.00" |

2008 SAFARI- BAMBI

FURNITURE, BEDROOM

Closet, Curbside Rear, 27' Queen W, 28' W

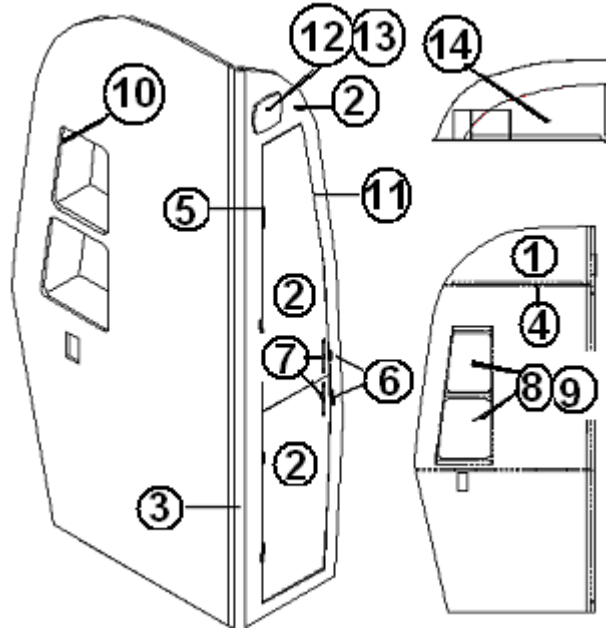


- | | |
|---------------|-----------------------------------------|
| 965862-01 | Curbside Rear Closet Assembly, 28' W |
| 1. 801383-01 | Paneling, Tropical Oak/Whiteliner, 12MM |
| 2. 801376-01 | Paneling, Trop. Oak/Trop. Oak, 18 MM |
| 3. 801706-007 | Corner trim, 90 degree 1" radius |
| 4. 801368 | Paneling, Whiteliner/Whiteliner, 18MM |
| 5. 381607 | Hinge assembly |
| 6. 381228-01 | Door grabber catch |
| 7. 382044 | Handle, door |
| 8. 965768-01 | Rear closet bookshelf, CS |
| 9. 965768-01 | Rear closet bookshelf, CS |
| 10. 203445 | T-Molding, black embossed |
| 11. 365268-05 | EDGEBANDING-PVC-LAMITECK T. OAK |
| 12. 512215-01 | SPEAKER, 6.5", model SP65CO |
| 12. 512215-02 | GRILL, 6.5", WHITE |
| 13. 203599 | Speaker, Spacer, 5/8" |
| 14. 801348 | Radius plywood, .75" x 8" x 6' |

2008 SAFARI- BAMBI

FURNITURE, BEDROOM

Closet, Roadside Rear, 27' Twin & Queen Double, 28' W

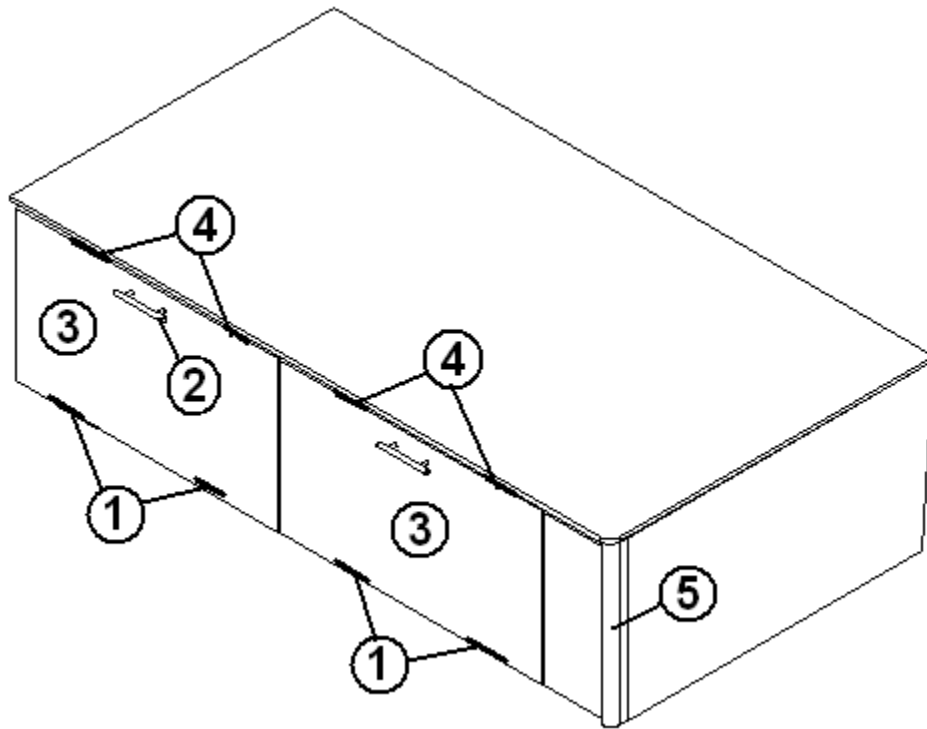


- | | |
|---------------|---------------------------------------|
| 965862-02 | Closet, Roadside Rear |
| 1. 801383-01 | Paneling, Tropical Oak/Whiteline |
| 2. 801376-01 | Paneling, Trop. Oak/Trop. Oak |
| 3. 801706-007 | Corner trim, 90 degree 1" radius |
| 4. 801368 | Paneling, Whiteline/Whiteline |
| 5. 381607 | Hinge assembly |
| 6. 381228-01 | Door grabber catch |
| 7. 382044 | Handle, door |
| 8. 965768-02 | Rear closet bookshelf, RS |
| 9. 965768-02 | Rear closet bookshelf, RS |
| 10. 203445 | T-Molding, black embossed |
| 11. 365268-05 | EDGE BANDING-PVC-LAMITECK T. OAK |
| 12. 512215-01 | SPEAKER, 6.5", model SP65CO |
| 12. 512215-02 | GRILL, 6.5", WHITE |
| 13. 203599 | Speaker, Spacer, 5/8" |
| 14. 801348 | Radius plywood, .75" x 8" x 6' |
| 966781 | CLOSEOUT ASSY. Curbside wardrobe, 27' |

2008 SAFARI- BAMBI

FURNITURE, BEDROOM

Bed, 27' Curbside Twin

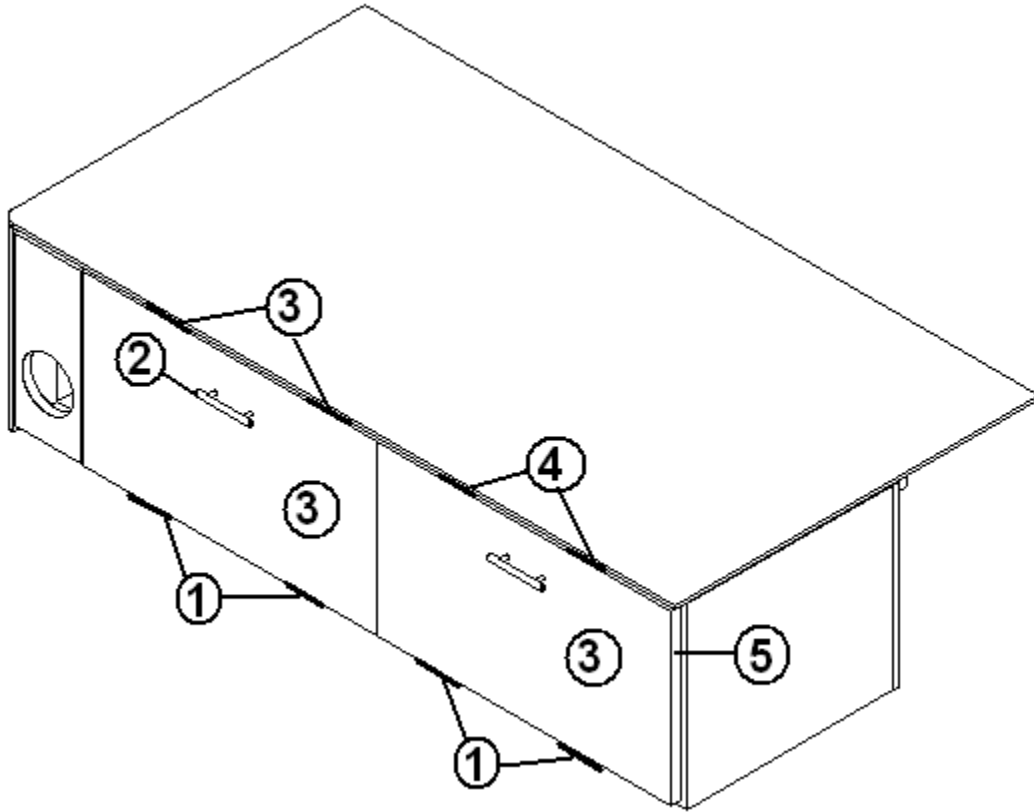


966703	BED ASSY-CS TWIN
1. 385935-01	HINGE PIVOT ZINC PLATED
2. 382044	Door handle
3. 801341-48	DOOR, RS TWIN BED 25.00" X 14.25"
4. 381228-01	CATCH GRABBER DOOR
5. 801706-01	CORNER TRIM, 90D 1" RADIUS, OAK
203419	BOX STORAGE 23"L X 16.75"W X 11.88

2008 SAFARI- BAMBI

FURNITURE, BEDROOM

Bed, 27', Roadside Twin

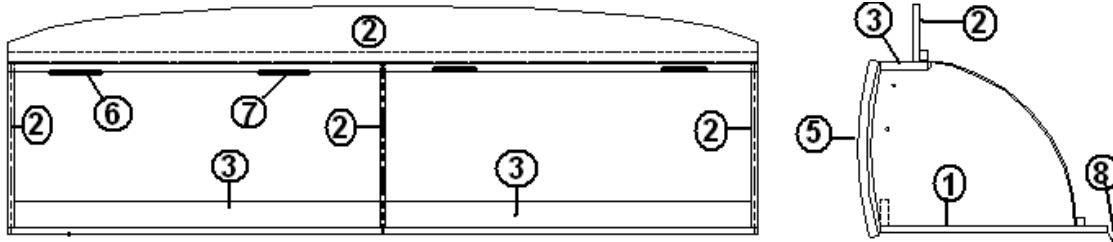


- | | |
|--------------|------------------------------------|
| 966790 | BED, RS TWIN |
| 1. 385935-01 | HINGE PIVOT ZINC PLATED |
| 2. 382044 | Door handle |
| 3. 801341-48 | DOOR, RS TWIN BED 25.00" X 14.25" |
| 4. 381228-01 | CATCH GRABBER DOOR |
| 5. 801706-01 | CORNER TRIM, 90D 1" RADIUS, OAK |
| 203419 | BOX STORAGE 23"L X 16.75"W X 11.88 |

2008 SAFARI- BAMBI

FURNITURE, BEDROOM

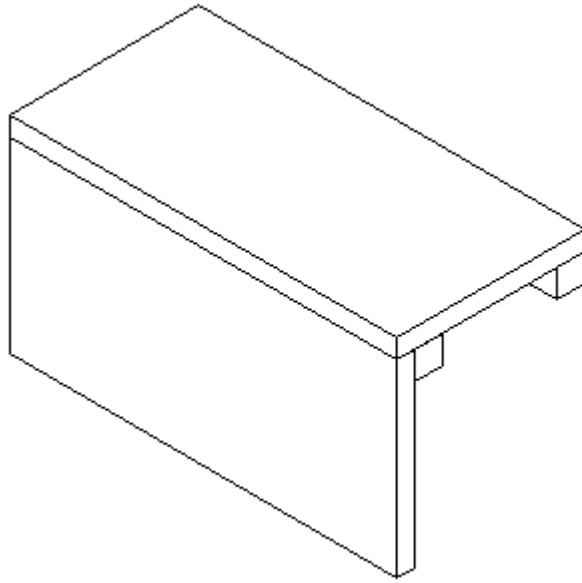
Roof Locker, Rear End, 27' Queen W, 28' W



- | | |
|--------------|----------------------------------------|
| 966041 | Roof Locker, Rear End |
| 966041-01 | Roof Locker, Rear End, Special edition |
| 1. 801383-01 | PANEL, TRP OAK/WHITE LINER 1 |
| 2. 801392 | PANEL, WHITELINER/WHITELINER 1 |
| 3. 801376-01 | PANEL, T.OAK/WHITE LINER 18M |
| 4. 801438 | PANEL, FROST WHITE VINYL/RAW |
| 5. 965551-02 | DOOR-RADIUS FOAM 15.25"X 31.63 |
| 6. 381840-01 | HINGE-OVERHEAD SPRING LH #372. |
| 7. 381840-02 | HINGE-OVERHEAD SPRING RH #372. |
| 8. 104829 | SUPPORT ROOFLOCKER GALLEY |
| 512162 | END CAP-1" OFF WHITE #LDEN100 |

2008 SAFARI- BAMBI
FURNITURE, BEDROOM

Closeout, 27' Twin



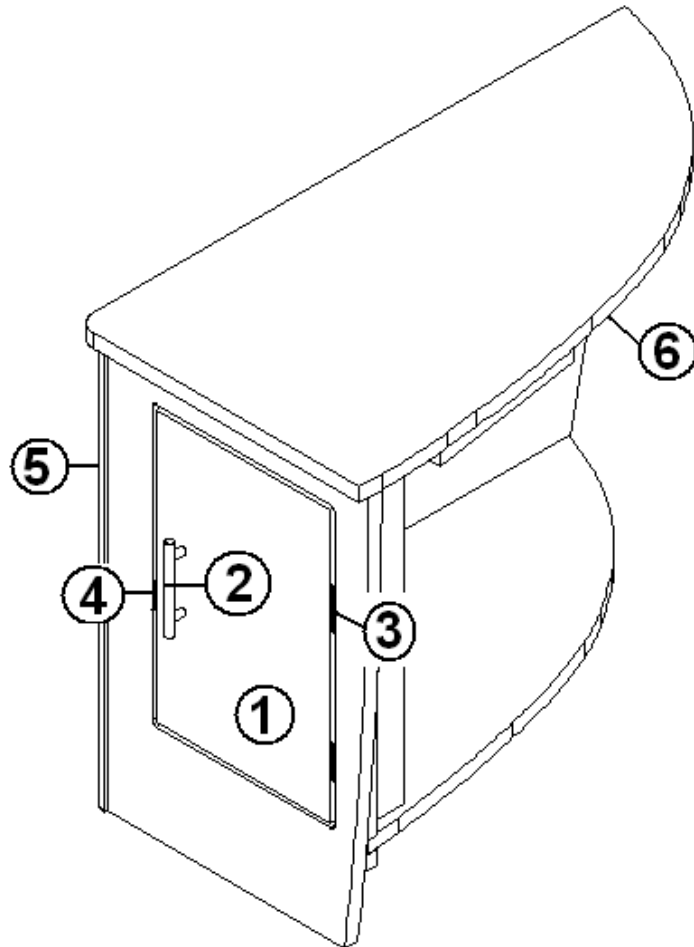
966789

Closeout, twin option

2008 SAFARI- BAMBI

FURNITURE, BEDROOM

Nightstand, 27' J-Queen Bedroom, Curbside

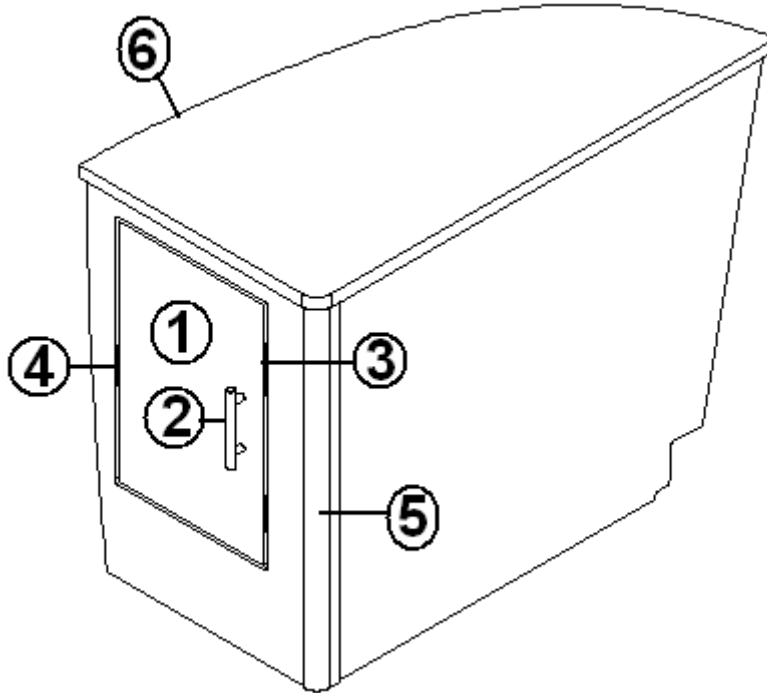


966704-05	NIGHTSTAND ASSY, SAND CRYSTAL
966704-06	NIGHTSTAND ASSY, MIDNIGHT SUN
1. 801341-213	DOOR, 7" X 15.31"
2. 382044	PULL-BAR BRUSH NICKEL
3. 381607	HINGE ASSY-GRASS
4. 381228-01	CATCH GRABBER DOOR
5. 801706-01	CORNER TRIM-90D 1" RADIUS OAK
6. 201673	REVERSE COVE MOLDING, WHITE

2008 SAFARI- BAMBI

FURNITURE, BEDROOM

Nightstand, 27' J-Queen Bedroom, Roadside

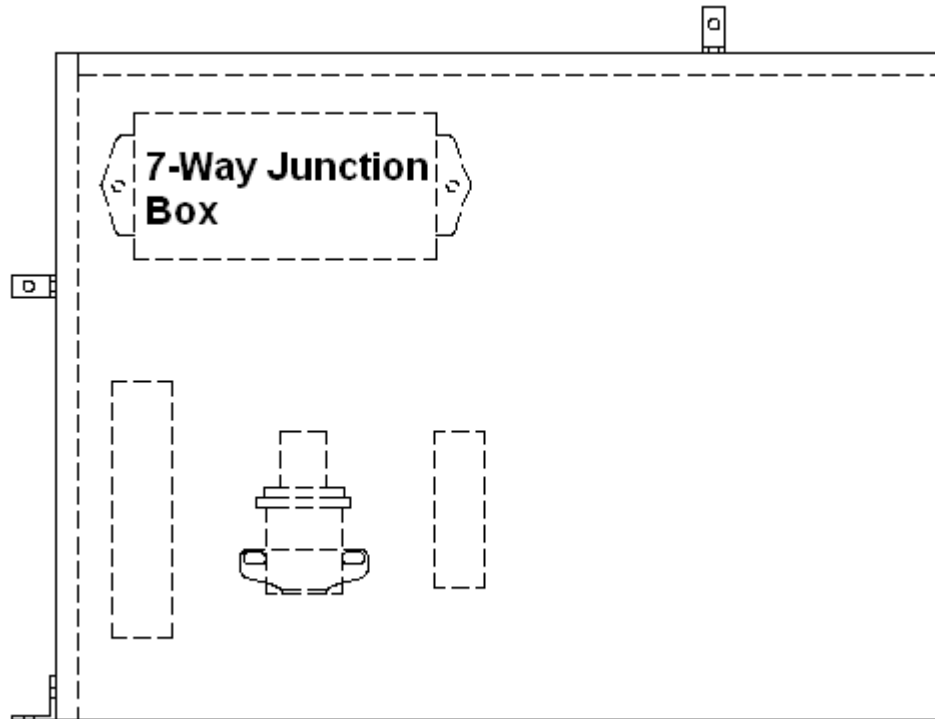


966705-05	NIGHTSTAND ASSY, SAND CRYSTAL
966705-06	NIGHTSTAND ASSY, MIDNIGHT SUN
1. 801341-213	DOOR, 7" X 15.31"
2. 382044	PULL-BAR BRUSH NICKEL
3. 381607	HINGE ASSY-GRASS
4. 381228-01	CATCH GRABBER DOOR
5. 801706-01	CORNER TRIM-90D 1" RADIUS OAK
6. 201673	REVERSE COVE MOLDING, WHITE, P

2008 SAFARI- BAMBI

FURNITURE, BEDROOM

Closeout, Electrical, 27' J-Queen Bedroom, 27' W-Queen

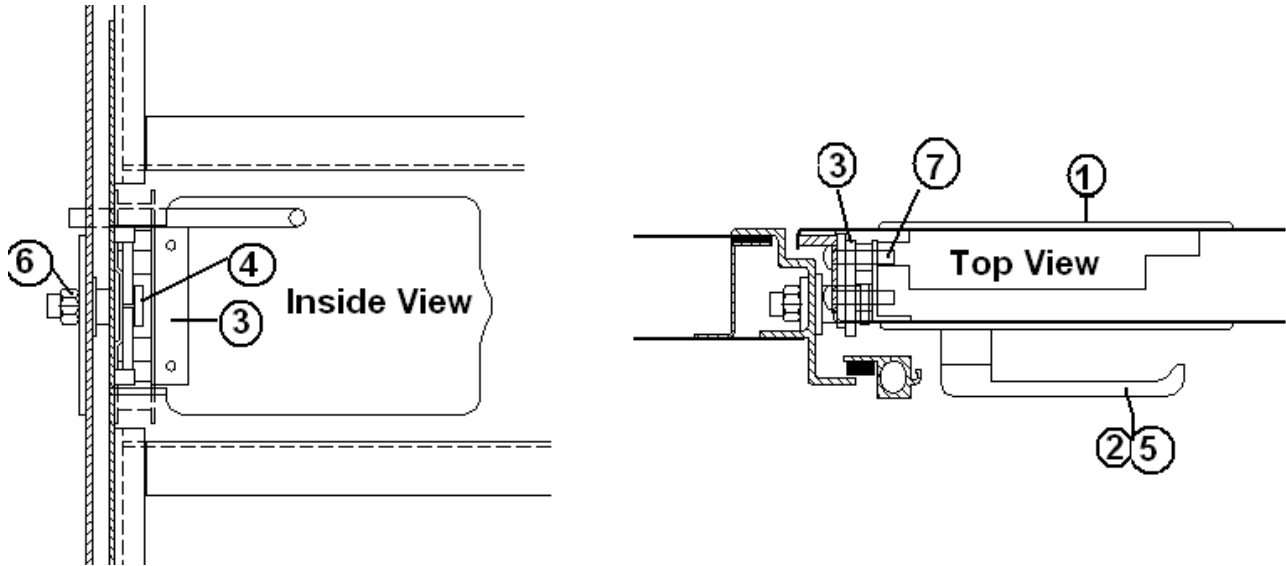


966788 Electrical Closeout

2008 SAFARI- BAMBI

HARDWARE

Main Door Lock, Left Hand Hinge

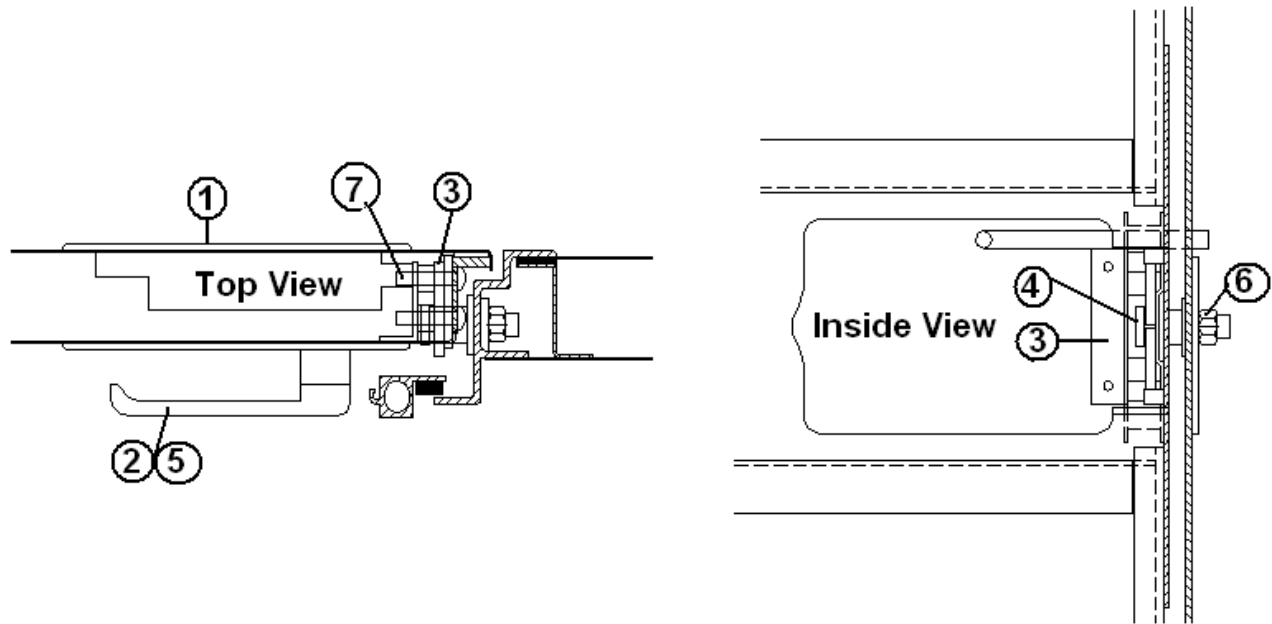


- | | |
|--------------|----------------------------------------|
| 1. 381547-01 | Main door lock, outside, housing |
| 2. 381547-07 | Main door lock, inside plate |
| 3. 381547-03 | Double rotary latch main door lock |
| 4. 381547-04 | Striker bolt w/washer main door lock |
| 5. 381547-08 | Screw package, main door lock |
| 6. 381550 | Plate, Striker Bolt |
| 7. 345357 | Screw, 1/4" x 20 x 1.25 Thread cut PPH |
| 381889 | KEY CHAIN, AIRSTREAM, CORIAN |
| 381901 | KEY RACK |

2008 SAFARI- BAMBI

HARDWARE

Main Door Lock, Right Hand Hinge



- | | |
|--------------|----------------------------------------|
| 1. 381547-09 | Main door lock, outside, housing |
| 2. 381547-11 | Main door lock, inside plate |
| 3. 381547-10 | Double rotary latch, main door lock |
| 4. 381547-04 | Striker bolt w/washer main door lock |
| 5. 381547-08 | Screw package, main door lock |
| 6. 381550 | Plate, Striker Bolt |
| 7. 345357 | Screw, 1/4" x 20 x 1.25 Thread cut PPH |

2008 SAFARI- BAMBI

HARDWARE

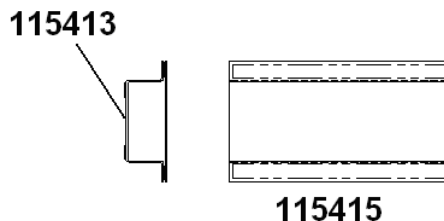
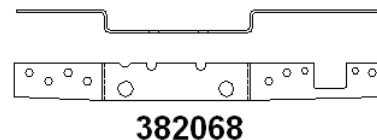
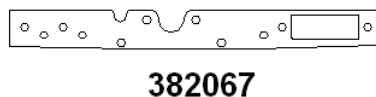
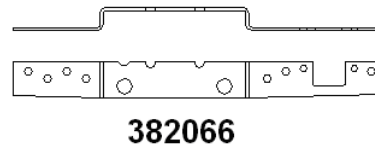
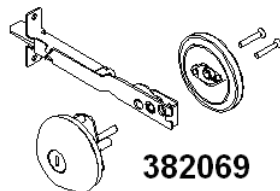
Deadbolt Assembly, Main Door, Square Trimark

Due to square dead bolt being discontinued by Trimark, Airstream switched to a round deadbolt in April, 2008. (Late 2008 model year)

381323-01	DEADBOLT COMPLETE ASSY. #11840-12
381326	STRIKER #10007 W/TRIMARK DEADBOLT
453851	BOLT - TRI/MARK
203370	SPACER-TRI/MARK DOOR LATCH
385595	POCKET-STRIKE

Deadbolt Assembly, Main Door, Round, Trimark

Due to square dead bolt being discontinued by Trimark, Airstream switched to a round deadbolt in April, 2008. (Late 2008 model year)



382069	Deadbolt assembly, round, Trimark
382066	Inner reinforcement plate, LH hinged door
382067	Outer reinforcement plate, RH/LH hinged door
382068	Inner reinforcement plate, RH hinged door
115413	Door hat section
115415	Door hat section assembly

2008 SAFARI- BAMBI

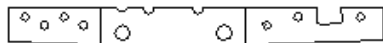
HARDWARE

Main Door Latch Reinforcement Plates

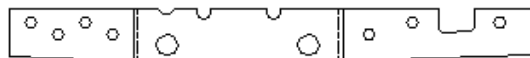
Due to square dead bolt being discontinued by Trimark, Airstream switched to a round deadbolt in April, 2008. (Late 2008 model year) This round deadbolt requires different Main Door latch Reinforcement Plates. On units with round deadbolts 381548 is replaced by 382067, 381557 is replaced by 382066, and 381557-01 is replaced by 382068.



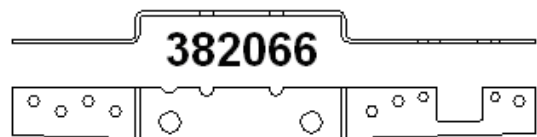
381548



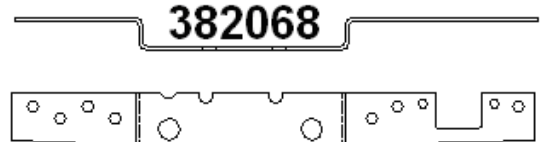
381557



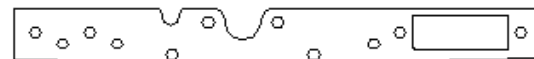
381557-01



382066



382068



382067

381548	OUTER LATCH, REINFORCEMENT, LH/RH
381557	INNER LATCH REINFORCEMENT, LH
381557-01	INNER LATCH REINFORCEMENT, RH
382067	Outer reinforcement plate, RH/LH hinged door
382066	Inner reinforcement plate, LH hinged door
382068	Inner reinforcement plate, RH hinged door

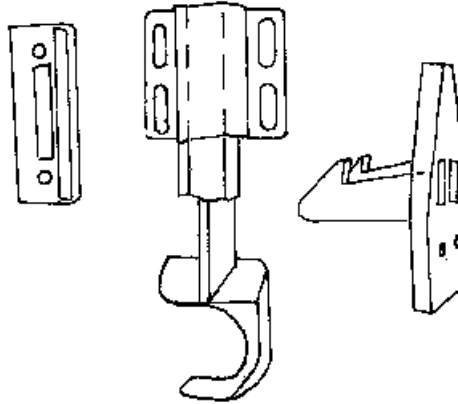
2008 SAFARI- BAMBI

HARDWARE

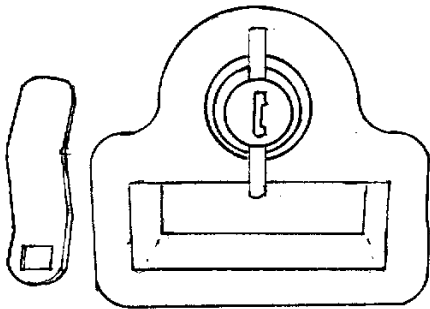
Exterior Latches/Locks



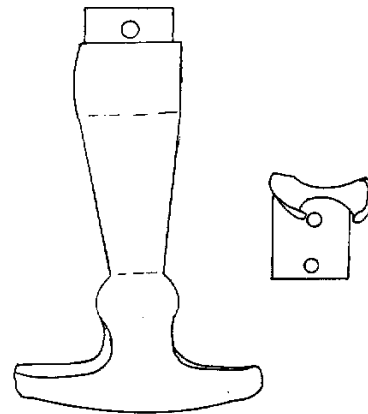
101171
Grab handle, main door



381454
Latch, screen door, Bullet



380770-Twist lock, black

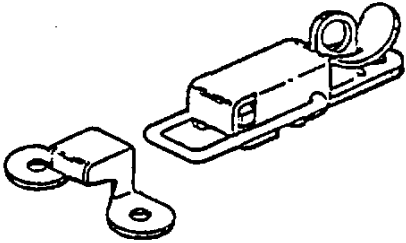


381021-01 Rubber T
handle, 90 degree bracket

2008 SAFARI- BAMBI

HARDWARE

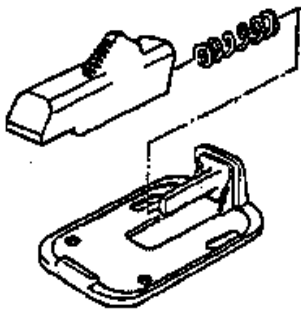
EXTERIOR LATCHES/LOCKS



340023 Corbin catch
w/strike, battery box



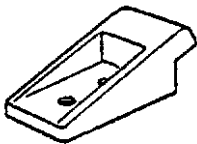
380067 Lock cam,
bumper lid



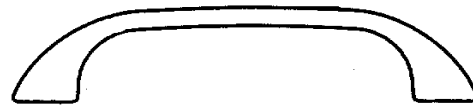
380291 Main door holdback,
(use w/housing #380290)



380290 Latch housing,



201056 Catch, main door
holdback

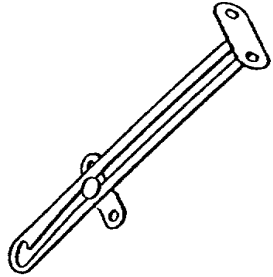


380004 Handle, screen door

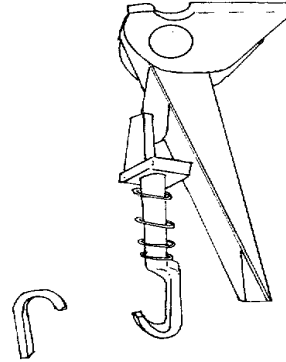
2008 SAFARI- BAMBI

HARDWARE

EXTERIOR LATCHES/LOCKS



380024 Support arm,
bumper lid, Medicine cabinet



380903 Latch w/strike,
chrome, gas bottle cover
380903-01 LATCH
ONLY, FOR BOTTLE COVER
380903-02 STRIKE
ONLY, FOR BOTTLE COVER

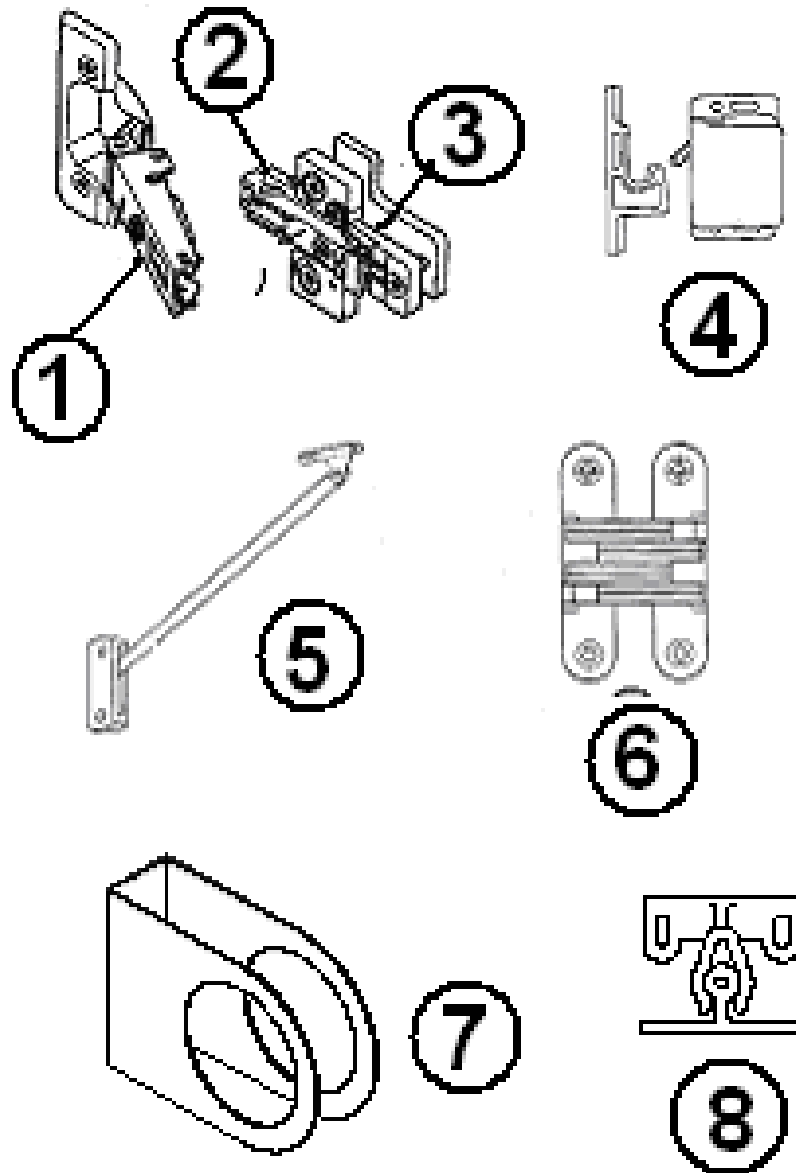
Wrap Protector Holdback Latches

114819-01 Wrap protector hold back, 1.62"
114819-02 Wrap protector hold back, 2.50"
114819-03 Wrap protector hold back, 5.00"

2008 SAFARI- BAMBI

HARDWARE

Interior Cabinet/Latches/Hinges



Part number on the next page

2008 SAFARI- BAMBI

HARDWARE

Interior Cabinet/Latches/Hinges

1. 381607-01	Hinge, cabinet
2. 381607-02	Base, metal
3.381607-03	Base, plastic
3. 381607-04	HINGE SCREW
4. 381228	Grabber door, latch w/catch, 10lb.rating
4. 381228-01	Grabber door, latch w/catch, 3lb. Rating
5. 381608-05	Support arm, roof locker, LH
6. 380040	Soss hinge, lift up table
7. 454320	Door handle Cover
8. 381948	K-catch
382034	LATCH-FLUSH MOUNT, BATH DOOR
454614	PLATE-STRIKE, FOR 382034

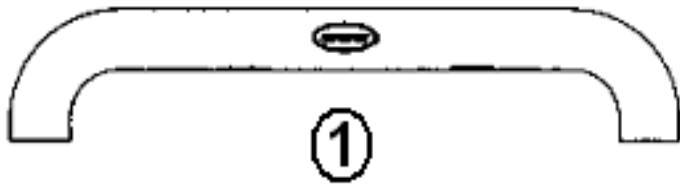
Interior Hinges

380458	Hinge, piano, bath door, dinette seat, brown
381614	Folding shelf bracket, galley
385935-01	Hinge, pivot, plated, medicine cabinet, twin bed
381840-01	HINGE-OVERHEAD SPRING LH, ROOF LOCKER
381840-02	HINGE-OVERHEAD SPRING RH, ROOF LOCKER
381072-01	HINGE 3" X 2"
380203-01	PIANO HINGE, LIFT UP TABLE
380203-02	PIANO HINGE, BLACK, BUMPER LID, BATTERY BOX
381847-01	HINGE PIANO, ANGLE, 46", SOFA BACK
381808	BRACKET, FACE MOUNT HINGE, CLOSET SHELF
381951	HINGE-FORMED .5", LAVATORY

2008 SAFARI- BAMBI

HARDWARE

Head knocker, Drawer Finger Pull, Rubber Bumpers



②



③



④

- | | |
|-----------|-------------------------------------------------|
| 1. 381772 | Head knocker, white mounts on interior doorjamb |
| 2. 382026 | PULL, FINGER, FLUSH, RECESSED, SS |
| 3. 360012 | Bumper, rubber white, stick-on, cylindrical |
| 4. 360016 | Bump on, rubber gray, square 3/8" x 3/8" |
| 360012-01 | Bumper, rubber brown, stick-on, cylindrical |
| 381610-01 | COVER CAP PLAS. EUROPEAN WHITE |

2008 SAFARI- BAMBI

HARDWARE

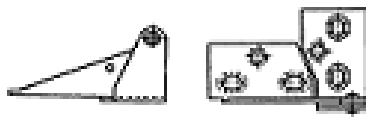
Interior Latches/Hinges



①



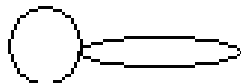
②



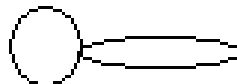
③



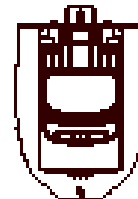
④



⑤



⑥



⑦

- | | |
|--------------|-------------------------------------------------|
| 1. 382044 | Handle drawer/door, chrome |
| 2. 381775 | Pull handle, CHROME |
| 3. 385935-01 | Hinge pivot, zinc plated |
| 4. 381737 | Grab bar, interior, mounts on interior doorjamb |
| 5. 381771-01 | Latch Swinging bath door |
| 6. 382034 | Latch, flush mount, corner bath doors |
| 7. 454614 | STRIKE PLATE FOR FLUSH MOUNT LATCH |
| 381608-09 | Rosette Hafele, used on galley |
| 385940-02 | MIRROR PULL CHROME |

2008 SAFARI- BAMBI

HARDWARE

Bathroom Accessories, 25', 27', 28'

380034	Toilet paper holder, chrome
381822	18' towel bar, Brushed Nickel
381824	Towel Ring, Brushed Nickel
380017	Holder, tumbler and toothbrush

Bathroom Accessories, 23', 19'

381299	HOLDER RECESSED TOILET PAPER
381259-01	TOWEL BAR, CHROME, 18"
381259-03	ENDS, TOWEL BAR, CHROME
380017	Holder, tumbler and toothbrush

Bathroom Accessories, 20'

380034	TOILET PAPER HOLDER, CHROME
380017	HOLDER TUMBLER & TOOTHBRUSH
381824	Towel Ring, Brushed Nickel
381822	Towel Bar, Brushed Nickel, 18"

2008 SAFARI- BAMBI

HARDWARE

Wardrobe Clothes Rod

380045	Clothes rod
200975-04	Conduit, flexible, black (covers clothes rod)
380046	Bracket, clothes rod

Drapes

700005	FASTENER, CAP
700006	FASTENER SOCKET
700020	PILE VELCRO
700021	HOOK, VELCRO, WHITE

Sewer Hose Clamp/Water Fill key/Silverware Tray

340084-52	CLAMP, HOSE SAE #52
381647	KEY WATER FILL CH 751
195329-240	SEWER HOSE ADAPTOR, elbow
200980-01	TRAY, SILVERWARE, ALMOND, 9" X 13"

2008 SAFARI- BAMBI

HARDWARE

Detectors, Fire Extinguishers

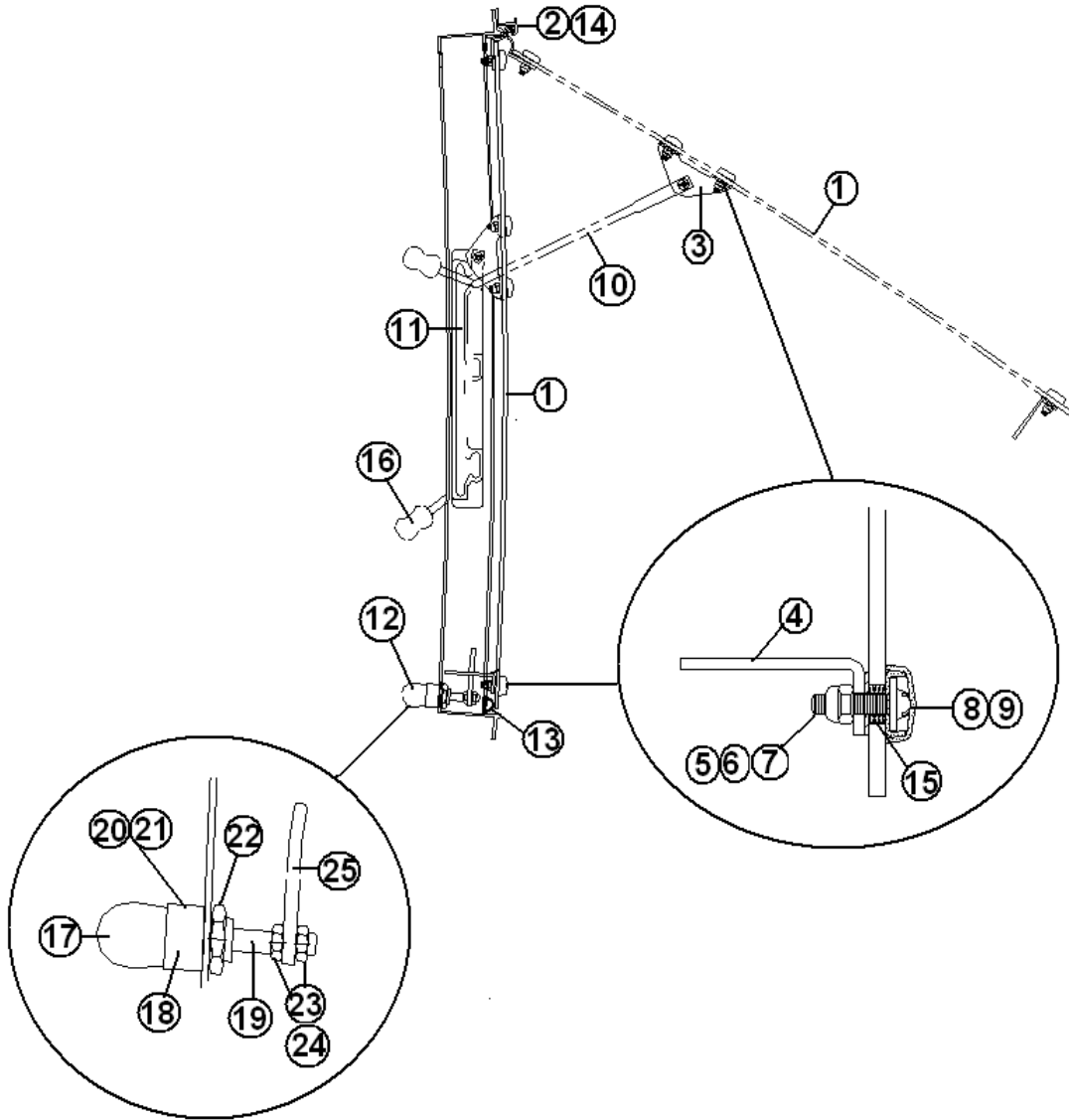
510781	Smoke detector
510891	Smoke Detector CSA only
511309	LPG detector
512318	HOLDER W/1 AMP FUSE, IN-LINE
511393	COUPLER-MODULAR EXTENSION
511411	JUNCTION BOX-7 TERMINAL 50-10-170
600162-01	Fire extinguisher
600162-02	Fire extinguisher, CSA
512178	DETECTOR CARBON MONOXIDE 9 VOLT

Bed Top Gas Spring Assembly

381067-09	SPRING-GAS 90 LBS.
381262	BRACKET, PROP, W/BALL
381310	GAS PROP BRACKET ASSY, UPPER
381084	BALL, STUD

2008 SAFARI- BAMBI DOORS/WINDOWS/AWNINGS

Window Parts Diagram, Riveted



Part numbers on next page

2008 SAFARI- BAMBI

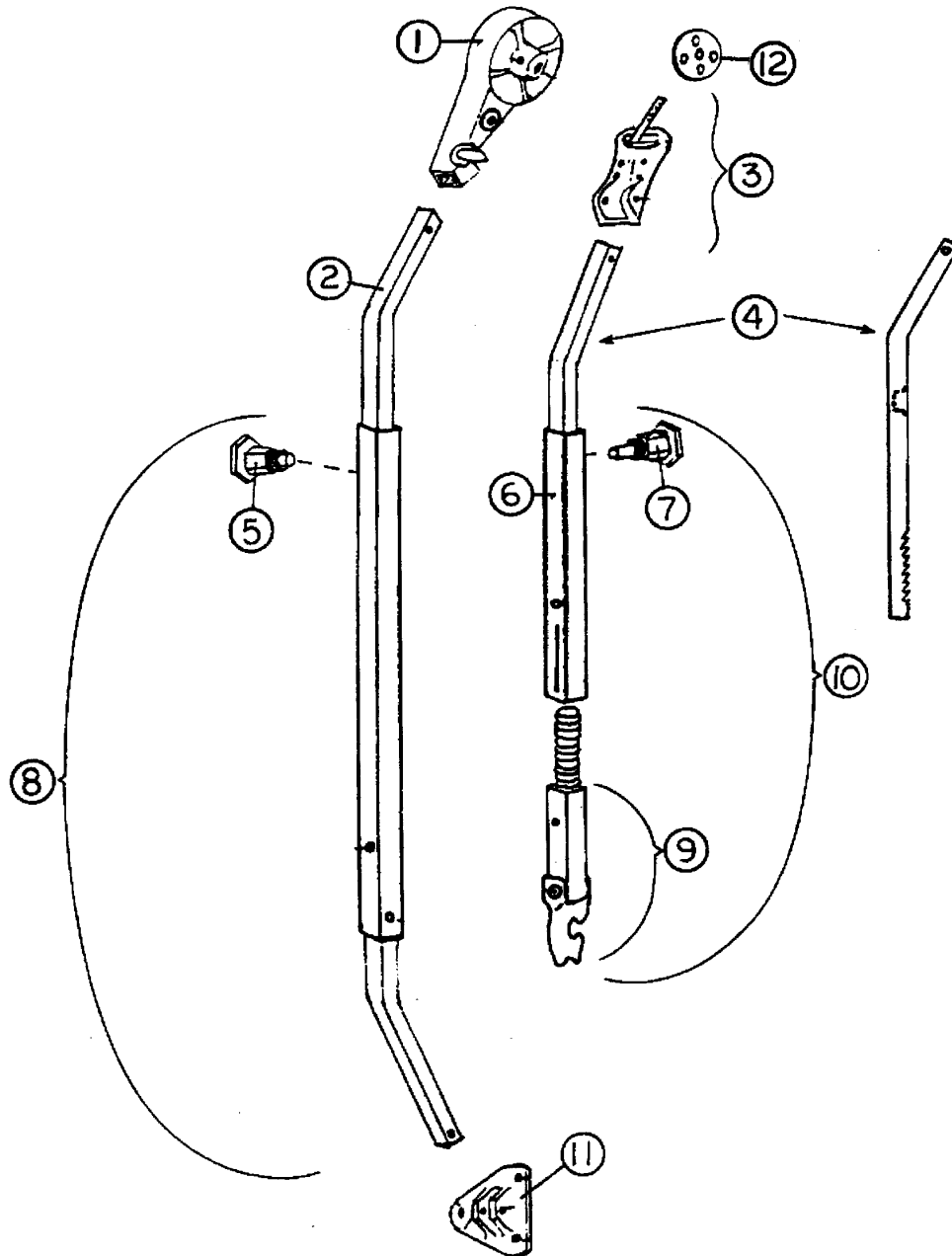
DOORS/WINDOWS/AWNINGS

1. 371323-100	Glass w/hardware, 18" window
1. 371324-100	Glass w/hardware, 30" window
2. 371323-101	Hinge, 18" window
2. 371324-101	Hinge, 30" window
3. 1101-0010	Bracket, window prop
4. 685124	Striker plate, window latch
5. 0706-0004	Flat washer
6. 0703-0001	Screw, #8-32 x .625", black, SS
7. 0702-0010	Nut, Nylox, #8-32, black SS
8. 0802-0004	Screw cover, 12-12 #100, black
9. 0802-0005	Washer, 12-12 screw cover bottom
10. 100903	Operating arm, RH
10. 100903-01	Operating arm, LH
11. 0802-0001	Guide, operating arm, RH
11. 0802-0002	Guide, operating arm, LH
12. 010020	Latch assembly, chrome
13. 381665	Gasket seal
14. 0101-0017	Male hinge extrusion, 1/2" pc.
15. 0706-0003	Bushing, window, acrylic
16. 380230-03	Window arm knob, silver
16. 380230-04	Window arm knob, red
17. 1101-0005	Latch handle, chrome
17. 195467-05	Latch handle, red
18. 1101-0007	Latch body
19. 1101-0008	Latch shaft
20. 1101-0009	Latch spring
21. 0707-0002	Pin, drive lock, 5/32" x 5/8", zinc
22. 0702-0001	Nut, hex panel, 5/8"-24, zinc
23. 0702-0002	Nut, jam, hex, 5/16-24
24. 385123	Washer, flat, .53" OD x .328" ID
25. 685123	Latch paw

2008 SAFARI- BAMBI

HARDWARE

AWNING HARDWARE



See next page for P/N

2008 SAFARI- BAMBI

HARDWARE

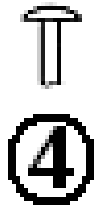
AWNING HARDWARE

702993	Awning Hardware, complete Assembly
1. 74043W-06	Front head assembly
1. 74043W-07	Rear head assembly
2. 74047W-11	Front main arm bar
2. 74047W-12	Rear main arm bar
3. 74056W	Clamp assembly, front, curved
3. 74056W-01	Clamp assembly, rear, curved
4. 74061WS-08	Rafter arm bar, satin
5. 74054W	Snap stud assembly
6. 74063W-04	Rafter arm tube, satin
7. 74072W	Ratchet stud
8. 74048WS-15	Front main arm tube assembly
8. 74048WS-16	Rear main arm tube assembly
9. 74068W-04	Claw bar assembly
10. 74048WS-17	Rafter arm assembly
11. 74055W	Base hinge, rib mount
12. 74060W	Clamp wheel

2008 SAFARI- BAMBI

Hardware

Rivets, Buck

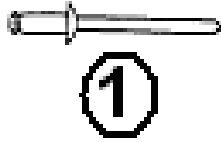


- | | |
|--------------|-----------------------------------------------------------------|
| 1. 325043 | Rivet, 1/8", 1/4" length (hard) |
| 2. 325000-01 | Rivet, 1/8", 1/4" length anodized clear |
| 2. 325000 | Rivet, 1/8", 1/4" length clear |
| 3. 325000-03 | Rivet, 1/8", length 1/4", long, anodized white |
| 4. 325001-01 | Rivet, 1/8", length 5/16", anodized clear |
| 5. 325002-01 | Rivet, 1/8", length 3/8", anodized clear |
| 5. 325002 | Rivet, 1/8", length 3/8" |
| 6. 325004-01 | Rivet, 1/8", length 1/2", anodized clear |
| 7. 330127-03 | Rivet, grip range .063-.125, aluminum body,
aluminum mandrel |
| 8. 300101 | 1/8" I.D., Washer, aluminum |

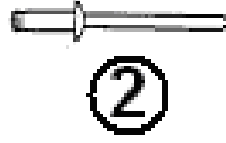
2008 SAFARI- BAMBI

Hardware

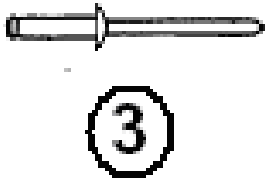
Rivets, Pop



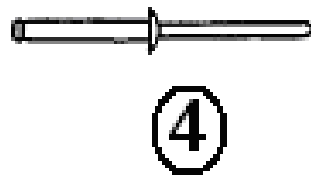
①



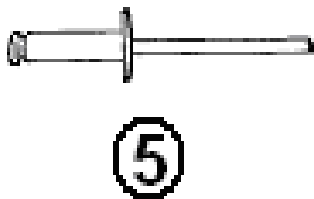
②



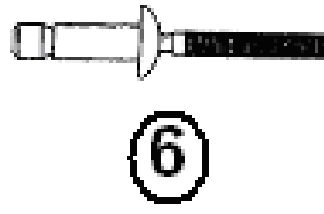
③



④



⑤



⑥

1. 330126-02 Pop Rivet, dia. 1/8" grip range .126-.187, S.S.
2. 330126-03 Pop Rivet, dia., 1/8" grip range .126-.250, S.S.
3. 330148 Pop Rivet, AD43-45ABS, aluminum
4. 330128-050 Pop Rivet, dia., 1/8" .251"-.312" white
5. 330038 Pop Rivet, dia. .150". (#20 bit) grip range .126-.250, aluminum body & mandrel (used-screen door hinge)
6. 330016-04 Pop rivet, closed end, sealing
- 325103 Pop Rivet, dia. 1/4" grip range .080-.325, SS body, steel mandrel
- 330126-04 Pop rivet, dome head, SSD45
- 330126-05 Pop rivet, dome head, SSD46
- 330126-06 Pop rivet, dome head, SSD48

2008 SAFARI- BAMBI

LABELS AND TAGS

Labels and Tags, USA

385193	Label, "12V distribution panel inside"
386119	Label, "DON'T USE AREA FOR STORAGE"
385068	Tag, cooking appliance warning
386118	Label, LP gas warning/fill
385517	Label, kill switch warning
385521	Label, emergency egress window
386122	Warning label/cooking appliance
386121	Label, LP gas warning label (odor)
385465	Exit label, English
385560	Label, air conditioner rating
385812	Label, Calif. hazardous substance
386120	Label, smoke detector
385359	Label, microwave or air conditioner
385837	Label, refrigeration ignition
386114	LABEL-RVIA SILVER
385418-01	Label, Federal registration
385062	Decal, 110-125 voltage AC
385565	Label, holding tank flushing
386012	Label warning, water heater
386082	LABEL THOR, 5.25" X .75'
385101	TAG AUX TANK DUMP VALVE HANDLE
385099	TAG MAIN TANK DUMP VALVE HANDLE
386142	CHECK WHEEL LUG LABEL
386123	LABEL "POTABLE WATER ONLY"
386019	LABEL 1 AMP FUSE MAX.
385020	STICKER SELF ADHERING, JACK
386097	LABEL, FUSE 12 VOLT
386192	HANG TAG: SMOKE/CO DETECTOR BATTERY
386193	LABEL WHEEL TORQUE WARNING
386098	LABEL, FUSE 12 VOLT

2008 SAFARI- BAMBI

LABELS AND TAGS

Labels and Tags, CSA

385949	LABEL "POTABLE WATER" CSA
385950	LABEL "SMOKE DETECTOR CSA
385951	LABEL "RANGE FRESH AIR" CSA
385952	LABEL "LP WARNING" CSA
385953	LABEL "IF YOU SMELL GAS" CSA
385954	LABEL "RANGE WARNING" CSA
385466	LABEL, EXIT LABEL (FRENCH)
386105	Label, TV.VCR Receptacle
385971	Label, fuse, exterior light

2008 SAFARI- BAMBI

PLUMBING, LPG SYSTEM

Gas Bottles

601710-01	LP gas bottle, 30lb. steel
601710-02	LP gas bottle, 30lb. steel, CSA
601686	Base plate, LP tank mounting
601687	Hold down kit, LP tank

Gas regulator and Fittings

601731	LP regulator, w/pigtails, mounting Bracket & cover
381613	Plastisol cover-LP wing handle
601685-01	LP hose, 1/2" FPT x 3/8" flare
601685-02	LP hose, 1/2" FPT x 3/8" flare, CSA only
195511-15	Adaptor, LP hose, 23' option
600468	Union flare, 5/8" x 5/8"
600201	Union flare, 3/8" x 3/8"
600004	Copper tubing, 5/8"
600008	Copper tubing, 3/8"
600436	Flare nut, forged, 5"/8
600435	Flare nut, forged, 3/8"
600000	Tee, brass, 5/8" x 5/8" x 3/8"
600003	Tee, brass, 5/8" x 3/8" x 3/8"
600661	GROUNDING CLAMP 1/2 TO 1 SIZE
600001	NUT BRASS FLARE 416 5/8
500038	LUG GROUND
500839	WIRE, BARE COPPER 8 GA.
601281	TEE BRASS UNION 5/8 X 5/8 X 5/8
601698-01	E-PEX 1/2" TUBING
380887	GROMMET, FLOOR
380886	GROMMET, FLOOR
340085-05	CLAMP #COY 1109 5/8"
601545	FITTING BRASS H.UNION 3/8" MPT X 5
600010	NUT, BRASS, FLARE, 3/8"

2008 SAFARI- BAMBI

PLUMBING, LPG SYSTEM

Gas Bottle Cover

921232	Gas bottle cover, 30#
380903	Latch and strike
380903-01	LATCH ONLY, FOR BOTTLE COVER
380903-02	STRIKE ONLY, FOR BOTTLE COVER
200841	Lid, plastic, bottle cover
380773	Hinge, access door
114070	EXTRUDED J-TRIM, ALUMINUM GRAY
386088	TAPE DECAL-SIDE CENTER

2008 SAFARI- BAMBI

PLUMBING, FRESH WATER

Fresh Water Tank, 19'

601861-01	Tank, fresh water, 19 ft Bambi
964478	SLOPE PAD-Fresh tank, Bambi
454065	Strap fresh water tank, 19 FT
601588	DRAIN COCK RADIATOR BRASS

Fresh Water Tank, 20'

602101	TANK, FRESH WATER
454489	TANK PAN, GALVANIZED FRESH WATER
511780	PAD, TANK HEATING
601588	DRAIN COCK RADIATOR BRASS

Fresh Water Tank, 23'

601863-02	TANK, FRESH WATER 39 GALLON
966288	TANK PAN
511780	PAD, TANK HEATING 6.5" X 18"
601588	DRAIN COCK RADIATOR BRASS

Fresh Water Tank, 23' Front Bed

601863-02	TANK, FRESH WATER 39 GALLON
966288	TANK PAN
601588	DRAIN COCK RADIATOR BRASS

2008 SAFARI- BAMBI

PLUMBING, FRESH WATER

Fresh Water Tank, 28' W, 25'

601863-01	TANK, FRESH WATER 39 GALLON
601642	PAN, TANK ROTOCAST
453493	HANGER STRAP, TANK PAN
453615	TANK SUPPORT STRIP-62"
601243	DRAIN COCK, FRESH WATER
453712	SHIELD FRESH WATER TANK DRAIN

Fresh Water Tank, 27'

601863-01	TANK, FRESH WATER 39 GALLON
601620	PAN FRESH TANK
601243	DRAIN COCK
453712	SHIELD FRESH WATER TANK DRAIN

Fresh Water Tank Hose/Fittings

601243	DRAIN COCK, FRESH WATER
601239-01	TUBING-1.375"ID RIBBED W/FLAT SIDE
601240-01	TUBING ½" I.D. X 3/32" WALL THICKNESS
0260043-06	WORM CLAMP #6
0260043-28	WORM CLAMP #28
0260043-20	WORM CLAMP #20
453712	SHIELD FRESH WATER TANK DRAIN
601723	FILTER SCREEN, WATER
601588	DRAIN COCK RADIATOR BRASS
453712	SHIELD FRESH WATER TANK DRAIN

2008 SAFARI- BAMBI

PLUMBING, FRESH WATER

Water Fill/Pump and Fittings

601194	Water fill w/lock, gray
601243	DRAIN COCK, FRESH WATER
601237	Plastic elbow, 90 degree, 1.25" MPT x 1.25" barb
601239	Tubing, 1.375" I.D., flexible, water fill hose
601061-03	Water pump, Shurflo
601668-01	Filter, pre water pump
601588	Drain cock, brass, water line drain
601531	FITTING-90 DEGREE 3" H X ST
203085	PLUG WATER LINE 1/2" PLASTIC BLK
601658	VALVE 1/2" STOP CPVC
601659	RISER 1/2" FPT X 12" CPVC
601392-05	CITY WATER FILL W/REGULATOR CHROME
601723	FILTER SCREEN, WATER
943576	HOSE-WATER PUMP

City Water Hookup

600362	Connector, 1/2" FPT x water hose, swivel
600336	Plug with chain
601690	Nipple, 1/2" MPT x 2.50"
601689	Drop ell, 90 degree, 1/2" FPT
600309	Regulator, Watts, 1/2" FPT
600315	PUMP GUARD FILTER
601661	NIPPLE 1/2" BRASS HEX

Water Pump Safari Special Edition

*601791-03	Aquatec, water pump
601791-02	Fittings, slip in (Aquatec pump)
600315	PUMP GUARD FILTER

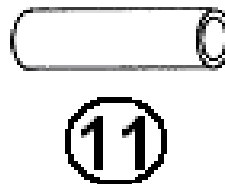
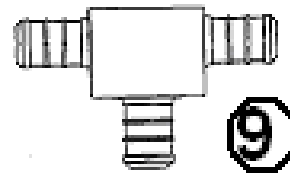
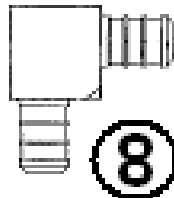
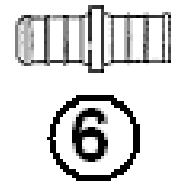
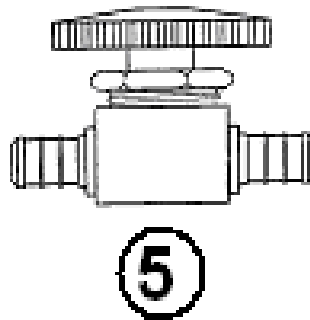
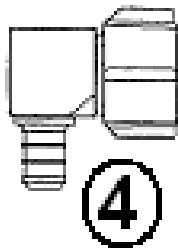
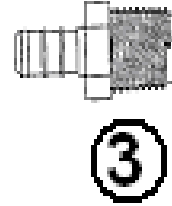
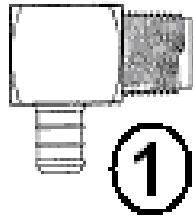
Aquatec water pump was replaced by Sureflo water pump late in 2008 model year. To service old with new hose and adaptor must be included.

*602202	Water pump, Sureflo
602203	Elbow adaptor, Sureflo water pump
602204	Flex hose, 1/2", Sureflo water pump

2008 SAFARI- BAMBI

PLUMBING, FRESH WATER

Fresh Water Fittings



Part Numbers Are On The Next page

2008 SAFARI- BAMBI

PLUMBING, FRESH WATER

Fresh Water Fittings

1. 601698-04	Elbow, 1/2" barb x 1/2" MPT
2. 601698-03	Coupler, 1/2" barb x 1/2" FPT
3. 601698-02	Coupler, 1/2" barb x 1/2" MPT
4. 601698-05	Elbow 1/2 barb x 1/2" FPT
5. 601698-22	Shut-off, 1/2" barb x 1/2" barb
6. 601698-08	Coupler, 1/2" x 1/2" barb
7. 601698-09	Plug, 1/2" barb
8. 601698-10	Elbow 1/2" barb x 1/2" barb
9. 601698-11	Tee, 1/2" x 1/2" x 1/2"
10. 601698-15	Crimp ring, 1/2E-Pex, 1/2" (black)
11. 601698-01	E-Pex tube, 1/2"
11. 601698-21	E-Pex tube, 1/2", Red
600836	ELBOW 3/8 MPT X 1/2", BARB-COPPER
601237	ELBOW 90 D 1.25 MPT X 1.25 BAR
601810	VALVE, 1/2" FPT X 1/2" FPT KBI
601811	ELBOW, 1/2" MPT X 1/2' FPT STREET
601812	NIPPLE-BRASS 1/2" X 2.0"
340085-06	CLAMP, LOOP, STEEL W/RUBBER, .75
601446	NIPPLE, .50 NPT X 1-1/2" GALV.

2008 SAFARI- BAMBI

PLUMBING, FRESH WATER

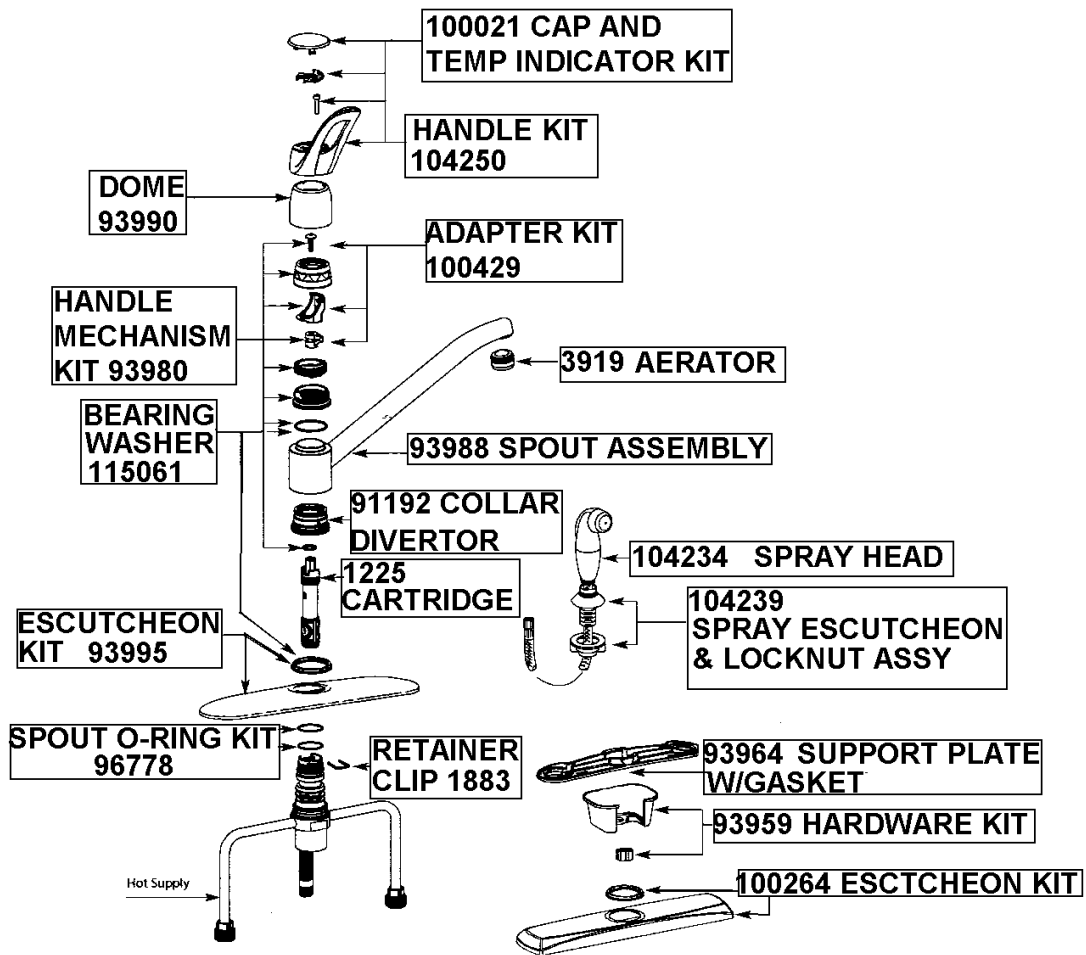
Faucet, Galley, Safari

601894

Single handle faucet, Moen 7460

Moen, Chateau, Single Handle Faucet
model 7460

TO ORDER PARTS CALL 1-800-BUY MOEN



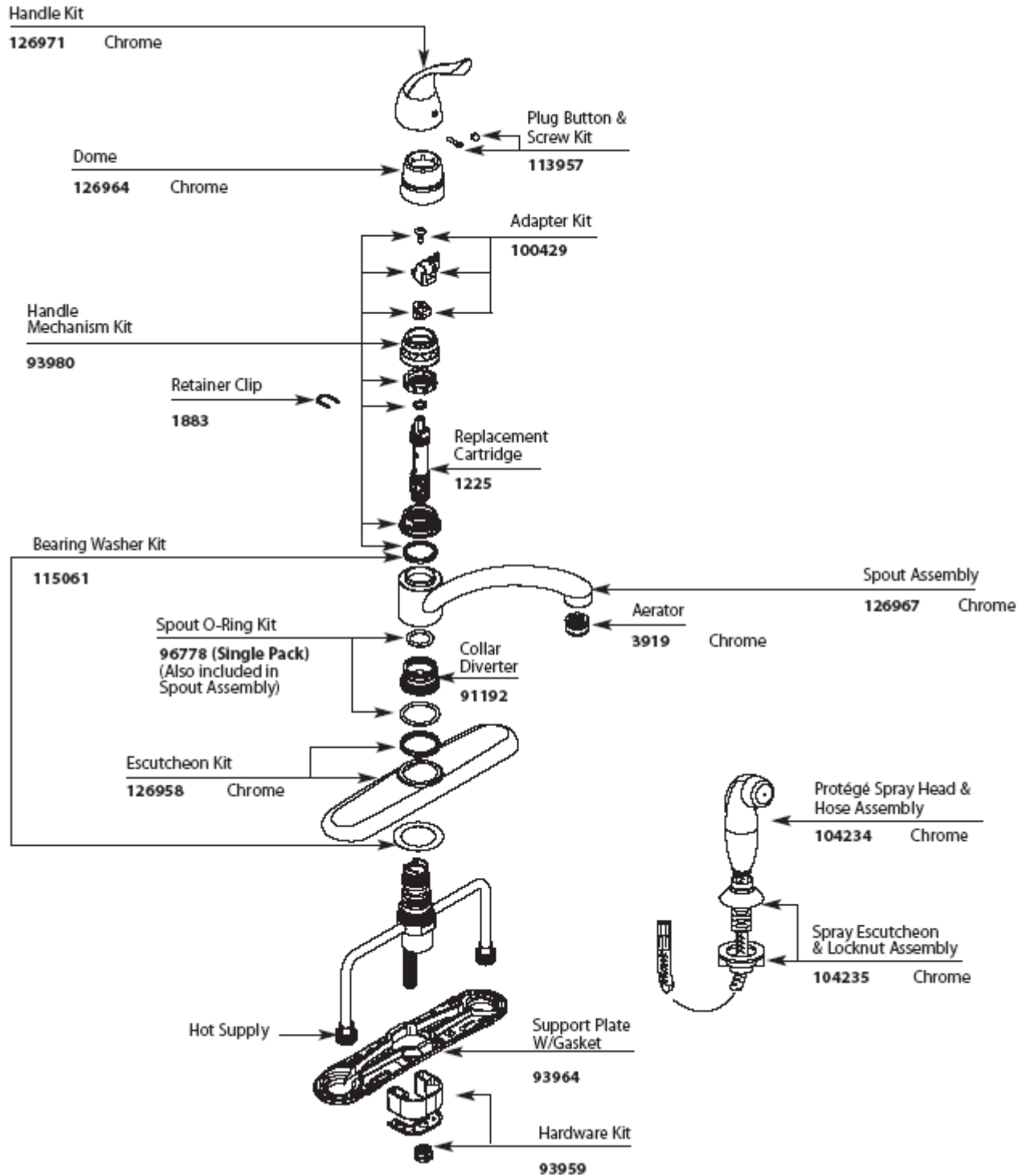
2008 SAFARI- BAMBI

PLUMBING, FRESH WATER

Faucet, Galley, Safari Special Edition

602159 Faucet, MDL 7430 Moen Chateau w/Filtration & Spray

Contact Moen direct at 1-800-BUY-MOEN for warranty and your local parts outlet.



2008 SAFARI- BAMBI

PLUMBING, FRESH WATER

Faucet, Lavatory

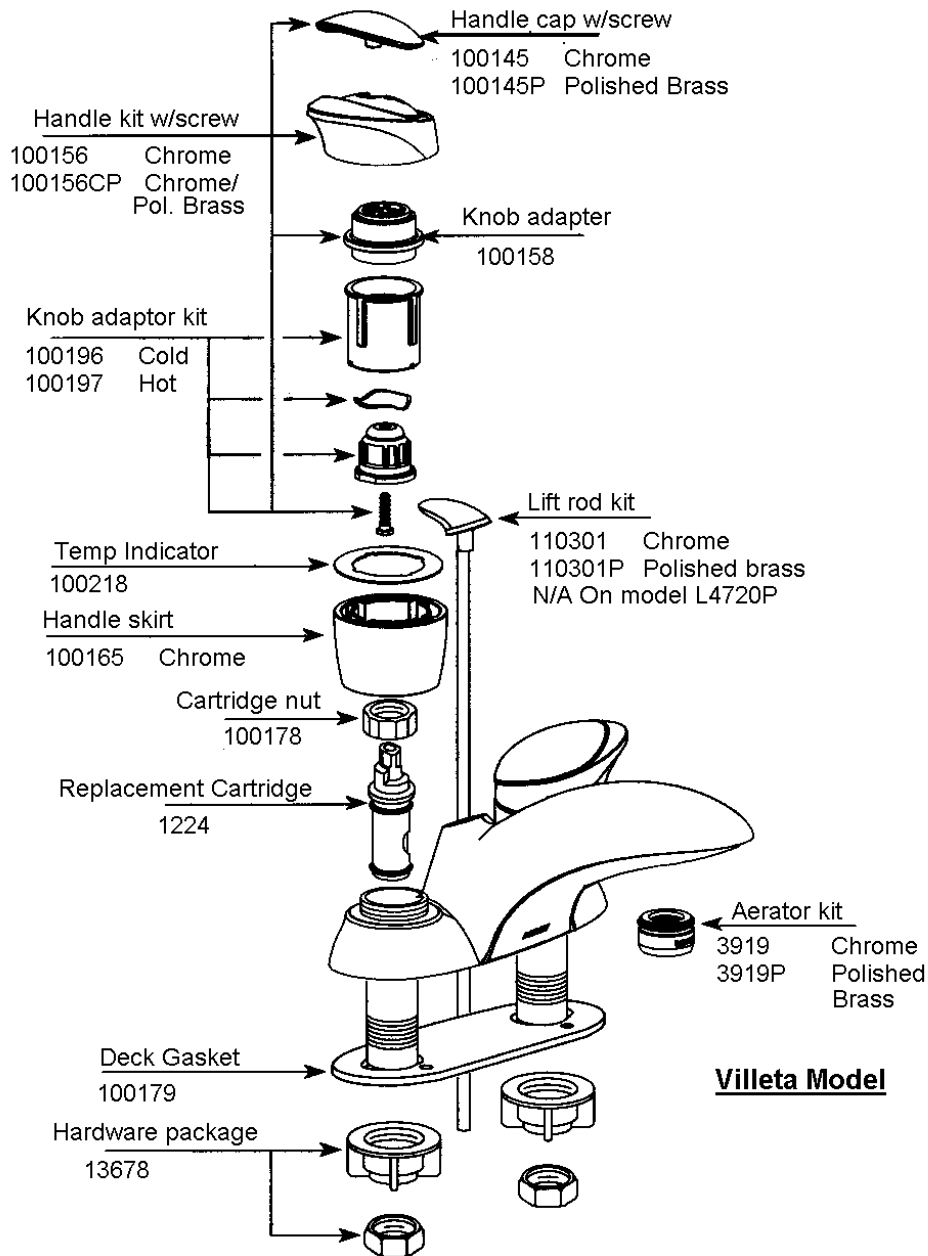
601825 Lavatory, Moen L4720P, chrome

*602216 Faucet, lavy, Moen, Chateau

*601825 replaced by 602216 late in model year, begins 523330.

see next page. Service old with new.

Contact 1-800-Buy Moen for parts and warranty



2008 SAFARI- BAMBI

PLUMBING, FRESH WATER

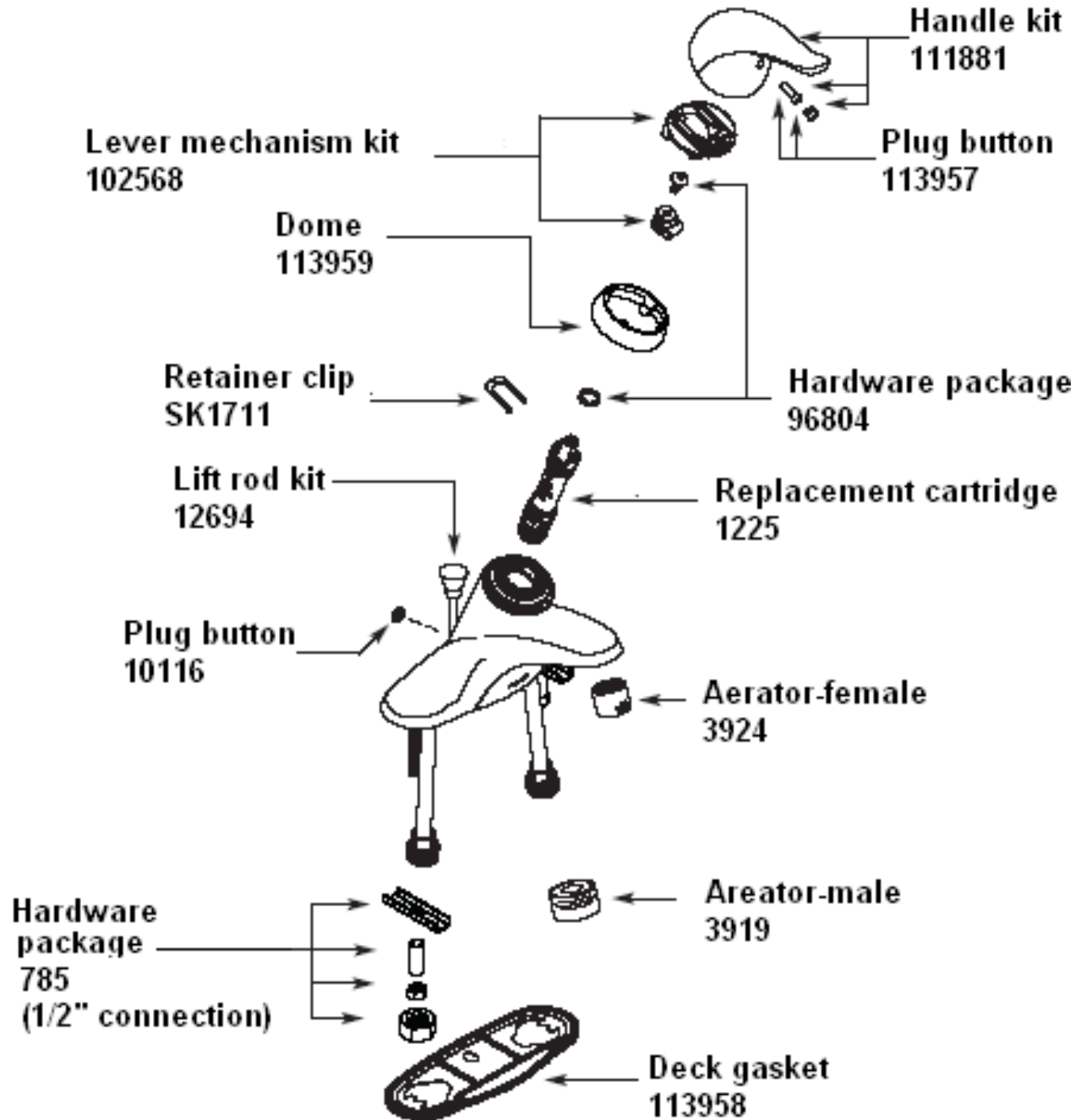
Faucet, Lavatory

*602216 Faucet, lavy, Moen, Chateau

*601216 replaced 601185 late in model year, begins 523330.

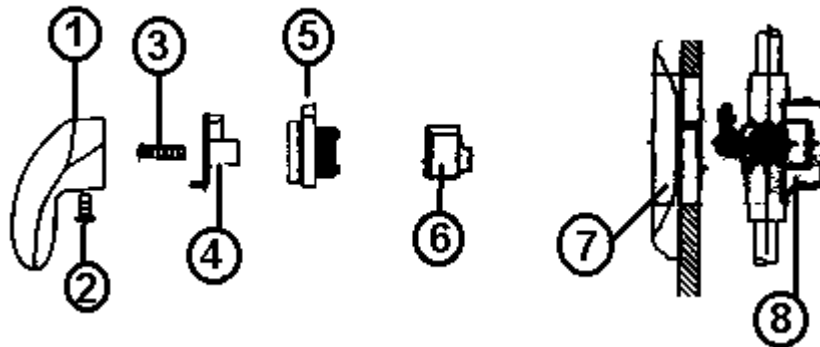
Service old with new.

Contact 1-800-Buy Moen for parts and warranty



2008 SAFARI- BAMBI PLUMBING, FRESH WATER

Faucet, Chrome Shower Trim Kit



601829 Chrome shower faucet trim kit, Moen Valetta MDL TL2391

Contact Moen at 1-800-BUY-MOEN for warranty and local parts distributor.

1. Lever handle
2. Set screw
3. Handle screw
4. Handle adaptor
5. Brake
6. Key stop
7. Escutcheon
8. 601831 4-port posi-temp valve

600594 Strainer w/white rubber stopper

*601358 Shower kit, includes:
Shower hose, shower head, Vacuum breaker, wall mounts

*604877-03 and -04 replaced the vacuum breaker and elbow included with kit 601358 temporarily during model year.

601592-04 HOSE GUIDE, SHOWER, CSA ONLY

2008 SAFARI- BAMBI

PLUMBING, DRAIN

Toilet Flange

601266 FLANGE, CLOSET, 3 X 4, SLIP FIT
601424 FLANGE, CLOSET 4" X 3", THREADED

Sink/showers, 27'

203081 SHOWER STALL, 2 PC
600594 Tub strainer w/rubber stopper
703626-01 SHOWER DOOR-BRUSHED NICKEL
*203410 SINK-LAVY, oval, Stainless steel
*601804-01 SINK, 12' ROUND, LAVY, S. S
601806 SINK-S.S. ROUND GALLEY
600968 BASKET STRAINER
203483 COVER-SINK ROUND 17.75" NATURAL

*Due to parts shortage 203410 oval sink was replaced temporarily during model year by sink 601804-01.

2008 SAFARI- BAMBI

PLUMBING, DRAIN

Sink/showers, 28' W

203081-01	SHOWER STALL, 2 PC
*203410	SINK-LAVY, oval, Stainless steel
*601804-01	SINK-LAVY YUKON ROUND
600594	Tub strainer w/rubber stopper
703626-01	SHOWER DOOR-BRUSHED NICKEL
602172	Sink, Stainless Steel, 16" x 27"
203623	SINK COVER, 1/2" NATURAL OAK
600968	BASKET STRAINER
601744-01	MOUNTING CLIPS

Sink/showers, 25' Twin & Double Rear Bed

201980	Shower stall, two-piece, 25 ft. "A & B"
600594	Tub strainer w/rubber stopper
702937-03	SHOWER DOOR-ROLL AWAY 62 X 36
*203410	SINK-LAVY, oval, Stainless steel
*601804-01	SINK-LAVY YUKON ROUND
602172	Sink, Stainless Steel, 16" x 27"
601744-01	MOUNTING CLIPS
203623	SINK COVER, 1/2" NATURAL OAK
600968	BASKET STRAINER

Sink/showers, 25' Front Bed

602172	Sink, Stainless Steel, 16" x 27"
601744-01	MOUNTING CLIPS FOR PORCELAIN
600968	BASKET STRAINER
203623	SINK COVER, 1/2" NATURAL OAK
203081	SHOWER STALL 2 PC.
703626-01	SHOWER DOOR-BRUSHED NICKEL
600594	STRAINER W/WHITE RUBBER STOPPER
*203410	SINK-ST.STEEL LAVY 10 X 15 OVAL
*601804-01	SINK-LAVY YUKON ROUND

*Due to parts shortage 203410 oval sink was replaced temporarily during model year by sink 601804-01.

2008 SAFARI- BAMBI

PLUMBING, DRAIN

Sink/showers, 25' SLP6

702937-03	SHOWER DOOR-ROLL AWAY 62 X 36
203114	Shower stall, two-piece
600594	Tub strainer w/rubber stopper
*203410	SINK-LAVY, oval, Stainless steel
*601804-01	SINK-LAVY YUKON ROUND
602172	Sink, Stainless Steel, 16" x 27"
601744-01	MOUNTING CLIPS
203623	SINK COVER, 1/2" NATURAL OAK
600968	BASKET STRAINER, GALLEY SINK
601813	TAIL PIECE-LIFT/TURN DRAIN, LAVATORY SINK

Sink/showers, 23'

601806	SINK-S.S. ROUND GALLEY
600968	BASKET STRAINER
203483	COVER-SINK ROUND 17.75" NATURAL
*203410	SINK-ST.STEEL LAVY 10" X 15" OVAL
*601804-01	SINK-LAVY YUKON ROUND
601813	TAIL PIECE-LIFT/TURN DRAIN
203114	SHOWER 2 PC FIBERGLASS
702937-03	SHOWER DOOR-ROLL AWAY 62" X 36"

Sink/showers, 23' Front Bed

*203410	SINK-ST.STEEL LAVY 10" X 15" OVAL
*601804-01	SINK-LAVY YUKON ROUND
602172	SINK, STAINLESS STEEL 16" X 27"
601714-01	TAIL PIECE 1-1/2X4"(GALLEY DRAIN)
601714-02	1-1/2" SLIP NUT W/WINGS
601714-03	1-1/2" BLACK RUBBER WASHER
203623	SINK COVER 1/2" NATURAL
203615	SHOWER
600594	STRAINER W/WHT RUBR STOPPER

*Due to parts shortage 203410 oval sink was replaced temporarily during model year by sink 601804-01.

2008 SAFARI- BAMBI

PLUMBING, DRAIN

Sink/showers, 20'

602172	Sink, Stainless Steel, 16" x 27"
203623	SINK COVER, 1/2" NATURAL OAK
600968	BASKET STRAINER
*203410	SINK, STAINLESS STEEL, LAVY, 10" X 15", OVAL
*601804-01	SINK 12" SS ROUND WITH STUDS
601813	TAIL PIECE-LIFT/TURN DRAIN
203114	SHOWER, 2 PC FIBERGLASS
702937-03	SHOWER DOOR-ROLL AWAY 62" X 36"

Sink/showers, 19'

601938	SINK, S/S, SINGLE BOWL, GALLEY
203425	Sink cover
*203410	SINK, STAINLESS STEEL LAVY 10 X 15, OVAL
*601804-01	SINK-LAVY YUKON ROUND
601813	TAIL PIECE-LIFT/TURN DRAIN
203114	SHOWER 2 PC FIBERGLASS
600594	Strainer w/white rubber stopper
702937-03	SHOWER DOOR, ROLL AWAY 62" X 36"
600822	ADAPTER, P-TRAP
602164-01	P TRAP W/COMPRESSION NUT, 1.5"
602164-02	TAILPIECE W/NUTS & WASHERS, 1.5

*Due to parts shortage 203410 oval sink was replaced temporarily during model year by sink 601804-01.

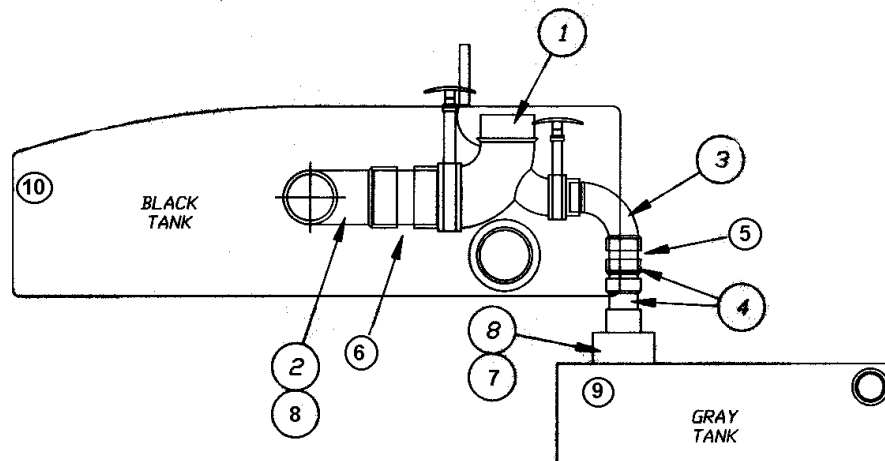
Black Tank Flush

601441	Tank flush system
--------	-------------------

2008 SAFARI- BAMBI

PLUMBING, DRAIN

Drain Valves/Tanks, 19'



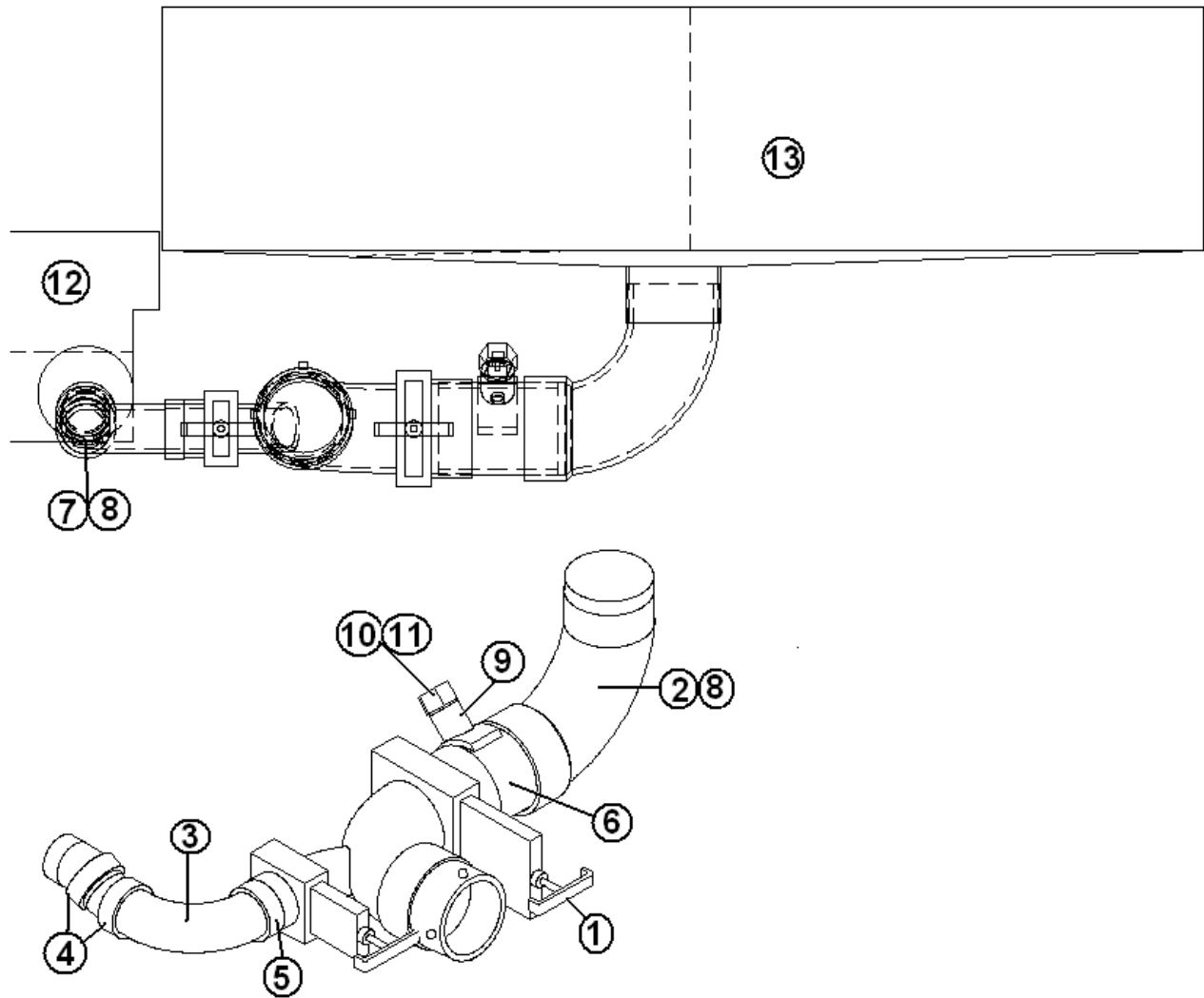
- | | |
|---------------|------------------------------------------|
| 1. 601482 | Dump Valve Rotating assembly |
| 2. 600183 | 3" Ell, long sweep |
| 3. 600431 | Elbow, 90, 1½" |
| 4. 601160-02 | Pipe, ABS DVW, 1½"-2.00" Long |
| 5. 601160-04 | Pipe, ABS DVW, 3"- 4" Long |
| 6. 114916 | Bracket, dump valve |
| 7. 195329-229 | Reducer adaptor, 3" to 1.5" |
| 8. 340092 | Clamp, worm type T40C-75-388-SB |
| 9. 601844-01 | Holding tank, gray |
| 10. 601854-01 | Black tank, 19' Bambi |
| *601717 | Pan, gray tank |
| *453622 | Gray tank pan closeout |
| 964478 | Slope pad-Black tank |
| 601228 | Close-out septic pan |
| 453977 | Strap, black tank FWD. |
| 453978 | Strap, black tank AFT. |
| 601846 | ADAPTOR, 3"PIPE, CATCON |
| 601846 | ADAPTOR, 3" PIPE, CATCON SYSTEMS MONITOR |

*Running Line Change: Tank pan 602717 will have the 453622 closeout built into it from the vendor per PCR T-01806 after 10/1/07. 454622 will be obsolete.

2008 SAFARI- BAMBI

PLUMBING, DRAIN

Drain Valves/Tanks, 20'



Part numbers on the next page.

2008 SAFARI- BAMBI

PLUMBING, DRAIN

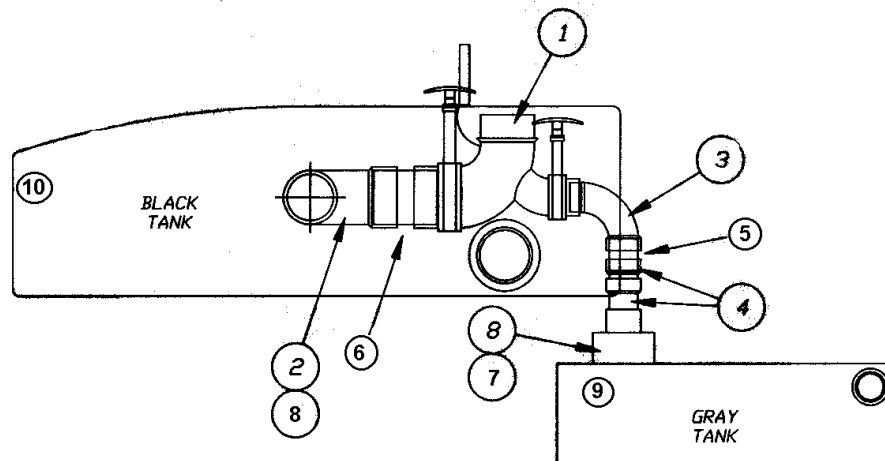
Drain Valves/Tanks, 20'

- | | |
|---------------|-------------------------------------|
| 1. 601482 | Dump Valve Rotating assembly |
| 2. 600183 | 3" Ell, long sweep |
| 3. 600431 | Elbow, 90, 1½" |
| 4. 604800 | Street Ell, 1.5", 22.5 Degrees, ABS |
| 5. 601160-02 | Pipe, ABS DVW, 1½"-2.00" Long |
| 6. 601160-04 | Pipe, ABS DVW, 3"- 4" Long |
| 7. 195329-229 | Reducer adaptor, 3" to 1.5" |
| 8. 340092 | Clamp, worm type T40C-75-388-SB |
| 9. 601846 | ADAPTOR-3"PIPE, CATCON |
| 10. 511789 | Sensor, tank monitor |
| 11. 511789-01 | Boot, Sensor |
| 12. 601844-03 | Holding tank, gray |
| 13. 601854-01 | Black tank |
| 602052 | Pan, gray tank |
| 453963 | Strap, black tank FWD. |
| 453964 | Strap, black tank AFT. |
| 511780 | PAD-TANK HEATING 6.5"X 18" TH- |
| 454535 | CLOSEOUT-GRAY TANK |
| 114916 | Bracket, dump valve |
| 200507 | STYROFOAM, 1" X 25" X 55" |
| 200152 | STYROFOAM, ½" X 6" X 42" |
| 453945-04 | CLOSEOFF, PLUMBING, GREY |
| 601846 | ADAPTOR, 3"PIPE CATCON |

2008 SAFARI- BAMBI

PLUMBING, DRAIN

Drain Valves/Tanks, 23'

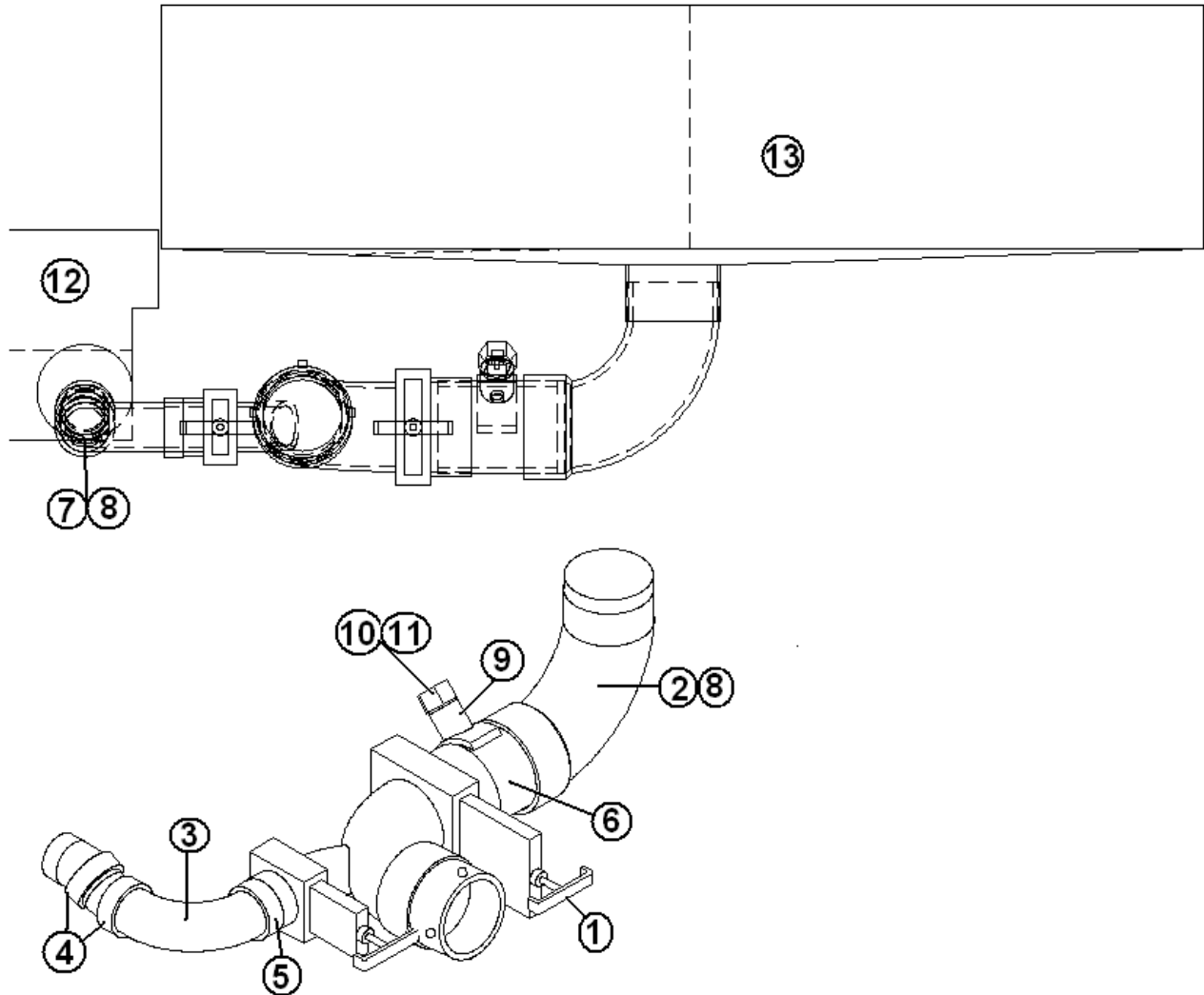


- | | |
|---------------|---------------------------------|
| 1. 601482 | Dump Valve Rotating assembly |
| 1. 601846 | ADAPTOR, 3" PIPE CATCON |
| 2. 600183 | 3" Ell, long sweep |
| 3. 600431 | Elbow, 90, 1½" |
| 4. 601160-02 | Pipe, ABS DVW, 1½"-2.00" Long |
| 5. 601160-04 | Pipe, ABS DVW, 3"- 4" Long |
| 6. 114916 | Bracket, dump valve |
| 7. 195329-229 | Reducer adaptor, 3" to 1.5" |
| 8. 340092 | Clamp, worm type T40C-75-388-SB |
| 9. 601844-01 | Holding tank, gray |
| 9. 602052 | Pan, gray tank |
| 9. 511780 | PAD-TANK HEATING 6.5"X 18" |
| 9. 200954 | SLOPE PAD, 22.75"X 55" |
| 10. 601854-01 | Black tank |
| 10. 511780 | PAD-TANK HEATING 6.5" X 18" |
| 453615 | TANK SUPPORT STRIP, GRAY TANK |
| 453493 | HANGER STRAP-TANK PAN SAFARI |
| 453977 | Strap, black tank FWD. |
| 453978 | Strap, black tank AFT. |
| 454566 | CLOSEOUT, GRAY TANK PAN |

2008 SAFARI- BAMBI

PLUMBING, DRAIN

Drain Valves/Tanks, 23' Front Bed



Part numbers on the next page.

2008 SAFARI- BAMBI

PLUMBING, DRAIN

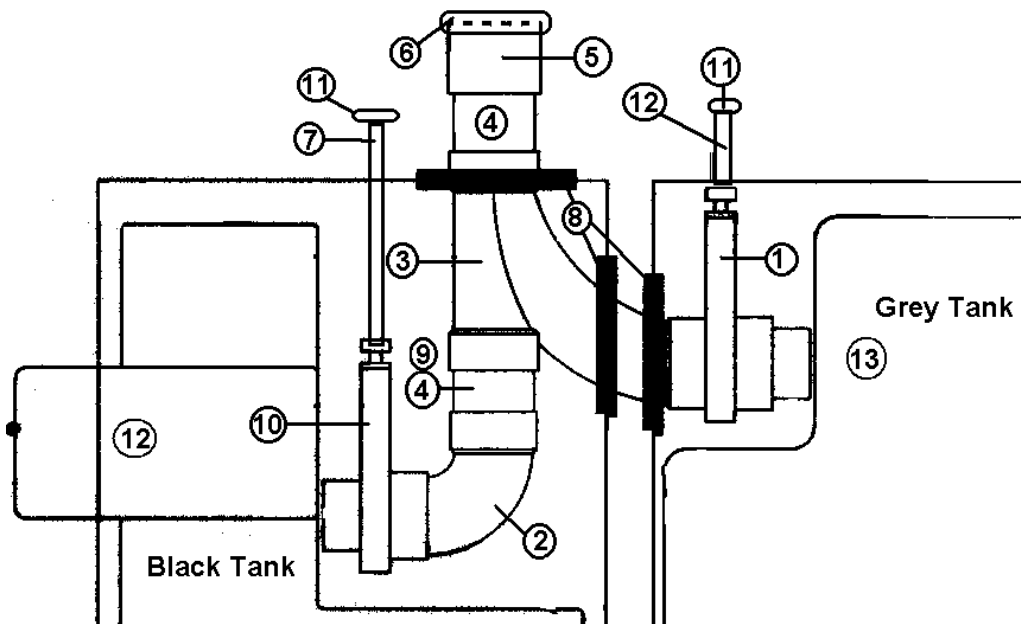
Drain Valves/Tanks, 23' Front Bed

- | | |
|---------------|-------------------------------------|
| 1. 601482 | Dump Valve Rotating assembly |
| 2. 600183 | 3" Ell, long sweep |
| 3. 600431 | Elbow, 90, 1½" |
| 4. 604800 | Street Ell, 1.5", 22.5 Degrees, ABS |
| 5. 601160-02 | Pipe, ABS DVW, 1½"-2.00" Long |
| 6. 601160-04 | Pipe, ABS DVW, 3"- 4" Long |
| 7. 195329-229 | Reducer adaptor, 3" to 1.5" |
| 8. 340092 | Clamp, worm type T40C-75-388-SB |
| 9. 601846 | Adaptor, 3" pipe, Catcon |
| 10. 511789 | Sensor, tank monitor |
| 11. 511789-01 | Boot, Sensor |
| 12. 602173 | Tank, gray |
| 12. 454649 | Pan, gray Tank |
| 13. 601854-02 | Tank, black |
| 114916 | Bracket, dump valve |
| 200507 | STYROFOAM, 1" X 25" X 55" |
| 200152 | STYROFOAM, ½" X 6" X 42" |
| 601846 | ADAPTOR, 3"PIPE CATCON |
| 601266 | FLANGE, CLOSET, 3 X 4, SLIP FIT |

2008 SAFARI- BAMBI

PLUMBING, DRAIN

Drain Valves/Tanks, 25' Twin & Double Rear Bed

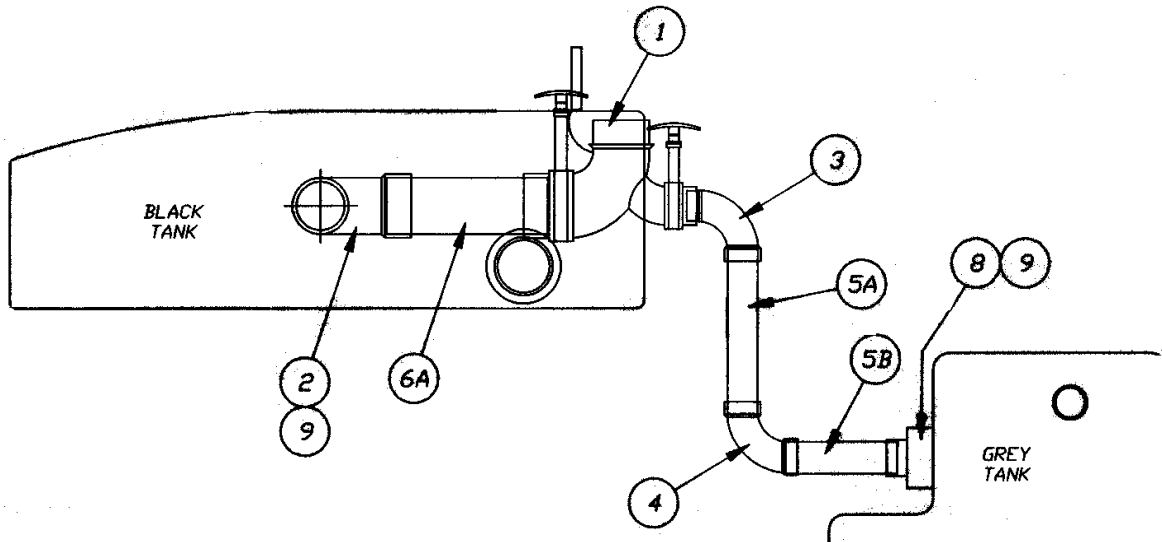


- | | |
|---------------|--------------------------------------|
| 1. 601607-02 | Valve assembly, 3" hub x 3" spigot |
| 2. 601531 | Fitting, 90 degree, 3" H x ST |
| 3. 600187 | 3" Wye, comb and 1/8 bend |
| 4. 601160-04 | Pipe, ABS, 3" |
| 5. 601607-06 | TERMINATION ADAPTOR, 3" HUB X 3" BAY |
| 6. 601607-07 | TERMINATION CAP, 3" BAY |
| 7. 601607-03 | EXTENSION ROD, 12" THREADED |
| 8. 380481-A | BOOT RUBBER 3" DRAIN LINE |
| 9. 600289 | CALDER COUPLING 3IN (RUBBER) |
| 10. 601607-11 | VALVE ASSY. 3" SPIGOT X 3" SPIGOT |
| 11. 601607-10 | DUMP VALVE ROD EXTENSION 19" |
| 12. 601848-01 | Gray tank, 25' Safari |
| 13. 601856-01 | Black tank, 25 ft. Bambi |
| 601642 | Pan, tank, 25' |
| 601228 | Close-out septic pan, 25 ft, 19 ft. |
| 203149 | Slope pad, holding tanks, 25', 28' W |
| 114086 | Bracket, dump valve handle |
| 453493 | HANGER STRAP-TANK PAN |

2008 SAFARI- BAMBI

PLUMBING, DRAIN

Drain Valves/Tanks, 25' SLP6

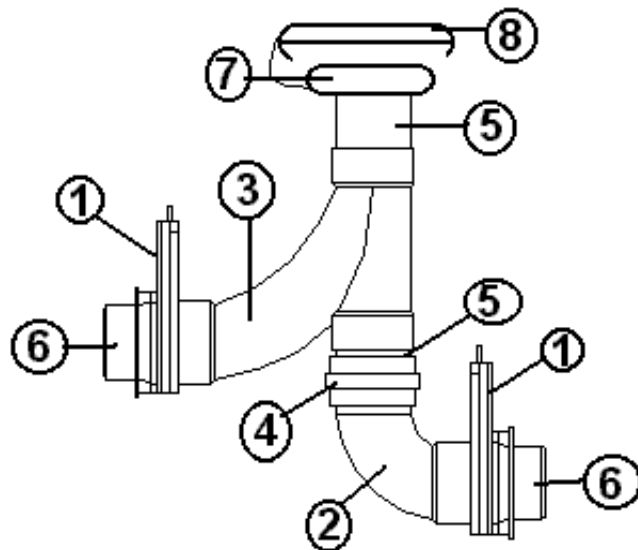


- | | |
|---------------|---------------------------------|
| 1. 601482 | Dump Valve Rotating assembly |
| 2. 600183 | Ell long sweep ABS 3" |
| 3. 600431 | Elbow, 90, 1½" |
| 4. 600035 | Ell ABS street, 1½" |
| 5A. 601160-02 | Pipe, ABS DVW, 1½"-10.00" Long |
| 5B. 601160-02 | Pipe, 1½"-ABS DVW, 7.00" Long |
| 6A. 601160-04 | Pipe, 3"-ABS DVW, 4" Long |
| 7. 114916 | Bracket, dump valve |
| 8. 195329-229 | Reducer adaptor, 3" to 1.5" |
| 9. 340092 | Clamp, worm type T40C-75-388-SB |
| 10. 601848-02 | Holding tank, gray |
| 11. 601854-01 | Black tank |
| 601642 | PAN-TANK ROTOCAST |
| 453615 | TANK SUPPORT STRIP-62" |
| 453616 | TANK SUPPORT STRIP-22" |
| 453493 | HANGER STRAP-TANK PAN |
| 453963 | Strap, black tank FWD. |
| 453964 | Strap, black tank AFT. |
| 200152 | STYROFOAM ½" X 6" X 42" |
| 203149 | SLOPE PAD-HOLDING TANK |
| 601228 | CLOSEOUT, SEPTIC PAN |
| 601846 | ADAPTOR-3"PIPE CATCON |

2008 SAFARI- BAMBI

PLUMBING, DRAIN

Drain Valves/Tanks, 25' Front Bed

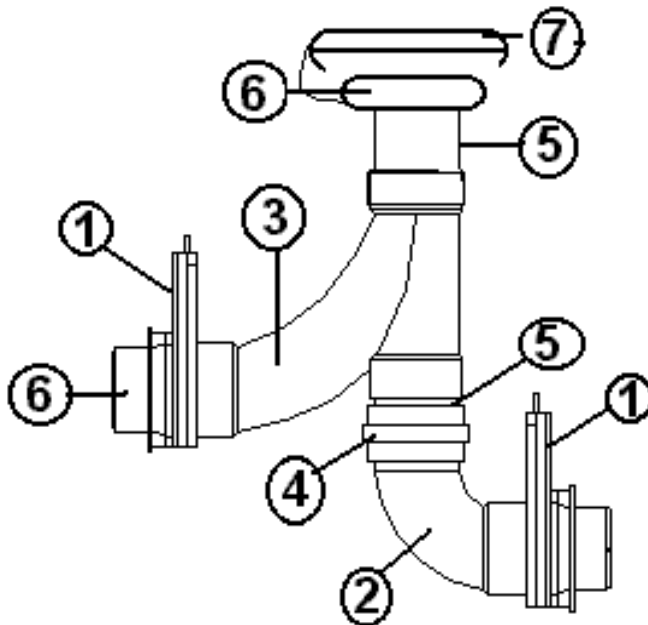


- | | |
|--------------|-----------------------------------|
| 1. 601607-11 | VALVE ASSY. 3" SPIGOT X 3" SPIGOT |
| 2. 600820 | 3" single socket, 90 Degree |
| 3. 600187 | 3" Wye, combination & 1/8" bend |
| 4. 600289 | Calder coupler, 3" |
| 5. 601160-04 | 3" ABS pipe |
| 6. 601607-06 | ADAPTOR, 3" HUB X 3" BAYONET |
| 7. 601607-06 | ADAPTOR, 3" HUB X 3" BAYONET |
| 8. 601607-07 | Termination Cap |
| 601850-04 | TANK-GRAY 37 GAL. 25' FB |
| 601848-09 | TANK-BLACK 39 GAL 25' FB |
| 200954 | SLOPE PAD, 22.75" X 55" |
| 04190 | DUMP VALVE HANDLE 19" EXTENTION |
| 380481-A | BOOT RUBBER 3" DRAIN LINE |
| 114086 | BRACKET DUMP VALVE HANDLE |
| 200152 | STYROFOAM 1/2" X 6" X 42" |
| 345074-05 | SCREW 5/16-18 X 7/8HEX WASHER |
| 601626 | Pan assembly, Waste Tank |
| 453615 | TANK SUPPORT STRIP, 61.50" |

2008 SAFARI- BAMBI

PLUMBING, DRAIN

Drain Valves/Tanks, 27'

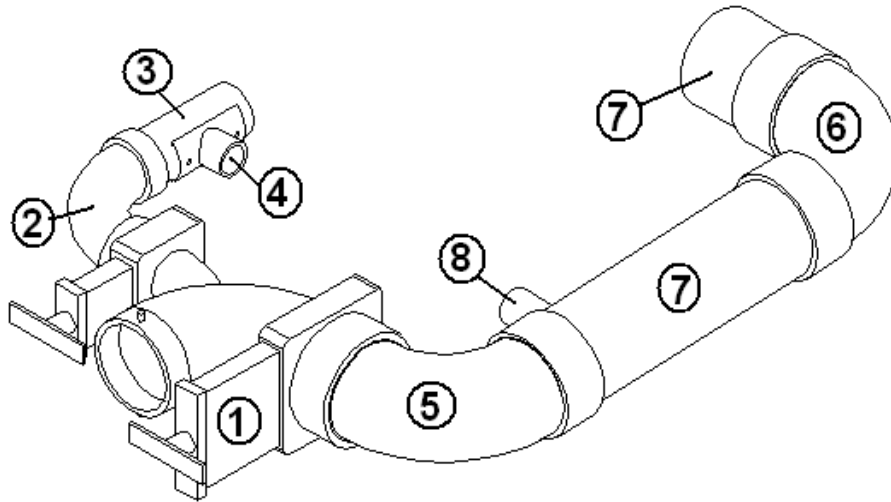


- 1. 601607-11 VALVE ASSY. 3" SPIGOT X 3"SPIG
- 2. 600820 3"SINGLE SOCKET 90DEGREE
- 3. 600187 3"WYE, COMB & 1/8 BEND
- 4. 600289 CALDER COUPLING 3IN (RUBBER)
- 5. 601160-04 PIPE, ABS DVW, 3"
- 6. 601607-06 TERMINATION ADAPTOR,3" HUB X 3"
- 7. 601607-07 TERMINATION CAP,3" BAYONET
- 601850-04 TANK-GRAY 37 GAL.
- 601848-09 TANK-BLACK 39 GAL.
- 601626 PAN WASTE HOLDING TANKS
- 203149 SLOPE PAD
- 114086 BRACKET DUMP VALVE HANDLE
- 04190 DUMP VALVE HANDLE 19 EXT THETFORD
- 380481-A 7 X 8 RUBBER BOOT 3-1/2 DIA HOLE
- 200152 STYROFOAM 1/2 X 6 X 42
- 115361 DUMP VALVE MOUNTING PLATE
- 601531 FITTING-90 DEGREE 3" H X ST
- 200943 DUMP VALVE CLOSEOUT

2008 SAFARI- BAMBI

PLUMBING, DRAIN

Drain Valves/Tanks, 28' W

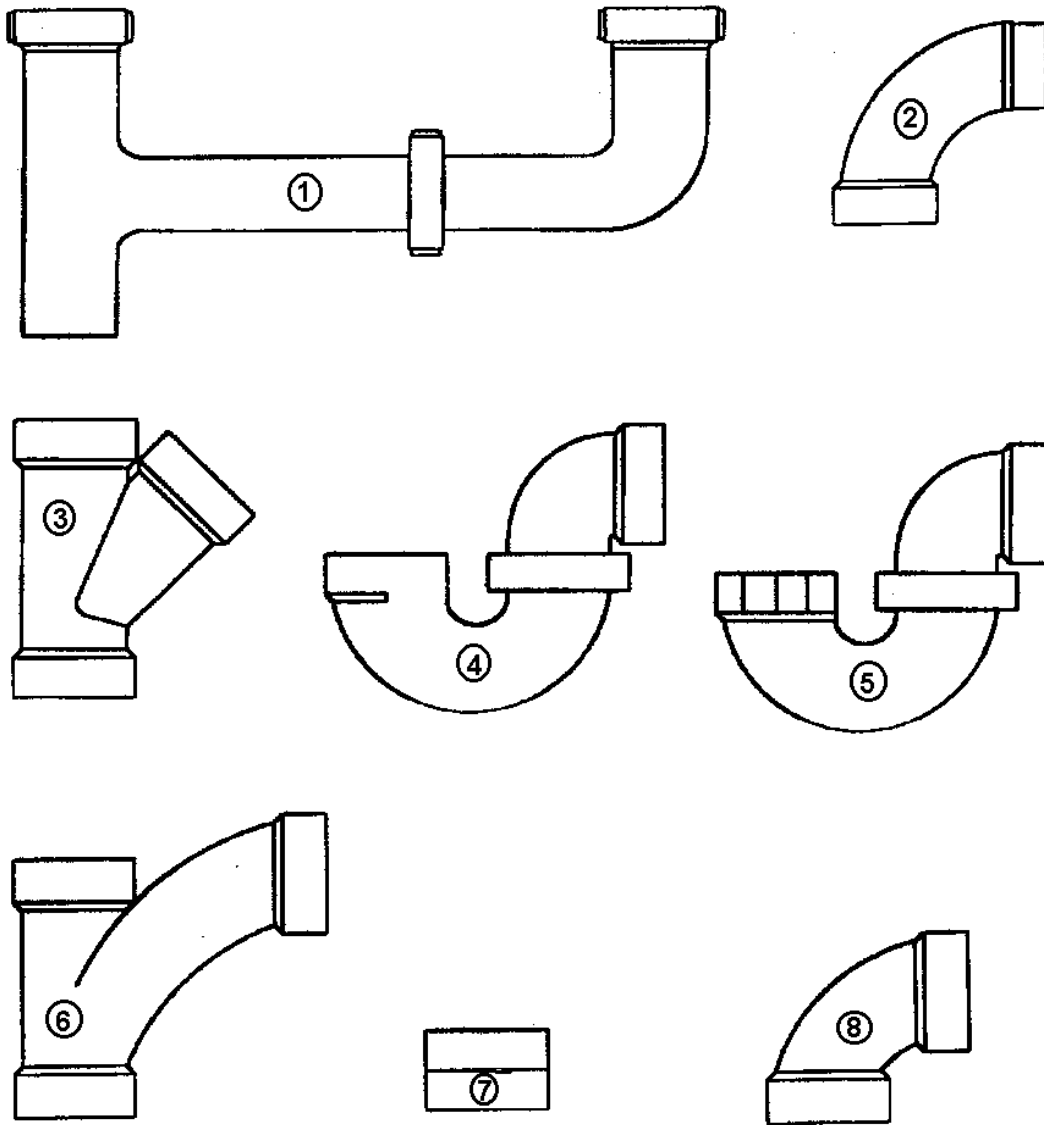


- | | |
|--------------|----------------------------------|
| 1. 601482 | DUMP VALVE ROTATING ASSEMBLY |
| 2. 600431 | ELBOW, 90, 1 1/2" |
| 3. 601160-02 | PIPE, ABS DVW, 1 1/2" |
| 4. 601845 | ADAPTOR-1.5", PIPE CATCON |
| 5. 600820 | 3"SINGLE SOCKET 90 DEGREE |
| 6. 600183 | ELL LONG SWEEP ABS 3" |
| 7. 601160-04 | PIPE, ABS DVW, 3" |
| 8. 601846 | ADAPTOR, 3" PIPE CATCON |
| 0360494 | BOOT RUBBER |
| 601889-01 | TANK-BLACK 35 GALLON |
| 601890-02 | TANK-GRAY 37 GALLON |
| 601895 | PAN-BLACK/GRAY TANK |
| 203149 | SLOPE PAD-HOLDING TANKS |
| 200152 | STYROFOAM 1/2 X 6 X 42" |
| 454178-01 | STRAP-BLACK/GRAY TANK 52.25" |
| 454178-02 | STRAP-BLACK/GRAY TANK 5.25" H |
| 454178-04 | STRAP-BLACK/GRAY TANK 4.75" H |
| 454178-05 | STRAP-BLACK/GRAY TANK 4.25" |
| 601266 | FLANGE, CLOSET 4" X 3", SLIP FIT |

2008 SAFARI- BAMBI

PLUMBING, DRAIN

DRAIN FITTINGS, 1.5"

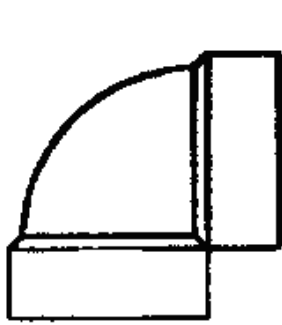


1. 600378 Continuous waste
 2. 600431 Elbow, 90 degree, long street
 3. 600094 Wye, #2301
 4. 600144 P-trap, 1.5" w/o slip nut
 5. 600622 P-trap, 1.5" w/slip nut
 6. 600182 Wye, 1.5", 1/8" bend
 7. 600227 1.5" coupling
 8. 601636 Elbow, 90 degree short sweep
- (continued)

2008 SAFARI- BAMBI

PLUMBING, DRAIN

Drain Fittings, 1.5"



①



②



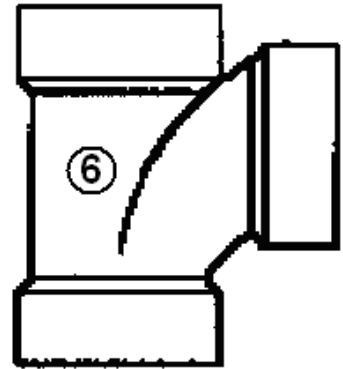
③



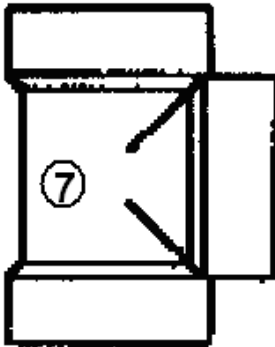
④



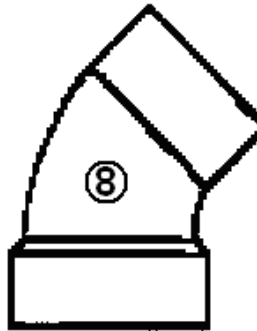
⑤



⑥



⑦



⑧

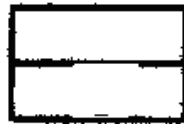
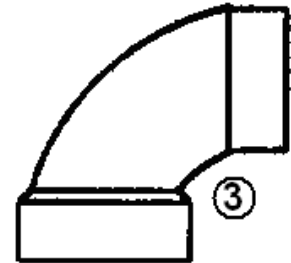
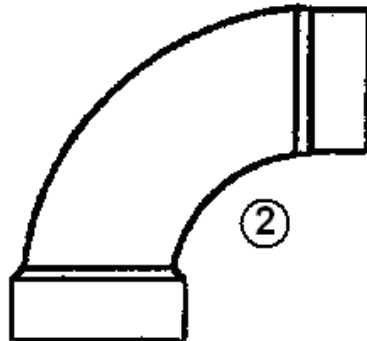
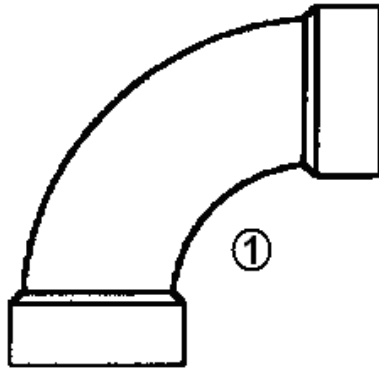
1. 600033 Elbow vent, 90 degree
2. 600030 Elbow, 45 degree, long degree
3. 600538 Vent, 1.5"
4. 600155 Plug, 1.5"
5. 601677 Cap, 1.5"
6. 600156 Tee, sanitary, 1.5"
7. 601318 Tee, bi-directional, clean out, 1.5"
8. 600027 Elbow, 45 degree, long street

(continued)

2008 SAFARI- BAMBI

PLUMBING, DRAIN

Drain Fittings, 1.5"



1. 600035 Elbow, 90 degree, long turn
2. 600431 Elbow, 90 degree, long street
3. 600662 Elbow, 90 degree, short street
4. 601676 Adaptor
5. 600308 Adaptor, w/female threads

2008 SAFARI- BAMBI

PLUMBING, DRAIN

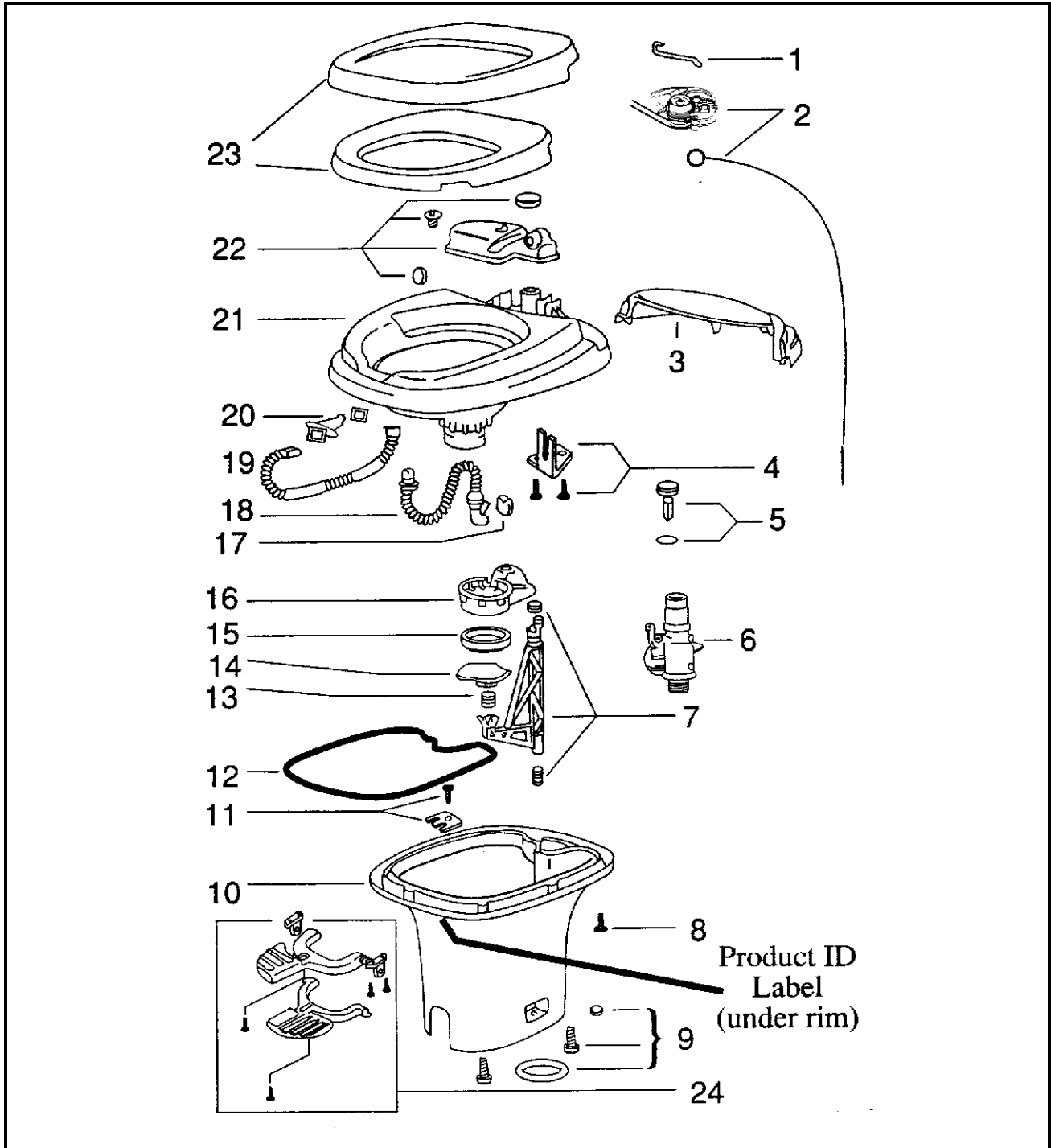
Drain Fittings, 1.5"

601200	ADAPTOR AUTO VENT W/EXT.
600625-01	PLUG, TRAP, 1-1/2" ADAPTER, FEMALE
601201	ADAPTOR SWIVEL STRAINER, 1.25"
601295	PLUG 1 1/4" ABS DWV, tank clean out
601240-01	TUBING 1/2" I.D. X 3/32" WALL THICK
601267-04	NIPPLE 3" DIA. THD ONE 10" LG
601589	ADAPTOR BRASS 3/8 FPT X 1/2 MP
602073	TEE, FIXTURE 2" HUB X 2" HUB X 1.5" FITTING
600318	WYE-1/8 BEND COMBINATION, 2 X 2 X 1-1
602072	TEE-SANITARY, REDUCING 2X1.5X
601160-03	PIPE, ABS DVW, 2"
602112	ELBOW 90 DEG. SHORT STREET 2"
600760-01	ADAPTER, MALE PIPE, 1/2" X 1/2", PLASTIC
600755	RING CLAMPING 1/2IN PB-833 COP
601722	ADAPTER, 1.5" MALE HUB X MIPT

2008 SAFARI- BAMBI

PLUMBING, DRAIN

Toilet



2008 SAFARI- BAMBI

PLUMBING, DRAIN

Toilet

690495 Aqua Magic V, Low Profile, 19', 20', 23', 23' Front
Bed, 25' SLP6, 25' Twin & Double Rear Bed

690495-01 Aqua Magic V, High Profile, 28', 27', 25' Front Bed

- 1) 690387-513 Water valve link
- 2) 690387-571 Wire replacement package
- 3) 690387-562 Mechanism cover, white
- 4) 690387-634 Bracket assembly
- 5) 690387-631 Float assembly
- 6) 690387-168 Water valve replacement package
- 7) 690387-632 Actuator assembly
- 8) 690387-659 Screw base to bowl
- 9) 690387-524 Closet bolt package
- 10) 690387-356 Base, white, low
- 10a) 690387-062 Base, white, high
- 11) 690387-636 Retainer assembly
- 12) 690387-387 Sealant, base to bowl
- 13) 690387-519 Blade spring
- 14) 690387-262 Blade
- 15) 690387-481 Blade seal
- 16) 690387-520 Blade track
- 17) 690387-512 Flapper
- 18) 690387-511 Overflow tube
- 19) 690387-509 Flush tube
- 20) 690387-637 Nozzle assembly
- 21) 690387-726 Bowl
- 22) 690387-630 Reservoir tank assembly
- 23) 690387-162 Seat and cover assembly
- 24) 690387-821 Pedal package

2008 SAFARI- BAMBI

SEALER/GASKETS/PAINT

SEALER

6000360	Sealant, Butyl #884058
360001	Sealant, #884058
360209	Sealant, seam
360176	Sealant, Almond, kitchen and bath
360180-04	Sealant, Sikaflex #221, black
360180	Sealant, Sika-flex, gray
360210	Sealant, Paralastic 4334-014
360259	Silicone glazing sealant, range
360283-01	SEALANT SILICONE CORIAN G. WHITE
360074	SEALANT GE RTV 102 WHITE 3 OZ TUBE

2008 SAFARI- BAMBI

GASKETS/PAINT

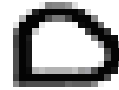
Gaskets



①



②



③

- | | |
|-----------|----------------------------------------------|
| 1. 365035 | Gasket Access doorjamb, access doors |
| 2. 365013 | Gasket screen door |
| 3. 365232 | Gasket main door |
| 381665 | Gasket, D seal, window frame to shell |
| 365016 | Tape, foam, double face, 1/2" wide |
| 365235 | TAPE DBL COATED .12 X 1.00 |
| 365001-02 | Tape, vinyl foam, double face, 3/4" wide |
| 685510 | SEAM TAPE, BLACK 1/32" X 7/8" X 200 |
| 381830 | Gasket, wiper seal around refer compartment |
| 381589 | Rubber, floor wiper around refer compartment |
| 683946 | BUG SEAL, edge of screen door close out |
| 365190 | Rubber seal, refrigerator compartment |
| 382074 | Gasket, grab handle, main door |

Paint

- | | |
|------------|-------------------------------------|
| 360213 | Paint, aluminum metallic |
| 360213-100 | Paint, aluminum metallic, 16 OZ CAN |
| 360151 | Paint, gray metallic, Centari |
| 360317-01 | Paint, Pewter, Gallon |
| 360260-01 | Paint, Pewter, 16 OZ CAN |

2008 SAFARI- BAMBI
UPHOLSTERY/FOAM/MATTRESS

Mattresses/Bedspreads, 19' & 23' Corner Bed

703287-037	BEDSPREAD, OATMEAL
703287-012	BEDSPREAD, STRATUS
703287-195	BEDSPREAD, MIDNIGHT SUN
703287-206	BEDSPREAD, BUTTERSCOTCH
703287-076	BEDSPREAD, KIWI
703696	MATTRESS-48" X 76" W/10" RADIUS CORNER
703501	MATTRESS-UPPER BUNK 4"
998180	THROW, TOP BUNK

Mattresses/Bedspreads, 20'

703363-037	BEDSPREAD, OATMEAL
703363-012	BEDSPREAD, STRATUS
703363-195	BEDSPREAD, MIDNIGHT SUN
703363-206	BEDSPREAD, BUTTERSCOTCH
703363-076	BEDSPREAD, KIWI
703695	Mattress

Mattresses/Bedspreads, 25' SLP6

703694	MATTRESS-52" X 76", W/10 "RADIUS CORNER
703379-037	BEDSPREAD, OATMEAL
703379-012	BEDSPREAD, STRATUS
703379-195	BEDSPREAD, MIDNIGHT SUN
703379-206	BEDSPREAD, BUTTERSCOTCH
703379-076	BEDSPREAD, KIWI
998169	Bedspread, Top Bunk
703451	Mattress, Top Bunk

2008 SAFARI- BAMBI
UPHOLSTERY/FOAM/MATTRESS

Mattresses/Bedspreads, 25' Front Twin Bed, 25' Rear Twin Bed, 27' Front Twin Bed

702820-037	BEDSPREAD, OATMEAL
702820-012	BEDSPREAD, STRATUS
702820-195	BEDSPREAD, MIDNIGHT SUN
702820-206	BEDSPREAD, BUTTERSCOTCH
702820-076	BEDSPREAD, KIWI
703697-01	Mattress, curbside rear, roadside front, 34" x 78", contoured, twin, all models
703697-02	Mattress, curbside front, roadside rear, 34" x 78", contoured, twin, all models

Mattresses/Bedspreads, 23' & 25' Front Double Bed, 25' Rear Double Bed

703301-037	BEDSPREAD, 60" x 75" w/45, OATMEAL
703301-012	BEDSPREAD, 60" x 75" w/45, STRATUS
703301-195	BEDSPREAD, 60" x 75" w/45, MIDNIGHT SUN
703301-206	BEDSPREAD, 60" x 75" w/45, BUTTERSCOTCH
703301-076	BEDSPREAD, 60" x 75" w/45, KIWI
703698	MATTRESS 60" X 75" W/45 DEGREE CORNER

Mattresses/Bedspreads, 27' Front Double Bed

703301-037	BEDSPREAD, 60" x 75" w/45, OATMEAL
703301-012	BEDSPREAD, 60" x 75" w/45, STRATUS
703301-195	BEDSPREAD, 60" x 75" w/45, MIDNIGHT SUN
703301-206	BEDSPREAD, 60" x 75" w/45, BUTTERSCOTCH
703301-076	BEDSPREAD, 60" x 75" w/45, KIWI
703699	MATTRESS, DOUBLE, 60" X 75" W/11"RADIUS CORNER

2008 SAFARI- BAMBI
UPHOLSTERY/FOAM/MATTRESS

Mattresses/Bedspreads, 28' Double Bed

703301-037	BEDSPREAD, 60" x 75" w/45, OATMEAL
703301-012	BEDSPREAD, 60" x 75" w/45, STRATUS
703301-195	BEDSPREAD, 60" x 75" w/45, MIDNIGHT SUN
703301-206	BEDSPREAD, 60" x 75" w/45, BUTTERSCOTCH
703301-076	BEDSPREAD, 60" x 75" w/45, KIWI
703699	MATTRESS-60" X 75" W/11"RADIUS CORNER

Sofa/Armrests/Cushions, 25 SLP6

702798-037	SOFA 74" CLOTH, OATMEAL
702798-012	SOFA 74" CLOTH, STRATUS
702798-195	SOFA 74" CLOTH, MIDNIGHT SUN
702798-206	SOFA 74" CLOTH, BUTTERSCOTCH
702798-076	SOFA 74" CLOTH, KIWI
702798-03	SOFA, 74" ULTRA LEATHER
965624-01	CUSHION ASSY. ARMREST CLOTH, RS
965624-05	ARMREST CUSHION ASSY, LEATHER, RS
703281-01	FOAM ARMREST LOUNGE RS
965624-02	CUSHION ASSY. ARMREST CLOTH, CS
965624-06	ARMREST CUSHION ASSY LEATHER, CS
703281-02	FOAM ARMREST LOUNGE CS

2008 SAFARI- BAMBI

UPHOLSTERY/FOAM/MATTRESS

Sofa/Armrests/Cushions, 25' A & B

702798-037	SOFA 74" CLOTH, OATMEAL
702798-012	SOFA 74" CLOTH, STRATUS
702798-195	SOFA 74" CLOTH, MIDNIGHT SUN
702798-206	SOFA 74" CLOTH, BUTTERSCOTCH
702798-076	SOFA 74" CLOTH, KIWI
702798-03	SOFA, 74" ULTRA LEATHER
963400-05	Arm rest support, RS, 25'
963399-04	Arm rest cushion, RS
963400-02	Arm rest support, CS, 25'
963399-02	Arm rest cushion, CS
965624-01	CUSHION ASSY. ARMREST, CLOTH, RS
965624-05	ARMREST CUSHION ASSY, LEATHER, RS
703281-01	FOAM ARMREST LOUNGE RS
965624-02	CUSHION ASSY. ARMREST, CLOTH, CS
965624-06	ARMREST CUSHION ASSY LEATHER, CS
703281-02	FOAM ARMREST LOUNGE CS
201399	TRIM FLEXIBLE S-100-LG OFF WHITE, Armrests
381576	PULL HANDLE, BRASS

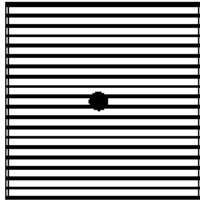
Sofa/Armrests/Cushions, 23'

702798-037	SOFA 74" CLOTH, OATMEAL
702798-012	SOFA 74" CLOTH, STRATUS
702798-195	SOFA 74" CLOTH, MIDNIGHT SUN
702798-206	SOFA 74" CLOTH, BUTTERSCOTCH
702798-076	SOFA 74" CLOTH, KIWI
702798-03	SOFA, 74" ULTRA LEATHER
965809-01	CUSHION ASSEMBLY, RS ARMREST
965809-03	CUSHION ASSEMBLY, RS ARMREST, Leather
703358-01	FOAM, ARMREST, RS LOUNGE
965809-02	CUSHION ASSEMBLY, CS ARMREST
965809-04	CUSHION ASSEMBLY, CS ARMREST, leather
703358-02	FOAM, ARMREST, CS LOUNGE
801447	PANEL, ARMREST, INNER CUTOUT

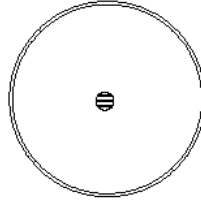
2008 SAFARI- BAMBI

UPHOLSTERY/FOAM/MATTRESS

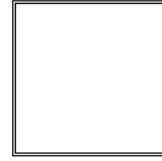
Pillow Kit, Stratus



703342-01

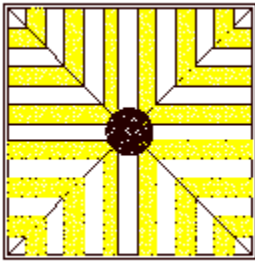


703342-02

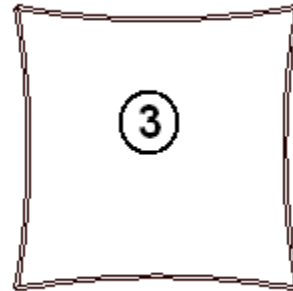


703342-03

Pillow Kit, Oatmeal



①

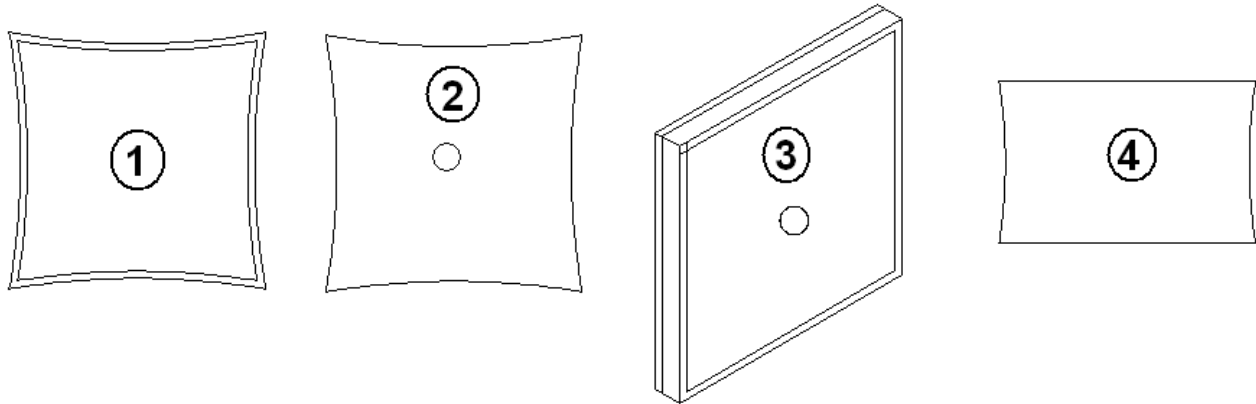


- 703684-01 Lounge Pillow, 18" x 18"
- 703684-02 Lounge Pillow, 10" x 18"
- 703684-03 Bedroom Pillow, 18" x 18"
- 703684-04 Bedroom Pillow, 10" x 18"

2008 SAFARI- BAMBI

UPHOLSTERY/FOAM/MATTRESS

Pillow Kit, Butterscotch

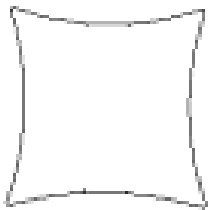


1. 703606-01 18" x 18" Lounge pillow, Crisscross w/yellow welt
2. 703606-02 18" x 18" lounge pillow, Mocha w/yellow welt
3. 703606-03 18" x 18" bedroom pillow, walnut w/spice inserts
4. 703606-04 18" x 12" bedroom pillow, pearl w/fringe

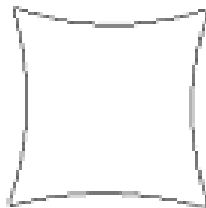
Pillow, Kit, Midnight Sun

703478-03 PILLOW KIT MIDNIGHT SUN
 PILLOW KIT CONSIST OF 2 EA 703478-01, 1 EA 703478-02 & 2 EA
 703478-05. USED ON 25' A & B, 25' SLEEP 6, 28'W & 28' S/O
 SAFARI & 19' BAMBI W/SOFA OPTION

703478-04 PILLOW KIT MIDNIGHT SUN
 CONSIST OF 2 EA 703478-05. USED ON 16' & 19' BAMBI'S & 22'
 SAFARI.



703478-01
Lounge



703478-02
Lounge

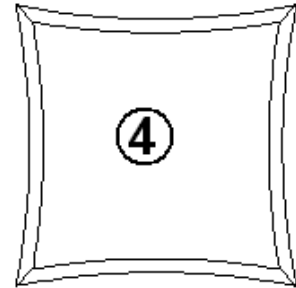
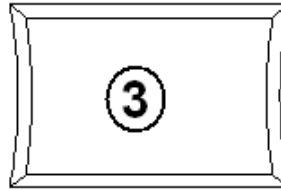
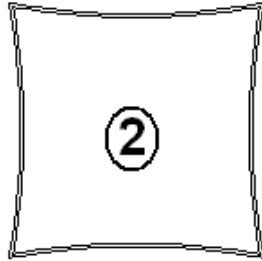
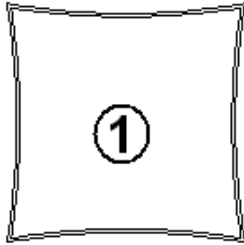


703478-05
Bedroom

2008 SAFARI- BAMBI

UPHOLSTERY/FOAM/MATTRESS

Pillow Kit, Kiwi



1. 703642-01 18" x 18", Bark/Palm pillow, lounge
2. 703642-02 18" x 18", Green/Coffee pillow, lounge
3. 703642-03 18' x 12" Coffee pillow, lounge
4. 703642-04 18" x 18", Green/Green white background pillow, bedroom

Pillows

701611 PILLOW, 21" X 31"

2008 SAFARI- BAMBI

UPHOLSTERY/FOAM/MATTRESS

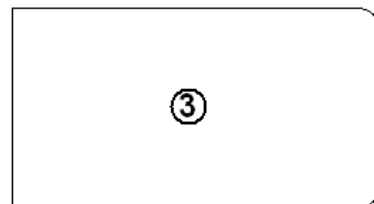
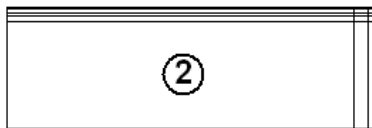
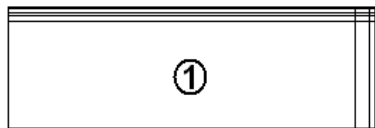
Dinette Foam, 23', 19'

703368-01	FOAM-SEAT CS DINETTE
703368-02	FOAM-CS BACK FILLER
703368-04	FOAM-RS DINETTE SEAT
703368-05	FOAM-RS BACK FILLER
703368-06	FOAM-RS BACK REST

Dinette Foam, 20'

700414	FOAM, UPHOLSTERY 3/8" X 86" X 52'
703309-05	FOAM, DINETTE, RIGHT SIDE BACK
703309-04	FOAM, DINETTE, SIDE BACK
703309-06	FOAM, DINETTE, SEAT BOTTOM LH/RH

Dinette Foam/Covers, 23' Front Bed



1. 998200-01	FABRIC ASSY, DINETTE SEAT AFT
1. 703309-04	DINETTE FOAM, AFT SEAT BACK
2. 998200-02	FABRIC ASSY, DINETTE SEAT FORWARD BACK
2.703309-05	DINETTE FOAM, FORWARD SEAT BACK
3. 998200-03	FABRIC ASSY, AFT/FORWARD SEAT BOTTOM
3. 703309-06	DINETTE FOAM, AFT/FORWARD SEAT BOTTOM

Dinette Foam, 25' SLP6

700414	FOAM, UPHOLSTERY 3/8" X 86" X 52'
703309-01	FOAM-DINETTE LEFT SIDE BACK
703309-02	FOAM-DINETTE RIGHT SIDE BACK
703309-03	FOAM-DINETTE SEAT BOTTOM LH/RH

2008 SAFARI- BAMBI

UPHOLSTERY/FOAM/MATTRESS

Dinette Foam, 25' Front Bed, 27'

703486-01	Foam, Curbside dinette seat
703486-02	Foam, curbside back filler
703486-03	Foam, curbside back rest
703486-04	Foam, roadside dinette
703486-05	Foam, roadside back filler
703486-06	Foam roadside backrest
703486-07	Foam cushion, lounge wedge
703486-08	Foam, cushion, lounge bottom
703486-09	Foam, cushion, backrest

Dinette Foam, 28' W

700414	FOAM, UPHOLSTERY 3/8" X 86" X 52'
703309-01	Foam-left side back
703309-02	Foam-right side back
703309-03	Foam-seat bottom right/left

Chairs

703578	Chair, desk, 23'
381427	Holdback clip, desk chair

Seam Tape, Interior wall

365286-03	TAPE-SEAM ASCOT 12" X 150'
365286-04	TAPE-SEAM ASCOT, 48" X 150'

2008 SAFARI- BAMBI

VENTS/FANS/SKY LIGHTS

Refrigerator Roof vent

100341 Refrigerator, vent collar, roof, large
101394 Cover, refrigerator vent, roof, large
381042 MESH- GALVANIZED. .017 X 36

Vent, Black Tank, Roof

690264-03 Vent pipe cover, white
380228 Wire, hardware cloth

Roof vent, Non-Power

381606-01 Vent, roof, 14" x 14", non-power, white
381606-02 Trim ring, interior, roof vent, white

Range Hood and Vent

511791-01 Range hood, silver
511791-02 Range hood, silver, CSA
511017-11 Vent cover, exterior, range hood, gray
115175 DUCT-RANGE EXHAUST TRANSITION
454187 EXTENSION-RANGE EXHAUST
114913 ANGLE RANGE HOOD INSTAL.
365016 TAPE FOAM DUBL-KOTE, 1/2 #441
114230-04 CLOSEOUT FORMED R.EXHAUST 4.40
365190 SEAL RUBBER ADHESIVE 3/4" X 3"

2008 SAFARI- BAMBI

VENTS/FANS/SKY LIGHTS

Vent, Bath, Power/Manual Lift

690266-01	Ventilator, power, bath
690266-02	Ventilator, power, bath, CSA
690266-03	EXTENSION GARNISH 4" ROOF
201666-01	MOLDING-J 3/16" PLASTIC TRIM

Vent, Refrigerator, Power, 19', 23'

690394	Power ventilator, refrigerator
511836	Switch, refrigerator fan

Vent, Power, Roof

381450	Vent, Fantastic roof, #6000RBT DBL
381841	VENT-FANTASTIC EXHAUST ONLY
511657	FANTASTIC FAN W/410KIB CONTROL

Sky light, 25', 27', 28'

381318-05	Skylight, 19.5" x 19.5"
201962	Trim, skylight, 19.5" x 19.5"
702804-03	Shade, skylight, pleated, 19.50" x 20"
114485	Mounting Frame, Sky light
320139	Screw, assembly w/sealing washer

2008 SAFARI- BAMBI

WOOD/LAMINATES/TRIM

PLYWOOD

800506-04	Plywood, 3/4" x 4' x 8'
800506-06	Plywood, 3/4" x 4' x 8'
800976-01	Plywood, tongue and groove, 19/32' (floor)
800506-05	Plywood, 5/8" x 4' x 8'
801353	LITE PLY-3MM, 4' X 8'
801351	LITE PLY-18MM (.75") 4' X 8'

PANELING

801343-01	PANEL, TROPICAL OAK, 4' X 8' VERTICAL
801376	PANEL, TROPICAL OAK/REX 4' X 8' VERTICLE
801376-01	PANEL, TROPICAL OAK/WHITELINER 4' X 8'
801381-01	PANEL, TROPICAL OAK/TROPICAL OAK, 12MM
801383-01	PANEL, TROPICAL OAK/ WHITELINER, 12MM
801395	PANEL, TROPICAL OAK/TROPICAL OAK, 18MM
801510	PANEL, TROPICAL OAK/ASCOT 12MM
801436-01	PANEL, BLACK MAPLE/WHITE 18MM VERTICLE
801438	PANEL, FROST WHITE VINYL/RAW 2.7MM
801439-01	PANEL, BLACK MAPLE, 4' X 8', VERTICLE
801445-01	PANEL, BLACK MAPLE/GATOR .25" VERTICLE
801355-01	PANEL, FROST WHITE, 4' X 8' VERTICLE
801368	PANEL, WHITE LINER/WHITE LINER, 18MM
801369	PANEL, FROST WHITE/WHITELINER
801377	PANELING, GRAPHITE/REX 4' X 8' x 18"
801392	PANEL, WHITELINER/WHITELINER 12MM
801505	PANEL-ASCOT SAND/RAW .125" X4' X 8'
801506	PANEL, ASCOT SAND/RAW .5"X 4' X 8'
801507	PANEL, ASCOT SAND/SAND G2S .5" X 4'
801719	PANEL, SAND CRYSTAL/WHITE, 18MM
801770	PANEL, MIDNIGHT SUN/WHITE
801771	LAMINATE SAND CRYSTAL
801769	PANEL, LABRADOR GRANITE, HORIZONTAL GRADE

2008 SAFARI- BAMBI

WOOD/LAMINATES/TRIM

PANELING (continued)

801776-01	Panel, New age Oak/New Age Oak, 12mm
801777-01	Panel, New Age Oak/New Age Oak, 18mm
801778-01	Panel, New Age Oak/Whiteline, 18mm
801779-01	Laminate, New age Oak, 4" x 8", Vertical
801780-01	Panel, New Age Oak/Ascot Sand, 12mm
801781-01	Panel, New Age Oak/Whiteline, 12mm

Edge banding

365201-04	EDGE BANDING TAPE PVC 5/8" COLONIAL
365271	EDGE BANDING-1.125" PVC SILICON
365267	EDGE BANDING-1.13" .024 PLY
365240-01	EDGE BANDING-PVC, 1-5/16" WHITE
365278-01	EDGE BANDING, BLACK MAPLE 1.13"
365268-03	EDGE BANDING, .024" X .63" TROPICAL OAK
365268-04	EDGE BANDING, .024"X 1.25" TROPICAL OAK
365268-05	EDGE BANDING, PVC-LAMITECK TROPICAL OAK
365304-01	EDGE BANDING, SAND CRYSTAL, .94"
365311-01	EDGE BANDING, MIDNIGHT SUN

LUAN

800507-01	Panel, Luan, 1/8 x 4' x 8'
800507-02	Panel, Luan, 1/4" x 4' x 8', raw/raw
800507-03	Panel, Luan, 3/8" x 4' x 8', raw/raw
800507-04	Panel, Luan, 1/2" x 4' x 8', raw/raw
800507-06	Panel, Luan, .75" x 4' x 8', raw/raw

2008 SAFARI- BAMBI

WOOD/LAMINATES/TRIM

TRIM, WOOD



①



②



③



④



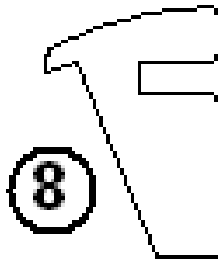
⑤



⑥



⑦



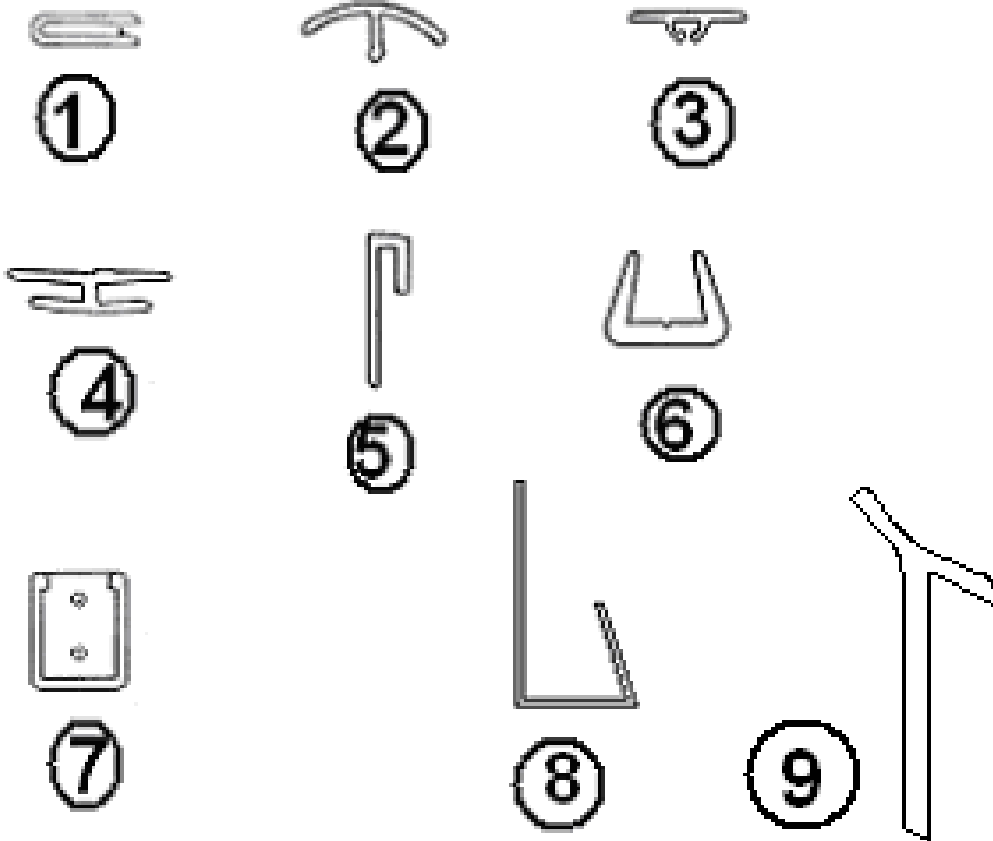
⑧

- | | |
|---------------|------------------------------------------|
| 1. 801706-007 | CORNER TRIM, 90 DEGREE, 1" RADIUS |
| 2. 800405-007 | Plug hardwood button, screw cover |
| 3. 801173-046 | Header Molding, flat radius, 1.13" Oak |
| 4. 800617-017 | Molding Wainscot, Tropical Oak |
| 5. 115064 | Trim, Aluminum Counter top |
| 6. 800617-016 | MOLDING WAINSCOT 84" |
| 7. 801394-017 | CORNER TRIM 45 DE 2" RADIUS BATH, T. Oak |
| 8. 801533 | MOLDING, TOILET STAND 45 DEG., OAK |
| 801492-007 | THRESHOLD MAIN DOOR, unit w/linoleum |

2008 SAFARI- BAMBI

WOOD/LAMINATES/TRIM

TRIM, PLASTIC



- | | |
|--------------|---------------------------------------------|
| 1. 203225 | Trim lock, white |
| 2. 201728-03 | Extrusion plastic, ceiling trim |
| 3. 201728-01 | Extrusion Ceiling trim retainer |
| 4. 203159-04 | Trim, divider bar, Sand |
| 5. 114070 | Molding, "J" |
| 6. 203138-03 | Extrusion, plastic Panel edging Beige |
| 6. 203138-04 | Extrusion, plastic Panel edging, Oak |
| 6. 203464-01 | Extrusion, panel, black |
| 7. 200003-01 | End cap, foldette support, brown |
| 8. 201666 | MOLDING-J-3/16 PLASTIC, ALMOND |
| 9. 201673 | Molding, cove, roof lockers, Ivory, Plastic |
| 9. 201673-01 | Molding, cove, roof lockers, .43", oak |
| 203445 | T-Molding, 9/16", black |

2008 SAFARI- BAMBI

Notes

