

AIRSTREAM

CLASSIC LIMITED TRAVEL TRAILER

PARTS BOOK

2008



2008 CLASSIC TRAILER
TABLE OF CONTENTS
SECTION I, A through C

APPLIANCE

Air Conditioner, Furnace ,	I-1
Microwave, Range, Refrigerator	I-2
Water Heater	I-3

EXTERIOR SHELL

End shell, aft	I-4
End shell, front	I-8
Roof	I-22
Slide-out Room	I-23
RS Wall, 34'	I-25
CS Wall, 34'	I-27
RS Wall, 34' S/O	I-29
CS Wall, 34' S/O	I-31
RS Wall, 31'	I-33
CS Wall, 31'	I-35
RS Wall, 30'	I-37
CS Wall, 30', 30' S/O	I-39
RS Wall, 30' S/O	I-41
CS Wall 30' Front Bed	I-43
RS Wall, 30' Front Bed	I-45
RS Wall, 27'	I-47
CS Wall, 27'	I-49
RS Wall, 25'	I-51
CS Wall, 25'	I-53
Body interior	I-55

CHASSIS

A-frame	I-59
Power jack	I-61
Step	I-63
Outrigger/underbelly	I-66
Jacks/Below floor storage	I-67
Axles/shocks/wheels	I-73
Disc Brakes	I-74

2008 CLASSIC TRAILER
TABLE OF CONTENTS
SECTION II
D through E

[DECALS/LOGOS/MEDALLIONS](#) II-1

[EXTERIOR TRIM](#) II-3

DOORS/WINDOWS/AWNING

[Doors](#) II-4

[Windows](#) II-12

[Awning](#) II-17

[Window Stone guard](#) II-18

DRAPES/VALANCES/SHADES

[Drape/Valances](#) II-19

[Shades](#) II-34

ELECTRICAL

[110 volt](#) II-35

[12 volt](#) II-40

[Exterior lights & reflectors](#) II-45

ENTERTAINMENT

[Radio/DVD/VCR/TV](#) II-47

[Audio/Video Upgrade](#) II-49

2008 CLASSIC TRAILER
TABLE OF CONTENTS
SECTION III
F through H

FLOOR COVERING

[Carpet, Mats, Linoleum](#)..... III-1

FURNITURE

[Interior doors](#)..... III-2
[Mirrors](#)..... III-3
[Doors, Shower/Foldette/Sliding](#)..... III-3
[Drawer Faces](#)..... III-5
[Bedroom](#)..... III-7
[Bath](#)..... III-40
[Galley](#)..... III-93
[Lounge](#)..... III-165

HARDWARE

[Exterior locks/hinges](#)..... III-193
[Window hardware](#)..... III-198
[Interior drawer slides/hinges latches](#) . III-200
[Drawers Slides/Bath](#)..... III-204
[Tables/Bed/Wardrobe/Galley](#)..... III-205
[Hinges](#)..... III-207
[Awning hardware](#)..... III-208
[Slide Room Mechanism](#)..... III-210
[Rivets](#)..... III-212
[Labels and Tags](#)..... III-214
[Slide Out Room](#)..... III-215
[Wrap Protectors](#)..... III-216
[Rear Storage Slide](#)..... III-217

2008 CLASSIC TRAILER
TABLE OF CONTENTS
SECTION IV
L through Z

PLUMBING

LPG	IV-1
Fresh Water	IV-2
Fresh Water Fittings	IV-6
Faucets	IV-7
Drain water	IV-10
Sinks	IV-12
Showers	IV-13
Black Tank Flush	IV-13
Drain Line Fittings	IV-14
Toilet	IV-18

SAFETY EQUIPMENT	IV-19
--	-------

SEALER/GASKETS/PAINT	IV-21
--	-------

UPHOLSTERY/FOAM/MATTRESS

Bedspreads/Mattresses	IV-22
Sofa/Sofa Armrests	IV-23
Wall Border	IV-25
Dinette Seats/Chairs	IV-25
Pillow Kits	IV-29

VENTS/FANS	IV-31
----------------------------------	-------

SKY LIGHTS	IV-32
----------------------------------	-------

WOOD/LAMINATES/TRIM	IV-33
---	-------

2008 CLASSIC TRAILER

APPLIANCES

AIR CONDITIONER

690323-32	Air conditioner, 13,500 BTU, Duo Therm w/heat pump
690323-37	Air conditioner, 15,000 BTU, Duo Therm w/heat pump
690323-31	Thermostat, Comfort Control Center
690380-03	Air box, polar white
690323-100	Shroud, exterior, Penguin air conditioner
961270	Pan assembly, air conditioner drain
690380-08	SENSOR-PENGUIN DUAL AIR ONLY W/ELBOW
601240-01	TUBING 1/2ID X 5/8OD BLACK PLASTIC
510741	BOX/ELECTRICAL, 1 1/2" X 2" X 3
500967-01	COVER, BLANK, IVORY #86
385560	TABLE AIR CONDITIONER RATING

FURNACE

690274-04	Furnace, Hydro-flame, #8525-IV, 25,000, 25' front bed, 27'
690274-01	Furnace, Hydro-flame, 34,000 BTU, 30', 30' front bed, 31', 34'
690274-09	Door exterior, Hydroflame
601244-03	Register. Rotaire, black
601244-01	Register. Rotaire, 4" Brown
601244-02	Register. Rotaire 4", White
690429	LOUVER, 2" BLACK ROUND
600526	Flange, 4"
600247	4" duct hose, flexible
690274-102	Module board, furnace
511228	Thermostat, off white
600193	2" duct, flexible hose
601348	TEE, HEAT DUCT, 4 X 4 X 2
382020	VENT, LOW PROFILE, ALUMINUM

2008 CLASSIC TRAILER

APPLIANCES

MICROWAVE

690581-01	Microwave, convection, Tappen, CSA
690581-02	TRIM KIT, TAPPEN M/W TK1050B
690345-01	Microwave, convection, Black, Sharp
690345-03	Trim ring, convection microwave, Black
690407-01	Microwave oven, Dometic, DMW 10B
690407-02	Trim kit, Dometic microwave
690581-03	Tappen Silver Convection Microwave
690581-04	Trim Kit, Silver, for Tappen Microwave
690592-01	Microwave, Convection, Black, Haier MWG1008B
690594-01	Microwave, Sylvania Convection, Black
690594-02	Trim ring, Sylvania Black Microwave

MICROWAVE, SPACEMAKER, 25' FRONT BED

690579	MICROWAVE, GE SPACEMAKER
454583	BRACKET, MICROWAVE MOUNTING
382025	STRAP, NYLON LOOP, 3/4", POWER CORD TIE UP

RANGE/COOK TOP

690396-09	RANGE-22"W/OVEN S.S. TOP/DOOR
690396-10	COOKTOP, 3 BURNER S.S. TOP
690396-03	Range cover, bi-fold
601911-01	Range covers, Corian, set, 3-Burner Sandstone
114876	Trim ring, range recess, black

DOMETIC REFRIGERATOR

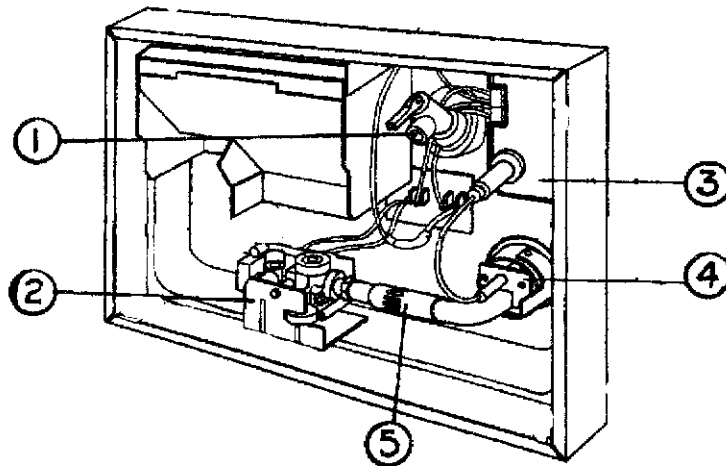
690575-02	REFER-7CU FT RH #RM3762RSS
690493-02	Refrigerator, 8 CF, RH DOOR, RM3862RSS, 2-way
690493-01	REFER 8CF 2WAY LH RM3862LSS
690494-01	REFER-10CF LH DR NDR1062LSS
690494-02	REFER-10CF RH DR NDR1062RSS
381830	WIPER-RUBBER 1.125"X 2" L
365190	SEAL, RUBBER ADHESIVE, 3/4" X 3
601239-01	TUBING, 1.375"ID RIBBED W/FLATS
380228	WIRE HARDWARE, CLOTH

2008 CLASSIC TRAILER

APPLIANCES

WATER HEATER

690489	Water heater, Atwood, elec. ignition, 110 volt/gas
690209	Access cover, brushed aluminum
381648	Cover, latch hole water heater
385988	Decal, water heater
510514	Switch, 110v, 3-way, priority (water heater/micro-wave)
690417-05	SWITCH-DUAL WATER HEATER #9123



Front of water heater

1. 091604	Relief valve, pressure/temperature
2. 093870	Solenoid valve
3. 093865	Circuit board
4. 093868	Spark probe
5. 092615	Main burner

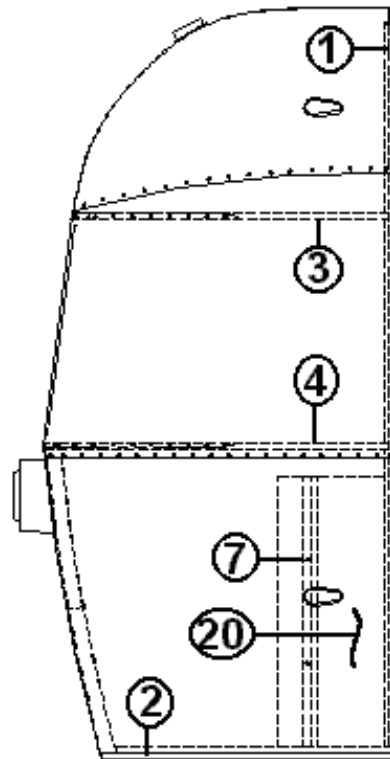
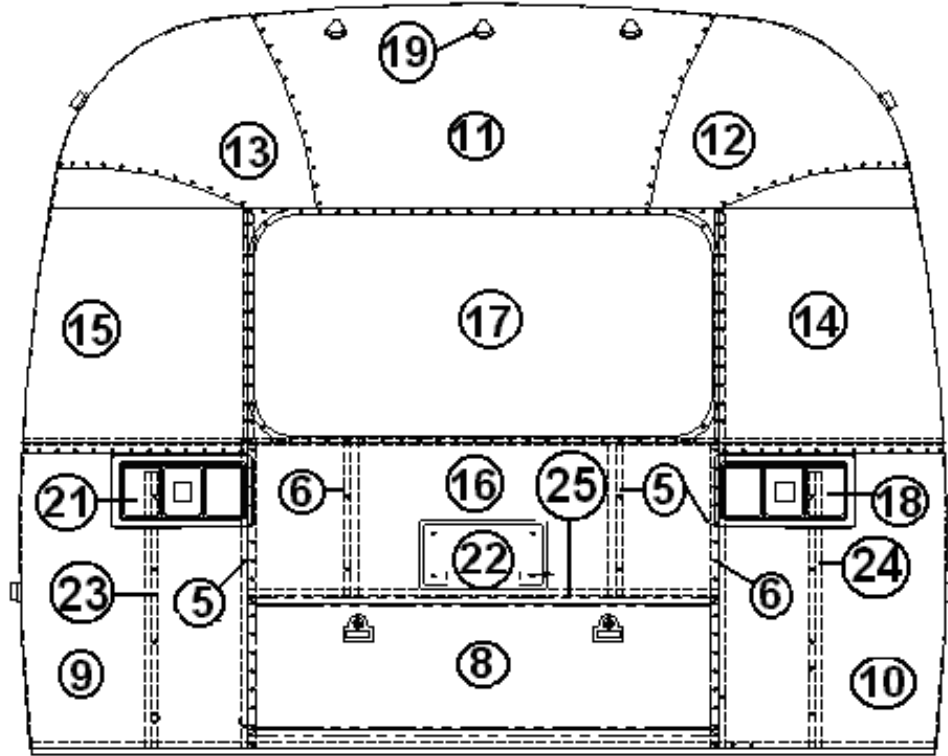
Back of water heater

091160	Heating element, 110 volt
091873	ECO thermostat
091092	On/off switch, 110 Volt

2008 CLASSIC TRAILER

EXTERIOR SHELL

Aft End, 34' S/O, 34', 31', 30', 30' S/O



See next page for P/N

2008 CLASSIC TRAILER

EXTERIOR SHELL

Aft End, 34' S/O, 34', 31', 30', 30' S/O

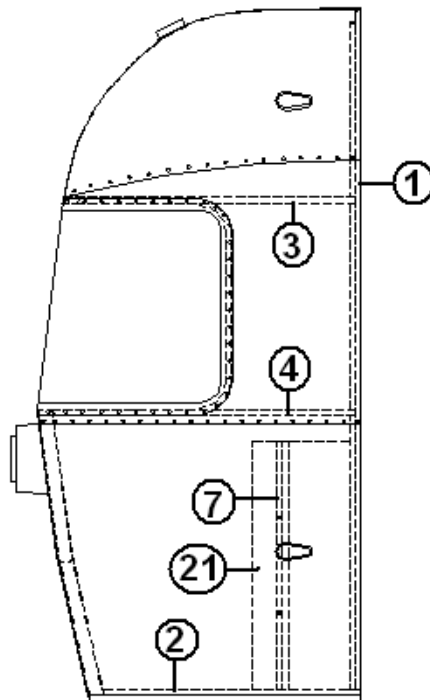
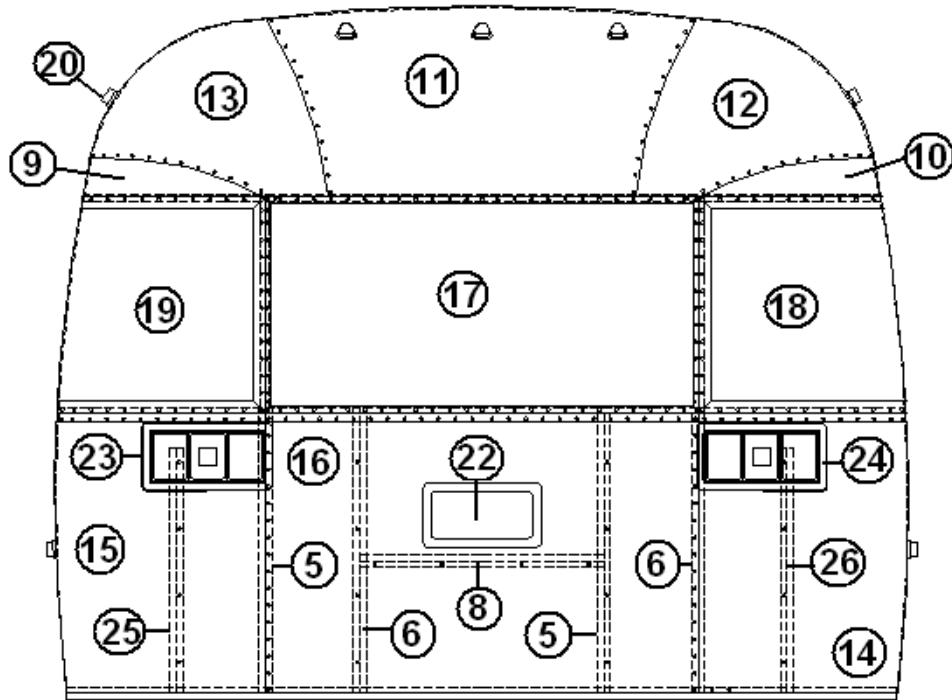
921161-11	End shell complete, rear, w/trunk door
1. 114993	End bow
2. 114676	Floor bow
3. 114678	Upper window bow
4. 114677	Lower window bow
5. 114505-01	Support, lower end, LH
6. 114505-02	Support, lower end, RH
7. 101315	Brace, vertical rear
8. 921159-01	Trunk door assembly (twin models only)
9. 114895	Segment #29
10. 114894	Segment #28
11. 114893	Segment #25
12. 114890	Segment #26
13. 114891	Segment #27
14. 114889	Segment, center right
15. 114888	Segment, center left
16. 114880-201	Alum. Sheet, cut down to size
17. 371348-02	Window, rear escape
18. 966407-02	Taillight complete, CS
19. 511751	Red teardrop lights
19. *512227	Light, clearance, red LED
20. 114849-03	Aluminum sheet, pewter, 12" x 29"
21. 966407-01	Taillight complete, RS
22. 922892	LICENSE PLATE HOLDER ASSEMBLY
23. 101315-01	REAR VERTICLE BRACE, LH
24. 101315-02	REAR VERTICLE BRACE, RH
25. 104408	Z-Bar

*LED clearance light replaced incandescent during model year

2008 CLASSIC TRAILER

EXTERIOR SHELL

Aft End, 30', 27', & 25' Front Bed Models



See next page for P/N

2008 CLASSIC TRAILER

EXTERIOR SHELL

Aft End, 30', 27', & 25' Front Bed Models

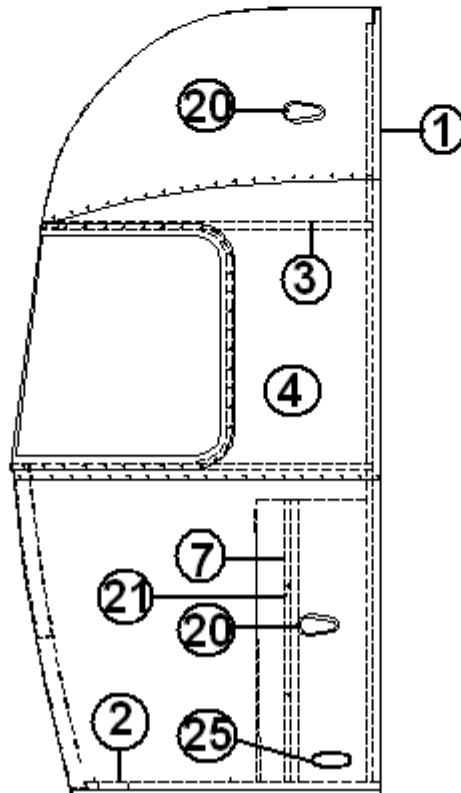
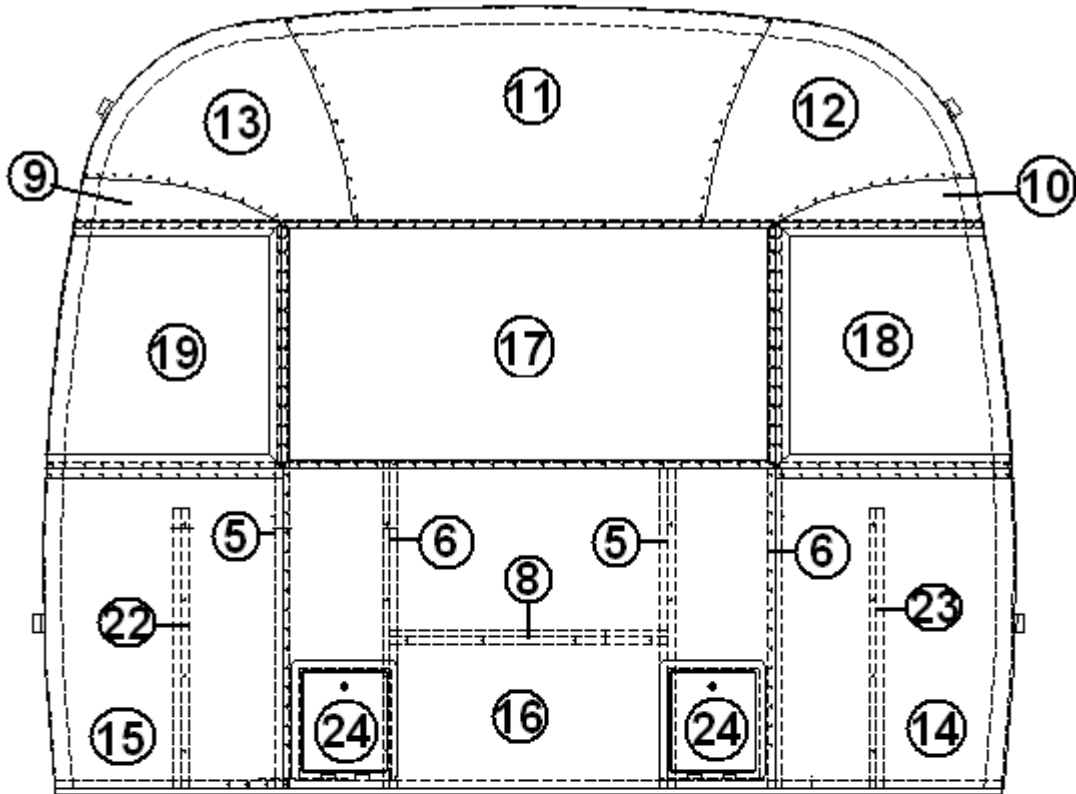
921241	End shell complete
1. 114993	End bow
2. 114676	Floor bow
3. 114678	Upper window bow
4. 114677	Lower window bow
5. 114505-01	Support, lower end, LH
6. 114505-02	Support, lower end, RH
7. 101315	Brace, vertical rear
8. 104408	Z-Bar
9. 114888	Segment, center left
10. 114889	Segment, center right
11. 114893	Segment #25
12. 114890	Segment #26
13. 114891	Segment #27
14. 114894	Segment #28
15. 114895	Segment #29
16. 114880-307	Alum. Sheet, cut down to.040 x 19.0" x 51.0"
17. 371346-02	Window, rear escape
18. 372088-101	Panoramic window, RS front
19. 372089-101	Panoramic window, CS front
20. 511751	Red teardrop lights
20. *512227	Light, clearance, red LED
21. 114849-03	Aluminum sheet, pewter, 12" x 29"
22. 922892	License plate holder assembly
23. 966407-01	Taillight complete, RS
24. 966407-02	Taillight complete, CS
25. 101315-01	Support, lower end shell, LH
26. 101315-02	Support, lower end shell, RH

*LED clearance light replaced incandescent during model year

2008 CLASSIC TRAILER

EXTERIOR SHELL

Front End, 34' S/O, 34', 31', 30', 30' S/O



See next page for P/N

2008 CLASSIC TRAILER

EXTERIOR SHELL

Front End, 34' S/O, 34', 31', 30', 30' S/O

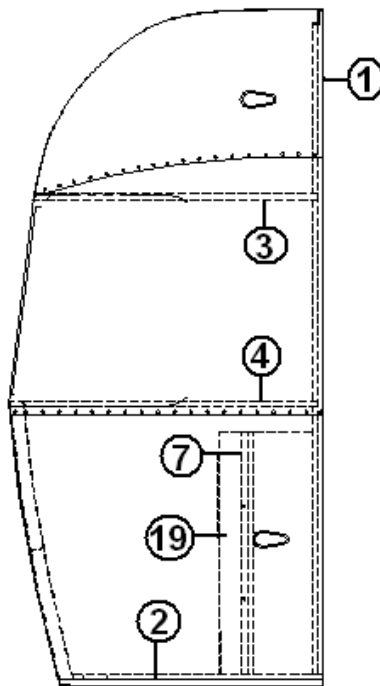
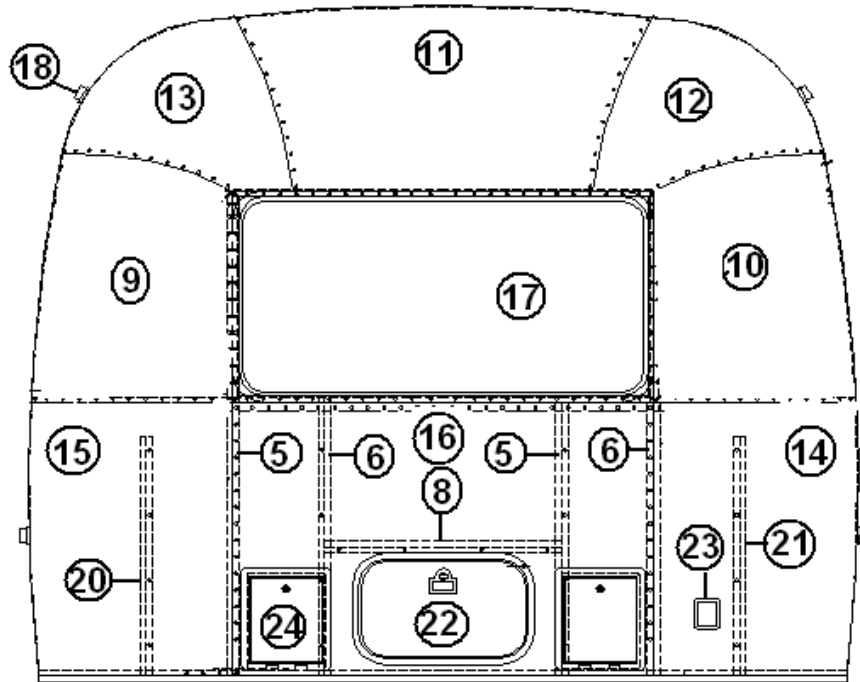
921162-12	End shell complete
1. 114993	End bow
2. 114676	Floor bow
3. 114678	Upper window bow
4. 114677	Lower window bow
5. 114505-01	Support, lower end, LH
6. 114505-02	Support, lower end, RH
7. 101315	Brace, vertical rear
8. 104408	Z-bar
9. 114888	Segment, center left
10. 114889	Segment, center right
11. 114893	Segment #25
12. 114890	Segment #26
13. 114891	Segment #27
14. 114894	Segment #28
15. 114895	Segment #29
16. 114880-307	Aluminum sheet, cut to .040" x 34.75" x 51"
17. 371346-02	Window, front, dark glass
18. 372088-101	Panoramic window, CS front
19. 372089-101	Panoramic window, RS front
20. 511750	Amber teardrop lights
20. *512226	Light, clearance, amber LED
21. 114849-03	Aluminum sheet, .04" x 20"x 8", cut to 12"x 29"
22. 101315-01	Support, lower end shell, LH
23. 101315-02	Support, lower end shell, RH
24. 109852-01	Battery box assembly
25. 500096	Reflector, amber, oval

*LED clearance light replaced incandescent during model year

2008 CLASSIC TRAILER

EXTERIOR SHELL

Front End, 27' Front Bed, Standard Window



See next page for P/N

2008 CLASSIC TRAILER

EXTERIOR SHELL

Front End, 27' Front Bed, Standard Window

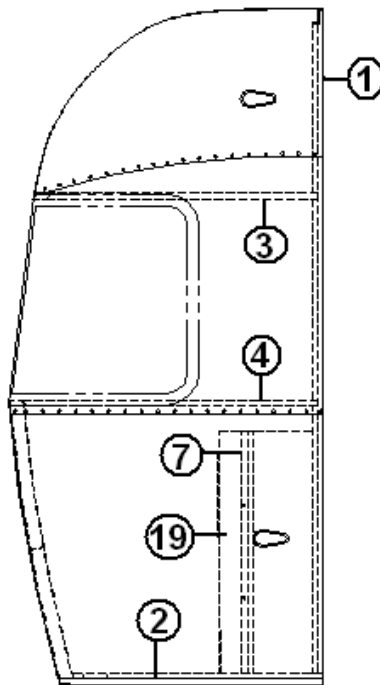
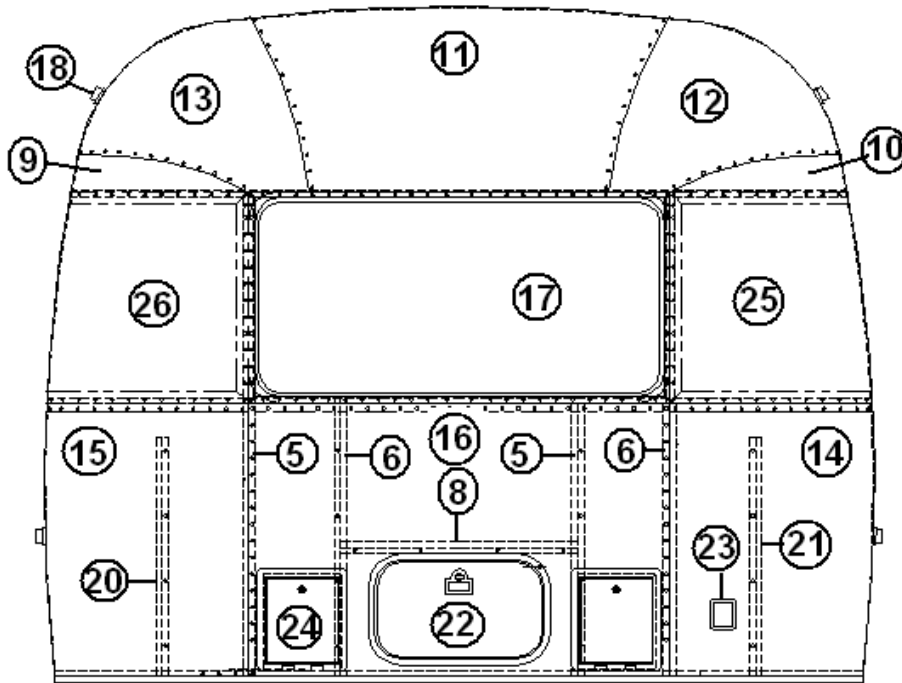
921242-01	End shell complete
1. 114993	End bow
2. 114676	Floor bow
3. 114678	Upper window bow
4. 114677	Lower window bow
5. 114505-01	Support, lower end, LH
6. 114505-02	Support, lower end, RH
7. 101315	Brace, vertical rear
8. 104408	Z-bar
9. 114888	Segment, center left
10. 114889	Segment, center right
11. 114893	Segment #25
12. 114890	Segment #26
13. 114891	Segment #27
14. 114894	Segment #28
15. 114895	Segment #29
16. 114880-307	Aluminum sheet, cut to 34.75" x 51"
17. 371348-01	Window, front, dark glass
18. 511750	Marker light, amber
18. *512226	Light, clearance, amber LED
19. 114849-03	Aluminum sheet, pewter, 12" x 29"
20. 101315-01	Support, lower end shell, LH
21. 101315-02	Support, lower end shell, RH
22. 100679	Access door, small
23. 511416-02	Power inlet, generator prep, 30A, 125V
24. 109852-01	Battery box assembly

*LED clearance light replaced incandescent during model year

2008 CLASSIC TRAILER

EXTERIOR SHELL

Front End, 27' Front Bed, w/Panoramic Windows



See next page for P/N

2008 CLASSIC TRAILER

EXTERIOR SHELL

Front End, 27' Front Bed, w/Panoramic Windows

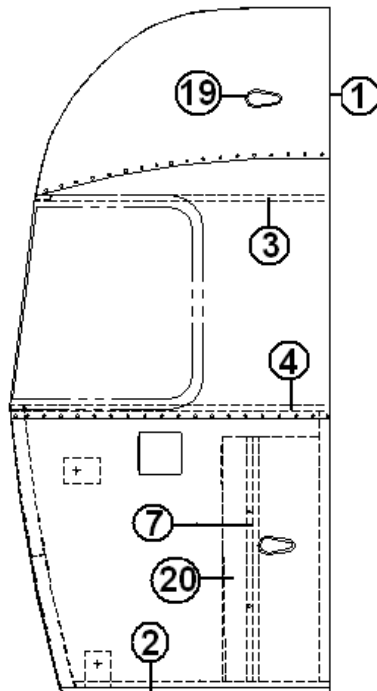
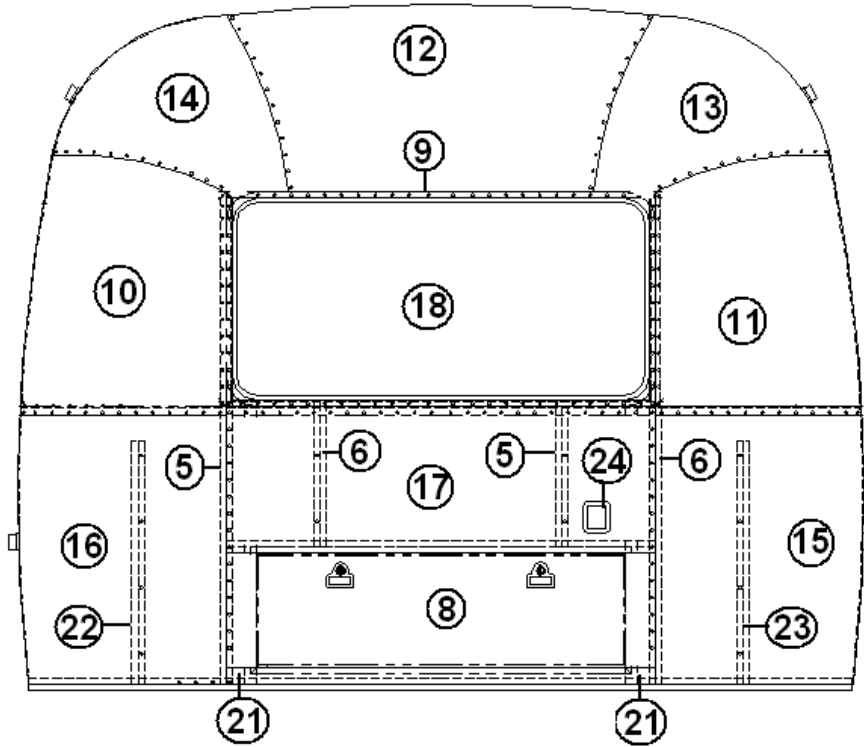
921242-02	End shell complete, w/Panoramic Windows
1. 114993	End bow
2. 114676	Floor bow
3. 114678	Upper window bow
4. 114677	Lower window bow
5. 114505-01	Support, lower end, LH
6. 114505-02	Support, lower end, RH
7. 101315	Brace, vertical rear
8. 104408	Z-bar
9. 114888	Segment, center left
10. 114889	Segment, center right
11. 114893	Segment #25
12. 114890	Segment #26
13. 114891	Segment #27
14. 114894	Segment #28
15. 114895	Segment #29
16. 114880-307	Aluminum sheet, cut to 34.75" x 51"
17. 371346-02	Window, front, panoramic option
18. 511750	Marker light, amber
18. *512226	Light, clearance, amber LED
19. 114849-03	Aluminum sheet, pewter, 12" x 29"
20. 101315-01	Support, lower end shell, LH
21. 101315-02	Support, lower end shell, RH
22. 100679	Access door, small
23. 511416-02	Power inlet, generator prep, 30A, 125V
24. 109852-01	Battery box assembly
25. 372088-101	Panoramic window, RS front
26. 372089-101	Panoramic window, CS front

*LED clearance light replaced incandescent during model year

2008 CLASSIC TRAILER

EXTERIOR SHELL

Front End, 25' & 30' Front Twin Bed, W/ Standard Window



See next page for P/N

2008 CLASSIC TRAILER

EXTERIOR SHELL

Front End, 25' & 30' Front Twin Bed, W/ Standard Window

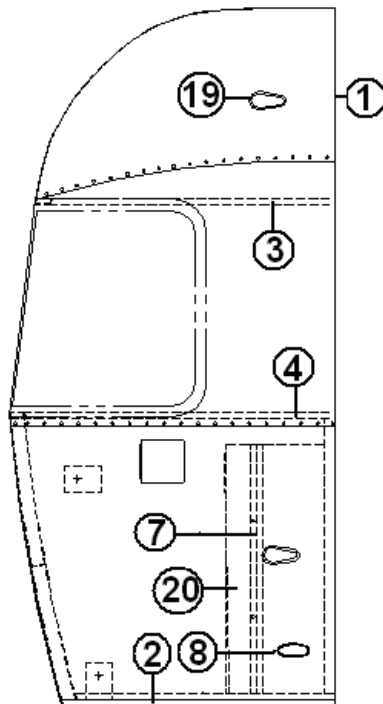
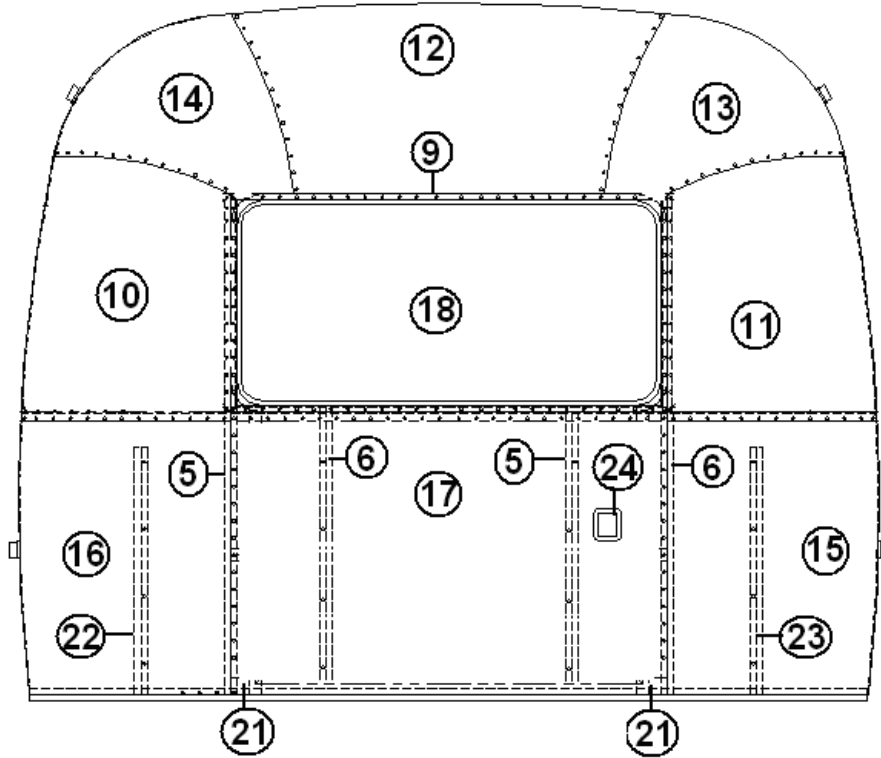
921243-01	End shell complete, 25' FB Twin
1. 114993	End bow
2. 114676	Floor bow
3. 114678	Upper window bow
4. 114677	Lower window bow
5. 114505-01	Support, lower end, LH
6. 114505-02	Support, lower end, RH
7. 101315	Brace, vertical rear
8. *922711	Door, Trunk
9. 101041	Roof locker extrusion
10. 114888	Segment, center left
11. 114889	Segment, center right
12. 114893	Segment #25
13. 114890	Segment #26
14. 114891	Segment #27
15. 114894	Segment #28
16. 114895	Segment #29
17. 114880-307	Aluminum sheet, cut to .040" x 34.75" x 58"
18. 371348-01	Window, front, dark glass, FK
19. 511750	Amber teardrop lights
19. *512226	Light, clearance, amber LED
20. 114849-03	Aluminum sheet, cut to .040 x 12" x 29"
21. 114813	Angle, 1" x 1.5" x 1.25" W
22. 101315-01	Support, lower end shell, LH
23. 101315-02	Support, lower end shell, RH
24. 511416-02	Power inlet, generator prep, 30A, 125V

*LED clearance light replaced incandescent during model year

2008 CLASSIC TRAILER

EXTERIOR SHELL

Front End, 25' & 30' Front Double Bed, W/Standard Window



See next page for P/N

2008 CLASSIC TRAILER

EXTERIOR SHELL

Front End, 25' & 30' Front Double Bed, W/Standard Window

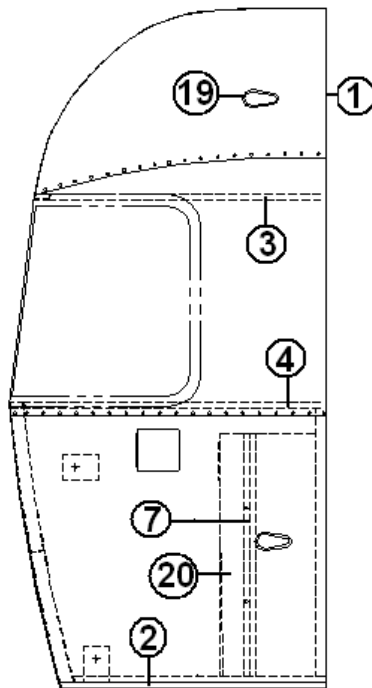
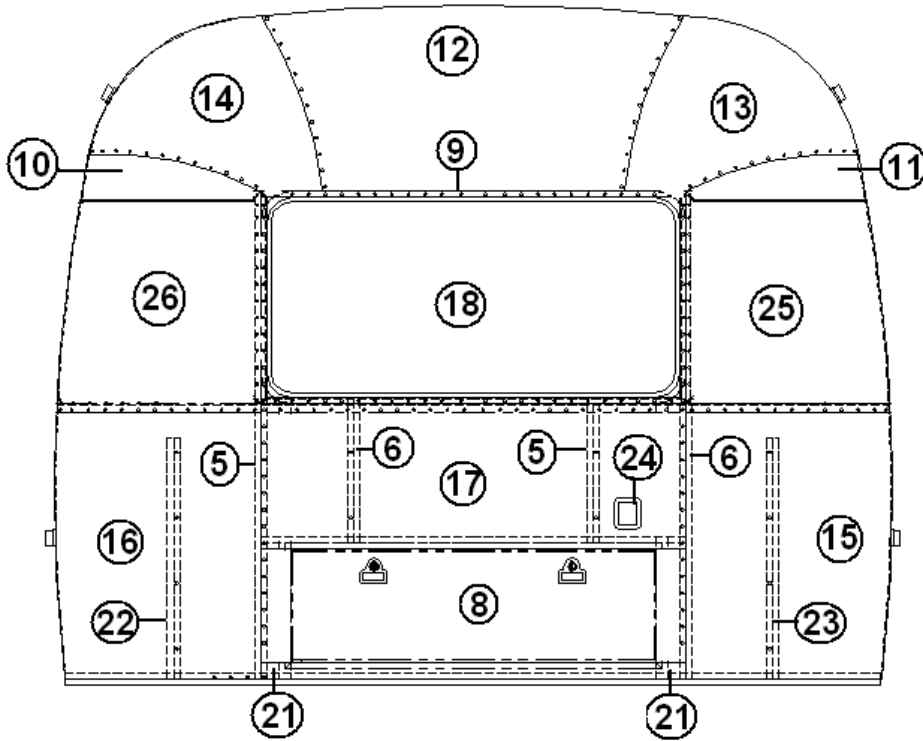
921243	End shell complete, 25' FB Double
1. 114993	End bow
2. 114676	Floor bow
3. 114678	Upper window bow
4. 114677	Lower window bow
5. 114505-01	Support, lower end, LH
6. 114505-02	Support, lower end, RH
7. 101315	Brace, vertical rear
8. 500096	Reflector, amber, oval
9. 101041	Roof locker extrusion
10. 114888	Segment, center left
11. 114889	Segment, center right
12. 114893	Segment #25
13. 114890	Segment #26
14. 114891	Segment #27
15. 114894	Segment #28
16. 114895	Segment #29
17. 114880-307	Aluminum sheet, cut to .040" x 34.75" x 58"
18. 371348-01	Window, front, dark glass, FK
19. 511750	Amber teardrop lights
19. *512226	Light, clearance, amber LED
20. 114849-03	Aluminum sheet, cut to .040 x 12" x 29"
21. 114813	Angle, 1" x 1.5" x 1.25" W
22. 101315-01	Support, lower end shell, LH
23. 101315-02	Support, lower end shell, RH
24. 511416-02	Power inlet, generator prep, 30A, 125V

*LED clearance light replaced incandescent during model year

2008 CLASSIC TRAILER

EXTERIOR SHELL

Front End, 25' & 30' Front Twin Bed, W/Panoramic Windows



See next page for P/N

2008 CLASSIC TRAILER

EXTERIOR SHELL

Front End, 25' & 30' Front Twin Bed, W/Panoramic Windows

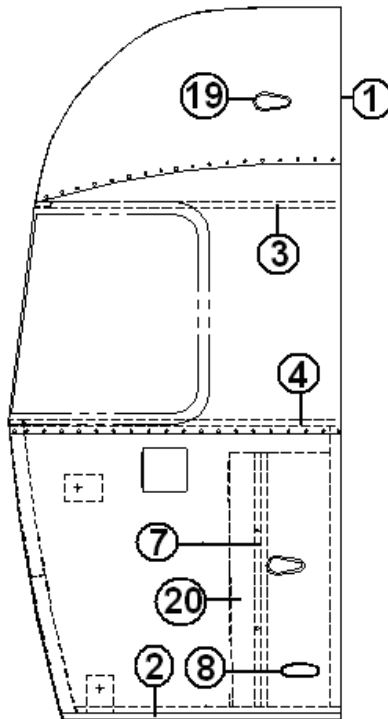
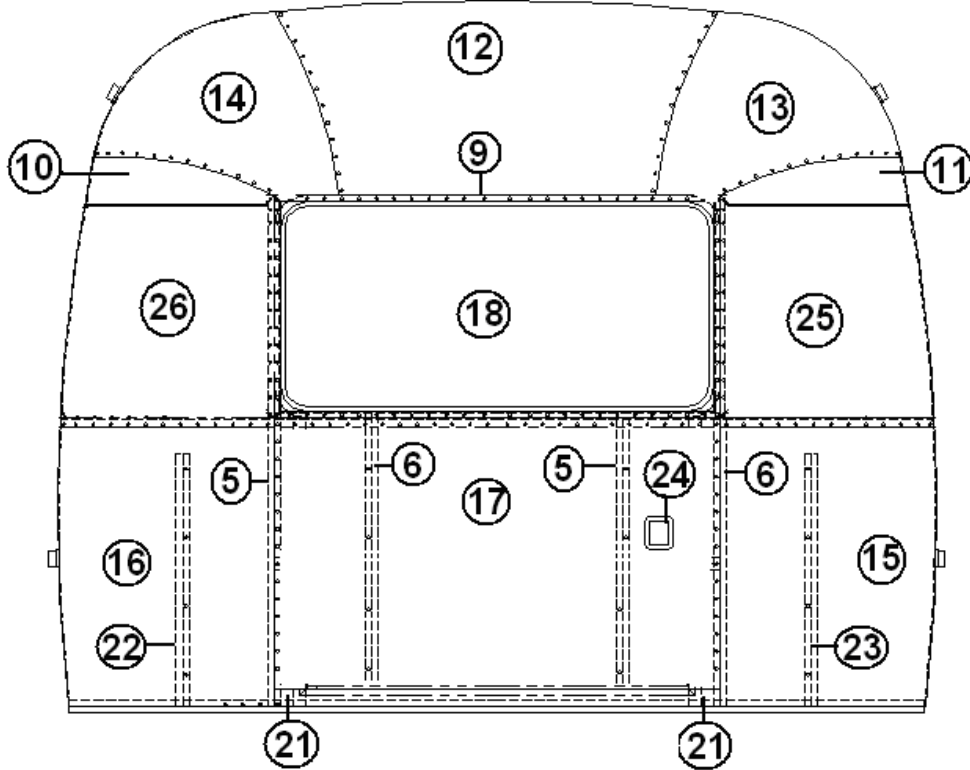
921243-02	End shell complete, 25' FB Twin
1. 114993	End bow
2. 114676	Floor bow
3. 114678	Upper window bow
4. 114677	Lower window bow
5. 114505-01	Support, lower end, LH
6. 114505-02	Support, lower end, RH
7. 101315	Brace, vertical rear
8. 922711	Door, Trunk, Twin bed model only
9. 101041	Roof locker extrusion
10. 114888	Segment, center left
11. 114889	Segment, center right
12. 114893	Segment #25
13. 114890	Segment #26
14. 114891	Segment #27
15. 114894	Segment #28
16. 114895	Segment #29
17. 114880-307	Aluminum sheet, cut to .040" x 34.75" x 58"
18. 371346-02	Window, front, panoramic option
19. 511750	Amber teardrop lights
19. *512226	Light, clearance, amber LED
20. 114849-03	Aluminum sheet, cut to .040 x 12" x 29"
21. 114813	Angle, 1" x 1.5" x 1.25" W
22. 101315-01	Support, lower end shell, LH
23. 101315-02	Support, lower end shell, RH
24. 511416-02	Power inlet, generator prep, 30A, 125V
25. 372089-101	Window, rear corner wrap, curbside
26. 372088-101	Window, rear corner wrap, roadside

*LED clearance light replaced incandescent during model year

2008 CLASSIC TRAILER

EXTERIOR SHELL

Front End, 25' & 30' Front Double Bed, W/Panoramic Windows



See next page for P/N

2008 CLASSIC TRAILER

EXTERIOR SHELL

Front End, 25' & 30' Front Double Bed, W/Panoramic Windows

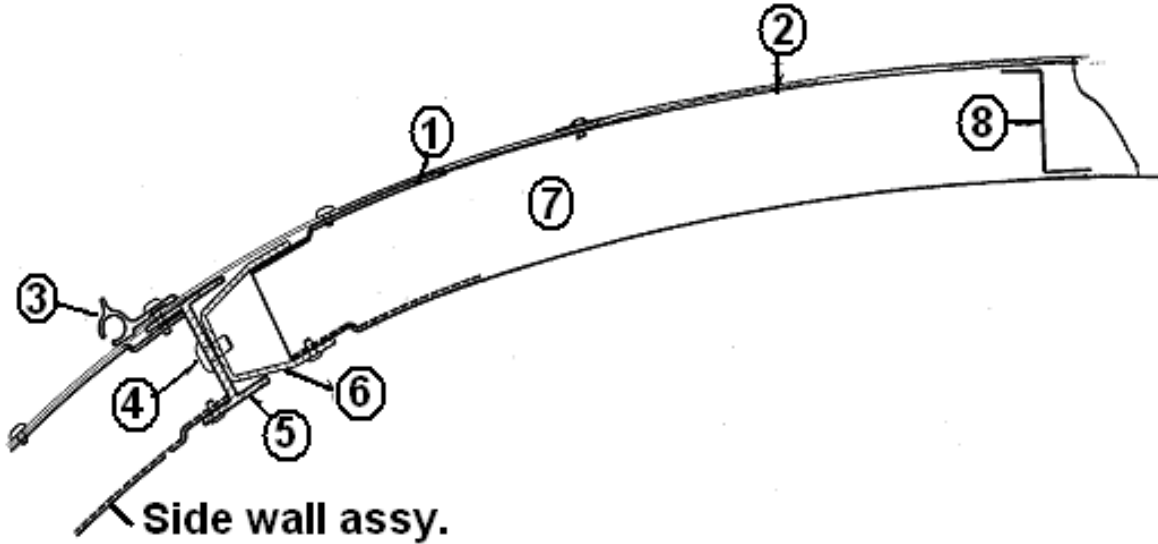
921243-03	End shell complete, 25' FB Double
1. 114993	End bow
2. 114676	Floor bow
3. 114678	Upper window bow
4. 114677	Lower window bow
5. 114505-01	Support, lower end, LH
6. 114505-02	Support, lower end, RH
7. 101315	Brace, vertical rear
8. 500096	Reflector, amber, oval
9. 101041	Roof locker extrusion
10. 114888	Segment, center left
11. 114889	Segment, center right
12. 114893	Segment #25
13. 114890	Segment #26
14. 114891	Segment #27
15. 114894	Segment #28
16. 114895	Segment #29
17. 114880-307	Aluminum sheet, cut to .040" x 34.75" x 58"
18. 371346-02	Window, front, panoramic option
19. 511750	Amber teardrop lights
19. *512226	Light, clearance, amber LED
20. 114849-03	Aluminum sheet, cut to .040 x 12" x 29"
21. 114813	Angle, 1" x 1.5" x 1.25" W
22. 101315-01	Support, lower end shell, LH
23. 101315-02	Support, lower end shell, RH
24. 511416-02	Power inlet, generator prep, 30A, 125V
25. 372089-101	Window, rear corner wrap, curbside
26. 372088-101	Window, rear corner wrap, roadside

*LED clearance light replaced incandescent during model year

2008 CLASSIC TRAILER

EXTERIOR SHELL

Roof

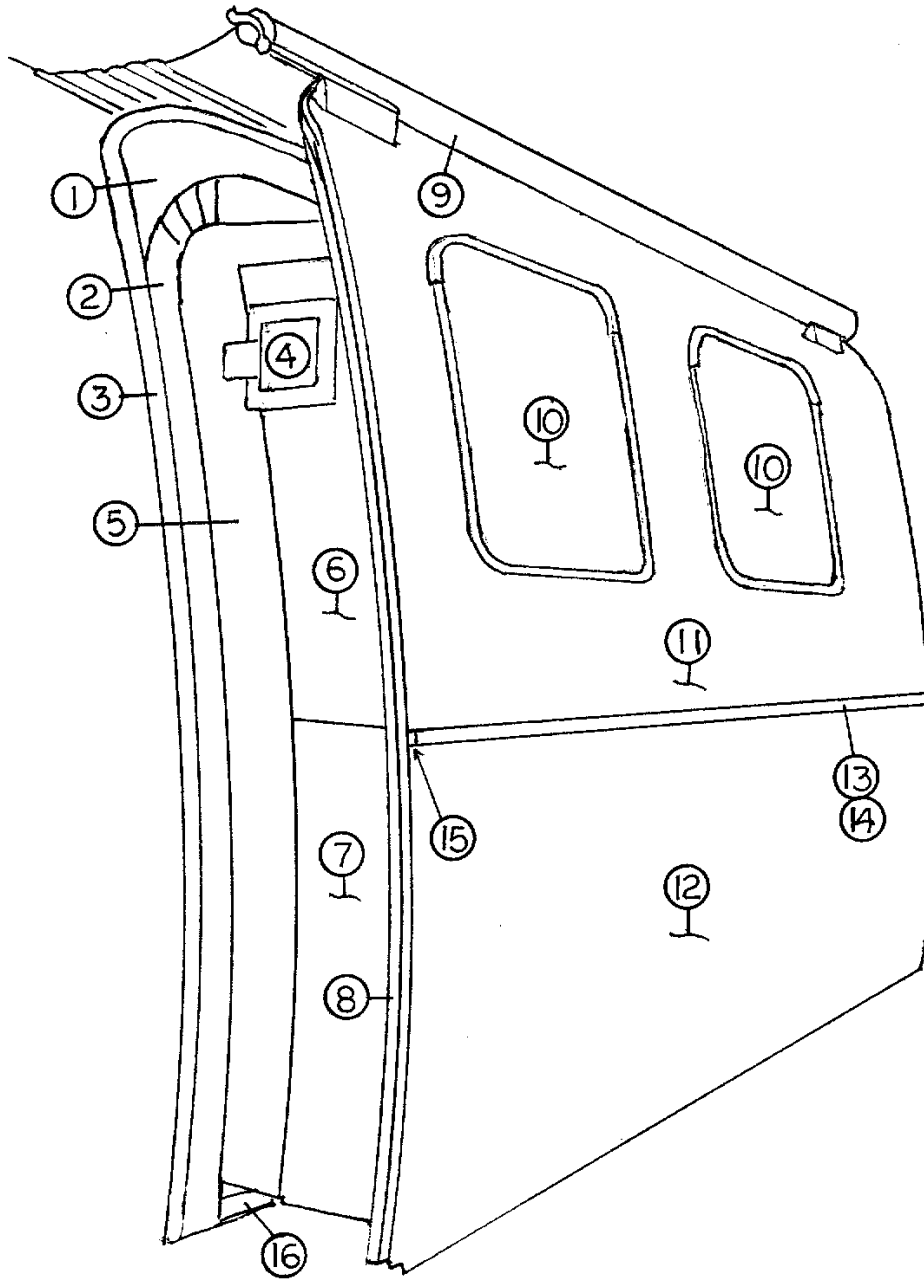


1. 114669-307	Aluminum, white, .032" x 12.69" x 307"
2. 114489-307	Aluminum, white, .032 x 60.0 x 307"
2. 114489-262	Aluminum, white, .032 x 60 x 262"
2. 114489-198	Aluminum, sheet, white,.032 x 60 x 198"
3. 114290-01	Extrusion, awning/drip rail, 197.25"
3. 114290-02	Extrusion, awning/drip rail, 261"
3. 114290-03	Extrusion, awning/drip rail, 306.5"
4. 330139-01	RIVET MAGNALOK SS 1/4"
5. 104707-01	Extrusion, "I" beam, 303"
6. 114987-03	Extrusion, roof corner, 34ft.
6. 114987-02	Extrusion, roof corner, 30' & 31'
6. 114987-01	Extrusion, roof corner, 194", 27'
7. 114668	Roof bow
8. 104408	Extrusion, Z bar, horizontal
104948	Air deflector, A/C-Refer vent
325000-03	RIVET ANODIZED WHITE 1/8" X 1/4"
101828	EXTRUSION, ALUM WINDOW STIFFEN
325002-03	RIVET 1/8" X 3/8" POLAR WHITE

2008 CLASSIC TRAILER

EXTERIOR SHELL

Slide Out Room, 34', 30', Dinette



2008 CLASSIC TRAILER

EXTERIOR SHELL

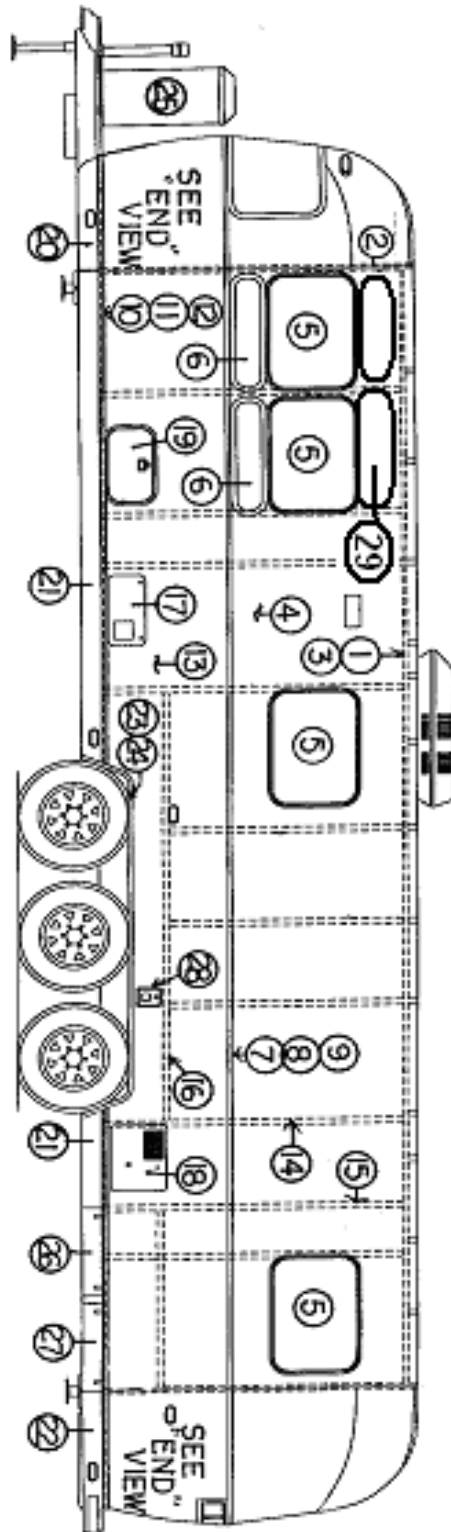
Slide Out Room, 34', 30', Dinette

1. 965248	S/O JAMB-FIBERGLASS
2. 381669-02	WIPER SEAL ASSY
3. 114974-01	RING-TRIM EXTERIOR S/O RH
3a. 114974-02	RING-TRIM EXTERIOR S/O LH
3b. 114930	EXTRUSION- "L" SECTION
4. 952648-01	Travel lock, forward
4. 952648-02	Travel lock, aft
5. 965247	ROOM SHELL-FIBERGLASS
6. 114990-07	END SKIN-FWD FORMED
7. 114990-08	END SKIN-AFT FORMED
8. 381663	Gasket, seal, room to exterior and room to
9. 703122-04	Cover, roll out awning
9. 702949-01	Mounting hardware, cover awning
10. 371380	Window, 30" tall, opening
11. 115025-02	OUTER S/O UPPER SKIN ASSY
12. 115024-02	OUTER S/O SKIN LOWER ASSY
13. 114328	Extrusion, belt line trim
14. 201912	Molding, chrome, belt line insert
15. 114417	Casting, closeout, belt line end
16. 381587	Gasket, floor wiper
381728	Rubber wiper seal, 2.5" wide
114939-01	Rib, slide out insert, R.H.
114939-02	Rib, slide out insert, L.H.
203379	ROOF MATERIAL FIBERGLASS, SMOOTH
203243	GUIDE BLOCKS NYLON

2008 CLASSIC TRAILER

EXTERIOR SHELL

Wall, Roadside 34'



See next page for P/N

2008 CLASSIC TRAILER

EXTERIOR SHELL

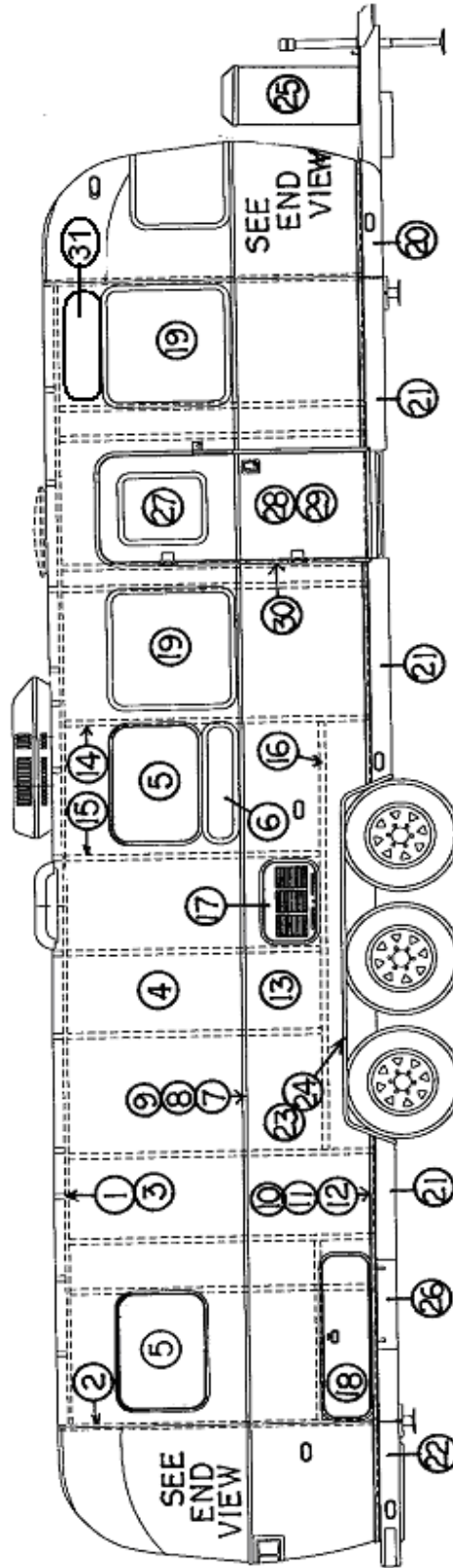
Wall, Roadside 34'

1. 114290-03 Extrusion, awning/drip rail
2. 114993 End bow
3. 104707-01 Extrusion, "I" beam
4. 114880-307 Alum. sheet, upper, .040" x 51" x307"
5. 371324-02 Window, 30in. opening
6. 371270-01 Window, 30in., stack, stationary
7. 114328 Extrusion, belt line
8. 201912 Molding, chrome, belt line
9. 100034 "Z" bar, 48"
10. 114460 Extrusion, rub rail
11. 201763-01 Insert, rub rail, chrome, 1"
12. 100986 Floor channel
13. 114879-307 Alum. sheet, lower, .040" x 33" x 307"
14. 114387-01 Bow, Z rib, RH
15. 114387-02 Bow, Z rib, LH
16. 100986 Wheel well stiffener (floor channel.
17. 690274-09 Cover, Hydro-flame furnace
18. 690209 Cover, brushed aluminum, Atwood
19. 100679-01 Access door w/jamb
20. 200542-01 Banana wrap, RS front
21. 101131-01 Underbelly wrap, .024" x 22.5", Pewter
22. 201974-03 Bumper, rear corner, RS
23. 685257 Wheel well trim, inner, tri-axle
24. 685258 Wheel well trim, outer, tri-axle
25. 921231 Bottle cover, LP, w/out decal
26. 114496-02 Door, utility compartment
27. 114496-04 Door, TV/Coax Compartment
28. 601194 Water fill w/lock
29. 922770-02 Vista View, 30"

2008 CLASSIC TRAILER

EXTERIOR SHELL

Wall, Curbside, 34'



See next page for P/N

2008 CLASSIC TRAILER

EXTERIOR SHELL

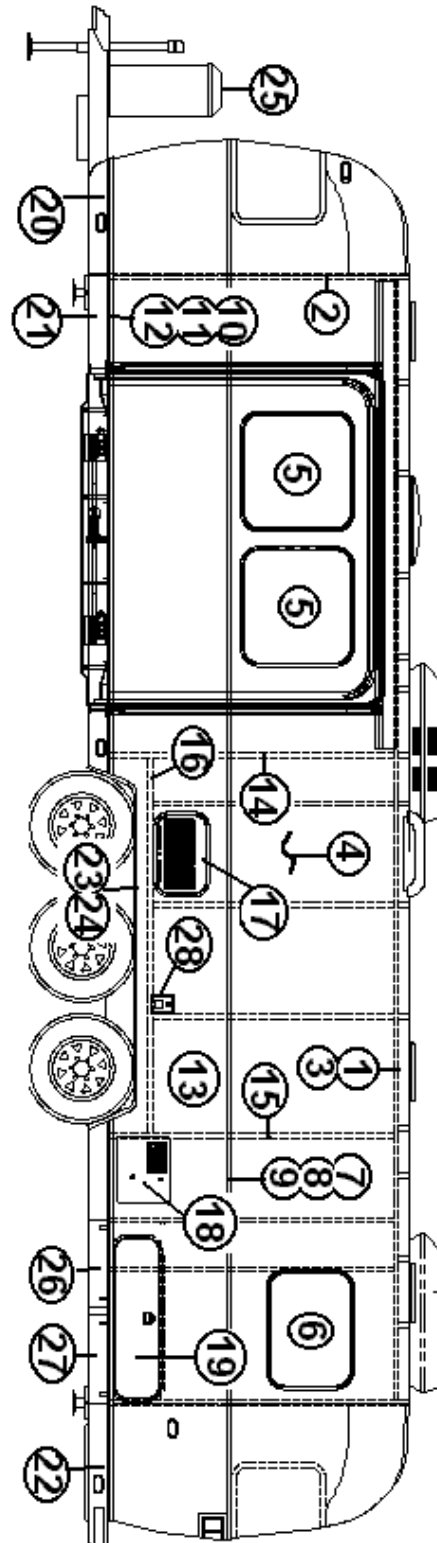
Wall, Curbside, 34'

- | | |
|----------------|--|
| 1. 114290-03 | Extrusion, awning/drip rail |
| 2. 114993 | End bow |
| 3. 104707-01 | Extrusion, "I" beam |
| 4. 114880-307 | Alum. sheet, upper, .040" x 51" x 307" |
| 5. 371324-02 | Window, 30in. opening |
| 6. 371270-01 | Window, 30in., stack, stationary |
| 7. 114328 | Extrusion, belt line |
| 8. 201912 | Molding, chrome, belt line |
| 9. 100034 | "Z" bar, 48" |
| 10. 114460 | Extrusion, rub rail |
| 11. 201763-01 | Insert, rub rail, chrome, 1" |
| 12. 100986 | Floor channel |
| 13. 114879-307 | Alum. sheet, lower, .040" x 33" x 307" |
| 14. 114387-01 | Bow, Z rib, RH |
| 15. 114387-02 | Bow, Z rib, LH |
| 16. 100986 | Wheel well stiffener (floor channel. |
| 17. 922243 | Louvered panel, refrigerator access door |
| 18. 922288-01 | Door, side access, long, twin only |
| 19. *371285-01 | Window, stationary, 30in. |
| 20. 200543-01 | Banana wrap, CS front |
| 21. 101131-01 | Underbelly wrap, .024" x 22.5", Pewter |
| 22. 201974-04 | Bumper, rear corner, CS |
| 23. 685257 | Wheel well trim, inner, tri-axle |
| 24. 685258 | Wheel well trim, outer, tri-axle |
| 25. 921231 | Bottle cover, LP, w/out decal |
| 26. 114496-02 | Door, utility compartment |
| 27. 371400-01 | Window, main door |
| 28. 115207-04 | Main door assembly |
| 29. 114654 | Screen door assembly |
| 30. 114652 | Main door jamb, formed |
| 31. 922770-02 | Vista View, 30" |
- *Stacked window option replaces item 19
- | | |
|-----------|-----------------------------|
| 371324-02 | Window, curved 30" opening |
| 371270-01 | Window, curved, 30" stacked |

2008 CLASSIC TRAILER

EXTERIOR SHELL

Wall, Roadside, 34' S/O



See next page for P/N

2008 CLASSIC TRAILER

EXTERIOR SHELL

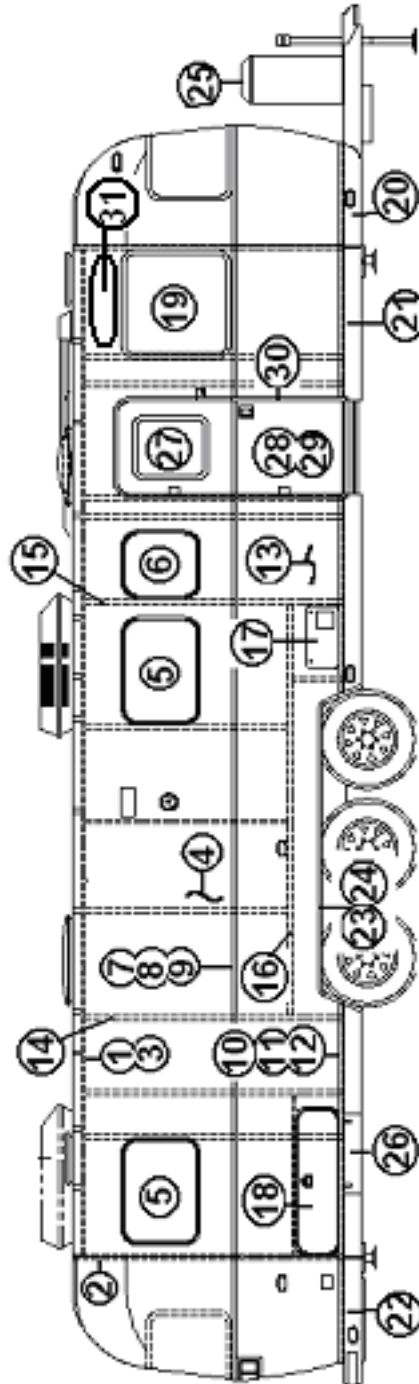
Wall, Roadside, 34' S/O

1. 114290-03 Extrusion, awning/drip rail
2. 114993 End bow
3. 104707-01 Extrusion, "I" beam
4. 114880-307 Alum. sheet, upper, .040" x 51" x307"
5. 371380 Window, 30" tall, opening
6. 371324-02 Window, 30in., opening
7. 114328 Extrusion, belt line
8. 201912 Molding, chrome, belt line
9. 100034 "Z" bar, 48"
10. 114460 Extrusion, rub rail
11. 201763-01 Insert, rub rail, chrome, 1"
12. 100986 Floor channel
13. 114879-307 Alum. sheet, lower, .040" x 33" x 307"
14. 114387-01 Bow, Z rib, RH
15. 114387-02 Bow, Z rib, LH
16. 100986 Wheel well stiffener (floor channel.
17. 922243 Louvered panel, refrigerator access door
18. 690209 Cover, brushed aluminum, Atwood
19. 922288-01 Door, side access, long, twin only
20. 200542-01 Banana wrap, RS front
21. 101131-01 Underbelly wrap, .024" x 22.5", Pewter
22. 201974-03 Bumper, rear corner, RS
23. 685257 Wheel well trim, inner, tri-axle
24. 685258 Wheel well trim, outer, tri-axle
25. 921231 Bottle cover, LP, w/out decal
26. 114496-02 Door, utility compartment
27. 114496-04 Door, TV/Coax Compartment
28. 601194 Water fill w/lock

2008 CLASSIC TRAILER

EXTERIOR SHELL

Wall, Curbside, 34' S/O



See next page for P/N

2008 CLASSIC TRAILER

EXTERIOR SHELL

Wall, Curbside, 34' S/O

- | | |
|----------------|--|
| 1. 114290-03 | Extrusion, awning/drip rail |
| 2. 114993 | End bow |
| 3. 104707-01 | Extrusion, "I" beam |
| 4. 114880-307 | Alum. sheet, upper, .040" x 51" x 307" |
| 5. 371324-02 | Window, 30in. opening |
| 6. 371323-02 | Window, 18" non-opening |
| 7. 114328 | Extrusion, belt line |
| 8. 201912 | Molding, chrome, belt line |
| 9. 100034 | "Z" bar, 48" |
| 10. 114460 | Extrusion, rub rail |
| 11. 201763-01 | Insert, rub rail, chrome, 1" |
| 12. 100986 | Floor channel |
| 13. 114879-307 | Alum. sheet, lower, .040" x 33" x 307" |
| 14. 114387-01 | Bow, Z rib, RH |
| 15. 114387-02 | Bow, Z rib, LH |
| 16. 100986 | Wheel well stiffener (floor channel. |
| 17. 690274-09 | Cover, Hydro-flame furnace |
| 18. 922288-01 | Door, side access, long, twin only |
| 19. *371285-01 | Window, stationary, 30in. |
| 20. 200543-01 | Banana wrap, CS front |
| 21. 101131-01 | Underbelly wrap, .024" x 22.5", Pewter |
| 22. 201974-04 | Bumper, rear corner, CS |
| 23. 685257 | Wheel well trim, inner, tri-axle |
| 24. 685258 | Wheel well trim, outer, tri-axle |
| 25. 921231 | Bottle cover, LP, w/out decal |
| 26. 114496-04 | Door, TV/coax compartment |
| 27. 371400-01 | Window, main door |
| 28. 115207-04 | Main door assembly |
| 29. 114654 | Screen door assembly |
| 30. 114652 | Main door jamb, formed |
| 31. 922770-02 | Vista View, 30" |

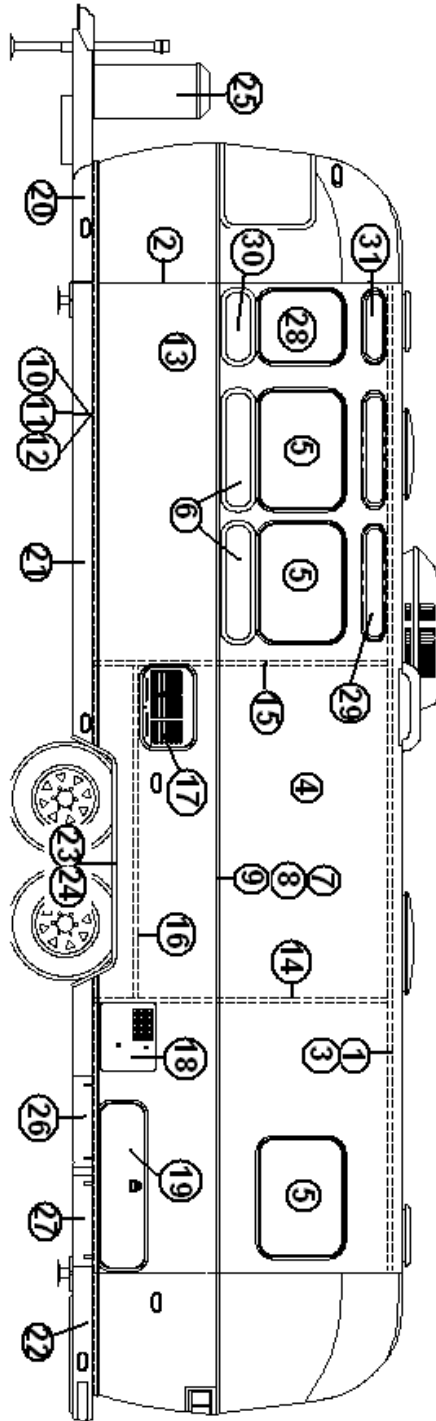
*Stacked window option replaces item 19

- | | |
|-----------|-----------------------------|
| 371324-02 | Window, curved 30" opening |
| 371270-01 | Window, curved, 30" stacked |

2008 CLASSIC TRAILER

EXTERIOR SHELL

Wall. Roadside, 31' W/Dinette



Part Number Are on The Next Page

2008 CLASSIC TRAILER

EXTERIOR SHELL

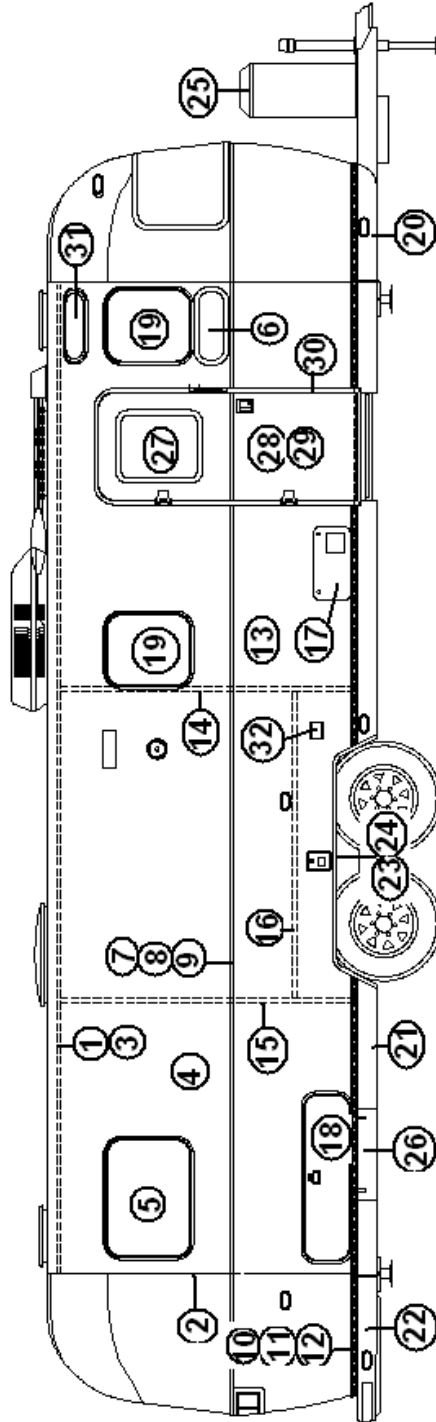
Wall, Roadside, 31' W/Dinette

1. 114290-02 Extrusion, awning/drip rail
2. 114993 End bow
3. 104707-01 Extrusion, "I" beam
4. 114880-262 Alum. sheet, upper, .040" x 51" x 262"
5. 371324-02 Window, 30in. opening
6. 371270-01 Window, 30in., stack, stationary
7. 114328 Extrusion, belt line
8. 201912 Molding, chrome, belt line
9. 100034 "Z" bar, 48"
10. 114460 Extrusion, rub rail
11. 201763-01 Insert, rub rail, chrome, 1"
12. 100986 Floor channel
13. 114879-262 Alum. sheet, lower, .040" x 33" x 262"
14. 114387-01 Bow, Z rib, RH
15. 114387-02 Bow, Z rib, LH
16. 100986 Wheel well stiffener(floor channel.
17. 922243 Louvered panel, refrigerator access door
18. 690209 Cover, brushed aluminum, Atwood
19. 922288-01 Door, side access, long, twin only
20. 200542-01 Banana wrap, RS front
21. 101131-01 Underbelly wrap, .024 "x 22.5", Pewter
22. 201974-03 Bumper, rear corner, RS
23. 684936 Wheel well trim, outer, tandem axle
24. 684937 Wheel well trim, inner, tandem axle
25. 921231 Bottle cover, LP, w/out decal
26. 114496-02 Door, utility compartment
27. 114496-04 Door, TV/Coax Compartment
28. 371323-01 Window, 18in. opening
29. 922770-02 Vista View, 30"
30. 371269-01 Window, 18in., stack, stationary
31. 922770-01 Vista View, 18"

2008 CLASSIC TRAILER

EXTERIOR SHELL

Wall, Curbside, 31' W/Dinette



Part Number Are on The Next Page

2008 CLASSIC TRAILER

EXTERIOR SHELL

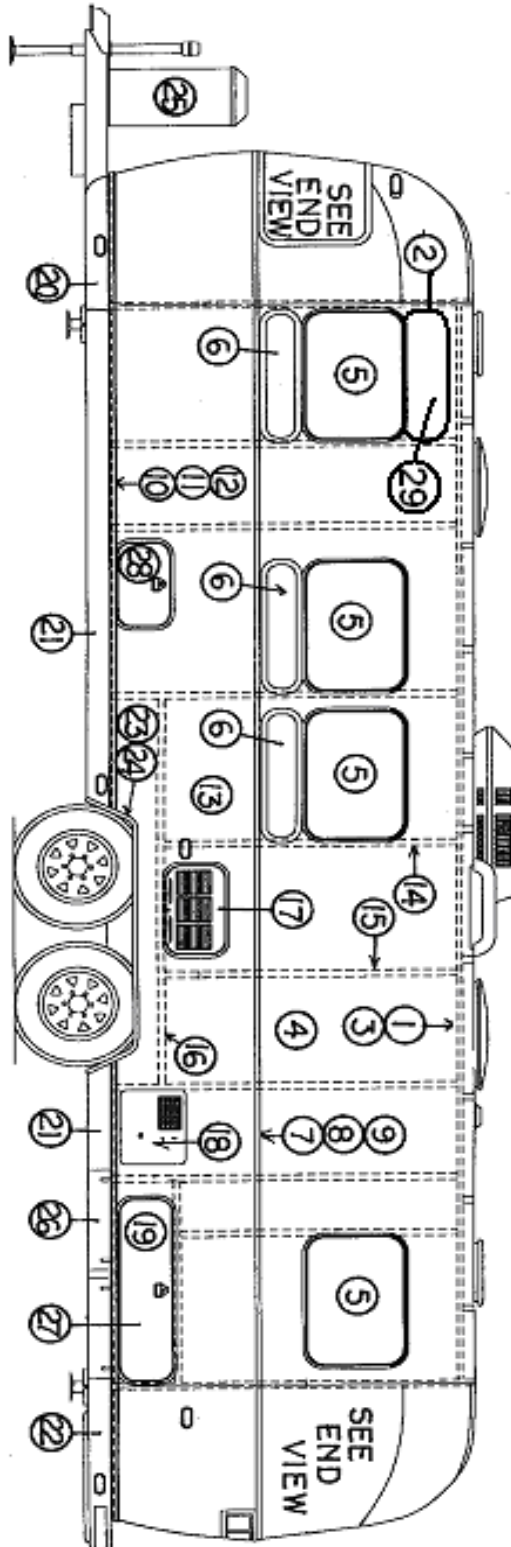
Wall, Curbside, 31' W/Dinette

1. 114290-02 Extrusion, awning/drip rail
2. 114993 End bow
3. 104707-06 Extrusion, "I" beam
4. 114880-262 Alum. sheet, upper, .040" x 51" x 262"
5. 371324-02 Window, 30in. opening
6. 371269-01 Window, 18in., stack, stationary
7. 114328 Extrusion, belt line
8. 201912 Molding, chrome, belt line
9. 100034 "Z" bar, 48"
10. 114460 Extrusion, rub rail
11. 201763-01 Insert, rub rail, chrome, 1"
12. 100986 Floor channel
13. 114879-262 Alum. sheet, lower, .040" x 33" x 262"
14. 114387-01 Bow, Z rib, RH
15. 114387-02 Bow, Z rib, LH
16. 100986 Wheel well stiffener(floor channel.
17. 690274-09 Cover Hydroflame furnace
18. 922288-01 Door, side access, long, twin only
19. 371323-01 Window, 18in. opening
20. 200543-01 Banana wrap, CS front
21. 101131-01 Underbelly wrap, .024".x 22.5", Pewter
22. 201974-04 Bumper, rear corner, CS
23. 684936 Wheel well trim, inner, tandem
24. 684937 Wheel well trim, outer, tandem
25. 921231 Bottle cover, LP, w/out decal
26. 114496-02 Door, utility compartment
27. 371400-01 Window, main door
28. 115207-04 Main door assembly, Limited
29. 114654 Screen door assembly
30. 114652 Main door jamb, formed
31. 922770-01 Vista View, 18"
32. 510676-01 Outlet, exterior 110-volt

2008 CLASSIC TRAILER

EXTERIOR SHELL

Wall, Roadside, 30'



See next page for P/N

2008 CLASSIC TRAILER

EXTERIOR SHELL

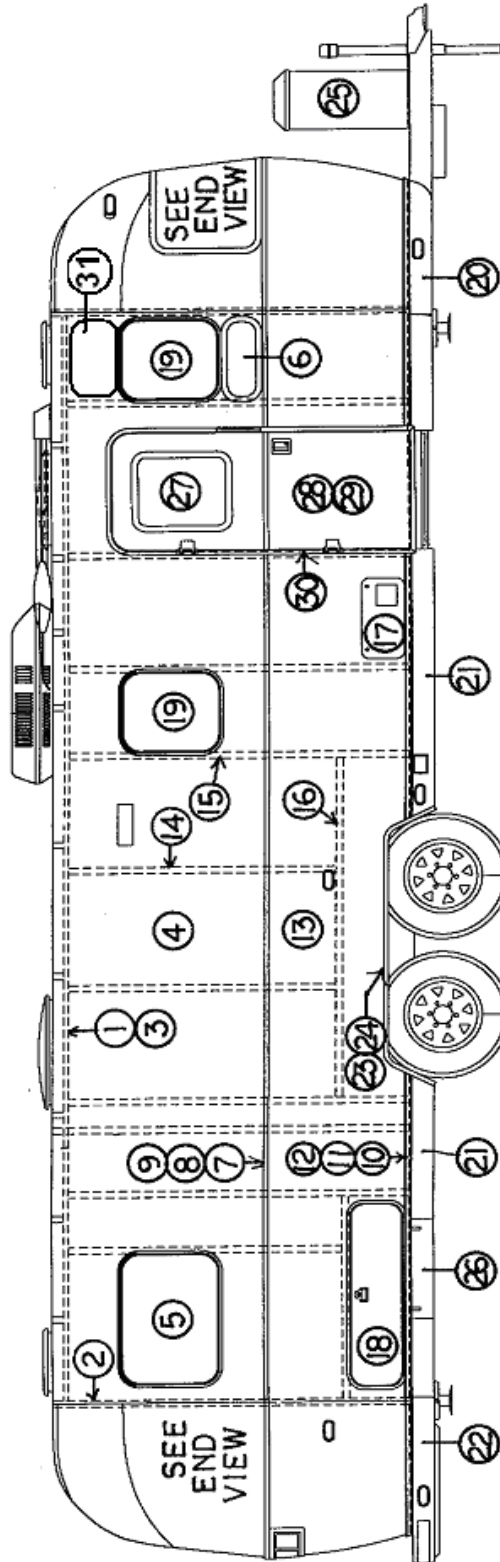
Wall, Roadside, 30'

1. 114290-02	Extrusion, awning/drip rail
2. 114993	End bow
3. 104707-06	Extrusion, "I" beam
4. 114880-262	Alum, sheet, upper, .040" x 51" x 262"
5. 371324-02	Window, 30in. opening
6. 371270-01	Window, 30in., stack, stationary
7. 114328	Extrusion, belt line
8. 201912	Molding, chrome, belt line
9. 100034	"Z" bar, 48"
10. 114460	Extrusion, rub rail
11. 201763-01	Insert, rub rail, chrome, 1"
12. 100986	Floor channel
13. 114879-262	Alum, sheet, lower, .040" x 33" x 262"
14. 114387-01	Bow, Z rib, RH
15. 114387-02	Bow, Z rib, LH
16. 100986	Wheel well stiffener(floor channel.
17. 922243	Louvered panel, refrigerator access door
18. 690209	Cover, brushed aluminum, Atwood
19. 922288-01	Door, side access, long, twin only
20. 200542-01	Banana wrap, RS front
21. 101131-01	Underbelly wrap, .024" x 22.5", Pewter
22. 201974-03	Bumper, rear corner, RS
23. 684936	Wheel well trim, outer, tandem axle
24. 684937	Wheel well trim, inner, tandem axle
25. 921231	Bottle cover, LP, w/out decal
26. 114496-02	Door, utility compartment
27. 114496-04	Door, TV/Coax Compartment
28. 100679-01	Access door w/jamb
29. 922770-02	Vista View, 30"

2008 CLASSIC TRAILER

EXTERIOR SHELL

Wall, Curbside, 30', 30' S/O



See next page for P/N

2008 CLASSIC TRAILER

EXTERIOR SHELL

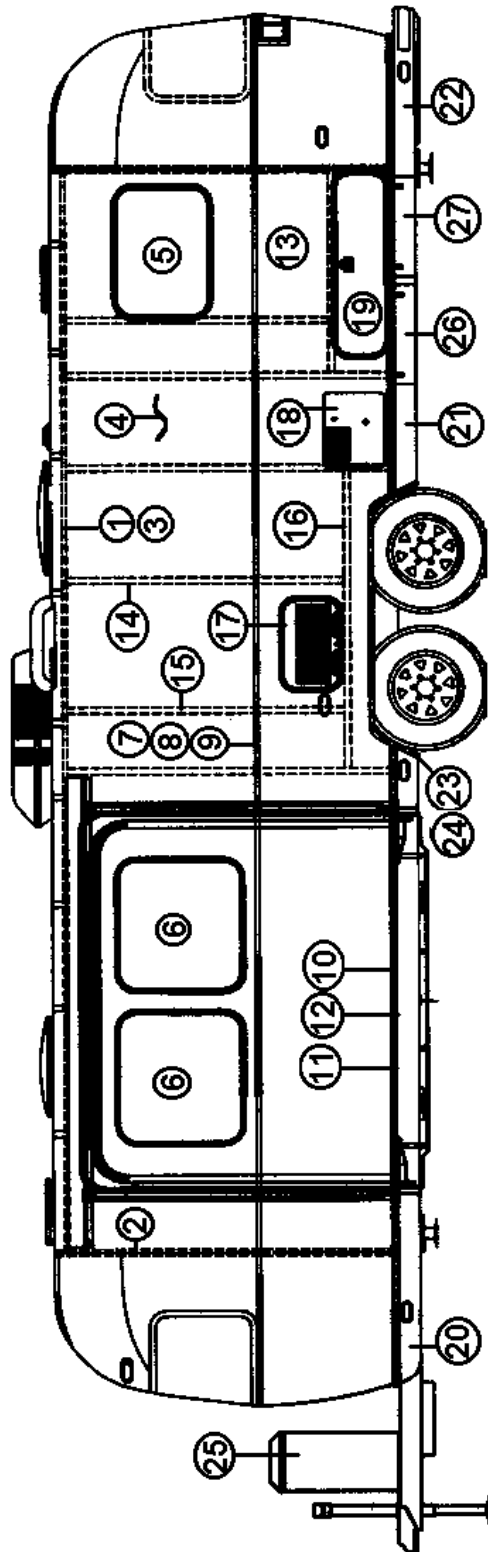
Wall, Curbside, 30', 30' S/O

- | | |
|----------------|--|
| 1. 114290-02 | Extrusion, awning/drip rail |
| 2. 114993 | End bow |
| 3. 104707-06 | Extrusion, "I" beam |
| 4. 114880-262 | Alum. sheet, upper, .040" x 51" x 262" |
| 5. 371324-02 | Window, 30in. opening |
| 6. 371269-01 | Window, 18in., stack, stationary |
| 7. 114328 | Extrusion, belt line |
| 8. 201912 | Molding, chrome, belt line |
| 9. 100034 | "Z" bar, 48" |
| 10. 114460 | Extrusion, rub rail |
| 11. 201763-01 | Insert, rub rail, chrome, 1" |
| 12. 100986 | Floor channel |
| 13. 114879-262 | Alum. sheet, lower, .040" x 33" x 262" |
| 14. 114387-01 | Bow, Z rib, RH |
| 15. 114387-02 | Bow, Z rib, LH |
| 16. 100986 | Wheel well stiffener (floor channel. |
| 17. 690274-09 | Cover Hydroflame furnace |
| 18. 922288-01 | Door, side access, long, twin only |
| 19. 371323-01 | Window, 18in. opening |
| 20. 200543-01 | Banana wrap, CS front |
| 21. 101131-01 | Underbelly wrap, .024" x 22.5", Pewter |
| 22. 201974-04 | Bumper, rear corner, CS |
| 23. 684936 | Wheel well trim, outer, tandem |
| 24. 684937 | Wheel well trim, inner, tandem |
| 25. 921231 | Bottle cover, LP, w/out decal |
| 26. 114496-02 | Door, utility compartment |
| 27. 371400-01 | Window, main door |
| 28. 115207-04 | Main door assembly |
| 29. 114654 | Screen door assembly |
| 30. 114652 | Main door jamb, formed |
| 31. 922770-01 | Vista View, 18" |

2008 CLASSIC TRAILER

EXTERIOR SHELL

Wall, Roadside, 30' S/O



See next page for P/N

2008 CLASSIC TRAILER

EXTERIOR SHELL

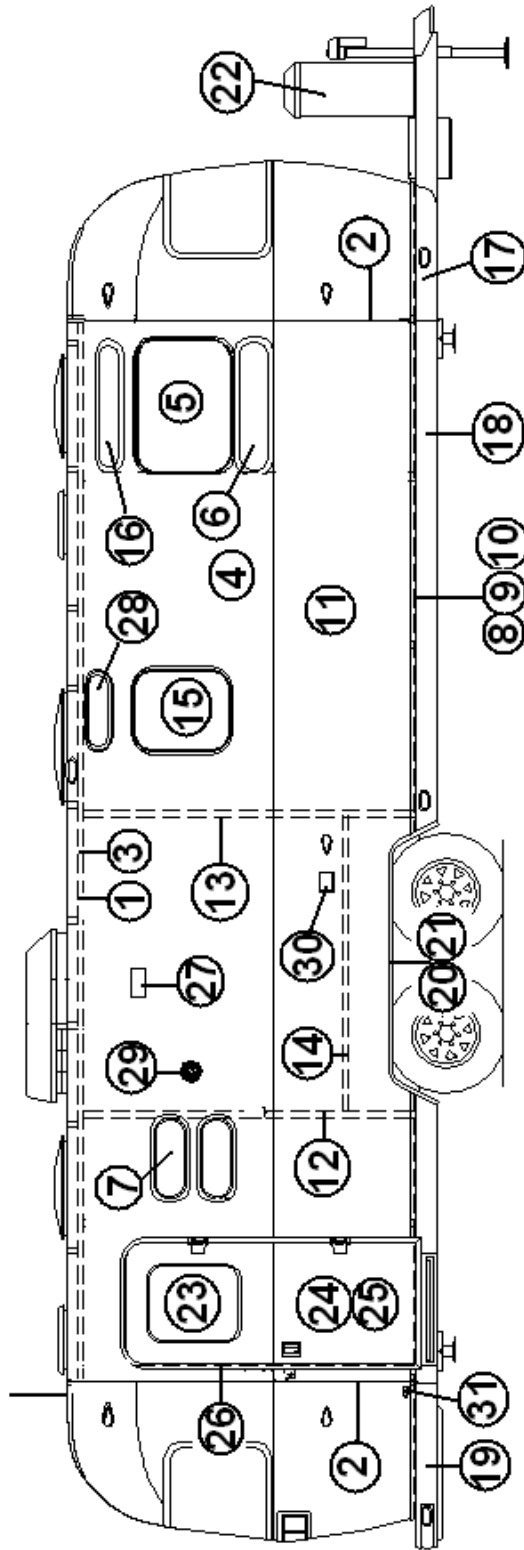
Wall, Roadside, 30' S/O

1. 114290-02 Extrusion, awning rail/drip rail
2. 114993 End bow
3. 104707-06 Extrusion, "I" beam
4. 114880-262 Aluminum sheet, .040 x 51" x 262"
5. 371324-02 Window, 30 inch opening
6. 371380 Window, 30 opening, tall
7. 114328 Extrusion beltline
8. 201912 Molding, chrome, beltline
9. 100034 "Z" bar 48", stiffener
10. 114460 Extrusion, rub rail
11. 201763-01 Insert, rub rail, chrome, 1"
12. 100986 Floor channel
13. 114879-262 Aluminum sheet, .040 x 33 x 262"
14. 114387-01 Bow, Z rib, RH
15. 114387-02 Bow, Z rib, LH
16. 100986 Wheel well stiffener
17. 922243 Louvered panel, refrigerator access door
18. 690209 Cover, brushed aluminum, Atwood
19. 922288-01 Door, side access, long
20. 200542-01 Banana wrap, RS front
21. 101131-01 Underbelly wrap, .024 x 22.5, pewter
22. 201974-03 Bumper, rear corner, RS
23. 684936 Wheel well trim, outer, tandem axle
24. 684937 Wheel well trim, inner, tandem axle
25. 921231 Bottle cover, LP, w/out decal
26. 114496-02 Door, utility compartment
27. 114496-04 Door, TV/Coax Compartment

2008 CLASSIC TRAILER

EXTERIOR SHELL

Wall, Curbside, 30' Front Bed



See next page for P/N

2008 CLASSIC TRAILER

EXTERIOR SHELL

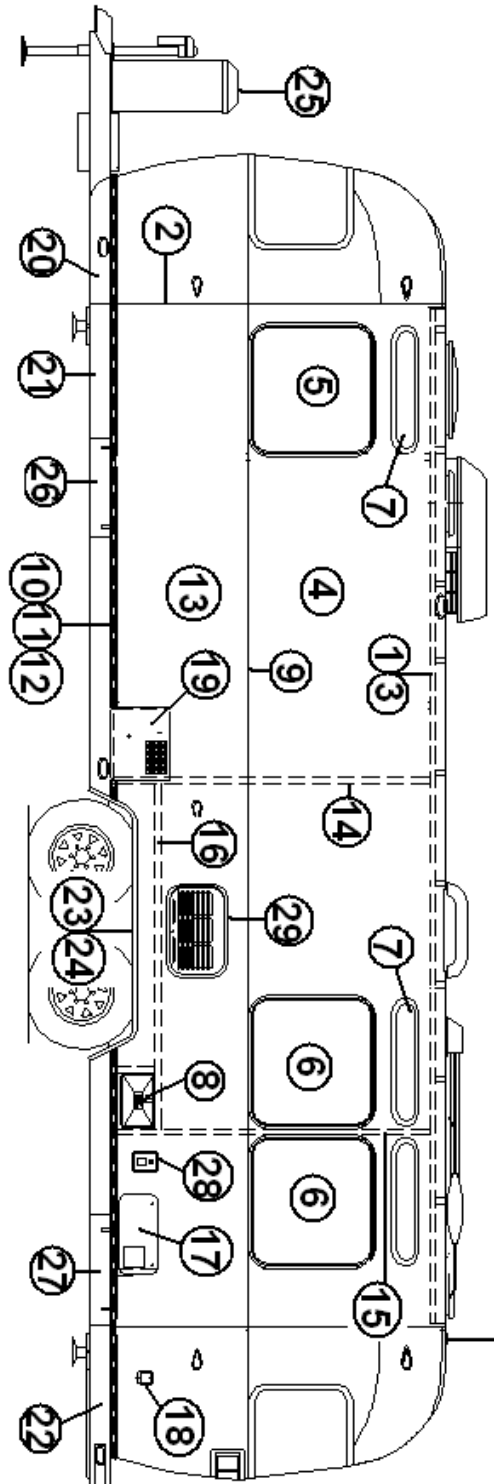
Wall, Curbside, 30' Front Bed

1. 114290-02	Extrusion, awning/drip rail
2. 114993	End bow
3. 104707-06	Extrusion, "I" beam
4. 114880-262	Alum. sheet, upper, .040" x 51" x 262"
5. 371324-02	Window, 30 inch opening
6. 371270-01	Window, 30in., stack, stationary
7. 371269-01	Window, 18" stack
8. 114460	Extrusion, rub rail
9. 201763-01	Insert, rub rail, chrome, 1"
10. 100986	Floor channel
11. 114879-262	Alum. sheet, lower, .040" x 33" x 262"
12. 114387-01	Bow, Z rib, RH
13. 114387-02	Bow, Z rib, LH
14. 100986	Wheel well stiffener (floor channel.
15. 371323-01	Window, 18in. opening
16. 922770-02	Vista View, 30"
17. 200543-01	Banana wrap, CS front
18. 101131-01	Underbelly wrap, .024" x 22.5", Pewter
19. 201974-04	Bumper, rear corner, CS
20. 684937	Wheel well trim, inner, tandem axle
21. 684936	Wheel well trim, outer, tandem axle
22. 921231	Bottle cover, LP, w/out decal
23. 371400-01	Window, main door
24. 115207-05	Main door assembly
25. 114654-01	Screen door assembly
26. 114652-01	Main door jamb, formed
27. 511017-11	Vent cover, exterior, range exhaust
28. 922770-01	Vista View, 18"
29. 500092	Flood light
30. 510676-01	Outlet, exterior, gray
31. 512252	STEP LIGHT, L.E.D., SS

2008 CLASSIC TRAILER

EXTERIOR SHELL

Wall, Roadside, 30' Front Bed



See next page for P/N

2008 CLASSIC TRAILER

EXTERIOR SHELL

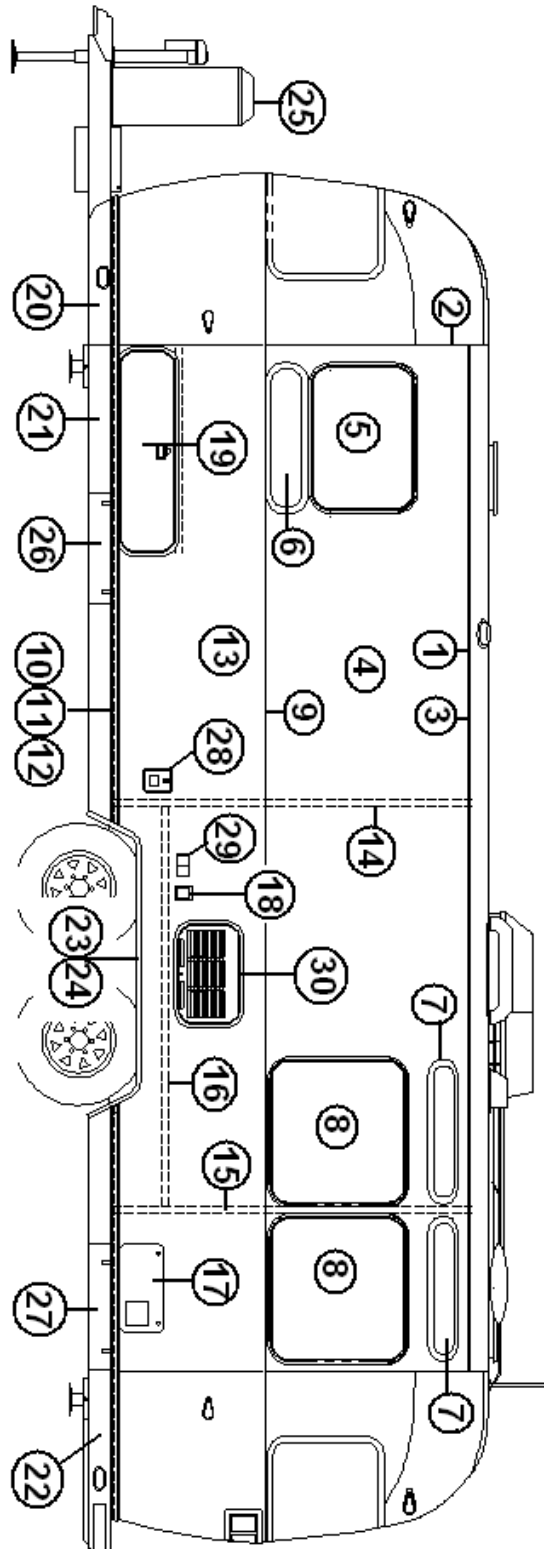
Wall, Roadside, 30' Front Bed

1. 114290-02 Extrusion, awning/drip rail
2. 114993 End bow
3. 104707-06 Extrusion, "I" beam
4. 114880-262 Alum. sheet, upper, .040" x 51" x262"
5. 371324-03 Window, 30" x 24", opening, egress, window
6. 371380 Window, 30", opening , tall
7. 922770-02 Vista View, 30"
8. 601876 Shower, exterior, white
9. 100034 "Z" bar, 48"
10. 114460 Extrusion, rub rail
11. 201763-01 Insert, rub rail, chrome, 1"
12. 100986 Floor channel
13. 114879-262 Alum. sheet, lower, .040" x 33" x 262"
14. 114387-01 Bow, Z rib, RH
15. 114387-02 Bow, Z rib, LH
16. 100986 Wheel well stiffener (floor channel.
17. 690274-09 Cover, Hydro-flame furnace
18. 511416-02 Power inlet, 110 volt cord
19. 690209 Cover, brushed aluminum, Atwood
20. 200542-01 Banana wrap, RS front
21. 101131-01 Underbelly wrap, .024" x 22.5", Pewter
22. 201974-03 Bumper, rear corner, RS
23. 684937 Wheel well trim, inner, tandem axle
24. 684936 Wheel well trim, outer, tandem axle
25. 921231 Bottle cover, LP, w/out decal
26. 109867-02 Door, utility compartment
27. 114496-04 Door, TV/Coax Compartment
28. 601194 Water fill w/lock
29. 922243 Louvered panel, refrigerator access door

2008 CLASSIC TRAILER

EXTERIOR SHELL

Wall, Roadside, 27' Front Bed



See next page for P/N

2008 CLASSIC TRAILER

EXTERIOR SHELL

Wall, Roadside, 27' Front Bed

- | | |
|----------------|--|
| 1. 114290-01 | Extrusion, awning/drip rail |
| 2. 114993 | End bow |
| 3. 104707-06 | Extrusion, "I" beam |
| 4. 114880-238 | Alum. sheet, upper, .040" x 51" x 238" |
| 5. *371324-03 | Window, 30" x 24", opening, egress, window |
| 6. *371270-01 | Window, 30in., stack, stationary |
| 7. 922770-02 | Vista View, 30" |
| 8. 371380 | Window, 30", opening , tall |
| 9. 100034 | "Z" bar, 48" |
| 10. 114460 | Extrusion, rub rail |
| 11. 201763-01 | Insert, rub rail, chrome, 1" |
| 12. 100986 | Floor channel |
| 13. 114879-238 | Alum. sheet, lower, .040" x 33" x 238" |
| 14. 114387-01 | Bow, Z rib, RH |
| 15. 114387-02 | Bow, Z rib, LH |
| 16. 100986 | Wheel well stiffener (floor channel. |
| 17. 690274-09 | Cover, Hydro-flame furnace |
| 18. 511416-02 | Power inlet, 110 volt cord |
| 19. 922288-01 | Access door w/jamb |
| 20. 200542-01 | Banana wrap, RS front |
| 21. 101131-01 | Underbelly wrap, .024" x 22.5", Pewter |
| 22. 201974-03 | Bumper, rear corner, RS |
| 23. 684937 | Wheel well trim, inner, tandem axle |
| 24. 684936 | Wheel well trim, outer, tandem axle |
| 25. 921231 | Bottle cover, LP, w/out decal |
| 26. 109867-02 | Door, utility compartment |
| 27. 109867-04 | Door, TV/Coax Compartment |
| 28. 601194 | Water fill w/lock |
| 29. 500996 | TV/Telephone jack, exterior |
| 30. 922243 | Louvered panel, refrigerator access door |

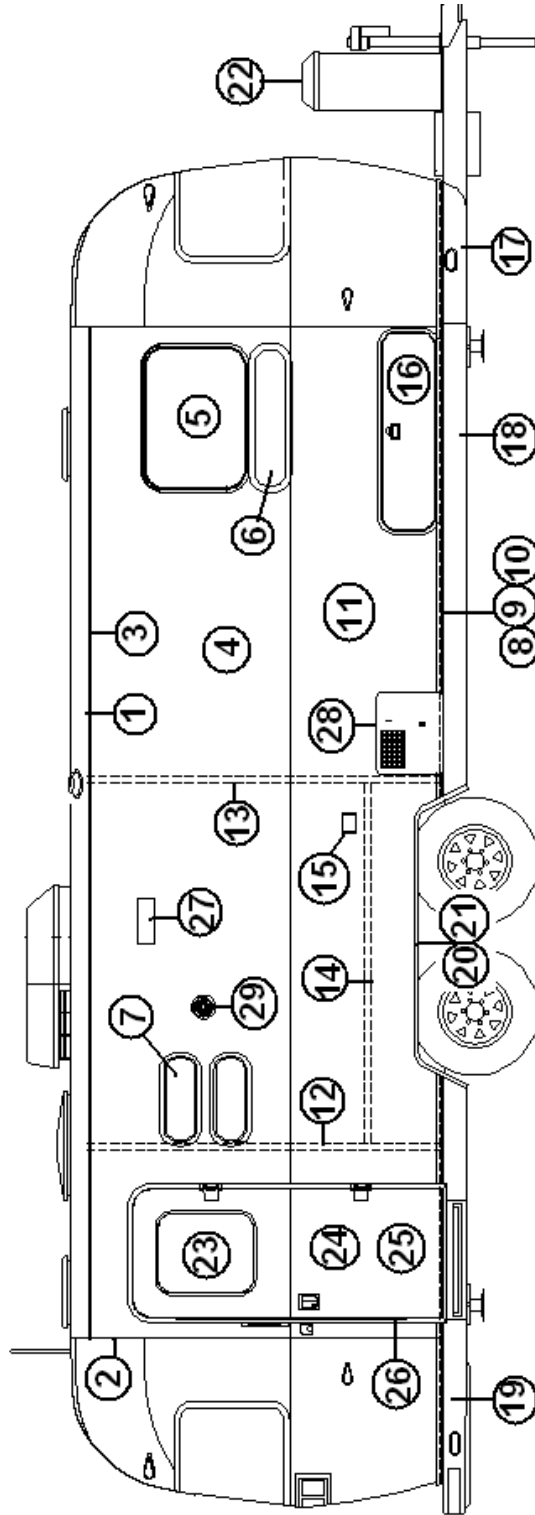
*Items 5 and 6 were replaced during model year by:

371380-01 30" x 30", opening egress window

2008 CLASSIC TRAILER

EXTERIOR SHELL

Wall, Curbside, 27' Front Bed



See next page for P/N

2008 CLASSIC TRAILER

EXTERIOR SHELL

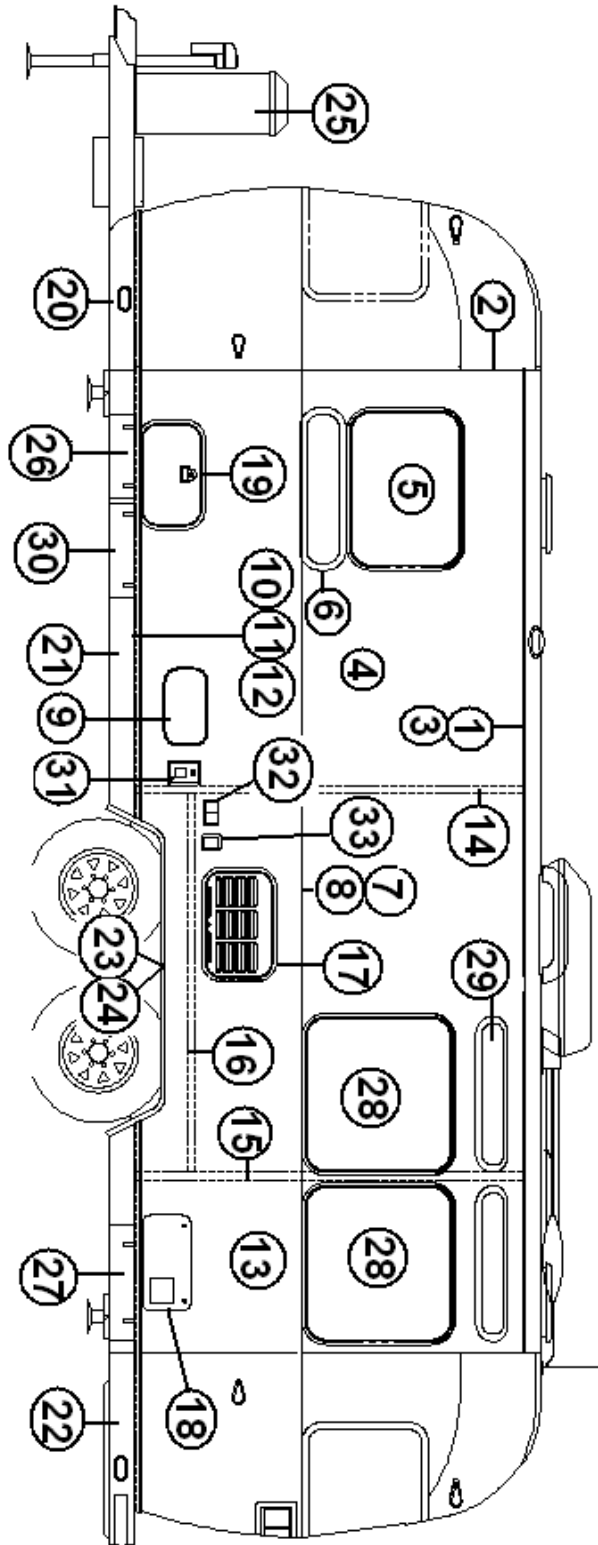
Wall, Curbside, 27' Front Bed

- | | |
|----------------|--|
| 1. 114290-01 | Extrusion, awning/drip rail |
| 2. 114993 | End bow |
| 3. 104707-06 | Extrusion, "I" beam |
| 4. 114880-238 | Alum. sheet, upper, .040" x 51" x 238" |
| 5. 371324-02 | Window, 30" x 24" opening egress window |
| 6. 371270-01 | Window, 30in., stack, stationary |
| 7. 371269-01 | Window, 18" stack |
| 8. 114460 | Extrusion, rub rail |
| 9. 201763-01 | Insert, rub rail, chrome, 1" |
| 10. 100986 | Floor channel |
| 11. 114879-238 | Alum. sheet, lower, .040" x 33" x 238" |
| 12. 114387-01 | Bow, Z rib, RH |
| 13. 114387-02 | Bow, Z rib, LH |
| 14. 100986 | Wheel well stiffener (floor channel. |
| 15. 922243 | Louvered panel, refrigerator access door |
| 16. 922288-01 | Door, side access, long, twin only |
| 17. 200543-01 | Banana wrap, CS front |
| 18. 101131-01 | Underbelly wrap, .024" x 22.5", Pewter |
| 19. 201974-04 | Bumper, rear corner, CS |
| 20. 684937 | Wheel well trim, inner, tandem axle |
| 21. 684936 | Wheel well trim, outer, tandem axle |
| 22. 921231 | Bottle cover, LP, w/out decal |
| 23. 371400-01 | Window, main door |
| 24. 115207-05 | Main door assembly |
| 25. 114654-01 | Screen door assembly |
| 26. 114652-01 | Main door jamb, formed |
| 27. 511017-11 | Vent cover, exterior, range exhaust |
| 28. 690209 | Cover, brushed aluminum, Atwood |
| 29. 500092 | Flood light |

2008 CLASSIC TRAILER

EXTERIOR SHELL

Wall, Roadside, 25' Front Bed



See next page for P/N

2008 CLASSIC TRAILER

EXTERIOR SHELL

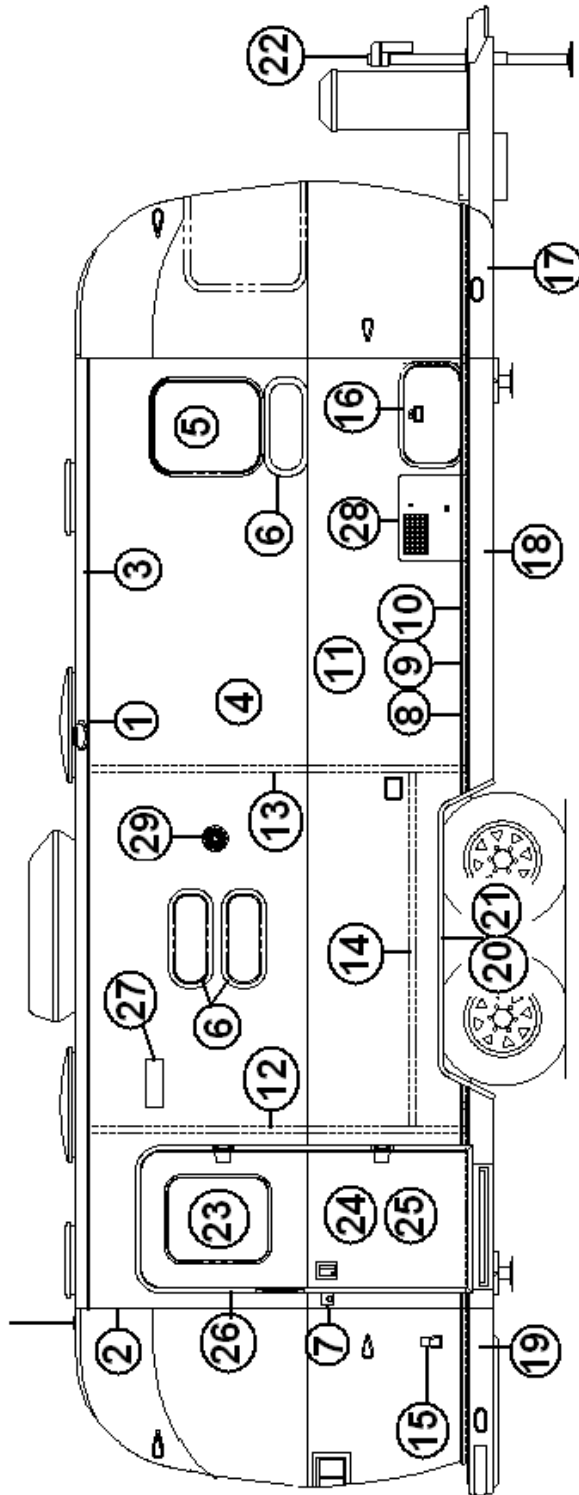
Wall, Roadside, 25' Front Bed

1. 114290-01 Extrusion, awning/drip rail
 2. 114993 Rib, end bow
 3. 104707-05 Extrusion, "I" beam
 4. 114880-201 Alum. sheet, upper, .040" x 51" x 201"
 5. *371324-03 Window, 30" x 24" opening, egress window
 6. *371270-01 Window, 30in., stack, stationary
 7. 114328 Extrusion, belt line
 8. 201912 Molding, chrome, belt line
 9. 601876 Shower, exterior, white
 10. 114460 Extrusion, rub rail
 11. 201763-01 Insert, rub rail, chrome, 1"
 12. 100986 Floor channel
 13. 114879-201 Alum. sheet, lower, .040" x 33" x 201"
 14. 114387-01 Bow, Z rib, RH
 15. 114387-02 Bow, Z rib, LH
 16. 100986 Wheel well stiffener (floor channel.
 17. 922243 Louvered panel, refrigerator access door
 18. 690209 Cover, brushed aluminum, Atwood
 19. 100679-01 Door, side access with jamb
 20. 200542-01 Banana wrap, RS front
 21. 101131-01 Underbelly wrap, .024" x 22.5", Pewter
 22. 201974-03 Bumper, rear corner, RS
 23. 684936 Wheel well trim, outer, tandem axle
 24. 684937 Wheel well trim, inner, tandem axle
 25. 921231 Bottle cover, LP, w/out decal
 26. 114496-07 Door, brake actuator compartment, 14.5"
 27. 114496-06 Door, utility compartment, 18"
 28. 371380 Window, 30" tall, opening
 29. 922770-02 Vista View, 30"
 30. 114496-06 Door, utility compartment, 22"
 31. 601194 Water fill w/lock
 32. 500996 TV/Telephone jack, exterior
 33. 511416-02 Power inlet, 110 volt cord
- *Items 5 and 6 were replaced during model year by:
371380-01 30" x 30", opening egress window

2008 CLASSIC TRAILER

EXTERIOR SHELL

Wall, Curbside, 25' Front Bed



See next page for P/N

2008 CLASSIC TRAILER

EXTERIOR SHELL

Wall, Curbside, 25' Front Bed

- | | |
|----------------|--|
| 1. 114290-01 | Extrusion, awning/drip rail |
| 2. 114993 | End bow |
| 3. 104707-05 | Extrusion, "I" beam |
| 4. 114880-201 | Alum. sheet, upper, .040" x 51" x 201" |
| 5. 371323-01 | Window, 18in. opening |
| 6. 371269-01 | Window, 18" stack |
| 7. *381323-01 | Dead bolt assembly, square, Trimark |
| 7. *382069 | Deadbolt assembly, round, Trimark |
| 8. 114460 | Extrusion, rub rail |
| 9. 201763-01 | Insert, rub rail, chrome, 1" |
| 10. 100986 | Floor channel |
| 11. 114879-201 | Alum. sheet, lower, .040" x 33" x 201" |
| 12. 114387-01 | Bow, Z rib, RH |
| 13. 114387-02 | Bow, Z rib, LH |
| 14. 100986 | Wheel well stiffener (floor channel. |
| 15. 922243 | Louvered panel, refrigerator access door |
| 16. 100679-01 | Door, side access with jamb |
| 17. 200543-01 | Banana wrap, CS front |
| 18. 101131-01 | Underbelly wrap, .024" x 22.5", Pewter |
| 19. 201974-04 | Bumper, rear corner, CS |
| 20. 684936 | Wheel well trim, outer, tandem |
| 21. 684937 | Wheel well trim, inner, tandem |
| 22. 921231 | Bottle cover, LP, w/out decal |
| 23. 371400-01 | Window, main door |
| 24. 115207-05 | Main door assembly |
| 25. 114654-01 | Screen door assembly |
| 26. 114652-01 | Main door jamb, formed |
| 27. 511017-11 | Vent cover, exterior, range exhaust |
| 28. 690209 | Cover, brushed aluminum, Atwood |
| 29. 500092 | Flood light |
| 30. 510676-01 | Outlet, exterior 110-volt |

* 381323-01 replaced by 382069 late in 2008 model year.

2008 CLASSIC TRAILER

INTERIOR SHELL

Interior Skin/Trim

114445	Aluminum inside skin, .032" x 34" x coil
114853-01	Aluminum inside skin, .032" x 57" x coil
201728-01	Extrusion, plastic, ceiling trim retainer
201728-03	Extrusion, plastic, ceiling trim
203138-03	Extrusion, plastic, wall trim, beige
203138-04	Extrusion, plastic, interior wall, OAK

Headliner

702482-03	Head liner, end liner, Spectra Opal
-----------	-------------------------------------

Wall fabric

703498	Wall liner, Hobnail, Ivory
--------	----------------------------

Wheel Well/Cover/Close Out

200514	Wheel well cover, interior, tandem (splice together two for tri-axle)
200844	Wheel well, black 66.50" A.B.S (Tri-axle wheel wells are made from two tandems)

Galley Wall Splash, Designate size needed

114879-238	Aluminum Sheet
------------	----------------

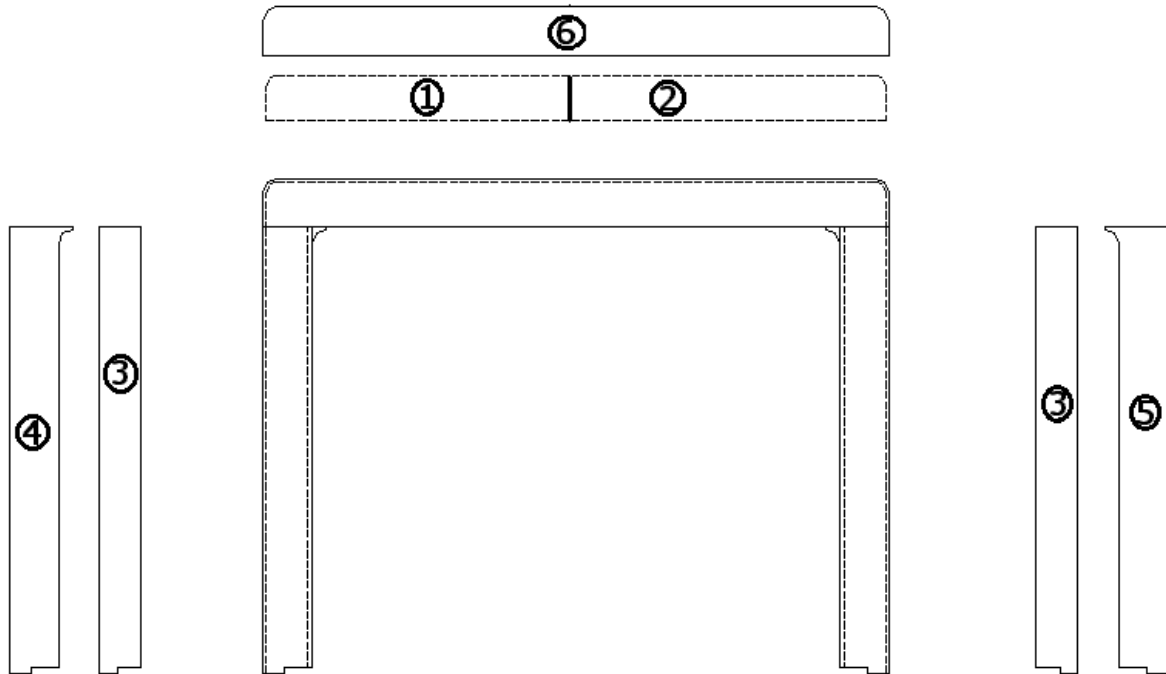
Decorative Panel

801505	Panel, Ascot Sand/Raw .125" X4 X 8'
203159-04	DIVIDER BAR-ASCOT SAND
365268-03	EDGEBANDING-5/8"

2008 CLASSIC TRAILER

INTERIOR SHELL

S/O Room, Interior Trim/Roller, 30' Dinette

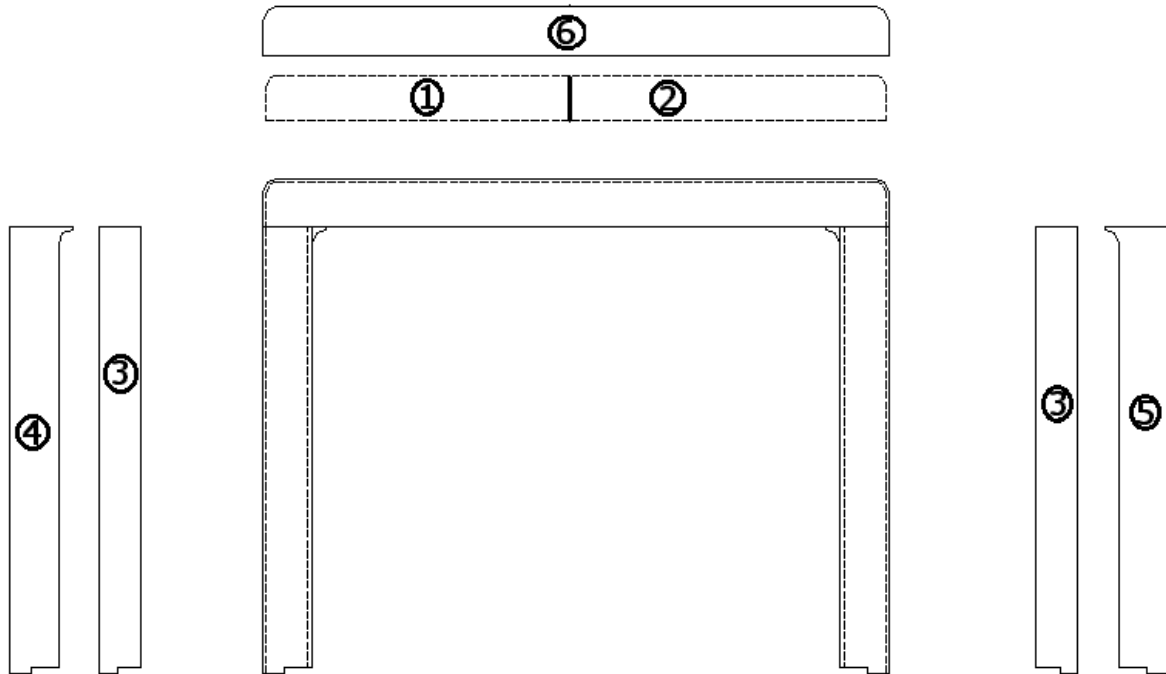


1. 454154-03 BACKER-UPPER FASCIA BOARD AFT, S\O dinette
2. 454154-04 BACKER-UPPER FASCIA BOARD FWD, S\O dinette
3. 453817-01 SIDE FASCIA BOARD
4. 801303-01 FASCIA BOARD-AFT
5. 801303-02 FASCIA BOARD-FWD
6. 801440 FASCIA BRD-UPPER 90.5",DINETTE S/O
- 114931-01 RING-TRIM INTERIOR RH
- 114931-02 RING-TRIM INTERIOR LH
- 381802-01 TAP CAP, WHITE
- 801304 Shim, slide out roller
- 965155 Spacer block, travel lock assy.
- 381705 Roller block assembly

2008 CLASSIC TRAILER

INTERIOR SHELL

S/O Room, Interior Trim/Roller, 34' Dinette



1. 454154-03 BACKER-UPPER FASCIA BOARD AFT, S\O dinette
2. 454154-04 BACKER-UPPER FASCIA BOARD FWD, S\O dinette
3. 453817-01 SIDE FASCIA BOARD
4. 801303-01 FASCIA BOARD-AFT
5. 801303-02 FASCIA BOARD-FWD
6. 801440 FASCIA BOARD UPPER 34' S/O & 30' S/O DINETTE
- 114931-01 RING-TRIM INTERIOR RH
- 114931-02 RING-TRIM INTERIOR LH
- 114507-01 TRIM WHITE 16' PC. STRAIGHT UPPER
- 381802-01 TAP CAP, WHITE
- 801304 Shim, slide out roller
- 965155 Spacer block, travel lock assy.
- 703498 WALL LINER HOBNAIL IVORY 70"W
- 511531 SWITCH TRAVEL LOCK

2008 CLASSIC TRAILER

INTERIOR SHELL

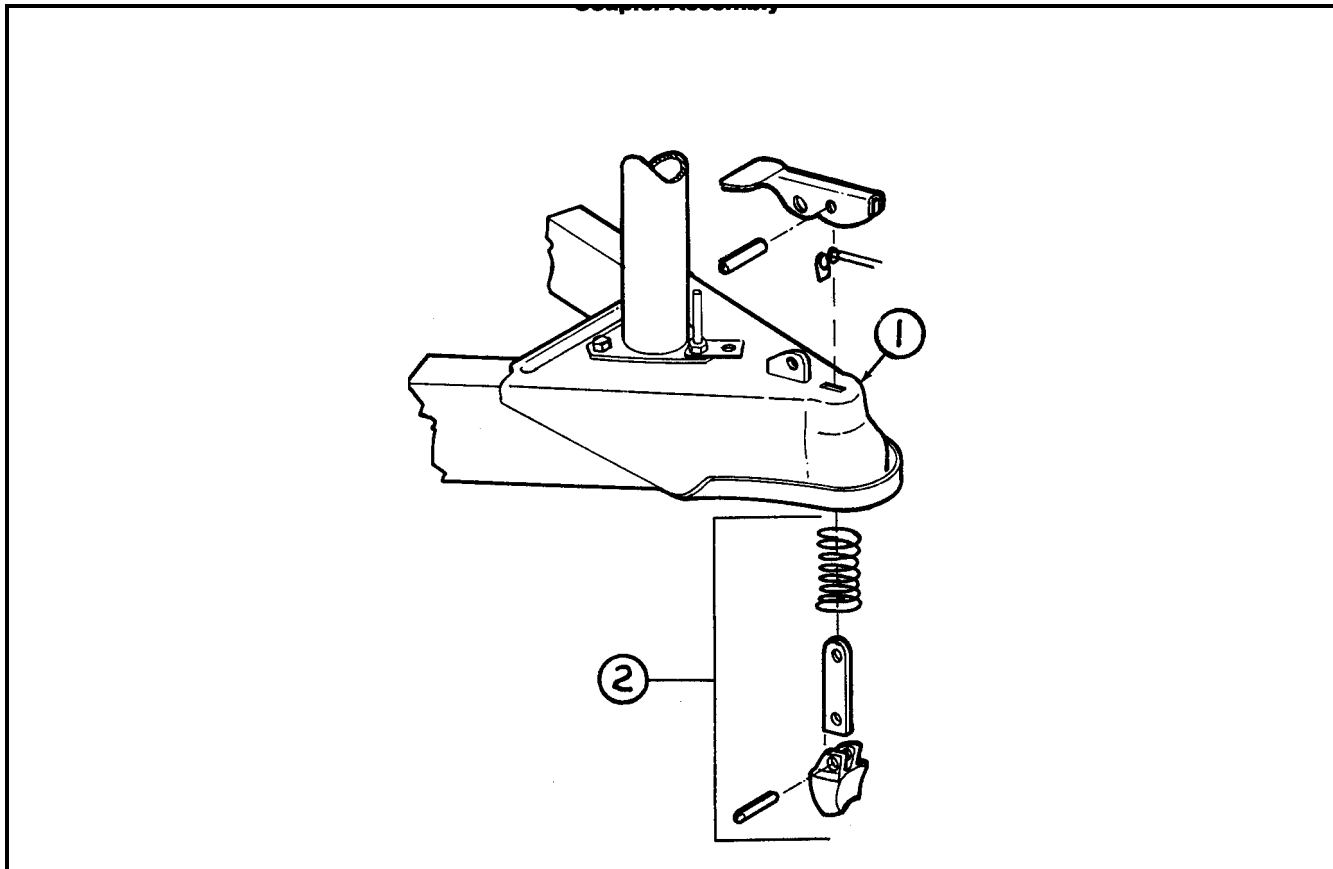
Closeouts, 25' Front Bed

966819	CLOSEOUT, POWER CENTER
966820	CLOSEOUT, WIRING
966821	CLOSEOUT, 12V DISCONNECT
966723	CLOSEOUT ASSY, WARDROBE
967043	CLOSEOUT, UNDER LAVY
701538-01	CARPET-ECONOLIER W/PSA BACK

2008 CLASSIC TRAILER

CHASSIS

A-Frame/Coupler



- 1. 680343 Coupler assembly, 2 5/16"
- 2. 680345 Repair kit, 2 5/16" coupler
- 915256 A-frame complete
- 453620 Covers, A-frame, stainless steel
- 400945 5/16 clevis, safety hook

Breakaway Switch

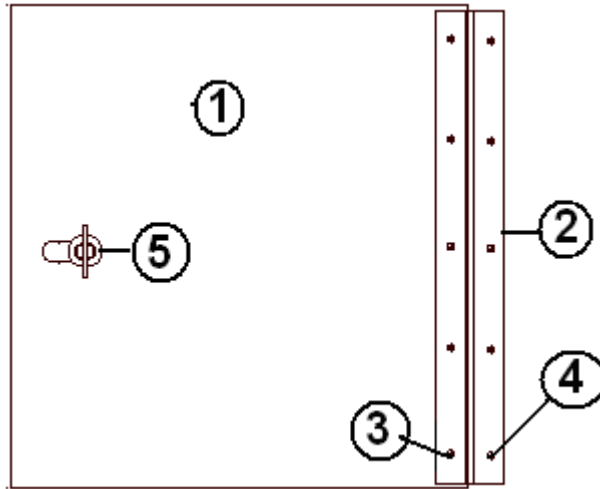
- 0300027 Break away switch, Bargman
- 400407 Bracket, breakaway switch

(Continued)

2008 CLASSIC TRAILER

CHASSIS

Battery Box Lid



- | | |
|--------------|-------------------------------------|
| 1. 410551 | Lid, battery box, 34', 31', 30, 27' |
| 1. 410551-01 | Lid, battery box, 34'S/O, 30'S/O |
| 1. 410551-03 | Lid, battery box, 25' Front Bed |
| 2. 380203-01 | HINGE |
| 3. 330127-08 | RIVET 1/8 IN (MILL) AD48ABS |
| 4. 325035 | CHICAGO RIVETS |
| 5. 381430 | Lock, twist straight cam |

Hose carrier

- | | |
|-----------|------------------------------------|
| 601544-02 | EZ HOSE CARRIER, BLACK 45", 34 S/O |
| 104704-01 | SHIM, 3" X 3" |

Tire Carrier

- | | |
|--------|------------------------|
| 450414 | "A" frame tire carrier |
|--------|------------------------|

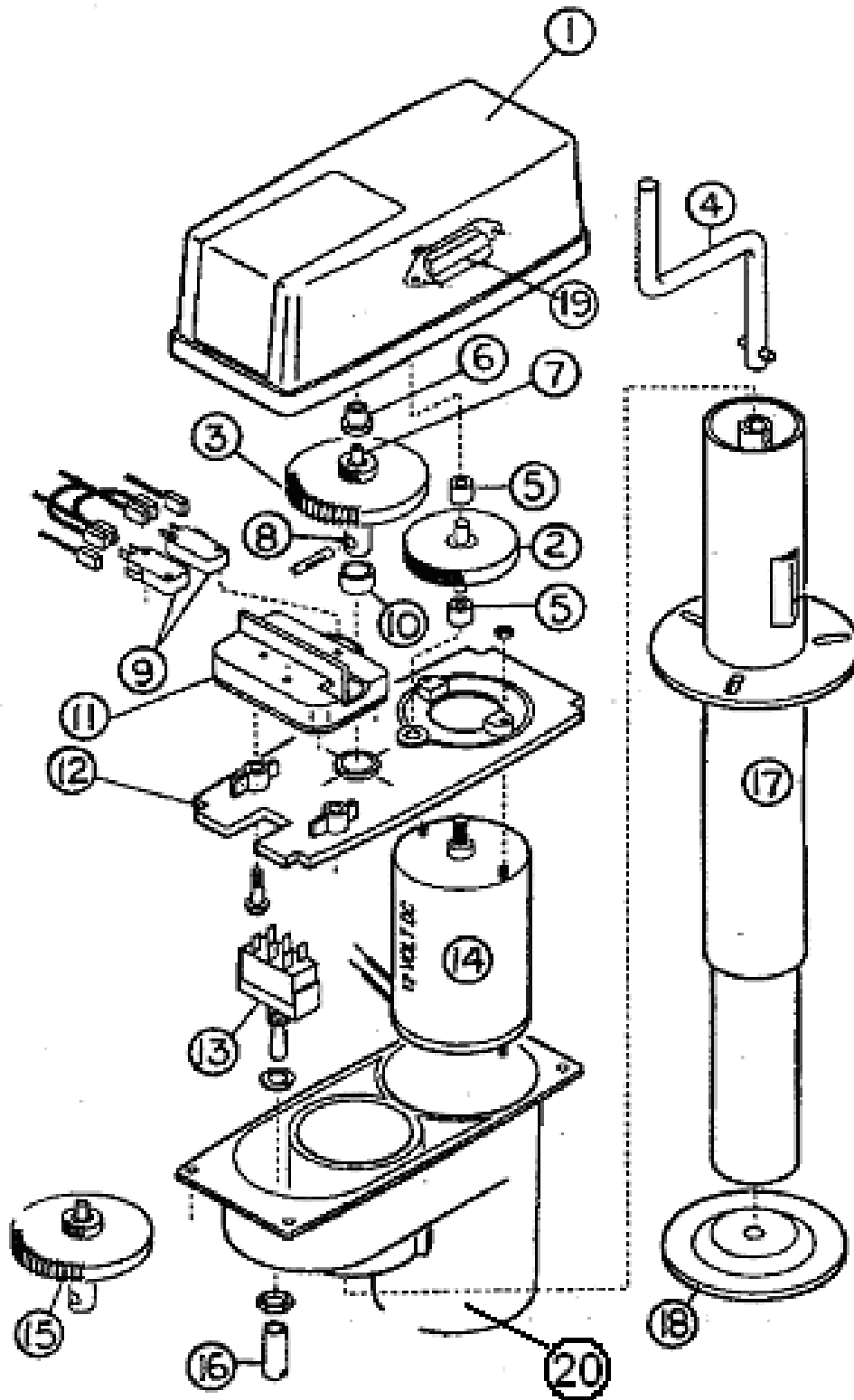
Floor Fasteners

- | | |
|-----------|---------------------------------|
| 345181 | SCREW- 1/4-14 X 2" SELF TAPPING |
| 345370-01 | BOLT 3/8-16 HEX HEAD 3.50" |
| 300023-02 | WASHER, HOLD DOWN-HOLE OFFSET |
| 100986 | FLOOR EXTRUSION |

2008 CLASSIC TRAILER

CHASSIS

Power Hitch Jack



Part Numbers are on the next page

2008 CLASSIC TRAILER

CHASSIS

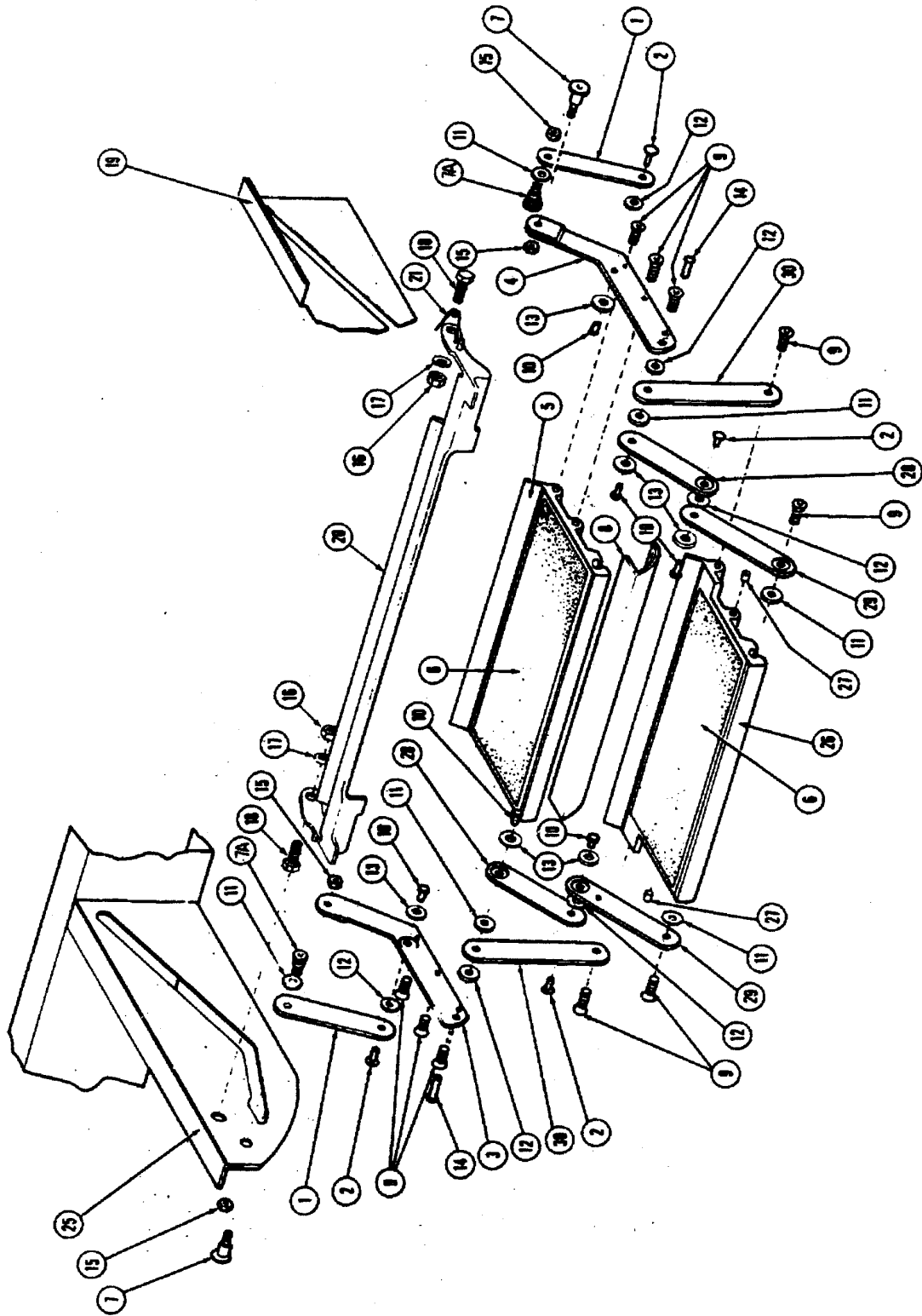
Power Hitch Jack

511544	Power jack w/flag holder & light
012251	Power head less post
1. 012198	Cover, Super Jack
2. 010051	Gear, fiber, Super Jack
3. 015551	Drive gear, Super Jack
4. 016199	Crank handle, manual, Super Jack
5. 080501	Bushing, bronze, Super Jack
6. 010055	Bushing, flange, Super Jack
7. 015552	Gear, pot/reed, Super Jack
8. 015553	Shaft, Super Jack
9. 081703	Micro switch, Super Jack
10. 080520	Bushing/bronze,7/16,Super Jack
11. 012252	Limit switch assembly, Super Jack
12. 012200	Center plate, Super Jack
13. 081704	Switch, toggle, Super Jack
14. 016263	Motor, 12V, Super Jack
15. 011675	Drive gear assembly, Super Jack
16. 010069	Switch cover, Super Jack
17. 011631	Jack post, Super Jack
18. 410598	Foot pad #12231
19. 026503	Light, Jack
20. 012199	Housing for Motor and Switch

2008 CLASSIC TRAILER

CHASSIS

Step



See next page for P/N

2008 CLASSIC TRAILER

CHASSIS

Step

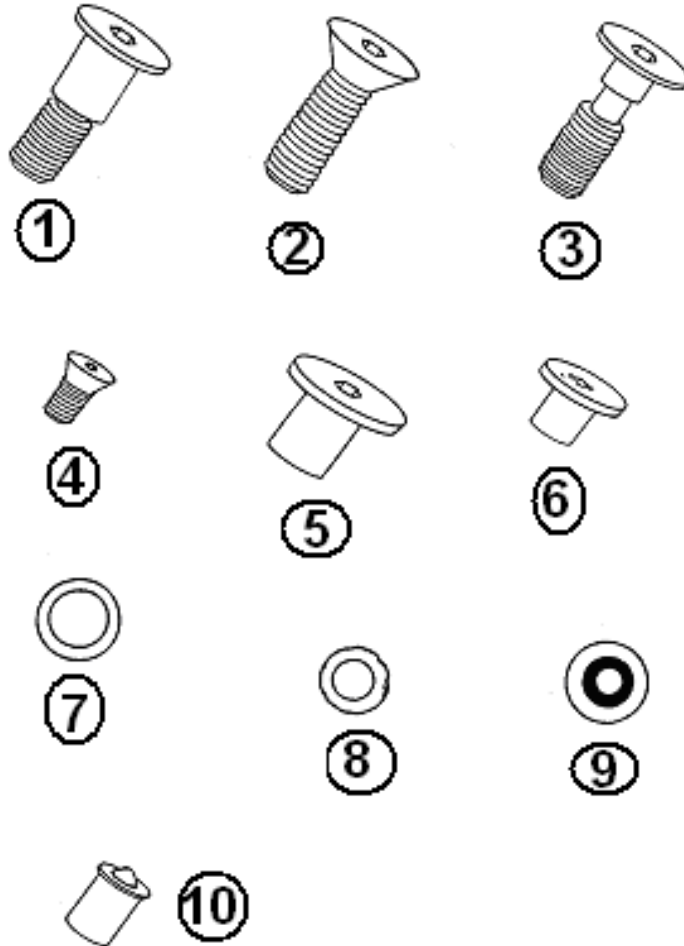
3440006	Double step assembly
1. 680213	Arm, upper support
2. 680214	*Pin, hinge
3. 680215	Step bracket, left
4. 680216	Step bracket, right
5. 680217	Extrusion, step 20.5"
6. 380069	Safety tread
7. 001152	Bolt, shoulder
7a. 001145	Bolt, shoulder, 3/8" thread
8. 680220	Panel
9. 680221	Screw, flat head
10. 680222	Bolt, socket head
11. 680223	Washer, bronze
12. 680224	Washer, wave
13. 680225	Washer, aluminum
14. 680226	Pin, pivot
15. 350005	Nut, hex
16. 350147-25	Nut, Nylock
17. 300005	Washer, flat
18. 345016	Screw, machine
19. 400454	Outrigger, RH (Not included with step assembly.)
20. 100298	Casting, step release
21. 0440032	Step spring
25. 400455	Outrigger, LH (Not included with step assembly.)
26. 410200	Extrusion, step, 20.0"
27. 380075	*Bullet catch
28. 400004	Hinge arm, upper
29. 400003	Hinge arm, lower
30. 400005	Arm, lower support

*Larger illustration on next page

2008 CLASSIC TRAILER

CHASSIS

Step Bolts/Washers/Screws/Catches Illustrated

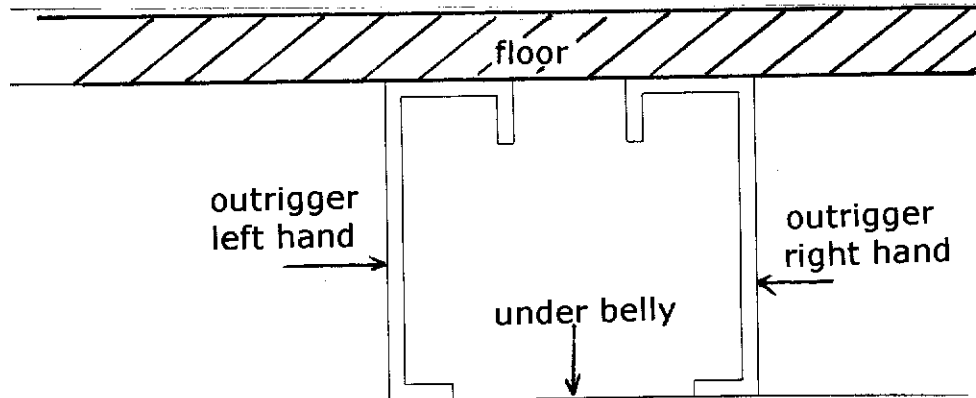


- | | |
|------------|------------------------------------|
| 1. 001152 | 1/2" Shoulder w/3/8" shoulder bolt |
| 2. 680221 | 3/8-16 x 1, flat head Allen, screw |
| 3. 001145 | 3/8-16 thread, shoulder bolt |
| 4. 680222 | Flat head Allen socket screw |
| 5. 680226 | Pivot pin |
| 6. 680214 | Hinge pin |
| 7. 680223 | Brass washer |
| 8. 680224 | Wave washer |
| 9. 680225 | Aluminum Washer |
| 10. 380075 | Bullet catch |

2008 CLASSIC TRAILER

CHASSIS

Outriggers



- 410524 Step outrigger assembly, forward
- 410523 Step outrigger assembly, aft
- 410497 Outrigger, pierced, RH
- 410498 Outrigger, pierced, LH
- 410500 Outrigger, standard, LH
- 410499 Outrigger, standard, RH
- 410501 Outrigger, solid, RH, notched
- 410502 Outrigger, solid, LH, notched
- 410706 Outrigger, TV/Coax compartment, RH
- 410707 Outrigger, TV/Coax compartment, LH

Chassis Covering/Rear Bumper

- 114679 Alum. under belly .019" x 65.75, coil
 - 101131-01 Alum. under belly .024" x 22.5", coil, Pewter
(covers from under belly to floor line)
 - 200543-01 Banana wrap, CS front
 - 200542-01 Banana wrap, RS front
 - 203142 Bumper, rear center
 - 201974-03 Bumper, rear corner, RS
 - 201974-04 Bumper, rear corner, CS
 - 201909 Bumper Trim, Molded, Black
- (Note: the rear roll out tray makes up part of the center section of the bumper)

2008 CLASSIC TRAILER

CHASSIS

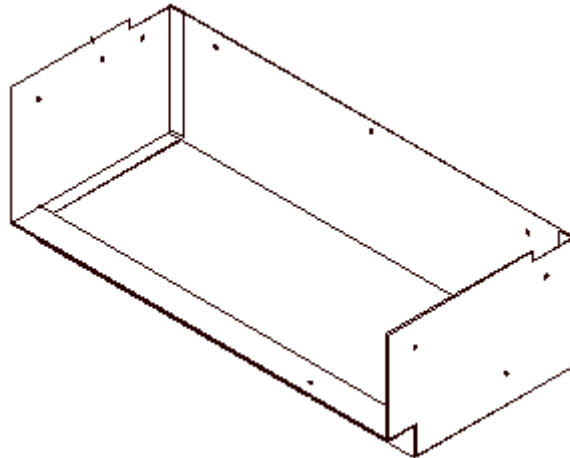
Stabilizing Jacks, Electric

510628	Stabilizing jacks, electric, A&E systems
510731	Control, leveler, A&E
104933	HOUSING, CONTROL PANEL LEVELER

Stabilizing Jacks, Manual

400093	Stabilizing jacks, BAL w/handle, set of 4
400093-01	BAL jack, aluminum, each
400093-04	Foot pads, BAL jack, set of 4
400093-100	Foot pad, BAL jack, 1 only
400093-02	CRANK, STABILIZER JACK (BAL)
400093-05	BAL jack, w/handle & footpad, black

Underbelly Compartment Pan

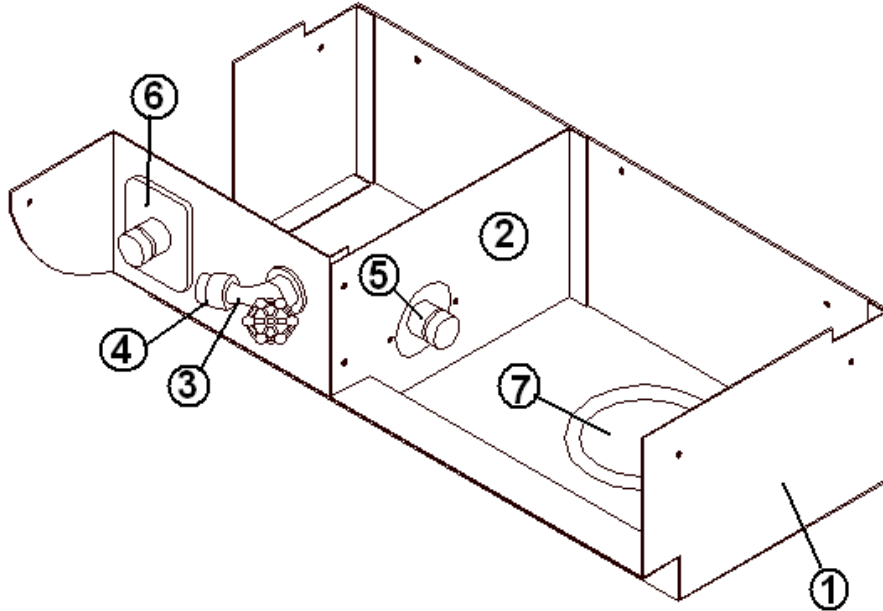


915145-01	Utility compartment assembly, painted
-----------	---------------------------------------

2008 CLASSIC TRAILER

CHASSIS

Underbelly Utility Compartment, All except 25' FB

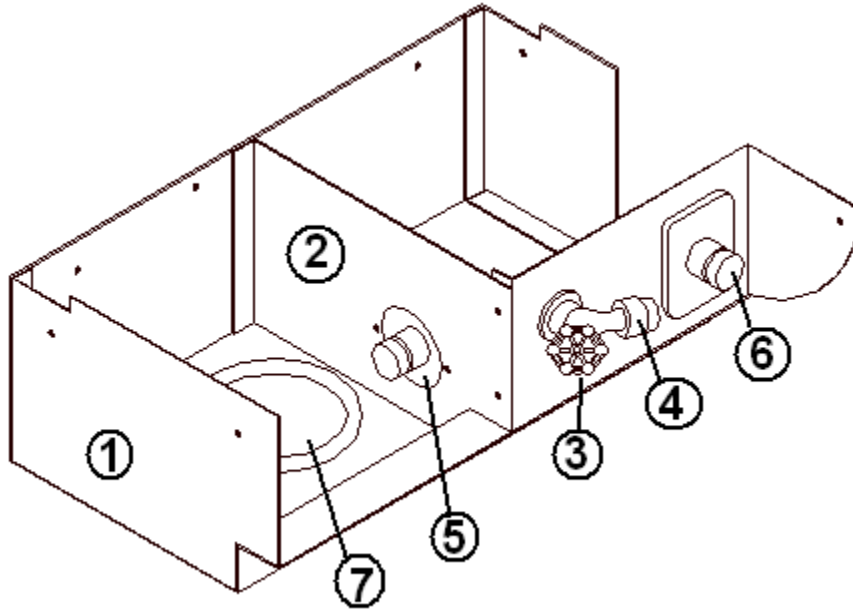


- | | |
|--------------|-----------------------------------|
| 1. 915099-01 | ASSEMBLY, UTILITY COMPARTMENT, LH |
| 1. 915099-02 | ASSEMBLY, UTILITY COMPARTMENT, RH |
| 2. 452795-01 | PANEL INTERIOR UTILITY COMPT LH |
| 2. 452795-02 | PANEL INTERIOR UTILITY COMPT RH |
| 3. 601467 | SILLCOCK, 1/2", FEMALE W/WHEEL |
| 4. 601469 | VACUUM BREAKER, 3/4IN GARDEN HOSE |
| 5. 601786 | CITY WATER FILL |
| 6. 601392-04 | WATER FILL, CITY W/REGULATOR |
| 7. 381435 | HATCH-ACCESS COVER 4", WHITE |
| 601565 | Hose, water, 12" w/fittings |

2008 CLASSIC TRAILER

CHASSIS

Underbelly Utility Compartment, 25' FB

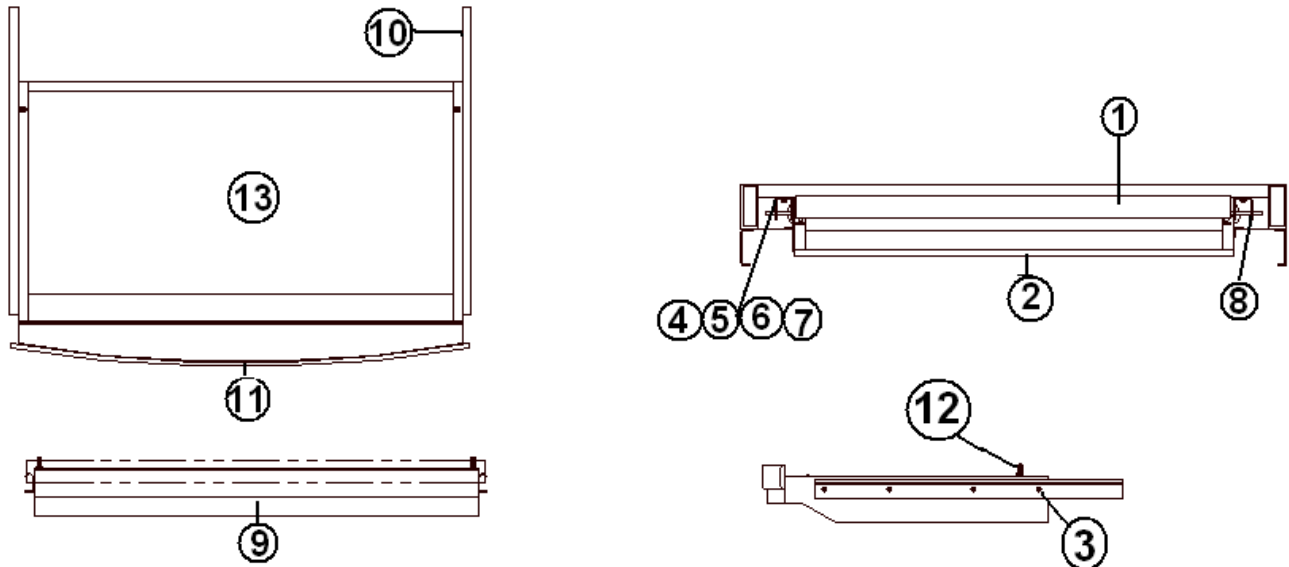


- | | |
|--------------|-----------------------------------|
| 1. 915966 | ASSEMBLY, UTILITY COMPARTMENT |
| 2. 452795-02 | PANEL INTERIOR UTILITY COMPT. |
| 3. 601467 | SILLCOCK, 1/2", FEMALE W/WHEEL |
| 4. 601469 | VACUUM BREAKER, 3/4IN GARDEN HOSE |
| 5. 601786 | CITY WATER FILL |
| 6. 601392-04 | WATER FILL, CITY W/REGULATOR |
| 7. 381435 | HATCH-ACCESS COVER 4", WHITE |
| 601565 | Hose, water, 12" w/fittings |

2008 CLASSIC TRAILER

CHASSIS

Roll Out Tray

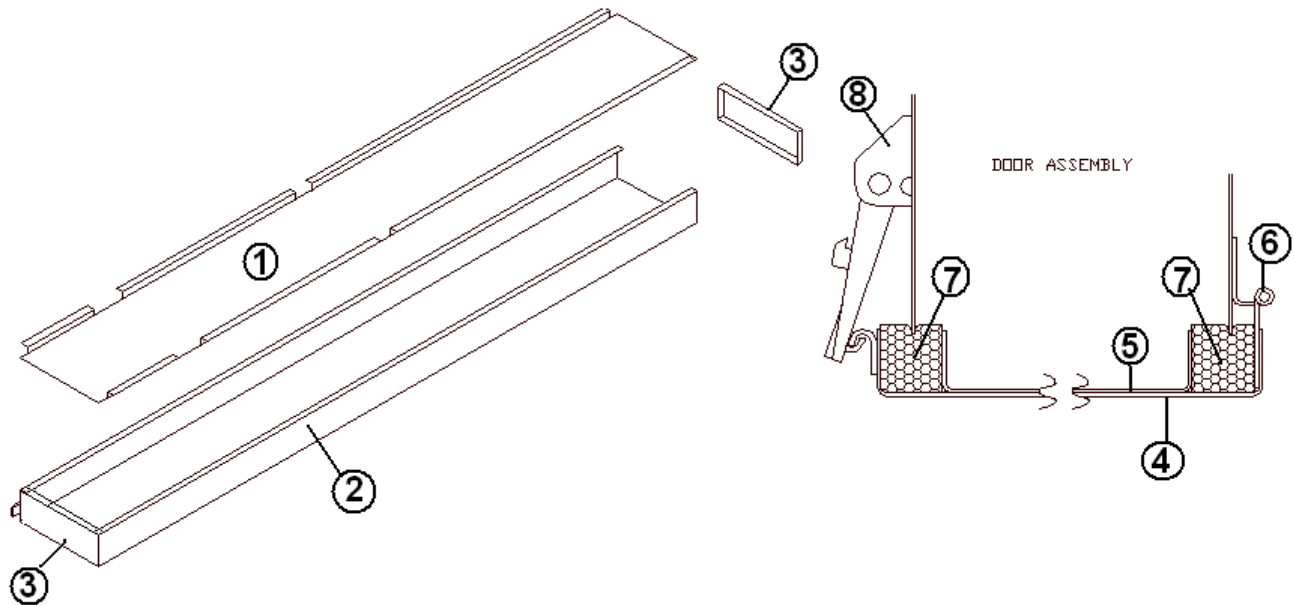


- | | |
|---------------|--|
| 1. 962828-01 | Roll out tray assembly, rear |
| 2. 453159 | Enclosure assembly, rear rollout tray |
| 3. 330031-03 | RIVET DOME HEAD SSD64SSBS |
| 4. 453156 | "U" bar, roller support |
| 5. 381555 | Ten ball roller w/stem |
| 6. 381554-44 | FASTENER INTERNAL TOOTH SPRING |
| 7. 345074-05 | SCREW 5/16-18 X 7/8HEX WASHER |
| 8. 310028 | Lynch pin, 1/4" |
| 9. 453144 | Roll out tray |
| 10. 381556 | Overhead door track, 2" |
| 11. 201909 | Molding, black bumper trim |
| 12. 345283-03 | SCREW CAP, 1/4"-20 X 1.5 |
| 13. 702979 | FLOORING VINYL BANKER GREY 8' WIDE |
| 13. 702979-01 | FLOORING VINYL BANKER GREY 2.625" wide |

2008 CLASSIC TRAILER

CHASSIS

Flag Storage Compartment

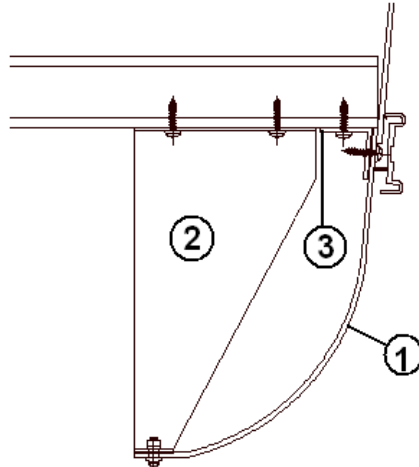


- | | |
|-----------|----------------------------------|
| 961251 | Box, Flag Storage |
| 1. 114216 | PAN, UPPER, FLAG STORAGE |
| 2. 114217 | PAN, LOWER, FLAG STORAGE |
| 3. 114218 | END, FLAG STORAGE |
| 4. 114219 | DOOR, FLAG STORAGE |
| 5. 114220 | DOOR, INSERT, FLAG STORAGE |
| 6. 114221 | HINGE, FORMED, FLAG STORAGE DOOR |
| 7. 365190 | SEAL RUBBER ADHESIVE, 3/4" X 3 |
| 8. 380903 | LATCH & STRIKE |
| 701538 | CARPET, ECONOLIER VELOUR BLACK |

2008 CLASSIC TRAILER

CHASSIS

Slide Out Room, Rocker Panel



1. 115000 EXTRUSION ROCKER PANEL ALUMINUM
2. 114981 GUSSET, UNDERWRAP
3. 115001 ANGLE-ROCKER MOUNTING
- 320034 SCREW STAINLESS STEEL #8 X 5/8
- 381753 RUBBER, COVE MOLDINGG 1.98"WIDE

2008 CLASSIC TRAILER

CHASSIS

Axles, Dexter Nev-R-Lube

- 410875-16 Axle, 3800#, 25' Front Bed, 34' S/O, 34'
- 410875-17 Axle, 5000#, 31', 30', 30' S/O, 30' Front Bed
- 410875-15 Axle, 4400#, 27'

Shocks

- 0220003 Shock absorber

Spare Tire/Wheel assembly

- 410843-100 Wheel, steel, 15"
- 410843-01 Spare tire and steel wheel, BSW, LR "D", 15"

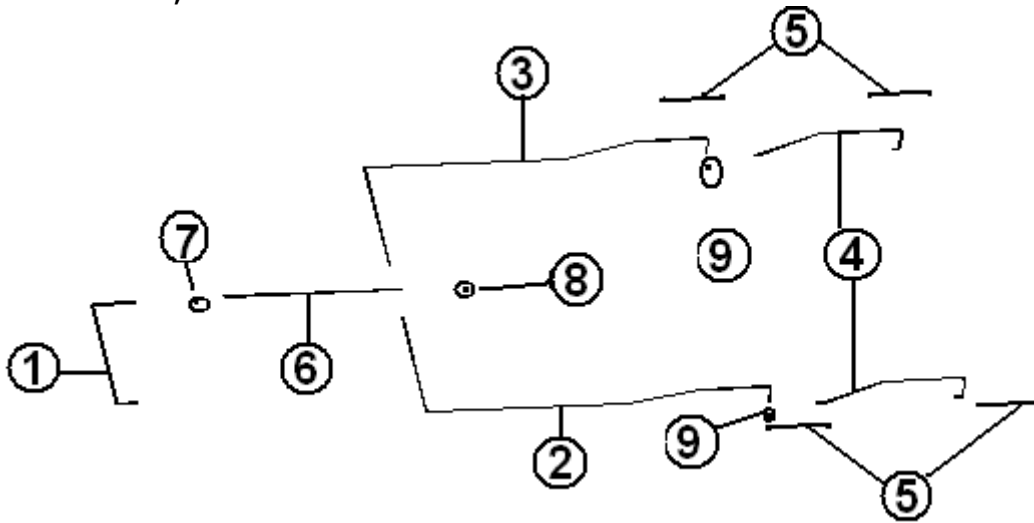
Tire/Wheel Assembly

- 410926 Tire and wheel assembly
- 410842 Tire ST 225/75 R15, LR "D" BW
- 400844 Cover, center hub, polished aluminum
- 400923 Lug nut, acorn type
- 410009 Valve stem

2008 CLASSIC TRAILER

CHASSIS

Disc Brake Lines, 25' Front Bed

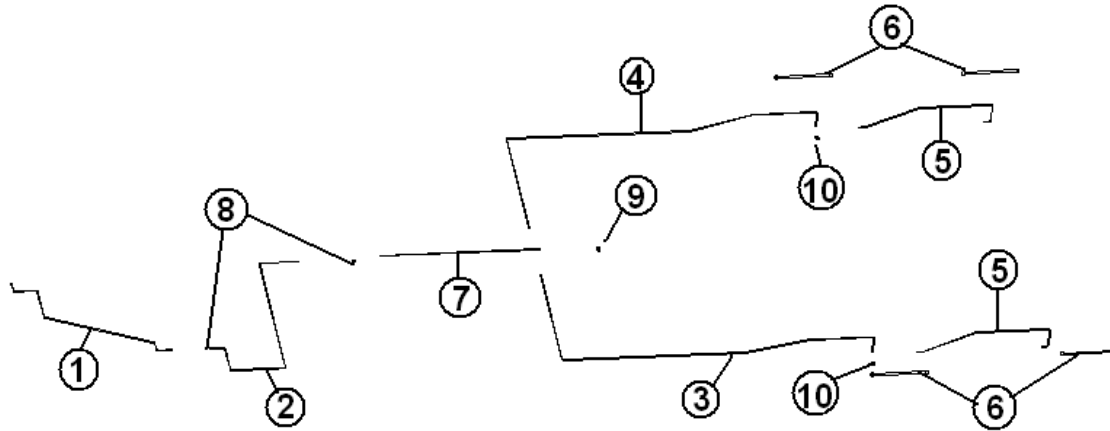


- | | |
|--------------|--|
| 1. 454300-20 | Front section brake line |
| 2. 454300-17 | Roadside brake line |
| 3. 454300-18 | Curbside brake line |
| 4. 454300-08 | Tandem brake line |
| 5. 454300-16 | Brake hose, 13", used with Nev-R-Lube Axle |
| 6. 454300-19 | 25' FB mid chassis brake line |
| 7. 454300-07 | 302 x 3 union |
| 8. 454300-05 | 702 x 3 union tee |
| 9. 454300-06 | Inverted flare adaptor tee |
| 345238 | 3/16" tube clamp, steel |
| 381290 | Brake Hose Clamp |

2008 CLASSIC TRAILER

CHASSIS

Disc Brake Lines, 27' Front Bed

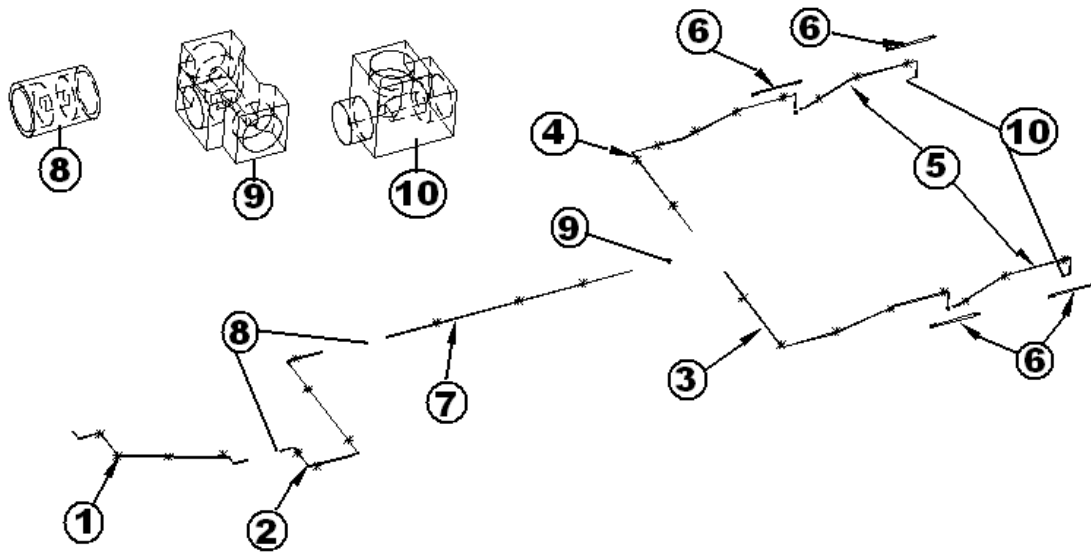


- | | |
|---------------|----------------------------|
| 1. 454300-21 | Front section brake line |
| 2. 454300-02 | Slide out by-pass |
| 3. 454300-17 | Roadside brake line |
| 4. 454300-18 | Curbside brake line |
| 5. 454300-08 | Tandem brake line |
| 6. 454300-16 | Brake hose, 13" |
| 7. 454300-19 | 25' mid chassis brake line |
| 8. 454300-07 | 302 x 3 union |
| 9. 454300-05 | 702 x 3 union tee |
| 10. 454300-06 | Inverted flare adaptor tee |
| 345238 | 3/16" tube clamp, steel |
| 381290 | Brake Hose Clamp |

2008 CLASSIC TRAILER

CHASSIS

Disc Brake Lines, 30', 30 S/O, 31'

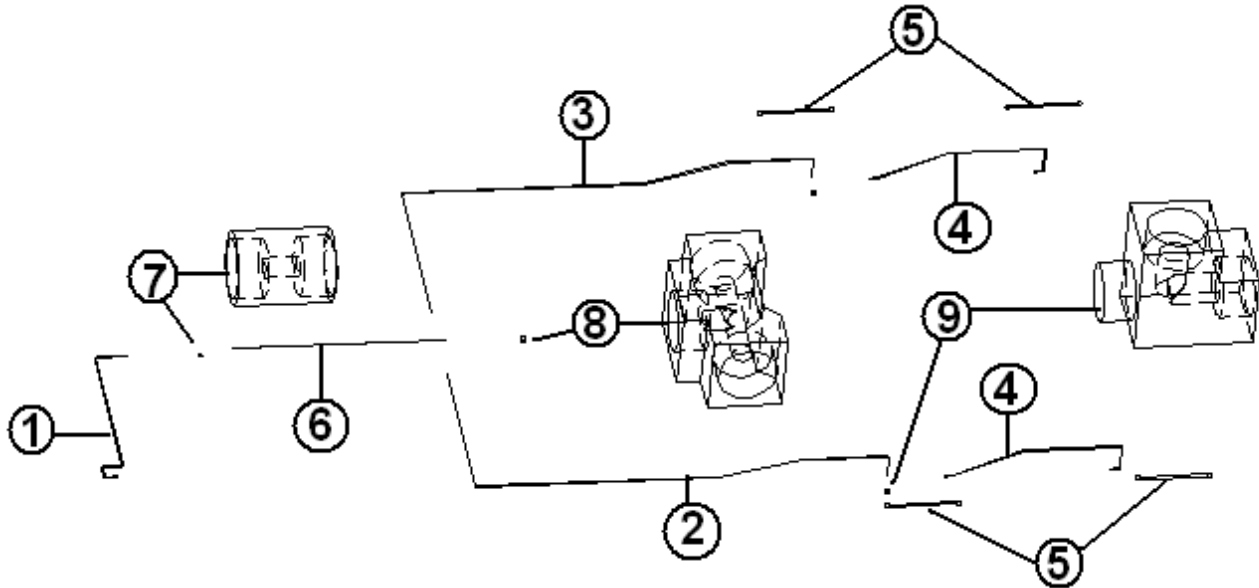


- | | |
|---------------|--|
| 1. 454300-21 | Front section brake line |
| 2. 454300-02 | Slide out by-pass |
| 3. 454300-03 | Roadside brake line |
| 4. 454300-04 | Curbside brake line |
| 5. 454300-08 | Tandem brake line |
| 6. 454300-16 | Brake hose, 13", used with Nev-R-Lube Axle |
| 7. 454300-13 | 30', 31' mid chassis brake line |
| 8. 454300-07 | 302 x 3 union |
| 9. 454300-05 | 702 x 3 union tee |
| 10. 454300-06 | Inverted flare adaptor tee |
| 345238 | 3/16" tube clamp, steel |
| 381290 | Brake Hose Clamp |

2008 CLASSIC TRAILER

CHASSIS

Disc Brake Lines, 30' Front Bed

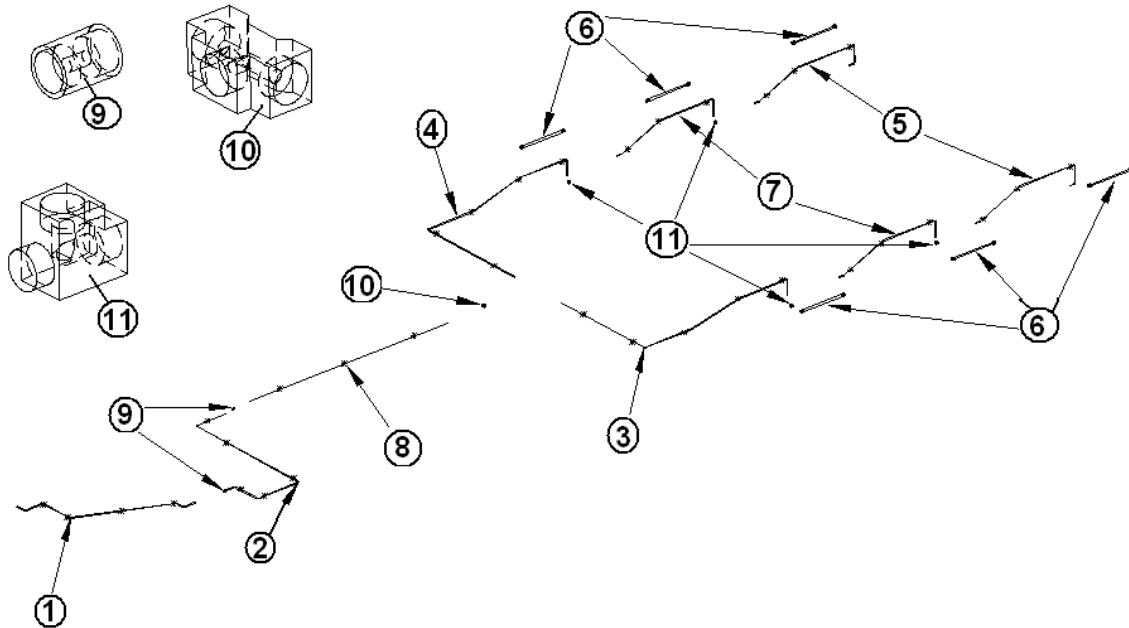


- | | |
|--------------|--|
| 1. 454300-20 | Front section brake line |
| 2. 454300-22 | Roadside brake line |
| 3. 454300-23 | Curbside brake line |
| 4. 454300-08 | Tandem brake line |
| 5. 454300-16 | Brake hose, 13", used with Nev-R-Lube Axle |
| 6. 454300-19 | 30', 31' mid chassis brake line |
| 7. 454300-07 | 302 x 3 union |
| 8. 454300-05 | 702 x 3 union tee |
| 9. 454300-06 | Inverted flare adaptor tee |
| 345238 | 3/16" tube clamp, steel |
| 381290 | Brake Hose Clamp |

2008 CLASSIC TRAILER

CHASSIS

Disc Brake Line, 34'

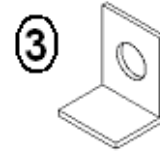
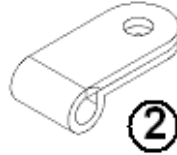
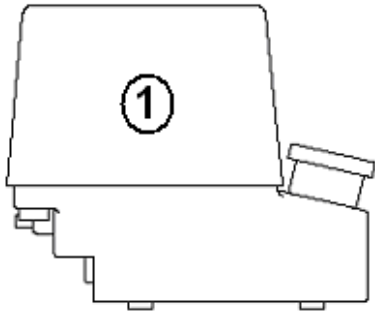


- | | |
|---------------|--|
| 1. 454300-21 | Front section brake line |
| 2. 454300-02 | Slide out by-pass |
| 3. 454300-03 | Roadside brake line |
| 4. 454300-04 | Curbside brake line |
| 5. 454300-08 | Tandem brake line |
| 6. 454300-16 | Brake hose, 13", used with Nev-R-Lube Axle |
| 7. 454300-10 | Tri-axle brake line |
| 8. 454300-14 | 34' mid chassis brake line |
| 9. 454300-07 | 302 x 3 union |
| 10. 454300-05 | 702 x 3 union tee |
| 11. 454300-06 | Inverted flare adaptor tee |
| 381290 | Brake Hose Clamp |
| 345238 | 3/16" tube clamp, steel |

2008 CLASSIC TRAILER

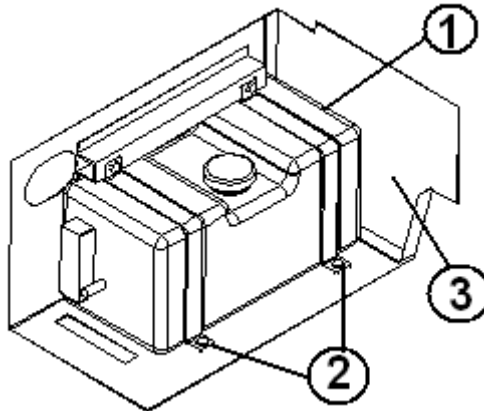
CHASSIS

Disc Brake Pump/Hardware



- | | |
|-----------|----------------------------------|
| 1. 512200 | Disc brake ActiBrake Actuator II |
| 2. 345238 | 3/16" Cable Clamps |
| 3. 381903 | Brake hose bracket |
| 454584 | Bracket, mounting, Actuator II |

Disc Brake Pump Mounting, 25' Front Bed, 30' Front Bed

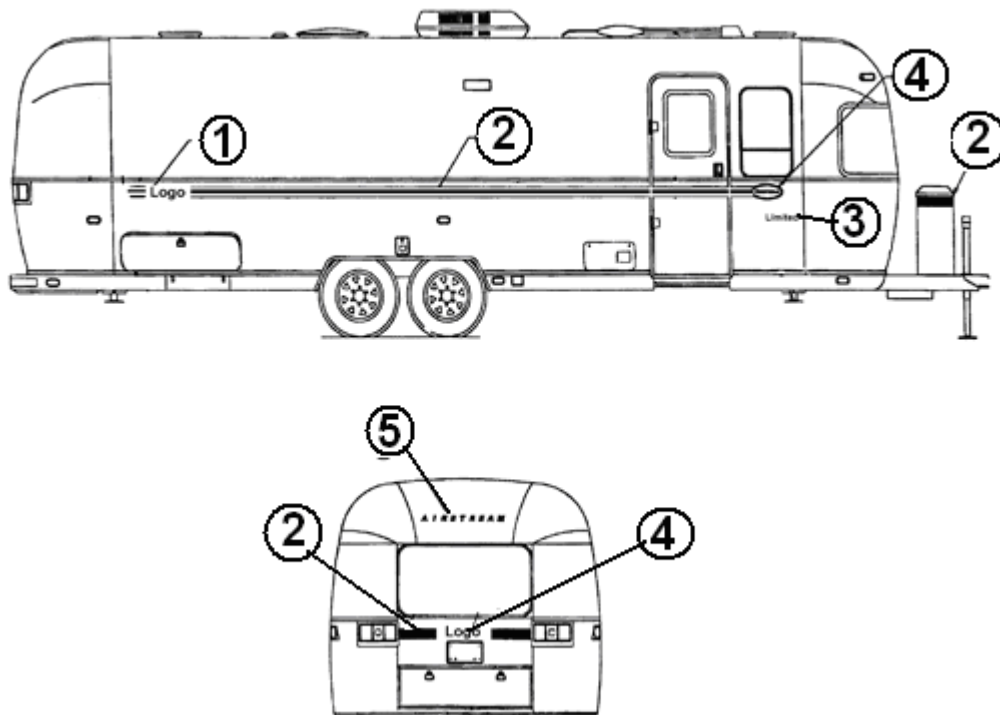


- | | |
|-----------|--------------------------|
| 1. 512200 | ACTUATOR, ACTIBRAKE |
| 2. 454582 | STRAP, ACTUATOR |
| 3. 915970 | PAN, BRAKE ACTUATOR |
| 345454 | BOLT, HEX SS 3/8-16 X 1" |
| 350186 | WASHER, SS 3/8-16 |
| 350187 | WASHER, LOCK SS 3/8-16 |
| 350188 | NUT, HEX SS 3/8-16 |

2008 CLASSIC TRAILER

DECALS/MEDALIONS

DECALS/MEDALLIONS, STANDARD



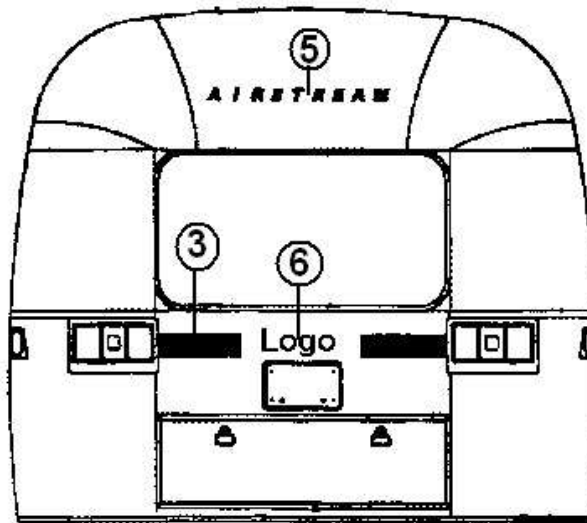
Decals, Standard

- | | |
|-----------|--|
| 1. 386153 | DECAL, AIRSTREAM 1.3" X 16", ALUMINUM |
| 2. 386086 | DECAL PIN STRIPE, BLUE |
| 3. 386188 | DECAL "LIMITED" .88" X 5" CHROME |
| 4. 386169 | NAMEPLATE-CLASSIC BLUE/GRAY |
| 5. 386152 | DECAL, AIRSTREAM, 2.4" X 28", ALUMINUM |
| 386068 | Medallion, 3", screen door |

2008 CLASSIC TRAILER

DECALS/MEDALIONS

DECALS OPTION PACKAGE



- | | |
|---------------|--|
| 1. *386167-01 | DECAL, FRONT DIE CUT BLUE |
| 2. *386166-01 | DECAL, AFT DIE CUT BLUE |
| 3. 386165-01 | DECAL, BLUE MAIN STRIPE 6" |
| 4. 386169 | NAMEPLATE, CLASSIC BLUE/GRAY |
| 5. 386152 | DECAL, AIRSTREAM, 2.4" X 28", ALUMINUM |
| 6. 386153 | DECAL, AIRSTREAM 1.3" X 16", ALUMINUM |
| 386068 | Medallion, 3", screen door |

*Includes Roadside and curbside decal.

2008 CLASSIC TRAILER

EXTERIOR TRIM

Beltline

114328	Extrusion, belt line molding
201912	Molding, belt line insert, chrome
114417	Casting, belt line close out

Rub Rail

114460	Extrusion, rub rail
201763-01	Molding, rub rail insert, chrome
114466-01	Casting, close out, rub rail, angled, RH
114466-02	Casting, close out, rub rail, angled, LH
114465-01	Casting, close out, rub rail, RH
114465-02	Casting, close out, rub rail, LH

Wheel Well Trim, Tri-axle

685257	Inner wheel well trim, tri-axle
685258	Outer wheel well trim, tri-axle

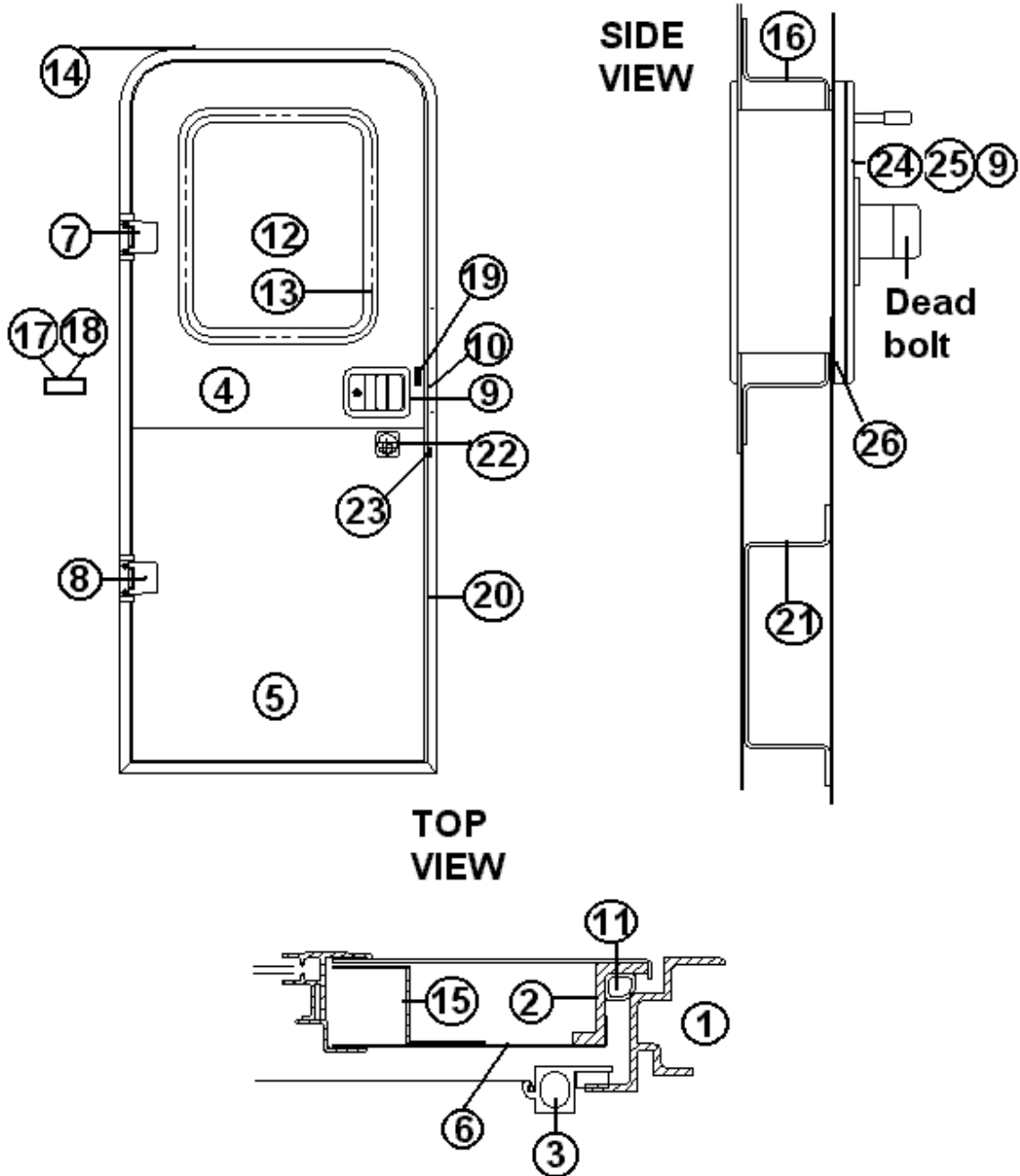
Wheel Well Trim, Tandem Axle

684936	Outer wheel well trim, tandem axle
684937	Inner wheel well trim, tandem axle

2008 CLASSIC TRAILER

DOORS/WINDOWS/AWNING

Main Door, LH Hinge



Part Number Are On The Next Page

2008 CLASSIC TRAILER

DOORS/WINDOWS/AWNING

Main Door, LH Hinge

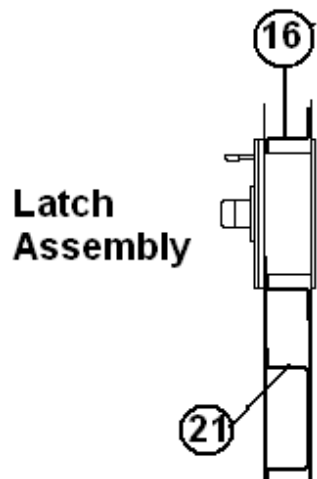
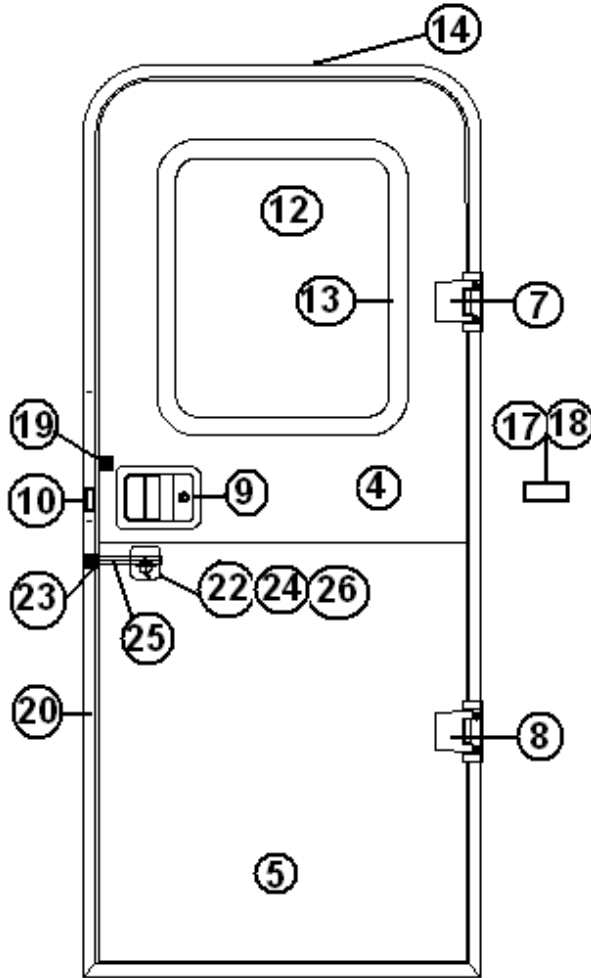
- | | |
|----------------|---|
| 115207-04 | Main door assembly |
| 1. 114653 | Frame, main door, pre-formed |
| 2. 114652 | Jamb, main door, pre-formed |
| 3. 114654 | Screen door assembly |
| 4. 114448-03 | Skin, exterior, upper main door |
| 5. 114449-03 | Skin, exterior, lower main door |
| 6. 114475 | MAIN DOOR SKIN INNER |
| 7. 381552-03 | HINGE ASSY. MAIN DOOR UPPER |
| 8. 381552-04 | HINGE ASSY. MAIN DOOR LOWER |
| 9. | See hardware section for door latch parts |
| 10. 385595 | Pocket strike, main door |
| 11. 365232 | Seal, main door |
| 12. 371400-01 | WINDOW, MAIN DOOR, ETCHED |
| 13. 115208 | TRIM RING- MAIN DR.WINDOW |
| 14. 114363 | Drip cap, main door |
| 15. 114658 | Inner door, "Z" bar, upper & lower |
| 16. 114657 | Hat section, formed, main door |
| 17. 380290 | Housing. Latch, mounted on side sheet |
| 18. 380291 | Latch assembly, mounted on side sheet |
| 19. 201056 | Striker, main door, black plastic |
| 20. 114655 | Trim ring formed, main door |
| 21. **115004 | Hat section assembly, square dead bolt |
| 21. **115415 | Hat section assembly, round dead bolt |
| 22. *381323-01 | Dead bolt, complete assembly |
| 22. *382069 | Deadbolt assembly, round, Trimark |
| 23. 381326 | Striker w/ Trimark deadbolt |
| 24. 345321-12 | Screw, flat head, black |
| 25. 453851 | Bolt, Trimark, deadbolt |
| 26. 203370 | Spacer, deadbolt assembly |
| 203495 | SPACER-DOOR STAY MAIN |
| 203494 | BASE PLATE DOOR LATCH |
| 511344-01 | GRAB HANDLE EMBOSSED "LIMITED" |

Due to square dead bolt being discontinued by Trimark, Airstream switched to a round deadbolt in April, 2008. (Late 2008 model year) On units with round deadbolts *381323-01 is replaced by 382069 and **115004 is replaced by 115415.

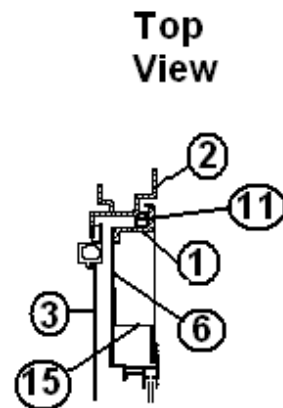
2008 CLASSIC TRAILER

DOORS, EXTERIOR

Main Door, RH Hinge



**Latch
Assembly**



**Top
View**

2008 CLASSIC TRAILER

DOORS, EXTERIOR

Main Door, RH Hinge

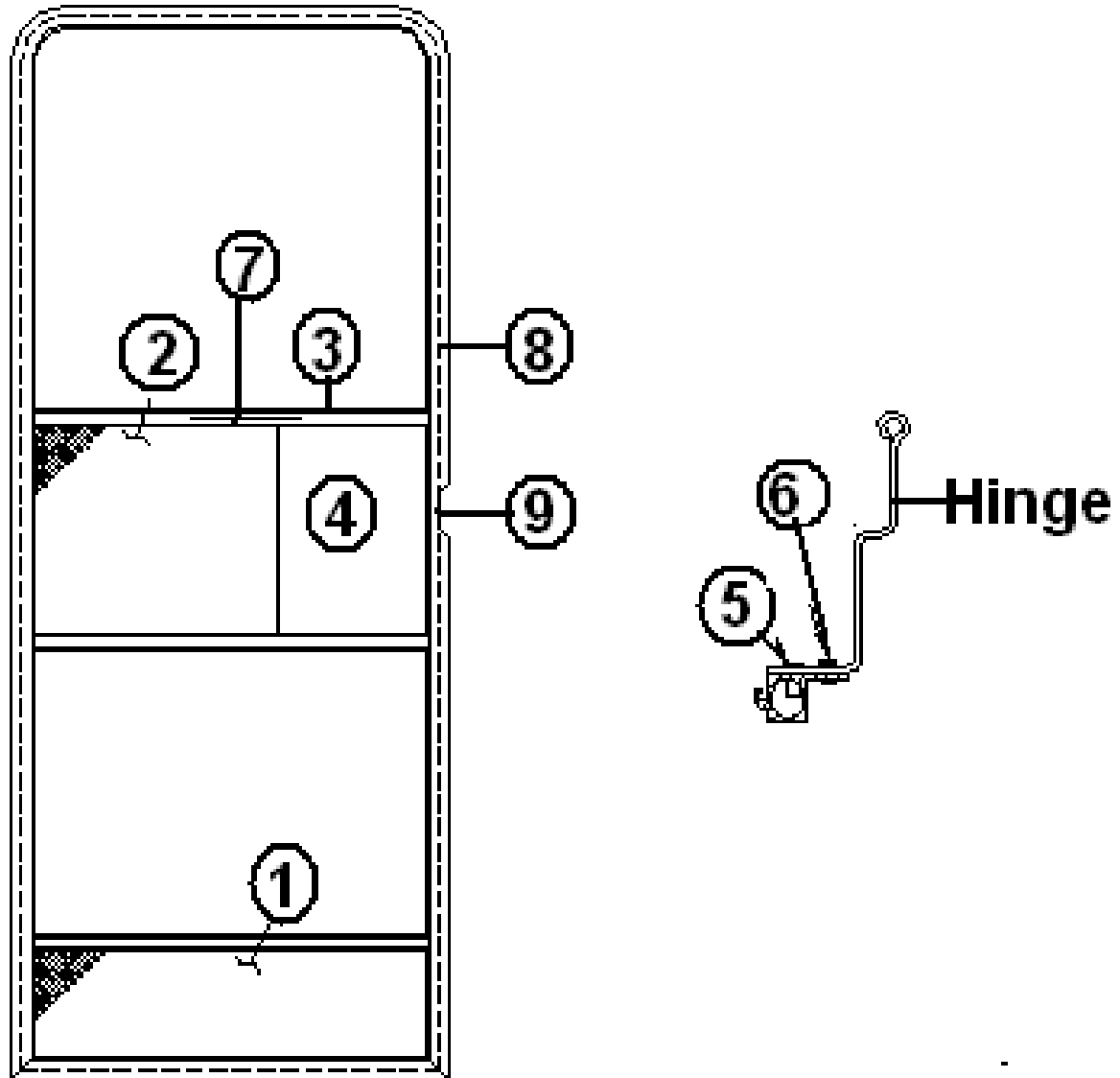
- | | |
|----------------|--|
| 115207-05 | Main door assembly, RH hinge |
| 1. 114652-01 | Jamb, main door, pre-formed |
| 2. 114653-01 | Frame, main door, pre-formed |
| 3. 114654-01 | Screen door assembly, RH Hinge |
| 4. 114448-03 | Skin, exterior, upper main door |
| 5. 114449-03 | Skin, exterior, lower main door |
| 6. 114475 | MAIN DOOR SKIN INNER |
| 7. 381552-02 | HINGE ASSY. MAIN DOOR UPPER |
| 8. 381552-01 | HINGE ASSY. MAIN DOOR LOWER |
| 9. | Trimark latch assembly parts shown in hardware section |
| 10. 385595 | Pocket strike, main door |
| 11. 365232 | Seal, main door |
| 12. 371400-01 | Window, main door, etched |
| 13. 203370 | Spacer, Trimark door Latch |
| 14. 114363 | Drip cap, main door |
| 15. 114658 | Inner door, "Z" bar, upper & lower |
| 16. 114657 | Hat section, formed, main door |
| 17. 380290 | Housing. Latch, mounted on side sheet |
| 18. 380291 | Latch assembly, mounted on side sheet |
| 19. 201056 | Striker, main door, black plastic |
| 20. 114655 | Trim ring formed, main door |
| 21. **115004 | Hat section assembly, square dead bolt |
| 21. **115415 | Hat section assembly, round dead bolt |
| 22. *381323-01 | Dead bolt, complete assembly |
| 22. *382069 | Deadbolt assembly, round, Trimark |
| 23. 381326 | Striker w/ Trimark deadbolt |
| 24. 345321-12 | Screw, flat head, black |
| 25. 453851 | Bolt, Trimark, deadbolt |
| 26. 203370 | Spacer, deadbolt assembly |
| 203495 | SPACER-DOOR STAY MAIN |
| 203494 | BASE PLATE DOOR LATCH |
| 511344-01 | GRAB HANDLE EMBOSSED "LIMITED" |

Due to square dead bolt being discontinued by Trimark, Airstream switched to a round deadbolt in April, 2008. (Late 2008 model year) On units with round deadbolts *381323-01 is replaced by 382069 and **115004 is replaced by 115415.

2008 CLASSIC TRAILER

DOORS/WINDOWS/AWNING

Screen Door



Part Numbers Are On the Next page

2008 CLASSIC TRAILER

DOORS/WINDOWS/AWNING

Screen Door

114654	SCREEN DOOR ASSY. LH HINGE
114654-01	SCREEN DOOR ASSY. RH HINGE
1. 114648-01	Kick panel screen door
2. 114561-01	Panel, slider, screen door
3. 104784-78	EXTR.SCREENDOOR STIFENER #VH-9
4. 203287-02	Close out, plastic, screen door
5. 330126-03	RIVET POP SSD44SSBS
6. 325122	Rivet, hard, 5/32
7. 380004	HANDLE WITH 8/32 X 1 SCREW
8. 365013-01	Gasket, screen door, foam tape
9. 683946	BUG SEAL, edge of screen door close out
115171-01	SCREEN DOOR GUARD TOP
115171-02	SCREEN DOOR GUARD BOTTOM
380079	Screen, gray
200518	Spline, gray, screen insert
701624	VELCRO LOOP 5/8" WIDE
701625	VELCRO HOOK, 5/8" WIDE
381454	Screen door hold back latch, Bullet
386068	MEDALLION 3" LOGO, AIRSTREAM
381531-01	Hinge, screen door, upper
381531-02	Hinge, screen door, lower

2008 CLASSIC TRAILER

DOORS/WINDOWS/AWNING

Refrigerator Access Door

922243	Door, refrigerator access, assembly
922156	Door, refer access
104417	Jamb, refrigerator access door
203225	Trim, flexible, white, inner doorjamb
380988	HINGE, CONTINUOUS .5IN LEAF 16IN
381812	LATCH TWIST CHROME
380203-01	PIANO HINGE 1/8"
114811	ALUMINUM ANGLE .50" X .50"

Trunk Door, Rear End, Twin Bed

921159-01	Trunk door assembly, rear, twin only
114675	Jamb, rear trunk door
380770	LOCK & CASTING ASSEMBLY
360016	BUMP-ON RUBBER
365035	RUBBER SEAL ACCESS DOOR
380203-01	PIANO HINGE 1/8" PIN
381065-10	10" CABLE SUPPORT

Side Access Door, Long

922288-01	Door, side access, long
104833	Jamb, long side access door, twin only
381065-10	10" CABLE SUPPORT
104831	FRAME REAR ACCESS DOOR
380770	LOCK & CASTING ASSEMBLY
365035	RUBBER SEAL ACCESS DOOR
380774-02	HINGE, COMPARTMENT, DOOR, 48.00

Water Heater/Water Fill/Furnace Doors

690209	Cover, brushed aluminum, Atwood water heater
690274-09	Door exterior, Hydroflame furnace
601194	Water fill door w/pocket & lock

2008 CLASSIC TRAILER

DOORS/WINDOWS/AWNING

Side Access Door, Small

100679-01	DOOR ASSEMBLY SIDE & REAR ACCESS, SMALL
380773	HINGE, ACCESS DOOR
380770	LOCK & CASTING ASSEMBLY
115296	JAMB FORMED COMPARTMENT DOOR
365035	RUBBER SEAL ACCESS DOOR

Utility/Power Cord Underbelly Doors

109867-02	DOOR UTILITY COMPARTMENT
114496-04	DOOR, TV/COAX COMPTMENT
114496-06	DOOR, UTILITY COMPARTMENT, 19"
114496-07	DOOR, BRAKE ACTUATOR COMPARTMENT, 25' FB
340023-01	Pad lockable catch
380988	HINGE, CONTINUOUS .5IN LEAF
114812	ALUMINUM ANGLE, 1.00" X 1.00"
365013	TAPE CHARCOAL LOW DENSITY FOAM
365030	SEAL, DOOR HINGE 3-3/4" WIDE

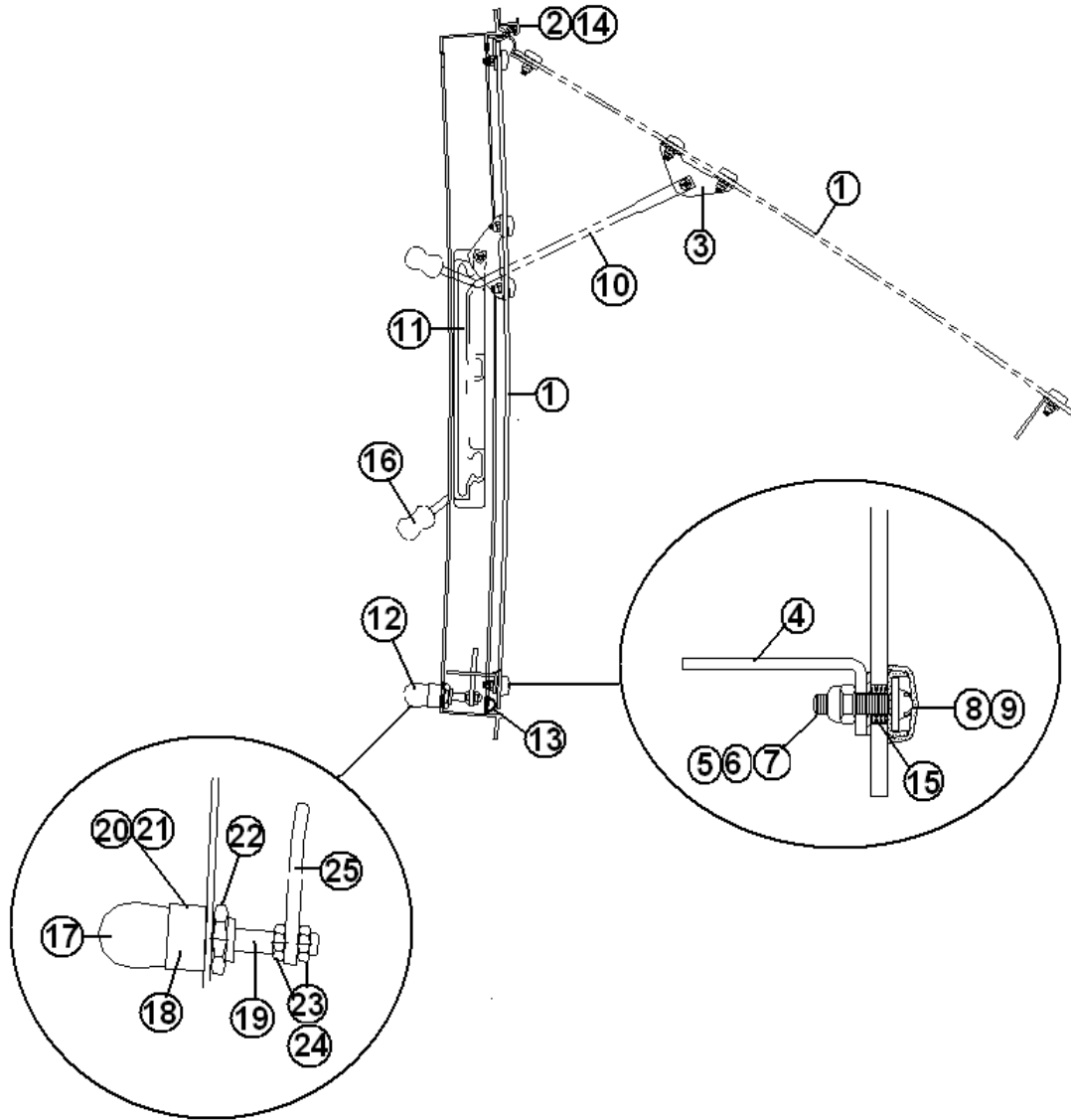
Battery Box Door

114467-01	Door panel, outer, battery box door
114468	Door panel, inner, battery box door
114464	Casting, battery box door jamb
380238	Support cable, battery box door
203415	Plastic battery tray
381397	Key cylinder w/ cam, 501 key
381501	CAM LOCK OFF SET
380612	CORD GRIP 3/8
350047	NUT 3/8 LOCK FOR CORD GRIP
381500	HINGE PIANO REVERSED 8.50" LONG

2008 CLASSIC TRAILER

DOORS/WINDOWS/AWNINGS

Window Parts Diagram



Part numbers on next page

2008 CLASSIC TRAILER

DOORS/WINDOWS/AWNINGS

1. 371323-100	Glass w/hardware, 18" window
1. 371324-100	Glass w/hardware, 30" window
2. 371323-101	Hinge, 18" window
2. 371324-101	Hinge, 30" window
3. 1101-0010	Bracket, window prop
4. 685124	Striker plate, window latch
5. 0706-0004	Flat washer
6. 0703-0001	Screw, #8-32 x .625", black, SS
7. 0702-0010	Nut, Nylox, #8-32, black SS
8. 0802-0004	Screw cover, 12-12 #100, black
9. 0802-0005	Washer, 12-12 screw cover bottom
10. 100903	Operating arm, RH
10. 100903-01	Operating arm, LH
11. 0802-0001	Guide, operating arm, RH
11. 0802-0002	Guide, operating arm, LH
12. 010020	Latch assembly, chrome
13. 381665	Gasket seal
14. 0101-0017	Male hinge extrusion, 1/2" pc.
15. 0706-0003	Bushing, window, acrylic
16. 380230-03	Window arm knob, silver
16. 380230-04	Window arm knob, red
17. 1101-0005	Latch handle, chrome
17. 195467-05	Latch handle, red
18. 1101-0007	Latch body
19. 1101-0008	Latch shaft
20. 1101-0009	Latch spring
21. 0707-0002	Pin, drive lock, 5/32" x 5/8", zinc
22. 0702-0001	Nut, hex panel, 5/8"-24, zinc
23. 0702-0002	Nut, jam, hex, 5/16-24
24. 385123	Washer, flat, .53" OD x .328" ID
25. 685123	Latch paw

2008 CLASSIC TRAILER

DOORS/WINDOWS/AWNINGS

Window Trim

200967-01	Trim ring, plastic, 18" x 30", stationary window
200968-01	Trim ring, plastic 30" x 30" stationary window
201675-01	Trim ring, inside, 30" stack window
115208	Trim ring, window, main door
201676-01	TRIM STACK WINDOW 18"
203225	Trim lok, white, for fixed window close outs
114655	TRIM RING, FORMED, MAIN DOOR, WHITE
114157-01	EXTRUSION END LINER UPPER WHITE
372226	Inner trim ring support, 18" fixed window
372225	Inner trim ring support, 30" fixed window

Vista View Windows, 30"

922770-02	VISTA VIEW- 30"
203490-02	TRIM RING- 30" VISTA VIEW
703462-02	SHADE-PULL 31.25"X9.5"VISTA VIEW
922772-02	BACKER-VISTA VIEW BLIND 30"
115222-01	Z BAR-FORMED 31.5"VISTA VIEW

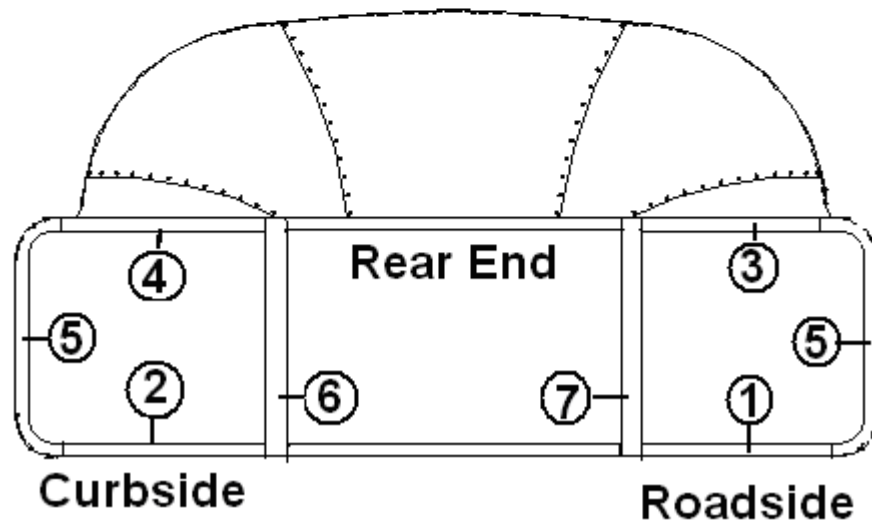
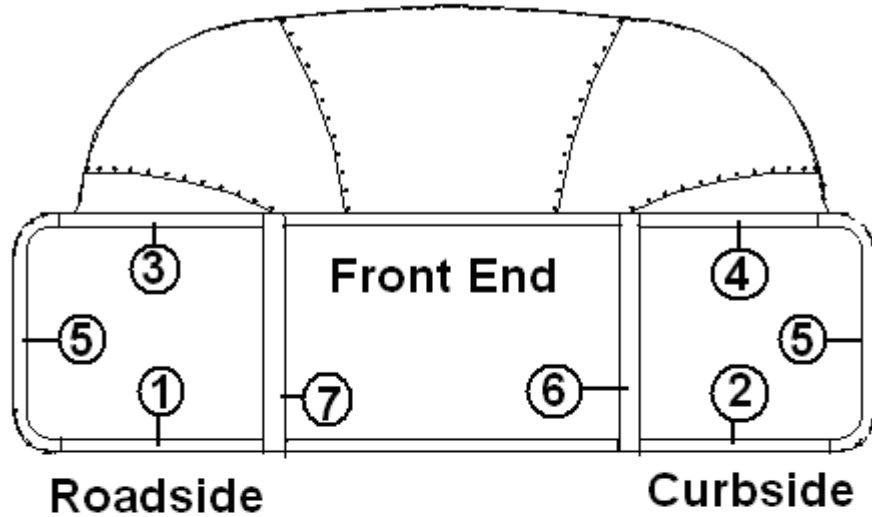
Vista View Windows, 18"

922770-01	Vista View Window, 18"
203490-01	Trim Ring, 18" Vista View Window
703462-01	Pull Shade, 19.25"X9.5" Vista View Window
922772-01	BACKER-VISTA VIEW BLIND 18"
115222-02	Z BAR-FORMED 19.5"VISTA VIEW

2008 CLASSIC TRAILER

DOORS/WINDOWS/AWNINGS

Panoramic Window Trim



- | | |
|--------------|---------------------------|
| 1. 201579-01 | TRIM RING, LOWER, WHITE |
| 2. 201580-01 | TRIM RING, LOWER, WHITE |
| 3. 201581-03 | TRIM RING, UPPER, WHITE |
| 4. 201581-04 | TRIM RING, UPPER, WHITE |
| 5. 201578-01 | END CAP, TRIM RING, WHITE |
| 6. 110900-01 | TRIM FORMED, WHITE, RH |
| 7. 110900-02 | TRIM FORMED, WHITE, LH |
| 203225 | TRIM LOK, WHITE .75" |

2008 CLASSIC TRAILER

DOORS/WINDOWS/AWNINGS

Windows

371346-02	Window, flat, front center
372088-101	Window, panoramic, front RS
372089-101	Window, panoramic, front, CS
371348-02	Window, flat, rear w/red handles
371285-01	Window, curved 30" x 30" fixed
371324-02	Window, curved 30" opening
371270-01	Window, curved, 30" stacked
371323-01	Window, curved 18" opening
371323-02	WINDOW-18" NON OPENING S/O
371269-01	Window, curved 18" stacked
371380	WINDOW-OPENING 30" TALL
371400-01	Window, main door
371348-01	Window, front end, 27' Front Bed
371324-03	Window, 30" opening, egress
371380-01	30" x 30", opening egress window
372215-02	SCREEN, 30" x 30", CURVED, ALTERNATE EGRESS

Window Screens

371349-01	Screen, rear escape
371347-01	Screen, front window
372174-01	Screen, 18" opening window, white frame
371174-02	Screen, 18" non-opening window, white frame
372175-02	Screen, 30" opening window, white frame
372175-03	Screen, 30", alternate egress, white frame
372175-04	Screen, 30" opening window, clear aluminum frame
372215	Screen, 30" tall
372215-02	SCREEN, 30" tall, egress

2008 CLASSIC TRAILER

DOORS/WINDOWS/AWNINGS

Awnings, Patio

703633-02	Awning, patio, 16' 4½", blue, 25' Front Bed
703633-03	Awning, patio, 21' 7" blue, 30', 30 S/O', 31', 34', 34' S/O
703633-04	Awning, patio, 18' 4.5", 27'
703633-18	Awning, patio, 20' 7.75", 30' Front Bed
381532-01	Hardware, patio, satin
703633-05	Center support
385577	Wear tape, clear, 3½" wide

Awnings, Windows

703633-12	Awning, RS windows, 13' 4", blue, 30' & 31'
703633-14	Awning, window, 16' 4.25", blue, 25' Front Bed
703633-10	Awning, 3', blue, Rear
703633-15	Awning, window, blue, 52.625"
703633-11	Awning, RS window, 14' 10", blue, 34'
703633-16	Awning, RS window, 18' 4.5", blue, 27'
703633-17	Awning, rear, 52 5/8" w/hardware, blue, 27', 30' front bed
703633-19	Awning, window, 20' 7.75", 30' front bed
385577	Wear tape, clear, 3½" wide

Cover, Slide Out

703122-04	Cover, awning, 7' 6.5" blue, 30' & 34' S/O dinette
-----------	--

2008 CLASSIC TRAILER

DOORS/WINDOWS/AWNINGS

Window Stone Guard

110188-01	3 Piece Stone Guard
685275-101	CS wrap window solar protector, stone guard
685275-102	RS wrap window solar protector, stone guard
110102	Stone Guard, Center Piece, w/Panoramic windows
110102-01	Stone Guard, w/o panoramic windows
685358	Turn fast stud
685362	Retainer, split ring
685359	Rubber receptacle
685361	Bracket, rubber receptacle
685363	Slip joint hinge, SS, CS per pair
683960	Arm support
683959	Arm support bracket
114749	HINGE "Y" ASSY. (ROCKGUARD ASSY.)
114750	HINGE "J" (ROCKGUARD ASSY.)
685364	BRKT, UPPER HINGE-45.375-STONEGUARD
381021	Latch, draw flexible

Stone guard frame

114815-01	Extrusion, frame aluminum
685354	Front window key, 90-degree angle riveted to inside corner of metal frame
685378-01	¼" rubber spline
685351	Rubber frame, black
290812-01	Plexi-glass, 28" x 84 " sheet
101401	Extrusion, door latch housing
685355	SLIP JOINT S.S.HINGE

2008 CLASSIC TRAILER

DRAPES/BLINDS/VALANCES

Drapes/Valances, 34' S/O

998056-02	Drape, back trailer, 34 S/O
998134-06	Drape, 30" BEDROOM (2-9 PLT), 34' S/O
998053-02	DRAPES, DINETTE, 34 S/O
998053-03	DRAPES GALLEY TRAILER (2-2PLT), 34 S/O
998050-02	Drape, front, 4-16 pleat, 34 S/O
998134-07	Drape, lounge, R.S. 30" 2-9 PLT, 34 S/O
998135-03	Drape, lounge, C.S. 30" 2-6PLT, 34 S/O
998148-01	DRAPERY PANEL 7 PLEATS, TWIN BEDROOM, 27.50"
966138-03	VALANCE, 58" LOUNGE
966138-01	VALANCE, 42", LOUNGE
966127-06	VALANCE, 64"GALLEY
966129-04	VALANCE, 69" DINETTE
966130-01	VALANCE, 52"BEDROOM
966130-03	VALANCE, 38.50 "BEDROOM
966128-01	VALANCE, 66" BEDROOM
966138-08	VALANCE, 17" LOUNGE

Drapes/Valances, 34'

998056-01	Drape, rear, 4-16 pleats
998134-01	Drape, rear bedroom, side, 2-9 pleats
998148-01	Drape, bedroom, 7 pleat panel, 27.50"
998053-01	Drape, dinette, 2-8 pleats & 1-5 pleat
998050-01	Drape, front, 4-16 pleat
998134-02	Drape, lounge, RS, 30", 2-9 pleats
998135	Drape, lounge, CS, 30", 2-6 pleats
966138-03	VALANCE, 58" LOUNGE
966138-06	VALANCE, 97.63" LOUNGE
966127-03	VALANCE, 37" GALLEY
966129-01	VALANCE, 73" DINETTE
966130-01	VALANCE, 52"BEDROOM, DOUBLE
966128-01	VALANCE, 66" BEDROOM, DOUBLE
966130-03	VALANCE, 38.5", BEDROOM, TWIN

2008 CLASSIC TRAILER

DRAPES/BLINDS/VALANCES

Drapes/Valances, 31'

998134-01	Drape, rear bedroom, side, 2-9 pleats
998148-01	Drape, bedroom, 7-pleat panel, 27.50"
998053-01	Drape, dinette, 2-8 pleats & 1-5 pleat
998050-01	Drape, front, 4-16 pleat
998134-05	Drape, lounge, RS, 30" 2-9 pleat
998135	Drape, lounge, CS, 30", 2-6 pleats
998056-01	Drape, rear, 4-16 pleats
966129-05	VALANCE ASSY-DIN. 73" 31'W/DINETTE
966127-01	VALANCE ASSY-24" GALLEY TRL
966130-03	VALANCE ASSY-38.5" BEDROOM
966138-01	VALANCE ASSY-LOUNGE 42"
966130-01	VALANCE ASSY-52"BEDROOM
966128-01	VALANCE ASSY-66" BEDROOM, 30'
965681-03	VALANCE ASSY. BEDROOM, 38.5"

Drapes/Valances, 30' S/O

998056-01	Drape, rear, 4-16 pleats
998134-01	Drape, rear bedroom, side, 2-9 pleats
998148-01	Drape, bedroom, 7-pleat panel, 27.50"
998053-01	Drape, dinette, 2-8 pleats & 1-5 pleat
998050-01	Drape, front, 4-16 pleat
998134-05	Drape, lounge, RS, 30" 2-9 pleat
998135	Drape, lounge, CS, 30", 2-6 pleats
966138-01	VALANCE ASSY-LOUNGE 42"
966138-09	VALANCE ASSY- 30"LOUNGE
966129-04	VALANCE ASSY-69" DINETTE
966127-01	VALANCE ASSY-24" GALLEY
966128-01	VALANCE ASSY-66" BED
966130-01	VALANCE ASSY-52"BEDROOM
966130-03	VALANCE ASSY-38.5"BEDROOM

2008 CLASSIC TRAILER

DRAPES/BLINDS/VALANCES

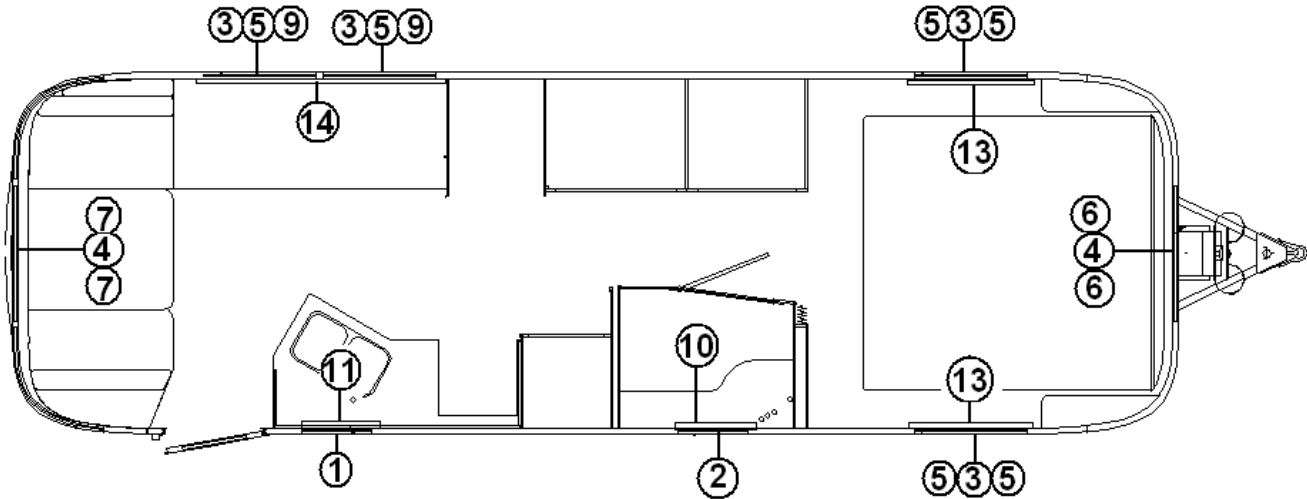
Drapes/Valances, 30'

998056-01	Drape, rear, 4-16 pleat
998134-01	Drape, rear bedroom, side, 2-9 pleat
998148-01	Drape, bedroom, 7-pleat panel, 27.50"
998053	Drape, galley, 2-2pleat
998053-01	Drape, dinette, 2-8 pleats & 1-5 pleat,
998050-01	Drape, front, 4-16 pleat
998134-05	Drape, lounge, RS, 30" 2-9 pleat
998135	Drape, lounge, CS, 30", 2-6 pleat
966138-01	VALANCE ASSY-LOUNGE 42"
966138-03	VALANCE ASSY-58" LOUNGE
966127-01	VALANCE ASSY-24" GALLEY
966129-01	VALANCE ASSY-73" DINETTE
966130-01	VALANCE ASSY-52"BEDROOM
966128-01	VALANCE ASSY-66" BEDROOM
966130-03	VALANCE ASSY-38.5"BEDROOM

2008 CLASSIC TRAILER

DRAPES/BLINDS/VALANCES

Drapes/Valances/Shades, 30' King Front Bed, w/Standard Window

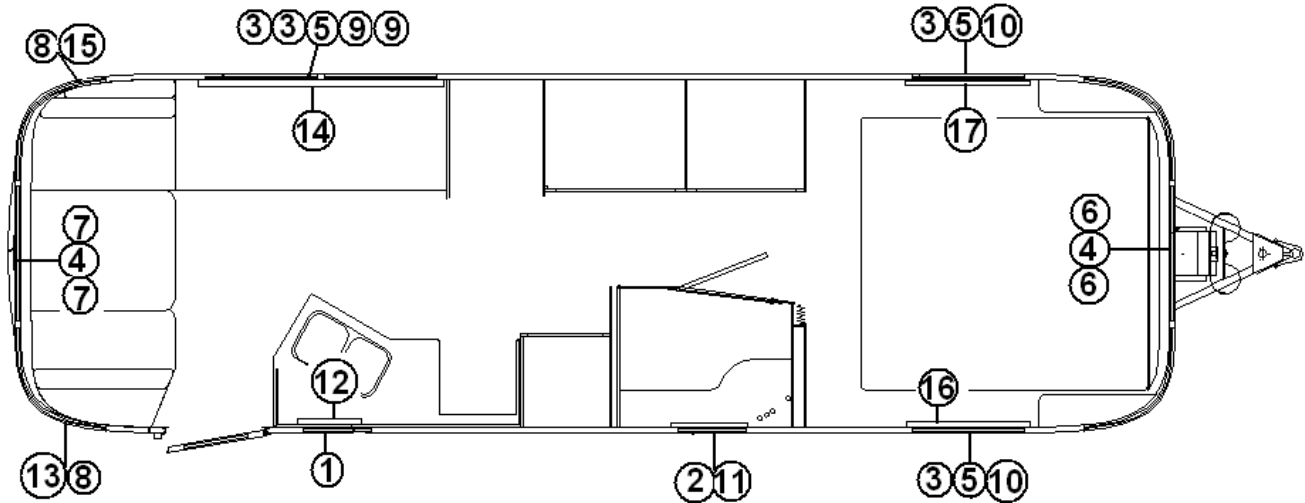


- | | |
|---------------|-----------------------------------|
| 1. 703191-04 | BLIND MINI METAL 21" X 23" |
| 2. 703272-45 | SHADE PLTD DAY/NITE 20.50" X 25" |
| 3. 703272-08 | SHADE PLTD DAY/NITE 28.875" X 33" |
| 4. 703272-16 | SHADE PLTD DAY/NITE 47.50" X 25" |
| 5. 998148-05 | DRAPERY PANEL, 5 PLT X 34"L |
| 6. 998148-11 | DRAPERY PANEL, 7 PLT X 25.50"L |
| 7. 998148-04 | DRAPERY PANEL, 16 PLT X 26.25"L |
| 8. 998148-06 | DRAPERY PANEL, 6 PLT X 34"L |
| 9. 998148-12 | DRAPERY PANEL, 8 PLT X 34"L |
| 10. 967213 | VALANCE ASSY, LAVY, 23.50" |
| 11. 966794-01 | VALANCE ASSY, Galley, 25" |
| 12. 966138-10 | VALANCE ASSY, Lounge, 21" |
| 13. 966130-11 | VALANCE ASSY, Bedroom, 32.38" |
| 14. 967214 | VALANCE ASSY, Lounge, 71" |
| 15. 966138-15 | VALANCE ASSY, Lounge, 21" |

2008 CLASSIC TRAILER

DRAPES/BLINDS/VALANCES

Drapes/Valances/Shades, 30' King Front Bed, w/Panoramic Windows

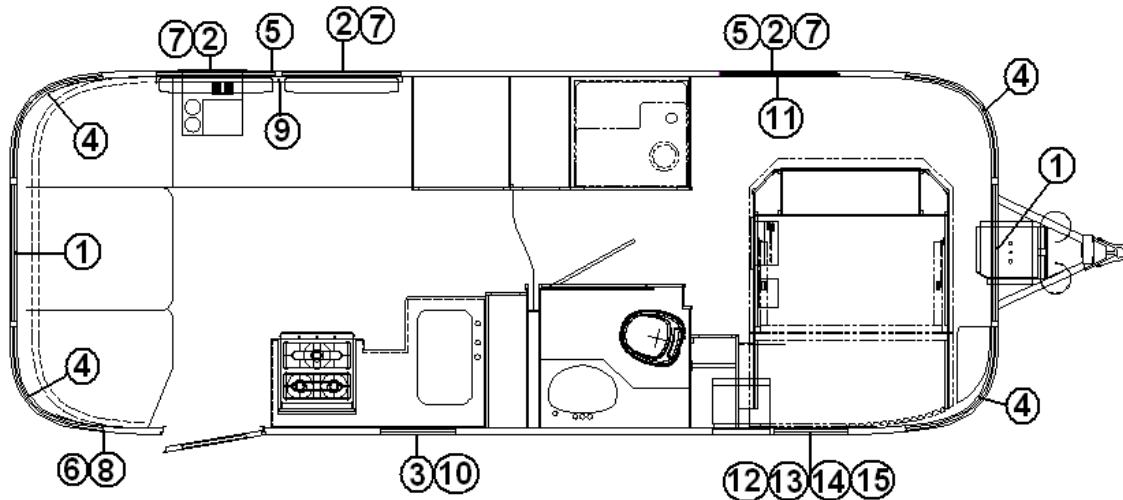


- | | |
|---------------|-------------------------------------|
| 1. 703191-04 | BLIND MINI METAL 21" X 23" |
| 2. 703272-45 | SHADE PLTD DAY/NITE 20.50" X 25" |
| 3. 703272-08 | SHADE PLTD DAY/NITE 28.875" X 33" |
| 4. 703272-16 | SHADE PLTD DAY/NITE 47.50" X 25" |
| 5. 998148-05 | DRAPERY PANEL, 5 PLT X 34"L |
| 6. 998148-11 | DRAPERY PANEL, 7 PLT X 25.50"L |
| 7. 998148-04 | DRAPERY PANEL, 16 PLT X 26.25"L |
| 8. 998148-06 | DRAPERY PANEL, 6 PLT X 34"L |
| 9. 998148-12 | DRAPERY PANEL, 8 PLT X 34"L |
| 10. 998148-07 | DRAPERY PANEL, 12 PLT X 34"L |
| 11. 967213 | VALANCE ASSY, LAVY, 23.50" |
| 12. 966794-01 | VALANCE ASSY, Galley, 25" |
| 13. 966138-10 | VALANCE ASSY, Lounge, 21" |
| 14. 967214 | VALANCE ASSY, Lounge, 71" |
| 15. 966138-15 | VALANCE ASSY, Lounge, 21" |
| 16. 966138-03 | VALANCE ASSY, w/RH END, Lounge, 57" |
| 17. 966138-16 | VALANCE ASSY, w/LH END, Lounge, 57" |

2008 CLASSIC TRAILER

DRAPES/BLINDS/VALANCES

Drapes/Valances/Shades, 25' Double Front Bed, w/Panoramic Windows

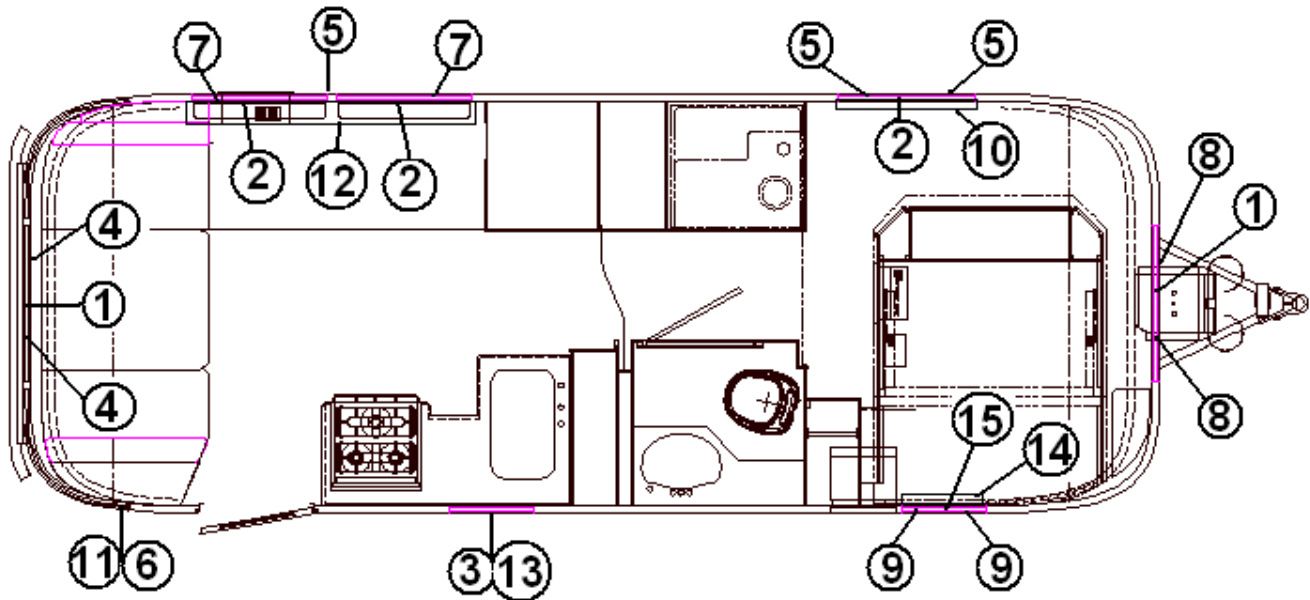


- | | |
|---------------|-----------------------------------|
| 1. 703272-16 | SHADE PLTD DAY/NITE 47.5" X 25" |
| 2. 703272-08 | SHADE PLTD 28.875" X 33" DAYNIGHT |
| 3. 703191-04 | BLIND MINI METAL 21" X 23" |
| 4. 998148-04 | DRAPERY PANEL, 16 PLT X 26.25"L |
| 5. 998148-05 | DRAPERY PANEL, 5 PLT X 34"L |
| 6. 998148-06 | DRAPERY PANEL, 6 PLT X 34"L |
| 7. 998148-07 | DRAPERY PANEL, 12 PLT X 34"L |
| 8. 966138-10 | VALANCE ASSY-LNG 21" |
| 9. 966138-11 | VALANCE ASSY-LNG 90" |
| 10. 966794-01 | VALANCE ASSY, 24" GALLEY TOP |
| 11. 966138-12 | VALANCE ASSY, 61" W/1 END & TOP |
| 16. 966138-13 | VALANCE ASSY, 44" W/1 END & TOP |
| 17. 703272-02 | SHADE PLTD DAY/NITE 17.125" X 33" |
| 18. 998148-14 | DRAPERY PANEL, 3 PLT X 34"L |
| 19. 998148-12 | DRAPERY PNL, 8 PLT X 34"L |

2008 CLASSIC TRAILER

DRAPES/BLINDS/VALANCES

Drapes/Valances/Shades, 25' Double Front Bed, w/Standard Window

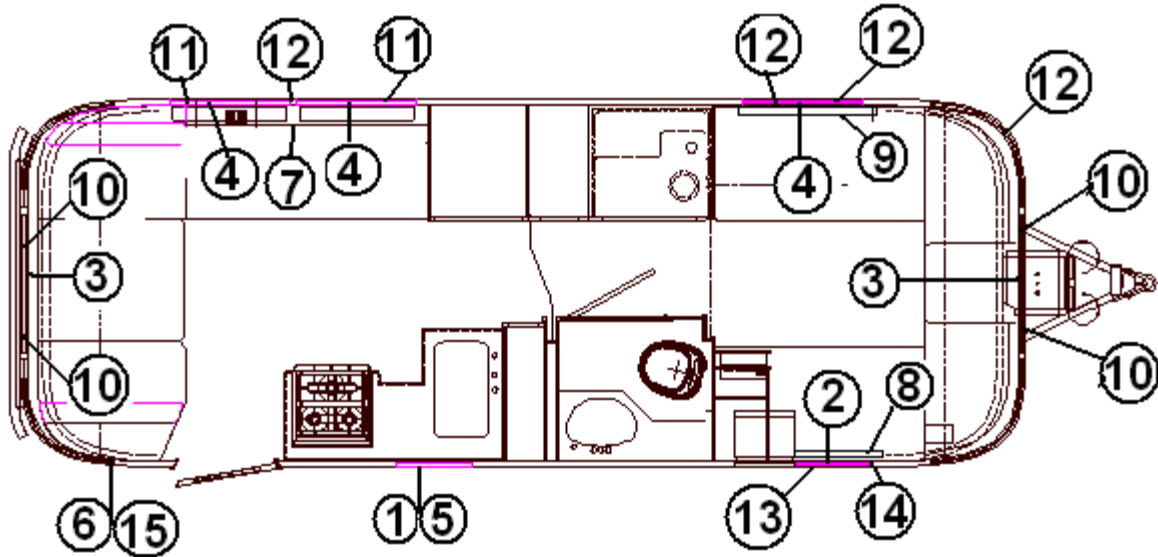


- | | |
|---------------|--------------------------------------|
| 1. 703272-16 | SHADE PLEATED DAY/NITE 47.5" X 25" |
| 2. 703272-08 | SHADE PLEATED 28.875" X 33" DAYNIGHT |
| 3. 703191-04 | BLIND MINI METAL 21" X 23" |
| 4. 998148-04 | DRAPERY PANEL, 16 PLT X 26.25"L |
| 5. 998148-05 | DRAPERY PANEL, 5 PLT X 34"L |
| 6. 998148-06 | DRAPERY PANEL, 6 PLT X 34"L |
| 7. 998148-07 | DRAPERY PANEL, 12 PLT X 34"L |
| 8. 966148-11 | DRAPERY PANEL, 7 PLT X 25.50"L |
| 9. 966148-14 | DRAPERY PANEL, 3 PLT X 34"L |
| 10. 966130-11 | VALANCE, 32.38", W/ BOTH ENDS |
| 11. 966138-10 | VALANCE ASSY, 21"L |
| 12. 966138-11 | VALANCE ASSY, 89"L |
| 13. 966794-01 | VALANCE ASSY, 24" GALLEY TOP |
| 14. 966130-14 | VALANCE ASSY, 24" W/BOTH ENDS |
| 15. 703272-02 | SHADE PLEATED DAY/NITE 17.125" X 33" |

2008 CLASSIC TRAILER

DRAPES/BLINDS/VALANCES

Drapes/Valances/Shades, 25' Twin Front Bed w/Panoramic Windows

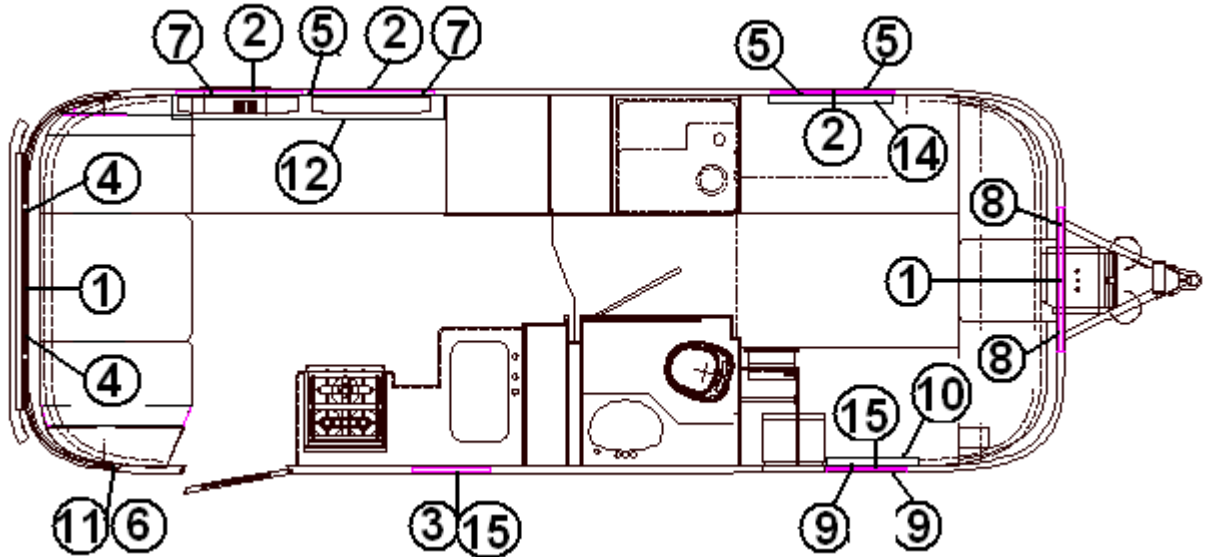


- | | |
|---------------|--|
| 1. 703191-04 | BLIND MINI METAL 21" X 23" |
| 2. 703272-02 | DAY NIGHT SHADE, PLEATED, 17.125" X 33" |
| 3. 703272-16 | DAY NIGHT SHADE, PLEATED, 47.5" X 25" |
| 4. 703272-08 | DAY NIGHT SHADE, PLEATED, 28.875" X 33" |
| 5. 966794-01 | VALANCE ASSY, 24" GALLEY W/TOP |
| 6. 966138-10 | VALANCE ASSY, 21" |
| 7. 966138-11 | VALANCE ASSY, 89"L |
| 8. 966138-13 | VALANCE ASSY, 44"L, W/1 END AND TOP |
| 9. 966130-13 | VALANCE ASSY, 43.25" W/O BOTH ENDS AND TOP |
| 10. 998148-04 | DRAPERY PANEL, 16 PLT X 26.25"L |
| 11. 998148-07 | DRAPERY PANEL, 12 PLT X 34" |
| 12. 998148-05 | DRAPERY PANEL, 5 PLT X 34"L |
| 13. 966148-14 | DRAPERY PANEL, 3 PLT X 34"L |
| 14. 966148-12 | DRAPERY PANEL, 8 PLT X 34"L |
| 15. 966148-06 | DRAPERY PANEL, 6 PLT X 34"L |

2008 CLASSIC TRAILER

DRAPES/BLINDS/VALANCES

Drapes/Valances/Shades, 25' Twin Front Bed w/Standard Window

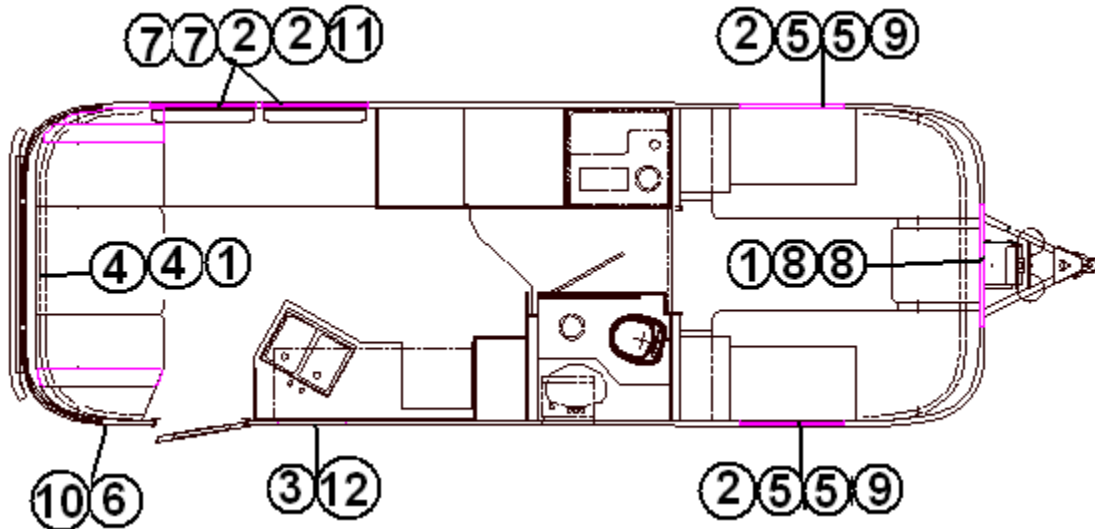


- | | |
|---------------|---|
| 1. 703272-16 | DAY NIGHT SHADE, PLEATED, 47.5" X 25" |
| 2. 703272-08 | DAY NIGHT SHADE, PLEATED, 28.875" X 33" |
| 3. 703191-04 | BLIND MINI METAL 21" X 23" |
| 4. 998148-04 | DRAPERY PANEL, 16 PLT X 26.25"L |
| 5. 998148-05 | DRAPERY PANEL, 5 PLT X 34"L |
| 6. 966148-06 | DRAPERY PANEL, 6 PLT X 34"L |
| 7. 998148-07 | DRAPERY PANEL, 12 PLT X 34"L |
| 8. 998148-11 | DRAPERY PANEL, 17PLT X 25.5L |
| 9. 966148-14 | DRAPERY PANEL, 3 PLT X 34"L |
| 10. 966130-14 | VALANCE ASSY, 24" W/ BOTH ENDS |
| 11. 966138-10 | VALANCE ASSY, 21" |
| 12. 966138-11 | VALANCE ASSY, 89"L |
| 13. 966794-01 | VALANCE ASSY, 24" GALLEY W/TOP |
| 14. 966130-13 | VALANCE ASSY, 43.25"L, W/O ENDS AND TOP |
| 15. 703272-02 | DAY NIGHT SHADE, PLEATED, 17.125" X 33" |

2008 CLASSIC TRAILER

DRAPES/BLINDS/VALANCES

Drapes/Valances/Shades, 27' Twin Bed, w/Standard Window

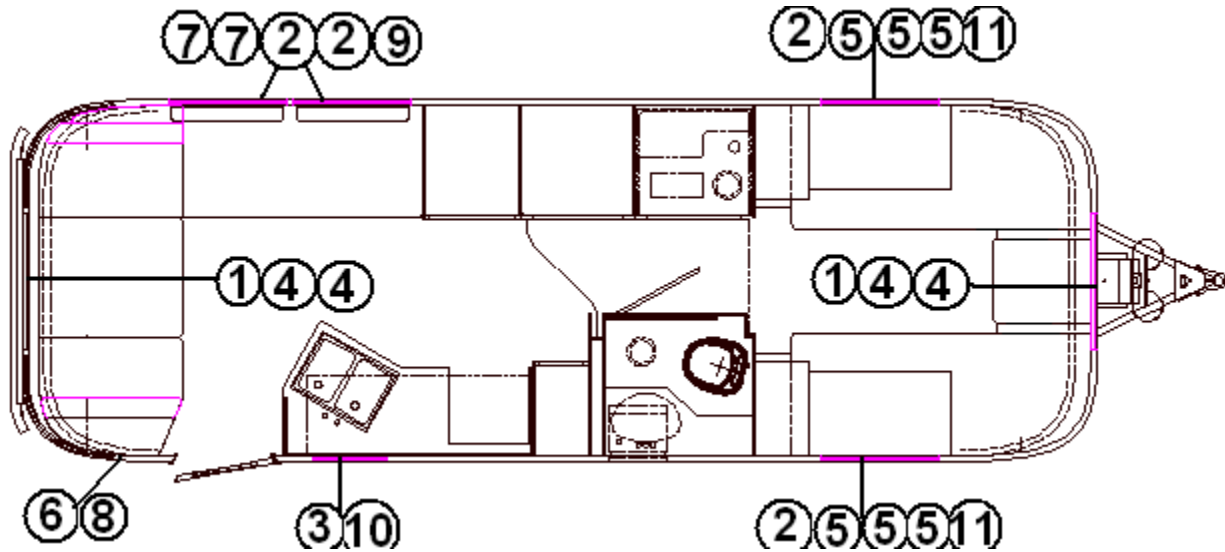


- | | |
|---------------|--------------------------------------|
| 1. 703272-16 | SHADE PLEATED DAY/NITE 47.5" X 25" |
| 2. 703272-08 | SHADE PLEATED 28.875" X 33" DAYNIGHT |
| 3. 703191-04 | BLIND MINI METAL 21" X 23" |
| 4. 998148-04 | DRAPERY PANEL, 16 PLT X 26.25"L |
| 5. 998148-05 | DRAPERY PANEL, 5 PLT X 34"L |
| 6. 998148-06 | DRAPERY PANEL, 6 PLT X 34"L |
| 7. 998148-07 | DRAPERY PANEL, 12 PLT X 34"L |
| 8. 998148-11 | DRAPERY PANEL, 7 PLT X 25.5"L |
| 9. 998148-03 | DRAPERY PANEL 5 PLEATS |
| 10. 966130-09 | VALANCE ASSY-29.5"BEDROOM |
| 11. 966138-10 | VALANCE ASSY-LNG 21" |
| 12. 966138-11 | VALANCE ASSY-LNG 90" |
| 13. 966794-01 | VALANCE-GALLEY 24" |

2008 CLASSIC TRAILER

DRAPES/BLINDS/VALANCES

Drapes/Valances/Shades, 27' Twin Bed, w/Panoramic Windows

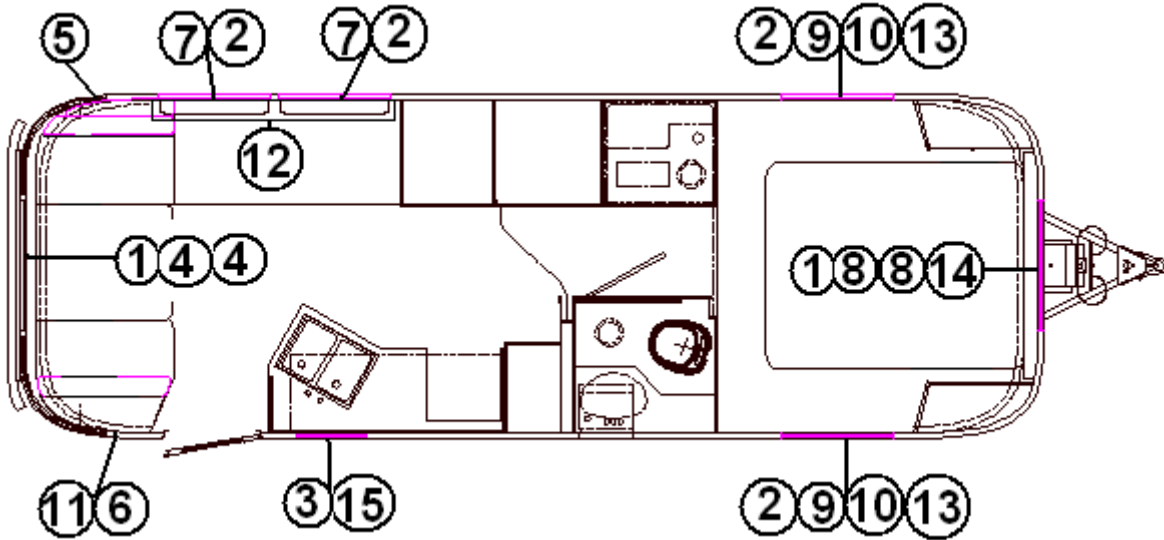


- | | |
|---------------|--------------------------------------|
| 1. 703272-16 | SHADE PLEATED DAY/NITE 47.5" X 25" |
| 2. 703272-08 | SHADE PLEATED 28.875" X 33" DAYNIGHT |
| 3. 703191-04 | BLIND MINI METAL 21" X 23" |
| 4. 998148-04 | DRAPERY PANEL, 16 PLT X 26.25"L |
| 5. 998148-05 | DRAPERY PANEL, 5 PLT X 34"L |
| 6. 998148-06 | DRAPERY PANEL, 6 PLT X 34"L |
| 7. 998148-07 | DRAPERY PANEL, 12 PLT X 34"L |
| 8. 966138-10 | VALANCE ASSY-LNG 21" |
| 9. 966138-11 | VALANCE ASSY-LNG 90" |
| 10. 966794-01 | VALANCE-GALLEY 24" |
| 11. 966130-03 | VALANCE, 38.50" w/no ends" |

2008 CLASSIC TRAILER

DRAPES/BLINDS/VALANCES

Drapes/Valances/Shades, 27' "W" Double Bed

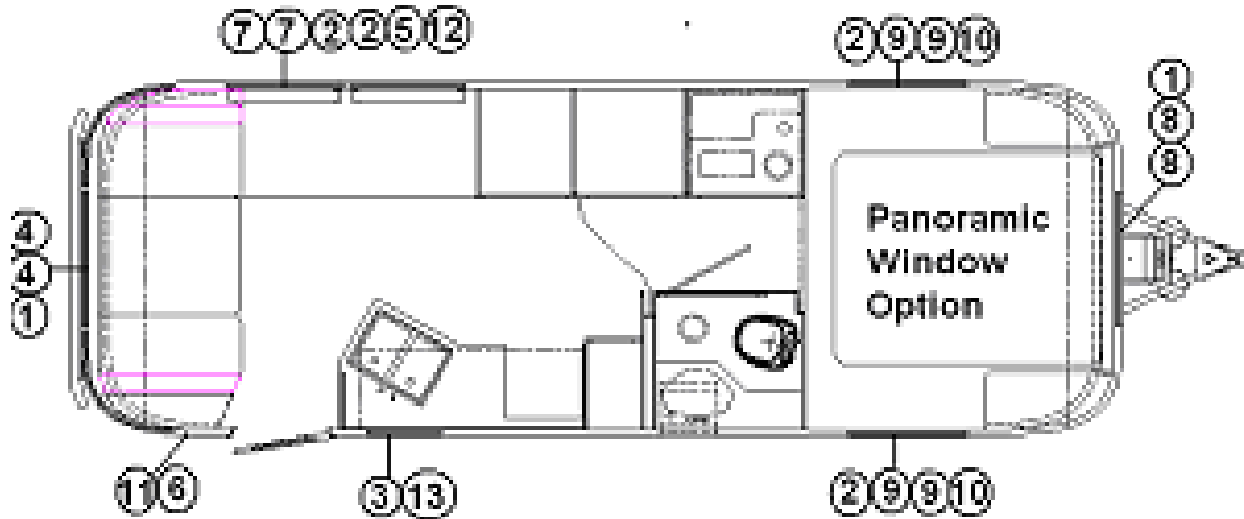


- | | |
|---------------|--------------------------------------|
| 1. 703272-16 | SHADE PLEATED DAY/NITE 47.5" X 25" |
| 2. 703272-08 | SHADE PLEATED 28.875" X 33" DAYNIGHT |
| 3. 703191-04 | BLIND MINI METAL 21" X 23" |
| 4. 998148-04 | DRAPERY PANEL, 16 pleat X 26.25"L |
| 5. 998148-05 | DRAPERY PANEL, 5 pleat X 34"L |
| 6. 998148-06 | DRAPERY PANEL, 6 pleat X 34"L |
| 7. 998148-07 | DRAPERY PANEL, 12 pleat X 34"L |
| 8. 998148-08 | DRAPERY PANEL, 9 pleat X 27.5"L |
| 9. 998148-12 | DRAPERY PANEL, 8 pleat, 35.50"L |
| 10. 998148-13 | DRAPERY PANEL, 6 pleat, 35.50"L |
| 11. 966138-10 | VALANCE, LOUNGE, 21" |
| 12. 966138-11 | VALANCE, LOUNGE, 90" |
| 13. 966130-01 | VALANCE, 52", BEDROOM |
| 14. 966128-01 | VALANCE, 66", BED |
| 15. 966794-01 | VALANCE, GALLEY, 24" |

2008 CLASSIC TRAILER

DRAPES/BLINDS/VALANCES

Drapes/Valances/Shades, 27' "J" Double Bedroom, w/Standard Window

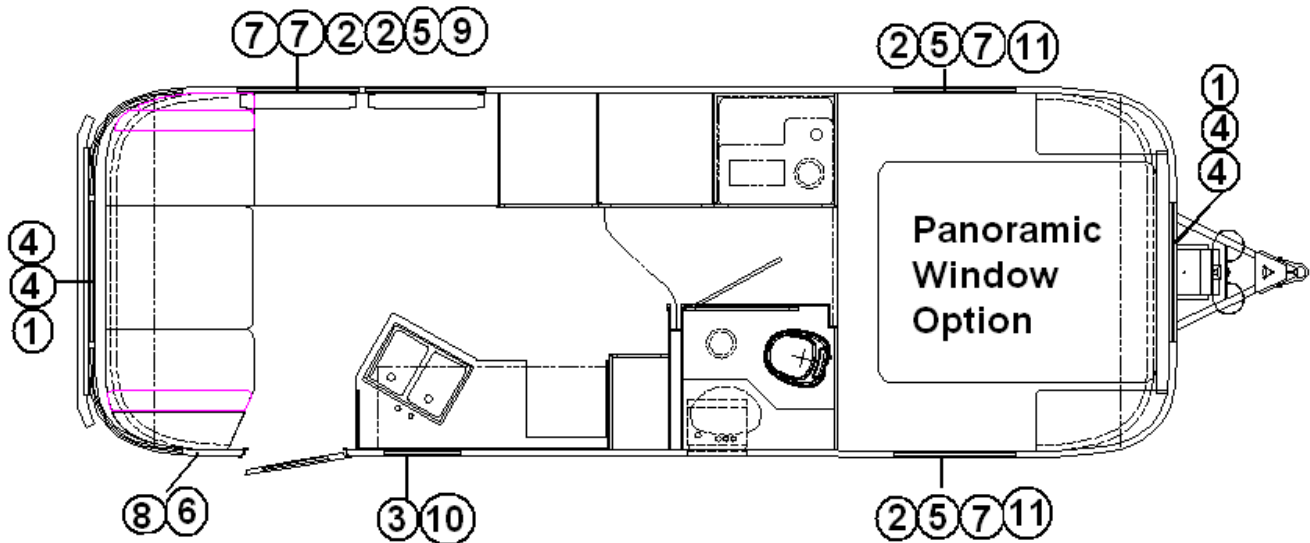


- | | |
|---------------|--------------------------------------|
| 1. 703272-16 | SHADE PLEATED DAY/NITE 47.5" X 25" |
| 2. 703272-08 | SHADE PLEATED 28.875" X33", DAYNIGHT |
| 3. 703191-04 | BLIND MINI METAL 21"X23" |
| 4. 998148-04 | DRAPERY PANEL, 16 PLT X 26.25" |
| 5. 998148-05 | DRAPERY PANEL, 5 PLT X 34"L |
| 6. 998148-06 | DRAPERY PANEL, 6 PLT X 34"L |
| 7. 998148-07 | DRAPERY PANEL, 12 PLT X 34"L |
| 8. 998148-11 | DRAPERY PANEL, 7 PLT X 25.5"L |
| 9. 998148-03 | DRAPERY PANEL 5 PLEATS |
| 10. 966130-11 | VALANCE ASSY-32.38"BEDROOM |
| 11. 966138-10 | VALANCE ASSY, LOUNGE, 21" |
| 12. 966138-11 | VALANCE ASSY, LOUNGE, 90" |
| 13. 966794-01 | VALANCE, GALLEY 24" |

2008 CLASSIC TRAILER

DRAPES/BLINDS/VALANCES

Drapes/Valances/Shades, 27' "J" Double Bedroom, W/Panoramic Windows



- | | |
|---------------|--------------------------------------|
| 1. 703272-16 | SHADE PLEATED DAY/NITE 47.5" X 25" |
| 2. 703272-08 | SHADE PLEATED 28.875" X33", DAYNIGHT |
| 3. 703191-04 | BLIND MINI METAL 21"X23" |
| 4. 998148-04 | DRAPERY PANEL, 16 PLT X 26.25" |
| 5. 998148-05 | DRAPERY PANEL, 5 PLT X 34"L |
| 6. 998148-06 | DRAPERY PANEL, 6 PLT X 34"L |
| 7. 998148-07 | DRAPERY PANEL, 12 PLT X 34"L |
| 8. 966138-10 | VALANCE ASSY, LOUNGE, 21" |
| 9. 966138-11 | VALANCE ASSY, LOUNGE, 90" |
| 10. 966794-01 | VALANCE, GALLEY 24" |
| 11. 966138-03 | VALANCE ASSY-57"BEDROOM |

2008 CLASSIC TRAILER

DRAPES/BLINDS/VALANCES

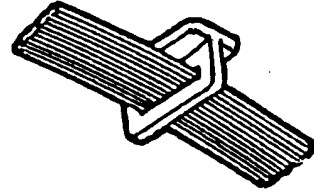
Drapery Track/Brackets



101220
Bracket, curtain
stand off



101217
Track, curtain



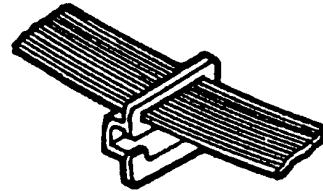
700044
Glides, w/elastic
"T" type



114021
Bracket, curtain
stand off



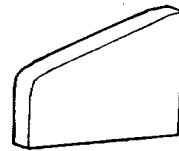
101225
Bracket, curtain
stand off



700045
Glides, w/elastic
"G" type



200785
End, curtain track, LH



200784
End, curtain track, RH



101005
Bracket, curtain standoff

100096
100097
100099

Extrusion aluminum curtain track
Extrusion aluminum curtain track
Extrusion aluminum curtain track, top track

2008 CLASSIC TRAILER

DRAPES/BLINDS/VALANCES

Shades, Window

703272-02	SHADE PLEATED DAY/NIGHT, 17.125" X 33"
703272-07	SHADE PLEATED DAY/NIGHT 28.875" X 22.50"
703272-08	SHADE PLEATED DAY/NIGHT 28.875" X 33"
703272-10	SHADE PLEATED DAY NIGHT 31" X 33"
703272-16	SHADE PLEATED DAY/ NIGHT 47.5" X 25"
703272-45	SHADE PLTD DAY/NITE 20.50" X 25"
703273-07	SHADE SINGLE PLEATED NIGHT 28.875" X 22.5"
703273-16	SHADE SINGLE PLEATED NIGHT 47.5" X 25"
703191-04	BLIND MINI METAL 21" X 23" BRUSH ALUMINUM
703191-08	MINI-BLIND, BRUSHED NICKEL, 17.50" X 22.00"
703191-09	MINI-BLIND, BRUSHED NICKEL, 29.00" X 22.00"
703462-02	SHADE, PULL 31.25" X 9.5", VISTA VIEW

2008 CLASSIC TRAILER

ELECTRICAL, 110 VOLT

Power Cord, 30 Amps, Exterior Hook Up

- 511416-02 POWER INLET, 30A, 125V, MALE
- 511416-03 POWER CORD 30A, 30' W/CONN UL/C

Power Cord, 50 Amps, Exterior Hook Up

- 511149-02 POWER INLET W/STRAIN RELIEF 50
- 511149-03 POWER CORD 50 AMP 36 FT.

Breaker Box, 30 amp USA

- 511336 Breaker box, Square D, 30amp
- 510661 Breaker, 20 amp. Square D GFI
- 510662 Breaker, 20 amp, double, Square D 2020
- 510663 Breaker, 30amp, Square D, 0130
- 510664 Breaker, Square "D", #Q0115 GFI
- 510666 Breaker, 15/20 amps double
- 510717 Breaker, Square "D", Q0T515
- 512216 Breaker retaining kit

Breaker Box, 30 Amp, CSA

- 511336 BREAKER BOX SQ.D Q03-5FM30TTS
- 510663 BREAKER, 30 AMP QO130
- 510664 BREAKER, SQUARE D #QO115GFI,15
- 510717 BREAKER, SQUARE "D", QOT1515
- 510666 BREAKER 15/20 AMP QOT1520

2008 CLASSIC TRAILER

ELECTRICAL, 110 VOLT

Breaker Box, 50 Amp USA

510723	BREAKER BOX, SQUARE "D", Q06-12L10
510662	Breaker, 20 amp, double, Square D 2020
510661	Breaker, 20 amp. Square D GFI
510666	Breaker, 15/20 amps double
510724	Breaker, double pole, 50 amps
510678	BREAKER, SQUARE D QO120
511453	BREAKER BOX SQ.D SURFACE MOUNT

Breaker Box, 50 Amp, CSA

511149-02	POWER INLET W/STRAIN RELIEF 50
511149-03	POWER CORD 50 AMP 36 FT.
510717	BREAKER, SQUARE "D", QOT1515
510664	BREAKER, SQUARE D , #QO115GFI,15
510678	BREAKER, SQUARE D QO120
510665	BREAKER, SQUARE D #QO115, 15 AMP
510888-05	RECEPTACLE W/COVER, GFI, WHITE
510888-06	SPACER, RECEPTACLE, GFI, WHITE
510741	BOX/ELECTRICAL, 1-1/2" X 2" X 3"

Interior Receptacle/ Switches/Covers

500563-01	Receptacle, 15-amp, T & B type
500563-100	SCREW-WHITE FOR P/N 500563-01
382070	Non-skid rubber dot for 500563-01
500903	Duplex receptacle, ivory
511451-02	RECEPTACLE 20A SINGLE BROWN XL
500913-03	SWITCH, T & B WHITE
510514	Switch, priority, microwave to water heater
500785	OUTLET, DUPLEX BROWN T & B
511287	RECEPTACLE SINGLE 15 AMP
510888-07	RECEPTACLE COVER WHITE
510888-05	RECEPTACLE W/COVER, WHITE
510888-06	SPACER RECEPTACLE GFI WHITE

2008 CLASSIC TRAILER

Exterior 110 Volt Outlet

510676-01 Outlet, exterior, gray

600 Watt Inverter

511968 INVERTER 600W W/REMOTE
511968-100 ON/OFF REMOTE CONTROL PANEL W/LED INDICATOR
500038 GROUND LUG
511090 STUD-TYPE JUNCTION BLOCK
511969-01 110A FUSE & BLOCK CLASS T
500563-01 RECEPTACLE, 15A 125V T&B TYPE
500563-100 SCREW-WHITE FOR P/N 500563-01
382070 Non-skid rubber dot for 500563-01
511451-01 RECEPTACLE 20A SINGLE WHITE XL
800839 Panel, aft shirt closet

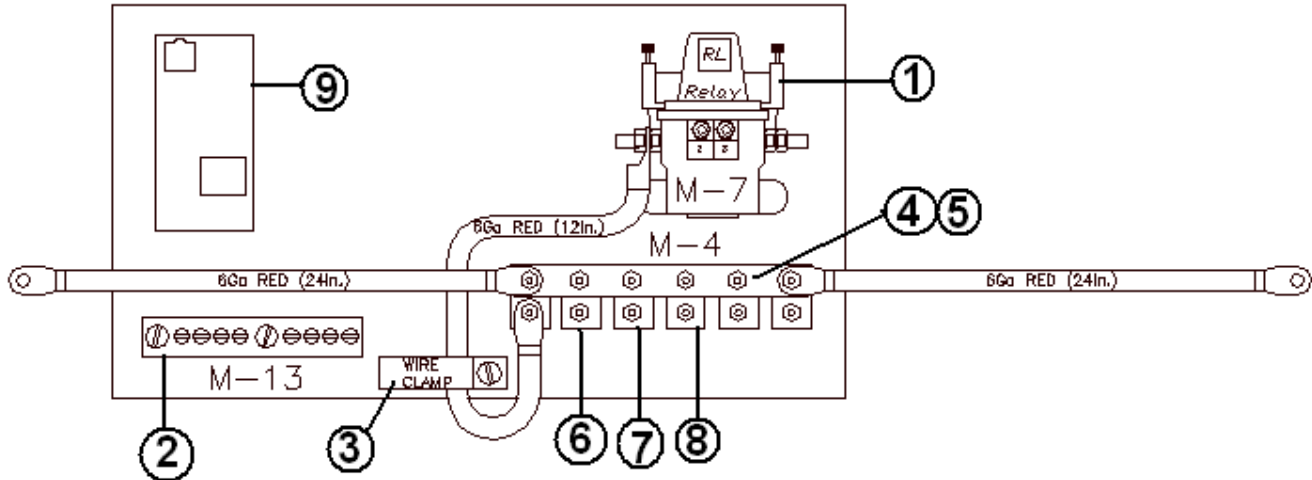
Converter/Manual Kill Breaker Panel, All Units except 27' & 25' Front Bed

511426 Converter, electronic, 55 amp
511023 Tester, circuit analyzer (loose item)
511287 RECEPTACLE SINGLE 15 AMP
512184 Breaker panel, 12 volt
510947-20 BREAKER, 12V DC, TYPE II

2008 CLASSIC TRAILER

ELECTRICAL, 110 VOLT

Converter/Electronic Kill Breaker Panel, 27' & 25' Front Bed



- | | |
|--------------|---------------------------------------|
| 1. 511655-02 | BDO RELAY 100 AMP 12VOLT |
| 1. 511655-01 | SWITCH BEZEL, SILVER/BLACK |
| 1. 511655-05 | CABLE, BDO/1 30' |
| 2. 510743 | GROUND BAR, 3-1/2" LONG |
| 3. 340093-06 | CLIP, "J" VINYL COATED, 3/4" I |
| 4. 510948-12 | BAR BUSS CIRCUIT BREAKER CONN |
| 5. 510946-08 | BRCKT, 6PO, BREAKER, 12V, #8536-2 |
| 6. 510947-50 | BREAKER, 12V DC, TYPE II, #12V50 |
| 7. 510947-20 | BREAKER, 12V DC, TYPE II, #12V20 |
| 8. 510947-30 | BREAKER, 12V DC, TYPE II, #12V30 |
| 9. 511846 | KIT, CHARGER CONTROLLER, SOLAR PANEL |
| 511654-01 | POWER CENTER-110V/12V MAGNATEK |
| 511023 | Tester, circuit analyzer (loose item) |

Converter, 50 Amp, 30' Front Bed w/2nd AC option

512285 Power center, Parallax, 110/240/50 Amp AC

2008 CLASSIC TRAILER

ELECTRICAL, 110 VOLT

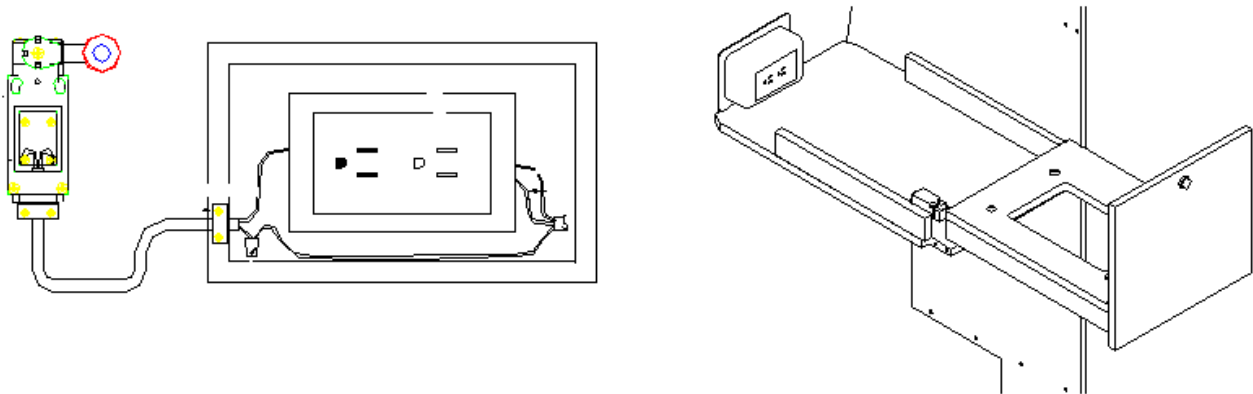
Generator Prep Components

510562 SWITCH, GENERATOR SWITCH OVER AUTO TS
511416-02 POWER INLET, 30A, 125V, MALE - GR
385062 DECAL 110-125 VOLTAGE AC

CSA Components

510634-01 POWER SUPPLY CORD-36' CSA
510888-05 RECEPTACLE W/COVER, WHITE
510888-07 RECEPTACLE COVER WHITE
500913-03 SWITCH, T & B WHITE

Microwave Switch



201787-01 POCKET DEADBOLT INTERIOR 2.25D
511451-02 RECEPTACLE 20A SINGLE BROWN XL
512221 SWITCH-LEVER 300V 10A

2008 CLASSIC TRAILER

ELECTRICAL, 12 VOLT

Battery

511132 Battery, deep cycle, lead acid
500836 POSITIVE BATTERY CABLE
500837 NEGATIVE BATTERY CABLE

7-way Cable

500886-01 7-Way cable w/plug
511411 Junction box, 7-way cable

Break Away Switch

0300027 Break away switch, Bargman
400407 BREAK-AWAY SWITCH BRACKET

Battery Disconnect Switch

510626 Switch, master disconnect
510627 Face plate, disconnect switch

Monitor Panel

511788-03 MONITOR PANEL,ALL CLASSIC'S
511252 PLUG PHONE 4 CONDUCTOR
511789 SENSOR-TANK MONITOR #500-10050
511393 COUPLER-MODULAR EXTENSION 4 CONDUCTOR
511286-01 TELEPHONE WIRE, BLACK
511286-02 TELEPHONE WIRE, IVORY
511789-01 BOOT-SENSOR #500-20010-05

2008 CLASSIC TRAILER

ELECTRICAL, 12 VOLT

12-Volt Outlet

- 510807 Outlet, 12 volt, INTERIOR
- 511121 Mounting plate, 12 volt receptacle

Solar Charging System

- 511845 BATTERY-12V DEEP CYC.GP.27 GLASS MATT
- 511142-01 PANEL, SOLAR 53 WATT
- 511142-02 BRACKET-MOUNTING KIT SOLAR PANEL
- 512318 HOLDER W/1 AMP FUSE, IN-LINE
- 510328 AGC 10 FUSE-FUSE PANEL
- 385947 LABEL 10 AMP FUSE MAX.
- 511846 KIT-CHARGE CONTROLLER DISPLAY
- 511846-100 #PVCM25D REGULATOR FOR SOLAR PANEL 511846
- 511846-101 DISPLAY ONLY #PVDM4-LC FOR P/N 511846
- 511851 CABLE- CAT 5E BLUE
- 511852 CONNECTOR, RJ45E

Door Bell

- 511957 BEZEL-ROUND DOORBELL
- 511958 SWITCH-DR BELL W/6"LEADS
- 511966 DOOR BELL, BATTERY POWARDED WHITE BROWN

2008 CLASSIC TRAILER

ELECTRICAL, 12 VOLT

Interior Receptacle/ Switches/Covers

511531	SWITCH TRAVEL LOCK
502056	MOUNTING PLATE-SWITCH 12 VOLT
510868-03	Switch panel, 4-gang, white
*381541-05	Switch, bath ceiling vent
*381541-11	Switch, bath ceiling vent
511327	Switch body w/rocker, 1 gang, white
511328	Cover switch, one gang white
511566-01	Cover, switch, 2 gang
511567-01	Switch body w/switches, 2-gang, black
511567-02	Switch body w/switches, 2-gang, white
511771	Switch assembly, two-gang white
511474-02	Dimmer switch, black
500967-03	COVER-WHITE BLANK
500432	SWITCH SPST FLOOD LIGHT
690417-05	SWITCH-DUAL WATER HEATER
511772	SWITCH, 2 WAY WHITE #2-2-0
512179	SWITCH, WHITE CEILING/CEILING

*381541-05 was replaced by 381541-11 on units released after 3/3/2008 beginning with unit 523134. The new switch is smaller and will not work in units previously manufactured.

2008 CLASSIC TRAILER

ELECTRICAL, 12 VOLT

Interior Lights/Bulbs

511410	Light, shower, incandescent
510445	Bulb, incandescent, #1141
500956	Light, wardrobe, w/switch
681924	Bulb, wardrobe light #581
511849	LIGHT-FLUOR. SURFACE MT. #98 P
511850	Light fluorescent, surface mount
511848	Light fluorescent, 13" recessed
511848-100	LENS #98-762 LENS FOR 511848
510644	Light, walkway, half shade
512168	LIGHT-OVAL PIN UP W/GLOBE
512169	LIGHT, 3 ARM DINETTE
512170	LIGHT PIN UP, 2 BULB SHADED, BEDROOM
512170-01	SHADE, SMOOTH IVORY TWIN, BEDROOM
512171	LIGHT, RADIANCE READING, ROUND BULB
512174	LIGHT, OVERHEAD SURFACE MOUNT
500540-01	LIGHT, CEILING, GALLEY & VANITY, 27', 25' Front Bed
511669	SWITCH ASSY. SHOWER WHITE, 25' FB
511970	LIGHT, 12V SINGLE W/SWITCH
511694-01	READING LIGHT-HALO.NICKEL/BRASS
511694-100	LENS ONLY #81920-LENS FOR LIGHT 511694-01
511137-100	20W LIGHT BULB FOR 12V HALOGEN SPOTLIGHT #HB20
511971	LIGHT, 12V DOULBLE BULB, W/SWITCH
511971-100	LENS ONLY #M1012 FOR 511971 LIGHT
511802-01	LIGHT, BEDROOM WALL, BRASS/NICKEL
511802-02	SHADE, BEDROOM, WALL LIGHT

2008 CLASSIC TRAILER

ELECTRICAL, 12 VOLT

Electrical center box, under sofa

965419-01	12 V ELECTRICAL BOX ASSY.
380988	HINGE, CONTINUOUS .5IN LEAF 16
381228-01	CATCH GRABBER DOOR

TV Jack

510654	Jack, TV w/12 volt outlet
510614-01	JACK TV 12V WHITE, interior
511534	Dual, coax, cable plate, white

Fuse Block, CSA

964082	FUSE BLOCK ASSY. 12V CSA
452412-01	BRACKET FUSE BLOCK 12V CSA
511313	FLOCK FUSE ATC 12V 6 POSITION
511314	Bushing, Universal, black
511345	FUSE 30A AGU GLASS TUBE BUSS
372072-01	TWO HOLE VENT SCREEN
385982	SAFETY SNAP PIN

2008 CLASSIC TRAILER

ELECTRICAL, 12 VOLT

Exterior Lights/Switches

512252	STEP LIGHT, L.E.D., SS
500092	Flood light
511294	Light, license plate
510658	Switch w/weather proof boot
201954	LICENSE PLATE HOUSING BLACK
201954-01	BEZEL, LICENSE PLATE, MOUNTING, CSA
511970	LIGHT, 12V SINGLE W/SWITCH

*LED clearance light replaced incandescent during model year

*511750	Amber incandescent teardrop lights
*512226	Amber LED clearance light
*512226-01	Chrome base, amber LED clearance light
*512226-02	Sealed light bezel, amber LED clearance light
*512226-03	Foam gasket, amber LED clearance light
*511751	Red incandescent teardrop lights
*512227	Red LED clearance light
*512227-01	Chrome base, red LED clearance light
*512227-02	Sealed light bezel, red LED clearance light
*512227-03	Foam gasket, red LED clearance light

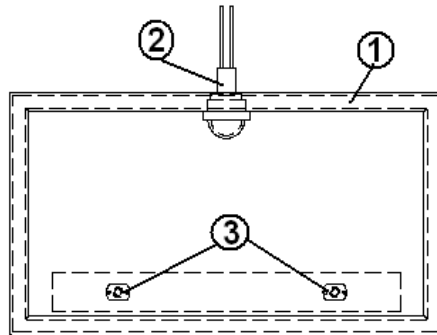
Reflectors

500095	Reflector, red, oval
500096	Reflector, amber, oval
510446	REFLECTOR, RED, STICK-ON

2008 CLASSIC TRAILER

ELECTRICAL, 12 VOLT

License Plate Light



- | | |
|--------------|---------------------------|
| 1. 201954 | License plate holder |
| 1. 201954-01 | License plate holder, CSA |
| 2. 511294 | License plate light |
| 3. 350153 | Nut, plate, 1/4 x 20 |

Tail Lights

- | | |
|-----------|-------------------------------------|
| 966407-01 | TAILLIGHT ASSY, RS |
| 966407-02 | TAILLIGHT ASSY, CS |
| 114346-01 | Bezel, tail light casting, RS |
| 114346-02 | Bezel, tail light casting, CS |
| 201929-01 | Close out, tail light, RS |
| 201929-02 | Close out, tail light, CS |
| 511973 | Light, red stop, tail and turn |
| 511003-03 | Light, red w/clear center (back-up) |

2008 CLASSIC TRAILER

ENTERTAINMENT

Radio/Antenna

511732	AM/FM/CD CDX-CA710X
512215-01	SPEAKER, 6.5", model SP65CO
512215-02	GRILL, 6.5", WHITE
203599	Speaker, Spacer, 5/8"
511807	ANTENNA-AM/FM RUBBER 14" #RV71

Television Antenna, Manual

510788-01	Antenna, TV, Winegard
114396	Antenna, TV trough, roof
510788-03	Amplifier, antenna, Winegard
510788-04	Hardware, interior, Winegard
510788-107	Gear, elevating, plastic, Winegard
510788-118	Handle, directional, Winegard
510788-125	Handle, directional kit, Winegard
500484-04	ANTENNA LEAD & EXTENSION 48"
510616	Connector, "F", coax
510623	Connector, male-to-male, coax

Television Antenna, Power

512211-01	ANTENNA, TV MOTORIZED, WHITE
512211-02	ANTENNA CONTROL PANEL, WHITE
512211-03	ANTENNA CONTROL CABLE, 6-WIRE

TV Hook Up Blank Plate

512025-01	V JUNCTION DEVICE, SELF CONTAINED, WHITE
512025-02	PLATE, SNAP ON, ONE GANG SCD, WHITE

Exterior TV/Phone Jack

510624-01	Modular phone jack
500921	Connector, Coax, in plate

2008 CLASSIC TRAILER

ENTERTAINMENT

Interior TV/Phone Jack

510788-03	Amplifier, antenna, Winegard
511827	Wall plate, coax connector, white
511375	Telephone jack, exterior
511817	COUPLER ASSY, IN LINE PHONE JACK

External Wireless Speakers

511987	Speaker, external, out door, wireless
386161	Decal, wireless speaker

Satellite Radio

511866-05	Satellite Radio Kit, Sirius
511866-01	Satellite, RADIO RECEIVER SYSTEM SIRUS
511866-02	Satellite. RADIO KIT, PROFESSIONAL DOCKING KIT
511866-03	BRACKET, DOCKING STATION RECEIVER
511866-04	PLANE-ANTENNA GROUND
511862	SWITCH, SOURCE SELECTOR
511926	Auxiliary audio switcher
512142	Fuse, glass, slow blow

XM Radio

512220	SATELLITE RADIO SYS-XM SKYF12
511862	SWITCH, SOURCE SELECTOR #XA-300
512142	FUSE, GLASS SLOW BLOW 2A
511926	AUXILLARY AUDIO SWITCHER, JVC

2008 CLASSIC TRAILER

ENTERTAINMENT

Audio Upgrade Package

511191	CD CHANGER-10 DISK SONY CDX-75
511835	PATCH CORD 30' 3-WAY MALE TO MALE
203599	Speaker, Spacer, 5/8"
511822	SUB WOOFER-POWERED 6.5" WEDGE
511863-02	A/B Selector Switch Kit
512024	Jack, 12 volt DC, Audio Prep

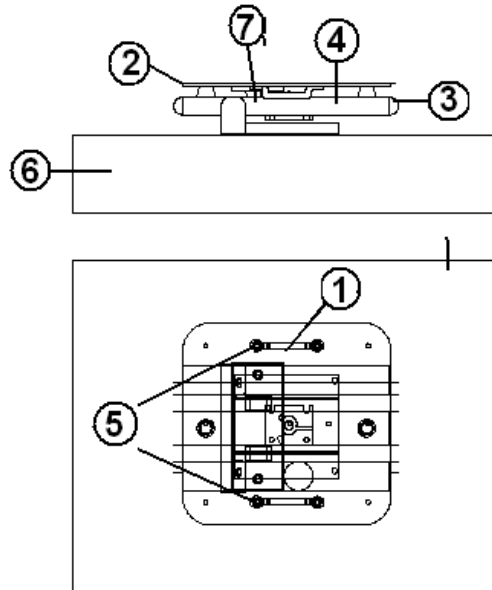
Audio/Video Upgrade

511191	CD CHANGER-10 DISK SONY CDX-75
512059	RADIO AM/FM/CD/DVD, SONY
690543	TV, 15" LCD, FLAT SCREEN, SONY
690590	TV, 19" LCD, Samsung
690600	TV, 19" Toshiba LCD w/DVD
690582	23" LCD TV, Sony
690588	23" LCD TV, Samsung
512273	POWER CORD, 8', SAMSUNG TV
512215-01	SPEAKER, 6.5", model SP65CO
512215-02	GRILL, 6.5", WHITE
203599	Speaker, Spacer, 5/8"
511835	PATCH CORD 30' 3-WAY MALE TO M
511834	PATCH CORD 30' DUAL MALE TO MALE
512265	RCA cord adaptor, angled
511856	WIRING KIT- 4 WAY FLAT EXT.SPE
511703	CORD-PATCH MALE/MALE 2-WAY 20'
511822	SUB WOOFER-POWERED 6.5" WEDGE
511863-02	A/B Selector Switch Kit
511645	Male to 2 female, adaptor
512024	Jack, 12 volt DC, Audio Prep
386159	LABEL, FLAT SCREEN TV
510621-02	Splitter, Coax
511827	TV jack Plate
381136	Spacer bumpers, TV bracket

2008 CLASSIC TRAILER

ENTERTAINMENT

Flat Screen TV/Bracket Installation, 15" TV



- | | |
|-----------|-------------------------------------|
| 1. 703455 | STRAP 20" FLAT SCREEN TV |
| 2. 454476 | Bracket, TV mount Wall, 15' |
| 3. 512105 | Bracket, articulating arm, flat TV |
| 4. 381136 | Rubber bumper |
| 5. 381566 | Loop, footman steel |
| 6. 690543 | TV, 15" |
| 7. 454478 | TV mount stabilizer bracket, 15" TV |
| 510110 | Clamps, adhesive backed |
| 350147-25 | Nut, nylon lack, 1/4" x 20 |
| 300111-25 | Washer flat |

2008 CLASSIC TRAILER

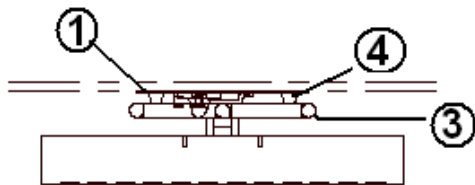
ENTERTAINMENT

Flat Screen TV/Bracket Installation, 19", TV

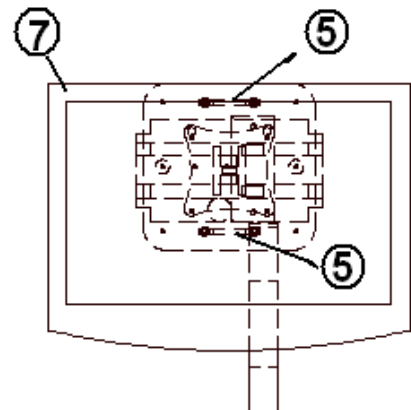
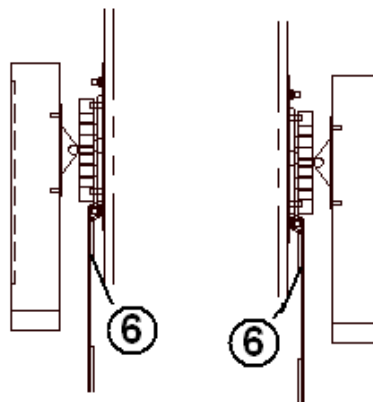
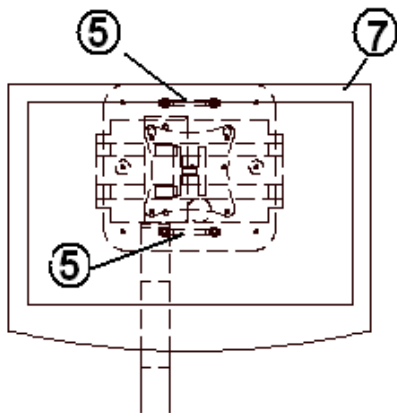
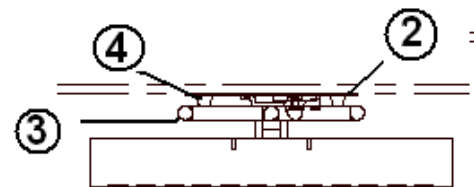
Right hand used on 25', 30', 30' S/O, 31', 34' S/O

Left hand used on 25' FB, 27' FB, 30' FB, 34'

Right Hand Installation



Left Hand Installation



- | | |
|--------------|------------------------------------|
| 1. 454477 | Bracket, TV mount Wall, RH |
| 2. 454434 | Bracket, TV mount Wall, LH |
| 3. 512105-01 | Bracket, articulating arm, flat TV |
| 4. 381136 | Rubber bumper |
| 5. 381566 | Loop, footman steel |
| 6. 703455-03 | Strap |
| 7. 690590 | TV, 19" LCD, Samsung |
| 7. 690600 | TV, 19" Toshiba LCD w/DVD |
| 512268 | TV antenna coaxial cable lead, 9' |

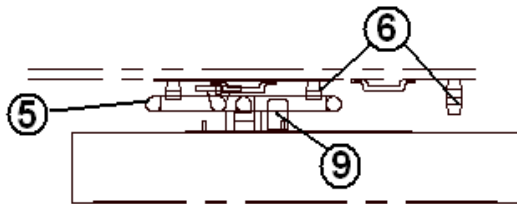
2008 CLASSIC TRAILER

ENTERTAINMENT

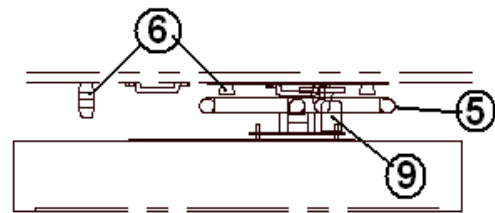
Flat Screen TV/Bracket Installation, 23" TV, w/Strap

Right hand used on 25', 30', 30' S/O, 31', 34' S/O

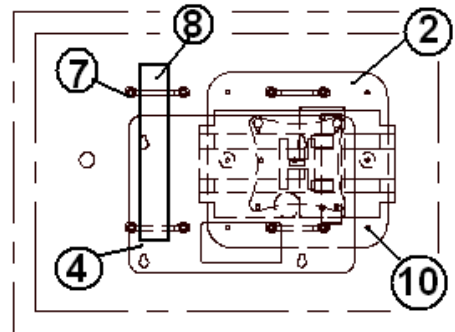
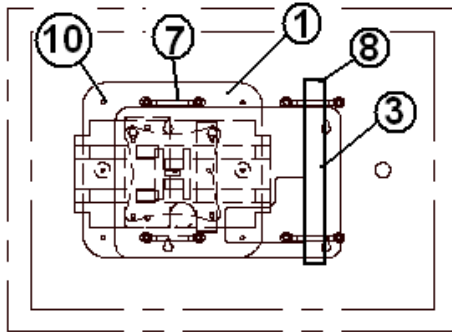
Left hand used on 25' FB, 27' FB, 30' FB, 34'



23" TV Right Hand



23" TV Left Hand

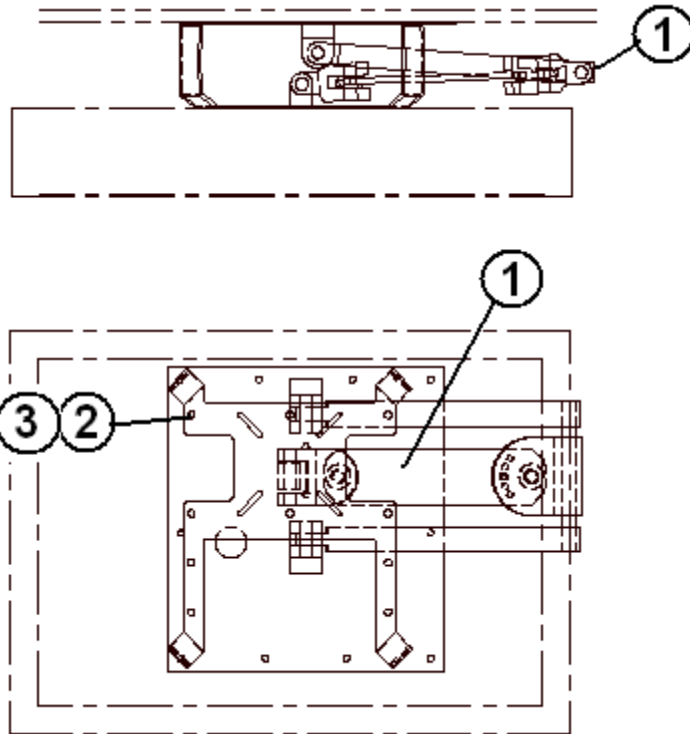


- | | |
|--------------|------------------------------------|
| 1. 454477 | Bracket, TV mount Wall, RH |
| 2. 454434 | Bracket, TV mount Wall, LH |
| 3. 454618 | Bracket, TV Extension, RH |
| 4. 454619 | Bracket, TV Extension, LH |
| 5. 512105 | Bracket, articulating arm, flat TV |
| 6. 381136 | Rubber bumper |
| 7. 381566 | Loop, footman steel |
| 8. 703455-02 | Strap, 55" |
| 9. 454479 | TV mount stabilizer bracket |
| 10. 345460 | M5 pan Philips screw |

2008 CLASSIC TRAILER

ENTERTAINMENT

Flat Screen TV/Bracket Installation, 23" TV, w/no Strap

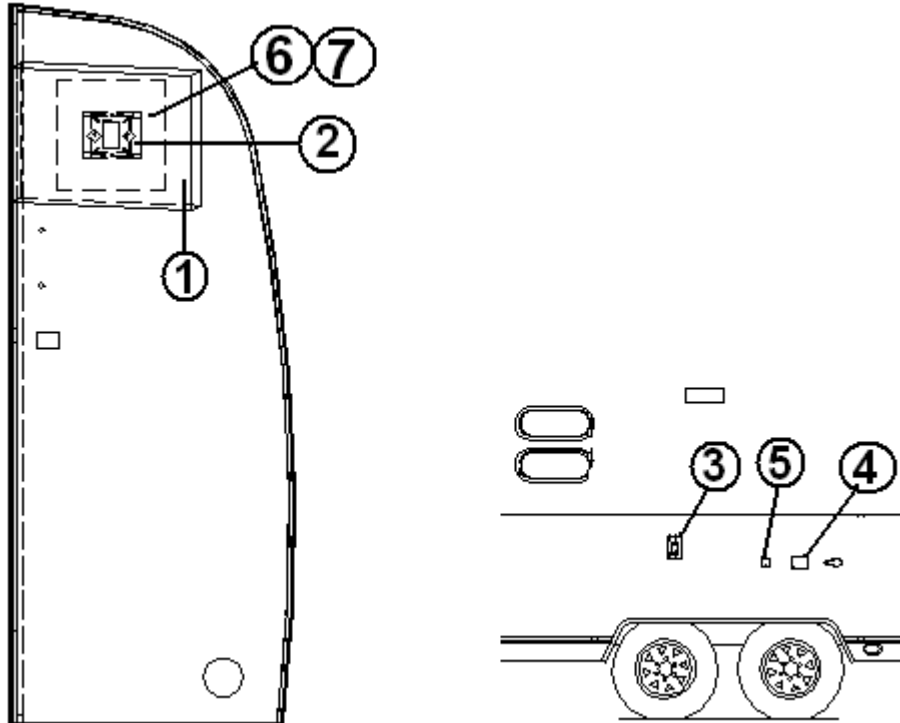


- | | |
|-----------|-----------------------------------|
| 1. 512238 | Articulating Arm, MovieW |
| 2. 345478 | Screw, M4 x 25MM, Phil Pan head |
| 3. 381136 | Bumper, rubber |
| 512265 | Adaptor right angle, RCA |
| 512268 | TV antenna coaxial cable lead, 9' |
| 690582 | 23" LCD TV, Sony |
| 690588 | 22" LCD TV, Samsung |

2008 CLASSIC TRAILER

ENTERTAINMENT

Flat Screen TV Bracket Installation, Bedroom 30' Front Bed



- | | |
|--------------|----------------------------------|
| 1. 690600 | Television w/DVD, LCD |
| 2. 512304-01 | Bracket, TV, fixed w/angle |
| 3. 512304-02 | Bracket, exterior TV mount |
| 4. 510676-01 | Outlet, 110 volt, exterior, gray |
| 5. 512249 | Cable TV connector w/cover |
| 6. 967227 | Backer, TV mount, plywood |
| 7. 454650 | Backer, TV mount, steel |
| *510621-04 | Coax splitter, 4-way |
| *510621-03 | Coax splitter, 3-way |

*510621-04 replaced by 510621-03 during model year. Fourth position was not being used.

2008 CLASSIC TRAILER

FLOOR COVERING

Carpet, Flooring/Floor Mats/ Linoleum

703629	Carpet, Savannah Minosa
702794-01	CARPET SAFARI SPECTRUM PIKE GRAY
700173-01	Pad, carpet, ½" thick
702549	Matt, entrance, w/Airstream logo
381183-01	EDGING, CARPET RIPPLE ALUM 12'
703628	LINOLEUM, LEGACY LAGUNA
701538	Carpet, Velour-compartment liner
702979	Flooring, vinyl, 8" wide, Banker Gray, roll out tray
702979-01	FLOORING, VINYL 22.63" WIDE, GREY, ROLL OUT TRAY
801384-01	TRIM, LAMINATE FLOOR ECRU FOSS

2008 CLASSIC TRAILER

FURNITURE

Doors, Cabinet, Raised Panel, Hickory

Width x height (inches)

800597-013	Raised panel door	10.75" x 22.00
800597-023	Raised panel door	14.00 x 20.00
800597-053	Raised panel door	14.75 x 29.75
800597-073	Raised panel door	12.25 x 21.00
800597-083	Raised panel door	16.00 X 29.50
800597-093	Raised panel door	11.00 X 29.75
800597-103	Raised panel door	12.25 X 34.00
800597-123	Raised panel door	10.50 x 26.25
800597-273	Raised panel door	11.50 x 25.00
800597-413	Raised panel door	10.50 x 32.00
800597-443	Raised panel door	13.75 X 29.75
800597-473	Raised panel door	10.50 X 37.75
800597-493	Raised panel door	15.50 x 13.00
800597-503	Raised panel door	12.00 x 29.50
800597-513	Raised panel door	15.75 x 23.00
800597-543	Raised panel door	10.75" x 14.50"
800597-563	Raised panel door	7.75 X 17.50
800597-713	Raised panel door	12.25" x 25.00"
800597-743	Raised panel door	10.25 X 29.50
800597-853	Raised panel door	10.50 X 32.50
800597-893	Raised panel door	14.50 X 25.50
800597-903	Raised panel door	13.81 x 13.00
800597-933	Raised panel door	8.00 x 24.75
800597-943	Raised panel door	13.00 X 30.25
800597-953	Raised panel door	15.00 X 14.50
800597-963	Raised panel door	10.00" X 36.00"
800597-973	Raised panel door	10.00" X 14.00"
800597-983	Raised panel door	15.25 X 25.00
800597-993	Raised panel door	15.25 X 35.50
800597-1003	Raised panel door	15.25 X 13.75
800597-1013	Raised panel door	15.25 X 21.00

2008 CLASSIC TRAILER

FURNITURE

Doors, Cabinet, Mirror Frames, Hickory

width x height inches

800557-103	Door frame	22.00 x 60.00
800557-113	Door frame	16.00" x 60.00
800557-153	Door frame	19.00 x 60.00
800557-433	Door frame	13.50 X 60.00

Mirrors

width x height inches

371262-04	Mirror, safety glass	19.12 x 28.12
371262-05	Mirror safety	13.12" x 28.12"
371262-10	Mirror, safety glass	16.12 x 28.12
371262-71	Mirror, safety glass	10.38" X 28.12"
372203-04	Mirror, polished edges	36.00 X 14.00
372203-17	Mirror, safety, polished edges	14.0 x 33.13
380024	SUPPORT FRICTION SLIDE, LEFT HAND	
365239	Foam pad, non-skid, 1/16" x 1/4" x 1" (Used between mirror and door frame)	
371423-03	Mirror, wall mount, 30' Front bed	
371423-01	Mirror Clip, for wall mount	

Doors, Sliding

986265-03	DOOR ASSEMBLY, SLIDING BATH, 34'	
966121-01	Door, slider, forward, 29" x 72", 34' S/O, 34', 31'	
966120-01	Door, slider, 27" x 73", 30', 30' S/O, 31', 34 S/O	
962066-03	Door, slider, aft, 30' S/O, 30'	
967216	Door, sliding, notched, 30' front bed	
200009	SLIDING DOOR GUIDE	
381443-01	SLIDING DOOR SET #71-222-5'	
381100	SLIDING DOOR GUIDE, USED FOR STOP	
345466	Spring, conical, 30' Front Bed	

2008 CLASSIC TRAILER

FURNITURE

Door, Shower, 34' S/O, 34', 31', 30' S/O, 30', 27', 25' & 30' Front Bed

703626-03 SHOWER DOOR ORB W/AQUA GLASS
381403 Latch, travel, Shower Door
381100 SLIDING DOOR GUIDE

Door, Foldette, 34' S/O, 34', 31'

702681-01 Door, foldette, 36" x 73", beige
381563-01 Track, foldette door

Door, Foldette, 27', 25' Front Bed

381838-01 TRACK-FOLDETTE DR METAL 16'TRL
381890-02 TRACK-STRAIGHT FOLDETTE 25'FB
702681-08 FOLDETTE DOOR, BEIGE 60" X 73"

2008 CLASSIC TRAILER

FURNITURE

Drawer Face, Hickory

width x height inches

800599-013	Drawer face	7.00 x 10.50
800599-023	Drawer face	7.00 x 11.75
800599-073	Drawer face	4.50 x 14.00
800599-123	Drawer face	9.00 x 47.00
800599-213	Drawer face	7.00 x 23.00
800599-223	Drawer face	7.00 x 14.00
800599-233	Drawer face	8.00 x 21.50
800599-253	Drawer face	9.00 x 15.00
800599-263	Drawer face	11.75" X 22.25"
800599-383	Drawer face	7.00 x 21.50
800599-463	Drawer face	8.00 X 17.25
800599-563	Drawer face	7.00 x 16.00
800599-573	Drawer face	17.25 x 13.00
800599-583	Drawer face	4.75 x 21.50
800599-593	Drawer face	9.75 x 12.00
800599-653	Drawer face	8.00 x 10.50
800599-843	Drawer face	10.00" X 10.00"

2008 CLASSIC TRAILER

FURNITURE

Drawer Boxes

Height x width x length (inches)

964906-02	Drawer box	2.75 x 19.50 x 18.00
964906-10	Drawer box	2.75 x 12.25 x 14.00
964907-02	Drawer box	8.50 x 18.00 x 6.00
964907-13	Drawer box	15.00 X 18.00 X 6.00
964908-01	Drawer box	8.00 x 17.50 x 26.00
964908-02	Drawer box	20.75" X 18.00" X 8.00"
964908-06	Drawer box	8.00" X 34.00" X 18.00"
964909-04	Drawer box	18" x 18" x 10"
964910-01	Drawer box	5.00 x 20.88 x 18.00
964910-02	Drawer box	5.00 x 10.00 x 18.00
964910-03	Drawer box	5.00 x 19.50 x 18.00
964910-05	Drawer box	8.50 X 18.00 X 5.00
964910-13	Drawer box	5.00 x 14.00 x 19.69
964910-14	Drawer box	5.00 x 13.75 x 13.00
964910-18	Drawer box	17.00 X 14.00 X 5.00
964910-23	Drawer Box	5" X 8" X 7"

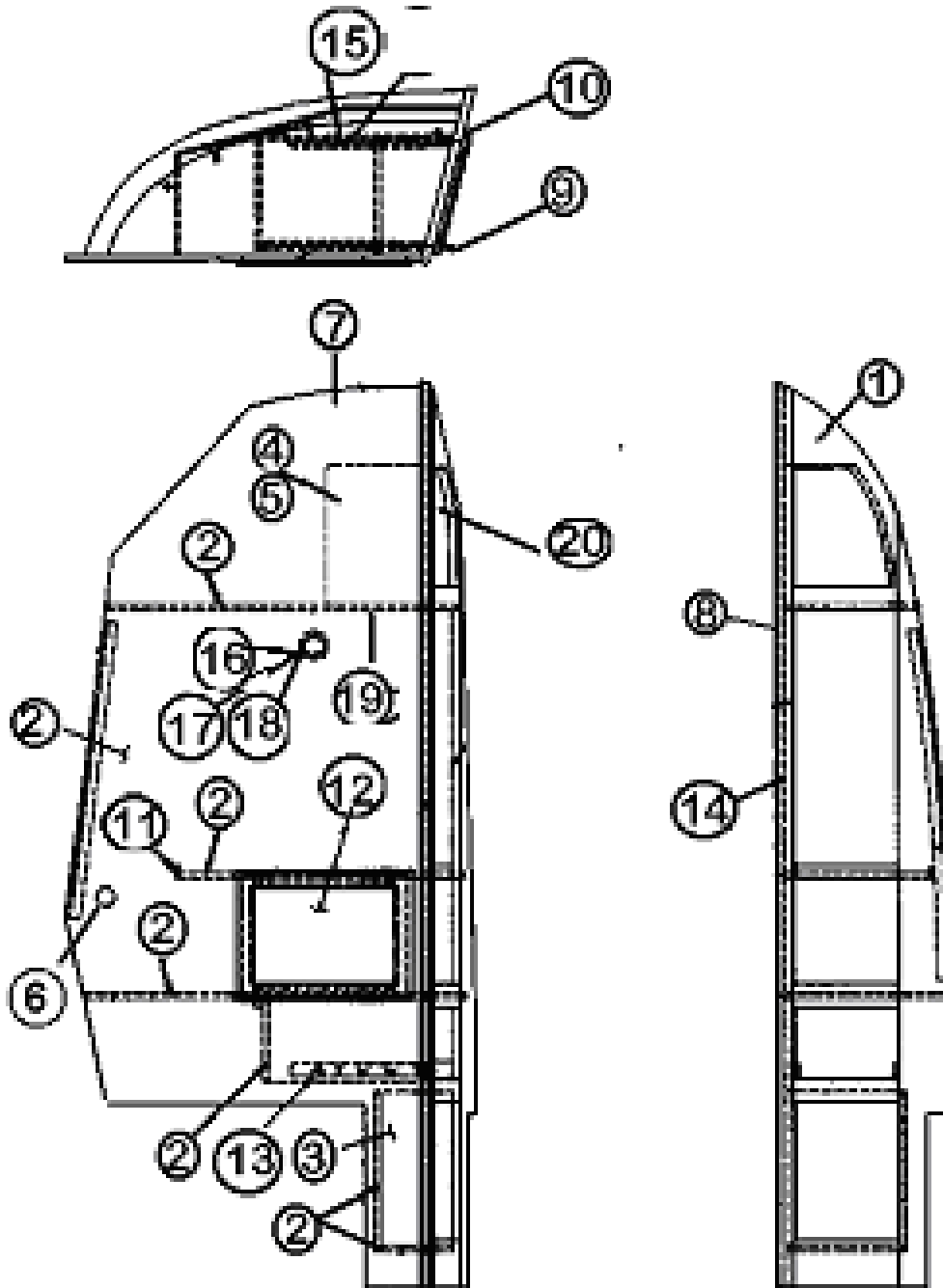
Drawer Boxes, Bed/Pantry

963338-01	Drawer box, angled, RS rear wardrobe, Double bed
963338-02	Drawer box, angled, CS rear wardrobe, Double bed
963749-02	Drawer box assembly, Bed
961759-01	DRAWER BOX ASSY. "J" Bed
986777-02	Drawer box, pantry, 25' Front Bed
201016	Drawer, plastic, 16" x 22"

2008 CLASSIC TRAILER

FURNITURE, BEDROOM

Wardrobe Assembly, RS, 34' S/O, 34', 31', 30' S/O, 30', 27'



P/N Next Page

2008 CLASSIC TRAILER

FURNITURE, BEDROOM

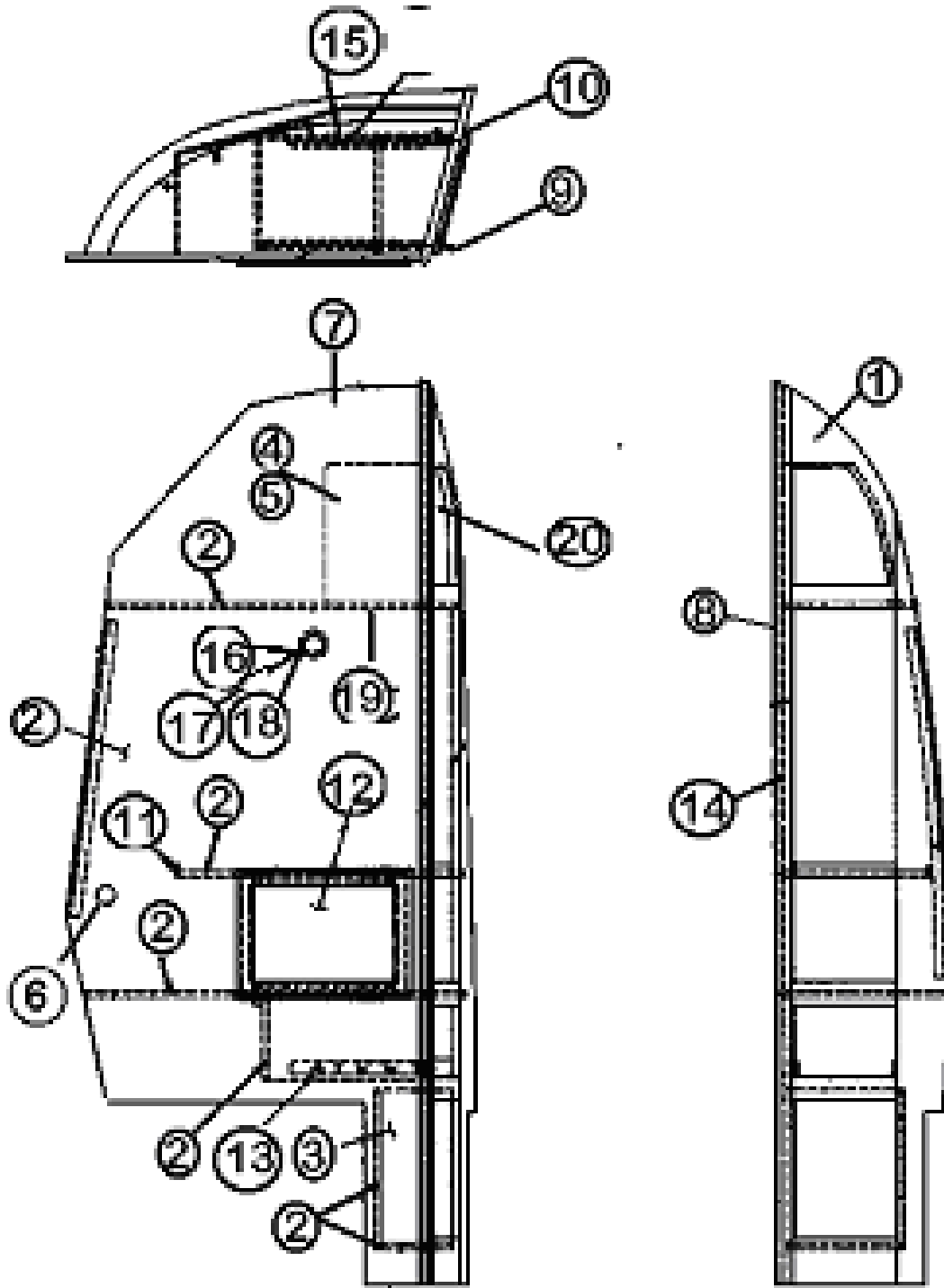
Wardrobe Assembly, RS, 34' S/O, 34', 31', 30' S/O, 30', 27'

963340-14	Wardrobe Assembly, RS
1. 962207-013	FACE FRAME AFT RS W/R, "W", Hickory
2. 801258-003	PANEL 1/2" G2S, Hickory
3. 801260-003	PANEL 5/32"G1S, Hickory
4. 800599-013	DRAWER FACE- 7.00 X 10.50, Hickory
5. 201959-01	PAN TOP SHELF WRD RH BLACK ABS
6. 381209	GROMMET & CAP
7. 365239	FOAM, NON-SKID PAD 1/4 X 1 X 1/16"
8. 800597-853	DOOR FRAME 10.50 X 32.50, Hickory
9. 382002	Cabinet door pull, Orb, 3" center
10. 381999	Hinge, Orb
11. 800573-013	MOLDING DOOR 1-3/32" X 80", Hickory
12. 801260-003	PANEL 5/32"G1S, Hickory
13. 381526-01	DRW SLIDE-950-RV 14"
14. 381228-01	GRABBER DOOR CATCH
15. 963338-01	DRAWER BOX ASSY ANGLED RH
16. 380045	TUBING 3/4IN METALLIC
17. 380046	FLANGE CHROME
18. 200975-04	CONDUIT, FLEXIBLE BLACK PLASTIC
19. 500956	LIGHT, WARDROBE, W/SWITCH
20. 964869-013	FRAME CONTROL PANEL, HICKORY

2008 CLASSIC TRAILER

FURNITURE, BEDROOM

Wardrobe Assembly, CS, 34' S/O, 34', 31', 30' S/O, 30', 27'



P/N Next Page

2008 CLASSIC TRAILER

FURNITURE, BEDROOM

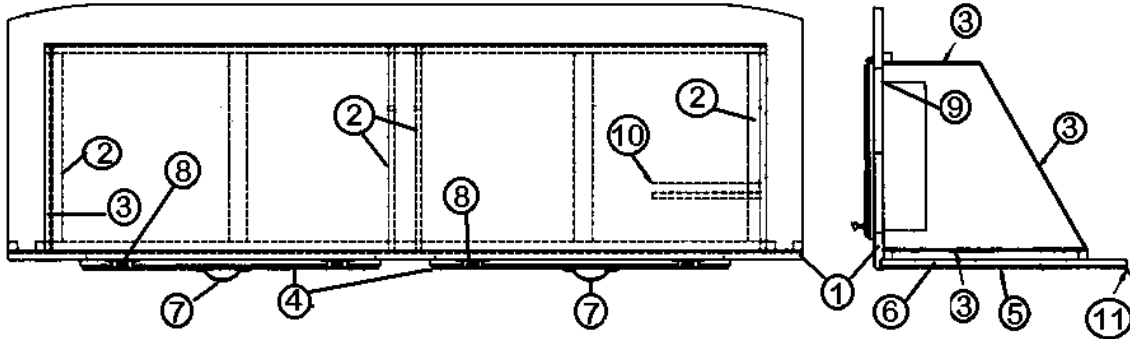
Wardrobe Assembly, CS, 34' S/O, 34', 31', 30' S/O, 30', 27'

963340-15	Wardrobe Assembly, CS
1. 962208-013	FACE FRAME AFT CS W/R, "W", Hickory
2. 801258-003	PANEL 1/2" G2S, Hickory
3. 801260-003	PANEL 5/32"G1S, Hickory
4. 800599-013	DRAWER FACE, 7.00 X 10.50, Hickory
5. 201959-02	PAN TOP SHELF WRD LH BLACK ABS
6. 381209	GROMMET & CAP (BELOW COUNTER PLUG)
7. 365239	FOAM, NON-SKID PAD 1/4 X 1 X 1/16"
8. 800597-853	DOOR FRAME 10.50 X 32.50, Hickory
9. 382002	Cabinet door pull, Orb, 3" center
10. 381999	Hinge, Orb
11. 800573-013	MOLDING DOOR 1-3/32" X 80", Hickory
12. 801260-003	PANEL 5/32"G1S, Hickory
13. 381526-01	DRW SLIDE-950-RV 14"
14. 381228-01	GRABBER DOOR CATCH
15. 963338-02	DRAWER BOX ASSY ANGLED LH
16. 380045	TUBING 3/4IN METALLIC
17. 380046	FLANGE CHROME
18. 200975-04	CONDUIT, FLEXIBLE BLACK PLASTIC
19. 500956	LIGHT, WARDROBE, W/SWITCH
20. 964869-013	FRAME CONTROL PANEL, HICKORY

2008 CLASSIC TRAILER

FURNITURE, BEDROOM

Roof Locker, Double Bedroom, 34' S/O, 34', 31', 30' S/O, 30', 27'

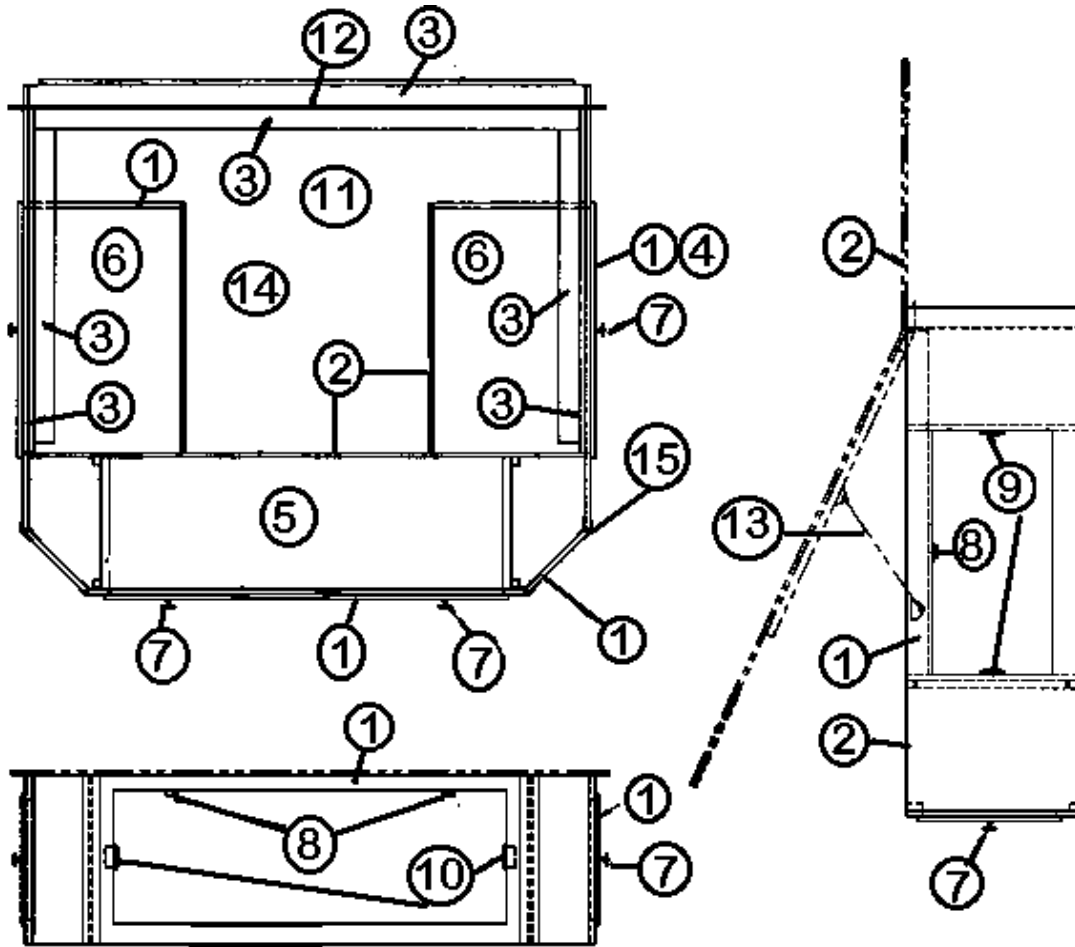


- | | |
|---------------|-----------------------------------|
| 963337-09 | Rear Locker Assembly "W" |
| 1. 963336-013 | FACE FRAME REAR LINER, HICKORY |
| 2. 801258-003 | PANEL 1/2" G2S, HICKORY |
| 3. 801260-003 | PANEL 5/32"G1S, Hickory |
| 4. 800597-893 | DOOR, 14.5 X 25", HICKORY |
| 5. 702482-03 | HEADLINER OPAL X TEXTURED |
| 6. 801505 | PANEL, SAND/RAW .125" X 4' X 8' |
| 7. 382002 | Cabinet door pull, Orb, 3" center |
| 8. 381999 | Hinge, Orb |
| 9. 381147 | DOOR SUPPORT - SPRING LOADED |
| 10. 962217-01 | FUSE PANEL CLOSE OUT "W" |
| 11. 104829 | SUPPORT ROOFLOCKER GALLEY |
| 800571-013 | MOLDING FLAT .52W X 80", HICKORY |

2008 CLASSIC TRAILER

FURNITURE, BEDROOM

Bed, Double, "J", 34' S/O, 34', 31', 30' S/O, 30', 27'



Part Numbers are on the Next Page

2008 CLASSIC TRAILER

FURNITURE, BEDROOM

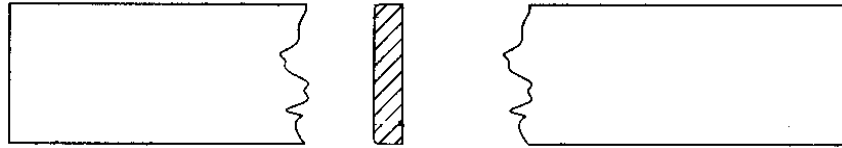
Bed, Double, "J", 34' S/O, 34', 31', 30' S/O, 30', 27'

963747-02	Bed Assembly, Double
1. 801258-003	PANEL 1/2" G2S,Hickory
2. 800507-03	LAUAN, 3/8"X 4'X 8'
3. 850082	POPLAR .75" X 2.00"
4. 365268-03	EDGEBANDING-5/8"
5. 963749-02	DRAWER BOX
6. 961759-01	DRAWER BOX
7. 382002	Cabinet door pull, Orb, 3" center
8. 381999	Hinge, Orb
9. 381400	SLIDE DRAWER 14" PAIR
10. 381400-01	SLIDE DRAWER 12" PAIR
11. 800573-013	MOLDING DOOR 1-3/32" X 80", Hickory
12. 380203-01	PIANO HINGE 1/8"
13. 381067-09	SPRING-GAS 90 LBS
13a 381085	CLIP, RETAINING
13b. 381262	BRACKET, PROP, W/BALL, ANGLE
13c. 381310	GAS PROP BRACKET ASSY-UPPER
13d. 381084	BALL, STUD
14. 701538	CARPET, VELOUR BLACK 48"
15. 114690	ANGLE BED CORNER
965605-01	HEADBOARD ASSY. 2-TONE
381228-01	CATCH GRABBER DOOR

2008 CLASSIC TRAILER

FURNITURE, BEDROOM

Wardrobe, Close Out "W", 34' S/O, 31' D, 30', 27' FB



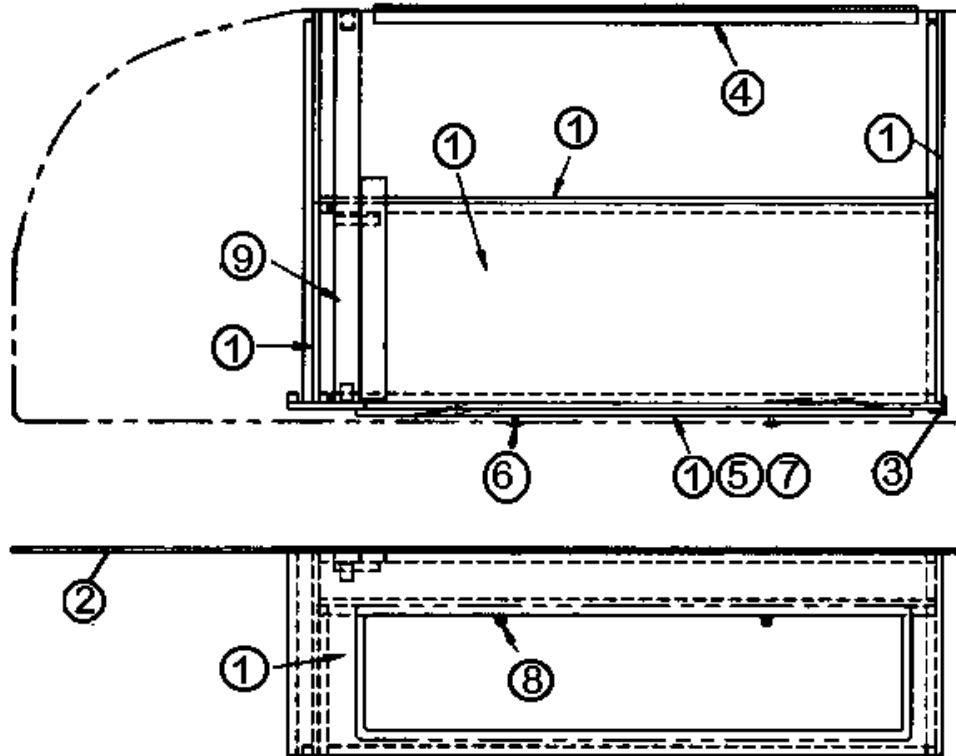
964259-003

Close Out "W" Wardrobe

2008 CLASSIC TRAILER

FURNITURE, BEDROOM

Bed, Twin, Roadside, 34' S/O, 34', 31', 30' S/O, 30'

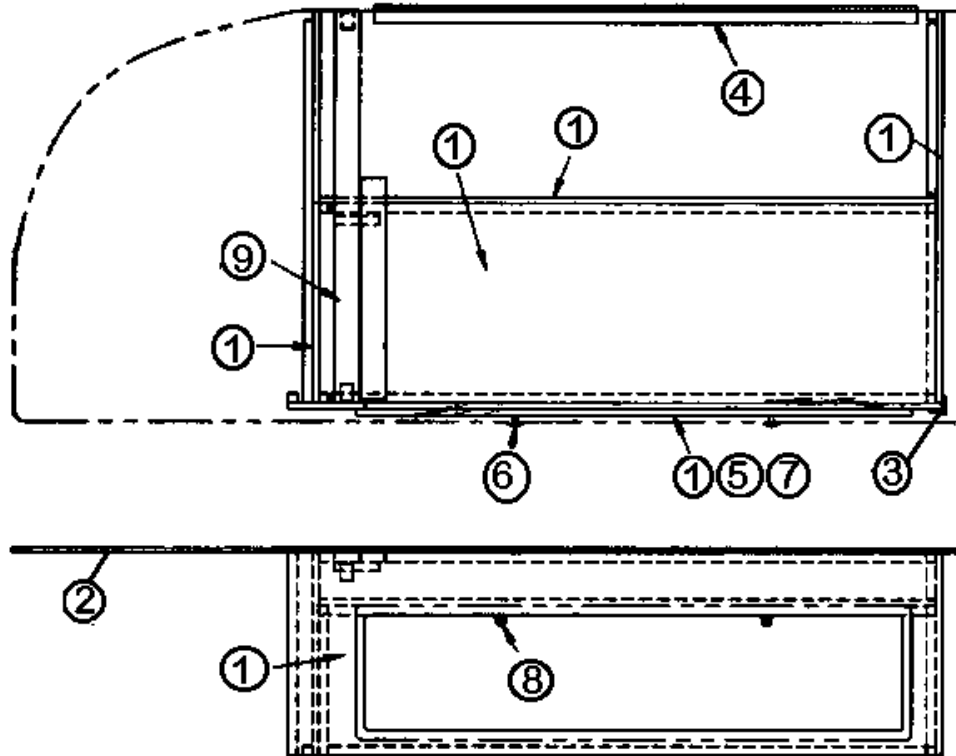


- | | |
|---------------|-----------------------------------|
| 962227-03 | Twin Bed, RS |
| 1. 801258-003 | Panel, 1/2" G1S, Hickory |
| 2. 800507-03 | Luan, 3/8" |
| 3. 800575-013 | Molding, corner, Hickory |
| 4. 380203-01 | PIANO HINGE 1/8" PIN CLR |
| 5. 381999 | Hinge, Orb |
| 6. 382002 | Cabinet door pull, Orb, 3" center |
| 7. 365250-003 | EDGEBANDING-5/8", Hickory |
| 8. 381228-01 | CATCH GRABBER DOOR |
| 9. 114813 | ALUM. ANGLE 1.00 X 1.50 |
| 998101-01 | BED-END,C.B.TWIN, FABRIC COVERED |

2008 CLASSIC TRAILER

FURNITURE, BEDROOM

Bed, Twin, CS 34' S/O, 34', 31', 30' S/O, 30'

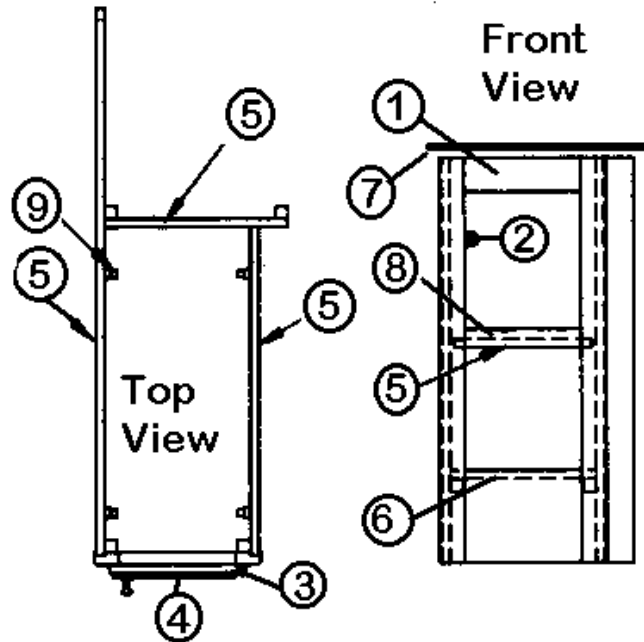


- | | |
|---------------|-----------------------------------|
| 962227-04 | Twin Bed, CS |
| 1. 801260-003 | Panel, 1/2" G1S, Hickory |
| 2. 800507-03 | Luan, 3/8" |
| 3. 800575-013 | Molding, corner, Hickory |
| 4. 380203-01 | PIANO HINGE 1/8" PIN CLR |
| 5. 381999 | Hinge, Orb |
| 6. 382002 | Cabinet door pull, Orb, 3" center |
| 7. 365250-003 | EDGEBANDING-5/8", Hickory |
| 8. 381228-01 | CATCH GRABBER DOOR |
| 9. 114813 | ALUM. ANGLE 1.00 X 1.50 |
| 998101-01 | BED-END, C.B.TWIN, FABRIC COVERED |

2008 CLASSIC TRAILER

FURNITURE, BEDROOM

Nightstand RS, Twin Bedroom, 34' S/O, 34

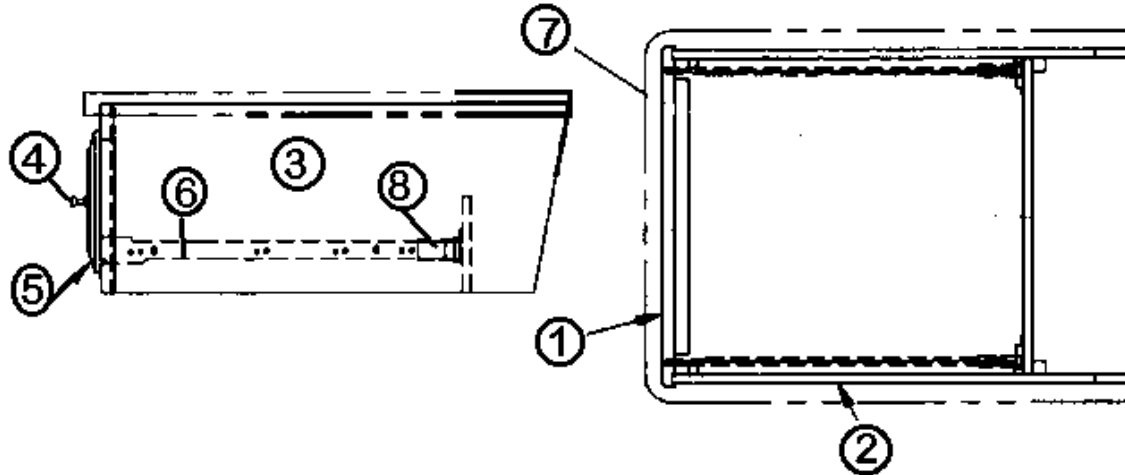


- | | |
|---------------|---------------------------------------|
| 963348-08 | RS Nightstand Assembly |
| 1. 963351-023 | FACE FRAME, HICKORY |
| 2. 381228-01 | CATCH GRABBER DOOR |
| 3. 381999 | Hinge, Orb |
| 4. 800597-563 | DOOR, 7.75 X 17.50, HICKORY |
| 5. 801180-003 | PANEL 1/2" WOOD/VINYL, HICKORY |
| 6. 801259-003 | PANEL 1/2" G1S, HICKORY |
| 7. 601906-01 | TOP, RS NIGHTSTAND, Corian, Sandstone |
| 8. 800573-013 | MOLDING DOOR EDGE, HICKORY |
| 9. 381527 | SPEEDY SHELF STRIPS |
| 382002 | Cabinet door pull, Orb, 3" center |

2008 CLASSIC TRAILER

FURNITURE, BEDROOM

Nightstand, Center, All Twin Bed Units

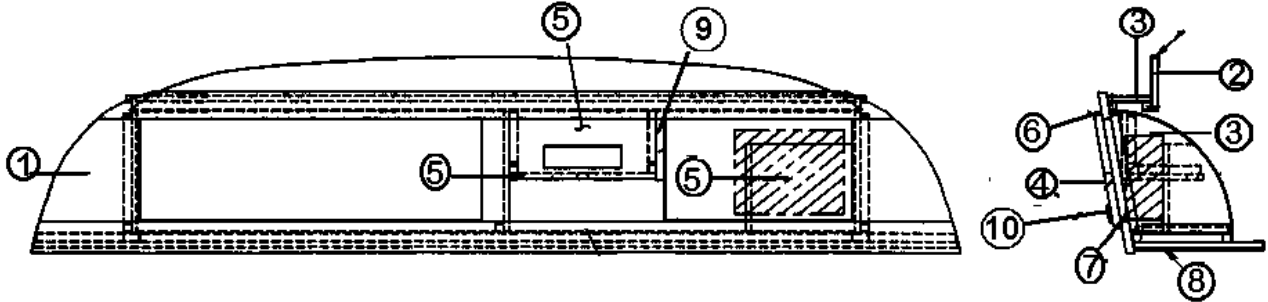


- | | |
|---------------|------------------------------------|
| 965209-05 | Center Nightstand Assembly |
| 1. 965210-003 | FACE FRAME, HICKORY |
| 2. 801258-003 | PANEL 1/2' G2S, HICKORY |
| 3. 964907-13 | DRAWER BOX, 15.00 X 18.00 X 6.00 |
| 4. 382002 | Cabinet door pull, Orb, 3" center |
| 5. 800599-463 | DRAWER FACE 8.00 X 17.25", HICKORY |
| 6. 381526-04 | DRW SLIDE-950 RV 18" |
| 7. 601904-01 | TOP, NIGHTSTAND, SANDSTONE |
| 8. 381526-06 | ADJUSTABLE REAR BRKT |
| 381415 | SLIDE, DRAWER, DELTA TRAVEL LOCK |

2008 CLASSIC TRAILER

FURNITURE, BEDROOM

Roof Locker, Rear End, All Rear Bed Units

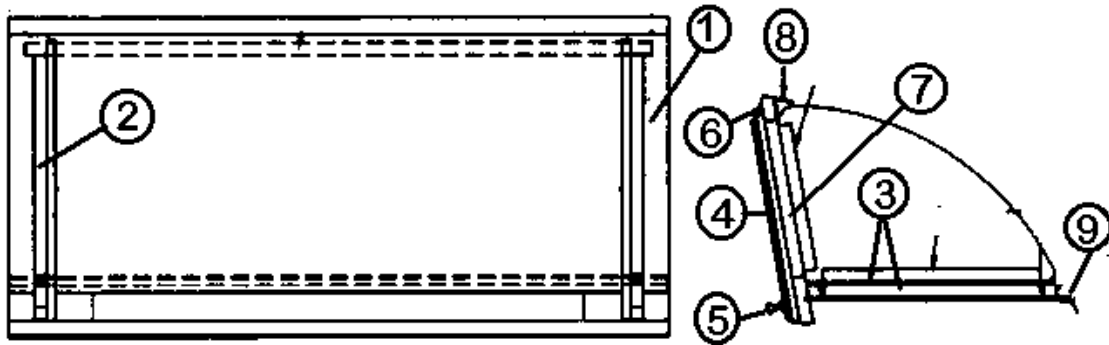


- | | |
|---------------|-------------------------------------|
| 963506-11 | Roof Locker, Rear end Liner |
| 1. 963498-003 | FACE FRAME FWD/AFT R/L, Hickory |
| 2. 801258-003 | PANEL 1/2" G2S Hickory/Hickory |
| 3. 801260-003 | PANEL 5/32"G1S Hickory/RAW |
| 4. 800597-853 | DOOR FRAME 10.50" X 32.50", Hickory |
| 5. 801259-003 | PANEL 1/2", G1S Hickory/RAW |
| 6. 382000 | HINGE, SEMI-CONCEALED |
| 7. 381147 | DOOR SUPPORT, SPRING LOADED |
| 8. 702482-03 | HEADLINER, TEXTURED |
| 9. 965049-003 | SIDE PANEL, RADIO SHELF, HICKORY |
| 10. 382002 | Cabinet door pull, Orb, 3" center |
| 365239 | FOAM, NON-SKID PAD 1/4 X 1 X 1/16" |
| 801505 | PANEL,SAND/RAW .125" X 4' X 8' |

2008 CLASSIC TRAILER

FURNITURE, BEDROOM

Roof Locker, Bedroom, RS/CS, 39", 34' S/O, 34', 31', 30' S/O, 30', 27'

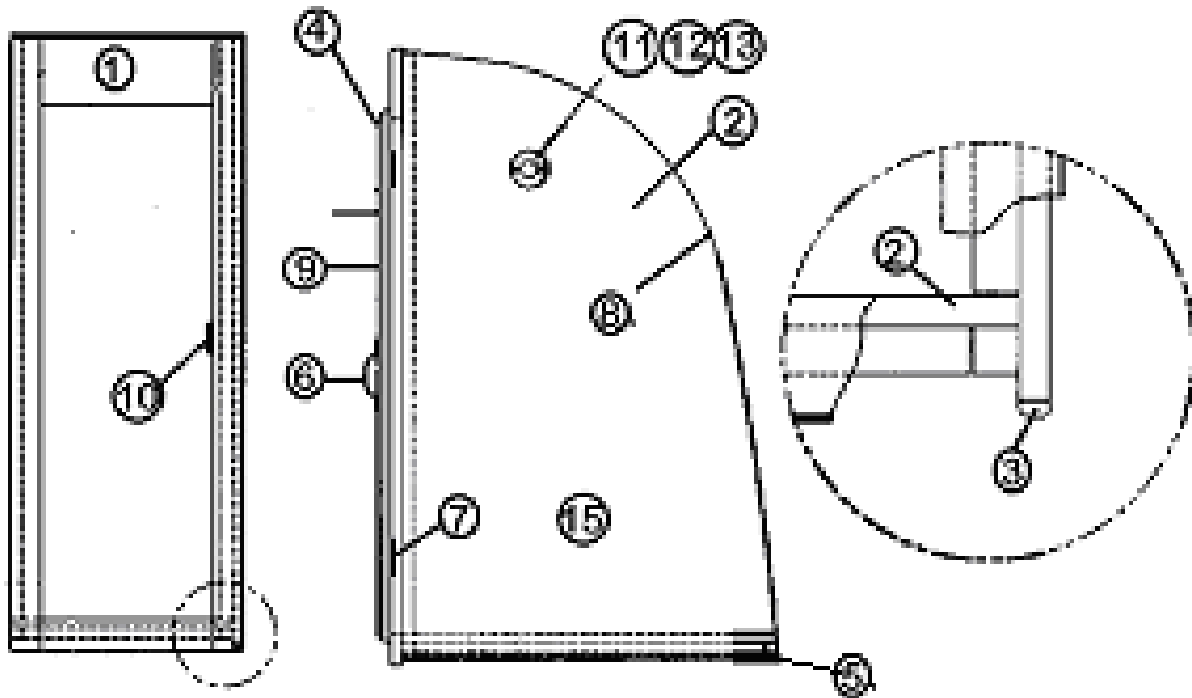


- | | |
|---------------|---|
| 963671-06 | Roof Locker Assembly, 38.25" |
| 1. 963670-003 | FACE FRAME Bed R/L, Hickory |
| 2. 801258-003 | PANEL 1/2" G2S, Hickory |
| 3. 801260-003 | PANEL 5/32"G1S, Hickory |
| 4. 800597-103 | DOOR, 12.25" X 34.00", Hickory |
| 5. 382002 | Cabinet door pull, Orb, 3" center |
| 6. 381999 | Hinge, Orb |
| 7. 381147 | DOOR SUPPORT - SPRING LOADED |
| 8. 104821 | SUPPORT, ROOFLOCKER, 74" |
| 9. 100013 | ROOF LOCKER, WALL EXTRUSION |
| 963827-013 | RH End Cap, Hickory |
| 963829-013 | RH End Cap Frame, Hickory |
| 963829-023 | LH End Cap frame, Hickory |
| 963827-023 | LH End Cap, Hickory |
| 800572-013 | MOLDING, PANEL EDGE, 23/32 X 80", HICKORY |

2008 CLASSIC TRAILER

FURNITURE, BEDROOM

Wardrobe, Hanging, RS/CS, All Twin Bed Units



Part Numbers Are On the Next Page

2008 CLASSIC TRAILER

FURNITURE, BEDROOM

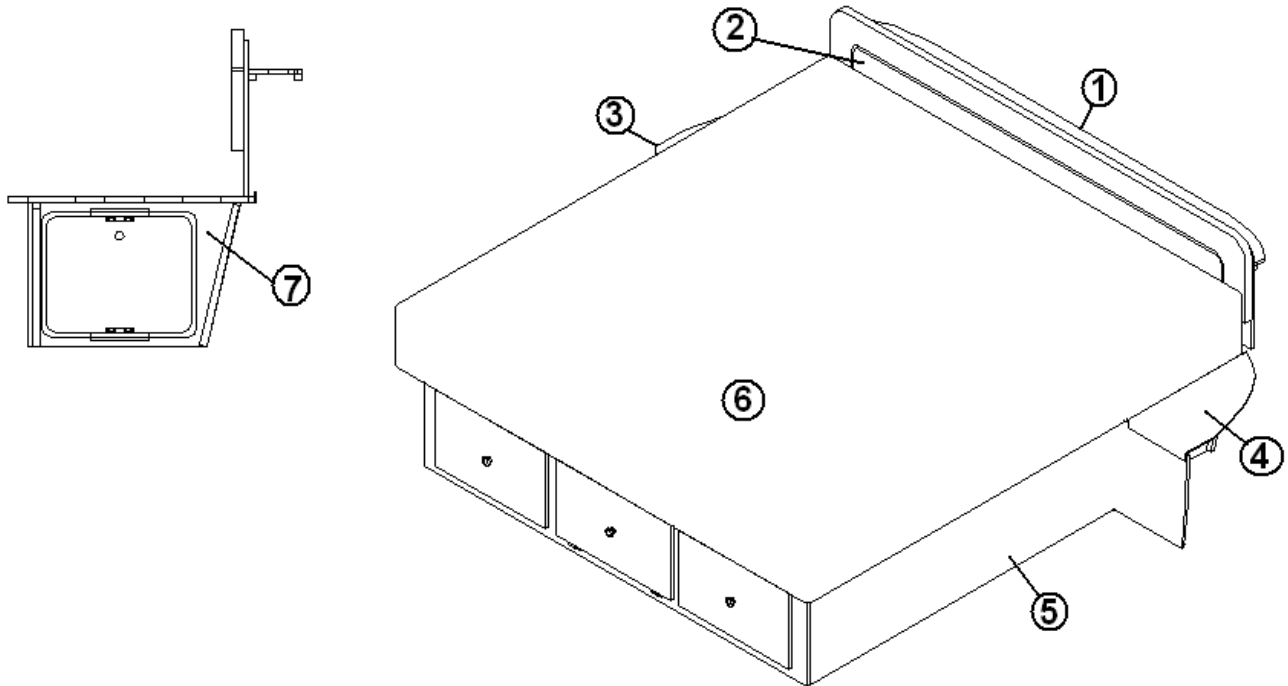
Wardrobe, Hanging, RS/CS, All Twin Bed Units

962355-16	CS Hanging Wardrobe
962355-17	RS Hanging Wardrobe
1. 986180-013	FACE FRAME, Oak
2. 801258-003	PANEL ½' G2S, Hickory
3. 365250-003	EDGE BANDING-5/8", Hickory
4. 800597-103	DOOR, 12.25 X 34.00", Hickory
5. 104821	SUPPORT, ROOFLOCKER, 74"
6. 382002	Cabinet door pull, Orb, 3" center
7. 381999	Hinge, Orb
8. 800397-01	CEDAR PLANKED 5/32",
9. 801260-003	PANEL 5/32" G1S, Hickory
10. 381228-01	CATCH GRABBER DOOR
11. 380046	FLANGE CHROME
12. 380045	TUBING 3/4IN METALLIC
13. 200975-04	CONDUIT, FLEXIBLE BLACK PLASTIC
365239	FOAM, NON-SKID PAD 1/4 X 1 X 1/16"

2008 CLASSIC TRAILER

FURNITURE, BEDROOM

Bedroom Furniture, 30' Front Bed

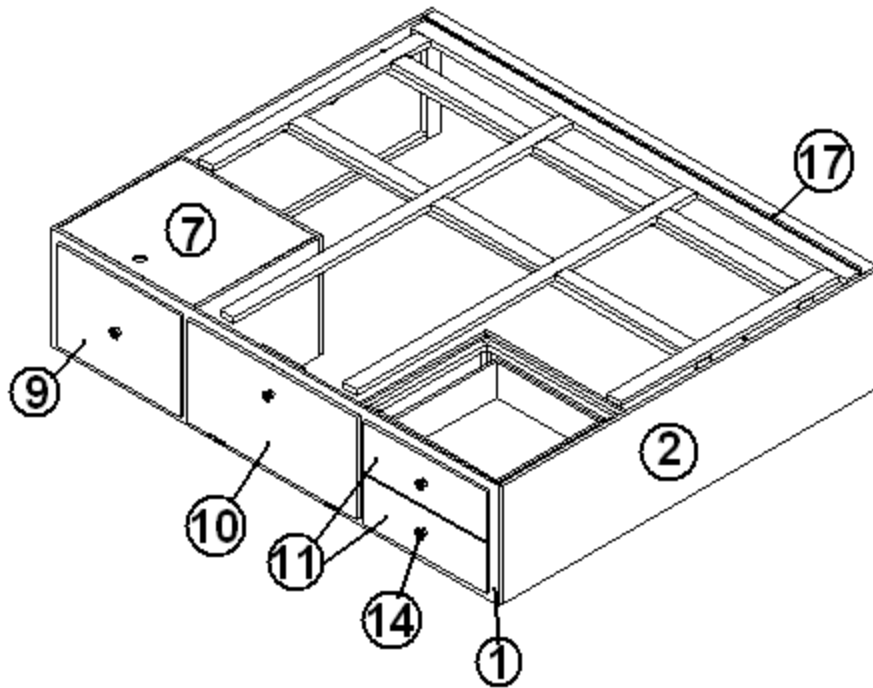
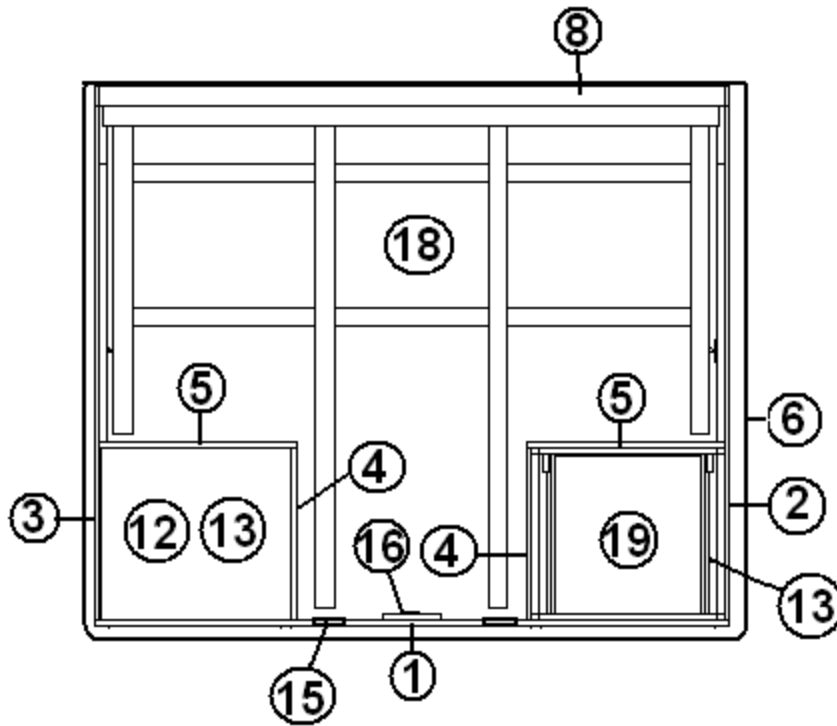


- | | |
|--------------|----------------------------|
| 1. 967197 | Headboard backer assembly |
| 2. 965605-04 | Headboard assembly, 2-tone |
| 3. 602179-01 | Top, RH, nightstand |
| 4. 602179-02 | Top, LH, nightstand |
| 5. 967191 | Bed assembly, king |
| 6. 703748 | Mattress, king |
| 7. 967192 | Rear trunk assembly |

2008 CLASSIC TRAILER

FURNITURE, BEDROOM

Bed, King, 30' Front Bed



Part Numbers Are On the Next Page

2008 CLASSIC TRAILER

FURNITURE, BEDROOM

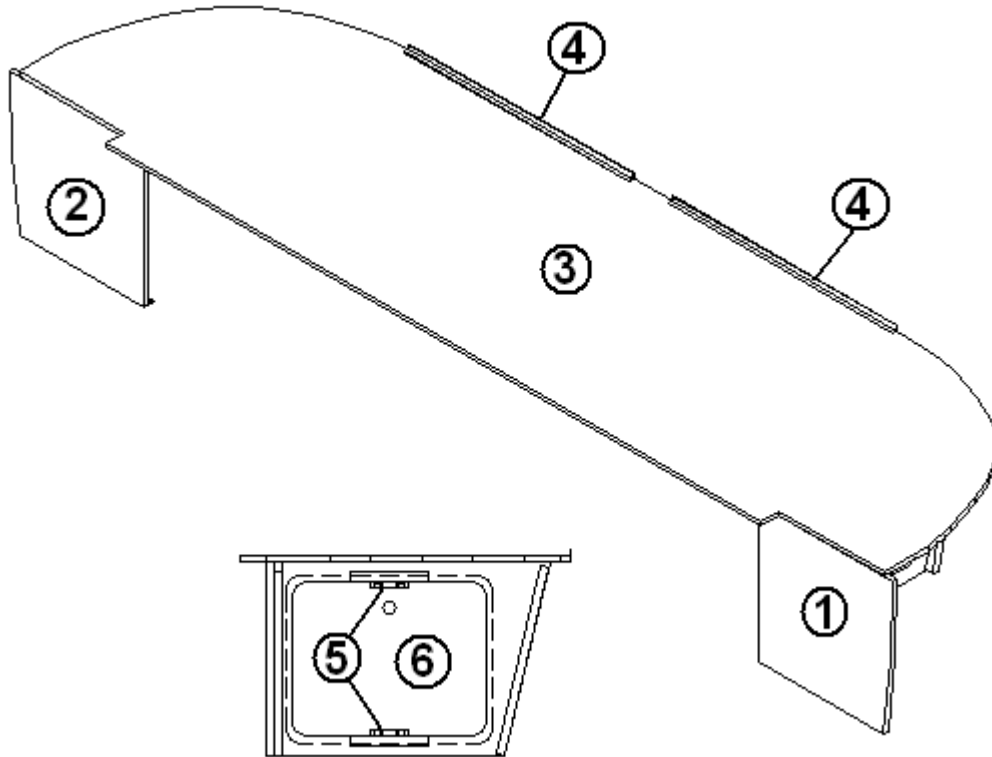
Bed, King, 30' Front Bed

967191	Bed, king, 30' front bed
1. 967191-1A	Face frame, king bed
2. 967191-1B	Side panel, king bed
3. 967191-1C	Side panel, king bed
4. 967191-1D	Panel, king bed
5. 967191-1E	Panel, king bed
6. 967191-2A	Bed top, king bed
7. 967191-2B	Compartment lid, king bed
8. 967191-2C	Panel, king bed
9. 967191-3A	Door, 18"x 13", king bed
10. 967191-3B	Door, 25"x 13", king bed
11. 967191-3C	Door, 18"x 6.38", king bed
12. 964909-14	Drawer box, 16" x 18" x 10"
13. 381526-03	Drawer slide, 18"
14. 382003	Knob, 1.38", Orb
15. 381999	Hinge, Orb
16. 381228-01	CATCH GRABBER DOOR
17. 380203-01	Hinge, 1/8" pin, clear anodized
18. 701538-01	Carpet, velour, black
19. 964910-24	Drawer box, 16" x 18" x 5"

2008 CLASSIC TRAILER

FURNITURE, BEDROOM

Bed Storage, 30' Front Bed

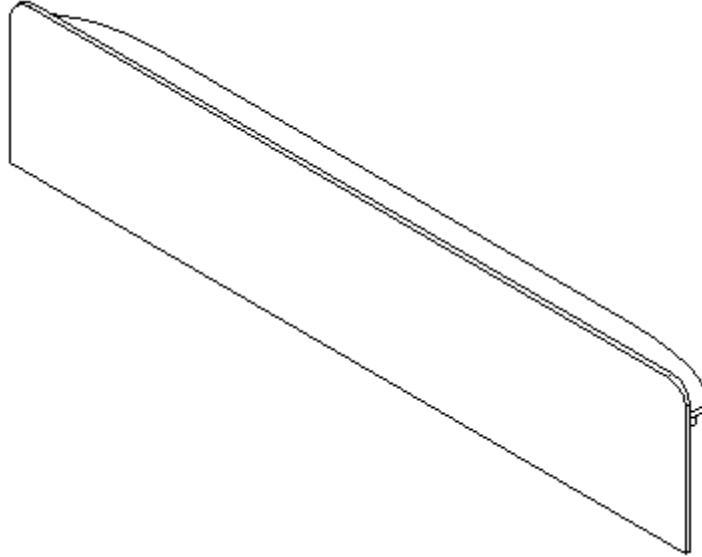


- | | |
|--------------|---------------------------------------|
| 967192 | Bed Storage, 30' Front Bed |
| 1. 967192-1B | Panel, .5", wood/Raw, 14.72" x 15.00" |
| 2. 967192-1A | Panel, .5", wood/Raw, 14.72" x 15.00" |
| 3. 967192-2A | Bed storage top |
| 4. 114811 | Aluminum angle, .5" x .5" |
| 5. 381228-01 | Door catch, grabber |
| 6. 967192-2C | Door, 16" x 13" |
| 701538-01 | Carpet, econoliner |

2008 CLASSIC TRAILER

FURNITURE, BEDROOM

Bed Headboard Backer, 30' Front Bed



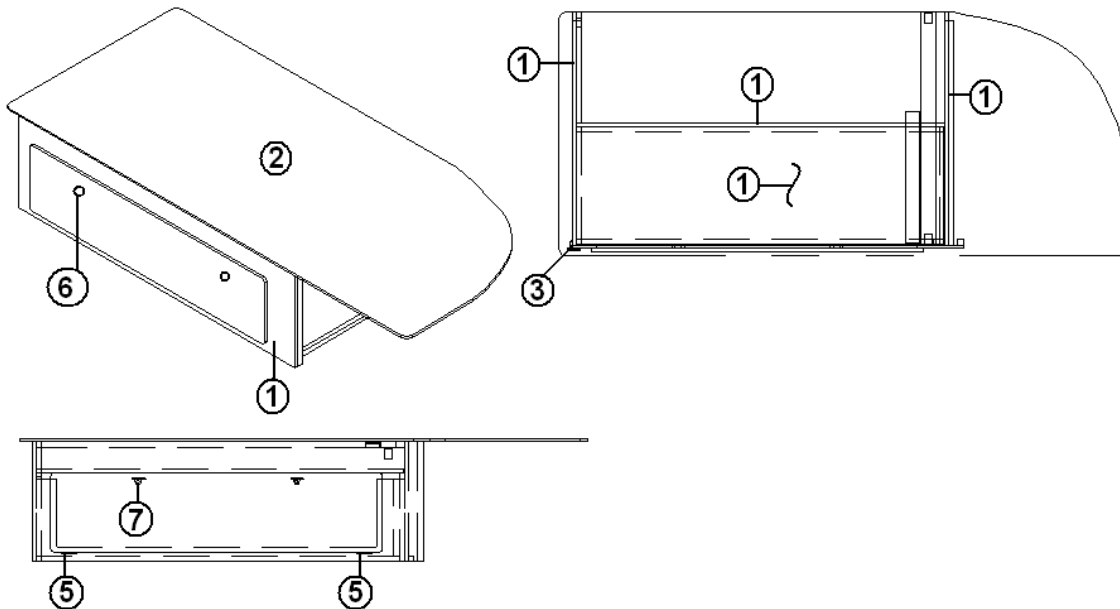
967197

Bed Headboard Backer

2008 CLASSIC TRAILER

FURNITURE, BEDROOM

Bed, Twin, Roadside & Curbside, 27'

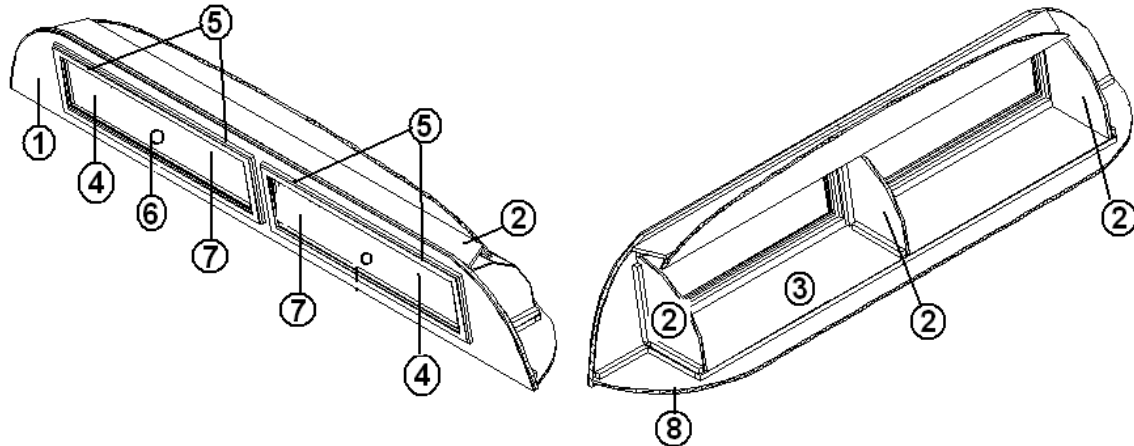


- | | |
|---------------|--------------------------------|
| 966757-01 | BED, ROADSIDE TWIN |
| 966757-02 | BED, CURBSIDE TWIN |
| 1. 801259-003 | PANELING, 1/2" HICKORY/RAW |
| 2. 800507-03 | LAUAN, 3/8"X 4'X 8' |
| 3. 800575-013 | MOLDING CORNER, OAK |
| 4. 380203-01 | PIANO HINGE |
| 5. 381999 | HINGE, ORB |
| 6. 382003 | KNOB-1.38" ORB |
| 7. 381074 | CATCH BULL DOG #65S (COPPER) |
| 201632 | T-TRIM SALEM MAPLE 5/8 IN WIDE |
| 966759-01 | CLOSEOUT, RS TWIN BED |
| 966759-02 | CLOSEOUT, CS TWIN BED |

2008 CLASSIC TRAILER

FURNITURE, BEDROOM

Roof Locker, Front End, 30' Front Bed, 27', 25' Front Bed

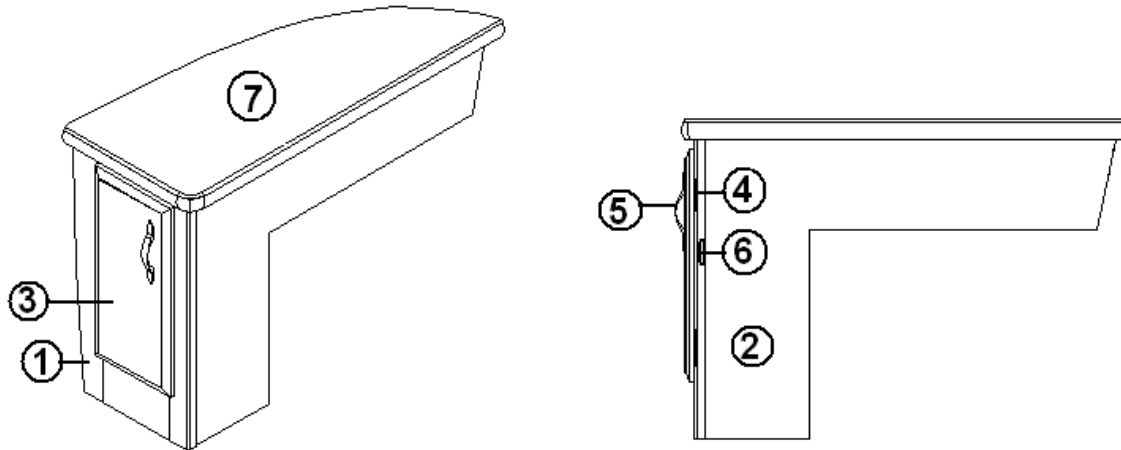


- | | |
|---------------|------------------------------------|
| 966729 | ROOF LOCKER, FRONT |
| 1. 963498-003 | FACE FRAME, ROOF LOCKER, FRONT |
| 2. 801258-003 | PANELING, 1/2" HICKORY/HICKORY |
| 3. 801260-003 | PANELING, 5/32" HICKORY/RAW |
| 4. 800597-853 | DOOR, 10.5" X 32.50" |
| 5. 381999 | HINGE, ORB |
| 6. 382002 | PULL, CABINET DOOR, 3" CENTER, ORB |
| 7. 381147 | SUPPORT, SPRING LOADED DOOR |
| 8. 702482-03 | HEADLINER SPECTRA OPAL X TEXTURE |

2008 CLASSIC TRAILER

FURNITURE, BEDROOM

Nightstand, Roadside, "J"-Bedroom, 27' Front Bed, 27'

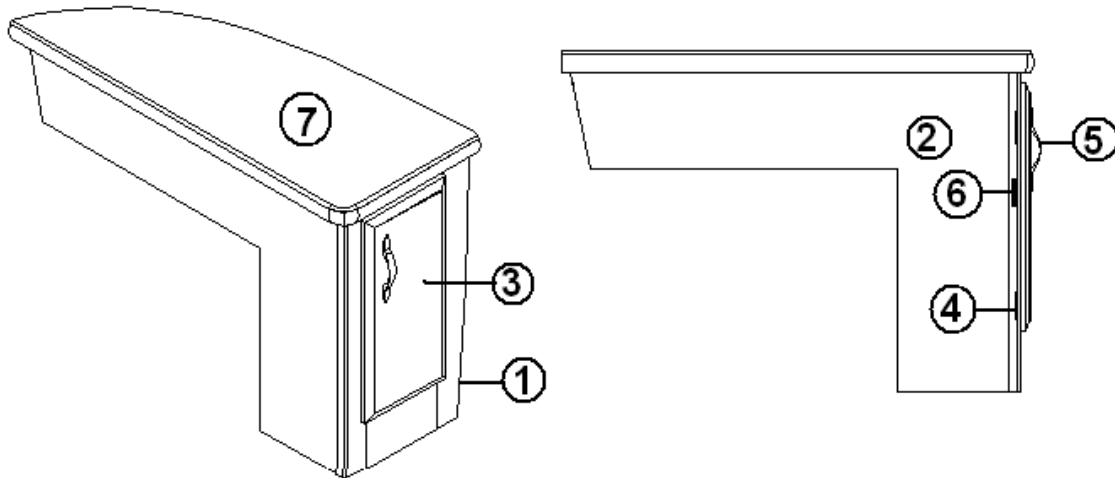


- | | |
|---------------|------------------------------------|
| 966760-01 | NIGHTSTAND, ROADSIDE, "J" BED |
| 1. 966761-013 | FACE FRAME, NIGHTSTAND, ROADSIDE |
| 2. 801259-003 | PANELING, 1/2" HICKORY/RAW |
| 3. 800599-463 | DRAWER FACE 8.00" X 17.25" |
| 4. 381999 | HINGE, ORB |
| 5. 382002 | PULL, CABINET DOOR, 3" CENTER, ORB |
| 6. 381074 | CATCH BULL DOG #65S (COPPER) |
| 7. 602183-013 | NIGHTSTAND TOP, "J" |

2008 CLASSIC TRAILER

FURNITURE, BEDROOM

Nightstand, Curbside, "J"-Bedroom, 27' Front Bed, 27'

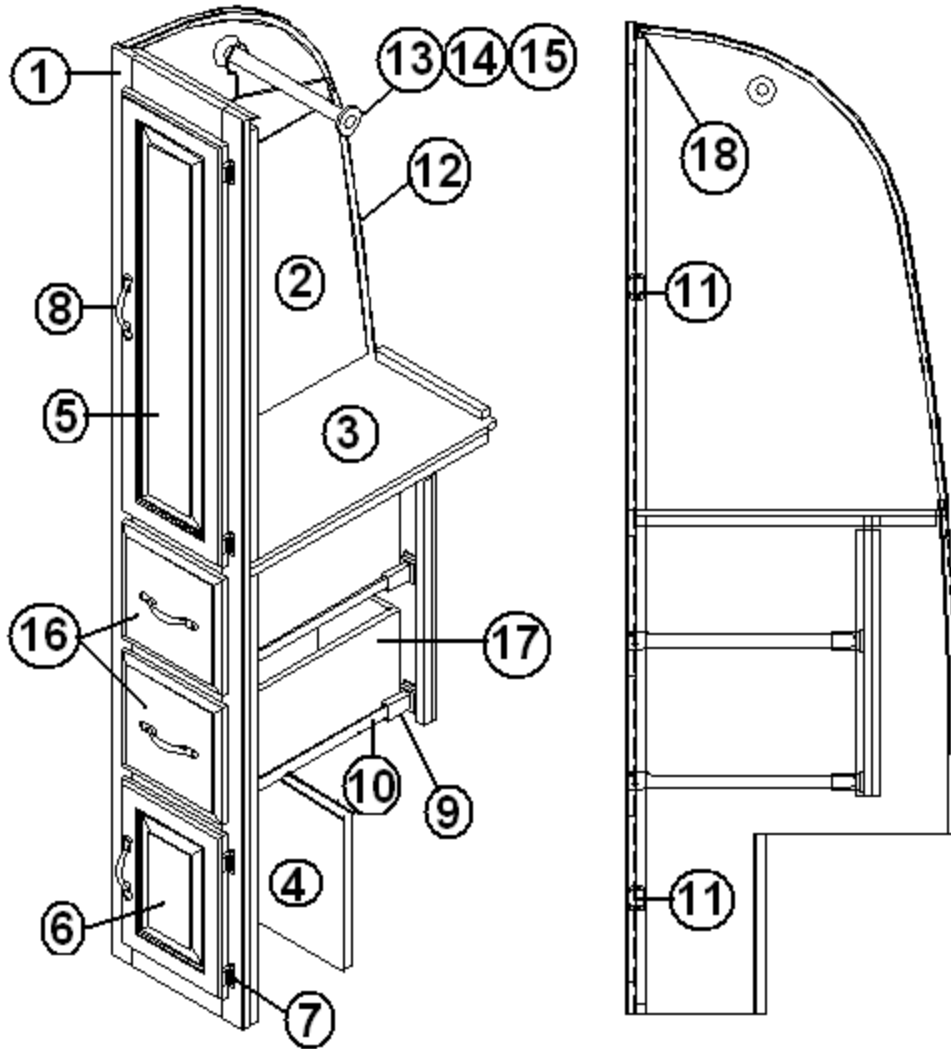


- | | |
|---------------|------------------------------------|
| 966760-02 | NIGHTSTAND, CURBSIDE, "J" BED |
| 1. 966761-023 | FACE FRAME, NIGHTSTAND, CURBSIDE |
| 2. 801259-003 | PANELING, 1/2" HICKORY/RAW |
| 3. 800599-463 | DRAWER FACE 8.00" X 17.25" |
| 4. 381999 | HINGE, ORB |
| 5. 382002 | PULL, CABINET DOOR, 3" CENTER, ORB |
| 6. 381074 | CATCH BULL DOG #65S (COPPER) |
| 7. 602183-02 | NIGHTSTAND TOP, "J" |

2008 CLASSIC TRAILER

FURNITURE, BEDROOM

Wardrobe, 25' Front Double Bed



Part numbers are on the next page

2008 CLASSIC TRAILER

FURNITURE, BEDROOM

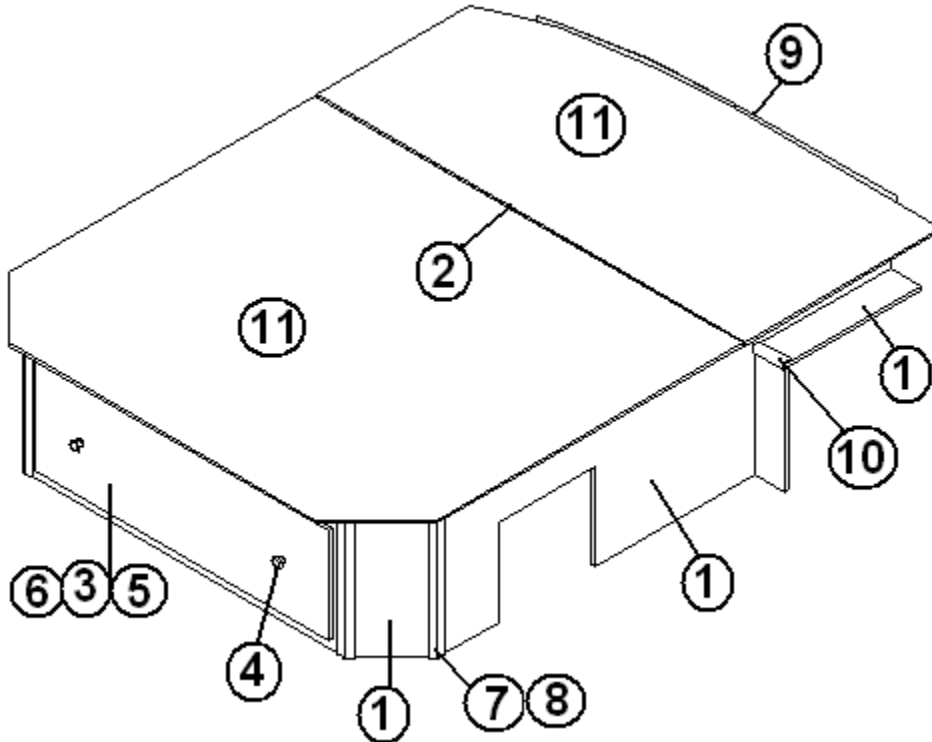
Wardrobe, 25' Front Double Bed

966823	WARDROBE ASSY.
1. 966822-003	FACE FRAME, BED W/R HICKORY
2. 801708-01	PANEL, BEDROOM WARDROBE
3. 801258-003	PANEL ½" HICKORY/HICKORY G2S
4. 801260-003	PANEL, .156" HICKORY/RAW G1S
5. 800597-963	DOOR, 10" X 36" HICKORY
6. 800597-973	DOOR, 10" X 14" HICKORY
7. 381999	HINGE, ORB
8. 382002	PULL, CAB.DOOR 3"CENTER ORB
9. 381526	BRACKET ADJUSTABLE REAR
10. 381526-03	DRAWER SLIDE-950-RV 18"
11.381228-01	CATCH GRABBER DOOR
12.203138-04	EXTRUSION, PLASTIC ½" OAK
13.380045	TUBING ¾", METALLIC
14.380046	FLANGE CHROME
15.200975-04	CONDUIT, FLEXIBLE BLACK PLASTIC
16.800599-843	DRAWER FACE,10" X 10" HICKORY
17.964908-06	DRAWER BOX, 8" X 34.00" X 18.00"
18.104821	SUPPORT, ROOFLOCKER, 74"

2008 CLASSIC TRAILER

FURNITURE, BEDROOM

Bed, 25' Front Double Bed

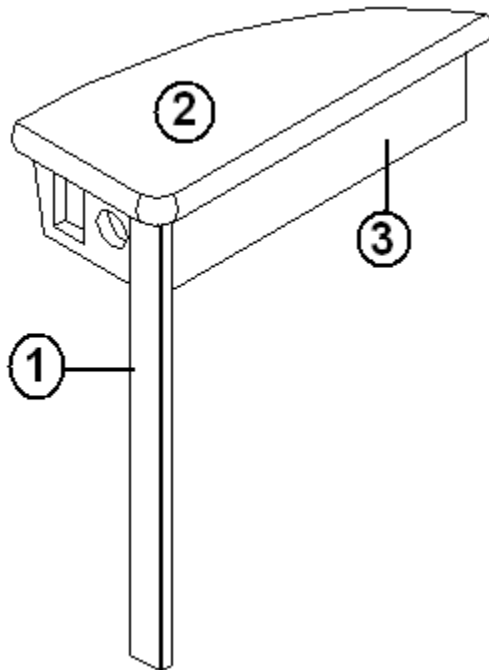


- | | |
|----------------|-----------------------------------|
| 966817 | BED ASSY., DOUBLE |
| 1. 801258-003 | PANEL 1/2" HICKORY/HICKORY G2S |
| 2. 380203-01 | HINGE PIANO |
| 3. 963749 | DRAWER BOX ASSY. |
| 4. 382003 | KNOB, 1.38" ORB |
| 5. 381228-01 | CATCH GRABBER DOOR |
| 6. 381400-01 | SLIDE DRAWER |
| 7. 115365 | Angle, bed corner, 14" x 1" x .5" |
| 8. 800572-013 | MOLDING PANEL EDGE 23/32" X 80" |
| 9. 114812 | ALUMINUM ANGLE 1.00" X 1.00" |
| 10. 800575-013 | MOLDING CORNER 80", HICKORY |
| 11. 800507-03 | LAUAN, 3/8" X 4' X 8' |

2008 CLASSIC TRAILER

FURNITURE, BEDROOM

Night Stand, 25' Front Double Bed

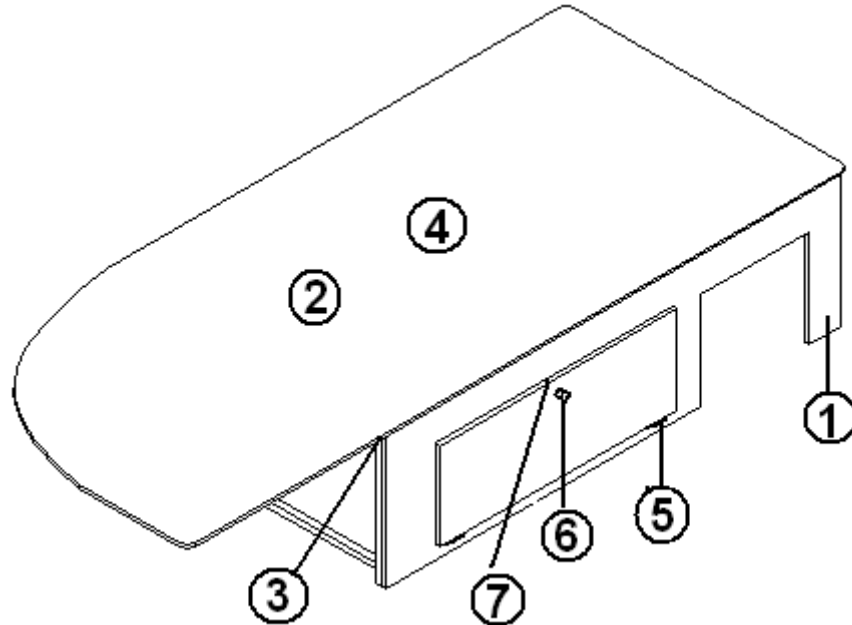


- | | |
|---------------|---------------------------------|
| 966845 | NIGHTSTAND ASSY. |
| 1. 966850-013 | FACE FRAME-"B"N/S HICKORY |
| 2. 602155 | TOP-NIGHTSTAND |
| 3. 801258-003 | PANEL 1/2" HICKORY/HICKORY, G2S |

2008 CLASSIC TRAILER

FURNITURE, BEDROOM

Bed, Curbside, 25' Front Twin Bed

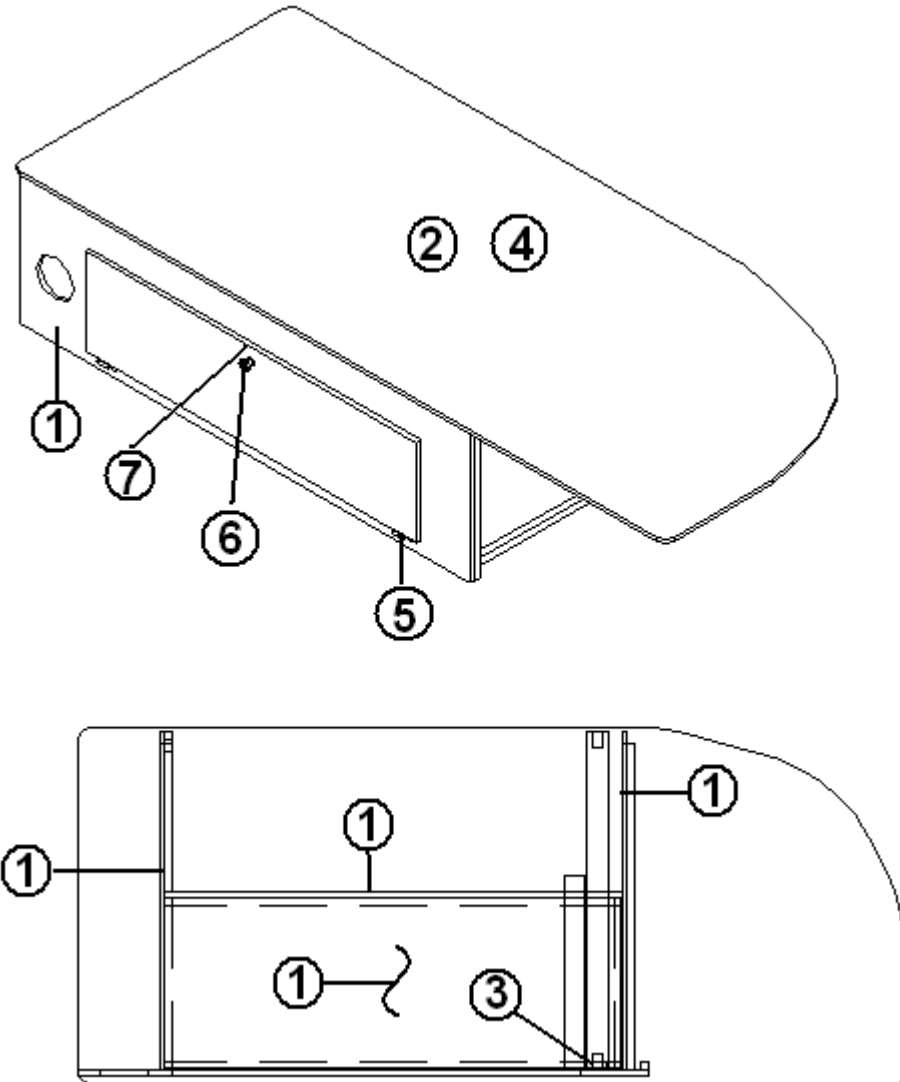


- | | |
|---------------|-----------------------------|
| 966842 | BED ASSY, CS TWIN |
| 1. 801259-003 | PANEL, .5" HICKORY/RAW, G1S |
| 2. 800507-03 | LAUAN, 3/8"X 4'X 8' |
| 3. 380210 | HINGE, PLAIN STEEL |
| 4. 380203-01 | PIANO HINGE 1/8" |
| 5. 381999 | HINGE, ORB |
| 6. 382003 | KNOB, 1.38" ORB |
| 7. 381228-01 | CATCH GRABBER DOOR |

2008 CLASSIC TRAILER

FURNITURE, BEDROOM

Bed, Roadside, 25' Front Twin Bed

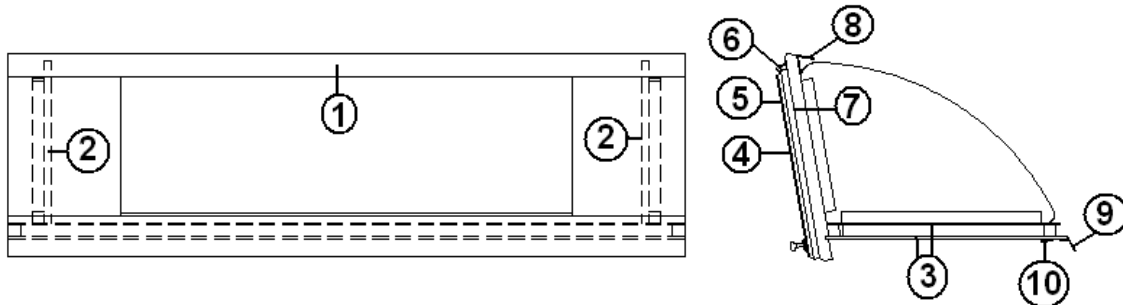


- | | |
|---------------|-----------------------------|
| 966843 | BED ASSY, RS TWIN |
| 1. 801259-003 | PANEL, .5" HICKORY/RAW, G1S |
| 2. 800507-03 | LAUAN, 3/8"X 4'X 8' |
| 3. 380210 | HINGE, PLAIN STEEL |
| 4. 380203-01 | PIANO HINGE 1/8" |
| 5. 381999 | HINGE, ORB |
| 6. 382003 | KNOB, 1.38" ORB |
| 7. 381228-01 | CATCH GRABBER DOOR |

2008 CLASSIC TRAILER

FURNITURE, BEDROOM

Roof Locker, Roadside, 25' Front Twin Bed



- | | |
|---------------|----------------------------------|
| 966847 | Roof Locker, Roadside Bedroom |
| 1. 966846-013 | FACE FRAME, ROOF LOCKER, HICKORY |
| 2. 801258-003 | PANEL, 1/2" HICKORY/HICKORY, G2S |
| 3. 801260-003 | PANEL, .156" HICKORY/RAW G1S |
| 4. 800597-103 | DOOR, 12.25" X 34.00" |
| 5. 382002 | PULL, CAB.DOOR 3"CENTER ORB |
| 6. 381999 | HINGE, ORB |
| 7. 381147 | SUPPORT, SPRING LOADED DOOR |
| 8. 104821 | SUPPORT, ROOFLOCKER, 74" |
| 9. 100013 | EXTRUSION, WALL ATTACHMENT |
| 10. 100097 | EXTR. ALUM CURTAIN TRACK |

2008 CLASSIC TRAILER

FURNITURE, BEDROOM

TV Shelf Black w/Mirror

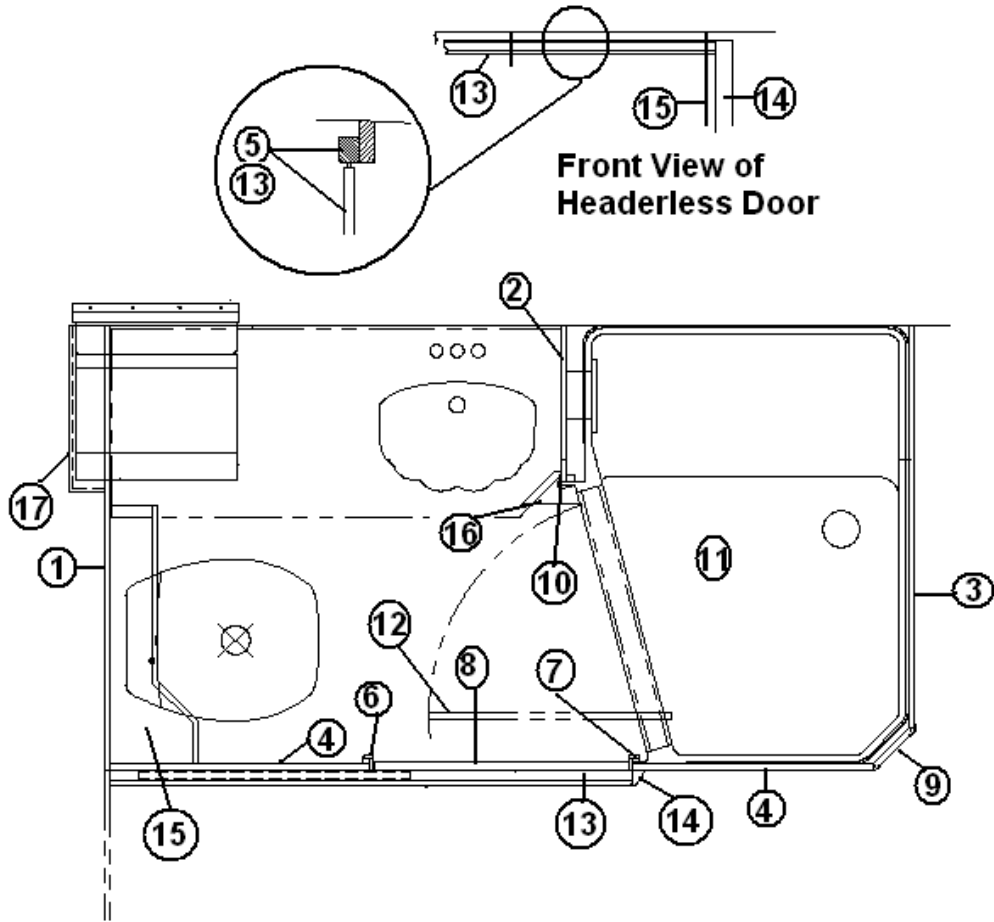
381241-009

TV SHELF W/ MIRROR, BLACK

2008 CLASSIC TRAILER

FURNITURE, BATH

Bath Module, 34' S/O, 34', 31'



Part Numbers on the Next Page

2008 CLASSIC TRAILER

FURNITURE, BATH

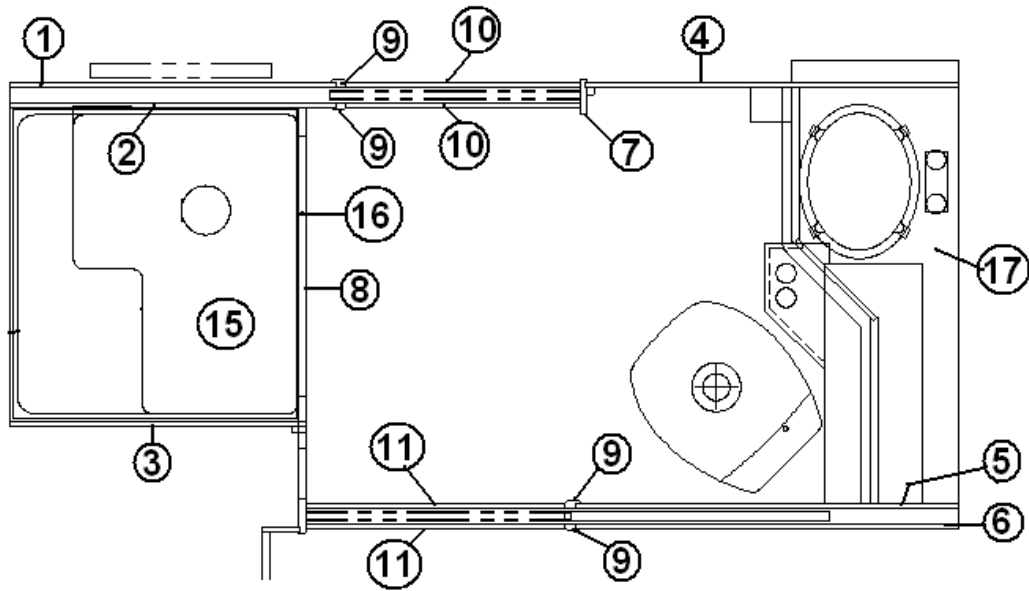
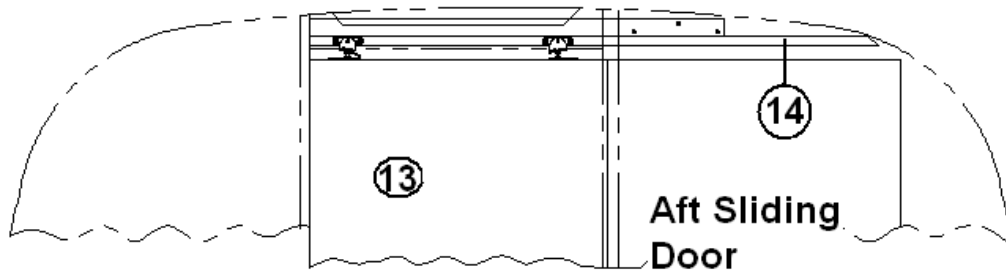
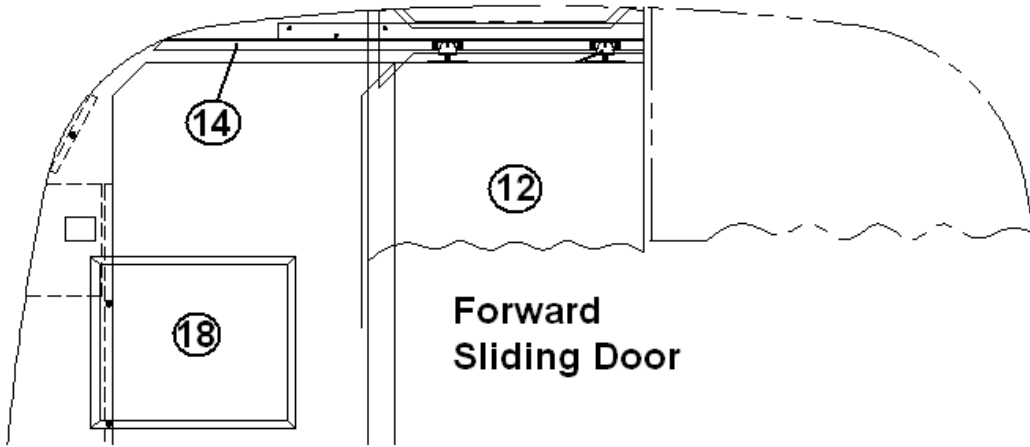
Bath Module, 34' S/O, 34', 31'

1. 801088-13 PANEL AFT BATH
2. 801088-19 PANEL,AFT SHOWER
3. 801088-03 PANEL FWD BATH
4. 801506 PANEL, ASCOT SAND/RAW, .5" X 4' X 8'
5. 966120-01 DOOR, SLIDING BATH, 34' S/O, 34', 31'
5. 966121-01 DOOR, FORWARD, SLIDING, 34' S/O, 34' 31'
5. 986265-03 DOOR ASSEMBLY, SLIDING BATH, 34'
6. 800576-013 MOLDING BATH DR JAMB 80", Hickory
7. 800575-013 MOLDING CORNER 80", Hickory
8. 964303-013 HEADER BATH DOOR, Hickory
9. 801259-003 PANEL ½" G1S Hickory/RAW 4' X 7'
10. 801172-013 MOLDING CORNER, Hickory
11. 203046-03 SHOWER STALL ANGLED
12. 703626-03 SHOWER DOOR ORB W/AQUA GLASS
13. 381100 SLIDING DOOR GUIDE
14. 800576-013 MOLDING BATH DR JAMB 80", Hickory
15. 964619 CLOSEOUT - TANK FLUSH
16. 964993 CLOSE-OUT LAVY/SHOWER
17. 961919-01 WATER HEATER CLOSE OUT
- 966114-003 HEADER-SLIDING BATH DOOR, HICKORY
- 702482-03 HEADLINER SPECTRA OPAL X TEXTURE
- 801337 HEADER SHOWER
- 801178-06 MOLDING-FLAT .81" ASCOT 8'

2008 CLASSIC TRAILER

FURNITURE, BATH

Bath Module 30' S/O, 30'



Part Numbers Are on The Next Page

2008 CLASSIC TRAILER

FURNITURE, BATH

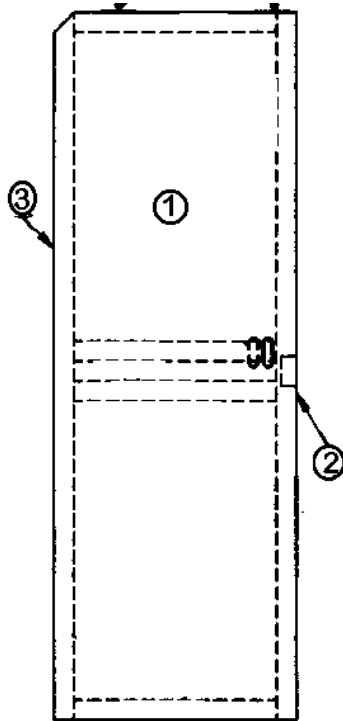
Bath Module 30' S/O, 30'

- | | |
|---------------|-----------------------------------|
| 1. 800984-01 | PANEL FWD BEDROOM |
| 2. 800984-21 | PANEL AFT SHOWER |
| 3. 800984-20 | PANEL FWD SHOWER |
| 4. 801127-01 | PANEL AFT LAVY |
| 5. 801127-09 | PANEL, FWD LAVY |
| 6. 801127-03 | PANEL AFT REFER |
| 7. 963664-003 | STILE AFT BATH, HICKORY |
| 8. 962161-013 | FACE FRAME SHOWER, HICKORY |
| 9. 800815-023 | STILE-AFT BATH PANEL END, HICKORY |
| 10.963656-003 | HEADER AFT SLIDE DOOR, HICKORY |
| 11.963657-003 | HEADER FWD SLIDE DOOR, HICKORY |
| 12.962066-03 | DOOR ASSEMLBY SLIDER AFT |
| 13.966120-01 | DOOR ASSEMBLY, SLIDING BATH |
| 14.381443-01 | SLIDING DOOR SET #71-222-5' |
| 14. 381100 | BUMPER STOP #7014 |
| 15.203081 | SHOWER STALL 2 PC. |
| 16.703626-03 | SHOWER DOOR ORB W/AQUA GLASS |
| 17. 962174 | LAVY STAND ASSY. |
| 18.961916 | SHOWER STAND ASSY |

2008 CLASSIC TRAILER

FURNITURE, BATH

Door, Slider, Aft, 30' S/O, 30'

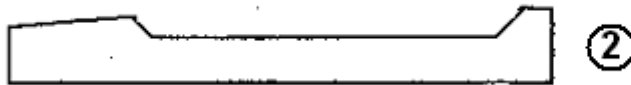
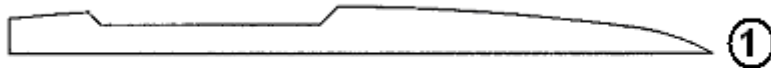


- | | |
|---------------|-----------------------------|
| 962066-03 | Door Assembly, Slider, Aft |
| 1. 801260-003 | PANEL 5/32"G1S HICKORY/RAW |
| 2. 201427 | FINGER PULL, LIGHT BROWN |
| 3. 365268-04 | EDGEBANDING-1.25"X .055" |
| 200009 | SLIDING DOOR GUIDE |
| 381443-01 | SLIDING DOOR SET #71-222-5' |
| 381100 | ANGLE STOP #1018 |

2008 CLASSIC TRAILER

FURNITURE, BATH

Door Header, Sliding, 34' S/O Dinette, 34', 31'



1. 963296-013

Header, Slider Door, Long

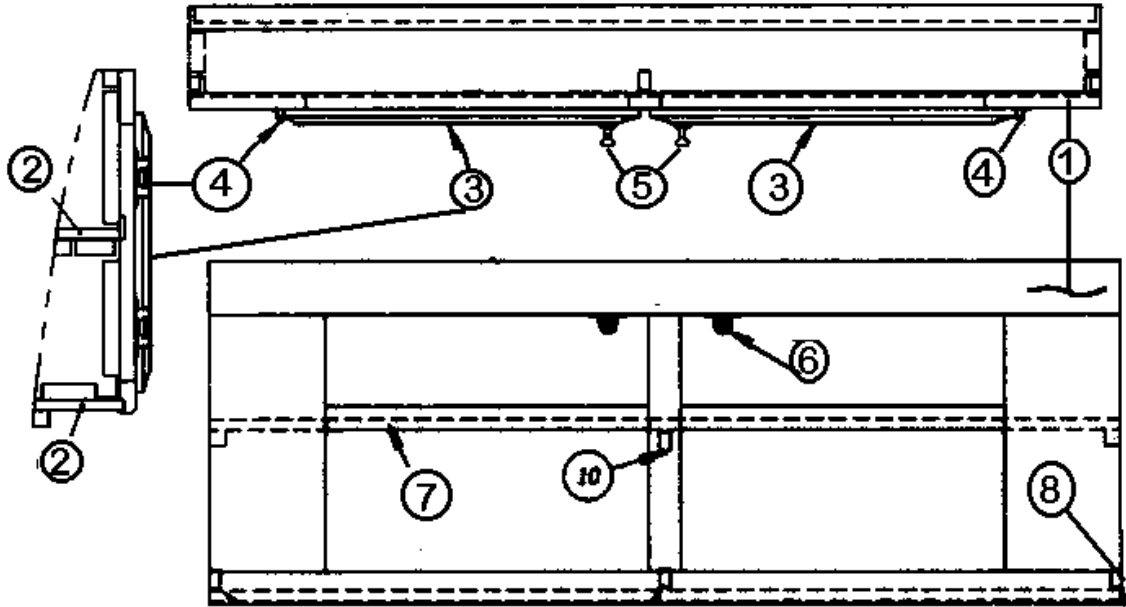
2. 963297-013

Header, Slider Door, Short

2008 CLASSIC TRAILER

FURNITURE, BATH

Medicine Cabinet, Lower, 34' S/O, 31'

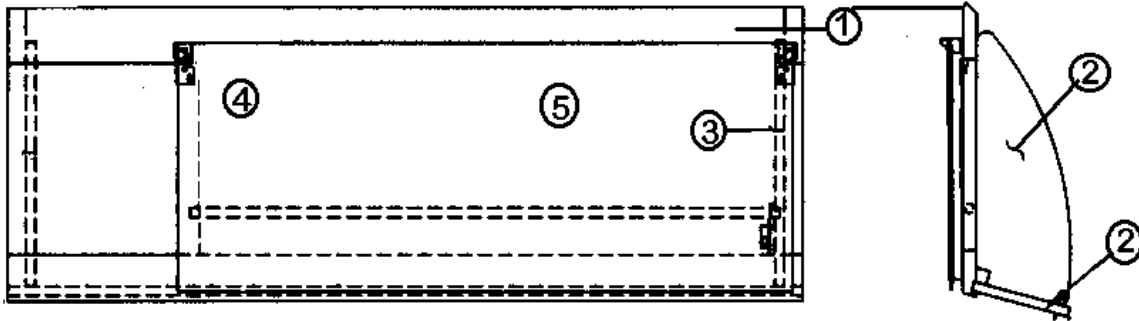


- | | |
|---------------|---|
| 964302-07 | Medicine Cabinet, Lower Assembly, 34' S/O |
| 964302-06 | Medicine Cabinet, Lower Assembly, 31' |
| 1. 964300-013 | FACE FRAME, LOWER, HICKORY |
| 2. 801258-003 | PANEL 1/2" G2S, HICKORY |
| 3. 800599-573 | DRAWER FACE 17.25" X 13.00", HICKORY |
| 4. 381999 | Hinge, Orb |
| 5. 382002 | Cabinet door pull, Orb, 3" center |
| 6. 381228-01 | CATCH GRABBER DOOR |
| 7. 800573-013 | MOLDING DOOR EDGE 1-3/32" X 80", HICKORY |
| 7. 380041 | BRACE 1 IN. STANLEY CORNER |

2008 CLASSIC TRAILER

FURNITURE, BATH

Medicine Cabinet Upper, 34' S/O, 31'

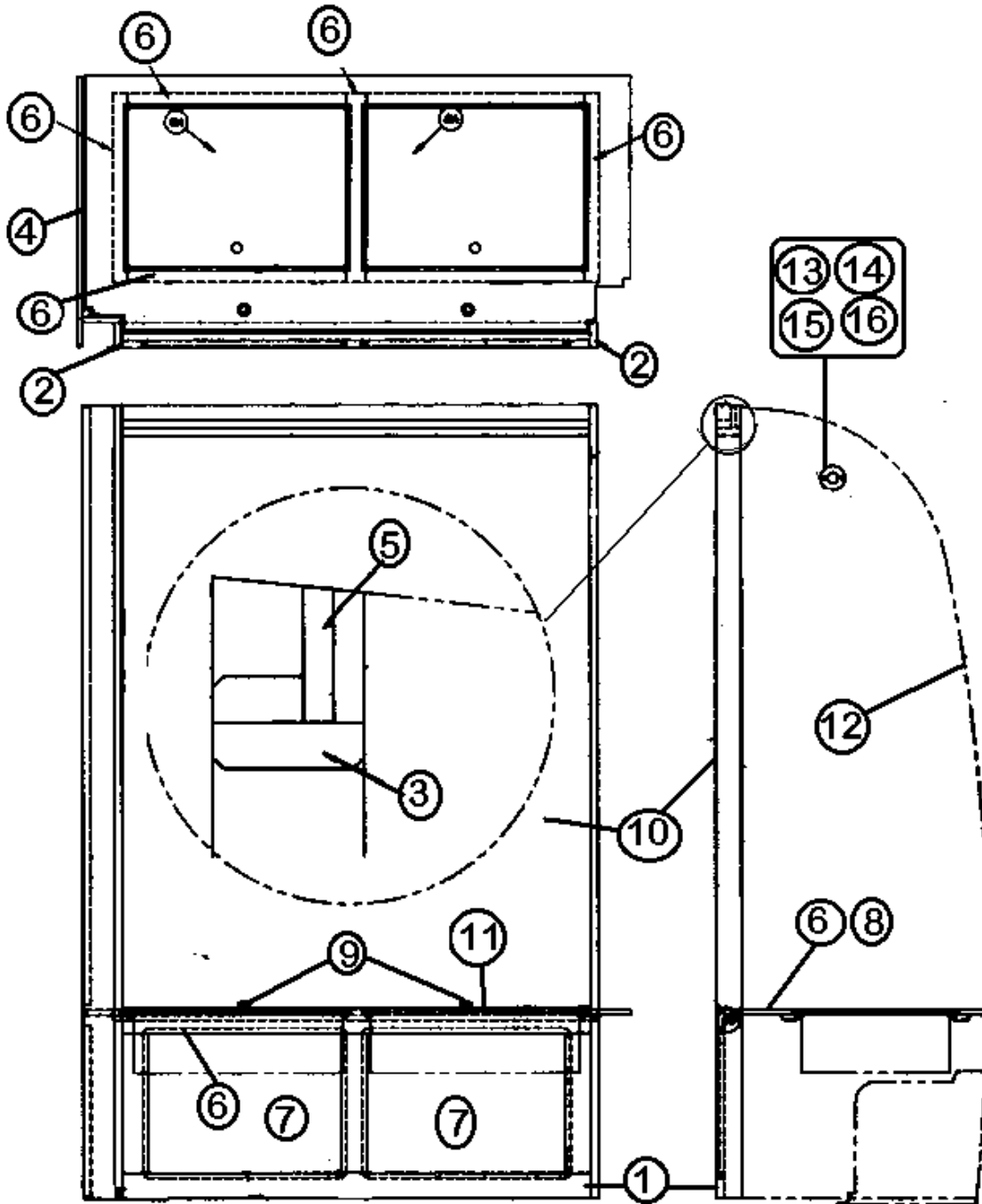


- 964301-05 Upper Medicine Cabinet
- 964301-04 Upper Medicine Cabinet, 31'
- 1. 964299-013 FACE FRAME, UPPER, HICKORY
- 2. 801258-003 PANEL 1/2" G2S, HICKORY
- 3. 381228-01 CATCH GRABBER DOOR
- 4. 381999 Hinge, Orb
- 5. 372203-17 MIRROR- POL EDGES- 33.12" X 14.00"
- 380024 SUPPORT FRICTION LEFT HAND
- 365268-03 EDGE BANDING-5/8"

2008 CLASSIC TRAILER

FURNITURE, BATH

Wardrobe, Forward 34', 34' SO, 31'



PN Next Page

2008 CLASSIC TRAILER

FURNITURE, BATH

Wardrobe, Forward 34', 34' SO, 31'

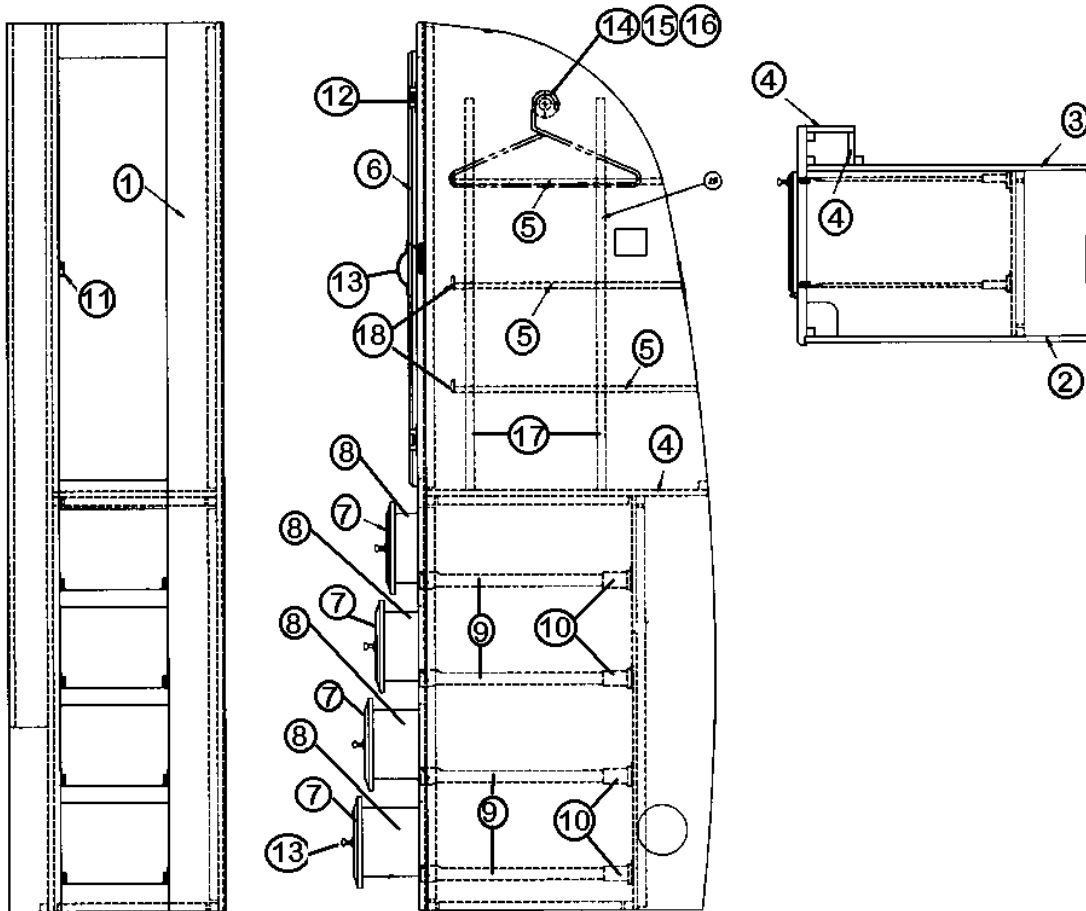
965224-06	Wardrobe Assembly, 34'
965224-07	Wardrobe Assembly, 34' S/O
965224-05	Wardrobe Assembly, 31'
1. 965219-003	FACE FRAME- WARDROBE, HICKORY
2. 965220-013	STILE, WARDROBE SIDE LH/RH, HICKORY
3. 965221-003	HEADER WARDROBE, HICKORY
4. 964306-02	PANEL, FWD WARDROBE
5. 801258-003	PANEL 1/2", G2S, HICKORY
6. 801259-003	PANEL 1/2", HICKORY
7. 201016	DRAWER 16 X 22
8. 701538	CARPET, ECONOLIER, BLACK 48"
9. 382002	Cabinet door pull, Orb, 3" center
10. *381727-01	DOOR-MIRRORED SLIDING 46" X 55.5"
10. *382054	DOOR-MIRRORED SLIDING 46" X 55.5", w/latch
11. 381228-01	GRABBER DOOR CATCH
12. 800397-01	CEDAR PLANKED 5/32"
13. 380045	TUBING 3/4IN METALLIC
14. 380046	FLANGE CHROME
15. 200975-04	CONDUIT, FLEXIBLE BLACK PLASTIC
16. 381298	SUPPORT, CLOTHES ROD LENGTH 5.25

*381727-01 was replaced by 382054-Mirrored sliding door during 2008 model year. New door comes with latch mechanically fastened instead of installed by double stick tape. 965220-013 and 965219-003 were modified for latch so the door can not be used on to replace 371727-01. On the new door stile 965220-013 is recessed for latch.

2008 CLASSIC TRAILER

FURNITURE, BATH

Wardrobe, Aft, 34', 31'



PN Next Page

2008 CLASSIC TRAILER

FURNITURE, BATH

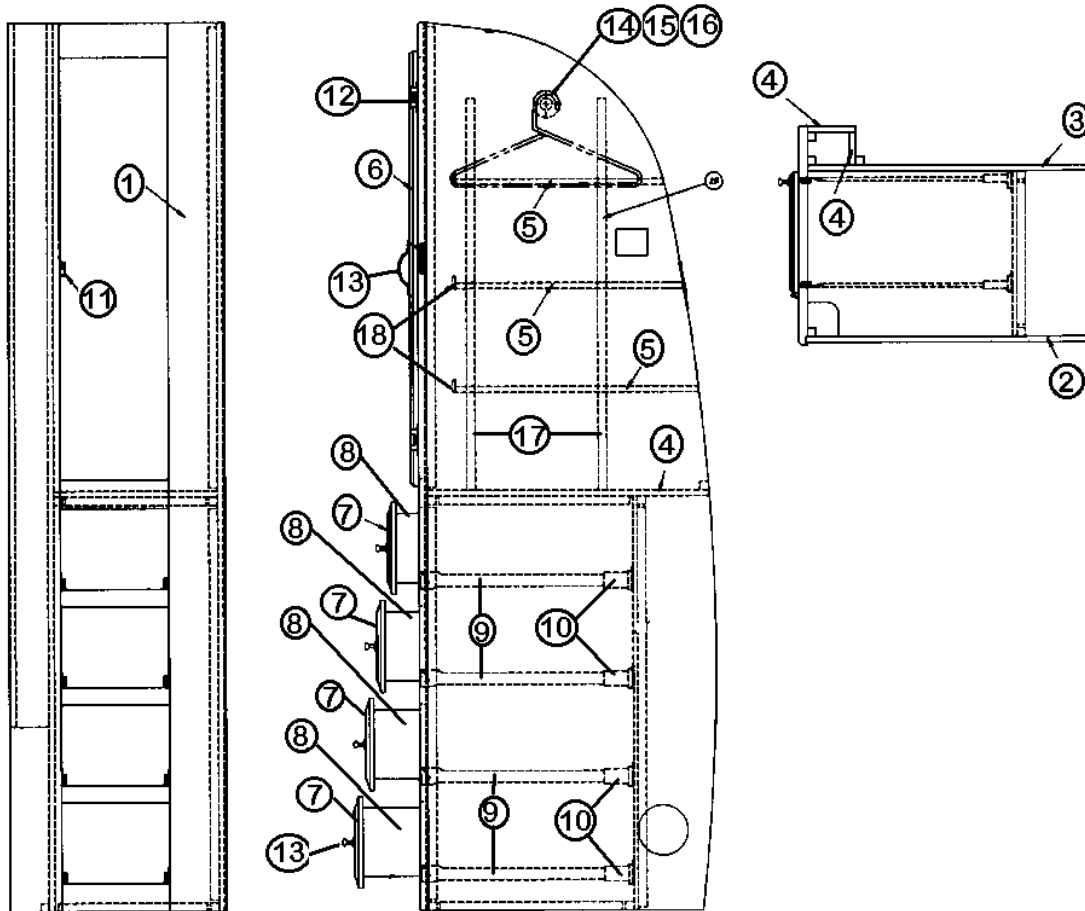
Wardrobe, Aft, 34', 31'

965223-06	Aft Wardrobe Assembly, 34', 31'
1. 965218-003	FACE FRAME-WARDROBE, HICKORY
2. 964306-01	PANEL - AFT WARDROBE
3. 801088-20	PANEL WARDROBE VINYL
4. 801259-003	PANEL 1/2" G1S, HICKORY
5. 801258-003	PANEL 1/2" G1S, HICKORY
6. 800597-473	DOOR 10.50" X 37.75", HICKORY
7. 800599-653	DRAWER FACE 8 X 10.50", HICKORY
8. 964907-02	DRW BOX- 8.50 X 18.00 X 6.00
9. 381526-03	DRW SLIDE-950-RV 18" PER PR
10. 381526-06	ADJUSTABLE REAR BRACKET PR
11. 381228-01	GRABBER DOOR CATCH
12. 381999	Hinge, Orb
13. 382002	Cabinet door pull, Orb, 3" center
14. 380045	TUBING 3/4IN METALLIC
15. 380046	FLANGE CHROME
16. 200975-04	CONDUIT, FLEXIBLE BLACK PLASTIC
17. 381527	SPEEDY SHELF STRIPS
18. 800573-013	MOLDING DOOR, HICKORY
365268-03	EDGE BANDING-5/8", OAK
801508-006	PANEL, VINYL/ASCOT .5" X4 'X 8'

2008 CLASSIC TRAILER

FURNITURE, BATH

Wardrobe, Aft 34' S/O



PN Next Page

2008 CLASSIC TRAILER

FURNITURE, BATH

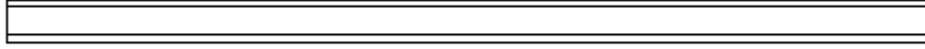
Wardrobe, Aft 34' S/O

- | | |
|----------------|-----------------------------------|
| 965223-07 | Aft Wardrobe Assembly, 34 S/O |
| 1. 965218-003 | FACE FRAME-WARDROBE, HICKORY |
| 2. 964306-01 | PANEL - AFT WARDROBE |
| 3. 801088-22 | PANEL WARDROBE VINYL |
| 4. 801259-003 | PANEL 1/2" G1S, HICKORY |
| 5. 801258-003 | PANEL 1/2" G1S, HICKORY |
| 6. 800597-473 | DOOR 10.50" X 37.75", HICKORY |
| 7. 800599-653 | DRAWER FACE 8 X 10.50", HICKORY |
| 8. 964907-02 | DRW BOX- 8.50 X 18.00 X 6.00 |
| 9. 381526-03 | DRW SLIDE-950-RV 18" PER PR |
| 10. 381526-06 | ADJUSTABLE REAR BRACKET PR |
| 11. 381228-01 | GRABBER DOOR CATCH |
| 12. 381999 | Hinge, Orb |
| 13. 382002 | Cabinet door pull, Orb, 3" center |
| 14. 380045 | TUBING 3/4IN METALLIC |
| 15. 380046 | FLANGE CHROME |
| 16. 200975-04 | CONDUIT, FLEXIBLE BLACK PLASTIC |
| 17. 381527 | SPEEDY SHELF STRIPS |
| 18. 800573-013 | MOLDING DOOR, HICKORY |
| 365250-003 | EDGE BANDING-5/8", Hickory |

2008 CLASSIC TRAILER

FURNITURE, BATH

Foldette Door Header, 34' S/O, 34', 31'

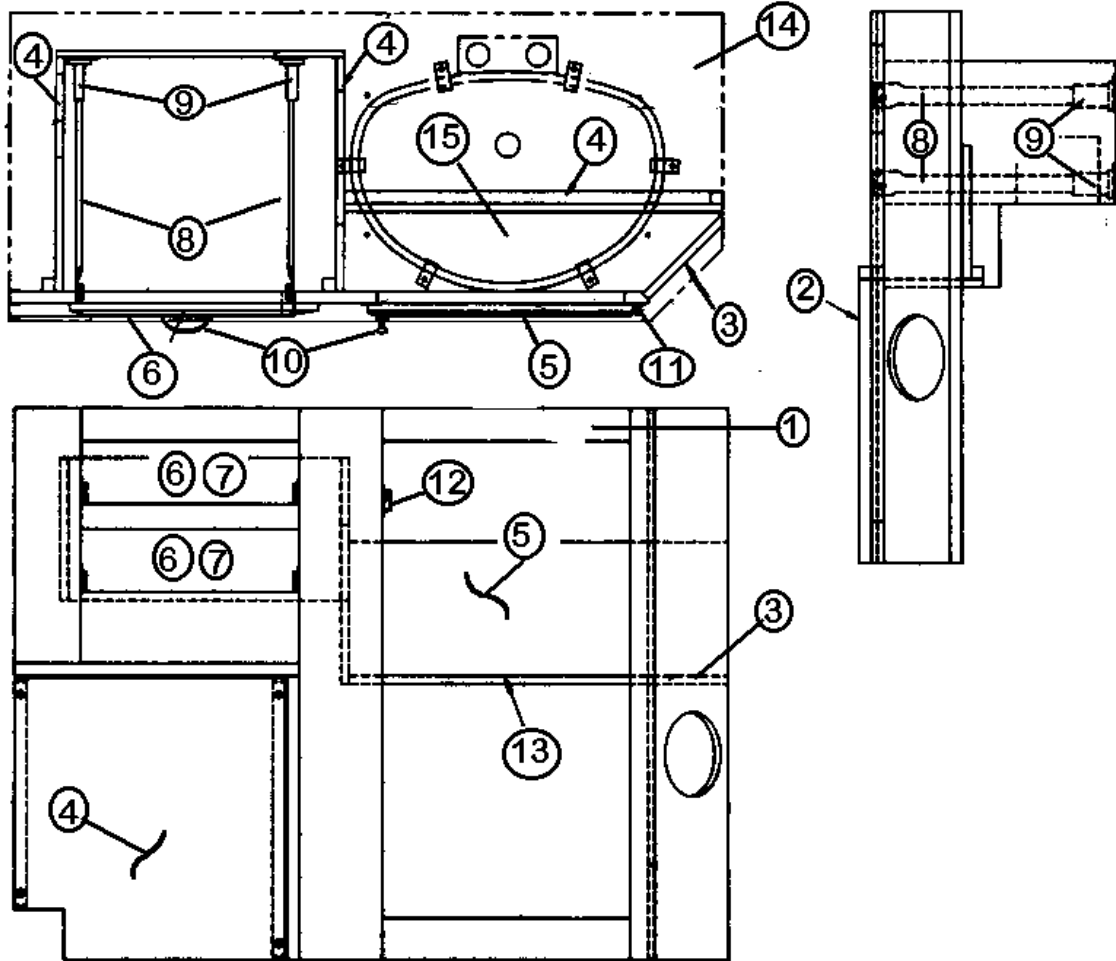


965951-003 HEADER-FOLDETTE DOOR, HICKORY

2008 CLASSIC TRAILER

FURNITURE, BATH

Lavatory Cabinet, 34' S/O, 31'



PN Next Page

2008 CLASSIC TRAILER

FURNITURE, BATH

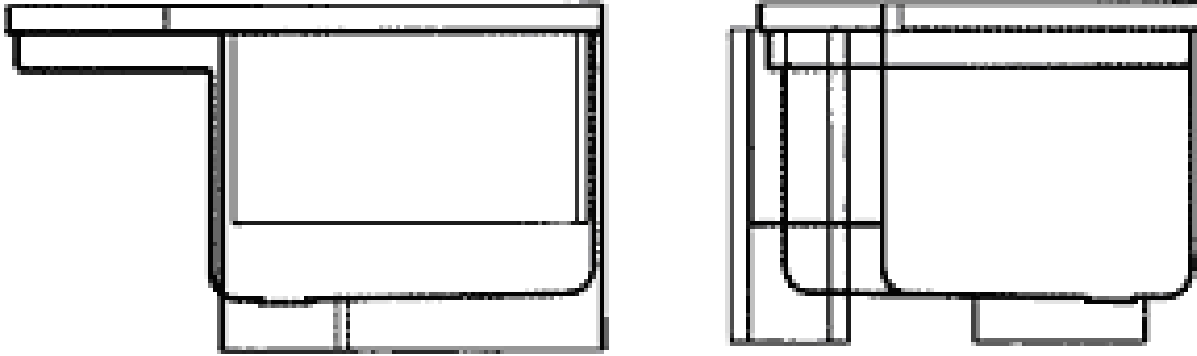
Lavatory Cabinet, 34' S/O, 31'

965214-06	Lavatory Cabinet
1. 965212-003	FACE FRAME LAVY
2. 965193-003	FRAME-LAVY CLOSE OUT,
3. 801258-003	Panel, 1/2", Hickory/Hickory
4. 801259-003	PANEL, 1/2" G1S, Hickory/raw
5. 800597-083	DOOR, 16.00" X 29.50", Hickory
6. 800599-073	DRAWER FACE, 4.50" X 14.00", Hickory
7. 964906-10	DRAWER BOX, 12.25 X 14.00 X 2.75
8. 381526-01	DRW SLIDE-950-RV 14" PR
9. 381526-06	BRACKET ADJUSTABLE REAR (PAIR)
10. 382002	Cabinet door pull, Orb, 3" center
11. 381999	Hinge, Orb
12. 381228-01	CATCH GRABBER DOOR
13. 800571-013	MOLDING FLAT .52" W X 80", Hickory
14. 602045-01	LAVY TOP, CORIAN, SANDSTONE
15. 203367-02	BOWL-LAVY KARRAN WHITE
15a. 453833	CLIP, SINK MOUNT
15b. 320129	INSERT-THREADED 1/4"O.D. X 1/4"L
15c. 320130-09	SCREW #10-32 SLOTTED HEX HD 1.25L
15d. 320131	WINGNUT-#10-32 6INC
602120	DISPENSER-SOAP, VICTORIAN

2008 CLASSIC TRAILER

FURNITURE, BATH

Shower Stall, 2 Piece, 34' S/O, 34', 31'



203046-03 Shower Stall, 2 Piece

2008 CLASSIC TRAILER

FURNITURE, BATH

Bath Door Header, 34 S/O, 31'

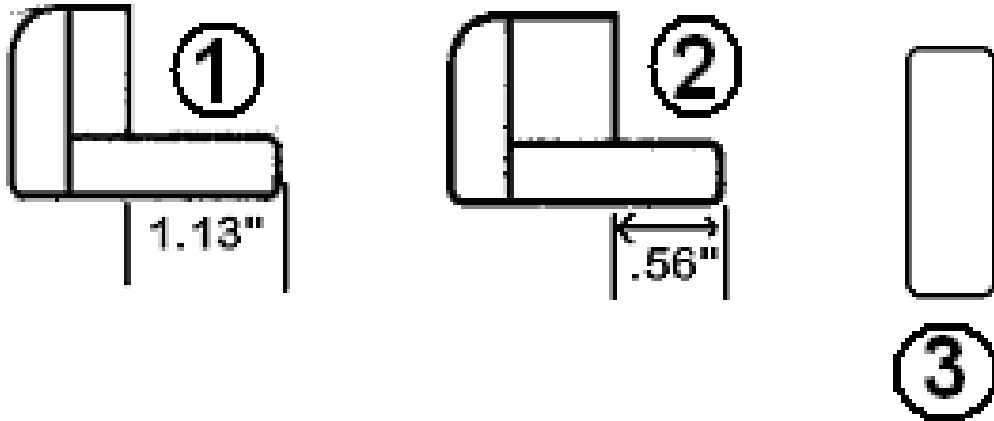


964303-013 Bath Door Header

2008 CLASSIC TRAILER

FURNITURE, BATH

Bath Door Jamb/Header/Molding, 34' S/O, 34', 31'

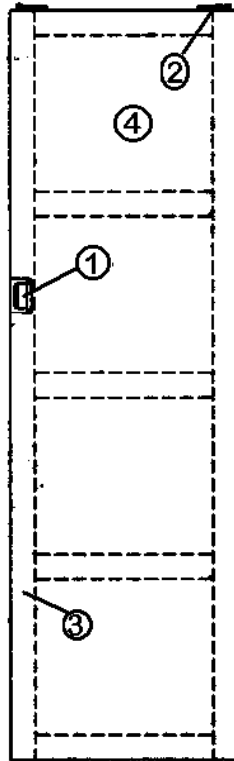


- | | |
|---------------|---|
| 1. 963787-013 | Bath Door Jamb, Hickory, 34' S/O, 34', 31' |
| 2. 963786-013 | Jamb, Bath Door, Hickory, 34' S/O, 34', 31' |
| 2. 963788-03 | Header, Bath Door, 34' only |
| 800576-013 | MOLDING BATH DOOR JAMB 80", Hickory |

2008 CLASSIC TRAILER

FURNITURE, BATH

Bath Sliding Door, Forward, 34', 34' S/O, 31'

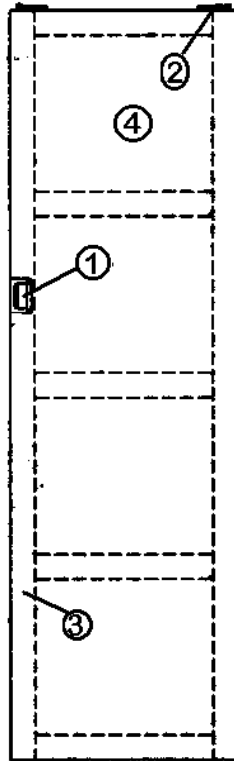


966121-01	Bath Sliding Door Assembly
1. 201427	FINGER PULL, LIGHT BROWN
2. 200009	SLIDING DOOR GUIDE
3. 365268-04	EDGE BANDING-1.25"X .055"
4. 800260-003	PANEL 5/32" G1S, Hickory
381443-01	SLIDING DOOR SET #71-222-5'
381100	SLIDING DOOR GUIDE
963296-013	HEADER SLIDER DOOR LONG, HICKORY
963297-013	HEADER SLIDER DOOR SHORT

2008 CLASSIC TRAILER

FURNITURE, BATH

Bath Sliding Door, Forward, 34' S/O, 31', 30', 30' S/O



966120-01

1. 201427

2. 200009

3. 365268-04

4. 801260-003

381443-01

963296-013

963297-013

381100

Bath Sliding Door Assembly

FINGER PULL, LIGHT BROWN

SLIDING DOOR GUIDE

EDGE BANDING-1.25"X .055"

PANEL 5/32" G1S, Hickory

SLIDING DOOR SET #71-222-5'

HEADER SLIDER DOOR LONG, HICKORY

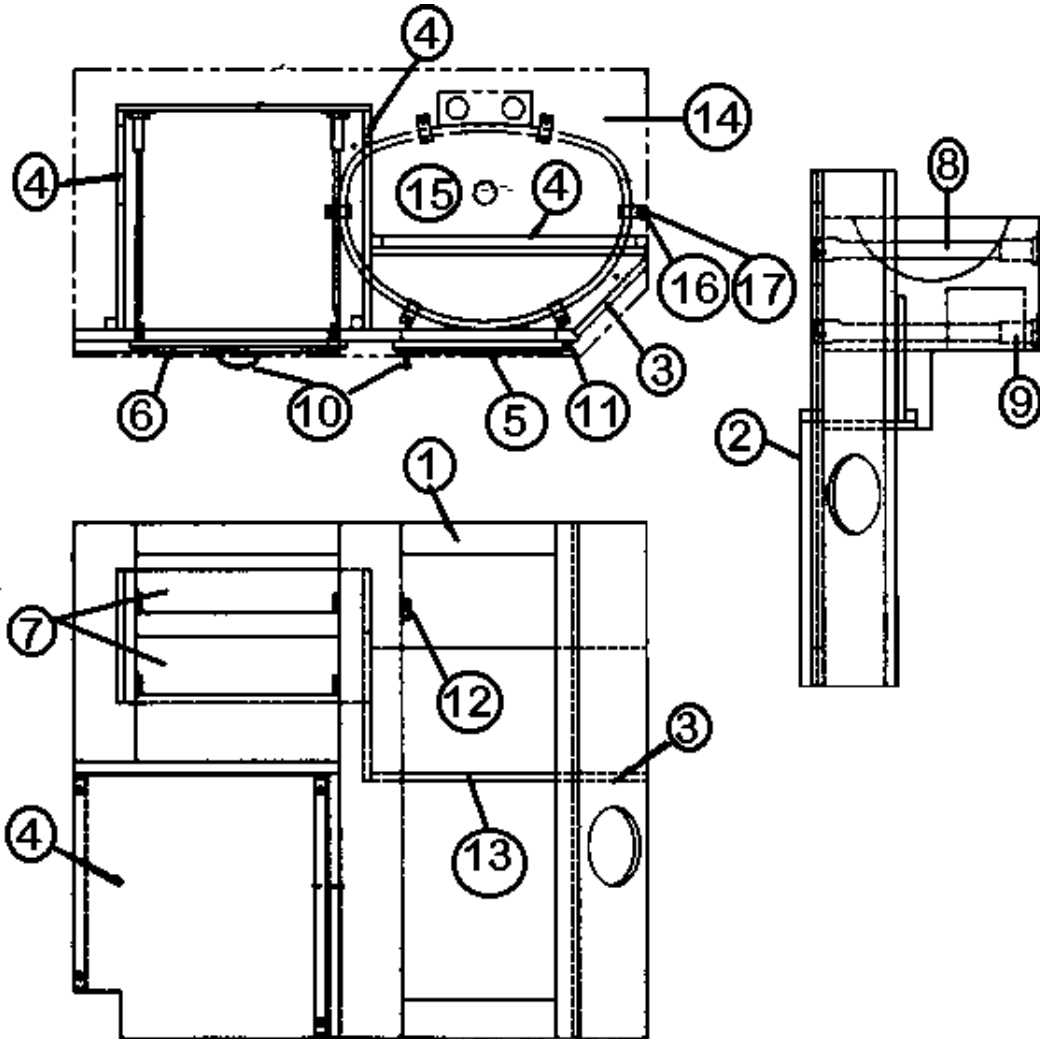
HEADER SLIDER DOOR SHORT

SLIDING DOOR GUIDE

2008 CLASSIC TRAILER

FURNITURE, BATH

Lavatory Cabinet, 34'



2008 CLASSIC TRAILER

FURNITURE, BATH

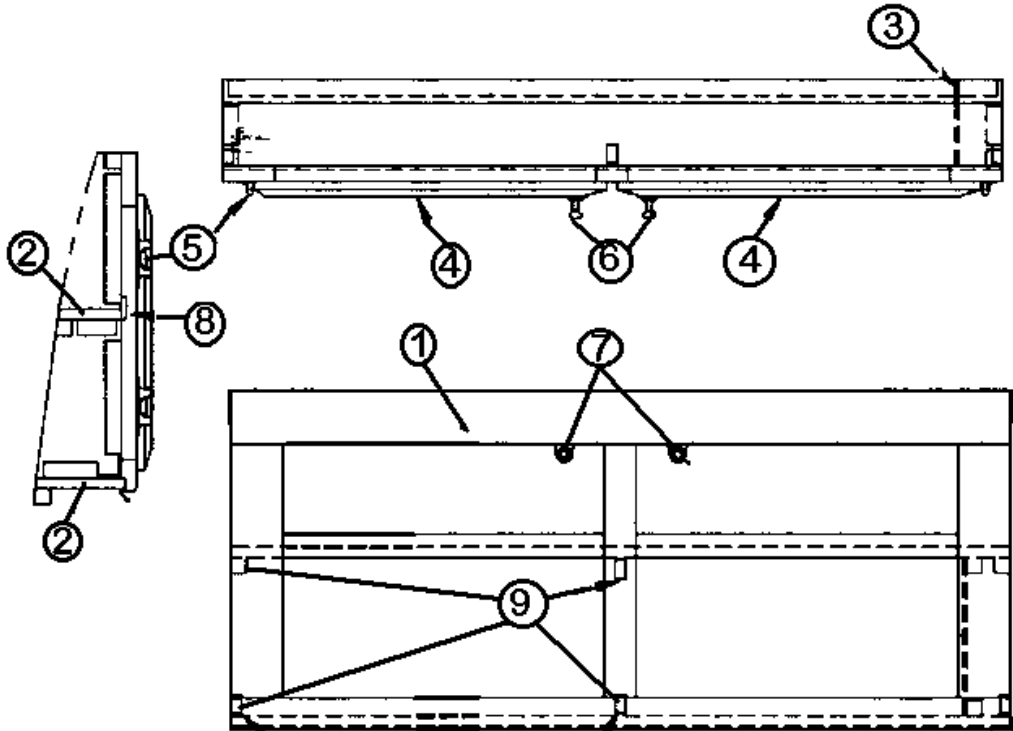
Lavatory Cabinet, 34'

965194-03	Lavatory Cabinet
1. 965192-003	FACE FRAME-LAVY, HICKORY
2. 965193-003	FRAME-LAVY CLOSE OUT, HICKORY
3. 801258-003	PANEL ½" G2S, HICKORY
4. 801259-003	PANEL ½" G1S, HICKORY
5. 800597-093	DOOR, 11.00 X 29.75, HICKORY
6.800599-073	DRAWER FACE 4.50 X 14.00" , HICKORY
7. 964906-10	DRW BOX- 12.25 X 14.00 X 2.75
8. 381526-01	DRW SLIDE-950-RV 14" PER PR
9. 381526-06	ADJUSTABLE REAR BRKT PER PR
10. 382002	Cabinet door pull, Orb, 3" center
11. 381999	Hinge, Orb
12. 381228-01	CATCH GRABBER DOOR
13. 800571-013	MOLDING FLAT .52W X 80", HICKORY
14. 602046-01	LAVY TOP ASSY, CORIAN, SANDSTONE
15. 203367-02	BOWL, LAVY KARRAN, WHITE
16. 453833	CLIP, SINK MOUNT 16.
17. 320129	INSERT-THREADED 1/4"O.D. X 1/4"L
602120	DISPENSER-SOAP, VICTORIAN

2008 CLASSIC TRAILER

FURNITURE, BATH

Medicine Cabinet, Lower, 34'



963302-05

Medicine cabinet, Lower, 37.13"

1. 963266-013

Face Frame, Hickory

2. 801258-003

PANEL 1/2" G2S, Hickory

3. 801260-003

PANEL 5/32"G1S, Hickory

4. 800599-573

DRAWER FACE 17.25 X 13.00, Hickory

5. 381999

Hinge, Orb

6. 382002

Cabinet door pull, Orb, 3" center

7. 381228-01

CATCH GRABBER DOOR

8. 800573-013

MOLDING EDGE 1-3/32 X 80, Hickory

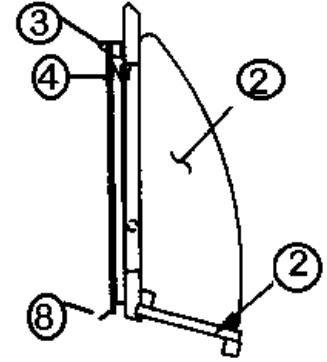
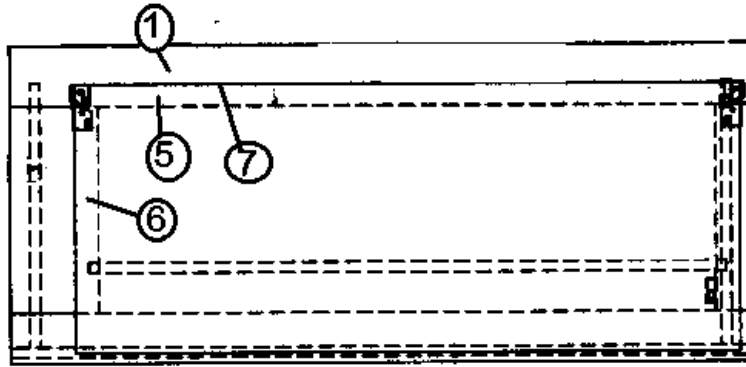
9. 380041

BRACE 1" STANLEY CORNER

2008 CLASSIC TRAILER

FURNITURE, BATH

Medicine Cabinet Upper, 34'

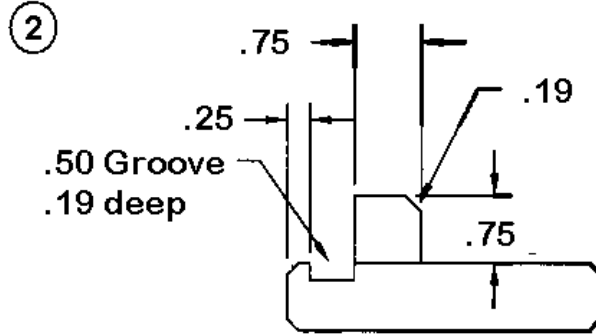
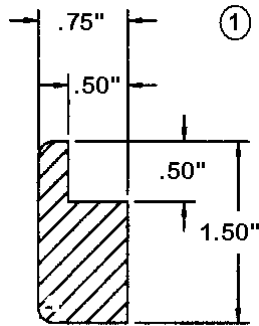


- | | |
|---------------|------------------------------------|
| 964026-03 | Medicine Cabinet Upper |
| 1. 964025-003 | Face Frame, Hickory |
| 2. 801258-003 | PANEL 1/2" G2S, Hickory |
| 3. 385935-01 | HINGE PIVOT 6INC PLATED |
| 4. 372203-17 | MIRROR- POL EDGES- 33.12" X 14.00" |
| 5. 801260-003 | PANEL 5/32"G1S, Hickory |
| 6. 380024 | SUPPORT FRICTION LEFT HAND |
| 7. 365268-03 | EDGEBANDING-5/8", Hickory |
| 8. 385940-02 | MIRROR PULL CHROME |
| 381228-01 | CATCH GRABBER DOOR |

2008 CLASSIC TRAILER

FURNITURE, BATH

Bath Panel Stiles, 34', 30', 30' S/O, 25' Front Bed

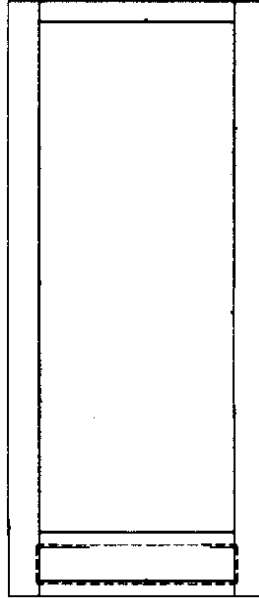


1. 800815-023 Stile, Aft Bath Panel, Hickory
2. 963664-003 Stile Aft Bath, Hickory

2008 CLASSIC TRAILER

FURNITURE, BATH

Shower Face Frame, 30', 30' S/O



962161-013 Face Frame, Shower, Hickory

2008 CLASSIC TRAILER

FURNITURE, BATH

Sliding Door Headers, 30', 30' S/O

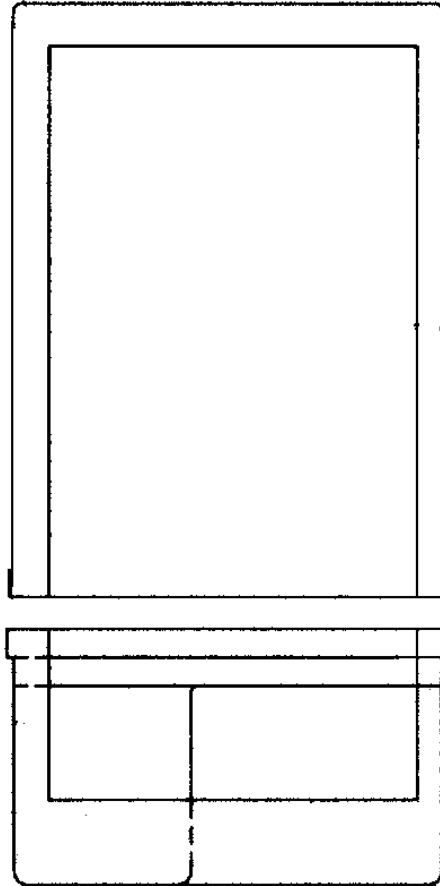


1. 963656-003 Header, Aft Slide Door, Hickory
2. 963657-003 Header, Forward Slide Door, Hickory

2008 CLASSIC TRAILER

FURNITURE, BATH

Shower Stall/Door, 30', 30' S/O, 30' & 25' Front Bed



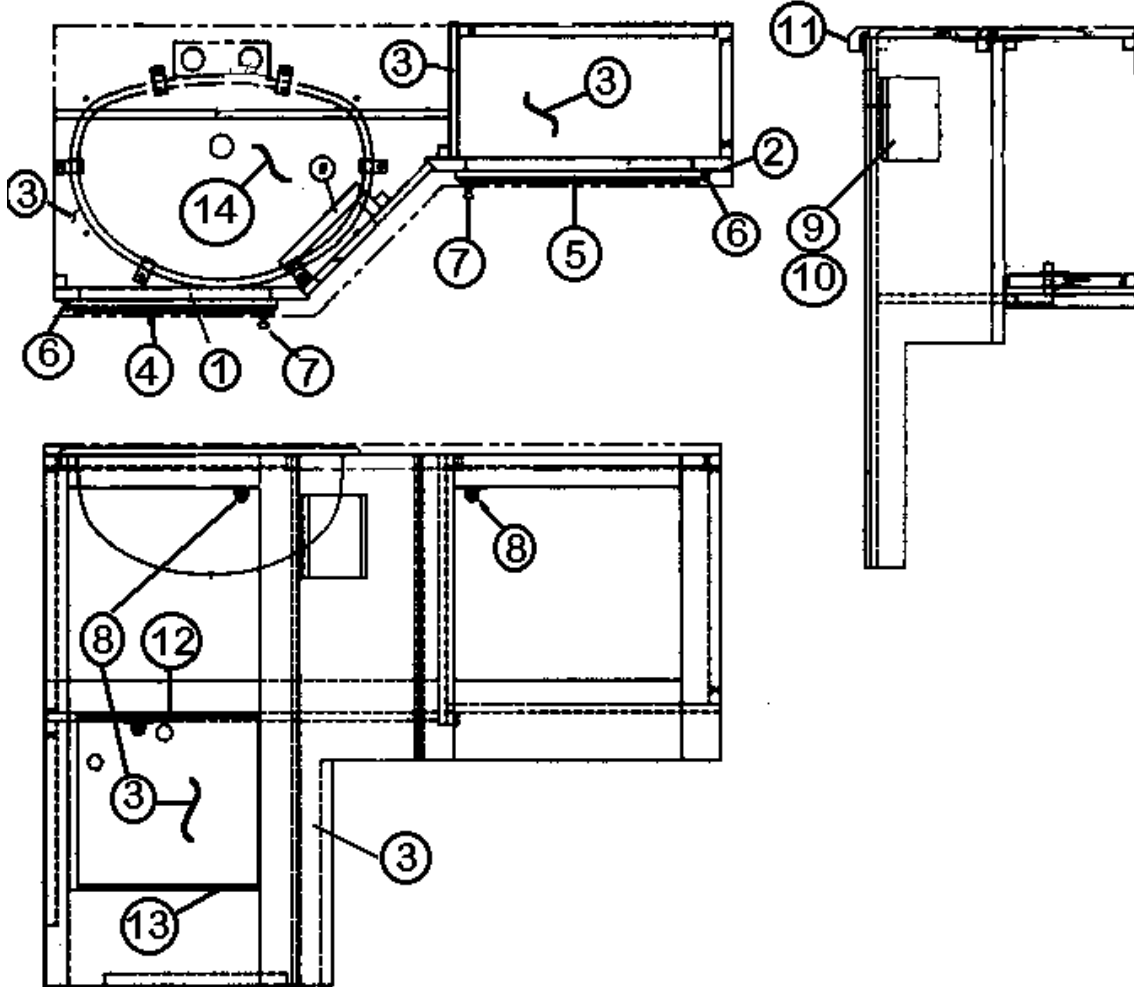
203081
703626-03

Shower Stall-2 piece Fiberglass
SHOWER DOOR ORB W/AQUA GLASS

2008 CLASSIC TRAILER

FURNITURE, BATH

Lavatory Cabinet, 30', 30' S/O



PN Next Page

2008 CLASSIC TRAILER

FURNITURE, BATH

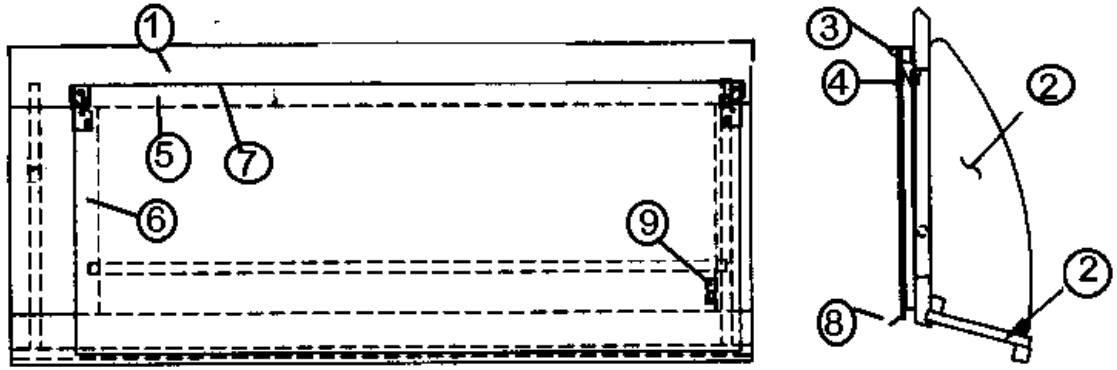
Lavatory Cabinet, 30', 30' S/O

961921-10	Lavatory Cabinet Assembly
1. 961890-013	FACE FRAME LAVY, HICKORY
2. 961891-013	FACE FRAME LAVY AFT, HICKORY
3. 801258-003	PANEL ½" G2S HICKORY/HICKORY
4. 800597-943	DOOR, 13.00" X 25.75", HICKORY
5. 800597-493	DOOR, 15.50" X 13.00", HICKORY
6. 381999	Hinge, Orb
7. 382002	Cabinet door pull, Orb, 3" center
8. 381228-01	CATCH GRABBER DOOR
9. 602130	TOILET PAPER HOLDER
10. 602130	TOILET PAPER HOLDER
11. 602044-01	TOP ASSEMBLY, CORIAN, SANDSTONE
12. 800571-013	MOLDING FLAT .52W X 80", HICKORY
13. 380458	HINGE PIANO BROWN ANODI6ED
14. 203367-02	BOWL-LAVY KARRAN, SURF. BONE
14. 453833	CLIP, SINK MOUNT
14. 320129	INSERT-THREADED 1/4"O.D. X 1/4"L
14. 320130-09	SCREW #10-32 SLOTTED HEX HD 1.25L
14. 320131	WINGNUT-#10-32 6INC
602120	DISPENSER-SOAP, VICTORIAN

2008 CLASSIC TRAILER

FURNITURE, BATH

Medicine Cabinet, Upper, 30', 30' S/O

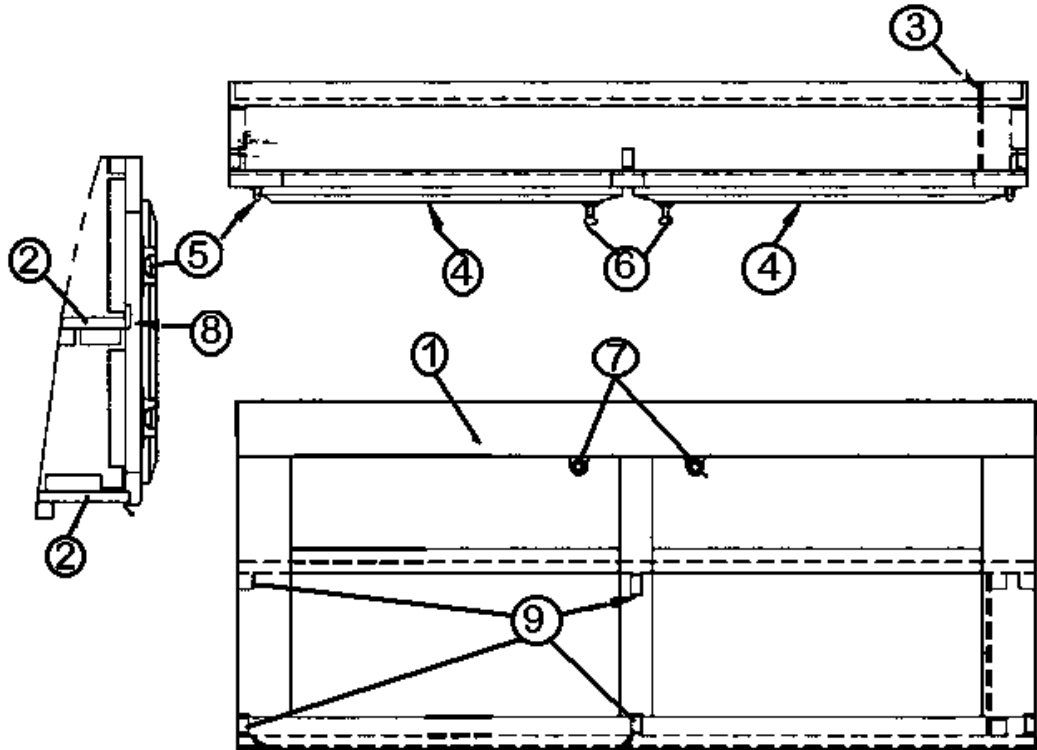


- | | |
|---------------|------------------------------------|
| 963753-03 | MEDICINE CABINET ASSEMBLY. UPPER |
| 1. 962170-013 | FACE FRAME MED CAB-UPPER, HICKORY |
| 2. 801258-003 | PANEL 1/2" G2S, HICKORY |
| 3. 385935-01 | HINGE PIVOT 6INC PLATED |
| 4. 372203-04 | MIRROR- POL EDGES- 36.00" X 14.00" |
| 5. 801258-003 | PANEL 1/2" G2S, HICKORY |
| 6. 380024 | SUPPORT FRICTION LEFT HAND |
| 7. 365268-04 | EDGE BANDING, 5/8" |
| 8. 385940-02 | MIRROR PULL CHROME |
| 9. 381228-01 | CATCH GRABBER DOOR |
| 380203-01 | PIANO HINGE |

2008 CLASSIC TRAILER

FURNITURE, BATH

Medicine Cabinet, Lower, 30', 30' S/O

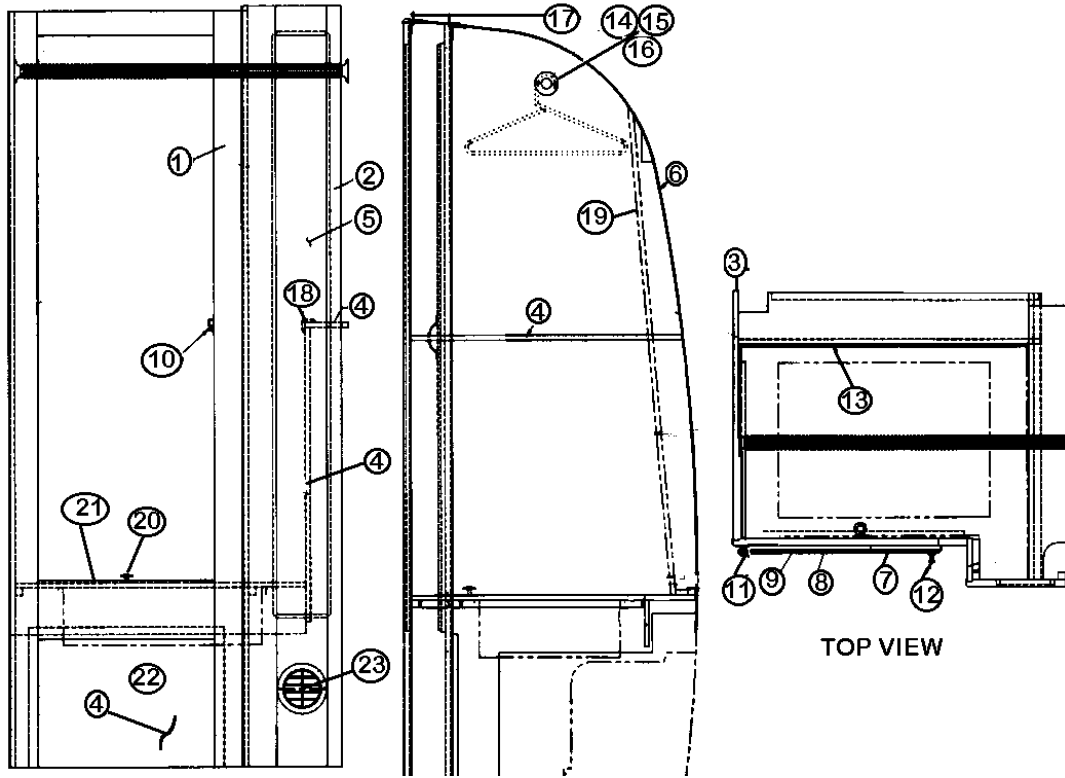


- | | |
|---------------|------------------------------------|
| 961899-05 | Medicine Cabinet, Lower |
| 1. 961897-013 | FACE FRAME MED-LOWER, HICKORY |
| 2. 801258-003 | PANEL 1/2" G2S, Hickory |
| 3. 801260-003 | PANEL 5/32"G1S, Hickory |
| 4. 800599-573 | DRAWER FACE 17.25 X 13.00, Hickory |
| 5. 381999 | Hinge, Orb |
| 6. 382002 | Cabinet door pull, Orb, 3" center |
| 7. 381228-01 | CATCH GRABBER DOOR |
| 8. 800573-013 | MOLDING, 1 X 3/32 X 80, Hickory |
| 9. 380041 | BRACE 1IN STANLEY CORNER |

2008 CLASSIC TRAILER

FURNITURE, BATH

Wardrobe, 30', 30S/O



PN Next Page

2008 CLASSIC TRAILER

FURNITURE, BATH

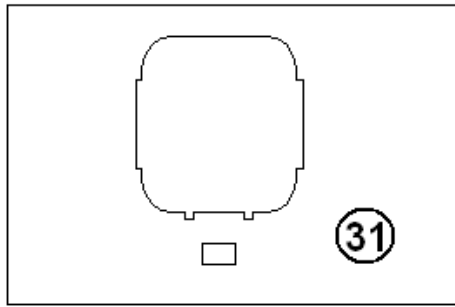
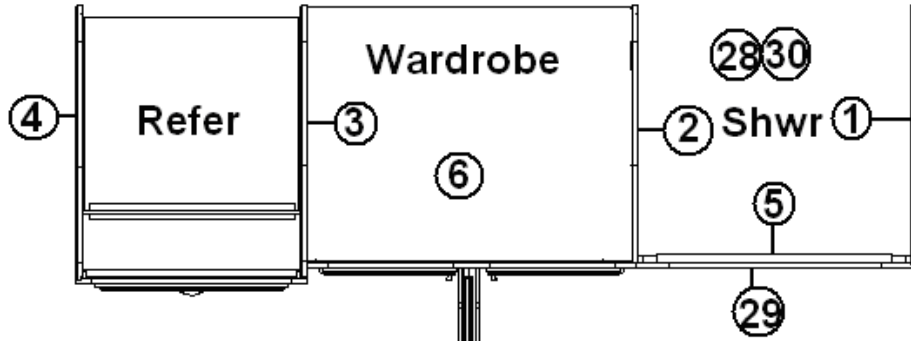
Wardrobe, 30', 30S/O

962175-05	Wardrobe Assembly
1. 962162-013	FACE FRAME W/R AFT CS, HICKORY
2. 962163-013	FACE FRAME WARD FWD, HICKORY
3. 800984-22	PANEL FWD WARDROBE
4. 801258-003	PANEL 1/2" G1S HICKORY/RAW
5. 801260-003	PANEL 5/32"G1S HICKORY/ RAW 4'X8'
6. 800397-01	CEDAR PLANKED 5/32"
7. 800557-153	DOOR FRAME, HICKORY
8. 371262-10	MIRROR- SAFETY- 16.12" X 28.12"
9. 381754	MIRROR CLIP R2
10. 381228-01	GRABBER DOOR CATCH
11. 381999	Hinge, Orb
12. 382002	Cabinet door pull, Orb, 3" center
13. 380458	HINGE PIANO BROWN ANODI6ED
14. 380045	TUBING 3/4IN METALLIC
15. 380046	FLANGE CHROME
16. 200975-04	CONDUIT, FLEXIBLE BLACK PLASTIC
17. 104821	SUPPORT, ROOFLOCKER, 74"
18. 800575-013	MOLDING CORNER 80"L, Hickory
19. 104629	EXTRUSION, WALL ATTACHMENT
20. 962222	CLOSE OUT WARDROBE WIRES
20. 382003	KNOB, 1.38" ORB
21. 964945-01	Lift Up Shelf Assembly
22. 201016	DRAWER 16" X 22"
23. 601244-01	REGISTER-ROTAIRE 4"BROWN
203138-03	EXTRUSION PLASTIC WALL BEIGE
701538	CARPET, VELOUR BLACK 48"
500956	LIGHT, BROWN, W/SWITCH

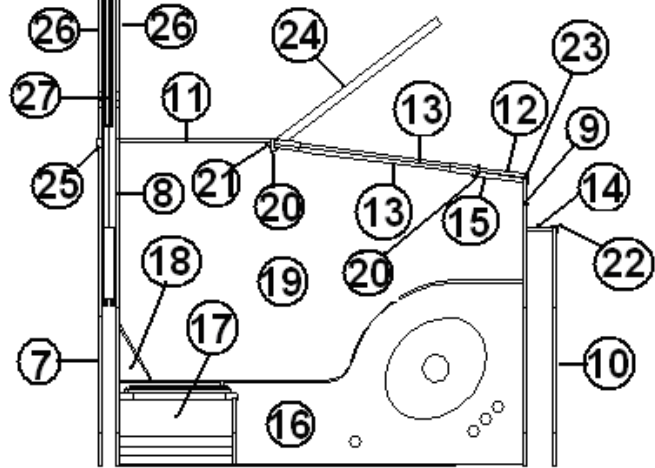
2008 CLASSIC TRAILER

FURNITURE, BATH

Bath Module, 30' Front Bed



Wall Panel



Lavatory

PN Next Page

2008 CLASSIC TRAILER

FURNITURE, BATH

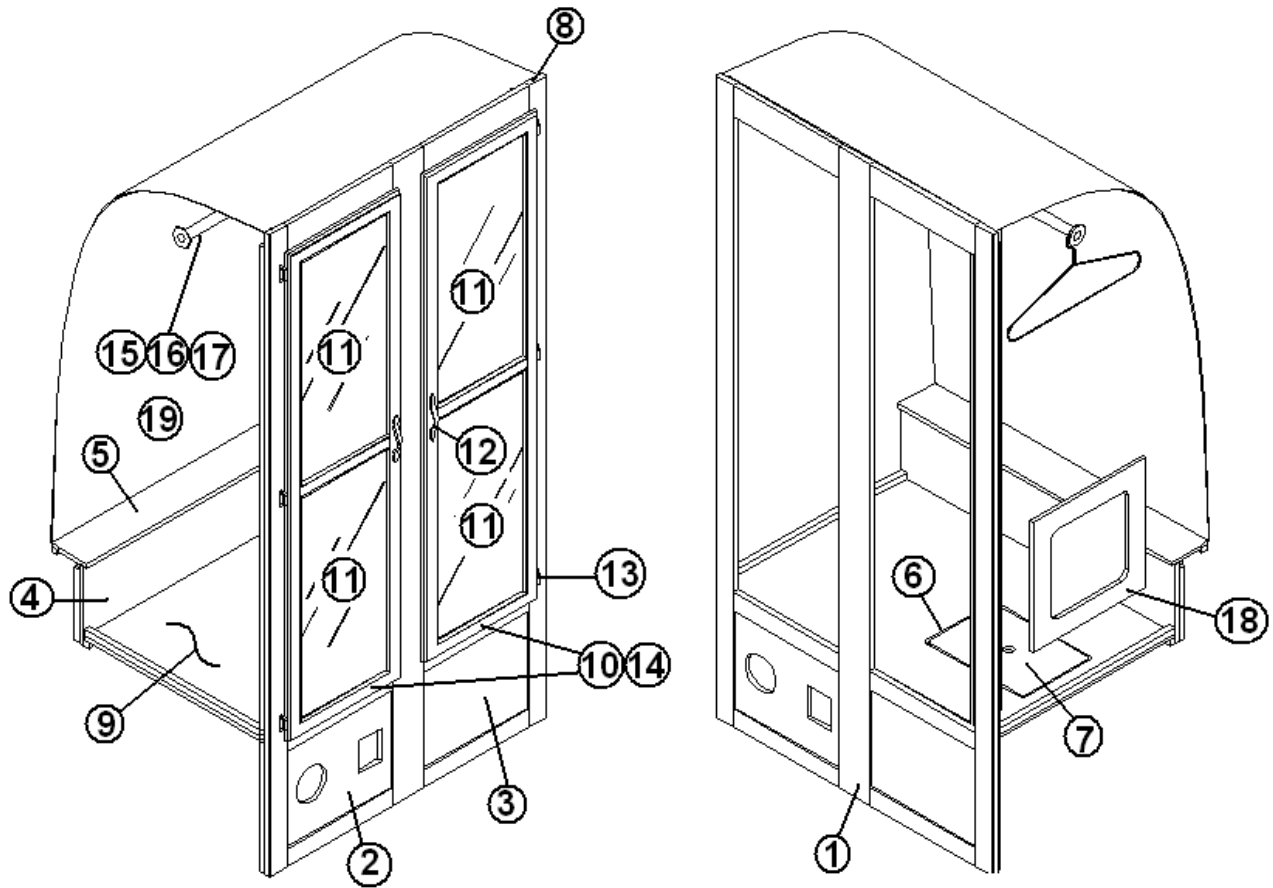
Bath Module, 30' Front Bed

- | | |
|----------------|-----------------------------------|
| 1. 801671-01 | Panel, forward shower |
| 2. 801774-12 | Panel, aft shower |
| 3. 801774-01 | Panel, forward refrigerator |
| 4. 801774-02 | Panel, aft, refrigerator |
| 5. 966720 | Shower face assembly |
| 6. 967179 | Wardrobe assembly |
| 7. 801774-03 | Panel, forward pantry |
| 8. 801774-04 | Panel, aft bathroom |
| 9. 801774-05 | Panel, forward bathroom |
| 10. 801774-06 | Panel, aft bedroom |
| 11. 801774-07 | Panel, aft hall side |
| 12. 801774-08 | Panel, forward hall side |
| 13. 801774-09 | Panel, door headers |
| 14. 801774-10 | Panel, forward foldette door |
| 15. 801774-11 | Panel, forward bath side |
| 16. 967210 | Lavatory assembly |
| 17. 967208 | Lavatory upper cabinet |
| 18. 967212 | Bathroom closeout assembly |
| 19. 690442-02 | Toilet, Hi-Profile |
| 20. 801665-003 | Molding, "L", door jamb |
| 21. 800638-023 | Molding, quarter round |
| 22. 800575-013 | Molding, corner |
| 23. 800573-013 | Molding, flat radius |
| 24. 966777 | Bath door |
| 25. 801270-003 | Molding, panel end trim |
| 26. 967215-003 | Header, sliding door |
| 27. 967216 | Door, sliding, notched |
| 28. 203081 | Shower stall, two piece |
| 29. 703626-03 | Shower door |
| 30. 961916 | Shower stand |
| 31. 111690 | Decorative wall panel, Ascot Sand |
| 203138-04 | Extrusion, plastic, 1/2", oak |

2008 CLASSIC TRAILER

FURNITURE, BATH

Wardrobe, 30' Front Bed



Part Numbers Are On the Next Page

2008 CLASSIC TRAILER

FURNITURE, BATH

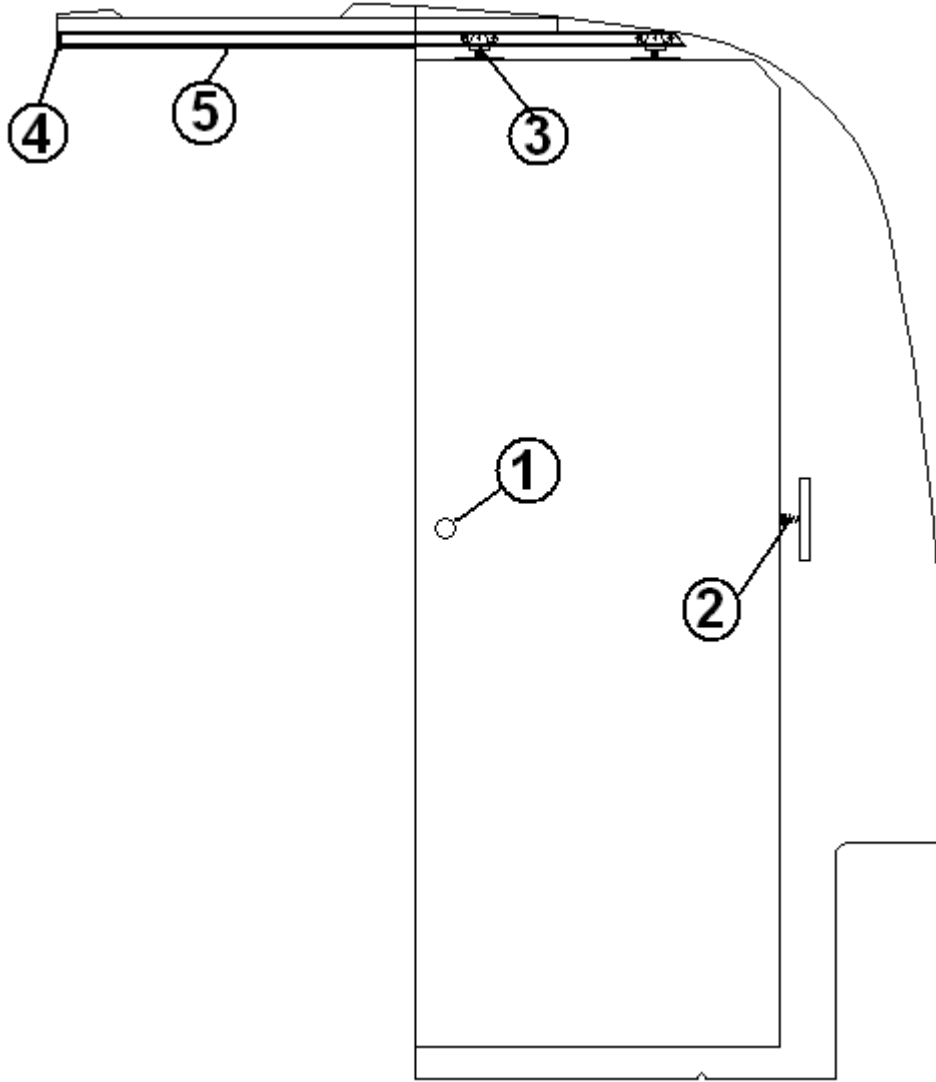
Wardrobe, 30' Front Bed

967179	Wardrobe, 30' Front Bed
1. 967178-003	Face frame, wardrobe
2. 967179-2A	Panel, 15.75" x 12.25
3. 967179-2B	Panel, 15.75" x 12.25
4. 967179-2D	Panel, 9.75" x 38.94"
5. 967179-2E	Panel, 5.25" x 38.94"
6. 967179-2G	Panel, 16.00" x 12.00"
7. 967179-2H	Panel, 13.50" x 9.50"
8. 104821	Support, Roof locker
9. 701538-01	Carpet, econoliner
10. 800557-113	Door frame, 16.00" x 60.00
11. 371262-05	Mirror safety, 13.12" x 28.12"
12. 382002	Pull, 3" center, Orb
13. 381999	Hinge, Orb
14. 381228-01	CATCH GRABBER DOOR
15. 380045	TUBING ¾", METALLIC
16. 380046	FLANGE CHROME
17. 200975-04	CONDUIT, FLEXIBLE BLACK PLASTIC
18. 966723	Closeout, wardrobe
19. 800397-01	Cedar, planked, 5.32"
381754	Mirror clip

2008 CLASSIC TRAILER

FURNITURE, BATH

Door, Sliding, 30' Front Bed

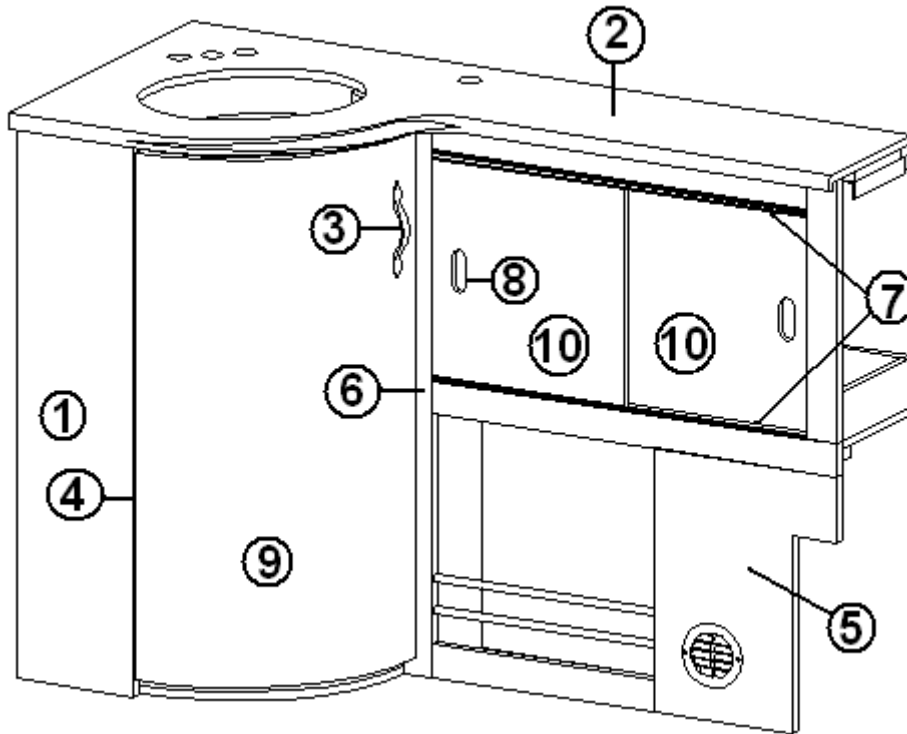


- | | |
|--------------|--------------------------------|
| 967216 | Sliding door assembly, notched |
| 1. 201427 | Finger pull, light brown |
| 2. 345466 | Spring, conical |
| 3. 381443-01 | SLIDING DOOR SET |
| 4. 381443-02 | BUMPER STOP |
| 5. 381100 | SLIDING DOOR GUIDE |

2008 CLASSIC TRAILER

FURNITURE, BATH

Lavatory Cabinet, 30' Front Bed

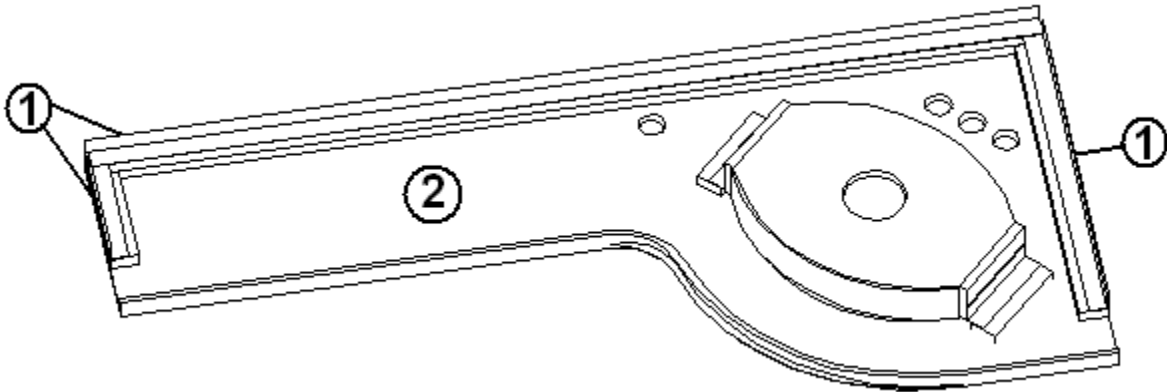


- | | |
|---------------|---------------------------------|
| 967210 | Lavatory Cabinet, 30' Front Bed |
| 1. 967209-003 | Face frame, lavatory cabinet |
| 2. 967211 | Lavatory top assembly |
| 3. 382002 | Pull, cabinet door, 3" center |
| 4. 380458 | Hinge, copper |
| 5. 602126 | Toilet paper holder |
| 6. 381856 | Catch, tension, 2-ball |
| 7. 115374 | Sliding door extrusion |
| 8. 381603 | Pull, 3-finger, brass |
| 9. 801775-003 | Door, veneer, radius |
| 10. 967210-4A | Door, sliding, 12.75" x 13.63" |

2008 CLASSIC TRAILER

FURNITURE, BATH

Lavatory Top Assembly, 30' Front Bed

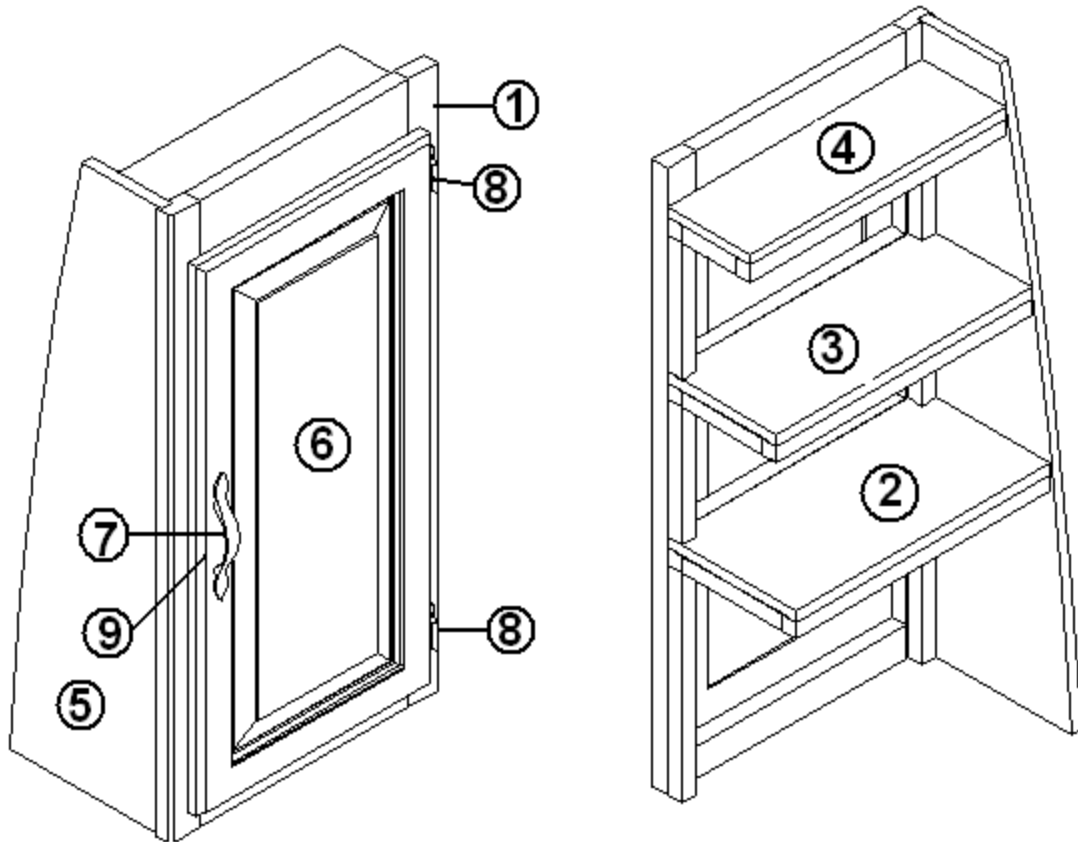


- | | |
|--------------|------------------------------|
| 967211 | Lavatory top assembly |
| 1. 114812 | Aluminum angle, 1.00" x 1.00 |
| 2. 602178-01 | Top, Sandstone Corian, |

2008 CLASSIC TRAILER

FURNITURE, BATH

Lavatory Cabinet, Upper, 30' Front Bed

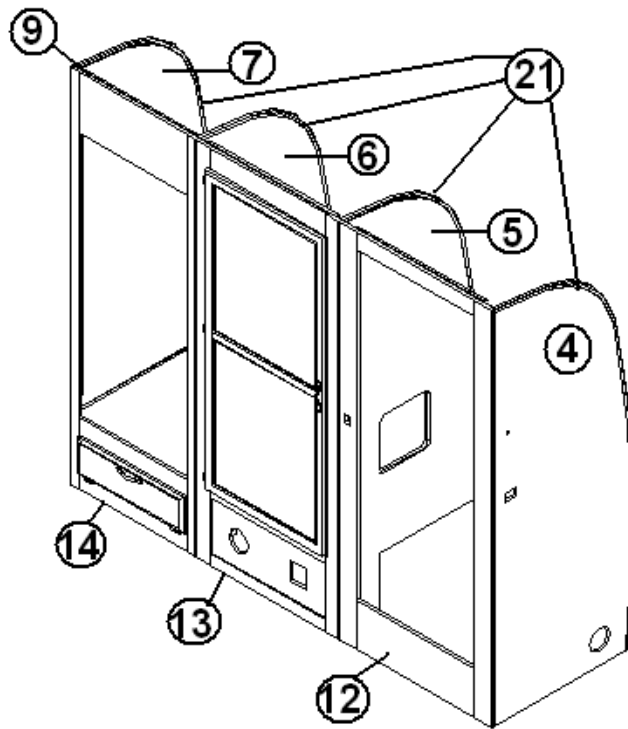
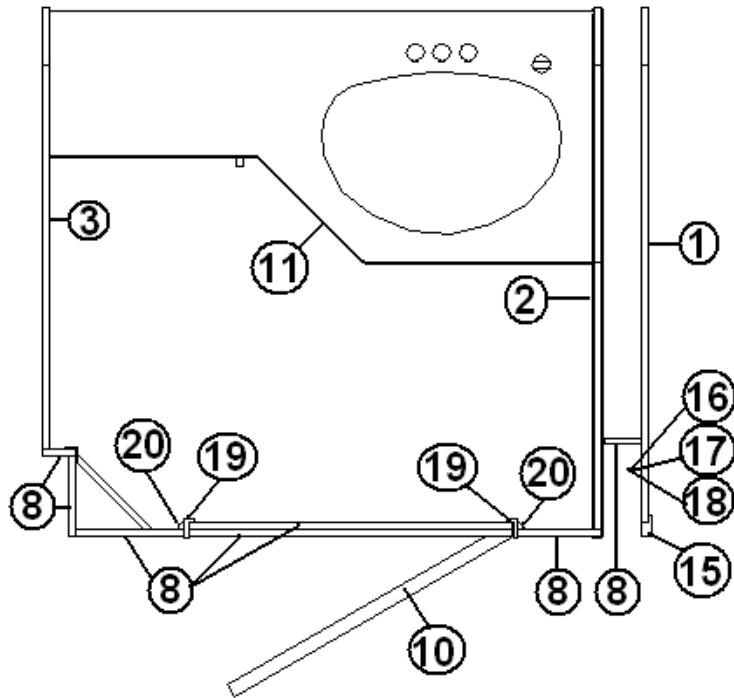


- | | |
|---------------|---|
| 967208 | Lavatory Cabinet, Upper, 30' Front Bed |
| 1. 967207 | Face frame, lavatory cabinet |
| 2. 967208-2A | Shelf, bottom, 13.38" x 6.75" |
| 3. 967208-2B | Shelf, middle, 13.38" x 5.75" |
| 4. 967208-2C | Shelf, top, 13.38" x 4.38" |
| 5. 967208-3A | Side panel, lavatory cabinet 8.03" x 28.50" |
| 6. 800597-713 | Door, 12.25" x 25.00" |
| 7. 381999 | HINGE, ORB |
| 8. 382002 | PULL, CABINET, DOOR, 3" CENTER ORB |
| 9. 381228-01 | CATCH GRABBER DOOR |

2008 CLASSIC TRAILER

FURNITURE, BATH

Bath Module, 27', 25' Front Bed



Part Numbers Are on the Next page

2008 CLASSIC TRAILER

FURNITURE, BATH

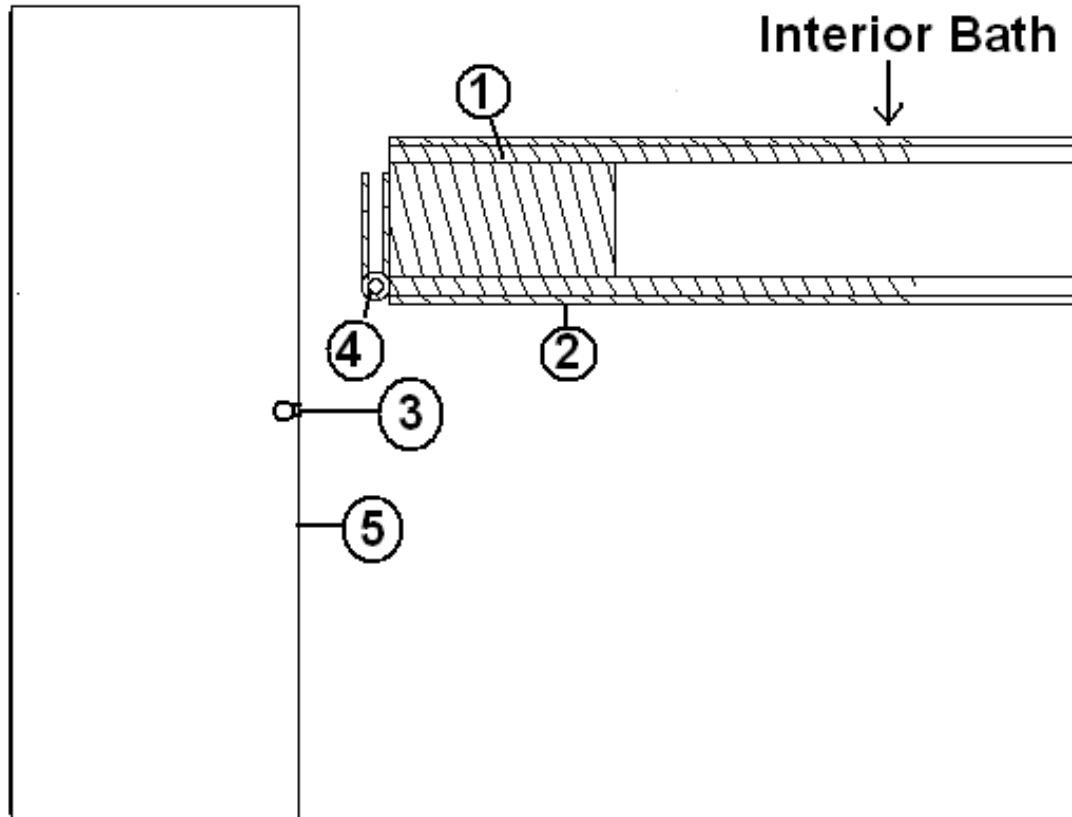
Bath Module, 27', 25' Front Bed

1. 801671-07	PANEL, FWD PANTRY
2. 801671-06	PANEL, AFT LAVY
3. 801671-05	PANEL, FWD LAVY
4. 801671-01	PANEL, FWD SHOWER, Double bedroom
4. 801671-09	PANEL, FWD SHOWER, Twin bedroom
5. 801671-02	PANEL, AFT SHOWER
6. 801671-03	PANEL, FWD REFER
7. 801671-04	PANEL, AFT REFER
8. 801509-003	Panel, Wood Veneer/Ascot
9. 801258-003	Paneling, 1/2" Hickory
10. 966777	BATH DOOR- 24" X 71"
11. 966708	LAVY ASSY.
12. 966720	SHOWER FACE ASSY
13. 966722	WARDROBE, ROADSIDE, HANGING
14. 966726	REFER CABINET ASSY.
15. 801172-07	MOLDING-CORNER ASCOT SAND 8'
16.381838-01	Foldette door track, Double bedroom
16. 381890-01	Foldette door track, Twin Bedroom
17.381890-02	TRACK-STRAIGHT FOLDETTE
18.702681-08	FOLDETTE DOOR, BEIGE, 60"X 73"
19.801665-003	"L" DOOR JAMB MOLDING
20.800638-023	Molding, quarter round
21.203138-04	EXTRUSION, PLASTIC 1/2" OAK W
203081	SHOWER STALL, 2 PC.
703626-03	SHOWER DOOR-ORB W/AQUA GLASS
961916	SHOWER STAND ASSY.

2008 CLASSIC TRAILER

FURNITURE, BATH

Door, Bath, 30', 30' Front Bed, 27', & 25' Front Bed

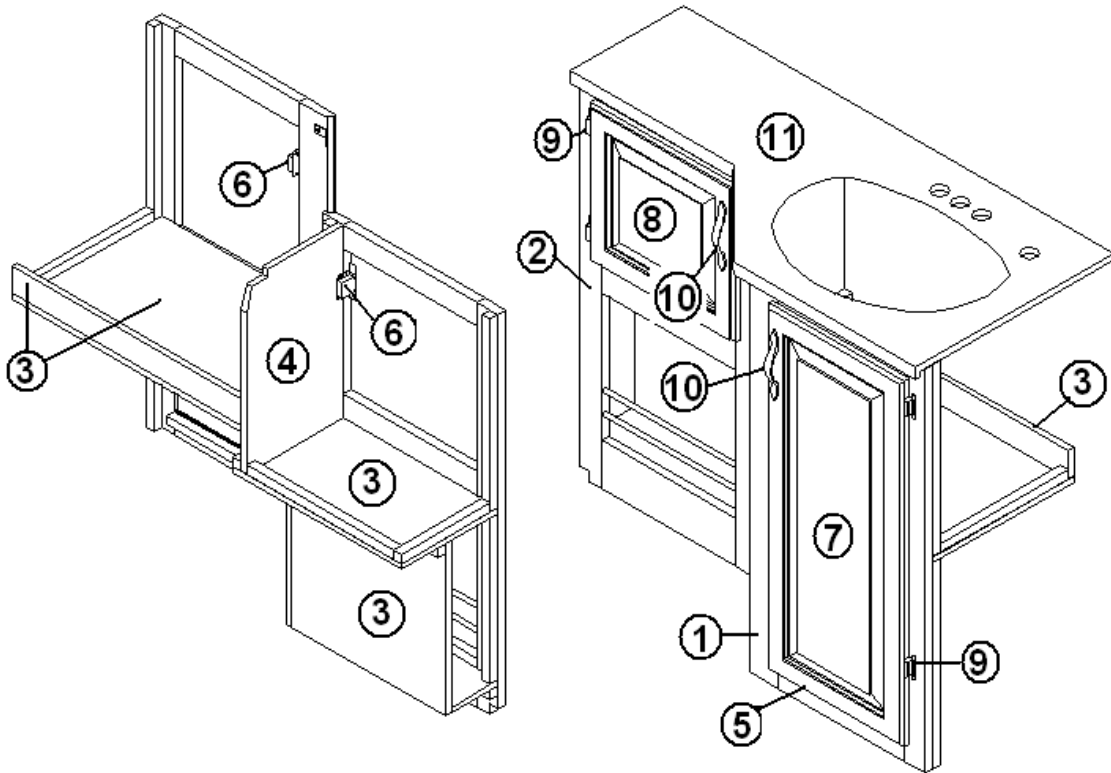


- | | |
|---------------|-----------------------------------|
| 966777 | BATH DOOR W/WINDOW |
| 1. 801260-003 | Paneling 5/32", G1S, Hickory /raw |
| 2. 800507-06 | LAUAN-.75" X 4' x 8' |
| 3. 381771-01 | LATCH, LEVER LOCKSET PRIVACY |
| 4. 380458 | PIANO HINGE 1/8" PIN, BROWN |
| 5. 365268-04 | EDGEBANDING-.024"X 1.25" |
| 454320 | DOOR HANDLE COVER |

2008 CLASSIC TRAILER

FURNITURE, BATH

Lavatory, 27', 25' Front Bed

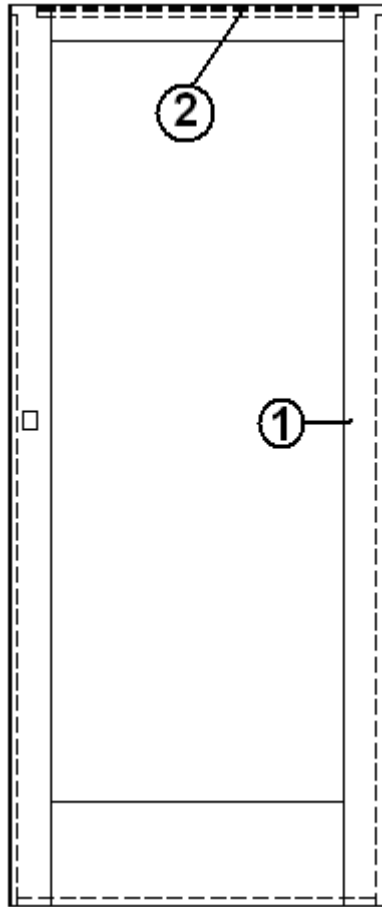


- | | |
|---------------|-------------------------------------|
| 966708 | LAVY ASSY, 27' |
| 1. 966706-003 | FACE FRAME, LAVATORY, AFT |
| 2. 966707-003 | FACE FRAME, LAVATORY, FORWARD |
| 3. 801259-003 | Paneling, 1/2", Hickory/raw |
| 4. 801258-003 | Paneling 1/2", Hickory / Hickory |
| 5. 380458 | HINGE, PIANO COPPER |
| 6. 381228-01 | CATCH GRABBER DOOR |
| 7. 800597-943 | DOOR, RAISED PANEL, 13" X 30.25" |
| 8. 800597-903 | DOOR, RAISED PANEL, 13.81" X 13.00" |
| 9. 381999 | HINGE, ORB |
| 10. 382002 | PULL, CAB.DOOR 3"CENTER ORB |
| 11. 602114 | TOP-LAVY |
| 365268-04 | EDGEBANDING, .024"X .63" |
| 195329-202 | HEMISPHERE CLEAR BUMP-ON 190 M |

2008 CLASSIC TRAILER

FURNITURE, BATH

Shower Face Frame, 30', 30' Front Bed Model, 27', 25' Front Bed Model



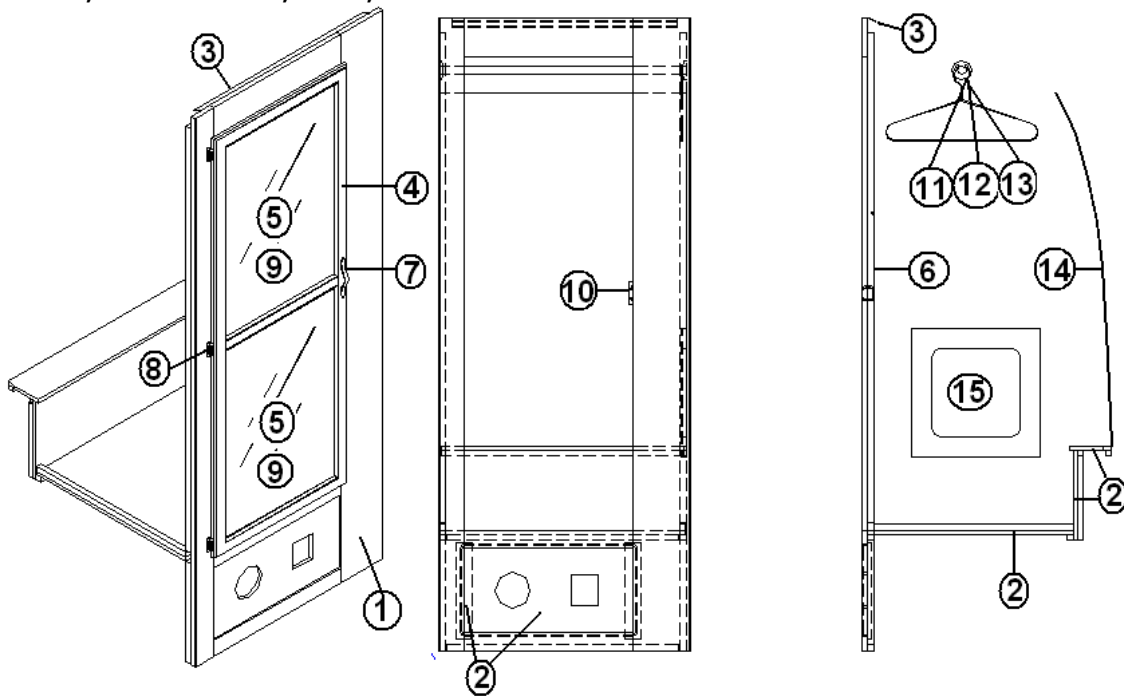
- 966720
- 1. 966719-003
- 2. 104821

SHOWER FACE ASSEMBLY
SHOWER FACE FRAME
SUPPORT, ROOFLOCKER, 74"

2008 CLASSIC TRAILER

FURNITURE, BATH

Wardrobe, Roadside, 27', 25' Front Bed

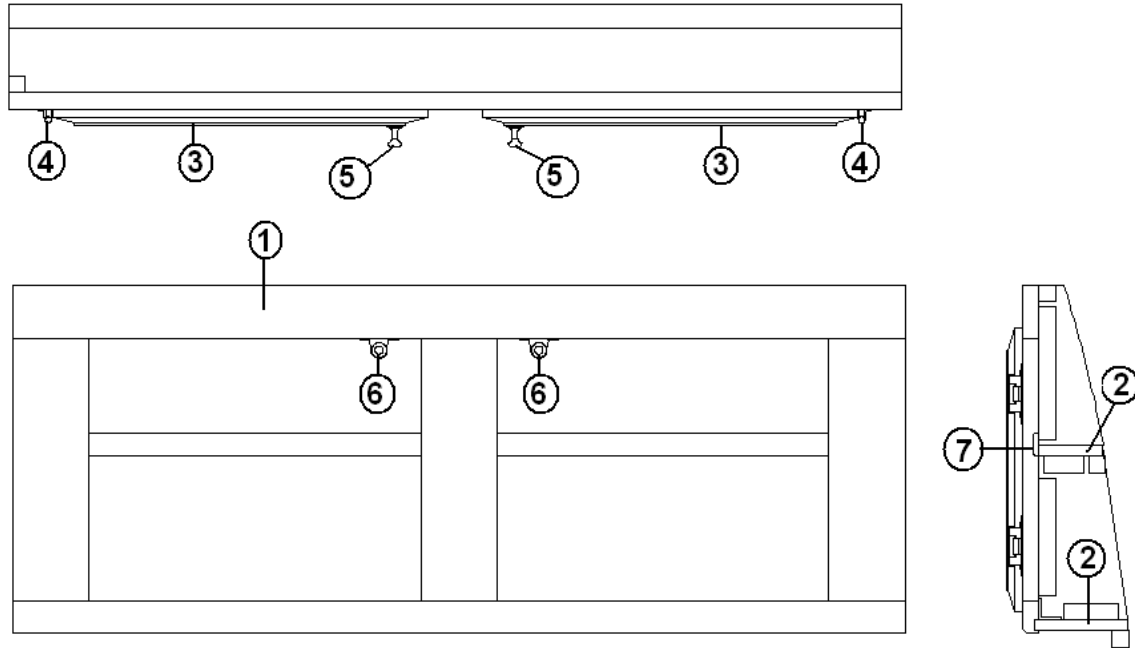


- | | |
|---------------|-----------------------------------|
| 966722 | WARDROBE ASSEMBLY, ROADSIDE |
| 1. 966721-003 | FACE FRAME, ROADSIDE WARDROBE |
| 2. 801259-003 | Paneling, 1/2", Hickory/raw |
| 3. 104821 | SUPPORT, ROOFLOCKER, 74" |
| 4. 800557-103 | DOOR FRAME, 22.00" X 60.00" |
| 5. 371262-04 | MIRROR- SAFETY- 19.12 X 28.12 |
| 6. 801260-003 | Paneling 5/32", G1S, Hickory /raw |
| 7. 382002 | PULL-CAB.DOOR 3"CTR ORB |
| 8. 381999 | HINGE-ORB |
| 9. 381754 | MIRROR CLIP |
| 10. 381228-01 | CATCH GRABBER DOOR |
| 11. 500956 | LIGHT,WDRB,#PD210-111BRN,W/SWI |
| 12. 380045 | TUBING 3/4" |
| 13. 380046 | FLANGE CHROME |
| 14. 200975-04 | CONDUIT,FLEXIBLE BLACK PLASTIC |
| 15. 966723 | CLOSEOUT ASSY |
| 365250-003 | EDGE BANDING 5/8", HICKORY |
| 701538-01 | CARPET-ECONOLIER W/PSA BACK |
| 382003 | KNOB, 1.38" ORB |

2008 CLASSIC TRAILER

FURNITURE, BATH

Medicine Cabinet, Lower, 27', 25' Front Bed

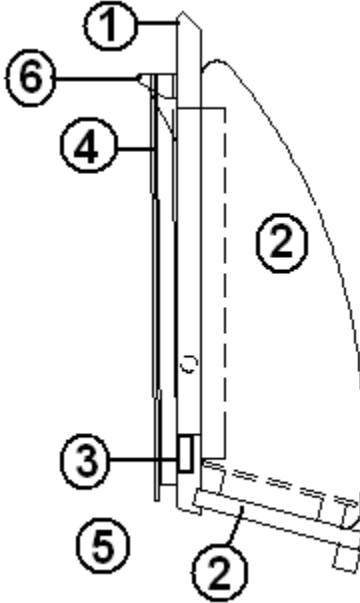


- | | |
|---------------|-----------------------------------|
| 966710 | MEDINCINE CABINET, LOWER, 41" |
| 1. 966709-003 | FACE FRAME, MEDICINE CABINET |
| 2. 801258-003 | Paneling 1/2", Hickory / Hickory |
| 3. 800599-573 | DRAWER FACE 17.25" X 13.00" |
| 4. 381999 | HINGE, ORB |
| 5. 382002 | PULL, CABINET, DOOR, 3"CENTER ORB |
| 6. 381074 | CATCH BULL DOG #65S (COPPER) |
| 7. 800573-013 | MOLDING, DOOR EDGE, OAK |

2008 CLASSIC TRAILER

FURNITURE, BATH

Medicine Cabinet, Upper, 27', 25' Front Bed

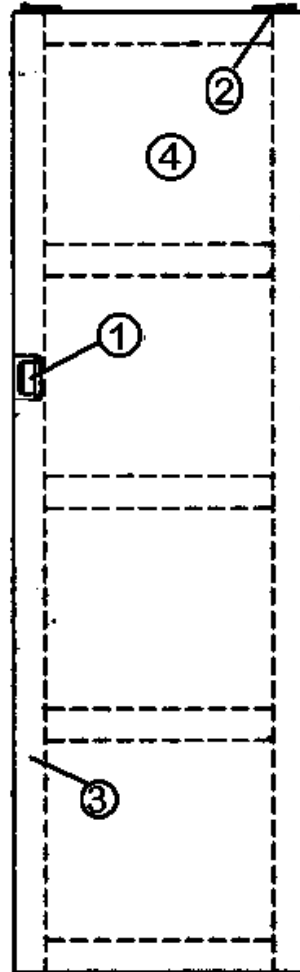


- | | |
|---------------|----------------------------------|
| 966712 | MEDICINE CABINET, UPPER |
| 1. 966711-003 | FACE FRAME, MEDICINE CABINET |
| 2. 801258-003 | Paneling 1/2", Hickory / Hickory |
| 3. 381228-01 | CATCH GRABBER DOOR |
| 4. 372203-17 | MIRROR, SAFETY, 33.31" X 14" |
| 5. 385940-02 | MIRROR PULL |
| 6. 385935 | HINGE BRASS PIVOT |
| 380024 | ARMS SUPPORT RIGHT HAND |

2008 CLASSIC TRAILER

FURNITURE, BATH

Bath Sliding Door, 34'



986265-03

1. 201427

2. 200009

3. 365268-04

4. 801260-003
381100

DOOR ASSEMBLY, SLIDING BATH

FINGER PULL, LIGHT BROWN

SLIDING DOOR GUIDE

EDGE BANDING-1.25"X .055"

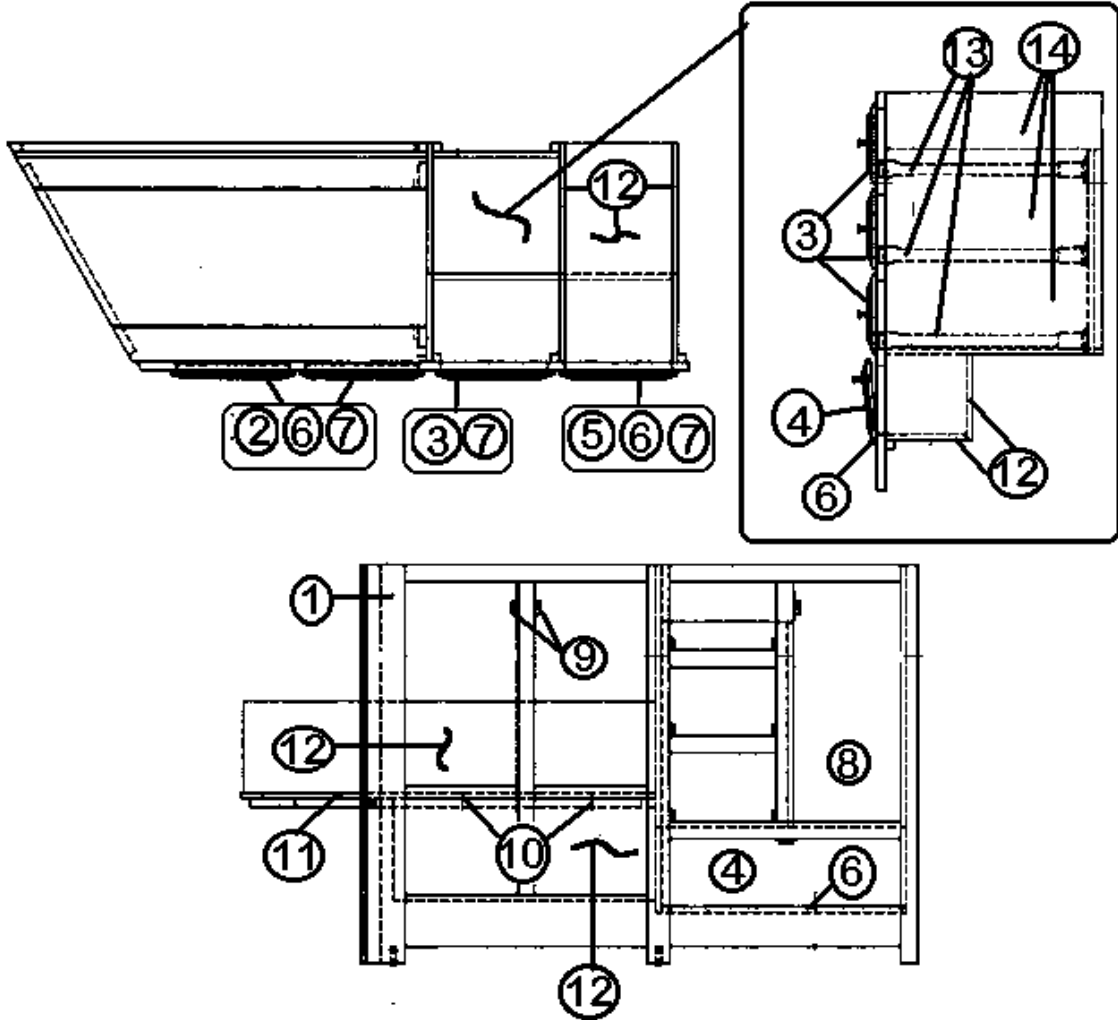
PANEL 5/32" G1S

SLIDING DOOR GUIDE

2008 CLASSIC TRAILER

FURNITURE, GALLEY

Galley, 34' S/O, Middle Section



Part numbers are on the next page

2008 CLASSIC TRAILER

FURNITURE, GALLEY

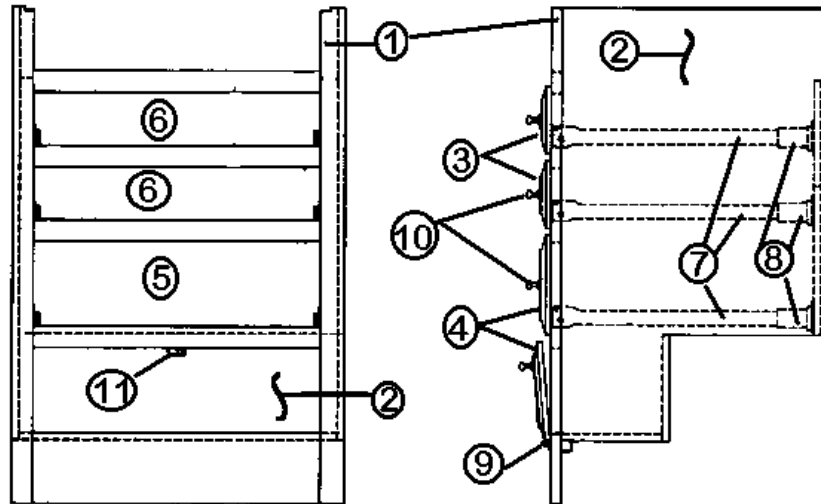
Galley, 34' S/O, Middle Section

965357-01	GALLEY ASSY-MIDDLE S/O DINETTE
1. 965360-003	FACE FRAME-GALLEY MID, HICKORY
2. 800597-093	DOOR RAISED PANEL 11.00" X 29.75", HICKORY
3. 800599-013	DRAWER FACE-7.00" W X 10.50" L, HICKORY
4. 800599-383	DRAWER FACE 7.00" X 21.50", HICKORY
5. 800597-013	DOOR RAISED PANEL 10.50" X 22.00", HICKORY
6. 381999	Hinge, Orb
7. 382002	Cabinet door pull, Orb, 3" center
8. 381491	TRASH CAN, ROLL OUT
9. 381228-01	CATCH GRABBER DOOR
10. 800573-013	MOLDING DOOR EDGE 1-3/32" X 80", HICKORY
11. 801258-003	PANEL 1/2" G2S, 4' X 7', HICKORY
12. 801259-003	PANEL 1/2" G1S HICKORY/RAW
13. 381526-03	DRAWER SLIDE 18" PER PR
14. 964910-05	DRAWER BOX, 8.50" X 18.00" X 5.00"
200980-01	TRAY, SILVERWARE, ALMOND, 9" X 13"
381708	WASTEBASKET-11.38 X 8.25 X 12.

2008 CLASSIC TRAILER

FURNITURE, GALLEY

Galley, 34' S/O, 30' S/O, Cook top Section

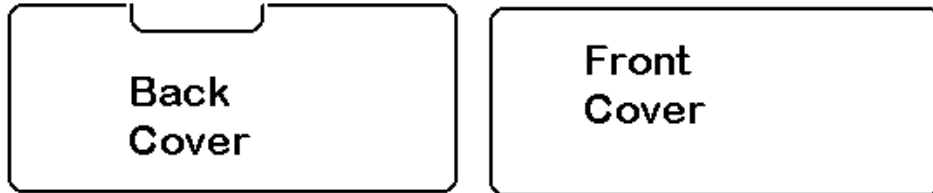


- | | |
|---------------|---|
| 964998-10 | GALLEY ASSY-COOKTOP |
| 1. 965017-003 | FACE FRAME GALLEY COOKTOP, Hickory |
| 2. 801259-003 | PANEL 1/2" G1S WOOD/RAW, Hickory |
| 3. 800599-383 | DRAWER FACE 7.00" X 21.50", Hickory |
| 4. 800599-583 | DRAWER FACE 4.75" X 21.50", Hickory |
| 5. 964910-03 | DRAWER BOX- 19.50" X 18.00" X 5.00" |
| 6. 964906-02 | DRAWER BOX- 19.50" X 18.00" X 2.75" |
| 7. 381526-03 | DRAWER SLIDE-950-RV 18" PER PR |
| 8. 381526-06 | BRACKET ADJUSTABLE REAR (PAIR) |
| 9. 381999 | Hinge, Orb |
| 10. 382002 | Cabinet door pull, Orb, 3" center |
| 11. 381228-01 | CATCH GRABBER DOOR |
| 601905-01 | GALLEY FLIP UP SHELF, CORIAN, SANDSTONE |
| 200980-01 | TRAY, SILVERWARE, ALMOND, 9 X 13 |
| 381708 | WASTEBASKET-11.38 X 8.25 X 12. |

2008 CLASSIC TRAILER

FURNITURE, GALLEY

Range Covers, All units

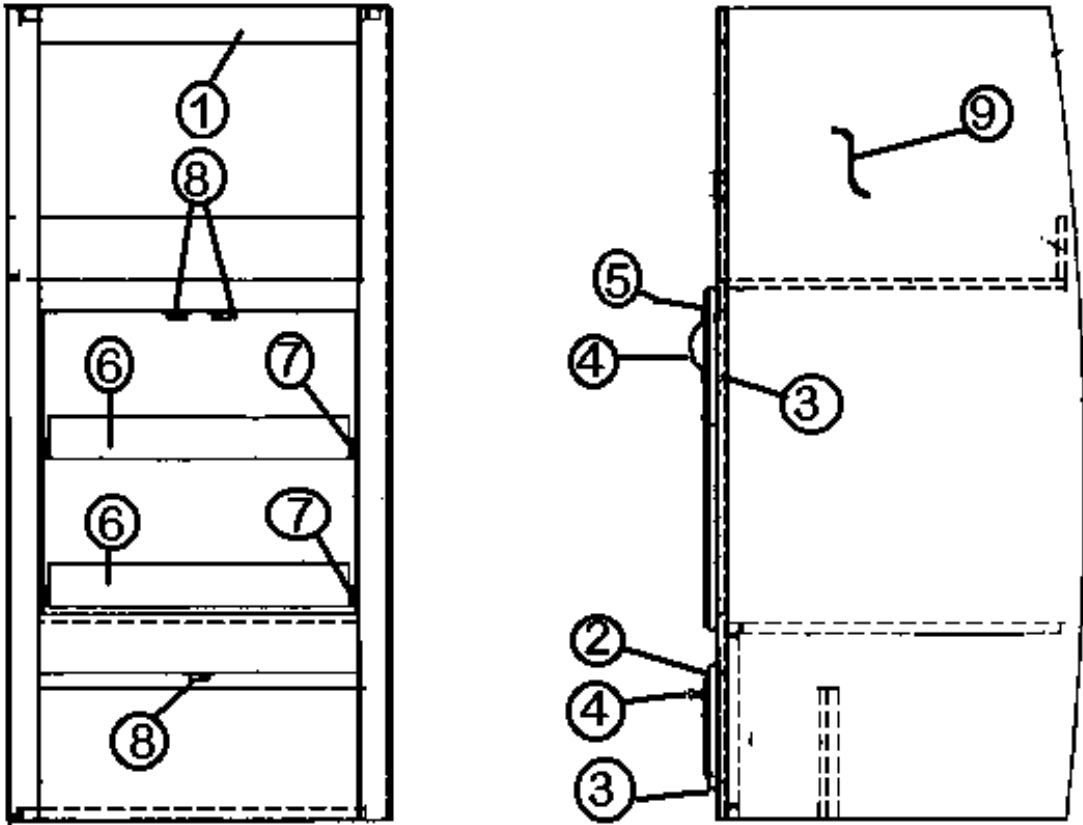


601911-01 Range covers, Corian, set, 3-Burner Sandstone

2008 CLASSIC TRAILER

FURNITURE, GALLEY

Microwave Cabinet, 34 S/O, 30 S/O



Part Numbers On the Next Page

2008 CLASSIC TRAILER

FURNITURE, GALLEY

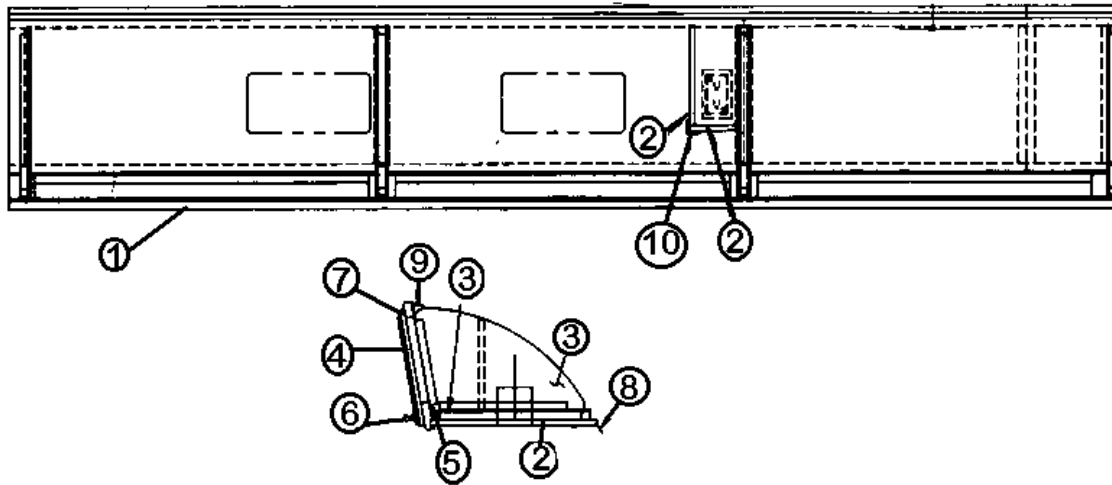
Microwave Cabinet, 34 S/O, 30 S/O

965030-07	MW. CABINET CONVECTION, 30/S/O
965030-09	MW. CABINET REGULAR, 30/S/O, 34' S/O
965030-08	MW. CABINET REGULAR, 34/S/O
1. 965029-003	FACE FRAME-CONVECTION, HICKORY
1. 965312-003	FACE FRAME-REGULAR, HICKORY
2. 800599-233	DRAWER FACE 8.00 X 21.50, HICKORY
3. 381999	Hinge, Orb
4. 382002	Cabinet door pull, Orb, 3" center
5. 800597-013	DOOR, 10.50" X 22.00", HICKORY
6. 964906-02	DRAWER BOX- 19.50" X 18.00" X 2.75"
7. 381192	SLIDE, DRAWER, 18" (EACH=1 PAIR)
8. 381228-01	CATCH GRABBER DOOR
9. 601923-01	TOP, MICRO CABINET, CORIAN, SANDSTONE

2008 CLASSIC TRAILER

FURNITURE, GALLEY

Roof Locker, 34' S/O Galley

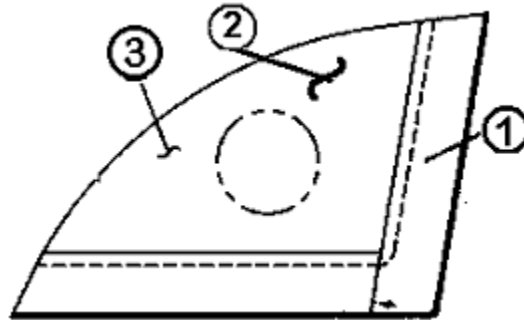


- | | |
|----------------|---------------------------------------|
| 965379-04 | GALLEY ROOF LOCKER |
| 1. 965380-003 | FACE FRAME-GALLEY, HICKORY |
| 2. 801258-003 | PANEL 1/2" G2S, 4' X 7', HICKORY |
| 3. 801260-003 | PANEL, Wood/Raw, 4' x 8' Hickory |
| 4. 800597-413 | DOOR, 10.50" X 32.00", HICKORY |
| 5. 381147 | SUPPORT, SPRING LOADED DOOR |
| 6. 382002 | Cabinet door pull, Orb, 3" center |
| 7. 381999 | Hinge, Orb |
| 8. 104829 | SUPPORT ROOFLOCKER GALLEY |
| 9. 104821 | SUPPORT, ROOFLOCKER, 74" |
| 10. 800575-013 | MOLDING CORNER, HICKORY, 80" Long |
| 100097 | EXTRUSION, CURTAIN TRACK |
| 801505 | PANEL, ASCOT SAND/RAW .125" X 4' X 8' |

2008 CLASSIC TRAILER

FURNITURE, GALLEY

Roof Locker End Caps, RH & LH, All units

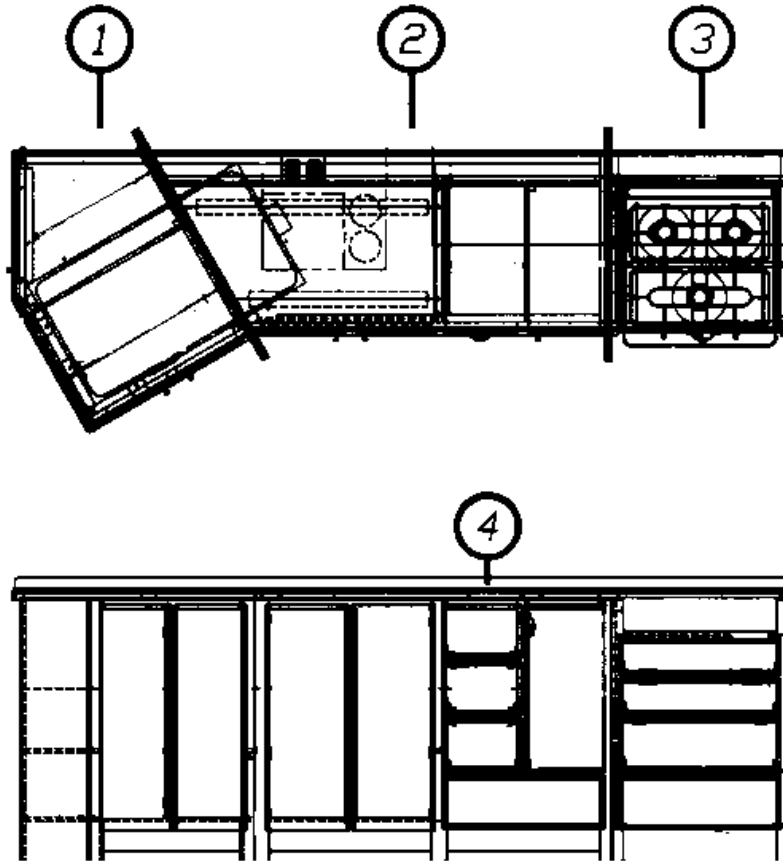


- | | |
|---------------|---------------------------------|
| 963828-02 | Roof Locker RH End cap Assembly |
| 963828-03 | Roof Locker LH End cap Assembly |
| 1. 963829-023 | LH Frame, Hickory |
| 1. 963829-013 | RH Frame, Hickory |
| 2. 801259-003 | PANEL 5/32"G1S Hickory/RAW |
| 3. 700414 | 3/8" foam |

2008 CLASSIC TRAILER

FURNITURE, GALLEY

Galley, 34' S/O

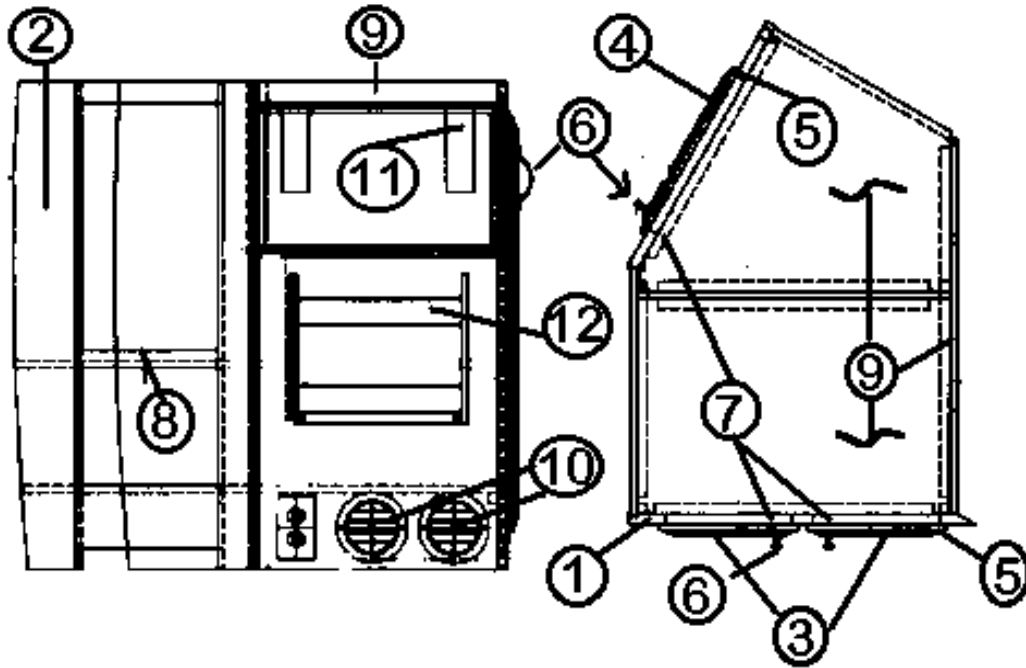


- | | |
|---------------|--|
| 965367-06 | Galley Assembly, 76" Dinette, W/Cook top |
| 1. 965356-003 | GALLEY, FWD S/O DINETTE, HICKORY |
| 2. 965357-01 | GALLEY, MID S/O DINETTE, HICKORY |
| 3. 964998-10 | GALLEY, AFT W/COOKTOP, HICKORY |
| 4. 965302-02 | GALLEY, AFT W/OVEN, HICKORY |
| 602042-01 | TOP, GALLEY, CORIAN, SANDSTONE |

2008 CLASSIC TRAILER

FURNITURE, GALLEY

Galley, 34' S/O, Forward



- | | |
|----------------|---|
| 965356-03 | GALLEY, FORWARD S/O DINETTE |
| 1. 965361-003 | FACE FRAME-GALLEY FWD, HICKORY |
| 2. 965359-003 | FACE FRAME-GALLEY FWD, HICKORY |
| 3. 800597-743 | DOOR 10.25" X 29.50", HICKORY |
| 4. 800597-443 | DOOR 13.75" X 29.75", HICKORY |
| 5. 381999 | Hinge, Orb |
| 6. 382002 | Cabinet door pull, Orb, 3" center |
| 7. 381228-01 | CATCH GRABBER DOOR |
| 8. 800573-013 | MOLDING 1-3/32" X 80", HICKORY |
| 9. 801258-003 | PANEL 1/2" G2S Hickory/Hickory, 4' X 7' |
| 10. 601244-03 | REGISTER, ROTAIRE, BLACK |
| 11. 601905-01 | GALLEY FLIP UP SHELF, CORIAN, SANDSTONE |
| 12. 963990-003 | MAGAZINE RACK, HICKORY |
| 381708 | WASTEBASKET-11.38 X 8.25 X 12. |
| 200980-01 | TRAY, SILVERWARE, ALMOND, 9" X 13" |

2008 CLASSIC TRAILER

FURNITURE, GALLEY

Galley Flip Up Shelf, All Units, Corian



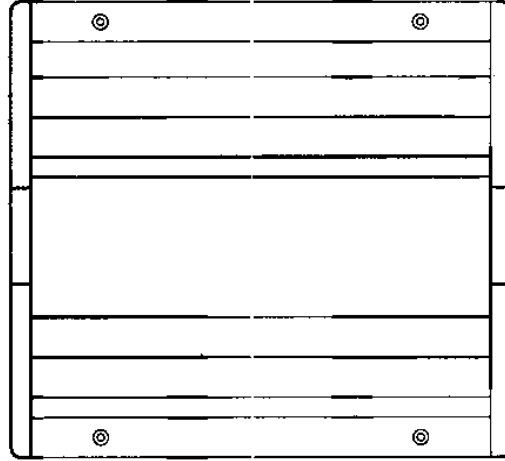
601905-01
381614

GALLEY FLIP UP SHELF, CORIAN, SANDSTONE
FOLDING SHELF BRACKET

2008 CLASSIC TRAILER

FURNITURE, GALLEY

Spice Rack, All Units



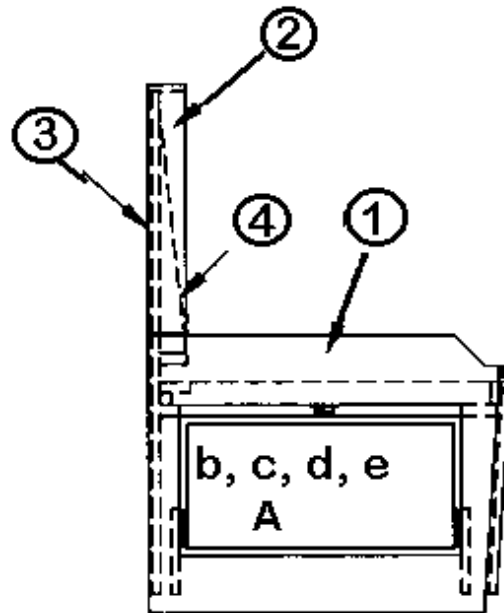
963991-003

Spice rack, Hickory

2008 CLASSIC TRAILER

FURNITURE, GALLEY

Dinette Seat, LH, 34' S/O, 30' S/O



965314-01

1. 965315-01

A. 801415-007

B. 964908-01

C. 381090

D. 381228-01

E. 701538

2. 965316-01

2.703125-03

3. 965317-01

4. 964499-01

964334-01

800470-003

800405-003

LH Dinette Seat

BASE ASSY-DINETTE LH

CORNER TRIM 1" RADIUS

DRAWER BOX, 17.50" X 26.00" X 8.00"

SLIDE, DRAWER, 22" (EA=1 PAIR)

CATCH GRABBER DOOR C3-803

CARPET, ECONOLIER, BLACK 48"

BACK ASSY-DINETTE LH

TOP-DINETTE. SEAT, BUCKSKIN

UPHOLSTERED BACK, DINETTE LH S/O

CUSHION SUPPORT-DINETTE LH 41.63"

FLEX SPRING 21.63" X 42.00"

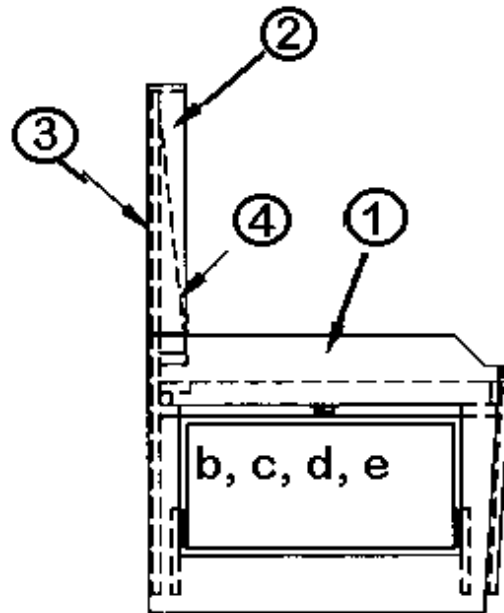
STOP-HARDWOOD, HICKORY

PLUG-BUTTON HARDWOOD OAK

2008 CLASSIC TRAILER

FURNITURE, GALLEY

Dinette Seat RH, 34' S/O, 30' S/O

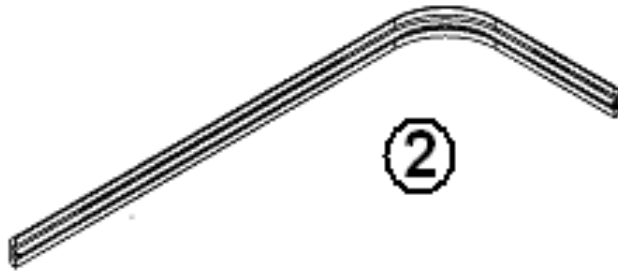
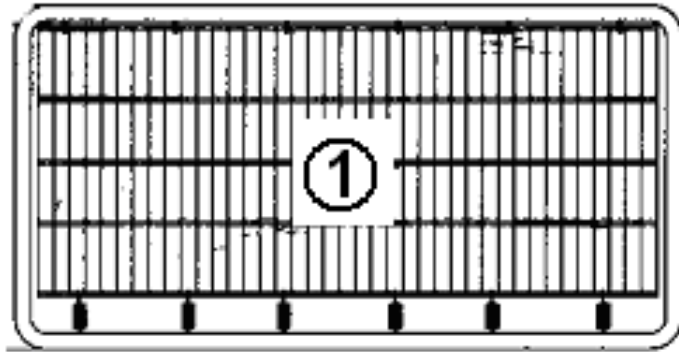


965314-02	RH Dinette Seat (Opposite)
1. 965315-02	BASE ASSY-DINETTE RH,
A. 801415-007	CORNER TRIM 1" RADIUS
B. 964908-01	DRAWER BOX, 17.50" X 26.00" X 8.00"
C. 381090	SLIDE, DRAWER, 22" (EA=1 PAIR)
D. 381228-01	CATCH GRABBER DOOR C3-803
E. 701538	CARPET, ECONOLIER, BLACK 48"
2. 965316-02	BACK ASSY-DINETTE RH
2. 703125-03	TOP-DINETTE. SEAT, BUCKSKIN
3. 965317-02	UPHOLSTERED. BACK ASSY-DINETTE RH S/O
4. 964498-01	CUSHION SUPPORT-DINETTE RH 41.63"
964334-01	FLEX SPRING SEAT 21.63" X 42.00"
800470-003	STOP-HARDWOOD, HICKORY
800405-003	PLUG-BUTTON HARDWOOD OAK

2008 CLASSIC TRAILER

FURNITURE, GALLEY

Dinette Seat Top/Flex Spring, all Dinettes



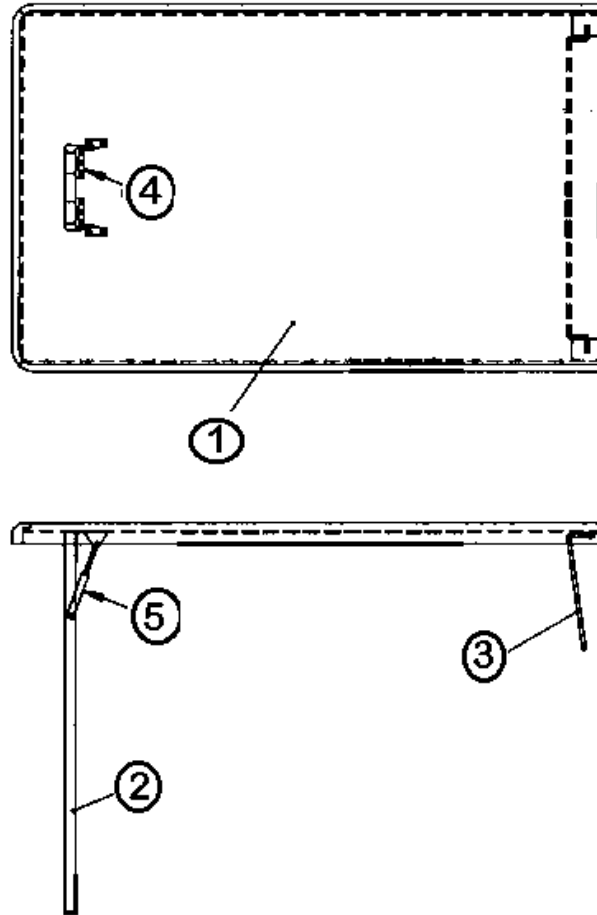
1. 964334-01
2. 703125-03

Dinette Seat Spring, 21.36" x 42.00"
Top, Dinette seat, Urethane

2008 CLASSIC TRAILER

FURNITURE, GALLEY

Dinette table, 26", 34' S/O, 34', 31, 30' S/O, 30'



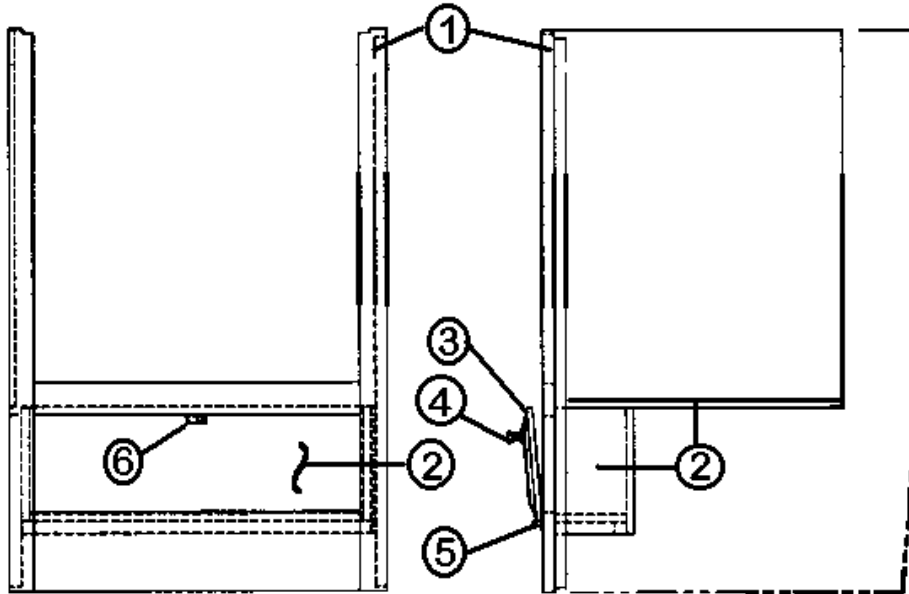
- 963794
1. 963674-003
2. 962177-033
3. 380284-02
4. 380210
5. 381147

DINETTE TABLE ASSY. NOMAR, 26"
TOP, DINETTE, RESISTOVAR 26 X 42 HICKORY
LEG HARDWOOD 30.50", HICKORY
TABLE HINGE BRACKET
HINGE PLAIN STEEL
DOOR SUPPORT, SPRING LOADED

2008 CLASSIC TRAILER

FURNITURE, GALLEY

Galley, 34' S/O, 30' S/O, Full Oven

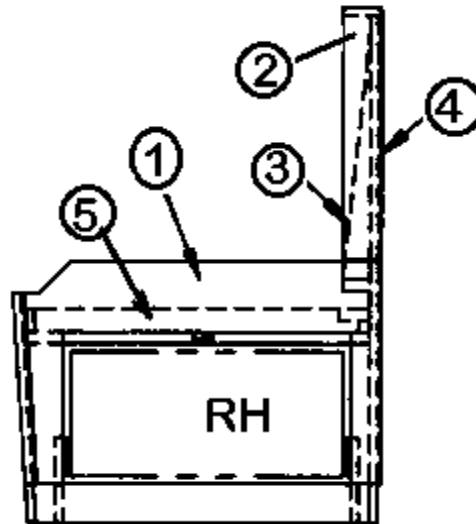


- | | |
|---------------|--|
| 965302-02 | Galley Assembly, Full oven option |
| 1. 965304-003 | Face frame, galley, full oven, Hickory |
| 2. 801259-003 | Panel, GS, Hickory/raw |
| 3. 800599-383 | DRAWER FACE 7.00" X 21.50", Hickory |
| 4. 382002 | Cabinet door pull, Orb, 3" center |
| 5. 381999 | Hinge, Orb |
| 6. 381228-01 | CATCH GRABBER DOOR |

2008 CLASSIC TRAILER

FURNITURE, GALLEY

Dinette Seat, RH, 34', 31', 30'

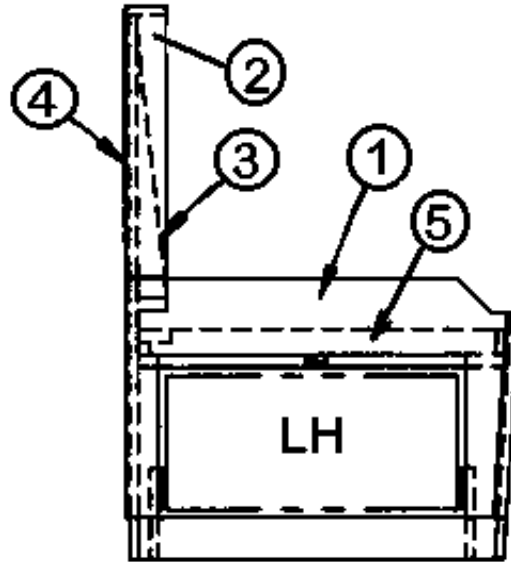


- 964954-04 Dinette Seat Assembly, RH
- 1. 964949-05 RH Dinette Seat Sub-Assembly
- 2. 964528-01 Back sub-assembly, RH, 34 FT.
- 2.964528-04 Back sub-assembly, RH, 30', 31'
- 3. 964498-01 Cushion Support, Dinette RH, 41.63"
- 4. 964529-02 Upholstered Back, RH 17", 34 Ft.
- 4.965076 Upholstered back, 42" wide, 30', 31'
- 5. 964334-01 Flex spring seat
- 382002 Cabinet door pull, Orb, 3" center
- 381529 HINGE COMPT DOOR
- 381228-01 CATCH GRABBER DOOR
- 964952 DOOR ASSY-DINETTE DROP DOWN
- 964951-02 JAMB-DINETTE DROP DOOR TOP/BOTTOM
- 964951-01 JAMB-DINETTE DROP DOOR SIDE
- 964908-01 DRAWER BOX- 17.50 X 26.00 X 8.00
- 381090 SLIDE, DRAWER, 22" (EA=1 PAIR)
- 964950 UPHOLSTERED BACK ASSY-W/DOOR
- 701538 CARPET, ECONOLIER VELOUR BLACK
- 703446 SILK FILM SHEETING #SFS 36 AIR

2008 CLASSIC TRAILER

FURNITURE, GALLEY

Dinette Seat, LH, 34', 31', 30'

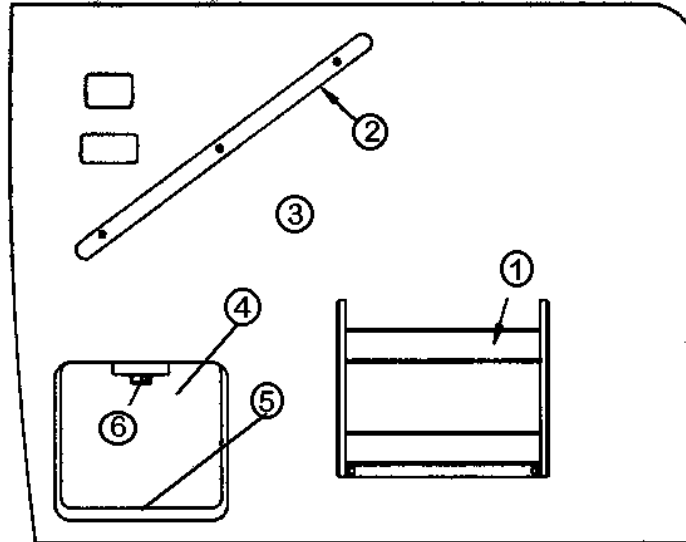


- 964953-06 Dinette Seat Assembly, LH
- 1. 964949-07 LH Dinette Seat Sub-Assembly
- 2. 964528-03 Back sub-assembly, LH
- 3. 964449-01 Cushion Support, Dinette LH, 41.63"
- 4. 964950 Upholstered Back, LH w/door, 34 Ft.
- 4a. 964529-01 Upholstered back, 17" wide, 31', 30 Ft.
- 5. 964334-01 Flex spring seat

2008 CLASSIC TRAILER

FURNITURE, GALLEY

Dinette Seat Back w/ Door, 34'



964950

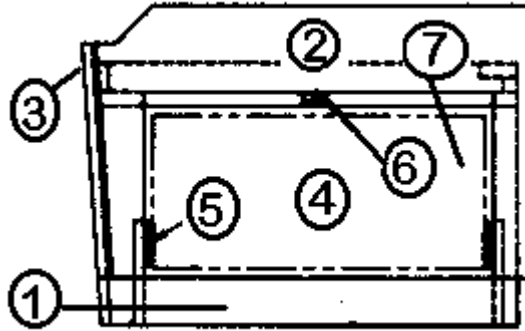
- 1. 963990-003
- 2. 800631-003
- 3. 964528-03
- 4a. 964951-01
- 4b. 964951-02
- 4c. 964952
- 4d. 382001
- 5. 381529
- 6. 381228-01

Upholstered Back Assembly w/ Door
MAGAZINE RACK, HICKORY
HANDRAIL 23" LONG, HICKORY
Dinette Seat Back, Sub Assembly
JAMB, DROP DOOR SIDE
JAMB, DROP DOOR TOP/BOTTOM
DOOR ASSY-DINETTE DROP DOWN
PULL ,DRAWER, ORB
HINGE PIANO BROWN ANODI6ED
CATCH GRABBER DOOR

2008 CLASSIC TRAILER

FURNITURE, GALLEY

Dinette Seat Sub Assembly, 34', 30'

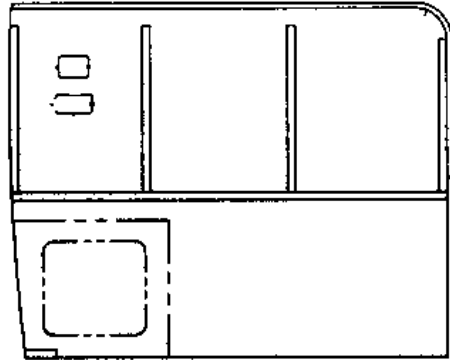


- 964949-07 Dinette Seat Sub Assembly, LH, 34', 30'
- 964949-05 Dinette Seat Sub Assembly, RH, 34'
- 1. 801259-003 PANEL 1/2" G1S HICKORY
- 2. 700414 FOAM 3/8 X 72" X 52'
- 3. 801415-007 CORNER TRIM 1" RADIUS, OAK
- 4. 964908-01 DRAWER BOX- 17.50 X 26.00 X 8.00"
- 5. 381090 SLIDE, DRAWER, 22" (EA=1 PAIR)
- 6. 381228-01 CATCH GRABBER DOOR
- 7. 701538 CARPET, ECONOLIER VELOUR BLACK 48"

2008 CLASSIC TRAILER

FURNITURE, GALLEY

Dinette Seat Back Sub Assembly, Upholstered, 31', 30'

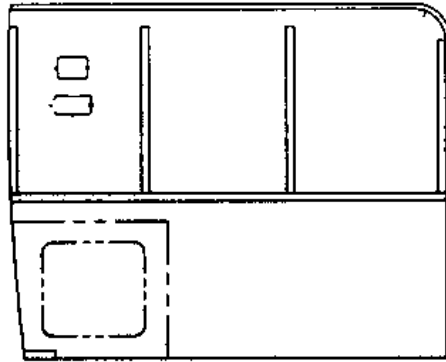


- 964528-02 Upholstered Dinette Seat Back, RH, 30'
- 964528-04 Upholstered Dinette Seat Back, LH, 31'
- 964528-05 Upholstered Dinette Seat Back, LH, 31'

2008 CLASSIC TRAILER

FURNITURE, GALLEY

Dinette Seat Back, Sub Assembly, Upholstered, 34'

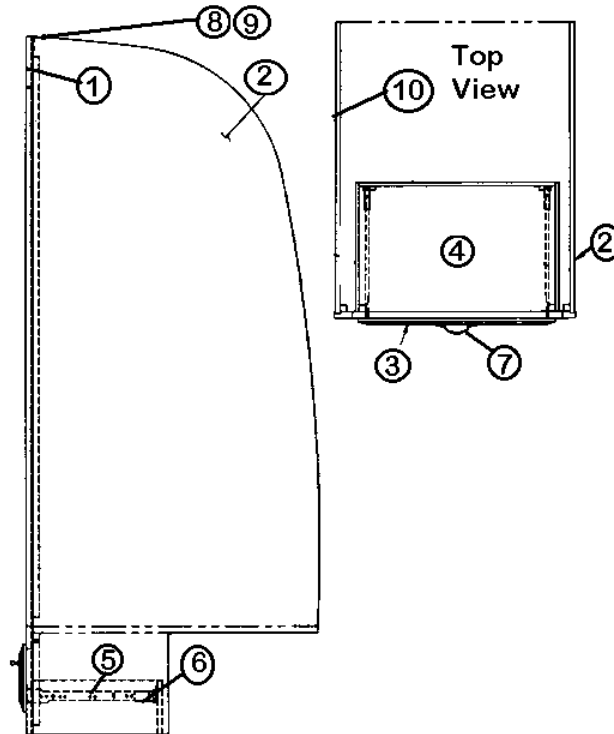


964528-01 Upholstered Dinette Seat Back, RH, 34'
964528-03 Upholstered Dinette Seat Back, LH, 34'

2008 CLASSIC TRAILER

FURNITURE, GALLEY

Refrigerator Cabinet, 34'

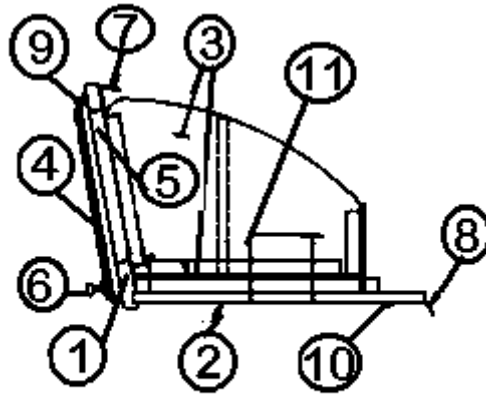


- | | |
|---------------|-------------------------------------|
| 963305-04 | Refrigerator Cabinet Assembly |
| 1. 963724-023 | FACE FRAME REFER, HICKORY |
| 2. 801088-21 | PANEL AFT REFER |
| 3. 800599-213 | DRAWER FACE 7.00" X 23.00", HICKORY |
| 4. 964910-13 | DRAWER BOX- 19.69" X 14.00" X 5.00" |
| 5. 381526-01 | DRAWER SLIDE- 14" PER PR |
| 6. 381526-06 | ADJUSTABLE REAR BRKT PER PR |
| 7. 382002 | Cabinet door pull, Orb, 3" center |
| 8. 104821 | SUPPORT, ROOFLOCKER, 74" |
| 9. 330038 | RIVET BLIND AD 54 ABS-LF |
| 10. 801088-06 | PANEL FWD REFER VENEER |
| 963730-02 | REFER STAND ASSY. |

2008 CLASSIC TRAILER

FURNITURE, GALLEY

Roof Locker, 34' Galley

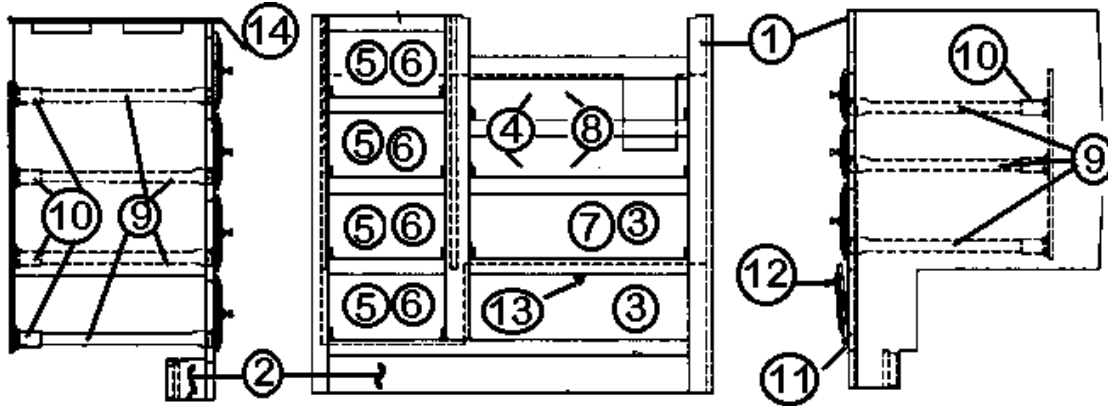


- | | |
|---------------|--------------------------------------|
| 963757-04 | Roof Locker Assembly, Galley |
| 1. 963354-013 | FACE FRAME GALLEY R/L, HICKORY |
| 2. 801258-003 | PANEL 1/2" HICKORY / HICKORY 4' X 7' |
| 3. 801260-003 | PANEL 5/32"G1S HICKORY/ RAW 4' X 8' |
| 4. 800597-413 | DOOR 10.50" X 32.00", HICKORY |
| 5. 381147 | DOOR SUPPORT - SPRING LOADED |
| 6. 382002 | Cabinet door pull, Orb, 3" center |
| 7. 104829 | SUPPORT ROOFLOCKER GALLEY |
| 8. 100013 | EXTR, WALL ATTACHMENT |
| 9. 381999 | Hinge, Orb |
| 10. 100097 | EXTR. ALUM CURTAIN TRACK |

2008 CLASSIC TRAILER

FURNITURE, GALLEY

Galley, 34', Cook Top Section

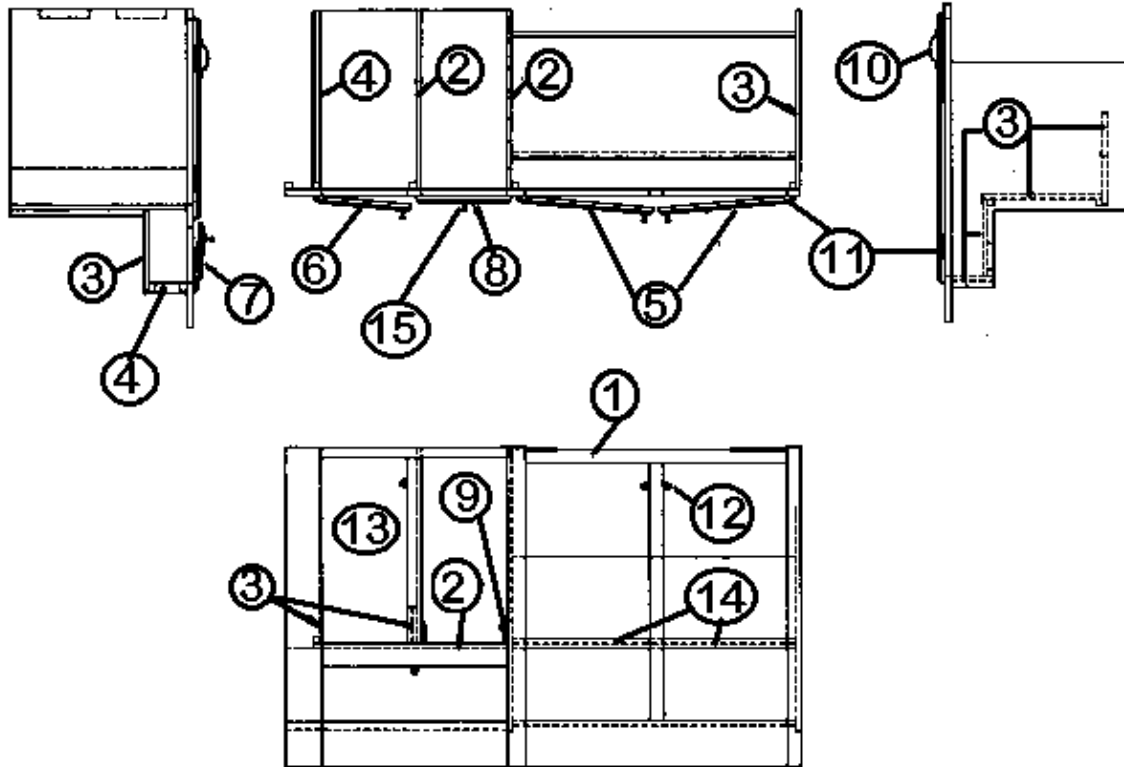


- | | |
|---------------|-------------------------------------|
| 964606-07 | Galley Assembly, Cook top Section |
| 1. 964605-003 | FACE FRAME, HICKORY |
| 2. 801259-003 | PANEL ½" G1S HICKORY/RAW |
| 3. 800599-383 | DRAWER FACE 7.00" X 21.50" HICKORY |
| 4. 800599-583 | DRAWER FACE 4.75" X 21.50" HICKORY |
| 5. 800599-023 | DRAWER FACE 7.00' X 11.75" HICKORY |
| 6. 964910-02 | DRAWER BOX- 10.00" X 18.00" X 5.00" |
| 7. 964910-03 | DRAWER BOX- 19.50" X 18.00" X 5.00" |
| 8. 964906-02 | DRAWER BOX- 19.50" X 18.00" X 2.75" |
| 9. 381526-03 | DRAWER SLIDE-18" PER PR |
| 10. 381526-06 | ADJUSTABLE REAR BRKT PER PR |
| 11. 381999 | Hinge, Orb |
| 12. 382002 | Cabinet door pull, Orb, 3" center |
| 13. 381228-01 | CATCH GRABBER DOOR |
| 14. 602041-01 | GALLEY TOP, CORIAN, SANDSTONE |

2008 CLASSIC TRAILER

FURNITURE, GALLEY

Galley, 34', Aft



Part number on the next page

2008 CLASSIC TRAILER

FURNITURE, GALLEY

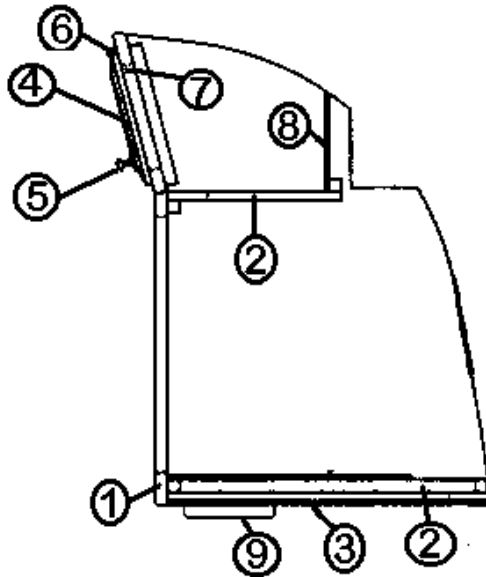
Galley, 34', Aft

964610-03	Galley Assembly, Aft Section
1. 964328-013	Face frame, galley, Hickory
2. 801258-003	PANEL ½" G2S, Hickory/Hickory, 4' x 7'
3. 801259-003	PANEL ½" G1S Oak/Hickory
4. 801260-003	PANEL 5/32"G1S, Hickory/RAW 4'X8'
5. 800597-053	DOOR, 14.75" X 29.75", Hickory
6. 800597-013	DOOR, 10.50" X 22.00", Hickory
7. 800599-383	DRAWER FACE 7.00" X 21.50", Hickory
8. 961247-04	SECTION, PANTRY, AFT GALLEY
8. 961072-013	FRAME FACE PANTRY, BACK, Hickory
9. 381192	SLIDE, DRAWER, 18"
10. 382002	Cabinet door pull, Orb, 3" center
11. 381999	Hinge, Orb
12. 381228-01	CATCH GRABBER DOOR
13. 381491	TRASH CAN, ROLL OUT
14. 800573-013	MOLDING DOOR, Hickory
15. 381408	LOCK, PUSH, BUTTON STYLE, BLACK

2008 CLASSIC TRAILER

FURNITURE, GALLEY

Microwave Cabinet, 34', Convection

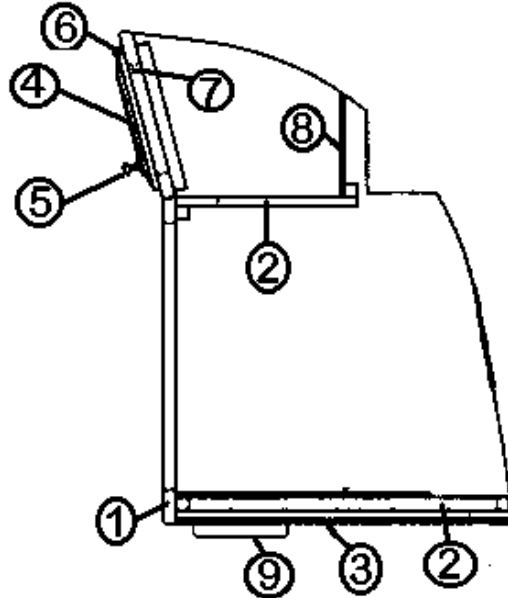


- | | |
|---------------|---|
| 963357-04 | CONVECTION MW CABINET ASSEMBLY |
| 1. 963355-013 | FACE FRAME, Hickory |
| 2. 801258-003 | PANEL 1/2" G2S, Hickory/Hickory 4" X 7" |
| 3. 800572-013 | MOLDING, EDGE 23/32" X 80", Hickory |
| 4. 800599-233 | DRAWER FACE 8.00" X 21.50", Hickory |
| 5. 382002 | Cabinet door pull, Orb, 3" center |
| 6. 381999 | Hinge, Orb |
| 7. 381147 | DOOR SUPPORT, SPRING LOADED |
| 8. 801260-003 | PANEL 5/32"G1S, Hickory/RAW 4'X 8' |
| 9. 511971 | LIGHT INCANDESCENT DOUBLE |

2008 CLASSIC TRAILER

FURNITURE, GALLEY

Microwave Cabinet, 34', w/Oven



963527-03

1. 964627-003

2. 801258-003

3. 800572-013

4. 800599-213

5. 382002

6. 381999

7. 381147

8. 801181-003

9. 511971

Microwave Cabinet, Oven Option

FACE FRAME CONVECTION MW, Hickory

PANEL 1/2" G2S, Hickory/Hickory 4" X 7"

MOLDING, EDGE 23/32" X 80", Hickory

DRAWER FACE 8.00" X 23", Hickory

Cabinet door pull, Orb, 3" center

Hinge, Orb

DOOR SUPPORT, SPRING LOADED

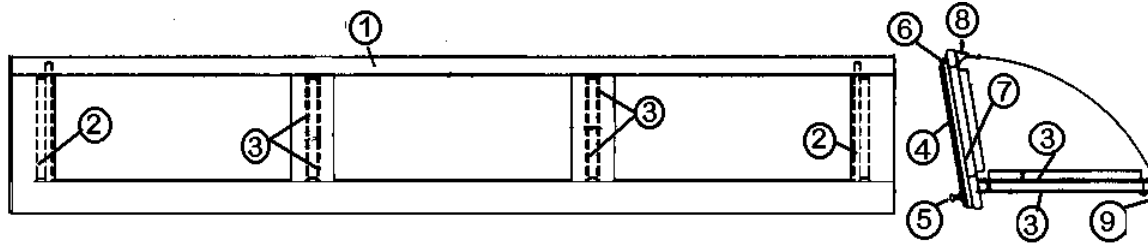
PANEL 5/32" G1S, Hickory/RAW 4'X 8'

LIGHT INCANDESCENT DOUBLE

2008 CLASSIC TRAILER

FURNITURE, GALLEY

Roof Locker, 34', 30', Dinette

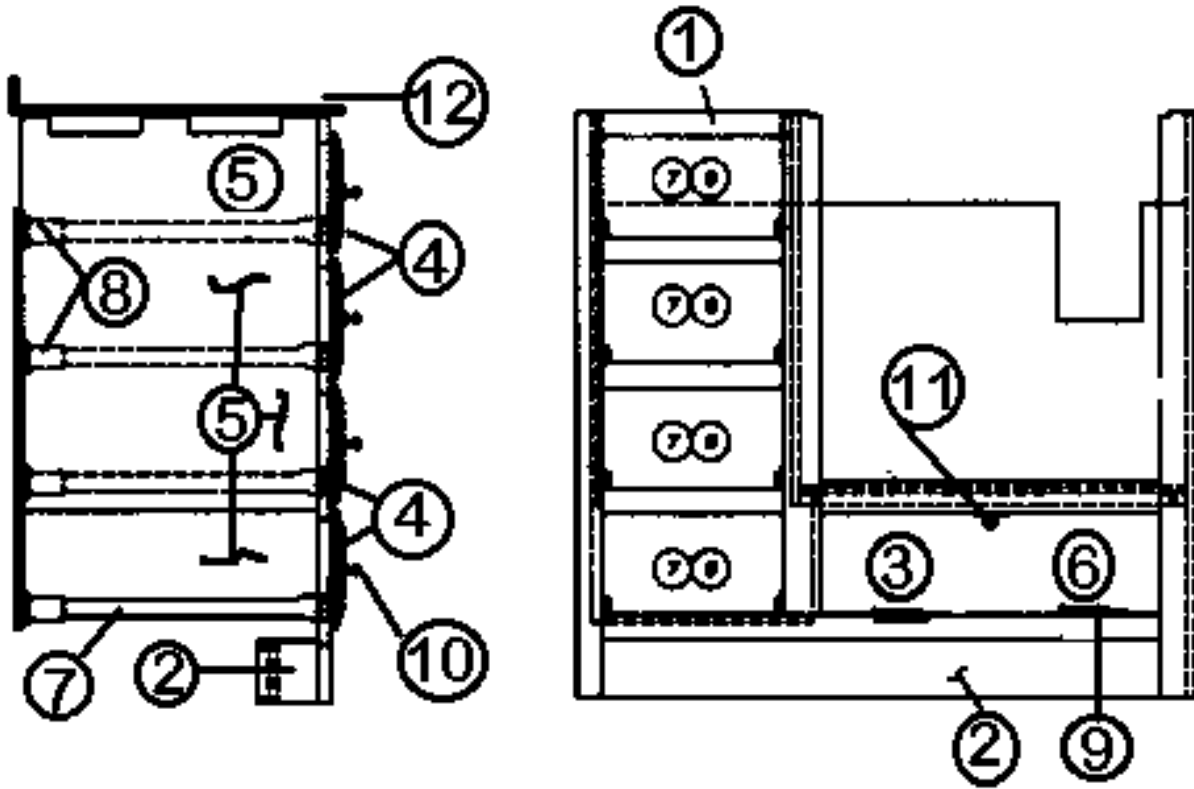


- | | |
|---------------|--|
| 963763-06 | Roof Locker Assembly, Dinette |
| 1. 963764-013 | FACE FRAME DINETTE R/L, Hickory |
| 2. 801258-003 | PANEL 1/2" G2S Hickory/Hickory 4' X 7' |
| 3. 801260-003 | PANEL 1/8" G1S, HICKORY/RAW 4' x 7' |
| 4. 800597-073 | DOOR RSD PANEL 12.25 X 21.00" Hickory |
| 5. 382002 | Cabinet door pull, Orb, 3" center |
| 6. 381999 | Hinge, Orb |
| 7. 381147 | DOOR SUPPORT - SPRING LOADED |
| 8. 104821 | SUPPORT, ROOFLOCKER, 74" |
| 9. 100013 | EXTRUSION, WALL ATTACHMENT |
| 100097 | EXTR. ALUM CURTAIN TRACK |
| 800571-013 | MOLDING FLAT .52W X 80" Hickory |

2008 CLASSIC TRAILER

FURNITURE, GALLEY

Galley, 34' w/Full Oven Section

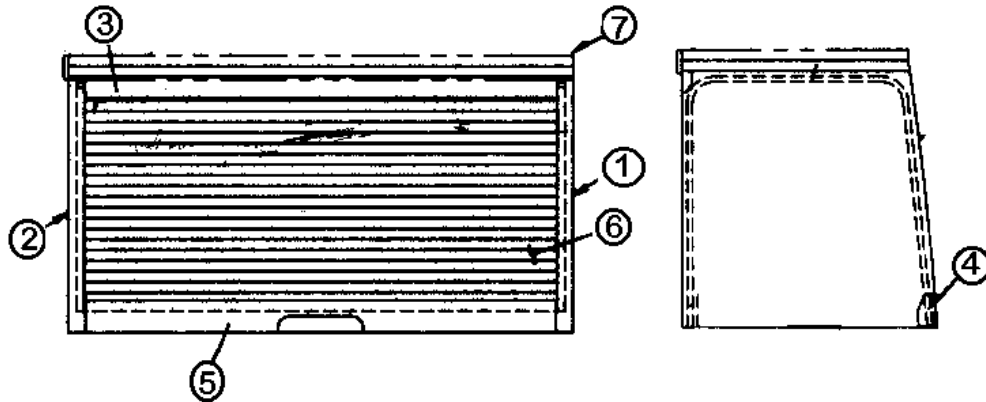


- | | |
|---------------|--|
| 964608-02 | Galley Assembly, Full Oven Section |
| 1. 964607-003 | Face frame, galley, Full Oven, Hickory |
| 2. 801259-003 | Panel, 1/2" G1S, Hickory/raw |
| 3. 800599-383 | Drawer face, 7" x 21 1/2" Hickory |
| 4. 800599-023 | Drawer face, 7" x 11.75" Hickory |
| 5. 964910-02 | Drawer box, 10.00" x 18.00" x 5.00" |
| 6. 964910-03 | Drawer box, 19.50" x 18" x 5.00" |
| 7. 381526-03 | Drawer slide, 18" |
| 8. 381526-06 | Adjustable, drawer slide rear bracket |
| 9. 381999 | Hinge, Orb |
| 10. 382002 | Cabinet door pull, Orb, 3" center |
| 11. 381228-01 | Door grabber catch |
| 12. 602041-01 | Galley top assembly, Corian, Sandstone |

2008 CLASSIC TRAILER

FURNITURE, GALLEY

Appliance Garage, 34'

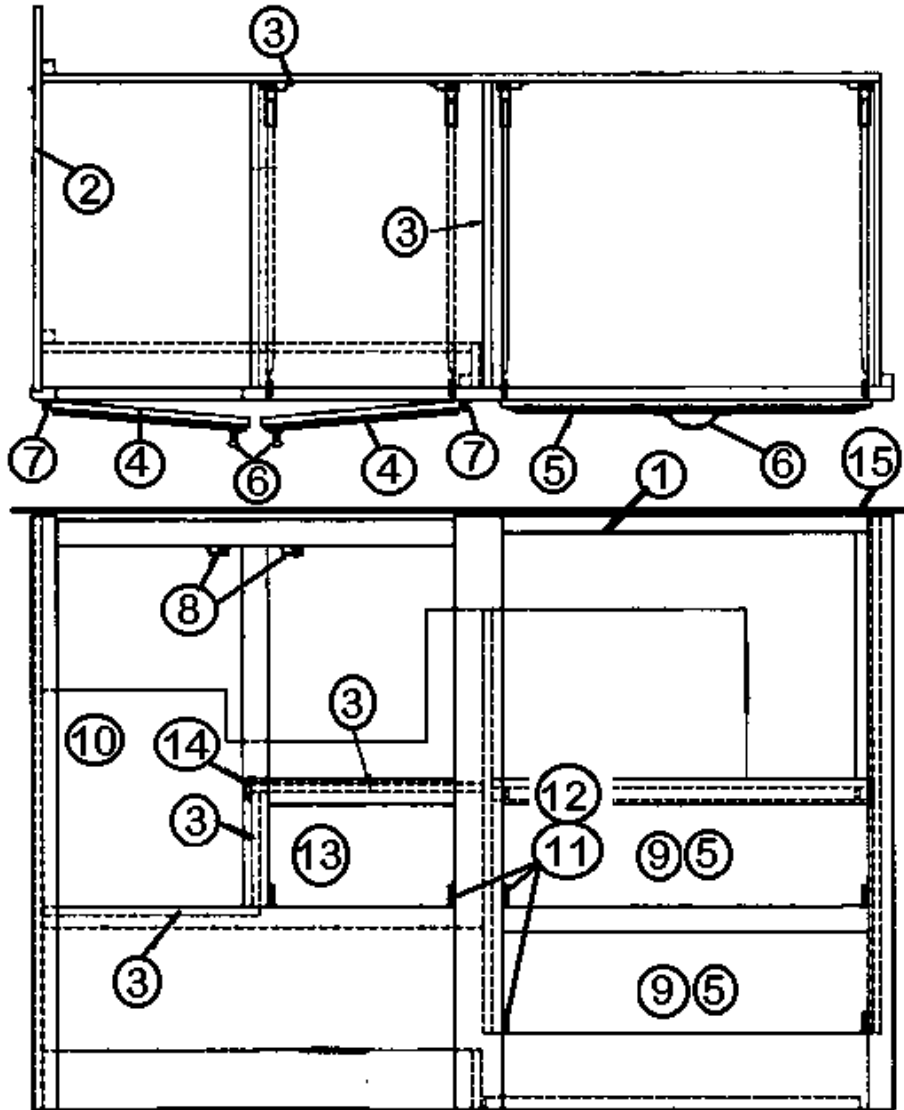


- | | |
|---------------|-----------------------------------|
| 963358-01 | APPLIANCE GARAGE Assembly |
| 1. 800734-013 | END, GARAGE, RH, HICKORY |
| 2. 800734-023 | END, GARAGE, LH, HICKORY |
| 3. 801097-013 | STILE-TOP GARAGE, HICKORY |
| 4. 801096-013 | CROSS MEMBER GARAGE, HICKORY |
| 5. 800737-013 | HANDLE, APPLIANCE GARAGE, HICKORY |
| 6. 800474-103 | TAMBOUR 23" X 12", HICKORY |
| 7. 800573-013 | MOLDING EDGE 1-3/32" X 80", OAK |
| 965952-003 | CLOSEOUT GARAGE, HICKORY |

2008 CLASSIC TRAILER

FURNITURE, GALLEY

Galley, 30', Forward, Microwave Section



Part number on the next page

2008 CLASSIC TRAILER

FURNITURE, GALLEY

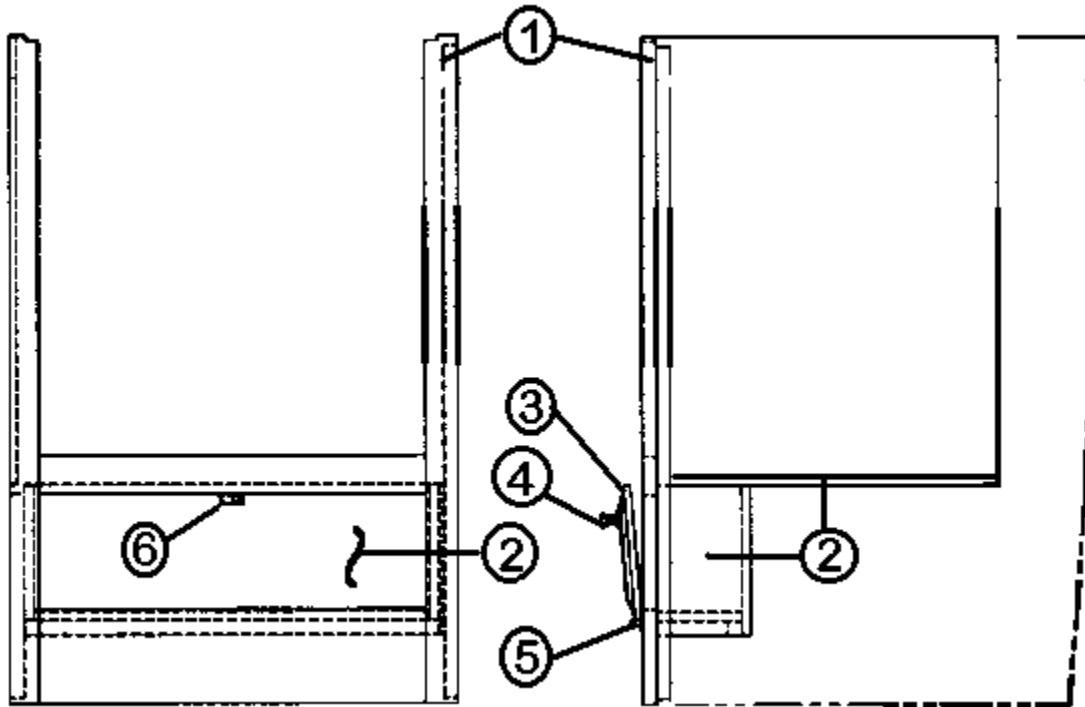
Galley, 30', Forward, Microwave Section

964966-09	GALLEY ASSY-FWD MW SECTION
1. 964629-003	FACE FRAME GALLEY, HICKORY
2. 801258-003	PANEL ½" G2S, HICKORY/HICKORY 4' X 7'
3. 801259-003	PANEL ½' G1S, HICKORY/RAW
4. 800597-503	DOOR 12.00" X 29.50", HICKORY
5. 800599-213	DRAWER FACE 7.00" X 23.00" HICKORY
6. 382002	Cabinet door pull, Orb, 3" center
7. 381999	Hinge, Orb
8. 381228-01	CATCH GRABBER DOOR
9. 964910-01	DRAWER BOX- 20.88" X 18.00" X 5.00"
10. 381133	RACK SACK, 6.5 LITRE, WHITE
11. 381526-03	DRAWER SLIDE-18"PER PR
12. 381526-06	ADJUSTABLE REAR BRKT PER PR
13. 964910-02	DRAWER BOX- 10.00" X 18.00" X 5.00"
14.801172-013	MOLDING CORNER 8' LONG, HICKORY
15. 602136	TOP ASSY GALLEY CORIAN. SANDSTONE
800631-003	HANDRAIL 23" LONG, HICKORY
200980-01	TRAY, SILVERWARE, ALMOND, 9 X 13
602120	DISPENSER-SOAP, VICTORIAN

2008 CLASSIC TRAILER

FURNITURE, GALLEY

Galley, 31', 30', Full Oven

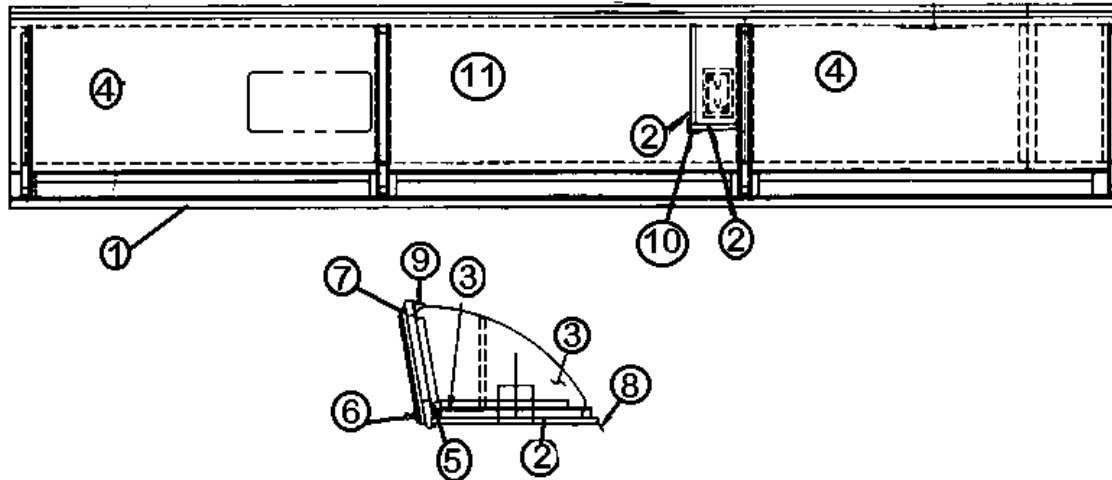


- | | |
|---------------|-------------------------------------|
| 964600-07 | Galley, Full oven |
| 1. 964599-003 | FACE FRAME-GALLEY. OVEN, Hickory |
| 2. 801259-003 | Panel, GS, Hickory vinyl/raw |
| 3. 800599-383 | DRAWER FACE 7.00" X 21.50", Hickory |
| 4. 382002 | Cabinet door pull, Orb, 3" center |
| 5. 381999 | Hinge, Orb |
| 6. 381228-01 | CATCH GRABBER DOOR |

2008 CLASSIC TRAILER

FURNITURE, GALLEY

Roof Locker, 31', 30' S/O, 30', Galley

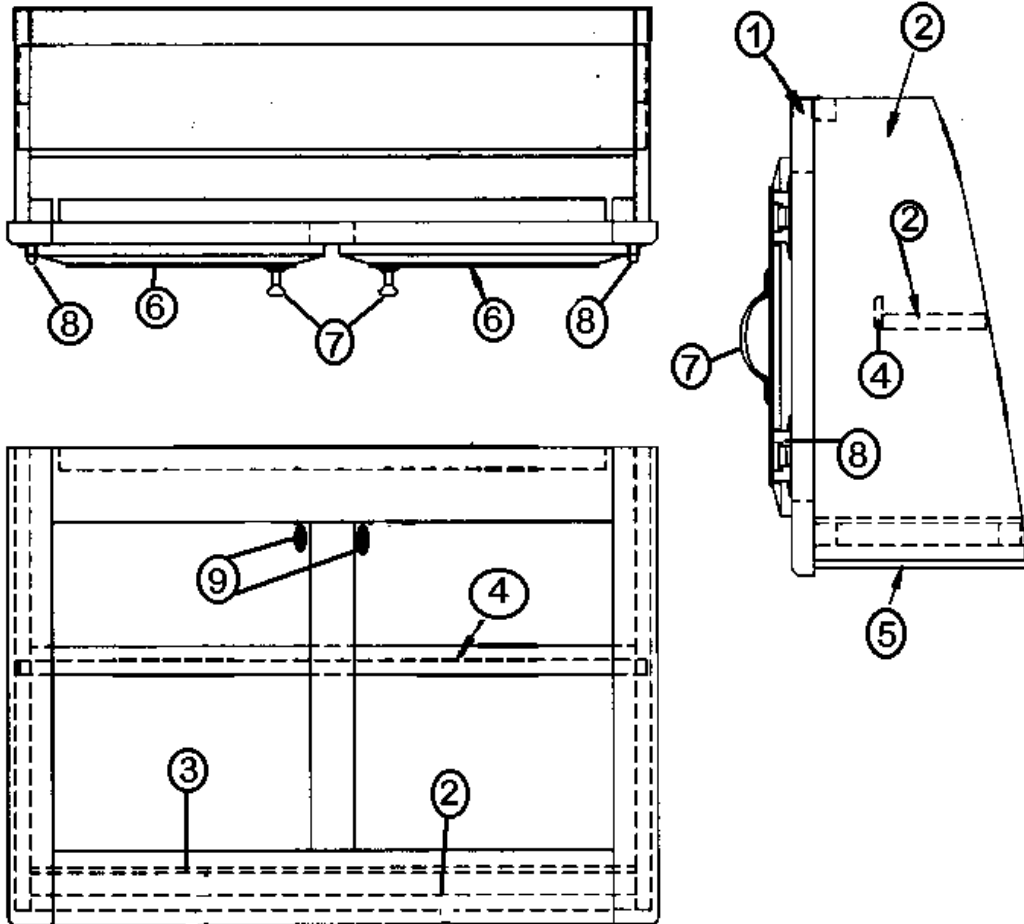


- | | |
|----------------|-------------------------------------|
| 963761-08 | GALLEY ROOF LOCKER ASSY. |
| 1. 962167-013 | FACE FRAME GALLEY R/L HICKORY |
| 2. 801258-003 | PANEL 1/2" HICKORY/ HICKORY 4' X 7' |
| 3. 801260-003 | PANEL 5/32"G1S HICKORY/ RAW 4'X 8' |
| 4. 800597-013 | DOOR 10.50" X 22.00" HICKORY |
| 5. 381147 | SUPPORT - SPRING LOADED DOOR |
| 6. 382002 | Cabinet door pull, Orb, 3" center |
| 7. 381999 | Hinge, Orb |
| 8. 104829 | SUPPORT ROOFLOCKER GALLEY |
| 9. 104821 | SUPPORT, ROOFLOCKER, 74" |
| 10. 800575-013 | MOLDING CORNER, 80" Long HICKORY |
| 11. 800597-123 | DOOR 10.50" X 26.25" HICKORY |
| 100097 | EXTR. ALUM CURTAIN TRACK |
| 962197-05 | BOX ASSY. PRIORITY SWITCH |

2008 CLASSIC TRAILER

FURNITURE, GALLEY

Spice Cabinet, 31', 30' S/O, 30'



Part number on the next page

2008 CLASSIC TRAILER

FURNITURE, GALLEY

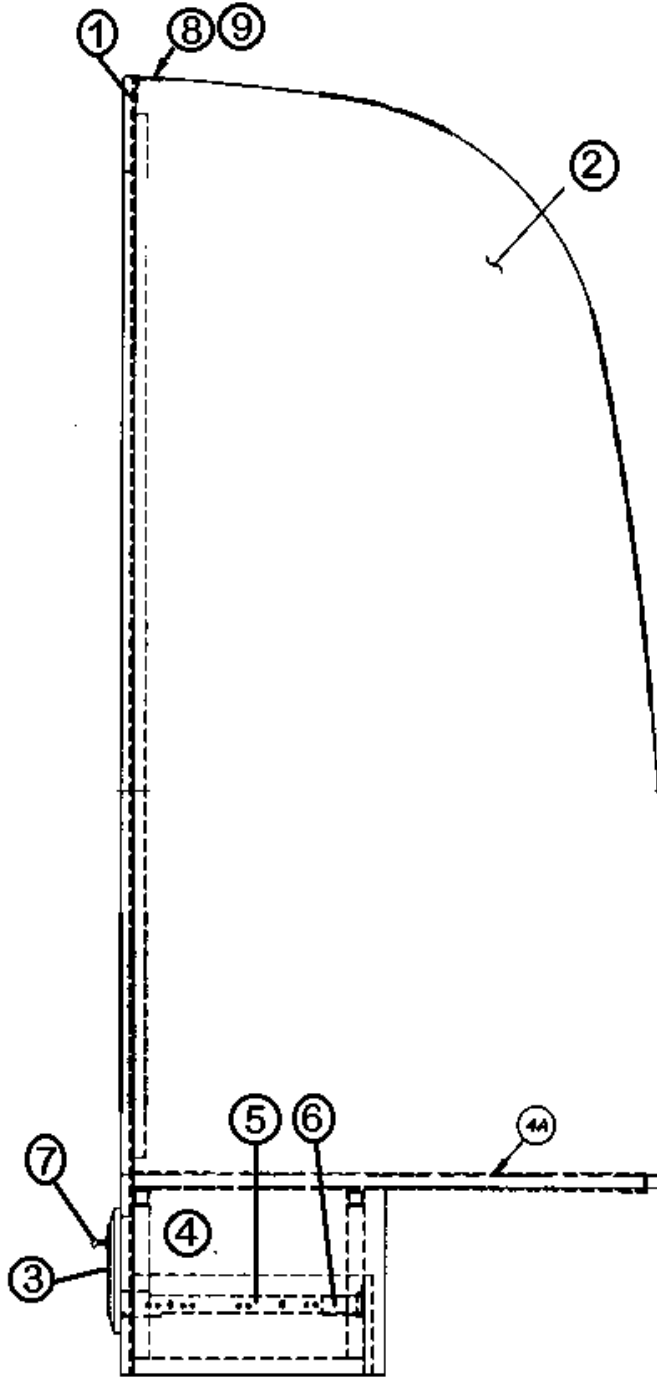
Spice Cabinet, 31', 30' S/O, 30'

962225-06	SPICE CABINET ASSY
1. 962224-013	FACE FRAME, SPICE CABINET
2. 801258-006	PANEL 1/2", HICKORY/HICKORY
3. 801260-003	PANEL 5/32", HICKORY/ RAW 4' X 8'
4. 800573-013	MOLDING EDGE 1-3/32" X 80" HICKORY
5. 800572-013	MOLDING, PANEL 23/32" X 80" HICKORY
6. 800599-593	DRAWER FACE, 9.75" X 12.00" HICKORY
7. 382002	Cabinet door pull, Orb, 3" center
8. 381999	Hinge, Orb
9. 381228-01	CATCH GRABBER DOOR

2008 CLASSIC TRAILER

FURNITURE, GALLEY

Refrigerator Cabinet, 34' S/O, 31', 30 S/O, 30'



Part Numbers Are on The Next Page

2008 CLASSIC TRAILER

FURNITURE, GALLEY

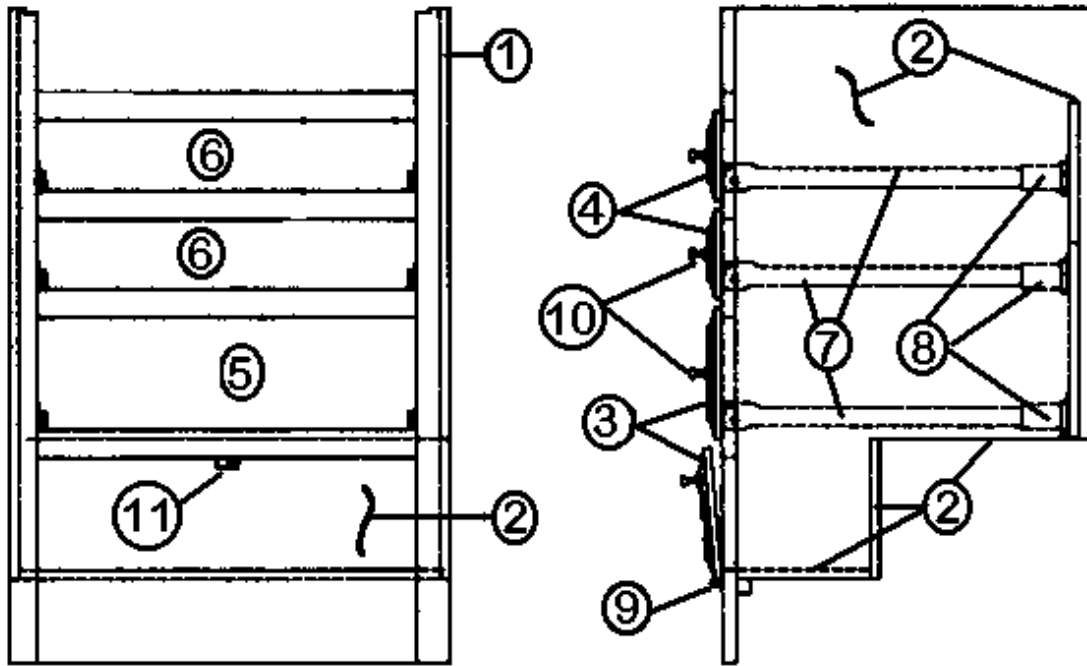
Refrigerator Cabinet, 34' S/O, 31', 30 S/O, 30'

964310-01	REFER CABINET ASSEMBLY, 34' S/O, 30' S/O, 30'
964310-03	REFER CABINET ASSEMBLY, 31' D
964310-04	REFER CABINET ASSEMBLY, 30' w/strapless 23" TV Install
1. 963724-013	FACE FRAME REFER, Hickory
2. 801127-08	PANEL FWD REFER, 34' S/O
2. 801127-10	PANEL FWD REFER, 31'
2. 801772	PANEL FWD REFER, 30', w/strapless 23' TV install
3. 800599-213	DRAWER FACE 7.00" X 23.00", Hickory
4. 964910-13	DRAWER BOX- 19.69" X 14.00" X 5.00"
5. 381526-01	DRAWER SLIDE 14" PER PR
6. 381526-06	BRACKET ADJUSTABLE REAR (PAIR)
7. 382002	Cabinet door pull, Orb, 3" center
8. 104821	SUPPORT, ROOFLOCKER, 74"
9. 330038	RIVET BLIND AD 54 ABS
203138-03	EXTRUSION PLASTIC WALL BEIGE
963730-02	REFER STAND

2008 CLASSIC TRAILER

FURNITURE, GALLEY

Galley, 31', 30', MW W/3-Burner, Cook top Section

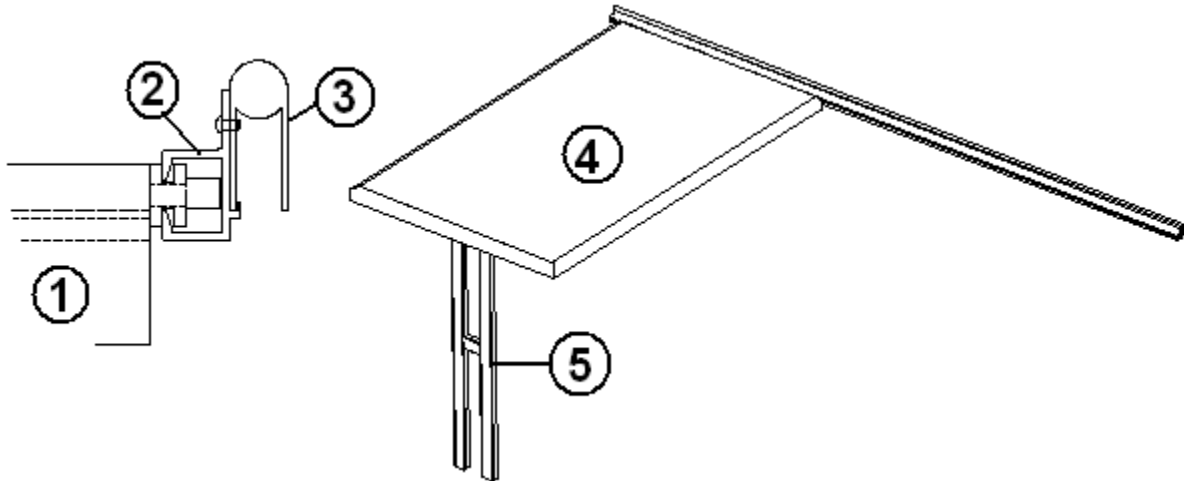


- | | |
|---------------|-------------------------------------|
| 964598-02 | GALLEY ASSEMBLY/COOKTOP |
| 1. 964597-003 | FACE FRAME COOKTOP, Hickory |
| 2. 801259-003 | PANEL 1/2" G1S Hickory/RAW |
| 3. 800599-383 | DRAWER FACE 7.00" X 21.50" Hickory |
| 4. 800599-583 | DRAWER FACE 4.75" X 21.50" Hickory |
| 5. 964910-03 | DRAWER BOX- 19.50" X 18.00" X 5.00" |
| 6. 964906-02 | DRAWER BOX- 19.50" X 18.00" X 2.75" |
| 7. 381526-03 | DRAWER SLIDE 18" PER PR |
| 8. 381526-06 | BRACKET ADJUSTABLE REAR (PAIR) |
| 9. 381999 | Hinge, Orb |
| 10. 382002 | Cabinet door pull, Orb, 3" center |
| 11. 381228-01 | CATCH GRABBER DOOR |

2008 CLASSIC TRAILER

FURNITURE, GALLEY

Dinette Table, 31', Sliding

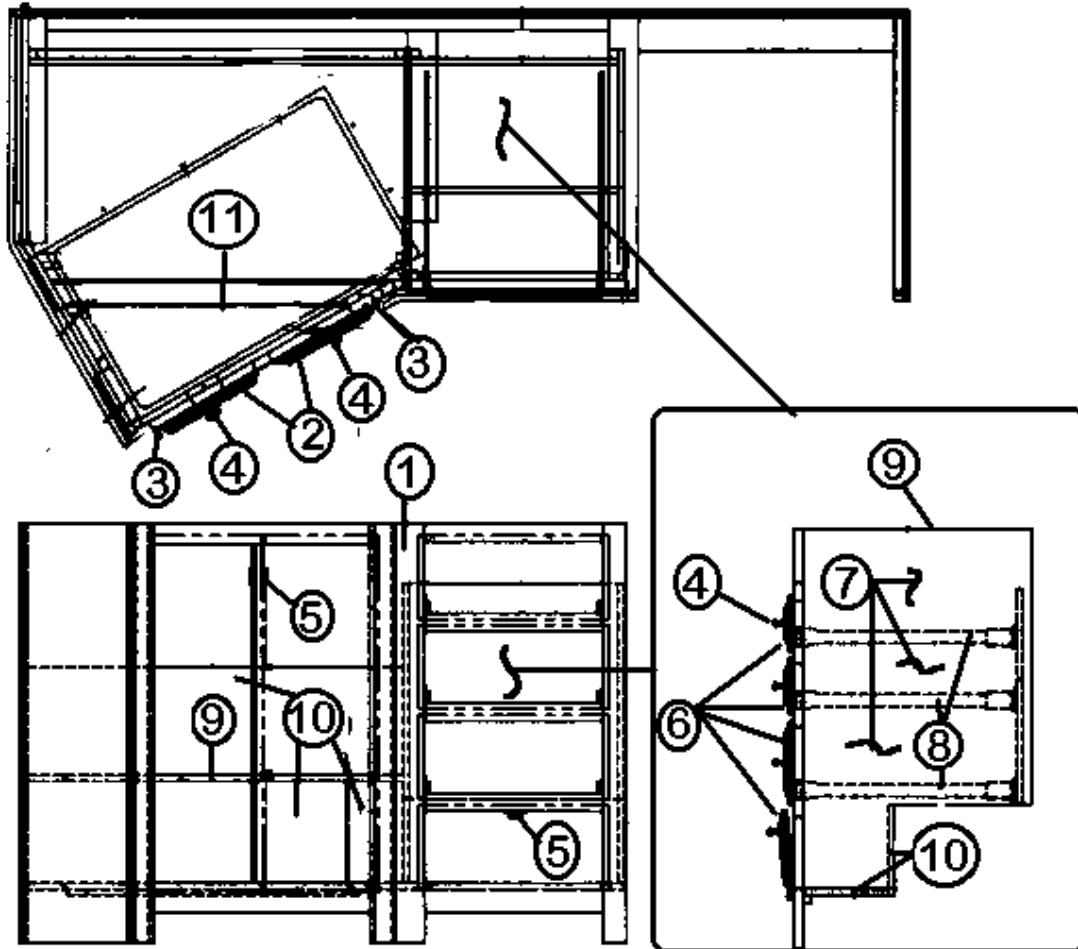


- | | |
|---------------|--|
| 966410-01 | Dinette table assembly, 26" |
| 1. 101253 | Extrusion, credenza hinge, movable |
| 2. 380203-01 | Piano hinge, 1/8" pin, anodized |
| 3. 201155 | Sliding guide, plastic |
| 4. 963674-003 | TOP, DINETTE, RESISTOVAR 26 X 42 HICKORY |
| 5. 962177-033 | LEG HARDWOOD 30.50", HICKORY |

2008 CLASSIC TRAILER

FURNITURE, GALLEY

Galley, 30' S/O, Forward



Part numbers on the next page

2008 CLASSIC TRAILER

FURNITURE, GALLEY

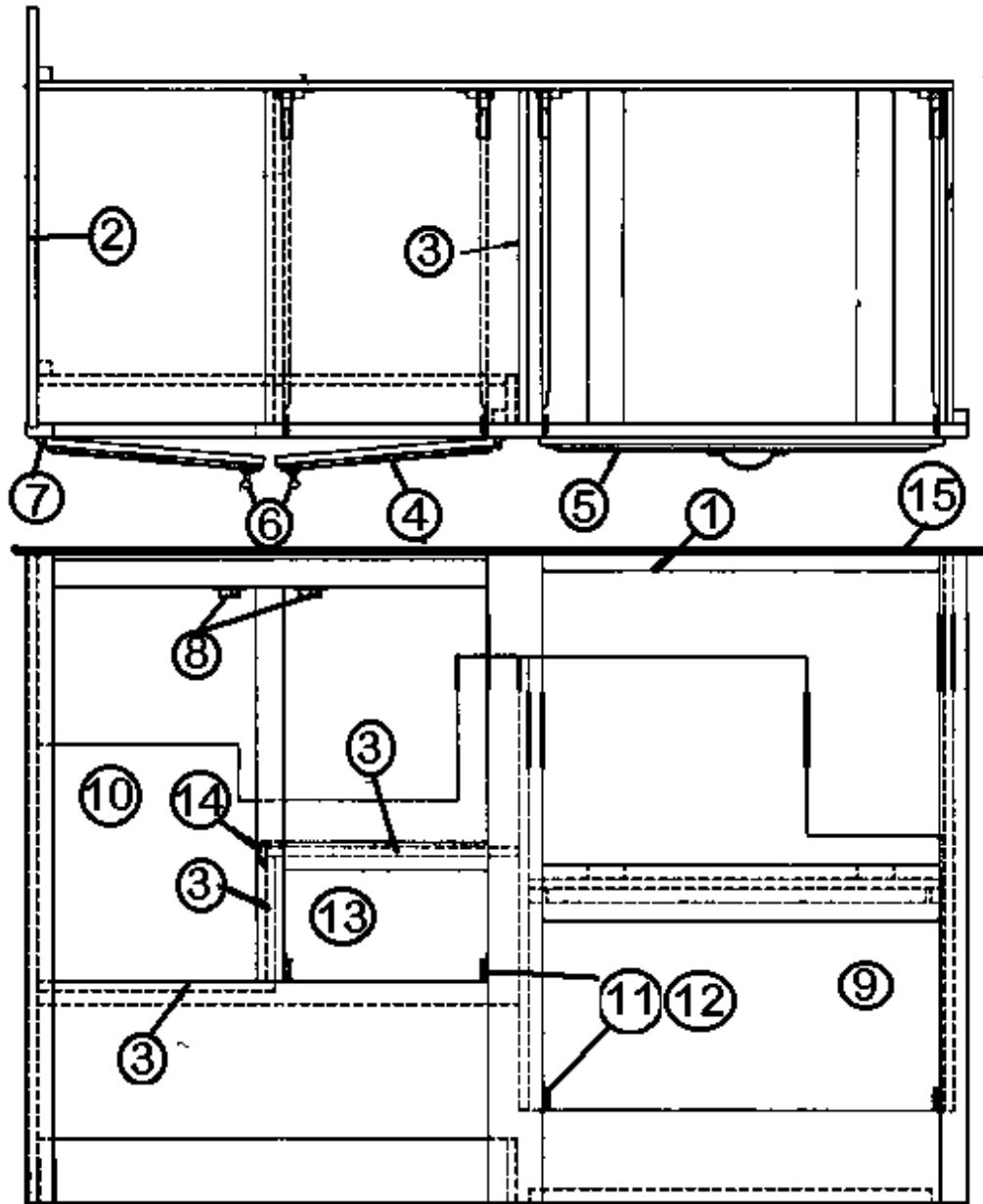
Galley, Forward, 30' S/O

965303-04	GALLEY ASSY - FORWARD
1. 965305-003	FACE FRAME GALLEY FWD S/O, HICKORY
2. 800597-093	DOOR RAISED PANEL 11.00" X 29.75", Hickory
3. 381999	Hinge, Orb
4. 382002	Cabinet door pull, Orb, 3" center
5. 381228-01	GRABBER DOOR CATCH
6. 800599-563	DRAWER FACE 7.00" X 16.00", Hickory
7. 964910-18	DRAWER BOX- 17.00" X 14.00" X 5.00"
8. 381526-03	DRAWER SLIDE-18" PER PR
9. 801258-003	PANEL ½" G2S Hickory/Hickory, 4' X 7'
10. 801259-003	PANEL ½" G1S Hickory/raw
11. 800573-013	MOLDING DOOR 1 X 3/32" X 80", HICKORY
602135	TOP ASSY-GALLEY, SANDSTONE
200980-01	TRAY, SILVERWARE, ALMOND, 9" X 13"
381708	Waste basket
602120	DISPENSER-SOAP, VICTORIAN

2008 CLASSIC TRAILER

FURNITURE, GALLEY

Galley, 30', 31', MW W/3-Burner



Part Numbers Are On the Next Page

2008 CLASSIC TRAILER

FURNITURE, GALLEY

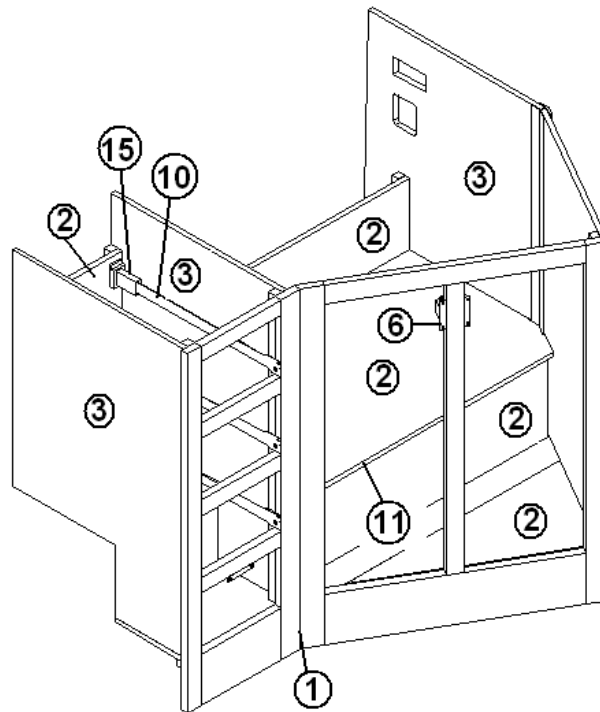
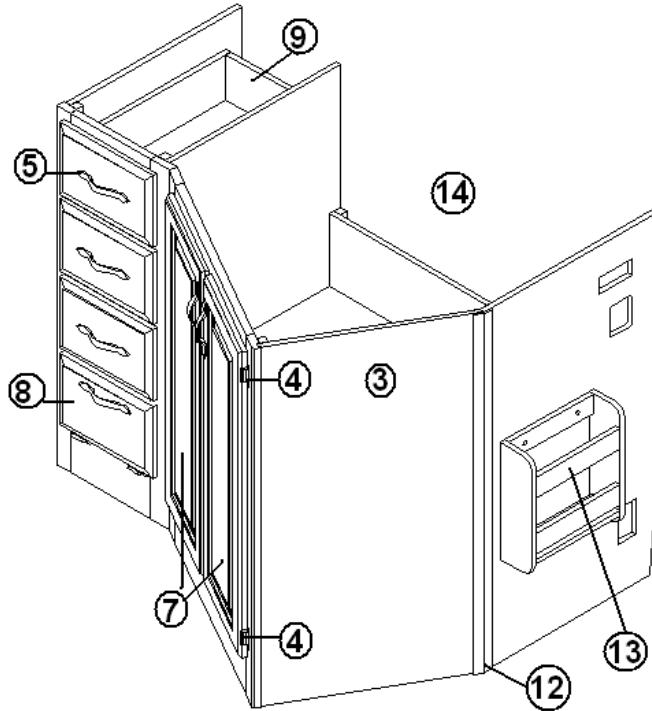
Galley, 30', 31', MW W/3-Burner

964964-03	Galley, Forward Convection MW Section
1. 964363-013	FACE FRAME GALLEY, FWD MW, Hickory
2. 801258-006	PANEL ½" G2S Hickory/Hickory 4' X 7'
3. 801259-003	PANEL ½" G1S Hickory/RAW
4. 800597-503	DOOR 12.00" X 29.50", Hickory
5. 800599-263	DRAWER FACE 11.75" X 22.25", Hickory
6. 382002	Cabinet door pull, Orb, 3" center
7. 381999	Hinge, Orb
8. 381228-01	CATCH GRABBER DOOR
9. 964908-02	DRAWER BOX- 20.75" X 18.00" X 8.00"
10. 381133	RACK SACK, 6.5 LITRE, WHITE
11. 381526-03	DRAWER SLIDE-18"PER PR
12. 381526-06	ADJUSTABLE REAR BRKT PER PR
13. 964910-02	DRAWER BOX- 10.00" X 18.00" X 5.00"
14. 801172-013	MOLDING CORNER 8' L, Hickory
15. 602136	TOP ASSY GALLEY CORIAN. SANDSTONE

2008 CLASSIC TRAILER

FURNITURE, GALLEY

Galley, 30' Front Bed, 27', Aft Section



PART NUMBERS ON THE NEXT PAGE

2008 CLASSIC TRAILER

FURNITURE, GALLEY

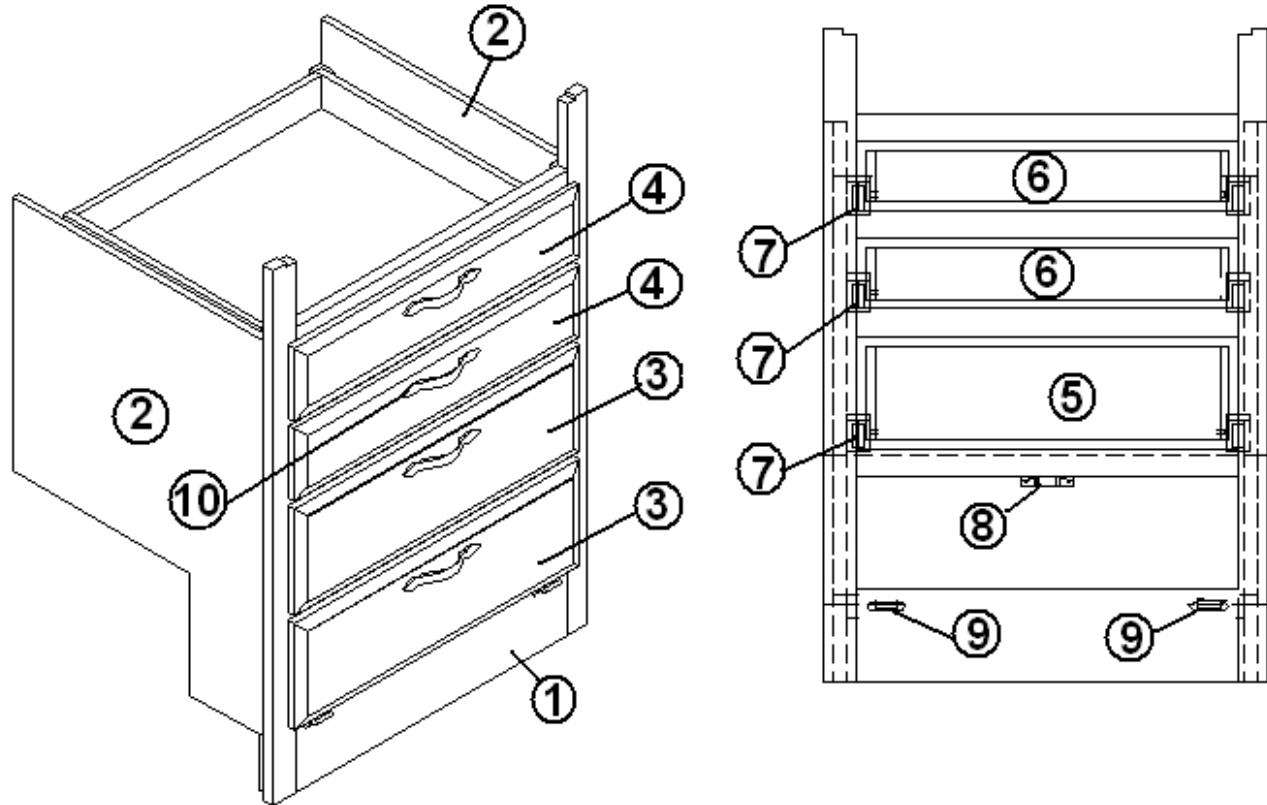
Galley, 30' Front Bed, 27', Aft Section

966742	AFT GALLEY ASSY
1. 966741-003	FACE FRAME, AFT GALLEY
2. 801259-003	Paneling, 1/2", Hickory/raw
3. 801258-003	Paneling 1/2", Hickory / Hickory
4. 381999	HINGE, ORB
5. 382002	PULL, CABINET DOOR 3"CENTER ORB
6. 381228-01	CATCH GRABBER DOOR
7. 800597-093	DOOR, 11.00" X 29.75"
8. 800599-013	OAK DRAWER FACE, 7" X 10.50"
9. 964910-23	DRAWER BOX, 5" X 8" X 17"
10. 381526-03	DRAWER SLIDE
11. 800572-013	MOLDING, PANEL EDGE
12.115032	ANGLE-GALLEY CORNER
13.963990-003	MAGAZINE RACK
14.602128	TOP-CORIAN GALLEY
15.381526-06	DRAWER SLIDE ADJUSTABLE BRACKET

2008 CLASSIC TRAILER

FURNITURE, GALLEY

Galley, 30' Front Bed, Cook Top Section

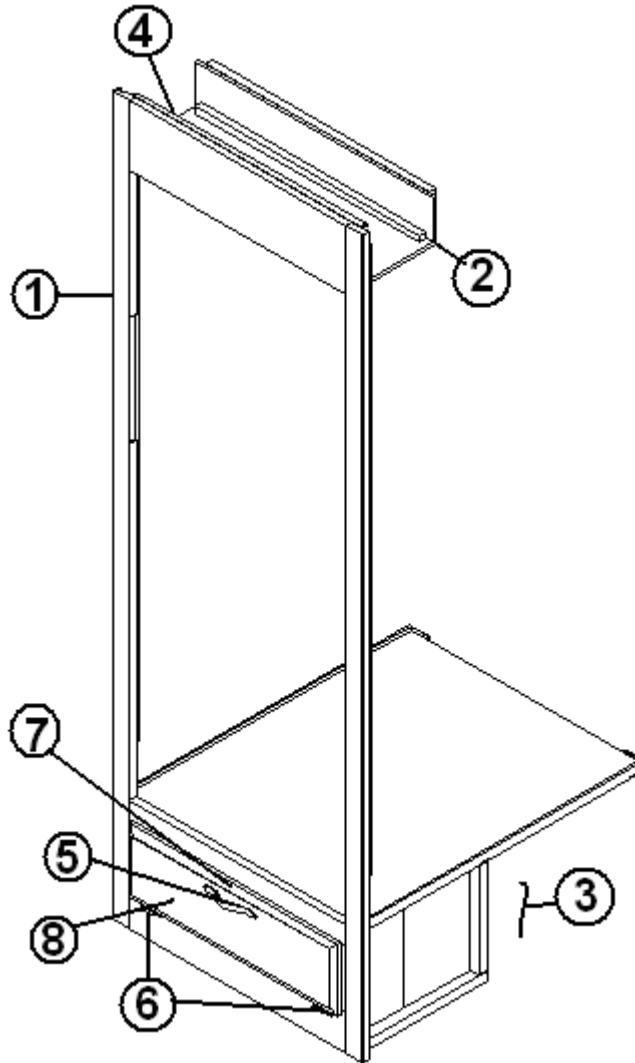


- | | |
|---------------|----------------------------------|
| 967196 | Galley cook top section |
| 1. 967195-003 | Galley face frame |
| 2. 801259-003 | Paneling, 1/2", Hickory/raw |
| 3. 800599-383 | OAK DRAWER FACE, 4.75" X 21.50" |
| 4. 800599-583 | OAK DRAWER FACE, 7.00" X 21.50" |
| 5. 964910-03 | DRAWER BOX, 19.50" X 18" X 5" |
| 6. 964910-02 | DRAWER BOX, 19.50" X 18" X 2.75" |
| 7. 381526-03 | DRAWER SLIDE |
| 8. 381228-01 | CATCH GRABBER DOOR |
| 9. 381999 | HINGE, ORB |
| 10. 382002 | PULL, CABINET DOOR 3" CENTER ORB |

2008 CLASSIC TRAILER

FURNITURE, GALLEY

Refrigerator Cabinet, 30' Front Bed

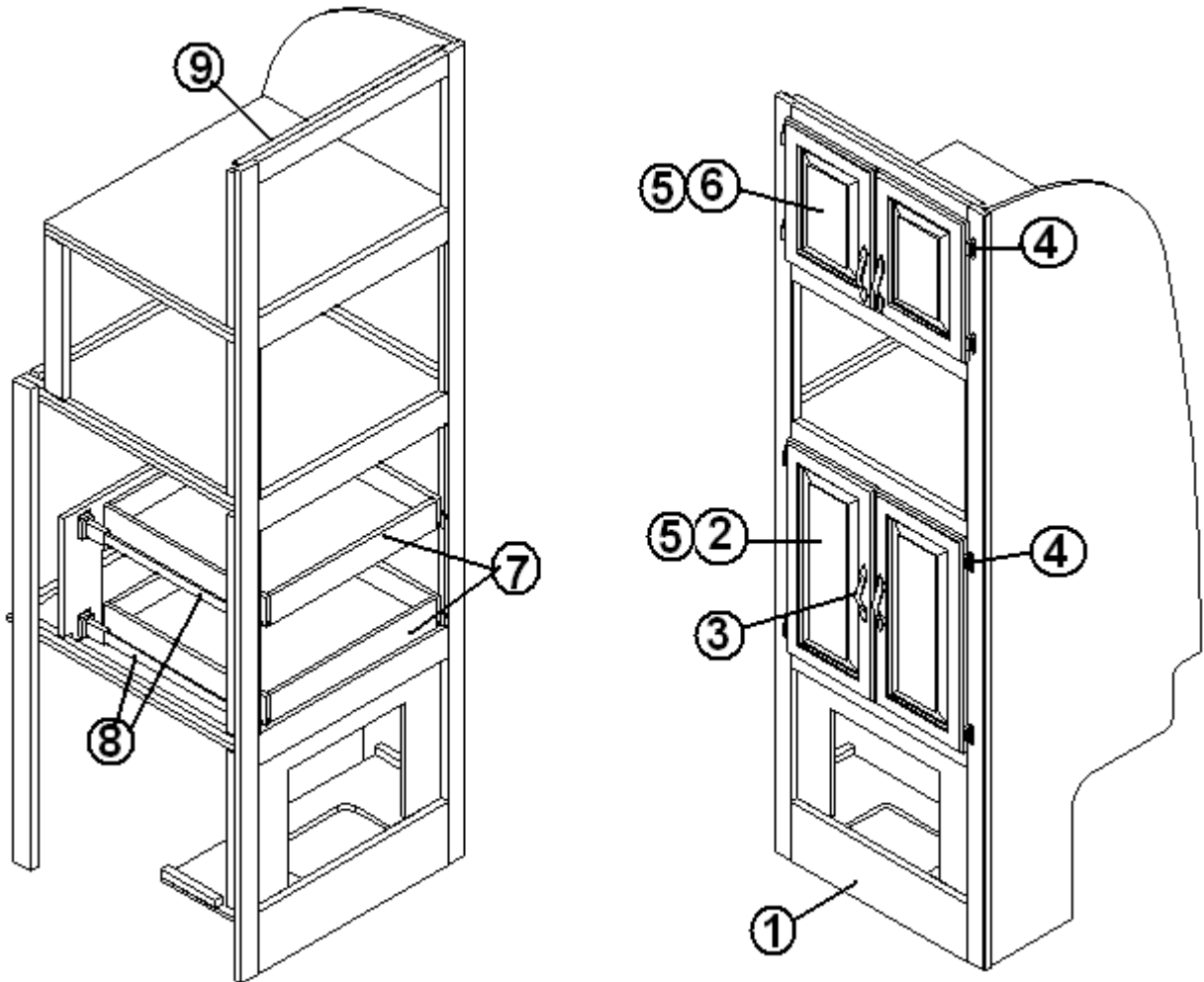


- | | |
|---------------|-----------------------------------|
| 967174 | Refrigerator cabinet |
| 1. 967173-003 | Face frame, refrigerator cabinet |
| 2. 967175 | Upper air defoiler |
| 3. 963730-02 | Refrigerator stand |
| 4. 104821 | Roof locker support |
| 5. 382002 | PULL, CABINET DOOR, 3" CENTER ORB |
| 6. 381999 | HINGE, ORB |
| 7. 381228-01 | CATCH GRABBER DOOR |
| 8. 800599-213 | OAK DRAWER FACE, 7.00" X 23.00" |

2008 CLASSIC TRAILER

FURNITURE, GALLEY

Pantry, Convection Microwave, 30' Front Bed



967184-01 Pantry, Convection Microwave, w/30A power center

967184-03 Pantry, Convection Microwave, w/50A power center

1. 967183-003 Face framer, pantry, convection microwave

2. 800597-013 Door, 10.75" x 22.00

3. 382002 PULL, CABINET DOOR, 3" CENTER ORB

4. 381999 HINGE, ORB

5. 381228-01 CATCH GRABBER DOOR

6. 800597-543 Door, 10.75" x 14.50"

7. 964906-02 Drawer box, 19.50" x 18" x 2.75"

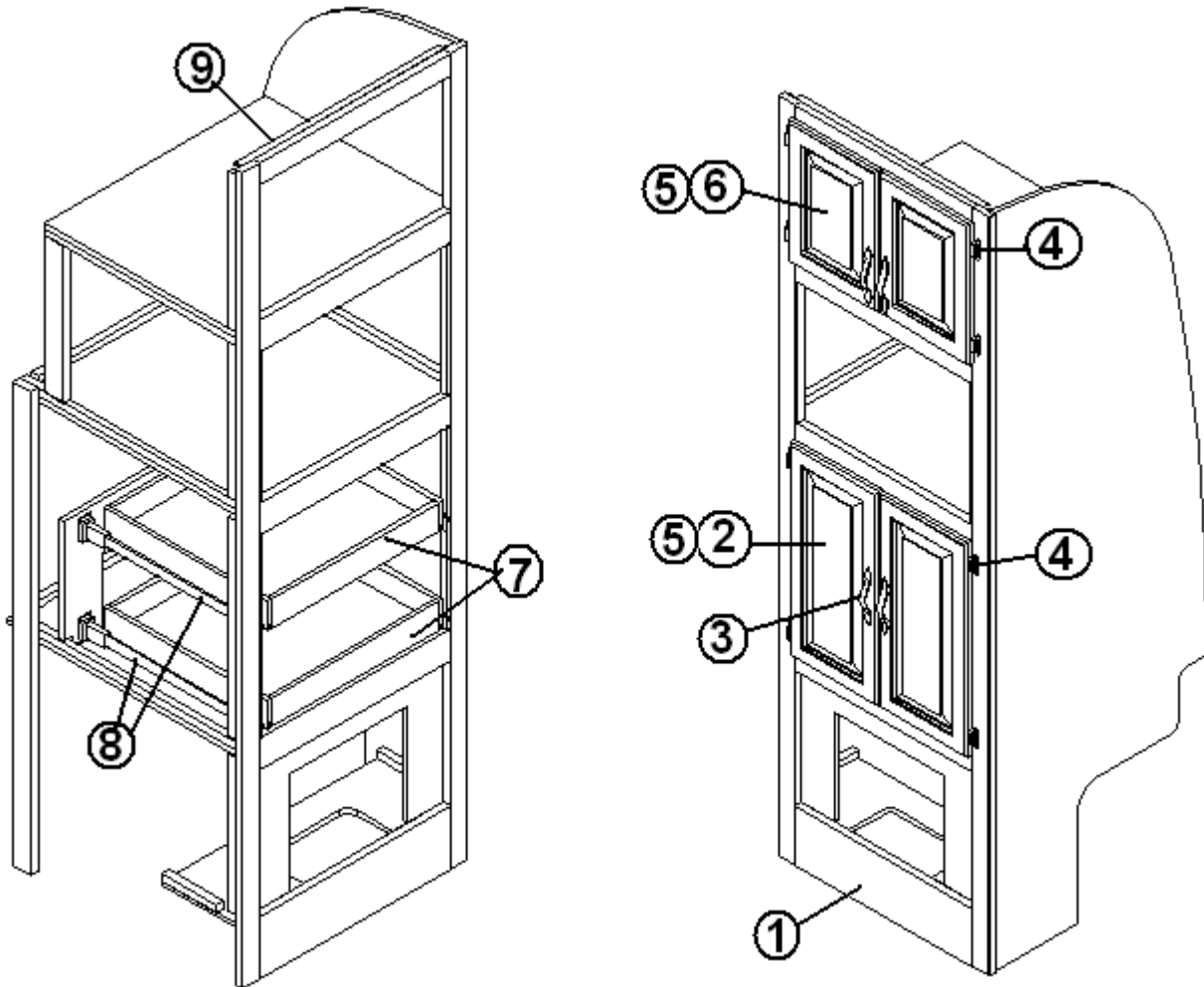
8. 381526-03 DRAWER SLIDE

9. 104821 Roof locker support

2008 CLASSIC TRAILER

FURNITURE, GALLEY

Pantry, Regular Microwave, 30' Front Bed

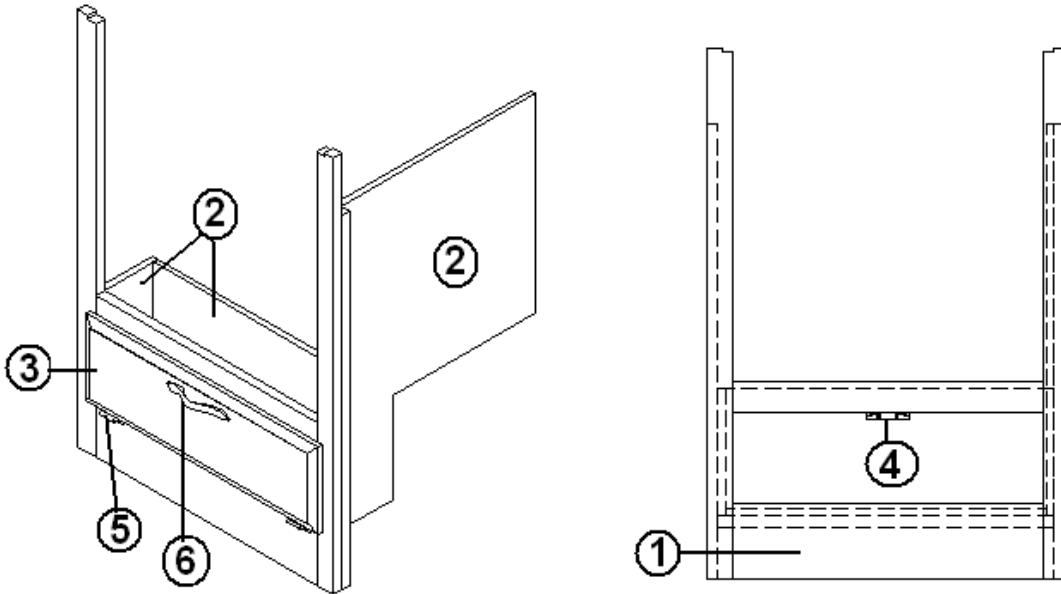


- | | |
|---------------|---|
| 967184-02 | Pantry, Regular Microwave, w/30A power center |
| 967184-04 | Pantry, Regular Microwave, w/50A power center |
| 1. 967182-003 | Face framer, pantry, Regular microwave |
| 2. 800597-013 | Door, 10.75" x 22.00 |
| 3. 382002 | PULL, CABINET DOOR, 3"CENTER ORB |
| 4. 381999 | HINGE, ORB |
| 5. 381228-01 | CATCH GRABBER DOOR |
| 6. 800597-543 | Door, 10.75" x 14.50" |
| 7. 964906-02 | Drawer box, 19.50" x 18" x 2.75" |
| 8. 381526-03 | DRAWER SLIDE |
| 9. 104821 | Roof locker support |

2008 CLASSIC TRAILER

FURNITURE, GALLEY

Galley, 27', 30' Front Bed, Oven Section

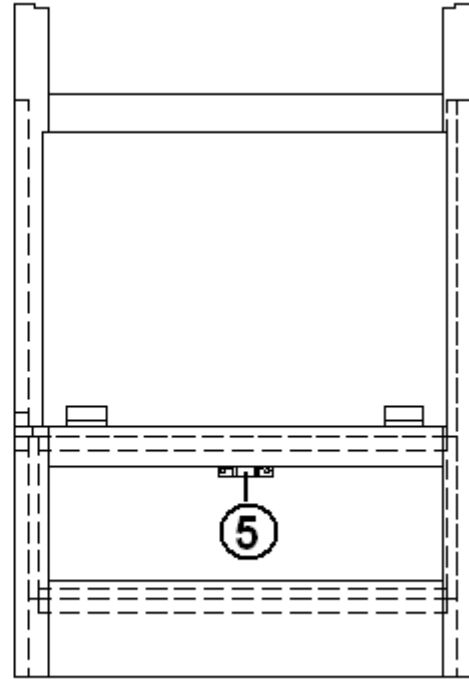
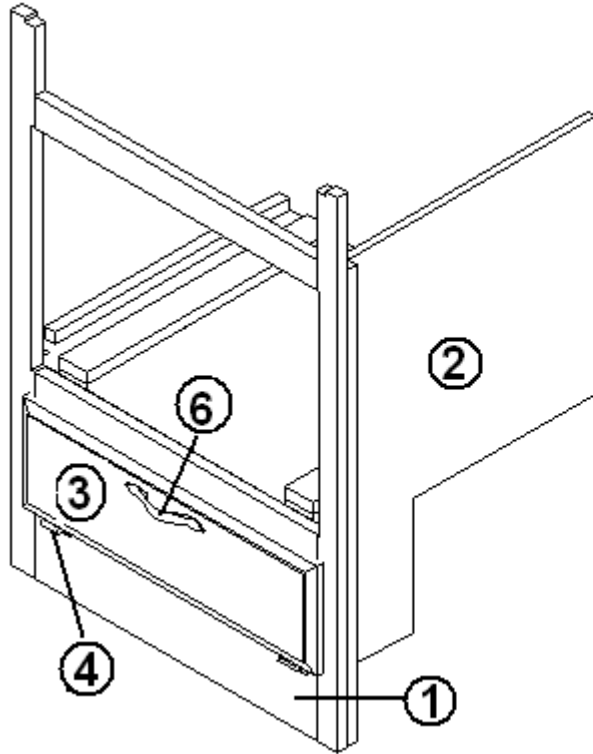


- | | |
|---------------|-----------------------------------|
| 966744 | GALLEY, OVEN SECTION |
| 1. 966743-003 | FACE FRAME, GALLEY OVEN SECTION |
| 2. 801259-003 | Paneling, 1/2", Hickory/raw |
| 3. 800599-383 | DRAWER FACE 7.00 X 21.50 |
| 4. 381228-01 | CATCH GRABBER DOOR |
| 5. 381999 | HINGE, ORB |
| 6. 382002 | PULL, CABINET DOOR, 3" CENTER ORB |

2008 CLASSIC TRAILER

FURNITURE, GALLEY

Galley, 27', Convection Microwave Section

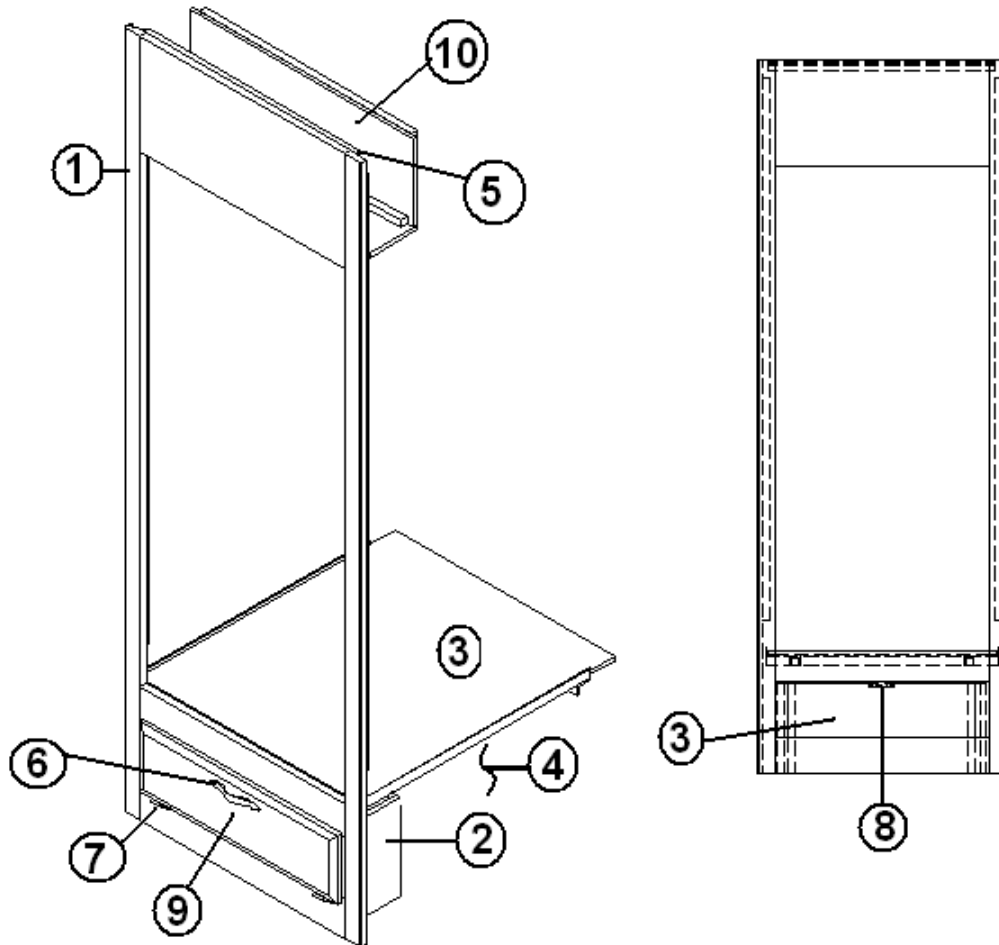


- | | |
|---------------|--------------------------------------|
| 966746 | GALLEY, MICROWAVE OPTION SECTION |
| 1. 966745-003 | FACE FRAME, MICROWAVE OPTION SECTION |
| 2. 801259-003 | Paneling, 1/2", Hickory/raw |
| 3. 800599-383 | DRAWER FACE 7.00 X 21.50 |
| 4. 381999 | HINGE, ORB |
| 5. 381228-01 | CATCH GRABBER DOOR |
| 6. 382002 | PULL, CABINET DOOR, 3"CENTER ORB |

2008 CLASSIC TRAILER

FURNITURE, GALLEY

Refrigerator Cabinet, 27', 25' Front Bed

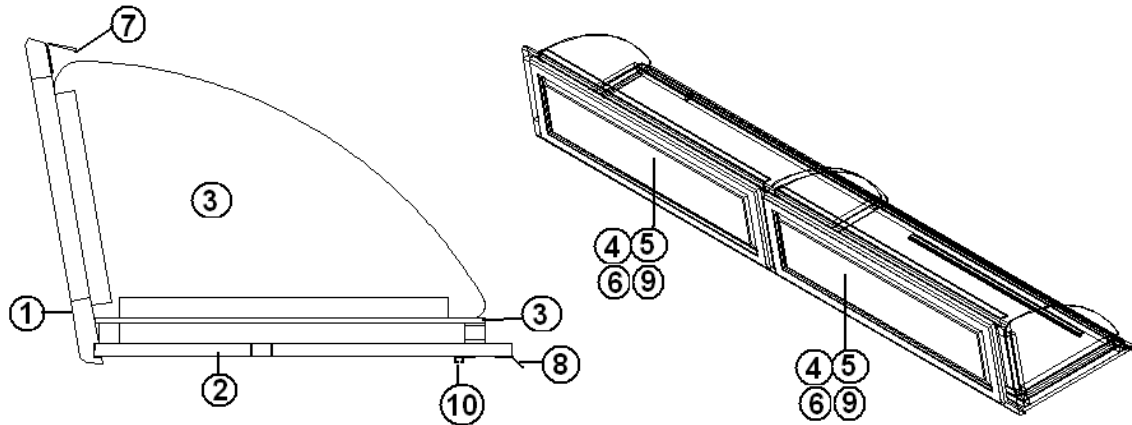


- | | |
|---------------|------------------------------------|
| 966726 | REFRIGERATOR CABINET |
| 1. 966724-003 | FACE FRAME, REFER CABINET |
| 2. 801259-003 | PANELING, 1/2" HICKORY/RAW |
| 3. 801260-003 | PANELING, 5/32" HICKORY/RAW |
| 4. 104821 | SUPPORT, ROOFLOCKER, 74" |
| 5. 966725 | STAND-REFER |
| 6. 382002 | PULL, CABINET DOOR, 3" CENTER, ORB |
| 7. 381999 | HINGE, ORB |
| 8. 381228-01 | CATCH GRABBER DOOR |
| 9. 800599-213 | DRAWER FACE 7.00" X 23.00" |
| 10. 966793 | AIR DEFOILER, UPPER REFER |

2008 CLASSIC TRAILER

FURNITURE, GALLEY

Roof Locker, Galley, 30' Front Bed, 27' Front Bed

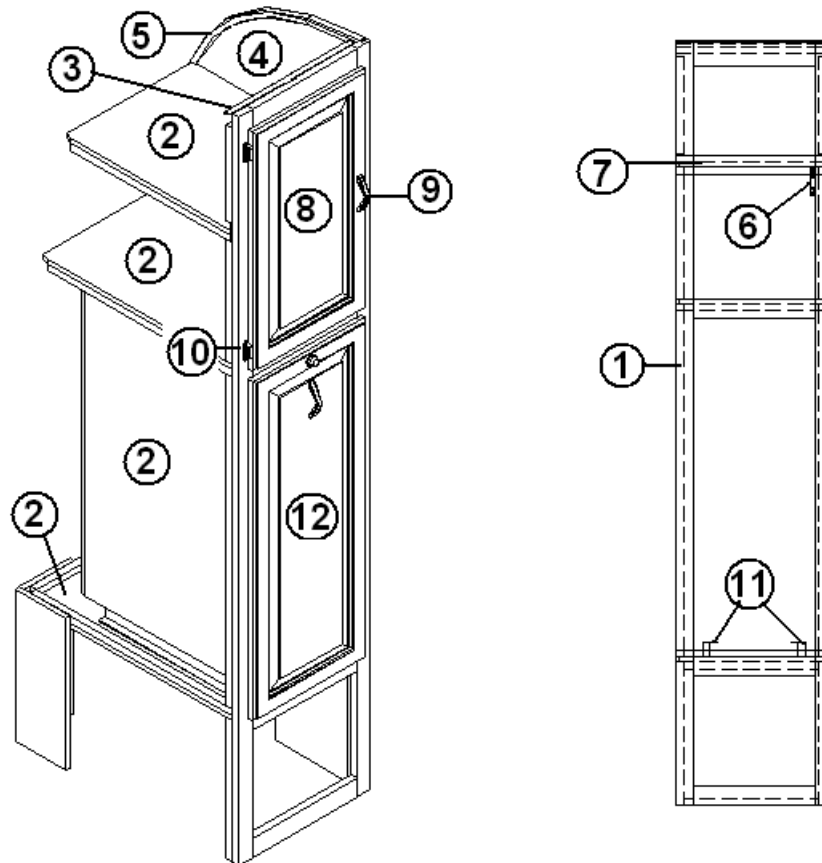


- | | |
|---------------|------------------------------------|
| 966717 | GALLEY ROOF LOCKER |
| 1. 963354-01 | FACE FRAME, GALLEY ROOF LOCKER |
| 2. 801258-003 | PANELING, 1/2" HICKORY/HICKORY |
| 3. 801260-003 | PANELING, 5/32" HICKORY/RAW |
| 4. 800597-413 | DOOR, 10.50" X 32.00" |
| 5. 381147 | SUPPORT - SPRING LOADED DOOR |
| 6. 382002 | PULL, CABINET DOOR, 3" CENTER, ORB |
| 7. 104829 | SUPPORT ROOFLOCKER GALLE |
| 8. 100013 | EXTRUSION, WALL ATTACHMEN |
| 9. 381999 | HINGE, ORB |
| 10. 100097 | EXTRUSION, CURTAIN TRACK |
| 500540-01 | LIGHT, CEILING, GALLEY & VANITY |

2008 CLASSIC TRAILER

FURNITURE, GALLEY

Pantry Cabinet, 27'

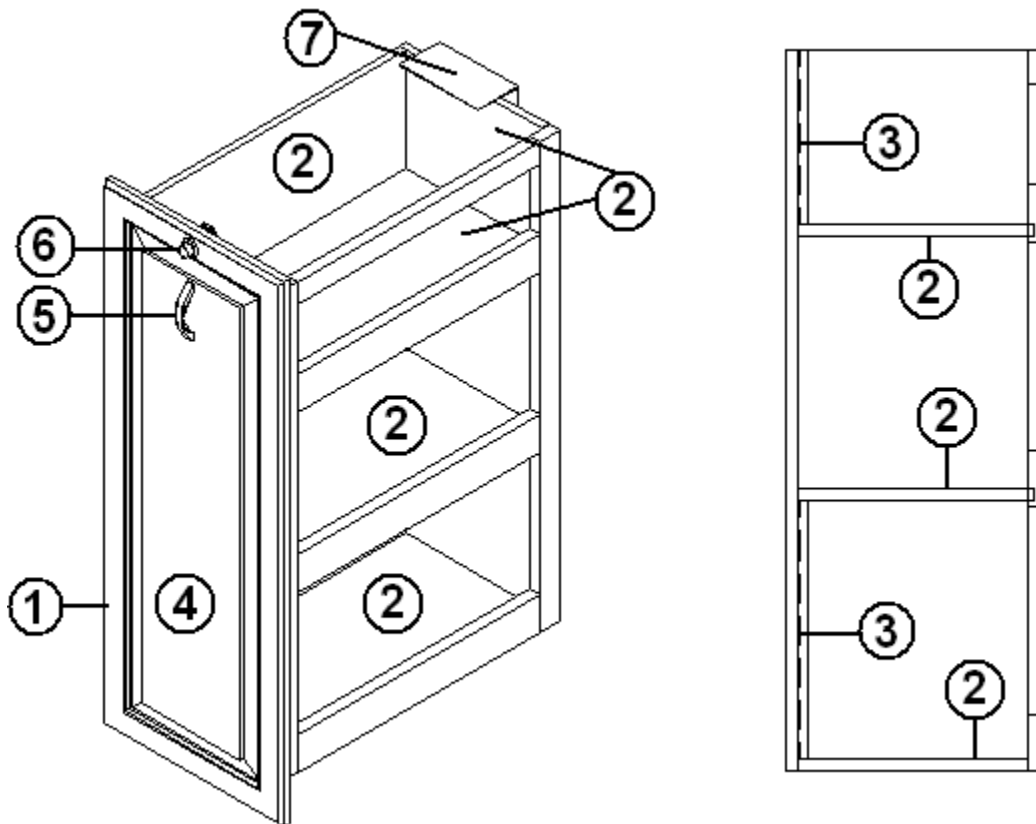


- | | |
|---------------|------------------------------------|
| 966976 | PANTRY ASSY. |
| 1. 966975-003 | FACE FRAME, PANTRY ASSY. |
| 2. 801258-003 | PANELING, 1/2" HICKORY/HICKORY |
| 3. 104821 | SUPPORT, ROOFLOCKER, 74" |
| 4. 801671-08 | PANEL, AFT PANTRY |
| 5. 203138-03 | EXTRUSION PLASTIC WALL BEIGE |
| 6. 381228-01 | CATCH GRABBER DOOR |
| 7. 800573-013 | MOLDING, DOOR EDGE, OAK |
| 8. 800597-983 | DOOR, 15.25' X 25" |
| 9. 382002 | PULL, CABINET DOOR, 3" CENTER, ORB |
| 10. 381999 | HINGE, OR |
| 11. 381944-01 | SLIDE 18" PER SET |
| 12. 966977 | PANTRY S/O ASSY |

2008 CLASSIC TRAILER

FURNITURE, GALLEY

Pantry Cabinet Slide Out, 27'

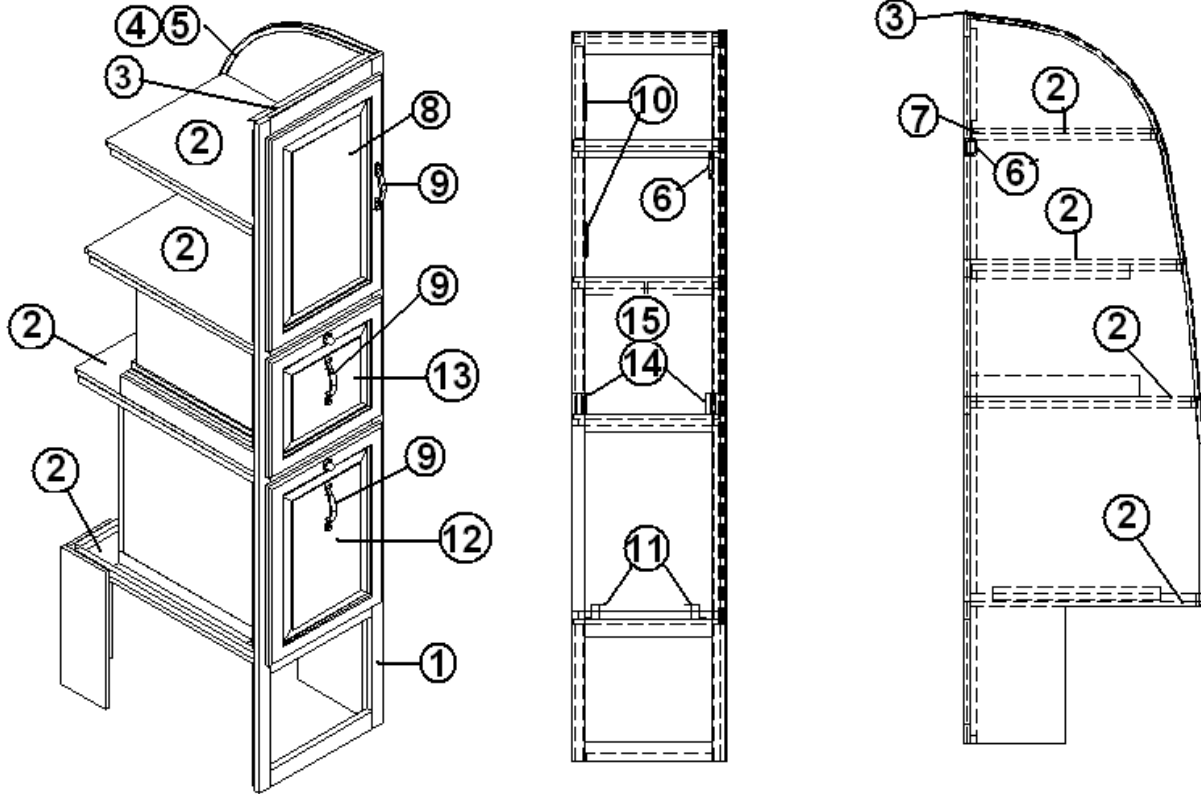


- | | |
|---------------|------------------------------------|
| 966977 | PANTRY S/O ASSY. |
| 1. 966736-003 | FACE FRAME, PANTRY S/O ASSY. |
| 2. 801258-003 | PANELING, 1/2" HICKORY/HICKORY |
| 3. 114811 | ALUMINUM ANGLE .50" X .50" |
| 4. 800597-993 | DOOR, 15.25" X 35.50" |
| 5. 382002 | PULL, CABINET DOOR, 3" CENTER, ORB |
| 6. 381408 | LOCK, PUSH, BUTTON STYLE, BLAC |
| 7. 104887 | POSITIVE STOP, PANTRY |
| 365268-03 | EDGEBANDING-.024"X .63" |

2008 CLASSIC TRAILER

FURNITURE, GALLEY

Pantry w/Microwave, 27'



Part Numbers on the Next Page

2008 CLASSIC TRAILER

FURNITURE, GALLEY

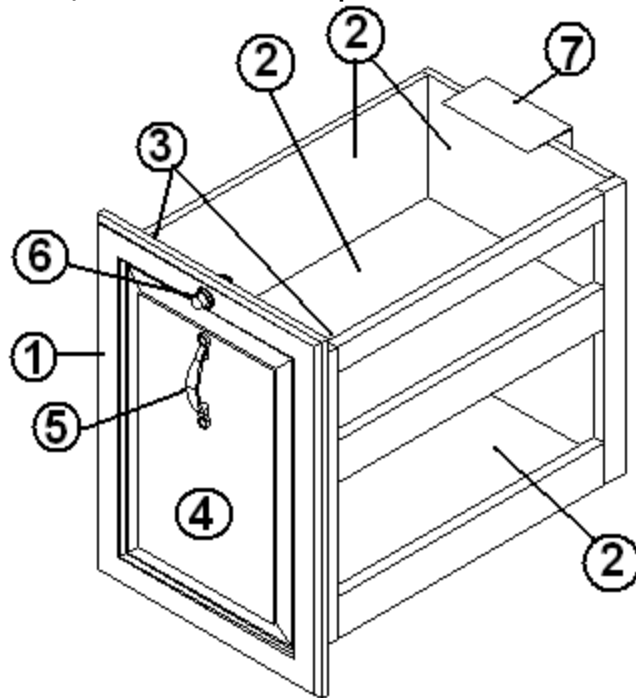
Pantry w/Microwave, 27'

- 966978 Pantry, 27', Microwave Option
1. 966981-003 Face frame, pantry w/microwave option
 2. 801258-003 Panel, 1/2", Hickory/Hickory
 3. 104821 Roof locker support, 74"
 4. 801671-08 Panel, aft pantry
 5. 203138-03 Wall trim, 1/2" Beige, plastic
 6. 381228-01 Grabber catch cabinet door
 7. 800573-013 Door edge molding, 1.38" x 80"
 8. 800597-983 Door, raised panel, 15.25" x 25.00"
 9. 382002 Pull, cabinet door
 10. 381999 Hinge, cabinet door
 11. 381944-01 Slide, 18"
 12. 966979 Pantry pullout assembly
 13. 966980 Microwave pullout assembly
 14. 801180-003 Panel, 1/2", Hickory/Vinyl
 15. 381192 Drawer slide, 18'
- 701538-01 Carpet, Econoliner

2008 CLASSIC TRAILER

FURNITURE, GALLEY

Pantry Slide Out, 27', Microwave Option

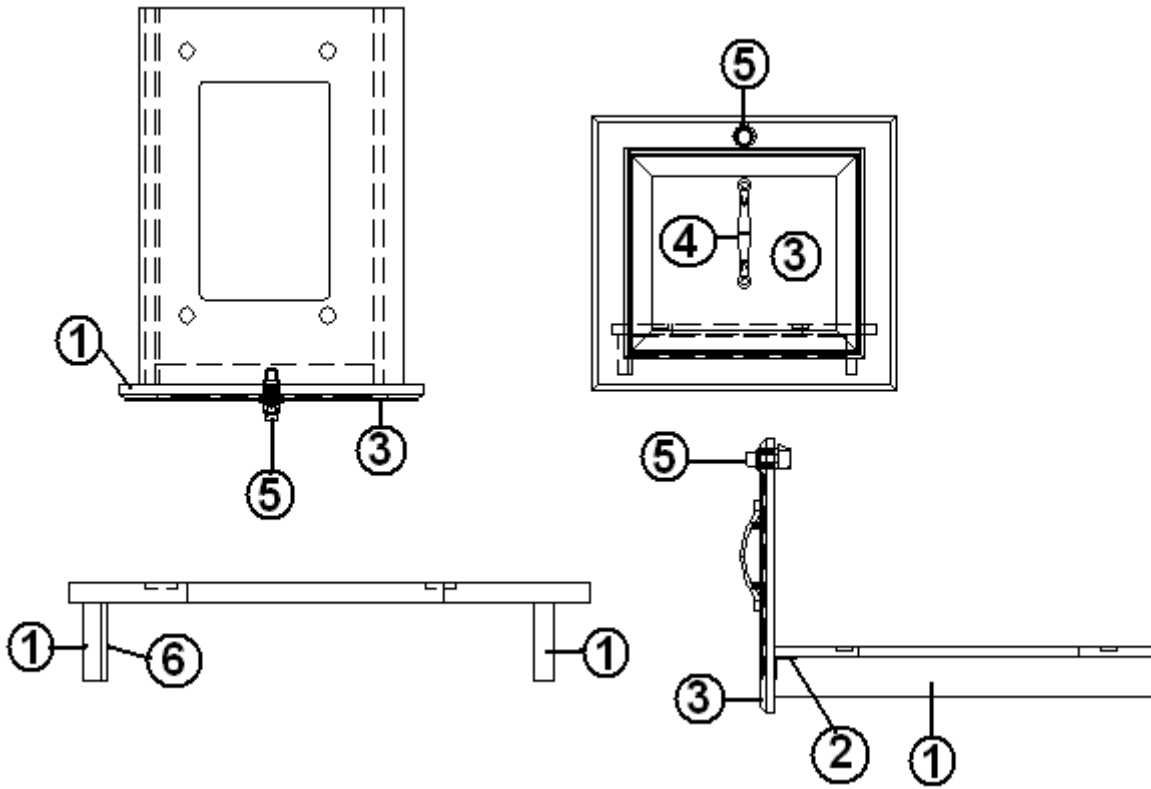


- | | |
|----------------|---|
| 966979 | Pantry Slide Out, 27', Microwave Option |
| 1. 966982-003 | Face frame, pantry slide out w/microwave option |
| 2. 801258-003 | Panel, 1/2", Hickory/Hickory |
| 3. 114811 | Aluminum angle, 1/2" x 1/2" |
| 4. 800597-1013 | Door, raised panel, 15.25" x 21.00" |
| 5. 382002 | Pull, cabinet door |
| 6. 381408 | Lock, push button style |
| 7. 104887 | Positive stop, pantry |

2008 CLASSIC TRAILER

FURNITURE, GALLEY

Pantry Cabinet Microwave Slide Out, 27'

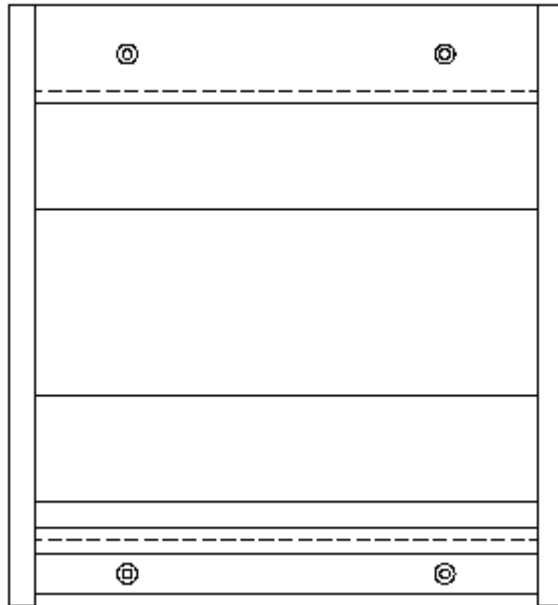


- | | |
|----------------|--|
| 966980 | Microwave Slide Out, 27', Microwave Option |
| 1. 801258-003 | Panel, 1/2", Hickory/Hickory |
| 2. 114812 | Aluminum angle, 1/2" x 1/2" |
| 3. 800597-1003 | Door, raised panel, 15.25" x 13.75" |
| 4. 382002 | Pull, cabinet door |
| 5. 381408 | Lock, push button style |
| 6. 800507-01 | Luan, 1/8" x 4' x 8' |

2008 CLASSIC TRAILER

FURNITURE, GALLEY

Magazine Rack, All Units

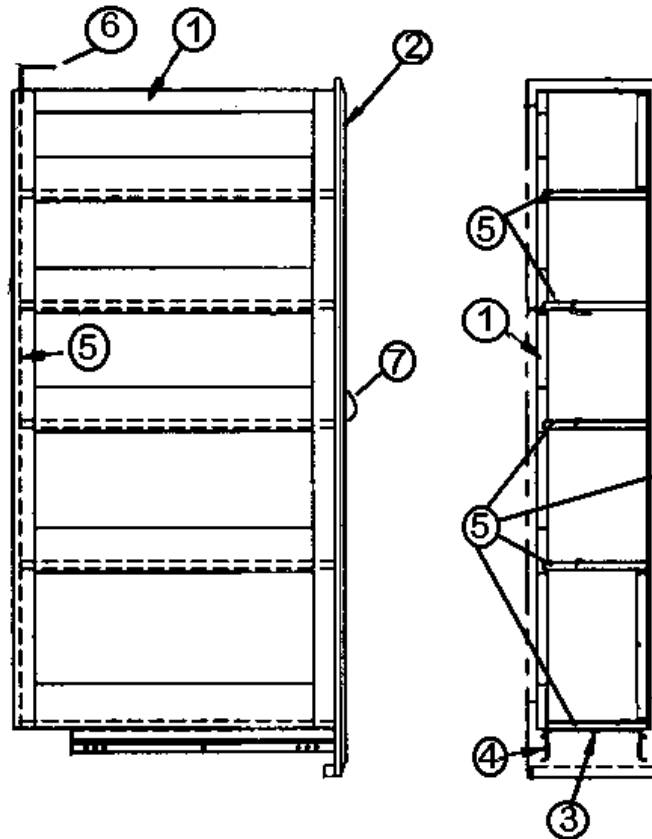


963990-003 MAGAZINE RACK, HICKORY

2008 CLASSIC TRAILER

FURNITURE, GALLEY

Pantry Cabinet Drawer Box Assembly, 25' Front Bed

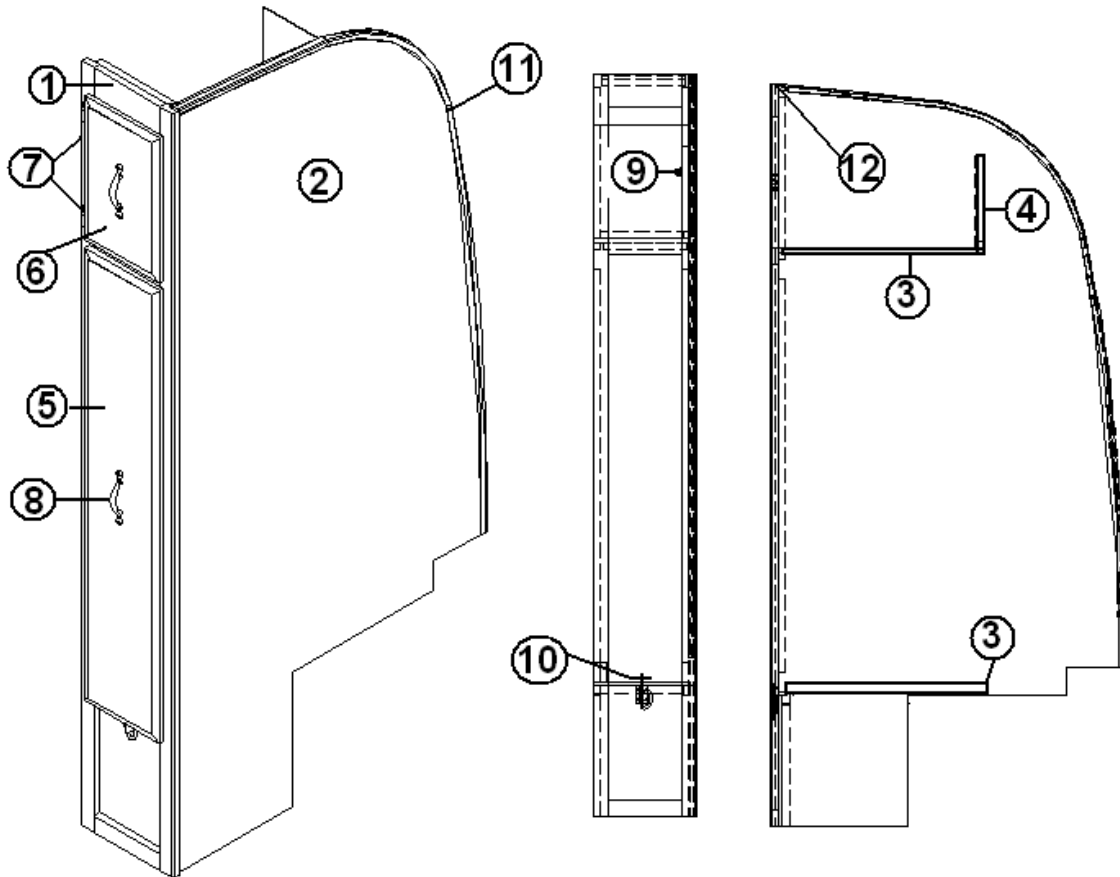


- | | |
|---------------|-----------------------------------|
| 986777-02 | PANTRY DRAWER BOX |
| 1. 986150-013 | FACE FRAME, PULL OUT PANTRY |
| 2. 800599-123 | DRAWER FACE 9.00" X 47.00" |
| 3. 104886-01 | DRAWER SLIDE SUPPORT |
| 4. 381192 | SLIDE, DRAWER, 18" (EACH=1 PAIR) |
| 5. 801258-003 | Paneling 1/2", Hickory / Hickory |
| 6. 104887 | POSITIVE STOP, PANTRY |
| 7. 382002 | Cabinet door pull, Orb, 3" center |

2008 CLASSIC TRAILER

FURNITURE, GALLEY

Pantry, 25' Front Bed

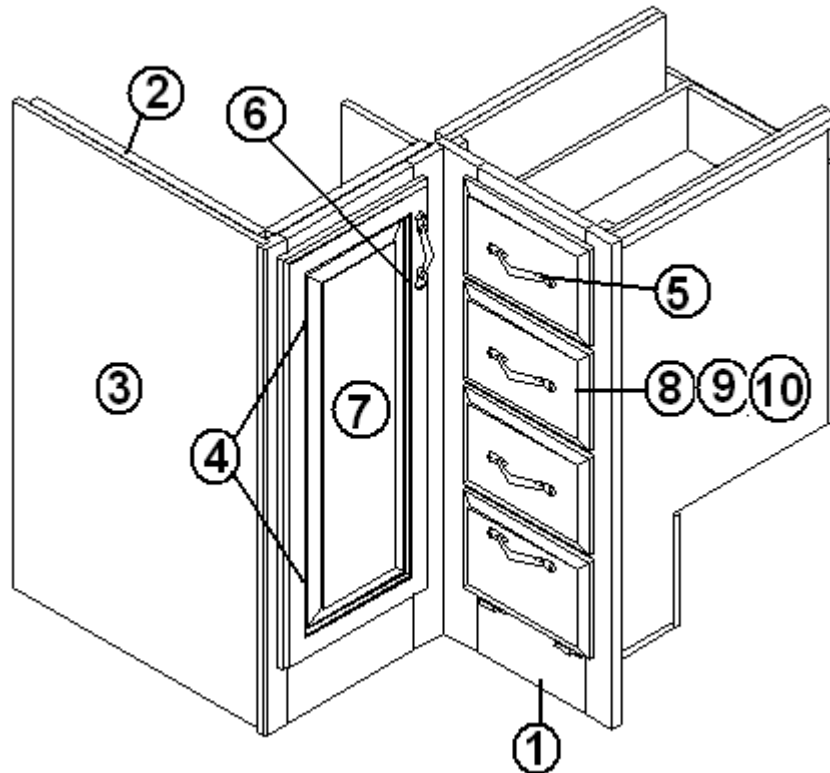


- | | |
|---------------|----------------------------------|
| 966825 | PANTRY ASSY |
| 1. 966824-003 | FACE FRAME, PANTRY |
| 2. 801708-02 | PANEL, PANTRY |
| 3. 801258-003 | PANEL, 1/2" HICKORY/HICKORY, G2S |
| 4. 801260-003 | PANEL, .156" HICKORY/RAW G1S |
| 5. 986777-02 | PANTRY DRAWER BOX ASSEMBLY |
| 6. 800599-253 | DRAWER FACE 9.00" X 15.00" |
| 7. 381999 | HINGE, ORB |
| 8. 382002 | PULL, CABINET DOOR 3" CENTER ORB |
| 9. 381074 | CATCH BULL DOG #65S (COPPER) |
| 10. 381109 | LATCH BUNK (PULL-OUT PANTRY) |
| 11. 203138-04 | EXTRUSION, PLASTIC 1/2" OAK |
| 12. 104821 | SUPPORT, ROOFLOCKER, 74" |

2008 CLASSIC TRAILER

FURNITURE, GALLEY

Galley, 25' Front Bed, Aft

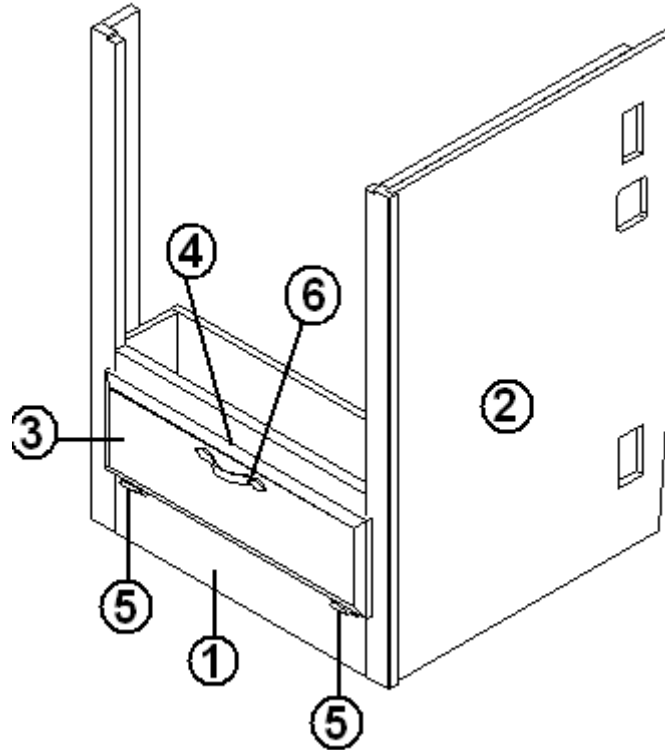


- | | |
|---------------|----------------------------------|
| 966829 | GALLEY ASSY. |
| 1. 966828-013 | FACE FRAME, GALLEY |
| 2. 801259-003 | PANEL, .5" HICKORY/RAW, G1S |
| 3. 801258-003 | PANEL, 1/2" HICKORY/HICKORY, G2S |
| 4. 381999 | HINGE, ORB |
| 5. 382002 | PULL, CAB.DOOR 3"CENTER ORB |
| 6. 381228-01 | CATCH GRABBER DOOR |
| 7. 800597-503 | DOOR 12.00" X 29.50" |
| 8. 800599-013 | DRAWER FACE, 7" X 10.50" |
| 9. 964910-23 | DRAWER BOX ASSY. 5" X8" X 17" |
| 10. 381526-03 | DRAWER SLIDE, 950-RV 18" |
| 10. 381526 | DRAWER BRACKET, ADJUSTABLE REAR |

2008 CLASSIC TRAILER

FURNITURE, GALLEY

Galley, 25' Front Bed, Oven Section

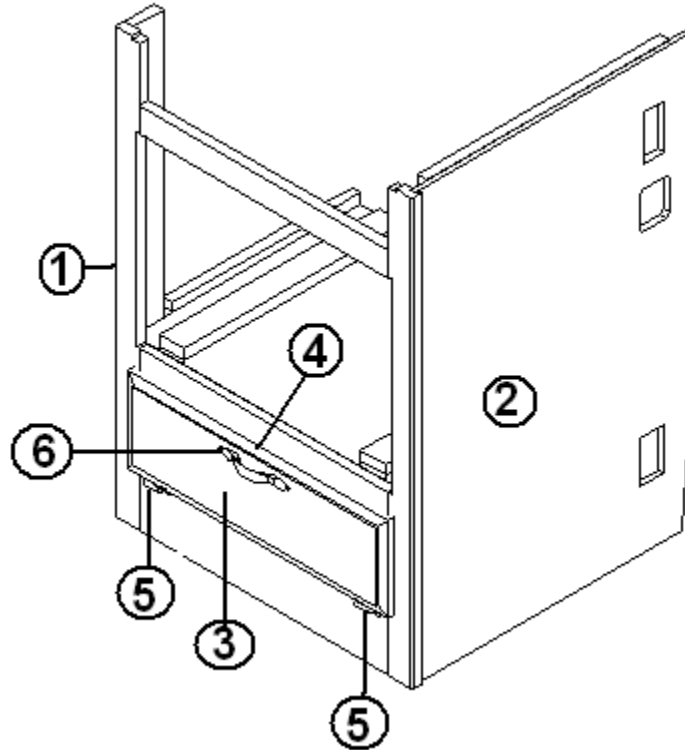


- | | |
|---------------|----------------------------------|
| 966831 | GALLEY, OVEN SECTION |
| 1. 966830-013 | FACE FRAME, GALLEY OVEN SECTION |
| 2. 801259-003 | PANEL, .5" HICKORY/RAW, G1S |
| 3. 800599-383 | DRAWER FACE, 7.00" X 21.50" |
| 4. 381228-01 | CATCH GRABBER DOOR |
| 5. 381999 | HINGE, ORB |
| 6. 382002 | PULL, CABINET DOOR 3" CENTER ORB |
| 7. 602154-01 | TOP, GALLEY, SANDSTONE CORIAN |

2008 CLASSIC TRAILER

FURNITURE, GALLEY

Galley, 25' Front Bed, Microwave Section

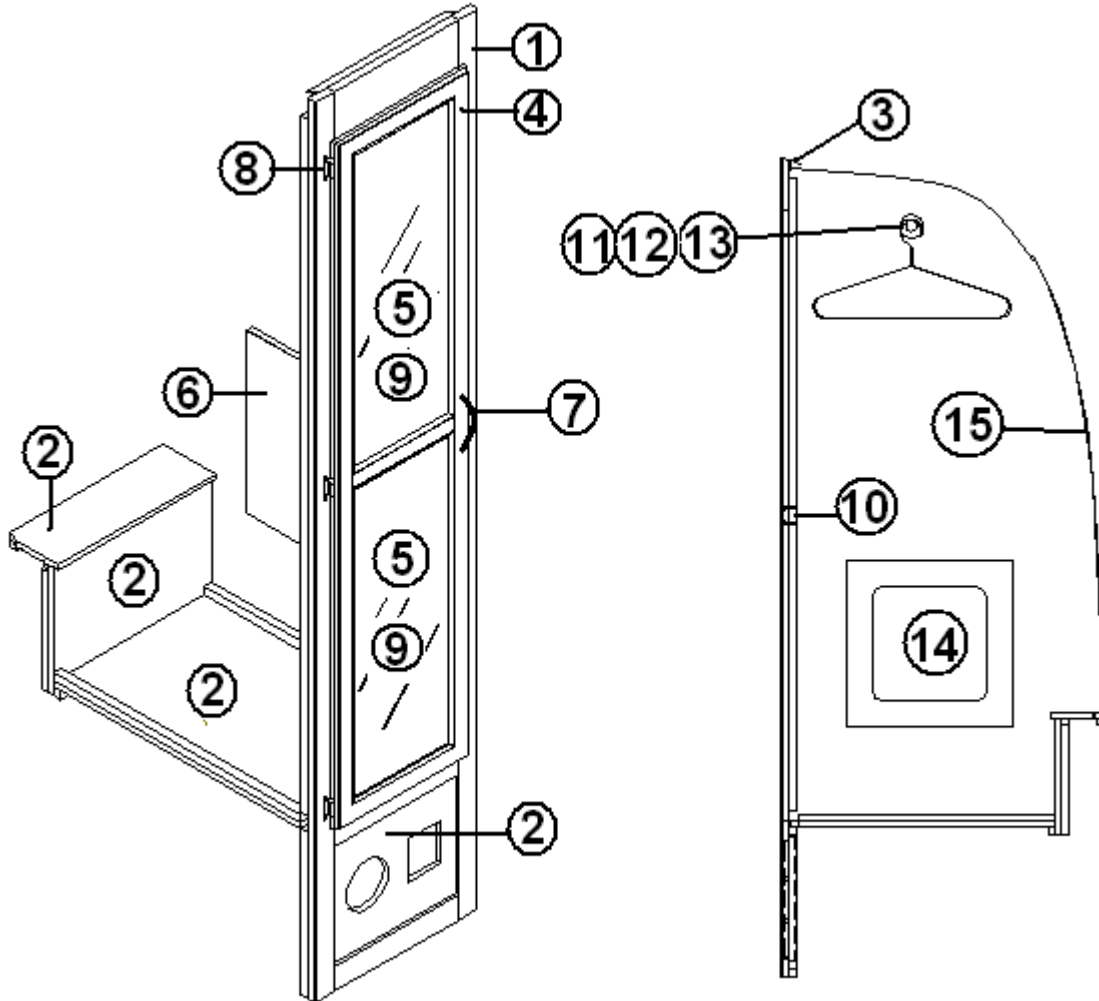


- | | |
|---------------|----------------------------------|
| 966833 | GALLEY, MICROWAVE SECTION |
| 1. 966832-013 | FACE FRAME, GALLEY OVEN SECTION |
| 2. 801259-003 | PANEL, .5" HICKORY/RAW, G1S |
| 3. 800599-383 | DRAWER FACE, 7.00" X 21.50" |
| 4. 381228-01 | CATCH GRABBER DOOR |
| 5. 381999 | HINGE, ORB |
| 6. 382002 | PULL, CABINET DOOR 3" CENTER ORB |
| 7. 602154-01 | TOP, GALLEY, SANDSTONE CORIAN |

2008 CLASSIC TRAILER

FURNITURE, GALLEY

Wardrobe, 25' Front Bed, Roadside



Part number are on the next page

2008 CLASSIC TRAILER

FURNITURE, GALLEY

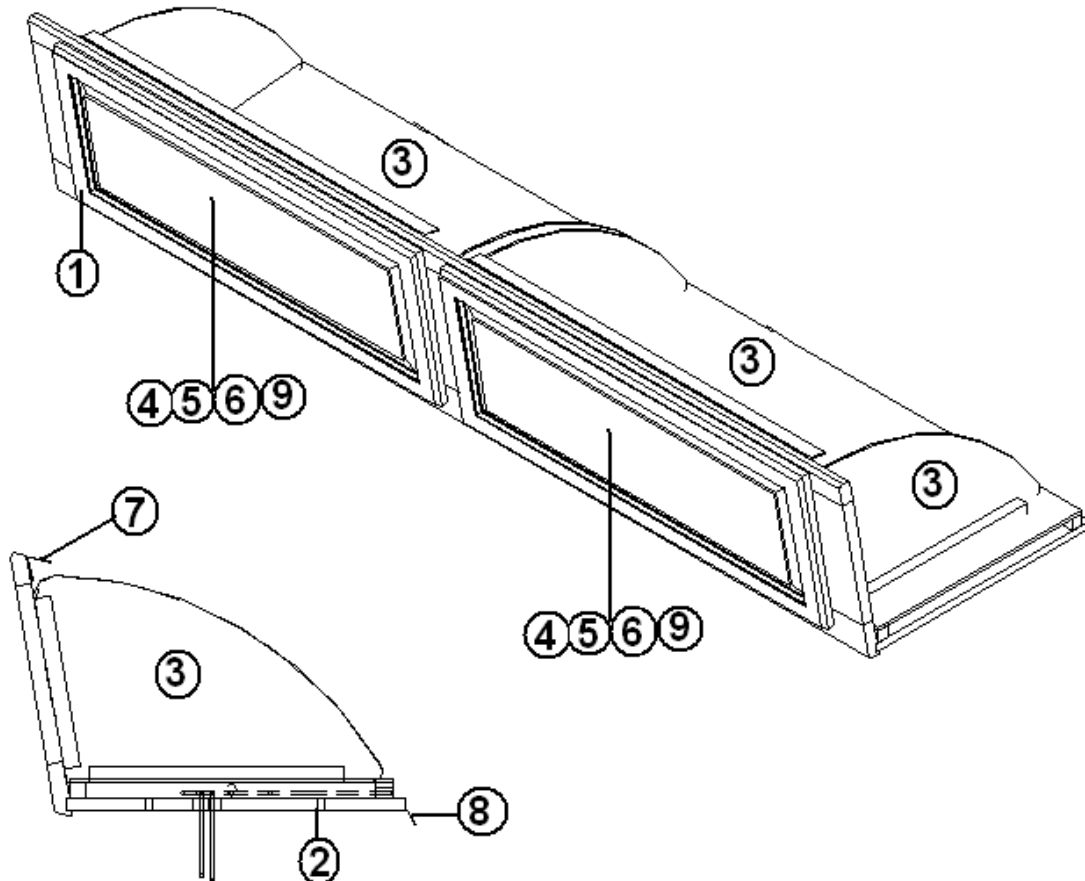
Wardrobe, 25' Front Bed, Roadside

966839	WARDROBE, ROADSIDE
1. 966838-003	FACE FRAME, RAODSIDE WARDROBE
2. 801259-003	PANEL, .5" HICKORY/RAW, G1S
3. 104821	SUPPORT, ROOFLOCKER, 74"
4. 800557-433	DOOR FRAME, 13.0" X 60"
5. 371262-71	MIRROR, 10.38" X 28.12"
6. 801260-003	PANEL, .156" HICKORY/RAW G1S
7. 382002	PULL-CAB.DOOR 3"CENTER ORB
8. 381999	HINGE, ORB
9. 381754	MIRROR CLIP
10. 381228-01	CATCH GRABBER DOOR
11. 380045	TUBING ¾", METALLIC
12.380046	FLANGE, CHROME
13.200975-04	CONDUIT, FLEXIBLE BLACK PLASTIC
14.966723	CLOSEOUT ASSY.
15.800397-01	PANEL, CEDAR PLANKED 5/32"

2008 CLASSIC TRAILER

FURNITURE, GALLEY

Roof Locker, 25' Front Bed Galley

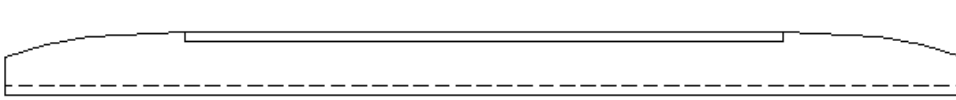


- | | |
|---------------|----------------------------------|
| 966840 | ROOF LOCKER, GALLEY |
| 1. 966841-013 | FACE FRAME, GALLEY ROOF LOCKER |
| 2. 801258-003 | PANEL, 1/2" HICKORY/HICKORY, G2S |
| 3. 801260-003 | PANEL, .156" HICKORY/RAW G1S |
| 4. 800597-123 | DOOR, 10.50" X 26.25" |
| 5. 381147 | SUPPORT - SPRING LOADED DOOR |
| 6. 382002 | PULL-CAB.DOOR 3"CENTER ORB |
| 7. 104829 | SUPPORT ROOFLOCKER GALLEY |
| 8. 100013 | EXTRUSION, WALL ATTACHMENT |
| 9. 381999 | HINGE, ORB |

2008 CLASSIC TRAILER

FURNITURE, LOUNGE

CLOSEOUT/PANELS, LOUNGE, 34', 34' S/O, 31' D, 30' S/O

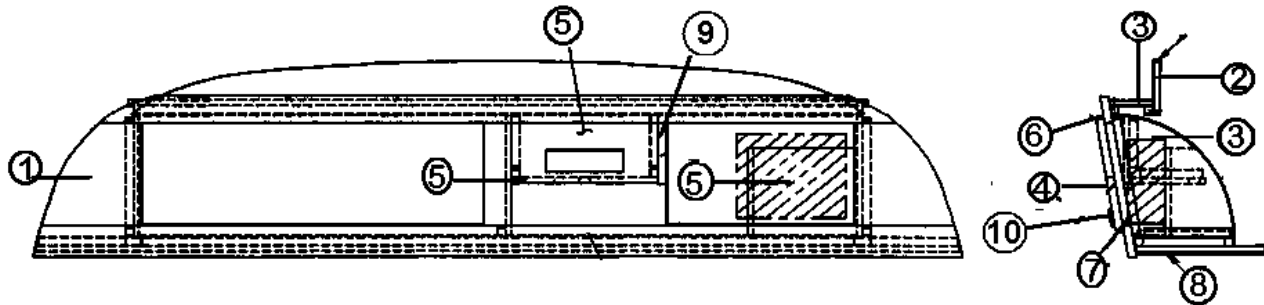


962563-01	CLOSEOUT ASSY LOUNGE REAR
382001	PULL, DRAWER, ORB BP9365-ORB
801027-05	PANEL LOUNGE REAR CLOSEOUT
801027-06	PANEL KILL SWITCH MTG.
382002	Cabinet door pull, Orb, 3" center

2008 CLASSIC TRAILER

FURNITURE, LOUNGE

Roof Locker, Front End, All Rear Bed Units

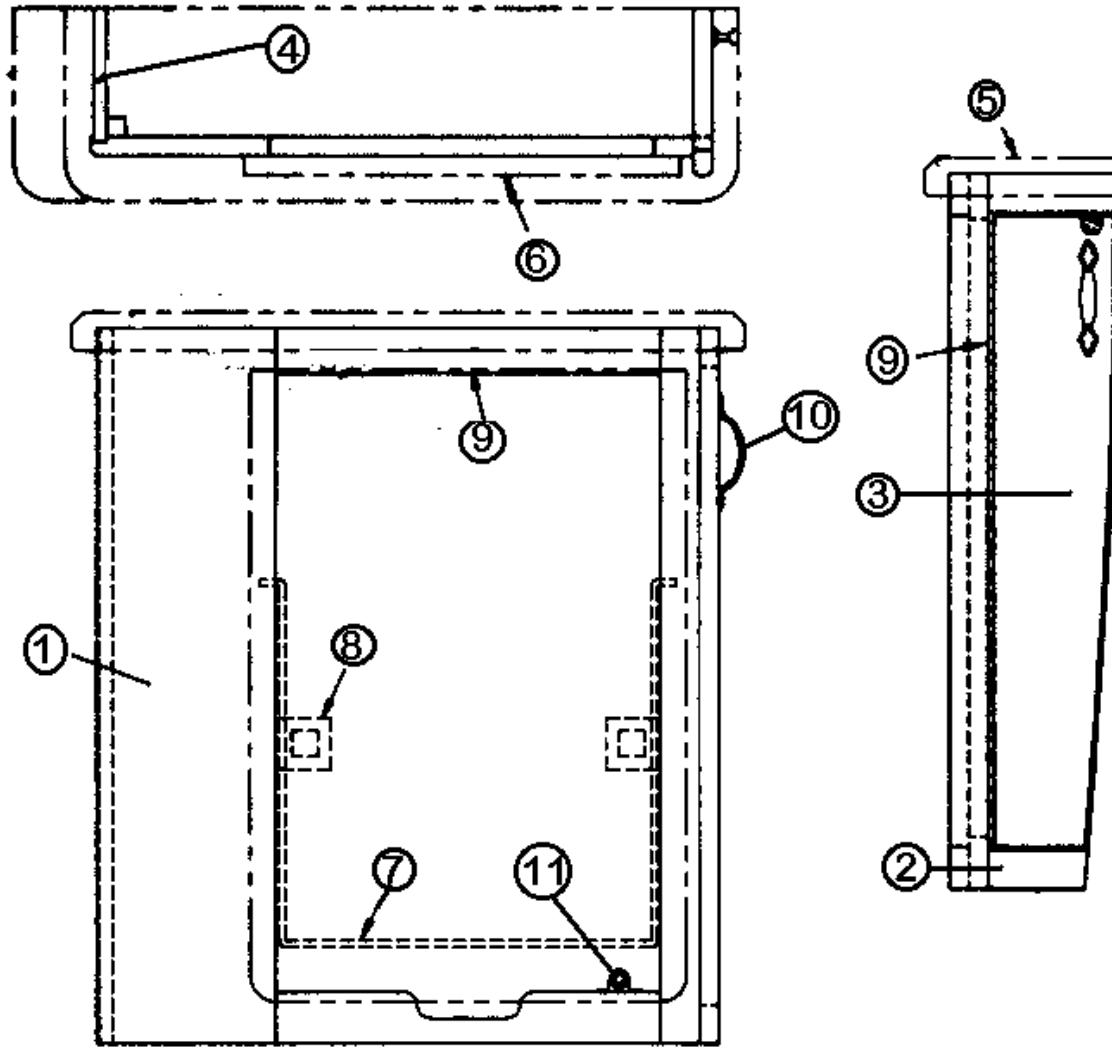


- | | |
|---------------|---|
| 963506-12 | Roof Locker, Front end Liner |
| 963506-03 | Roof Locker, Front end Liner, W/AUDIO UPGRADE |
| 1. 963498-003 | FACE FRAME FWD/AFT R/L, Hickory |
| 2. 801258-003 | PANEL 1/2" G2S Hickory/Hickory |
| 3. 801260-003 | PANEL 5/32"G1S Hickory/RAW |
| 4. 800597-853 | DOOR, 10.50" X 32.50", Hickory |
| 5. 801259-003 | PANEL 1/2", G1S Hickory/RAW |
| 6. 382000 | HINGE-SEMI-CONSEALED BP7550-OR |
| 7. 381147 | DOOR SUPPORT, SPRING LOADED |
| 8. 702482-03 | HEADLINER, TEXTURED |
| 9. 965049-003 | SIDE PANEL,RADIO SHELF, HICKORY |
| 10. 382002 | Cabinet door pull, Orb, 3" center |

2008 CLASSIC TRAILER

FURNITURE, LOUNGE

Writing Table/Chair Storage, All Units



Part Numbers on the Next Page

2008 CLASSIC TRAILER

FURNITURE, LOUNGE

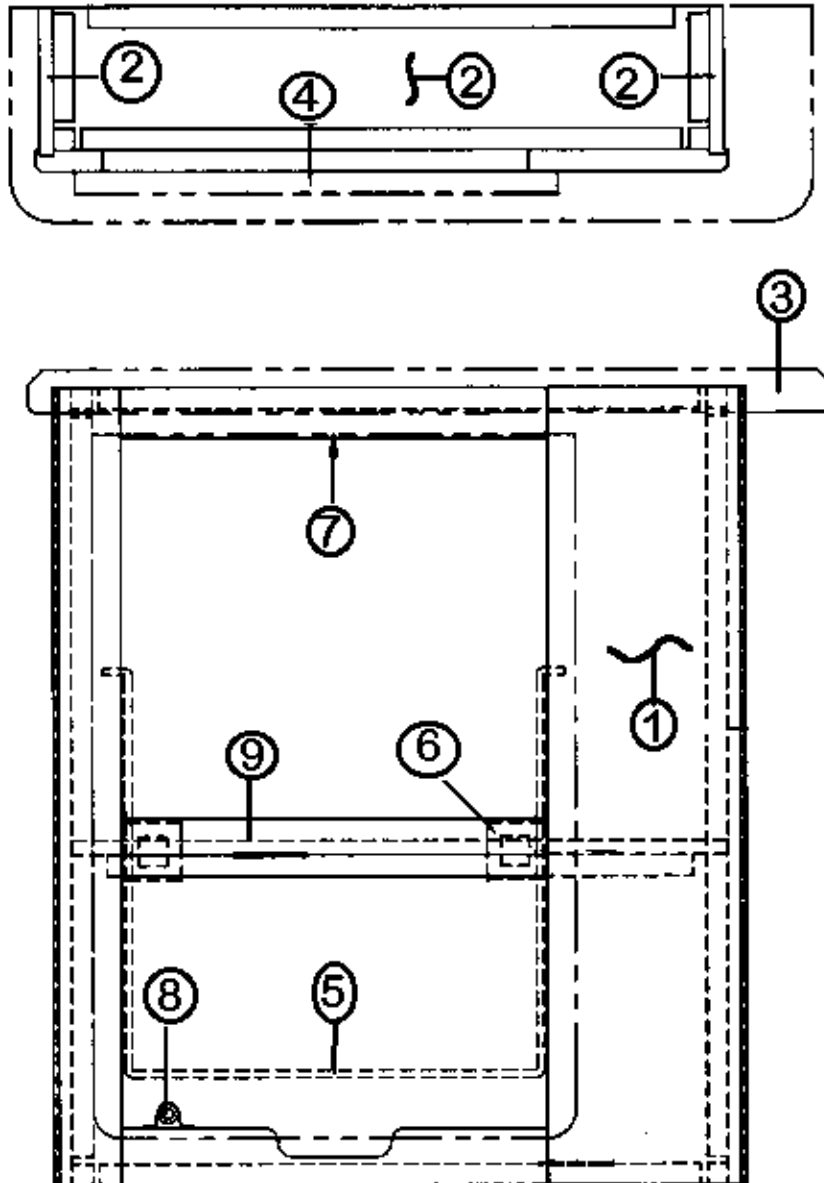
Writing Table/Chair Storage, All Units

961959-04	WRITING TABLE CHAIR STORAGE
1. 961955-023	FACE FRAME CHAIR STORAGE, Hickory
2. 961956-013	FRAME END W. TABLE CHAIR, Hickory
3. 961957-013	DOOR, Hickory, CHAIR STORAGE
4. 801258-003	PANEL ½' G2S, Hickory/Hickory 4' x 8'
5. 962875-003	Top Assembly, NOMAR, Limited, Hickory
6. 962880-003	Top Assembly, NOMAR, Limited, Hickory
7. 380492	BRACKET, TABLE
8. 340018	CATCH PLATE J-1
9. 380458	HINGE PIANO BROWN ANODIZED
10. 382002	Cabinet door pull, Orb, 3" center
11. 381228-01	CATCH GRABBER DOOR
962177-033	LEG-HARDWOOD 30.50", Hickory
964280-003	COUNTERTOP EDGE MOLDING, HICKORY

2008 CLASSIC TRAILER

FURNITURE, LOUNGE

Computer Table, 34' S/O



Part Numbers on the Next Page

2008 CLASSIC TRAILER

FURNITURE, LOUNGE

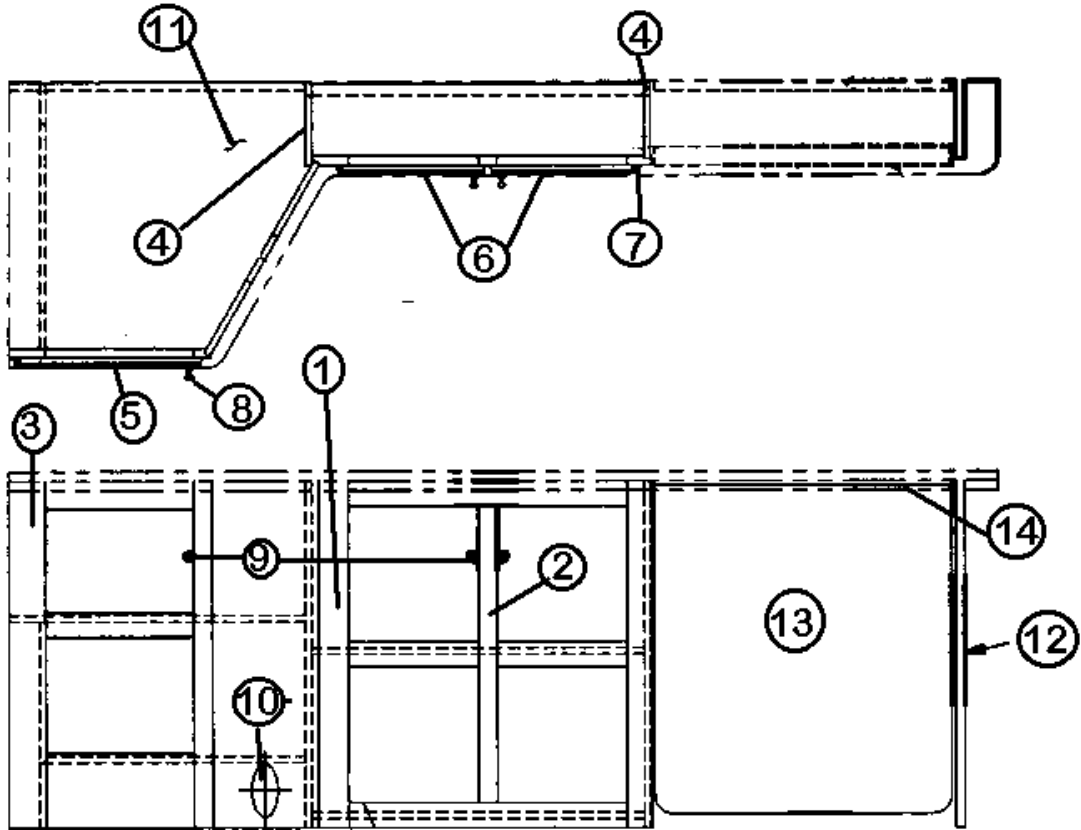
Computer Table, 34' S/O

- | | |
|---------------|--|
| 965411-023 | Computer Table, RS, Limited, Hickory |
| 1. 965418-003 | Face frame, computer table, RS, Hickory |
| 2. 801258-003 | PANEL ½" G2S Hickory/Hickory, 4' x 7' |
| 3. 962875-003 | Top, writing table cabinet, Limited, Hickory |
| 4. 962880-003 | Table top, writing, Limited, Hickory |
| 5. 380492 | Bracket table |
| 6. 340018 | Catch plate, J-1 |
| 7. 380458 | Hinge, piano, brown anodized |
| 8. 381074 | Bull dog catch |
| 9. 800573-013 | Molding, door edge, 1 3/32" x 80", Hickory |
| 964280-003 | COUNTERTOP EDGE MOLDING, HICKORY |

2008 CLASSIC TRAILER

FURNITURE, LOUNGE

Credenza, 34'



2008 CLASSIC TRAILER

FURNITURE, LOUNGE

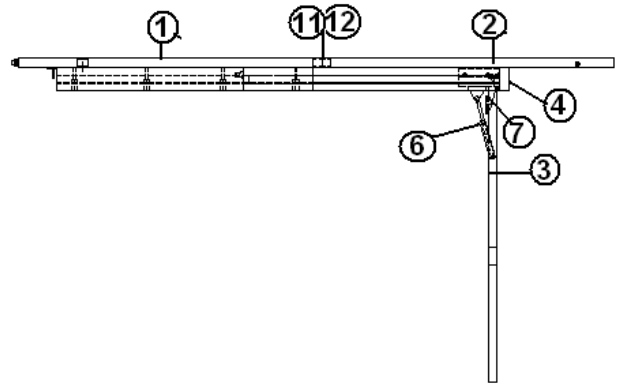
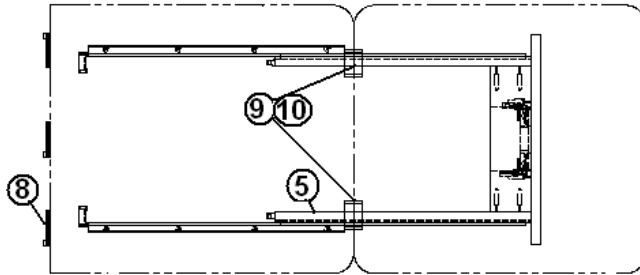
Credenza, 34'

963353-04	CREDENZA ASSEMBLY
1. 963326-02	SUB ASSY. CREDENZA AFT SECTION
2. 963289-013	FACE FRAME CREDENZA FWD, Hickory
3. 963313-003	FACE FRAME CREDENZA AFT Hickory
4. 801258-003	PANEL ½" G2S Hickory / Hickory, 4' x 7'
5. 800597-023	DOOR, 14.00" X 20.00" Hickory
6. 800597-273	DOOR, 11.50" X 25.00" Hickory
7. 381999	Hinge, Orb
8. 382002	Cabinet door pull, Orb, 3" center
9. 381228-01	CATCH GRABBER DOOR
10. 601244-03	REGISTER, ROTAIRE, BLACK
11. 963324-003	TOP CREDENZA, Hickory
12. 962381-013	FWD STILE RS CREDENZA Hickory
13. 966126-04	TABLE, LIFT-UP, ASSEMBLY, 24" OAK
14. 101253	EXTR. CREDENZA HINGE MOVABLE

2008 CLASSIC TRAILER

FURNITURE, LOUNGE

Table, Lift Up, 34', 30'

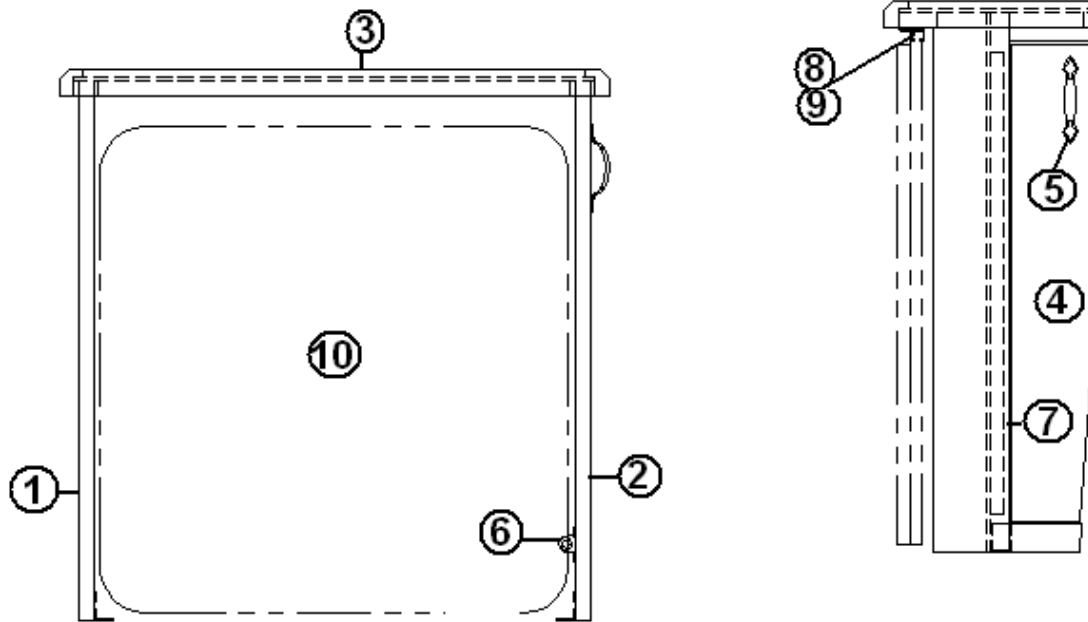


- | | |
|---------------|-------------------------------------|
| 966126-04 | TABLE, LIFT UP 24.00", HICKORY |
| 1. 962878-023 | LEAF, TABLE, LOWER, HICKORY |
| 2. 962879-023 | LEAF, TABLE, UPPER, HICKORY |
| 3. 962177-033 | LEG HARDWOOD 30.50", HICKORY |
| 4. 960419-013 | FACER BOARD, LIFT-UP TABLE, HICKORY |
| 5. 381306 | SLIDES, TABLE, LIFT-UP, RH & LH #20 |
| 6. 381147 | DOOR SUPPORT - SPRING LOADED |
| 7. 385935-01 | HINGE PIVOT ZINC PLATED |
| 8. 201155 | SLIDING GUIDE, PLASTIC -TABLE |
| 9. 380040 | HINGE SOSS INVISIBLE L & R HAND |
| 10. 345319-08 | SCREW, PARTICLE BOARD, #8 X 1.00" |
| 11. 380037 | RETAINER SPRING LOCK |
| 12. 380038 | EYELET LOCK GS 5 10 BRASS |
| 13. 381074 | CATCH BULL DOG #65S (COPPER) |
| 380203-01 | PIANO HINGE 1/8" |
| 101253 | CREDENZA HINGE MOVABLE |

2008 CLASSIC TRAILER

FURNITURE, LOUNGE

End Table, 34' L-Lounge, w/ Lift up Table

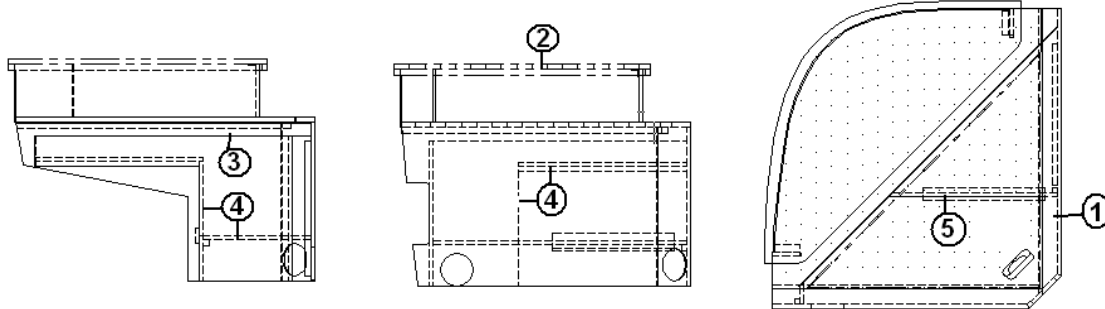


- | | |
|---------------|-----------------------------------|
| 963616-02 | END TABLE W/LIFT-UP TABLE |
| 1. 801120-003 | LEG-FWD CS END TABLE |
| 2. 801121-003 | FRAME-AFT LEG END TABLE |
| 3. 963614-003 | END TABLE TOP 11" X 28.25" |
| 4. 961957-013 | DOOR-TABLE CHAIR STORAGE |
| 5. 382002 | Cabinet door pull, Orb, 3" center |
| 6. 381228-01 | CATCH GRABBER DOOR C3-803 |
| 7. 380458 | HINGE PIANO BROWN ANODIZED |
| 8. 380203-01 | PIANO HINGE 1/8" PIN |
| 9. 101253 | CREDENZA HINGE MOVABLE |
| 10. 966126-04 | TABLE, LIFT UP 24.00", HICKORY |

2008 CLASSIC TRAILER

FURNITURE, LOUNGE

Table, 34' L Lounge, Corner

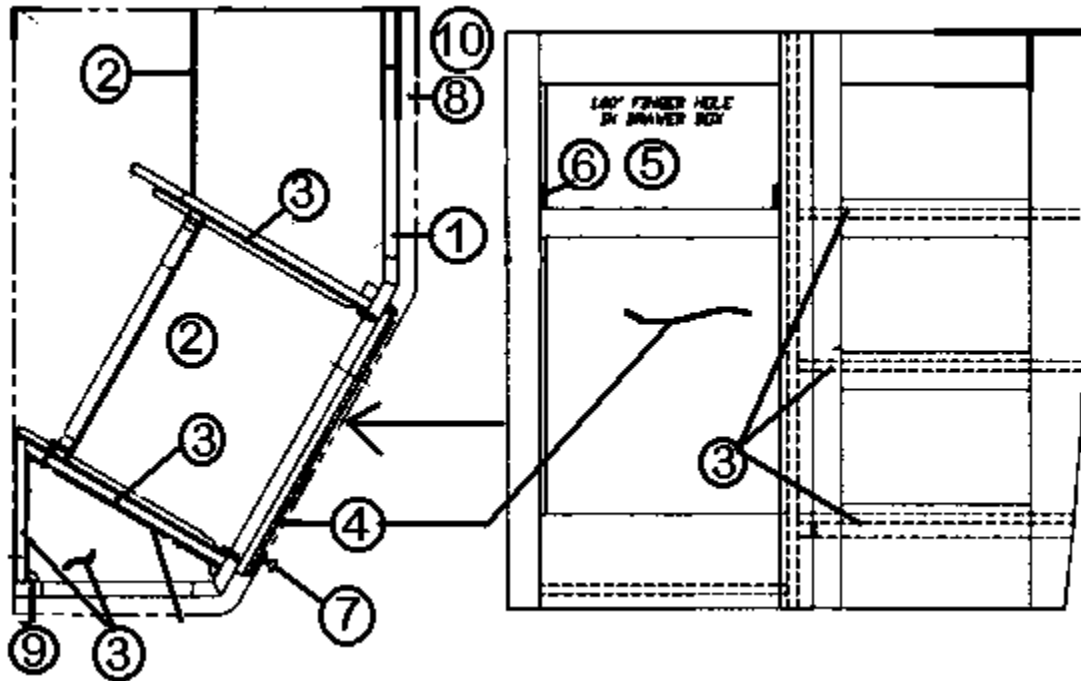


- | | |
|---------------|-------------------------------------|
| 963341-02 | CORNER TABLE ASSY. |
| 1. 963342 | FRAME CORNER TABLE |
| 2. 963343-01 | TOP/LID SUB-ASSY. |
| 3. 801092-003 | UPPER SHELF CORNER TABLE, HICKORY |
| 4. 801093-003 | LOWER TAP/LID CORNER TABLE, HICKORY |
| 5. 380458 | HINGE PIANO BROWN ANODIZED |
| 800571-013 | MOLDING FLAT .52W X 80" |

2008 CLASSIC TRAILER

FURNITURE, LOUNGE

End Table, 30'



Part Numbers are on the Next Page

2008 CLASSIC TRAILER

FURNITURE, LOUNGE

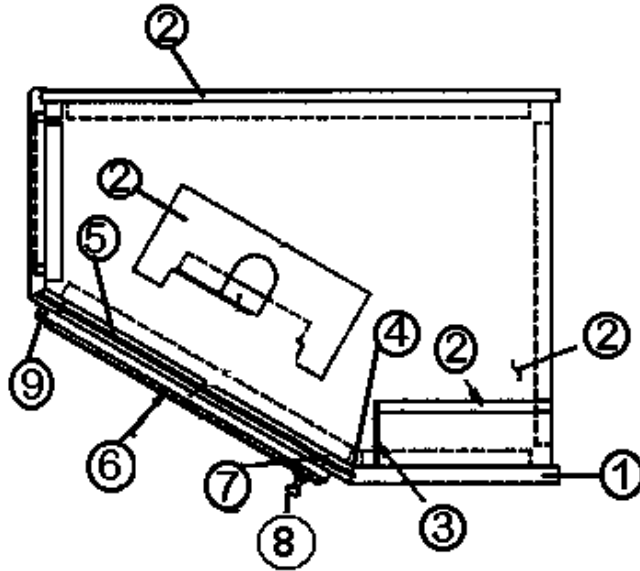
End Table, 30'

963219-03	END TABLE
1. 962291-013	FACE FRAME END TABLE, Hickory
2. 801260-003	PANEL 5/32"G1S Hickory/RAW 4' X 8'
3. 801258-003	PANEL 1/2" G2S Hickory/Hickory 4' X 7'
4. 800597-513	DOOR, 15.75" X 23.00", Hickory
5. 964910-14	DRAWER BOX- 13.75" X 13.00" X 5.00"
6. 381526-01	DRAWER SLIDE-14" PER PR
7. 382002	Cabinet door pull, Orb, 3" center
8. 962876-003	TOP END TABLE
9. 800638-023	MOLDING, 1/4" ROUND .5", Hickory
10. 964280-003	COUNTER TOP EDGE MOLDING, Hickory

2008 CLASSIC TRAILER

FURNITURE, LOUNGE

TV Cabinet, 30'

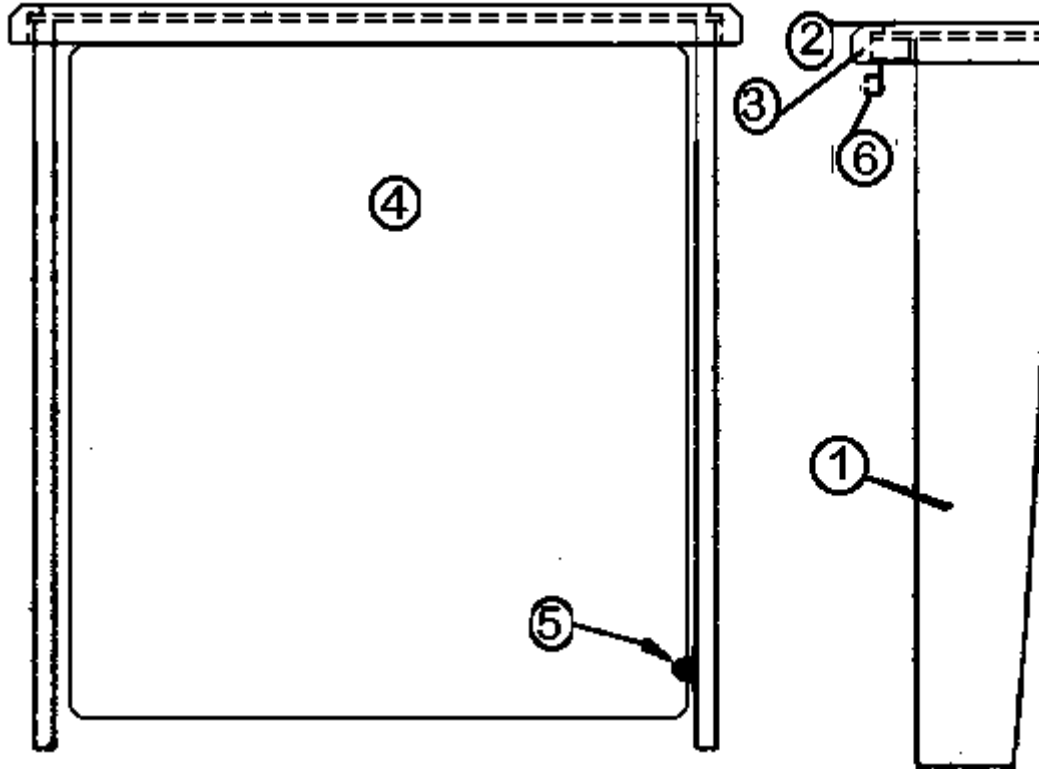


- | | |
|---------------|---|
| 962202-06 | TV CABINET ASSY. W/O TV VINYL |
| 1. 962200-013 | FACE FRAME TV CABINET, Hickory |
| 2. 801258-003 | PANEL 1/2" G2S, Hickory/Hickory 4' X 7' |
| 3. 801260-003 | PANEL 5/32"G1S Hickory/RAW 4' X 8' |
| 4. 114811 | ALUM. ANGLE .50 X .50 |
| 5. 203138-03 | EXTRUSION PLASTIC WALL BEIGE |
| 6. 800597-953 | DOOR FRAME 15.00" X 14.50", Hickory |
| 7. 381228-01 | CATCH GRABBER DOOR |
| 8. 382002 | Cabinet door pull, Orb, 3" center |
| 9. 381999 | Hinge, Orb |
| 365268-03 | EDGE BANDING-5/8" |

2008 CLASSIC TRAILER

FURNITURE, LOUNGE

Lift Up Table Cabinet, 30'

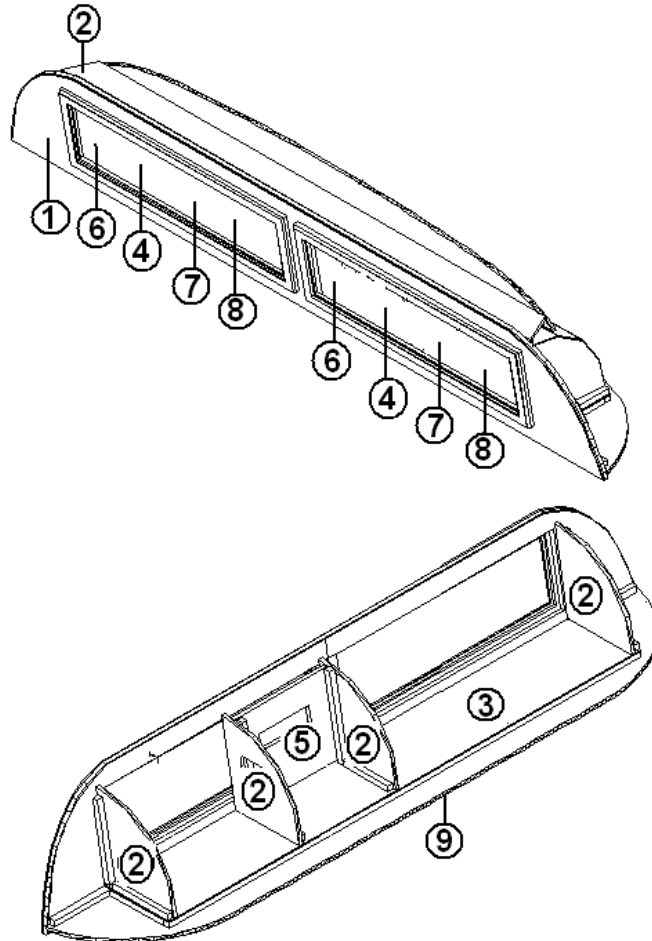


- | | |
|---------------|-----------------------------------|
| 962015-02 | LIFT UP TABLE |
| 1. 962381-013 | FWD STILE RS CREDENZA, Hickory |
| 2. 962875-003 | TOP, WRITING TABLE CHAIR STORAGE |
| 3. 964280-003 | COUNTER TOP EDGE MOLDING, Hickory |
| 4. 966126-04 | TABLE, LIFT UP 24.00", HICKORY |
| 5. 381074 | BULL DOG CATCH |
| 6. 101253 | EXTR. CREDENZA HINGE MOVABLE |

2008 CLASSIC TRAILER

FURNITURE, LOUNGE

Roof Locker, Rear End, 27', 25', Front Bed Models

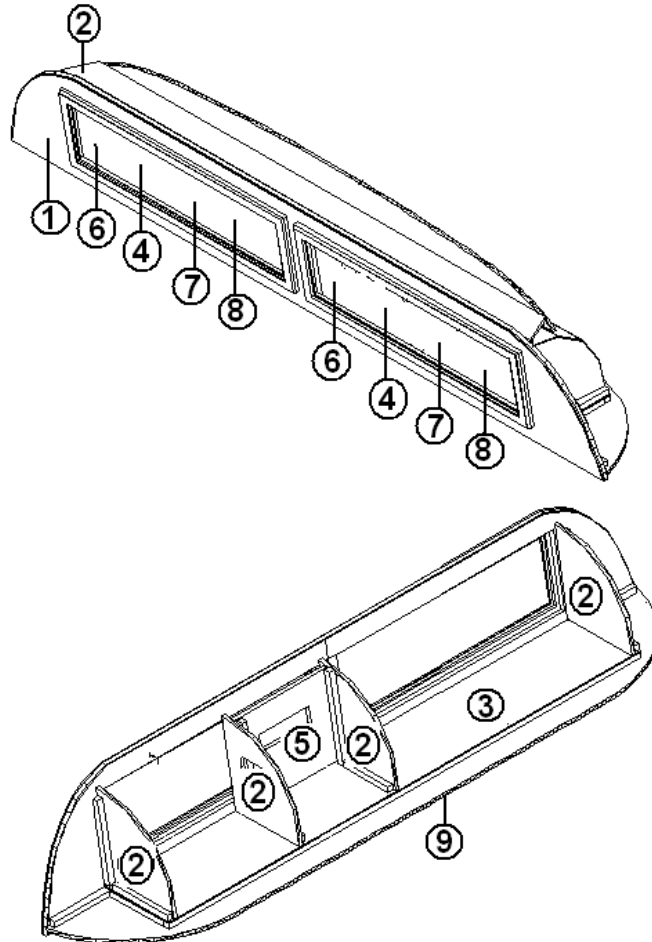


- | | |
|---------------|------------------------------------|
| 966730-01 | R/L ASSY, REAR |
| 966730-02 | R/L ASSY, REAR, W/AUDIO UPGRADE |
| 1. 963498-003 | FACE FRAME, ROOF LOCKER |
| 2. 801258-003 | PANELING, 1/2" HICKORY/HICKORY |
| 3. 801260-003 | PANELING, 5/32" HICKORY/RAW |
| 4. 800597-853 | Door, 10.5" x 32.5" |
| 5. 801259-003 | PANELING, 1/2" HICKORY/RAW |
| 6. 381999 | HINGE, ORB |
| 7. 382002 | PULL, CABINET DOOR, 3" CENTER, ORB |
| 8. 381147 | SUPPORT - SPRING LOADED DOOR |
| 9. 702482-03 | HEADLINER SPECTRA OPAL X TEXTURE |

2008 CLASSIC TRAILER

FURNITURE, LOUNGE

Roof Locker, Rear End, 30' Front Bed

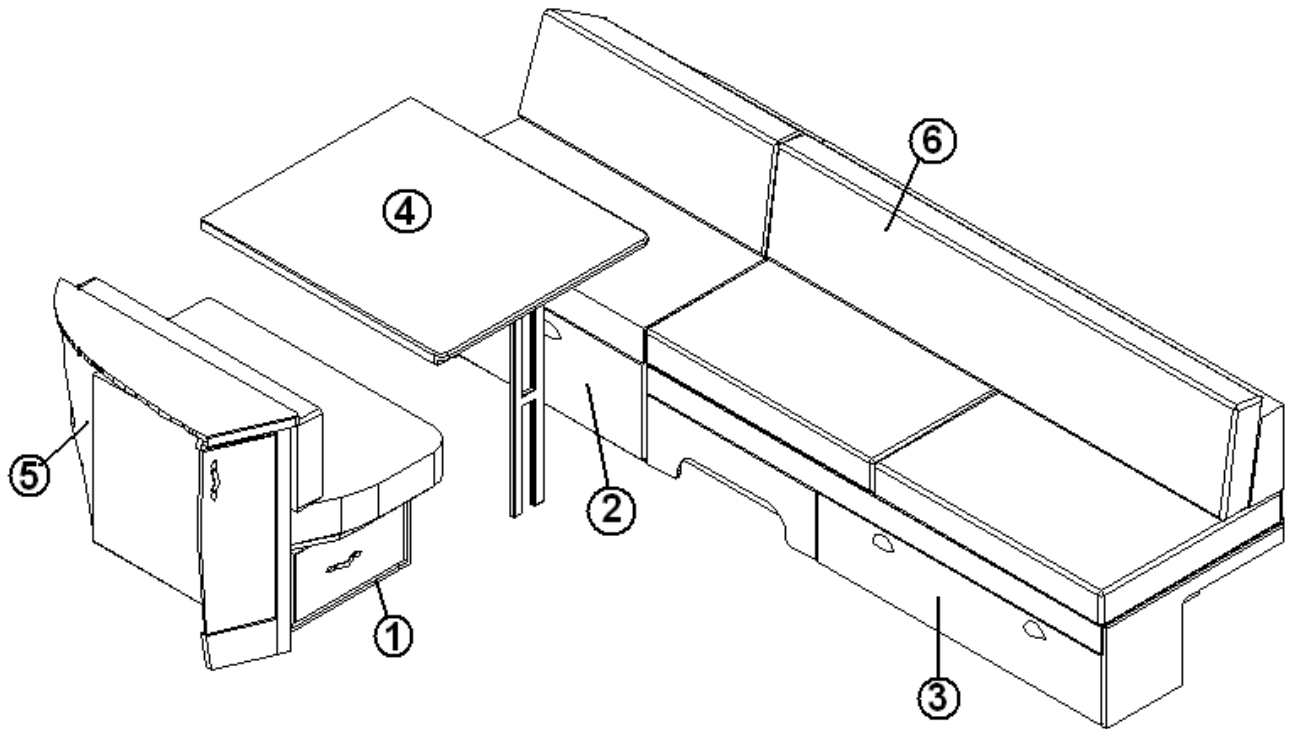


- | | |
|---------------|------------------------------------|
| 966730-01 | R/L ASSY, REAR |
| 966730-02 | R/L ASSY, REAR, W/AUDIO UPGRADE |
| 1. 963498-003 | FACE FRAME, ROOF LOCKER |
| 2. 801258-003 | PANELING, 1/2" HICKORY/HICKORY |
| 3. 801260-003 | PANELING, 5/32" HICKORY/RAW |
| 4. 800597-853 | Door, 10.5" x 32.5" |
| 5. 801259-003 | PANELING, 1/2" HICKORY/RAW |
| 6. 381999 | HINGE, ORB |
| 7. 382002 | PULL, CABINET DOOR, 3" CENTER, ORB |
| 8. 381147 | SUPPORT - SPRING LOADED DOOR |
| 9. 702482-03 | HEADLINER SPECTRA OPAL X TEXTURE |

2008 CLASSIC TRAILER

FURNITURE, LOUNGE

Sofa/Dinette Module 30' Front Bed

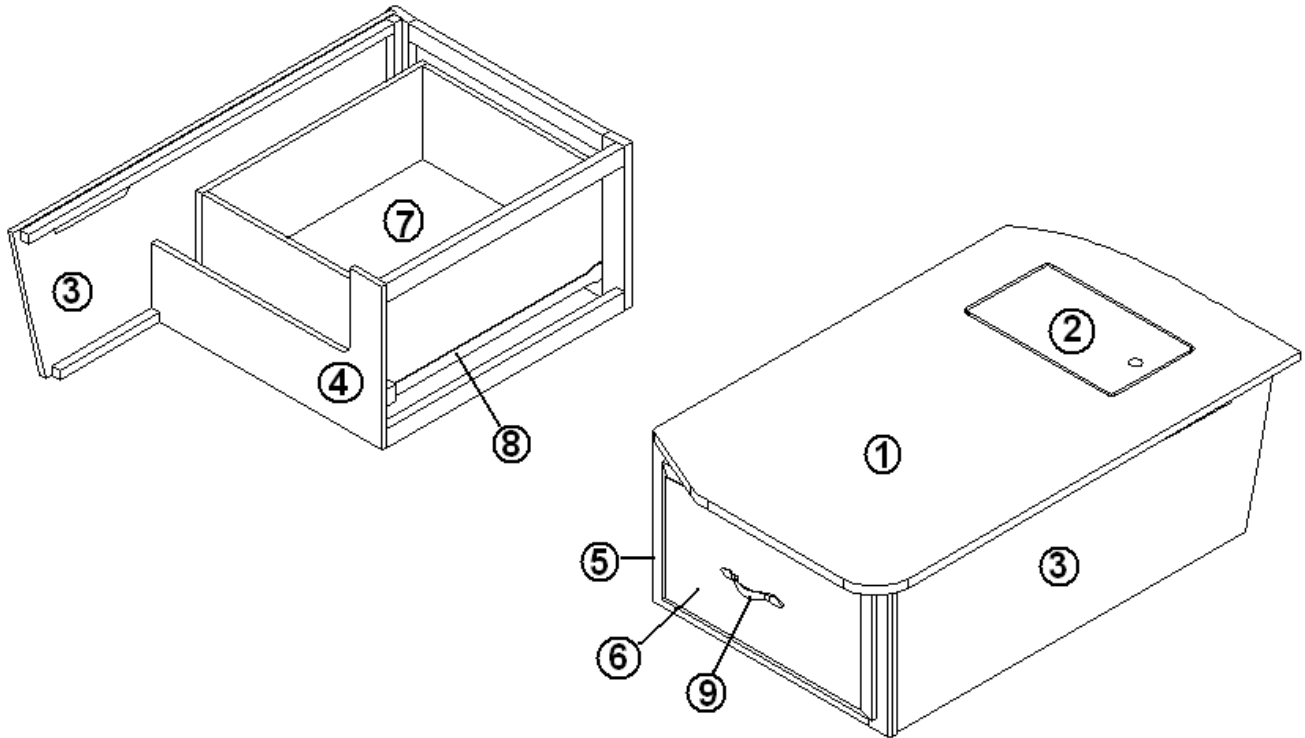


- | | |
|--------------|------------------------|
| 1. 967171 | Dinette seat, curbside |
| 2. 967170 | Dinette seat, roadside |
| 3. 967169 | Sofa assembly |
| 4. 966773 | Table assembly |
| 5. 966765 | Chair storage assembly |
| 6. 703739-09 | Foam kit, sofa/dinette |

2008 CLASSIC TRAILER

FURNITURE, LOUNGE

Dinette Seat, Curbside, 30' Front Bed

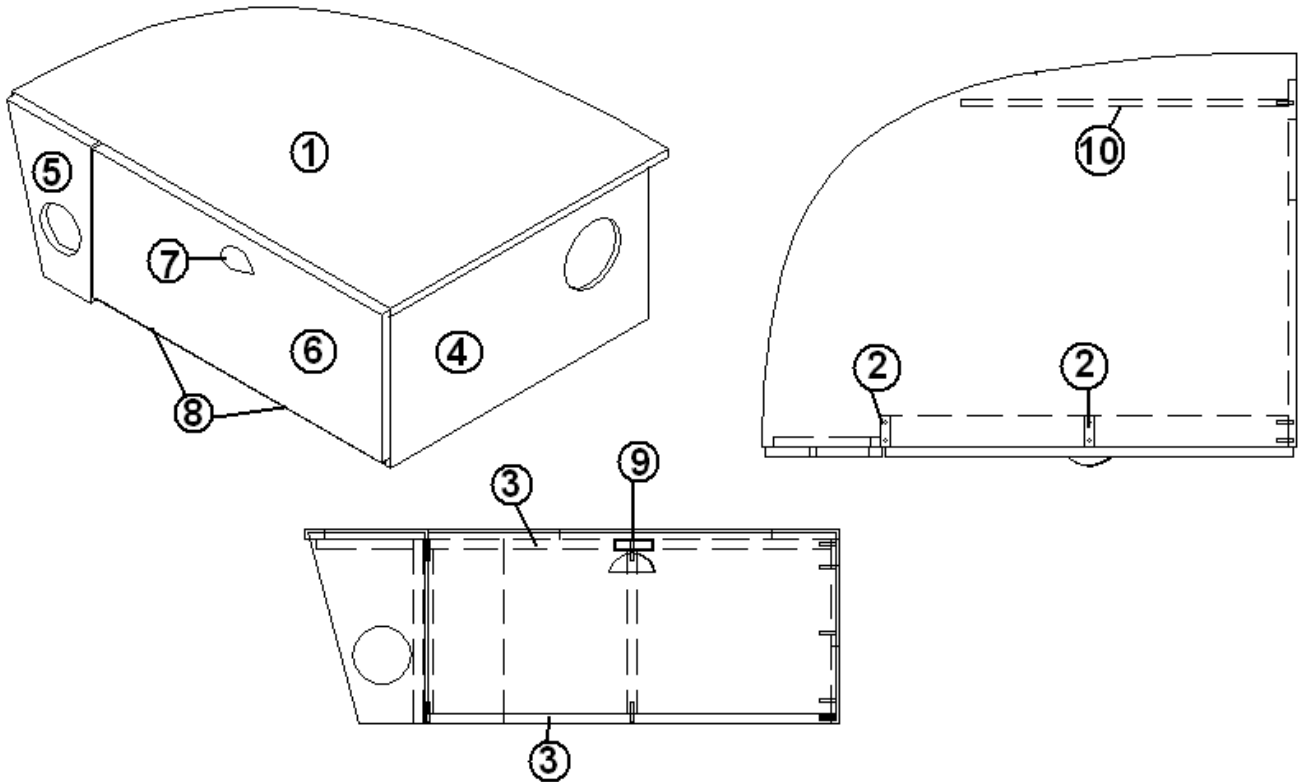


- | | |
|---------------|------------------------------------|
| 967171 | Dinette Seat, Curbside |
| 1. 967171-1A | Seat top, curbside |
| 2. 967171-1B | Compartment door |
| 3. 967171-2A | Side panel, curbside dinette seat |
| 4. 967171-3A | Panel, rear, curbside dinette seat |
| 5. 967172-003 | Face frame, curbside dinette seat |
| 6. 800599-853 | Drawer face, 11.13" x 19.50" |
| 7. 964908-07 | Drawer box, 17" x 21" x 8" |
| 8. 381526-05 | Drawer slide |
| 9. 382002 | PULL, CABINET DOOR, 3" CENTER, ORB |
| 382020 | VENT, LOW PROFILE, ALUMINUM |

2008 CLASSIC TRAILER

FURNITURE, LOUNGE

Dinette Seat, Roadside, 30' Front Bed

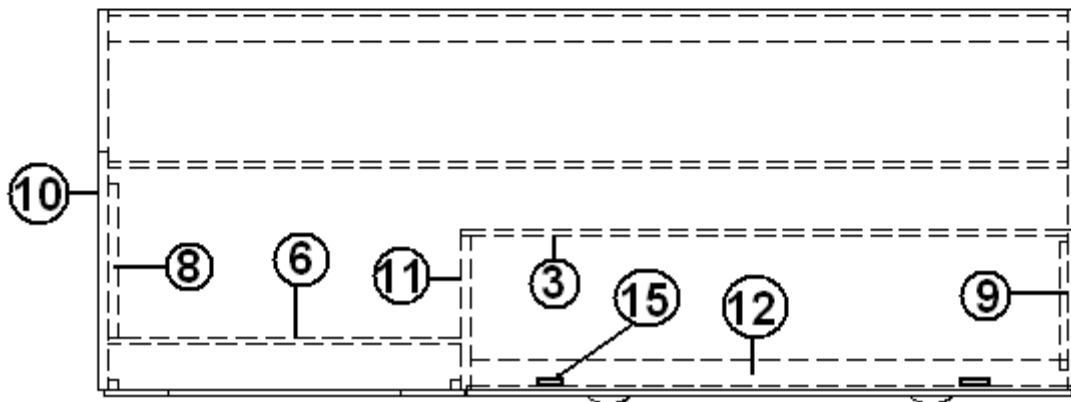
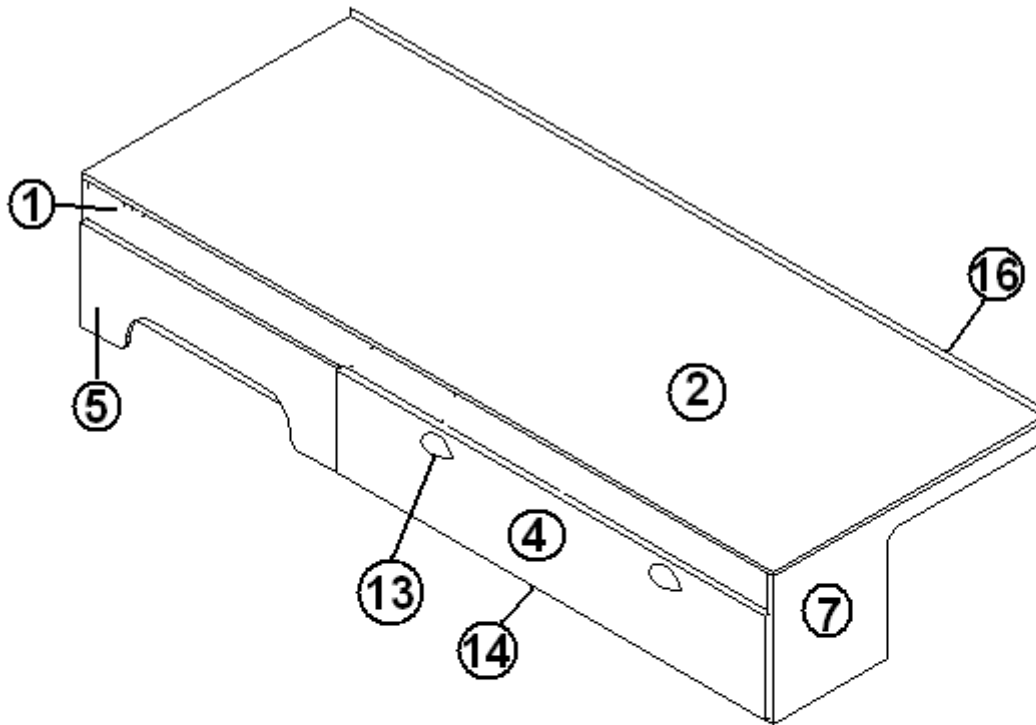


- | | |
|---------------|---|
| 967170 | Dinette Seat, Roadside |
| 1. 967170-1A | Seat top, 29.50"x 40.13", roadside |
| 2. 967170-1B | Stile, 2.25" x 12.38", roadside dinette seat |
| 3. 967170-1C | Panel, 22.25" x 30.75", roadside dinette seat |
| 4. 967170-2A | Panel, 27.50" x 13.75", roadside dinette seat |
| 5. 967170-2B | Panel, 8.88" x 14.38", roadside dinette seat |
| 6. 967170-2C | Door, roadside dinette seat |
| 7. 382001 | PULL, DRAWER, ORB |
| 8. 381072 | Hinge, 3" x 1.78", open, gold |
| 9. 381228-01 | Door grabber catch |
| 10. 967170-9A | Panel, white, 13.88" x 24.63" |

2008 CLASSIC TRAILER

FURNITURE, LOUNGE

Sofa, 30' Front Bed



Part Numbers are on the Next Page

2008 CLASSIC TRAILER

FURNITURE, LOUNGE

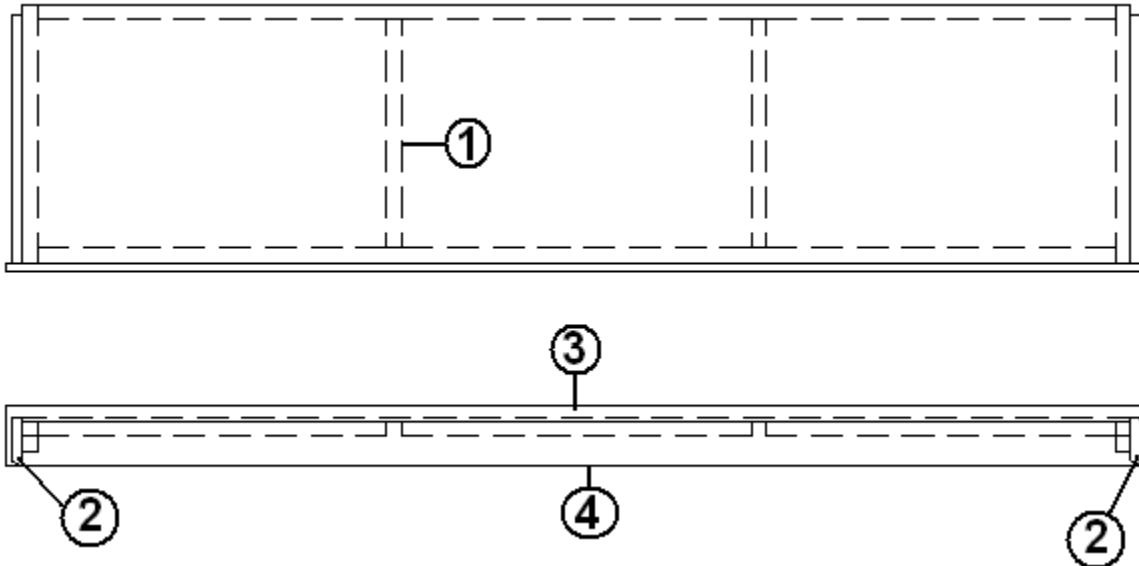
Sofa, 30' Front Bed

967169	Sofa assembly, 30' Front Bed
1. 967168	Sofa bed assembly
2. 967169-2A	Panel, 76.00" x 29.50"
3. 967169-2B	Panel, 10.13" x 47.13"
4. 967169-3A	Panel, 47.00" x 9.88"
5. 967169-3B	Panel, 28.00" x 9.88"
6. 967169-3C	Panel, 27.38" x 5.00"
7. 967169-4A	Panel, 14.13" x 29.50"
8. 967169-4B	Panel, 2.25" x 12.00"
9. 967169-4C	Panel, 2.25" x 10.00"
10. 967169-4D	Panel, 14.13" x 29.50"
11. 967169-4E	Panel, 2.25" x 46.38"
12. 967169-4F	Panel, 76.00" x 29.50"
13. 382001	PULL, DRAWER, ORB
14. 381072	Hinge, 3" x 1.78", open, gold
15. 381228-01	Door grabber catch
16. 101115	Aluminum sheet

2008 CLASSIC TRAILER

FURNITURE, LOUNGE

Sofa Bed, 30' Front Bed

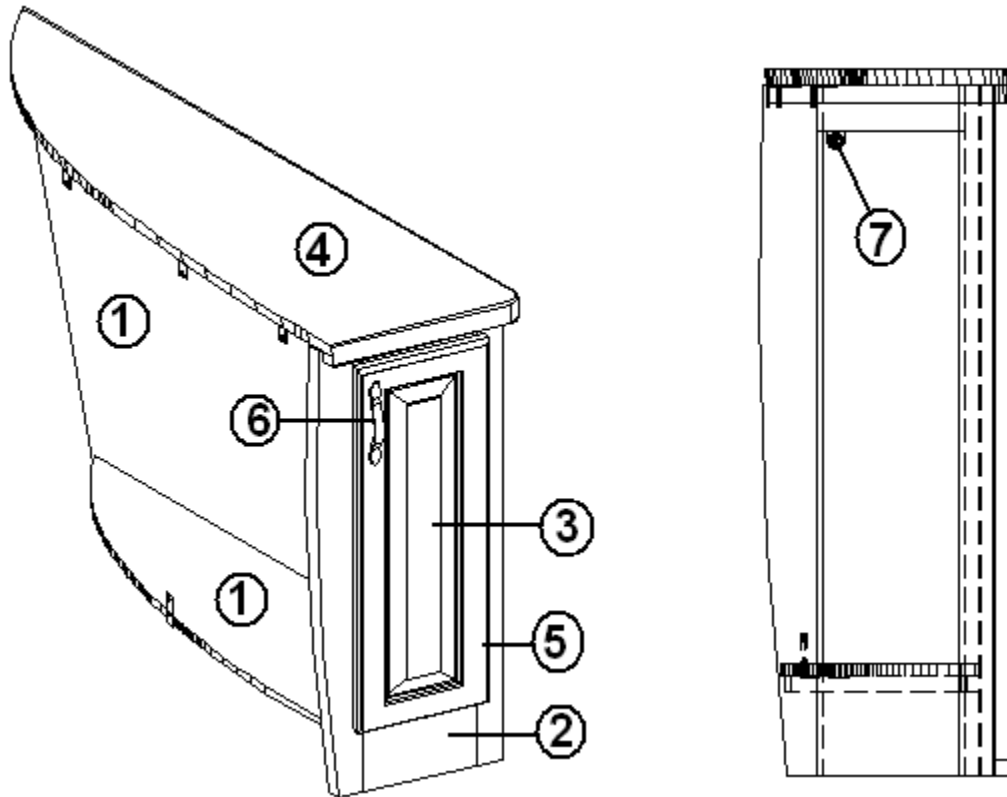


- | | |
|--------------|--------------------------|
| 967168 | Sofa bed assembly |
| 1. 916002 | Weldment, sofa bed |
| 2. 381826 | Slide, 16", ball bearing |
| 3. 967168-3A | Bed top, lauan |
| 4. 967168-4A | Panel, 65.13" x 3.88" |

2008 CLASSIC TRAILER

FURNITURE, LOUNGE

Chair Storage Cabinet, 27', 25', 30' Front Bed Models

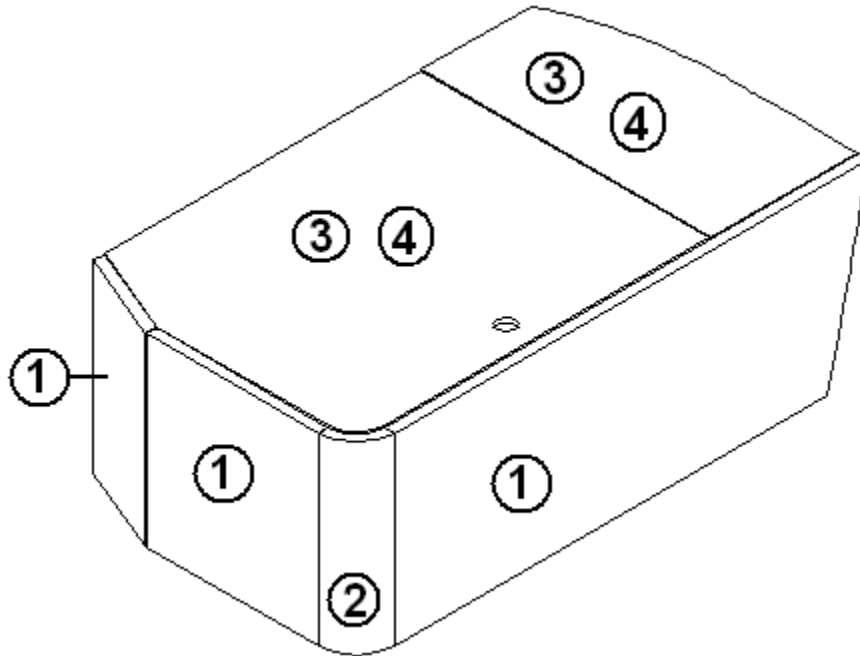


- | | |
|---------------|------------------------------------|
| 966765 | CHAIR STORAGE CABINET |
| 1. 801258-003 | PANELING, 1/2" HICKORY/HICKORY |
| 2. 966764-003 | FACE FRAME, CHAIR STORAGE CABINET |
| 3. 800597-933 | DOOR, 8"X 24.75 |
| 4. 966771-003 | TOP, CHAIR STORAGE CABINET |
| 5. 381999 | HINGE, ORB |
| 6. 382002 | PULL, CABINET DOOR, 3" CENTER, ORB |
| 7. 381074 | CATCH BULL DOG |

2008 CLASSIC TRAILER

FURNITURE, LOUNGE

Dinette Seat Base, Curbside, 27', 25' Front Bed

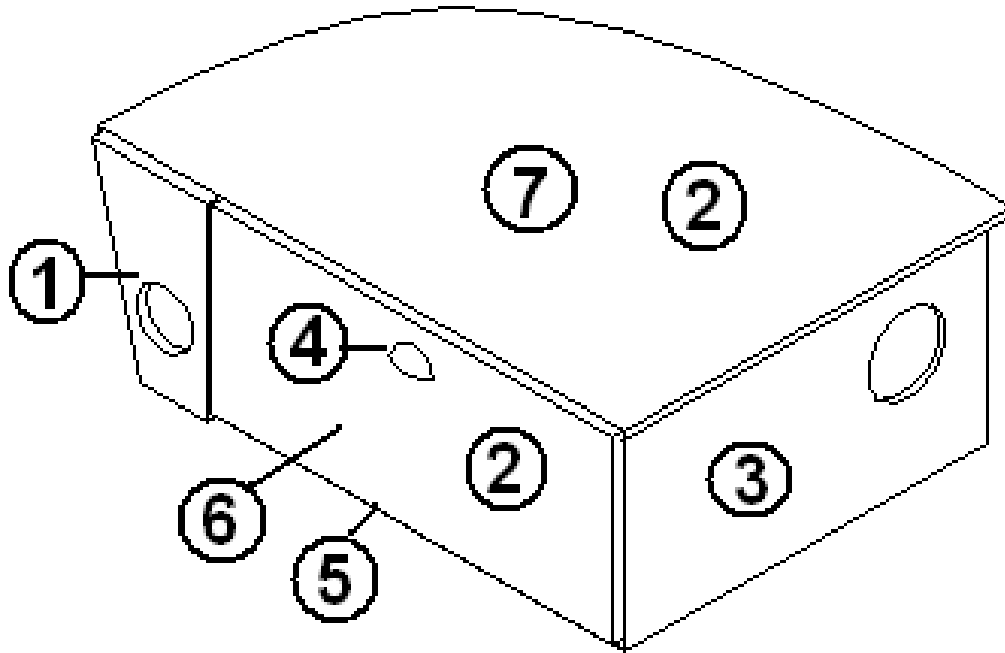


- | | |
|--------------|------------------------------|
| 966766 | SEAT BASE, CURBSIDE, DINETTE |
| 1. 801351 | LITE PLY-18MM (.75") 4'X 8' |
| 2. 801345 | RADIUS PLYWOOD .75" X 3"X 8' |
| 3. 800507-03 | LAUAN, 3/8" X 4'X 8' |
| 4. 701538-01 | CARPET-ECONOLIER |

2008 CLASSIC TRAILER

FURNITURE, LOUNGE

Dinette Seat Base, Roadside, 27', 25' Front Bed

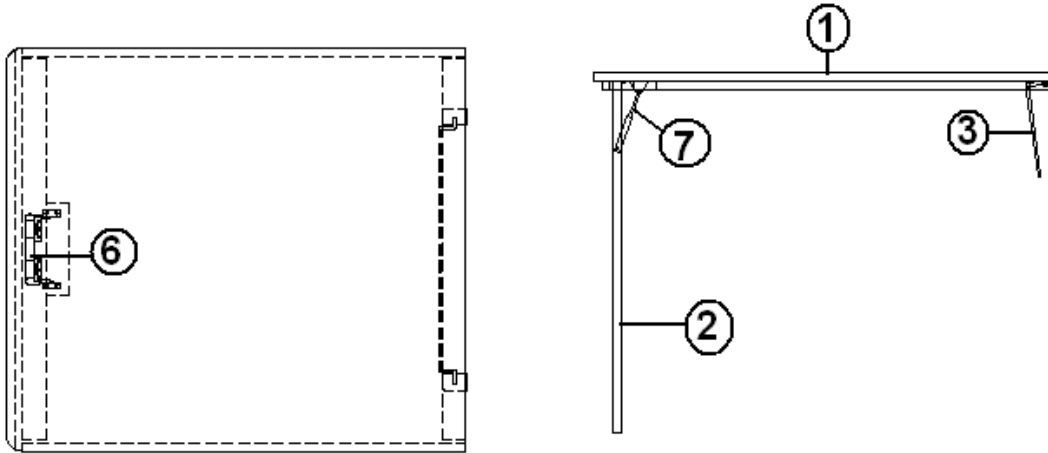


- | | |
|--------------|--------------------------------|
| 966774 | SEAT, ROADSIDE DINETTE |
| 1. 801351 | LITE PLY-18MM (.75") 4'X 8' |
| 2. 801368 | PANEL, WHITETLINER/WHITETLINER |
| 3. 801392 | PANEL, WHITETLINER/WHITETLINER |
| 4. 382001 | PULL, DRAWER, ORB |
| 5. 381072-01 | HINGE 3" X 2" |
| 6. 381228-01 | CATCH GRABBER DOOR |
| 7. 701538-01 | CARPET-ECONOLIER W/PSA BACK |

2008 CLASSIC TRAILER

FURNITURE, LOUNGE

Dinette Table, 30', 27', 30' & 25' Front Bed Models

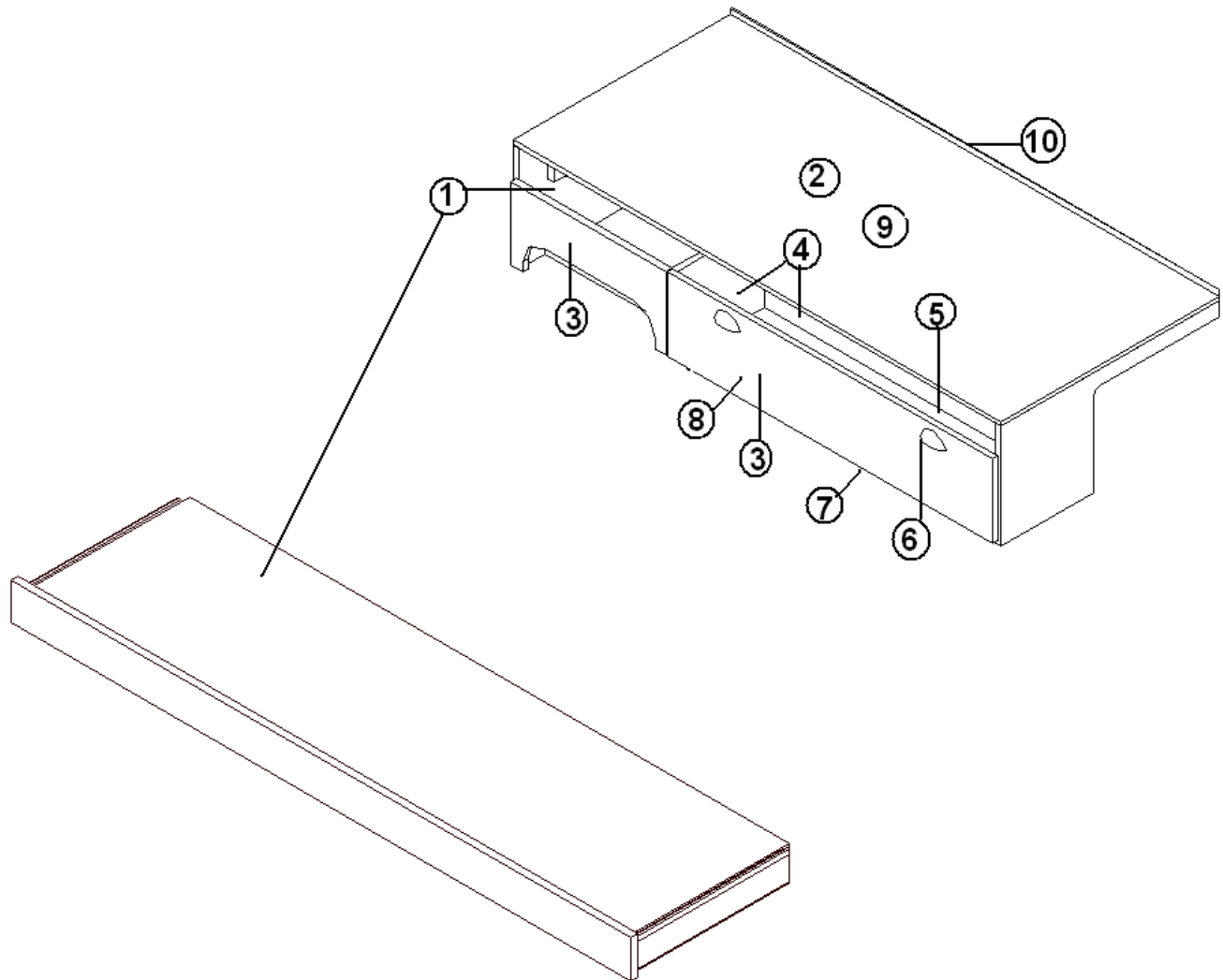


- | | |
|---------------|---------------------------------|
| 966773 | TABLE, DINETTE |
| 1. 966772 | TOP, DINETTE TABLE, 34" X 40" |
| 2. 962177-033 | LEG HARDWOOD, 30.50" |
| 3. 380284-02 | TABLE HINGE BRACKET |
| 4. 380284-03 | TABLE HINGE BRACKETS, not shown |
| 5. 340018 | CATCH PLATE J-1, not shown |
| 6. 380210 | HINGE PLAIN STEEL |
| 7. 381147 | SUPPORT, SPRING LOADED DOOR |

2008 CLASSIC TRAILER

FURNITURE, LOUNGE

Sofa, 27', 25' Front Bed

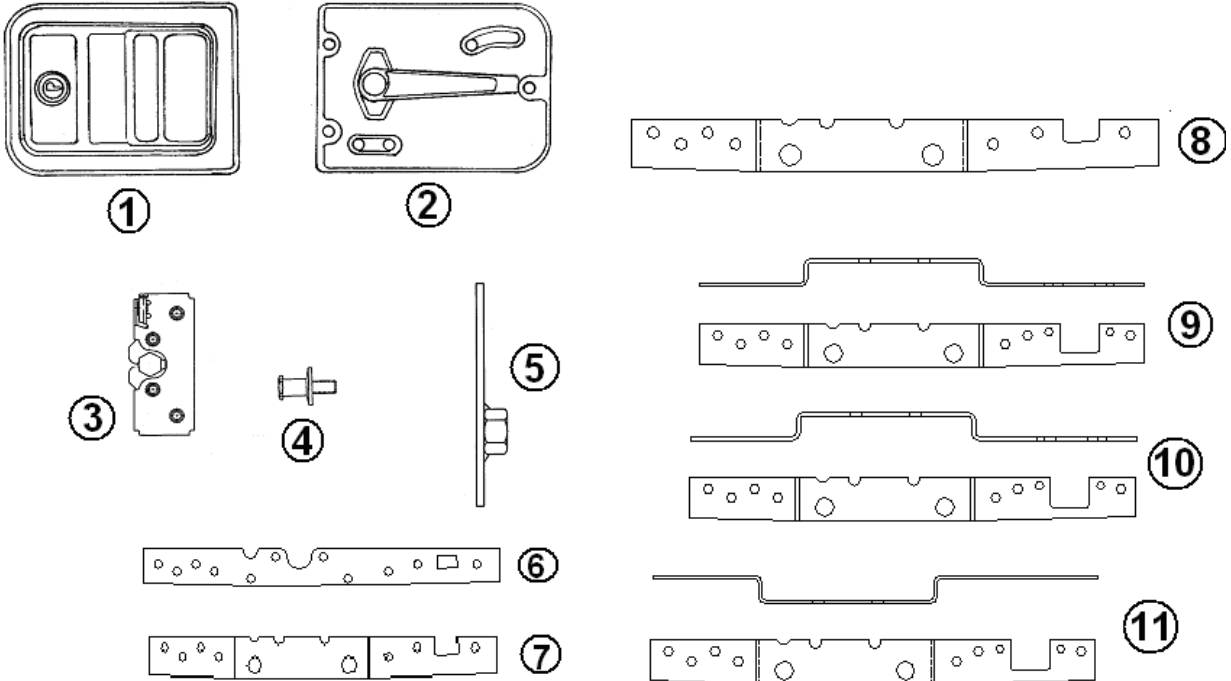


- | | |
|---------------|------------------------------------|
| 966775 | Sofa Assembly |
| 1. 966216 | Sofa bed assembly |
| 2. 801351 | LITE PLY-18MM (.75") 4'X 8' |
| 3. 801368 | PANEL, WHITETLINER/WHITETLINER |
| 4. 801259-003 | PANELING, 1/2" HICKORY/RAW |
| 5. 801392 | PANEL, WHITETLINER/WHITETLINER |
| 6. 382001 | PULL, DRAWER, ORB |
| 7. 381072-01 | HINGE 3" X 2 |
| 8. 381228-01 | CATCH GRABBER DOOR |
| 9. 701538-01 | CARPET-ECONOLIER W/PSA BACK |
| 10. 101115 | Aluminum sheet, .60" x 3.25" x 66" |

2008 CLASSIC TRAILER

HARDWARE

Main Door Latch/Lock



- | | |
|----------------|--|
| 1. 381547-01 | Main door lock, outside housing |
| 2. 381547-07 | Main door lock, inside plate |
| 3. 381547-03 | Double rotary latch, main door |
| 4. 381547-04 | Striker bolt w/washer, main door lock |
| 5. 381550 | Plate, striker bolt mounting |
| 6. *381548 | OUTER LATCH, REINFORCEMENT, LH/RH |
| 7. **381557 | INNER LATCH REINFORCEMENT, LH |
| 8. **381557-01 | INNER LATCH REINFORCEMENT, RH |
| 9. *382066 | Inner reinforcement plate, LH hinged door |
| 10. **382067 | Outer reinforcement plate, RH/LH hinged door |
| 11. *382068 | Inner reinforcement plate, RH hinged door |
| 381547-08 | Screw package, main door lock |
| 385595 | Pocket strike, #10-10-810 |

Due to square dead bolt being discontinued by Trimark, Airstream switched to a round deadbolt in April, 2008. (Late 2008 model year)
 On units with round deadbolts *381548 is replaced by 382067, **381557 is replaced by 382066, and **381557-01 is replaced by 382068.

2008 CLASSIC TRAILER

HARDWARE

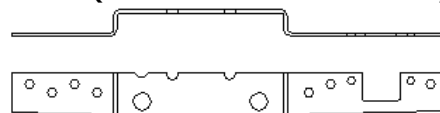
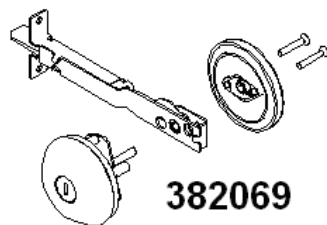
Deadbolt Assembly, Main Door, Square Trimark

Due to square dead bolt being discontinued by Trimark, Airstream switched to a round deadbolt in April, 2008. (Late 2008 model year)

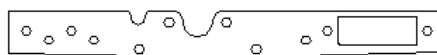
381323-01 DEADBOLT COMPLETE ASSY. #11840-12
381326 STRIKER #10007 W/TRIMARK DEADBOLT
453851 BOLT - TRI/MARK
203370 SPACER-TRI/MARK DOOR LATCH

Deadbolt Assembly, Main Door, Round, Trimark

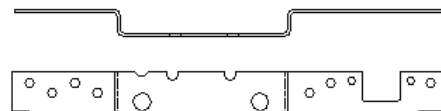
Due to square dead bolt being discontinued by Trimark, Airstream switched to a round deadbolt in April, 2008. (Late 2008 model year)



382066



382067



382068

115413



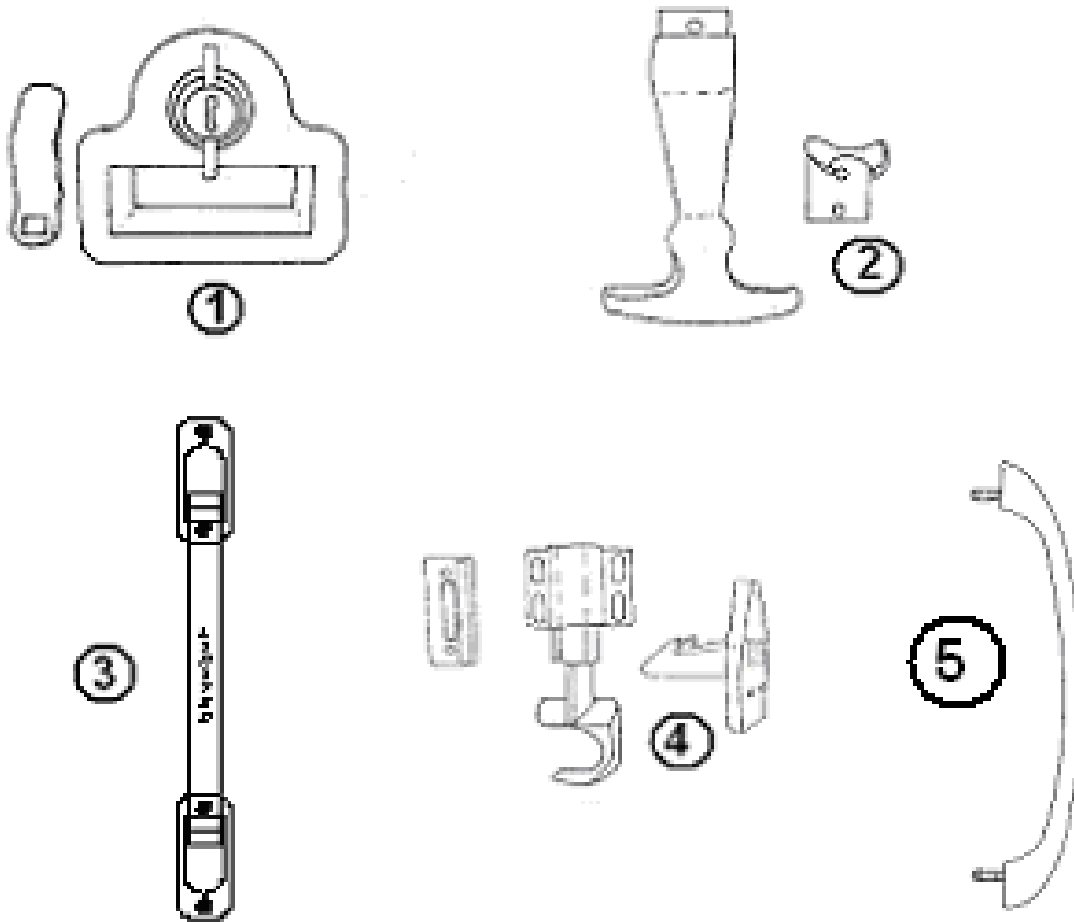
115415

382069 Deadbolt assembly, round, Trimark
382066 Inner reinforcement plate, LH hinged door
382067 Outer reinforcement plate, RH/LH hinged door
382068 Inner reinforcement plate, RH hinged door
115413 Door hat section
115415 Door hat section assembly

2008 CLASSIC TRAILER

HARDWARE

Exterior Latches/Locks/Handles

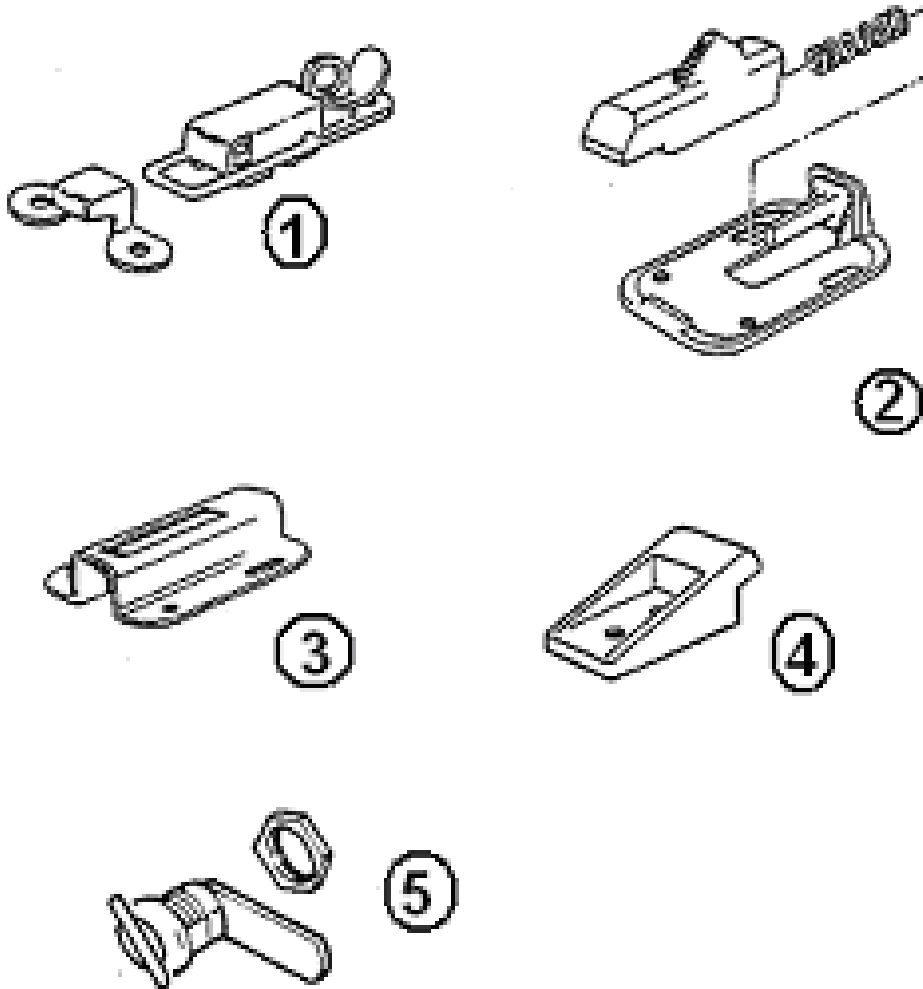


- | | |
|--------------|---------------------------------|
| 1. 380770 | Twist lock, black |
| 2. 381021-01 | Rubber T handle |
| 3. 511344-01 | Grab handle, embossed "Limited" |
| 4. 381454 | Latch, screen door, Bullet |
| 5. 101171 | Grab handle, main door |
| 5. 382074 | Gasket, grab handle, main door |

2008 CLASSIC TRAILER

HARDWARE

Exterior Latches/Locks/Handles

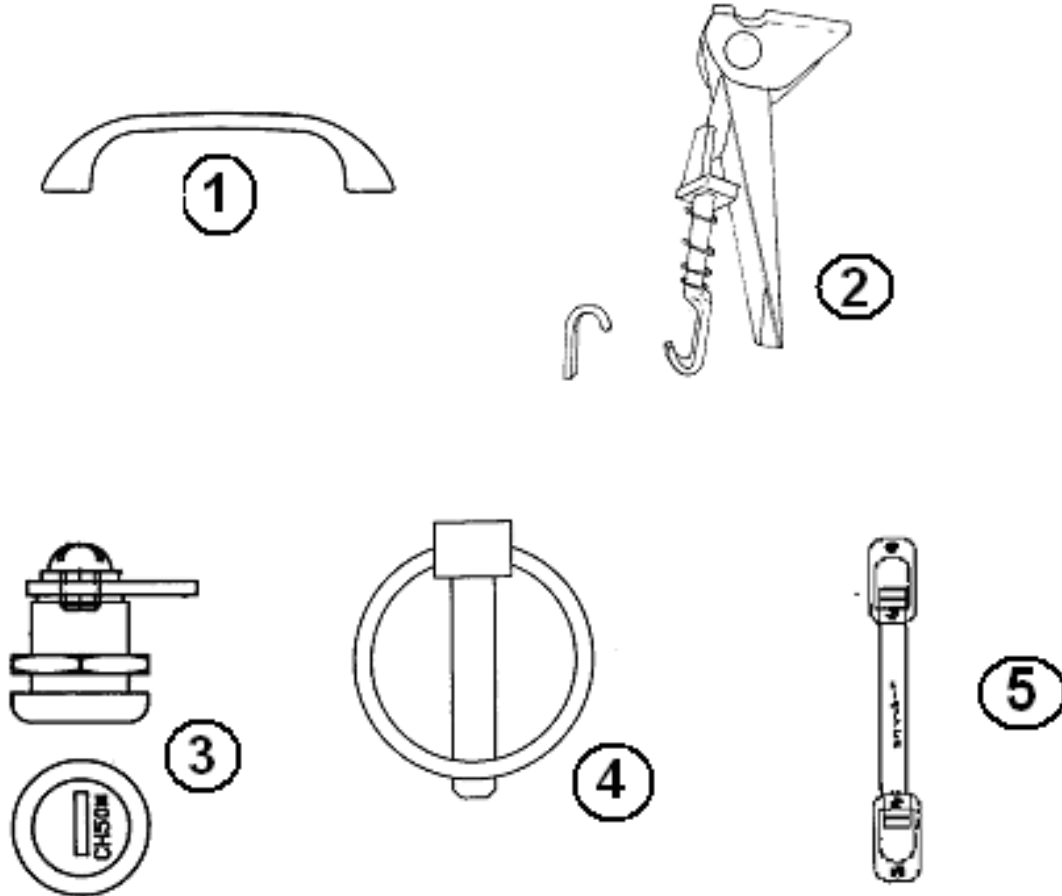


- | | |
|--------------|---|
| 1. 340023-01 | Pad lockable catch |
| 1. 380291 | Main door holdback, (use w/housing #380290) |
| 2. 380290 | Latch housing, main door holdback |
| 3. 201056 | Catch, main door holdback |
| 4. 381430 | Twist lock, straight cam |

2008 CLASSIC TRAILER

HARDWARE

Exterior Latches/Locks/Handles

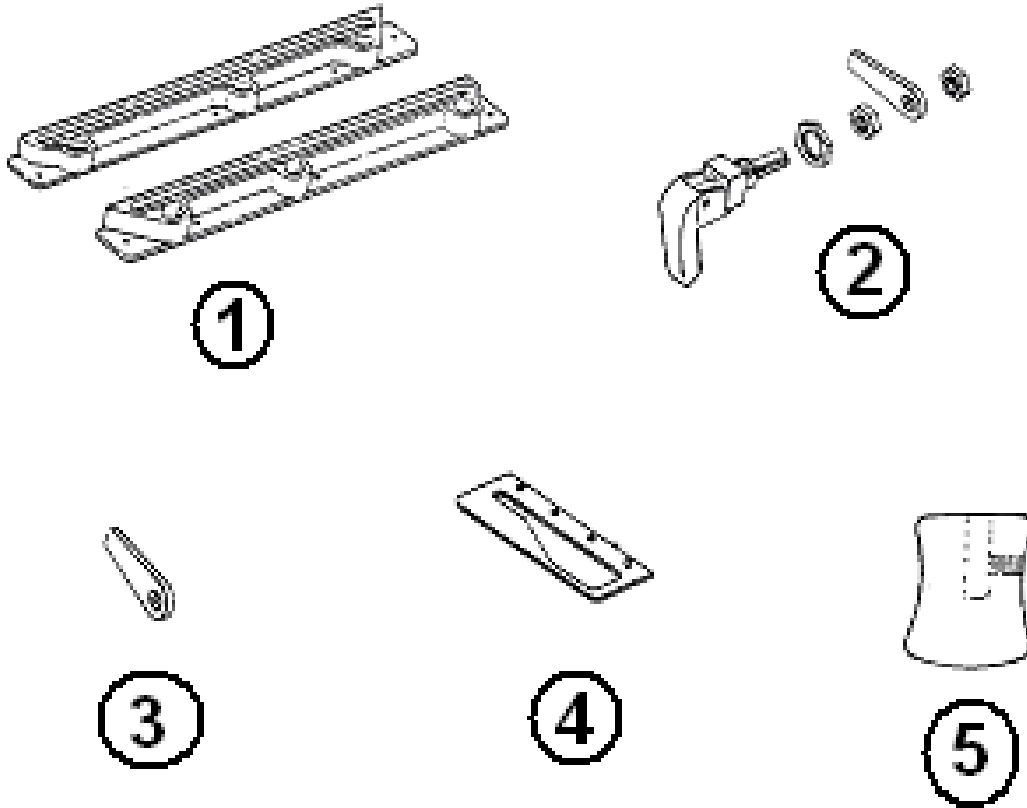


- | | |
|--------------|---|
| 1. 380004 | Handle, screen door |
| 2. 380903 | Latch w/strike chrome, gas bottle cover |
| 2. 380903-01 | LATCH ONLY, FOR BOTTLE COVER |
| 2. 380903-02 | STRIKE ONLY, FOR BOTTLE COVER |
| 3. 381397 | Key cylinder w/cam |
| 4. 310028 | Lynch pin roll out storage tray |
| 5. 511344-01 | Grab handle Limited Embossed |

2008 CLASSIC TRAILER

HARDWARE

Window, Opening

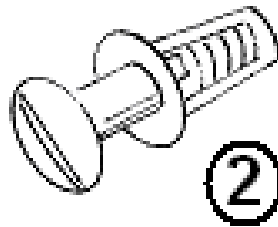
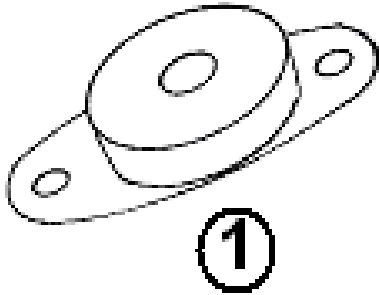


- | | |
|--------------|----------------------------------|
| 1. 0802-0001 | Window guide, RH |
| 1. 0802-0002 | Window guide, LH |
| 2. 010020 | Lower window latch, chrome |
| 2. 195467-05 | Lower window latch, w/red handle |
| 3. 685123 | Pawl, window latch, straight |
| 4. 685124 | Striker plate, window latch |
| 5. 380230-03 | Knob window arm, silver |
| 5. 380230-04 | Knob, window arm, red |

2008 CLASSIC TRAILER

HARDWARE

Window Stone Guard

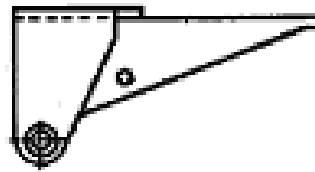
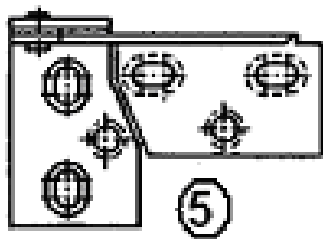
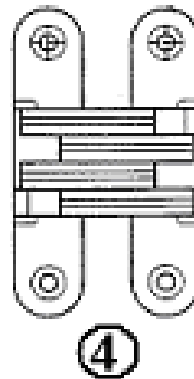
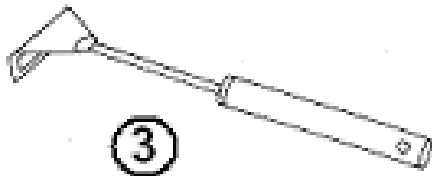
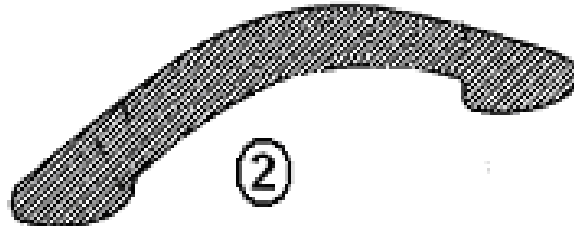
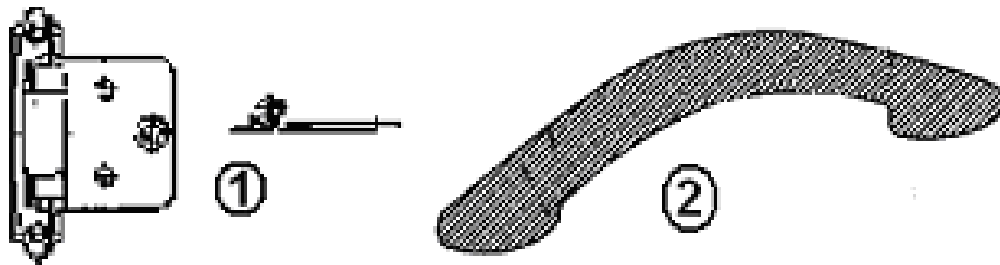


- | | | |
|-----------|---|---------------------|
| 1. 685359 | Rubber receptacle | 1/4 latch, South-co |
| 2. 685342 | Stud, 1/4 turn latch | South-co |
| 3. 685362 | Retaining ring | 1/4 turn stud |
| 685363 | Slip joint hinge | |
| 683960 | Support arm, rock guard | |
| 683959 | Bracket, arm support | |
| 114749 | Hinge "Y" assembly | |
| 114750 | Hinge "J" rock guard | |
| 381021 | Draw latch, black rubber | |
| 114819-01 | Wrap protector hold back, 1.62" | |
| 114819-02 | Wrap protector hold back, 2.50" | |
| 114819-03 | Wrap protector hold back, 5.00" | |
| 114819-03 | Assembly, wrap protector hold back | |
| 101401 | Extrusion, door latch housing/Stone guard | |
| 345417 | NUT ACORN, HEX LOCKING, SS | 1/4-20 |
| 345376 | NUT HEX HD | 1/4-20 SS |
| 345336-07 | CAP SCREW HEX HD | 1/4-20 X .75" |

2008 CLASSIC TRAILER

HARDWARE

Interior Latches/Hinges/Handles

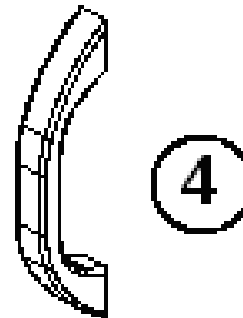
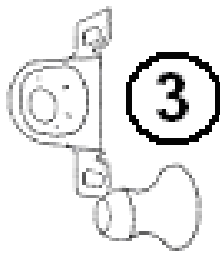
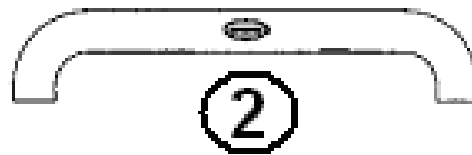
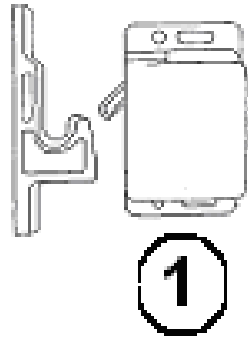


- | | |
|--------------|--------------------------------------|
| 1. 381999 | Hinge, Orb |
| 2. 382002 | Cabinet door pull, Orb, 3" center |
| 3. 381147 | Door support spring loaded |
| 4. 380040 | Soss hinge credenza table |
| 5. 385935-01 | Hinge, pivot, chrome for bath mirror |

2008 CLASSIC TRAILER

HARDWARE

Interior Latches/Hinges/Handles



- | | |
|--------------|---|
| 1. 381228 | Grabber door latch w/catch, 10 lb. Rating |
| 1. 381228-01 | Grabber door latch w/catch, 3lb. Rating |
| 2. 381772 | Head knocker, white, interior door jamb |
| 3. 381074 | Bull dog door catch |
| 4. 381737 | Handle assist, molded, interior |

2008 CLASSIC TRAILER

HARDWARE

Interior Latches/Hinges/Handles



1. 201427 Finger pull, light brown
2. 385940-02 Mirror pull, chrome

Foldette Door Strap/ Pantry Button Latch

- 700811 BUTTON CAP, HANDY #36, clear vinyl strap
- 700812 BUTTON BOTTOM, HANDY #36, clear vinyl strap
- 700813 BUTTON, NAIL BOTTOM
- 381581 STRAP CLEAR PLASTIC .75"W

Sliding Door

- 381443-01 Sliding door set (includes, carriers, top plate, track)
- 201427 Finger pull, sliding door assy.
- 200009 SLIDING DOOR GUIDE, BATH
- 381100 SLIDING DOOR GUIDE, SHOWER

2008 CLASSIC TRAILER

HARDWARE

Interior Rubber Bumpers/Door Knob/Mirror Clip/Clock



1



2



3



4



5

- | | |
|---------------|--|
| 1. 360012 | Bumper, rubber, white, stick-on, cylindrical |
| 2. 360016 | Bumper rubber gray, square 3/8 x 3/8 |
| 3. 195329-202 | Bumper, rubber, brown, stick on, oval |
| 4. 381754 | Clip, mirror, retainer, metal |
| 5. 382003 | KNOB, 1.38" ORB |
| 382001 | Dinette seat drawer pull |
| 381899 | CLOCK, ATTIMO, BRUSHED NICKEL ACCENT |

2008 CLASSIC TRAILER

HARDWARE

Drawer Slides

381192	Drawer slide, 18"
381526-01	Drawer slide-950-RV, 14"
381526-03	Drawer slide-950-RV, 18"
381526-04	Drawer slide-950-RV, 20"
381526-05	Drawer slide
381526-06	Rear bracket, drawer, adjustable
381400	Slide, drawer, 14", 2900-14
381400-01	Slide, drawer, 12", 2900-12
381415	Slide, drawer, Delta Travel lock, Twin night stand
381090	Slide, 22", dinette drawer
381944-01	Slide, drawer, Pantry, 27'
381826	Slide, 16', 27' sofa

Bath Accessories

602126	TOILET PAPER HOLDER W/LID, TRUFFLE
602125	TOWEL BAR, 18", TRUFFLE
602127	TOWEL RING, TRUFFLE
380034	TOILET PAPER HOLDER, CHROME, 30' FB ONLY

2008 CLASSIC TRAILER

HARDWARE

Credenza Table

381306	Lift up table slides, one right & one left
201155	Sliding guide, plastic, table
380037	Latch, nail & spring, table
380038	Eyelet, lock, brass
381147	Door support, spring loaded
380203-01	PIANO HINGE 1/8" PIN
380040	HINGE SOSS INVISIBLE L & R HAND
101253	EXTRUSION, CREDENZA, HINGE MOVABLE
380210	HINGE PLAIN STEEL

Writing Table

380492	Bracket, table, writing
340018	Plate, catch
380458	HINGE PIANO BROWN ANODIZED
382002	Cabinet door pull, Orb, 3" center
381228-01	CATCH GRABBER DOOR C3-803

Bed Lift

381067-09	Gas prop, bed 90lbs.
381262	Bracket w/ball stud, gas prop
381084	Ball stud
381085	Clip retaining
381310	Prop upper bracket assembly

2008 CLASSIC TRAILER

HARDWARE

Wardrobe

380045	Clothes rod
200975-04	Conduit, flexible, black (covers clothes rod)
380046	Bracket, clothes rod end, chrome flange
381298	"J" bracket, center clothes rod support
381527	Speedy shelf strips

Galley

381133	Rack pack, 6.5 Litre, white
381614	Lift up shelf bracket, galley
381708	WASTEBASKET-11.38 X 8.25 X 12"
200980-01	TRAY, SILVERWARE, ALMOND, 9" X 13"

Sewer Hose Parts/Keys/ Trailer Level

381647	KEY WATER FILL CH 751
381269	Trailer level, Level Master
381889	KEY CHAIN- AIRSTREAM CORIAN
195329-240	SEWER HOSE ADAPTOR
340084-52	CLAMP, HOSE SAE #52

2008 CLASSIC TRAILER

HARDWARE

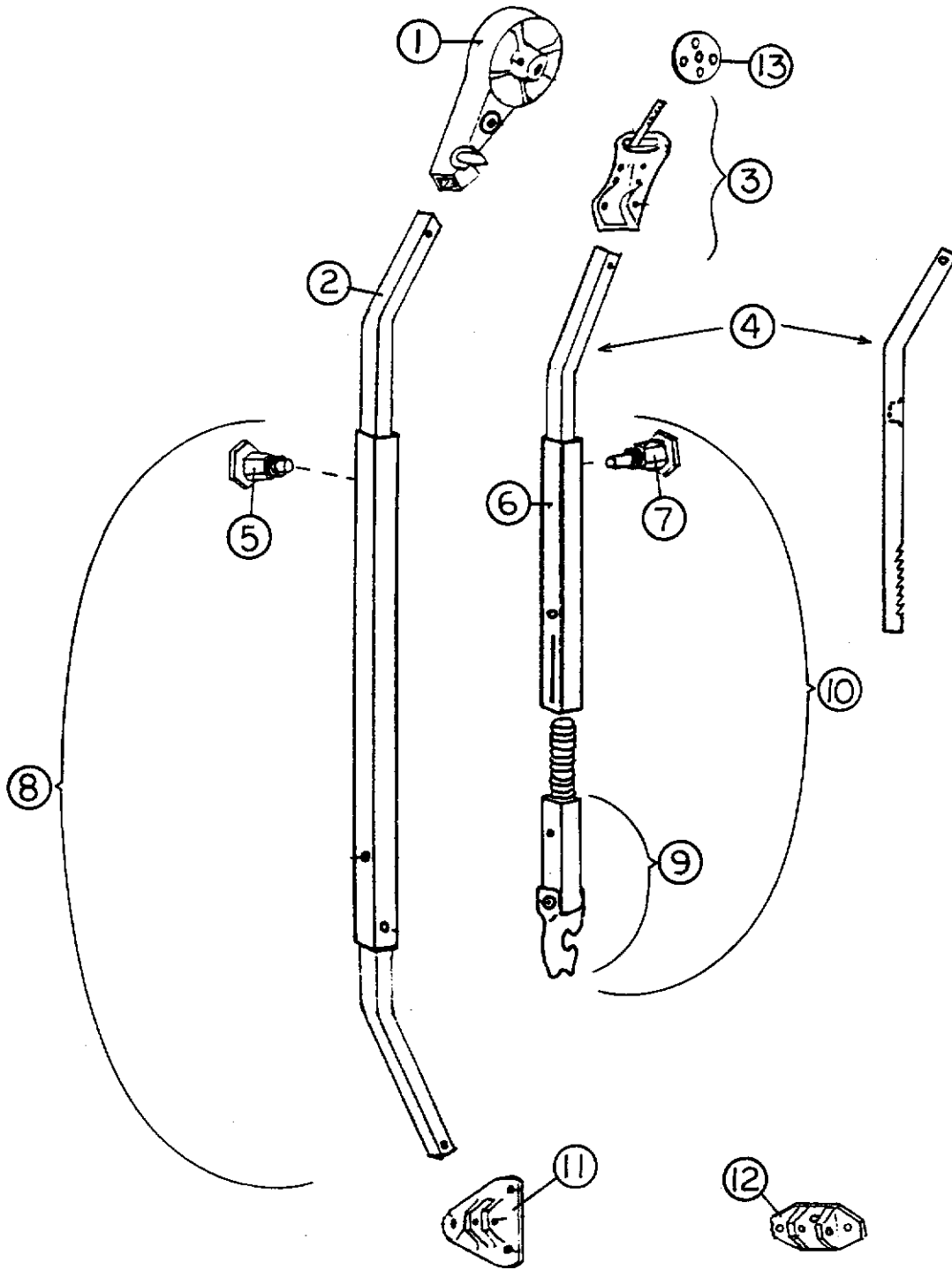
Interior/Exterior Hinges

381500	HINGE PIANO REVERSED, Battery Box
381552-03	HINGE ASSY. MAIN DOOR UPPER
381552-04	HINGE ASSY. MAIN DOOR LOWER
381531-01	HINGE SCREEN DOOR UPPER
381531-02	HINGE SCREEN DOOR LOWER
380988	HINGE, refer access door, underbelly compartment door, electrical box
380203-01	PIANO HINGE, credenza, bed, Tool Box, refer access
380458	HINGE BROWN, Writing table, chair storage, computer table
380284-02	TABLE, DINETTE HINGE BRACKET
380210	HINGE PLAIN STEEL, Dinette table
381605-02	HINGE-PIANO S.S. 25.00", S/O Motor Cover, wrap protectors
381605-03	HINGE, PIANO, wrap protectors,
381999	Hinge, Orb
380773	HINGE, ACCESS DOOR, GAS BOTTLE COVER
382000	HINGE-SEMI-CONSEALED , ROOF LOCKERS
385935-01	HINGE PIVOT ZINC PLATED, MEDICINE CABINET
380774-02	HINGE, 48.00", COMPARTMENT DOOR, TRUNK DOOR

2008 CLASSIC TRAILER

Hardware

Awning



See next page for P/N

2008 CLASSIC TRAILER

Hardware

Awning

- 1) 74043W-04 Head assembly, front
- 1A) 74043W-05 Head assembly, Rear
- 2) 74047W-09 Main arm bar, front
- 2A) 74047W-10 Main arm bar, rear
- 3) 74056W Clamp assembly, front, curved
- 3a) 74056W-01 Clamp assembly, rear, curved
- 4) 74061WS-07 Rafter arm bar, satin
- 5) 74054W Snap stud assembly
- 6) 74063W-04 Rafter arm tube, satin
- 7) 74072W Ratchet stud
- 8) 74048WS-12 Main arm tube assembly, front
- 8a) 74048WS-13 Main arm tube assembly, rear
- 9) 74068W-03 Claw bar assembly
- 10) 74048WS-14 Rafter arm assembly
- 11) 74055W Base hinge, rib mount
- 12) 74055W-01 Base hinge, floor mount
- 13) 74060W Clamp wheel

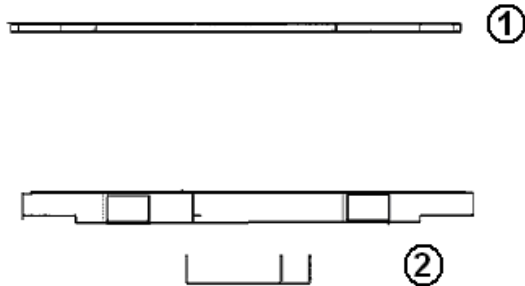
2008 CLASSIC TRAILER

Hardware

Slide out Room Mechanism, 34'-30'

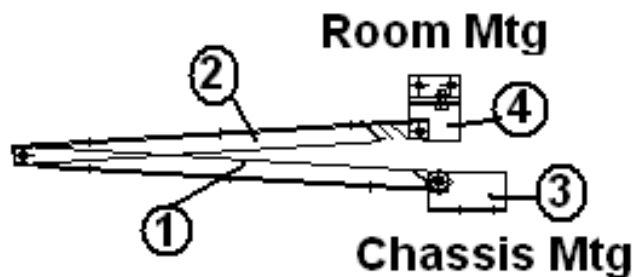
Power Gear 1-800-334-4712

400947 Side out room mechanism 34' Dinette, 30'
512141 Control Limiter, vendor P/N 140-1163



1. Drive, Shaft Power 34' Dinette
2. 114978 COVER-BOTTOM S/O MOTOR, 34'
2. 115029 Cover motor bottom, 30'
- 381605-02 HINGE-PIANO S.S. 25.00"
- 380203-01 PIANO HINGE 1/8", 34' S/O

Under Floor Wiring Arm

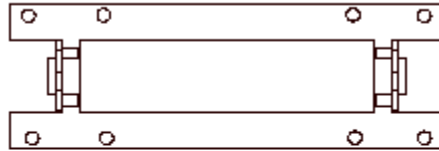


- 453821 Under floor wiring arm assembly
1. 453822 Outer arm
 2. 453823 Inner arm
 3. 453824 Outer bracket
 4. 453825 Inner bracket

2008 CLASSIC TRAILER

Hardware

Slide Out Room Roller Block Assembly



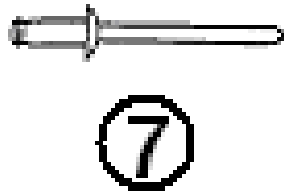
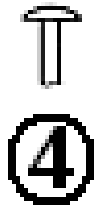
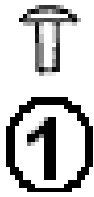
381705

Roller block assembly

2008 CLASSIC TRAILER

Hardware

Rivets, Buck

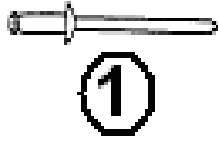


- | | |
|--------------|--|
| 1. 325043 | Rivet, 1/8", 1/4" length (hard) |
| 2. 325000-01 | Rivet, 1/8", 1/4" length anodized clear |
| 3. 325000-03 | Rivet, 1/8", length 1/4", long, anodized white |
| 4. 325001-01 | Rivet, 1/8", length 5/16", anodized clear |
| 5. 325002-01 | Rivet, 1/8", length 3/8", anodized clear |
| 6. 325004-01 | Rivet, 1/8", length 1/2", anodized clear |
| 7. 330127-03 | Rivet, grip range .063-.125, aluminum body, aluminum mandrel |
| 8. 300101 | 1/8" I.D., Washer, aluminum |

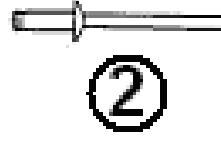
2008 CLASSIC TRAILER

Hardware

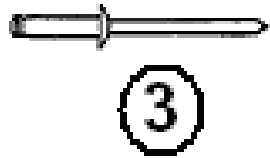
Rivets, Pop



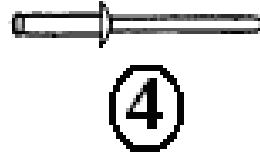
①



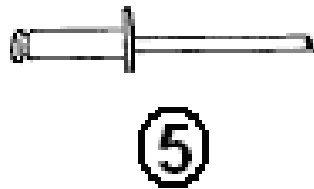
②



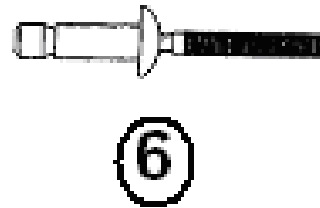
③



④



⑤



⑥

1. 330126-02 Pop Rivet, dia. 1/8" grip range .126-.187, S.S.
2. 330126-03 Pop Rivet, dia., 1/8" grip range .126-.250, S.S.
3. 330148 Pop Rivet, AD43-45ABS, aluminum
4. 330128-050 Pop Rivet, dia., 1/8" .251"-.312" white
5. 330038 Pop Rivet, dia. .150". (#20 bit) grip range .126-.250, aluminum body & mandrel (used-screen door hinge)
6. 330016-04 Pop rivet, closed end, sealing
- 325103 Pop Rivet, dia. 1/4" grip range .080-.325, SS body, steel mandrel
- 330126-04 Pop rivet, dome head, SSD45
- 330126-05 Pop rivet, dome head, SSD46
- 330126-06 Pop rivet, dome head, SSD48

2008 CLASSIC TRAILER

HARDWARE

Labels and Tags

385193	Label, "12V distribution panel inside"
385068	Tag, cooking appliance warning
385517	Label, kill switch warning
385521	Label, emergency egress window
385465	Exit label, English
385560	Label, air-conditioner rating
385359	Label, microwave or air-conditioner
385837	Label, refrigeration ignition
385062	Decal, 110-125 voltage AC
385565	Label, holding tank flushing
386012	Label, warning-water heater
385101	Tag, aux., dump valve
385099	Tag, Black tank dump
386019	Label, 1 amp. fuse max.
386038	Label, CSA, Holding tank fresh water
386060	Label, satellite, receiver
385917	DECAL- OAK TABLE W/NO MAR FINISH
386066	LABEL, WARNING-PLEASE READ STATIC
386080	LABEL "WARNING SLIDE OUT"
386082	Label, THOR, 5.25" x .75"
386114	LABEL-RVIA SILVER
386119	LABEL "DO NOT STORE COMBUSTIBLE
386118	LABEL LP GAS TRI-WARNING
386122	LABEL "COMFORT HEATING"
386121	LABEL "IF YOU SMELL GAS"
385812	LABEL CALIFORNIA HAZARDOUS SUBSTANCE
386120	LABEL SMOKE ALARM WARNING
386123	LABEL "POTABLE WATER ONLY"
386142	CHECK WHEEL LUG LABEL
385966	LABEL INVERTER CIRCUIT
386160	LABEL- INVERTER SWITCH
386192	HANG TAG, SMOKE/CO DETECTOR
386193	LABEL WHEEL TORQUE WARNING
385020	STICKER SELF ADHERING, "JACK" PLACEMENT
386210	DECAL, PATIO TV

2008 CLASSIC TRAILER

HARDWARE

Labels and Tags CSA

386105 Label, TV/VCR Receptacle, CSA only
385949 LABEL "POTABLE WATER" CSA
385950 LABEL "SMOKE DETECTOR CSA
385951 LABEL "RANGE FRESH AIR" CSA
385952 LABEL "LP WARNING" CSA
385953 LABEL "IF YOU SMELL GAS" CSA
385954 LABEL "RANGE WARNING" CSA
385466 LABEL, EXIT LABEL (FRENCH)
385971 Label, fuse, exterior light
385973 Label, fuse 12 volt

Slide Out Room

203243 Guide blocks, nylon
381728 Rubber wiper seal, 2.5" wide
381705 ROLLER BLOCK ASSY.
801304 SHIM-SLIDE OUT ROLLER
203535-01 DRAIN PLASTIC RH
203535-02 DRAIN PLASTIC LH
365209 TAPE, FOAM, .045 X 1/2", Black
703498 WALL LINER, HOBNAIL, IVORY, 70"W
114977 ANGLE-GREY FORMED FLOOR EDGE
915621 MOUNTING PLATE, SLIDE-OUT ARM
114941 CLOSEOUT-UNDER FLOOR CENTER 30' S/O
381753 RUBBER EXT.COVE MLDG 1.98"WIDE

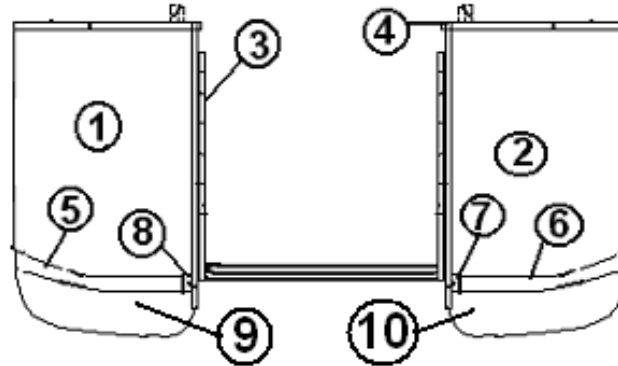
Slide Out Room Travel Lock Spacer Block

965155 SPACER BLOCK ASSY
801305-003 Spacer block, slide out, Hickory
381731 MAGNET-ROUND BASE
381732 SCREW-LAG HEX 1/4 X 1
114980-01 COVER-TRAVEL LOCK RH
114980-02 COVER-TRAVEL LOCK LH

2008 CLASSIC TRAILER

HARDWARE

Wrap Protector/Holdbacks

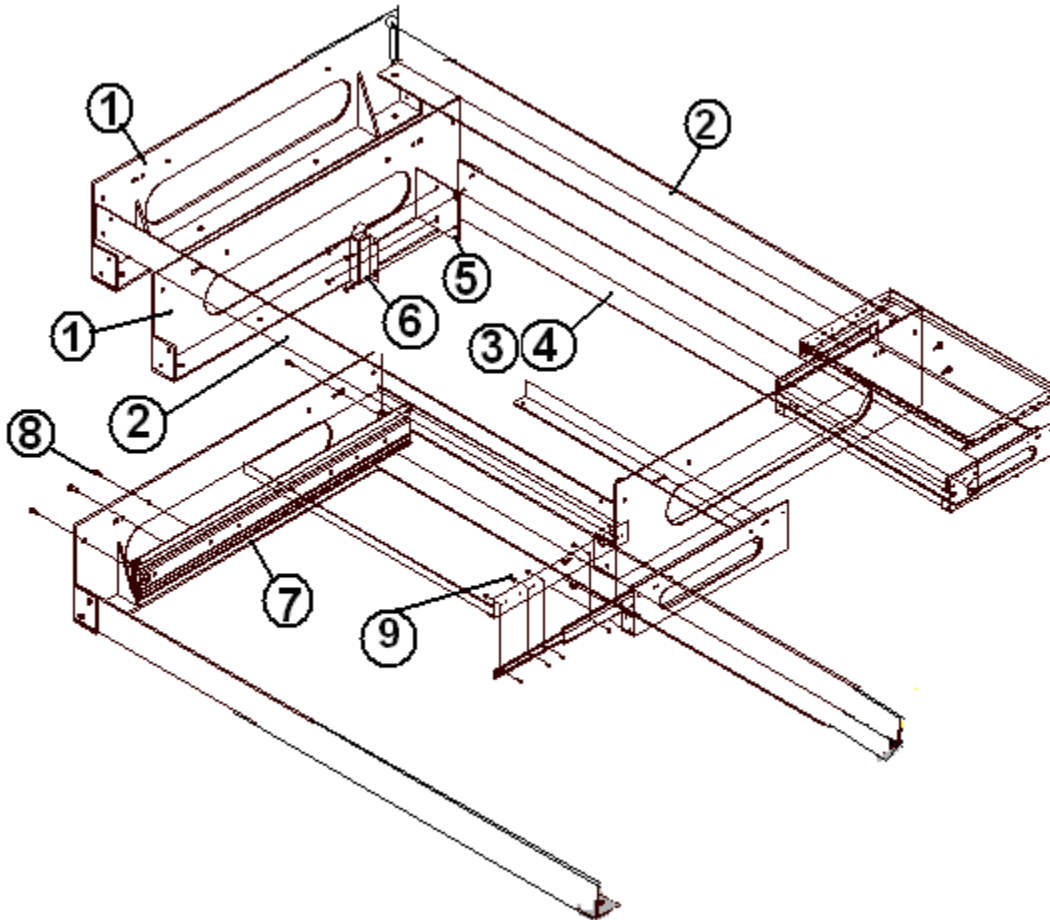


- | | |
|---------------|--|
| 966273-100 | Wrap Protector, complete set |
| 1. 966272 | Wrap Protector, CS |
| 2. 966273 | Wrap Protector, RS |
| 3. 381605-02 | Hinge, stainless, wrap protector, 28" Tall |
| 1. 100742-01 | Extrusion, mirror/wrap trim protector |
| 2. 114460 | Extrusion, rub rail |
| 3. 201763-01 | Insert, rub rail, chrome |
| 4. 114465-01 | CASTING CLOSEOUT RUB RAIL RH |
| 5. 114465-02 | CASTING CLOSE-OUT RUB RAIL LH |
| 6. 200542-01 | WRAP UNDERBELLY FRONT RS HAIRCELL |
| 10. 200543-01 | WRAP UNDERBELLY FRONT CS HAIRCELL |
| 101401 | EXTRUSION, DOOR LATCH HOUSING/STONE |
| 345417 | NUT ACORN, HEX, LOCKING SS 1/4- |
| 345376 | NUT HEX HD 1/4-20 SS |
| 345336-07 | CAP SCREW HEX HD 1/4-20 HEX .75" |
| 114819-01 | Wrap protector hold back, 1.62" |
| 114819-03 | Wrap protector hold back, 5.00" |
| 500096 | REFLECTOR, AMBER |

2008 CLASSIC TRAILER

HARDWARE

Rear Storage Slide, "W" Bed



- | | |
|---------------|--------------------------------------|
| 1. 454596 | FLOOR MOUNTING BRACKET, REAR STORAGE |
| 2. 454597 | ANGLE, CROSSMEMBER, REAR STOW |
| 3. 454598 | SLIDE BRACKET, REAR STOW |
| 4. 454599 | STORAGE BOX CROSSMEMBER |
| 5. 454600 | LATCH BRACKET |
| 6. 382035 | LATCH, SUNDECKER |
| 7. 382036 | SLIDE, 24" ACCURIDE END |
| 8. 320120-500 | SCREW, 10-32, FLAT HEAD |
| 9. 350029 | LOCK NUT, 10-32 |

2008 CLASSIC TRAILER

PLUMBING, LPG SYSTEM

LP Bottles and Fittings

601711	Bottle, LP, aluminum, 30#
601712	LP tank, 40# aluminum
601731	Regulator and hose assembly, Marshall Brass
601685-01	18" LP Hose
601685-02	18" LP Hose, CSA
6000491	Hold down rod, threaded, 1/2"-13
100949	Bracket, bottle hold, cast aluminum
410238	"T" handle, threaded, cast aluminum

LP Bottle Cover

921231	Gas bottle cover w/o decal, 30lbs
921233	Gas bottle cover w/o decal, 40lbs
380903	Latch and strike
380903-01	LATCH ONLY FOR BOTTLE COVER
380903-02	STRIKE ONLYFOR BOTTLE COVER
200841	Lid, plastic, bottle cover
380773	Hinge, access door
114070	J-trim, extrusion, aluminum

2008 CLASSIC TRAILER

PLUMBING, FRESH WATER

Fresh Tank System, 34'S/O, 34', 31', 30', 30' Front Bed

NOTE: 27' & 25' front bed models revised to 34'S/O, 34', 31', 30' system during model year. Check weight information tag on wardrobe door for size freshwater tank used on specific trailer.

601864-01	TANK-FRESH WATER 54.5 GALLON
601620	Pan, fresh water tank
601243	Drain cock, fresh water tank
*601588	Drain cock, brass, water lines
*601589	ADAPTOR, BRASS, 3/8 FPT X 1/2 MP
601723	FILTER SCREEN, WATER
453712	SHIELD FRESH WATER TANK DRAIN
381435	Hatch, white plastic, water hose exit
600155	1 1/2" plug Clean out

Fresh Water Tank System, 27' Front Bed

NOTE: 27' front bed model revised to 34'S/O, 34', 31', 30' system during model year. Check weight information tag on wardrobe door for size freshwater tank used on specific trailer.

601863-01	TANK-FRESH WATER 39 Gallon
601620	PAN FRESH TANK
601243	Drain cock, fresh water tank
*601588	Drain cock, brass, water lines
*601589	ADAPTOR, BRASS, 3/8 FPT X 1/2 MP
381435	Hatch, white plastic, water hose exit
600155	1 1/2" plug Clean out

*601588 and 601589 low point drain valve and adaptor were replaced during model year by:

*602185	Drain Valve, 90 degree
---------	------------------------

2008 CLASSIC TRAILER

PLUMBING, FRESH WATER

Fresh Water Tank System, 25' Front Bed

NOTE: *25' front bed model revised to 34'S/O, 34', 31', 30' system during model year. Check weight information tag on wardrobe door for size freshwater tank used on specific trailer.

601863-01	TANK, FRESH WATER 39 GALLON
601642	PAN, TANK ROTOCAST
453493	HANGER STRAP, TANK PAN
601243	DRAIN COCK, FRESH WATER
600155	PLUG, CLEANOUT 1-1/2
453615	TANK SUPPORT STRIP-61.50" SAFA

Fresh Water Gravity Fill System

601194	Water fill w/lock, gray
601239-01	TUBING, 1.375" ID, RIBBED W/FLATS
601240-01	TUBING, 1/2" I.D. X 3/32" WALL THICKNESS

City Water Hookup System

601467	Sill cock, 1/2" FP w/wheel handle
601469	Vacuum breaker, 3/4" garden hose
601392-04	Water fill, chrome
600139	Check valve, brass
601658	VALVE 1/2" STOP CPVC
601659	RISER 1/2" FPT X 12" CPVC
601589	Adaptor, brass, 3/8" FPT x 1/2" MPT

2008 CLASSIC TRAILER

PLUMBING, FRESH WATER

Water Pump System

*601791-03 Water pump, Aquatec
943576 HOSE-WATER PUMP
601791-02 FITTINGS-SLIP IN (AQUATEC PUMP)
601668-01 Filter, pre water pump
600103 SPRING SS, 20"

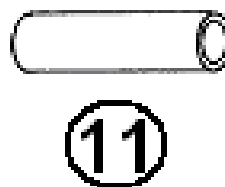
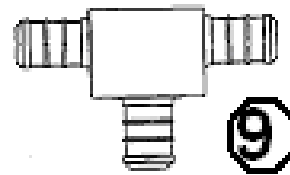
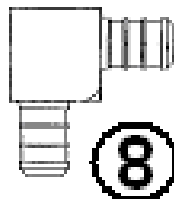
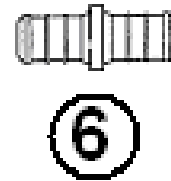
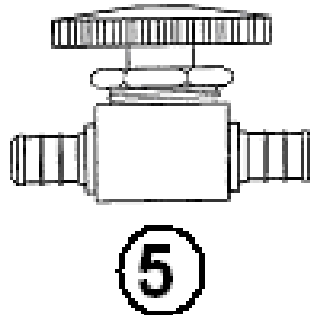
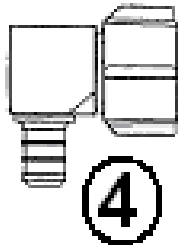
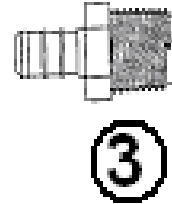
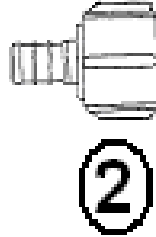
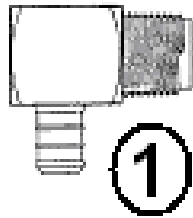
*602202 Water pump, Sureflo
602203 Elbow adaptor, Sureflo water pump
602204 Flex hose, 1/2", Sureflo water pump

*Aquatec water pump was replaced by Sureflo water pump late in 2008 model year. To service old with new hose and adaptor must be included.

2008 CLASSIC TRAILER

PLUMBING, FRESH WATER

Fresh Water Line/Fittings



Part Numbers Are On The Next page

2008 CLASSIC TRAILER

PLUMBING, FRESH WATER

Fresh Water Line/Fittings

- | | |
|---------------|-------------------------------------|
| 1. 601698-04 | Elbow, 1/2" barb x 1/2" MPT |
| 2. 601698-03 | Coupler, 1/2" barb x 1/2" FPT |
| 3. 601698-02 | Coupler, 1/2" barb x 1/2" MPT |
| 4. 601698-05 | Elbow 1/2 barb x 1/2" FPT |
| 5. 601698-22 | Shut-off, 1/2" barb x 1/2" barb |
| 6. 601698-08 | Coupler, 1/2" x 1/2" barb |
| 7. 601698-09 | Plug, 1/2" barb |
| 8. 601698-10 | Elbow 1/2" barb x 1/2" barb |
| 9. 601698-11 | Tee, 1/2" x 1/2" x 1/2" |
| 10. 601698-15 | Crimp ring, 1/2 E-Pex, 1/2" (black) |
| 11. 601698-01 | E-Pex tube, 1/2" |
| 11. 601698-21 | E-Pex tube, 1/2", Red |
| 600836 | ELBOW 3/8 MPT X 1/2", BARB-COPPER |
| 601237 | ELBOW 90 D 1.25 MPT X 1.25 BAR |
| 601670 | ELBOW 90DEG 3/8 MPT X 1/2 MPT |

Low Point Drain Valve

- | | |
|---------|----------------------------------|
| *601588 | DRAIN COCK, RADIATOR, BRASS |
| *601589 | ADAPTOR, BRASS, 3/8 FPT X 1/2 MP |

*601588 and 601589 were replaced during model year by:

- | | |
|---------|------------------------|
| *602185 | Drain Valve, 90 degree |
|---------|------------------------|

2008 CLASSIC TRAILER

PLUMBING, FAUCETS

Faucet, Galley, Delta

Delta Parts & Warranty
1-800-345-3358
Between 7 a.m. and 9 p.m. (CST)
Monday through Saturday.

Delta Faucet Company
55 E. 111th Street
P.O. Box 40980
Indianapolis, IN 46280

- 602115 FAUCET, SAXONY, VENTIAN BRONZE PULLOUT SPOUT
W/SOAP DISPENSOR, DELTA MDL 473-RBSD
- 602116 DRINKING WATER TRADTIONINAL SPOUT W/WATER
PURIFIER, VENTIAN BRONZE, DELTA MDL 211-RB
- 602137 VALVE-SHUT OFF, WATER PURIFIER

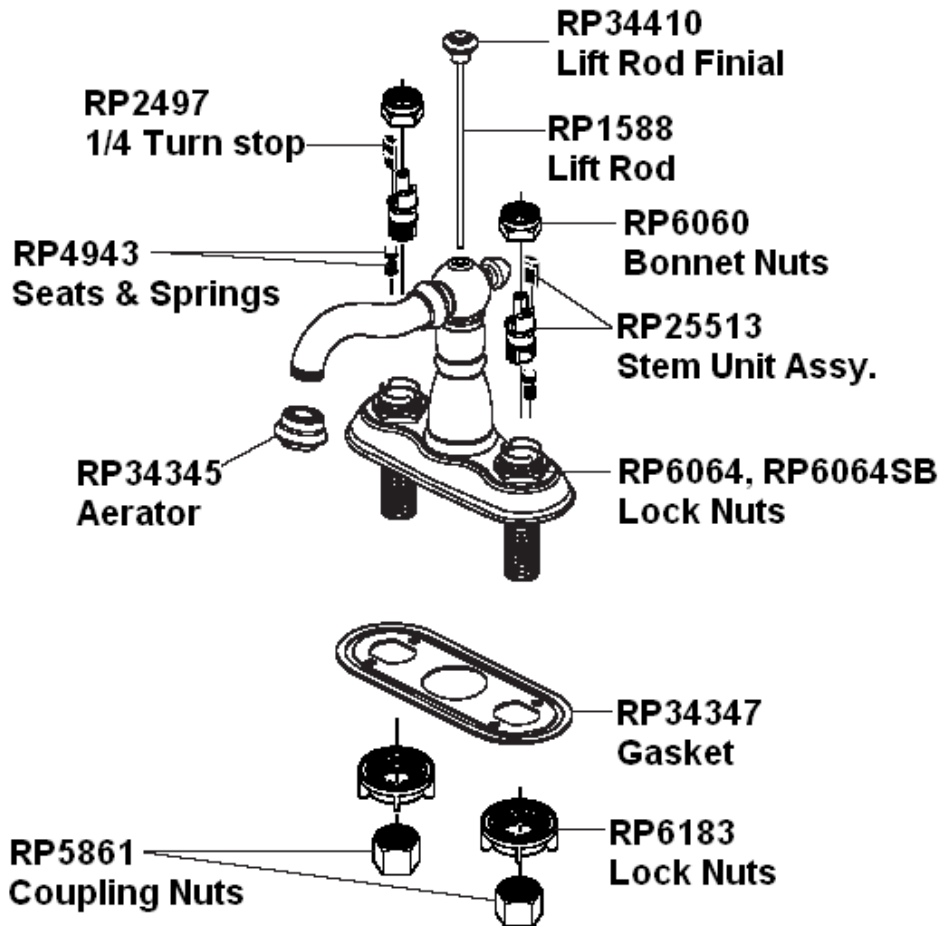
2008 CLASSIC TRAILER

PLUMBING, FAUCETS

Faucet, Lavatory

Delta MDL 2555RB-216RB
1-800-345-3358
Between 7 a.m. and 9 p.m. (CST)
Monday through Saturday.
Finish: Venetian Bronze
Style: Victorian

Delta Faucet Company
55 E. 111th Street
P.O. Box 40980
Indianapolis, IN 46280



602118	Faucet, lavatory
602118-01	Faucet, pop up lift rod, 14"
602119	Drain, Pop Up
602120	DISPENSER-SOAP, VICTORIAN
602120-100	BOTTLE ONLY #RP21904 FOR SOAP DISPENSER #602120

2008 CLASSIC TRAILER

PLUMBING, FAUCETS

Faucet, Shower

Delta Parts & Warranty
1-800-345-3358
Between 7 a.m. and 9 p.m. (CST)
Monday through Saturday.
Finish: Venetian Bronze
Style: Victorian

Delta Faucet Company
55 E. 111th Street
P.O. Box 40980
Indianapolis, IN 46280



602123	HAND SHOWER, PERSONAL 24", MDL 54713-RB
602124	WALL SUPPLY ELBOW
602121	VALVE, PRESSURE BALANCE, MDL 29R10000U
602122	LEVER HANDLES, VENITIAN BRONZE, MDL 25H716RB
602121-01	TRIM KIT, SHOWER, MDL #29T14055RBLHP
602148	CAP-.5" W/CONE #64QTC3FX

2008 CLASSIC TRAILER

PLUMBING, DRAIN SYSTEM

Drain Tanks/Pan, 31', 34', 34' S/O

601850-03	Tank, gray, holding
601848-07	Tank, black, holding
200954	SLOPE PAD-22.75" X 55"
601228	CLOSEOUT, SEPTIC PAN
601626	Pan, waste tank 34' S/O, 34'
601619	Pan, waste tank, 31'

Drain Tanks/Pan, 30', 30' S/O

601850-02	Tank, holding, gray, 30ft.
601848-06	Tank, holding, black, 30ft.
601619	Pan, waste tank, 30ft.
200954	SLOPE PAD-22.75" X 55"

Drain Tanks/Pan, 27', 25' Front Bed

601850-04	Tank, holding, gray
601848-09	Tank, holding, black
601626	Pan, waste tank
203149	Slope pad

Drain Tanks/Pan, 30' Front Bed

601850-05	Tank, holding, gray
601848-10	Tank, holding, black
601626	Pan, waste tank
200954	Slope pad

Holding Tank Pan Closeout

601228	CLOSEOUT, SEPTIC PAN
--------	----------------------

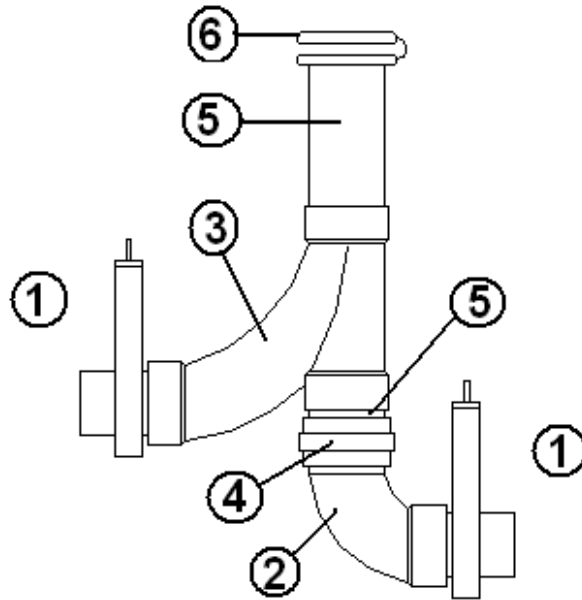
Styrofoam Insulation, Tank Pans

200152	STYROFOAM ½" X 6" X 42"
200507	STYROFOAM, 1 X 25 X 55"

2008 CLASSIC TRAILER

PLUMBING, DRAIN SYSTEM

Dump Valve System



- | | |
|--------------|---------------------------------------|
| 1. 601607-11 | Valve assembly, 3" spigot x 3" spigot |
| 2. 600820 | 3" Single socket 90 degree |
| 3. 600187 | 3" Wye. Combination & 1/8" bend |
| 4. 600289 | Calder coupler 3" rubber |
| 5. 601160-04 | Pipe, ABS, 3" |
| 6. 601607-07 | Termination Cap |
| 601531 | FITTING-90 DEGREE 3" H X ST |
| 200943 | DUMP VALVE CLOSE-OUT |
| 601607-06 | TERMINATION ADAPTOR, 3" HUB X 3" BA |
| 04190 | DUMP VALVE HANDLE 19 EXT THETF |
| 380481-A | 7 X 8 RUBBER BOOT 3-1/2 DIA HOLE |
| 385101 | TAG AUX TANK DUMP VALVE HANDLE |
| 385099 | TAG MAIN TANK DUMP VALVE HANDLE |
| 114086 | BRACKET DUMP VALVE HANDLE |

2008 CLASSIC TRAILER

PLUMBING, DRAIN SYSTEM

Sink/Sink Covers, Galley, 34', 34' S/O

602131	SINK, DOUBLE BOWL, PARCHMENT, 33" X 19"
602117	BASKET STRAINER, 3½", VENETIAN BRONZE
320130-05	SCREW, #10-32 X .75" SLOTTED HEX HEAD
602151	SINK COVER, SANDSTONE, LH
381635	Sink clip, under-mount, Corian sink
602049-01	SINK COVER, RH, CORIAN 15.88" X 18", SAND STONE

Sinks, Galley, 27', 30', 30' Front Bed, 30' S/O, 31'

602129	SINK, DOUBLE BOWL, BISQUE, 27" X 16"
602117	BASKET STRAINER, 3 1/2" VENETIAN
381635	CLIP, SINK, UNDERMOUNT, CORIAN
320130-05	SCREW, #10-32 X .75" SLOT HEX H
602132-01	SINK COVER, 12.9" X 14.8" SANDSTONE (PAIR)

Sink, Lavatory, 30' Front Bed

602174	Sink, lavatory, oval vessel, 17" x 14" x 6 1/8"
--------	---

Sink, Lavatory, All Except 30' Front Bed

203367-02	Bowl, lavatory, Karran
320131	Wing nut, Karran sink
453833	Clip, sink mount, Karran sink, Surf. Bone
320129	Insert, threaded ¼' O.D. X ¼' L

2008 CLASSIC TRAILER

PLUMBING, DRAIN SYSTEM

Shower Stall, 25', 27, & 30' Front Bed Models, 30', 30' S/O

203081	Shower stall, 2 piece
600594	Strainer with rubber stopper
602164-02	TAILPIECE W/NUTS & WASHERS 1.5
602164-01	P TRAP W/COMPRESSION NUT 1.5"

Shower stall, 34' S/O, 34', 31'

203046-03	Shower stall, angled, 2 piece
600594	Strainer with rubber stopper
602164-02	TAILPIECE W/NUTS & WASHERS 1.5
602164-01	P TRAP W/COMPRESSION NUT 1.5"

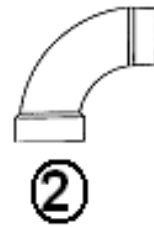
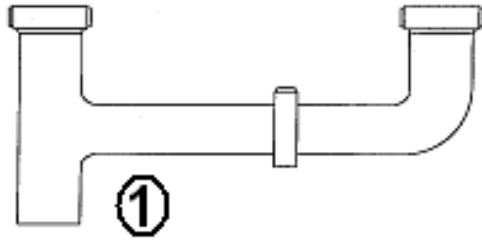
Tank Flush, Black

601441	Tank flush, no-fuss (vacuum breaker & check valve)
601441-02	Tank flush, no-fuss, CSA only (vacuum breaker & check valve)

2008 CLASSIC TRAILER

PLUMBING, DRAIN SYSTEM

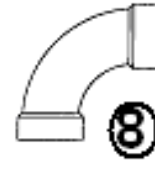
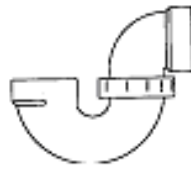
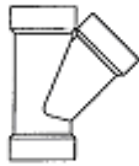
Drain Line Fitting



③

④

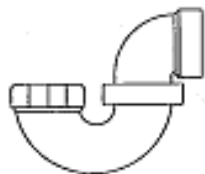
⑤



⑥

⑦

⑧



⑨

⑩

⑪



⑫

⑬

⑭

P/N on the next page.

2008 CLASSIC TRAILER

PLUMBING, DRAIN SYSTEM

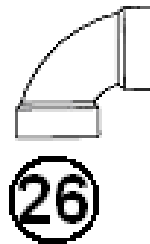
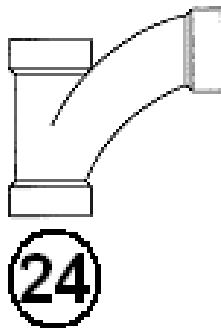
Drain Line Fittings

- | | |
|--------------|------------------------------------|
| 1. 600378 | Continuous waste |
| 2. 600431 | Elbow, 90 degree, long street |
| 3. 600625-01 | PLUG, TRAP, 1-1/2" ADAPTER, FEMALE |
| 4. 600625-02 | Tray Adaptor |
| 4. 602152 | ADAPTER SWIVEL STRAINER 1 1/2" |
| 5. 600822 | Swivel adaptor |
| 6. 600094 | Wye, #2301 |
| 7. 600144 | P-trap, 1.5" w/o slip nut |
| 7. | |
| 8. 600035 | Elbow, 90 degree, long turn |
| 9. 600622 | P-trap, 1.5" with slip nut |
| 10. 600662 | Elbow, 90 degree, short street |
| 11. 600027 | Elbow, 45 degree, long street |
| 12. 600050 | Elbow, 45 degree, long turn |
| 13. 600033 | Elbow vent, 90 degree |
| 601200 | ADAPTOR, AUTO VENT W/EXTENTION |
| 601267-04 | NIPPLE 3" DIA. THD ONE 10" LG |
| 601868 | SANITARY TEE-SPIG X HUB X HUB |

2008 CLASSIC TRAILER

PLUMBING, DRAIN SYSTEM

Drain Line Fittings



Part Numbers on the Next Page

2008 CLASSIC TRAILER

PLUMBING, DRAIN SYSTEM

Drain Line Fittings

14. 601318	Tee, bi-directional clean out, 1.5"
15. 600155	Plug, 1.5"
16. 600538	Vent, 1.5"
17. 601677	Cap, 1.5"
18. 601263	Reducer, 1.5" to 1.25"
19. 601676	Adapter
20. 600308	Adapter, w/female threads
21. 600156	Tee, sanitary, 1.5"
22. 600166	Elbow, 22.5 degrees, short turn
23. 195329-486	Ell, double, 1.5"
24. 600182	Wye, 1.5", 1/8" bend
25. 600227	Coupling, 1.5"
26. 601636	Elbow, 90 degree, short sweep
27. 600030	Elbow, 45 degrees, long turn

Drain Pipe

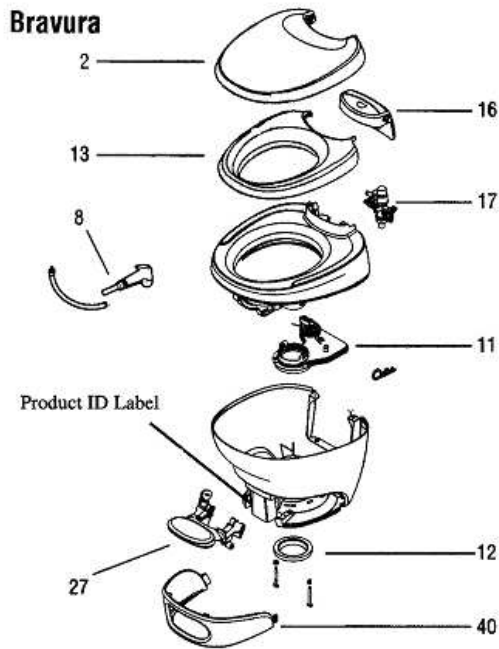
601160-04	Pipe, 3" ABS
601160-02	Pipe, 1.5" ABS
601589	Adaptor, brass, 3/8" FPT x 1/2" MPT
601165-02	Water line risers, 54"
601165-01	Water line risers, 12"
601165-02	Water line risers, 54"

2008 CLASSIC TRAILER

PLUMBING, DRAIN SYSTEM

Toilet, 25', 27' & 30' Front Bed Models, 31', 30', 30' S/O, 34' S/O

Illustration Only, Order all parts from Thetford
Before ordering parts, record the Product ID information.



<u>No. Description</u>	<u>No. Description</u>
1 Hinge Pins (2)	22 Bracket & 2 Screws†
2 Seat Cover	23 Float Assy.
3 Vacuum Breaker	24 Actuator Assy.
4 Flush Tube	25 Base to Bowl Screws (9)
5 Flush Nozzle Assy.	26 Closet Bolt Pkg.
6 Overflow Trap	27 Pedal Pkg.†
7 Water Supply Tube	28 Base
8 Hand Spray Kit (Water Saver Option Only)	29 Retainer & Screw†
9 Side Access Covers (2)	30 Sealant
10 Water Valve	31 Blade Spring
11 Lower Mechanism Assy.	32 Blade
12 Closet Flange Seal & Bolt Pkg.	33 Blade Seal
13 Seat	34 Blade Track
14 Hinge Post Kit	35 Flapper
15 Upper Mechanism Assy.	36 Overflow Tube
16 Pod	37 Nozzle Assy.
17 Water Module	38 Bowl
18 Water Valve Link	39 Reservoir Assy.
19 Lever Assy.*	40 Shroud
20 Wire Replacement Pkg.†	
21 Mechanism Cover	

Specify High or Low

* Hand Flush only

† Foot-Pedal Flush only

690442-02 TOILET-HI PROFILE W/WATER SAVER, PARCHMENT
 600065 Flange, floor, threaded, ALL EXCEPT 25'
 601165-02 RISER WATER LINE, 54"
 601164 NIPPLE 3/8IN MPT X 1/2" MPT

2008 CLASSIC TRAILER

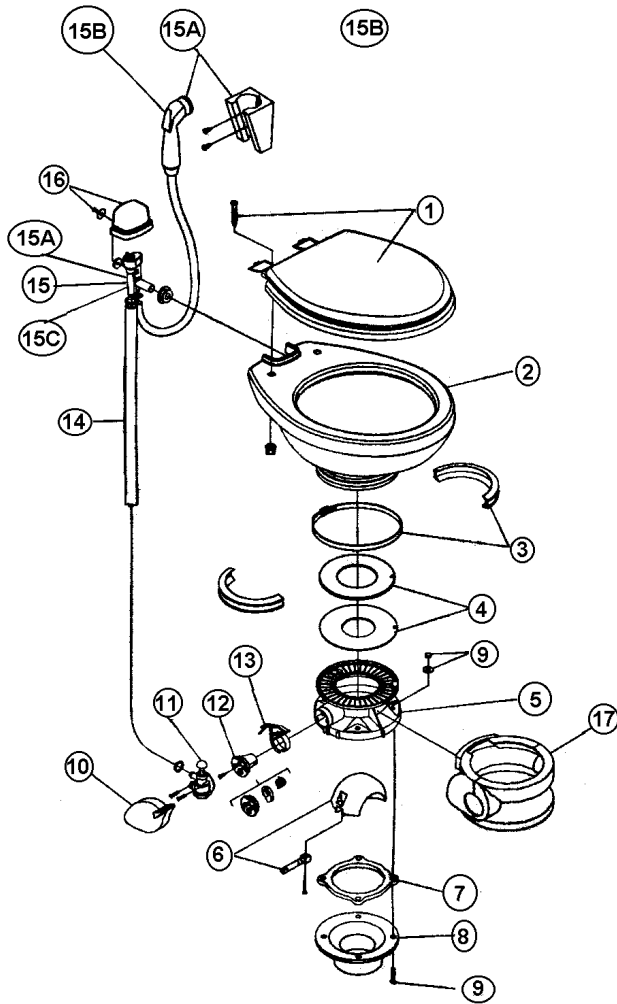
PLUMBING, DRAIN SYSTEM

Toilet, 34'

690472

Sealand Toilet Traveler Lite 110 Series, White

Model 111



- 1) 344089 Seat assembly, Bone
- 1) 344088 Seat assembly, White
- 2) 310791 Chins bowl kit, Bone
- 2) 310790 Chins bowl kit, White
- 3) 310048 Ring and half clamp kit, Bone
- 3) 310025 Ring and half clamp kit, White
- 4) 316140 Teflon® & Rubber seal kit
- 5) 310802 Base kit, Bone (includes 3, 4, 6, 7, 9, 10, 11, 12, 13, and 17)
- 5) 310792 Base kit, White (includes 3, 4, 6, 7, 9, 10, 11, 12, 13, and 17)
- 6) 381162 Ball, shaft, and cartridge kit, Bone
- 6) 381161 Ball, shaft, and cartridge kit, White
- 7) 341549 Floor flange seal
- 8) Floor flange, see drain plumbing section of this book
- 9) 310064 Floor bolt mounting kit
- 10) 310118 Pedal cover kit, Bone
- 10) 310117 Pedal cover kit, White
- 11) 314349 Water valve kit
- 13) 340825 Flush lever
- 14) 340177 Supply hose, Bone, White

- 15) 310687 Vacuum breaker kit
- 15a) 319054 Vacuum breaker kit, w/spray
- 15b) 340683 Hand spray, white
- 15c) 230335 Vacuum breaker (used w/spray)
- 16) 310796 Vacuum breaker cover kit, Bone
- 17) 310109 Pedestal cover kit, Bone

2008 CLASSIC TRAILER

SAFETY EQUIPMENT

Detectors

510781	Smoke detector
510891	Smoke detector, CSA
511309	LPG detector
512318	HOLDER W/1 AMP FUSE, IN-LINE
512178	DETECTOR CARBON MONOXIDE 9 V

Fire Extinguisher

600162-01	Fire extinguisher
600162-02	Fire extinguisher, CSA

2008 CLASSIC TRAILER

SEALER/GASKETS/PAINT

Sealer

360001	Sealant, #884058
360002	Sealant, Vulkem 11.5 oz. tube
360209	Sealant, seam
360176	Sealant, Almond, kitchen and bath
360180	Sealant, Sikaflex #221
360210	Sealant, Paralastic 4334-014
360283-01	Sealant, silicone, Corian WHITE

Gaskets

365232	Gasket, main/baggage door
365013-01	Gasket, screen door, underbelly compartment doors
365208	Gasket, window frame to glass
365035	Gasket, access doorjamb
381830	Wiper gasket, refrigerator baffle, 1.12" x 2"
365030	SEAL, DOOR HINGE 3-3/4 WIDE
382074	Gasket, grab handle, main door

Tape/Microwave Insulation

685510	Seam Tape, black, for between end segments.
365221	Tape, double coated, 1/32 urethane
365222	Tape, double coated, .08" x 3/4"
365222-01	Tape, double coated, .08" x 1.5"
365222-02	Tape, double coated, .08" x 1/2"
365016	Tape, foam, double face, 1/2" wide
365001	Tape, double coated foam
365268-03	EDGEBANDING-5/8"

Paint

360213	Paint, Metallic Aluminum, Centari #65751
360308	Paint, Pewter
360151	Paint, gray metallic, Centari #44146A

2008 CLASSIC TRAILER

UPHOLSTERY/FOAM/MATTRESS

Bedsread, Twin bed

702485-356	Bed spread, twin, Cocoa
702485-346	Bed spread, twin, Jade
702485-337	Bed spread, twin, Praline

Bedsread, Double Bed

702676-356	Bed spread, double, Cocoa
702676-346	Bed spread, double, Jade
702676-337	Bed spread, double, Praline

Bedsread, King Bed, 30' Front Bed

703747-356	Bed spread, double, Cocoa
703747-346	Bed spread, double, Jade
703747-337	Bed spread, double, Praline

Pillow

701611	Pillow, 21" x 31"
703749	Pillow, blown fiber, 30' Front King Bed

Mattress, Twin Beds, All Models

703691-01	Mattress, curbside rear, roadside front, 34" x 78"
703691-02	Mattress, curbside front, roadside rear, 34" x 78"

Mattress, Double Bed, 27 FB, 30', 31', 34', 34' S/O, 30' S/O

703692	Mattress, 60" x 75", w/45 degree corner
--------	---

Mattress, Double Bed, 25' Front Bed

703693	Mattress, 60 x 75, w/45 degree corner
--------	---------------------------------------

Mattress, King Bed, 30' Front Bed

703748	Mattress, king
--------	----------------

2008 CLASSIC TRAILER

UPHOLSTERY/FOAM/MATTRESS

Sofa Armrests, 34 S/O

963400-01	Armrest support assembly, RS Notched
963399-01	SUB ASSY-FACE ARMREST SUPPORT, RS
965624-04	CUSHION ASSY. ARMREST RS NOTCH, FABRIC
965624-08	CUSHION ASSY. ARMREST RS NOTCH. LEATHER
703281-04	FOAM ARMREST LOUNGE RS NOTCHED
963400-03	Armrest support assembly, CS notched
963399-03	SUB ASSY FACE ARMREST SUPPORT, CS
965624-03	CUSHION ASSY. ARMREST CS NOTCH, FABRIC
965624-07	CUSHION ASSY. ARMREST CS NOTCH, LEATHER
703281-03	FOAM ARMREST, LNGE CS NOTCHED
201399	TRIM FLEXIBLE S-100-LG OFF WHITE

Sofa Armrests, 34' L-Lounge

963400-03	ARMREST SUPPORT ASSY. CS
963399-03	Armrest Sub Assembly
965624-02	CUSHION ASSY. ARMREST CS, FABRIC
965624-06	CUSHION ASSY. ARMREST CS, LEATHER
201399	TRIM FLEXIBLE S-100-LG OFF WHITE

Sofa Armrests, 31', 34'

963400-01	ARMREST SUPPORT ASSY. RS
963399-01	SUB-ASSY, FACE ARMREST SUPPORT
965624-01	CUSHION ASSY ARMREST RS, FABRIC
965624-05	CUSHION ASSY ARMREST RS, LEATHER
703281-01	FOAM ARMREST LOUNGE RS
963400-03	ARMREST SUPPORT ASSY. CS NOTCHED, 31' D
963399-03	SUB ASSY, FACE ARMREST SUPPORT CS
965624-03	CUSHION ASSY. ARMREST CS NOTCH, FABRIC
965624-07	CUSHION ASSY. ARMREST CS NOTCH, LEATHER
703281-03	FOAM ARMREST, LOUNGE CS NOTCHED
201399	TRIM FLEXIBLE S-100-LG OFF WHITE

2008 CLASSIC TRAILER

UPHOLSTERY/FOAM/MATTRESS

Sofa Armrests, 30' S/O, 30'

963400-01	ARMREST SUPPORT ASSEMBLY RS
963399-01	SUB-ASSY, FACE ARMREST SUPPORT
965624-01	CUSHION ASSY ARMREST RS. FABRIC
965624-05	CUSHION ASSY ARMREST RS, LEATHER
703281-01	FOAM, ARMREST LOUNGE RS
963400-03	ARMREST SUPPORT ASSEMBLY CS NOTCHED
963399-03	SUB ASSY, FACE ARMREST SUPPORT CS
965624-03	CUSHION ASSEMBLY ARMREST CS NOTCHED, FABRIC
965624-07	CUSHION ASSY. ARMREST CS NOTCH, LEATHER
703281-03	FOAM, ARMREST, LOUNGE CS NOTCHED
201399	TRIM FLEXIBLE S-100-LG OFF WHITE

Sofa, 34' L-lounge

703141-356	Sofa, Cocoa, 74", short drawer
703141-346	Sofa, Jade, 74", short drawer
703141-337	Sofa, Praline, 74", short drawer
703141-02	Sofa, 74", short drawer, Leather, Ultra-buff
703299-03	SOFA 48" NO DRAWER ULTRA LEATHER
965979	CLOSEOUT SOFA, LEATHER OPTION

Sofa, 30', 30 S/O, 31', 34', 34' S/O

703625-356	Sofa 74", Cocoa, Villa Cloth
703625-346	Sofa 74", Jade, Villa Cloth
703625-337	Sofa 74", Praline, Villa Cloth
703625-02	Sofa, 74", Villa Ultra Leather

2008 CLASSIC TRAILER

UPHOLSTERY/FOAM/MATTRESS

Wall Paper Border, Lavatory

703609 Jade, 5.25", Wallpaper Border
703689 Praline, wall border

Dinette Seat Covers/Top, 34' S/O, 34', 31' D, 30' S/O

998070-356 Cover, seat, side dinette, Cocoa
998070-346 Cover, seat, side dinette, Jade
998070-337 Cover, seat, side dinette, Praline
998071-356 Cover, back, side dinette, Cocoa
998071-346 Cover, back, side dinette, Jade
998071-337 Cover, back, side dinette, Praline
703125-03 Top, dinette seat, urethane-buckskin

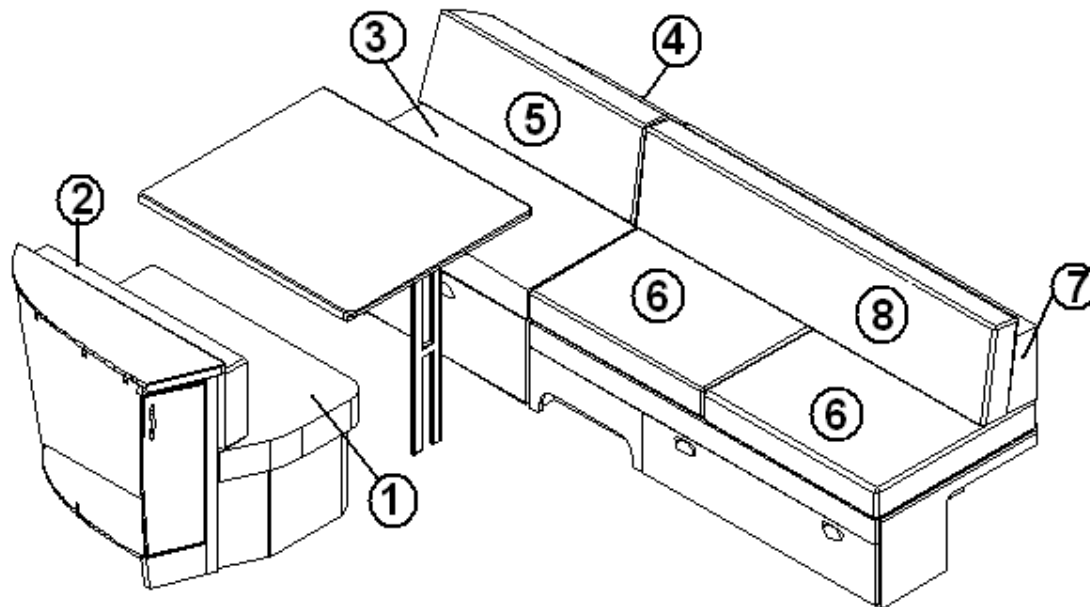
Dinette Seat Foam, 34' S/O, 34', 31', 30' S/O, 30'

702464-21 Foam, upper back, dinette
702464-13 Foam, lower back, dinette
702464-14 Foam, aft seat, dinette
702464-15 Foam, forward seat, dinette

2008 CLASSIC TRAILER

UPHOLSTERY/FOAM/MATTRESS

Dinette Seat Covers/Foam Assemblies, 27', 25' Front Bed

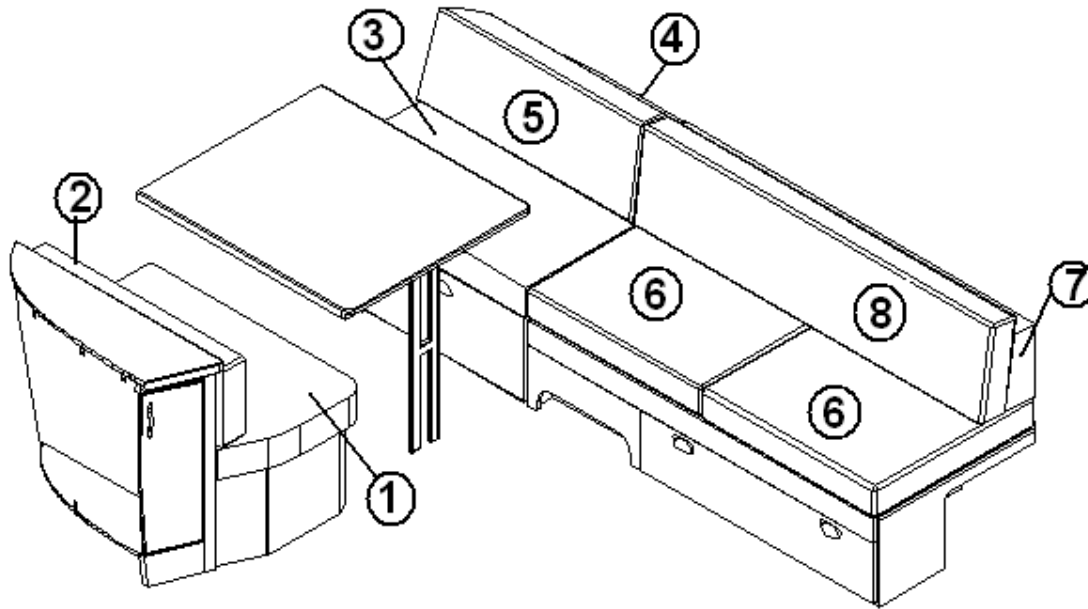


- | | |
|--------------|--|
| 1. 703630-01 | Curbside seat, seat cover/foam assembly |
| 2. 703630-02 | Curbside backrest, seat cover/foam assembly |
| 3. 703630-03 | Roadside seat, seat cover/foam assembly |
| 4. 703630-04 | Roadside back filler, seat cover/foam assembly |
| 5. 703630-05 | Roadside backrest, seat cover/foam assembly |
| 6. 703630-07 | Lounge bottom, seat cover/foam assembly |
| 7. 703630-06 | Lounge wedge, seat cover/foam assembly |
| 8. 703630-08 | Backrest, seat cover/foam assembly |
| 703651 | Foam Filler Wedge |

2008 CLASSIC TRAILER

UPHOLSTERY/FOAM/MATTRESS

Dinette Seat Foam, 30' Front Bed



- | | |
|--------------|--------------------------------------|
| 703739 | Dinette Seat foam kit |
| 703739-09 | Dinette Seat cover/foam assembly kit |
| 1. 703739-01 | Curbside seat, seat foam |
| 2. 703739-02 | Curbside backrest, foam |
| 3. 703739-03 | Roadside seat foam |
| 4. 703739-04 | Roadside back filler foam |
| 5. 703739-05 | Roadside backrest foam |
| 6. 703739-07 | Lounge bottom seat foam |
| 7. 703739-06 | Lounge wedge foam |
| 8. 703739-08 | Seat backrest foam |

2008 CLASSIC TRAILER

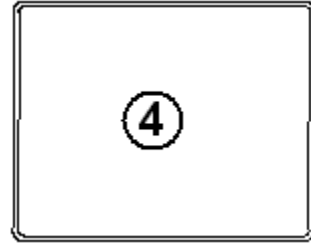
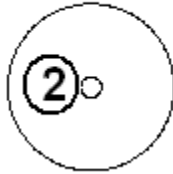
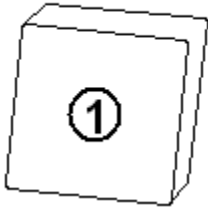
Chairs

382004-03	CHAIR-ZIP DEE PACIFIC BLUE
703009-05	Folding, free standing option, 31' D
703376	Chair, fan back w/cushion, 31' D option, free standing
998152	Chair, cushion only, 31' D option, free standing

2008 CLASSIC TRAILER

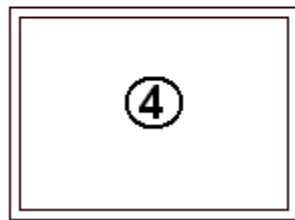
UPHOLSTERY/FOAM/MATTRESS

Pillow Kit, Cocoa



- 1. 703561-01 Accent pillow, lounge
- 2. 703561-02 Accent pillow, lounge/bedroom
- 3. 703561-03 Accent pillow, lounge/bedroom
- 4. 703561-04 Pillow sham

Pillow Kit, Praline

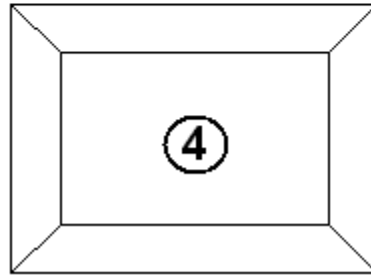
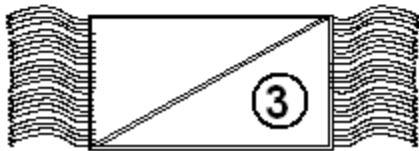
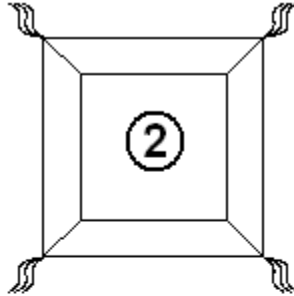
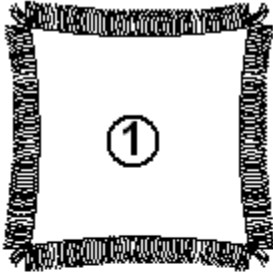


- 703685-06 Pillow Kit, Praline, Double bed
- 703685-07 Pillow Kit, Praline, Twin bed
- 1. 703685-01 Lounge pillow, beige
- 2. 703685-02 Lounge pillow, dark brown
- 3. 703685-04 Bedroom pillow, brown
- 4. 703685-03 Bedroom pillow, gold
- 5. 703685-05 Bedroom pillow

2008 CLASSIC TRAILER

UPHOLSTERY/FOAM/MATTRESS

Pillow Kit, Jade



- | | |
|--------------|-----------------------------|
| 703607-05 | Pillow Kit, Queen bed, Jade |
| 703607-06 | Pillow Kit, Twin bed, Jade |
| 1. 703607-01 | Lounge pillow |
| 2. 703607-02 | Lounge and bedroom pillow |
| 3. 703607-03 | Lounge and bedroom pillow |
| 4. 703607-04 | Bedroom pillow |

2008 CLASSIC TRAILER

VENTS/FANS/SKYLIGHTS

Vent, Power, Bathroom

690266-01	Ventilator, power, bathroom
690266-02	Ventilator, power, bathroom, CSA
201666-01	MOLDING-J 3/16" ALMOND PLASTIC

Vent, w/Power Lift

381541-08	Roof vent w/power lift
*381541-05	Switch, white, ceiling vent
*381541-11	Switch, white, ceiling vent
201666	MOLDING-J 3/16" ALMOND PLASTIC

*381541-05 was replaced by 381541-11 on units released after 3/3/2008 beginning with unit 523134. The new switch is smaller and will not work in units previously manufactured.

Range exhaust

511792-01	RANGE HOOD W/FAN & LIGHT UL
511792-03	RANGE HOOD W/FAN & LIGHT CSA
453484-03	EXT.-RANGE HOOD END CAP LH SILVER
453484-04	EXT., RANGE HOOD END CAP RH SILVER
453158	EXTENSION RANGE VENT
114462	DUCT, RANGE EXHAUST TRANSITION
114230-04	CLOSEOUT FORMED, RANG EXHAUST, 4.40"
511017-11	Vent cover, exterior, range hood, gray

Vent, Refrigerator

100341	Refrigerator, vent collar, large
101394	Cover, refrigerator vent, large
381042	MESH- GALVANIZED, .017" X 36"

2008 CLASSIC TRAILER

VENTS/FANS/SKYLIGHTS

Vent, Holding Tanks

690264-03 PLUMBING FLASHING V-2049-1 WHITE
380228 WIRE HARDWARE CLOTH

Vent, Power, Fantastic

381841 VENT-FANTASTIC EXHAUST ONLY
511657 FANTASTIC FAN W/410KIB CONTROL

Sky Light. Lounge

381318-05 Skylight, 19.5" x 19.5", galley/lounge
114485 Mounting frame, skylight
201962 Trim ring, skylight
702804-03 Shade, pleated, skylight, 19.25" x 20.00"
320139 Screw w/ #10 Bonded sealing washer

Sky Light. Bath

381318-06 Skylight, 14.5" x 22.5" bath
114486 Mounting frame, skylight, bath
201963 Trim ring, 14" x 22", skylight, white
702804-04 Shade, pleated, skylight, 14.5" x 22.75"
320139 Screw w/ #10 Bonded sealing washer

2008 CLASSIC TRAILER

WOOD/LAMINATES/INTERIOR TRIM

Cedar/Lauan Panels

800507-01	Paneling, lauan, 1/8" x 4' x 8'
800507-02	Paneling, lauan 1/4" x 4' x 8'
800507-03	Paneling, lauan 3/8" x 4' x 8'
800507-06	Paneling, lauan .3/4" x 4' x 8'
800397-01	Cedar, planked, 5/32"x 4' x 8'

Edge banding

365238-01	EDGE BANDING, .93"X .055", Natural Oak
365238-04	EDGE BANDING TAPE PVC 5/8" C.WH
365268-03	EDGE BANDING, .024" X .63", OAK
365268-04	EDGE BANDING, .024" X 1.25" OAK

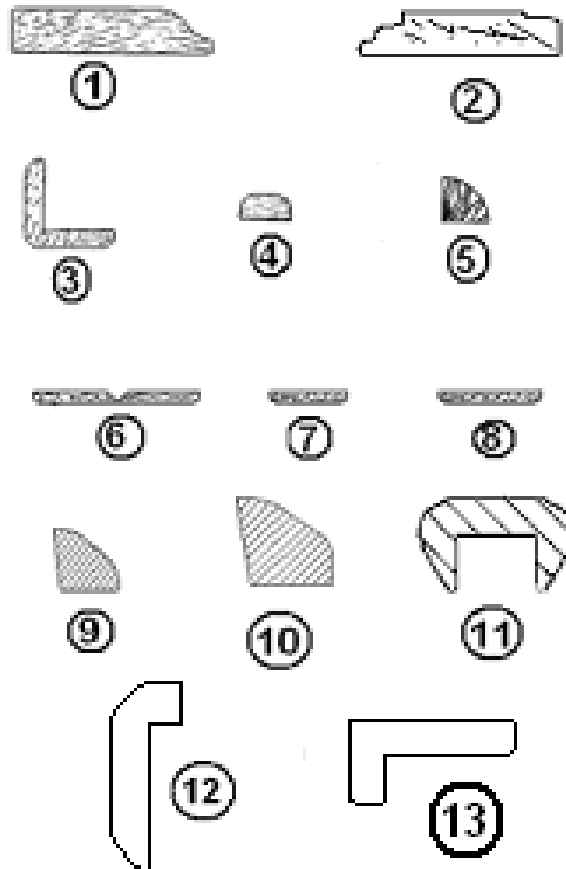
Paneling

801258-003	Paneling 1/2" x 4' x 8', G2S, Hickory / Hickory
801259-003	Paneling, 1/2" x 4' x 8', G1S, Hickory /raw
801260-003	Paneling 5/32" x 4' x 8', G1S, Hickory /raw
801505	Paneling, Ascot Sand/Raw .125"X4'X8'
801506	Paneling, Ascot Sand/Raw .5" X 4' X 8'
801507	Paneling, Ascot Sand/Sand G2S .5" X 4'x 8'
801368	Paneling, WHITLINER/WHITLINER 18MM
801392	Paneling, WHITLINER/WHITLINER 12MM

2008 CLASSIC TRAILER

WOOD/LAMINATES/INTERIOR TRIM

Molding, Wood, Hickory



- | | |
|----------------|--|
| 1. 801206-013 | Molding, floor, 43", Hickory |
| 2. 801265-003 | Molding, chair rail, Hickory |
| 3. 800575-013 | Molding, corner, Hickory |
| 4. 800571-013 | Molding, flat 1/4"x 33/64"x 80" Hickory |
| 5. 800638-023 | Molding, quarter round, Hickory |
| 6. 801172-013 | Molding, flexible corner, Hickory |
| 6a. 801172-07 | Molding, flexible corner, Ascot Sand |
| 7. 800572-013 | Molding, flat radius, .88", Hickory |
| 8. 800573-013 | Molding, flat radius, 1.13", Hickory |
| 9. 801492-003 | Molding, threshold, main door, carpet, Hickory |
| 10. 801492-003 | Molding, threshold, main door, linoleum, Hickory |
| 11. 800766-003 | Paneling Trim, Hickory, 1/2" Panel |
| 12. 800617-013 | Molding, Wainscot, 84" |
| 13. 801665-003 | Molding, "L", door jamb |

