

***INTERNATIONAL  
TRAVEL TRAILER***

***PARTS  
BOOK***

**2007**



2007 INTERNATIONAL TRAVEL TRAILER  
TABLE OF CONTENTS  
SECTION I

APPLIANCES

<a href="#">Air Conditioner, Furnace</a> .....	I-1
<a href="#">Microwave, Range</a> .....	I-2
<a href="#">Refrigerator</a> .....	I-3
<a href="#">Water Heater, Range Hood</a> .....	I-4

BODY

<a href="#">End shell, aft</a> .....	I-5
<a href="#">End shell, front</a> .....	I-19
<a href="#">16 Ft. CCD RS Wall</a> .....	I-29
<a href="#">16 Ft. CCD CS Wall</a> .....	I-31
<a href="#">19 Ft. CCD RS Wall</a> .....	I-33
<a href="#">19 Ft. CCD CS Wall</a> .....	I-35
<a href="#">22 Ft. RS Wall</a> .....	I-37
<a href="#">22 Ft. CS Wall</a> .....	I-39
<a href="#">23 FT. D, RS Wall</a> .....	I-41
<a href="#">23 Ft. D, CS Wall</a> .....	I-43
<a href="#">25 Ft. Sleep Six RS Wall</a> .....	I-45
<a href="#">25 Ft. Sleep Six CS Wall</a> .....	I-47
<a href="#">25 Ft. Front Bed RS Wall</a> .....	I-49
<a href="#">25 Ft. Front Bed CS Wall</a> .....	I-51
<a href="#">27 Ft RS Wall</a> .....	I-53
<a href="#">27 Ft CS Wall</a> .....	I-55
<a href="#">28 Ft CCD RS Wall</a> .....	I-57
<a href="#">28 Ft CCD CS Wall</a> .....	I-59
<a href="#">Roof, Floor</a> .....	I-61
<a href="#">Wrap Protectors</a> .....	I-62
<a href="#">Body Interior</a> .....	I-63

2007 INTERNATIONAL TRAVEL TRAILER  
TABLE OF CONTENTS  
SECTION I

CHASSIS

<a href="#">Axles, Shocks, Tires, Wheels</a> .....	I-65
<a href="#">Spare Tire Carrier, Step, Hitch Jack, Safety Chains</a> ..	I-66
<a href="#">Bumper/Bumper Storage</a> .....	I-67
<a href="#">Jacks, Hose Carrier, Underbelly Metal</a> .....	I-69
<a href="#">Underbelly Diamond Plate, Hitch Coupler</a> .....	I-70
<a href="#">Brakes</a> .....	I-71
<a href="#">Rear Storage Bumper Slide Out (option)</a> .....	I-73

SECTION II

<a href="#">DECAL/EXTERIOR TRIM</a> .....	II-1
---	------

DOORS/WINDOWS/AWNING

<a href="#">Exterior Doors</a> .....	II-2
<a href="#">Windows, Window Trim &amp; Screens</a> .....	II-11
<a href="#">Window Rock Guard</a> .....	II-20
<a href="#">Awnings</a> .....	II-21

DRAPES/BLINDS/VALANCES

<a href="#">16 Ft. CCD Model</a> .....	II-23
<a href="#">16 Ft. DWR Model</a> .....	II-26
<a href="#">19 Ft. CCD Model</a> .....	II-27
<a href="#">19 Ft. 75<sup>th</sup> Anniversary Model</a> .....	II-30
<a href="#">22 Ft. Model</a> .....	II-31
<a href="#">23 Ft. D Model</a> .....	II-32
<a href="#">25 Ft. Front Bed</a> .....	II-34
<a href="#">25 Ft. Sleep Six</a> .....	II-37
<a href="#">27 Ft. Front Bed</a> .....	II-40
<a href="#">28 Ft. Model</a> .....	II-42
<a href="#">Drape trim and track</a> .....	II-45
<a href="#">Drape Parts/Material</a> .....	II-46

2007 INTERNATIONAL TRAVEL TRAILER  
TABLE OF CONTENTS  
SECTION II

ELECTRICAL

<a href="#">110 volt</a> .....	II-47
<a href="#">12 volt</a> .....	II-49
<a href="#">Exterior light/reflectors</a> .....	II-52

ENTERTAINMENT

<a href="#">Radio/antenna</a> .....	II-54
<a href="#">Television Antenna/Jacks</a> .....	II-54
<a href="#">Satellite Radio/External Speakers</a> .....	II-55
<a href="#">Audio Video Upgrade Packages</a> .....	II-56
<a href="#">Flat Screen TV Installation</a> .....	II-58

SECTION III

FASTENERS

<a href="#">Rivets</a> .....	III-1
------------------------------	-------

<a href="#">FLOOR COVERING</a> .....	III-3
--------------------------------------	-------

FURNITURE DRAWINGS & CHARTS

<a href="#">Drawer Slides/Boxes</a> .....	III-3
<a href="#">Mirrors</a> .....	III-4
<a href="#">Interior Doors</a> .....	III-5
<a href="#">Bedroom</a> .....	III-10
<a href="#">Lavatory</a> .....	III-163
<a href="#">Galley</a> .....	III-291
<a href="#">Lounge</a> .....	III-482
<a href="#">Trim, 75<sup>th</sup> Anniversary</a> .....	III-554

2007 INTERNATIONAL TRAVEL TRAILER  
TABLE OF CONTENTS  
SECTION III

HARDWARE

<a href="#">Exterior locks/hinges</a> .....	III-555
<a href="#">Window Hardware</a> .....	III-556
<a href="#">Cabinet Hinge/Catch</a> .....	III-560
<a href="#">Interior Trim</a> .....	III-561
<a href="#">Lavatory Accessories</a> .....	III-562
<a href="#">Interior Hinges</a> .....	III-562
<a href="#">Dinette Table Hardware</a> .....	III-562
<a href="#">Bed Gas Springs</a> .....	III-562
<a href="#">Clock/Coat Rack</a> .....	III-562
<a href="#">Awning Hardware</a> .....	III-563
<a href="#">Trailer Level</a> .....	III-564
<a href="#">Dinnerware, DWR</a> .....	III-564

SECTION IV

<a href="#">LABELS and TAGS</a> .....	IV-1
---------------------------------------	------

PLUMBING

<a href="#">LPG</a> .....	IV-3
<a href="#">Fresh Water</a> .....	IV-13
<a href="#">Freshwater Fittings</a> .....	IV-23
<a href="#">Faucets</a> .....	IV-25
<a href="#">Drain Water</a> .....	IV-31
<a href="#">Toilet</a> .....	IV-47
<a href="#">Black Tank Flush/Loose parts</a> .....	IV-51

<a href="#">SAFETY EQUIPMENT</a> .....	IV-52
--	-------

<a href="#">SEALER/GASKETS</a> .....	IV-53
--------------------------------------	-------

2007 INTERNATIONAL TRAVEL TRAILER  
TABLE OF CONTENTS  
SECTION IV

[PAINT](#)..... IV-54

[UPHOLSTERY/FOAM/MATTRESS](#)..... IV-55

[VENTS/FANS](#) ..... IV-64

[SKY LIGHTS](#) ..... IV-65

[WOOD/LAMINATES/TRIM](#)..... IV-66

# 2007 INTERNATIONAL TRAVEL TRAILER

## APPLIANCES

### Air Conditioner

195329-143 AIR CONDITIONER 11,000 BTU  
690323-02 AIR CONDITIONER, 13,500 BTU, MANUAL  
690323-32 AC 13,500 BTU W/HEAT PUMP  
690323-37 AIR CONDITIONER, 15,000 BTU w/Heat Pump  
690323-03 AIR CONDITIONER, DOMETIC HEAT STRIP  
690380-03 AIR BOX-PENG.HEAT PUMP POLAR WHITE  
690323-31 COMFORT CONTROL CENTER  
511252 PLUG PHONE 4 CONDUCTOR  
690323-05 AIR BOX/RETURN GRILL MANUAL  
961270 Pan Assembly, drain, air conditioner  
601240-01 TUBING 1/2ID X 5/8OD BLACK PLASTIC

### Furnace

690439 FURNACE, 12,000 BTU, 16'  
690439-01 FURNACE W/BLACK DOOR, 12,000 BTU, 16'  
690395 FURNACE, 16,000 BTU, 19'  
690395-01 FURNACE, 16,000 BTU, 19' 75th Anniversary  
690395-02 FURNACE 16,000 BTU 19', W/BLACK DOOR  
690467 FURNACE, 18,000 BTU, 22'  
115067 CASTING ALUM WEDGE, 22'  
690274-01 FURNACE, 30,000BTU, 28'  
690274-04 HYDROFLAME FURNACE, 23' D, 25', 27' FB  
690274-09 Cover, Hydroflame furnace  
511228 THERMOSTAT ROOM #36684 OFF WHITE  
600193 2" DUCT THERMAFLEX FLEXIBLE, DUCT  
600247 4" HOSE, HEAT DUCT FLEX  
601244-01 REGISTER-ROTAIRE #3840-96 4" BROWN  
203070 REGISTER PLASTIC BROWN 2" X 10"  
601244-03 REGISTER, ROTAIRE, BLACK  
601244-02 REGISTER-ROTAIRE 4" WHITE  
690429 LOUVER-2" BLACK ROUND  
600526 FLANGE, 4 IN  
601348 TEE, HEAT DUCT, 4" X 4" X 2"  
690341 ADAPTER- 4-2 FURNACE REDUCER



# 2007 INTERNATIONAL TRAVEL TRAILER

## APPLIANCES

### Microwave

690549-01	MICROWAVE OVEN, TAPPEN STAINLESS STEEL
690549-02	MICROWAVE, TAPPEN, BLACK, TM9030
690549-03	MICROWAVE, TAPPEN TRIM, STAINLESS STEEL
690549-04	MICROWAVE, TAPPEN TRIM, BLACK
690580-01	MICROWAVE, TAPPEN, BLACK TM5030, 27' FB only
690581-01	MICROWAVE, TAPPEN, BLACK 23' D, Canadian only
690581-02	MICROWAVE, TRIM KIT, BLACK 23' D, Canadian only
690345-01	MICROWAVE-CONVECTION SHARP R-820BK
690345-03	TRIM RING, CONVECTION MICROWAVE

### Range

690471	Cook-top, 2-burner, black glass top, 16'
690396-10	COOKTOP-3 BURNER S.S. TOP, 19', 25', 28'
690396-09	RANGE, 22" W/S.S. TOP/DOOR, 19', 22', 23' D, 25', 27' FB, 28'
690396-03	Range bi-fold cover, black

# 2007 INTERNATIONAL TRAVEL TRAILER

## APPLIANCES

### Refrigerator

690393-07	REFER-4CF 2-WAY RH RM2451RB, 19'
690470-02	REFER-3CF 2-WAY RH DR RM2352RB, 16', 22'
690470-03	REFER-3CF 2-WAY LH DR RM2352LB, 16', 22'
690540	REFER- 5 CU FT AMERICANA, 23' D
690492-01	REFER, 6CF LH DOOR, RM2662LB, 25' SS
690574-02	REFER, 7CU FT RH #RM3762RB, 25' FB, 27' FB
690574-01	REFER-7CU FT LH DR #RM3762LB, 25' SS, 28'
965934-01	INSERT, REFER 20.62" X 15.75", 25' FB, 25' SS, 25'
965934-02	INSERT, REFER 20.62" X 32.62", 19' Oak, 25' FB, 25' SS, 25'
965934-04	INSERT, REFER FLAT DOOR, 19.5" X 26", 16', 22'
965934-07	INSERT, REFER ROUND DOOR, 19.5" x 26", 16', 22'
965934-06	INSERT ASSY-REFER LOWER, 23.75" X 32", 25', 25' SS' 28'
965934-05	INSERT ASSY-REFER UPPER 23.75" X 32", 25', 25' SS' 28'
115166-03	INSERT, ALUMINUM, REFER 20.62" X 38.62", 23D
801728-03	INSERT, REFER, 20.62" X 32.62", 19', Wenge
801728-0103	INSERT, REFER, 20.62" X 32.62", 19', OB
801728-01	INSERT, REFER 23.75" X 17", 25' FB, 27' FB, Wenge, OB
801728-02	INSERT, REFER 23.75" X 32.38", 25' FB, 27' FB, Wenge, OB
967067	INSERT, REFER, 19.5" X 26", DWR

# 2007 INTERNATIONAL TRAVEL TRAILER

## APPLIANCES

### Water Heater

690199	ELECTRONIC IGNITION WATER HEATER
320006	SCREW, SHEET METAL, 8 X 3/4" BH PHIL
690209	BRUSHED ALUM ACCESS COVER
601671	ELBOW STREET 90DEG 1/2"
381648	COVER LATCH HOLE WATER HEATER

### Range Hood

511017-11	EXTERIOR VENT GRAY
511791-02	RANGE HOOD-VENTLINE SILVER, CSA
511791-01	RANGE HOOD-VENTLINE SILVER
115175	DUCT-RANGE EXHAUST TRANSITION
454187	EXTENSION-RANGE EXHAUST
512210	RANGE HOOD, BARALDI, 12V
454590	EXTENSION-RANGE VENT BARALDI
114913	ANGLE RANGE HOOD
365016	TAPE FOAM DUBL-KOTE - 1/2"
114230-04	CLOSE OUT FORMED R.EXHAUST
365190	SEAL, RUBBER, ADHESIVE, 3/4" X 3/4"
203600	CAP COVER, SCREW, GRAY

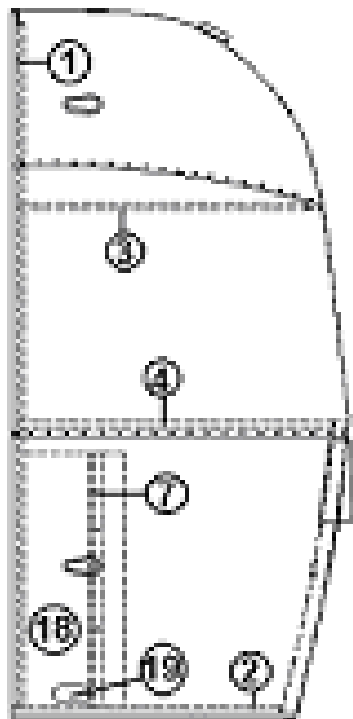
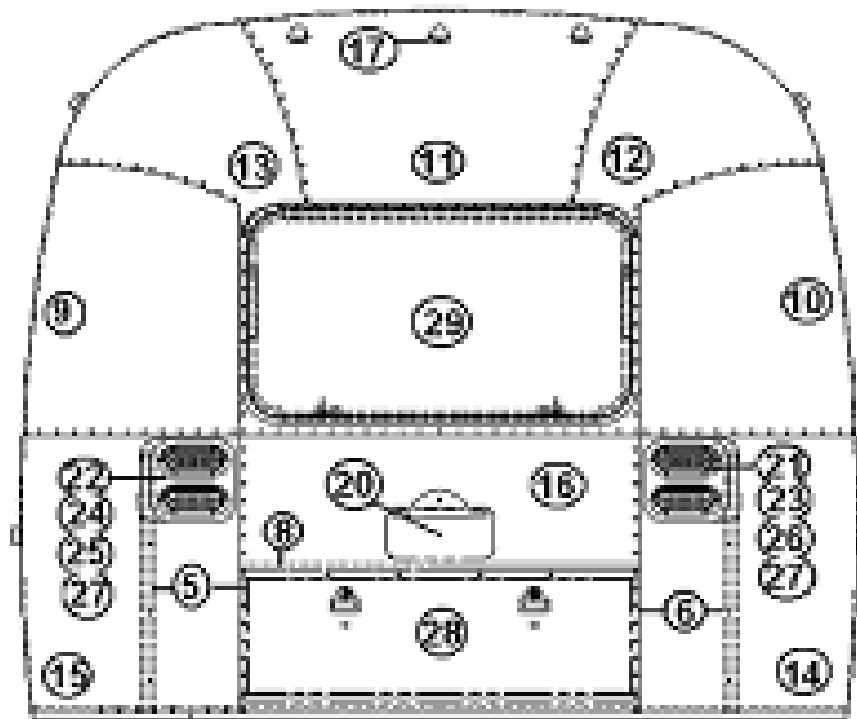
### Range Hood, 19' Signature IN ABOVE

512210	Range hood
--------	------------

# 2007 INTERNATIONAL TRAVEL TRAILER

## EXTERIOR SHELL

AFT END, 16'



Part Numbers are on the Next Page

# 2007 INTERNATIONAL TRAVEL TRAILER

## EXTERIOR SHELL

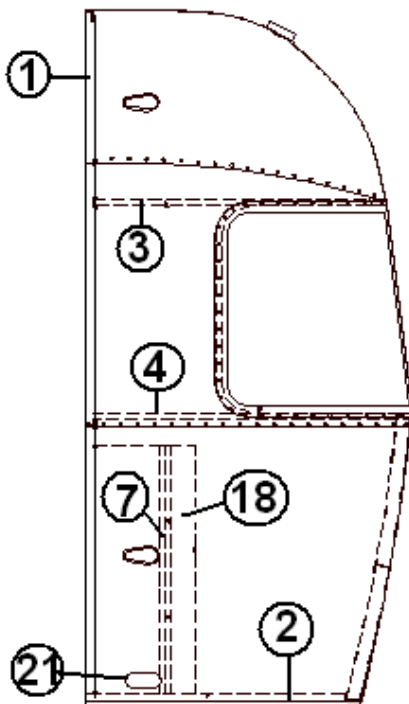
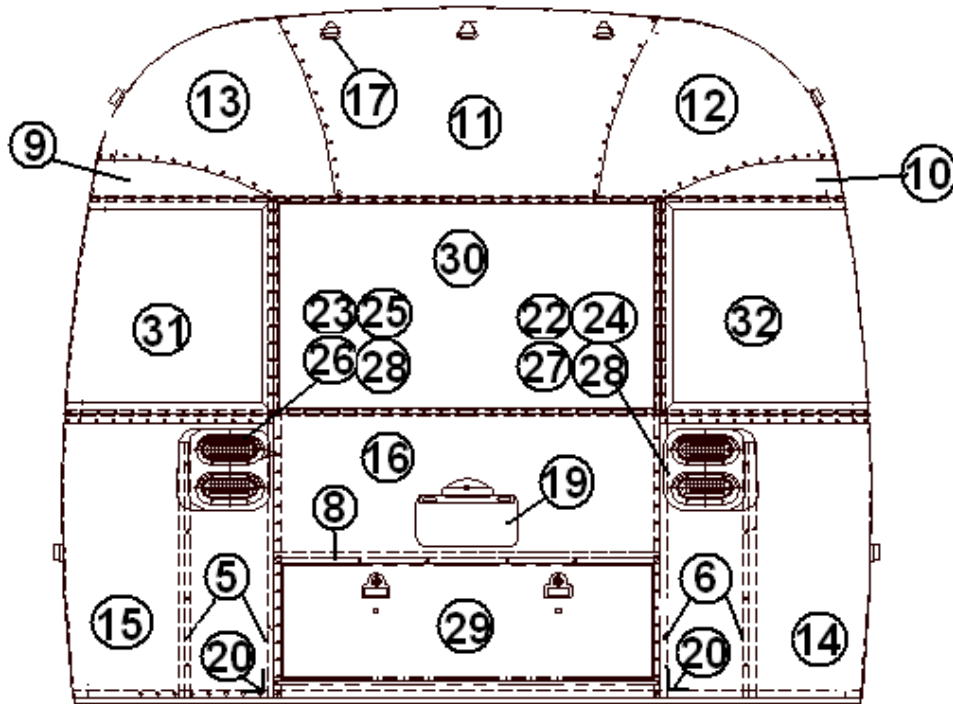
AFT END, 16'

922709	Aft Shell, 16'
1. 114994	Weldment, zero bow
2. 104463	BOW FLOOR, NARROW BODY TRAILER
3. 104351	BOW-UPPER WINDOW-NARROW BODY
4. 104343	BOW-LOWER WINDOW-NARROW BODY
5. 114505-01	SUPPORT LOWER END SHELL LH
6. 114505-02	SUPPORT LOWER END RH
7. 101315	BRACE VERTICAL REAR
8. 104408	EXTRUSION, Z RIB
9. 114888	SEGMENT-CENTER LEFT "BRIGHT"
10. 114889	SEGMENT-CENTER RIGHT "BRIGHT"
11. 114892	SEGMENT #25 NARROW BRIGHT
12. 114890	SEGMENT-#26 "BRIGHT"
13. 114891	SEGMENT-#27 "BRIGHT"
14. 114894	SEGMENT-#28 "BRIGHT"
15. 114895	SEGMENT-#29 "BRIGHT"
16. 114880-198	ALUMINUM SHEET .040" X 51" X 198"
17. 511751	MARKER LIGHT, RED TEARDROP
18. 114849-03	ALUMINUM SHEET, .060 26"W X 8'
19. 500095	REFLECTOR RED RECTANGULAR
20. 500053	LIGHT AND HOLDER LICENSE
21. 952696-02	TAILLIGHT ASSY-CS
22. 952696-01	TAILLIGHT ASSY-RS
23. 203386-01	POCKET-INNER TAILLIGHT LH
24. 203386-02	POCKET-INNER TAILLIGHT RH
25. 115073-01	BRACKET-R.S. TAILLIGHT
26. 115073-02	BRACKET-C.S. TAILLIGHT
27. 115074	BRACKET-CENTER TAILLIGHT
28. 922711	DOOR ASSY-TRUNK
29. 371326	WINDOW REAR ROUND CORNERS

# 2007 INTERNATIONAL TRAVEL TRAILER

## EXTERIOR SHELL

END SHELL, AFT, 16' w/Rear Panoramic Window Option



# 2007 INTERNATIONAL TRAVEL TRAILER

## EXTERIOR SHELL

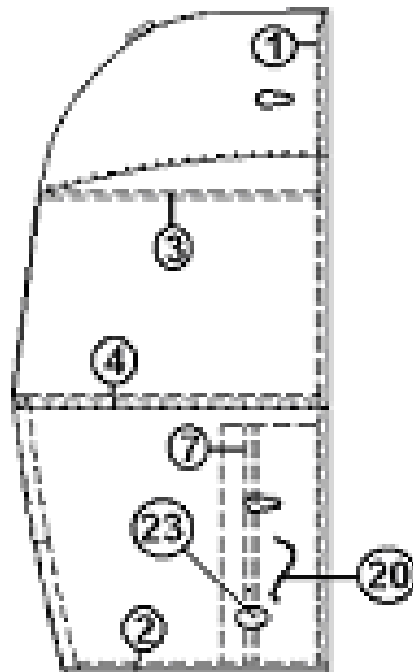
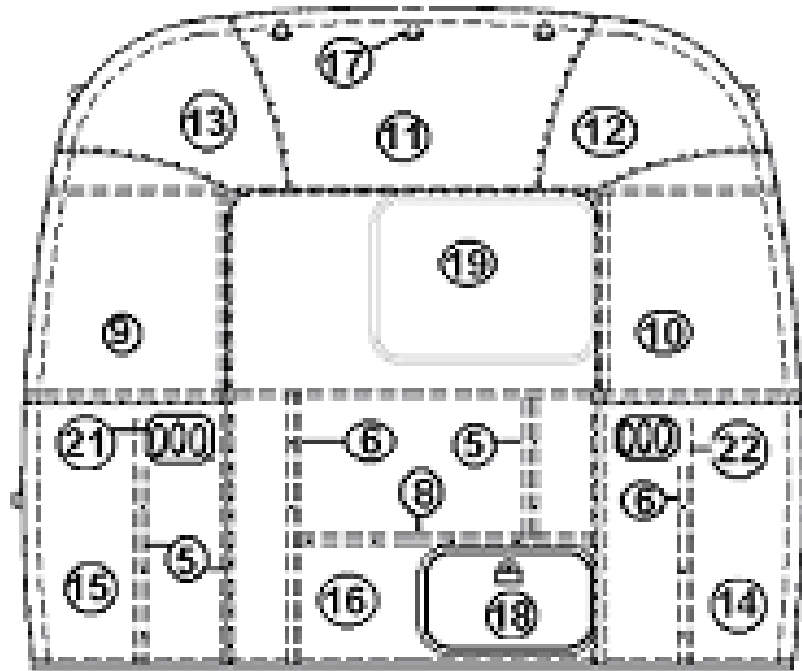
END SHELL, AFT, 16' w/Rear Panoramic Window Option

922729	Aft Shell, 16'
1. 114994	Weldment, zero bow
2. 104463	BOW FLOOR, NARROW BODY TRAILER
3. 104351	BOW-UPPER WINDOW-NARROW BODY
4. 104343	BOW-LOWER WINDOW-NARROW BODY
5. 114505-01	SUPPORT LOWER END SHELL LH
6. 114505-02	SUPPORT LOWER END RH
7. 101315	BRACE VERTICAL REAR
8. 104408	EXTRUSION, Z RIB
9. 114888	SEGMENT-CENTER LEFT "BRIGHT"
10. 114889	SEGMENT-CENTER RIGHT "BRIGHT"
11. 114892	SEGMENT #25 NARROW BRIGHT
12. 114890	SEGMENT-#26 "BRIGHT"
13. 114891	SEGMENT-#27 "BRIGHT"
14. 114894	SEGMENT-#28 "BRIGHT"
15. 114895	SEGMENT-#29 "BRIGHT"
16. 114880-198	ALUMINUM SHEET .040" X 51" X 198"
17. 511751	MARKER LIGHT, RED TEARDROP
18. 114849-03	ALUMINUM SHEET, .060 26"W X 8'
19. 500053	LIGHT AND HOLDER LICENSE
20. 114813	ANGLE, 1" X 1.5"
21. 500095	REFLECTOR RED RECTANGULAR
22. 952696-02	TAILLIGHT ASSY-CS
23. 952696-01	TAILLIGHT ASSY-RS
24. 203386-01	POCKET-INNER TAILLIGHT LH
25. 203386-02	POCKET-INNER TAILLIGHT RH
26. 115073-01	BRACKET-R.S. TAILLIGHT
27. 115073-02	BRACKET-C.S. TAILLIGHT
28. 115074	BRACKET-CENTER TAILLIGHT
29. 922711	DOOR ASSY-TRUNK
30. 371328	Window, center, dark glass
31. 372089-101	Curbside front wrap window
32. 372088-101	Roadside, front wrap window

# 2007 INTERNATIONAL TRAVEL TRAILER

## EXTERIOR SHELL

END SHELL, AFT, 19', 23' D



Part Numbers are on the Next Page



# 2007 INTERNATIONAL TRAVEL TRAILER

## EXTERIOR SHELL

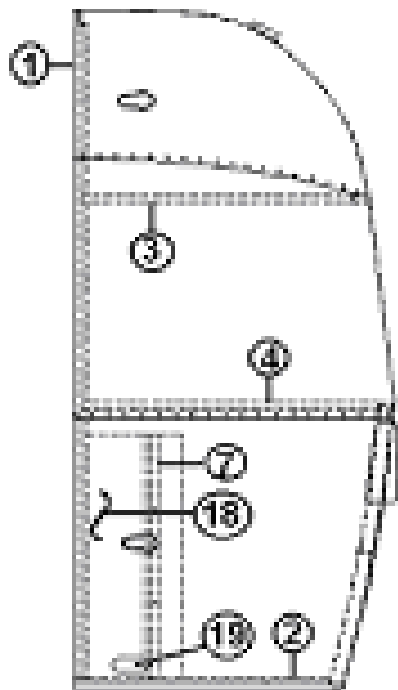
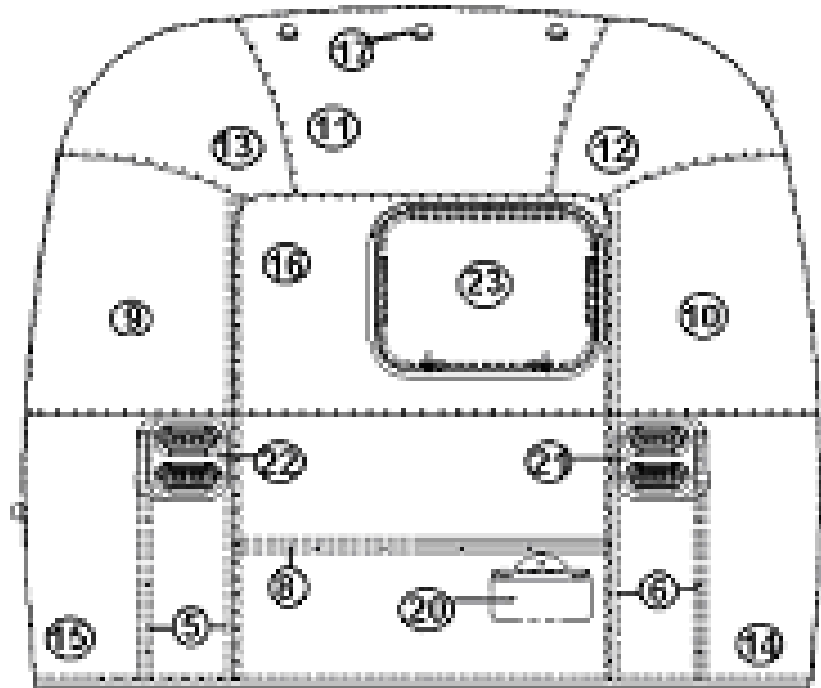
END SHELL, AFT, 19', 23' D

964513-03	AFT SHELL 19FT.
1. 114994	End bow
2. 104463	Floor bow
3. 104351	Upper window bow
4. 104343	Lower window bow
5. 114505-01	Support, lower end, LH
6. 114505-02	Support, lower end, RH
7. 101315	Brace, vertical rear
8. 104408	Z-rib
9. 114888	Segment, center left
10. 114889	Segment, center right
11. 114892	Segment #25
12. 114890	Segment #26
13. 114891	Segment #27
14. 114894	Segment #28
15. 114895	Segment #29
16. NPN	Alum. Sheet, .060 x 19.0" x 51.0"
17. 511751	Marker light, tear drop
18. 100679-01	Door assembly, side access
19. 372218-01	WINDOW-21"X 28" OPENING, REAR END
20. 114849-03	Aluminum sheet, gray
21. 952696-01	RS tail light assembly
22. 952696-02	CS tail light assembly
23. 500095	Red reflector, rectangular
500053	LIGHT LICENSE PLATE

# 2007 INTERNATIONAL TRAVEL TRAILER

## EXTERIOR SHELL

AFT END, 22'



Part Numbers are on the Next Page

# 2007 INTERNATIONAL TRAVEL TRAILER

## EXTERIOR SHELL

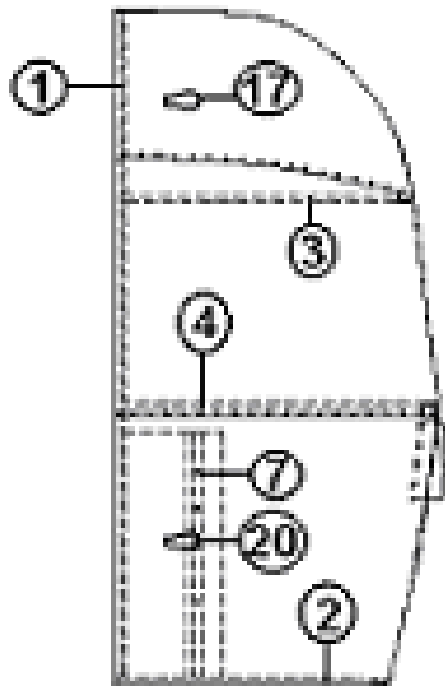
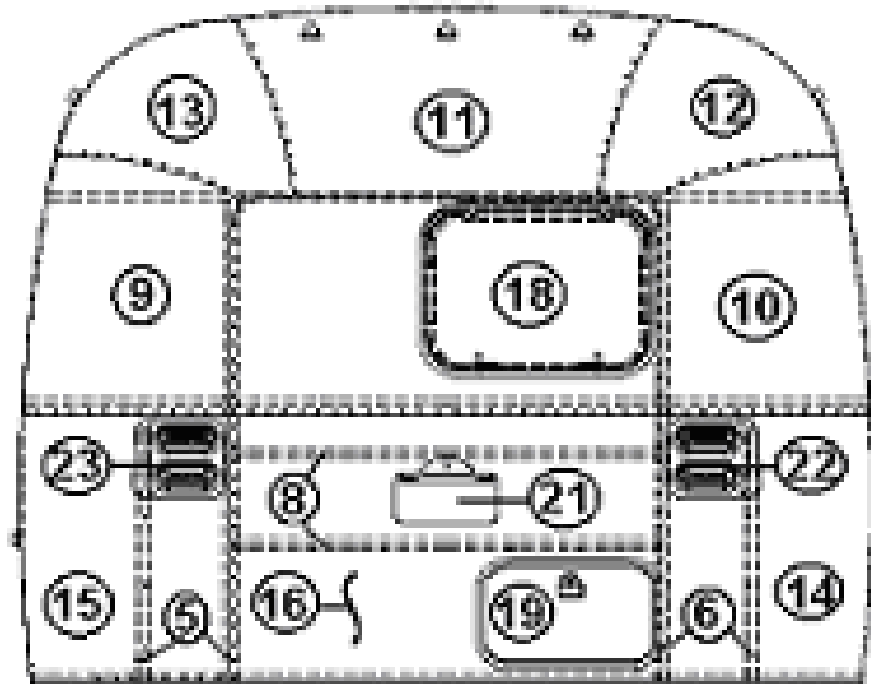
AFT END, 22'

922627-01	AFT SHELL, 22'
1. 114994	WELDMENT ZERO BOW "NB"
2. 104463	BOW FLOOR, NARROW BODY
3. 104351	BOW-UPPER WINDOW-NARROW BODY
4. 104343	BOW-LOWER WINDOW-NARROW BODY
5. 114505-01	SUPPORT LOWER END SHELL LH
6. 114505-02	SUPPORT LOWER END RH
7. 101315	BRACE VERTICAL REAR
8. 104408	EXTRUSION, Z RIB
9. 114888	SEGMENT-CENTER LEFT "BRIGHT"
10. 114889	SEGMENT-CENTER RIGHT "BRIGHT"
11. 114892	SEGMENT #25 NARROW BRIGHT
12. 114890	SEGMENT-#26 "BRIGHT"
13. 114891	SEGMENT-#27 "BRIGHT"
14. 114894	SEGMENT-#28 "BRIGHT"
15. 114895	SEGMENT-#29 "BRIGHT"
16. 114880-307	ALUMINUM SHEET .040" X 51" X 307"
17. 511750	MARKER LIGHT-AMBER TEARDROP
18. 114849-03	ALUMINUM SHEET .060" X 26"W X 8'
19. 500095	REFLECTOR RED RECTANGULAR
20. 500053	LIGHT AND HOLDER LICENSE
21. 952696-02	Tail light assembly, curbside
22. 965696-01	Tail light assembly, roadside
23. 372218-01	WINDOW-21" X 28" EGRESS

# 2007 INTERNATIONAL TRAVEL TRAILER

## EXTERIOR SHELL

AFT END, 25' SLEEP SIX



Part Numbers are on the Next Page

# 2007 INTERNATIONAL TRAVEL TRAILER

## EXTERIOR SHELL

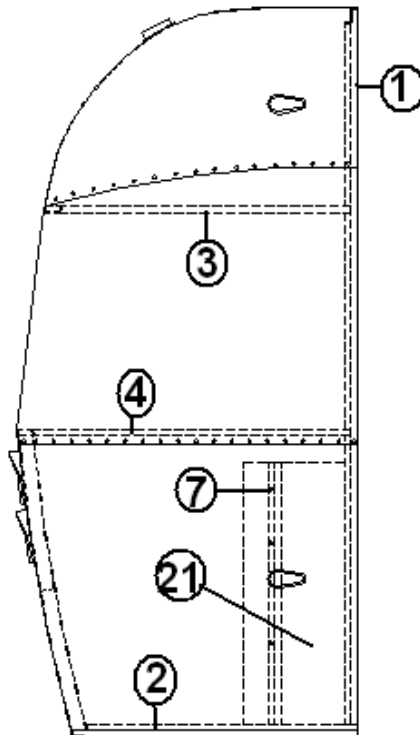
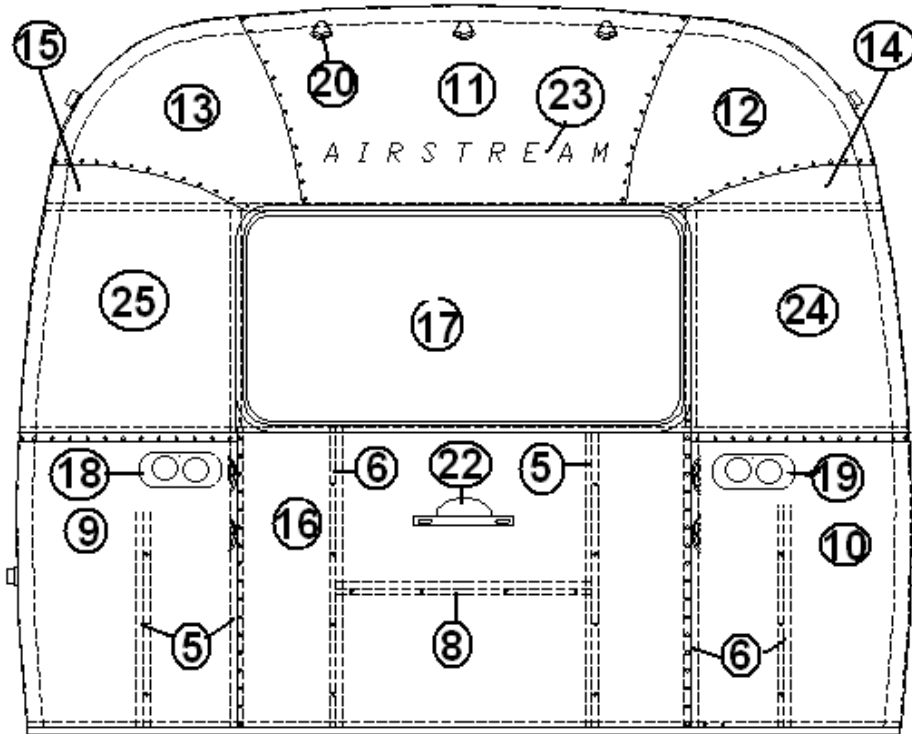
### AFT END, 25' SLEEP SIX

922706	AFT END, 25'
1) 114993	End bow
2) 114676	Floor bow
3) 114678	Upper window bow
4) 114677	Lower window bow
5) 114505-01	Support, lower end, LH
6) 114505-02	Support, lower end, RH
7) 101315	Brace, vertical rear
8) 104408	Z-rib
9) 114888	Segment, center left
10) 114889	Segment, center right
11) 114893	Segment #25
12) 114890	Segment #26
13) 114891	Segment #27
14) 114894	Segment #28
15) 114895	Segment #29
16) 114357-307	Alum. Sheet, .060 x 19.0" x 51.0"
17) 511751	Marker light, tear drop, red
18) 372218-01	Window 21" x 28", egress
19) 100679	Trunk door assembly
20) 500095	Red reflector, rectangular
21) 500053	LIGHT LICENSE PLATE
22) 952696-02	CS tail light assembly
23) 952696-01	RS tail light assembly

# 2007 INTERNATIONAL TRAVEL TRAILER

## EXTERIOR SHELL

AFT END, 25' Front Bed, 27' FB



Part Numbers are on the Next Page

# 2007 INTERNATIONAL TRAVEL TRAILER

## EXTERIOR SHELL

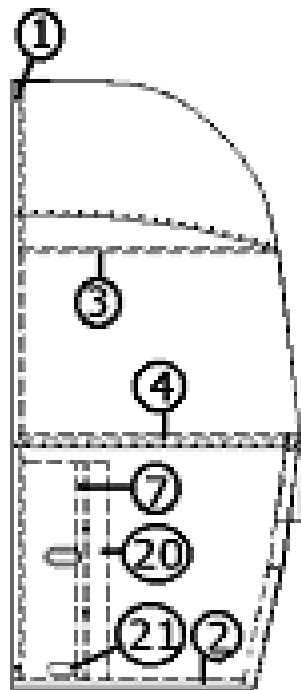
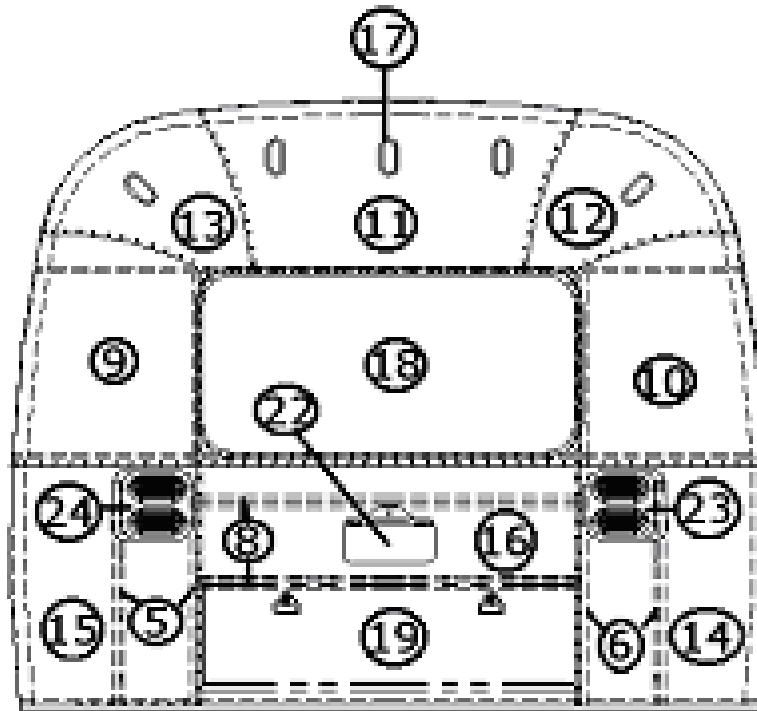
AFT END, 25' Front Bed, 27' FB

921227-02	End shell complete, Aft, 25' FB, 27' FB
1. 114993	End bow
2. 114676	Floor bow
3. 114678	Upper window bow
4. 114677	Lower window bow
5. 114505-01	Support, lower end, LH
6. 114505-02	Support, lower end, RH
7. 101315	Brace, vertical rear
8. 104408	Extrusion rib
9. 114895	Segment #29
10. 114894	Segment #28
11. 114893	Segment #25
12. 114890	Segment #26
13. 114891	Segment #27
14. 114889	Segment, center right
15. 114888	Segment, center left
16. NPN	Alum. sheet, 050 x 41 x 45.25 x 51.0
17. 371346-02	Window, 48.97", front w/panoramic
18. 952696-01	Tail light assembly, RS
19. 952696-02	Tail light assembly, CS
20. 511751	Teardrop light, red
21. 114849-03	Alum. Sheet, 040 x 12.0" x 29.0"
22. 500053	Light and license plate holder
23. 386150	Decal, "AIRSTREAM"
24. 372088-101	Window, panoramic, CS
25. 372089-101	Window, panoramic, RS

# 2007 INTERNATIONAL TRAVEL TRAILER

## EXTERIOR SHELL

AFT END, 28'





# 2007 INTERNATIONAL TRAVEL TRAILER

## EXTERIOR SHELL

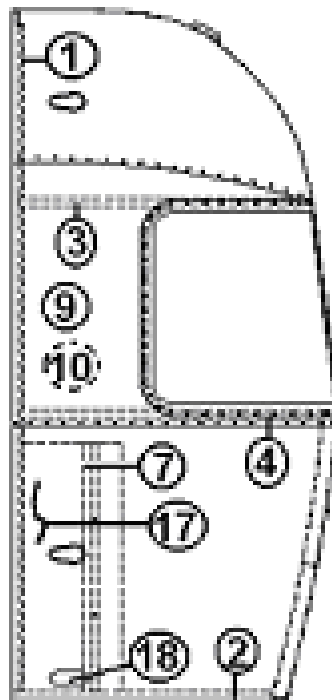
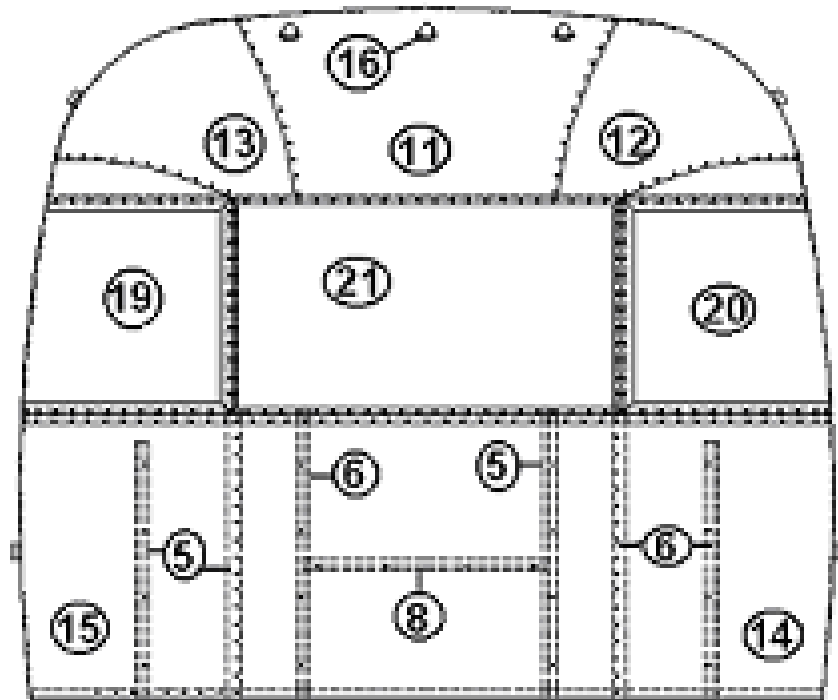
AFT END, 28'

922677	Rear end shell complete
1. 114993	End bow
2. 114676	Floor bow
3. 114678	Upper window bow
4. 114677	Lower window bow
5. 114505-01	Support, lower end, LH
6. 114505-02	Support, lower end, RH
7. 101315	Brace, vertical rear
8. 104408	Z-rib
9. 114888	Segment, center left
10. 114889	Segment, center right
11. 114893	Segment #25
12. 114890	Segment #26
13. 114891	Segment #27
14. 114894	Segment #28
15. 114895	Segment #29
16. 114880-307	Alum. Sheet, .060 x 19.0" x 51.0"
17. 511751	Marker light, tear drop
18. 371348-02	Window, Rear w/ red handles
19. 921159	Trunk door assembly
20. 114362	Alum. Sheet, .060 x28.0"x 8.0", Pewter
21. 500095	Red reflector, rectangular
22. 500053	LIGHT LICENSE PLATE
23. 952696-02	CS tail light assembly Complete
511661	6" Oval LED Taillight
511662	Taillight Trim Ring w/Visor
511664-02	CS Taillight Casting
24. 952696-01	RS tail light assembly Complete
511661	6" Oval LED Taillight
511662	Taillight Trim Ring w/Visor
511664-01	RS Taillight Casting

# 2007 INTERNATIONAL TRAVEL TRAILER

## EXTERIOR SHELL

FRONT END, 16', 19', 22', 23' D



# 2007 INTERNATIONAL TRAVEL TRAILER

## EXTERIOR SHELL

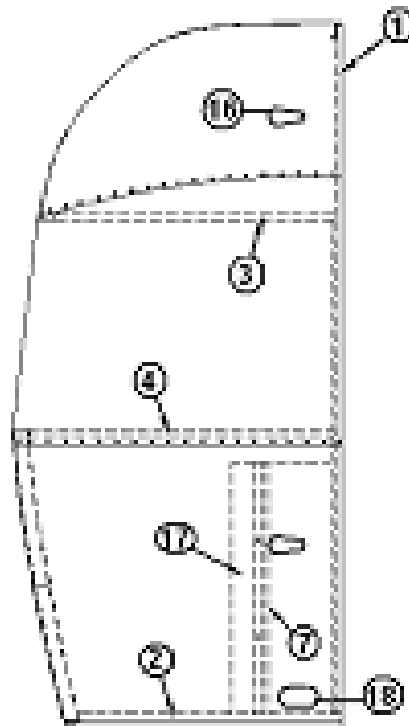
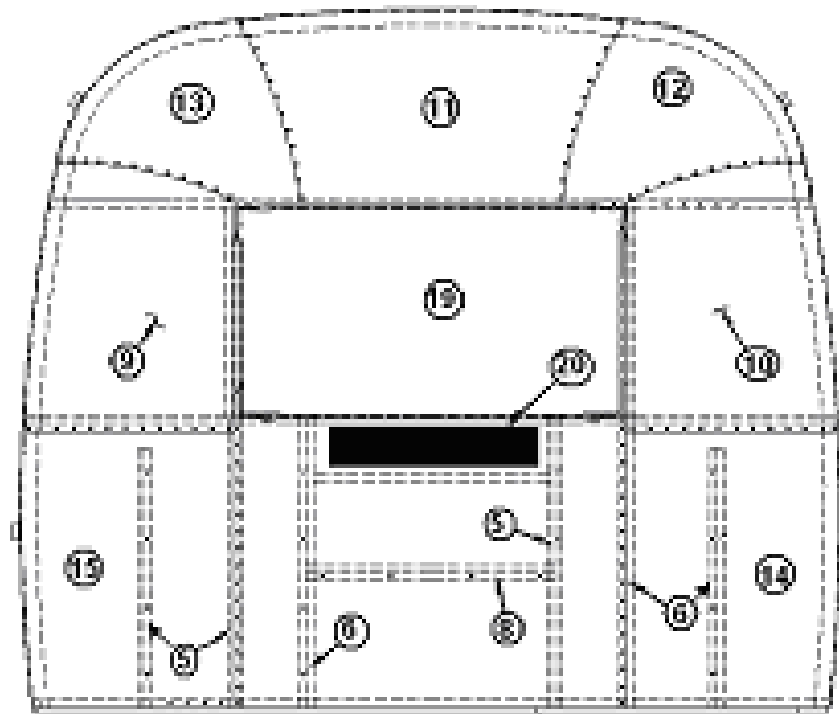
FRONT END, 16', 19', 22', 23' D

922626	Front Shell
1. 114994	Weldment, end bow, NB
2. 104463	Floor bow, captive extrusion
3. 104351	Upper, window bow
4. 104343	Lower, window bow
5. 114505-01	Support, lower end shell, left-hand
6. 114505-02	Support, lower end, right-hand
7. 101315	Brace, vertical rear
8. 104408	Rib bow
9. 114888	Segment, center left, bright
10. 114889	Segment, center right, bright, OPPOSITE SIDE
11. 114892	Segment, #25, NB, bright
12. 114890	Segment, #26, bright
13. 114891	Segment, #27, bright
14. 114894	Segment, #28, bright
15. 114895	Segment, #29, bright
16. 511750	Amber teardrop lights
17. 114849-03	Aluminum sheet, 060 x 12.00" x 29.00"
18. 500096	Reflector, amber
19. 372089-101	CS front panoramic window
20. 372088-101	RS front panoramic window
21. 371328	Front window,
21. 371328-100	Front window glass only

# 2007 INTERNATIONAL TRAVEL TRAILER

## EXTERIOR SHELL

Front End, 19', 75<sup>th</sup> Anniversary



# 2007 INTERNATIONAL TRAVEL TRAILER

## EXTERIOR SHELL

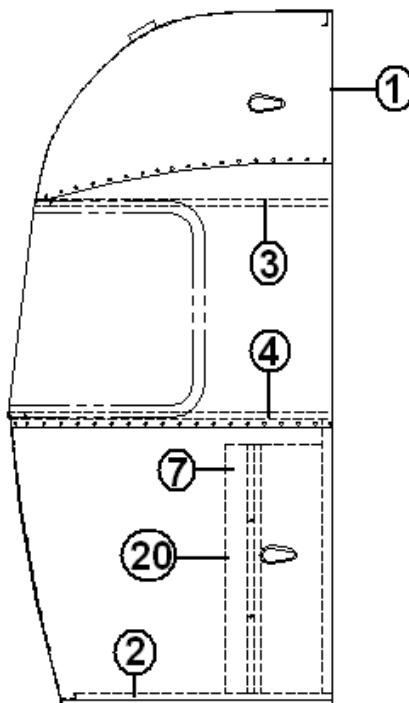
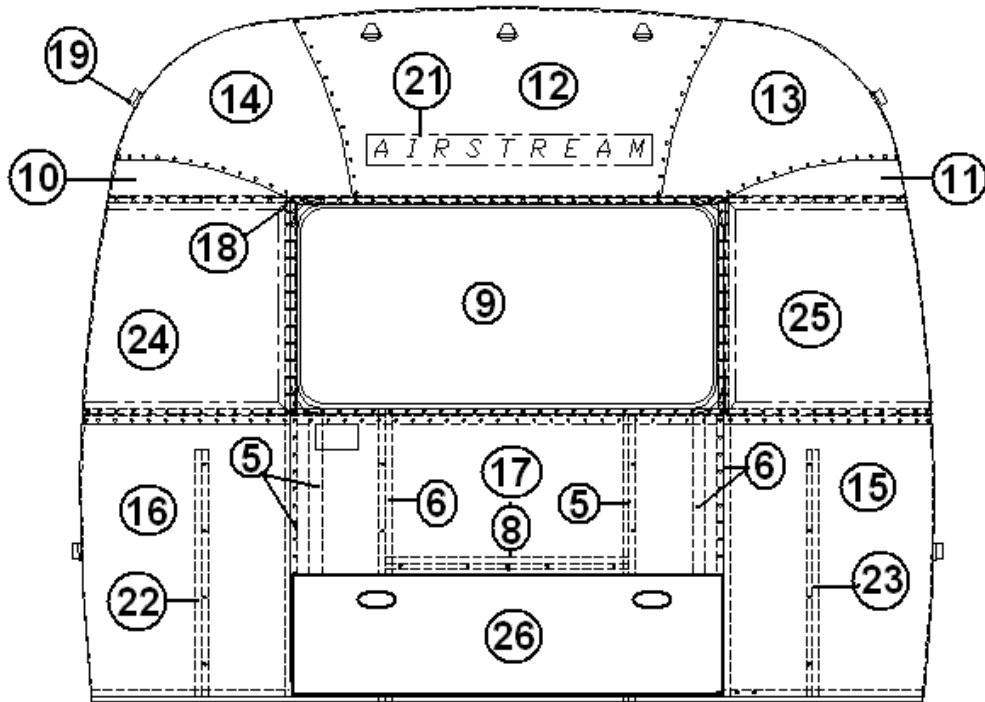
### Front End, 19', 75<sup>th</sup> Anniversary

964512	Front End Shell, 19',
1. 114994	Weldment, end bow, NB
2. 104463	Floor bow, captive extrusion
3. 104351	Upper, window bow
4. 104343	Lower, window bow
5. 114505-01	Support, lower end shell, left-hand
6. 114505-02	Support, lower end, right-hand
7. 101315	Brace, vertical rear
8. 104408	Rib bow
9. 114888	Segment, center left, bright
10. 114889	Segment, center right, bright, OPPOSITE SIDE
11. 114892	Segment, #25, NB, bright
12. 114890	Segment, #26, bright
13. 114891	Segment, #27, bright
14. 114894	Segment, #28, bright
15. 114895	Segment, #29, bright
16. 511750	Amber teardrop lights
17. 114849-03	Aluminum sheet, 060 x 12.00" x 29.00"
18. 500096	Reflector, amber
19. 371328	WINDOW FRONT DARK GLASS
20. 453629	HAT SECTION-DINETTE TABLE SUPPORT

# 2007 INTERNATIONAL TRAVEL TRAILER

## EXTERIOR SHELL

Front End Shell, 25' FB



Part Numbers are on the Next Page

# 2007 INTERNATIONAL TRAVEL TRAILER

## EXTERIOR SHELL

### Front End Shell, 25' FB

921240	Front Shell 25', Front Bed
921240-01	Front Shell 25', Front Bed w/Panoramic Windows
1. 114993	End bow
2. 114676	Floor bow
3. 114678	Upper window bow
4. 114677	Lower window bow
5. 114505-01	Support, lower end, LH
6. 114505-02	Support, lower end, RH
7. 101315	Brace, vertical rear
8. 104408	Z-rib
9. 371348-03	Window, front, rounded corners
9. 371346-02	Window, front, w/panoramic windows
10. 114888	Segment, center left
11.114889	Segment, center right
12.114893	Segment #25
13.114890	Segment #26
14.114891	Segment #27
15.114894	Segment #28
16.114895	Segment #29
17.101115	Alum. sheet, .060" x 41.00" x 51"
18.115316	Aluminum angle, end shell insert
19.511750	Marker light teardrop, red/chrome
20.114829-03	Aluminum sheet, Pewter, 26" x 8"
21.386150	Logo, "Airstream"
22.101315-01	Brace, rear vertical, LH
23.101315-02	Brace, rear vertical, RH
24.372089-101	Panoramic window, CS front
25.372088-101	Panoramic window, RS front
26.*922711	DOOR ASSEMBLY, TRUNK

\* Twin bed option only.





# 2007 INTERNATIONAL TRAVEL TRAILER

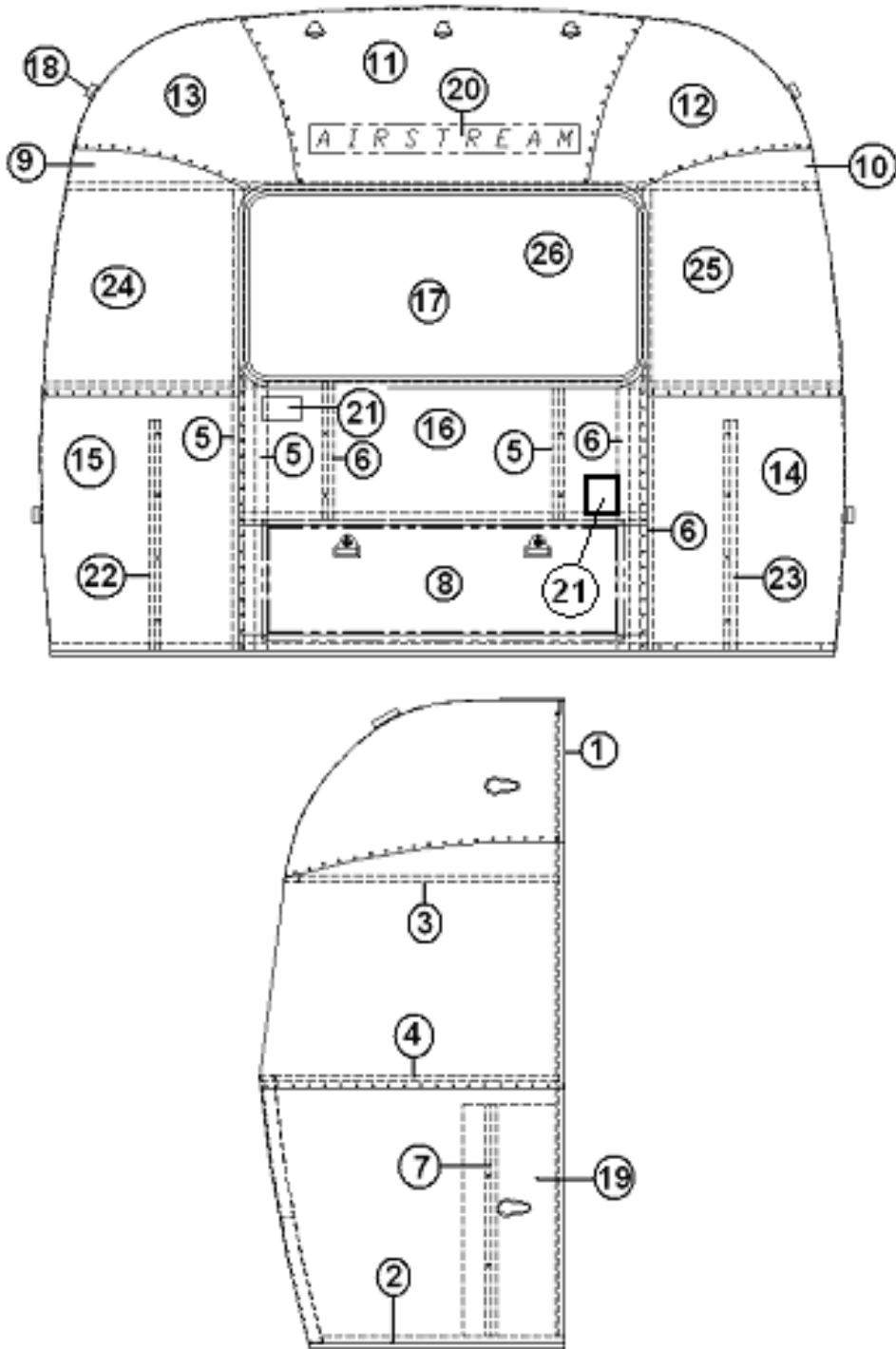
## EXTERIOR SHELL

Front End, 25' Sleep Six, 28'

922676	Front end shell
1. 114993	End bow
2. 114676	Floor bow
3. 114678	Upper window bow
4. 114677	Lower window bow
5. 114505-01	Support, lower end, LH
6. 114505-02	Support, lower end, RH
7. 101315	Brace, vertical rear
8. 104408	Z-rib
9. 114888	Segment, center left
10. 114889	Segment, center right
11. 114893	Segment #25
12. 114890	Segment #26
13. 114891	Segment #27
14. 114894	Segment #28
15. 114895	Segment #29
16. 101115	Alum. sheet, .060" x 41.00" x 51"
17. 511750	Marker light teardrop, red/chrome
18. 114849-03	Aluminum sheet, Pewter 26" x 8"
19. 500096	Reflector, amber
20. 372089-101	Panoramic window, CS front
21. 372088-101	Panoramic window, RS front
22. 511750	Amber teardrop lights.
23. 371346-02	WINDOW, 48.97" Front/Rear End

# 2007 INTERNATIONAL TRAVEL TRAILER EXTERIOR SHELL

Front End, 27' FB



Part Numbers are on the Next Page

# 2007 INTERNATIONAL TRAVEL TRAILER

## EXTERIOR SHELL

### Front End, 27' FB

921244	End shell, front 27' FB
921244-01	End shell, front w/Panoramic Windows, 27' FB
1. 114993	WELDMENT ZERO BOW "WB"
2. 114676	BOW FLOOR ALTERED
3. 114678	BOW UP WINDOW ALTERED
4. 114677	BOW LOWER WINDOW ALTERED
5. 114505-01	SUPPORT LOWER END SHELL LH
6. 114505-02	SUPPORT LOWER END RH
7. 101315	BRACE VERTICAL REAR
8. 922711	Trunk door assembly
9. 114888	SEGMENT-CENTER LEFT "BRIGHT"
10. 114889	SEGMENT-CENTER RIGHT "BRIGHT"
11. 114893	SEGMENT-#25 WIDE BODY "BRIGHT"
12. 114890	SEGMENT-#26 "BRIGHT"
13. 114891	SEGMENT-#27 "BRIGHT"
14. 114894	SEGMENT-#28 "BRIGHT"
15. 114895	SEGMENT-#29 "BRIGHT"
16. 114880-307	ALUMINUM, .040" X 51" X 307"
17. 371348-03	Window, 49.63 x 24.19", Silver handles
18. 511750	MARKERLIGHT-AMBER TEARDROP
19. 114849-03	ALUMINUM, .060 26"W X 8' GRAY
20. 386150	AIRSTREAM LOGO, BLACK
21. 511416-02	Power inlet, generator prep, (Optional)
22. 101315-01	Vertical brace, LH
23. 101315-02	Vertical brace, RH

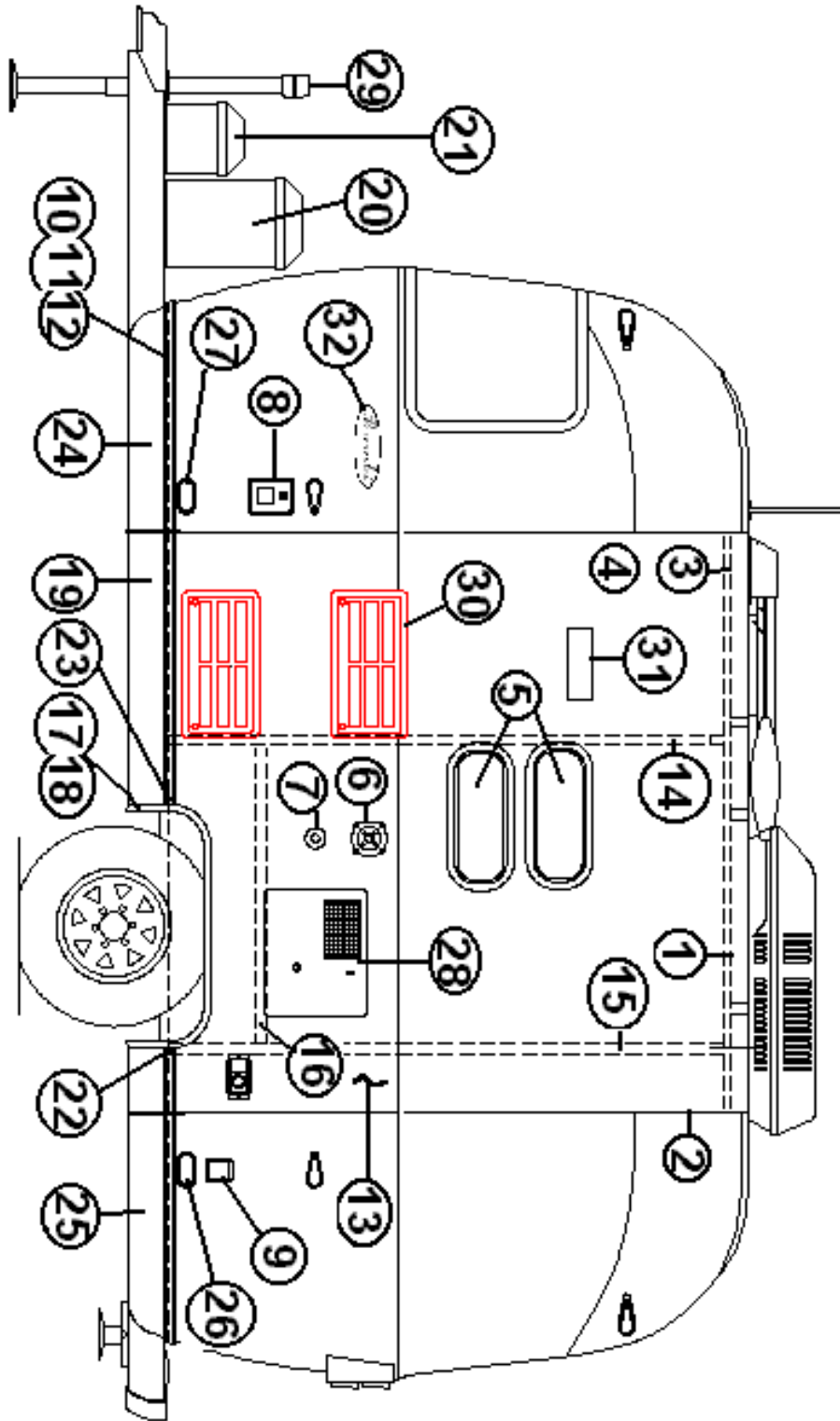
### Panoramic Window Option

24. 372089-101	Panoramic window, CS front
25. 372088-101	Panoramic window, RS front
26. 371346-02	WINDOW, 48.97" Front/Rear End

# 2007 INTERNATIONAL TRAVEL TRAILER

## EXTERIOR SHELL

Roadside Wall, 16'



# 2007 INTERNATIONAL TRAVEL TRAILER

## EXTERIOR SHELL

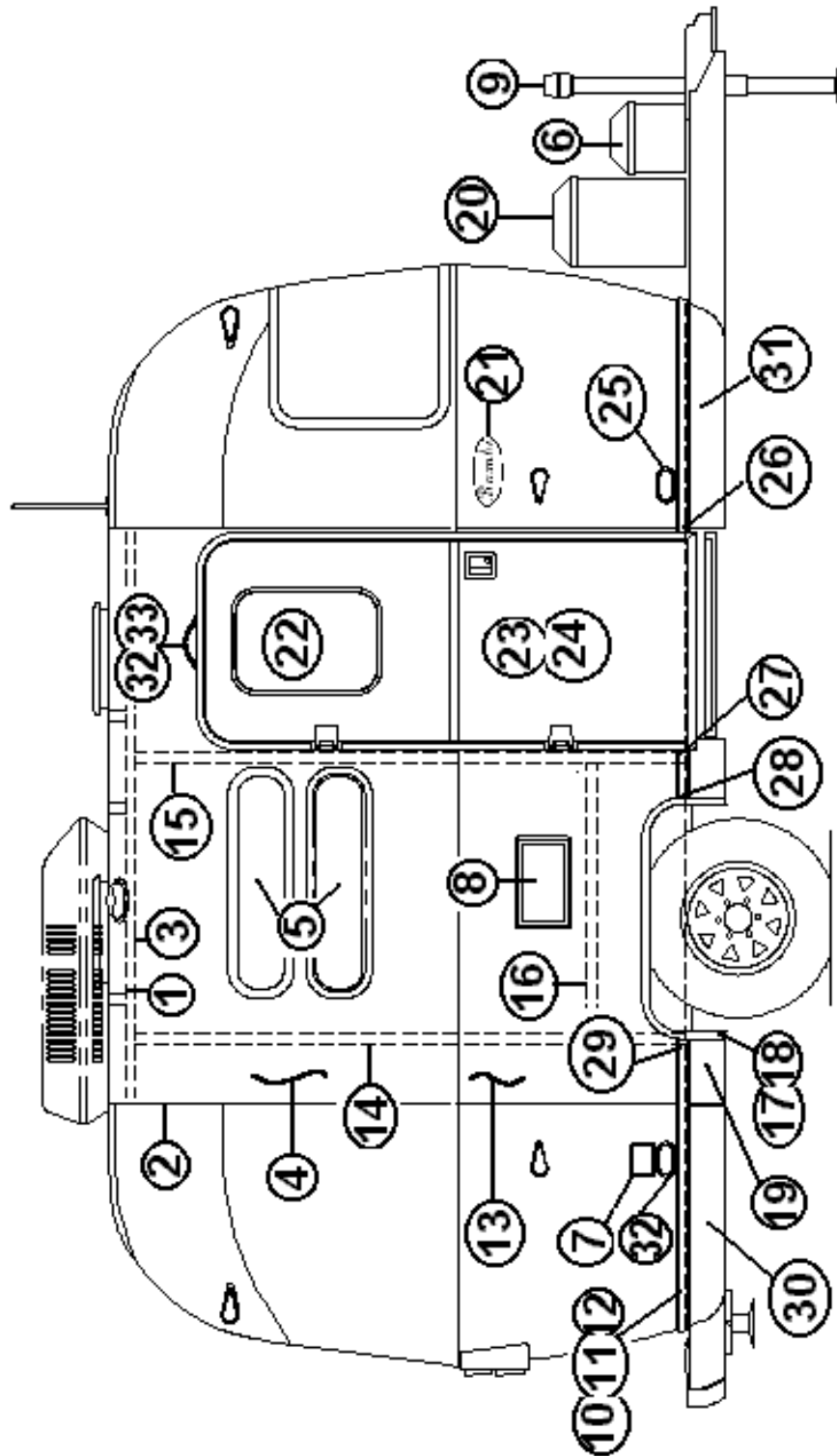
Roadside Wall, 16'

1. 114290-02 Extrusion, awning/drip rail
2. 114994 Rib, end bow
3. 104707-05 Extrusion, "I" beam
4. 114880-262 Aluminum sheet, .040 x 51 x 262"
5. 371269-01 Window, 18" stacked
6. 601392-05 City water hook up, chrome
7. 601441 SYSTEM, TANK FLUSH
8. 601194 WATER FILL W/LOCK, GRAY, W/LABEL
9. 511416-02 POWER INLET, 30A, 125V, MALE
10. 114460 Extrusion, rub rail
11. 201763-01 Insert, rub rail, chrome, 1"
12. 100986 Floor channel
13. 114879-262 Aluminum sheet, .040 x 33 x 262"
14. 114387-02 Bow, Z rib, LH
15. 114387-01 Bow, Z rib, RH
16. 100986 Wheel well stiffener (floor channel)
17. 114003-03 Wheel well trim, inner, single axle
18. 114004-03 Wheel well trim, outer, single axle
19. 203304 ROLL, UNDERBELLY, BLACK PLASTIC
20. 915778 COVER ASSY, LP BOTTLE
21. 511595 Battery box
22. 114466-01 Casting, rub rail end, wheel well, RH
23. 114466-02 Casting, rub rail end, wheel well, LH
24. 203303-01 BANANA WRAP BLACK RS FRONT
25. 203303-02 BANANA WRAP, BLACK RS REAR
26. 500095 Reflector, red, rectangular
27. 500096 Reflector, amber
28. 690209 BRUSHED ALUM ACCESS COVER
29. 400961 Jack, power
30. 690470-01 VENT-REFER-PLASTIC RADIUS CORNER
- 30a. 115038-01 Vent jamb
31. 511017-11 EXTERIOR VENT GRAY
32. 386125 NAMEPLATE, BAMBI, RED-WHITE-BLUE

# 2007 INTERNATIONAL TRAVEL TRAILER

## EXTERIOR SHELL

Curbside Wall, 16'



# 2007 INTERNATIONAL TRAVEL TRAILER

## EXTERIOR SHELL

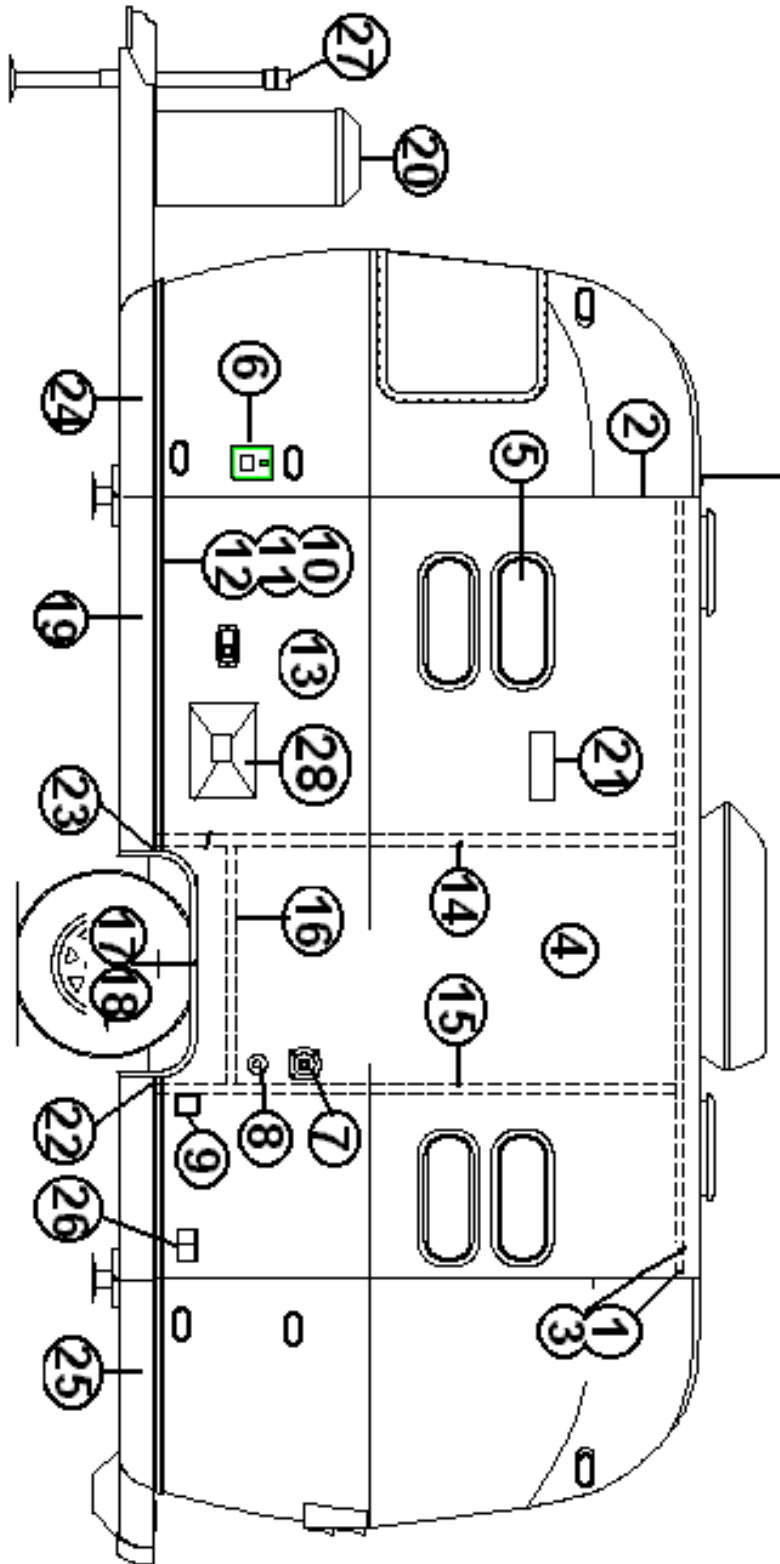
Curbside Wall, 16'

1. 114290-02 Extrusion, awning/drip rail
2. 114994 Rib, end bow
3. 104707-05 Extrusion, "I" beam
4. 114880-262 Aluminum sheet, .040 x 51 x 262"
5. 371270-01 WINDOW 30" STACK
6. 511595 Battery box
7. 510676-01 OUTLET, EXTERIOR, 120 VOLT, GR
8. 381766 HATCH, WATER SERVICE, 7.75" X 12.63"
9. 400961 Jack, power
10. 114460 Extrusion, rub rail
11. 201763-01 Insert, rub rail, chrome, 1"
12. 100986 Floor channel
13. 114879-262 Aluminum sheet, .040 x 33 x 262"
14. 114387-01 Bow, Z rib, RH
15. 114387-02 Bow, Z rib, LH
16. 100986 Wheel well stiffener (floor channel)
17. 114003-03 Wheel well trim, inner, single axle
18. 114004-03 Wheel well trim, outer, single axle
19. 203304 ROLL, UNDERBELLY, BLACK PLASTIC
20. 915778 COVER ASSY-LP BOTTLE
21. 386125 NAMEPLATE, BAMBI, RED-WHITE-BLUE
22. 371400-01 WINDOW-MAIN DOOR
23. 115207-04 Main door assembly
24. 114654 Screen door assembly
25. 114652 Jamb, main door, pre-formed
26. 114465-01 Casting, rub rail end, door, RH
27. 114465-02 Casting, rub rail end, door, LH
28. 114466-01 Casting, rub rail end, wheel well, RH
29. 114466-02 Casting, rub rail end, wheel well, LH
30. 203303-01 BANANA WRAP BLACK CS REAR
31. 203303-02 BANANA WRAP, BLACK CS FRONT
32. 101323 CASTING, ALUMINUM STEP, LIGHT POLISHED
33. 201185 LENS STEP LIGHT

# 2007 INTERNATIONAL TRAVEL TRAILER

## EXTERIOR SHELL

Roadside Wall, 19'





# 2007 INTERNATIONAL TRAVEL TRAILER

## EXTERIOR SHELL

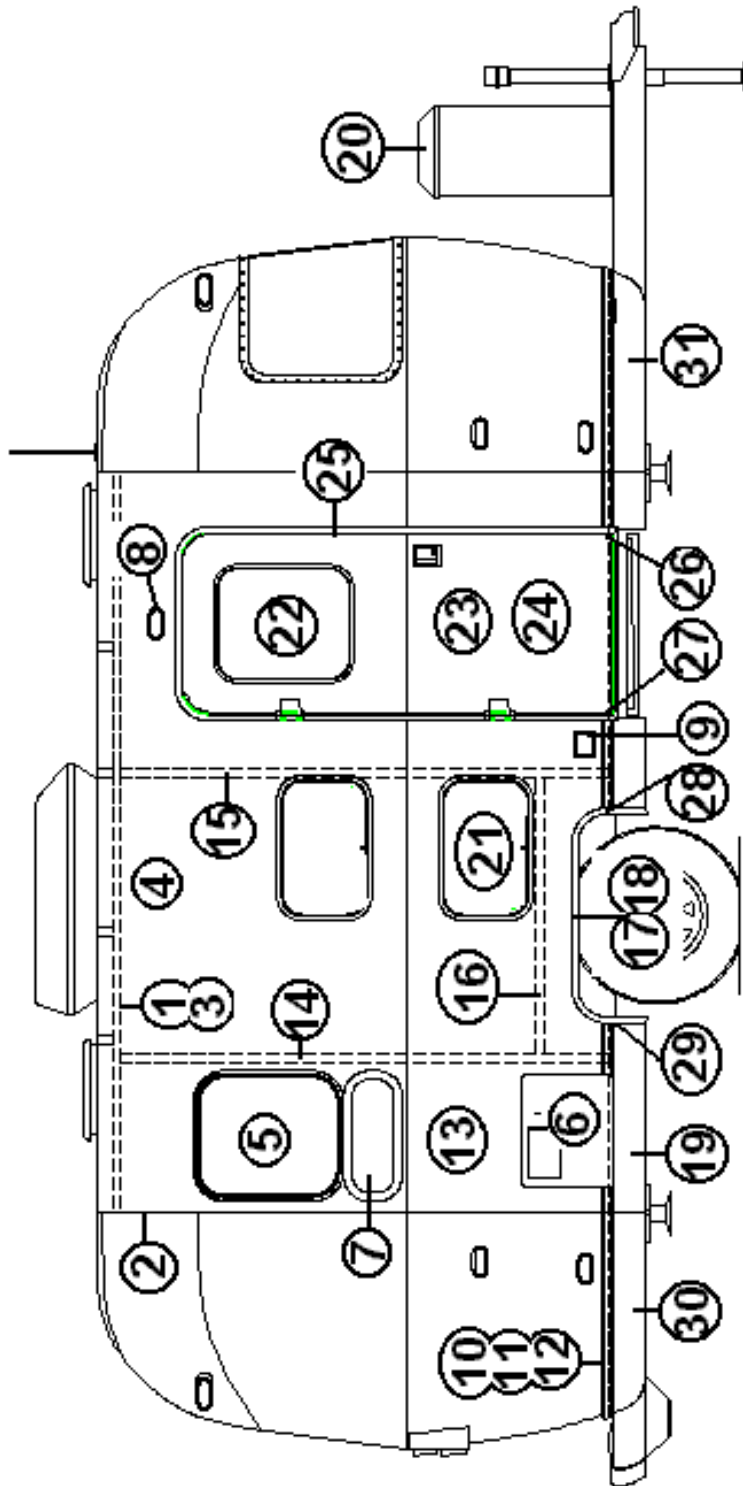
### Roadside Wall, 19'

1. 114290-02 Extrusion, awning/drip rail
2. 114994 Rib, end bow
3. 104707-05 Extrusion, "I" beam
4. 114880-238 Aluminum sheet, upper, .040 x 51" x 238"
5. 371269-01 Window, 18" stacked
6. 601194 Water fill w/lock, gray
- 6a. 381647 CH 751 Key only
7. 601392-05 City water hook-up
8. 601441 SYSTEM, TANK FLUSH
9. 511416-02 Power inlet, 30 amp.
10. 114460 Extrusion, rub rail
11. 201763-01 Insert, rub rail, chrome, 1"
12. 100986 Floor channel
13. 114880-238 Aluminum sheet, lower, .040 x 33" x 238"
14. 114387-02 Bow, Z rib, LH
15. 114387-01 Bow, Z rib, RH
16. 100986 Wheel well stiffener (floor channel)
17. 114003-04 Wheel well trim, inner, single axle
18. 114004-04 Wheel well trim, outer, single axle
19. 101131-01 Underbelly wrap, .024 x 22.5, pewter
20. 921232 Cover, 30# LPG bottles
21. 511017-11 Vent cover, range exhaust
22. 114466-01 Casting, rub rail end, wheel well, RH
23. 114466-02 Casting, rub rail end, wheel well, LH
24. 203251-01 Banana wrap, RS front
25. 203251-03 Banana wrap, RS rear
- 26a. 104619 Mounting plate, telephone & TV jack
- 26b. 510624-01 Modular phone quick jack, white
27. 400961 Jack, power
28. 601876 Shower, exterior

# 2007 INTERNATIONAL TRAVEL TRAILER

## EXTERIOR SHELL,

Curbside Wall, 19'



# 2007 INTERNATIONAL TRAVEL TRAILER

## EXTERIOR SHELL

Curbside Wall, 19'

1. 114290-02 Extrusion, awning/drip rail
2. 114994 Rib, end bow
3. 104707-05 Extrusion, "I" beam
4. 114880-238 Aluminum sheet, upper, .040 x 51 x 228"
5. \*371323-01 Window, 18" opening
6. 690259-03 Cover and mounting flange, Atwood
7. \*371269-01 Window, 18" stacked
8. 101323 Casting, step light, polished
8. 201185 Lens, step light
9. 511416-02 30-amp, male power inlet
10. 114460 Extrusion, rub rail
11. 201763-01 Insert, rub rail, chrome, 1"
12. 100986 Floor channel
13. 114879-238 Aluminum sheet, lower, .040 x 33 x 238"
14. 114387-02 Bow, Z rib, LH
15. 114387-01 Bow, Z rib, RH
16. 100986 Wheel well stiffener (floor channel)
17. 114003-04 Wheel well trim, inner, single axle
18. 114004-04 Wheel well trim, outer, single axle
19. 101131-01 Underbelly wrap, .024 x 22.5, pewter
20. 921232 Cover, 30# LPG bottles
21. 922243 Door assembly, refrigerator assess
22. 371400-01 WINDOW-MAIN DOOR
23. 115207-04 Main door assembly
24. 114654 Screen door assembly
25. 114652 Jamb, main door, pre-formed
26. 114465-01 Casting, rub rail end, door, RH
27. 114465-02 Casting, rub rail end, door, LH
28. 114466-01 Casting, rub rail end, wheel well, RH
29. 114466-02 Casting, rub rail end, wheel well, LH
30. 203251-04 Banana wrap, CS rear
31. 203251-02 Banana wrap, CS front

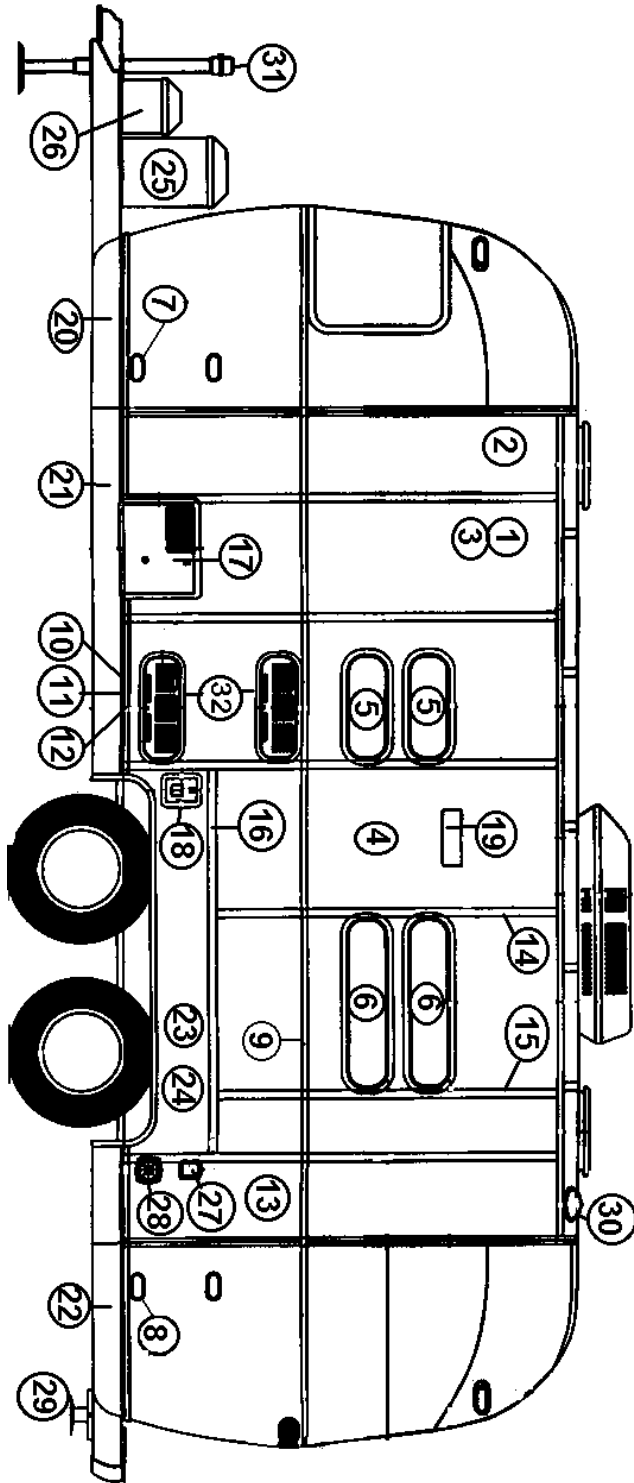
\*Bunk option replaces items 5 and 7 with:

371286-01 18" x 30' Fixed window

# 2007 INTERNATIONAL TRAVEL TRAILER

## EXTERIOR SHELL

Roadside Wall, 22'



PN Next Page

# 2007 INTERNATIONAL TRAVEL TRAILER

## EXTERIOR SHELL

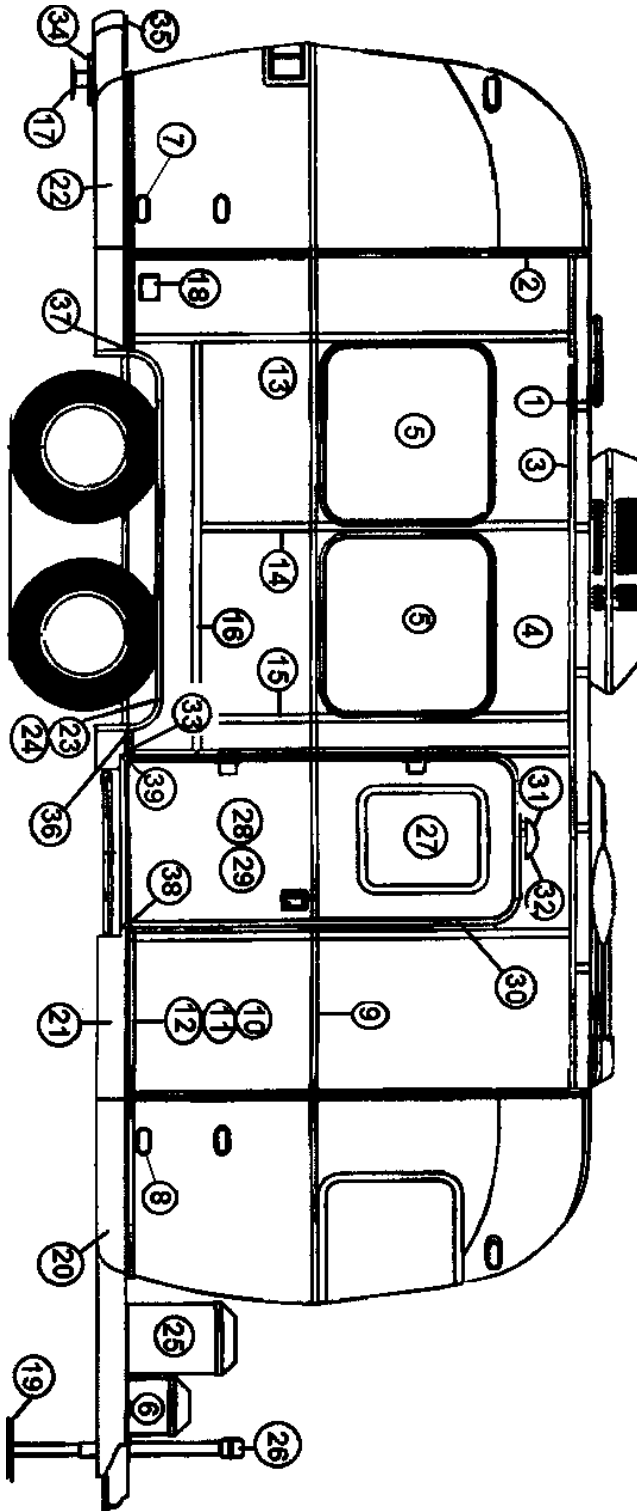
Roadside Wall, 22'

- |                |  |
|----------------|--|
| 1. 114290-03   | Extrusion, awning/drip rail            |
| 2. 114994      | Rib, end bow                           |
| 3. 104707-01   | Extrusion, "I" beam                    |
| 4. 114880-198  | Alum, sheet, upper, .040" x 51" x 198" |
| 5. 371269-01   | Window, 18" fixed window               |
| 6. 371270-01   | Window, 30", fixed window              |
| 7. 500096      | REFLECTOR, AMBER                       |
| 8. 500095      | REFLECTOR RED                          |
| 9. 100034      | "Z" bar, 48"                           |
| 10. 114460     | Extrusion, rub rail                    |
| 11. 201763-01  | Insert, rub rail, chrome, 1"           |
| 12. 100986     | Floor channel                          |
| 13. 114879-198 | Alum. sheet, lower, .040" x 33" x 198" |
| 14. 114387-01  | Bow, Z rib, RH                         |
| 15. 114387-02  | Bow, Z rib, LH                         |
| 16. 100986     | Wheel well stiffener (floor channel)   |
| 17. 690209     | Access door, Atwood water heater       |
| 18. 601194     | water heater exterior door, Atwood     |
| 19. 511017-11  | Vent cover, exterior range exhaust     |
| 20. 203303-01  | Banana wrap, RS front                  |
| 21. 203304     | ROLL, UNDERBELLY, BLACK PLASTIC        |
| 22. 203303-02  | Banana, rear corner, RS                |
| 23. 114004-02  | Wheel well trim, outer, tandem axle    |
| 24. 114003-02  | Wheel well trim, inner, tandem axle    |
| 25. 921234     | Bottle cover, LP                       |
| 26. 511595     | Battery box                            |
| 27. 511416-02  | 30-amp, male power inlet               |
| 28. 601392-05  | City water hook-up, chrome w/regulator |
| 29. 400914-03  | Stabilizer jack, 20"                   |
| 29a. 400914-02 | Handle, stabilizer jack                |
| 30. 690266-01  | Bath power ventilator                  |
| 31. 400961     | POWER JACK                             |
| 32. 690470-01  | Vent, sidewall, refrigerator access    |
| 32a. 115038-01 | Door Jamb                              |

# 2007 INTERNATIONAL TRAVEL TRAILER

## EXTERIOR SHELL

Curbside Wall, 22'



PN Next Page

# 2007 INTERNATIONAL TRAVEL TRAILER

## EXTERIOR SHELL

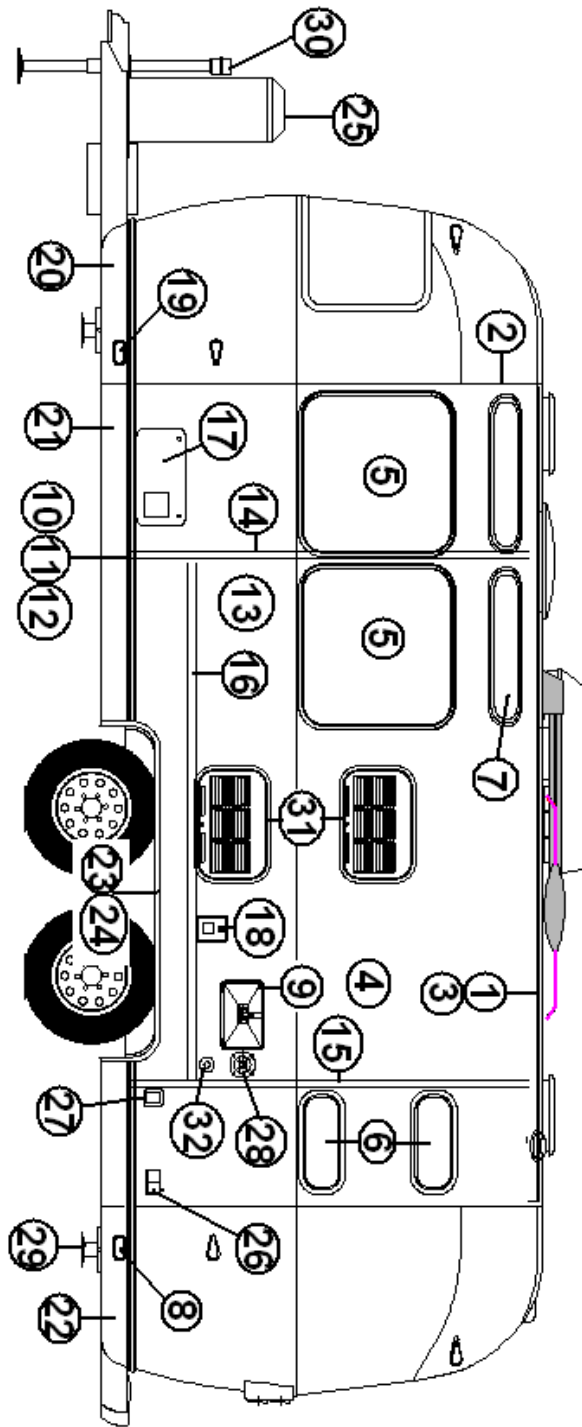
### Curbside Wall, 22'

1. 114290-03 Extrusion, awning/drip rail
2. 114994 Rib, end bow
3. 104707-05 Extrusion, "I" beam
4. 114880-198 Window sheet, .040" x 51" x 198"
5. 371380 Window, Tall, 30"opening
6. 511595 Battery box
7. 500096 REFLECTOR, AMBER
8. 500095 REFLECTOR RED
9. 100034 "Z" bar 48"
10. 114460 Extrusion, rub rail
11. 201763-01 Insert, rub rail, chrome, 1"
12. 100986 Floor channel
13. 114879-198 Side sheet, .040" x 33" x 198"
14. 114387-01 Bow, Z rib, RH
15. 114387-02 Bow, Z rib, LH
16. 100986 Wheel well stiffener (floor channel)
17. 400914-02 Handle, stabilizer jack
18. 510676-01 Outlet, exterior 110 volt, gray
19. 410598 Super Jack footpad
20. 203303-02 Banana wrap, CS front
21. 203304 ROLL, UNDERBELLY, BLACK PLASTIC
22. 203303-01 Banana wrap, CS rear
23. 114004-02 Wheel well trim, outer, tandem axle
24. 114003-02 Wheel well trim, inner, tandem axle
25. 921234 Bottle cover, LP
26. 400961 POWER JACK
27. 371400-01 Window, main door
28. 115207-04 Main door assembly
29. 114654 Screen door assembly
30. 114652 Main door jamb, formed
31. 101323 Casting, main door light
32. 201185 Lens, main door light
33. 114465-02 Close out rub rail, LH
34. 400914-03 Stabilizer jack, 20"
35. 410847 Bumper, polished
36. 114466-01 Casting, rub rail end, wheel well, RH
37. 114466-02 Casting, rub rail end, wheel well, LH
38. 114465-01 Close out rub rail, RH
39. 114465-02 Close out rub rail, LH

# 2007 INTERNATIONAL TRAVEL TRAILER

## EXTERIOR SHELL

Roadside Wall, 23' D



Part Numbers on the next page



# 2007 INTERNATIONAL TRAVEL TRAILER

## EXTERIOR SHELL

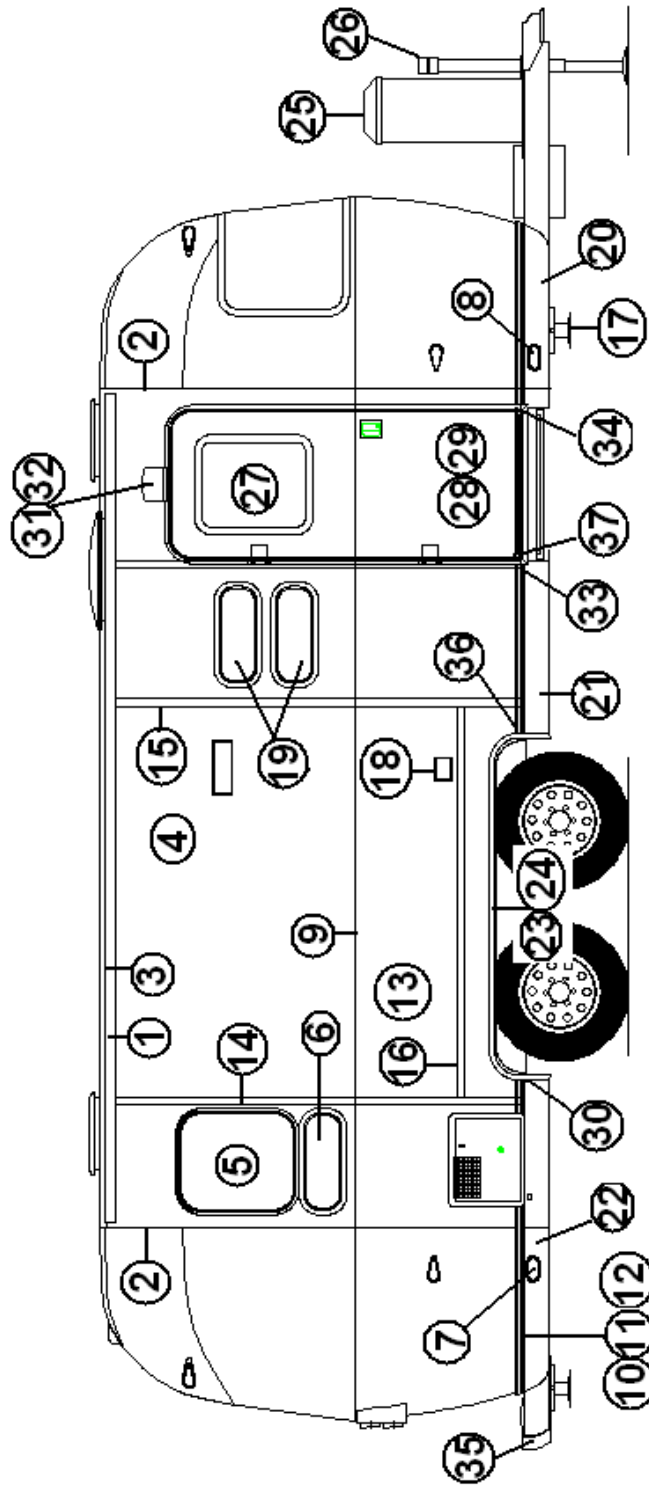
### Roadside Wall, 23' D

1. 114290-01 Extrusion, awning/drip rail
2. 114994 Rib, end bow
3. 104707-01 Extrusion, "I" beam
4. 114880-201 Alum, sheet, upper, .040" x 51" x 201"
5. 371380 Window, 30" tall
6. 371269-01 Window, 18" fixed window
7. 922770-02 Vista View window, 30"
8. 500095 REFLECTOR RED
9. 601876 Shower, exterior
10. 114460 Extrusion, rub rail
11. 201763-01 Insert, rub rail, chrome, 1"
12. 100986 Floor channel
13. 114879-201 Alum. sheet, lower, .040" x 33" x 201"
14. 114387-01 Bow, Z rib, RH
15. 114387-02 Bow, Z rib, LH
16. 100986 Wheel well stiffener (floor channel)
17. 690274-09 Cover, Hydroflame furnace
18. 601194 Water fill, exterior
19. 500096 REFLECTOR, AMBER
20. 203303-01 Banana wrap, RS front
21. 203304 ROLL, UNDERBELLY, BLACK PLASTIC
22. 203303-02 Banana, rear corner, RS
23. 114004-02 Wheel well trim, outer, tandem axle
24. 114003-02 Wheel well trim, inner, tandem axle
25. 921232 Bottle cover, LP
26. 104619 MTG. PLATE, TELEPHONE & TV JACK
26. 510616 F CONNECTOR, COAX, 75 OHM
26. 511375 JACK MODULAR TELEPHONE
27. 511416-02 30-amp, male power inlet
28. 601392-05 City water hook-up, chrome w/regulator
29. 400914-03 Stabilizer jack, 20"
- 29a. 400914-02 Handle, stabilizer jack
30. 400961 POWER JACK
31. 690470-01 Vent, sidewall, refrigerator access
- 31A, 115038-01 Door Jamb
32. 601441 Black tank flush system

# 2007 INTERNATIONAL TRAVEL TRAILER

## EXTERIOR SHELL

Curbside Wall, 23' D



Part Numbers on the next page

# 2007 INTERNATIONAL TRAVEL TRAILER

## EXTERIOR SHELL

Curbside Wall, 23' D

1. 114290-01 Extrusion, awning/drip rail
2. 114994 Rib, end bow
3. 104707-01 Extrusion, "I" beam
4. 114880-201 Window sheet, .040" x 51" x 1201"
5. \*371323-01 Window, 18", opening window
6. \*371269-01 Window, 18" stacked
7. 500096 REFLECTOR, AMBER
8. 500095 REFLECTOR RED
9. 100034 "Z" bar 48"
10. 114460 Extrusion, rub rail
11. 201763-01 Insert, rub rail, chrome, 1"
12. 100986 Floor channel
13. 114879-201 Side sheet, .040" x 33" x 201"
14. 114387-01 Bow, Z rib, RH
15. 114387-02 Bow, Z rib, LH
16. 100986 Wheel well stiffener (floor channel)
17. 400914-03 Stabilizer jack, 20"
17. 400914-02 Handle, stabilizer jack
18. 510676-01 Outlet, exterior 110 volt, gray
19. 371269-01 Window, 18" stacked
20. 203303-02 Banana wrap, CS front
21. 203304 ROLL, UNDERBELLY, BLACK PLASTIC
22. 203303-01 Banana wrap, CS rear
23. 114004-02 Wheel well trim, outer, tandem axle
24. 114003-02 Wheel well trim, inner, tandem axle
25. 921232 Bottle cover, LP
26. 400961 POWER JACK
26. 410598 FOOT PAD, POWER JACK
27. 371400-01 Window, main door
28. 115207-04 Main door assembly
29. 114654 Screen door assembly
30. 114466-02 Casting, rub rail end, wheel well, LH
31. 101323 Casting, main door light
32. 201185 Lens, main door light
33. 114465-02 Close out rub rail, LH
34. 114465-01 Close out rub rail, RH
35. 410932 Bumper, polished
36. 114466-01 Casting, rub rail end, wheel well, RH
37. 114466-02 Casting, rub rail end, wheel well

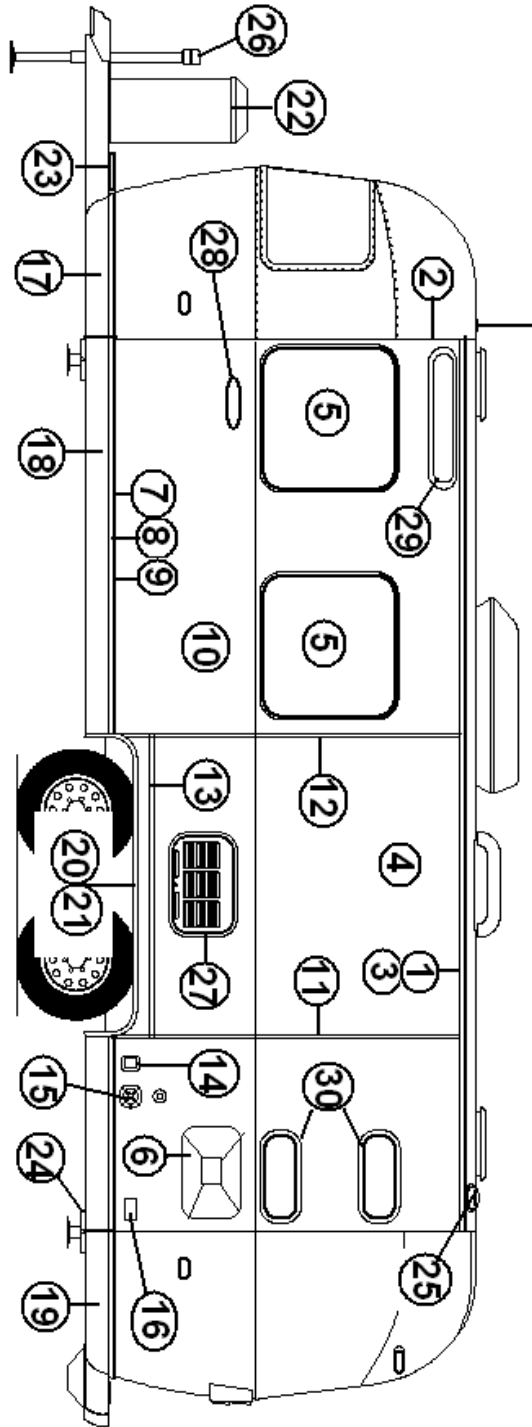
\*Bunk option replaces items 5 and 6 with:

- 371286-01 18" x 30' Fixed window

# 2007 INTERNATIONAL TRAVEL TRAILER

## EXTERIOR SHELL

Roadside Wall, 25' SLEEP SIX



PN Next Page

# 2007 INTERNATIONAL TRAVEL TRAILER

## EXTERIOR SHELL

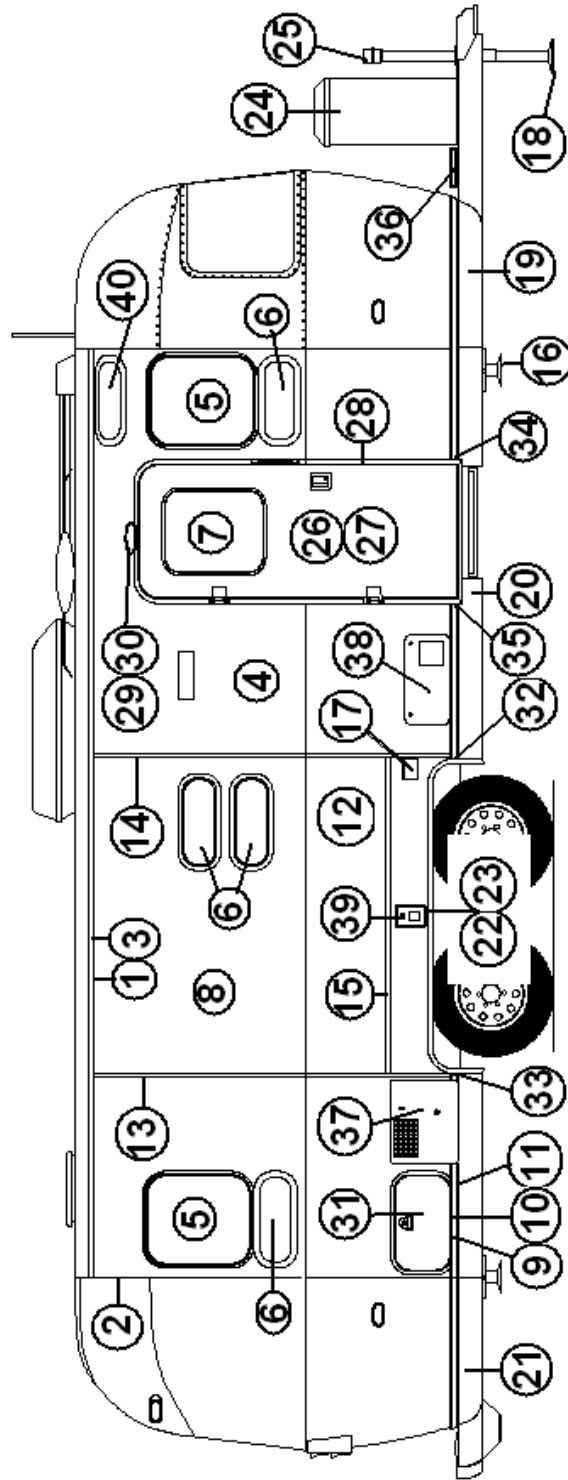
### Roadside Wall, 25' SLEEP SIX

- |                |  |
|----------------|--|
| 1. 114290-01   | Extrusion, awning/drip rail            |
| 2. 114993      | Rib, end bow                           |
| 3. 104707-01   | Extrusion, "I" beam                    |
| 4. 114880-201  | Alum, sheet, upper, .040" x 51" x 201" |
| 5. 371380      | Window, opening, 30" tall              |
| 6. 601876      | Shower, exterior white                 |
| 7. 114460      | Extrusion, rub rail                    |
| 8. 201763-01   | Insert, rub rail, chrome, 1"           |
| 9. 100986      | Floor channel                          |
| 10. 114879-201 | Alum. sheet, lower, .040" x 33" x 201" |
| 11. 114387-01  | Bow, Z rib, RH                         |
| 12. 114387-02  | Bow, Z rib, LH                         |
| 13. 100986     | Wheel well stiffener (floor channel)   |
| 14. 511416-02  | 30-amp, male power inlet               |
| 15. 601392-05  | City water hook-up, chrome w/regulator |
| 16. 510624-01  | MODULAR PHONE QUICK JACK WHITE         |
| 16a. 104619    | MTG. PLATE, EXT. TELE. & TV JACK       |
| 17. 200542-01  | Banana wrap, RS front                  |
| 18. 101131-01  | Underbelly wrap, .024" x 22.5", Pewter |
| 19. 200543-01  | Banana, rear corner, RS                |
| 20. 114004-02  | Wheel well trim, outer, tandem axle    |
| 21. 114003-02  | Wheel well trim, inner, tandem axle    |
| 22. 921232     | Bottle cover, LP                       |
| 23. 410551-02  | LID BATTERY BOX                        |
| 24. 400093     | Stabilizer jack, 20", ALUMINUM         |
| 24a. 400093-04 | Handle, stabilizer jack                |
| 25. 690266-01  | Bath power ventilator                  |
| 26. 400961     | Jack, Power                            |
| 27. 922243     | Refer access door, 104417 Jamb         |
| 28. 386108     | NAMEPLATE-INTERNATIONAL                |
| 29. 922770-01  | Vista View Window, 30"                 |
| 30. 371269-01  | WINDOW 18" STACK                       |

# 2007 INTERNATIONAL TRAVEL TRAILER

## EXTERIOR SHELL

Curbside Wall, 25' SLEEP SIX



PN Next Page

# 2007 INTERNATIONAL TRAVEL TRAILER

## EXTERIOR SHELL

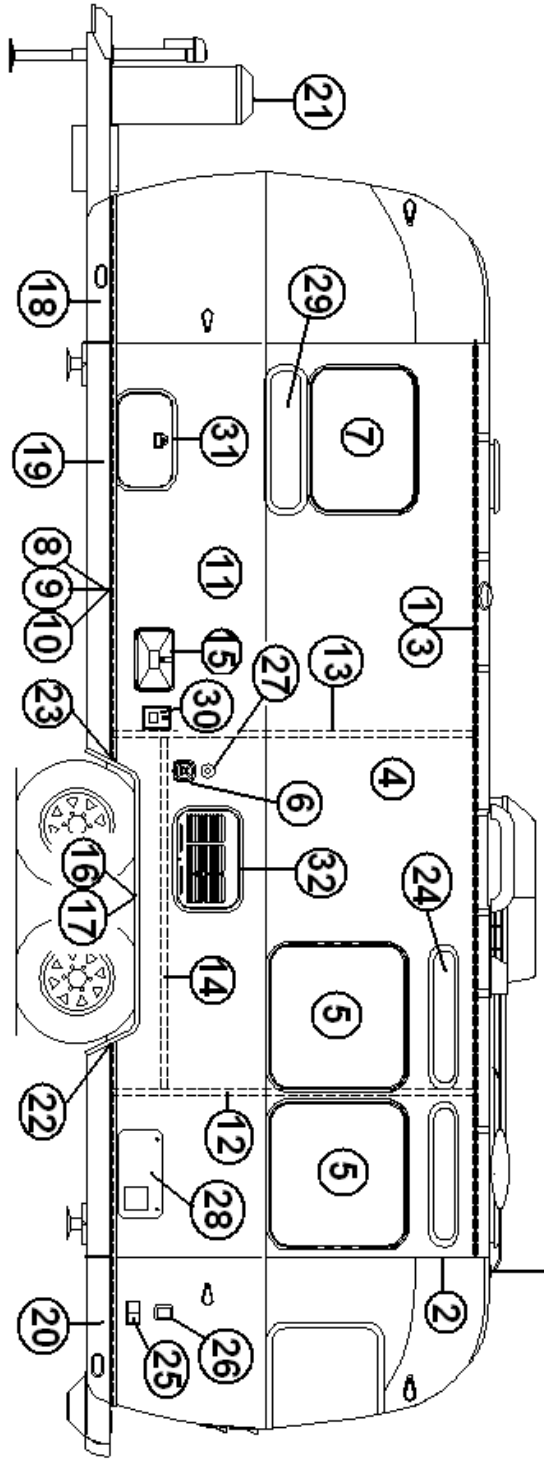
### Roadside Wall, 25' SLEEP SIX

1. 114290-01 Extrusion, awning/drip rail
2. 114993 End bow
3. 104707-01 Extrusion, "I" beam
4. 114880-201 Window sheet, .040" x 51" x 201"
5. 371323-01 WINDOW-18" OPENING
5. 371286-01 WINDOW, 18" X 30" FIXED, BUNK OPTION ONLY
6. 371269-01 WINDOW 18" STACK
7. 371400-01 WINDOW-MAIN DOOR
8. 100034 "Z" bar 48"
9. 114460 Extrusion, rub rail
10. 201763-01 Insert, rub rail, chrome, 1"
11. 100986 Floor channel
12. 114879-201 Side sheet, .040" x 33" x 201"
13. 114387-01 Bow, Z rib, RH
14. 114387-02 Bow, Z rib, LH
15. 100986 Wheel well stiffener (floor channel)
16. 400093 Stabilizer jack, 20"
- 16a. 400093-04 Handle, stabilizer jack
17. 510676-01 Outlet, exterior 110 volt, gray
18. 410598 Super Jack footpad
19. 200543-01 Banana wrap, CS front
20. 101131-01 Underbelly wrap, .024 x 22.5, Pewter
21. 200542-01 Banana wrap, CS rear
22. 114004-02 Wheel well trim, outer, tandem axle
23. 114003-02 Wheel well trim, inner, tandem axle
24. 921232 Bottle cover, LP
25. 400961 Jack, Super
26. 115207-04 Main door assembly
27. 114654 Screen door assembly
28. 114652 Main door jamb, formed
29. 101323 Casting, main door light
30. 201185 Lens, main door light
31. 100679-01 Side Access Door Assembly
32. 114466-01 Casting, rub rail end, wheel well, RH
33. 114466-02 Casting, rub rail end, wheel well, LH
34. 114465-01 Close out rub rail, RH
35. 114465-02 Close out rub rail, LH
36. 410551-02 LID BATTERY BOX
37. 690209 Access door, Atwood water heater
38. 690274-09 Door exterior, Hydroflame
39. 601194 WATER FILL W/LOCK, GRAY, W/LABEL
40. 922770-02 Vista View Window, 18"

# 2007 INTERNATIONAL TRAVEL TRAILER

## EXTERIOR BODY

Roadside Wall, 25' Front Bed



Part Numbers are on the Next Page



# 2007 INTERNATIONAL TRAVEL TRAILER

## EXTERIOR BODY

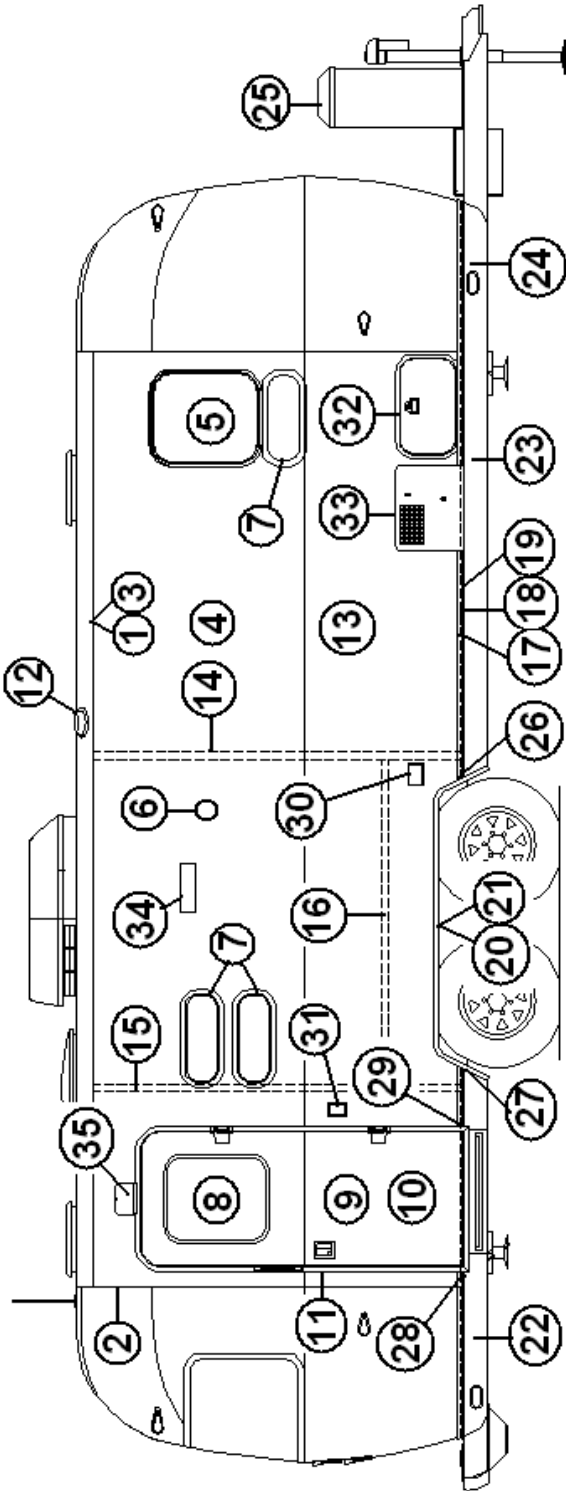
### Roadside Wall, 25' Front Bed

1. 114290-01 Extrusion, awning/drip rail
2. 114993 Rib, end bow
3. 104707-01 Extrusion, "I" beam
4. 114880-201 Alum. sheet, upper, .040" x 51" x 201"
5. 371380 Window, 30" opening, tall
6. 601392-05 City water hook-up
7. 371324-03 Window, 30" opening, egress
8. 114460 Extrusion, rub rail
9. 201763-01 Insert, rub rail, chrome, 1"
10. 100986 Floor channel
11. 114879-201 Alum. sheet, lower, .040" x 33" x 201"
12. 114387-01 Bow, Z rib, RH
13. 114387-02 Bow, Z rib, LH
14. 100986 Wheel well stiffener (floor channel)
15. 601876 Shower, exterior, white
16. 114004-02 Wheel well trim, outer, tandem axle
17. 114003-02 Wheel well trim, inner, tandem axle
18. 200542-01 Banana wrap, RS front
19. 101131-01 Underbelly wrap, .024" x 22.5", Pewter
20. 200544 Banana wrap, RS rear
21. 921232 Cover, 30# LPG bottles
22. 114466-01 Casting, rub rail end, wheel well, RH
23. 114466-02 Casting, rub rail end, wheel well, LH
24. 922770-02 Vista View Window, 30"
25. 104619 MTG. PLATE, TELEPHONE & TV JACK
25. 510616 F CONNECTOR, COAX, 75 OHM
25. 511375 JACK MODULAR TELEPHONE
26. 511416-02 POWER INLET, 30A, 125V, MALE - GRAY
27. 601441 Black tank Flush
28. 690274-09 Cover, Hydroflame furnace
29. 371270-01 Window, 30" stack
30. 601194 Water fill w/lock, gray w/label
31. 100679-01 Side Access Door Assembly
32. 922243 Refer Access door

# 2007 INTERNATIONAL TRAVEL TRAILER

## EXTERIOR BODY

Curbside Wall, 25' Front Bed



Part Numbers are on the Next Page

# 2007 INTERNATIONAL TRAVEL TRAILER

## EXTERIOR BODY

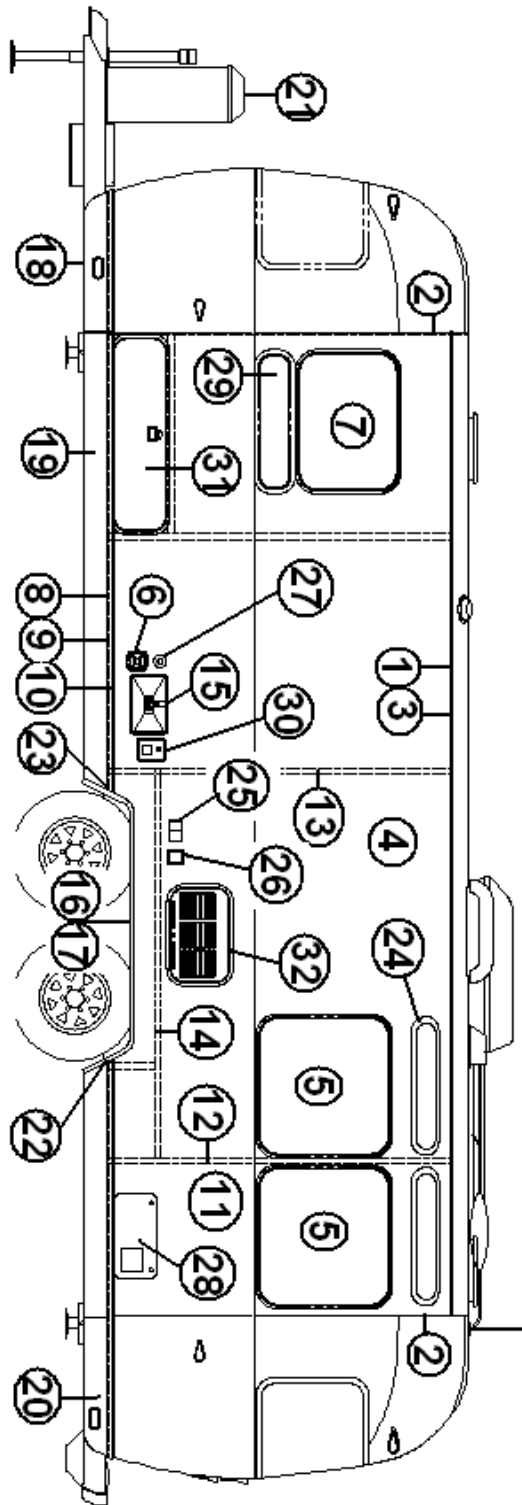
### Curbside Wall, 25' Front Bed

1. 114290-01 Extrusion, awning/drip rail
2. 114993 Rib, end bow
3. 104707-01 Extrusion, "I" beam
4. 114880-201 Alum. sheet, upper, .040" x 51" x 201"
5. 371323-01 Window, 18" opening
6. 500092 Flood light and lens
7. 371269-01 Window, 18" stack
8. 371400-01 Window, main door, etched
9. 114654-01 Screen door assembly, RH hinge
10. 115207-06 Main door assembly RH hinge
11. 114652-01 Jamb, main door, RH hinge
12. 690266-01 Shower roof vent
13. 114879-201 Alum. sheet, lower, .040" x 33 x 201"
14. 114387-01 Bow, Z rib, RH
15. 114387-02 Bow, Z rib, LH
16. 100986 Wheel well stiffener (floor channel.
17. 114460 Extrusion, rub rail
18. 201763-01 Insert, rub rail, chrome, 1"
19. 100986 Floor channel
20. 114004-02 Wheel well trim, outer, tandem axle
21. 114003-02 Wheel well trim, inner, tandem axle
22. 200545 Banana wrap, CS rear
23. 101131-01 Underbelly wrap, .024" x 22.5, Pewter
24. 200543-01 Banana wrap, CS front
25. 921232 Cover, 30# LPG bottles
26. 114466-01 Casting, rub rail end, wheel well, RH
27. 114466-02 Casting, rub rail end, wheel well, LH
28. 114465-02 CASTING CLOSEOUT, RUB RAIL LH
29. 114465-01 CASTING CLOSEOUT, RUB RAIL RH
30. 510676-01 OUTLET, EXTERIOR, 120 VOLT, GRAY
31. 510732-02 UTILITY LIGHT #1327
32. 100679-01 Side Access Door Assembly
33. 690199 Water Heater
34. 511017-11 EXTERIOR VENT GRAY
35. 101323 CASTING, STEPLIGHT

# 2007 INTERNATIONAL TRAVEL TRAILER

## EXTERIOR BODY

Roadside Wall, 27' Front Bed



Part Numbers are on the Next Page

# 2007 INTERNATIONAL TRAVEL TRAILER

## EXTERIOR BODY

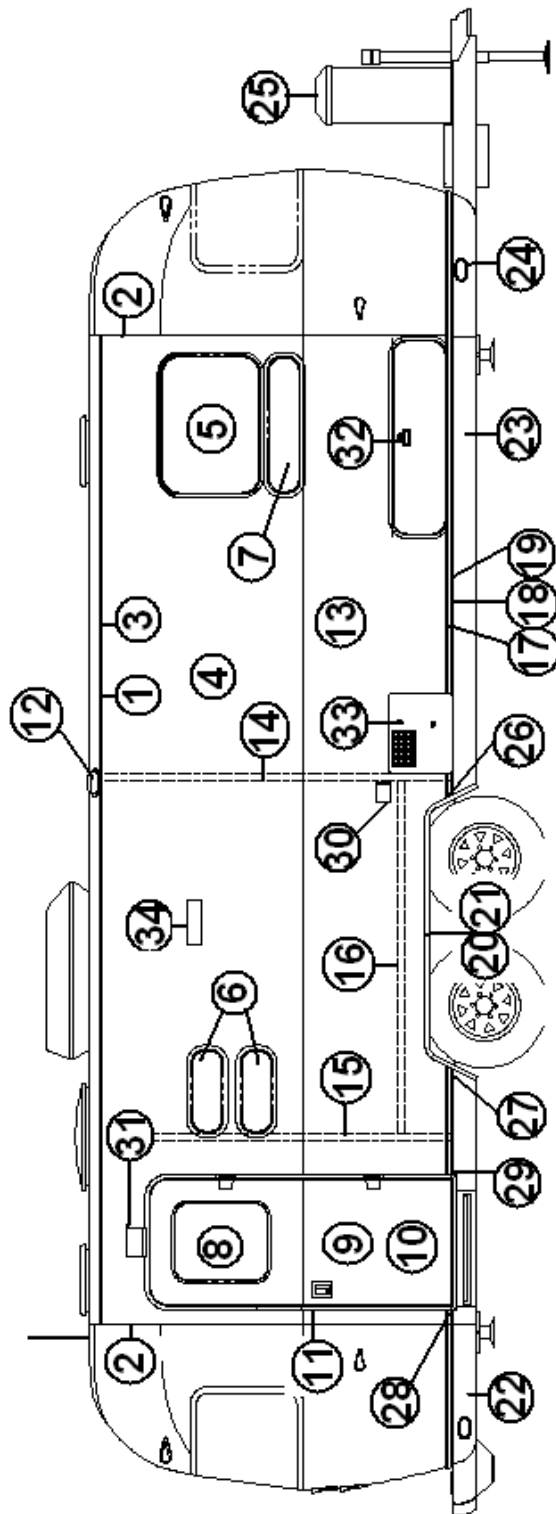
### Roadside Wall, 27' Front Bed

1. 114290-01 Extrusion, awning/drip rail
2. 114993 Rib, end bow
3. 104707-01 Extrusion, "I" beam
4. 114880-238 Alum. sheet, upper, .040" x 51" x 238"
5. 371380 Window, 30" opening, tall
6. 601392-05 City water hook-up
7. 371324-03 Window, 30" opening, egress
8. 114460 Extrusion, rub rail
9. 201763-01 Insert, rub rail, chrome, 1"
10. 100986 Floor channel
11. 114879-238 Alum. sheet, lower, .040" x 33" x 238"
12. 114387-01 Bow, Z rib, RH
13. 114387-02 Bow, Z rib, LH
14. 100986 Wheel well stiffener (floor channel)
15. 601876 Shower, exterior, white
16. 114004-02 Wheel well trim, outer, tandem axle
17. 114003-02 Wheel well trim, inner, tandem axle
18. 200542-01 Banana wrap, RS front
19. 101131-01 Underbelly wrap, .024" x 22.5", Pewter
20. 200544 Banana wrap, RS rear
21. 921231 Cover, 30# LPG bottles
22. 114466-01 Casting, rub rail end, wheel well, RH
23. 114466-02 Casting, rub rail end, wheel well, LH
24. 922770-02 Vista View Window, 30"
25. 104619 MTG. PLATE, TELEPHONE & TV JACK
25. 510616 F CONNECTOR, COAX, 75 OHM
25. 511375 JACK MODULAR TELEPHONE
26. 511416-02 POWER INLET, 30A, 125V, MALE - GRAY
27. 601441 Black tank Flush
28. 690274-09 Cover, Hydroflame furnace
29. 371270-01 Window, 30" stack
30. 601194 Water fill w/lock, gray w/label
31. 922711 Door, side access, large
32. 922243 Refer Access door

# 2007 INTERNATIONAL TRAVEL TRAILER

## EXTERIOR BODY

Curbside Wall, 27' Front Bed



Part Numbers are on the Next Page

# 2007 INTERNATIONAL TRAVEL TRAILER

## EXTERIOR BODY

### Curbside Wall, 27' Front Bed

1. 114290-01 Extrusion, awning/drip rail
2. 114993 Rib, end bow
3. 104707-01 Extrusion, "I" beam
4. 114880-238 Alum. sheet, upper, .040" x 51" x 238"
5. 371324-02 Window, 30" opening
5. 371324-100 30" Window Glass Assembly only
6. 371269-01 Window, 18" Stack
7. 371270-01 Window, 30" stack
8. 371400-01 Window, main door, etched
9. 114654-01 Screen door assembly, RH hinge
10. 115207-05 Main door assembly RH hinge
11. 114652-01 Jamb, main door, RH hinge
12. 690266-01 Shower roof vent
13. 114879-238 Alum. sheet, lower, .040" x 33 x 238"
14. 114387-01 Bow, Z rib, RH
15. 114387-02 Bow, Z rib, LH
16. 100986 Wheel well stiffener (floor channel.
17. 114460 Extrusion, rub rail
18. 201763-01 Insert, rub rail, chrome, 1"
19. 100986 Floor channel
20. 114004-02 Wheel well trim, outer, tandem axle
21. 114003-02 Wheel well trim, inner, tandem axle
22. 200545 Banana wrap, CS rear
23. 101131-01 Underbelly wrap, .024" x 22.5, Pewter
24. 200543-01 Banana wrap, CS front
25. 921231 Cover, 30# LPG bottles
26. 114466-01 Casting, rub rail end, wheel well, RH
27. 114466-02 Casting, rub rail end, wheel well, LH
28. 114465-02 CASTING CLOSEOUT, RUB RAIL LH
29. 114465-01 CASTING CLOSEOUT, RUB RAIL RH
30. 510676-01 OUTLET, EXTERIOR, 120 VOLT, GRAY
31. 101323 CASTING, STEPLIGHT
32. 922711 Door, side access, large
33. 690199 Water Heater

# 2007 INTERNATIONAL TRAVEL TRAILER

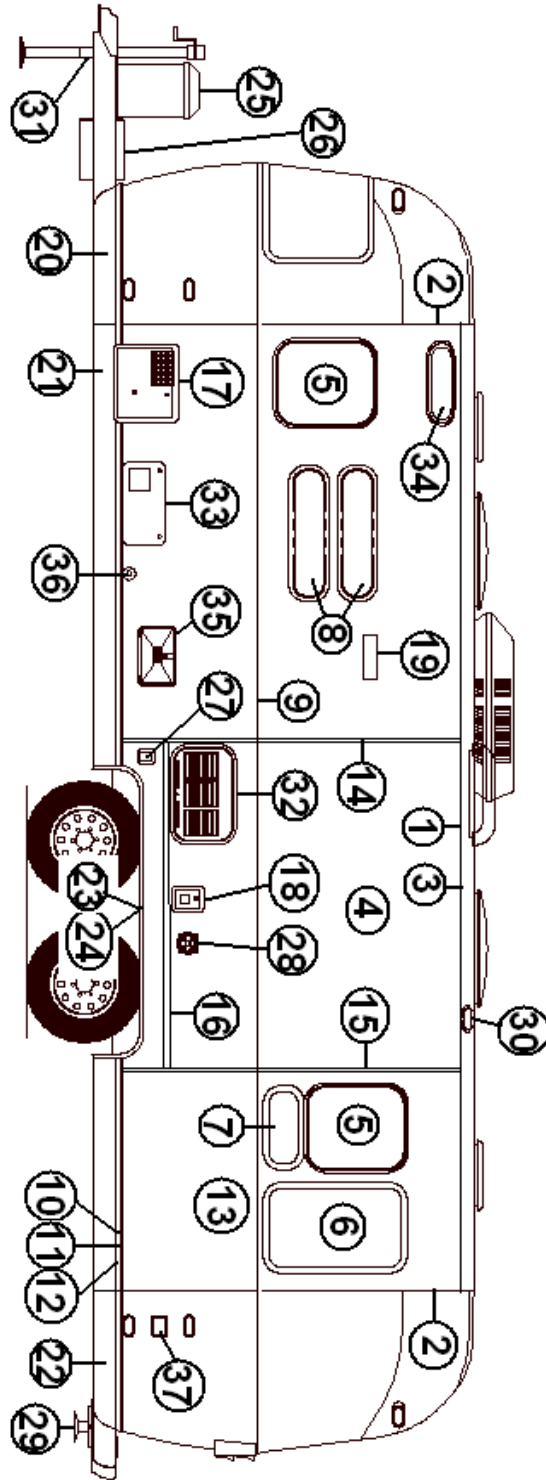
34. 511017-11      EXTERIOR VENT GRAY



# 2007 INTERNATIONAL TRAVEL TRAILER

## EXTERIOR SHELL

Roadside Wall, 28' Signature



P/N on the next page.

# 2007 INTERNATIONAL TRAVEL TRAILER

## EXTERIOR SHELL

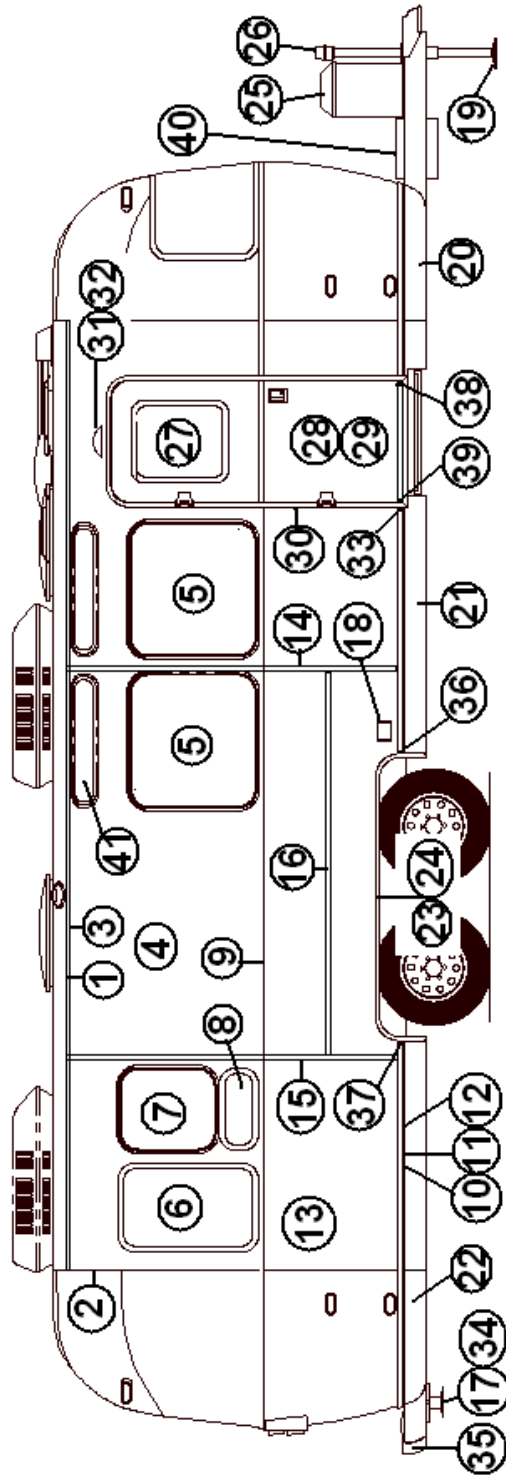
### Roadside Wall, 28' Signature

1. 114290-01 Extrusion, awning/drip rail
2. 114993 Rib, end bow
3. 104707-06 Extrusion, "I" beam
4. 114880-238 Alum, sheet, upper, .040" x 51" x 238"
5. 371323-01 Window, 18", opening window
6. 371286-01 Window, 18", curved fixed window
7. 371269-01 Window, 18" stacked
8. 371270-01 Window, 30" stacked
9. 100034 "Z" bar, 48"
10. 114460 Extrusion, rub rail
11. 201763-01 Insert, rub rail, chrome, 1"
12. 100986 Floor channel
13. 114879-238 Alum. sheet, lower, .040" x 33" x 238"
14. 114387-01 Bow, Z rib, RH
15. 114387-02 Bow, Z rib, LH
16. 100986 Wheel well stiffener (floor channel)
17. 690209 Access door, Atwood water heater
18. 601194 Water fill, w/lock
19. 511017-11 Vent cover, exterior range exhaust
20. 200542-01 Banana wrap, RS front
21. 101131-01 Underbelly wrap, .024" x 22.5", Pewter
22. 200543-01 Banana, rear corner, RS
23. 684936 Wheel well trim, outer, tandem axle
24. 684937 Wheel well trim, inner, tandem axle
25. 921232 Bottle cover, LP
26. 410551-02 LID BATTERY BOX
27. 511416-02 30-amp, male power inlet
28. 601392-05 City water hook-up, chrome w/regulator
29. 400093-01 Stabilizer jack, each
- 29A. 400093-02 Handle, stabilizer jack
30. 690266-01 Bath power ventilator
31. 400961 Jack, Power
32. 922243 Refer access door, 104417 Jamb
33. 690274-09 Door exterior, Hydroflame
34. 922770-01 Vista View Window, 18"
35. 601876 Shower, exterior, white
36. 601441 Black tank Flush
37. 510676-01 Outlet, exterior 110 volt, gray

# 2007 INTERNATIONAL TRAVEL TRAILER

## EXTERIOR SHELL

Curbside Wall, 28' Signature



P/N on the next page.

# 2007 INTERNATIONAL TRAVEL TRAILER

## EXTERIOR SHELL

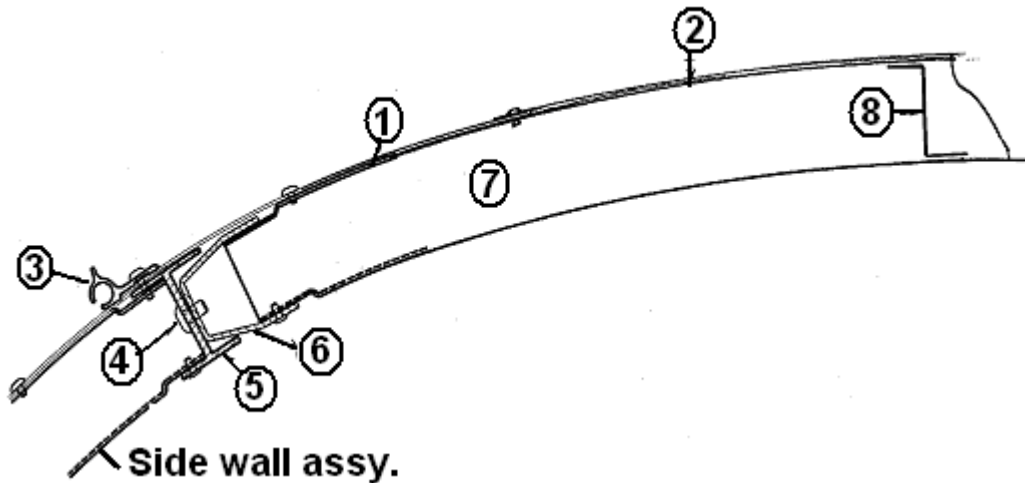
### Curbside Wall, 28' Signature

1. 114290-01 Extrusion, awning/drip rail
2. 114993 End bow
3. 104707-06 Extrusion, "I" beam
4. 114880-262 Window sheet, .040" x 51" x 262"
5. 371380 Window, Tall, 30" opening
6. 371286-01 Window, 18" X 30" curved fixed
7. 371323-01 Window, 18" opening
8. 371269-01 Window, 18" stacked
9. 100034 "Z" bar 48"
10. 114460 Extrusion, rub rail
11. 201763-01 Insert, rub rail, chrome, 1"
12. 100986 Floor channel
13. 114879-262 Side sheet, .040" x 33" x 262"
14. 114387-01 Bow, Z rib, RH
15. 114387-02 Bow, Z rib, LH
16. 100986 Wheel well stiffener (floor channel)
17. 400093-02 Handle, stabilizer jack
18. 510676-01 Outlet, exterior 110 volt, gray
19. 410598 Super Jack footpad
20. 200543-01 Banana wrap, CS front
21. 101131-01 Underbelly wrap, .024 x 22.5, Pewter
22. 200542-01 Banana wrap, CS rear
23. 684936 Wheel well trim, outer, tandem axle
24. 684937 Wheel well trim, inner, tandem axle
25. 921232 Bottle cover, LP
26. 400961 Jack, Super w/light
27. 371400-01 Window, main door
28. 115207-04 Main door assembly
29. 114654 Screen door assembly
30. 114652 Main door jamb, formed
31. 101323 Casting, main door light
32. 201185 Lens, main door light
33. 114465-02 Close out rub rail, LH
34. 400093-01 Stabilizer jack, each
35. 410831 Bumper, polished
36. 114466-01 Casting, rub rail end, wheel well, RH
37. 114466-02 Casting, rub rail end, wheel well, LH
38. 114465-01 Close out rub rail, RH
39. 114465-02 Close out rub rail, LH
40. 410551-02 LID BATTERY BOX
41. 922770-02 Vista View Window, 30"

# 2007 INTERNATIONAL TRAVEL TRAILER

## EXTERIOR SHELL

Roof End View



1.	114669-307	Alum. Sheet, white, .032" x 12.69" x 307"
2.	114489-198	Alum. Sheet, white, .032" x 60" x 198"
2.	114489-238	Alum. Sheet, white, .032" x 60" x 238"
2.	114489-262	Alum. Sheet, white, .032" x 60" x 262"
2.	114489-307	Alum. Sheet, white, .032" x 60" x 307"
3.	114290-01	Extrusion, awning/drip rail, 197"
4.	330139-01	RIVET MAGNALOK SS 1/4"
5.	104707-06	Extrusion, "I" beam, 258"
6.	114987-01	Extrusion, roof corner, 194"
7.	114387-03	N/B ROOF BOW, ASSEMBLY
8.	104408	Extrusion, Z-bar, horizontal
	330139-01	RIVET, MAGNALOK SS 1/4"
	325000-03	RIVET ANODIZED WHITE 1/8" X 1/4"

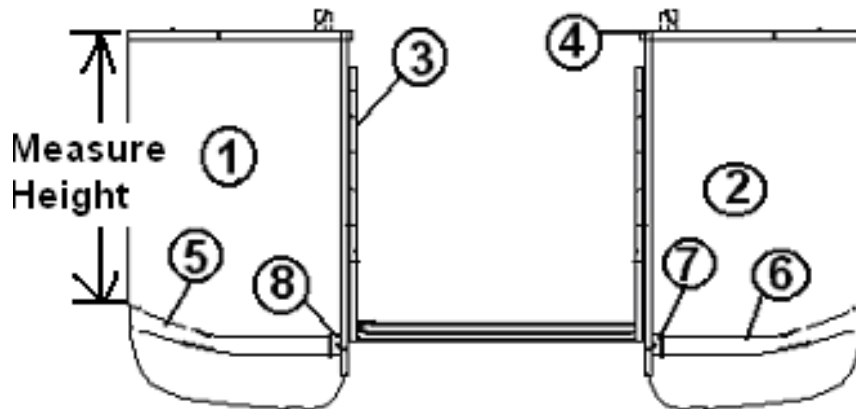
## FLOORING, SUB STRUCTURE

801309-01	FLOORING-OSB .625"X 96"X 216"
800976-01	PLYWOOD TONGUE & GROOVE 19/32 X 97"
345073-21	1/4-20 X 3 SCREW WAFERHEAD
100986	EXTRUSION, FLOOR
300023-02	WASHER, HOLD DOWN-HOLE OFFSET
345084	SCREW-1/4-14X1 THREAD. CUTTING

# 2007 INTERNATIONAL TRAVEL TRAILER

## EXTERIOR SHELL

### Wrap Protector/Holdbacks



109325-02	Wrap Protector, Complete Set, 16, 19'
109325-100	Wrap Protector, Complete Set, 22', 25', 27', 23' D, 28'
1. 966276	Wrap Protector, CS, 28" Tall, 22', 23' D, 25', 27', 28'
1. 685365-100	Wrap Protector, CS, 28" Tall, 16, 19'
2. 966277	Wrap Protector, RS, 28" Tall, 22', 23' D, 25', 27', 28'
2. 685366-100	Wrap Protector, RS, 28" Tall, 16, 19'
3. 381605-03	Hinge, stainless, wrap protector, 25"
4. 100742-01	Extrusion, mirror/wrap trim protector
5. 114460	Extrusion, rub rail
6. 201763-01	Insert, rub rail, chrome
7. 114465-01	CASTING CLOSEOUT RUB RAIL RH
8. 114465-02	CASTING CLOSE-OUT RUB RAIL LH
114819-01	Wrap protector hold back, 1.62"
114819-02	Wrap protector hold back, 2.50"
114819-03	Wrap protector hold back, 5.00"
101401	EXTRUSION, DOOR LATCH HOUSING/STONE
345417	NUT ACORN, HEX, LOCKING SS 1/4-
345376	NUT HEX HD 1/4-20 SS
345336-07	CAP SCREW HEX HD 1/4-20 HEX .75"
500096	REFLECTOR, AMBER

# 2007 INTERNATIONAL TRAVEL TRAILER

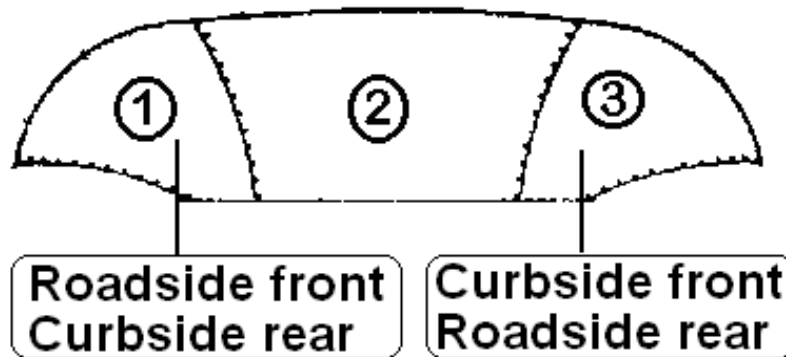
## INTERIOR SHELL

### SKIN

114879-201	ALUMINUM SHEET, .040" X 33"W X 201"
114880-201	ALUMINUM SHEET, .040" X 51"W X 201"
114879-238	ALUMINUM SHEET, .040" X 33" X 238"
114880-238	ALUMINUM SHEET, .040" X 51" X 238"
114879-262	ALUMINUM SHEET .040" X 33" X 262"
114880-262	ALUMINUM SHEET .040" X 51" X 262"
114879-307	ALUMINUM SHEET .040" X 33" X 307"
114880-307	ALUMINUM SHEET .040" X 51" X 307"
330128-05	RIVET 1/8 IN (WHITE) AD45ABS

INTERIOR END SEGMENTS, 16', 19', 22'

### Inside View



1. 114891-01 INTERIOR SEGMENT
2. 114892-01 INTERIOR SEGMENT
3. 114890-01 INTERIOR SEGMENT

# 2007 INTERNATIONAL TRAVEL TRAILER

## INTERIOR SHELL

### INTERIOR TRIM

114655-01	TRIM RING FORMED MAIN DOOR
381772	HEAD KNOCKER-ENTRANCE DOOR
201666	MOLDING-J 3/16" ALMOND PLASTIC, bath wall
110900-03	TRIM FORMED INT. FRONT WRAP ALUM.
110900-04	TRIM FORMED INTERIOR FRONT WRAP ALUM
114157-01	EXTRUSION END LINER UPPER WHITE
371319-06	TRIM RING-MAIN DOOR WINDOW
203138-01	EXTRUSIO, PLASTIC WALL, WHITE
203138-03	EXTRUSION PLASTIC WALL BEIGE
203138-04	EXTRUSION, PLASTIC 1/2" OAK W
203138-05	EXTRUSION, PLASTIC 1/2", WALL, BLACK
201728-01	EXTRUSION, CEILING TRIM RETAINER
201728-03	EXTRUSION, CEILING TRIM

### INTERIOR WHEEL WELL LINER

200844	WHEEL WELL, TANDEM, 66.50", A.B.S, 28'
965821	Close-out Wheel Well 22', 23' D
203289	LINER, WHEEL WELL-ABS, 16'
200514	WHEEL WELL INSULATOR, PLASTIC, TANDEM



# 2007 INTERNATIONAL TRAVEL TRAILER

## CHASSIS

### Axles

410875-11	AXLE, 3500#, 16'
410875-22	AXLE, 4300#, 16' DWR
410875-07	AXLE, 4300#, 19'
410875-01	AXLE, 2800#, 22'
410875-14	AXLE, #3000 W/10"BRAKES, 23' D
410875-09	AXLE, 3800 lbs. 25', 28', 27' FB

### Axles, CSA

454231	AXLE, 4300#, 16'
454232	AXLE, 5000#, 19'

### Shocks

0220003	Shock assembly
0250173-15	Bolt, grade 5, 5/8"-18 x 1.5", shock mount
0130068-818	Nut, hex head flanged, 5/8"-18, shock mount

### Tires/Wheels, 14", 16', 22', 23' D Models

*400984	Tire/Wheel assembly, 14", 12 hole pattern
*400996	Tire/Wheel assembly, 14", 10 hole pattern
400985	COVER, DUST, 4", STAINLESS STEEL
400923	LUG NUT-1/2" ACORN TYPE

### Tires/Wheels, 15", 19', 25', 28', 27' FB Models

410840-01	TIRE/WHEEL ASSY "D" RANGE
400844	COVER, HUB DUST, 4", STAINLESS STEEL
400923	LUG NUT-1/2" ACORN TYPE

\*400984 (12 hole pattern) was replaced by 400996 (10 hole pattern) during model year.

## 2007 INTERNATIONAL TRAVEL TRAILER

### CHASSIS

#### Tires/Wheels, 15", 19' 75<sup>th</sup> Anniversary

410921	Tire/wheel assembly
410922	Baby moon center cap
400923	LUG NUT-1/2" ACORN TYPE

#### Tires/Wheels, 16' DWR

410843-01	WHEEL ASSEMBLY, STEEL, 15"
400998	WHEEL COVER, 15", POP ON (PAIR)
400923	LUG NUT, 1/2" ACORN TYPE

#### Spare Tire and Carrier

410848	TIRE W/14" STEEL WHEEL-SPARE
410848-01	Spare tire, steel rim 14"
410843-01	SPARE TIRE/WHEEL ASSEMBLY 15" "D"
450414	"A" frame spare tire carrier
994073	Bracket, Spare Tire

#### Step Assembly, 16', 19', 22'

400962	STEP, MAIN DOOR STEEL 24"
0250175-03	SCREW HHCS GR5 3/8-16 X 3/4"
0260100	3/8-16 U-TYPE CAGE NUT

#### Step Assembly, 23' D, 25', 27' FB, 28'

381863-01	STEP, DOUBLE W/DOUBLE TREAD
0250175-03	SCREW HHCS GR5 3/8-16 X 3/4"
0260100	3/8-16 U-TYPE CAGE NUT

#### Hitch Jack, Manual

3320028	FRONT-WIND MANUAL JACK, ATWOOD
410598	FOOT PAD #12231

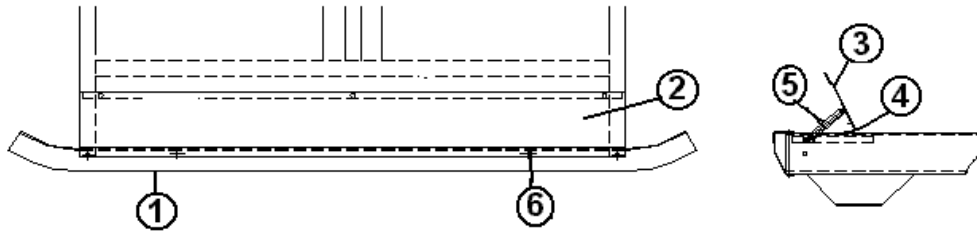
#### Safety Chains

400953	Safety Chain, 1/4" x 30"
400945	5/16" clevis, safety slip hook

# 2007 INTERNATIONAL TRAVEL TRAILER

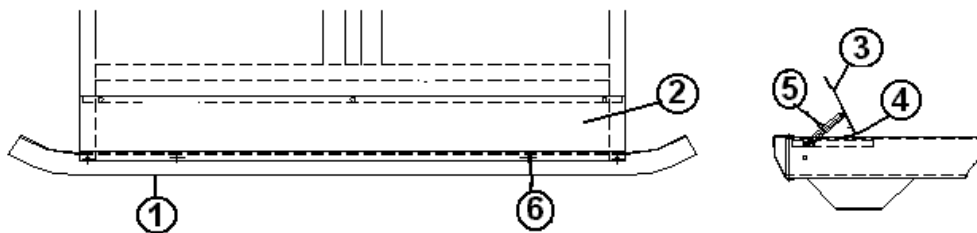
## CHASSIS

### Bumper/Bumper Storage Assembly, 16', 22'



- |              |                                       |
|--------------|---------------------------------------|
| 1. 410847    | BUMPER, 16', 22'.                     |
| 2. 453946    | BOTTOM-STORAGE COMPARTMENT, 16', 22'  |
| 3. 453948    | LID REAR BUMPER COMPARTMENT, 16', 22' |
| 4. 380203-02 | HINGE PIANO 1/8 PIN                   |
| 5. 380024    | ARMS SUPPORT RIGHT HAND               |
| 6. 380067    | LOCK CAM BUMPER LID LATCH             |
| 365013       | TAPE CHARCOAL LOW DENSITY FOAM        |

### Bumper/Bumper Storage Assembly, 19'

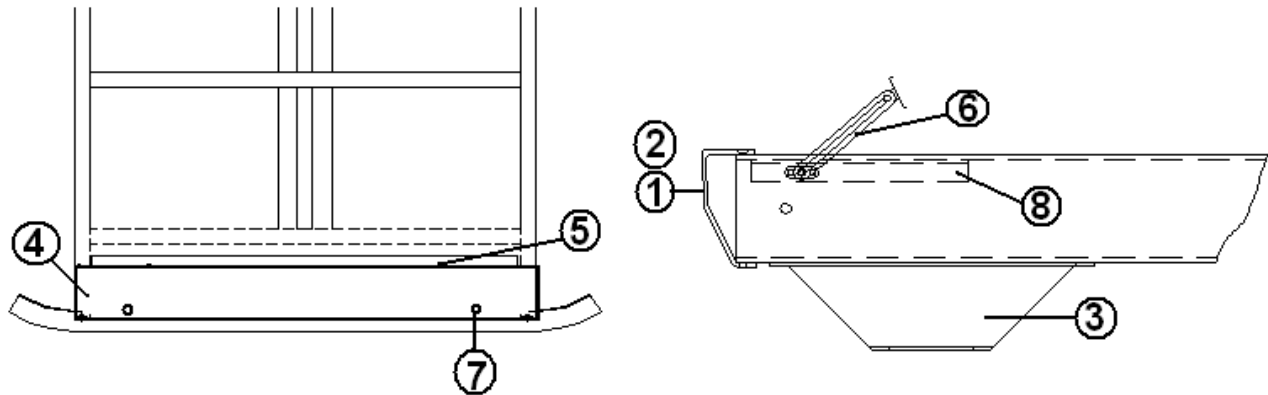


- |              |                                |
|--------------|--------------------------------|
| 1. 410932    | BUMPER                         |
| 2. 453627    | BOTTOM-STORAGE COMPARTMENT     |
| 3. 454214    | LID REAR BUMPER COMPARTMENT    |
| 4. 380203-02 | HINGE PIANO 1/8 PIN            |
| 5. 380024    | ARMS SUPPORT RIGHT HAND        |
| 6. 380067    | LOCK CAM BUMPER LID LATCH      |
| 365013       | TAPE CHARCOAL LOW DENSITY FOAM |

# 2007 INTERNATIONAL TRAVEL TRAILER

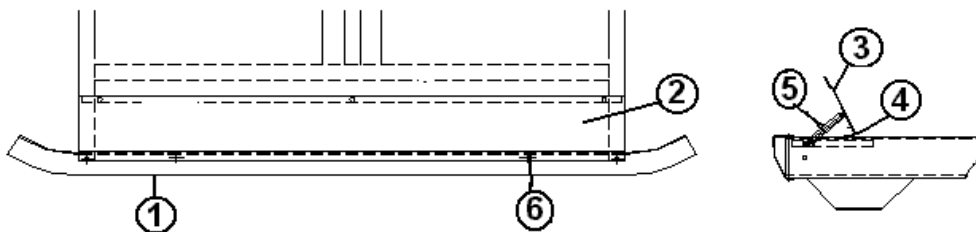
## CHASSIS

### Bumper/Bumper Storage Assembly, 23' D



- |              |                                |
|--------------|--------------------------------|
| 1. 410932    | BUMPER-REAR                    |
| 2. 345073-08 | SCREW 1/4-20 X 1 3/8 WAFER HD. |
| 3. 454314    | BOTTOM-SEWER HOSE COMPARTMENT  |
| 4. 454315    | LID-REAR HOSE CARRIER          |
| 5. 380203-02 | HINGE PIANO                    |
| 6. 380024    | ARMS SUPPORT RIGHT HAND        |
| 7. 380067    | LOCK CAM                       |
| 114812       | ALUMINUM ANGLE 1.00 X 1.00"    |

### Bumper/Bumper Storage Assembly, 25', 27' FB, 28'



- |              |                                  |
|--------------|----------------------------------|
| 1. 410831    | REAR BUMPER                      |
| 2. 453538    | BOTTOM-SEWER HOSE COMPART, 28'   |
| 3. 453497    | LID REAR BUMPER COMPARTMENT, 28' |
| 4. 380203-02 | HINGE PIANO 1/8 PIN              |
| 5. 380024    | ARMS SUPPORT RIGHT HAND          |
| 6. 380067    | LOCK CAM BUMPER LID LATCH        |
| 365013       | TAPE CHARCOAL LOW DENSITY FOAM   |
| 381435       | HATCH ACCESS COVER, 4" WHITE     |

# 2007 INTERNATIONAL TRAVEL TRAILER

## CHASSIS

### Stabilizing Jacks, 16', 19', 22'

400914-03	STABILIZER JACK 20"
400914-02	HANDLE-15"(STABILIZER JACK)
400914-04	Stabilizer jack footpad, set of 4
385020	STICKER SELF ADHERING, JACK
454425	SPACER-STABILIZER JACK

### Stabilizing Jacks, 25' FB, 27' FB, 28'

400093	Stabilizing jacks, BAL w/handle, set of 4, 19'
400093-01	BAL jack, each
400093-04	Foot pad, BAL jack
400093-02	CRANK, STABILIZER JACK (BAL)
400093-05	BAL JACKS, BACK, W/FOOTPAD & CRANK
385020	STICKER SELF ADHERING, JACK

### Power Jack

400961	POWER JACK
410598	FOOT PAD, POWER JACK

### Hose Carrier

601544-02	EZ HOSE CARRIER-BLACK 45
454422	SPACER-SEWER HOSE CARRIER, 16' model
104704-01	SHIM, 3" X 3"

### Underbelly

101131-01	Aluminum, underbelly wrap, .024" x 22.5, gray
114679	ALUMINUM UNDERBELLY .019" X" 65.75"
200093	INSULATION, FIBERGLASS

# 2007 INTERNATIONAL TRAVEL TRAILER

## CHASSIS

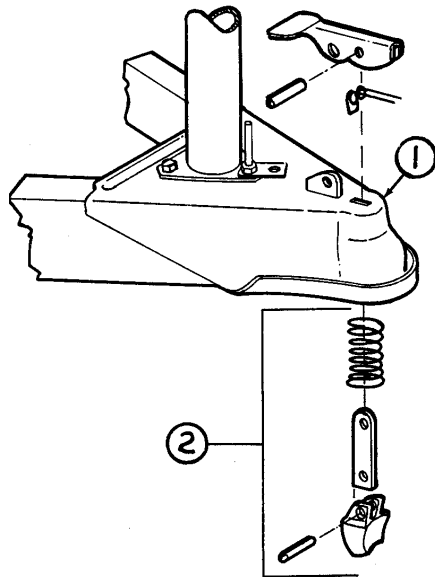
### Compartment Bottom

115209-01	ALUMINUM DIAMOND PLATE-.025" X 4' X 90"
115209-02	ALUMINUM DIAMOND PLATE-.025" X 4' X 74"
115209-01	DIAMOND PLATE- .025"X 48"X 90"
115212-04	Tread plate, under bed storage, 23' D
115212-09	Tread plate, under bed storage, 27' FB Twin
115212-01	Tread plate, 28.16" X 53.25", 28'

### Cross Car Electrical Raceway, 28'

453296	CROSSCAR ELECTRICAL RACEWAY
--------	-----------------------------

### Hitch Coupler



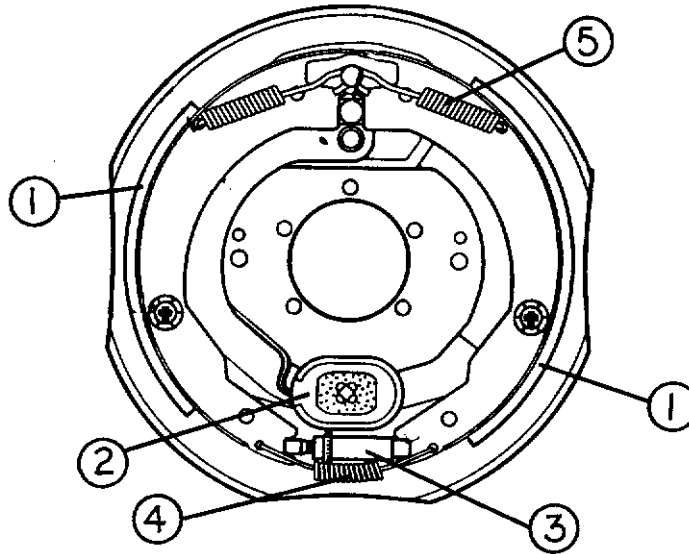
1. 680343	Coupler assembly, 2 5/16"
2. 680345	Repair kit, 2 5/16" coupler

# 2007 INTERNATIONAL TRAVEL TRAILER

## CHASSIS

### 10" BRAKE ASSEMBLY

3160255	Brake drum 10", 5 lug
685016	Inner bearing, #L68149
685017	Inner race, # L68111
680380	Outer bearing, #L44649
680387	Outer race, #L44610
680377	Grease seal
3160096	Brake assembly, RH, 10" Dexter
3160097	Brake assembly. LH, 10" Dexter



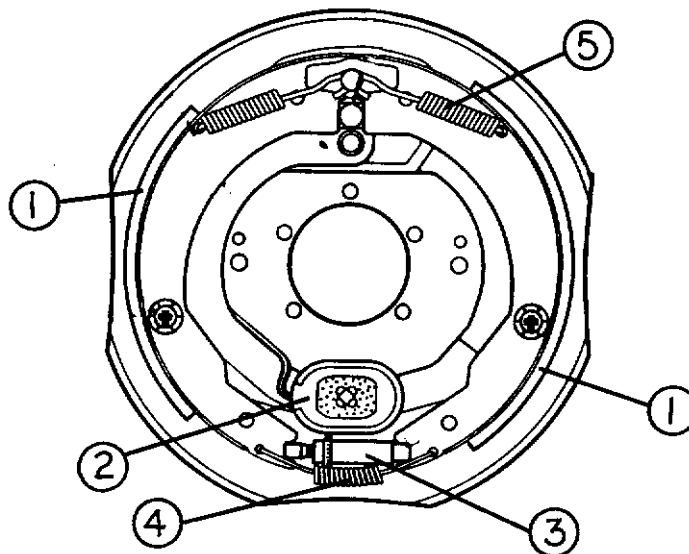
- |               |   |
|---------------|---|
| 1. 3160097-62 | Shoe and lining kit (includes hold down spring and pin) |
| 2. 3160097-65 | Magnet kit  |
| 3. 3160097-63 | Adjuster assembly                                       |
| 4. 3160097-64 | Adjusting screw spring                                  |
| 5. 3160097-61 | Retractor spring  |

# 2007 INTERNATIONAL TRAVEL TRAILER

## CHASSIS

### 12" BRAKE ASSEMBLY

3160121	Brake drum, 12", 6 lug
450659	Inner bearing, #25580
680364	Inner race, #25520
450658	Outer bearing, #LM67048
680365	Outer race, #LM67010
680370-100	Grease seal
3160347	Brake assembly, RH, 12" Dexter
3160348	Brake assembly, LH, 12" Dexter



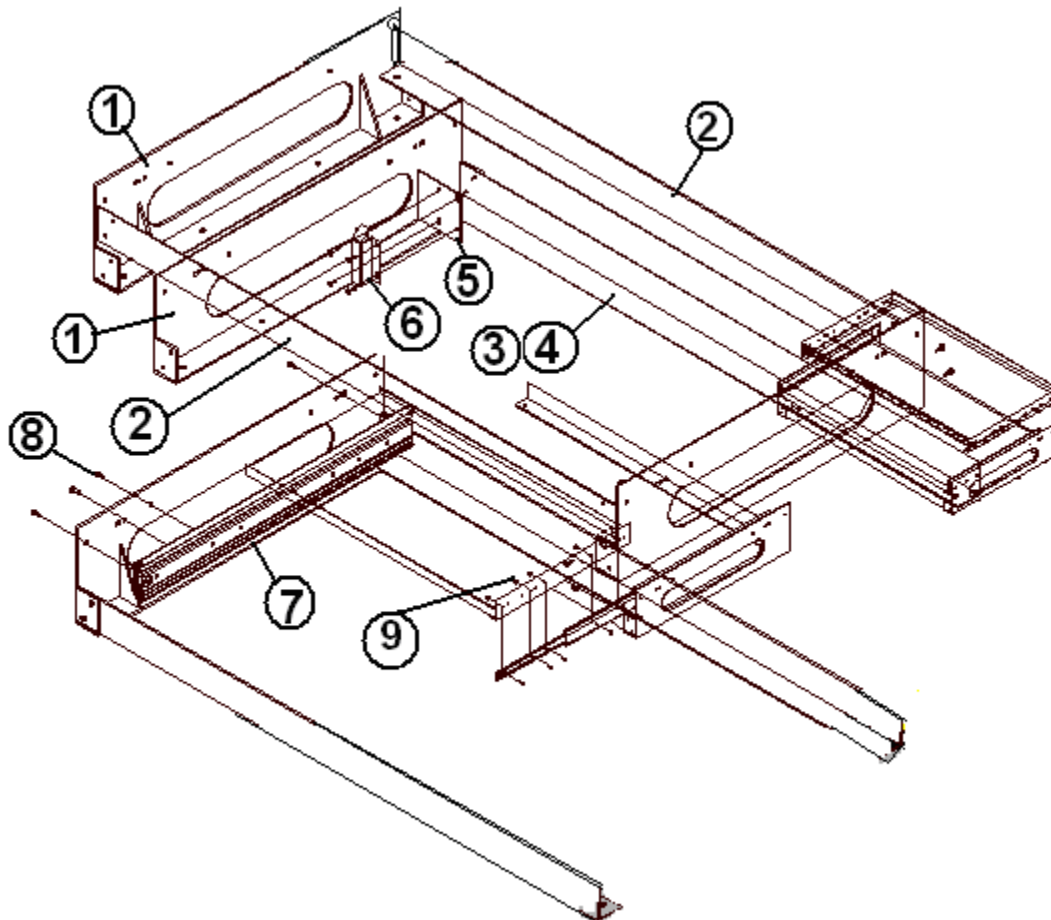
1. 3160348-62	Shoe and lining kit (includes hold down spring and pin)
2. 3160348-65	Magnet kit
3. 3160348-63	Adjuster assembly
4. 3160348-64	Adjusting screw spring
5. 3160348-61	Retractor spring



# 2007 INTERNATIONAL TRAVEL TRAILER

## CHASSIS

### Rear Storage Slide, "W" Bed



- |               |                                      |
|---------------|--------------------------------------|
| 1. 454596     | FLOOR MOUNTING BRACKET, REAR STORAGE |
| 2. 454597     | ANGLE, CROSSMEMBER, REAR STOW        |
| 3. 454598     | SLIDE BRACKET, REAR STOW             |
| 4. 454599     | STORAGE BOX CROSSMEMBER              |
| 5. 454600     | LATCH BRACKET                        |
| 6. 382035     | LATCH, SUNDECKER                     |
| 7. 382036     | SLIDE, 24" ACCURIDE END              |
| 8. 320120-500 | SCREW, 10-32, FLAT HEAD              |
| 9. 350029     | LOCK NUT, 10-32                      |

# 2007 INTERNATIONAL TRAVEL TRAILER

## EXTERIOR TRIM

### Decal/Medallions

386068	MEDALLION 3" LOGO, AIRSTREAM, Main door
386125	NAMEPLATE, BAMBI, RED-WHITE-BLUE
386130-01	NAMEPLATE-CCD, BLACK, CHRIS DEAM
386108	NAMEPLATE-INTERNATIONAL
386152	DECAL-AIRSTREAM 2.4"X 28"
386175-02	NAMEPLATE-75th BLUE
386191	MEDALLION, OCEAN BREEZE
386200	NAMEPLATE, DWR
386196	DECAL, SIGNATURE SERIES

### Rub Rail Trim

114460	Extrusion, rub rail
201763-01	Insert, rub rail, chrome, 1"
114466-01	Close out, casting, rub rail, angled RH
114466-02	Close out, casting, rub rail, angled LH
114465-01	Close out, casting, rub rail RH
114465-02	Close out, casting, rub rail LH

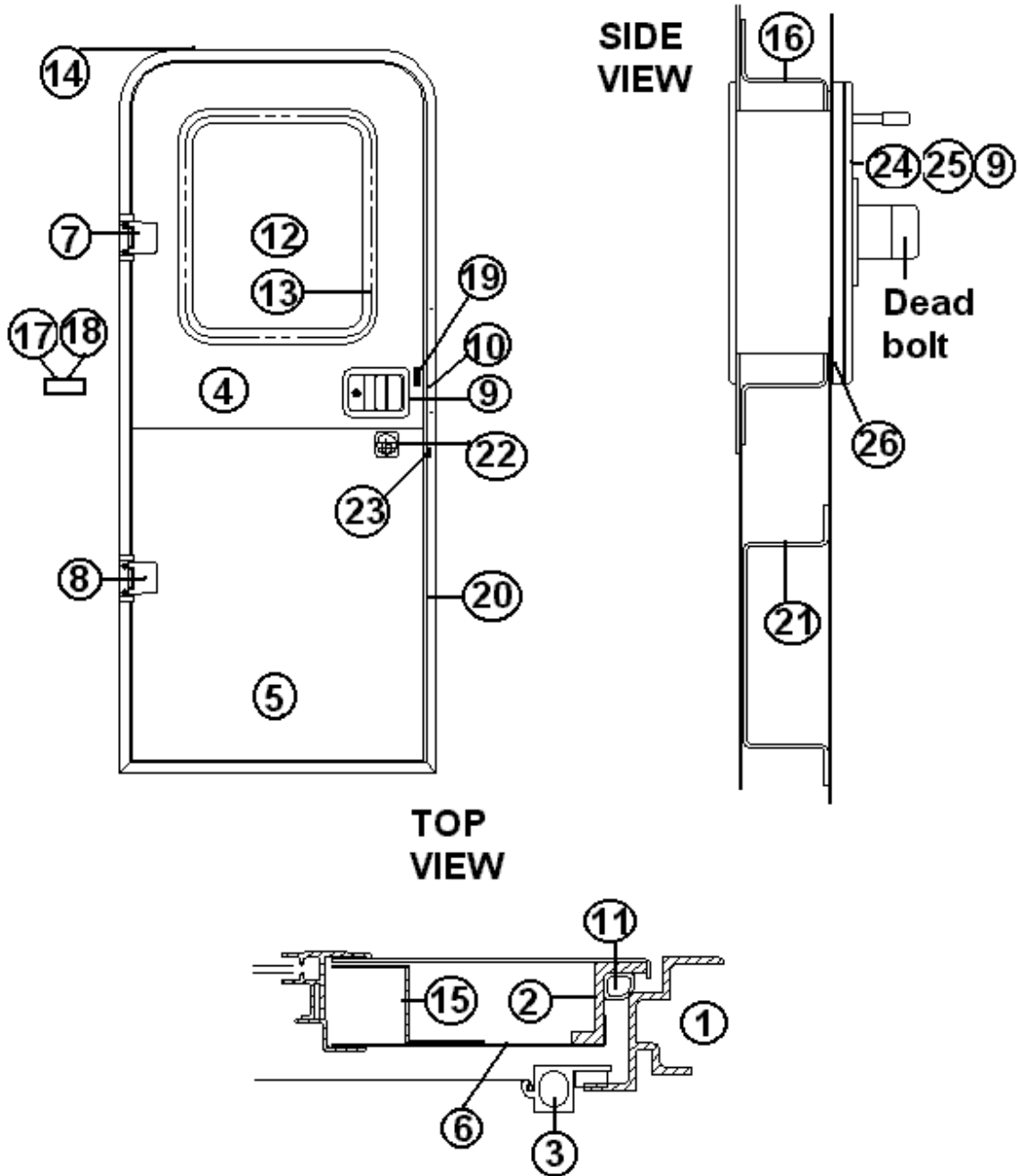
### Reflectors

500095	REFLECTOR RED RECTANGULAR
500096	REFLECTOR, AMBER
510446	REFLECTOR, RED, STICK-ON

# 2007 INTERNATIONAL TRAVEL TRAILER

## DOORS, EXTERIOR

Door, Main, LH Hinge



# 2007 INTERNATIONAL TRAVEL TRAILER

## DOORS, EXTERIOR

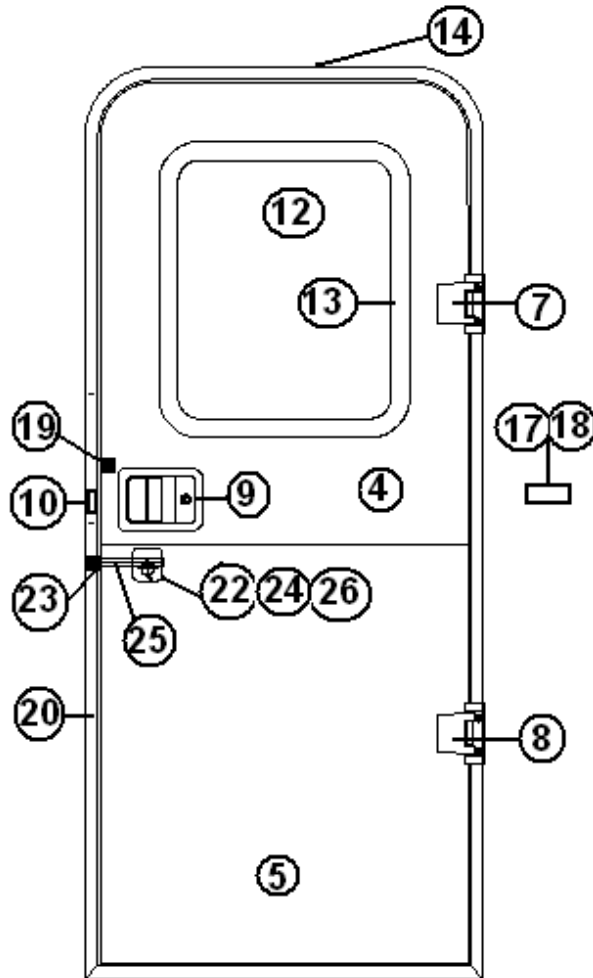
### Door, Main, LH Hinge

115207-04	Main door assembly, LH hinge
1. 114653	Frame, main door, pre-formed
2. 114652	Jamb, main door, pre-formed
3. 114654	Screen door assembly
4. 114448-03	Skin, exterior, upper main door
5. 114449-03	Skin, exterior, lower main door
6. 114475	MAIN DOOR SKIN INNER
7. 381552-03	HINGE ASSY. MAIN DOOR UPPER
8. 381552-04	HINGE ASSY. MAIN DOOR LOWER
9.	Trimark latch assembly parts shown in hardware section
10. 385595	Pocket strike, main door
11. 365232	Seal, main door
12. 371400-01	Window, main door, etched
13. 115208	Trim ring, main door window
14. 114363	Drip cap, main door
15. 114658	Inner door, "Z" bar, upper & lower
16. 114657	Hat section, formed, main door
17. 380290	Housing. Latch, mounted on side sheet
18. 380291	Latch assembly, mounted on side sheet
19. 201056	Striker, main door, black plastic
20. 114655-01	Trim ring formed, main door
21. 115004	Hat section assembly, dead bolt
22. 381323-01	Dead bolt, complete assembly
23. 381326	Striker w/ Trimark deadbolt
24. 345321-12	Screw, flat head, black
25. 453851	Bolt, Trimark, deadbolt
26. 203370	Spacer, deadbolt assembly
381548	INSIDE LATCH
381557	OUTSIDE LATCH BRACKET, RH

# 2007 INTERNATIONAL TRAVEL TRAILER

## DOORS, EXTERIOR

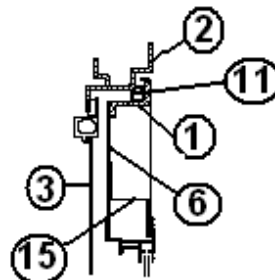
### Main Door, RH Hinge



**Latch  
Assembly**



**Top  
View**



# 2007 INTERNATIONAL TRAVEL TRAILER

## DOORS, EXTERIOR

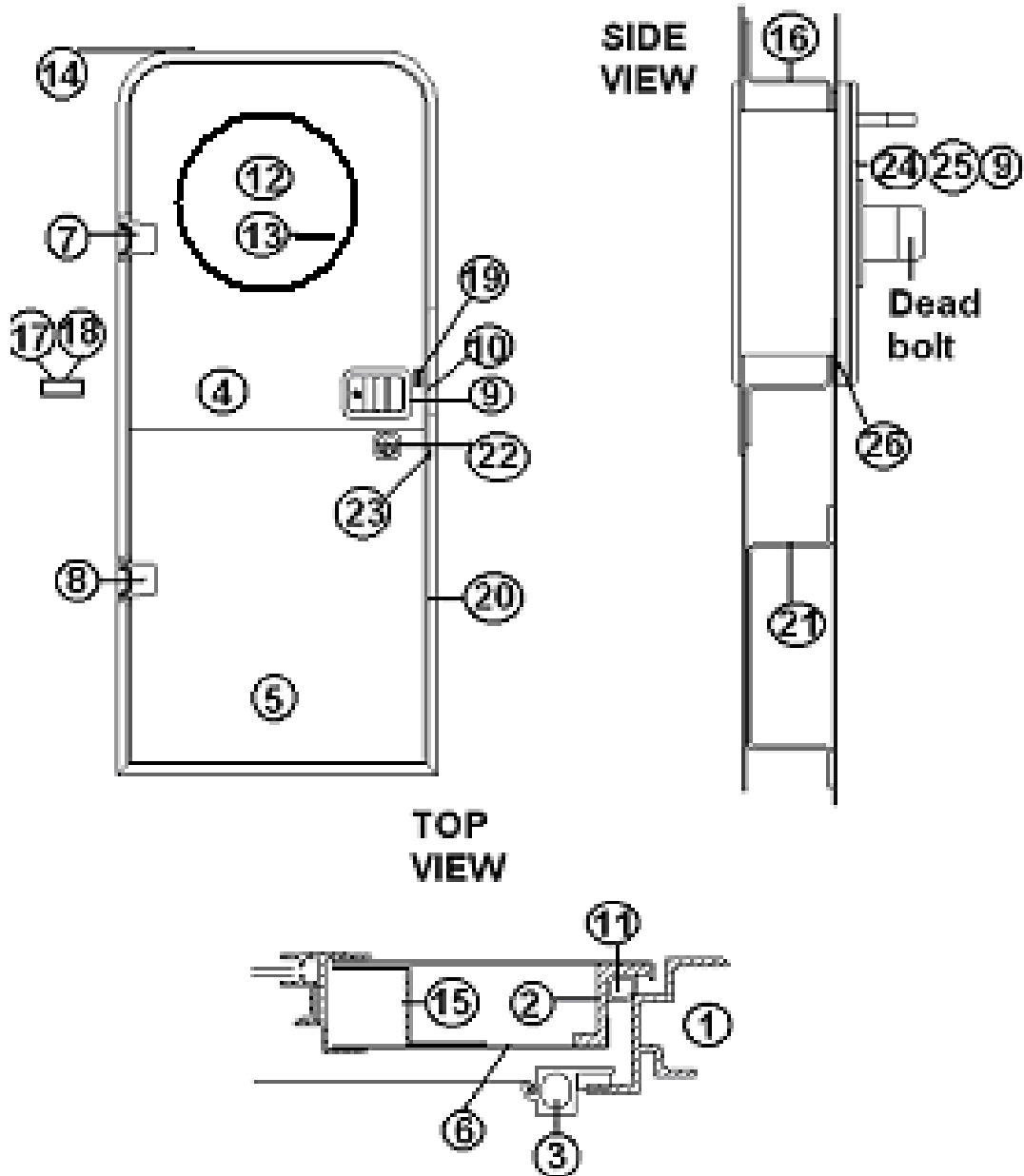
### Main Door, RH Hinge

115207-05	Main door assembly, RH hinge, 27' FB
115207-06	Main door assembly, RH hinge, 25' FB
1. 114652-01	Jamb, main door, pre-formed
2. 114653-01	Frame, main door, pre-formed
3. 114654-01	Screen door assembly, RH Hinge
4. 114448-02	Skin, exterior, upper main door
5. 114449-02	Skin, exterior, lower main door
6. 114475	MAIN DOOR SKIN INNER
7. 381552-02	HINGE ASSY. MAIN DOOR UPPER
8. 381552-01	HINGE ASSY. MAIN DOOR LOWER
9.	Trimark latch assembly parts shown in hardware section
10. 385595	Pocket strike, main door
11. 365232	Seal, main door
12. 371400-01	Window, main door, etched
13. 203370	Spacer, Trimark door Latch
14. 114363	Drip cap, main door
15. 114658	Inner door, "Z" bar, upper & lower
16. 114657	Hat section, formed, main door
17. 380290	Housing. Latch, mounted on side sheet
18. 380291	Latch assembly, mounted on side sheet
19. 201056	Striker, main door, black plastic
20. 114655	Trim ring formed, main door
21. 115004	Hat section assembly, dead bolt
22. 381323-01	Dead bolt, complete assembly
23. 381326	Striker w/ Trimark deadbolt
24. 345321-12	Screw, flat head, black
25. 453851	Bolt, Trimark, deadbolt
26. 203370	Spacer, deadbolt assembly
381548	Latch reinforcement plate

# 2007 INTERNATIONAL TRAVEL TRAILER

## DOORS, EXTERIOR

Door, Main, 75<sup>th</sup> Anniversary



# 2007 INTERNATIONAL TRAVEL TRAILER

## DOORS, EXTERIOR

### Door, Main, 75<sup>th</sup> Anniversary

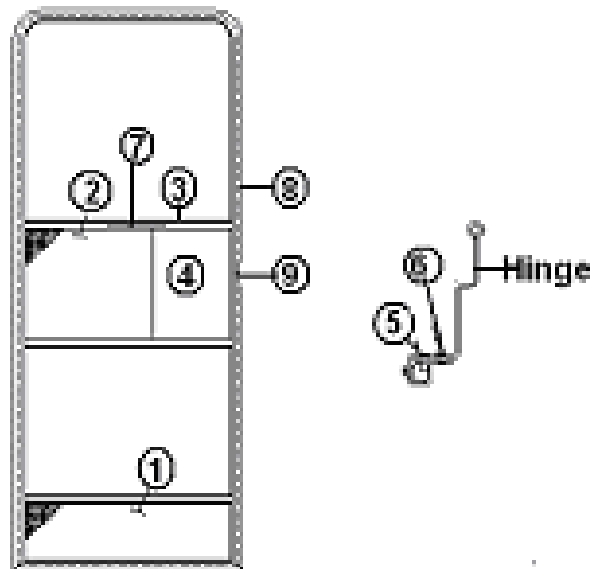
115329	MAIN DOOR ASSEMBLY W/PORHOLE WINDOW
1. 114653	Frame, main door, pre-formed
2. 114652	Jamb, main door, pre-formed
3. 114654	Screen door assembly
4. 114448-03	Skin, exterior, upper main door
5. 114449-03	Skin, exterior, lower main door
6. 114475	MAIN DOOR SKIN INNER
7. 381552-03	HINGE ASSY. MAIN DOOR UPPER
8. 381552-04	HINGE ASSY. MAIN DOOR LOWER
9. Trimark latch assembly parts shown in hardware section	
10. 385595	Pocket strike, main door
11. 365232	Seal, main door
12. 371414	Window, porthole, 75 <sup>th</sup> Anniversary
13. 115327	Trim ring, window, porthole, 75 <sup>th</sup> Anniversary
13. 371415	Sash, porthole window
14. 114363	Drip cap, main door
15. 114658	Inner door, "Z" bar, upper & lower
16. 114657	Hat section, formed, main door
17. 380290	Housing. Latch, mounted on side sheet
18. 380291	Latch assembly, mounted on side sheet
19. 201056	Striker, main door, black plastic
20. 114655	Trim ring formed, main door
21. 115004	Hat section assembly, dead bolt
22. 381323-01	Dead bolt, complete assembly
23. 381326	Striker w/ Trimark deadbolt
24. 345321-12	Screw, flat head, black
25. 453851	Bolt, Trimark, deadbolt
26. 203370	Spacer, deadbolt assembly



# 2007 INTERNATIONAL TRAVEL TRAILER

## DOORS, EXTERIOR

### Door, Screen



114654	SCREEN DOOR ASSY. LH HINGE
114654-01	SCREEN DOOR ASSY. RH HINGE
1. 114648-01	Kick panel screen door
2. 114561-01	Panel, slider, screen door
3. 104784-78	EXTR.SCREENDOOR STIFENER #VH-9
4. 203287-02	Close out, plastic, screen door
5. 330126-03	RIVET POP SSD44SSBS
6. 325122	Rivet, hard, 5/32
7. 380004	HANDLE WITH 8/32 X 1 SCREW
8. 365013-01	Gasket, screen door, foam tape
9. 683946	BUG SEAL, edge of screen door close out
380079	Screen, gray
200518	Spline, gray, screen insert
701624	VELCRO LOOP 5/8" WIDE
701625	VELCRO HOOK, 5/8" WIDE
381454	Screen door hold back latch, Bullet
386068	MEDALLION 3" LOGO, AIRSTREAM

### Screen Door Guard

32226W	Guard, screen door
381968	Guard, screen door, custom, 75 <sup>th</sup> Anniversary

# 2007 INTERNATIONAL TRAVEL TRAILER

## DOORS, EXTERIOR

### Door, Refer Access

922243	ASSEMBLY, REFER ACCESS DOOR, 19', 25', 28'
922156	DOOR, REFER ACCESS
104417	JAMB, REFRIGERATOR ACCESS
104439	LOUVERED PANEL, REFER ACCESS DOOR
380988	HINGE, CONTINUOUS .5IN LEAF 16IN
203225	TRIM LOCK WHITE #1375 1/8 W-3
381812	LATCH TWIST CHROME

### Door, Side Access, Small, 19', Aft End

100679-01	Small, access door assembly, rear or side
365035	Seal, side access door
380773	HINGE, ACCESS DOOR
380770	LOCK & CASTING ASSEMBLY
115295	SPACER, FORMED COMPARTMENT DOOR
115296	JAMB, FORMED COMPARTMENT DOOR

### Door, Battery

410551-02	LID BATTERY BOX
381430	LOCK, TWIST, STRAIGHT CAM
380203-01	PIANO HINGE 1/8", Battery box lid
381814	NUT-WING 5/16 #1809
381613	PLASTISOL COVER-LP WING HANDLE

# 2007 INTERNATIONAL TRAVEL TRAILER

## DOORS, EXTERIOR

### Door, Trunk/Side Assembly, 61.50"

921159	DOOR ASSY TRUNK
114673	PANEL OUTER TRUNK DOOR
114674	PANEL INNER TRUNK DOOR
114675	JAMB TRUNK DOOR
380203-01	PIANO HINGE 1/8" PIN
380770	LOCK & CASTING ASSEMBLY
360016	BUMP-ON RUBBER
365035	RUBBER SEAL ACCESS DOOR
381065-10	10" CABLE SUPPORT

### Door, Trunk Assembly, 16', 27', 28'

922711	DOOR ASSEMBLY-TRUNK
115158	PANEL, OUTER TRUNK DOOR
115159	PANEL, INNER TRUNK DOOR
115157	JAMB-TRUNK DOOR
380203-01	PIANO HINGE 1/8" PIN
380770	LOCK & CASTING ASSEMBLY
360016	BUMP-ON RUBBER
365035	RUBBER SEAL ACCESS DOOR
701538-01	CARPET-ECONOLIER W/PSA BACK
701538	CARPET, ECONOLIER VELOUR BLACK
381065-10	10" CABLE SUPPORT

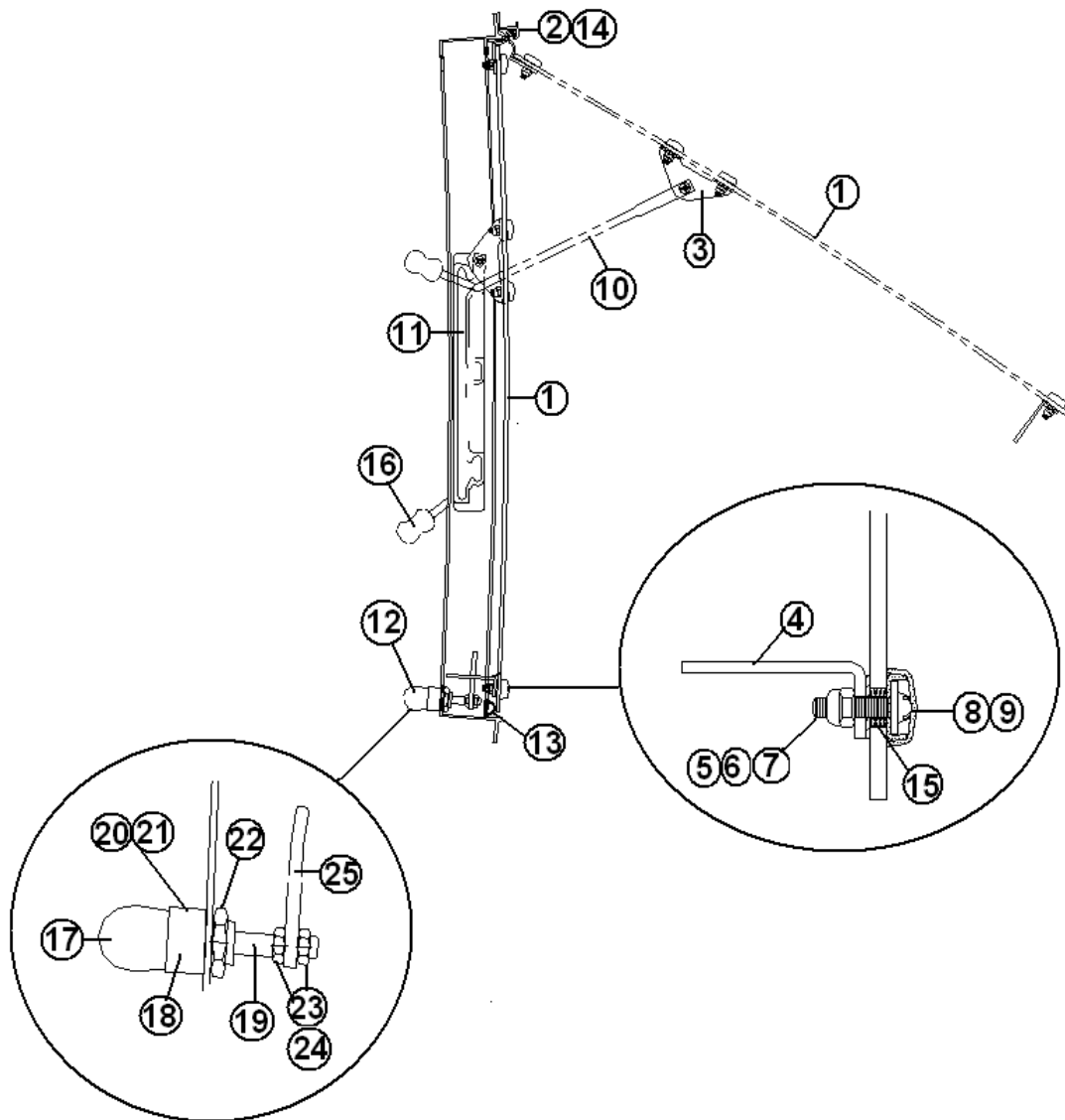
### Door, Water Service, 16'

381766	HATCH-ACCESS 7.75" X 12.63"
115153	CLOSEOUT-UTILITY DOOR
115167	JAMB-INNER WALL UTILITY DOOR

# 2007 INTERNATIONAL TRAVEL TRAILER

## WINDOWS/SCREENS

### Opening Windows Diagram



Part numbers on next page

# 2007 INTERNATIONAL TRAVEL TRAILER

## WINDOWS/SCREENS

- |               |                                     |
|---------------|-------------------------------------|
| 1. 371323-100 | Glass w/hardware, 18" window        |
| 1. 371324-100 | Glass w/hardware, 30" window        |
| 2. 371323-101 | Hinge, 18" window                   |
| 2. 371324-101 | Hinge, 30" window                   |
| 3. 1101-0010  | Bracket, window prop                |
| 4. 685124     | Striker plate, window latch         |
| 5. 0706-0004  | Flat washer                         |
| 6. 0703-0001  | Screw, #8-32 x .625", black, SS     |
| 7. 0702-0010  | Nut, Nylox, #8-32, black SS         |
| 8. 0802-0004  | Screw cover, 12-12 #100, black      |
| 9. 0802-0005  | Washer, 12-12 screw cover bottom    |
| 10. 100903    | Operating arm, RH                   |
| 10. 100903-01 | Operating arm, LH                   |
| 11. 0802-0001 | Guide, operating arm, RH            |
| 11. 0802-0002 | Guide, operating arm, LH            |
| 12. 010020    | Latch assembly, chrome              |
| 13. 381665    | Gasket seal                         |
| 14. 0101-0017 | Male hinge extrusion, 1/2" pc.      |
| 15. 0706-0003 | Bushing, window, acrylic            |
| 16. 380230-03 | Window arm knob, silver             |
| 16. 380230-04 | Window arm knob, red                |
| 17. 1101-0005 | Latch handle, chrome                |
| 17. 195467-05 | Latch handle, red                   |
| 18. 1101-0007 | Latch body                          |
| 19. 1101-0008 | Latch shaft                         |
| 20. 1101-0009 | Latch spring                        |
| 21. 0707-0002 | Pin, drive lock, 5/32" x 5/8", zinc |
| 22. 0702-0001 | Nut, hex panel, 5/8"-24, zinc       |
| 23. 0702-0002 | Nut, jam, hex, 5/16-24              |
| 24. 385123    | Washer, flat, .53" OD x .328" ID    |
| 25. 685123    | Latch paw                           |

# 2007 INTERNATIONAL TRAVEL TRAILER

## WINDOWS/SCREENS

### Windows and Screens, 16'

371400-01	WINDOW-MAIN DOOR
371269-01	WINDOW 18" STACK
371270-01	WINDOW 30" STACK
371328	WINDOW CENTER DARK GLASS
371326	WINDOW REAR ROUND CORNER
372176-03	SCREEN REAR ESCAPE
372173-02	SCREEN-FRONT WINDOW CLEAR FRAME
372088-101	WINDOW CORNER WRAP RS FRT, CS
372089-101	WINDOW CORNER WRAP CS FRT, RS

### Windows and Screens, 19'

371269-01	Window, 18" stacked
371400-01	WINDOW, MAIN DOOR ETCHED
371323-01	Window, 18" OPENING
371328	Window, FRONT END, DARK GLASS
372088-101	Window, CORNER WRAP RS FRT, CS
372089-101	Window, CORNER WRAP CS FRT, RS
372229	WINDOW, 21"X 28" OPENING
372174-03	SCREEN, 18"OPENING WINDOW RAW M
371347-03	SCREEN, SQUARE FRT WINDOW
372230	SCREEN-21"X 28" CLEAR 19'

# 2007 INTERNATIONAL TRAVEL TRAILER

## WINDOWS/SCREENS

### Windows and Screens, 19', 75<sup>th</sup> Anniversary

371414	Window, porthole, main door
115327	Trim ring, porthole window, main door
371323-01	Window, 18" opening
372174-03	Screen, 18" opening window
371328	Window, front end, dark glass
371347-03	Screen, front end window
922770-01	Vista view, 18"
372229	Window, rear end, 21"X 28" opening
372230	Screen, rear end window, 21" X 28"
371269-01	Window, 18" stack
372226	Trim ring, inner support 18" stack window
372223	TRIM RING-18" STACK WINDOW CLEAR
371412	Window, porthole, bath door, 75 <sup>th</sup> Anniversary
371413	Sash, porthole, bath door, 75 <sup>th</sup> Anniversary
371416	Glass, porthole, bath door, 75 <sup>th</sup> Anniversary
115328	Trim ring, bath door, 75 <sup>th</sup> Anniversary
371415	Sash, porthole window, 75 <sup>th</sup> Anniversary

### Windows and Screens, 22'

371400-01	WINDOW-MAIN DOOR
371269-01	WINDOW 18" STACK
371270-01	WINDOW 30" STACK
371380	WINDOW, OPENING 30" TALL
372218-01	WINDOW-21" X 28" EGRESS
372088-101	CURBSIDE WINDOW WRAP
372089-101	WINDOW, REAR CORNER WRAP RS SOLAR
371328	WINDOW FRONT DARK GLASS
372215-01	SCREEN-30"OPENING WINDOW TALL
372173-02	SCREEN-FRONT WINDOW CLEAR FRAME
372220-01	SCREEN-21" X 28" ALT EGRESS

# 2007 INTERNATIONAL TRAVEL TRAILER

## WINDOWS/SCREENS

### Windows and Screens, 23' D

371323-01	Window, 18" opening
372174-03	SCREEN, 18" OPENING WINDOW
371269-01	WINDOW, 18" STACK
371380	WINDOW, OPENING, 30" TALL
372215-01	SCREEN, 30"OPENING WINDOW TALL
372218-01	WINDOW, 21" X 28" OPENING EGRESS
372220-01	SCREEN, 21" X 28", EGRESS WINDOW
371328	WINDOW, 43" FLAT, FRONT
372088-101	CURBSIDE WRAP WINDOW
372089-101	ROADSIDE WARP WINDOW
371400-01	WINDOW, MAIN DOOR
922770-02	VISTA VIEW, 30"
372173-02	WINDOW SCREEN, FRONT WINDOW

### Windows and Screens, 25' Sleep Six

371269-01	WINDOW 18" STACK
371400-01	WINDOW-MAIN DOOR
371323-01	WINDOW-18" OPENING
371286-01	WINDOW, 18" X 30", FIXED, BUNK OPTION ONLY
371346-02	WINDOW, 48.97" Front End
371380	WINDOW-OPENING 30" TALL
372088-101	WINDOW CORNER WRAP RS FRT, CS
372089-101	WINDOW CORNER WRAP CS FRT, RS
372218-01	WINDOW-21" X 28" EGRESS, Rear End
922770-02	VISTA VIEW- 30"
922770-01	VISTA VIEW- 18"
372174-03	SCREEN-18"OPENING WINDOW RAW M
371347-03	SCREEN-SQUARE FRT WINDOW RAW M
372220-01	SCREEN-21"X 28" ALT EGRESS-MIL
372215-01	SCREEN-30"OPENING WINDOW TALL



# 2007 INTERNATIONAL TRAVEL TRAILER

## WINDOWS/SCREENS

### Windows and Screens, 25' Front Bed

371269-01	WINDOW, 18" STACK
371323-01	WINDOW, 18" OPENING
371380	WINDOW, OPENING 30" TALL
371324-03	WINDOW, 30"OPEN, EGRESS
371270-01	Window, 30" stack
922770-02	VISTA VIEW, 30"
371348-03	WINDOW, FRONT W/SILVER HANDLES
372088-101	WINDOW, CORNER WRAP CS
372089-101	WINDOW, CORNER WRAP RS
371346-02	WINDOW, 48.97" FLAT REAR
371400-01	WINDOW, MAIN DOOR, ETCHED
372174-03	SCREEN, 18"OPENING WINDOW
371347-03	SCREEN, SQUARE FRT WINDOW
372175-01	SCREEN, 30"CURVED, ALTERNATE EGRESS
372215-01	SCREEN, 30"OPENING WINDOW TALL

### Windows and Screens, 27' FB

371324-03	WINDOW, 30"OPEN EGRESS
371324-02	WINDOW, 30" OPENING
371380	WINDOW, OPENING 30" TALL
371269-01	WINDOW, 18" STACK
371270-01	WINDOW, 30" STACK
371348-03	WINDOW-FRONT W/SILVER HANDLES
372088-101	WINDOW CORNER WRAP RS FRT, CS
372089-101	WINDOW CORNER WRAP CS FRT, RS
371346-02	WINDOW, 48.97" FLAT FRT/WRAP RR
372175-01	SCREEN, 30"CURVED, ALTERNATE EGRESS
372175	SCREEN, 30"CURVED WINDOW
372175-01	SCREEN, 30"CURVED, ALTERNATE EGRESS
372176-02	SCREEN, FRONT, W/ROUND CORNERS
372234	SCREEN-REAR WINDOW (SQ.CORNERS)

# 2007 INTERNATIONAL TRAVEL TRAILER

## WINDOWS/SCREENS

### Windows and Screens, 28'

371269-01	WINDOW 18" STACK
371270-01	WINDOW 30" STACK
371286-01	WINDOW 18 X 30 CURVED FIXED
371400-01	WINDOW-MAIN DOOR
371323-01	WINDOW-18" OPENING
371346-02	WINDOW FRONT DARK GLASS
371348-02	WINDOW-REAR W/RED HANDLES
371380	WINDOW-OPENING 30" TALL
922770-02	VISTA VIEW- 30"
922770-01	VISTA VIEW- 18"
195510-19	GLASS AND HARDWARE FOR 371380 WINDOW
372088-101	WINDOW, PANORAMIC, RS FRONT
372089-101	WINDOW, PANORAMIC, CS FRONT
372174-03	SCREEN-18"OPENING WINDOW
371347-03	SCREEN-SQUARE FRT WINDOW
371349-03	SCREEN-REAR ESCAPE
372215-01	SCREEN-30"OPENING WINDOW TALL

### Window Screen Assembly

683946	SEAL, FUZZ GRY (SCREEN)
380079	Screen, gray
200518	Spline, gray, screen insert

# 2007 INTERNATIONAL TRAVEL TRAILER

## WINDOWS/SCREENS

Vista View Window, Trim, Shade, 18"

922770-01 VISTA VIEW, 18"  
203490-03 TRIM RING, 18" VISTA VIEW  
703462-03 SHADE, PULL 19.25" X 9.5", 18" VISTA VIEW  
922772-01 BACKER, VISTA VIEW BLIND 18"

Vista View Window, Trim, Shade, 30"

922770-02 VISTA VIEW, 30"  
203490-04 TRIM RING, 30" VISTA VIEW  
703462-04 SHADE, PULL 31.25" X 9.5", 30" VISTA VIEW  
922772-02 BACKER, VISTA VIEW BLIND 30"

Main Door Trim

371319-06 TRIM RING, MAIN DOOR

# 2007 INTERNATIONAL TRAVEL TRAILER

## WINDOWS/SCREENS

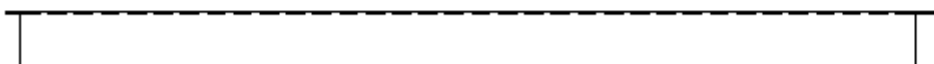
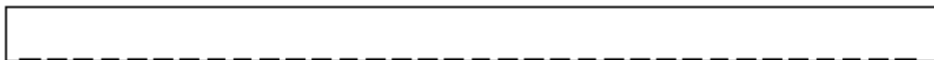
### Panoramic Window Trim

201578-02	END CAP-TRIM RING GRAY
201579-02	TRIM RING-LOWER R.S. GRAY
201580-02	TRIM RING-LOWER C.S. GRAY
201581-05	TRIM RING-UPPER R.S. GRAY
201581-06	TRIM RING-UPPER C.S. GRAY
203225-01	TRIM LOK-GRAY .75"

### Stacked Window Trim

372225	TRIM RING INNER SUPPORT 30"
372226	TRIM RING INNER SUPPORT 18"
372228	TRIM RING-18"X 30" WINDOW
372227	TRIM RING-INNER SPACER 18" X 30"
372222	TRIM RING-30" STACK WINDOW CLEAR
372223	TRIM RING-18" STACK WINDOW CLEAR
203225-01	TRIM, gray flexible, goes around window rings
200967-01	TRIM RING, 18" X 30", FIXED

### Trim Ring Front Window



110900-03	TRIM FORMED, FRONT WRAP
110900-04	TRIM FORMED, FRONT WRAP

# 2007 INTERNATIONAL TRAVEL TRAILER

## WINDOWS/SCREENS

### Window Stone Guard

110102-01	Stone Guard, 1 piece, 27' FB, 25' FB
685275-100	3-Piece Stone, Panoramic Windows, Narrow Body
110188-01	3-Piece Stone, Panoramic Windows, Wide Body
685275-101	CS wrap window solar protector, stone guard
685275-102	RS wrap window solar protector, stone guard
*685275-103	Stone guard, center piece only, 45.25", 16', 19', 22'
110102	Stone guard, center piece only, Wide Body
685358	Turn fast stud
685362	Retainer, split ring
685359	Rubber receptacle
685361	Bracket, rubber receptacle
685363	Slip joint hinge, SS, CS per pair
683960	Arm support
683959	Arm support bracket
114749	HINGE "Y" ASSY. (ROCKGUARD ASSY.)
114750	HINGE "J" (ROCKGUARD ASSY.)
685364	BRKT, UPPER HINGE-45.375-STONEGUARD
381021-01	Latch, draw flexible
114815-01	Extrusion, frame aluminum
685354	Front window key, 90-degree angle riveted to inside corner of metal frame
685378-01	¼" rubber spline
685351	Rubber frame, black
290812-01	Plexi-glass, 28" x 84 " sheet
685355	SLIP JOINT S.S.HINGE
101401	Extrusion, door latch housing
380291	LATCH ASSY SET
201056	STRIKER, MAIN DOOR, PLASTIC, BLACK

\* 19' 75<sup>th</sup> International uses 685275-103 only for the front window.

# 2007 INTERNATIONAL TRAVEL TRAILER

## AWNINGS

### PATIO AWNINGS

702993-13	AWNING, PATIO, 6' 8.25", 16'
702993-23	AWNING, PATIO, 6' 8.25", 16', Ocean Breeze
702993-26	AWNING, PATIO, 6' 8.25", 16' DWR
702993-09	AWNING, PATIO, 9' 8", 19'
702993-21	AWNING, PATIO 9'8", 19' Ocean Breeze
702993-10	AWNING, PATIO 12' 4.5", 22'
702993-15	AWNING, PATIO 13' 5.25", 23' D
702993-20	AWNING, PATIO 13' 5.25", 23' D, Ocean Breeze
702993-06	AWNING, PATIO, 16' 4.50", 25'
702993-18	AWNING-PATIO 16' 4.5", 25' Ocean Breeze
702993-17	AWNING, PATIO, 18' 4", 27' FB
702993-22	AWNING, PATIO, 18' 5.5", OCEAN BREEZE, 27' FB
702993-08	AWNING, PATIO, 18' 4 1/2", 28' Signature
702993-24	AWNING, PATIO, 18' 4.5", OCEAN BREEZE, 28'
702993	HARDWARE MOUNTING ZIP DEE #HE-AS7
385577	TAPE, CLEAR, WEAR STRIP, 3.5" WIDE

# 2007 INTERNATIONAL TRAVEL TRAILER

## AWNINGS

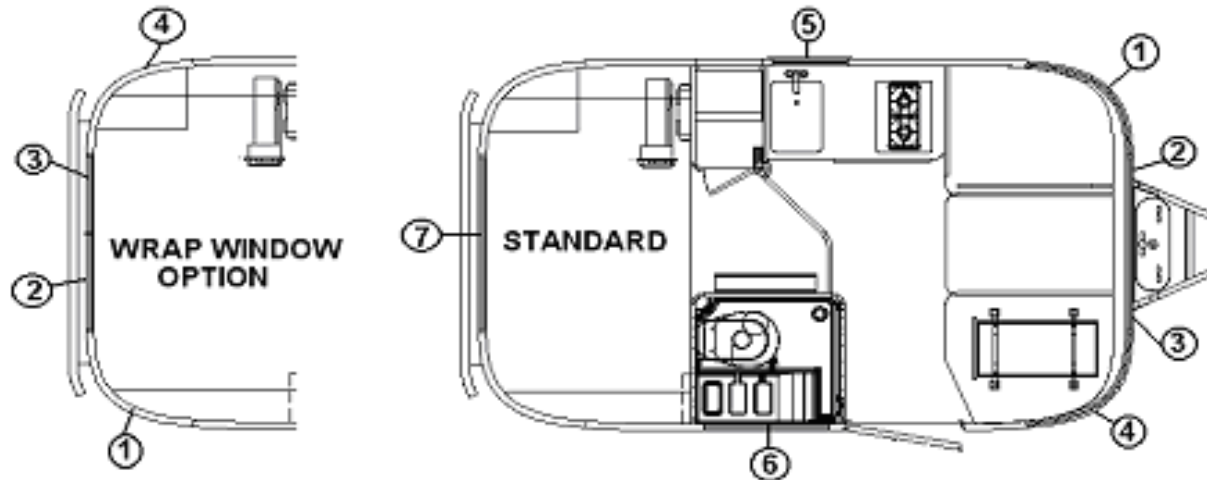
### Window Awnings

703181-01	Awning, 47", rear window, Charcoal, 19'
703181-05	Awning, 16' 4.5" RS window, Charcoal, 25' SS
703181-10	Awning, 12' 4" RS window, Charcoal, 22'
703181-12	Awning, 18' 4.5" RS window, Charcoal, 28'
703181-13	Awning, 9' 8" RS window, Charcoal, 19'
703181-15	Awning, 52.63", Rear window, Charcoal, 28', 27' FB, 25'SS
703181-15	AWNING, WINDOW, 52.50", 27' FB
703181-16	AWNING 13' 5.25" WINDOW, 23' D
703181-18	AWNING, WINDOW 16' 4.5", 25' FB, Ocean Breeze
703181-19	AWNING, WINDOW 52.63", 25'SS, Ocean Breeze
703181-21	AWNING, WINDOW, 18' 6.25", 27' FB
703181-22	AWNING, REAR WINDOW, 52.63", 25' FB, 28' 27' FB, Ocean Breeze
703181-23	AWNING, REAR WINDOW, 47", Ocean Breeze, 23' D, 19'
703181-24	AWNING, WINDOW, 13' 5.25", Ocean Breeze, 23' D
703181-25	AWNING, WINDOW, 9'8", 19' Ocean Breeze
703181-26	AWNING, WINDOW, 18' 6.25", 27' FB, Ocean Breeze
703181-27	AWNING, WINDOW, 18' 4.50", 28' Ocean Breeze
385577	TAPE, CLEAR, WEAR STRIP, 3.5" WIDE

# 2007 INTERNATIONAL TRAVEL TRAILER

## DRAPES/BLINDS

Drape/Shades, 16'



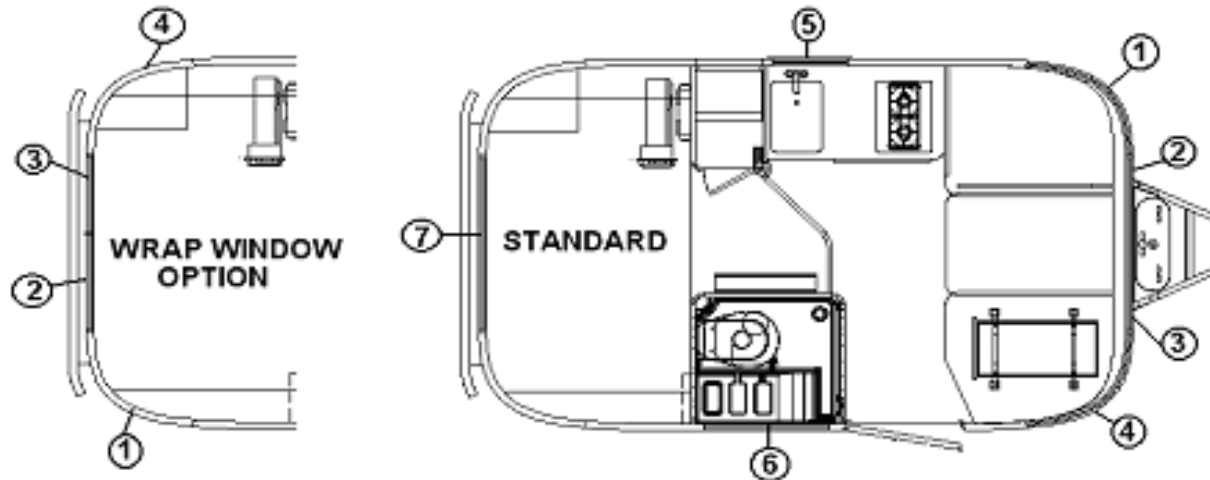
- |              |                                  |
|--------------|----------------------------------|
| 1. 998144-11 | DRAPE-CS SIDE PANEL, 40" X 25.5" |
| 2. 998144-12 | DRAPE-CS FRT PANEL, 23" X 25.5"  |
| 3. 998144-10 | DRAPE-CS FRT PANEL, 23" X 25.5"  |
| 4. 998144-09 | DRAPE-CS SIDE PANEL 40" X 25.5   |
| 5. 703445-07 | SHADE PULL 18.50" X 34.00" L     |
| 6. 703445-04 | SHADE-PULL WHITE 29.75"X 34.00   |
| 7. 703445-06 | SHADE, WHITE PULL 42.75" X 34"   |



# 2007 INTERNATIONAL TRAVEL TRAILER

## DRAPES/BLINDS

Drape/Shades, 16' Signature, Wenge

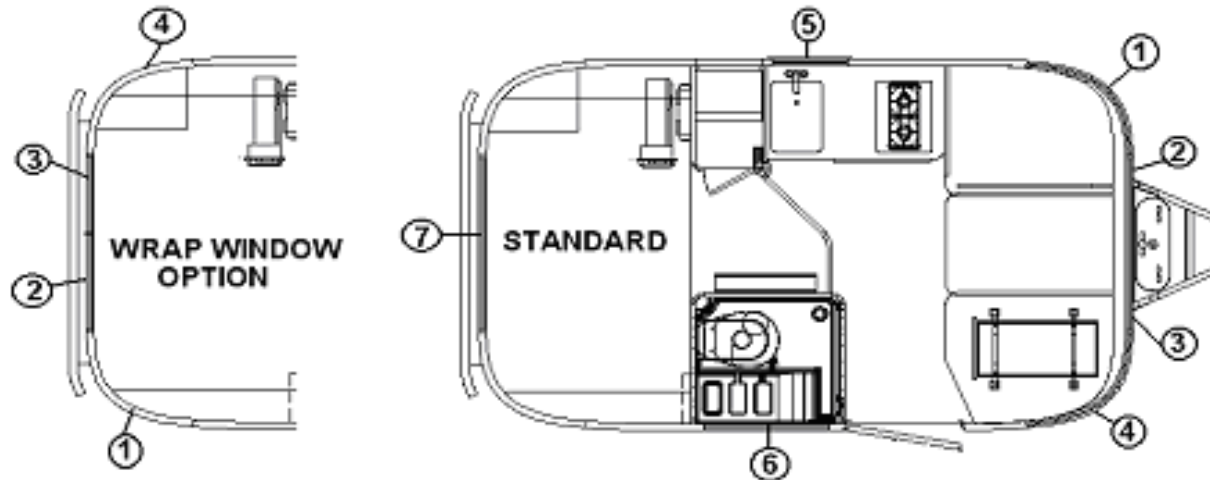


- |              |                                    |
|--------------|------------------------------------|
| 1. 998144-11 | DRAPE, RS SIDE PANEL, 40" X 25.5"  |
| 2. 998144-12 | DRAPE, RS FRONT PANEL, 23" X 25.5" |
| 3. 998144-10 | DRAPE, CS FRONT PANEL, 23" X 25.5" |
| 4. 998144-09 | DRAPE, CS SIDE PANEL 40" X 25.5    |
| 5. 703700-07 | SHADE, PULL 17.75" X 34.00" L      |
| 6. 703700-04 | SHADE, PULL, 29.75" X 34.00" L     |
| 7. 703700-06 | SHADE, PULL 42.75" X 34" L         |

# 2007 INTERNATIONAL TRAVEL TRAILER

## DRAPES/BLINDS

Drape/Shades, 16' Signature, Ocean Breeze

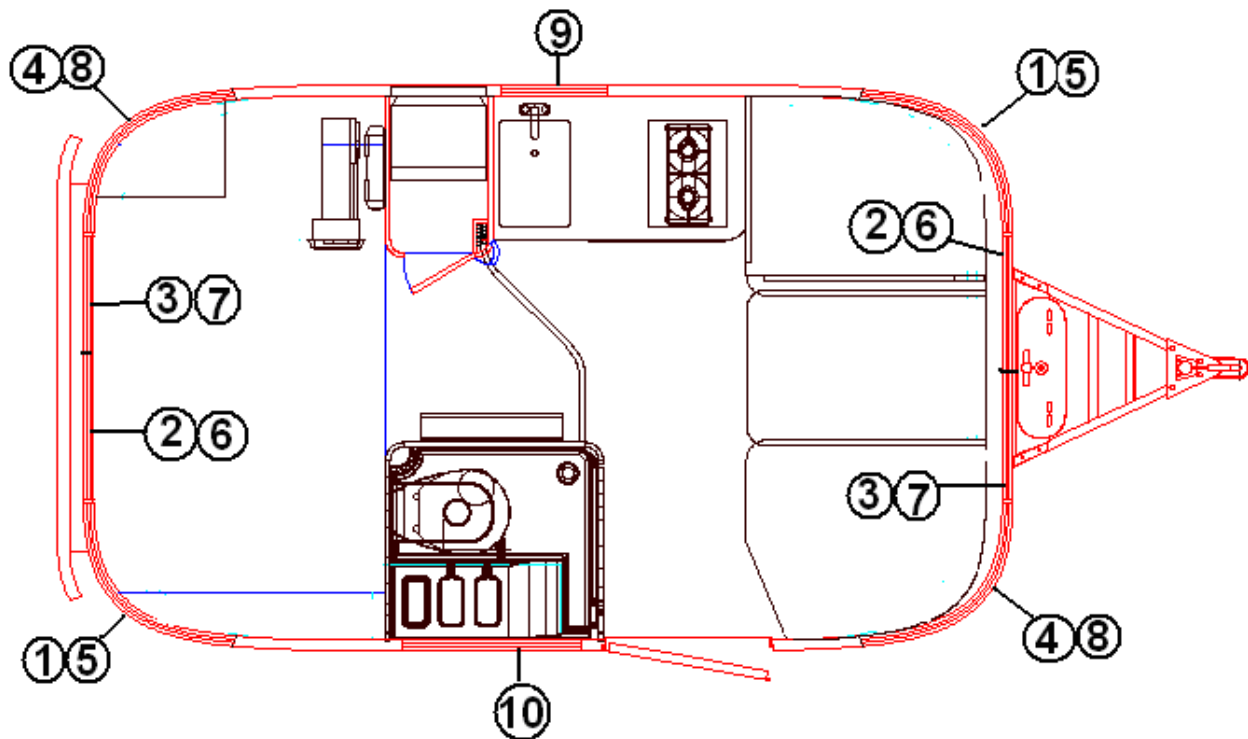


1. 998144-11OB DRAPE, RS SIDE PANEL, 40" X 25.5"
2. 998144-12OB DRAPE, RS FRONT PANEL, 23" X 25.5"
3. 998144-10OB DRAPE, CS FRONT PANEL, 23" X 25.5"
4. 998144-09OB DRAPE, CS SIDE PANEL 40" X 25.5
5. 703700-07 SHAD,E PULL 17.75" X 34.00" L
6. 703700-04 SHADE, PULL, 29.75" X 34.00"L
7. 703700-06 SHADE, PULL 42.75" X 34"L

# 2007 INTERNATIONAL TRAVEL TRAILER

## DRAPES/BLINDS

Drape/Shades, 16 Ft. DRW

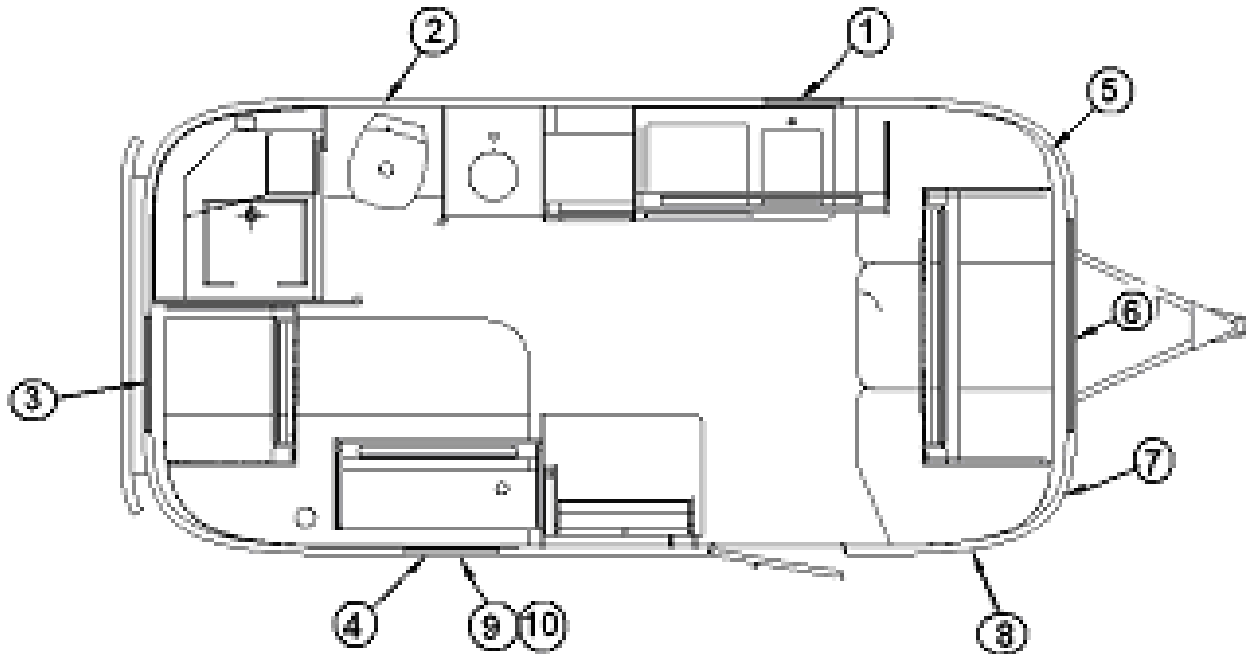


- |               |                                   |
|---------------|-----------------------------------|
| 1. 998194-01  | DRAPE, FLAT, PANEL, LH, 40 X 25.5 |
| 2. 998194-02  | DRAPE, FLAT, PANEL, LH, 24 X 25.5 |
| 3. 998194-03  | DRAPE, FLAT, PANEL, RH, 24 X 25.5 |
| 4. 998194-04  | DRAPE, FLAT, PANEL, RH, 24 X 25.5 |
| 5. 998195-01  | SHEER, FLAT, PANEL, LH, 40 X 25.5 |
| 6. 998195-02  | SHEER, FLAT, PANEL, LH, 24 X 25.5 |
| 7. 998195-03  | SHEER, FLAT, PANEL, RH, 24 X 25.5 |
| 8. 998195-04  | SHEER, FLAT, PANEL, RH, 40 X 25.5 |
| 9. 703700-07  | SHADE 17.75 X 34L                 |
| 10. 703700-04 | SHADE 29.75" X 34"L               |
| 703709        | FABRIC, FLUCTUATION, DRAPE        |
| 703710        | FABRIC, SPAN, SHEER               |
| 703711        | Curtain, dividing, 51" x 72"      |

# 2007 INTERNATIONAL TRAVEL TRAILER

## DRAPES/BLINDS

Drapes/Shades, 19 Ft.



1. 703445-01 SHADE-PULL 20.00" W X 24.00" L WHITE
2. 703445-07 SHADE-PULL 20.00" W X 24.00" L WHITE
3. 703445-03 SHADE-PULL 25.25" W X 24.00" L WHITE
4. 703445-05 SHADE-PULL 21.00" W X 34.00" L WHITE
5. 998144-11 DRAPE-CS SIDE PANEL 40" X 25.5"
6. 998144-12 DRAPE-CS FRONT PANEL 23"X 25.5"
7. 998144-10 DRAPE-CS FRONT PANEL 23"X 25.5"
8. 998144-09 DRAPE-CS SIDE PANEL 40" X 25.5"
9. 998164-01 CURTAIN PNL-16" NO PLTS X 12"L
10. 998164-02 CURTAIN PNL- 16"NO PLTS X 17"L

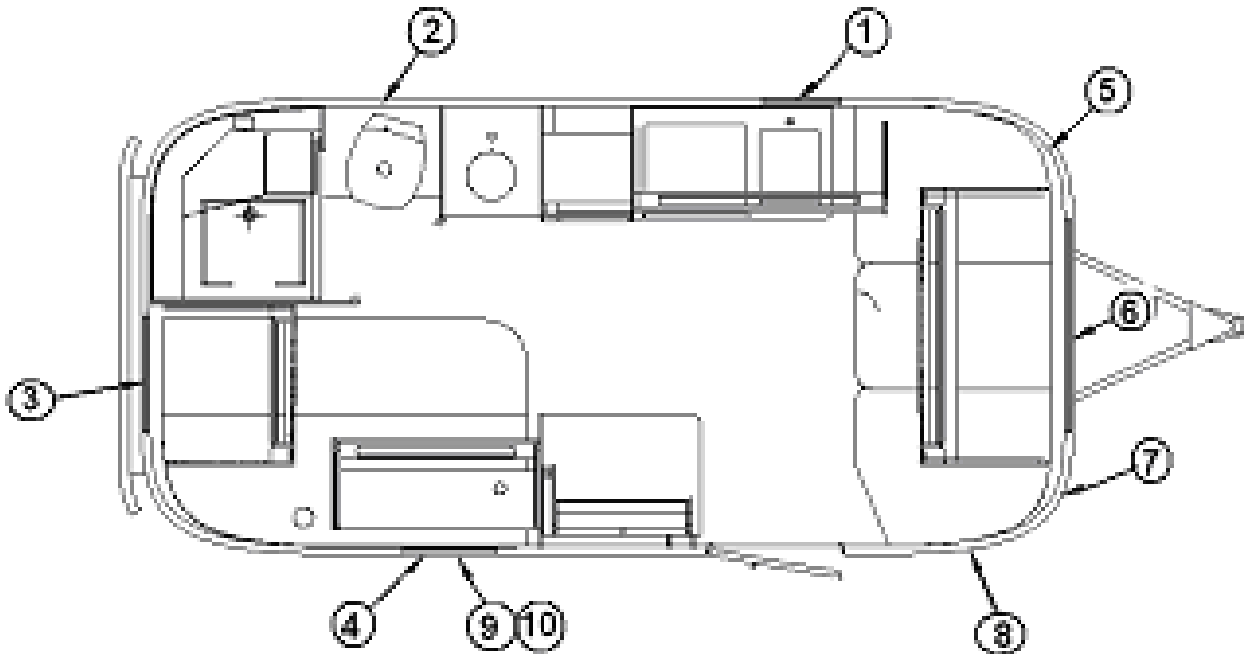
ITEM 4 NOT USED ON BUNK MODEL

ITEMS 9 & 10 USED ON BUNK MODEL ONLY

# 2007 INTERNATIONAL TRAVEL TRAILER

## DRAPES/BLINDS

Drapes/Shades, 19 Ft. Wenge



- |               |  |
|---------------|--|
| 1. 703700-01  | SHADE 19.00 X 24.00L                     |
| 2. 703700-07  | SHADE 17.75 X 34L                        |
| 3. 703700-05  | SHADE 19" X 34"L                         |
| 4. 703700-03  | SHADE 25.25 X 34L                        |
| 5. 998144-11  | DRAPE, ROADSIDE SIDE PANEL, 37" X 25.5"  |
| 6. 998144-12  | DRAPE, CURBSIDE FRONT PANEL, 23" X 25.5" |
| 7. 998144-10  | DRAPE, CURBSIDE FRONT PANEL, 23" X 25.5" |
| 8. 998144-09  | DRAPE, CURBSIDE SIDE PANEL, 37" X 25.5"  |
| 9. 998164-01  | CURTAIN PANEL, 16" NO PLEATS X 12"       |
| 10. 998164-02 | CURTAIN PANEL, 16" NO PLEATS X 17"       |

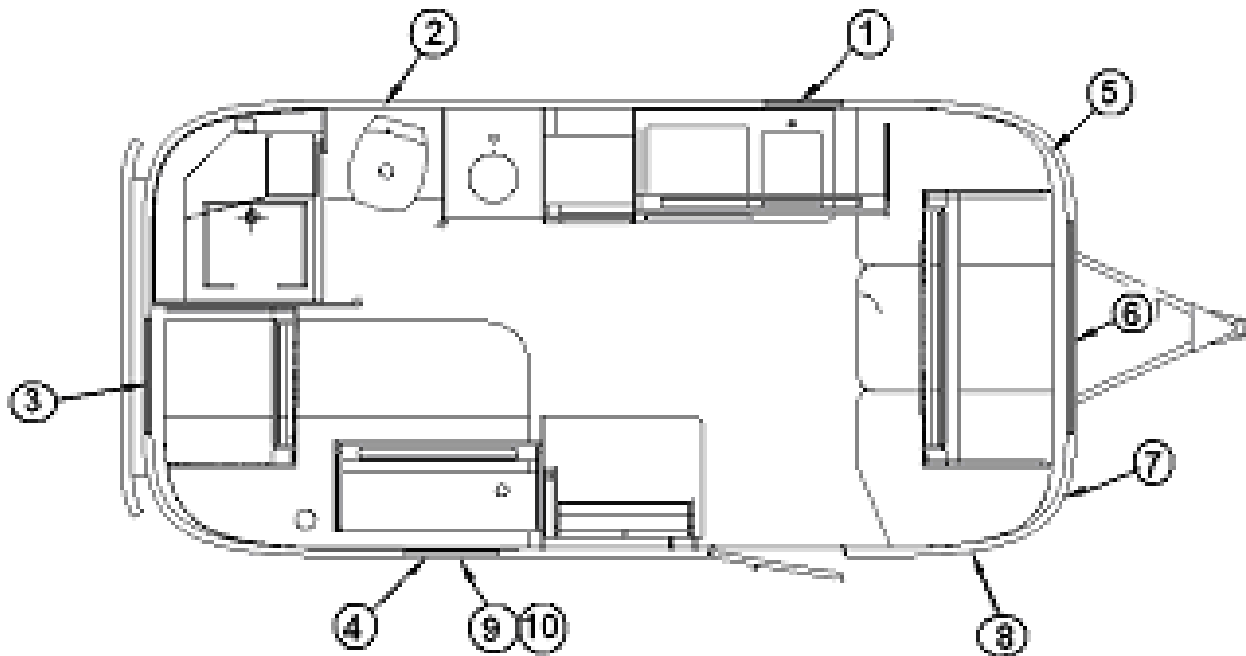
ITEM 4 NOT USED ON BUNK MODEL

ITEMS 9 & 10 USED ON BUNK MODEL ONLY

# 2007 INTERNATIONAL TRAVEL TRAILER

## DRAPES/BLINDS

Drapes/Shades, 19 Ft. Ocean Breeze



- |                |  |
|----------------|--|
| 1. 703700-01   | SHADE 19.00 X 24.00L                     |
| 2. 703700-07   | SHADE 17.75 X 34L                        |
| 3. 998171-17   | CURTAIN PANEL, 16" X 22"                 |
| 4. 998171-18   | CURTAIN PANEL, 12" X 34.5"               |
| 5. 998144-11OB | DRAPE, ROADSIDE SIDE PANEL, 37" X 25.5"  |
| 6. 998144-12OB | DRAPE, CURBSIDE FRONT PANEL, 23" X 25.5" |
| 7. 998144-10OB | DRAPE, CURBSIDE FRONT PANEL, 23" X 25.5" |
| 8. 998144-09OB | DRAPE, CURBSIDE SIDE PANEL, 37" X 25.5"  |
| 9. 998164-01   | CURTAIN PANEL, 16" NO PLEATS X 12"       |
| 10. 998164-02  | CURTAIN PANEL, 16" NO PLEATS X 17"       |

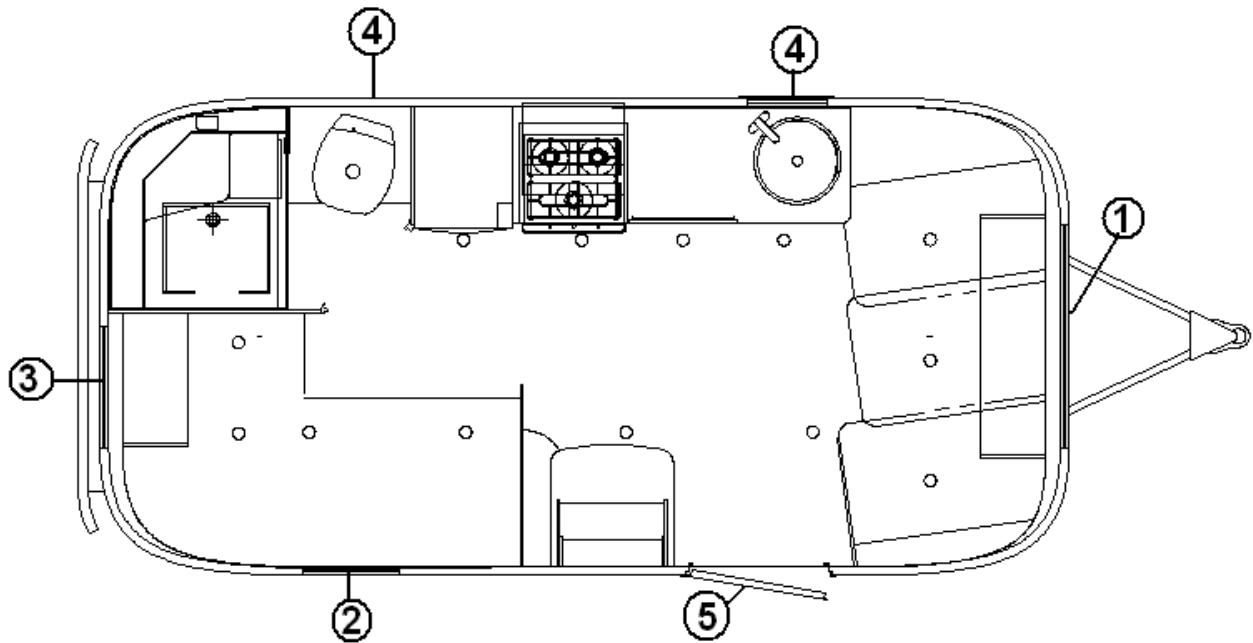
ITEM 4 NOT USED ON BUNK MODEL

ITEMS 9 & 10 USED ON BUNK MODEL ONLY

# 2007 INTERNATIONAL TRAVEL TRAILER

## DRAPES/BLINDS

Drapes/Shades, 19 Ft. 75<sup>th</sup> Anniversary

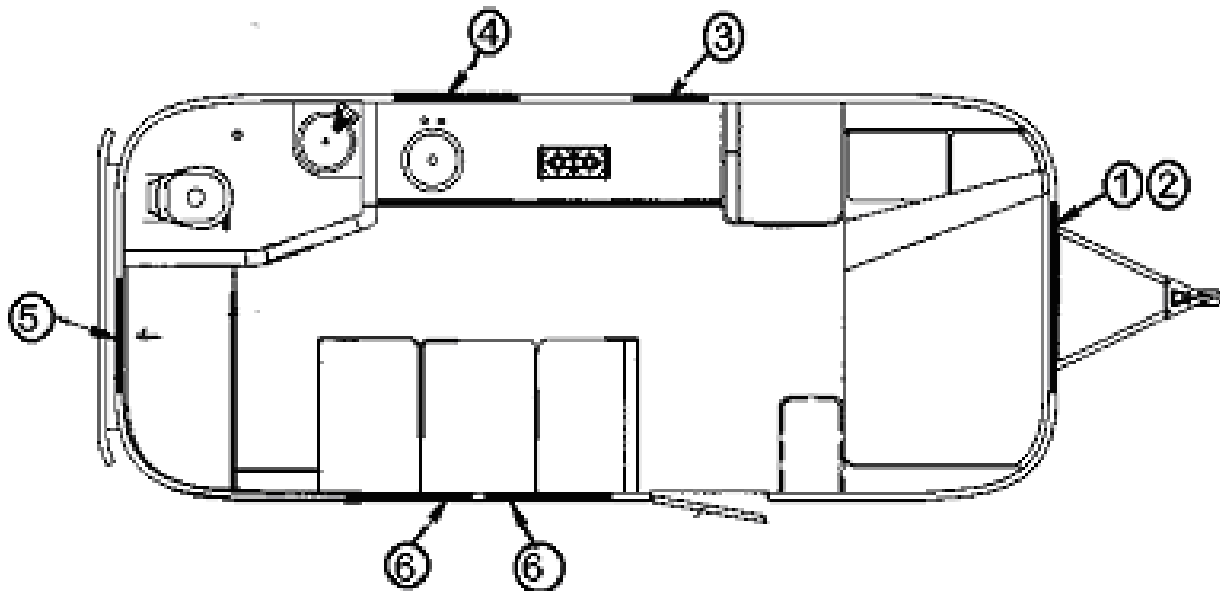


- |              |                                   |
|--------------|-----------------------------------|
| 1. 998171-19 | CURTAIN ASSY- 28.5" X 25.5"       |
| 2. 703191-13 | BLIND BRUSHED ALUM. 18.75" X 32"  |
| 3. 703191-01 | BLIND-MINI B.ALUM 25.38" X 21.62" |
| 4. 703191-08 | BLIND, MINI-METAL 17.5"W X 22"    |
| 5. 703191-04 | BLIND MINI METAL 21" X 23"        |

# 2007 INTERNATIONAL TRAVEL TRAILER

## DRAPES/BLINDS

Drapes/Shades, 22 Ft.



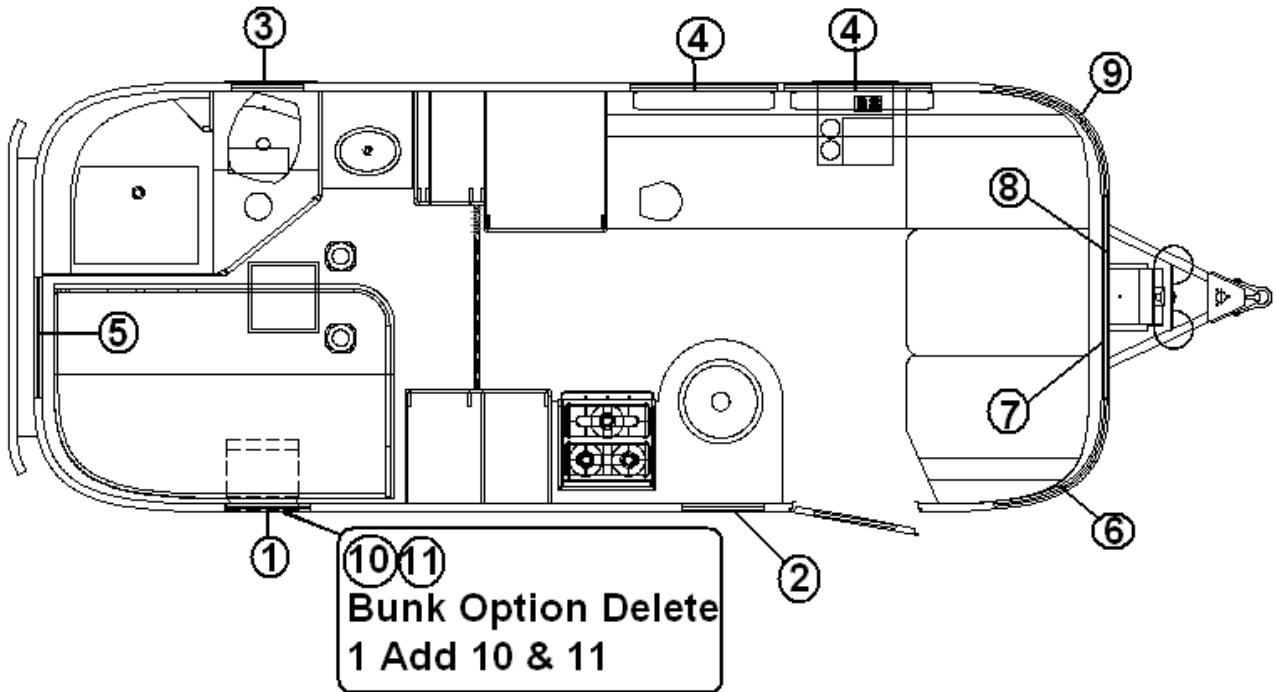
- |              |                                  |
|--------------|----------------------------------|
| 1. 998144-01 | Drape, CS, rear panel            |
| 1.998144-02  | Drape, CS side panel             |
| 2. 998144-03 | Drape, RS Rear panel             |
| 2.998144-04  | Drape, RS side panel             |
| 3. 703445-01 | Pull shade only, 20" x 24"       |
| 4. 703445-02 | Pull shade only, 32.50" x 24"    |
| 5. 703445-03 | Pull shade only, 24.25" x 24.00" |
| 6. 703445-04 | Pull shade only, 29.75" x 34.00" |



# 2007 INTERNATIONAL TRAVEL TRAILER

## DRAPES/BLINDS

Drapes/Shades, 23 Ft. D, Wenge

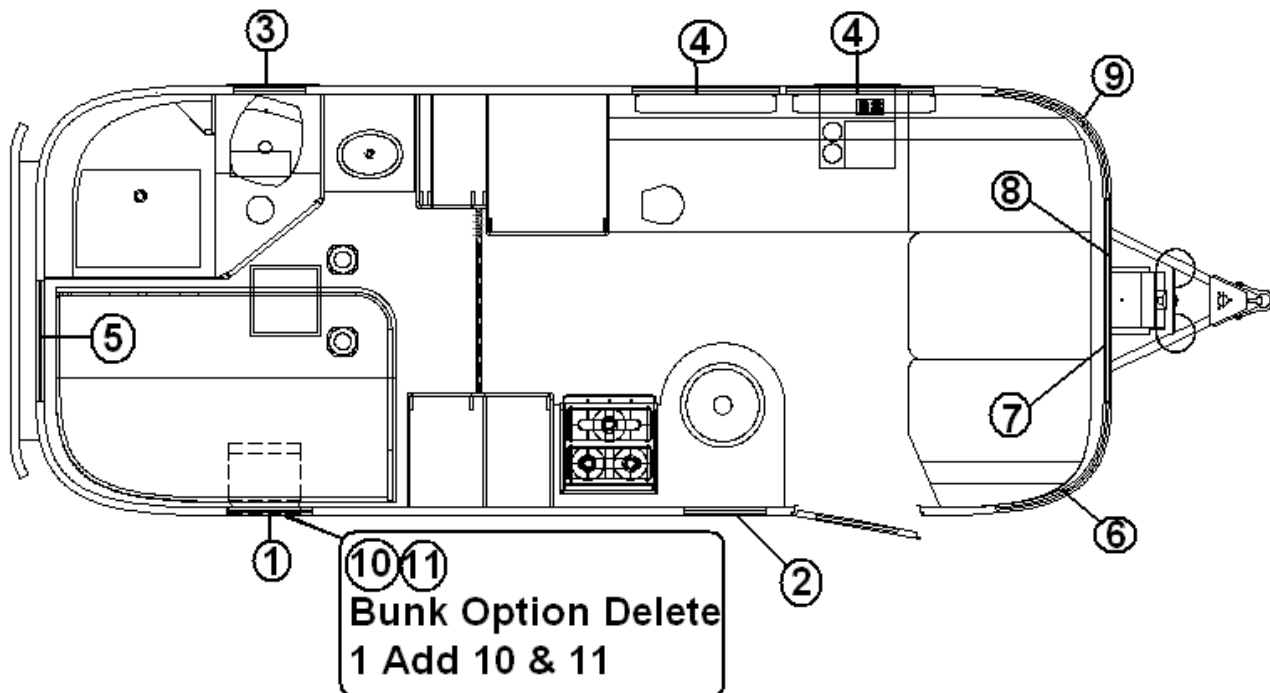


1. 703700-05	SHADE, PULL, 19.00W X 34.00L
2. 703700-01	SHADE, PULL, 19.00W X 24.00L
3. 703700-07	SHADE, PULL, 18.50W X 34.00L
4. 703700-04	SHADE, PULL, 29.75W X 34.00L
5. 703700-03	SHADE, PULL, 25.25W X 34.00L
6. 998144-09	DRAPE, CS SIDE PANEL, 37" X 25.5"
7. 998144-10	DRAPE, CS FRONT PANEL, 23" X 25.5"
8. 998144-12	DRAPE, CS FRONT PANEL, 23" X 25.5"
9. 998144-11	DRAPE, RS SIDE PANEL, 37" X 25.5"
10. 998164-02	CURTAIN PANEL, 16" NO PLEATES X 17"L
11. 998164-01	CURTAIN PANEL, 16" NO PLEATES X 12"L
703462-04	SHADE, PULL, 31.25 X 9.5, GRAY, VISTA VIEW

# 2007 INTERNATIONAL TRAVEL TRAILER

## DRAPES/BLINDS

Drapes/Shades, 23 Ft. D, Ocean Breeze

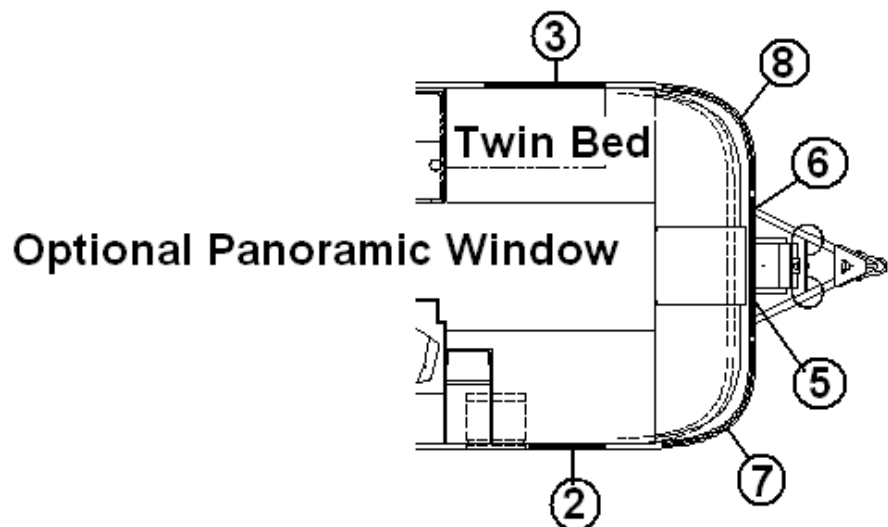
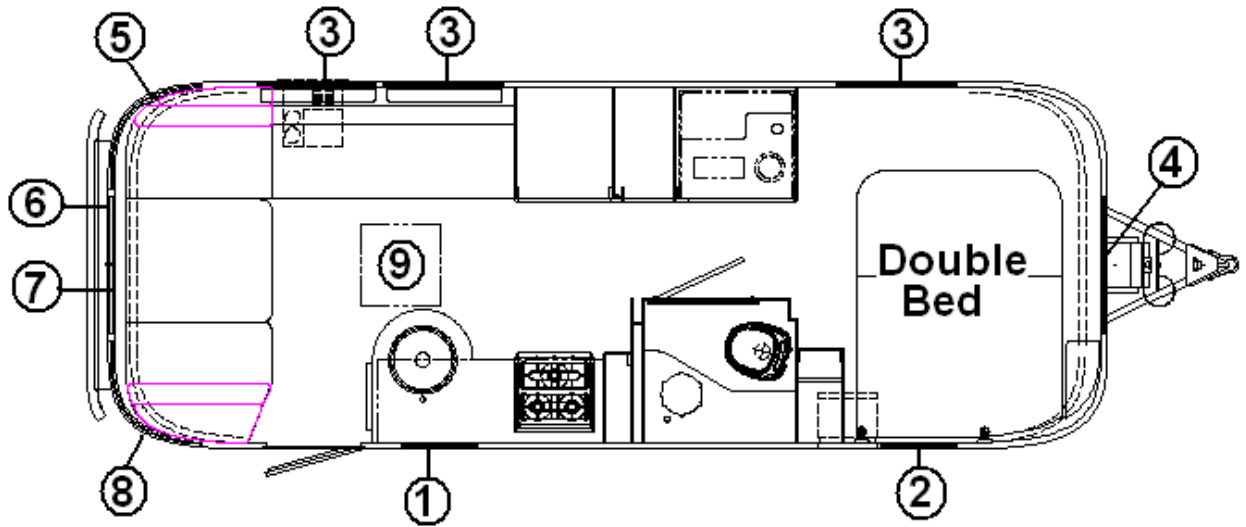


- |                 |  |
|-----------------|--|
| 1. 998171-18    | PANEL, CURTAIN, 12"W X 34.5"               |
| 2. 703700-01    | SHADE, PULL, 19.00W X 24.00L               |
| 3. 703700-07    | SHADE, PULL, 17.75W X 34.00L               |
| 4. 703700-04    | SHADE, PULL, 29.75W X 34.00L               |
| 5. 998171-17    | PANEL, CURTAIN, 15.5" X 22"                |
| 6. 998144-09OB  | DRAPE, CS SIDE PANEL, 40" X 25.5"          |
| 7. 998144-10OB  | DRAPE, CS FRONT PANEL, 23" X 25.5"         |
| 8. 998144-12OB  | DRAPE, RS FRONT PANEL, 23" X 25.5"         |
| 9. 998144-11OB  | DRAPE, CS SIDE PANEL, 37" X 25.5"          |
| 10. 998164-02OB | CURTAIN PANEL, 16" NO PLEATES X 17"L       |
| 11. 998164-01OB | CURTAIN PANEL, 16" NO PLEATES X 12"L       |
| 703462-04       | SHADE, PULL, 31.25 X 9.5, GRAY, VISTA VIEW |

# 2007 INTERNATIONAL TRAVEL TRAILER

## DRAPES/BLINDS

Drapes/Shades, 25 Ft. Front Bed

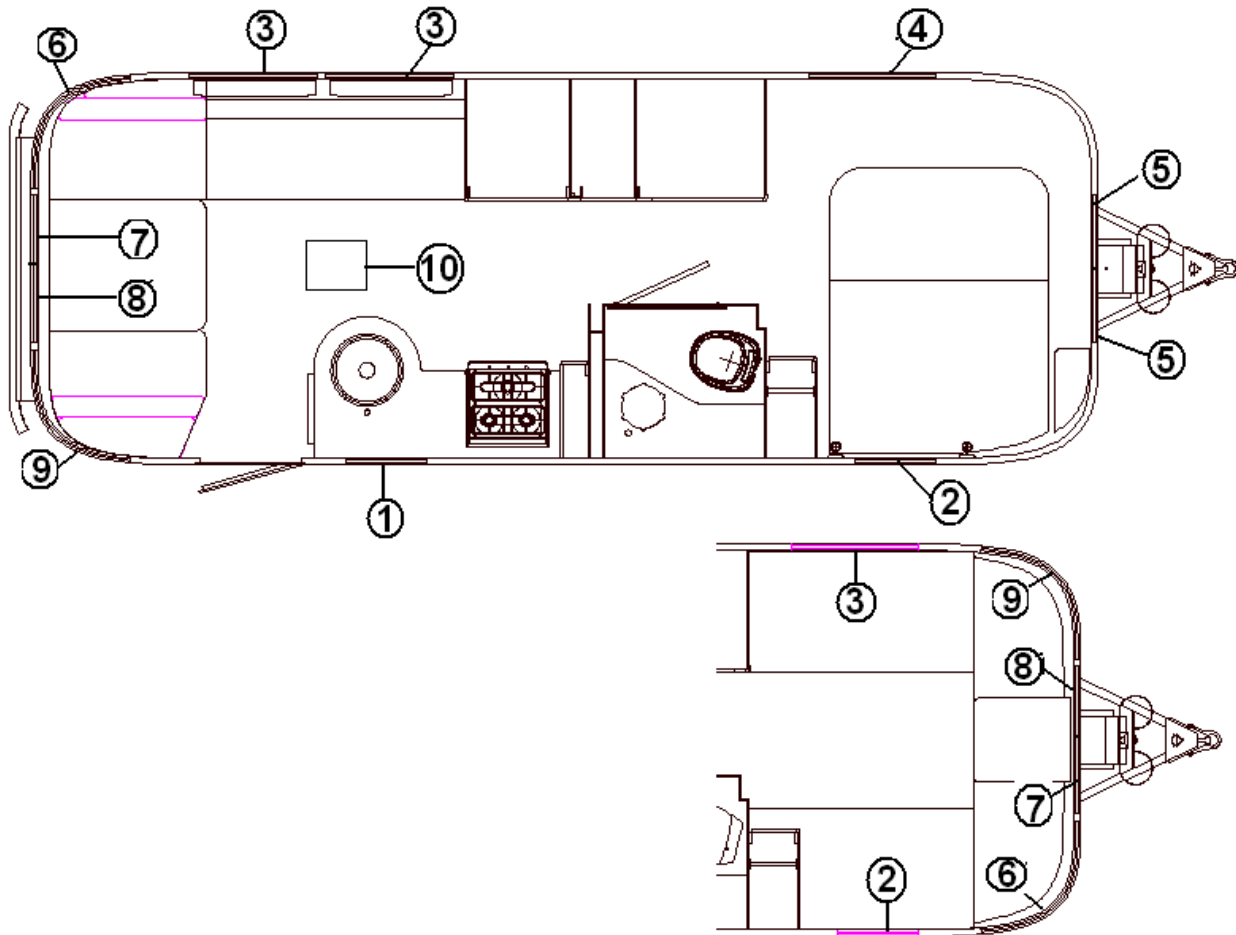


1. 703445-05 SHADE PULL 21" X 34.00" L
2. 703445-07 SHADE-PULL WHITE 18.50" X 34.00" L
3. 703445-04 SHADE, WHITE PULL 29.75" X 34.00" L
4. 998171-09 CURTAIN ASSY- 28.5" X 25.5"
5. 998144-11 DRAPE-CS SIDE PANEL 40" X 25.5"
6. 998144-05 DRAPE-CS FRONT PANEL 27" X 29"
7. 998144-07 DRAPE-RS FRONT PANEL 27" X 29"
8. 998144-09 DRAPE-CS SIDE PANEL, 40" X 25.5"
9. 702804-03 SHADE, PLEATED, SKY LIGHT, 19.25" X 20.00"

# 2007 INTERNATIONAL TRAVEL TRAILER

## DRAPES/BLINDS

Drapes/Shades, 25 Ft. Front Bed, Wenge

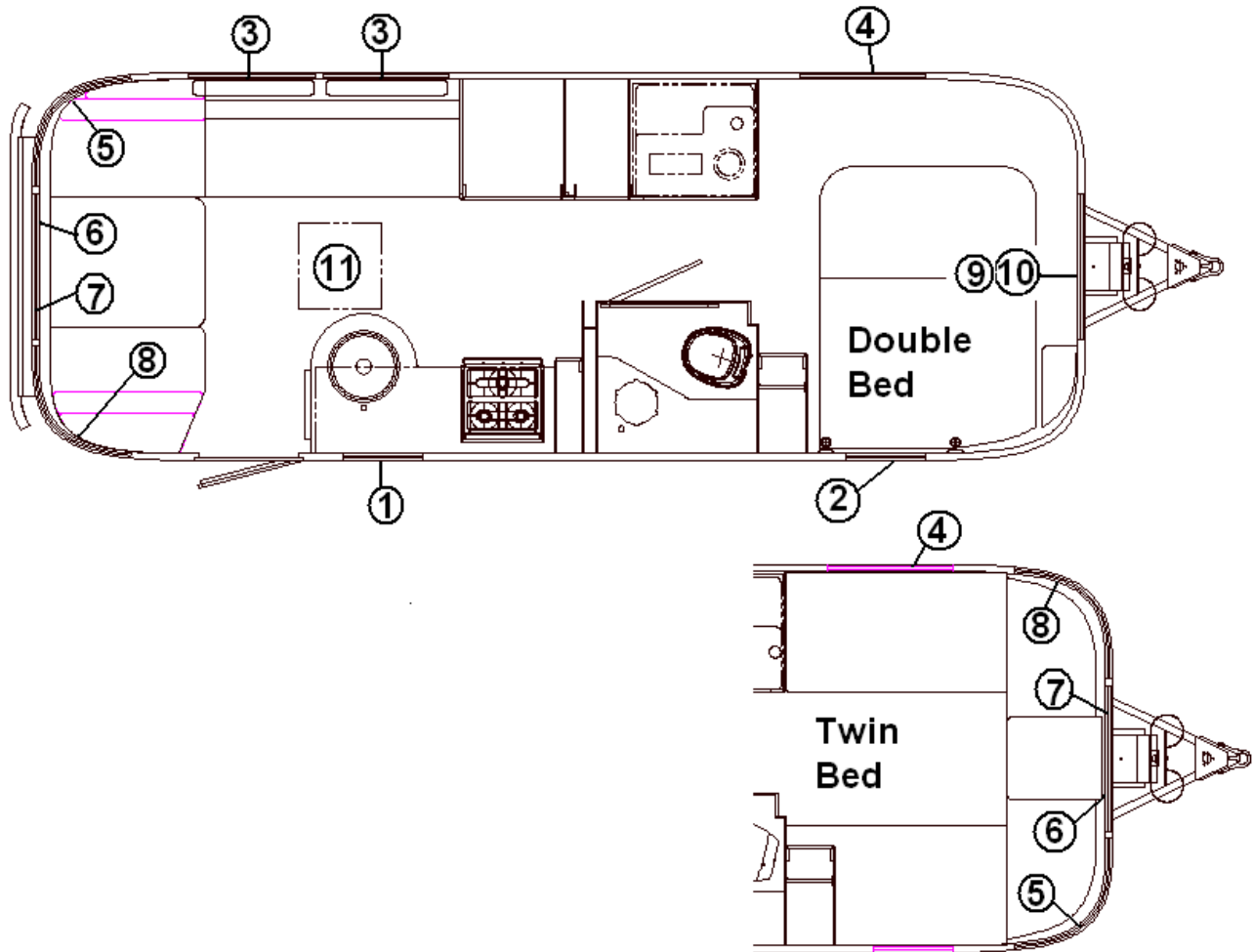


- |               |  |
|---------------|--|
| 1. 703700-05  | SHADE, PULL, 19.00W X 34.00L           |
| 2. 703700-07  | SHADE, PULL, 17.75W X 34.00L           |
| 3. 703700-04  | SHADE, PULL, 29.75W X 34.00L           |
| 4. 703700-04  | SHADE, PULL, 29.75W X 34.00L           |
| 5. 998171-09  | CURTAIN, 28.5" X 25.5"                 |
| 6. 998144-11  | DRAPE, ROADSIDE SIDE PANEL, 37" X 25.5 |
| 7. 998144-05  | DRAPE, CS FRONT PANEL, 27" X 29"       |
| 8. 998144-07  | DRAPE, RS FRONT PANEL, 27" X 29"       |
| 9. 998144-09  | DRAPE, CS SIDE PANEL, 37" X 25.5"      |
| 10. 702804-03 | SHADE, PLEATED, SKYLIGHT               |

# 2007 INTERNATIONAL TRAVEL TRAILER

## DRAPES/BLINDS

Drapes/Shades, 25 Ft. Front Bed, Ocean Breeze

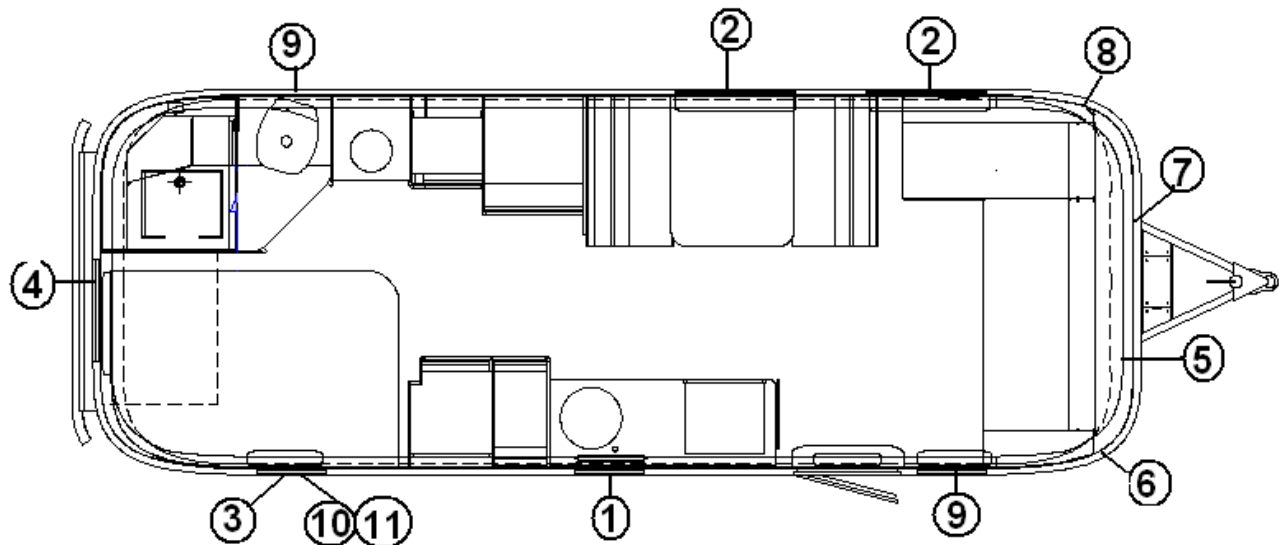


- |                        |                                   |
|------------------------|-----------------------------------|
| 1. 703700-05           | SHADE, PULL, 19.00W X 34.00L      |
| 2. 998171-18           | CURTAIN, 14" X 34.5"              |
| 3. 998171-04           | CURTAIN, 18" X 34.5"              |
| 4. 998171-20           | CURTAIN, 18" X 34.5"              |
| 5. 998144-110B<br>25.5 | DRAPE, ROADSIDE SIDE PANEL, 37" X |
| 6. 998144-050B         | DRAPE, CS FRONT PANEL, 27" X 29"  |
| 7. 998144-070B         | DRAPE, RS FRONT PANEL, 27" X 29"  |
| 8. 998144-090B         | DRAPE, CS SIDE PANEL, 37" X 25.5" |
| 9. 998144-060B         | DRAPE, 30" X 29"                  |
| 10. 998144-080B        | DRAPE, CS SIDE PANEL, 30" X 29"   |
| 11. 702804-03          | SHADE, PLEATED, SKYLIGHT          |

# 2007 INTERNATIONAL TRAVEL TRAILER

## DRAPES/BLINDS

Drapes/Shades, 25 Ft. Sleep Six

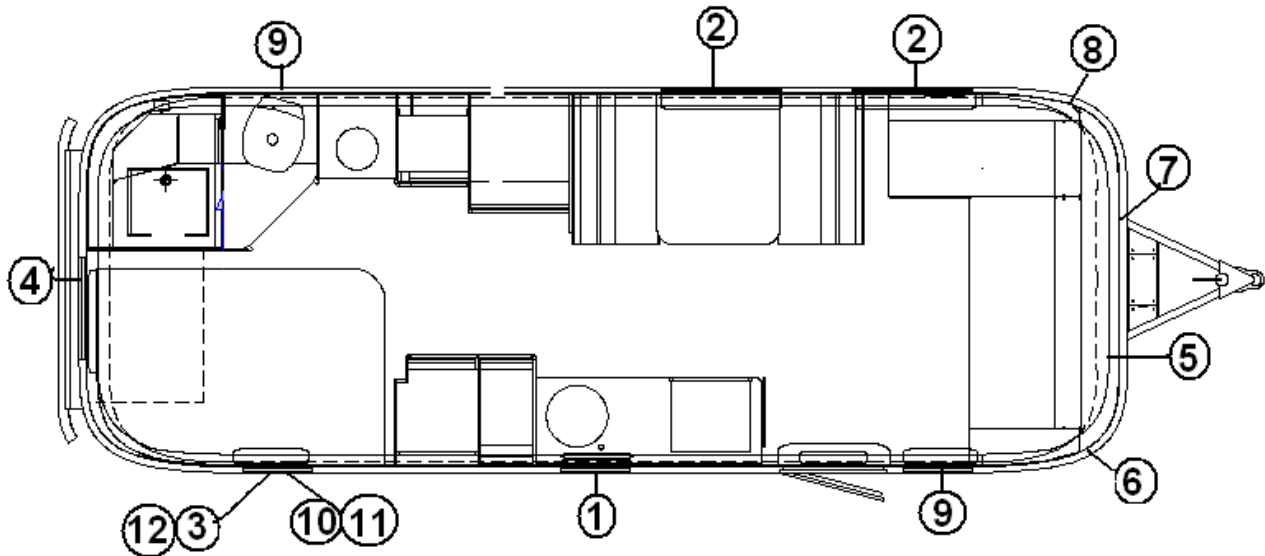


- |               |   |
|---------------|---|
| 1. 703445-01  | SHADE-PULL WHITE, 20.00" X 24.00          |
| 2. 703445-04  | SHADE-PULL WHITE, 29.75" X 34.00"         |
| 3. 703445-05  | SHADE-PULL WHIT, 21" X 34", NO BUNK ONLY  |
| 4. 703445-03  | SHADE-PULL WHITE, 25.25" X 24.00          |
| 5. 998144-05  | DRAPE-CS FRONT PANEL, 27" X 25.50"        |
| 6. 998144-09  | DRAPE-CS SIDE PANEL, 40" X 25.50"         |
| 7. 998144-07  | DRAPE-RS FRONT PANEL, 27" X 25.50"        |
| 8. 998144-11  | DRAPE-RS SIDE PANEL 37" X 25.50"          |
| 9. 703445-07  | SHADE PULL 18.50" X 34.00"                |
| 10. 998164-01 | CURTAIN, 16" X 17", BUNK OPTION           |
| 11. 998164-02 | CURTAIN, 16" X 17", BUNK OPTION           |
| 703462-03     | SHADE, PULL 19.25" X 9.5", 18" VISTA VIEW |
| 703462-02     | SHADE, PULL 31.25" X 9.5", 30" VISTA VIEW |

# 2007 INTERNATIONAL TRAVEL TRAILER

## DRAPES/BLINDS

Drapes/Shades, 25 Ft. Sleep Six Signature, Wenge

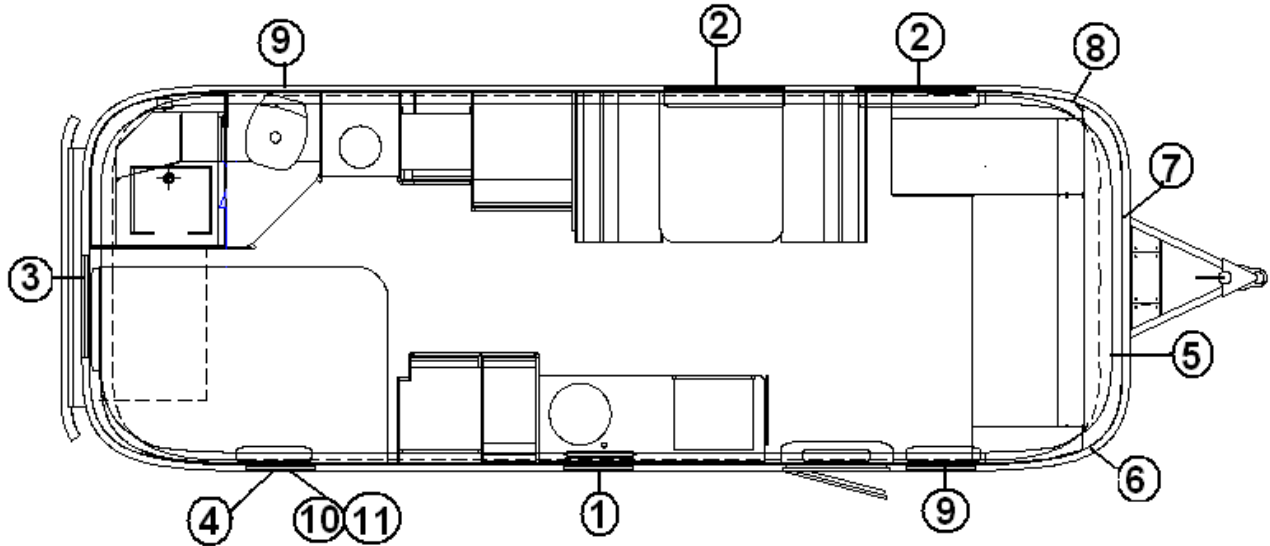


- |               |   |
|---------------|---|
| 1. 703700-01  | SHADE-PULL WHITE 19.00"X 24.00            |
| 2. 703700-04  | SHADE-PULL WHITE 29.75" X 34.00"          |
| 3. 703700-05  | SHADE 19" X 34"L, STANDARD                |
| 4. 703445-03  | PULL SHADE W/TAB, 25.25" X 24.00"         |
| 5. 998144-05  | DRAPE-CS FRONT PANEL 27" X 25.50"         |
| 6. 998144-09  | DRAPE-CS SIDE PANEL, 37" X 25.50"         |
| 7. 998144-07  | DRAPE-RS FRONT PANEL 27"X 25.50"          |
| 8. 998144-11  | DRAPE-RS SIDE PANEL 37" X 25.50"          |
| 9. 703700-07  | SHADE PULL, 17.75" X 34.00"               |
| 10. 998164-01 | CURTAIN, 16" X 17", BUNK OPTION           |
| 11. 998164-02 | CURTAIN, 16" X 17", BUNK OPTION           |
| 12. 703700-03 | SHADE 25.25" X 34"L, BUNK OPTION          |
| 703462-03     | SHADE, PULL 19.25" X 9.5", 18" VISTA VIEW |
| 703462-04     | SHADE, PULL 31.25" X 9.5", 30" VISTA VIEW |

# 2007 INTERNATIONAL TRAVEL TRAILER

## DRAPES/BLINDS

Drapes/Shades, 25 Ft. Sleep Six, Signature, Ocean Breeze



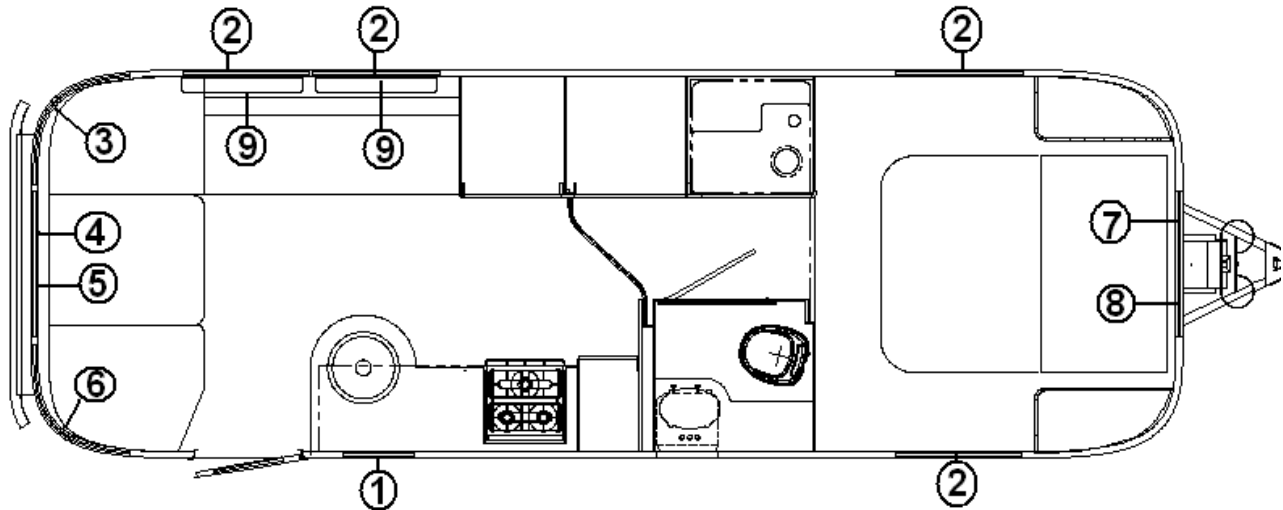
- |               |   |
|---------------|---|
| 1. 703700-01  | SHADE-PULL WHITE 19.00" X 24.00           |
| 2. 703700-04  | SHADE-PULL WHITE 29.75" X 34.00"          |
| 3. 998171-17  | DRAPE, REAR, 15.50" X 22.00"              |
| 4. 998171-18  | DRAPE, REAR, 12.00" X 34.50"              |
| 5. 998144-05  | DRAPE-CS FRONT PANEL 27" X 25.50"         |
| 6. 998144-09  | DRAPE-CS SIDE PANEL, 37" X 25.50"         |
| 7. 998144-07  | DRAPE-RS FRONT PANEL 27" X 25.50"         |
| 8. 998144-11  | DRAPE-RS SIDE PANEL 37" X 25.50"          |
| 9. 703700-07  | SHADE PULL, 17.75" X 34.00"               |
| 10. 998164-01 | CURTAIN, 16" X 17", BUNK OPTION           |
| 11. 998164-02 | CURTAIN, 16" X 17", BUNK OPTION           |
| 703462-03     | SHADE, PULL 19.25" X 9.5", 18" VISTA VIEW |
| 703462-04     | SHADE, PULL 31.25" X 9.5", 30" VISTA VIEW |



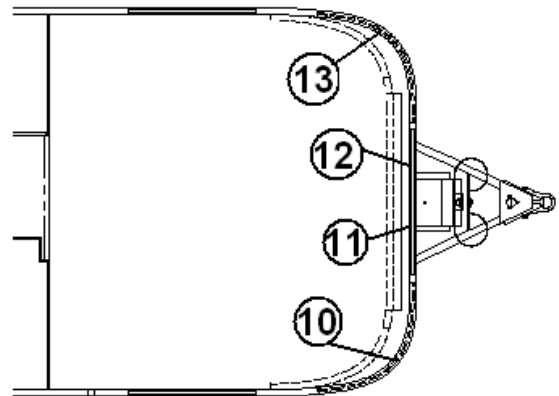
# 2007 INTERNATIONAL TRAVEL TRAILER

## DRAPES/BLINDS

Drapes/Shades, 27 Ft. Front Bed, Wenge



**Panoramic  
Window Option**

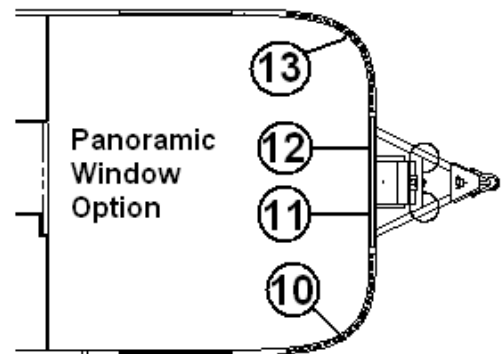
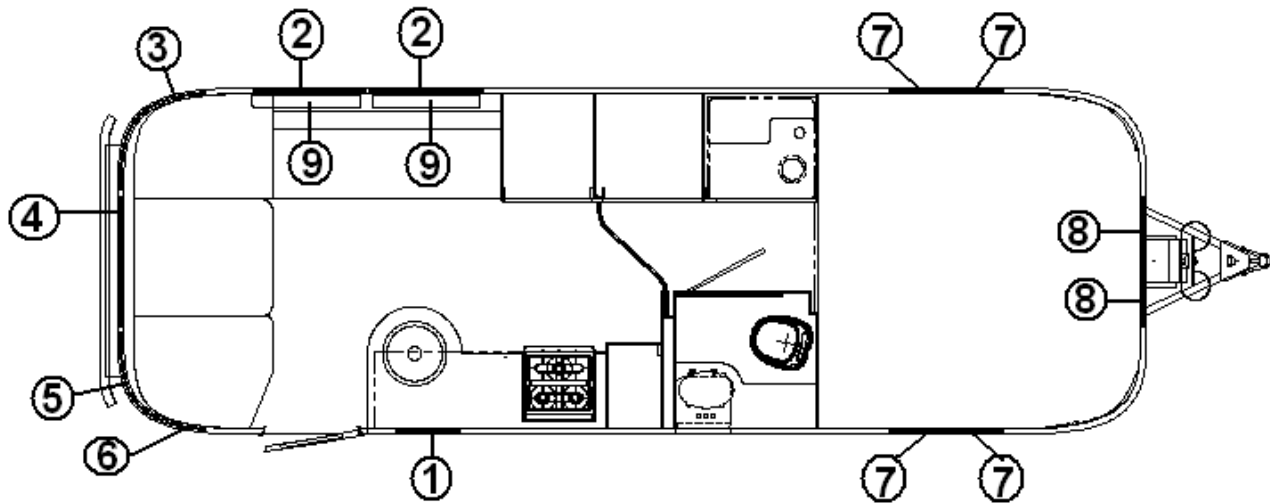


- |               |   |
|---------------|---|
| 1. 703700-05  | SHADE, 19.00"W X 34.00"L                  |
| 2. 703700-04  | SHADE, 29.75"W X 34.00"L                  |
| 3. 998144-09  | DRAPE, CS SIDE PANEL, 37" X 25.5"         |
| 4. 998144-05  | DRAPE, CS FRONT PANEL, 27"X 29"           |
| 5. 998144-07  | DRAPE, RS FRONT PANEL, 27"X 29"           |
| 6. 998144-11  | DRAPE, RS SIDE PANEL, 37" X 25.5"         |
| 7. 998144-06  | DRAPE, CS REAR PNL, 30"X 29"              |
| 8. 998144-08  | DRAPE, RS REAR PNL, 30"X 29"              |
| 9. 703462-04  | SHADE, 31.25" X9.5", Gray Vista View      |
| 10. 998144-09 | Drape, CS side panel, 37" x 25.5"         |
| 11. 998144-05 | Drape, CS front panel, 27" x 25.5"        |
| 12. 998144-07 | Drape, RS front panel, 27" x 25.5"        |
| 13. 998144-11 | Drape, RS side panel, 37" x 25.5"         |
| 703462-04     | SHADE, PULL, 31.25 X 9.5, GRAY VISTA VIEW |

# 2007 INTERNATIONAL TRAVEL TRAILER

## DRAPES/BLINDS

Drapes/Shades, 27 Ft. Front Bed, Ocean Breeze

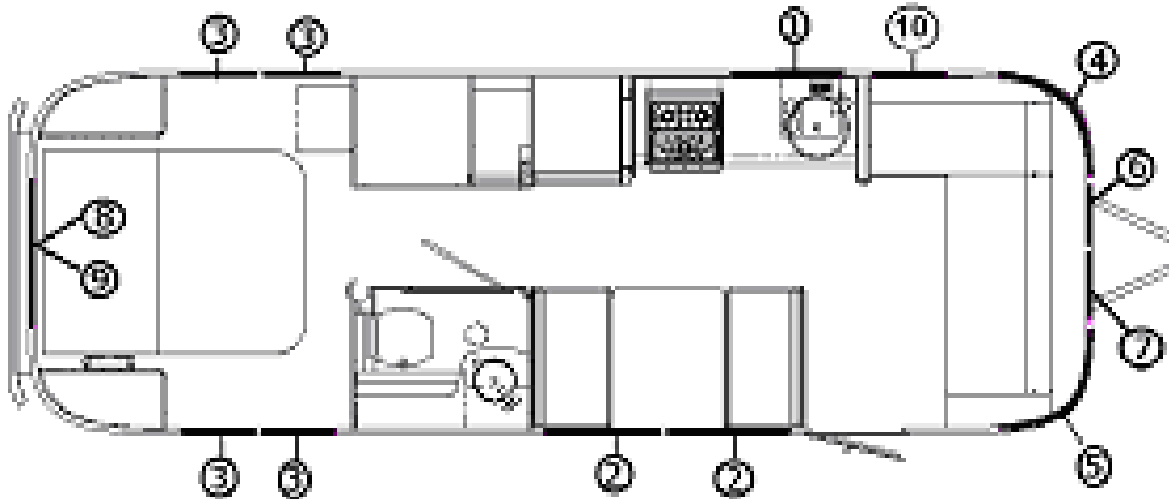


- |               |                                       |
|---------------|---------------------------------------|
| 1. 703700-01  | SHADE, 19.00"W X 24.00"L WHITE        |
| 2. 703700-04  | SHADE, 29.75"W X 34.00"L WHITE        |
| 3. 998144-09  | DRAPE, CS SIDE PANEL, 37" X 25.5"     |
| 4. 998144-05  | DRAPE, CS FRONT PANEL, 27"X 29"       |
| 5. 998144-07  | DRAPE, RS FRONT PANEL, 27"X 29"       |
| 6. 998144-11  | DRAPE, RS SIDE PANEL, 37" X 25.5"     |
| 7. 998171-20  | DRAPE, CS REAR PNL, 18"X 35.50"       |
| 8. 998171-21  | DRAPE, RS REAR PNL, 30"X 30"          |
| 9. 703462-04  | SHADE, 31.25" X 9.5", Gray Vista View |
| 10. 998144-09 | Drape, CS side panel, 37" x 25.5"     |
| 11. 998144-05 | Drape, CS front panel, 27" x 25.5"    |
| 12. 998144-07 | Drape, RS front panel, 27" x 25.5"    |
| 13. 998144-11 | Drape, RS side panel, 37" x 25.5"     |

# 2007 INTERNATIONAL TRAVEL TRAILER

## DRAPES/BLINDS

Drapes/Shades, 28 FT.

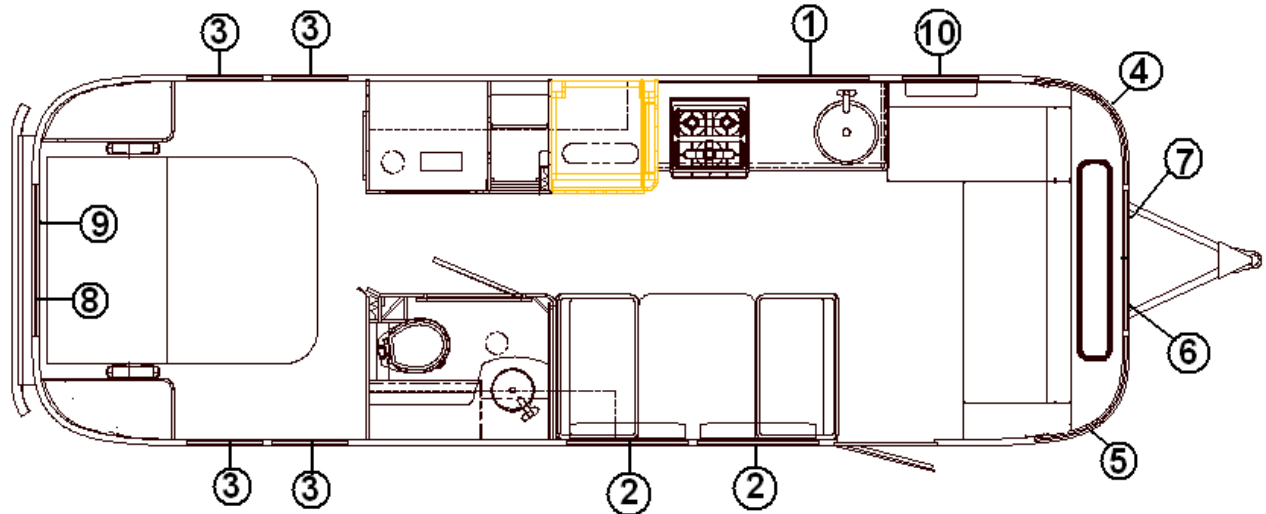


- |               |                                 |
|---------------|---------------------------------|
| 1. 703445-02  | Shade-pull white, 32.50" x 24"  |
| 2. 703445-04  | Shade-pull white, 29.75" x 34"  |
| 3. 703445-05  | Shade-pull white, 21.00" x 34"  |
| 4. 998144-11  | DRAPE-RS SIDE PANEL 40" X 25.5" |
| 5. 998144-09  | DRAPE-CS SIDE PANEL 40" X 25.5" |
| 6. 998144-07  | DRAPE-RS FRONT PANEL 27"X 29"   |
| 7. 998144-05  | DRAPE-CS FRONT PANEL 27"X 29"   |
| 8. 998144-06  | DRAPE-CS REAR PANEL 30"X 29"    |
| 9. 998144-08  | DRAPE-RS REAR PANEL 30"X 29"    |
| 10. 703445-07 | SHADE ASSEMBLY, 18.5" X 34"     |

# 2007 INTERNATIONAL TRAVEL TRAILER

## DRAPES/BLINDS

Drapes/Shades, 28 Ft Signature, Wenge

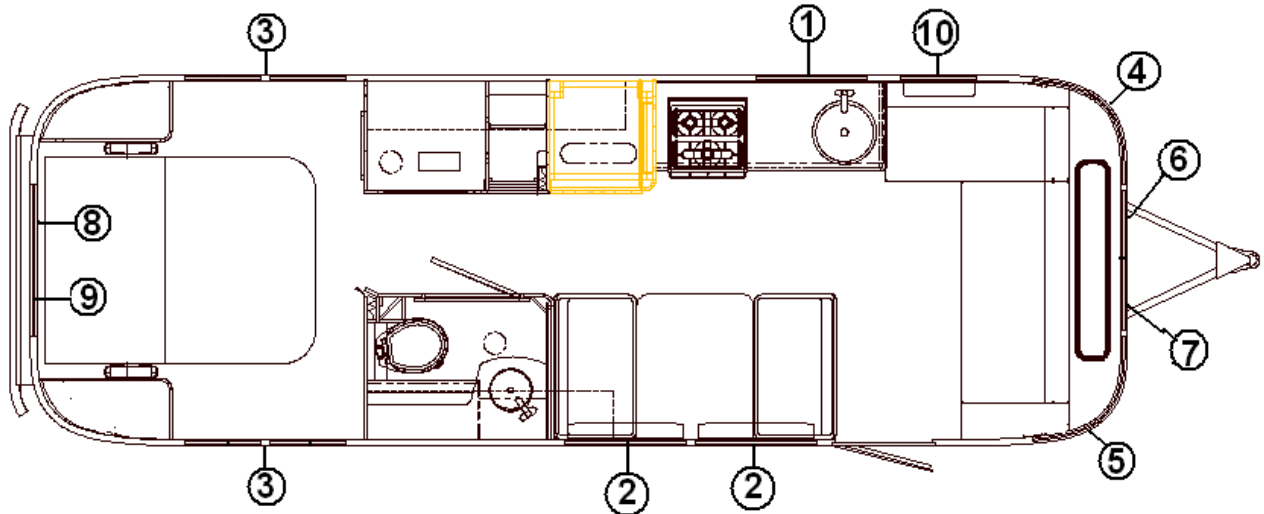


- |               |                                  |
|---------------|----------------------------------|
| 1. 703700-02  | SHADE, 32.5" X 24L               |
| 2. 703700-04  | SHADE, 29.75" X 34"L             |
| 3. 703700-05  | SHADE, 19" X 34"L                |
| 4. 998144-11  | DRAPE, RS SIDE PANEL 37" X 25.5  |
| 5. 998144-09  | DRAPE, CS SIDE PANEL 37" X 25.5  |
| 6. 998144-07  | DRAPE, RS FRONT PANEL, 27" X 29" |
| 7. 998144-05  | DRAPE, CS FRONT PANEL, 27" X 29" |
| 8. 998144-06  | DRAPE, CS REAR PANEL, 30" X 29"  |
| 9. 998144-08  | DRAPE, RS REAR PANEL, 30" X 29"  |
| 10. 703700-07 | SHADE, 1.75" X 34"L              |

# 2007 INTERNATIONAL TRAVEL TRAILER

## DRAPES/BLINDS

Drapes/Shades, 28 FT, Signature, Ocean Breeze

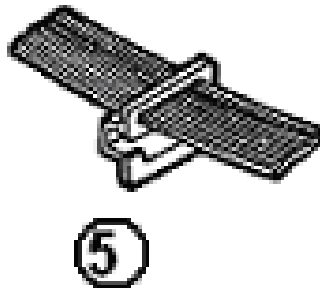
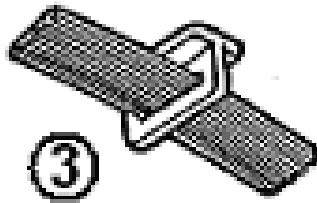


- |               |                                  |
|---------------|----------------------------------|
| 1. 703700-02  | SHADE, 32.5" X 24L               |
| 2. 703700-04  | SHADE, 29.75" X 34"L             |
| 3. 998171-22  | PANEL, 23.00" W X 36.00"L        |
| 4. 998144-11  | DRAPE, RS SIDE PANEL 37" X 25.5  |
| 5. 998144-09  | DRAPE, CS SIDE PANEL 37" X 25.5  |
| 6. 998144-07  | DRAPE, RS FRONT PANEL, 27" X 29" |
| 7. 998144-05  | DRAPE, CS FRONT PANEL, 27" X 29" |
| 8. 998144-06  | DRAPE, CS REAR PANEL, 30" X 29"  |
| 9. 998144-08  | DRAPE, RS REAR PANEL, 30" X 29"  |
| 10. 703700-07 | SHADE, 1.75" X 34"L              |

# 2007 INTERNATIONAL TRAVEL TRAILER

## DRAPES/BLINDS

### Drape Hardware



- |           |                             |
|-----------|-----------------------------|
| 1. 101220 | Bracket, curtain stand off  |
| 2. 101217 | Track, curtain              |
| 3. 700044 | Glides, w/elastic, T" type  |
| 4. 101225 | Bracket, curtain, stand off |
| 5. 700045 | Glides, w/elastic, "G" type |
| 6. 200785 | End, curtain track, LH      |
| 7. 200784 | End, curtain track, RH      |

# 2007 INTERNATIONAL TRAVEL TRAILER

## DRAPES/BLINDS

### Drape Parts/Material

702761	FABRIC WHITE
700473	DRAPERY LINING, MARLINE WHITE 48"W
700013	PERMA TAPE #4813-3IN 100 YD ROLL
700045	GLIDES, CURTAIN, G3 W/ELASTIC
700005	FASTENER, CAP
700006	FASTENER SOCKET
700020	PILE VELCRO
700021	HOOK, VELCRO, WHITE
340030	FASTENER STUD NICKEL PLATED
100099	EXTR, ALUM. CURTAIN TRACK TOP
114157-01	EXTRUSION END LINER UPPER WHITE

# 2007 INTERNATIONAL TRAVEL TRAILER

## ELECTRICAL, 110 VOLT

### Shoreline Cord/Converter

511416-02	30-amp, male power inlet for power cord
511416-03	POWER CORD 30A, 30' W/CONN UL/CSA
511416-01	POWER CORD, 30 AMP, CSA
511654-01	POWER CENTER-110V/12V MAGNATEK, BROWN
511654-02	POWER CENTER-110V/12V MAGNATEK, WHITE

### Breakers/Breaker Box

453573	MOUNTING BRACKET-BREAKER BOX
510564-03	Breaker, Bryant, 15-15
510564-04	Breaker 20-20, Bryant, CSA
510564-05	Breaker 30-20, Bryant
510564-06	Breaker 20 GFI, Bryant, CSA
510564-07	Breaker 15 GFI, Bryant, CSA

### Interior/Exterior Receptacles

500563-01	Receptacle, 15 amp, white
511287	Receptacle, 15 amp, single
510676-01	Outlet, exterior, gray
511023	Circuit tester (loose item)
500967-01	COVER, BLANK, ELECTRICAL OUTLET, IVORY
511451-02	RECEPTACLE 20A SINGLE BROWN XL
510888-07	RECEPTACLE COVER, WHITE

### Junction Box

510014	BOX JUNCTION OCTAGON #54151-C
510015	BOX COVER #54C-1
510475	CLIP, GROUND
510110	CLAMPS ADHESIVE BACKED



# 2007 INTERNATIONAL TRAVEL TRAILER

## ELECTRICAL, 110 VOLT

### Battery Disconnect

511655-01	BEZEL ASSY-BLACK/SILVER
511655-02	RELAY 100 AMP 12 VOLT
511655-03	CABLE, 20 Ft.
511655-05	CABLE, BDO, 30'

### Generator Prep, Optional

510562	SWITCH, GENERATOR SWITCH OVER AUTO TS
511416-02	POWER INLET, 30A, 125V, MALE
385062	DECAL 110-125 VOLTAGE AC
511654-03	POWER CENTER, MAGNETEK, BLACK W/30 AMP A/C TRANSFER SWITH
511654-04	POWER CENTER, MAGNETEK, WHITE W/30 AMP A/C TRANSFER SWITH

### Microwave Switch, 27' Front Bed

201787-01	POCKET DEADBOLT INTERIOR 2.25D
511451-02	RECEPTACLE 20A SINGLE BROWN XL
512221	SWITCH-LEVER 300V 10A

# 2007 INTERNATIONAL TRAVEL TRAILER

## ELECTRICAL, 12 VOLT

### Battery

511596	Battery, deep cycle, lead acid
511595	Battery box
500836	Positive battery cable
500837	Negative Battery cable
203415	BATTERY TRAY
340023-01	CATCH, ASSEMBLY
512049-01	CABLE-RED JUMPER BAT. 6GA 7.75
512049-02	CABLE-BLK JUMPER BAT.6GA 7.75"
510947-20	BREAKER, 12V DC, TYPE II, #12V, 20 amp

### 7-Way Cable/Breakaway Switch

500886-01	7-Way cable w/plug
510743	Ground bar, 3 1/2" long
511411	Junction box, 7 terminals
0300027	Break away switch, Bargman
454526	Bracket, breakaway switch
400407	BRACKET-BRAKE AWAY SWITCH, 19', 16'

### Interior Lights

512242	LIGHT, INCANDESCENT W/SINGLE SWITCH
511694	Reading light, halogen, Nickel
511248	FIXTURE LIGHT INCANDESCENT SINGLE
511297-01	LIGHT-HALOGEN, READING W/SWITCH NICKEL
511695	SPOTLIGHT-BRUSHED NICKEL
511249	Light, 12 volt, incandescent, double, interior
511695-01	SPOT LIGHT-SURFACE MOUNT HALOGEN BRIGHT
512037	SCONCE, WALL, OCEAN BREEZE
512180	SHADE-LAMP 1/2 MOON W/REED, OCEAN BREEZE
512143	SHADE-LAMP HALF MOON 4" X 8" BLK, 75th Ann.
500492	LAMP HOLDER 11-22 XP14 LEECRAFT
511971	LIGHT, 12V DLB W/SWITCH
511694-01	READING LIGHT-HALO.NICKEL/BRASS
511970	LIGHT, 12V SINGLE W/SWITCH

# 2007 INTERNATIONAL TRAVEL TRAILER

## ELECTRICAL, 12 VOLT

### Monitor System

511788-01	Monitor panel, CATCON Micropulse
511252	PLUG PHONE 4 CONDUCTOR
511789	SENSOR-TANK MONITOR #500-10050
511393	COUPLER-MODULAR EXTENSION 4 CONDUCTOR
511286-01	WIRE-TELEPHONE 26GA FLAT BACK
511286-02	WIRE-TELEPHONE 26GA FLAT IVORY
511789-01	BOOT-SENSOR #500-20010-05

### Breaker/12 Volt Panel, 75<sup>th</sup> Anniversary

952845	Breaker/12 Volt Panel, USA
952845	Breaker/12 Volt Panel, CSA

### Solar Panel System

511828	BATTERY-12V DEEP CYCLE AGM
511845	BATTERY-12V DEEP CYC.GP.27 MAT, 23' D
511142-01	PANEL-SOLAR 53 WATT VLX-53
511142-02	BRACKET-MOUNTING KIT SOLAR PANEL
510696	HOLDER, FUSE, IN-LINE
510328	FUSE, AGC 10
385947	LABEL-10 AMP FUSE MAX
511846	KIT-CHARGE CONTROLLER DISPLAY
511851	CABLE- CAT 5E BLUE
511852	CONNECTOR- RJ45E
512049-03	JUMPER CABLE, BATTERY, W/.38 ENDS

### Inverter, 600 Watt

511968	INVERTER 600W W/REMOTE
511969	110A FUSE & FUSE BLACK
500039	GROUND LUG
500563-01	RECEPTACLE, 15A 125V T & B TYPE
511451-01	RECEPTACLE 20A SINGLE WHITE XL
511286-03	WIRE, TELE.26GA FLAT RED#191824

# 2007 INTERNATIONAL TRAVEL TRAILER

## ELECTRICAL, 12 VOLT

### Switches

512217-01	SWITCH BLANK BLACK
502056	Mounting plate, 12 volt switch
511327	Switch body w/rocker, single, white
511567-02	Switch body w/Rocker switches two gang white
511566-02	Cover, switch, Printed, Two Gang, White
511566-01	SWITCH COVER-2 GANG BLK-#10072
511567-01	SWITCH BODY W/ROCKER SW 2 GANG BLACK
500913-03	SWITCH T & B WHITE
511665	SWITCH ASSY-CEILING WHITE
511669	SWITCH ASSY-SHOWER WHITE
511658	SWITCH BODY W/COVER 3-GANG
511763	SWITCH W/COVER & INDICATOR, LOUNGE/PATIO
511672	SWITCH BODY W/COVER 3 GANG BLACK
511673	SWITCH COVER-TWO GANG BLACK
511674	SWITCH COVER-ONE GANG BLACK
510658	SWITCH W/WEATHER-PROOF BOOT #1
511784	SWITCH BODY W/COVER 4-GANG BLACK
511100	SWITCH BODY WITH SWITCHES
511785	COVER-SWITCH SPDT INDIRECT BLACK
511809	SWITCH BODY W/COVER 4-GANG
511781	SWITCH ASSY-LIGHTED 2GANG ROCK
511799	SWITCH-W/COVER VANITY/INDIRECT
511817	COUPLER ASSY-IN LINE PHONE JACK
510947-20	BREAKER, 12V DC, TYPE II, #12V 20APP
500933	SWITCH-WATER HEATER ELECTRONIC
511844	SWITCH BODY W/COVER 4-GANG
510888-05	RECEPTACLE W/COVER GFI WHITE
511999	SWITCH ASSY-2 GANG BLACK
511975	SWITCH ASSY-4 GANG BLACK
511731-01	SWITCH-WATER HEATER BLACK
511979	SWITCH ASSY-3 GANG BLACK
511980	SWITCH ASSY-4 GANG BLACK
512140	SWITCH ASSY 4 GANG BLACK, 75 TH Ann.
511977	SWITCH ASSY-SPDT BLACK 28' INT
511976	SWITCH ASSY SPST 1 GANG BLACK

## 2007 INTERNATIONAL TRAVEL TRAILER

### ELECTRICAL, 12 VOLT

#### 12 Volt Outlet/Breaker

452412-01 BRACKET FUSE BLOCK 12V  
510807 Outlet, 12 volt  
511121 Mounting plate, 12 volt receptacle

#### Exterior Lights

500092 Patio light, round, Signal Stat  
510160 Bulb, patio light #1156

510732-02 Utility light (by main door)  
512252 Utility light (by main door), LED  
511751 Red teardrop lights.  
511750 Amber teardrop lights.  
510112 AMBER CLEARANCE LIGHT, DOUBLE BULB, CSA

500053 License plate light w/plate mounting bracket  
511294 LIGHT LICENSE PLATE, 23'D

994165 Entrance light assembly above main door  
101323 CASTING, ALUM STEP LIGHT, POLISHED  
201185 LENS STEP LIGHT  
500492 LIGHT BULB SOCKET (riveted to casting)  
510445 LAMP, #1141  
512129 SOCKET, #921 BULB  
512128 BULB, 12V/18WATT, WEDGE BASE CLE

#### FUSE BLOCK ASSY. 12V CSA

964082 FUSE BLOCK ASSY. 12V CSA  
452412-01 BRACKET, FUSE BLOCK, 12V, CSA  
511313 BLOCK, FUSE, ATC, 12V, 6 POSITION  
511314 BUSHING, UNIVERSAL, 1" I.D. BLACK  
511345 FUSE, 30A AGU GLASS TUBE, BUSSMAN

# 2007 INTERNATIONAL TRAVEL TRAILER

## ELECTRICAL, 12 VOLT

### Taillight Assembly

952696-01	Tail light assembly RS
952696-02	Tail light assembly CS
511664-01	CASTING-TAILLIGHT R.S.
511664-02	CASTING-TAILLIGHT C.S.
511661	TAILLIGHT-LED OVAL 6"
203386-01	POCKET-INNER TAILLIGHT LH
203386-02	POCKET-INNER TAILLIGHT RH
511662	TRIM RING-TAILLIGHT W/VISOR
115073-01	BRACKET-R.S. TAILLIGHT
115073-02	BRACKET-C.S. TAILLIGHT
115074	BRACKET-CENTER TAIL LIGHT
381041-11	PLUG HEYCO BLACK 1.5" HOLE SIZE
500095	Red rectangular reflector

# 2007 INTERNATIONAL TRAVEL TRAILER

## ENTERTAINMENT

### Radio/Speakers/Antenna

511732	Radio AM/FM/CD, #CDX-CA400
512215-01	SPEAKER, 6.5", model SP65CO
512215-02	GRILL, 6.5", WHITE
203599	Speaker, Spacer, 5/8"
511807	ANTENNA, AM/FM RUBBER 13"
500913-03	SWITCH T&B WHITE

### TV Antenna/Booster System

510788-01	Antenna, TV Wineguard, long boom
510788-05	ANTENNA-TV WINEGARD SHORT BOOM, 16 Ft.
500484-05	Antenna lead & extension, 72"
500484-04	ANTENNA LEAD & EXTENSION 48"
500484-07	ANTENNA LEAD & EXTENSION 144"
510788-03	Amplifier, TV antenna
510788-04	Hardware package, interior, Winegard
510612	Coax, 75 ohm, standard
510623	Connector, coax, male to male
510616	F CONNECTOR, COAX, 75 OHM
114396	Trough, TV antenna, roof

### TV/Telephone Jacks/Wiring

500996	Jack, TV/phone, gray, Exterior
510654-01	TV jack/12 volt w/splitter, white
510624-01	Modular phone quick jack, white
512181	BOX, SHALLOW, SWITCH & OUTLET, 16'
452981	PHONE JACK PROTECTIVE PLATE
104619	Mounting plate, exterior telephone/TV jack
510741	BOX/ELECTRICAL, 1-1/2" X 2" X 3"
510174	TELEPHONE WIRE
511534	DUAL COAX PLATE, WHITE, TT
690266-03	EXTENSION GARNISH 4" ROOF

# 2007 INTERNATIONAL TRAVEL TRAILER

## ENTERTAINMENT

### TV Hook Up Blank Plate

512025-01 V JUNCTION DEVICE, SELF CONTAINED, WHITE  
512025-02 PLATE, SNAP ON, ONE GANG SCD, WHITE

### Satellite Radio Upgrade

511866-05 KIT-SIRIUS SATELLITE RADIO  
511866-01 SATELLITE RADIO RECEIVER, SIRUS  
511866-02 SATELLITE RADIO KIT-HOME ADAPTER  
512220 SATELLITE RADIO SYSYTE, DELPHI  
511862 SWITCH-SOURCE SELECTOR #XA-300  
511866-03 BRACKET, DOCKING STA.RECEIVER MTG  
511866-04 PLANE-ANTENNA GROUND  
511863-02 A/B Selector Switch Kit  
511926 Auxiliary audio switcher  
512024 Jack, Audio Prep  
512142 Fuse, Slow blow, 2-amp

### XM Radio System

512220 SATELLITE RADIO SYS-XM SKYF12  
511862 SWITCH-SOURCE SELECTOR #XA-300  
511926 AUXILLARY AUDIO SWITCHER-JVC  
512142 FUSE-GLASS SLOW BLOW 2A

### External Speakers, Wireless

511987 SPEAKER-OUTDOOR WIRELESS  
386161 DECAL-AIRSTREAM .7"X6.4" BLACK

### Bedroom TV Shelf

381241-009 TV SHELF-BLACK FRAME W/MIRROR



# 2007 INTERNATIONAL TRAVEL TRAILER

## ENTERTAINMENT

### Audio/Video Upgrade Package

512059	RADIO AM/FM/CD/DVD
511839-01	HARNESS-MODIFIED JVC RADIO PIG
511835	PATCH CORD 30' 3-WAY MALE TO MALE
511834	PATCH CORD 30' DUAL MALE TO MALE
511703	CORD-PATCH MALE/MALE 2-WAY 20'
500913-03	SWITCH T & B WHITE
511732	Radio, AM/FM/CD, CDX-CA710X
512215-01	SPEAKER, 6.5", model SP65CO
203466	SPEAKER, SPACER, 6.5", model SP65CO
512215-02	GRILL, 6.5", WHITE
203599	Speaker, Spacer, 5/8"
511856	WIRING KIT- 4 WAY FLAT EXT.SPEAKER
690543	TELEVISION, 15" FLAT SCREEN
*690534	TV- 19"LCD COLOR SONY
511863-02	A/B Selector Switch Kit
966405	Shelf, CD changer
512024	Jack, Audio Prep
511822	SUB WOOFER-POWERED 6.5" WEDGE
511645	Y' ADAPTER MALE TO 2-FEMALE
386159	LABEL-FLAT SCREEN TV

\*690534 (19" TV) was replaced by 690582 during model year. Must use bracket extensions to change out TV due to different pattern. Extensions are for right and left of aisle installation (facing rear).

690582	23" TV
454618	TV bracket extension, RH
454619	TV bracket extension, LH
345460	M5 pan Philips screw

# 2007 INTERNATIONAL TRAVEL TRAILER

## ENTERTAINMENT

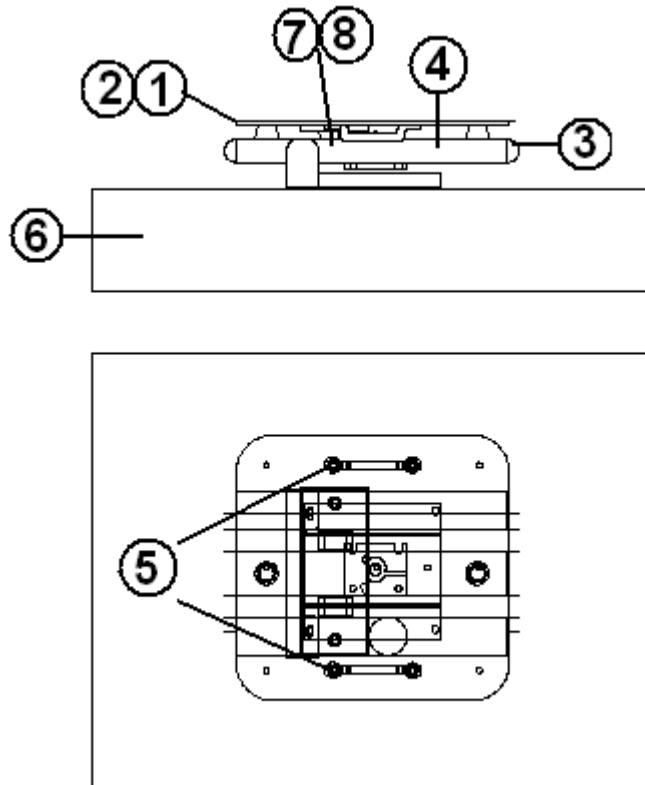
### Audio Upgrade Package

511191	CD changer, 10 unit, Sony CDX-434RF
512215-01	SPEAKER, 6.5", model SP65CO
512215-02	GRILL, 6.5", WHITE
203599	Speaker, Spacer, 5/8"
511822	SUB WOOFER-POWERED 6.5" WEDGE
512024	JACK- 12V DC AUDIO PREP
511863-02	SPEAKER CONTROL MODULE-RLM SERVER
511827	WALL PLATE FLUSH MOUNT COAX-WH
511646	PATCH CORD 3-WAY 20" RCA
511703	CORD-PATCH MALE/MALE 2-WAY 20'
966405	Shelf, CD changer
201991	HOUSING DOCKING LIGHT, USED FOR SUBWOOFER
COVER, 16'	
203599	Speaker, Spacer, 5/8"

# 2007 INTERNATIONAL TRAVEL TRAILER

## ENTERTAINMENT

### Flat Screen TV Bracket Installation, 15", 19" TVs

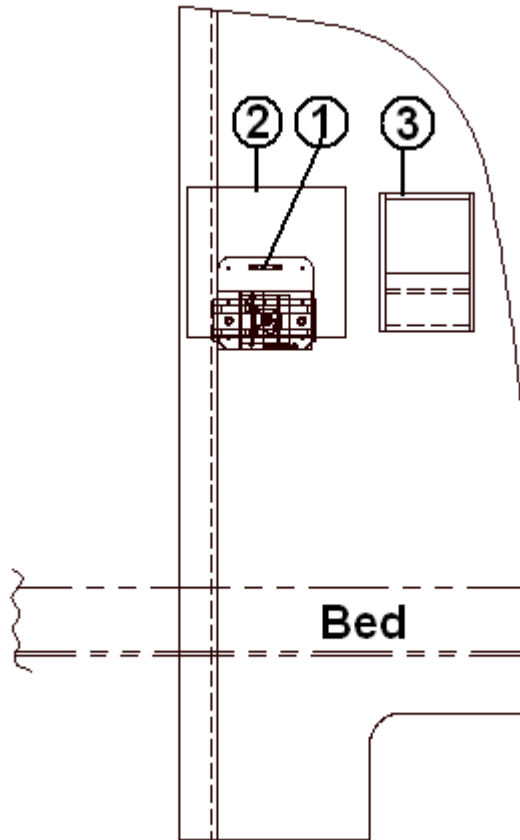


- |           |                                     |
|-----------|-------------------------------------|
| 1. 454434 | Bracket, TV mount Wall, 19"         |
| 1. 454477 | Bracket, TV mount Wall, 19", 23 D   |
| 2. 454441 | Bracket, TV mount Wall, 15"         |
| 2. 454476 | Bracket, TV mount Wall, 15", 23' D  |
| 3. 512105 | Bracket, articulating arm, flat TV  |
| 4. 381136 | Cap Hood bumper                     |
| 5. 381566 | Loop, footman steel                 |
| 6. 703455 | Strap, 20" TV                       |
| 7. 454478 | TV mount stabilizer bracket, 15" TV |
| 8. 454479 | TV mount stabilizer bracket, 19" TV |
| 510110    | Clamps, adhesive backed             |

# 2007 INTERNATIONAL TRAVEL TRAILER

## ENTERTAINMENT

### Flat Screen TV Bracket Installation, 16' Signature

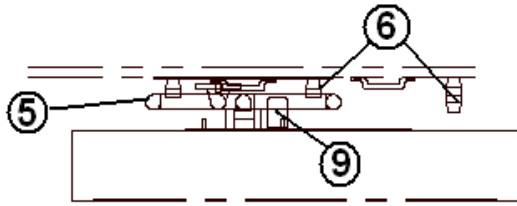


1. 111384 Bracket, 15" Flat Screen TV
  - a. 381136 RUBBER BUMPER
  - b. 381566 LOOP, FOOTMAN, STEEL, 1.625"X .56"
  - c. 454448 TV MOUNT, STABILIZER BRACKET
  - d. 454476 BRACKET, TV MOUNT, 15" TV
  - e. 510110 CLAMP, ADHESIVE BACK
  - f. 512105 BRACKET, WALL, ARTICULATING ARM
  - g. 703455 STRAP, 20", FLAT SCREEN TV
2. 690543 TV, 15"LCD SONY
3. 967016 SHELF, TV STORAGE

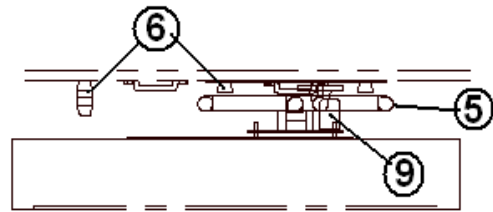
# 2007 INTERNATIONAL TRAVEL TRAILER

## ENTERTAINMENT

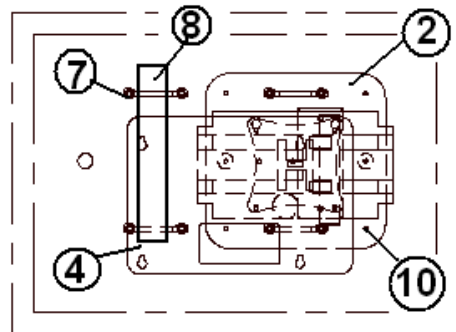
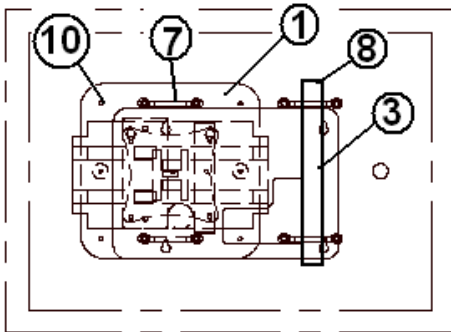
### Flat Screen TV/Bracket Installation, 23" TV



**23" TV Right Hand**



**23" TV Left Hand**

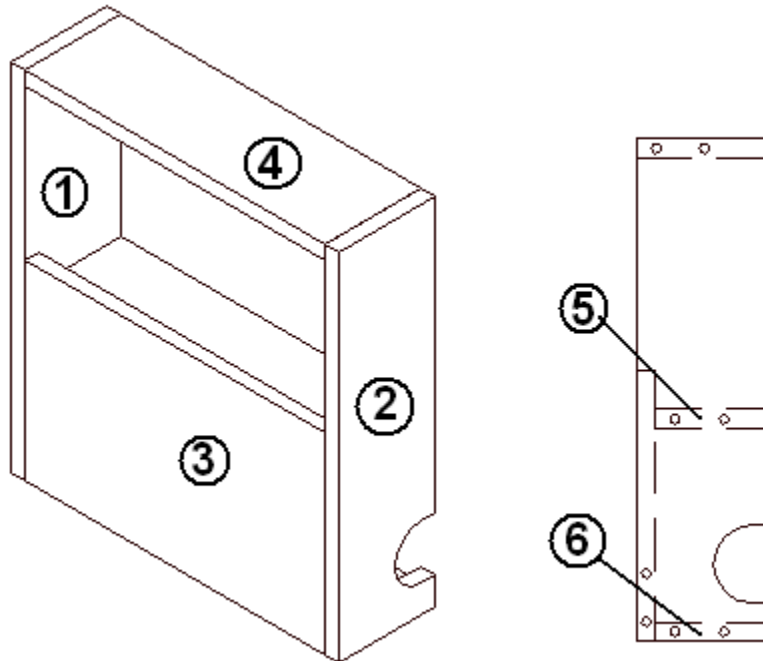


- |              |                                    |
|--------------|------------------------------------|
| 1. 454477    | Bracket, TV mount Wall, RH         |
| 2. 454434    | Bracket, TV mount Wall, LH         |
| 3. 454618    | Bracket, TV Extension, RH          |
| 4. 454619    | Bracket, TV Extension, LH          |
| 5. 512105    | Bracket, articulating arm, flat TV |
| 6. 381136    | Rubber bumper                      |
| 7. 381566    | Loop, footman steel                |
| 8. 703455-02 | Strap, 55"                         |
| 9. 454479    | TV mount stabilizer bracket        |
| 10. 345460   | M5 pan Philips screw               |
| 512162       | END CAP-1" OFF WHITE               |
| 203465       | SPACER-SPEAKER PLASTIC 6.50"       |

# 2007 INTERNATIONAL TRAVEL TRAILER

## FURNITURE, LOUNGE

### TV Storage Shelf, 16' Signature, Wenge

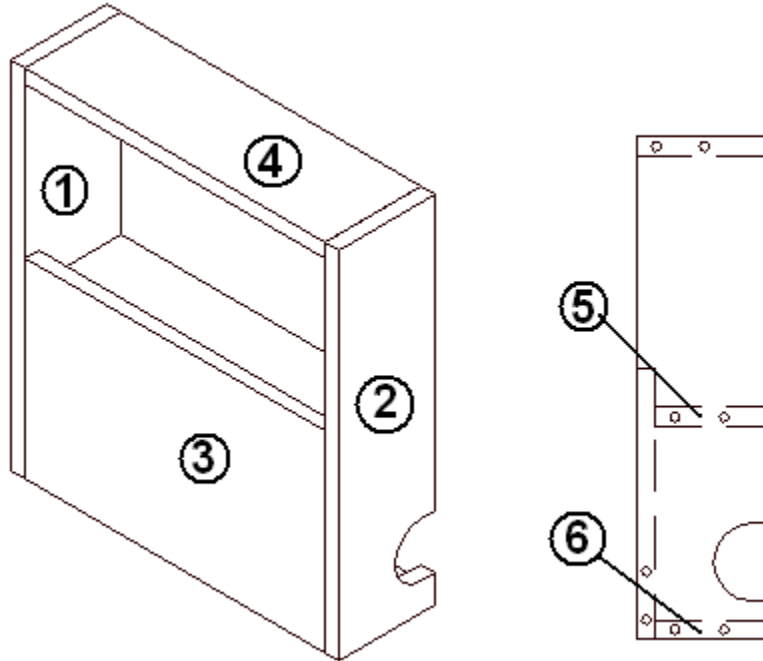


967016	SHELF -TV STORAGE
1. 967016-1	PANEL, TV SHELF, 3.5 X 13
2. 967016-2	PANEL, TV SHELF, 3.5 X 13
3. 967016-3	PANEL, TV SHELF, 7.00 X 1.00
4. 967016-4	PANEL, TV SHELF, 3.5 X 11
5. 967016-5	PANEL, TV SHELF, 3 X 11
6. 967016-6	PANEL, TV SHELF, 3 X 11

# 2007 INTERNATIONAL TRAVEL TRAILER

## FURNITURE, LOUNGE

### TV Storage Shelf, 16' Signature, Ocean Breeze



- |               |                              |
|---------------|------------------------------|
| 967016-01     | SHELF, TV STORAGE            |
| 1. 967016-011 | PANEL, TV SHELF, 3.5 X 13    |
| 2. 967016-012 | PANEL, TV SHELF, 3.5 X 13    |
| 3. 967016-013 | PANEL, TV SHELF, 7.00 X 1.00 |
| 4. 967016-014 | PANEL, TV SHELF, 3.5 X 11    |
| 5. 967016-015 | PANEL, TV SHELF, 3 X 11      |
| 6. 967016-016 | PANEL, TV SHELF, 3 X 11      |

# 2007 INTERNATIONAL TRAVEL TRAILER

## FASTENERS

### Rivets



325043(hard)  
325000 (soft)  
Rivet, buck type  
dia. 1/8"  
length 1/4"



325000-01  
Rivet, buck type  
dia. 1/8"  
length 1/4"  
anodized clear



325000-03  
Rivet, buck type  
dia. 1/8"  
length 1/4"  
anodized white



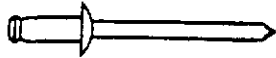
325001-01  
Rivet, buck type  
dia. 1/8"  
length 5/16"  
anodized clear



325002  
Rivet, buck type  
dia. 1/8"  
length 3/8"  
anodized clear



325004-01  
Rivet, buck type  
dia. 1/8"  
length 1/2"  
anodized clear



330129-08 Brown  
dia. 1/8"  
grip range .063-.125  
aluminum body  
aluminum mandrel



300101  
1/8" I.D.  
washer, aluminum

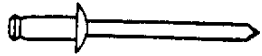
\*Common bolts and screws readily available at local hardware outlets have not been listed.



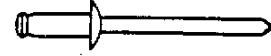
# 2007 INTERNATIONAL TRAVEL TRAILER

## \*FASTENERS

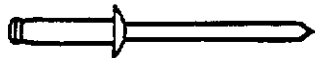
### Rivets



330126-02  
rivet, pop  
dia. 1/8 "  
grip range .126-.187  
stainless steel  
stainless steel mandrel



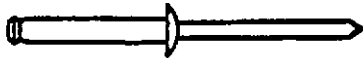
330126-03  
rivet, pop  
dia. 1/8 "  
grip range .126-.250  
body stainless steel  
stainless steel mandrel



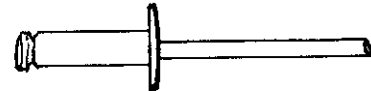
330127-05  
rivet, pop  
dia. 1/8 "  
grip range .251-.312  
aluminum body  
aluminum mandrel



330128-050  
rivet, pop  
dia. 1/8 "  
grip range .251-.312  
aluminum body, white  
aluminum mandrel



330127-08  
rivet, pop  
dia. 1/8 "  
grip range .325-.565  
aluminum body  
aluminum mandrel



330038  
rivet, pop  
dia. .150 (#20 bit)  
grip range .126-.250  
aluminum body  
aluminum mandrel  
(used-screen door hinge)



325103  
dia. 1/4 "  
grip range .080-.325  
SS body, steel mandrel

\*Common bolts and screws not listed.

# 2007 INTERNATIONAL TRAVEL TRAILER

## FURNITURE

### Floor Covering

365257	ADHESIVE, AHB MULTI PURPOSE FLOOR
702665	Rug cushion, non-slip
703460	LINOLEUM- WOOD PLANK DISCOVER
702549	MATT ENTRANCE W/AIRSTREAM LOGO
701538	CARPET, ECONOLIER VELOUR BLACK 48"
703347	FABRIC-CHARCOAL TWEED, used on cushions
703530-01	FLOORING-VINYL URBAN SETTING, OCEAN BREEZE
703659	FLOORING VINYL LEGACY LAGUNA, WENGE
703704	FLOORING, LONWOOD VINYL, DWR

### Furniture Cushion Batting

701538-01	CARPET, ECONOLIER W/PSA BACKING, used on furniture
703347	FABRIC-CHARCOAL TWEED, used on cushions

### Floor Covering, 75<sup>th</sup> Anniversary

703612	FLOORING-SGRAFFITO
--------	--------------------

### Drawer Slides

381192	SLIDE, DRAWER, 18"
381833-01	DRAWER SLIDE-UNDER SHELF 18" (PAIR)
381773-02	DRAWER SLIDE 3 3/8" X 13 3/4" (PAIR)
381773-03	DRAWER SLIDE 15.75"
381773-11	DRAWER SLIDE, 4.63" X 18.5" (PAIR)
381773-15	DRAWER SLIDE-5.875"X 15.75"(PAIR)
381773-16	DRAWER SLIDE-5.88"X 17.38"(PAIR)
381773-17	DRAWER SLIDE, 5.875"X 18.5" (PAIR)
381773-25	DRAWER SLIDE, 8.38"X 21.63" (PAIR)

# 2007 INTERNATIONAL TRAVEL TRAILER

## FURNITURE

### Drawer Boxes

964909-11	DRAWER BOX, 10" X 14.00" X 19"
965553-01	DRAWER BOX, 4.38" X 12.5" X 17"
965554-03	DRAWER BOX, 5.625" X 17.25" X 17.00"
965554-04	DRAWER BOX, 5.63" X 12.5" X 17"
965955-02	DRAWER BOX, 16.46" X 10.88" X 12"
965560-02	DRAWER BOX, 5.63"X 9.25"X 14"
965560-03	DRAWER BOX, 5.63" X 13.5" X 12"
965560-05	DRAWER BOX, 5.63" X 16.5" X 15.25"
965584-01	DRAWER BOX, 3.38" X 13.75" X 13"
965642-01	DRAWER BOX, 19.75"

### Mirrors

372203-05	MIRROR, POLISHED EDGES, 19.00" X 14"
372203-09	GLASS SAFETY MIRRORED 14" X 22"
372203-15	MIRROR- POL EDGES- 17.00" X 25.25"
372203-24	MIRROR, POLISHED EDGES, 9.50" X 20"
372203-26	MIRROR, POLISHED EDGES 13.62" X 58"
372203-30	MIRROR, SAFETY 14"H X 30"W, 28' Medicine cabinet
372203-33	MIRROR, SAFETY .125" X 14" X 40"
371383	MIRROR, MEDICINE CABINET, 13.62" X 16.00", 22'
454009	BACKER PLATE-MIRROR
381220-01	MIRROR CLIP, #309NP NICKEL PLATE
381220-02	MIRROR CLIP, #318NP NICKEL PLATE
371422	MIRROR, ROUND, 16", 16' DWR

# 2007 INTERNATIONAL TRAVEL TRAILER

## FURNITURE

Doors, Cabinet/Roof locker, Oak, Roof Locker Doors

801375-01	DOOR, 19.63" X 21.25"
801375-02	DOOR, 14.38" X 7.00"
801375-03	DOOR, 14.38" X 14.13"
801375-05	DOOR, 25.13" X 8.69"
801375-06	DOOR, 34.13" X 8.69"
801375-07	DOOR, 6.25" X 17.13"
801375-08	DOOR, 19.50" X 72.00"
801375-09	DOOR, 9.75" X 6.5"
801375-10	DOOR, 9.75" X 20.25"
801375-12	DOOR, 20.60" X 16.5"
801375-13	DOOR, 15.75" X 17.88"
801375-14	DOOR, 15.88" X 13.63"
801375-15	DOOR, 15.88" X 13.63"
801375-16	DOOR, 20.13" X 21.25"
801375-17	DOOR, 25.13" X 8.69"
801375-18	DOOR, 8.50" X 24.56"
801375-19	DOOR, 13.63" X 76.56"
801375-20	DOOR, 2.75" X 76.56"
801375-21	DOOR, 11.5" X 18.00"
801375-22	DOOR, 20.5" X 16.5"
801375-23	DOOR, 17.5" X 16.5"
801375-24	DOOR, 14.13" X 11.5"
801375-25	DOOR, 14.13" X 7.13"
801375-26	DOOR, 10.75" X 77.5"
801375-27	DOOR, 9.75" X 22.88"
801375-29	DOOR, 14.13" X 11"
801375-30	DOOR, 9.75" X 22.88"
965563-01	DOOR, SLIDING, PLEXIGLASS, 17.50" x 11.31"
965563-03	DOOR, SLIDING, PLEXIGLASS, 15.00" x 11.31"
965563-05	DOOR, SLIDING, PLEXIGLASS 11.75 x 11.31"
965563-08	DOOR, PLEXIGLASS SLIDING 11.31" X 30"
965563-09	DOOR-SLIDING PLEXIGLASS 26" x 11.31"
801341-60	DOOR, 14.25" X 62.38"
801341-61	DOOR, 10.19" X 25.19"
801341-62	DOOR, 8.38" X 25.19"

# 2007 INTERNATIONAL TRAVEL TRAILER

## FURNITURE

Doors, Cabinet/Roof locker, Oak

801341-70	DOOR, 17.5" X 61.25"
801341-71	DOOR, 14"X 23"
801341-72	DOOR, 14"X 38.13"
801341-73	DOOR, 14.63" X 23.63"
801341-74	DOOR, 18.63" X 23.63"
801341-78	DOOR, 24.44" X 10.19"
801341-79	DOOR, 19.81" X 50.12"
801341-156	DOOR, 14.25" X 23.38"
801341-157	DOOR, 21.63" X 6"
801341-193	DOOR, 17.38" X 14.25"
801341-194	DOOR, 11.38" X 38.13"
801341-195	DOOR, 11.38" X 17"
801341-196	DOOR, 1.38" X 9.88"
801341-197	DOOR, 24.81" X 11.89"
801341-198	DOOR, 24.81" X 8.88"
801341-199	DOOR, 14.13" X 27.13"
801341-200	DOOR, 6.5" X 58"
801341-201	DOOR, 6.5" X 16.5"
801341-202	DOOR, 8.88" X 19.13"
801341-203	DOOR, 25" X 14.25"
801341-204	DOOR, 17.38" X 14.25"
801341-205	DOOR, 11.13" X 7.5"
801341-206	DOOR, 25.13" X 7.5"
801341-207	DOOR, 11.38" X 38.88"
801341-214	DOOR, 14.25"X62.38"
801341-215	DOOR, 11.69" X 24.81"
801341-216	DOOR, 8.88" X 24.81"
801341-217	DOOR, 17.5" X 81.25"
801341-218	DOOR, 14" X 23"
801341-219	DOOR, 14" X 38.13"
801341-220	DOOR, 14.56" X 24.94"
801341-221	DOOR, 18.81" X2 4.94"
801341-224	DOOR-REFER CABINET, 24.44" X 11.69"
801341-225	DOOR-REFER CAB.24.44"X 8.88"
801341-226	DOOR-REFER CABINET, 24.81" X 11.69"
801341-227	DOOR-REFER CAB, 24.81" X 11.69"

# 2007 INTERNATIONAL TRAVEL TRAILER

## FURNITURE

### Roof Locker Sliding Doors, Green, 75<sup>th</sup> Anniversary

966649-01	Door, Front Overhead, 15.25" x 9.375"
966649-02	Door, Entertainment Center Roof Locker, 11.25" x 9.12"
966649-03	Door, Galley Roof Locker, 16" x 9.375"
966649-04	Door, Rear Roof Locker, 12.25" x 9.375"
115345	Upper Door Track, 75 <sup>th</sup> Anniversary
115346	Lower Door Track, 75 <sup>th</sup> Anniversary

### Roof Locker Sliding Doors, Ocean Breeze

203357-01	Door, sliding Plexiglas 11.31" X 17.5", Ocean Breeze
203357-02	Door, sliding Plexiglas, 11.31" x 26", Ocean Breeze
203357-03	Door, sliding Plexiglas, 11.31" x 30", Ocean Breeze
203357-04	Door, sliding Plexiglas 11.31" x 15", Ocean Breeze
203357-05	Door, sliding Plexiglas 11.31" X 11.75", Ocean Breeze

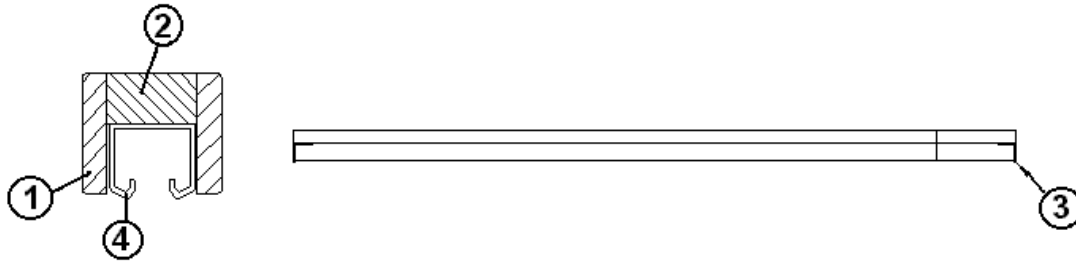
### Roof Locker Sliding Doors, 16' DWR

967066-01	DOOR, ALUMINUM, 11.50" X 25.75"
967066-02	DOOR, ALUMINUM, 11.5" X 17"

# 2007 INTERNATIONAL TRAVEL TRAILER

## FURNITURE

Doors, Foldette, 16', 19', 22', 23' D, 25' FB, 25' SS, 27' FB, 28'

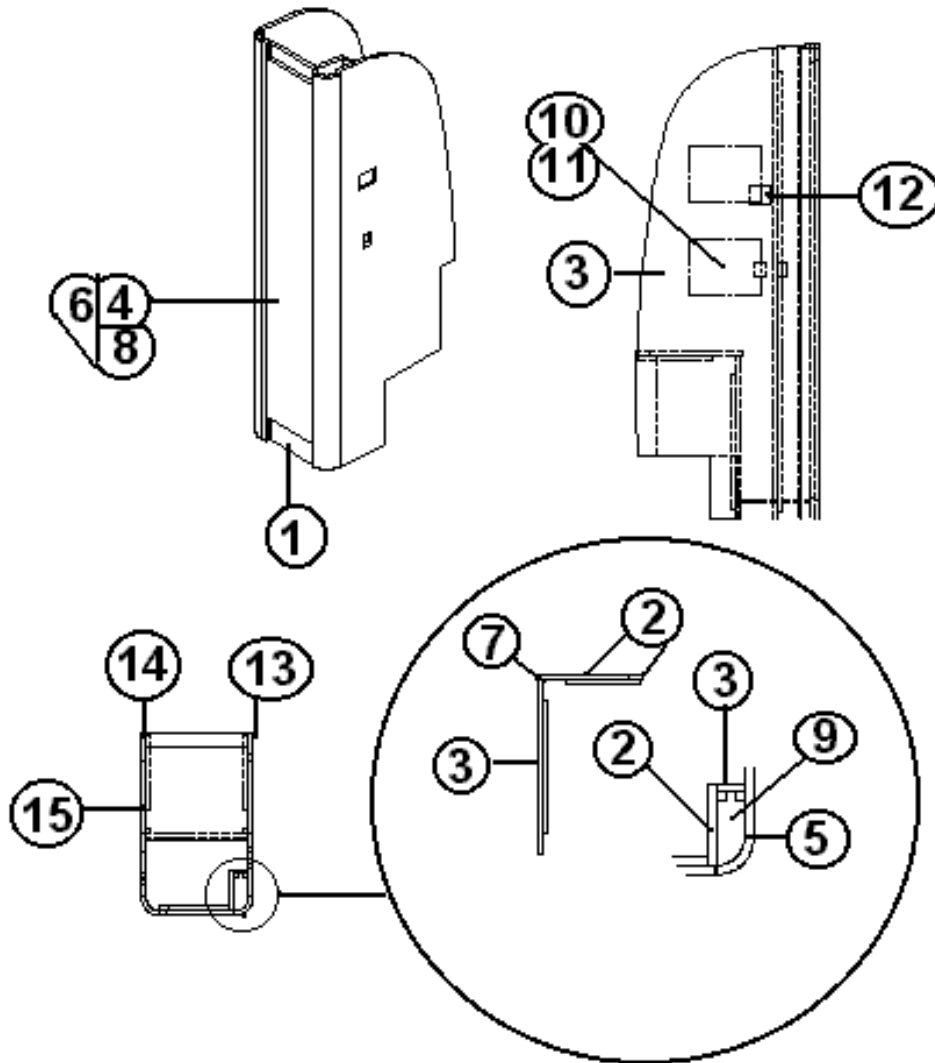


702681-07	DOOR-FOLDETTTE 60"X 73" GREY
702681-04	DOOR FOLDETTTE, IRVINE, 56" X 73"
702681-03	DOOR FOLDETTTE, 46" X 73", BEIGE
1. 801343-01	PANEL, Oak, 4' X 8' VERTICAL
2. 800304	PINE, 5/8" X 2 1/2"
3. 452258	BRACKET, MTG. FOLDETTTE DOOR
4. 381769	TRACK, FOLDETTTE DOOR, 22', 23' D
4. 381838-01	TRACK, FOLDETTTE DOOR METAL 16'TRL
4. 381563-01	TRACK, FORMED FOLDETTTE DOOR, 19', 27' FB, 28'
4. 381890-01	TRACK, FORMED FOLDETTTE, 25' FB, 27' FB
4. 381890-02	TRACK, STRAIGHT FOLDETTTE, 25' FB, 27' FB
701342-01	STRAP, VINYL, HOLD-BACK, 7.0"LONG
200003-01	END CAP MOUNTING, BLACK
101038	EXTRUSION, HEADER, 110" BROWN

# 2007 INTERNATIONAL TRAVEL TRAILER

## FURNITURE, BEDROOM

### WARDROBE/CLOSET ASSEMBLY, 16'



Part numbers are on the next page



# 2007 INTERNATIONAL TRAVEL TRAILER

## FURNITURE, BEDROOM

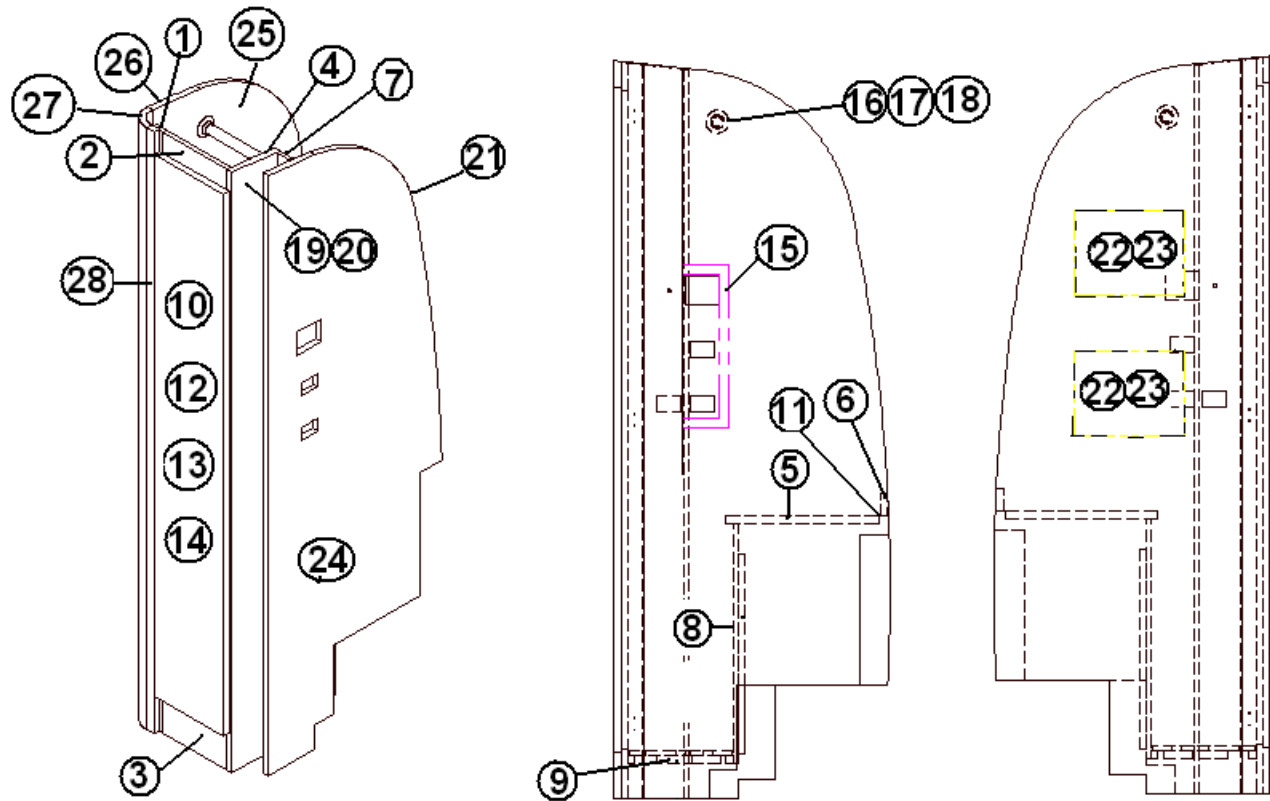
### WARDROBE/CLOSET ASSEMBLY, 16'

965872	WARDROBE/CLOSET ASSEMBLY, 16'
1. 801436-01	PANEL, BLACK MAP/WHITE 18M
2. 801368	PANEL, WHITELINER/WHITELINER
3. 801392	PANEL, WHITELINER/WHITELINER
4. 801375-26	DOOR-GALLEY 10.75" X 77.5"
5. 380203-01	PIANO HINGE 1/8" PIN CLR ANODIZED
6. 381607	HINGE ASSEMBLY-GRASS EURO
7. 381228-01	CATCH GRABBER DOOR
8. 381775	DRAWER PULL-FLUSH SATIN #UT-10
9. 702681-07	DOOR-FOLDETTE 60"X 73" GREY
10. 386106-01	RACK-MAGAZINE WHITE
11. 386107	ROD-MAGAZINE RACK
12. 200773	CLOSEOUT, READING LIGHT ABS
13. 801466-08	PANEL-FWD WARDROBE
14. 965948	PANEL SUB ASSEMBLY-AFT WARDROBE
15. 801466-07	PANEL-AFT WARDROBE
801378	PANEL, WHITE LINER/GATOR 18
801439-01	LAMINATE-BLACK MAPLE-4' X 8'
801436-01	PANEL, BLACK MAPLE/WHITE 18MM
365278-01	EDGE BANDING-BLACK MAPLE 1.13"
380045	METALLIC TUBING
380046	FLANGE CHROME
200975-04	CONDUIT, FLEXIBLE BLACK PLASTIC
381838-01	TRACK-FORMED FOLDETTE 16'

# 2007 INTERNATIONAL TRAVEL TRAILER

## FURNITURE, BEDROOM

Wardrobe, 16' Signature, Roadside, Wenge



Part numbers are on the next page.

# 2007 INTERNATIONAL TRAVEL TRAILER

## FURNITURE, BEDROOM

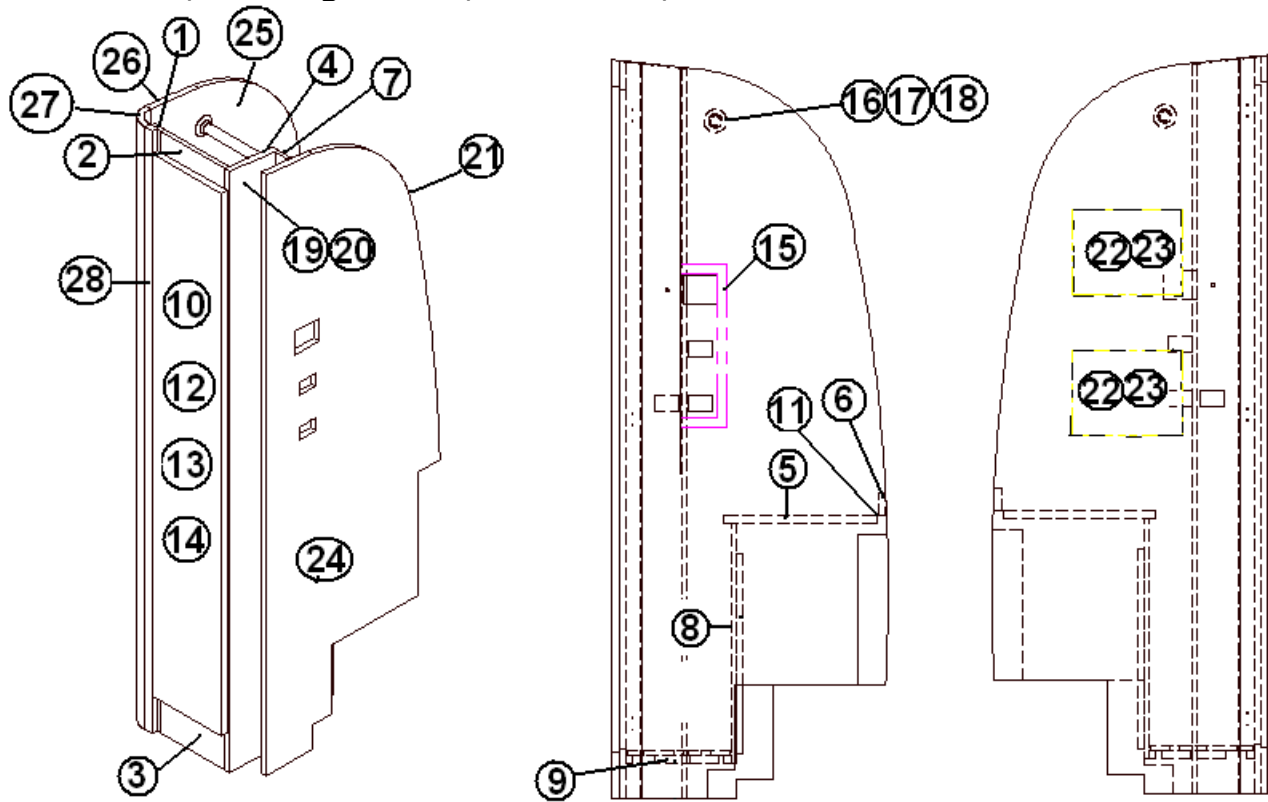
### Wardrobe, 16' Signature, Roadside, Wenge

967020	ROADSIDE WARDROBE
1. 967020-1	PANEL, 1.5 X 78.28
2. 967020-2	PANEL, 9.75 X 3
3. 967020-3	PANEL, 9.75 X 5.25
4. 967020-4	PANEL, 6.5 X 78.28
5. 967020-5	PANEL, 16.25 X 16.25
6. 967020-6	PANEL, 2.5 X 16.25
7. 967020-7	PANEL, 2.25 X 77.55
8. 967020-8	PANEL, 16.5 X 25.5
9. 967020-9	PANEL, 16.25 X 10.92
10. 967020-11	DOOR, 10.44X70.66
11. 380203-01	PIANO HINGE
12. 381607-01	HINGE, GRASS EURO
13. 382029-05	HANDLE, BAR 21.33"
14.381228-01	CATCH GRABBER DOOR
15.200773	CLOSEOUT, READING LIGHT
16.380045	TUBING ¾", ELECTRICAL, METALLIC
17.380046	FLANGE CHROME
18.200975-04	CONDUIT, FLEXIBLE BLACK PLASTIC
19.381838-01	TRACK, FOLDETTE DOOR
20.702681-07	DOOR, FOLDETTE 60" X 73" GREY
21.203464	TRIM, PANEL, BLACK, ¾"
22.386106-01	RACK-MAGAZINE WHITE
23.386107	ROD-MAGAZINE RACK
24.967020-26	PANEL, 26.25 X 78.17
25.967026	PANEL, SUB ASSY, AFT WARDROBE
26.967026-1	PANEL, AFT WARDROBE
27.801345	RADIUS PLYWOOD, .75" X 3' X 8'
28.967026-2	PANEL, 1 X 78.5

# 2007 INTERNATIONAL TRAVEL TRAILER

## FURNITURE, BEDROOM

Wardrobe, 16' Signature, Roadside, Ocean Breeze



Part numbers are on the next page.

# 2007 INTERNATIONAL TRAVEL TRAILER

## FURNITURE, BEDROOM

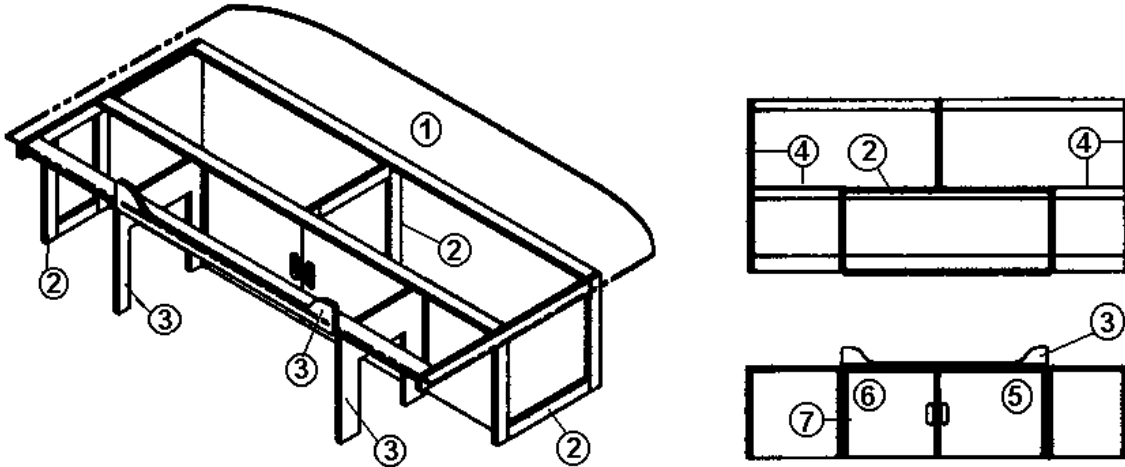
Wardrobe, 16' Signature, Roadside, Ocean Breeze

967020-01	ROADSIDE WARDROBE
1. 967020-011	PANEL, 1.5 X 78.28
2. 967020-012	PANEL, 9.75 X 3
3. 967020-013	PANEL, 9.75 X 5.25
4. 967020-014	PANEL, 6.5 X 78.28
5. 967020-015	PANEL, 16.25 X 16.25
6. 967020-016	PANEL, 2.5 X 16.25
7. 967020-017	PANEL, 2.25 X 77.55
8. 967020-018	PANEL, 16.5 X 25.5
9. 967020-019	PANEL, 16.25 X 10.92
10. 967020-0111	DOOR, 10.44X70.66
11. 380203-01	PIANO HINGE
12. 381607-01	HINGE, GRASS EURO
13. 382008	PULL, BAMBOO
14.381228-01	CATCH GRABBER DOOR
15.200773	CLOSEOUT, READING LIGHT
16.380045	TUBING 3/4", ELECTRICAL, METALLIC
17.380046	FLANGE CHROME
18.200975-04	CONDUIT, FLEXIBLE BLACK PLASTIC
19.381838-01	TRACK, FOLDETTTE DOOR
20.702681-07	DOOR, FOLDETTTE 60" X 73" GREY
21.203464-03	TRIM, PANEL, WHITE, 3/4"
22.386106-01	RACK, MAGAZINE WHITE
23.386107	ROD, MAGAZINE RACK
24.967020-0126	PANEL, 26.25 X 78.17
25.967026-01	PANEL, SUB ASSY, AFT WARDROBE
26.967026-011	PANEL, AFT WARDROBE
27.801345	RADIUS PLYWOOD, .75X 3X 8'
28.967026-012	PANEL, 1 X 78.5

# 2007 INTERNATIONAL TRAVEL TRAILER

## FURNITURE, BEDROOM

### BED FRAME ASSEMBLY, 16'

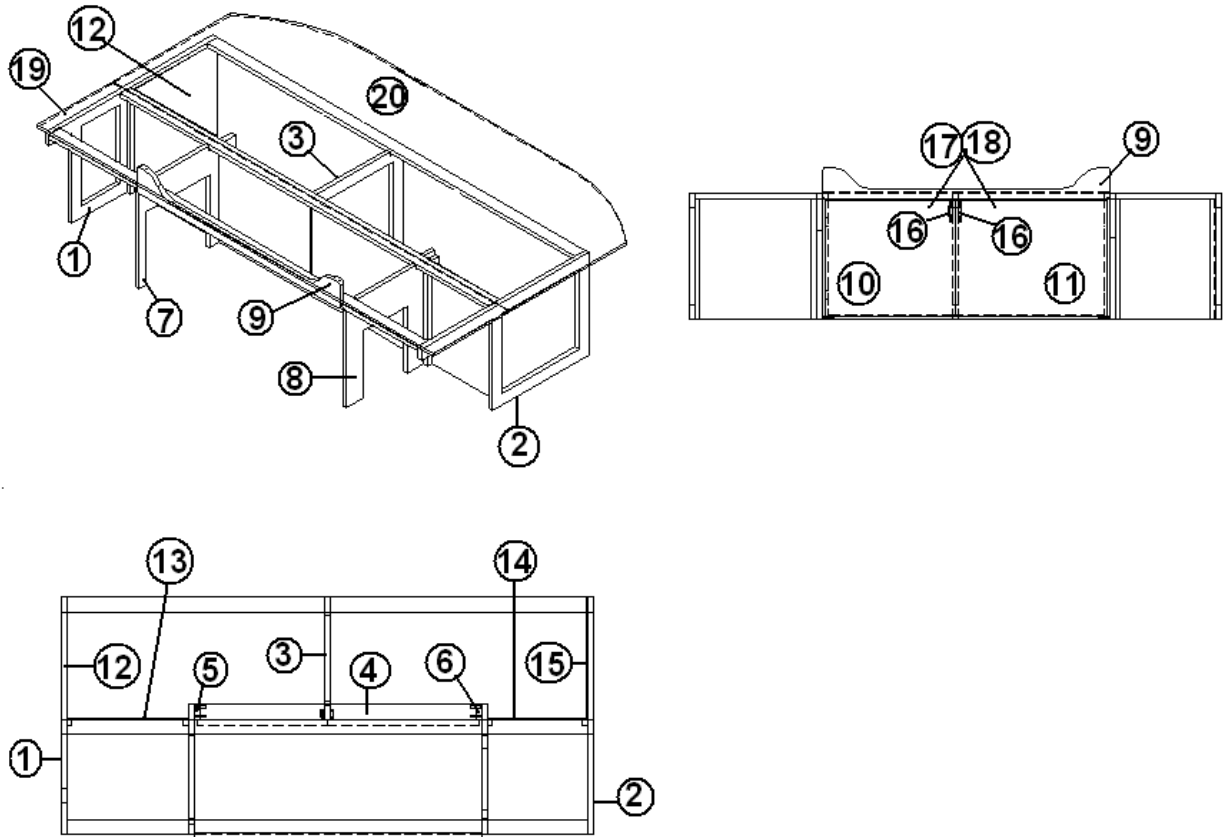


- |              |                                    |
|--------------|------------------------------------|
| 965870       | FRAME ASSEMBLY-BED, 16'            |
| 1. 800506-03 | PLYWOOD, 3/8" X 4' X 8'            |
| 2. 850082    | POPLAR, .75" X 2.00"               |
| 3. 801436-01 | PANEL, BLACK MAP/WHITE 18M V       |
| 4. 801438    | PANEL-FROST WHITE VINYL/RAW 2.7MM  |
| 5. 801375-22 | DOOR-DINETTE 20.5" X 16.5"         |
| 6. 801375-23 | DOOR-DINETTE 17.5" X 16.5"         |
| 7. 381853    | HINGE-CONTINUOUS, PIANO            |
| 8. 203419    | Storage box, 23" x 16.75" x 11.88" |
| 9. 203447    | Storage box, 23" x 16.75" x 6.38"  |
| 801369-01    | PANEL, FROST WHITE/WHITE LIN 18    |
| 365267       | EDGE BANDING-1.13" .024 PLY        |
| 365278-01    | EDGE BANDING-BLACK MAPLE 1.13"     |
| 703190-05    | MATTRESS-48"X 78"W/DLB RADIUS COR  |
| 381228-01    | CATCH GRABBER DOOR                 |
| 381832       | SHELF-TV RECESSED                  |

# 2007 INTERNATIONAL TRAVEL TRAILER

## FURNITURE, BEDROOM

Bed, 16' Signature, Wenge



Part numbers on the next page

# 2007 INTERNATIONAL TRAVEL TRAILER

## FURNITURE, BEDROOM

### Bed, 16' Signature, Wenge

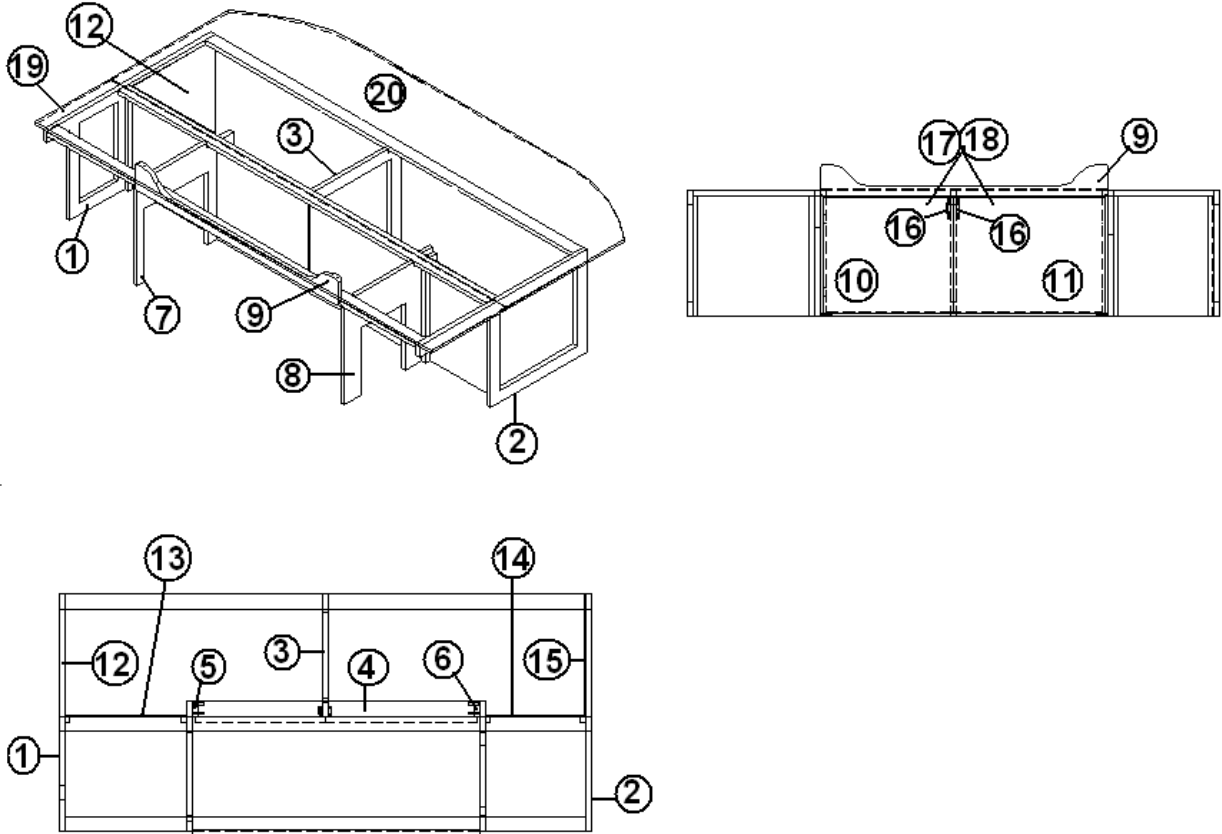
967008	BED ASSY
1. 967008-1	PANEL, BED 33 X 17.5
2. 967008-2	PANEL, BED 33 X 17.5
3. 967008-3	PANEL, BED 17 X 17.5
4. 967008-4	PANEL, BED 2.25 X 38.5
5. 967008-5	PANEL, BED 2.25 X 17.5
6. 967008-6	PANEL, BED 2.25 X 17.5
7. 967008-7	PANEL, BED 18.25 X 17.5
8. 967008-8	PANEL, BED 18.25 X 17.5
9. 967008-9	PANEL, BED 4.5 X 40
10. 967008-10	DOOR, BED 18 X 16
11. 967008-11	DOOR, BED 21 X 16
12. 967008-12	PANEL, BED 16.88 X 16.75
13. 967008-13	PANEL, BED 17 X 17.5
14. 967008-14	PANEL, BED 14 X 17.5
15. 967008-15	PANEL, BED 16.88 X 16.75
16. 381228-01	CATCH, GRABBER DOOR
17. 381607-01	HINGE, GRASS EURO
18. 382029-00	HANDLE-BAR 7.48"
19. 967008-22	PANEL, BED TOP 15 X 78
20. 967008-23	PANEL, BED TOP 30.24 X 78
703695	MATTRESS, 48" X 78" W/DOUBLE RADIUS
CORNER	



# 2007 INTERNATIONAL TRAVEL TRAILER

## FURNITURE, BEDROOM

Bed, 16' Signature, Ocean Breeze



Part numbers on the next page

# 2007 INTERNATIONAL TRAVEL TRAILER

## FURNITURE, BEDROOM

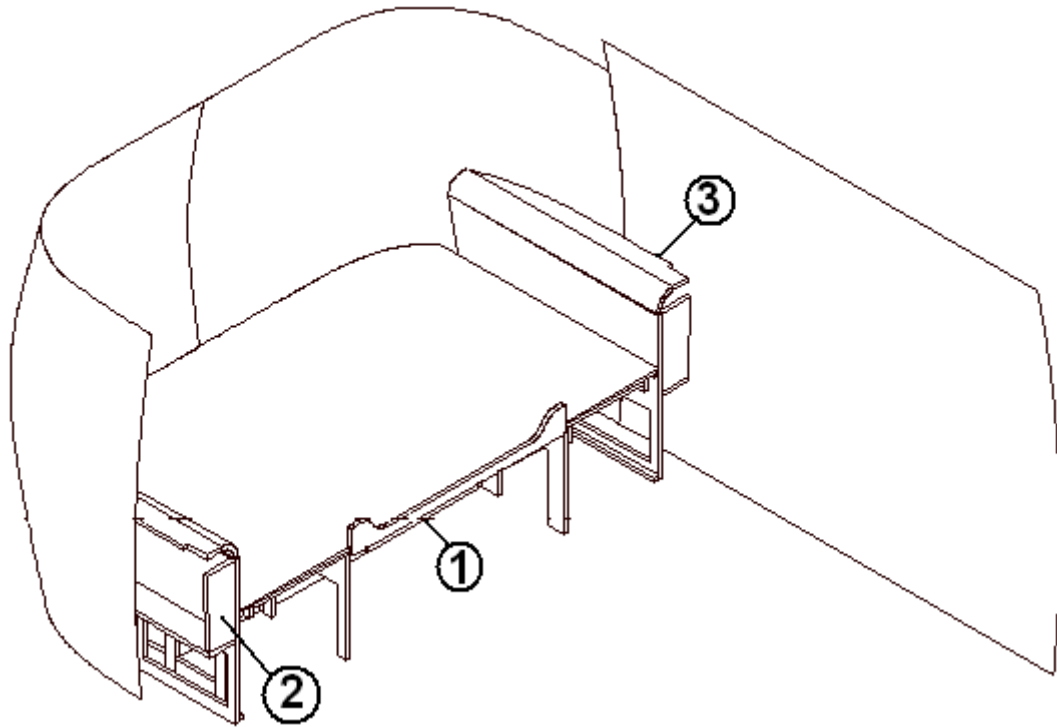
### Bed, 16' Signature, Ocean Breeze

967008-01	BED ASSY
1. 967008-011	PANEL, BED 33 X 17.5
2. 967008-012	PANEL, BED 33 X 17.5
3. 967008-013	PANEL, BED 17 X 17.5
4. 967008-014	PANEL, BED 2.25 X 38.5
5. 967008-015	PANEL, BED 2.25 X 17.5
6. 967008-016	PANEL, BED 2.25 X 17.5
7. 967008-017	PANEL, BED 18.25 X 17.5
8. 967008-018	PANEL, BED 18.25 X 17.5
9. 967008-019	PANEL, BED 4.5 X 40
10. 967008-0110	DOOR, BED 18 X 16
11. 967008-0111	DOOR, BED 21 X 16
12. 967008-0112	PANEL, BED 16.88 X 16.75
13. 967008-0113	PANEL, BED 17 X 17.5
14. 967008-0114	PANEL, BED 14 X 17.5
15. 967008-0115	PANEL, BED 16.88 X 16.75
16. 381228-01	CATCH, GRABBER DOOR
17. 381607-01	HINGE, GRASS EURO
18. 382008	PULL, BAMBOO
19. 967008-0122	PANEL, BED TOP 15 X 78
20. 967008-0123	PANEL, BED TOP 30.24 X 78
703695	MATTRESS, 48 X 78 W/DLB RC

# 2007 INTERNATIONAL TRAVEL TRAILER

## FURNITURE, BEDROOM

### Bed, 16' DWR, Layout

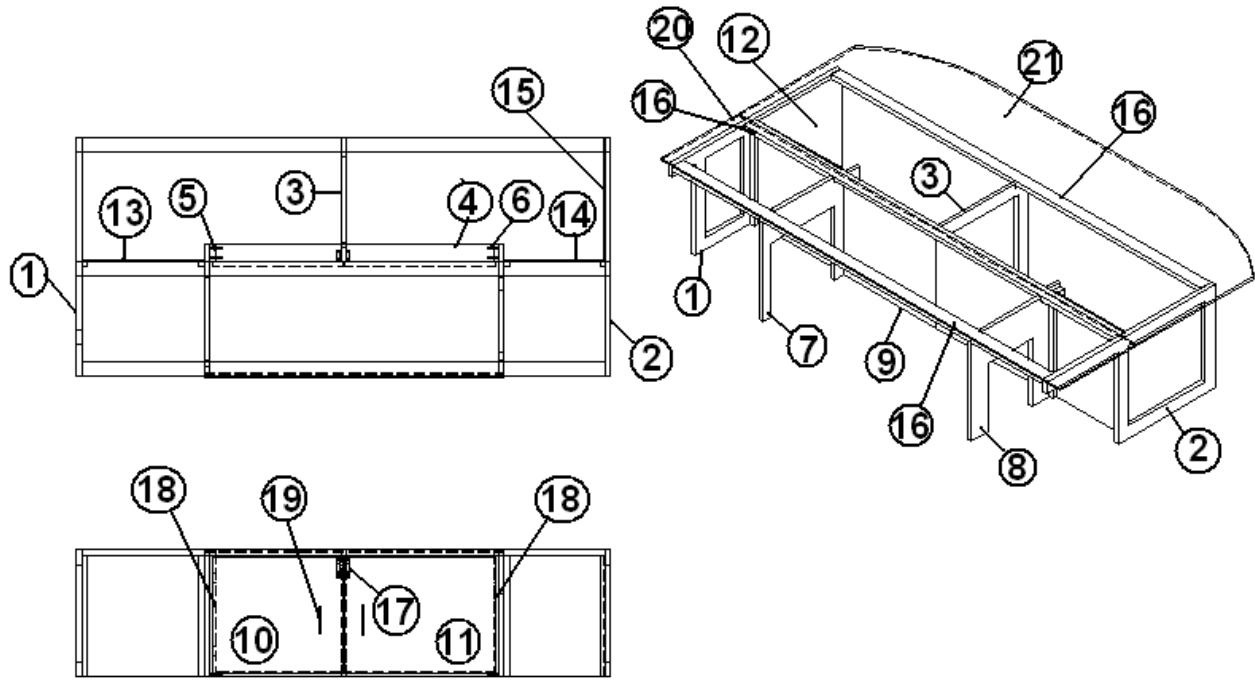


- |           |                              |
|-----------|------------------------------|
| 1. 967046 | BED ASSY- DWR                |
| 2. 967017 | HAMPER/HEADBOARD, LH         |
| 3. 967018 | HAMPER/HEADBOARD, RH         |
| 703711    | Curtain, dividing, 51" x 72" |

# 2007 INTERNATIONAL TRAVEL TRAILER

## FURNITURE, BEDROOM

Bed, 16' DWR



Part numbers on the next page

# 2007 INTERNATIONAL TRAVEL TRAILER

## FURNITURE, BEDROOM

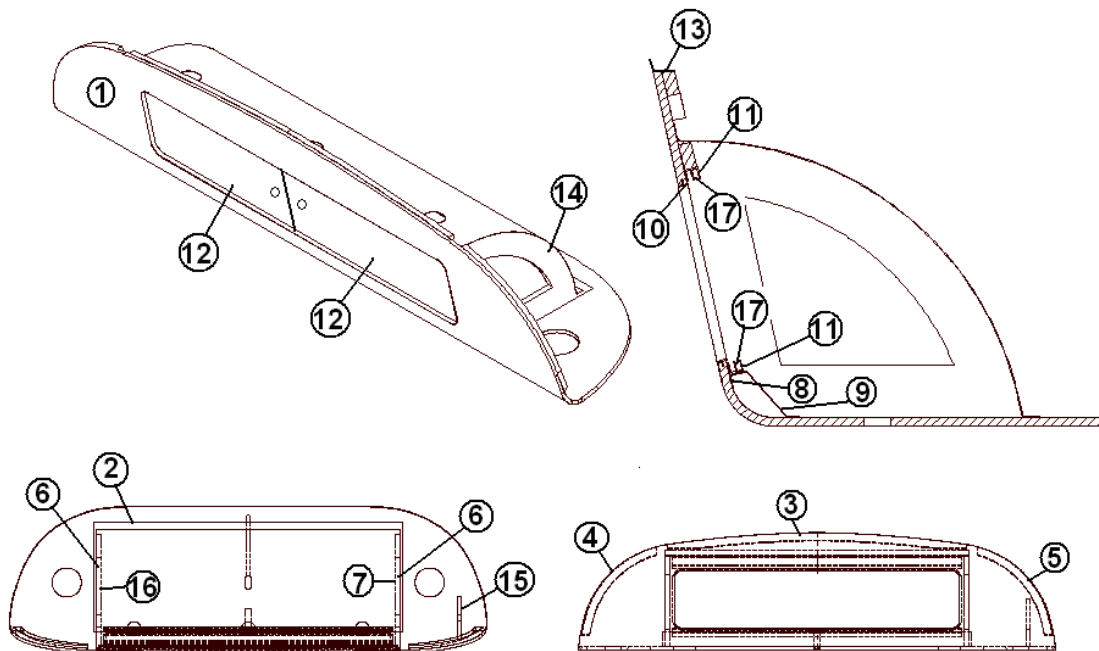
### Bed, 16' DWR

967046	BED, 16' DWR
1. 967046-1	PANEL, 33.00 X 17.50
2. 967046-2	PANEL, 33.00 X 17.50
3. 967046-3	PANEL, 17.00 X 17.50
4. 967046-4	PANEL, 2.25 X 38.50
5. 967046-5	PANEL, 2.25 X 17.50
6. 967046-6	PANEL, 2.25 X 17.50
7. 967046-7	PANEL, 18.25 X 17.50
8. 967046-8	PANEL, 18.25 X 17.50
9. 967046-9	PANEL, 18.00 X 16.00
10. 801758-04	PANEL, 33.00 X 17.50
11. 801758-05	PANEL, 33.00 X 17.50
12. 967046-12	PANEL, 16.88 X 16.75
13. 967046-13	PANEL, 17.00 X 17.50
14. 967046-14	PANEL, 14.00 X 17.50
15. 967046-15	PANEL, 16.88 X 16.75
16. 967046-16	POPLAR, 2"
17. 381228-01	CATCH GRABBER DOOR C3-803
18. 381607	HINGE ASSY
19. 382038	HANDLE
20. 967046-22	PANEL, 15.00 X 78.00
21. 967046-23	PANEL, 30.24 X 78.00
703695	MATTRESS
115377	MOLDING, ALUMINUM TRIM 13/16"

# 2007 INTERNATIONAL TRAVEL TRAILER

## FURNITURE, BEDROOM

### Roof Locker, 16' DWR, Rear End Liner

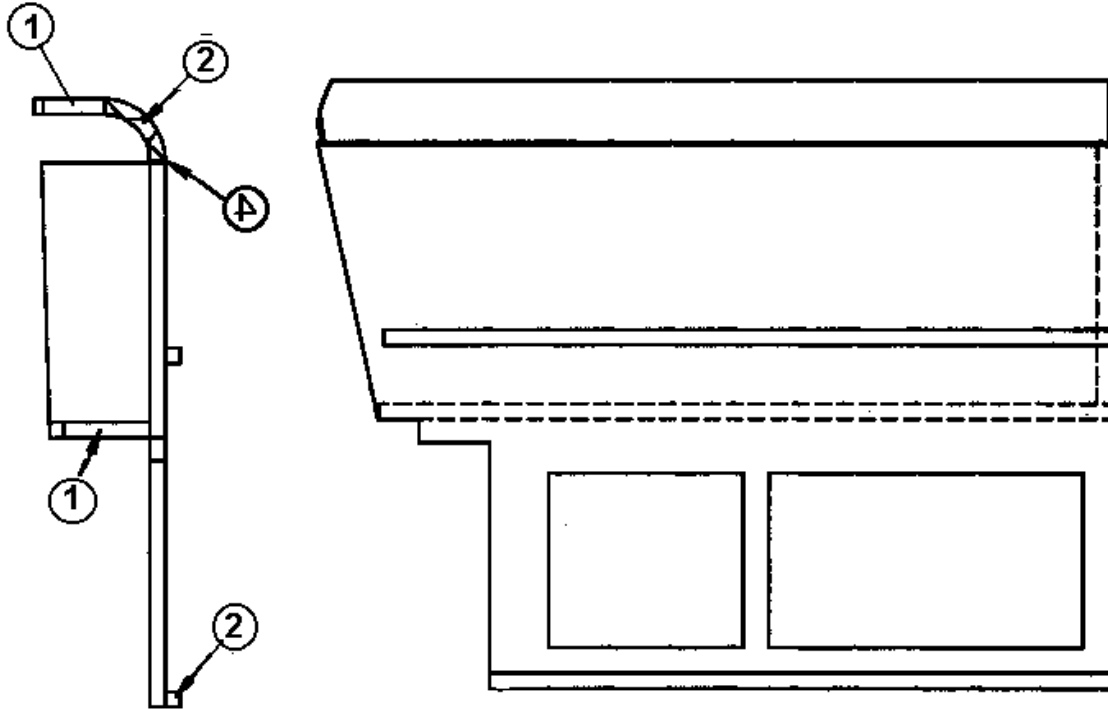


967058	R/L ASSY, AFT LINER
1. 801763	FACE, LINER R/L, AFT
2. 967058-2	PANEL, 21.00 X 54.25
3. 801596-01	BACKER W/B LINER LOCKER, CENTER
4. 801596-02	BACKER LINER LOCKER, LH
5. 801596-03	BACKER, LINER LOCKER, RH
6. 801594	DIVIDER, LINER LOCKER
7. 801766-02	DIVIDER, RH LINER R/L
8. 115261-02	ANGLE, LOCKER TRACK SUPPORT
9. 115226-01	BRACKET, CENTERSUPPORT
10. 203445-01	T-MOLDING, .5625", WHITE
11. 203388	TRACK, SLIDING DOOR
12. 967066-01	DOOR, 11.69" X 26"
13. 201673	REVERSE COVE MOLDING, WHITE
14. 115264-02	PAN, LINER LOCKER
15. 801710	SUPPORT, DIVIDER, R/L
16. 801766-01	DIVIDER, LH LINER R/L
17. 382041	CHANNEL, .3125" SCHLEGEL BLACK

# 2007 INTERNATIONAL TRAVEL TRAILER

## FURNITURE, BEDROOM

Bed, 16', Hamper-Headboard

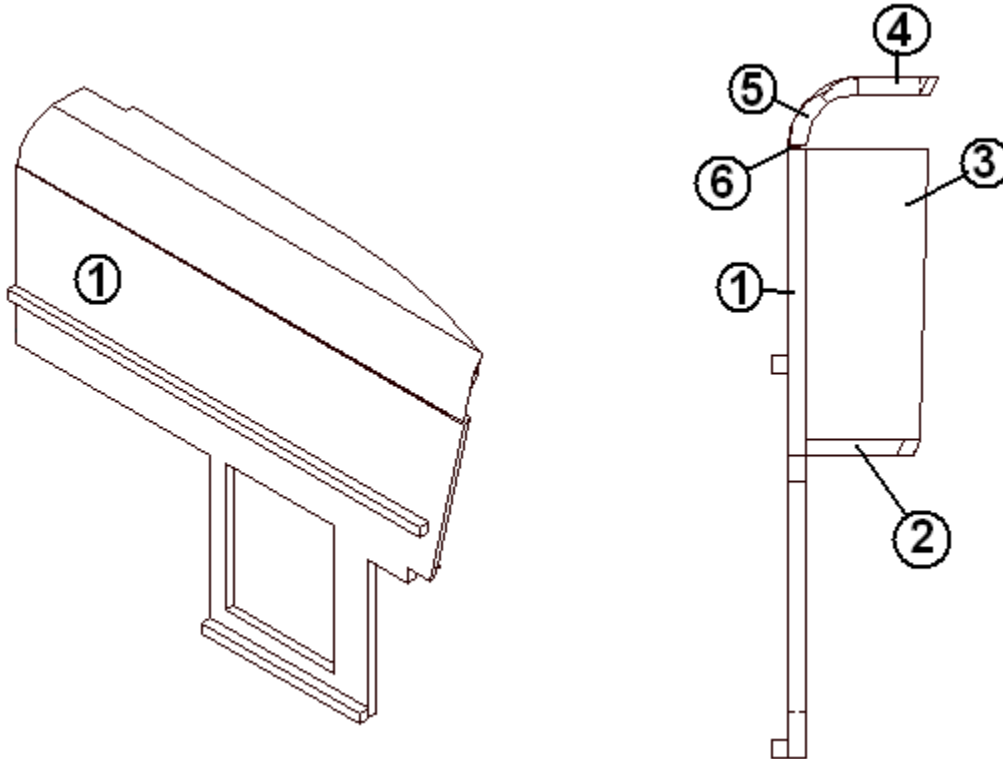


- |              |  |
|--------------|--|
| 965871       | Hamper-Headboard Assembly, 16 FT.      |
| 1. 801378    | Panel, Whiteliner/Gator                |
| 2. 801345    | Radius plywood, .75" x 3" x 8'         |
| 3. 800025-01 | Pine. Stained, 3/4" x 3/4"             |
| 4. 380458    | Hinge, piano, brown, anodized          |
| 700414       | Foam, 3/8" x 72; wide (specify length) |
| 702482-03    | HEADLINER SPECTRA OPAL                 |

# 2007 INTERNATIONAL TRAVEL TRAILER

## FURNITURE, BEDROOM

Bed, 16' Signature, 16' DWR, Hamper-Headboard LH, Wenge



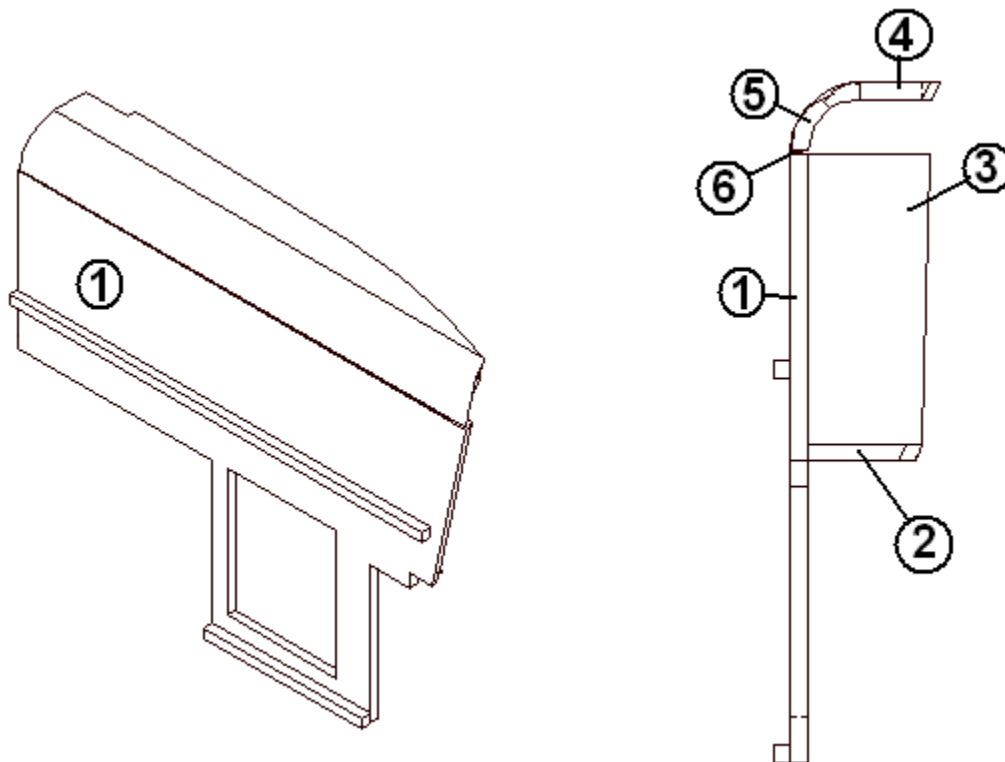
967017	HAMPER/HEADBOARD-LH
1. 967017-1	PANEL, HAMPER/HEAD 39.25 X 26.5
2. 967017-2	PANEL, HAMPER/HEAD 4.96 X 36.24
3. 967017-3	PANEL, HAMPER/HEAD 5.35 X 12.63
4. 967017-4	PANEL, HAMPER/HEAD 3.47 X 37.68
5. 801345	RADIUS PLYWOOD, .75" X 3" X 8'
6. 380458	HINGE, PIANO COPPER
702482-03	HEADLINER SPECTRA OPAL



# 2007 INTERNATIONAL TRAVEL TRAILER

## FURNITURE, BEDROOM

Bed, 16' Signature, Hamper-Headboard LH, Ocean Breeze

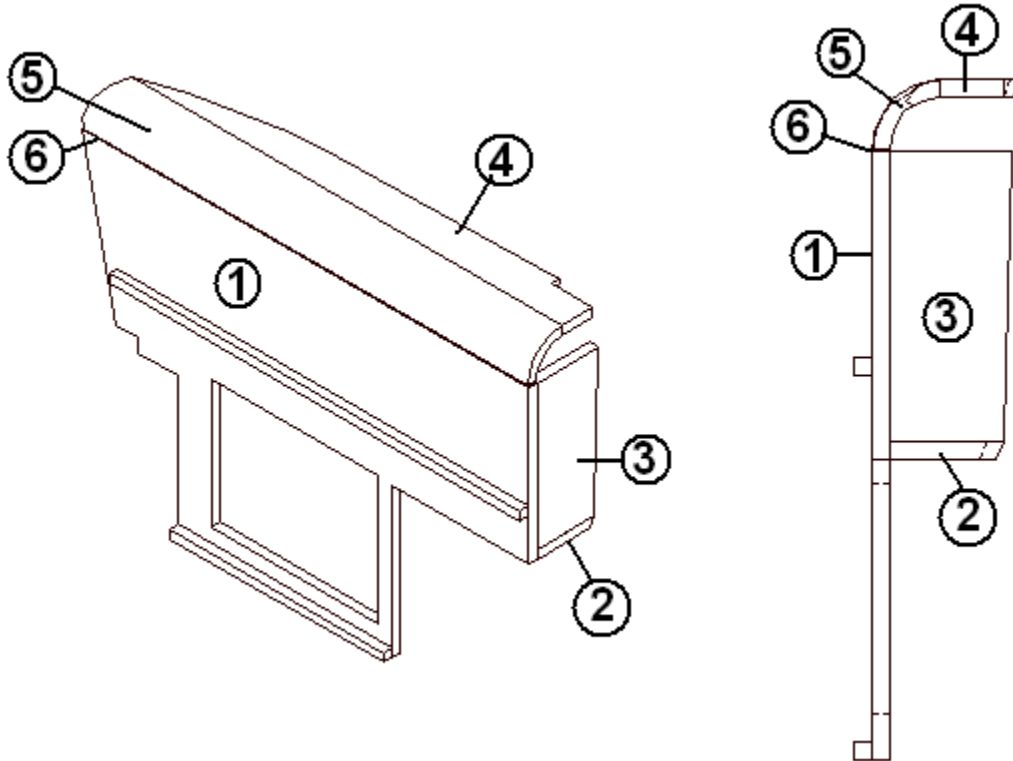


967017-01	HAMPER/HEADBOARD-LH
1. 967017-011	PANEL, HAMPER/HEAD 39.25 X 26.5
2. 967017-012	PANEL, HAMPER/HEAD 4.96 X 36.24
3. 967017-013	PANEL, HAMPER/HEAD 5.35 X 12.63
4. 967017-014	PANEL, HAMPER/HEAD 3.47 X 37.68
5. 801345	RADIUS PLYWOOD, .75" X 3" X 8'
6. 380458	HINGE, PIANO COPPER
702482-03	HEADLINER SPECTRA OPAL

# 2007 INTERNATIONAL TRAVEL TRAILER

## FURNITURE, BEDROOM

Bed, 16' Signature, 16' DWR, Hamper-Headboard RH, Wenge

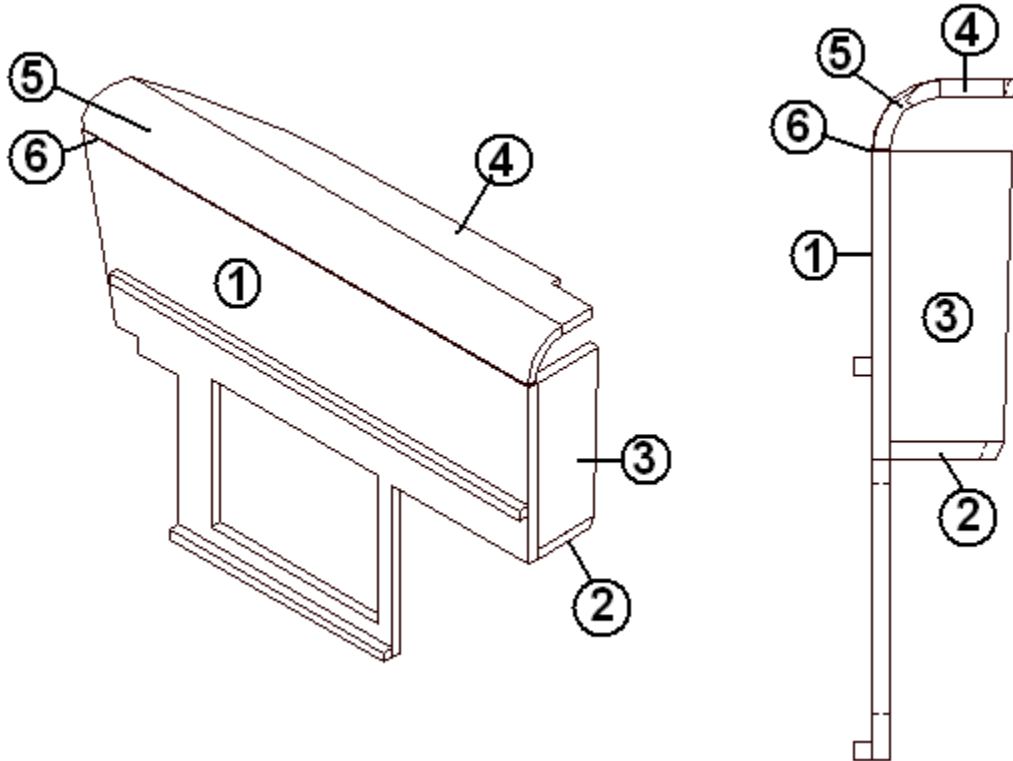


967018	HAMPER/HEADBOARD, RH
1. 967018-1	PANEL, HAMPER/HEAD RH 39.25 X 26.5
2. 967018-2	PANEL, HAMPER/HEAD RH 4.96 X 36.24
3. 967018-3	PANEL, HAMPER/HEAD RH 5.35 X 12.63
4. 967018-4	PANEL, HAMPER/HEAD RH 3.47 X 37.68
5. 801345	RADIUS PLYWOOD .75"X 3"X 8'
6. 380458	HINGE, PIANO COPPER
702482-03	HEADLINER SPECTRA OPAL

# 2007 INTERNATIONAL TRAVEL TRAILER

## FURNITURE, BEDROOM

Bed, 16' Signature, Hamper-Headboard RH, Ocean Breeze

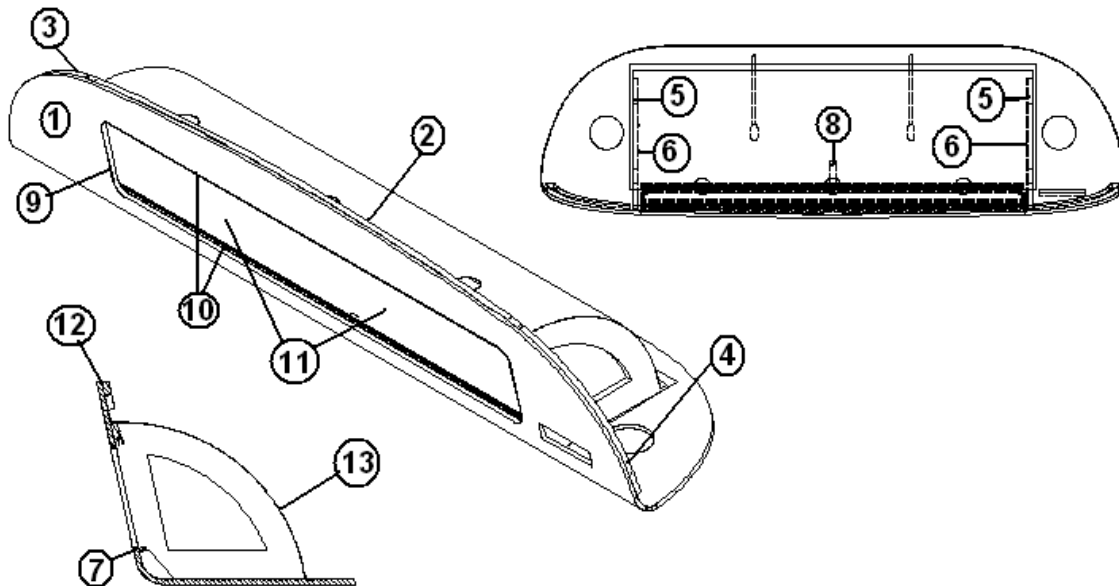


- |               |                                    |
|---------------|------------------------------------|
| 967018-01     | HAMPER/HEADBOARD, RH               |
| 1. 967018-011 | PANEL, HAMPER/HEAD RH 39.25 X 26.5 |
| 2. 967018-012 | PANEL, HAMPER/HEAD RH 4.96 X 36.24 |
| 3. 967018-013 | PANEL, HAMPER/HEAD RH 5.35 X 12.63 |
| 4. 967018-014 | PANEL, HAMPER/HEAD RH 3.47 X 37.68 |
| 5. 801345     | RADIUS PLYWOOD .75"X 3"X 8'        |
| 6. 380458     | HINGE, PIANO COPPER                |
| 702482-03     | HEADLINER SPECTRA OPAL             |

# 2007 INTERNATIONAL TRAVEL TRAILER

## FURNITURE, BEDROOM

### Roof Locker, Rear End Liner, 16'

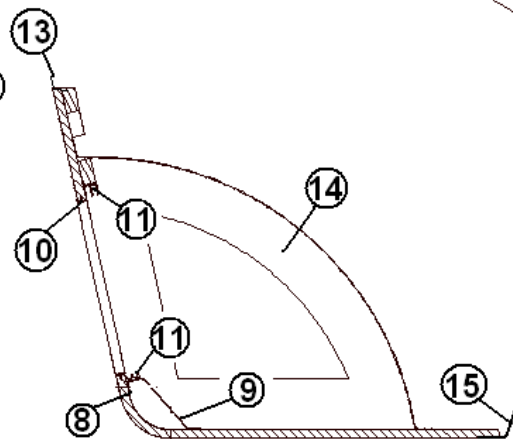
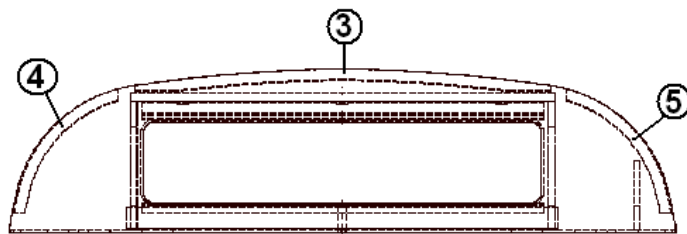
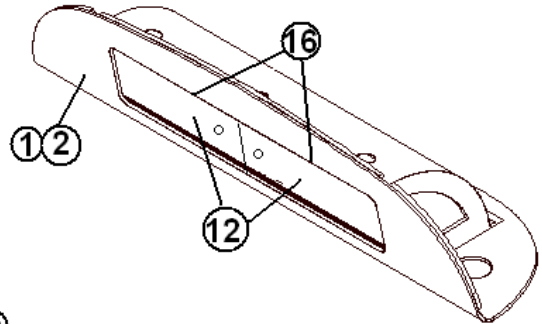
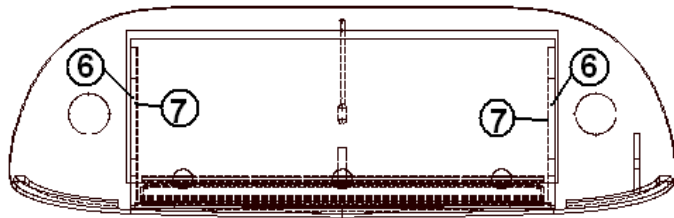


966387-02	Roof Locker, Rear End Liner
1. 801593-03	Locker face, rear liner roof locker
2. 801596-01	Backer, liner locker, center
3. 801596-02	Backer, liner locker, LH
4. 801596-03	Backer, liner locker, RH
5. 801594	Divider, liner locker
6. 801595	Divider, liner locker, w/o Audio Switch Holes
6. 801595-01	Divider, liner locker, w/Audio Switch Holes
7. 115261-02	Angled, formed, 58.50"
8. 115226-01	Bracket, locker center support
9. 203508-01	T-trim, 9/16", wood grain
10. 381245	Sliding door track
11. 965563-09	Door, sliding Plexiglas, 11.31" x 26"
12. 201673	Cove molding, Ivory, plastic
13. 115264-02	Pan, liner, locker
511297-01	Reading light, halogen, Nickel

# 2007 INTERNATIONAL TRAVEL TRAILER

## FURNITURE, BEDROOM

Roof Locker, 16' Signature, Rear End Liner, Wenge



Part numbers on the next page

# 2007 INTERNATIONAL TRAVEL TRAILER

## FURNITURE, BEDROOM

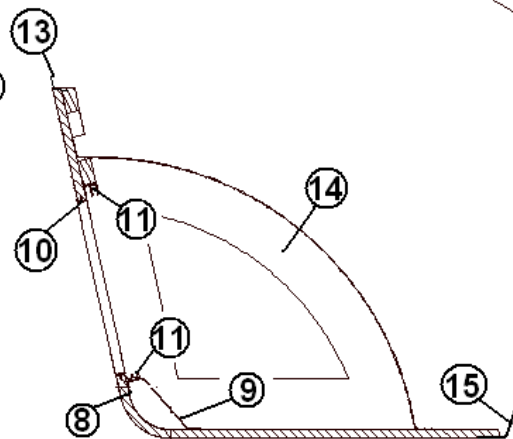
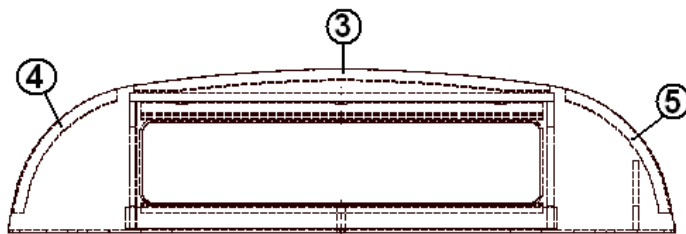
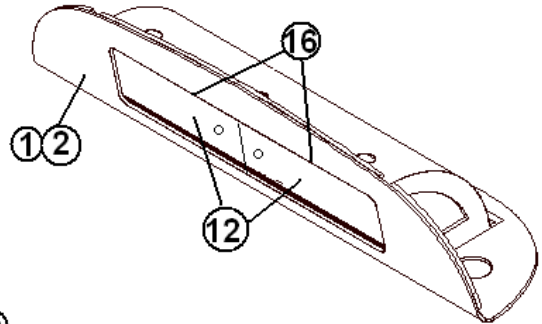
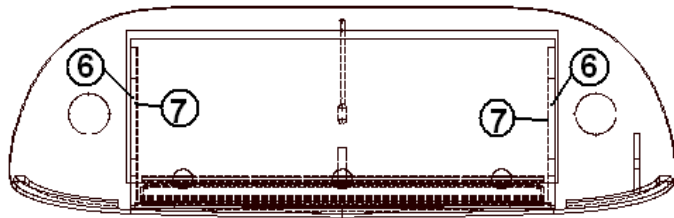
Roof Locker, 16' Signature, Rear End Liner, Wenge

967025	R/L ASSY-NB REAR
1. 801739	FACE, R/L NB REAR
2. 801716	PANEL, PRELAMINATED, WENGE/LINER
3. 801596-01	BACKER W/B LINER LOCKER CENTER
4. 801596-02	BACKER LINER LOCKER LH
5. 801596-03	BACKER, LINER LOCKER RH
6. 801594	DIVIDER, LINER LOCKER
7. 801595	DIVIDER, LINER LOCKER
8. 115261-02	ANGLE FORMED LOCKER TRACK SUPPORT
9. 115226-01	BRACKET, LOCKER CENTER SUPPORT
10. 203445-01	T-MOLDING, 5625" WHITE
11. 203388	TRACK, SLIDING DOOR
12. 965563-05	DOOR, 11.31" x 11.75"
13.201673	REVERSE COVE MOLDING, WHITE
14.115264-02	PAN-LINER LOCKER N/B
15.801710	SUPPORT DIVIDER-R/L
16.454613	SPRING-LEAF R/L

# 2007 INTERNATIONAL TRAVEL TRAILER

## FURNITURE, BEDROOM

Roof Locker, 16' Signature, Rear End Liner, Ocean Breeze



Part numbers on the next page

# 2007 INTERNATIONAL TRAVEL TRAILER

## FURNITURE, BEDROOM

Roof Locker, 16' Signature, Rear End Liner, Ocean Breeze

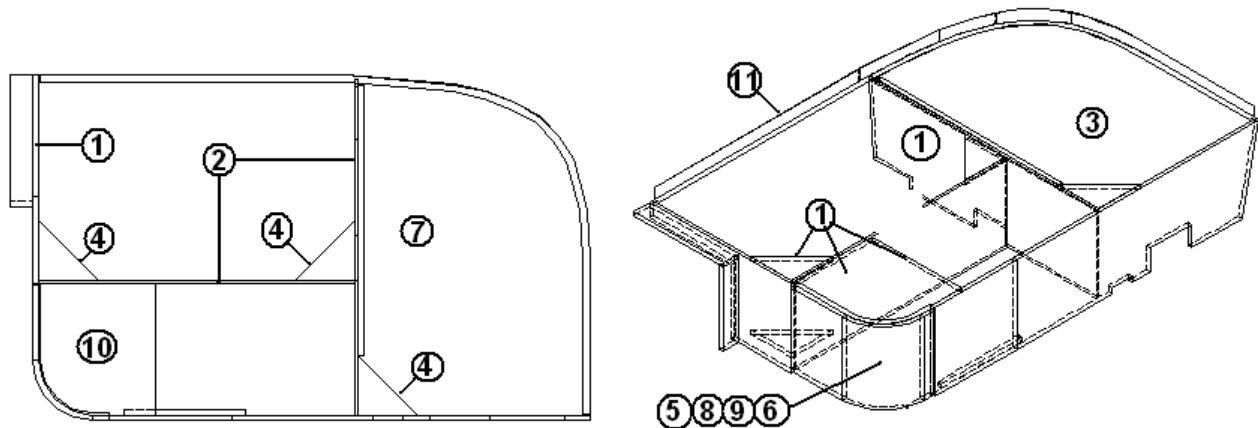
967025-01	R/L ASSY-NB REAR
1. 801739-01	FACE, R/L NB REAR
2. 801369	PANEL, PRELAMINATED, WHITE/WHITE LINER
3. 801596-01	BACKER W/B LINER LOCKER CENTER
4. 801596-02	BACKER LINER LOCKER LH
5. 801596-03	BACKER, LINER LOCKER RH
6. 801594	DIVIDER, LINER LOCKER
7. 801595	DIVIDER, LINER LOCKER
8. 115261-02	ANGLE FORMED LOCKER TRACK SUPPORT
9. 115226-01	BRACKET, LOCKER CENTER SUPPORT
10. 203508-01	T-MOLDING, 5625"
11. 203388	TRACK, SLIDING DOOR
12. 203357-03	DOOR, LUMICOR, 11.31" x 11.75"
13. 201673	REVERSE COVE MOLDING, WHITE
14. 115264-02	PAN-LINER LOCKER N/B
15. 801710	SUPPORT DIVIDER-R/L
16. 454613	SPRING-LEAF R/L
703695	MATTRESS, 48 X 78 W/DBL RADIUS CORNER



# 2007 INTERNATIONAL TRAVEL TRAILER

## FURNITURE, BEDROOM

### BED BASE ASSEMBLY, 19'

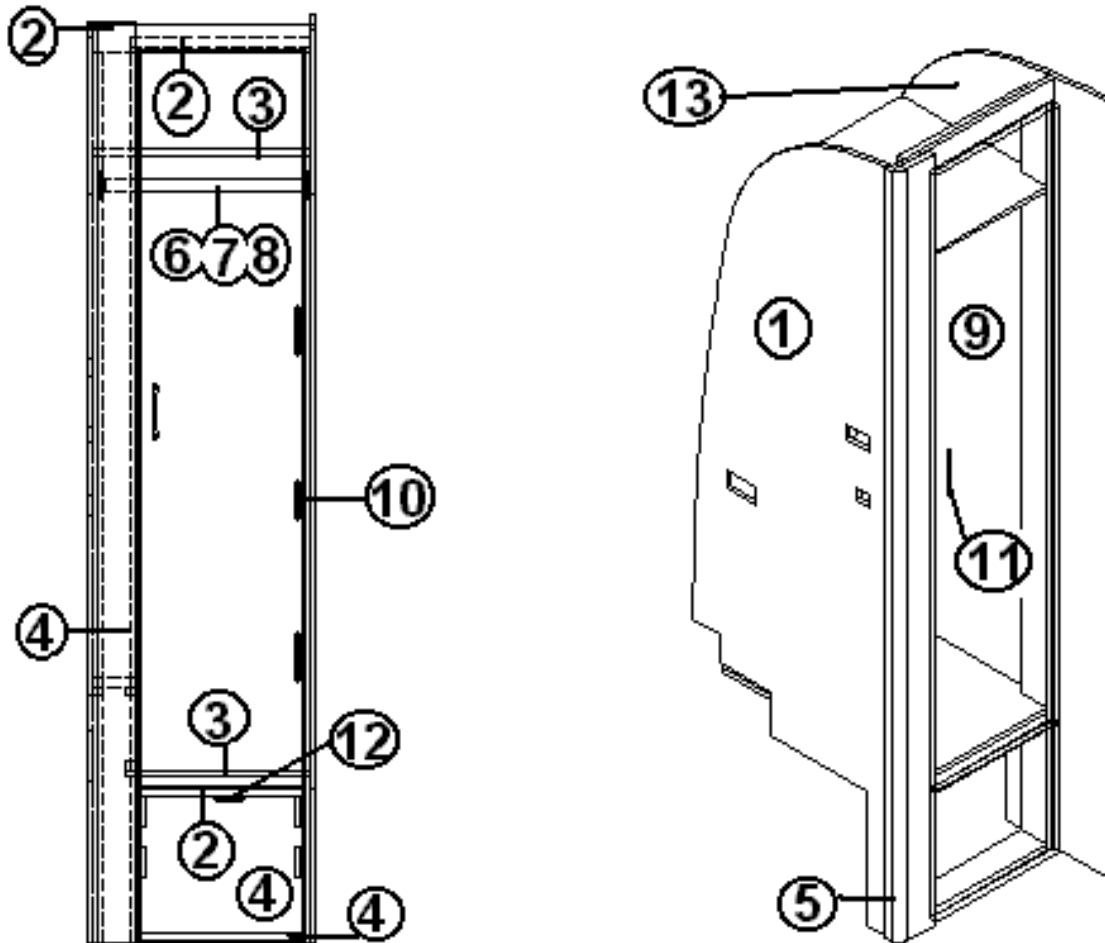


- |              |                                 |
|--------------|---------------------------------|
| 965753-01    | BED BASE ASSEMBLY, 19           |
| 1. 801436-01 | PANEL, BLK MAP/WHITE 18MM       |
| 2. 801392    | PANEL, WHITELINER/WHITELINER    |
| 3. 800507-03 | LAUAN, 3/8"X 4' X 8'            |
| 4. 801351    | LITE PLY-18MM (.75") 4' X 8'    |
| 5. 966058-01 | DOOR ASSY - BED                 |
| 6. 380458    | HINGE PIANO BROWN ANODIZED      |
| 7. 703696    | MATTRESS, 48" X76" W/10"RADIUS  |
| 8. 381865    | PULL-BAR BRUSH NICKEL           |
| 9. 381948    | CLIP-LOCKING (DRAWER SLIDE/BOX) |
| 10. 203419   | BOX STORAGE 23"LX16.75"WX11.88  |
| 10A. 203439  | STORAGE BOX-17"LX11.13"WX6.38"  |
| 114813       | ALUMINUM ANGLE 1.00" X 1.50"    |
| 701538-01    | CARPET, ECONOLIER W/PSA BACK    |
| 115150       | ANGLE-BED SUPPORT 80"           |

# 2007 INTERNATIONAL TRAVEL TRAILER

## FURNITURE, BEDROOM

### WARDROBE ASSEMBLY, RS, 19'



Part Numbers are on the Next page

# 2007 INTERNATIONAL TRAVEL TRAILER

## FURNITURE, BEDROOM

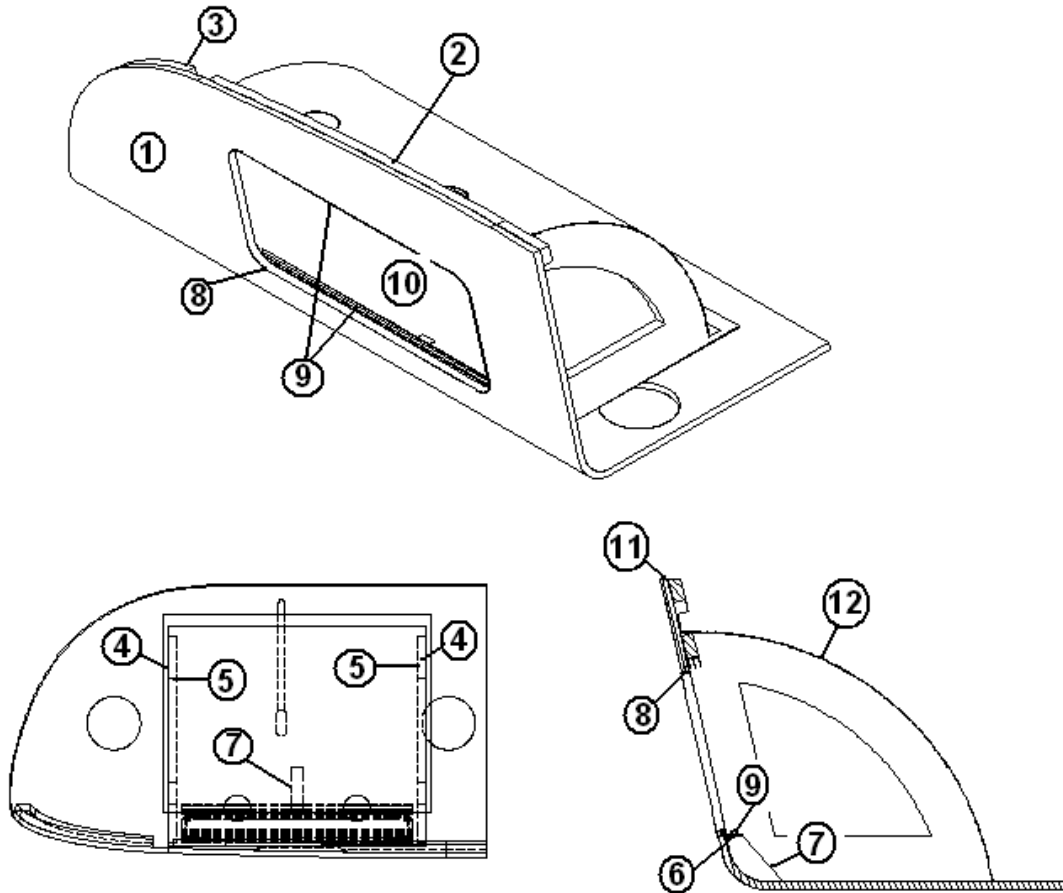
### WARDROBE ASSEMBLY, RS, 19'

965840-01	WARDROBE ASSEMBLY, RS, 19'
1. 801460-02	PANEL-RS AFT WARDROBE, 25'SS
2. 801456-01	PANEL, BLACK MAPLE/WHITE LIN 12M
3. 801392	PANEL, WHITELINER/WHITELINER
4. 801436-01	PANEL, BLACK MAPLE/WHITE 18M
5. 801706-007	CORNER TRIM-90D 1"RADIUS, 84"
6. 380046	FLANGE CHROME
7. 380045	TUBING 3/4" METALLIC
8. 200975-04	CONDUIT, FLEXIBLE BLACK PLASTIC
9. 801341-60	DOOR-RS WARDROBE 14.25" X 62.38"
10. 381607	HINGE ASSY-GRASS EURO
11. 381775	PULL-BAR BRUSH NICKEL
12. 381228-01	CATCH GRABBER DOOR
13. 801460-13	PANEL-FWD RS WARDROBE, 19'
381832	SHELF-TV RECESSED, BLACK
801376-01	PANEL, OAK/WHITE LINER 18MM
365278-01	EDGE BANDING-BLACK MAPLE 1.13"
114811	ALUMINUM ANGLE .50" X .50"
365238-04	EDGE BANDING TAPE PVC 5/8" C. WHITE
801456-01	PANEL, BLACK MAPLE/WHIT LINER 12MM
380041	BRACE 1" STANLEY CORNER

# 2007 INTERNATIONAL TRAVEL TRAILER

## FURNITURE, BEDROOM

### Roof Locker, Rear Corner End Liner, 19'

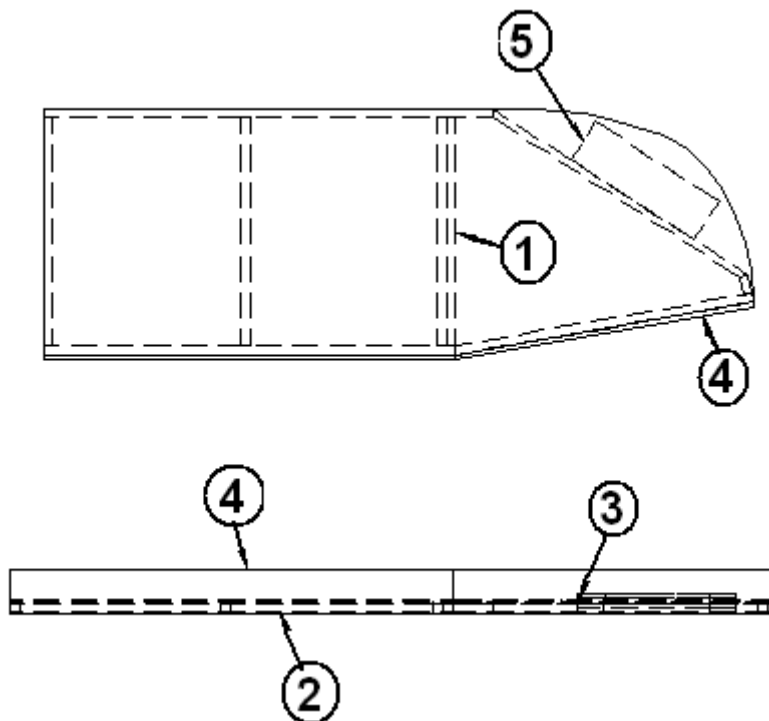


- |               |   |
|---------------|---|
| 966388        | Roof Locker, Rear Corner End Liner            |
| 1. 801593-06  | Locker face, Rear end roof locker             |
| 2. 801596-01  | Backer, liner locker, center                  |
| 3. 801596-02  | Backer, liner locker, LH                      |
| 4. 801594     | Divider, liner locker                         |
| 5. 801595     | Divider, liner locker, w/o Audio Switch Holes |
| 5. 801595-01  | Divider, liner locker, w/o Audio Switch Holes |
| 6. 115261-04  | Angled, formed, 22"                           |
| 7. 115226-01  | Bracket, locker center support                |
| 8. 203508-01  | T-trim, 9/16", wood grain                     |
| 9. 381245     | Sliding door track                            |
| 10. 965563-05 | Door, sliding Plexiglas, 11.31" x 11.75"      |
| 11. 201673    | Cove molding, Ivory, plastic                  |
| 12. 115264-04 | Pan, liner, locker                            |

# 2007 INTERNATIONAL TRAVEL TRAILER

## FURNITURE, BEDROOM

### Bed, 19' Signature, Upper Bunk

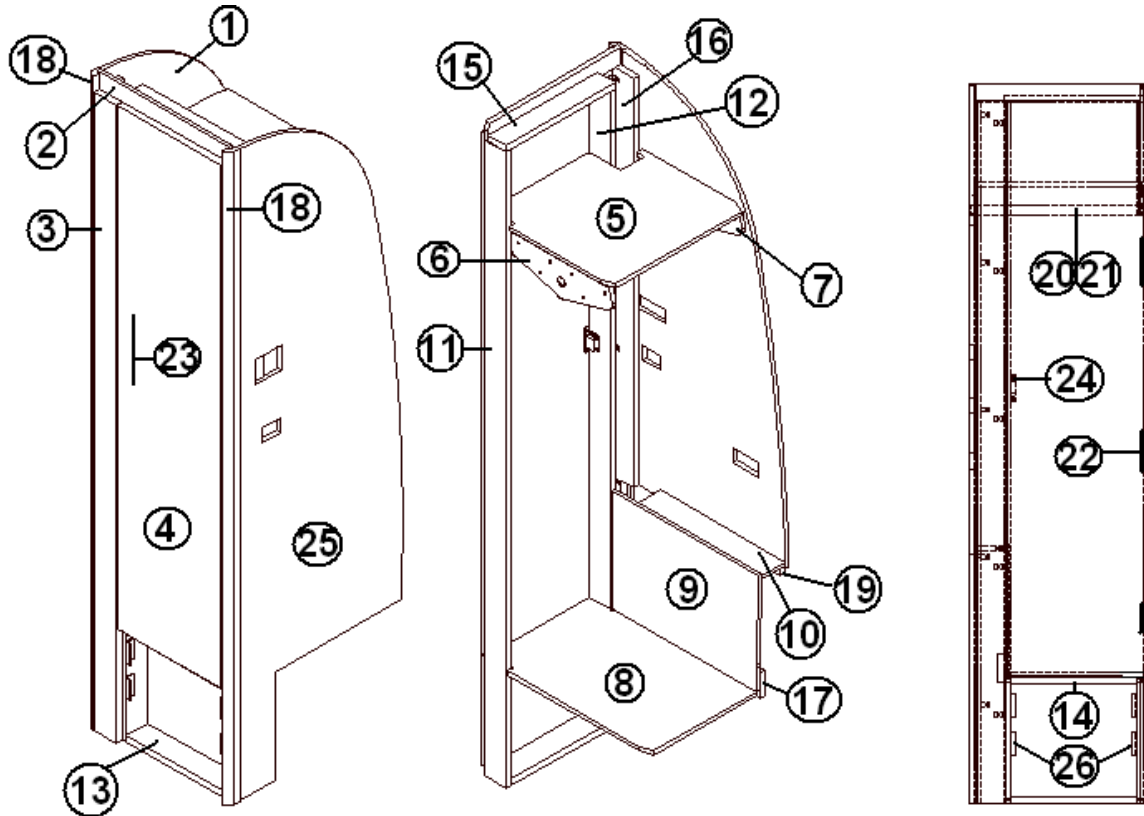


966352-01	UPPER BUNK
1. 915841	WELDMENT-UPPER BUNK
2. 801438	PNL-FRT WHT VINYL/RAW 2.7MM
3. 800507-03	LAUAN, 3/8" X 4' X 8'
4. 801456-01	PANEL, BLACK MAPLE/WHITE LINER 12MM
5. 801392	PANEL, WHITELINER/WHITELINER 12MM
381736-03	BRACE-UPPER BUNK BED
703501	MATTRESS-UPPER BUNK 4"
114743	ANGLE ALUMINUM, 11" X 1.50" X 2.00"
703468	UPPER BUNK SAFETY NET
703526	THROW-TOP BUNK BED
365209	TAPE-FOAM

# 2007 INTERNATIONAL TRAVEL TRAILER

## FURNITURE, BEDROOM

Wardrobe, 19' Signature, Roadside, Wenge



Part Number on the next page

# 2007 INTERNATIONAL TRAVEL TRAILER

## FURNITURE, BEDROOM

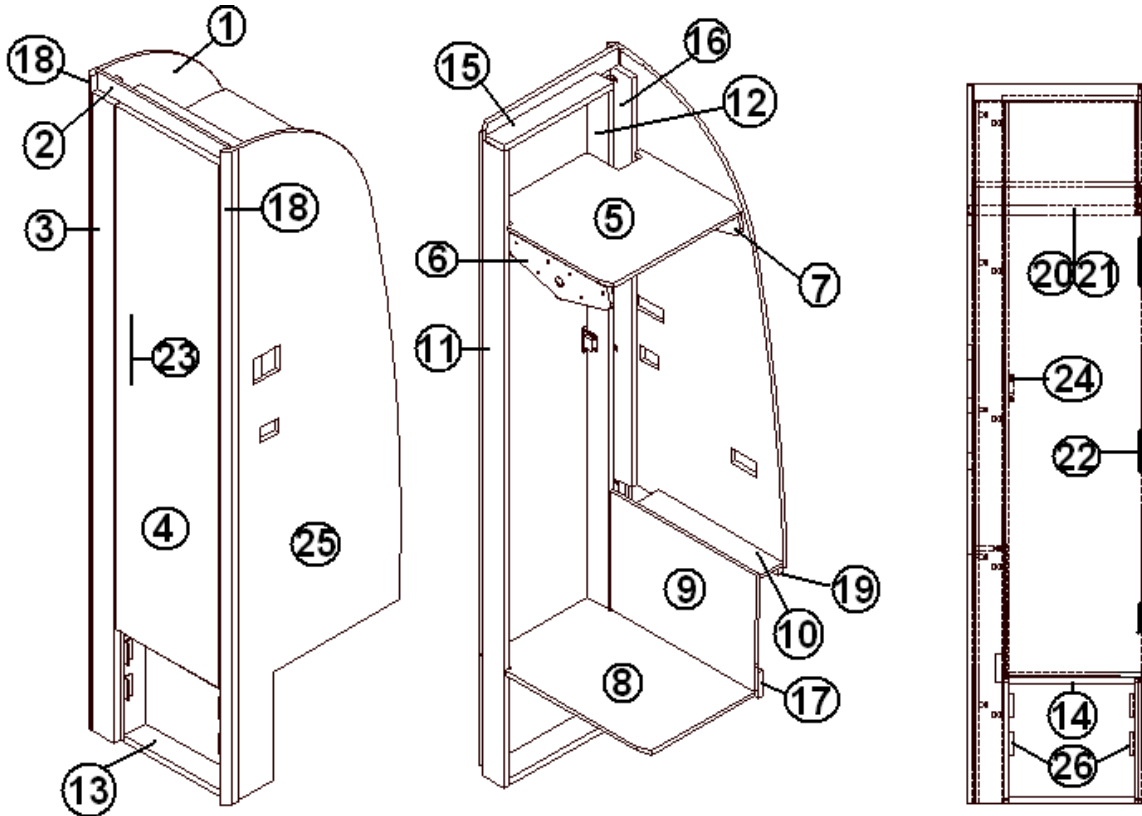
### Wardrobe, 19' Signature, Roadside, Wenge

966957	WARDROBE ASSEMBLY
1. 966957-1	PANEL, 2.13" X 18.38"
2. 966957-2	PANEL, 22.38" X 77.76"
3. 966957-3	PANEL, 3.13" X 77.19"
4. 966957-4	DOOR, 14.25" X 62.38"
5. 966957-5	PANEL, 17.50" X 18.38"
6. 966957-6	PANEL, 14.00" X 4.50"
7. 966957-7	PANEL, 14.00" X 4.50"
8. 966957-8	PANEL, 15.12" X 22.88"
9. 966957-9	PANEL, 14.00" X 20.17"
10. 966957-10	PANEL, 3.25" X 17.13"
11. 966957-11	PANEL, 3.00" X 75.88"
12. 966957-12	PANEL, 3.00" X 75.88"
13. 966957-13	PANEL, 3.00" X 13.63"
14. 966957-14	PANEL, 3.00" X 13.63"
15. 966957-15	PANEL, 2.50" X 15.13"
16. 966957-16	PANEL, 3.00" X 75.88"
17. 801351	PANEL, 3.00" X 18.00", LITE PLY
18. 801706-0016	CORNER TRIM, 90 DGREE
19. 800025-01	PINE, 3/*4" X 3/4"
20. 380045	TUBING 3/4", METALLIC
21. 200975-04	CONDUIT, FLEXIBLE BLACK PLASTIC
22. 381607	HINGE ASSY
23. 382029-03	HANDLE-BAR 11.25"
24. 381228-01	GRABBER CATCH, DOOR
25. 966957-30	PANEL, 77.78" X 22.50"
26. 114811	ALUMINUM ANGLE .50 X .50

# 2007 INTERNATIONAL TRAVEL TRAILER

## FURNITURE, BEDROOM

Wardrobe, 19' Signature, Roadside, Ocean Breeze



Part Number on the next page



# 2007 INTERNATIONAL TRAVEL TRAILER

## FURNITURE, BEDROOM

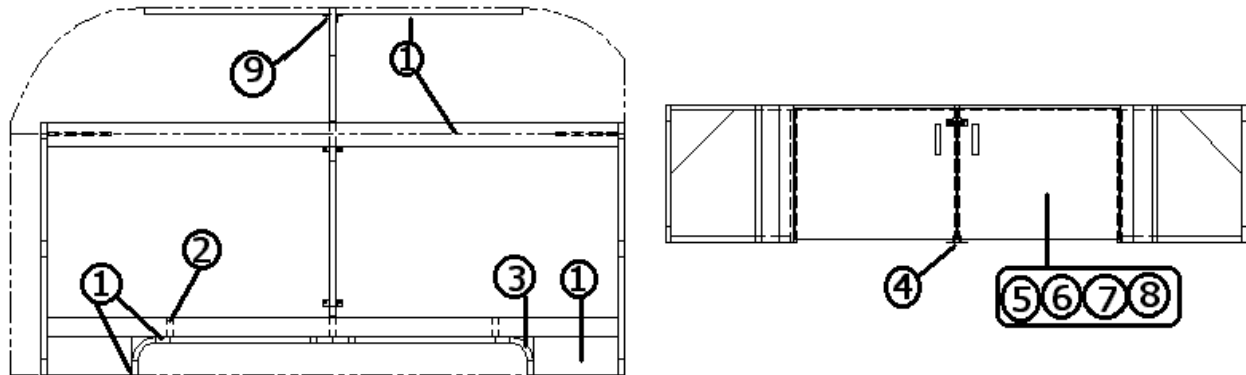
### Wardrobe, 19' Signature, Roadside, Ocean Breeze

966957-01	WARDROBE ASSEMBLY
1. 966957-011	PANEL, 2.13" X 18.38"
2. 966957-012	PANEL, 22.38" X 77.76"
3. 966957-013	PANEL, 3.13" X 77.19"
4. 966957-014	DOOR, 14.25" X 62.38"
5. 966957-015	PANEL, 17.50" X 18.38"
6. 96957-016	PANEL, 14.00" X 4.50"
7. 966957-017	PANEL, 14.00" X 4.50"
8. 966957-018	PANEL, 15.12" X 22.88"
9. 966957-019	PANEL, 14.00" X 20.17"
10. 966957-0110	PANEL, 3.25" X 17.13"
11. 966957-0111	PANEL, 3.00" X 75.88"
12. 966957-0112	PANEL, 3.00" X 75.88"
13. 966957-0113	PANEL, 3.00" X 13.63"
14. 966957-0114	PANEL, 3.00" X 13.63"
15. 966957-0115	PANEL, 2.50" X 15.13"
16. 966957-0116	PANEL, 3.00" X 75.88"
17. 801351	PANEL, 3.00" X 18.00", LITE PLY N
18. 801706-WH	CORNER TRIM, 90 DGREE
19. 800025-01	PINE, 3/4" X 3/4"
20. 380045	TUBING 3/4", METALLIC
21. 200975-04	CONDUIT, BLACK PLASTIC
22. 381607	HINGE ASSY
23. 382008	PULL, BAMBOO
24. 381228-01	GRABBER CATCH, DOOR
25. 966957-0130	PANEL, 77.78" X 22.50"
26. 114811	ALUMINUM ANGLE .50 X .50

# 2007 INTERNATIONAL TRAVEL TRAILER

## FURNITURE, BEDROOM

### Bed Assembly, 22' Model

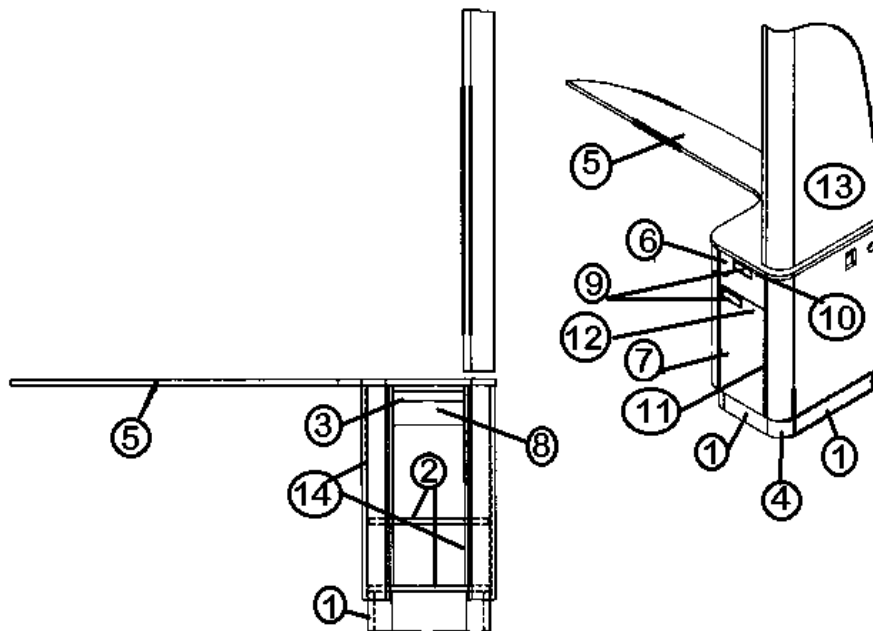


965978	Assembly, Bed base, 22'
1. 801351	Light plywood, 3/4"
2. 801368	Panel, white liner/White liner
3. 801345	Radius plywood, 3/4" x 3" x 8'
4. 365238-01	EDGEBANDING TAPE PVC 15/16"
5. 801375-12	Door, 20.56" x 16.50"
6. 381607	Hinge, assembly, grass euro
7. 381228-01	Grabber catch
8. 381775	Drawer/door handle
9. 385693-01	Bracket mounting bracket, lambrequin
801355-01	LAMINATE, FROST WHITE 4' X 8'
203419	BOX STORAGE 23"L X 16.75" W X 11.88"
203439	STORAGE BOX 17"L X 11.13"W X 6.38"
703190-05	MATTRESS-48" X 78" W/DLB RADIUS CORNER

# 2007 INTERNATIONAL TRAVEL TRAILER

## FURNITURE, BEDROOM

### Nightstand Assembly, 22'

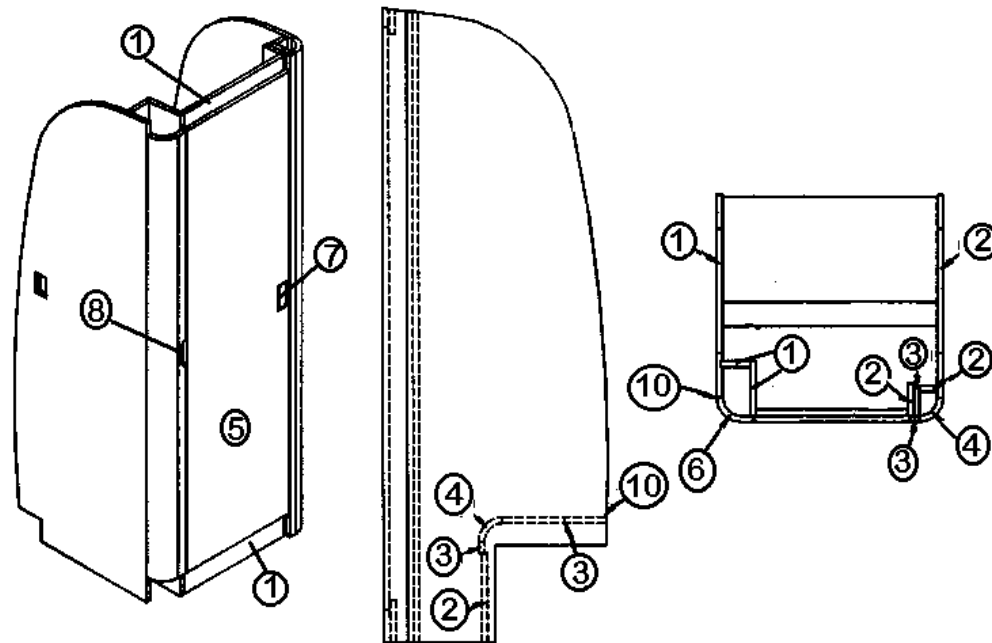


965532	Nightstand Assembly, 22'
1. 801372	PANEL, RAVEN/WHITELINER 18MM
2. 801378	PANEL, WIHTELINER/GATOR 18MM
3. 801351	.75" lite plywood
4. 801345	Radius plywood, .75" x 3" x 8'
5. 965533	Nightstand top assembly
6. 801375-09	Door, nightstand, 9.75" x 6.50"
7. 801375-10	Door, nightstand, 9.75" x 10.25"
8. 965553-03	Drawer box, 4.38" x 7.88" x 17.63"
9. 381775	Drawer pull
10. 381948	Drawer locking clip
11. 381607	Hinge assembly, Grass-Euro
12. 381228-01	Door grabber catch
13. 203329	Wall, formed Plexiglas
14. 381242-01	Bracket, shelf
381243	Shelf bracket Clips
381782	PULL-GLASS DOOR CHROME PLATED
381773-11	DRAWER SLIDE-4.63" X 18.5"
365278-01	EDGEBANDING-BLACK MAPLE 1.13"
365267	EDGEBANDING1.13" .024 PLY

# 2007 INTERNATIONAL TRAVEL TRAILER

## FURNITURE, BEDROOM

### Wardrobe Assembly, 22'

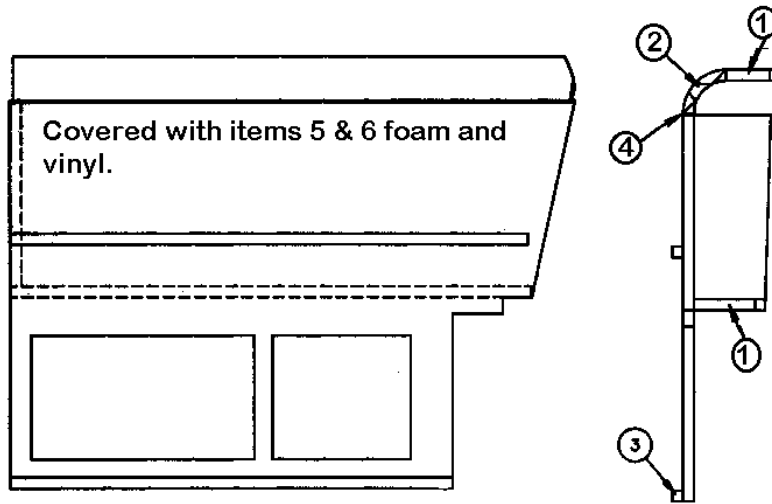


- 965527 Wardrobe Assembly
1. 801436-01 PANEL, BLACK MAPLE/WHITE
2. 801378 PANEL, WHITE LINER/GATOR
3. 801351 Lite plywood, .75" x 4' x 8'
4. 801345 Radius plywood, .75" x 3" x 8'
5. 801375-08 Door, Slatewood, 19.50" x 72.00"
6. 965536 Foldette door cover
7. 381775 Drawer handle
8. 381607 Hinge, Grass-Euro
9. 381228-01 Door Grabber catch
10. 380203-01 Piano hinge 1/8" pin clear anodized
- 801439-01 LAMINATE-BLACK MAPLE, 4' X 8', VERTICAL
- 365278-01 EDGE BANDING-BLACK MAPLE 1.13"
- 801355-01 PANEL, FROSTY WHITE 4' X 8' VERTICAL
- 380046 FLANGE CHROME
- 380045 TUBING 3/4"
- 200975-04 CONDUIT, FLEXIBLE BLACK PLASTIC

# 2007 INTERNATIONAL TRAVEL TRAILER

## FURNITURE, BEDROOM

Bed, 19', 22', 23'D, Hamper-Headboard/TV Shelf

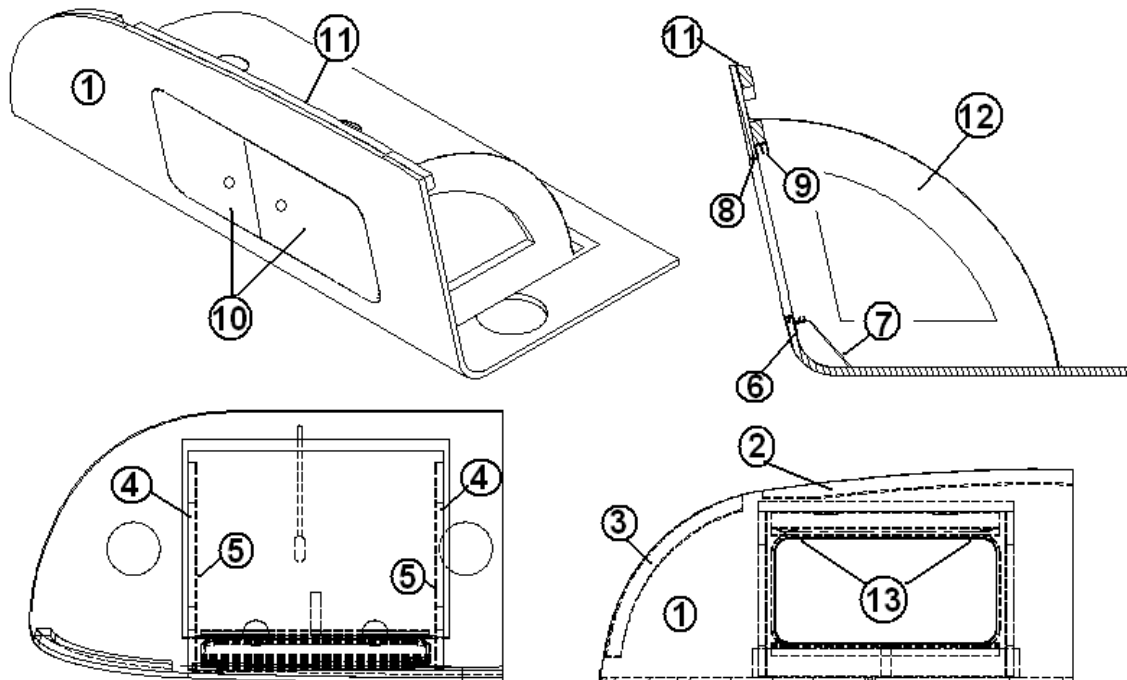


- |              |  |
|--------------|--|
| 965531       | Hamper-Headboard Assembly              |
| 1. 801378    | Panel, Rexel/raw                       |
| 2. 801345    | Radius plywood, .75" x 3" x 8'         |
| 3. 800025-01 | Pine. Stained, 3/4" x 3/4"             |
| 4. 380458    | Hinge, piano, brown, anodized          |
| 5. 700414    | Foam, 3/8" x 72; wide (specify length) |
| 6. 702482-03 | HEADLINER SPECTRA OPAL X TEXTURE       |

# 2007 INTERNATIONAL TRAVEL TRAILER

## FURNITURE, BEDROOM

Roof Locker, 19', 23' D Signature, Rear End Liner, Wenge

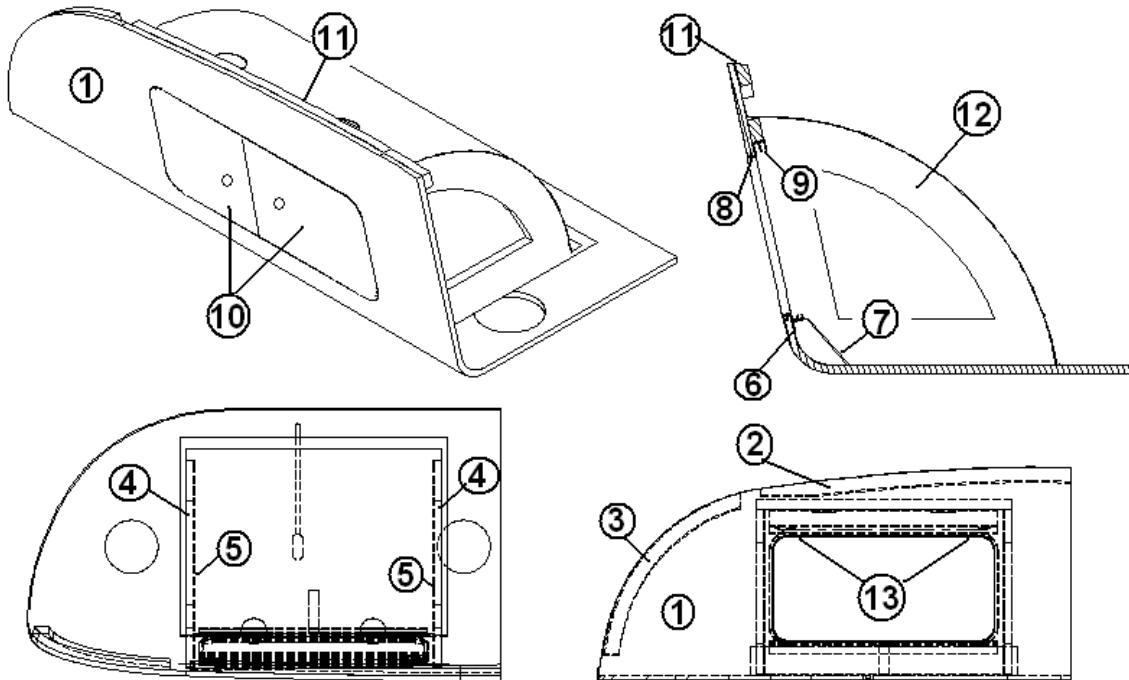


966933	LINER LOCKER ASSY NB REAR CORNER
1. 801730	FACE-LINER LOCKER NB REAR CORNER
2. 801596-01	BACKER W/B LINER LOCKER CENTER
3. 801596-02	BACKER LINER LOCKER LH
4. 801594	DIVIDER-LINER LOCKER
5. 801595	DIVIDER LINER LOCKER CCD
6. 115261-04	ANGLE, FORMED LCKR TRACK SUPPORT
7. 115226-01	BRACKET, FORMED, CENTER SUPPORT
8. 203508-01	PLY T-TRIM 9/16"
9. 203388	SLIDING DOOR TRACK, 56-1/5"
10. 965563-05	DOOR, PLEXIGLASS, 11.31" x 11.75"
11. 201673	REVERSE COVE MOLDING, WHITE
12. 115264-04	PAN-LINER LOCKER N/B REAR
13. 454613	SPRING, LEAF ROOF LOCKER

# 2007 INTERNATIONAL TRAVEL TRAILER

## FURNITURE, BEDROOM

Roof Locker, 19', 23' D Signature, Rear End Liner, Ocean Breeze

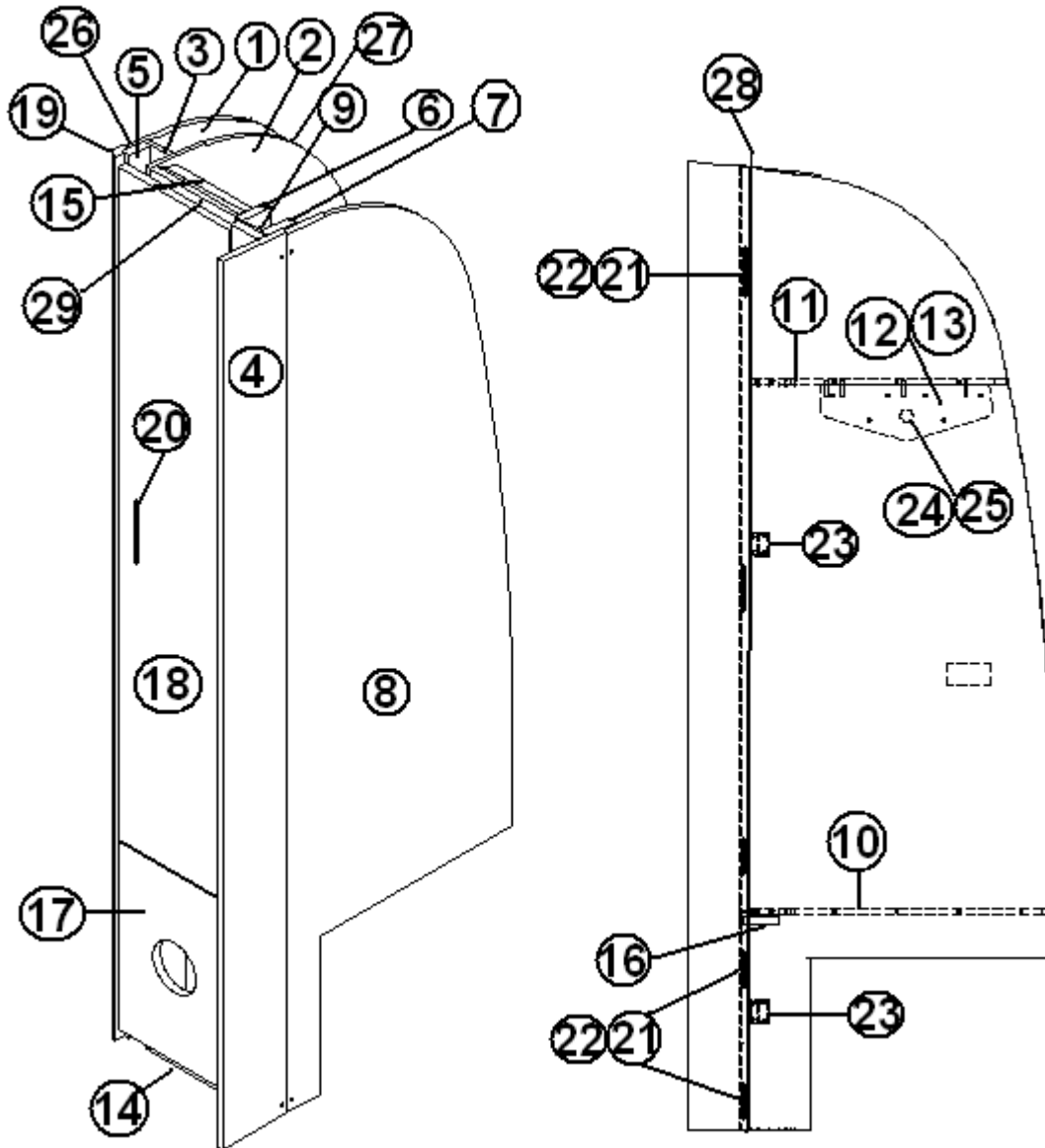


- |               |                                  |
|---------------|----------------------------------|
| 966933-01     | LINER LOCKER ASSY NB REAR CORNER |
| 1. 801730     | FACE-LINER LOCKER NB REAR CORNER |
| 2. 801596-01  | BACKER W/B LINER LOCKER CENTER   |
| 3. 801596-02  | BACKER LINER LOCKER LH           |
| 4. 801594     | DIVIDER-LINER LOCKER             |
| 5. 801595     | DIVIDER LINER LOCKER CCD         |
| 6. 115261-04  | ANGLE, FORMED LCKR TRACK SUPPORT |
| 7. 115226-01  | BRACKET, FORMED, CENTER SUPPORT  |
| 8. 203508-01  | PLY T-TRIM 9/16"                 |
| 9. 203388     | SLIDING DOOR TRACK, 56-1/5"      |
| 10. 203357-05 | DOOR, LUMICOR, 11.31"X11.75"     |
| 11. 201673    | REVERSE COVE MOLDING, WHITE      |
| 12. 115264-04 | PAN-LINER LOCKER N/B REAR        |
| 13. 454613    | SPRING, LEAF ROOF LOCKER         |

# 2007 INTERNATIONAL TRAVEL TRAILER

## FURNITURE, BEDROOM

Wardrobe, 23' D Signature, Roadside, Wenge



Part Numbers on the Next Page



# 2007 INTERNATIONAL TRAVEL TRAILER

## FURNITURE, BEDROOM

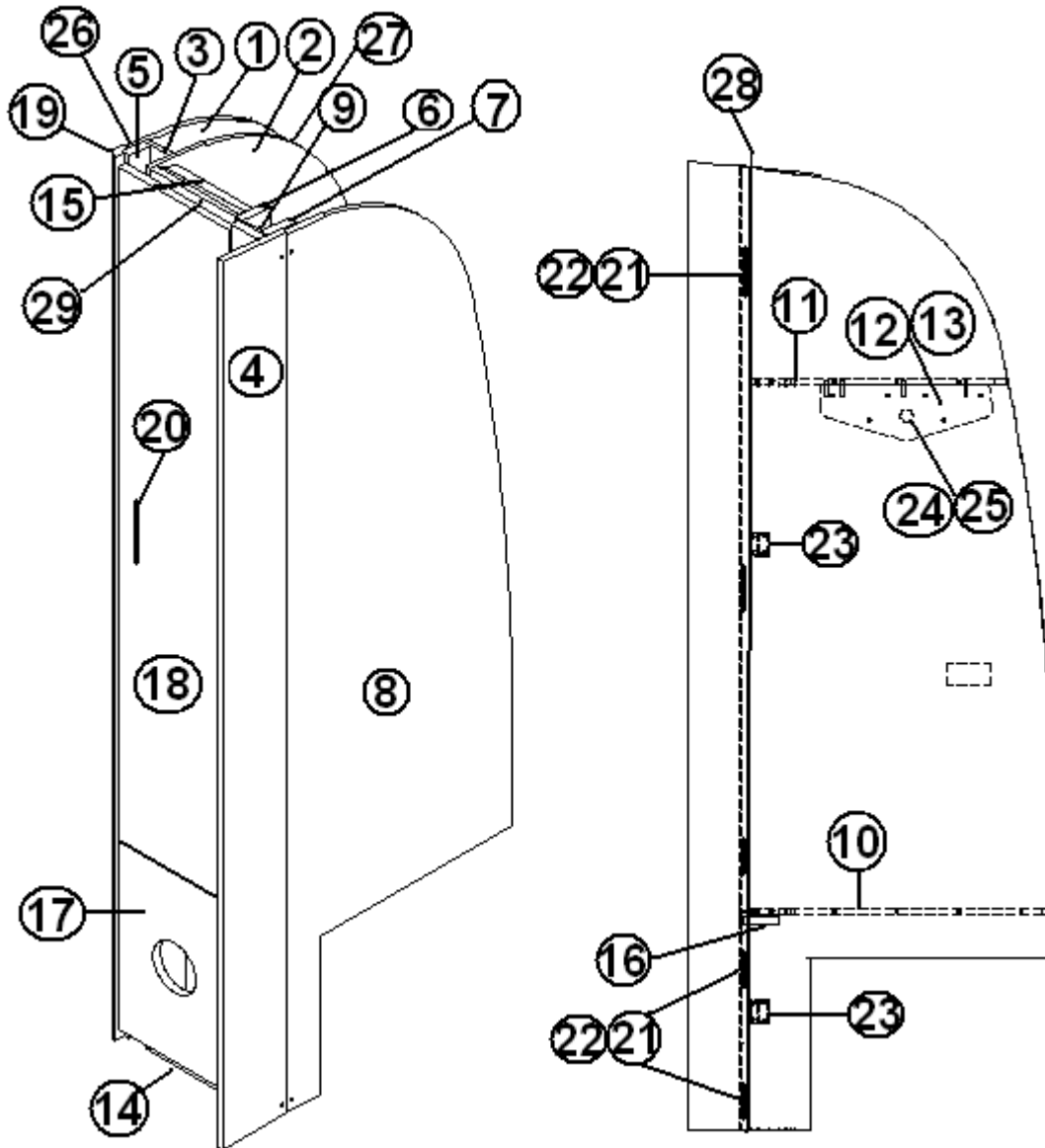
Wardrobe, 23' D Signature, Roadside, Wenge

966949	WARDROBE ASSY, R.S.
1. 966949-1	PANEL, RS W/R, 23.78 X 77.82
2. 966949-2	PANEL, RS W/R, 24.56 X 78.06
3. 966949-3	PANEL, RS W/R, 2.5 X 77.8
4. 966949-4	PANEL, RS W/R, 6.60 X 78.53
5. 966949-5	PANEL, RS W/R, 2.25 X 78.06
6. 966949-6	PANEL, RS W/R, 3.0 X 78.06
7. 966949-7	PANEL, RS W/R, 3.0 X 78.06
8. 966949-8	PANEL, RS W/R, 23.05 X 77.83
9. 966949-9	PANEL, RS W/R, 1.87 X 77.69
10. 966949-11	PANEL, RS W/R, 11.89 X 24.59
11. 966949-12	PANEL, RS W/R, 11.89 X 20.74
12. 966949-13	PANEL, RS W/R, 14.0 X 4.49
13. 966949-14	PANEL, RS W/R, 14.0 X 4.49
14. 966949-15	PANEL, RS W/R, 8.51 X 2.25
15. 966949-16	PANEL, RS W/R, 8.51 X 2.25
16. 966949-17	PANEL, RS W/R, 2.25 X 8.51
17. 966949-18	DOOR RS W/R, 11.38 X 16.68
18. 966949-19	DOOR R/S W/R, 11.38 X 59.5
19. 801706-0016	CORNER TRIM 90 DEG
20. 382029-03	HANDLE BAR, 11.25"
21. 381607	HINGE ASSY
22. 320006	SCREW, SHEET METAL, 8 X 3/4 BH PHI
23. 381228	CATCH, GRABBER, DOOR
24. 380045	TUBING 3/4", METAL
25. 200975-04	CONDUIT, FLEXIBLE BLACK PLASTIC
26. 203138-05	EXTRUSION, PLASTIC 1/2" WALL BLACK
27. 203138-01	EXTRUSION, PLASTIC WALL-WHITE
28. 115085	ANGLE ALUMINUM, ROOFLOCKERS
29. 966949-35	PANEL, RS W/R, 2.94 X 78.00

# 2007 INTERNATIONAL TRAVEL TRAILER

## FURNITURE, BEDROOM

Wardrobe, 23' D Signature, Roadside, Ocean Breeze



Part Numbers on the Next Page

# 2007 INTERNATIONAL TRAVEL TRAILER

## FURNITURE, BEDROOM

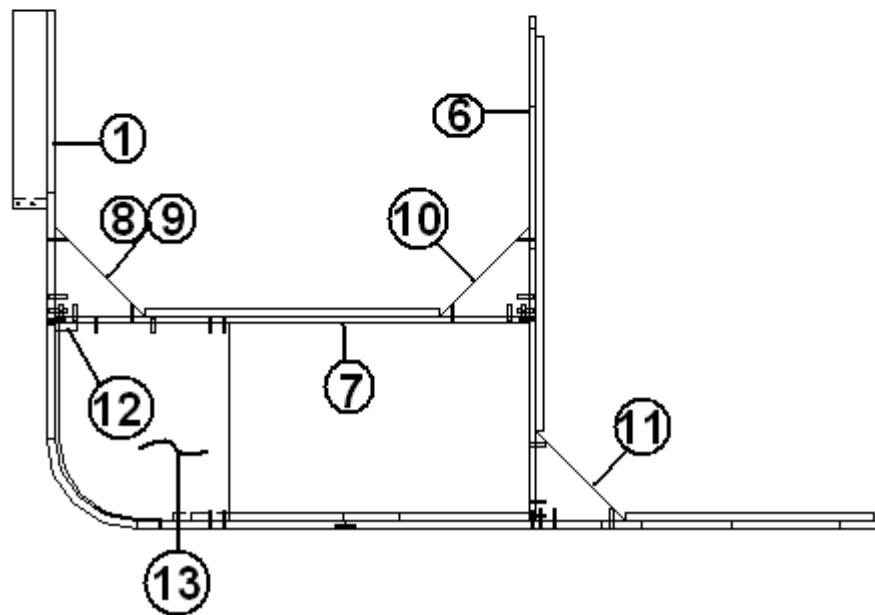
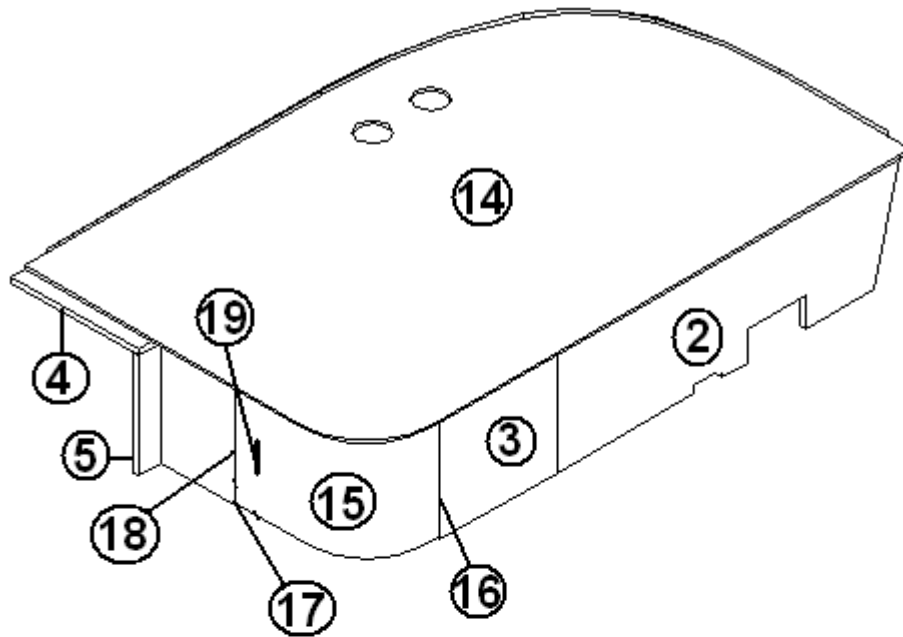
Wardrobe, 23' D Signature, Roadside, Ocean Breeze

966949-01	WARDROBE ASSY, R.S., O.B.
1. 966949-011	PANEL, RS W/R, 23.78 X 77.82
2. 966949-012	PANEL, RS W/R, 24.56 X 78.06
3. 966949-013	PANEL, RS W/R, 2.5 X 77.8
4. 966949-014	PANEL, RS W/R, 6.60 X 78.53
5. 966949-015	PANEL, RS W/R, 2.25 X 78.06
6. 966949-016	PANEL, RS W/R, 3.0 X 78.06
7. 966949-017	PANEL, RS W/R, 3.0 X 78.06
8. 966949-018	PANEL, RS W/R, 23.05 X 77.83
9. 966949-019	PANEL, RS W/R, 1.87 X 77.69
10. 966949-0111	PANEL, RS W/R, 11.89 X 24.59
11. 966949-0112	PANEL, RS W/R, 11.89 X 20.74
12. 966949-0113	PANEL, RS W/R, 14.0 X 4.49
13. 966949-0114	PANEL, RS W/R, 14.0 X 4.49
14. 966949-0115	PANEL, RS W/R, 8.51 X 2.25
15. 966949-0116	PANEL, RS W/R, 8.51 X 2.25
16. 966949-0117	PANEL, RS W/R, 2.25 X 8.51
17. 966949-0118	DOOR RS W/R, 11.38 X 16.68
18. 966949-0119	DOOR R/S W/R, 11.38 X 59.5
19. 801706-WH	CORNER TRIM 90 DEG
20. 382008	PULL, CABINET DOOR, BAMBOO
21. 381607	HINGE ASSY
22. 320006	SCREW, METAL, 8 X 3/4 BH PHI
23. 381228	CATCH, GRABBER, DOOR
24. 380045	TUBING 3/4", METAL
25. 200975-04	CONDUIT, BLACK PLASTIC
26. 203138-01	EXTRUSION, PLASTIC WALL-WHITE
27. 203138-01	EXTRUSION, PLASTIC WALL-WHITE
28. 115085	ANGLE ALUMINUM, ROOFLOCKERS
29. 966949-0135	PANEL, RS W/R, 2.94 X 78.00

# 2007 INTERNATIONAL TRAVEL TRAILER

## FURNITURE, BEDROOM

Bed, 19', 23' D Signature, Wenge



Part Numbers on the Next Page

# 2007 INTERNATIONAL TRAVEL TRAILER

## FURNITURE, BEDROOM

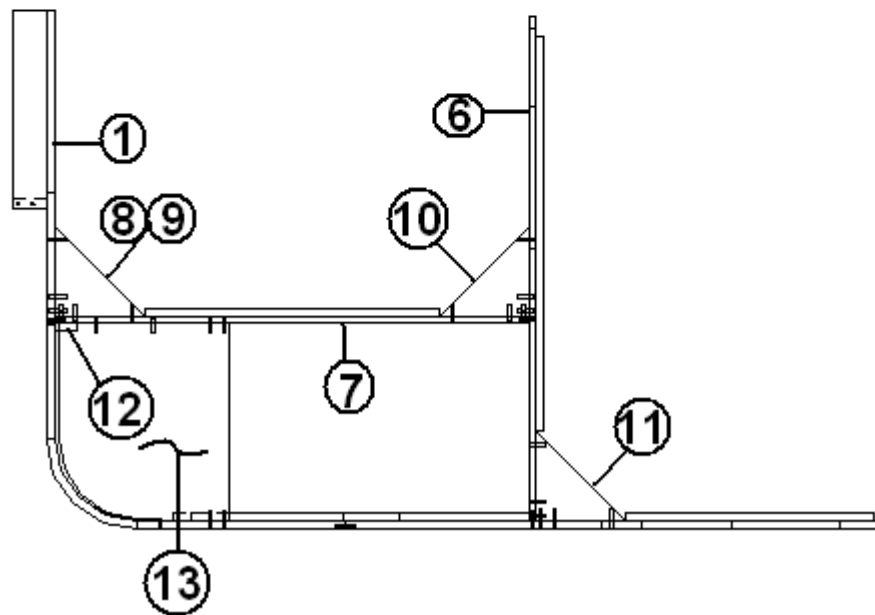
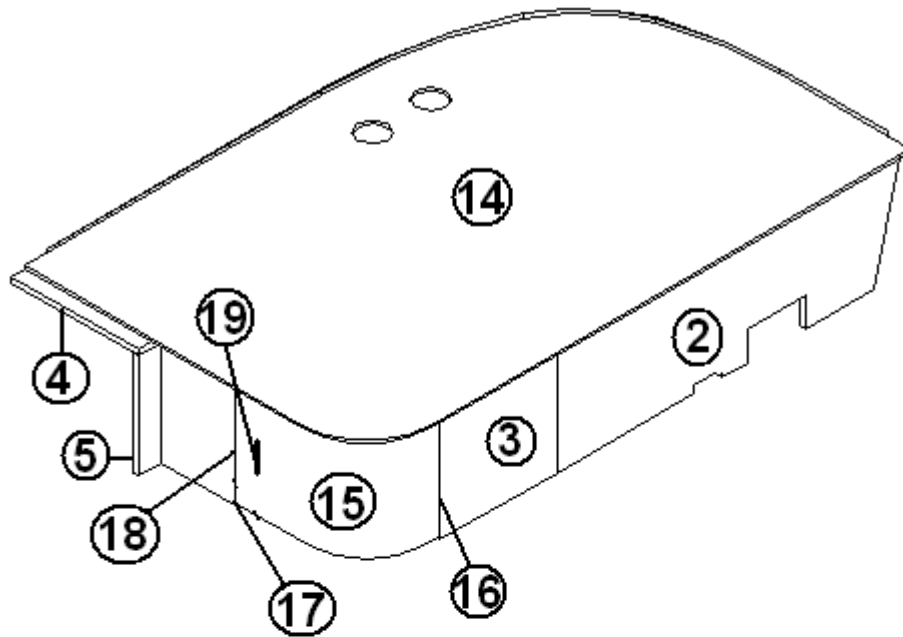
Bed, 19', 23' D Signature, Wenge

966926	BED ASSY, CORNER
1. 966926-1	PANEL, CORNER BED, 27.75 X 15.125
2. 966926-2	PANEL, CORNER BED, 47.63 X 15.125
3. 966926-3	PANEL, CORNER BED, 16.19 X 15.125
4. 966926-4	PANEL, CORNER BED, 17.5 X 3.0
5. 966926-5	PANEL, CORNER BED, 3.0 X 14.36
6. 966926-6	PANEL, CORNER BED, 44.75 X 15.125
7. 966926-7	PANEL, CORNER BED, 42.0 X 15.125
8. 966926-8	PANEL, CORNER BED, 8.0 X 8.0
9. 966926-9	PANEL, CORNER BED, 8.0 X 8.0
10. 966926-10	PANEL, CORNER BED, 8.0 X 8.0
11. 966926-11	PANEL, CORNER BED, - 8.0 X 8.0
12. 966926-12	PANEL, CORNER BED, 2.0 X 13.5
13. 966926-13	PANEL, CORNER BED, 15.19 X 17.625
14. 966926-14	PANEL, CORNER BED, 47.14 X 75.12
15. 966925	DOOR ASSY, RADIUS, BED
16. 381853	HINGE, CONTINUOUS ALUM PIANO
17. 203587	WEDGE, RADIUS BED BASE DOOR
18. 381948	K-CATCH
19. 382029-00	HANDLE, BAR 7.48"
203419	BOX STORAGE, 23"L X 16.75"W X 11.88
203439	STORAGE BOX, 17"L X 11.13"W X 6.38"
701538-01	CARPET, ECONOLIER W/PSA BACK

# 2007 INTERNATIONAL TRAVEL TRAILER

## FURNITURE, BEDROOM

Bed, 19', 23' D Signature, Ocean Breeze



Part Numbers on the Next Page

# 2007 INTERNATIONAL TRAVEL TRAILER

## FURNITURE, BEDROOM

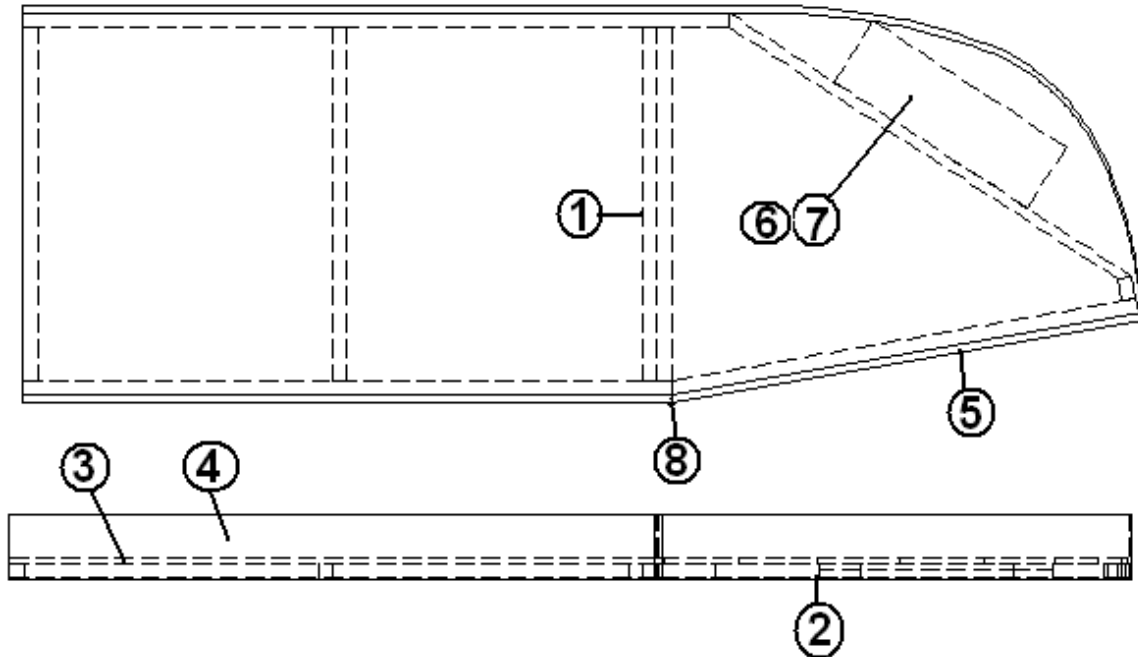
Bed, 19', 23' D Signature, Ocean Breeze

966926-01	BED ASSY, CORNER
1. 966926-011	PANEL, BED, 27.75 X 15.125
2. 966926-012	PANEL, BED, 47.63 X 15.125
3. 966926-013	PANEL, BED, 16.19 X 15.125
4. 966926-014	PANEL, BED, 17.5 X 3.0
5. 966926-015	PANEL, BED, 3.0 X 14.36
6. 966926-016	PANEL, BED, 44.75 X 15.125
7. 966926-017	PANEL, BED, 42.0 X 15.125
8. 966926-018	PANEL, BED, 8.0 X 8.0
9. 966926-019	PANEL, BED, 8.0 X 8.0
10. 966926-0110	PANEL, BED, 8.0 X 8.0
11. 966926-0111	PANEL, BED, 8.0 X 8.0
12. 966926-0112	PANEL, BED, 2.0 X 13.5
13. 966926-0113	PANEL, BED, 15.19 X 17.625
14. 966926-0114	PANEL, BED, 47.14 X 75.12
15. 966925-01	DOOR ASSY, RADIUS, BED
16. 381853	HINGE, CONTINUOUS ALUM PIANO
17. 203587	WEDGE, RADIUS BED BASE DOOR
18. 381948	K-CATCH
19. 382008	PULL, CABINET DOOR, BAMBOO
203419	BOX STORAGE, 23"L X 16.75"W X 11.88
203439	STORAGE BOX, 17"L X 11.13"W X 6.38"
701538-01	CARPET, ECONOLIER W/PSA BACK

# 2007 INTERNATIONAL TRAVEL TRAILER

## FURNITURE, BEDROOM

Bed, 23' D Signature, Upper Bunk, Wenge



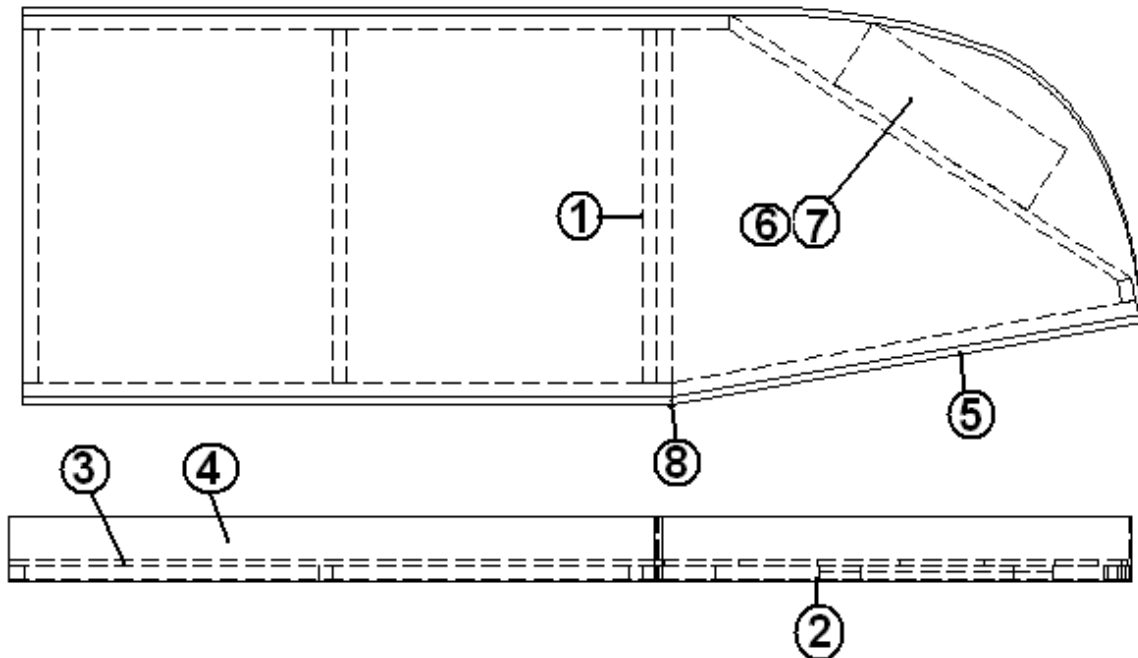
966953	BUNK BED ASSY UPPER
1. 915841	WELDMENT-UPPER BUNK
2. 966953-2	PANEL, BUNK 27 X 77.69
3. 966953-3	PANEL, BUNK, LUAN
4. 966953-4	PANEL, BUNK 45.00 X 4.50
5. 966953-5	PANEL, BUNK 33.25 X 4.50
6. 966953-7	PANEL, UPPER BUNK 16.00 X 5.00
7. 966953-8	PANEL, UPPER BUNK 16.00 X 5.00
8. 203445	T-MOLDING BLK FLEXIBLE POLY .5
381736-03	BRACE-UPPER BUNK BED
114743	ANGLE ALUM .11 X 1.50 X 2.00



# 2007 INTERNATIONAL TRAVEL TRAILER

## FURNITURE, BEDROOM

Bed, 19', 23' D Signature, Upper Bunk, Ocean Breeze

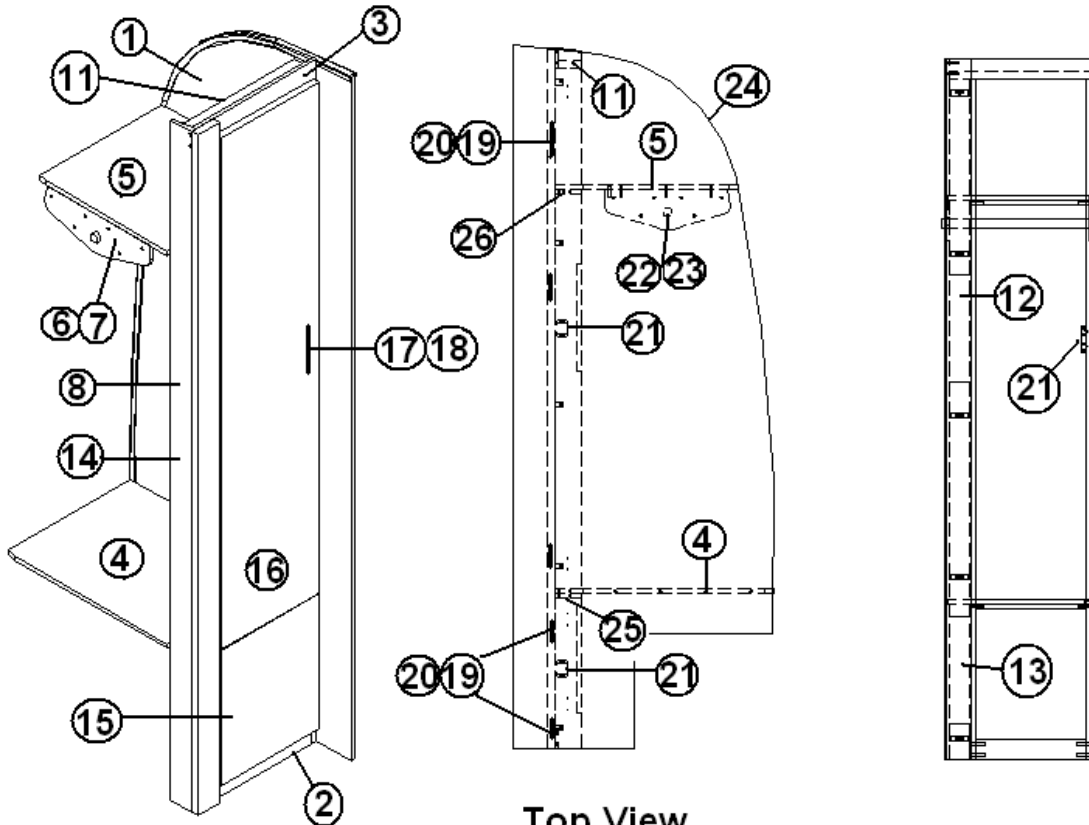


966953-01	BUNK BED ASSY UPPER
1. 915841	WELDMENT-UPPER BUNK
2. 966953-012	PANEL, BUNK 27 X 77.69
3. 966953-013	PANEL, BUNK, LUAN
4. 966953-014	PANEL, BUNK 45.00 X 4.50
5. 966953-015	PANEL, BUNK 33.25 X 4.50
6. 966953-017	PANEL, UPPER BUNK 16.00 X 5.00
7. 966953-018	PANEL, UPPER BUNK 16.00 X 5.00
8. 203445	T-MOLDING BLK FLEXIBLE POLY .5
381736-03	BRACE-UPPER BUNK BED
114743	ANGLE ALUM .11 X 1.50 X 2.00

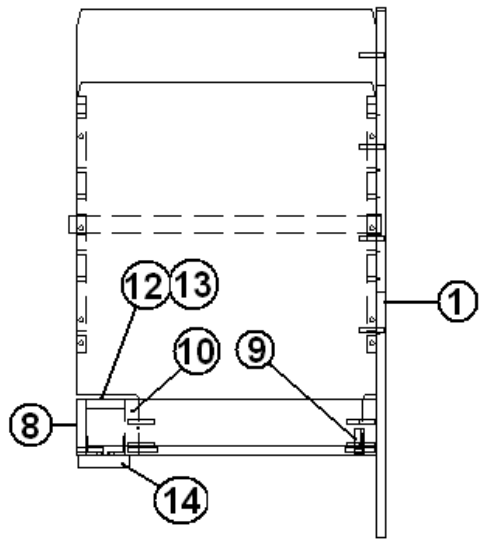
# 2007 INTERNATIONAL TRAVEL TRAILER

## FURNITURE, BEDROOM

Wardrobe, 23' D Signature Upper Bunk Option, Curbside, Wenge



Top View



Part Numbers on the Next Page

# 2007 INTERNATIONAL TRAVEL TRAILER

## FURNITURE, BEDROOM

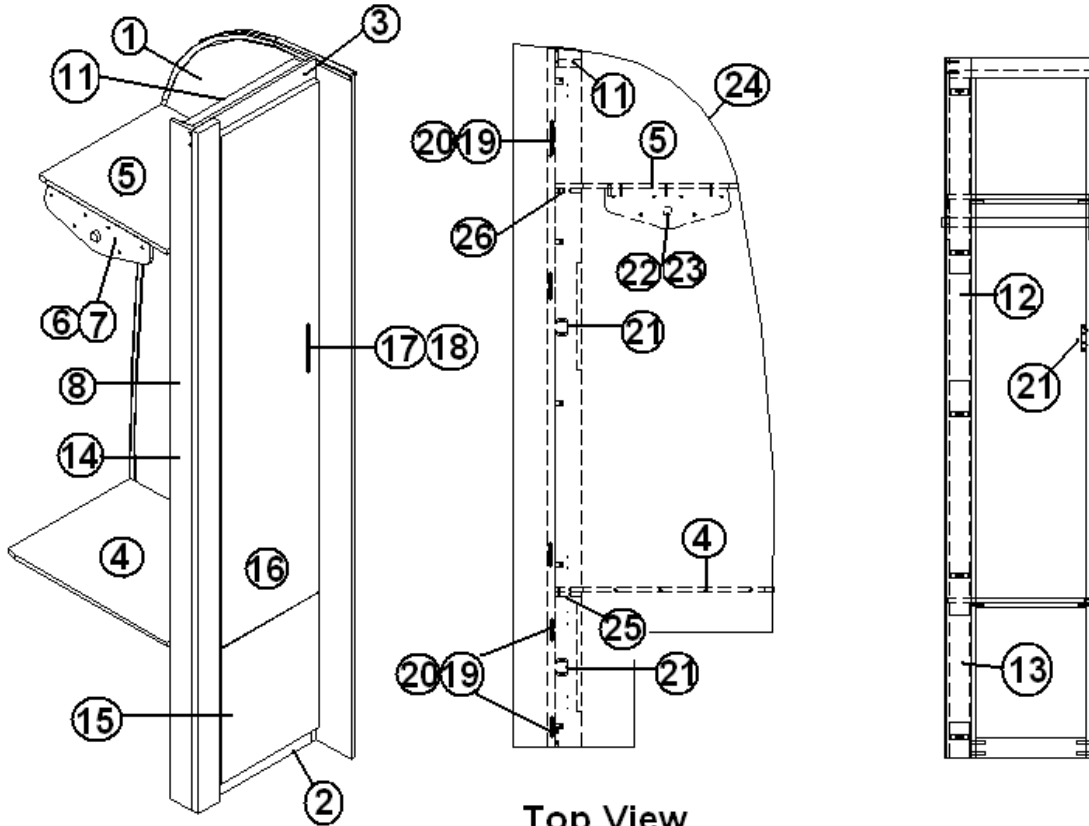
Wardrobe, 23' D Signature Upper Bunk Option, Curbside, Wenge

966951	WARDROBE ASSY CS, BUNK OPTION
1. 966951-1	PANEL, CS W/R BUNK, 29.13 X 78.42
2. 966951-2	PANEL, CS W/R BUNK, 12.315 X 2.25
3. 966951-3	PANEL, CS W/R BUNK, 16.0 X 2.25
4. 966951-4	PANEL, CS W/R BUNK, 16.5 X 24.47
5. 966951-5	PANEL, CS W/R BUNK, 16.5 X 20.47
6. 966951-6	PANEL, CS W/R BUNK, 4.48 X 14.0
7. 966951-7	PANEL, CS W/R BUNK, 4.48 X 14.0
8. 966951-8	PANEL, CS W/R BUNK, 3.0 X 78.14
9. 966951-9	PANEL, CS W/R BUNK, 3.0 X 75.88
10. 966951-10	PANEL, CS W/R BUNK, 3.0 X 75.88
11. 966951-11	PANEL, CS W/R BUNK, 2.5 X 16.0
12. 966951-12	PANEL, CS W/R BUNK, 2.18 X 12.0
13. 966951-13	PANEL, CS W/R BUNK, 2.18 X 12.0
14. 966951-15	PANEL, CS W/R BUNK, 2.88 X 78.14
15. 966951-16	DOOR, 12.94 X 15.5 CS W/R, BUNK
16. 966951-17	DOOR, 12.94 X 58.63 CS W/R, BUNK
17. 382029-03	HANDLE BAR, 11.25"
18. 345001-08	SCREW, #8-32 X 1"
19. 381607	HINGE ASSY-GRASS
20. 381607-04	HINGE SCREW-GRASS
21. 381228	CATCH, GRABBER, DOOR
22. 380045	TUBING ¾", METALLIC
23. 200975-04	CONDUIT, FLEXIBLE BLACK PLASTIC
24. 203138-05	EXTRUSION, PLASTIC, ½" WALL BLACK
25. 966951-30	PANEL, CS W/R BUNK, 3.0 X 12.31
26. 966951-31	PANEL, CS W/R BUNK, 3.0 X 12.31

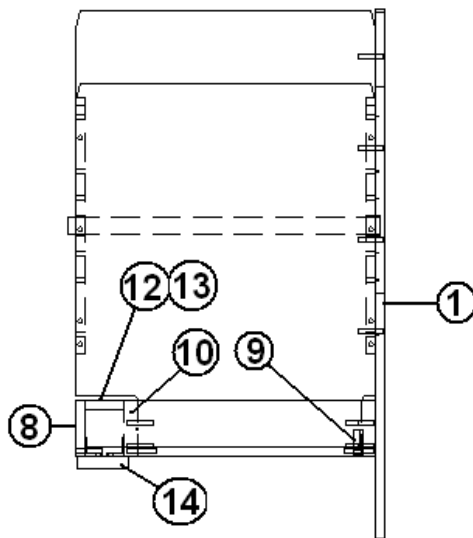
# 2007 INTERNATIONAL TRAVEL TRAILER

## FURNITURE, BEDROOM

Wardrobe, 23' D Signature Upper Bunk Option, Curbside, Ocean Breeze



Top View



Part Numbers on the Next Page

# 2007 INTERNATIONAL TRAVEL TRAILER

## FURNITURE, BEDROOM

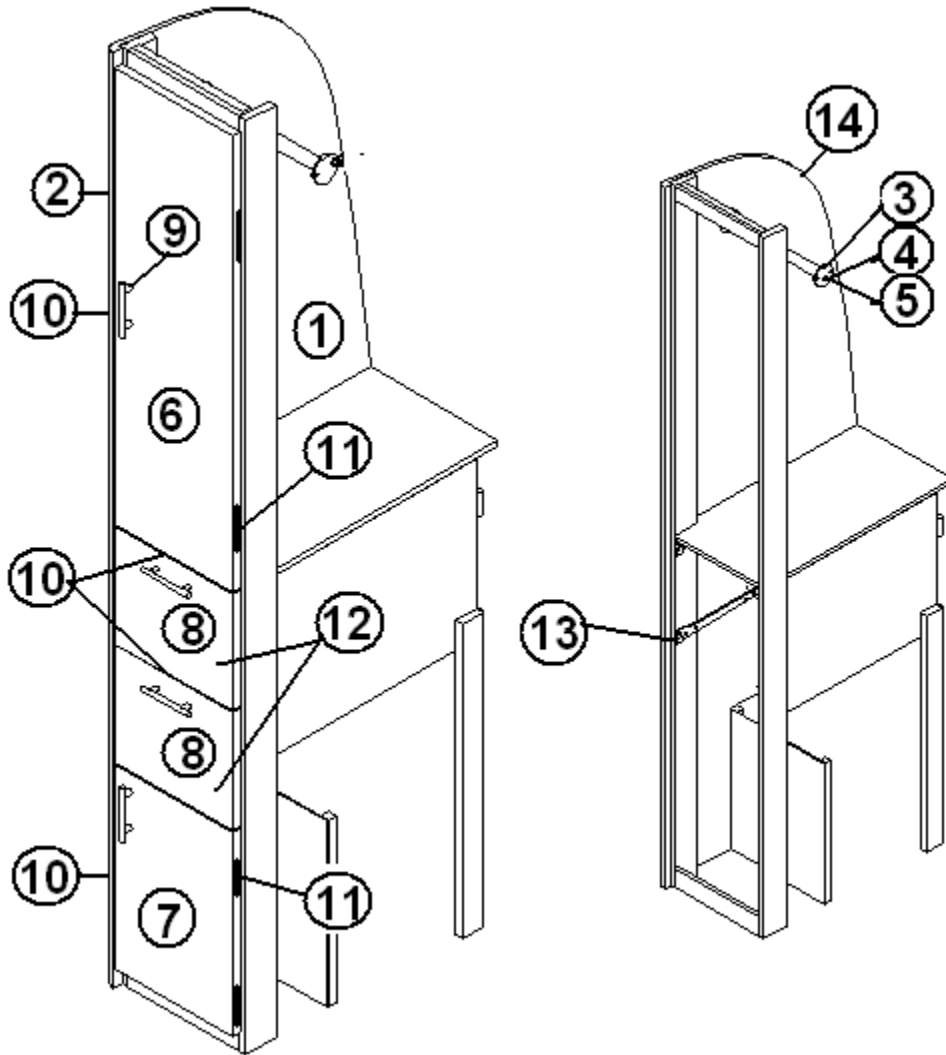
Wardrobe, 23' D Signature Upper Bunk Option, Curbside, Ocean Breeze

966951-01	WARDROBE ASSY CS, BUNK OPTION
1. 966951-011	PANEL, CS W/R BUNK, 29.13 X 78.42
2. 966951-012	PANEL, CS W/R BUNK, 12.315 X 2.25
3. 966951-013	PANEL, CS W/R BUNK, 16.0 X 2.25
4. 966951-014	PANEL, CS W/R BUNK, 16.5 X 24.47
5. 966951-015	PANEL, CS W/R BUNK, 16.5 X 20.47
6. 966951-016	PANEL, CS W/R BUNK, 4.48 X 14.0
7. 966951-017	PANEL, CS W/R BUNK, 4.48 X 14.0
8. 966951-018	PANEL, CS W/R BUNK, 3.0 X 78.14
9. 966951-019	PANEL, CS W/R BUNK, 3.0 X 75.88
10. 966951-0110	PANEL, CS W/R BUNK, 3.0 X 75.88
11. 966951-0111	PANEL, CS W/R BUNK, 2.5 X 16.0
12. 966951-0112	PANEL, CS W/R BUNK, 2.18 X 12.0
13. 966951-0113	PANEL, CS W/R BUNK, 2.18 X 12.0
14. 966951-0115	PANEL, CS W/R BUNK, 2.88 X 78.14
15. 966951-0116	DOOR, 12.94 X 15.5 CS W/R, BUNK
16. 966951-0117	DOOR, 12.94 X 58.63 CS W/R, BUNK
17. 382008	PULL, CABINET DOOR, BAMBOO
18. 345001-08	SCREW, #8-32 X 1"
19. 381607	HINGE ASSY-GRASS
20. 381607-04	HINGE SCREW-GRASS
21. 381228	CATCH, GRABBER, DOOR
22. 380045	TUBING 3/4", METALLIC
23. 200975-04	CONDUIT, FLEXIBLE BLACK PLASTIC
24. 203138-05	EXTRUSION, PLASTIC, 1/2" WALL BLACK
25. 966951-0130	PANEL, CS W/R BUNK, 3.0 X 12.31
26. 966951-0131	PANEL, CS W/R BUNK, 3.0 X 12.31

# 2007 INTERNATIONAL TRAVEL TRAILER

## FURNITURE, BEDROOM

Wardrobe, 25' Front Bedroom, Double Bed



Part numbers on the next page

# 2007 INTERNATIONAL TRAVEL TRAILER

## FURNITURE, BEDROOM

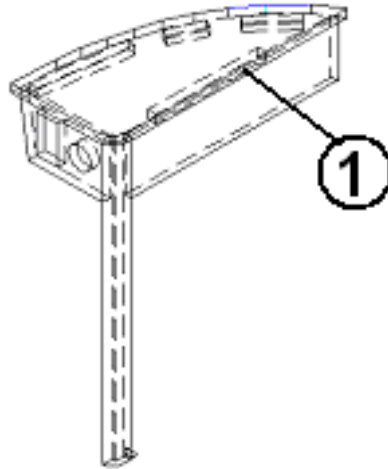
### Wardrobe, 25' Front Bedroom, Double Bed

966658	WARDROBE ASSEMBLY
1. 801696-09	PANEL, BEDROOM WARDROBE
2. 801706-007	CORNER TRIM-90D, 84" LONG
3. 380046	FLANGE CHROME
4. 380045	TUBING ¾"
5. 200975-04	CONDUIT, FLEXIBLE BLACK PLASTIC
6. 801341-194	DOOR, 11.38" X 38.13"
7. 801341-195	DOOR, 11.38" X 17"
8. 801341-196	DOOR, 11.38" X 9.88"
9. 381774	HANDLE-DRAWER/DOOR
10. 381228-01	CATCH, GRABBER DOOR
11. 381607	HINGE ASSEMBLY
12.965555-02	DRAWER BOX, 8.00" X 9.5" X 20
13.381773-25	DRAWER SLIDE, 8.38" X 21.63"
14.203138-05	EXTRUSION-PLASTIC ½" WALL BLACK
203434	SPACER-PLASTIC .75" DOOR SLIDE

# 2007 INTERNATIONAL TRAVEL TRAILER

## FURNITURE, BEDROOM

Nightstand, 25' Front Bedroom, Double Bed



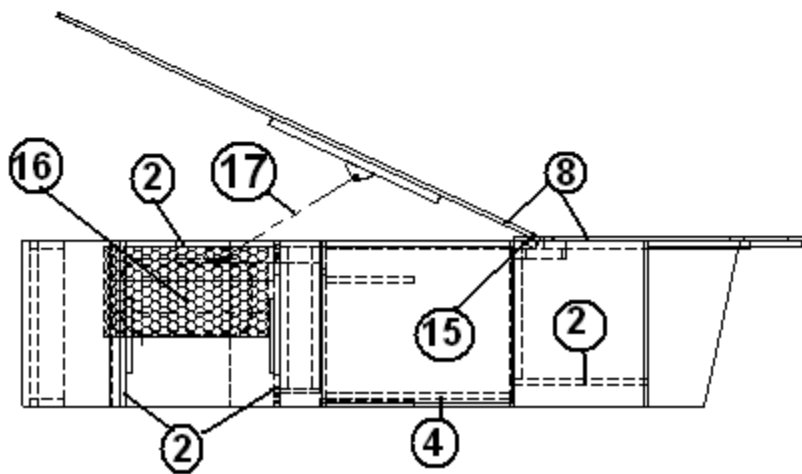
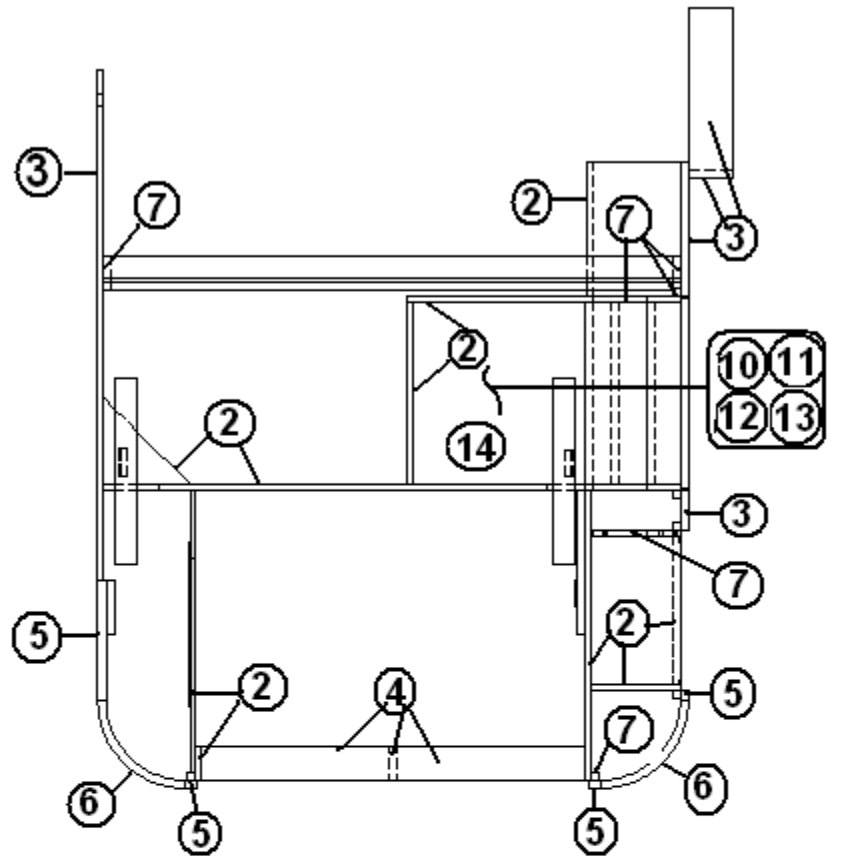
- 966657 NIGHTSTAND ASSEMBLY  
1. 801706-007 CORNER TRIM-90D 1"RADIUS, 84" LONG



# 2007 INTERNATIONAL TRAVEL TRAILER

## FURNITURE, BEDROOM

Bed, 25' Front Bed Double



Part numbers are on the next page

# 2007 INTERNATIONAL TRAVEL TRAILER

## FURNITURE, BEDROOM

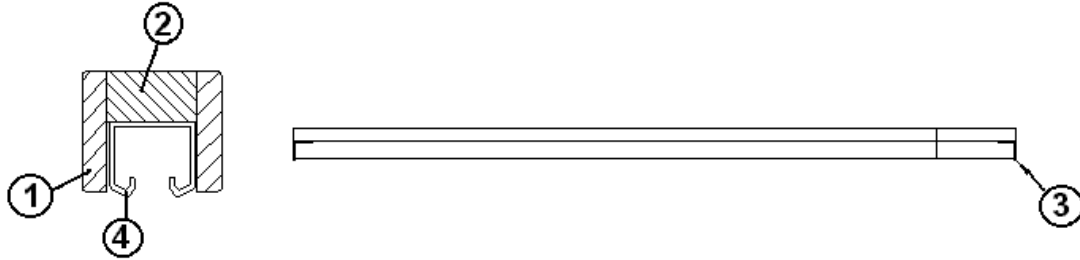
### Bed, 25' Front Bed Double

966656	BED, DOUBLE
1. Not Shown	
2. 801392	PANEL, WHITELINER/WHITELINER
3. 801436-01	PANEL BLACK MAPLE/WHITE
4. 801368	PANEL, WHITELINER/WHITELINER
5. 801351	LITE PLY-18MM (.75") 4'X 8'
6. 801348	RADIUS PLYWOOD, .75" X 8" X 6'
7. 800025-01	PINE 3/4" X 3/4" STAINED
8. 800507-03	LAUAN, 3/8"X 4'X 8'
9. 114811	ALUMINUM ANGLE .50" X .50"
10. 801341-193	DOOR-RS TWIN BED 17.38" X 14.25"
11. 381607	HINGE
12. 381774	Door handle
13. 381228-01	CATCH GRABBER DOOR
14. 203419	BOX STORAGE 23"L X16.75"W X11.88
15. 380203-01	HINGE PIANO, 1/8" PIN
16. 453783-05	GRILL SCREEN, 9.25"X 14.88"
17. 381067-09	SPRING-GAS 90 LBS.
17. 381262	BRACKET, PROP, W/BALL
17. 381310	GAS PROP BRACKET ASSY, UPPER
17. 381084	BALL, STUD
365278-01	EDGEBANDING, 1.13" BLACK/MAPLE
365278-03	EDGEBANDING, .63" BLACK/MAPLE
801343-01	PANEL, OAK 4' X 8' VERTICAL
201016	DRAWER 16" X 22"
115151	ANGLE-BED SUPPORT 43"
115101	CLOSEOUT BED BASE WIRES 17.19"

# 2007 INTERNATIONAL TRAVEL TRAILER

## FURNITURE, BEDROOM

### Foldette Door, 25' Front Bed

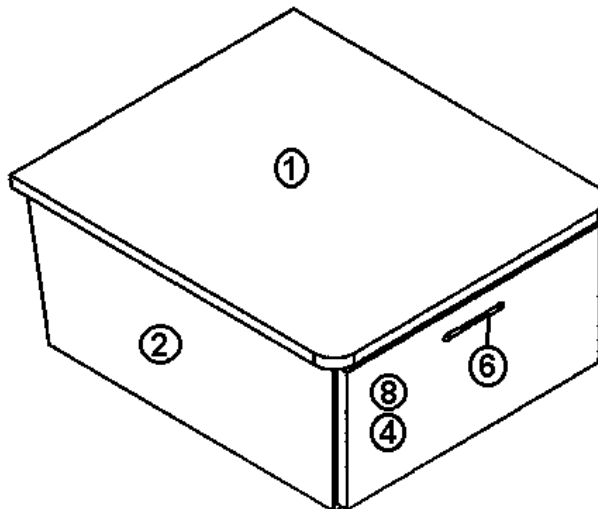
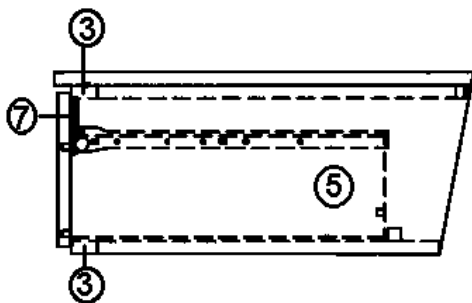


- |              |                                   |
|--------------|-----------------------------------|
| 702681-03    | DOOR-FOLDETTE 46"X 73" GREY       |
| 1. 801368    | PANEL, WHITELINER/WHITELINER      |
| 2. 800304    | PINE-5/8" X 2-1/2"                |
| 3. 452258    | BRACKET, MTG. FOLDETTE DOOR       |
| 4. 381563-01 | TRACK-FORMED FOLDETTE             |
| 701342-01    | STRAP, VINYL, HOLDBACK, 7.0" LONG |

# 2007 INTERNATIONAL TRAVEL TRAILER

## FURNITURE, BEDROOM

### Nightstand, Twin Bed, 25' Front Bed

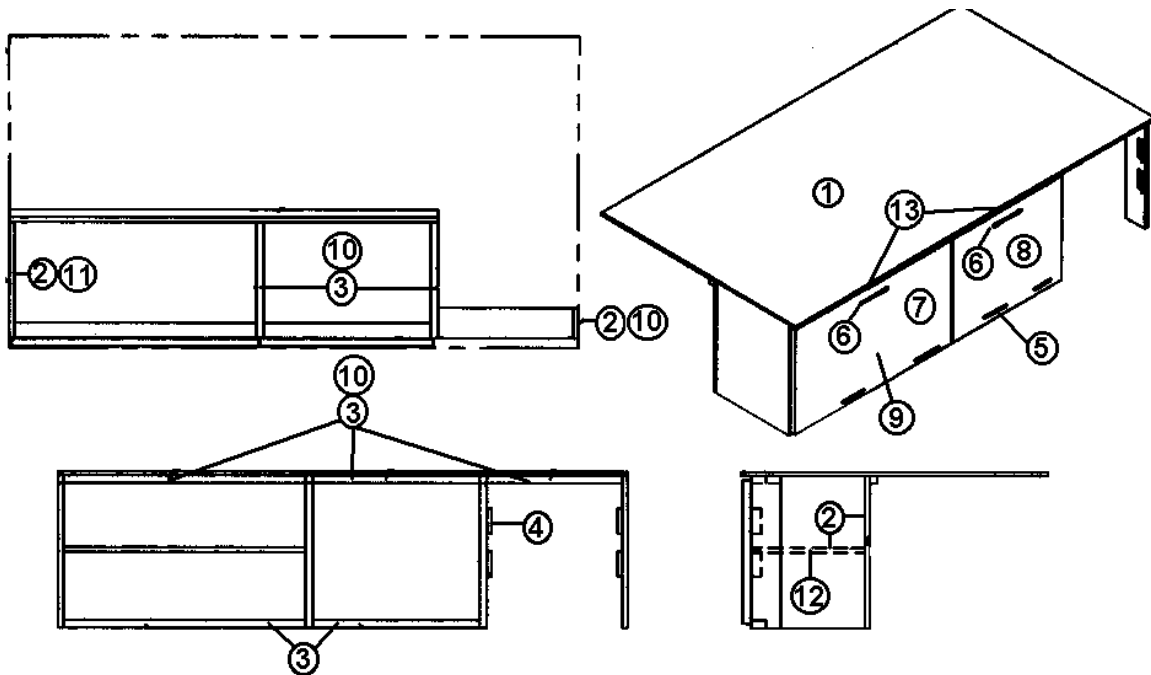


- |               |                                     |
|---------------|-------------------------------------|
| 966680        | Nightstand Assembly                 |
| 1. 966681     | Nightstand top assembly             |
| 2. 801456-01  | Paneling, Black Maple/White liner   |
| 3. 801378     | Laminate, Rexel/Raw                 |
| 4. 801341-202 | Door, 8.88" x 19.13"                |
| 5. 965554-03  | Drawer box assembly                 |
| 6. 381774     | Door handle                         |
| 7. 381228-01  | Door/drawer grabber catch, 3 lb.    |
| 8. 365278-03  | Edge tape, Tropical Oak, .625"      |
| 381773-17     | DRAWER SLIDE-5.875"X 18.5" (PAIR)   |
| 365278-01     | Edge tape-.024" X 1.13" Black Maple |

# 2007 INTERNATIONAL TRAVEL TRAILER

## FURNITURE, BEDROOM

Bed, 25' Front Bed Twin, Curbside

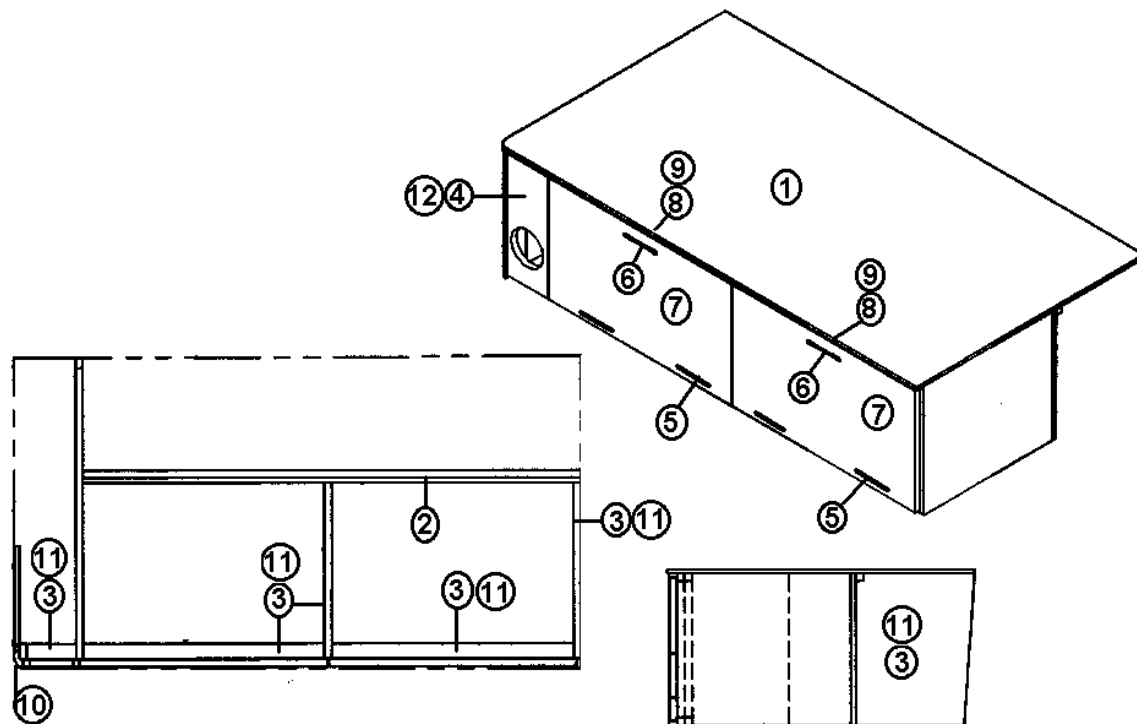


- |               |                                     |
|---------------|-------------------------------------|
| 966683        | CS Bed Base Assembly                |
| 1. 800507-03  | Luan, 3/8" x 4" x 8'                |
| 2. 801392     | Paneling, White/White 12 MM         |
| 3. 801368     | Laminate, White/White               |
| 4. 114811     | Aluminum angle, 1/16" x 1/2" x 1/2" |
| 5. 385935-01  | Hinge, pivot                        |
| 6. 381774     | Door handle                         |
| 7. 801341-203 | Door, 25.00" x 14.25"               |
| 8. 801341-204 | Door, 17.375" x 14.25"              |
| 9. 201051     | Drawer, 10" x 22"                   |
| 10. 365278-01 | Edge tape, Black Maple, 1.13 wide   |
| 11. 365278-03 | Edge tape, Black Maple, .625"       |
| 12. 365238-04 | Edge tape, White, 5/8" wide         |
| 13. 381228-01 | Door/drawer grabber catch, 3 lb.    |
| 701538-01     | CARPET-ECONOLIER W/PSA BACK         |

# 2007 INTERNATIONAL TRAVEL TRAILER

## FURNITURE, BEDROOM

Bed, 25' Front Bed Twin, Roadside

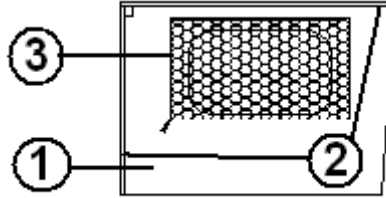


- |                |                                       |
|----------------|---------------------------------------|
| 966682         | RS Bed Assembly                       |
| 1. 800507-03   | Luan, 3/8" x 4" x 8'                  |
| 2. 801392      | Paneling, White/White 12 MM           |
| 3. 801368      | Laminate, White/White                 |
| 4. 801436-01   | Laminate, Black Maple/White Liner     |
| 5. 385935-01   | Hinge, pivot                          |
| 6. 381774      | Door handle                           |
| 7. 801341-203  | Door, 25.00" x 14.25"                 |
| 8. 381228-01   | Door/drawer grabber catch, 3 lb.      |
| 9. 203419      | Storage box, 23"L x 16.75"W x 11.88"H |
| 10. 801706-007 | Corner trim, 1" radius                |
| 11. 365278-01  | Edge tape, Tropical Oak, 1.13 wide    |
| 12. 801381-01  | Paneling, Black Maple//Whiteliner     |

# 2007 INTERNATIONAL TRAVEL TRAILER

## FURNITURE, BEDROOM

### Storage Box, 25' Front Bed

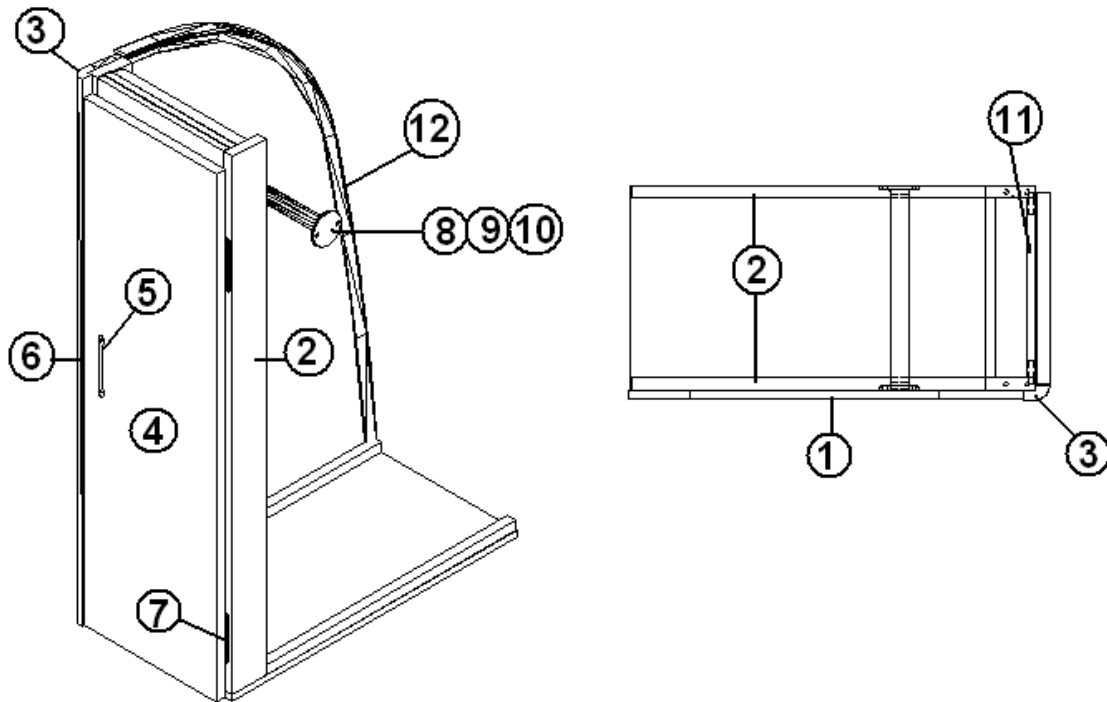


- |              |                                     |
|--------------|-------------------------------------|
| 966684       | REAR STORAGE BOX ASSEMBLY           |
| 1. 801456-01 | PANEL, BLACK MAPLE/WHITELINER       |
| 2. 701538-01 | CARPET-ECONOLIER W/PSA BACK         |
| 3. 453783-05 | GRILL, SCREEN                       |
| 381392       | BOLT, FLUSH, BRIGHT BRASS           |
| 114811       | Aluminum angle, 1/16" x 1/2" x 1/2" |

# 2007 INTERNATIONAL TRAVEL TRAILER

## FURNITURE, BEDROOM

Wardrobe, Curbside Hanging, Twin Bed, 25' Front Bed



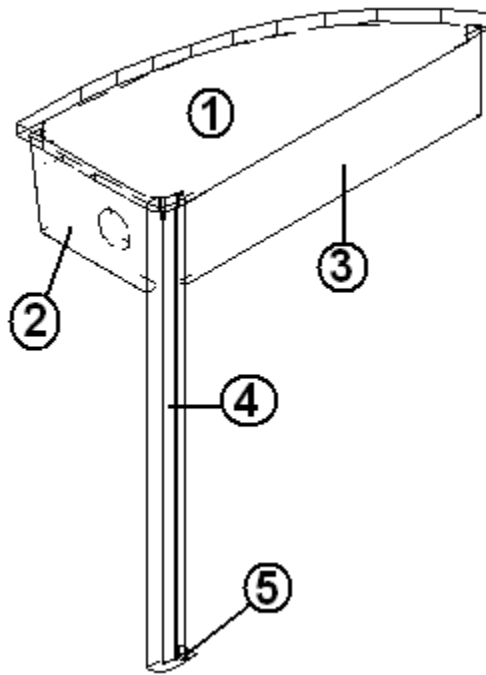
966685	WARDROBE ASSEMBLY, CS HANGING
1. 801456-01	PANEL, BLACK MAPLE/WHITELINER
2. 801368	PANEL, WHITELINER /WHITELINER
3. 801706-01	CORNER TRIM, 1" RADIUS
4. 801341-207	DOOR, RS WARDROBE, 11.38" X 38.88"
5. 381774	PULL-BAR
6. 381228-01	CATCH GRABBER DOOR
7. 381607	HINGE ASSY
8. 380046	FLANGE CHROME
9. 380045	TUBING 3/4"
10. 200975-04	CONDUIT, FLEXIBLE BLACK PLASTIC
11. 115085	ANGLE ALUMINUM, ROOFLOCKERS
12. 203138-05	EXTRUSION-PLASTIC 1/2" WALL BLACK



# 2007 INTERNATIONAL TRAVEL TRAILER

## FURNITURE, BEDROOM

Nightstand, 25' Front Bed Signature, Double Bed, Wenge

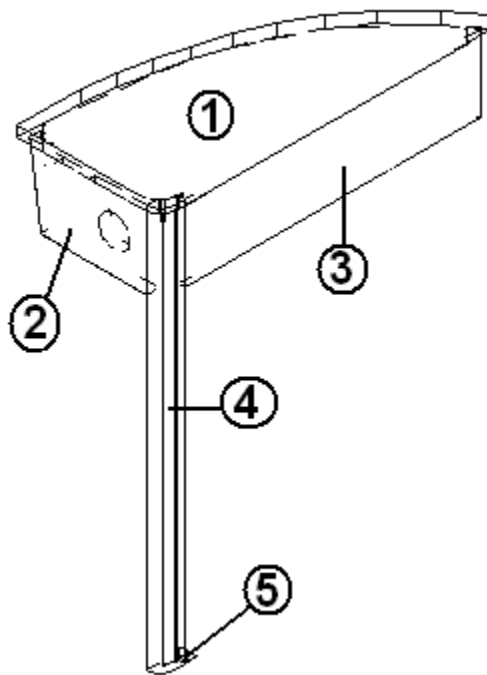


- 966899 Nightstand, 25' FB Double Bed, Wenge
- 1. 966899-1 Panel, 9.38 x 21.19
  - 2. 966899-2 Panel, 7.63 x 5.00
  - 3. 966899-3 Panel, 18.75 x 5.00
  - 4. 801706-0016 Corner trim, 90 degree radius
  - 5. 380041 Corner bracer

# 2007 INTERNATIONAL TRAVEL TRAILER

## FURNITURE, BEDROOM

Nightstand, 25' Front Bed Signature, Double Bed, Ocean Breeze

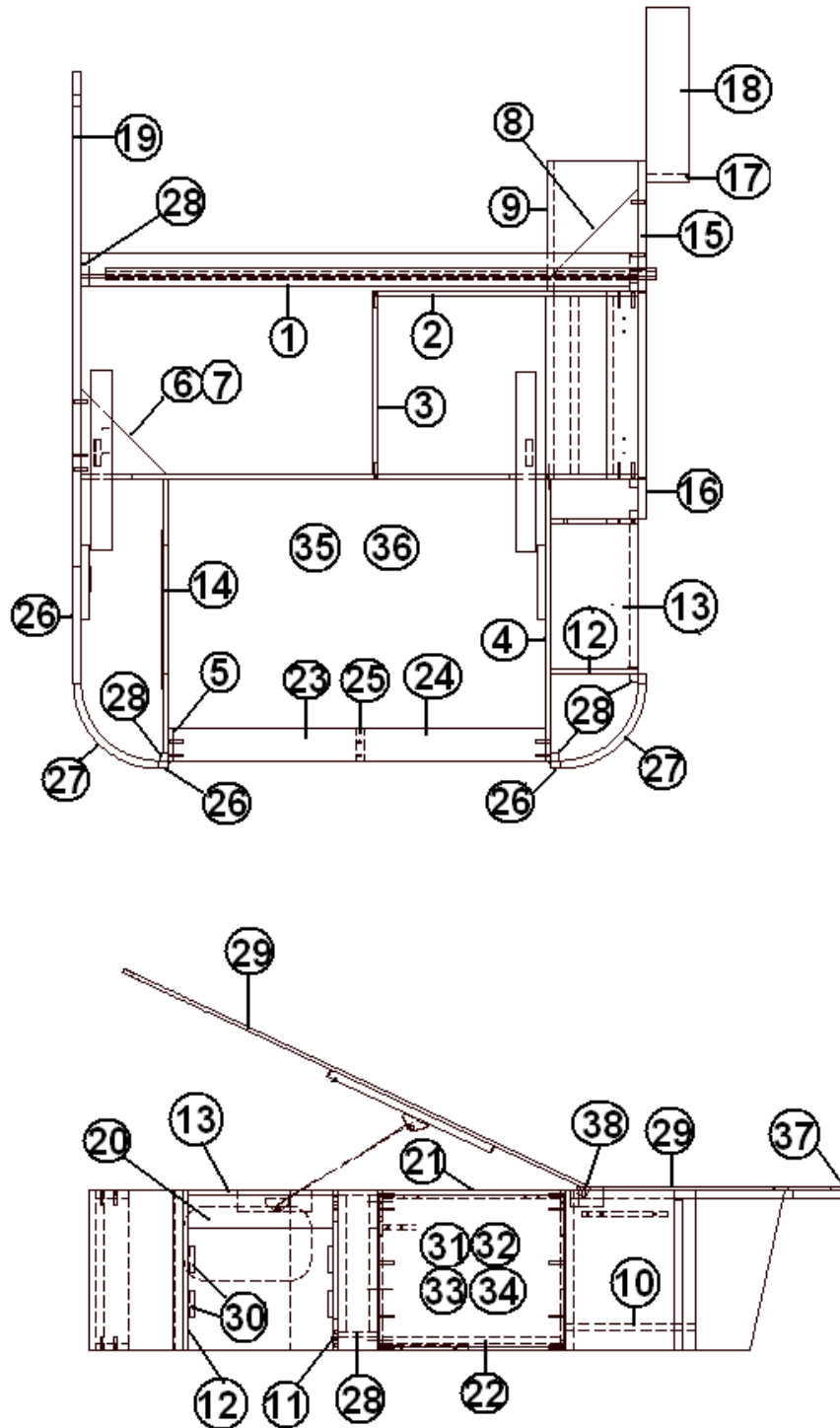


- |               |   |
|---------------|---|
| 966899-01     | Nightstand, 25' FB Double Bed, Ocean Breeze |
| 1. 966899-011 | Panel, 9.38 x 21.19                         |
| 2. 966899-012 | Panel, 7.63 x 5.00                          |
| 3. 966899-013 | Panel, 18.75 x 5.00                         |
| 4. 801706-WH  | Corner trim, 90 degree radius               |
| 5. 380041     | Corner brace                                |

# 2007 INTERNATIONAL TRAVEL TRAILER

## FURNITURE, BEDROOM

Bed, 25' Front Bed Signature, Double, Wenge



Part Numbers on the next page

# 2007 INTERNATIONAL TRAVEL TRAILER

## FURNITURE, BEDROOM

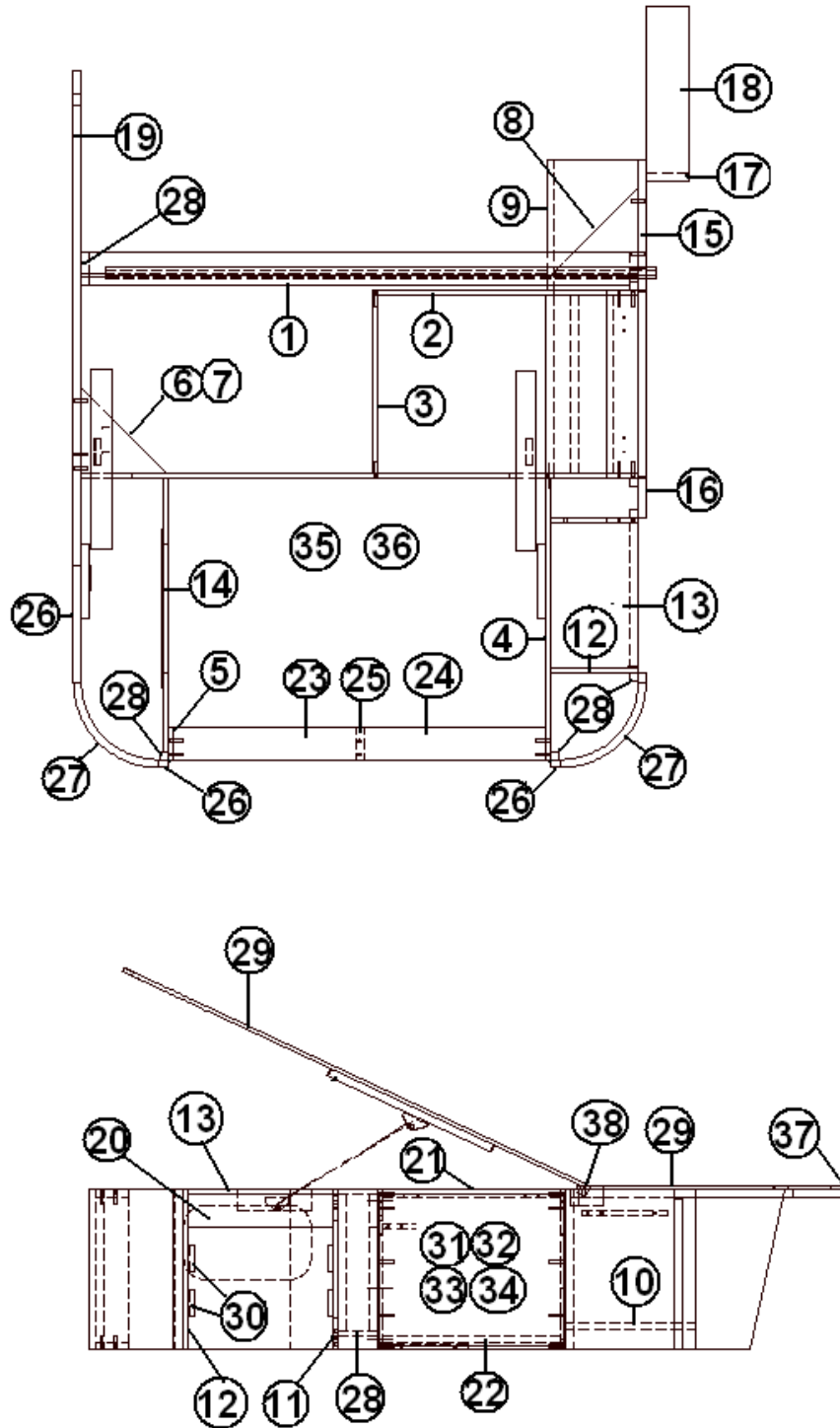
### Bed, 25' Front Bed Signature, Double, Wenge

966900	BED BASE ASSY
1. 966900-1	PANEL, BED, 52.5 X15.13
2. 966900-2	PANEL, BED, 25 X 15.13
3. 966900-3	PANEL, BED, 16.75 X 15.13
4. 966900-4	PANEL, BED, 26.5 X 15.13
5. 966900-5	PANEL, BED, 3 X 15.13
6. 966900-6	PANEL, BED, 8 X 8
7. 966900-7	PANEL, BED, 8 X 8
8. 966900-8	PANEL, BED, 8 X 8
9. 966900-9	PANEL, BED, 2 X 12.25
10. 966900-10	PANEL, BED, 8.5 X 12.25
11. 966900-11	PANEL, BED, 8.19 X 15.13
12. 966900-12	PANEL, BED, 8.19 X 15.13
13. 966900-13	PANEL, BED, 8.19 X 13.625
14. 966900-14	PANEL, BED, 15.13 X 25.75
15. 966900-15	PANEL, BED, 12.31 X 15.13
16. 966900-16	PANEL, BED, 3.81 X 15.13
17. 966900-17	PANEL, BED, 4 X 14.25
18. 966900-18	PANEL, BED, 4 X 16.5
19. 966900-19	PANEL, BED, 46.62 X 15.13
20. 966900-20	PANEL, BED, 13.63 X 3
21. 966900-21	PANEL, BED, 3 X 16.75
22. 966900-22	PANEL, BED, 3 X 16.75
23. 966900-23	PANEL, BED, 3 X 35.13
24. 966900-24	PANEL, BED, 3 X 35.13
25. 966900-25	PANEL, BED, 3 X 13.63
26. 801351	LITE PLY, 18MM (.75") 4' X 8'
27. 801348	RADIUS PLYWOOD, .75" X 8" X 6'
28. 800025-01	PINE 3/4" X 3/4" STAINED
29. 800507-03	LAUAN, 3/8"X 4'X 8'
30. 114811	ALUMINUM, ANGLE .50 X .50
31. 966900-31	DOOR, BED 17.38 X 14.25
32. 381607	HINGE ASSY.
33. 382029-04	HANDLE BAR, 15"
34. 381228-01	CATCH GRABBER DOOR
35. 203419	BOX STORAGE 23"L X 16.75"W X 11.88
36. 201016	DRAWER 16 X 22
37. 115151	ANGLE, BED SUPPORT 43"
38. 380203-01	PIANO HINGE, 1/8" PIN
39. 453783-05	GRILL SCREEN

# 2007 INTERNATIONAL TRAVEL TRAILER

## FURNITURE, BEDROOM

Bed, 25' Front Bed Signature, Double, Ocean Breeze



Part Numbers on the next page

# 2007 INTERNATIONAL TRAVEL TRAILER

## FURNITURE, BEDROOM

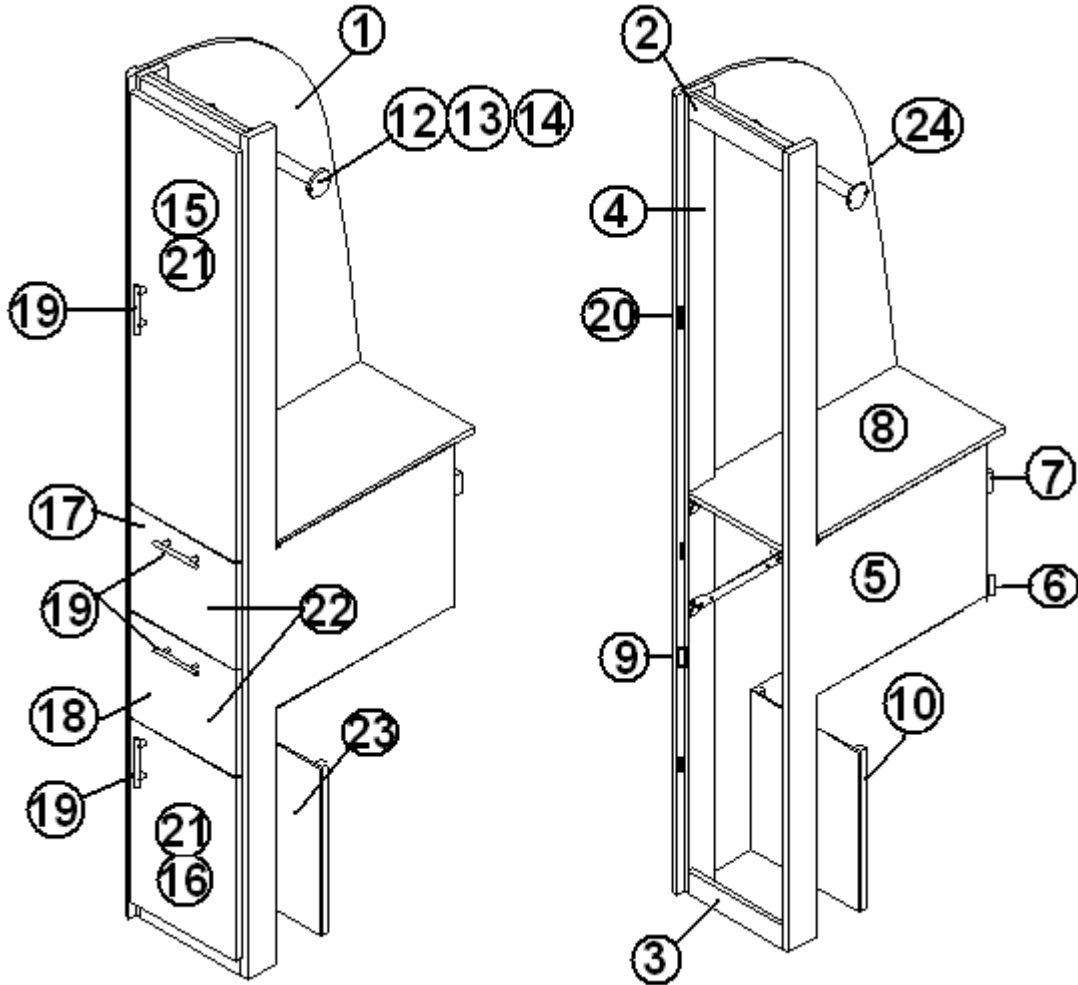
### Bed, 25' Front Bed Signature, Double, Ocean Breeze

966900-01	BED BASE ASSY
1. 966900-011	PANEL, BED, 52.5 x15.13
2. 966900-012	PANEL, BED, 25 X 15.13
3. 966900-013	PANEL, BED, 16.75 X 15.13
4. 966900-014	PANEL, BED, 26.5 X 15.13
5. 966900-015	PANEL, BED, 3 X 15.13
6. 966900-016	PANEL, BED, 8 X 8
7. 966900-017	PANEL, BED, 8 X 8
8. 966900-018	PANEL, BED, 8 X 8
9. 966900-019	PANEL, BED, 2 X 12.25
10. 966900-0110	PANEL, BED, 8.5 X 12.25
11. 966900-0111	PANEL, BED, 8.19 X 15.13
12. 966900-0112	PANEL, BED, 8.19 X 15.13
13. 966900-0113	PANEL, BED, 8.19 X 13.625
14. 966900-0114	PANEL, BED, 15.13 X 25.75
15. 966900-0115	PANEL, BED, 12.31 X 15.13
16. 966900-0116	PANEL, BED, 3.81 X 15.13
17. 966900-0117	PANEL, BED, 4 X 14.25
18. 966900-0118	PANEL, BED, 4 X 16.5
19. 966900-0119	PANEL, BED, 46.62 X 15.13
20. 966900-0120	PANEL, BED, 13.63 X 3
21. 966900-0121	PANEL, BED, 3 X 16.75
22. 966900-0122	PANEL, BED, 3 X 16.75
23. 966900-0123	PANEL, BED, 3 X 35.13
24. 966900-0124	PANEL, BED, 3 X 35.13
25. 966900-0125	PANEL, BED, 3 X 13.63
26. 801351	LITE PLY, 18MM (.75") 4' X 8'
27. 801348	RADIUS PLYWOOD, .75" X 8" X 6'
28. 800025-01	PINE 3/4" X 3/4" STAINED
29. 800507-03	LAUAN, 3/8"X 4'X 8'
30. 114811	ALUMINUM, ANGLE .50 X .50
31. 966900-0131	DOOR, BED 17.38 X 14.25
32. 381607	HINGE ASSY.
33. 3820008	PULL, BAMBOO
34. 381228-01	CATCH GRABBER DOOR
35. 203419	BOX STORAGE 23"L X 16.75"W X 11.88
36. 201016	DRAWER 16 X 22
37. 115151	ANGLE, BED SUPPORT 43"
38. 380203-01	PIANO HINGE, 1/8" PIN
39. 453783-05	GRILL SCREEN

# 2007 INTERNATIONAL TRAVEL TRAILER

## FURNITURE, BEDROOM

Wardrobe, 25' Front Bed Signature, Double Bedroom, Wenge



Part Numbers on the next page

# 2007 INTERNATIONAL TRAVEL TRAILER

## FURNITURE, BEDROOM

Wardrobe, 25' Front Bed Signature, Double Bedroom, Wenge

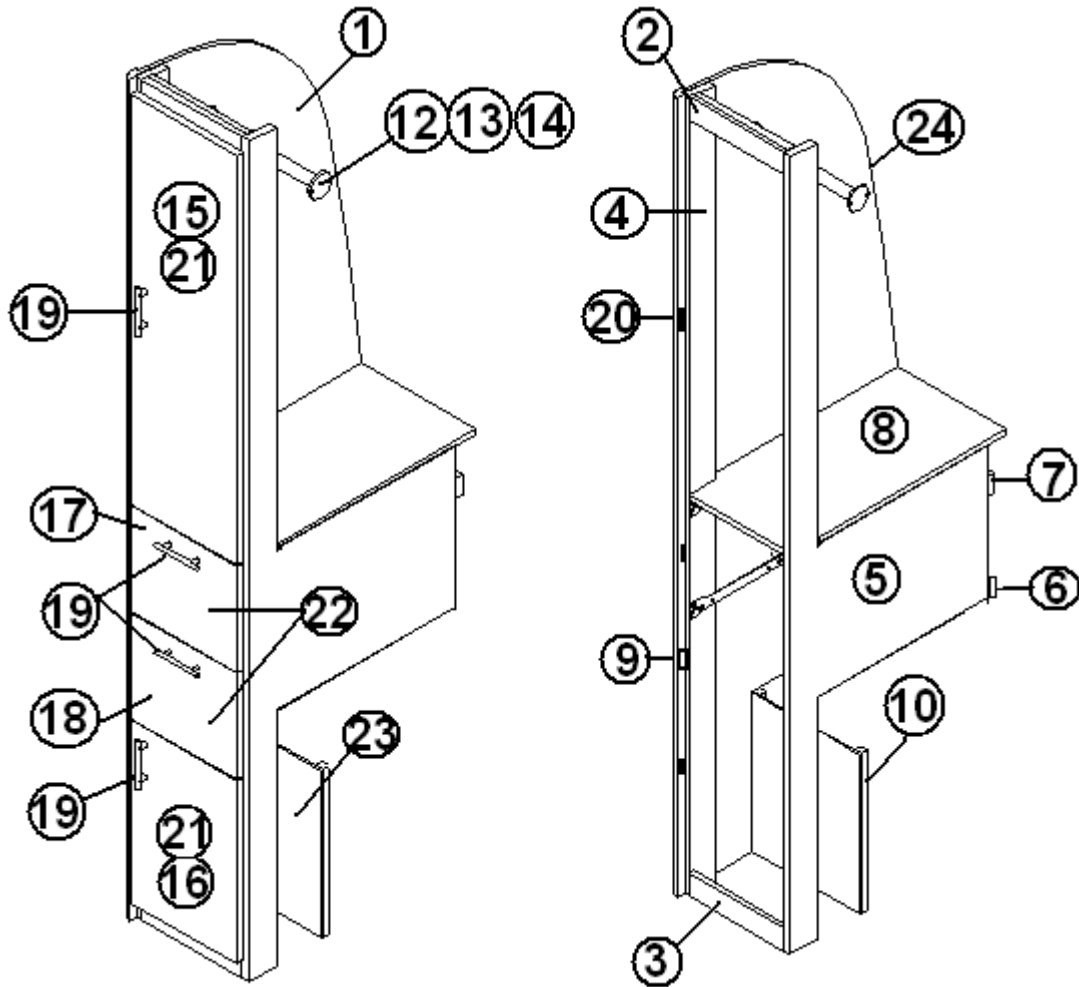
966901	Wardrobe, Double Bedroom
1. 966901-1	PANEL, 24.25 X 78.16
2. 966901-2	PANEL, 10.75 X 2.25
3. 966901-3	PANEL, 10.75 X 2.13
4. 966901-4	PANEL, 3 X 78.31
5. 966901-5	PANEL, 22.25 X 78.31
6. 966901-6	PANEL, 2 X 12.25
7. 966901-7	PANEL, 2 X 12.25
8. 966901-8	PANEL, 24.31 X 12.25
9. 801706-0016	CORNER TRIM-90D 1"RADIUS
10. 800025-01	PINE, 3/4" X 3/4", STAINED
11.800030	PINE, 3/4" X 2"
12.380046	FLANGE CHROME
13.380045	TUBING, 3/4", METALLIC
14.200975-04	CONDUIT, FLEXIBLE BLACK PLASTIC
15.966901-15	DOOR, BED W/R 11.38" X 38.13"
16.966901-16	DOOR, BED W/R 11.38" X 17"
17.966901-17	DOOR, BED W/R 11.38" X 9.88"
18.966901-18	DOOR, BED W/R 11.38" X 9.88"
19.382029-00	HANDLE-BAR 7.48"
20.381228-01	CATCH GRABBER DOOR
21.381607	HINGE ASSY
22.965555-02	DRAWER BOX ASSY, 8.00" X 9.5" X 20
23.966901-26	PANEL, 12.25 X 15.63
24.203138-05	EXTRUSION, PLASTIC 1/2" WALL, BLACK
381773-25	DRAWER SLIDE, 8.38"X 21.63" (PAIR)
203434	SPACER, PLASTIC .75" DOOR SLIDE



# 2007 INTERNATIONAL TRAVEL TRAILER

## FURNITURE, BEDROOM

Wardrobe, 25' Front Bed Signature, Double Bedroom, Ocean Breeze



Part Numbers on the next page

# 2007 INTERNATIONAL TRAVEL TRAILER

## FURNITURE, BEDROOM

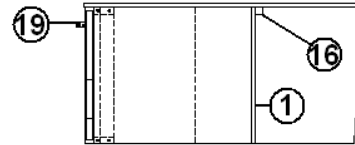
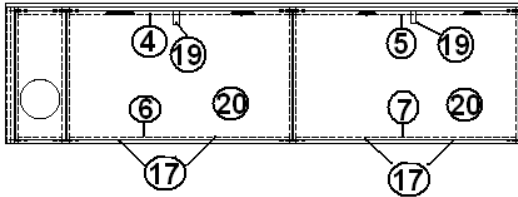
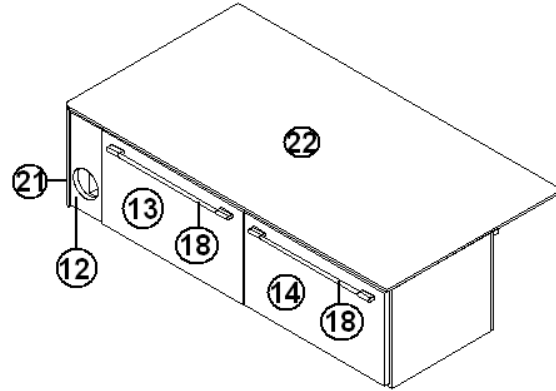
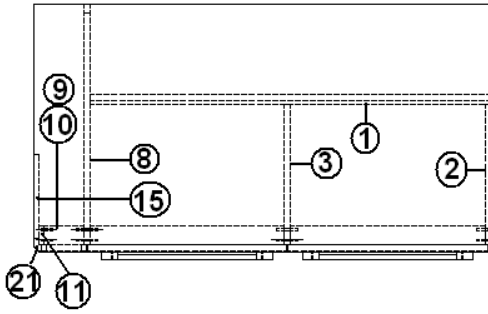
Wardrobe, 25' Front Bed Signature, Double Bedroom, Ocean Breeze

966901-01	Wardrobe, Double Bedroom
1. 966901-011	PANEL, 24.25 X 78.16
2. 966901-012	PANEL, 10.75 X 2.25
3. 966901-013	PANEL, 10.75 X 2.13
4. 966901-014	PANEL, 3 X 78.31
5. 966901-015	PANEL, 22.25 X 78.31
6. 966901-016	PANEL, 2 X 12.25
7. 966901-017	PANEL, 2 X 12.25
8. 966901-018	PANEL, 24.31 X 12.25
9. 801706-WH	CORNER TRIM-90D 1"RADIUS
10. 800025-01	PINE, 3/4" X 3/4", STAINED
11. 800030	PINE, 3/4" X 2"
12.380046	FLANGE CHROME
13.380045	TUBING, 3/4", METALLIC
14.200975-04	CONDUIT, FLEXIBLE BLACK PLASTIC
15.966901-0115	DOOR, BED W/R 11.38" X 38.13"
16.966901-0116	DOOR, BED W/R 11.38" X 17"
17.966901-0117	DOOR, BED W/R 11.38" X 9.88"
18.966901-0118	DOOR, BED W/R 11.38" X 9.88"
19.382008	PUUL, BAMBOO
20.381228-01	CATCH GRABBER DOOR
21.381607	HINGE ASSY
22.965555-02	DRAWER BOX ASSY, 8.00" X 9.5" X 20
23.966901-0126	PANEL, 12.25 X 15.63
24.203138-01	EXTRUSION, PLASTIC 1/2" WALL, WHITE
381773-25	DRAWER SLIDE, 8.38"X 21.63" (PAIR)
203434	SPACER, PLASTIC .75" DOOR SLIDE

# 2007 INTERNATIONAL TRAVEL TRAILER

## FURNITURE, BEDROOM

Bed, 25' Front Bed Signature, Roadside Twin, Wenge



Part Numbers on the next page

# 2007 INTERNATIONAL TRAVEL TRAILER

## FURNITURE, BEDROOM

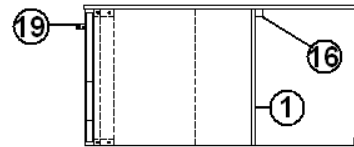
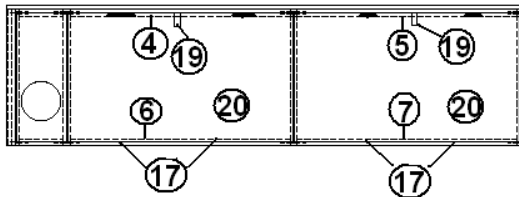
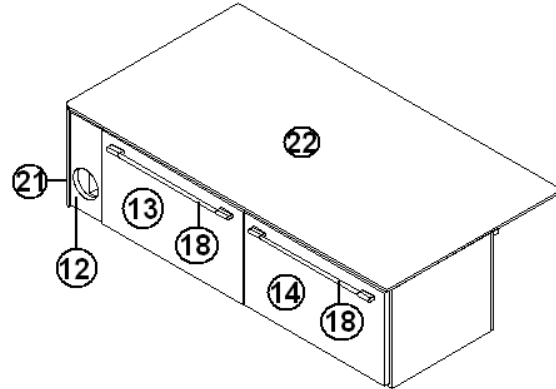
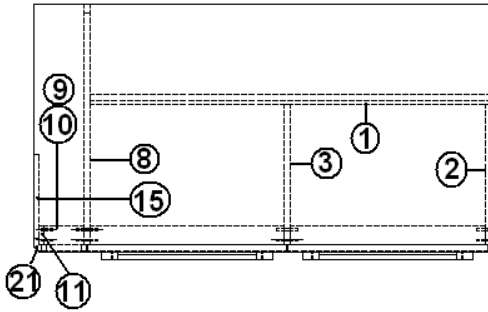
Bed, 25' Front Bed Signature, Roadside Twin, Wenge

966913	BED ASSY, RS 25FB
1. 966913-1	PANEL, ROADSIDE BED, 50.25 X 15.13
2. 966913-2	PANEL, ROADSIDE BED, 17.5 X 15.13
3. 966913-3	PANEL, ROADSIDE BED, 17.5 X 15.13
4. 966913-4	PANEL, ROADSIDE BED, 2.25 X 24.38
5. 966913-5	PANEL, ROADSIDE BED, 2.25 X 24.38
6. 966913-6	PANEL, ROADSIDE BED, 2.25 X 24.38
7. 966913-7	PANEL, ROADSIDE BED, 2.25 X 24.38
8. 966913-8	PANEL, ROADSIDE BED, 30 X 15.13
9. 966913-9	PANEL, ROADSIDE BED, 2.25 X 4.94
10. 966913-10	PANEL, ROADSIDE BED, 2.25 X 4.94
11. 966913-11	PANEL, ROADSIDE BED, 2.25 X 15.13
12. 966913-12	PANEL, ROADSIDE BED, 5.56 X 14.25
13. 966913-13	DOOR, ROADSIDE BED 25" X 14.25"
14. 966913-14	DOOR, ROADSIDE BED 25" X 14.25"
15. 966913-15	PANEL, ROADSIDE BED, 10.5 X 15.13
16. 800025-01	PINE 3/4" X 3/4" STAINED
17. 381607	HINGE ASSY-GRASS EURO-SAFARI
18. 382029-05	HANDLE BAR 21.33"
19. 381228-01	CATCH GRABBER DOOR
20. 203419	BOX STORAGE 23"L X 16.75"W X 11.88
21. 801706-0016	CORNER TRIM, 90D 1"RADIUS
22. 966913-23	TOP, ROADSIDE BED, 31 X 57.25

# 2007 INTERNATIONAL TRAVEL TRAILER

## FURNITURE, BEDROOM

Bed, 25' Front Bed Signature, Roadside Twin, Ocean Breeze



Part Numbers on the next page

# 2007 INTERNATIONAL TRAVEL TRAILER

## FURNITURE, BEDROOM

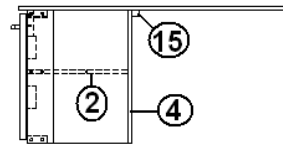
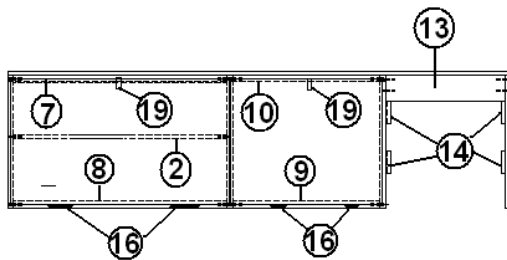
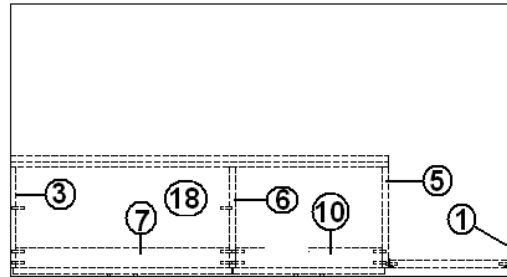
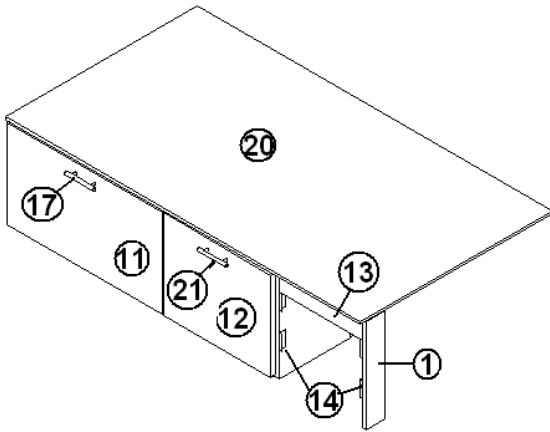
Bed, 25' Front Bed Signature, Roadside Twin, Ocean Breeze

966913-01	BED ASSY-RS 25FB
1. 966913-011	PANEL, ROADSIDE BED, 50.25 X 15.13
2. 966913-012	PANEL, ROADSIDE BED, 17.5 X 15.13
3. 966913-013	PANEL, ROADSIDE BED, 17.5 X 15.13
4. 966913-014	PANEL, ROADSIDE BED, 2.25 X 24.38
5. 966913-015	PANEL, ROADSIDE BED, 2.25 X 24.38
6. 966913-016	PANEL, ROADSIDE BED, 2.25 X 24.38
7. 966913-017	PANEL, ROADSIDE BED, 2.25 X 24.38
8. 966913-018	PANEL, ROADSIDE BED, 30 X 15.13
9. 966913-019	PANEL, ROADSIDE BED, 2.25 X 4.94
10. 966913-0110	PANEL, ROADSIDE BED, 2.25 X 4.94
11. 966913-0111	PANEL, ROADSIDE BED, 2.25 X 15.13
12. 966913-0112	PANEL, ROADSIDE BED, 5.56 X 14.25
13. 966913-0113	DOOR, ROADSIDE BED 25" X 14.25"
14. 966913-0114	DOOR, ROADSIDE BED 25" X 14.25"
15. 966913-0115	PANEL, ROADSIDE BED, 10.5 X 15.13
16. 800025-01	PINE ¾" X ¾" STAINED
17. 381607	HINGE ASSY-GRASS EURO-SAFARI
18. 382008	PULL, BAMBOO
19. 381228-01	CATCH GRABBER DOOR
20. 203419	BOX STORAGE 23"L X 16.75"W X 11.88
21. 801706-WH	CORNER TRIM, 90D 1"RADIUS
22. 966913-0123	TOP, ROADSIDE BED, 31 X 57.25

# 2007 INTERNATIONAL TRAVEL TRAILER

## FURNITURE, BEDROOM

Bed, 25' Front Bed Signature, Curbside Twin, Wenge



Part Numbers on the next page

# 2007 INTERNATIONAL TRAVEL TRAILER

## FURNITURE, BEDROOM

Bed, 25' Front Bed Signature, Curbside Twin, Wenge

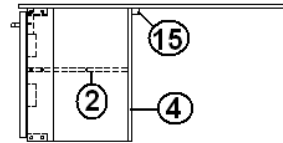
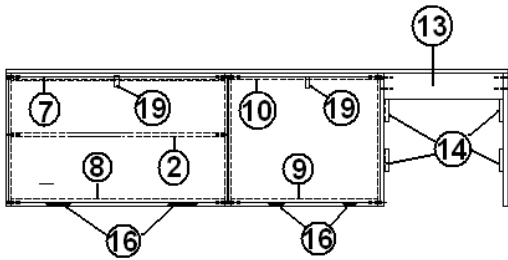
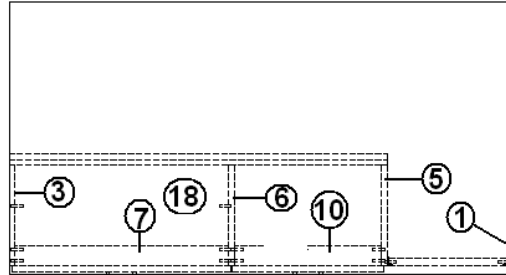
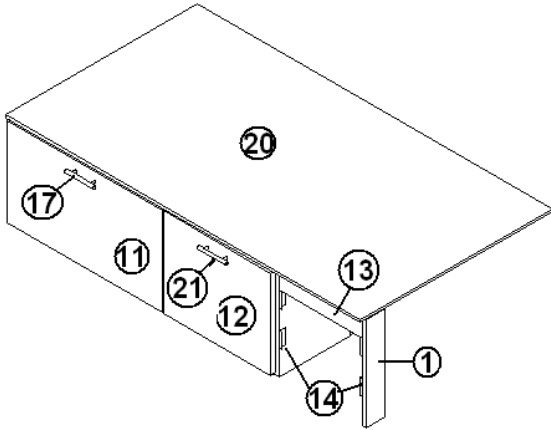
966912	BED ASSY-CS
1. 966912-1	PANEL, CURBSIDE BED 3 X 15.13
2. 966912-2	PANEL, CURBSIDE BED 11.5 X 24.38
3. 966912-3	PANEL, CURBSIDE BED 11.5 X 15.13
4. 966912-4	PANEL, CURBSIDE BED 43.13 X 15.13
5. 966912-5	PANEL, CURBSIDE BED 11.5 X 15.13
6. 966912-6	PANEL, CURBSIDE BED 11.5 X 15.13
7. 966912-7	PANEL, CURBSIDE BED 2.25 X 24.38
8. 966912-8	PANEL, CURBSIDE BED 2.25 X 24.38
9. 966912-9	PANEL, CURBSIDE BED 2.25 X 16.75
10. 966912-10	PANEL, CURBSIDE BED 2.25 X 16.75
11. 966912-11	DOOR, CURBSIDE BED 25" X 14.25"
12. 966912-12	DOOR, CURBSIDE BED 17.38" X 14.25"
13. 966912-13	PANEL, CURBSIDE BED, 3 X 13.63
14. 100067	ALUMINUM ANGLE, 1/16 X 1/2 X 1/
15. 800025-01	PINE 3/4" X 3/4" STAINED
16. 381607	HINGE ASSY.
17. 382029-05	HANDLE BAR 21.33"
18. 201051	DRAWER 10 X 22
19. 381228-01	CATCH, GRABBER DOOR
20. 966912-22	BED TOP, LAUAN
21. 382029-04	HANDLE BAR 15"



# 2007 INTERNATIONAL TRAVEL TRAILER

## FURNITURE, BEDROOM

Bed, 25' Front Bed Signature, Curbside Twin, Ocean Breeze



Part Numbers on the next page

# 2007 INTERNATIONAL TRAVEL TRAILER

## FURNITURE, BEDROOM

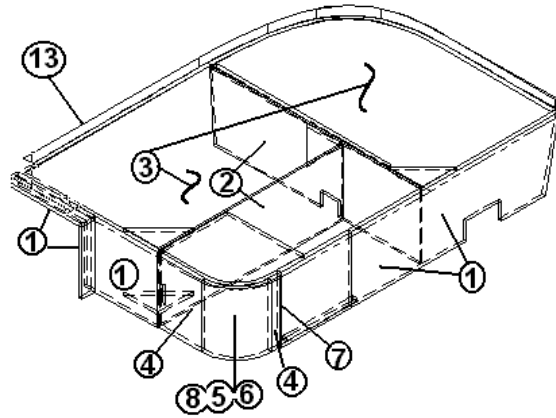
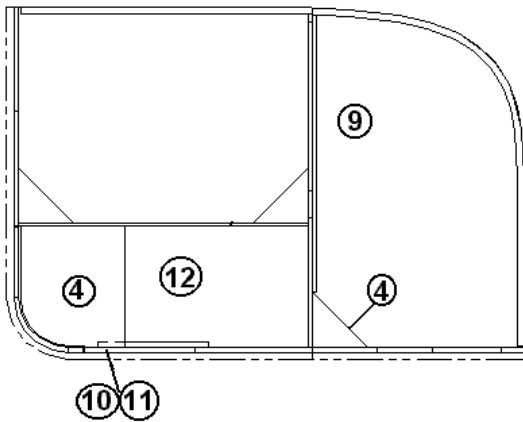
Bed, 25' Front Bed Signature, Curbside Twin, Ocean Breeze

966912-01	BED ASSY-CS
1. 966912-011	PANEL, CURBSIDE BED, 3 X 15.13
2. 966912-012	PANEL, CURBSIDE BED, 11.5 X 24.38
3. 966912-013	PANEL, CURBSIDE BED, 11.5 X 15.13
4. 966912-014	PANEL, CURBSIDE BED, 43.13 X 15.13
5. 966912-015	PANEL, CURBSIDE BED, 11.5 X 15.13
6. 966912-016	PANEL, CURBSIDE BED, 11.5 X 15.13
7. 966912-017	PANEL, CURBSIDE BED, 2.25 X 24.38
8. 966912-018	PANEL, CURBSIDE BED, 2.25 X 24.38
9. 966912-019	PANEL, CURBSIDE BED, 2.25 X 16.75
10. 966912-0110	PANEL, CURBSIDE BED, 2.25 X 16.75
11. 966912-0111	DOOR, CURBSIDE BED, 25" X 14.25"
12. 966912-0112	DOOR, CURBSIDE BED, 17.38" X 14.25"
13. 966912-0113	PANEL, CURBSIDE BED, 3 X 13.63
14. 100067	ALUMINUM ANGLE, 1/16 X 1/2 X 1/2
15. 800025-01	PINE 3/4" X 3/4" STAINED
16. 381607	HINGE ASSY.
17. 382008	PULL, BAMBOO
18. 201051	DRAWER 10 X 22
19. 381228-01	CATCH, GRABBER DOOR
20. 966912-22	BED TOP, LAUAN
21. 382008	PULL, BAMBOO

# 2007 INTERNATIONAL TRAVEL TRAILER

## FURNITURE, BEDROOM

Bed, 25' Sleep Six

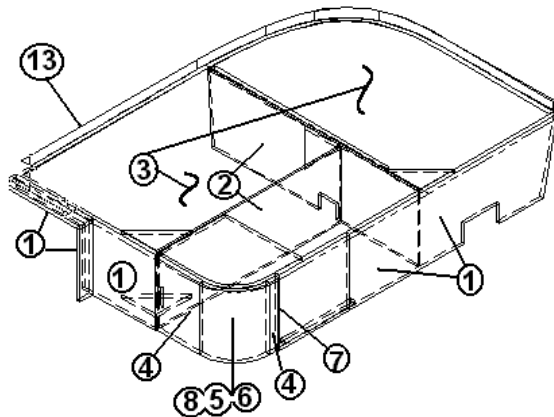
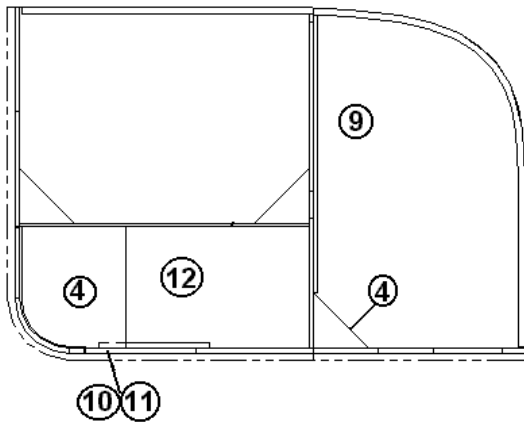


965843	BED BASE ASSEMBLY, 25
1. 801436-01	PANEL, BLACK MAPLE/WHITE 18MM
2. 801392	PANEL, WHITELINER/WHITELINER
3. 800507-03	LAUAN, 3/8" X 4' X 8'
4. 801351	LITE PLY-18MM (.75") 4' X 8'
5. 801348	RADIUS PLYWOOD-.75" X 8" X 6'
6. 966058-01	DOOR ASSEMBLY, BED
7. 381853	HINGE, ALUMINUM, PIANO
8. 701538-01	CARPET-ECONOLIER
9. 703182-05	MATTRESS-52" X 76" W/10" RADIUS CORNER
10. 381775	DRAWER PULL-FLUSH SATIN #UT-10
11. 381948	CLIP-LOCKING (DRAWER SLIDE/BOX)
12. 203419	BOX STORAGE 23"L X 1 6.75" W X 11.88"
12a. 203439	STORAGE BOX, 17"L X 11.13" W X 6.38"
13. 115150	ANGLE-BED SUPPORT 80"
114813	ALUMINUM ANGLE 1.00" X 1.50"
203587	Wedge support, radius door

# 2007 INTERNATIONAL TRAVEL TRAILER

## FURNITURE, BEDROOM

Bed, 25' Sleep Six, Ocean Breeze

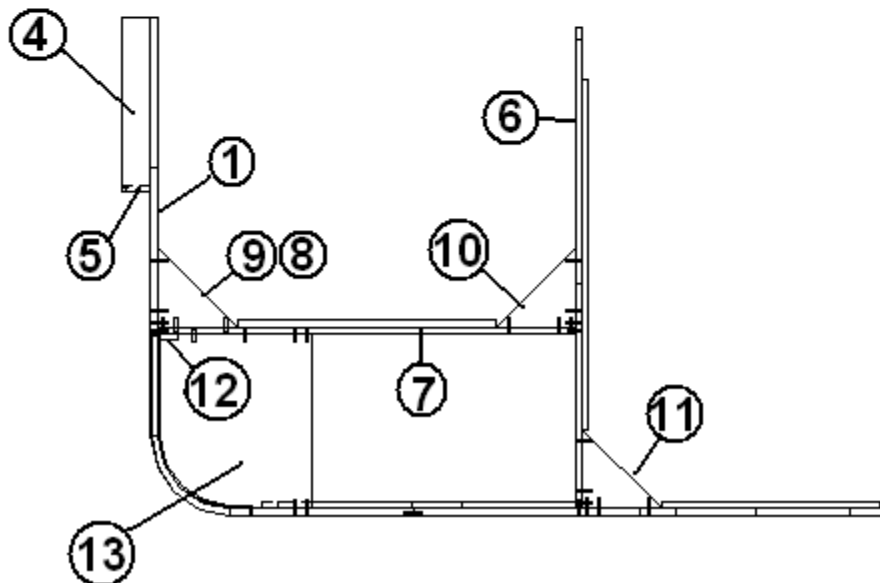
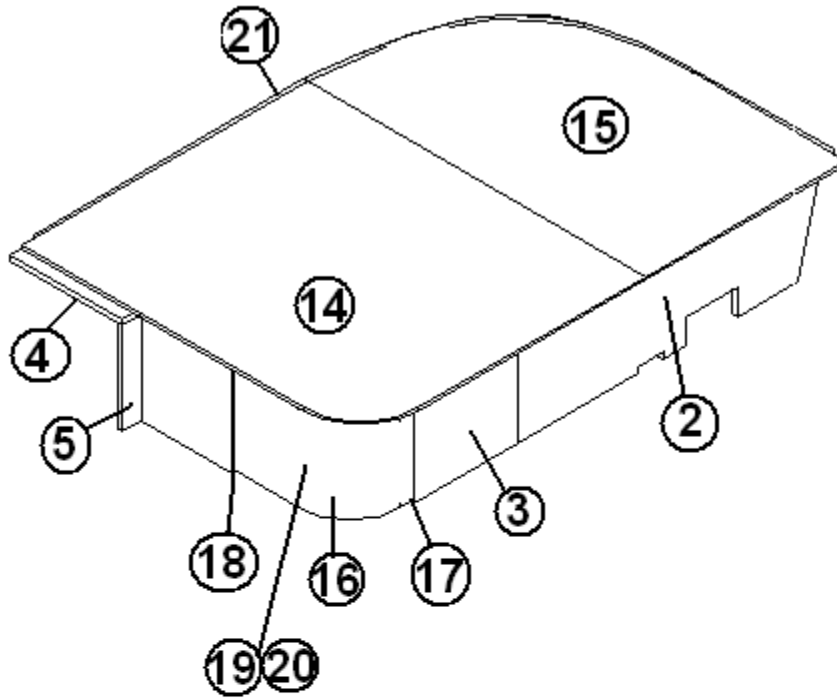


- |              |                                      |
|--------------|--------------------------------------|
| 965843-01    | BED BASE ASSEMBLY, 25                |
| 1. 801369    | PANEL, FROSTY WHITE/WHITE 18MM       |
| 2. 801392    | PANEL, WHITELINER/WHITELINER         |
| 3. 800507-03 | LAUAN, 3/8"X 4' X 8'                 |
| 4. 801351    | LITE PLY-18MM (.75") 4' X 8'         |
| 5. 801348    | RADIUS PLYWOOD-.75" X 8" X 6'        |
| 6. 966058-01 | DOOR ASSEMBLY, BED                   |
| 7. 381853    | HINGE, ALUMINUM, PIANO               |
| 8. 701538-01 | CARPET-ECONOLIER                     |
| 9. 703182-05 | MATTRESS-52"X 76"W/10"RADIUS CORNER  |
| 10. 382008   | DRAWER PULL, BAMBOO                  |
| 11. 381948   | CLIP-LOCKING (DRAWER SLIDE/BOX)      |
| 12. 203419   | BOX STORAGE 23"L X1 6.75" W X 11.88" |
| 12a. 203439  | STORAGE BOX, 17"L X 11.13" W X 6.38" |
| 13. 115150   | ANGLE-BED SUPPORT 80"                |
| 114813       | ALUMINUM ANGLE 1.00" X 1.50"         |
| 203587       | Wedge support, radius door           |

# 2007 INTERNATIONAL TRAVEL TRAILER

## FURNITURE, BEDROOM

Bed, 25' Sleep Six Signature, Wenge



Part numbers on the next page

# 2007 INTERNATIONAL TRAVEL TRAILER

## FURNITURE, BEDROOM

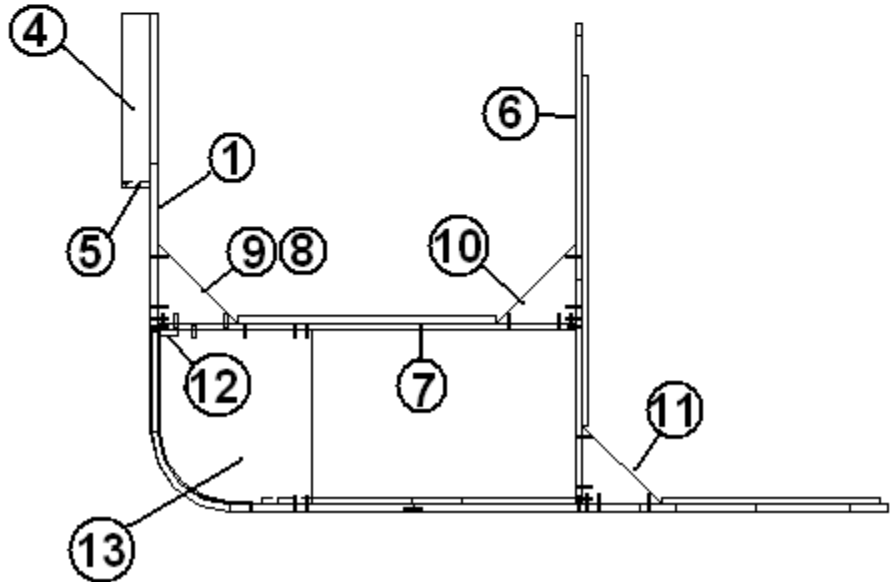
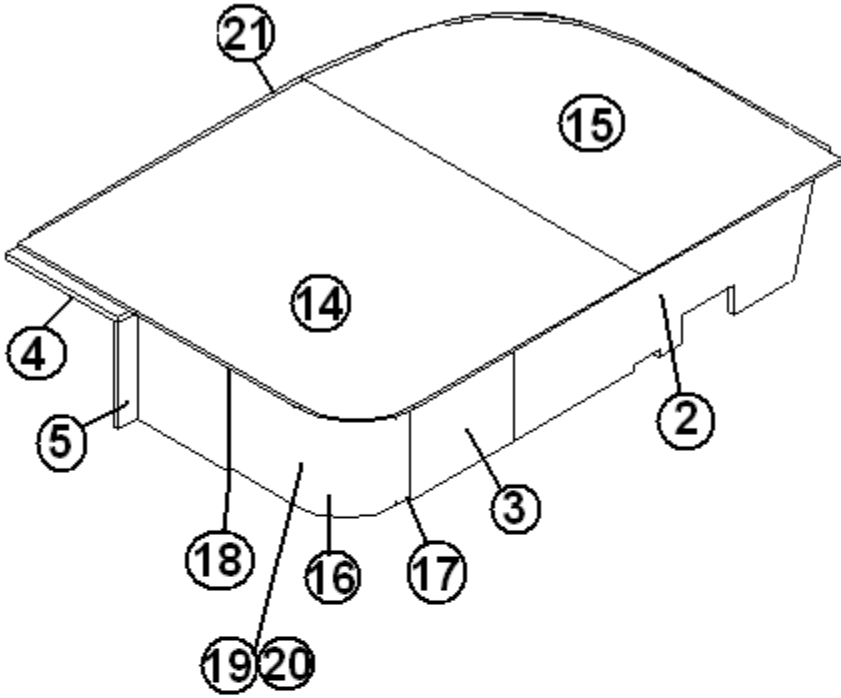
### Bed, 25' Sleep Six Signature, Wenge

967027	BED ASSY
1. 967027-1	PANEL, 31.75 X 15.125
2. 967027-2	PANEL, 47.63 X 15.125
3. 967027-3	PANEL, 16.19 X 15.125
4. 967027-4	PANEL, 17.5 X 3.0
5. 967027-5	PANEL, 3.0 X 14.36
6. 967027-6	PANEL, 48.25 X 15.125
7. 967027-7	PANEL, 42.0 X 15.125
8. 967027-8	PANEL, 8.0 X 8.0
9. 967027-9	PANEL, 8.0 X 8.0
10. 967027-10	PANEL, 8.0 X 8.0
11. 967027-11	PANEL, 8.0 X 8.0
12. 967027-12	PANEL, 2.0 X 13.5
13. 967027-13	PANEL, 8.0 X 8.0 ANGLE
14. 800507-03	PANEL, LAUAN, 3/8" x 44.50 x 53.00
15. 800507-03	PANEL, LAUAN, 3/8" x 31.34 x 53.00
16. 966925	DOOR, RADIUS, BED
17. 381853	HINGE, CONTINUOUS
18. 203587	WEDGE, RADIUS BED BASE DOOR
19. 381948	K-CATCH
20. 382029-00	HANDLE, BAR, 7.48"
21. 115150	ANGLE, BED SUPPORT
203419	BOX STORAGE, 23"L X 16.75"W X 11.88
203439	STORAGE BOX, 17"L X 11.13"W X 6.38"
703694	MATTRESS, 54" X 76", CORNER DOUBLE

# 2007 INTERNATIONAL TRAVEL TRAILER

## FURNITURE, BEDROOM

Bed, 25' Sleep Six Signature, Ocean Breeze



Part numbers on the next page

# 2007 INTERNATIONAL TRAVEL TRAILER

## FURNITURE, BEDROOM

### Bed, 25' Sleep Six Signature, Ocean Breeze

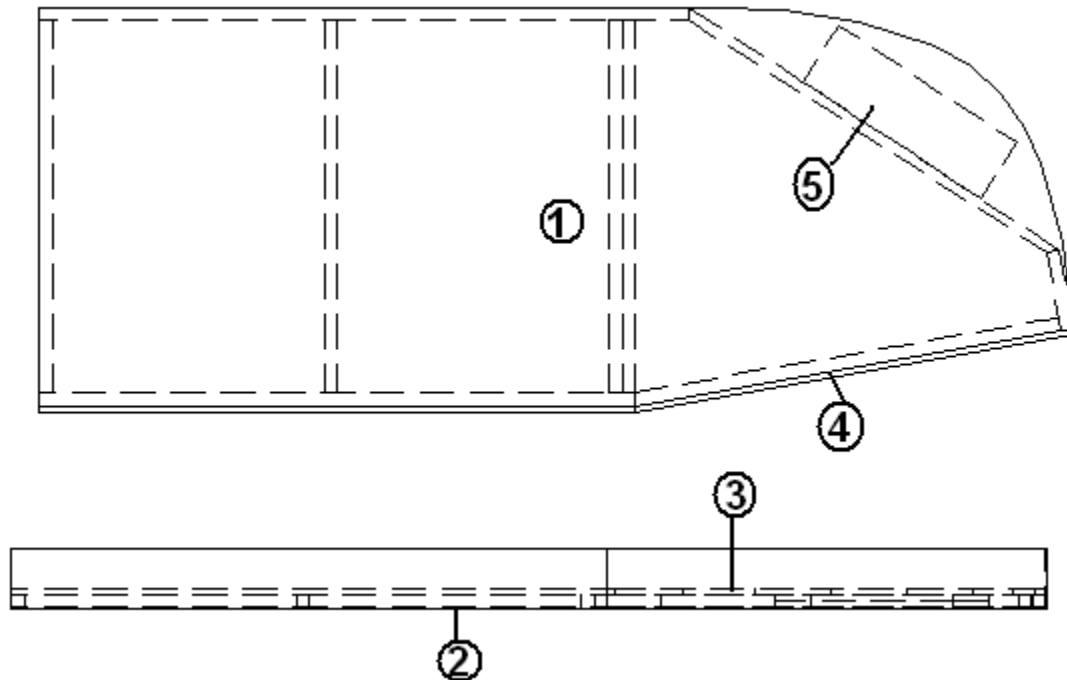
967027-01	BED ASSY
1. 967027-011	PANEL, 31.75 X 15.125
2. 967027-012	PANEL, 47.63 X 15.125
3. 967027-013	PANEL, 16.19 X 15.125
4. 967027-014	PANEL, 17.5 X 3.0
5. 967027-015	PANEL, 3.0 X 14.36
6. 967027-016	PANEL, 48.25 X 15.125
7. 967027-017	PANEL, 42.0 X 15.125
8. 967027-018	PANEL, 8.0 X 8.0
9. 967027-019	PANEL, 8.0 X 8.0
10. 967027-0110	PANEL, 8.0 X 8.0
11. 967027-0111	PANEL, 8.0 X 8.0
12. 967027-0112	PANEL, 2.0 X 13.5
13. 967027-0113	PANEL, 8.0 X 8.0 ANGLE
14.800507-03	PANEL, LAUAN, 3/8" x 44.50 x 53.00
15.800507-03	PANEL, LAUAN, 3/8" x 31.34 x 53.00
16.966925-01	DOOR, RADIUS, BED
17.381853	HINGE, CONTINUOUS
18.203587	WEDGE, RADIUS BED BASE DOOR
19.381948	K-CATCH
20.382008	PULL, BAMBOO
21.115150	ANGLE, BED SUPPORT
203419	BOX STORAGE, 23"L X 16.75"W X 11.88
203439	STORAGE BOX, 17"L X 11.13"W X 6.38"
703694	MATTRESS, 54" X 76", CORNER DOUBLE



# 2007 INTERNATIONAL TRAVEL TRAILER

## FURNITURE, BEDROOM

Bed, 25' Sleep Six, Upper Bunk Option

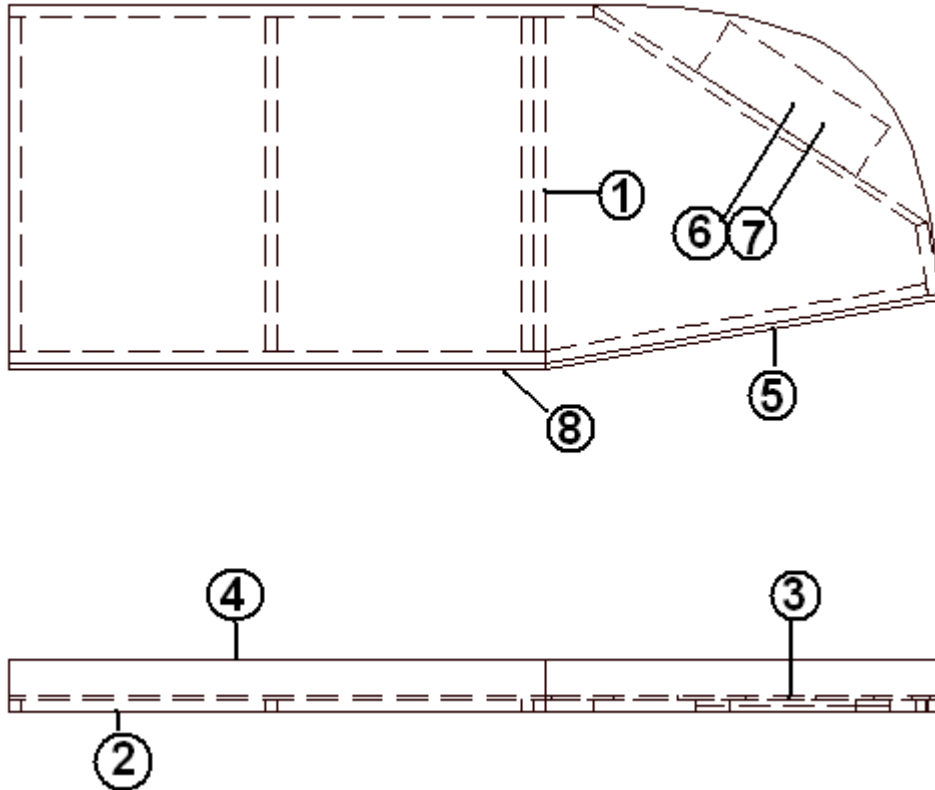


- |              |                                     |
|--------------|-------------------------------------|
| 966109-01    | BED, UPPER BUNK 25'                 |
| 1. 915742    | WELDMENT- UPPER BUNK BED            |
| 2. 801438    | PANEL, FRONT, WHITE VINYL/RAW       |
| 3. 800507-03 | LAUAN, 3/8" X 4' X 8'               |
| 4. 801456-01 | PANEL, BLACK MAPLE/WHITE LINER 12MM |
| 5. 801392    | PANEL, WHITELINER/WHITELINER        |
| 703451       | MATTRESS- 4" X 30" X 78"            |
| 381736-03    | BRACE-UPPER BUNK BED                |

# 2007 INTERNATIONAL TRAVEL TRAILER

## FURNITURE, BEDROOM

Bed, 25' Sleep Six Signature, Upper Bunk Option, Wenge

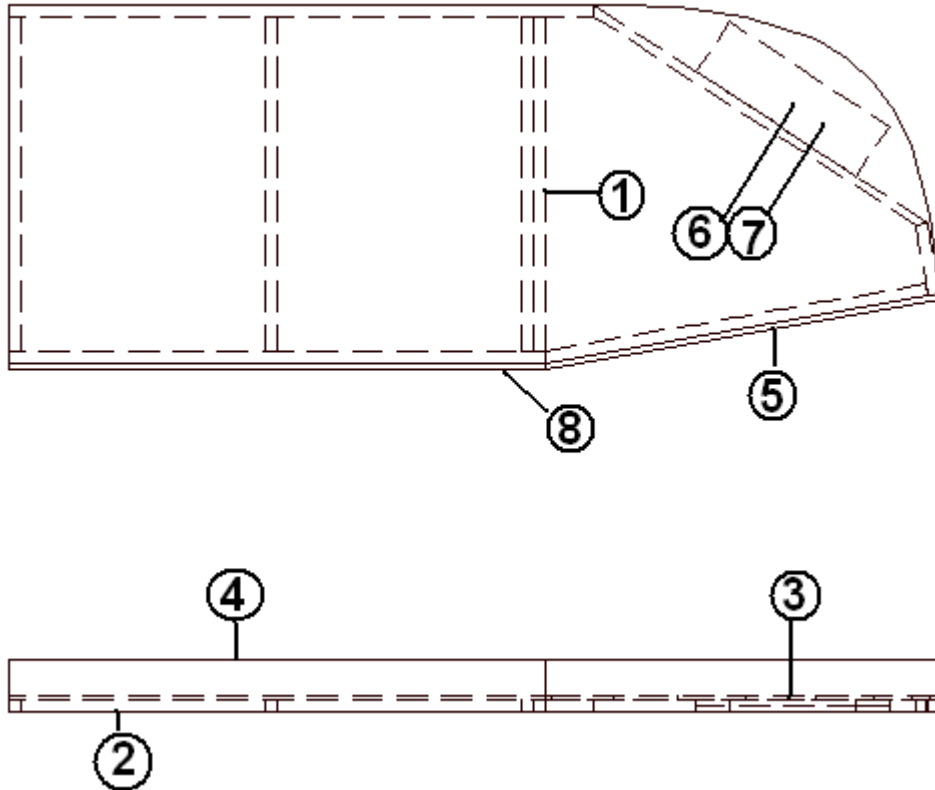


- |                |                               |
|----------------|-------------------------------|
| 967036         | BUNK BED, UPPER               |
| 1. 915742      | WELDMENT, UPPER BUNK BED      |
| 2. 967036-2    | PANEL, 30.00 X 78.00 BUNK     |
| 3. 967036-3    | PANEL LAUAN, 3/8" X 30 X 78   |
| 4. 967036-4    | PANEL, 4.50 X 45.00           |
| 5. 967036-5    | PANEL, 4.50 X 33.60           |
| 6. 967036-7    | PANEL, 16.00 X 5.00           |
| 7. 967036-8    | PANEL, 16.00 X 5.00           |
| 8. 801706-0016 | CORNER TRIM                   |
| 381736-03      | BRACE, UPPER BUNK BED         |
| 703451         | MATTRESS, 4" X 30" X 78" FOAM |
| 703468         | UPPER BUNK SAFETY NET         |
| 703482-01      | THROW, TOP BUNK               |

# 2007 INTERNATIONAL TRAVEL TRAILER

## FURNITURE, BEDROOM

Bed, 25' Sleep Six Signature, Upper Bunk Option, Ocean Breeze

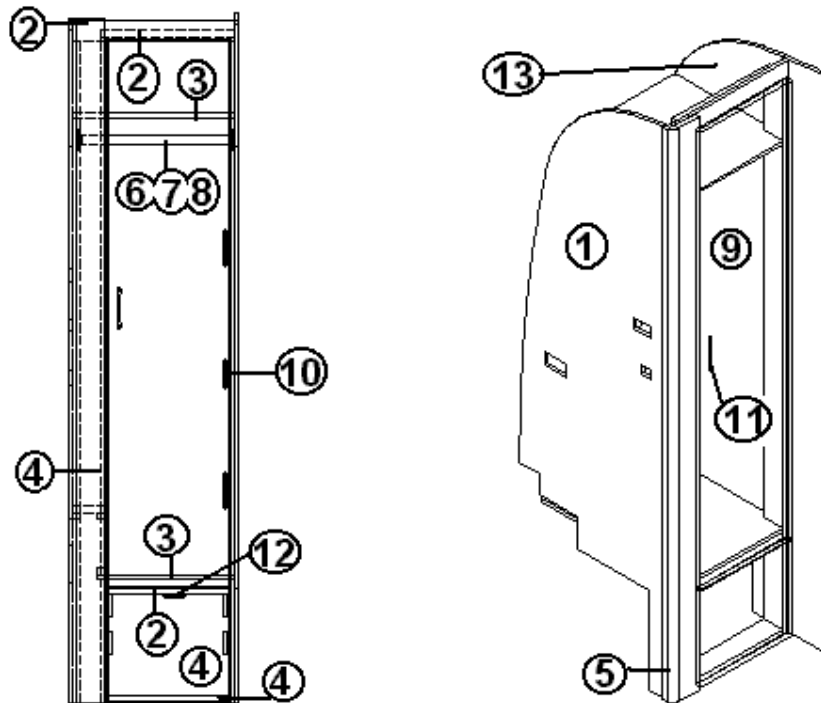


- |               |                               |
|---------------|-------------------------------|
| 967036-01     | BUNK BED, UPPER               |
| 1. 915742     | WELDMENT, UPPER BUNK BED      |
| 2. 967036-012 | PANEL, 30.00 X 78.00 BUNK     |
| 3. 967036-013 | PANEL LAUAN, 3/8" X 30 X 78   |
| 4. 967036-014 | PANEL, 4.50 X 45.00           |
| 5. 967036-015 | PANEL, 4.50 X 33.60           |
| 6. 967036-017 | PANEL, 16.00 X 5.00           |
| 7. 967036-018 | PANEL, 16.00 X 5.00           |
| 8. 801706-WH  | CORNER TRIM                   |
| 381736-03     | BRACE, UPPER BUNK BED         |
| 703451        | MATTRESS, 4" X 30" X 78" FOAM |
| 703468        | UPPER BUNK SAFETY NET         |
| 703482-01     | THROW, TOP BUNK               |

# 2007 INTERNATIONAL TRAVEL TRAILER

## FURNITURE, BEDROOM

### Wardrobe, Roadside, 25' Sleep Six

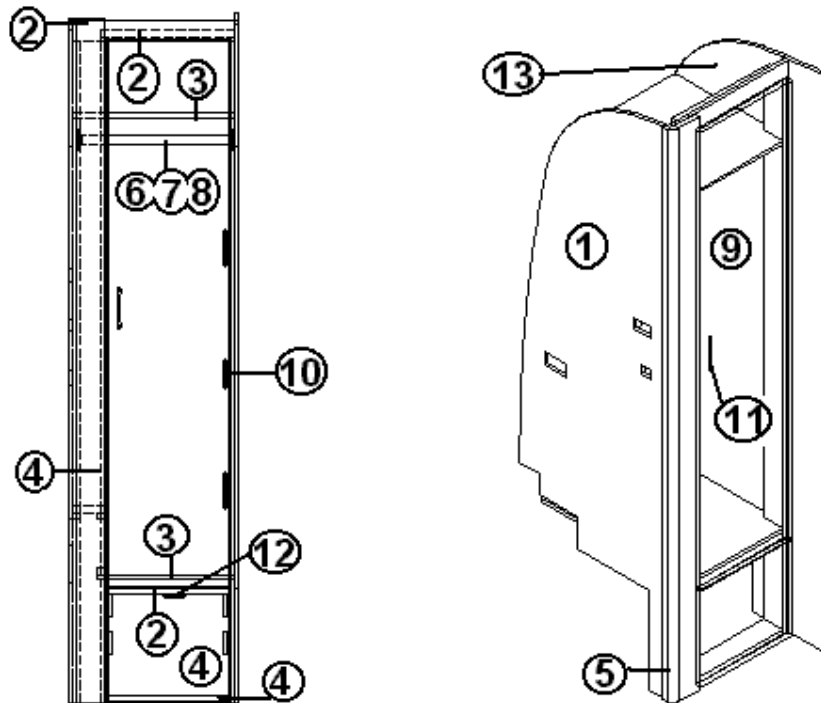


965840	RS WARDROBE ASSEMBLY
1. 801460-02	PANEL-RS AFT WARDROBE
2. 801456-01	PANEL, BLACK MAPLE/WHITELINER
3. 801392	PANEL, WHITELINER/WHITELINER
4. 801436-01	PANEL, BLACK MAPLE/WHITE 18M
5. 801706-007	CORNER TRIM-90D 1"RADIUS, 84"
6. 380046	FLANGE CHROME
7. 380045	TUBING 3/4" METALLIC
8. 200975-04	CONDUIT, FLEXIBLE BLACK PLASTIC
9. 801341-60	DOOR-RS WARDROBE 14.25" X 62.38"
10. 381607	HINGE ASSY-GRASS EURO
11. 381775	DRAWER PULL, FLUSH
12. 381228-01	CATCH GRABBER DOOR
13. 801460-03	PANEL-FWD RS WARDROBE
365278-01	EDGE BANDING-BLACK MAPLE 1.13"
365238-04	EDGE BANDING TAPE PVC 5/8" WHITE
365278-03	EDGE BANDING-BLACK MAPLE .625"

# 2007 INTERNATIONAL TRAVEL TRAILER

## FURNITURE, BEDROOM

Wardrobe, Roadside, 25' Sleep Six, Ocean Breeze

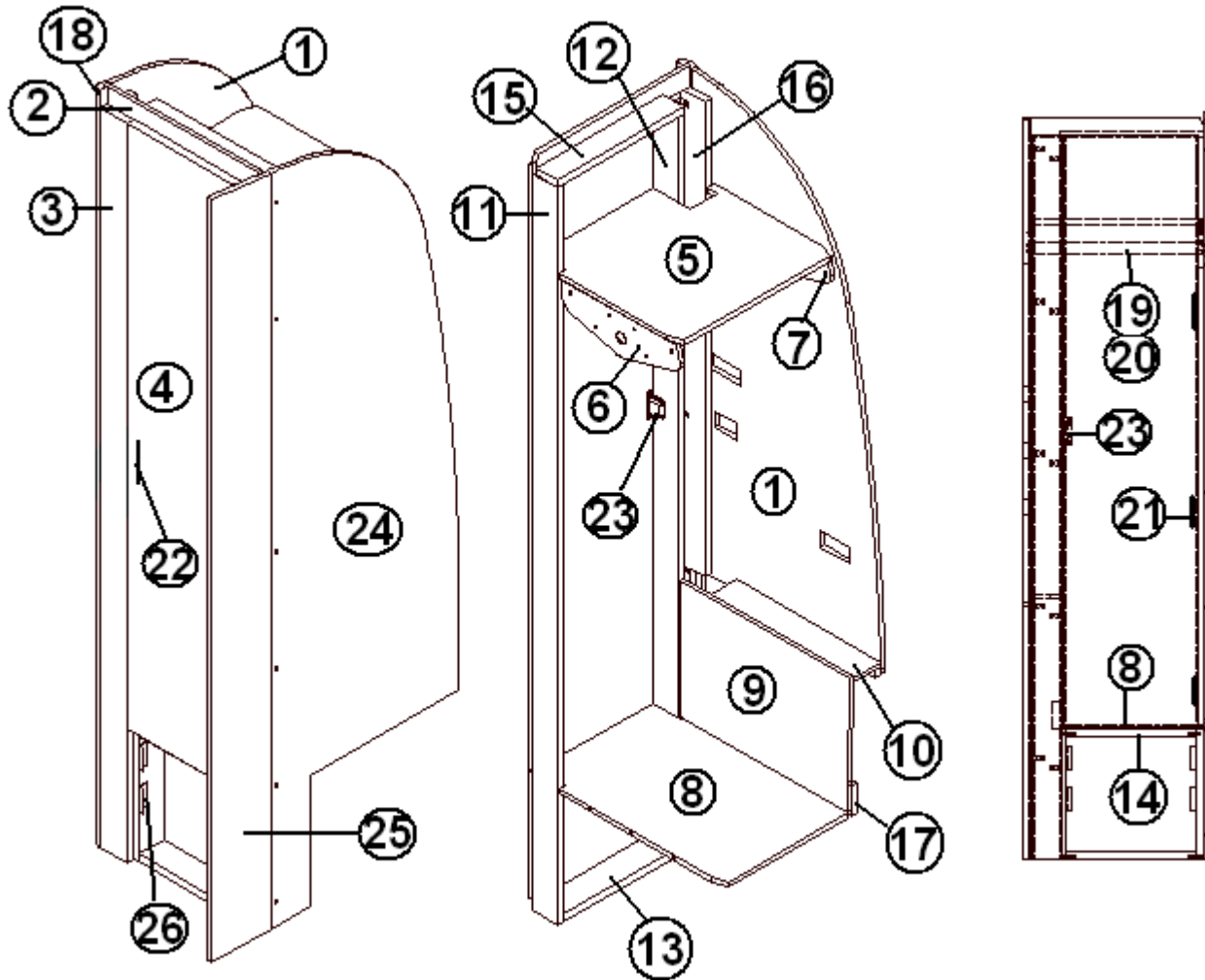


- |               |                                      |
|---------------|--------------------------------------|
| 965840-02     | RS WARDROBE ASSEMBLY                 |
| 1. 801700-08  | PANEL-RS AFT WARDROBE                |
| 2. 801697     | PANEL, FROSY WHITE/FROSTY WHITE      |
| 3. 801392     | PANEL, WHITELINER/WHITELINER         |
| 4. 801368     | PANEL, WHITELINER/ WHITELINER 18MM   |
| 5. 801706-WH  | CORNER TRIM-90D 1"RADIUS, 84", WHITE |
| 6. 380046     | FLANGE CHROME                        |
| 7. 380045     | TUBING 3/4" METALLIC                 |
| 8. 200975-04  | CONDUIT, FLEXIBLE BLACK PLASTIC      |
| 9. 801341-214 | DOOR-RS WARDROBE 14.25" X 62.38"     |
| 10. 381607    | HINGE ASSY-GRASS EURO                |
| 11. 382008    | DRAWER PULL, BAMBOO                  |
| 12. 381228-01 | CATCH GRABBER DOOR                   |
| 13. 801700-07 | PANEL-FWD RS WARDROBE                |
| 365267        | EDGE BANDING-1.13" .024 PLY          |
| 365267-01     | EDGE BANDING-.63" PLY                |

# 2007 INTERNATIONAL TRAVEL TRAILER

## FURNITURE, BEDROOM

Wardrobe, 25' Sleep Six Signature, Roadside, Wenge



Part numbers on the next page.

# 2007 INTERNATIONAL TRAVEL TRAILER

## FURNITURE, BEDROOM

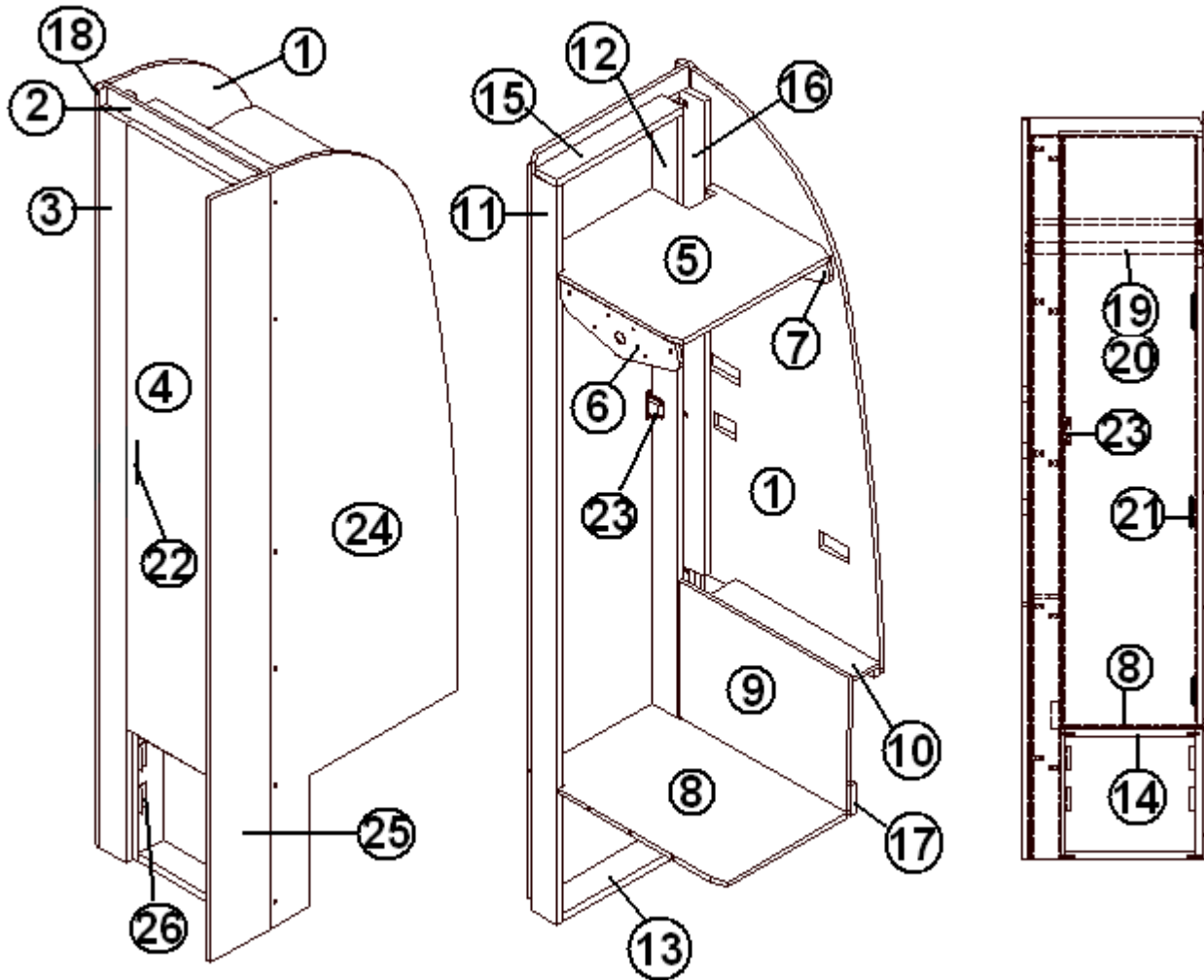
Wardrobe, 25' Sleep Six Signature, Roadside, Wenge

967028	WARDROBE, ROADSIDE
1. 967028-1	PANEL, 31.75 X 15.125
2. 967028-2	PANEL, 2.13 X 18.38
3. 967028-3	PANEL, 3.13 X 76.19
4. 967028-4	DOOR, 14.25 X 62.38
5. 967028-5	PANEL, 17.50 X 18.38
6. 967028-6	PANEL, 14.00 X 4.50
7. 967028-7	PANEL, 14.00 X 4.50
8. 967028-8	PANEL, 15.12 X 22.88
9. 967028-9	PANEL, 14.00 X 20.17
10. 967028-10	PANEL, 3.25 X 17.13
11. 967028-11	PANEL, 3.00 X 75.88
12. 967028-12	PANEL, 3.00 X 75.88
13. 967028-13	PANEL, 3.00 X 13.63
14. 967028-14	PANEL, 3.00 X 13.63
15. 967028-15	PANEL, 2.50 X 15.13
16. 967028-16	PANEL, 3.00 X 75.88
17. 967028-17	PANEL, 3.00 X 18.00
18. 801706-0016	CORNER TRIM ,90 DEGREE, 1" RADIUS WENGE
19. 380045	TUBING 3/4"ELEC METALLIC
20. 200975-04	CONDUIT, FLEXIBLE BLACK PLASTIC
21. 381607	HINGE ASSY.
22. 382029-03	HANDLE, BAR, 11.25"
23. 381228-01	CATCH, GRABBER DOOR
24. 967028-30	PANEL, 22.50 X 77.78
25. 967028-31	PANEL, 7.0 X 78.60
26. 114811	ALUMINUM ANGLE, .50 X .50

# 2007 INTERNATIONAL TRAVEL TRAILER

## FURNITURE, BEDROOM

Wardrobe, 25' Sleep Six Signature, Roadside, Ocean Breeze



Part numbers on the next page.



# 2007 INTERNATIONAL TRAVEL TRAILER

## FURNITURE, BEDROOM

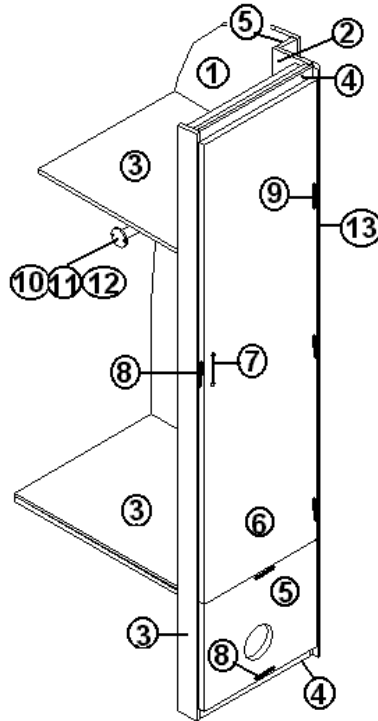
Wardrobe, 25' Sleep Six Signature, Roadside, Ocean Breeze

967028-01	WARDROBE, ROADSIDE
1. 967028-011	PANEL, 31.75 X 15.125
2. 967028-012	PANEL, 2.13 X 18.38
3. 967028-013	PANEL, 3.13 X 76.19
4. 967028-014	DOOR, 14.25 X 62.38
5. 967028-015	PANEL, 17.50 X 18.38
6. 967028-016	PANEL, 14.00 X 4.50
7. 967028-017	PANEL, 14.00 X 4.50
8. 967028-018	PANEL, 15.12 X 22.88
9. 967028-019	PANEL, 14.00 X 20.17
10. 967028-0110	PANEL, 3.25 X 17.13
11. 967028-0111	PANEL, 3.00 X 75.88
12. 967028-0112	PANEL, 3.00 X 75.88
13. 967028-0113	PANEL, 3.00 X 13.63
14. 967028-0114	PANEL, 3.00 X 13.63
15. 967028-0115	PANEL, 2.50 X 15.13
16. 967028-0116	PANEL, 3.00 X 75.88
17. 967028-0117	PANEL, 3.00 X 18.00
18. 801706-007	CORNER TRIM, 1" RADIUS, OAK
19. 380045	TUBING 3/4"ELEC METALLIC
20. 200975-04	CONDUIT, FLEXIBLE BLACK PLASTIC
21. 381607	HINGE ASSY.
22. 382008	PULL, BAMBOO
23. 381228-01	CATCH, GRABBER DOOR
24. 967028-0130	PANEL, 22.50 X 77.78
25. 967028-0131	PANEL, 7.0 X 78.60
26. 114811	ALUMINUM ANGLE, .50 X .50

# 2007 INTERNATIONAL TRAVEL TRAILER

## FURNITURE, BEDROOM

### Wardrobe, Curbside, 25' Sleep Six

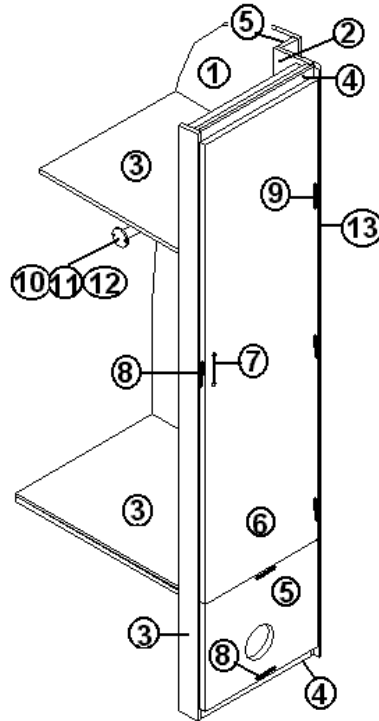


965841	WARDROBE, ROADSIDE
965841-01	WARDROBE, ROADSIDE w/ BUNK OPTION
1. 801460-06	PANEL-CS AFT WARDROBE
1a. 801460-15	PANEL-CS AFT WARDROBE, w/upper bunk
2. 801460-07	PANEL-FWD FOLDETTE DOOR
3. 801392	PANEL, WHITELINER/WHITELINER
4. 801383	PANEL, TROPICAL OAK/WHITELINER
5. 801436-01	PANEL, BLACK MAPLE/WHITE 18M H
6. 801341-70	DOOR-RS W/R 17.5" X 61.25"
7. 381775	DRAWER PULL, FLUSH
8. 381228-01	CATCH GRABBER DOOR
9. 381607	HINGE ASSY-GRASS EURO
10. 380046	FLANGE CHROME
11. 380045	TUBING 3/4", METALLIC
12. 200975-04	CONDUIT, FLEXIBLE BLACK PLASTIC
13. 801706-007	CORNER TRIM-90D 1"RADIUS, 84"

# 2007 INTERNATIONAL TRAVEL TRAILER

## FURNITURE, BEDROOM

Wardrobe, Curbside, 25' Sleep Six, Ocean Breeze

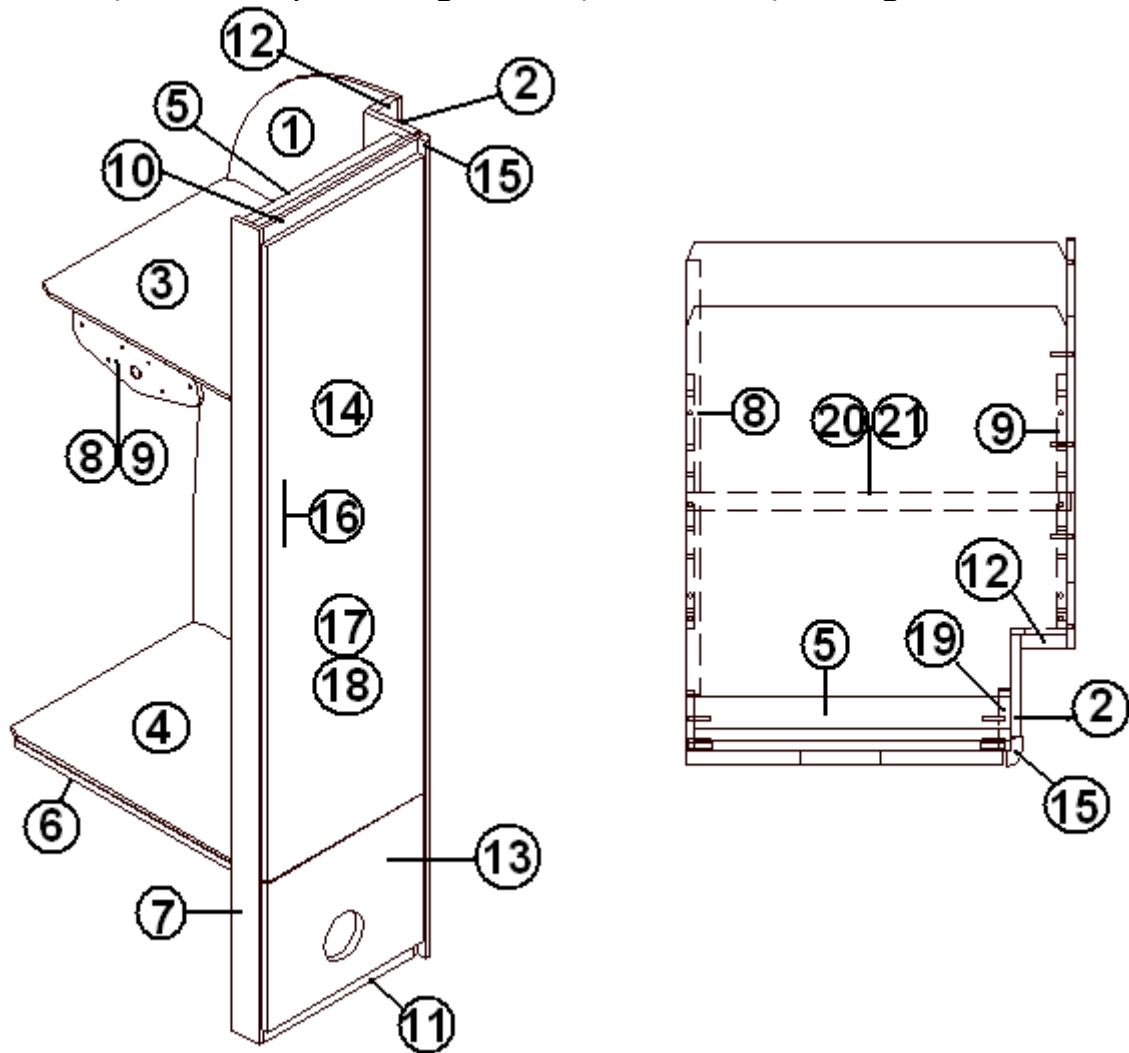


965841-02	WARDROBE, ROADSIDE
965841-03	WARDROBE, ROADSIDE, BUNK OPTION
1. 801700-03	PANEL-CS AFT WARDROBE
1. 801700-05	PANEL-CS AFT WARDROBE, BUNK OPTION
2. 801700-04	PANEL-FWD FOLDETTTE DOOR
3. 801697	PANEL, FROSY WHITE/FROSTY WHITE
4. 801369	PANEL, FROSTYWHITE/WHITELINER
5. 801702	PANEL, ALMOND/WHITELINER 18M
6. 801341-217	DOOR-RS W/R 17.5" X 61.25"
7. 382008	DRAWER PULL, BAMBOO
8. 381228-01	CATCH GRABBER DOOR
9. 381607	HINGE ASSY-GRASS EURO
10. 380046	FLANGE CHROME
11. 380045	TUBING 3/4", METALLIC
12. 200975-04	CONDUIT, FLEXIBLE BLACK PLASTIC
13. 801706-WH	CORNER TRIM-90D 1"RADIUS, 84", WHITE

# 2007 INTERNATIONAL TRAVEL TRAILER

## FURNITURE, BEDROOM

Wardrobe, 25' Sleep Six Signature, Curbside, Wenge



Part numbers on the next page.

# 2007 INTERNATIONAL TRAVEL TRAILER

## FURNITURE, BEDROOM

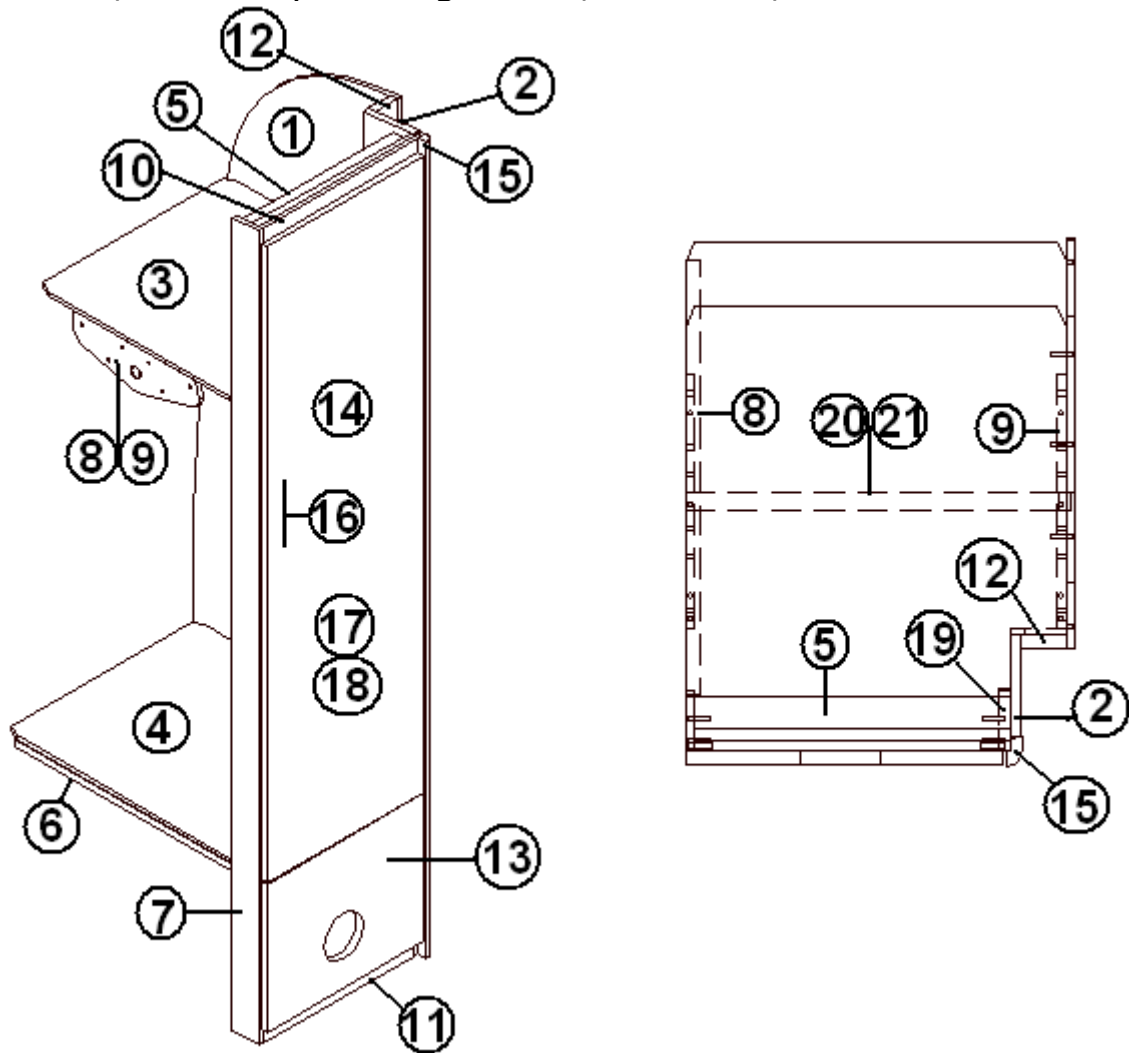
Wardrobe, 25' Sleep Six Signature, Curbside, Wenge

967037	WARDROBE, CURBSIDE
1. 967037-1	PANEL, 22.7 X 77.83
2. 967037-2	PANEL, 5.63 X 78.49
3. 967037-3	PANEL, 21.00 X 24.56
4. 967037-4	PANEL, 21.00 X 28.13
5. 967037-5	PANEL, 2.50 X 17.50
6. 967037-6	PANEL, 3.00 X 16.75
7. 967037-7	PANEL, 3.00 X 78.56
8. 967037-8	PANEL, 4.50 X 14.00
9. 967037-9	PANEL, 4.50 X 14.00
10. 967037-10	PANEL, 1.50 X 17.50
11. 967037-11	PANEL, 2.00 X 16.75
12. 967037-12	PANEL, 2.50 X 77.89
13. 967037-13	PANEL, 17.50 X 14.25
14. 967037-14	DOOR 17.5 X 61.25
15. 801706-0016	CORNER TRIM 90 DEG 1" RADIUS, WENGE
16. 382029-04	HANDLE, BAR 15"
17. 381228-01	CATCH GRABBER DOOR
18. 381607	HINGE ASSY
19. 967037-20	PANEL, 3 X 77.89 CS W/R
20. 380045	TUBING 3/4", METAL
21. 200975-04	CONDUIT, FLEXIBLE BLACK PLASTIC

# 2007 INTERNATIONAL TRAVEL TRAILER

## FURNITURE, BEDROOM

Wardrobe, 25' Sleep Six Signature, Curbside, Ocean Breeze



Part numbers on the next page.

# 2007 INTERNATIONAL TRAVEL TRAILER

## FURNITURE, BEDROOM

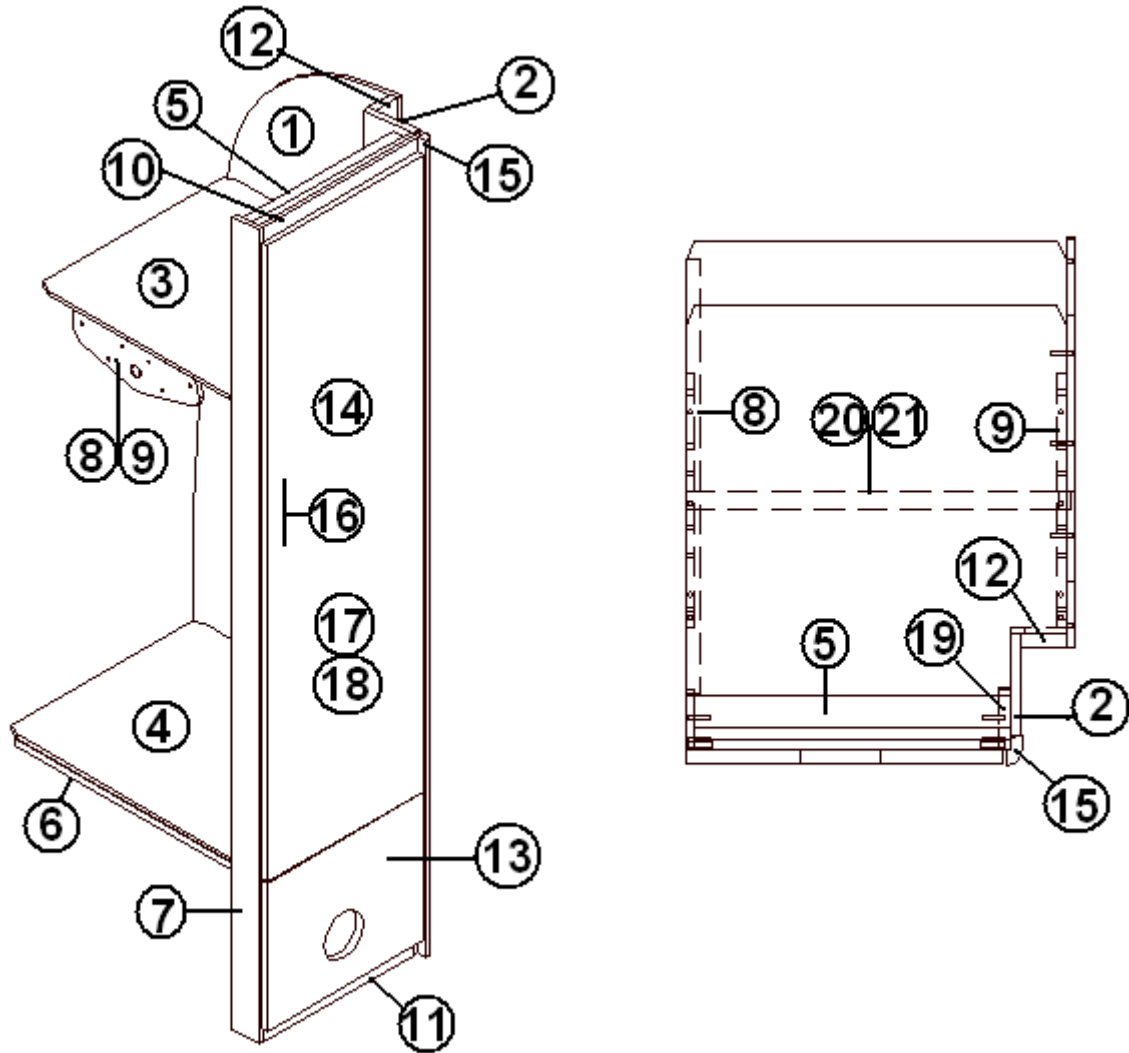
Wardrobe, 25' Sleep Six Signature, Curbside, Ocean Breeze

967037-01	WARDROBE, CURBSIDE
1. 967037-011	PANEL, 22.7 X 77.83
2. 967037-012	PANEL, 5.63 X 78.49
3. 967037-013	PANEL, 21.00 X 24.56
4. 967037-014	PANEL, 21.00 X 28.13
5. 967037-015	PANEL, 2.50 X 17.50
6. 967037-016	PANEL, 3.00 X 16.75
7. 967037-017	PANEL, 3.00 X 78.56
8. 967037-018	PANEL, 4.50 X 14.00
9. 967037-019	PANEL, 4.50 X 14.00
10. 967037-0110	PANEL, 1.50 X 17.50
11. 967037-0111	PANEL, 2.00 X 16.75
12. 967037-0112	PANEL, 2.50 X 77.89
13. 967037-0113	PANEL, 17.50 X 14.25
14. 967037-0114	DOOR 17.5 X 61.25
15. 801706-007	CORNER TRIM 90 DEG 1" RADIUS, OAK
16. 382008	PULL, BAMBOO
17.381228-01	CATCH GRABBER DOOR
18.381607	HINGE ASSY
19.967037-0120	PANEL, 3 X 77.89
20.380045	TUBING 3/4", METAL
21.200975-04	CONDUIT, FLEXIBLE BLACK PLASTIC

# 2007 INTERNATIONAL TRAVEL TRAILER

## FURNITURE, BEDROOM

Wardrobe, 25' Sleep Six Signature Bunk Option, Curbside, Wenge



Part numbers on the next page.



# 2007 INTERNATIONAL TRAVEL TRAILER

## FURNITURE, BEDROOM

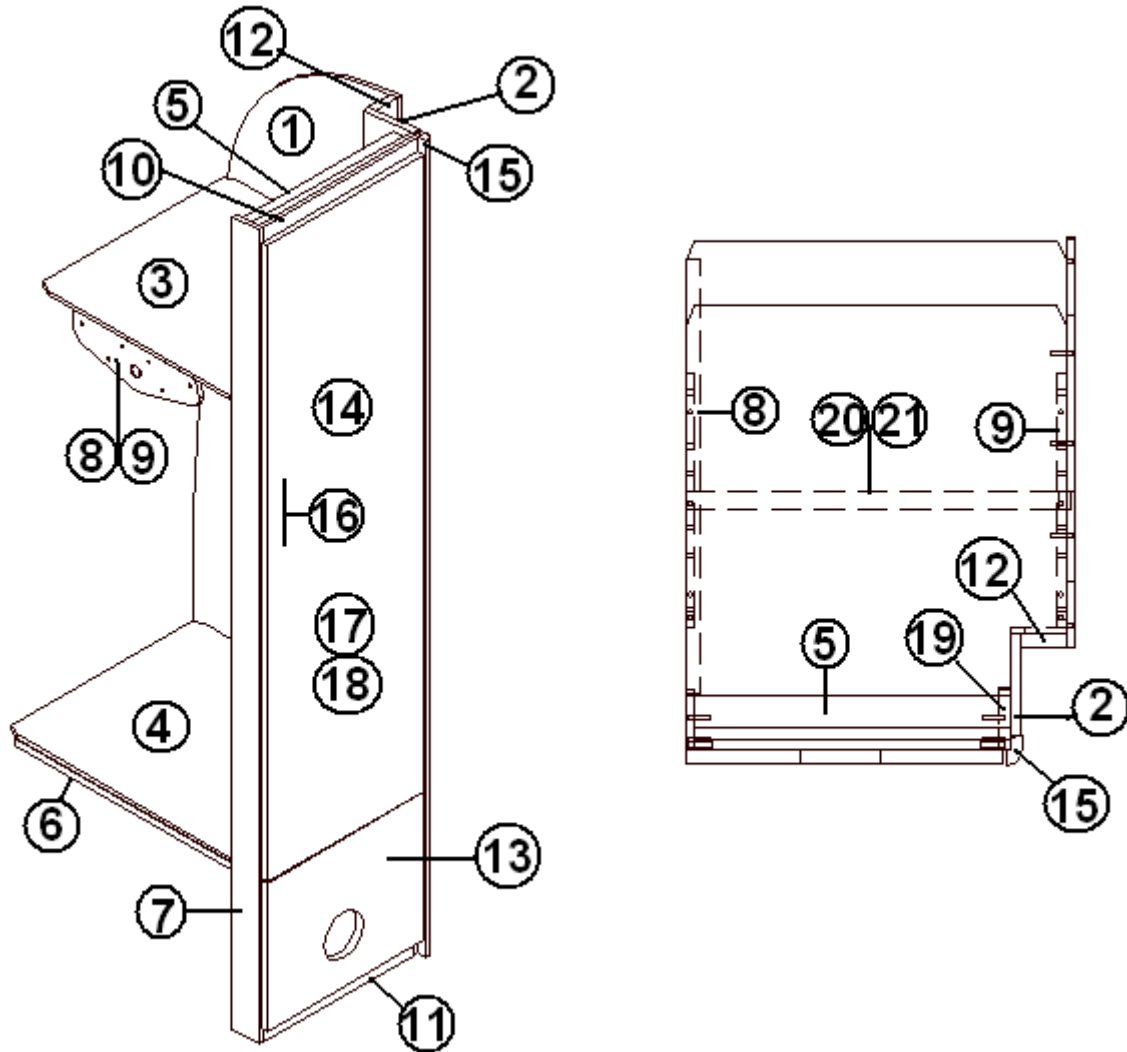
Wardrobe, 25' Sleep Six Signature Bunk Option, Curbside, Wenge

967038	WARDROBE, CURBSIDE
1. 967038-1	PANEL, 31.7 X 77.83
2. 967038-2	PANEL, 5.63 X 78.49
3. 967038-3	PANEL, 21.00 X 24.56
4. 967038-4	PANEL, 21.00 X 28.13
5. 967038-5	PANEL, 2.50 X 17.50
6. 967038-6	PANEL, 3.00 X 16.75
7. 967038-7	PANEL, 3.00 X 78.56
8. 967038-8	PANEL, 4.50 X 14.00
9. 967038-9	PANEL, 4.50 X 14.00
10. 967038-10	PANEL, 1.50 X 17.50
11. 967038-11	PANEL, 2.00 X 16.75
12. 967038-12	PANEL, 2.50 X 77.89
13. 967038-13	PANEL, 17.50 X 14.25
14. 967038-14	DOOR 17.5 X 61.25
15. 801706-0016	CORNER TRIM 90 DEG 1" RADIUS, WENGE
16.382029-04	HANDLE, BAR 15"
17.381228-01	CATCH GRABBER DOOR
18.381607	HINGE ASSY
19.967038-20	PANEL, 3 X 77.89 CS W/R
20.380045	TUBING 3/4", METAL
21.200975-04	CONDUIT, FLEXIBLE BLACK PLASTIC

# 2007 INTERNATIONAL TRAVEL TRAILER

## FURNITURE, BEDROOM

Wardrobe, 25' Sleep Six Signature Bunk Option, Curbside, Ocean Breeze



Part numbers on the next page.

# 2007 INTERNATIONAL TRAVEL TRAILER

## FURNITURE, BEDROOM

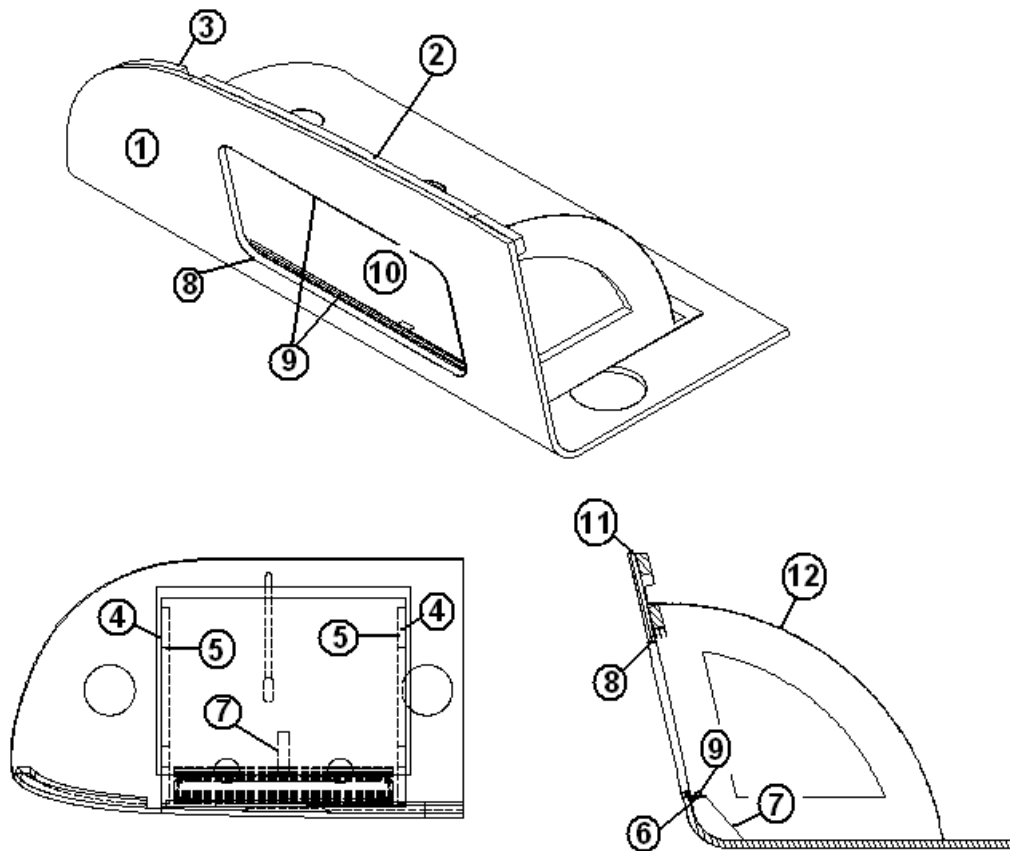
Wardrobe, 25' Sleep Six Signature Bunk Option, Curbside, Ocean Breeze

967038-01	WARDROBE, CURBSIDE
1. 967038-011	PANEL, 22.7 X 77.83
2. 967038-012	PANEL, 5.63 X 78.49
3. 967038-013	PANEL, 21.00 X 24.56
4. 967038-014	PANEL, 21.00 X 28.13
5. 967038-015	PANEL, 2.50 X 17.50
6. 967038-016	PANEL, 3.00 X 16.75
7. 967038-017	PANEL, 3.00 X 78.56
8. 967038-018	PANEL, 4.50 X 14.00
9. 967038-019	PANEL, 4.50 X 14.00
10. 967038-0110	PANEL, 1.50 X 17.50
11. 967038-0111	PANEL, 2.00 X 16.75
12. 967038-0112	PANEL, 2.50 X 77.89
13. 967038-0113	PANEL, 17.50 X 14.25
14. 967038-0114	DOOR 17.5 X 61.25
15. 801706-007	CORNER TRIM 90 DEG 1" RADIUS, OAK
16. 382008	PULL, BAMBOO
17.381228-01	CATCH GRABBER DOOR
18.381607	HINGE ASSY
19.967038-0120	PANEL, 3 X 77.89
20.380045	TUBING 3/4", METAL
21.200975-04	CONDUIT, FLEXIBLE BLACK PLASTIC

# 2007 INTERNATIONAL TRAVEL TRAILER

## FURNITURE, BEDROOM

### Roof Locker, Rear End Liner, 25' Sleep Six

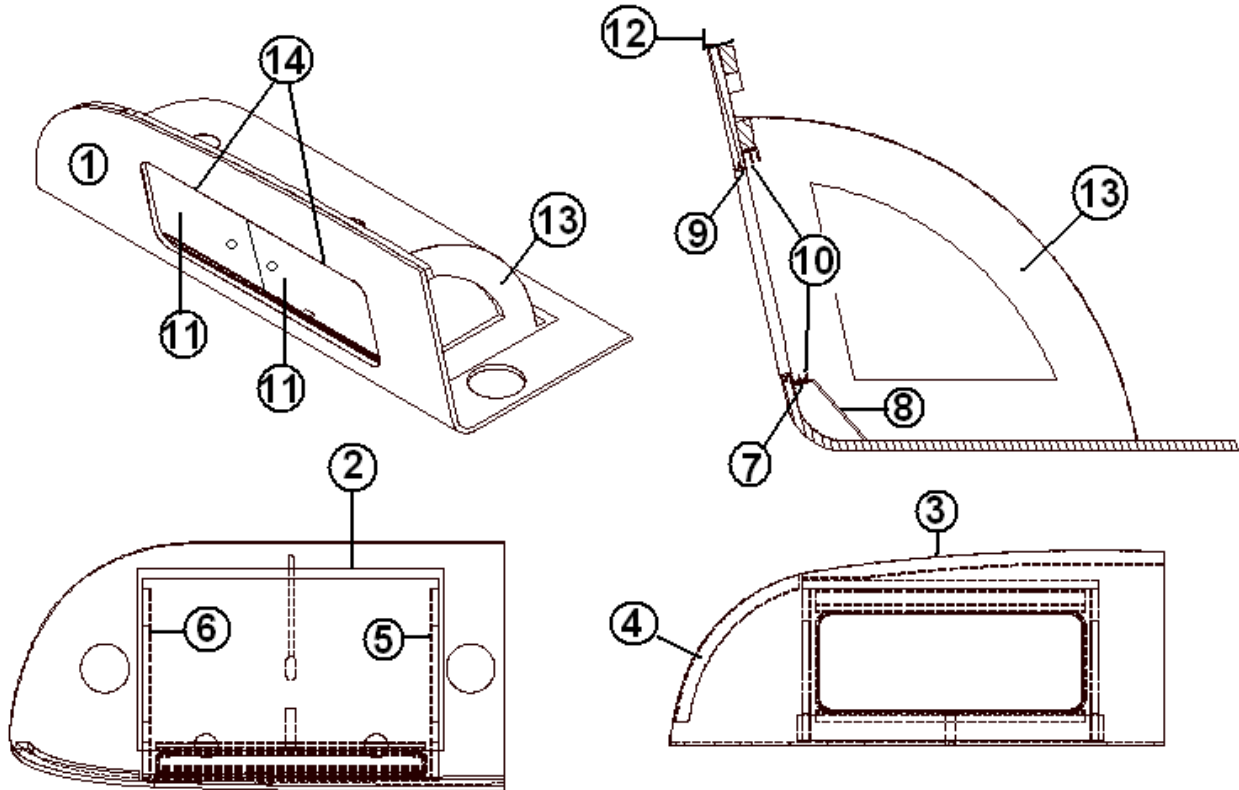


- |               |   |
|---------------|---|
| 966389        | Roof Locker, Rear End Liner                   |
| 1. 801593-05  | Locker face, Rear end roof locker             |
| 2. 801596-01  | Backer, liner locker, center                  |
| 3. 801596-02  | Backer, liner locker, LH                      |
| 4. 801594     | Divider, liner locker                         |
| 5. 801595     | Divider, liner locker, w/o Audio Switch Holes |
| 5. 801595-01  | Divider, liner locker, w/Audio Switch Holes   |
| 6. 115261-03  | Angled, formed, 28.50"                        |
| 7. 115226-01  | Bracket, locker center support                |
| 8. 203508-01  | T-trim, 9/16", wood grain                     |
| 9. 381245     | Sliding door track                            |
| 10. 965563-03 | Door, sliding Plexiglas, 11.31" x 15"         |
| 10. 203357-04 | Door, 11.31" x 15", Ocean Breeze              |
| 11. 201673    | Cove molding, Ivory, plastic                  |
| 12. 115264-03 | Pan, liner, locker                            |

# 2007 INTERNATIONAL TRAVEL TRAILER

## FURNITURE, BEDROOM

Roof Locker, 25' Sleep Six Signature, Rear End Liner, Wenge

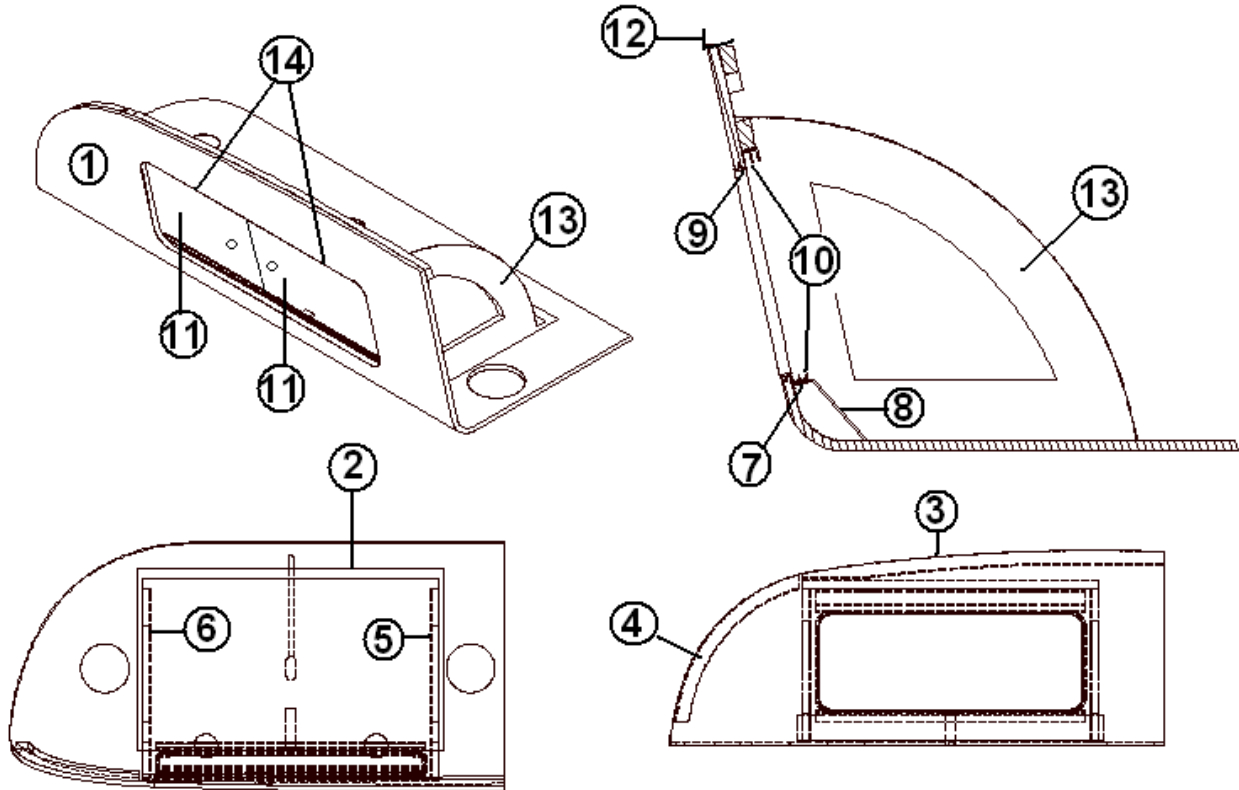


- |               |                                       |
|---------------|---------------------------------------|
| 967031        | LINER LOCKER ASSY WB REAR CORNER      |
| 1. 801742     | FACE, LINER LOCKER W/B REAR CORNER    |
| 2. 967031-2   | PANEL, 21 X 32.25                     |
| 3. 801596-01  | BACKER, W/B LINER LOCKER CENTER       |
| 4. 801596-02  | BACKER, LINER LOCKER LH               |
| 5. 801594     | DIVIDER, LINER LOCKER                 |
| 6. 801595     | DIVIDER, LINER LOCKER                 |
| 7. 115261-03  | ANGLE, FORMED LCKR TRACK SUPPORT      |
| 8. 115226-01  | BRACKET, FORMED LOCKER CENTER SUPPORT |
| 9. 203445-01  | T-MOLDING, 5625" WHITE                |
| 10. 203388    | SLIDING DOOR TRACK                    |
| 11. 965563-03 | DOOR-SLIDING, 15.00"                  |
| 12. 201673    | REVERSE COVE MOLDING, WHITE           |
| 13. 115264-03 | PAN, LINER LOCKER                     |
| 14. 454613    | SPRING, LEAF R/L                      |

# 2007 INTERNATIONAL TRAVEL TRAILER

## FURNITURE, BEDROOM

Roof Locker, 25' Sleep Six Signature, Rear End Liner, Ocean Breeze

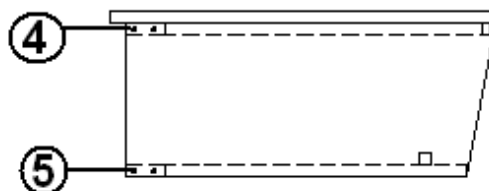
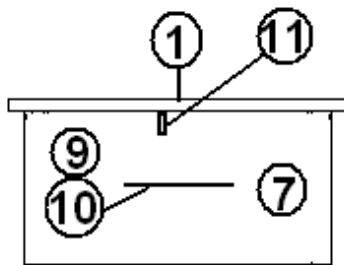
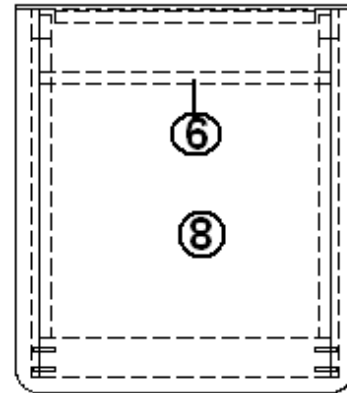
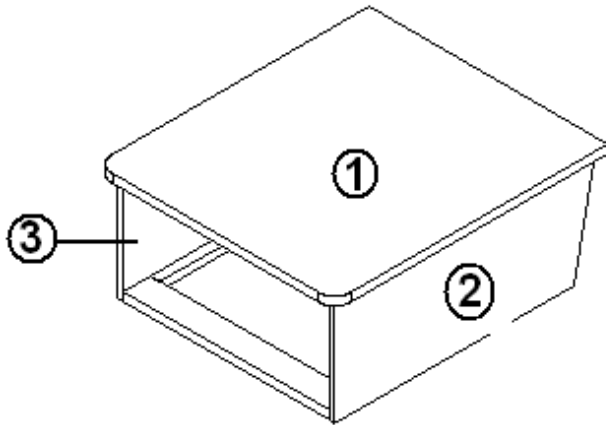


- |               |                                       |
|---------------|---------------------------------------|
| 967031-01     | LINER LOCKER ASSY WB REAR CORNER      |
| 1. 801742-01  | FACE, LINER LOCKER W/B REAR CORNER    |
| 2. 967031-012 | PANEL, 21 X 32.25                     |
| 3. 801596-01  | BACKER, W/B LINER LOCKER CENTER       |
| 4. 801596-02  | BACKER, LINER LOCKER LH               |
| 5. 801594     | DIVIDER, LINER LOCKER                 |
| 6. 801595     | DIVIDER, LINER LOCKER                 |
| 7. 115261-03  | ANGLE, FORMED LCKR TRACK SUPPORT      |
| 8. 115226-01  | BRACKET, FORMED LOCKER CENTER SUPPORT |
| 9. 203508-01  | T-MOLDING, 5625", PLYWOOD             |
| 10. 203388    | SLIDING DOOR TRACK                    |
| 11. 203357-04 | DOOR, SLIDING, LUMICOR, 15.00"        |
| 12. 201673    | REVERSE COVE MOLDING, WHITE           |
| 13. 115264-03 | PAN, LINER LOCKER                     |
| 14. 454613    | SPRING, LEAF R/L                      |

# 2007 INTERNATIONAL TRAVEL TRAILER

## FURNITURE, BEDROOM

Nightstand, 25' FB, 27' FB Signature, Twin Bedroom, Wenge

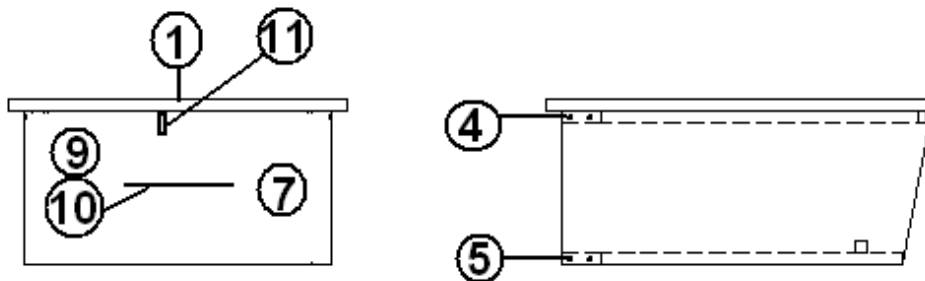
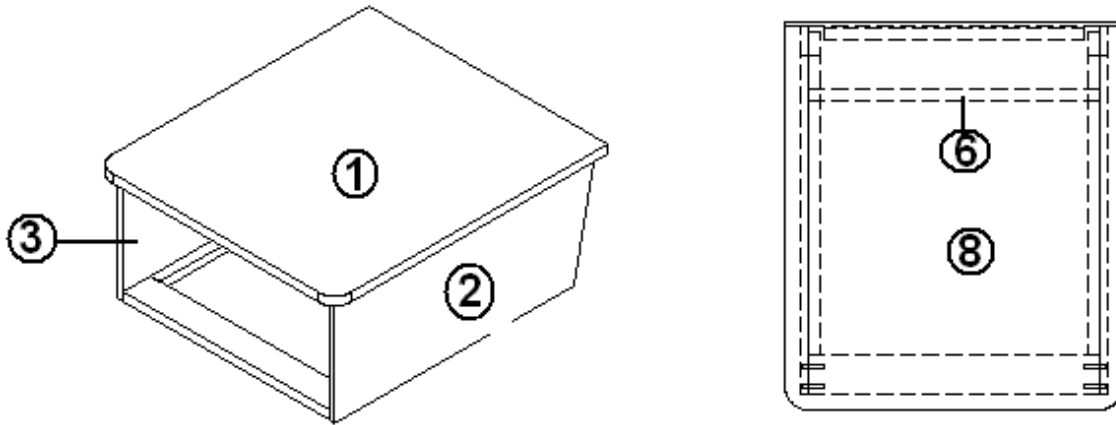


- |               |                                  |
|---------------|----------------------------------|
| 966859        | NIGHTSTAND ASSEMBLY              |
| 1. 966860     | TOP ASSY-NIGHTSTAND              |
| 2. 966859-2   | PANEL, 23.50" X 9.75"            |
| 3. 966859-3   | PANEL, 23.50" X 9.75"            |
| 4. 966859-4   | PANEL, 18.50" X 2.50", BACKER    |
| 5. 966859-5   | PANEL, 18.50" X 2.50", BACKER    |
| 6. 966859-6   | PINE, 3/4" X 3/4", 10' LONG      |
| 7. 966859-7   | DOOR, 19.13" X 8.88"             |
| 8. 965554-03  | DRAWER BOX, 5.625" X 17.25" X 17 |
| 9. 382029-04  | HANDLE, BAR 15"                  |
| 10. 345001-08 | SCREW #8-32 X 1"                 |
| 11. 381228-01 | CATCH, GRABBER, DOOR             |
| 381773-17     | DRAWER SLIDE-5.875"X 18.5"       |

# 2007 INTERNATIONAL TRAVEL TRAILER

## FURNITURE, BEDROOM

Nightstand, 25' FB, 27' FB Signature, Twin Bedroom, Ocean Breeze



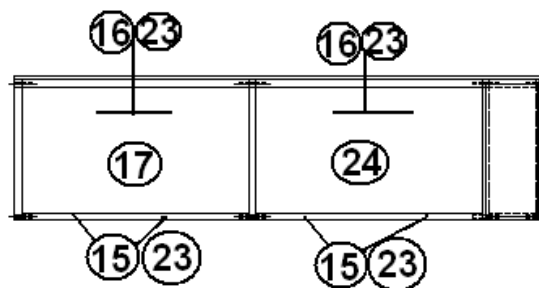
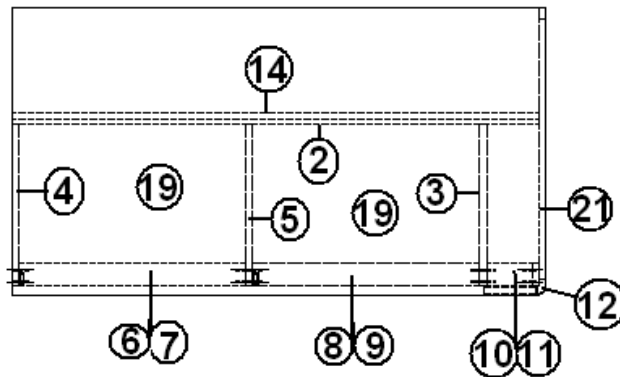
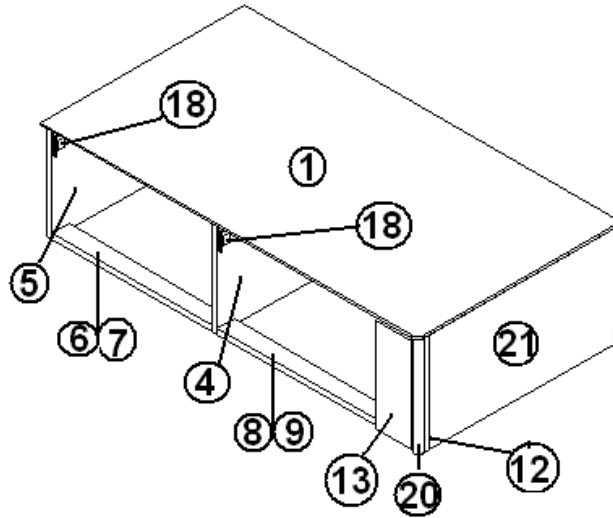
- |               |                                  |
|---------------|----------------------------------|
| 966859-01     | NIGHTSTAND ASSEMBLY              |
| 1. 966860-01  | TOP, NIGHTSTAND                  |
| 2. 966859-012 | PANEL, 23.50" X 9.75"            |
| 3. 966859-013 | PANEL, 23.50" X 9.75"            |
| 4. 966859-014 | PANEL, 18.50" X 2.50"            |
| 5. 966859-015 | PANEL, 18.50" X 2.50"            |
| 6. 800025-01  | PINE, 3/4" X 3/4", 10' LONG      |
| 7. 966859-017 | DOOR, 19.13" X 8.88"             |
| 8. 965554-03  | DRAWER BOX, 5.625" X 17.25" X 17 |
| 9. 382008     | PULL, DRAWER/DOOR                |
| 10. 345001-08 | SCREW #8-32 X 1"                 |
| 11. 381228-01 | CATCH, GRABBER, DOOR             |
| 381773-17     | DRAWER SLIDE-5.875"X 18.5"       |



# 2007 INTERNATIONAL TRAVEL TRAILER

## FURNITURE, BEDROOM

Bed, 27' Front Bed Signature Curbside Twin, Wenge



Part numbers on the next page

# 2007 INTERNATIONAL TRAVEL TRAILER

## FURNITURE, BEDROOM

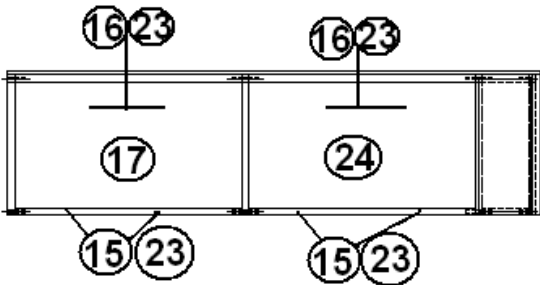
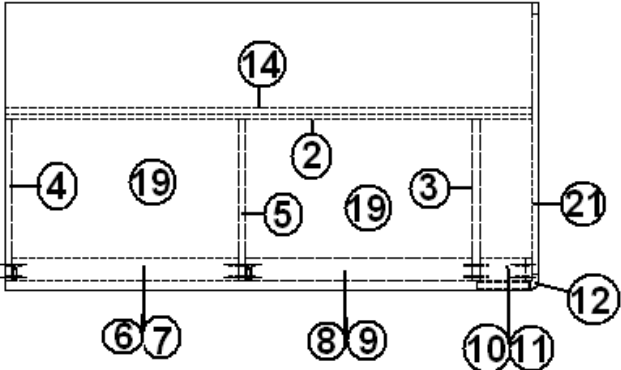
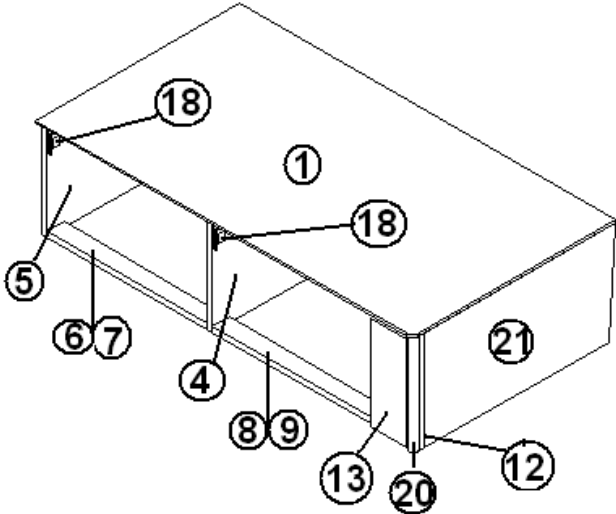
Bed, 27' Front Bed Signature Curbside Twin, Wenge

966856	BED ASSY, CS TWIN
1. 966856-1	LAUAN, BED TOP
2. 966856-2	PANEL, 56.69" X 15.13"
3. 966856-3	PANEL, 17.50" X 15.13"
4. 966856-4	PANEL, 17.50" X 15.13"
5. 966856-5	PANEL, 17.50" X 15.13"
6. 966856-6	PANEL, 2.50" X 24.38"
7. 966856-7	PANEL, 2.50" X 24.38"
8. 966856-8	PANEL, 2.50" X 24.38"
9. 966856-9	PANEL, 2.50" X 24.38"
10. 966856-10	PANEL, 2.5" X 4.94"
11. 966856-11	PANEL, 2.5" X 4.94"
12. 966856-12	PANEL, 1.5" X 15.13"
13. 966856-13	PANEL, 5.56" X 14.25"
14. 800025-01	PINE, 3/4" X 3/4", 4' 3" LONG
15. 381607	HINGE ASSY
16. 382029-05	HANDLE, BAR 21.33"
17. 966856-17	DOOR, 25" X 14.25"
18. 381228-01	CATCH GRABBER DOOR
19. 203419	BOX STORAGE, 23"L X 16.75"W X 11.88
20. 801706-0016	CORNER TRIM
21. 966856-22	PANEL, 29.50" X 15.13"
22. 345001-08	SCREW #8-32 X 1"
23. 381607-04	HINGE SCREW-GRASS
24. 966856-25	DOOR, 25" X 14.25"

# 2007 INTERNATIONAL TRAVEL TRAILER

## FURNITURE, BEDROOM

Bed, 27' Front Bed Signature Curbside Twin, Ocean Breeze



Part numbers on the next page

# 2007 INTERNATIONAL TRAVEL TRAILER

## FURNITURE, BEDROOM

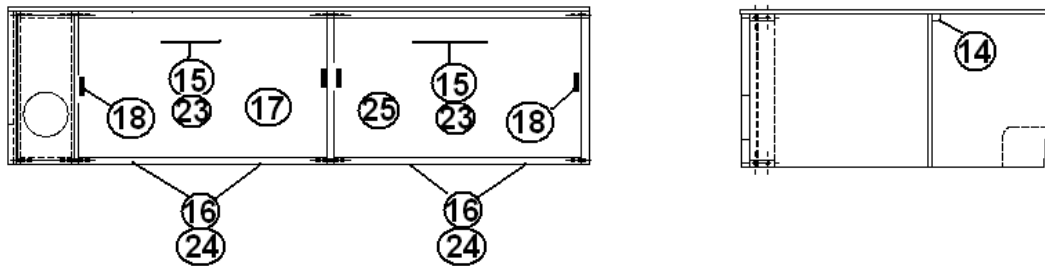
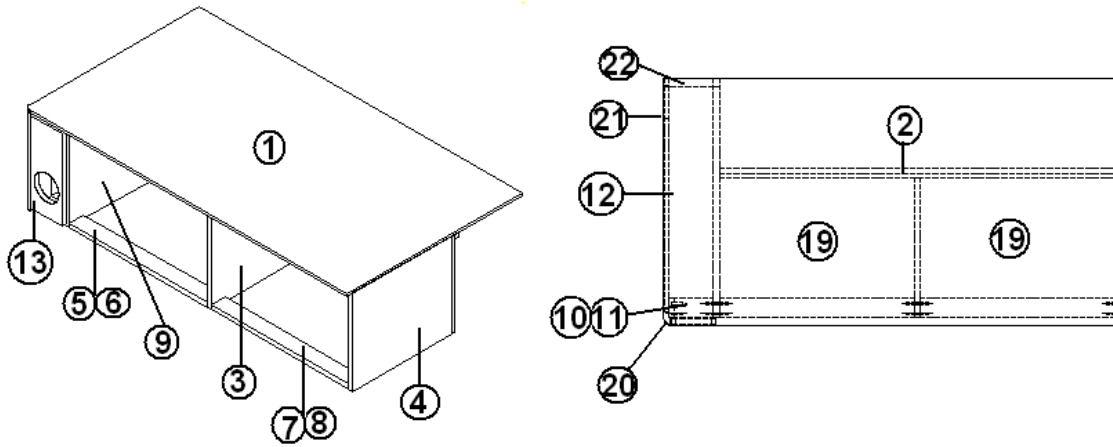
Bed, 27' Front Bed Signature Curbside Twin, Ocean Breeze

966856-01	BED ASSY, CS TWIN
1. 966856-1	LAUAN, BED TOP
2. 966856-012	PANEL, 56.69" X 15.13"
3. 966856-013	PANEL, 17.50" X 15.13"
4. 966856-014	PANEL, 17.50" X 15.13"
5. 966856-015	PANEL, 17.50" X 15.13"
6. 966856-016	PANEL, 2.50" X 24.38"
7. 966856-017	PANEL, 2.50" X 24.38"
8. 966856-018	PANEL, 2.50" X 24.38"
9. 966856-019	PANEL, 2.50" X 24.38"
10. 966856-0110	PANEL, 2.5" X 4.94"
11. 966856-0111	PANEL, 2.5" X 4.94"
12966856-0112	PANEL, 1.5" X 15.13"
13. 966856-0113	PANEL, 5.56" X 14.25"
14. 800025-01	PINE, ¾" X ¾", 4' 3 " LONG
15. 381607	HINGE, DOOR
16. 382008	PULL, DRAWER/DOOR
17. 966856-0117	DOOR, 25" X 14.25"
18. 381228-01	CATCH GRABBER DOOR
19. 203419	BOX STORAGE, 23"L X 16.75"W X 11.88
20. 801706-WH	CORNER TRIM
21. 966856-0122	PANEL, 29.50" X 15.13"
22. 345001-08	SCREW #8-32 X 1"
23. 381607-04	HINGE SCREW-GRASS
24. 966856-0125	DOOR, 25" X 14.25"

# 2007 INTERNATIONAL TRAVEL TRAILER

## FURNITURE, BEDROOM

Bed, 27' Front Bed Signature, Roadside Twin, Wenge



Part numbers on the next page

# 2007 INTERNATIONAL TRAVEL TRAILER

## FURNITURE, BEDROOM

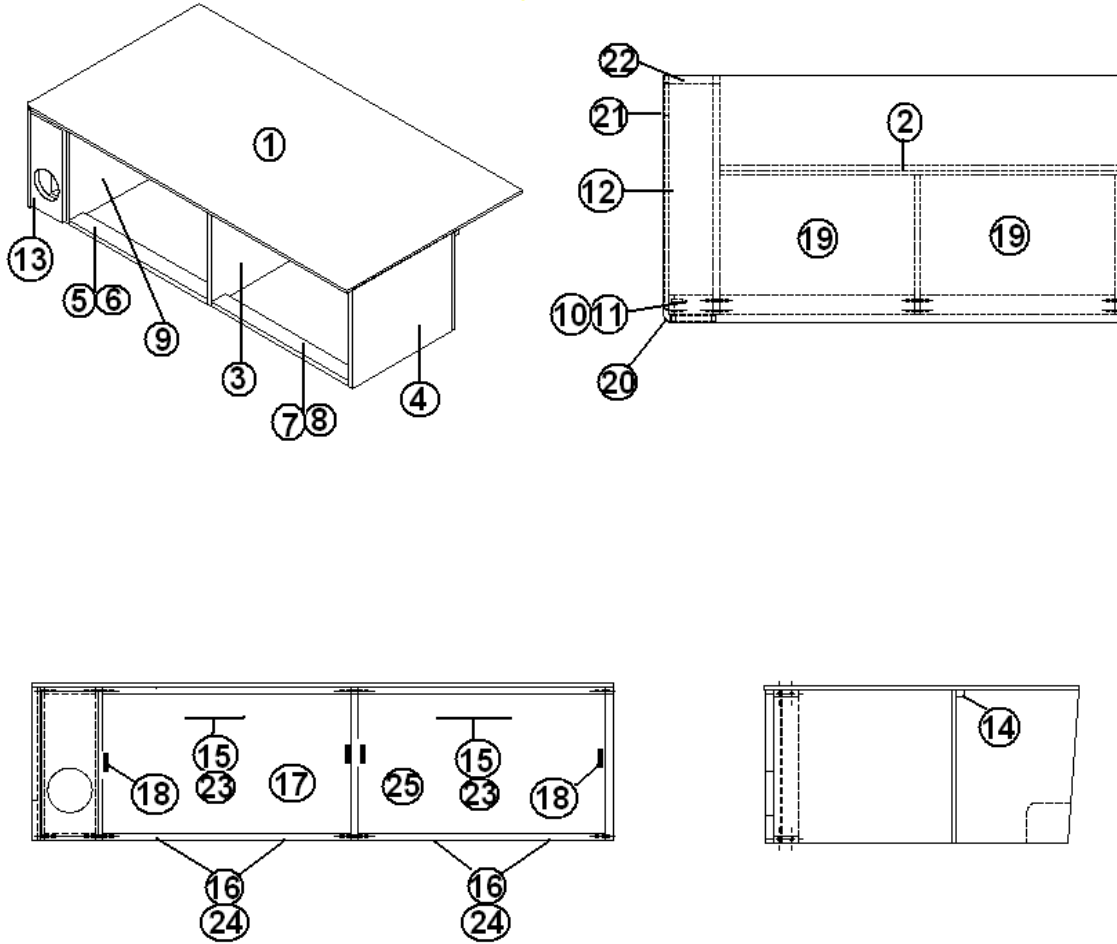
Bed, 27' Front Bed Signature, Roadside Twin, Wenge

966857	BED ASSY-RS TWIN
1. 966857-1	LAUAN, BED TOP
2. 966857-2	PANEL, 50.25" X 15.13"
3. 966857-3	PANEL, 17.50" X 15.13"
4. 966857-4	PANEL, 17.50" X 15.13"
5. 966857-5	PANEL, 2.50" X 24.38"
6. 966857-6	PANEL, 2.50" X 24.38"
7. 966857-7	PANEL, 2.50" X 24.38"
8. 966857-8	PANEL, 2.50" X 24.38"
9. 966857-9	PANEL, 30" X 15.13"
10. 966857-10	PANEL, 2.5" X 4.94"
11. 966857-11	PANEL, 2.5" X 4.94"
12. 966857-12	PANEL, 2.5" X 15.13"
13. 966857-13	PANEL, 5.56" X 14.25"
14. 800025-01	PINE, 3/4" X 3/4", 4' 3" LONG
15. 382029-05	HANDLE, BAR 21.33"
16. 381607	HINGE ASSY
17. 966857-17	DOOR, 25" X 14.25"
18. 381228-01	CATCH GRABBER DOOR
19. 203419	BOX STORAGE, 23"L X 16.75"W X 11.88
20. 801706-0016	CORNER TRIM
21. 966857-22	PANEL, 29.50" X 15.13"
22. 114879-201	ALUMINUM SHEET, 15.13" X 6.94"
23. 345001-08	SCREW #8-32 X 1"
24. 381607-04	HINGE SCREW-GRASS
25. 966857-26	DOOR, 25" X 14.25"

# 2007 INTERNATIONAL TRAVEL TRAILER

## FURNITURE, BEDROOM

Bed, 27' Front Bed Signature, Roadside Twin, Ocean Breeze



Part numbers on the next page

# 2007 INTERNATIONAL TRAVEL TRAILER

## FURNITURE, BEDROOM

Bed, 27' Front Bed Signature, Roadside Twin, Ocean Breeze

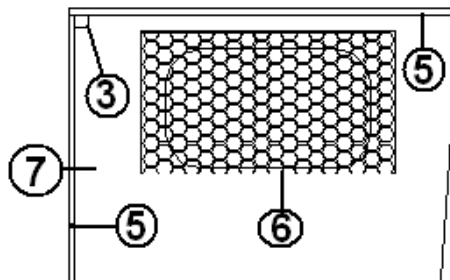
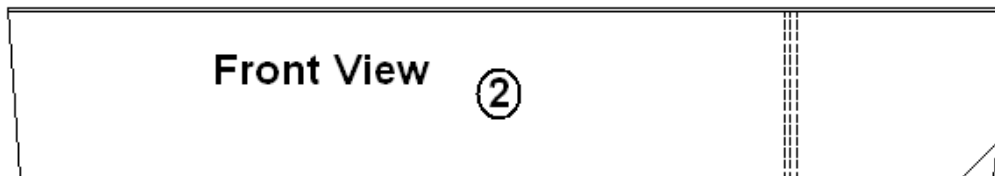
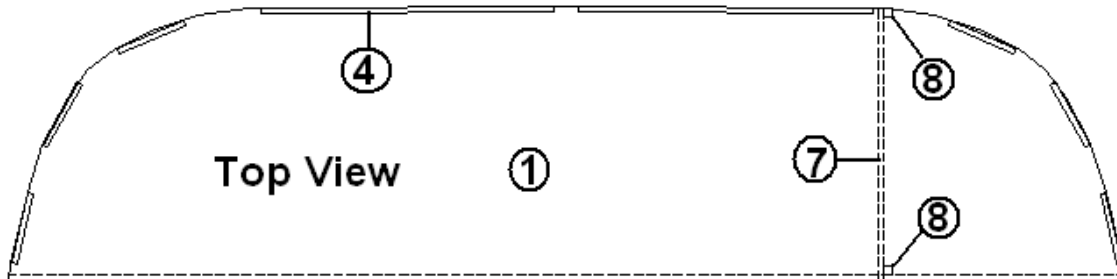
966857-01	BED ASSY-RS TWIN
1. 966857-011	LAUAN, BED TOP
2. 966857-012	PANEL, 50.25" X 15.13"
3. 966857-013	PANEL, 17.50" X 15.13"
4. 966857-014	PANEL, 17.50" X 15.13"
5. 966857-015	PANEL, 2.50" X 24.38"
6. 966857-016	PANEL, 2.50" X 24.38"
7. 966857-017	PANEL, 2.50" X 24.38"
8. 966857-018	PANEL, 2.50" X 24.38"
9. 966857-019	PANEL, 30" X 15.13"
10. 966857-0110	PANEL, 2.5" X 4.94"
11. 966857-0111	PANEL, 2.5" X 4.94"
12. 966857-0112	PANEL, 2.5" X 15.13"
13. 966857-0113	PANEL, 5.56" X 14.25"
14. 800025-01	PINE, 3/4" X 3/4", 4' 3" LONG
15. 382008	PULL, DRAWER/DOOR
16. 381607	HINGE, DOOR
17. 966857-0117	DOOR, 25" X 14.25"
18. 381228-01	CATCH GRABBER DOOR
19. 203419	BOX STORAGE, 23"L X 16.75"W X 11.88
20. 801706-WH	CORNER TRIM
21. 966857-0122	PANEL, 29.50" X 15.13"
22. 114879-201	ALUMINUM SHEET, 15.13" X 6.94"
23. 345001-08	SCREW #8-32 X 1"
24. 381607-04	HINGE SCREW-GRASS
25. 966857-0126	DOOR, 25" X 14.25"



# 2007 INTERNATIONAL TRAVEL TRAILER

## FURNITURE, BEDROOM

Front Storage Box, 25' FB, 27' FB Signature, Wenge

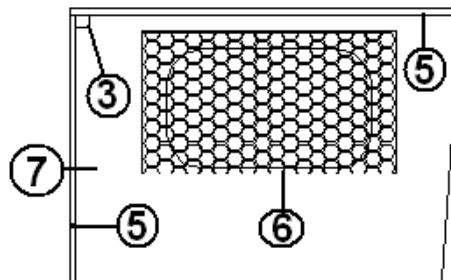
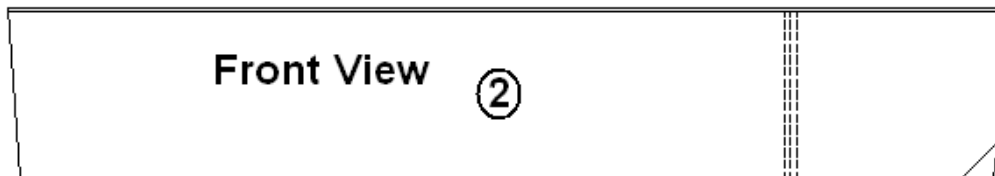
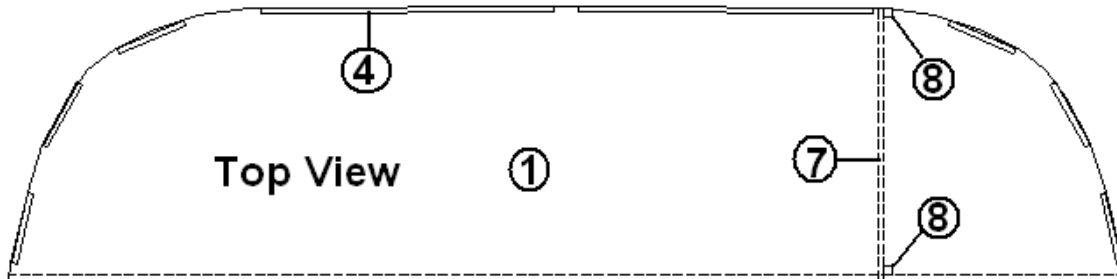


- |              |                                     |
|--------------|-------------------------------------|
| 966858       | Front storage box                   |
| 1. 966858-1  | PANEL, 23" X 93.50"                 |
| 2. 966858-2  | PANEL, 15" X 93.50"                 |
| 3. 800025-01 | PINE 3/4" X 3/4" STAINED, 8" LONG   |
| 4. 100067    | ALUM ANGLE, 1/16" X 1/2" X 1/2"     |
| 5. 701538-01 | CARPET-ECONOLIER                    |
| 6. 453783-05 | GRILL SCREEN                        |
| 7. 966858-8  | PANEL, 15" X 23"                    |
| 8. 800025-01 | PINE 3/4" X 3/4" STAINED, 2.6" LONG |

# 2007 INTERNATIONAL TRAVEL TRAILER

## FURNITURE, BEDROOM

Front Storage Box, 25' FB, 27' FB Signature, Ocean Breeze

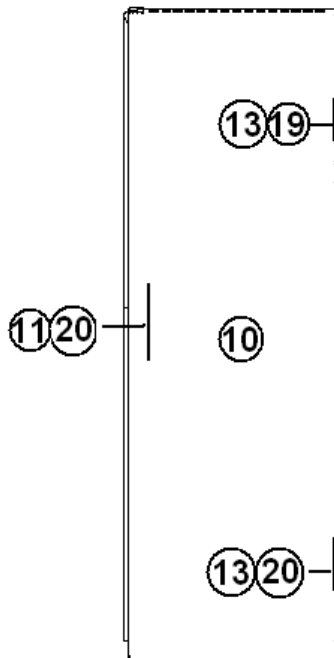
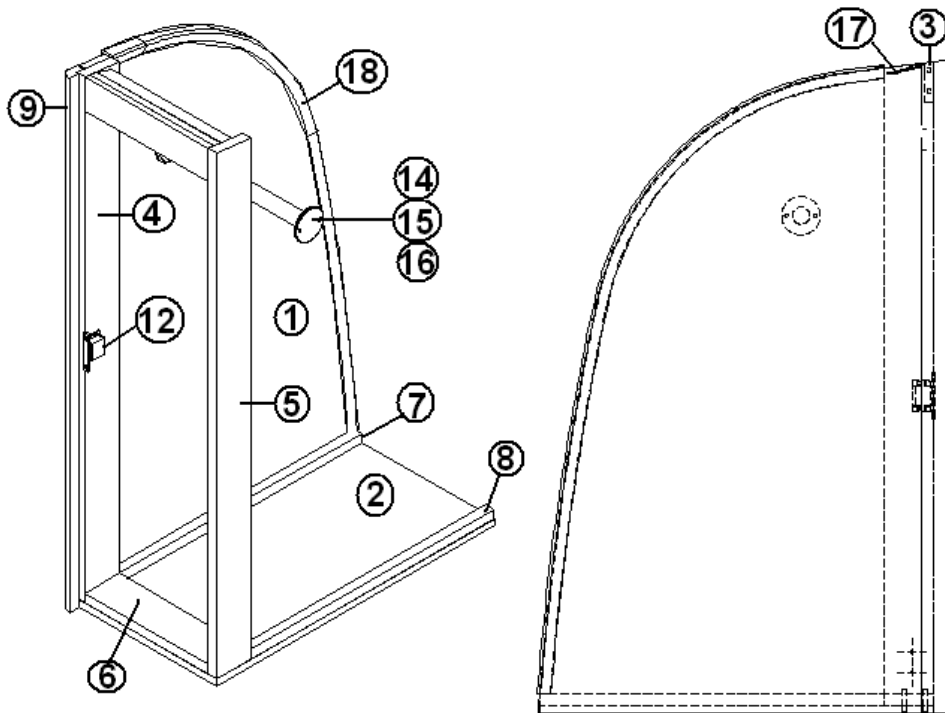


- |               |                                     |
|---------------|-------------------------------------|
| 966858-01     | Front storage box                   |
| 1. 966858-011 | PANEL, 23" X 93.50"                 |
| 2. 966858-012 | PANEL, 15" X 93.50"                 |
| 3. 800025-01  | PINE 3/4" X 3/4" STAINED, 8" LONG   |
| 4. 100067     | ALUM ANGLE, 1/16" X 1/2" X 1/2"     |
| 5. 701538-01  | CARPET-ECONOLIER                    |
| 6. 453783-05  | GRILL SCREEN                        |
| 7. 966858-018 | PANEL, 15" X 23"                    |
| 8. 800025-01  | PINE 3/4" X 3/4" STAINED, 2.6" LONG |

# 2007 INTERNATIONAL TRAVEL TRAILER

## FURNITURE, BEDROOM

Hanging Wardrobe 25' FB, 27' FB Signature, Curbside Twin Bed, Wenge



Part numbers on the next page

# 2007 INTERNATIONAL TRAVEL TRAILER

## FURNITURE, BEDROOM

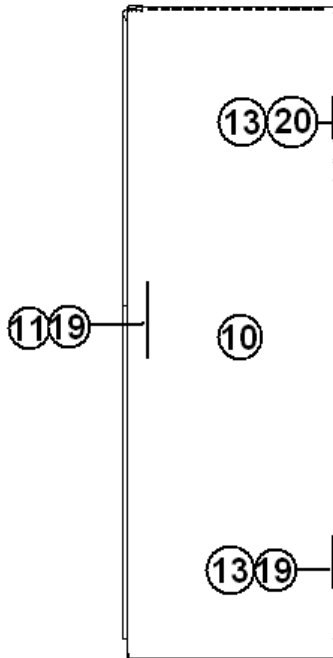
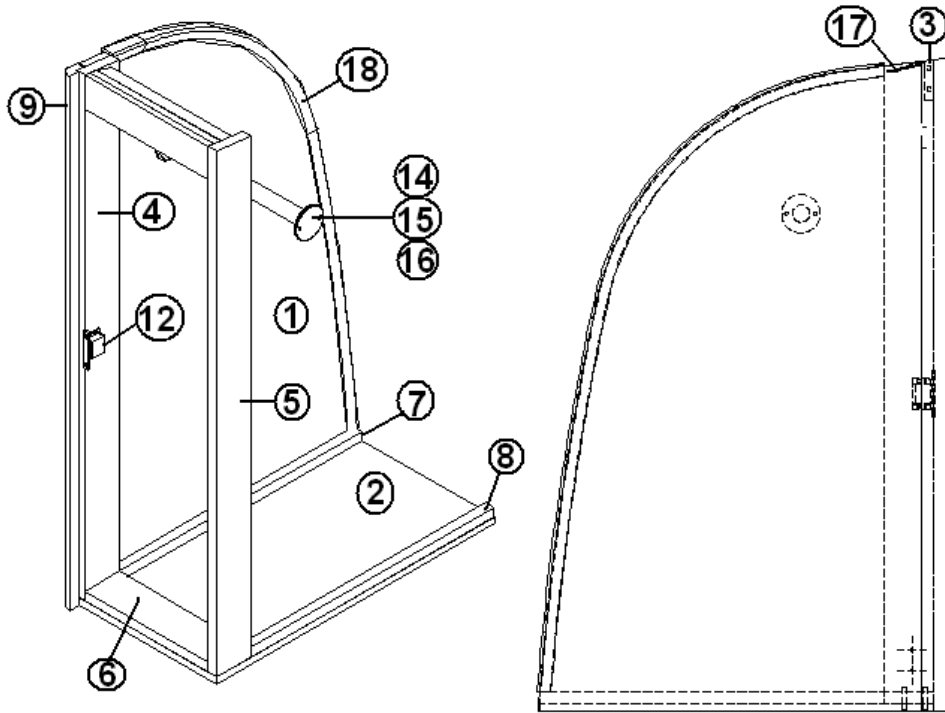
Hanging Wardrobe 25' FB, 27' FB Signature, Curbside Twin Bed,  
Wenge

966852	Hanging Wardrobe, Curbside Twin Bed
1. 966852-1	PANEL, 23.59" X 40.19"
2. 966852-2	PANEL, 24.31" X 12.25"
3. 966852-3	PANEL, 10.75" X 2.50"
4. 966852-4	PANEL, 3.00" X 39.75"
5. 966852-5	PANEL, 3.00" X 39.75"
6. 966852-6	PANEL, 3.00" X 10.75"
7. 966852-7	PANEL, .75" X 21.19"
8. 966852-7	PANEL, .75" X 21.19"
9. 801706-0016	CORNER TRIM
10. 966852-9	DOOR, 11.38" X 38.88"
11. 382029-03	HANDLE, BAR 11.25"
12.381228-01	CATCH, GRABBER DOOR
13.381607	HINGE, ASSEMBLY
14.380046	FLANGE, CHROME
15.380045	TUBING, 3/4"
16.200975-04	CONDUIT, FLEXIBLE BLACK PLASTIC
17.115085	ANGLE, ALUMINUM, ROOFLOCKERS
18.203138-05	EXTRUSION, PLASTIC, 1/2", WALL BLACK
19.345001-08	SCREW #8-32 X 1"
20.381607-04	HINGE SCREW-GRASS

# 2007 INTERNATIONAL TRAVEL TRAILER

## FURNITURE, BEDROOM

Hanging Wardrobe, 25' FB, 27' FB Signature, Curbside Twin Bed, Ocean Breeze



Part numbers on the next page

# 2007 INTERNATIONAL TRAVEL TRAILER

## FURNITURE, BEDROOM

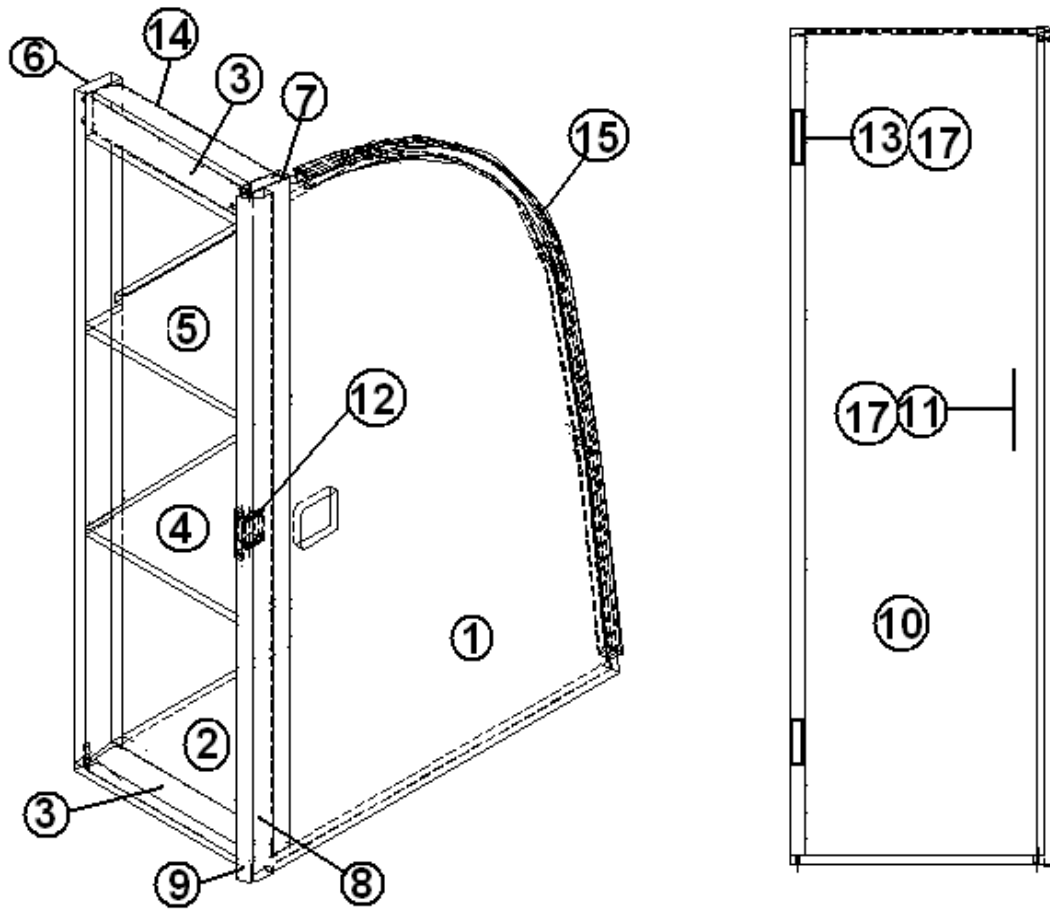
Hanging Wardrobe, 25' FB, 27' FB Signature, Curbside Twin Bed,  
Ocean Breeze

966852-01	Hanging Wardrobe, Curbside Twin Bed
1. 966852-011	PANEL, 23.59" X 40.19"
2. 966852-012	PANEL, 24.31" X 12.25"
3. 966852-013	PANEL, 10.75" X 2.50"
4. 966852-014	PANEL, 3.00" X 39.75"
5. 966852-015	PANEL, 3.00" X 39.75"
6. 966852-016	PANEL, 3.00" X 10.75"
7. 966852-017	PANEL, .75" X 21.19"
8. 966852-018	PANEL, .75" X 21.19"
9. 801706-WH	CORNER TRIM
10. 966852-019	DOOR, 11.38" X 38.88"
11. 382008	PULL, DRAWER/DOOR
12.381228-01	CATCH, GRABBER DOOR
13.381607	HINGE, DOOR
14.380046	FLANGE, CHROME
15.380045	TUBING, 3/4"
16.200975-04	CONDUIT, FLEXIBLE BLACK PLASTIC
17.115085	ANGLE, ALUMINUM, ROOFLOCKERS
18.203138-01	EXTRUSION, PLASTIC, 1/2", WALL, WHITE
19.345001-08	SCREW #8-32 X 1"
20.381607-04	HINGE SCREW-GRASS

# 2007 INTERNATIONAL TRAVEL TRAILER

## FURNITURE, BEDROOM

Hanging Linen Cabinet, 27' Front Twin Bed Signature, Wenge



Part numbers on the next page

# 2007 INTERNATIONAL TRAVEL TRAILER

## FURNITURE, BEDROOM

### Hanging Linen Cabinet, 27' Front Twin Bed Signature, Wenge

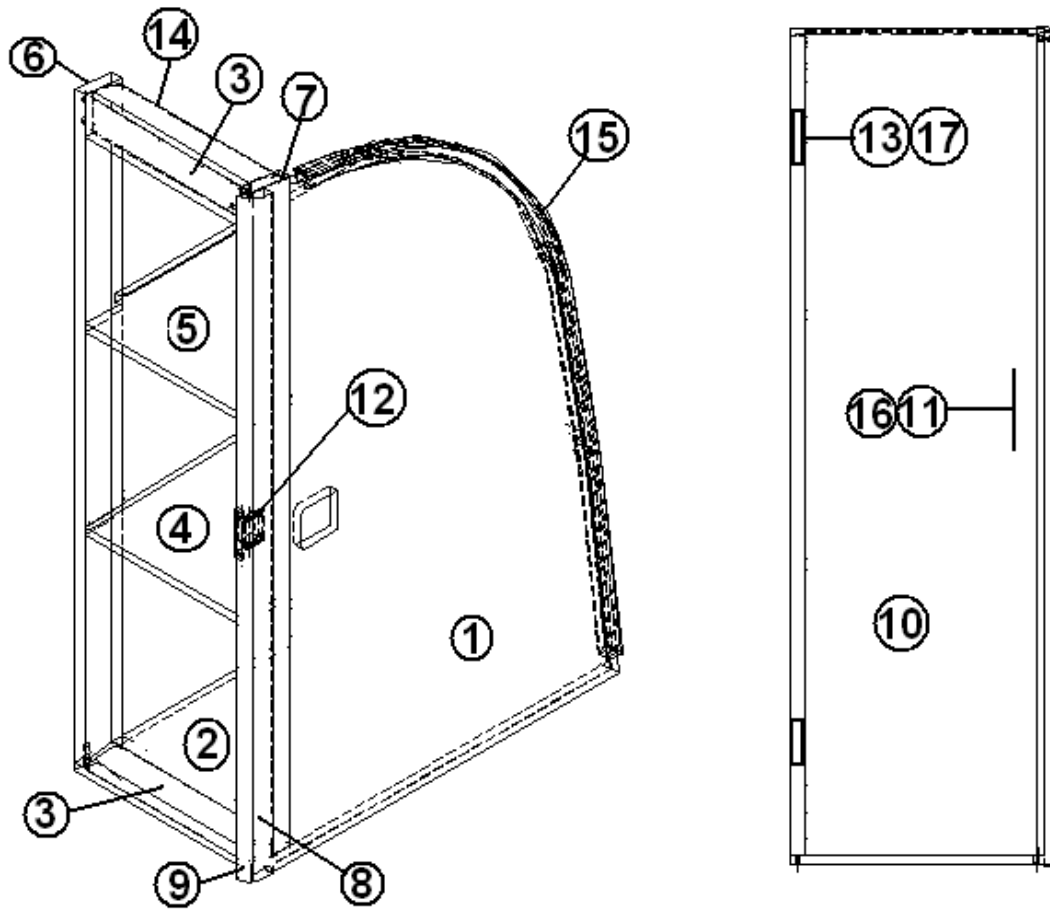
966855	Hanging Linen Cabinet
1. 966855-1	PANEL, 23.59" X 40.19"
2. 966855-2	PANEL, 24.25" X 12.25"
3. 966855-3	PANEL, 10.75" X 2.50"
4. 966855-4	PANEL, 22.50" X 12.25"
5. 966855-5	PANEL, 20.25" X 12.25"
6. 966855-6	PANEL, 2.50" X 39.75"
7. 966855-7	PANEL, 2.50" X 39.75"
8. 966855-8	PANEL, 10.75" X 2.50"
9. 801706-0016	CORNER TRIM
10. 966855-9	DOOR, 11.38" X 38.88"
11. 382029-03	HANDLE, BAR 11.25"
12.381228-01	CATCH, GRABBER DOOR
13.381607	HINGE, ASSEMBLY
14.115085	ANGLE, ALUMINUM, ROOFLOCKERS
15.203138-05	EXTRUSION, PLASTIC, 1/2", WALL BLACK
16.345001-08	SCREW #8-32 X 1"
17.381607-04	HINGE SCREW-GRASS



# 2007 INTERNATIONAL TRAVEL TRAILER

## FURNITURE, BEDROOM

Hanging Linen Cabinet, 27' Front Twin Bed Signature, Ocean Breeze



Part numbers on the next page

# 2007 INTERNATIONAL TRAVEL TRAILER

## FURNITURE, BEDROOM

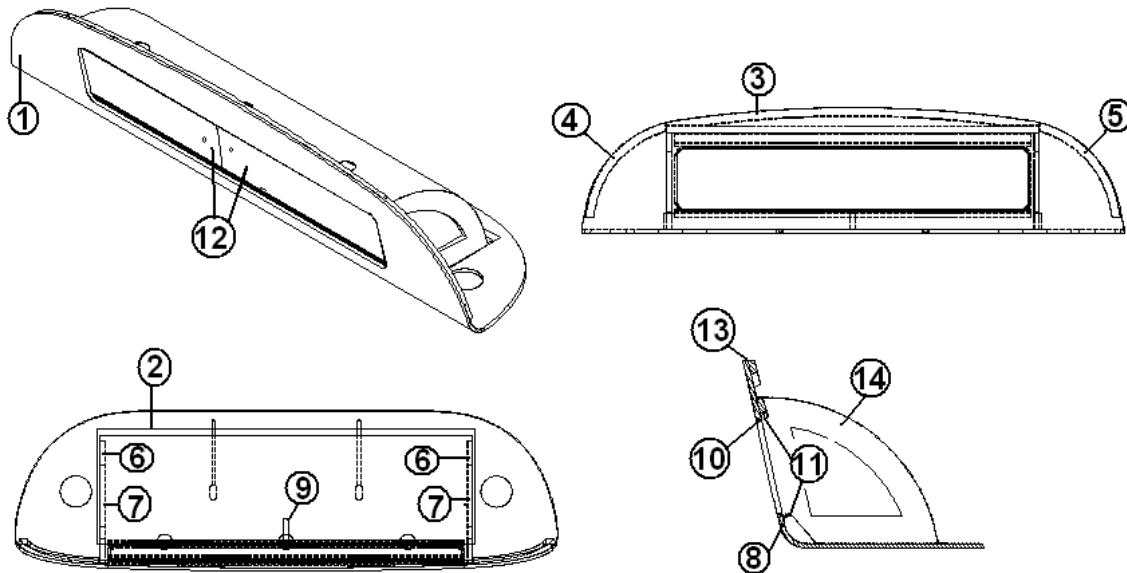
Hanging Linen Cabinet, 27' Front Twin Bed Signature, Ocean Breeze

966855-01	Hanging Linen Cabinet
1. 966855-011	PANEL, 23.59" X 40.19"
2. 966855-012	PANEL, 24.25" X 12.25"
3. 966855-013	PANEL, 10.75" X 2.50"
4. 966855-014	PANEL, 22.50" X 12.25"
5. 966855-015	PANEL, 20.25" X 12.25"
6. 966855-016	PANEL, 2.50" X 39.75"
7. 966855-017	PANEL, 2.50" X 39.75"
8. 966855-018	PANEL, 10.75" X 2.50"
9. 801706-WH	CORNER TRIM
10. 966855-019	DOOR, 11.38" X 38.88"
11. 382008	PULL, DRAWER/DOOR
12.381228-01	CATCH, GRABBER DOOR
13.381607	HINGE, DOOR
14.115085	ANGLE, ALUMINUM, ROOFLOCKERS
15.203138-01	EXTRUSION, PLASTIC, 1/2", WALL, WHITE
16.345001-08	SCREW #8-32 X 1"
17.381607-04	HINGE SCREW-GRASS

# 2007 INTERNATIONAL TRAVEL TRAILER

## FURNITURE, BEDROOM

Roof Locker, 25' FB, 27' FB Signature, Twin & "J" Queen Bed, Front End Liner, Wenge

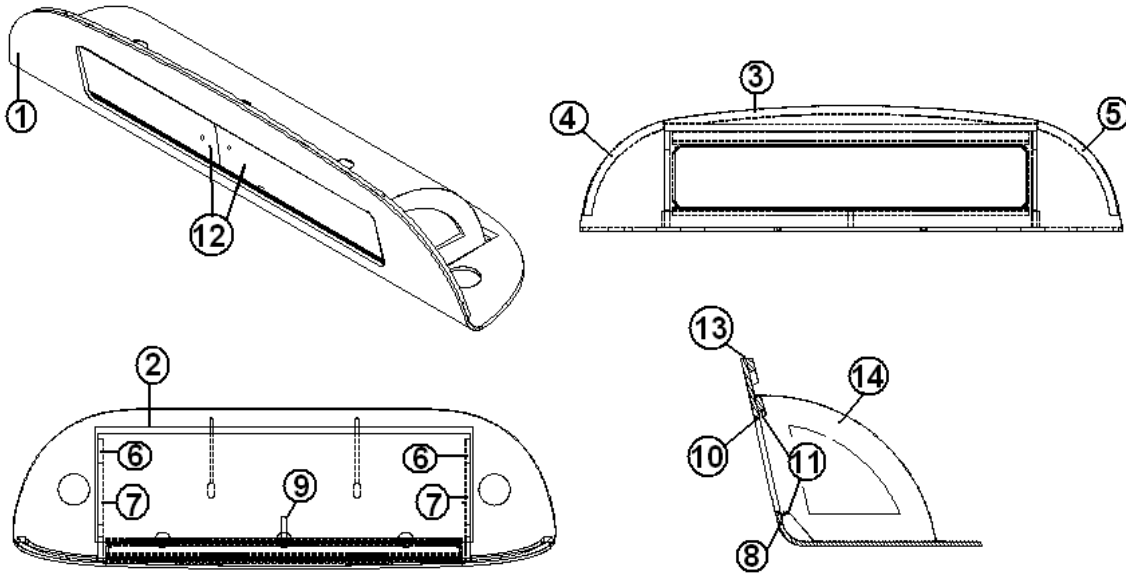


966870	ROOF LOCKER, FRONT END, 27' FB
1. 801723	FACE-FRONT R/L
2. 801355-01	LAMINATE, 21" X 62.25"
3. 801596-01	BACKER W/B LINER LOCKER CTR
4. 801596-02	BACKER W/B LINER LOCKER LH
5. 801596-03	BACKER, LINER LOCKER RH
6. 801594	DIVIDER, LINER LOCKER
7. 801595	DIVIDER, LINER LOCKER
8. 115261-01	ANGLE, LOCKER TRACK SUPPORT
9. 115226-01	BRACKET, LOCKER CTR SUPPORT
10. 203508-01	PLY T-TRIM 9/16"
11. 203388	TRACK, SLIDING DOOR
12. 965563-08	DOOR, SLIDING 11.31" X 30"
13. 201673	REVERSE COVE MOLDING, WHITE
14. 115264-01	PAN, LINER LOCKER W/B FRONT
454613	SPRING, LEAF R/L

# 2007 INTERNATIONAL TRAVEL TRAILER

## FURNITURE, BEDROOM

Roof Locker, 25' FB, 27' FB Signature, Twin & "J" Queen Bed, Front End Liner, Ocean Breeze

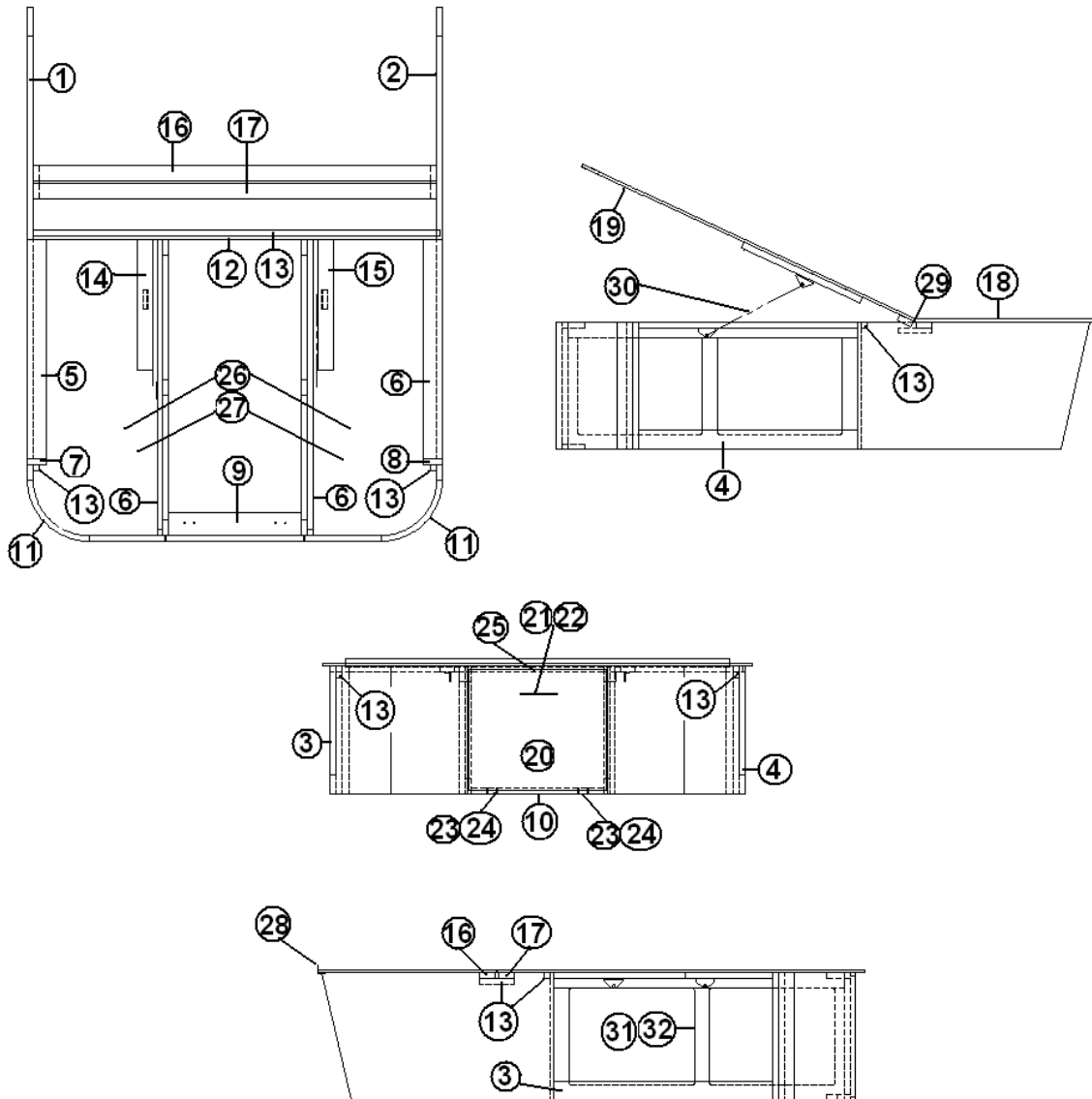


966870-01	ROOF LOCKER, FRONT END, 27' FB
1. 801723	FACE, FRONT R/L 27' FB
2. 801355-01	LAMINATE, 21" X 62.25"
3. 801596-01	BACKER W/B LINER LOCKER CTR
4. 801596-02	BACKER W/B LINER LOCKER LH
5. 801596-03	BACKER, LINER LOCKER RH
6. 801594	DIVIDER, LINER LOCKER
7. 801595	DIVIDER, LINER LOCKER
8. 115261-01	ANGLE, LOCKER TRACK SUPPORT
9. 115226-01	BRACKET, LOCKER CTR SUPPORT
10. 203508-01	PLY T-TRIM 9/16"
11. 203388	TRACK, SLIDING DOOR
12. 203357-03	DOOR, LUMICOR, SLIDING 11.31" X 30"
13. 201673	REVERSE COVE MOLDING, WHITE
14. 115264-01	PAN, LINER LOCKER W/B FRONT
454613	SPRING, LEAF

# 2007 INTERNATIONAL TRAVEL TRAILER

## FURNITURE, BEDROOM

Bed, 27' Front Bed, 28' Signature, "J" & "W" Queen, Wenge



Part numbers on the next page

## 2007 INTERNATIONAL TRAVEL TRAILER

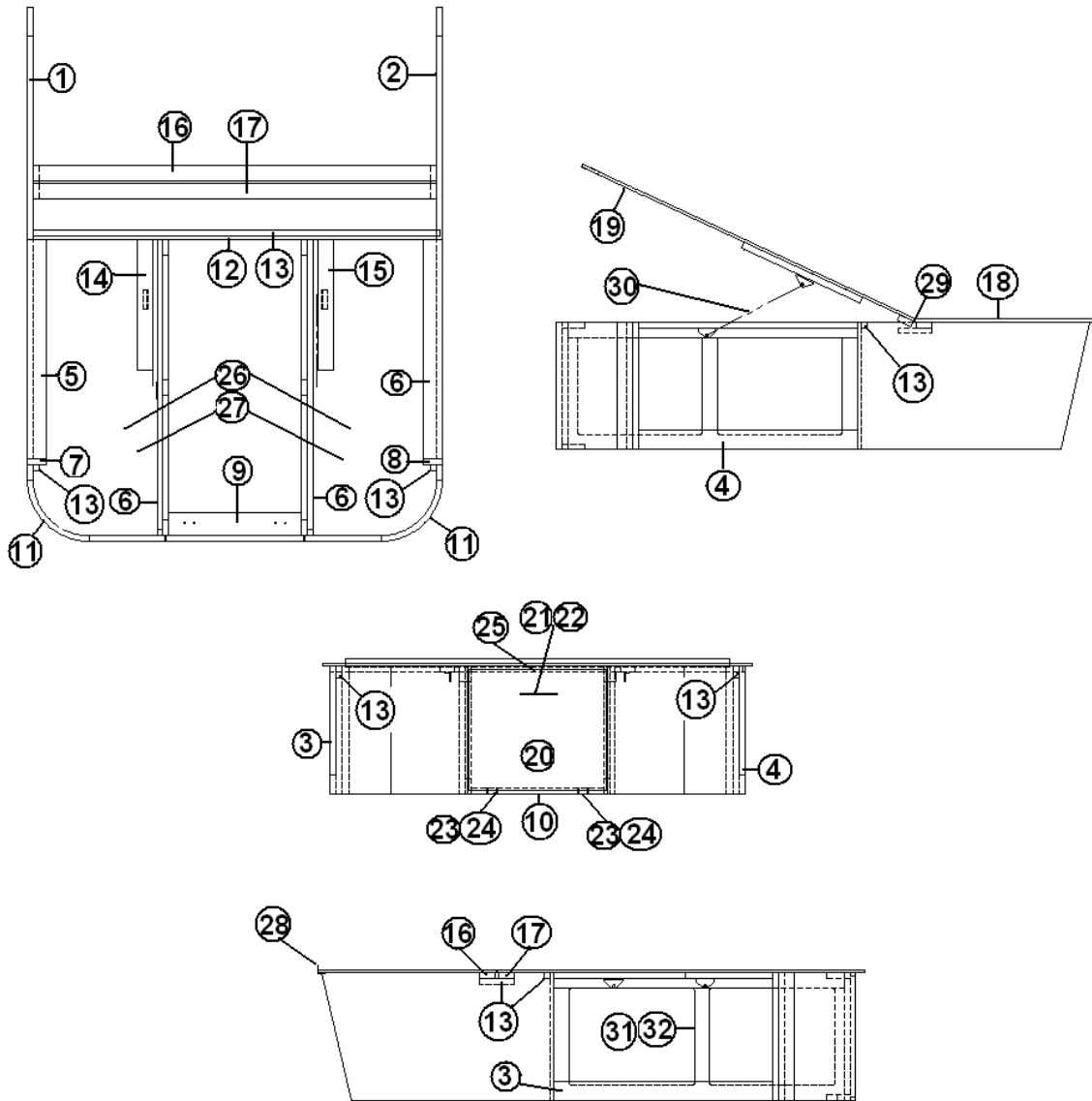
### FURNITURE, BEDROOM

Bed, 27' Front Bed, 28' Signature, "J" & "W" Queen, Wenge	
966863	BED ASSEMBLY, "J" & "W"
1. 966863-1	PANEL, 30.25" X 16.63"
2. 966863-2	PANEL, 30.25" X 16.63"
3. 966863-3	PANEL, 2.50" X 28.50"
4. 966863-4	PANEL, 2.50" X 28.50"
5. 966863-5	PANEL, 2.50" X 28.50"
6. 966863-6	PANEL, 2.50" X 28.50"
7. 966863-7	PANEL, 6.63" X 2.50"
8. 966863-8	PANEL, 6.63" X 2.50"
9. 966863-9	PANEL, 3.00" X 17.25"
10. 966863-10	PANEL, 3.00" X 17.25"
11. 966864	CORNER SUB-ASSY, BED
12. 966863-13	PANEL, 52.50" X 16.63"
13. 800025-01	PINE 3/4" X 3/4" STAINED, 8.72' LONG
14. 850082	POPLAR, .75" X 2.00"
15. 850082	POPLAR, .75" X 2.00"
16. 850082	POPLAR, .75" X 2.00"
17. 850082	POPLAR, .75" X 2.00"
18. 966863-19	LAUAN, 56" X 23.25"
19. 966863-20	LAUAN, 56" X 47.75"
20. 966863-17	DOOR, "J" & "W", 15.75" X 17.88"
21. 382029-04	HANDLE-BAR 15"
22. 345001-08	SCREW #8-32 X 1"
23. 381607	HINGE-ASSEMBLY
24. 381607-04	HINGE SCREW-GRASS
25. 381228-01	CATCH GRABBER DOOR
26. 203419	BOX STORAGE, 23"L x 16.75"W x 11.88
27. 203439	STORAGE BOX, 17"L X 11.13"W X 6.38"
28. 114812	ALUMINUM ANGLE 1.00" X 1.00"
29. 380203-01	HINGE PIANO
30. SPRING-GAS	90 LBS, SEE HARDWARE SECTION
31. 966863-33	PANEL, 2.50" X 39.75"
32. 966863-34	PANEL, 10.75" X 2.50"

# 2007 INTERNATIONAL TRAVEL TRAILER

## FURNITURE, BEDROOM

Bed, 27' Front Bed, 28' Signature, "J" & "W" Queen, Ocean Breeze



Part numbers on the next page

# 2007 INTERNATIONAL TRAVEL TRAILER

## FURNITURE, BEDROOM

Bed, 27' Front Bed, 28' Signature, "J" & "W" Queen, Ocean Breeze

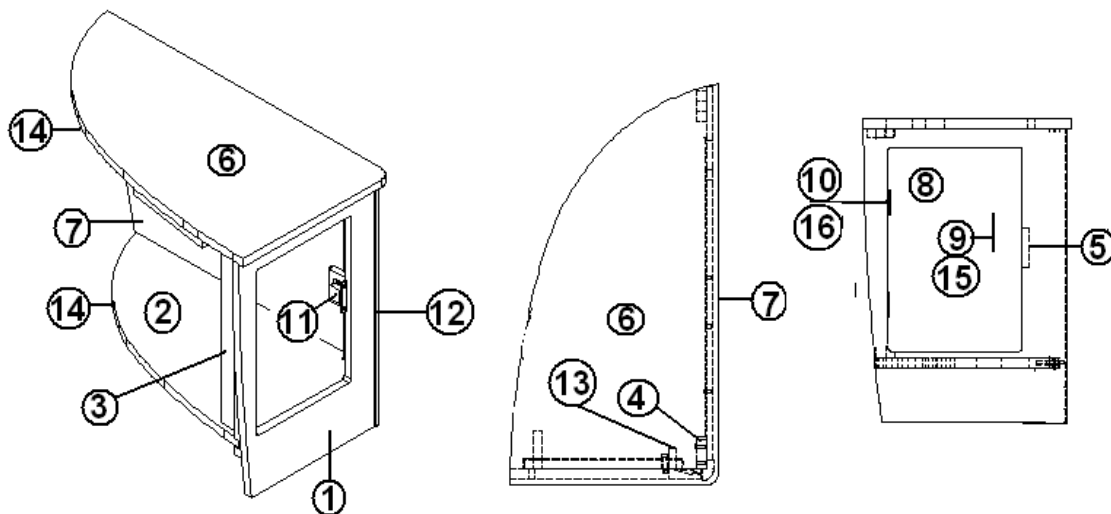
966863-01	BED ASSEMBLY, "J" & "W"
1. 966863-011	PANEL, 30.25" X 16.63"
2. 966863-012	PANEL, 30.25" X 16.63"
3. 966863-013	PANEL, 2.50" X 28.50"
4. 966863-014	PANEL, 2.50" X 28.50"
5. 966863-015	PANEL, 2.50" X 28.50"
6. 966863-016	PANEL, 2.50" X 28.50"
7. 966863-017	PANEL, 6.63" X 2.50"
8. 966863-018	PANEL, 6.63" X 2.50"
9. 966863-019	PANEL, 3.00" X 17.25"
10. 966863-0110	PANEL, 3.00" X 17.25"
11. 966864-01	CORNER SUB-ASSY, BED
12. 966863-0113	PANEL, 52.50" X 16.63"
13. 800025-01	PINE 3/4" X 3/4" STAINED, 8.72' LONG
14. 850082	POPLAR, .75" X 2.00"
15. 850082	POPLAR, .75" X 2.00"
16. 850082	POPLAR, .75" X 2.00"
17. 850082	POPLAR, .75" X 2.00"
18. 966863-0119	LAUAN, 56" X 23.25"
19. 966863-0120	LAUAN, 56" X 47.75"
20. 966863-0117	DOOR, "J" & "W", 15.75" X 17.88"
21. 382008	PULL, DRAWER/DOOR
22. 345001-08	SCREW #8-32 X 1"
23. 381607	HINGE, DOOR
24. 381607-04	HINGE SCREW-GRASS
25. 381228-01	CATCH GRABBER DOOR
26. 203419	BOX STORAGE, 23"L x 16.75"W x 11.88
27. 203439	STORAGE BOX, 17"L X 11.13"W X 6.38"
28. 114812	ALUMINUM ANGLE 1.00" X 1.00"
29. 380203-01	HINGE PIANO
30. SPRING-GAS 90	LBS, SEE HARDWARE SECTION
31. 966863-0133	PANEL, 2.50" X 39.75"
32. 966863-0134	PANEL, 10.75" X 2.50"



# 2007 INTERNATIONAL TRAVEL TRAILER

## FURNITURE, BEDROOM

Nightstand, 27' Front Bed Signature "J" Bedroom, LH, Wenge

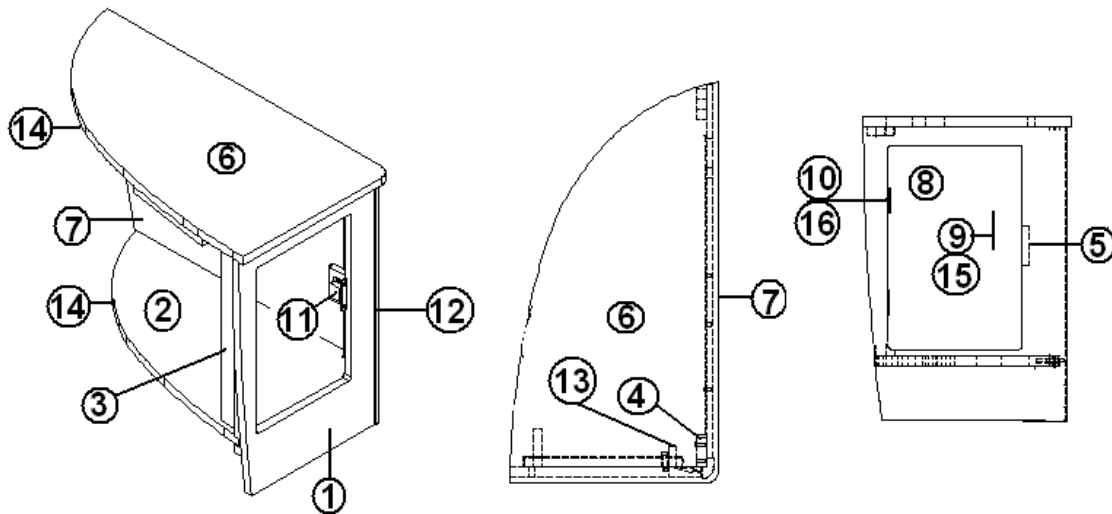


966868	NIGHTSTAND ASSY, LH
1. 966868-1	PANEL, 1.78" X 22.75"
2. 966868-2	PANEL, 27.69" X 14.13"
3. 966868-3	PANEL, 3.00" X 17.75"
4. 966868-4	PANEL, 2.25" X 27.75"
5. 966868-5	PANEL, 3.00" X 1.63"
6. 966868-6	PANEL, 16.09" X 31.06",
7. 966868-7	PANEL, 28.84" X 22.75"
8. 966868-8	DOOR, 9.88" X 15.31"
9. 382029-00	HANDLE-BAR 7.48"
10. 381607	HINGE-ASSEMBLY
11. 381228-01	CATCH GRABBER DOOR
12. 801706-0016	CORNER TRIM 90D 1"
13. 800025-01	PINE 3/4" X 3/4" STAINED
14. 201673	REVERSE COVE MOLDING, WHITE
15. 345001-08	SCREW #8-32 X 1"
16. 381607-04	HINGE SCREW-GRASS

# 2007 INTERNATIONAL TRAVEL TRAILER

## FURNITURE, BEDROOM

Nightstand, 27' Front Bed Signature "J" Bedroom, LH, Ocean Breeze

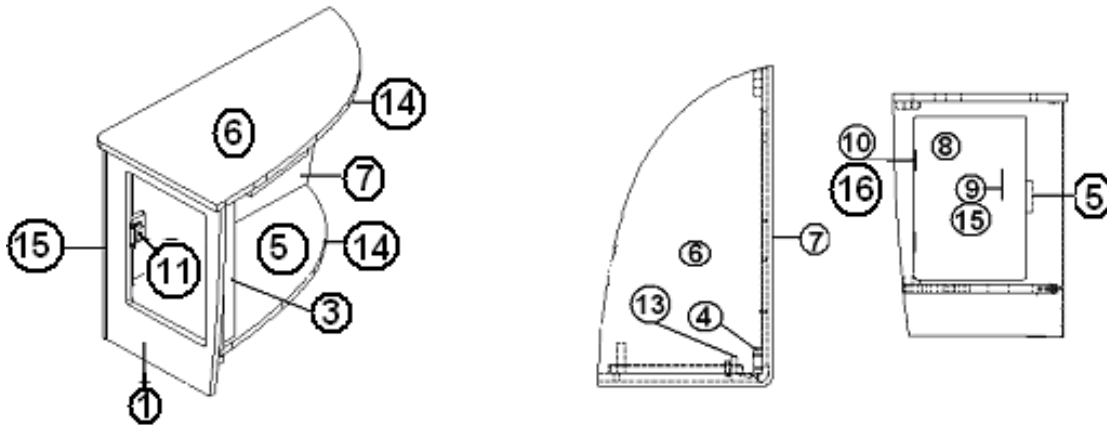


966868-01	NIGHTSTAND ASSY, LH
1. 966868-011	PANEL, 1.78" X 22.75"
2. 966868-012	PANEL, 27.69" X 14.13"
3. 966868-013	PANEL, 3.00" X 17.75"
4. 966868-014	PANEL, 2.25" X 27.75"
5. 966868-015	PANEL, 3.00" X 1.63"
6. 966868-016	PANEL, 16.09"X31.06"
7. 966868-017	PANEL, 28.84" X 22.75"
8. 966868-018	DOOR, 9.88" X 15.31"
9. 382008	PULL, DRAWER/DOOR
10. 381607	HINGE, DOOR
11. 381228-01	CATCH GRABBER DOOR
12.801706-WH	CORNER TRIM 90D 1"
13.800025-01	PINE 3/4" X 3/4" STAINED
14.201673	REVERSE COVE MOLDING, WHITE
15.345001-08	SCREW #8-32 X 1"
16.381607-04	HINGE SCREW-GRASS

# 2007 INTERNATIONAL TRAVEL TRAILER

## FURNITURE, BEDROOM

Nightstand, 27' Front Bed Signature, RH "J" Bedroom, Wenge

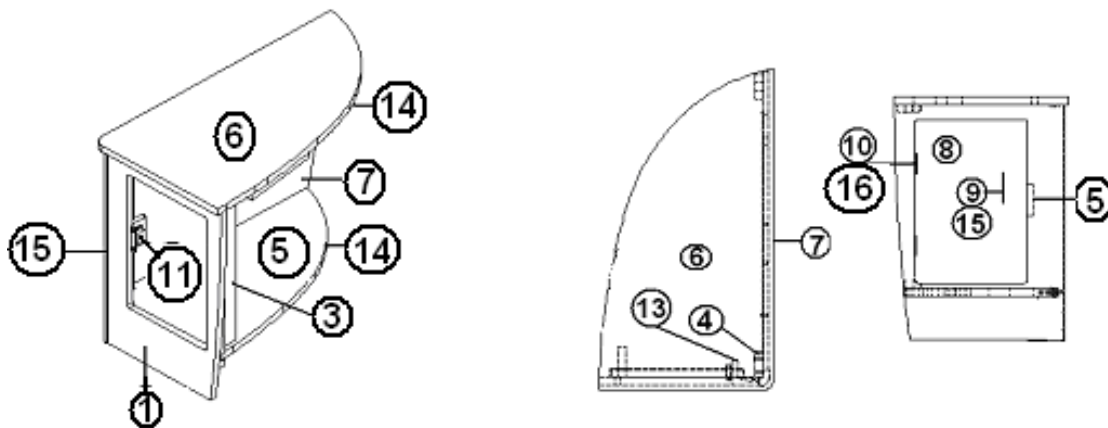


966851	NIGHTSTAND ASSY, RH
1. 966851-1	PANEL, 1.78" X 22.75"
2. 966851-2	PANEL, 27.69" X 14.13"
3. 966851-3	PANEL, 3.00" X 17.75"
4. 966851-4	PANEL, 2.25" X 27.75"
5. 966851-5	PANEL, 3.00" X 1.63",
6. 966851-6	PANEL, 16.09" X 31.06"
7. 966851-7	PANEL, 28.84" X 22.75"
8. 966851-8	DOOR, 9.88" X 15.31"
9. 382029-00	HANDLE-BAR 7.48"
10. 381607	HINGE-ASSEMBLY
11. 381228-01	CATCH GRABBER DOOR
12. 801706-0016	CORNER TRIM 90D 1"
13. 800025-01	PINE 3/4" X 3/4" STAINED
14. 201673	REVERSE COVE MOLDING, WHITE
15. 345001-08	SCREW #8-32 X 1"
16. 381607-04	HINGE SCREW-GRASS

# 2007 INTERNATIONAL TRAVEL TRAILER

## FURNITURE, BEDROOM

Nightstand, 27' Front Bed Signature, RH "J" Bedroom, Ocean Breeze

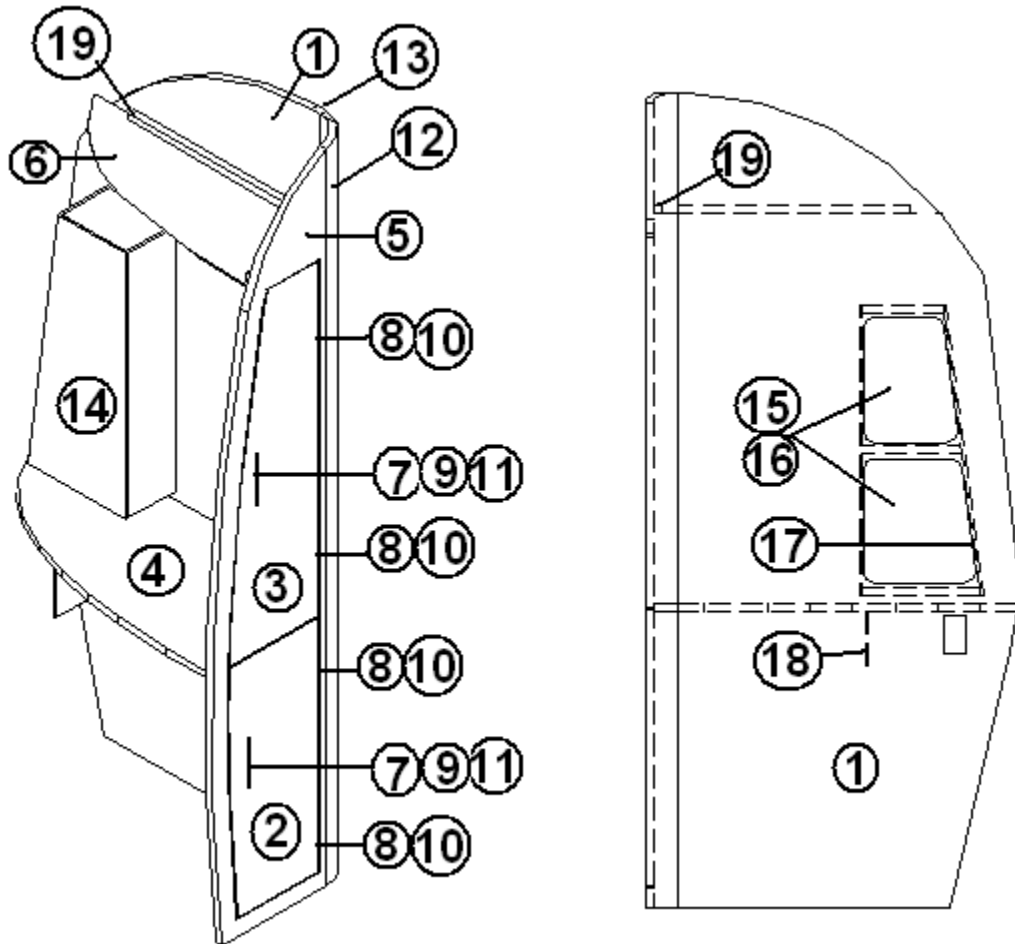


966851-01	NIGHTSTAND ASSY, RH
1. 966851-011	PANEL, 1.78" X 22.75"
2. 966851-012	PANEL, 27.69" X 14.13"
3. 966851-013	PANEL, 3.00" X 17.75"
4. 966851-014	PANEL, 2.25" X 27.75"
5. 966851-015	PANEL, 3.00" X 1.63"
6. 966851-016	PANEL, 16.09"X31.06"
7. 966851-017	PANEL, 28.84" X 22.75"
8. 966851-018	DOOR, 9.88" X 15.31"
9. 382008	PULL, DRAWER/DOOR
10. 381607	HINGE, DOOR
11. 381228-01	CATCH GRABBER DOOR
12. 801706-WH	CORNER TRIM 90D 1"
13. 800025-01	PINE 3/4" X 3/4" STAINED
14. 201673	REVERSE COVE MOLDING, WHITE
15. 345001-08	SCREW #8-32 X 1"
16. 381607-04	HINGE SCREW-GRASS

# 2007 INTERNATIONAL TRAVEL TRAILER

## FURNITURE, BEDROOM

Closet, Left, 27' Front Bed, 28' Signature, "W" Bedroom, Wenge



Part numbers on the next page

# 2007 INTERNATIONAL TRAVEL TRAILER

## FURNITURE, BEDROOM

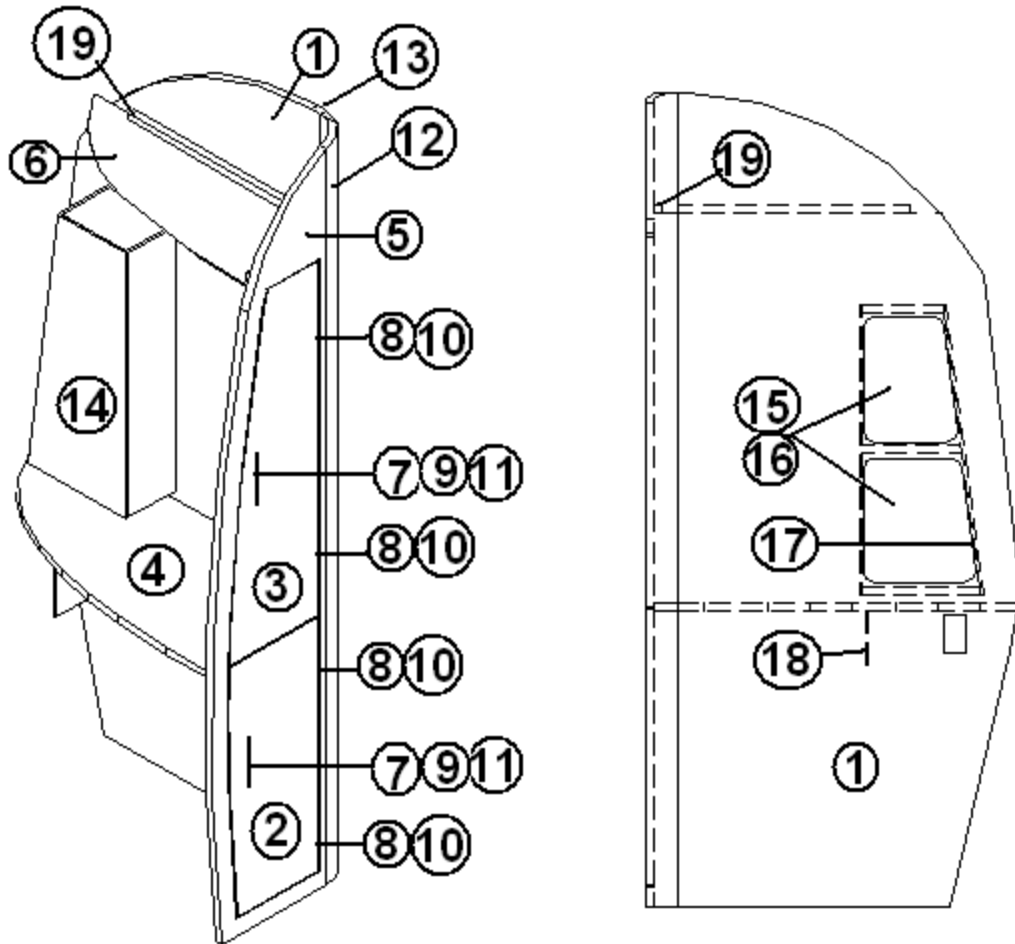
Closet, Left, 27' Front Bed, 28' Signature, "W" Bedroom, Wenge

966871	Closet, Left, "W" Bedroom
1. 966871-1	PANEL, 32.25" X 76.61"
2. 966871-02	DOOR, 10.06" X 26.06"
3. 966871-03	DOOR, 10.06" X 36.50"
4. 966871-4	PANEL, 34.35" X 15.92"
5. 966871-5	PANEL, 13.69" X 75.7", BACKER
6. 966871-6	PANEL, 29" X 10.81", BACKER
7. 382029-00	HANDLE-BAR 7.48"
8. 381607	HINGE-ASSEMBLY
9. 345001-08	SCREW #8-32 X 1"
10. 381607-04	HINGE SCREW-GRASS
11. 381228-01	CATCH, GRABBER DOOR
12. 801345	RADIUS PLYWOOD, .75"X 3"X 8'
13. 801711-01	LAMINATE, WENGE VERTICAL
14. 966875	BOOKSHELF ASSY, CS
15. 386106-01	RACK, MAGAZINE WHITE
16. 386107	ROD, MAGAZINE RACK
17. 203440	T MOLDING, BLACK EMBOSSED .8125
18. 966871-19	PANEL, 5" X 13.78", WHITE/RAW
19. 800025-01	PINE 3/4" X 3/4" STAINED

# 2007 INTERNATIONAL TRAVEL TRAILER

## FURNITURE, BEDROOM

Closet, Left, 27' Front Bed, 28' Signature, "W" Bedroom, Ocean Breeze



Part numbers on the next page

# 2007 INTERNATIONAL TRAVEL TRAILER

## FURNITURE, BEDROOM

Closet, Left, 27' Front Bed, 28' Signature, "W" Bedroom, Ocean Breeze

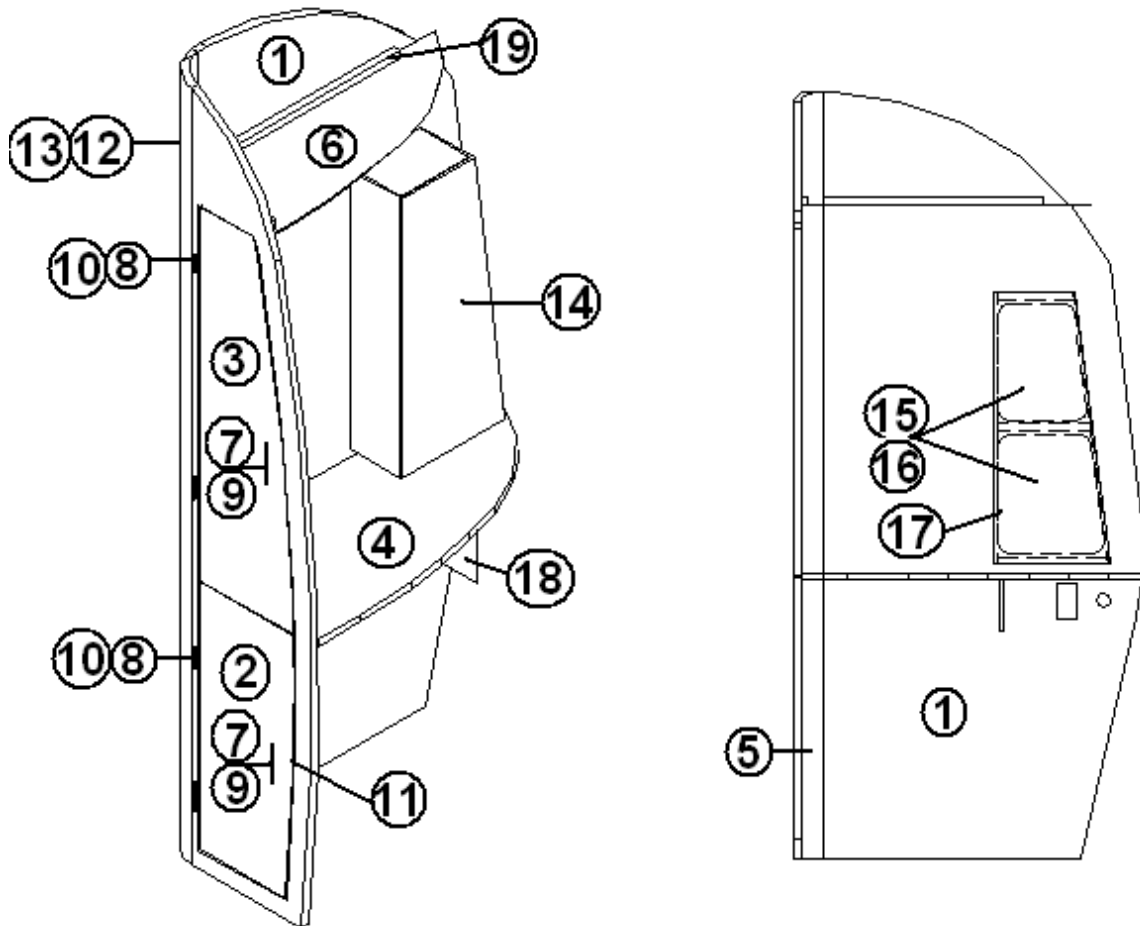
966871-01	Closet, Left, "W" Bedroom
1. 966871-011	PANEL, 32.25" X 76.61"
2. 966871-0102	DOOR, 10.06" X 26.06"
3. 966871-0103	DOOR, 10.06" X 36.50"
4. 966871-014	PANEL, 34.35" X 15.92"
5. 966871-015	PANEL, 13.69" X 75.7"
6. 966871-016	PANEL, 29" X 10.81"
7. 382008	PULL, DRAWER/DOOR
8. 381607	HINGE, DOOR
9. 345001-08	SCREW #8-32 X 1"
10. 381607-04	HINGE SCREW-GRASS
11. 381228-01	CATCH, GRABBER DOOR
12.801345	RADIUS PLYWOOD, .75"X 3"X 8'
13.801355-01	LAMINATE, WHITE
14.966875-01	BOOKSHELF ASSY, CS
15.386106-01	RACK, MAGAZINE WHITE
16.386107	ROD, MAGAZINE RACK
17.203597	T MOLDING, WHITE EMBOSSED .8125
18.966871-0119	PANEL, 5" X 13.78", WHITE/RAW
19.800025-01	PINE 3/4" X 3/4" STAINED



# 2007 INTERNATIONAL TRAVEL TRAILER

## FURNITURE, BEDROOM

Closet, Right Rear, 27' FB, 28' Signature, "W" Bedroom, Wenge



Part numbers on the next page

# 2007 INTERNATIONAL TRAVEL TRAILER

## FURNITURE, BEDROOM

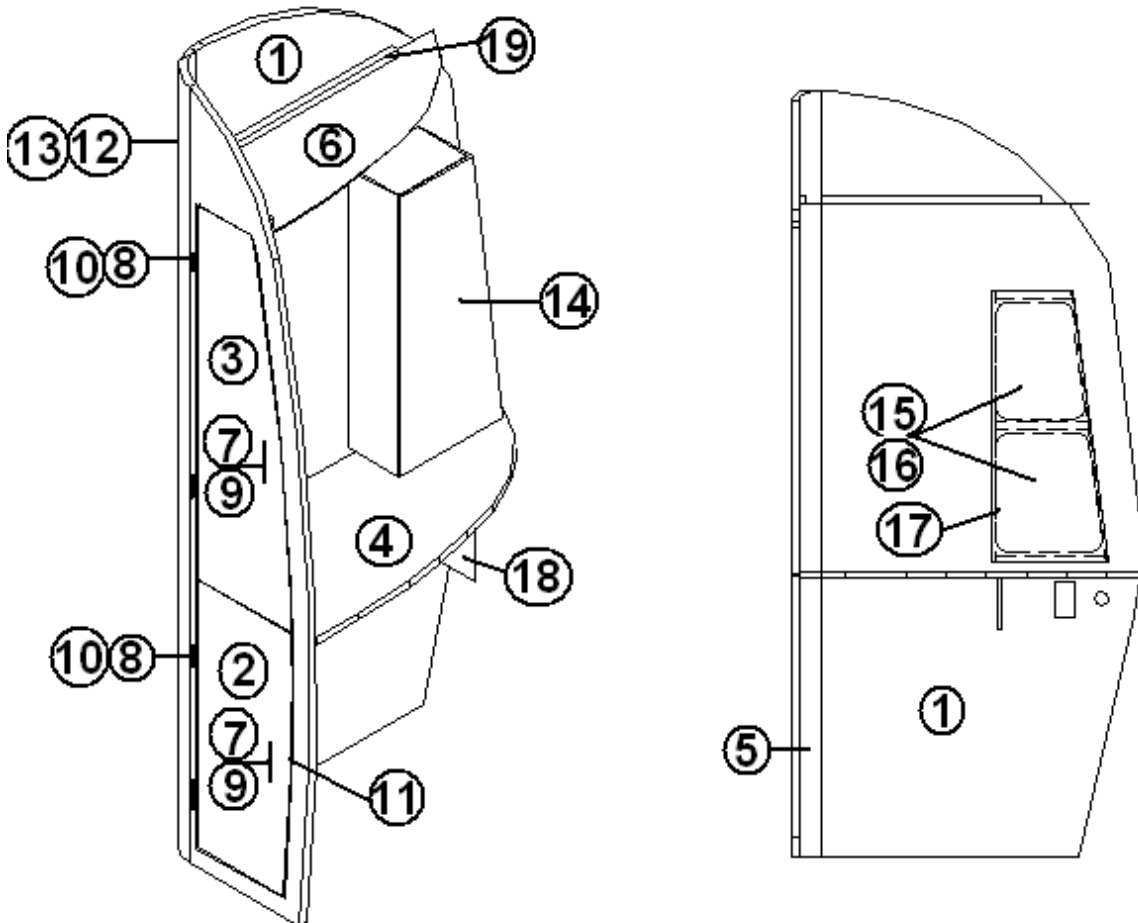
Closet, Right Rear, 27' FB, 28' Signature, "W" Bedroom, Wenge

966872	Closet, Right Rear
1. 966872-1	PANEL, 32.25" X 76.61"
2. 966872-02	DOOR, 10.06" X 26.06"
3. 966872-03	DOOR, 10.06" X 36.50"
4. 966872-4	PANEL, 34.35" X 15.92"
5. 966872-5	PANEL, 13.69" X 75.7", BACKER
6. 966872-6	PANEL, 29" X 10.81", BACKER
7. 382029-00	HANDLE-BAR 7.48"
8. 381607	HINGE-ASSEMBLY
9. 345001-08	SCREW #8-32 X 1"
10. 381607-04	HINGE SCREW-GRASS
11. 381228-01	CATCH, GRABBER DOOR
12.801345	RADIUS PLYWOOD, .75"X 3"X 8'
13.801711-01	LAMINATE, WENGE VERTICAL
14.966874	BOOKSHELF ASSY, CS
15.386106-01	RACK, MAGAZINE WHITE
16.386107	ROD, MAGAZINE RACK
17.203440	T MOLDING, BLACK EMBOSSED .8125
18.966872-19	PANEL, 5" X 13.78", WHITE/RAW
19.800025-01	PINE 3/4" X 3/4" STAINED

# 2007 INTERNATIONAL TRAVEL TRAILER

## FURNITURE, BEDROOM

Closet, Right Rear, 27' FB, 28' Signature, "W" Bedroom, Ocean Breeze



Part numbers on the next page

# 2007 INTERNATIONAL TRAVEL TRAILER

## FURNITURE, BEDROOM

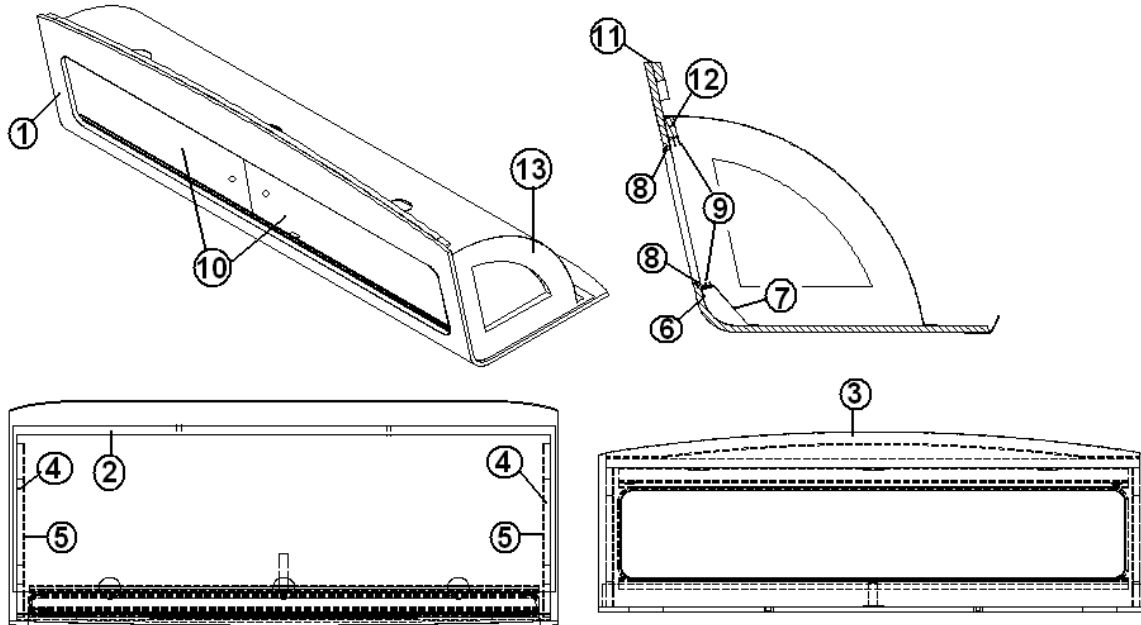
Closet, Right Rear, 27' FB, 28' Signature, "W" Bedroom, Ocean Breeze

966872-01	Closet, Right Rear
1. 966872-011	PANEL, 32.25" X 76.61"
2. 966872-0102	DOOR, 10.06" X 26.06"
3. 966872-0103	DOOR, 10.06" X 36.50"
4. 966872-014	PANEL, 34.35" X 15.92"
5. 966872-015	PANEL, 13.69" X 75.7"
6. 966872-016	PANEL, 29" X 10.81"
7. 382008	PULL, DRAWER/DOOR
8. 381607	HINGE, DOOR
9. 345001-08	SCREW #8-32 X 1"
10. 381607-04	HINGE SCREW-GRASS
11. 381228-01	CATCH, GRABBER DOOR
12.801345	RADIUS PLYWOOD, .75"X 3"X 8'
13.801355-01	LAMINATE, WHITE
14.966874-01	BOOKSHELF ASSY, CS
15.386106-01	RACK, MAGAZINE WHITE
16.386107	ROD, MAGAZINE RACK
17.203597	T MOLDING, WHITE EMBOSSED .8125
18.966872-0119	PANEL, 5" X 13.78", WHITE/RAW
19.800025-01	PINE 3/4" X 3/4" STAINED

# 2007 INTERNATIONAL TRAVEL TRAILER

## FURNITURE, BEDROOM

Roof Locker, 27' FB, 28' Signature, Front End Liner, "W" Bedroom, Wenge

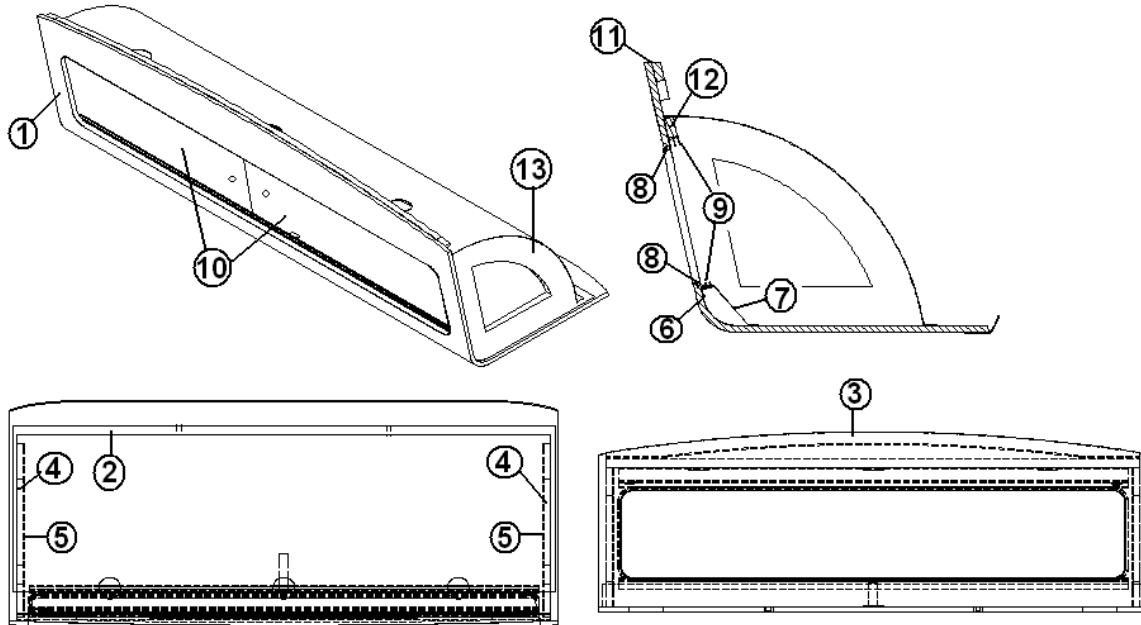


966862	Roof Locker, Front End Liner
1. 801720	ROOF LOCKER FACE
2. 966862-1	LAMINATE, 21" X 62.25", WHITE
3. 801596-01	BACKER W/B LINER LOCKER CTR
4. 801594	DIVIDER, LINER LOCKER
5. 801721	DIVIDER, R/L
6. 115261-01	ANGLE, LOCKER TRACK SUPPORT
7. 115226-01	BRACKET, LOCKER CTR SUPPORT
8. 203445-01	T-MOLDING, .5625" WHITE
9. 203388	TRACK, SLIDING DOOR
10. 965563-08	DOOR, SLIDING 11.31" X 30"
11. 201673	REVERSE COVE MOLDING, WHITE
12. 800028	PINE, 3/4" X 1-1/2"
13. 115264-01	PAN, LINER LOCKER W/B FRONT
454613	SPRING-LEAF R/L

# 2007 INTERNATIONAL TRAVEL TRAILER

## FURNITURE, BEDROOM

Roof Locker, 27' FB, 28' Signature, Front End Liner, "W" Bedroom, Ocean Breeze

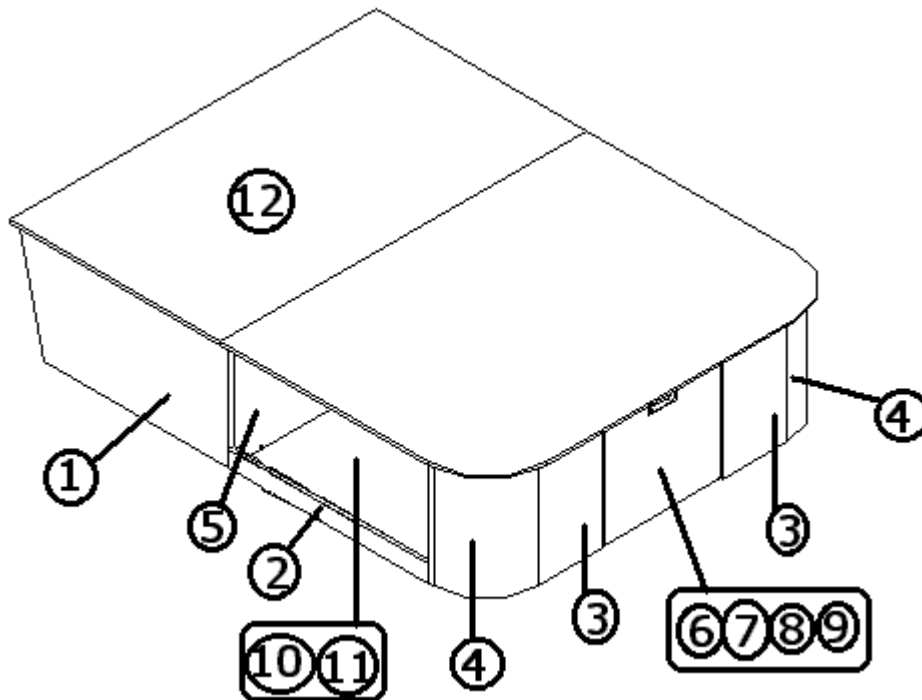


- |               |                                     |
|---------------|-------------------------------------|
| 966862-01     | Roof Locker, Front End Liner        |
| 1. 801720     | ROOF LOCKER FACE                    |
| 2. 966862-011 | LAMINATE, 21" X 62.25", WHITE       |
| 3. 801596-01  | BACKER W/B LINER LOCKER CTR         |
| 4. 801594     | DIVIDER, LINER LOCKER               |
| 5. 801721     | DIVIDER, R/L                        |
| 6. 115261-01  | ANGLE, LOCKER TRACK SUPPORT         |
| 7. 115226-01  | BRACKET, LOCKER CTR SUPPORT         |
| 8. 203508-01  | T-MOLDING, .5625" ply               |
| 9. 203388     | TRACK, SLIDING DOOR                 |
| 10. 203357-03 | DOOR, LUMICOR, SLIDING 11.31" X 30" |
| 11. 201673    | REVERSE COVE MOLDING, WHITE         |
| 12. 800028    | PINE, 3/4" X 1-1/2"                 |
| 13. 115264-01 | PAN, LINER LOCKER W/B FRONT         |
| 454613        | SPRING-LEAF R/L INT                 |

# 2007 INTERNATIONAL TRAVEL TRAILER

## FURNITURE, BEDROOM

### Bed Base, 28'

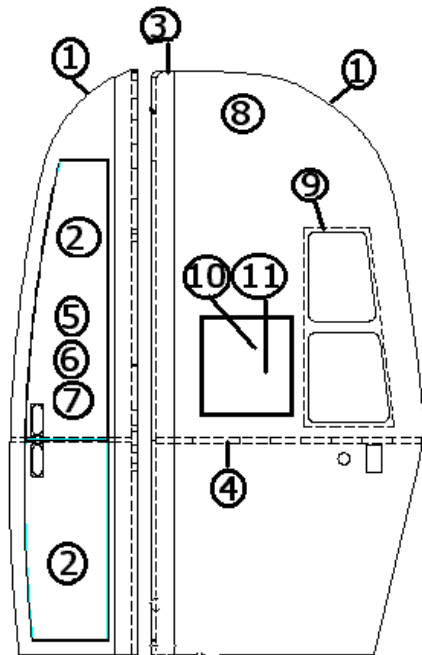


965988	Bed Base, 28'
1. 801436-01	Panel, black Maple/White liner, 18mm
2. 801368	Laminate, white liner/white liner
3. 801351	Lite ply, 3/4"
4. 965858-01	Sub assembly, bed corner, 28'
5. 801392	Panel, white liner/white liner
6. 801375-13	DOOR-BED BASE 13.75" X 17.88"
7. 381775	Drawer pull
8. 381607	Hinge assembly, Grass-Euro
9. 381228-01	Door grabber catch
10. 203419	Storage box, 23"L x 16.75"W x 11.88"H
11. 203439	Storage box, 17"L x 11.13"W x 6.38"H
12. 703336-05	Mattress, 60" x 75", 11" radius
365278-01	EDGE BANDING-BLACK MAPLE 1.13"
380203-01	PIANO HINGE 1/8" PIN CLEAR ANODIZED
381067-09	SPRING, GAS 90 LBS.
381262	BRACKET, PROP, W/BALL
381310	GAS PROP BRKT. ASSY-UPPER
381084	BALL, STUD

# 2007 INTERNATIONAL TRAVEL TRAILER

## FURNITURE, BEDROOM

Rear Closets, 28', CS, RS



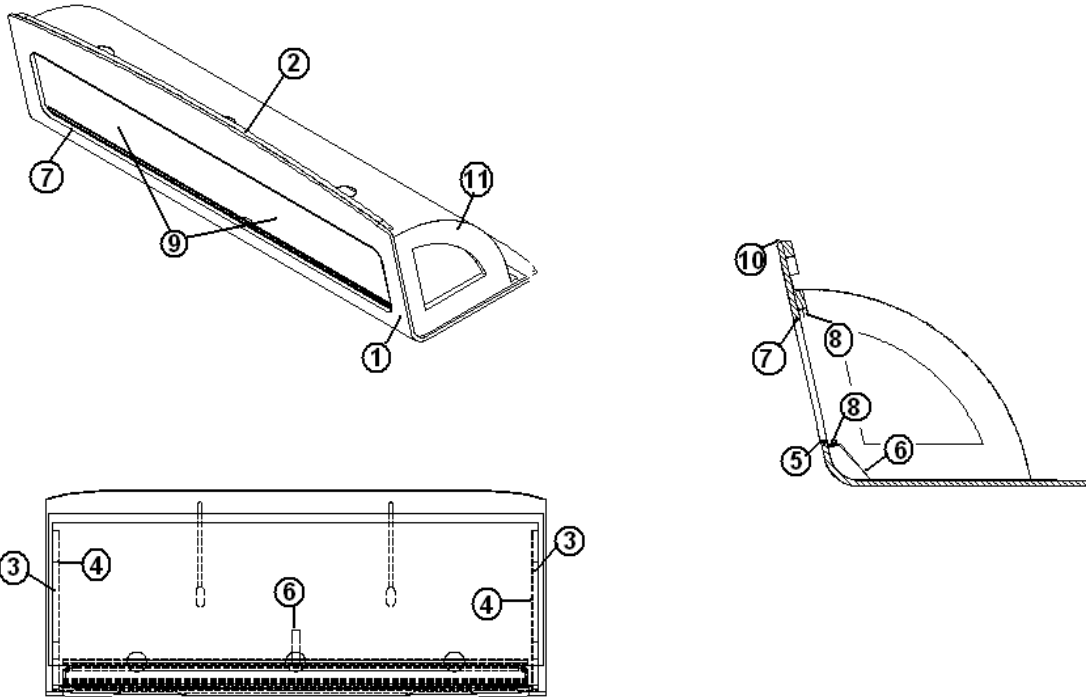
- |               |  |
|---------------|--|
| 965994        | CS Rear Closet, 28' (shown)            |
| 965995        | RS Rear Closet, 28' (opposite)         |
| 1. 801378-01  | Panel, white liner/gator, 18mm         |
| 2. 801436-01  | Panel, Black décor, Maple/White        |
| 3. 801345     | Radius plywood, .75" x 3" x 8'         |
| 4. 801505     | Panel, Ascot, sand/raw, .125 x 4" x 8" |
| 5. 381607     | Hinge assembly, Grass-Euro             |
| 6. 381228-01  | Grabber catch                          |
| 7. 381775     | Drawer pull, satin                     |
| 8. 801439-01  | Laminate, black décor, maple           |
| 9. 965768-01  | Book shelf, CS                         |
| 9a. 965768-02 | Book shelf, RS                         |
| 10. 386106-01 | Magazine rack                          |
| 11. 386107    | Magazine, rod                          |



# 2007 INTERNATIONAL TRAVEL TRAILER

## FURNITURE, BEDROOM

### Roof Locker, Rear End Liner, 28'

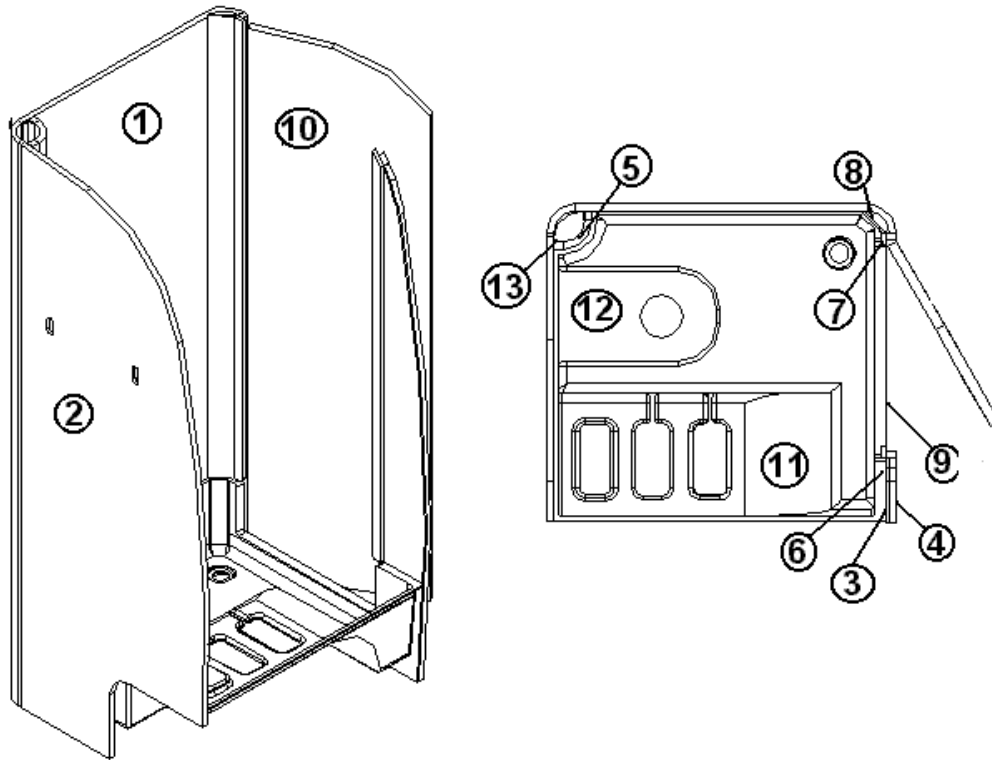


966386	Roof Locker, Rear End Liner
1. 801593-02	Locker face, front end roof locker
2. 801596-01	Backer, liner locker, center
3. 801594	Divider, liner locker
4. 801595	Divider, liner locker, w/o Audio Switch Holes
4. 801595-01	Divider, liner locker, w/Audio Switch Holes
5. 115261-01	Angled, formed, 58.50"
6. 115226-01	Bracket, locker center support
7. 203508-01	T-trim, 9/16", wood grain
8. 381245	Sliding door track
9. 965563-08	Door, sliding Plexiglas, 11.31" x 30"
10. 201673	Cove molding, Ivory, plastic
11. 115264-01	Pan, liner, locker
381563-01	TRACK FORMED FOLDETTE DOOR STRAIGHT

# 2007 INTERNATIONAL TRAVEL TRAILER

## FURNITURE, BATH

### BATH LAYOUT, 16'

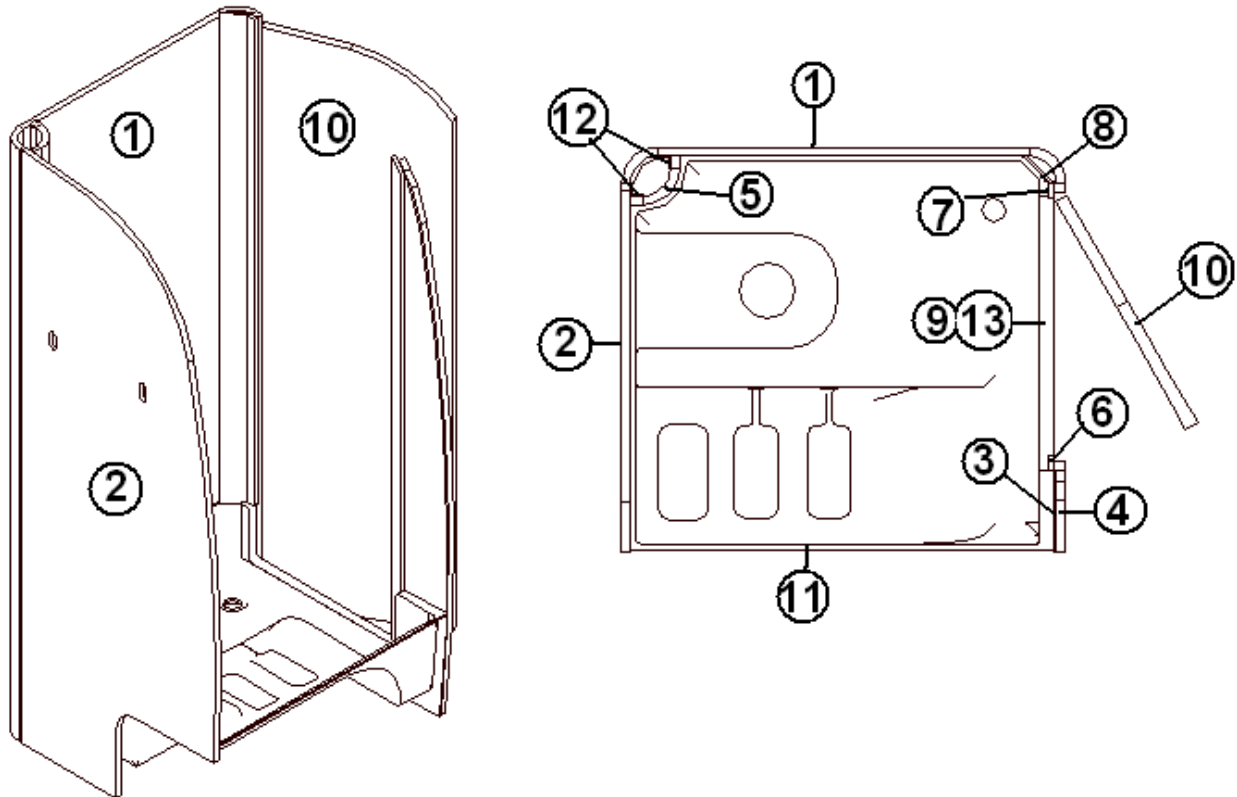


- |               |                                   |
|---------------|-----------------------------------|
| 1. 965889-01  | WALL ASSY-WET BATH                |
| 2. 801466-01  | PANEL-AFT WET BATH                |
| 3. 801466-02  | PANEL-FWD WET BATH                |
| 4. 965889-02  | WALL SUB ASSY-FWD WET BATH        |
| 5. 965889-03  | CLOSEOUT ASSY-WET BATH            |
| 6. 801466-03  | JAMB-DOOR LEFT SIDE               |
| 7. 801466-04  | JAMB-DOOR RIGHT SIDE              |
| 8. 801466-05  | CLOSEOUT-FWD WET BATH             |
| 9. 801466-06  | PANEL-WET BATH CLOSEOUT           |
| 10. 965905    | DOOR ASSY-WET BATH 22.5" X 76.06" |
| 11. 203444-01 | BASE-SHOWER FIBERGLASS WHITE      |
| 12. 690472    | TOILET-CHINA HI PROFILE WHITE     |
| 13. 114812    | ALUM. ANGLE 1.00" X 1.00"         |
| 601847        | CABINET-MED W/MIRROR 16"X 22"     |

# 2007 INTERNATIONAL TRAVEL TRAILER

## FURNITURE, BATH

Bath Layout, 16' Signature, Wenge, Ocean Breeze

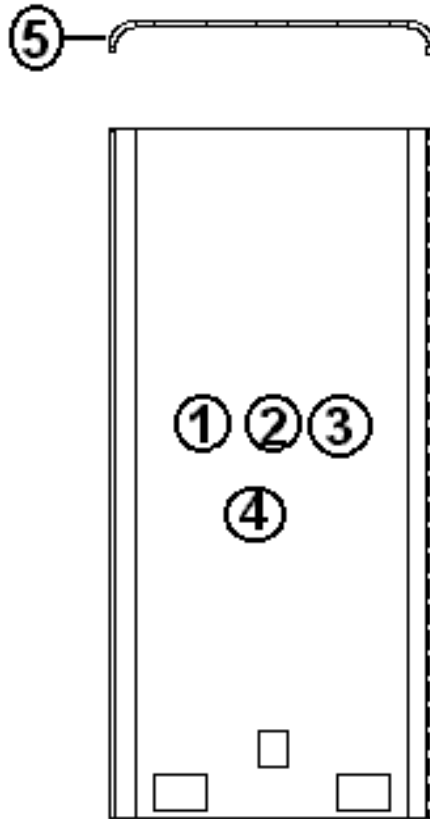


- |               |                                      |
|---------------|--------------------------------------|
| 1. 967011     | WALL ASSY-WET BATH                   |
| 2. 111588-2   | PANEL, WET BATH 29.74 X 78.61        |
| 3. 111588-3   | PANEL, WET BATH 6.74 X 69.35         |
| 4. 967012     | PANEL, SUB ASSY, WET BATH            |
| 5. 967013     | CLOSEOUT-WET BATH                    |
| 6. 111588-6   | PANEL, WET BATH, 1.25 X 57.06        |
| 7. 111588-7   | PANEL, WET BATH, 1.25 X 64.47        |
| 8. 111588-8   | PANEL, WET BATH, 3.43 X 70.44        |
| 9. 111588-9   | PANEL, WET BATH, 24.5 X 6.25         |
| 10. 967014    | DOOR ASSY, WET BATH, WENGE           |
| 10. 967015    | DOOR ASSY, WET BATH, OCEAN BREEZE    |
| 11. 203444-01 | BASE, SHOWER, FIBERGLASS, WHITE      |
| 12. 104913    | EXTRUSION, ANGLE, 1" X 1" X 1/16"    |
| 13. 201666    | MOLDING, J-3/16 PLASTIC, ALMOND      |
| 601847        | CABINET, MEDICINE W/MIRROR, 16"X 22" |

# 2007 INTERNATIONAL TRAVEL TRAILER

## FURNITURE, BATH

WALL ASSEMBLY, WET BATH, 16'

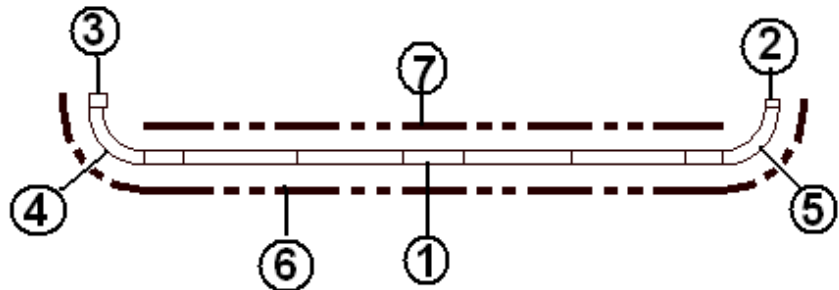
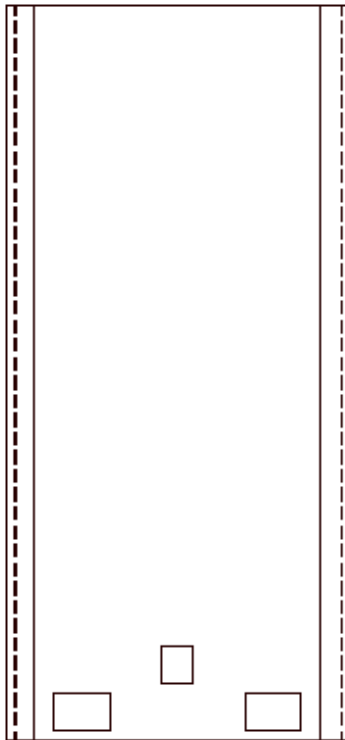


- |              |  |
|--------------|--|
| 1. 801355-01 | LAMINATE, FROST WHITE 4' X 8' VERTICAL |
| 2. 801437-01 | LAMINATE, EXTREME GREEN VERTICAL 4'    |
| 3. 801369-01 | PANEL, FROST WHITE/WHITE LINER         |
| 4. 801351    | LITE PLY-18MM (.75") 4' X 8'           |
| 5. 801345    | RADIUS PLYWOOD .75" X 3" X 8'          |

# 2007 INTERNATIONAL TRAVEL TRAILER

## FURNITURE, BATH

Bath Wall Assembly, 16' Signature, Wenge, Ocean Breeze

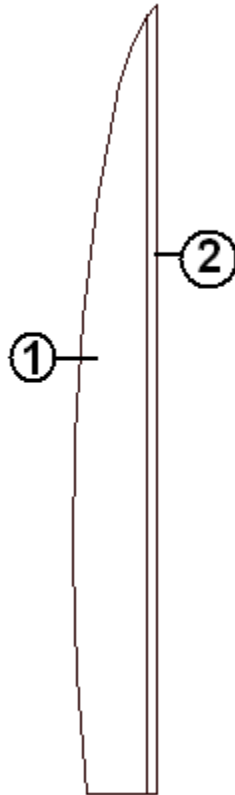


- |              |                                |
|--------------|--------------------------------|
| 967011       | WALL ASSY, WET BATH            |
| 1. 967011-1  | PANEL, WET BATH, 30.50 X 78.45 |
| 2. 967011-2  | PANEL, WET BATH, .5 X 78.45    |
| 3. 967011-3  | PANEL, WET BATH, 1 X 78.45     |
| 4. 801345    | RADIUS PLYWOOD, .75" X 3" X 8' |
| 5. 801345    | RADIUS PLYWOOD, .75" X 3" X 8' |
| 6. 801355-01 | LAMINATE, FROSTY WHITE         |
| 7. 801635-01 | LAMINATE, ALMOND VERTICAL      |

# 2007 INTERNATIONAL TRAVEL TRAILER

## FURNITURE, BATH

Bath, 16' Signature, Forward Panel Sub-Assembly, Wenge, Ocean Breeze

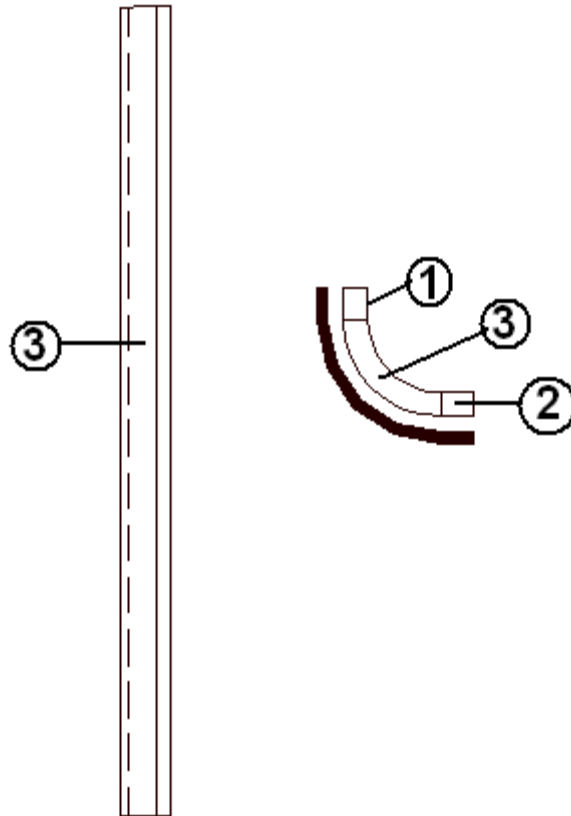


- |             |                               |
|-------------|-------------------------------|
| 967012      | PANEL, SUB ASSY, WET BATH     |
| 1. 967012-1 | PANEL, WET BATH, 6.75,X 69.37 |
| 2. 967012-2 | PANEL, WET BATH, 1 X 70.42    |

# 2007 INTERNATIONAL TRAVEL TRAILER

## FURNITURE, BATH

Bath, 16' Signature, Closeout, Wenge, Ocean Breeze

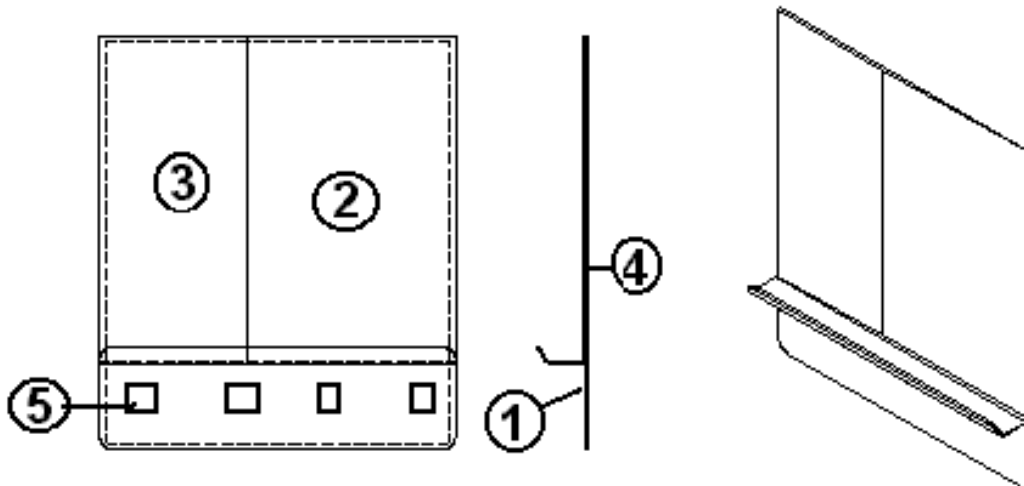


- |             |                               |
|-------------|-------------------------------|
| 967013      | CLOSEOUT, WET BATH            |
| 1. 967013-1 | PANEL, WET BATH 1 X 64.57     |
| 2. 967013-2 | PANEL, WET BATH 1 X 64.36     |
| 3. 801345   | RADIUS PLYWOOD .75" X 3" X 8' |

# 2007 INTERNATIONAL TRAVEL TRAILER

## FURNITURE, BATH

### MIRROR/COAT HANGER, 16' SIGNATURE



- |              |                                 |
|--------------|---------------------------------|
| 1. 203446-01 | SHELF-7.04" X 24" WHITE         |
| 2. 372203-09 | GLASS SAFETY MİRRORED 14" X 22" |
| 3. 801468    | CORK BOARD-.25" X 10" X 22"     |
| 4. 101115    | SHEET, ALUM .060" X 48" X 120"  |
| 5. 381384    | HOOK-ALUMINUM, COAT 1.68"       |
| *203465      | SPEAKER SPACER-PLASTIC 6.50"    |

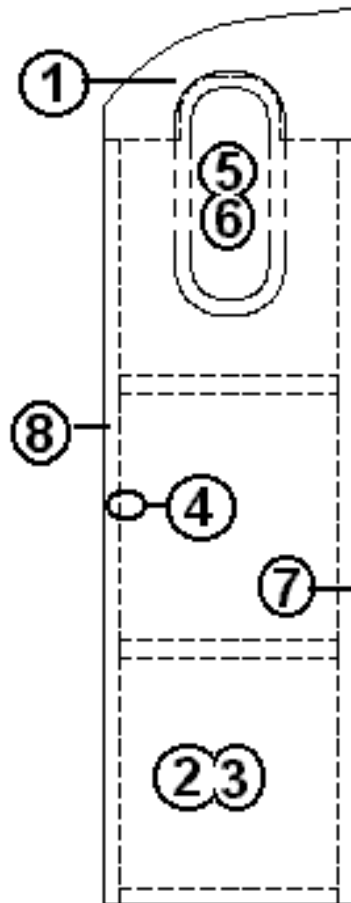
203465 replaced by the following during model year:  
203599 Speaker, Spacer, 5/8"



# 2007 INTERNATIONAL TRAVEL TRAILER

## FURNITURE, BATH

DOOR, BATH, 16'

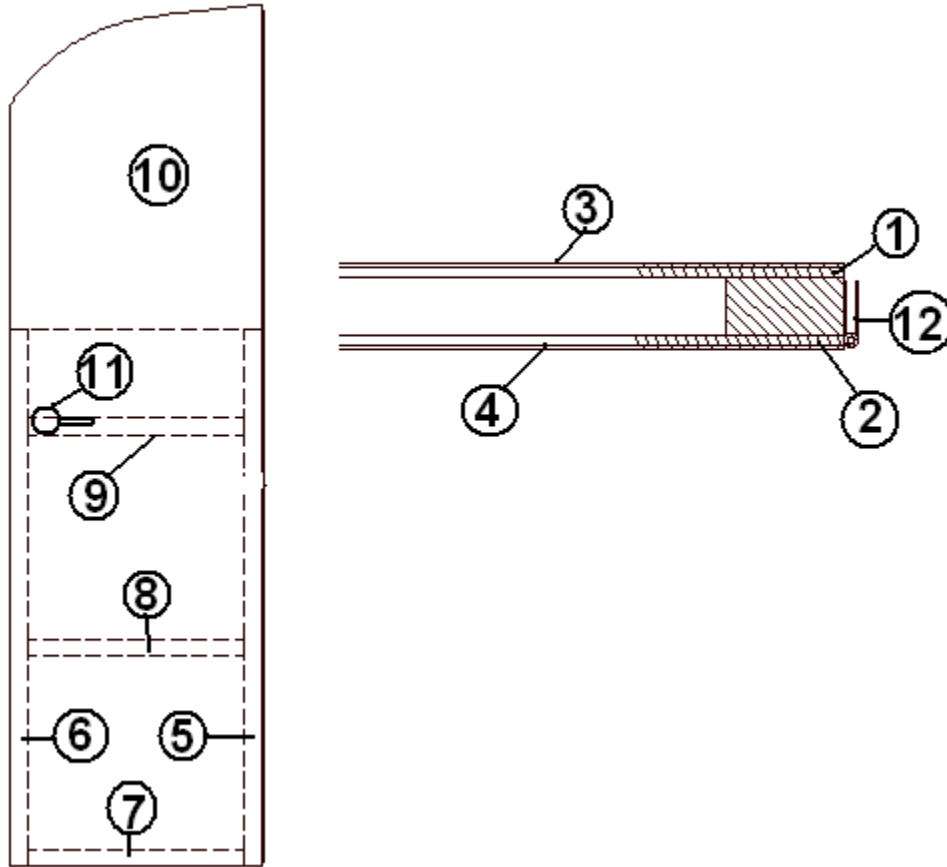


965905	DOOR ASSEMBLY-WET BATH 22.5" X 76.06"
1. 800507-06	LAUAN-.75" X 4' 8'
2. 800507-01	LAUAN, 1/8"X4'X8'
3. 801437-01	LAMINATE-EXTREME GREEN VERTICAL 4'
4. 381771	LATCH-LEVER LOCKSET PRIVACY
5. 371384	WINDOW-BATH DOOR
6. 203475	TRIM, 18" STACK WINDOW 16'/22'
7. 380203-01	PIANO HINGE 1/8" PIN CLR ANODIZED
8. 365278-04	EDGEBANDING-BLACK MAPLE 1.25"
454320	DOOR HANDLE COVER

# 2007 INTERNATIONAL TRAVEL TRAILER

## FURNITURE, BATH

Door, Bath, 16' Signature, Wenge

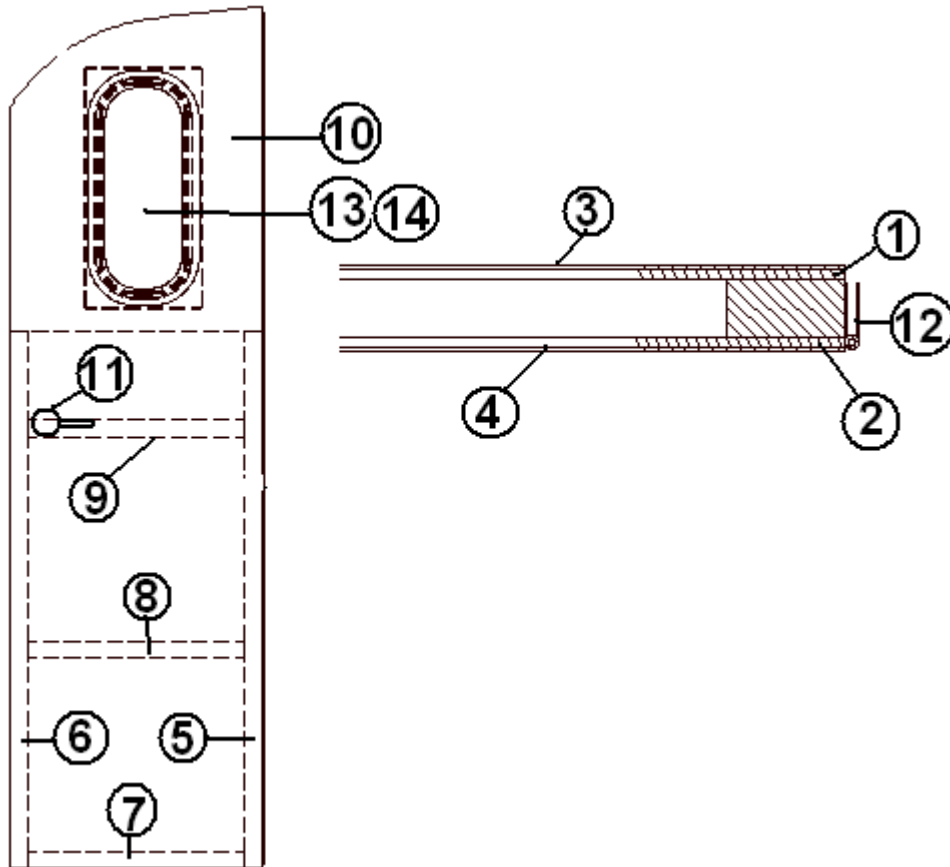


967014	DOOR ASSY, WET BATH
1. 967014-1	PANEL, DOOR, WET BATH 23.5 X 75.5
2. 967014-2	PANEL, WET BATH DR. 23.5 X 75.5
3. 801635-01	LAMINATE, ALMOND VERTICAL
4. 801355-01	LAMINATE, FROST WHITE
5. 967014-5	PANEL, LAUAN, 1.50 X 19.25
6. 967014-6	PANEL, LAUAN, 1.50 X 19.25
7. 967014-7	PANEL, LAUAN, 1.50 X 19.25
8. 967014-8	PANEL, LAUAN, 1.50 X 45.78
9. 967014-9	PANEL, LAUAN, 1.50 X 45.78
10. 967014-10	PANEL, WET BATH DOOR, 22.25 X 27.75
11. 381771	LATCH-LEVER LOCKSET PRIVACY
12. 380203-01	PIANO HINGE 1/8" PIN CLR ANODI

# 2007 INTERNATIONAL TRAVEL TRAILER

## FURNITURE, BATH

Door, Bath, 16' Signature, Ocean Breeze



967015	DOOR ASSY, WET BATH
1. 967015-1	PANEL, DOOR, WET BATH 23.5 X 75.5
2. 967015-2	PANEL, WET BATH DR. 23.5 X 75.5
3. 801635-01	LAMINATE, ALMOND VERTICAL
4. 801355-01	LAMINATE, FROST WHITE
5. 967015-5	PANEL, LAUAN, 1.50 X 19.25
6. 967015-6	PANEL, LAUAN, 1.50 X 19.25
7. 967015-7	PANEL, LAUAN, 1.50 X 19.25
8. 967015-8	PANEL, LAUAN, 1.50 X 45.78
9. 967015-9	PANEL, LAUAN, 1.50 X 45.78
10. 967015-10	PANEL, WET BATH DOOR, 22.25 X 27.75
11. 381771	LATCH-LEVER LOCKSET PRIVACY
12. 380203-01	PIANO HINGE 1/8" PIN CLR ANODI
13. 371269-01	WINDOW, 18"
14. 203475	TRIM, 18" STACK WINDOW

# 2007 INTERNATIONAL TRAVEL TRAILER

## FURNITURE, BATH

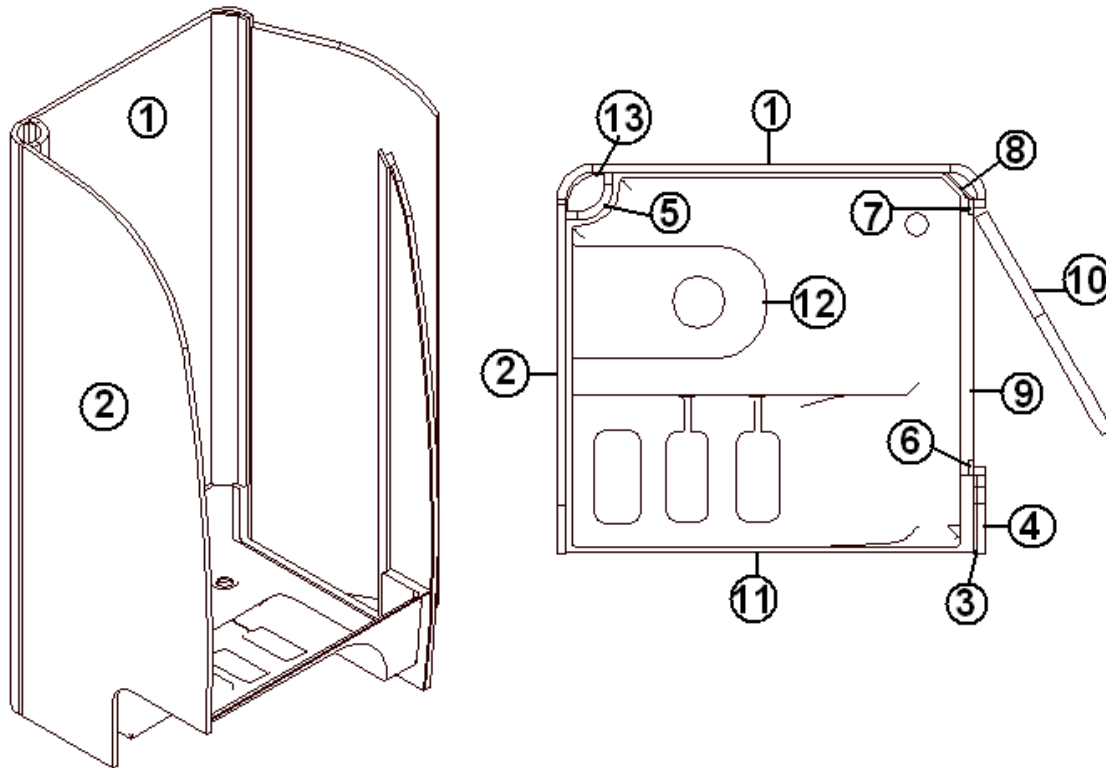
### SHOWER CURTAIN, 16', SIGNATURE

703467-01	SHOWER CURTAIN, SQUARE CORNER
703467-02	SHOWER CURTAIN, CONTOURED
703236	FABRIC PENNE OFF WHITE SHOWER
703652	FABRIC, SNOW, SHOWER CURTAIN, SIGNATURE
700103	WEBBING 1/2IN FOR SHOWER CURTAIN
700045	GLIDES CURTAIN G3 W/ELASTIC
700021	HOOK, VELCRO, WHITE
700020	PILE VELCRO
703467-03	STRAP-SHOWER CURTAIN
381581	STRAP CLEAR PLASTIC .75" WIDE
700811	BUTTON CAP, HANDY
700812	BUTTON BOTTOM, HANDY
100097	EXTR. ALUM CURTAIN TRACK

# 2007 INTERNATIONAL TRAVEL TRAILER

## FURNITURE, BATH

### Bath Layout, 16' DWR

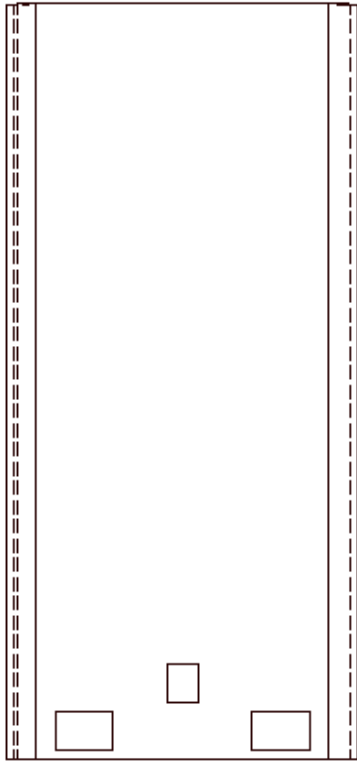


- |               |                                   |
|---------------|-----------------------------------|
| 1. 967052     | WALL ASSY, WET BATH               |
| 2. 111611-2   | PANEL, 29.74 X 78.61              |
| 3. 111611-3   | PANEL, 6.74 X 69.35               |
| 4. 967053     | WALL SUB ASSY, FORWARD BATH       |
| 5. 967054     | CLOSEOUT, WET BATH                |
| 6. 111611-6   | PANEL, 1.25 X 64.00               |
| 7. 111611-7   | PANEL, 1.25 X 64.47               |
| 8. 111611-8   | PANEL, 3.43 X 70.44               |
| 9. 111611-9   | PANEL, 24.50 X 6.25               |
| 10. 967055    | DOOR ASSY, WET BATH               |
| 11. 203444-01 | BASE, SHOWER                      |
| 12. 690472    | TOILET, CHINA HI PROFILE, WHITE   |
| 13. 104913    | EXTRUSION, ANGLE, 1" X 1" X 1/16" |

# 2007 INTERNATIONAL TRAVEL TRAILER

## FURNITURE, BATH

Bath Wall Assembly, 16' DWR



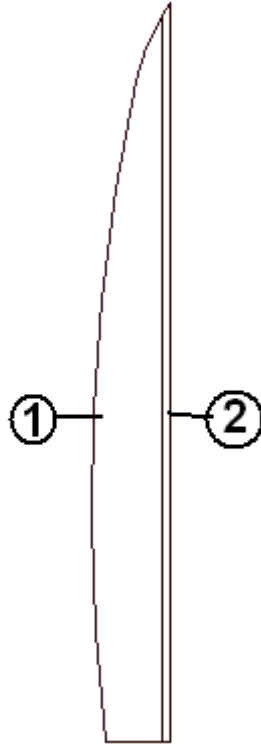
967052

WALL ASSY, WET BATH

# 2007 INTERNATIONAL TRAVEL TRAILER

## FURNITURE, BATH

### Bath Wall 16' DWR, Forward Sub-Assembly



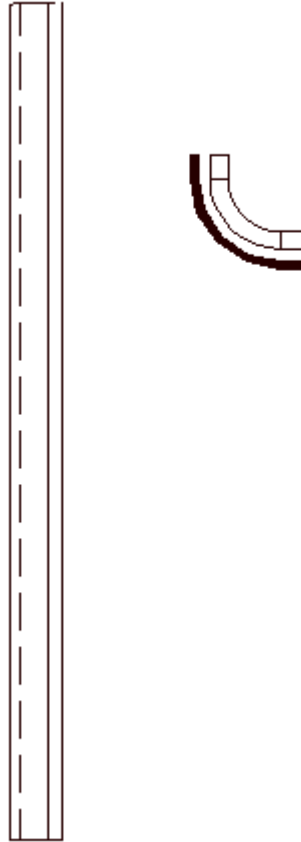
- 967053  
1. 967053-1  
2. 967053-2

WALL SUB ASSY, FORWARD, BATH  
PANEL, 6.75 X 69.37  
PANEL, 1.00 X 70.42

# 2007 INTERNATIONAL TRAVEL TRAILER

## FURNITURE, BATH

Bath Wall Assembly, 16' DWR, Close Out



967054

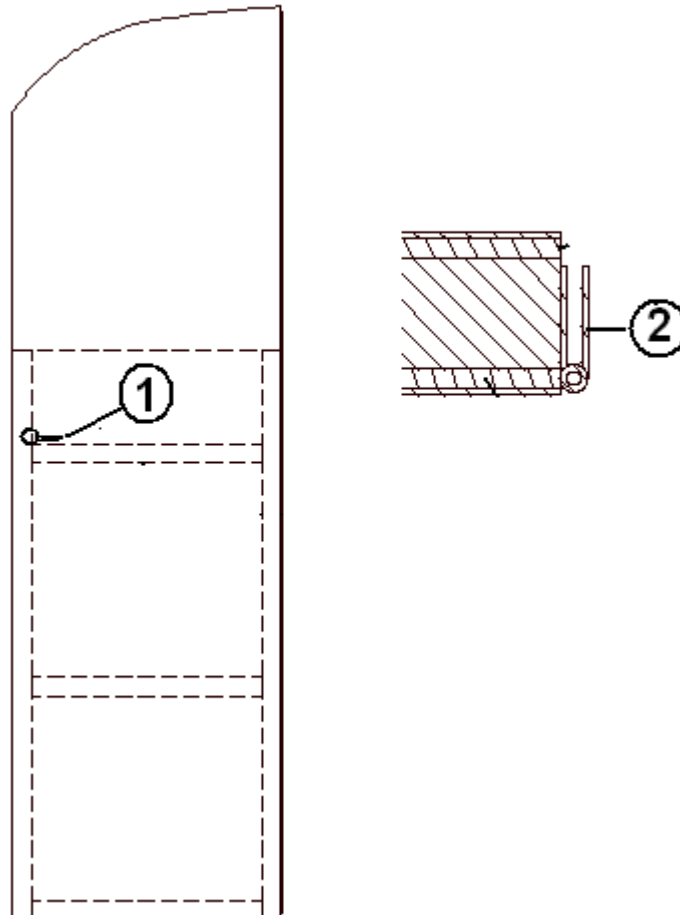
CLOSEOUT, WET BATH



# 2007 INTERNATIONAL TRAVEL TRAILER

## FURNITURE, BATH

Bath Door, 16' DWR

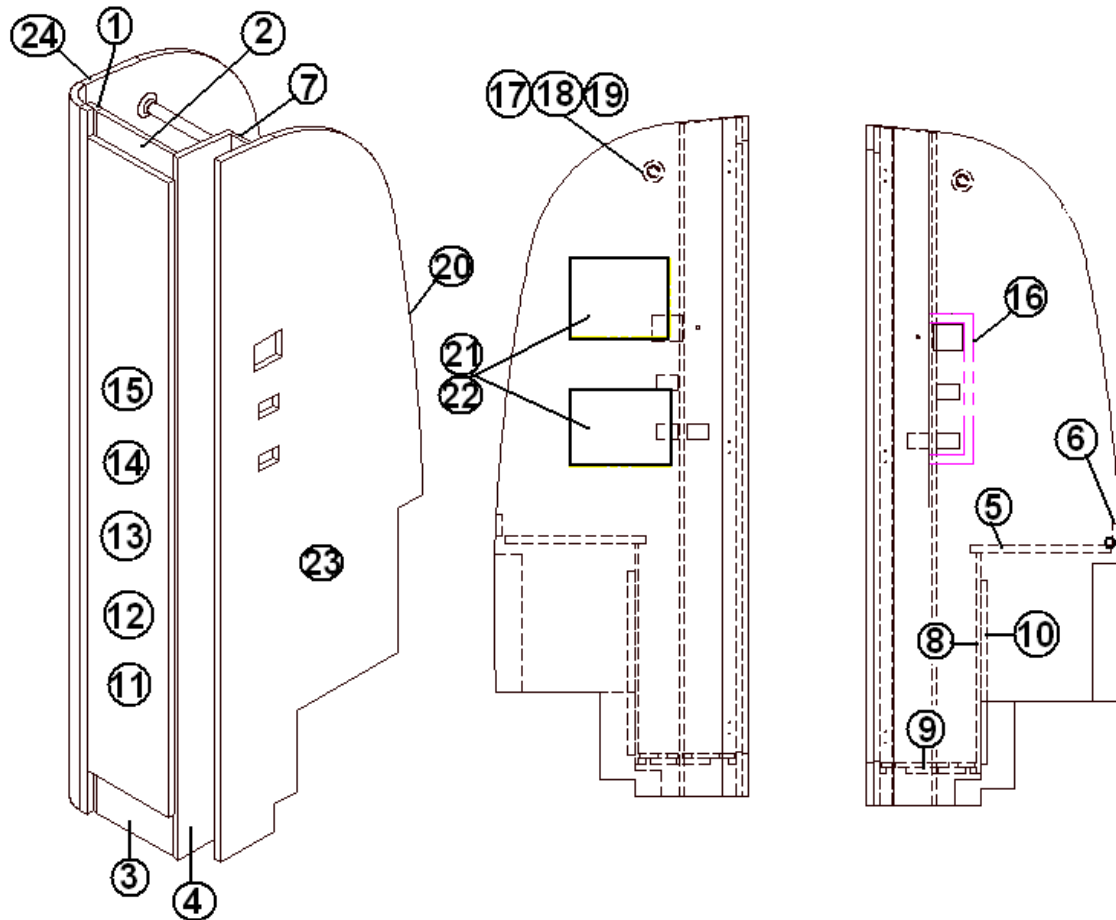


967055	DOOR ASSY-WET BATH
1. 381771	LATCH, LEVER, LOCKSET PRIVACY
2. 380203-01	PIANO HINGE 1/8" PIN
382043	RACK, MULTI PURPOSE CHROME
371422	MIRROR, ROUND 16" DSM CSB POL

# 2007 INTERNATIONAL TRAVEL TRAILER

## FURNITURE, BATH

### Wardrobe, 16' DWR



Part numbers are on the next page

# 2007 INTERNATIONAL TRAVEL TRAILER

## FURNITURE, BATH

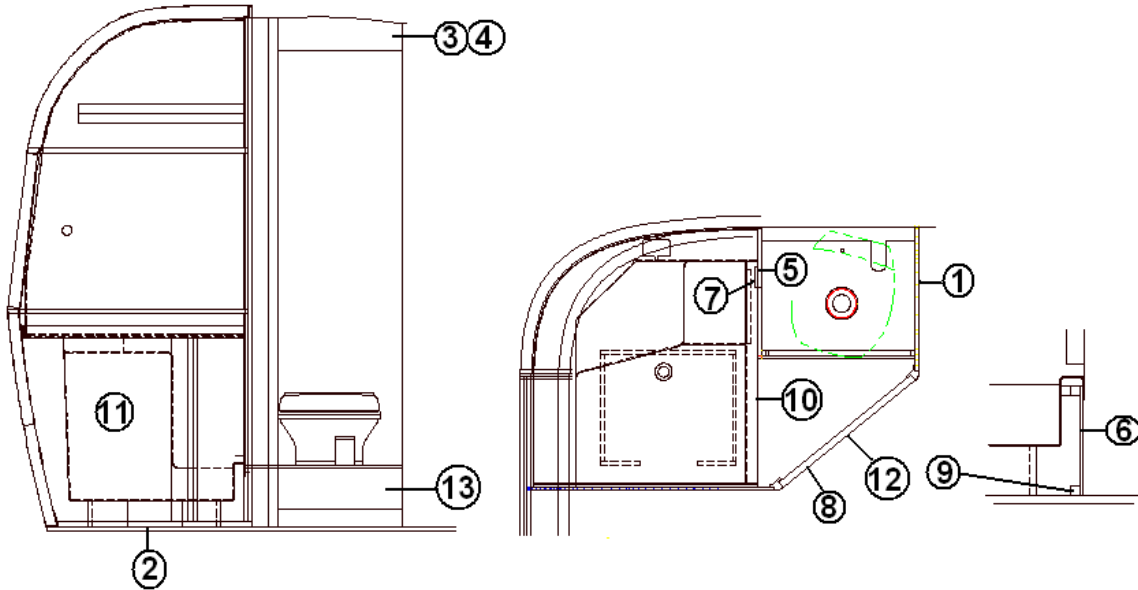
### Wardrobe, 16' DWR

967051	WARDROBE, ROADSIDE, DWR
1. 967051-1	PANEL, 1.0 X 78.28
2. 967051-2	PANEL, 9.75 X 3.00
3. 967051-3	PANEL, 9.75 X 5.25
4. 967051-4	PANEL, 6.50 X 78.28
5. 967051-5	PANEL, 16.25 X 16.25
6. 967051-6	PANEL, 2.50 X 16.25
7. 967051-7	PANEL, 2.25 X 77.55
8. 967051-8	PANEL, 16.50 X 25.50
9. 967051-9	PANEL, 16.25 X 10.92
10. 800025-01	PINE, 3/4" X 3/4", STAINED
11. 801758-06	DOOR, RS W/R, 10.44" X 70.66"
12. 380203-01	PIANO HINGE 1/8" PIN
13. 381607	HINGE ASSY
14. 382038	HANDLE, 6.69", FLAT, HAFELE SILVER
15. 381228-01	CATCH GRABBER DOOR
16. 200773	CLOSEOUT, READING LIGHT
17. 380045	TUBING, 3/4", METAL
18. 380046	FLANGE, CHROME
19. 200975-04	CONDUIT, FLEXIBLE, BLACK, PLASTIC
20. 203464-02	TRIM, PANEL, .75", BEIGE
21. 386106-01	RACK, MAGAZINE, WHITE
22. 386107	ROD, MAGAZINE RACK
23. 967051-23	PANEL, 26.25 X 78.17
24. 967056	PANEL, SUB ASSY, AFT WARDROBE
381838-01	TRACK, FOLDETTTE DOOR, METAL
702681-07	DOOR, FOLDETTTE 60"X 73" GREY

# 2007 INTERNATIONAL TRAVEL TRAILER

## FURNITURE, BATH

Bath Module, 19' Signature, Wenge

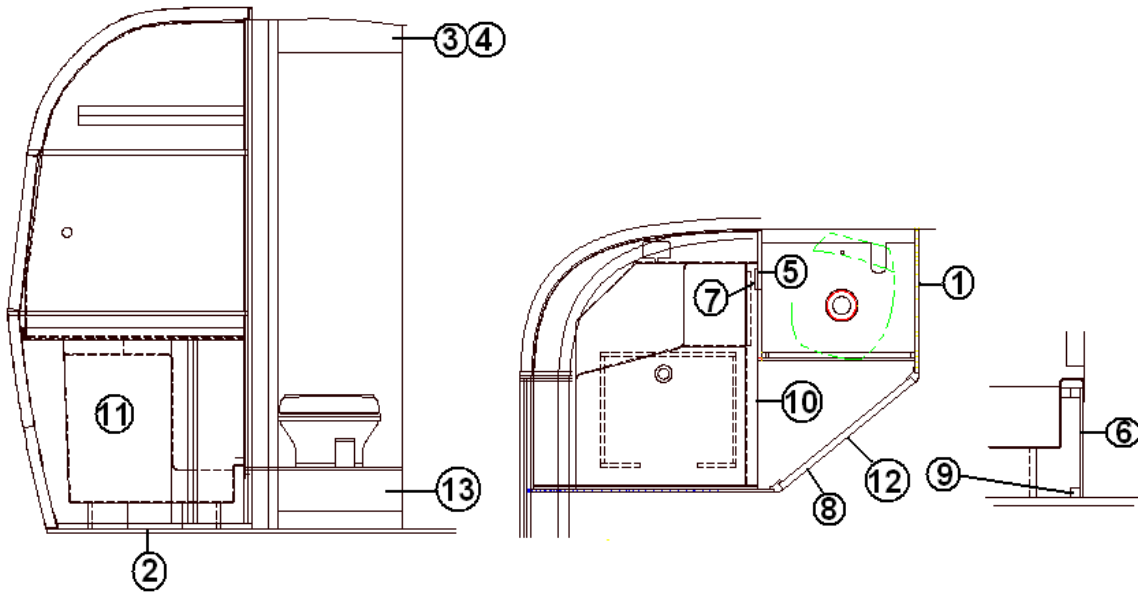


- |                |                                   |
|----------------|-----------------------------------|
| 1. 111563-1    | PANEL, 23 X 77.84                 |
| 2. 111563-2    | PANEL, 38.34 X 79.48              |
| 3. 111563-3    | PANEL, 26.13 X 4.75               |
| 4. 111563-4    | PANEL, 26.13 X 4.75               |
| 5. 111563-5    | PANEL, 12 X 66.63                 |
| 6. 111563-6    | PANEL, 9 X 23                     |
| 7. 111563-7    | PANEL, 63 X 3                     |
| 8. 801394-0016 | CORNER TRIM, 45 DEGREE, 2" RADIUS |
| 9. 800025-01   | PINE 3/4" X 3/4" STAINED          |
| 10. 702937-03  | SHOWER DOOR, ROLL AWAY 62 X 36    |
| 11. 203114     | SHOWER 2 PC FIBERGLASS            |
| 12.966939      | DOOR, BATH, 25.50 X 72.00         |
| 13.966941      | STAND ASSY, TOILET                |

# 2007 INTERNATIONAL TRAVEL TRAILER

## FURNITURE, BATH

Bath Module, 19' Signature, Ocean Breeze

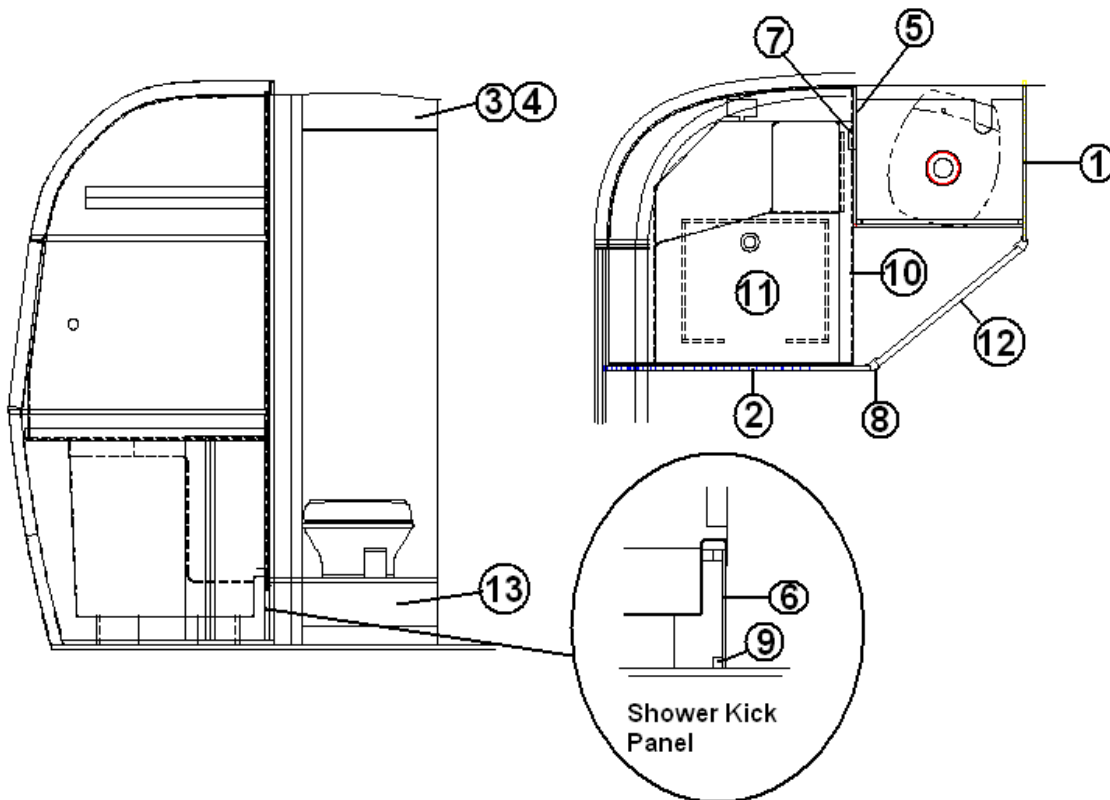


- |               |  |
|---------------|--|
| 1. 111563-011 | PANEL, 23 X 77.84                        |
| 2. 111563-012 | PANEL, 38.34 X 79.48                     |
| 3. 111563-013 | PANEL, 26.13 X 4.75                      |
| 4. 111563-014 | PANEL, 26.13 X 4.75                      |
| 5. 111563-015 | PANEL, 12 X 66.63                        |
| 6. 111563-016 | PANEL, 9 X 23                            |
| 7. 111563-017 | PANEL, 63 X 3                            |
| 8. 801394-OB  | CORNER TRIM, WHITE, 45 DEGREE, 2" RADIUS |
| 9. 800025-01  | PINE 3/4" X 3/4" STAINED                 |
| 10. 702937-03 | SHOWER DOOR, ROLL AWAY 62 X 36           |
| 11. 203114    | SHOWER 2 PC FIBERGLASS                   |
| 12. 966940    | DOOR, BATH, 25.50 X 72.00                |
| 13. 966941    | STAND ASSY, TOILET                       |

# 2007 INTERNATIONAL TRAVEL TRAILER

## FURNITURE, BATH

Shower Lay Out, 23' D 25' SS, Signature, Wenge

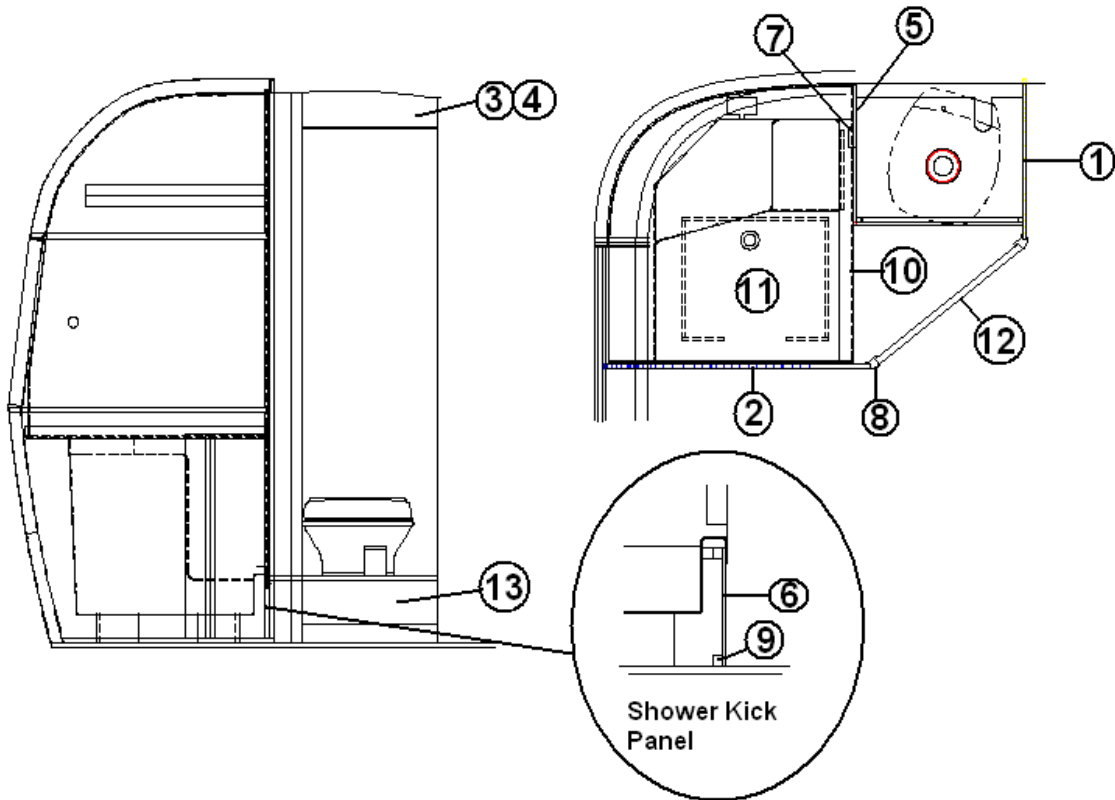


1. 111557-1	PANEL, SHOWER, 23.00" X 77.84"
2. 111557-2	PANEL, SHOWER, 38.34" X 79.48"
3. 111557-3	PANEL, SHOWER, 26.13" X 4.75"
4. 111557-4	PANEL, SHOWER, 26.13 X 4.75"
5. 111557-5	PANEL, SHOWER, 12.00" X 66.63"
6. 111557-6	PANEL, SHOWER, 9.00" X 23.00"
7. 111557-7	PANEL, SHOWER, 63.00" X 3.00"
8. 801394-0016	CORNER TRIM 45 DEGREE, 2" RADIUS
9. 800025-01	PINE, 3/4" X 3/4" STAINED
10. 702937-03	SHOWER DOOR, ROLL AWAY 62" X 36"
11. 203114	SHOWER, 2 PC FIBERGLASS
12. 966939	DOOR ASSY, BATH 25.50" X 72.00"
13. 966941	STAND ASSY, TOILET

# 2007 INTERNATIONAL TRAVEL TRAILER

## FURNITURE, BATH

Shower Lay Out, 23' D, 25' SS, Signature, Ocean Breeze

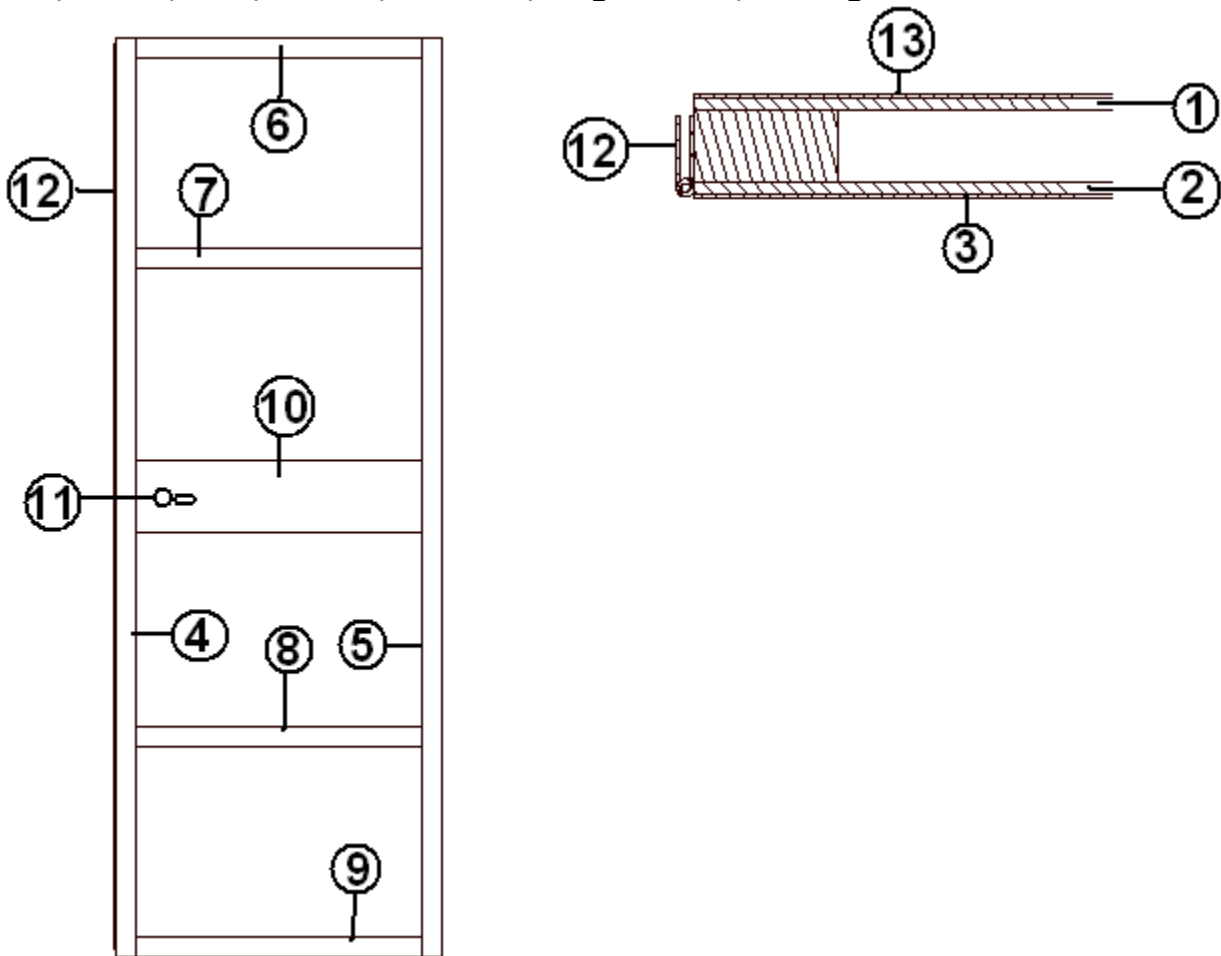


- |               |                                  |
|---------------|----------------------------------|
| 1. 111557-011 | PANEL, SHOWER, 23.00" X 77.84"   |
| 2. 111557-012 | PANEL, SHOWER, 38.34" X 79.48"   |
| 3. 111557-013 | PANEL, SHOWER, 26.13" X 4.75"    |
| 4. 111557-014 | PANEL, SHOWER, 26.13 X 4.75"     |
| 5. 111557-015 | PANEL, SHOWER, 12.00" X 66.63"   |
| 6. 111557-016 | PANEL, SHOWER, 9.00" X 23.00"    |
| 7. 111557-017 | PANEL, SHOWER, 63.00" X 3.00"    |
| 8. 801394-OB  | CORNER TRIM 45 DEGREE, 2" RADIUS |
| 9. 800025-01  | PINE, 3/4" X 3/4" STAINED        |
| 10. 702937-03 | SHOWER DOOR, ROLL AWAY 62" X 36" |
| 11. 203114    | SHOWER, 2 PC FIBERGLASS          |
| 12. 966940    | DOOR ASSY, BATH 25.50" X 72.00"  |
| 13. 966941    | STAND ASSY, TOILET               |

# 2007 INTERNATIONAL TRAVEL TRAILER

## FURNITURE, BATH

Door, Bath, 19', 23' D, 25' SS, Signature, Wenge



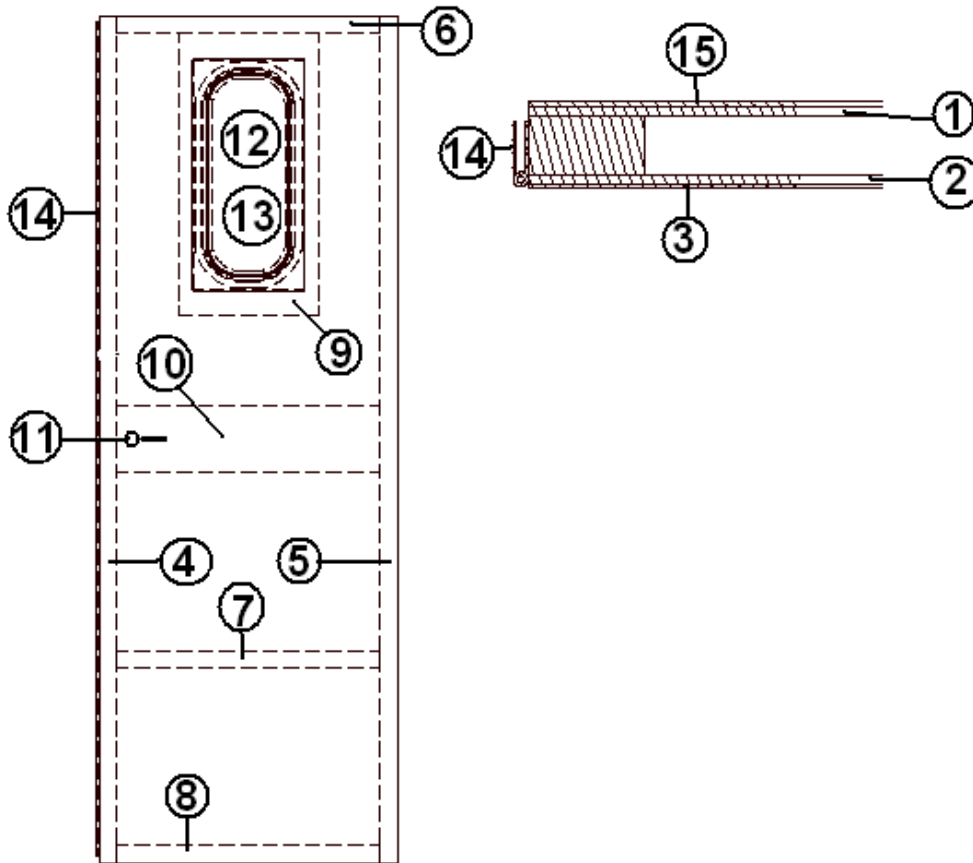
966939	Bath door
1. 966939-1	LAUAN, 1/8" X 27" X 74"
2. 966939-2	LAUAN, 1/8" X 27" X 74"
3. 801711-01	LAMINATE, WENGE VERTICAL
4. 966939-4	Lauan, 1.50" x 72.5"
5. 966939-5	Lauan, 1.50" x 72.5"
6. 966939-6	Lauan, 1.50" x 23.25"
7. 966939-7	Lauan, 1.50" x 23.25"
8. 966939-8	Lauan, 1.50" x 23.25"
9. 966939-9	Lauan, 1.50" x 23.25"
10. 966939-10	Lauan, 5.69" x 23.25"
11. 382034	LATCH-FLUSH MOUNT
12. 380203-01	PIANO HINGE 1/8" PIN CEAR ANODIZED
13. 801355-01	LAMINATE, WHITE VERTICLE



# 2007 INTERNATIONAL TRAVEL TRAILER

## FURNITURE, BATH

Door, Bath, 19', 23' D, 25' SS, Signature, Ocean Breeze

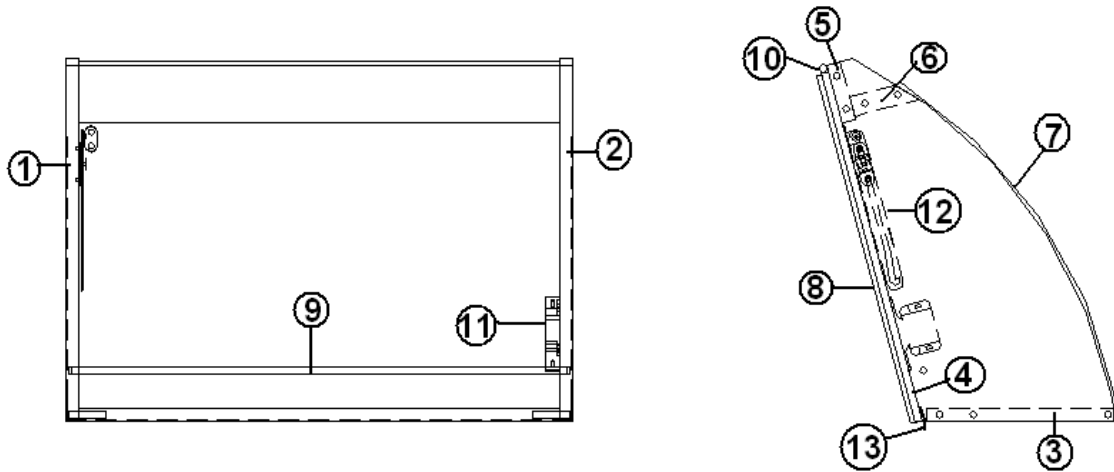


966940	Bath door
1. 800507-01	LAUAN, 1/8" X 27" X 74"
2. 800507-01	LAUAN, 1/8" X 27" X 74"
3. 801355-01	LAMINATE, FROSTY WHITE
4. 800507-06	Lauan, 1.50" x 72.5"
5. 800507-06	Lauan, 1.50" x 72.5"
6. 800507-06	Lauan, 1.50" x 23.25"
7. 800507-06	Lauan, 1.50" x 23.25"
8. 800507-06	Lauan, 1.50" x 23.25"
9. 800507-06	Lauan, 1.50" x 23.25"
10. 800507-06	Lauan, 5.69" x 23.25"
11. 382034	LATCH-FLUSH MOUNT
12. 371384	BATH WINDOW 18"
13. 203475	TRIM, 18" STACK WINDOW
14. 380203-01	PIANO HINGE 1/8" PIN CEAR ANODIZED
15. 801355-01	LAMINATE, WHITE VERTICLE

# 2007 INTERNATIONAL TRAVEL TRAILER

## FURNITURE, BATH

Medicine Cabinet, Upper, 19', 23' D, 25' SS, Signature, Wenge

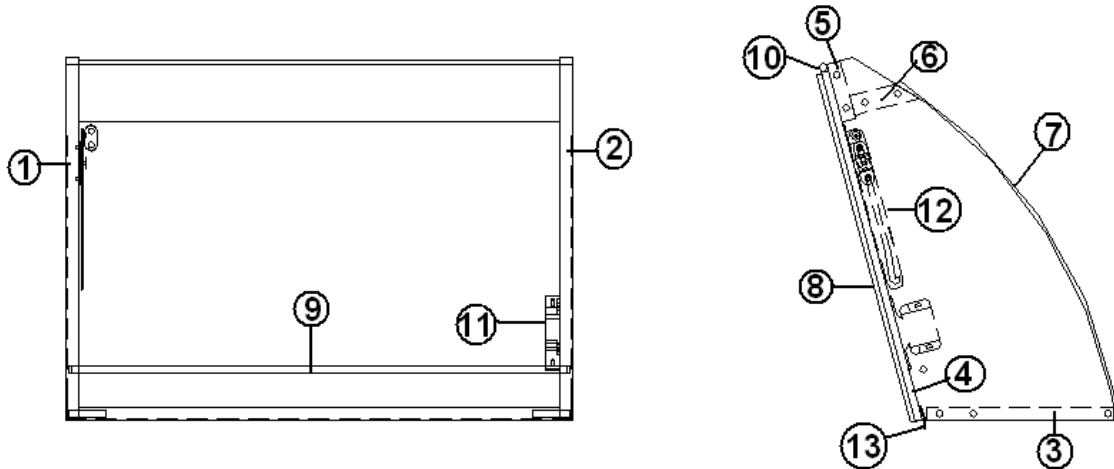


- |               |                                    |
|---------------|------------------------------------|
| 966921        | CABINET, UPPER MEDICINE            |
| 1. 966921-1   | PANEL, UPPER CABINET 10.44 X 13.5  |
| 2. 966921-2   | PANEL, UPPER CABINET 10.44 X 13.50 |
| 3. 966921-3   | PANEL, UPPER CABINET 7.00 X 17.97  |
| 4. 966921-4   | PANEL, UPPER CABINET 13.75 X 18.75 |
| 5. 966921-5   | PANEL, UPPER CABINET 2.25 X 17.97  |
| 6. 966921-6   | PANEL, UPPER CABINET 2.50 X 17.97  |
| 7. 966921-7   | PANEL, UPPER CABINET 16.125 X 19.0 |
| 8. 372203-05  | MIRROR- POL EDGES- 19.00 X 14.00   |
| 9. 115042     | ROD, .25" ALUMINUM, 6' LENGTH      |
| 10. 385935-01 | HINGE, PIVOT ZINC PLATED           |
| 11. 381228-01 | CATCH, GRABBER DOOR                |
| 12. 380024    | ARMS, SUPPORT RIGHT HAND           |
| 13. 385940-02 | MIRROR PULL, CHROME                |

# 2007 INTERNATIONAL TRAVEL TRAILER

## FURNITURE, BATH

Medicine, Cabinet, Upper, 19', 23' D, 25' SS, Signature, Ocean Breeze

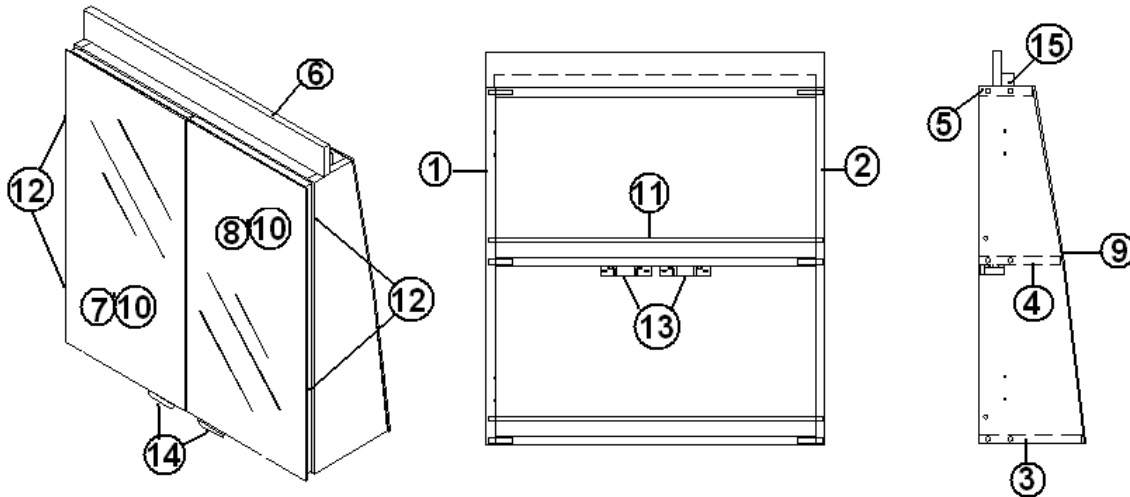


966921-01	CABINET, UPPER MEDICINE
1. 966921-011	PANEL, UPPER CABINET 10.44 X 13.5
2. 966921-012	PANEL, UPPER CABINET 10.44 X 13.50
3. 966921-013	PANEL, UPPER CABINET 7.00 X 17.97
4. 966921-014	PANEL, UPPER CABINET 13.75 X 18.75
5. 966921-015	PANEL, UPPER CABINET 2.25 X 17.97
6. 966921-016	PANEL, UPPER CABINET 2.50 X 17.97
7. 966921-017	PANEL, UPPER CABINET 16.125 X 19.0
8. 372203-05	MIRROR- POL EDGES- 19.00 X 14.00
9. 115042	ROD, .25" ALUMINUM, 6' LENGTH
10. 385935-01	HINGE, PIVOT ZINC PLATED
11. 381228-01	CATCH, GRABBER DOOR
12. 380024	ARMS, SUPPORT RIGHT HAND
13. 385940-02	MIRROR PULL, CHROME

# 2007 INTERNATIONAL TRAVEL TRAILER

## FURNITURE, BATH

Medicine Cabinet, Lower, 19', 23' D, 25' SS, Signature, Wenge

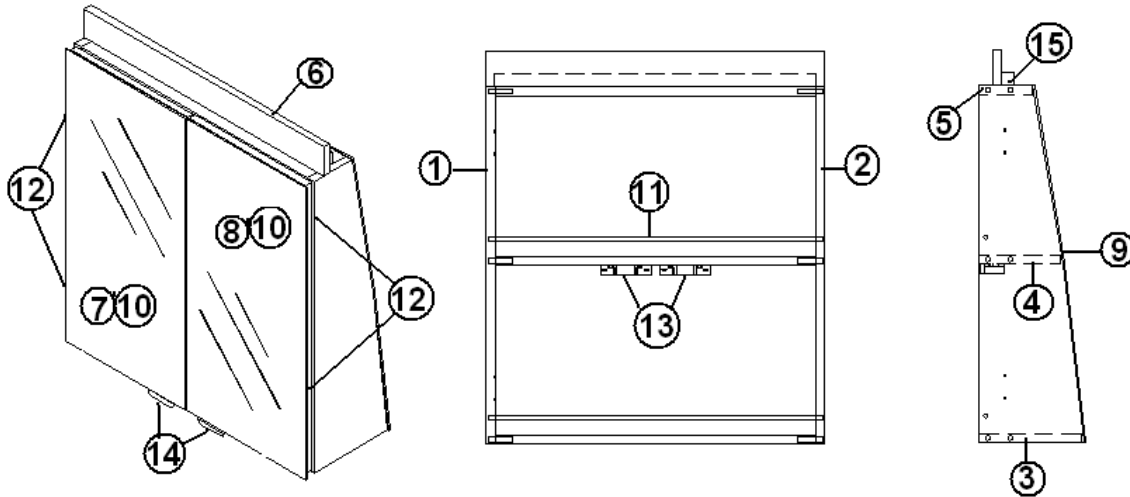


966922	CABINET ASSY-LOWER MED 19"
1. 966922-1	PANEL, LOWER CABINET, 5.89 X 20.00
2. 966922-2	PANEL, LOWER CABINET, 5.89 X 20.00
3. 966922-3	PANEL, LOWER CABINET, 5.75 X 17.97
4. 966922-4	PANEL, LOWER CABINET, 4.56 X 17.97
5. 966922-5	PANEL, LOWER CABINET, 3.00 X 17.97
6. 966922-6	PANEL, LOWER CABINET, 2.00 X 19.00
7. 966922-7	PANEL, LOWER CABINET, 9.25 X 19.75
8. 966922-8	PANEL, LOWER CABINET, 9.25 X 19.75
9. 966922-9	PANEL, LOWER CABINET, 20.25 X 19.00
10. 372203-24	MIRROR, 9.50 X 20.00
11. 115042	ROD, .25" ALUMINUM, 6' LENGTH
12. 385935-01	HINGE, PIVOT, ZINC PLATED
13. 381228-01	CATCH, GRABBER DOOR
14. 385940-02	MIRROR, PULL CHROME
15. 800025-01	PINE, 3/4" X 3/4" STAINED

# 2007 INTERNATIONAL TRAVEL TRAILER

## FURNITURE, BATH

Medicine Cabinet, Lower, 19', 23' D, 25' SS, Signature, Ocean Breeze

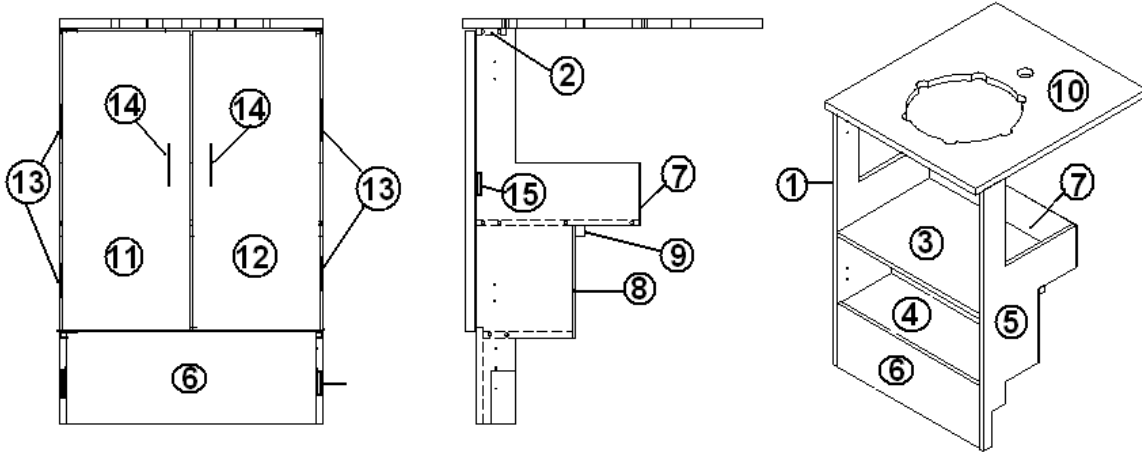


- |               |                                     |
|---------------|-------------------------------------|
| 966922-01     | CABINET ASSY-LOWER MED 19"          |
| 1. 966922-011 | PANEL, LOWER CABINET, 5.89 X 20.00  |
| 2. 966922-012 | PANEL, LOWER CABINET, 5.89 X 20.00  |
| 3. 966922-013 | PANEL, LOWER CABINET, 5.75 X 17.97  |
| 4. 966922-014 | PANEL, LOWER CABINET, 4.56 X 17.97  |
| 5. 966922-015 | PANEL, LOWER CABINET, 3.00 X 17.97  |
| 6. 966922-016 | PANEL, LOWER CABINET, 2.00 X 19.00  |
| 7. 966922-017 | PANEL, LOWER CABINET, 9.25 X 19.75  |
| 8. 966922-018 | PANEL, LOWER CABINET, 9.25 X 19.75  |
| 9. 966922-019 | PANEL, LOWER CABINET, 20.25 X 19.00 |
| 10. 372203-24 | MIRROR, 9.50 X 20.00                |
| 11. 115042    | ROD, .25" ALUMINUM, 6' LENGTH       |
| 12. 385935-01 | HINGE, PIVOT, ZINC PLATED           |
| 13. 381228-01 | CATCH, GRABBER DOOR                 |
| 14. 385940-02 | MIRROR, PULL CHROME                 |
| 15. 800025-01 | PINE, 3/4" X 3/4" STAINED           |

# 2007 INTERNATIONAL TRAVEL TRAILER

## FURNITURE, BATH

Lavatory Cabinet, 19', 23' D, 25' SS, Signature, Wenge

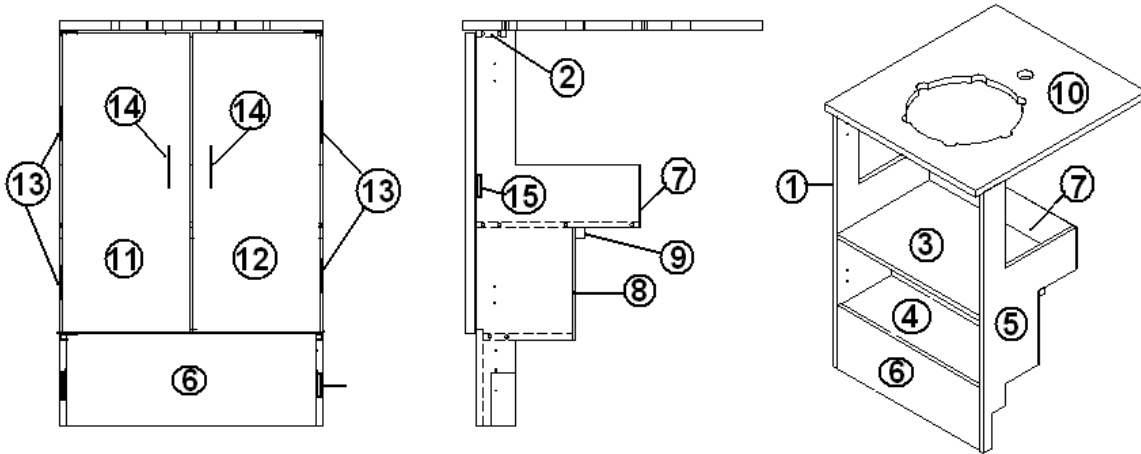


966919	CABINET ASSY. LAVATORY
1. 966919-1	PANEL, LAVY CABINET, 12.38 X 30.00
2. 966919-2	PANEL, LAVY CABINET, 2.25 X 19.00
3. 966919-3	PANEL, LAVY CABINET, 12.38 X 19.00
4. 966919-4	PANEL, LAVY CABINET, 6.81 X 19.00
5. 966919-5	PANEL, LAVY CABINET, 12.38 X 30.00
6. 966919-6	PANEL, LAVY CABINET, 19.00 X 7.25
7. 966919-7	PANEL, LAVY CABINET, 4.75 X 20.00
8. 966919-8	PANEL, LAVY CABINET, 8.50 X 20.00
9. 800025-01	PINE 3/4" X 3/4" STAINED
10. 966920	TOP ASSY. LAVY
11. 966919-13	DOOR, LAVY 9.75" X 22.88"
12. 966919-14	DOOR, LAVY 9.75" X 22.88"
13. 381607	HINGE ASSY
14. 382029-00	HANDLE BAR, 7.48"
15. 381228-01	CATCH GRABBER DOOR

# 2007 INTERNATIONAL TRAVEL TRAILER

## FURNITURE, BATH

Lavatory Cabinet, 19', 23' D, 25' SS, Signature, Ocean Breeze

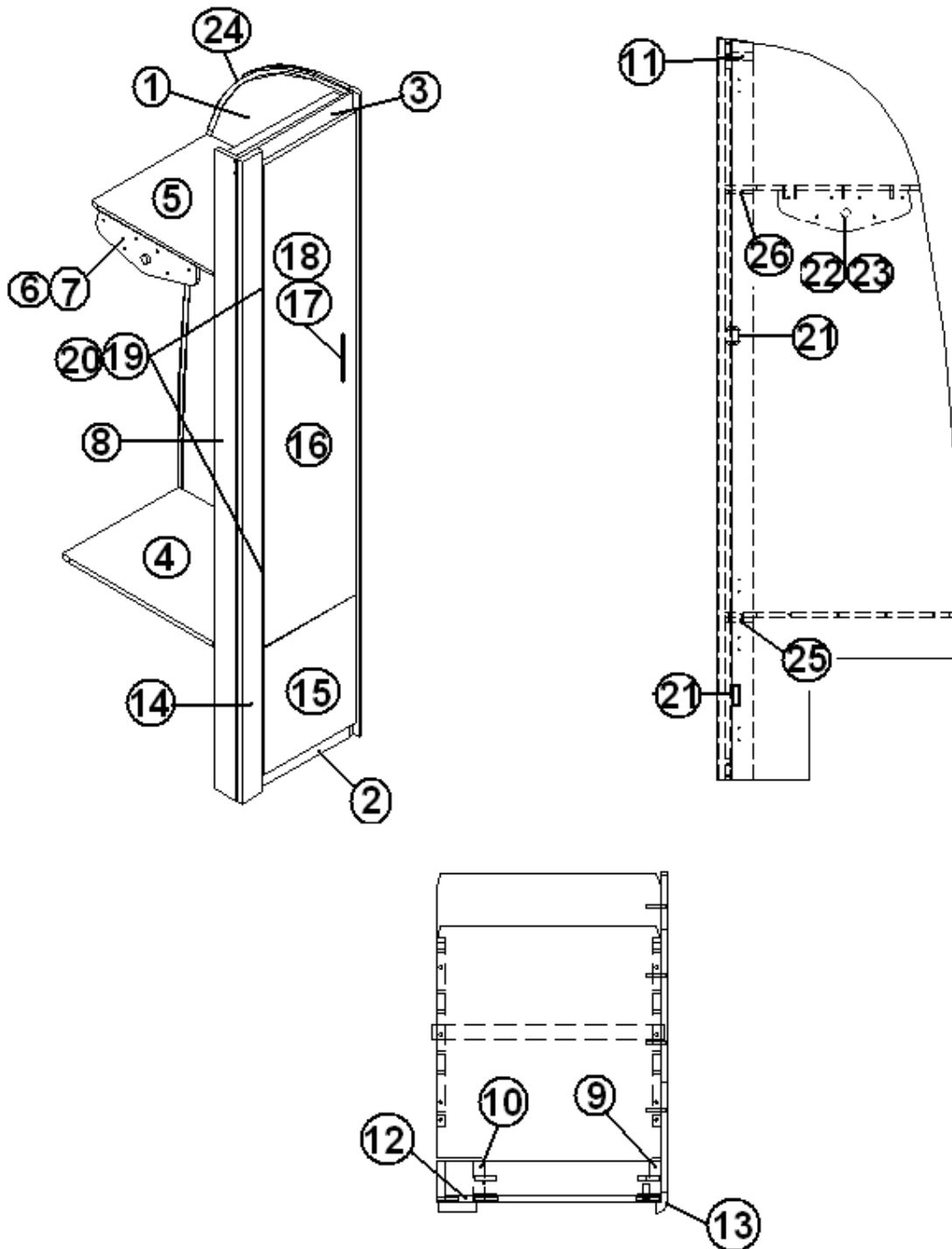


966919-01	CABINET ASSY. LAVATORY
1. 966919-011	PANEL, LAVY CABINET, 12.38 X 30.00
2. 966919-012	PANEL, LAVY CABINET, 2.25 X 19.00
3. 966919-013	PANEL, LAVY CABINET, 12.38 X 19.00
4. 966919-014	PANEL, LAVY CABINET, 6.81 X 19.00
5. 966919-015	PANEL, LAVY CABINET, 12.38 X 30.00
6. 966919-016	PANEL, LAVY CABINET, 19.00 X 7.25
7. 966919-017	PANEL, LAVY CABINET, 4.75 X 20.00
8. 966919-018	PANEL, LAVY CABINET, 8.50 X 20.00
9. 800025-01	PINE 3/4" X 3/4" STAINED
10. 966920-01	TOP ASSY. LAVY
11. 966919-0113	DOOR, LAVY 9.75" X 22.88"
12. 966919-0114	DOOR, LAVY 9.75" X 22.88"
13. 381607	HINGE ASSY
14. 382008	PULL, CABINET DOOR, BAMBOO
15. 381228-01	CATCH GRABBER DOOR

# 2007 INTERNATIONAL TRAVEL TRAILER

## FURNITURE, BATH

Wardrobe, 23' D Signature, Curbside, Wenge



Part Numbers are on the Next page



# 2007 INTERNATIONAL TRAVEL TRAILER

## FURNITURE, BATH

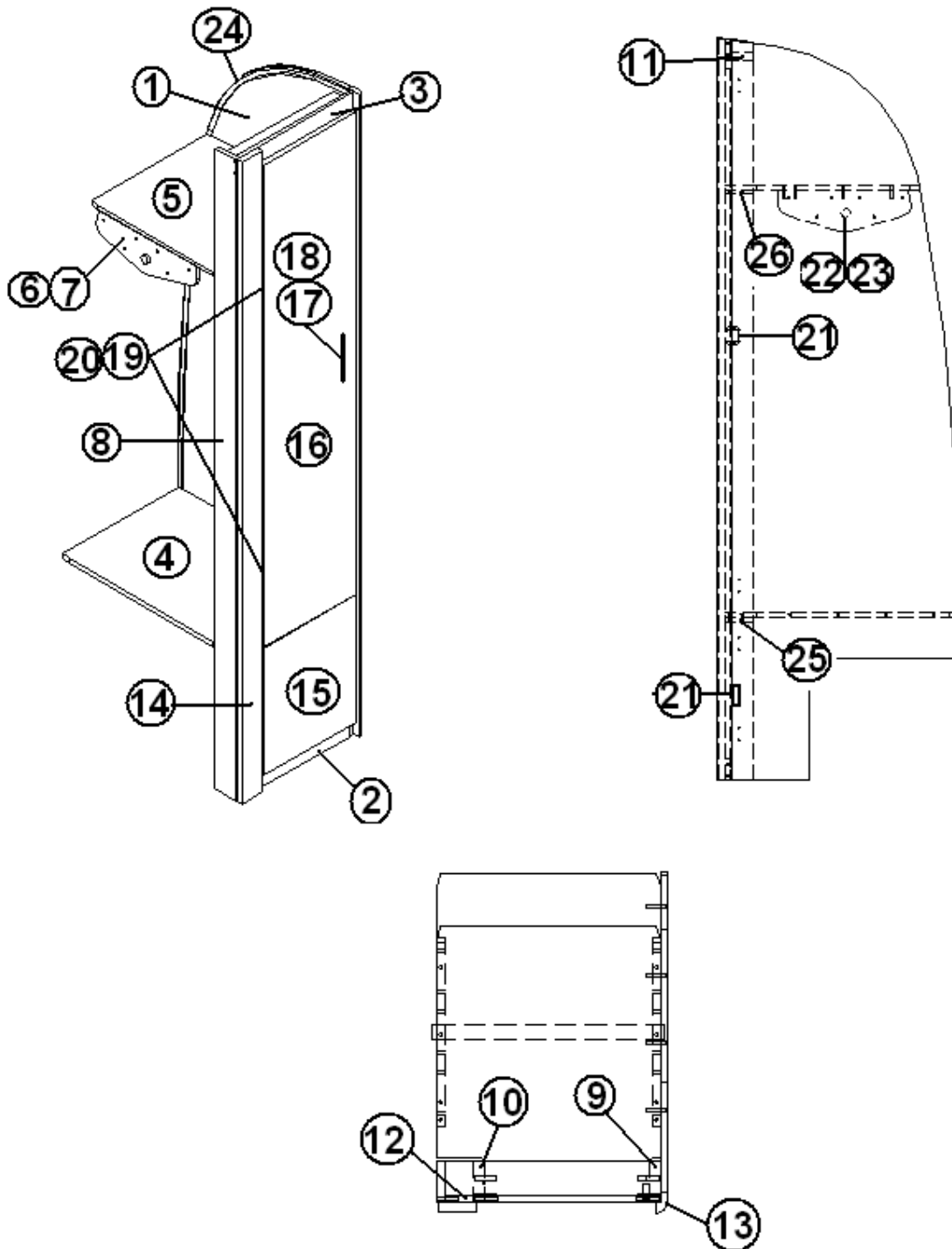
Wardrobe, 23' D Signature, Curbside, Wenge

966934	WARDROBE ASSY CS
1. 966934-1	PANEL, CS W/R, 23.8 X 77.9
2. 966934-2	PANEL, CS W/R, 12.315 X 2.25
3. 966934-3	PANEL, CS W/R, 16.0X 2.25
4. 966934-4	PANEL, CS W/R, 16.5 X 24.47
5. 966934-5	PANEL, CS W/R, 16.5 X 20.47
6. 966934-6	PANEL, CS W/R, 4.48 X 14.0
7. 966934-7	PANEL, CS W/R, 4.48 X 14.0
8. 966934-8	PANEL, CS W/R, 3.0 X 78.14
9. 966934-9	PANEL, CS W/R, 3.0 X 75.88
10. 966934-10	PANEL, CS W/R, 3.0 X 75.88
11. 966934-11	PANEL, CS W/R, 2.5 X 16.0
12. 966934-12	PANEL, CS W/R, 2.18 X 12.0
13. 801706-0016	CORNER TRIM 90 DEG 1"
14. 966934-15	PANEL, CS W/R 2.88 X 78.14
15. 966934-16	DOOR CS W/R 12.94" X 15.50"
16. 966934-17	DOOR CS W/R 12.94 X 58.63
17. 382029-03	HANDLE, BAR 11.25"
18. 345001-08	MACH SCREW #8-32 X 1"
19. 381607	HINGE ASSY
20. 320006	SCREW SHEET METAL 8X3/4 BH PHI
21. 381228	CATCH GRABBER DOOR
22. 380045	TUBING 3/4", METALLIC
23. 200975-04	CONDUIT, FLEXIBLE BLACK PLASTIC
24. 203138-05	EXTRUSION, PLASTIC 1/2" WALL BLACK
25. 966934-30	PANEL, CS W/R, 3.0 X 12.31
26. 966934-31	PANEL, CS W/R, 3.0 X 12.31

# 2007 INTERNATIONAL TRAVEL TRAILER

## FURNITURE, BATH

Wardrobe, 23' D Signature, Curbside, Ocean Breeze



Part Numbers are on the Next page

# 2007 INTERNATIONAL TRAVEL TRAILER

## FURNITURE, BATH

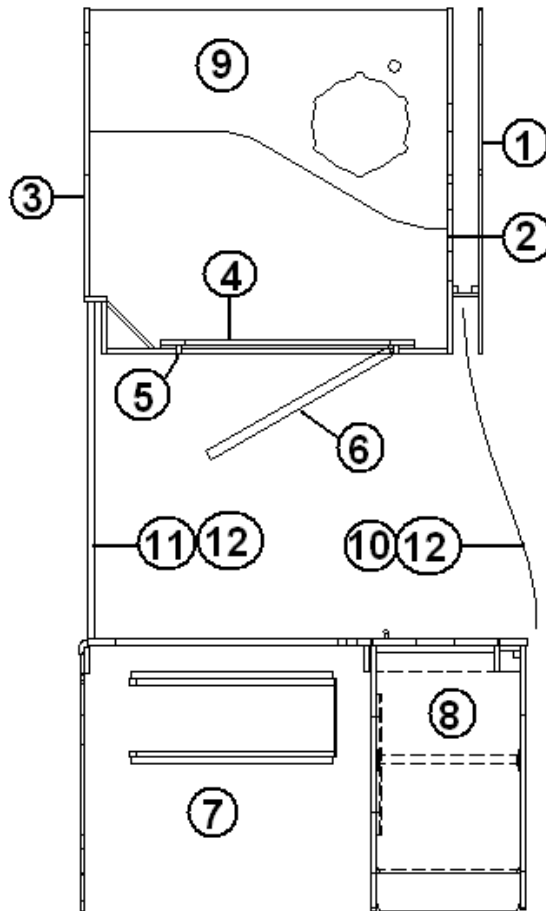
Wardrobe, 23' D Signature, Curbside, Ocean Breeze

966934-01	WARDROBE ASSY CS
1. 966934-011	PANEL, CS W/R, 23.8 X 77.9
2. 966934-012	PANEL, CS W/R, 12.315 X 2.25
3. 966934-013	PANEL, CS W/R, 16.0X 2.25
4. 966934-014	PANEL, CS W/R, 16.5 X 24.47
5. 966934-015	PANEL, CS W/R, 16.5 X 20.47
6. 966934-016	PANEL, CS W/R, 4.48 X 14.0
7. 966934-017	PANEL, CS W/R, 4.48 X 14.0
8. 966934-018	PANEL, CS W/R, 3.0 X 78.14
9. 966934-019	PANEL, CS W/R, 3.0 X 75.88
10. 966934-0110	PANEL, CS W/R, 3.0 X 75.88
11. 966934-0111	PANEL, CS W/R, 2.5 X 16.0
12. 966934-0112	PANEL, CS W/R, 2.18 X 12.0
13. 801706-WH	CORNER TRIM 90 DEG 1"
14. 966934-0115	PANEL, CS W/R 2.88 X 78.14
15. 966934-0116	DOOR CS W/R 12.94" X 15.50"
16. 966934-0117	DOOR CS W/R 12.94 X 58.63
17. 382008	PULL, CABINET DOOR, BAMBOO
18. 345001-08	MACH SCREW #8-32 X 1"
19. 381607	HINGE ASSY
20. 320006	SCREW, METAL 8X3/4 BH PHI
21. 381228	CATCH GRABBER DOOR
22. 380045	TUBING 3/4", METALLIC
23. 200975-04	CONDUIT, BLACK PLASTIC
24. 203138-01	EXTRUSION, PLASTIC 1/2" WHITE
25. 966934-0130	PANEL, CS W/R, 3.0 X 12.31
26. 966934-0131	PANEL, CS W/R, 3.0 X 12.31

# 2007 INTERNATIONAL TRAVEL TRAILER

## FURNITURE, BATH

### Bath Layout, 25' Front Bed

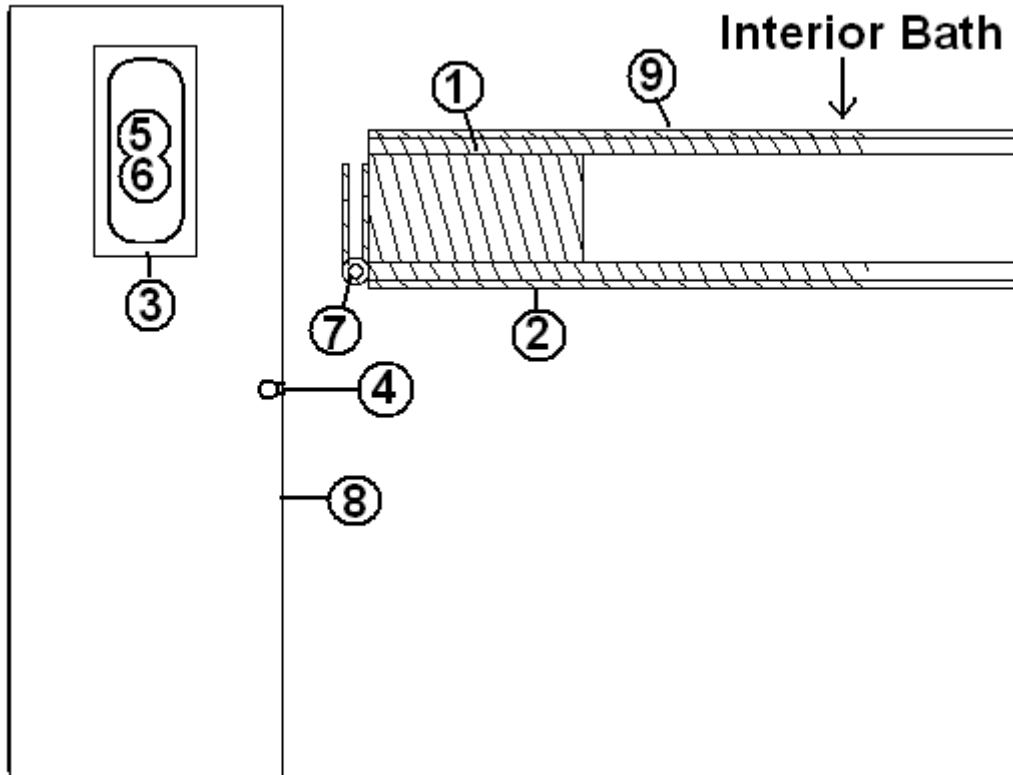


- |               |                                 |
|---------------|---------------------------------|
| 1. 801696-07  | PANEL, BATH/PANTRY              |
| 2. 801696-06  | PANEL, AFT BATH                 |
| 3. 801696-05  | PANEL, FORWARD BATH             |
| 4. 801457-01  | PANEL, BLACK MAPLE/FROSTY       |
| 5. 801458-01  | PANEL, BLACK MAPLE/BLACK MAPLE  |
| 6. 966670     | BATH DOOR ASSEMBLY, 24" X 72"   |
| 7. 966659     | SHOWER COMPTARTMENT ASSEMBLY    |
| 8. 966660     | WARDROBE ASSEMBLY               |
| 9. 966667     | LAVATORY CABINET ASSEMBLY       |
| 10. 381890-01 | TRACK, FORMED FOLDETTTE         |
| 11. 381890-02 | TRACK, STRAIGHT FOLDETTTE       |
| 12. 702681-07 | DOOR, FOLDETTTE, 60" X 73" GREY |

# 2007 INTERNATIONAL TRAVEL TRAILER

## FURNITURE, BATH

DOOR, BATH W/WINDOW, 25' Front Bed

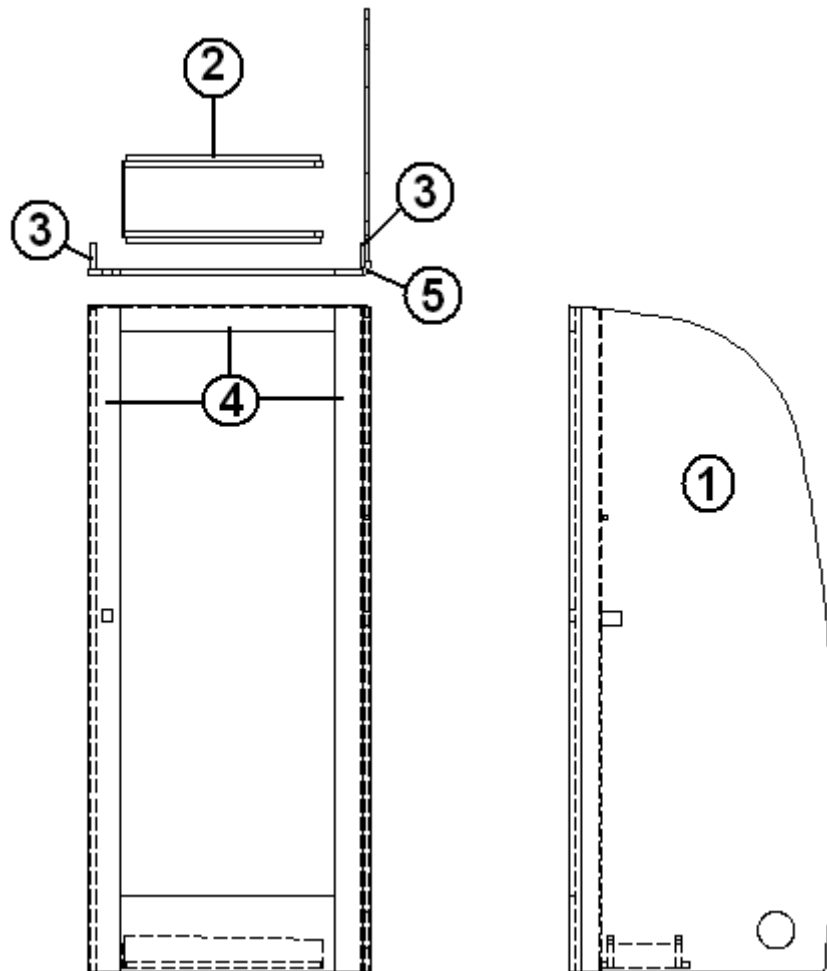


966670	BATH DOOR W/WINDOW, 28'CCD
1. 800507-01	LAUAN, 1/8" X 4' X 8'
2. 801439-01	LAMINATE, BLACK MAPLE, 4' X 8'
3. 800507-06	LAUAN-.75" X 4' x 8'
4. 381771	LATCH, LEVER LOCKSET PRIVACY
5. 371384	WINDOW, BATH DOOR
6. 203475	TRIM, 18" STACK WINDOW
7. 380203-01	PIANO HINGE 1/8" PIN
8. 365278-04	EDGEBANDING, .024" X 1.25" BLACK MAPLE
9. 801355-01	LAMINATE, FROST WHITE 4' X 8'
454320	DOOR HANDLE COVER

# 2007 INTERNATIONAL TRAVEL TRAILER

## FURNITURE, BATH

### Shower Compartment, 25' Front Bed

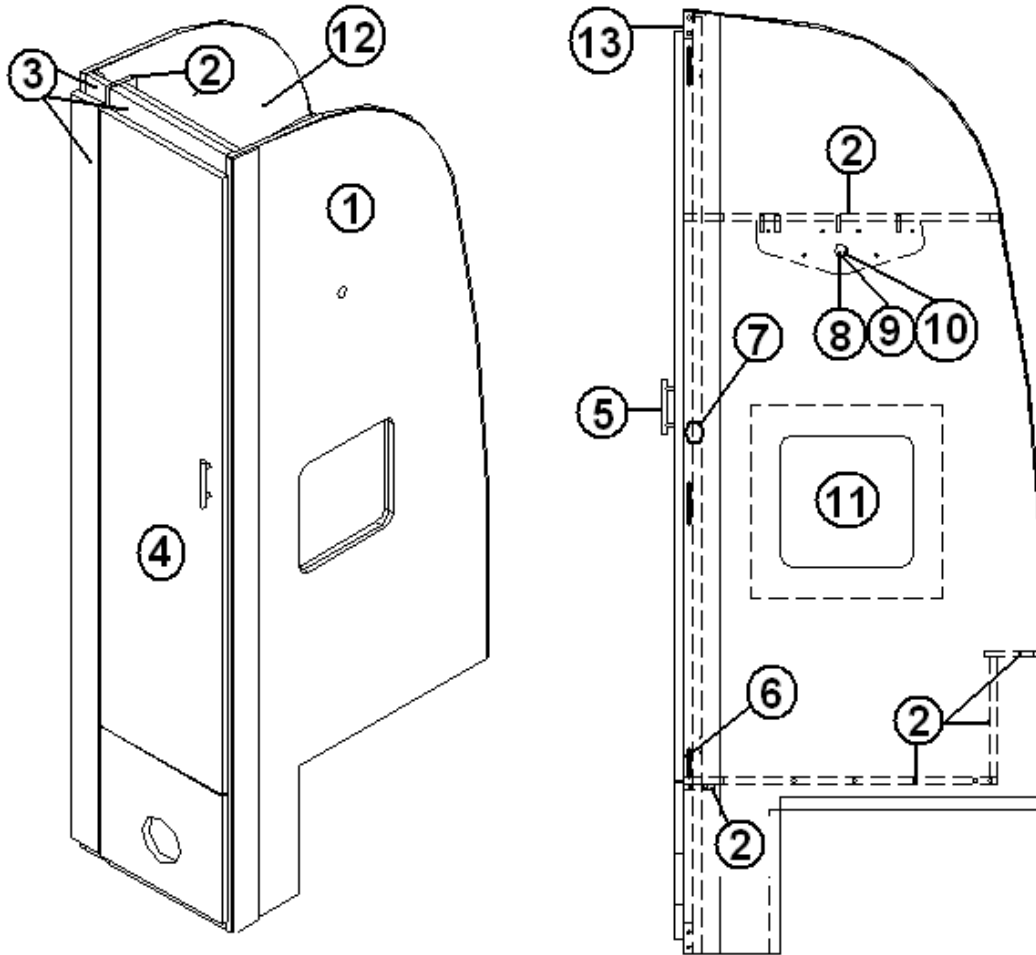


- |               |                                    |
|---------------|------------------------------------|
| 1. 801696-01  | PANEL, AFT SHOWER                  |
| 2. 961916-01  | STAND ASSY, SHOWER                 |
| 3. 801392     | PANEL, WHITELINER/WHITELINER       |
| 4. 801436-01  | PANEL, BLACK MAPLE/WHITE           |
| 5. 801706-007 | CORNER TRIM, 90D 1"RADIUS, 84"     |
| 203081        | SHOWER STALL, 2 PC.                |
| 702306-03     | SHOWER DOOR SILVER, 27"            |
| 365278-01     | EDGEBANDING, BLACK MAPLE 1.13"     |
| 203138-05     | EXTRUSION, PLASTIC 1/2" WALL BLACK |

# 2007 INTERNATIONAL TRAVEL TRAILER

## FURNITURE, BATH

### Wardrobe Assembly, 25' Front Bed



Parts Numbers are on the next page

# 2007 INTERNATIONAL TRAVEL TRAILER

## FURNITURE, BATH

### Wardrobe Assembly, 25' Front Bed

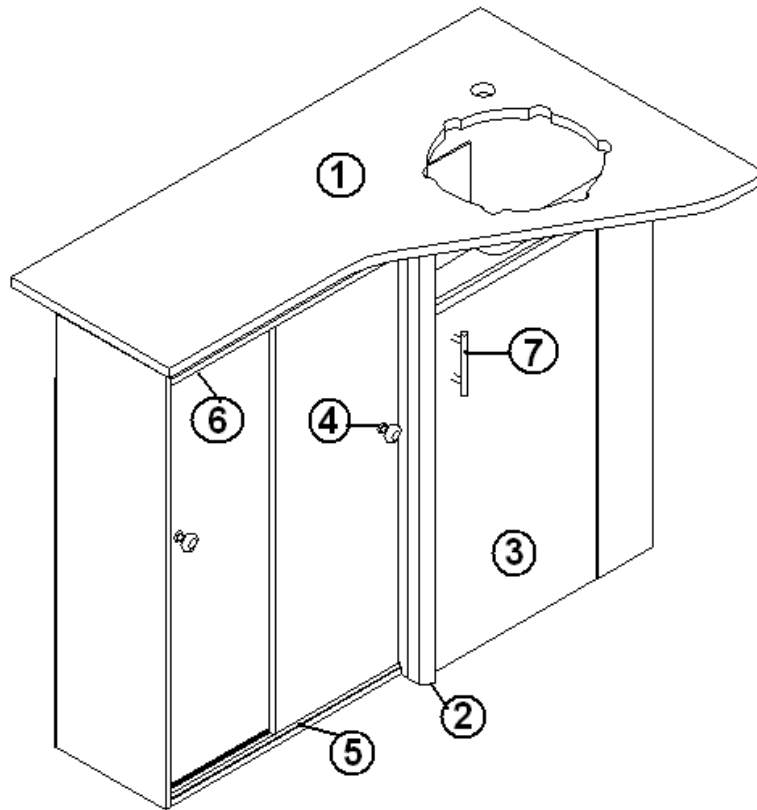
966660	WARDROBE ASSEMBLY, 25 FB
1. 801696-04	PANEL, FORWARD WARDROBE
2. 801392	PANEL, WHITELINER/WHITELINER
3. 801436-01	PANEL, BLACK MAPLE/WHITE
4. 801341-60	DOOR, RS WARDROBE 14.25" X 62.38"
5. 381865	PULL-BAR BRUSH NICKEL
6. 381607	HINGE, GRASS EURO
7. 381228-01	CATCH GRABBER DOOR
8. 380045	TUBING 3/4"
9. 200975-04	CONDUIT, FLEXIBLE BLACK PLASTIC
10. 380046	FLANGE CHROME
11. 966661	WARDROBE CLOSEOUT
12. 801696-03	PANEL, AFT WARDROBE
13.104821	SUPPORT, ROOFLOCKER, 74"
365238-04	EDGEBANDING TAPE PVC 5/8" WHITE
203138-05	EXTRUSION-PLASTIC 1/2" WALL BLACK



# 2007 INTERNATIONAL TRAVEL TRAILER

## FURNITURE, BATH

### Lavatory Cabinet, 25' Front Bed

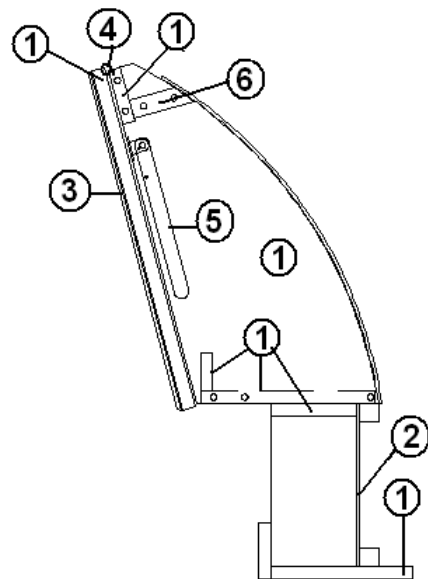
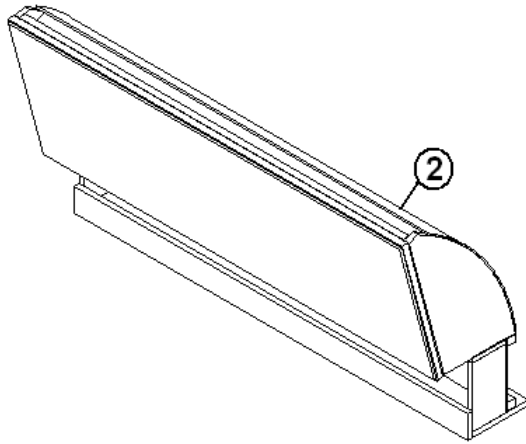


- |               |                                   |
|---------------|-----------------------------------|
| 966667        | LAVATORY CABINET ASSEMBLY         |
| 1. 966668     | LAVATORY TOP ASSEMBLY             |
| 2. 801706-007 | CORNER TRIM, 1"RADIUS 84", LONG   |
| 3. 801341-199 | DOOR, LAVATORY 14.13" X 27.13"    |
| 4. 381796     | KNOB HOLLOW 1.25"                 |
| 5. 200963-02  | SLIDING DOOR TRACK, VANITY, LOWER |
| 6. 200963-01  | SLIDING DOOR TRACK, VANITY ,UPPER |
| 7. 381865     | PULL-BAR BRUSH NICKEL             |
| 381228-01     | CATCH GRABBER DOOR                |
| 454225        | CLOSEOUT ASSY-LAVY                |

# 2007 INTERNATIONAL TRAVEL TRAILER

## FURNITURE, BATH

### Medicine Cabinet, 25' Front Bed

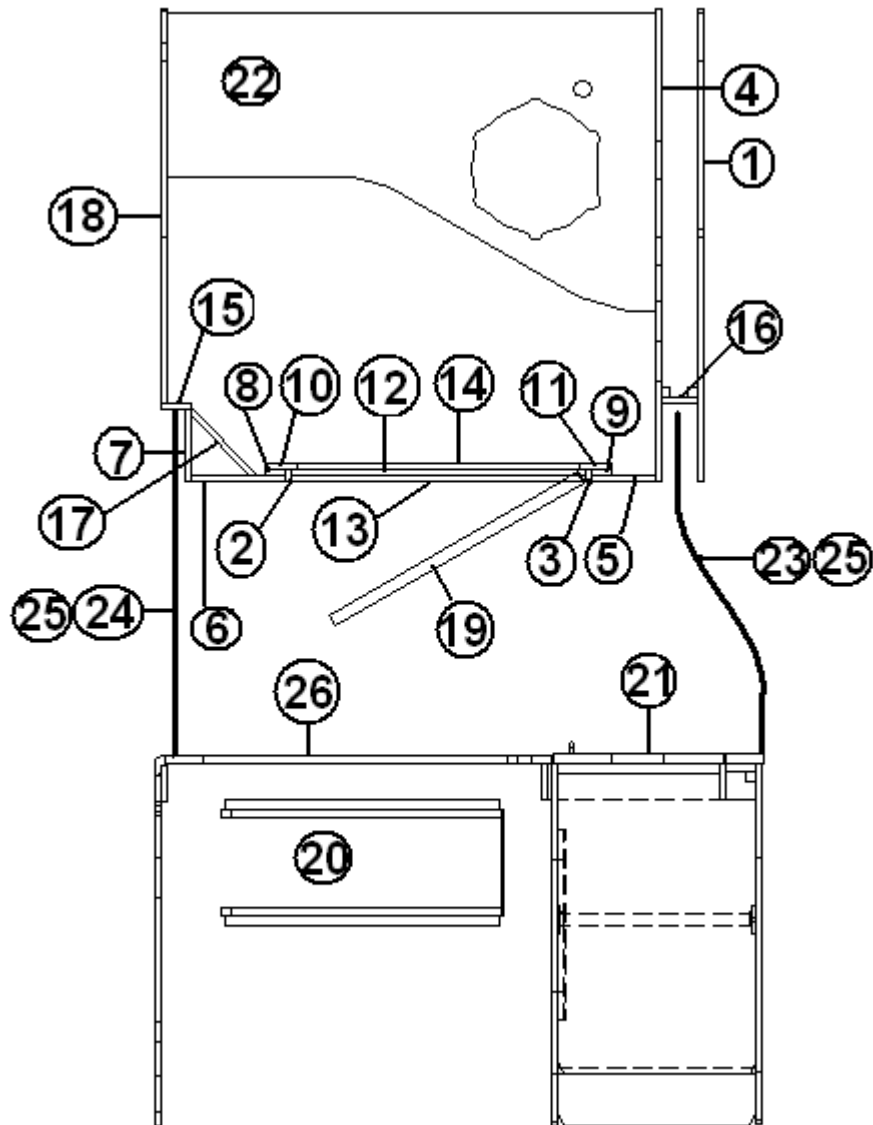


- |              |                                  |
|--------------|----------------------------------|
| 966669       | MEDICINE CABINET                 |
| 1. 801392    | PANEL, WHITELINER/WHITELINER     |
| 2. 801438    | PANEL, FROSTY WHITE VINYL/RAW    |
| 3. 372203-33 | MIRROR, SAFETY .125" X 14" X 40" |
| 4. 385935-01 | HINGE, PIVOT, ZINC PLATED        |
| 5. 380024    | ARMS SUPPORT, RIGHT HAND         |
| 6. 801368    | PANEL, WHITELINER/WHITELINER     |
| 381228-01    | CATCH GRABBER DOOR               |
| 385940-02    | MIRROR PULL CHROME               |

# 2007 INTERNATIONAL TRAVEL TRAILER

## FURNITURE, BATH

Bath Lay Out, 25' Signature Front Bed, Wenge



Part Numbers on the Next Page

# 2007 INTERNATIONAL TRAVEL TRAILER

## FURNITURE, BATH

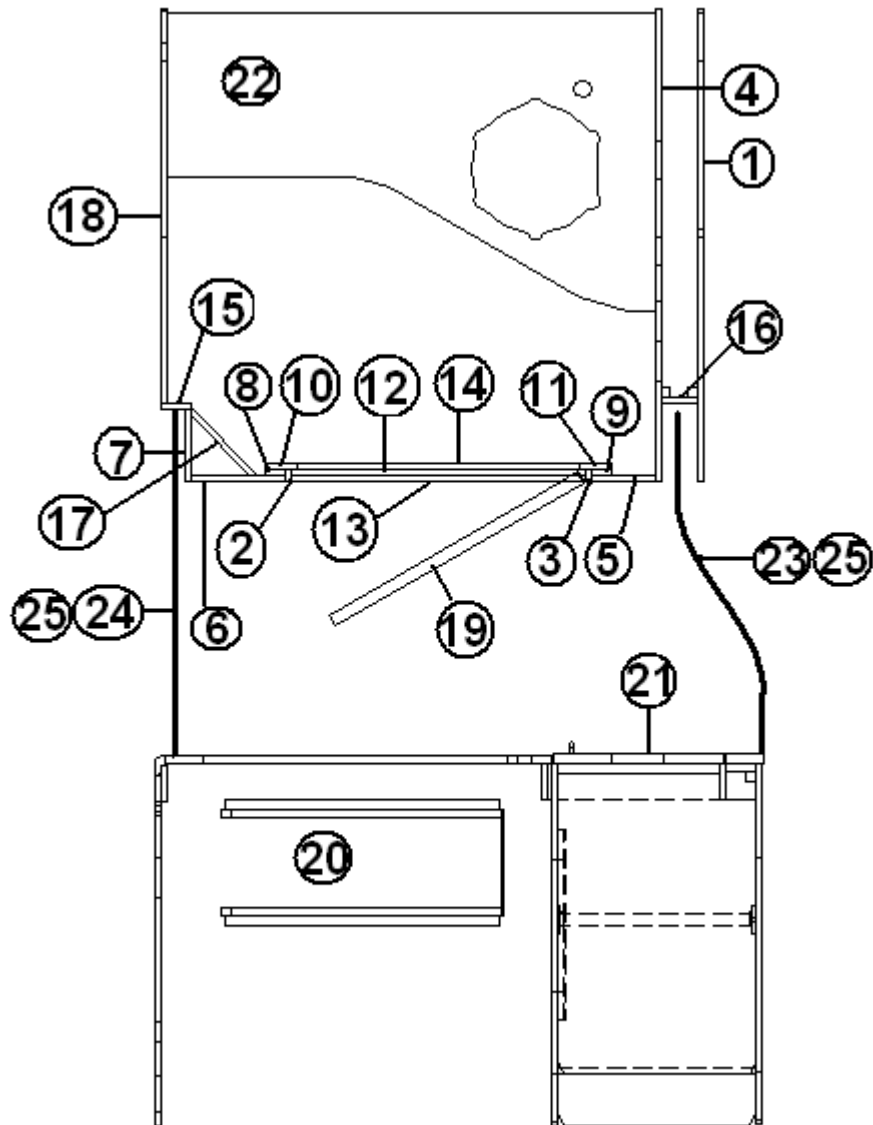
### Bath Lay Out, 25' Signature Front Bed, Wenge

1. 111565-1	PANEL, BATH, 79.44" X 39.50"
2. 111565-2	PANEL, BATH, 1.13" X 79.25"
3. 111565-3	PANEL, BATH, 1.13" X 79.25"
4. 111565-4	PANEL, BATH, 79.50" X 39.50"
5. 111565-5	PANEL, BATH, 5.375" X 79.5"
6. 111565-6	PANEL, BATH, 8.00" X 79.5"
7. 111565-7	PANEL, BATH, 6.00" X 79.5"
8. 111565-8	PANEL, BATH, 1.75" X 79.5"
9. 111565-9	PANEL, BATH, 1.75" X 79.5"
10. 111565-10	PANEL, BATH, 2.75" X 79.5"
11. 111565-11	PANEL, BATH, 2.75" X 79.5"
12. 111565-12	PANEL, BATH, 24.625" X 3.50"
13. 111565-13	PANEL, BATH, 24.625" X 3.50"
14. 111565-14	PANEL, BATH, 23.625" X 3.75"
15. 111565-15	PANEL, BATH, 2.50" X 79.25"
16. 111565-16	PANEL, BATH, 3.00" X 79.25"
17. 111565-17	PANEL, BATH, 8.00" X 79.13"
18. 111565-18	PANEL, BATH, 79.00" X 33.00"
19. 966894	DOOR ASSY, BATH 24" X 72"
20. 966879	SHOWER COMPARTMENT ASSY
21. 966905	WARDROBE ASSY.
22. 966902	LAVATORY CABINET ASSY
23. 381890-01	TRACK, FORMED FOLDETTE
24. 381890-02	TRACK, STRAIGHT FOLDETTE
25. 702681-07	DOOR, FOLDETTE 60" X 73" GREY
26. 703626-01	SHOWER DOOR-BRUSHED NICKEL

# 2007 INTERNATIONAL TRAVEL TRAILER

## FURNITURE, BATH

Bath Lay Out, 25' Signature Front Bed, Ocean Breeze



Part Numbers on the Next Page

# 2007 INTERNATIONAL TRAVEL TRAILER

## FURNITURE, BATH

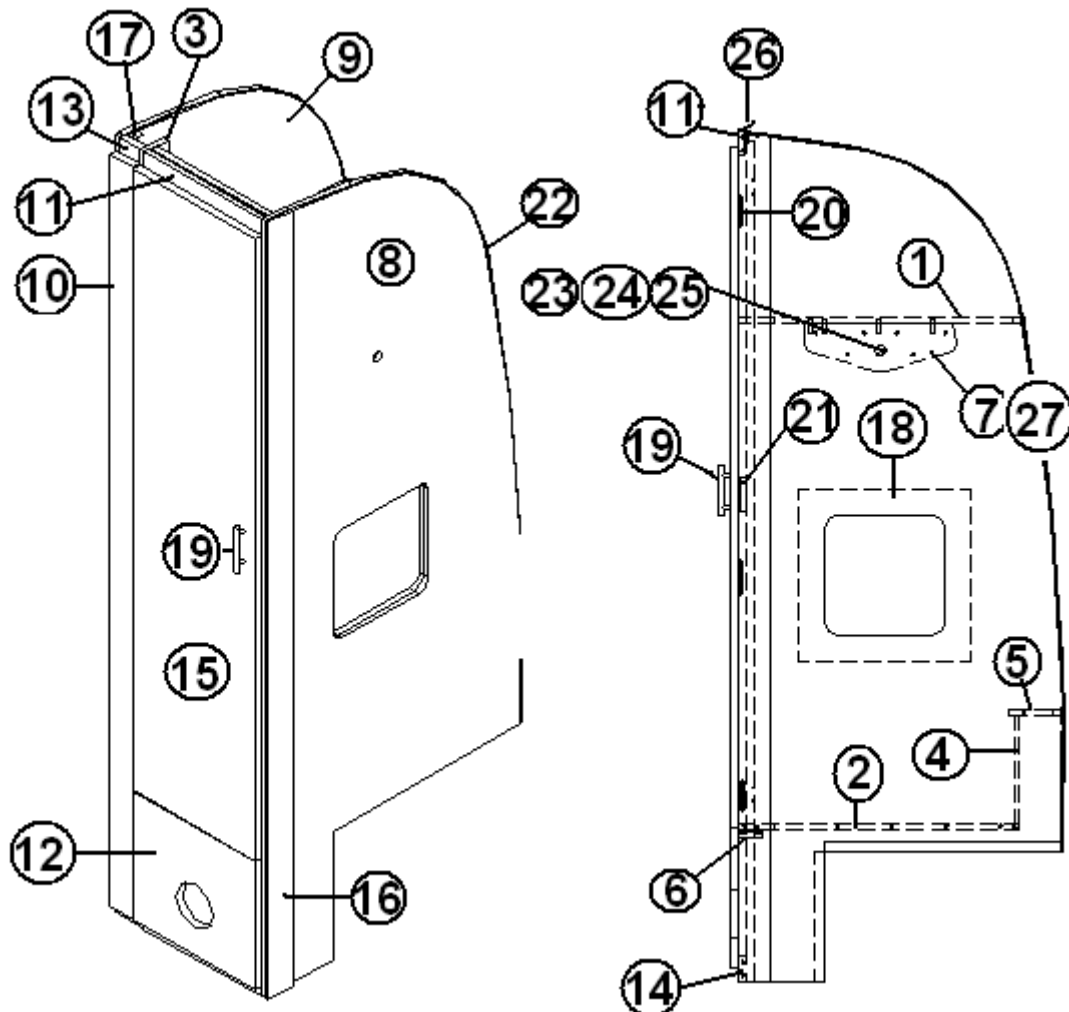
### Bath Lay Out, 25' Signature Front Bed, Ocean Breeze

1. 111565-011	PANEL, BATH, 79.44" X 39.50"
2. 111565-012	PANEL, BATH, 1.13" X 79.25"
3. 111565-013	PANEL, BATH, 1.13" X 79.25"
4. 111565-014	PANEL, BATH, 79.50" X 39.50"
5. 111565-015	PANEL, BATH, 5.375" X 79.5"
6. 111565-016	PANEL, BATH, 8.00" X 79.5"
7. 111565-017	PANEL, BATH, 6.00" X 79.5"
8. 111565-018	PANEL, BATH, 1.75" X 79.5"
9. 111565-019	PANEL, BATH, 1.75" X 79.5"
10. 111565-0110	PANEL, BATH, 2.75" X 79.5"
11. 111565-0111	PANEL, BATH, 2.75" X 79.5"
12. 111565-0112	PANEL, BATH, 24.625" X 3.50"
13. 111565-0113	PANEL, BATH, 24.625" X 3.50"
14. 111565-0114	PANEL, BATH, 23.625" X 3.75"
15. 111565-0115	PANEL, BATH, 2.50" X 79.25"
16. 111565-0116	PANEL, BATH, 3.00" X 79.25"
17. 111565-0117	PANEL, BATH, 8.00" X 79.13"
18. 111565-0118	PANEL, BATH, 79.00" X 33.00"
19. 966895	DOOR ASSY, BATH, 24" X 72"
20. 966879-01	SHOWER COMPT ASSY
21. 966905-01	WARDROBE ASSY.
22. 966902-01	LAVATORY CABINET ASSY
23. 381890-01	TRACK, FORMED FOLDETTE
24. 381890-02	TRACK, STRAIGHT FOLDETTE
25. 702681-07	DOOR, FOLDETTE, 60" X 73" GREY

# 2007 INTERNATIONAL TRAVEL TRAILER

## FURNITURE, BATH

Wardrobe, 25' Signature Front Bed, Wenge  
New drawing



Part Numbers on the Next Page

# 2007 INTERNATIONAL TRAVEL TRAILER

## FURNITURE, BATH

### Wardrobe, 25' Signature Front Bed, Wenge

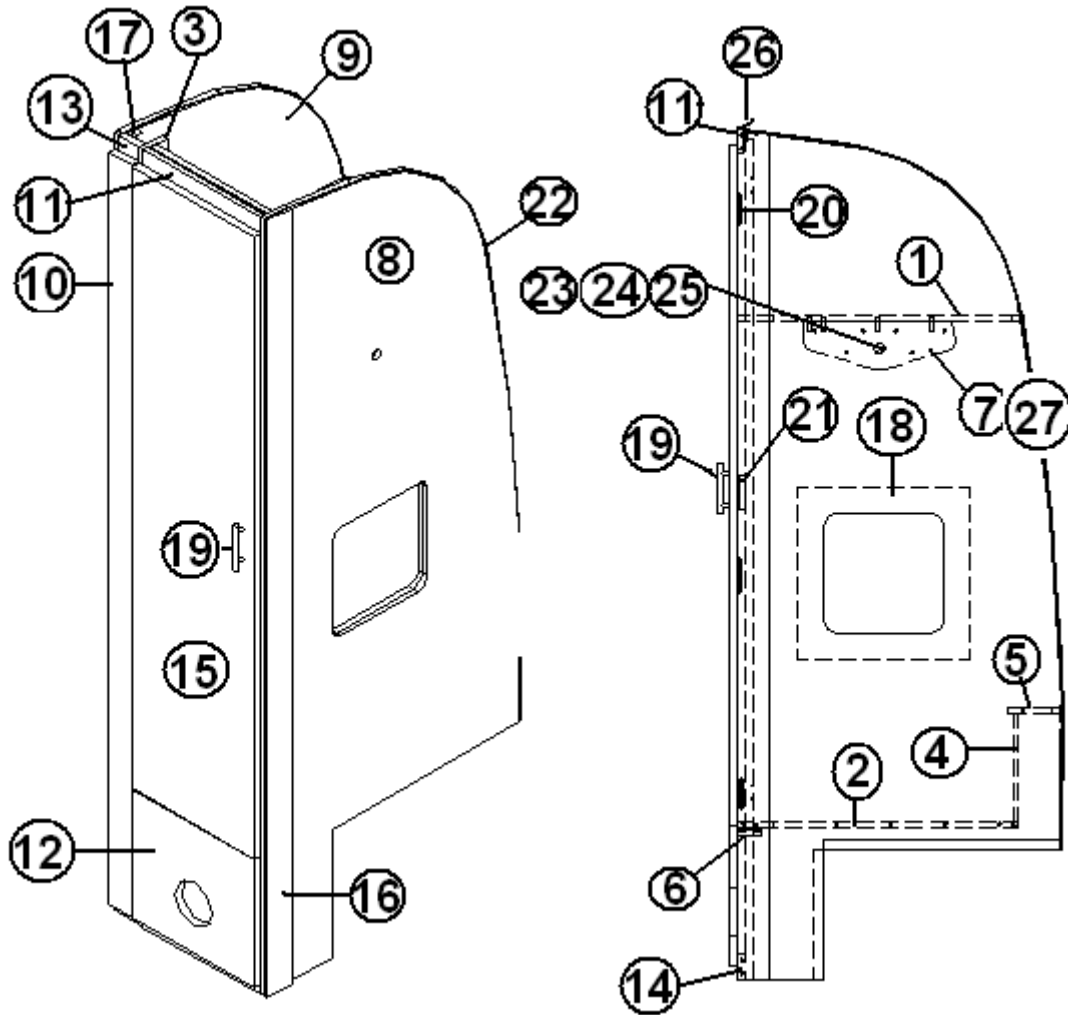
966905	Wardrobe, 25' Front Bed, Wenge
1. 966905-1	PANEL, 16.56" X 26.50"
2. 966905-2	PANEL, 16.56" X 26.00"
3. 966905-3	PANEL, 3" X 78.88"
4. 966905-4	PANEL, 10" X 16.56"
5. 966905-5	PANEL, 5.25" X 16.56"
6. 966905-6	PANEL, 2.5" X 13.63"
7. 966905-7	PANEL, 4.5" X 14.00"
8. 966905-8	PANEL, 30.09" X 78.88"
9. 966905-9	PANEL 30.09" X 78.88"
10. 966905-10	PANEL, 2.69" X 76.19"
11. 966905-11	PANEL, 13.63" X 2.5"
12. 966905-12	PANEL, 14.25" X 13.00"
13. 966905-13	PANEL, 2.44" X 78.88"
14. 966905-14	PANEL, 2.5" X 13.63"
15. 966905-15	DOOR, 14.25" X 63.06"
16. 800507-02	PANEL, 3.0" X 78.88", LAUAN
17. 800025-01	PINE, 3/4" X 3/4" STAINED
18. 966883	CLOSEOUT
19. 382029-03	HANDLE, BAR 11.25"
20. 381228-01	CATCH GRABBER DOOR
21. 381607	HINGE ASSY, GRASS EURO
22. 203138-04	EXTRUSION, PLASTIC, 1/2" OAK
23. 380045	TUBING 3/4", METAL
24. 200975-04	CONDUIT, FLEXIBLE BLACK PLASTIC
25. 380046	FLANGE CHROME
26. 104821	SUPPORT, ROOFLOCKER, 74"
27. 966905-30	Panel, 4.5 x 14.00



# 2007 INTERNATIONAL TRAVEL TRAILER

## FURNITURE, BATH

Wardrobe, 25' Signature Front Bed, Ocean Breeze



Part Numbers on the Next Page

# 2007 INTERNATIONAL TRAVEL TRAILER

## FURNITURE, BATH

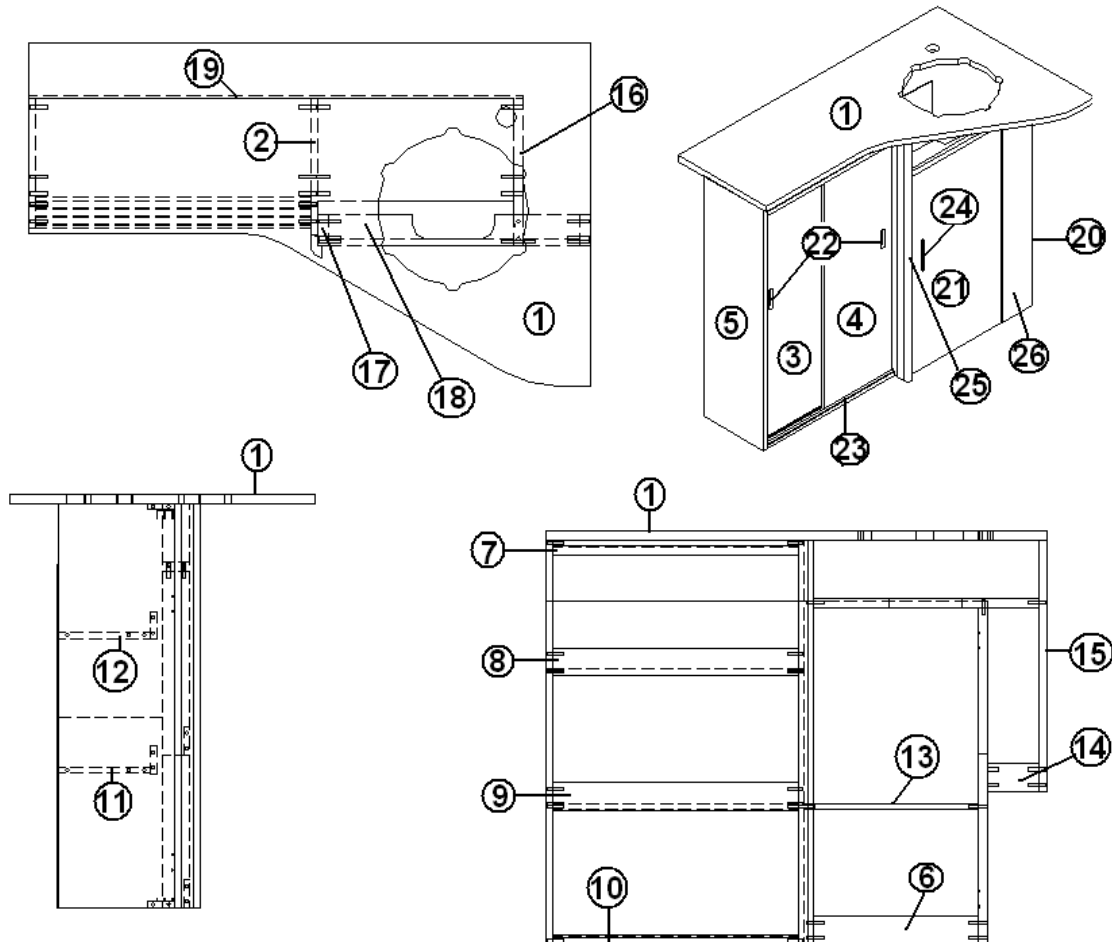
### Wardrobe, 25' Signature Front Bed, Ocean Breeze

966905-01	Wardrobe, 25' Front Bed, Wenge
1. 966905-011	PANEL, 16.56" X 26.50"
2. 966905-012	PANEL, 16.56" X 26.00"
3. 966905-013	PANEL, 3" X 78.88"
4. 966905-014	PANEL, 10" X 16.56"
5. 966905-015	PANEL, 5.25" X 16.56"
6. 966905-016	PANEL, 2.5" X 13.63"
7. 966905-017	PANEL, 4.5" X 14.00"
8. 966905-018	PANEL, 30.09" X 78.88"
9. 966905-019	PANEL 30.09" X 78.88"
10. 966905-0110	PANEL, 2.69" X 76.19"
11. 966905-0111	PANEL, 13.63" X 2.5"
12. 966905-0112	PANEL, 14.25" X 13.00"
13. 966905-0113	PANEL, 2.44" X 78.88"
14. 966905-0114	PANEL, 2.5" X 13.63"
15. 966905-0115	DOOR, 14.25" X 63.06"
16. 800507-02	PANEL, 3.0" X 78.88", LAUAN
17. 800025-01	PINE, 3/4" X 3/4" STAINED
18. 966883-01	CLOSEOUT
19. 382008	HANDLE, BAMBOO
20. 381607	HINGE ASSY, GRASS EURO
21. 381228-01	CATCH GRABBER DOOR
22. 203138-01	EXTRUSION, PLASTIC, 1/2" white
23. 380045	TUBING 3/4", METAL
24. 200975-04	CONDUIT, BLACK PLASTIC
25. 380046	FLANGE CHROME
26. 104821	SUPPORT, ROOFLOCKER, 74"
27. 966905-0130	Panel, 4.5 x 14.00

# 2007 INTERNATIONAL TRAVEL TRAILER

## FURNITURE, BATH

### Lavatory Cabinet, 25' Front Bed Signature, Wenge



Part Numbers on the Next Page

# 2007 INTERNATIONAL TRAVEL TRAILER

## FURNITURE, BATH

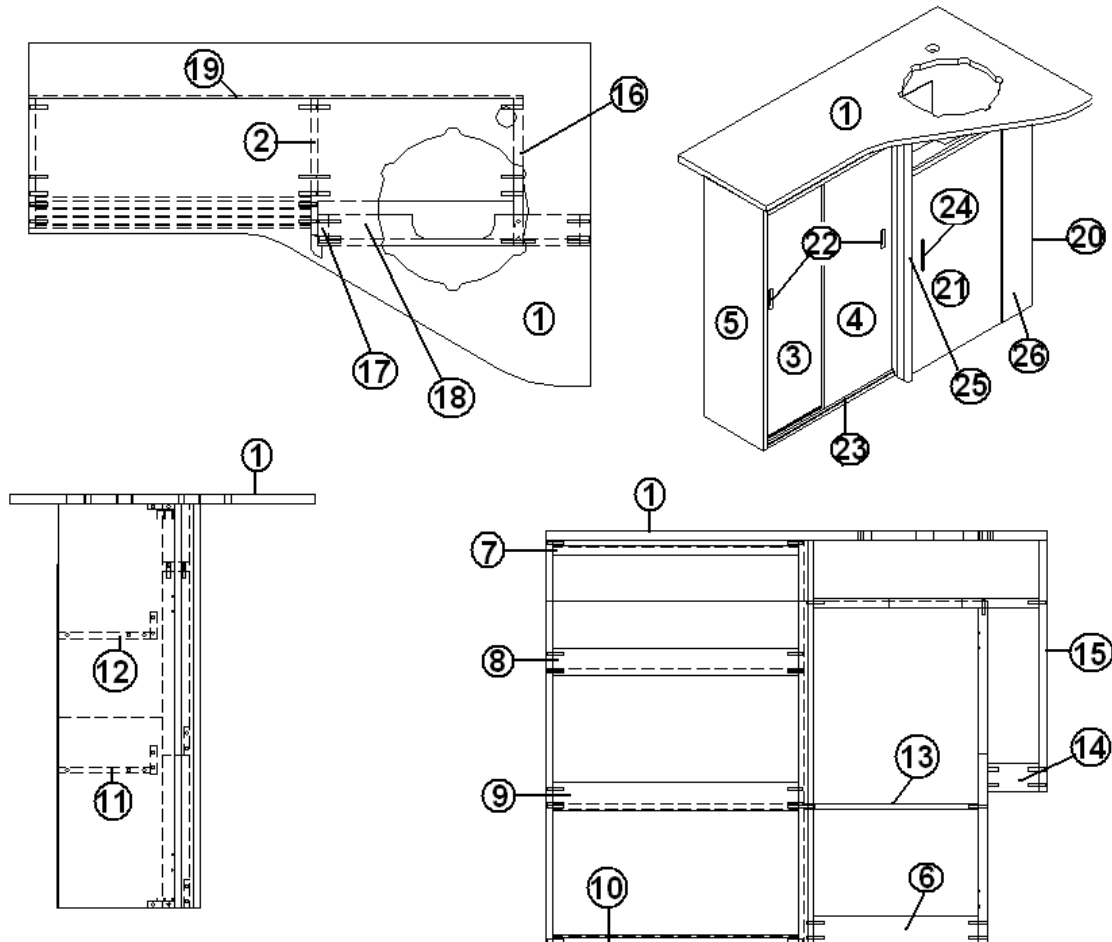
### Lavatory Cabinet, 25' Front Bed Signature, Wenge

966902	LAVATORY CABINET
1. 966903	LAVATORY TOP
2. 966902-2	PANEL, LAVY 10 X 33
3. 966902-3	PANEL, LAVY 10.81 X 31.5
4. 966902-4	PANEL, LAVY 10.81 X 31.5
5. 966902-5	PANEL, LAVY 9.5 X 33
6. 966902-6	PANEL, LAVY 2.25 X 13.5
7. 966902-7	PANEL, LAVY 2.25 X 20.12
8. 966902-8	PANEL, LAVY 2.25 X 20.12
9. 966902-9	PANEL, LAVY 2.25 X 20.12
10. 966902-10	PANEL, LAVY 2.25 X 20.12
11. 966902-11	PANEL, LAVY 7.5 X 20.12
12. 966902-12	PANEL, LAVY 7.5 X 20.12
13. 966902-13	PANEL, LAVY 7.5 X 14.25
14. 966902-14	PANEL, LAVY 2.25 X 4.12
15. 966902-15	PANEL, LAVY 2.25 X 20.5
16. 966902-16	PANEL, LAVY 10.75 X 27.5
17. 966902-17	PANEL, LAVY 2.25 X 33
18. 966902-18	PANEL, LAVY 2.25 X 18.38
19. 966902-19	PANEL, LAVY 28 X 36.12
20. 801706-0016	CORNER TRIM, 90D, 1"RADIUS
21. 966902-23	DOOR, LAVY, 14.13" X 27.13"
22. 382030	PULL, RECESSED FINGER
23. 115374	EXTRUSION, SLIDING DR TRACK .5"
24. 382029-03	HANDLE BAR 11.25"
25. 381228-01	CATCH, GRABBER DOOR
26. 966902-31	PANEL, LAVY 4.75 X 27.12
381607	HINGE ASSY.

# 2007 INTERNATIONAL TRAVEL TRAILER

## FURNITURE, BATH

### Lavatory Cabinet, 25' Front Bed Signature, Ocean Breeze



Part Numbers on the Next Page

# 2007 INTERNATIONAL TRAVEL TRAILER

## FURNITURE, BATH

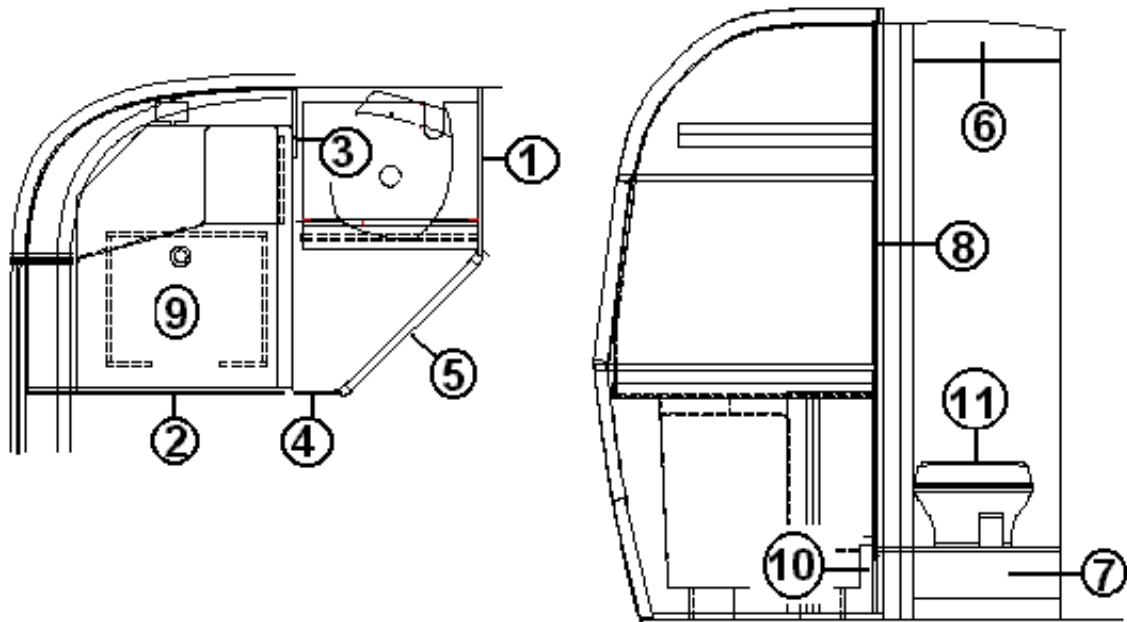
### Lavatory Cabinet, 25' Front Bed Signature, Ocean Breeze

966902-01	LAVATORY CABINET
1. 966903-01	LAVATORY TOP
2. 966902-012	PANEL, LAVY 10 X 33
3. 966902-013	PANEL, LAVY 10.81 X 31.5
4. 966902-014	PANEL, LAVY 10.81 X 31.5
5. 966902-015	PANEL, LAVY 9.5 X 33
6. 966902-016	PANEL, LAVY 2.25 X 13.5
7. 966902-017	PANEL, LAVY 2.25 X 20.12
8. 966902-018	PANEL, LAVY 2.25 X 20.12
9. 966902-019	PANEL, LAVY 2.25 X 20.12
10. 966902-0110	PANEL, LAVY 2.25 X 20.12
11. 966902-0111	PANEL, LAVY 7.5 X 20.12
12. 966902-0112	PANEL, LAVY 7.5 X 20.12
13. 966902-0113	PANEL, LAVY 7.5 X 14.25
14. 966902-0114	PANEL, LAVY 2.25 X 4.12
15. 966902-0115	PANEL, LAVY 2.25 X 20.5
16. 966902-0116	PANEL, LAVY 10.75 X 27.5
17. 966902-0117	PANEL, LAVY 2.25 X 33
18. 966902-0118	PANEL, LAVY 2.25 X 18.38
19. 966902-0119	PANEL, LAVY 28 X 36.12
20. 801706-WH	CORNER TRIM, 90D, 1"RADIUS
21. 966902-0123	DOOR, LAVY, 14.13" X 27.13"
22. 382030	PULL, RECESSED FINGER
23. 115374	SLIDING DOOR TRACK, .5"
24. 382008	PULL, BAMBOO
25. 381228-01	CATCH, GRABBER DOOR
26. 966902-0131	PANEL, LAVY 4.75 X 27.12
381607	HINGE ASSY.

# 2007 INTERNATIONAL TRAVEL TRAILER

## FURNITURE, BATH

Bath Layout, 25' Sleep Six, 19'

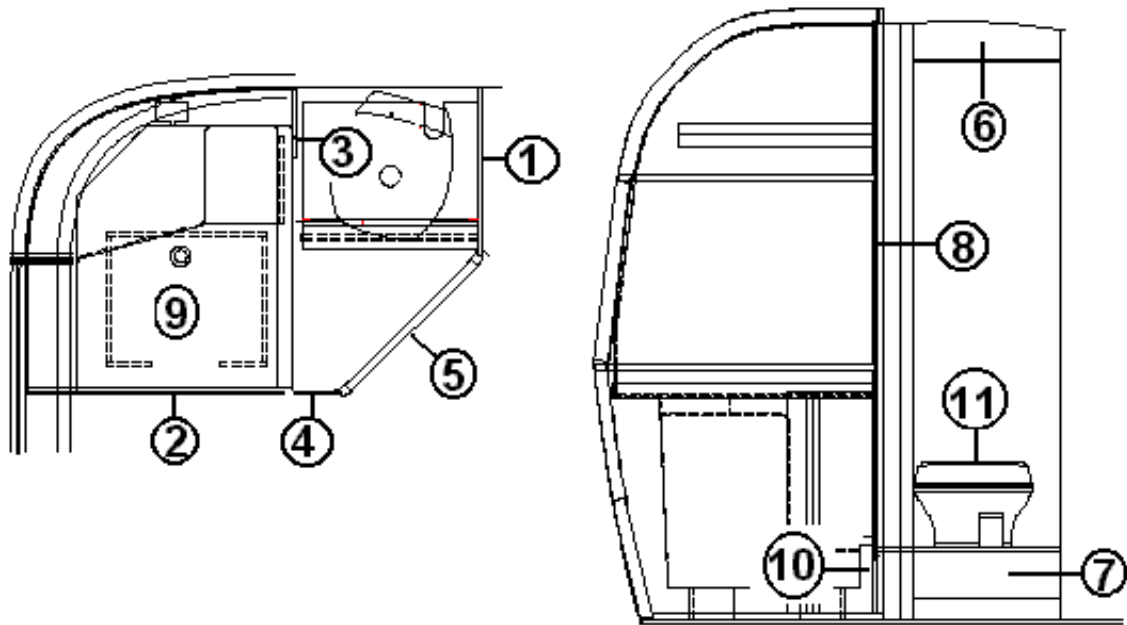


- |               |   |
|---------------|---|
| 1. 801460-08  | PANEL-RS SHOWER, 25'                        |
| 1a. 801460-14 | PANEL-AFT SHOWER, 19'                       |
| 1b. 801460-10 | PANEL-AFT SHOWER, 19' 75 <sup>th</sup> Ann. |
| 2. 801460-09  | PANEL-AFT SHOWER                            |
| 3. 801460-10  | PANEL-SHOWER DIVIDER                        |
| 4. 801394-02  | CORNER TRIM-45D 2" RADIUS 84"               |
| 5. 966115     | DOOR ASSEMBLY-BATH                          |
| 6. 965839     | HEADER-BATH DOOR                            |
| 7. 965838     | STAND ASSY-TOILET                           |
| 8. 702937-03  | SHOWER DOOR-ROLL AWAY 62" X 36"             |
| 9. 203114     | SHOWER 2 PC. FIBERGLASS                     |
| 10. 965565-01 | CLOSEOUT-SHOWER                             |
| 11. 690472-01 | TOILET-CHINA LOW PROFILE WHITE              |
| 365278-02     | EDGEBANDING-BLACK MAPLE 1.625"              |

# 2007 INTERNATIONAL TRAVEL TRAILER

## FURNITURE, BATH

### Bath Layout, 25' Sleep Six Ocean Breeze



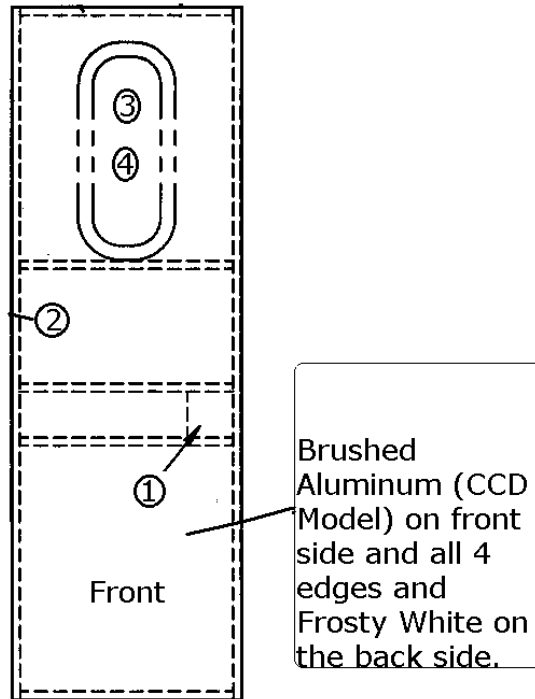
- |               |  |
|---------------|--|
| 1. 801700-09  | PANEL-RS SHOWER, 25' Ocean Breeze        |
| 2. 801700-10  | PANEL, AFT, SHOWER, 25' Ocean Breeze     |
| 3. 801460-10  | PANEL-SHOWER DIVIDER                     |
| 4. 801394-OB  | CORNER TRIM, 2" RADIUS, 25' Ocean Breeze |
| 5. 966115-02  | DOOR ASSEMBLY-BATH, 25' Ocean Breeze     |
| 6. 965839-01  | HEADER-BATH DOOR 25' Ocean Breeze        |
| 7. 965838     | STAND ASSY-TOILET                        |
| 8. 702937-03  | SHOWER DOOR-ROLL AWAY 62" X 36"          |
| 9. 203114     | SHOWER 2 PC. FIBERGLASS                  |
| 10. 965565-01 | CLOSEOUT-SHOWER                          |
| 11. 690472-01 | TOILET-CHINA LOW PROFILE WHITE           |
| 365278-02     | EDGE BANDING-BLACK MAPLE 1.625"          |



# 2007 INTERNATIONAL TRAVEL TRAILER

## FURNITURE, BATH

Door, Bath, 19' 25' Sleep Six

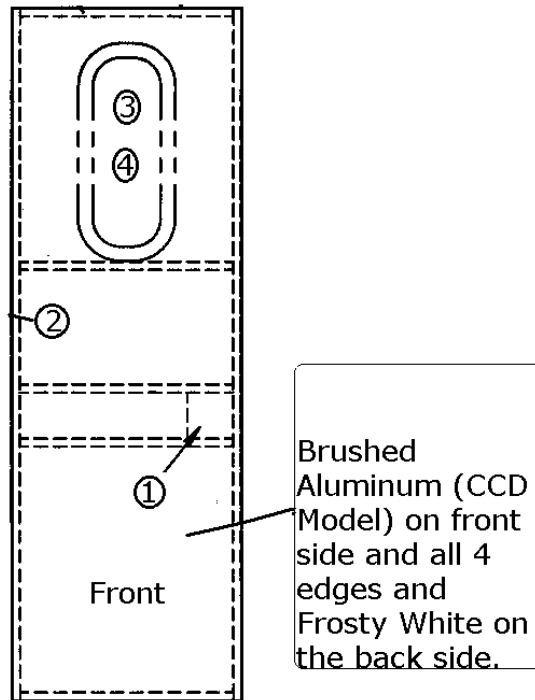


966115	Bath door
966115-02	Bath door, Ocean Breeze
1. 381771	Latch, bath door
2. 380203-01	Hinge, Clear
3. 371384	Window, 18"
3. 371412	WINDOW-PORT.BATH DOOR 75 TH
3. 371413	SASH, PORT.BATH DOOR 75 TH
3. 371416	GLASS, PORTHOLE BATH DOOR 75 TH
4. 203475	TRIM STACK WINDOW 18"
454320	DOOR HANDLE COVER
801355-01	Frosty White Formica
365278-04	EDGE BANDING-.024"X 1.25" BLACK MAPLE
801439-01	LAMINATE-BLACK MAPLE-4' X 8'
801457-01	PANEL, BLACK MAPLE/FROST, 12MM
801392	PANEL, PRELAM WHTLIN/WHTLIN 12MM
365238-04	EDGE BANDING TAPE PVC 5/8" C.WHITE
801697	PANEL, FROSTY/FROSTY 12MM , Ocean Breeze
365267	EDGE BANDING-1.13" .024 PLY, Ocean Breeze

# 2007 INTERNATIONAL TRAVEL TRAILER

## FURNITURE, BATH

Door, Bath, 25' Sleep Six Ocean Breeze

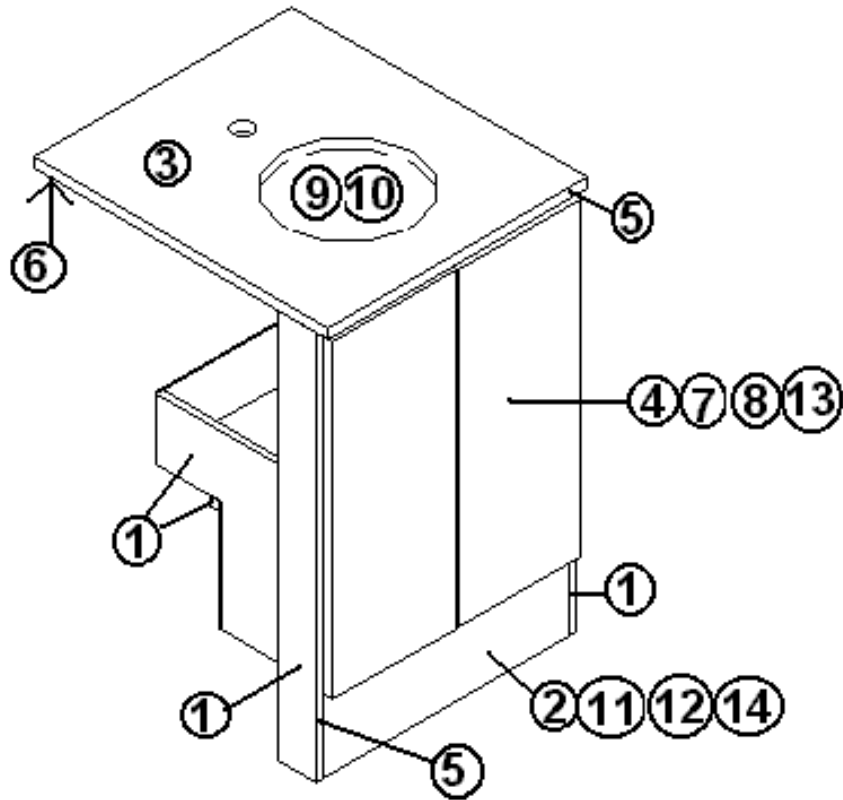


966115-02	Bath door, Ocean Breeze
1. 381771	Latch, bath door
2. 380203-01	Hinge, Clear
3. 371384	Window, 18"
4. 203475	TRIM STACK WINDOW 18"
454320	DOOR HANDLE COVER
801355-01	Frosty White Formica
801697	PANEL, FROSTY/FROSTY 12MM , Ocean Breeze
365267	EDGEBANDING-1.13" .024 PLY, Ocean Breeze

# 2007 INTERNATIONAL TRAVEL TRAILER

## FURNITURE, BATH

Lavatory Cabinet, 25' Sleep Six, 19'

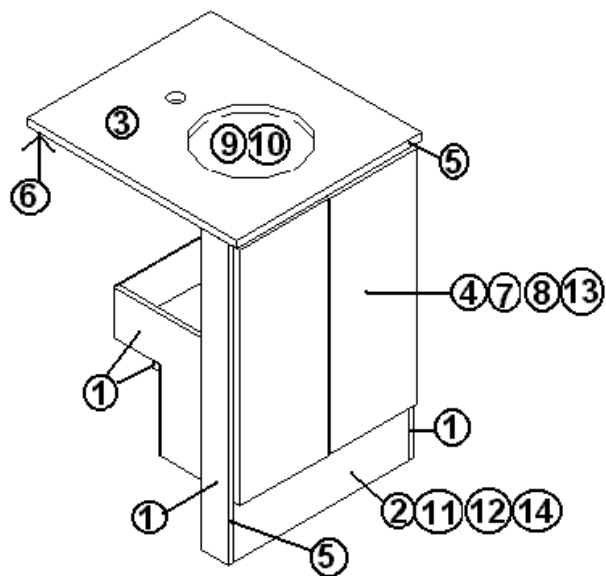


965844	CABINET ASSEMBLY, LAVATORY
1. 801392	PANEL, WHITELINER/WHITELINER
2. 801456-01	PANEL, BLACK MAPLE/WHITE LINER 12MM
3. 965845	CUTOUT ASSY-LAVATORY TOP
4. 801375-27	DOOR-LAVATORY 9.75" X 22.88"
5. 365278-03	EDGE BANDING-BLACK MAPLE .625"
6. 386141	BRACKET MTG. ANGLE LAMBREQUIN
7. 381607	HINGE ASSY-GRASS EURO-SAFARI
8. 381865	PULL-BAR BRUSH NICKEL
9. 601804-01	SINK-LAVATORY YUKON ROUND
10. 601813	TAIL PIECE-LIFT/TURN DRAIN
11. 381609-02	SCREW HAFELE EUROPEAN #9 1"
12. 381610-04	CAP COVER-BLACK PLASTIC
13. 381228-01	CATCH GRABBER DOOR C3-803
14. 381074	CATCH BULL DOG #65S (COPPER)

# 2007 INTERNATIONAL TRAVEL TRAILER

## FURNITURE, BATH

### Lavatory Cabinet, 25' Sleep Six Ocean Breeze

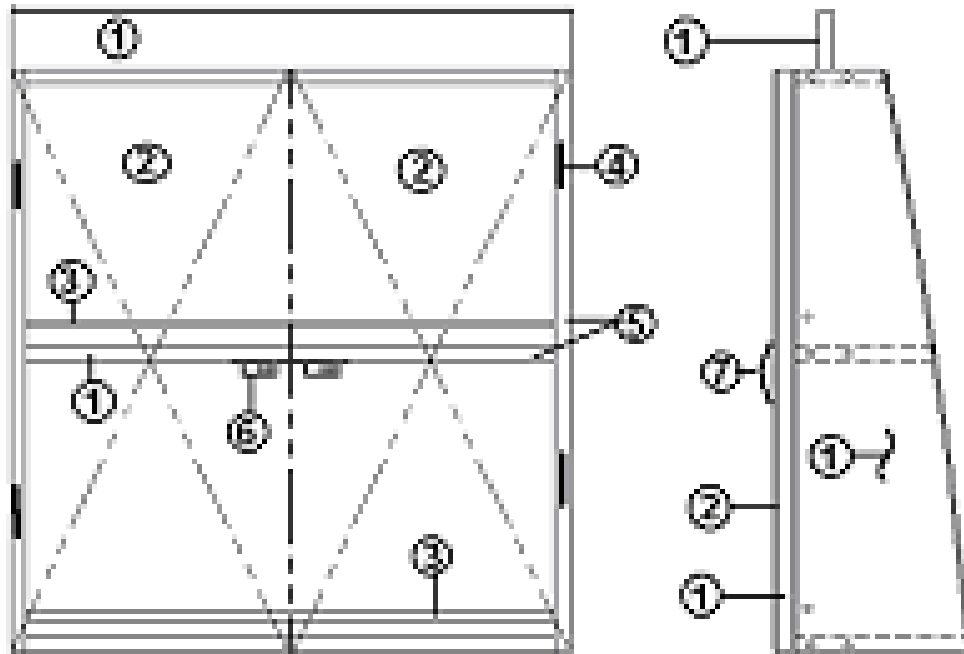


965844-01	CABINET ASSEMBLY, LAVATORY
1. 801392	PANEL, WHITELINER/WHITELINER
2. 801697	PANEL, FROSTY WHITE/ FROSTY WHITE 12MM
3. 965845-01	CUTOUT ASSY-LAVATORY TOP
4. 801375-30	DOOR-LAVATORY 9.75" X 22.88"
5. 365267-01	EDGEBANDING, PLYWOOD.625"
6. 386141	BRACKET MTG. ANGLE LAMBREQUIN
7. 381607	HINGE ASSY-GRASS EURO-SAFARI
8. 381865	PULL-BAR BRUSH NICKEL
9. 601804-01	SINK-LAVATORY YUKON ROUND
10. 601813	TAIL PIECE-LIFT/TURN DRAIN
11. 381609-02	SCREW HAFELE EUROPEAN #9 1"
12. 381610-04	CAP COVER-BLACK PLASTIC
13. 381228-01	CATCH GRABBER DOOR C3-803
14. 381074	CATCH BULL DOG #65S (COPPER)

# 2007 INTERNATIONAL TRAVEL TRAILER

## FURNITURE, BATH

### Medicine Cabinet, Lower, 19', 25' Sleep Six

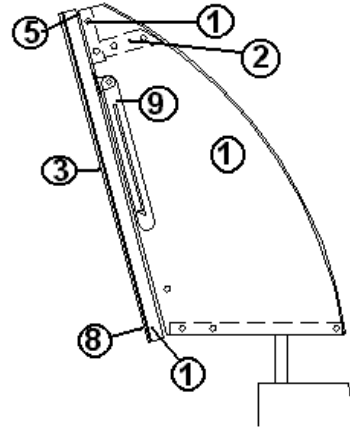
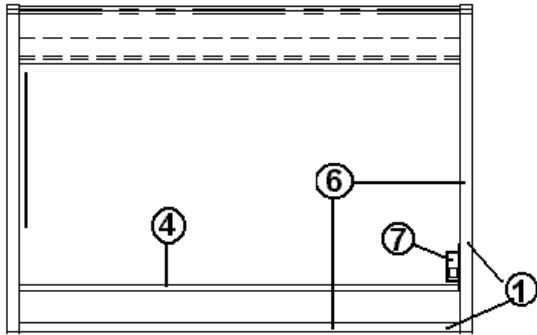


- |              |  |
|--------------|--|
| 965570       | Medicine Cabinet, Lower                  |
| 1. 801392    | PANEL, WHITELINER/WHITELINER             |
| 2. 372203-24 | MIRROR- POL EDGES, 9.50" X 20"           |
| 3. 115042    | ROD, MEDICINE CABINET                    |
| 4. 385935-01 | HINGE PIVOT ZINC PLATED                  |
| 5. 365238-04 | EDGEBANDING TAPE PVC 5/8" Colonial White |
| 6. 381228-01 | CATCH GRABBER DOOR C3-803                |
| 7. 381835    | HANDLE-CHROME/BRASS                      |

# 2007 INTERNATIONAL TRAVEL TRAILER

## FURNITURE, BATH

### Medicine Cabinet, Upper, 19', 25' Sleep Six

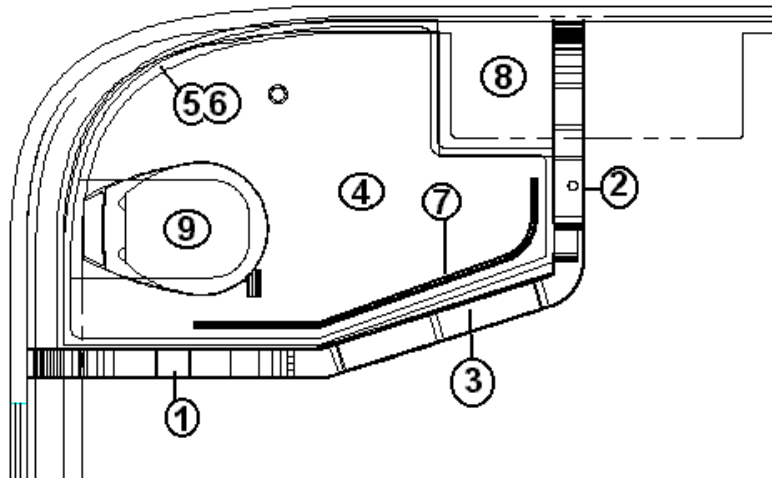


- |              |   |
|--------------|---|
| 965569       | Medicine cabinet, Upper                   |
| 1. 801392    | PANEL, WHITELINER/WHITELINER              |
| 2. 801368    | PANEL, WHITELINER/WHITELINER              |
| 3. 372203-05 | MIRROR, POLISHED EDGES- 19.00" X 14"      |
| 4. 115042    | ROD, MEDICINE CABINET                     |
| 5. 385935-01 | HINGE PIVOT ZINC PLATED                   |
| 6. 365238-04 | EDGE BANDING TAPE PVC 5/8" Colonial White |
| 7. 381228-01 | CATCH GRABBER DOOR C3-803                 |
| 8. 381835    | HANDLE-CHROME/BRASS                       |

# 2007 INTERNATIONAL TRAVEL TRAILER

## FURNITURE, BATH

### BATH LAYOUT, 22'

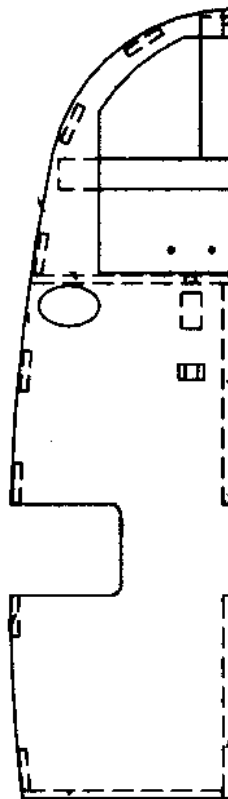
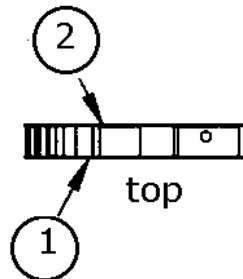


- |              |                           |
|--------------|---------------------------|
| 1. 965505-01 | Bath Wall Left,           |
| 2. 965506-01 | PANEL-BATH WALL RIGHT     |
| 3. 965507-01 | BATH WALL, CENTER         |
| 4. 203298    | SHOWER PAN                |
| 5. 203328-01 | SHOWER SURROUND-UPPER     |
| 6. 203328-02 | SHOWER SURROUND-LOWER     |
| 7. 703132-01 | CURTAIN-SHOWER            |
| 8. 601804-01 | SINK, YUKON, ROUND        |
| 9. 690472    | TOILET, CHINA, HI-PROFILE |
| 203379       | ROOF MATERIAL FIBERGLASS  |
| 203328-03    | MEDICINE CABINET SURROUND |
| 100097       | EXTR. ALUM CURTAIN TRACK  |
| 201666-01    | Molding, J-3/16", plastic |

# 2007 INTERNATIONAL TRAVEL TRAILER

## FURNITURE, BATH

### BATH WALL RIGHT, 22'



- |              |                               |
|--------------|-------------------------------|
| 965506-01    | Bath Wall Right, 22 Ft. Model |
| 1. 801364-02 | Panel, right side, inner      |
| 2. 801363    | Panel, right side, outside    |
| 203335       | TRIM-H BLACK 1/8" DIVIDER     |
| 201666-01    | Molding, J-3/16", plastic     |

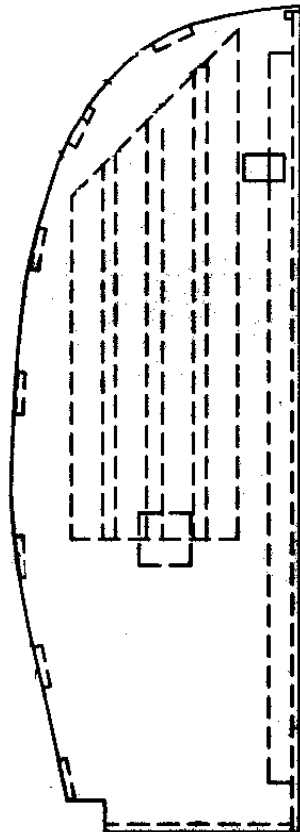
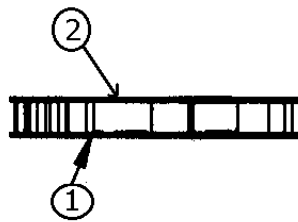
Note: For replacement, Item 1 will be shipped loose and then glued to item 2 after item 2 is installed in trailer.



# 2007 INTERNATIONAL TRAVEL TRAILER

## FURNITURE, BATH

BATH WALL LEFT, 22'

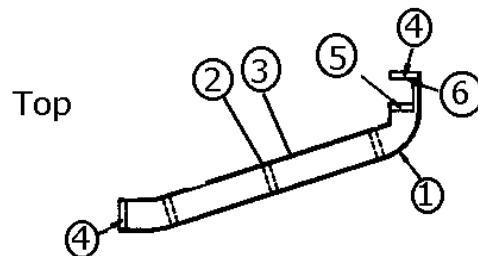
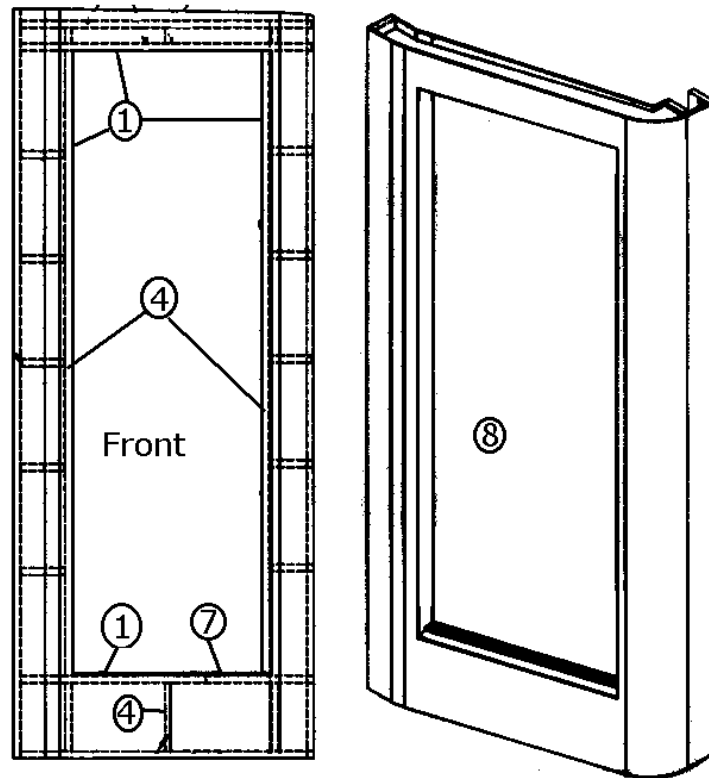


- |              |                                  |
|--------------|----------------------------------|
| 965505-01    | BATH WALL LEFT                   |
| 1. 801362-02 | Panel, left side, outside, model |
| 2. 801350    | Panel, left side, inside         |
| 203379       | ROOF MATL.FIBERGLASS-SMOOTH 10   |
| 203335       | TRIM-H BLACK 1/8" DIVIDER        |
| 201666-01    | Molding, J-3/16", plastic        |
- Note: Item 1 will be loose from item 2 when shipped, Install item 1 and glue and staple item 2 in place.

# 2007 INTERNATIONAL TRAVEL TRAILER

## FURNITURE, BATH

### BATH WALL CENTER, 22'

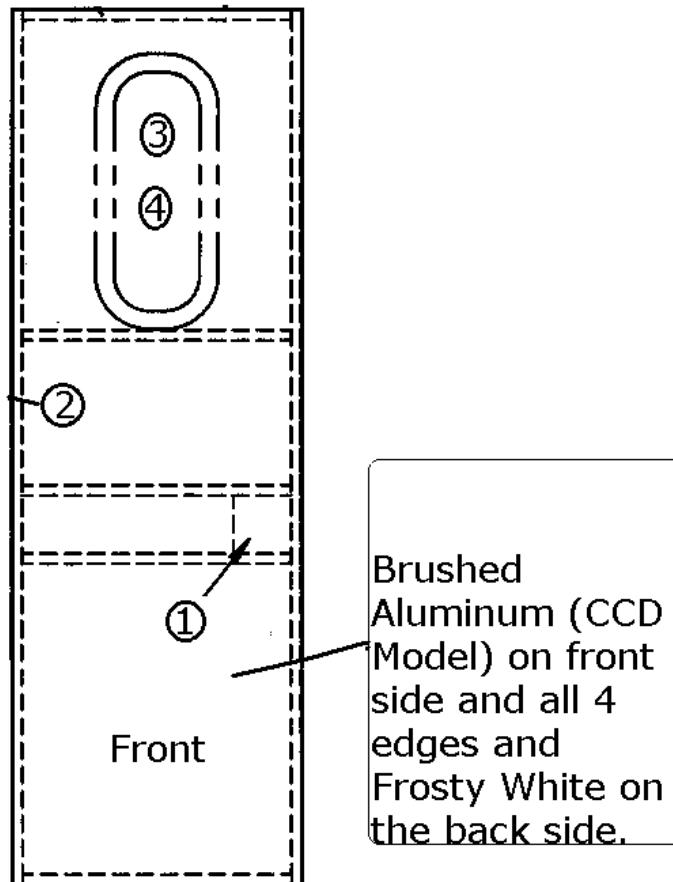


- |              |                           |
|--------------|---------------------------|
| 965507-01    | BATHWALL CENTER           |
| 1. 801342-01 | Brushed Aluminum, model   |
| 2. 800507-01 | Lauan, 1/8"               |
| 3. 203379    | Fiberglass roof material  |
| 4. 800498    | Poplar, 1" common         |
| 5. 850072    | Poplar, 3/4" X 2.5"       |
| 6. 380041    | Brace, Stanley corner, 1" |
| 7. 201666-01 | Molding, J-3/16", plastic |
| 8. 966116    | Bath door assembly        |
| 800581-046   | HARDWOOD-13/16 X 2.5"     |

# 2007 INTERNATIONAL TRAVEL TRAILER

## FURNITURE, BATH

DOOR, BATH, 22'

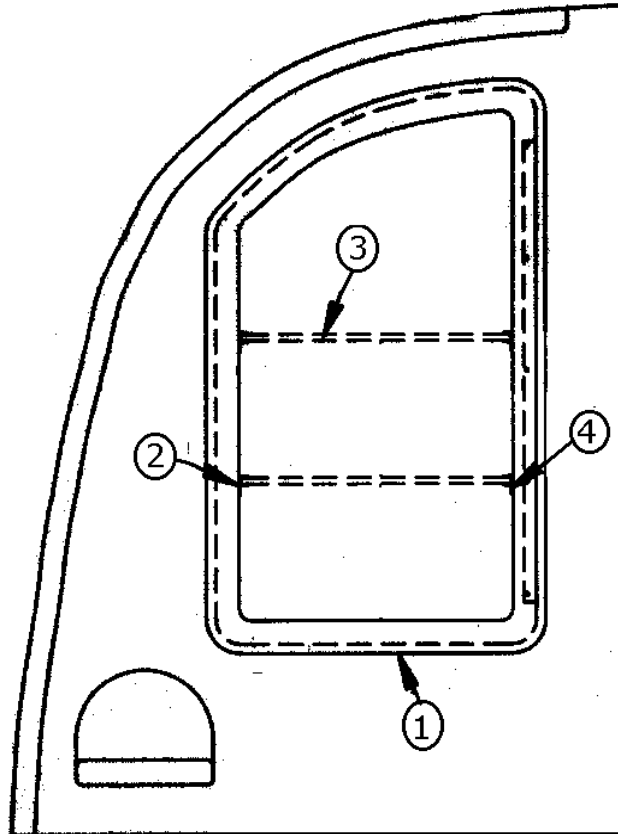


966116	Bath door
1. 381771	Latch, bath door
2. 380203-01	Hinge, Clear
3. 371384	Window, 18"
4. 203475	TRIM STACK WINDOW 18
801355-01	Frosty White Formica
801342-01	Brushed Aluminum, LAMINATE
365278-04	EDGE BANDING-.024"X 1.25" BLACK MAPLE
454320	DOOR HANDLE COVER

# 2007 INTERNATIONAL TRAVEL TRAILER

## FURNITURE, BATH

### MEDICINE CABINET, 22'

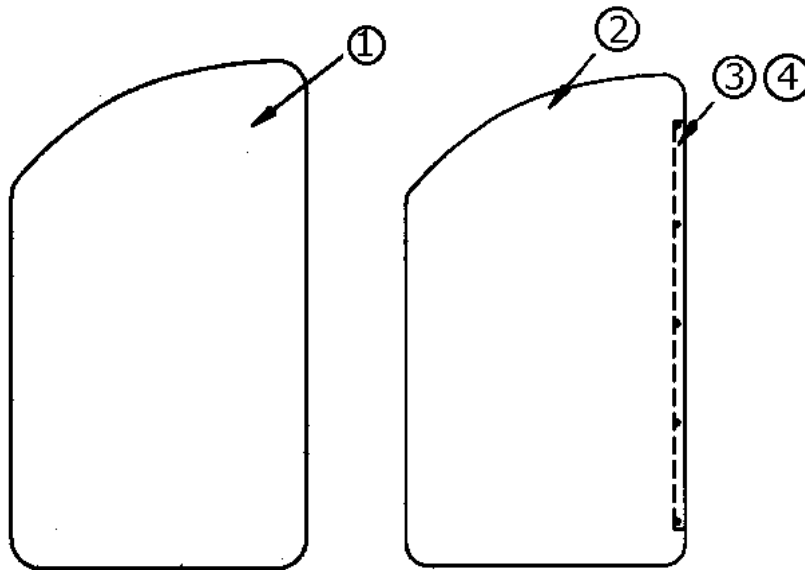


- |              |                                   |
|--------------|-----------------------------------|
| 965546       | Medicine Cabinet Assembly, 22'    |
| 1. 965542    | Medicine cabinet mirror assembly  |
| 2. 203385    | Self edging, "F" trim             |
| 3. 203416    | Shelf, acrylic                    |
| 4. 381610-01 | Cover cap, plastic European white |

# 2007 INTERNATIONAL TRAVEL TRAILER

## FURNITURE, BATH

### MEDICINE CABINET MIRROR ASSEMBLY, 22'

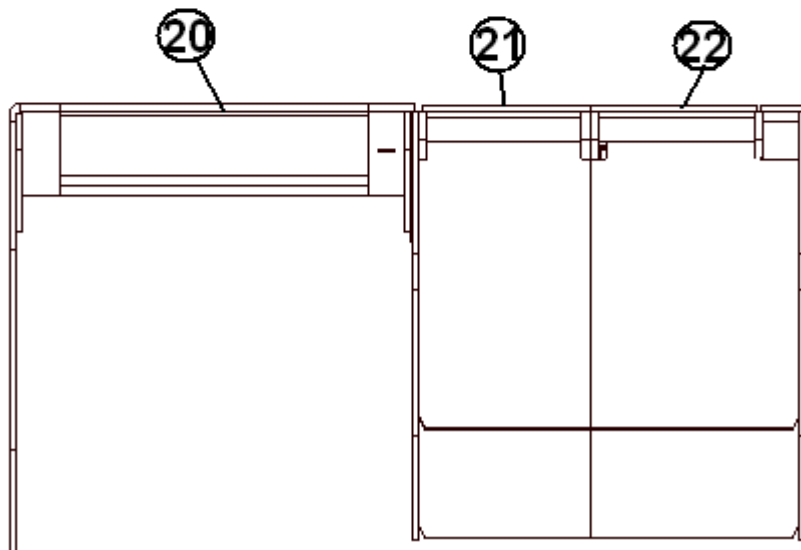
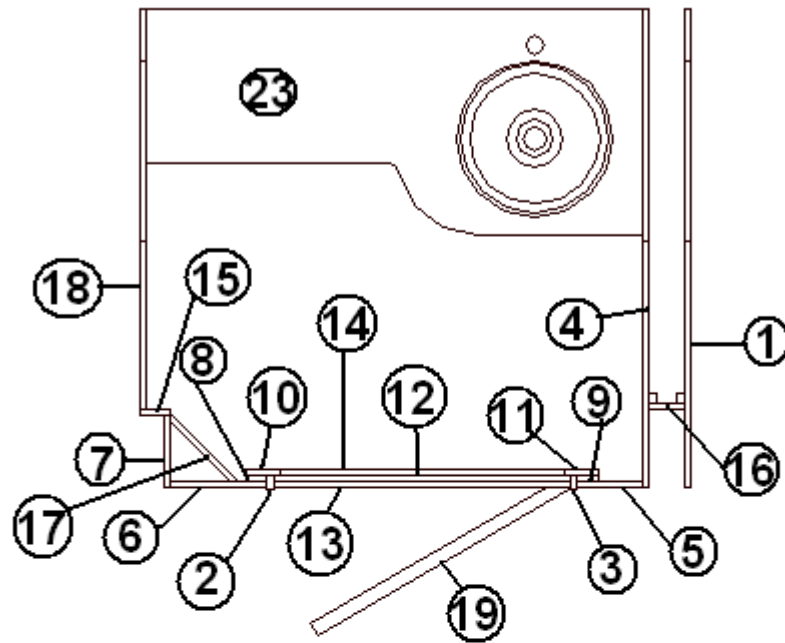


- |           |                                       |
|-----------|---------------------------------------|
| 965542    | Medicine Cabinet Mirror Assembly      |
| 1. 371383 | Medicine cabinet radius mirror        |
| 2. 454009 | Mirror backing plate                  |
| 3. 380988 | Hinge, continuous .5 in. leaf, 16 in. |
| 4. 325035 | Chicago rivets                        |
| 5. 365222 | Tape, double-coated, .08" x 3/4"      |

# 2007 INTERNATIONAL TRAVEL TRAILER

## FURNITURE, BATH

Bath Lay Out, 27' Signature Double Front Bed, Wenge



Part number save on the next page

# 2007 INTERNATIONAL TRAVEL TRAILER

## FURNITURE, BATH

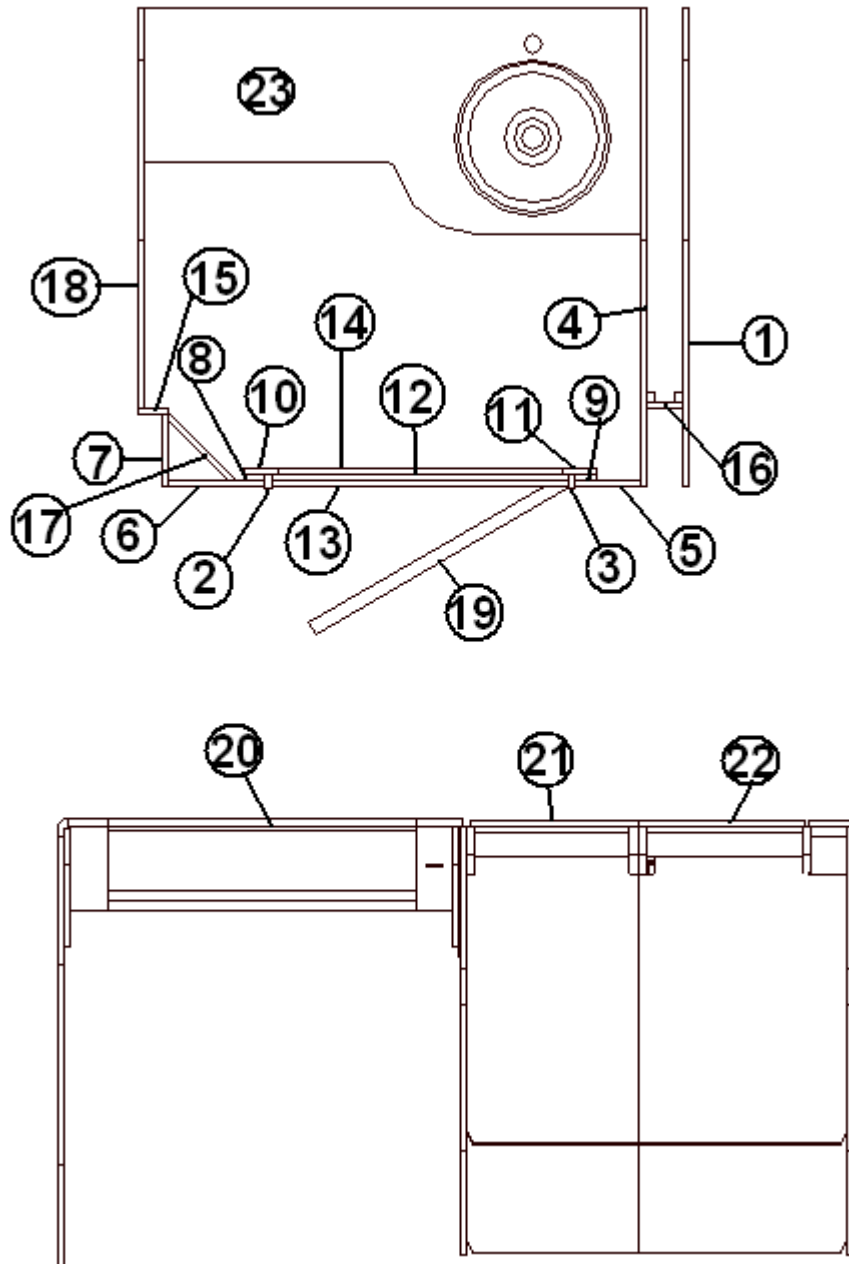
### Bath Lay Out, 27' Signature Double Front Bed, Wenge

1. 111533-1	PANEL, 79.44 X 39.5
2. 111533-2	PANEL, 1.13 X 79.25
3. 111533-3	PANEL, 1.13 X 79.25
4. 111533-4	PANEL, 79.5 X 39.5
5. 111533-5	PANEL, 5.375 X 79.5
6. 111533-6	PANEL, 8 X 79.5
7. 111533-7	PANEL, 6 X 79.5
8. 111533-8	PANEL, 1.75 X 79.5
9. 111533-9	PANEL, 1.75 X 79.5
10. 111533-10	PANEL, 2.75 X 79.5
11. 111533-11	PANEL, 2.75 X 79.5
12. 111533-12	PANEL, 24.625 X 3.5
13. 111533-13	PANEL, 24.625 X 3.5
14. 111533-14	PANEL, 23.625 X 3.75
15. 111533-15	PANEL, 2.5 X 79.25
16. 111533-16	PANEL, 3 X 79.25
17. 111533-17	PANEL, 8 X 79.13
18. 111533-18	PANEL, 79 X 33
19. 966894	DOOR ASSY, BATH, 24" X 72"
20. 966879	SHOWER COMPARTMENT
21. 966880	WARDROBE, FORWARD
22. 966881	WARDROBE, AFT
23. 966884	LAVATORY CABINET
203138-05	EXTRUSION, PLASTIC, 1/2" WALL, BLACK
381890-01	TRACK, FORMED FOLDETTE
381890-02	TRACK, STRAIGHT FOLDETTE
702681-07	DOOR, FOLDETTE 60"X 73" GREY

# 2007 INTERNATIONAL TRAVEL TRAILER

## FURNITURE, BATH

Bath Lay Out, 27' Signature, Double Front Bed, Ocean Breeze



Part number save on the next page



# 2007 INTERNATIONAL TRAVEL TRAILER

## FURNITURE, BATH

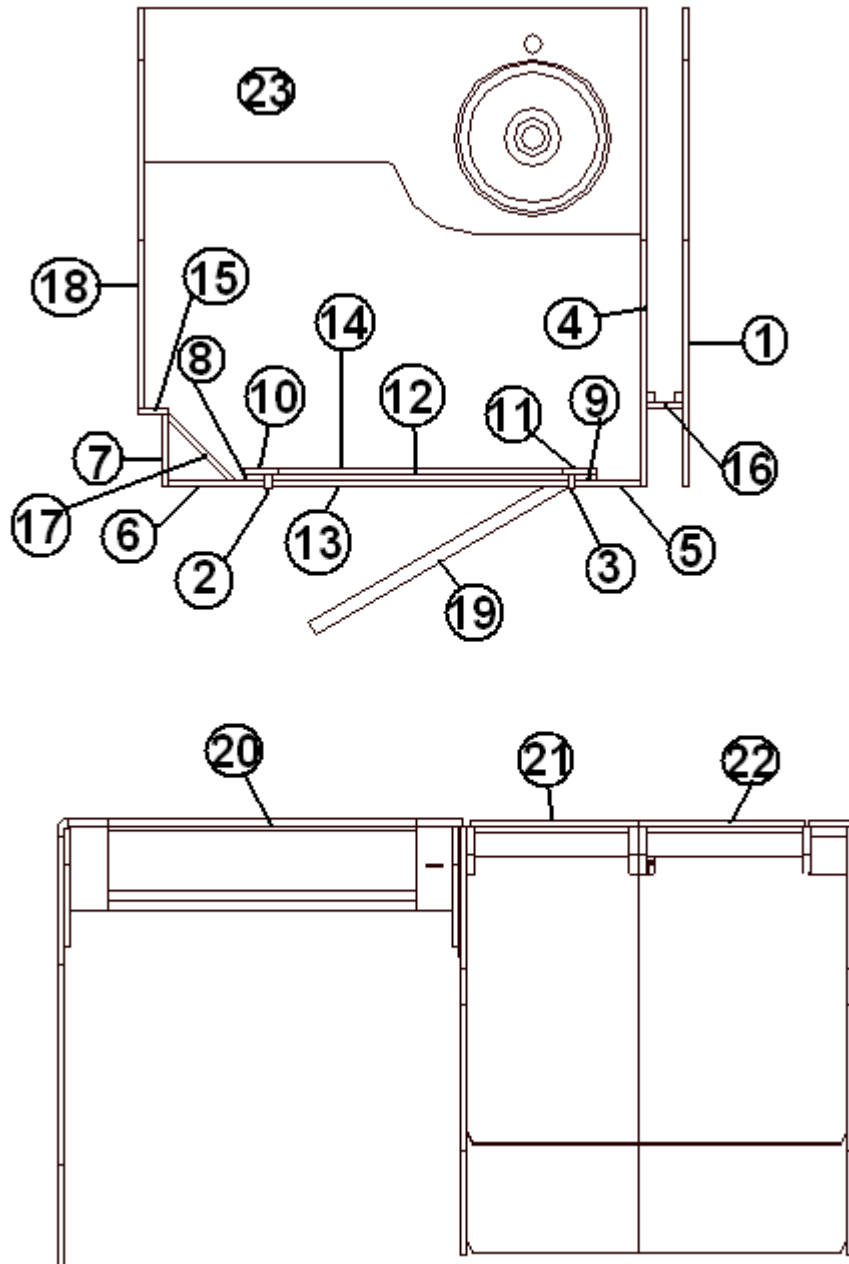
Bath Lay Out, 27' Signature, Double Front Bed, Ocean Breeze

1. 111533-011	PANEL, 79.44 X 39.5
2. 111533-012	PANEL, 1.13 X 79.25
3. 111533-013	PANEL, 1.13 X 79.25
4. 111533-014	PANEL, 79.5 X 39.5
5. 111533-015	PANEL, 5.375 X 79.5
6. 111533-016	PANEL, 8 X 79.5
7. 111533-017	PANEL, 6 X 79.5
8. 111533-018	PANEL, 1.75 X 79.5
9. 111533-019	PANEL, 1.75 X 79.5
10. 111533-0110	PANEL, 2.75 X 79.5
11. 111533-0111	PANEL, 2.75 X 79.5
12. 111533-0112	PANEL, 24.625 X 3.5
13. 111533-0113	PANEL, 24.625 X 3.5
14. 111533-0114	PANEL, 23.625 X 3.75
15. 111533-0115	PANEL, 2.5 X 79.25
16. 111533-0116	PANEL, 3 X 79.25
17. 111533-0117	PANEL, 8 X 79.13
18. 111533-0118	PANEL, 79 X 33
19. 966895	DOOR ASSY, BATH, 24" X 72"
20. 966879-01	SHOWER COMPARTMENT
21. 966880-01	WARDROBE, FORWARD
22. 966881-01	WARDROBE, AFT
23. 966884-01	LAVATORY CABINET
203138-05	EXTRUSION, PLASTIC, 1/2" WALL, BLACK
381890-01	TRACK, FORMED FOLDETTE
381890-02	TRACK, STRAIGHT FOLDETTE
702681-07	DOOR, FOLDETTE 60"X 73" GREY

# 2007 INTERNATIONAL TRAVEL TRAILER

## FURNITURE, BATH

Bath Lay Out, 27' Signature, Twin Front Bed, Wenge



Part number save on the next page

# 2007 INTERNATIONAL TRAVEL TRAILER

## FURNITURE, BATH

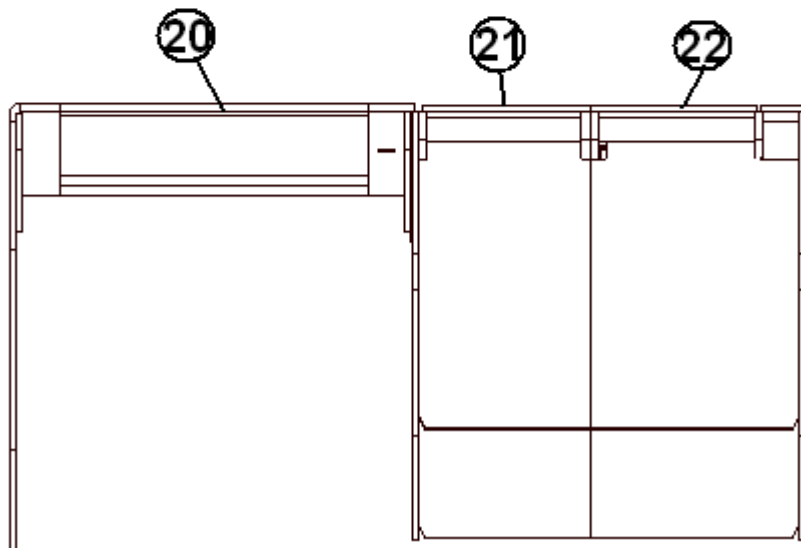
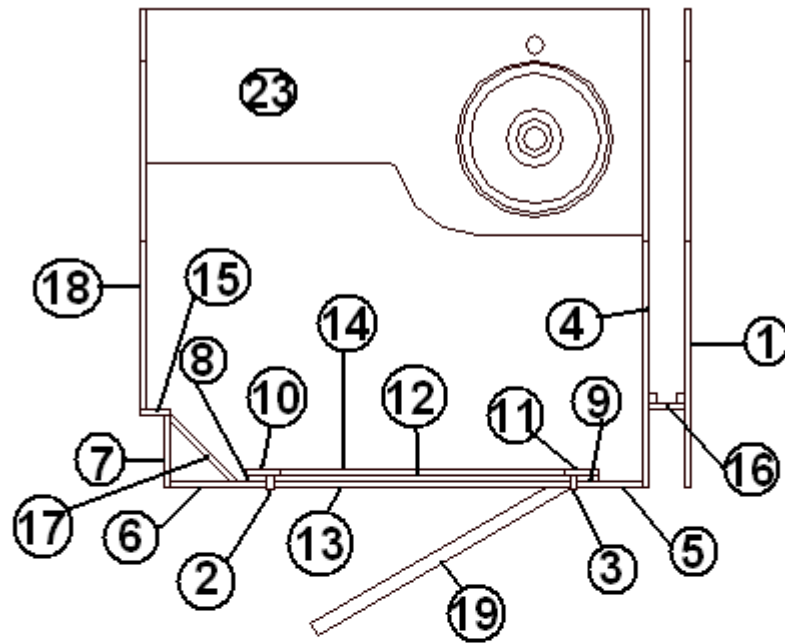
Bath Lay Out, 27' Signature, Twin Front Bed, Wenge

1. 111614-1	PANEL, 79.44 X 39.5
2. 111614-2	PANEL, 1.13 X 79.25
3. 111614-3	PANEL, 1.13 X 79.25
4. 111614-4	PANEL, 79.5 X 39.5
5. 111614-5	PANEL, 5.375 X 79.5
6. 111614-6	PANEL, 8 X 79.5
7. 111614-7	PANEL, 6 X 79.5
8. 111614-8	PANEL, 1.75 X 79.5
9. 111614-9	PANEL, 1.75 X 79.5
10. 111614-10	PANEL, 2.75 X 79.5
11. 111614-11	PANEL, 2.75 X 79.5
12. 111614-12	PANEL, 24.625 X 3.5
13. 111614-13	PANEL, 24.625 X 3.5
14. 111614-14	PANEL, 23.625 X 3.75
15. 111614-15	PANEL, 2.5 X 79.25
16. 111614-16	PANEL, 3 X 79.25
17. 111614-17	PANEL, 8 X 79.13
18. 111614-18	PANEL, 79 X 33
19. 966894	DOOR ASSY, BATH, 24" X 72"
20. 967060	SHOWER COMPARTMENT
21. 966880	WARDROBE, FORWARD
22. 966881	WARDROBE, AFT
23. 966884	LAVATORY CABINET
203138-05	EXTRUSION, PLASTIC, 1/2" WALL, BLACK
381890-01	TRACK, FORMED FOLDETTTE
381890-02	TRACK, STRAIGHT FOLDETTTE
702681-07	DOOR, FOLDETTTE 60"X 73" GREY

# 2007 INTERNATIONAL TRAVEL TRAILER

## FURNITURE, BATH

Bath Lay Out, 27' Signature, Twin Front Bed, Ocean Breeze



Part number save on the next page

# 2007 INTERNATIONAL TRAVEL TRAILER

## FURNITURE, BATH

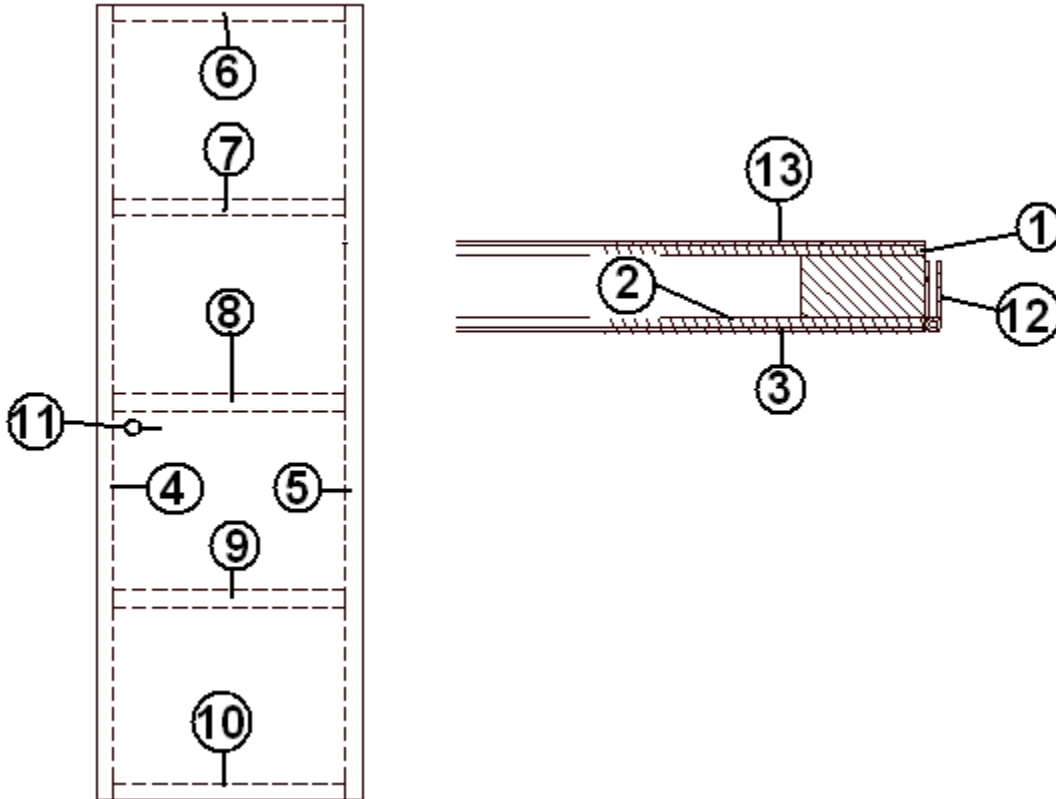
Bath Lay Out, 27' Signature, Twin Front Bed, Ocean Breeze

1. 111614-011	PANEL, 79.44 X 39.5
2. 111614-012	PANEL, 1.13 X 79.25
3. 111614-013	PANEL, 1.13 X 79.25
4. 111614-014	PANEL, 79.5 X 39.5
5. 111614-015	PANEL, 5.375 X 79.5
6. 111614-016	PANEL, 8 X 79.5
7. 111614-017	PANEL, 6 X 79.5
8. 111614-018	PANEL, 1.75 X 79.5
9. 111614-019	PANEL, 1.75 X 79.5
10. 111614-0110	PANEL, 2.75 X 79.5
11. 111614-0111	PANEL, 2.75 X 79.5
12. 111614-0112	PANEL, 24.625 X 3.5
13. 111614-0113	PANEL, 24.625 X 3.5
14. 111614-0114	PANEL, 23.625 X 3.75
15. 111614-0115	PANEL, 2.5 X 79.25
16. 111614-0116	PANEL, 3 X 79.25
17. 111614-0117	PANEL, 8 X 79.13
18. 111614-0118	PANEL, 79 X 33
19. 966895	DOOR ASSY, BATH, 24" X 72"
20. 966060-01	SHOWER COMPARTMENT
21. 966880-01	WARDROBE, FORWARD
22. 966881-01	WARDROBE, AFT
23. 966884-01	LAVATORY CABINET
203138-01	EXTRUSION, PLASTIC, 1/2" WALL, WHITE
381890-01	TRACK, FORMED FOLDETTTE
381890-02	TRACK, STRAIGHT FOLDETTTE
702681-07	DOOR, FOLDETTTE 60"X 73" GREY

# 2007 INTERNATIONAL TRAVEL TRAILER

## FURNITURE, BATH

Door, Bath, 25' FB, 27' FB Signature, Wenge

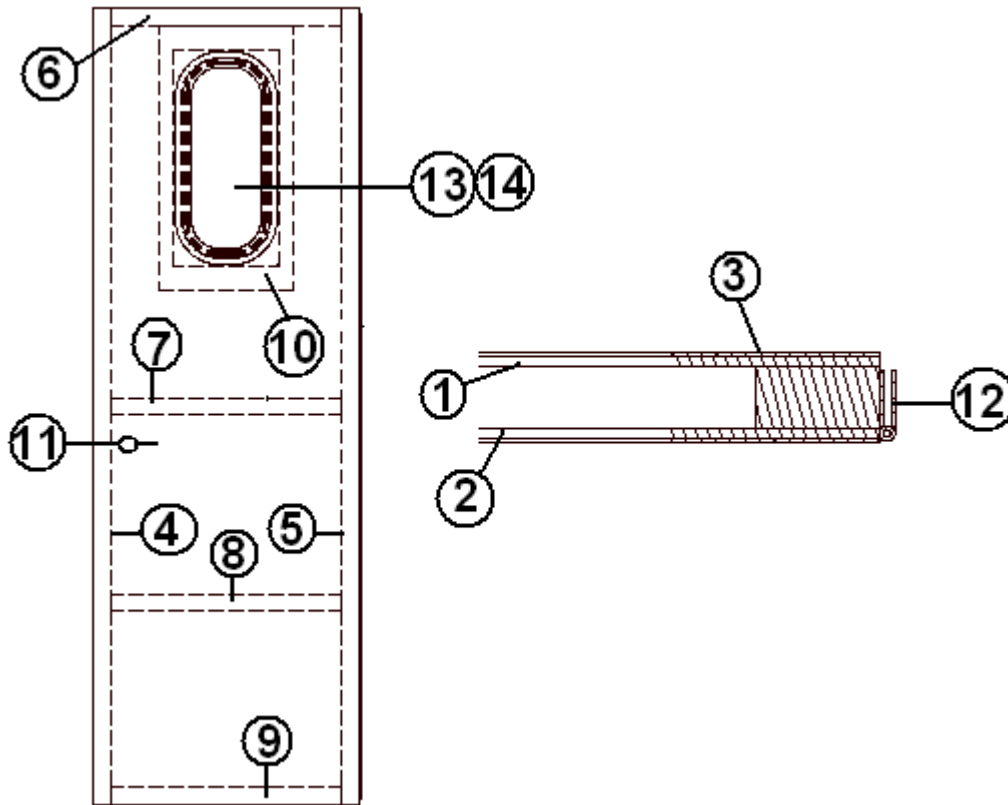


966894	Bath door
1. 966894-1	PANEL, .125", LAUAN 27.5 X 74
2. 966894-2	PANEL, .125", LAUAN 27.5 X 74
3. 966894-3	LAMINATE, 7.5 X 74
4. 966894-4	PANEL, .75"LAUAN, 1.5 X 72.5
5. 966894-5	PANEL, .75"LAUAN, 1.5 X 72.5
6. 966894-6	PANEL, .75"LAUAN, 1.5 X 21.75
7. 966894-7	PANEL, .75"LAUAN, 1.5 X 21.75
8. 966894-8	PANEL, .75"LAUAN, 1.5 X 21.75
9. 966894-9	PANEL, .75"LAUAN, 1.5 X 21.75
10. 966894-10	PANEL, .75"LAUAN, 1.5 X 21.75
11. 381771	LATCH-LEVER LOCKSET PRIVACY
12. 380203-01	PIANO HINGE
13. 966894-15	LAMINATE, 27.5 X 74

# 2007 INTERNATIONAL TRAVEL TRAILER

## FURNITURE, BATH

Door, Bath, 25' FB, 27' FB Signature, Ocean Breeze

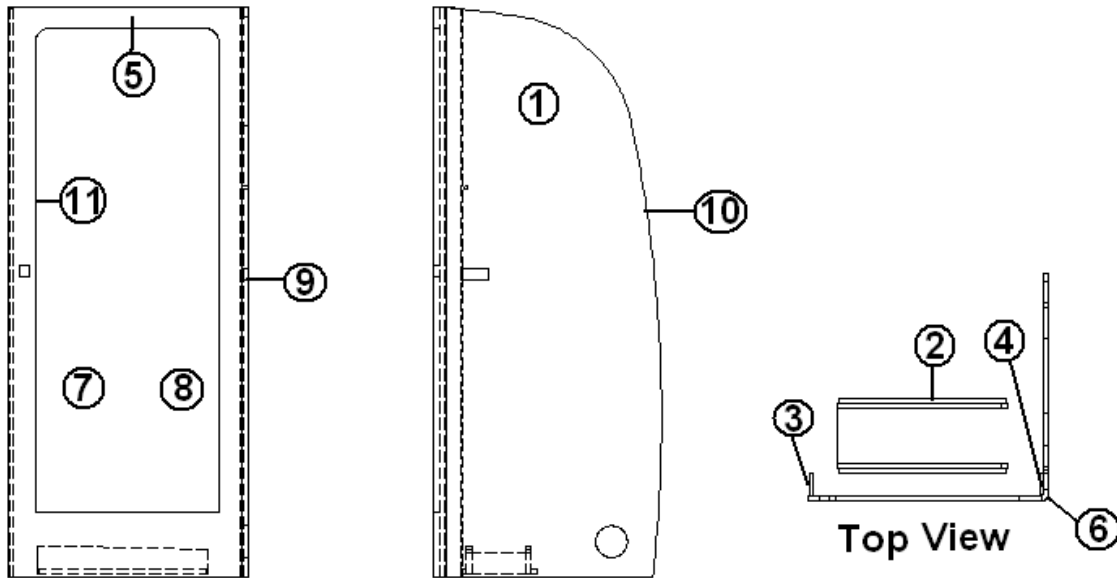


966895	Bath door
1. 966895-1	PANEL, .125", "LAUAN 27.5 X 74
2. 966895-2	PANEL, .125", "LAUAN 27.5 X 74
3. 966895-3	LAMINATE, 27.5 X 74
4. 966895-4	PANEL, .75 LAUAN, 1.5 X 72.5
5. 966895-5	PANEL, .75 LAUAN, 1.5 X 72.5
6. 966895-6	PANEL, .75 LAUAN, 1.5 X 21.75
7. 966895-7	PANEL, .75 LAUAN, 1.5 X 21.75
8. 966895-8	PANEL, .75 LAUAN, 1.5 X 21.75
9. 966895-9	PANEL, .75 LAUAN, 1.5 X 21.75
10. 966895-10	PANEL, .75 LAUAN, 12 X 24
11. 381771	LATCH-LEVER LOCKSET PRIVACY
12. 380203-01	PIANO HINGE
13. 371384	BATH WINDOW, 18"
14. 203475	TRIM, 18" STACK WINDOW

# 2007 INTERNATIONAL TRAVEL TRAILER

## FURNITURE, BATH

Shower Compartment Assembly, 25' FB Twin & Double Bed, 27' FB Double Bed, Signature, Wenge



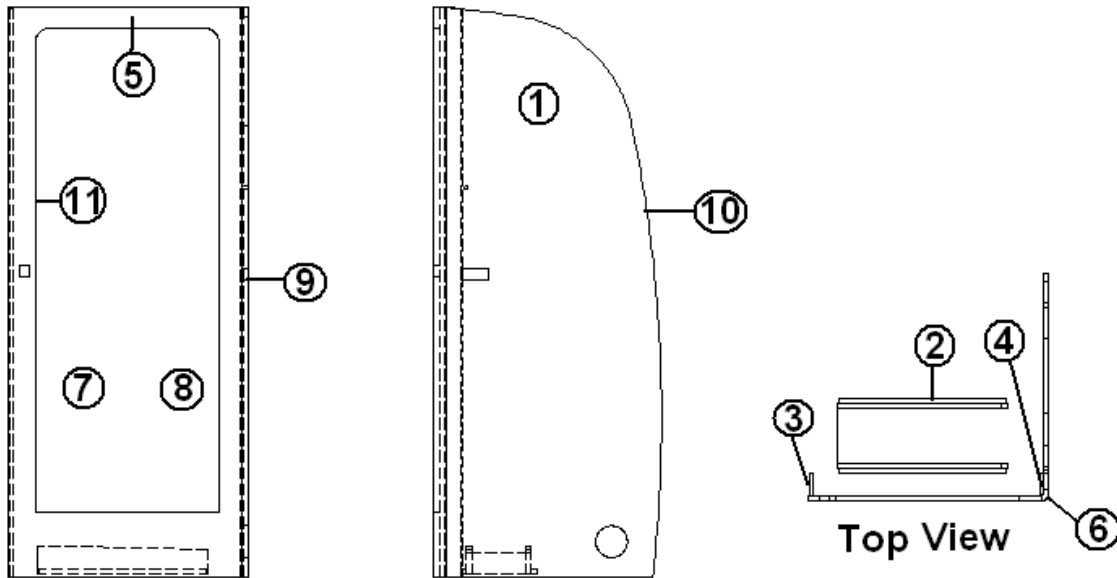
- |                |                                    |
|----------------|------------------------------------|
| 966879         | Shower Compartment Assembly, Wenge |
| 1. 966879-1    | PANEL, AFT SHOWER, WENGE           |
| 2. 961916-01   | STAND ASSY-SHOWER                  |
| 3. 966879-3    | PANEL, 3" X 79.00"                 |
| 4. 966879-4    | PANEL, 3" X 79.00"                 |
| 5. 966879-5    | PANEL REXEL                        |
| 6. 801706-0016 | CORNER TRIM, 90D 1"RADIUS, 84"     |
| 7. 203081      | SHOWER STALL, 2 PC.                |
| 8. 703626-01   | SHOWER DOOR, BRUSHED NICKEL        |
| 9. 365303-02   | EDGE BANDING, WENGE 1.125"         |
| 10. 203138-05  | EXTRUSION, PLASTIC 1/2" WALL       |
| 11. 203440     | T-MOLDING BLACK, FLEXIBLE POLY .5" |



# 2007 INTERNATIONAL TRAVEL TRAILER

## FURNITURE, BATH

Shower Compartment Assembly, 25' FB Twin & Double Bed, 27' FB Double Bed Signature, Ocean Breeze

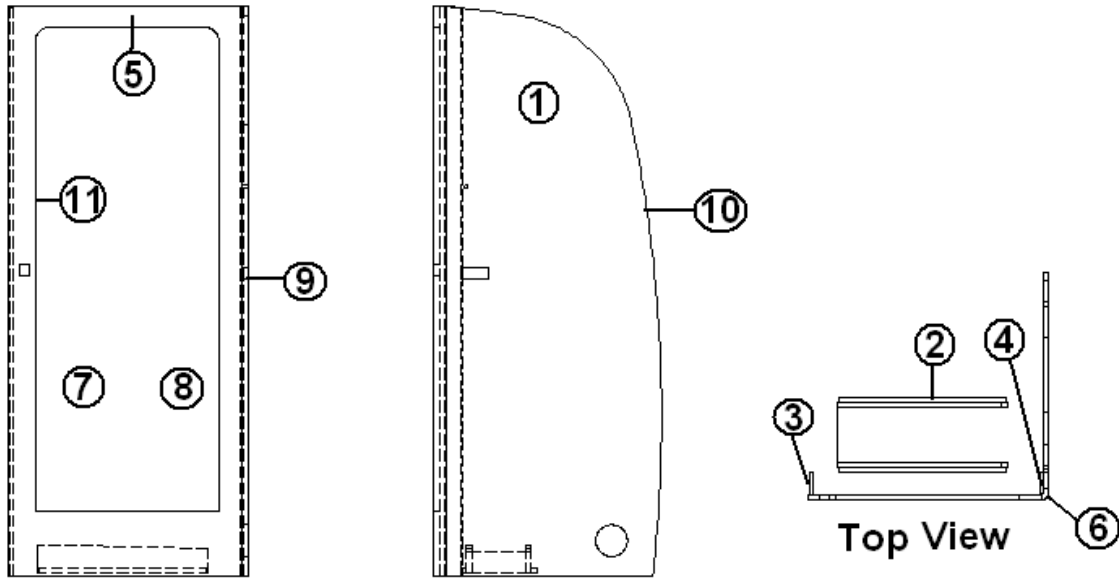


- |               |                                     |
|---------------|-------------------------------------|
| 966879-01     | Shower Compartment Assembly         |
| 1. 966879-011 | PANEL, AFT SHOWER, WHITE            |
| 2. 961916-01  | STAND ASSY-SHOWER                   |
| 3. 966789-013 | PANEL, 3" X 79.00"                  |
| 4. 966789-014 | PANEL, 3" X 79.00"                  |
| 5. 966789-015 | PANEL REXEL                         |
| 6. 801706-WH  | CORNER TRIM, 90D 1"RADIUS, 84"      |
| 7. 203081     | SHOWER STALL, 2 PC.                 |
| 8. 702306-03  | SHOWER DOOR, SILVER 27"             |
| 9. 365267     | EDGE BANDING, PLYWOOD, 1.125"       |
| 10. 203138-05 | EXTRUSION, PLASTIC 1/2" WALL        |
| 11. 203597    | T-MOLDING, WHITE, FLEXIBLE POLY .5" |

# 2007 INTERNATIONAL TRAVEL TRAILER

## FURNITURE, BATH

### Shower Compartment Assembly, 27' FB Twin Signature, Wenge

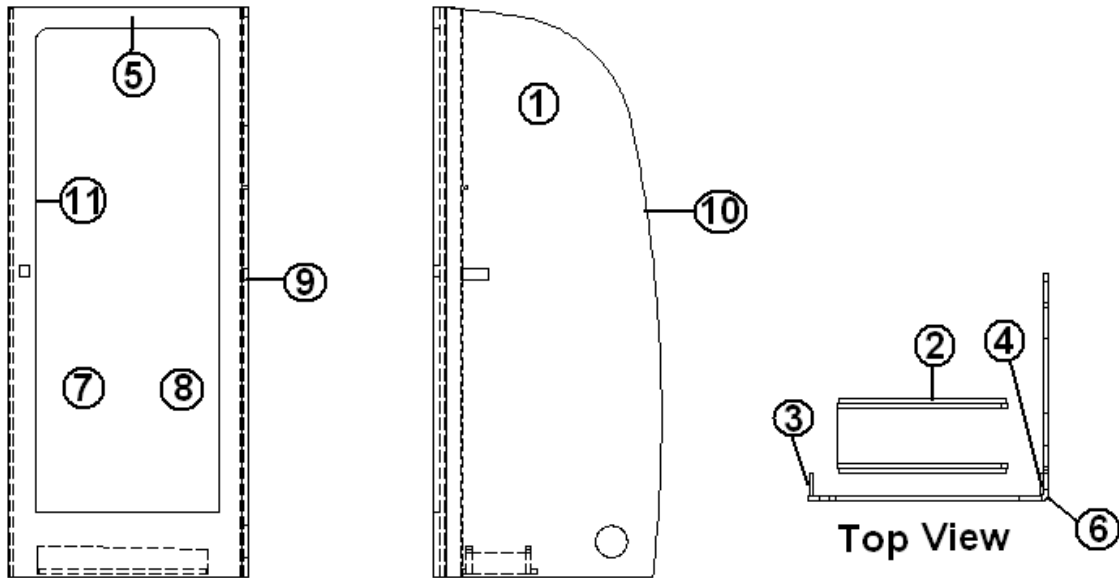


- |                |                                    |
|----------------|------------------------------------|
| 967060         | Shower Compartment Assembly, Wenge |
| 1. 967060-1    | PANEL, AFT SHOWER, WENGE           |
| 2. 961916-01   | STAND ASSY-SHOWER                  |
| 3. 967060-3    | PANEL, 3" X 78.75"                 |
| 4. 967060-4    | PANEL, 3" X 78.75"                 |
| 5. 967060-5    | PANEL REXEL                        |
| 6. 801706-0016 | CORNER TRIM, 90D 1"RADIUS, 84"     |
| 7. 203081      | SHOWER STALL, 2 PC.                |
| 8. 703626-01   | SHOWER DOOR, SILVER 27"            |
| 9. 365303-02   | EDGEBANDING, WENGE 1.125"          |
| 10. 203138-05  | EXTRUSION, PLASTIC 1/2" WALL       |
| 11. 203440     | T-MOLDING BLACK, .5"               |

# 2007 INTERNATIONAL TRAVEL TRAILER

## FURNITURE, BATH

### Shower Compartment Assembly, 27' FB Twin, Signature, Ocean Breeze



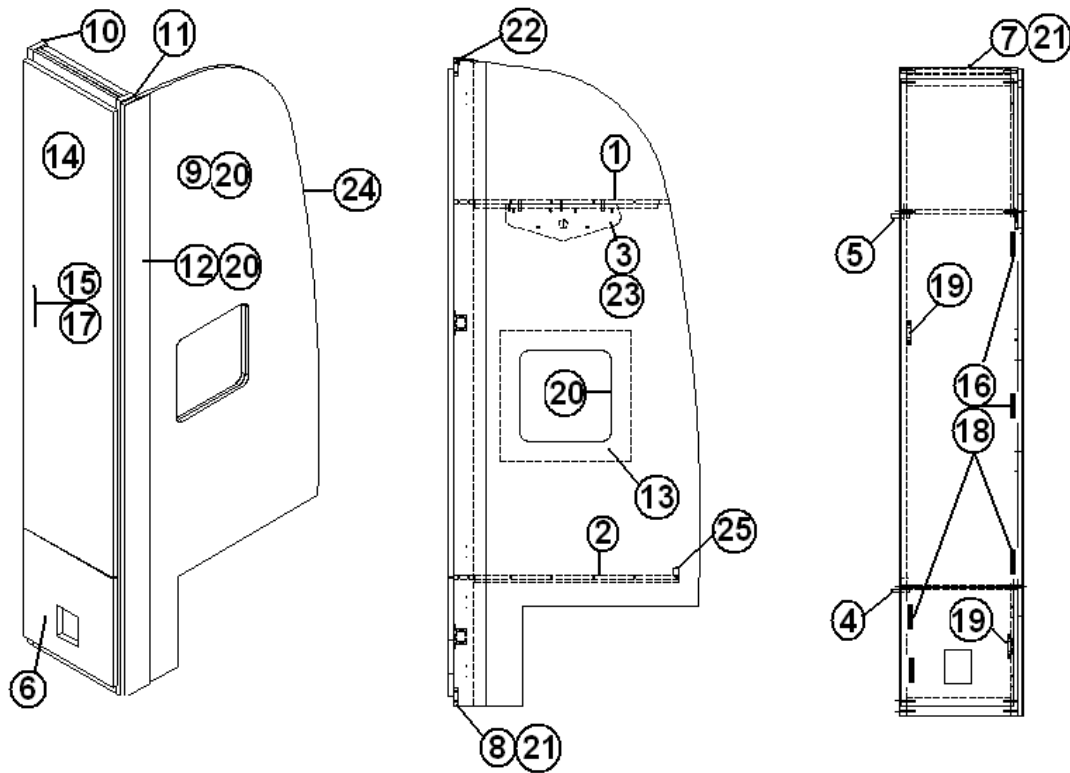
- 967060-01
- 1. 967060-011
- 2. 961916-01
- 3. 966789-013
- 4. 966789-014
- 5. 966789-015
- 6. 801706-WH
- 7. 203081
- 8. 703626-01
- 9. 365267
- 10. 203138-01
- 11. 203597

- Shower Compartment Assembly
- PANEL, AFT SHOWER, WHITE
- STAND ASSY-SHOWER
- PANEL, 3" X 78.75"
- PANEL, 3" X 78.75"
- PANEL REXEL
- CORNER TRIM, 90D 1"RADIUS, 84"
- SHOWER STALL, 2 PC.
- SHOWER DOOR, SILVER 27"
- EDGEBANDING, PLYWOOD, 1.125"
- EXTRUSION, PLASTIC 1/2" WALL
- T-MOLDING, WHITE, FLEXIBLE POLY .5"

# 2007 INTERNATIONAL TRAVEL TRAILER

## FURNITURE, BATH

Wardrobe, 27' FB Signature, Forward, Wenge



Part numbers are on the next page.

# 2007 INTERNATIONAL TRAVEL TRAILER

## FURNITURE, BATH

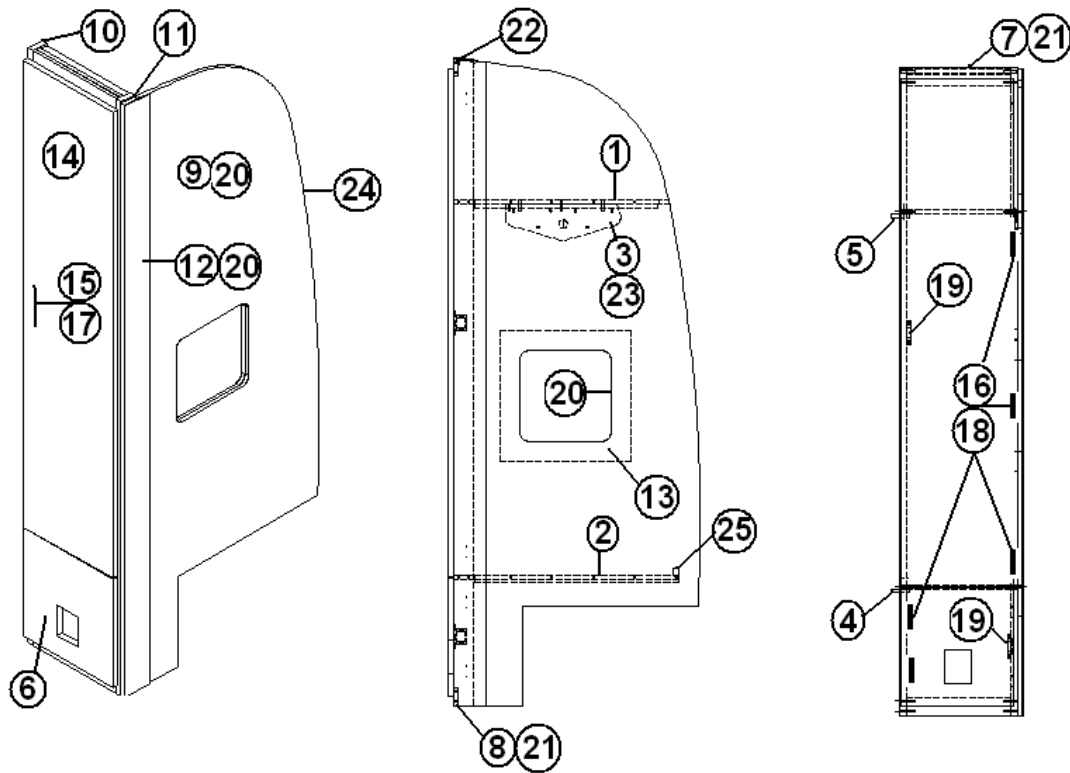
### Wardrobe, 27' FB Signature, Forward, Wenge

966880	Wardrobe, forward, Wenge
1. 966880-1	Panel, 26" x 14.25"
2. 966880-2	Panel, 27.25" x 14.25"
3. 966880-3	Panel, 14" x 7"
4. 966880-4	Panel, 2.25" x 24.75"
5. 966880-5	Panel, 2.25" x 22.25"
6. 966880-6	Door, 13.75" x 14.38"
7. 966880-7	Panel, 12.75" x 2.25"
8. 966880-8	Panel, 12.75" x 2.25"
9. 966880-9	Panel, 29.87" x 78.54"
10. 966880-10	Panel, 78.69" x 2.25"
11. 966880-11	Panel, 78.69" x 2.25"
12. 966880-12	Panel, Forward, ¼" x 78.54" x 3.81"
13. 966883	CLOSEOUT, WARDROBE
14. 966880-14	DOOR, 13.75" X 61.75"
15. 382029-03	HANDLE, BAR, 11.25"
16. 381607	HINGE-ASSEMBLY
17. 345001-08	SCREW #8-32 X 1" REC TRUS
18. 381607-04	HINGE SCREW-GRASS
19. 381228-01	CATCH GRABBER DOOR C3-803
20. 365303-02	EDGEBANDING, WENGE, 1.125"
21. 365303-01	EDGEBANDING, WENGE, .63"
22. 104821	SUPPORT, ROOFLOCKER, 74"
23. 365238-04	EDGEBANDING, WHITE, .50"
24. 203138-04	EXTRUSION - PLASTIC 1/2" OAK
25. 800025-01	PINE, ¾" X ¾", STAINED

# 2007 INTERNATIONAL TRAVEL TRAILER

## FURNITURE, BATH

Wardrobe, 27' FB Signature, Forward, Ocean Breeze



Part numbers are on the next page.

# 2007 INTERNATIONAL TRAVEL TRAILER

## FURNITURE, BATH

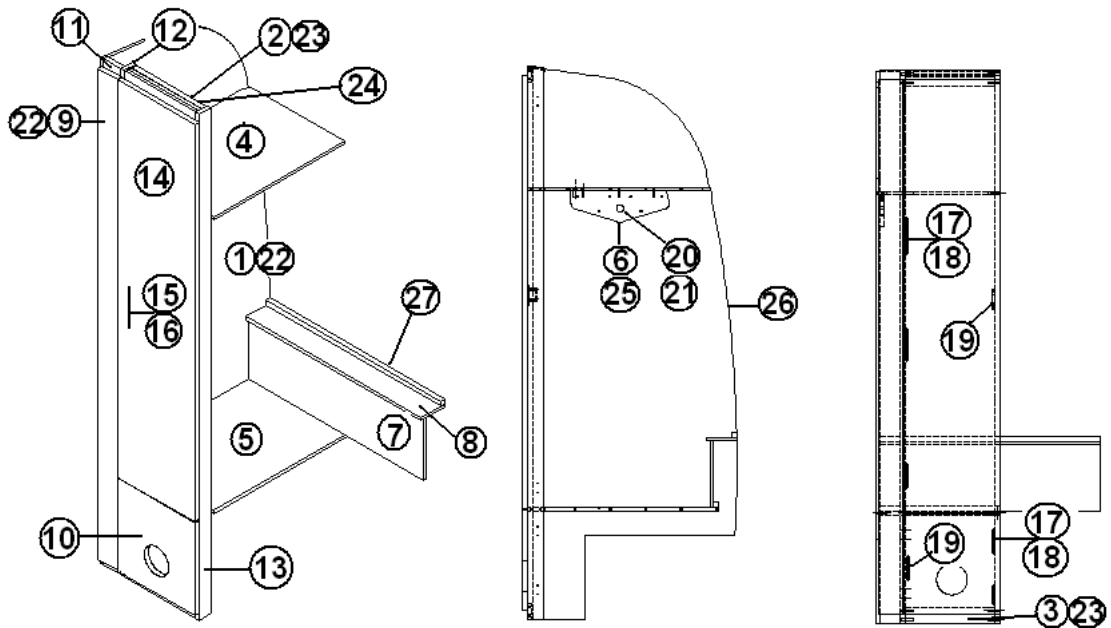
Wardrobe, 27' FB Signature, Forward, Ocean Breeze

966880-01	Wardrobe, forward
1. 966880-011	Panel, 26" x 14.25"
2. 966880-012	Panel, 27.25" x 14.25"
3. 966880-013	Panel, 14" x 7"
4. 966880-014	Panel, 2.25" x 24.75"
5. 966880-015	Panel, 2.25" x 22.25"
6. 966880-016	Door, 13.75" x 14.38"
7. 966880-017	Panel, 12.75" x 2.25"
8. 966880-018	Panel, 12.75" x 2.25"
9. 966880-019	Panel, 29.87" x 78.54"
10. 966880-0110	Panel, 78.69" x 2.25"
11. 966880-0111	Panel, 78.69" x 2.25"
12. 966880-0112	Lauan, ¼" x 78.54" x 3.81"
13. 966883-01	CLOSEOUT, WARDROBE
14. 966880-0114	DOOR, 13.75" X 61.75"
15. 382008	PULL, DRAWER/DOOR
16. 381607	HINGE, DOOR
17. 345001-08	SCREW #8-32 X 1" REC TRUS
18. 381607-04	HINGE SCREW-GRASS
19. 381228-01	CATCH GRABBER DOOR C3-803
20. 365267	EDGEBANDING, PLYWOOD, 1.125"
21. 365267-01	EDGEBANDING, PLYWOOD, .63"
22. 104821	SUPPORT, ROOFLOCKER, 74"
23. 365267-01	EDGEBANDING, PLYWOOD, .50"
24. 203138-01	EXTRUSION, PLASTIC ½", WHITE
25. 800025-01	PINE, ¾" X ¾", STAINED

# 2007 INTERNATIONAL TRAVEL TRAILER

## FURNITURE, BATH

Wardrobe, 27' FB Signature, Aft, Wenge



Part numbers are on the next page.



# 2007 INTERNATIONAL TRAVEL TRAILER

## FURNITURE, BATH

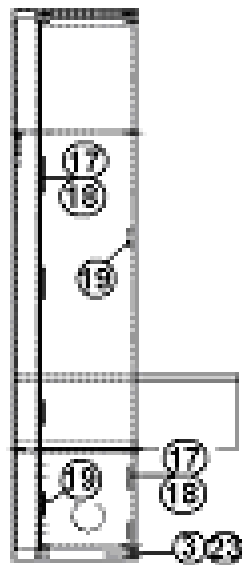
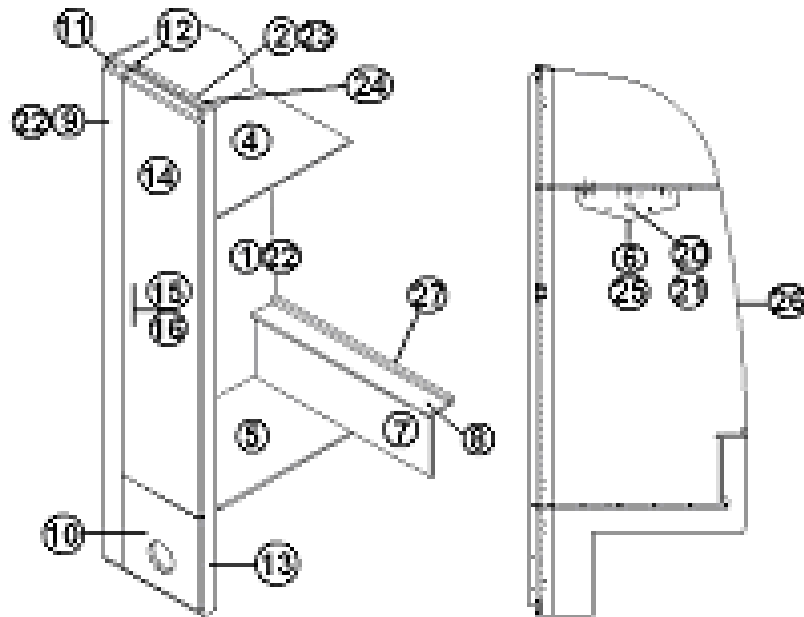
### Wardrobe, 27' FB Signature, Aft, Wenge

966881	WARDROBE, AFT
1. 966881-1	Panel, 78.5" x 29.87"
2. 966881-2	Panel, 12.75" x 2.25"
3. 966881-3	Panel, 12.75" x 2.25"
4. 966881-4	Panel, 26" x 17.19"
5. 966881-5	Panel, 26" x 17.19"
6. 966881-6	Door, 14" x 7"
7. 966881-7	Panel, 9.5" x 31.44"
8. 966881-8	Panel, 4.31 x 31.44"
9. 966881-9	Panel, 3.44 x 76.29"
10. 966881-10	Door, aft wardrobe bottom
11. 966881-11	Panel, 2.94" x 78.60"
12. 966881-12	Panel, 78.69 x 2.25"
13. 966881-13	Panel, 78.69" x 2.25"
14. 966881-14	Door, aft wardrobe
15. 382029-03	HANDLE, BAR, 11.25"
16. 345001-08	SCREW #8-32 X 1"
17. 381607	HINGE-ASSEMBLY
18. 381607-04	HINGE SCREW-GRASS
19. 381228-01	CATCH GRABBER DOOR C3-803
20. 380045	TUBING, 3/4"
21. 200975-04	CONDUIT, FLEXIBLE, BLACK
22. 365303-02	EDGE BANDING, WENGE, 1.125"
23. 365303-01	EDGE BANDING, WENGE, .63"
24. 104821	SUPPORT, ROOFLOCKER, 74"
25. 365238-04	EDGE BANDING, WHITE, .50"
26. 203138-04	EXTRUSION - PLASTIC 1/2" OAK
27. 800025-01	PINE, 3/4" X 3/4", STAINED

# 2007 INTERNATIONAL TRAVEL TRAILER

## FURNITURE, BATH

Wardrobe, 27' FB Signature, Aft, Ocean Breeze



Part numbers are on the next page.

# 2007 INTERNATIONAL TRAVEL TRAILER

## FURNITURE, BATH

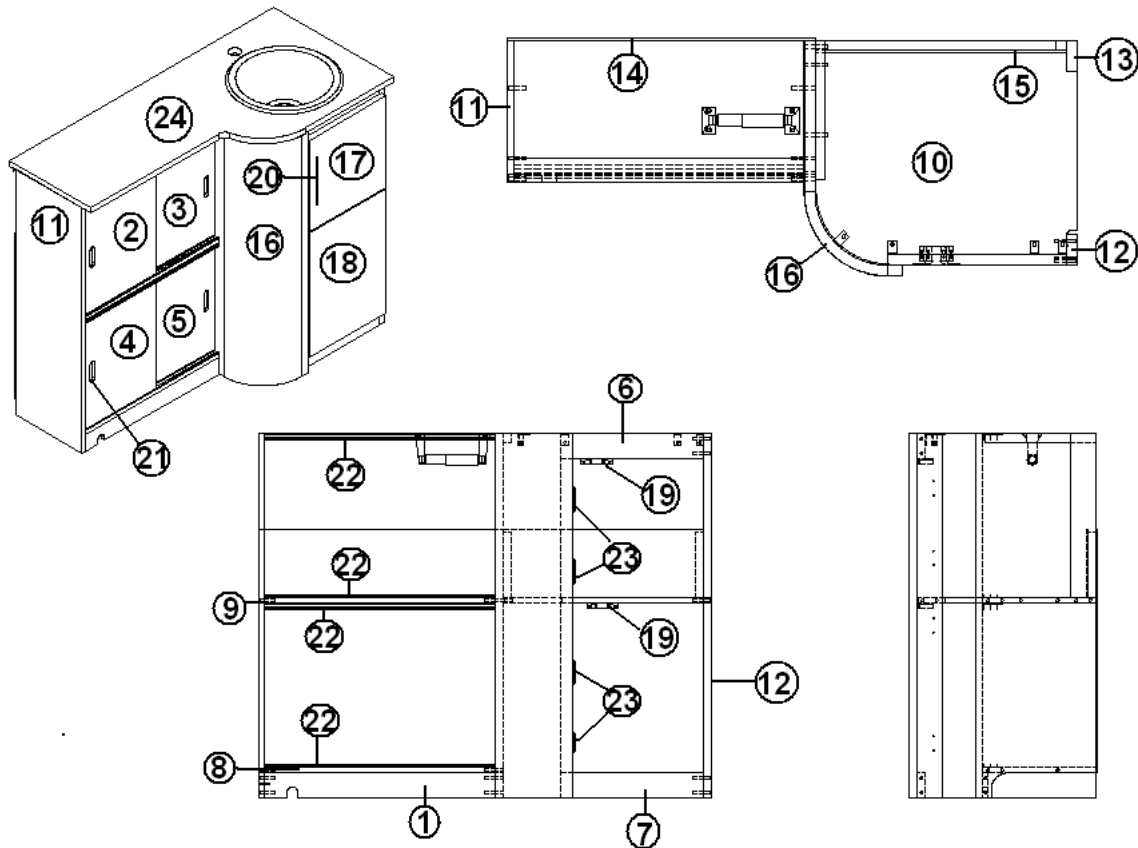
Wardrobe, 27' FB Signature, Aft, Ocean Breeze

966881-01	WARDROBE, AFT
1. 966881-011	Panel, 78.5" x 29.87"
2. 966881-012	Panel, 12.75" x 2.25"
3. 966881-013	Panel, 12.75" x 2.25"
4. 966881-014	Panel, 26" x 17.19"
5. 966881-015	Panel, 26" x 17.19"
6. 966881-016	Door, 14" x 7"
7. 966881-017	Panel, 9.5" x 31.44"
8. 966881-018	Panel, 4.31 x 31.44"
9. 966881-019	Panel, 3.44 x 76.29"
10. 966881-0110	Door, aft wardrobe bottom
11. 966881-0111	Panel, 2.94" x 78.60"
12. 966881-0112	Panel, 78.69 x 2.25"
13. 966881-0113	Panel, 78.69" x 2.25"
14. 966881-0114	Door, aft wardrobe
15. 382008	PULL, DRAWER/DOOR
16. 345001-08	SCREW #8-32 X 1"
17. 381607	HINGE, DOOR
18. 381607-04	HINGE, SCREW
19. 381228-01	CATCH GRABBER DOOR C3-803
20. 380045	TUBING, 3/4"
21. 200975-04	CONDUIT, FLEXIBLE, BLACK
22. 365267	EDGE BANDING, PLYWOOD, 1.125"
23. 365267-01	EDGE BANDING, PLYWOOD, .63"
24. 104821	SUPPORT, ROOFLOCKER, 74"
25. 365267-01	EDGE BANDING, PLYWOOD, .50"
26. 203138-01	EXTRUSION, PLASTIC 1/2" WHITE
27. 800025-01	PINE, 3/4" X 3/4", STAINED

# 2007 INTERNATIONAL TRAVEL TRAILER

## FURNITURE, BATH

### Lavatory Cabinet, 27' FB Signature, Wenge



Part numbers are on the next page.

# 2007 INTERNATIONAL TRAVEL TRAILER

## FURNITURE, BATH

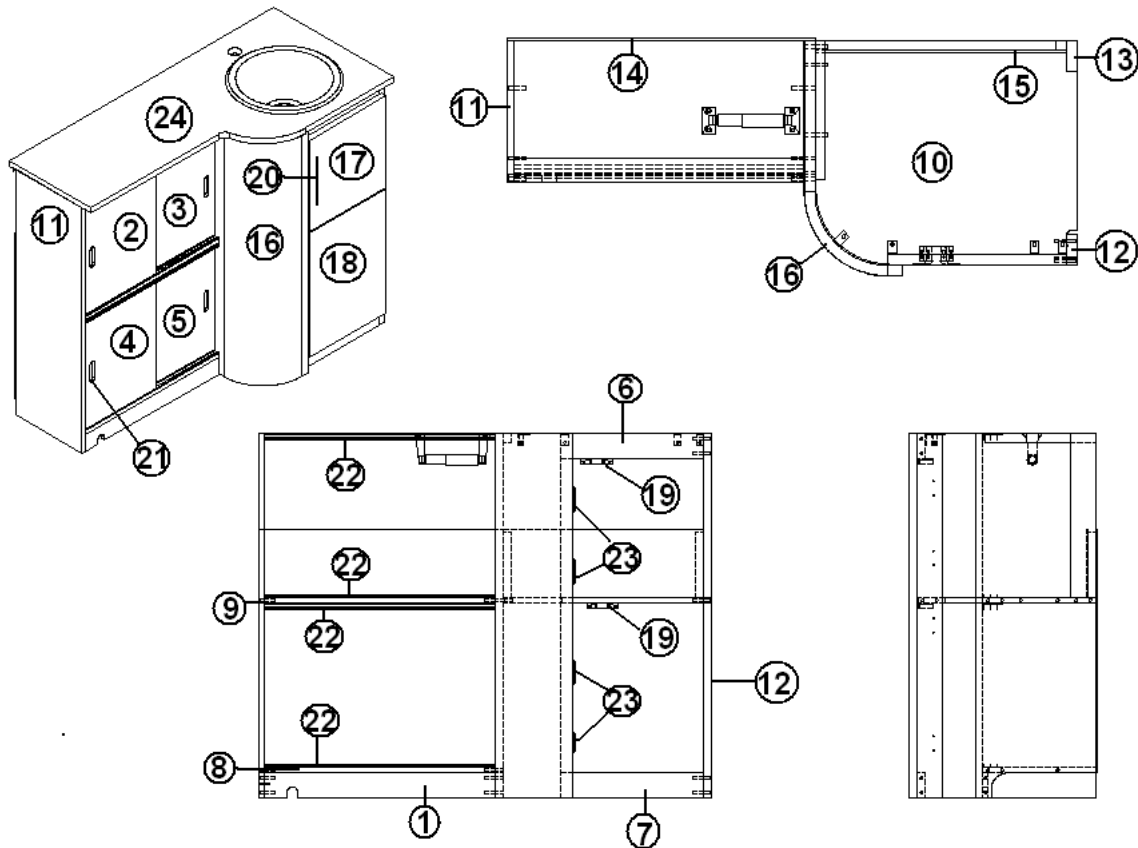
### Lavatory Cabinet, 27' FB Signature, Wenge

966884	CABINET ASSEMBLY, LAVY
1. 966884-1	Panel, 22.85" x 2.25"
2. 966884-2	DOOR, 11.25" X 14"
3. 966884-3	DOOR, 11.25" X 14"
4. 966884-4	DOOR, 11.25" X 14"
5. 966884-5	DOOR, 11.25" X 14"
6. 966884-6	PANEL, 12.87" X 2.25"
7. 966884-7	PANEL, 12.87" X 2.25"
8. 966884-8	PANEL, 10.25" X 20.85"
9. 966884-9	PANEL, 10.25" X 20.85"
10. 966884-10	PANEL, 18.87" X 16.19"
11. 966884-11	PANEL, 10.25" X 33"
12. 966884-12	PANEL, 2.25" X 33"
13. 966884-13	PANEL, 2.25" X 14.87"
14. 966884-14	PANEL, 22.13" X 22.13" WHITE/RAW
15. 966884-15	PANEL, 18.12" X 6.25", WHITE/RAW
16. 966893	RADIUS SUB-ASSEMBLY
17. 966884-17	DOOR, 11.87" X 16.69"
18. 966884-18	DOOR, 11.87" X 12.31"
19. 381228-01	CATCH GRABBER DOOR C3-803
20. 382029-03	HANDLE, BAR 11.25"
21. 382030	PULL-RECESSED FINGER .7 X 2.7
22. 115374	SLIDING DOOR TRACK .5"
23. 381607	HINGE-ASSEMBLY
24. 966885	TOP ASSY, LAVY

# 2007 INTERNATIONAL TRAVEL TRAILER

## FURNITURE, BATH

### Lavatory Cabinet, 27' FB Signature, Ocean Breeze



Part numbers are on the next page.

# 2007 INTERNATIONAL TRAVEL TRAILER

## FURNITURE, BATH

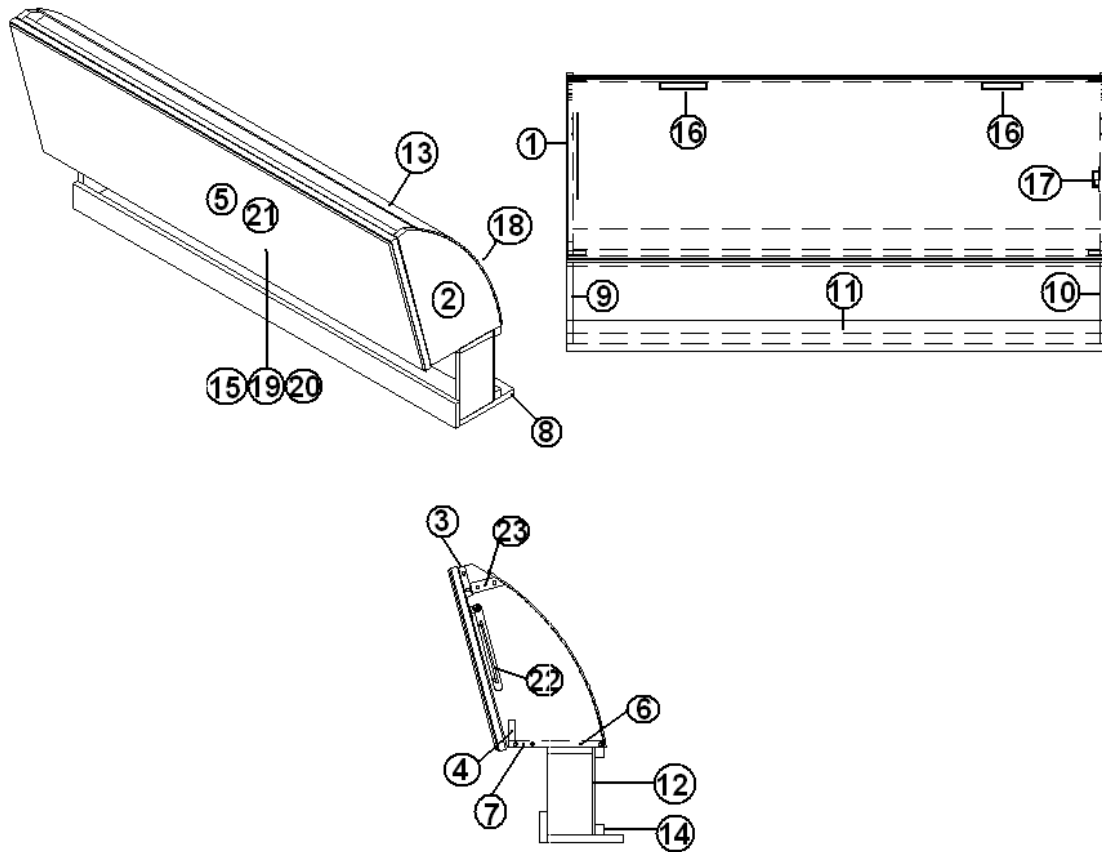
### Lavatory Cabinet, 27' FB Signature, Ocean Breeze

966884-01	CABINET ASSEMBLY, LAVY
1. 966884-011	Panel, 22.85" x 2.25"
2. 966884-012	DOOR, 11.25" X 14"
3. 966884-013	DOOR, 11.25" X 14"
4. 966884-014	DOOR, 11.25" X 14"
5. 966884-015	DOOR, 11.25" X 14"
6. 966884-016	PANEL, 12.87" X 2.25"
7. 966884-017	PANEL, 12.87" X 2.25"
8. 966884-018	PANEL, 10.25" X 20.85"
9. 966884-019	PANEL, 10.25" X 20.85"
10. 966884-0110	PANEL, 18.87" X 16.19"
11. 966884-0111	PANEL, 10.25" X 33"
12. 966884-0112	PANEL, 2.25" X 33"
13. 966884-0113	PANEL, 2.25" X 14.87"
14. 966884-0114	PANEL, 22.13" X 22.13" WHITE/RAW
15. 966884-0115	PANEL, 18.12" X 6.25", WHITE/RAW
16. 966893-01	RADIUS SUB-ASSEMBLY
17. 966884-0117	DOOR, 11.87" X 16.69"
18. 966884-0118	DOOR, 11.87" X 12.31"
19. 381228-01	CATCH GRABBER DOOR C3-803
20. 382008	PULL, DRAWER/DOOR
21. 382030	PULL, RECESSED FINGER .7 X 2.7
22. 200963-01	TRACK, SLIDING DOOR, VANITY, UPPER
22. 200963-02	TRACK, SLIDING DOOR, VANITY, LOWER
23. 381607	HINGE, DOOR
24. 966885-01	TOP ASSY, LAVY

# 2007 INTERNATIONAL TRAVEL TRAILER

## FURNITURE, BATH

Medicine Cabinet, 25' FB, 27' FB, Signature, Wenge



Part numbers are on the next page.



# 2007 INTERNATIONAL TRAVEL TRAILER

## FURNITURE, BATH

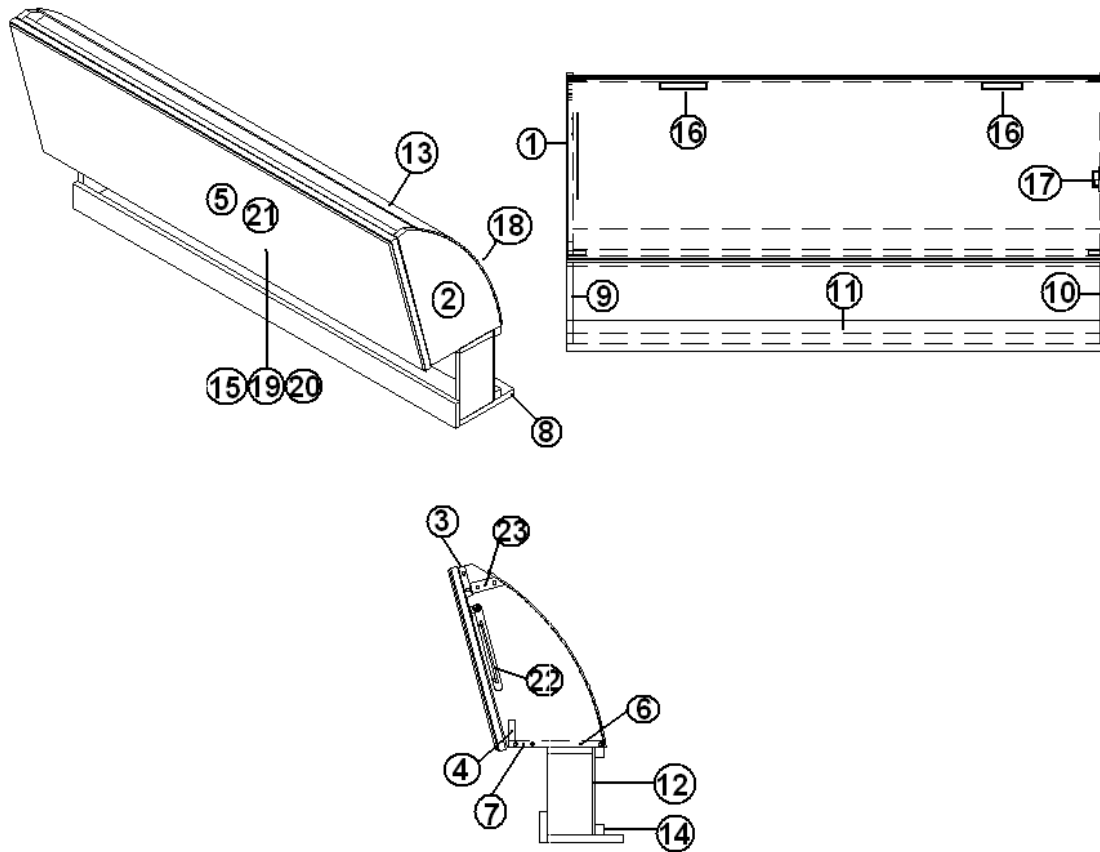
Medicine Cabinet, 25' FB, 27' FB, Signature, Wenge

966896	MEDICINE CABINET ASSY.
1. 966896-1	PANEL, 10.81. 13.56"
2. 966896-2	PANEL, 10.81. 13.56"
3. 966896-3	PANEL, 2.25" X 39"
4. 966896-4	PANEL, 1.50" X 39"
5. 966896-5	PANEL, 13.88" X 39.88"
6. 966896-6	PANEL, 7" X 39"
7. 966896-7	PANEL, 3.42" X 40"
8. 966896-8	PANEL, 5.67" X 40"
9. 966896-9	PANEL, 3.42" X 6"
10. 966896-10	PANEL, 3.42" X 6"
11. 966896-11	PANEL, 2.25" X 40"
12. 966896-12	PANEL, 6.5" X 40"
13. 966896-13	PANEL, 16.25" X 40"
14. 800025-01	PINE, 3/4" X 3/4", STAINED
15. 372203-33	MIRROR, SAFETY .125" X 14" X 40"
16. 385935-01	HINGE, PIVOT ZINC PLATED
17. 381228-01	CATCH GRABBER DOOR
18. 365238-04	EDGE BANDING. .5, WHITE
19. 365001	TAPE, DOUBLE COATED FOAM
20. 360180	ADHESIVE SEAL, SIKAFLEX 221, GRAY
21. 385940-02	MIRROR, PULL CHROME
22. 380024	ARMS SUPPORT, RIGHT HAND
23. 966896-23	PANEL, 2.50" X 39"

# 2007 INTERNATIONAL TRAVEL TRAILER

## FURNITURE, BATH

Medicine Cabinet, 25' FB, 27' FB, Signature, Ocean Breeze



Part numbers are on the next page.

# 2007 INTERNATIONAL TRAVEL TRAILER

## FURNITURE, BATH

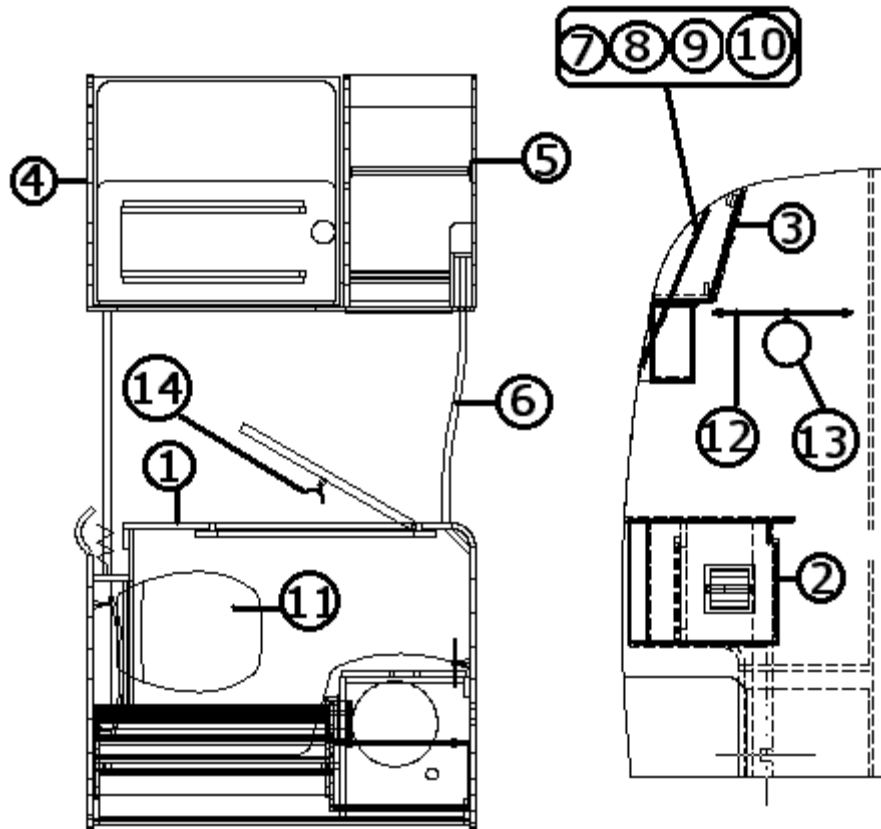
Medicine Cabinet, 25' FB, 27' FB, Signature, Ocean Breeze

966896-01	MEDICINE CABINET ASSY.
1. 966896-011	PANEL, 10.81. 13.56"
2. 966896-012	PANEL, 10.81. 13.56"
3. 966896-013	PANEL, 2.25" X 39"
4. 966896-014	PANEL, 1.50" X 39"
5. 966896-015	PANEL, 13.88" X 39.88"
6. 966896-016	PANEL, 7" X 39"
7. 966896-017	PANEL, 3.42" X 40"
8. 966896-018	PANEL, 5.67" X 40"
9. 966896-019	PANEL, 3.42" X 6"
10. 966896-0110	PANEL, 3.42" X 6"
11. 966896-0111	PANEL, 2.25" X 40"
12. 966896-0112	PANEL, 6.5" X 40", WHITE/RAW
13. 966896-0113	PANEL, 16.25" X 40", WHITE/RAW
14. 800025-01	PINE, ¾" X ¾", STAINED
15. 372203-33	MIRROR, SAFETY .125" X 14" X 40"
16. 385935-01	HINGE, PIVOT ZINC PLATED
17. 381228-01	CATCH GRABBER DOOR
18. 365238-04	EDGE BANDING. .5, WHITE
19. 365001	TAPE, DOUBLE COATED FOAM
20. 360180	ADHESIVE SEAL, SIKAFLEX 221, GRAY
21. 385940-02	MIRROR, PULL CHROME
22. 380024	ARMS SUPPORT, RIGHT HAND
23. 966896-0123	PANEL, 2.50" X 39"

# 2007 INTERNATIONAL TRAVEL TRAILER

## FURNITURE, BATH

### BATH LAYOUT, 28'

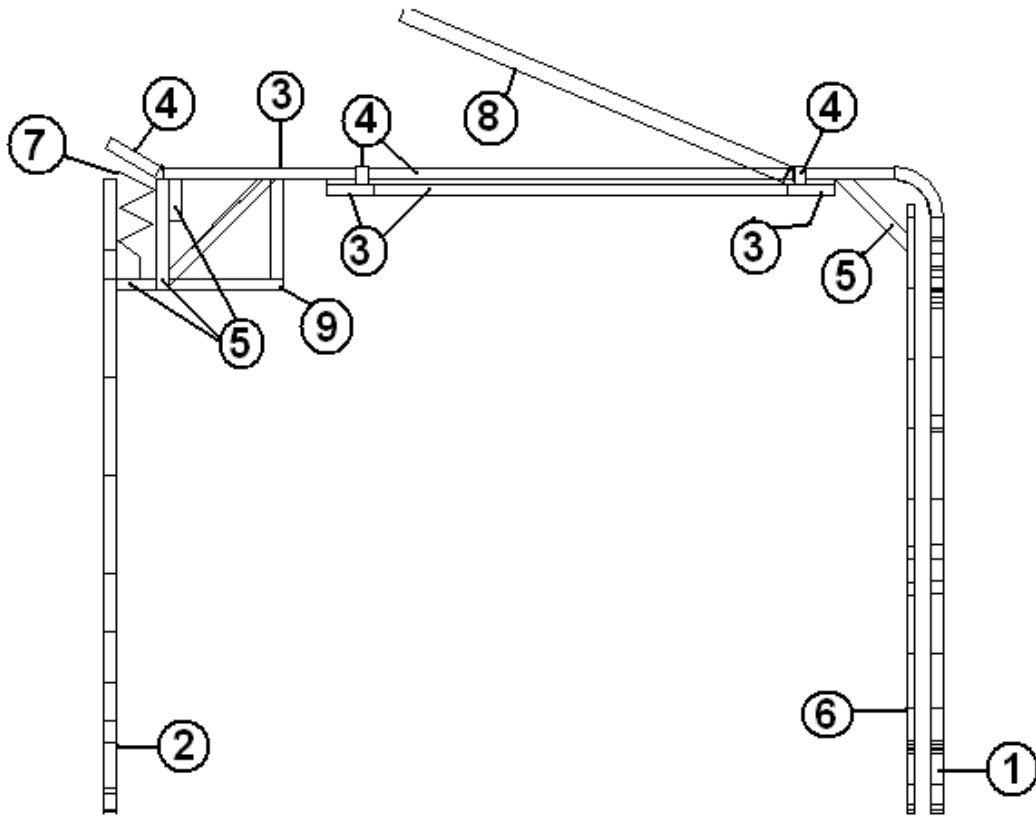


- |               |                                      |
|---------------|--------------------------------------|
| 1. 966263     | Front latrine wall assembly          |
| 2. 965742     | Lavatory cabinet assembly            |
| 3. 965714     | Medicine cabinet assembly            |
| 4. 965999     | Shower compartment assembly          |
| 5. 965737     | Wardrobe cabinet assembly            |
| 6. 381827     | Gray formed foldette track           |
| 7. 372203-15  | Mirror, polished edges, 17" x 25.25" |
| 8. 800507-02  | Lauan, 1/4"                          |
| 9. 381220-01  | Mirror clip, nickel plated           |
| 10. 381220-02 | Mirror clip, nickel plated           |
| 11. 690472    | Toilet China, high profile, white    |
| 12. 381776    | Towel bar, 18" chrome                |
| 13. 381777    | Towel ring, chrome                   |
| 14. 381778    | Robe hook, double, chrome            |

# 2007 INTERNATIONAL TRAVEL TRAILER

## FURNITURE, BATH

### LATRINE, 28', FRONT WALL ASSEMBLY

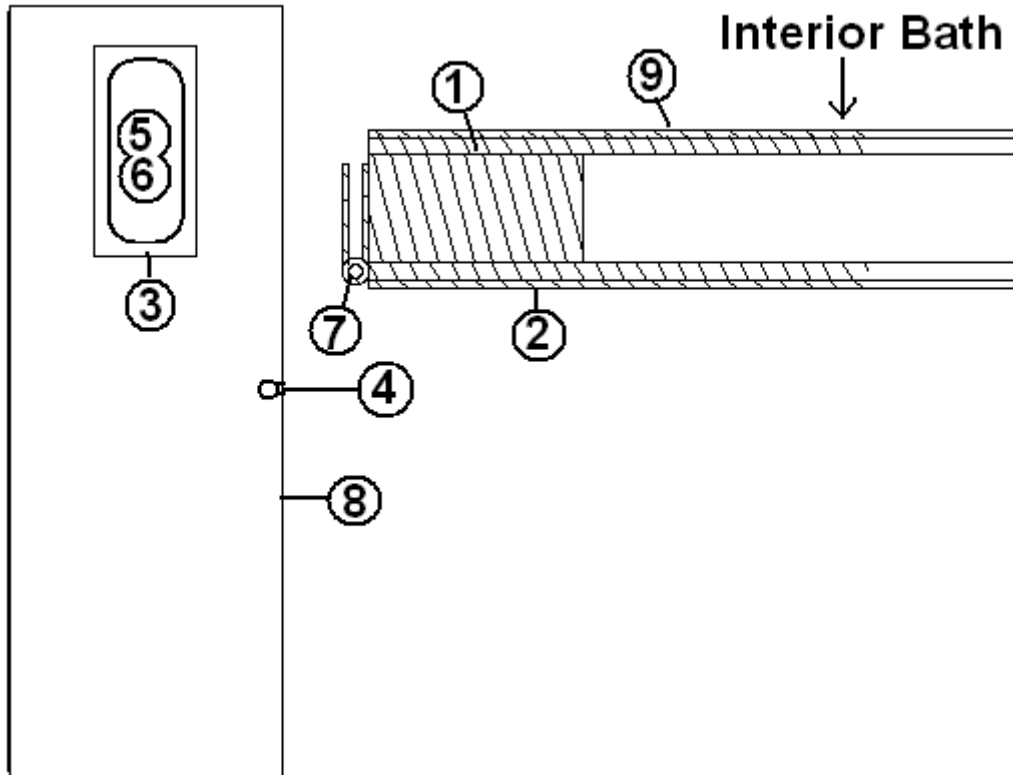


966263	Latrine Front Wall Assembly, 28'
1. 966264	Forward latrine panel
2. 801429-06	Aft latrine panel
3. 801441-01	Panel, Black décor, Maple/Frosty
4. 801436-01	Panel, Black décor, Maple/White
5. 801369-01	Panel, White/White Rexel
6. 801563	Bath divider wall
7. 702681-07	Door, foldette, 60" x 73", Gray
8. 966117	Door, Bathroom, 28'
8. . 966169	Black tank vent closeout
365278-02	EDGE BANDING-BLK MAPLE 1.625"

# 2007 INTERNATIONAL TRAVEL TRAILER

## FURNITURE, BATH

DOOR, BATH W/WINDOW, 28'

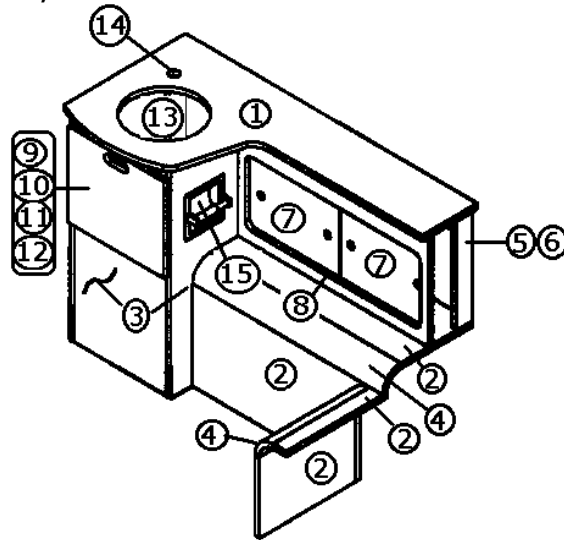


- |              |   |
|--------------|---|
| 966117       | BATH DOOR W/WINDOW                      |
| 1. 800507-01 | LAUAN, 1/8" X 4' X 8'                   |
| 2. 801439-01 | LAMINATE, BLACK MAPLE, 4' X 8'          |
| 3. 800507-06 | LAUAN-.75" X 4' X 8'                    |
| 4. 381771    | LATCH, LEVER LOCKSET PRIVACY            |
| 5. 371384    | WINDOW, BATH DOOR                       |
| 6. 203475    | TRIM, 18" STACK WINDOW                  |
| 7. 380203-01 | PIANO HINGE 1/8" PIN                    |
| 8. 365278-04 | EDGE BANDING, .024" X 1.25" BLACK MAPLE |
| 9. 801355-01 | LAMINATE, FROST WHITE 4' X 8'           |
| 454320       | DOOR HANDLE COVER                       |
| 381802-01    | TAP CAP #2 WHITE                        |
| 365267       | EDGE BANDING-1.13" .024 PLY             |

# 2007 INTERNATIONAL TRAVEL TRAILER

## FURNITURE, BATH

### LAVATORY CABINET, 28'

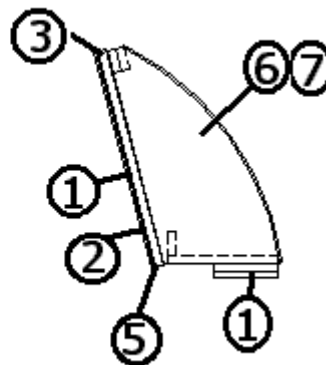
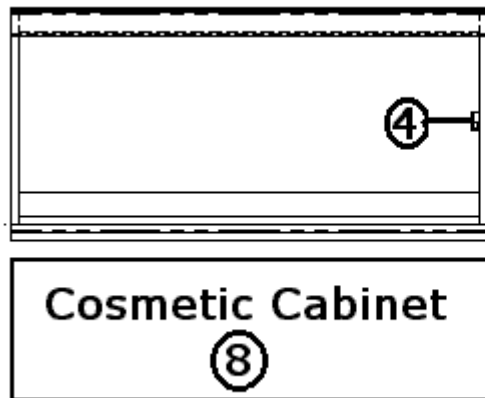


- |               |   |
|---------------|---|
| 965742        | Lavatory Cabinet                          |
| 1. 965989     | Lavatory top assembly                     |
| 2. 801351     | Lite ply, .75"                            |
| 3. 801369     | Panel, White/White Rexel                  |
| 4. 801345     | Radius plywood, .75" x 3" x 8'            |
| 5. 801353     | Lite ply 3 MM                             |
| 6. 801438     | PANEL, FROSTY WHITE VINYL/RAW 2.7MM       |
| 7. 965563-05  | Door, sliding Plexi-glass, 11.38" X 13.5" |
| 8. 203388     | Sliding door track                        |
| 9. 801375-14  | Door, Lavatory, 15.88" x 13.63"           |
| 10. 381775    | Drawer pull, satin                        |
| 11. 381607    | Hinge assembly, Grass-Euro                |
| 12. 381228-01 | Grabber catch                             |
| 13. 601804-01 | Sink, Yukon round                         |
| 14. 601842    | Faucet, small lever handle                |
| 15. 381299    | Toilet paper holder                       |
| 114812        | Aluminum angle, 1" x 1"                   |
| 965572        | CLOSEOUT-PAPER HOLDER                     |
| 801457-01     | PANEL, BLACK MAPLE/FROSTY WHITE           |
| 801392        | PNL-PRELAM WHTLINER/WHTLINER              |
| 203508-01     | T-Trim, 9/16" wood grain                  |
| 966160        | BASE CLOSEOUT - LAVY                      |
| 966161-01     | PLUMBING CLOSEOUT - LAVY                  |

# 2007 INTERNATIONAL TRAVEL TRAILER

## FURNITURE, BATH

### MEDICINE CABINET, 28'



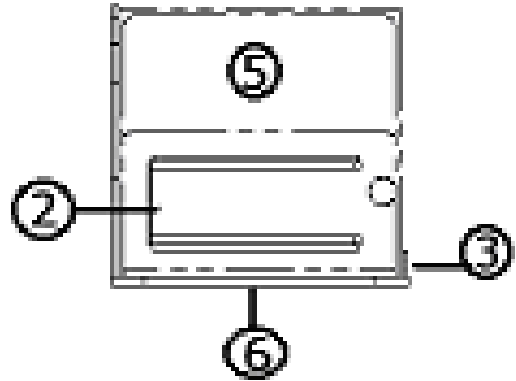
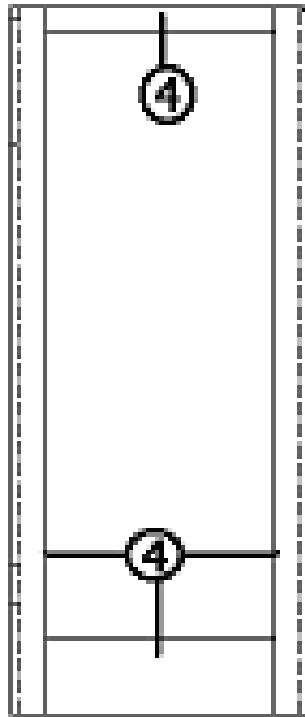
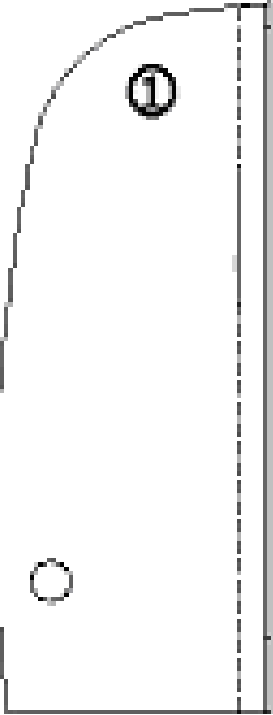
- |              |                                      |
|--------------|--------------------------------------|
| 965714       | Medicine Cabinet                     |
| 1. 801392    | Panel, white liner/white liner       |
| 2. 372203-30 | Mirrored safety glass, 30" x 14"     |
| 3. 385935-01 | Hinge, pivot, zinc plated            |
| 4. 381228-01 | Door grabber catch                   |
| 5. 381835    | HANDLE-CHROME/BRASS                  |
| 6. 801438    | Panel, Frosty white Vinyl/Raw 2.7 MM |
| 7. 801355-01 | Laminate Frosty white, vertical      |
| 8. 381611-01 | Cosmetic cabinet                     |
| 380024       | ARMS SUPPORT RIGHT HAND              |
| 365238-04    | Edge tape, 5/8" PVC white            |



# 2007 INTERNATIONAL TRAVEL TRAILER

## FURNITURE, BATH

### SHOWER LAYOUT, 28'



1. 801429-20

2. 965816

3. 801392

4. 801436-01

5. 203081-01

6. 702306-03

6. 381403

965987

365278-01

365238-04

201666

Panel, aft shower

Shower stand assembly

Panel, white liner/white liner, 12mm

Panel, black décor, Maple/White liner

Shower stall, 2 pc.

Shower door, silver

LATCH-TRAVEL SHOWER DOOR

CLOSE OUT-MEDICINE CAB

EDGE BANDING-BLACK MAPLE 1.13"

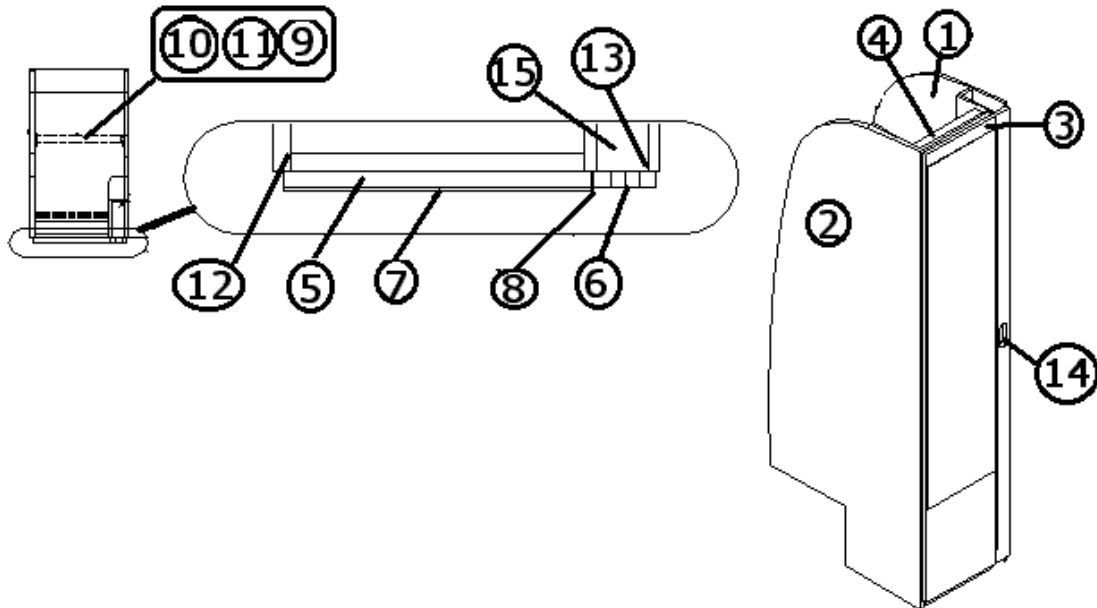
EDGE BANDING 5/8" COLONIAL WHITE

MOLDING-J-3/16 PLASTIC, ALMOND

# 2007 INTERNATIONAL TRAVEL TRAILER

## FURNITURE, BATH

### WARDROBE CABINET, 28'

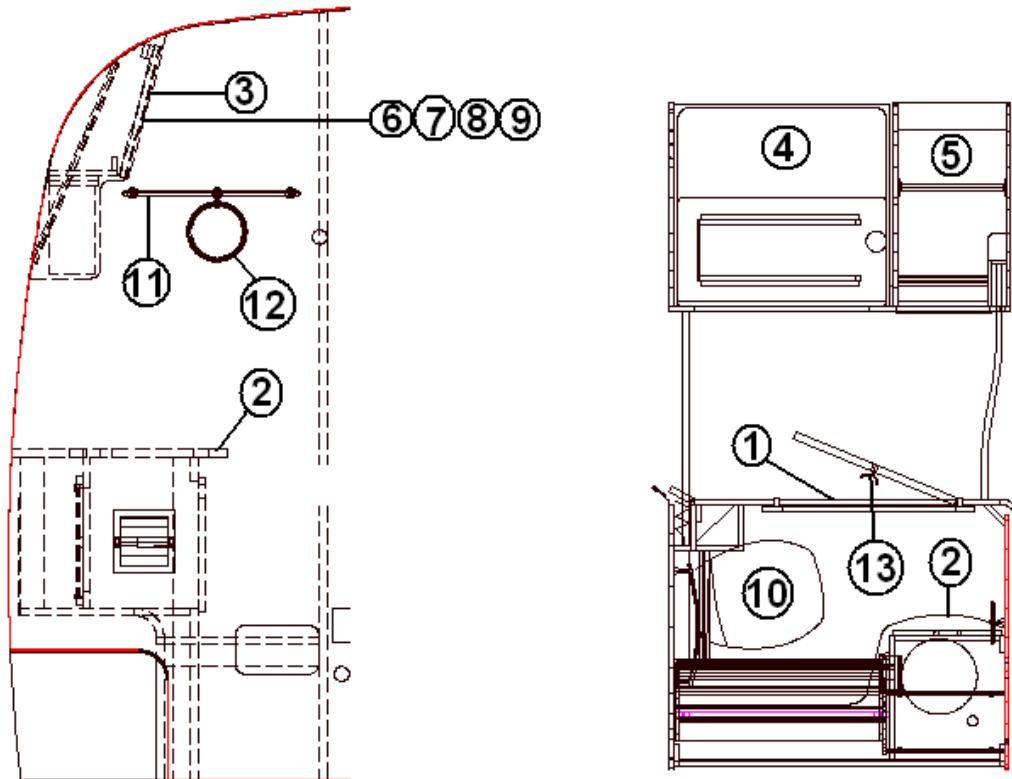


- |               |                                       |
|---------------|---------------------------------------|
| 965737        | Wardrobe Cabinet Assembly, 28'        |
| 1. 801429-21  | Panel, forward wardrobe               |
| 2. 801429-22  | Panel, aft wardrobe                   |
| 3. 801436-01  | Panel, black décor, Maple/White liner |
| 4. 801392     | Panel, white liner/white liner        |
| 5. 801375-19  | Door, wardrobe, 13.63" x 76.56"       |
| 6. 801375-20  | Door, wardrobe, 2.75" x 76.56"        |
| 7. 372203-26  | Mirror, 13.62" x 58.50"               |
| 8. 380203-01  | Piano hinge, 1/8" pin, clear anodized |
| 9. 380046     | Chrome flange                         |
| 10. 380045    | Tubing, metal                         |
| 11. 200975-04 | Conduit, black plastic                |
| 12. 381607    | Hinge assembly, Grass-Euro            |
| 13. 381228-01 | Door grabber catch                    |
| 14. 381775    | Drawer pull, satin                    |
| 15. 702681-07 | Door, foldette, 60" x 73", gray       |
| 385940-02     | MIRROR PULL CHROME                    |
| 365240-01     | EDGE BANDING-PVC 3M 1-5/16" WHITE     |
| 965762        | CLOSEOUT ASSY-W/R                     |

# 2007 INTERNATIONAL TRAVEL TRAILER

## FURNITURE, BATH

### Bath Lay Out, 28' Signature, Wenge

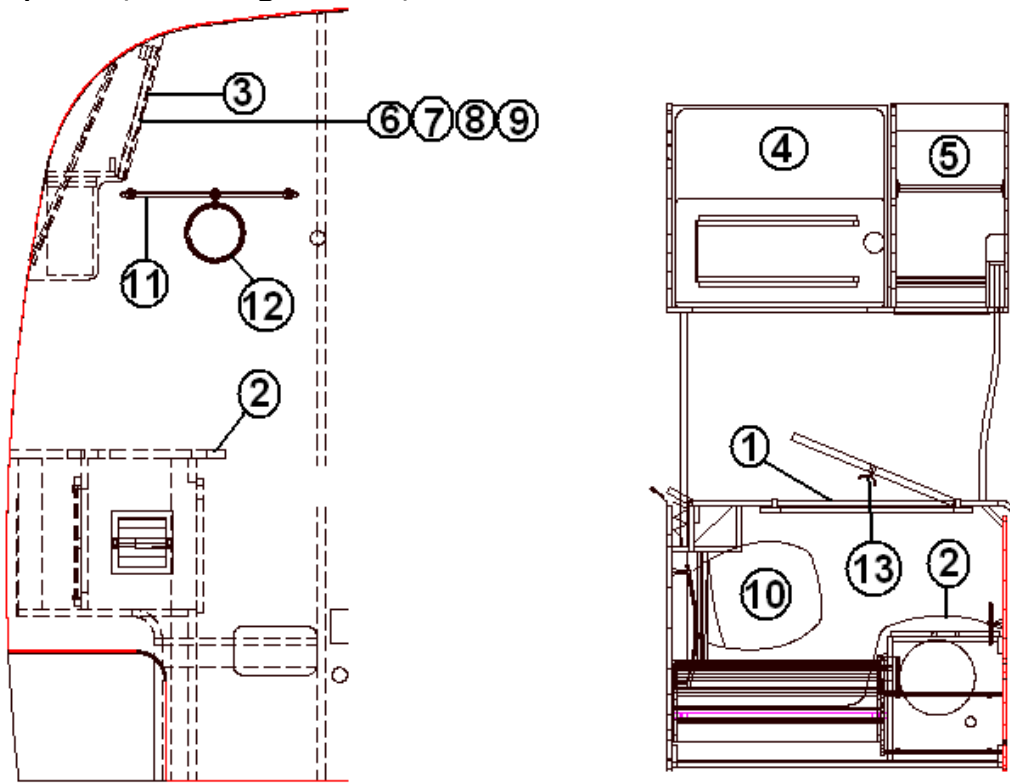


- |              |                             |
|--------------|-----------------------------|
| 1. 966990    | FRONT WALL ASSY, LATRINE    |
| 2. 966997    | LAVATORY CABINET            |
| 3. 967003    | MEDICINE CABINET, UPPER 30" |
| 4. 966967    | SHOWER COMPT ASSY           |
| 5. 966969    | WARDROBE ASSY ROADSIDE      |
| 6. 372203-15 | MIRROR, 17.00 X 25.25       |
| 7. 800507-02 | LAUAN, 1/4"X 4' X 8'        |
| 8. 381220-01 | MIRROR CLIP                 |
| 9. 381220-02 | MIRROR CLIP                 |
| 10. 690472   | TOILET, CHINA, WHITE        |
| 11. 381776   | TOWEL BAR, CHROME, 18"      |
| 12. 381777   | TOWEL RING, CHROME          |
| 13. 381778   | ROBE HOOK, DOUBLE CHROME    |

# 2007 INTERNATIONAL TRAVEL TRAILER

## FURNITURE, BATH

### Bath Lay Out, 28' Signature, Ocean Breeze

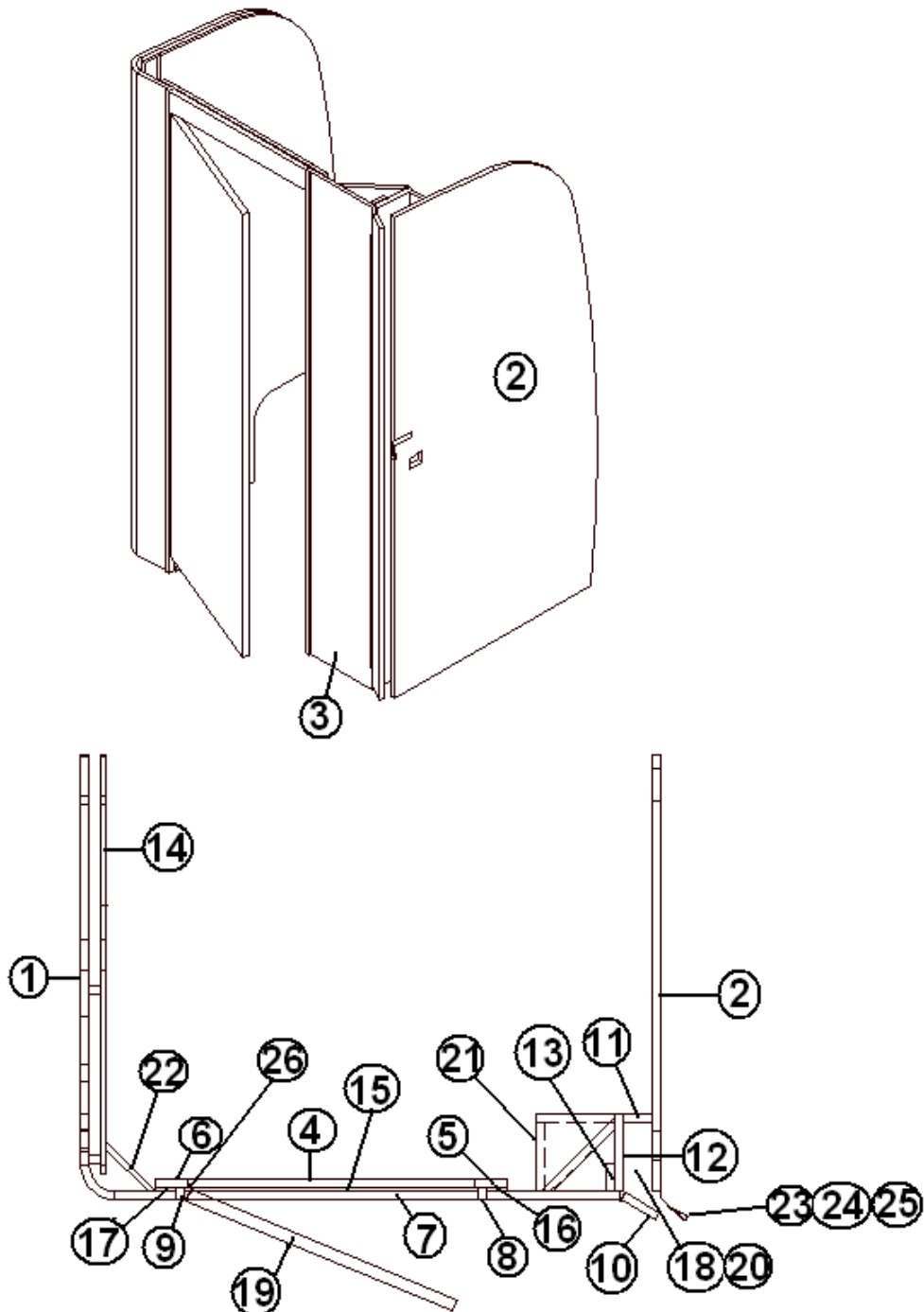


- |              |                             |
|--------------|-----------------------------|
| 1. 966990-01 | FRONT WALL ASSY, LATRINE    |
| 2. 966997-01 | LAVATORY CABINET            |
| 3. 967003-01 | MEDICINE CABINET, UPPER 30" |
| 4. 966967-01 | SHOWER COMPT ASSY           |
| 5. 966969-01 | WARDROBE ASSY ROADSIDE      |
| 6. 372203-26 | MIRROR, 13.62 X 58.         |
| 7. 800507-02 | LAUAN, 1/4"X 4' X 8'        |
| 8. 381220-01 | MIRROR CLIP                 |
| 9. 381220-02 | MIRROR CLIP                 |
| 10. 690472   | TOILET, CHINA, WHITE        |
| 11. 381776   | TOWEL BAR, CHROME, 18"      |
| 12. 381777   | TOWEL RING, CHROME          |
| 13. 381778   | ROBE HOOK, DOUBLE CHROME    |

# 2007 INTERNATIONAL TRAVEL TRAILER

## FURNITURE, BATH

### Latrine Front Wall Assembly, 28' Signature, Wenge



Part Number on the Next Page

# 2007 INTERNATIONAL TRAVEL TRAILER

## FURNITURE, BATH

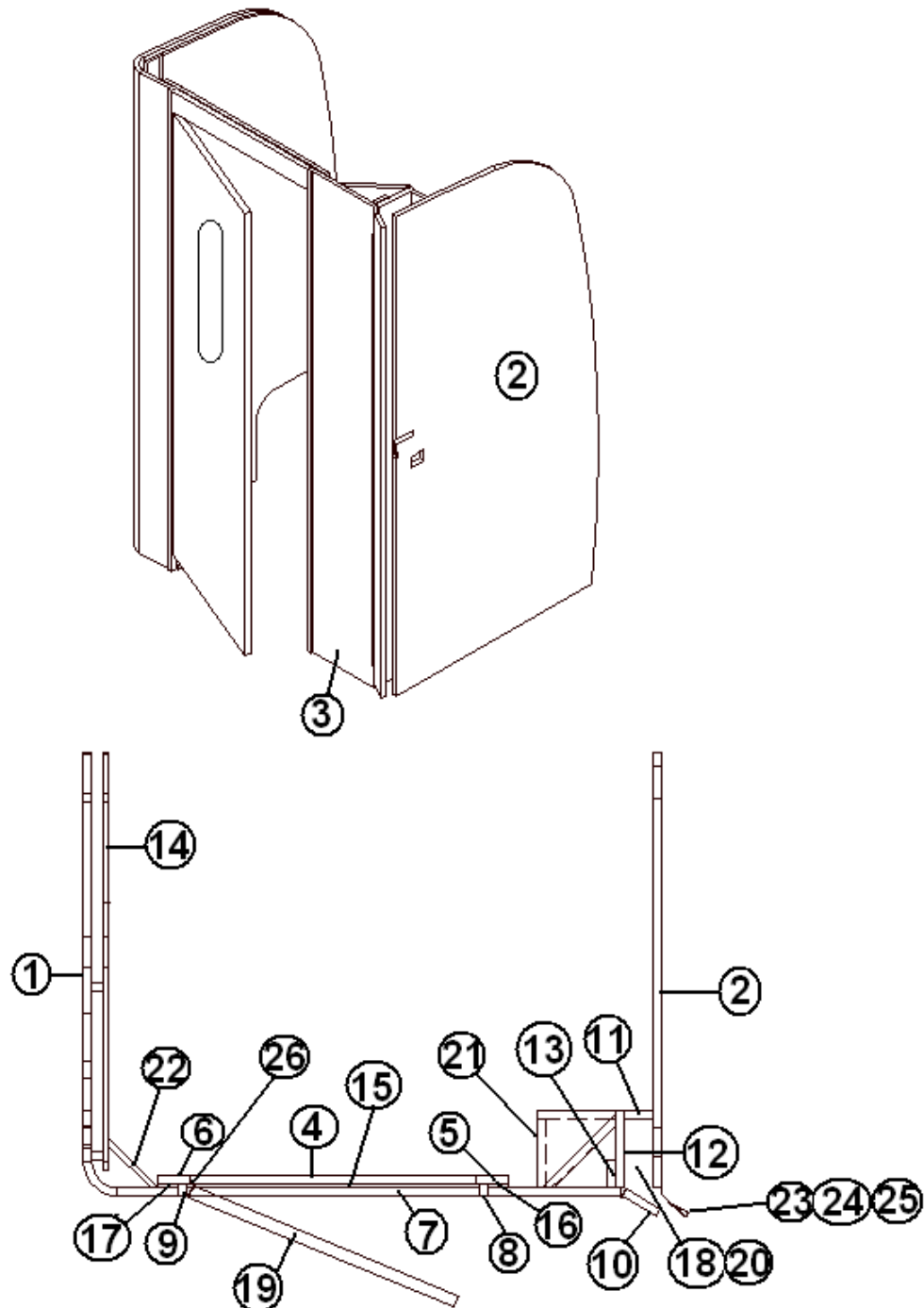
### Latrine Front Wall Assembly, 28' Signature, Wenge

966990	FRONT WALL ASSY, LATRINE
1. 966991	WALL ASSY FWD BATH
2. 966990-2	PANEL, BATH, 38.58 X 79.22
3. 966990-3	PANEL, BATH, 11.69 X 79.50
4. 966990-4	PANEL, BATH, 25.25 X 3.75
5. 966990-5	PANEL, BATH, 2.88 X 79.32
6. 966990-6	PANEL, BATH, 2.88 X 79.32
7. 966990-7	PANEL, BATH, 26.00 X 3.41
8. 966990-8	PANEL, BATH, 1.06 X 79.42
9. 966990-9	PANEL, BATH, 1.06 X 79.42
10. 966990-10	DOOR, BATH, FRONT WALL, 3.44 X 77.4
11. 966990-11	PANEL, BATH, 2.5 X 78.82
12. 966990-12	PANEL, BATH, 6.75 X 79.34
13. 966990-13	PANEL, BATH, 2.5 X 79.38
14. 966990-14	PANEL, BATH, 37.08 X 79.15
15. 800507-02	LAUAN, 1/4" X 4' X 8'
16. 800507-02	LAUAN, 1/4" X 4' X 8'
17. 800507-02	LAUAN, 1/4" X 4' X 8'
18. 702681-07	DOOR, FOLDETTE 60"X 73" GREY
19. 966994	DOOR ASSY, BATH
20. 381802-01	TAP CAP #2 WHITE
21. 966996	CLOSEOUT, BLACK TANK VENT ASSY.
22. 966990-22	PANEL, BATH, 6.18 X 79.34
23. 381581	STRAP CLEAR PLASTIC .75"W
24. 700811	BUTTON CAP, HANDY
25. 700812	BUTTON BOTTOM, OAK
26. 380203-01	PIANO HINGE 1/8" PIN

# 2007 INTERNATIONAL TRAVEL TRAILER

## FURNITURE, BATH

### Latrine Front Wall Assembly, 28' Signature, Ocean Breeze



Part Number on the Next Page

# 2007 INTERNATIONAL TRAVEL TRAILER

## FURNITURE, BATH

### Latrine Front Wall Assembly, 28' Signature, Ocean Breeze

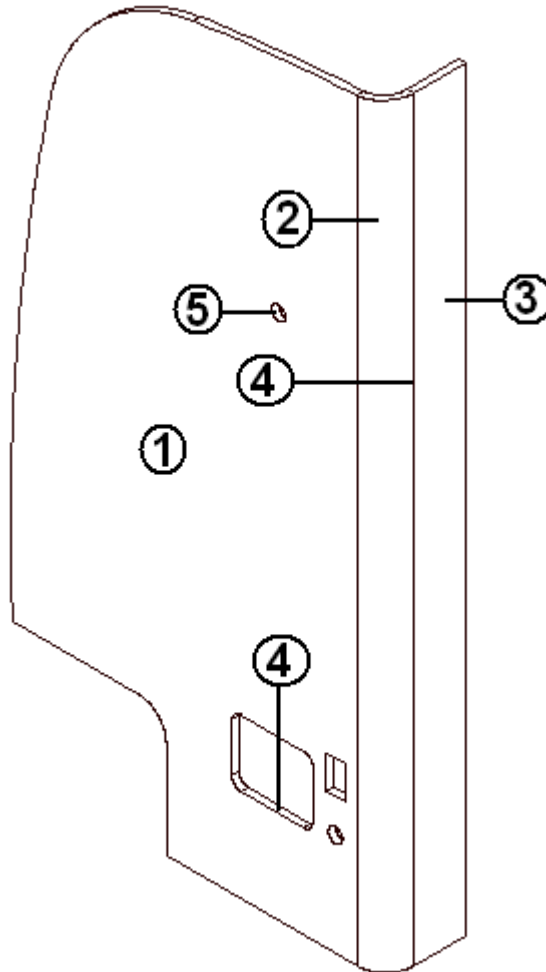
966990-01	FRONT WALL ASSY, LATRINE
1. 966991-01	WALL ASSY FWD BATH
2. 966990-012	PANEL, BATH, 38.58 X 79.22
3. 966990-013	PANEL, BATH, 11.69 X 79.50
4. 966990-014	PANEL, BATH, 25.25 X 3.75
5. 966990-015	PANEL, BATH, 2.88 X 79.32
6. 966990-016	PANEL, BATH, 2.88 X 79.32
7. 966990-017	PANEL, BATH, 26.00 X 3.41
8. 966990-018	PANEL, BATH, 1.06 X 79.42
9. 966990-019	PANEL, BATH, 1.06 X 79.42
10. 966990-0110	DOOR, BATH, FRONT WALL, 3.44 X 77.4
11. 966990-0111	PANEL, BATH, 2.5 X 78.82
12. 966990-0112	PANEL, BATH, 6.75 X 79.34
13. 966990-0113	PANEL, BATH, 2.5 X 79.38
14. 966990-0114	PANEL, BATH, 37.08 X 79.15
15. 800507-02	LAUAN, 1/4" X 4' X 8'
16. 800507-02	LAUAN, 1/4" X 4' X 8'
17. 800507-02	LAUAN, 1/4" X 4' X 8'
18. 702681-07	DOOR, FOLDETTE 60"X 73" GREY
19. 966995	DOOR ASSY, BATH
20. 381802-01	TAP CAP #2 WHITE
21. 966996	CLOSEOUT, BLACK TANK VENT ASSY.
22. 966990-0122	PANEL, BATH, 6.18 X 79.34
23. 381581	STRAP CLEAR PLASTIC .75"W
24. 700811	BUTTON CAP, HANDY
25. 700812	BUTTON BOTTOM, OAK
26. 380203-01	PIANO HINGE 1/8" PIN



# 2007 INTERNATIONAL TRAVEL TRAILER

## FURNITURE, BATH

### Latrine Wall, Forward, 28' Signature Wenge

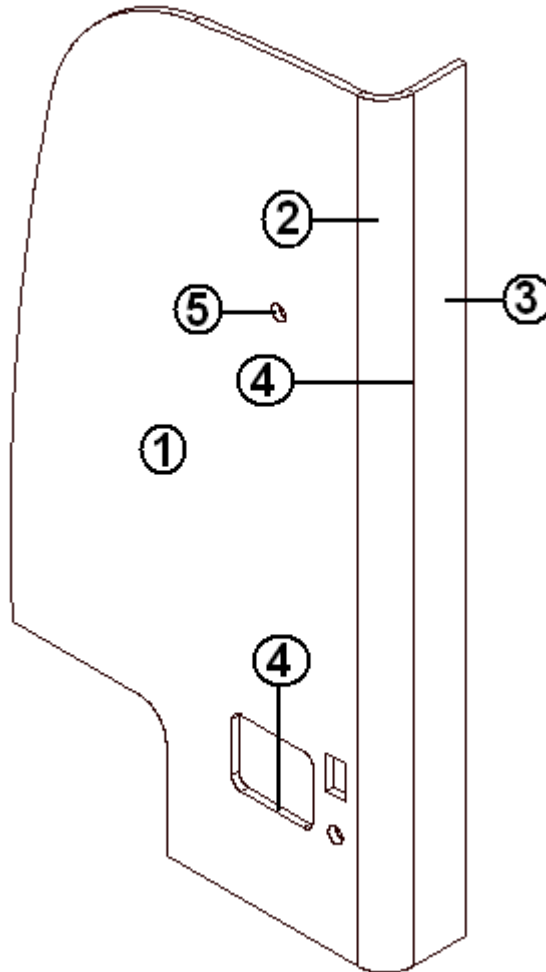


- |              |                                  |
|--------------|----------------------------------|
| 966991       | WALL ASSY FWD BATH               |
| 1. 966991-1  | PANEL, 36.33 X 79.15             |
| 2. 801345    | RADIUS PLYWOOD, .75"X 3"X 8'     |
| 3. 966991-3  | PANEL, 5.375 X 79.4              |
| 4. 203440    | T MOLDING, BLACK EMBOSSED, .8125 |
| 5. 381209-01 | GROMMET, W/CAP BLACK 1.5"HOLE    |

# 2007 INTERNATIONAL TRAVEL TRAILER

## FURNITURE, BATH

Latrine Wall, Forward, 28' Signature Ocean Breeze

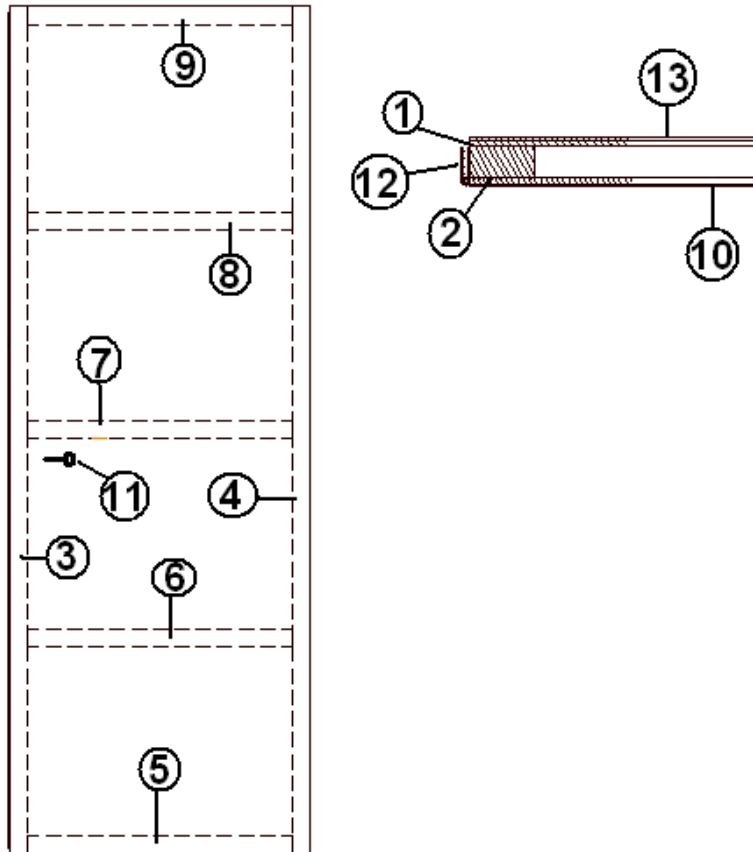


- |               |                                  |
|---------------|----------------------------------|
| 966991-01     | WALL, FOWARD BATH                |
| 1. 966991-011 | PANEL, 36.33 X 79.15             |
| 2. 801345     | RADIUS PLYWOOD, .75"X 3"X 8'     |
| 3. 966991-013 | PANEL, 5.375 X 79.4              |
| 4. 203597     | T MOLDING, WHITE EMBOSSED, .8125 |
| 5. 381209-01  | GROMMET, W/CAP BLACK 1.5"HOLE    |

# 2007 INTERNATIONAL TRAVEL TRAILER

## FURNITURE, BATH

Door, Bath, 28' Signature, Wenge

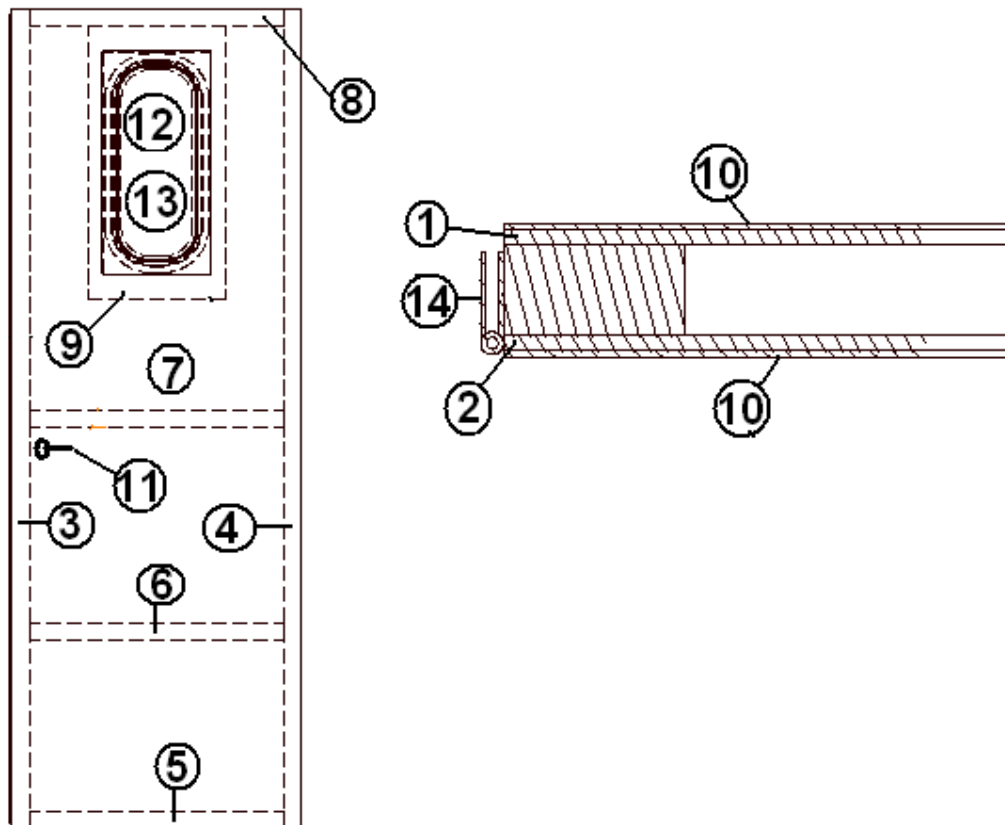


966994	Bath door
1. 966994-1	PANEL, LAUAN, 27" X 74"
2. 966994-2	PANEL, LAUAN, 27" X 74"
3. 966994-3	PANEL, LAUAN, 1.50" X 72.50"
4. 966994-4	PANEL, LAUAN, 1.50" X 72.50"
5. 966994-5	PANEL, LAUAN, 1.50" X 22.50"
6. 966994-6	PANEL, LAUAN, 1.50" X 22.50"
7. 966994-7	PANEL, LAUAN, 1.50" X 22.50"
8. 966994-8	PANEL, LAUAN, 1.50" X 22.50"
9. 966994-9	PANEL, LAUAN, 1.50" X 22.50"
10. 801711-01	LAMINATE, WENGE VERTICAL
11. 381771	LATCH, FLUSH MOUNT
12. 380203-01	PIANO HINGE 1/8" PIN
13. 801355-01	LAMINATE, WHITE VERTICLE

# 2007 INTERNATIONAL TRAVEL TRAILER

## FURNITURE, BATH

### Door, Bath, 28' Signature Ocean Breeze

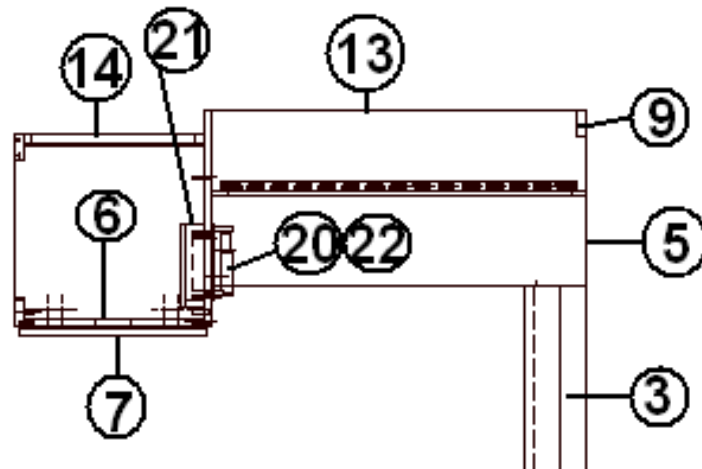
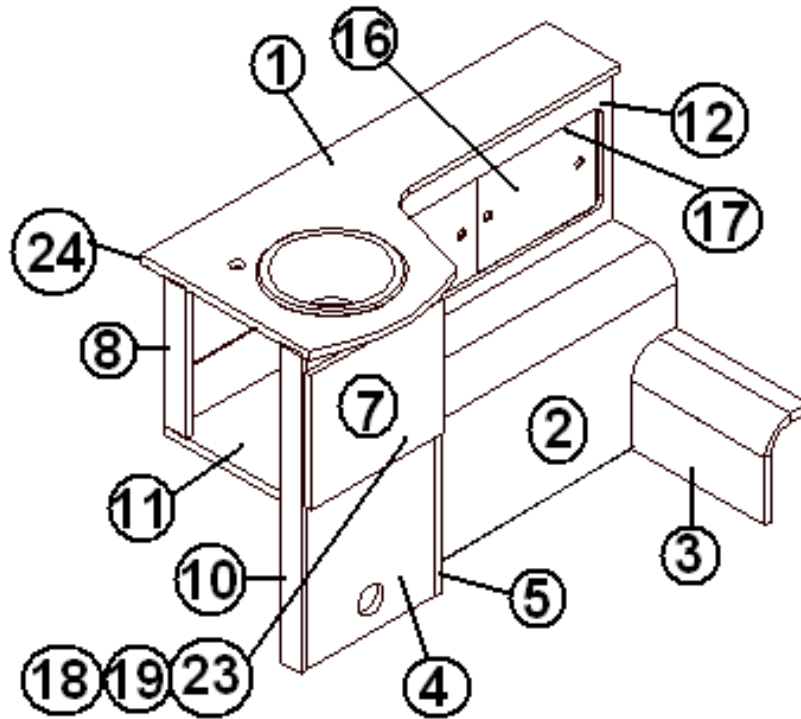


966995	BATH DOOR W/WINDOW, 28' Signature, CCD
1. 966995-1	PANEL, LAUAN, 27" X 74"
2. 966995-2	LAUAN, 27" X 74"
3. 966995-3	LAUAN, 1.50" X 72.50"
4. 966995-4	LAUAN, 1.50" X 72.50"
5. 966995-5	LAUAN, 1.50" X 22.50"
6. 966995-6	LAUAN, 1.50" X 22.50"
7. 966995-7	LAUAN, 1.50" X 22.50"
8. 966995-8	LAUAN, 1.50" X 22.50"
9. 966995-9	LAUAN, 1.50" X 22.50"
10. 801355-01	LAMINATE, WHITE VERTICLE
11. 381771	LATCH, FLUSH MOUNT
12. 371384	WINDOW, BATH DOOR
13. 203475	TRIM, STACK WINDOW
14. 380203-01	PIANO HINGE 1/8" PIN
381802-01	TAP CAP #2 WHITE

# 2007 INTERNATIONAL TRAVEL TRAILER

## FURNITURE, BATH

Lavatory Cabinet, 28' Signature, Wenge



Part Number on the Next Page

# 2007 INTERNATIONAL TRAVEL TRAILER

## FURNITURE, BATH

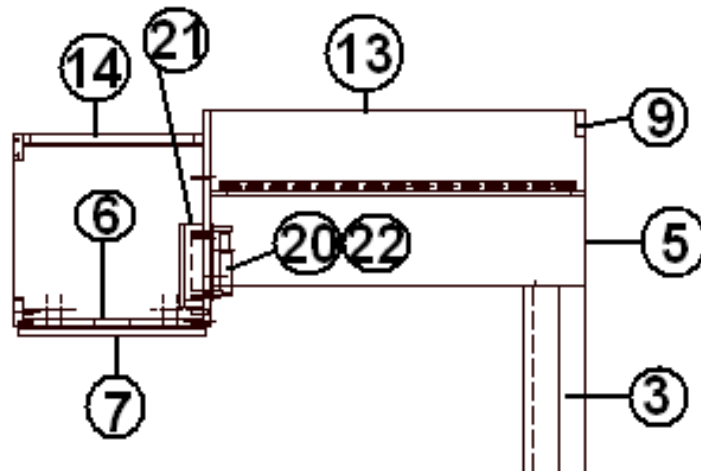
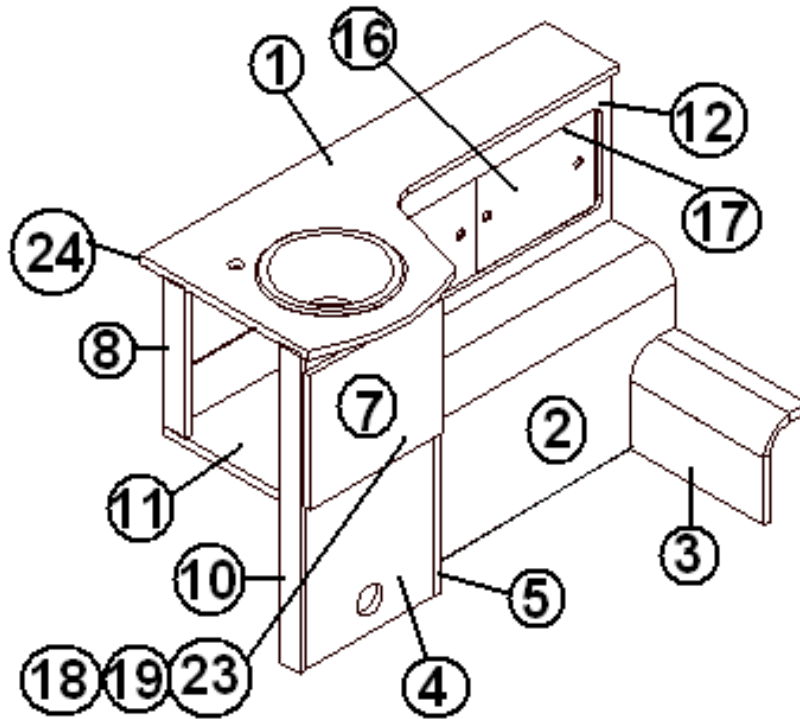
### Lavatory Cabinet, 28' Signature, Wenge

966997	LAVY CABINET ASSY
1. 966998	LAVY TOP ASSY
2. 966999	BASE, CLOSE OUT, LAVY
3. 967002	PLUMBING, CLOSE OUT, LAVY
4. 966997-4	PANEL, LAVY CAB 15.25 X 17.50
5. 966997-5	PANEL, LAVY CAB 18.25 X 33.00
6. 966997-6	PANEL, LAVY CAB 2.5 X 15.25
7. 966997-7	DOOR, LAVY CAB 15.88 X 13.63
8. 966997-8	PANEL, LAVY CAB 2.5 0 X 15.50
9. 966997-9	PANEL, LAVY CAB 2.50 X 15.50
10. 966997-10	PANEL, LAVY CAB 2.50 X 33.00
11. 966997-11	PANEL, CAB 16.00 X 15.50
12. 966997-12	PANEL, LAV CAB 15.50 X 31.50
13. 966997-13	PANEL, LAVY CAB 12.00 X 32.13
14. 966997-14	PANEL, LAVY CAB 15.25 X 5.50
15. 800025-01	PINE, 34" X 3/4" STAINED
16. 203388	TRACK, SLIDING DOOR
17. 965563-05	DOOR-PLEXI 11.31" x 11.75"
18. 381607	HINGE ASSY
19. 381228-01	CATCH GRABBER DOOR
20. 381299	HOLDER RECESSED TOILET PAPER
21. 967006	CLOSEOUT PAPER HOLDER
22. 203445	T-MOLDING BLACK FLEXIBLE POLY .5
23. 382029-00	HANDLE-BAR 7.48"
24. 114812	ALUMINUM ANGLE, 1.00 X 1.00

# 2007 INTERNATIONAL TRAVEL TRAILER

## FURNITURE, BATH

Lavatory Cabinet, 28' Signature, Ocean Breeze



Part Number on the Next Page

# 2007 INTERNATIONAL TRAVEL TRAILER

## FURNITURE, BATH

### Lavatory Cabinet, 28' Signature, Ocean Breeze

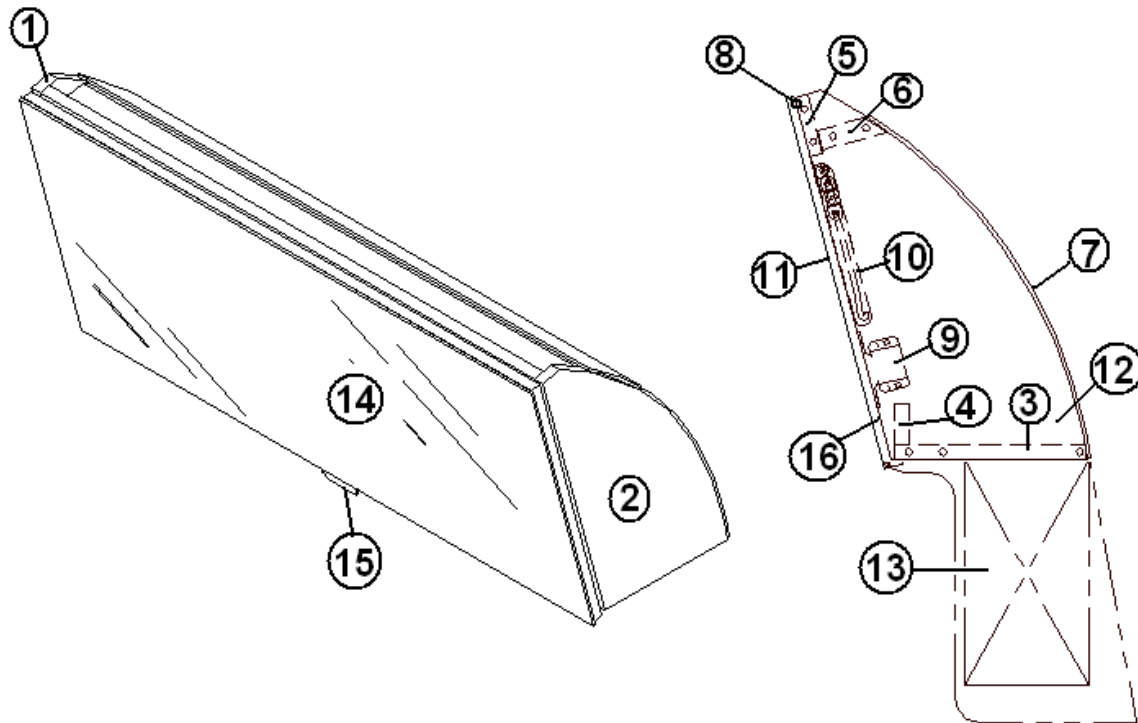
966997-01	LAVY CABINET ASSY
1. 966998-01	LAVY TOP ASSY
2. 966999-01	BASE, CLOSE OUT, LAVY
3. 967002-01	PLUMBING, CLOSE OUT, LAVY
4. 966997-014	PANEL, LAVY CAB 15.25 X 17.50
5. 966997-015	PANEL, LAVY CAB 18.25 X 33.00
6. 966997-016	PANEL, LAVY CAB 2.5 X 15.25
7. 966997-017	DOOR, LAVY CAB 15.88 X 13.63
8. 966997-018	PANEL, LAVY CAB 2.5 0 X 15.50
9. 966997-019	PANEL, LAVY CAB 2.50 X 15.50
10. 966997-0110	PANEL, LAVY CAB 2.50 X 33.00
11. 966997-0111	PANEL, CAB 16.00 X 15.50
12. 966997-0112	PANEL, LAV CAB 15.50 X 31.50
13. 966997-0113	PANEL, LAVY CAB 12.00 X 32.13
14. 966997-0114	PANEL, LAVY CAB 15.25 X 5.50
15. 800025-01	PINE, 34" X 3/4" STAINED
16. 203388	TRACK, SLIDING DOOR
17. 203357-04	DOOR, LUMICOR, 11.31" x 11.75"
18. 381607	HINGE ASSY
19. 381228-01	CATCH GRABBER DOOR
20. 381299	HOLDER RECESSED TOILET PAPER
21. 967006-01	CLOSEOUT PAPER HOLDER
22. 203138-01	T-MOLDING WHITE
23. 382008	PULL, BAMBOO
24. 114812	ALUMINUM ANGLE, 1.00 X 1.00



# 2007 INTERNATIONAL TRAVEL TRAILER

## FURNITURE, BATH

### Medicine Cabinet, Upper, 28' Signature Wenge

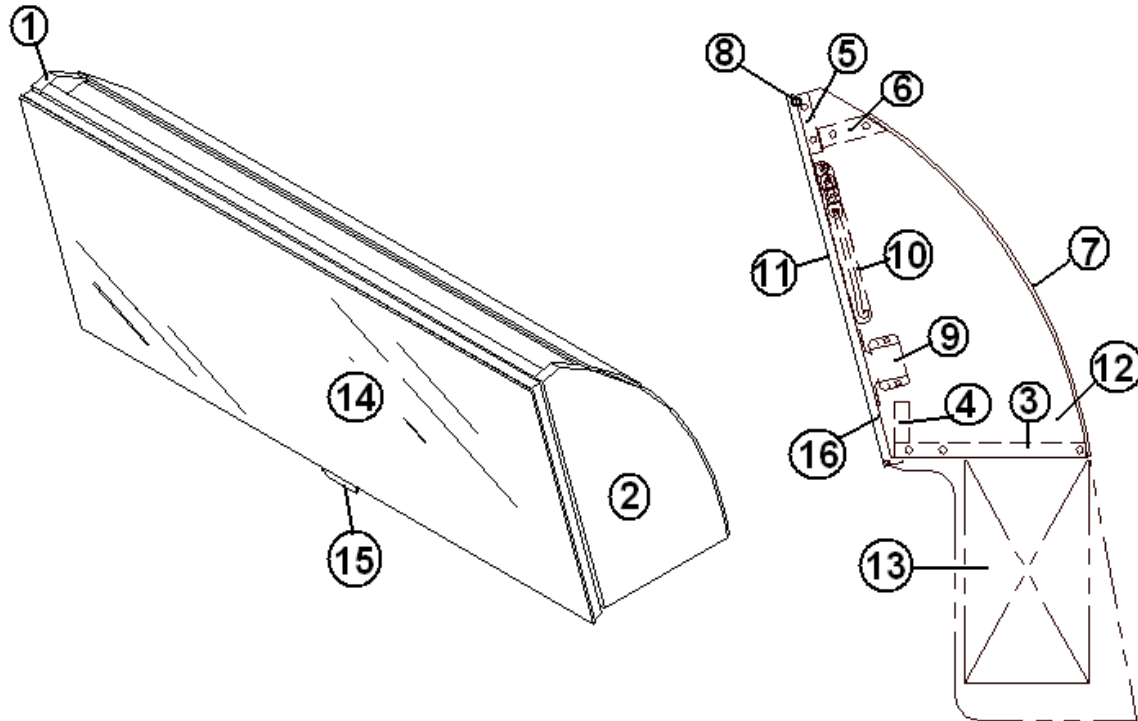


967003	MEDICINE CABINET, UPPER 30"
1. 967003-1	PANEL, 10.81 X 13.56
2. 967003-2	PANEL, 30" 10.81 X 13.56
3. 967003-3	PANEL, 7.00 X 28.97
4. 967003-4	PANEL, 1.50 X 28.97
5. 967003-5	PANEL, 2.25 X 28.97
6. 967003-6	PANEL, 30" 2.50 X 28.97
7. 967003-7	PANEL, 30" 16.125 X 30
8. 385935-01	HINGE, PIVOT, ZINC PLATED
9. 381228-01	CATCH, GRABBER DOOR
10. 380024	ARMS, SUPPORT, RIGHT HAND
11. 967004	DOOR, MEDICINE, 30"
12. 372203-30	MIRROR, SAFETY, 14"H X 30"W
13. 385940-02	MIRROR, PULL, CHROME
14. 195329-202	HEMISPHERE, CLEAR, BUMP-ON
15. 967005	CLOSE OUT, MEDICINE, CABINET
16. 381611-01	CABINET, MEDICINE COSMETIC 30"

# 2007 INTERNATIONAL TRAVEL TRAILER

## FURNITURE, BATH

### Medicine Cabinet, Upper, 28' Signature Ocean Breeze

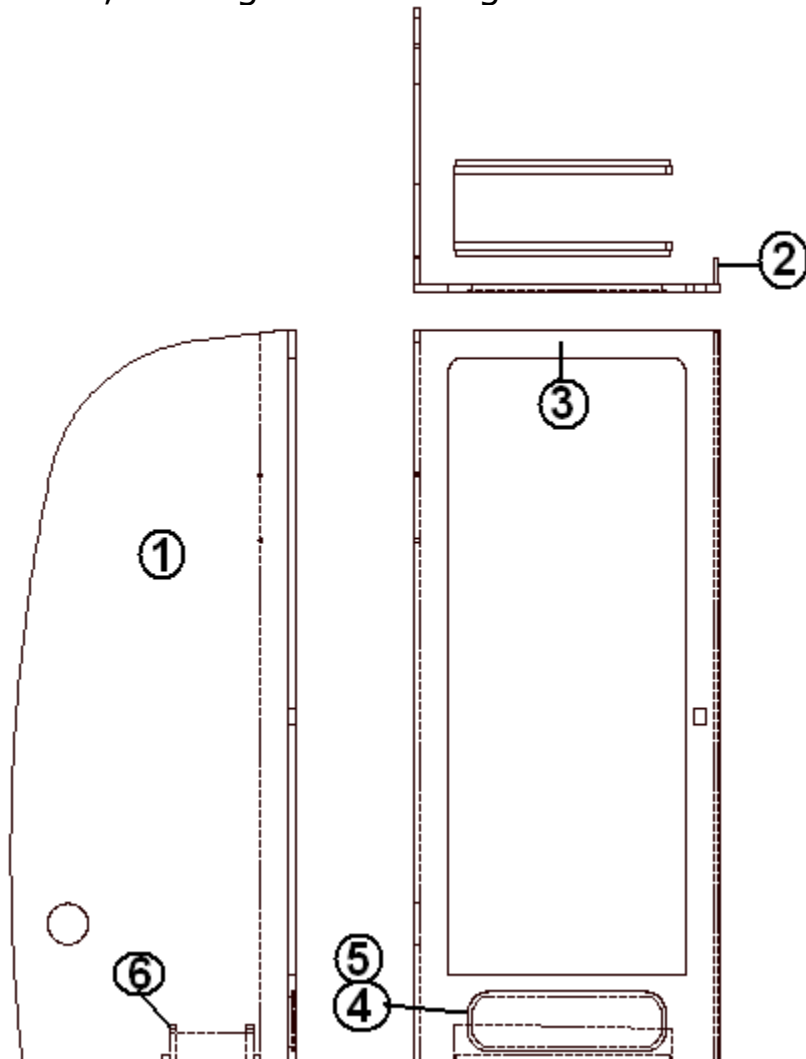


967003-01	MEDICINE CABINET, UPPER 30"
1. 967003-011	PANEL, 10.81 X 13.56
2. 967003-012	PANEL, 30" 10.81 X 13.56
3. 967003-013	PANEL, 7.00 X 28.97
4. 967003-014	PANEL, 1.50 X 28.97
5. 967003-015	PANEL, 2.25 X 28.97
6. 967003-016	PANEL, 30" 2.50 X 28.97
7. 967003-017	PANEL, 30" 16.125 X 30
8. 385935-01	HINGE, PIVOT, ZINC PLATED
9. 381228-01	CATCH, GRABBER DOOR
10. 380024	ARMS, SUPPORT, RIGHT HAND
11. 967004-01	DOOR, MEDICINE, 30"
12. 372203-30	MIRROR, SAFETY, 14"H X 30"W
13. 385940-02	MIRROR, PULL, CHROME
14. 195329-202	HEMISPHERE, CLEAR, BUMP-ON
15. 967005-01	CLOSE OUT, MEDICINE, CABINET
16. 381611-01	CABINET, MEDICINE COSMETIC 30"

# 2007 INTERNATIONAL TRAVEL TRAILER

## FURNITURE, BATH

### Shower Compartment, 28' Signature Wenge

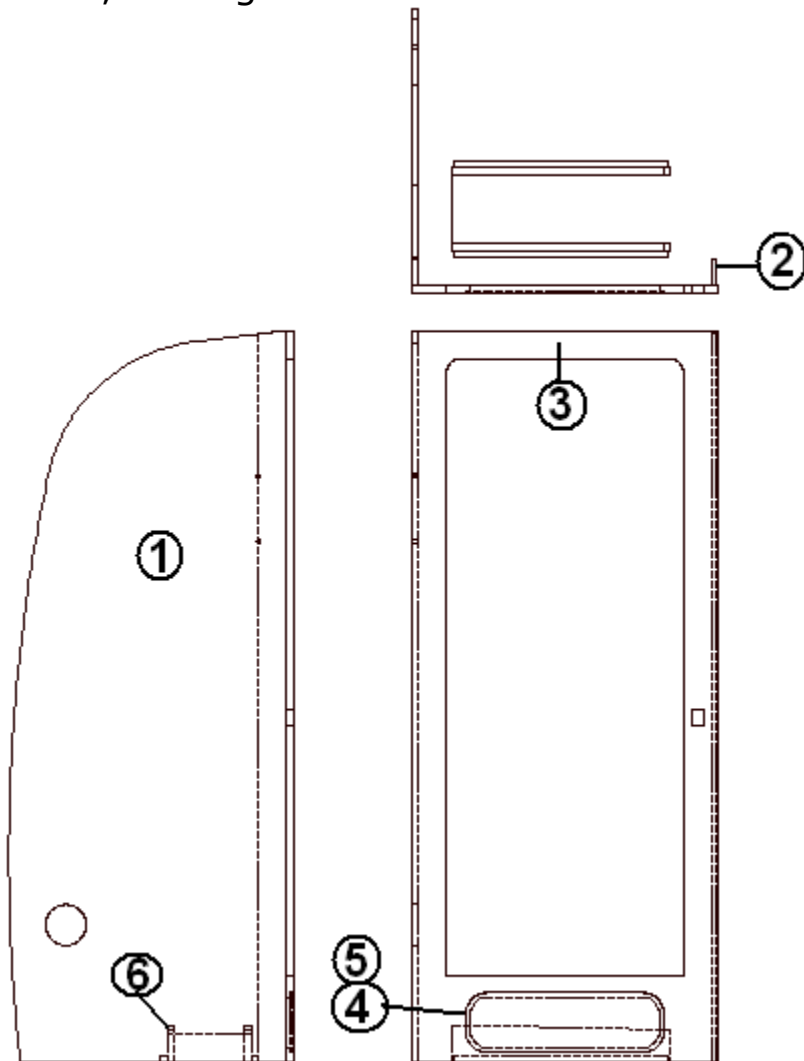


966967	SHOWER COMPARTMENT
1. 966967-1	PANEL, SHOWER, 29.89 X 78.65
2. 966967-2	PANEL, SHOWER, 3.0 X 78.71
3. 966967-3	PANEL SHOWER, 33.06 X 78.71
4. 966967-4	PANEL SHOWER, 21.44 X 6.44
5. 203440	T MOLDING, BLACK EMBOSSED .8125
6. 965816	STAND ASSY, SHOWER
203081-01	SHOWER STALL, 2 PC FIBERGLASS
703626-01	SHOWER DOOR, BRUSHED NICKEL

# 2007 INTERNATIONAL TRAVEL TRAILER

## FURNITURE, BATH

### Shower Compartment, 28' Signature Ocean Breeze

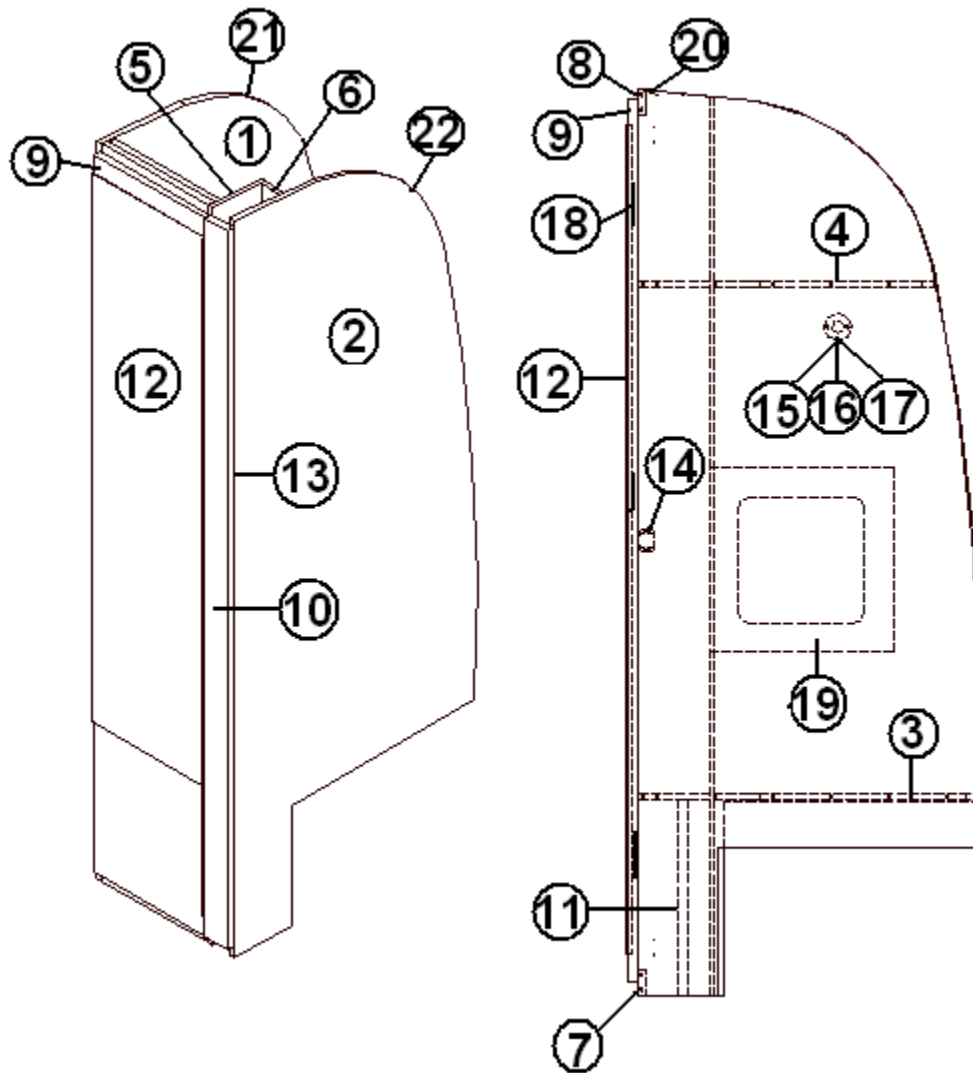


- |               |                                 |
|---------------|---------------------------------|
| 966967-01     | SHOWER COMPARTMENT              |
| 1. 966967-011 | PANEL, SHOWER, 29.89 X 78.65    |
| 2. 966967-012 | PANEL, SHOWER, 3.0 X 78.71      |
| 3. 966967-013 | PANEL SHOWER, 33.06 X 78.71     |
| 4. 966967-014 | PANEL SHOWER, 21.44 X 6.44      |
| 5. 203597     | T MOLDING, WHITE EMBOSSED .8125 |
| 6. 965816     | STAND ASSY, SHOWER              |
| 203081-01     | SHOWER STALL, 2 PC FIBERGLASS   |
| 703626-01     | SHOWER DOOR, BRUSHED NICKEL     |

# 2007 INTERNATIONAL TRAVEL TRAILER

## FURNITURE, BATH

Wardrobe, 28' Signature, Roadside, Wenge



Part Number on the Next Page

# 2007 INTERNATIONAL TRAVEL TRAILER

## FURNITURE, BATH

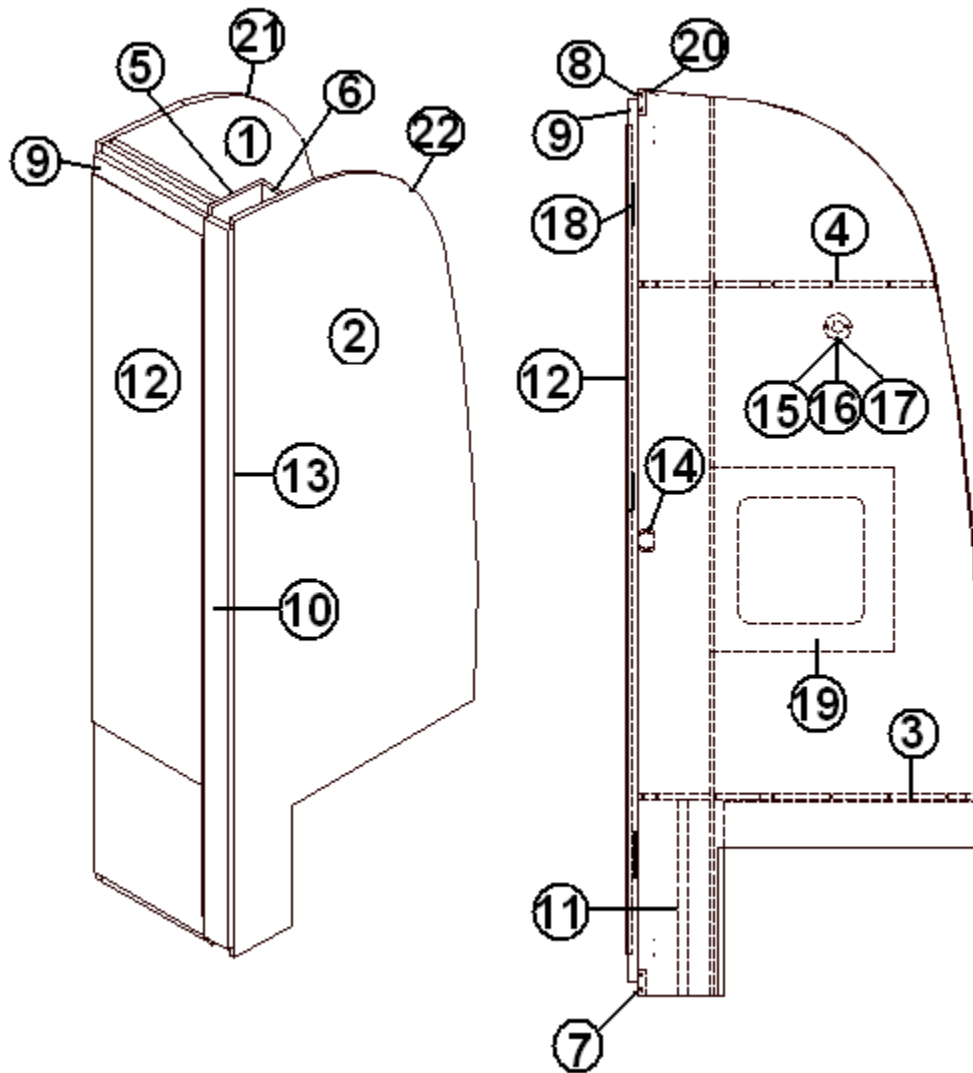
Wardrobe, 28' Signature, Roadside, Wenge

966969	WARDROBE ASSY R/S
1. 966969-1	PANEL, 29.85 X 78.65
2. 966969-2	PANEL, 29.58 X 78.65
3. 966969-3	PANEL, 29.73 X 15.81
4. 966969-4	PANEL, 25.79 X 15.81
5. 966969-5	PANEL, 6.75 X 78.65
6. 966969-6	PANEL, 2.31 X 77.94
7. 966969-7	PANEL, 2.25 X 13.00
8. 966969-8	PANEL, 2.25 X 13.00
9. 966969-9	DOOR RS W/R 13.62 X 76.56
10. 966969-10	DOOR RS W/R 2.77 X 76.56
11. 966969-11	PNL W/R RS 17.00 X 13.00
12.372203-26	MIRROR, 13.62" X 58.50"
13.380203-01	PIANO HINGE 1/8" PIN
14.381228	CATCH GRABBER DOOR
15.380046	FLANGE CHROME
16.380045	TUBING 3/4", METALLIC
17.200975-04	CONDUIT, FLEXIBLE BLACK PLASTIC
18.381607	HINGE ASSY.
19.966883	CLOSEOUT, W/R
20.104821	SUPPORT, ROOFLOCKER, 74"
21.203464	TRIM, PANEL BLACK 3/4"
22.203138-05	EXTRUSION, 1/2", WALL, BLACK
381220-01	MIRROR CLIP
381220-02	MIRROR CLIP

# 2007 INTERNATIONAL TRAVEL TRAILER

## FURNITURE, BATH

Wardrobe, 28' Signature, Roadside, Ocean Breeze



Part Number on the Next Page

# 2007 INTERNATIONAL TRAVEL TRAILER

## FURNITURE, BATH

Wardrobe, 28' Signature, Roadside, Ocean Breeze

966969-01	WARDROBE ASSY R/S
1. 966969-011	PANEL, 29.85 X 78.65
2. 966969-012	PANEL, 29.58 X 78.65
3. 966969-013	PANEL, 29.73 X 15.81
4. 966969-014	PANEL, 25.79 X 15.81
5. 966969-015	PANEL, 6.75 X 78.65
6. 966969-016	PANEL, 2.31 X 77.94
7. 966969-017	PANEL, 2.25 X 13.00
8. 966969-018	PANEL, 2.25 X 13.00
9. 966969-019	DOOR RS W/R 13.62 X 76.56
10. 966969-0110	DOOR RS W/R 2.77 X 76.56
11. 966969-0111	PANEL, 17.00 X 13.00
12.372203-26	MIRROR, 13.62" X 58.50"
13.380203-01	PIANO HINGE 1/8" PIN
14.381228	CATCH GRABBER DOOR
15.380046	FLANGE CHROME
16.380045	TUBING 3/4", METALLIC
17.200975-04	CONDUIT, BLACK PLASTIC
18.381607	HINGE ASSY.
19.966883-01	CLOSEOUT, W/R
20.104821	SUPPORT, ROOFLOCKER, 74"
21.203464-03	TRIM, PANEL WHITE, 3/4"
22.203138-01	EXTRUSION, 1/2", WALL, WHITE
381220-01	MIRROR CLIP
381220-02	MIRROR CLIP



# 2007 INTERNATIONAL TRAVEL TRAILER

## FURNITURE, BATH

### SHOWER/SHOWER CURTAIN, 22'

703132-01	CURTAIN-SHOWER
700044	GLIDES CURTAIN W/ELASTIC T-2
700020	PILE VELCRO
700021	HOOK, VELCRO, WHITE
100097	EXTR. ALUM CURTAIN TRACK
203328-01	SHOWER SURROUND-UPPER
203328-02	SHOWER SURROUND-LOWER
203328-03	MED CABINET SURROUND
203298	SHOWER PAN

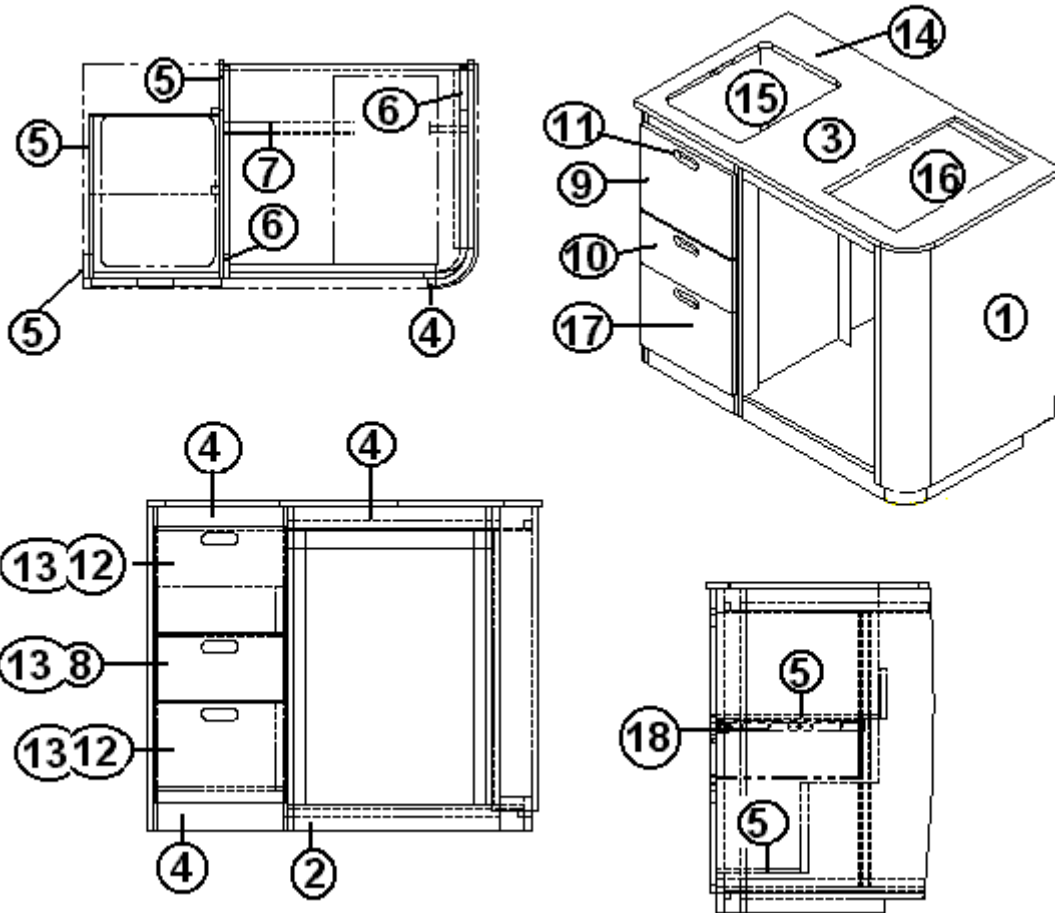
### Bath Door, 19' 75<sup>th</sup> Anniversary

371412	Window, porthole, bath door
371413	Sash, porthole, bath door
371416	Glass, porthole, bath door
115328	Trim ring, bath door
454320	DOOR HANDLE COVER-SAF/CCD
381771	LATCH-LEVER LOCKSET PRIVACY

# 2007 INTERNATIONAL TRAVEL TRAILER

## FURNITURE, GALLEY

Galley, 16'



Part Numbers are on the next page.

# 2007 INTERNATIONAL TRAVEL TRAILER

## FURNITURE, GALLEY

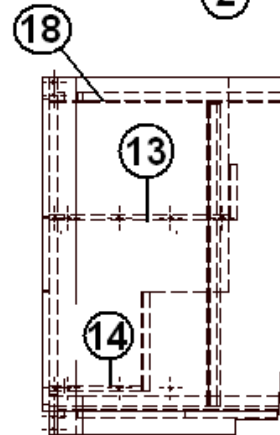
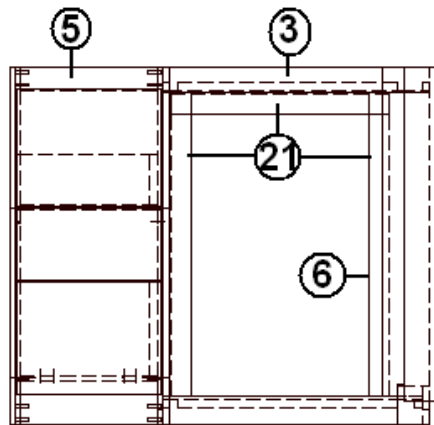
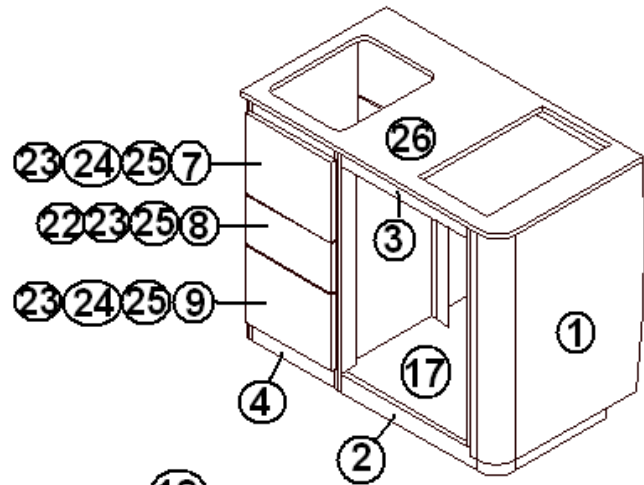
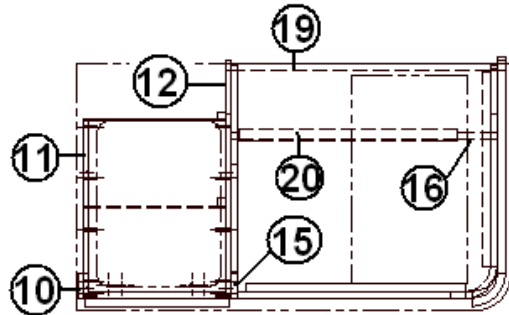
Galley, 16'

965888	GALLEY BASE ASSEMBLY
1. 965885	PANEL SUB ASSEMBLY-FWD GALLEY
2. 965886	PANEL SUB ASSEMBLY, TOE KICK
3. 966147	GALLEY TOP CUTOUT, 16'
4. 801436-01	PANEL, BLACK MAP/WHITE 18M V
5. 801392	PANEL, WHITELINER/WHITELINER 1
6. 801368	PANEL, WHITELINER/WHITELINER
7. 381830	WIPER-RUBBER 1.125" X 2" L
8. 965560-03	DRAWER BOX ASSEMBLY-5.63" X13.5" X 12"
9. 801375-24	DOOR-GALLEY 14.13" X 11.5"
10. 801375-25	DOOR-GALLEY 14.13" X 7.13"
11. 381775	DRAWER PULL-FLUSH SATIN
12. 381607	HINGE ASSEMBLY-GRASS EURO
13. 381228-01	CATCH GRABBER DOOR
14. 601867	FAUCET-MOEN, INTEGRA PULL OUT
15. 601938	SINK, S/S, SINGLE BOWL
16. 690471	COOKTOP-2 BURNER BLACK GLASS TOP
17. 801375-29	DOOR-GALLEY 14.13" X 11"
18. 381773-15	DRAWER SLIDE-5.875"X 15.75"
115064	TRIM-ALUM COUNTER TOP
801368	PANEL, WHITELINER/WHITELINER 1
365267	EDGE BANDING-1.13" .024 PLY
365278-02	EDGE BANDING-BLACK MAPLE 1.625"
365278-03	EDGE BANDING-BLACK MAPLE .625"
801436-01	PANEL, BLACK MAPLE/WHITE 18M `
200980-01	TRAY, SILVERWARE, ALMOND, 9" X 13"
203425	SINK COVER .5" NATURAL

# 2007 INTERNATIONAL TRAVEL TRAILER

## FURNITURE, GALLEY

Galley, 16' Signature, Wenge



Part Numbers are on the next page.

# 2007 INTERNATIONAL TRAVEL TRAILER

## FURNITURE, GALLEY

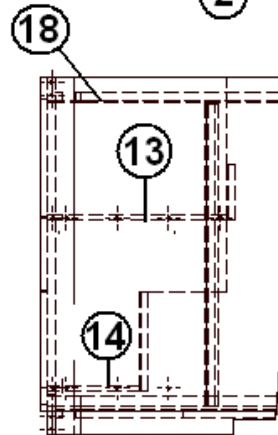
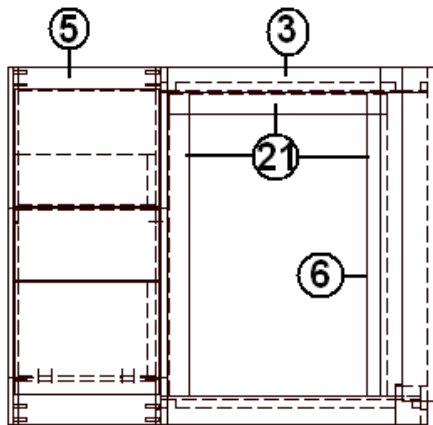
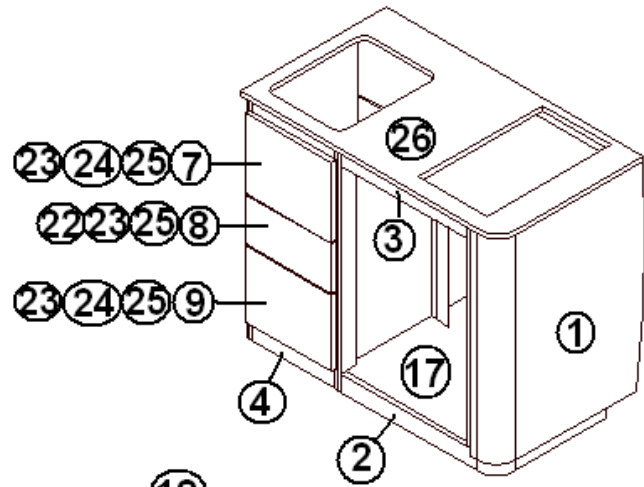
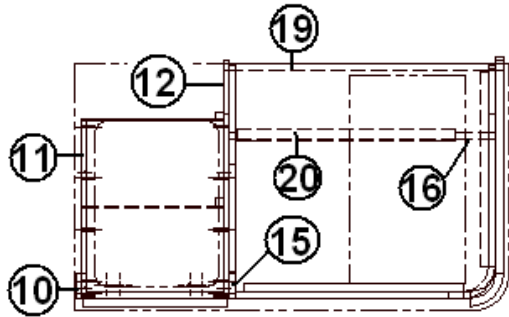
Galley, 16' Signature, Wenge

967021	GALLEY ASSY
1. 967022	PANEL, SUB ASSY, GALLEY
2. 967023	TOE KICK SUB ASSY
3. 967021-3	PANEL, GALLEY 20.75 X 2.5
4. 967021-4	PANEL, GALLEY 13.5 X 4.25
5. 967021-5	PANEL, GALLEY 13.5 X 2.25
6. 967021-6	PANEL, GALLEY 2.25 X 32.25
7. 967021-7	DR-GALLEY 14.13 X 11.44
8. 967021-8	DR-GALLEY 14.13 X 7.06
9. 967021-9	DR-GALLEY 14.13 X 10.94
10. 967021-10	PANEL, GALLEY 2.5 X 35
11. 967021-11	PANEL, GALLEY 17.5 X 35
12. 967021-12	PANEL, GALLEY 23.46 X 35
13. 967021-13	PANEL, GALLEY 17.5 X 13.5
14. 967021-14	PANEL, GALLEY 13.5 X 9
15. 967021-15	PANEL, GALLEY 2.5 X 35
16. 967021-16	PANEL, GALLEY 4 X 29.75
17. 967021-17	PANEL, LAUAN, 3/8" x 21.69 x 25.50
18. 967021-18	PANEL, LAUAN, 1/8" x 22.38 x 26.25
19. 967021-20	PANEL, GALLEY 14 X 5.5
20. 967021-21	PANEL, GALLEY 14 X 9.75
21. 381830	WIPER-RUBBER 1.125" X 2"
22. 965560-03	DRAWER BOX ASSY, 5.63" X 13.5" X 14.88"
23. 382029-03	HANDLE, BAR 11.25"
24. 381607-01	HINGE, GRASS EURO
25. 381228-01	CATCH GRABBER DOOR
26. 967024	TOP ASSY, GALLEY
381773-15	DRAWER SLIDE, 5.875" X 15.75"
115064	TRIM, ALUMINUM. COUNTER TOP

# 2007 INTERNATIONAL TRAVEL TRAILER

## FURNITURE, GALLEY

Galley, 16' Signature, Ocean Breeze



Part Numbers are on the next page.

# 2007 INTERNATIONAL TRAVEL TRAILER

## FURNITURE, GALLEY

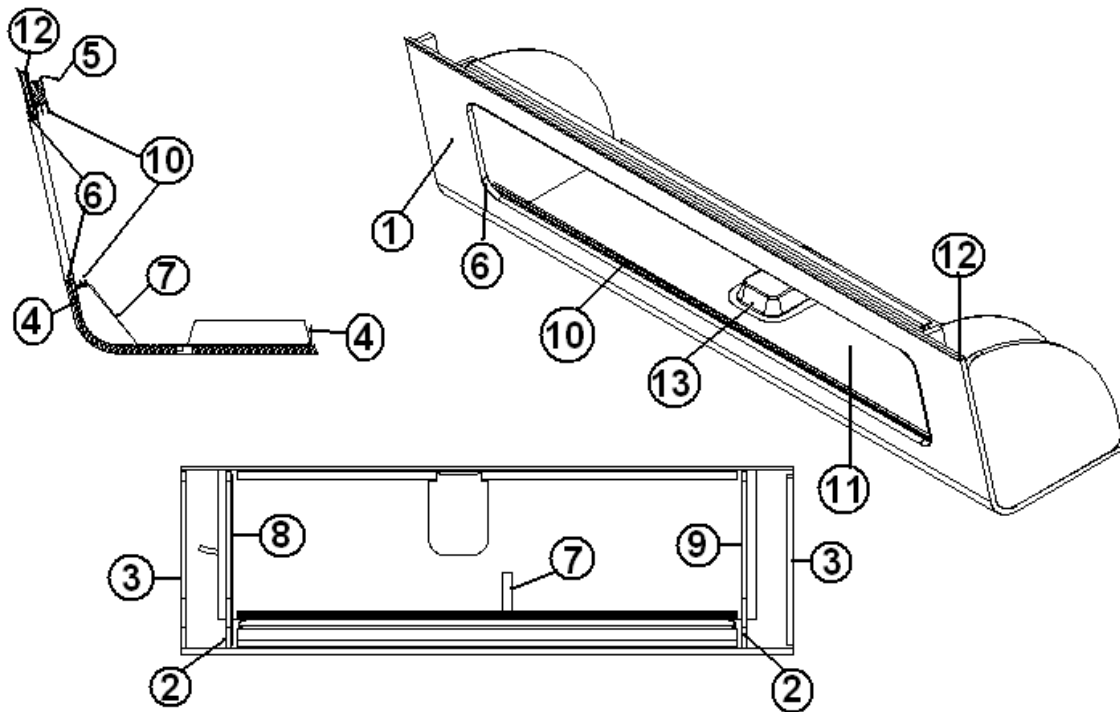
Galley, 16' Signature, Ocean Breeze

967021-01	GALLEY ASSY
1. 967022-01	PANEL, SUB ASSY, GALLEY
2. 967023-01	TOE KICK SUB ASSY
3. 967021-013	PANEL, GALLEY 20.75 X 2.5
4. 967021-014	PANEL, GALLEY 13.5 X 4.25
5. 967021-015	PANEL, GALLEY 13.5 X 2.25
6. 967021-016	PANEL, GALLEY 2.25 X 32.25
7. 967021-017	DOOR, GALLEY 14.13 X 11.44
8. 967021-018	DOOR, GALLEY 14.13 X 7.06
9. 967021-019	DOOR, GALLEY 14.13 X 10.94
10. 967021-0110	PANEL, GALLEY 2.5 X 35
11. 967021-0111	PANEL, GALLEY 17.5 X 35
12. 967021-0112	PANEL, GALLEY 23.46 X 35
13. 967021-0113	PANEL, GALLEY 17.5 X 13.5
14. 967021-0114	PANEL, GALLEY 13.5 X 9
15. 967021-0115	PANEL, GALLEY 2.5 X 35
16. 967021-0116	PANEL, GALLEY 4 X 29.75
17. 967021-0117	PANEL, LAUAN, 3/8" x 21.69 x 25.50
18. 967021-0118	PANEL, LAUAN, 1/8" x 22.38 x 26.25
19. 967021-0120	PANEL, GALLEY 14 X 5.5
20. 967021-0121	PANEL, GALLEY 14 X 9.75
21. 381830	WIPER-RUBBER 1.125" X 2"
22. 965560-03	DRAWER BOX, 5.63" X 13.5" X 14.88"
23. 382008	PULL, BAMBOO
24. 381607-01	HINGE, GRASS EURO
25. 381228-01	CATCH GRABBER DOOR
26. 967024-01	TOP ASSY, GALLEY
381773-15	DRAWER SLIDE, 5.875" X 15.75"
115064	TRIM, ALUMINUM. COUNTER TOP

# 2007 INTERNATIONAL TRAVEL TRAILER

## FURNITURE, GALLEY

### Roof Locker, Galley, 16'



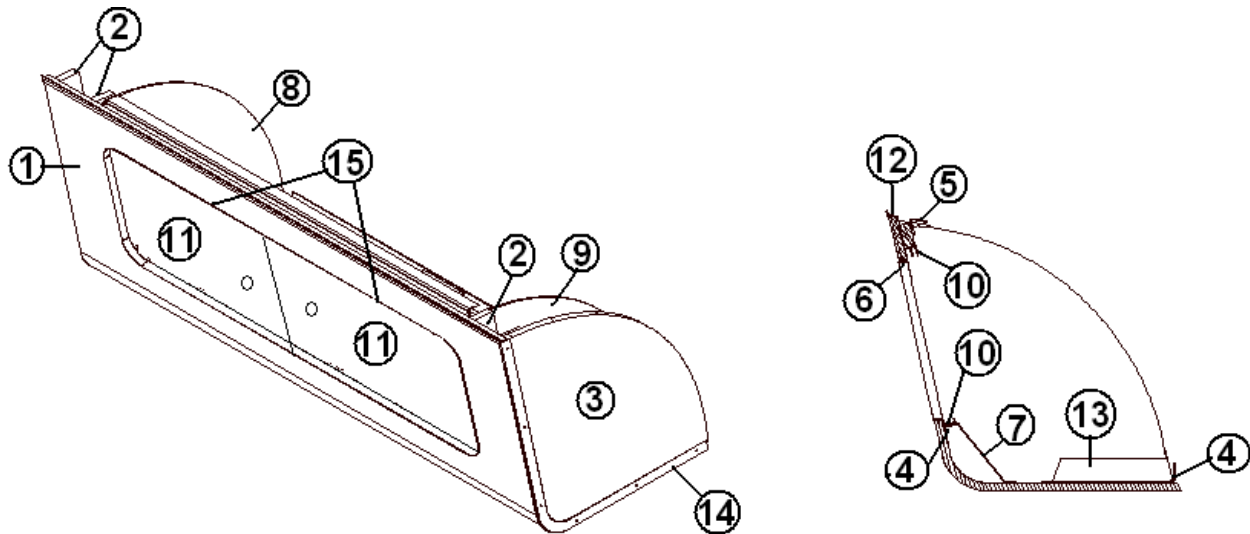
- |               |                                |
|---------------|--------------------------------|
| 966199        | Galley Roof Locker             |
| 1. 801542-05  | Locker face, galley            |
| 2. 801545-02  | Divider, partial               |
| 3. 801545-01  | Divider, full                  |
| 4. 115227-03  | Angled, formed, 33"            |
| 5. 104821     | Roof locker support, 74"       |
| 6. 203508-01  | T-trim, 9/16", wood grain      |
| 7. 115226     | Bracket, locker center support |
| 8. 801539-01  | Divider, LH, galley            |
| 9. 801539-02  | Divider, RH, galley            |
| 10. 381245    | Sliding door track             |
| 11. 965563-01 | Door, sliding Plexiglas        |
| 12. 201673    | Cove molding, Ivory, plastic   |
| 13. 200772    | Pan, dead bolt, plastic        |



# 2007 INTERNATIONAL TRAVEL TRAILER

## FURNITURE, GALLEY

### Roof Locker, 16' Signature, Galley, Wenge

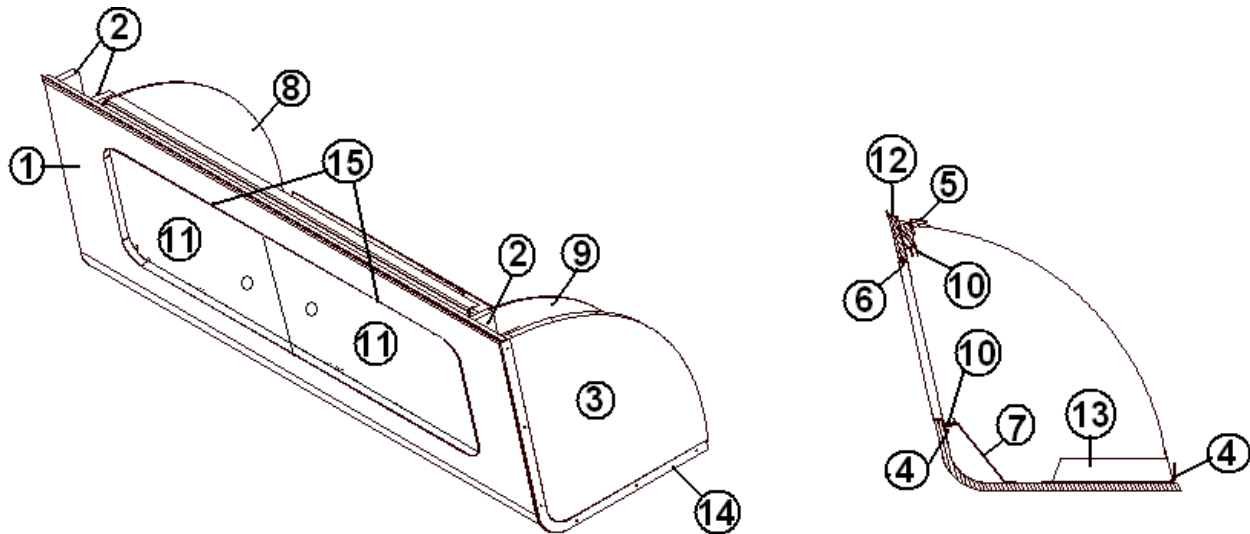


- |               |                                |
|---------------|--------------------------------|
| 967019        | GALLEY ROOF LOCKER             |
| 1. 801738     | FACE-R/L GALLEY                |
| 2. 801545-05  | DIVIDER (PARTIAL) W/RANGE VENT |
| 3. 967019-4   | PANEL, 17.15 X 18.21           |
| 4. 115227-03  | ANGLE, LOCKER TRACK SUPPORT    |
| 5. 104821     | SUPPORT, ROOFLOCKER, 74"       |
| 6. 203445-01  | T-MOLDING, 5625"               |
| 7. 115226     | BRACKET, LOCKER CENTER SUPPORT |
| 8. 801539-01  | DIVIDER, GALLEY LOCKER LH      |
| 9. 801539-02  | DIVIDER, GALLEY LOCKER         |
| 10. 203388    | SLIDING DOOR TRACK             |
| 11. 965563-01 | DOOR SLIDING, 17.50"           |
| 12. 201673    | REVERSE COVE MOLDING, WHITE    |
| 13. 200772    | PAN, DEADBOLT, TRI-MARK        |
| 14. 115375    | EXTRUSION FORMED R/L END       |
| 15. 454613    | SPRING, LEAF R/L               |

# 2007 INTERNATIONAL TRAVEL TRAILER

## FURNITURE, GALLEY

Roof Locker, 16' Signature, Galley, Ocean Breeze

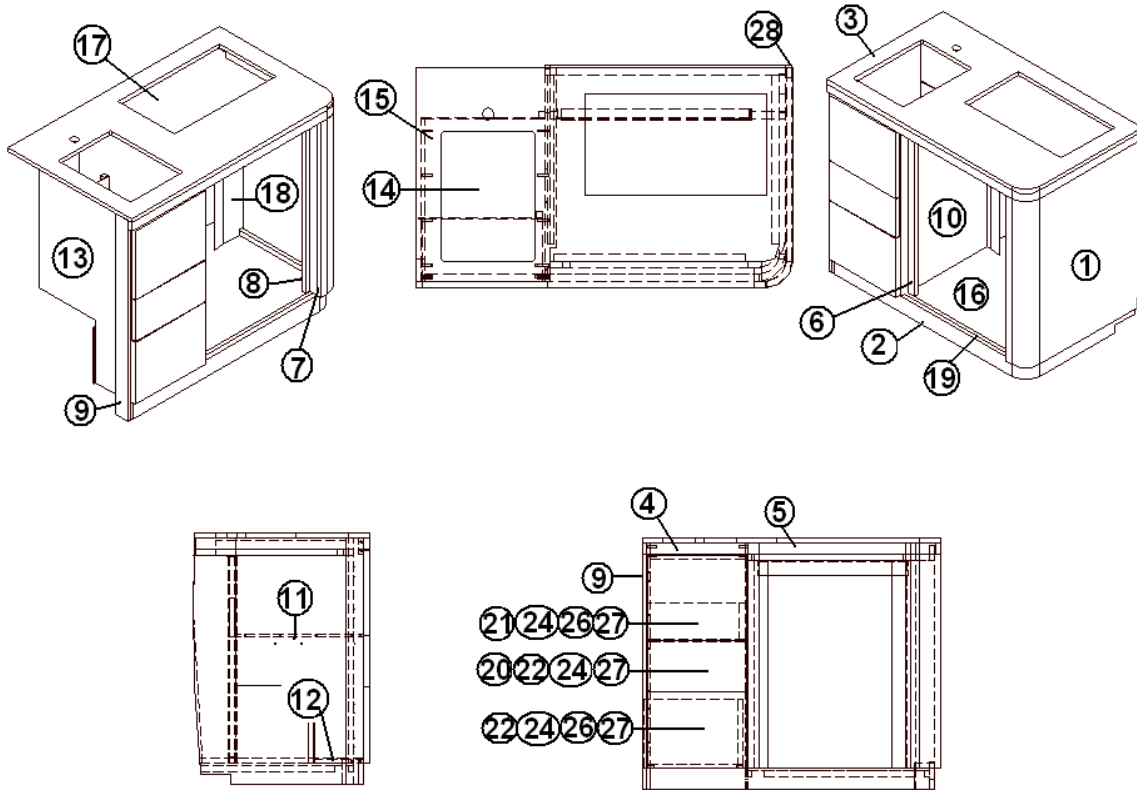


- |               |                                |
|---------------|--------------------------------|
| 967019-01     | GALLEY ROOF LOCKER             |
| 1. 801738     | FACE-R/L GALLEY                |
| 2. 801545-05  | DIVIDER (PARTIAL) W/RANGE VENT |
| 3. 967019-014 | PANEL, 17.15 X 18.21           |
| 4. 115227-03  | ANGLE, LOCKER TRACK SUPPORT    |
| 5. 104821     | SUPPORT, ROOFLOCKER, 74"       |
| 6. 203508-01  | T-MOLDING, 5625"               |
| 7. 115226     | BRACKET, LOCKER CENTER SUPPORT |
| 8. 801539-01  | DIVIDER, GALLEY LOCKER LH      |
| 9. 801539-02  | DIVIDER, GALLEY LOCKER         |
| 10. 203388    | SLIDING DOOR TRACK             |
| 11. 203357-01 | DOOR SLIDING, LUMICOR, 17.50"  |
| 12. 201673    | REVERSE COVE MOLDING, WHITE    |
| 13. 200772    | PAN, DEADBOLT, TRI-MARK        |
| 14. 115375    | EXTRUSION FORMED R/L END       |
| 15. 454613    | SPRING, LEAF R/L               |

# 2007 INTERNATIONAL TRAVEL TRAILER

## FURNITURE, GALLEY

Galley, 16' DWR



Part numbers are on the next page

# 2007 INTERNATIONAL TRAVEL TRAILER

## FURNITURE, GALLEY

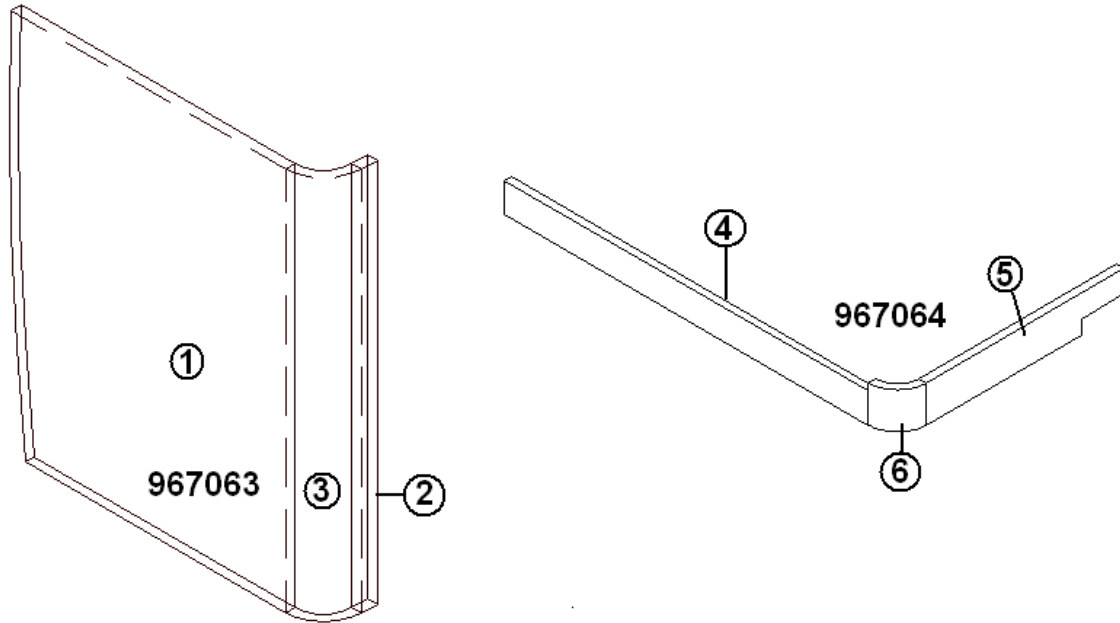
Galley, 16' DWR

967062	GALLEY BASE ASSY
1. 967063	PANEL, SUB ASSY, FORWARD GALLEY
2. 967064	TOEKICK SUB ASSY, FORWARD GALLEY
3. 967065	TOP ASSY, GALLEY
4. 967062-4	PANEL, 2.50 X 13.50
5. 967062-5	PANEL, 2.50 X 20.75
6. 967062-6	PANEL, 1.50 X 32.00
7. 967062-7	PANEL, 1.50 X 32.00
8. 967062-8	PANEL, 1.50 X 32.00
9. 967062-9	PANEL, 2.50 X 35.00
10. 967062-10	PANEL, 24.21 X 35.00
11. 967062-11	PANEL, 13.50 X 18.25
12. 967062-12	PANEL, 13.50 X 7.00
13. 967062-13	PANEL, 18.25 X 35.00
14. 967062-14	PANEL, 14.00 X 9.75
15. 967062-15	PANEL, 14.00 X 5.50
16. 967062-16	PANEL, 25.75 X 21.96
17. 967062-17	PANEL, 26.50 X 22.15
18. 967062-18	PANEL, 4.00 X 29.50
19. 967062-19	PANEL, 3.00 X 24.00
20. 965560-03	DRAWER BOX, 5.63" X 13.5" X 14.88
21. 801758-01	DOOR, GALLEY, 14.13" X 12"
22. 801758-02	DOOR, GALLEY, 14.13" X 7.06"
23. 801758-03	DOOR, GALLEY, 14.13" X 10.94"
24. 381228-01	CATCH GRABBER DOOR
25. 381830	WIPER, RUBBER, 1.125" X 2" L
26. 381607	HINGE ASSY
27. 382038	HANDLE, 6.69"FLAT HAFELE SILVER
28. 203464	TRIM, PANEL BLACK, 3/4"

# 2007 INTERNATIONAL TRAVEL TRAILER

## FURNITURE, GALLEY

Galley, 16' DWR, Forward Panel & Toe Kick Assemblies

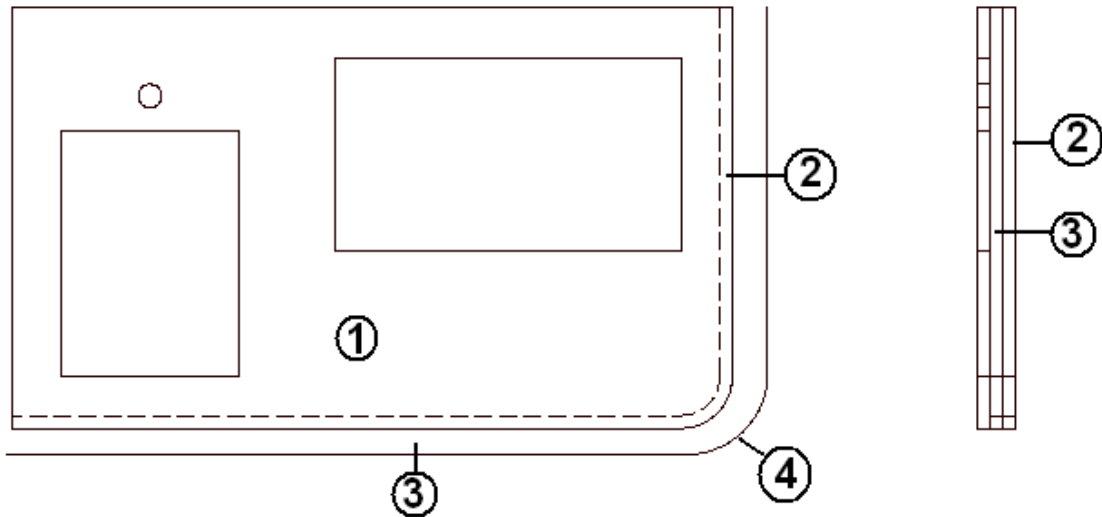


- |             |                                  |
|-------------|----------------------------------|
| 1. 967063   | PANEL, SUB ASSY, FORWARD GALLEY  |
| 2. 967063-1 | PANEL, 30.50 X 21.95             |
| 3. 967063-2 | PANEL, 30.50 X 1.25              |
| 4. 967064   | TOEKICK SUB ASSY, FORWARD GALLEY |
| 5. 967064-1 | PANEL, 3.75 X 20.08              |
| 6. 967064-2 | PANEL, 2.75 X 37.50              |

# 2007 INTERNATIONAL TRAVEL TRAILER

## FURNITURE, GALLEY

Galley Top, 16' DWR

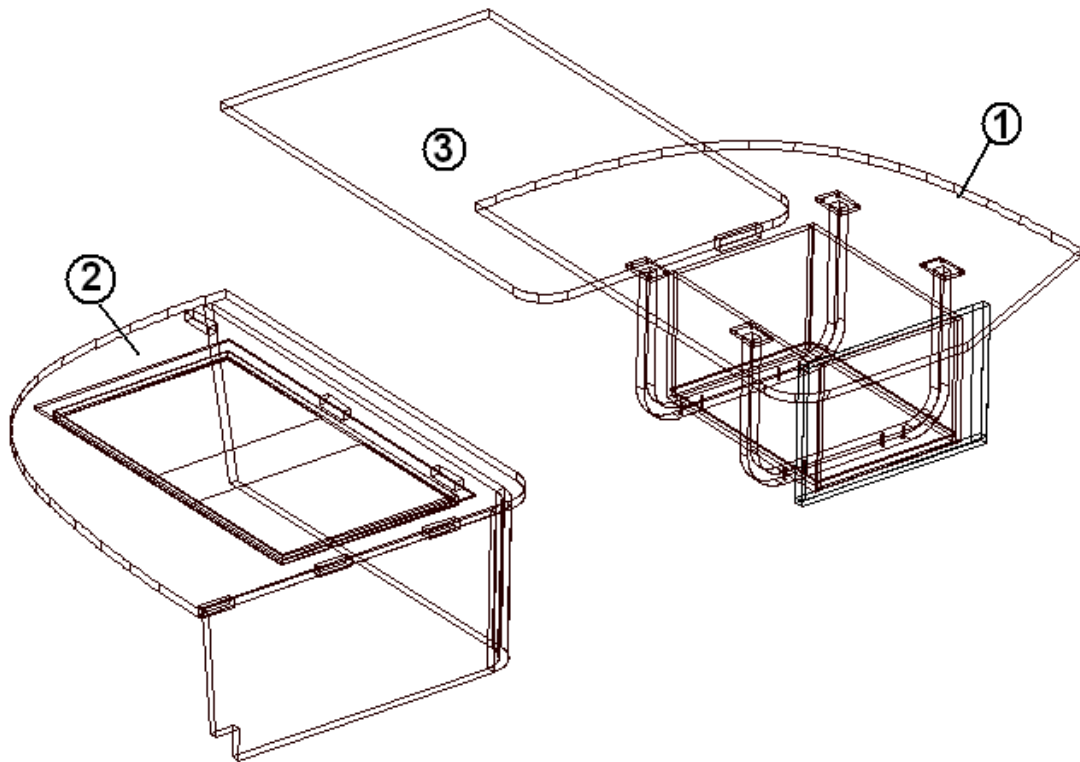


- |             |                                |
|-------------|--------------------------------|
| 967065      | TOP ASSY, GALLEY               |
| 1. 967065-1 | PANEL, 24.75 X 42.31           |
| 2. 967065-2 | PANEL, .75 X 21.75 x 39.31     |
| 3. 967065-3 | PANEL, .75 X 21.75 x 39.31     |
| 4. 801345   | Quarter round, 3" radius, 1.5" |

# 2007 INTERNATIONAL TRAVEL TRAILER

## FURNITURE, GALLEY

Dinette Layout, 16' DWR

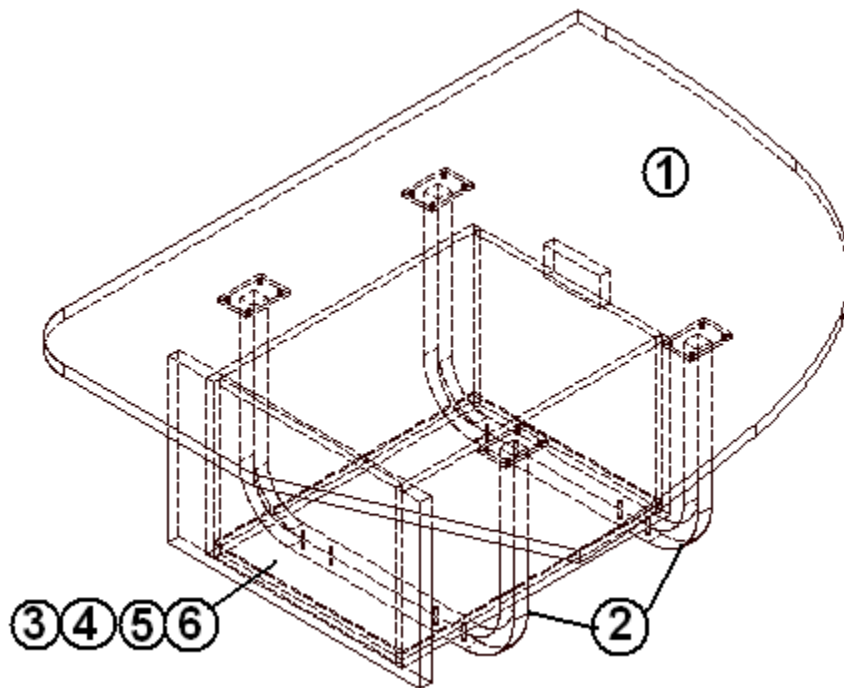


- 1. 967047 SEAT ASSY, CS DINETTE DWR
- 2. 967048 SEAT ASSY, RS DINETTE DWR
- 3. 967049 TABLE ASSY, DINETTE DWR

# 2007 INTERNATIONAL TRAVEL TRAILER

## FURNITURE, GALLEY

### Dinette, 16' DWR, Curbside Seat



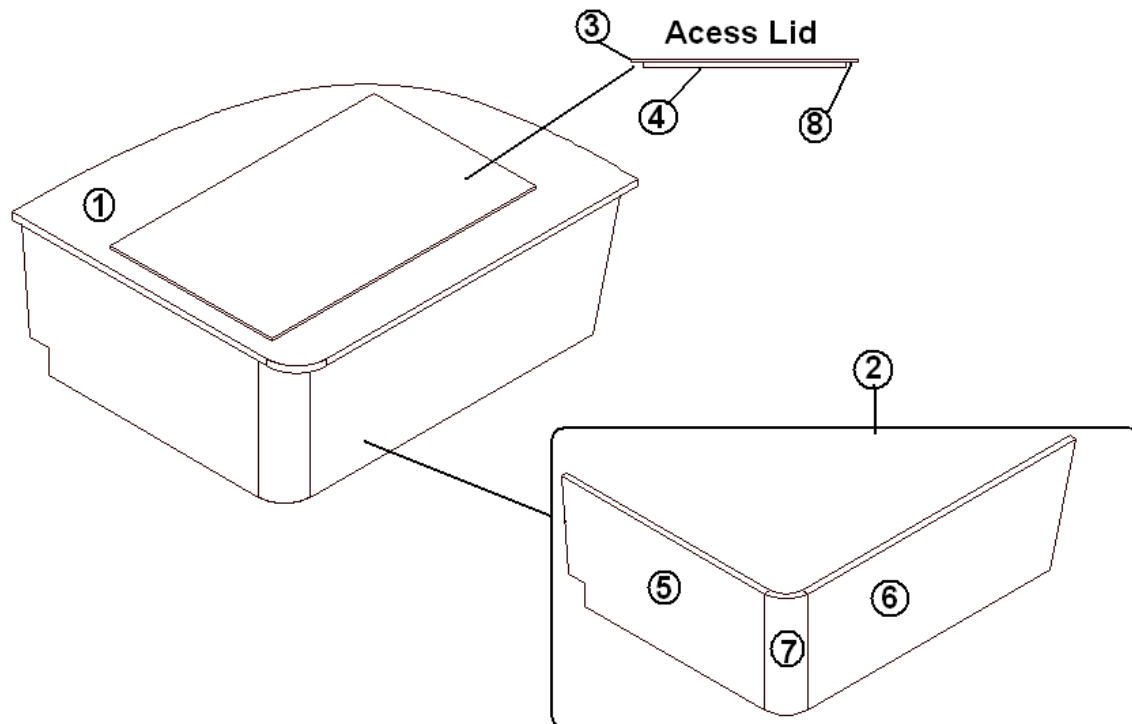
- |              |                                    |
|--------------|------------------------------------|
| 967047       | SEAT ASSY, CS DINETTE DWR          |
| 1. 967047-1  | PANEL, 33.38 X 40.19               |
| 2. 454177    | LEG, DINETTE, ALUMINUM             |
| 3. 964909-11 | DRAWER BOX, 10" X 14.00 X 19       |
| 4. 967047-4  | DRAWER FRONT, 18.00" X 11.50"      |
| 5. 381833-01 | DRAWER SLIDE, UNDER SHELF 18" PR   |
| 6. 381074    | CATCH BULL DOG #65S (COPPER)       |
| 115377       | MOLDING, ALUMINUM, TRIM 13/16"     |
| 381898       | SPACER, NYLON, .166ID X.24OD X.25L |



# 2007 INTERNATIONAL TRAVEL TRAILER

## FURNITURE, GALLEY

### Dinette, 16' DWR, Roadside Seat

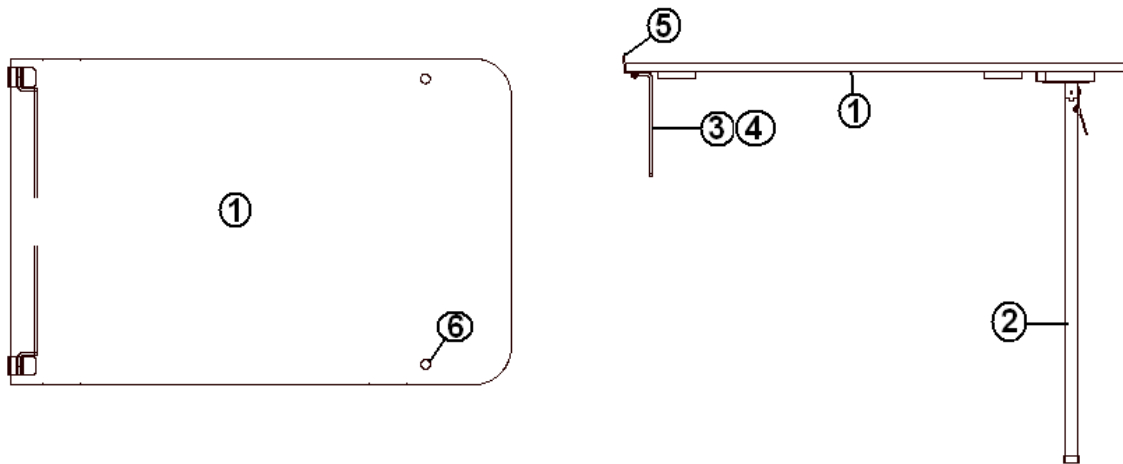


967048	SEAT ASSY, RS DINETTE DWR
1. 967048-1	SEAT TOP, 33.44 X 40.19
2. 967050	RS DINETTE SUB-ASSEMBLY
3. 967048-5	PANEL, 31.13 X 40.19
4. 967048-6	PANEL, 28.75 X 16.88
5. 967050-1	PANEL, 28.00 X 13.88
6. 967050-2	PANEL, 37.03 X 13.88
7. 801345	RADIUS PLYWOOD, .75" X 3" X
8. 701538-01	CARPET-ECONOLIER W/PSA BACK
115377	MOLDING, ALUMINUM TRIM 13/16"
701538-01	CARPET-ECONOLIER W/PSA BACK

# 2007 INTERNATIONAL TRAVEL TRAILER

## FURNITURE, GALLEY

### Dinette Table, 16' DWR

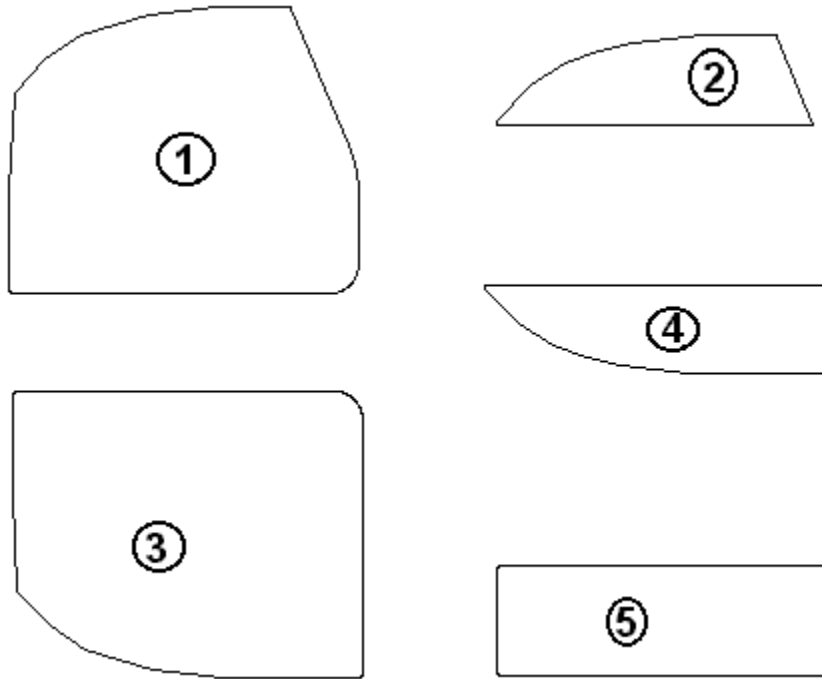


- |              |                      |
|--------------|----------------------|
| 967049       | TABLE ASSY, DINETTE  |
| 1. 967049-1  | TABLE TOP, 32" X 39" |
| 2. 381881-04 | LEG, FOLDING TABLE   |
| 3. 380284-02 | TABLE HINGE BRACKET  |
| 4. 380284-03 | TABLE HINGE BRACKETS |
| 5. 340018    | CATCH PLATE J-1      |
| 6. 381136    | RUBBER BUMPER        |

# 2007 INTERNATIONAL TRAVEL TRAILER

## FURNITURE, LOUNGE

### Dinette, 16' DWR, Seat Assemblies/Cushions

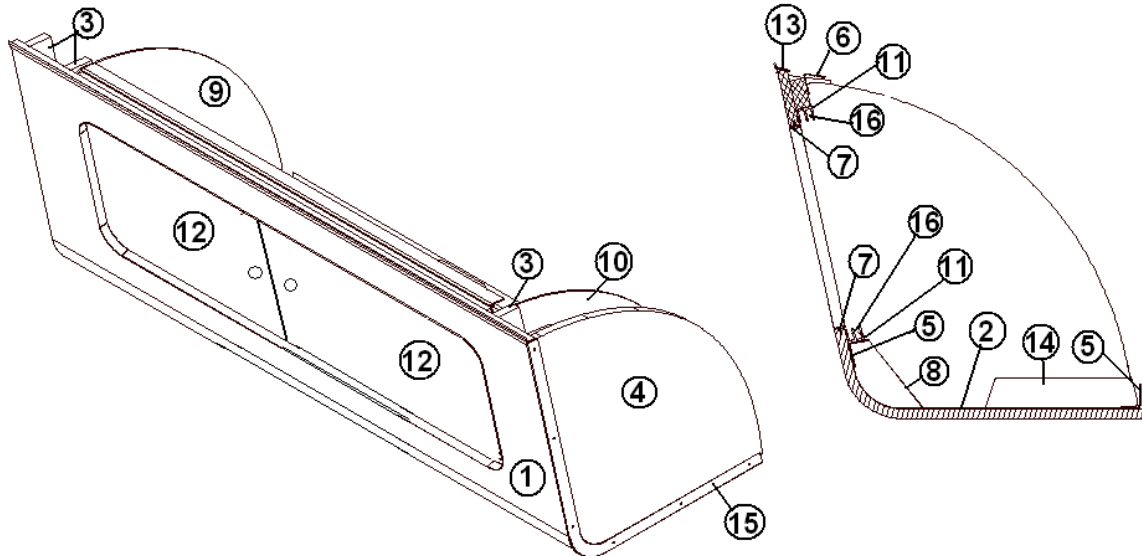


- |               |   |
|---------------|---|
| 1. 998150-01D | FABRIC/FOAM ASSEMBLY, CS DINETTE                |
| 1a. 703368-01 | FOAM-SEAT CS DINETTE                            |
| 2. 998150-02D | FABRIC/FOAM FILLER ASSEMBLY, CS DINETTE<br>BACK |
| 2a. 703368-02 | CS BACK FILLER                                  |
| 3. 998150-04D | FABRIC/FOAM SEAT ASSEMBLY, RS DINETTE           |
| 3a. 703368-04 | FOAM-RS DINETTE SEAT                            |
| 4. 998150-05D | FABRIC/FOAM FILLER ASSEMBLY, RS DINETTE<br>SEAT |
| 4a. 703368-05 | FOAM-RS BACK FILLER                             |
| 5. 998150-06D | FABRIC/FOAM BACK REST ASSEMBLY-RS<br>DINETTE    |
| 5a. 703368-06 | FOAM-RS BACK REST                               |
| 700022        | ZIPPER  |
| 700020        | PILE VELCRO                                     |
| 700021        | HOOK, VELCRO, WHITE                             |
| 703446        | SILK FILM SHEETING #SFS 36 AIR                  |

# 2007 INTERNATIONAL TRAVEL TRAILER

## FURNITURE, GALLEY

### Roof Locker, 16' DWR, Galley

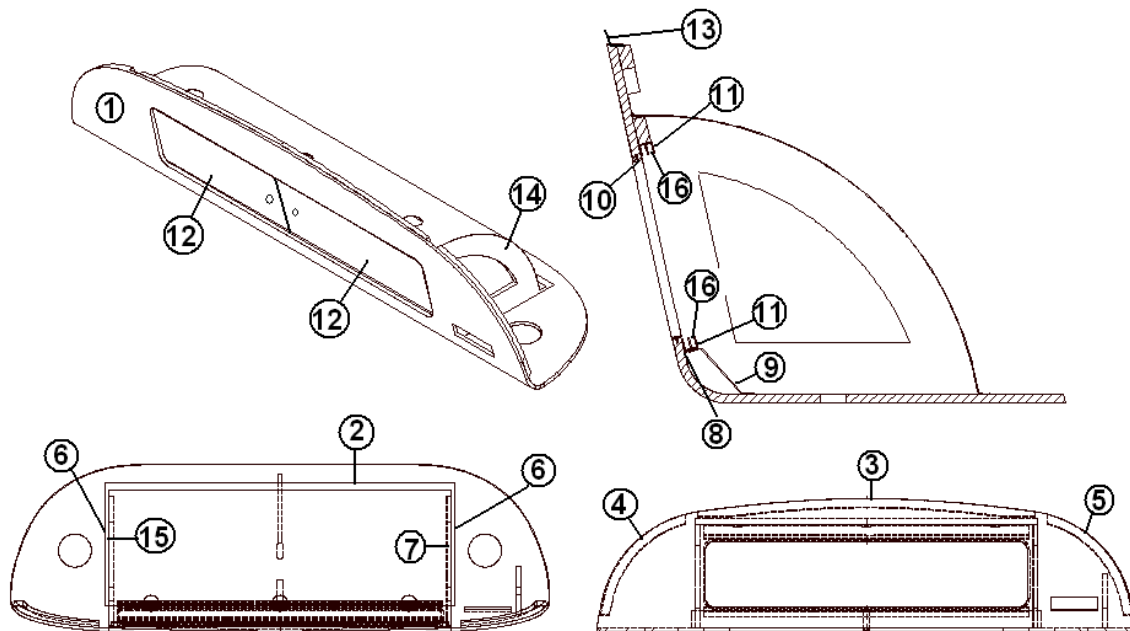


967057	ROOF LOCKER, GALLEY
1. 801762	FACE, GALLEY ROOF LOCKER
2. 967057-2	PANEL, 17.15 X 18.21
3. 801545-05	DIVIDER (PARTIAL) W/RANGE VENT
4. 967057-4	PANEL, 17.15 X 18.21
5. 115227-03	ANGLE, LOCKER, TRACK SUPPORT
6. 104821	SUPPORT, ROOFLOCKER, 74"
7. 203445-01	T-MOLDING, .5625", WHITE
8. 115226	BRACKET, CENTER SUPPORT
9. 801765-01	DIVIDER, LH, GALLEY R/L
10. 801765-02	DIVIDER, RH, GALLEY R/L
11. 203388	SLIDING DOOR TRACK
12. 967066-02	DOOR, 11.69" X 17.63"
13. 201673	REVERSE COVE MOLDING, WHITE
14. 200772	PAN, DEADBOLT, TRI-MARK
15. 115375	EXTRUSION, FORMED R/L END
16. 382041	CHANNEL-.3125" SCHLEGEL BLACK

# 2007 INTERNATIONAL TRAVEL TRAILER

## FURNITURE, GALLEY

### Roof Locker, 16' DWR, Front End Liner

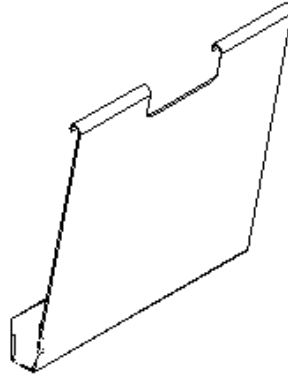


967059	R/L ASSY, FRONT LINER
1. 801764	FACE, FRONT LINER
2. 967059-02	PANEL, 21.00 X 54.25
3. 801596-01	BACKER W/B LINER LOCKER, CENTER
4. 801596-02	BACKER LINER LOCKER, LH
5. 801596-03	BACKER, LINER LOCKER, RH
6. 801594	DIVIDER, LINER LOCKER
7. 801766-03	DIVIDER, RH LINER, R/L, W/SWITCH
8. 115261-02	ANGLE, LOCKER TRACK SUPPORT
9. 115226-01	BRACKET, CENTER SUPPORT
10. 203445-01	T-MOLDING, .5625" WHITE
11. 203388	TRACK, SLIDING DOOR
12. 967066-01	DOOR, 11.69" X 26"
13. 201673	REVERSE COVE MOLDING
14. 115264-02	PAN, LINER LOCKER
15. 801766-01	DIVIDER, LH LINER R/L
16. 382041	CHANNEL, .3125", SCHLEGEL BLACK

# 2007 INTERNATIONAL TRAVEL TRAILER

## FURNITURE, GALLEY

Magazine Rack, Signature, White

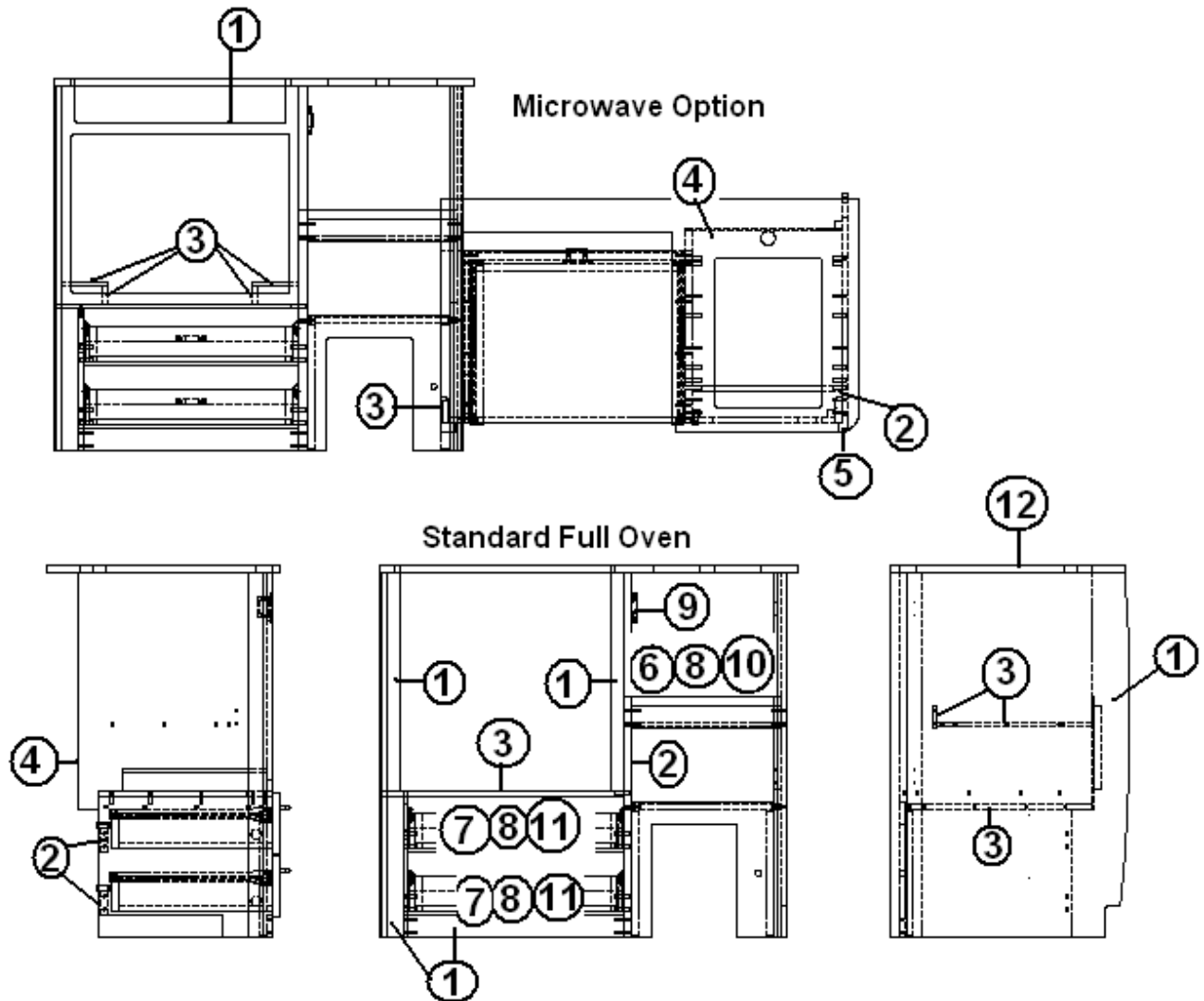


386106-01	RACK-MAGAZINE WHITE
386107	ROD-MAGAZINE RACK
115064	TRIM-ALUM COUNTER TOP

# 2007 INTERNATIONAL TRAVEL TRAILER

## FURNITURE, GALLEY

### GALLEY CABINET ASSEMBLY, 19'



Parts numbers are on the next page

# 2007 INTERNATIONAL TRAVEL TRAILER

## FURNITURE, GALLEY

### GALLEY CABINET ASSEMBLY, 19'

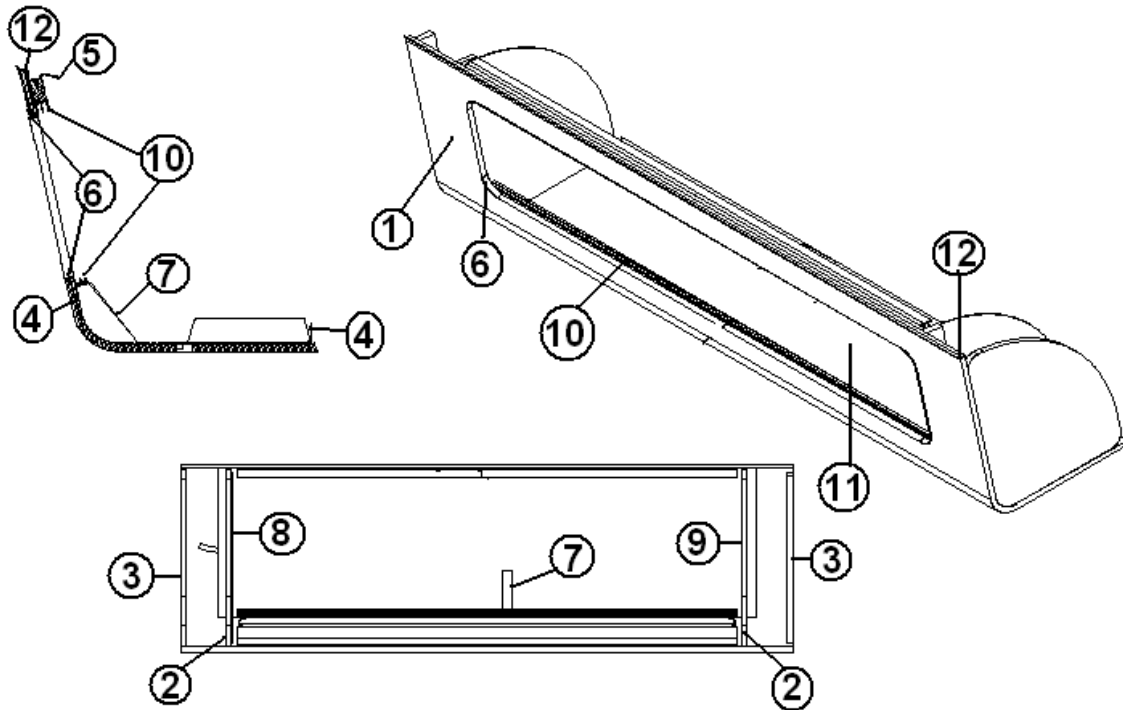
966466-01	GALLEY CABINET
966466-02	GALLEY CABINET, MICROWAVE
1. 801456-01	PANEL, BLACK MAPLE/WHITE LINER
2. 801368	PANEL WHITELINER/WHITELINER
3. 801392	PANEL, WHITELINER/WHITELINER
4. 801438	PANEL, FROSTY WHITER/RAW
5. 801706-007	CORNER TRIM-90D 1"RADIUS 84"
6. 801341-156	DOOR-GALLEY 14.25" X 23.38"
7. 801341-157	DOOR-GALLEY 21.63" X 6"
8. 381865	PULL-BAR BRUSH NICKEL
9. 381228-01	CATCH GRABBER DOOR
10. 381607	HINGE ASSY-GRASS EURO
11. 965642-01	BOX ASSY. DRAWER 19.75"
11. 381773-03	DRAWER SLIDE 15.75"
12. 966467	TOP ASSY-GALLEY
601867	FAUCET-INTEGRA PULL OUT SPOUT
601938	SINK, S/S, SINGLE BOWL
195362-39	2" STRAINER ,MODEL
601714-01	TAIL PIECE 1-1/2" X 4"
601714-02	1-1/2" SLIP NUT W/WINGS
601714-03	1-1/2" BLACK RUBBER WASHER
115064	TRIM-ALUM COUNTER TOP
203425	SINK COVER .5" NATURAL
801369-01	PANEL-, FROST WHITE/WHITE LINER
365278-01	EDGE BANDING-BLK MAPLE 1.13"
365278-03	EDGE BANDING-BLK MAPLE .625"



# 2007 INTERNATIONAL TRAVEL TRAILER

## FURNITURE, GALLEY

### Roof Locker, Galley, 19'



966266	Galley Roof Locker, 19'
1. 801542-07	Locker face, galley
2. 801545-02	Divider, partial
3. 801545-01	Divider, full
4. 115227-03	Angled, formed, 33"
5. 104821	Roof locker support, 74"
6. 203508-01	T-trim, 9/16", wood grain
7. 115226	Bracket, locker center support
8. 801539-01	Divider, LH, galley
9. 801539-02	Divider, RH, galley
10. 381245	Sliding door track
11. 965563-01	Door, sliding Plexiglas
12. 201673	Cove molding, Ivory, plastic
511695-01	Spot light

# 2007 INTERNATIONAL TRAVEL TRAILER

## FURNITURE, GALLEY

### GALLEY CABINET CLOSEOUT SHELF, 19', 965923

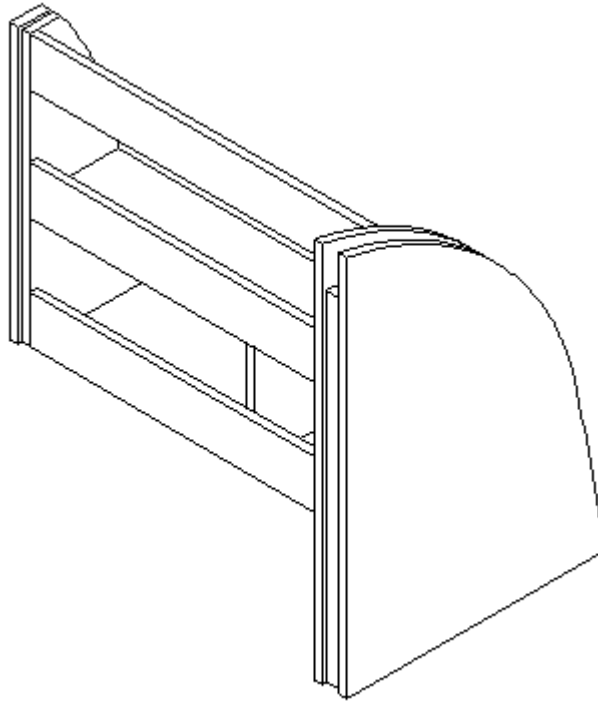


- |           |                                    |
|-----------|------------------------------------|
| 965923    | GALLEY CABINET CLOSEOUT SHELF, 19' |
| 801458-01 | BLACK MAPLE/BLACK MAPLE            |
| 381479-01 | HINGE, BRASS-CABINET, 2" X 1-3/8"  |
| 365278-03 | EDGE BANDING-BLACK MAPLE .625"     |
| 381688    | BUMP ON                            |
| 381074    | CATCH BULL DOG #65S (COPPER)       |

# 2007 INTERNATIONAL TRAVEL TRAILER

## FURNITURE, GALLEY

### SPICE RACK ASSY, 19'

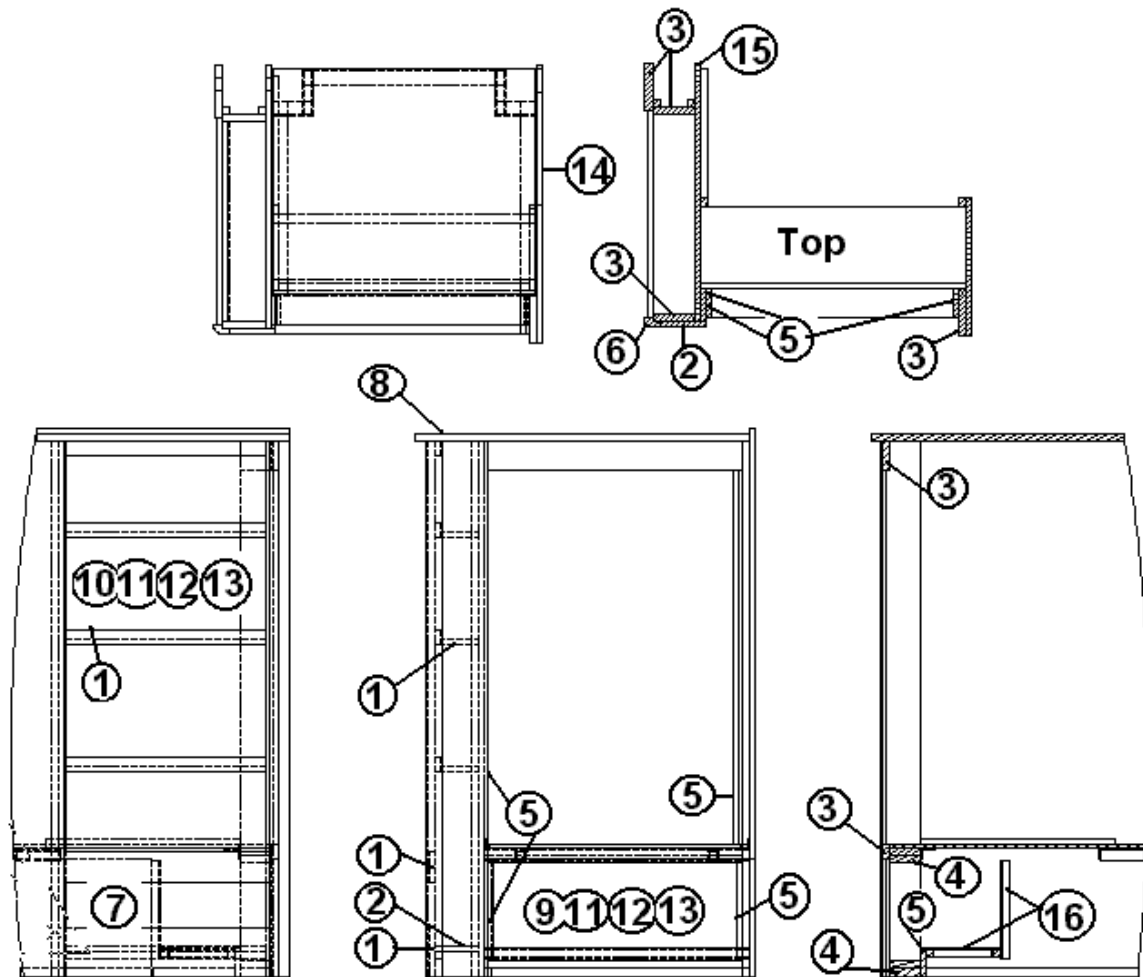


965914	SPICE RACK ASSY, 19'
801458-01	PANEL, PRELAM BLACK MAPLE/BLACK MAPLE 12MM
365278-03	EDGEBANDING-BLK MAPLE .625"
365016	TAPE FOAM DOUBLE-KOTE, 1/2"
381209-01	GROMMET-W/CAP BLACK 1.5" HOLE
386141	CORNER BRACE FOR CABINET BUILD

# 2007 INTERNATIONAL TRAVEL TRAILER

## FURNITURE, GALLEY

### CABINET, REFRIGERATOR/PANTRY 19'



Part Numbers on Next Page

# 2007 INTERNATIONAL TRAVEL TRAILER

## FURNITURE, GALLEY

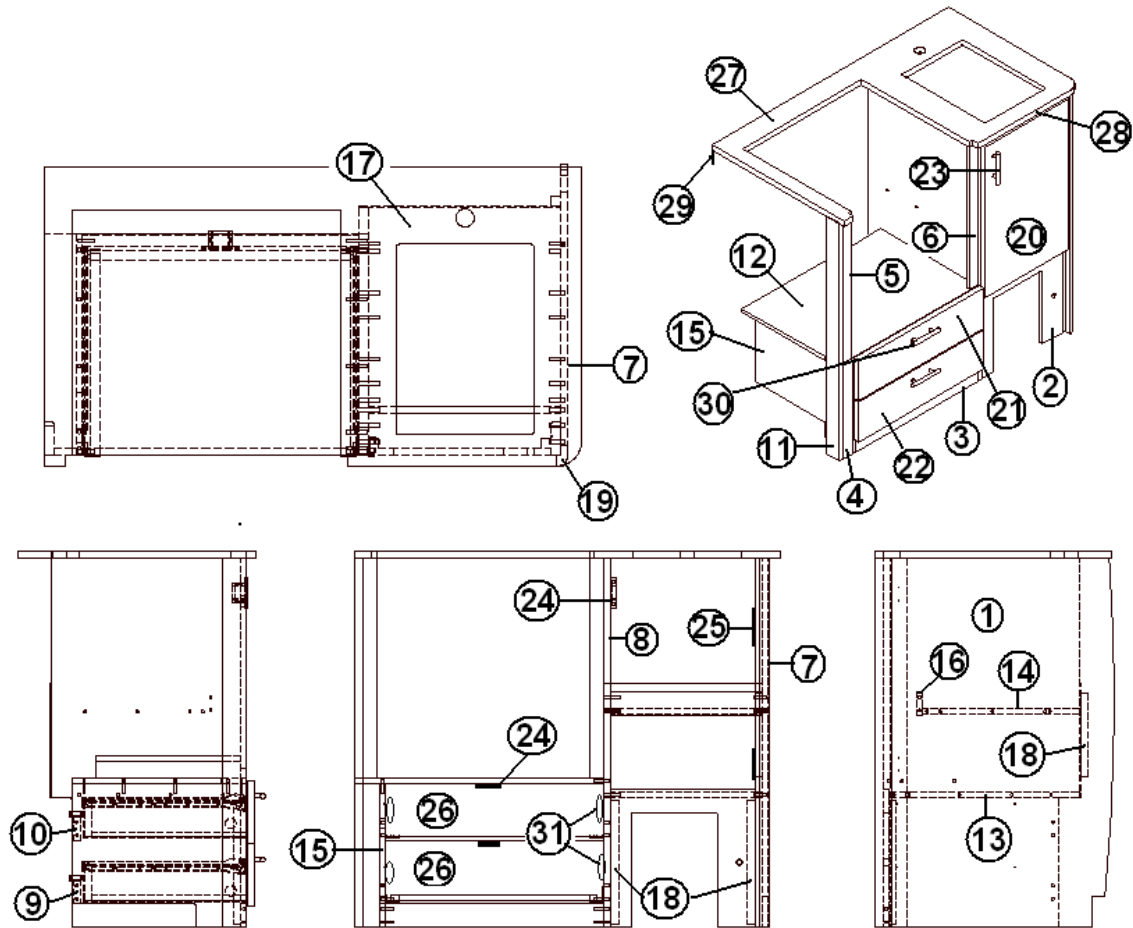
### CABINET, REFRIGERATOR/PANTRY 19'

965913	CABINET ASSEMBLY-REFER/PANTRY 19'
965913-02	CABINET ASSEMBLY-REFER/PANTRY 19' BUNK
1. 801458-01	PANEL-, BLACK MAPLE/BLACK MAPLE
2. 801456-01	PANEL-, BLACK MAPLE/WHITE LINER
3. 801436-01	PANEL-, BLACK MAPLE/WHITE
4. 801368	PANEL-, WHITELINER/WHITELINER
5. 801392	PANEL-, WHITELINER/WHITELINER
6. 801706-007	CORNER TRIM-90D 1"RADIUS, 84"
7. 965630	STAND ASSY. REFER
8. 965628-02	TOP ASSY-REFER
9. 801369-01	PANEL, WHITE LINER /WHITE LINER
10. 801341-78	DOOR-REFER 24.44" X 10.19"
11. 801341-79	DOOR-REFER 19.81" X 50.12"
12. 801436-01	PANEL, BLACK MAPLE/WHITE LINER
13. 381607	HINGE ASSY-GRASS EURO
14. 381228-01	CATCH GRABBER DOOR
15. 801471-01	PANEL-AFT REFER
15. 801471-03	PANEL-AFT REFER W/BUNK OPTION
16. 801471-02	PANEL-FWD REFER
381865	PULL-BAR BRUSH NICKEL
381978	PULL-3"CC SATIN NICKEL, 75 <sup>TH</sup> ANNIVERSARY
365267	EDGEBANDING-1.13" .024 PLY
365278-01	EDGEBANDING-BLK MAPLE 1.13"
365278-03	EDGEBANDING-BLACK MAPLE .625"
801438	PANEL, FROST WHITE VINYL/RAW 2.7MM
801456-01	PANEL, BLACK MAPLE/WHITE LINER 12MM

# 2007 INTERNATIONAL TRAVEL TRAILER

## FURNITURE, GALLEY

Galley, 19' Signature, W/Oven, Wenge



Part number on the next page

# 2007 INTERNATIONAL TRAVEL TRAILER

## FURNITURE, GALLEY

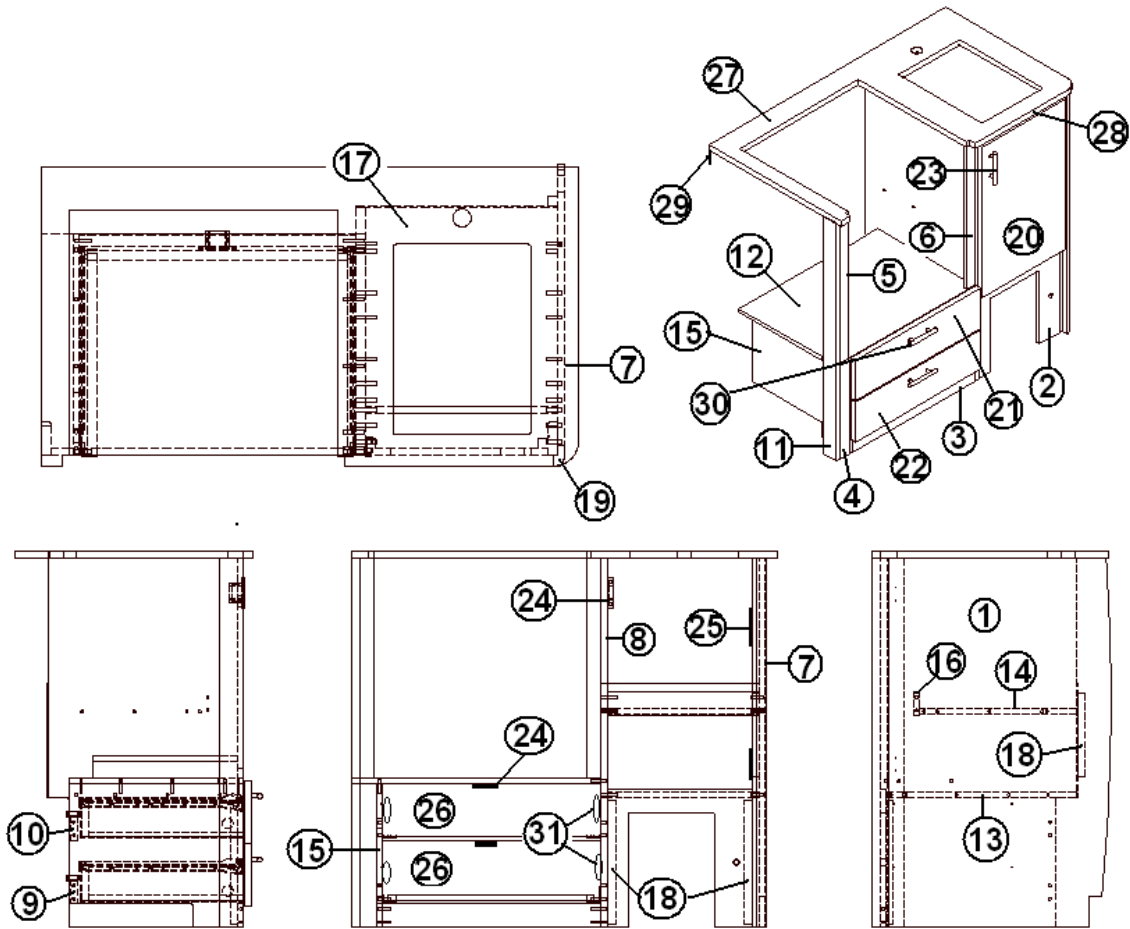
Galley, 19' Signature, W/Oven, Wenge

966959	GALLEY, STANDARD OVEN
1. 966959-1	PANEL, 21.68" X 35.50"
2. 966959-2	PANEL, 13.88" X 13.25"
3. 966959-3	PANEL, 2.25" X 21"
4. 966959-4	PANEL, 1.62" X 13.81"
5. 966959-5	PANEL, 1.31" X 21.19"
6. 966959-6	PANEL, 21.68" X 35.50"
7. 966959-8	PANEL, 2.25" X 35.50"
8. 966959-9	PANEL, 18.81" X 35.50"
9. 966959-10	PANEL, 2.25" X 21"
10. 966959-11	PANEL, 2.25" X 21"
11. 966959-12	PANEL, 2.25" X 35.50"
12. 966959-13	PANEL, 16.81" X 23.88"
13. 966959-14	PANEL, 18.31" X 14.62"
14. 966959-15	PANEL, 15.12" X 14.62"
15. 966959-16	PANEL, 16.81" X 13.81"
16. 966959-17	PANEL, 2.25" X 14.62"
17. 966959-22	PANEL, 11" X 15.38"
18. 800025-01	PINE 3/4" X 3/4" STAINED
19. 801706-0016	CORNER TRIM, 90 DEGREE RADIUS
20. 966959-25	DOOR, GALLEY 14.5" X 22.38"
21. 966959-26	FACE, DRAWER, GALLEY, 21.62" X 6"
22. 966959-27	FACE, DRAWER, GALLEY, 21.62" X 6"
23. 382029-03	HANDLE, BAR 11.25"
24. 381228-01	GRABBER CATCH, DOOR
25. 381607	HINGE ASSY
26. 965642-01	BOX ASSY. DRAWER 19.75"
27. 966965	GALLEY TOP ASSY
28. 115064	TRIM, ALUM COUNTER TOP
29. 114812	ALUMINUM ANGLE, 1.00" X 1.00"
30. 382029-05	HANDLE, BAR 21.33"
31. 381773-03	DRAWER SLIDE 15.75"

# 2007 INTERNATIONAL TRAVEL TRAILER

## FURNITURE, GALLEY

Galley, 19' Signature, W/Oven, Ocean Breeze



Part number on the next page



# 2007 INTERNATIONAL TRAVEL TRAILER

## FURNITURE, GALLEY

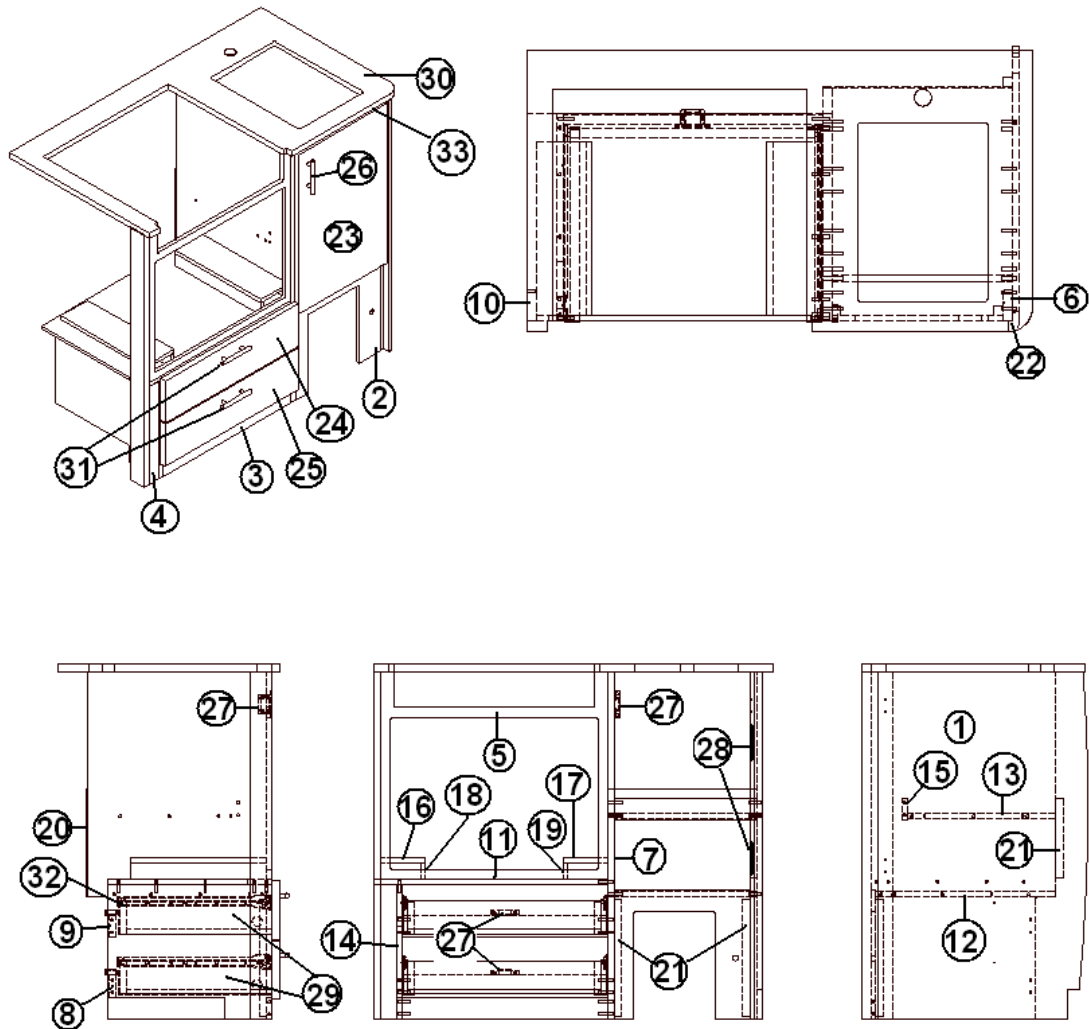
Galley, 19' Signature, W/Oven, Ocean Breeze

966959-01	GALLEY, STANDARD OVEN
1. 966959-011	PANEL, 21.68" X 35.50"
2. 966959-012	PANEL, 13.88" X 13.25"
3. 966959-013	PANEL, 2.25" X 21"
4. 966959-014	PANEL, 1.62" X 13.81"
5. 966959-015	PANEL, 1.31" X 21.19"
6. 966959-016	PANEL, 21.68" X 35.50"
7. 966959-018	PANEL, 2.25" X 35.50"
8. 966959-019	PANEL, 18.81" X 35.50"
9. 966959-0110	PANEL, 2.25" X 21"
10. 966959-0111	PANEL, 2.25" X 21"
11. 966959-0112	PANEL, 2.25" X 35.50"
12. 966959-0113	PANEL, 16.81" X 23.88"
13. 966959-0114	PANEL, 18.31" X 14.62"
14. 966959-0115	PANEL, 15.12" X 14.62"
15. 966959-0116	PANEL, 16.81" X 13.81"
16. 966959-0117	PANEL, 2.25" X 14.62"
17. 966959-0122	PANEL, 11" X 15.38"
18. 800025-01	PINE 3/4" X 3/4" STAINED
19. 801706-WH	CORNER TRIM, 90 DEGREE RADIUS
20. 966959-0125	DOOR, GALLEY 14.5" X 22.38"
21. 966959-0126	FACE, DRAWER, 21.62" X 6"
22. 966959-0127	FACE, DRAWER, , 21.62" X 6"
23. 382008	PULL, BAMBOO
24. 381228-01	GRABBER CATCH, DOOR
25. 381607	HINGE ASSY
26. 965642-01	BOX ASSY. DRAWER 19.75"
27. 966965-01	GALLEY TOP ASSY
28. 115064	TRIM, ALUM COUNTER TOP
29. 1148125	ALUMINUM ANGLE, 1.00" X 1.00"
30. 382008	PULL, BAMBOO
31. 381773-03	DRAWER SLIDE 15.75"

# 2007 INTERNATIONAL TRAVEL TRAILER

## FURNITURE, GALLEY

Galley, 19' Signature, W/Microwave Option, Wenge



Part number on the next page

# 2007 INTERNATIONAL TRAVEL TRAILER

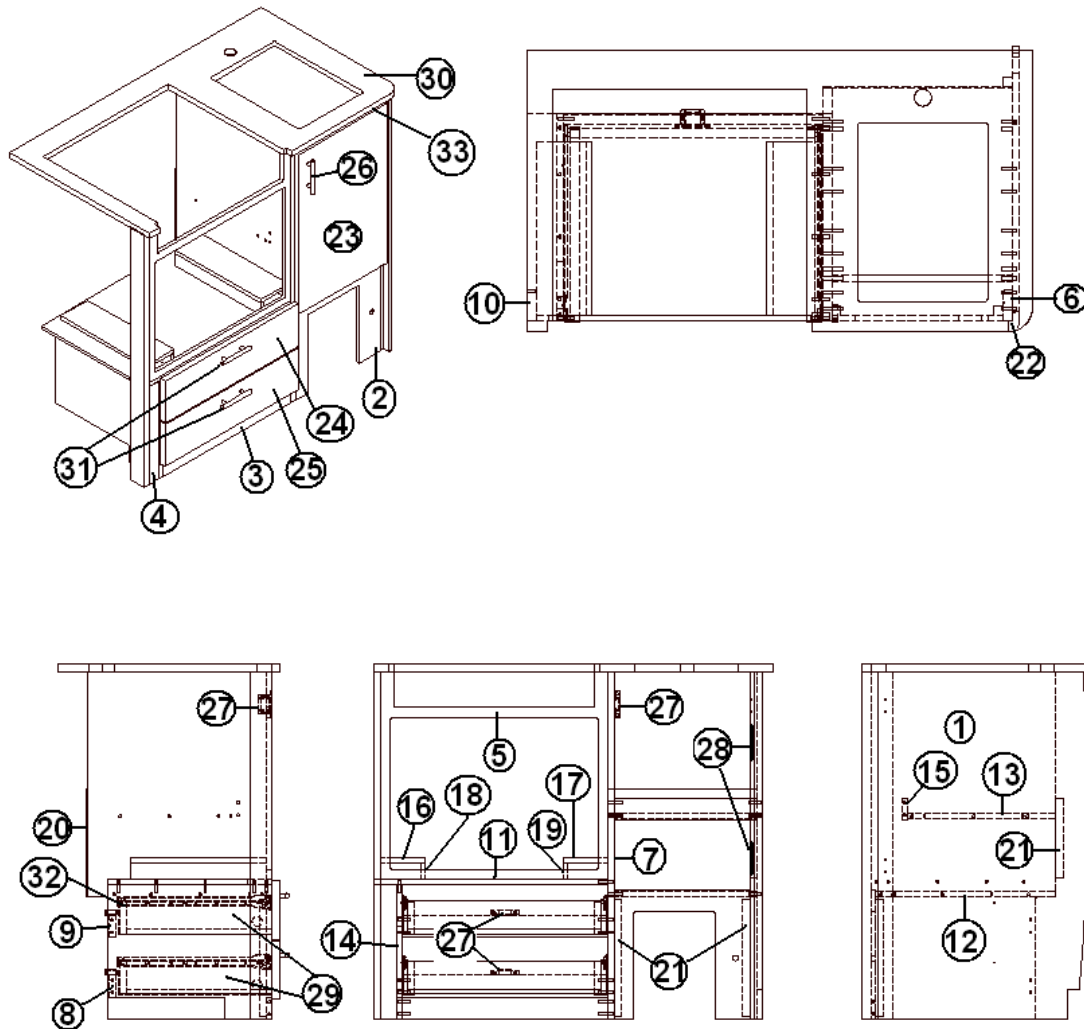
## FURNITURE, GALLEY

Galley, 19' Signature, W/Microwave Option, Wenge	
966960	GALLEY, W/MICROWAVE OPTION
1. 966960-1	PANEL, 21.68" X 35.50"
2. 966960-2	PANEL, 13.88" X 13.25"
3. 966960-3	PANEL, 2.25" X 21"
4. 966960-4	PANEL, 1.62" X 13.81"
5. 966960-7	PANEL, 23.12" X 21.19"
6. 966960-8	PANEL, 2.25" X 35.50"
7. 966960-9	PANEL, 18.81" X 35.50"
8. 966960-10	PANEL, 2.25" X 21"
9. 966960-11	PANEL, 2.25" X 21"
10. 966960-12	PANEL, 2.25" X 35.50"
11. 966960-13	PANEL, 16.81" X 23.88"
12. 966960-14	PANEL, 18.31" X 14.62"
13. 966960-15	PANEL, 15.12" X 14.62"
14. 966960-16	PANEL, 16.81" X 13.81"
15. 966960-17	PANEL, 2.25" X 14.62"
16. 966960-18	PANEL, 4.50" X 14.00"
17. 966960-19	PANEL, 4.50" X 14.00"
18. 966960-20	PANEL, 1.69" X 14.00"
19. 966960-21	PANEL, 1.69" X 14.00"
20. 966960-22	PANEL, 11.00" X 15.38"
21. 800025-01	PINE 3/4" X 3/4" STAINED
22. 801706-0016	CORNER TRIM, 90 DEGREE RADIUS
23. 966960-25	DOOR, GALLEY 14.5" X 22.38"
24. 966960-26	FACE, DRAWER, GALLEY, 21.62" X 6"
25. 966960-27	FACE, DRAWER, GALLEY, 21.62" X 6"
26. 382029-03	HANDLE, BAR 11.25"
27. 381228-01	GRABBER CATCH, DOOR
28. 381607	HINGE ASSY
29. 965642-01	BOX ASSY. DRAWER 19.75"
30. 966965	GALLEY TOP ASSY
31. 382029-05	HANDLE, BAR 21.33"
32. 381773-03	DRAWER SLIDE 15.75"
33. 115064	TRIM, ALUM COUNTER TOP

# 2007 INTERNATIONAL TRAVEL TRAILER

## FURNITURE, GALLEY

Galley, 19' Signature, W/Microwave Option, Ocean Breeze



Part number on the next page

## 2007 INTERNATIONAL TRAVEL TRAILER

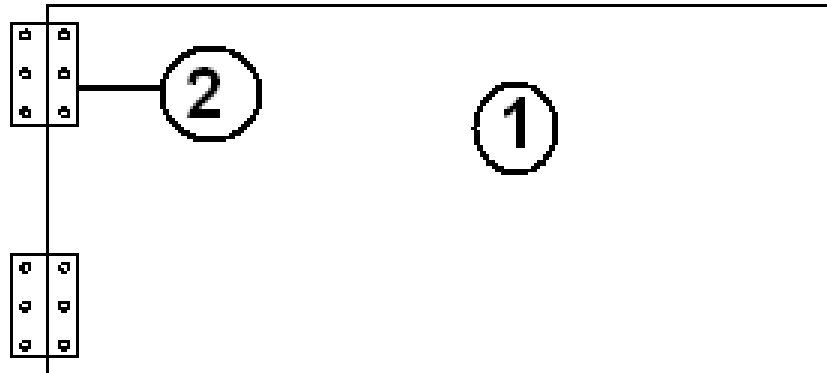
### FURNITURE, GALLEY

Galley, 19' Signature, W/Microwave Option, Ocean Breeze	
966960-01	GALLEY, W/MICROWAVE OPTION
1. 966960-011	PANEL, 21.68" X 35.50"
2. 966960-012	PANEL, 13.88" X 13.25"
3. 966960-013	PANEL, 2.25" X 21"
4. 966960-014	PANEL, 1.62" X 13.81"
5. 966960-017	PANEL, 23.12" X 21.19"
6. 966960-018	PANEL, 2.25" X 35.50"
7. 966960-019	PANEL, 18.81" X 35.50"
8. 966960-0110	PANEL, 2.25" X 21"
9. 966960-0111	PANEL, 2.25" X 21"
10. 966960-0112	PANEL, 2.25" X 35.50"
11. 966960-0113	PANEL, 16.81" X 23.88"
12. 966960-0114	PANEL, 18.31" X 14.62"
13. 966960-0115	PANEL, 15.12" X 14.62"
14. 966960-0116	PANEL, 16.81" X 13.81"
15. 966960-0117	PANEL, 2.25" X 14.62"
16. 966960-0118	PANEL, 4.50" X 14.00"
17. 966960-0119	PANEL, 4.50" X 14.00"
18. 966960-0120	PANEL, 1.69" X 14.00"
19. 966960-0121	PANEL, 1.69" X 14.00"
20. 966960-0122	PANEL, 11.00" X 15.38"
21. 800025-01	PINE 3/4" X 3/4" STAINED
22. 801706-WH	CORNER TRIM, 90 DEGREE RADIUS
23. 966960-0125	DOOR, GALLEY 14.5" X 22.38"
24. 966960-0126	FACE, DRAWER, 21.62" X 6"
25. 966960-0127	FACE, DRAWER, 21.62" X 6"
26. 382008	PULL, BAMBOO
27. 381228-01	GRABBER CATCH, DOOR
28. 381607	HINGE ASSY
29. 965642-01	BOX ASSY. DRAWER 19.75"
30. 966965	GALLEY TOP ASSY
31. 382008	PULL, BAMBOO
32. 381773-03	DRAWER SLIDE 15.75"
33. 115064	TRIM, ALUM COUNTER TOP

# 2007 INTERNATIONAL TRAVEL TRAILER

## FURNITURE, GALLEY

Close Out shelf, 19' Signature Galley, Wenge

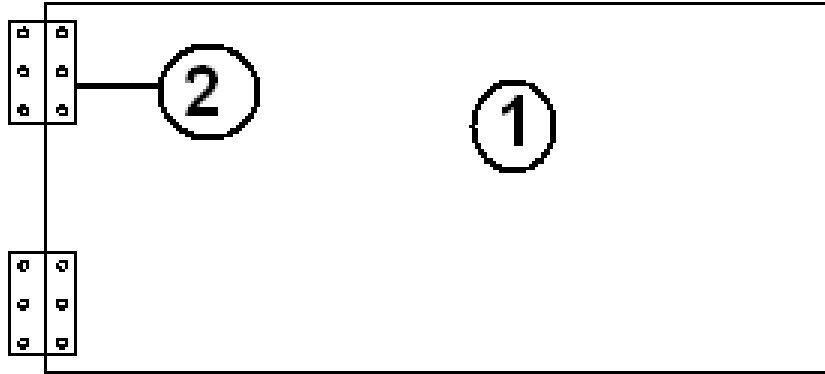


- |              |                                    |
|--------------|------------------------------------|
| 966956       | GALLEY CABINET CLOSEOUT SHELF, 19' |
| 1. 966956-1  | PANEL, 10.75 X 23.00               |
| 2. 381479-01 | HINGE, BRASS-CABINET, 2" X 1-3/8"  |
| 381688       | BUMP ON                            |
| 381074       | CATCH BULL DOG #65S (COPPER)       |
| 320114-04    | SCREW, .5" WOOD PH OVAL ZINC       |

# 2007 INTERNATIONAL TRAVEL TRAILER

## FURNITURE, GALLEY

Close Out shelf, 19' Signature Galley, Ocean Breeze

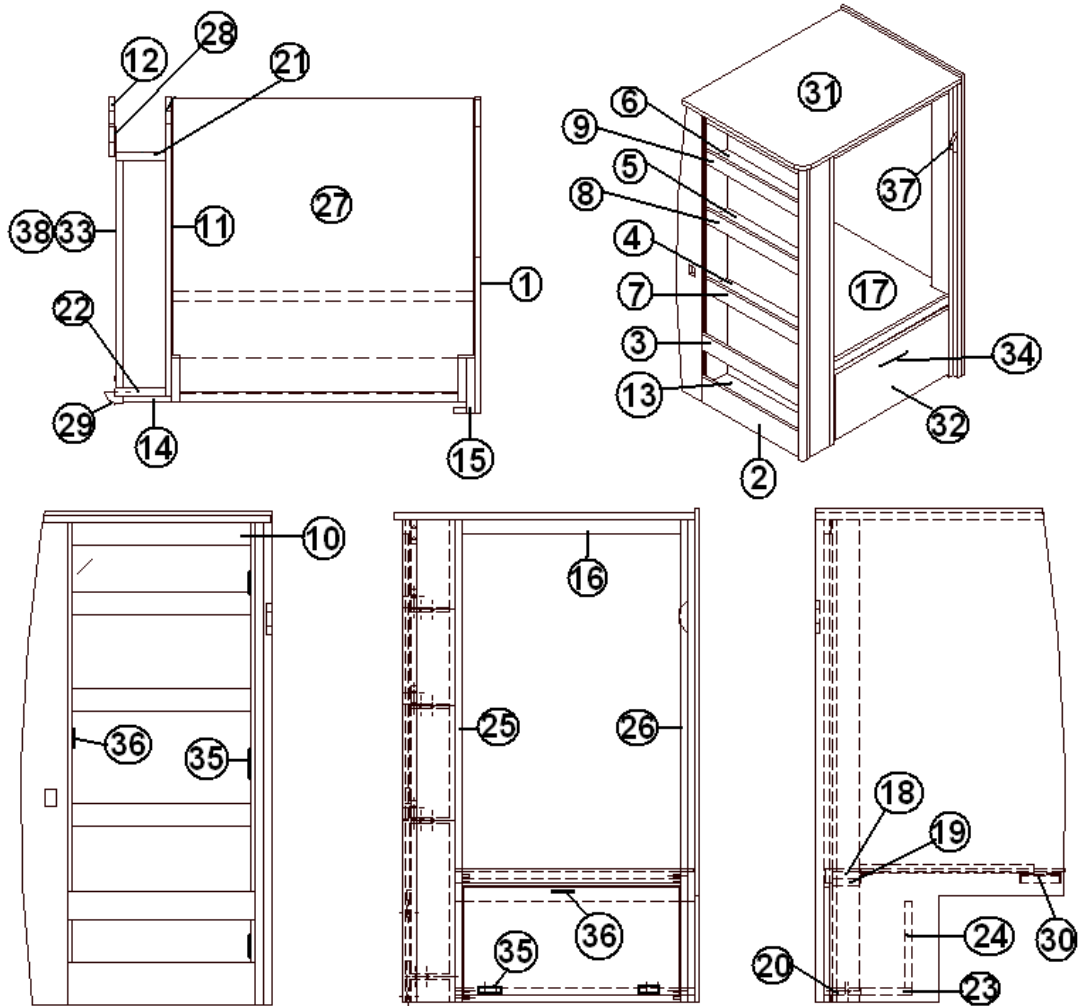


- |              |                                    |
|--------------|------------------------------------|
| 966956-01    | GALLEY CABINET CLOSEOUT SHELF, 19' |
| 1. 966956-01 | PANEL, 10.75 X 23.00               |
| 2. 381479-01 | HINGE, BRASS-CABINET, 2" X 1-3/8"  |
| 381688       | BUMP ON                            |
| 381074       | CATCH BULL DOG #65S (COPPER)       |
| 320114-04    | SCREW, .5" WOOD PH OVAL ZINC       |

# 2007 INTERNATIONAL TRAVEL TRAILER

## FURNITURE, GALLEY

### Refrigerator Cabinet, 19' Signature, Wenge



Part number on the next page



# 2007 INTERNATIONAL TRAVEL TRAILER

## FURNITURE, GALLEY

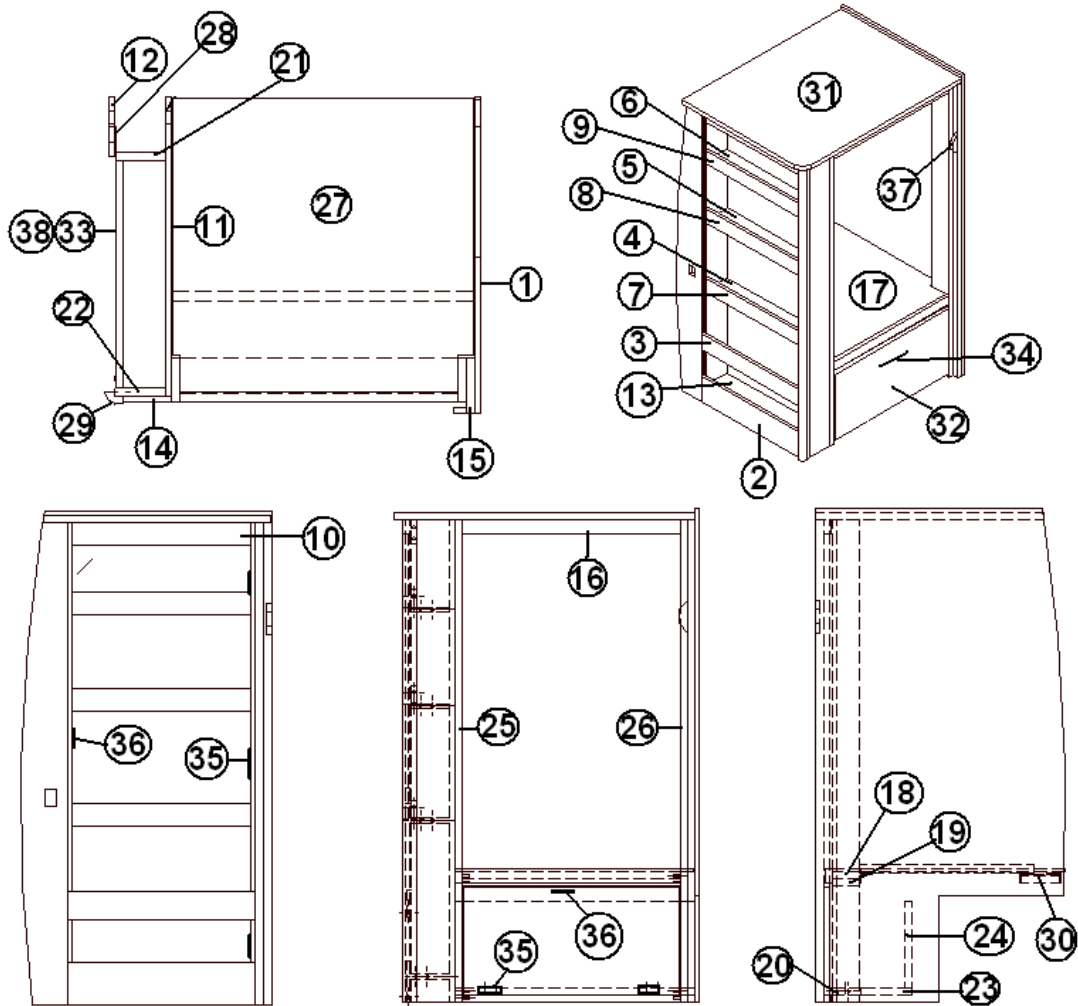
### Refrigerator Cabinet, 19' Signature, Wenge

966952	Refrigerator Cabinet
1. 966952-1	PANEL, 27.33" X 53.75"
2. 966952-2	PANEL, 4.50" X 20.50"
3. 966952-3	PANEL, 3" X 20.50"
4. 966952-4	PANEL, 3.68" X 19.50"
5. 966952-5	PANEL, 3.68" X 19.50"
6. 966952-6	PANEL, 3.68" X 19.50"
7. 966952-7	PANEL, 2.50" X 19.50"
8. 966952-8	PANEL, 2.50" X 19.50"
9. 966952-9	PANEL, 2.50" X 19.50"
10. 966952-10	PANEL, 2.50" X 19.50"
11. 966952-11	PANEL, 25.83" X 52.50"
12. 966952-12	PANEL, 5.14" X 52.50"
13. 966952-13	PANEL, 4.25" X 19.50"
14. 966952-14	PANEL, 4.12" X 52.50"
15. 966952-15	PANEL, 4.75" X 52.50"
16. 966952-16	PANEL, 1.44" X 23.94"
17. 966952-17	PANEL, 3.00" X 23.94"
18. 966952-18	PANEL, 2.94" X 23.94"
19. 966952-19	PANEL, 2.94" X 23.94"
20. 966952-20	PANEL, 2.94" X 23.94"
21. 966952-21	PANEL, 4.25" X 52.50"
22. 966952-22	PANEL, 4.25" X 52.50"
23. 966952-23	PANEL, 8.69" X 26.19"
24. 966952-24	PANEL, 9.50" X 26.19"
25. 966952-25	PANEL, 3.75" X 52.50"
26. 966952-26	PANEL, 3.75" X 52.50"
27. 800507-03	PANEL, Luan, 3/8" x 25.94" x 25.37"
28. 800507-01	PANEL, Luan, 1/8" x 2.50" x 52.50"
29. 801706-0016	CORNER TRIM
30. 965630	STAND ASSY. REFER
31. 966952-31	PANEL, 3.75" X 24.88"
32. 966952-32	DOOR, 23.63" X 11.69"
33. 966952-33	DOOR, 20.00" X 31.31"
34. 382029-04	HANDLE-BAR 15"
35. 381607	HINGE ASSY
36. 381228-01	CATCH GRABBER DOOR
37. 964519-0016	BLOCK, POCKET DOOR LATCH
38. 382029-04	HANDLE-BAR 15"

# 2007 INTERNATIONAL TRAVEL TRAILER

## FURNITURE, GALLEY

### Refrigerator Cabinet, 19' Signature, Ocean Breeze



Part number on the next page

# 2007 INTERNATIONAL TRAVEL TRAILER

## FURNITURE, GALLEY

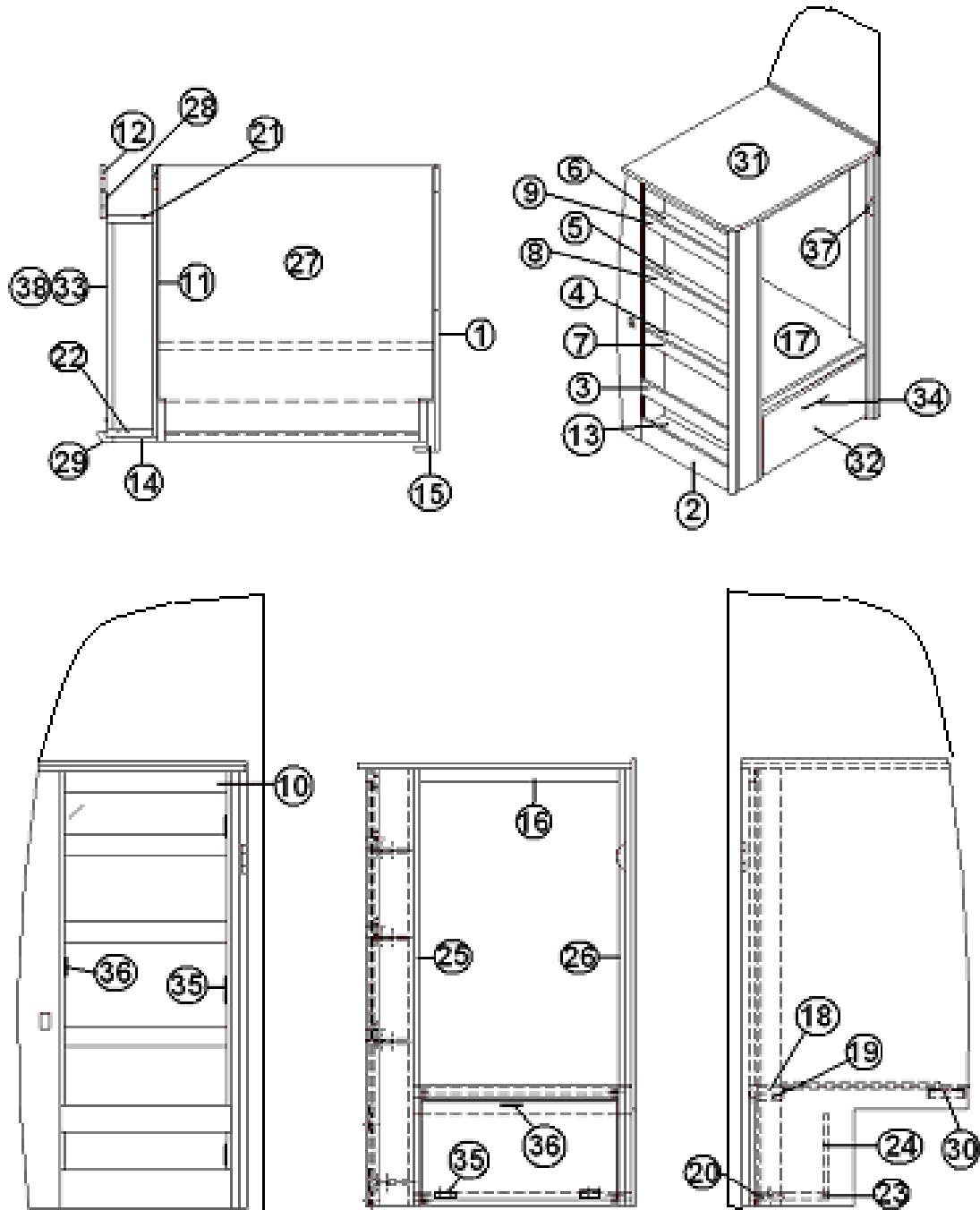
### Refrigerator Cabinet, 19' Signature, Ocean Breeze

966652-01	Refrigerator Cabinet
1. 966952-011	PANEL, 27.33" X 53.75"
2. 966952-012	PANEL, 4.50" X 20.50"
3. 966952-013	PANEL, 3" X 20.50"
4. 966952-4	PANEL, 3.68" X 19.50"
5. 966952-015	PANEL, 3.68" X 19.50"
6. 966952-016	PANEL, 3.68" X 19.50"
7. 966952-017	PANEL, 2.50" X 19.50"
8. 966952-018	PANEL, 2.50" X 19.50"
9. 966952-019	PANEL, 2.50" X 19.50"
10. 966952-0110	PANEL, 2.50" X 19.50"
11. 966952-0111	PANEL, 25.83" X 52.50"
12. 966952-0112	PANEL, 5.14" X 52.50"
13. 966952-0113	PANEL, 4.25" X 19.50"
14. 966952-0114	PANEL, 4.12" X 52.50"
15. 966952-0115	PANEL, 4.75" X 52.50"
16. 966952-0116	PANEL, 1.44" X 23.94"
17. 966952-0117	PANEL, 3.00" X 23.94"
18. 966952-0118	PANEL, 2.94" X 23.94"
19. 966952-0119	PANEL, 2.94" X 23.94"
20. 966952-0120	PANEL, 2.94" X 23.94"
21. 966952-0121	PANEL, 4.25" X 52.50"
22. 966952-22	PANEL, 4.25" X 52.50"
23. 966952-0123	PANEL, 8.69" X 26.19"
24. 966952-0124	PANEL, 9.50" X 26.19"
25. 966952-0125	PANEL, 3.75" X 52.50"
26. 966952-0126	PANEL, 3.75" X 52.50"
27. 800507-03	PANEL, Luan, 3/8" x 25.94" x 25.37"
28. 800507-01	PANEL, Luan, 1/8" x 2.50" x 52.50"
29. 801706-WH	CORNER TRIM
30. 965630	STAND ASSY. REFER
31. 966952-0131	PANEL, 3.75" X 24.88"
32. 966952-0132	DOOR, 23.63" X 11.69"
33. 966952-0133	DOOR, 20.00" X 31.31"
34. 382008	PULL, BAMBOO
35. 381607	HINGE ASSY
36. 381228-01	CATCH GRABBER DOOR
37. 964519-OB	BLOCK, POCKET DOOR LATCH
38. 382008	PULL, BAMBOO

# 2007 INTERNATIONAL TRAVEL TRAILER

## FURNITURE, GALLEY

Refrigerator Cabinet, 19' Signature, w/Bunk Option, Wenge



Part number on the next page

# 2007 INTERNATIONAL TRAVEL TRAILER

## FURNITURE, GALLEY

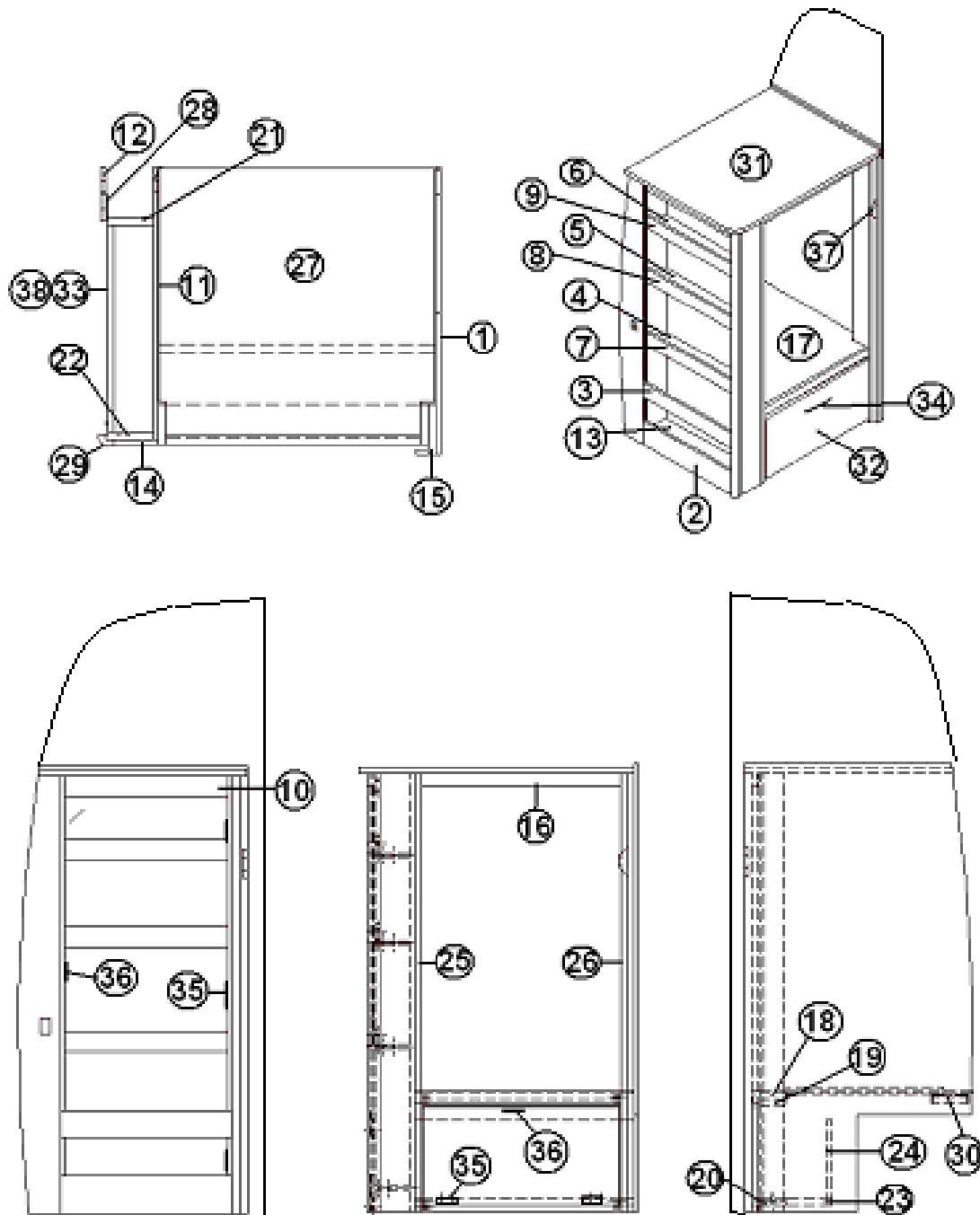
### Refrigerator Cabinet, 19' Signature, w/Bunk Option, Wenge

966955	Refrigerator Cabinet
1. 966955-1	PANEL, 29.21" X 79.50"
2. 966955-2	PANEL, 4.50" X 20.50"
3. 966955-3	PANEL, 3" X 20.50"
4. 966955-4	PANEL, 3.68" X 19.50"
5. 966955-5	PANEL, 3.68" X 19.50"
6. 966955-6	PANEL, 3.68" X 19.50"
7. 966955-7	PANEL, 2.50" X 19.50"
8. 966955-8	PANEL, 2.50" X 19.50"
9. 966955-9	PANEL, 2.50" X 19.50"
10. 966955-10	PANEL, 2.50" X 19.50"
11. 966955-11	PANEL, 25.83" X 52.50"
12. 966955-12	PANEL, 5.14" X 52.50"
13. 966955-13	PANEL, 4.25" X 19.50"
14. 966955-14	PANEL, 4.12" X 52.50"
15. 966955-15	PANEL, 4.75" X 52.50"
16. 966955-16	PANEL, 1.44" X 23.94"
17. 966955-17	PANEL, 3.00" X 23.94"
18. 966955-18	PANEL, 2.94" X 23.94"
19. 966955-19	PANEL, 2.94" X 23.94"
20. 966955-20	PANEL, 2.94" X 23.94"
21. 966955-21	PANEL, 4.25" X 52.50"
22. 966955-22	PANEL, 4.25" X 52.50"
23. 966955-23	PANEL, 8.69" X 26.19"
24. 966955-24	PANEL, 9.50" X 26.19"
25. 966955-25	PANEL, 3.75" X 52.50"
26. 966955-26	PANEL, 3.75" X 52.50"
27. 800507-03	PANEL, Luan, 3/8" x 25.94" x 25.37"
28. 800507-01	PANEL, Luan, 1/8" x 2.50" x 52.50"
29. 801706-0016	CORNER TRIM
30. 965630	STAND ASSY. REFER
31. 966955-31	PANEL, 3.75" X 24.88"
32. 966955-32	DOOR, 23.63" X 11.69"
33. 966955-33	DOOR, 20.00" X 31.31"
34. 382029-04	HANDLE-BAR 15"
35. 381607	HINGE ASSY
36. 381228-01	CATCH GRABBER DOOR
37. 964519-0016	BLOCK, POCKET DOOR LATCH
38. 382029-04	HANDLE-BAR 15"

# 2007 INTERNATIONAL TRAVEL TRAILER

## FURNITURE, GALLEY

Refrigerator Cabinet, 19' Signature, w/Bunk Option, Ocean Breeze



Part number on the next page

# 2007 INTERNATIONAL TRAVEL TRAILER

## FURNITURE, GALLEY

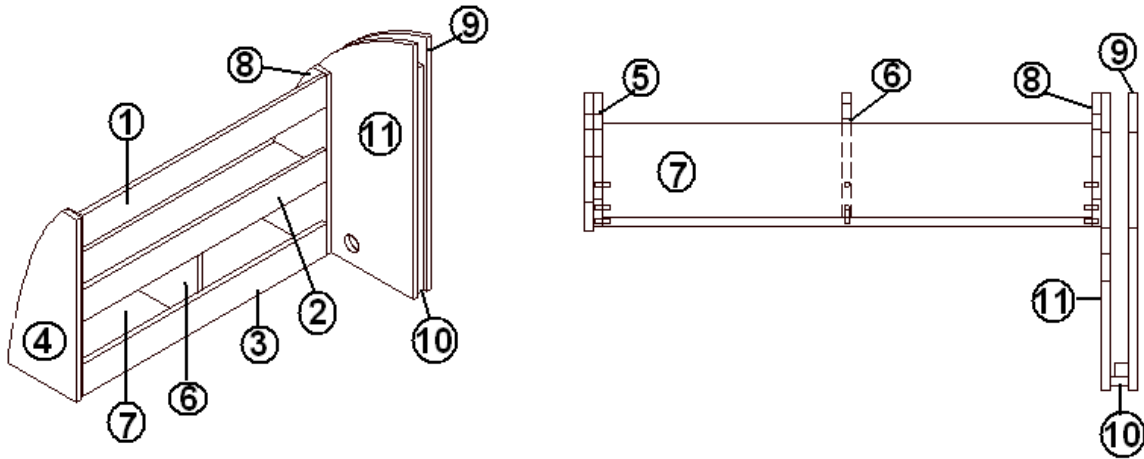
### Refrigerator Cabinet, 19' Signature, w/Bunk Option, Ocean Breeze

966955-01	Refrigerator Cabinet
1. 966955-011	PANEL, 29.21" X 79.50"
2. 966955-012	PANEL, 4.50" X 20.50"
3. 966955-013	PANEL, 3" X 20.50"
4. 966955-014	PANEL, 3.68" X 19.50"
5. 966955-015	PANEL, 3.68" X 19.50"
6. 966955-016	PANEL, 3.68" X 19.50"
7. 966955-017	PANEL, 2.50" X 19.50"
8. 966955-018	PANEL, 2.50" X 19.50"
9. 966955-019	PANEL, 2.50" X 19.50"
10. 966955-0110	PANEL, 2.50" X 19.50"
11. 966955-0111	PANEL, 25.83" X 52.50"
12. 966955-0112	PANEL, 5.14" X 52.50"
13. 966955-0113	PANEL, 4.25" X 19.50"
14. 966955-0114	PANEL, 4.12" X 52.50"
15. 966955-0115	PANEL, 4.75" X 52.50"
16. 966955-16	PANEL, 1.44" X 23.94"
17. 966955-0117	PANEL, 3.00" X 23.94"
18. 966955-0118	PANEL, 2.94" X 23.94"
19. 966955-0119	PANEL, 2.94" X 23.94"
20. 966955-0120	PANEL, 2.94" X 23.94"
21. 966955-0121	PANEL, 4.25" X 52.50"
22. 966955-0122	PANEL, 4.25" X 52.50"
23. 966955-0123	PANEL, 8.69" X 26.19"
24. 966955-0124	PANEL, 9.50" X 26.19"
25. 966955-0125	PANEL, 3.75" X 52.50"
26. 966955-0126	PANEL, 3.75" X 52.50"
27. 800507-03	PANEL, Luan, 3/8" x 25.94" x 25.37"
28. 800507-01	PANEL, Luan, 1/8" x 2.50" x 52.50"
29. 801706-WH	CORNER TRIM
30. 965630	STAND ASSY. REFER
31. 966955-0131	PANEL, 3.75" X 24.88"
32. 966955-0132	DOOR, 23.63" X 11.69"
33. 966955-0133	DOOR, 20.00" X 31.31"
34. 382008	PULL, BAMBOO
35. 381607	HINGE ASSY
36. 381228-01	CATCH GRABBER DOOR
37. 964519-007	BLOCK, POCKET DOOR LATCH
38. 382008	PULL, BAMBOO

# 2007 INTERNATIONAL TRAVEL TRAILER

## FURNITURE, GALLEY

### Spice Rack, 19' Signature, Wenge



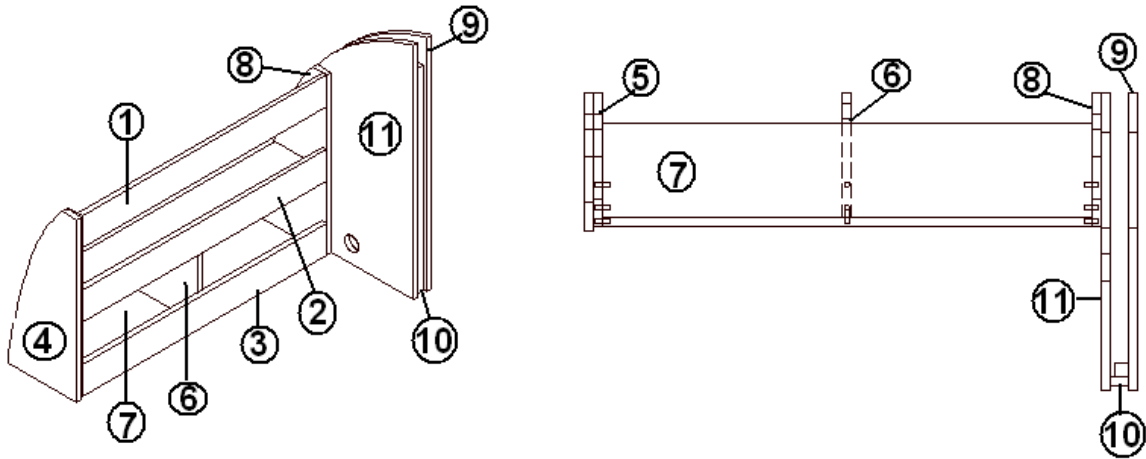
966954	SPICE RACK
1. 966954-1	PANEL, 3.00" X 26.00"
2. 966954-2	PANEL, 3.00" X 26.00"
3. 966954-3	PANEL, 3.00" X 26.00"
4. 966954-4	PANEL, 7.50" X 17.25"
5. 966954-5	PANEL, 7.25" X 17.00"
6. 966954-6	PANEL, 6.75" X 7.50"
7. 966954-7	PANEL, 5.06" X 26.50"
8. 966954-8	PANEL, 7.25" X 17.00"
9. 966954-9	PANEL, 23.98" X 16.25"
10. 966954-11	PANEL, 1.00" X 21.25"
11. 966954-12	PANEL, 23.98" X 16.12"



# 2007 INTERNATIONAL TRAVEL TRAILER

## FURNITURE, GALLEY

### Spice Rack, 19' Signature, Ocean Breeze

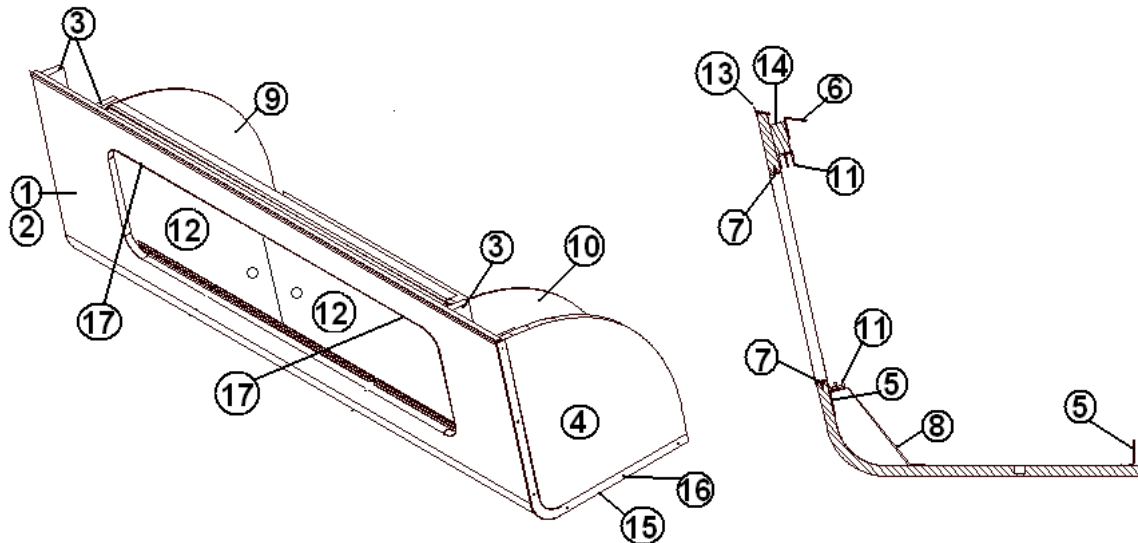


966954-01	SPICE RACK
1. 966954-011	PANEL, 3.00" X 26.00"
2. 966954-012	PANEL, 3.00" X 26.00"
3. 966954-013	PANEL, 3.00" X 26.00"
4. 966954-014	PANEL, 7.50" X 17.25"
5. 966954-015	PANEL, 7.25" X 17.00"
6. 966954-016	PANEL, 6.75" X 7.50"
7. 966954-017	PANEL, 5.06" X 26.50"
8. 966954-018	PANEL, 7.25" X 17.00"
9. 966954-019	PANEL, 23.98" X 16.25"
10. 966954-0111	PANEL, 1.00" X 21.25"
11. 966954-0112	PANEL, 23.98" X 16.12"

# 2007 INTERNATIONAL TRAVEL TRAILER

## FURNITURE, GALLEY

### Roof Locker, 19' Signature Galley, Wenge

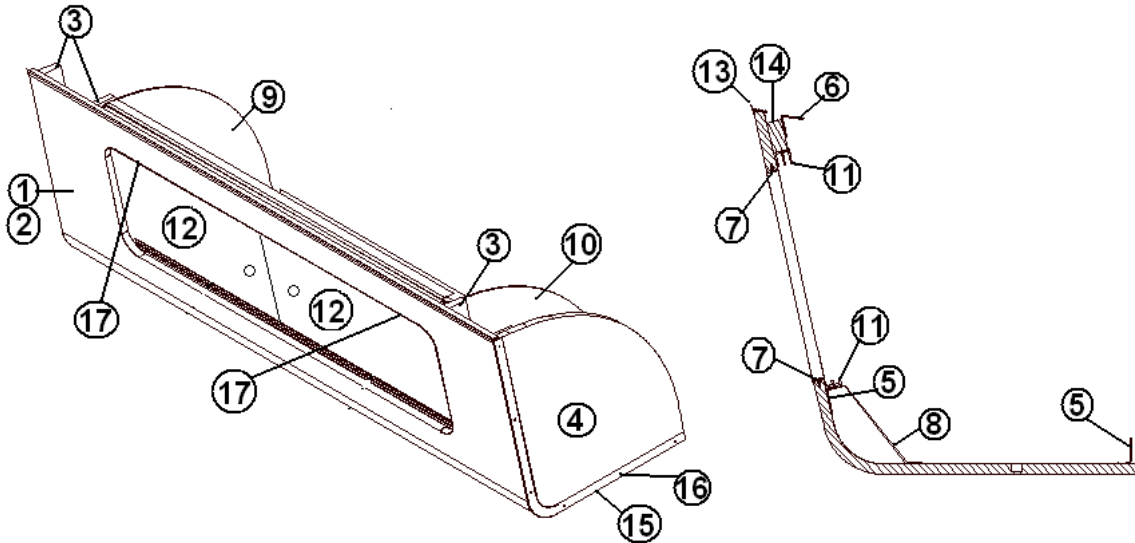


966958	LOCKER ASSY, GALLEY
1. 801733	LOCKER FACE, GALLEY
2. 801716	LAMINATE, WENGE/LINER, 17.25 X 36.75
3. 801545-02	DIVIDER (PARTIAL)
4. 966958-4	PANEL, 17.15 X 18.21
5. 115227	ANGLE, FORMED, 33"
6. 104821	SUPPORT, ROOFLOCKER, 74"
7. 203445-01	T-MOLDING, .5625" WHITE
8. 115226	BRACKET, FORMED, LOCKER CENTER
9. 801539-01	DIVIDER, GALLEY LOCKER LH
10. 801539-02	DIVIDER, GALLEY LOCKER
11. 203388	SLIDING DOOR TRACK, 56-1/5"
12. 965563-01	DOOR, PLEXGLASS 17.50"
13. 201673	COVE MOLDING, WHITE
14. 800028	PINE, 3/4" X 1-1/2"
15. 320006	SCREW, SHEET METAL 8X3/4 BH PHILIP
16. 115375	EXTRUSION, FORMED R/L END
17. 454613	SPRING, LEAF

# 2007 INTERNATIONAL TRAVEL TRAILER

## FURNITURE, GALLEY

### Roof Locker, 19' Signature Galley, Ocean Breeze

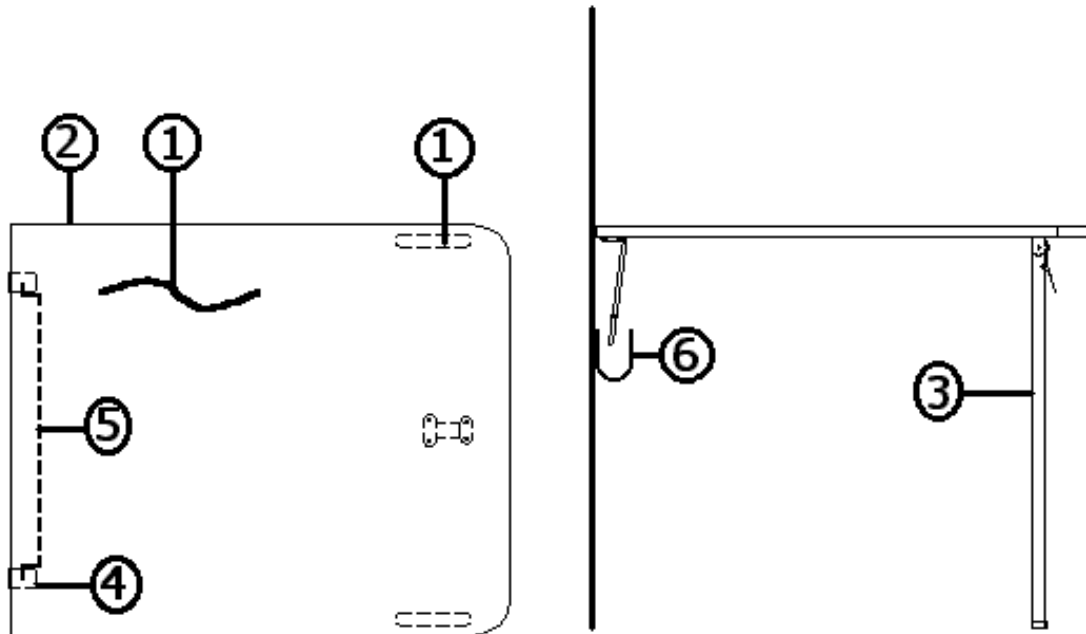


- |               |                                    |
|---------------|------------------------------------|
| 966958-01     | LOCKER ASSY, GALLEY                |
| 1. 801733     | LOCKER FACE, GALLEY                |
| 2. 966958-012 | PANEL, 17.25 X 36.75               |
| 3. 801545-02  | DIVIDER (PARTIAL)                  |
| 4. 966958-014 | LAMINATE, 17.15 X 18.21            |
| 5. 115227-03  | ANGLE, FORMED                      |
| 6. 104821     | SUPPORT, ROOFLOCKER, 74"           |
| 7. 203508-01  | T-MOLDING, .5625"                  |
| 8. 115226     | BRACKET, FORMED, LOCKER CENTER     |
| 9. 801539-01  | DIVIDER, GALLEY LOCKER LH          |
| 10. 801539-02 | DIVIDER, GALLEY LOCKER             |
| 11. 203388    | SLIDING DOOR TRACK, 56-1/5"        |
| 12. 203357-01 | DOOR, LUMICOR, 11.31" X 17.50"     |
| 13. 201673    | COVE MOLDING, WHITE                |
| 14. 800028    | PINE, 3/4" X 1-1/2"                |
| 15. 320006    | SCREW, SHEET METAL 8X3/4 BH PHILIP |
| 16. 115375    | EXTRUSION, FORMED R/L END          |
| 17. 454613    | SPRING, LEAF                       |

# 2007 INTERNATIONAL TRAVEL TRAILER

## FURNITURE, GALLEY

DINETTE TABLE, 22', 25' Sleep Six, 28'

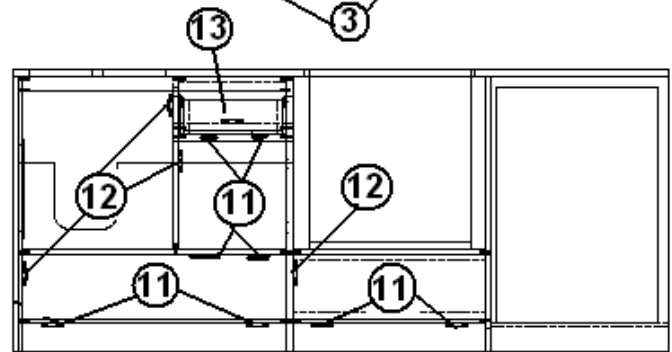
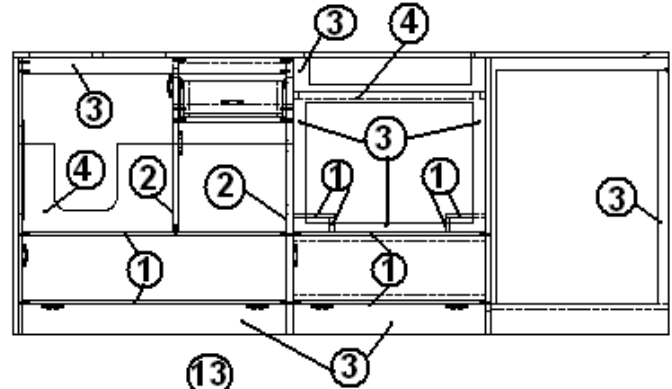
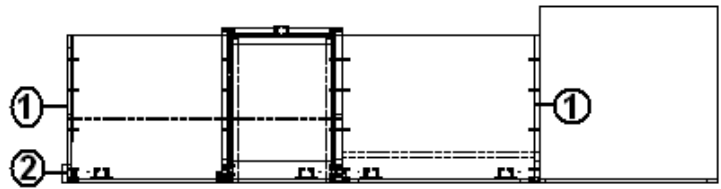
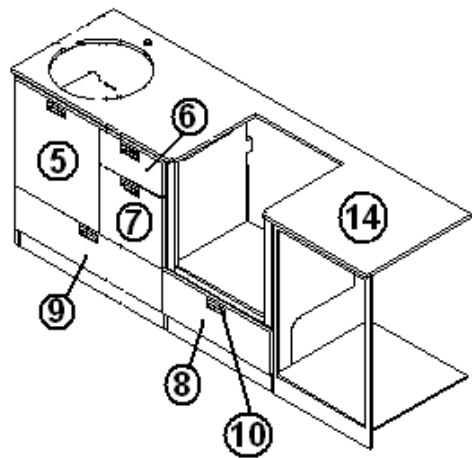
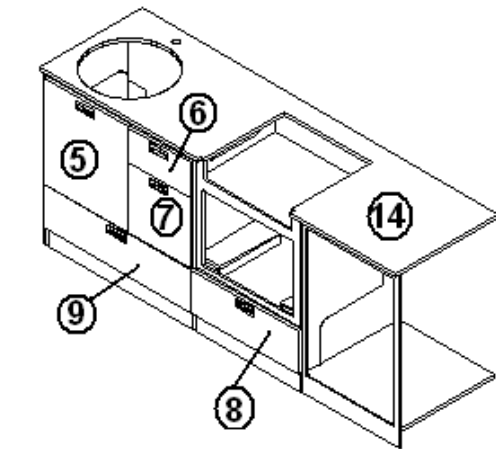


965774	Dinette Table Assembly
965774-01	Dinette Table Assembly, Ocean Breeze
1. 801369-01	Panel, Frost white/white Liner
1. 801699	Panel, Light Blue/Liner, Ocean Breeze
2. 365267	Edge tape, 1.19"
2. 115177	Trim, counter top, Ocean Breeze
3. 700065-01	Table leg, folding
4. 380284-02	Table hinge bracket
5. 380284-03	Center hinge
6. 340018	Catch plate
7. 381136	RUBBER BUMPER

# 2007 INTERNATIONAL TRAVEL TRAILER

## FURNITURE, GALLEY

GALLEY, FULL OVEN & MICROWAVE, 22'



# 2007 INTERNATIONAL TRAVEL TRAILER

## FURNITURE, GALLEY

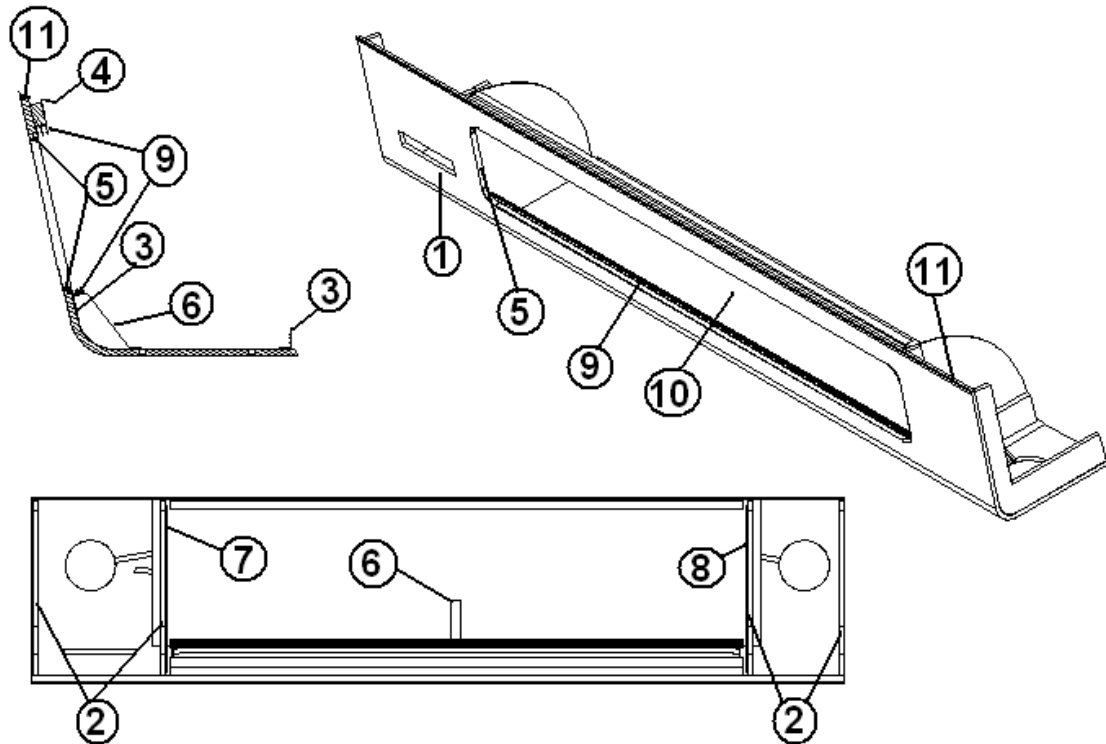
### GALLEY, FULL OVEN & MICROWAVE, 22'

966469-01	GALLEY, FULL OVEN
966469-02	GALLEY, MICROWAVE
1. 801392	PANEL-, WHITELINER/WHITELINER
2. 801368	PANEL, WHITELINER/WHITELINER
3. 801456-01	PANEL, BLACK MAPLE/WHITE
4. 801438	PANEL, FROSTY WHITE/RAW
5. 801375-01	DOOR-GALLEY 19.63" X 21.25"
6. 801375-02	DOOR-GALLEY 14.38" X 7.00"
7. 801375-03	DOOR-GALLEY 14.38" X 14.13"
8. 801375-05	DOOR-GALLEY 25.13" X 8.69"
9. 801375-06	DOOR-GALLEY 34.13" X 8.69"
10 381775	DRAWER PULL-FLUSH SATIN
11. 381607	HINGE ASSY-GRASS EURO
12. 381228-01	CATCH GRABBER DOOR
13. 965553-01	DRAWER BOX, 4.38" X 12.5" X 17"
14. 381773-11	DRAWER SLIDE, 4.63" X 18.5" (PAIR)
15. 965526-01	TOP-GALLEY ASSY 3-BURN W/OVEN
115064	TRIM, ALUM COUNTER TOP
365278-01	EDGE BANDING-BLACK MAPLE 1.13"
365278-03	EDGE BANDING-BLACK MAPLE .625"

# 2007 INTERNATIONAL TRAVEL TRAILER

## FURNITURE, GALLEY

### Roof Locker, Galley, 22'

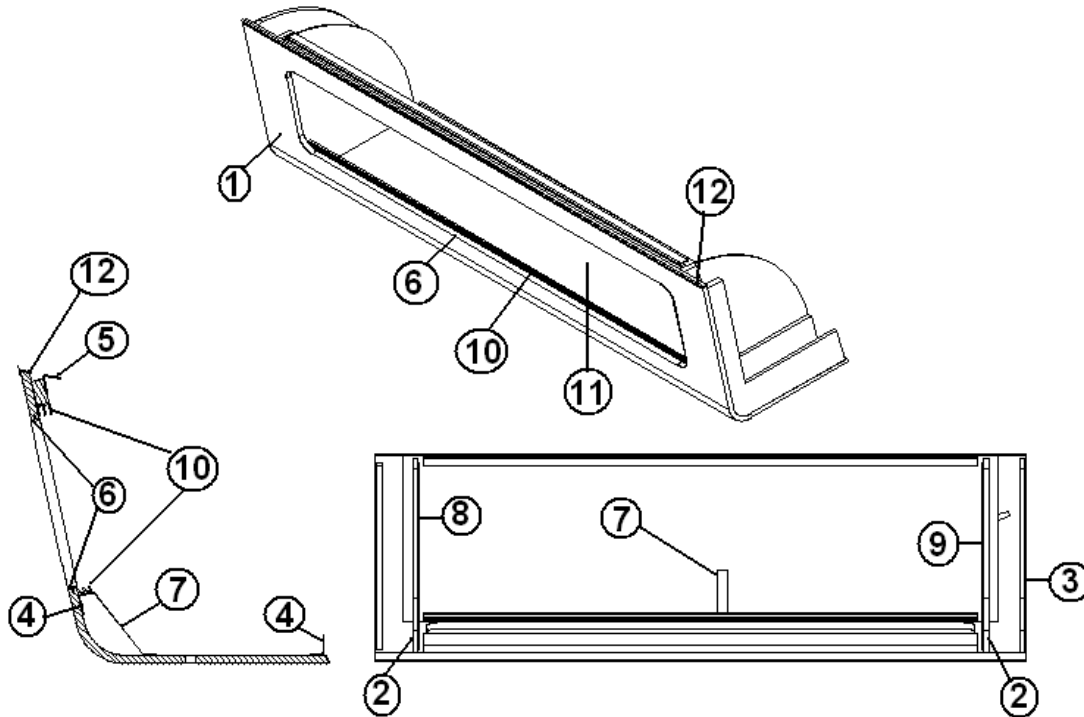


- |               |                                |
|---------------|--------------------------------|
| 966190        | Galley Roof Locker             |
| 1. 801542-01  | Locker face, galley            |
| 2. 801545-02  | Divider, partial               |
| 3. 115227-01  | Angled, formed, 58.50"         |
| 4. 104821     | Roof locker support, 74"       |
| 5. 203508-01  | T-trim, 9/16", wood grain      |
| 6. 115226     | Bracket, locker center support |
| 7. 801539-01  | Divider, LH, galley            |
| 8. 801539-02  | Divider, RH, galley            |
| 9. . 381245   | Sliding door track             |
| 10. 965563-08 | Door, sliding Plexiglas        |
| 11. 201673    | Cove molding, Ivory, plastic   |

# 2007 INTERNATIONAL TRAVEL TRAILER

## FURNITURE, GALLEY

### Roof Locker, Galley, 25' Sleep Six



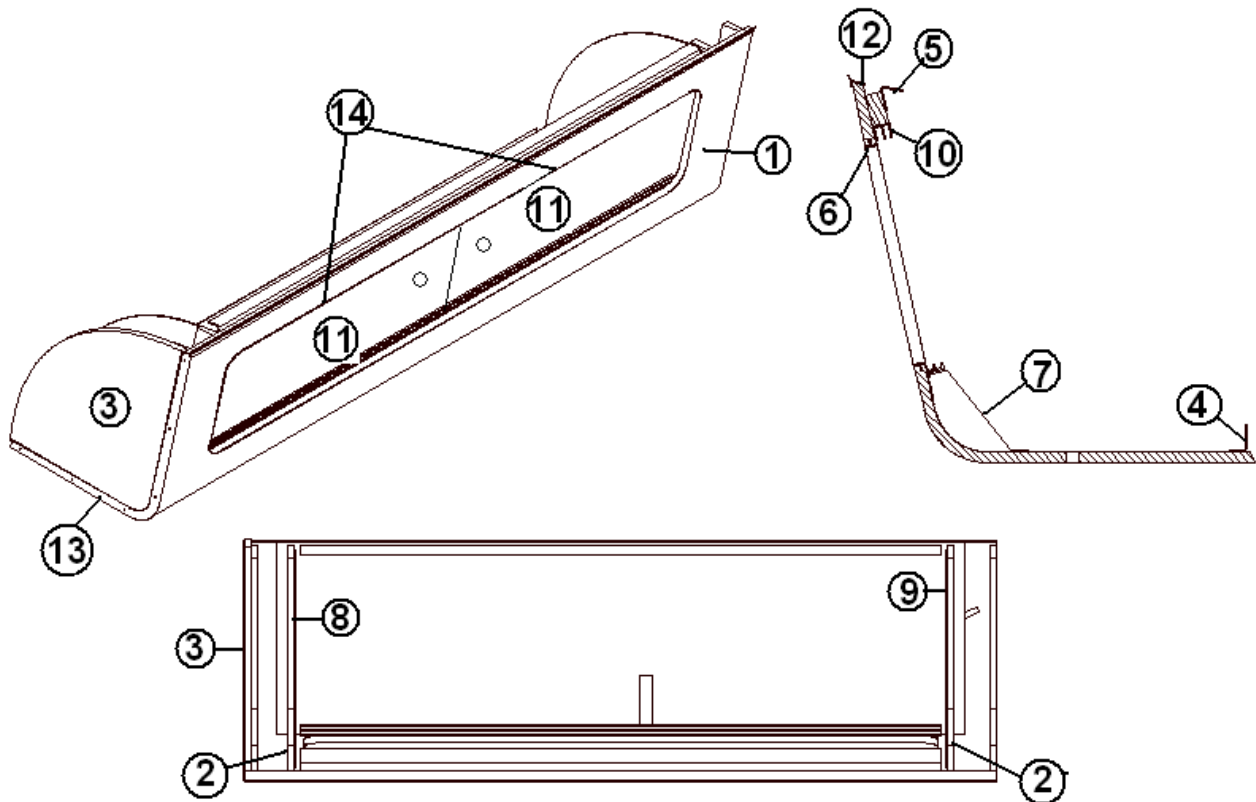
- |               |                                       |
|---------------|---------------------------------------|
| 966197        | Galley Roof Locker                    |
| 1. 801542-06  | Locker face, galley                   |
| 2. 801545-02  | Divider, partial                      |
| 3. 801545-01  | Divider, full                         |
| 4. 115227-02  | Angled, formed, 50.50"                |
| 5. 104821     | Roof locker support, 74"              |
| 6. 203508-01  | T-trim, 9/16", wood grain             |
| 7. 115226     | Bracket, locker center support        |
| 8. 801539-01  | Divider, LH, galley                   |
| 9. 801539-02  | Divider, RH, galley                   |
| 10. 381245    | Sliding door track                    |
| 11. 965563-09 | Door, sliding Plexiglas               |
| 11. 203357-02 | Door, sliding Plexiglas, Ocean Breeze |
| 12. 201673    | Cove molding, Ivory, plastic          |



# 2007 INTERNATIONAL TRAVEL TRAILER

## FURNITURE, GALLEY

Roof Locker, 25' Sleep Six Signature, Galley, Wenge

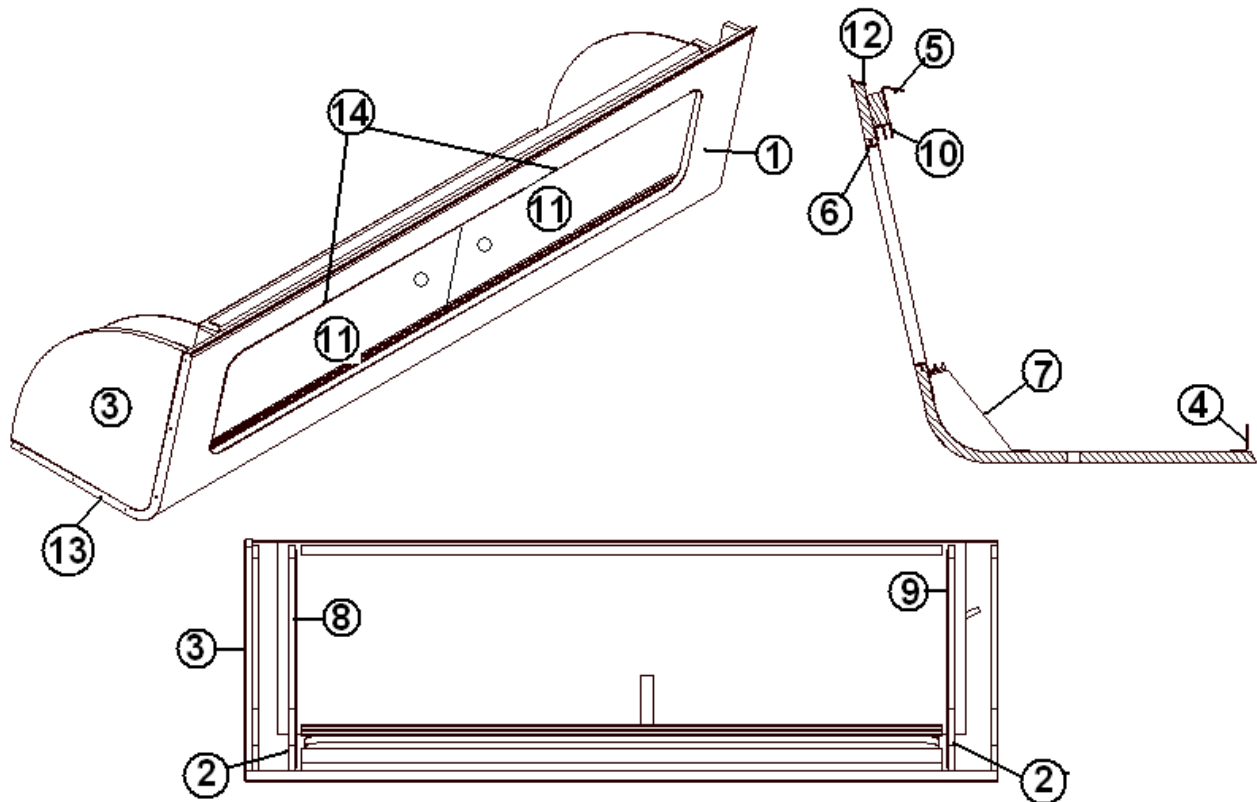


967030	LOCKER ASSY, GALLEY
1. 801741	LOCKER FACE, GALLEY
2. 801545-02	DIVIDER PARTIAL
3. 115227-02	ANGLE, FORMED, LOCKER TRACK SUPPORT
4. 967030-4	DIVIDER, FULL
5. 104821	SUPPORT, ROOFLOCKER, 74"
6. 203445-01	T-MOLDING, .5625" WHITE
7. 115226	BRACKET, LOCKER CENTER SUPPORT
8. 801539-01	DIVIDER, GALLEY LOCKER LH
9. 801539-02	DIVIDER, GALLEY LOCKER
10. 203388	SLIDING DOOR TRACK, 56-1/5"
11. 965563-09	DOOR, SLIDING 11.31"X 26"
12. 201673	REVERSE COVE MOLDING, WHITE
13. 115375	EXTRUSION, FORMED R/L END
14. 454613	SPRING, LEAF R/L

# 2007 INTERNATIONAL TRAVEL TRAILER

## FURNITURE, GALLEY

Roof Locker, 25' Sleep Six Signature, Galley, Ocean Breeze

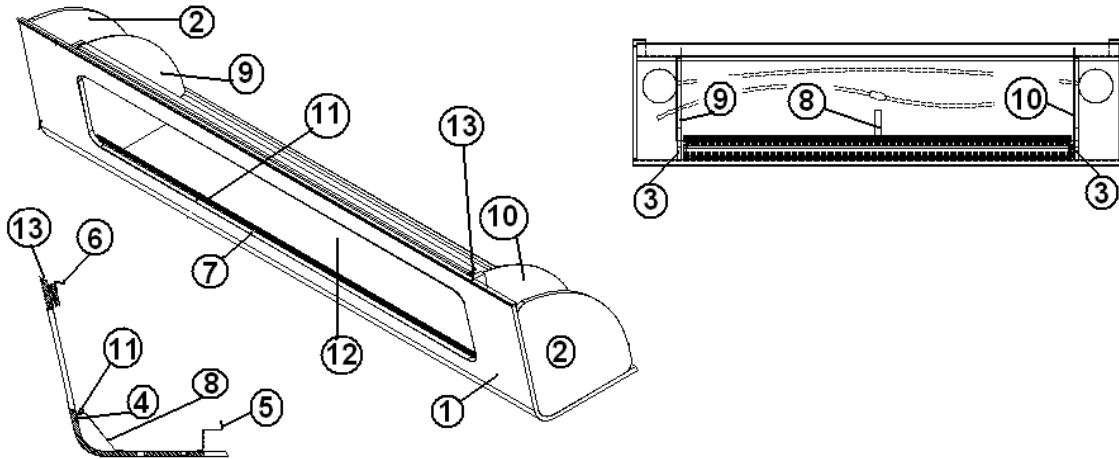


- |               |                                     |
|---------------|-------------------------------------|
| 967030-01     | LOCKER ASSY, GALLEY                 |
| 1. 801741-01  | LOCKER FACE, GALLEY                 |
| 2. 801545-02  | DIVIDER PARTIAL                     |
| 3. 115227-02  | ANGLE, FORMED, LOCKER TRACK SUPPORT |
| 4. 967030-014 | DIVIDER, FULL                       |
| 5. 104821     | SUPPORT, ROOFLOCKER, 74"            |
| 6. 203508-01  | T-MOLDING, .5625"                   |
| 7. 115226     | BRACKET, LOCKER CENTER SUPPORT      |
| 8. 801539-01  | DIVIDER, GALLEY LOCKER LH           |
| 9. 801539-02  | DIVIDER, GALLEY LOCKER              |
| 10. 203388    | SLIDING DOOR TRACK, 56-1/5"         |
| 11. 203357-02 | DOOR, SLIDING 11.31"X 30"           |
| 12. 201673    | REVERSE COVE MOLDING, WHITE         |
| 13. 115375    | EXTRRUSION, FORMED R/L END          |
| 14. 454613    | SPRING, LEAF R/L                    |

# 2007 INTERNATIONAL TRAVEL TRAILER

## FURNITURE, GALLEY

### Roof Locker, Dinette, 22'

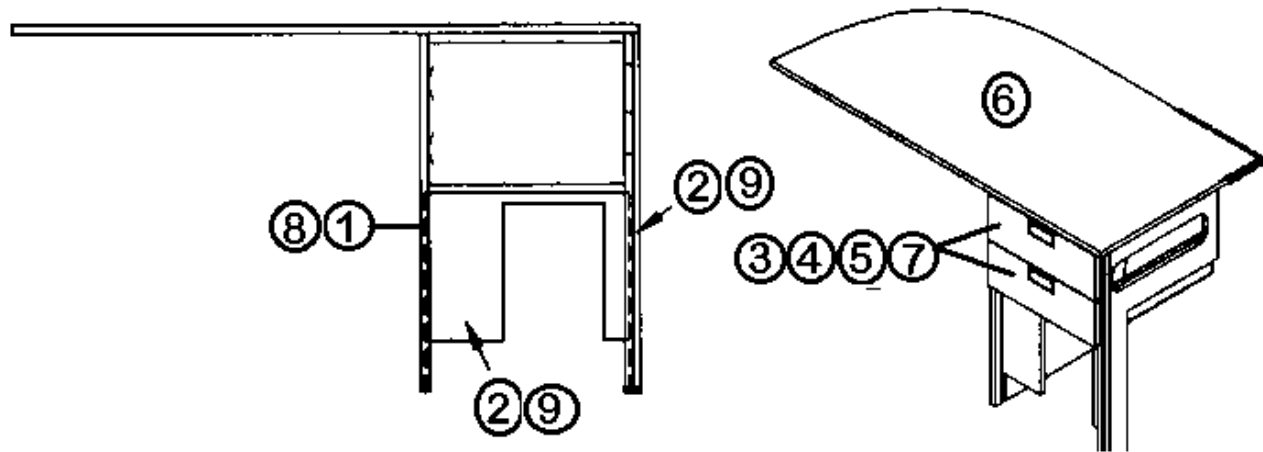


966195	Dinette Roof Locker
1. 801542-02	Locker face, dinette
2. 801545-01	Divider, full
3. 801545-03	Divider, partial, short
4. 115227-01	Angled, formed, 58.50"
5. 115228-01	Blind close out, formed
6. 104821	Roof locker support, 74"
7. 203508-01	T-trim, 9/16", wood grain
8. 115226	Bracket, locker center support
9. 801540-01	Divider, LH, dinette
10. 801540-02	Divider, RH, dinette
11. 381245	Sliding door track
12. 965563-08	Door, sliding Plexiglas
13. 201673	Cove molding, Ivory, plastic

# 2007 INTERNATIONAL TRAVEL TRAILER

## FURNITURE, GALLEY

### DESK ASSEMBLY 22'

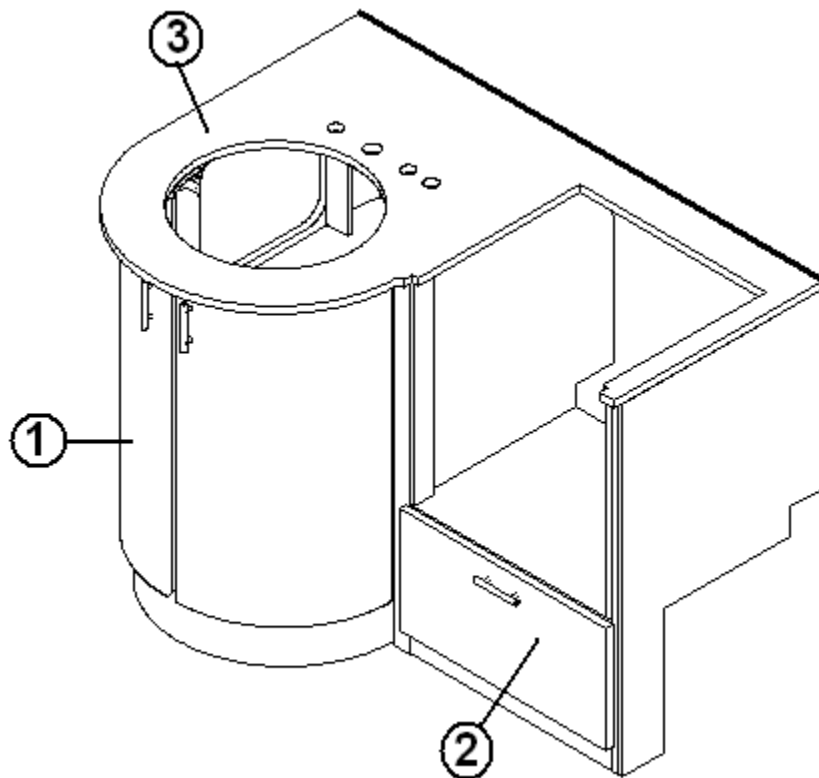


965535	Desk Assembly
1. 801369	Panel, Rexel, Frosty white/white
2. 801351	Lite plywood
3. 801375-07	Door, 6.25" x 17.13", Frosty white
4. 965553-04	Drawer box assembly, 4.38" x 15.25" x 17.63"
5. 381775	Drawer pull
6. 965540	Desk top assembly
7. 381948	Clip, locking drawer
8. 365369	PANEL, FROSTY WHITE/WHITE LINER
9. 365267	EDGE BANDING-1.13"
381209-01	GROMMET-W/CAP BLACK 1.5" HOLE
381773-11	DRAWER SLIDE-4.63" X 18.5" (PAIR)
365278-02	EDGE BANDING-BLK MAPLE 1.625"
365267	EDGE BANDING-1.13"
115064	TRIM-ALUM COUNTER TOP

# 2007 INTERNATIONAL TRAVEL TRAILER

## FURNITURE, GALLEY

Galley, 23' D Signature, Wenge

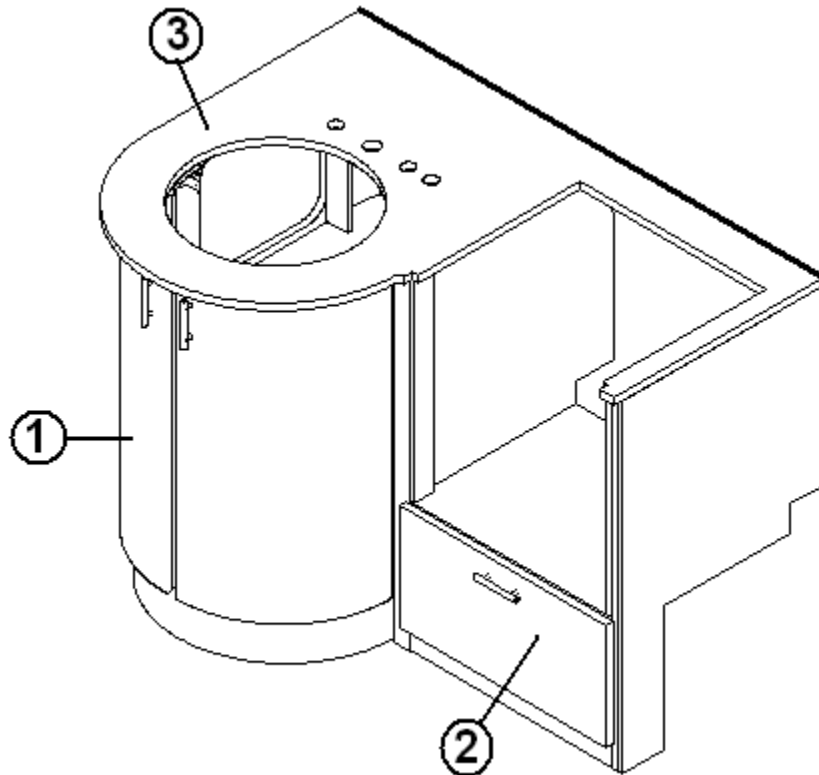


966946	GALLEY ASSY 23D
1. 966943	GALLEY, FWD SECTION
2. 966944	GALLEY, AFT SECTION
3. 966945	TOP ASSY, GALLEY
601806	SINK, S.S. ROUND GALLEY
602158	FAUCET, GALLEY ELKAY
601714-01	TAIL PIECE, 1-1/2X4"(GALLEY DRAIN)
601714-02	1½" SLIP NUT W/WINGS
601714-03	1½" BLACK RUBBER WASHER

# 2007 INTERNATIONAL TRAVEL TRAILER

## FURNITURE, GALLEY

Galley, 23' D Signature, Ocean Breeze

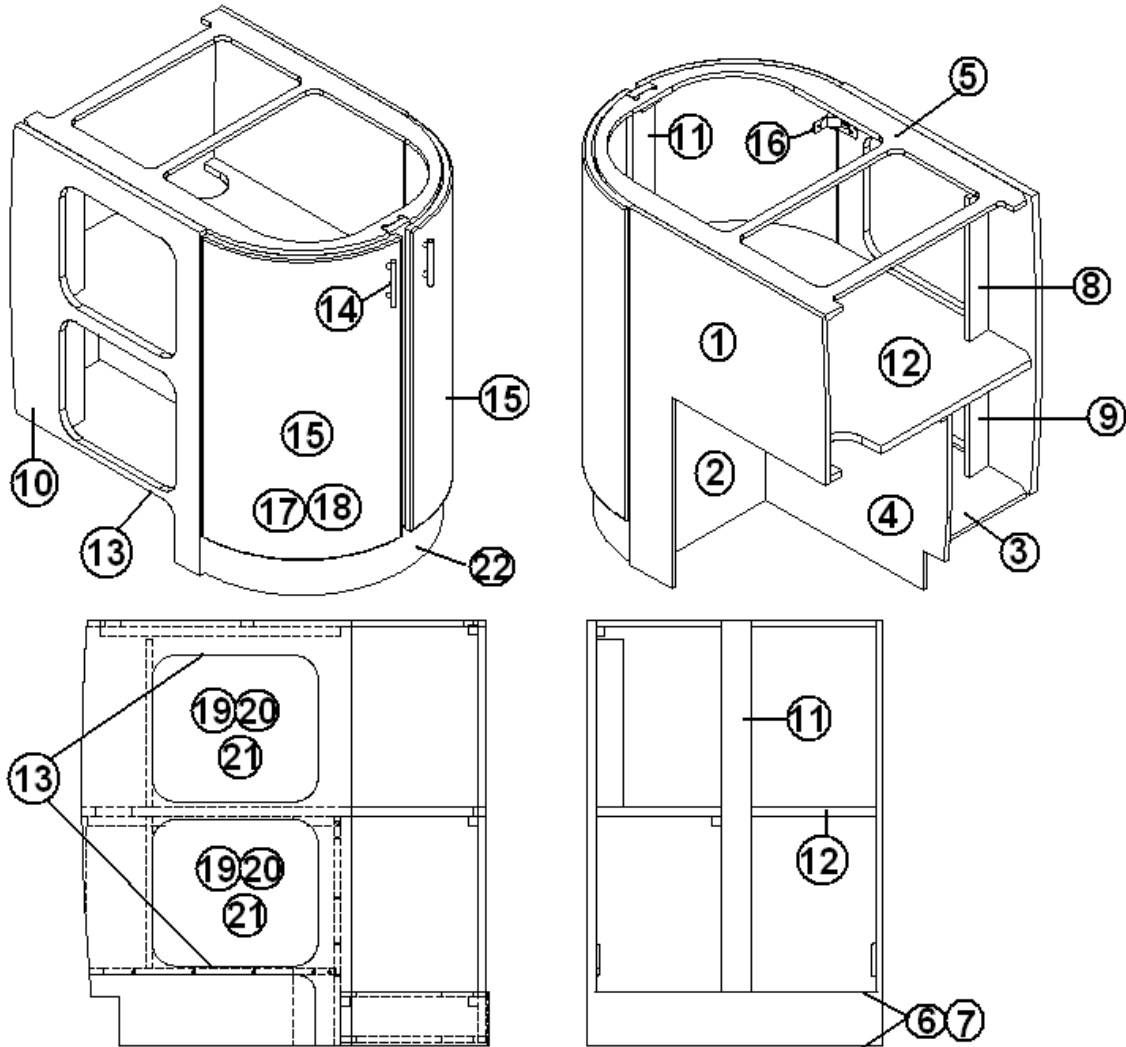


- |              |                                    |
|--------------|------------------------------------|
| 966946-01    | GALLEY ASSY 23' D                  |
| 1. 966943-01 | GALLEY, FWD SECTION                |
| 2. 966944-01 | GALLEY, AFT SECTION                |
| 3. 966945-01 | TOP ASSY, GALLEY                   |
| 601806       | SINK, S.S. ROUND GALLEY            |
| 602158       | FAUCET, GALLEY ELKAY               |
| 601714-01    | TAIL PIECE, 1-1/2X4"(GALLEY DRAIN) |
| 601714-02    | 1 1/2" SLIP NUT W/WINGS            |
| 601714-03    | 1 1/2" BLACK RUBBER WASHER         |

# 2007 INTERNATIONAL TRAVEL TRAILER

## FURNITURE, GALLEY

Galley, 23' D Signature, Forward Section, Wenge



Part Numbers are on the Next page

# 2007 INTERNATIONAL TRAVEL TRAILER

## FURNITURE, GALLEY

Galley, 23' D Signature, Forward Section, Wenge

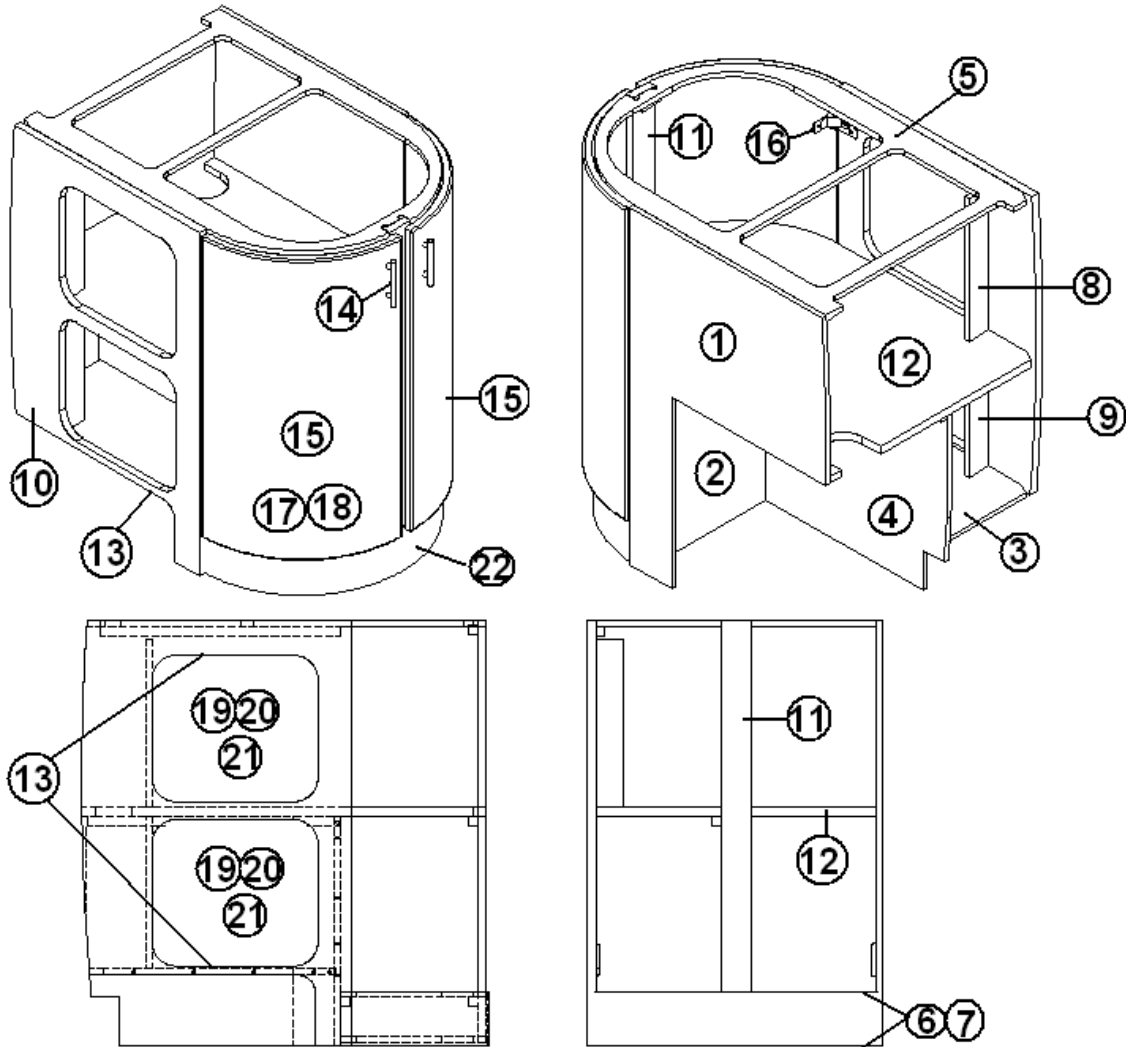
966943	GALLEY, FORWARD SECTION
1. 966943-1	PANEL, 35.5 X 22.14
2. 966943-2	PANEL, 23.83 X 19.13
3. 966943-3	PANEL, 20.5 X 9.25
4. 966943-4	PANEL, 19.13 X 20.82
5. 966943-5	PANEL, 24.91X33.87
6. 966943-6	PANEL, 23.5 X 12.19
7. 966943-7	PANEL, 23.5 X 12.19
8. 966943-8	PANEL, 14.13 X 2.25
9. 966943-9	PANEL, 12.75 X 2.25
10. 966943-10	PANEL, 35.5 X 22.57
11.966943-11	PANEL, 2.44 X 35.5
12.966943-12	PANEL, 24.91 X 33.87
13.203445	T-MOLDING, BLACK FLEXIBLE POLY .5
14.382029-00	HANDLE-BAR 7.48"
15.966474-01	DOOR, RADIUS FOAM, 16.26" X 31"
16.381607	HINGE ASSY
17.381808	BRACKET, FACE, MOUNT HINGE
18.381856	CATCH-TENSION 2-BALL
19.381654	HINGE-NON BORE GLASS DOOR, BLACK
20.381707	STRIKE W/PULL, GLASS DOOR, BLACK
21.371391	DOOR, GLASS, 11.56" X 13.06"
22.115309	TOE KICK, GALLEY ALUMINUM



# 2007 INTERNATIONAL TRAVEL TRAILER

## FURNITURE, GALLEY

Galley, 23' D Signature, Forward Section, Ocean Breeze



Part Numbers are on the Next page

# 2007 INTERNATIONAL TRAVEL TRAILER

## FURNITURE, GALLEY

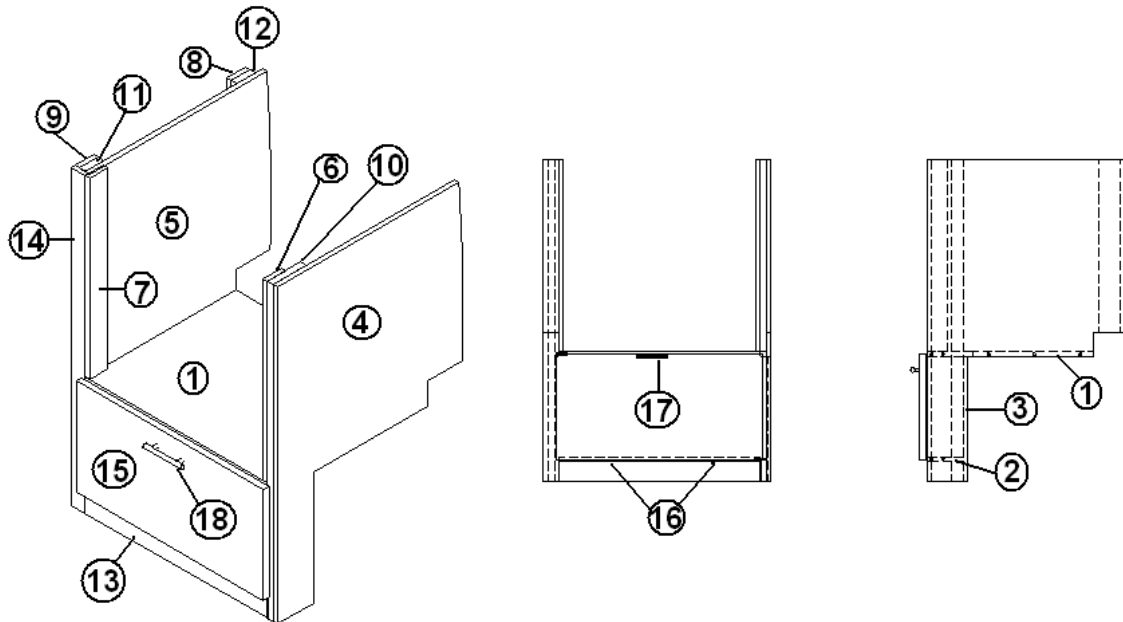
Galley, 23' D Signature, Forward Section, Ocean Breeze

966943-01	GALLEY FWD SECTION
1. 966943-011	PANEL, 35.5 X 22.14
2. 966943-012	PANEL, 23.83 X 19.13
3. 966943-013	PANEL, 20.5 X 9.25
4. 966943-014	PANEL, 19.13 X 20.82
5. 966943-015	PANEL, 24.91X33.87
6. 966943-016	PANEL, 23.5 X 12.19
7. 966943-017	PANEL, 23.5 X 12.19
8. 966943-018	PANEL, 14.13 X 2.25
9. 966943-019	PANEL, 12.75 X 2.25
10. 966943-0110	PANEL, 35.5 X 22.57
11. 966943-0111	PANEL, 2.44 X 35.5
12. 966943-0112	PANEL, 24.91 X 33.87
13. 203508-01	T-MOLDING, PLY
14. 382008	PULL, CABINET DOOR, BAMBOO
15. 966779	DOOR, RADIUS, 16.26" X 31"
16. 381607	HINGE ASSY
17. 381607-07	BRACKET-BLIND CORNER 90D
18. 381856	CATCH-TENSION 2-BALL
19. 381654	HINGE, GLASS DOOR, BLACK
20. 381707	STRIKE, GLASS DOOR, BLACK
21. 371391	DOOR, GLASS, 11.56" X 13.06"
22. 115309	TOE KICK, GALLEY ALUMINUM

# 2007 INTERNATIONAL TRAVEL TRAILER

## FURNITURE, GALLEY

Galley, 23' D Signature, Aft Section, Wenge

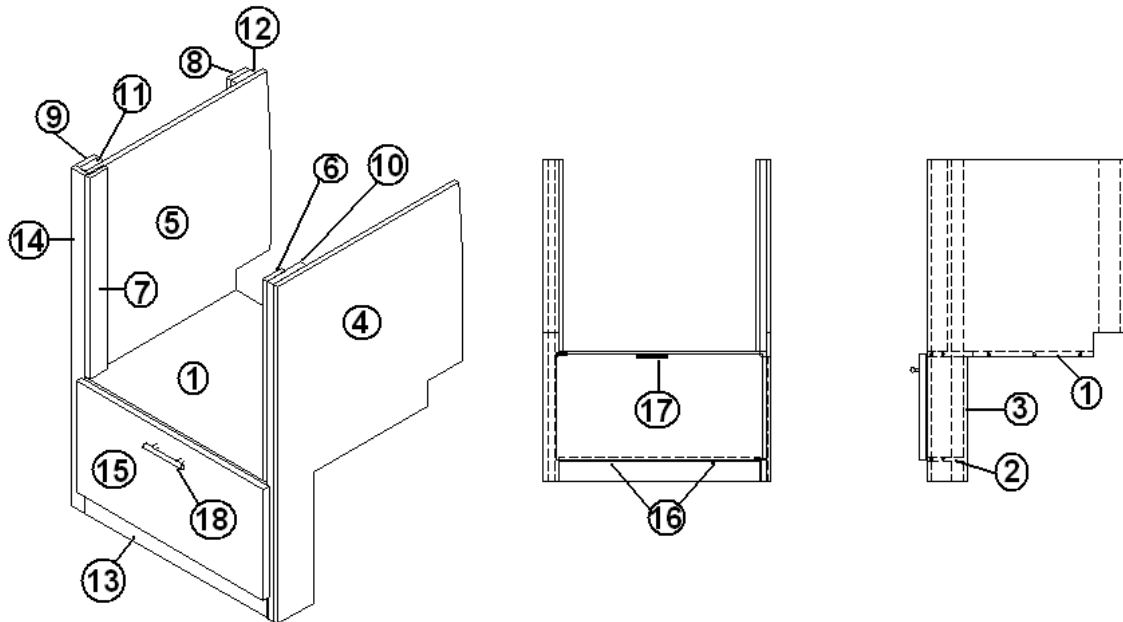


966944	GALLEY AFT SECTION
1. 966944-1	PANEL, 18.36 X 22.87
2. 966944-2	PANEL, 22.13 X 4.00
3. 966944-3	PANEL, 23.46 X 13.81
4. 966944-4	PANEL, 22.58 X 35.5
5. 966944-5	PANEL, 22.08 X 35.5
6. 966944-6	PANEL, 2.25 X 21.19
7. 966944-7	PANEL, 2.25 X 21.19
8. 966944-8	PANEL, 2.25 X 19.00
9. 966944-9	PANEL, 2.25 X 35.5
10. 966944-10	PANEL, 4.00 X 35.5
11. 966944-11	PANEL, 2.25 X 35.50
12. 966944-12	PANEL, 2.25 X 19.00
13. 966944-13	PANEL, 2.25 X 22.13
14. 966944-14	PANEL, 1.81 X 35.50
15. 966944-15	DOOR, GALLEY 22.81 X 11.69
16. 381607	HINGE ASSY
17. 381228-01	CATCH, GRABBER, DOOR
18. 382029-05	HANDLE BAR, 21.33"

# 2007 INTERNATIONAL TRAVEL TRAILER

## FURNITURE, GALLEY

Galley, 23' D Signature, Aft Section, Ocean Breeze

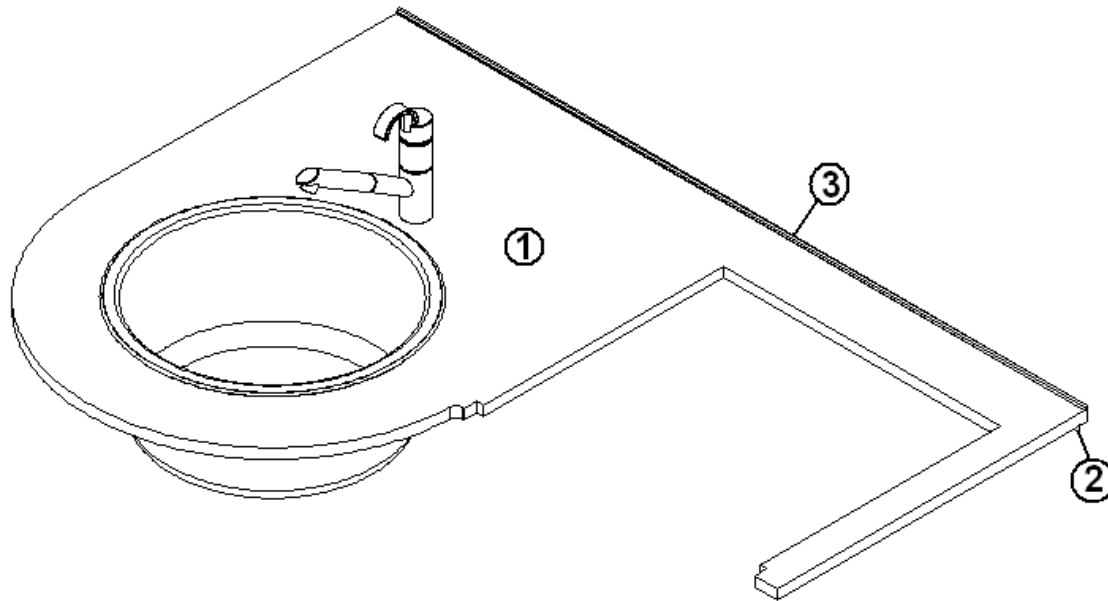


966944-01	GALLEY AFT SECTION
1. 966944-011	PANEL, 18.36 X 22.87
2. 966944-012	PANEL, 22.13 X 4.00
3. 966944-013	PANEL, 23.46 X 13.81
4. 966944-014	PANEL, 22.58 X 35.5
5. 966944-015	PANEL, 22.08 X 35.5
6. 966944-016	PANEL, 2.25 X 21.19
7. 966944-017	PANEL, 2.25 X 21.19
8. 966944-018	PANEL, 2.25 X 19.00
9. 966944-019	PANEL, 2.25 X 35.5
10. 966944-0110	PANEL, 4.00 X 35.5
11. 966944-0111	PANEL, 2.25 X 35.50
12. 966944-0112	PANEL, 2.25 X 19.00
13. 966944-0113	PANEL, 2.25 X 22.13
14. 966944-0114	PANEL, 1.81 X 35.50
15. 966944-0115	DOOR, GALLEY 22.81 X 11.69
16. 381607	HINGE ASSY
17. 381228-01	CATCH, GRABBER, DOOR
18. 382008	PULL, CABINET DOOR, BAMBOO

# 2007 INTERNATIONAL TRAVEL TRAILER

## FURNITURE, GALLEY

Galley Top, 23' D Signature, Wenge

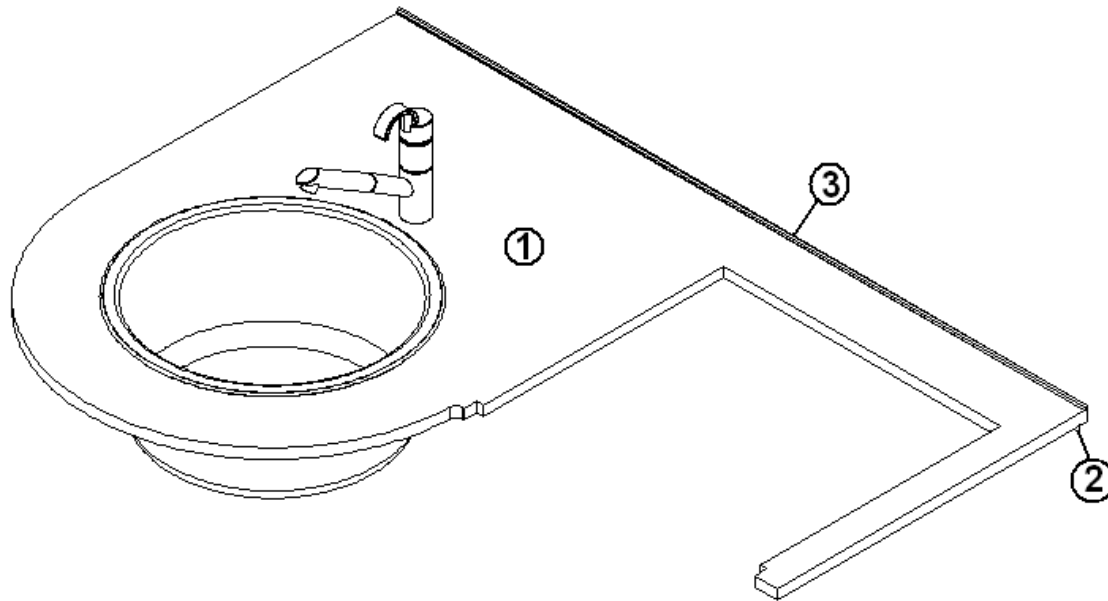


- |             |                                 |
|-------------|---------------------------------|
| 966945      | TOP ASSY, GALLEY                |
| 1. 966945-1 | PANEL, GALLEY TOP, 36.61 X 51.0 |
| 2. 114812   | ALUM.INUM ANGLE, 1.00 X 1.00    |
| 3. 115064   | TRIM, ALUMINUM COUNTER TOP      |

# 2007 INTERNATIONAL TRAVEL TRAILER

## FURNITURE, GALLEY

Galley Top, 23' D Signature, Ocean Breeze



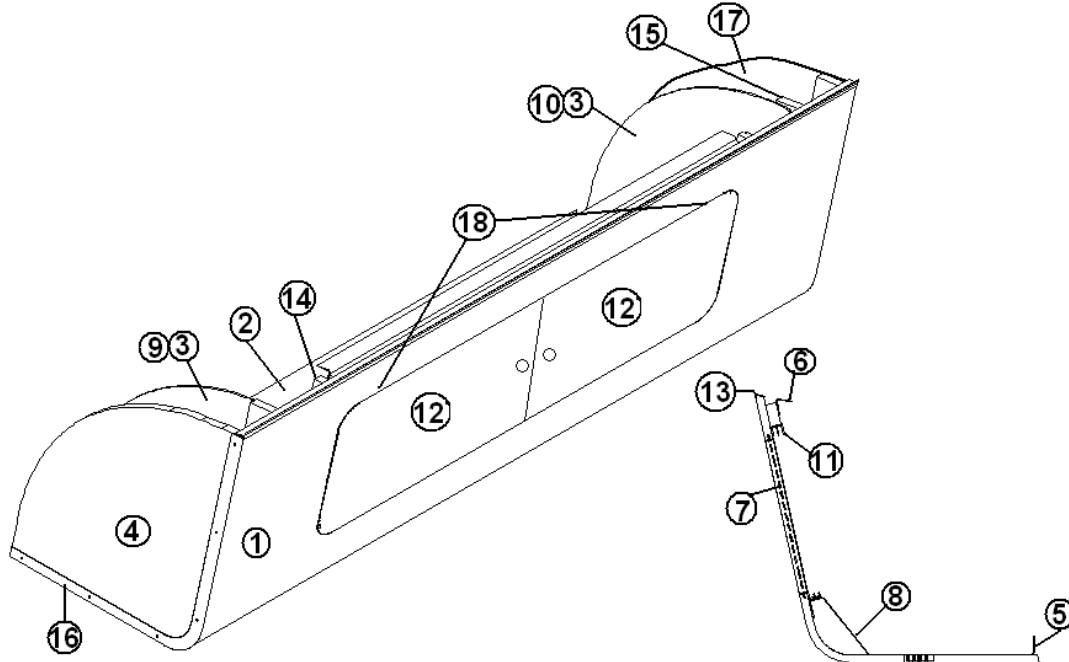
- 966945-01
- 1. 966945-011
- 2. 114812
- 3. 115064

TOP ASSY, GALLEY  
PANEL, GALLEY TOP, 36.61 X 51.0  
ALUM.INUM ANGLE, 1.00 X 1.00  
TRIM, ALUMINUM COUNTER TOP

# 2007 INTERNATIONAL TRAVEL TRAILER

## FURNITURE, GALLEY

Roof Locker, 23' D Signature, Galley, Wenge

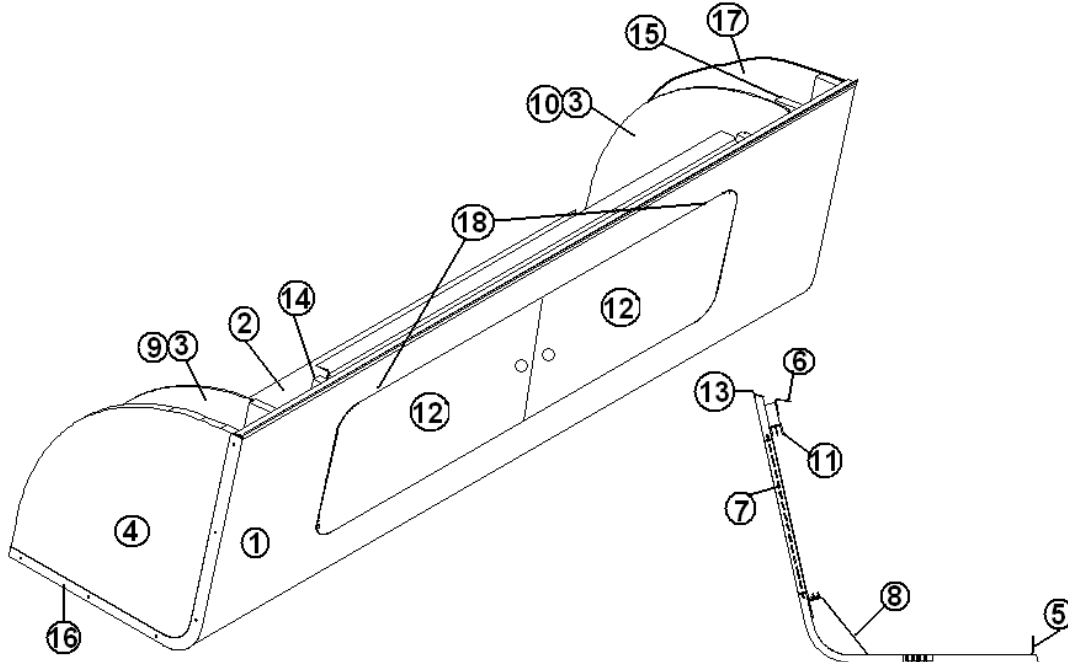


- |               |                                   |
|---------------|-----------------------------------|
| 966947        | LOCKER ASSY, GALLEY               |
| 1. 801542-13  | LOCKER FACE, GALLEY               |
| 2. 966947-1   | PANEL, 17.25 X 45.00              |
| 3. 801545-05  | DIVIDER (PARTIAL) W/RANGE VENT    |
| 4. 966947-4   | PANEL, 18.31 X 17.28              |
| 5. 115227-03  | ANGLE, FORMED, 41"                |
| 6. 104821     | SUPPORT, ROOFLCKER, 74"           |
| 7. 203445-01  | T-MOLDING, .5625" WHITE           |
| 8. 115226     | BRACKET, FORMED, LOCKER CENTER    |
| 9. 801539-01  | DIVIDER, GALLEY LOCKER LH         |
| 10. 801539-02 | DIVIDER, GALLEY LOCKER            |
| 11. 203388    | SLIDING DOOR TRACK, 56-1/5"       |
| 12. 965563-01 | DOOR, PLEXGLASS 17.50"            |
| 13. 201673    | COVE MOLDING, WHITE               |
| 14. 966947-16 | PANEL, GALLEY LOCKER 1.00 X 15.56 |
| 15. 966947-17 | PANEL, GALLEY LOCKER 1.00 X 15.56 |
| 16. 201173    | WHITE ROOFLCKER END CAP           |
| 17. 801545-01 | DIVIDER, ROOF LOCKER, FULL        |
| 18. 454613    | SPRING, LEAF                      |

# 2007 INTERNATIONAL TRAVEL TRAILER

## FURNITURE, GALLEY

Roof Locker, 23' D Signature, Galley, Ocean Breeze



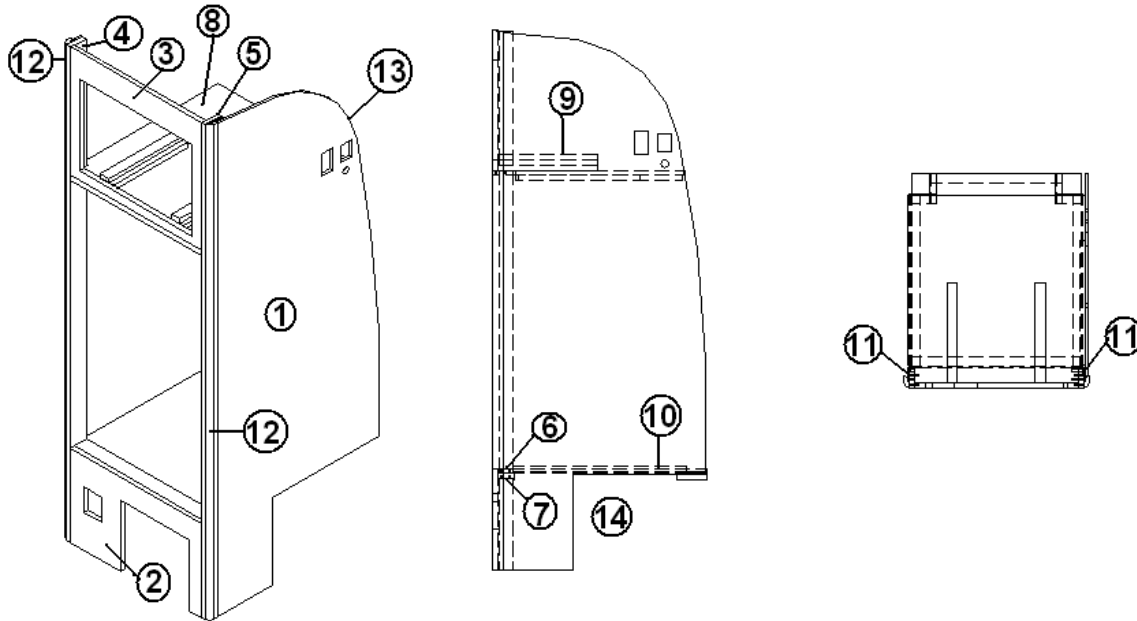
- |                 |                                   |
|-----------------|-----------------------------------|
| 966947-01       | LOCKER ASSY, GALLEY               |
| 1. 801542-13    | LOCKER FACE, GALLEY               |
| 2. 966947-011   | PANEL, 17.25 X 45.00              |
| 3. 801545-05    | DIVIDER (PARTIAL) W/RANGE VENT    |
| 4. 966947-014   | PANEL, 18.31 X 17.28              |
| 5. 115227-03    | ANGLE, FORMED, 41"                |
| 6. 104821       | SUPPORT, ROOFLCKER, 74"           |
| 7. 203445-01    | T-MOLDING, .5625" WHITE           |
| 8. 115226       | BRACKET, FORMED, LOCKER CENTER    |
| 9. 801539-01    | DIVIDER, GALLEY LOCKER LH         |
| 10. 801539-02   | DIVIDER, GALLEY LOCKER            |
| 11. 203388      | SLIDING DOOR TRACK, 56 1/5"       |
| 12. 203357-01   | DOOR, LUMICOR, 11.31" X 17.5"     |
| 13. 201673      | COVE MOLDING, WHITE               |
| 14. 966947-0116 | PANEL, GALLEY LOCKER 1.00 X 15.56 |
| 15. 966947-0117 | PANEL, GALLEY LOCKER 1.00 X 15.56 |
| 16. 201173      | WHITE ROOFLCKER END CAP           |
| 17. 801545-01   | DIVIDER, ROOF LOCKER, FULL        |
| 18. 454613      | SPRING, LEAF                      |



# 2007 INTERNATIONAL TRAVEL TRAILER

## FURNITURE, GALLEY

### Refrigerator/Microwave Cabinet, 23' D Signature, Wenge

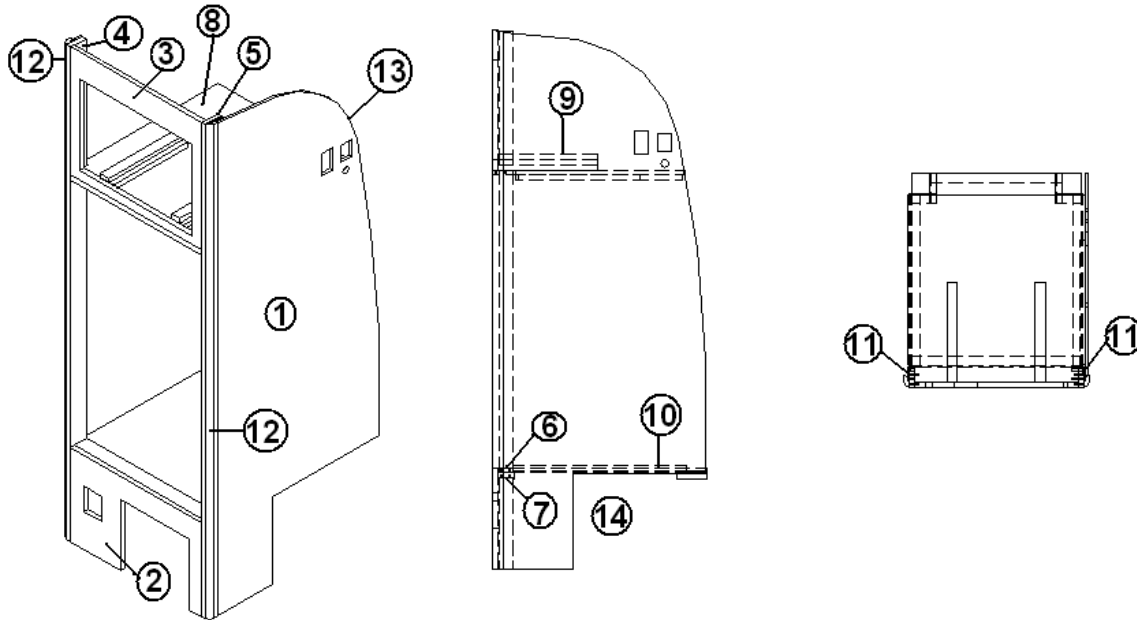


966948	CABINET ASSY REFER/MICRO
1. 966948-1	PANEL, 29.65 X 78
2. 966948-2	PANEL, 23.94 X 14.88
3. 966948-3	PANEL, 23.94 X 20.39
4. 966948-4	PANEL, 3.0 X 78.65
5. 966948-5	PANEL, 3.0 X 78.65
6. 966948-6	PANEL, 2.25 X 23.94
7. 966948-7	PANEL, 2.25 X 23.94
8. 966948-8	PANEL, 25.94 X 28.05
9. 800506-06	PANEL, PLYWOOD, 3/4" X 1.5 X 14.50
10. 800506-04	PANEL, PLYWOOD, 1/2" X 24.75 X 28.25
11. 800507-02	PANEL, LAUAN, 1/4" X 2.125 X 78.53
12. 801706-0016	CORNER TRIM 90 DEGREE, 1" RADIUS
13. 203138-05	EXTRUSION, PLASTIC, 1/2" WALL BLACK
14. 966811	STAND, REFRIGERATOR
381209-01	GROMMET W/CAP BLACK, 1.5"HOLE

# 2007 INTERNATIONAL TRAVEL TRAILER

## FURNITURE, GALLEY

### Refrigerator/Microwave Cabinet, 23' D Signature, Ocean Breeze

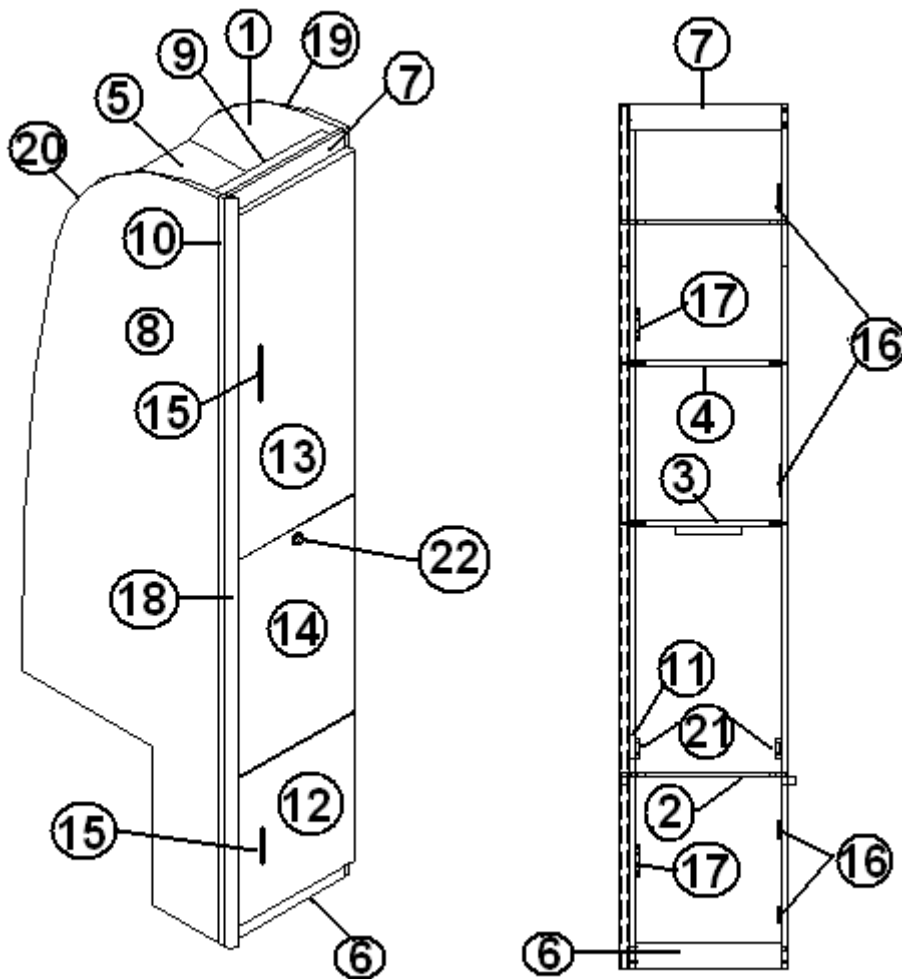


966948-01	CABINET ASSY REFER/MICRO
1. 966948-011	PANEL, 29.65 X 78
2. 966948-012	PANEL, 23.94 X 14.88
3. 966948-013	PANEL, 23.94 X 20.39
4. 966948-014	PANEL, 3.0 X 78.65
5. 966948-015	PANEL, 3.0 X 78.65
6. 966948-016	PANEL, 2.25 X 23.94
7. 966948-017	PANEL, 2.25 X 23.94
8. 966948-018	PANEL, 25.94 X 28.05
9. 800506-06	PANEL, PLYWOOD, 3/4" X 1.5 X 14.50
10. 800506-04	PANEL, PLYWOOD, 1/2" X 24.75 X 28.25
11. 800507-02	PANEL, LAUAN, 1/4" X 2.125 X 78.53
12. 801706-WH	CORNER TRIM, 90 DEGREE, 1" RADIUS
13. 203138-01	EXTRUSION, PLASTIC, 1/2" WHITE
14. 966811	STAND, REFRIGERATOR
381209-01	GROMMET, BLACK, 1.5" HOLE

# 2007 INTERNATIONAL TRAVEL TRAILER

## FURNITURE, GALLEY

Pantry, 23' D Signature, Wenge



Part Numbers are on the Next page

# 2007 INTERNATIONAL TRAVEL TRAILER

## FURNITURE, GALLEY

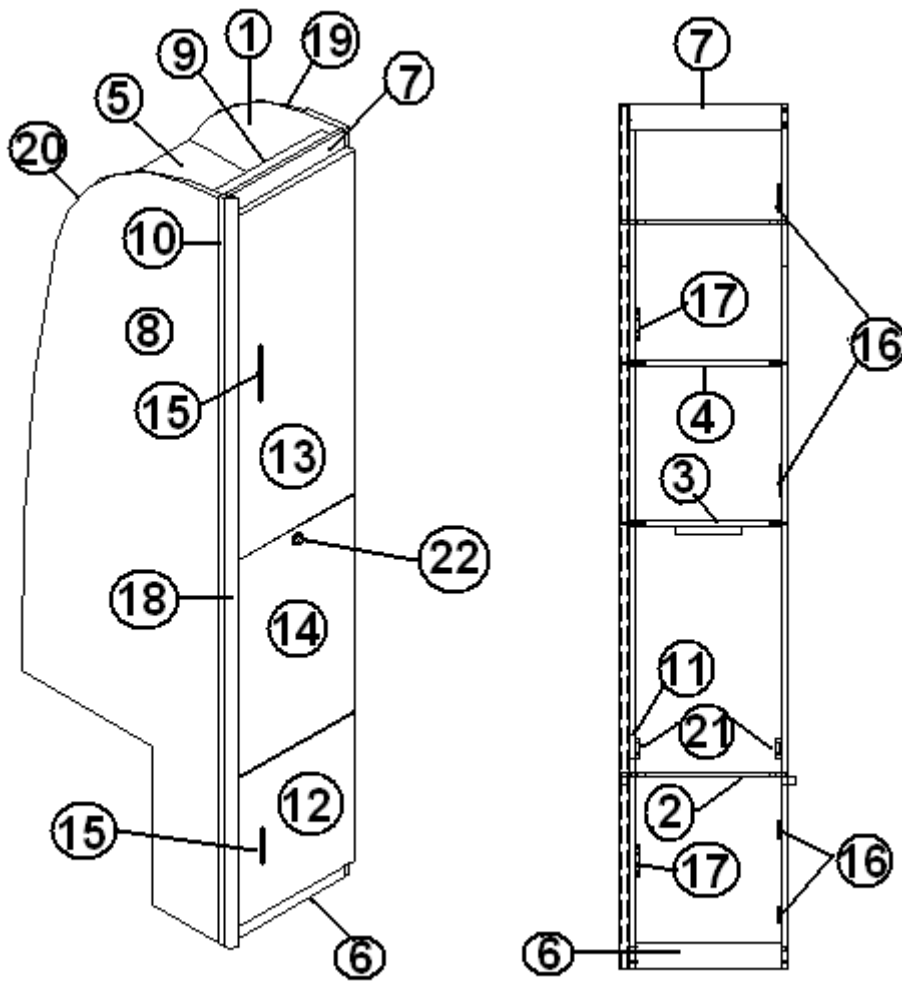
### Pantry, 23' D Signature, Wenge

966936	PANTRY ASSY.
1. 966936-1	PANEL, PANTRY 24.55 X 78.14
2. 966936-2	PANEL, PANTRY 14.01 X 24.27
3. 966936-3	PANEL, PANTRY 14.01 X 23.84
4. 966936-4	PANEL, PANTRY 14.01 X 21.96
5. 966936-5	PANEL, PANTRY 14.01 X 18.71
6. 966936-6	PANEL, PANTRY 13.26 X 2.25
7. 966936-7	PANEL, PANTRY 14.01 X 2.26
8. 966936-8	PANEL, PANTRY 23.79 X 77.9
9. 966936-9	PANEL, PANTRY 2.5 X 14.01
10. 966936-10	PANEL, PANTRY 3.0 X 75.88
11. 966936-11	PANEL, PANTRY 2.5 X 20.0
12. 966936-12	DOOR, PANTRY 13.88 X 15.5
13. 966936-13	DOOR, PANTRY 13.88 X 35.88
14. 966935	PANTRY ASSY S/O
15. 382029-03	HANDLE BAR, 11.25"
16. 381607	HINGE ASSY.
17. 381228-01	CATCH GRABBER DOOR
18. 801706-0016	CORNER TRIM, 90 DEGREE, 1" RADIUS
19. 203138-01	EXTRUSION-PLASTIC WALL, WHITE
20. 203138-05	EXTRUSION, PLASTIC 1/2" WALL BLACK
21. 381925	DRAWER SLIDE, 24"
22. 381408	LOCK, PUSH, BUTTON STYLE, BLACK

# 2007 INTERNATIONAL TRAVEL TRAILER

## FURNITURE, GALLEY

Pantry, 23' D Signature, Ocean Breeze



Part Numbers are on the Next page

# 2007 INTERNATIONAL TRAVEL TRAILER

## FURNITURE, GALLEY

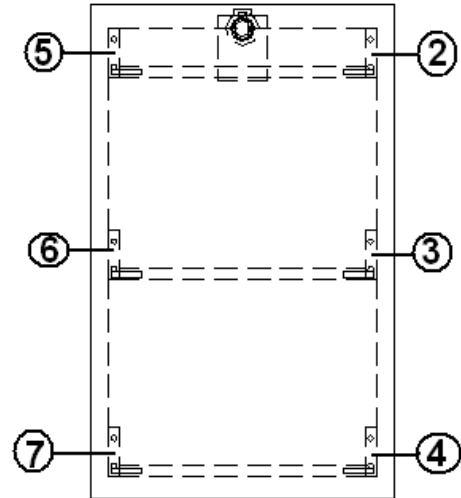
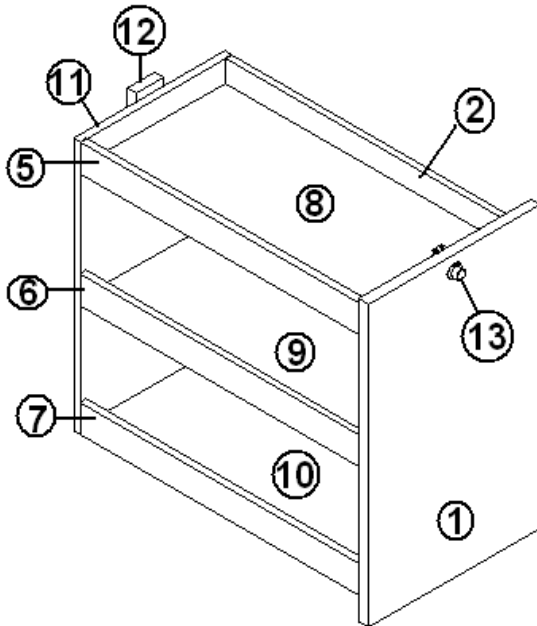
### Pantry, 23' D Signature, Ocean Breeze

966936-01	PANTRY ASSY.
1. 966936-011	PANEL, PANTRY 24.55 X 78.14
2. 966936-012	PANEL, PANTRY 14.01 X 24.27
3. 966936-013	PANEL, PANTRY 14.01 X 23.84
4. 966936-014	PANEL, PANTRY 14.01 X 21.96
5. 966936-015	PANEL, PANTRY 14.01 X 18.71
6. 966936-016	PANEL, PANTRY 13.26 X 2.25
7. 966936-017	PANEL, PANTRY 14.01 X 2.26
8. 966936-018	PANEL, PANTRY 23.79 X 77.9
9. 966936-019	PANEL, PANTRY 2.5 X 14.01
10. 966936-0110	PANEL, PANTRY 3.0 X 75.88
11. 966936-0111	PANEL, PANTRY 2.5 X 20.0
12. 966936-0112	DOOR, PANTRY 13.88 X 15.5
13. 966936-0113	DOOR, PANTRY 13.88 X 35.88
14. 966935-01	PANTRY ASSY S/O
15. 382008	PULL, CABINET DOOR, BAMBOO
16. 381607	HINGE ASSY.
17. 381228-01	CATCH GRABBER DOOR
18. 801706-WH	CORNER TRIM, 90 DEGREE, 1" RAD
19. 203138-01	EXTRUSION-PLASTIC WALL, WHITE
20. 203138-01	EXTRUSION-PLASTIC WALL, WHITE
21. 381925	DRAWER SLIDE, 24"
22. 381408	LOCK, PUSH BUTTON, BLACK

# 2007 INTERNATIONAL TRAVEL TRAILER

## FURNITURE, GALLEY

### Pantry Slide Out, 23' D Signature, Wenge

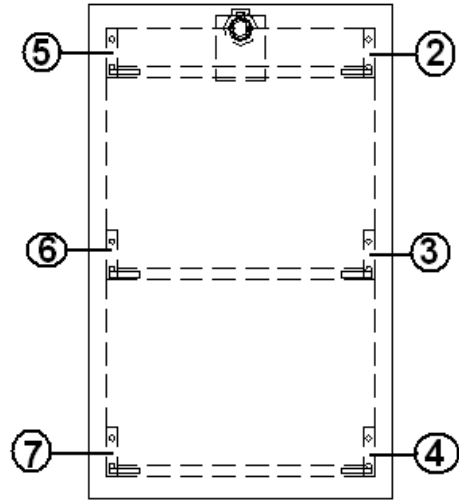
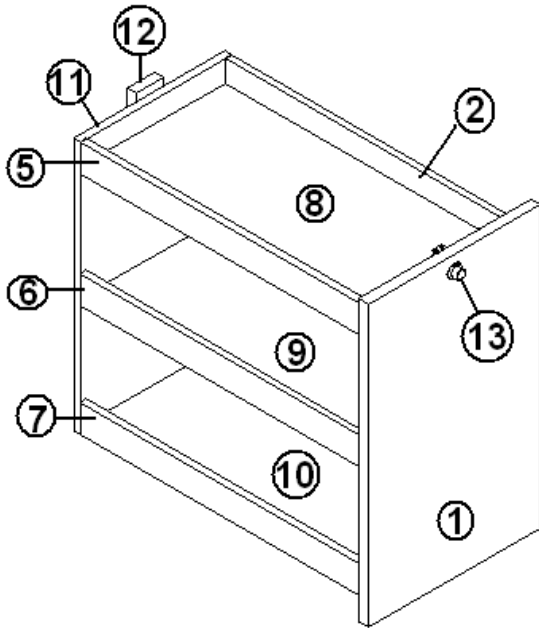


966935	PANTRY ASSY S/O
1. 966935-1	PANEL, S/O PANTRY, 12.25 X 20.5
2. 966935-2	PANEL, S/O PANTRY, 2.25 X 23.38
3. 966935-3	PANEL, S/O PANTRY, 2.25 X 23.38
4. 966935-4	PANEL, S/O PANTRY, 2.25 X 23.38
5. 966935-5	PANEL, S/O PANTRY, 2.25 X 23.38
6. 966935-6	PANEL, S/O PANTRY, 2.25 X 23.38
7. 966935-7	PANEL, S/O PANTRY, 2.25 X 23.38
8. 966935-8	PANEL, S/O PANTRY, 11.25 X 23.38
9. 966935-9	PANEL, S/O PANTRY, 11.25 X 23.38
10. 966935-10	PANEL, S/O PANTRY, 11.25 X 23.38
11. 966935-11	PANEL, S/O PANTRY, 13.88 X 22.62
12. 966935-12	PANEL, S/O PANTRY, 3.0 X 2.25
13. 381408	LOCK, PUSH, BUTTON STYLE, BLACK

# 2007 INTERNATIONAL TRAVEL TRAILER

## FURNITURE, GALLEY

### Pantry Slide Out, 23' D Signature, Ocean Breeze



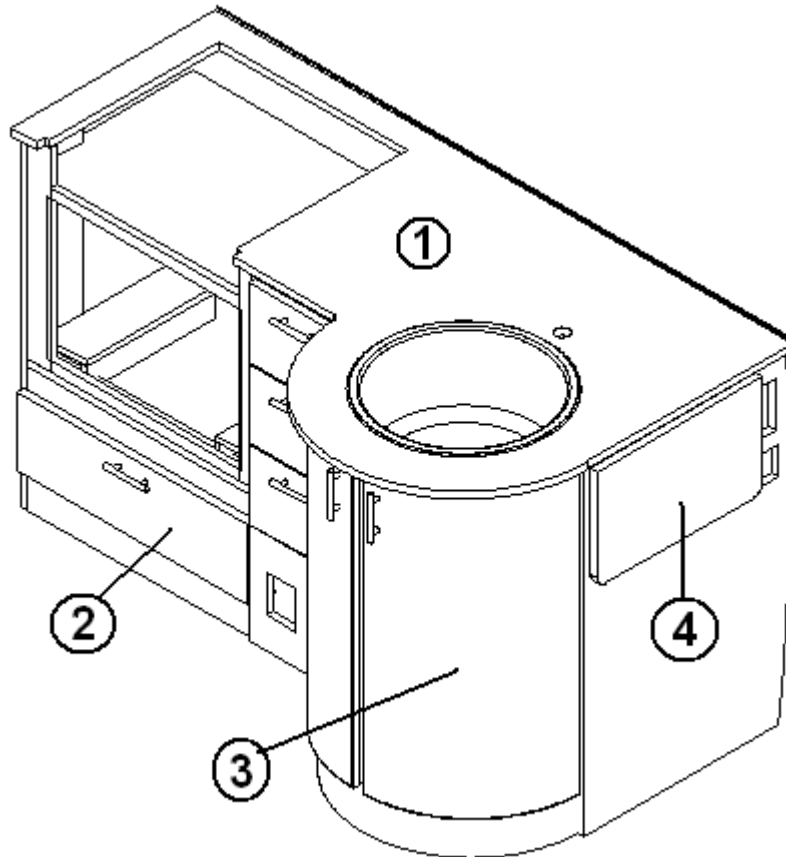
966935-01		PANTRY ASSY S/O
1.	966935-011	PANEL, PANTRY, 12.25 X 20.5
2.	966935-012	PANEL, PANTRY, 2.25 X 23.38
3.	966935-013	PANEL, PANTRY, 2.25 X 23.38
4.	966935-014	PANEL, PANTRY, 2.25 X 23.38
5.	966935-015	PANEL, PANTRY, 2.25 X 23.38
6.	966935-016	PANEL, PANTRY, 2.25 X 23.38
7.	966935-017	PANEL, PANTRY, 2.25 X 23.38
8.	966935-018	PANEL, PANTRY, 11.25 X 23.38
9.	966935-019	PANEL, PANTRY, 11.25 X 23.38
10.	966935-0110	PANEL, PANTRY, 11.25 X 23.38
11.	966935-0111	PANEL, PANTRY, 13.88 X 22.62
12.	966935-0112	PANEL, PANTRY, 3.0 X 2.25
13.	381408	LOCK, PUSH BUTTON, BLACK



# 2007 INTERNATIONAL TRAVEL TRAILER

## FURNITURE, GALLEY

### Galley Assembly, 25' Front Bed



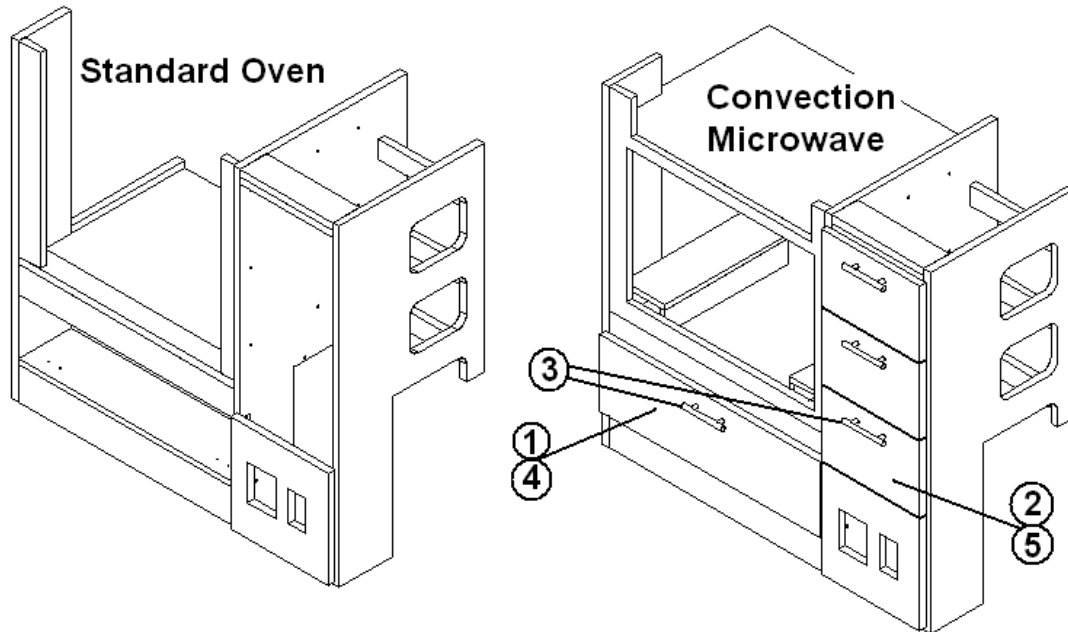
1. 966676
2. 966677
3. 966678
4. 965581

TOP ASSY- GALLEY  
GALLEY OVEN SECTION  
GALLEY AFT SECTION ASSEMBLY  
GALLEY FLIP UP SHELF ASSEMBLY

# 2007 INTERNATIONAL TRAVEL TRAILER

## FURNITURE, GALLEY

### Galley Oven Section Assembly, 25' Front Bed

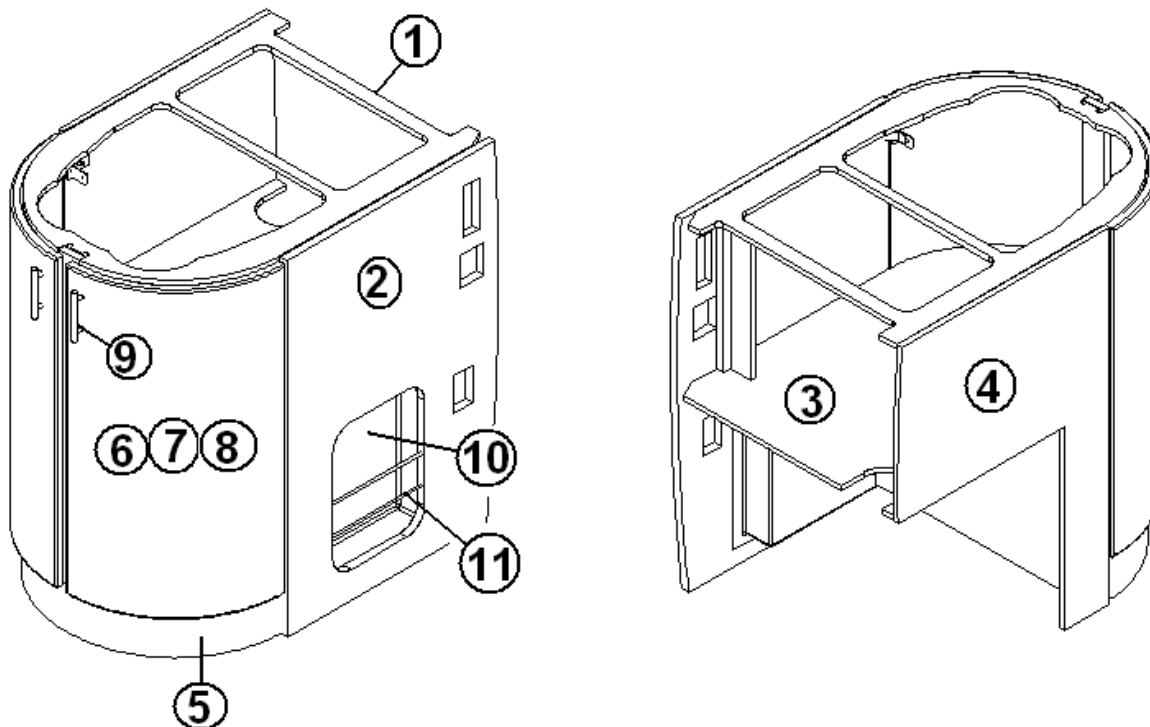


966677	GALLEY OVEN SECTION
1. 801341-205	DOOR, GALLEY, 11.13" X 7.5"
2. 801341-206	DOOR, GALLEY, 25.13" X 7.5"
3. 381865	PULL, BAR BRUSH NICKEL
4. 381228-01	CATCH GRABBER DOOR
5. 965560-02	DRAWER BOX, 5.63" X 9.25" X 14"
381773-15	DRAWER SLIDE-5.875" X 15.75"

# 2007 INTERNATIONAL TRAVEL TRAILER

## FURNITURE, GALLEY

### Galley Aft Section Assembly, 25' Front Bed

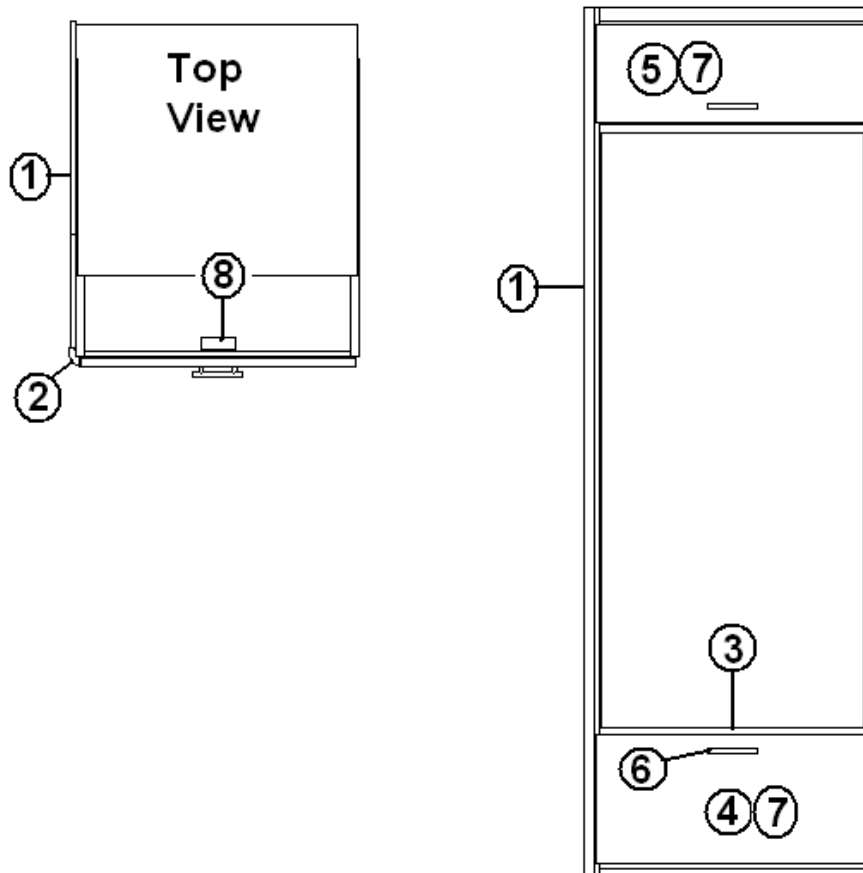


- |              |                                      |
|--------------|--------------------------------------|
| 966678       | GALLEY AFT SECTION                   |
| 1. 801392    | PANEL, WHITELINER/WHITELINER         |
| 2. 801436-01 | PANEL, BLACK MAPLE/WHITE             |
| 3. 801368    | PANEL, WHITELINER/WHITELINER         |
| 4. 801456-01 | PANEL, BLACK MAPLE/WHITELINER        |
| 5. 115309    | TOE KICK, GALLEY ALUMINUM            |
| 6. 381856    | CATCH-TENSION 2-BALL                 |
| 7. 966688-01 | DOOR, RADIUS 31", FROSTY WHITE       |
| 8. 381607    | HINGE ASSY-GRASS EURO                |
| 9. 381865    | PULL-BAR BRUSH NICKEL                |
| 10. 203440   | MAGAZINE RACK                        |
| 11. 203383   | ROD, 1/4" ALUMINUM                   |
| 381708       | WASTEBASKET, 11.38" X 8.25" X 12.00" |

# 2007 INTERNATIONAL TRAVEL TRAILER

## FURNITURE, GALLEY

### Refrigerator Cabinet, 25' Front Bed, 6 Cu. Ft Refrigerator

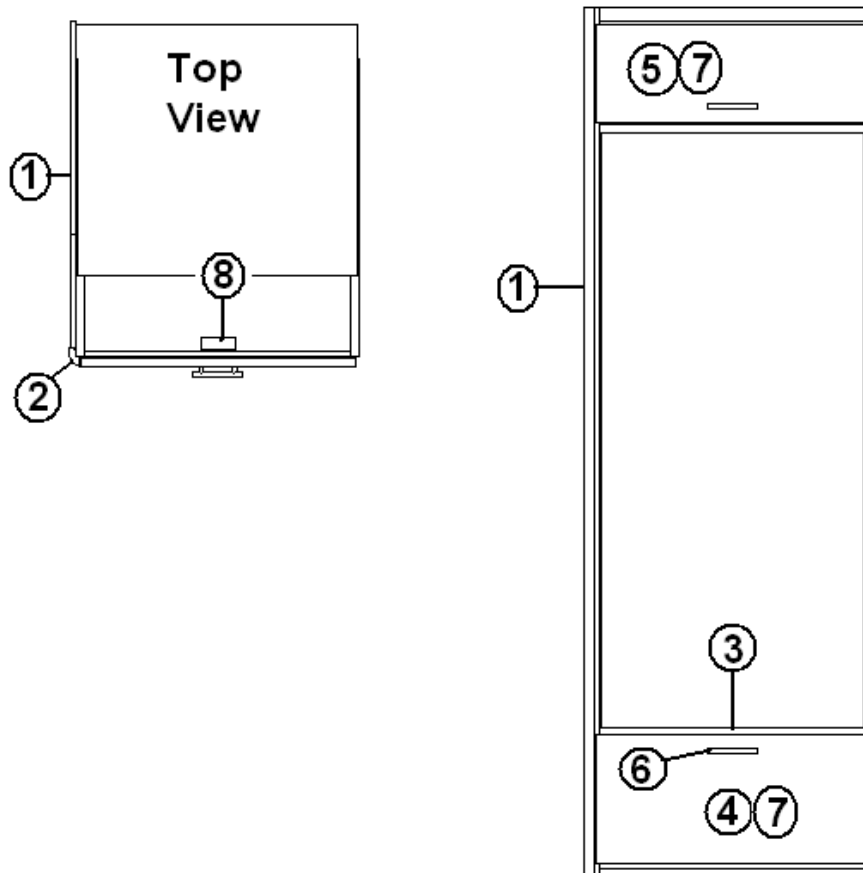


- |               |                                     |
|---------------|-------------------------------------|
| 966662        | REFRIGERATOR CABINET ASSEMBLY       |
| 1. 801696-02  | PANEL, AFT REFRIGERATOR CABINET     |
| 2. 801706-007 | CORNER TRIM, 1" RADIUS, 84" LONG    |
| 3. 965573     | STAND, REFRIGERATOR                 |
| 4. 801341-197 | DOOR, REFRIGERATOR, 24.81" X 11.89" |
| 5. 801341-198 | DOOR, REFRIGERATOR, 24.81" X 8.88"  |
| 6. 381865     | PULL-BAR BRUSH NICKEL               |
| 7. 381607     | HINGE ASSY-GRASS EURO               |
| 8. 381228-01  | CATCH GRABBER DOOR                  |
| 203138-05     | EXTRUSION-PLASTIC 1/2" WALL BLACK   |

# 2007 INTERNATIONAL TRAVEL TRAILER

## FURNITURE, GALLEY

Refrigerator Cabinet, 25' Front Bed, 7 CU. FT. Refrigerator

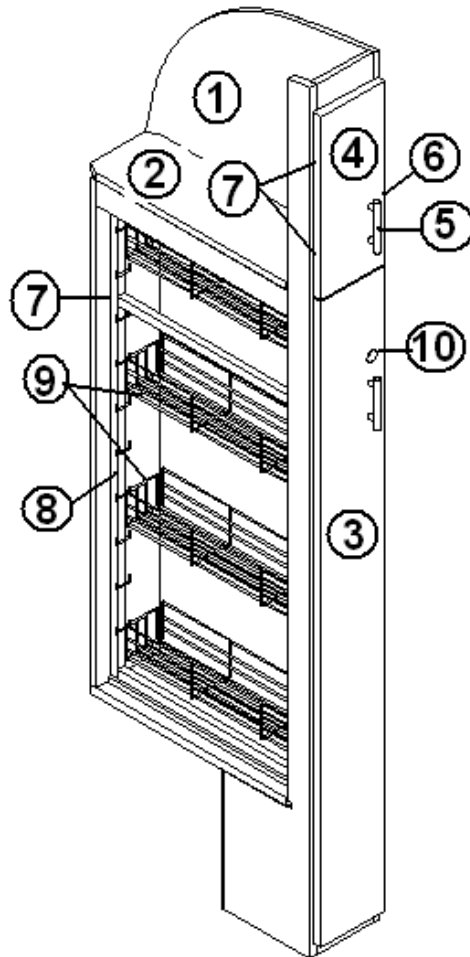


- |               |                                     |
|---------------|-------------------------------------|
| 966806        | REFRIGERATOR CABINET ASSEMBLY       |
| 1. 801705-03  | PANEL, AFT REFRIGERATOR CABINET     |
| 2. 801706-007 | CORNER TRIM, 1" RADIUS, 84" LONG    |
| 3. 966812     | Refrigerator stand                  |
| 4. 801341-224 | DOOR-REFER CABINET, 24.44" X 11.69" |
| 5. 801341-225 | DOOR-REFER CAB.24.44"X 8.88"        |
| 6. 381865     | PULL-BAR BRUSH NICKEL               |
| 7. 381607     | HINGE ASSY-GRASS EURO               |
| 8. 381228-01  | CATCH GRABBER DOOR                  |
| 203138-05     | EXTRUSION-PLASTIC 1/2" WALL BLACK   |

# 2007 INTERNATIONAL TRAVEL TRAILER

## FURNITURE, GALLEY

### Pantry Cabinet Assembly, 25' Front Bed

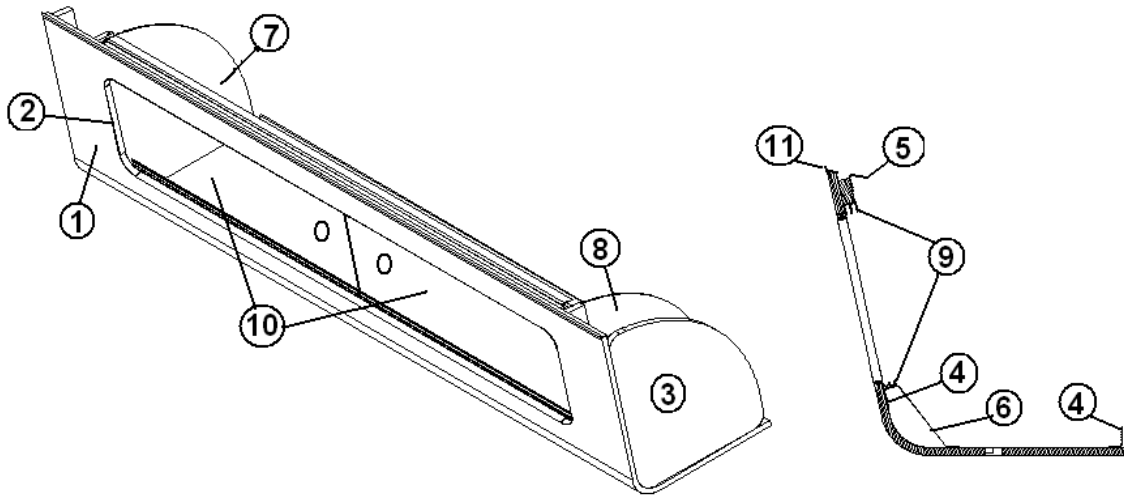


966671	PANTRY CABINET
1. 801696-08	PANEL, AFT PANTRY
2. 801456-01	PANEL, BLACK MAPLE/WHITELINER
3. 801341-200	DOOR, PANTRY 6.5" X 58"
4. 801341-201	DOOR-PANTRY 6.5" X 16.5"
5. 381865	PULL-BAR BRUSH NICKEL
6. 381228-01	CATCH GRABBER DOOR
7. 381607	HINGE ASSY-GRASS EURO
8. 381551-01	PANTRY RACK 1.5"W X 45" WHITE
9. 381551-02	WIRE BASKET 4" WIDE WHITE
10. 381408	LOCK, PUSH, BUTTON STYLE, BLAC
203138-05	EXTRUSION-PLASTIC 1/2" WALL BLACK

# 2007 INTERNATIONAL TRAVEL TRAILER

## FURNITURE, GALLEY

### Roof Locker, Galley, 25' Front Bed

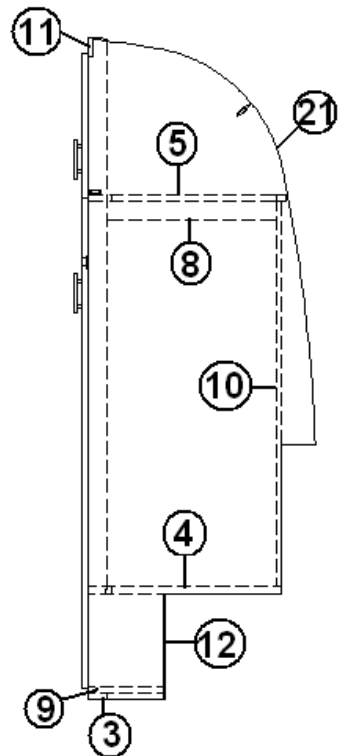
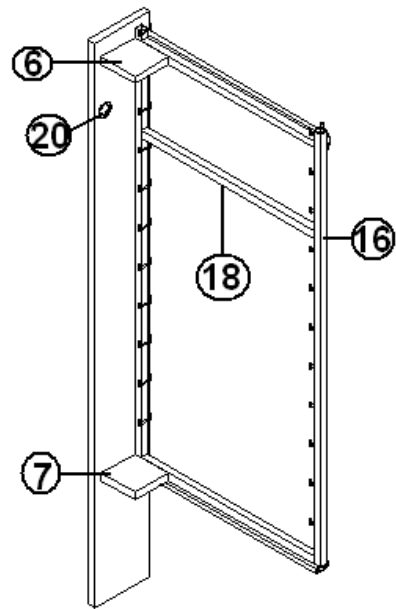
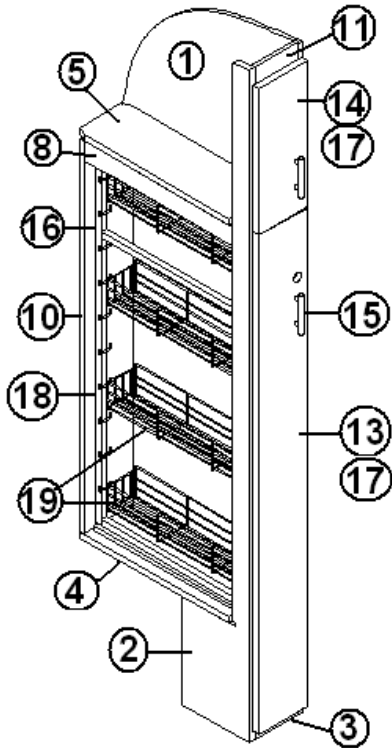


966673	GALLEY ROOF LOCKER
1. 801542-10	FACE, GALLEY ROOF LOCKER, 61.75"
2. 801545-02	DIVIDER PARTIAL
3. 801545-01	DIVIDER FULL
4. 115227-02	ANGLE, FORMED, TRACK SUPPORT
5. 104821	SUPPORT, ROOFLOCKER, 74"
6. 115226	BRACKET, FORMED, CENTER SUPPORT
7. 801539-01	DIVIDER, GALLEY LOCKER LH
8. 801539-02	DIVIDER, GALLEY LOCKER, RH
9. 381245	SLIDING DOOR TRACK
10. 965563-09	DOOR, PLEXIGLAS, 11.31" X 26"
11. 201673	REVERSE COVE MOLDING, WHITE

# 2007 INTERNATIONAL TRAVEL TRAILER

## FURNITURE, GALLEY

Pantry, 25' Front Bed Signature, Wenge



Part Numbers on the Next Page



# 2007 INTERNATIONAL TRAVEL TRAILER

## FURNITURE, GALLEY

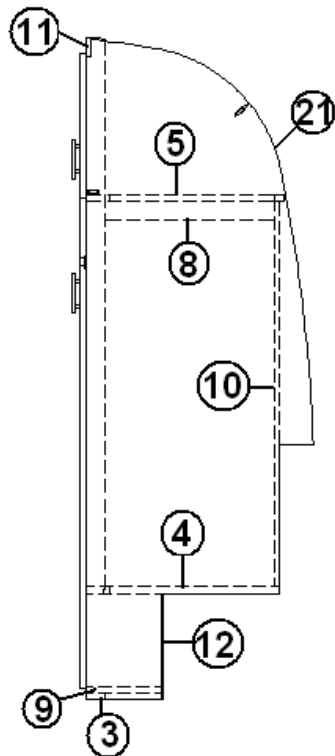
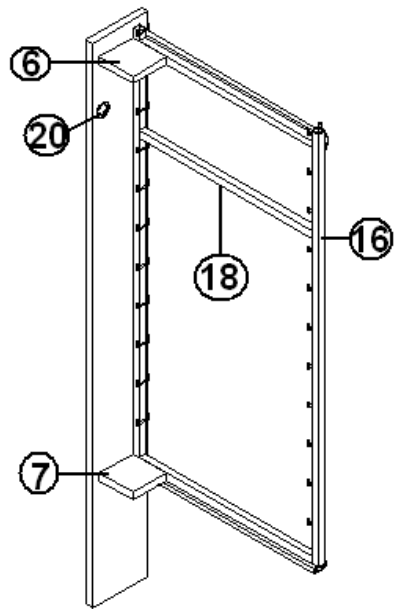
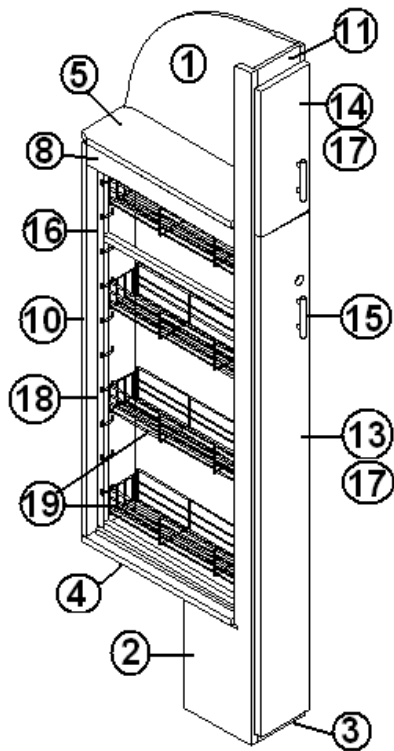
### Pantry, 25' Front Bed Signature, Wenge

966904	PANTRY CABINET, 25' FB, WENGE
1. 966904-1	PANEL, PANTRY, 26.88" X 78.09"
2. 966904-2	PANEL, PANTRY, 9" X 78.25"
3. 966904-3	PANEL, PANTRY, 2.25" X 5.88"
4. 966904-4	PANEL, PANTRY, 6.63" X 22.75"
5. 966904-5	PANEL, PANTRY, 6.63" X 23.38"
6. 966904-6	PANEL, PANTRY, 4" X 4"
7. 966904-7	PANEL, PANTRY, 4" X 4"
8. 966904-8	PANEL, PANTRY, 2.25" X 20"
9. 966904-9	PANEL, PANTRY, 9" X 5.88"
10. 966904-10	PANEL, PANTRY, 6.63" X 45.63"
11. 966904-11	PANEL, PANTRY, 5.88" X 2.25"
12. 966904-12	PANEL, PANTRY, 7.13" X 12.50"
13. 966904-13	DOOR, PANTRY 6.5" X 58"
14. 966904-14	DOOR, PANTRY 6.5" X 17"
15. 382029-00	HANDLE BAR, 7.48"
16. 381228-01	CATCH GRABBER DOOR
17. 381607	HINGE, GRASS EURO
18. 381551-01	PANTRY RACK, 1.5"W X 45"H WHITE
19. 381551-02	WIRE BASKET, 4" WIDE WHITE
20. 381408	LOCK, PUSH, BUTTON STYLE, BLACK
21. 203138-05	EXTRUSION, PLASTIC, 1/2" WALL

# 2007 INTERNATIONAL TRAVEL TRAILER

## FURNITURE, GALLEY

Pantry, 25' Front Bed Signature, Ocean Breeze



Part Numbers on the Next Page

# 2007 INTERNATIONAL TRAVEL TRAILER

## FURNITURE, GALLEY

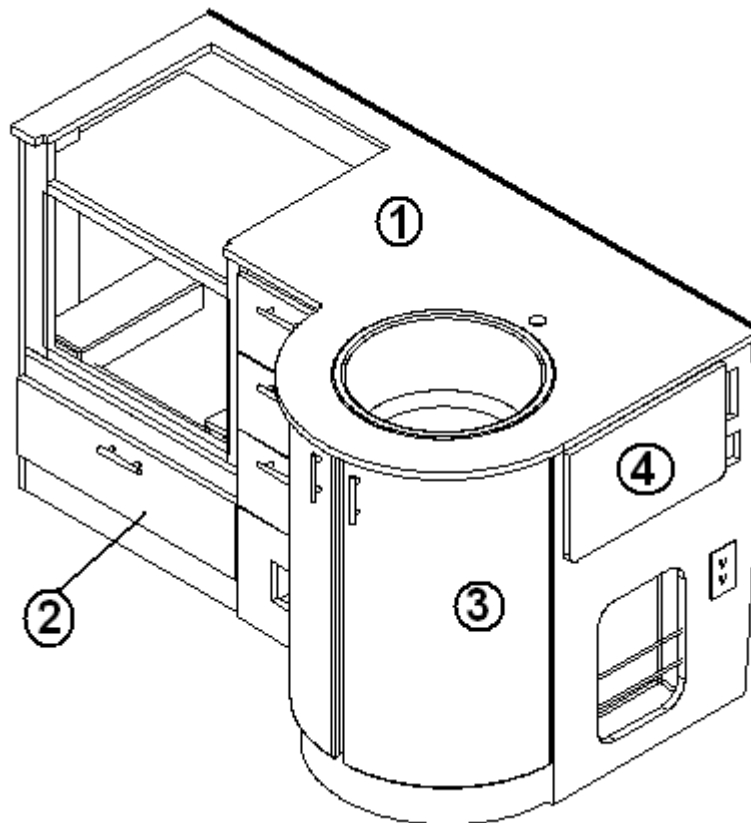
### Pantry, 25' Front Bed Signature, Ocean Breeze

966904-01	PANTRY CABINET, 25' FB, WENGE
1. 966904-011	PANEL, PANTRY, 26.88" X 78.09"
2. 966904-012	PANEL, PANTRY, 9" X 78.25"
3. 966904-013	PANEL, PANTRY, 2.25" X 5.88"
4. 966904-014	PANEL, PANTRY, 6.63" X 22.75"
5. 966904-015	PANEL, PANTRY, 6.63" X 23.38"
6. 966904-016	PANEL, PANTRY, 4" X 4"
7. 966904-017	PANEL, PANTRY, 4" X 4"
8. 966904-018	PANEL, PANTRY, 2.25" X 20"
9. 966904-019	PANEL, PANTRY, 9" X 5.88"
10. 966904-0110	PANEL, PANTRY, 6.63" X 45.63"
11. 966904-0111	PANEL, PANTRY, 5.88" X 2.25"
12. 966904-0112	PANEL, PANTRY, 7.13" X 12.50"
14. 966904-0113	DOOR, PANTRY 6.5" X 58"
15. 966904-0114	DOOR, PANTRY 6.5" X 17"
16. 382008	HANDLE, BAMBOO
17. 381228-01	CATCH GRABBER DOOR
18. 381607	HINGE, GRASS EURO
19. 381551-01	PANTRY RACK, 1.5"W X 45"H WHITE
20. 381551-02	WIRE BASKET, 4" WIDE WHITE
21. 381408	LOCK, PUSH, BUTTON STYLE, BLACK
22. 203138-01	EXTRUSION, PLASTIC, ½" WALL

# 2007 INTERNATIONAL TRAVEL TRAILER

## FURNITURE, GALLEY

Galley, 25' Front Bed Signature, Wenge, Ocean Breeze

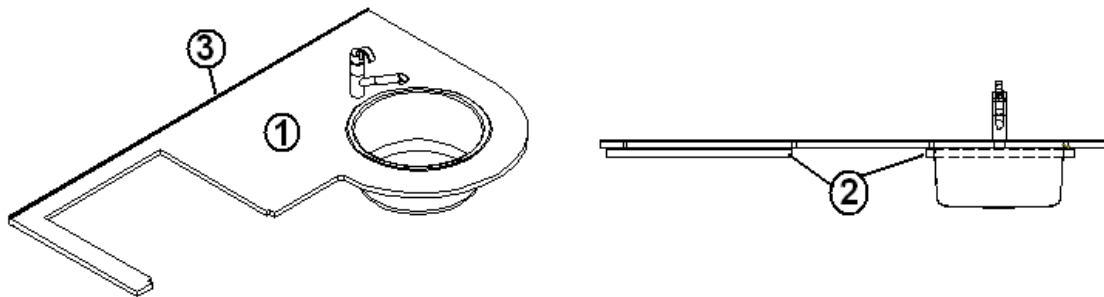


- |              |  |
|--------------|--|
| 966906       | Galley Assembly, Wenge                         |
| 966906-01    | Galley Assembly, Ocean Breeze                  |
| 966906-02    | Galley Assembly, w/Microwave, Wenge            |
| 966906-03    | Galley Assembly, w/Microwave, Ocean Breeze     |
| 1. 966909    | Top, Galley, Wenge                             |
| 1. 966909-01 | Top, Galley, Ocean Breeze                      |
| 2. 966908    | Galley Oven Section, Wenge                     |
| 2. 966950    | Galley Oven Section, w/Microwave, Wenge        |
| 2. 966908-01 | Galley Oven Section, Ocean Breeze              |
| 2. 966950-01 | Galley Oven Section, w/Microwave, Ocean Breeze |
| 3. 966907    | Galley, Aft Section, Wenge                     |
| 3. 966907-01 | Galley, Aft Section, Ocean Breeze              |
| 4. 966910    | Flip Up Shelf, Galley, Wenge                   |
| 4. 966910-01 | Flip Up Shelf, Galley, Ocean Breeze            |

# 2007 INTERNATIONAL TRAVEL TRAILER

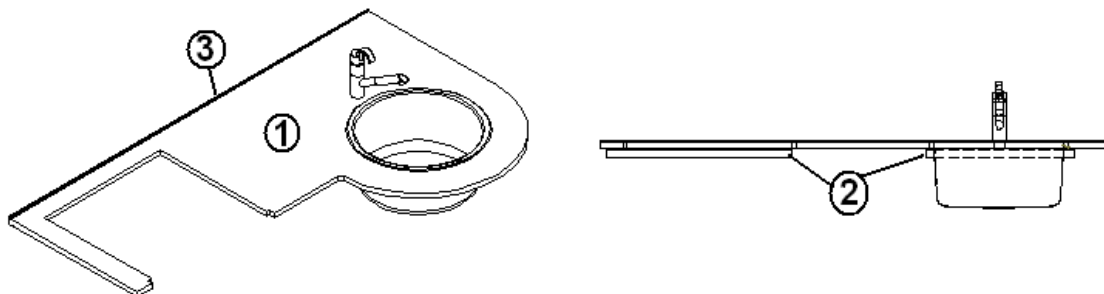
## FURNITURE, GALLEY

### Galley Top, 25' Front Bed Signature, Wenge



- |             |                                    |
|-------------|------------------------------------|
| 966909      | TOP ASSY, GALLEY 25' FB            |
| 1. 966909-1 | PANEL, GALLEY TOP, 36.13" X 63.04" |
| 2. 114812   | ALUMINUM ANGLE, 1.00" X 1.00"      |
| 3. 115064   | TRIM, ALUMINUM COUNTER TOP         |
| 601714-01   | TAIL PIECE 1-1/2X4"(GALLEY DRAIN)  |
| 601714-02   | 1.5" SLIP NUT W/WINGS              |
| 601714-03   | 1.5" BLACK RUBBER WASHER           |

### Galley Top, 25' Front Bed Signature, Ocean Breeze

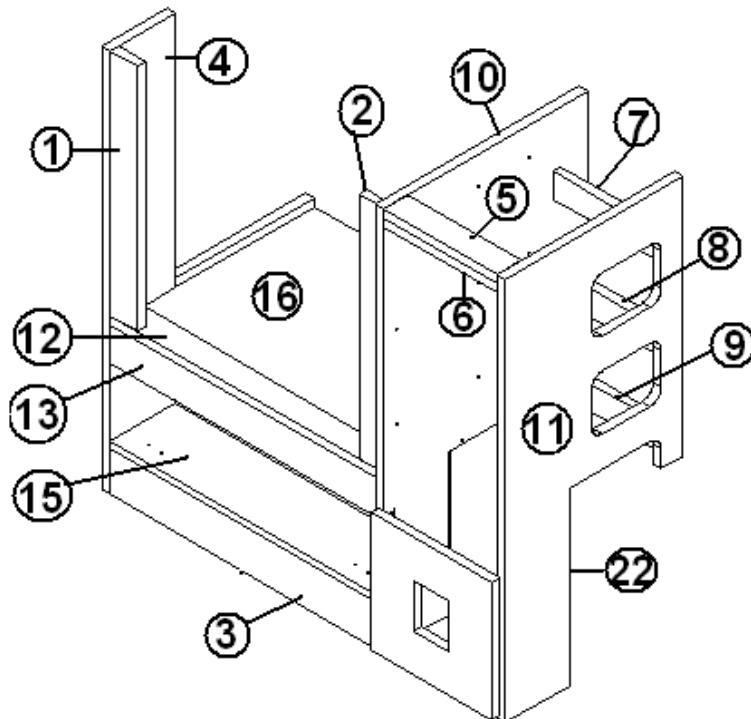
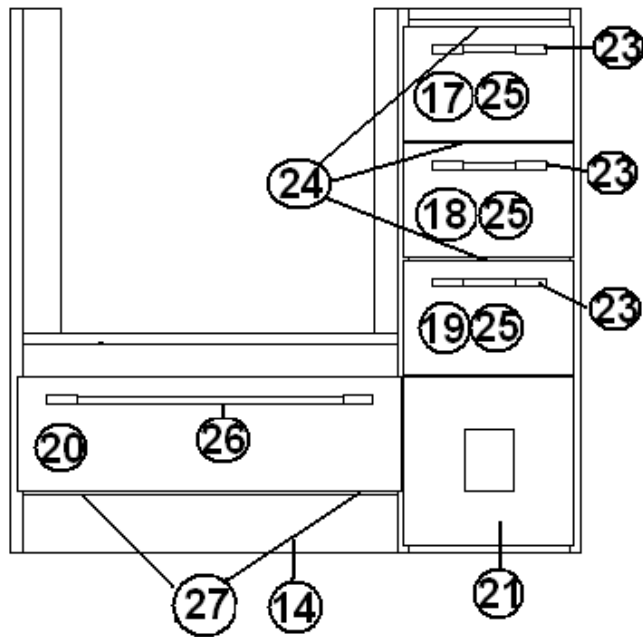


- |               |                                    |
|---------------|------------------------------------|
| 966909-01     | TOP ASSY, GALLEY 25' FB            |
| 1. 966909-011 | PANEL, GALLEY TOP, 36.13" X 63.04" |
| 2. 114812     | ALUMINUM ANGLE, 1.00" X 1.00"      |
| 3. 115064     | TRIM, ALUMINUM COUNTER TOP         |
| 601714-01     | TAIL PIECE 1-1/2X4"(GALLEY DRAIN)  |
| 601714-02     | 1.5" SLIP NUT W/WINGS              |
| 601714-03     | 1.5" BLACK RUBBER WASHER           |

# 2007 INTERNATIONAL TRAVEL TRAILER

## FURNITURE, GALLEY

Galley, 25' Front Bed Signature, Oven Section, Wenge



Part Numbers on the Next Page

# 2007 INTERNATIONAL TRAVEL TRAILER

## FURNITURE, GALLEY

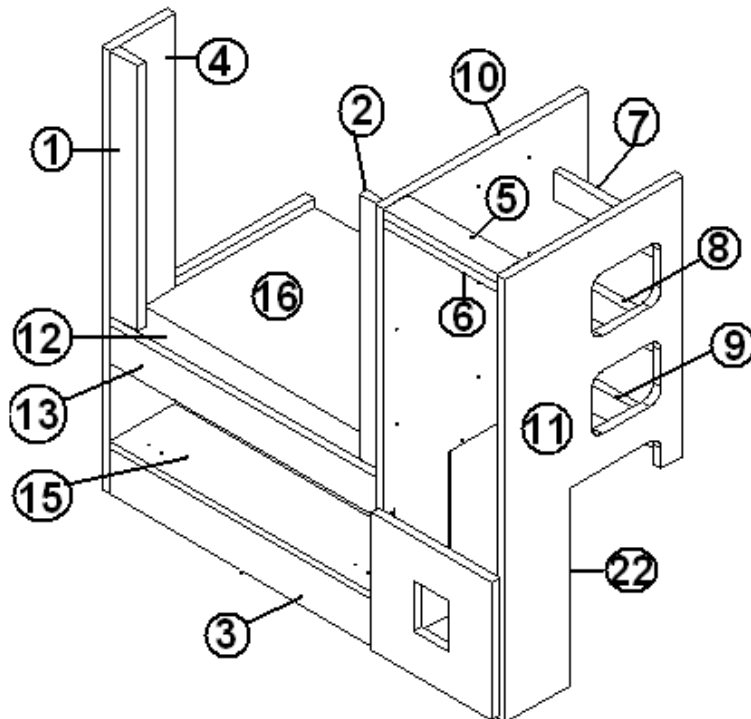
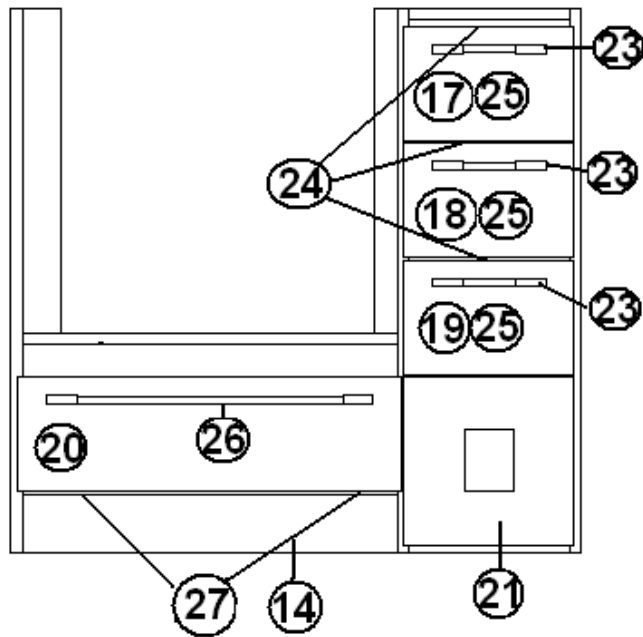
Galley, 25' Front Bed Signature, Oven Section, Wenge

966908	GALLEY, OVEN SECTION
1. 966908-1	PANEL, GALLEY 2.5 X 21.19"
2. 966908-2	PANEL, GALLEY 1.5 X 21.19"
3. 966908-3	PANEL, GALLEY 10.5 X 2.25"
4. 966908-4	PANEL, GALLEY 6 X 35.5"
5. 966908-5	PANEL, GALLEY 3 X 10.5"
6. 966908-6	PANEL, GALLEY 3" X 10.5"
7. 966908-7	PANEL, GALLEY 2.25" X 10.5"
8. 966908-8	PANEL, GALLEY 2.25" X 10.5"
9. 966908-9	PANEL, GALLEY 2.25" X 10.5"
10. 966908-10	PANEL, GALLEY 18.88" X 35.5"
11. 966908-11	PANEL, GALLEY 16.44" X 35.5"
12. 966908-12	PANEL, GALLEY 2.25" X 24.5"
13. 966908-13	PANEL, GALLEY 24.5" X 3"
14. 966908-14	PANEL, GALLEY 24.5" X 3.75"
15. 966908-15	PANEL, GALLEY 6" X 24.5"
16. 966908-16	PANEL, GALLEY 18.38" X 25.25"
17. 966908-17	DOOR, GALLEY, 11.13" X 7.5"
18. 966908-18	DOOR, GALLEY 11.13" X 7.5"
19. 966908-19	DOOR, GALLEY 11.13" X 7.5"
20. 966908-20	DOOR, GALLEY 25.13" X 7.5"
21. 966908-21	PANEL, GALLEY
22. 966908-22	PANEL, GALLEY
23. 382029-00	HANDLE-BAR 7.48"
24. 381228-01	CATCH GRABBER DOOR
25. 965560-02	DRAWER BOX, 5.63" X 9.25" X 14"
26. 382029-05	HANDLE, BAR 21.33"
27. 381607	HINGE ASSY-GRASS EURO
381773-15	DRAWER SLIDE-5.875"X 15.75" (PAIR)

# 2007 INTERNATIONAL TRAVEL TRAILER

## FURNITURE, GALLEY

Galley, 25' Front Bed Signature, Oven Section, Ocean Breeze



Part Numbers on the Next Page



# 2007 INTERNATIONAL TRAVEL TRAILER

## FURNITURE, GALLEY

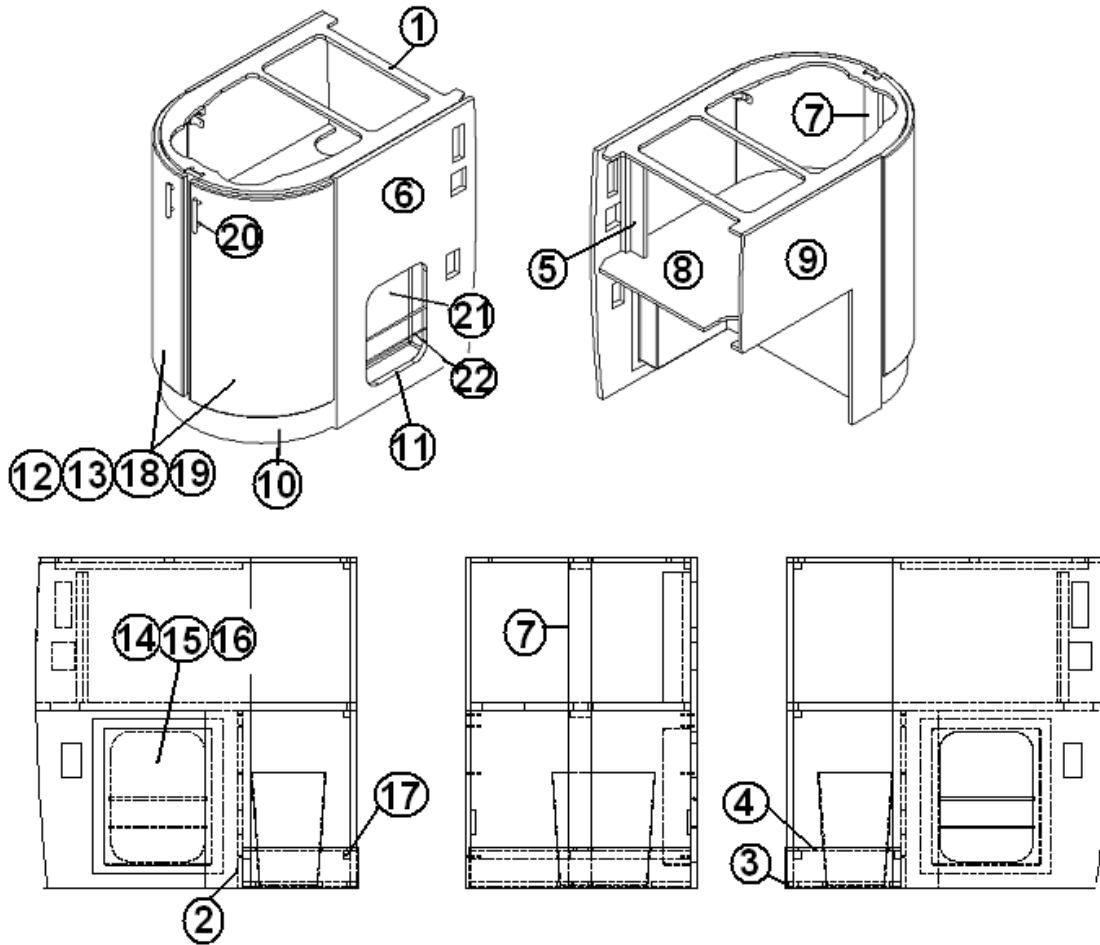
Galley, 25' Front Bed Signature, Oven Section, Ocean Breeze

966908-01	GALLEY, OVEN SECTION
1. 966908-011	PANEL, GALLEY 2.5 X 21.19"
2. 966908-012	PANEL, GALLEY 1.5 X 21.19"
3. 966908-013	PANEL, GALLEY 10.5 X 2.25"
4. 966908-014	PANEL, GALLEY 6 X 35.5"
5. 966908-015	PANEL, GALLEY 3 X 10.5"
6. 966908-016	PANEL, GALLEY 3" X 10.5"
7. 966908-017	PANEL, GALLEY 2.25" X 10.5"
8. 966908-018	PANEL, GALLEY 2.25" X 10.5"
9. 966908-019	PANEL, GALLEY 2.25" X 10.5"
10. 966908-0110	PANEL, GALLEY 18.88" X 35.5"
11. 966908-0111	PANEL, GALLEY 16.44" X 35.5"
12. 966908-0112	PANEL, GALLEY 2.25" X 24.5"
13. 966908-0113	PANEL, GALLEY 24.5" X 3"
14. 966908-0114	PANEL, GALLEY 24.5" X 3.75"
15. 966908-0115	PANEL, GALLEY 6" X 24.5"
16. 966908-0116	PANEL, GALLEY 18.38" X 25.25"
17. 966908-0117	DOOR, GALLEY, 11.13" X 7.5"
18. 966908-0118	DOOR, GALLEY 11.13" X 7.5"
19. 966908-0119	DOOR, GALLEY 11.13" X 7.5"
20. 966908-0120	DOOR, GALLEY 25.13" X 7.5"
21. 966908-0121	PANEL, GALLEY, 11.13" X 11"
22. 966908-0122	PANEL, GALLEY, 26.00" X 9.31"
23. 382008	HANDLE, BAMBOO
24. 381228-01	CATCH GRABBER DOOR
25. 965560-02	DRAWER BOX, 5.63" X 9.25" X 14"
26. 382008	HANDLE, BAMBOO
27. 381607	HINGE ASSY-GRASS EURO
381773-15	DRAWER SLIDE-5.875"X 15.75"

# 2007 INTERNATIONAL TRAVEL TRAILER

## FURNITURE, GALLEY

Galley, 25' Front Bed Signature, Aft Section, Wenge



Part Numbers on the Next Page

# 2007 INTERNATIONAL TRAVEL TRAILER

## FURNITURE, GALLEY

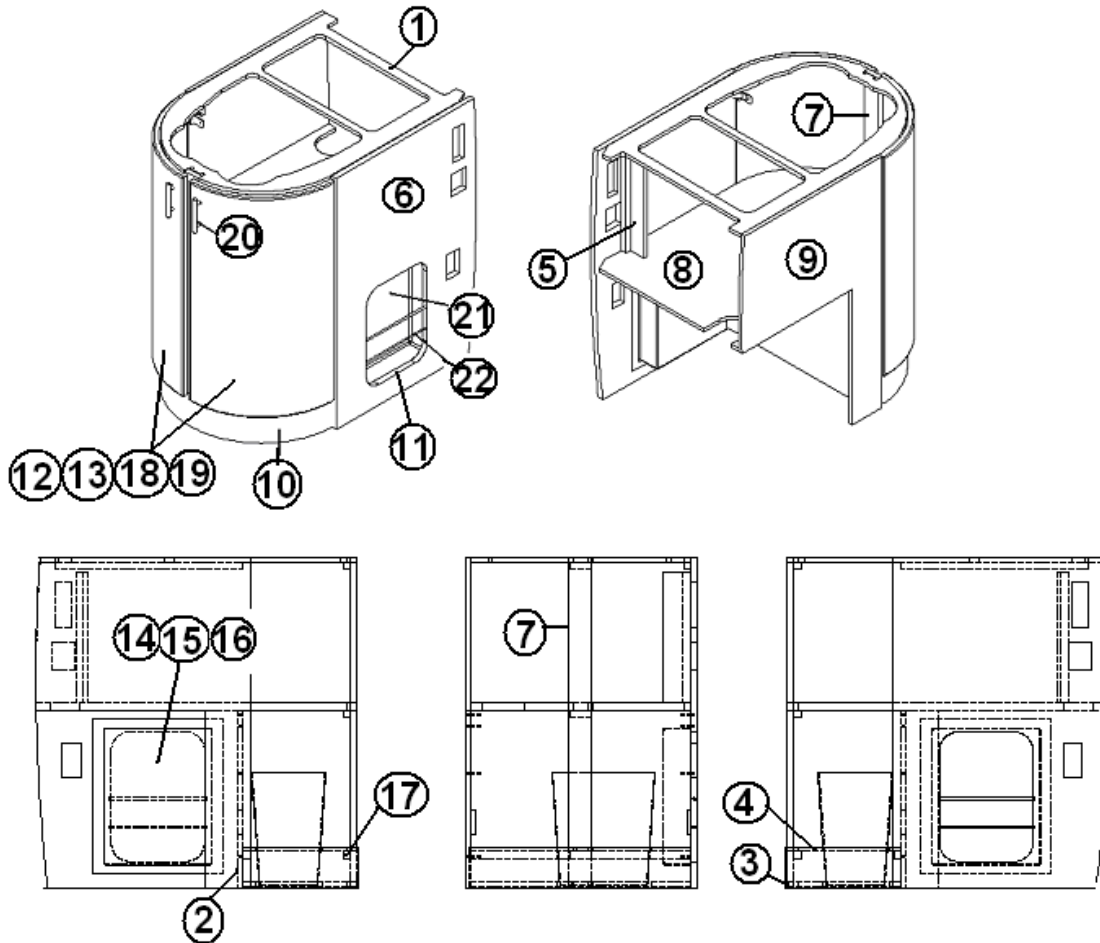
Galley, 25' Front Bed Signature, Aft Section, Wenge

966907	GALLEY AFT SECTION
1. 966907-1	PANEL, 23.5 X 33.94
2. 966907-2	PANEL, 23.54 X 19.13
3. 966907-3	PANEL, 23.5 X 12.21
4. 966907-4	PANEL, 23.5 X 12.21
5. 966907-5	PANEL, 3 X 14
6. 966907-6	PANEL, 35.5 X 23.04
7. 966907-7	PANEL, 2.44 X 35.5
8. 966907-8	PANEL, 24.91 X 34.4
9. 966907-9	PANEL, 23.06 X 35.5
10. 115309	TOE KICK, GALLEY ALUMINUM
11. 203440	T MOLDING, BLACK EMBOSSED .8125
12.381856	CATCH, TENSION 2-BALL
13.966474-01	DOOR, RADIUS, 16.26"X 31", WENGE
14.381654	HINGE, GLASS DOOR, BLACK
15.381707	STRIKE W/PULL, GLASS DOOR, BLACK
16.371391	DOOR, GLASS 11.56"X 13.06"
17.800025-01	PINE 3/4" X 3/4" STAINED
18.381607-07	BRACKET, BLIND CORNER 90D
19.381607	HINGE ASSY
20.382029-00	HANDLE BAR 7.48"
21.203383	RACK, MAGAZINE RACK
22.115042	ROD, .25" ALUMNUM
203483	COVER, ROUND SINK, 17.75"
381708	WASTEBASKET, 11.38" X 8.25" X 12"
966910	SHELF, GALLEY FLIP UP
381614	FOLDING SHELF BRACKET

# 2007 INTERNATIONAL TRAVEL TRAILER

## FURNITURE, GALLEY

Galley, 25' Front Bed Signature, Aft Section, Ocean Breeze



Part Numbers on the Next Page

# 2007 INTERNATIONAL TRAVEL TRAILER

## FURNITURE, GALLEY

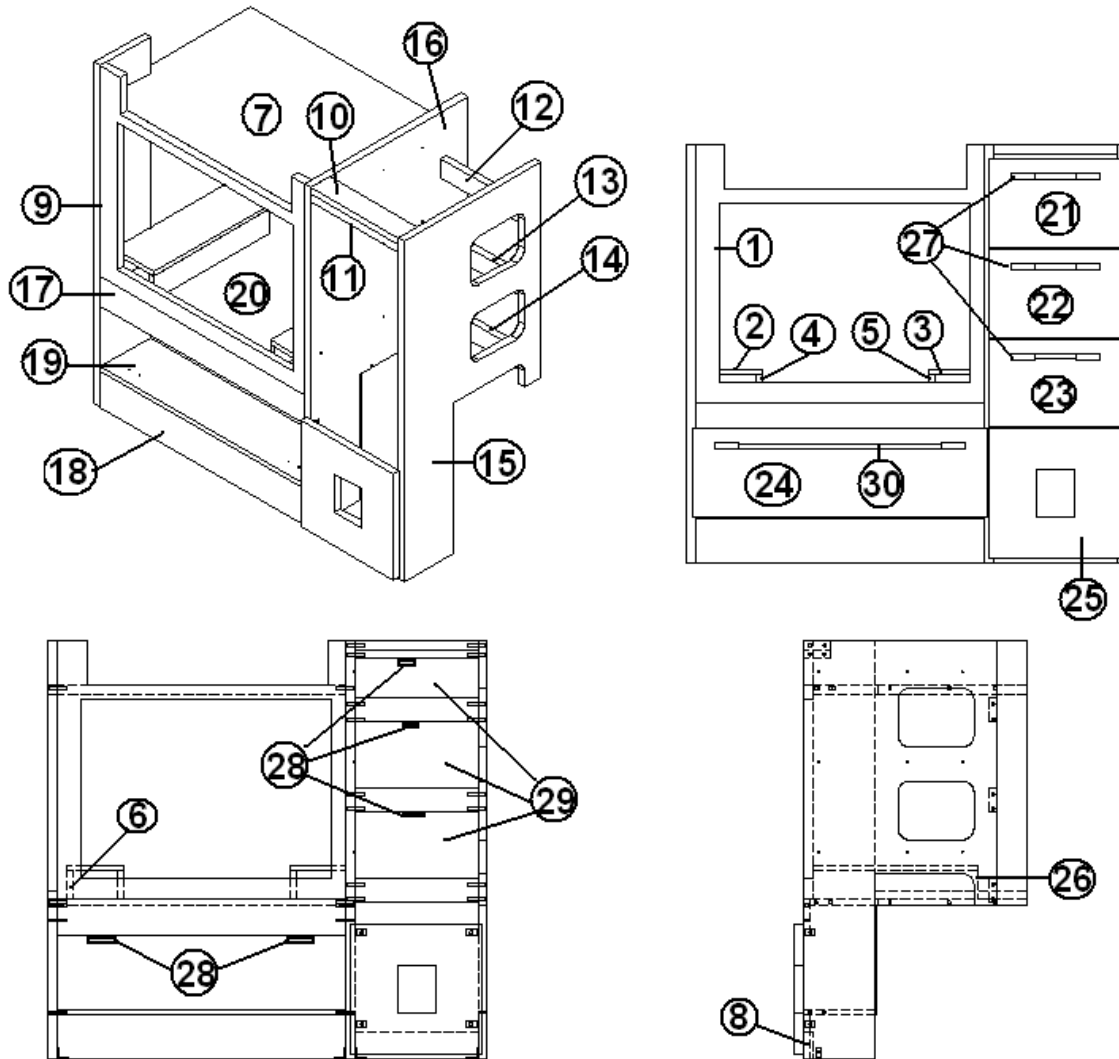
Galley, 25' Front Bed Signature, Aft Section, Ocean Breeze

966907-01	GALLEY AFT SECTION
1. 966907-011	PANEL, 23.5 X 33.94
2. 966907-012	PANEL, 23.54 X 19.13
3. 966907-013	PANEL, 23.5 X 12.21
4. 966907-014	PANEL, 23.5 X 12.21
5. 966907-015	PANEL, 3 X 14
6. 966907-016	PANEL, 35.5 X 23.04
7. 966907-017	PANEL, 2.44 X 35.5
8. 966907-018	PANEL, 24.91 X 34.4
9. 966907-019	PANEL, 23.06 X 35.5
10. 115309	TOE KICK, GALLEY ALUMINUM
11. 203597	T MOLDING, WHITE EMBOSSED
12.381856	CATCH, TENSION 2-BALL
13.966779	DOOR, 16.26"X 31", OCEAN BREEZE
14.381654	HINGE, GLASS DOOR, BLACK
15.381707	STRIKE W/PULL, GLASS DOOR
16.371391	DOOR, GLASS 11.56"X 13.06"
17.800025-01	PINE 3/4" X 3/4" STAINED
18.381607-07	BRACKET, BLIND CORNER 90D
19.381607	HINGE ASSY
20.382008	PULL, BAMBOO
21.203383	RACK, MAGAZINE RACK
22.115042	ROD, .25" ALUMNUM
203483	COVER, ROUND SINK, 17.75"
381708	WASTEBASKET, 11.38" X 8.25" X 12"
966910-01	SHELF, GALLEY FLIP UP
381614	FOLDING SHELF BRACKET
203464-03	TRIM PANEL, WHITE 3/4"

# 2007 INTERNATIONAL TRAVEL TRAILER

## FURNITURE, GALLEY

Galley, 25' Front Bed Signature, Oven Section, Microwave Option, Wenge



Part Numbers on the Next Page

# 2007 INTERNATIONAL TRAVEL TRAILER

## FURNITURE, GALLEY

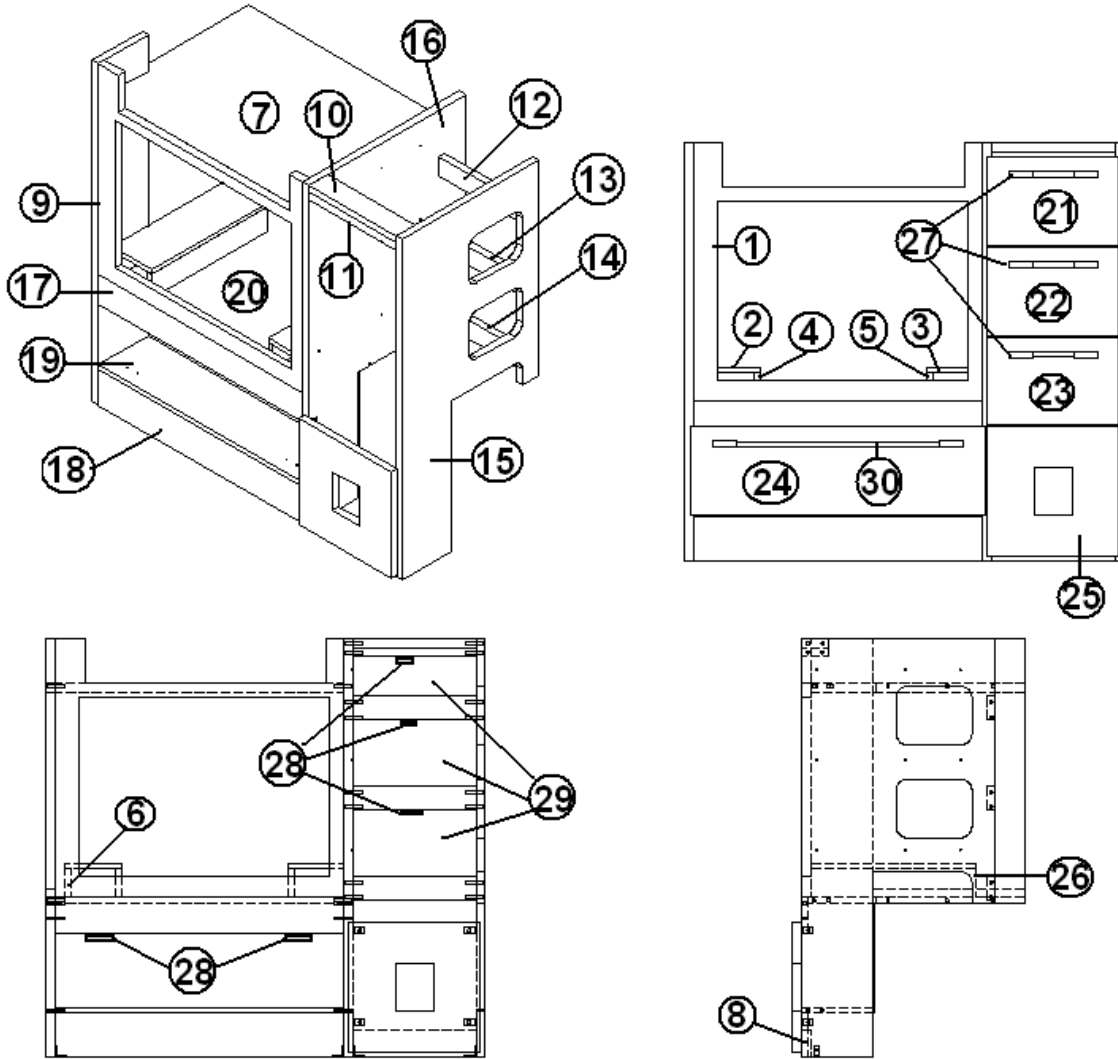
Galley, 25' Front Bed Signature, Oven Section, Microwave Option,  
Wenge

966950	GALLEY, OVEN SECTION
1. 966950-1	PANEL, GALLEY 2.5 X 21.94"
2. 966950-2	PANEL, GALLEY 4.75 X 14.00"
3. 966950-3	PANEL, GALLEY 4.75 X 14.00"
4. 966950-4	PANEL, GALLEY 2.44 X 14.00"
5. 966950-5	PANEL, GALLEY 2.44 X 14.00"
6. 966950-6	PANEL, GALLEY 2.44 X 14.00"
7. 966950-7	PANEL, GALLEY 18.13" X 25.25"
8. 966950-8	PANEL, GALLEY 2.25" X 10.5"
9. 966950-9	PANEL, GALLEY 6.00" X 35.5"
10. 966950-10	PANEL, GALLEY 2.25" X 10.5"
11. 966950-11	PANEL, GALLEY 2.25" X 10.5"
12. 966950-12	PANEL, GALLEY 2.25" X 10.5"
13. 966950-13	PANEL, GALLEY 2.25" X 10.5"
14. 966950-14	PANEL, GALLEY 2.25" X 10.5"
15. 966950-15	PANEL, GALLEY 18.88" x 35.50"
16. 966950-16	PANEL, GALLEY 16.44" X 35.50"
17. 966950-17	PANEL, GALLEY, 3" X 24.50"
18. 966950-18	PANEL, GALLEY 3.75" X 24.5"
19. 966950-19	PANEL, GALLEY 6" X 24.5"
20. 966950-20	PANEL, GALLEY 18.38" X 25.25"
21. 966950-21	DOOR, GALLEY 11.13" X 7.5"
22. 966950-22	DOOR, GALLEY 11.13" X 7.5"
23. 966950-23	DOOR, GALLEY 11.13" X 7.5"
24. 966950-24	DOOR, GALLEY 25.13" X 7.5"
25. 966950-25	PANEL, GALLEY 11.13" X 11"
26. 966950-26	PANEL, GALLEY 26" X 9.31"
27. 382029-00	HANDLE-BAR 7.48"
28. 381228-01	CATCH GRABBER DOOR
29. 965560-02	DRAWER BOX, 5.63" X 9.25" X 14"
30. 382029-05	HANDLE, BAR 21.33"
381607	HINGE ASSY-GRASS EURO
381773-15	DRAWER SLIDE-5.875"X 15.75" (PAIR)

# 2007 INTERNATIONAL TRAVEL TRAILER

## FURNITURE, GALLEY

Galley, 25' Front Bed Signature, Oven Section, Microwave Option, Ocean Breeze



Part Numbers on the Next Page



# 2007 INTERNATIONAL TRAVEL TRAILER

## FURNITURE, GALLEY

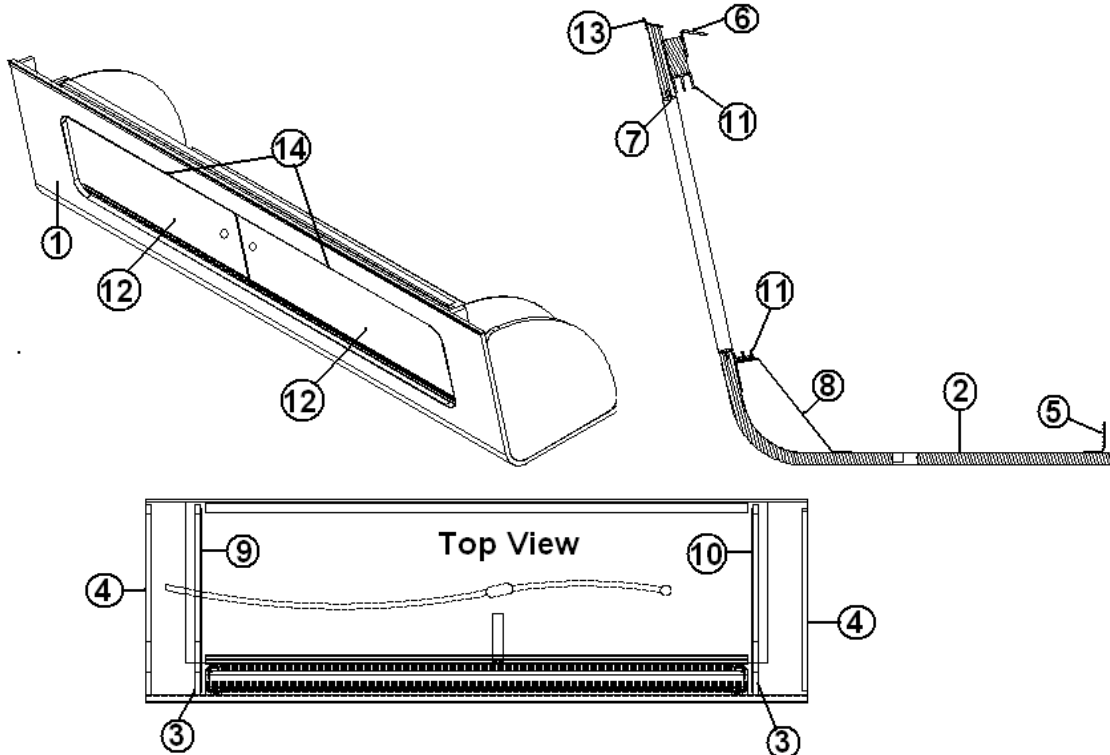
Galley, 25' Front Bed Signature, Oven Section, Microwave Option,  
Ocean Breeze

966950-01	GALLEY, OVEN SECTION
1. 966950-011	PANEL, GALLEY 2.5 X 21.94"
2. 966950-012	PANEL, GALLEY 4.75 X 14.00"
3. 966950-013	PANEL, GALLEY 4.75 X 14.00"
4. 966950-014	PANEL, GALLEY 2.44 X 14.00"
5. 966950-015	PANEL, GALLEY 2.44 X 14.00"
6. 966950-016	PANEL, GALLEY 2.44 X 14.00"
7. 966950-017	PANEL, GALLEY 18.13" X 25.25"
8. 966950-018	PANEL, GALLEY 2.25" X 10.5"
9. 966950-019	PANEL, GALLEY 6.00" X 35.5"
10. 966950-0110	PANEL, GALLEY 2.25" X 10.5"
11. 966950-0111	PANEL, GALLEY 2.25" X 10.5"
12. 966950-0112	PANEL, GALLEY 2.25" X 10.5"
13. 966950-0113	PANEL, GALLEY 2.25" X 10.5"
14. 966950-0114	PANEL, GALLEY 2.25" X 10.5"
15. 966950-0115	PANEL, GALLEY 18.88" x 35.50"
16. 966950-0116	PANEL, GALLEY 16.44" X 35.50"
17. 966950-0117	PANEL, GALLEY, 3" X 24.50"
18. 966950-0118	PANEL, GALLEY 3.75" X 24.5"
19. 966950-0119	PANEL, GALLEY 6" X 24.5"
20. 966950-0120	PANEL, GALLEY 18.38" X 25.25"
21. 966950-0121	DOOR, GALLEY 11.13" X 7.5"
22. 966950-0122	DOOR, GALLEY 11.13" X 7.5"
23. 966950-0123	DOOR, GALLEY 11.13" X 7.5"
24. 966950-0124	DOOR, GALLEY 25.13" X 7.5"
25. 966950-0125	PANEL, GALLEY 11.13" X 11"
26. 966950-0126	PANEL, GALLEY 26" X 9.31"
27. 382008	PULL, BAMBOO
28. 381228-01	CATCH GRABBER DOOR
29. 965560-02	DRAWER BOX, 5.63" X 9.25" X 14"
30. 382008	PULL, BAMBOO
381607	HINGE ASSY-GRASS EURO
381773-15	DRAWER SLIDE-5.875"X 15.75"

# 2007 INTERNATIONAL TRAVEL TRAILER

## FURNITURE, GALLEY

### Roof Locker, 25' Front Bed Signature, Galley, Wenge

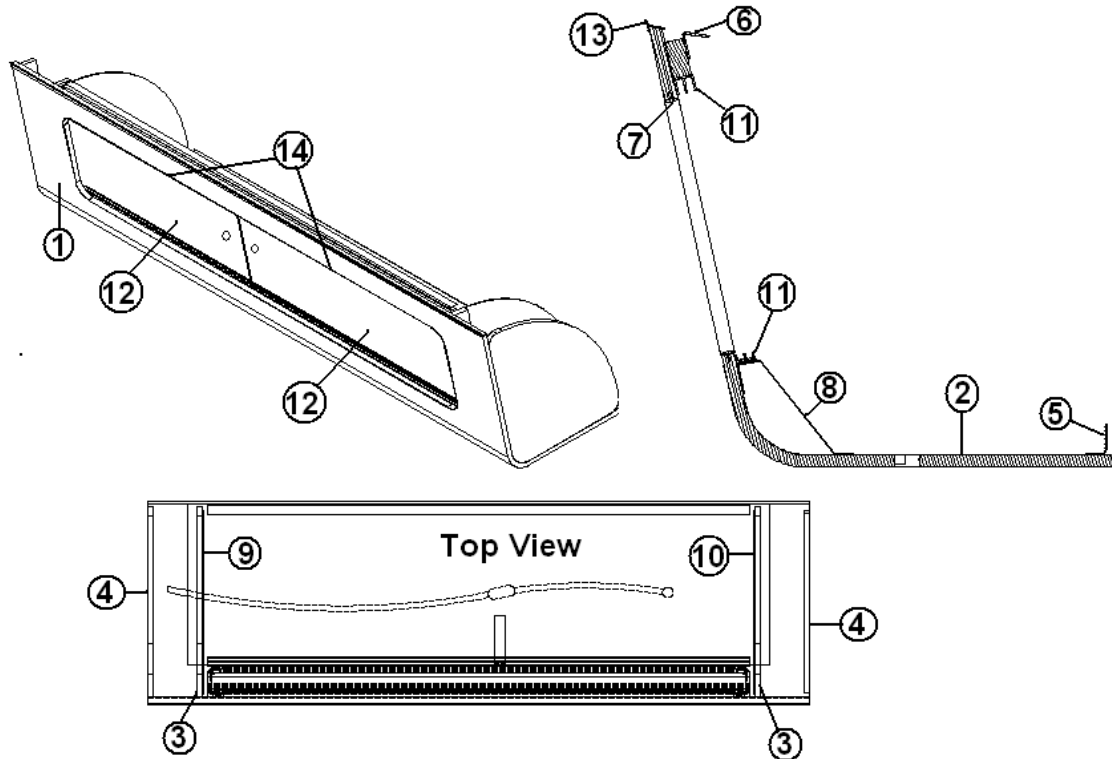


- |               |                                  |
|---------------|----------------------------------|
| 966911        | ROOF LOCKER, GALLEY 25FB         |
| 1. 801726     | LOCKER FACE, GALLEY              |
| 2. 801537     | PANEL, 12mm w/SPECIAL GROOVES F. |
| 3. 801545-02  | DIVIDER PARTIAL                  |
| 4. 115375     | EXTRUSION, FORMED R/L END        |
| 5. 115227-02  | ANGLE, LOCKER TRACK SUPPORT      |
| 6. 104821     | SUPPORT, ROOFLOCKER, 74"         |
| 7. 203445-01  | T-MOLDING, .5625" WHITE          |
| 8. 115226     | BRACKET, LOCKER CENTER SUPPORT   |
| 9. 801539-01  | DIVIDER, GALLEY LOCKER LH        |
| 10. 801539-02 | DIVIDER, GALLEY LOCKER           |
| 11. 203388    | SLIDING DOOR TRACK, 56-1/5"      |
| 12. 965563-09 | DOOR, SLIDING 11.31" X 26"       |
| 13. 201673    | REVERSE COVE MOLDING, WHITE      |
| 14. 454613    | SPRING-LEAF R/L                  |

# 2007 INTERNATIONAL TRAVEL TRAILER

## FURNITURE, GALLEY

Roof Locker, 25' Front Bed Signature, Galley, Ocean Breeze

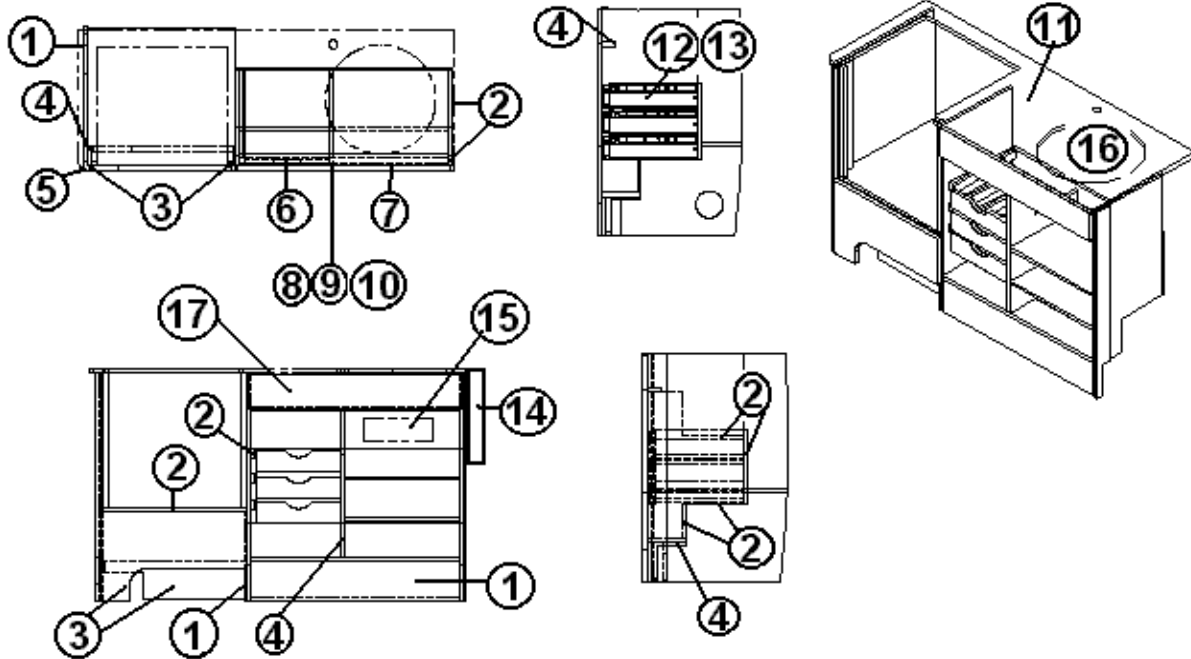


- |               |                                |
|---------------|--------------------------------|
| 966911-01     | ROOF LOCKER, GALLEY            |
| 1. 801726     | LOCKER FACE, GALLEY            |
| 2. 801537     | PANEL, 12mm w/SPECIAL GROOVES  |
| 3. 801545-02  | DIVIDER PARTIAL                |
| 4. 115375     | EXTRUSION, FORMED R/L END      |
| 5. 115227-02  | ANGLE, LOCKER TRACK SUPPORT    |
| 6. 104821     | SUPPORT, ROOFLOCKER, 74"       |
| 7. 203508-01  | T-MOLDING, .5625" WHITE        |
| 8. 115226     | BRACKET, LOCKER CENTER SUPPORT |
| 9. 801539-01  | DIVIDER, GALLEY LOCKER LH      |
| 10. 801539-02 | DIVIDER, GALLEY LOCKER         |
| 11. 203388    | SLIDING DOOR TRACK, 56-1/5"    |
| 12. 203357-02 | DOOR, SLIDING 11.31" X 26"     |
| 13. 201673    | REVERSE COVE MOLDING, WHITE    |
| 14. 454613    | SPRING-LEAF R/L                |

# 2007 INTERNATIONAL TRAVEL TRAILER

## FURNITURE, GALLEY

Galley, Full Oven, 25' Sleep Six



# 2007 INTERNATIONAL TRAVEL TRAILER

## FURNITURE, GALLEY

Galley, Full Oven, 25' Sleep Six

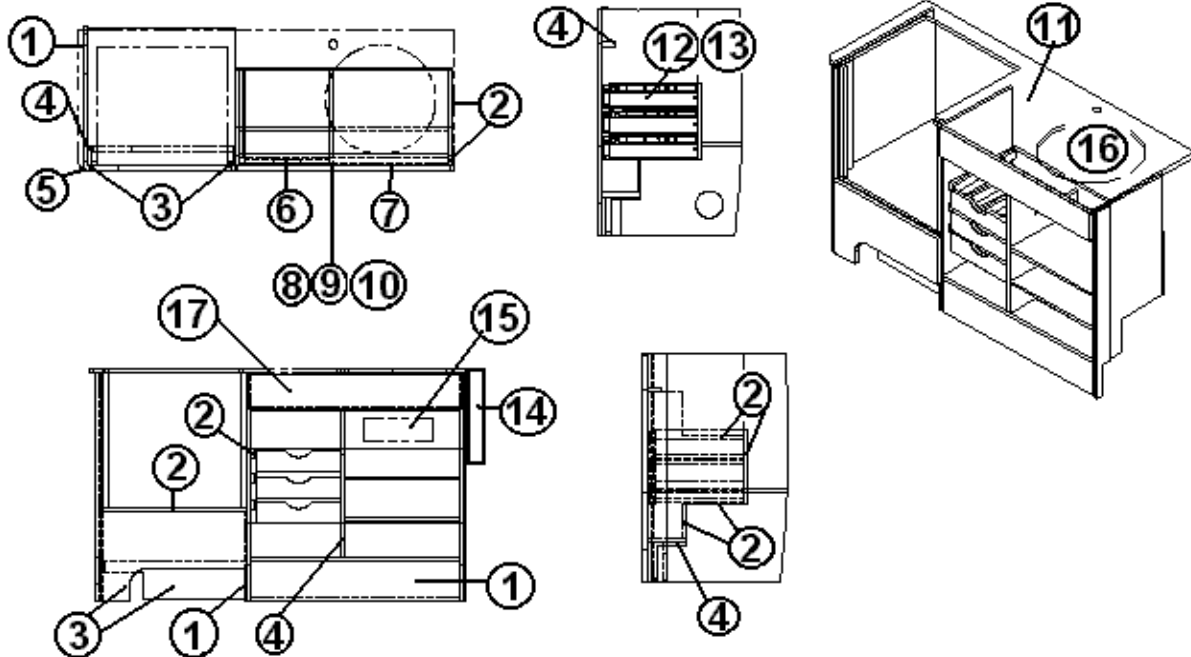
965849	GALLEY ASSY-FULL OVEN, 25'
1. 801456-01	PANEL, BLACK MAPLE/WHITE LINER
2. 801369-01	PANEL, WHITELINER/WHITELINER
3. 801436-01	PANEL, BLACK MAPLE/WHITE 18M
4. 801368	PANEL, WHITELINER/WHITELINER
5. 801706-007	CORNER TRIM, 90D 1" RADIUS 84"
6. 801341-73	DOOR-GALLEY 14.63" X 23.63"
7. 801341-74	DOOR-GALLEY 18.63" X 23.63"
8. 381775	DRAWER PULL, FLUSH
9. 381228-01	CATCH GRABBER DOOR
10. 381607	HINGE ASSY-GRASS EURO
11. 965851	GALLEY TOP, 25'
12. 965584-01	DRW BOX ASSY 3.38" X 13.75" X 13"
12A. 381773-02	SLIDE DRAWER 3-3/8" H X 13-3/4" L
13. 801399-02	DRAWER-HIDDEN 13.00" W X 3.38" H
14. 965850	SHELF-GALLEY FLIP UP SHELF
15. 381615	TRAY 11" MOLDED PLASTIC
16. *601806	SINK-S.S. ROUND GALLEY
16. *602157	Sink, stainless steel
16a. *600968	BASKET STRAINER
16a.*601714-01	BASKET STRAINER
17. 801369	PANEL, FROSTY WHITE/WHITE LINER
381614	FOLDING SHELF BRACKET
365267	EDGE BANDING-1.13"
365278-03	EDGE BANDING-BLK MAPLE .625"
203483	COVER-SINK ROUND 17.75", OAK
115064	TRIM-ALUMINUM COUNTER TOP
365278-01	EDGE BANDING-BLACK MAPLE, 1.13"

\*Due to parts shortage sink 601806 and basket strainer 600968 were replaced temporarily during model year by sink 602157 and basket strainer 601714-01. The replacement sink has its drain hole off center to bowl and a drain hole diameter of 2". The standard sink has a centered drain hole and a 3.5" drain hole diameter.

# 2007 INTERNATIONAL TRAVEL TRAILER

## FURNITURE, GALLEY

Galley, Full Oven, 25' Sleep Six, Ocean Breeze



# 2007 INTERNATIONAL TRAVEL TRAILER

## FURNITURE, GALLEY

Galley, Full Oven, 25' Sleep Six, Ocean Breeze

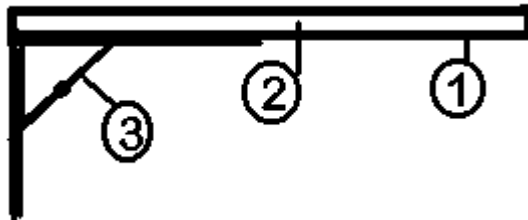
965849-01	GALLEY ASSY-FULL OVEN, 25'
1. 801697	PANEL, FROSTY WHITE/FROSTY WHITE
2. 801702	PANEL, ALMOND/WHITELINER
3. 801436-01	PANEL, BLACK MAPLE/WHITE 18M
4. 801368	PANEL, WHITELINER/WHITELINER
5. 801706-WH	CORNER TRIM, 90D 1" RADIUS 84"
6. 801341-220	DOOR-GALLEY 14.56" X 24.94"
7. 801341-221	DOOR-GALLEY 18.81" X 24.94
8. 382008	DRAWER PULL, BAMBOO
9. 381228-01	CATCH GRABBER DOOR
10. 381607	HINGE ASSY-GRASS EURO
11. 965851-01	GALLEY TOP, 25'
12. 965584-01	DRAWER BOX ASSY 3.38" X 13.75" X 13"
12A. 381773-02	SLIDE DRAWER 3-3/8" H X 13-3/4" L
13. 801399-02	DRAWER-HIDDEN 13.00" W X 3.38" H
14. 965850-01	SHELF-GALLEY FLIP UP SHELF
15. 381615	TRAY 11" MOLDED PLASTIC
16. *601806	SINK-S.S. ROUND GALLEY
16. *602157	Sink, stainless steel
16a. *600968	BASKET STRAINER
16a. *601714-01	Basket strainer
17. 801369	PANEL, FROSTY WHITE/WHITE LINER
381614	FOLDING SHELF BRACKET
365267	EDGE BANDING-1.13", PLYWOOD
365267-01	EDGE BANDING-.024", PLYWOOD
203483	COVER-SINK ROUND 17.75", OAK
115064	TRIM-ALUMINUM COUNTER TOP

\*Due to parts shortage sink 601806 and basket strainer 600968 were replaced temporarily during model year by sink 602157 and basket strainer 601714-01. The replacement sink has its drain hole off center to bowl and a drain hole diameter of 2". The standard sink has a centered drain hole and a 3.5" drain hole diameter.

# 2007 INTERNATIONAL TRAVEL TRAILER

## FURNITURE, GALLEY

### GALLEY FLIP UP SHELF, 25' Sleep Six



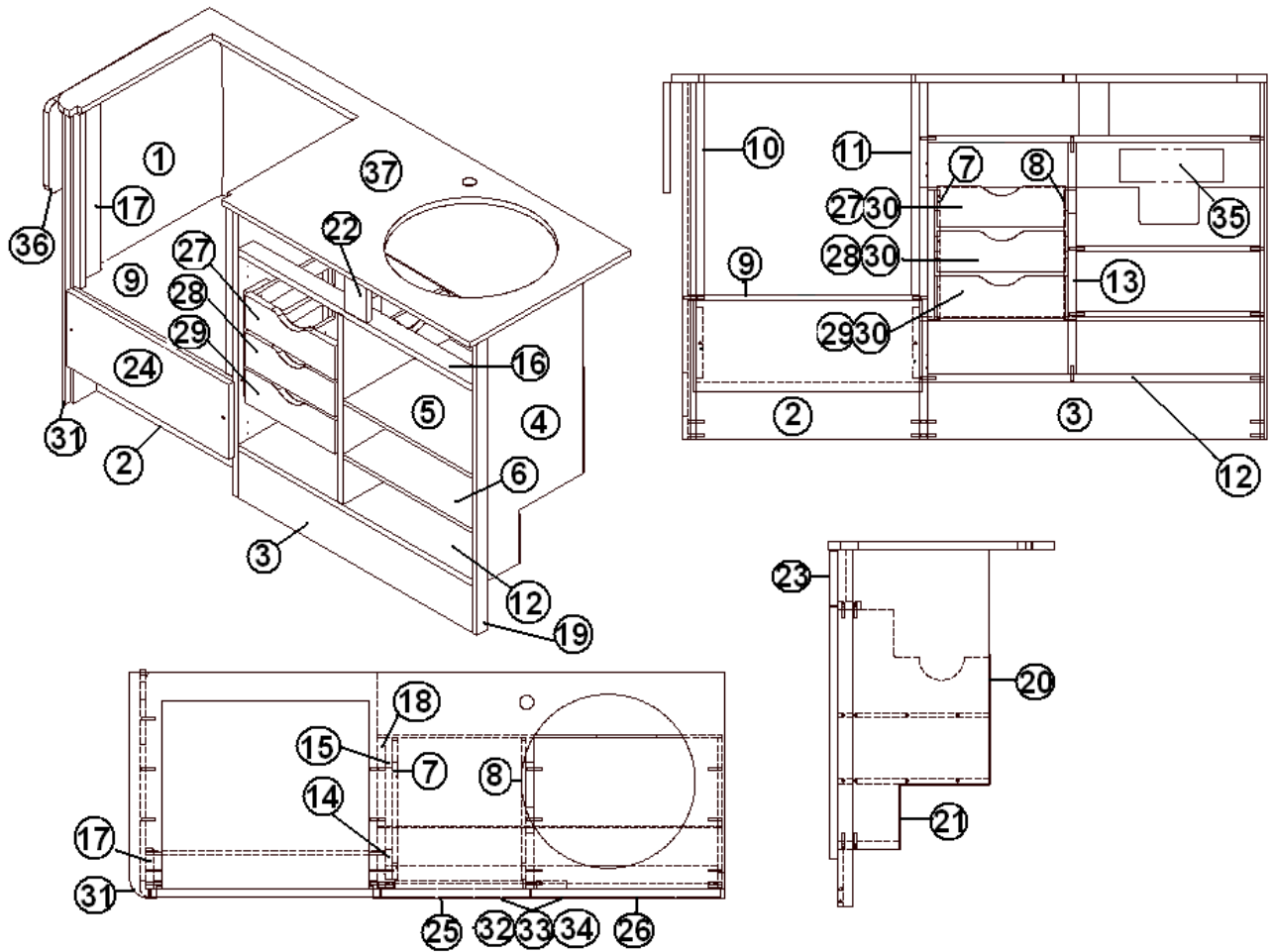
965850	Galley Flip up Shelf Assembly,
965850-01	Galley Flip up Shelf Assembly, Ocean breeze
1. 801369	PANEL, FROSTY WHITE/WHITE LINER
1. 801702	PANEL, ALMOND/WHITE LINER, OCEN BREEZE
2. 365267	EDGEBANDING-1.13" .024 PLY
3. 381614	FOLDING SHELF BRACKET



# 2007 INTERNATIONAL TRAVEL TRAILER

## FURNITURE, GALLEY

Galley, 25' Sleep Six Signature, Full Oven, Wenge



Part numbers on the next page

# 2007 INTERNATIONAL TRAVEL TRAILER

## FURNITURE, GALLEY

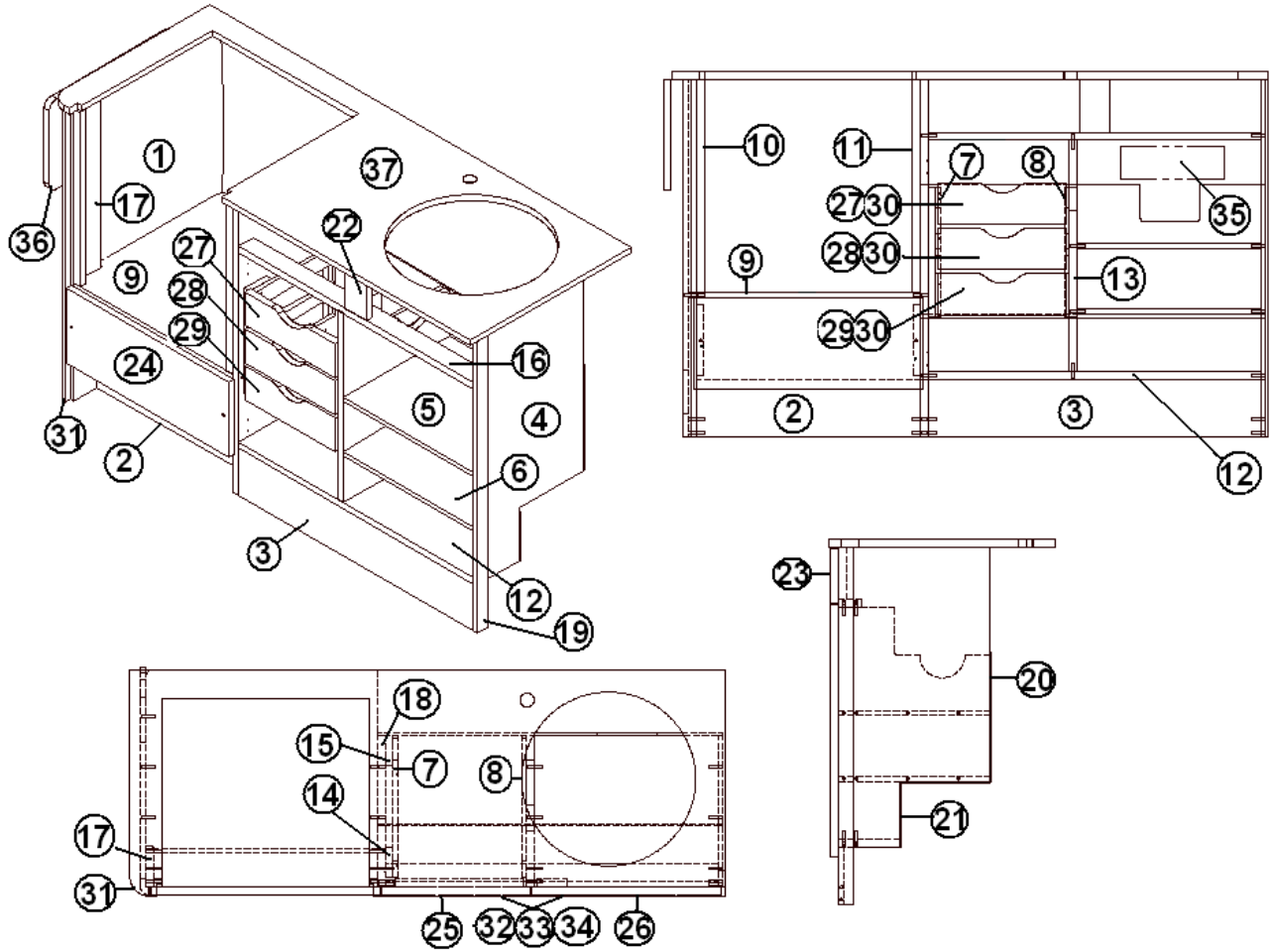
Galley, 25' Sleep Six Signature, Full Oven, Wenge

967042	GALLEY ASSY, FULL OVEN
1. 967042-1	PANEL, 20.91 X 35.50
2. 967042-2	PANEL, 5.75 X 22.25
3. 967042-3	PANEL, 5.75 X 33.00
4. 967042-4	PANEL, 15.00 X 35.50
5. 967042-5	PANEL, 15.00 X 18.25
6. 967042-6	PANEL, 15.00 X 18.25
7. 967042-7	PANEL, 14.12 X 12.75
8. 967042-8	PANEL, 14.12 X 12.75
9. 967042-9	PANEL, 21.50 X 23.00
10. 967042-10	PANEL, .88 X 21.19
11. 967042-11	PANEL, .88 X 21.19
12. 967042-12	PANEL, 6.00 X 33.00
13. 967042-13	PANEL, 15.00 X 23.00
14. 967042-14	PANEL, 3.00 X 12.75
15. 967042-15	PANEL, 3.00 X 12.75
16. 967042-16	PANEL, 2.25 X 33.00
17. 967042-17	PANEL, 3.75 X 35.50
18. 967042-18	PANEL, 15.00 X 35.50
19. 967042-19	PANEL, LAUAN, 1/8" X 1.5 X 35.5
20. 967042-20	PANEL, 12.75 X 34.25
21. 967042-21	PANEL, 6 X 34.25
22. 967042-22	PANEL, 3 X 5.25
23. 967042-23	PANEL, 5.38 X 33.63
24. 967042-24	PANEL, 9.06 X 22.81
25. 967042-25	DOOR, 14.63X25.0
26. 967042-26	DOOR, 18.88 X25.0
27. 967042-27	DOOR, 12.75 X 4.13
28. 967042-28	DOOR, 12.75 X 4.13
29. 967042-29	DOOR, 12.75 X 4.13
30. 965584-01	DRAWER BOX ASSY, 3.38" X 13.75" X 13
31. 801706-0016	CORNER TRIM 90 DEG 1" RADIUS WENGE
32. 381607	HINGE ASSY
33. 382029-04	HANDLE, BAR, 15"
34. 381228-01	CATCH, GRABBER DOOR
35. 381615	TRAY, 11" MOLDED PLASTIC
36. 966910	SHELF, GALLEY FLIP UP
37. 967041	TOP ASSY GALLEY
381773-02	SLIDE DRAWER 3-3/8H X 13-3/4L
381614	FOLDING SHELF BRACKET

# 2007 INTERNATIONAL TRAVEL TRAILER

## FURNITURE, GALLEY

Galley, 25' Sleep Six Signature, Full Oven, Ocean Breeze



Part numbers on the next page

# 2007 INTERNATIONAL TRAVEL TRAILER

## FURNITURE, GALLEY

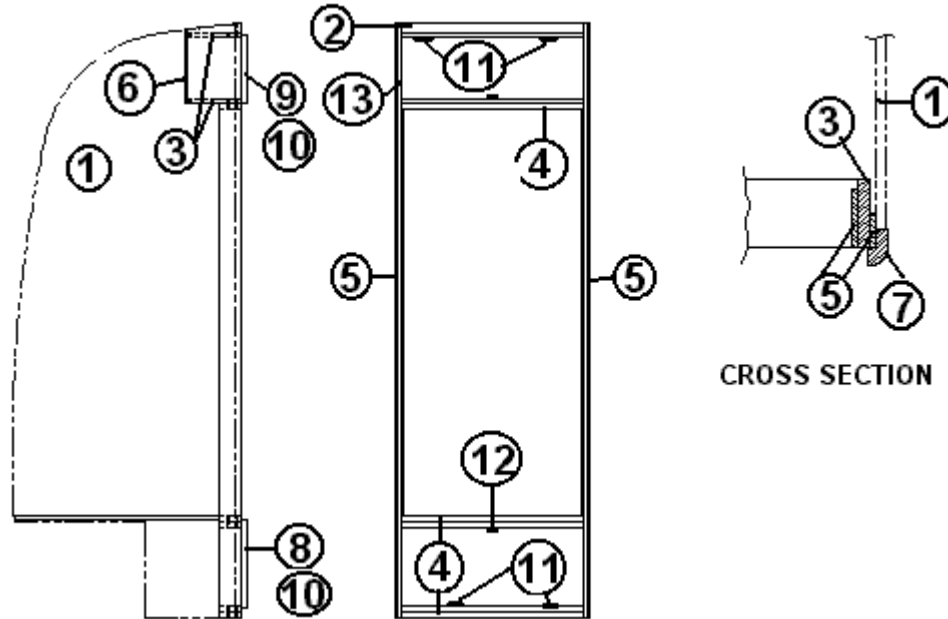
Galley, 25' Sleep Six Signature, Full Oven, Ocean Breeze

967042-01	GALLEY ASSY, FULL OVEN
1. 967042-011	PANEL, 20.91 X 35.50
2. 967042-012	PANEL, 5.75 X 22.25
3. 967042-013	PANEL, 5.75 X 33.00
4. 967042-014	PANEL, 15.00 X 35.50
5. 967042-015	PANEL, 15.00 X 18.25
6. 967042-016	PANEL, 15.00 X 18.25
7. 967042-017	PANEL, 14.12 X 12.75
8. 967042-018	PANEL, 14.12 X 12.75
9. 967042-019	PANEL, 21.50 X 23.00
10. 967042-0110	PANEL, .88 X 21.19
11. 967042-0111	PANEL, .88 X 21.19
12. 967042-0112	PANEL, 6.00 X 33.00
13. 967042-0113	PANEL, 15.00 X 23.00
14. 967042-0114	PANEL, 3.00 X 12.75
15. 967042-0115	PANEL, 3.00 X 12.75
16. 967042-0116	PANEL, 2.25 X 33.00
17. 967042-0117	PANEL, 3.75 X 35.50
18. 967042-0118	PANEL, 15.00 X 35.50
19. 967042-0119	PANEL, LAUAN, 1/8" X 1.5 X 35.5
20. 967042-0120	PANEL, 12.75 X 34.25
21. 967042-0121	PANEL, 6 X 34.25
22. 967042-0122	PANEL, 3 X 5.25
23. 967042-0123	PANEL, 5.38 X 33.63
24. 967042-0124	PANEL, 9.06 X 22.81
25. 967042-0125	DOOR, 14.63X25.0
26. 967042-0126	DOOR, 18.88 X25.0
27. 967042-0127	DOOR, 12.75 X 4.13
28. 967042-0128	DOOR, 12.75 X 4.13
29. 967042-0129	DOOR, 12.75 X 4.13
30. 965584-01	DRAWER BOX ASSY, 3.38" X 13.75" X 13
31. 801706-WH	CORNER TRIM 90 DEG 1" RADIUS WHITE
32. 381607	HINGE ASSY
33. 382008	PULL, BAMBOO
34. 381228-01	CATCH, GRABBER DOOR
35. 381615	TRAY, 11" MOLDED PLASTIC
36. 966910-01	SHELF, GALLEY FLIP UP
37. 967041-01	TOP ASSY GALLEY
381773-02	SLIDE DRAWER 3-3/8H X 13-3/4L
381614	FOLDING SHELF BRACKET

# 2007 INTERNATIONAL TRAVEL TRAILER

## FURNITURE, GALLEY

Refrigerator Cabinet, 25; Sleep Six, 6 Cu. Ft Refrigerator

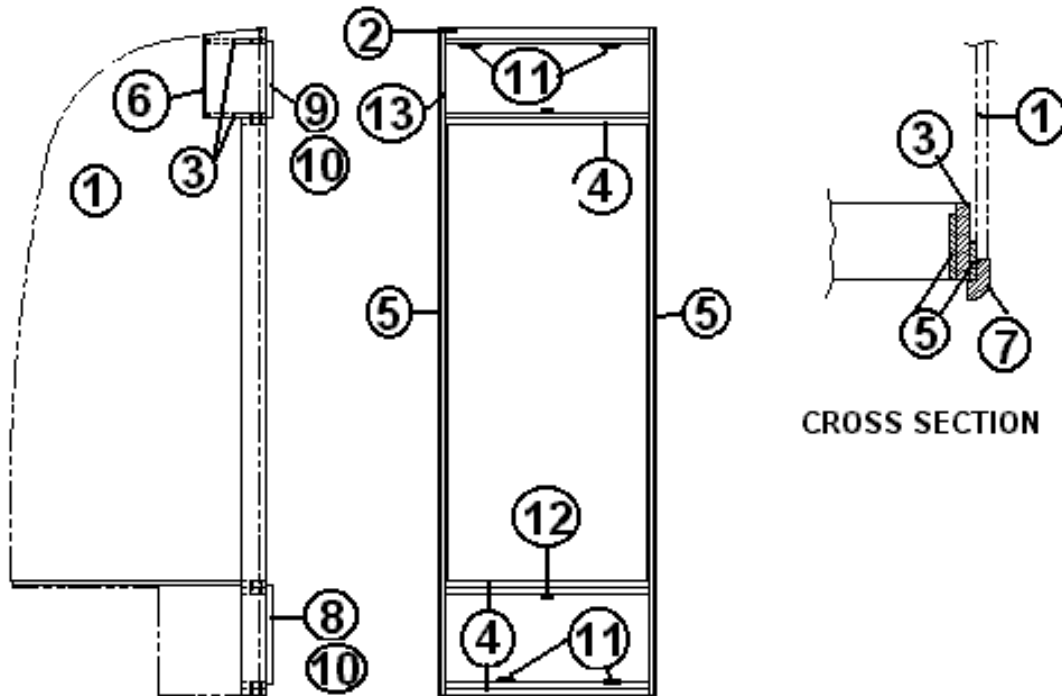


965836	Refrigerator Cabinet Assembly, 25'
1. 801460-01	PANEL-FWD REFER, 25'
2. 801456-01	PANEL, BLACK MAPLE/WHITE LINER 12MM
3. 801392	PANEL, WHITELINER/WHITELINER
4. 801368	PANEL, WHITELINER/WHITELINER
5. 800507-02	LAUAN, 1/4" X 4' X 8'
6. 801438	PANEL, WHITE VINYL/RAW
7. 801706-007	CORNER TRIM-90D 1"RADIUS, 84"
8. 801341-61	DOOR-REFER CABINET, 10.19" X 25.19"
9. 801341-62	DOOR-REFER CAB.8.38"X 25.19"
10. 381775	DRAWER PULL, FLUSH
11. 381607	HINGE ASSY-GRASS EURO
12. 381228-01	CATCH GRABBER DOOR C3-803
13. 381608-05	LID STAY-LEFT HAFELE
365278-01	EDGE BANDING-BLACK MAPLE 1.13"
965573	STAND-REFER, 25'
365278-03	EDGE BANDING-BLACK MAPLE .625"

# 2007 INTERNATIONAL TRAVEL TRAILER

## FURNITURE, GALLEY

### Refrigerator Cabinet, 25' Sleep Six, 7 CU. FT. Refrigerator

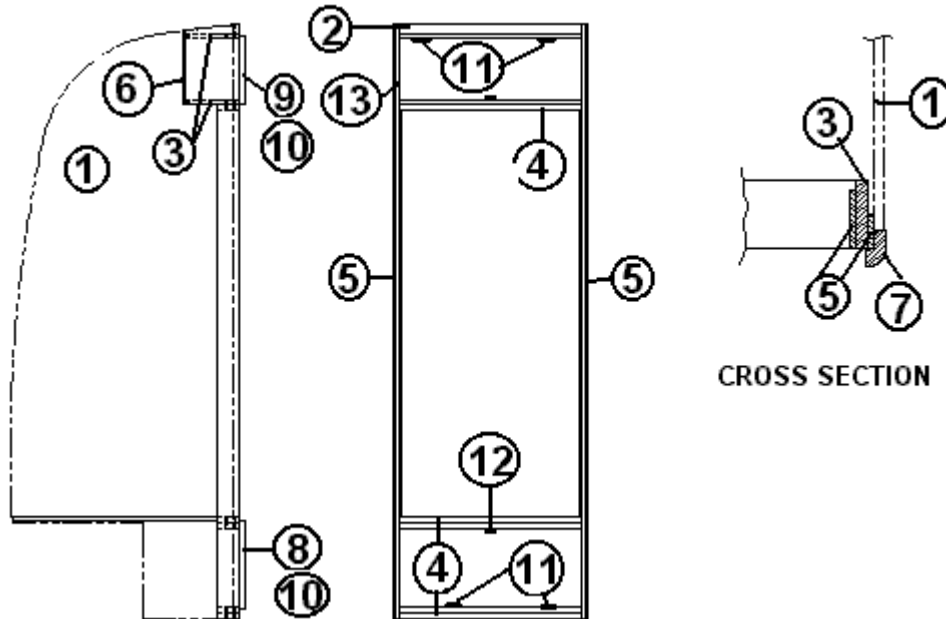


966801	Refrigerator Cabinet Assembly, 25'
1. 801705-01	PANEL-FWD REFER, 25'
2. 801456-01	PANEL, BLACK MAPLE/WHITE LINER 12MM
3. 801392	PANEL, WHITELINER/WHITELINER
4. 801368	PANEL, WHITELINER/WHITELINER
5. 800507-02	LAUAN, 1/4" X 4' X 8'
6. 801438	PANEL, WHITE VINYL/RAW
7. 801706-007	CORNER TRIM-90D 1"RADIUS, 84"
8. 801341-224	DOOR-REFER CABINET, 24.44" X 11.69"
9. 801341-225	DOOR-REFER CAB.24.44"X 8.88"
10. 381775	DRAWER PULL, FLUSH
11. 381607	HINGE ASSY-GRASS EURO
12. 381228-01	CATCH GRABBER DOOR C3-803
13. 381608-05	LID STAY-LEFT HAFELE
966812	Refrigerator Stand
365278-01	EDGE BANDING-BLACK MAPLE 1.13"
365278-03	EDGEBANDING-BLACK MAPLE .625"

# 2007 INTERNATIONAL TRAVEL TRAILER

## FURNITURE, GALLEY

Refrigerator cabinet, 25' Sleep Six, Ocean Breeze, 6 Cu. Ft Refrigerator

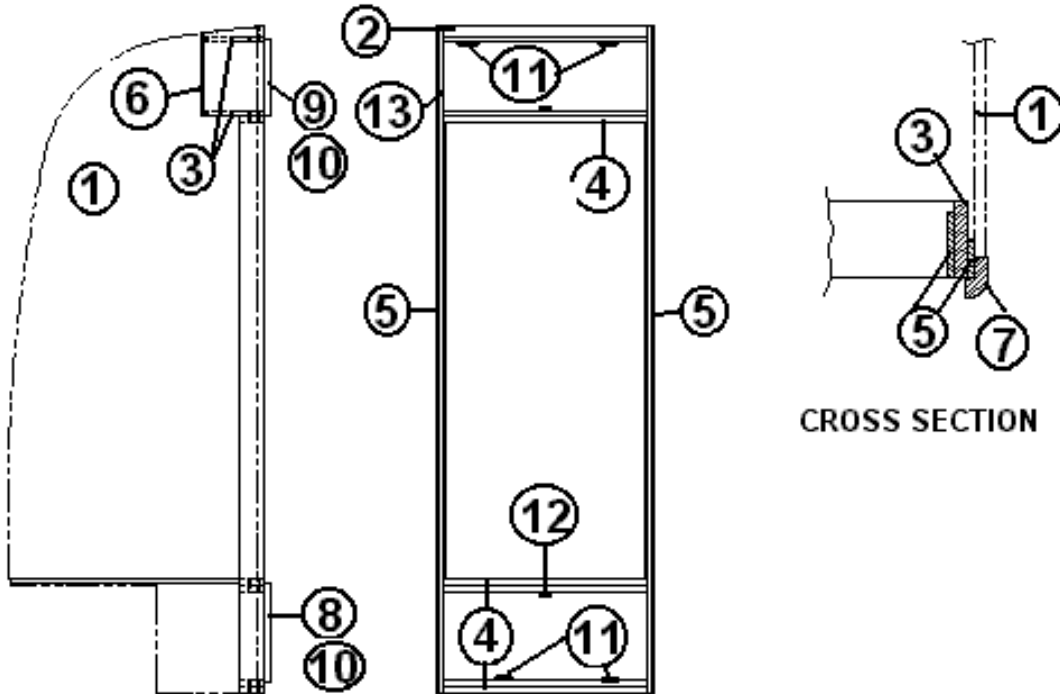


965836-01	Refrigerator Cabinet Assembly, 25'
1. 801700-06	PANEL-FWD REFER, 25'
2. 801697	PANEL, FROSTY WHITE/FROSTY WHITE, 12MM
3. 801392	PANEL, WHITELINER/WHITELINER
4. 801368	PANEL, WHITELINER/WHITELINER
5. 800507-02	LAUAN, 1/4" X 4' X 8'
6. 801438	PANEL, WHITE VINYL/RAW
7. 801706-SL	CORNER TRIM-90D 1"RADIUS, 84"
8. 801341-205	DOOR-REFER CABINET, 25.81" X 11.69"
9. 801341-216	DOOR-REFER CAB24.81" X 11.69"
10. 381775	DRAWER PULL, FLUSH
11. 381607	HINGE ASSY-GRASS EURO
12. 381228-01	CATCH GRABBER DOOR C3-803
13. 381608-05	LID STAY-LEFT HAFELE
365267-01	Edge banding, ply, 5/8"
965573	STAND-REFER, 25'

# 2007 INTERNATIONAL TRAVEL TRAILER

## FURNITURE, GALLEY

Refrigerator Cabinet, 25' Sleep Six, Ocean Breeze, 7 CU. FT.  
Refrigerator



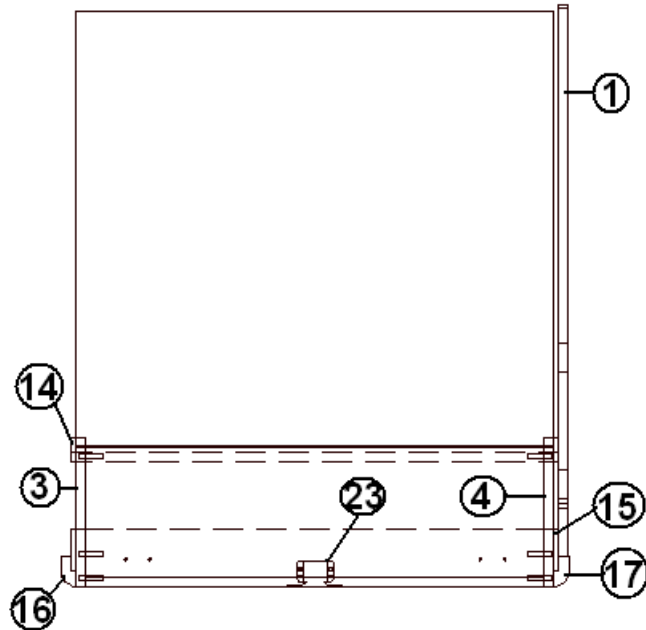
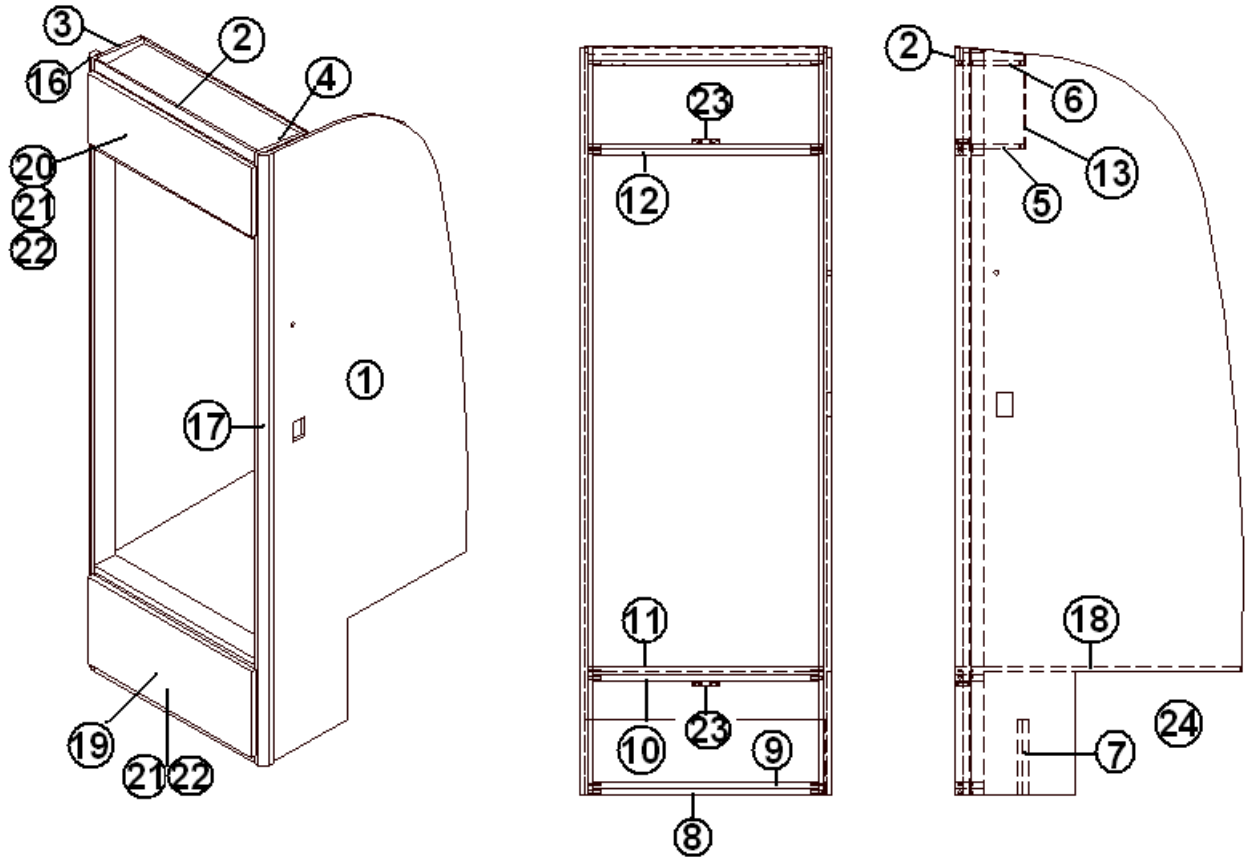
966801-01	Refrigerator Cabinet Assembly, 25'
1. 801705-04	PANEL-FWD REFER, 25'
2. 801703	PANEL, WHITELINER/FROSTY WHITE
3. 801392	PANEL, WHITELINER/WHITELINER
4. 801368	PANEL, WHITELINER/WHITELINER
5. 800507-02	LAUAN, 1/4" X 4' X 8'
6. 801438	PANEL, WHITE VINYL/RAW
7. 801706-SL	CORNER TRIM-90D 1"RADIUS, 84"
8. 801341-226	DOOR-REFER CABINET, 24.81" X 11.69"
9. 801341-227	DOOR-REFER CAB, 24.81" X 11.69"
10. 382008	DRAWER PULL, BAMBOO
11. 381607	HINGE ASSY-GRASS EURO
12. 381228-01	CATCH GRABBER DOOR C3-803
13. 381608-05	LID STAY-LEFT HAFELE
966812	STAND-REFER, 25'



# 2007 INTERNATIONAL TRAVEL TRAILER

## FURNITURE, GALLEY

### Refrigerator Cabinet, 25' Sleep Six Signature, Wenge



Part numbers on the next page

# 2007 INTERNATIONAL TRAVEL TRAILER

## FURNITURE, GALLEY

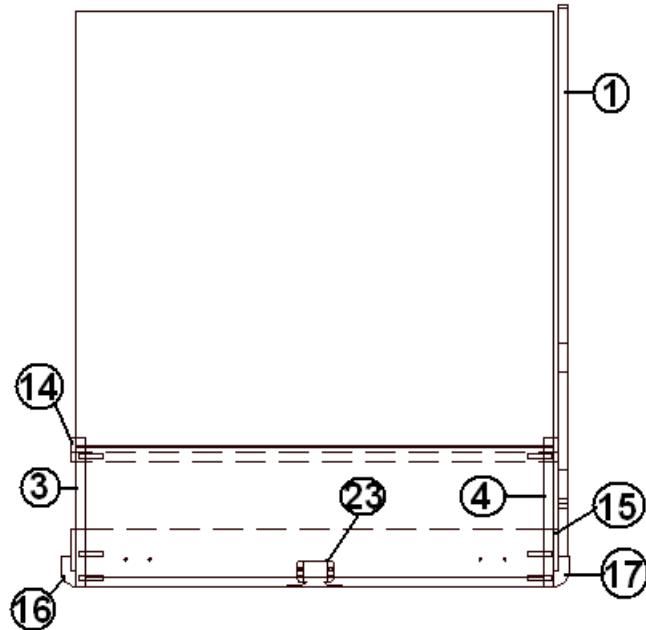
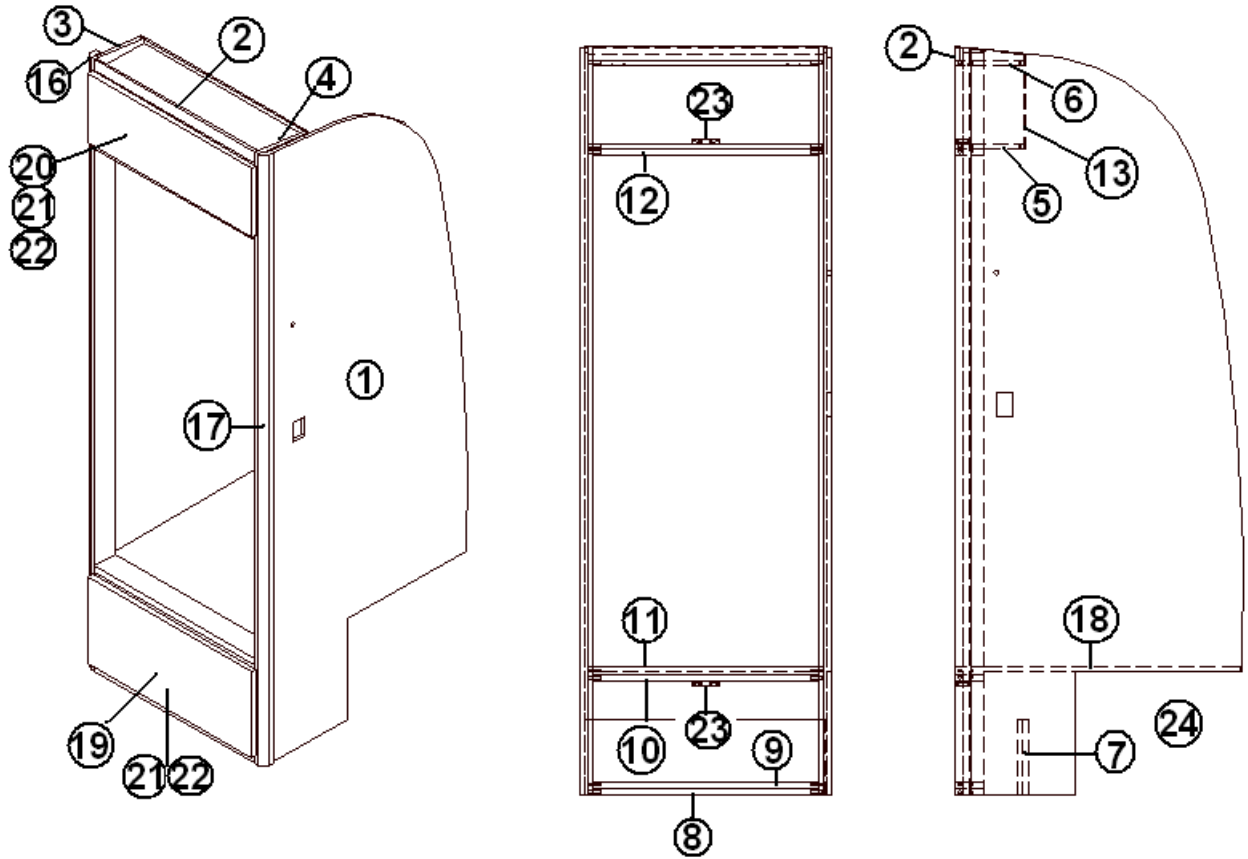
### Refrigerator Cabinet, 25' Sleep Six Signature, Wenge

967035	REFRIGERATOR CABINET
1. 967035-1	PANEL, 28.5 X 78.49
2. 967035-2	PANEL, 1.38 X 23.81
3. 967035-3	PANEL, 7.25 X 78.63
4. 967035-4	PANEL, 7.25 X 78.63
5. 967035-5	PANEL, 7.25 X 23.81
6. 967035-6	PANEL, 7.25 X 23.81
7. 967035-7	PANEL, 8.0 X 25.25
8. 967035-8	PANEL, 3.0 X 23.81
9. 967035-9	PANEL, 3.0 X 23.81
10. 967035-10	PANEL, 3.0 X 23.81
11. 967035-11	PANEL, 3.0 X 23.81
12. 967035-12	PANEL, 3.0 X 23.81
13. 967035-13	PANEL, 9.81 X 24.81
14.800507-02	LAUAN,1/4"X 4'X 8'
15.800507-02	LAUAN,1/4"X 4'X 8'
16.801706-0016	CORNER TRIM 90 DEG 1", WENGE
17.801706-0016	CORNER TRIM 90 DEG 1", WENGE
18.800506-04	PLYWOOD, 1/2" X 4' X 8'
19.967035-19	DOOR, 24.44" X 11.125"
20.967035-20	DOOR, 24.44" X 8.88"
21.382029-05	HANDLE, BAR, 21.33"
22.381607	HINGE ASSY, GRASS
23.381228-01	CATCH GRABBER DOOR
24.966812	STAND, REFRIGERATOR

# 2007 INTERNATIONAL TRAVEL TRAILER

## FURNITURE, GALLEY

### Refrigerator Cabinet, 25' Sleep Six Signature, Ocean Breeze



Part numbers on the next page

# 2007 INTERNATIONAL TRAVEL TRAILER

## FURNITURE, GALLEY

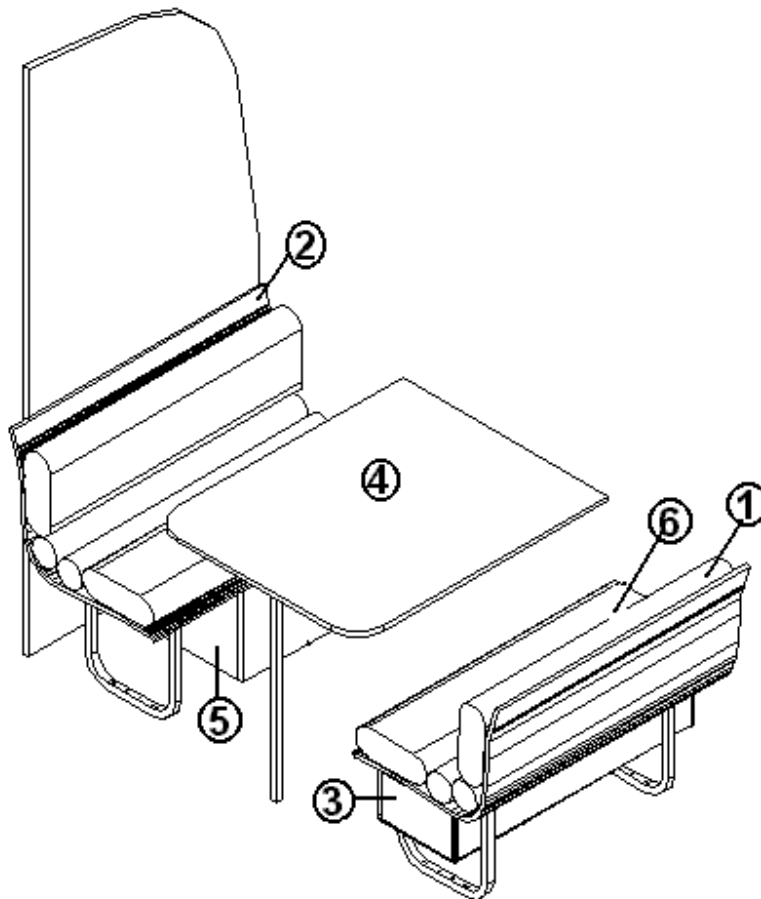
### Refrigerator Cabinet, 25' Sleep Six Signature, Ocean Breeze

967035-01	REFRIGERATOR CABINET
1. 967035-011	PANEL, 28.5 X 78.49
2. 967035-012	PANEL, 1.38 X 23.81
3. 967035-013	PANEL, 7.25 X 78.63
4. 967035-014	PANEL, 7.25 X 78.63
5. 967035-015	PANEL, 7.25 X 23.81
6. 967035-016	PANEL, 7.25 X 23.81
7. 967035-017	PANEL, 8.0 X 25.25
8. 967035-018	PANEL, 3.0 X 23.81
9. 967035-019	PANEL, 3.0 X 23.81
10. 967035-0110	PANEL, 3.0 X 23.81
11. 967035-0111	PANEL, 3.0 X 23.81
12. 967035-0112	PANEL, 3.0 X 23.81
13. 967035-0113	PANEL, 9.81 X 24.81
14. 800507-02	LAUAN, 1/4" X 4' X 8'
15. 800507-02	LAUAN, 1/4" X 4' X 8'
16. 801706-WH	CORNER TRIM 90 DEG 1", WHITE
17. 801706-SL	CORNER TRIM 90 DEG 1", SILVER
18. 800506-04	PLYWOOD, 1/2" X 4' X 8'
19. 967035-0119	DOOR, 24.44" X 11.125"
20. 967035-0120	DOOR, 24.44" X 8.88"
21. 382008	PULL, BAMBOO
22. 381607	HINGE ASSY, GRASS
23. 381228-01	CATCH GRABBER DOOR
24. 966812	STAND, REFRIGERATOR

# 2007 INTERNATIONAL TRAVEL TRAILER

## FURNITURE, GALLEY

### Dinette Layout, 25' Sleep Six

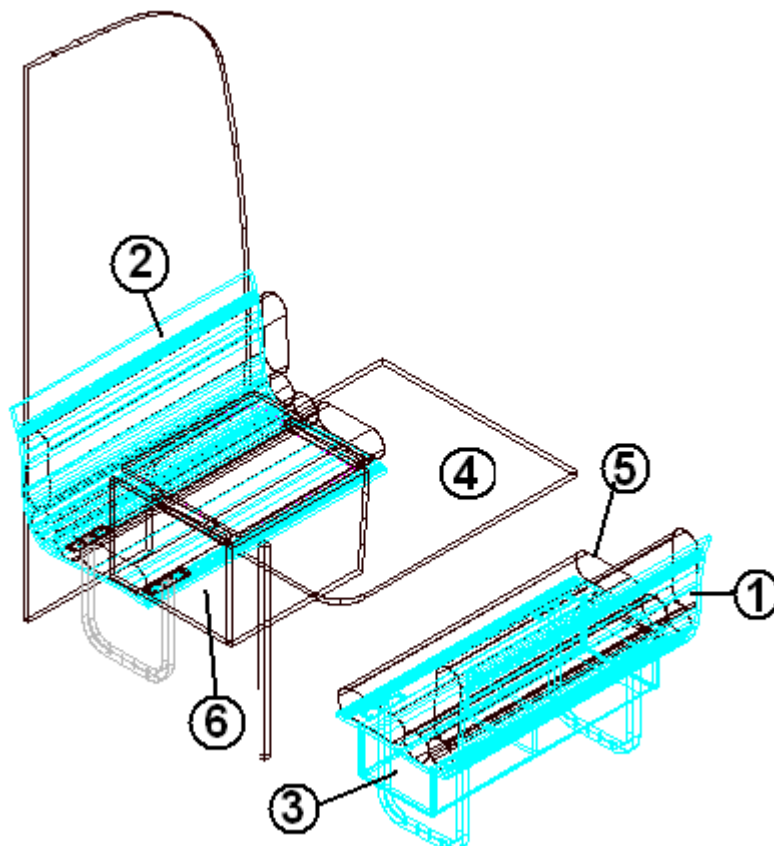


- |               |  |
|---------------|--|
| 1. 965788     | SEAT ASSY-FWD DINETTE                    |
| 2. 965853     | SEAT ASSY-AFT BOOTH, 25'                 |
| 3. 965854     | CLOSEOUT-DINETTE SEAT                    |
| 4. 965854-01  | CLOSEOUT-DINETTE SEAT, OCEAN BREEZE      |
| 5. 965774     | DINETTE TABLE                            |
| 6. 203439     | STORAGE BOX-17"L X 11.13"W X 6.38"       |
| 7. 703352-123 | Booth dinette seat cushions, Blue Streak |
| 6. 703352-133 | Booth dinette seat cushions, Lemon Grass |
| 6. 703352-115 | Booth seat cushions, Dandelion           |
| 6. 703352-156 | Booth seat cushions, Aruba               |
| 6. 703352-167 | Booth seat cushions, Ocean Breeze        |

# 2007 INTERNATIONAL TRAVEL TRAILER

## FURNITURE, GALLEY

### Dinette Layout, 25' Sleep Six Signature

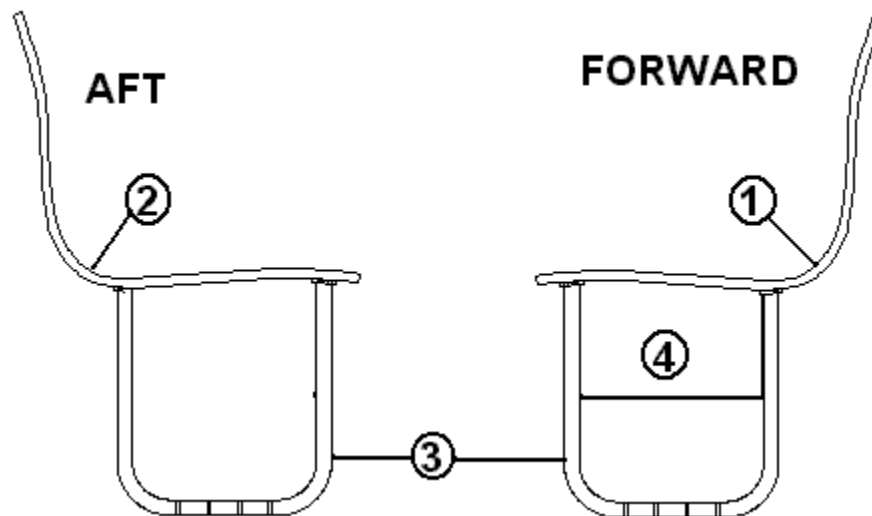


- |               |                                |
|---------------|--------------------------------|
| 1. 967032     | SEAT ASSY, FORWARD BOOTH       |
| 2. 967033     | SEAT ASSY, AFT DINETTE         |
| 3. 967034     | CLOSEOUT-UNDER DINETTE SEAT    |
| 4. 966989     | DINETTE TABLE ASSEMBLY         |
| 5. 703352-047 | DINETTE CUSHIONS, CILANTRO     |
| 5. 703352-057 | DINETTE CUSHIONS, PAPRIKA      |
| 6. 203439     | STORAGE BOX-17"LX11.13"WX6.38" |

# 2007 INTERNATIONAL TRAVEL TRAILER

## FURNITURE, GALLEY

### Dinette Seat Assemblies, 25' Sleep Six

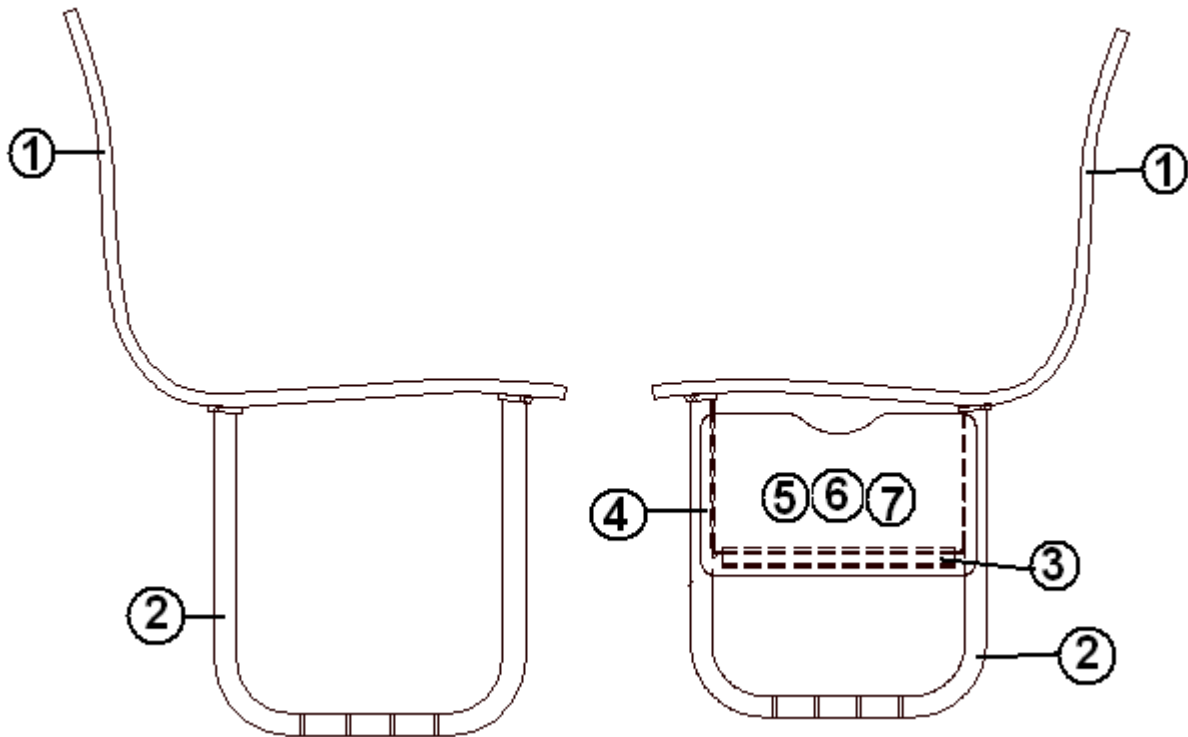


- |           |                                     |
|-----------|-------------------------------------|
| 965788    | DINETTE SEAT ASSEMBLY FORWARD       |
| 965853    | DINETTE SEAT ASSEMBLY AFT           |
| 1. 801446 | SEAT-DINETTE PLYMOLD CONTOURED      |
| 2. 801446 | SEAT-DINETTE PLYMOLD CONTOURED      |
| 3. 115140 | LEG-DINETTE BASE                    |
| 4. 115141 | CLOSEOUT-BOTTOM DINETTE SEAT        |
| 801498    | DOOR-DINETTE STORAGE                |
| 381847    | HINGE-PIANO ANGLE .88" X 72"        |
| 381228-01 | CATCH GRABBER DOOR C3-803           |
| 801456-01 | PANEL, BLACK MAPLE/WHITE LINER 12MM |
| 365278-03 | EDGE BANDING-BLACK MAPLE .625"      |
| 114070    | EXTRUSION, J-TRIM                   |

# 2007 INTERNATIONAL TRAVEL TRAILER

## FURNITURE, GALLEY

### Dinette Seat Assemblies, 25' Sleep Six Signature



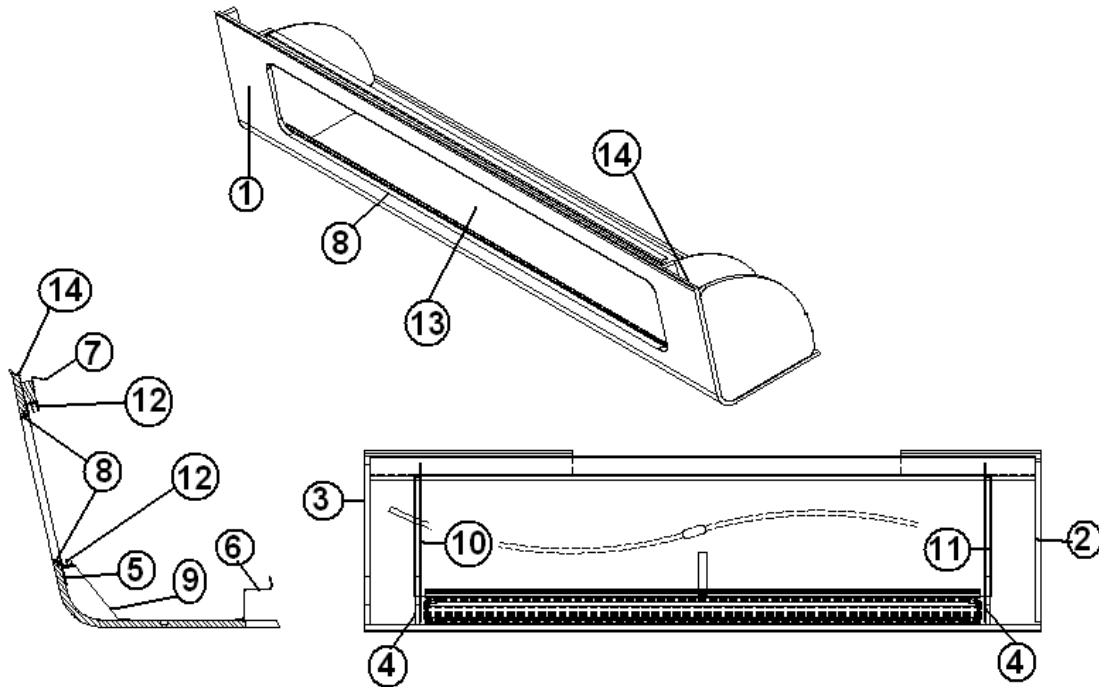
967032	DINETTE SEAT ASSEMBLY FORWARD
967033	DINETTE SEAT ASSEMBLY AFT
1. 801446	SEAT-DINETTE PLYMOLD CONTOURED
2. 115140	LEG-DINETTE BASE
3. 115141	CLOSEOUT-BOTTOM DINETTE SEAT
4. 203439	STORAGE BOX-17"LX11.13"WX6.38"
5. 967032-7	DOOR, DINETTE STORAGE, WENGE
5. 967032-017	DOOR, DINETTE STORAGE, OCEAN BREEZE
6. 381847-01	HINGE, PIANO ANGLE .88" X 72"
7. 381228-01	CATCH, GRABBER DOOR
114070	EXTRUSION, J-TRIM



# 2007 INTERNATIONAL TRAVEL TRAILER

## FURNITURE, GALLEY

Roof Locker, Dinette, 25' Sleep Six

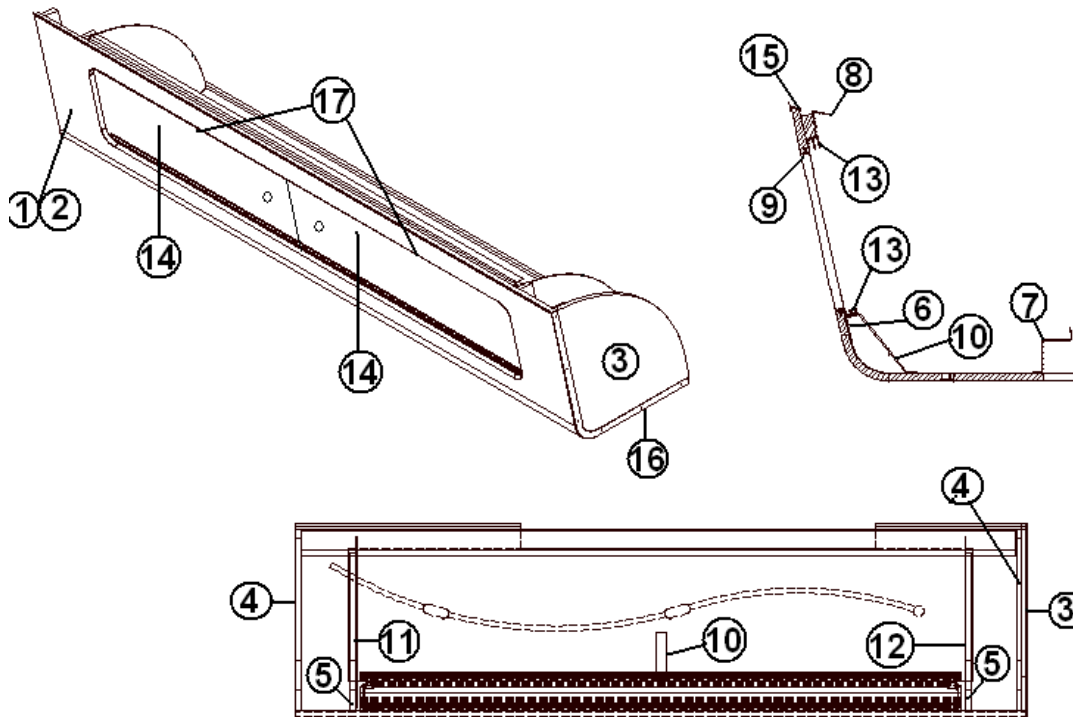


966196	Dinette roof locker
1. 801542-04	Locker face, dinette
2. 801545-01	Divider, full
3. 801545-02	Divider, partial
4. 801545-03	Divider, partial, short
5. 115227-01	Angled, formed, 58.50"
6. 115228-01	Blind close out, formed
7. 104821	Roof locker support, 74"
8. 203508-01	T-trim, 9/16", wood grain
9. 115226	Bracket, locker center support
10. 801540-01	Divider, LH, dinette
11. 801540-02	Divider, RH, dinette
12. 381245	Sliding door track
13. 965563-08	Door, sliding Plexiglas
13. 203357-03	Door, Plexiglas, Ocean Breeze
25.201673	Cove molding, Ivory, plastic

# 2007 INTERNATIONAL TRAVEL TRAILER

## FURNITURE, GALLEY

Roof Locker, 25' Sleep Six Signature, Dinette, Wenge

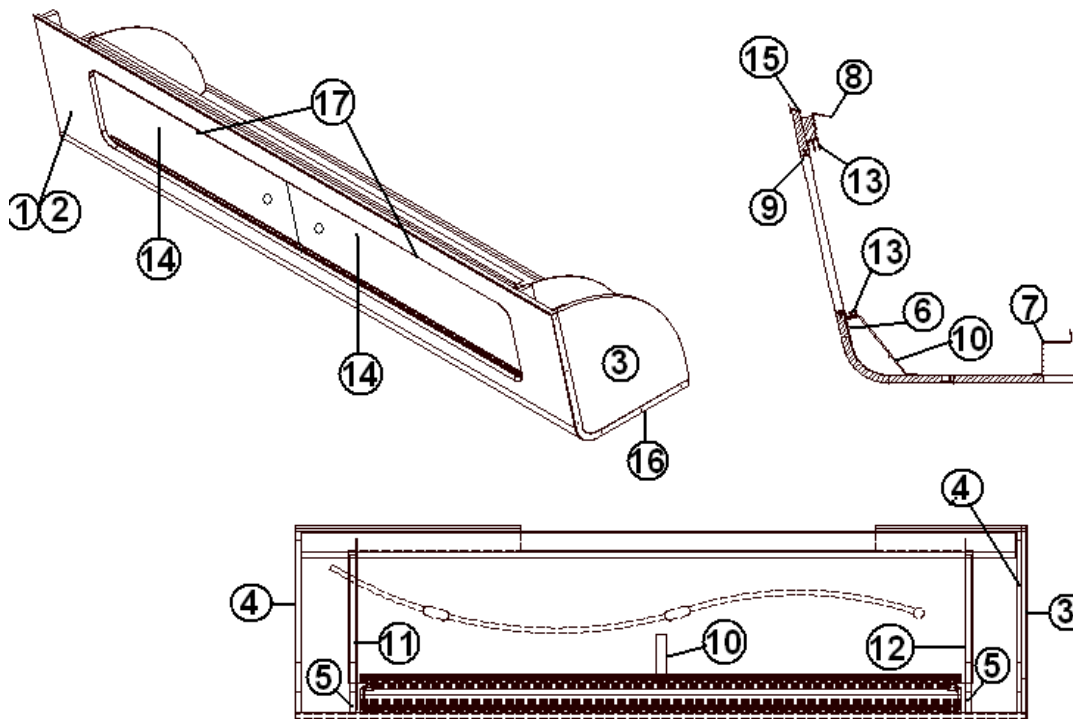


967029	LOCKER ASSY, DINETTE
1. 801740	LOCKER FACE, DINETTE
2. 801716	PANEL, LAMINATED, WENGE/LINER 18MM
3. 967029-3	PANEL, 17.15 X 18.21
4. 801545-02	DIVIDER, PARTIAL
5. 801545-03	DIVIDER, PARTIAL SHORT
6. 115227-01	ANGLE, FORMED, LOCKER TRACK SUPPORT
7. 115228-03	BLIND CLOSEOUT, FORMED, LOCKER
8. 104821	SUPPORT, ROOFLOCKER, 74"
9. 203445-01	T-MOLDING, 5625", WHITE
10. 115226	BRACKET, LOCKER CENTER SUPPORT
11. 801540-01	DIVIDER, DINETTE LOCKER, LH
12. 801540-02	DIVIDER, DINETTE LOCKER, RH
13. 203388	SLIDING DOOR TRACK
14. 965563-08	DOOR, SLIDING, 11.31"X 30"
15. 201673	REVERSE COVE MOLDING, WHITE
16. 115375	EXTRUSION, FORMED, R/L END
17. 454613	SPRING LEAF R/L

# 2007 INTERNATIONAL TRAVEL TRAILER

## FURNITURE, GALLEY

Roof Locker, 25' Sleep Six Signature, Dinette, Ocean Breeze

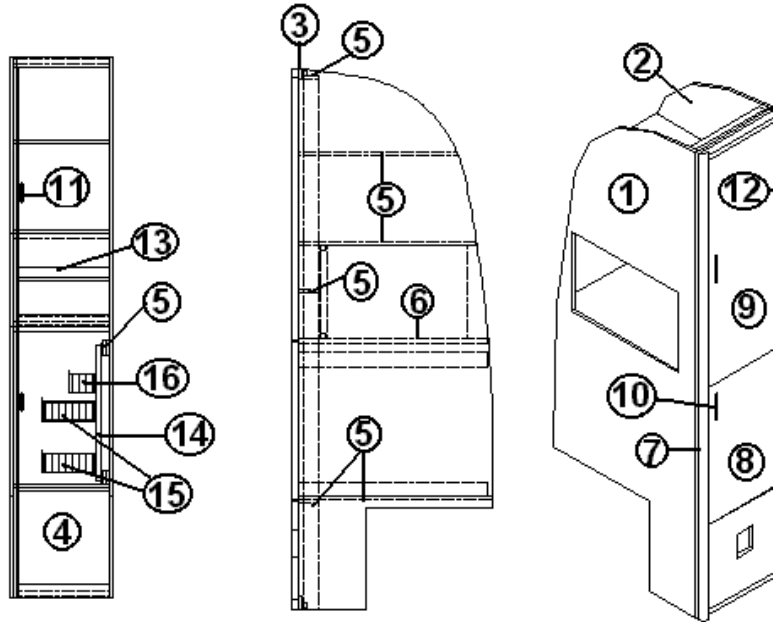


967029-01	LOCKER ASSY, DINETTE
1. 801740-01	LOCKER FACE, DINETTE
2. 801369-01	PANEL, LAMINATED, WHITE/LINER 18MM
3. 967029-013	PANEL, 17.15 X 18.21
4. 801545-02	DIVIDER, PARTIAL
5. 801545-03	DIVIDER, PARTIAL SHORT
6. 115227-01	ANGLE, FORMED, LOCKER TRACK SUPPORT
7. 115228-03	BLIND CLOSEOUT, FORMED, LOCKER
8. 104821	SUPPORT, ROOFLOCKER, 74"
9. 203508-01	T-MOLDING, 5625", PLYWOOD
10. 115226	BRACKET, LOCKER CENTER SUPPORT
11. 801540-01	DIVIDER, DINETTE LOCKER, LH
12. 801540-02	DIVIDER, DINETTE LOCKER, RH
13. 203388	SLIDING DOOR TRACK
14. 203357-03	DOOR, SLIDING, LUMICOR, 11.31" X 30"
15. 201673	REVERSE COVE MOLDING, WHITE
16. 115375	EXTRUSION, FORMED, R/L END
17. 454613	SPRING LEAF R/L

# 2007 INTERNATIONAL TRAVEL TRAILER

## FURNITURE, GALLEY

### Pantry Cabinet, 25' Sleep Six

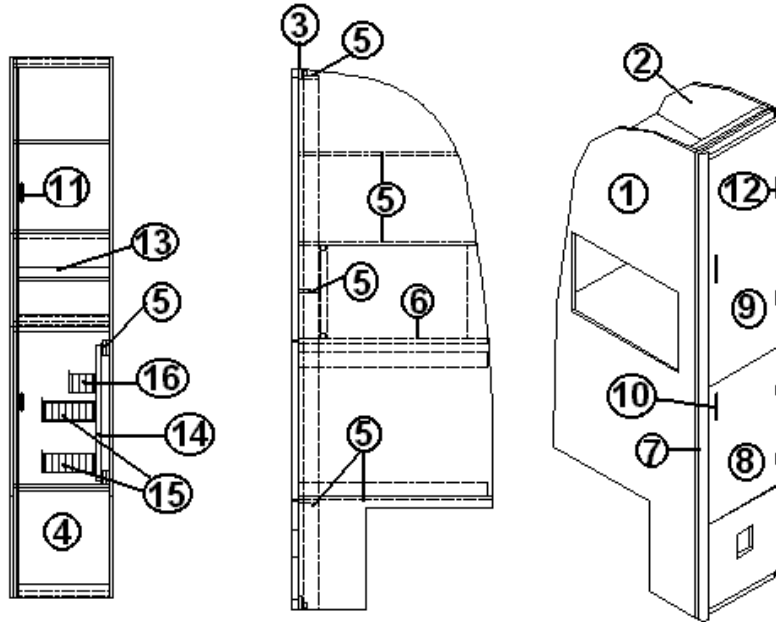


- |               |                                  |
|---------------|----------------------------------|
| *965842       | PANTRY ASSEMBLY, 25'             |
| 1. *801460-04 | PANEL-FWD PANTRY, 25'            |
| 2. 801460-05  | PANEL-AFT PANTRY, 25'            |
| 3. 801456-01  | PANEL, BLACK MAPLE/WHITE LIN 12M |
| 4. 801436-01  | PANEL, BLACK MAPLE/WHITE 18MM    |
| 5. 801392     | PANEL, WHITELINER/WHITELINER     |
| 6. 801368     | PANEL, WHITELINER/WHITELINER     |
| 7. 801706-007 | CORNER TRIM-90D 1"RADIUS, 84"    |
| 8. 801341-71  | DOOR-PANTRY 14"X 23"             |
| 9. 801341-72  | DOOR-PANTRY 14"X 38.13"          |
| 10. 381775    | DRAWER PULL, FLUSH               |
| 11. 381228-01 | CATCH GRABBER DOOR               |
| 12. 381607    | HINGE ASSY-GRASS EURO            |
| 13. 115083    | SHELF EDGE, FORMED               |
| 14. 381551-03 | ORGANIZER WHITE BASE CABINET     |
| 15. 381551-04 | BASKET-WIRE WHITE 8" WIDE        |
| 16. 381551-02 | WIRE BASKET 4" WIDE WHITE        |
| 381805        | Bolt, slide, 3" aluminum         |
| 114506-06     | CLOSEOUT, WIRE, DINETTE 57.13"   |

# 2007 INTERNATIONAL TRAVEL TRAILER

## FURNITURE, GALLEY

### Pantry Cabinet, 25' Sleep Six, Ocean Breeze

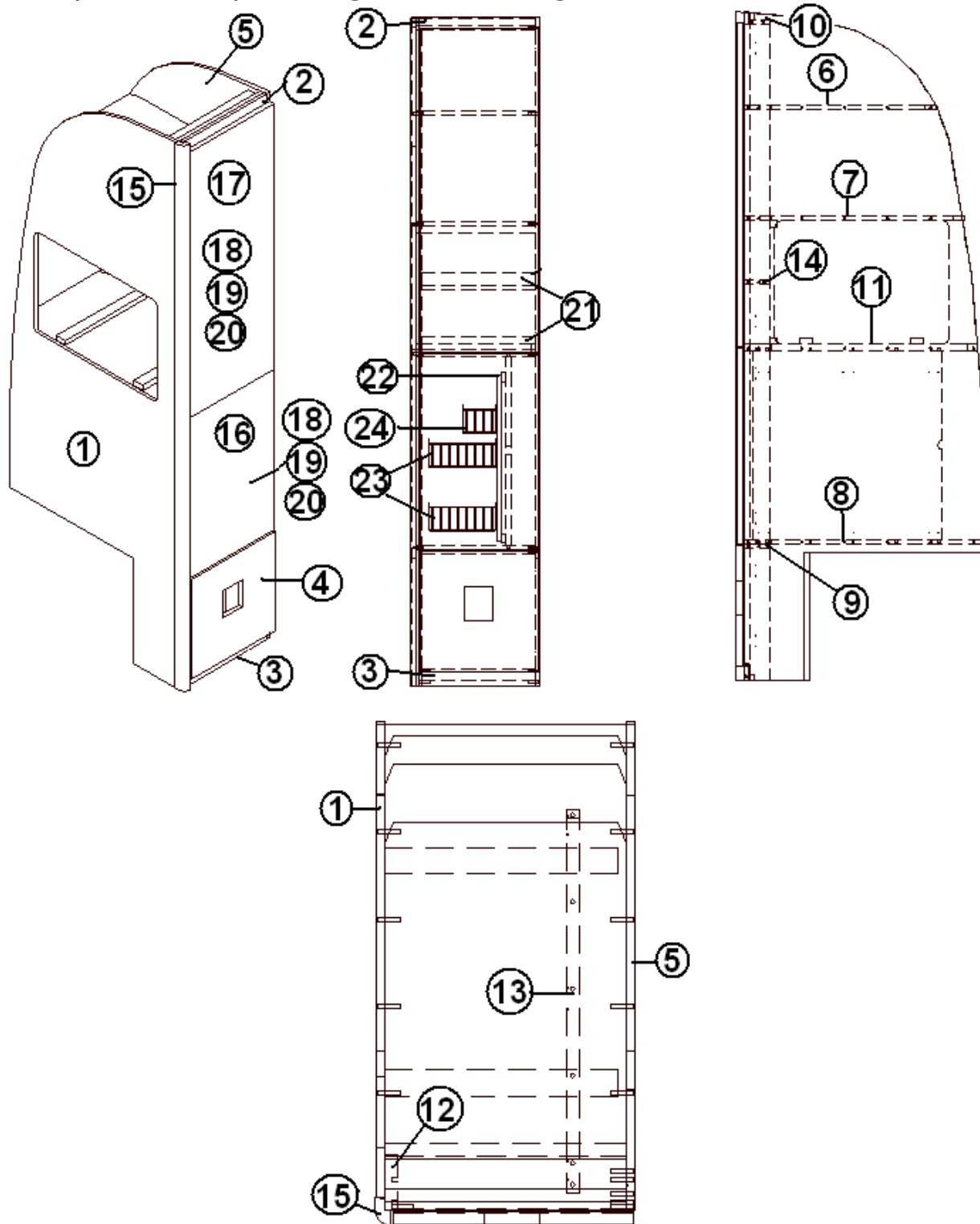


- |               |                                |
|---------------|--------------------------------|
| 965842-01     | PANTRY ASSEMBLY, 25'           |
| 1. 801700-01  | PANEL-FWD PANTRY, 25'          |
| 2. 801700-02  | PANEL-AFT PANTRY, 25'          |
| 3. 801369     | PANEL, FROSTY WHITE/WHITELINER |
| 4. 801702     | PANEL, ALMOND/LINER            |
| 5. 801392     | PANEL, WHITELINER/WHITELINER   |
| 6. 801368     | PANEL, WHITELINER/WHITELINER   |
| 7. 801706-SL  | CORNER TRIM-90D 1"RADIUS, 84"  |
| 8. 801341-218 | DOOR-PANTRY 14"X 23"           |
| 9. 801341-219 | DOOR-PANTRY 14"X 38.13"        |
| 10. 382008    | DRAWER PULL, BAMBOO            |
| 11. 381228-01 | CATCH GRABBER DOOR             |
| 12. 381607    | HINGE ASSY-GRASS EURO          |
| 13. 115083    | SHELF EDGE, FORMED             |
| 14. 381551-03 | ORGANIZER WHITE BASE CABINET   |
| 26.381551-04  | BASKET-WIRE WHITE 8" WIDE      |
| 27.381551-02  | WIRE BASKET 4" WIDE WHITE      |
| 381805        | Bolt, slide, 3" aluminum       |
| 114506-06     | CLOSEOUT, WIRE, DINETTE 57.13" |

# 2007 INTERNATIONAL TRAVEL TRAILER

## FURNITURE, GALLEY

Pantry, 25' Sleep Six Signature, Wenge



Part numbers on the next page

# 2007 INTERNATIONAL TRAVEL TRAILER

## FURNITURE, GALLEY

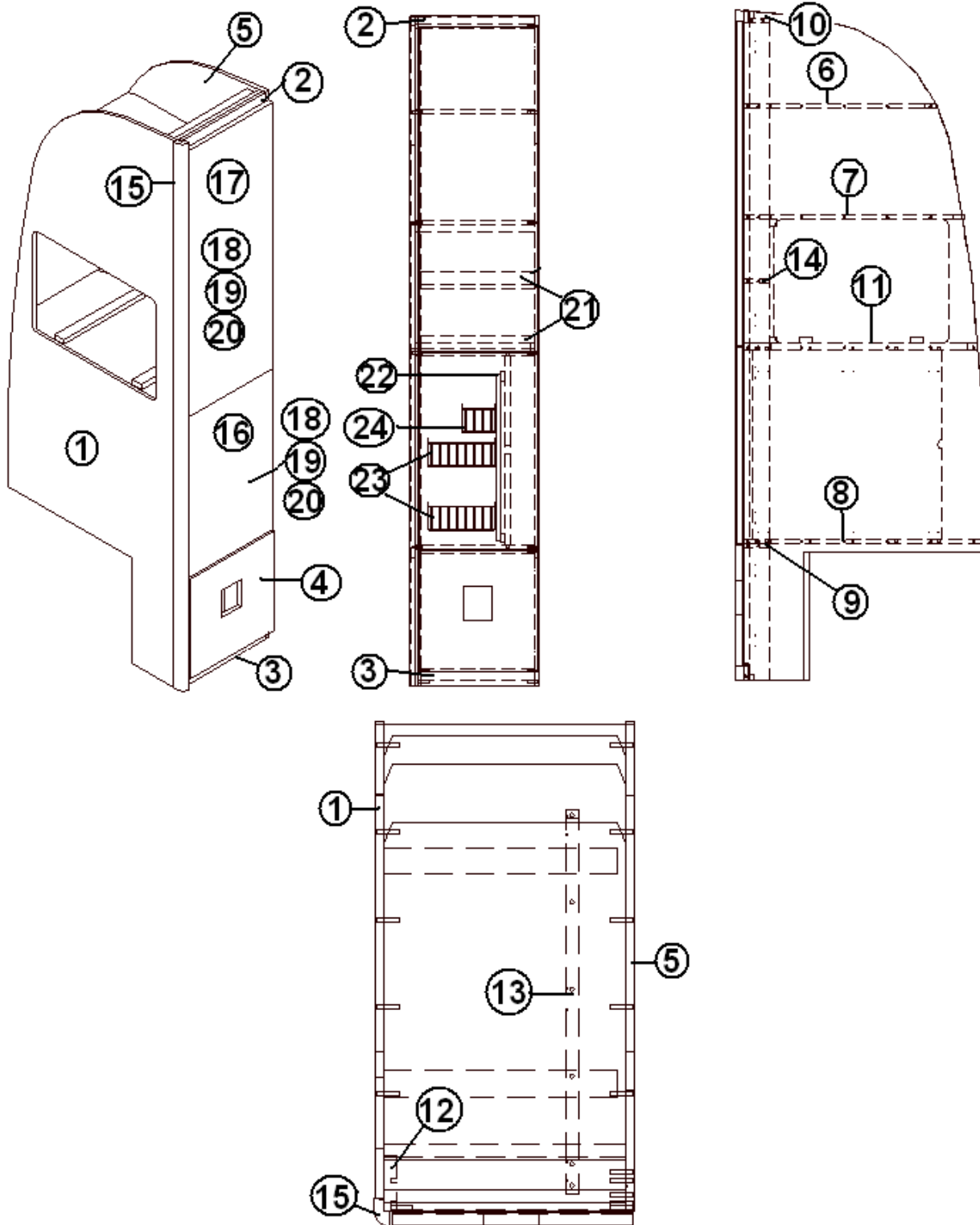
Pantry, 25' Sleep Six Signature, Wenge

967039	PANTRY ASSY
1. 967039-1	PANEL, 27.57 X 78.46
2. 967039-2	PANEL, 1.50 X 14.00
3. 967039-3	PANEL, 2.00 X 13.25
4. 967039-4	PANEL, 13.91X14.16
5. 967039-5	PANEL, 28.33 X 78.56
6. 967039-6	PANEL, 14.00 X 22.50
7. 967039-7	PANEL, 14.00 X 25.88
8. 967039-8	PANEL, 14.00 X 28.13
9. 967039-9	PANEL, 3.00 X 13.25
10. 967039-10	PANEL, 2.50 X 14.00
11. 967039-11	PANEL, 14.00 X 27.50
12. 967039-12	PANEL, 3.00 X 77.06
13. 967039-13	PANEL, 22.25 X 22.25
14. 967039-14	PANEL, 14.00 X 14.50
15. 801706-0016	CORNER TRIM, 90 DEG 1" RADIUS, WENGE
16. 967039-17	DOOR, 13.91 X 23
17. 967039-18	DOOR, 13.91 X 38.13
18. 382029-03	HANDLE, BAR, 11.25"
19. 381228-01	CATCH, GRABBER DOOR
20. 381607	HINGE ASSY
21. 115083	SHELF EDGE
22. 381551-03	ORGANIZER, WHITE, BASE CABINET
23. 381551-04	BASKET, WIRE WHITE, 8"W
24. 381551-02	WIRE BASKET, 4" WIDE, WHITE
381805	BOLT-SLIDE, 3"

# 2007 INTERNATIONAL TRAVEL TRAILER

## FURNITURE, GALLEY

Pantry, 25' Sleep Six Signature, Ocean Breeze



Part numbers on the next page



# 2007 INTERNATIONAL TRAVEL TRAILER

## FURNITURE, GALLEY

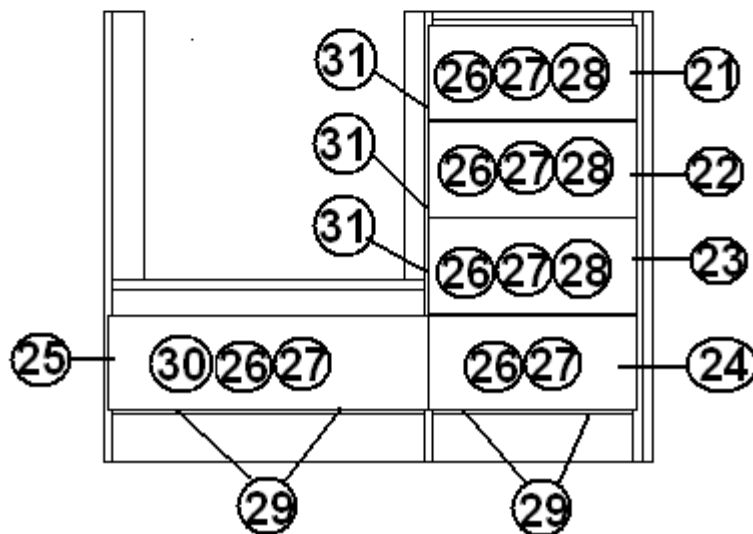
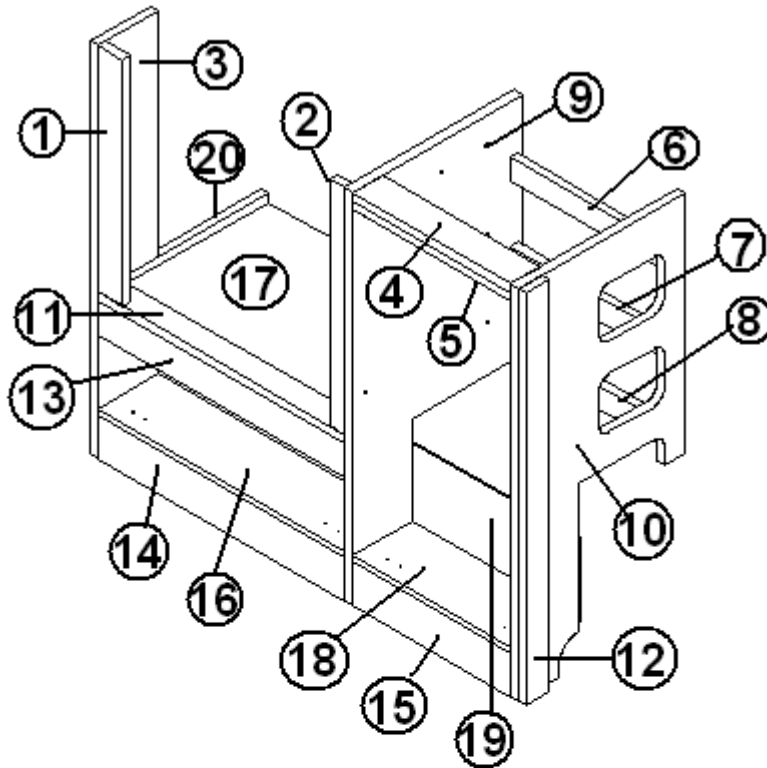
Pantry, 25' Sleep Six Signature, Ocean Breeze

967039-01	PANTRY ASSY
1. 967039-011	PANEL, 27.57 X 78.46
2. 967039-012	PANEL, 1.50 X 14.00
3. 967039-013	PANEL, 2.00 X 13.25
4. 967039-014	PANEL, 13.91X14.16
5. 967039-015	PANEL, 28.33 X 78.56
6. 967039-016	PANEL, 14.00 X 22.50
7. 967039-017	PANEL, 14.00 X 25.88
8. 967039-018	PANEL, 14.00 X 28.13
9. 967039-019	PANEL, 3.00 X 13.25
10. 967039-0110	PANEL, 2.50 X 14.00
11. 967039-0111	PANEL, 14.00 X 27.50
12. 967039-0112	PANEL, 3.00 X 77.06
13. 967039-0113	PANEL, 22.25 X 22.25
14. 967039-0114	PANEL, 14.00 X 14.50
15. 801706-007	CORNER TRIM, 90 DEG 1" RADIUS
16. 967039-0117	DOOR, 13.91 X 23
17. 967039-0118	DOOR, 13.91 X 38.13
18.382008	PULL, BAMBOO
19.381228-01	CATCH, GRABBER DOOR
20.381607	HINGE ASSY
21.115083	SHELF EDGE
22.381551-03	ORGANIZER, WHITE, BASE CABINET
23.381551-04	BASKET, WIRE WHITE, 8"W
24.381551-02	WIRE BASKET, 4" WIDE, WHITE
381805	BOLT-SLIDE, 3"

# 2007 INTERNATIONAL TRAVEL TRAILER

## FURNITURE, GALLEY

Galley, 27' FB Signature, Standard Oven Section, Wenge



Part numbers are on the next page

# 2007 INTERNATIONAL TRAVEL TRAILER

## FURNITURE, GALLEY

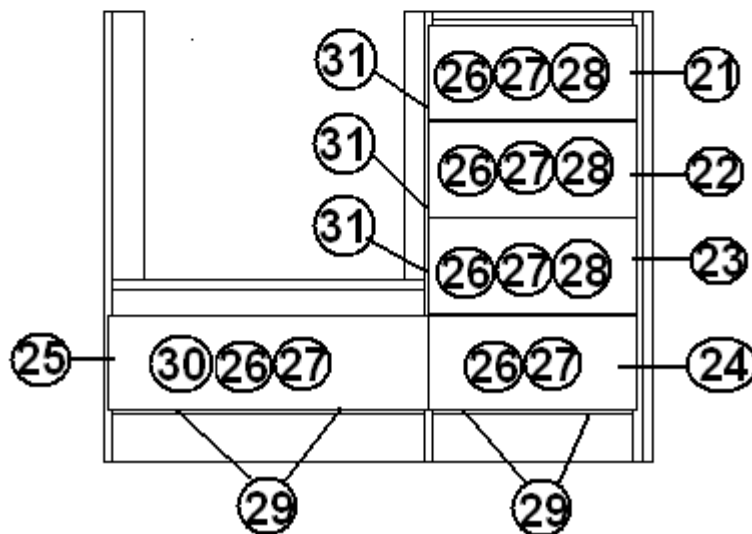
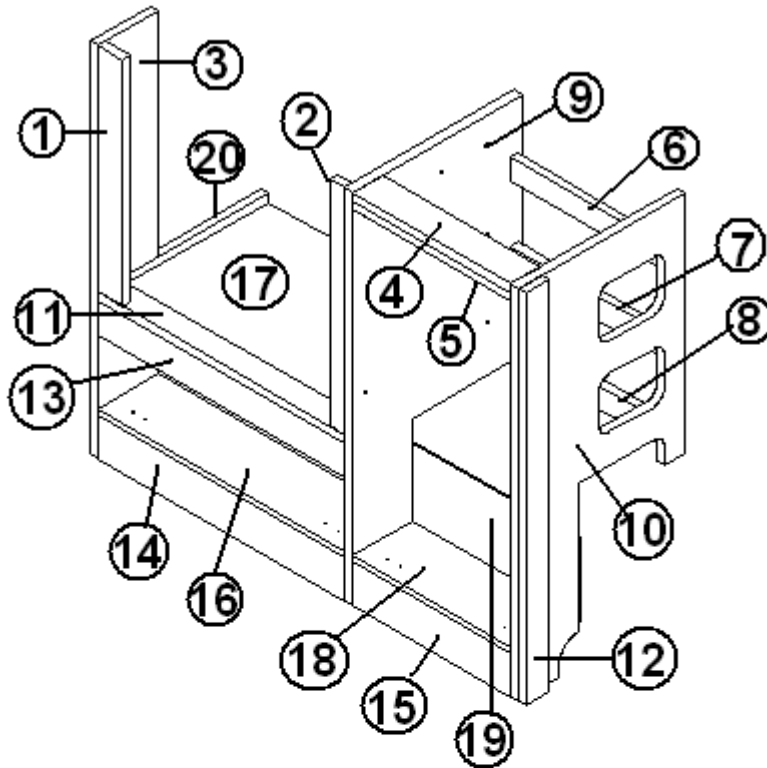
Galley, 27' FB Signature, Standard Oven Section, Wenge

966877	Galley, Standard Oven Section, Wenge
1. 966877-1	PANEL, 2.50" x 21.19"
2. 966877-2	PANEL, 1.50" x 21.19"
3. 966877-3	PANEL, 6" x 35.5"
4. 966877-4	PANEL, 15.75" x 3"
5. 966877-5	PANEL, 15.75" x 3"
6. 966877-6	PANEL, 2.25" x 15.75"
7. 966877-7	PANEL, 2.25" x 15.75"
8. 966877-8	PANEL, 2.25" x 15.75"
9. 966877-9	PANEL, 18.88" x 35.50"
10. 966877-10	PANEL, 16.44" x 35.50"
11. 966877-11	PANEL, 2.25" x 24.50"
12. 966877-12	PANEL, 2.25" x 24.50"
13. 966877-13	PANEL, 24.50" x 3.00"
25. 966877-14	PANEL, 24.50" x 3.75"
26. 966877-15	PANEL, 15.75" x 3.75"
27. 966877-16	PANEL, 6" x 24.50"
28. 966877-17	PANEL, 16.38" x 25.25"
29. 966877-18	PANEL, 6" x 25.25"
30. 966877-19	PANEL, 42.50" x 7.25", WHITE/RAW
31. 800025-01	PINE, 3/4" X 3/4", STAINED
32. 966877-21	DOOR, GALLEY, 16.38" X 7.5"
33. 966877-22	DOOR, GALLEY, 16.38" X 7.5"
34. 966877-23	DOOR, GALLEY, 16.38" X 7.5"
35. 966877-24	DOOR, GALLEY, 16.38" X 7.5"
36. 966877-25	DOOR, GALLEY, 25.13" X 7.5"
37. 382029-04	HANDLE-BAR 15"
38. 381228-01	CATCH GRABBER DOOR
39. 965560-05	DRAWER BOX, 5.63" X 16.5" X 15.25"
40. 381607	HINGE, ASSEMBLY
41. 382029-05	HANDLE, BAR 21.33"
42. 381773-15	DRAWER SLIDE, 5.875" X 15.75"(PAIR)

# 2007 INTERNATIONAL TRAVEL TRAILER

## FURNITURE, GALLEY

Galley, 27' FB Signature, Standard Oven Section, Ocean Breeze



Part numbers are on the next page

# 2007 INTERNATIONAL TRAVEL TRAILER

## FURNITURE, GALLEY

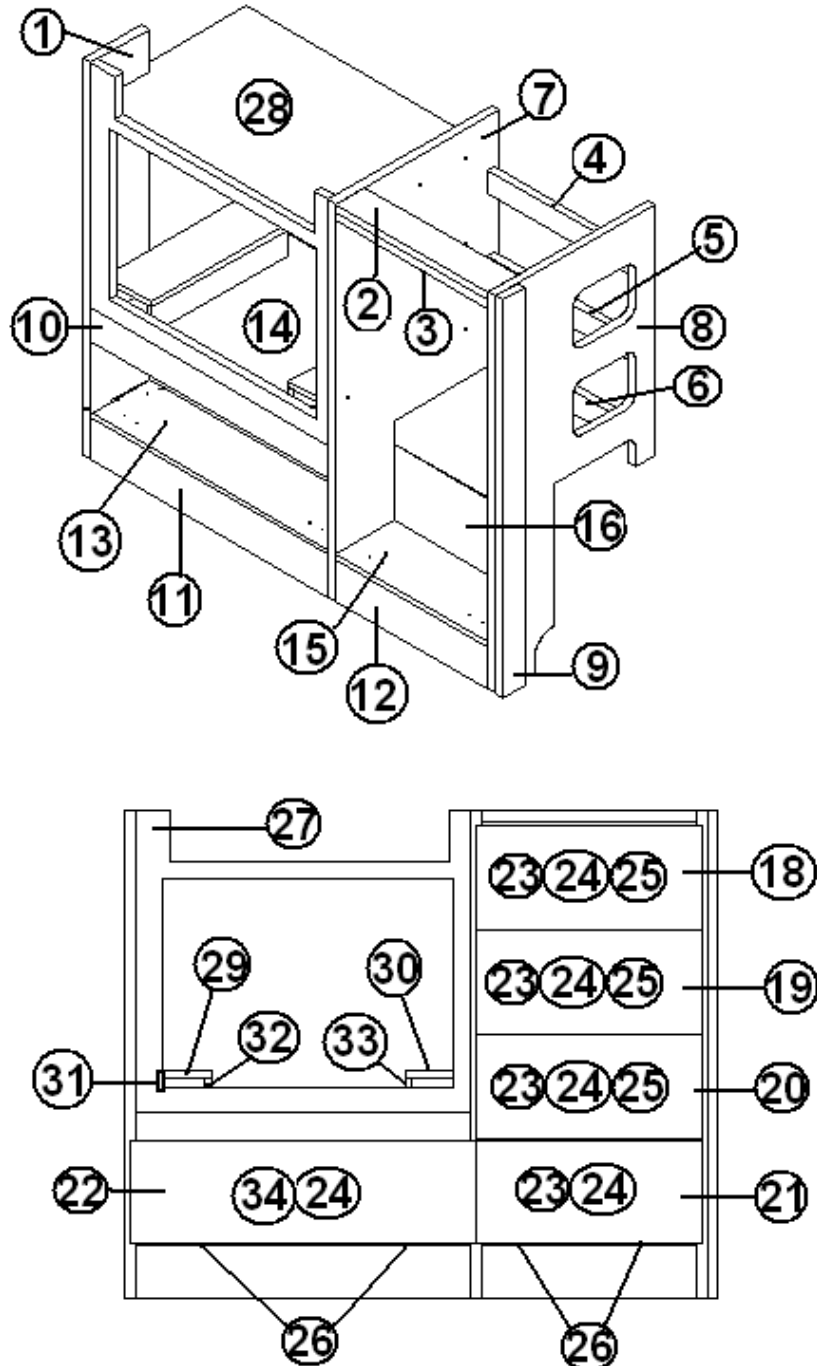
Galley, 27' FB Signature, Standard Oven Section, Ocean Breeze

966877-01	Galley, Standard Oven Section
1. 966877-011	PANEL, 2.50" x 21.19"
2. 966877-012	PANEL, 1.50" x 21.19"
3. 966877-013	PANEL, 6" x 35.5"
4. 966877-014	PANEL, 15.75" x 3"
5. 966877-015	PANEL, 15.75" x 3"
6. 966877-016	PANEL, 2.25" x 15.75"
7. 966877-017	PANEL, 2.25" x 15.75"
8. 966877-018	PANEL, 2.25" x 15.75"
9. 966877-019	PANEL, 18.88" x 35.50"
10. 966877-0110	PANEL, 16.44" x 35.50"
11. 966877-0111	PANEL, 2.25" x 24.50"
12. 966877-0112	PANEL, 2.25" x 24.50"
13. 966877-0113	PANEL, 24.50" x 3.00"
14. 966877-0114	PANEL, 24.50" x 3.75"
15. 966877-0115	PANEL, 15.75" x 3.75"
16. 966877-0116	PANEL, 6" x 24.50"
17. 966877-0117	PANEL, 16.38" x 25.25"
18. 966877-0118	PANEL, 6" x 25.25"
19. 966877-0119	PANEL, 42.50" x 7.25", WHITE/RAW
20. 800025-01	PINE, 3/4" X 3/4", STAINED
21. 966877-0121	DOOR, GALLEY, 16.38" X 7.5", ALMOND
22. 966877-0122	DOOR, GALLEY, 16.38" X 7.5", ALMOND
23. 966877-0123	DOOR, GALLEY, 16.38" X 7.5", ALMOND
24. 966877-0124	DOOR, GALLEY, 16.38" X 7.5", ALMOND
25. 966877-0125	DOOR, GALLEY, 25.13" X 7.5", ALMOND
26. 382008	PULL, DRAWER/DOOR
27. 381228-01	CATCH GRABBER DOOR
28. 965560-05	DRAWER BOX, 5.63" X 16.5" X 15.25"
29. 381607	HINGE, DOOR
30. 382008	PULL, DRAWER/DOOR
31. 381773-15	DRAWER SLIDE, 5.875" X 15.75"(PAIR)

# 2007 INTERNATIONAL TRAVEL TRAILER

## FURNITURE, GALLEY

Galley, 27' FB Signature, Oven Section, Microwave Option, Wenge



Part numbers are on the next page

# 2007 INTERNATIONAL TRAVEL TRAILER

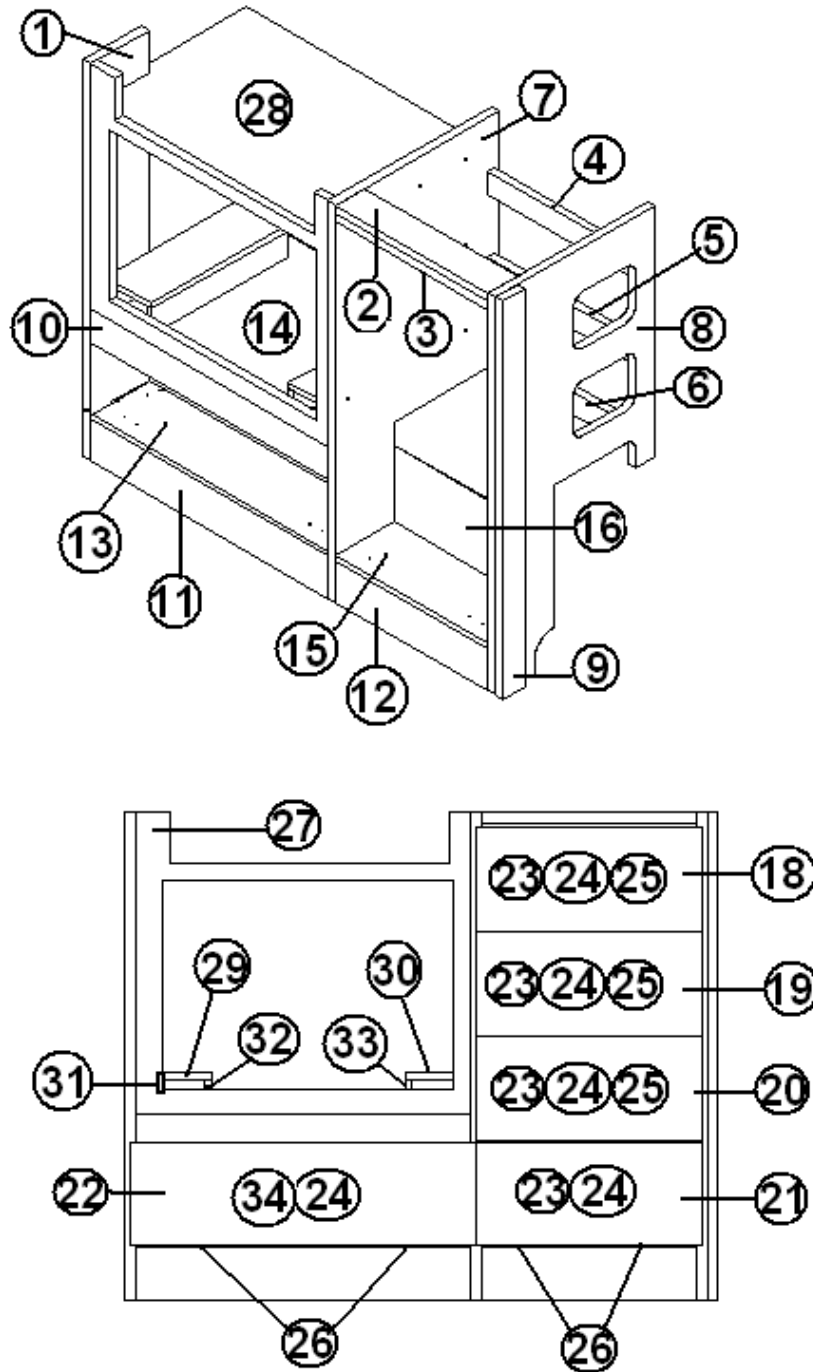
## FURNITURE, GALLEY

Galley, 27' FB Signature, Oven Section, Microwave Option, Wenge	
966878	GALLEY, OVEN SECTION, MICROWAVE OPTION
1. 966878-3	PANEL, 6" x 35.5"
2. 966878-4	PANEL, 15.75" x 3"
3. 966878-5	PANEL, 15.75" x 3"
4. 966878-6	PANEL, 2.25" x 15.75"
5. 966878-7	PANEL, 2.25" x 15.75"
6. 966878-8	PANEL, 2.25" x 15.75"
7. 966878-9	PANEL, 18.88" x 35.50"
8. 966878-10	PANEL, 16.44" x 35.50"
9. 966878-12	PANEL, 2.25" x 35.50"
10. 966878-13	PANEL, 24.50" x 3.00"
11. 966878-14	PANEL, 24.50" x 3.75"
12. 966878-15	PANEL, 15.75" x 3.75"
15.966878-16	PANEL, 6" x 24.50"
16.966878-17	PANEL, 16.38" x 25.25"
17.966878-18	PANEL, 6" x 15.75"
18.966878-19	PANEL, 42.50" x 7.25", WHITE/RAW
19.800025-01	PINE, 3/4" X 3/4", STAINED
20.966878-21	DOOR, GALLEY, 16.38" X 7.5"
21.966878-22	DOOR, GALLEY, 16.38" X 7.5"
22.966878-23	DOOR, GALLEY, 16.38" X 7.5"
23.966878-24	DOOR, GALLEY, 16.38" X 7.5"
24.966878-25	DOOR, GALLEY, 25.13" X 7.5"
25.382029-04	HANDLE-BAR 15"
26.381228-01	CATCH GRABBER DOOR
27.965560-05	DRAWER BOX, 5.63" X 16.5" X 15.25"
28.381607	HINGE, ASSEMBLY
29. 966878-33	PANEL, 24.50" x 21.94"
30. 966878-34	PANEL, 16.13" x 25.25"
31. 966878-35	PANEL, 4.75" x 14"
32. 966878-36	PANEL, 4.75" x 14"
33. 966878-37	PANEL, 2.44" x 14"
34. 966878-38	PANEL, 2.44" x 14"
35. 966878-39	PANEL, 2.44" x 14"
36.382029-05	HANDLE, BAR 21.33"
381773-15	DRAWER SLIDE, 5.875" X 15.75"(PAIR)

# 2007 INTERNATIONAL TRAVEL TRAILER

## FURNITURE, GALLEY

Galley, 27' FB Signature, Oven Section, Microwave Option, Ocean Breeze



Part numbers are on the next page



# 2007 INTERNATIONAL TRAVEL TRAILER

## FURNITURE, GALLEY

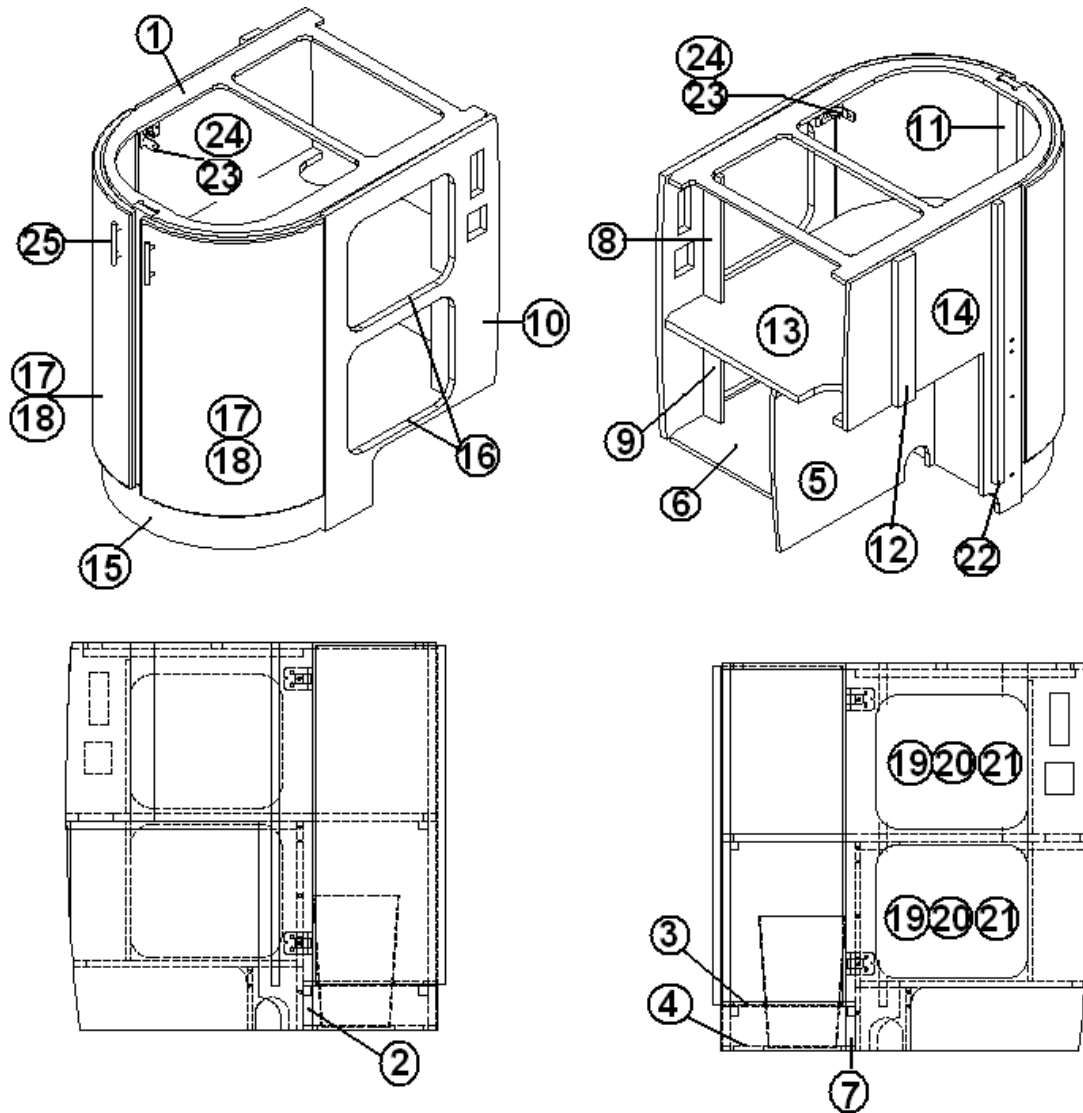
Galley, 27' FB Signature, Oven Section, Microwave, Ocean Breeze

966878-01	GALLEY, MICROWAVE OPTION
1. 966878-013	PANEL, 6" x 35.5"
2. 966878-014	PANEL, 15.75" x 3"
3. 966878-015	PANEL, 15.75" x 3"
4. 966878-016	PANEL, 2.25" x 15.75"
5. 966878-017	PANEL, 2.25" x 15.75"
6. 966878-018	PANEL, 2.25" x 15.75"
7. 966878-019	PANEL, 18.88" x 35.50"
8. 966878-0110	PANEL, 16.44" x 35.50"
9. 966878-0112	PANEL, 2.25" x 35.50"
10. 966878-0113	PANEL, 24.50" x 3.00"
11. 966878-0114	PANEL, 24.50" x 3.75"
12. 966878-0115	PANEL, 15.75" x 3.75"
13. 966878-0116	PANEL, 6" x 24.50"
14. 966878-0117	PANEL, 16.38" x 25.25"
15. 966878-0118	PANEL, 6" x 15.75"
16. 966878-0119	PANEL, 42.50" x 7.25", WHITE/RAW
17. 800025-01	PINE, 3/4" X 3/4", STAINED
18. 966878-0121	DOOR, GALLEY, 16.38" X 7.5", ALMOND
19. 966878-0122	DOOR, GALLEY, 16.38" X 7.5", ALMOND
20. 966878-0123	DOOR, GALLEY, 16.38" X 7.5", ALMOND
21. 966878-0124	DOOR, GALLEY, 16.38" X 7.5", ALMOND
22. 966878-0125	DOOR, GALLEY, 25.13" X 7.5", ALMOND
23. 382008	PULL, DRAWER/DOOR
24. 381228-01	CATCH GRABBER DOOR
25. 965560-05	DRAWER BOX, 5.63" X 16.5" X 15.25"
26. 381607	HINGE, DOOR
27. 966878-0133	PANEL, 24.50" x 21.94"
28. 966878-0134	PANEL, 16.13" x 25.25"
29. 966878-0135	PANEL, 4.75" x 14"
30. 966878-0136	PANEL, 4.75" x 14"
31. 966878-0137	PANEL, 2.44" x 14"
32. 966878-0138	PANEL, 2.44" x 14"
33. 966878-0139	PANEL, 2.44" x 14"
34. 382008	PULL, DRAWER/DOOR
381773-15	DRAWER SLIDE, 5.875" X 15.75"(PAIR)

# 2007 INTERNATIONAL TRAVEL TRAILER

## FURNITURE, GALLEY

Galley, 27' FB Signature, Aft Section, Wenge



Part numbers are on the next page

# 2007 INTERNATIONAL TRAVEL TRAILER

## FURNITURE, GALLEY

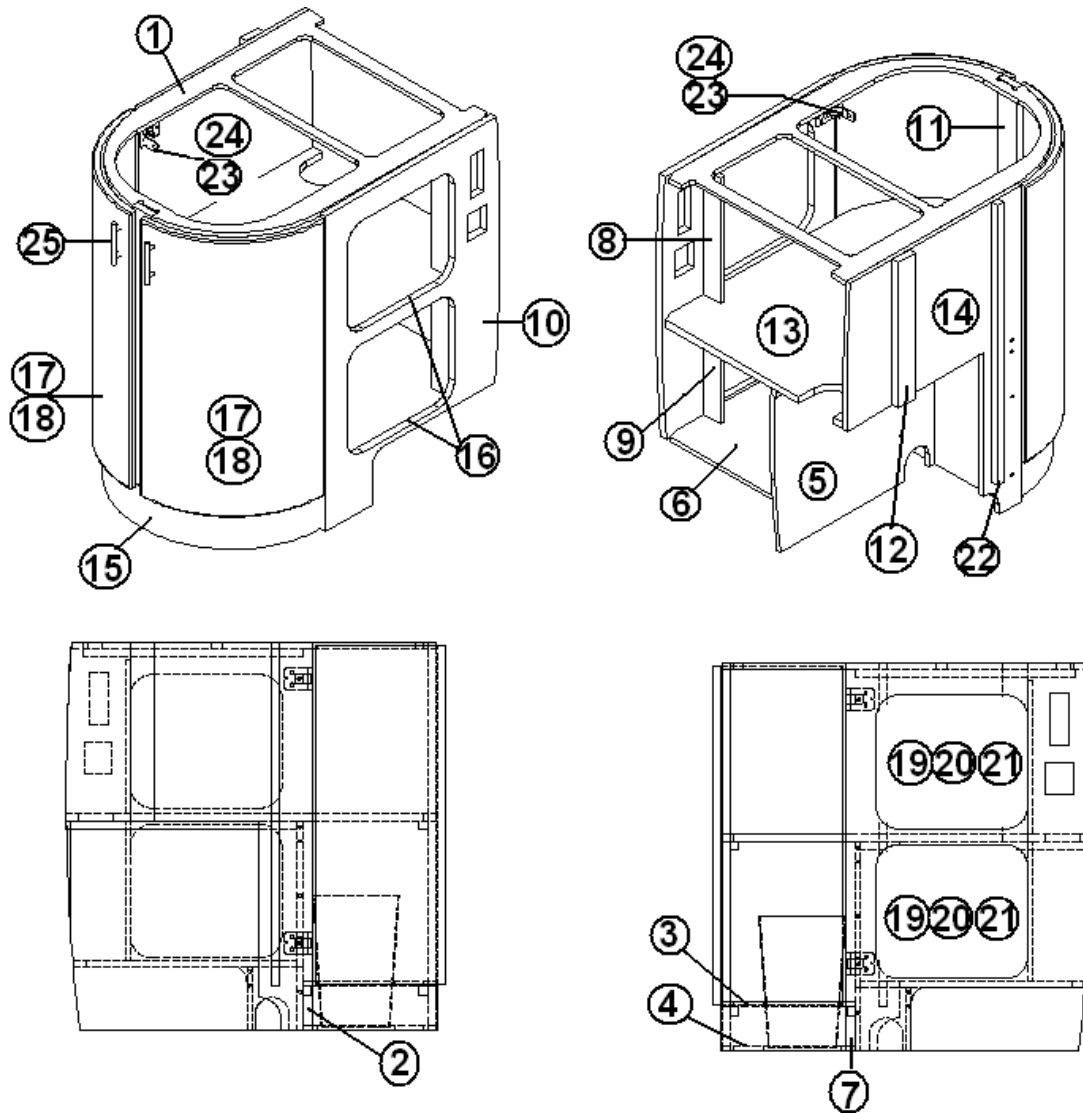
Galley, 27' FB Signature, Aft Section, Wenge

966873	GALLEY, AFT SECTION
1. 966873-1	PANEL, 23.5" x 33.44"
2. 966873-2	PANEL, 23.54" x 19.13"
3. 966873-3	PANEL, 23.50" x 12.21"
4. 966873-4	PANEL, 23.50" x 12.21"
5. 966873-5	PANEL, 19.13" x 20.82"
6. 966873-6	PANEL, 20.48" x 13.75"
7. 966873-7	PANEL, 5.88" x 13.75"
8. 966873-8	PANEL, 12.75" x 2.25"
9. 966873-9	PANEL, 14.13" x 2.25"
10. 966873-10	PANEL, 35.5" x 22.57"
11. 966873-11	PANEL, 2.50" x 35.50"
12. 966873-12	PANEL, 2.25" x 16.38"
13. 966873-13	PANEL, 24.91" X 33.88"
14. 966873-14	PANEL, 22.14" x 35.50"
15. 115309	TOE KICK, GALLEY ALUMINUM
16. 203440	T MOLDING, BLACK EMBOSSED .8125
17. 381856	CATCH, TENSION, 2-BALL
18. 966474-01	DOOR, RADIUS, 16.26" X 31", WENGE
19. 381654	HINGE, GLASS DOOR, BLACK
20. 381707	STRIKE W/PULL, GLASS DOOR BLACK
21. 371391	DOOR, GLASS 11.56" X 13.06"
22. 800025-01	PINE, ¾" X ¾", STAINED
23. 381607-07	BRACKET, BLIND CORNER, 90 DEGREE
24. 381607	HINGE, ASSEMBLY
25. 382029-05	HANDLE, BAR 21.33"
381708	WASTEBASKET
203483	Sink cover, round

# 2007 INTERNATIONAL TRAVEL TRAILER

## FURNITURE, GALLEY

Galley, 27' FB Signature, Aft Section, Ocean Breeze



Part numbers are on the next page

# 2007 INTERNATIONAL TRAVEL TRAILER

## FURNITURE, GALLEY

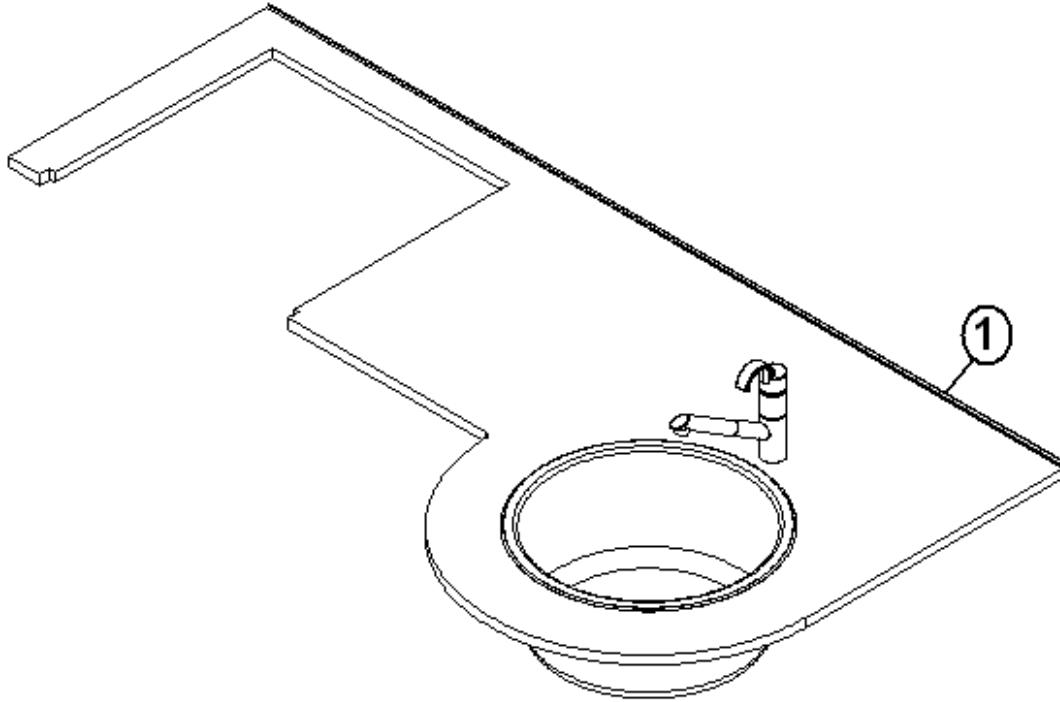
Galley, 27' FB Signature, Aft Section, Ocean Breeze

966873-01	GALLEY, AFT SECTION
1. 966873-011	PANEL, 23.5" x 33.44"
2. 966873-012	PANEL, 23.54" x 19.13"
3. 966873-013	PANEL, 23.50" x 12.21"
4. 966873-014	PANEL, 23.50" x 12.21"
5. 966873-015	PANEL, 19.13" x 20.82"
6. 966873-016	PANEL, 20.48" x 13.75"
7. 966873-017	PANEL, 5.88" x 13.75"
8. 966873-018	PANEL, 12.75" x 2.25"
9. 966873-019	PANEL, 14.13" x 2.25"
10. 966873-0110	PANEL, 35.5" x 22.57"
11. 966873-0111	PANEL, 2.50" x 35.50"
12. 966873-0112	PANEL, 2.25" x 16.38"
13. 966873-0113	PANEL, 24.91" X 33.88"
14. 966873-0114	PANEL, 22.14" x 35.50"
15. 115309	TOE KICK, GALLEY ALUMINUM
16. 203597	T MOLDING, WHITE EMBOSSED .8125
17. 381856	CATCH, TENSION, 2-BALL
18. 966779	DOOR, RADIUS, 16.26" X 31"
19. 381654	HINGE, GLASS DOOR, BLACK
20. 381707	STRIKE W/PULL, GLASS DOOR BLACK
21. 371391	DOOR, GLASS 11.56" X 13.06"
22. 800025-01	PINE, 3/4" X 3/4", STAINED
23. 381607-07	BRACKET, BLIND CORNER, 90 DEGREE
24. 381607	HINGE, DOOR
25. 382008	PULL, DRAWER/DOOR
381708	WASTEBASKET
203483	Sink cover, round

# 2007 INTERNATIONAL TRAVEL TRAILER

## FURNITURE, GALLEY

Galley Top, 27' FB Signature, Wenge, Ocean Breeze

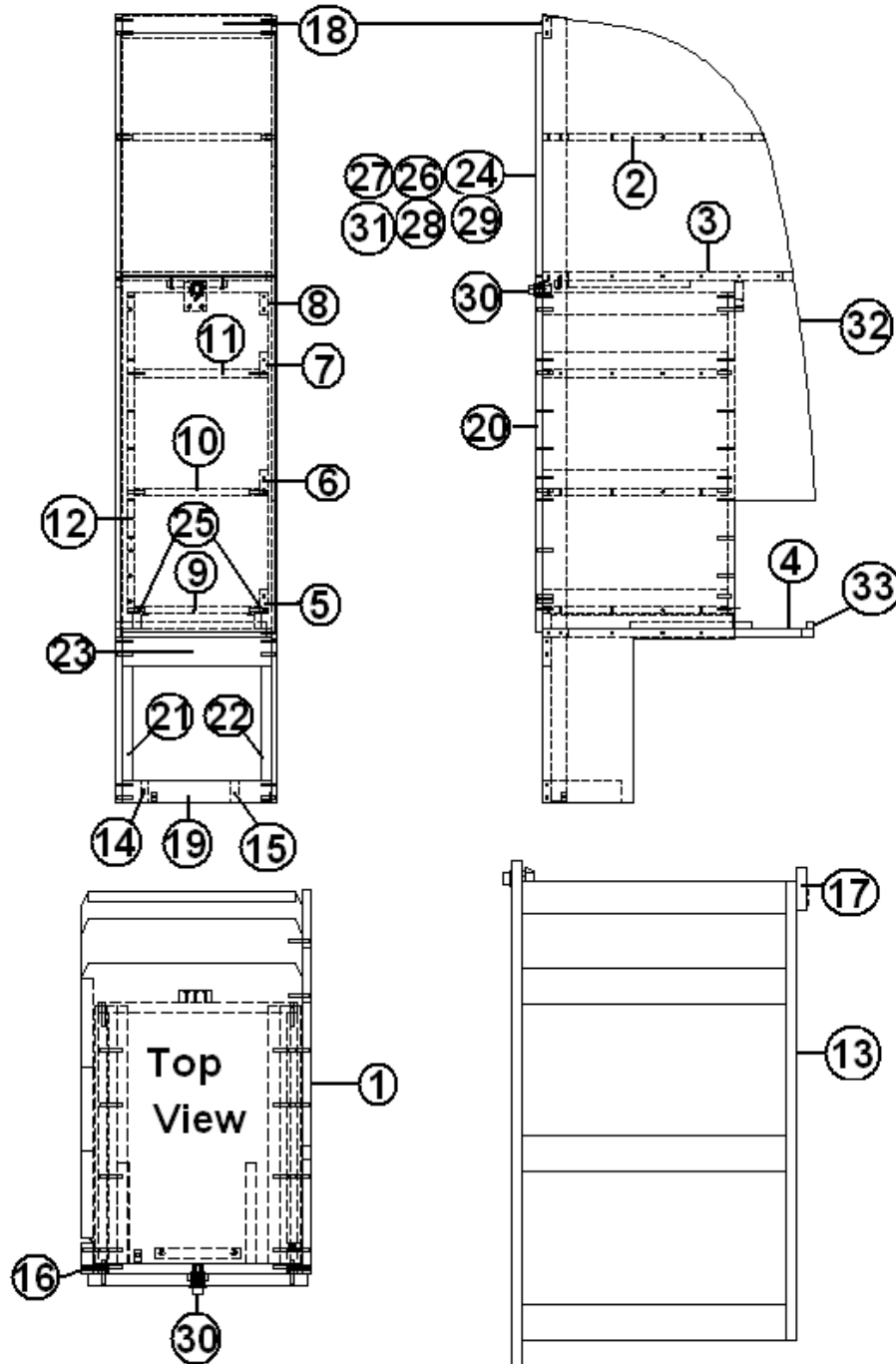


966876	TOP, GALLEY, WENGE
966876-01	TOP, GALLEY, OCEAN BREEZE
1. 115064	TRIM, ALUMINUM, COUNTER TOP

# 2007 INTERNATIONAL TRAVEL TRAILER

## FURNITURE, GALLEY

Pantry, 27' FB Signature, Wenge



Part numbers are on the next page

# 2007 INTERNATIONAL TRAVEL TRAILER

## FURNITURE, GALLEY

### Pantry, 27' FB Signature, Wenge

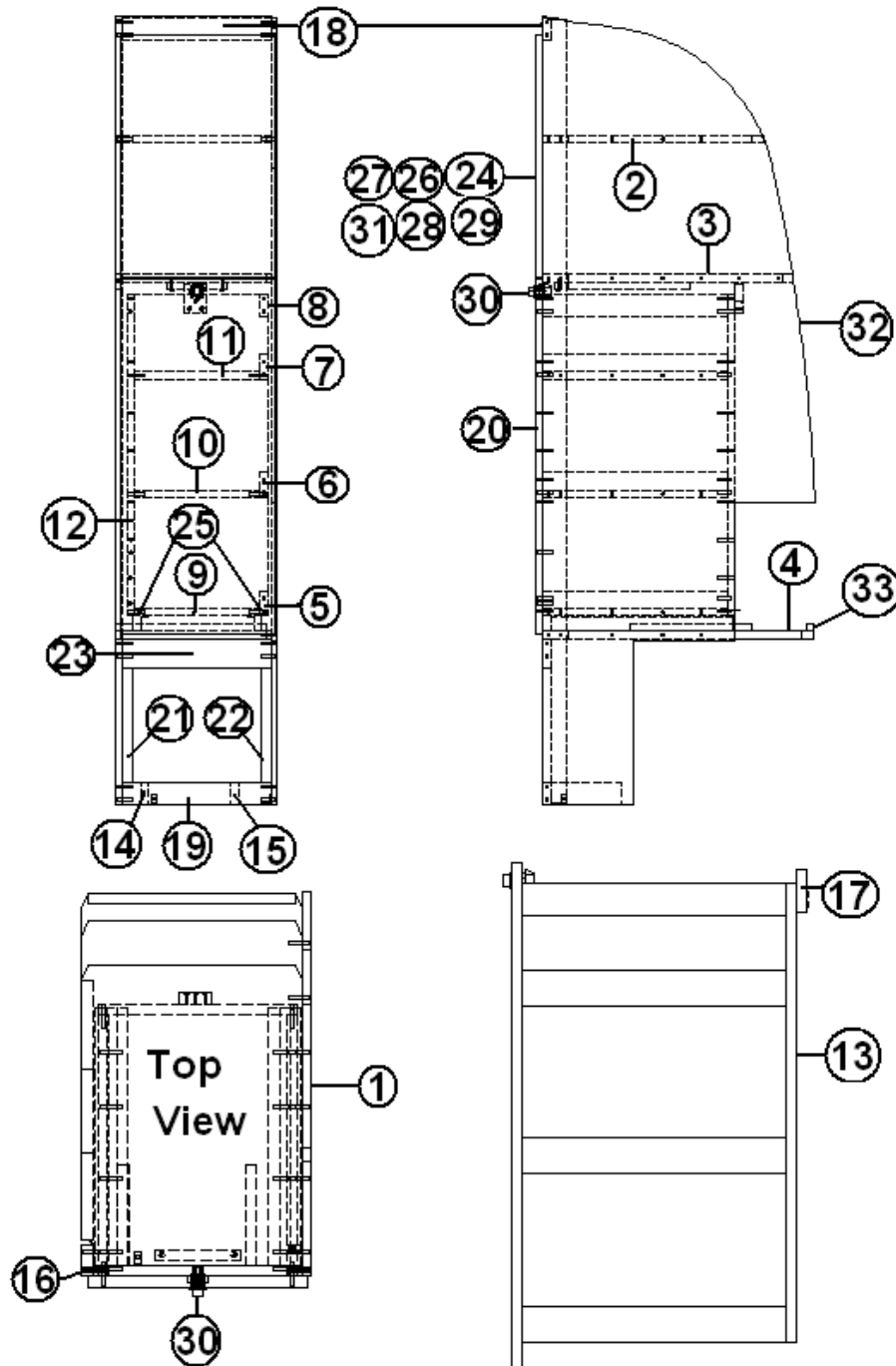
966886	PANTRY ASSY
1. 966886-1	PANEL, 26.87" x 78.09"
2. 966886-2	PANEL, 21.75" x 15.38"
3. 966886-3	PANEL, 24.75" x 15.38"
4. 966886-4	PANEL, 26.75" x 15.38"
5. 966886-5	PANEL, 2.50" x 18.25"
6. 966886-6	PANEL, 2.50" x 18.25"
7. 966886-7	PANEL, 2.50" x 18.25"
8. 966886-8	PANEL, 2.50" x 18.25"
9. 966886-9	PANEL, 18.25" x 12.38"
10. 966886-10	PANEL, 18.25" x 12.38"
11. 966886-11	PANEL, 18.25" x 12.38"
12. 966886-12	PANEL, 18.25" x 32"
13. 966886-13	PANEL, 13.88" X 32"
14. 966886-14	PANEL, 2.25" x 7.00"
15. 966886-15	PANEL, 2.25" x 7.00"
16. 966886-16	PANEL, 2.25" x 78.25"
17. 966886-17	PANEL, 2.25" x 3.00"
18. 966886-18	PANEL, 14.63" x 2.25"
19. 966886-19	PANEL, 14.63" x 2.25"
20. 966886-20	PANEL, 15.25" x 35.31"
21. 966886-21	PANEL, 1.00" x 11.31"
22. 966886-22	PANEL, 1.00" x 11.31"
23. 966886-23	PANEL, 2.91" x 14.63"
24. 966886-24	DOOR, PANTRY 15.25" X 24.13
25. 381944-01	SLIDE 18", PER SET
26. 382029-04	HANDLE, BAR 15"
27. 381607	HINGE, ASSEMBLY
28. 345001-08	SCREW #8-32 X 1" REC TRUS
29. 381607-04	HINGE SCREW-GRASS
30. 381408	LOCK, PUSH, BUTTON STYLE, BLACK
31. 381228-01	CATCH GRABBER DOOR
32. 203445	T-MOLDING BLACK
33. 800025-01	PINE, 3/4" X 3/4", STAINED



# 2007 INTERNATIONAL TRAVEL TRAILER

## FURNITURE, GALLEY

Pantry, 27' FB Signature, Ocean Breeze



Part numbers are on the next page

# 2007 INTERNATIONAL TRAVEL TRAILER

## FURNITURE, GALLEY

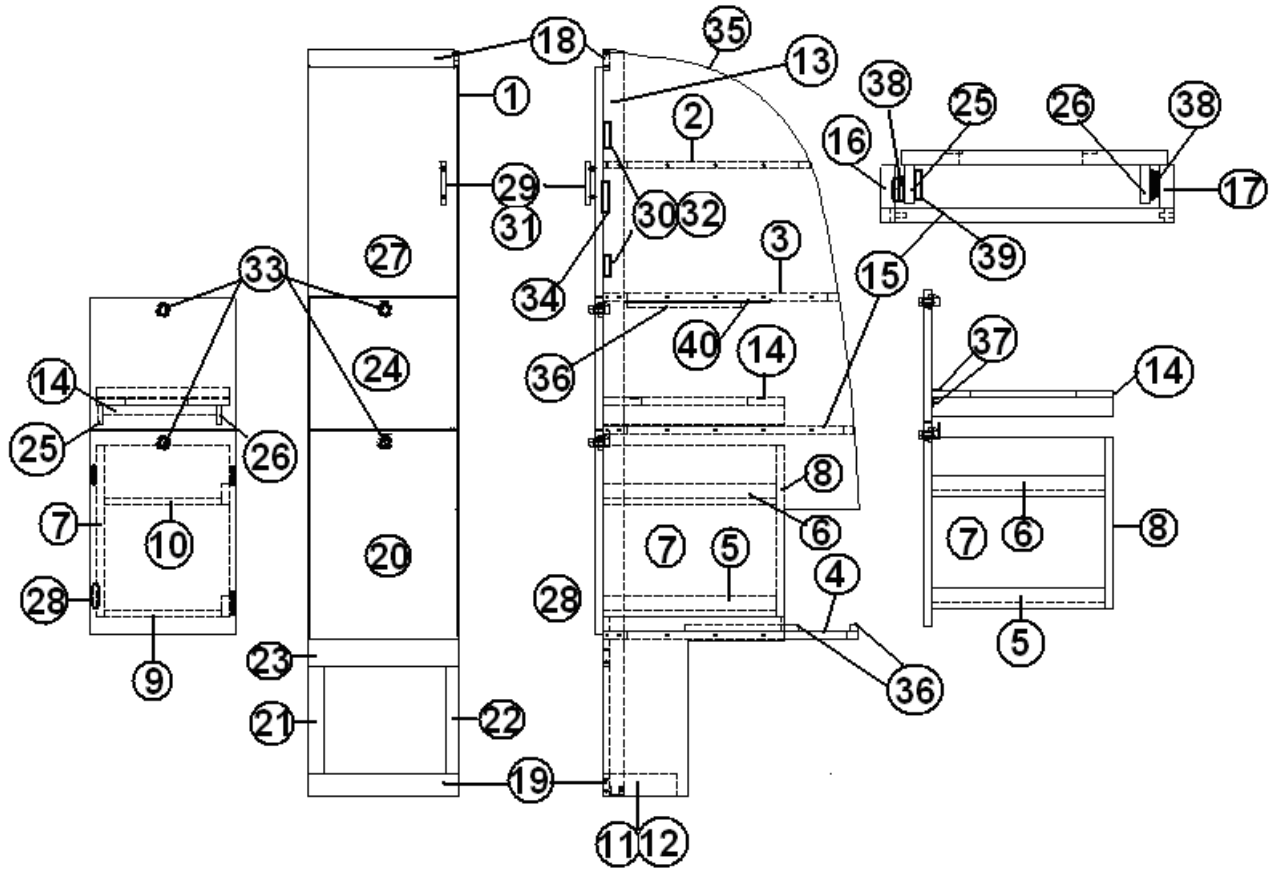
### Pantry, 27' FB Signature, Ocean Breeze

966886-01	PANTRY ASSY
1. 966886-011	PANEL, 26.87" x 78.09", KALIDISCOPE/WHITE
2. 966886-012	PANEL, 21.75" x 15.38"
3. 966886-013	PANEL, 24.75" x 15.38"
4. 966886-014	PANEL, 26.75" x 15.38"
5. 966886-015	PANEL, 2.50" x 18.25"
6. 966886-016	PANEL, 2.50" x 18.25"
7. 966886-017	PANEL, 2.50" x 18.25"
8. 966886-018	PANEL, 2.50" x 18.25"
9. 966886-019	PANEL, 18.25" x 12.38"
10. 966886-0110	PANEL, 18.25" x 12.38"
11. 966886-0111	PANEL, 18.25" x 12.38"
12. 966886-0112	PANEL, 18.25" x 32"
13. 966886-0113	PANEL, 13.88" X 32"
14. 966886-0114	PANEL, 2.25" x 7.00"
15. 966886-0115	PANEL, 2.25" x 7.00"
16. 966886-0116	PANEL, 2.25" x 78.25"
17. 966886-0117	PANEL, 2.25" x 3.00"
18. 966886-0118	PANEL, 14.63" x 2.25"
19. 966886-0119	PANEL, 14.63" x 2.25"
20. 966886-0120	PANEL, 15.25" x 35.31"
21. 966886-0121	PANEL, 1.00" x 11.31"
22. 966886-0122	PANEL, 1.00" x 11.31"
23. 966886-0123	PANEL, 2.91" x 14.63"
24. 966886-0124	DOOR, PANTRY 15.25" X 24.13
25. 381944-01	SLIDE 18", PER SET
26. 382008	PULL, DRAWER/DOOR
27. 381607	HINGE, DOOR
28. 345001-08	SCREW #8-32 X 1" REC TRUS
29. 381607-04	HINGE SCREW-GRASS
30. 381408	LOCK, PUSH, BUTTON STYLE, BLACK
31. 381228-01	CATCH GRABBER DOOR
32. 203508-01	EXTRUSION, PLASTIC 1/2"
33. 800025-01	PINE, 3/4" X 3/4", STAINED

# 2007 INTERNATIONAL TRAVEL TRAILER

## FURNITURE, GALLEY

Pantry, Slide out Microwave option, 27' FB Signature, Wenge



- |               |                                    |
|---------------|------------------------------------|
| 966898        | PANTRY, Slide out Microwave option |
| 1. 966898-1   | PANEL, 78.09" x 26.87"             |
| 2. 966898-2   | PANEL, 15.38" x 24.75"             |
| 3. 966898-3   | PANEL, 21.75" x 15.38"             |
| 4. 966898-4   | PANEL, 26.75" x 15.38"             |
| 5. 966898-5   | PANEL, 2.25" x 18.25"              |
| 6. 966898-6   | PANEL, 2.25" x 18.25"              |
| 7. 966898-7   | PANEL, 18.00" x 18.25"             |
| 8. 966898-8   | PANEL, 18.00" x 13.88"             |
| 9. 966898-9   | PANEL, 12.38" x 18.25"             |
| 10. 966898-10 | PANEL, 12.38" x 18.25"             |
| 11. 966898-11 | PANEL, 2.25" x 7.00"               |
| 12. 966898-12 | PANEL, 2.25" x 7.00"               |

Continued on next page

# 2007 INTERNATIONAL TRAVEL TRAILER

## FURNITURE, GALLEY

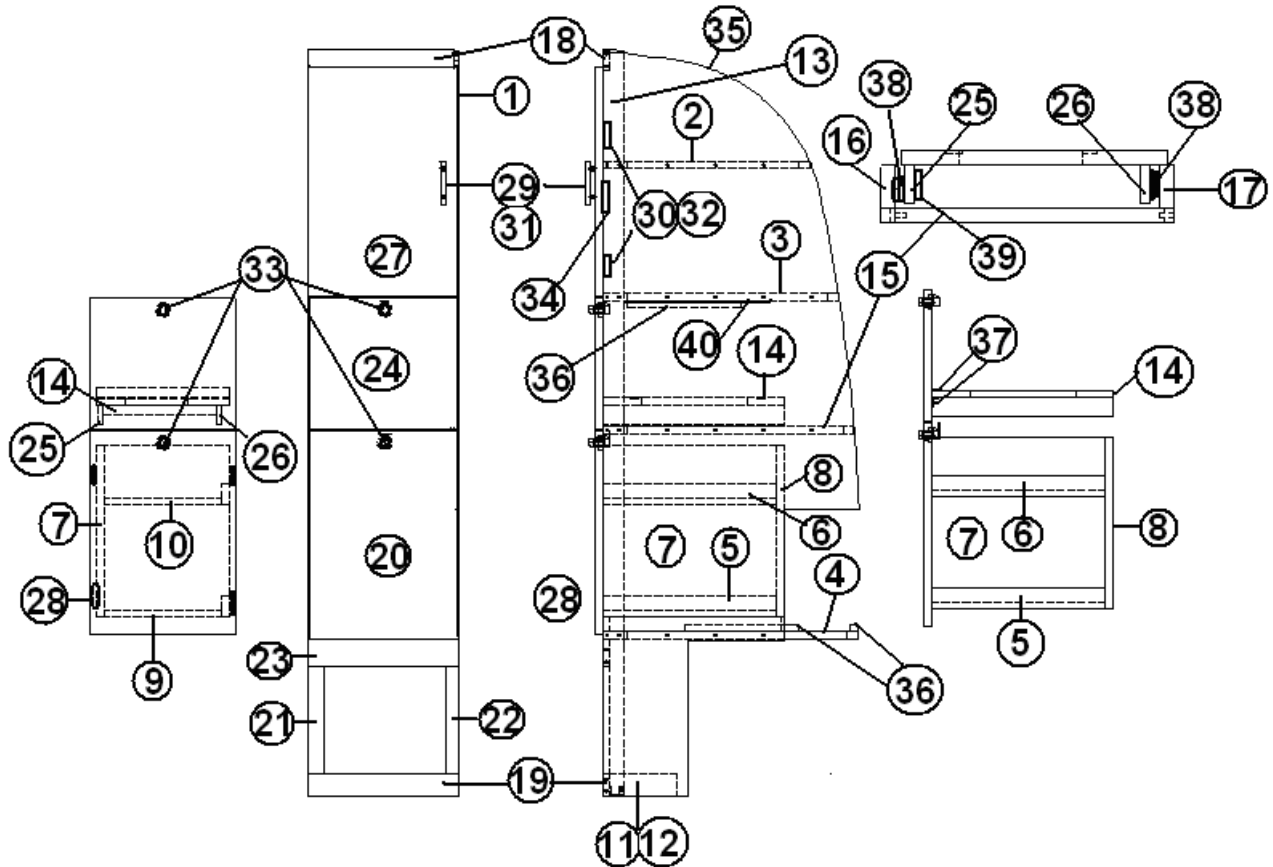
Pantry, Slide out Microwave option, 27' FB Signature, Wenge

13.966898-13	PANEL, 2.25" X 78.25"
14.966898-14	PANEL, 19.00" x 13.88"
15.966898-15	PANEL, 26.31" x 15.38"
16.966898-16	PANEL, 2.25" x 19.00"
17.966898-17	PANEL, 2.25" x 19.00"
18.966898-18	PANEL, 14.63" x 2.25"
19.966898-19	PANEL, 14.63" x 2.25"
20.966898-20	PANEL, 21.38" x 15.25"
21.966898-21	PANEL, 1.00" x 11.31"
22.966898-22	PANEL, 1.00" x 11.31"
23.966898-23	PANEL, 2.91" x 14.63"
24.966898-24	DOOR, PANTRY 13.81" X 15.25, WENGE
25.966898-25	PANEL, 2.00" x 19.00"
26.966898-26	PANEL, 2.00" x 19.00"
27.966898-27	DOOR, 15.25" X 24.13", WENGE
28.381944-01	SLIDE 18", PER SET
29.382029-00	HANDLE, BAR, 7.48"
30.381607	HINGE, ASSEMBLY
31.345001-08	SCREW #8-32 X 1" REC TRUS
32.381607-04	HINGE SCREW-GRASS
33.381408	LOCK, PUSH, BUTTON STYLE, BLACK
34.381228-01	CATCH GRABBER DOOR
35.203445	EXTRUSION, PLASTIC 1/2", OAK
36.800025-01	PINE, 3/4" X 3/4", STAINED
37.114812	ALUMINUM ANGLE, 1" X 1"
38.381192	SLIDE, DRAWER, 18", PAIR
39.800507-01	LAUAN, 2.00 x 19.00
40.966898-42	PANEL, 2.00 X 17.00

# 2007 INTERNATIONAL TRAVEL TRAILER

## FURNITURE, GALLEY

Pantry, Slide out Microwave option, 27' FB Signature, Ocean Breeze



966898-01	PANTRY, Slide out Microwave option
1. 966898-011	PANEL, 78.09" x 26.87"
2. 966898-012	PANEL, 15.38" x 24.75"
3. 966898-013	PANEL, 21.75" x 15.38"
4. 966898-014	PANEL, 26.75" x 15.38"
5. 966898-015	PANEL, 2.25" x 18.25"
6. 966898-016	PANEL, 2.25" x 18.25"
7. 966898-017	PANEL, 18.00" x 18.25"
8. 966898-018	PANEL, 18.00" x 13.88"
9. 966898-019	PANEL, 12.38" x 18.25"
10. 966898-0110	PANEL, 12.38" x 18.25"
11. 966898-0111	PANEL, 2.25" x 7.00"
12. 966898-0112	PANEL, 2.25" x 7.00"

Continued on next page

# 2007 INTERNATIONAL TRAVEL TRAILER

## FURNITURE, GALLEY

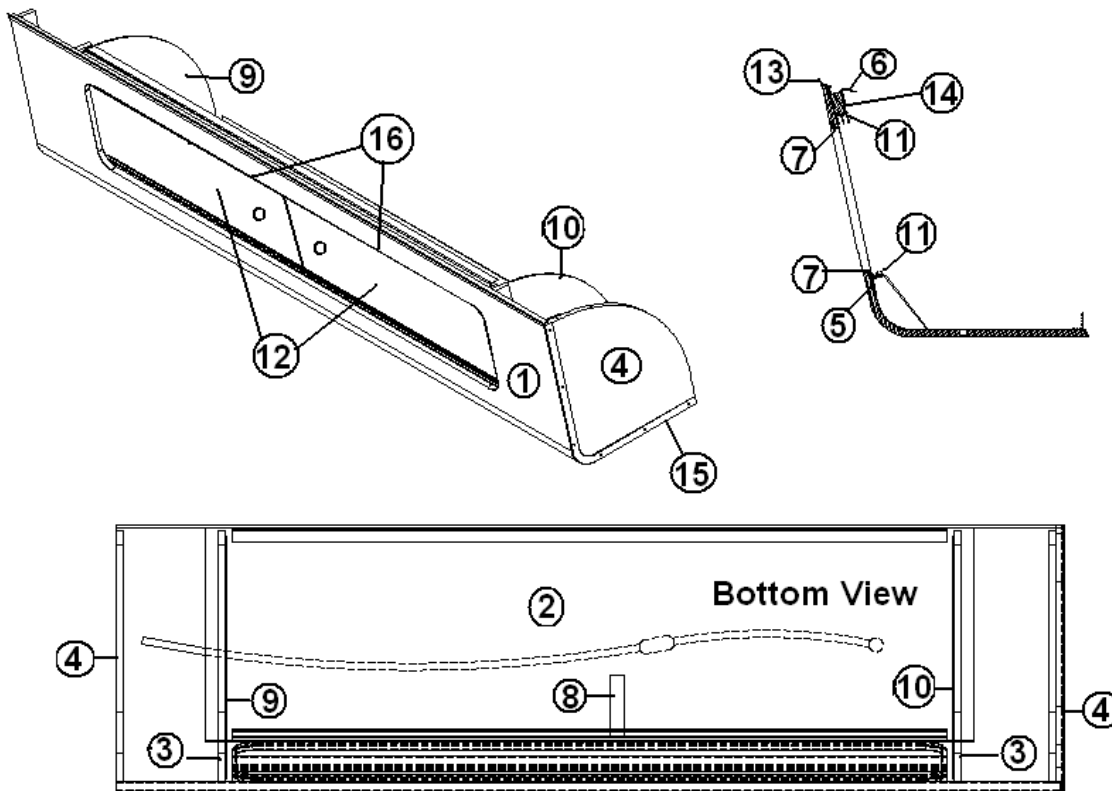
Pantry, Slide out Microwave option, 27' FB Signature, Ocean Breeze

13.966898-0113	PANEL, 2.25" X 78.25"
14.966898-0114	PANEL, 19.00" x 13.88"
15.966898-15	PANEL, 26.31" x 15.38"
16.966898-0116	PANEL, 2.25" x 19.00"
17.966898-0117	PANEL, 2.25" x 19.00"
18.966898-0118	PANEL, 14.63" x 2.25"
19.966898-0119	PANEL, 14.63" x 2.25"
20.966898-0120	PANEL, 21.38" x 15.25"
21.966898-0121	PANEL, 1.00" x 11.31"
22.966898-0122	PANEL, 1.00" x 11.31"
23.966898-0123	PANEL, 2.91" x 14.63"
24.966898-0124	DOOR, PANTRY 13.81" X 15.25, WHITE
25.966898-0125	PANEL, 2.00" x 19.00"
26.966898-0126	PANEL, 2.00" x 19.00"
27.966898-0127	DOOR, 15.25" X 24.13", WHITE
28.381944-01	SLIDE 18", PER SET
29.382008	PULL, DRAWER/DOOR
30.381607	HINGE, DOOR
31.345001-08	SCREW #8-32 X 1" REC TRUS
32.381607-04	HINGE SCREW-GRASS
33.381408	LOCK, PUSH, BUTTON STYLE, BLACK
34.381228-01	CATCH GRABBER DOOR
35.203508-01	EXTRUSION, PLASTIC 1/2", PLY
36.800025-01	PINE, 3/4" X 3/4", STAINED
37.114812	ALUMINUM ANGLE, 1" X 1"
38.381192	SLIDE, DRAWER, 18", PAIR
39.800507-01	LAUAN, 2.00 x 19.00
40.966898-0142	PANEL, 2.00 x 17.00

# 2007 INTERNATIONAL TRAVEL TRAILER

## FURNITURE, GALLEY

Roof Locker, 27' FB Signature Galley, Wenge

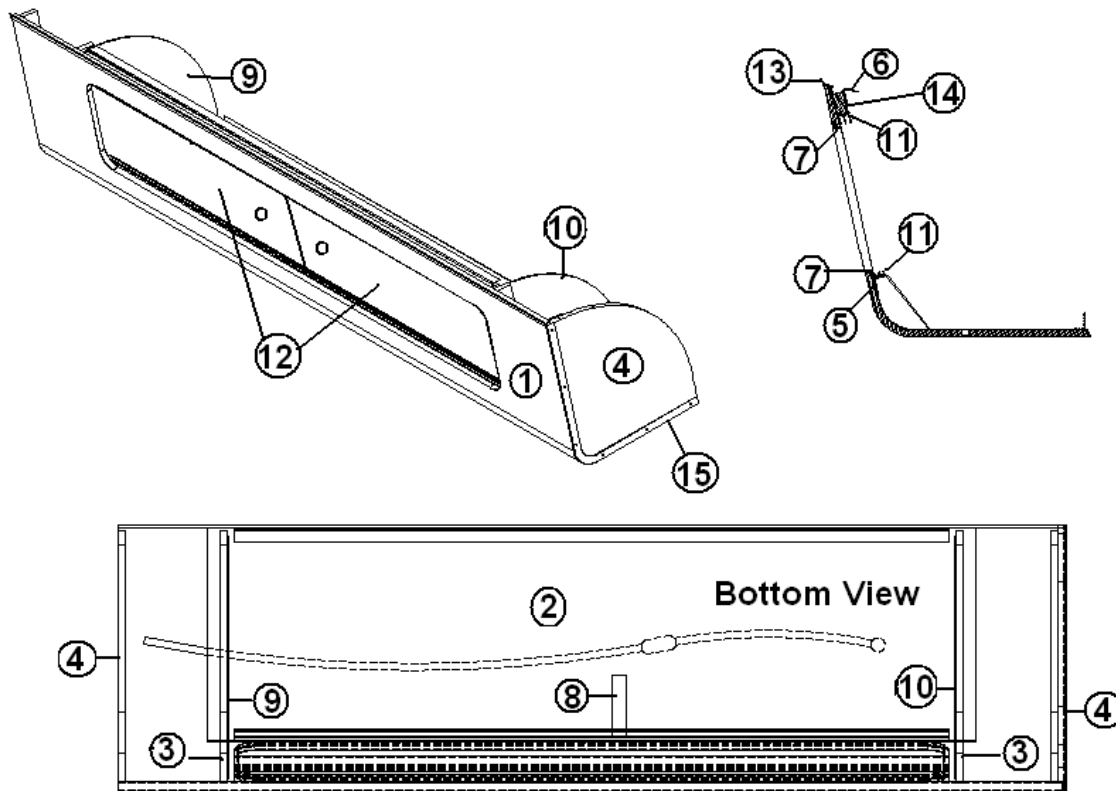


966854	R/L ASSY-GALLEY 27FB"
1. 801542-12	LOCKER FACE, GALLEY 32.31" X 67"
2. 801716	Laminate, CCD
3. 801545-02	DIVIDER PARTIAL
4. 966854-4	PANEL, 17.15 X 18.21
5. 115227-02	ANGLE, LOCKER TRACK SUPPORT
6. 104821	SUPPORT, ROOFLOCKER, 74"
7. 203445-01	T-MOLDING, 5625" WHITE
8. 115226	BRACKET, LOCKER CTR SUPPORT
9. 801539-01	DIVIDER-GALLEY LOCKER LH
10. 801539-02	DIVIDER-GALLEY LOCKER
11. 203388	SLIDING DOOR TRACK, 56-1/5"
12. 965563-09	DOOR-PLEX.SLIDING 11.31"X 26"
13. 201673	REVERSE COVE MOLDING, WHITE
14. 800028	PINE, 3/4" X 3/4", STAINED
15. 454587	Formed extrusion, roof locker
16. 454613	SPRING, LEAF R/L

# 2007 INTERNATIONAL TRAVEL TRAILER

## FURNITURE, GALLEY

Roof Locker, 27' FB Signature, Galley, Ocean Breeze



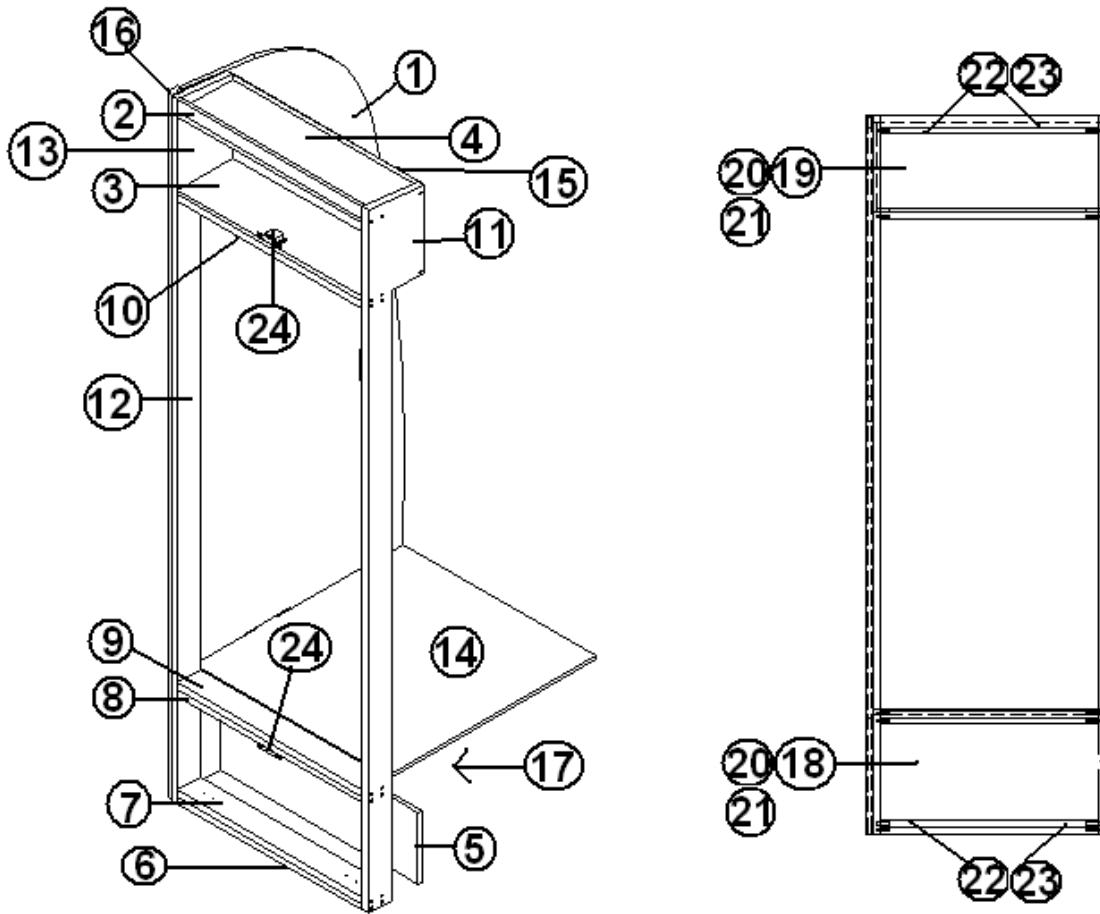
966854-01	R/L ASSY-GALLEY 27FB"
1. 801542-12	LOCKER FACE, GALLEY 32.31" X 67"
2. 801716	Laminate, CCD
3. 801545-02	DIVIDER PARTIAL
4. 966854-014	PANEL, 17.15 X 18.21
5. 115227-02	ANGLE, LOCKER TRACK SUPPORT
6. 104821	SUPPORT, ROOFLOCKER, 74"
7. 203508-01	T-MOLDING, 5625" PLY
8. 115226	BRACKET, LOCKER CTR SUPPORT
9. 801539-01	DIVIDER-GALLEY LOCKER LH
10. 801539-02	DIVIDER-GALLEY LOCKER
11. 203388	SLIDING DOOR TRACK, 56-1/5"
12. 203357-02	DOOR-PLEX.SLIDING 11.31"X 26"
13. 201673	REVERSE COVE MOLDING, WHITE
14. 800028	PINE, 3/4" X 3/4", STAINED
15. 115375	Formed extrusion, roof locker



# 2007 INTERNATIONAL TRAVEL TRAILER

## FURNITURE, GALLEY

Refrigerator Cabinet, 25' FB, 27' FB, Signature, Wenge



Part numbers are on the next page

# 2007 INTERNATIONAL TRAVEL TRAILER

## FURNITURE, GALLEY

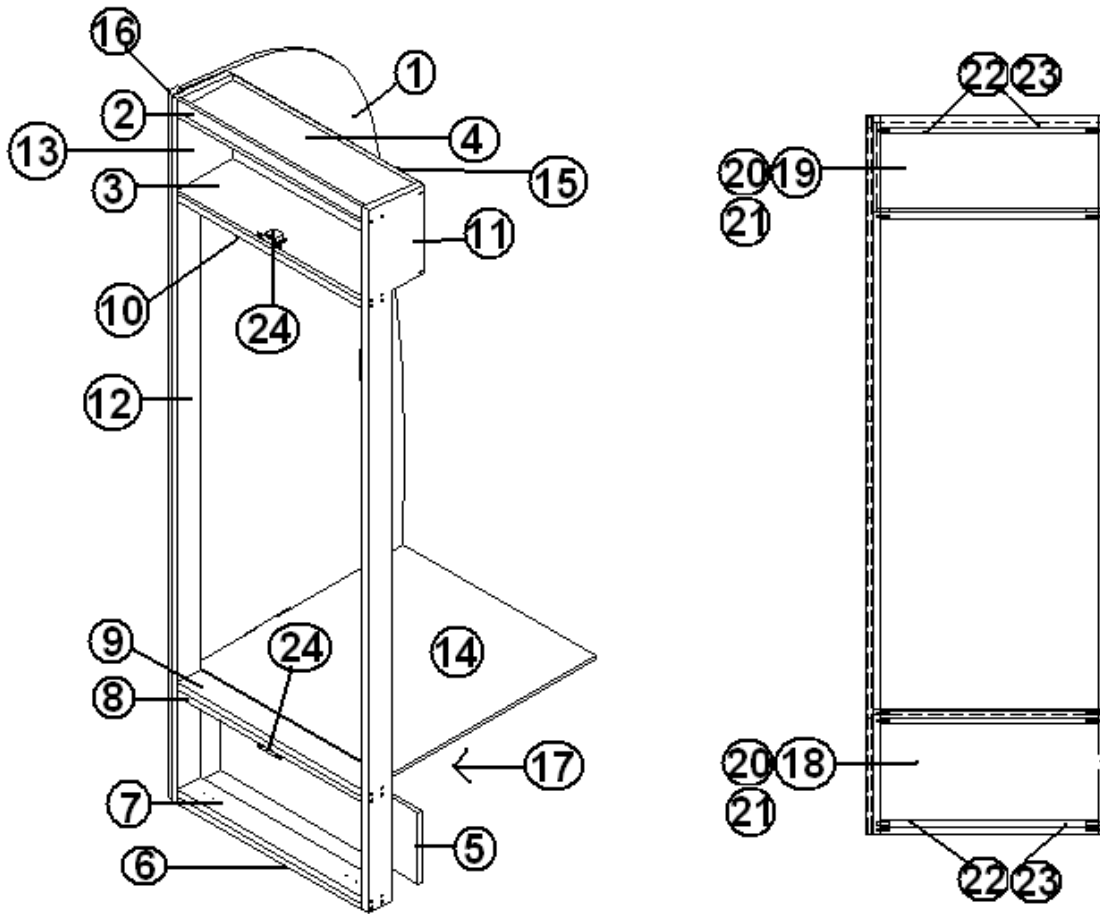
Refrigerator Cabinet, 25' FB, 27' FB, Signature, Wenge

966853	REFER CABINET
1. 966853-1	PANEL, 28.64" x 78.46"
2. 966853-2	PANEL, 23.81" x 1.38"
3. 966853-3	PANEL, 7.25" x 23.81"
4. 966853-4	PANEL, 7.25" x 23.81"
5. 966853-5	PANEL, 8" x 25.5"
6. 966853-6	PANEL, 3" x 23.81"
7. 966853-7	PANEL, 3" x 23.81"
8. 966853-8	PANEL, 3" x 23.81"
9. 966853-9	PANEL, 3" x 23.81"
10. 966853-10	PANEL, 3" x 23.81"
11. 966853-11	PANEL, 7.25" x 78.63"
12. 966853-12	PANEL, 7.25" x 78.63"
13. 966853-13	PANEL, LAUAN, 2.00 x 78.63
14. 966853-14	PANEL, PLYWOOD, 24.81" X 26.88
15. 966853-15	PANEL, 24.81" X 26.88, WHITE/RAW
16. 801706-0016	CORNER TRIM 90 DEG. 1"RADIUS
17. 966812	STAND, REFRIGERATOR
18. 966853-18	DOOR, 24.44"X11.69"
19. 966853-19	DOOR, 24.44" X 8.88"
20. 382029-05	HANDLE, BAR, 21.33"
21. 345001-08	SCREW, #8-32 X 1"
22. 381607	HINGE, ASSEMBLY
23. 381607-04	HINGE SCREW-GRASS
24. 381228-01	CATCH GRABBER DOOR

# 2007 INTERNATIONAL TRAVEL TRAILER

## FURNITURE, GALLEY

Refrigerator Cabinet, 25' FB, 27' FB, Signature, Ocean Breeze



Part numbers are on the next page

# 2007 INTERNATIONAL TRAVEL TRAILER

## FURNITURE, GALLEY

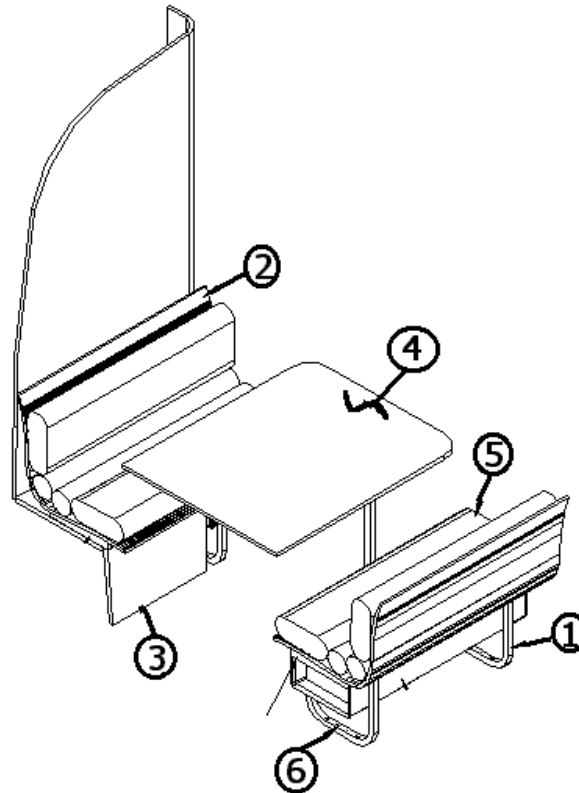
Refrigerator Cabinet, 25' FB, 27' FB, Signature, Ocean Breeze

966853-01	REFER CABINET
1. 966853-011	PANEL, 28.64"x 78.46"
2. 966853-012	PANEL, 23.81" x 1.38"
3. 966853-013	PANEL, 7.25" x 23.81"
4. 966853-014	PANEL, 7.25" x 23.81""
5. 966853-015	PANEL, 8" x 25.5"
6. 966853-016	PANEL, 3" x 23.81"
7. 966853-017	PANEL, 3" x 23.81"
8. 966853-018	PANEL, 3" x 23.81"
9. 966853-019	PANEL, 3" x 23.81"
10. 966853-0110	PANEL, 3" x 23.81"
11. 966853-0111	PANEL, 7.25" x 78.63"
12. 966853-0112	PANEL, 7.25" x 78.63"
13. 800507-02	PANEL, LAUAN, 2.00 x 78.63
14. 800506-04	PANEL, PLYWOOD, 24.81" X 26.88
15. 966853-0115	PANEL, 24.81" X 26.88, WHITE/RAW
16. 801706-SL	CORNER TRIM 90 DEG. 1"RADIUS
17. 966812	STAND, REFRIGERATOR
18. 966853-0118	DOOR, 24.44" X 11.69"
19. 966853-0119	DOOR, 24.44" X 8.88"
20. 382008	PULL, DRAWER/DOOR
21. 345001-08	SCREW, #8-32 X 1"
22. 381607	HINGE, DOOR
23. 381607-04	HINGE SCREW-GRASS
24. 381228-01	CATCH GRABBER DOOR

# 2007 INTERNATIONAL TRAVEL TRAILER

## FURNITURE, GALLEY

### DINETTE LAYOUT, 28'

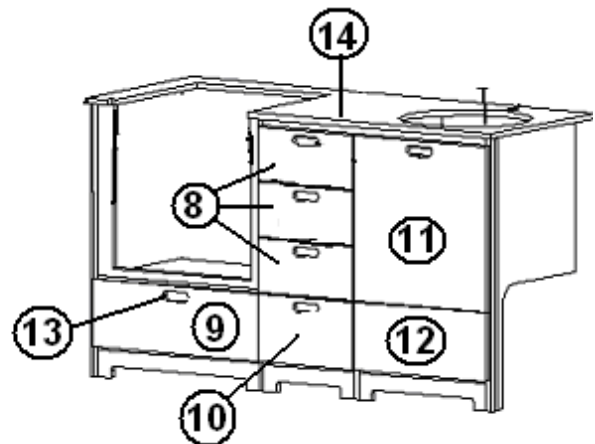
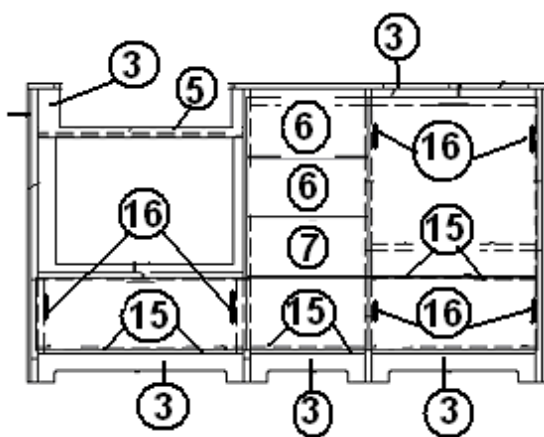
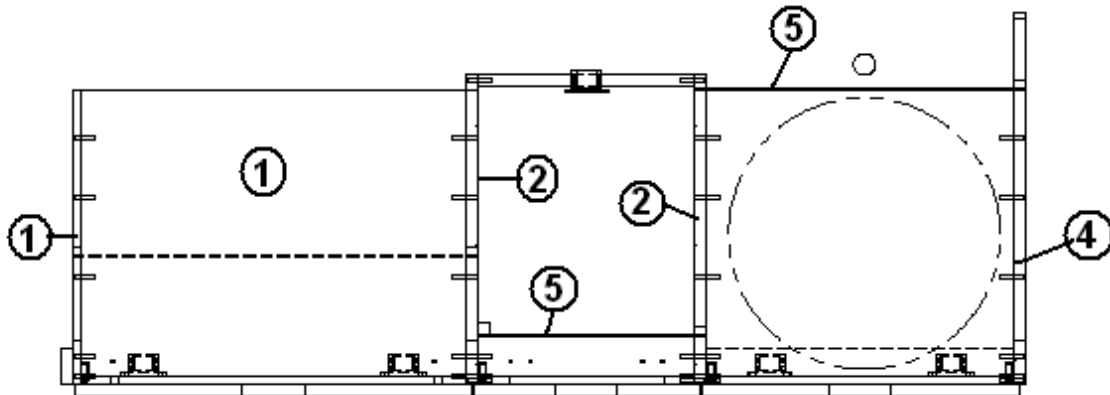


965788	SEAT ASSY-FWD DINETTE
965789	SEAT ASSY-AFT DINETTE
1. 801446	Booth seat, contoured
2. 801446	Booth seat, contoured
3. 965775	Closeout, dinette seat
4. 965774	Dinette table assembly
4. 965774-01	Dinette table assembly, Ocean Breeze
5. 703352-123	Booth seat cushions, Blue Streak
5a. 703352-133	Booth seat cushions, Lemon Grass
5b. 703352-115	Booth seat cushions, Dandelion
5d. 703352-156	Booth seat cushions, Aruba
6. 115140	Leg, dinette seat
203439	STORAGE BOX-17"L X 11.13"W X 6.38"
801498	DOOR-DINETTE STORAGE
381847	HINGE-PIANO ANGLE .88" X 72"
381228-01	CATCH GRABBER DOOR C3-803

# 2007 INTERNATIONAL TRAVEL TRAILER

## FURNITURE, GALLEY

### GALLEY CABINET, Full Oven 28'



Part Numbers on Next Page

# 2007 INTERNATIONAL TRAVEL TRAILER

## FURNITURE, GALLEY

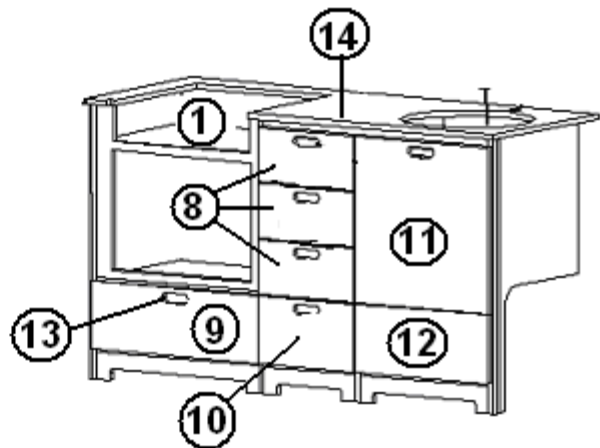
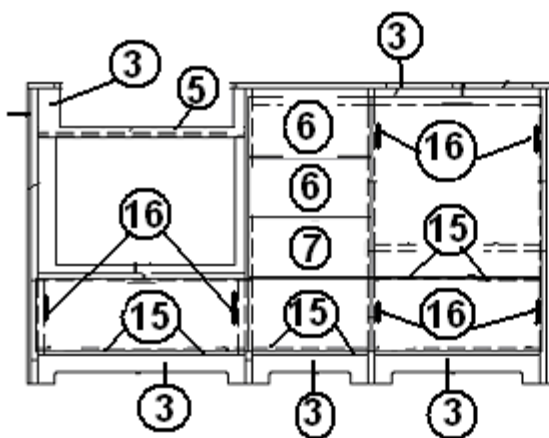
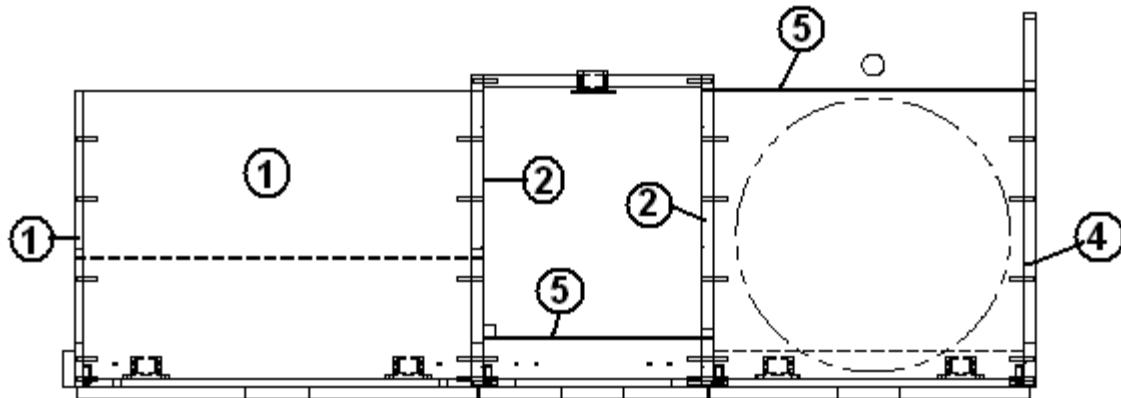
### GALLEY CABINET, Full Oven 28'

966475-01	Galley Base Assembly, 28', Full Oven
1. 801392	Panel, WHITE LINER/WHITE LINER 12MM
2. 801368	Panel, White/white
3. 801456-01	Panel, Black maple/Whiteliner, 12MM
4. 801436-01	Panel, BLACK MAPLE/WHITE 18M VERTICAL
5. 801438	PANEL, FROST WHITE VINYL/RAW 2.7MM
6. 965554-04	DRAWER BOX, 5.63" X 12.5" X 17"
7. 965553-01	DRAWER BOX, 4.38" X 12.5" X 17"
8. 801375-02	DOOR, GALLEY, 14.38" X 7.00"
9. 801375-17	DOOR-GALLEY 25.13" X 8.69"
10. 801375-15	DOOR-LAVATORY 15.88" X 13.63"
11. 801375-16	DOOR-GALLEY 20.13" X 21.25"
12. 801369	PANEL, FROST WHITE/WHITE LINER
13. 381775	Drawer pull
28.965993	Galley Top Assembly
29.381607	Hinge assembly, grass-euro
30.381228-01	Door grabber catch
381773-17	DRAWER SLIDE-5.875" X 18.5"
381773-11	DRAWER SLIDE-4.63" X 18.5"
965715-02	BACKSPLASH ASSY. GALLEY
115064	TRIM-ALUM COUNTER TOP

# 2007 INTERNATIONAL TRAVEL TRAILER

## FURNITURE, GALLEY

### GALLEY CABINET, MICROWAVE, 28'



Parts Numbers on the next page.



# 2007 INTERNATIONAL TRAVEL TRAILER

## FURNITURE, GALLEY

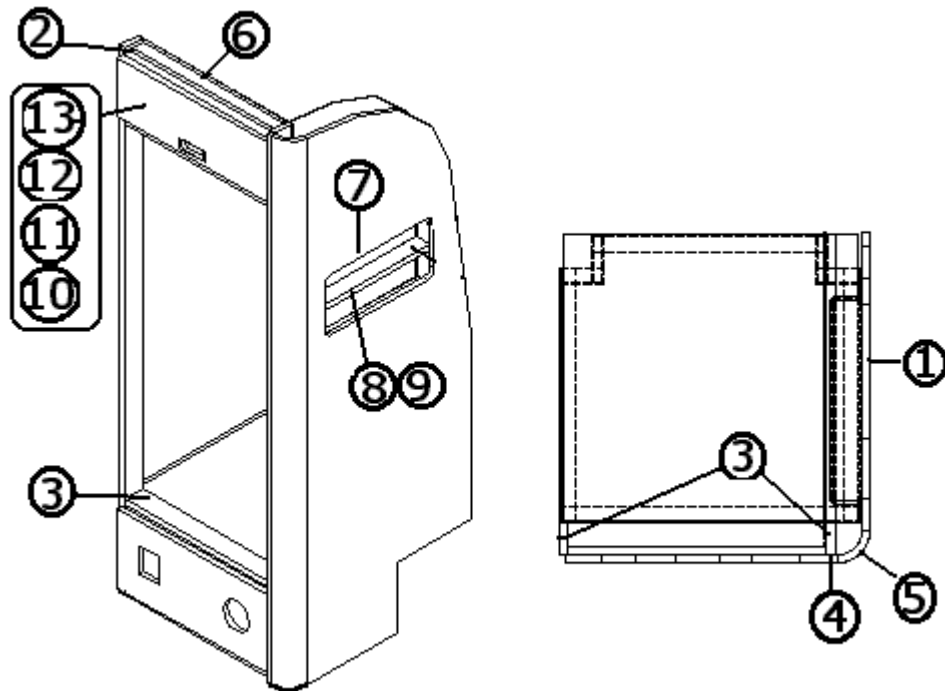
### GALLEY CABINET, MICROWAVE, 28'

966475-02	Galley Base Assembly, 28', Microwave
1. 801392	Panel, WHITE LINER/WHITE LINER 12MM
2. 801368	Panel, White/white
3. 801456-01	Panel, Black maple/Whiteliner, 12MM
4. 801436-01	Panel, BLACK MAPLE/WHITE 18M VERTICAL
5. 801438	PANEL, FROST WHITE VINYL/RAW 2.7MM
6. 965554-04	DRAWER BOX, 5.63" X 12.5" X 17"
7. 965553-01	DRAWER BOX, 4.38" X 12.5" X 17"
8. 801375-02	DOOR, GALLEY, 14.38" X 7.00"
9. 801375-17	DOOR-GALLEY 25.13" X 8.69"
10. 801375-15	DOOR-LAVATORY 15.88" X 13.63"
11. 801375-16	DOOR-GALLEY 20.13" X 21.25"
12. 801369	PANEL, FROST WHITE/WHITE LINER
13. 381775	Drawer pull
43.965993	Galley Top Assembly
44.381607	Hinge assembly, grass-euro
45.381228-01	Door grabber catch
965715-02	Back splash assembly

# 2007 INTERNATIONAL TRAVEL TRAILER

## FURNITURE, GALLEY

### Refrigerator Cabinet, 28', 6 Cu. Ft Refrigerator

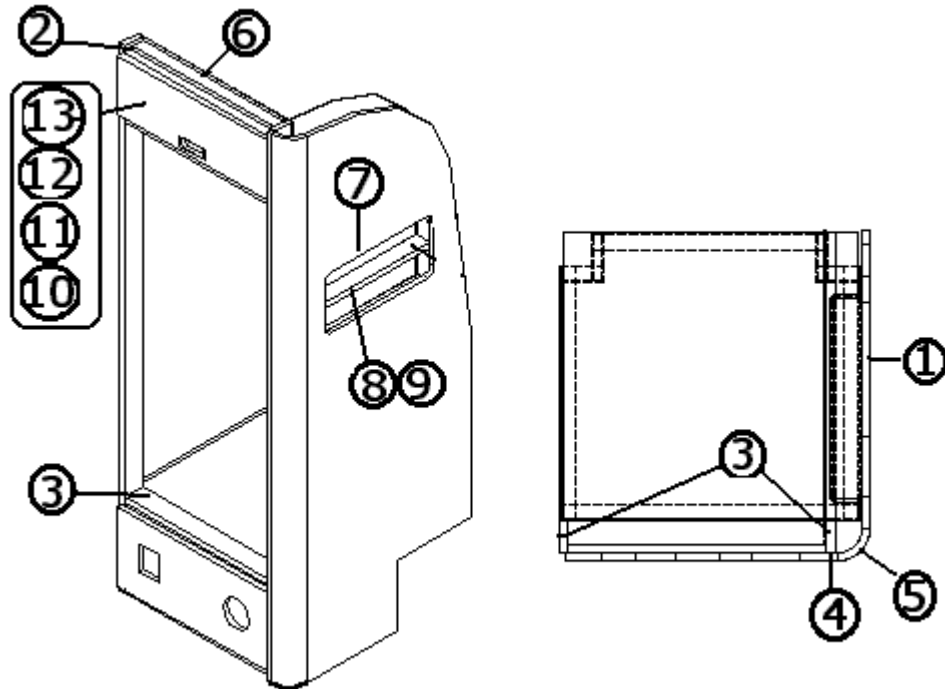


- 965997 Refrigerator Cabinet Assembly
- 1. 966056 Panel, forward refer
  - 2. 801436-01 Panel, black décor, maple/white liner
  - 3. 801368 Panel, white liner/white liner
  - 4. 801351 Lite ply, .75"
  - 5. 801345 Radius plywood, .75" x 3" x 8'
  - 6. 801438 Panel, 2.7mm x 48" x 84", white/raw
  - 7. 203384 Spice rack, ABS
  - 8. 203385 Trim, "F" self edging clear
  - 9. 203330 Plastic, Frosted white
  - 10. 801375-18 Door refer cabinet, 8.5" x 25.56"
  - 11. 381775 Drawer pull
  - 12. 381607 Hinge assembly, Grass-Euro
  - 13. 381228-01 Door grabber catch
  - 203476 SHELF-REFRIGERATOR
  - 203440 T MOLDING-BLACK EMBOSSED .8125
  - 115064 TRIM-ALUM COUNTER TOP

# 2007 INTERNATIONAL TRAVEL TRAILER

## FURNITURE, GALLEY

Refrigerator Cabinet, 28', 7 CU. FT. Refrigerator Only

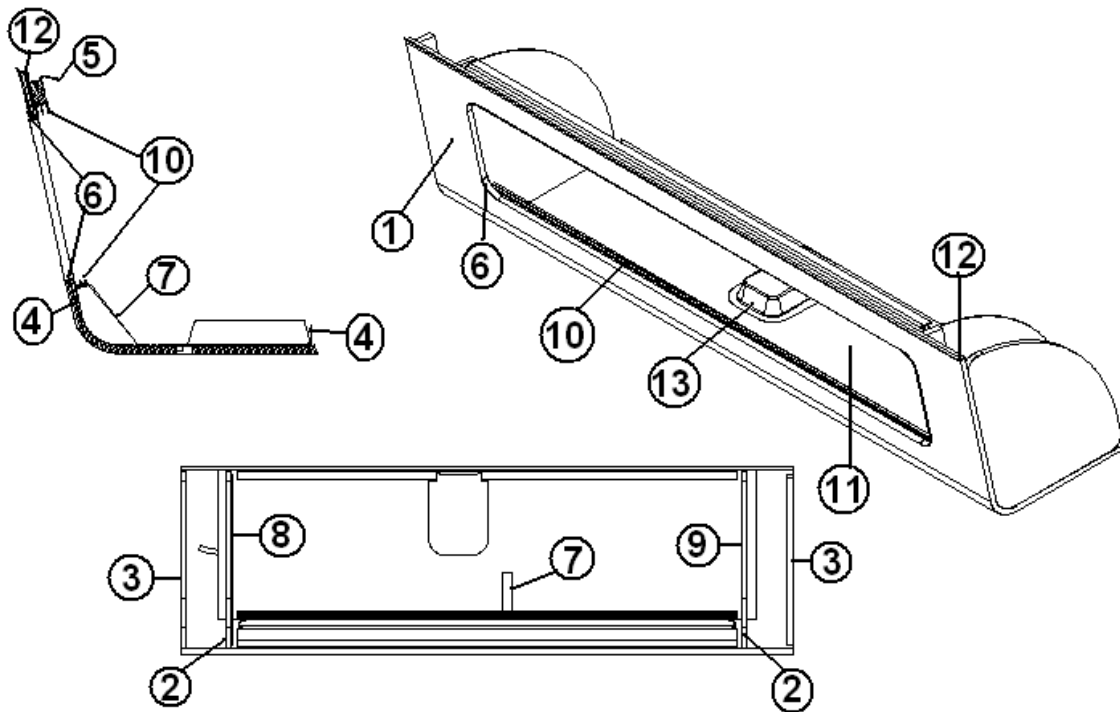


966804	Refrigerator Cabinet Assembly
1. 966807	Panel, forward refer
2. 801436 -01	Panel, black décor, maple/white liner
3. 801368	Panel, white liner/white liner
4. 801351	Lite ply, .75"
5. 801345	Radius plywood, .75" x 3" x 8'
6. 801438	Panel, 2.7mm x 48" x 84", white/raw
7. 203384	Spice rack, ABS
8. 203385	Trim, "F" self edging clear
9. 203330	Plastic, Frosted white
10. 801375-31	Door refer cabinet, 8.5" x 25.56"
11. 381775	Drawer pull
12. 381607	Hinge assembly, Grass-Euro
13. 381228-01	Door grabber catch
203476	SHELF-REFRIGERATOR
203440	T MOLDING-BLACK EMBOSSED .8125
115064	TRIM-ALUM COUNTER TOP
966808	Refrigerator Stand

# 2007 INTERNATIONAL TRAVEL TRAILER

## FURNITURE, GALLEY

### Roof Locker, Galley, 28'

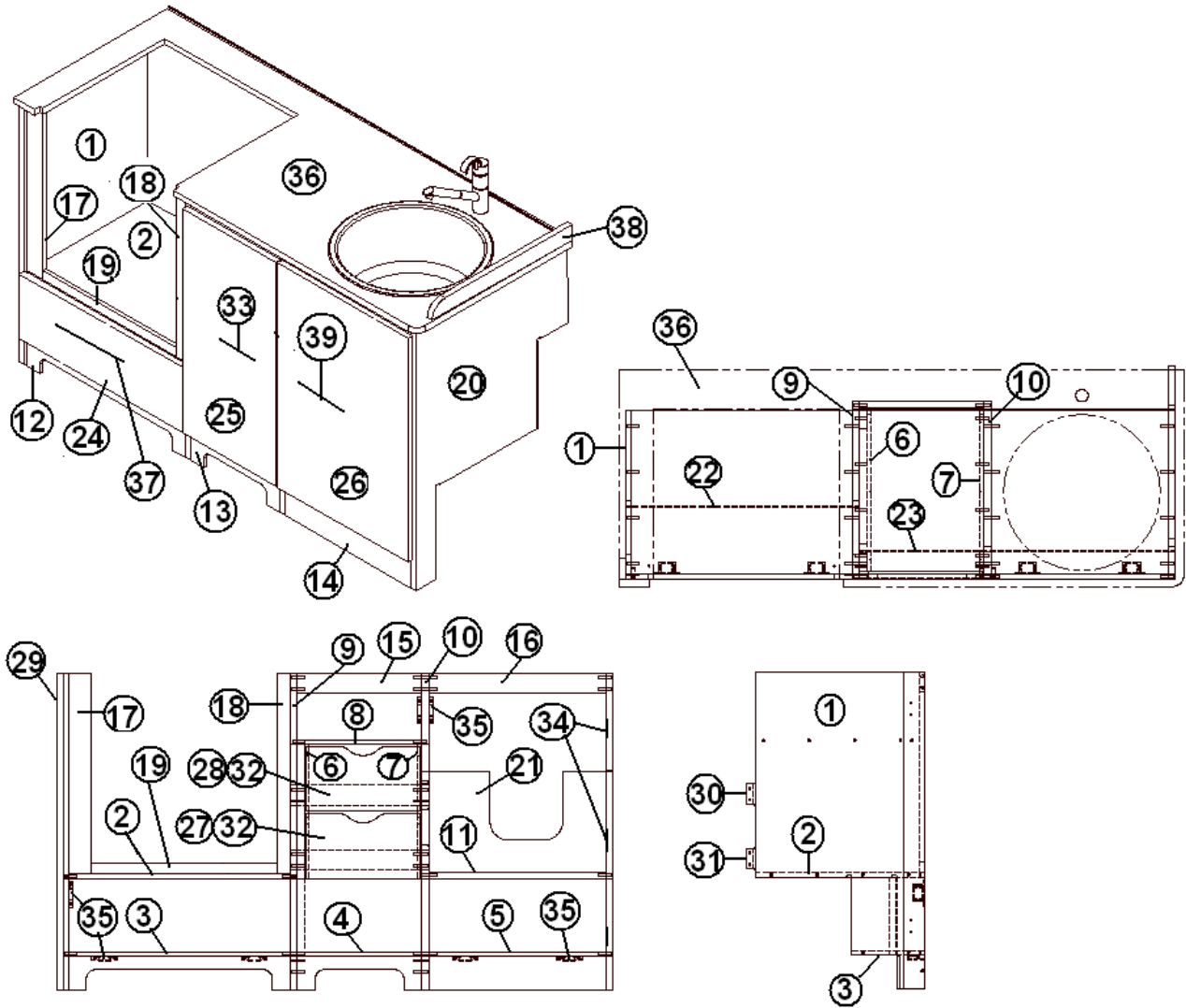


966198	Galley Roof Locker
1. 801542-03	Locker face, galley
2. 801545-02	Divider, partial
3. 801545-01	Divider, full
4. 115227-02	Angled, formed, 50.50"
5. 104821	Roof locker support, 74"
6. 203508-01	T-trim, 9/16", wood grain
7. 115226	Bracket, locker center support
8. 801539-01	Divider, LH, galley
9. 801539-02	Divider, RH, galley
10. 381245	Sliding door track
11. 965563-09	Door, sliding Plexiglas
12. 201673	Cove molding, Ivory, plastic
13. 200772	Pan, dead bolt, plastic

# 2007 INTERNATIONAL TRAVEL TRAILER

## FURNITURE, GALLEY

Galley, 28' Signature, Standard Oven, Wenge



Part Number on the Next page

# 2007 INTERNATIONAL TRAVEL TRAILER

## FURNITURE, GALLEY

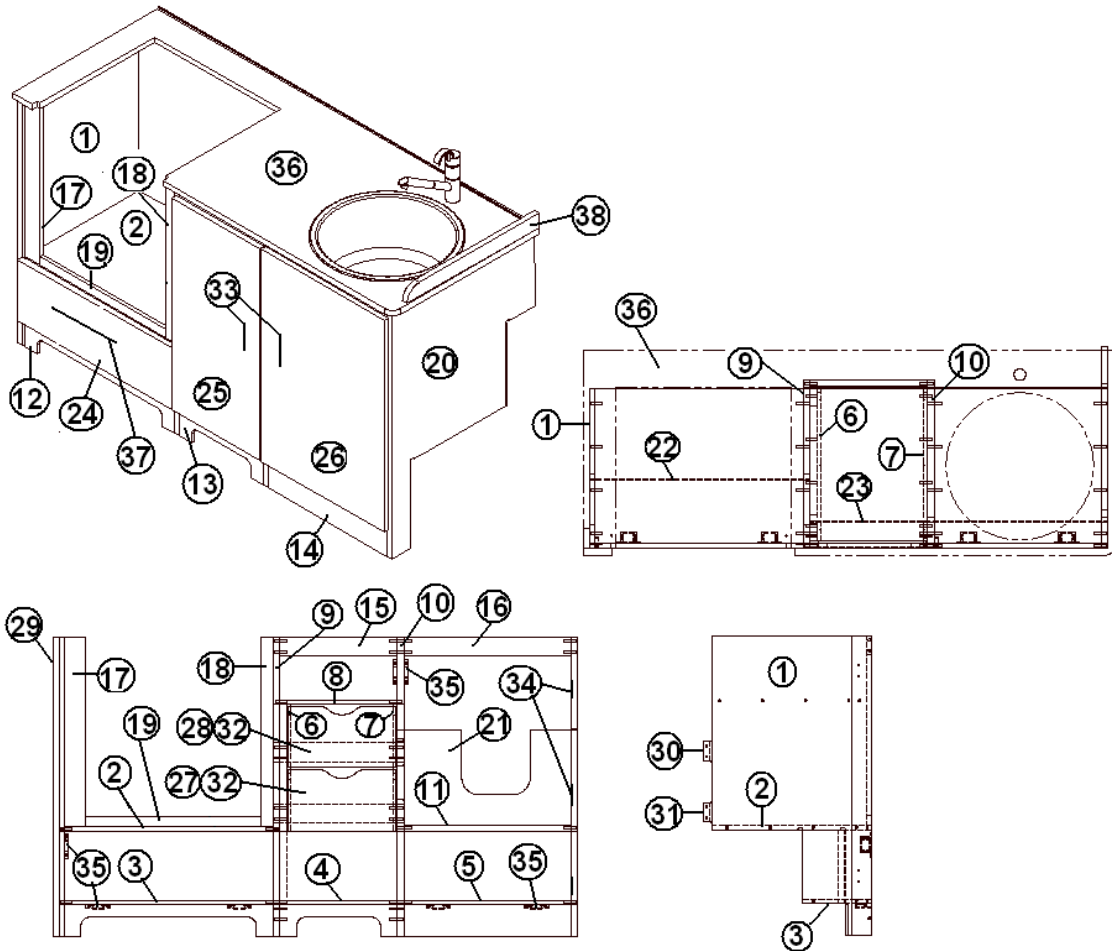
### Galley, 28' Signature, Standard Oven, Wenge

966983	GALLEY ASSY.
1. 966983-1	PANEL, 18.63 X 35.00
2. 966983-2	PANEL, 18.63 X 24.50
3. 966983-3	PANEL, 8.00 X 24.50
4. 966983-4	PANEL, 3.00 X 13.75
5. 966983-5	PANEL, 3.0 X 19.50
6. 966983-6	PANEL, 17.75 X 14.84
7. 966983-7	PANEL, 17.75 X 14.84
8. 966983-8	PANEL, 17.75 X 13.75
9. 966983-9	PANEL, 19.63 X 35.00
10. 966983-10	PANEL, 19.63 X 35.00
11. 966983-11	PANEL, 18.63 X 19.50
12. 966983-12	PANEL, 3.75 X 24.50
13. 966983-13	PANEL, 3.75 X 13.75
14. 966983-14	PANEL, 3.75 X 19.50
15. 966983-15	PANEL, 2.25 X 13.75
16. 966983-16	PANEL, 2.25 X 19.50
17. 966983-17	PANEL, 2.50 X 22.19
18. 966983-18	PANEL, 1.50 X 22.19
19. 966983-19	PANEL, 1.25 X 20.50
20. 966983-20	PANEL, 23.52 X 35.00
21. 966983-21	PANEL, 21.00 X 11.75
22. 966983-22	PANEL, 8.56 X 25.75
23. 966983-23	PANEL, 8.56 X 34.75
24. 966983-24	DOOR 25.12 X 8.69
25. 966983-25	DOOR 14.38 X 30.00
26. 966983-26	DOOR 20.13 X 30.00
27. 966983-27	DRAWER FACE 12.63 X 7.17
28. 966983-28	DRAWER FACE 12.63 X 7.17
29. 801351	LITE PLY, .75" X 2.25 X 35.00
30. 801351	LITE PLY, .75" X 2.25 X 13.75
31. 801351	LITE PLY, .75" X 2.25 X 13.75
32. 965955-02	DRAWER BOX ASSEMBLY
33. 382029-03	HANDLE BAR, 11.25"
34. 381607	HINGE ASSY
35. 381228-01	CATCH GRABBER DOOR
36. 966985	GALLEY TOP ASSY
37. 382029-05	HANDLE BAR 21.33"
38. 967007	BACKSPLASH ASSY, 21.15"
39. 382029-04	HANDLE BAR, 15"
381773-16	DRAWER SLIDE, 5.88" X 17.38"

# 2007 INTERNATIONAL TRAVEL TRAILER

## FURNITURE, GALLEY

Galley, 28' Signature, Standard Oven, Ocean Breeze



Part Number on the Next page

# 2007 INTERNATIONAL TRAVEL TRAILER

## FURNITURE, GALLEY

Galley, 28' Signature, Standard Oven, Ocean Breeze

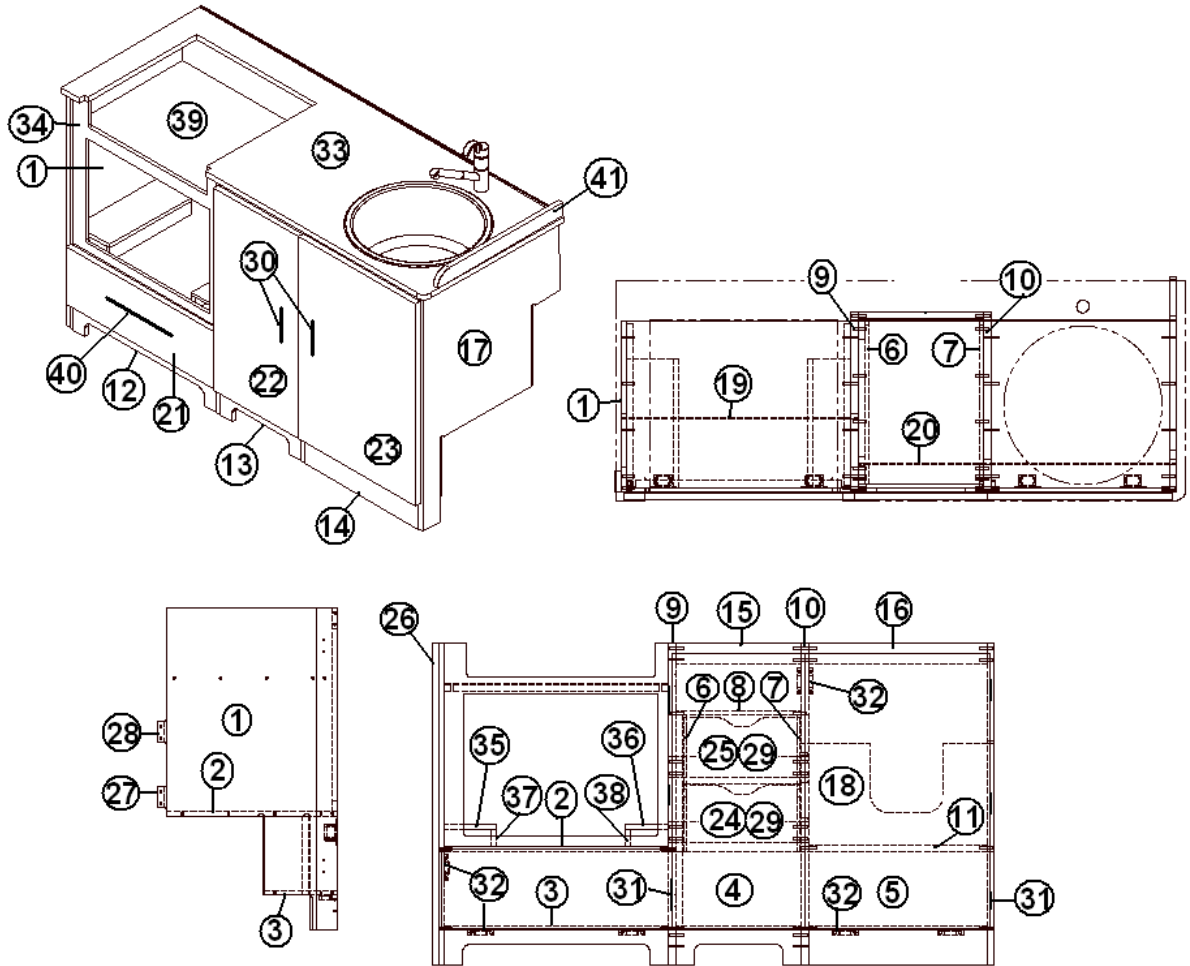
966983-01	GALLEY ASSY.
1. 966983-011	PANEL, 18.63 X 35.00
2. 966983-012	PANEL, 18.63 X 24.50
3. 966983-013	PANEL, 8.00 X 24.50
4. 966983-014	PANEL, 3.00 X 13.75
5. 966983-015	PANEL, 3.0 X 19.50
6. 966983-016	PANEL, 17.75 X 14.84
7. 966983-017	PANEL, 17.75 X 14.84
8. 966983-018	PANEL, 17.75 X 13.75
9. 966983-019	PANEL, 19.63 X 35.00
10. 966983-0110	PANEL, 19.63 X 35.00
11. 966983-0111	PANEL, 18.63 X 19.50
12. 966983-0112	PANEL, 3.75 X 24.50
13. 966983-0113	PANEL, 3.75 X 13.75
14. 966983-0114	PANEL, 3.75 X 19.50
15. 966983-0115	PANEL, 2.25 X 13.75
16. 966983-0116	PANEL, 2.25 X 19.50
17. 966983-0117	PANEL, 2.50 X 22.19
18. 966983-0118	PANEL, 1.50 X 22.19
19. 966983-0119	PANEL, 1.25 X 20.50
20. 966983-0120	PANEL, 23.52 X 35.00
21. 966983-0121	PANEL, 21.00 X 11.75
22. 966983-0122	PANEL, 8.56 X 25.75
23. 966983-0123	PANEL, 8.56 X 34.75
24. 966983-0124	DOOR 25.12 X 8.69
25. 966983-0125	DOOR 14.38 X 30.00
26. 966983-0126	DOOR 20.13 X 30.00
27. 966983-0127	DRAWER FACE 12.63 X 7.17
28. 966983-0128	DRAWER FACE 12.63 X 7.17
29. 801351	LITE PLY, .75" X 2.25 X 35.00
30. 801351	LITE PLY, .75" X 2.25 X 13.75
31. 801351	LITE PLY, .75" X 2.25 X 13.75
32. 965955-02	DRAWER BOX ASSEMBLY
33. 382008	PULL, BAMBOO
34. 381607	HINGE ASSY
35. 381228-01	CATCH GRABBER DOOR
36. 966985-01	GALLEY TOP ASSY
37. 382008	PULL, BAMBOO
38. 967007-01	BACKSPLASH ASSY, 21.15"



# 2007 INTERNATIONAL TRAVEL TRAILER

## FURNITURE, GALLEY

Galley, 28' Signature, Microwave Option, Wenge



Part Number on the Next page

# 2007 INTERNATIONAL TRAVEL TRAILER

## FURNITURE, GALLEY

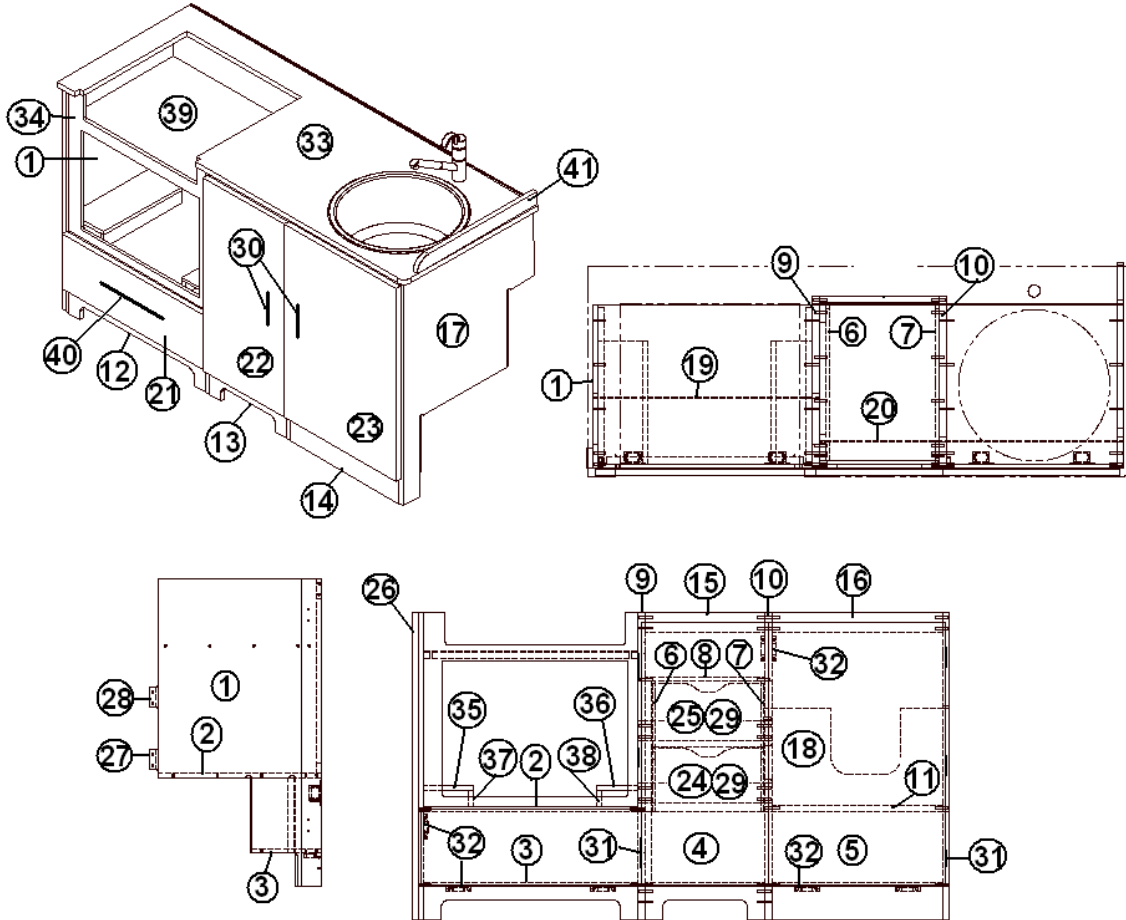
Galley, 28' Signature, Microwave Option, Wenge

966984	GALLEY ASSY.
1. 966984-1	PANEL, 18.63 X 35.00
2. 966984-2	PANEL, 18.63 X 24.50
3. 966984-3	PANEL, 8.00 X 24.50
4. 966984-4	PANEL, 3.00 X 13.75
5. 966984-5	PANEL, 3.0 X 19.50
6. 966984-6	PANEL, 17.75 X 14.84
7. 966984-7	PANEL, 17.75 X 14.84
8. 966984-8	PANEL, 17.75 X 13.75
9. 966984-9	PANEL, 19.63 X 35.00
10. 966984-10	PANEL, 19.63 X 35.00
11. 966984-11	PANEL, 18.63 X 19.50
12. 966984-12	PANEL, 3.75 X 24.50
13. 966984-13	PANEL, 3.75 X 13.75
14. 966984-14	PANEL, 3.75 X 19.50
15. 966984-15	PANEL, 2.25 X 13.75
16. 966984-16	PANEL, 2.25 X 19.50
17. 966984-20	PANEL, 23.52 X 35.00
18. 966984-21	PANEL, 21.00 X 11.75
19. 966984-22	PANEL, 8.56 X 25.75
20. 966984-23	PANEL, 8.56 X 34.75
21. 966984-24	DOOR, 25.12 X 8.69
22. 966984-25	DOOR, 14.38 X 30.00
23. 966984-26	DOOR, 20.13 X 30.00
24. 966984-27	DRAWER FACE, 12.63 X 7.17
25. 966984-28	DRAWER FACE, 12.63 X 7.17
26. 801351	LITE PLY, .75" X 2.25 X 35.00
27. 801351	LITE PLY, .75" X 2.25 X 13.75
28. 801351	LITE PLY, .75" X 2.25 X 13.75
29. 965955-02	DRAWER BOX ASSEMBLY
30. 382029-00	HANDLE BAR, 7.5"
31. 381607	HINGE ASSY
32. 381228-01	CATCH GRABBER DOOR
33. 966985	GALLEY TOP ASSY
34. 966984-42	PANEL, 24.50 X 22.19
35. 966984-43	PANEL, 5.69 X 14.00
36. 966984-44	PANEL, 4.69 X 14.00
37. 966984-45	PANEL, 1.94 X 14.00
38. 966984-46	PANEL, 1.94 X 14.00
39. 966984-47	PANEL, 18.12 X 24.50
40. 382029-05	HANDLE BAR 21.33"
41. 967007	BACKSPLASH ASSY, 21.15"

# 2007 INTERNATIONAL TRAVEL TRAILER

## FURNITURE, GALLEY

Galley, 28' Signature, Microwave Option, Ocean Breeze



Part Number on the Next page

# 2007 INTERNATIONAL TRAVEL TRAILER

## FURNITURE, GALLEY

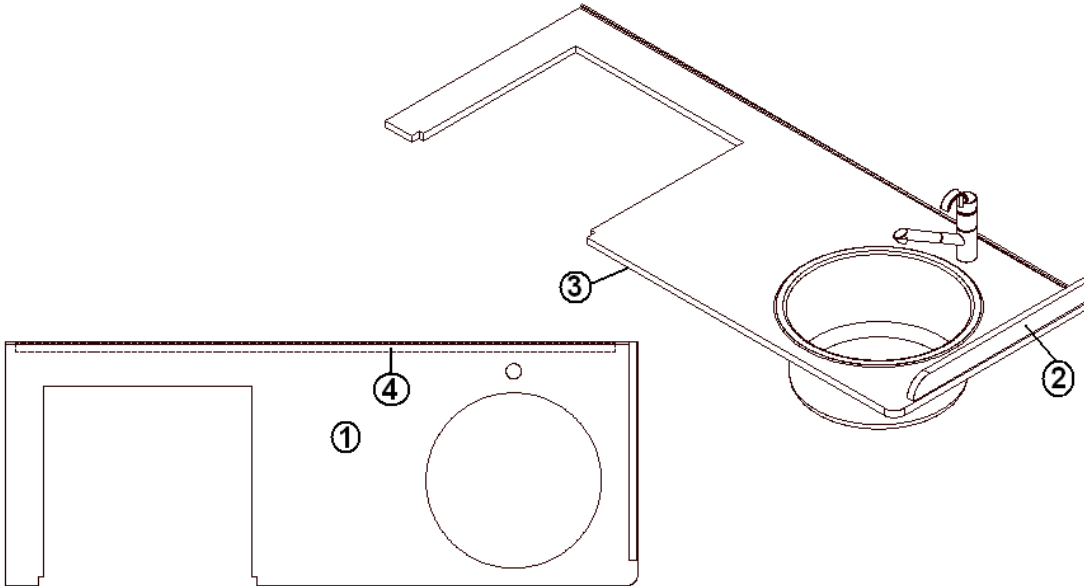
### Galley, 28' Signature, Microwave Option, Ocean Breeze

966984-01	GALLEY ASSY.
1. 966984-011	PANEL, 18.63 X 35.00
2. 966984-012	PANEL, 18.63 X 24.50
3. 966984-013	PANEL, 8.00 X 24.50
4. 966984-014	PANEL, 3.00 X 13.75
5. 966984-015	PANEL, 3.0 X 19.50
6. 966984-016	PANEL, 17.75 X 14.84
7. 966984-017	PANEL, 17.75 X 14.84
8. 966984-018	PANEL, 17.75 X 13.75
9. 966984-019	PANEL, 19.63 X 35.00
10. 966984-0110	PANEL, 19.63 X 35.00
11. 966984-0111	PANEL, 18.63 X 19.50
12. 966984-1012	PANEL, 3.75 X 24.50
13. 966984-0113	PANEL, 3.75 X 13.75
14. 966984-0114	PANEL, 3.75 X 19.50
15. 966984-0115	PANEL, 2.25 X 13.75
16. 966984-0116	PANEL, 2.25 X 19.50
17. 966984-0120	PANEL, 23.52 X 35.00
18. 966984-0121	PANEL, 21.00 X 11.75
19. 966984-0122	PANEL, 8.56 X 25.75
20. 966984-0123	PANEL, 8.56 X 34.75
21. 966984-0124	DOOR, 25.12 X 8.69
22. 966984-0125	DOOR, 14.38 X 30.00
23. 966984-0126	DOOR, 20.13 X 30.00
24. 966984-0127	DRAWER FACE, 12.63 X 7.17
25. 966984-0128	DRAWER FACE, 12.63 X 7.17
26. 801351	LITE PLY, .75" X 2.25 X 35.00
27. 801351	LITE PLY, .75" X 2.25 X 13.75
28. 801351	LITE PLY, .75" X 2.25 X 13.75
29. 965955-02	DRAWER BOX ASSEMBLY
30. 382008	PULL, BAMBOO
31. 381607	HINGE ASSY
32. 381228-01	CATCH GRABBER DOOR
33. 966985-01	GALLEY TOP ASSY
34. 966984-0142	PANEL, 24.50 X 22.19
35. 966984-0143	PANEL, 5.69 X 14.00
36. 966984-0144	PANEL, 4.69 X 14.00
37. 966984-0145	PANEL, 1.94 X 14.00
38. 966984-0146	PANEL, 1.94 X 14.00
39. 966984-0147	PANEL, 18.12 X 24.50
40. 382008	PULL, BAMBOO
41. 967007-01	BACKSPLASH ASSY, 21.15"

# 2007 INTERNATIONAL TRAVEL TRAILER

## FURNITURE, GALLEY

Galley, 28' Signature, Top, Wenge, Ocean Breeze

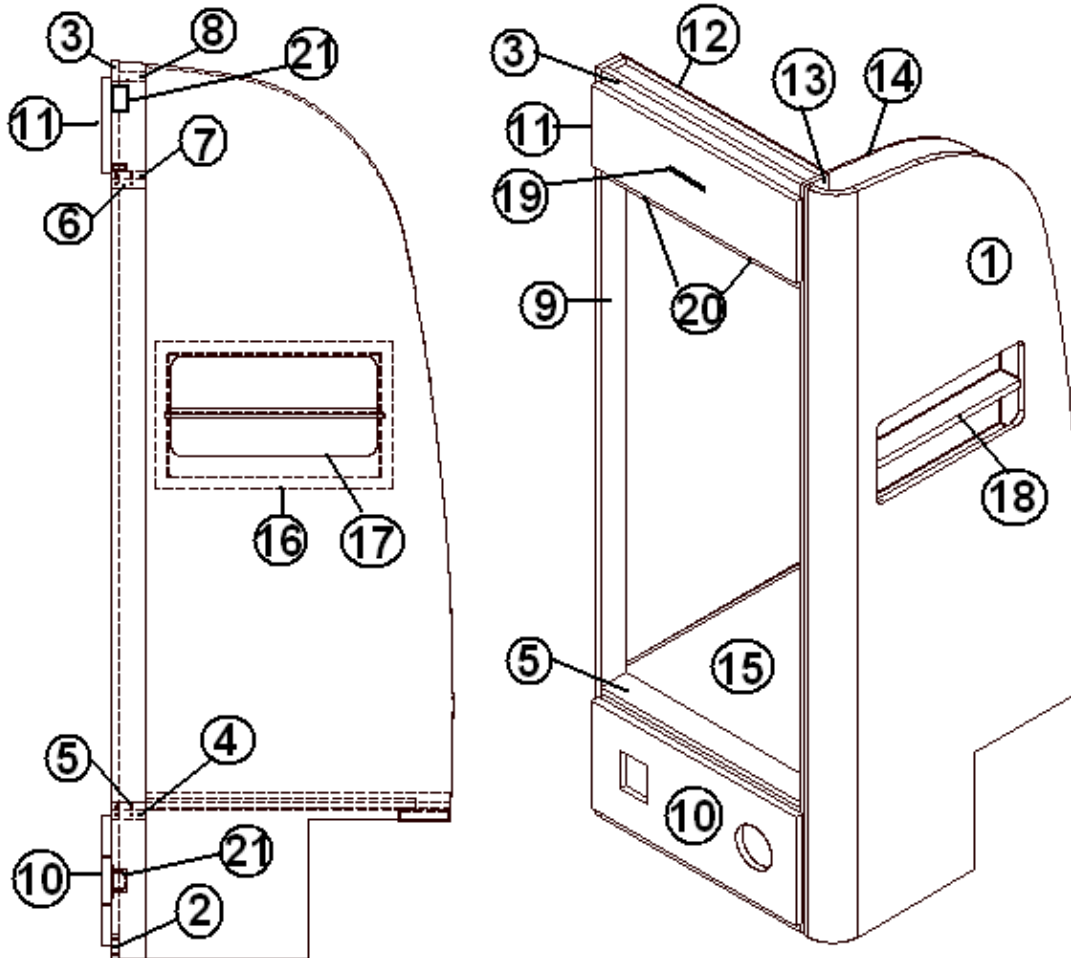


966985	GALLEY TOP ASSY, WENGE
966985-01	GALLEY TOP ASSY, OCEAN BREEZE
1. 966985-1	PANEL, 24.0 X 6.25, WENGE
1. 966985-011	PANEL, 24.0 X 6.25, OCEAN BREEZE
2. 967007	BACKSPLASH, 21.15", WENGE
2. 967007-01	BACKSPLASH, 21.15", OCEAN BREEZE
3. 114812	ALUMINUM ANGLE 1.00" X 1.00"
4. 115064	TRIM, ALUMINUM, COUNTER TOP

# 2007 INTERNATIONAL TRAVEL TRAILER

## FURNITURE, GALLEY

### Refrigerator Cabinet, 28' Signature, Wenge



Part Number on the Next page

# 2007 INTERNATIONAL TRAVEL TRAILER

## FURNITURE, GALLEY

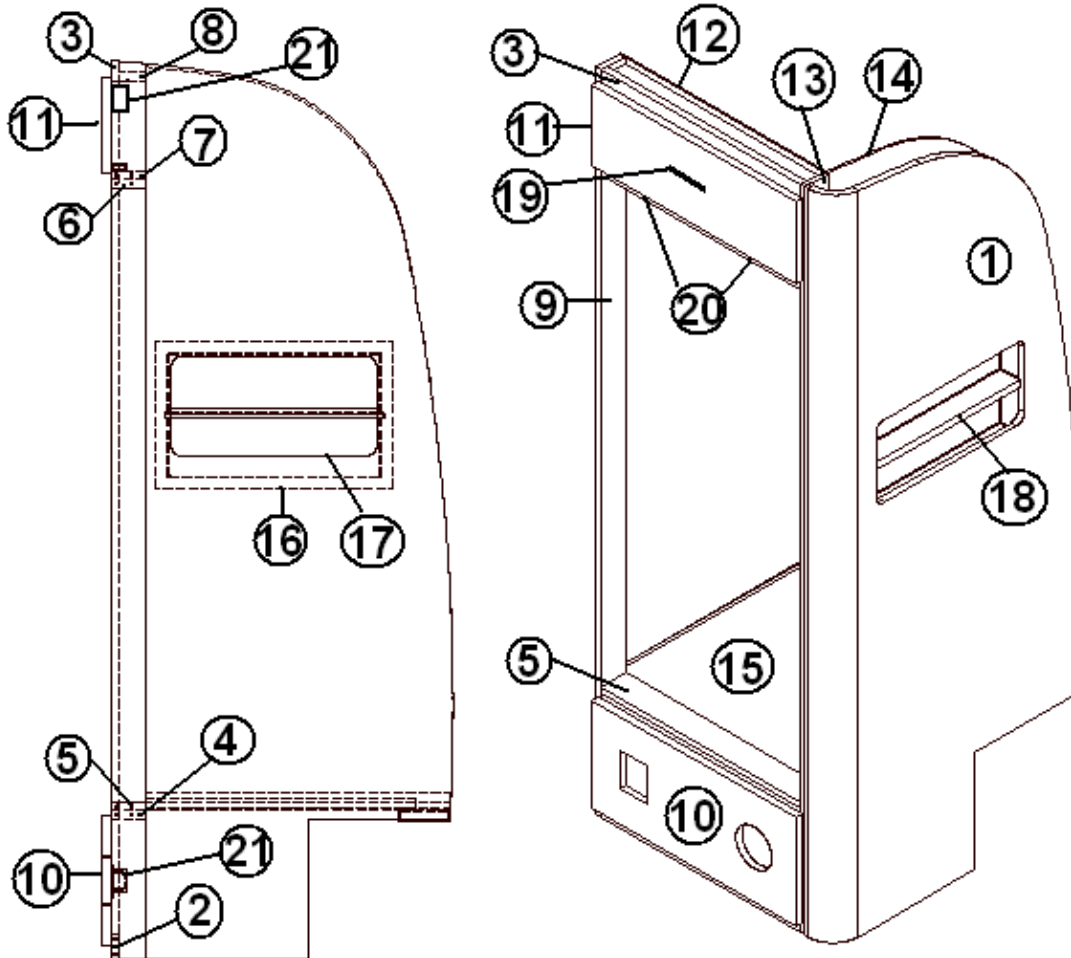
### Refrigerator Cabinet, 28' Signature, Wenge

966992	CABINET ASSY, REFRIGERATOR
1. 966993	PANEL, ASSY, REFRIGERATOR
2. 966992-2	PANEL, 24.06 X 1.75
3. 966992-3	PANEL, 24.06 X 1.75
4. 966992-4	PANEL, 3.0 X 24.06
5. 966992-5	PANEL, 3.0 X 24.06
6. 966992-6	PANEL, 3.0 X 24.06
7. 966992-7	PANEL, 30 X 24.06
8. 966992-8	PANEL, 2.25 X 24.06
9. 966992-9	PANEL, 3.0 X 78.62
10. 966992-10	PANEL 24.69 X 11.38
11. 966992-11	DOOR 24.69 X 8.50
12. 966992-12	PANEL 10.86 X 25.31
13. 966992-13	PANEL 3.0 X 78.62
14. 800507-02	LAUAN, ¼" X 64.33" X 29.13"
15. 800507-04	LAUAN, ½" X 27.81" X 26.25
16. 203384	RACK, SPICE ABS
17. 203385	TRIM, "F"SELF EDGING
18. 203330	PLASTIC, FROSTED WHITE
19. 382029-05	HANDLE BAR 21.33"
20. 381607	HINGE ASSY.
21. 381228-01	CATCH GRABBER DOOR
966808	STAND ASSY, REFRIGERATOR

# 2007 INTERNATIONAL TRAVEL TRAILER

## FURNITURE, GALLEY

### Refrigerator Cabinet, 28' Signature, Ocean Breeze



Part Number on the Next page



# 2007 INTERNATIONAL TRAVEL TRAILER

## FURNITURE, GALLEY

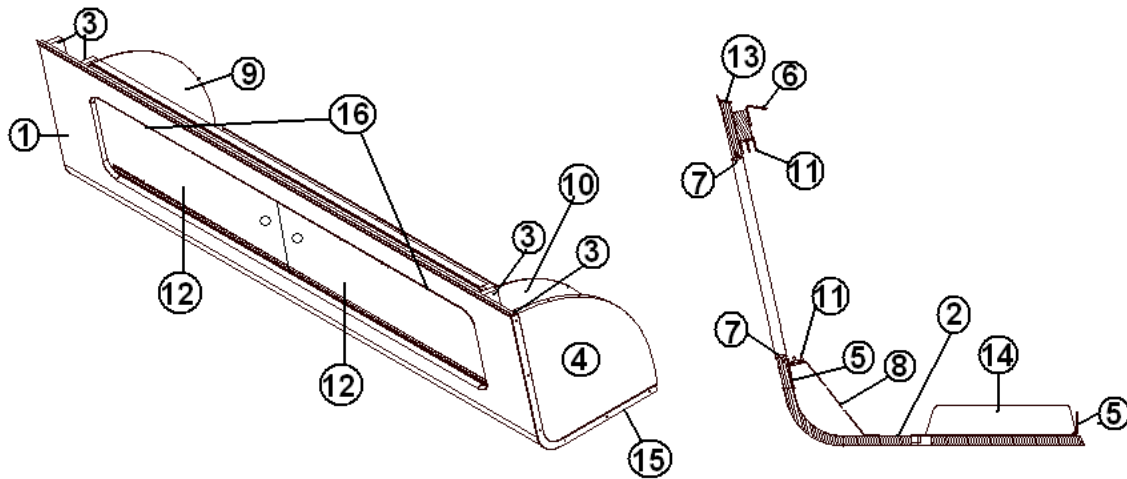
### Refrigerator Cabinet, 28' Signature, Ocean Breeze

966992-01	CABINET ASSY, REFRIGERATOR
1. 966993-01	PANEL, ASSY, REFRIGERATOR
2. 966992-012	PANEL, 24.06 X 1.75
3. 966992-013	PANEL, 24.06 X 1.75
4. 966992-014	PANEL, 3.0 X 24.06
5. 966992-015	PANEL, 3.0 X 24.06
6. 966992-016	PANEL, 3.0 X 24.06
7. 966992-017	PANEL, 30 X 24.06
8. 966992-018	PANEL, 2.25 X 24.06
9. 966992-019	PANEL, 3.0 X 78.62
10. 966992-0110	PANEL 24.69 X 11.38
11. 966992-0111	DOOR 24.69 X 8.50
12. 966992-0112	PANEL 10.86 X 25.31
13. 966992-0113	PANEL 3.0 X 78.62
14. 800507-02	LAUAN, ¼" X 64.33" X 29.13"
15. 800507-04	LAUAN, ½" X 27.81" X 26.25
16. 203384	RACK, SPICE ABS
17. 203385	TRIM, "F"SELF EDGING
18. 203330	PLASTIC, FROSTED WHITE
19. 382008	PULL, BAMBOO
20. 381607	HINGE ASSY.
21. 381228-01	CATCH GRABBER DOOR
966808	STAND ASSY, REFRIGERATOR

# 2007 INTERNATIONAL TRAVEL TRAILER

## FURNITURE, GALLEY

### Roof Locker, 28' Signature Galley, Wenge

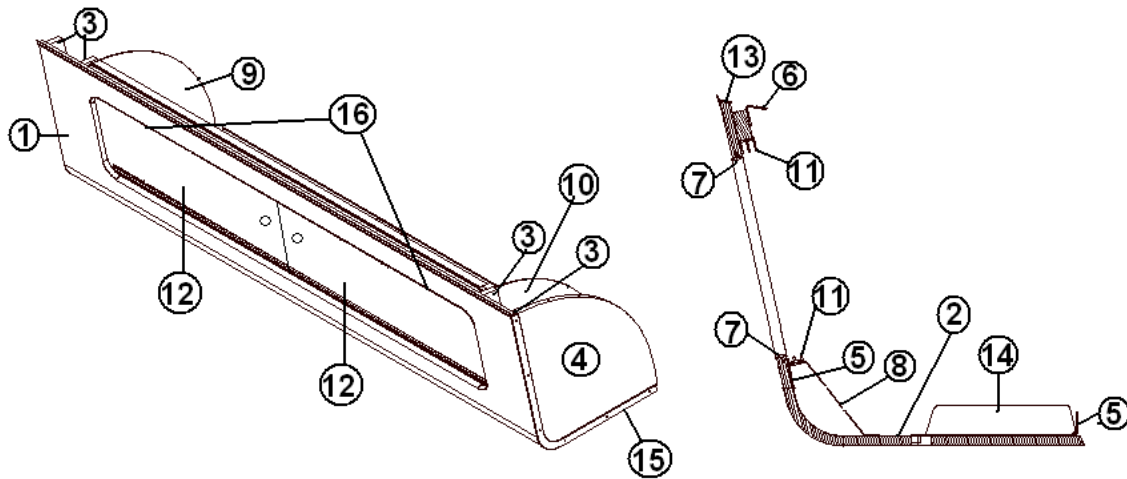


966968	LOCKER ASSY, GALLEY
1. 801542-03	LOCKER FACE. GALLEY
2. 801716	PANEL, WENGE/LINER 18MM
3. 801545-02	DIVIDER PARTIAL
4. 966968-4	PANEL, 17.15 X 18.21
5. 115227-02	ANGLE, LOCKER TRACK SUPPORT
6. 104821	SUPPORT, ROOFLocker, 74"
7. 203445-01	T-MOLDING, .5625" WHITE
8. 115226	BRACKET, LOCKER, CENTER SUPPORT
9. 801539-01	DIVIDER, GALLEY LOCKER LH
9. 801539-03	DIVIDER, R/L W/AUDIOSWITCHES
10. 801539-02	DIVIDER, GALLEY LOCKER
11. 203388	SLIDING DOOR TRACK, 56-1/5"
12. 965563-09	DOOR-PLEX.SLIDING 11.31" X 26"
13. 201673	REVERSE COVE MOLDING, WHITE
14. 200772	PAN, DEADBOLT
15. 115375	EXTRUSION, FORMED, R/L END
16. 454613	SPRING-LEAF R/L

# 2007 INTERNATIONAL TRAVEL TRAILER

## FURNITURE, GALLEY

### Roof Locker, 28' Signature Galley, Ocean Breeze

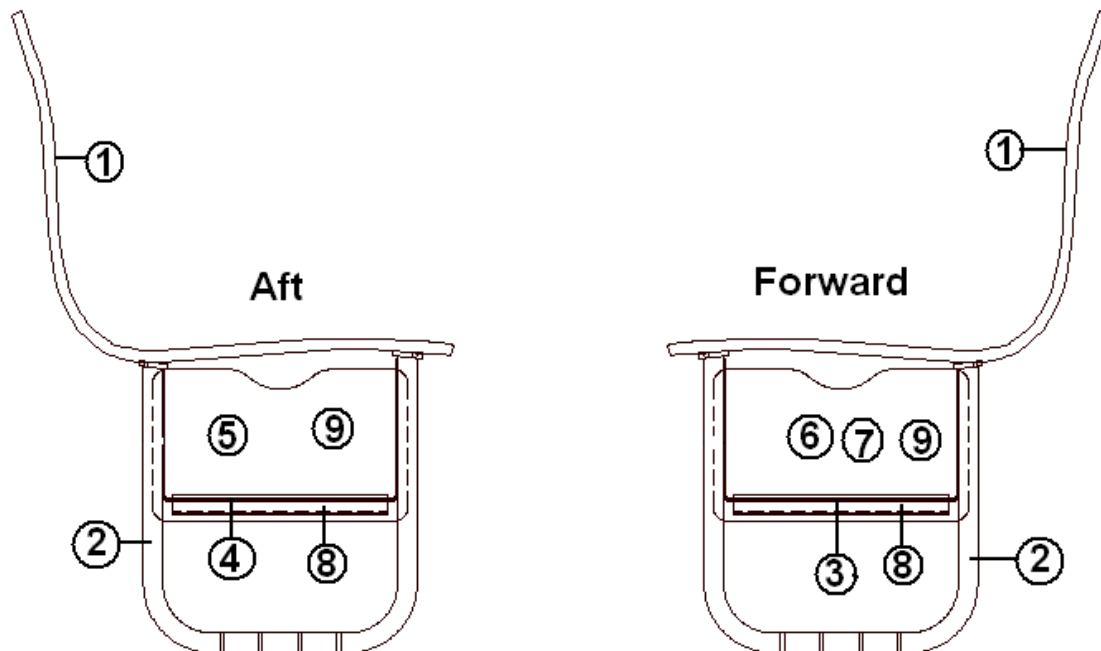


966968-01	LOCKER ASSY, GALLEY
1. 801542-03	LOCKER FACE. GALLEY
2. 801702	PANEL, ALMOND/LINER 18MM
3. 801545-02	DIVIDER PARTIAL
4. 966968-014	PANEL, 17.15 X 18.21
5. 115227-02	ANGLE, LOCKER TRACK SUPPORT
6. 104821	SUPPORT, ROOFLOCKER, 74"
7. 203508-01	T-MOLDING, .5625" Ply
8. 115226	BRACKET, LOCKER, CENTER SUPPORT
9. 801539-01	DIVIDER, GALLEY LOCKER LH
10. 801539-02	DIVIDER, GALLEY LOCKER
11. 203388	SLIDING DOOR TRACK
12. 203357-02	DOOR, LUMICOR, 11.31" X 26"
13. 201673	REVERSE COVE MOLDING, WHITE
14. 200772	PAN, DEADBOLT
15. 115375	EXTRUSION, FORMED, R/L END
16. 454613	SPRING-LEAF R/L

# 2007 INTERNATIONAL TRAVEL TRAILER

## FURNITURE, GALLEY

### Dinette Seats, 28' Signature, Wenge

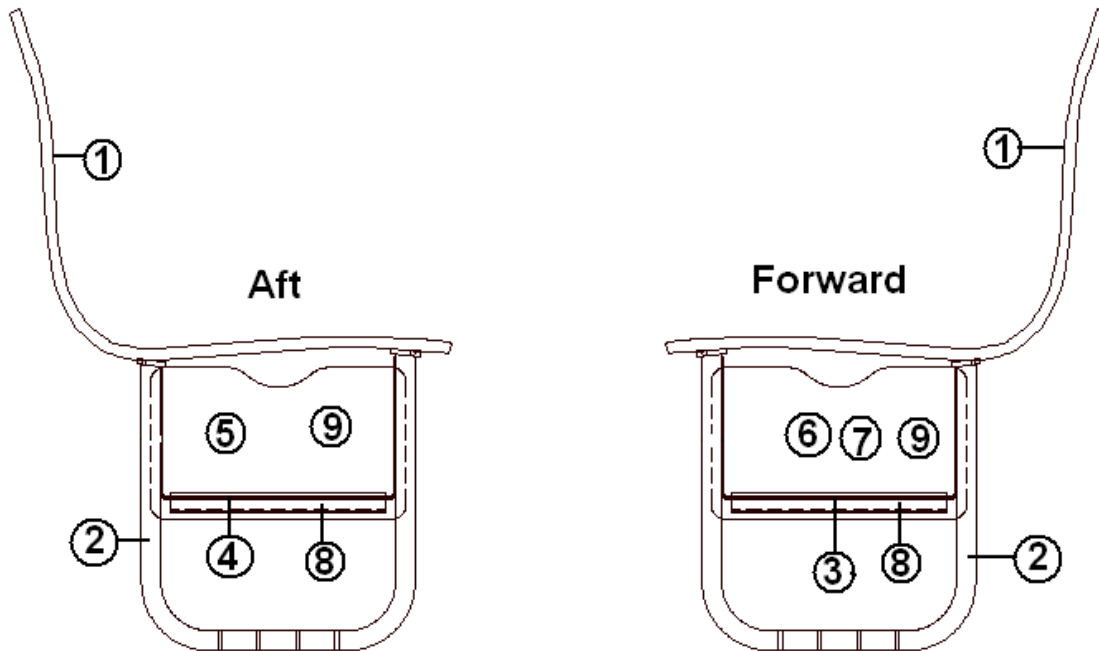


966986	SEAT ASSY, FORWARD BOOTH
966987	SEAT ASSY, AFT BOOTH, WENGE
1. 801446	SEAT, DINETTE, CONTOURED
2. 115140	LEG-DINETTE BASE
3. 115141	CLOSEOUT, BOTTOM, SEAT, 37"
4. 115141-02	CLOSEOUT, UNDER BOOTH SEAT, 15"
5. 966987-6	DOOR, 13.06 X 7.75, BOOTH SEAT
6. 203439	STORAGE BOX, 17"L X 11.13"W X 6.38"
7. 966986-7	DOOR, 13.07 X 7.75 BOOTH SEAT
8. 381847-01	HINGE PIANO ANGLE, 46"
9. 381228-01	CATCH GRABBER DOOR
114070	EXTRUSION, J-TRIM
114812	ALUMINUM ANGLE, 1.00" X 1.00"
966988	CLOSEOUT UNDER DINETTE SEAT

# 2007 INTERNATIONAL TRAVEL TRAILER

## FURNITURE, GALLEY

### Dinette Seats, 28' Signature, Ocean Breeze

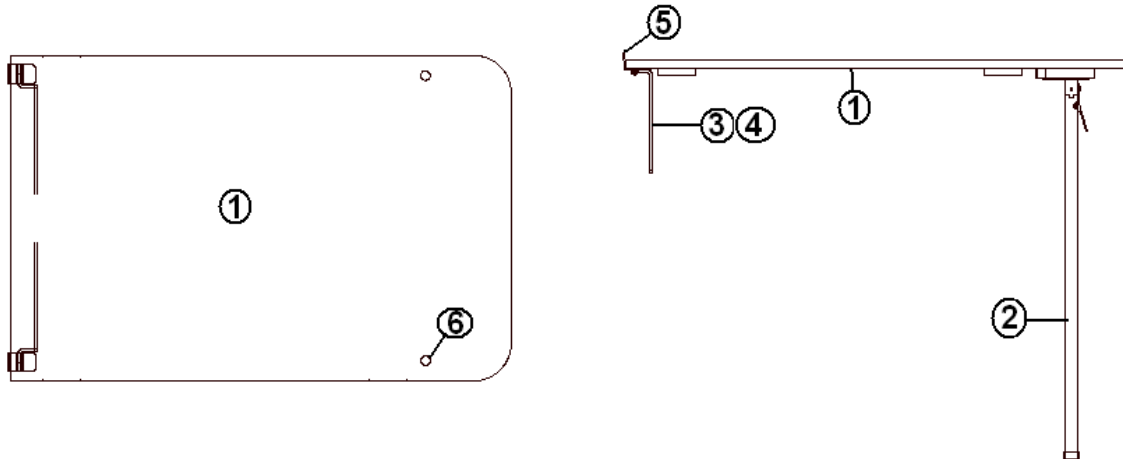


- |               |  |
|---------------|--|
| 966986-01     | SEAT ASSY, FORWARD BOOTH, OCEAN BREEZE       |
| 966987-01     | SEAT ASSY, AFT BOOTH, OCEAN BREEZE           |
| 1. 801446     | SEAT, DINETTE, CONTOURED                     |
| 2. 115140     | LEG-DINETTE BASE                             |
| 3. 115141     | CLOSEOUT, BOTTOM, SEAT, 37"                  |
| 4. 115141-02  | CLOSEOUT, UNDER BOOTH SEAT, 15"              |
| 5. 966987-016 | DOOR, 13.06 X 7.75, BOOTH SEAT, OCEAN BREEZE |
| 6. 203439     | STORAGE BOX, 17"L X 11.13"W X 6.38"          |
| 7. 966986-017 | DOOR, 13.07 X 7.75 BOOTH SEAT, OCEAN BREEZE  |
| 8. 381847-01  | HINGE PIANO ANGLE, 46"                       |
| 9. 381228-01  | CATCH GRABBER DOOR                           |
| 114070        | EXTRUSION, J-TRIM                            |
| 114812        | ALUMINUM ANGLE, 1.00" X 1.00"                |
| 966988-01     | CLOSEOUT UNDER DINETTE SEAT                  |

# 2007 INTERNATIONAL TRAVEL TRAILER

## FURNITURE, GALLEY

Dinette Table, 25' SS, 28', Signature, Wenge

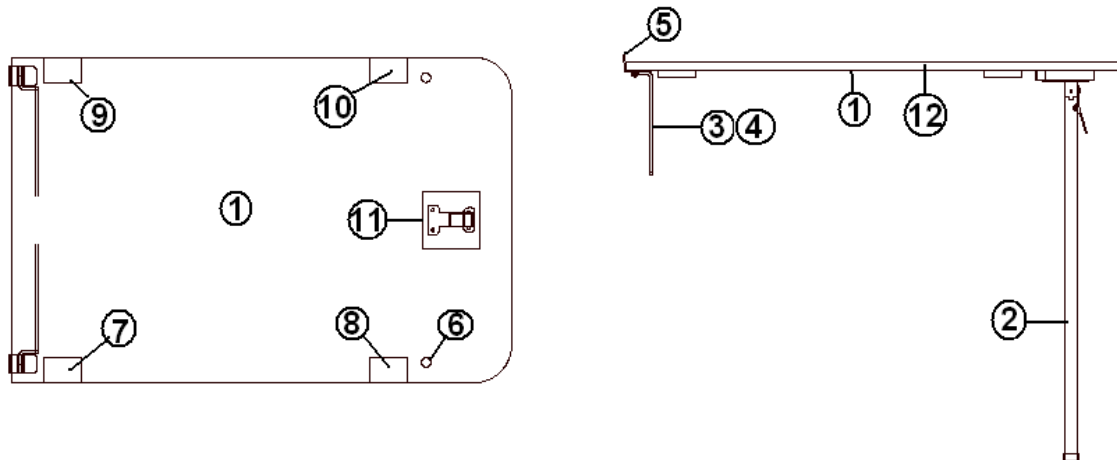


966989		TABLE ASSY, DINETTE
1. 966989	1	PANEL, 32" X 39"
2. 700065-01		LEG-SNAPO FOLDING, 30.5IN CHROME
3. 380284-02		TABLE HINGE BRACKET
4. 380284-03		TABLE HINGE BRACKETS
5. 340018		CATCH PLATE J-1
6. 381136		RUBBER BUMPER

# 2007 INTERNATIONAL TRAVEL TRAILER

## FURNITURE, GALLEY

Dinette Table, 25' SS, 28', Signature, Ocean Breeze



966989-01	TABLE ASSY, DINETTE
1. 966989-011	PANEL, 32" X 39"
2. 700065-01	LEG-SNAPO FOLDING, 30.5IN CHROME
3. 380284-02	TABLE HINGE BRACKET
4. 380284-03	TABLE HINGE BRACKETS
5. 340018	CATCH PLATE J-1
6. 381136	RUBBER BUMPER
7. 966989-018	PANEL, 2" X 3"
8. 966989-019	PANEL, 2" X 3"
9. 966989-0110	PANEL, 2" X 3
10. 966989-011	PANEL, 2" X 3"
11. 966989-012	PANEL, 4.63" X 4.63"
12. 115177	Trim, counter top, aluminum

# 2007 INTERNATIONAL TRAVEL TRAILER

## FURNITURE, GALLEY

### SILVERWARE TRAY

200980-01 TRAY, SILVERWARE, ALMOND, 9" X 13"

### CHAIR/MAGAZINE RACKS

203382 Air chair, orange

386106 Magazine rack, 22', 25' SS

386106-01 Magazine rack, 16', 19', 28'

386107 Magazine rack rod, 16', 19', 22', 25' SS, 28'

703712 CHAIR, TRIPOLINA, 16' DWR

### 75<sup>th</sup> Anniversary Shelf, Spice Rack

381969 Shelf, Large

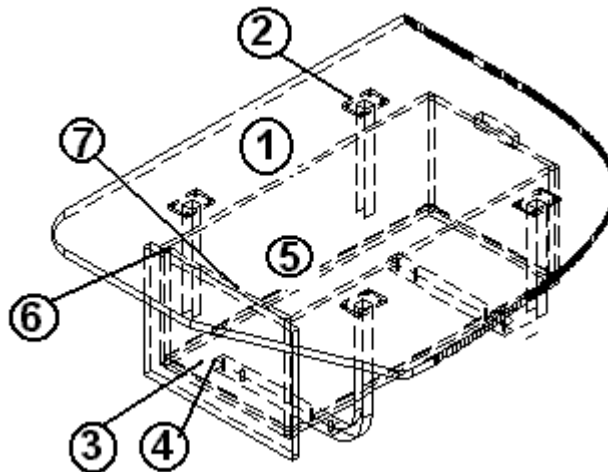
381970 Magazine Rack



# 2007 INTERNATIONAL TRAVEL TRAILER

## FURNITURE, LOUNGE

### DINETTE SEAT ASSEMBLY, CS, 16', 19'

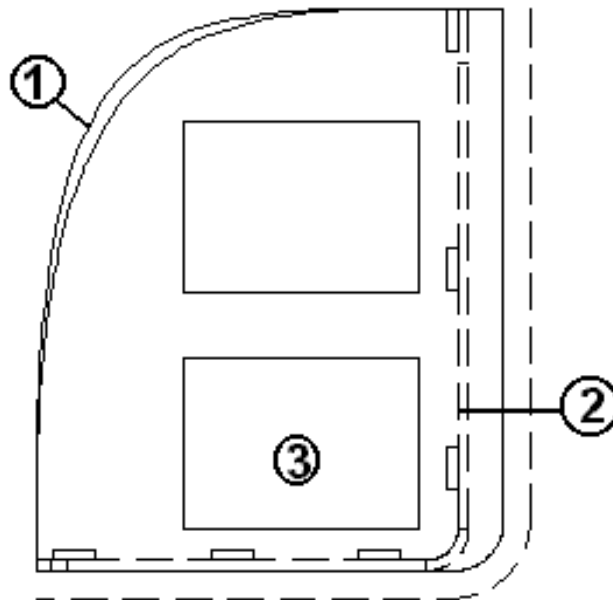


- 965865 SEAT ASSEMBLY-CS DINETTE, 16', 19'
- 1. 801368 PANEL, WHITELINER/WHITELINER, seat top
- 2. 454177 LEG-DINETTE ALUMINUM
- 3. 964909-11 DRAWER BOX ASSEMBLY-10" X 14.00" X 29"
- 4. 801375-21 DOOR-DINETTE 11.5"X 16.00"
- 5. 381192 SLIDE, DRAWER, 18"
- 6. 800581-01 LUMBER, OAK, 13/16" X 1.5"
- 7. 381074 CATCH BULL DOG #65S (COPPER)
- 203474 NIPPLE-MOLDED PLASTIC
- 801436-01 PANEL, BLACK MAPLE/WHITE 18MM VERTICLE
- 365267 EDGE BANDING-1.13" .024 PLY
- 365278-01 EDGE BANDING-BLACK MAPLE 1.13"
- 381833-01 DRAWER SLIDE-UNDER SHELF 18"PR

# 2007 INTERNATIONAL TRAVEL TRAILER

## FURNITURE, LOUNGE

### DINETTE SEAT ASSEMBLY, RS, 16', 19'

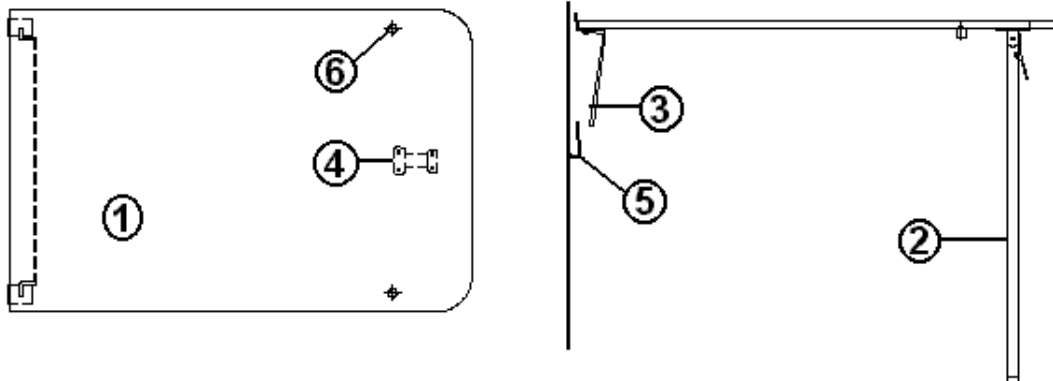


- |              |  |
|--------------|--|
| 965866       | SEAT ASSEMBLY-RS DINETTE, 16', 19'     |
| 1. 801368    | PANEL, WHITELINER/WHITELINER, SEAT TOP |
| 2. 965932    | SUPPORT ASSEMBLY-RS DINETTE            |
| 3. 701538-01 | CARPET-ECONOLIER                       |
| 801345       | RADIUS PLYWOOD .75"X 3"X 8'            |
| 801355-01    | LAMINATE, FROST WHITE 4 'X 8'          |
| 365267       | EDGE BANDING-1.13" .024 PLY            |

# 2007 INTERNATIONAL TRAVEL TRAILER

## FURNITURE, LOUNGE

### DINETTE TABLE ASSEMBLY, 16', 19'

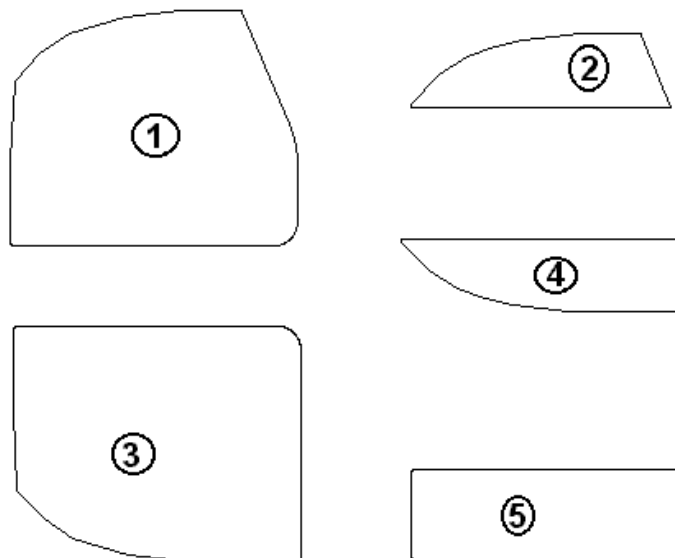


- |              |                                   |
|--------------|-----------------------------------|
| 965867       | TABLE ASSEMBLY-DINETTE, 16', 19'  |
| 1. 801368    | PANEL, WHITELINER/WHITELINER, TOP |
| 2. 700065-01 | LEG-SNAPO FOLDING, 30.5" CHROME   |
| 3. 380284-02 | TABLE HINGE BRACKET               |
| 4. 380284-03 | CENTER HINGE J-4                  |
| 5. 340018    | CATCH PLATE J-1                   |
| 6. 381136    | RUBBER BUMPER                     |
| 365267       | EDGEBANDING-1.13" .024 PLY        |

# 2007 INTERNATIONAL TRAVEL TRAILER

## FURNITURE, LOUNGE

Dinette Seat Cushions, 16', 19', Signature, Wenge

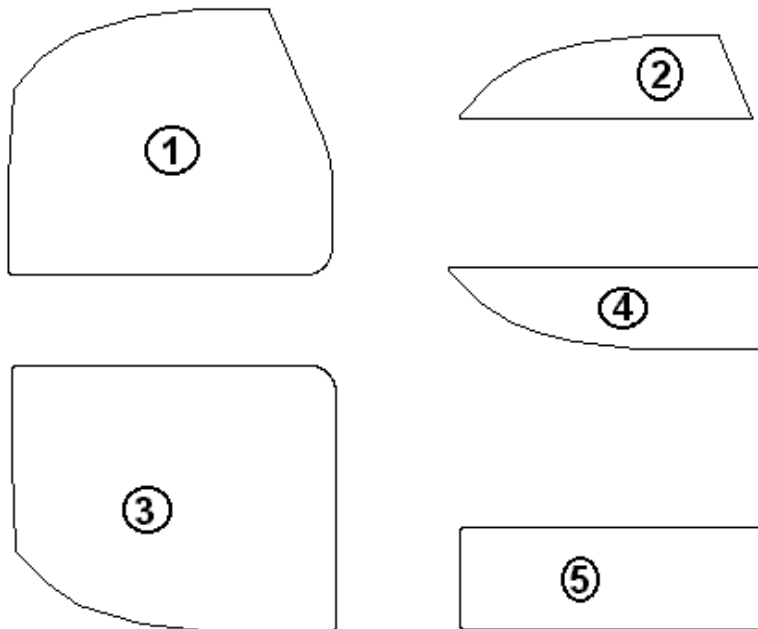


- |                |  |
|----------------|--|
| 1. 998150-01   | SEAT ASSEMBLY-CS DINETTE                                     |
| 1a. 703368-01  | FOAM-SEAT CS DINETTE   |
| 1b. 998150-101 | COVER, CS DINETTE SEAT                                       |
| 2. 998150-02   | FILLER ASSEMBLY-CS DINETTE BACK                              |
| 2a. 703368-02  | CS BACK FILLER   |
| 2b. 998150-102 | COVER, CS DINETTE BACK                                       |
| 3. 998150-04   | SEAT ASSEMBLY-RS DINETTE                                     |
| 3a. 703368-04  | FOAM-RS DINETTE SEAT   |
| 3b. 998150-104 | COVER, RS DINETTE SEAT                                       |
| 4. 998150-05   | FILLER ASSEMBLY-RS DINETTE SEAT                              |
| 4a. 703368-05  | FOAM-RS BACK FILLER  |
| 4b. 998150-105 | COVER, RS DINETTE SEAT FILLER                                |
| 5. 998150-06   | BACK REST ASSEMBLY-RS DINETTE                                |
| 5a. 703368-06  | FOAM-RS BACK REST  |
| 5b. 998150-106 | COVER, BACK REST ASSEMBLY                                    |
| 998189         | Fabric, foam cushion wedge, 19' 75 <sup>th</sup> Anniversary |
| 700022         | ZIPPER   |
| 700020         | PILE VELCRO  |
| 700021         | HOOK, VELCRO, WHITE  |
| 703446         | SILK FILM SHEETING #SFS 36 AIR                               |

# 2007 INTERNATIONAL TRAVEL TRAILER

## FURNITURE, LOUNGE

Dinette Seat Cushions, 16', 19', Signature, Ocean Breeze

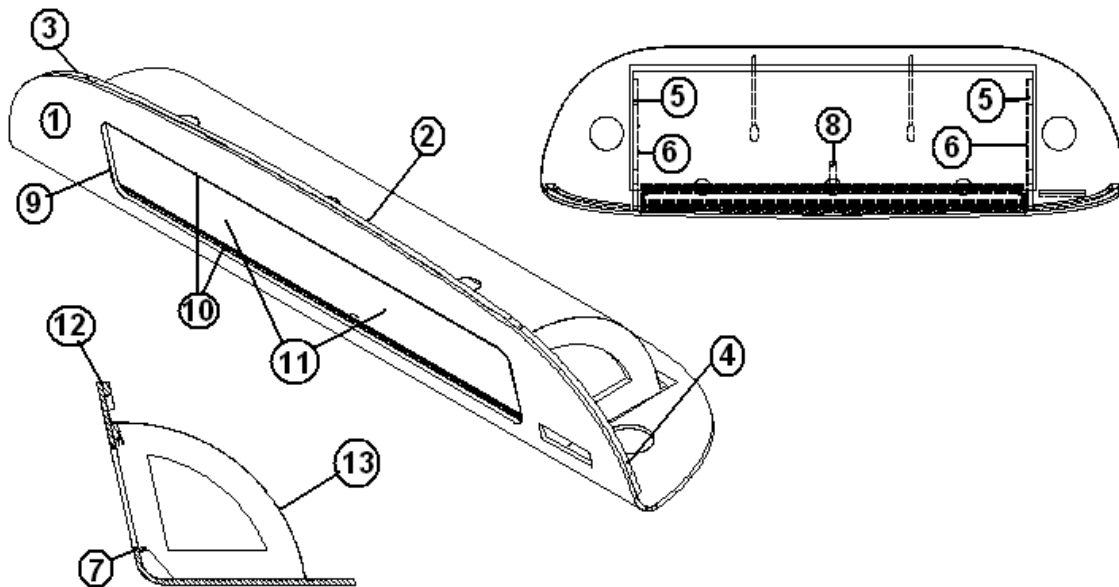


- 1. 998150-01OB SEAT ASSEMBLY-CS DINETTE
- 1a. 703368-01 FOAM-SEAT CS DINETTE
- 1b. 998150-101OB COVER, CS DINETTE SEAT
- 2. 998150-02 FILLER ASSEMBLY-CS DINETTE BACK
- 2a. 703368-02 CS BACK FILLER
- 2b. 998150-102OB COVER, CS DINETTE BACK
- 3. 998150-04OB SEAT ASSEMBLY-RS DINETTE
- 3a. 703368-04 FOAM-RS DINETTE SEAT
- 3b. 998150-104OB COVER, RS DINETTE SEAT
- 4. 998150-05 FILLER ASSEMBLY-RS DINETTE SEAT
- 4a. 703368-05 OB FOAM-RS BACK FILLER
- 4b. 998150-105OB COVER, RS DINETTE SEAT FILLER
- 5. 998150-06 BACK REST ASSEMBLY-RS DINETTE
- 5a. 703368-06 FOAM-RS BACK REST
- 5b. 998150-106OB COVER, BACK REST ASSEMBLY
- 700022 ZIPPER
- 700020 PILE VELCRO
- 700021 HOOK, VELCRO, WHITE
- 703446 SILK FILM SHEETING #SFS 36 AIR

# 2007 INTERNATIONAL TRAVEL TRAILER

## FURNITURE, LOUNGE

Roof Locker, Front End Liner, 16', 19'

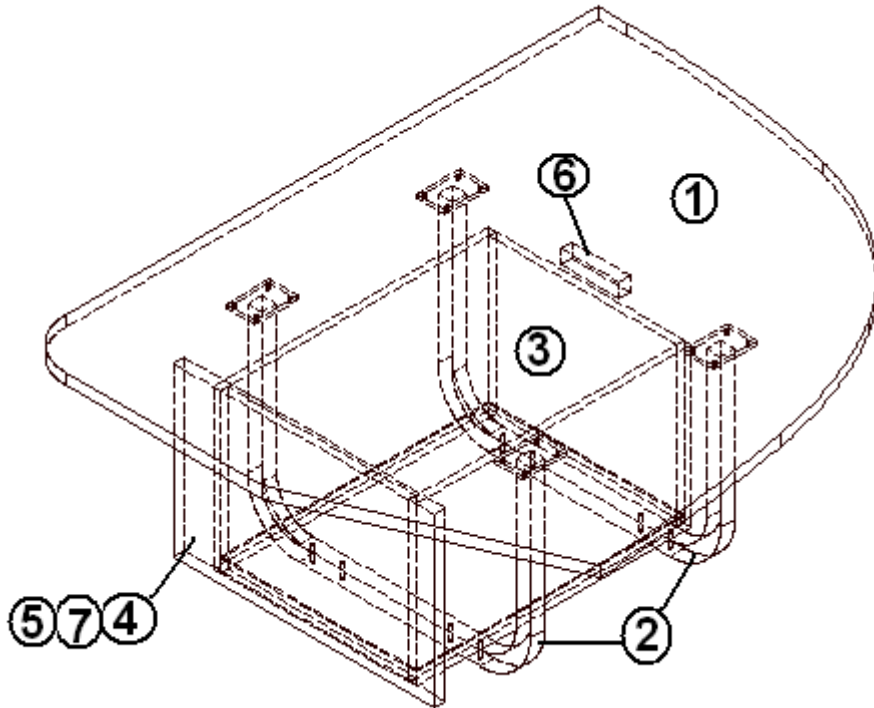


- |               |  |
|---------------|--|
| 966387-01     | Roof Locker, Front End Liner                 |
| 1. 801593-04  | Locker face, front end roof locker           |
| 2. 801596-01  | Backer, liner locker, center                 |
| 3. 801596-02  | Backer, liner locker, LH                     |
| 4. 801596-03  | Backer, liner locker, RH                     |
| 5. 801594     | Divider, liner locker                        |
| 6. 801595     | Divider, liner locker, no Audio Switch Holes |
| 6. 801595-01  | Divider, liner locker, w Audio Switch Holes  |
| 7. 115261-01  | Angled, formed, 58.50"                       |
| 8. 115226-01  | Bracket, locker center support               |
| 9. 203508-01  | T-trim, 9/16", wood grain                    |
| 10. 381245    | Sliding door track                           |
| 11. 965563-09 | Door, sliding Plexiglas, 11.31" x 26"        |
| 12. 201673    | Cove molding, Ivory, plastic                 |
| 13. 115264-02 | Pan, liner, locker                           |

# 2007 INTERNATIONAL TRAVEL TRAILER

## FURNITURE, LOUNGE

Dinette Seat, 16', 19', Signature, Curbside, Wenge

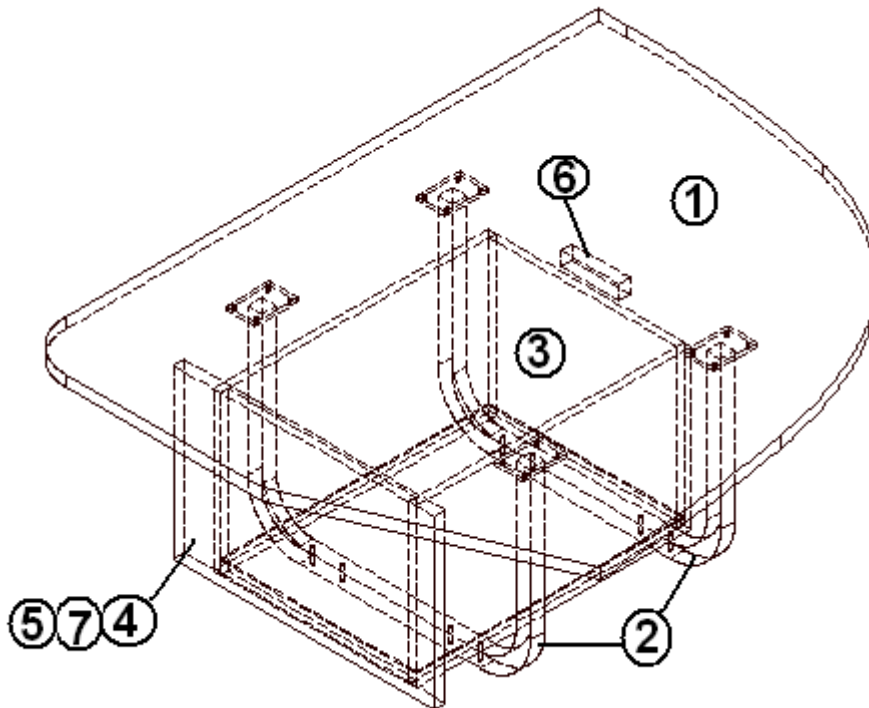


966961	SEAT ASSY, CS DINETTE
1. 966961-1	PANEL, 33.38 X 40.19
2. 454177	LEG, DINETTE ALUM
3. 964909-11	DRAWER BOX ASSY, 10" X 14.00 X 19
4. 966961-4	PANEL, 18 X 11.5
5. 381833-01	DRAWER SLIDE, UNDER SHELF 18"PR
6. 800581-01	LUMBER, OAK, 13/16 X 1.5
7. 381074	CATCH BULL DOG

# 2007 INTERNATIONAL TRAVEL TRAILER

## FURNITURE, LOUNGE

Dinette Seat, 16', 19', Signature, Curbside, Ocean Breeze



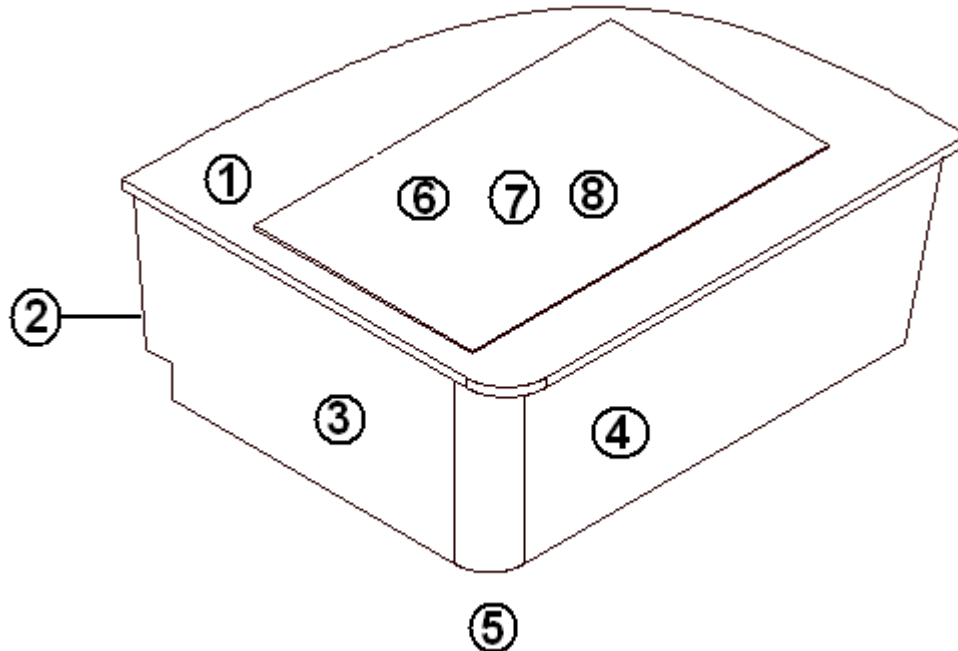
966961-01	SEAT ASSY, CS DINETTE
1. 966961-011	PANEL, 33.38 X 40.19
2. 454177	LEG, DINETTE ALUM
3. 964909-11	DRAWER BOX ASSY, 10" X 14.00 X 19
4. 966961-014	PANEL, 18 X 11.5
5. 381833-01	DRAWER SLIDE, UNDER SHELF 18"PR
6. 800581-01	LUMBER, OAK, 13/16 X 1.5
7. 381074	CATCH BULL DOG



# 2007 INTERNATIONAL TRAVEL TRAILER

## FURNITURE, LOUNGE

Dinette Seat, 16', 19', Signature, Roadside, Wenge

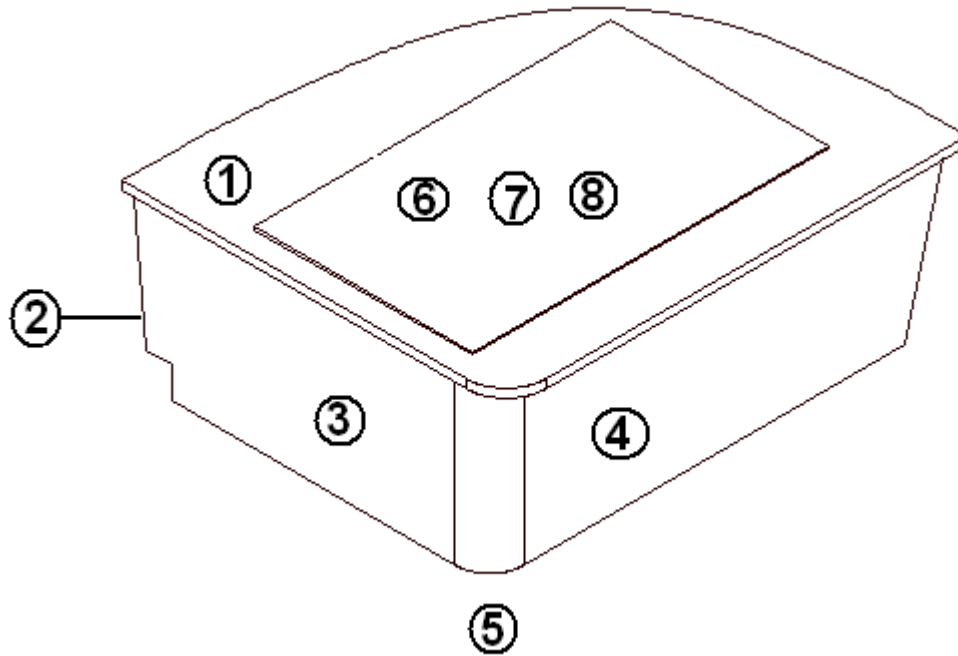


966962	SEAT, ROADSIDE DINETTE
1. 966962-1	PANEL, 33.44 X 40.19
2. 966964	SUB ASSY-RS DINETTE
3. 966964-1	RS DIN SUB ASSY, 28 X 13.88
4. 966964-2	RS DIN SUB ASSY-37.03 X 13.88
5. 801345	RADIUS PLYWOOD, .75"X 3"X 8'
6. 966962-5	LUAN PANEL, 31.13 X 19
7. 966962-6	LUAN PANEL, 28.75 X 16.88
8. 701538-01	CARPET-ECONOLIER

# 2007 INTERNATIONAL TRAVEL TRAILER

## FURNITURE, LOUNGE

Dinette Seat, 16', 19', Signature, Roadside, Ocean Breeze

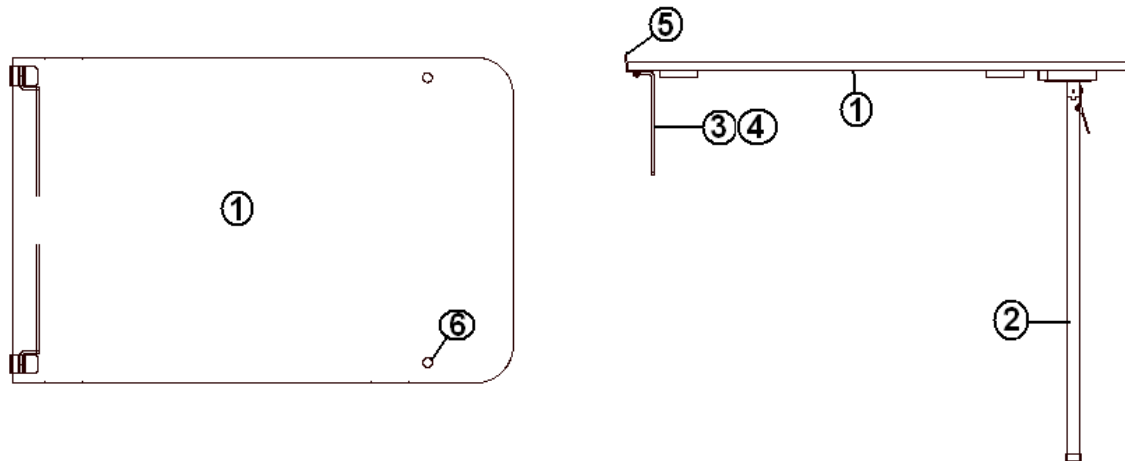


966962-01	SEAT, ROADSIDE DINETTE
1. 966962-011	PANEL, 33.44 X 40.19
2. 966964-01	SUB ASSY-RS DINETTE
3. 966964-011	RS DIN SUB ASSY, 28 X 13.88
4. 966964-012	RS DIN SUB ASSY-37.03 X 13.88
5. 801345	RADIUS PLYWOOD, .75"X 3"X 8'
6. 966962-5	LUAN PANEL, 31.13 X 19
7. 966962-6	LUAN PANEL, 28.75 X 16.88
8. 701538-01	CARPET-ECONOLIER

# 2007 INTERNATIONAL TRAVEL TRAILER

## FURNITURE, LOUNGE

Dinette Table, 16', 19', Signature, Wenge

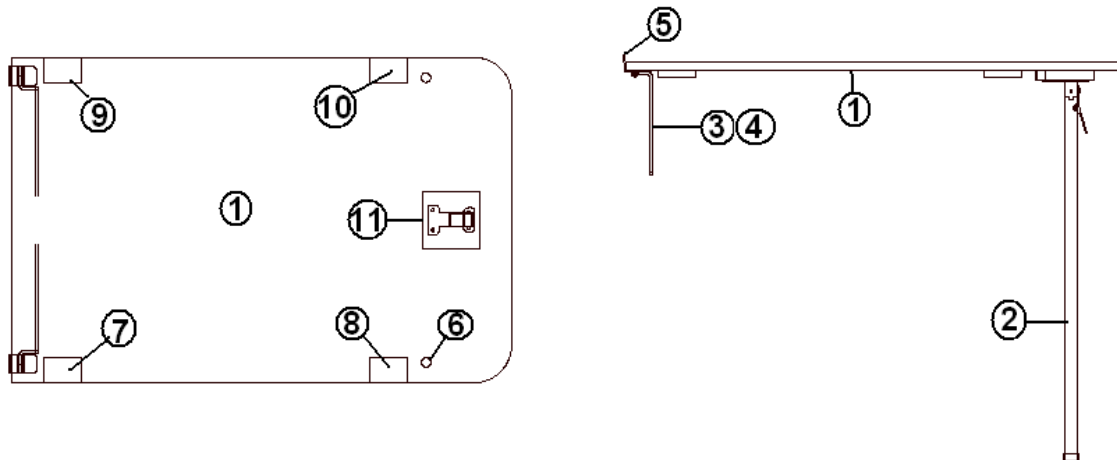


- |              |                      |
|--------------|----------------------|
| 966963       | TABLE ASSY, DINETTE  |
| 1. 966963-1  | PANEL, 26" X 40"     |
| 2. 381881-04 | LEG, FOLDING TABLE   |
| 3. 380284-02 | TABLE HINGE BRACKET  |
| 4. 380284-03 | TABLE HINGE BRACKETS |
| 5. 340018    | CATCH PLATE J-1      |
| 6. 381136    | RUBBER BUMPER        |

# 2007 INTERNATIONAL TRAVEL TRAILER

## FURNITURE, LOUNGE

Dinette Table, 16', 19', Signature, Ocean Breeze

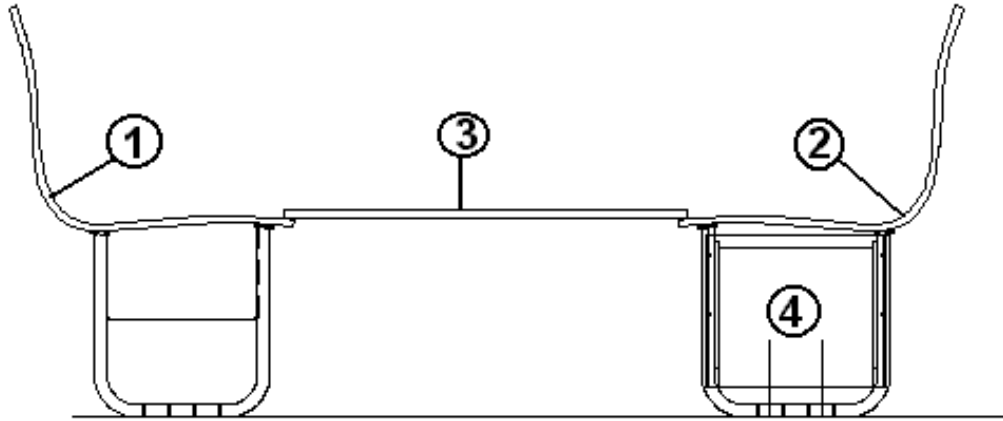


966963-01	TABLE ASSY, DINETTE
1. 966963-011	PANEL, 26" X 40"
2. 381881-04	LEG, FOLDING TABLE
3. 380284-02	TABLE HINGE BRACKET
4. 380284-03	TABLE HINGE BRACKETS
5. 340018	CATCH PLATE J-1
6. 381136	RUBBER BUMPER
7. 966963-018	PANEL, 2" X 3"
8. 966963-019	PANEL, 2" X 3"
9. 966963-0110	PANEL, 2" X 3"
10. 966963-0111	PANEL, 2" X 3"
11. 966963-0112	PANEL, 4.63" X 4.63"

# 2007 INTERNATIONAL TRAVEL TRAILER

## FURNITURE, LOUNGE

### DINETTE SEAT/TABLE, 22'

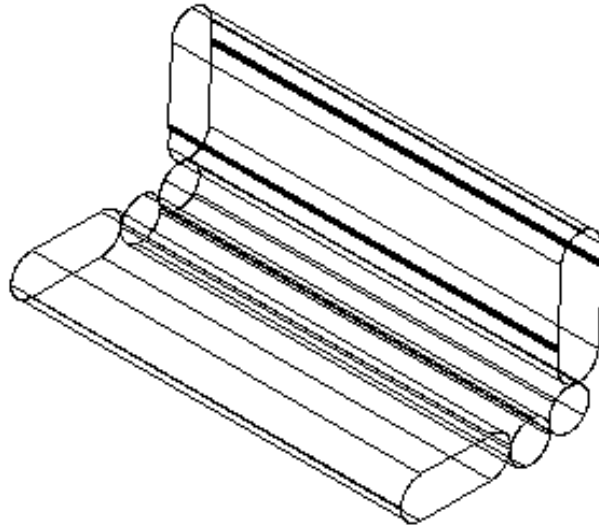


- |               |                                       |
|---------------|---------------------------------------|
| 1. 965819     | SEAT ASSY-LH DINETTE                  |
| 1a. 801446    | SEAT                                  |
| 1b. 115140    | LEG                                   |
| 1c. 115141-01 | CLOSEOUT UNDER SEAT                   |
| 2. 965820     | SEAT ASSY-RH DINETTE                  |
| 2a. 801446    | SEAT                                  |
| 2b. 115145    | LEG                                   |
| 2c. 454171    | DINETTE ELECTRICAL BOX                |
| 3. 965774     | DINETTE TABLE                         |
| 4. 203439     | STORAGE BOX, 17" L X 11.13" W X 6.38" |
| 801498        | DOOR-DINETTE STORAGE                  |
| 801369-01     | PANEL-PRELAM FRST WHT/WHT LINER       |
| 365267        | EDGEBANDING-1.13"                     |
| 381847        | HINGE-PIANO ANGLE .88" X 72"          |
| 381228-01     | CATCH GRABBER DOOR                    |

# 2007 INTERNATIONAL TRAVEL TRAILER

## FURNITURE, LOUNGE

### DINETTE CUSHION KIT, 22'

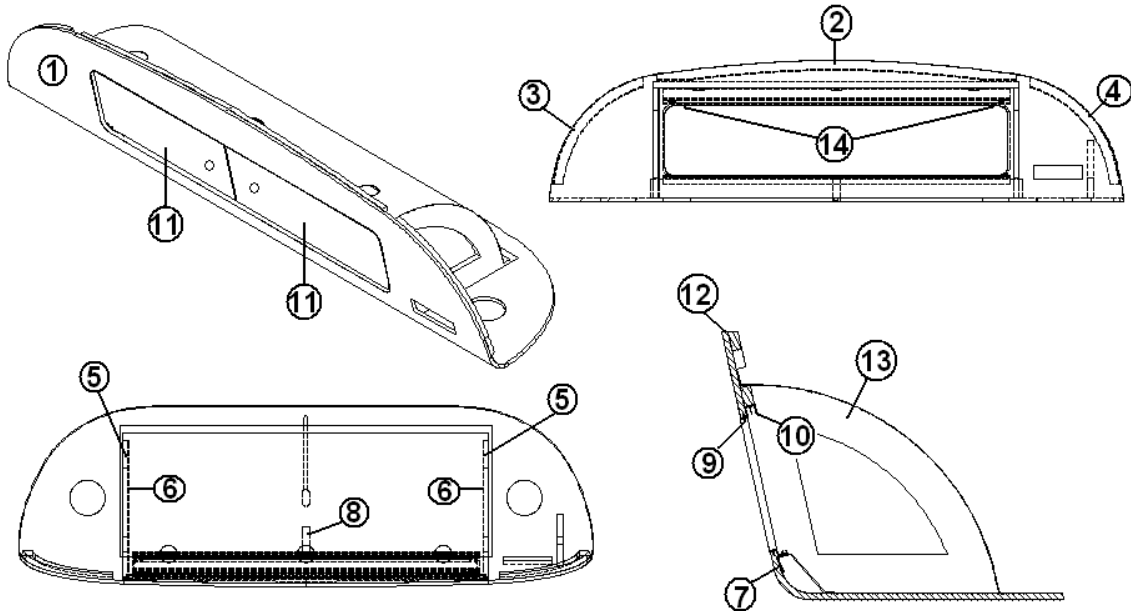


703352-123	BLUE STREAK
703352-133	LEMONGRASS
703352-115	DANDELION
703352-156	Aruba

# 2007 INTERNATIONAL TRAVEL TRAILER

## FURNITURE, LOUNGE

Roof Locker, 16', 19', 23' D, Signature, Front End, Wenge

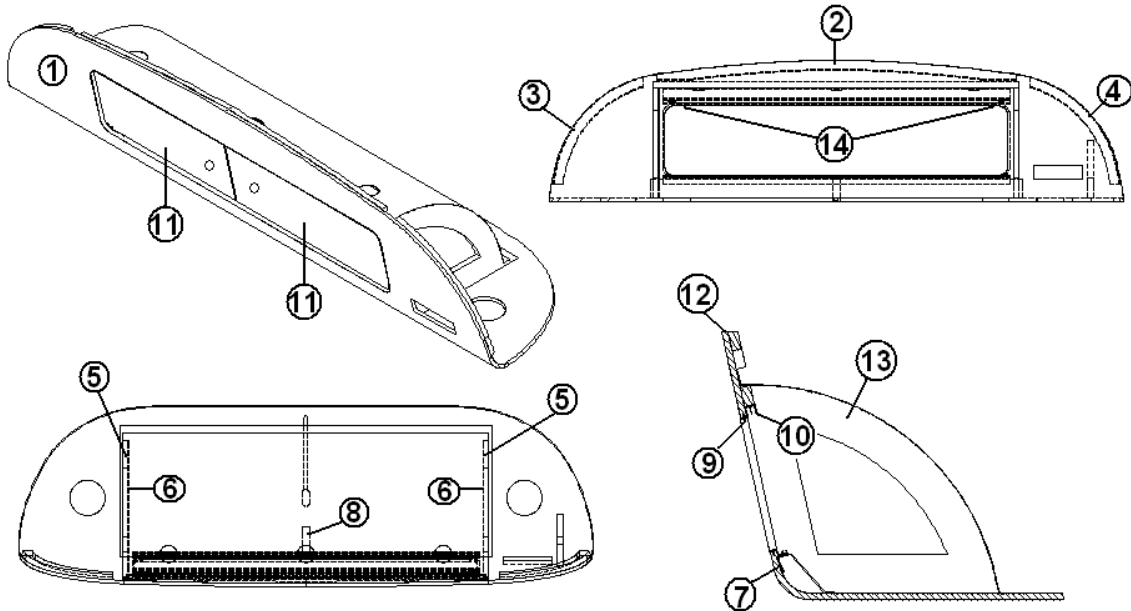


966942	LINER LOCKER ASSY
1. 801731	FACE-LINER LOCKER NB FRONT
2. 801596-01	BACKER, LINER LOCKER CENTER
3. 801596-02	BACKER, LINER LOCKER LH
4. 801596-03	BACKER, LINER LOCKER RH
5. 801594	DIVIDER, LINER LOCKER
6. 801595	DIVIDER LINER LOCKER
7. 115261-02	ANGLE FORMED, TRACK SUPPORT
8. 115226-01	BRACKET, FORMED LOCKER SUPPORT
9. 203445-01	T-MOLDING, 5625", WHITE
10. 203388	TRACK, SLIDING DOOR
11.965563-09	DOOR, PLEXIGLASS, 11.31" x 26
12.201673	REVERSE COVE MOLDING, WHITE
13.115264-02	PAN, LINER LOCKER
14.454613	SPRING, LEAF

# 2007 INTERNATIONAL TRAVEL TRAILER

## FURNITURE, LOUNGE

Roof Locker, 16', 19', 23' D, Signature, Front End, Ocean Breeze



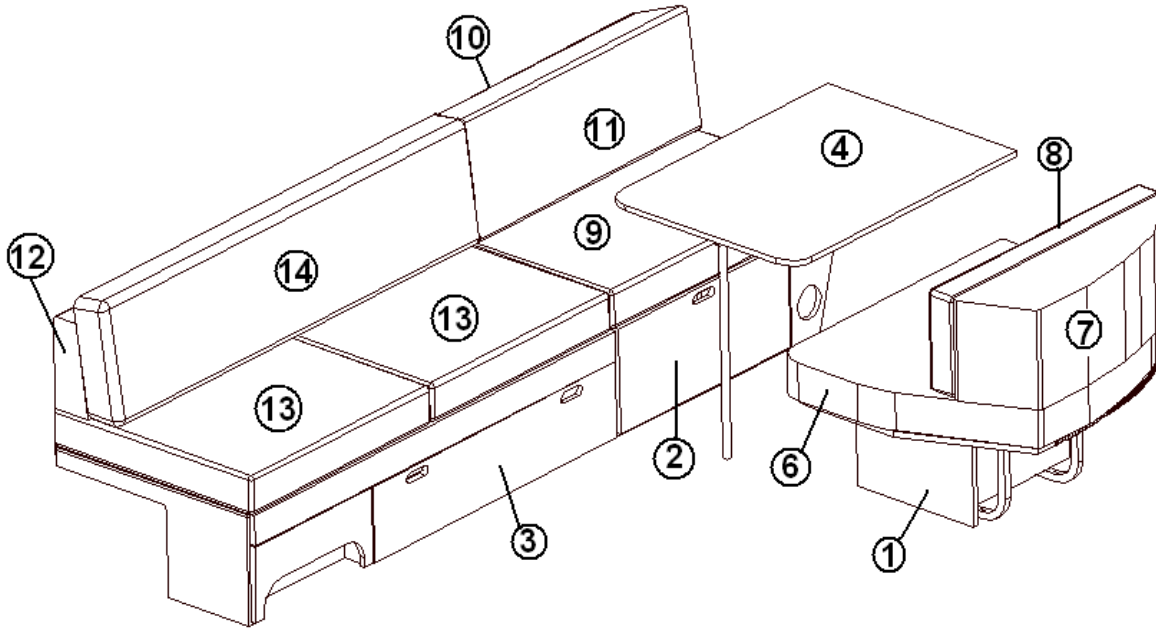
966942-01	LINER LOCKER ASSY.
1. 801731	FACE-LINER LOCKER NB FRONT
2. 801596-01	BACKER, LINER LOCKER CENTER
3. 801596-02	BACKER, LINER LOCKER LH
4. 801596-03	BACKER, LINER LOCKER RH
5. 801594	DIVIDER, LINER LOCKER
6. 801595	DIVIDER LINER LOCKER
7. 115261-02	ANGLE FORMED, TRACK SUPPORT
8. 115226-01	BRACKET, FORMED LOCKER SUPPORT
9. 203508-01	T-MOLDING, 5625"
10. 203388	TRACK, SLIDING DOOR
11. 203357-02	DOOR, LUMICOR, 11.31"X 26"
12. 201673	REVERSE COVE MOLDING, WHITE
13. 115264-02	PAN, LINER LOCKER
14. 454613	SPRING, LEAF



# 2007 INTERNATIONAL TRAVEL TRAILER

## FURNITURE, LOUNGE

### Dinette/Sofa Assembly, 23' D Signature

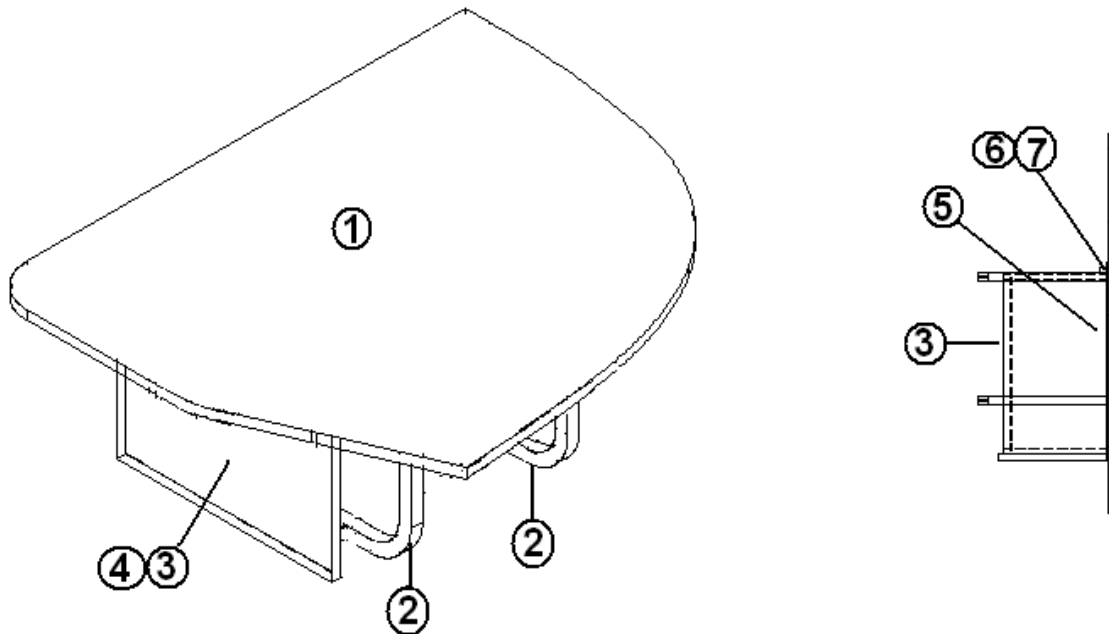


- |               |                                      |
|---------------|--------------------------------------|
| 1. 966928     | SEAT ASSY. ,CS DINETTE, WENGE        |
| 1. 966928-01  | SEAT ASSY. ,CS DINETTE, OCEAN BREEZE |
| 2. 966930     | SEAT ASSY., RS DINETTE, WENGE        |
| 2. 966930-01  | SEAT ASSY., RS DINETTE, OCEAN BREEZE |
| 3. 966929     | SOFA ASSY. , WENGE                   |
| 3. 966929-01  | SOFA ASSY, OCEAN BREEZE              |
| 4. 966937     | TABLE ASSY., DINETTE, WENGE          |
| 4. 967045-01  | TABLE ASSY., DINETTE, OCEAN BREEZE   |
| 5. 703682     | FOAM KIT, DINETTE/LOUNGE CUSHION     |
| 6. 998192-01  | SEAT ASSY, FABRIC, CS DINETTE        |
| 7. 998192-02  | FABRIC ASSY, CS BACK FILLER          |
| 8. 998192-03  | FABRIC ASSY, CS BACK REST            |
| 9. 998192-04  | FABRIC ASSY, RS DINETTE SEAT         |
| 10. 998192-05 | FABRIC ASSY, RS BACK FILLER          |
| 11. 998192-06 | FABRIC ASSY, RS BACK REST            |
| 12. 998192-07 | FABRIC, CUSHION WEDGE                |
| 13. 998192-08 | FABRIC ASSY, CUSHION LOUNGE BOTTOM   |
| 14. 998192-09 | FABRIC ASSY, CUSHION BACK REST       |

# 2007 INTERNATIONAL TRAVEL TRAILER

## FURNITURE, LOUNGE

Dinette Seat, 23' D Signature, Curbside, Wenge

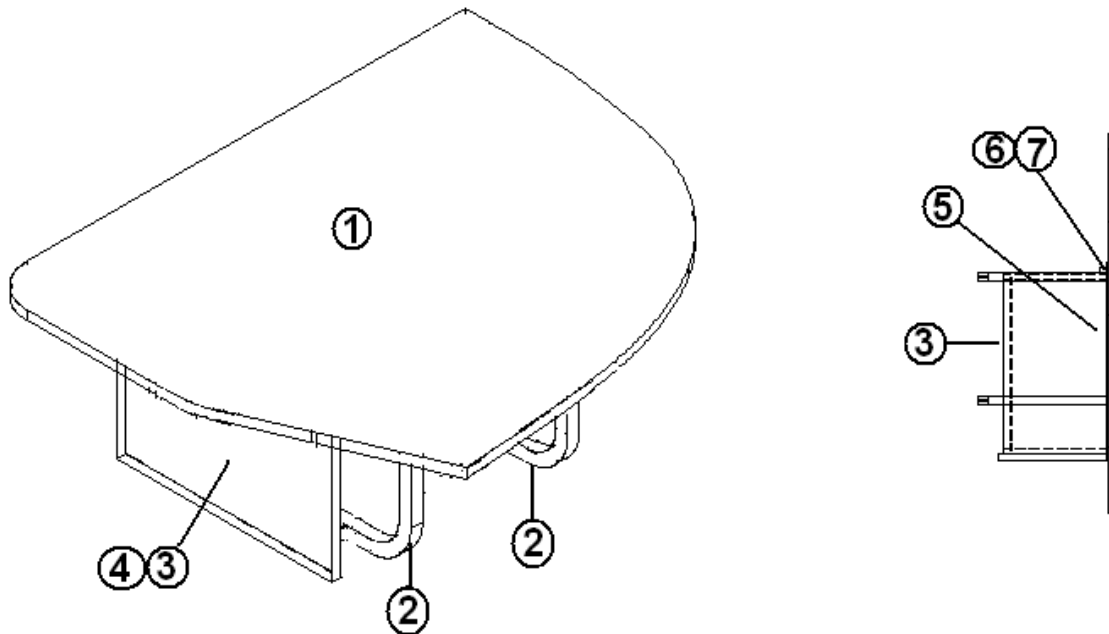


- |              |                                    |
|--------------|------------------------------------|
| 966928       | SEAT ASSY CS DINETTE               |
| 1. 966928-1  | PANEL, CS SEAT 33.38 X 40.18       |
| 2. 454177    | LEG, DINETTE                       |
| 3. 964909-11 | DRAWER BOX ASSY, 10" X 14.00 X 19. |
| 4. 966928-4  | DOOR, CS SEAT, 11.50 X 18.00       |
| 5. 381833-01 | DRAWER SLIDE, UNDER SHELF 18"PR    |
| 6. 800581-01 | LUMBER, OAK, 13/16 X 1.5"          |
| 7. 381074    | CATCH BULL DOG #65S (COPPER)       |

# 2007 INTERNATIONAL TRAVEL TRAILER

## FURNITURE, LOUNGE

Dinette Seat, 23' D Signature, Curbside, Ocean Breeze

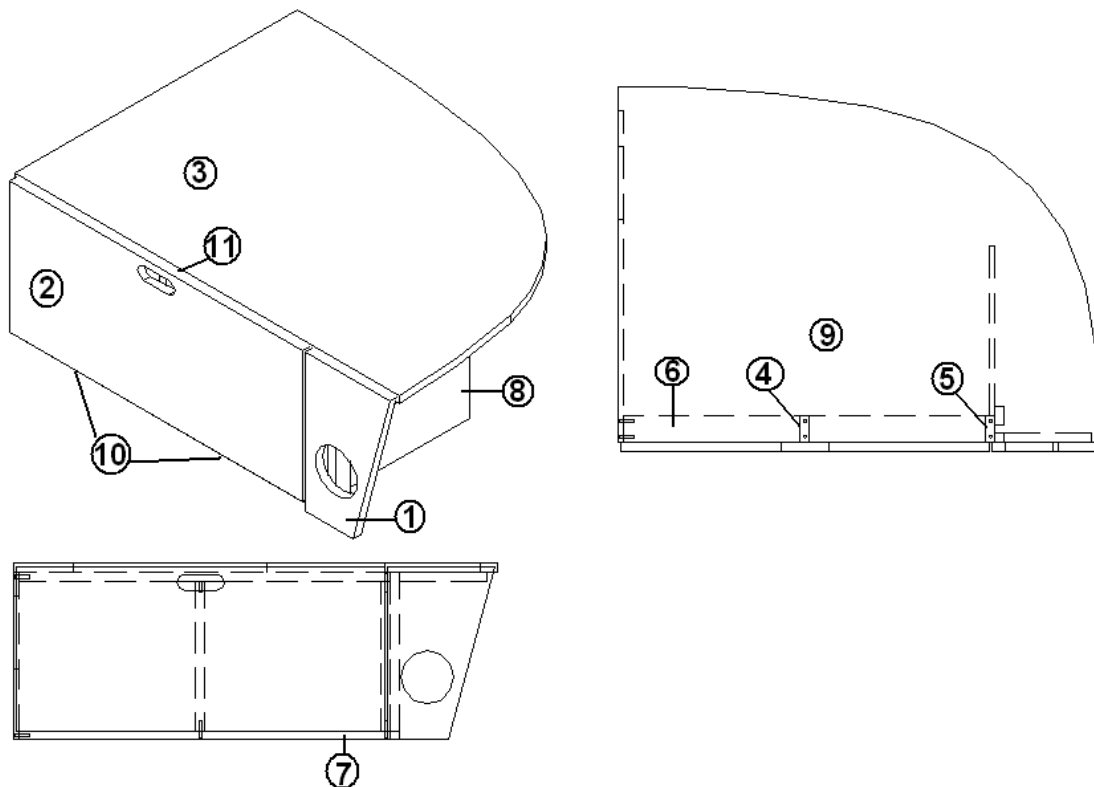


- |               |                                    |
|---------------|------------------------------------|
| 966928-01     | SEAT ASSY CS DINETTE               |
| 1. 966928-011 | PANEL, CS SEAT 33.38 X 40.18       |
| 2. 454177     | LEG, DINETTE                       |
| 3. 964909-11  | DRAWER BOX ASSY, 10" X 14.00 X 19. |
| 4. 966928-014 | DOOR, CS SEAT, 11.50 X 18.00       |
| 5. 381833-01  | DRAWER SLIDE, UNDER SHELF 18"PR    |
| 6. 800581-01  | LUMBER, OAK, 13/16 X 1.5"          |
| 7. 381074     | CATCH BULL DOG #65S (COPPER)       |

# 2007 INTERNATIONAL TRAVEL TRAILER

## FURNITURE, LOUNGE

Dinette Seat, 23' D Signature, Roadside, Wenge

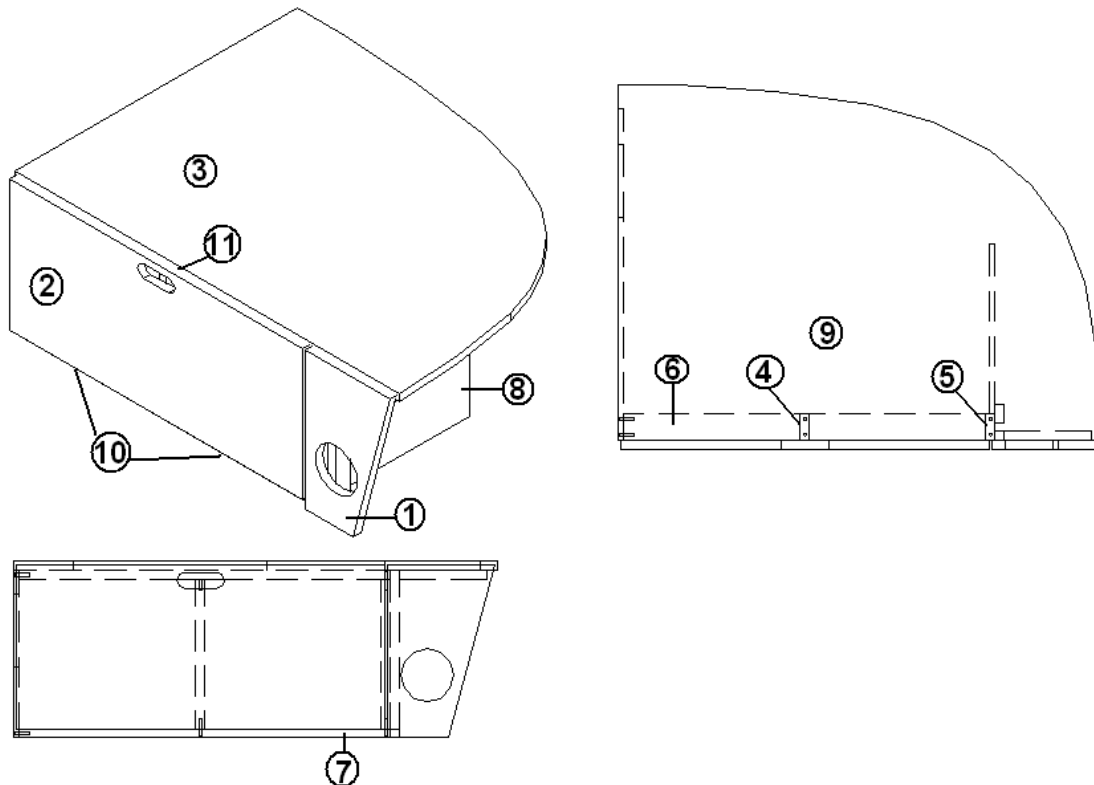


966930 SEAT ASSY RS DINETTE	
1. 966930-1	PANEL, RS DIN SEAT 8.88 X 14.38
2. 966930-2	PANEL, RS DIN SEAT 30.63 X 13.63
3. 966930-3	PANEL, RS DIN SEAT 29.5 X 40.19
4. 966930-4	PANEL, RS DIN SEAT 2.25 X 12.38
5. 966930-5	PANEL, RS DIN SEAT 2.25 X 12.38
6. 966930-6	PANEL, RS DIN SEAT 2.25 X 30.75
7. 966930-7	PANEL, RS DIN SEAT 2.25 X 30.75
8. 966930-8	PANEL, RS DIN SEAT 27.5 X 13.88
9. 966930-15	PANEL, RS DIN SEAT 14.00 X 13.88
10. 381775	DRAWER PULL
11. 381072	HINGE 3" X 1 7/8" OPEN GOLD
12. 381228-01	CATCH GRABBER DOOR

# 2007 INTERNATIONAL TRAVEL TRAILER

## FURNITURE, LOUNGE

Dinette Seat, 23' D Signature, Roadside, Ocean Breeze

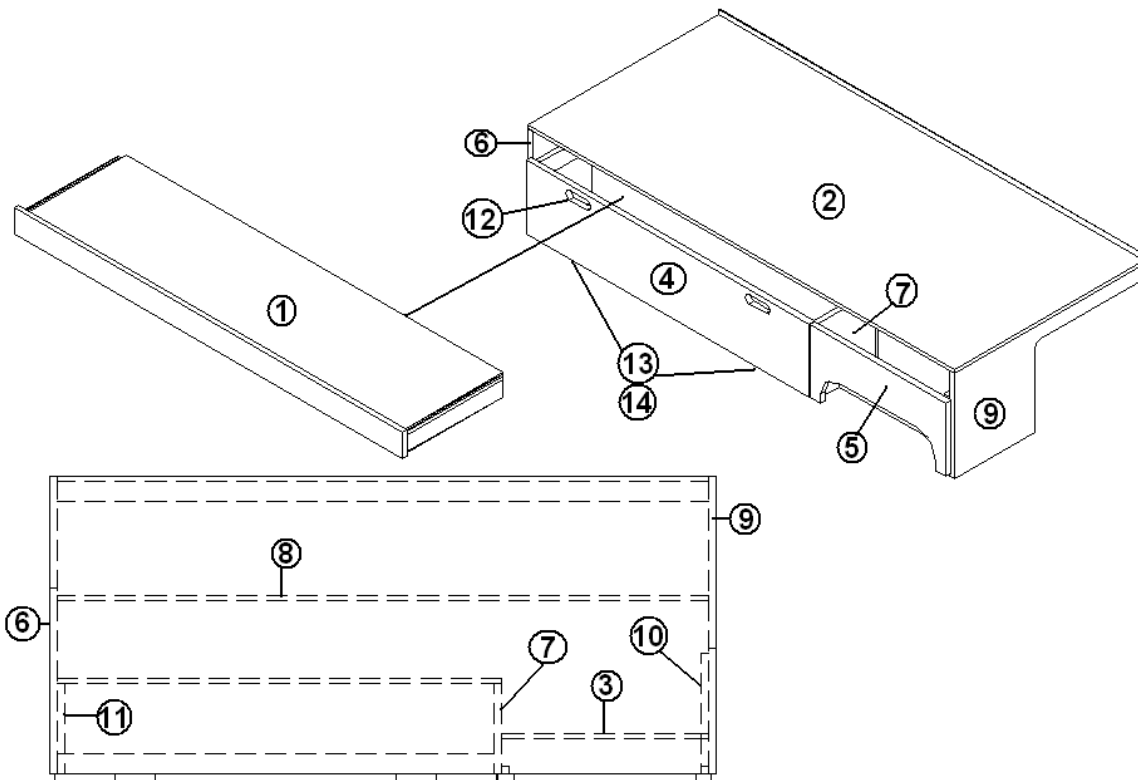


966930-01	SEAT ASSY RS DINETTE
1. 966930-011	PANEL, RS DIN SEAT 8.88 X 14.38
2. 966930-012	PANEL, RS DIN SEAT 30.63 X 13.63
3. 966930-013	PANEL, RS DIN SEAT 29.5 X 40.19
4. 966930-014	PANEL, RS DIN SEAT 2.25 X 12.38
5. 966930-015	PANEL, RS DIN SEAT 2.25 X 12.38
6. 966930-016	PANEL, RS DIN SEAT 2.25 X 30.75
7. 966930-017	PANEL, RS DIN SEAT 2.25 X 30.75
8. 966930-018	PANEL, RS DIN SEAT 27.5 X 13.88
9. 966930-0115	PANEL, RS DIN SEAT 14.00 X 13.88
10. 381775	DRAWER PULL
11. 381072	HINGE 3" X 1 7/8" OPEN GOLD
12. 381228-01	CATCH GRABBER DOOR

# 2007 INTERNATIONAL TRAVEL TRAILER

## FURNITURE, LOUNGE

Sofa, 23' D Signature, Wenge

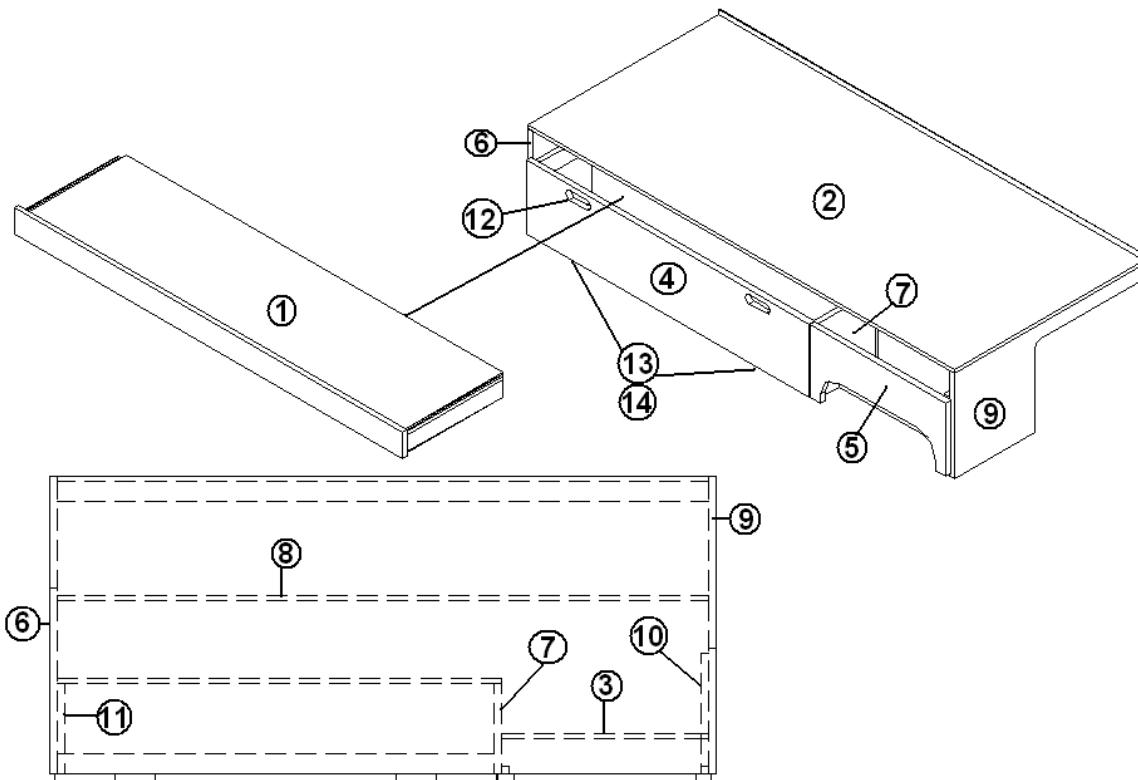


966929	SOFA ASSY.
1. 966888	SOFA BED ASSY.
1. 915811	WELDMENT, SOFA BED
2. 966929-2	PANEL, SOFA, 66.00 X 29.50
3. 966929-3	PANEL, SOFA, 20.5 X 5
4. 966929-4	PANEL, SOFA, 43.88 X 9.88
5. 966929-5	PANEL, SOFA, 21.13 X 9.88
6. 966929-6	PANEL, SOFA, 14.13 X 29.5
7. 966929-7	PANEL, SOFA, 10.13 X 9.00
8. 966929-8	PANEL, SOFA, 10.13 X 44.00
9. 966929-9	PANEL, SOFA, 14.13 X 29.5
10. 966929-10	PANEL, SOFA, 2.25 X 12.00
11. 966929-11	PANEL, SOFA, 2.25 X 9.00
12. 381775	DRAWER PULL
13. 381072	HINGE 3" X 1 7/8" OPEN GOLD
14. 381228-01	CATCH GRABBER DOOR
203447	STORAGE BOX-23.5" X 16.25" X 6.38"

# 2007 INTERNATIONAL TRAVEL TRAILER

## FURNITURE, LOUNGE

Sofa, 23' D Signature, Ocean Breeze

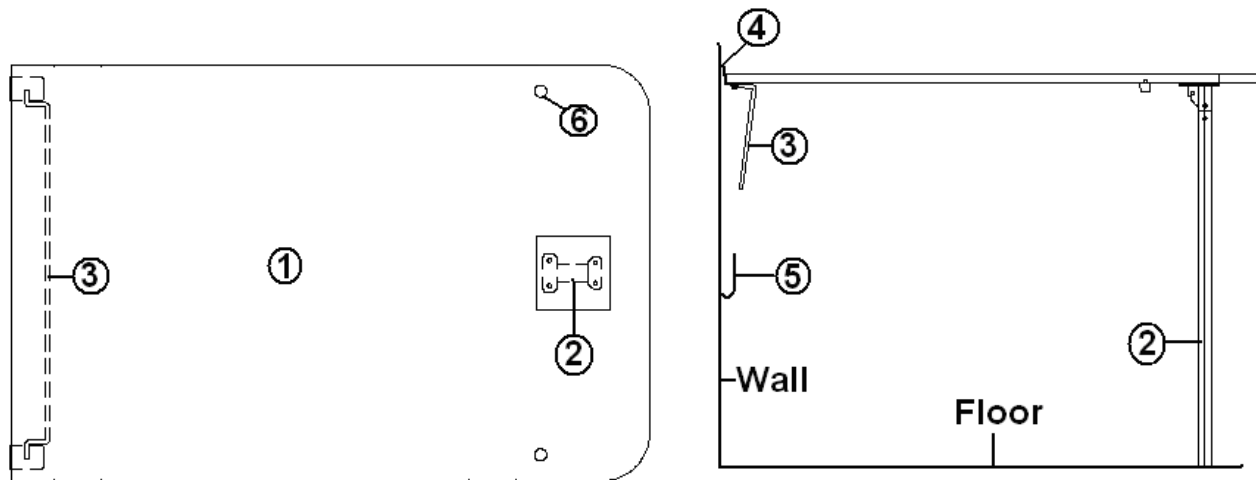


966929-01	SOFA ASSY.
1. 966888-01	SOFA BED ASSY.
1. 915811	WELDMENT, SOFA BED
2. 966929-012	PANEL, SOFA, 66.00 X 29.50
3. 966929-013	PANEL, SOFA, 20.5 X 5
4. 966929-014	PANEL, SOFA, 43.88 X 9.88
5. 966929-015	PANEL, SOFA, 21.13 X 9.88
6. 966929-016	PANEL, SOFA, 14.13 X 29.5
7. 966929-017	PANEL, SOFA, 10.13 X 9.00
8. 966929-018	PANEL, SOFA, 10.13 X 44.00
9. 966929-019	PANEL, SOFA, 14.13 X 29.5
10. 966929-0110	PANEL, SOFA, 2.25 X 12.00
11. 966929-0111	PANEL, SOFA, 2.25 X 9.00
12.381775	DRAWER PULL
13.381072	HINGE 3" X 1 7/8" OPEN GOLD
14.381228-01	CATCH GRABBER DOOR
203447	STORAGE BOX-23.5" X 16.25" X 6.38"

# 2007 INTERNATIONAL TRAVEL TRAILER

## FURNITURE, LOUNGE

Dinette Table, 23' D Signature, Wenge



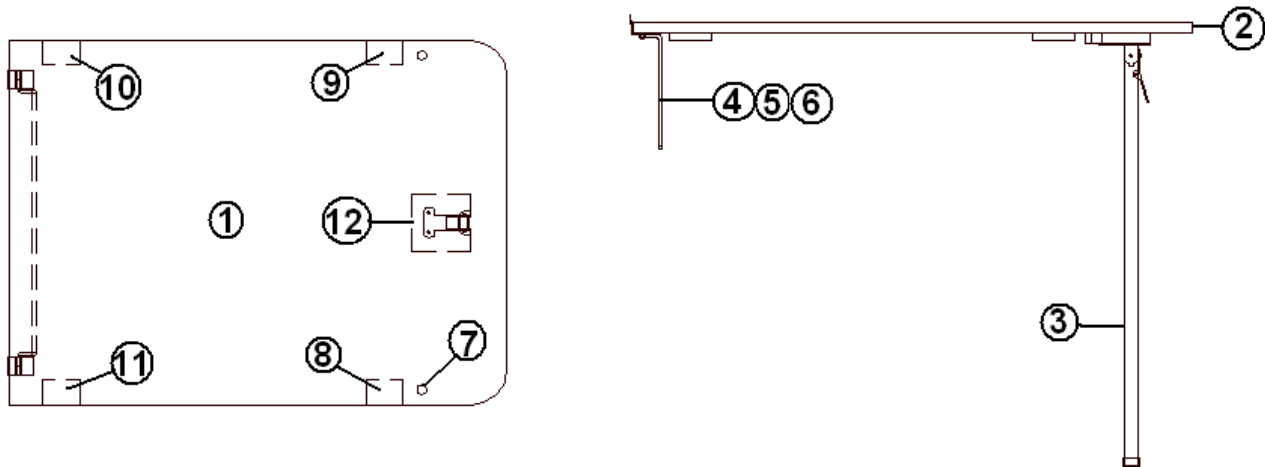
- |              |                                    |
|--------------|------------------------------------|
| 966937       | TABLE ASSY, DINETTE                |
| 1. 966937-1  | PANEL, DINETTE TABLE 29.31 X 40.00 |
| 2. 381881-04 | LEG-FOLDING TABLE 30.5"            |
| 3. 380284-02 | TABLE HINGE BRACKET                |
| 4. 380284-03 | TABLE HINGE BRACKETS               |
| 5. 340018    | CATCH PLATE J-1                    |
| 6. 381136    | RUBBER BUMPER                      |



# 2007 INTERNATIONAL TRAVEL TRAILER

## FURNITURE, LOUNGE

Dinette Table, 23' D Signature, Ocean Breeze

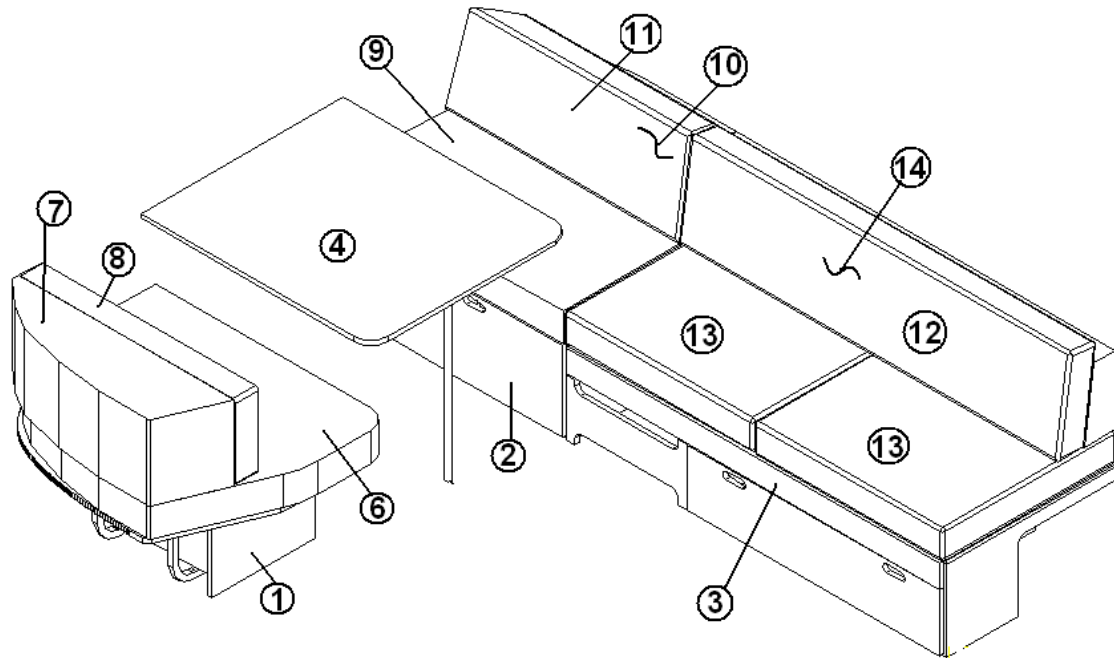


967045-01	TABLE ASSY, DINETTE
1. 967045-011	PANEL, TABLE 29.31 X 40.00
2. 115177	TRIM, COUNTER TOP
3. 381881-04	LEG, FOLDING TABLE 30.5"
4. 380284-02	TABLE HINGE BRACKET
5. 380284-03	TABLE HINGE BRACKETS
6. 340018	CATCH PLATE J-1
7. 381136	RUBBER BUMPER
8. 967045-018	PANEL, TABLE, 2.00 X 3.00
9. 967045-019	PANEL, TABLE, 2.00 X 3.00
10. 967045-0110	PANEL, TABLE, 2.00 X 3.00
11. 967045-0111	PANEL, TABLE, 2.00 X 3.00
12. 967045-0112	PANEL, TABLE, 4.63 X 4.63

# 2007 INTERNATIONAL TRAVEL TRAILER

## FURNITURE, LOUNGE

Sofa, Dinette, 25' Front Bed



Parts numbers are on the next page

# 2007 INTERNATIONAL TRAVEL TRAILER

## FURNITURE, LOUNGE

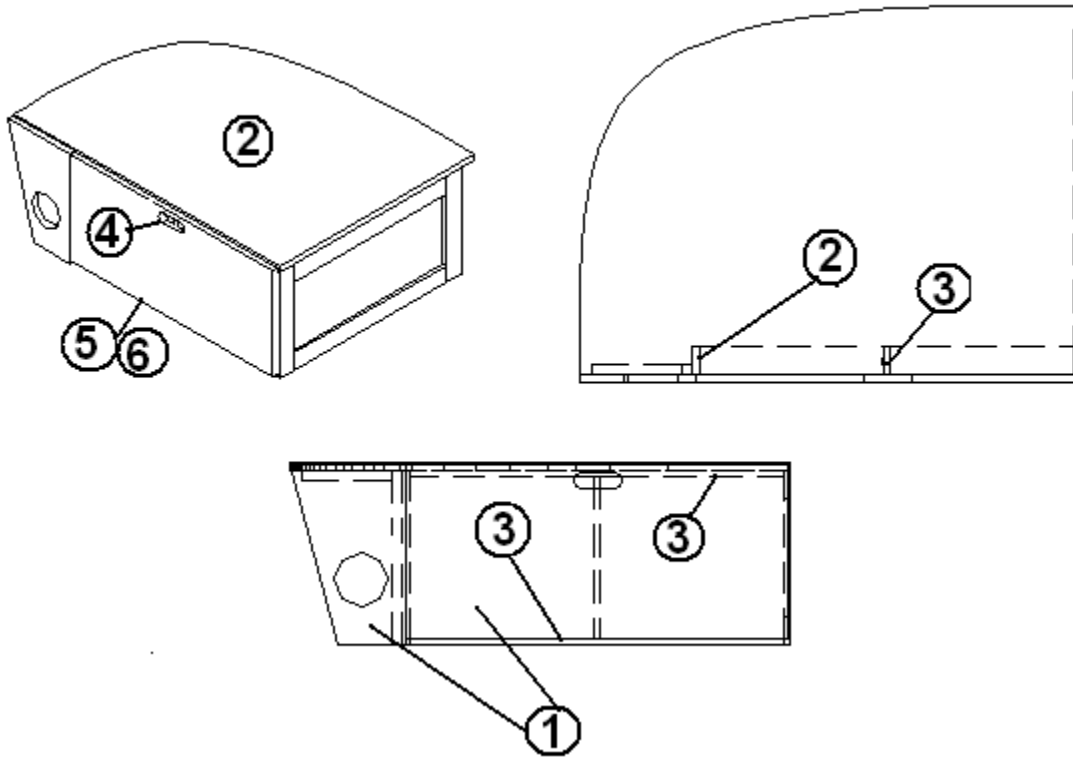
### Sofa, Dinette, 25' Front Bed

1. 966666	SEAT ASSY, CS DINETTE
2. 966665	SEAT ASSY, RS DINETTE
3. 966664	SOFA ASSY
4. 966246	TABLE ASSY, DINETTE
5. 703486	FOAM KIT, LOUNGE/DINETTE
6. 998173-01	FABRIC ASSY, CS DINETTE SEAT
6. 703486-01	Foam, Curbside dinette seat
7. 998173-02	FABRIC ASSY, CS BACK FILL
7. 703486-02	Foam, curbside back filler
8. 998173-03	FABRIC ASSY, CS BACK REST
8. 703486-03	Foam, curbside back rest
9. 998173-04	FABRIC ASSY, RS DINETTE SEAT
9. 703486-04	Foam, roadside dinette
10. 998173-05	FABRIC ASSY, RS BACK FILL
10. 703486-05	Foam, roadside back filler
11. 998173-06	FABRIC ASSY, RS BACK REST
11. 703486-06	Foam roadside backrest
12. 998173-07	FABRIC ASSY, DINETTE WEDGE
12. 703486-07	Foam cushion, lounge wedge
13. 998173-08	FABRIC ASSY, BOTTOM, CUSHION
13. 703486-08	Foam, cushion, lounge bottom
14. 998173-09	FABRIC ASSY, CUSHION BACK REST
14. 703486-09	Foam, cushion, backrest

# 2007 INTERNATIONAL TRAVEL TRAILER

## FURNITURE, LOUNGE

### Dinette Seat, Roadside, 25' Front Bed

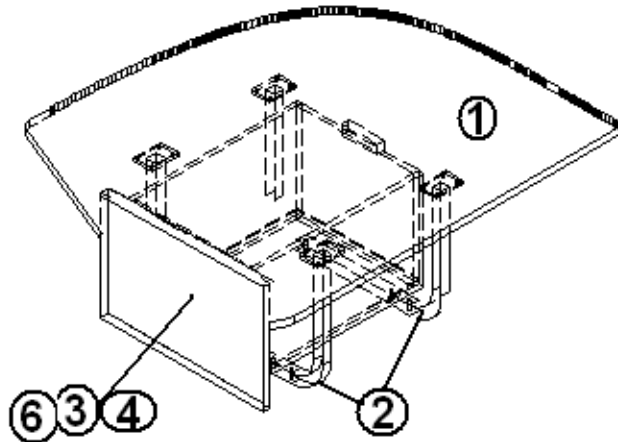
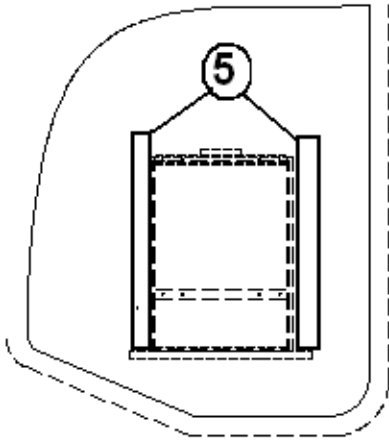


966665	SEAT ASSY-RS DINETTE
1. 801351	LITE PLY-18MM (.75") 4' X 8'
2. 801368	PANEL, WHITE/WHITE
3. 801392	PANEL, WHITE/WHITE 12MM
4. 381775	DRAWER PULL-FLUSH
5. 381072	HINGE 3" X 1 7/8" OPEN GOLD
6. 381228-01	CATCH GRABBER DOOR
365278-01	EDGE BANDING, BLACK MAPLE, 1.13"
365278-03	EDGE BANDING, BLACK MAPLE, .625"

# 2007 INTERNATIONAL TRAVEL TRAILER

## FURNITURE, LOUNGE

### Dinette Seat, 25' Front Bed, Curbside

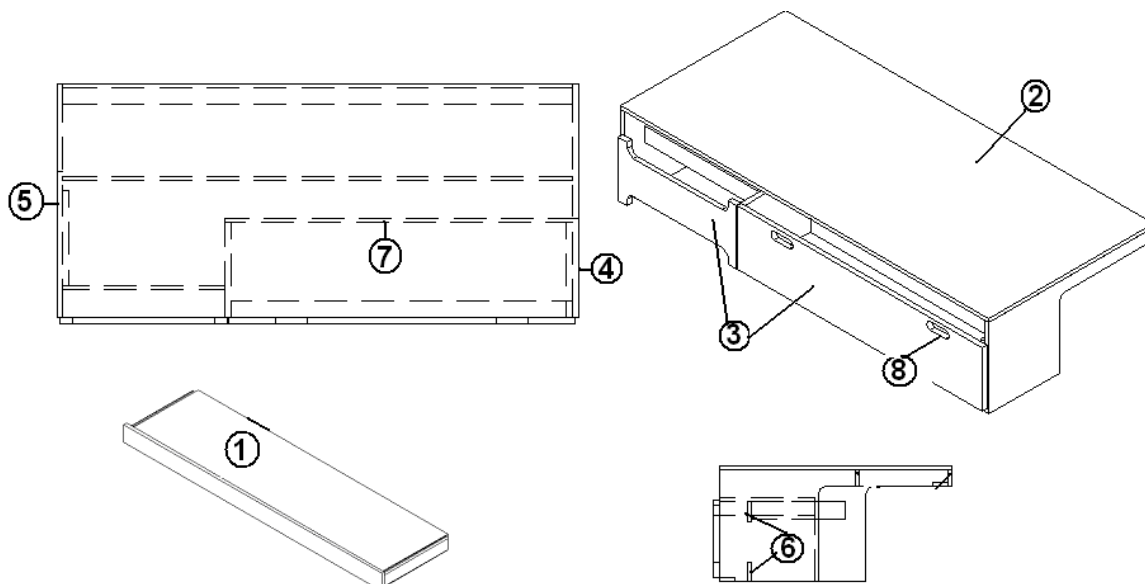


- |              |                                  |
|--------------|----------------------------------|
| 966666       | SEAT ASSY-CS DINETTE             |
| 1. 801368    | PANEL, WHITE/WHITE               |
| 2. 454177    | LEG-DINETTE ALUM                 |
| 3. 964909-11 | DWR BOX ASSY-10" X 14.00 X 19    |
| 4. 801375-21 | DOOR-DINETTE 11.5" X 18"         |
| 5. 381833-01 | DRAWER SLIDE-UNDER SHELF 18"PR   |
| 6. 381074    | CATCH BULL DOG #65S (COPPER)     |
| 365278-01    | EDGE BANDING, BLACK MAPLE, 1.13" |

# 2007 INTERNATIONAL TRAVEL TRAILER

## FURNITURE, LOUNGE

### Sofa Bed, 25' Front Bed

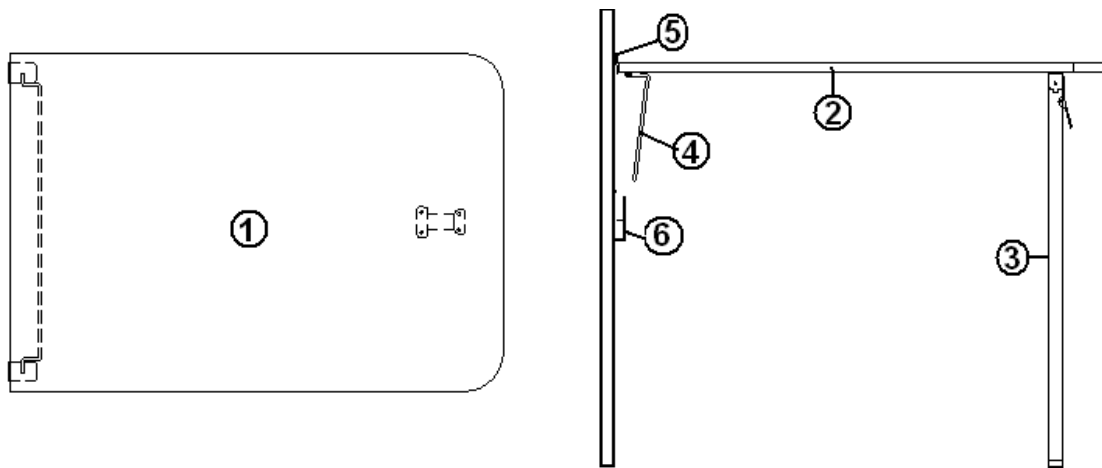


966664	SOFA ASSY
1. 966663	SOFA BED UPPER ASSY
2. 800506-04	PLYWOOD, 1/2" X 4' X 8'
3. 801351	LITE PLY-18MM (.75") 4' X 8'
4. 801368	PANEL, WHITE/WHITE
5. 801436-01	PANEL, BLACK MAPLE/WHITE
6. 801456-01	PANEL, BLACK MAPLE/WHITELINER
7. 801392	PANEL, WHITE/WHITE 12MM
8. 381775	DRAWER PULL-FLUSH
381072	HINGE 3" X 1 7/8" OPEN GOLD
381228-01	CATCH GRABBER DOOR
915811	WELDMENT-SOFA BED
381826	SLIDE-BALL BEARING
330031-03	RIVET DOME HEAD SSD64SSBS
365278-01	EDGE BANDING, BLACK MAPLE, 1.13"
365278-03	EDGE BANDING, BLACK MAPLE, .625"

# 2007 INTERNATIONAL TRAVEL TRAILER

## FURNITURE, LOUNGE

### Dinette Table, 25' Front Bed

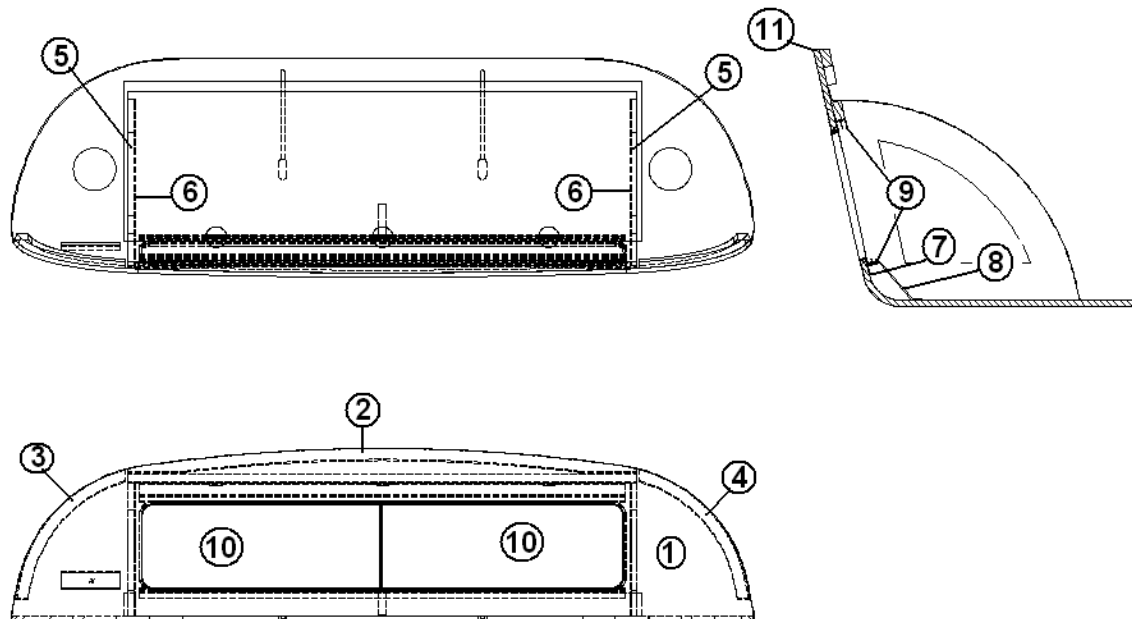


- |              |                                 |
|--------------|---------------------------------|
| 966246       | TABLE ASSY-38" DINNETE          |
| 1. 801368    | PANEL, FROSTWHITE/WHITE LINER   |
| 2. 365267    | EDGE BANDING, OAK               |
| 3. 381881-04 | LEG-SNAPO FOLDING, 30.5" CHROME |
| 4. 380284-02 | TABLE HINGE BRACKET             |
| 5. 380284-03 | TABLE HINGE BRACKET             |
| 6. 340018    | CATCH PLATE J-1                 |
| 381136       | RUBBER BUMPER                   |

# 2007 INTERNATIONAL TRAVEL TRAILER

## FURNITURE, LOUNGE

Roof Locker, 25' Front Bed, Front & Rear End Liners



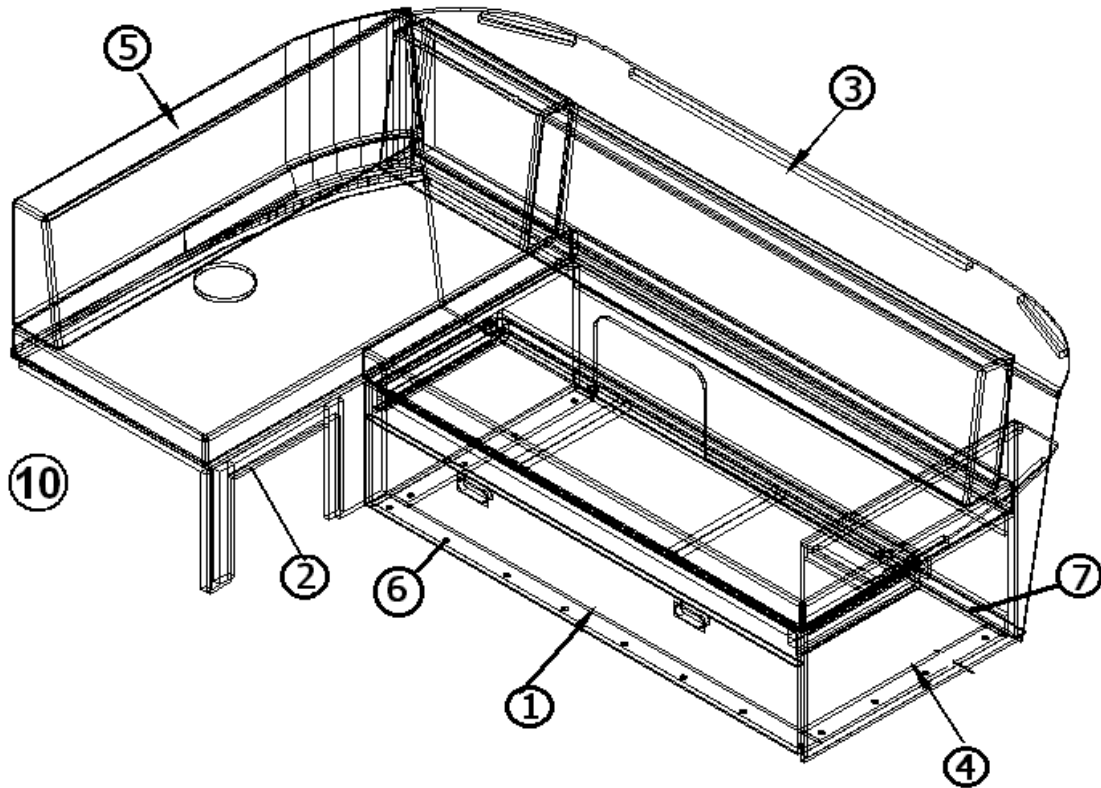
- |               |                                |
|---------------|--------------------------------|
| 966672-01     | LOCKER, AFT W/RADIO            |
| 966672-02     | LOCKER, REAR, DELETE RADIO     |
| 1. 801670-01  | FACE, AFT LOCKER W/RADIO       |
| 1. 801670-02  | FACE, AFT LOCKER W/O RADIO     |
| 2. 801596-01  | BACKER W/B LINER LOCKER CENTER |
| 3. 801596-02  | BACKER LINER LOCKER LH         |
| 4. 801596-03  | BACKER, LINER LOCKER RH        |
| 5. 801594     | DIVIDER-LINER LOCKER           |
| 6. 801595     | DIVIDER LINER LOCKER           |
| 7. 115261-01  | ANGLE, LOCKER TRACK SUPPORT    |
| 8. 115226-01  | BRACKET, LOCKER CENTER SUPPORT |
| 9. 381245     | SLIDING DOOR TRACK, 56-1/5"    |
| 10. 965563-08 | DOOR-PLEX.SLIDING 11.31"X 30"  |
| 11. 201673    | REVERSE COVE MOLDING, WHITE    |
| 115264-01     | PAN, LINER LOCKER W/B FRONT    |



# 2007 INTERNATIONAL TRAVEL TRAILER

## FURNITURE, LOUNGE

Sofa, 28', 25' Sleep Six



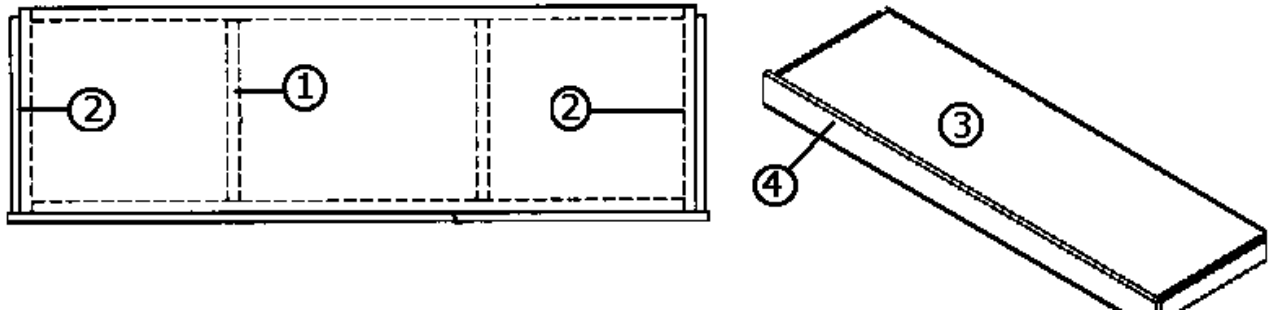
- |              |                                       |
|--------------|---------------------------------------|
| 1. 965982    | Sofa Assembly                         |
| 2. 965983    | Sofa L-Section Assembly               |
| 3. 966132    | Sofa back assembly                    |
| 4. 965985    | Sofa armrest assembly                 |
| 5. 703340    | L-lounge cushion assembly             |
| 6. 320059-01 | Screw, #8 x 1.25", white Philips      |
| 7. 345004    | Screw, 1/4-14 washer hex/head cadmium |
| 8. 381609-02 | Screw Hafele, European, #9 x 1"       |
| 9. 381802-02 | Tap cap, black, # 2                   |
| *10. 965852  | Armrest, L-Lounge, 25' Sleep Six      |
| *10. 966065  | Armrest, L-Lounge, 28'                |
| 203447       | STORAGE BOX-23.5" X 16.25" X 6.38"    |
| 965812       | CUSHION ASSY-FOAM WEDGE L LOUNGE      |

\*Item 10 not shown

# 2007 INTERNATIONAL TRAVEL TRAILER

## FURNITURE, LOUNGE

### SOFA BED ASSEMBLY, 25' Sleep Six, 28'

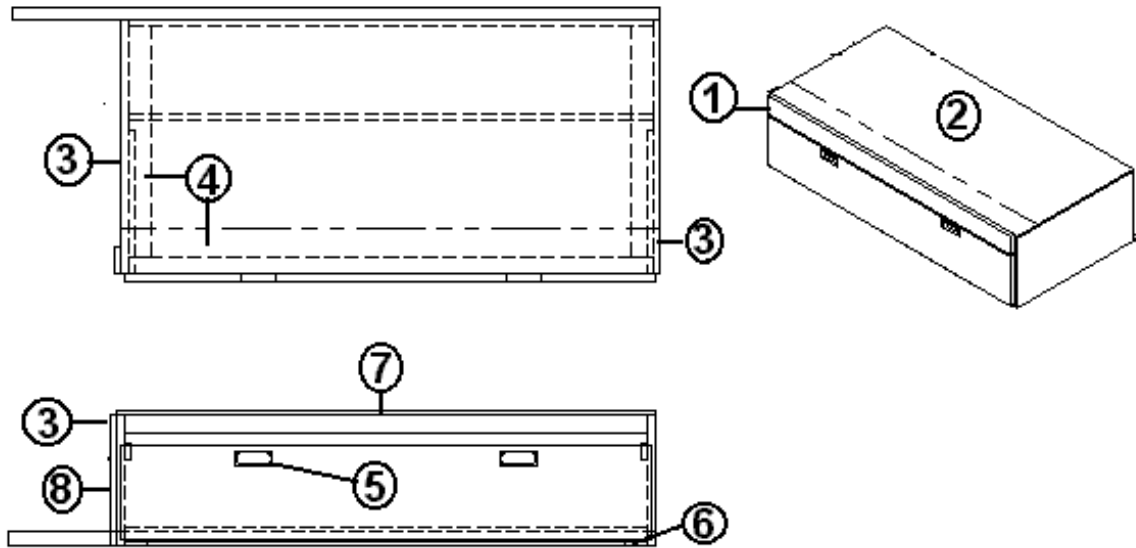


965981	Sofa Bed Assembly, 25'
1. 915708	Weldment, sofa bed
2. 381826	Slide, ball bearing, 16"
3. 800507-02	Lauan, 1/4" x 4' x 8'
4. 801351	Light ply, 18m
703347	Fabric, black tweed
330031-03	Rivet, dome head
320117-03	Screw, steel drywall, #6 x 1.625"
203447	STORAGE BOX, 23.5" X 16.25" X 6.38"

# 2007 INTERNATIONAL TRAVEL TRAILER

## FURNITURE, LOUNGE

SOFA ASSEMBLY, 25' Sleep Six, 28'

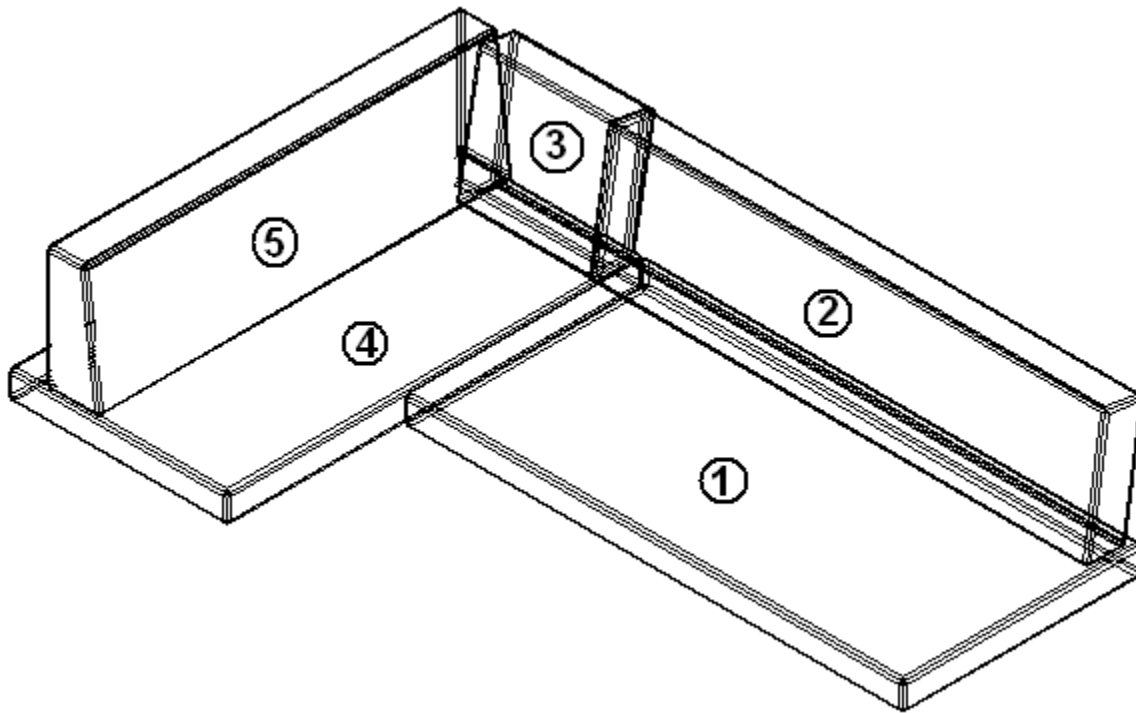


965982	Sofa Assembly
1. 965981	SOFA ASSY-BED SECTION
2. 800506-04	PLYWOOD, 1/2" X 4' X 8'
3. 801351	Light ply, 18mm
4. 850082	POPLAR, .75" X 2.00"
5. 381775	DRAWER PULL-FLUSH SATIN
6. 381072	HINGE 3" X 1 7/8" OPEN GOLD
7. 381228-01	CATCH GRABBER DOOR
8. 114809	ALUMINUM ANGLE 1.50" X 1.50"

# 2007 INTERNATIONAL TRAVEL TRAILER

## FURNITURE, LOUNGE

Sofa Cushions, 25' Sleep Six, 28', Signature

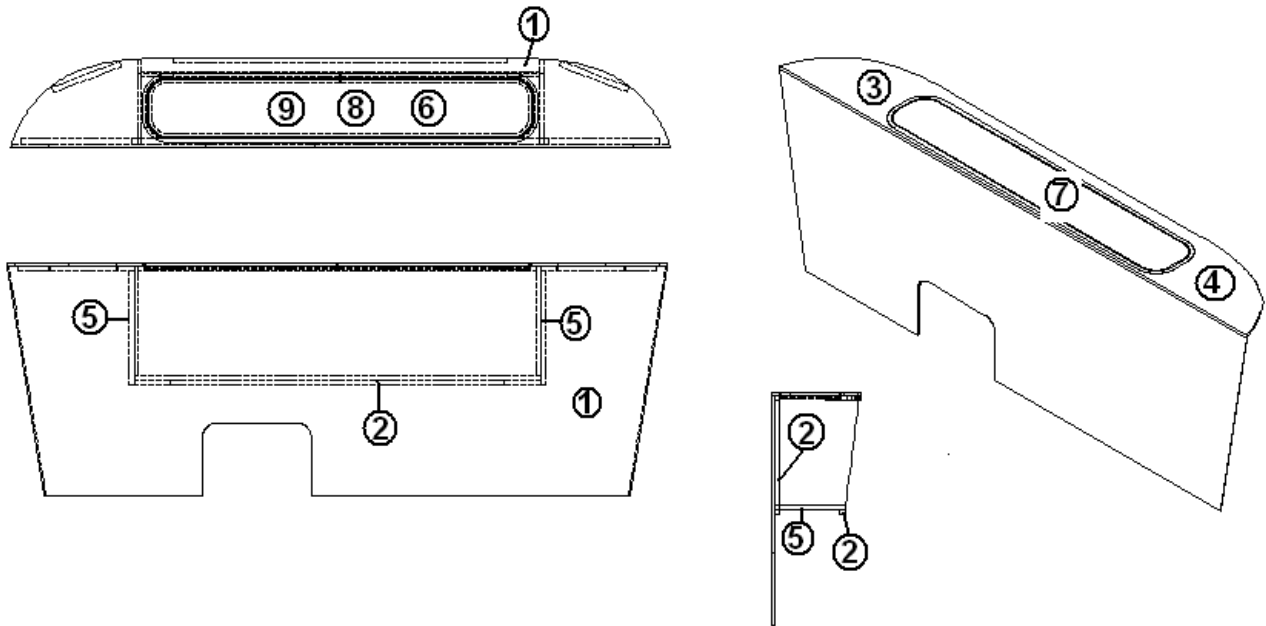


703340	Cushion Kit, sofa
1. 703340-01	Foam cushion, bottom main
2. 703340-02	Foam cushion, back, main
3. 703340-03	Foam Cushion, Small Back Rest
4. 703340-04	Foam cushion, Base side
5. 703340-05	Foam Cushion, Back Rest Side
703340-06	FOAM-CUSHION WEDGE 78"
965812	CUSHION ASSY-FOAM WEDGE L LOUNGE

# 2007 INTERNATIONAL TRAVEL TRAILER

## FURNITURE, LOUNGE

### SOFA BACK ASSEMBLY, 25' Sleep Six, 28'



966132

1. 800507-03

2. 800025-01

3. 701764

4. 703347

5. 801392

6. 115203

7. 966134

8. 381847

9. 365013-01

381581

100627

BACK ASSY-SOFA CCD

LAUAN, 3/8" X 4' X 8'

PINE 3/4" X 3/4" STAINED

FOAM, 1/4"

FABRIC, COAL, 54"

PANEL, WHITELINER/WHITELINER

JAMB, SOFA BACK DOOR

DOOR ASSY, SOFA BACK

HINGE, PIANO ANGLE .88" X 72"

TAPE, FOAM, SCREEN DOOR-CHARCOAL

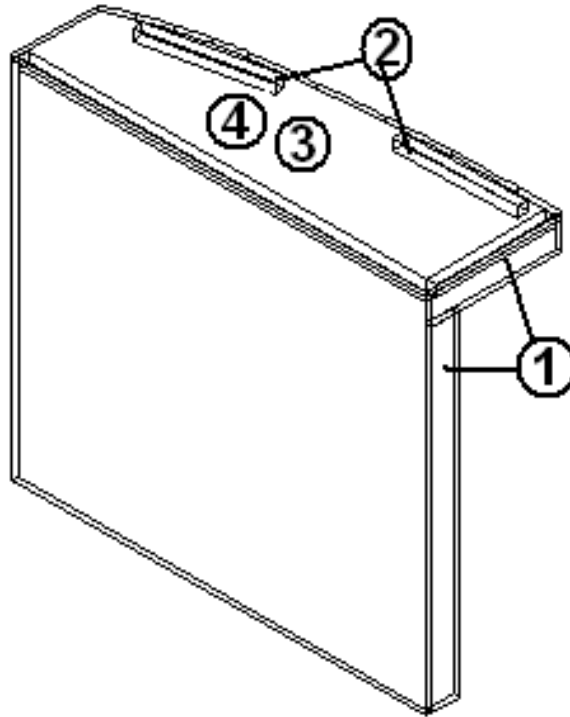
STRAP, CLEAR PLASTIC .75" W

ACCESS DOOR FRAME EXTRUSION

# 2007 INTERNATIONAL TRAVEL TRAILER

## FURNITURE, LOUNGE

SOFA ARMREST ASSEMBLY, 25' Sleep Six, 28', 965985



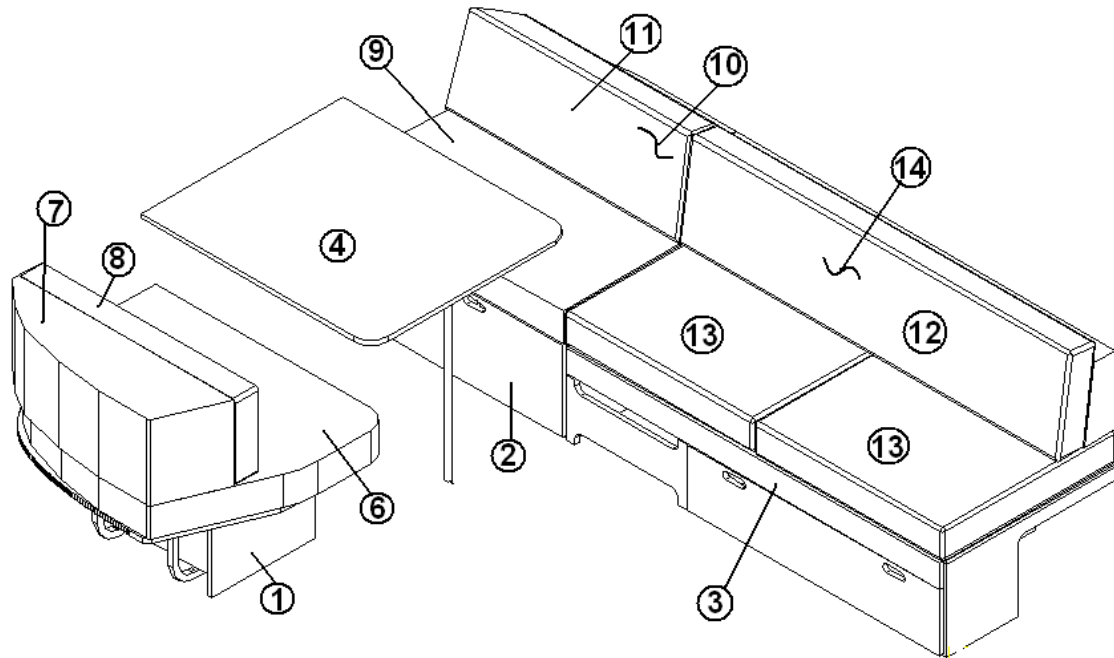
- 965985  
1. 800507-03  
2. 800025-01  
3. 701764  
4. 703347

SOFA ASSY-ARMREST  
LAUAN, 3/8" X 4' X 8'  
PINE 3/4" X 3/4", STAINED  
FOAM, 1/4"  
FABRIC, COAL, 54"

# 2007 INTERNATIONAL TRAVEL TRAILER

## FURNITURE, LOUNGE

Dinette/Sofa Assembly, 25' FB, 27' FB, Signature, Wenge



Parts numbers are on the next page

# 2007 INTERNATIONAL TRAVEL TRAILER

## FURNITURE, LOUNGE

Dinette/Sofa Assembly, 25' FB, 27' FB, Signature, Wenge

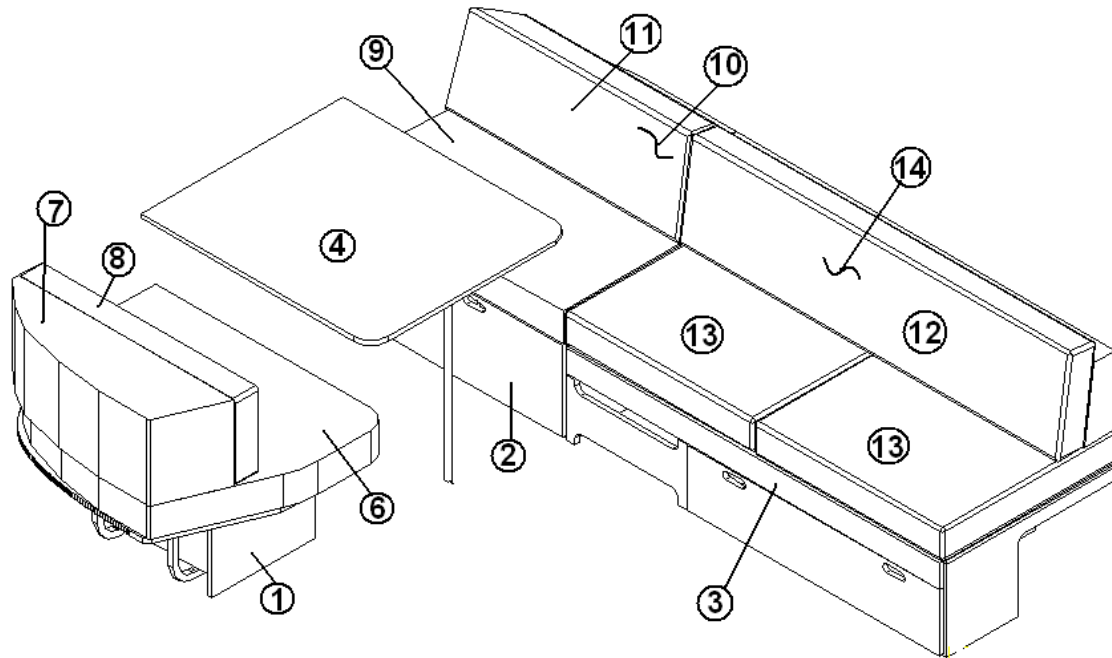
- |               |                                |
|---------------|--------------------------------|
| 1. 966889     | SEAT ASSY, CS DINETTE          |
| 2. 966890     | SEAT ASSY, RS DINETTE          |
| 3. 966887     | SOFA ASSY                      |
| 4. 966866     | TABLE ASSY, DINETTE            |
| 5. 703486     | FOAM KIT, LOUNGE/DINETTE       |
| 6. 998173-01  | FABRIC ASSY, CS DINETTE SEAT   |
| 6. 703486-01  | Foam, Curbside dinette seat    |
| 7. 998173-02  | FABRIC ASSY, CS BACK FILL      |
| 7. 703486-02  | Foam, curbside back filler     |
| 8. 998173-03  | FABRIC ASSY, CS BACK REST      |
| 8. 703486-03  | Foam, curbside back rest       |
| 9. 998173-04  | FABRIC ASSY, RS DINETTE SEAT   |
| 9. 703486-04  | Foam, roadside dinette         |
| 10. 998173-05 | FABRIC ASSY, RS BACK FILL      |
| 10. 703486-05 | Foam, roadside back filler     |
| 11. 998173-06 | FABRIC ASSY, RS BACK REST      |
| 11. 703486-06 | Foam roadside backrest         |
| 12. 998173-07 | FABRIC ASSY, DINETTE WEDGE     |
| 12. 703486-07 | Foam cushion, lounge wedge     |
| 13. 998173-08 | FABRIC ASSY, BOTTOM, CUSHION   |
| 13. 703486-08 | Foam, cushion, lounge bottom   |
| 14. 998173-09 | FABRIC ASSY, CUSHION BACK REST |
| 14. 703486-09 | Foam, cushion, backrest        |



# 2007 INTERNATIONAL TRAVEL TRAILER

## FURNITURE, LOUNGE

Dinette/Sofa Assembly, 25' FB, 27' FB, Signature, Ocean Breeze



Parts numbers are on the next page

# 2007 INTERNATIONAL TRAVEL TRAILER

## FURNITURE, LOUNGE

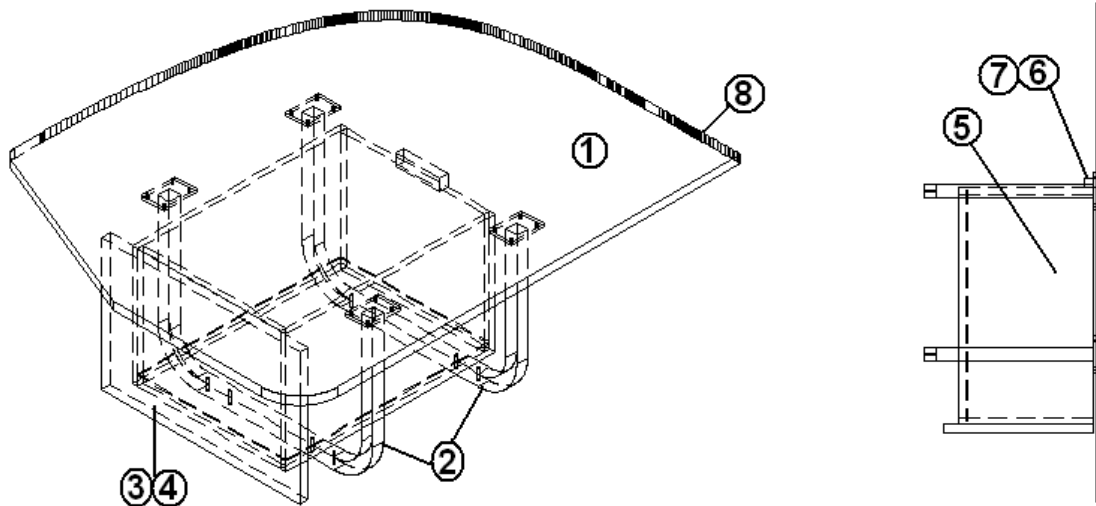
Dinette/Sofa Assembly, 25' FB, 27' FB, Signature, Ocean Breeze

1. 966889-01 SEAT ASSY, CS DINETTE
2. 966890-01 SEAT ASSY, RS DINETTE
3. 966887-01 SOFA ASSY
4. 967044 TABLE ASSY, DINETTE
5. 703486 FOAM KIT, LOUNGE/DINETTE
6. 998173-01OB FABRIC ASSY, CS DINETTE SEAT
6. 703486-01 Foam, Curbside dinette seat
7. 998173-02OB FABRIC ASSY, CS BACK FILL
7. 703486-02 Foam, curbside back filler
8. 998173-03OB FABRIC ASSY, CS BACK REST
8. 703486-03 Foam, curbside back rest
9. 998173-04OB FABRIC ASSY, RS DINETTE SEAT
9. 703486-04 Foam, roadside dinette
10. 998173-05OB FABRIC ASSY, RS BACK FILL
10. 703486-05 Foam, roadside back filler
11. 998173-06OB FABRIC ASSY, RS BACK REST
11. 703486-06 Foam roadside backrest
12. 998173-07OB FABRIC ASSY, DINETTE WEDGE
12. 703486-07 Foam cushion, lounge wedge
13. 998173-08OB FABRIC ASSY, BOTTOM, CUSHION
13. 703486-08 Foam, cushion, lounge bottom
14. 998173-09OB FABRIC ASSY, CUSHION BACK REST
14. 703486-09 Foam, cushion, backrest

# 2007 INTERNATIONAL TRAVEL TRAILER

## FURNITURE, LOUNGE

Dinette Seat, 25' FB, 27' FB Signature, Curbside, Wenge

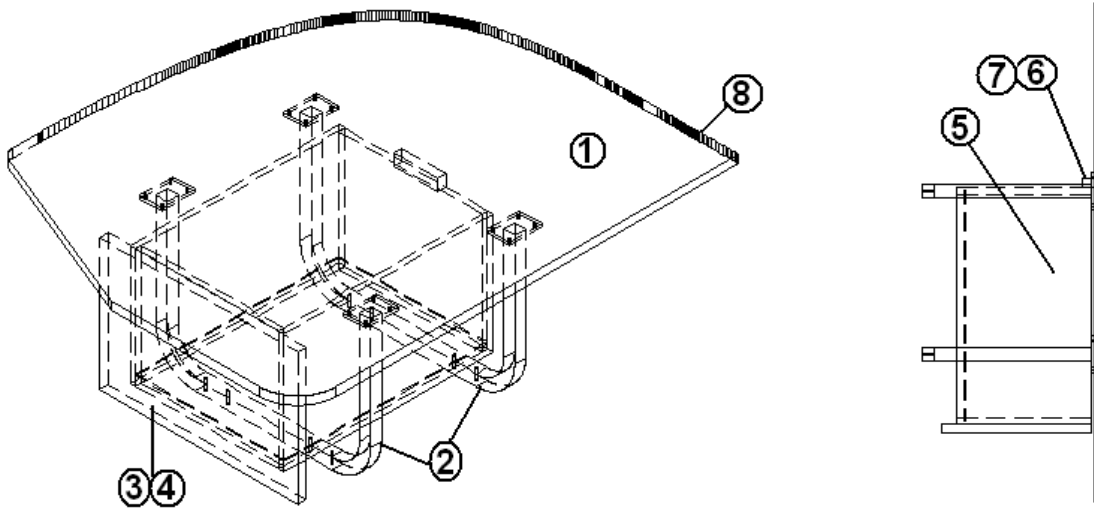


- |              |                                     |
|--------------|-------------------------------------|
| 966889       | SEAT, CS DINETTE                    |
| 1. 966889-1  | PANEL                               |
| 2. 454177    | LEG, DINETTE ALUM                   |
| 3. 964909-11 | DRAWER BOX ASSY, 10" X 14.00" X 19" |
| 4. 966889-4  | DOOR, DINETTE, 11.5"X 18"           |
| 5. 381833-01 | DRAWER SLIDE-UNDER SHELF 18"PR      |
| 6. 800581    | OAK, 13/16 X 1.5" X 4'              |
| 7. 381074    | CATCH BULL DOG #65S (COPPER)        |
| 8. 365303-02 | EDGE BANDING, WENGE 1.125"          |
| 203439       | STORAGE BOX, 17"L X 11.13"W X 6.38" |

# 2007 INTERNATIONAL TRAVEL TRAILER

## FURNITURE, LOUNGE

Dinette Seat, 25' FB, 27' FB Signature, Curbside, Ocean Breeze

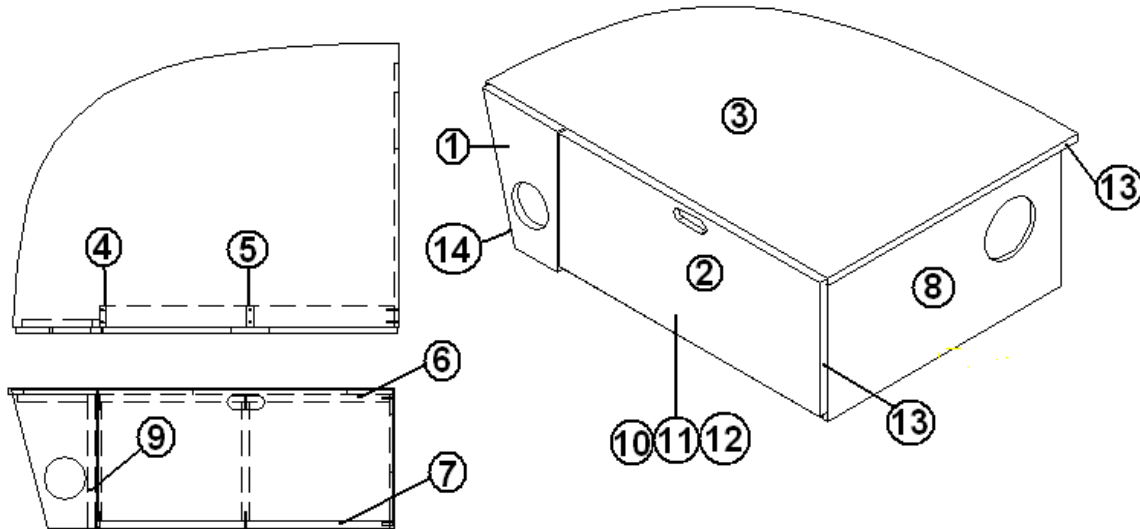


- |               |                                     |
|---------------|-------------------------------------|
| 966889-01     | SEAT, CS DINETTE                    |
| 1. 966889-011 | PANEL                               |
| 2. 454177     | LEG, DINETTE ALUM                   |
| 3. 964909-11  | DRAWER BOX ASSY, 10" X 14.00" X 19" |
| 4. 966889-014 | DOOR, DINETTE, 11.5"X 18"           |
| 5. 381833-01  | DRAWER SLIDE-UNDER SHELF 18"PR      |
| 6. 800581     | OAK, 13/16 X 1.5" X 4'              |
| 7. 381074     | CATCH BULL DOG #65S (COPPER)        |
| 8. 365267     | EDGEBANDING, PLY 1.125"             |
| 203439        | STORAGE BOX, 17"L X 11.13"W X6.38"  |

# 2007 INTERNATIONAL TRAVEL TRAILER

## FURNITURE, LOUNGE

Dinette Seat, 25' FB, 27' FB, Signature, Roadside, Wenge

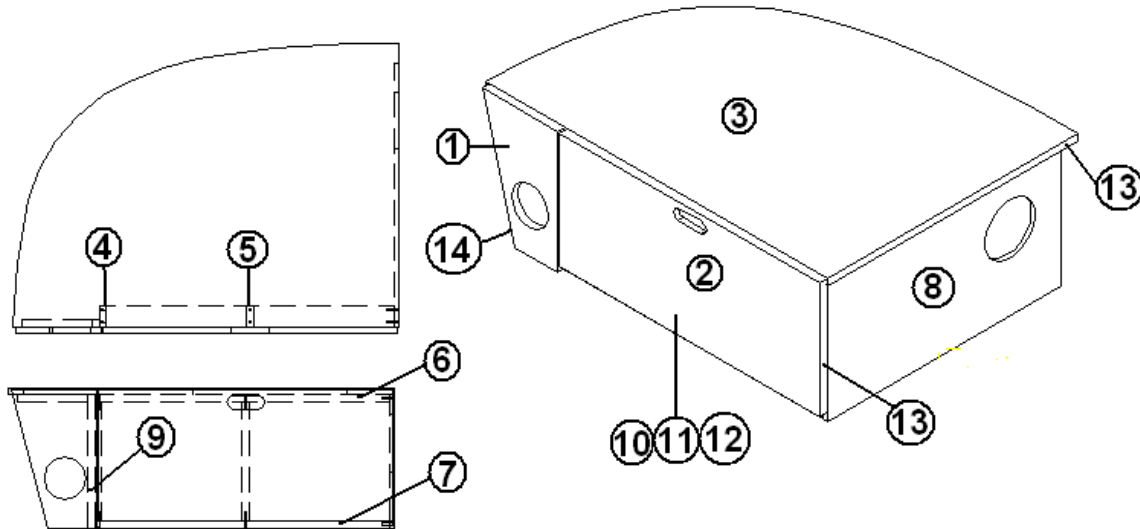


966890	SEAT, RS DINETTE
1. 966890-1	PANEL, 18MM
2. 966890-2	PANEL, 18MM
3. 966890-3	PANEL, 18MM
4. 966890-4	PANEL, 18MM
5. 966890-5	PANEL, 18MM
6. 966890-6	PANEL, 18MM
7. 966890-7	PANEL, 18MM
8. 966890-8	PANEL 12MM
9. 800025-01	Pine, 3/4" x 3/4", stained
10. 381775	DRAWER PULL
11. 381072	HINGE 3" X 1 7/8" OPEN GOLD
12. 381228-01	CATCH GRABBER DOOR
13. 365303-02	EDGE BANDING-WENGE 1.125"
14. 365303-01	EDGE BANDING-WENGE .63"
203439	STORAGE BOX, 17"L X 11.13"W X 6.38"

# 2007 INTERNATIONAL TRAVEL TRAILER

## FURNITURE, LOUNGE

Dinette Seat, 25' FB, 27' FB, Signature, Roadside, Ocean Breeze

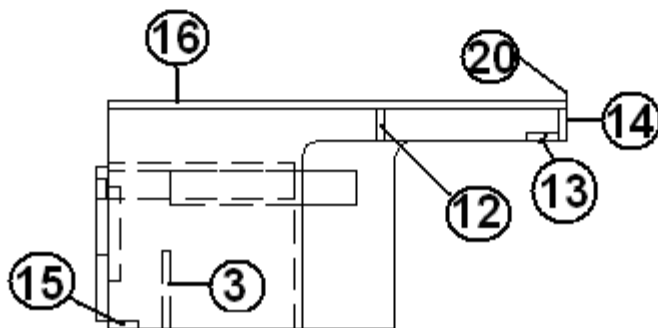
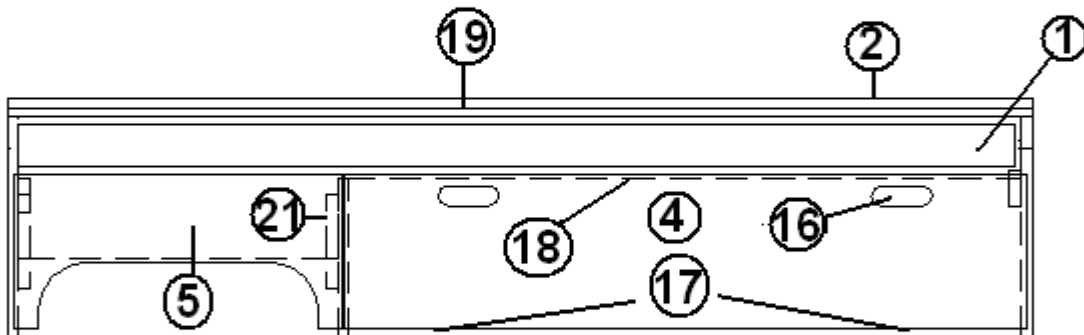
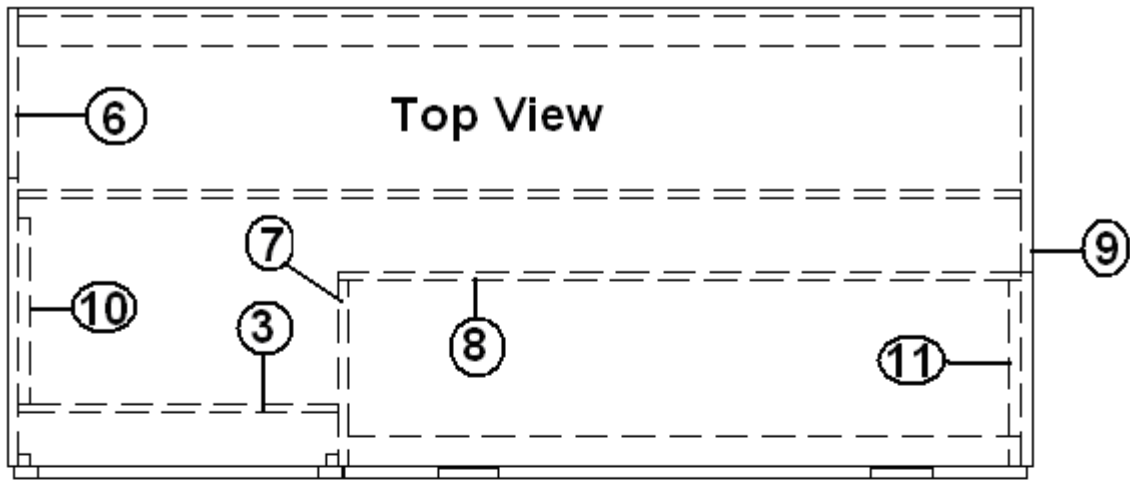


966890-01	SEAT, RS DINETTE
1. 966890-011	PANEL 18MM
2. 966890-012	PANEL 18MM
3. 966890-013	PANEL, 18MM
4. 966890-014	PANEL, 18MM
5. 966890-015	PANEL, 18MM
6. 966890-016	PANEL, 18MM
7. 966890-017	PANEL, 18MM
8. 966890-018	PANEL 12MM
9. 800025-01	Pine, 3/4" x 3/4", stained
10. 381775	DRAWER PULL
11. 381072	HINGE 3" X 1 7/8" OPEN GOLD
12. 381228-01	CATCH GRABBER DOOR
13. 365267	EDGE BANDING, 1.125"
14. 365267-01	EDGE BANDING, .63"
203439	STORAGE BOX, 17"L X 11.13"W X 6.38"

# 2007 INTERNATIONAL TRAVEL TRAILER

## FURNITURE, LOUNGE

Sofa, 25' FB, 27' FB, Signature, Wenge



Part numbers on the next page

# 2007 INTERNATIONAL TRAVEL TRAILER

## FURNITURE, LOUNGE

Sofa, 25' FB, 27' FB, Signature, Wenge

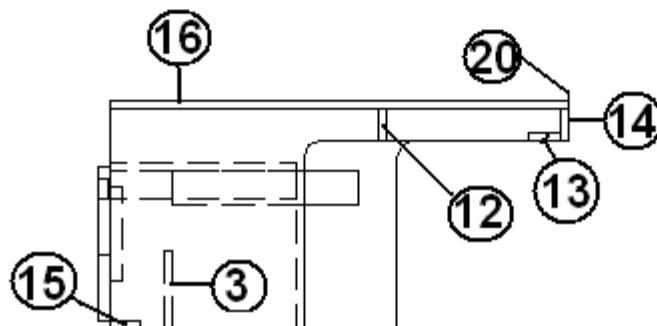
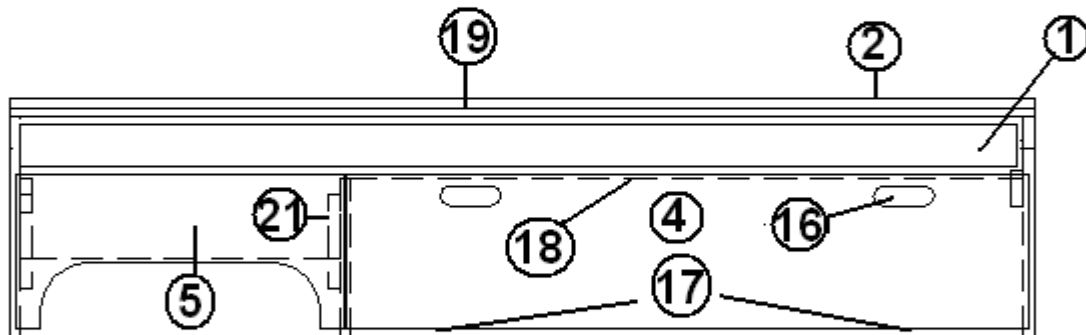
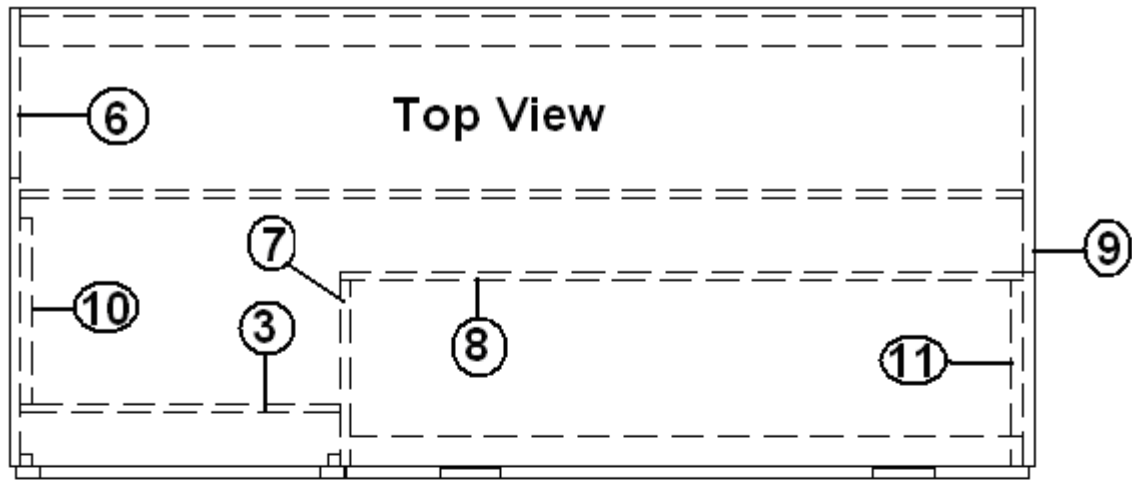
966887	SOFA ASSY
1. 966888	SOFA BED UPPER ASSY
2. 800506-04	PLYWOOD, ½" X 4'X 8'
3. 966887-3	PANEL REXEL, 12MM
4. 966887-4	PANEL, 18MM
5. 966887-5	PANEL, 18MM
6. 966887-6	PANEL, 18MM
7. 966887-7	PANEL, 18MM
8. 966887-8	PANEL 12MM
9. 966887-9	PANEL, 18MM
10. 966887-10	PANEL, 18MM
11. 966887-11	PANEL, 18MM
12. 850082	Poplar, .75" x 2.00", 64.5" long
13. 850082	Poplar, .75" x 2.00", 64.5" long
14. 850082	Poplar, .75" x 2.00", 64.5" long
15. 850082	Poplar, .75" x 2.00", 43.25" long
16. 382030	PULL-RECESSED FINGER
17. 381072	HINGE 3" X 1 7/8" OPEN GOLD
18. 381228-01	CATCH GRABBER DOOR
19. 801711-01	LAMINATE, WENGE
20. 101115	Sheet, aluminum, .060" x 3.25" x 66"
21. 800025-01	Pine ¾" x ¾", stained, 6" long
915811	WELDMENT-SOFA BED
381826	SLIDE-BALL BEARING
330031-03	RIVET DOME HEAD SSD64SSBS



# 2007 INTERNATIONAL TRAVEL TRAILER

## FURNITURE, LOUNGE

Sofa, 25' FB, 27' FB, Signature, Ocean Breeze



Part numbers on the next page

# 2007 INTERNATIONAL TRAVEL TRAILER

## FURNITURE, LOUNGE

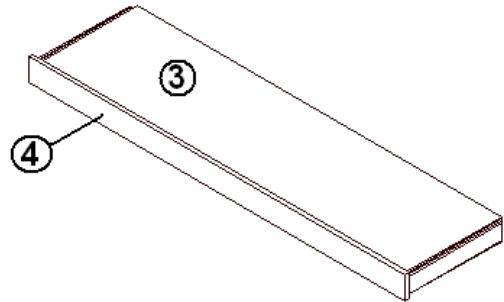
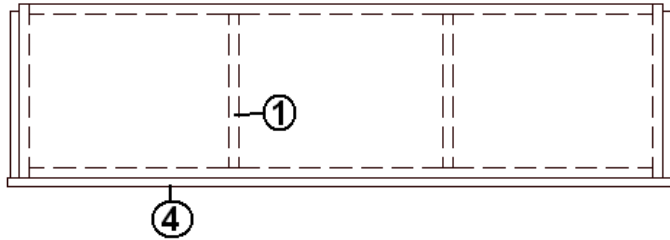
Sofa, 25' FB, 27' FB, Signature, Ocean Breeze

966887-01	SOFA ASSY
1. 966888-01	SOFA BED UPPER ASSY.
2. 800506-04	PLYWOOD, 1/2" X 4'X 8'
3. 966887-013	PANEL, 12MM
4. 966887-014	PANEL, 18MM
5. 966887-015	PANEL, 18MM
6. 966887-016	PANEL, 18MM
7. 966887-017	PANEL, 18MM
8. 966887-018	PANEL 12MM
9. 966887-019	PANEL, 18MM
10. 966887-0110	PANEL, 18MM
11. 966887-0111	PANEL, 18MM
12. 850082	Poplar, .75" x 2.00", 64.5" long
13. 850082	Poplar, .75" x 2.00", 64.5" long
14. 850082	Poplar, .75" x 2.00", 64.5" long
15. 850082	Poplar, .75" x 2.00", 43.25" long
16. 382030	PULL-RECESSED FINGER
17. 381072	HINGE 3" X 1 7/8" OPEN GOLD
18. 381228-01	CATCH GRABBER DOOR
19. 801355-01	Laminate, White
20. 101115	Sheet, aluminum, .060" x 3.25" x 66"
21. 800025-01	Pine 3/4" x 3/4", stained, 6" long
915811	WELDMENT-SOFA BED
381826	SLIDE-BALL BEARING
330031-03	RIVET DOME HEAD SSD64SSBS

# 2007 INTERNATIONAL TRAVEL TRAILER

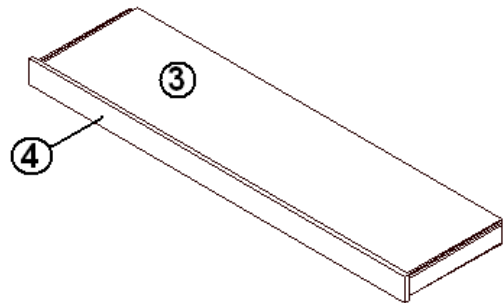
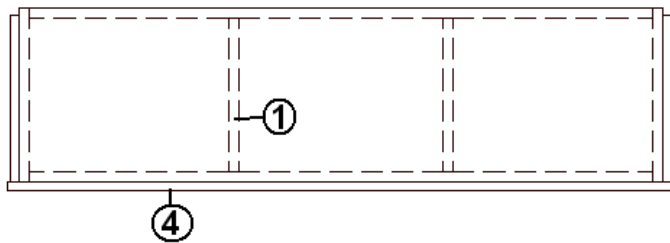
## FURNITURE, LOUNGE

Sofa Bed, 25' FB, 27' FB, 23' D, Signature, Wenge



- |             |                                |
|-------------|--------------------------------|
| 966888      | SOFA BED ASSY                  |
| 1. 915811   | WELDMENT, SOFA BED             |
| 2. 381826   | SLIDE, BALL BEARING 16"        |
| 3. 966888-3 | PANEL, SOFA TOP, 17.00 X 63.00 |
| 4. 966888-4 | PANEL, SOFA TOP, 3.88 x 65.13  |

Sofa Bed, 25' FB, 27' FB, 23' D, Signature, Ocean Breeze

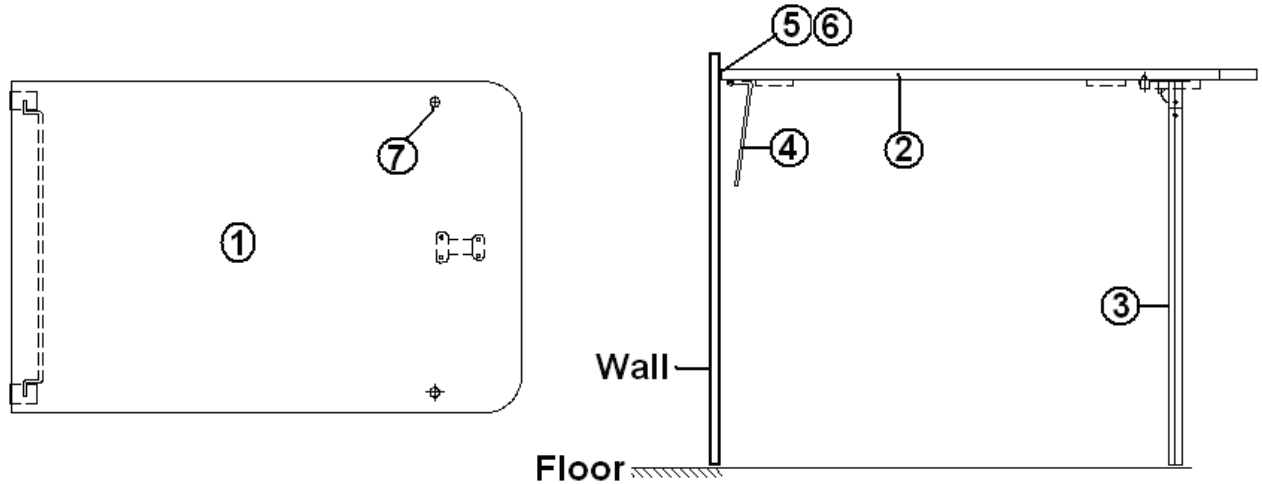


- |               |                                |
|---------------|--------------------------------|
| 966888-01     | SOFA BED ASSY                  |
| 1. 915811     | WELDMENT, SOFA BED             |
| 2. 381826     | SLIDE, BALL BEARING 16"        |
| 3. 966888-3   | PANEL, SOFA TOP, 17.00 X 63.00 |
| 4. 966888-014 | PANEL, SOFA TOP, 3.88 x 65.13  |

# 2007 INTERNATIONAL TRAVEL TRAILER

## FURNITURE, LOUNGE

Dinette Table, 25' FB, 27' FB, Signature, Wenge

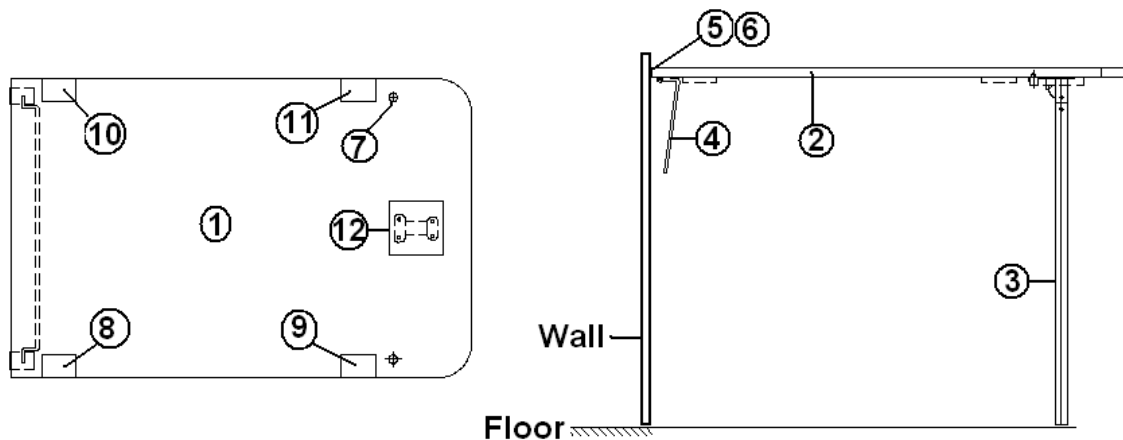


- |              |                                 |
|--------------|---------------------------------|
| 966866       | TABLE, DINETTE                  |
| 1. 966866-1  | PANEL, WENGE/LINER 18MM         |
| 2. 365303-02 | EDGEBANDING, WENGE, 1.125"      |
| 3. 381881-04 | LEG-SNAPO FOLDING, 30.5" CHROME |
| 4. 380284-02 | CENTER HINGE                    |
| 5. 380284-03 | TABLE HINGE BRACKET             |
| 6. 340018    | CATCH PLATE J-1                 |
| 7. 381136    | RUBBER BUMPER                   |

# 2007 INTERNATIONAL TRAVEL TRAILER

## FURNITURE, LOUNGE

Dinette Table, 25' FB, 27' FB, Signature, Ocean Breeze

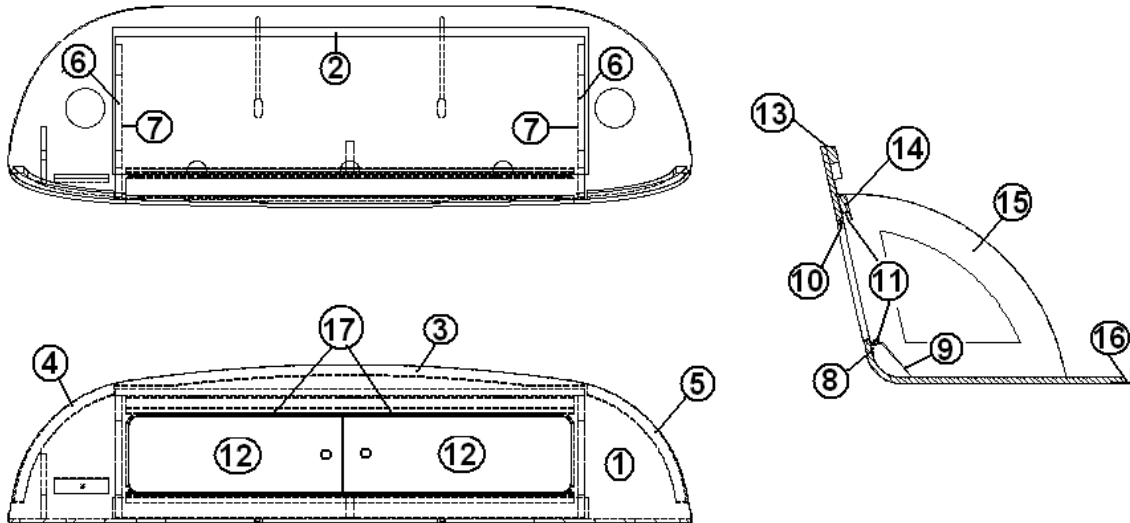


967044	TABLE, DINETTE
1. 967044-011	PANEL, Blue /white 18MM
2. 115177	TRIM, TOP, ALUMINUM, 1.125"
3. 381881-04	LEG, SNAPO FOLDING, 30.5" CHROME
4. 380284-02	CENTER HINGE
5. 380284-03	TABLE HINGE BRACKET
6. 340018	CATCH PLATE J-1
7. 381136	RUBBER BUMPER
8. 967044-8	PANEL, 2.00 x 3.00
9. 967044-9	PANEL, 2.00 x 3.00
10. 967044-10	PANEL, 2.00 x 3.00
11. 967044-11	PANEL, 2.00 x 3.00
12. 967044-12	PANEL, 2.00 x 3.00

# 2007 INTERNATIONAL TRAVEL TRAILER

## FURNITURE, LOUNGE

Roof Locker, End Liner, 25' FB Aft, 27' FB Aft, 25' Sleep Six Front, 28' Front, Signature, Wenge

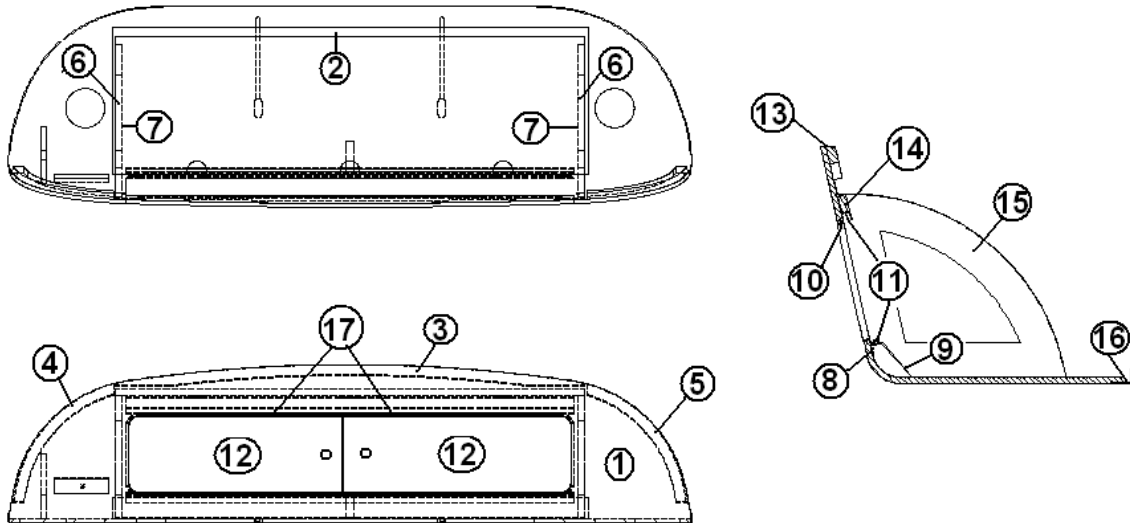


- |               |   |
|---------------|---|
| 966869        | R/L ASSY-AFT W/RADIO                        |
| 1. 801722     | FACE-AFT R/L W/RADIO                        |
| 2. 801355-01  | LAMINATE, FROSTY WHITE                      |
| 3. 801596-01  | BACKER, LINER LOCKER CENTER                 |
| 4. 801596-02  | BACKER LINER LOCKER, LH                     |
| 5. 801596-03  | BACKER, LINER LOCKER, RH                    |
| 6. 801594     | DIVIDER-LINER LOCKER                        |
| 7. 801595     | DIVIDER LINER LOCKER                        |
| 7. 801595-01  | Divider, liner locker, w Audio Switch Holes |
| 8. 115261-01  | ANGLE, LOCKER TRACK SUPPORT                 |
| 9. 115226-01  | BRACKET, LOCKER, CENTER SUPPORT             |
| 10. 203508-01 | T-TRIM, 9/16"                               |
| 11. 203388    | TRACK, SLIDING DOOR                         |
| 12. 965563-08 | DOOR, SLIDING, 11.31" X 30"                 |
| 13. 201673    | REVERSE COVE MOLDING, WHITE                 |
| 14. 800028    | PINE, 3/4" X 1.5"                           |
| 15. 115264-01 | PAN, LINER LOCKER W/B FRONT                 |
| 16. 801710    | SUPPORT DIVIDER-R/L                         |
| 17. 454613    | LEAF SPRING, ROOF LOCKER                    |

# 2007 INTERNATIONAL TRAVEL TRAILER

## FURNITURE, LOUNGE

Roof Locker, End Liner, 25' FB Aft, 27' FB Aft, 25' Sleep Six Front, 28' Front, Signature, Ocean Breeze

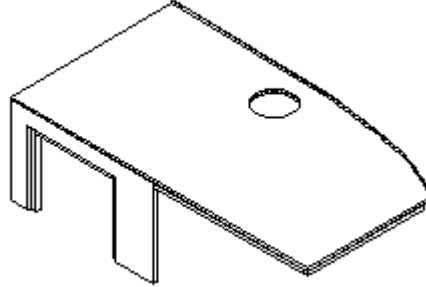


- |               |   |
|---------------|---|
| 966869-01     | R/L ASSY-AFT W/RADIO                        |
| 1. 801722     | FACE, AFT R/L W/RADIO                       |
| 2. 801355-01  | Laminate, White                             |
| 3. 801596-01  | BACKER, LINER LOCKER CENTER                 |
| 4. 801596-02  | BACKER LINER LOCKER, LH                     |
| 5. 801596-03  | BACKER, LINER LOCKER, RH                    |
| 6. 801594     | DIVIDER, LINER LOCKER                       |
| 7. 801595     | DIVIDER, LINER LOCKER                       |
| 7. 801595-01  | Divider, liner locker, w Audio Switch Holes |
| 8. 115261-01  | ANGLE, LOCKER TRACK SUPPORT                 |
| 9. 115226-01  | BRACKET, LOCKER, CENTER SUPPORT             |
| 10. 203508-01 | T-TRIM, 9/16"                               |
| 11. 203388    | TRACK, SLIDING DOOR                         |
| 12. 203357-03 | DOOR, LUMICOR, 11.31" X 30"                 |
| 13. 201673    | REVERSE COVE MOLDING, WHITE                 |
| 14. 800028    | PINE, 3/4" X 1.5"                           |
| 15. 115264-01 | PAN, LINER LOCKER W/B FRONT                 |
| 16. 801710    | SUPPORT DIVIDER-R/L                         |
| 17. 454613    | SPRING-LEAF R/L                             |

# 2007 INTERNATIONAL TRAVEL TRAILER

## FURNITURE, LOUNGE

SOFA, L-SECTION, 25' Sleep Six, 28', 965983



965983

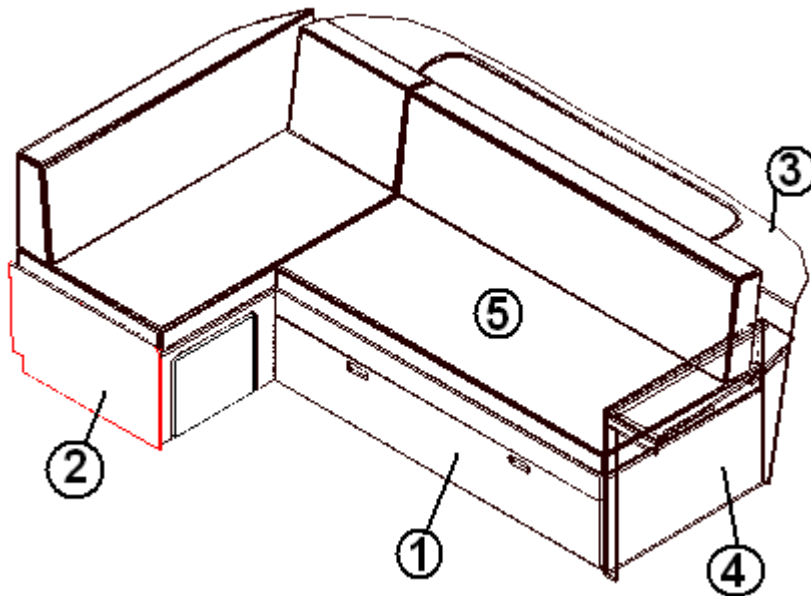
Sofa L-Section Assembly



# 2007 INTERNATIONAL TRAVEL TRAILER

## FURNITURE, LOUNGE

Sofa, 28' Signature, Wenge

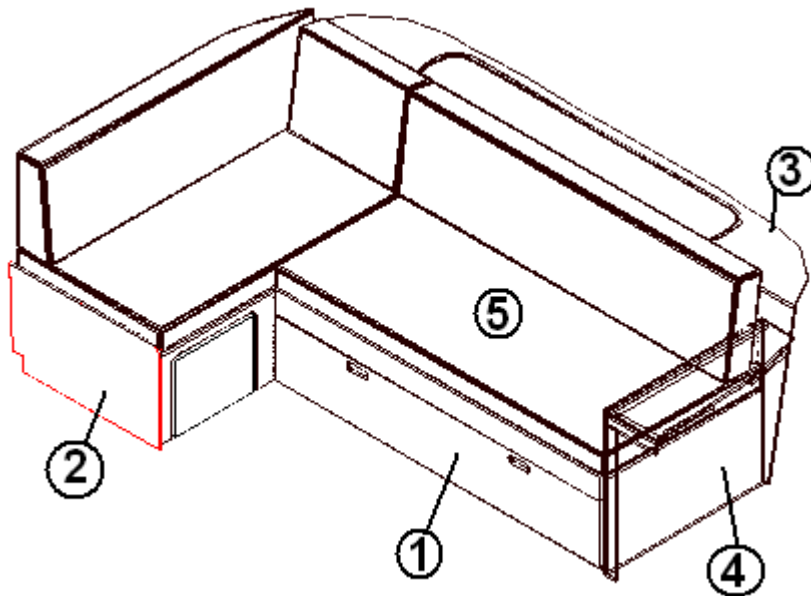


- |               |                                     |
|---------------|-------------------------------------|
| 1. 966970     | SOFA ASSY.                          |
| 2. 966972     | SOFA ASSY, L SECTION                |
| 3. 966973     | BACK ASSY, SOFA                     |
| 4. 966974     | ARMREST ASSY, SOFA                  |
| 5. 703340-047 | CUSHION KIT, CILANTRO               |
| 5. 703340-057 | CUSHION KIT, PAPRIKA                |
| 965812        | CUSHION ASSY, FOAM WEDGE, L LOUNGE  |
| 203447        | STORAGE BOX, 23.5" X 16.25" X 6.38" |

# 2007 INTERNATIONAL TRAVEL TRAILER

## FURNITURE, LOUNGE

Sofa, 28' Signature, "L", Ocean Breeze

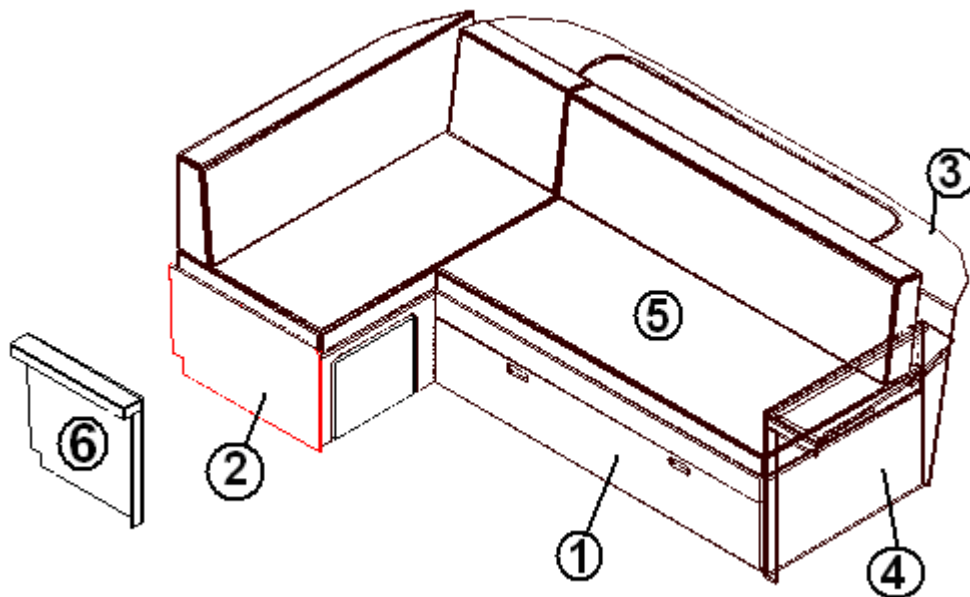


- |               |                                     |
|---------------|-------------------------------------|
| 1. 966970-01  | SOFA ASSY.                          |
| 2. 966972-01  | SOFA ASSY, L SECTION                |
| 3. 966973-01  | BACK ASSY, SOFA                     |
| 4. 966974-01  | ARMREST ASSY, SOFA                  |
| 5. 703340-167 | CUSHION KIT, OCEAN BREEZE           |
| 965812        | CUSHION ASSY, FOAM WEDGE, L LOUNGE  |
| 203447        | STORAGE BOX, 23.5" X 16.25" X 6.38" |

# 2007 INTERNATIONAL TRAVEL TRAILER

## FURNITURE, LOUNGE

Sofa, 25' Sleep Six Signature, Wenge

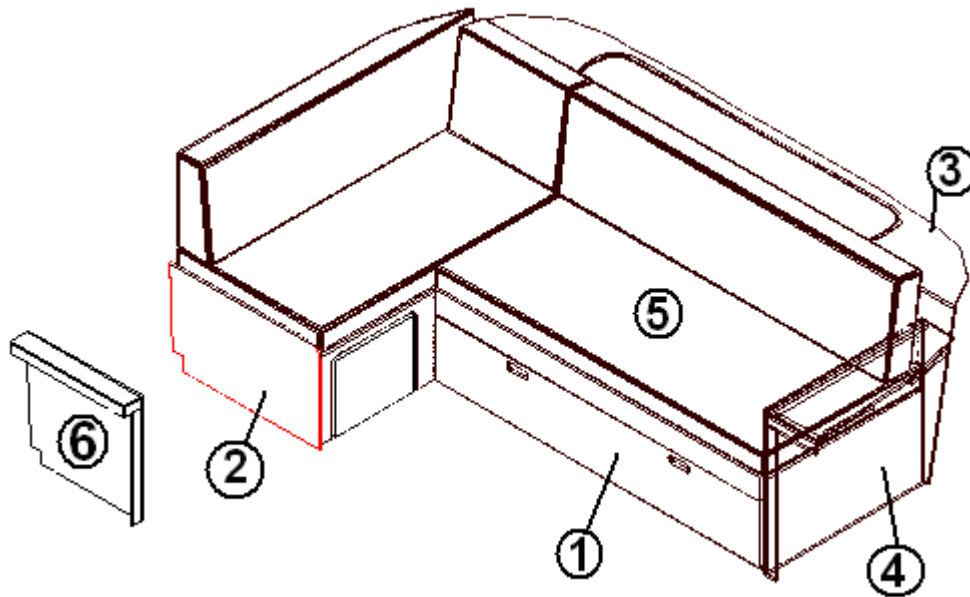


- |               |                                     |
|---------------|-------------------------------------|
| 1. 966971     | SOFA ASSY.                          |
| 2. 967040     | SOFA ASSY, L SECTION                |
| 3. 966973     | BACK ASSY, SOFA                     |
| 4. 966974     | ARMREST ASSY, SOFA                  |
| 5. 703657-047 | CUSHION KIT, CILANTRO               |
| 5. 703657-057 | CUSHION KIT, PAPRIKA                |
| 6. 965852     | ARMREST ASSEMBLY, "L" LOUNGE        |
| 965812        | CUSHION ASSY, FOAM WEDGE, L LOUNGE  |
| 203447        | STORAGE BOX, 23.5" X 16.25" X 6.38" |

# 2007 INTERNATIONAL TRAVEL TRAILER

## FURNITURE, LOUNGE

Sofa, 25' Sleep Six Signature, Ocean Breeze

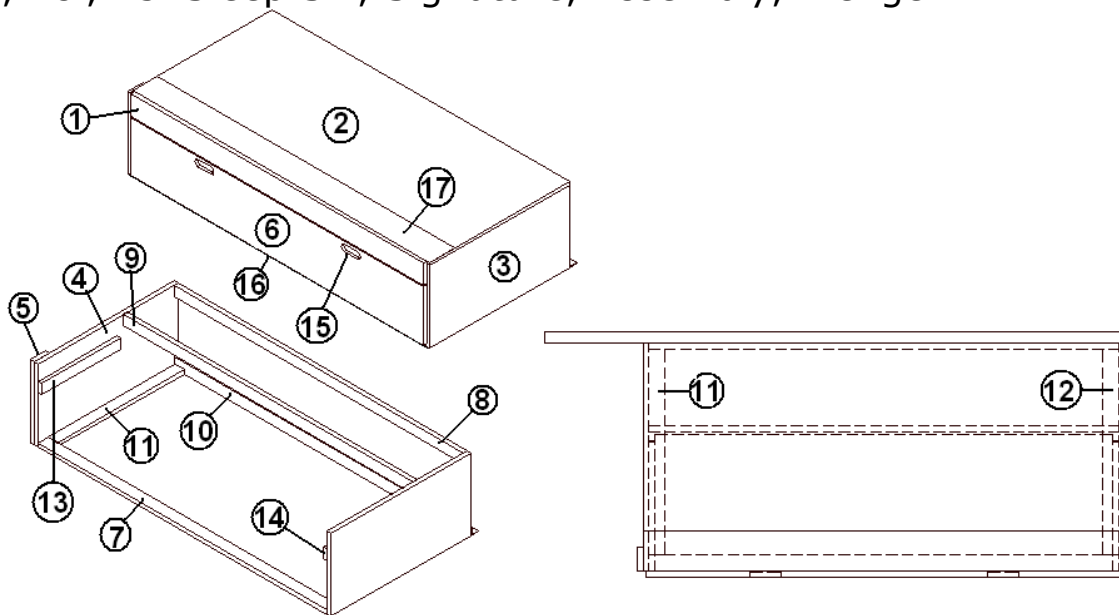


- |               |                                     |
|---------------|-------------------------------------|
| 1. 966970-01  | SOFA ASSY.                          |
| 2. 967040-01  | SOFA ASSY, L SECTION                |
| 3. 966973-01  | BACK ASSY, SOFA                     |
| 4. 966974-01  | ARMREST ASSY, SOFA                  |
| 5. 703340-167 | CUSHION KIT, OCEAN BREEZE           |
| 6. 965852-01  | ARMREST ASSEMBLY, "L" LOUNGE        |
| 965812        | CUSHION ASSY, FOAM WEDGE, L LOUNGE  |
| 203447        | STORAGE BOX, 23.5" X 16.25" X 6.38" |

# 2007 INTERNATIONAL TRAVEL TRAILER

## FURNITURE, LOUNGE

Sofa, 28', 25' Sleep Six, Signature, Assembly, Wenge

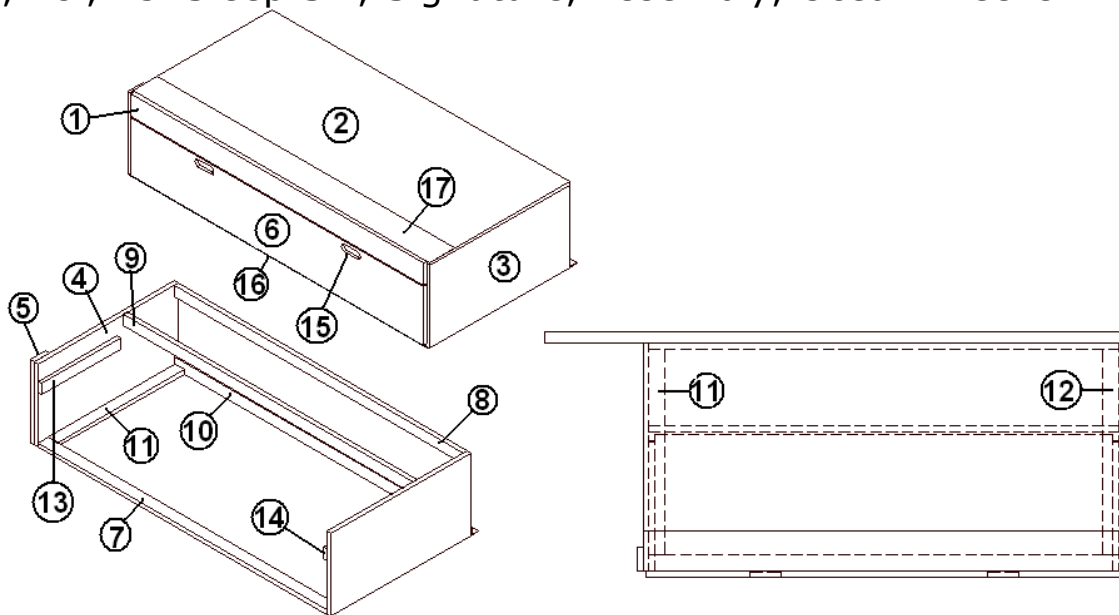


966970	SOFA ASSY.
1. 966971	SOFA BED ASSY.
2. 800506-04	PLYWOOD, 1/2" X 4' X 8'
3. 801351	LITE PLY, 18MM (.75") 4'X 8'
4. 801351	LITE PLY, 18MM (.75") 4'X 8'
5. 801351	LITE PLY, 18MM (.75") 4'X 8'
6. 966970-6	DOOR, 10.25" X 59.13"
7. 850082	POPLAR, .75 X 2.00
8. 850082	POPLAR, .75 X 2.00
9. 850082	POPLAR, .75 X 2.00
10. 850082	POPLAR, .75 X 2.00
11. 850082	POPLAR, .75 X 2.00
12. 850082	POPLAR, .75 X 2.00
13. 850082	POPLAR, .75 X 2.00
14. 850082	POPLAR, .75 X 2.00
15. 381775	DRAWER PULL, FLUSH SATIN
16. 381072-01	HINGE, 3" X 2" FIXED PIN
17. 801711-01	LAMINATE-WENGE VERTICAL
381228-01	CATCH GRABBER DOOR
114809	ALUM. ANGLE 1.50 X 1.50

# 2007 INTERNATIONAL TRAVEL TRAILER

## FURNITURE, LOUNGE

Sofa, 28', 25' Sleep Six, Signature, Assembly, Ocean Breeze

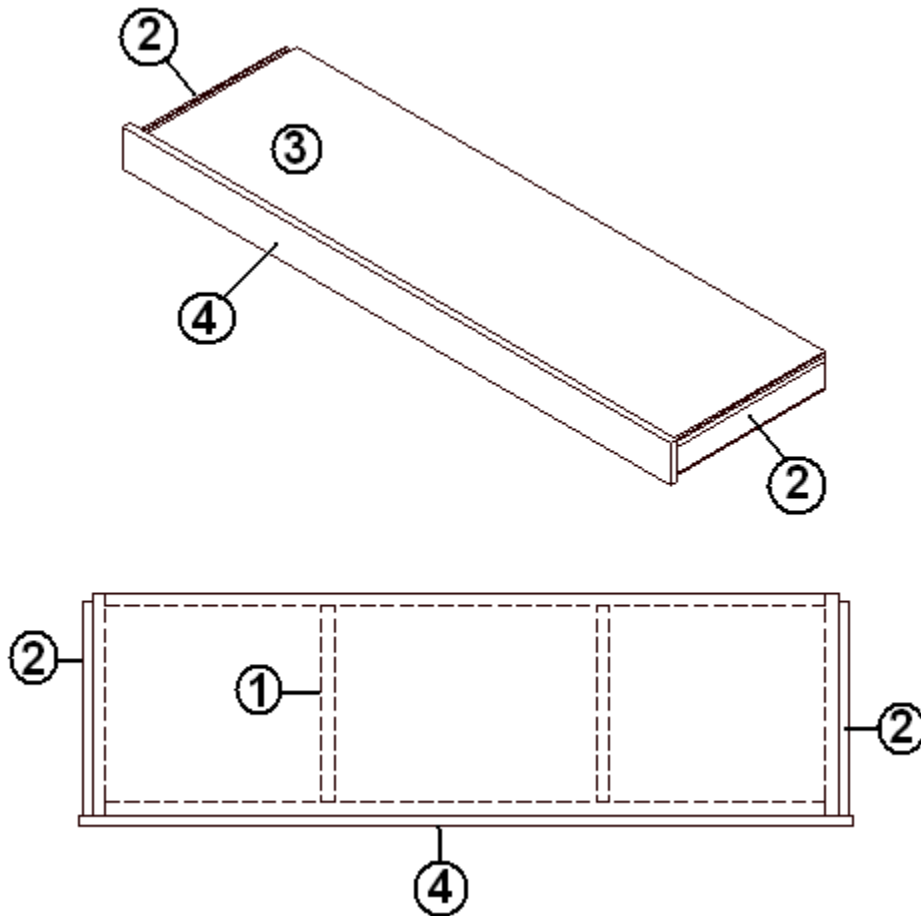


966970-01	SOFA ASSY.
1. 966971-01	SOFA BED ASSY.
2. 800506-04	PLYWOOD, 1/2" X 4' X 8'
3. 801351	LITE PLY, 18MM (.75") 4'X 8'
4. 801351	LITE PLY, 18MM (.75") 4'X 8'
5. 801351	LITE PLY, 18MM (.75") 4'X 8'
6. 966970-016	DOOR, 10.25" X 59.13"
7. 850082	POPLAR, .75 X 2.00
8. 850082	POPLAR, .75 X 2.00
9. 850082	POPLAR, .75 X 2.00
10. 850082	POPLAR, .75 X 2.00
11. 850082	POPLAR, .75 X 2.00
12. 850082	POPLAR, .75 X 2.00
13. 850082	POPLAR, .75 X 2.00
14. 850082	POPLAR, .75 X 2.00
15. 381775	DRAWER PULL, FLUSH SATIN
16. 381072-01	HINGE, 3" X 2" FIXED PIN
17. 801355-01	LAMINATE, WHITE, VERTICAL
381228-01	CATCH GRABBER DOOR
114809	ALUM. ANGLE 1.50 X 1.50

# 2007 INTERNATIONAL TRAVEL TRAILER

## FURNITURE, LOUNGE

Sofa Bed, 28', 25' Sleep Six, Signature, Wenge

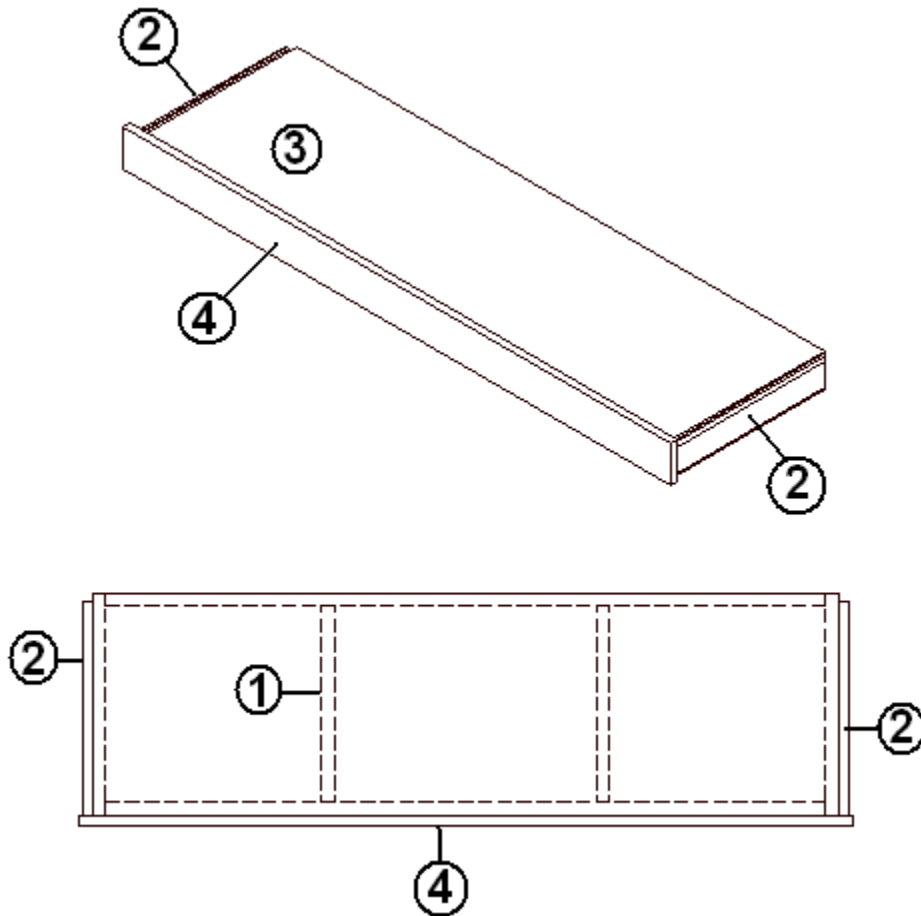


966971	SOFA BED ASSY
1. 915708	WELDMENT, SOFA BED
2. 381826	SLIDE, BALL BEARING, 16"
3. 800507-02	LAUAN, 1/4" X 4' X 8'
4. 966971-4	PANEL, SOFA BED 3.88 X 59.13
330031-03	RIVET DOME HEAD SSD64SSBS
320117-03	SCREW, DRYWALL, #6 X 1.625"

# 2007 INTERNATIONAL TRAVEL TRAILER

## FURNITURE, LOUNGE

Sofa Bed, 28', 25' Sleep Six, Signature, Ocean Breeze



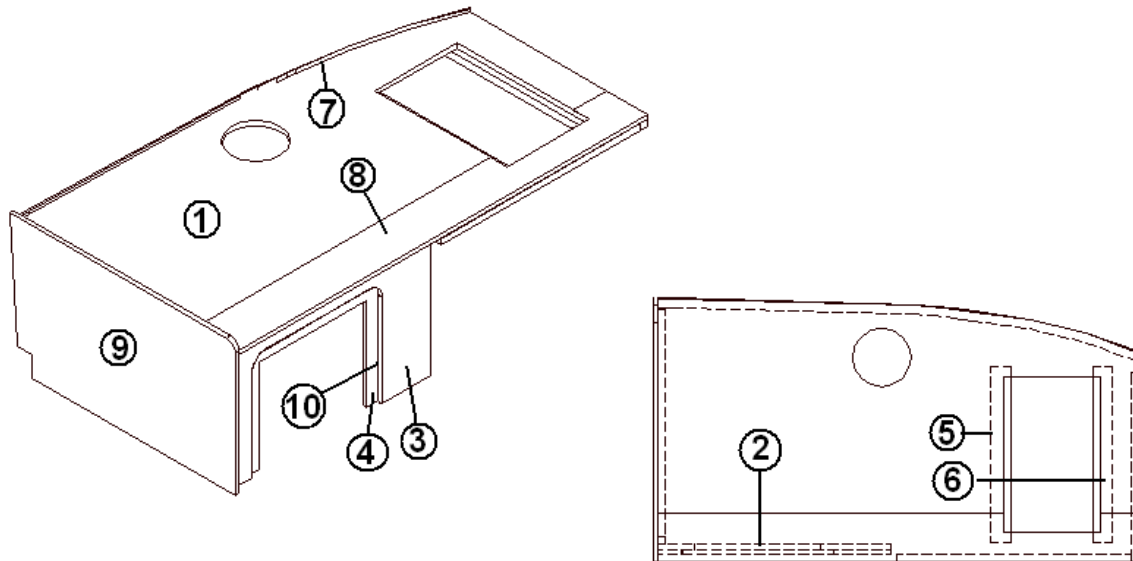
- |               |                              |
|---------------|------------------------------|
| 966971-01     | SOFA BED ASSY                |
| 1. 915708     | WELDMENT, SOFA BED           |
| 2. 381826     | SLIDE, BALL BEARING, 16"     |
| 3. 800507-02  | LAUAN, 1/4" X 4' X 8'        |
| 4. 966971-014 | PANEL, SOFA BED 3.88 X 59.13 |
| 330031-03     | RIVET DOME HEAD SSD64SSBS    |
| 320117-03     | SCREW, DRYWALL, #6 X 1.625"  |



# 2007 INTERNATIONAL TRAVEL TRAILER

## FURNITURE, LOUNGE

Sofa, 28' Signature, L-Section, Wenge

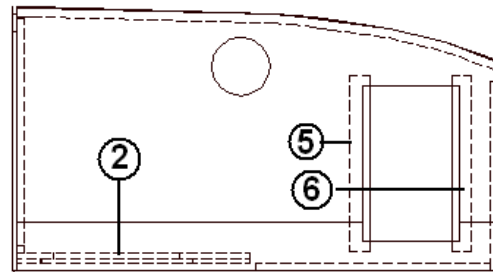
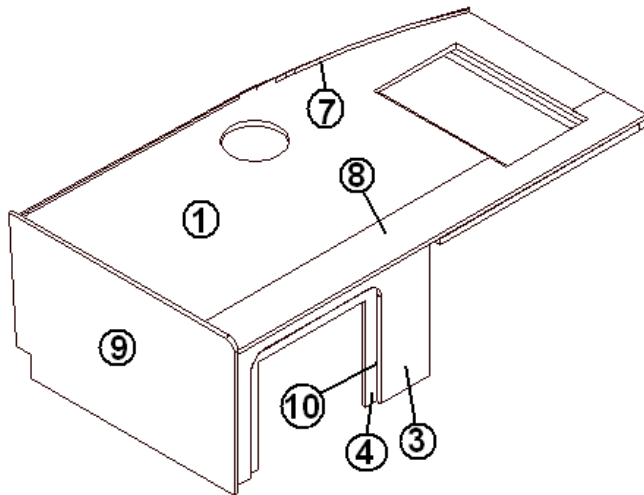


966972	SOFA ASSY L SECTION
1. 800506-04	PLYWOOD, 1/2" X 4' X 8'
2. 800506-04	PLYWOOD, 1/2" X 4' X 8'
3. 966972-3	PANEL, 24.00" X 14.50"
4. 966972-4	PANEL, 24.00 X 14.50
5. 850082	POPLAR, .75" X 2.00"
6. 850082	POPLAR, .75" X 2.00"
7. 114812	ALUMINUM ANGLE, 1.00" X 1.00"
8. 801711-01	LAMINATE, WENGE VERTICAL
9. 966972-11	PANEL, 16.00 X 27.29
10. 203445	T-MOLDING BLACK, FLEXIBLE POLY .5

# 2007 INTERNATIONAL TRAVEL TRAILER

## FURNITURE, LOUNGE

Sofa, 28' Signature, L-Section, Ocean Breeze

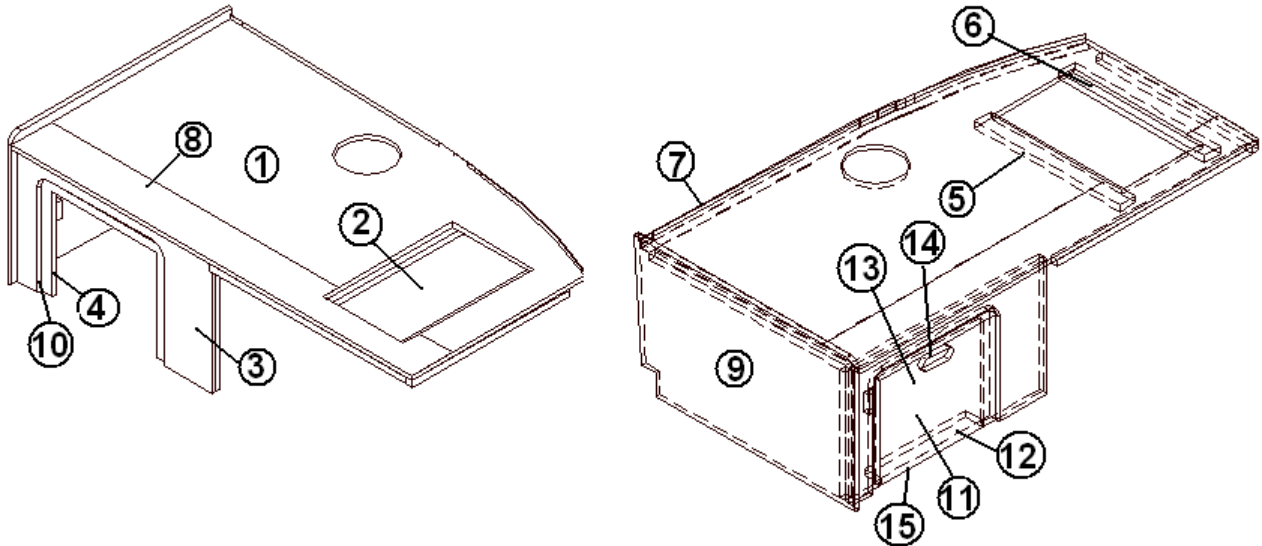


966972-01	SOFA ASSY L SECTION
1. 800506-04	PLYWOOD, 1/2" X 4' X 8'
2. 800506-04	PLYWOOD, 1/2" X 4' X 8'
3. 966972-013	PANEL, 24.00" X 14.50"
4. 966972-014	PANEL, 24.00 X 14.50
5. 850082	POPLAR, .75" X 2.00"
6. 850082	POPLAR, .75" X 2.00"
7. 114812	ALUMINUM ANGLE, 1.00" X 1.00"
8. 801355-01	LAMINATE, WHITE, VERTICAL
9. 966972-0111	PANEL, 16.00 X 27.29
10. 203508-01	T-MOLDING, PLY

# 2007 INTERNATIONAL TRAVEL TRAILER

## FURNITURE, LOUNGE

Sofa, 25' Sleep Six Signature, L-Section, Wenge

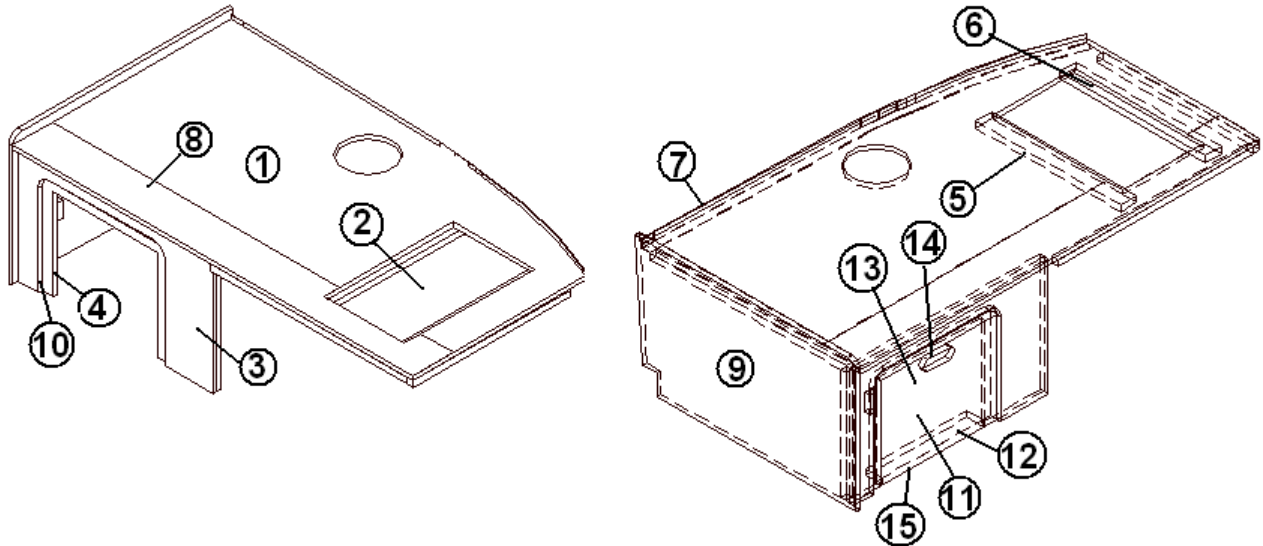


967040	SOFA ASSY "L" SECTION
1. 967040-1	BED TOP
2. 967040-2	BED TOP ACCESS DOOR
3. 967040-3	PANEL, 14.50 X 24.00
4. 967040-4	PANEL, 14.50 X 24.00
5. 967040-5	POPLAR, .75 X 2.00 X 18.00
6. 967040-6	POPLAR, .75 X 2.00 X 18.00
7. 114812	ALUMINUM ANGLE, 1.00 X 1.00
8. 967040-10	PANEL, 5 X 49.50
9. 967040-11	PANEL, 16 X 27.29
10. 203445	T-MOLDING BLACK, .5
11. 967040-13	DOOR, 11.25 X 14.25
12. 850082	POPLAR, 75 X 2.00 X 12.50
13. 381228-01	CATCH, GRABBER DOOR
14. 381775	DRAWER PULL
15. 381072-01	HINGE-3" X 2"

# 2007 INTERNATIONAL TRAVEL TRAILER

## FURNITURE, LOUNGE

Sofa, 25' Sleep Six Signature, L-Section, Ocean Breeze



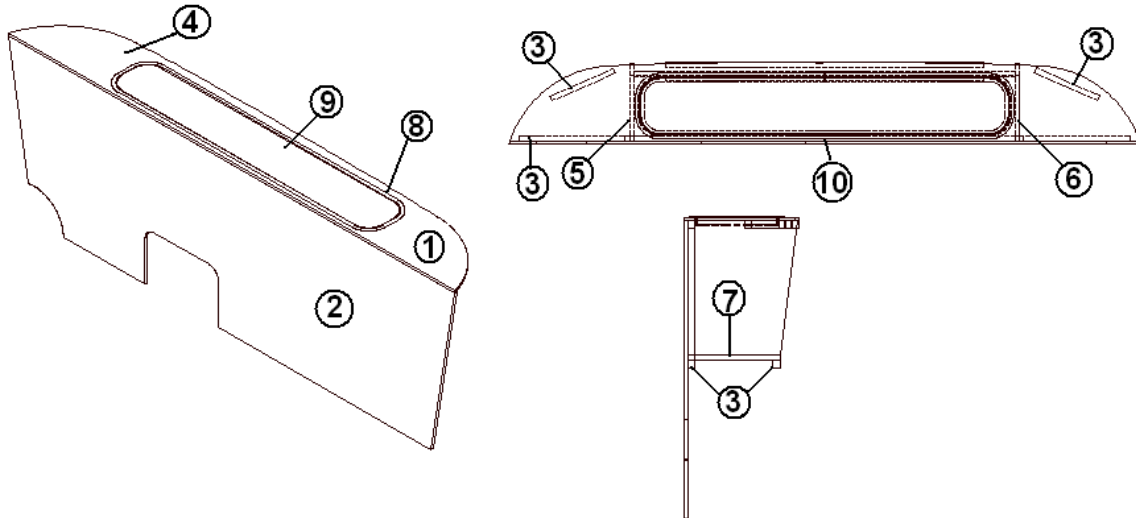
- 967040-01
- 1. 967040-1
- 2. 967040-2
- 3. 967040-013
- 4. 967040-014
- 5. 967040-5
- 6. 967040-6
- 7. 1148124
- 8. 967040-0110
- 9. 967040-0111
- 10. 203508-01
- 11. 967040-0113
- 12. 967040-14
- 13. 381228-01
- 14. 381775
- 15. 381072-01

- SOFA ASSY "L" SECTION
- BED TOP
- BED TOP ACCESS DOOR
- PANEL, 14.50 X 24.00
- PANEL, 14.50 X 24.00
- POPLAR, .75 X 2.00 X 18.00
- POPLAR, .75 X 2.00 X 18.00
- ALUMINUM ANGLE, 1.00 X 1.00
- PANEL, 5 X 49.50
- PANEL, 16 X 27.29
- T-MOLDING, WHITE, .5
- DOOR, 11.25 X 14.25
- POPLAR, 75 X 2.00 X 12.50
- CATCH, GRABBER DOOR
- DRAWER PULL
- HINGE-3" X 2"

# 2007 INTERNATIONAL TRAVEL TRAILER

## FURNITURE, LOUNGE

Sofa Back, 25' Sleep Six, 28', Signature, Wenge

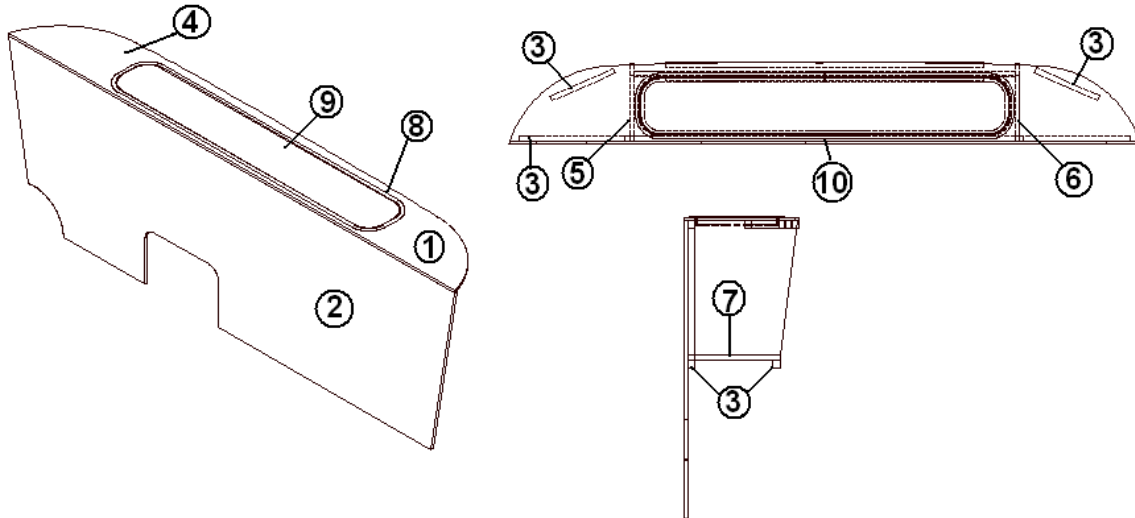


- |               |                                |
|---------------|--------------------------------|
| 966973        | BACK ASSY, SOFA                |
| 1. 800507-03  | LAUAN, 3/8" X 4' X 8'          |
| 2. 800507-03  | LAUAN, 3/8" X 4' X 8'          |
| 3. 800025-01  | PINE, 3/4 X 3/4' STAINED       |
| 4. 701764     | FOAM, 1/4"                     |
| 4. 703663     | FABRIC-PRISTINE TEAK           |
| 5. 966973-6   | PANEL, 11.13 X 13.63           |
| 6. 966973-7   | PANEL, 11.13 X 13.63           |
| 7. 966973-8   | PANEL, 9.38 X 56.00            |
| 8. 115203     | JAMB, SOFA BACK DOOR           |
| 9. 966134     | DOOR, SOFA BACK                |
| 10. 381847-01 | HINGE PIANO ANGLE, 46"         |
| 365013-01     | TAPE CHARCOAL LOW DENSITY FOAM |
| 381581        | STRAP CLEAR PLASTIC .75"W      |

# 2007 INTERNATIONAL TRAVEL TRAILER

## FURNITURE, LOUNGE

Sofa Back, 25' Sleep Six, 28', Signature, Ocean Breeze

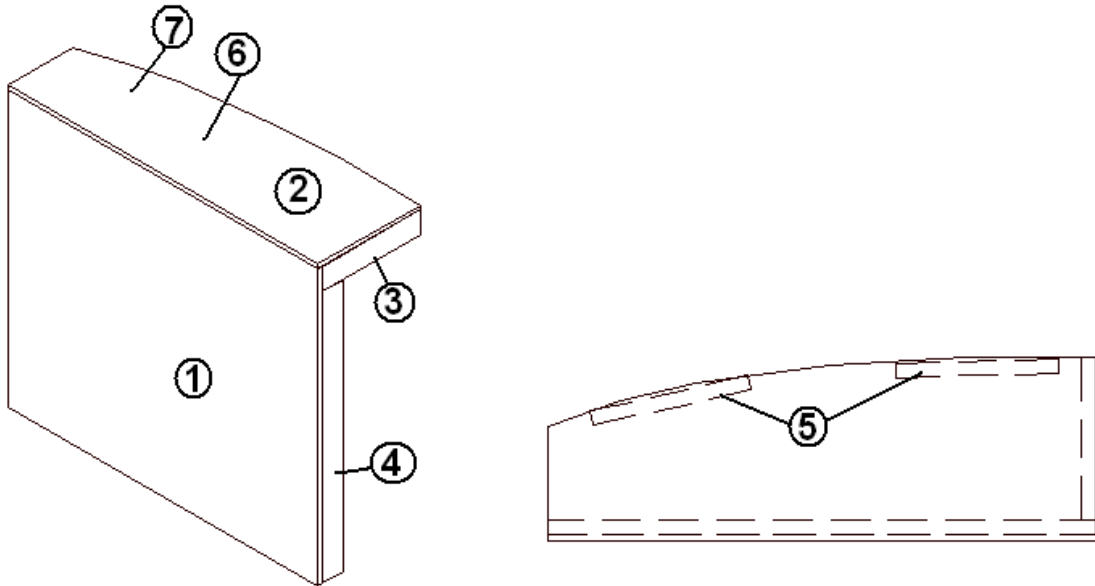


966973-01	BACK ASSY, SOFA
1. 800507-03	LAUAN, 3/8" X 4' X 8'
2. 800507-03	LAUAN, 3/8" X 4' X 8'
3. 800025-01	PINE, 3/4 X 3/4' STAINED
4. 701764	FOAM, 1/4"
4. 703548	FABRIC, CUZCO SLATE
5. 966973-016	PANEL, 11.13 X 13.63
6. 966973-017	PANEL, 11.13 X 13.63
7. 966973-018	PANEL, 9.38 X 56.00
8. 115203	JAMB, SOFA BACK DOOR
9. 966134	DOOR, SOFA BACK
10. 381847-01	HINGE PIANO ANGLE, 46"
365013	TAPE CHARCOAL LOW DENSITY FOAM
381581	STRAP CLEAR PLASTIC .75"W

# 2007 INTERNATIONAL TRAVEL TRAILER

## FURNITURE, LOUNGE

Sofa, 25' Sleep Six, 28', Signature, Armrest, Wenge

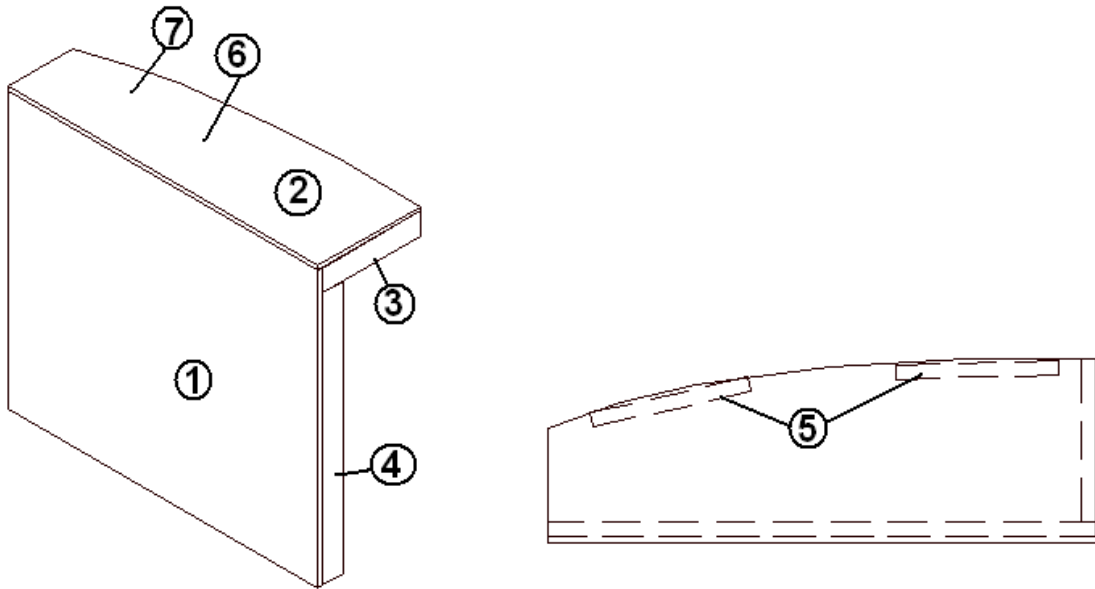


966974	ARMREST ASSY SOFA
1. 966974-1	LAUAN, 3/8" X 4'X 8'
2. 966974-2	LAUAN, 3/8" X 4'X 8'
3. 966974-3	LAUAN, 3/8" X 4'X 8'
4. 966974-4	LAUAN, .75" X 4' 8'
5. 800025-01	PINE 3/4" X 3/4" STAINED
6. 701764	FOAM, 1/4"
7. 703663	FABRIC, PRISTINE TEAK

# 2007 INTERNATIONAL TRAVEL TRAILER

## FURNITURE, LOUNGE

Sofa, 25' Sleep Six, 28', Signature, Armrest, Ocean Breeze



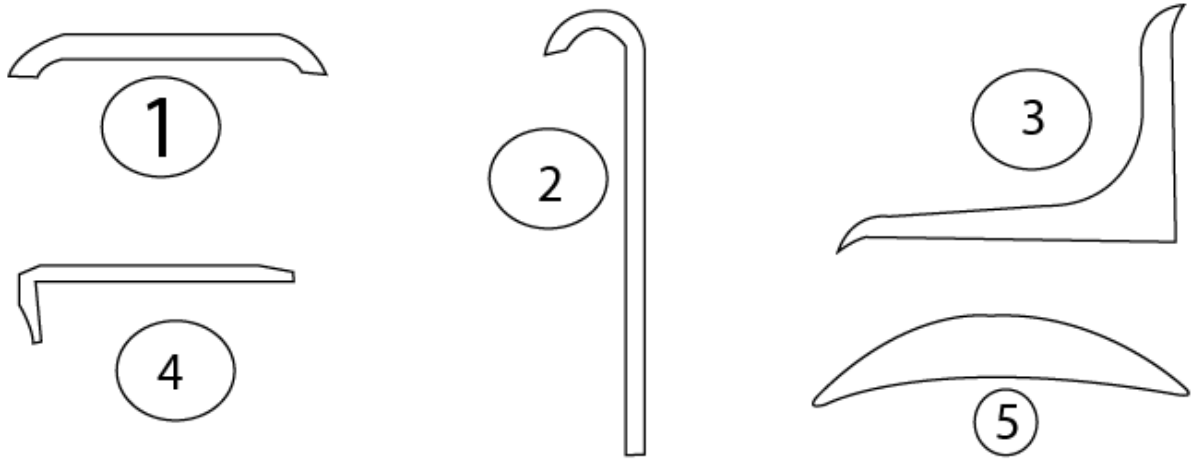
966974-01	ARMREST ASSY SOFA
1. 800507-03	LAUAN, 3/8" X 4'X 8'
2. 800507-03	LAUAN, 3/8" X 4'X 8'
3. 800507-03	LAUAN, 3/8" X 4'X 8'
4. 800507-06	LAUAN, .75" X 4' 8'
5. 800025-01	PINE 3/4" X 3/4" STAINED
6. 701764	FOAM, 1/4"
7. 703548	FABRIC, CUZCO SLATE



# 2007 INTERNATIONAL TRAVEL TRAILER

## FURNITURE, LOUNGE

### Furniture Trim, 75<sup>th</sup> International

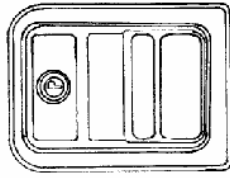


- |           |   |
|-----------|---|
| 1. 115341 | Seam cover, $\frac{3}{4}$ " anodized                  |
| 2. 115342 | No drip edge, anodized                                |
| 3. 115345 | Inside, cove molding, anodized                        |
| 4. 115343 | Edge, $\frac{13}{16}$ ", anodized                     |
| 5. 115344 | Rub rail, $\frac{1}{2}$ " x $\frac{1}{8}$ ", anodized |

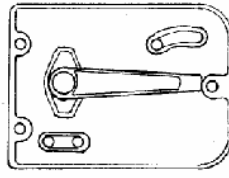
# 2007 INTERNATIONAL TRAVEL TRAILER

## HARDWARE

### MAIN DOOR LOCK/LATCH



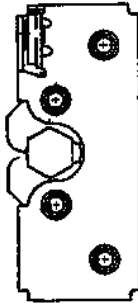
①



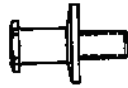
②



③



④



⑤

- |              |                                       |
|--------------|---------------------------------------|
| 1. 381547-01 | Main door lock Outside housing        |
| 2. 381547-07 | Main door lock,inside plate           |
| 3. 203494    | Base plate, door latch                |
| 4. 381547-03 | Double rotary latch main door lock    |
| 5. 381547-04 | Striker bolt w/washer, main door lock |

- |           |  |
|-----------|--|
| 381547-08 | Screw package, main door lock            |
| 381550    | PLATE STRIKER BOLT                       |
| 385595    | POCKET-STRIKE                            |
| 453851    | Dead bolt, main door, Tri-mark           |
| 101401    | Extrusion door latch housing/stone guard |
| 201787-01 | POCKET, DEADBOLT, INTERIOR               |

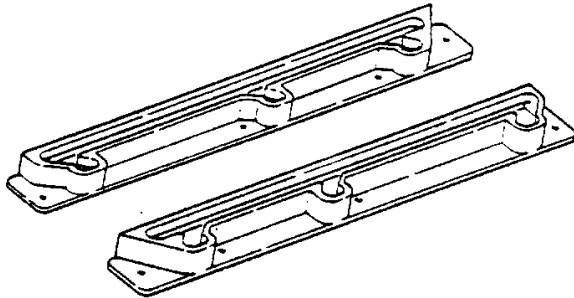
### MAIN DOOR DEAD BOLT

- |           |                                    |
|-----------|------------------------------------|
| 381323-01 | DEADBOLT COMPLETE ASSY. #11840-12  |
| 381326    | STRIKER #10007 W/TRIMARK DEADBOLT  |
| 345321-12 | SCREW, #8-32 FLAT HEAD, BLK, 1.625 |
| 453851    | BOLT - TRI/MARK                    |
| 203370    | SPACER-TRI/MARK DOOR LATCH         |
| 203375    | HIGH DENSITY POLYETHYLENE .187"TH  |

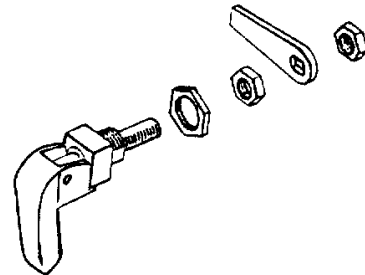
# 2007 INTERNATIONAL TRAVEL TRAILER

## HARDWARE

### WINDOW HARDWARE



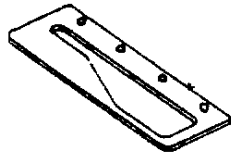
683975 Window guide, RH  
683975-01 Window guide, LH



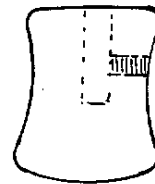
010020 Lower window latch  
381088 Latch w/red handle



685123 Pawl,  
window latch,  
straight



685124 Striker  
plate, window  
latch



380230-03 Knob,  
window arm  
380230-04 Knob,  
window arm, red

0703-0001  
0703-0010  
0706-0003  
0706-0004  
0802-0004  
0802-0005

Screw 8-32 x 1/2", black  
Screw 8-32 x 1/2", stainless  
Washer, flat, nylon, clear  
Washer, flat, nylon, black  
Screw cap, black  
Snap cap washer, clear

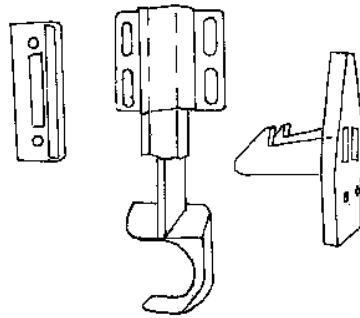
# 2007 INTERNATIONAL TRAVEL TRAILER

## HARDWARE

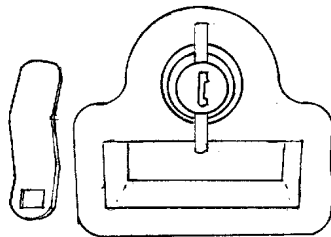
### EXTERIOR LATCHES/LOCKS



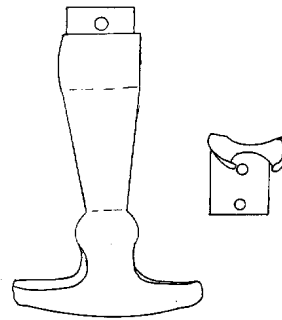
101171 Grab  
Handle, main door



381454 Latch,  
screen door, Bullet



380770-102 Twist lock, black

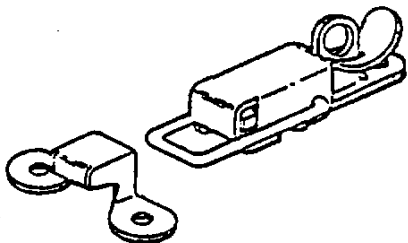


381021-01 Rubber T  
handle

# 2007 INTERNATIONAL TRAVEL TRAILER

## HARDWARE

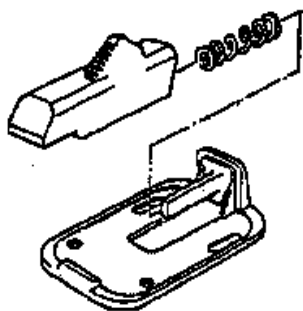
### EXTERIOR LATCHES/LOCKS



340023-01 Catch  
w/strike, battery box



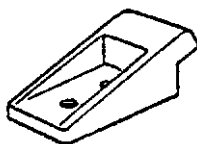
380067 Lock cam,  
bumper lid



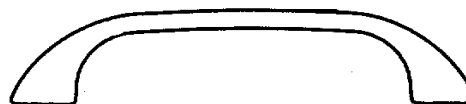
380291 Main door holdback,  
(use w/housing #380290)



380290 Latch housing,



201056 Catch, main door  
holdback

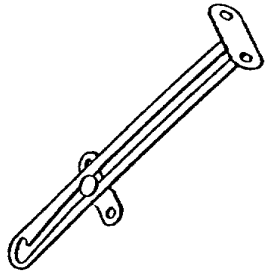


380004 Handle, screen door

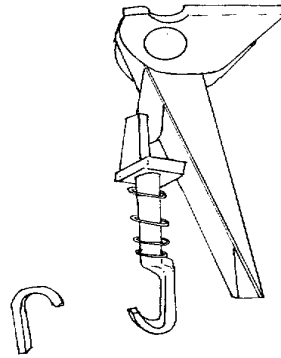
# 2007 INTERNATIONAL TRAVEL TRAILER

## HARDWARE

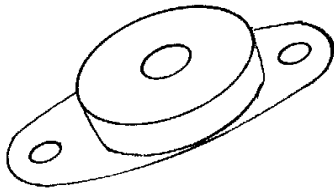
### EXTERIOR LATCHES/LOCKS



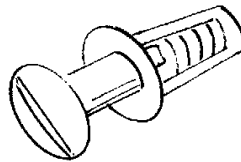
380024 Support arm,  
bumper lid



380903 Latch w/strike,  
chrome, gas bottle cover



685359  
Rubber receptacle  
1/4 latch, Southco



685348  
Stud, 1/4 turn latch  
Southco



685362  
Retaining ring  
1/4 turn stud

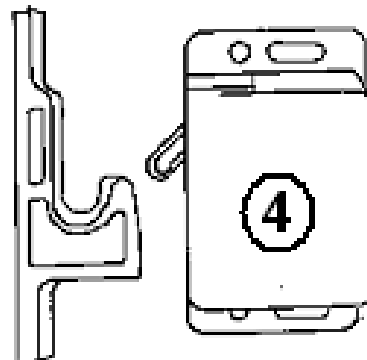
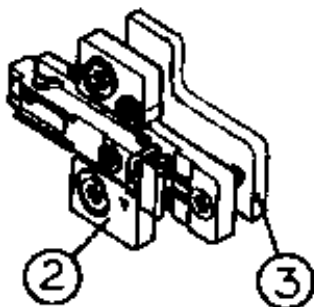
### EXTERIOR HINGES

- 381552-03 Hinge assembly, main door, upper
- 381552-04 Hinge assembly, main door, lower
- 381531-01 Hinge, screen door, upper
- 381531-02 Hinge, screen door, lower
- 380773 Hinge, exterior access door, 13¼, gas bottle cover
- 385395 Hinge, pivot, zinc plated, refer cabinet
- 380203-01 Piano hinge, 1/8" pin, Hose carrier lid, Battery box lid, access doors
- 380203-02 PIANO HINGE, BLACK, HOSE CARRIER LID ANODIZED 72"
- 380988 HINGE, CONTINUOUS, REFER ACCESS DOOR
- 381605-02 HINGE PIANO STAINLESS STEEL, wrap protector

# 2007 INTERNATIONAL TRAVEL TRAILER

## HARDWARE

### INTERIOR CABINET HINGE/CATCH



- |              |                    |
|--------------|--------------------|
| 381607       | Hinge assembly     |
| 1) 381607-01 | Hinge, cabinet     |
| 2) 381607-02 | Base, metal        |
| 3)*381607-03 | Base, plastic      |
| 3) 381608-04 | Screw #6 x 5/8"    |
| 4) 381228-01 | Grabber door latch |
| 5) 454320    | Door latch cover   |

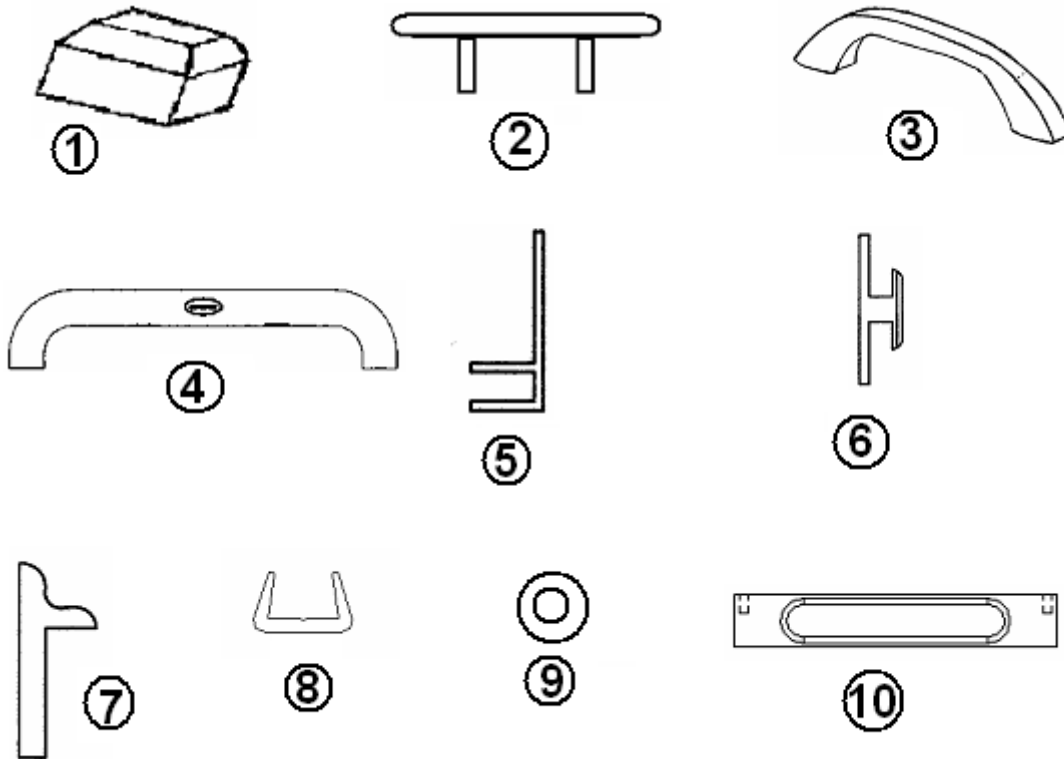
\*Not used in all applications

381979 Hinge, self-closing, face mount, 75<sup>th</sup> Anniversary

# 2007 INTERNATIONAL TRAVEL TRAILER

## HARDWARE

### INTERIOR TRIM



- |              |   |
|--------------|---|
| 1. 360016    | Bumper, rubber                                |
| 2. 381978    | Pull, 75 <sup>th</sup> Anniversary            |
| 3. 381737    | Grab bar, interiormounts on interior doorjamb |
| 4. 381772    | Head knocker, white                           |
| 5. 203335    | H-trim  |
| 6. 203385    | "F" Trim Black plastic                        |
| 7. 115064    | Molding Aluminum cove                         |
| 8. 203138-05 | EXTRUSION, PLASTIC WALL BLACK                 |
| 8. 203138-01 | EXTRUSION, PLASTIC WALL WHITE                 |
| 9. 381610-01 | SCREW CAP, WHITE                              |
| 9. 381610-04 | SCREW CAP, BLACK                              |
| 10. 382038   | Handle, DWR                                   |



# 2007 INTERNATIONAL TRAVEL TRAILER

## HARDWARE

### BATHROOM ACCESSORIES

- 381776 TOWEL BAR, CHROME 18", 28', 25', 19', 22', 23' D, 27' FB
- 381777 TOWEL RING, CHROME, 28', 25', 22', 23' D, 27' FB
- 381778 ROBE HOOK, CHROME, 22', 25', 28', 23' D, 27' FB
- 381299 Recessed toilet paper holder, 19', 25', 28', 27' FB
- 380034 TOILET PAPER HOLDER, CHROME, 22', 27' FB

### MISCELLANEOUS INTERIOR HINGES

- 380988 Hinge, medicine cabinet mirror assembly, 22'
- 380203-01 Hinge, Bath Door, Wardrobe, clear
- 380458 HINGE PIANO BROWN, 16', 19', 22' BED/HAMPER

### DINETTE TABLE HARDWARE

- 380284-02 TABLE HINGE BRACKET
- 380284-03 CENTER HINGE J-4
- 340018 CATCH PLATE J-1
- 700065-01 Snapo folding leg
- 381525 SASH LOCK, CONTEMPORARY MINI

### BED GAS SPRINGS, 28', 25' Front Bed

- 380203-01 PIANO HINGE 1/8" PIN CLEAR ANODIZED
- 381067-09 SPRING, GAS 90 LBS.
- 381262 BRACKET, PROP, W/BALL
- 381310 GAS PROP BRKT. ASSY-UPPER
- 381084 BALL, STUD

### Clock/Coat Rack, 16' DWR

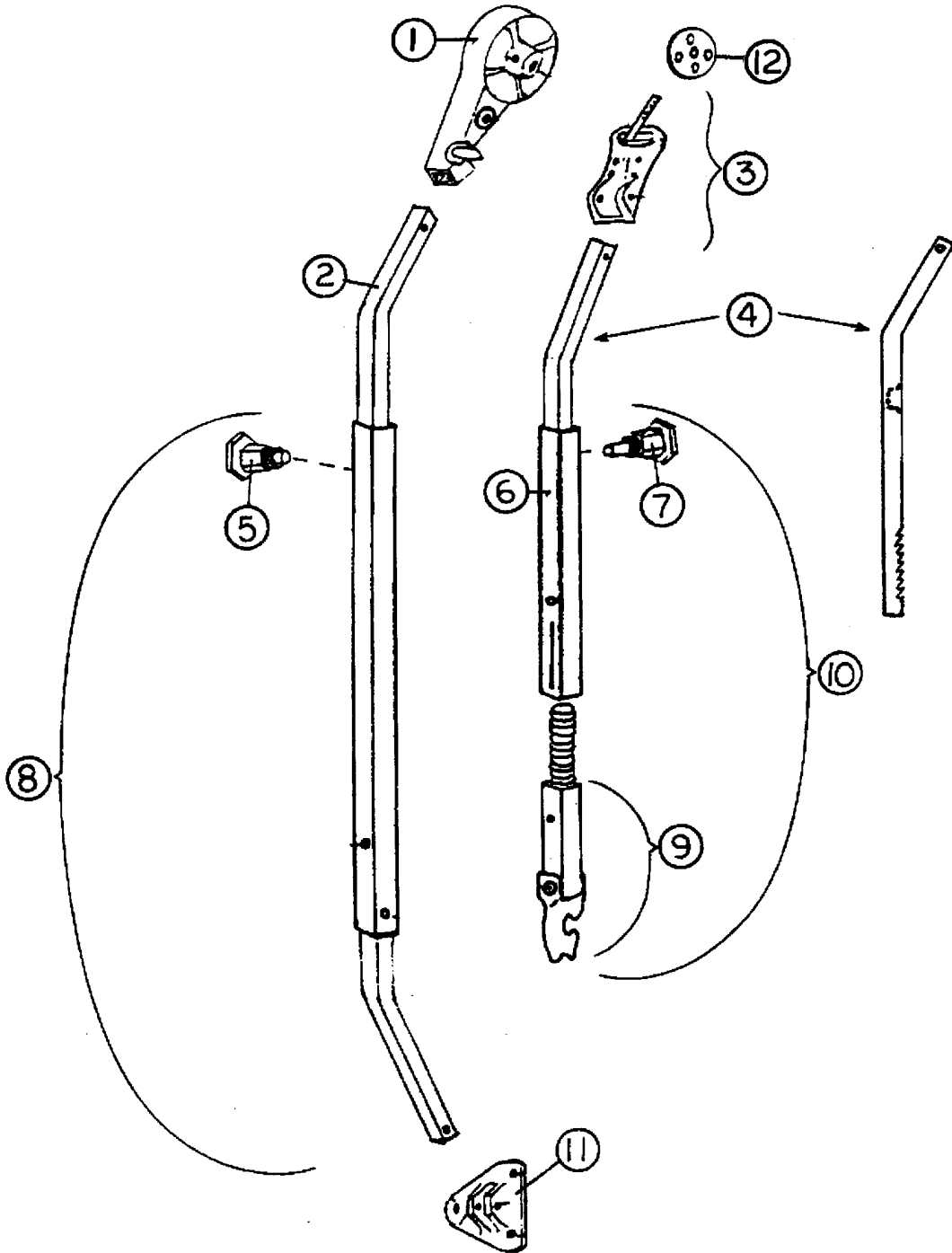
- 382039 CLOCK, NELSON BALL
- 382040 RACK, WIRE, COAT, STAINLESS STEEL

# 2007 INTERNATIONAL TRAVEL TRAILER

## HARDWARE

### AWNING HARDWARE

See next page for P/N



# 2007 INTERNATIONAL TRAVEL TRAILER

## HARDWARE

### AWNING HARDWARE

702993	Awning Hardware, complete Assembly
1. 74043W-06	Front head assembly
1. 74043W-07	Rear head assembly
2. 74047W-11	Front main arm bar
2. 74047W-12	Rear main arm bar
3. 74056W	Clamp assembly, front, curved
3. 74056W-01	Clamp assembly, rear, curved
4. 74061WS-08	Rafter arm bar, satin
5. 74054W	Snap stud assembly
6. 74063W-04	Rafter arm tube, satin
7. 74072W	Ratchet stud
8. 74048WS-15	Front main arm tube assembly
8. 74048WS-16	Rear main arm tube assembly
9. 74068W-04	Claw bar assembly
10. 74048WS-17	Rafter arm assembly
11. 74055W	Base hinge, rib mount
12. 74060W	Clamp wheel

### Trailer Level

381269 TRAILER LEVEL

### DINNERWARE KIT, 16' DWR

703715	PLATE, DINNER, WHITE MELAMINE
703716	PLATE, SALAD, WHITE MELAMINE
703717	BOWL, WHITE, MELAMINE
703718	MUG, WHITE, MELAMINE

# 2007 INTERNATIONAL TRAVEL TRAILER

## LABELS AND TAGS

### Labels and Tags

385193	Label, "12V distribution panel inside"
386119	Label, "DON'T USE AREA FOR STORAGE"
385068	Tag, cooking appliance warning
386118	Label, LP gas warning/fill
385517	Label, kill switch warning
385521	Label, emergency egress window
386122	Warning label/cooking appliance
386121	Label, LP gas warning label (odor)
385465	Exit label, English
385560	Label, air conditioner rating
385812	Label, Calif. hazardous substance
386120	Label, smoke detector
385359	Label, microwave or air conditioner
385837	Label, refrigeration ignition
386012	Label warning, water heater
386123	LABEL "POTABLE WATER ONLY"
386114	LABEL-RVIA SILVER
385062	Decal, 110-125 voltage AC
385565	Label, holding tank flushing
386142	CHECK WHEEL LUG LABEL
386082	LABEL THOR, 5.25" X .75'
386097	LABEL FUSE 12 V. Fuse Block Circuits
386019	LABEL 1 AMP FUSE MAX
385101	TAG AUX TANK DUMP VALVE HANDLE
385099	TAG MAIN TANK DUMP VALVE HANDLE
386111	LABEL 30 AMP FUSE MAX
386192	HANG TAG, SMOKE/CO DETECTOR BATTERY
386193	LABEL, WHEEL TORQUE WARNING
385020	Sticker, Self adhering, "JACK"

# 2007 INTERNATIONAL TRAVEL TRAILER

## LABELS AND TAGS

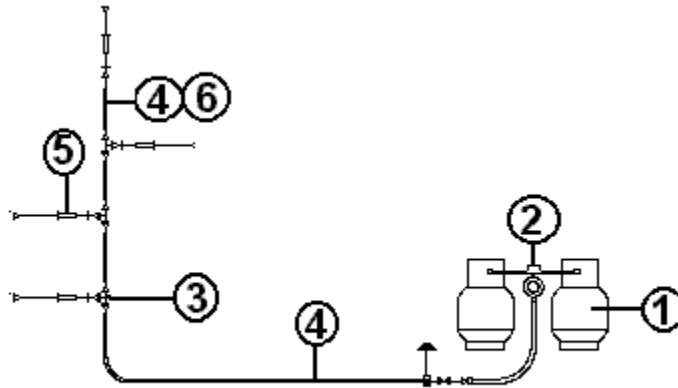
### Labels and Tags, CSA

386038	LABEL CSA HOLDING TANKS FRESH
385949	LABEL "POTABLE WATER" CSA
385950	LABEL "SMOKE DETECTOR CSA
385951	LABEL "RANGE FRESH AIR" CSA
385952	LABEL "LP WARNING" CSA
385953	LABEL "IF YOU SMELL GAS" CSA
385954	LABEL "RANGE WARNING" CSA
385466	LABEL, EXIT, FRENCH
386105	LABEL, TV/VCR RECEPTABLE, CSA
385971	LABEL, FUSE, EXTERIOR LIGHT

# 2007 INTERNATIONAL TRAVEL TRAILER

## PLUMBING, LPG

### LPG SYSTEM, 16'

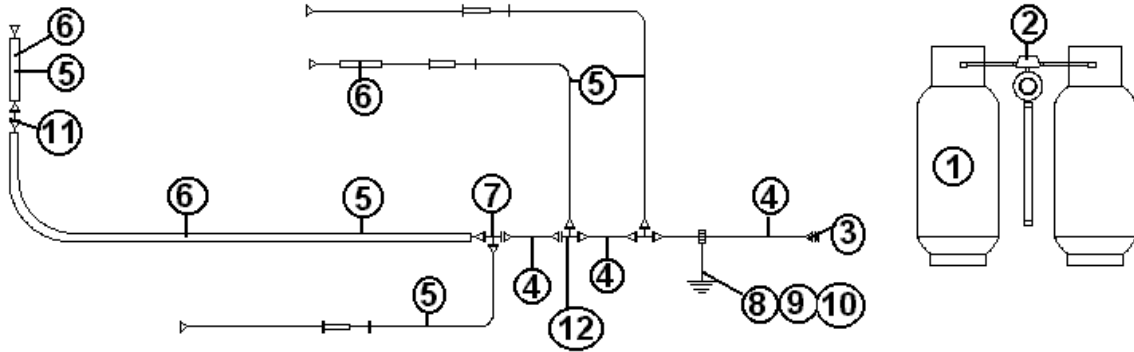


- |               |                                  |
|---------------|----------------------------------|
| 1. 601781     | LP TANK-20LB STEEL               |
| 1A. 601781-01 | LP TANK-20LB STEEL, CSA          |
| 2. 601731     | LP REGULATOR W/MTG. BRACKET      |
| 3. 600000     | TEE BRASS 5/8 X 5/8 X 3/8        |
| 4. 600004     | TUBING COPPER 5/8 OD             |
| 5. 600008     | TUBING COPPER 3/8OD              |
| 6. 601698-01  | TUBING, .50IN,POLY. CSA APPROVE  |
| 601686        | BASE PLATE - LP TANK             |
| 601687        | HOLD DOWN KIT - LP TANK SAFARI   |
| 601685-01     | LP HOSE-1/2"FPT X 3/8F-36" #19   |
| 601685-02     | LP HOSE 1/2"FPT X 3/8"FL-36, CSA |
| 381613        | PLASTISOL COVER-LP WING HANDLE   |
| 600003        | TEE 5/8 X 3/8 X 3/8              |
| 600436        | FORGED FLARE NUTS 5/8IN          |
| 600435        | FORGED FLARE NUTS 3/8IN          |
| 380887        | GROMMET, FLOOR                   |
| 380886        | GROMMET, FLOOR                   |
| 600661        | GROUNDING CLAMP 1/2 TO 1 SIZE    |
| 500839        | WIRE, BARE COPPER 8 GA.          |
| 500038        | LUG GROUND                       |
| 340085-05     | CLAMP #COY 1109 5/8 IN.          |
| 601734        | FITTING-BRASS 5/8 OD FLARE X 1   |
| 600000        | TEE BRASS 5/8 X 5/8 X 3/8        |
| 201649        | ACCESS COVER LP REGULATOR        |

# 2007 INTERNATIONAL TRAVEL TRAILER

## PLUMBING, LPG

### LPG SYSTEM, 19'

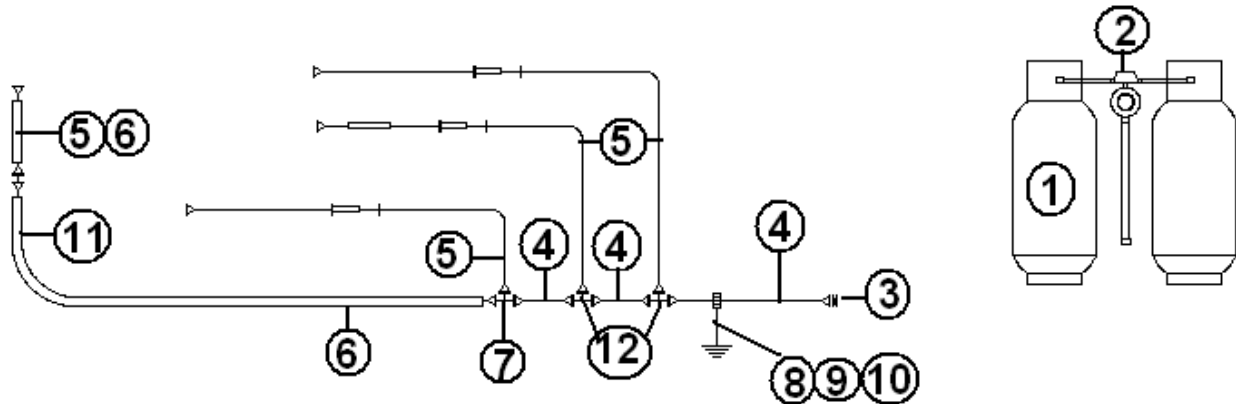


- |              |                                 |
|--------------|---------------------------------|
| 1. 601710-01 | CYLINDER 30# STEEL LP           |
| 2. 601731    | LP REGULATOR W/MTG. BRACKET     |
| 3. 600468    | UNION FLARE 5/8 X 5/8           |
| 4. 600004    | TUBING COPPER 5/8 OD            |
| 5. 600008    | TUBING COPPER 3/8OD             |
| 6. 601698-01 | TUBING, 1/2" E-PEX              |
| 7. 600003    | TEE 5/8 X 3/8 X 3/8             |
| 8. 600661    | GROUNDING CLAMP 1/2" TO 1       |
| 9. 500839    | WIRE, BARE COPPER 8 GA.         |
| 10. 500038   | LUG GROUND                      |
| 11. 600238   | 3/8IN FLARE UNION               |
| 12. 600000   | TEE BRASS 5/8 X 5/8 X 3/8       |
| 601686       | BASE PLATE - LP TANK            |
| 601687       | HOLD DOWN KIT - LP TANK         |
| 601685-01    | LP HOSE-1/2" FPT X 3/8F-36"     |
| 381613       | PLASTISOL COVER-LP WING HANDLE  |
| 601159-02    | TUBING, .50IN,POLY. CSA APPROVE |

# 2007 INTERNATIONAL TRAVEL TRAILER

## PLUMBING, LPG

### LPG SYSTEM, 19', 75<sup>th</sup> Anniversary



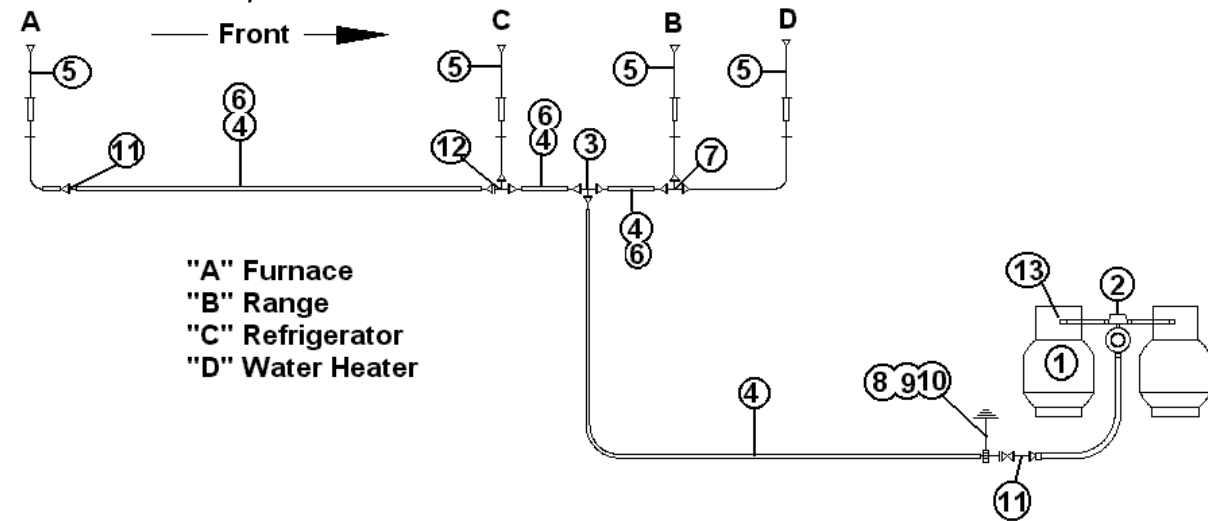
- |              |                                 |
|--------------|---------------------------------|
| 1. 601710-01 | CYLINDER 30# STEEL LP           |
| 2. 601731    | LP REGULATOR W/MTG. BRACKET     |
| 3. 600468    | UNION FLARE 5/8 X 5/8           |
| 4. 600004    | TUBING COPPER 5/8 OD            |
| 5. 600008    | TUBING COPPER 3/8OD             |
| 6. 601698-01 | TUBING, 1/2" E-PEX              |
| 7. 600003    | TEE 5/8 X 3/8 X 3/8             |
| 8. 600661    | GROUNDING CLAMP 1/2" TO 1       |
| 9. 500839    | WIRE, BARE COPPER 8 GA.         |
| 10. 500038   | LUG GROUND                      |
| 11. 600238   | 3/8IN FLARE UNION               |
| 12. 600000   | TEE BRASS 5/8 X 5/8 X 3/8       |
| 601686       | BASE PLATE - LP TANK            |
| 601687       | HOLD DOWN KIT - LP TANK         |
| 601685-01    | LP HOSE-1/2" FPT X 3/8F-36"     |
| 381613       | PLASTISOL COVER-LP WING HANDLE  |
| 601159-02    | TUBING, .50IN,POLY. CSA APPROVE |



# 2007 INTERNATIONAL TRAVEL TRAILER

## PLUMBING, LPG

### LPG SYSTEM, 22'

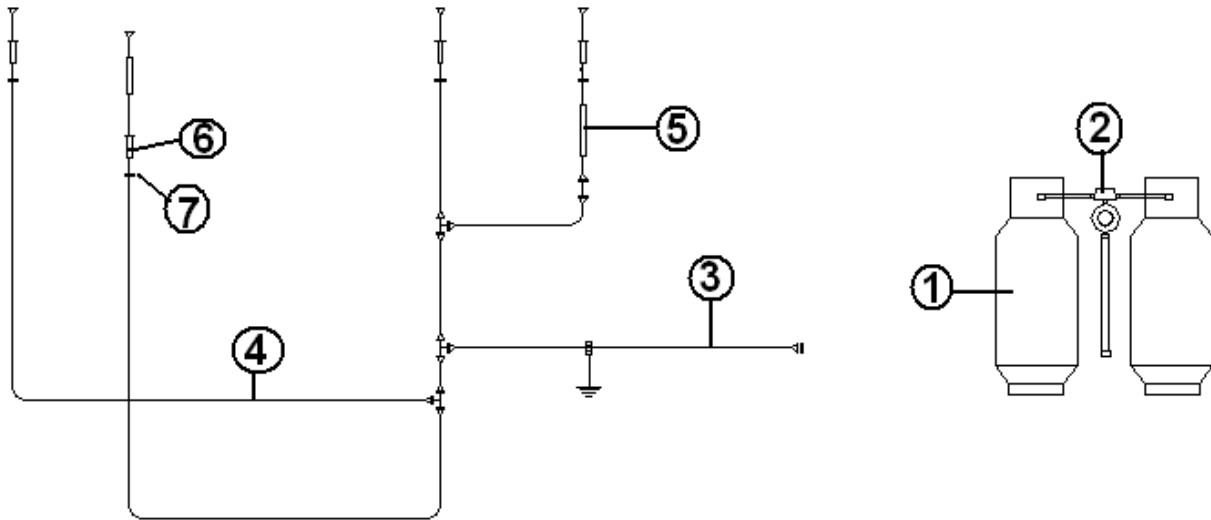


- |                |                                    |
|----------------|------------------------------------|
| 1. 601781      | LP TANK-20LB STEEL                 |
| 1a. 601781-01  | LP TANK-20LB STEEL, CSA            |
| 2. 601731      | LP REGULATOR W/MTG. BRACKET        |
| 3. 601281      | TEE BRASS UNION 5/8" X 5/8" X 5/8" |
| 4. 600004      | TUBING COPPER 5/8" OD              |
| 5. 600008      | TUBING COPPER 3/8" OD              |
| 6. 601698-01   | E-PEX 1/2" TUBING                  |
| 7. 600003      | TEE 5/8" X 3/8" X 3/8"             |
| 8. 600661      | GROUNDING CLAMP 1/2" TO 1 SIZE     |
| 9. 500839      | WIRE, BARE COPPER 8                |
| 10. 500038     | LUG GROUND                         |
| 11. 601734     | FITTING-BRASS 5/8 OD FLARE X 1     |
| 12. 600000     | TEE BRASS 5/8" X 5/8" X 3/8"       |
| 13. 601685-01  | LP HOSE, 1/2" FPT X 3/8"           |
| 13a. 601685-02 | LP HOSE, 1/2" FPT X 3/8", CSA      |
| 201649         | ACCESS COVER LP REGULATOR          |
| 601687         | HOLD DOWN KIT - LP TANK SAFARI     |
| 381613         | PLASTISOL COVER-LP WING HANDLE     |
| 600436         | FORGED FLARE NUTS 5/8 IN.          |
| 600435         | FORGED FLARE NUTS 3/8 IN.          |
| 380887         | GROMMET, FLOOR                     |
| 380886         | GROMMET, FLOOR                     |
| 345004         | SCREW 1/4-14 WASHER HEX/HEAD C     |
| 340085-05      | CLAMP #COY 1109 5/8 IN. DIA.       |

# 2007 INTERNATIONAL TRAVEL TRAILER

## PLUMBING, LPG

### LPG SYSTEM, 23'



- |              |                                 |
|--------------|---------------------------------|
| 1. 601710-01 | CYLINDER 30# STEEL LP           |
| 2. 601731    | LP REGULATOR W/MTG. BRACKET     |
| 3. 600008    | TUBING COPPER 3/8" OD           |
| 4. 600008    | TUBING COPPER 3/8" OD           |
| 5. 601698-01 | SHEATHING                       |
| 6. 380887    | GROMMET, FLOOR                  |
| 7. 380886    | GROMMET, UNDERBELLY             |
| 340085-05    | CLAMP #COY 1109 5/8 IN. DIA.    |
| 600238       | 3/8 IN FLARE UNION              |
| 600435       | FORGED FLARE NUTS 3/8 IN.       |
| 601686       | BASE PLATE - LP TANK MTG SAFAR  |
| 601687       | HOLD DOWN KIT - LP TANK SAFARI  |
| 601685-01    | LP HOSE-1/2"FPT X 3/8F-36"      |
| 601685-02    | LP HOSE-1/2"FPT X 3/8F-36", CSA |
| 381613       | PLASTISOL COVER-LP WING HANDLE  |
| 345084       | SCREW-1/4-14X1 THD.CUTTING      |
| 350005       | NUT 3/8-16 UNC HEX HD PLATED    |

# 2007 INTERNATIONAL TRAVEL TRAILER

## PLUMBING, LPG

### LPG SYSTEM, 25'

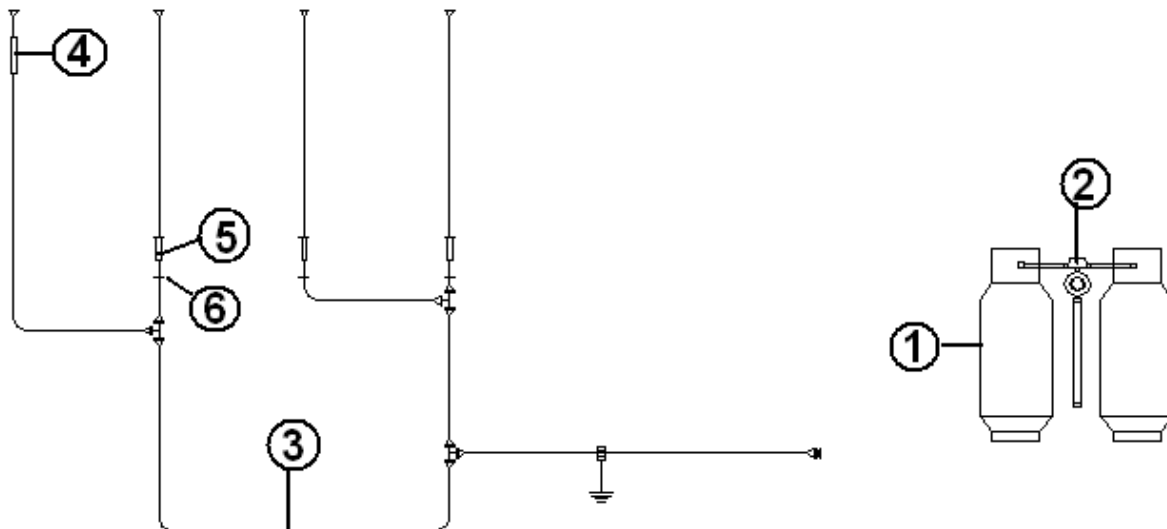
601710-01	CYLINDER 30# STEEL LP
601731	LP REGULATOR W/MTG. BRACKET
201649	ACCESS COVER LP REGULATOR
601687	HOLD DOWN KIT - LP TANK
601685-01	LP HOSE-1/2"FPT X 3/8F-36" #19
381613	PLASTISOL COVER-LP WING HANDLE
600004	TUBING COPPER 5/8 OD
600003	TEE 5/8 X 3/8 X 3/8
600008	TUBING COPPER 3/8OD
600435	FORGED FLARE NUTS 3/8IN
600661	GROUNDING CLAMP 1/2 TO 1 SIZE
345084	SCREW-1/4-14X1 THD.CUTTING
350005	NUT 3/8-16 UNC HEX HD PLATED
500038	LUG GROUND
340085-05	CLAMP #COY 1109 5/8 IN. DIA.
601698-01	E-PEX, 1/2", TUBING
601281	TEE BRASS UNION 5/8 X 5/8 X 5/8
600001	NUT BRASS FLARE 416 5/8

# 2007 INTERNATIONAL TRAVEL TRAILER

## PLUMBING, LPG

LPG SYSTEM, 27' FB

Range WH Furn. Refer.

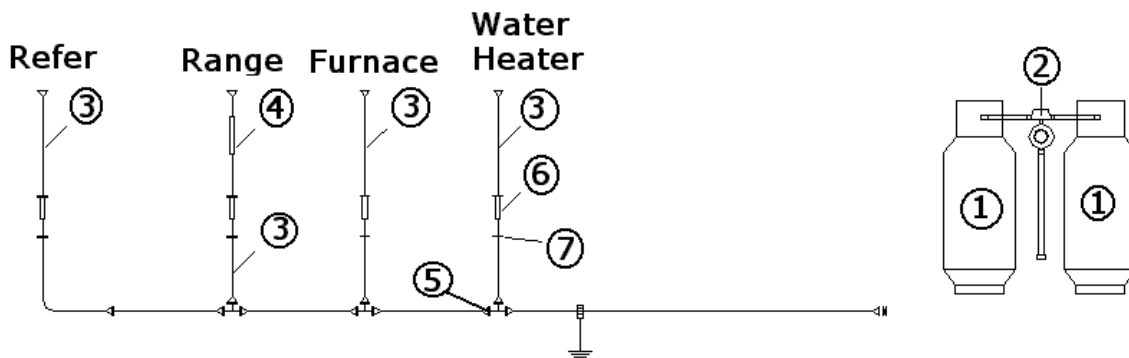


- |              |                                |
|--------------|--------------------------------|
| 1. 601710-01 | CYLINDER 30# STEEL LP          |
| 2. 601731    | LP REGULATOR W/MTG. BRACKET    |
| 3. 600008    | TUBING COPPER 3/8" OD          |
| 4. 601698-01 | SHEATHING                      |
| 5. 380887    | GROMMET, FLOOR                 |
| 6. 380886    | GROMMET, UNDERBELLY            |
| 340085-05    | CLAMP #COY 1109 5/8 IN. DIA.   |
| 600238       | 3/8IN FLARE UNION              |
| 600435       | FORGED FLARE NUTS 3/8 IN.      |
| 601686       | BASE PLATE, LP TANK MTG SAFARI |
| 601687       | HOLD DOWN KIT LP TANK SAFARI   |
| 601685-01    | LP HOSE-1/2"FPT X 3/8F-36" #19 |
| 381613       | PLASTISOL COVER-LP WING HANDLE |
| 345084       | SCREW-1/4-14X1 THD.CUTTING     |
| 350005       | NUT 3/8-16 UNC HEX HD PLATED   |

# 2007 INTERNATIONAL TRAVEL TRAILER

## PLUMBING, LPG

### LPG SYSTEM 28'



- |              |                                |
|--------------|--------------------------------|
| 1. 601710-01 | Bottle, LP, 30 LBS.            |
| 2. 601731    | LP REGULATOR W/MTG. BRACKET    |
| 3. 600008    | TUBING COPPER 3/8 OD           |
| 4. 601698-01 | TUBING, 1/2", E-Pex            |
| 5. 600435    | FORGED FLARE NUTS 3/8IN        |
| 6. 380887    | GROMMET, FLOOR                 |
| 7. 380886    | GROMMET, FLOOR                 |
| 601685-01    | LP HOSE-1/2"FPT X 3/8F-36" #19 |

### Below Floor Assembly

- |           |                                  |
|-----------|----------------------------------|
| 600001    | Flare nut, 5/8"                  |
| 600661    | Ground Clamp                     |
| 500038    | Ground C\clamp                   |
| 500839    | Wire, copper, #8                 |
| 600004    | Copper line, 5/8"                |
| 600000    | 5/8" x 5/8" x 3/8" Tee           |
| 601545    | Flare union, 3/8" MPT x 5/8" MPT |
| 601698-01 | TUBING, 1/2", E-Pex              |

# 2007 INTERNATIONAL TRAVEL TRAILER

## PLUMBING, LPG

### LP BOTTLES AND FITTINGS

601781	LP TANK, 20LB STEEL
601781-01	LP TANK, 20LB STEEL, CSA
601710-01	Bottle, LP, steel, 30#
601710-02	Bottle, LP, steel, CSA
601731	Regulator and hose assembly, Marshall Brass
601685-01	18" LP Hose
601785-02	18" LP Hose, CSA
601687	HOLD DOWN KIT - LP TANK
381613	PLASTISOL COVER-LP WING HANDLE
601686	BASE PLATE - LP TANK

### LP BOTTLE COVER 19', 23' D, 27' FB, 25' & 28'

921232	Bottle cover, LP
380903	Latch and strike
380903-01	Latch only
380903-02	Strike only
200841	Lid, plastic, bottle cover
380773	Hinge, access door
114070	J-trim, extrusion, aluminum

### LP BOTTLE COVER 22'

921234	Bottle cover, LP, 22'
380903	Latch and strike
200841	Lid, plastic, bottle cover
380773	Hinge, access door
114070	J-trim, extrusion, aluminum

### LP BOTTLE COVER, 16'

915778	COVER ASSY-LP BOTTLE, 16'
115202	LID LP BOTTLE COVER

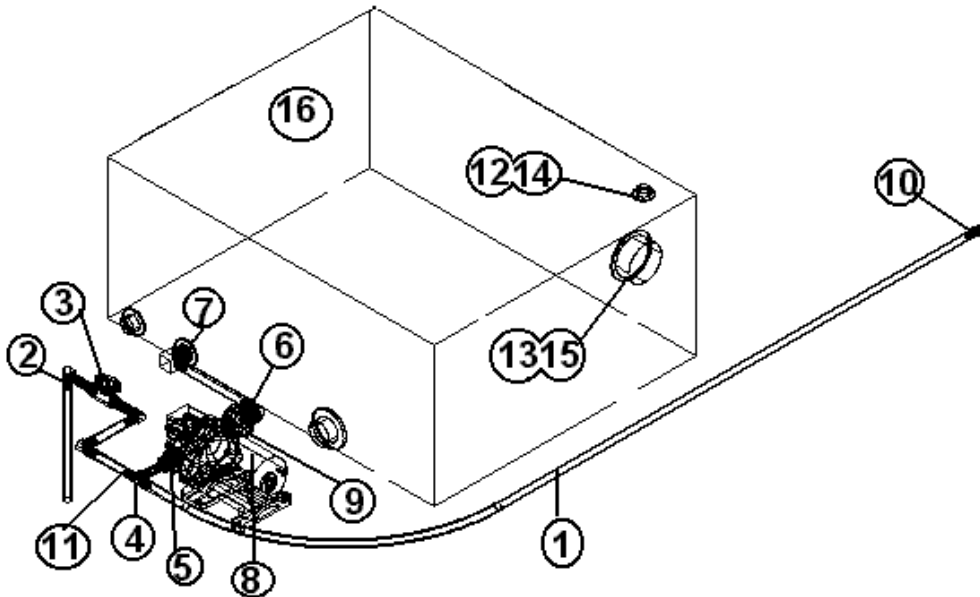
## 2007 INTERNATIONAL TRAVEL TRAILER

115201	WRAP, LP BOTTLE COVER
381136	RUBBER BUMPER
114070	EXTRUSION. J-TRIM, MILL FINISH

# 2007 INTERNATIONAL TRAVEL TRAILER

## PLUMBING, FRESHWATER

### Fresh Water System, 16'



- |               |                                     |
|---------------|-------------------------------------|
| 1. 601698-01  | E-PEX 1/2" TUBING                   |
| 2. 601698-10  | QQE33X 1/2" BARB EL                 |
| 3. 601698-22  | BALL VALVE 1/4" TURN                |
| 4. 601698-11  | QQT333X 1/2" BARB TEE               |
| 5. 601698-03  | QQSFC33XPXP 1/2"B X 1/2" FPT SWIVEL |
| 6. 601698-05  | QQE33BSXP 1/2" B X 1/2" FPT SWIVEL  |
| 7. 601698-04  | QQE33BTX 1/2" BX1/2" MPT BARB EL    |
| 8. 601061-03  | PUMP WATER SHURFLO                  |
| 9. 601668-01  | WATER PUMP PRE-FILTER               |
| 10. 601698-08 | QQC33X 1/2" BARB COUPLING           |
| 11. 601698-15 | 1/2" CRIMP RING                     |
| 12. 601240-01 | TUBING 1/2" I.D. X 3/32 WALL        |
| 13. 601239-01 | TUBING 1.375" I.D. RIBBED           |
| 14. 340084-12 | CLAMP, HOSE                         |
| 15. 340084-20 | CLAMP, HOSE                         |
| 16. 601861-01 | Fresh water tank                    |
| 600139        | CHECK VALVE, BRASS                  |
| 601531        | FITTING-90 DEGREE 3" H X ST         |
| 203085        | PLUG WATER LINE 1/2" PLASTIC BLACK  |
| 601658        | VALVE 1/2" STOP CPVC                |
| 601659        | RISER 1/2" FPT X 12" CPVC           |



## 2007 INTERNATIONAL TRAVEL TRAILER

### PLUMBING, FRESHWATER

#### Water Fill/Tank System, 19'

600139	CHECK VALVE, BRASS
600309	REGULATOR, WATTS 1/2"
203085	PLUG WATER LINE 1/2" PLASTIC B
601861-01	Tank, fresh water
964478	SLOPE PAD-Fresh tank
453712	SHIELD FRESH WATER TANK DRAIN
601588	DRAIN COCK RADIATOR BRASS
601469	VACUUM BREAKER, 3/4IN GARDEN HOSE
601061-03	PUMP WATER SHURFLO 2088-404-14
601668-01	WATER PUMP PRE-FILTER
601194	WATER FILL W/LOCK, GRAY, W/LABEL
601267-04	NIPPLE 3" DIA. THD ONE 10" LG

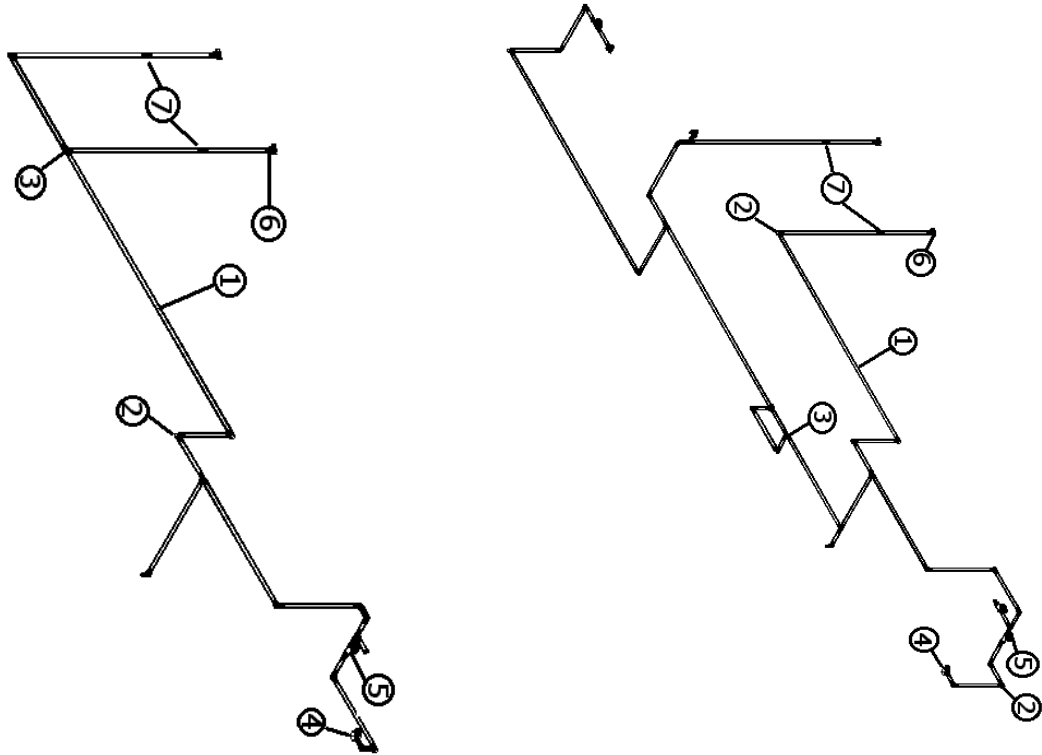
#### Tank Strap, Fresh Water Tank, 19'

454065	Aluminum strap
--------	----------------

# 2007 INTERNATIONAL TRAVEL TRAILER

## PLUMBING, FRESHWATER

### Fresh Water Line/Pump Lay out 22'

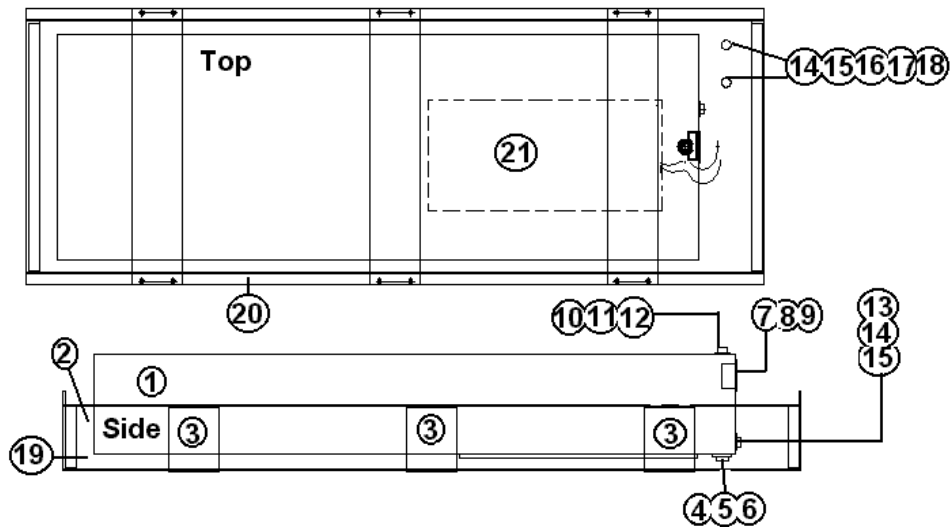


- |              |                              |
|--------------|------------------------------|
| 1. 601698-01 | E-Pex tubing, 1/2"           |
| 2. 601698-10 | QQE333X 1/2" Barb Tee        |
| 3. 601698-11 | QQT333X 1/2" Barbed Tee      |
| 4. 601698-04 | QQE33BTX 1/2" MPT Barbed EL  |
| 5. 601698-22 | Ball Valve, 1/4" Turn        |
| 6. 601698-03 | QQSFC33XPXP, 1/2" x 1/2" FPT |
| 7. 601698-08 | QQC33X 1/2" Barbed Coupling  |
| 601698-15    | 1/2" Crimp Ring              |
| 203085       | PLUG WATER LINE 1/2" PLASTIC |
| 601658       | VALVE 1/2" STOP CPVC         |
| 601659       | RISER 1/2" FPT X 12" CPVC    |

# 2007 INTERNATIONAL TRAVEL TRAILER

## PLUMBING, FRESHWATER

### Fresh Water Tank Layout, 22'

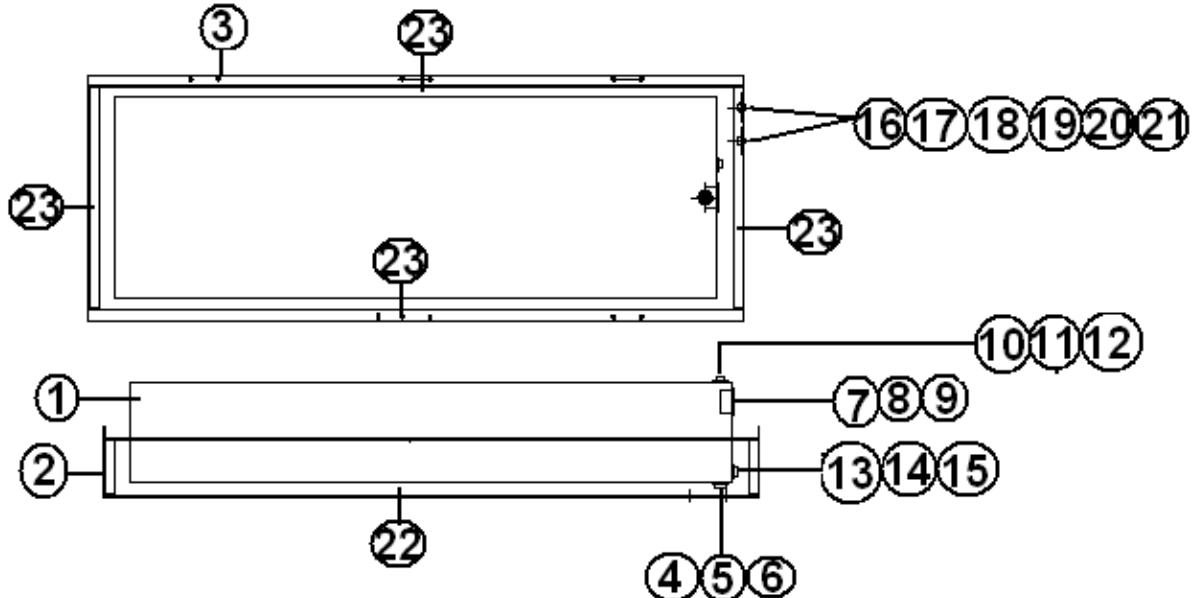


- |               |                                       |
|---------------|---------------------------------------|
| 1. 601862-01  | TANK-FRESH WATER, 30 GAL              |
| 2. 602066     | FRESH TANK PAN ASSY                   |
| 3. 601808     | STRAP-FRESH TANK PAN                  |
| 4. 601810     | VALVE, 1/2" FPT X 1/2" FPT            |
| 5. 601811     | ELBOW, 1/2" MPT X 1/2" FPT STREET     |
| 6. 601812     | NIPPLE-BRASS 1/2" X 2.0"              |
| 7. 601237     | ELBOW 90 D 1.25 MPT X 1.25 BAR        |
| 8. 601239-01  | TUBING-1.375" ID RIBBED W/FLATS       |
| 9. 0260043-20 | WORM CLAMP #20                        |
| 10. 601698-04 | QQE33BTX 1/2"B X 1/2" MPT BARB ELBOW  |
| 11. 601240-01 | TUBING 1/2" I.D. X 3/32 WALL TH       |
| 12. 340086    | MINIATURE SCREW TYPE HOSE CLAM        |
| 16. 601698-04 | QQE33BTX 1/2" B X 1/2" MPT BARB ELBOW |
| 17. 601698-01 | E-PEX 1/2" TUBING                     |
| 18. 601698-15 | 1/2" CRIMP RING                       |
| 19. 601588    | DRAIN COCK RADIATOR BRASS             |
| 20. 601589    | ADAPTOR BRASS 3/8" FPT X 1/2" MP      |
| 21. 601698-03 | QQSFC33XPXP 1/2" B X 1/2" FPT SW ADP  |
| 22. 200507    | STYROFOAM, 1" X 25" X 55"             |
| 23. 200152    | STYROFOAM 1/2" X 6" X 42"             |
| 24. 511780    | PAD-TANK HEATING 6.5"X 18"            |

# 2007 INTERNATIONAL TRAVEL TRAILER

## PLUMBING, FRESHWATER

### Fresh Water Tank Layout, 23' D



- |               |                                      |
|---------------|--------------------------------------|
| 1. 601863-02  | TANK-FRESH WATER 39 GALLON           |
| 2. 966288     | TANK PAN- 25'NB GALLON               |
| 3. 345074-05  | SCREW 5/16-18 X 7/8HEX WASHER        |
| 4. 601810     | VALVE-1/2"FPT X 1/2"FPT KBI          |
| 5. 601811     | ELBOW-1/2"MPT X 1/2"FPT STREET       |
| 6. 601812     | NIPPLE-BRASS 1/2" X 2.0"             |
| 7. 601237     | ELBOW 90 D 1.25 MPT X 1.25 BAR       |
| 8. 601239-01  | TUBING 1.375 I.D. RIBBED             |
| 9. 0260043-20 | WORM CLAMP #20                       |
| 10. 601698-04 | QQE33BTX 1/2BX1/2MPT BARB EL         |
| 11. 601240-01 | TUBING 1/2 I.D. X 3/32 WALL THREADED |
| 12. 340086    | MINIATURE SCREW TYPE HOSE CLAMP      |
| 16. 601698-04 | QQE33BTX 1/2BX1/2MPT BARB EL         |
| 17. 601698-01 | E-PEX 1/2" TUBING                    |
| 18. 601698-15 | 1/2 CRIMP RING                       |
| 19. 601588    | DRAIN COCK RADIATOR BRASS            |
| 20. 300124    | WASHER 1.25OD X.69ID X.09 TH Z       |
| 21. 601589    | ADAPTOR BRASS 3/8 FPT X 1/2 MP       |
| 22. 601698-03 | QQSFC33XPXP 1/2BX1/2FPT SW ADP       |
| 23. 601698-01 | E-PEX 1/2" TUBING                    |
| 24. 601698-15 | 1/2" CRIMP RING                      |
| 25. 200507    | STYROFOAM, 1 X 25 X 55-WATER T       |
| 26. 200152    | STYROFOAM 1/2 X 6 X 42               |

# 2007 INTERNATIONAL TRAVEL TRAILER

## PLUMBING, FRESHWATER

### Fresh Water System, 25'

601863-01	TANK-FRESH WATER 39 GAL #W0199
601642	PAN-TANK ROTOCAST 25'SAFARI
453493	HANGER STRAP-TANK PAN SAFARI
601243	DRAIN COCK, FRESH WATER
600155	PLUG, CLEANOUT 1-1/2"
453712	SHIELD FRESH WATER TANK DRAIN
511252	PLUG PHONE 4 CONDUCTOR
511789	SENSOR-TANK MONITOR
511393	COUPLER-MODULAR EXTEN 4 CONDUCTOR
511789-01	BOOT, SENSOR
200152	STYROFOAM 1/2 X 6 X 42
453615	TANK SUPPORT STRIP-62" SAFARI
601723	FILTER SCREEN, WATER
601239-01	TUBING, 1.375" ID, RIBBED W/FLATS
601240-01	TUBING, 1/2" I.D. X 3/32 WALL

# 2007 INTERNATIONAL TRAVEL TRAILER

## PLUMBING, FRESHWATER

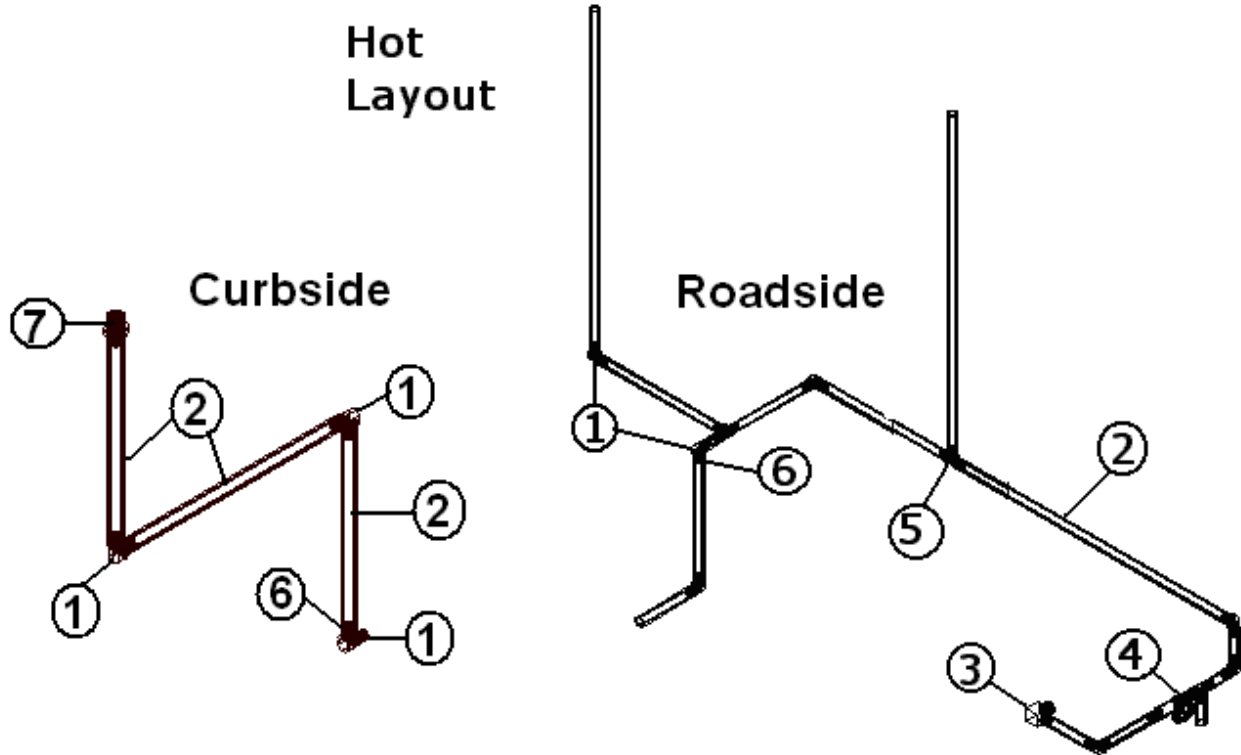
### Fresh Water System, 27' FB

601863-01	TANK-FRESH WATER 39 GALLON
601620	PAN FRESH TANK
601243	DRAIN COCK, FRESH WATER
600155	PLUG, CLEANOUT 1-1/2
601004	COUPLING 1/2" BARB X 3/8 MPT
600836	ELBOW 3/8 MPT X 1/2"BARB-COPPE
601237	ELBOW 90 D 1.25 MPT X 1.25 BAR
601239-01	TUBING 1.375 I.D. RIBBED
601698-01	E-PEX 1/2" TUBING
601240-01	TUBING, 3/8 UD W/3/32"
340086	MINIATURE SCREW TYPE HOSE CLAMP
0260043-06	WORM CLAMP #6
0260043-28	WORM CLAMP #28
345853	SCREW PAN HD #8-32 X .25 PAN H
0250123-06	#8-32 X.25"PHILLIPS ,RD.HD.MACH
345074-05	SCREW 5/16-18 X 7/8HEX WASHER
200152	STYROFOAM 1/2 X 6 X 42
511018	HARNESS, TANK VENTLINE L7452

# 2007 INTERNATIONAL TRAVEL TRAILER

## PLUMBING, FRESHWATER

Fresh Water Plumbing, Hot 28'

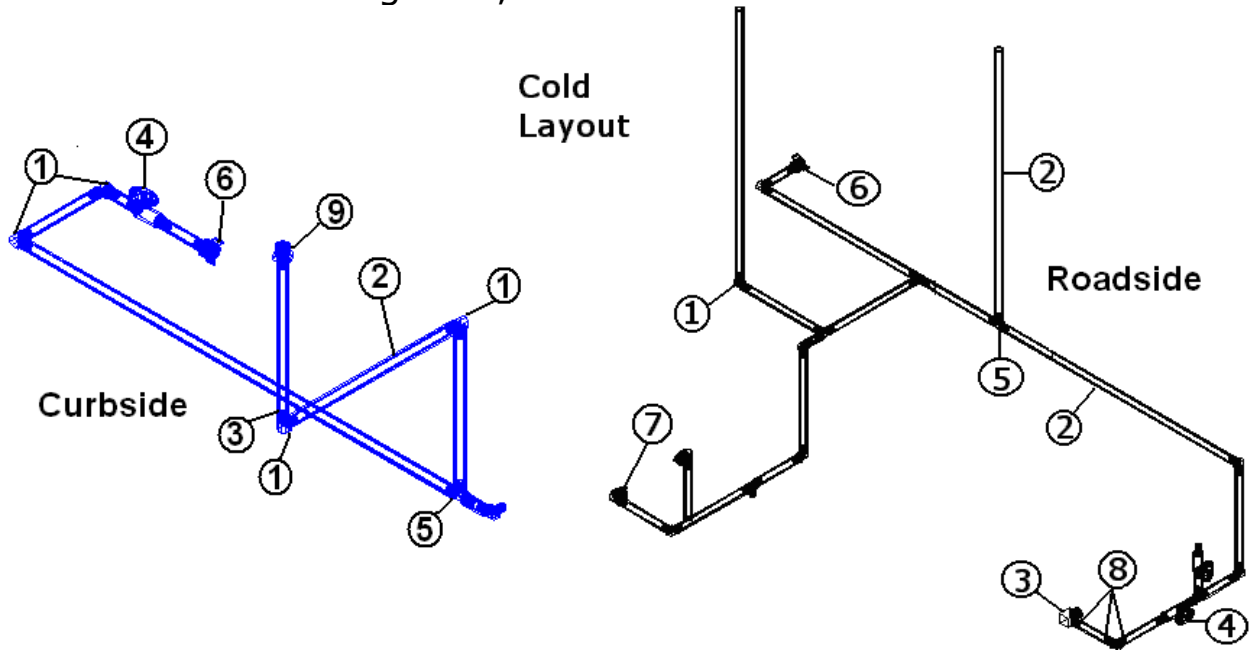


- |              |                                   |
|--------------|-----------------------------------|
| 1. 601698-10 | QQE33X 1/2 BARB EL                |
| 2. 601698-21 | TUBING E-PEX 1/2' RED             |
| 3. 601698-04 | QQE33BTX 1/2BX1/2MPT BARB EL      |
| 4. 601698-22 | BALL VALVE 1/4 TURN               |
| 5. 601698-11 | QQT333X 1/2 BARB TEE              |
| 6. 601698-15 | 1/2 CRIMP RING                    |
| 7. 601698-02 | QQMC33X 1/2" B X 1/2" MPT ADAPTOR |

# 2007 INTERNATIONAL TRAVEL TRAILER

## PLUMBING, FRESHWATER

Fresh Water Plumbing Cold, 28'



- |              |   |
|--------------|---|
| 1. 601698-10 | QQE33X 1/2 BARB EL                            |
| 2. 601698-01 | TUBING E-PEX 1/2" WHITE                       |
| 3. 601698-04 | QQE33BTX 1/2BX1/2MPT BARB EL                  |
| 4. 601698-22 | BALL VALVE 1/4 TURN                           |
| 5. 601698-11 | QQT333X 1/2 BARB TEE                          |
| 6. 601698-03 | QQSFC33XPXP 1/2" "B X 1/2" FPT SWIVEL ADAPTOR |
| 7. 601698-05 | QQE33BSXP 1/2"B X 1/2" FPT SWIVEL             |
| 8. 601698-15 | 1/2" CRIMP RING                               |
| 9. 601698-02 | QQMC33X 1/2"B X 1/2"MPT ADPT#147              |
| 601863-01    | TANK-FRESH WATER 39 GAL #W0199                |
| 601642       | PAN-TANK ROTOCAST                             |
| 453493       | HANGER STRAP-TANK PAN                         |
| 601243       | DRAIN COCK, FRESH WATER                       |
| 600155       | PLUG, CLEANOUT 1-1/2                          |
| 601240-01    | TUBING 1/2" I.D. X 3/32 WALL THICKNESS        |
| 453712       | SHIELD FRESH WATER TANK DRAIN                 |
| 601239-01    | TUBING-1.375"ID RIBBED W/FLATS                |
| 453615       | TANK SUPPORT STRIP-62"                        |
| 601723       | FILTER SCREEN, WATER                          |



# 2007 INTERNATIONAL TRAVEL TRAILER

## PLUMBING, FRESHWATER

### Water Pump/Tank Fittings

601243	DRAIN COCK, FRESH WATER
600155	PLUG, CLEANOUT, 1 1/2"
453712	SHIELD, FRESH WATER TANK DRAIN
601061-03	Water pump, Shurflo 2088-404-144
601791-03	WATER PUMP, AQUATEC, "ES"SERIES
601791-02	FITTINGS-SLIP IN (AQUATEC PUMP)
601668-01	Water pump, pre-filter, Shurflo
601723	FILTER SCREEN, WATER
965771	BRACKET ASSY-WATER PUMP
601588	DRAIN COCK RADIATOR BRASS
943576	HOSE, WATER PUMP

### City Water Hook Up System

600336	PLUG WITH CHAIN
600315	PUMP GUARD FILTER
600362	CONNECTOR 3/4 X 1/2 HOSE
601689	DROP ELL 90 DEGREE FITTING
320098-02	SCREW,SMS,SS OVAL HD.PHIL
601661	NIPPLE 1/2" BRASS HEX
601690	NIPPLE-1/2"MPT X 2.50" BRASS
601237	ELBOW 90 D 1.25 MPT X 1.25 Brass
600227	PLASTIC COUPLINGS

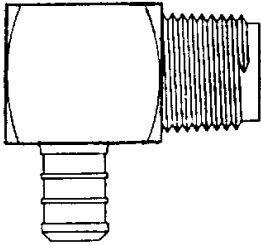
### Fresh Water Fill

601194	WATER FILL W/LOCK, GRAY, W/LABEL
601392-05	CITY WATER FILL W/REGULATOR

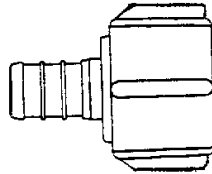
# 2007 INTERNATIONAL TRAVEL TRAILER

## PLUMBING, FRESHWATER

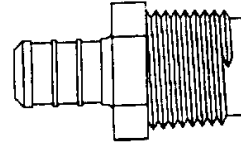
### FRESH WATERLINE/FITTINGS



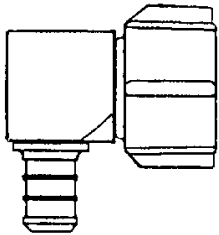
601698-04  
Elbow, 1/2" barb  
x 1/2" MPT



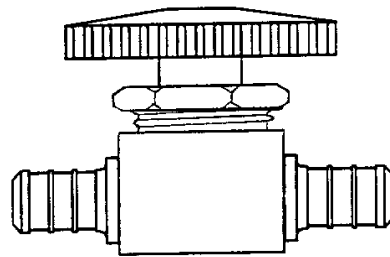
601698-03  
Coupler, 1/2" barb  
x 1/2" FPT



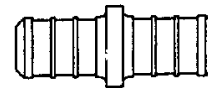
601698-02  
Coupler, 1/2" barb  
x 1/2" MPT



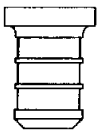
601698-05  
Elbow 1/2" barb x  
1/2" FPT



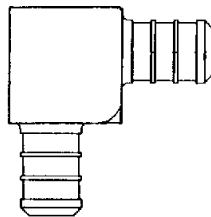
601698-22  
Shut-off, 1/2" barb x  
1/2" barb



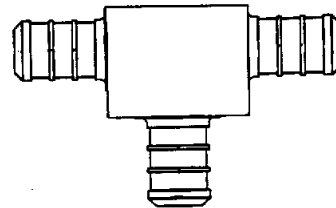
601698-08  
Coupler  
1/2" x 1/2" barb



601698-09  
Plug, 1/2" barb



601698-10  
Elbow 1/2" barb x  
1/2" barb



601698-11  
Tee, 1/2" x 1/2" x  
1/2" barb

# 2007 INTERNATIONAL TRAVEL TRAILER

## PLUMBING, FRESHWATER

### FRESH WATERLINE/FITTINGS



601698-15  
Crimp ring, 1/2



601698-01  
E-Pex, 1/2" (black)



601698-21  
E-Pex tube, 1/2" Red

# 2007 INTERNATIONAL TRAVEL TRAILER

## PLUMBING, FRESHWATER

### GALLEY FAUCET, 601867, Moen, MODEL 67315C

MODEL 67315C

[www.moen.com](http://www.moen.com)

PH. 1-800-BUY MOEN

United States

Moen Incorporated

25300 Al Moen Drive

North Olmstead, OH. 44070-8022

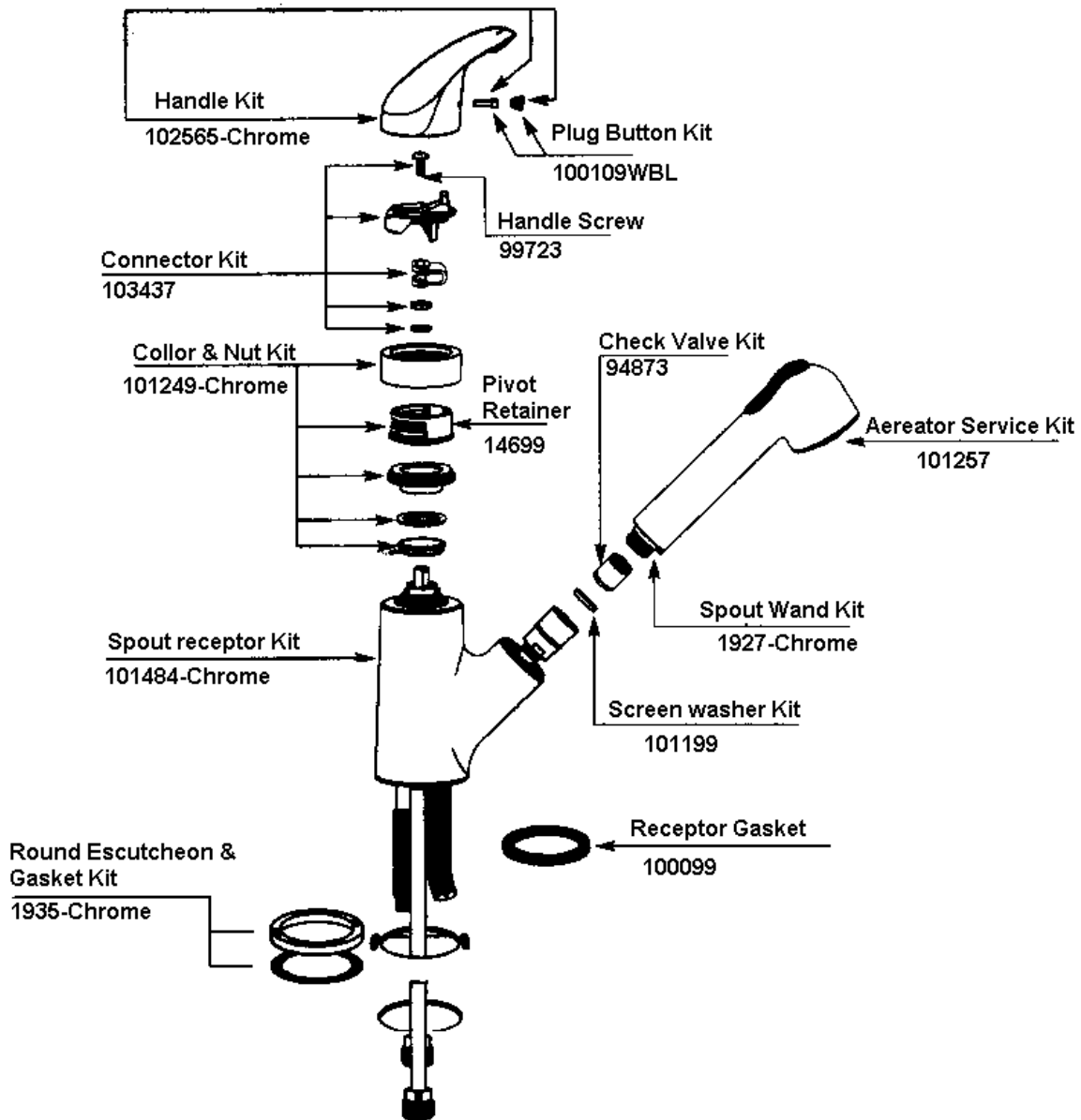
Contact local Moen dealer for all replacement parts.

Canada

Moen Inc.

2816 Bristol Circle

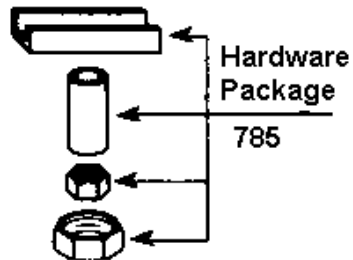
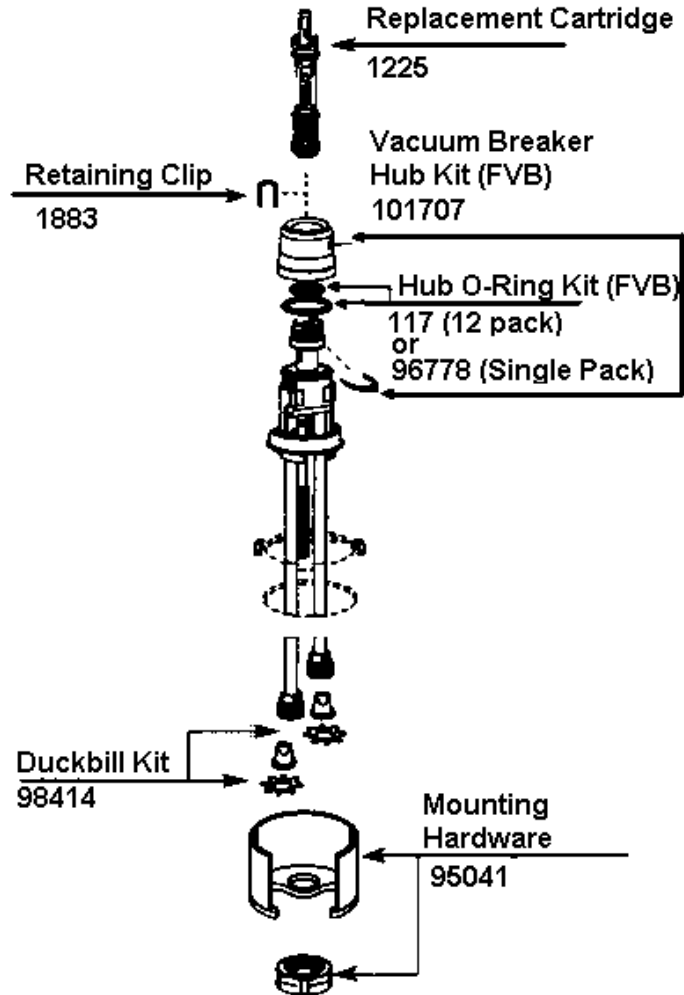
Oakville, Ontario L6H5s7



# 2007 INTERNATIONAL TRAVEL TRAILER

## PLUMBING, FRESHWATER

### GALLEY FAUCET, 601867, Moen, MODEL 67315C



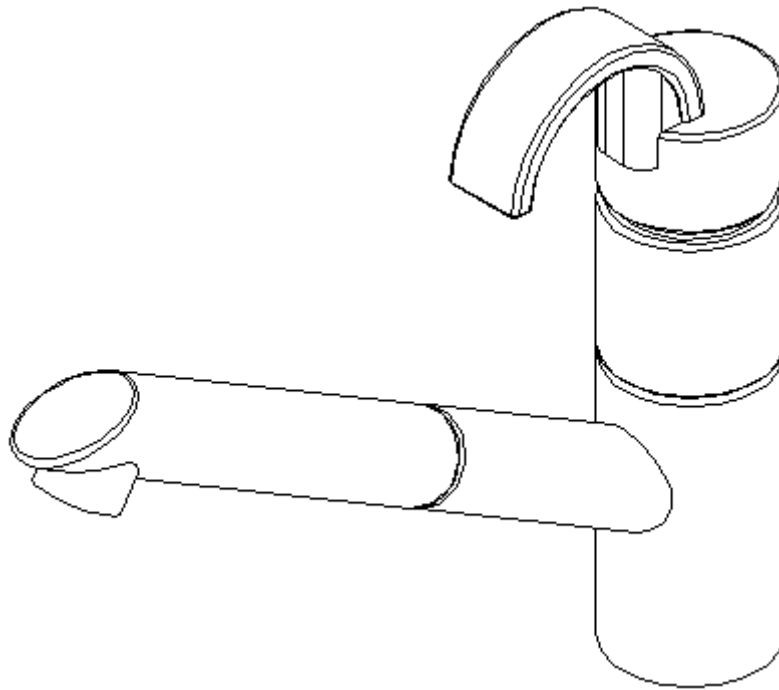
601867

GALLEY FAUCET, Moen, MODEL 67315C

# 2007 INTERNATIONAL TRAVEL TRAILER

## PLUMBING, FRESHWATER

Faucet, Galley, Elkay, Model #LK-7120, Signature Series



602158	FAUCET, GALLEY ELKAY #LK-7120
601714-01	TAIL PIECE, 1-1/2X4"(GALLEY DRAIN)
601714-02	1½" SLIP NUT W/WINGS
601714-03	1½" BLACK RUBBER WASHER

# 2007 INTERNATIONAL TRAVEL TRAILER

## PLUMBING, FRESHWATER

### FAUCET-SMALL LEVER HANDLE BATH, 601842

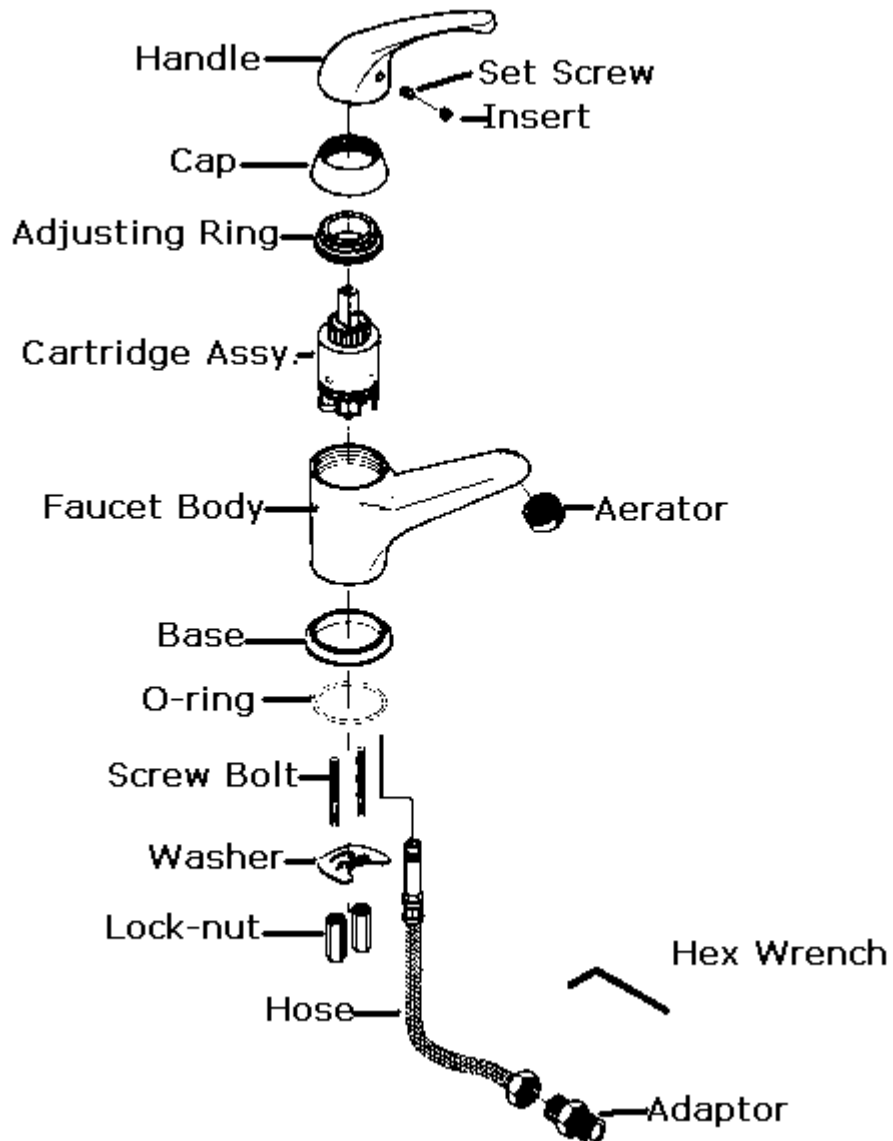
Model 97155BR

ITC Inc.

230 East Lakewood Blvd.

Holland, MI 49424

Tel. 616-396-1355



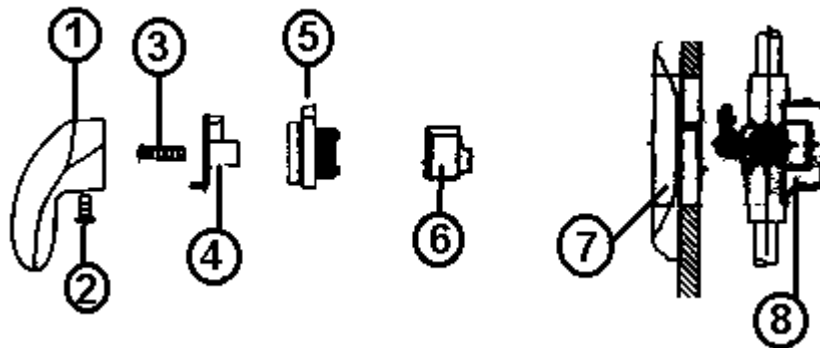
601842 FAUCET-SMALL LEVER HANDLE BATH

# 2007 INTERNATIONAL TRAVEL TRAILER

## PLUMBING, FRESHWATER

Faucet, Shower, 19', 25', 28', 27' FB

601829      Faucet, Shower, Chrome, Moen MDL TL2391



1. Lever handle
2. Set screw
3. Handle screw
4. Handle adaptor
5. Brake
6. Key stop
7. Escutcheon
8. 601831      4-port posi-temp valve

600594      Strainer w/white rubber stopper

601358      Shower kit, includes:

Shower hose, shower head,  
Vacuum breaker, wall mounts

601185-08      PLUG, PIPE 1/2" MALE NPT, STEEL

114969      COVER, VENT PIPE

601592-04      HOSE GUIDE, SHOWER HARDWARE

601661      NIPPLE, 1/2", BRASS HEX



## 2007 INTERNATIONAL TRAVEL TRAILER

### PLUMBING, FRESHWATER

#### Faucet, Shower, 16'

604877-01	4 cp SHOWER VALVE W/FELT WASHER
604877-02	CP HANDSET HOSE W/WALL BRACKET
604877-03	1/2' CHROME SUPPLY ELBOW
604877-04	CP BRASS VACUUM BREAKER
601884	CENTER SET NUT - PLASTIC
360258-03	SEALANT-LATEX CAULK CLEAR 10.3

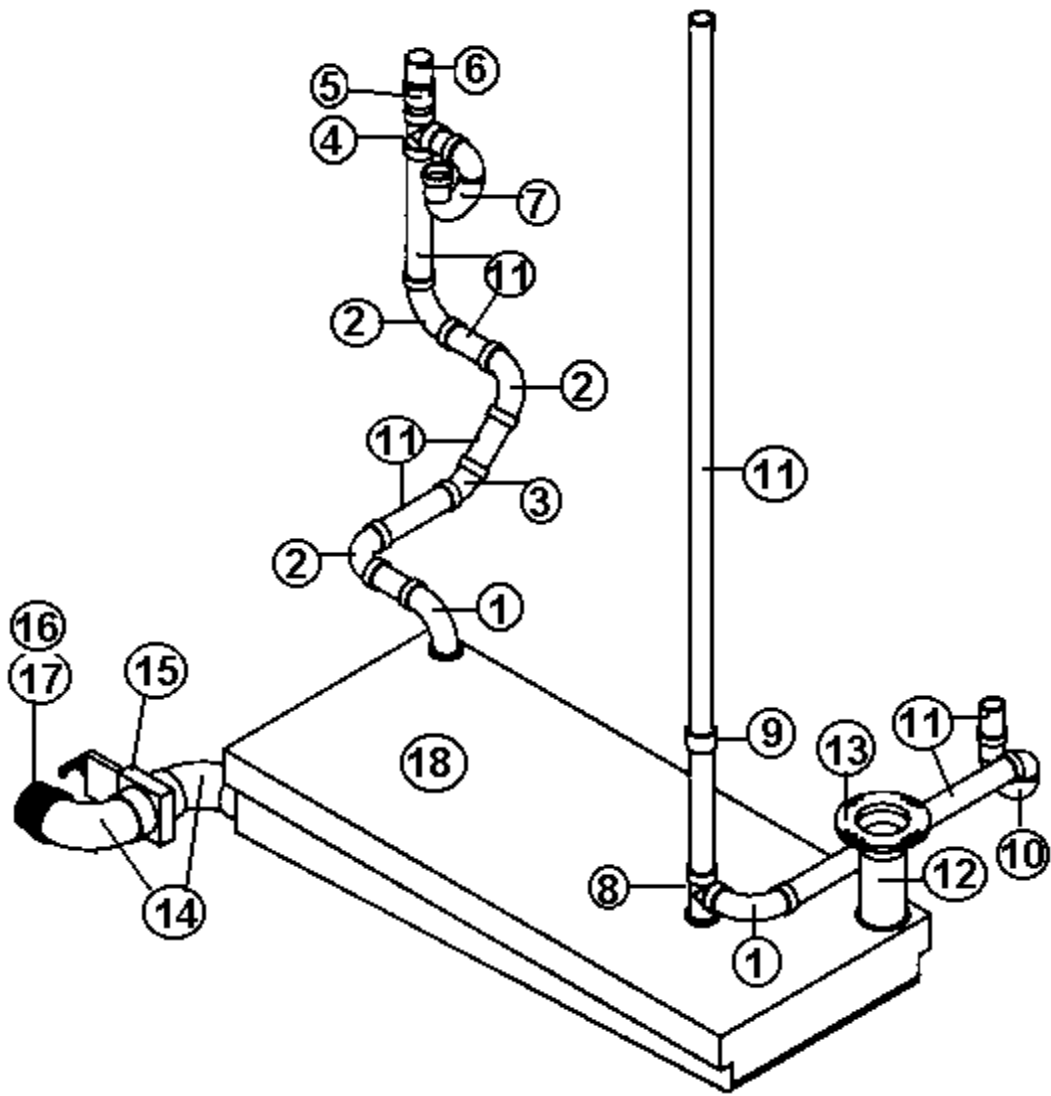
#### Faucet, Lavatory/Shower, 22'

690473	Faucet, Lavatory/Shower, 22'
601813	TAIL PIECE-LIFT/TURN DRAIN, 22'
601727	SHOWER DRAIN 2"W/GRID TOP, 22'

# 2007 INTERNATIONAL TRAVEL TRAILER

## PLUMBING, DRAIN

### DRAIN SYSTEM, 16'



P/N on Next Page

# 2007 INTERNATIONAL TRAVEL TRAILER

## PLUMBING, DRAIN

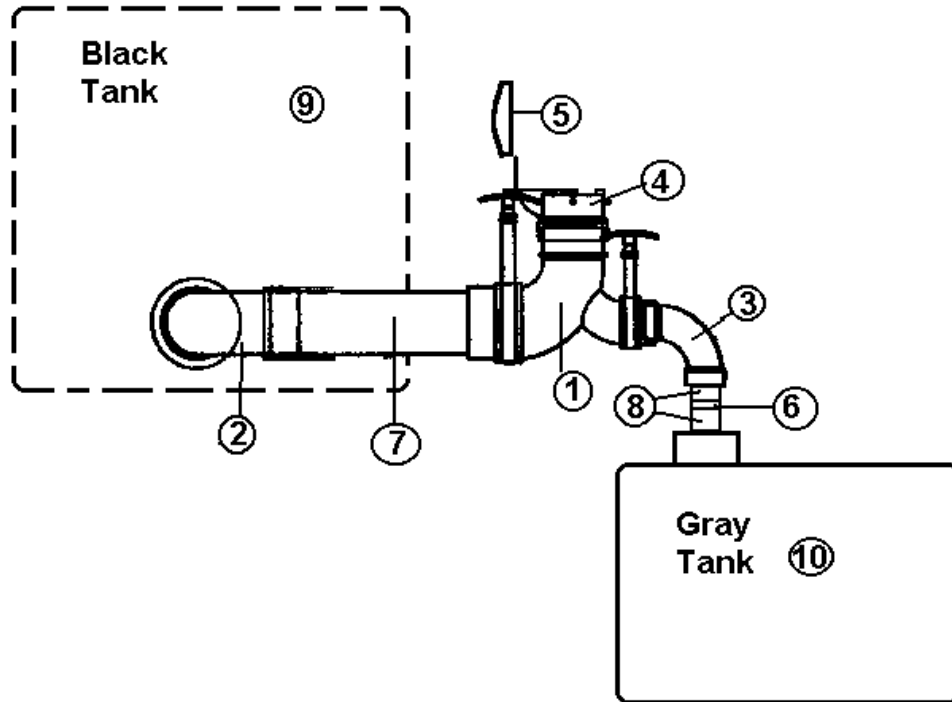
### DRAIN SYSTEM, 16'

1. 600431	Elbow, 90, 1.5"
2. 600035	Ell, ABS, Long sweep, 1.5"
3. 600030	Ell. 45 degrees, long turn
4. 600156	Tee, sanitary
5. 600308	Adaptor, ABS, female, Sloan #2891
6. 600538	Vent, V-200 automatic
7. 600622	P-trap, 1.5" w/slip nut & washer
8. 601868	Sanitary tee, spig x hub x hub
9. 600227	Plastic couplings
10. 600144	P-trap, ABS DVW, 1.5"
11. 601160-02	Pipe, ABS, DVW, 1.5"
12. 601267-04	Nipple, 3" Dia. THD one, 10" long
13. 601266	Flange, closet, 3' x4", slip fit
14. 600820	3" single socket, 90 degree
15.601607-14	Dump valve, 3"
16.601607-06	Termination adaptor, 3" hub x 3" bay
17.601607-07	Termination cap, 3" bay
18.601844-05	Tank, black/gray combination
511789	SENSOR-TANK MONITOR #500-10050
601588	Drain cock, radiator, brass
453945-07	Close off, plumbing, black
601869	Tank pan
200507	STYROFOAM, 1 X 25 X 55"
200152	STYROFOAM 1/2 X 6 X 42"
601589	ADAPTOR BRASS 3/8 FPT X 1/2 MP
600822	ADAPTER P-TRAP
602164-01	P TRAP W/COMPRESSION NUT 1.5"
602164-02	TAILPIECE W/NUTS & WASHERS 1.5

# 2007 INTERNATIONAL TRAVEL TRAILER

## PLUMBING, DRAIN

### DRAIN SYSTEM, 19'



Part Numbers on the Next Page

# 2007 INTERNATIONAL TRAVEL TRAILER

## PLUMBING, DRAIN

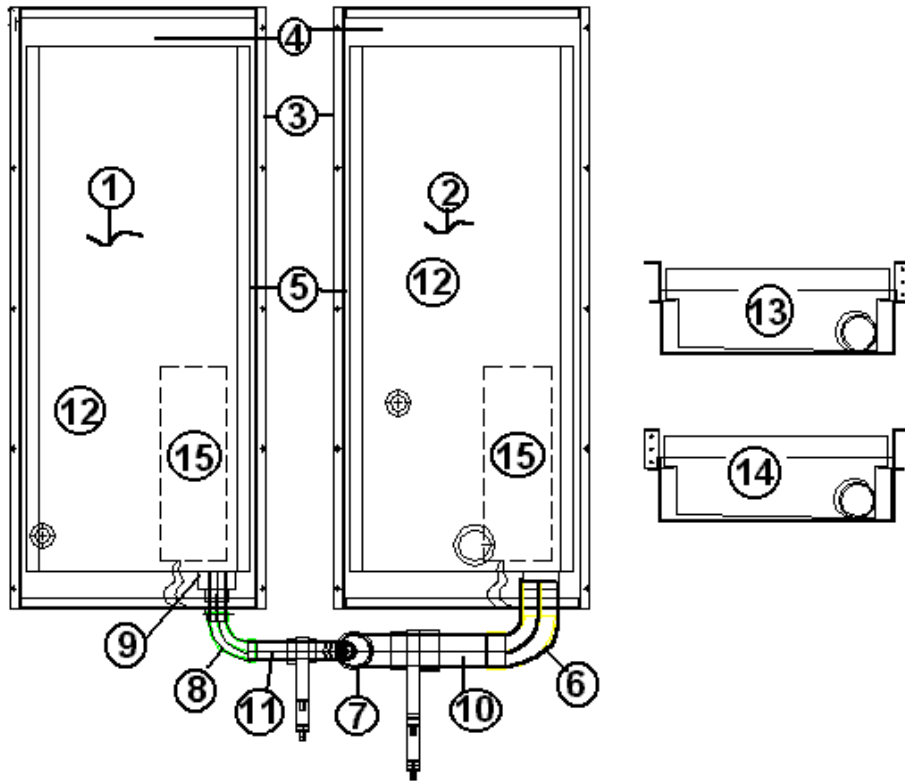
### DRAIN SYSTEM, 19'

1. 601482	DUMP VALVE ROTATING ASSEMBLY
2. 600183	ELL LONG SWEEP ABS 3"
3. 600183	ELL ABS LONG SWEEP 1-1/2"
4. 600241-01	HOSE ADAPTOR, STRAIGHT
5. 001664	CAP POSITIVE SEAL THETFORD 3"
6. 601160-02	PIPE, ABS DVW, 1-1/2"
7. 601160-04	PIPE, ABS DVW, 3"
8. 601800	STRAIGHT ELBOW, 22 DEGREE, 1.5"
9. 601854-01	TANK-BLACK HOLDING 17.3 GALLON
10. 601844-01	TANK-GRAY HOLDING 21 GAL #0910
114916	BRACKET DUMP VALVE
601717	GRAY TANK PAN
453622	GRAY TANK PAN CLOSE-OUT
601228	BLACK TANK PAN CLOSEOUT
453977	STRAP-BLACK TANK FWD
453978	STRAP-BLACK TANK AFT
964478	SLOPE PAD-BLACK TANK
453712	SHIELD, FRESH WATER TANK DRAIN
601846	ADAPTOR-3"PIPE CATCON
601266	Flange, closet, 3' x4", slip fit
600033	ELBOW, VENT, 1.50 90 DEG.
600035	ELL ABS LONG SWEEP 1 1/2"
600156	TEE SANITARY
600030	ELL ABS 45 DEGREES LONG TURN
600538	VENT V-200 AUTOMATIC
601200	ADAPT, AUTO VENT W/EXT. #A-201
601318	TEE BI-DIRECTIONAL CLEANOUT 1 1/2"
600155	PLUG, CLEANOUT 1 1/2"
600094	WYE #2301
600378	CONTINUOUS WASTE 1-1/2
600431	ELBOW, 90, 1-1/2 IN
601424	FLANGE, CLOSET 4" X 3", THREAD
600822	ADAPTER P-TRAP
602164-01	P TRAP W/COMPRESSION NUT 1.5"
602164-02	TAILPIECE W/NUTS & WASHERS 1.5

# 2007 INTERNATIONAL TRAVEL TRAILER

## PLUMBING, DRAIN

### DRAIN SYSTEM, 22'

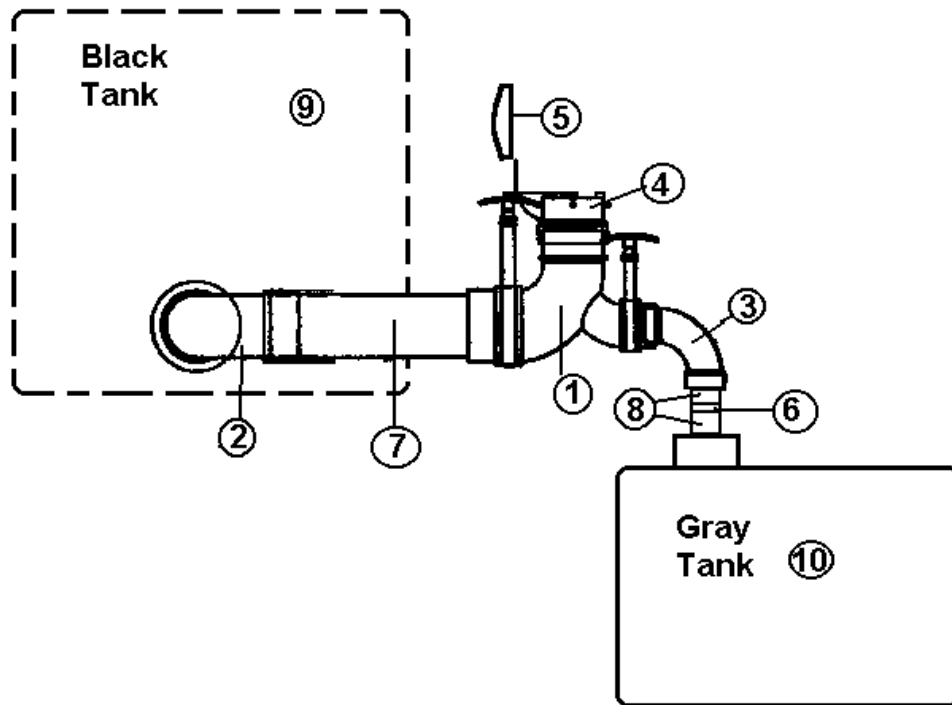


- |               |                                |
|---------------|--------------------------------|
| 1. 601844-02  | TANK-GRAY HOLDING 21 GAL       |
| 2. 601844-04  | TANK-BLACK HOLDING 21 GAL      |
| 3. 602064     | PAN-GRAY TANK ASSY             |
| 3. 602065     | PAN-BLACK TANK ASSY            |
| 4. 200507     | STYROFOAM, 1" X 25" X 55"      |
| 5. 200152     | STYROFOAM 1/2" X 6" X 42"      |
| 6. 600820     | 3" SINGLE SOCKET 90DEGREE      |
| 7. 601482     | DUMP VALVE ROTATING ASSY.      |
| 8. 600035     | ELL ABS LONG SWEEP 1 1/2"      |
| 9. 195329-229 | REDUCER ADAPTOR 3" TO 1.5" 407 |
| 10. 601160-04 | PIPE, ABS DVW, 3"              |
| 11. 601160-02 | PIPE, ABS DVW, 1 1/2"          |
| 12. 511789    | SENSOR-TANK MONITOR #500-10050 |
| 13. 453945-04 | CLOSE OFF PLUMBING GREY        |
| 14. 453945-07 | CLOSE OFF PLUMBING BLACK       |
| 15. 511780    | PAD-TANK HEATING 6.5" X 18"    |

# 2007 INTERNATIONAL TRAVEL TRAILER

## PLUMBING, DRAIN

### DRAIN SYSTEM, 23' D



Part Numbers on the Next Page

# 2007 INTERNATIONAL TRAVEL TRAILER

## PLUMBING, DRAIN

### DRAIN SYSTEM, 23' D

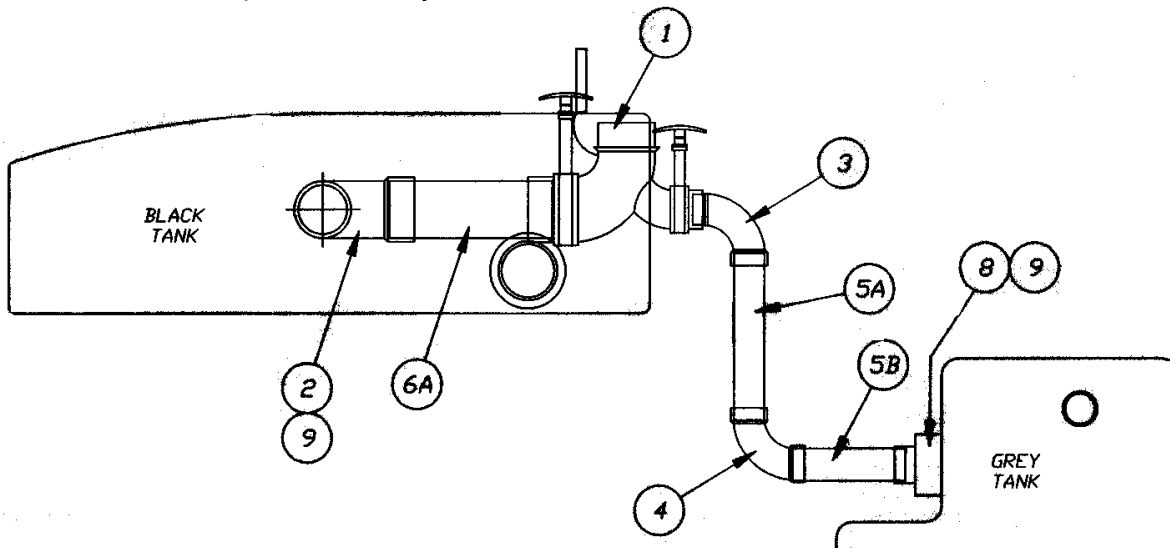
- |               |                                  |
|---------------|----------------------------------|
| 1. 601482     | DUMP VALVE ROTATING ASSEMBLY     |
| 2. 600183     | ELL LONG SWEEP ABS 3"            |
| 3. 600035     | ELL ABS LONG SWEEP 1-1/2"        |
| 4. 600241-01  | HOSE ADAPTOR, STRAIGHT           |
| 5. 001664     | CAP POSITIVE SEAL THETFORD 3"    |
| 6. 601160-02  | PIPE, ABS DVW, 1-1/2"            |
| 7. 601160-04  | PIPE, ABS DVW, 3"                |
| 8. 601800     | STRAIGHT ELBOW, 22 DEGREE, 1.5"  |
| 9. 601854-01  | TANK-BLACK HOLDING 17.3 GALLON   |
| 10. 601844-01 | TANK-GRAY HOLDING 21 GALLON      |
| 602052        | PAN-GRAY TANK                    |
| 200152        | STYROFOAM 1/2 X 6 X 42"          |
| 453493        | HANGER STRAP-TANK PAN            |
| 200954        | SLOPE PAD, 22.75" X 55"          |
| 453615        | TANK SUPPORT STRIP, 61.50"       |
| 454566        | CLOSEOUT, GRAY TANK PAN          |
| 600193        | 2" DUCT THERMAFLEX FLEXIBLE AIR  |
| 453977        | STRAP-BLACK TANK FWD             |
| 453978        | STRAP-BLACK TANK AFT             |
| 601266        | Flange, closet, 3' x4", slip fit |



# 2007 INTERNATIONAL TRAVEL TRAILER

## PLUMBING, DRAIN

### DRAIN SYSTEM, 25' Sleep Six

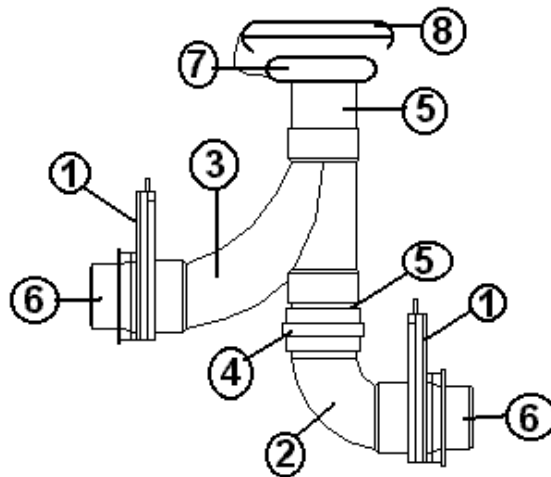


- |               |                                   |
|---------------|-----------------------------------|
| 1. 601482     | Dump Valve Rotating assembly      |
| 2. 600820     | Ell long sweep ABS 3"             |
| 3. 600431     | Elbow, 90, 1 1/2"                 |
| 4. 600035     | Ell ABS street, 1 1/2"            |
| 5A. 601160-02 | Pipe, ABS DVW, 1 1/2"-10.00" Long |
| 5B. 601160-02 | Pipe, 1 1/2"-ABS DVW, 7.00" Long  |
| 6A. 601160-04 | Pipe, 3"-ABS DVW, 4" Long         |
| 7. 114916     | Bracket, dump valve               |
| 8. 195329-229 | Reducer adaptor, 3" to 1.5"       |
| 9. 340092     | Clamp, worm type T40C-75-388-SB   |
| 10. 601848-02 | Holding tank, gray                |
| 10a. 453615   | TANK SUPPORT STRIP-62"            |
| 10b. 453616   | TANK SUPPORT STRIP-22"            |
| 10c. 453493   | HANGER STRAP-TANK PAN             |
| 11. 601854-01 | Black tank                        |
| 11a, 453963   | STRAP-BLACK TANK FWD              |
| 11b. 453964   | Strap, black tank AFT.            |
| 601228        | CLOSEOUT, SEPTIC PAN              |
| 601642        | PAN-TANK ROTOCAST                 |
| 203149        | SLOPE PAD-HOLDING TANKS           |
| 601846        | ADAPTOR-3"PIPE CATCON             |

# 2007 INTERNATIONAL TRAVEL TRAILER

## PLUMBING, DRAIN

### DRAIN VALVES/TANKS, 25' Front Bed

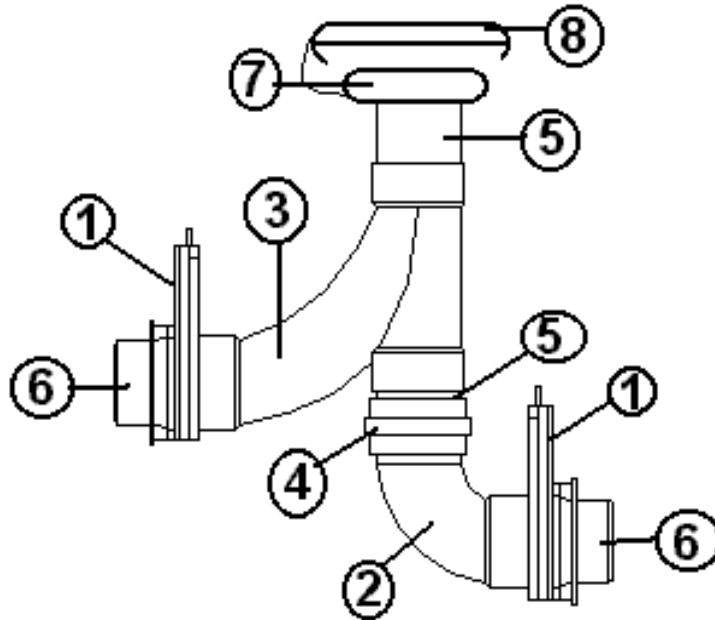


- |  |                                   |
|--|-----------------------------------|
| 1. 601431  | Dump valve w/o handle             |
| 2. 600820  | 3" single socket, 90 Degree       |
| 3. 600187  | 3" Wye, combination & 1/8" bend   |
| 4. 600289  | Calder coupler, 3"                |
| 5. 601160-04   | 3" ABS pipe                       |
| 6. 0310107   | WASTE VALVE ADAPTOR               |
| 7. 01639   | Bayonet ring                      |
| 8. 01664   | Cap. Positive seal, Thetford      |
| 04190  | DUMP VALVE HANDLE 19 EXT THETFORD |
| 380481   | BOOT RUBBER 3" DRAIN LINE         |
| 385101   | TAG AUX TANK DUMP VALVE HANDLE    |
| 385099   | TAG MAIN TANK DUMP VALVE HANDLE   |
| 114086   | BRACKET DUMP VALVE HANDLE         |
| 200152   | STYROFOAM 1/2" X 6" X 42"         |
| 6012424  | FLANGE, CLOSET, 3 X 4, threaded   |
| 601850-04  | TANK-GRAY 37 GAL.                 |
| 601848-09  | TANK-BLACK 39 GAL.                |
| *601642  | PAN-TANK ROTOCAST 25'             |
| *453493  | HANGER STRAP-TANK PAN             |
| *345074-05   | SCREW 5/16-18 X 7/8HEX WASHER     |
| 203149   | SLOPE PAD-HOLDING TANKS           |
| 453615   | TANK SUPPORT STRIP-61.50"         |
| *601626  | Pan assembly, Waste Tank          |
| *601642 and its straps/screws were replaced by 601626 pan which is fasten by screws during model year. |                                   |

# 2007 INTERNATIONAL TRAVEL TRAILER

## PLUMBING, DRAIN

### DRAIN VALVES/TANKS, 27' FB

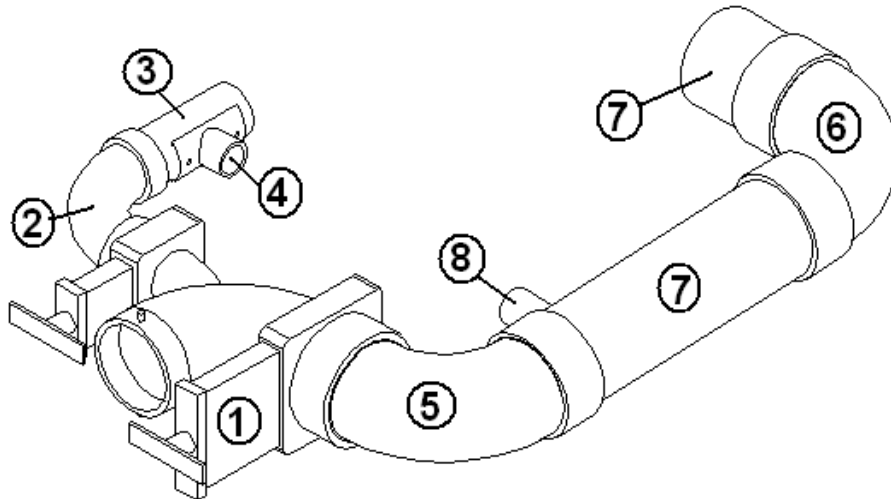


1. 601607-11 VALVE ASSY. 3" SPIGOT X 3"SPIGOT
2. 600820 3"SINGLE SOCKET 90DEGREE
3. 600187 3"WYE, COMB & 1/8 BEND
4. 600289 CALDER COUPLING 3IN (RUBBER)
5. 601160-04 PIPE, ABS DVW, 3"
6. 0310107 Adaptor, 3" tank valve
7. 601607-06 TERMINATION ADAPTOR - 3" HUB X 3"
8. 601607-07 TERMINATION CAP - 3" BAYONET
- 601850-04 TANK-GRAY 37 GAL.
- 601848-09 TANK-BLACK 39 GAL.
- 601626 PAN WASTE HOLDING TANKS
- 200954 SLOPE PAD, 22.75"X 55"
- 114086 BRACKET DUMP VALVE HANDLE
- 04190 DUMP VALVE HANDLE 19 EXT THETFORD
- 385101 TAG AUX TANK DUMP VALVE HANDLE
- 385099 TAG MAIN TANK DUMP VALVE HANDL
- 380481-A 7 X 8 RUBBER BOOT 3-1/2 DIA HOLE
- 200152 STYROFOAM 1/2 X 6 X 42
- 115361 DUMP VALVE MOUNTING PLATE

# 2007 INTERNATIONAL TRAVEL TRAILER

## PLUMBING, DRAIN

### DUMP VALVE/HOLDING TANKS, 28'

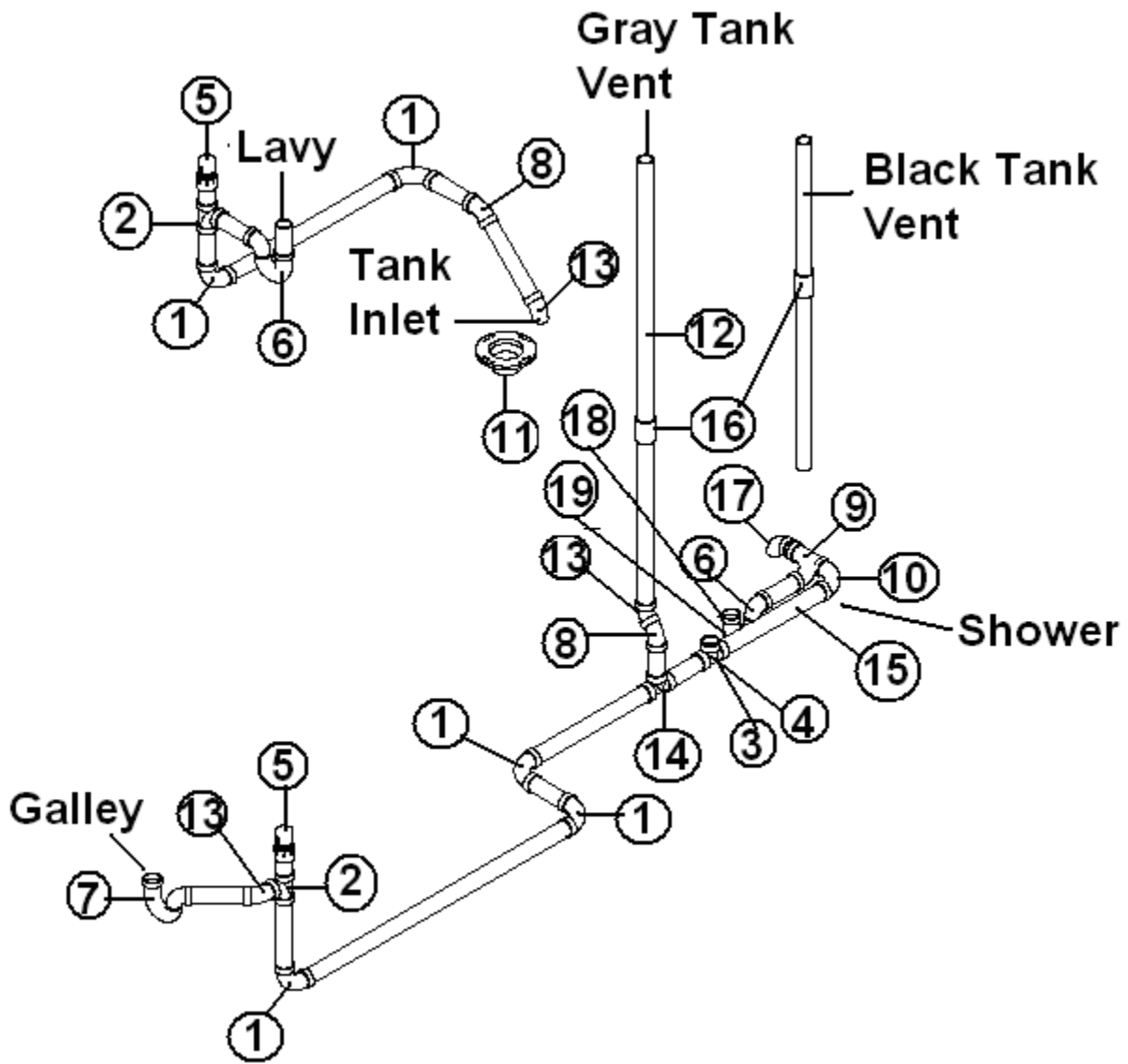


- |              |                               |
|--------------|-------------------------------|
| 1. 601482    | DUMP VALVE ROTATING ASSEMBLY  |
| 2. 600431    | ELBOW, 90, 1 1/2"             |
| 3. 601160-02 | PIPE, ABS DVW, 1 1/2"         |
| 4. 601845    | ADAPTOR-1.5", PIPE CATCON     |
| 5. 600820    | 3" SINGLE SOCKET 90 DEGREE    |
| 6. 600183    | ELL LONG SWEEP ABS 3"         |
| 7. 601160-04 | PIPE, ABS DVW, 3"             |
| 8. 601846    | ADAPTOR, 3" PIPE CATCON       |
| 0360494      | BOOT RUBBER                   |
| 601889-01    | TANK-BLACK 35 GALLON          |
| 601890-02    | TANK-GRAY 37 GALLON           |
| 601895       | PAN-BLACK/GRAY TANK           |
| 203149       | SLOPE PAD-HOLDING TANKS       |
| 200152       | STYROFOAM 1/2 X 6 X 42"       |
| 454178-01    | STRAP-BLACK/GRAY TANK 52.25"  |
| 454178-02    | STRAP-BLACK/GRAY TANK 5.25" H |
| 454178-05    | STRAP-BLACK/GRAY TANK 4.25"   |

# 2007 INTERNATIONAL TRAVEL TRAILER

## PLUMBING, DRAIN

DRAIN SYSTEM, 28'



Part Number on the next page

# 2007 INTERNATIONAL TRAVEL TRAILER

## PLUMBING, DRAIN

### DRAIN SYSTEM, 28'

1. 600035 ELL ABS LONG SWEEP 1-1/2"
2. 600156 TEE SANITARY
3. 602073 TEE-FIXTURE 2" HUB X 2" HUB X 1.5"
4. 600155 PLUG, CLEANOUT 1-1/2"
5. 600538 VENT V-200 AUTOMATIC
6. 600144 P TRAP ABS 1-1/2 INCH
7. 600622 P-TRAP 1-1/2 W/SLIP NUT & WASHER
8. 600030 ELL ABS 45 DEGREES LONG TURN
9. 600318 WYE-1/8 BEND COMB, 2 X 2 X 1-1
10. 600372 ELBOW-2"LONG TURN 90DEG STREET
11. 601424 FLANGE, CLOSET 4" X 3", THREAD
12. 601160-02 PIPE, ABS DVW, 1-1/2"
13. 600027 ELBOW ABS LONG ST 45 DEGREES
14. 602072 TEE-SANITARY - REDUCING 2" X 1.5"
15. 601160-03 PIPE, ABS DVW, 2"
16. 600227 PLASTIC COUPLINGS
17. 602112 ELBOW 90 DEG. SHORT STREET 2"
18. 602124-02 1.5" Tail piece
19. 602124-01 P-trap, 1.5"

### Sinks/showers, 19'

- 601804-01 SINK, BATH, 12" SS ROUND  
601813 TAIL PIECE-LIFT/TURN DRAIN
- 601938 SINK, GALLEY, S/S, SINGLE BOWL  
601714-01 TAIL PIECE, 1-1/2X4"(GALLEY DRAIN)  
601714-02 1 1/2", SLIP NUT W/WINGS  
601714-03 1 1/2" BLACK RUBBER WASHER  
195362-39 2" STRAINER  
203425 SINK COVER .5" NATURAL OAK  
203114 SHOWER 2 PC FIBER GLASS

## 2007 INTERNATIONAL TRAVEL TRAILER

### PLUMBING, DRAIN

\*Note: Due to parts shortage sink 601806 and basket strainer 600968 were replaced temporarily during model year by sink 602157 and basket strainer 601714-01. The replacement sink has its drain hole off center to bowl and a drain hole diameter of 2". The standard sink has a centered drain hole and a 3.5" drain hole diameter.

#### Sinks/showers, 16', Signature

601938	SINK, S/S, SINGLE BOWL, GALLEY
601714-01	TAIL PIECE 1-1/2X4"(GALLEY DRAIN)
601714-02	1-1/2" SLIP NUT W/WINGS
601714-03	1-1/2" BLACK RUBBER WASHER
203425	SINK COVER
203444-01	BASE-SHOWER FIBERGLASS WHITE

#### Sinks/showers, 19', Signature

702937-03	SHOWER DOOR, ROLL AWAY 62 X 36
203114	SHOWER, 2 PC FIBERGLASS
601938	SINK, S/S, SINGLE BOWL, GALLEY
601714-01	TAIL PIECE 1-1/2X4"(GALLEY DRAIN)
601714-02	1-1/2" SLIP NUT W/WINGS
601714-03	1-1/2" BLACK RUBBER WASHER
203425	SINK COVER
601804-01	SINK, 12" SS ROUND, BATH
601813	TAIL PIECE-LIFT/TURN DRAIN, BATH

#### Sinks/showers, 19' 75<sup>th</sup> Anniversary

601804-01	SINK, BATH, 12" SS ROUND
*601806	SINK-S.S. ROUND GALLEY
203483	COVER-SINK ROUND 17.75"
203114	SHOWER 2 PC FIBER GLASS

## 2007 INTERNATIONAL TRAVEL TRAILER

### PLUMBING, DRAIN

#### Sinks/showers, 22'

601804-01	SINK, BATH, 12" SS ROUND
*601806	SINK-S.S. ROUND GALLEY
203483	COVER-SINK ROUND 17.75"
203298	SHOWER PAN-BAMBI
203328-01	SHOWER SURROUND-UPPER, WHITE
203328-02	SHOWER SURROUND-LOWER, WHITE
203328-02	SHOWER SURROUND-LOWER, WHITE

#### Sinks/showers, 23' D

702937-03	SHOWER DOOR, ROLL AWAY 62 X 36
203114	SHOWER, 2 PC FIBERGLASS
601804-01	SINK, 12" SS ROUND, BATH
601813	TAIL PIECE-LIFT/TURN DRAIN, BATH
601806	SINK, S.S. ROUND GALLEY
203483	COVER, SINK ROUND 17.75" NATURAL

#### Sinks/showers, 25' Sleep Six

601804-01	SINK 12", BATH, SS ROUND WITH STUDS
601813	TAIL PIECE-LIFT/TURN DRAIN
*601806	SINK-S.S. ROUND GALLEY
600968	BASKET STRAINER
601714-01	TAIL PIECE 1 1/2" X 4" (GALLEY DRAIN)
601714-02	1 1/2" SLIP NUT W/WINGS
601714-03	1 1/2" BLACK RUBBER WASHER
203483	COVER-SINK ROUND 17.75"
203114	SHOWER 2 PC FIBER GLASS



# 2007 INTERNATIONAL TRAVEL TRAILER

## PLUMBING, DRAIN

### Sinks/showers, 25' Front Bed

203081 SHOWER STALL, 2 PC.  
601804-01 SINK, LAVATORY, 12" SS ROUND  
\*601806 SINK, GALLEY, S.S. ROUND  
203483 COVER, GALLEY SINK ROUND 17.75"

### Sinks/showers, 27' Front Bed

\*601806 SINK-S.S. ROUND GALLEY  
203483 COVER-SINK ROUND 17.75"  
601714-01 TAIL PIECE 1-1/2X4"(GALLEY DRAIN)  
601714-02 1-1/2" SLIP NUT W/WINGS  
601714-03 1-1/2" BLACK RUBBER WASHER  
601804-01 SINK, LAVATORY, 12" SS ROUND WITH STUDS  
203081 SHOWER STALL, 2 PC.

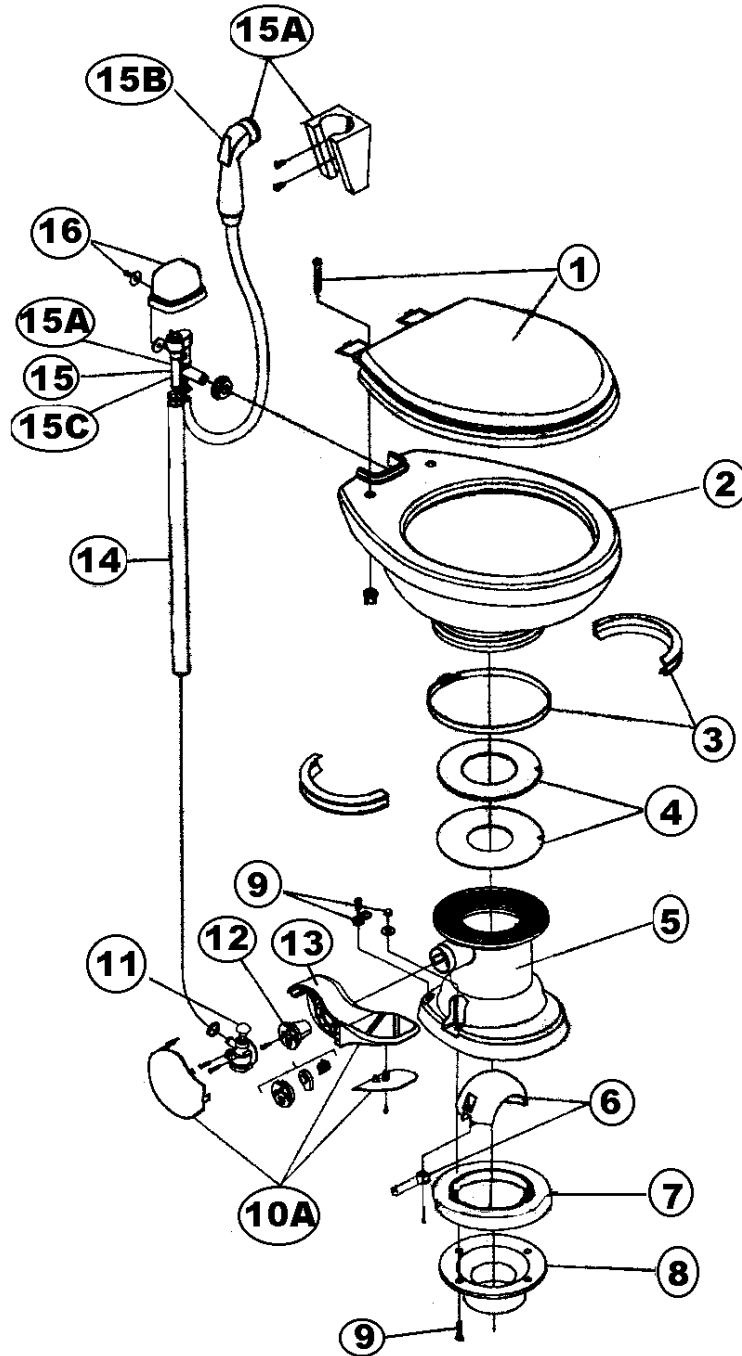
### Sinks/Showers, 28'

203081-01 SHOWER STALL-2 PC FIBER 28'CCD  
601804-01 SINK 12" SS ROUND WITH STUDS, LAVATORY  
703626-01 SHOWER DOOR, BRUSHED NICKEL  
601806 SINK-S.S. ROUND GALLEY  
601714-01 TAIL PIECE 1 1/2" X 4"(GALLEY DRAIN)  
601714-02 1 1/2" SLIP NUT W/WINGS  
601714-03 1 1/2" BLACK RUBBER WASHER  
\*602157 Sink, stainless steel  
203483 COVER-SINK ROUND 17.75"  
601714-01 TAIL PIECE 1.5" X 4"(GALLEY DRAIN)

# 2007 INTERNATIONAL TRAVEL TRAILER

## PLUMBING, DRAIN

Toilet, 16', 19', 22', 25' Sleep Six, 28'



P/N Next Page

# 2007 INTERNATIONAL TRAVEL TRAILER

## PLUMBING, DRAIN

Toilet, 16', 19', 22', 23' D, 25' Sleep Six, 28'

Sealand Technology, Inc.

13128 State Route 226

PO Box 38

Big Prairie, OH. 44611-0038

Customer Service 1-800-321-9886

330-496-3211 (8:00 A.M.-5:00 P.M. ET)

Fax: 330-496-3097

[www.sealandtechnology.com](http://www.sealandtechnology.com)

690472 Sealand, Traveler Lite, White, HIGH PROFILE, 16',  
22', 28'

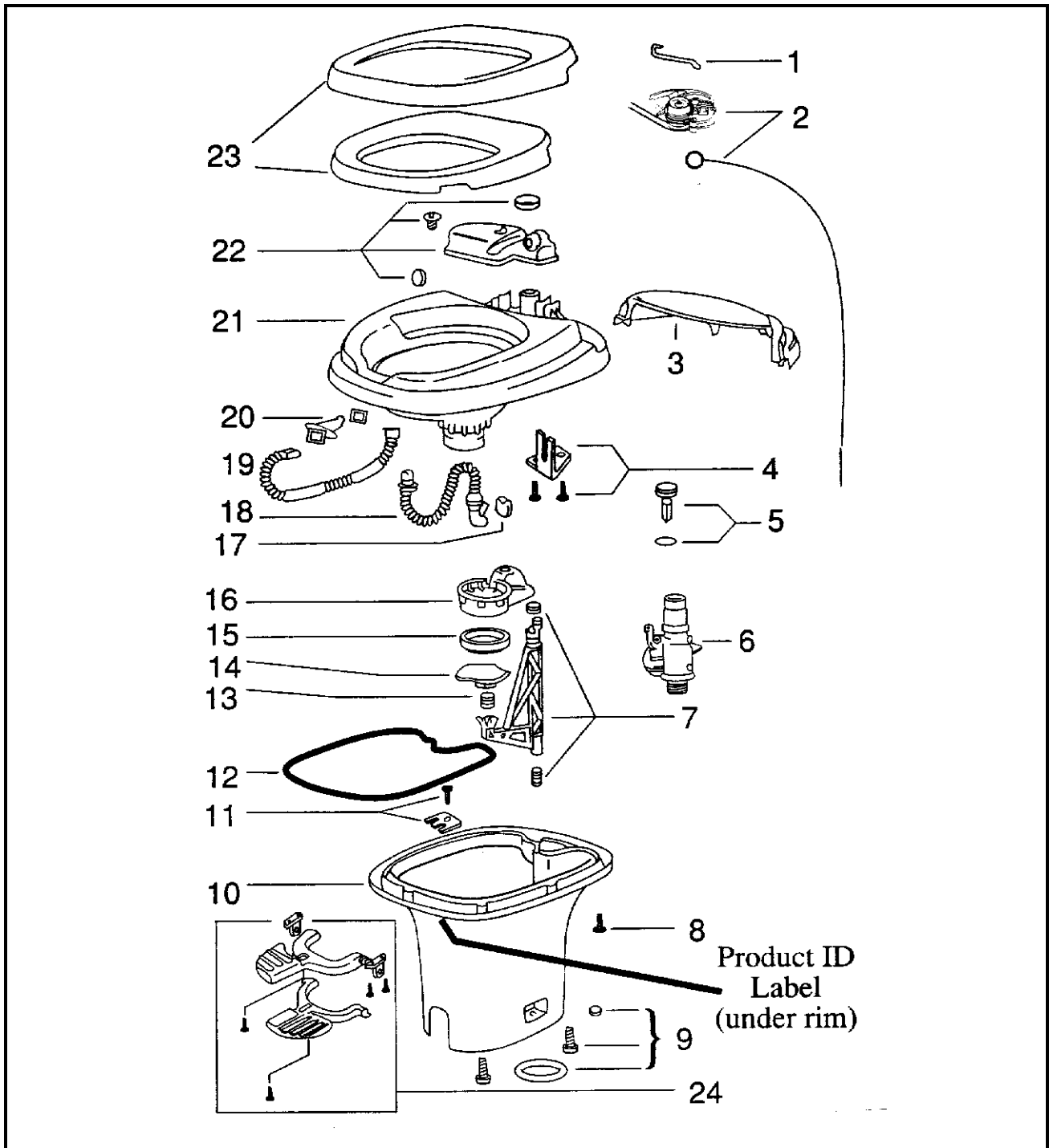
690472-01 Sealand, Traveler Lite, White LOW PROFILE, 19', 23'  
D, 25' Sleep Six

1. 344088 Seat Assembly
2. 310790 China bowl kit
3. 310025 Ring & half clamp kit
4. 316140 Teflon & rubber seal kit
5. 310792 Base kit, includes 3, 4, 6, 7, 9, 10A, 11 & 12
6. 310681 Ball, shaft, cartridge kit
7. 343938 Floor flange seal
8. 600065 Flange, floor, threaded, Airstream
- 8a. 601266 TOILET, FLANGE, CLOSET, 3" X 4", SLIP FIT
9. 310794 Floor bolt mounting kit
10. 310117 Pedal cover kit
- 10A. 310682 Flush pedal kit (includes 12)
11. 314349 Water valve kit
12. 310683 Spring cartridge kit
13. Pedal included w/Part 10A
14. 340177 Supply hose
15. 310687 Vacuum breaker kit
- 15A. 319054 Vacuum breaker kit w/spray
- 15B. 690307-103 SPRAY HEAD #385311124
- 15C. 230335 Vacuum breaker (used w/spray)
16. 310795 Vacuum breaker cover kit
- 601884 CENTER SET NUT, PLASTIC

# 2007 INTERNATIONAL TRAVEL TRAILER

## PLUMBING, DRAIN

Toilet, 25' Front Bed, 27' Front Bed



# 2007 INTERNATIONAL TRAVEL TRAILER

## PLUMBING, DRAIN

Toilet, 25' Front Bed, 27' Front Bed

690495-01	Aqua Magic V, High-Profile
1. 690387-513	Water valve link
2. 690387-571	Wire replacement package
3. 690387-562	Mechanism cover, white
4. 690387-634	Bracket assembly
5. 690387-631	Float assembly
6. 690387-168	Water valve replacement package
7. 690387-632	Actuator assembly
8. 690387-659	Screw base to bowl
9. 690387-524	Closet bolt package
10. 690387-356	Base, white, low
10a. 690387-062	Base, white, high
11. 690387-636	Retainer assembly
12. 690387-387	Sealant, base to bowl
13. 690387-519	Blade spring
14. 690387-262	Blade
15. 690387-481	Blade seal
16. 690387-520	Blade track
17. 690387-512	Flapper
18. 690387-511	Overflow tube
19. 690387-509	Flush tube
20. 690387-637	Nozzle assembly
21. 690387-726	Bowl
22. 690387-630	Reservoir tank assembly
23. 690387-162	Seat and cover assembly
24. 690387-821	Pedal package
601266	TOILET, FLANGE, CLOSET, 3" X 4", SLIP FIT

# 2007 INTERNATIONAL TRAVEL TRAILER

## PLUMBING, DRAIN

### Black Tank Flush

601441	SYSTEM, TANK FLUSH
601698-10	QQE33X 1/2" BARB EL
601698-05	QQE33BSXP 1/2" B X 1/2" FPT SWV EL
601698-03	QQSFC33XPXP 1/2" B X 1/2" FPT SW ADP
601698-15	1/2" CRIMP RING
601698-04	QQE33BTX 1/2" B X 1/2" MPT BARB EL
601698-01	E-PEX 1/2" TUBING
195329-229	REDUCER ADAPTOR 3" TO 1.5"

### Plumbing Loose Parts

340084-52	CLAMP, HOSE SAE #52, for sewer hose
600241-01	SEWER HOSE ADAPTOR, STRAIGHT #02593
381647	KEY WATER FILL CH751
195329-240	SEWER HOSE ADAPTOR
511023	TESTER CIRCUIT ANALYZER 3WIRE
380017	HOLDER TUMBLER & TOOTHBRUSH
200980-01	TRAY, SILVERWARE, ALMOND, 9 X 13

# 2007 INTERNATIONAL TRAVEL TRAILER

## SAFETY EQUIPMENT

### Detectors/Fire Extinguishers

510781	Smoke detector
510891	Smoke Detector CSA only
511309	LPG detector
386019	LABEL 1 AMP FUSE MAX
512178	DETECTOR, CARBON MONOXIDE
600162-01	Fire extinguisher
600162-02	Fire extinguisher, CSA
203387	POCKET-RECESSED FIRE EXT. BRACKET

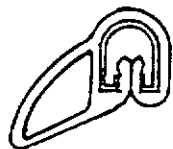
# 2007 INTERNATIONAL TRAVEL TRAILER

## SEALER/GASKETS/PAINT

### SEALER

360001	Sealant, #884058
360002	Sealant, Vulkem 11.5 oz. tube
360209	Sealant, seam
360176	Sealant, Almond, kitchen and bath
360180-04	Sealant, Sikaflex #221, black
360180	Sealant, Sika-flex, gray
360210	Sealant, Paralastic 4334-014
360283	Sealant, silicone, Corian Bone
360283-01	SEALANT SILICONE CORIAN G. WHITE
685510	SEAM TAPE,BLACK,RUBBER 1/32 X 7/8 X 2

### GASKETS/TAPE



365035, Gasket  
Access doorjamb



365013-01, Gasket  
screen door



365232, Gasket  
main door

365190 SEAL, RUBBER, 3/4" X 3/4", Refer, Range hood

381665 Gasket, D seal, window frame to shell

0401-0002 Gasket, window frame to glass

365016 Tape, foam, double face, 1/2" wide

685510-01 Seam tape, exterior metal, black rubber, 1/2"

365013 TAPE CHARCOAL, FOAM, bumper lid, screen door,

365001 TAPE DOUBLE COATED FOAM

381830 Gasket wiper, L section, 1.12" x 2.00", seal around refer baffle



# 2007 INTERNATIONAL TRAVEL TRAILER

## SEALER/GASKETS/PAINT

### PAINT

360213	Paint, aluminum metallic
360151	Paint, gray metallic, Centari
360151-01	Paint, gray metallic, Centari, 16 oz. can
360317-01	Paint, Pewter, Gallon
360260-100	Paint, Pewter, 16 oz. can

# 2007 INTERNATIONAL TRAVEL TRAILER

## UPHOLSTERY/FOAM/MATTRESS

### Pillow Kits

701611	PILLOW, 21 X 31
703714	ACCENT PILLOW, MAHARAM, 16 DWR
703353-133	Pillows, Lemon Grass, L-Lounge
703353-123	Pillows, Blue Streak, L-Lounge
703353-115	Pillows, Dandelion, L-Lounge
703353-156	Pillow Kit, Aruba, L-Lounge
703372-133	Pillows, Lemon Grass, Bedroom
703372-123	Pillows, Blue Streak, Bedroom
703372-156	Pillow Kit, Aruba, Bedroom
703372-115	Pillows, Dandelion, Bedroom
703678-047	Pillows, Cilantro, bedroom
703678-057	Pillows, Paprika, bedroom
703678-167	Pillows, Ocean Breeze

## 2007 INTERNATIONAL TRAVEL TRAILER

### UPHOLSTERY/FOAM/MATTRESS

#### Mattress

#### Mattress, 19', 23' D

703696            MATTRESS, 48" X 76" W/10" RADIUS  
703501            MATTRESS, UPPER BUNK 4", 19'  
703526            THROW, TOP BUNK BED

#### Mattress, 25' Front Bed

703698            MATTRESS, 60" X 75", W/45 DEGREE CORNER  
703697-01        Mattress, curbside rear, roadside front, 34" x 78",  
                          contoured, twin, all models  
703697-02        Mattress, curbside front, roadside rear, 34" x 78",  
                          contoured, twin, all models

#### Mattress, 25' Sleep Six

703694            MATTRESS, 52" X 76"  
703451            MATTRESS-UPPER BUNK 4"

#### Mattress, 22', 16'

703695            MATTRESS, 48" X 78" W/DOUBLE RADIUS CORNER

#### Mattress, 27' FB

703697-01        Mattress, curbside rear, roadside front, 34" x 78",  
                          contoured, twin, all models  
703697-02        Mattress, curbside front, roadside rear, 34" x 78",  
                          contoured, twin, all models  
703699            Mattress, 60" x 75" w/11" Radius corner

#### Mattress, 28' Signature

703699            Mattress, 60" x 75", Queen "J"

## 2007 INTERNATIONAL TRAVEL TRAILER

### UPHOLSTERY/FOAM/MATTRESS

#### Bedsread, 16'

703363-133	Bedsread, 16', Lemon Grass
703363-123	Bedsread, 16', Blue Streak
703363-115	Bedsread, 16', Lemon Dandelion
703363-156	Bedsread, 16', Aruba
703363-047	Bedsread, 16', Cilantro
703363-057	Bedsread, 16', Paprika

#### Bedding Set, 16' DWR

703713	Bedding, complete set
703713-01	Bedding, Flat sheet
703713-02	Bedding, Fitted sheet
703713-03	Bedding, Pillow cases, (pair)
703713-04	Bedding, Pillows, 18" x 18" (pair)
703713-05	Bedding, Coverlet, 6" box quilt

#### Bedsread, 19', 23' D

703287-133	Bedsread, Model, Lemon Grass
703287-123	Bedsread, Model, Blue Streak
703287-115	Bedsread, Model, Dandelion
703287-156	Bedsread, Model, Aruba
703197-167	Bedsread, Ocean Breeze
703197-047	Bedsread, Cilantro
703197-057	Bedsread, Paprika
703468	UPPER BUNK SAFETY NET
703526	THROW-TOP BUNK BED

#### Bedsread, 22'

703197-133	Bedsread, 22' CCD Model, Lemon Grass
703197-123	Bedsread, 22' CCD Model, Blue Streak
703197-115	Bedsread, 22' CCD Model, Dandelion
703197-156	Bedsread, 22' CCD Model, Aruba

# 2007 INTERNATIONAL TRAVEL TRAILER

## UPHOLSTERY/FOAM/MATTRESS

### Bedsread, 25' Sleep Six

703379-133	Bedsread, 25' model, Lemon Grass
703379-123	Bedsread, 25' model, Blue Streak
703379-115	Bedsread, 25' model, Dandelion
703379-156	Bedsread, 25' model, Aruba
703379-167	Bedsread, 25' model, Ocean Breeze
703379-047	Bedsread, 25' Signature, Cilantro
703379-057	Bedsread, 25' Signature, Paprika
703482-01	Throw, Bunk Bed
703468	UPPER BUNK SAFETY NET

### Bedsread, 25' & 27' Front Bed Twin

703654-133	Bedsread, Lemon Grass
703654-123	Bedsread, Blue Streak
703654-115	Bedsread, Dandelion
703654-156	Bedsread, Aruba
703654-167	Bedsread, Ocean Breeze
703654-047	Bedsread, Cilantro
703654-057	Bedsread, Paprika

### Bedsread, 25' & 27' Front Bed Double, 28'

703356-133	Bedsread, 28' CCD, Lemon Grass
703356-123	Bedsread, 28' CCD, Blue Streak
703356-115	Bedsread, 28' CCD, Dandelion
703356-156	Bedsread, 28' CCD, Aruba
703356-167	Bedsread, 27' FB, 28' Signature, Ocean Breeze
703356-047	Bedsread, 27' FB, 28' Signature, Cilantro
703356-057	Bedsread, 27' FB, 28' Signature, Paprika

### Sofa, Ocean Breeze

703657-167

## 2007 INTERNATIONAL TRAVEL TRAILER

### UPHOLSTERY/FOAM/MATTRESS

Net, Storage Bag, 16'

703364 NET, STORAGE BAG BLACK 10"X 14"

VINYL STRAP FOR FOLDETTE DOORS, 28', 25' Sleep Six

381581 STRAP CLEAR PLASTIC .75"W

700811 BUTTON CAP, HANDY

700812 BUTTON BOTTOM, HANDY, OAK

L-Lounge Cushion Kit, 25' Sleep Six, Signature

703657-057 CUSHION KIT, L-LOUNGE, PAPRIKA

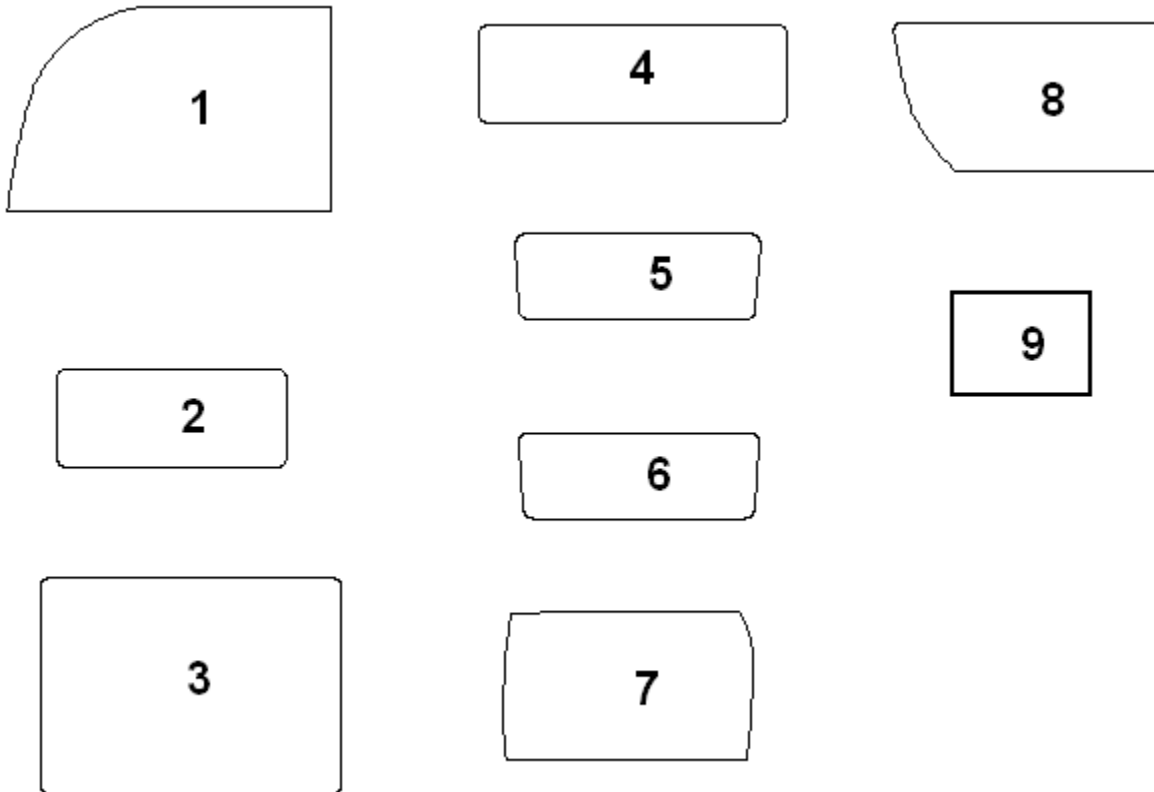
703657-167 CUSHION KIT, L-LOUNGE, OCEAN BREEZE

703657-047 CUSHION KIT, L-LOUNGE, CILANTRO

# 2007 INTERNATIONAL TRAVEL TRAILER

## UPHOLSTERY/FOAM/MATTRESS

Cushions/Pillow, 19', 75<sup>th</sup> Anniversary

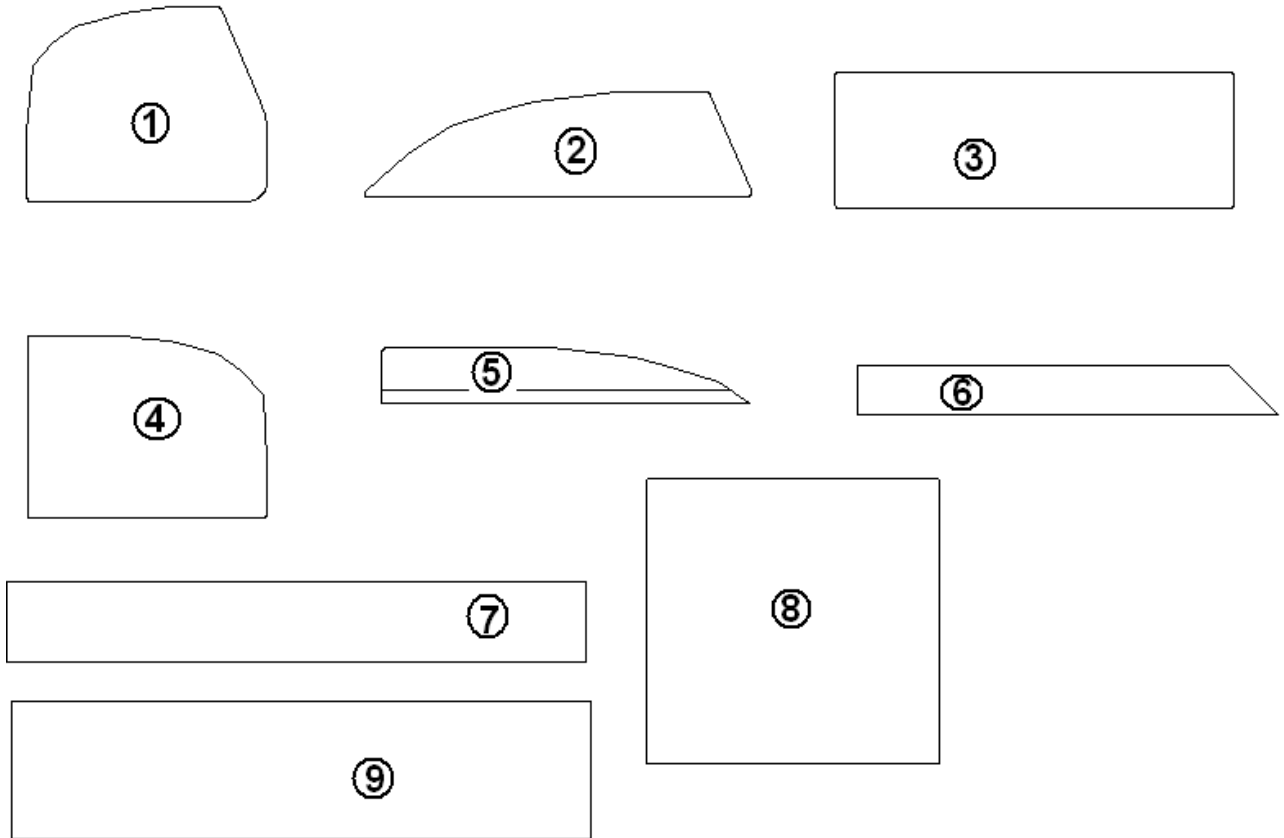


- |              |   |
|--------------|---|
| 703617       | Complete dinette/rear lounge kit        |
| 1. 703617-01 | Rear lounge base, radius                |
| 2. 703617-02 | Rear lounge backrest, 15" x 35"         |
| 3. 703617-03 | Roadside lounge base, 33" x 46"         |
| 4. 703617-04 | Rear lounge backrest, 15" x 47"         |
| 5. 703617-05 | Roadside dinette backrest, 13" x 37.32" |
| 6. 703617-06 | Curbside dinette backrest, 13" x 37.76" |
| 7. 703617-07 | Roadside dinette base, 22.50" x 38.05"  |
| 8. 703617-08 | Curbside dinette base, 22.75" x 40.77"  |
| 9. 703617-09 | Pillow, 14' x 14"                       |

# 2007 INTERNATIONAL TRAVEL TRAILER

## UPHOLSTERY/FOAM/MATTRESS

Cushions/Fabric Assemblies, 23' D Sofa



Part Numbers on the Next Page



# 2007 INTERNATIONAL TRAVEL TRAILER

## UPHOLSTERY/FOAM/MATTRESS

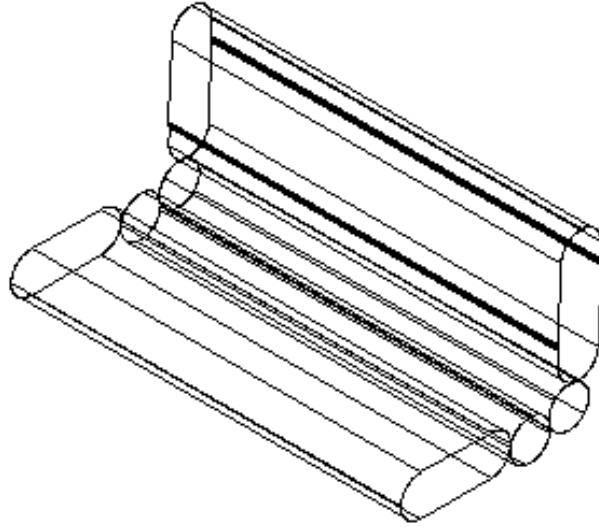
### Cushions/Fabric Assemblies, 23' D Sofa

703682	FOAM KIT DINETTE/LOUNGE CUSHION
1. 703682-01	FOAM, CS DINETTE SEAT
1. 998192-01	FABRIC ASSY, CS DINETTE SEAT
2. 703682-02	FOAM, CS BACK FILLER
2. 998192-02	FABRIC ASSY, CS BACK FILLER
3. 703682-03	FOAM, CS BACKREST
3. 998192-03	FABRIC ASSY, CS BACK REST
4. 703682-04	FOAM, RS DINETTE SEAT
4. 998192-04	FABRIC ASSY, RS DINETTE SEAT
5. 703682-05	FOAM, RS BACK FILLER
5. 998192-05	FABRIC ASSY, RS BACK FILLER
6. 703682-06	FOAM, RS BACK REST
6. 998192-06	FABRIC ASSY, RS BACK REST
7. 703682-07	FOAM, CUSHION WEDGE
8. 998192-08	FABRIC ASSY, CUSHION LNGE BOT
8. 703682-08	FOAM, LOUNGE BOTTOM
9. 998192-09	FABRIC ASSY, CUSHION BACK REST
9. 703682-09	FOAM, BACKREST

# 2007 INTERNATIONAL TRAVEL TRAILER

## UPHOLSTERY/FOAM/MATTRESS

Dinette Cushion Kit, 25' SS, 28', Signature



703352-167	OCEAN BREEZE
703352-047	CILANTRO
703352-057	PAPRIKA

## 2007 INTERNATIONAL TRAVEL TRAILER

### VENTS/FANS/ SKY LIGHTS

Refer Vent, Roof, 19', 25', 27', 28'

100341	Refrigerator, vent collar, roof, large
101394	Cover, refrigerator vent, roof, large
381042	MESH, galvanized for refer vent. .017 X 36"

Refer Side Vent/Power Fan, 16', 19', 22', 23' D

690394	Power ventilator, refrigerator
690470-01	VENT, SIDE WALL, REFER
115038-01	DOOR JAMB, REFRIGERATOR, CLOSEOUT, 16 Ft.
511997	SWITCH, REFER RED LED
511836	SWITCH, REFER/FAN WHITE
511837	SWITCH ASSEMBLY, LIGHTED ROCKER

Black Tank Roof Vent Pipe Cover

690264-03	Vent pipe cover
380114	Gasket, vent pipe
380228	Wire, hardware cloth

Vents, 75<sup>th</sup> Anniversary

372256	Vent, SS, 4.62" x 9.12", bath door
372257	Vent, SS, 4" diameter, Curbside dinette seat

## 2007 INTERNATIONAL TRAVEL TRAILER

### VENTS/FANS/ SKY LIGHTS

#### Vents, Non-Power

- 381606-01 Vent, roof, 14" x 14", non-power, white
- 381606-02 Trim ring, interior, roof vent, white

#### Vents, Power, Bath

- 690266-01 Ventilator, power, bath
- 690266-02 Ventilator, power, bath, CSA
- 690266-03 EXTENSION GARNISH 4", power vent

#### Vents, Power, Roof

- 381564-03 VENT W/WALL THERMOSTAT 2000TRS, Gray
- 381841 VENT, ROOF FANTASTIC EXHAUST ONLY
- 511657 FANTASTIC FAN W/410KIB CONTROL

#### Skylight, 19 ½" X 19 ½"

- 114485 MOUNTING FRAME SKYLIGHT
- 381318-05 SKYLIGHT 19 ½" X 19 ½"
- 201962 TRIM RING 19 X 19 SKYLIGHT WHI
- 702804-03 SHADE PLTD SKYLIGHT 19.25" X 20.00"
- 320139 Screw assembly w/rubber washer

#### Skylight, 14 ½" X 22 ½", 28'

- 114486 MOUNTING FRAME SKYLIGHT #1422
- 381318-06 SKYLIGHT 14-1/2 X 22-1/2 - TRL
- 201963 TRIM RING 14 X 22 SKYLIGHT WHI
- 702804-04 SHADE PLTD, SKYLIGHT, 14.50" X 22.75"
- 201666 MOLDING-J-3/16 PLASTIC, ALMOND
- 320139 Screw assembly w/rubber washer

## 2007 INTERNATIONAL TRAVEL TRAILER

### WOOD TRIM /FORMICA/PANELING

#### PLYWOOD

800506-03	PLYWOOD, 3/8" X 4' X 8'
800506-05	Plywood, 5/8" x 4' x 8'
800506-06	PLYWOOD, 3/4" X 4' X 8'
800506-04	PLYWOOD, 1/2" X 4' X 8'
801351	LITE PLY-18MM (.75") 4' X 8'

#### Cabinet formed Radius Corners

801345	RADIUS PLYWOOD .75" X 3" X 8'
801348	RADIUS PLYWOOD-.75" X 8" X 6'

#### PANELING, LUAN

800507-01	Panel, lauan, 1/8 x 4' x 8'
800507-02	Panel, Lauan, 1/4" x 4' x 8', raw/raw
800507-03	Panel, Lauan, 3/8" x 4' x 8', raw/raw
800507-04	Panel, Lauan, 1/2" x 4' x 8', raw/raw
800507-06	LAUAN, .75" X 4' 8'

#### MAIN DOOR THRESHOLD

801492-007	THRESHOLD MAIN DOOR, TROPICAL OAK
702963	VINYL EMBOSSED 1.75W THRESHOLD
801492-02	THRESHOLD, EBONY STAIN, 16' DWR

# 2007 INTERNATIONAL TRAVEL TRAILER

## WOOD TRIM /FORMICA/PANELING

### PLYWOOD

#### Trim, Wall, Paneling

203508-01	T-trim, ply
201673	Cove molding, plastic, white
203138-01	Plastic wall extrusion, .5", white
203138-03	Plastic wall extrusion, .5", beige
203138-04	Plastic wall extrusion, .5", white
203138-05	Plastic wall extrusion, .5", black
203464	Plastic wall extrusion, .75", black
203464-03	Plastic wall extrusion, .75", white
203464-02	Plastic wall extrusion, .75", Beige
203464-01	Plastic wall extrusion, .75", oak
203597	T-molding, white embossed, 13.16"
115377	T-molding, 3/4" aluminum

# 2007 INTERNATIONAL TRAVEL TRAILER

## WOOD/LAMINATES/TRIM

### Edge banding

365267	EDGE BANDING, 1.13" .024 PLY
365267-01	EDGE BANDING, .63" .024 PLY
365240-01	EDGE BANDING-PVC 3M 1-5/16" WHITE
365238-04	EDGE BANDING TAPE PVC 5/8" C. WHITE
365238-05	EDGE BANDING TAPE PVC 15/16" WHITE
365278-01	EDGE BANDING-BLACK MAPLE 1.13"
365278-02	EDGE BANDING-BLACK MAPLE 1.625"
365278-03	EDGE BANDING-BLACK MAPLE .625"
365278-04	EDGE BANDING, .024" X 1.25" BLACK MAPLE
365268-01	EDGE BANDING-.024" X 1.13" TROPICAL OAK
365304-01	EDGE BANDING, SAND CRYSTAL, 7/8"
365303-02	EDGE BANDING, WENGE 1.125"
365303-01	EDGE BANDING, WENGE .63"
365238-04	EDGE BANDING, WHITE, .50"
365309-01	EDGE BANDING, MAPLE SUGAR
365310-01	EDGE BANDING, BLACK, 15/16"
365310-02	EDGE BANDING, BLACK, 1 5/16"
365305-01	EDGE BANDING, BRUSHED ALUMINUM

# 2007 INTERNATIONAL TRAVEL TRAILER

## WOOD TRIM /FORMICA/PANELING

### Panels, Pre-laminated

801368	Panel, White/white
801369	Panel, Frosty white/white
801369-01	Panel, Frosty white/white, vertical
801378	Panel, Rexel/raw
801441-01	Panel, BLACK MAPLE/FROSTY WHITE 18MM
801436-01	Panel, BLACK MAPLE/WHITE 18M VERTICAL
801392	Panel, WHITE LINER/WHITE LINER 12MM
801445-01	Panel, BLACK MAPLE/GATOR .25" VERTICAL
801438	PANEL, FROST WHITE VINYL/RAW 2.7MM
801505	PANEL, ASCOT SAND/RAW .125" X 4' X 8'
801537	PANEL, 12MM w/SPECIAL GROOVES
801372	PANEL, RAVEN/WHITELINER, 18MM
801456-01	Panel, Black maple/Whiteline, 12MM
801457-01	Panel, Black maple/Frost, 12MM
801699	PANELING, LIGHT BLUE/WHITELINER 18MM
801702	Paneling, Almond/Whiteline, 18 MM
801711-01	Paneling, Wenge, Vertical Grade
801712	Paneling, WENGE/RAW, 1/4"
801713	Paneling, WENGE/WHITELINER, 12MM
801714	Paneling, WENGE/FROSTY 12MM
801715	Paneling, WENGE/WENGE 12MM
801716	Paneling, WENGE/WHITE, 18MM, VERTICLE
801717	Paneling, WENGE/FROSTY WHITE, 18MM, VERTICLE
801718	Paneling, KALIDESCOPE/WHITE, 12MM
801719	Paneling, SOFT ROCK/WHITE, 18MM
801724	Paneling, BRUSHED ALUMINUM/LINER, 18MM
801725	Paneling, KALIDESCOPE/RAW, 3MM
801697	Paneling, Frosty White/ Frosty White, 12MM
801703	Paneling, Frosty White/White, 12MM
801698	Paneling, White/Raw, 12MM
801355-01	Paneling, Frosty White, Vertical
801437-01	EXTREME GREEN VERTICAL 4'
801746	Paneling, 12MM w/special grooves, DWR

Continued on next page



# 2007 INTERNATIONAL TRAVEL TRAILER

## WOOD TRIM /FORMICA/PANELING

### Panels, Pre-laminated

801439-01	Black Maple, vertical, 4'x 8'
801635	LAMINATE, ABET ALMOND
801634	LAMINATE, KALEIDOSCOPE/ALUMINUM
801703	Laminate, Liner/Frosty White, 12MM
454620	Chemetal, 103 knock out
801751	Paneling, black/Whiteline



