

AIRSTREAM

AN AMERICAN LEGEND

SAFARI/BAMBI TRAILER

Parts Book

2006

2006 SAFARI- BAMBI TABLE OF CONTENTS

SECTION I A through B

APPLIANCES

Air Conditioner, Furnace	I-1
Range, Refrigerator	I-2
Water Heater, Microwave	I-3

BODY

End shell, aft	I-4
End shell, front	I-18
Roof	I-26
RS wall, 30'	I-29
CS wall 30'	I-31
RS wall, 28' W	I-33
CS wall, 28' W	I-35
RS wall 28' W Special Edition	I-37
CS Wall 28' W Special Edition	I-39
RS wall, 28 Slide out	I-41
CS wall, 28 Slide out	I-43
RS wall, 25 Sleep Six "C"	I-45
CS wall, 25 Sleep Six "C"	I-47
RS Wall 25 Sleep Six Special Edition	I-49
CS Wall 25 Sleep Six Special Edition	I-51
CS wall, 25 "A & B"	I-53
RS wall, 25 "A & B"	I-55
RS wall, 25 Front Bed	I-57
CS wall, 25 Front Bed	I-59
CS wall 25 Front Bed Special Edition	I-61
RS wall 25 Front Bed Special Edition	I-63
RS Wall, 23'	I-65
CS Wall, 23'	I-67
RS wall, 23' Special Edition	I-69
CS wall, 23' Special Edition	I-71
CS wall, 22'	I-73
RS Wall, 22'	I-75
CS Wall, 20'	I-77
RS Wall 20'	I-79

2006 SAFARI- BAMBI
TABLE OF CONTENTS
SECTION I (continued)
A through B

RS Wall, 19ft	I-81
CS Wall, 19ft	I-83
RS Wall, 16ft	I-85
CS Wall, 16ft	I-87
Slide out Room	I-89
Slide Out Room Wall Structure/Rocker Panel	I-91
Wrap Protector	I-92
Body Interior	I-93
Slide Mechanism	I-96
Slide out Shell	I-97

SECTION II
C through E

CHASSIS

Axles, Shocks	I-1
Tires, Wheels	II-2
Wheel wells, Step	II-3
Hose Carrier, Stabilizing jacks	II-3
Rear bumper	II-4
Under belly metal, Coupler, hitch	II-6
Brakes/Grease Seal/Bearings	II-7
Front jacks	II-9

DECALS/EXTERIOR TRIM	II-11
--	-------

DOORS/WINDOWS/AWNING

Doors	II-12
Windows	II-19
Stone Guard	II-22
Awning	II-24

DRAPES/BLINDS/VALANCES	II-25
--	-------

2006 SAFARI- BAMBI
TABLE OF CONTENTS
SECTION II (continued)
C through E

ELECTRICAL

[110 volt](#) II-42
[12 volt](#)..... II-44

[ENTERTAINMENT](#)..... II-51

SECTION III
F through H

FLOOR COVERING

[Carpet](#) III-1
[Mats](#)..... III-1
[Vinyl Flooring](#) III-1
[Diamond Tread Plate](#) III-1

FURNITURE

[Interior doors](#) III-2
[Mirrors](#) III-8
[Drawer](#) III-9
[Lounge](#) III-11
[Galley](#)..... III-51
[Lavatory](#) III-129
[Bedroom](#)..... III-179

HARDWARE

[Exterior locks/hinges](#) III-223
[Interior drawer slides/hinges latches](#) III-228
[Bath Accessories](#) III-231
[Wardrobe, Drapes, Interior Hinges.](#) III-232
[Detectors/Fire extinguisher](#) III-233
[Window](#) III-234
[Awning hardware](#) III-236
[Rivets](#)..... III-238

2006 SAFARI- BAMBI
TABLE OF CONTENTS
SECTION IV

L through Z

LABELS and TAGSIV-1

PLUMBING

LPG IV-3

Fresh water IV-5

Faucets IV-10

Drain water IV-15

Toilet IV-35

SEALER IV-39

GASKETS/PAINT IV-40

UPHOLSTERY

Mattresses IV-41

Sofa/Armrests IV-42

Pillows IV-45

Dinette Foam IV-47

Wall Borders/Chairs/Seam Tape IV-49

VENTS/FANS IV-50

SKY LIGHTS IV-52

PLYWOOD/PANELING IV-53

EDGEBANDING/LAMINATES IV-54

INTERIOR TRIM IV-55

SAFARI- BAMBI

APPLIANCES

Air Conditioners

195329-143 Air conditioner, 11, 000 Dometic
690323-32 AC roof, 13,500 BTU w/Heat pump ducted
690380-03 Air box-Penguin heat pump, polar white
690323-37 AC roof, 15,000 BTU w/Heat pump
690323-02 Air Conditioner, 13,500 Manual
690323-31 COMFORT CONTROL CENTER
961270 Pan Assembly, drain, air conditioner
690323-03 Heat strip, Dometic air conditioner
511252 PLUG PHONE 4 CONDUCTOR
690323-100 Shroud, exterior, Penquin
690323-05 Air box/return grill
601240-01 Black drain tubing, ½" ID

Furnace

690439 Furnace, 12,000 BTU Direct Pump, 16'
690395 Furnace, Hydroflame, 7916-II, 19'
690467-02 Furnace, 18,000 BTU, 22'
690467-03 Furnace, 18000 BTU, 20', 23'
690274-04 Furnace, Hydroflame, 8525-IV, 25 ft
690274-01 Furnace, Hydroflame, 8531, 28', 30' Safari
600247 Hose, 4", flex heat duct
600193 Hose, 2", flex heat duct
690341 Adapter, 4-2 furnace reducer
600526 Flange, 4"
601244-03 REGISTER-ROTAIRE #3840-96 4", BLACK
601244-01 REGISTER-ROTAIRE #3840-96 4"BROWN
601244-02 REGISTER, ROTAIRE 4" WHITE
601429 Louver, 2" Black, round
203070 REGISTER PLASTIC BROWN 2" X 10"
600969-01 Register, 4" x 6", sand
511228 Thermostat, furnace, off white
601348 TEE, HEAT DUCT, 4 X 4 X 2
600526 FLANGE, 4"
690467-01 DIVERTER-FURNACE DISCHARGE, 22', 23'

SAFARI- BAMBI

APPLIANCES

Range

690396-09 RANGE 22", W/OVEN S.S. TOP/DOOR
690396-10 Cook top, 3 burner, Stainless Steel
690396-03 Bi-fold cover
690471 COOKTOP, 2 BURNER BLACK GLASS TOP

Refrigerators

690470-02 Refrigerator, 3 cu. Ft., 2-way, RH Door, 16'
690393-07 Refrigerator, 4 Cu. Ft. RM2451RB, 19'
690540 REFER- 5 CU FT, 23'
690492-01 Refrigerator, 6CF, RM2662LB, 28' W, 25' SS
690393-08 Refrigerator, 4 CF RM2451LB, 22'
690393-06 Refrigerator, 4 CF RM2452LB, 20'
690492-03 Refrigerator, 8 CF RM2862RB, 30'
690492-02 Refrigerator, 6 CF, RM2662RB, 25' A & B, 25' FB
690492-04 Refrigerator, 8CF, RM2862LB, 28' S/O
965934-01 INSERT ASSY, REFER 20.62" X 15.75"
965934-02 INSERT ASSY, REFER 20.62" X 32.62", 19'
965934-03 INSERT ASSY-REFER 20.62" X 38.62"
115166-04 INSERT-ALUM REFER 19.5" X 26", 23'
965934-04 INSERT ASSY-REFER 19.5" X 26", 16' 22'
690394 Power ventilator, refrigerator

SAFARI- BAMBI

APPLIANCES

Water Heater

690199	Water heater, electronic ignition
500933	Switch package, water heater
690209	Access cover, brushed aluminum
381648	COVER LATCH HOLE, WATER HEATER

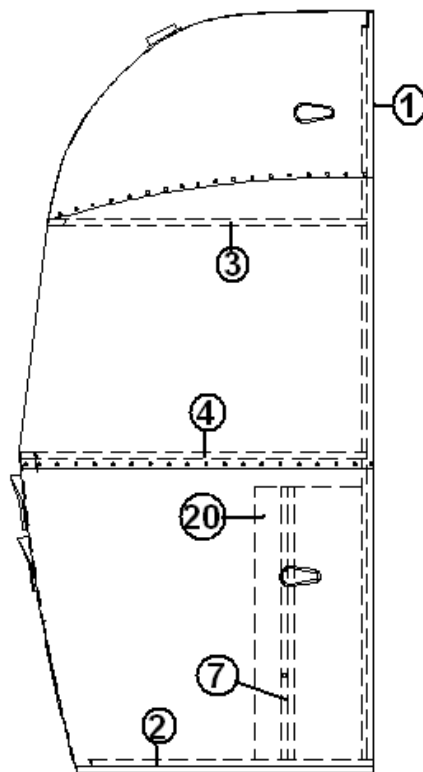
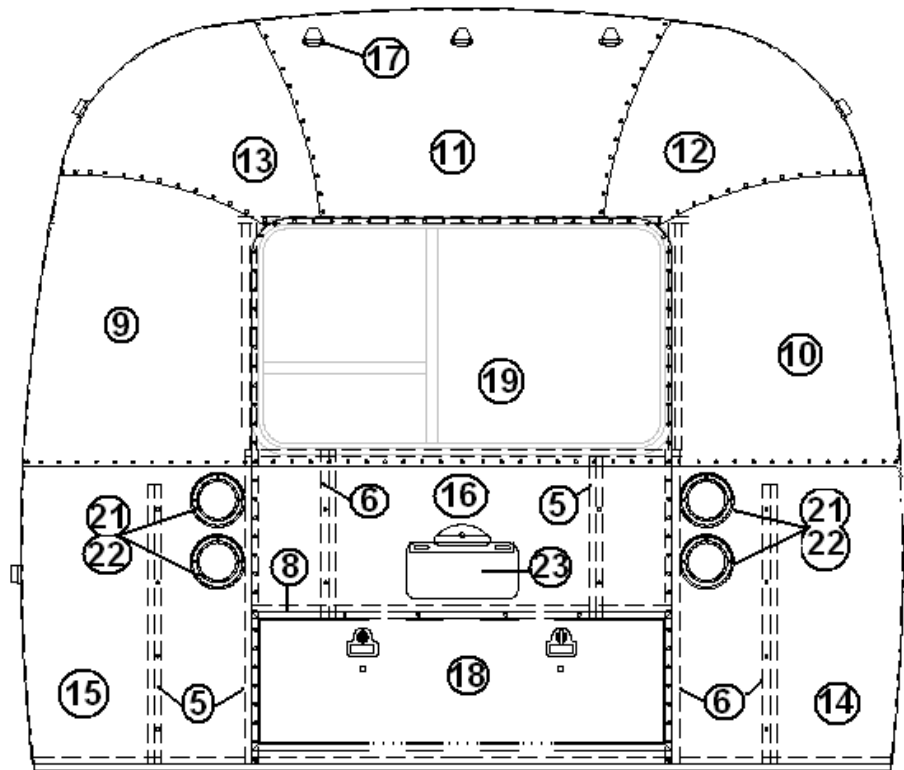
Microwaves

690476-01	MICROWAVE-SAMSUNG W/KIT UL
690476-02	MICROWAVE-SAMSUNG W/KIT UL/CSA APPROVED
690549-01	MICROWAVE-TAPPEN, SS
690549-02	MICROWAVE-TAPPEN, BLACK
690549-03	MICROWAVE-TAPPEN, TRIM KIT, SS
690549-03	MICROWAVE-TAPPEN, TRIM KIT, BLACK
690345-01	MICROWAVE-CONVECTION SHARP R-820BK
690345-03	TRIM RING, CONVECTION MICROWAVE 7A

SAFARI- BAMBI

EXTERIOR BODY

AFT END 16'



SAFARI- BAMBI

EXTERIOR BODY

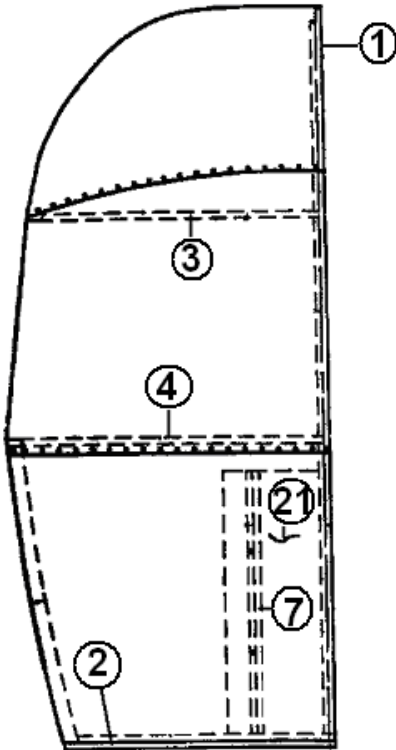
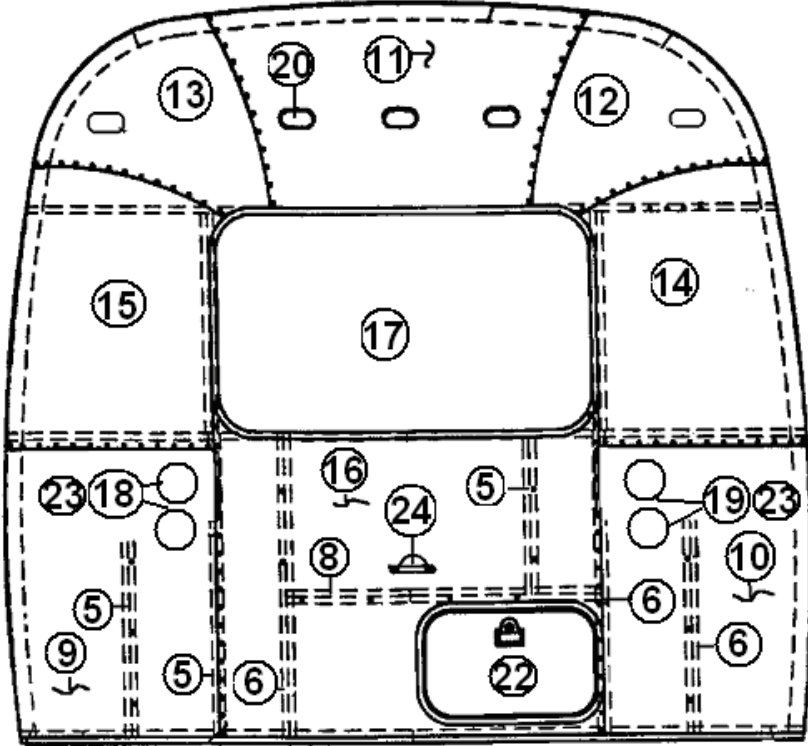
AFT END, 16'

922774	Aft end, 16'
1. 114994	WELDMENT ZERO BOW
2. 104463	BOW FLOOR
3. 104351	BOW-UPPER WINDOW
4. 104343	BOW-LOWER WINDOW
5. 114505-01	SUPPORT, LOWER, END SHELL, LH
6. 114505-02	SUPPORT, LOWER, END SHELL, RH
7. 101315	BRACE VERTICAL REAR
8. 104408	EXTRUSION, Z RIB
9. 114888	SEGMENT-CENTER LEFT "BRIGHT"
10. 114889	SEGMENT-CENTER RIGHT "BRIGHT"
11. 114892	SEGMENT #25 NARROW BRIGHT
12. 114890	SEGMENT-#26 "BRIGHT"
13.114891	SEGMENT-#27 "BRIGHT"
14.114894	SEGMENT-#28 "BRIGHT"
15.114895	SEGMENT-#29 "BRIGHT"
16.114880-307	ALUMINUM SHEET .040"X51"X307"
17.511751	MARKERLIGHT-RED TEARDROP
18.922711	DOOR ASSY-TRUNK
19.371381-11	Window, rear end, 24", Egress, 16'
20.114849-03	ALUMINUM SHEET, 060 26" W X 8' GRAY
21.511860-01	LIGHT-4"LED RED
22.511860-02	BEZEL- 4" ROUND CHROME W/VISOR
23.500053	LIGHT AND HOLDER LICENSE

SAFARI- BAMBI

EXTERIOR BODY

AFT END, 19', 20'



SAFARI- BAMBI

EXTERIOR BODY

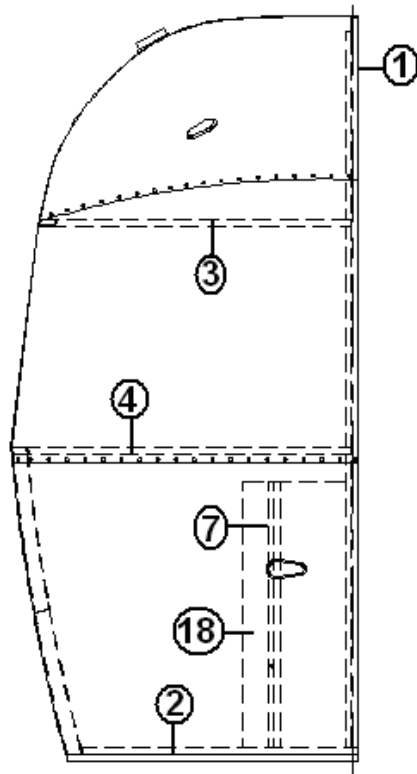
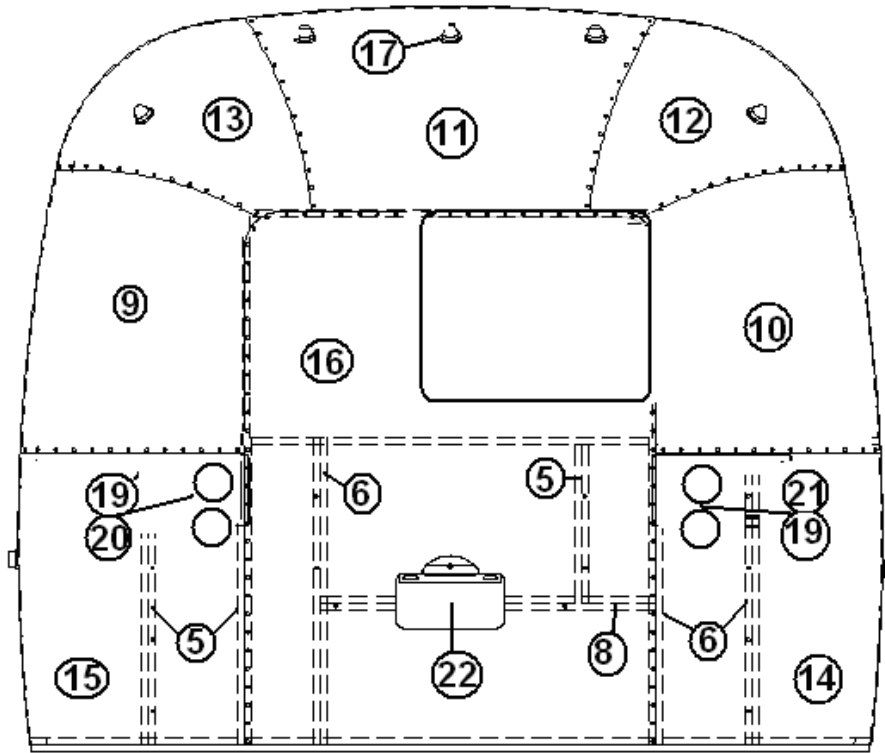
AFT END, 19', 20'

964513-05	End shell complete, Aft, Bambi 19 FT
1. 114994	End bow
2. 104463	Floor bow
3. 104351	Upper window bow
4. 104343	Lower window bow
5. 114505-01	Support, lower end, LH
6. 114505-02	Support, lower end, RH
7. 101315	Brace, vertical rear
8. 104408	Extrusion rib
9. 114895	Segment #29
10. 114894	Segment #28
11. 114892	Segment #25(narrow.
12. 114890	Segment #26
13. 114891	Segment #27
14. 114889	Segment, center right
15. 114888	Segment, center left
16. NPN	Alum. sheet, 050x41x45.25x51.0
17. 371381-15	Window, rear egress, 43.94 x 24.19
18. 500500-RS	TAILLIGHT ASSY- LED R.S.
19. 500500-CS	TAILLIGHT ASSY- LED C.S
20. 511751	Teardrop light, red
21. 114880	Alum. Sheet, 040 x 12.0" x 29.0"
22. 100679-01	Door assembly, access
23. 201462	Pocket, ABS taillight
24. 500053	Light and license plate holder

SAFARI- BAMBI

EXTERIOR BODY

AFT END, 22', 23'



SAFARI- BAMBI

EXTERIOR BODY

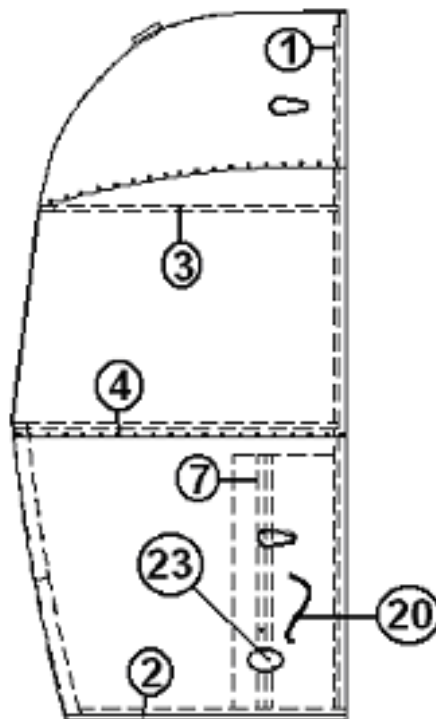
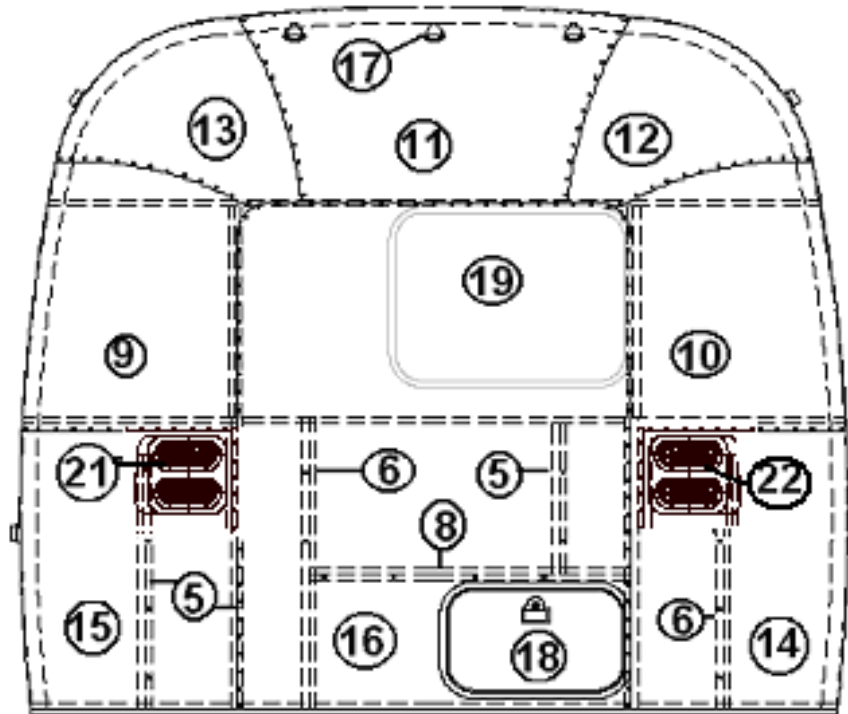
AFT END, 22', 23'

922726-05	END SHELL ASSY-REAR
1. 114994	WELDMENT ZERO BOW "NB"
2. 104463	BOW FLOOR, NARROW BODY
3. 104351	BOW-UPPER WINDOW-NARROW BODY
4. 104343	BOW-LOWER WINDOW-NARROW BODY
5. 114505-01	SUPPORT LOWER END SHELL LH
6. 114505-02	SUPPORT LOWER END RH
7. 101315	BRACE VERTICAL REAR
8. 104408	Z RIB
9. 114888	SEGMENT-CENTER LEFT "BRIGHT"
10. 114889	SEGMENT-CENTER RIGHT "BRIGHT"
11. 114892	SEGMENT #25 NARROW BRIGHT
12. 114890	SEGMENT-#26 "BRIGHT"
13. 114891	SEGMENT-#27 "BRIGHT"
14. 114894	SEGMENT-#28 "BRIGHT"
15. 114895	SEGMENT-#29 "BRIGHT"
16. 114880-198	ALUMINUM SHEET .040" X 51" X 198"
17. 511751	MARKERLIGHT-RED TEAR DROP
18. 114849-03	ALUMINUM SHEET, 060 26" W X 8' GRAY
19. 201462	POCKET, ABS TAILLIGHT
20. 500500-RS	TAILLIGHT ASSY- LED R.S.
21. 500500-CS	TAILLIGHT ASSY- LED C.S.
22. 500053	LIGHT AND HOLDER LICENSE

SAFARI- BAMBI

EXTERIOR SHELL

AFT END, 23' Special Edition



SAFARI- BAMBI

EXTERIOR SHELL

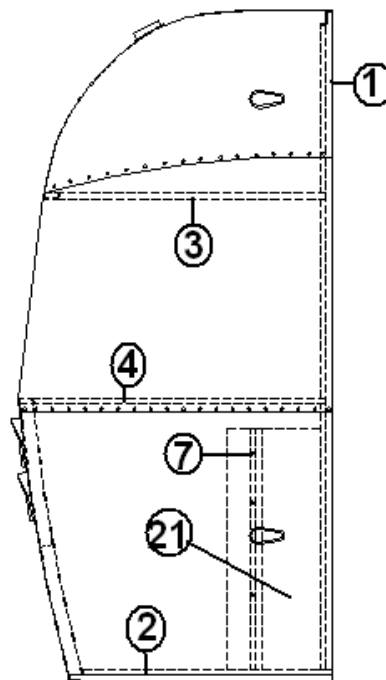
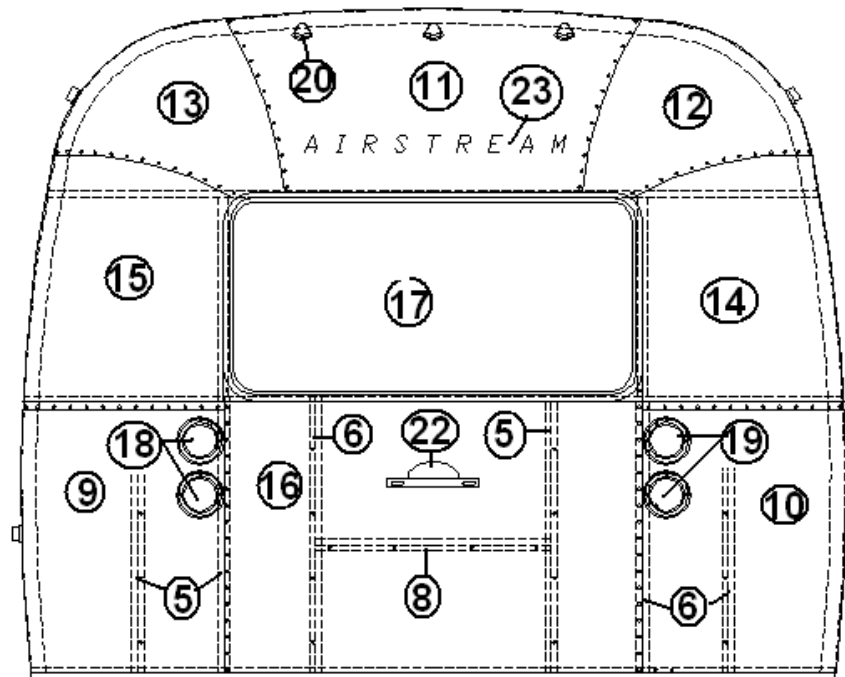
AFT END, 23' Special Edition

964513-03	AFT SHELL.
1. 114994	End bow
2. 104463	Floor bow
3. 104351	Upper window bow
4. 104343	Lower window bow
5. 114505-01	Support, lower end, LH
6. 114505-02	Support, lower end, RH
7. 101315	Brace, vertical rear
8. 104408	Z-rib
9. 114888	Segment, center left
10. 114889	Segment, center right
11. 114892	Segment #25
12. 114890	Segment #26
13. 114891	Segment #27
14. 114894	Segment #28
15. 114895	Segment #29
16. NPN	Alum. Sheet, .060 x 19.0" x 51.0"
17. 511751	Marker light, tear drop
18. 100679-01	Door assembly, side access
19. 372229	WINDOW-21"X 28" OPENING, REAR END
20. 114849-03	Aluminum sheet, gray
21. 952696-01	RS tail light assembly
22. 952696-02	CS tail light assembly
23. 500095	Red reflector, rectangular
500053	LIGHT LICENSE PLATE

SAFARI- BAMBI

EXTERIOR BODY

AFT END, 25' Front Bed



Part Numbers are on the Next Page

SAFARI- BAMBI

EXTERIOR BODY

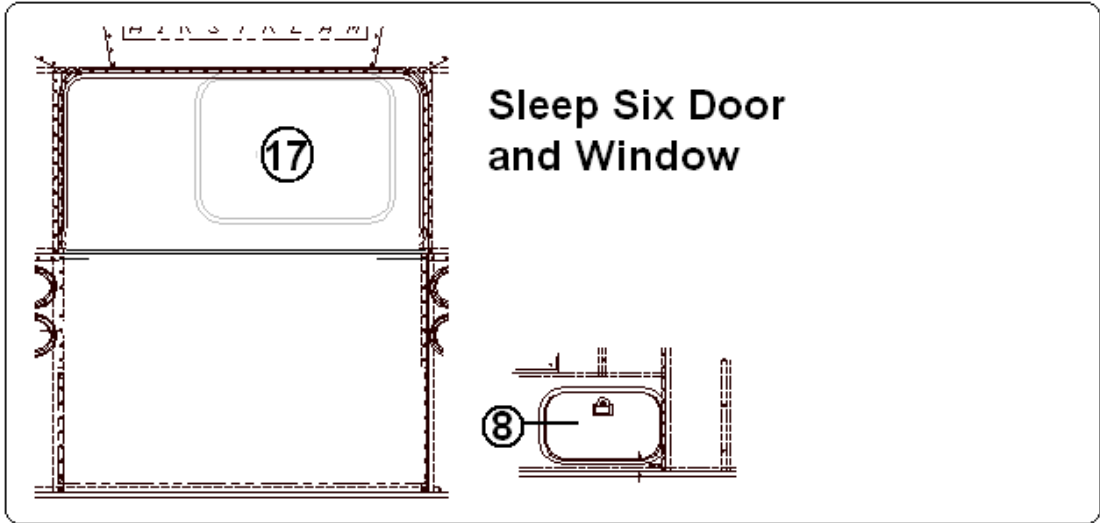
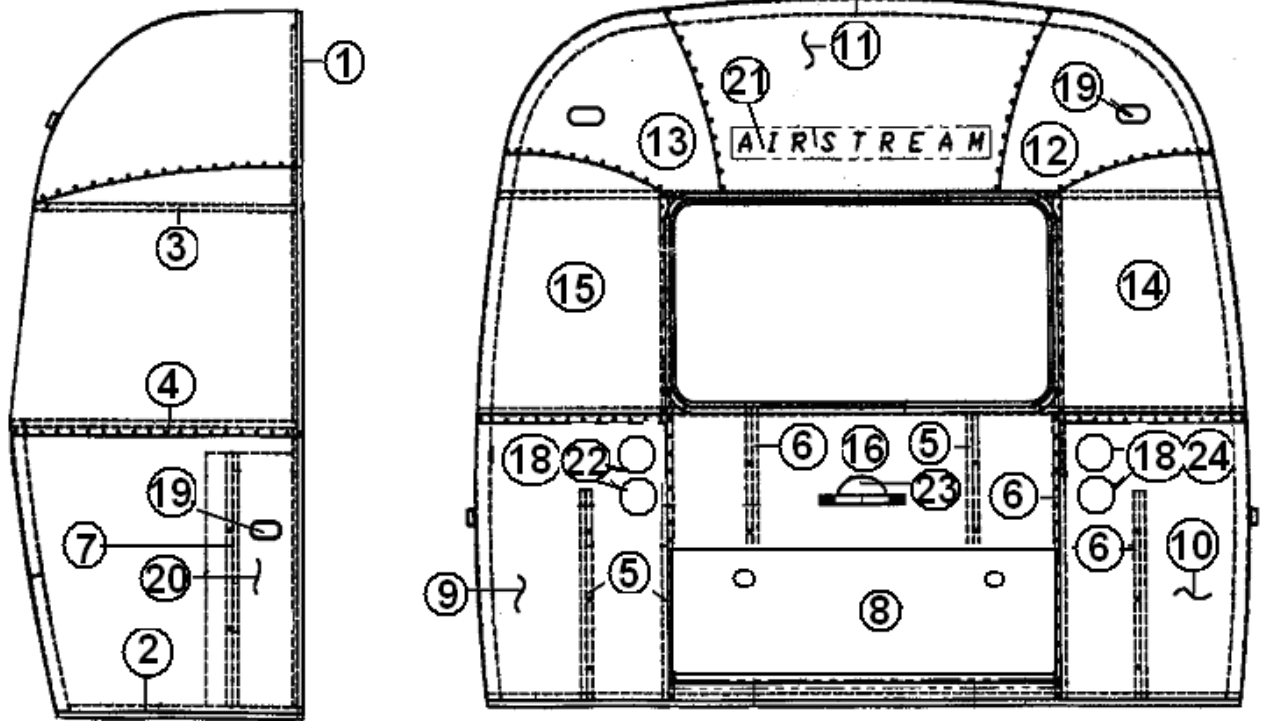
AFT END, 25' Front Bed

921227	End shell complete, Aft, 25' FB
1. 114993	End bow
2. 114676	Floor bow
3. 114678	Upper window bow
4. 114677	Lower window bow
5. 114505-01	Support, lower end, LH
6. 114505-02	Support, lower end, RH
7. 101315	Brace, vertical rear
8. 104408	Extrusion rib
9. 114895	Segment #29
10. 114894	Segment #28
11. 114893	Segment #25
12. 114890	Segment #26
13. 114891	Segment #27
14. 114889	Segment, center right
14. 372088	WINDOW CORNER WRAP RS FRT, CS, SPECIAL EDITION
15. 114888	Segment, center left
15. 372089	WINDOW CORNER WRAP CS FRT, RS SPECIAL EDITION
16. NPN	Alum. sheet, 050 x 41 x 45.25x51.0
17. 371381-05	Window, rear egress, 43.94 x 24.19
17. 371346-02	WINDOW-48.97" FLAT FRT/WRAP SPECIAL EDITION
18. 500500-RS	TAILLIGHT ASSY- LED R.S.
19. 500500-CS	TAILLIGHT ASSY- LED C.S
20. 511751	Teardrop light, red
21. 114880	Alum. Sheet, 040 x 12.0" x 29.0"
22. 500053	Light and license plate holder
23. 386150	Decal, "AIRSTREAM"

SAFARI- BAMBI

EXTERIOR BODY

AFT END, 25', 28'



See next page for P/N

SAFARI- BAMBI

EXTERIOR BODY

AFT END, 25', 28'

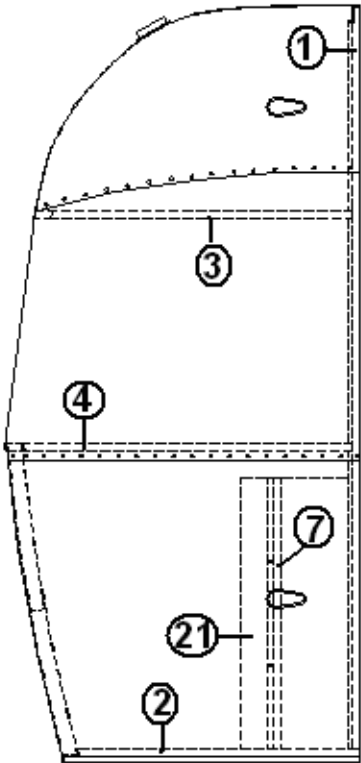
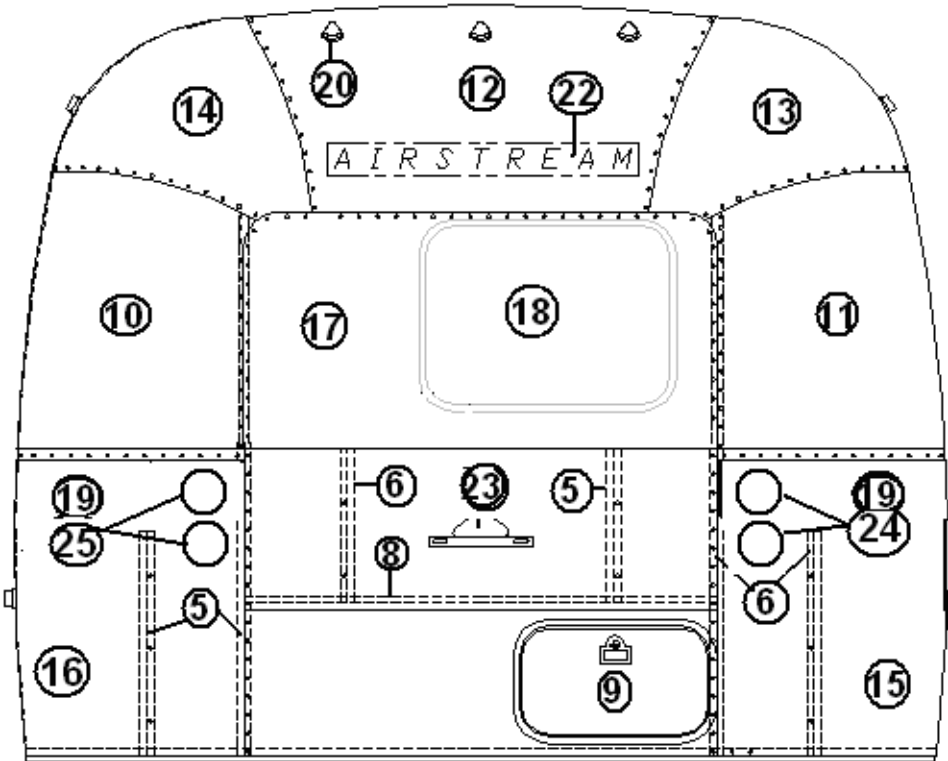
921180-04	End shell, 25 "B", delete rear door
921180-05	End shell, 25 "A", 28', add rear trunk door
921180-06	End shell complete, 25' SS
1. 114993	End bow
2. 114676	Floor bow
3. 114678	Upper window bow
4. 114677	Lower window bow
5. 114505-01	Support, lower end, LH
6. 114505-02	Support, lower end, RH
7. 101315	Brace, vertical rear
8. 921159-01	Trunk door assembly, double bed only
8. 100679-01	Access door assembly, rear, Safari 25' SS
9. 114895	Segment, #29
10. 114894	Segment, #28
11. 114893	Segment #25
12. 114890	Segment #26
13. 114891	Segment #27
14. 114889	Segment, center right
15. 114888	Segment, center left
16. 114880-307	Alum. sheet, .050" x 19" x 51"
17. 371381-12	Window, rear egress, 49.63" x 24.19"
17. 371381-15	Window, rear egress, Safari 25' SS
18. 201462	POCKET, ABS TAILLIGHT
19. 511751	Teardrop light, red
20. 114880	Alum. sheet, .040"x 12.0" x29.0".
21. 386150	Decal, "AIRSTREAM"
22. 500500-RS	TAILLIGHT ASSY- LED R.S.
23. 500053	Light and license plate holder
24. 500500-CS	TAILLIGHT ASSY- LED C.S.

*The 25' Sleep Six corner bed models have a different rear window and a smaller rear access door.

SAFARI- BAMBI

EXTERIOR BODY

AFT END, 30'



SAFARI- BAMBI

EXTERIOR BODY

AFT END, 30'

921224-05

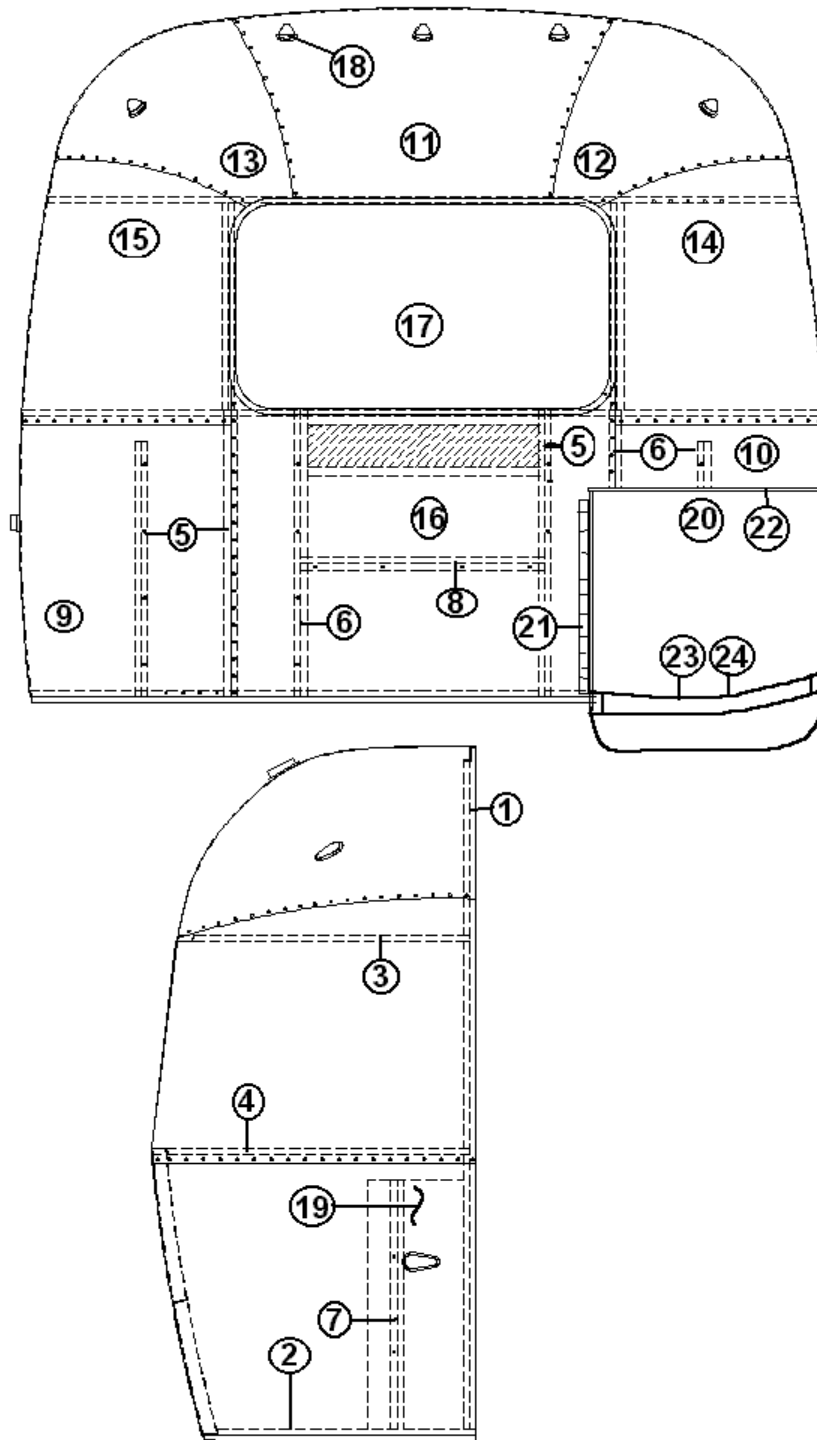
END SHELL, REAR, 30'

- | | |
|---------------|------------------------------------|
| 1. 114993 | WELDMENT ZERO BOW "WB" |
| 2. 114676 | BOW FLOOR ALTERED |
| 3. 114678 | BOW UP WINDOW ALTERED |
| 4. 114677 | BOW LOWER WINDOW ALTERED |
| 5. 114505-01 | SUPPORT LOWER END SHELL LH |
| 6. 114505-02 | SUPPORT LOWER END RH |
| 7. 101315 | BRACE VERTICAL REAR |
| 8. 104408 | EXTRUSION, Z RIB |
| 9. 100679-01 | DOOR ASSEMBLY, SIDE ACCESS |
| 10. 114888 | SEGMENT-CENTER LEFT "BRIGHT" |
| 11.114889 | SEGMENT-CENTER RIGHT "BRIGHT" |
| 12.114893 | SEGMENT-#25 WIDE BODY "BRIGHT" |
| 13.114890 | SEGMENT-#26 "BRIGHT" |
| 14.114891 | SEGMENT-#27 "BRIGHT" |
| 15.114894 | SEGMENT-#28 "BRIGHT" |
| 16.114895 | SEGMENT-#29 "BRIGHT" |
| 17.114880-307 | ALUMINUM SHEET .040" X 51" X 307" |
| 18.371381-15 | WINDOW 26.25" X 19.25" FLAT EGRESS |
| 19.201462 | POCKET, ABS TAILLIGHT |
| 20.386150 | Decal, "AIRSTREAM" |
| 21.511751 | MARKERLIGHT-RED TEARDROP |
| 22.114849-03 | ALUMINUM SHEET, 060" X 26" W X 8' |
| 23.500053 | LIGHT AND HOLDER LICENSE |
| 24.500500-RS | TAILLIGHT ASSY- LED R.S. |
| 25.500500-CS | TAILLIGHT ASSY- LED C.S. |

SAFARI- BAMBI

EXTERIOR BODY

FRONT END 16', 19', 20', 22', 23'



See next page for P/N.

SAFARI- BAMBI

EXTERIOR BODY

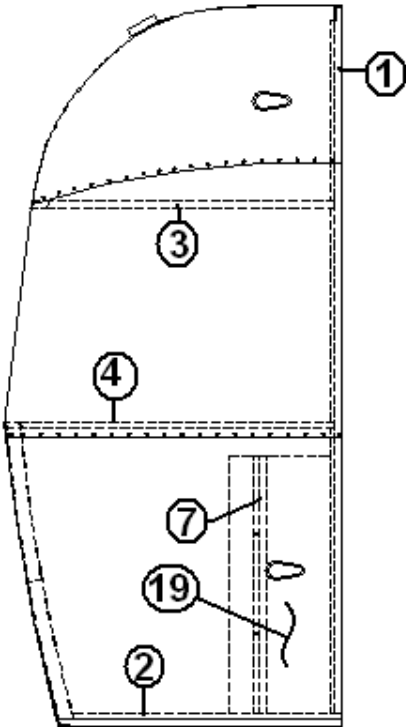
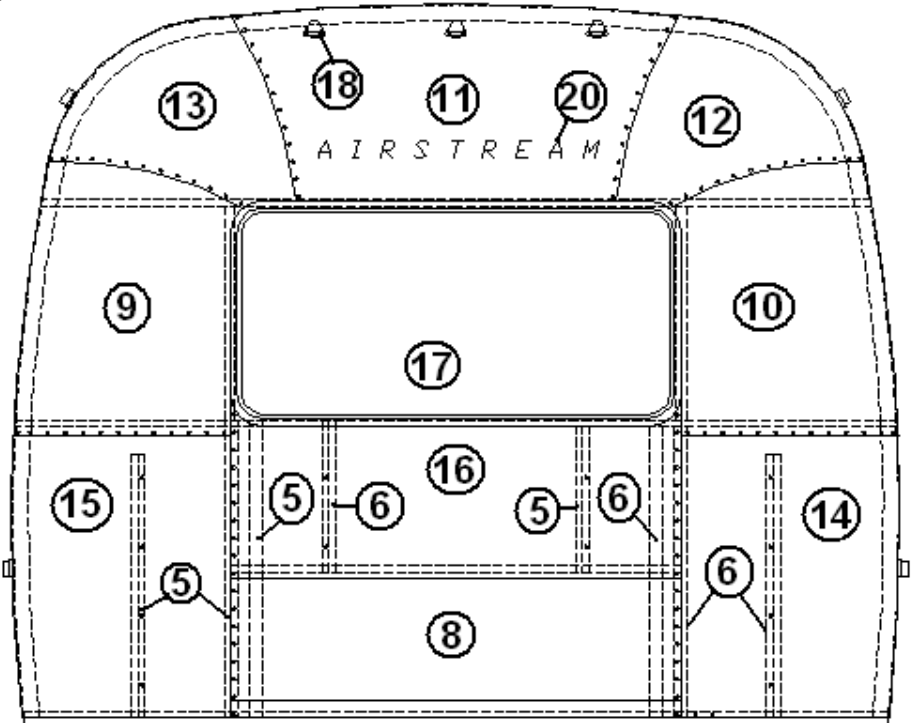
FRONT END 16', 19', 20', 22', 23'

964512	Front End Shell
1. 114994	End bow
2. 104463	Floor bow
3. 104351	Upper window bow
4. 104343	Lower window bow
5. 114505-01	Support, lower end, LH
6. 114505-02	Support, lower end, RH
7. 101315	Brace, vertical rear
8. 104408	Extrusion, Z rib
9. 114895	Segment #29
10. 114894	Segment #28
11. 114892	Segment #25(narrow.
12. 114890	Segment #26
13. 114891	Segment #27
14. 114889	Segment, center right
15. 114888	Segment, center left
16. 114849-03	Aluminum sheet (Cut to 41" x 45.25".
17. 371381-10	Window, 43.94 x 24.19,Bambi
18. 511750	Light, teardrop, amber
19. 114880-201	Aluminum sheet, (Cut to 12" x 29")
20.	See wrap protector section.
21. 381605-02	Hinge, stainless, wrap protector
22. 100742-01	Extrusion, mirror/wrap trim protector
23. 114460	Extrusion, rub rail
24. 201763-01	Insert, rub rail, chrome
500096	REFLECTOR, AMBER

SAFARI- BAMBI

EXTERIOR SHELL

Front End, 25' FB



Part Numbers are on the Next Page

SAFARI- BAMBI

EXTERIOR SHELL

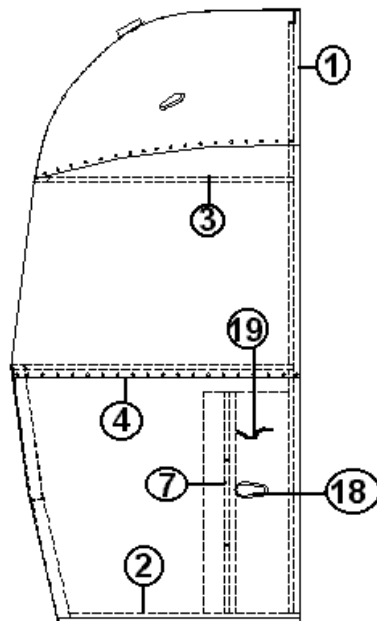
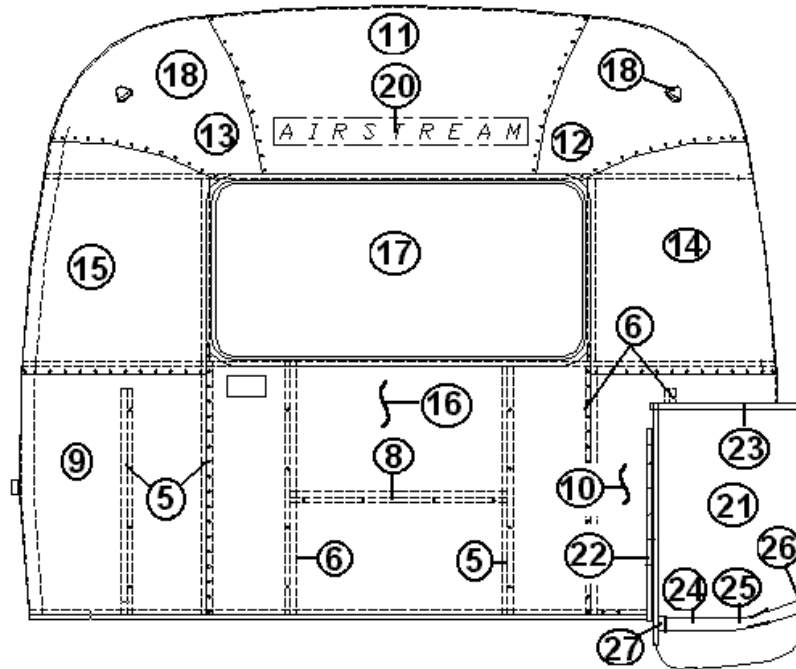
Front End, 25' FB

921225-01	End shell complete, front 25' FB
921225-02	End shell complete, front 25" FB Special Edition
1. 114993	WELDMENT ZERO BOW "WB"
2. 114676	BOW FLOOR ALTERED
3. 114678	BOW UP WINDOW ALTERED
4. 114677	BOW LOWER WINDOW ALTERED
5. 114505-01	SUPPORT LOWER END SHELL LH
6. 114505-02	SUPPORT LOWER END RH
7. 101315	BRACE VERTICAL REAR
8. 114880-307	Aluminum sheet, .040
9. 114888	SEGMENT-CENTER LEFT "BRIGHT"
10.114889	SEGMENT-CENTER RIGHT "BRIGHT"
11.114893	SEGMENT-#25 WIDE BODY "BRIGHT"
12.114890	SEGMENT-#26 "BRIGHT"
13.114891	SEGMENT-#27 "BRIGHT"
14.114894	SEGMENT-#28 "BRIGHT"
15.114895	SEGMENT-#29 "BRIGHT"
16.114880-307	ALUMINUM, .040" X 51" X 307"
17.371381-05	WINDOW, 49.63 x 24.19"
17. 371348-03	Window, 49.63 x 24.19", Silver handles, Special Edition
18.511750	MARKERLIGHT-AMBER TEARDROP
19.114849-03	ALUMINUM, .060 26"W X 8' GRAY
20.386150	AIRSTREAM LOGO, BLACK
21.386118	LABEL, LP GAS

SAFARI- BAMBI

EXTERIOR BODY

FRONT END, 25', 28' S/O, 28' W



SAFARI- BAMBI

EXTERIOR BODY

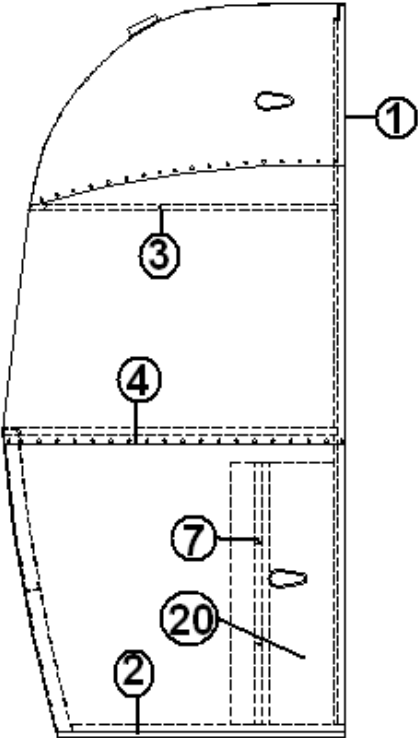
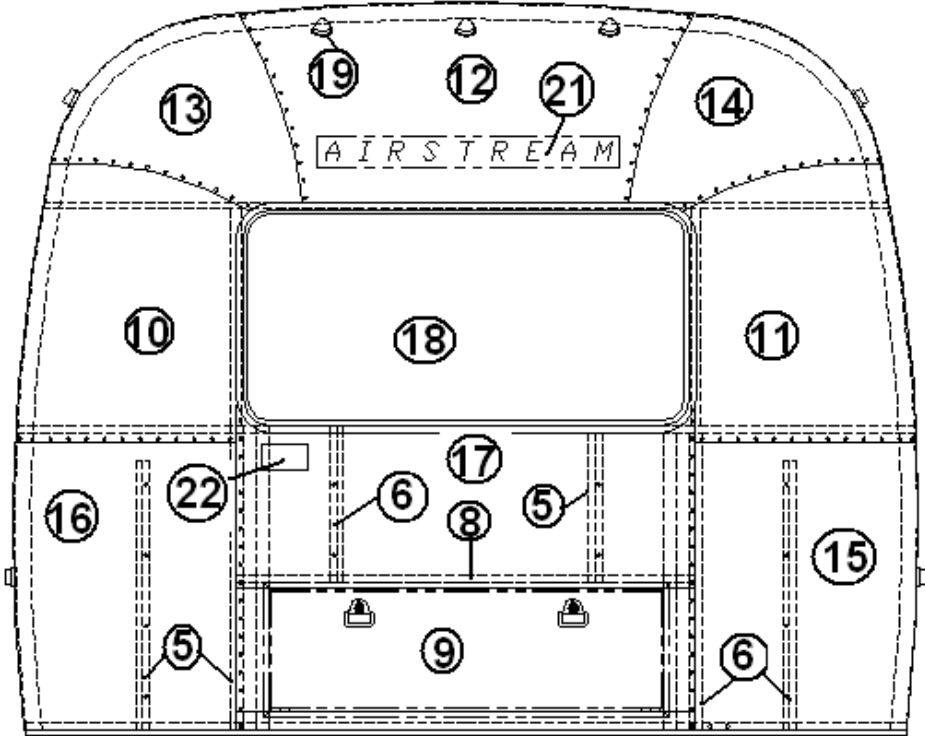
FRONT END, 25', 28' S/O, 28' W

921179-01	End shell complete, front
1. 114993	End bow
2. 114676	Floor bow
3. 114678	Upper window bow
4. 114677	Lower window bow
5. 114505-01	Support, lower end, LH
6. 114505-02	Support, lower end, RH
7. 101315	Brace, vertical rear
8. 104408	Extrusion rib
9. 114895	Segment #29
10. 114894	Segment #28
11. 114893	Segment #25
12. 114890	Segment #26
13. 114891	Segment #27
14. 114889	Segment, center right
15. 114888	Segment, center left
16. 114880-307	Alum. sheet, .050 x 19.0 x 51.0
17. 371381-05	Window, 49.63 x 24.19", Safari
18. 511750	Light, teardrop, amber
19. 114880	Alum. sheet, .040 x 12.0 x 29.0
20. 386150	Decal, "AIRSTREAM"
21. See Wrap protector section	
22. 381605-01	Hinge, stainless, wrap protector
23. 100742-01	Extrusion, mirror/wrap trim protector
24. 114460	Extrusion, rub rail
25. 201763-01	Insert, rub rail, chrome
26. 114465-01	CASTING CLOSEOUT RUB RAIL RH
27. 114465-02	CASTING CLOSE-OUT RUB RAIL LH

SAFARI- BAMBI

EXTERIOR BODY

FRONT END, 30' Bunk



SAFARI- BAMBI

EXTERIOR BODY

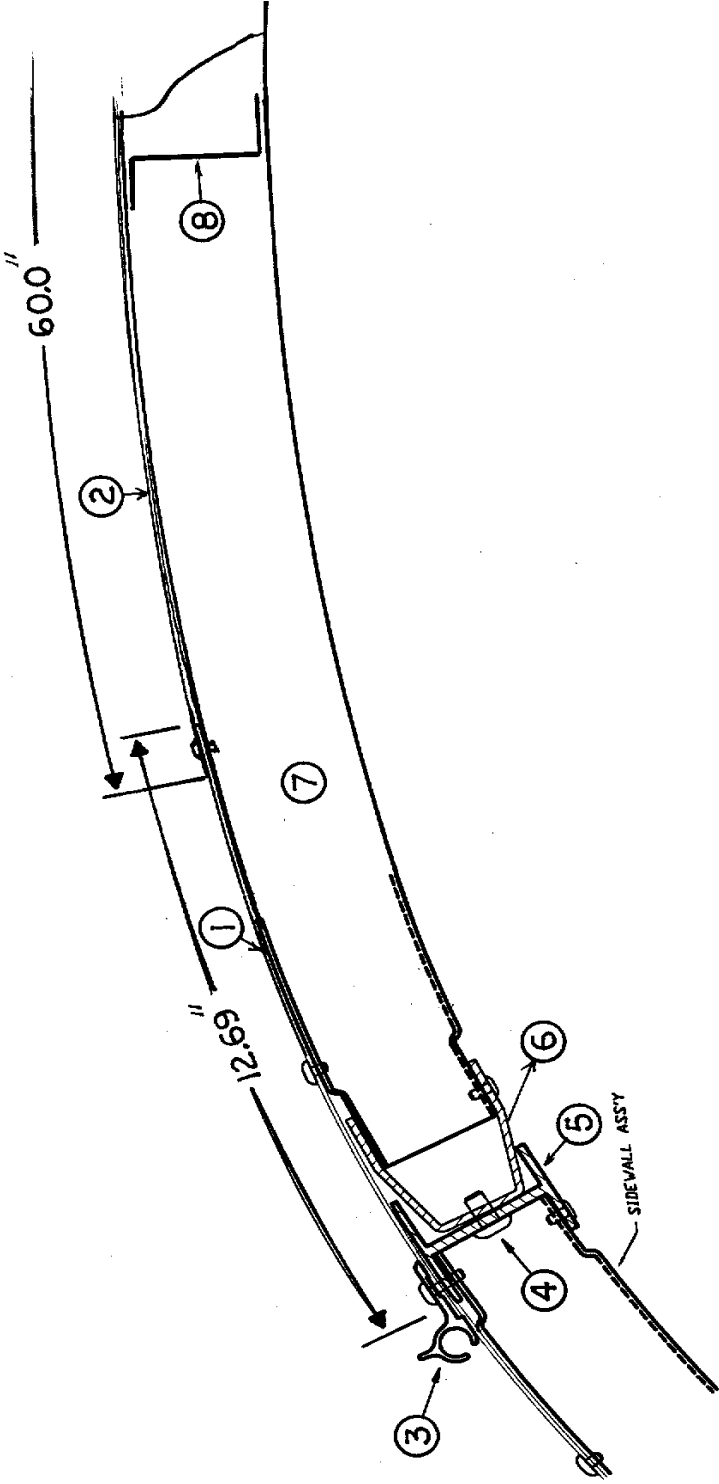
FRONT END, 30' Bunk

921225	End shell complete, front 30'
1. 114993	End bow
2. 114676	Floor bow
3. 114678	Upper window bow
4. 114677	Lower window bow
5. 114505-01	Support, lower end, LH
6. 114505-02	Support, lower end, RH
7. 101315	Brace, vertical rear
8. 104408	Extrusion rib
9. 922711	Door Assembly
10. 114888	Segment, center left
11. 114889	Segment, center right
12. 114893	Segment #25
13. 114890	Segment #26
14. 114891	Segment #27
15. 114894	Segment #28
16. 114895	Segment #29
17. 114880-307	Aluminum sheet, cut 40.75" x 51"
18. 371381-05	Window, 49.63 x 24.19", Standard
19. 511750	Light, teardrop, amber
20. 114849-03	Aluminum sheet, .060" x 26" W x 8'
21. 386150	Decal, "AIRSTREAM"

SAFARI- BAMBI

EXTERIOR BODY

ROOF, 16', 25', 28', 30'



See next page for P/N

SAFARI- BAMBI

EXTERIOR BODY

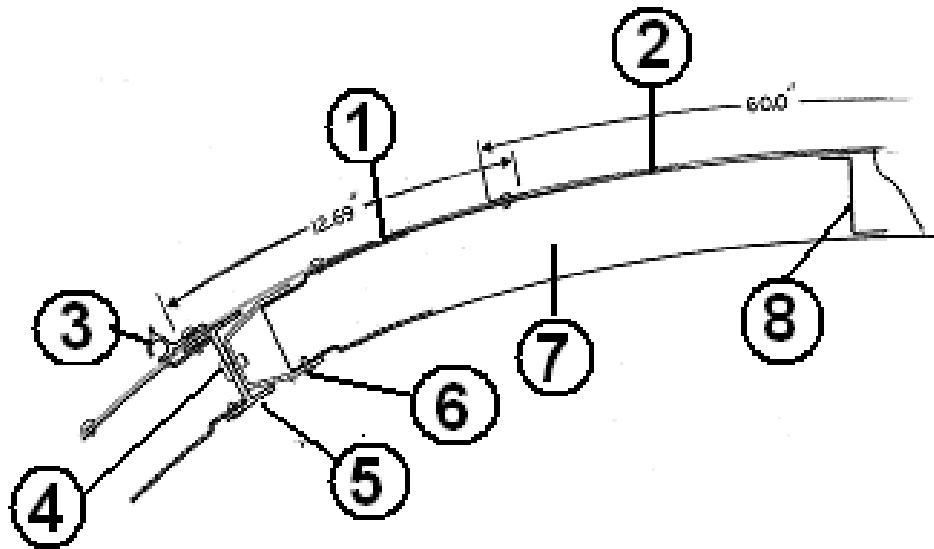
ROOF, 16', 25', 28', 30'

- | | |
|----------------|---|
| 1. 114669-307 | Alum. sheet, white, .032" x 12.69" x 307" |
| 2. 114489-262 | Alum. sheet, white, .032" x 60.0" x 262" |
| 2a. 114489-198 | Alum. sheet, white, .032" x 60" x 198" |
| 3. 114290-01 | Extrusion, awning/drip rail, 197.25" |
| 3a. 114290-02 | Extrusion, awning/drip rail, 261" |
| 3b. 114290-03 | Extrusion, awning/drip rail, 307" |
| 4. 330139-01 | RIVET MAGNALOK SS 1/4" |
| 5. 104707-05 | Extrusion, "I" beam |
| 6. 114987-01 | Extrusion, roof corner, 194" |
| 6a. 114987-02 | Extrusion, roof corner, 258" |
| 7. 114668 | Roof bow |
| 8. 104408 | Extrusion, Z-bar, horizontal |
| 104948 | Air deflector, between roof A/C. and refrigerator |

SAFARI- BAMBI

EXTERIOR BODY

ROOF 19', 20', 22'

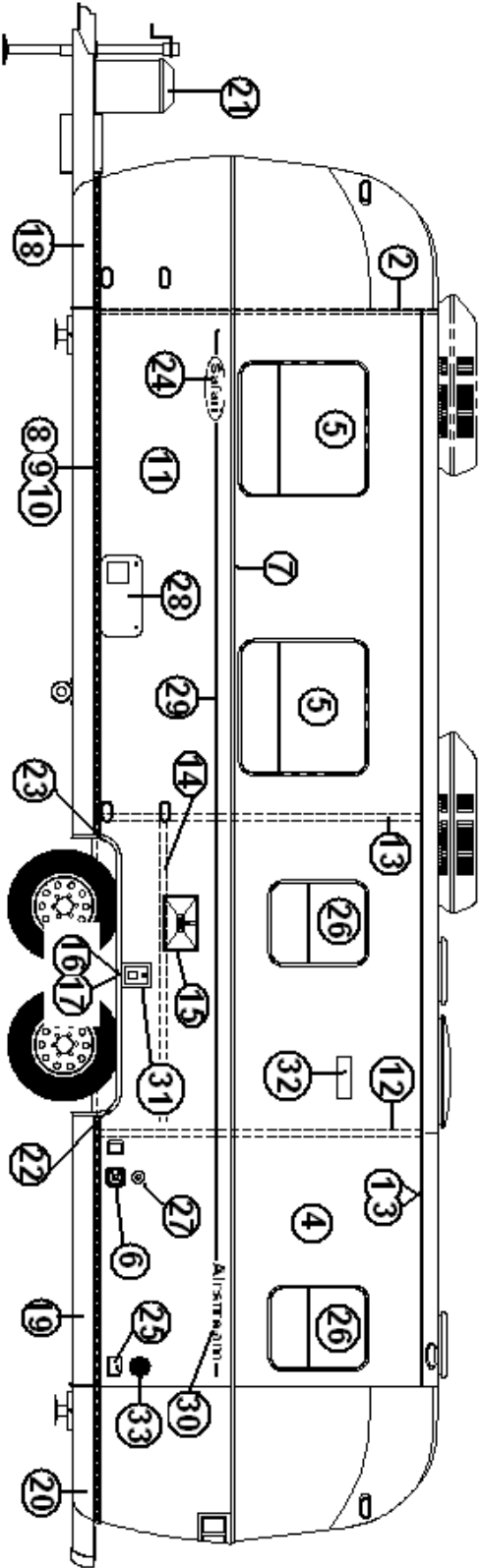


- | | |
|---------------|---------------------------------------|
| 1. 114362 | Alum. sheet, white, .050 x 7.0 |
| 2. 114489-262 | Alum. sheet, white, .032 x 60" x 262" |
| 2. 114489-198 | Alum. sheet, white, .032 x 60" x 198" |
| 3. 114290-01 | Extrusion, awning/drip rail |
| 4. 340123-02 | Rivet, Huck, 3/16 x 1/2" |
| 5. 104707-05 | Extrusion, "I" beam |
| 6. 114987-02 | Extrusion, roof corner |
| 7. 114387-03 | Roof bow |
| 8. 104408 | Extrusion, Z bar, horizontal |

SAFARI- BAMBI

EXTERIOR BODY

Wall, Roadside Wall, 30'



SAFARI- BAMBI

EXTERIOR BODY

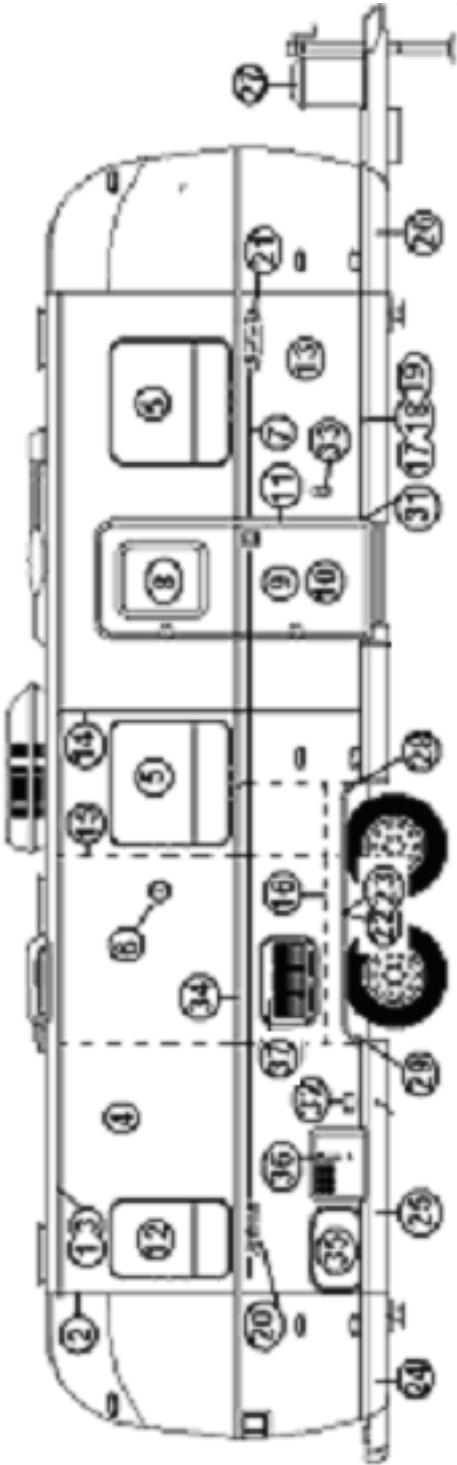
Wall, Roadside, 30'

1. 114290-01 Extrusion, awning/drip rail
2. 114993 Rib, end bow
3. 104707-01 Extrusion, "I" beam
4. 114880-262 Alum. sheet, upper, .040" x 51" x 262"
5. 371381-08 Window, 31.25" X 29.75"
5. 371381-17 Window, Side egress, 31.25" X 29.75"
6. 601392-05 City water hook-up
7. 100034 "Z" bar, 48"
8. 114460 Extrusion, rub rail
9. 201763-01 Insert, rub rail, chrome, 1"
10. 100986 Floor channel
11. 114879-262 Alum. sheet, lower, .040" x 33" x 262"
12. 114387-01 Bow, Z rib, RH
13. 114387-02 Bow, Z rib, LH
14. 100986 Wheel well stiffener (floor channel.
15. 601876 Shower, exterior, white
16. 684936 Wheel well trim, inner, tandem axle
17. 684937 Wheel well trim, outer, tandem axle
18. 200542-01 Banana wrap, RS front
19. 101131-01 Underbelly wrap, .024" x 22.5", Pewter
20. 200544 Banana wrap, RS rear
21. 921232 LP BOTTLE COVER 30#
22. 114466-01 Casting, rub rail end, wheel well, RH
23. 114466-02 Casting, rub rail end, wheel well, LH
24. 386127 Safari Name plate
25. 104619 MTG. PLATE, TELEPHONE & TV JACK
25. 510616 F CONNECTOR, COAX, 75 OHM
25. 511375 JACK MODULAR TELEPHONE
26. 371381-02 Window, 19.25" X 22.75"
27. 601441 Black tank Flush
28. 690274-09 Furnace cover, silver
29. 386088 Decal, black reflective
30. 386151 DECAL, AIRSTREAM 1.3"X 16" BLACK
31. 601194 Water fill w/lock, gray w/label
32. 511017-11 Vent cover, range exhaust
33. 511416-02 POWER INLET, 30A, 125V, MALE - GRAY

SAFARI- BAMBI

EXTERIOR BODY

Wall, Curbside, 30'



SAFARI- BAMBI

EXTERIOR BODY

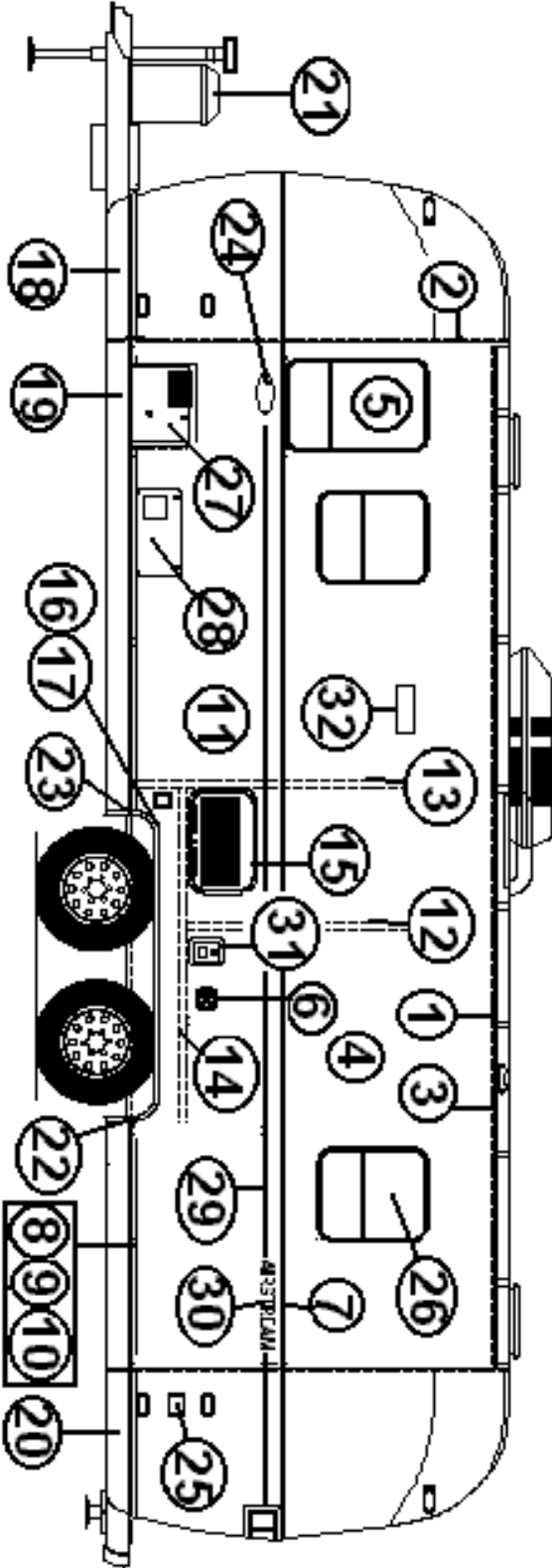
Wall, Curbside, 30'

1. 114290-01 Extrusion, awning/drip rail
2. 114993 Rib, end bow
3. 104707-01 Extrusion, "I" beam
4. 114880-262 Alum. sheet, upper, .040" x 51" x 262"
5. 371381-08 Window, 31.25X29.75"
6. 500092 Flood light and lens
7. 386088 Decal, black reflective
8. 371381-16 Window, Main Door, 17.75" X 21.25"
9. 110067-07 Main door assembly
10. 114654 Screen door assembly
11. 114652 Jamb, main door
12. 371381-07 Window 19.25 X 29.75
13. 114879-262 Alum. sheet, lower, .040" x 33 x 262"
14. 114387-01 Bow, Z rib, RH
15. 114387-02 Bow, Z rib, LH
16. 100986 Wheel well stiffener (floor channel.
17. 114460 Extrusion, rub rail
18. 201763-01 Insert, rub rail, chrome, 1"
19. 100986 Floor channel
20. 386151 DECAL, AIRSTREAM 1.3"X 16" BLACK
21. 386127 Nameplate, Safari
22. 684936 Wheel well trim, inner, tandem axle
23. 684937 Wheel well trim, outer, tandem axle
24. 200545 Banana wrap, CS rear
25. 101131-01 Underbelly wrap, .024" x 22.5, Pewter
26. 200543-01 Banana wrap, CS front
27. 921232 Cover, 30# LPG bottles
28. 114466-01 Casting, rub rail end, wheel well, RH
29. 114466-02 Casting, rub rail end, wheel well, LH
30. 114465-02 CASTING CLOSEOUT, RUB RAIL LH
31. 114465-01 CASTING CLOSEOUT, RUB RAIL RH
32. 510676-01 OUTLET, EXTERIOR, 120 VOLT, GRAY
33. 510732-02 UTILITY LIGHT #1327
34. 100034 "Z" bar, 48"
35. 100679 Side Access Door Assembly
36. 690199 Water Heater
37. 922243 Door, refrigerator access

SAFARI- BAMBI

EXTERIOR BODY

Wall, Roadside 28'



SAFARI- BAMBI

EXTERIOR BODY

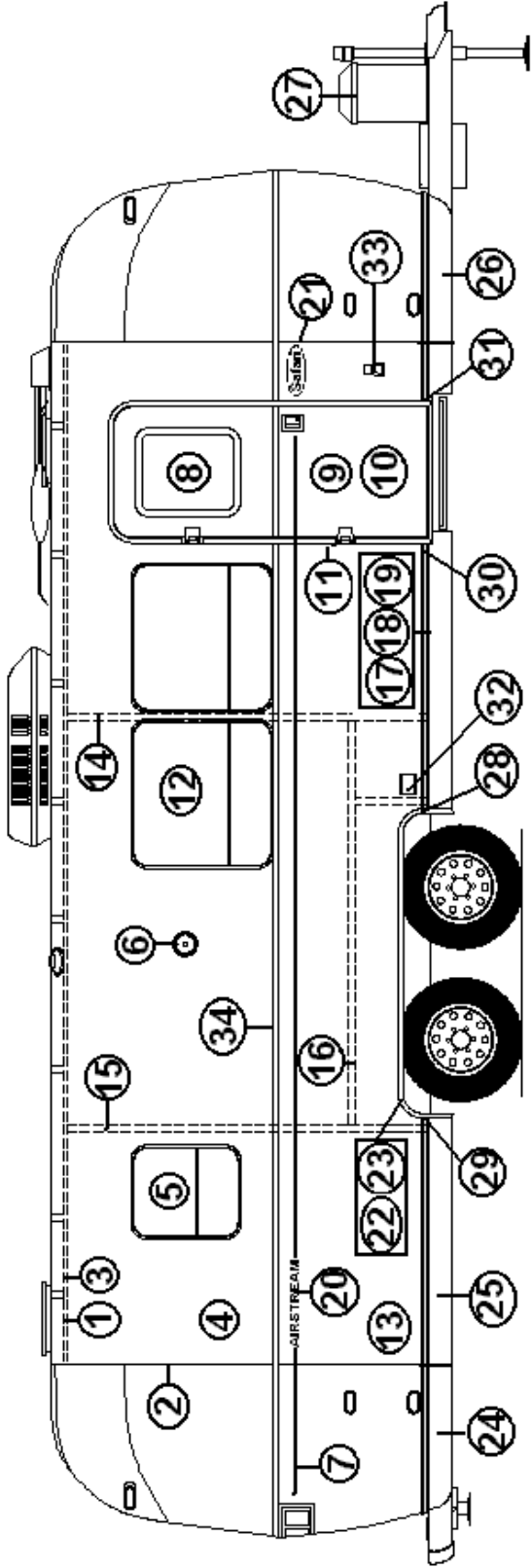
Wall, Roadside 28'

1. 114290-02 Extrusion, awning/drip rail, 261"
2. 114993 Rib, end bow
3. 104707-06 Extrusion, "I" beam, 258"
4. 114880-238 Alum. sheet, upper, .040" x 51" x 238"
5. 371381-07 Window, 19.25 X 29.75, 8" Vent
6. 601392-05 City water hook-up
7. 100034 "Z" bar, 48"
8. 114460 Extrusion, rub rail
9. 201763-01 Insert, rub rail, chrome, 1"
10. 100986 Floor channel
11. 114879-238 Alum. sheet, lower, .040" x 33" x 238"
12. 114387-01 Bow, Z rib, RH
13. 114387-02 Bow, Z rib, LH
14. 100986 Wheel well stiffener (floor channel.
15. 922243 Door, refrigerator access
16. 684936 Wheel well trim, inner, tandem axle
17. 684937 Wheel well trim, outer, tandem axle
18. 200542-01 Banana wrap, RS front
19. 101131-01 Underbelly wrap, .024" x 22.5", Pewter
20. 200544 Banana wrap, RS rear
21. 921232 Cover, 30# LPG bottles
22. 114466-01 Casting, rub rail end, wheel well, RH
23. 114466-02 Casting, rub rail end, wheel well, LH
24. 386127 Safari Name plate
25. 104619 MTG. PLATE, TELEPHONE & TV JACK
25. 510616 F CONNECTOR, COAX, 75 OHM
25. 511375 JACK MODULAR TELEPHONE
26. 371381-02 Window, 19.24" x 22.75"
27. 690209 Access cover, Atwood
28. 690274-09 Furnace cover, silver
29. 386088 Decal, black reflective
30. 386151 DECAL, AIRSTREAM 1.3"X 16" BLACK
31. 601194 Water fill w/lock, gray w/label
32. 511017-11 Vent cover, range exhaust
33. 511416-02 POWER INLET, 30A, 125V, MALE - GRAY

SAFARI- BAMBI

EXTERIOR BODY

Wall, Curbside, 28' W



SAFARI- BAMBI

EXTERIOR BODY

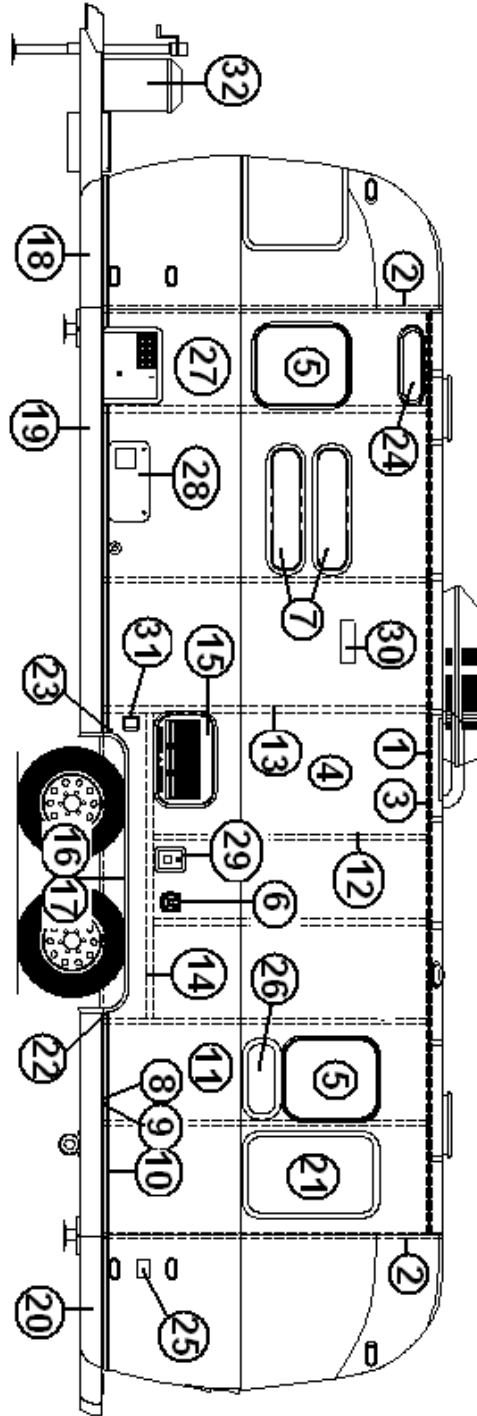
Wall, Curbside, 28' W

1. 114290-02 Extrusion, awning/drip rail, 261"
2. 114993 Rib, end bow
3. 104707-06 Extrusion, "I" beam, 258"
4. 114880-238 Alum. sheet, upper, .040" x 51" x 238"
5. 371381-02 Window, 19.25" x 22.75"
6. 500092 Flood light and lens
7. 386088 Decal, black reflective
8. 371381-16 Window, Main Door, 17.75" X 21.25"
9. 110067-07 Main door assembly
10. 114654 Screen door assembly
11. 114652 Jamb, main door
12. 371381-08 Window, 31.25" x 22.75"
13. 114879-238 Alum. sheet, lower, .040" x 33 x 238"
14. 114387-01 Bow, Z rib, RH
15. 114387-02 Bow, Z rib, LH
16. 100986 Wheel well stiffener (floor channel.
17. 114460 Extrusion, rub rail
18. 201763-01 Insert, rub rail, chrome, 1"
19. 100986 Floor channel
20. 386151 DECAL, AIRSTREAM 1.3"X 16" BLACK
21. 386127 Nameplate, Safari
22. 684936 Wheel well trim, inner, tandem axle
23. 684937 Wheel well trim, outer, tandem axle
24. 200545 Banana wrap, CS rear
25. 101131-01 Underbelly wrap, .024" x 22.5, Pewter
26. 200543-01 Banana wrap, CS front
27. 921232 Cover, 30# LPG bottles
28. 114466-01 Casting, rub rail end, wheel well, RH
29. 114466-02 Casting, rub rail end, wheel well, LH
30. 114465-02 CASTING CLOSEOUT, RUB RAIL LH
31. 114465-01 CASTING CLOSEOUT, RUB RAIL RH
32. 510676-01 OUTLET, EXTERIOR, 120 VOLT, GRAY
33. 510732-02 UTILITY LIGHT
34. 100034 "Z" bar, 48"

SAFARI- BAMBI

EXTERIOR BODY

Wall, Roadside, 28' W Special Edition



Part numbers are on the next page

SAFARI- BAMBI

EXTERIOR BODY

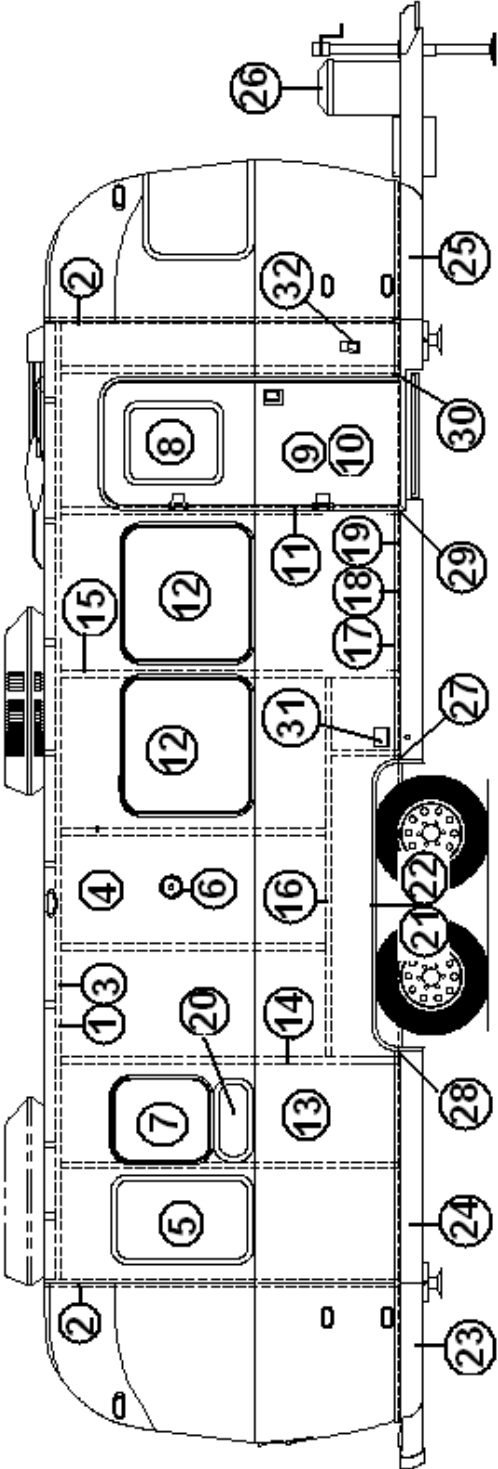
Wall, Roadside, 28' W Special Edition

1. 114290-02 Extrusion, awning/drip rail, 261"
2. 114993 Rib, end bow
3. 104707-06 Extrusion, "I" beam, 258"
4. 114880-238 Alum. sheet, upper, .040" x 51" x 238"
5. 371323-01 WINDOW-18" OPENING
6. 601392-05 City water hook-up
7. 371270-01 Window, 30" stacked
8. 114460 Extrusion, rub rail
9. 201763-01 Insert, rub rail, chrome, 1"
10. 100986 Floor channel
11. 114879-238 Alum. sheet, lower, .040" x 33" x 238"
12. 114387-01 Bow, Z rib, RH
13. 114387-02 Bow, Z rib, LH
14. 100986 Wheel well stiffener (floor channel.
15. 922243 Door, refrigerator access
16. 684936 Wheel well trim, inner, tandem axle
17. 684937 Wheel well trim, outer, tandem axle
18. 200542-01 Banana wrap, RS front
19. 101131-01 Underbelly wrap, .024" x 22.5", Pewter
20. 200544 Banana wrap, RS rear
21. 371286-01 Window, 18" X 30" curved fixed
22. 114466-01 Casting, rub rail end, wheel well, RH
23. 114466-02 Casting, rub rail end, wheel well, LH
24. 922770-01 Vista View Window, 18"
25. 104619 MTG. PLATE, TELEPHONE & TV JACK
25. 510616 F CONNECTOR, COAX, 75 OHM
25. 511375 JACK MODULAR TELEPHONE
26. 371269-01 Window, 18" stacked
27. 690209 Access cover, Atwood
28. 690274-09 Door exterior, Hydroflame
29. 601194 Water fill w/lock, gray w/label
30. 511017-11 Vent cover, range exhaust
31. 511416-02 POWER INLET, 30A, 125V, MALE - GRAY
32. 921232 Cover, 30# LPG bottles

SAFARI- BAMBI

EXTERIOR BODY

Wall, Curbside, 28' W Special Edition



Part numbers are on the next page

SAFARI- BAMBI

EXTERIOR BODY

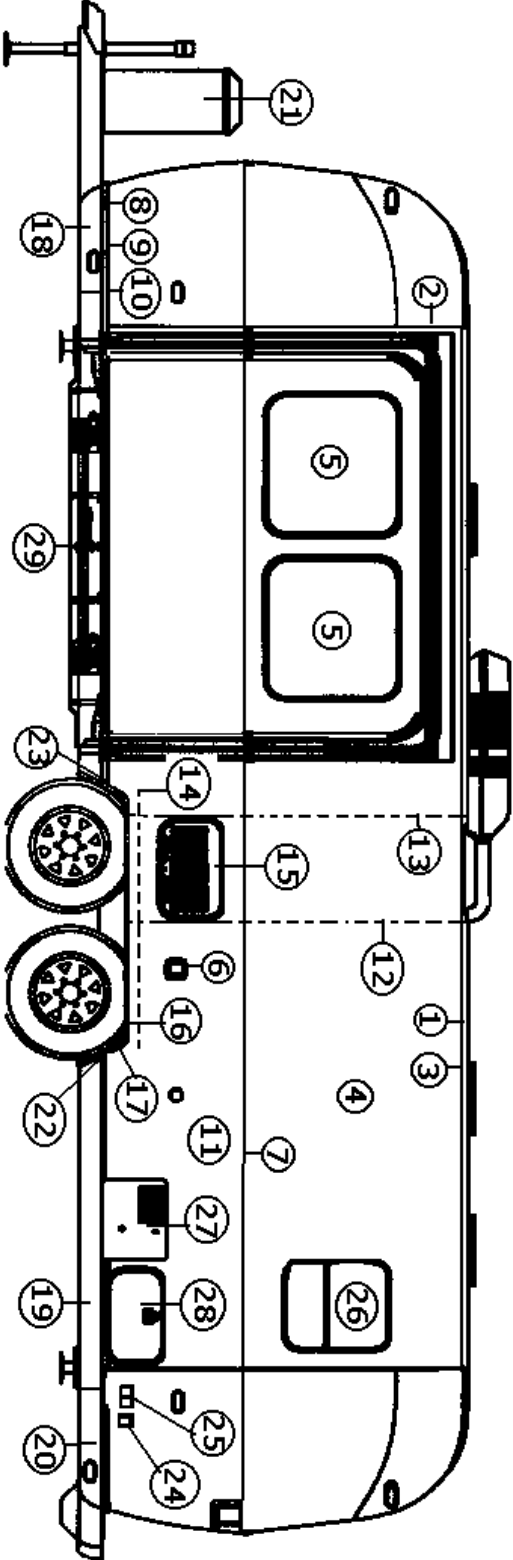
Wall, Curbside, 28' W Special Edition

1. 114290-02 Extrusion, awning/drip rail, 261"
2. 114993 Rib, end bow
3. 104707-06 Extrusion, "I" beam, 258"
4. 114880-238 Alum. sheet, upper, .040" x 51" x 238"
5. 371286-01 Window, 18" X 30" curved fixed
6. 500092 Flood light and lens
7. 371323-01 Window, 18" opening
8. 371319-05 Main Door Window
9. 110067-07 Main door assembly
10. 114654 Screen door assembly
11. 114652 Jamb, main door
12. 371380 Window, opening, 30" tall
13. 114879-238 Alum. sheet, lower, .040" x 33 x 238"
14. 114387-01 Bow, Z rib, RH
15. 114387-02 Bow, Z rib, LH
16. 100986 Wheel well stiffener (floor channel.
17. 114460 Extrusion, rub rail
18. 201763-01 Insert, rub rail, chrome, 1"
19. 100986 Floor channel
20. 371269-01 Window, 18" stacked
21. 684936 Wheel well trim, inner, tandem axle
22. 684937 Wheel well trim, outer, tandem axle
23. 200545 Banana wrap, CS rear
24. 101131-01 Underbelly wrap, .024" x 22.5, Pewter
25. 200543-01 Banana wrap, CS front
26. 921232 Cover, 30# LPG bottles
27. 114466-01 Casting, rub rail end, wheel well, RH
28. 114466-02 Casting, rub rail end, wheel well, L9
29. 114465-02 CASTING CLOSEOUT, RUB RAIL LH
30. 114465-01 CASTING CLOSEOUT, RUB RAIL RH
31. 510676-01 OUTLET, EXTERIOR, 120 VOLT, GRAY
32. 510732-02 UTILITY LIGHT

SAFARI- BAMBI

EXTERIOR BODY

Wall, Roadside, 28' S/O



See P/N on next page

SAFARI- BAMBI

EXTERIOR BODY

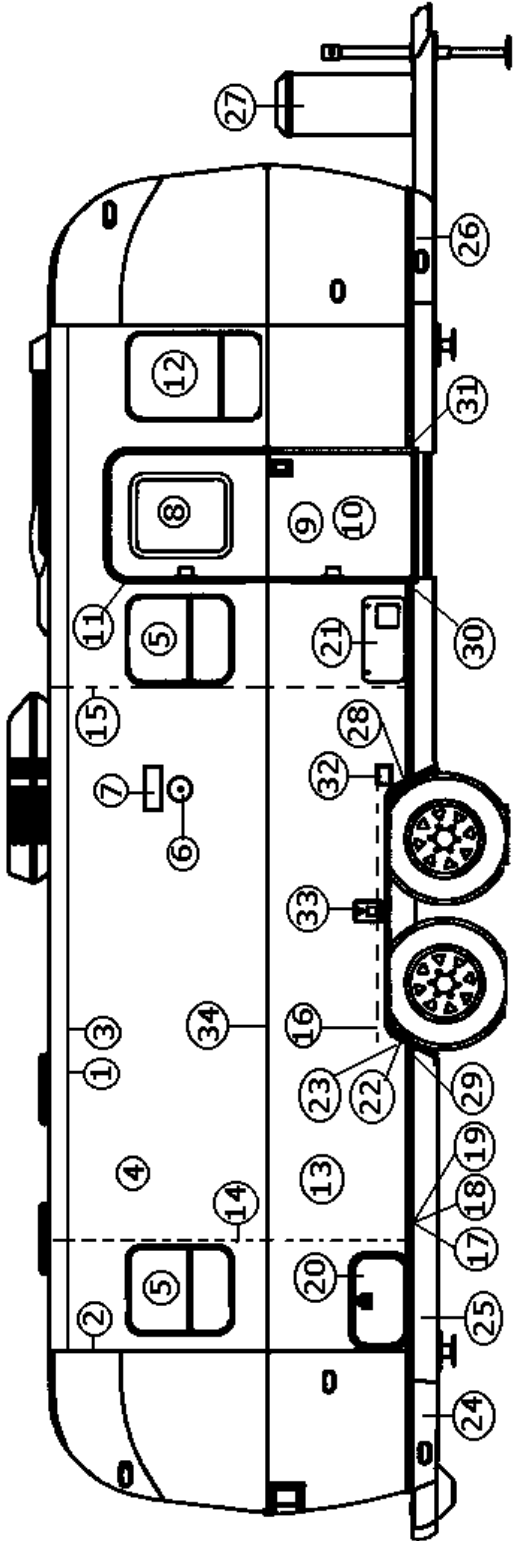
Wall, Roadside, 28' S/O

1. 114290-02 Extrusion, awning/drip rail, 261"
2. 114993 Rib, end bow
3. 104707-06 Extrusion, "I" beam, 258"
4. 114880-238 Alum. sheet, upper, .040" x 51" x 238"
5. 371381-08 Window, 31.25" x 29.75"
6. 601392-05 City water hook-up
7. 100034 "Z" bar, 48"
8. 114460 Extrusion, rub rail
9. 201763-01 Insert, rub rail, chrome, 1"
10. 100986 Floor channel
11. 114879-238" Alum. sheet, lower, .040" x 33" x 238"
12. 114387-01 Bow, Z rib, RH
13. 114387-02 Bow, Z rib, LH
14. 100986 Wheel well stiffener(floor channel.
15. 922243 Door, refrigerator access
16. 684936 Wheel well trim, inner, tandem axle
17. 684937 Wheel well trim, outer, tandem axle
18. 200542-01 Banana wrap, RS front
19. 101131-01 Underbelly wrap, .024" x 22.5", Pewter
20. 200544 Banana wrap, RS rear
21. 921232 Cover, 30# LPG bottles
22. 114466-01 Casting, rub rail end, wheel well, RH
23. 114466-02 Casting, rub rail end, wheel well, LH
24. 511416-02 POWER INLET, 30A, 125V, MALE - GRAY
25. 104619 MTG. PLATE, TELEPHONE & TV JACK
25. 510616 F CONNECTOR, COAX, 75 OHM
- 25 511375 JACK MODULAR TELEPHONE
26. 371381-02 Window, 19.24" x 22.75"
27. 690209 Access cover, Atwood
28. 100679-01 Access door w/jamb
29. 115029 COVER BOTTOM-S/O MOTOR

SAFARI- BAMBI

EXTERIOR BODY

Wall, Curbside 28' S/O



See P/N on next page

SAFARI- BAMBI

EXTERIOR BODY

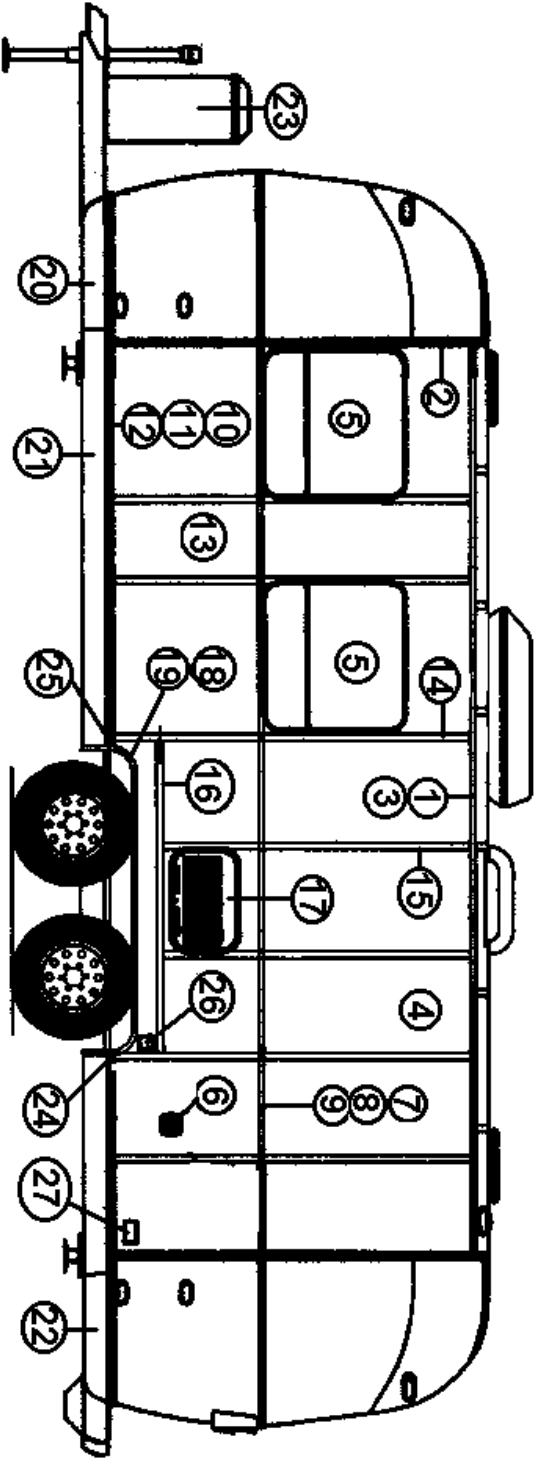
Wall, Curbside 28' S/O

1. 114290-02 Extrusion, awning/drip rail, 261"
2. 114993 Rib, end bow
3. 104707-06 Extrusion, "I" beam, 258"
4. 114880-238 Alum. sheet, upper, .040" x 51" x 238"
5. 371381-02 Window, 19.25" x 22.75"
6. 500092 Flood light and lens
7. 511017-11 Vent cover, range exhaust
8. 371381-16 Window, Main Door, 17.75" X 21.25"
9. 110067-07 Main door assembly
10. 114654 Screen door assembly
11. 114652 Jamb, main door
12. 371381-07 Window, 19.25" x 29.75"
13. 114879-238 Alum. sheet, lower, .040" x 33 x 238"
14. 114387-01 Bow, Z rib, RH
15. 114387-02 Bow, Z rib, LH
16. 100986 Wheel well stiffener(floor channel.
17. 114460 Extrusion, rub rail
18. 201763-01 Insert, rub rail, chrome, 1"
19. 100986 Floor channel
20. 100679-01 Access door w/jamb
21. 690274-09 Cover, Hydroflame furnace
22. 684936 Wheel well trim, inner, tandem axle
23. 684937 Wheel well trim, outer, tandem axle
24. 200545 Banana wrap, CS rear
25. 101131-01 Underbelly wrap, .024" x 22.5, Pewter
26. 200543-01 Banana wrap, CS front
27. 921232 Cover, 30# LPG bottles
28. 114466-01 Casting, rub rail end, wheel well, RH
29. 114466-02 Casting, rub rail end, wheel well, LH
30. 114465-02 CASTING CLOSEOUT, RUB RAIL LH
31. 114465-01 CASTING CLOSEOUT, RUB RAIL RH
32. 510676-01 OUTLET, EXTERIOR, 120 VOLT, GRAY
33. 601194 Water fill w/lock, gray w/label
34. 100034 "Z" bar, 48"

SAFARI- BAMBI

EXTERIOR BODY

Wall, Roadside, 25' Sleep Six



See next page for P/N

SAFARI- BAMBI

EXTERIOR BODY

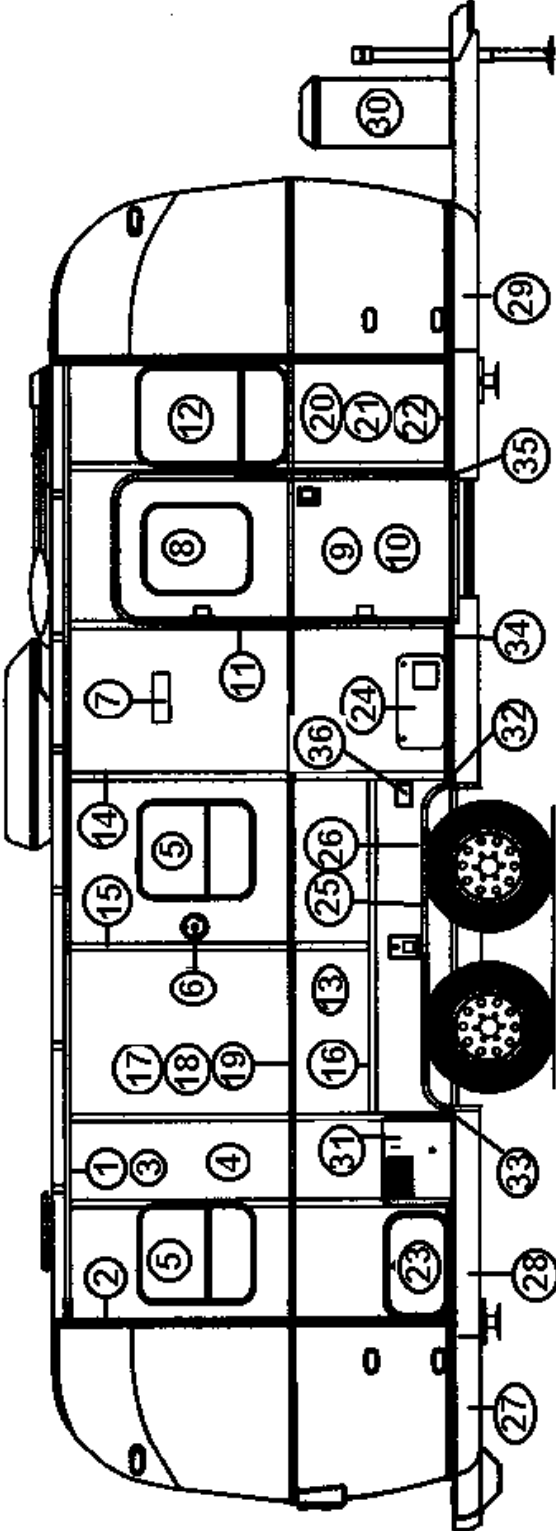
Wall, Roadside, 25' Sleep Six

- | | |
|----------------|---|
| 1. 114290-01 | Extrusion, awning/drip rail |
| 2. 114993 | Rib, end bow |
| 3. 104707-05 | Extrusion, "I" beam |
| 4. 114880-201 | Aluminum sheet, upper, .040" x 51" x 201" |
| 5. 371381-08 | Window, 31.25" x 29.75" |
| 6. 601392-05 | City water hook-up |
| 7. 325002 | RIVET SHANK DIA 1/8" X3/8" PLAIN |
| 8. 365016 | Tape, double stick 1/2" |
| 9. 100034 | "Z" bar, 48" |
| 10. 114460 | Extrusion, rub rail |
| 11. 201763-01 | Insert, rub rail, chrome, 1" |
| 12. 100986 | Floor channel |
| 13. 114879-201 | Aluminum sheet, lower, .040" x 33" x 201" |
| 14. 114387-01 | Bow, Z rib, RH |
| 15. 114387-02 | Bow, Z rib, LH |
| 16. 100986 | Wheel well stiffener(floor channel. |
| 17. 922243 | Door, refrigerator access |
| 18. 684936 | Wheel well trim, inner, tandem axle |
| 19. 684937 | Wheel well trim, outer, tandem axle |
| 20. 200542-01 | Banana wrap, RS front |
| 21. 101131-01 | Underbelly wrap, .024" x 22.5", Pewter |
| 22. 200544 | Banana wrap, RS rear |
| 23. 921232 | Cover, 30# LPG bottles |
| 24. 114466-01 | Casting, rub rail end, wheel well, RH |
| 25. 114466-02 | Casting, rub rail end, wheel well, LH |
| 26. 511416-02 | POWER INLET, 30A, 125V, MALE - GRAY |
| 27. 104619 | MTG. PLATE, EXTERIOR TELEPHONE & TV JACK |
| 510616 | F CONNECTOR, COAX, 75 OHM |
| 511375 | JACK MODULAR TELEPHONE |

SAFARI- BAMBI

EXTERIOR BODY

Wall, Curbside, 25' Sleep Six



See next page for P/N

SAFARI- BAMBI

EXTERIOR BODY

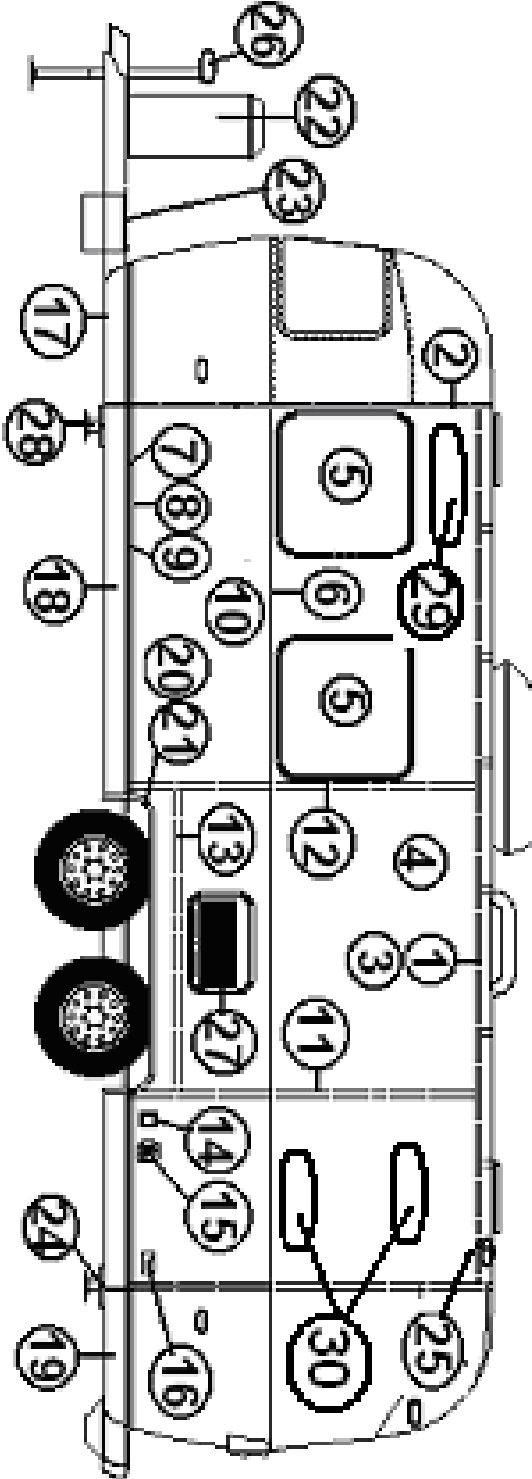
Wall, Curbside, 25' Sleep Six

1. 114290-01 Extrusion, awning/drip rail
2. 114993 Rib, end bow
3. 104707-05 Extrusion, "I" beam
4. 114880-201 Aluminum sheet, upper, .040" x 51" x 201"
5. 371381-02 Window, 19.25" x 22.75"
6. 500092 Flood light and lens
7. 511017-11 Vent cover, range exhaust
8. 371381-16 Window, Main Door, 17.75" X 21.25"
9. 110067-07 Main door assembly
10. 114654 Screen door assembly
11. 114652 Jamb, main door
12. 371381-07 Window, 19.25" x 29.75"
13. 114879-201 Aluminum sheet, lower, .040" x 33 x 201"
14. 114387-01 Bow, Z rib, RH
15. 114387-02 Bow, Z rib, LH
16. 100986 Wheel well stiffener(floor channel.
17. 325002 RIVET SHANK DIA 1/8" X3/8" PLAIN
18. 365016 Tape, double stick 1/2"
19. 100034 "Z" bar, 48"
20. 114460 Extrusion, rub rail
21. 201763-01 Insert, rub rail, chrome, 1"
22. 100986 Floor channel
23. 100679-01 Access door w/jamb
24. 690274-09 Cover, Hydroflame furnace
25. 684936 Wheel well trim, inner, tandem axle
26. 684937 Wheel well trim, outer, tandem axle
27. 200545 Banana wrap, CS rear
28. 101131-01 Underbelly wrap, .024" x 22.5, Pewter
29. 200543-01 Banana wrap, CS front
30. 921232 Cover, 30# LPG bottles
31. 690209 Access cover, Atwood
32. 114466-01 Casting, rub rail end, wheel well, RH
33. 114466-02 Casting, rub rail end, wheel well, LH
34. 114465-02 CASTING CLOSEOUT, RUB RAIL LH
35. 114465-01 CASTING CLOSEOUT, RUB RAIL RH
36. 510676-01 OUTLET, EXTERIOR, 120 VOLT, GRAY

SAFARI- BAMBI

EXTERIOR SHELL

Wall, Roadside, 25' SS Special Edition



Part numbers are on the next page

SAFARI- BAMBI

EXTERIOR SHELL

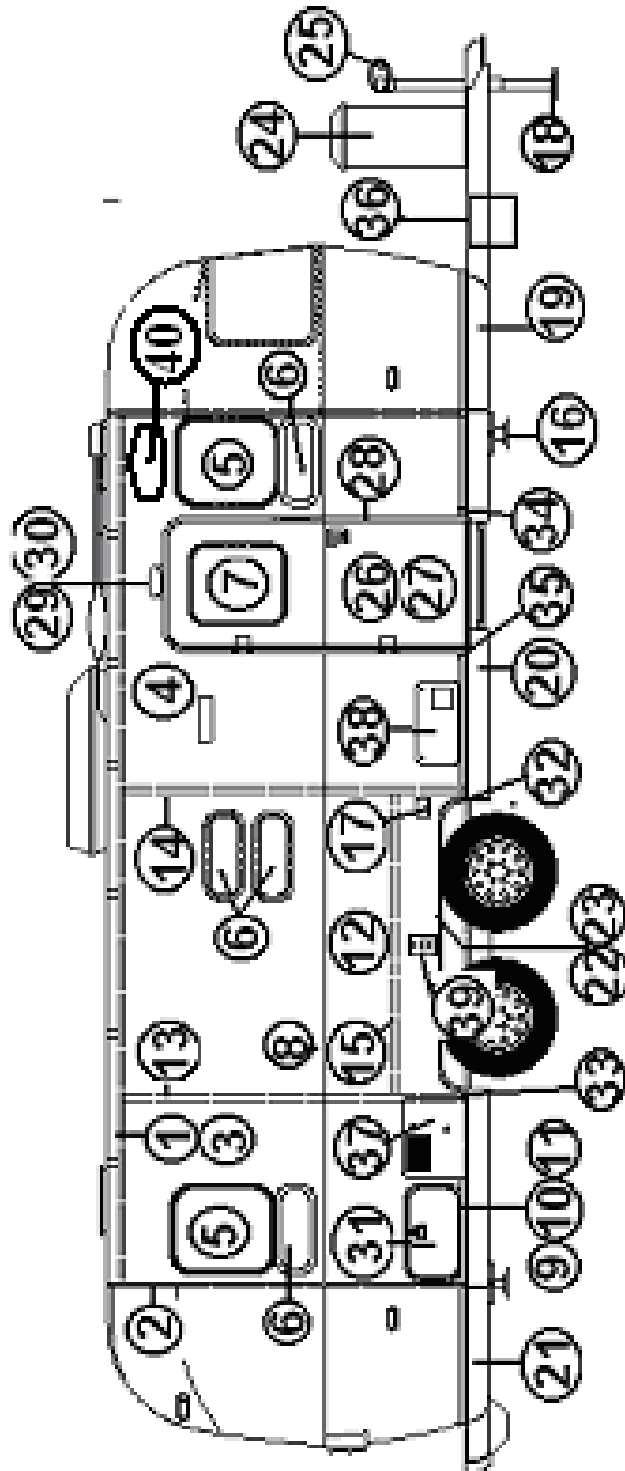
Wall, Roadside, 25' SS Special Edition

1. 114290-01 Extrusion, awning/drip rail
2. 114993 Rib, end bow
3. 104707-01 Extrusion, "I" beam
4. 114880-201 Alum, sheet, upper, .040" x 51" x 201"
5. 371380 Window, opening, 30" tall
6. 100034 "Z" bar, 48"
7. 114460 Extrusion, rub rail
8. 201763-01 Insert, rub rail, chrome, 1"
9. 100986 Floor channel
10. 114879-201 Alum. sheet, lower, .040" x 33" x 201"
11. 114387-01 Bow, Z rib, RH
12. 114387-02 Bow, Z rib, LH
13. 100986 Wheel well stiffener (floor channel)
14. 511416-02 30-amp, male power inlet
15. 601392-05 City water hook-up, chrome w/regulator
16. 510624-01 MODULAR PHONE QUICK JACK WHITE
- 16a. 104619 MTG. PLATE, EXT. TELE. & TV JACK
17. 200542-01 Banana wrap, RS front
18. 101131-01 Underbelly wrap, .024" x 22.5", Pewter
19. 200543-01 Banana, rear corner, RS
20. 684936 Wheel well trim, outer, tandem axle
21. 684937 Wheel well trim, inner, tandem axle
22. 921232 Bottle cover, LP
23. 410551-02 LID BATTERY BOX
24. 400093 Stabilizer jack, 20", ALUMINUM
- 24a. 400093-04 Handle, stabilizer jack
25. 690266-01 Bath power ventilator
26. 400961 Jack, Power
27. 922243 Refer access door, 104417 Jamb
28. 400093 Stabilizing jacks, BAL w/handle
29. 922770-02 VISTA VIEW- 30"
30. 371270-01 WINDOW 30" STACK

SAFARI- BAMBI

EXTERIOR SHELL

Wall Curbside, 25' SS Special Edition



Part numbers are on the next page

SAFARI- BAMBI

EXTERIOR SHELL

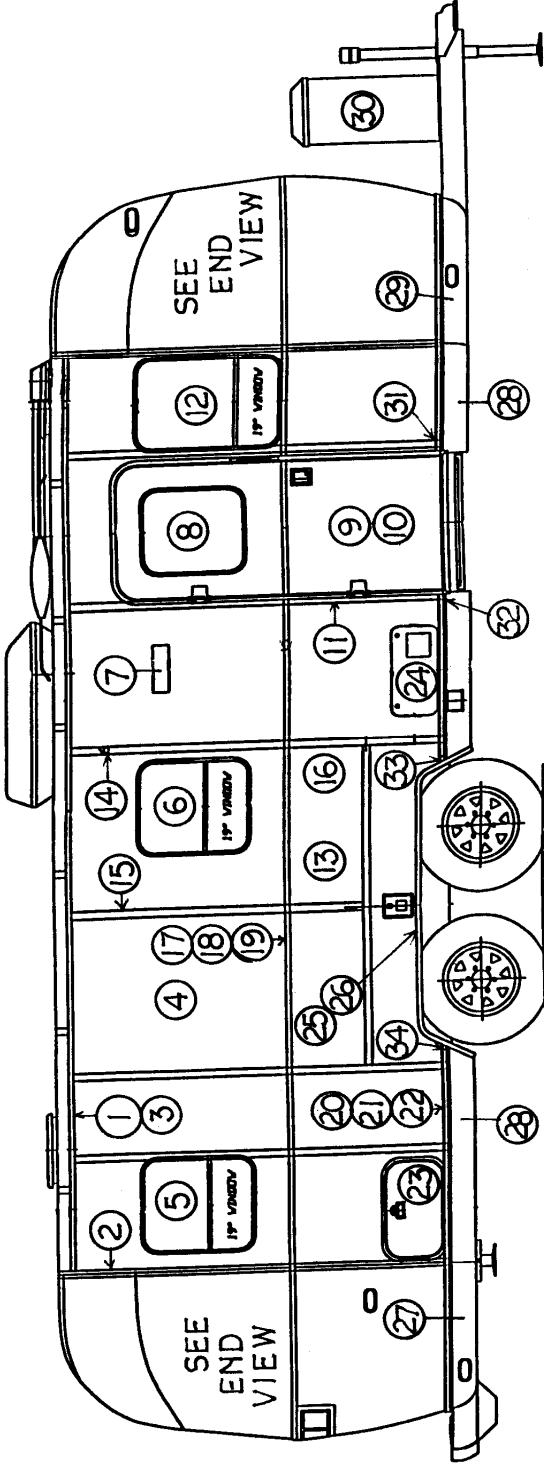
Wall Curbside, 25' SS Special Edition

- 1) 114290-01 Extrusion, awning/drip rail
- 2) 114993 End bow
- 3) 104707-01 Extrusion, "I" beam
- 4) 114880-201 Window sheet, .040" x 51" x 201"
- 5) 371323-01 WINDOW-18" OPENING
- 5) 371286-01 WINDOW, 18" X 30" FIXED, BUNK OPTION ONLY
- 6) 371269-01 WINDOW 18" STACK
- 7) 371319-05 WINDOW-MAIN DOOR
- 8) 100034 "Z" bar 48"
- 9) 114460 Extrusion, rub rail
- 10) 201763-01 Insert, rub rail, chrome, 1"
- 11) 100986 Floor channel
- 12) 114879-201 Side sheet, .040" x 33" x 201"
- 13) 114387-01 Bow, Z rib, RH
- 14) 114387-02 Bow, Z rib, LH
- 15) 100986 Wheel well stiffener (floor channel)
- 16) 400093 Stabilizer jack, 20"
- 16a) 400093-04 Handle, stabilizer jack
- 17) 510676-01 Outlet, exterior 110 volt, gray
- 18) 410598 Super Jack footpad
- 19) 200543-01 Banana wrap, CS front
- 20) 101131-01 Underbelly wrap, .024 x 22.5, Pewter
- 21) 200542-01 Banana wrap, CS rear
- 22) 684936 Wheel well trim, outer, tandem axle
- 23) 684937 Wheel well trim, inner, tandem axle
- 24) 921232 Bottle cover, LP
- 25) 400961 Jack, Super
- 26) 110067-05 Main door assembly
- 27) 114654 Screen door assembly
- 28) 114652 Main door jamb, formed
- 29) 101323 Casting, main door light
- 30) 201185 Lens, main door light
- 31) 100679-01 Access door, Small
- 32) 114466-01 Casting, rub rail end, wheel well, RH
- 33) 114466-02 Casting, rub rail end, wheel well, LH
- 34) 114465-01 Close out rub rail, RH
- 35) 114465-02 Close out rub rail, LH
- 36) 410551-02 LID BATTERY BOX
- 37) 690209 Access door, Atwood water heater
- 38) 690274-09 Door exterior, Hydroflame
- 39) 601194 WATER FILL W/LOCK, GRAY, W/LABEL
- 40) 922770-02 Vista View Window, 18"

SAFARI- BAMBI

EXTERIOR BODY

Wall, Curbside, 25' A & B



See next page for P/N

SAFARI- BAMBI

EXTERIOR BODY

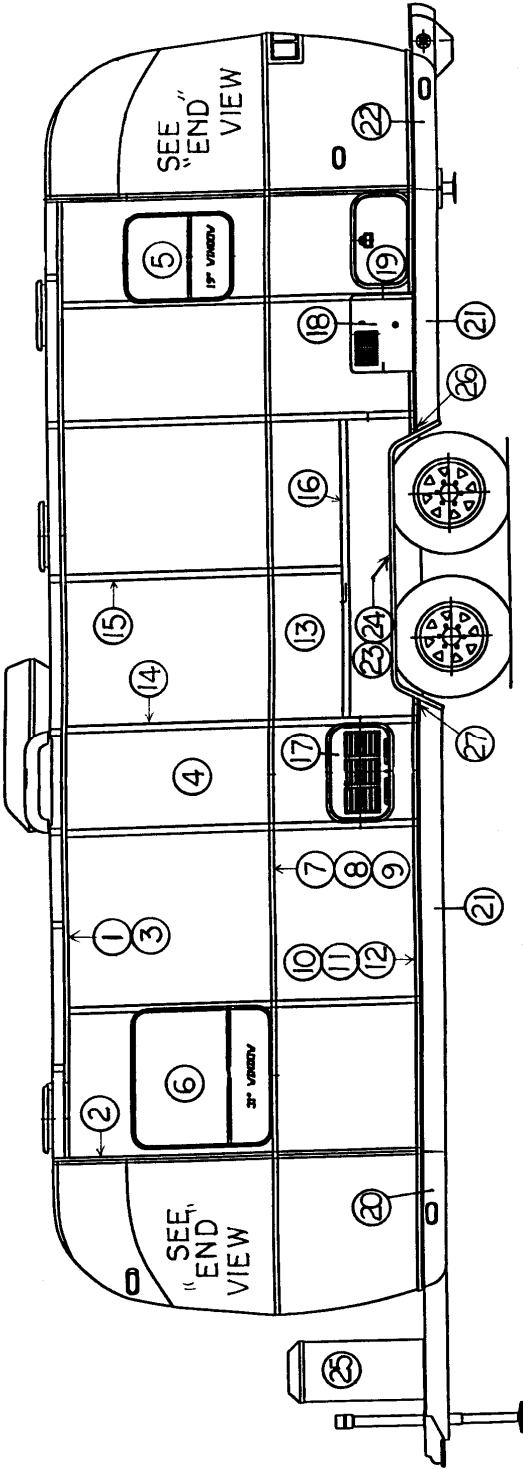
Wall, Curbside, 25' A & B

1. 114290-01 Extrusion, awning/drip rail
2. 114993 Rib, end bow
3. 104707-05 Extrusion, "I" beam
4. 114880-201 Aluminum sheet, upper, .040" x 51" x 201"
5. 371381-02 Window, 19.25" x 22.75"
6. 371381-02 Window, 19.25" x 22.75"
7. 511017-11 Vent cover, range exhaust
8. 371381-16 Window, Main Door, 17.75" X 21.25"
9. 110067-07 Main door assembly
10. 114654 Screen door assembly
11. 114652 Jamb, main door
12. 371381-07 Window, 19.25" x 29.75"
13. 114879-201 Aluminum sheet, lower, .040" x 33" x 201"
14. 114387-01 Bow, Z rib, RH
15. 114387-02 Bow, Z rib, LH
16. 100986 Wheel well stiffener(floor channel.
17. 325002 RIVET SHANK DIA 1/8" X3/8" PLAIN
18. 365016 Tape, double stick 1/2"
19. 100034 "Z" bar, 48"
20. 114460 Extrusion, rub rail
21. 201763-01 Insert, rub rail, chrome, 1"
22. 100986 Floor channel
23. 100679-01 Access door w/jamb
24. 690274-09 Cover, Hydroflame furnace
25. 684936 Wheel well trim, inner, tandem axle
26. 684937 Wheel well trim, outer, tandem axle
27. 200545 Banana wrap, CS rear
28. 101131-01 Underbelly wrap, .024" x 22.5", Pewter
29. 200543-01 Banana wrap, CS front
30. 921232 Cover, 30# LPG bottles
31. 114465-01 Casting, rub rail end, door, RH
32. 114465-02 Casting, rub rail end, door, LH
33. 114466-01 Casting, rub rail end, wheel well, RH
34. 114466-02 Casting rub rail end, wheel well, LH

SAFARI- BAMBI

EXTERIOR BODY

Wall, Roadside, 25' A & B



SAFARI- BAMBI

EXTERIOR BODY

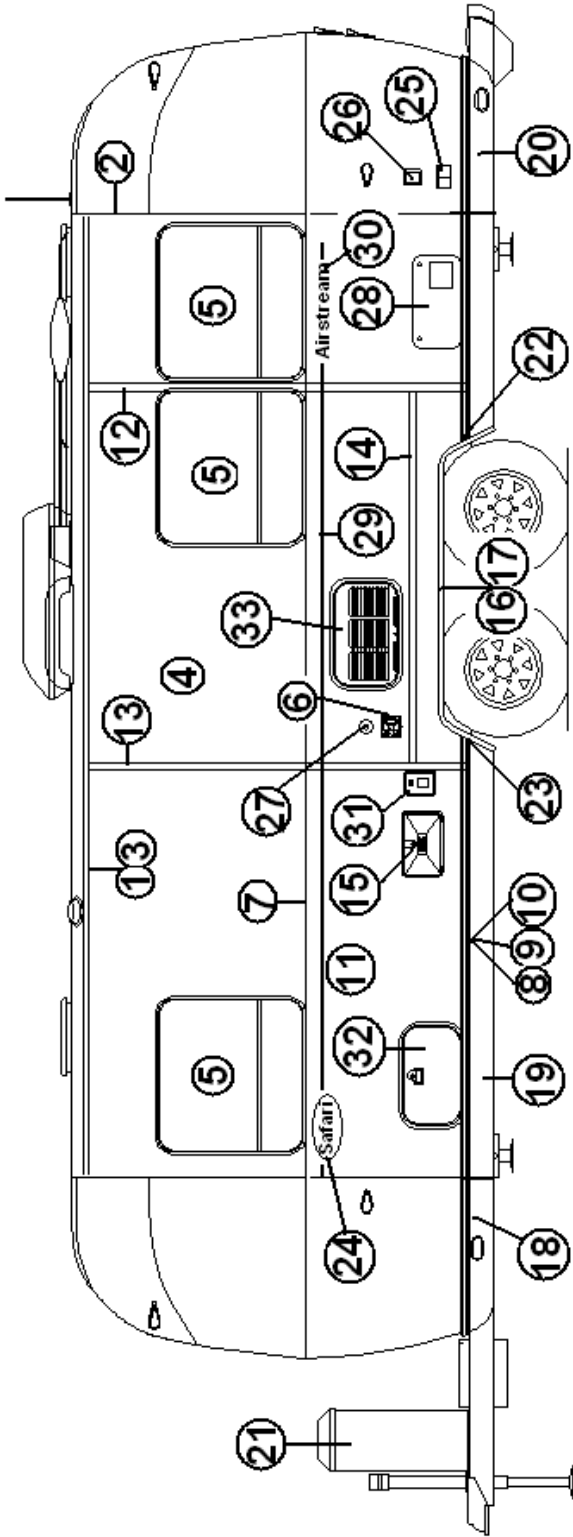
Wall, Roadside, 25' A & B

1. 114290-01 Extrusion, awning/drip rail
2. 114993 Rib, end bow
3. 104707-05 Extrusion, "I" beam
4. 114880-201 Aluminum sheet, upper, .040" x 51" x 201"
5. 371381-02 Window, 19.25" x 22.75"
6. 371381-08 Window, 31.25" X 29.75"
7. 325002 RIVET SHANK DIA 1/8" X3/8" PLAIN
8. 365016 Tape, double stick 1/2"
9. 100034 "Z" bar, 48"
10. 114460 Extrusion, rub rail
11. 201763-01 Insert, rub rail, chrome, 1"
12. 100986 Floor channel
13. 114879-201 Aluminum sheet, lower, .040" x 33" x 201"
14. 114387-01 Bow, Z rib, RH
15. 114387-02 Bow, Z rib, LH
16. 100986 Wheel well stiffener(floor channel.
17. 922243 Door, refrigerator access
18. 690209 Access door, Atwood
19. 100679-01 Access door w/jamb
20. 200542-01 Banana wrap, RS front
21. 101131-01 Underbelly wrap, .024 x 22.5, Pewter
22. 200544 Banana wrap, RS rear
23. 684936 Wheel well trim, inner, tandem axle
24. 684937 Wheel well trim, outer, tandem axle
25. 921232 Cover, 30# LPG bottles
26. 114466-01 Casting, rub rail end, wheel well, RH
27. 114466-02 Casting, rub rail end, wheel well, LH

SAFARI- BAMBI

EXTERIOR BODY

Wall, Roadside, 25' Front Bed



Part Numbers are on the Next Page

SAFARI- BAMBI

EXTERIOR BODY

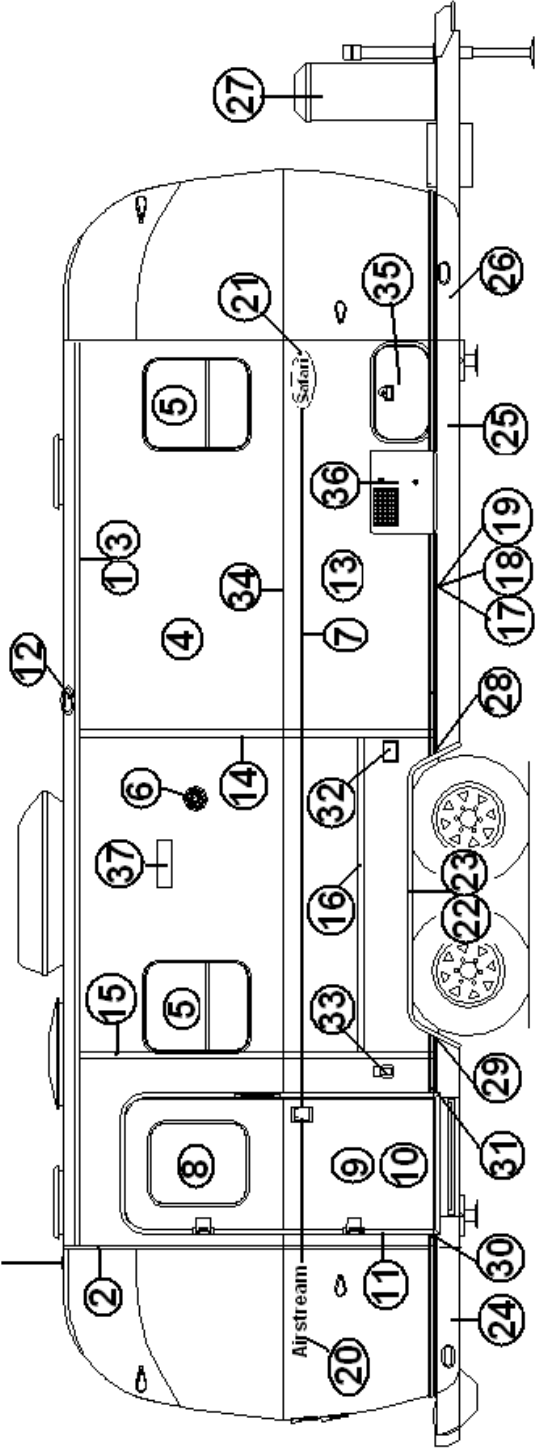
Wall, Roadside, 25' Front Bed

1. 114290-01 Extrusion, awning/drip rail
2. 114993 Rib, end bow
3. 104707-01 Extrusion, "I" beam
4. 114880-307 Alum. sheet, upper, .040" x 51" x 307"
5. 371381-08 Window, 31.25" X 29.75"
5. 371381-17 Window, Side egress, 31.25" X 29.75"
6. 601392-05 City water hook-up
7. 100034 "Z" bar, 48"
8. 114460 Extrusion, rub rail
9. 201763-01 Insert, rub rail, chrome, 1"
10. 100986 Floor channel
11. 114879-307 Alum. sheet, lower, .040" x 33" x 307"
12. 114387-01 Bow, Z rib, RH
13. 114387-02 Bow, Z rib, LH
14. 100986 Wheel well stiffener (floor channel)
15. 601876 Shower, exterior, white
16. 684936 Wheel well trim, inner, tandem axle
17. 684937 Wheel well trim, outer, tandem axle
18. 200542-01 Banana wrap, RS front
19. 101131-01 Underbelly wrap, .024" x 22.5", Pewter
20. 200544 Banana wrap, RS rear
21. 921232 Cover, 30# LPG bottles
22. 114466-01 Casting, rub rail end, wheel well, RH
23. 114466-02 Casting, rub rail end, wheel well, LH
24. 386127 Safari Name plate
25. 104619 MTG. PLATE, TELEPHONE & TV JACK
25. 510616 F CONNECTOR, COAX, 75 OHM
25. 511375 JACK MODULAR TELEPHONE
26. 511416-02 POWER INLET, 30A, 125V, MALE - GRAY
27. 601441 Black tank Flush
28. 690274-04 Furnace
29. 386088 Decal, black reflective
30. 386151 DECAL, AIRSTREAM 1.3"X 16" BLACK
31. 601194 Water fill w/lock, gray w/label
32. 100679-01 Side Access Door Assembly
33. 922243 Refer Access door

SAFARI- BAMBI

EXTERIOR BODY

Wall, Curbside, 25' FB



Part Numbers are on the Next Page

SAFARI- BAMBI

EXTERIOR BODY

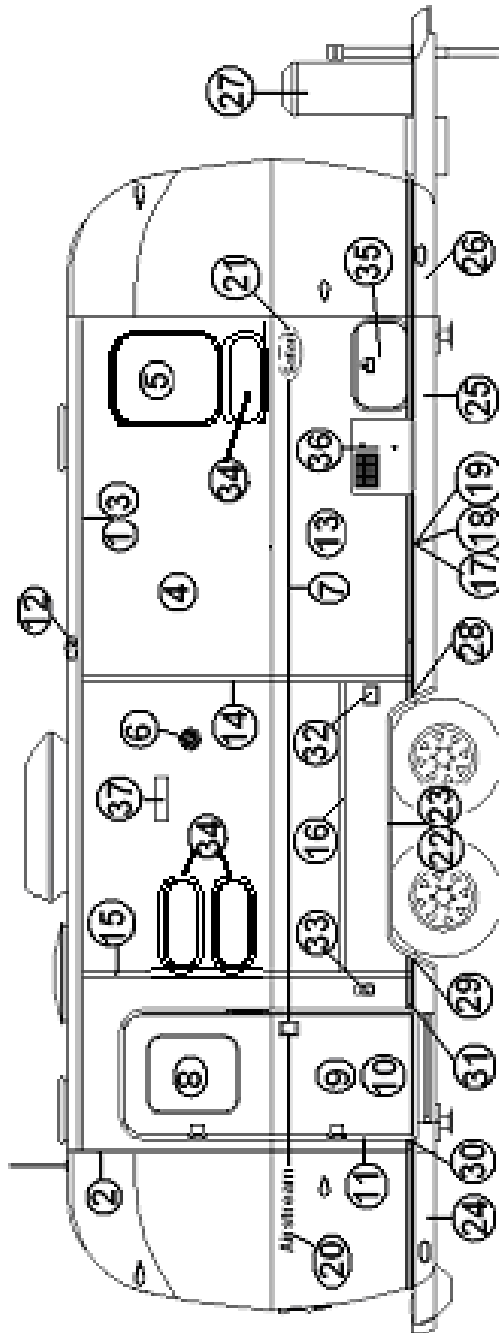
Wall, curbside, 25' FB

1. 114290-01 Extrusion, awning/drip rail
2. 114993 Rib, end bow
3. 104707-01 Extrusion, "I" beam
4. 114880-201 Alum. sheet, upper, .040" x 51" x 201"
5. 371381-07 Window, 19.25" X 22.75"
6. 500092 Flood light and lens
7. 386088 Decal, black reflective
8. 371381-16 Window, main door, 17.75" x 21.25", etched glass
9. 110067-07 Main door assembly
10. 114654 Screen door assembly
11. 114652 Jamb, main door
12. 690266-01 Shower roof vent
13. 114879-201 Alum. sheet, lower, .040" x 33 x 201"
14. 114387-01 Bow, Z rib, RH
15. 114387-02 Bow, Z rib, LH
16. 100986 Wheel well stiffener (floor channel.
17. 114460 Extrusion, rub rail
18. 201763-01 Insert, rub rail, chrome, 1"
19. 100986 Floor channel
20. 386151 DECAL, AIRSTREAM 1.3"X 16" BLACK
21. 386127 Nameplate, Safari
22. 684936 Wheel well trim, inner, tandem axle
23. 684937 Wheel well trim, outer, tandem axle
24. 200545 Banana wrap, CS rear
25. 101131-01 Underbelly wrap, .024" x 22.5, Pewter
26. 200543-01 Banana wrap, CS front
27. 921232 Cover, 30# LPG bottles
28. 114466-01 Casting, rub rail end, wheel well, RH
29. 114466-02 Casting, rub rail end, wheel well, LH
30. 114465-02 CASTING CLOSEOUT, RUB RAIL LH
31. 114465-01 CASTING CLOSEOUT, RUB RAIL RH
32. 510676-01 OUTLET, EXTERIOR, 120 VOLT, GRAY
33. 510732-02 UTILITY LIGHT #1327
34. 100034 "Z" bar, 48"
35. 100679-01 Side Access Door Assembly
36. 690199 Water Heater
37. 511017-11 EXTERIOR VENT GRAY

SAFARI- BAMBI

EXTERIOR SHELL

Wall, Curbside, 25' Front Bed Special Edition



Part numbers are on the next page

SAFARI- BAMBI

EXTERIOR SHELL

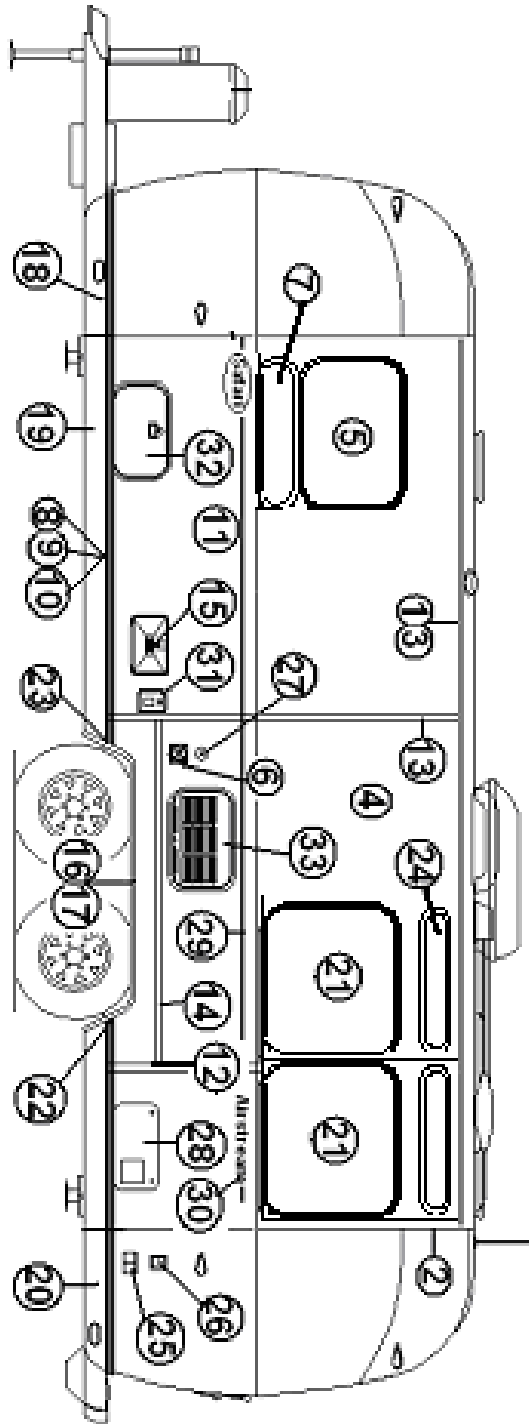
Wall, Curbside, 25' Front Bed Special Edition

1. 114290-01	Extrusion, awning/drip rail
2. 114993	Rib, end bow
3. 104707-01	Extrusion, "I" beam
4. 114880-201	Alum. sheet, upper, .040" x 51" x 201"
5. 371323-01	WINDOW-18" OPENING
6. 500092	Flood light and lens
7. 386088	Decal, black reflective
8. 371319-05	WINDOW-MAIN DOOR
9. 110067-07	Main door assembly
10. 114654	Screen door assembly
11. 114652	Jamb, main door
12. 690266-01	Shower roof vent
13. 114879-201	Alum. sheet, lower, .040" x 33 x 201"
14. 114387-01	Bow, Z rib, RH
15. 114387-02	Bow, Z rib, LH
16. 100986	Wheel well stiffener (floor channel.
17. 114460	Extrusion, rub rail
18. 201763-01	Insert, rub rail, chrome, 1"
19. 100986	Floor channel
20. 386151	DECAL, AIRSTREAM 1.3"X 16" BLACK
21. 386127	Nameplate, Safari
22. 684936	Wheel well trim, inner, tandem axle
23. 684937	Wheel well trim, outer, tandem axle
24. 200545	Banana wrap, CS rear
25. 101131-01	Underbelly wrap, .024" x 22.5, Pewter
26. 200543-01	Banana wrap, CS front
27. 921232	Cover, 30# LPG bottles
28. 114466-01	Casting, rub rail end, wheel well, RH
29. 114466-02	Casting, rub rail end, wheel well, LH
30. 114465-02	CASTING CLOSEOUT, RUB RAIL LH
31. 114465-01	CASTING CLOSEOUT, RUB RAIL RH
32. 510676-01	OUTLET, EXTERIOR, 120 VOLT, GRAY
33. 510732-02	UTILITY LIGHT #1327
34. 371269-01	WINDOW 18" STACK
35. 100679-01	Side Access Door Assembly
36. 690199	Water Heater
37. 511017-11	EXTERIOR VENT GRAY

SAFARI- BAMBI

EXTERIOR BODY

Wall, Roadside, 25' Front Bed Special Edition



Part numbers are on the next page

SAFARI- BAMBI

EXTERIOR BODY

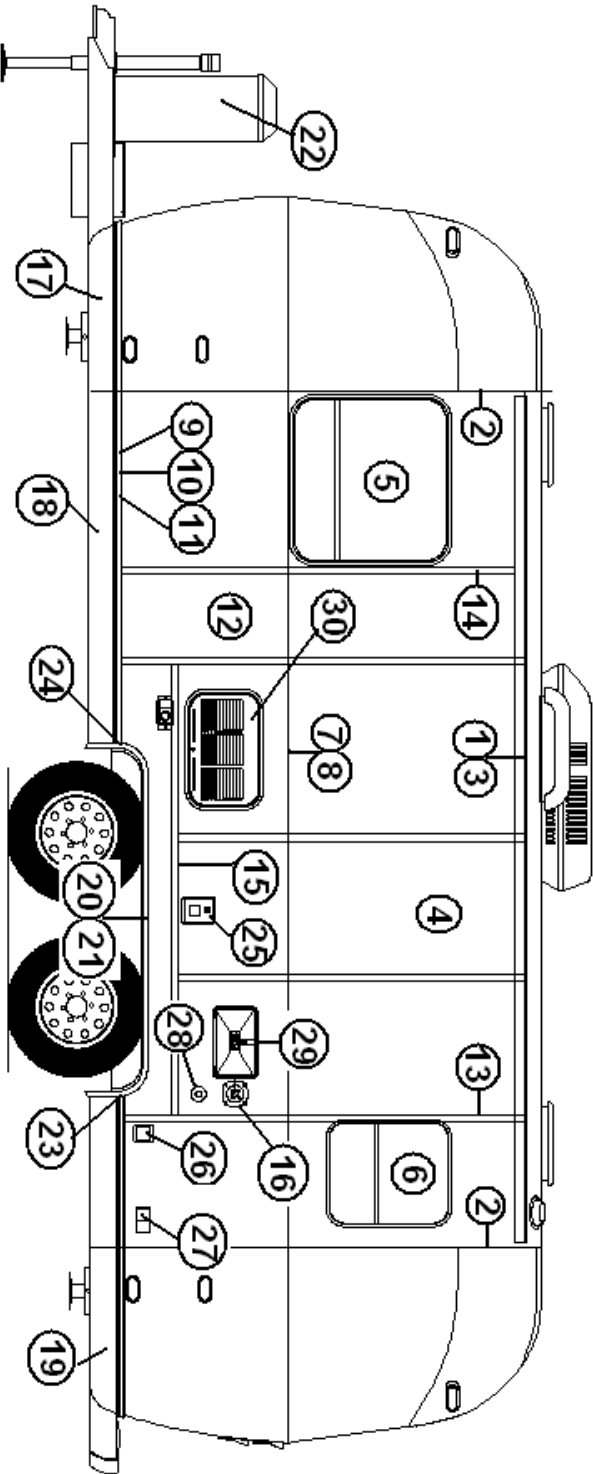
Wall, Roadside, 25' Front Bed Special Edition

1. 114290-01 Extrusion, awning/drip rail
2. 114993 Rib, end bow
3. 104707-01 Extrusion, "I" beam
4. 114880-307 Alum. sheet, upper, .040" x 51" x 307"
5. 371324-03 WINDOW-30" OPEN EGRESS
6. 601392-05 City water hook-up
7. 371270-01 WINDOW 30" STACK
8. 114460 Extrusion, rub rail
9. 201763-01 Insert, rub rail, chrome, 1"
10. 100986 Floor channel
11. 114879-307 Alum. sheet, lower, .040" x 33" x 307"
12. 114387-01 Bow, Z rib, RH
13. 114387-02 Bow, Z rib, LH
14. 100986 Wheel well stiffener (floor channel)
15. 601876 Shower, exterior, white
16. 684936 Wheel well trim, inner, tandem axle
17. 684937 Wheel well trim, outer, tandem axle
18. 200542-01 Banana wrap, RS front
19. 101131-01 Underbelly wrap, .024" x 22.5", Pewter
20. 200544 Banana wrap, RS rear
21. 371380 WINDOW-OPENING 30" TALL
22. 114466-01 Casting, rub rail end, wheel well, RH
23. 114466-02 Casting, rub rail end, wheel well, LH
24. 922770-02 VISTA VIEW- 30"
25. 104619 MTG. PLATE, TELEPHONE & TV JACK
25. 510616 F CONNECTOR, COAX, 75 OHM
25. 511375 JACK MODULAR TELEPHONE
26. 511416-02 POWER INLET, 30A, 125V, MALE - GRAY
27. 601441 Black tank Flush
28. 690274-04 Furnace
29. 386088 Decal, black reflective
30. 386151 DECAL, AIRSTREAM 1.3"X 16" BLACK
31. 601194 Water fill w/lock, gray w/label
32. 100679-01 Side Access Door Assembly
33. 922243 Refer Access door

SAFARI- BAMBI

EXTERIOR BODY

Wall, Roadside, 23'



Part number are on the next page

SAFARI- BAMBI

EXTERIOR BODY

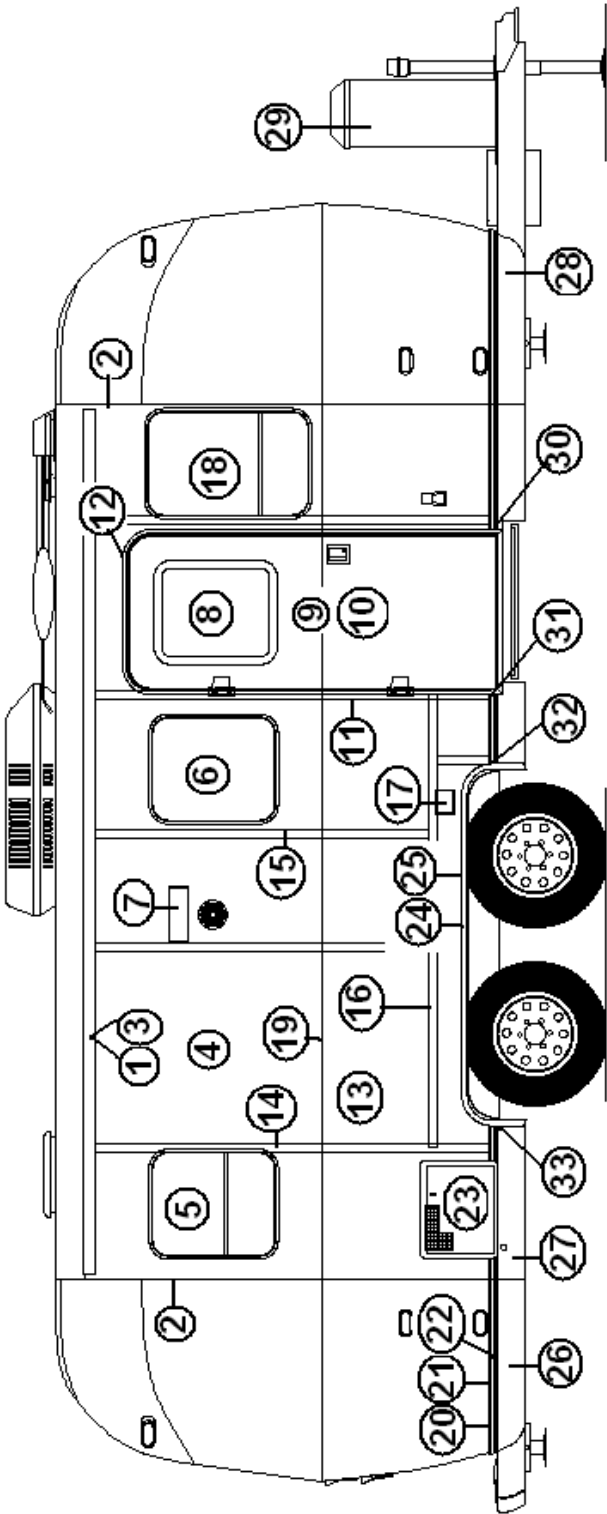
Wall, Roadside, 23'

1. 114290-01 Extrusion, awning/drip rail
2. 114994 Rib, end bow
3. 104707-05 Extrusion, "I" beam
4. 114880-201 Sheet, upper, .040" x 51" x 201"
5. 371381-08 WINDOW 31.25X29.75 8" VENT
6. 371381-02 WINDOW 19.25X22.75 8"VENT
7. 365016 Tape, double stick ½"
8. 100034 "Z" bar, 48"
9. 114460 Extrusion, rub rail
10. 201763-01 Insert, rub rail, chrome, 1"
11. 100986 Floor channel
12. 114879-201 Sheet, lower, .040" x 33" x 201"
13. 114387-01 Bow, Z rib, RH
14. 114387-02 Bow, Z rib, LH
15. 100986 Wheel well stiffener (floor channel.
16. 601392-05 City, water hook up
17. 203303-01 WRAP BLACK RS FRONT/CS REAR
18. 203304 ROLL, UNDERBELLY, BLACK PLASTIC
19. 203303-02 WRAP, BLACK CS FRONT/RS REAR
20. 684936 Wheel well trim, inner, tandem axle
21. 684937 Wheel well trim, outer, tandem axle
22. 921232 Cover, 30# LPG bottles
23. 114466-01 Casting, rub rail end, wheel well, RH
24. 114466-02 Casting, rub rail end, wheel well, LH
25. 601194 Water fill w/lock
26. 511416-02 Power inlet, shoreline
27. 104619 MTG. PLATE, TELEPHONE & TV JACK
27. 510616 F CONNECTOR, COAX, 75 OHM
27. 511375 JACK MODULAR TELEPHONE
28. 601197-02 Water hook-up for blank tank flush
29. 601876 Shower, exterior, white
30. 922243 Refer Access door

SAFARI- BAMBI

EXTERIOR BODY

Wall, Curbside, 23'



Part numbers are on the next page

SAFARI- BAMBI

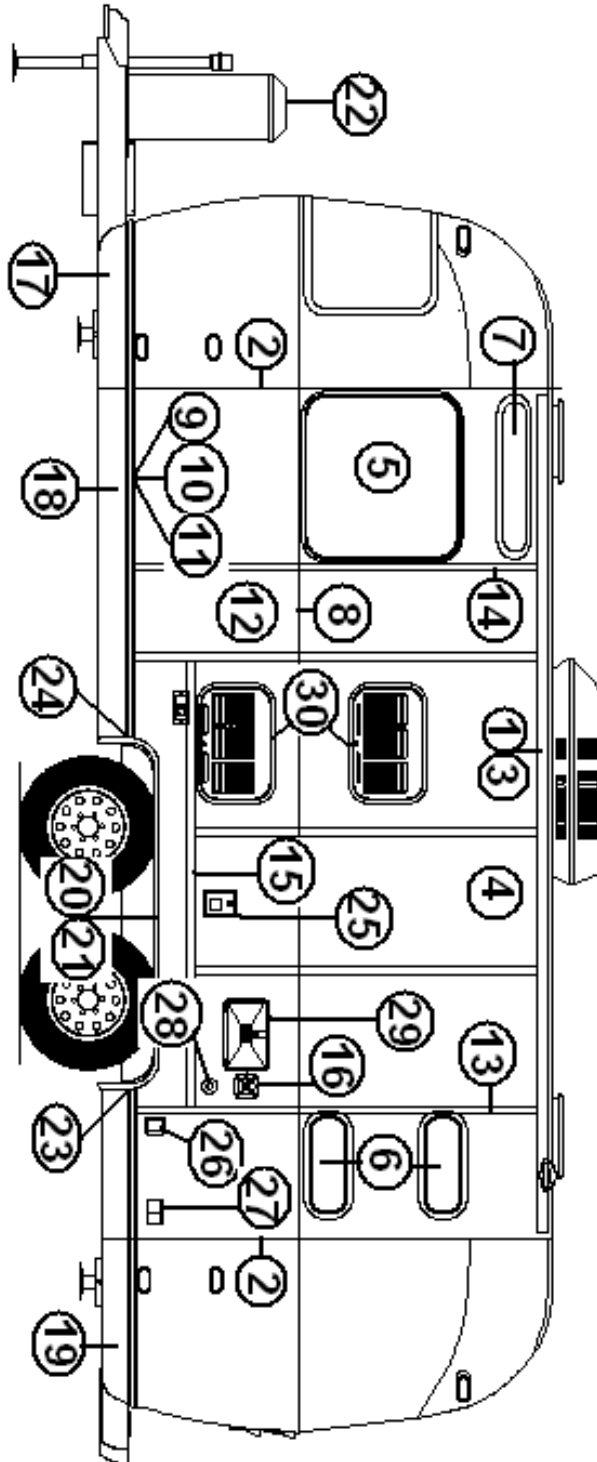
EXTERIOR BODY

Wall, Curbside, 23'

1. 114290-01 Extrusion, awning/drip rail
2. 114994 Rib, end bow
3. 104707-05 Extrusion, "I" beam
4. 114880-201 Sheet, upper, .040" x 51" x 201"
5. 371381-02 WINDOW 19.25" X 22.75"
6. 371381-18 WINDOW- HEHR 19.25X22.75 FIXED
7. 511017-11 Vent cover, range exhaust
8. 371381-16 Window, Main Door, 17.75" X 21.25"
9. 110067-07 Main door assembly
10. 114654 Screen door assembly
11. 114652 Jamb, main door
12. 114363 Drip cap, main door
13. 114879-201 Sheet, lower, .040" x 33" x 201"
14. 114387-01 Bow, Z rib, RH
15. 114387-02 Bow, Z rib, LH
16. 100986 Wheel well stiffener(floor channel.
17. 510676-01 OUTLET, EXTERIOR, 120 VOLT, GR
18. 371381-07 WINDOW 19.25 X 29.75 8" VENT
19. 100034 "Z" bar, 48"
20. 114460 Extrusion, rub rail
21. 201763-01 Insert, rub rail, chrome, 1"
22. 100986 Floor channel
23. 690209 Access door, Atwood
24. 684936 Wheel well trim, inner, tandem axle
25. 684937 Wheel well trim, outer, tandem axle
26. 203303-01 WRAP BLACK RS FRONT/CS REAR
27. 203304 ROLL, UNDERBELLY, BLACK PLASTIC
28. 203303-02 WRAP, BLACK CS FRONT/RS REAR
29. 921232 Cover, 30# LPG bottles
30. 114465-01 Casting, rub rail end, door, RH
31. 114465-02 Casting, rub rail end, door, LH
32. 114466-01 Casting, rub rail end, wheel well, RH
33. 114466-02 Casting rub rail end, wheel well, LH

SAFARI- BAMBI EXTERIOR BODY

Wall, Roadside, 23' Special Edition



Part numbers are on the next page

SAFARI- BAMBI

EXTERIOR BODY

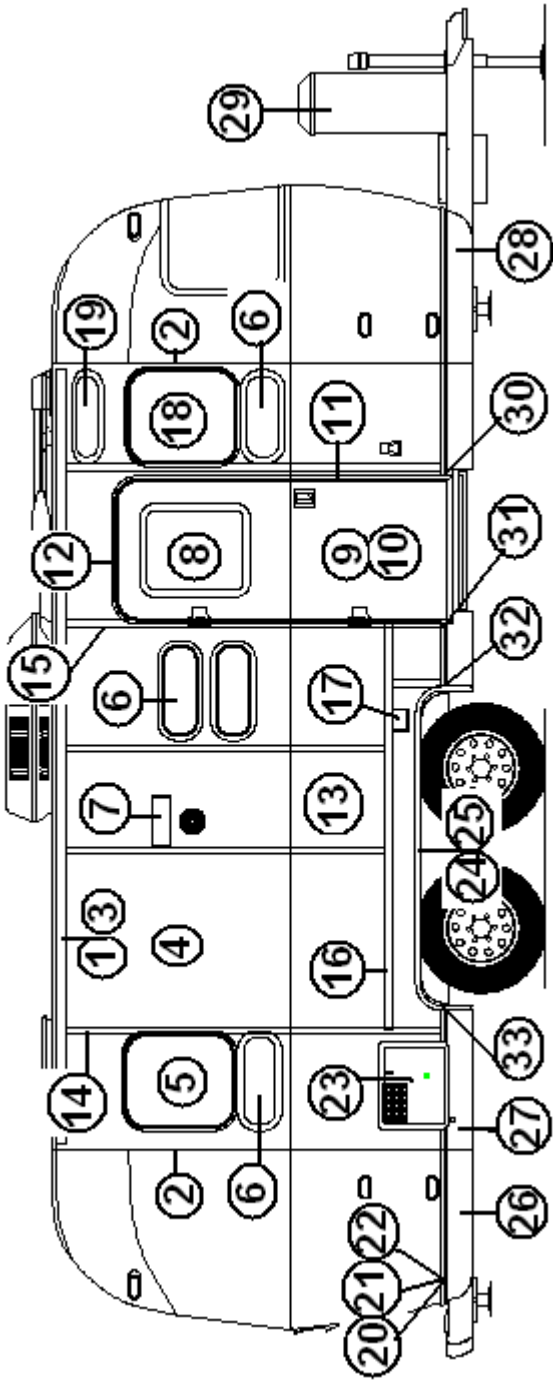
Wall, Roadside, 23' Special Edition

1. 114290-01 Extrusion, awning/drip rail
2. 114994 Rib, end bow
3. 104707-05 Extrusion, "I" beam
4. 114880-201 Sheet, upper, .040" x 51" x 201"
5. 371380 Window, opening, 30" tall
6. 371269-01 WINDOW 18" STACK
7. 922770-02 VISTA VIEW- 30"
8. 100034 "Z" bar, 48"
9. 114460 Extrusion, rub rail
10. 201763-01 Insert, rub rail, chrome, 1"
11. 100986 Floor channel
12. 114879-201 Sheet, lower, .040" x 33" x 201"
13. 114387-01 Bow, Z rib, RH
14. 114387-02 Bow, Z rib, LH
15. 100986 Wheel well stiffener (floor channel.
16. 601392-05 City, water hook up
17. 203303-01 WRAP BLACK RS FRONT/CS REAR
18. 203304 ROLL, UNDERBELLY, BLACK PLASTIC
19. 203303-02 WRAP, BLACK CS FRONT/RS REAR
20. 684936 Wheel well trim, inner, tandem axle
21. 684937 Wheel well trim, outer, tandem axle
22. 921232 Cover, 30# LPG bottles
23. 114466-01 Casting, rub rail end, wheel well, RH
24. 114466-02 Casting, rub rail end, wheel well, LH
25. 601194 Water fill w/lock
26. 511416-02 Power inlet, shoreline
27. 104619 MTG. PLATE, TELEPHONE & TV JACK
27. 510616 F CONNECTOR, COAX, 75 OHM
27. 511375 JACK MODULAR TELEPHONE
28. 601197-02 Water hook-up for blank tank flush
29. 601876 Shower, exterior, white
30. 922243 Refer Access door

SAFARI- BAMBI

EXTERIOR BODY

Wall, Curbside, 23' Special Edition



Part numbers are on the next page

SAFARI- BAMBI

EXTERIOR BODY

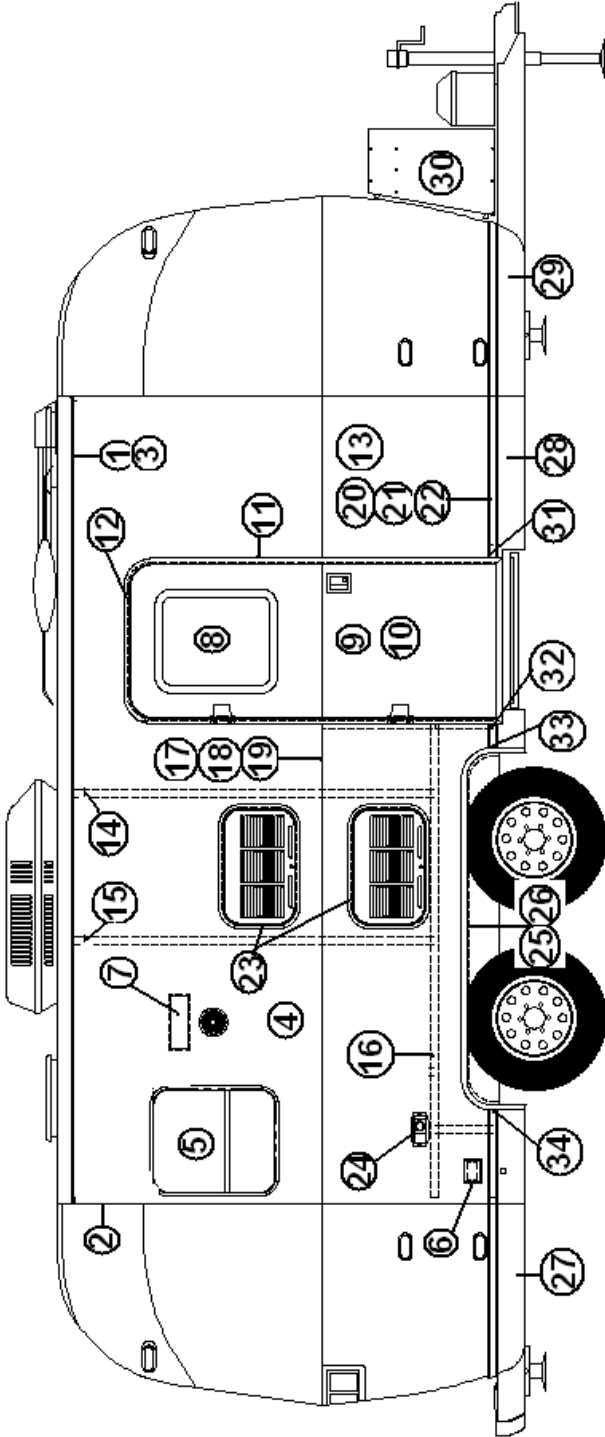
Wall, Curbside, 23' Special Edition

1. 114290-01 Extrusion, awning/drip rail
2. 114994 Rib, end bow
3. 104707-05 Extrusion, "I" beam
4. 114880-201 Sheet, upper, .040" x 51" x 201"
5. 371323-01 WINDOW-18" OPENING
6. 371269-01 WINDOW 18" STACK
7. 511017-11 Vent cover, range exhaust
8. 371319-05 WINDOW-MAIN DOOR
9. 110067-07 Main door assembly
10. 114654 Screen door assembly
11. 114652 Jamb, main door
12. 114363 Drip cap, main door
13. 114879-201 Sheet, lower, .040" x 33" x 201"
14. 114387-01 Bow, Z rib, RH
15. 114387-02 Bow, Z rib, LH
16. 100986 Wheel well stiffener(floor channel.
17. 510676-01 OUTLET, EXTERIOR, 120 VOLT, GR
18. 371323-01 WINDOW-18" OPENING
19. 922770-01 VISTA VIEW- 18"
20. 114460 Extrusion, rub rail
21. 201763-01 Insert, rub rail, chrome, 1"
22. 100986 Floor channel
23. 690209 Access door, Atwood
24. 684936 Wheel well trim, inner, tandem axle
25. 684937 Wheel well trim, outer, tandem axle
26. 203303-01 WRAP BLACK RS FRONT/CS REAR
27. 203304 ROLL, UNDERBELLY, BLACK PLASTIC
28. 203303-02 WRAP, BLACK CS FRONT/RS REAR
29. 921232 Cover, 30# LPG bottles
30. 114465-01 Casting, rub rail end, door, RH
31. 114465-02 Casting, rub rail end, door, LH
32. 114466-01 Casting, rub rail end, wheel well, RH
33. 114466-02 Casting rub rail end, wheel well, LH

SAFARI- BAMBI

EXTERIOR BODY

Wall, Curbside, 22'



SAFARI- BAMBI

EXTERIOR BODY

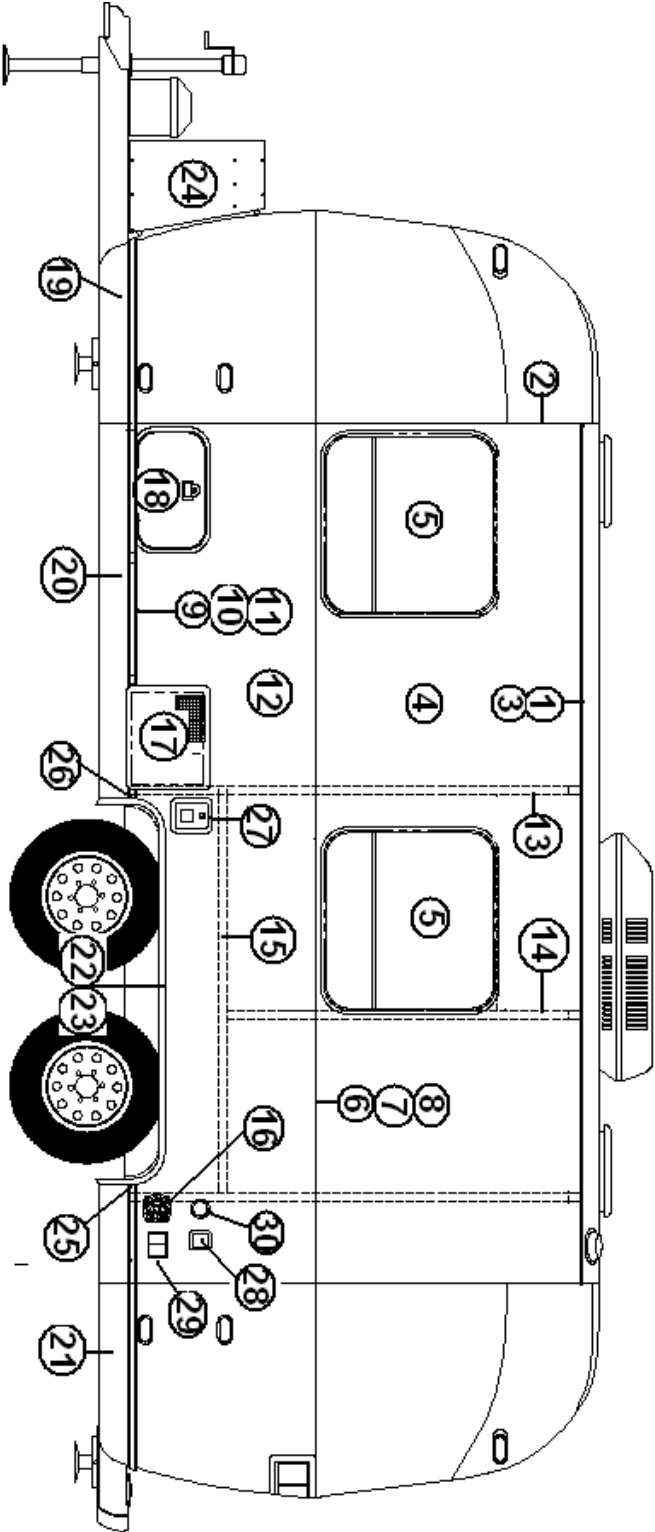
Wall, Curbside, 22'

1. 114290-01 Extrusion, awning/drip rail
2. 114994 Rib, end bow
3. 104707-05 Extrusion, "I" beam
4. 114880-198 Aluminum sheet, upper, .040" x 51" x 198"
5. 371381-02 WINDOW 19.25" X 22.75"
6. 510676-01 Outlet, 110 Volt
7. 511017-11 Vent cover, range exhaust
8. 371381-16 Window, Main Door, 17.75" X 21.25"
9. 110067-07 Main door assembly
10. 114654 Screen door assembly
11. 114652 Jamb, main door
12. 114363 Drip cap, main door
13. 114879-198 Aluminum sheet, lower, .040" x 33" x 198"
14. 114387-01 Bow, Z rib, RH
15. 114387-02 Bow, Z rib, LH
16. 100986 Wheel well stiffener(floor channel.
17. 325002 RIVET SHANK DIA 1/8" X3/8" PLAIN
18. 365016 Tape, double stick 1/2"
19. 100034 "Z" bar, 48"
20. 114460 Extrusion, rub rail
21. 201763-01 Insert, rub rail, chrome, 1"
22. 100986 Floor channel
23. 922156 Door, refer access
24. 690467-02 FURNACE-18000 BTU
25. 684936 Wheel well trim, inner, tandem axle
26. 684937 Wheel well trim, outer, tandem axle
27. 203303-01 BANANA WRAP BLACK RS FRONT/CS REAR
28. 203304 ROLL, UNDERBELLY, BLACK PLASTIC
29. 203303-02 BANANA WRAP, BLACK CS FRONT/RS REAR
30. 921234 LP BOTTLE COVER 20#
31. 114465-01 Casting, rub rail end, door, RH
32. 114465-02 Casting, rub rail end, door, LH
33. 114466-01 Casting, rub rail end, wheel well, RH
34. 114466-02 Casting rub rail end, wheel well, LH

SAFARI- BAMBI

EXTERIOR BODY

Wall, Roadside, 22'



SAFARI- BAMBI

EXTERIOR BODY

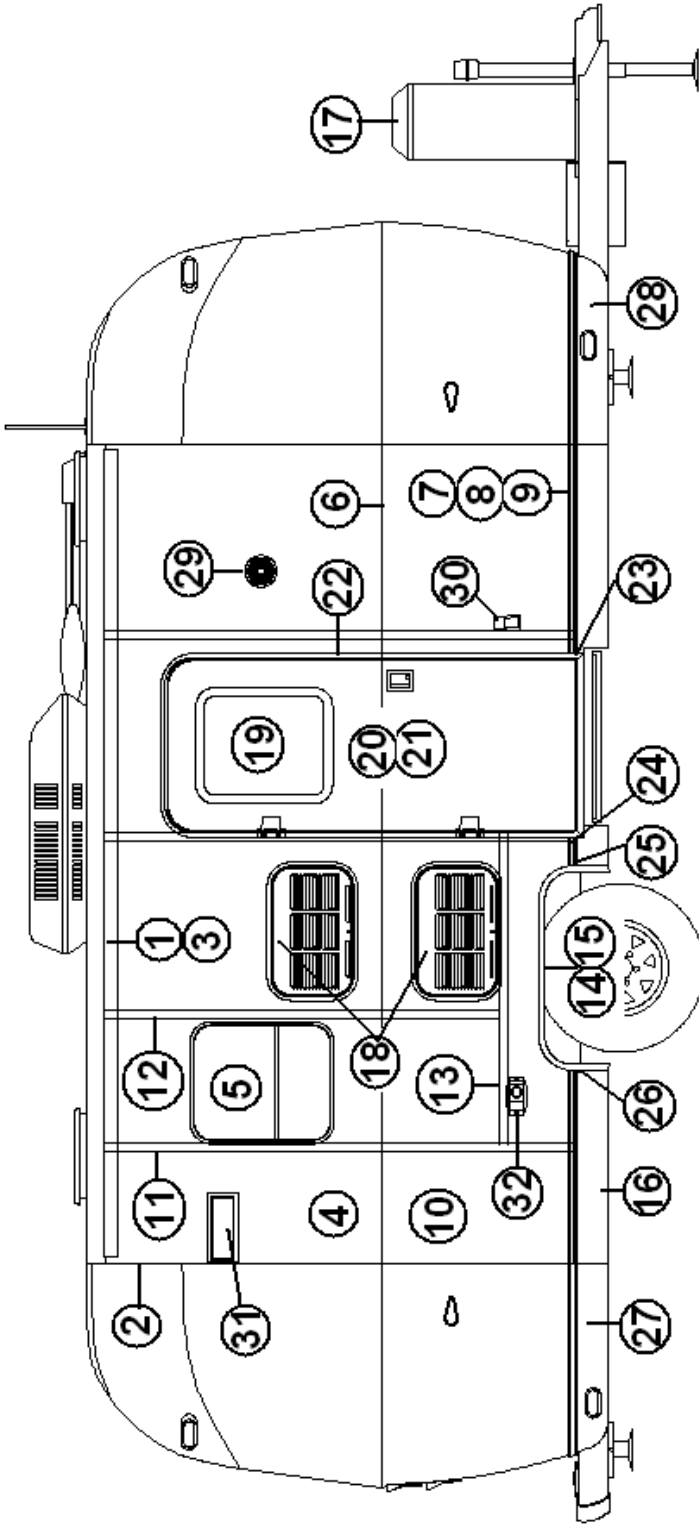
Wall, Roadside, 22'

1. 114290-01 Extrusion, awning/drip rail
2. 114994 Rib, end bow
3. 104707-05 Extrusion, "I" beam
4. 114880-198 Aluminum sheet, upper, .040" x 51" x 198"
5. 371381-08 WINDOW 31.25" X 29.75"
6. 325002 RIVET SHANK DIA 1/8" X3/8" PLAIN
7. 365016 Tape, double stick 1/2"
8. 100034 "Z" bar, 48"
9. 114460 Extrusion, rub rail
10. 201763-01 Insert, rub rail, chrome, 1"
11. 100986 Floor channel
12. 114879-198 Aluminum sheet, lower, .040" x 33" x 198"
13. 114387-01 Bow, Z rib, RH
14. 114387-02 Bow, Z rib, LH
15. 100986 Wheel well stiffener (floor channel.
16. 601392-05 City, water hook up
17. 690209 Access door, Atwood
18. 100679-01 Access door w/jamb
19. 203303-01 BANANA WRAP BLACK RS FRONT/CS REAR
20. 203304 ROLL, UNDERBELLY, BLACK PLASTIC
21. 203303-02 BANANA WRAP, BLACK CS FRONT/RS REAR
22. 684936 Wheel well trim, inner, tandem axle
23. 684937 Wheel well trim, outer, tandem axle
24. 921234 LP BOTTLE COVER 20#
25. 114466-01 Casting, rub rail end, wheel well, RH
26. 114466-02 Casting, rub rail end, wheel well, LH
27. 601194 Water fill w/lock
28. 511416-02 Power inlet, shoreline
29. 104619 MTG. PLATE, EXTERIOR TELEPHONE & TV JACK
29. 510616 F CONNECTOR, COAX, 75 OHM
29. 511375 JACK MODULAR TELEPHONE
30. 601197-02 Water hook-up for blank tank flush

SAFARI- BAMBI

EXTERIOR BODY BODY

Wall, Curbside, 20'



SAFARI- BAMBI

EXTERIOR BODY

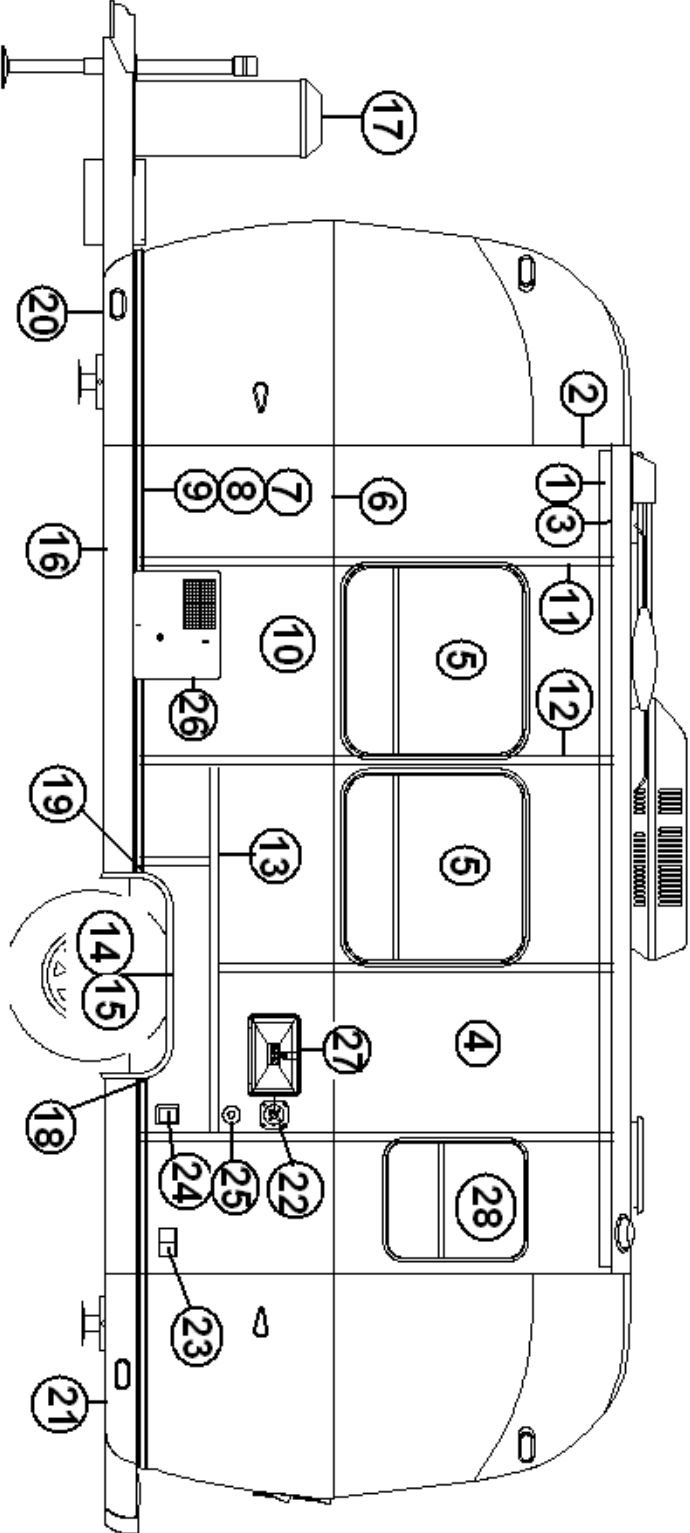
Wall, Curbside, 20'

1. 114290-01	Extrusion, awning/drip rail
2. 114994	Rib, end bow
3. 104707-05	Extrusion, "I" beam
4. 114880-238	Aluminum sheet, upper, .040 x 51 x 238"
5. 371381-02	Window, 19.25 x 22.75"
6. 100034	"Z" bar, 48"
7. 114460	Extrusion, rub rail
8. 201763-01	Insert, rub rail, chrome, 1"
9. 100986	Floor channel
10. 114879-238	Aluminum sheet, lower, .040 x 33 x 238"
11. 114387-02	Bow, Z rib, L
12. 114387-01	Bow, Z rib, RH
13. 100986	Wheel well stiffener (floor channel.
14. 114003-04	Wheel well trim, inner, single axle
15. 114004-04	Wheel well trim, outer, single axle
16. 101131-01	Underbelly wrap, .024 x 22.5, pewter
17. 921232	Cover, 30# LPG bottles
18. 922243	Door assembly, refrigerator assess
19. 371381-16	Window, Main Door, 17.75" X 21.25"
20. 110067-01	Main door assembly
21. 114654	Screen door assembly
22. 114652	Jamb, main door, pre-formed
23. 114465-01	Casting, rub rail end, door, RH
24. 114465-02	Casting, rub rail end, door, LH
25. 114466-01	Casting, rub rail end, wheel well, RH
26. 114466-02	Casting, rub rail end, wheel well, LH
27. 203251-04	Banana wrap, CS rear
28. 203251-02	Banana wrap, CS front
29. 500092	Flood light and lens
30. 510732-02	UTILITY LIGHT #1327
31. 511017-11	Vent cover, range exhaust
32. 690467-02	FURNACE-18000 BTU

SAFARI- BAMBI

EXTERIOR BODY

Wall, Roadside, 20'



SAFARI- BAMBI

EXTERIOR BODY

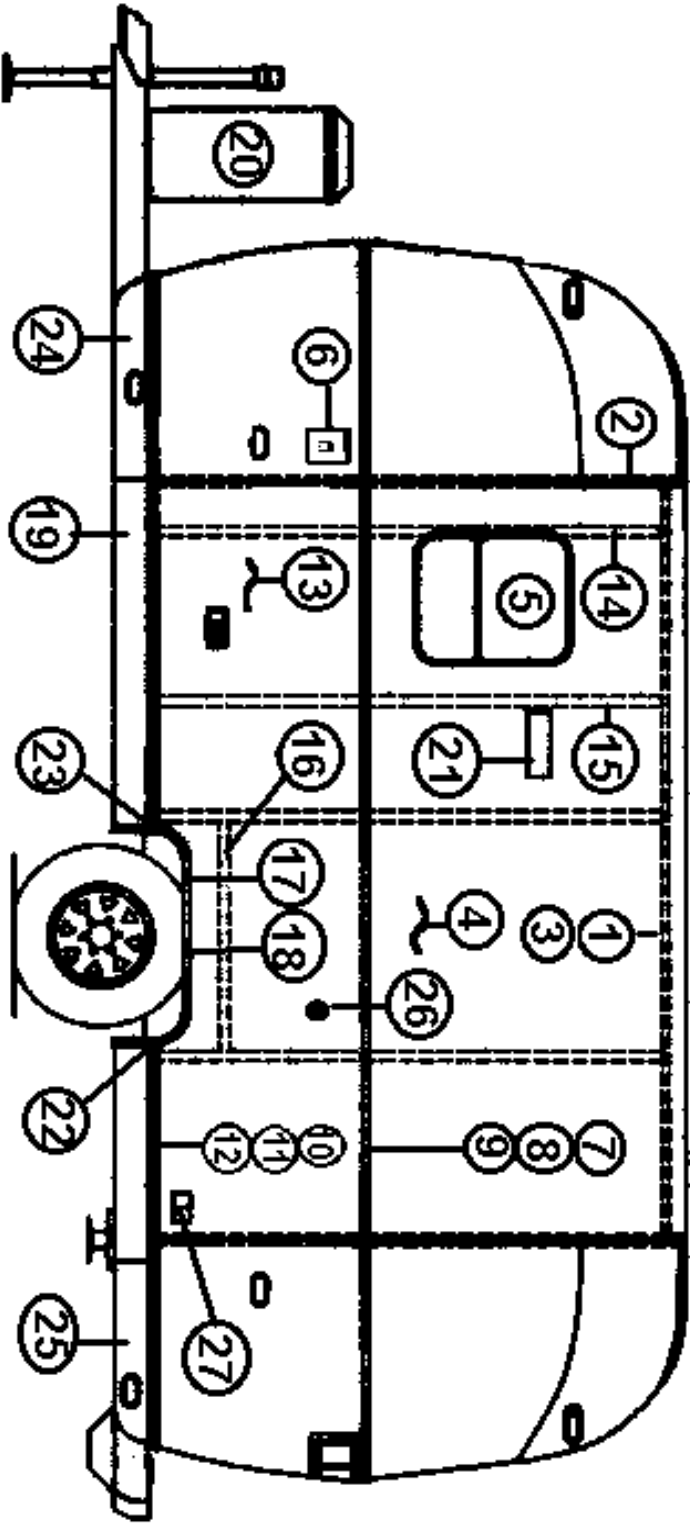
Wall, Roadside, 20'

- | | |
|----------------|--|
| 1. 114290-01 | Extrusion, awning/drip rail |
| 2. 114994 | Rib, end bow |
| 3. 104707-05 | Extrusion, "I" beam |
| 4. 114880-238 | Aluminum sheet, upper, .040 x 51 x 238" |
| 5. 371381-08 | Window, 31.25" X 29.75" |
| 6. 100034 | "Z" bar, 48" |
| 7. 114460 | Extrusion, rub rail |
| 8. 201763-01 | Insert, rub rail, chrome, 1" |
| 9. 100986 | Floor channel |
| 10. 114879-238 | Aluminum sheet, lower, .040 x 33 x 238" |
| 11. 114387-02 | Bow, Z rib, LH |
| 12. 114387-01 | Bow, Z rib, RH |
| 13. 100986 | Wheel well stiffener (floor channel. |
| 14. 114003-04 | Wheel well trim, inner, single axle |
| 15. 114004-04 | Wheel well trim, outer, single axle |
| 16. 101131-01 | Underbelly wrap, .024 x 22.5, pewter |
| 17. 921232 | Cover, 30# LPG bottles |
| 18. 114466-01 | Casting, rub rail end, wheel well, RH |
| 19. 114466-02 | Casting, rub rail end, wheel well, LH |
| 20. 203251-01 | Banana wrap, RS front |
| 21. 203251-03 | Banana wrap, RS rear |
| 22. 601392-05 | City water hook-up |
| 23. 104619 | Mounting plate, exterior telephone & TV jack |
| 511375 | JACK MODULAR TELEPHONE |
| 510616 | F CONNECTOR, COAX, 75 OHM |
| 24. 510676-01 | Exterior 110-Volt Outlet |
| 25. 601441 | Tank Flush System |
| 26. 690199 | Water Heater |
| 27. 601876 | Exterior Shower |
| 28. 371381-02 | Window, 19.25" x 22.75" |

SAFARI- BAMBI

EXTERIOR BODY

Wall, Roadside, 19'



SAFARI- BAMBI

EXTERIOR BODY

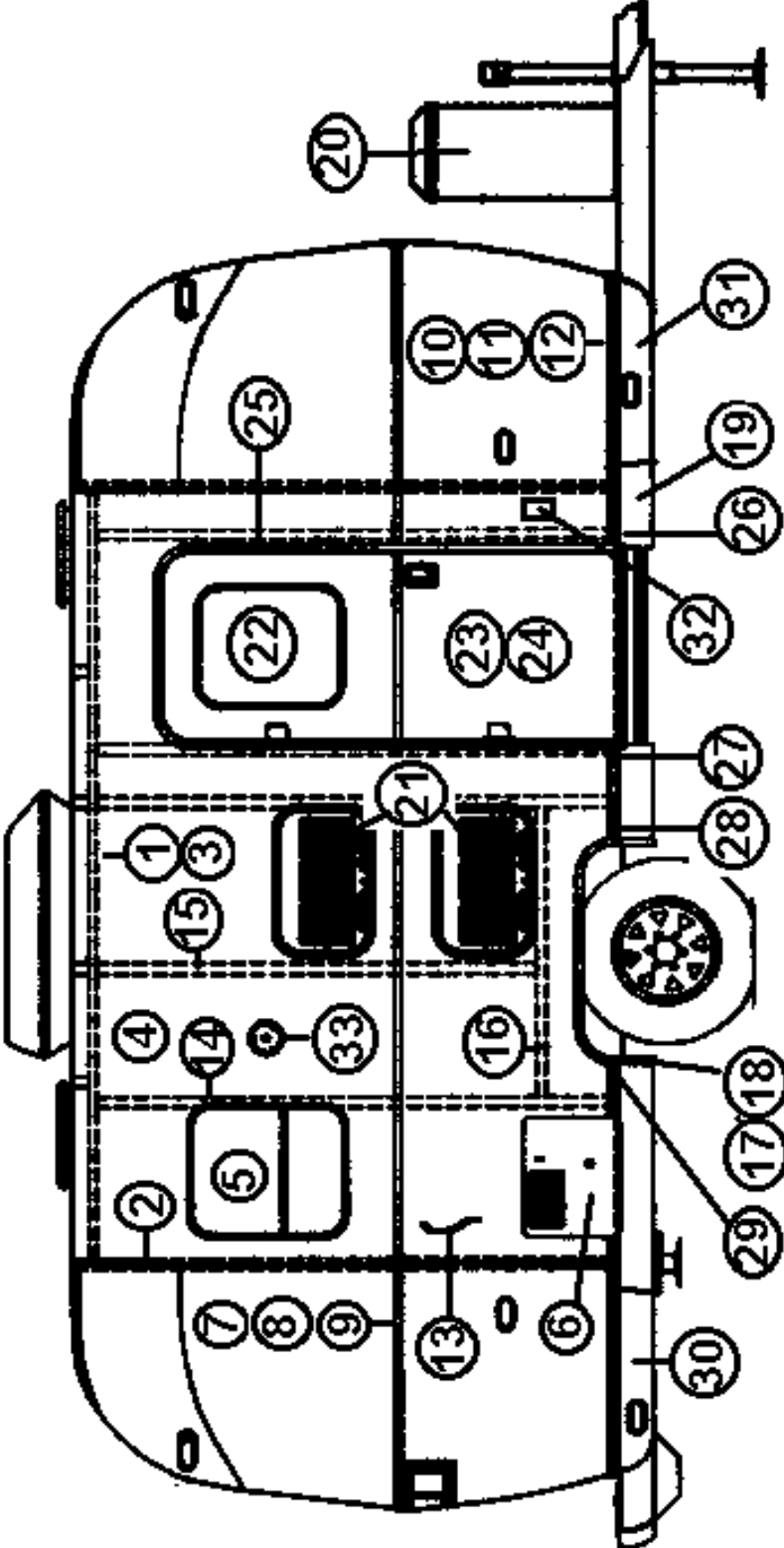
Wall, Roadside, 19'

1. 114290-01 Extrusion, awning/drip rail
2. 114994 Rib, end bow
3. 104707-05 Extrusion, "I" beam
4. 114880-238 Aluminum sheet, upper, .040 x 51 x 238"
5. 371381-02 Window, 19.25" x 22.75"
6. 601194 Water fill w/lock, gray
6. 381647 CH 751 Key only
7. 325002 RIVET SHANK DIA 1/8" X3/8" PLAIN
8. 365016 Tape, double stick 1/2"
9. 100034 "Z" bar, 48"
10. 114460 Extrusion, rub rail
11. 201763-01 Insert, rub rail, chrome, 1"
12. 100986 Floor channel
13. 114879-238 Aluminum sheet, lower, .040 x 33 x 238"
14. 114387-02 Bow, Z rib, LH
15. 114387-01 Bow, Z rib, RH
16. 100986 Wheel well stiffener (floor channel.
17. 114003-04 Wheel well trim, inner, single axle
18. 114004-04 Wheel well trim, outer, single axle
19. 101131-01 Underbelly wrap, .024 x 22.5,pewter
20. 921232 Cover, 30# LPG bottles
21. 511017-11 Vent cover, range exhaust
22. 114466-01 Casting, rub rail end, wheel well, RH
23. 114466-02 Casting, rub rail end, wheel well, LH
24. 203251-01 Banana wrap, RS front
25. 203251-03 Banana wrap, RS rear
26. 601392-05 City water hook-up
27. 104619 Mounting plate, exterior telephone & TV jack
- 511375 JACK MODULAR TELEPHONE
- 510616 F CONNECTOR, COAX, 75 OHM

SAFARI- BAMBI

BODY

Wall, Curbside, 19'



SAFARI- BAMBI

EXTERIOR BODY

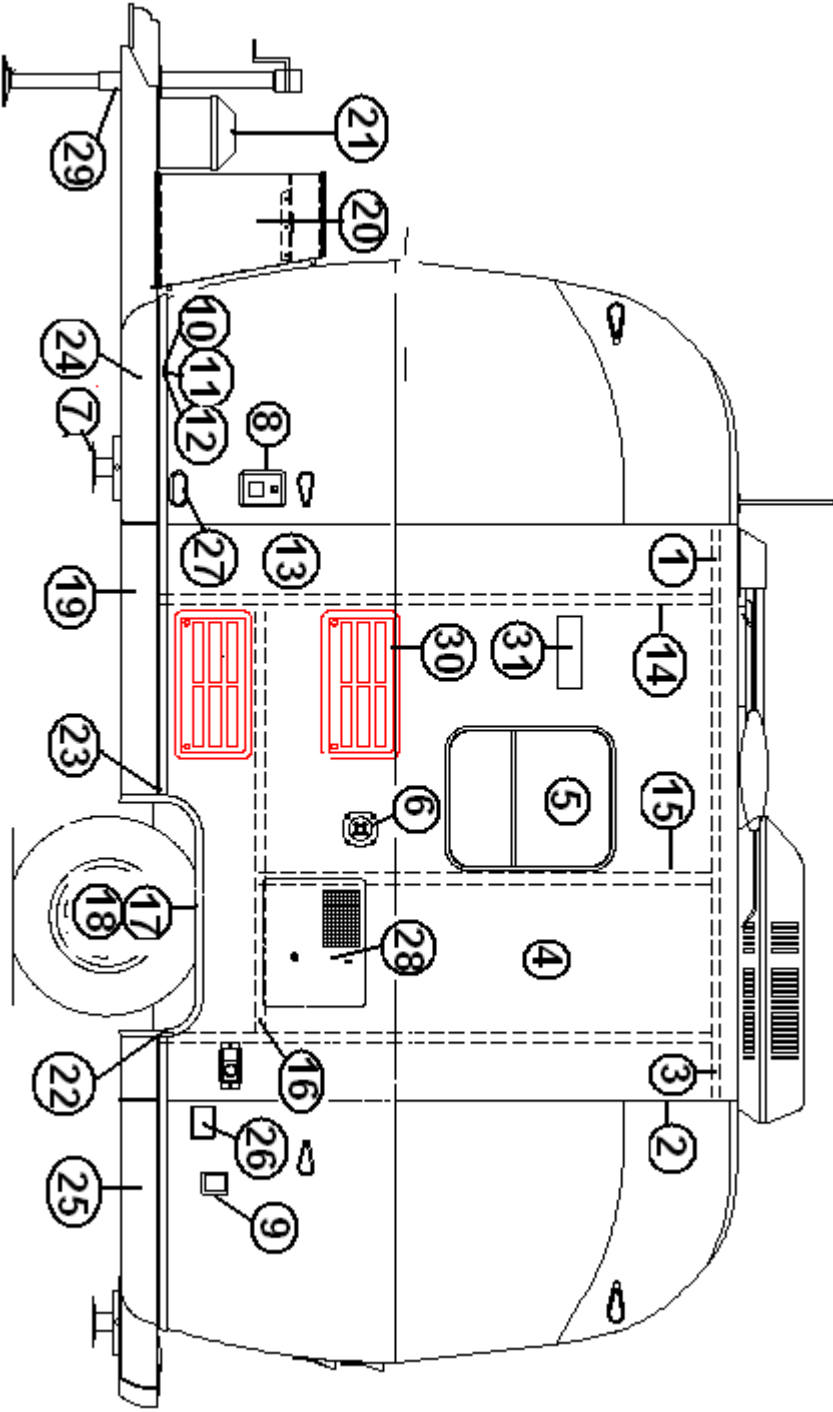
Wall, Curbside, 19'

1. 114290-01 Extrusion, awning/drip rail
2. 114994 Rib, end bow
3. 104707-05 Extrusion, "I" beam
4. 114880-238 Aluminum sheet, upper, .040 x 51 x 238"
5. 371381-02 Window, 19.25 x 22.75"
6. 690259-03 Cover and mounting flange, Atwood
7. 325002 RIVET SHANK DIA 1/8" X3/8" PLAIN
8. 365016 Tape, double stick 1/2"
9. 100034 "Z" bar, 48"
10. 114460 Extrusion, rub rail
11. 201763-01 Insert, rub rail, chrome, 1"
12. 100986 Floor channel
13. 114879-238 Aluminum sheet, lower, .040 x 33 x 238"
14. 114387-02 Bow, Z rib, LH
15. 114387-01 Bow, Z rib, RH
16. 100986 Wheel well stiffener (floor channel.
17. 114003-04 Wheel well trim, inner, single axle
18. 114004-04 Wheel well trim, outer, single axle
19. 101131-01 Underbelly wrap, .024 x 22.5,pewter
20. 921232 Cover, 30# LPG bottles
21. 922243 Door assembly, refrigerator assess
22. 371381-16 Window, Main Door, 17.75" X 21.25"
23. 110067-01 Main door assembly
24. 114654 Screen door assembly
25. 114652 Jamb, main door, pre-formed
26. 114465-01 Casting, rub rail end, door, RH
27. 114465-02 Casting, rub rail end, door, LH
28. 114466-01 Casting, rub rail end, wheel well, RH
29. 114466-02 Casting, rub rail end, wheel well, LH
30. 203251-04 Banana wrap, CS rear
31. 203251-02 Banana wrap, CS front

SAFARI- BAMBI

EXTERIOR BODY

Wall, Roadside, 16'



SAFARI- BAMBI

EXTERIOR BODY

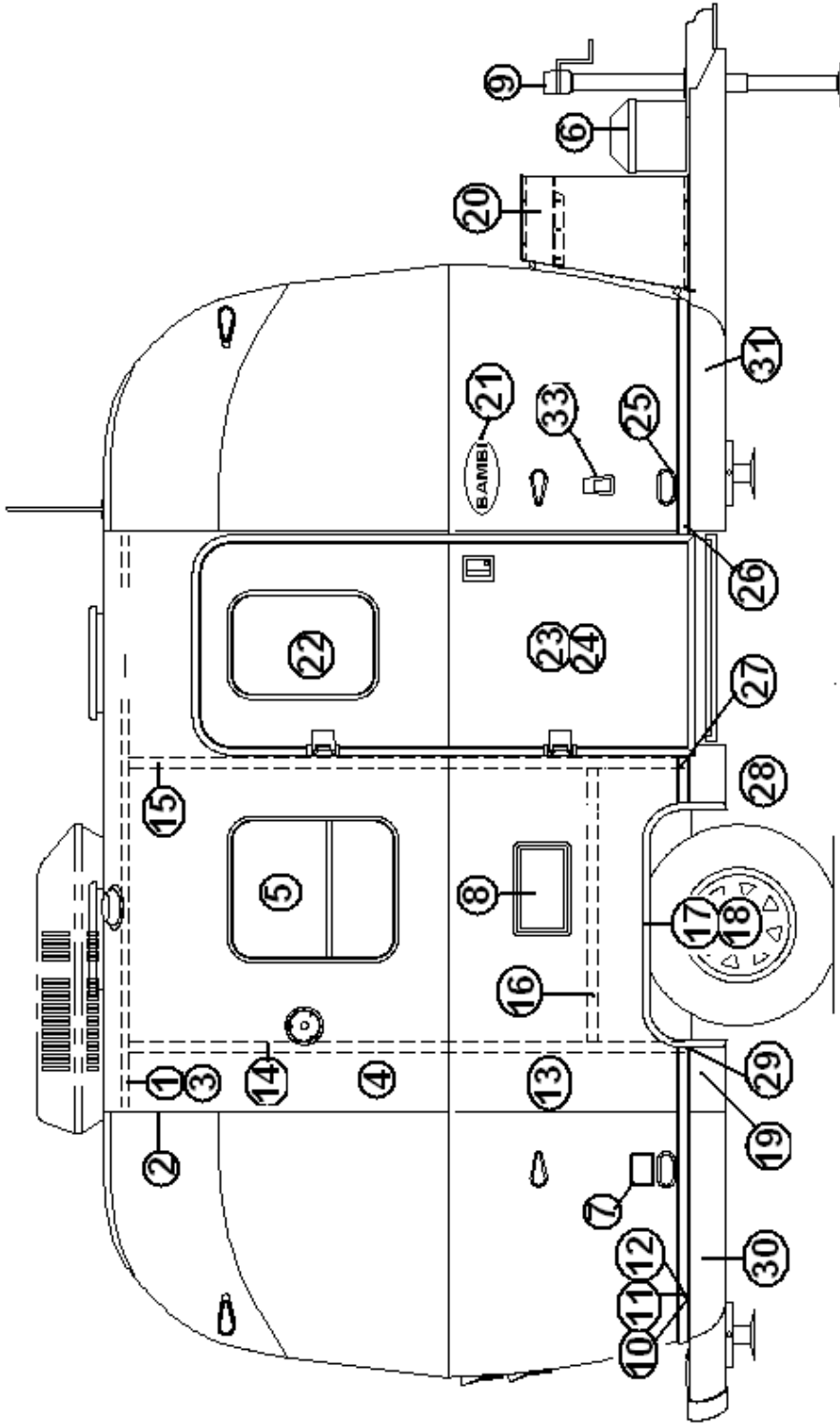
Wall, Roadside, 16'

1. 114290-02 Extrusion, awning/drip rail
2. 114994 Rib, end bow
3. 104707-05 Extrusion, "I" beam
4. 114880-198 Aluminum sheet, .040 x 51 x 198"
5. 371381-02 Window, 19.25" X 22.75" 8"
6. 601392-05 City water hook up, chrome
7. 400914-03 STABILIZER JACKS
8. 601194 WATER FILL W/LOCK, GRAY, W/LABEL
9. 511416-02 POWER INLET, 30A, 125V, MALE
10. 114460 Extrusion, rub rail
11. 201763-01 Insert, rub rail, chrome, 1"
12. 100986 Floor channel
13. 114879-198 Aluminum sheet, .040 x 33 x 198"
14. 114387-02 Bow, Z rib, LH
15. 114387-01 Bow, Z rib, RH
16. 100986 Wheel well stiffener (floor channel.
17. 114003-03 Wheel well trim, inner, single axle
18. 114004-03 Wheel well trim, outer, single axle
19. 203304 ROLL, UNDERBELLY, BLACK PLASTIC
20. 921234 LP BOTTLE COVER 20#
21. 511595 Battery box
22. 114466-01 Casting, rub rail end, wheel well, RH
23. 114466-02 Casting, rub rail end, wheel well, LH
24. 203303-01 BANANA WRAP BLACK RS FRONT
25. 203303-02 BANANA WRAP, BLACK RS REAR
26. 500996 Jack, TV/Telephone
27. 500096 Reflector, amber
28. 690209 BRUSHED ALUM ACCESS COVER
29. 3320028 FRONT-WIND JACK ATWOOD
30. 690470-01 VENT-REFER-PLASTIC RADIUS CORNER
30. 115038-01 Vent jamb
31. 511017-11 EXTERIOR VENT GRAY
32. 386126 NAMEPLATE-BAMBI BLACK/GRAY

SAFARI- BAMBI

EXTERIOR BODY

Wall, Curbside, 16'



SAFARI- BAMBI

EXTERIOR BODY

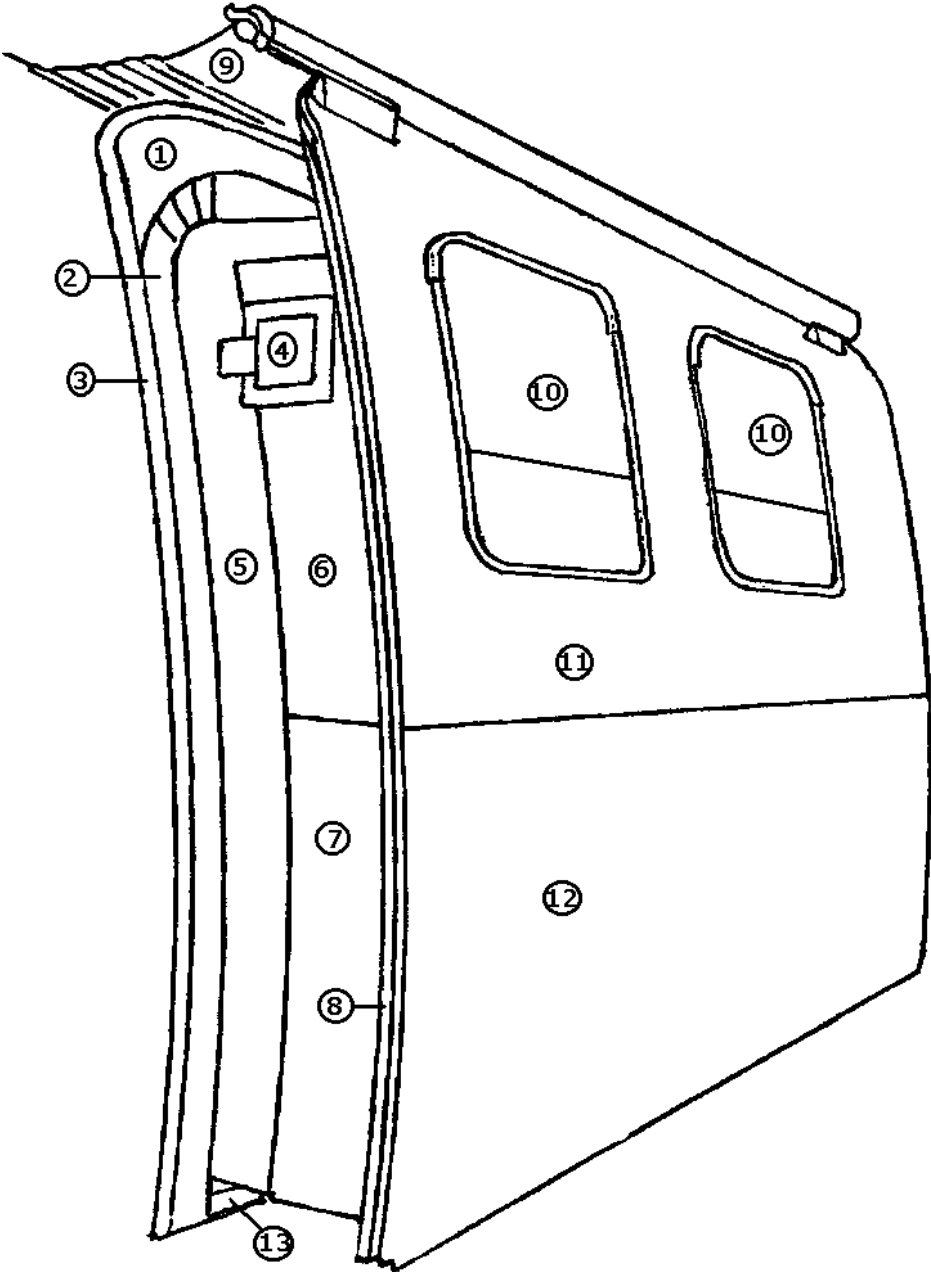
Wall, Curbside, 16'

1. 1142900-02 Extrusion, awning/drip rail
2. 114994 Rib, end bow
3. 104707-05 Extrusion, "I" beam
4. 114880-198 Aluminum sheet, .040 x 51 x 198"
5. 371381-02 Window, 19.25" X 22.75" 8"
6. 511595 Battery box
7. 510676-01 OUTLET, EXTERIOR, 120 VOLT, GR
8. 381766 HATCH, ACCESS 7.75" X 12.63"
9. 3320028 FRONT-WIND JACK ATWOOD
10. 114460 Extrusion, rub rail
11. 201763-01 Insert, rub rail, chrome, 1"
12. 100986 Floor channel
13. 114879-198 Aluminum sheet, .040 x 33 x 198"
14. 114387-02 Bow, Z rib, LH
15. 114387-02 Bow, Z rib, LH
16. 100986 Wheel well stiffener (floor channel.
17. 114003-03 Wheel well trim, inner, single axle
18. 114004-03 Wheel well trim, outer, single axle
19. 203304 ROLL, UNDERBELLY, BLACK PLASTIC
20. 921234 LP BOTTLE COVER 20#
21. 386126 NAMEPLATE-BAMBI BLACK/GRAY
22. 371381-16 Window, 17.75" X 21.25" Etched Glass
23. 115207-01 Main door assembly
24. 114654 Screen door assembly
25. 114652 Jamb, main door, pre-formed
26. 114465-01 Casting, rub rail end, door, RH
27. 114465-02 Casting, rub rail end, door, LH
28. 114466-01 Casting, rub rail end, wheel well, RH
29. 114466-02 Casting, rub rail end, wheel well, LH
30. 203303-01 Banana wrap CS rear
31. 203303-02 Banana wrap CS front
32. 510732-02 CSA PORCH LIGHT

SAFARI- BAMBI

EXTERIOR BODY

Slide Out Room, 28'



P/N Next Page

SAFARI- BAMBI

EXTERIOR BODY

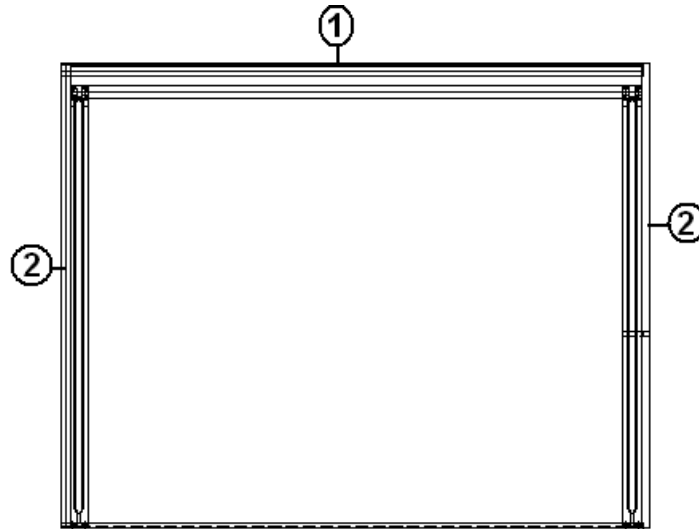
Slide Out Room, 28'

1. 965248	S/O JAMB-FIBERGLASS
2. 381669-02	WIPER SEAL ASSY
3. 114974-01	RING-TRIM EXTERIOR S/O RH
3a. 114974-02	RING-TRIM EXTERIOR S/O LH
3b. 114930	EXTRUSION- "L" SECTION
4. 952648-01	Travel lock, forward
4a. 952648-02	Travel lock, aft
5. 965247	ROOM SHELL-FIBERGLASS
6. 114990-07	END SKIN-FWD FORMED
7. 114990-08	END SKIN-AFT FORMED
8. 381663	Gasket, seal, room to exterior to room
9. 703122-03	Cover, roll out awning
9A. 702949-01	Mounting hardware, cover awning
10. 371381-08	Window, 49.63" x 24.19", 24" egress
11. 115025-02	OUTER S/O UPPER SKIN ASSY
12. 115024-02	OUTER S/O SKIN LOWER ASSY
13. 381587	Gasket, floor wiper
203379	ROOF, FIBERGLASS, SMOOTH
6000329	TAPE, SILVER, 2" WIDE
965155	Spacer block w/ magnet
381728	Rubber wiper seal, 2.5" wide
114977	ANGLE-GREY FORMED FLOOR EDGE
915621	MOUNTING PLATE, SLIDE-OUT ARM
114941	CLOSEOUT-UNDER FLOOR CENTER S/O
801304	SHIM-SLIDE OUT ROLLER
381705	ROLLER BLOCK ASSY.
203535-01	DRAIN PLASTIC RH
203535-02	DRAIN PLASTIC LH
203243	GUIDE BLOCKS NYLON
114980-02	COVER-TRAVEL LOCK LH
114980-01	COVER-TRAVEL LOCK RH

SAFARI- BAMBI

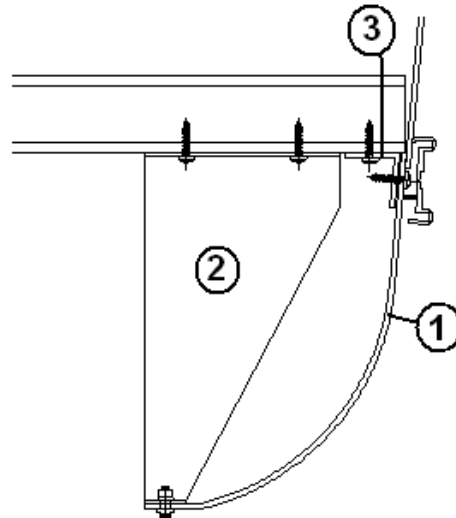
EXTERIOR BODY

Slide Out Room Wall Frame, 28'



114919-12 EXTRUSION HEADER 112"
114926 PILLAR, CAST ALUMINUM

Slide Out Room Rocker Panel, 28'

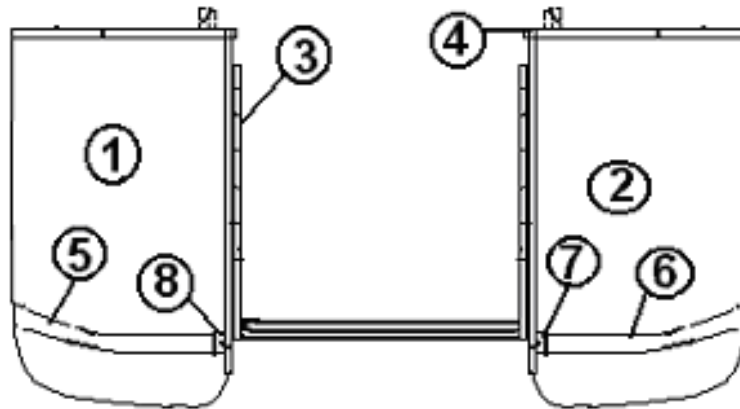


1. 115000 EXTR.-ROCKER PANEL ALUMINUM
2. 114981 GUSSET-UNDERWRAP
3. 115001 ANGLE-ROCKER MOUNTING

SAFARI- BAMBI

EXTERIOR SHELL

Wrap Protector/Holdbacks



109325-100	Wrap Protector, Set, 20', 22', 23', 25', 28', 30'
109325-02	Wrap Protector, Set, 16', 19'
1. 966276	Wrap Protector, CS, 20', 22', 23', 25', 28', 30'
1. 685365-100	Wrap Protector, CS, 16, 19'
2. 966277	Wrap Protector, RS, 22', 20', 23', 25', 28', 30'
2. 685366-100	Wrap Protector, RS, 16, 19'
1. 381605-02	Hinge, stainless, wrap protector
2. 100742-01	Extrusion, mirror/wrap trim protector
3. 114460	Extrusion, rub rail
4. 201763-01	Insert, rub rail, chrome
5. 114465-01	CASTING CLOSEOUT RUB RAIL RH
6. 114465-02	CASTING CLOSE-OUT RUB RAIL LH
101401	EXTRUSION, DOOR LATCH HOUSING/STONE
345417	NUT ACORN, HEX, LOCKING SS 1/4-
345376	NUT HEX HD 1/4-20 SS
345336-07	CAP SCREW HEX HD 1/4-20 HEX .75"
114819-01	Wrap protector hold back, 1.62"
114819-02	Wrap protector hold back, 2.50"
114819-03	Wrap protector hold back, 5.00"

SAFARI- BAMBI

INTERIOR BODY

Interior Skin

114445 Aluminum sheet, .032" x 34" x coil
114853-01 Aluminum sheet, .032" x 57" x coil

Wall fabric, Headliner, 25', 28', 30'

702482-03 Head liner, end liner, Spectra Opal
702481 Wall liner, Geometric Pearl

Wall fabric, Headliner, 16', 19', 20', 22' ceiling

703498 Headliner, Hobnail, Ivory

Wall/Skin Trim

114157-01 Extrusion, end liner, upper, white
201728-01 Extrusion, ceiling trim retainer
201728-03 Extrusion, ceiling trim
203225 Trim, flexible, "U", white
203138-03 Extrusion, plastic, wall, beige
203138-04 EXTRUSION - PLASTIC WALL OAK
101077 Extrusion, main doorjamb trim, interior
114879-201 Aluminum sheet, cut to fit, .040" X 33" X 201"
114070 Extrusion, J-Trim, Aluminum
114879-201 ALUMINUM SHEET .040 X 33"W X 201", used for galley back splash. Specify length needed.
201399 TRIM FLEXIBLE S-100-LG OFF WHITE, Armrests

SAFARI- BAMBI

INTERIOR BODY

Bath, Wall Board

203159-02 DIVIDER BAR DECORATIVE ANTIQUIE

203159-04 DIVIDER BAR-ASCOT SAND

Galley Wall board/Back splash

801505 PANEL, ASCOT SAND/RAW .125" X 4'X8'

203159-02 DIVIDER BAR DECORATIVE ANTIQUIE

114879-201 ALUMINUM SHEET .040 X 33"W X 201", used for galley back splash. Specify length needed.

SAFARI- BAMBI

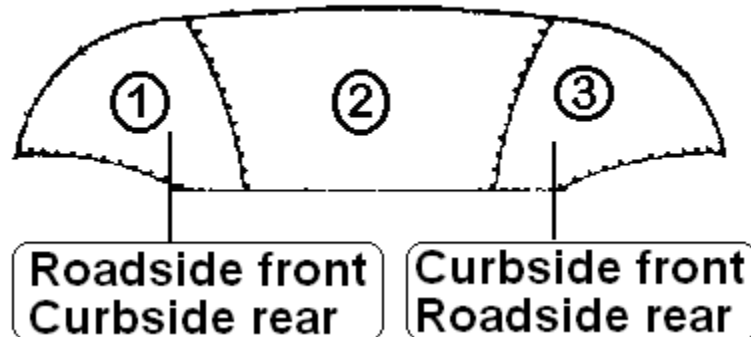
INTERIOR BODY

Slide Out Room, 28'

454154-03	BACKER UPPER S/O FASCIA BOARD
454154-04	BACKER UPPER S/O FASCIA BOARD
453817-01	BACKER-FWD/AFT FASCIA BOARD
801303-01	FASCIA BOARD-AFT
801303-02	FASCIA BOARD- FWD
801440	FASCIA BOARD-UPPER 90.5"
114931-01	RING-TRIM INTERIOR RH
114931-02	RING-TRIM INTERIOR LH
114507-01	TRIM WHITE 16' PC. STRAIGHT UPPER
703498	WALL LINER HOBNAIL IVORY 70"W
381802-01	TAP CAP #2 WHITE

Interior Skin, Aluminum Finish

Inside View



1. 114891-01	SEGMENT-#27 INTERIOR
2. 114893-01	SEGMENT-#25 WIDE INTERIOR
3. 114890-01	SEGMENT-#26 INTERIOR
114879-238	ALUM.SHEET .040" X 33" X 238"
114880-238	ALUM.SHEET .040" X 51" X 238"
114879-262	ALUM.SHEET .040" X 33" X 262"
114880-262	ALUM.SHEET .040" X 51" X 262"

SAFARI- BAMBI

INTERIOR BODY

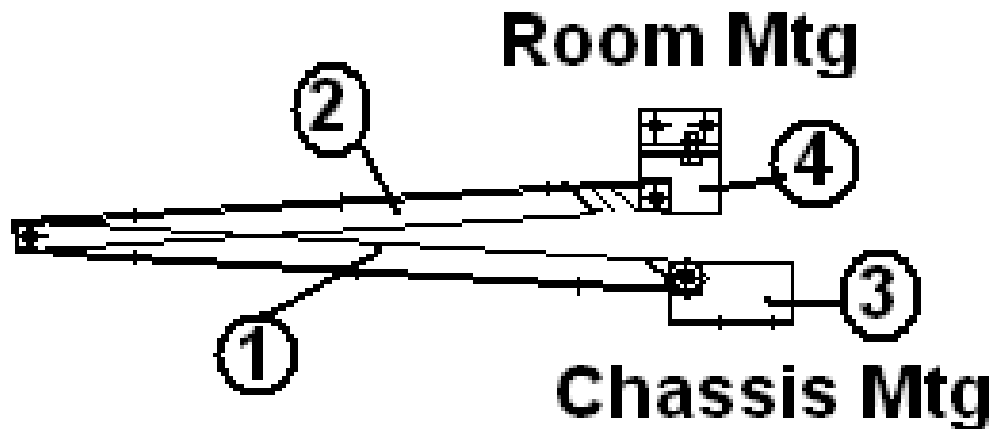
Slide Out Room Mechanism, 28'

Order all parts from Power Gear 1-800-334-4712

Power Gear P/N-511174

400947	Slide Out Room Mechanism, 28'
511443	CORD-PORTABLE SERVICE
801304	SHIM-SLIDE OUT ROLLER
381705	ROLLER BLOCK ASSY.
365255	TAPE-MAGNETIC/ADHESIVE 3" WIDE
114941	CLOSEOUT-UNDER FLOOR CENTER
115029	COVER BOTTOM-S/O MOTOR
381605-01	HINGE, PIANO, ALUMINUM
511536-03	HARNESS SLIDE OUT ROOM SWITCHES
*510116	S/O controller
*512141	Control Limiter, vendor P/N 140-1163

Under Floor Arm



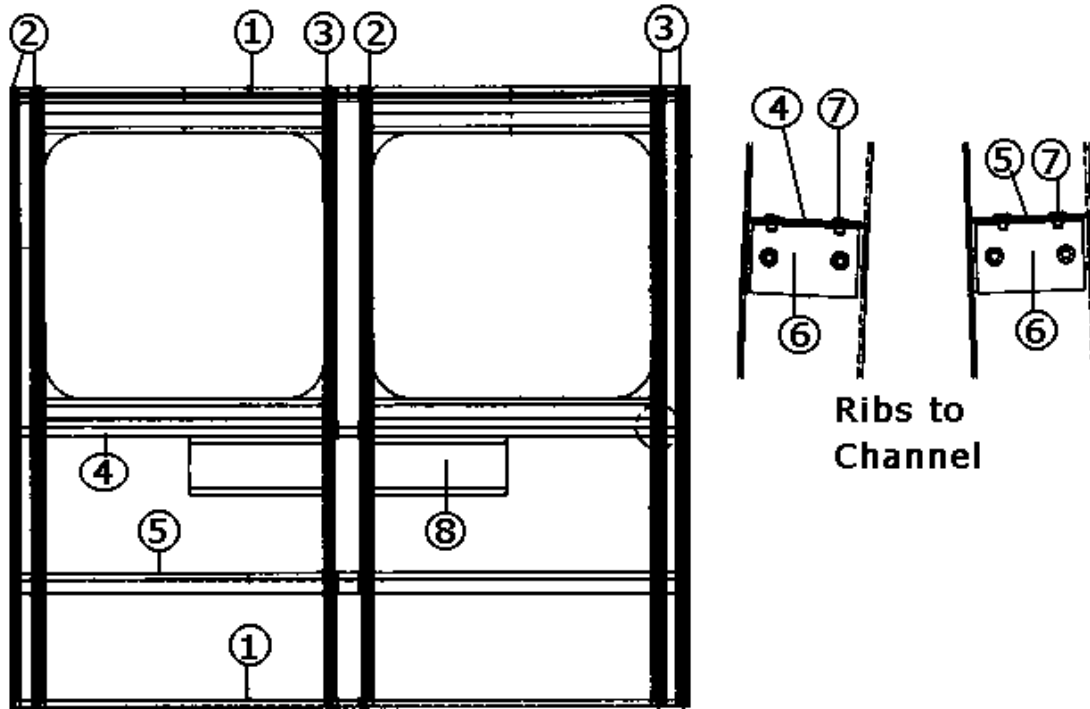
453821	Under floor wiring arm assembly
1. 453822	Outer arm
2. 453823	Inner arm
3. 453824	Outer bracket
4. 453825	Inner bracket

*510116 was obsoleted and replaced by 512141 on unit 519761 and all units manufactured after it.

SAFARI- BAMBI

INTERIOR BODY

Slide Out Insert Shell 28' S/O



- | | |
|--------------|------------------------------------|
| 1. 114938 | Aluminum Extrusion |
| 2. 114939-01 | Rib, RH |
| 3. 114939-02 | Rib, LH |
| 4. 114415 | C-channel, formed |
| 5. 100034 | Z-bar, horizontal frame |
| 6. 114414 | Angle, formed, 1" x 1" x 1.5" |
| 7. 330126-03 | Pop rivet, SSD44SSBS |
| 8. 453629 | Hat section, dinette table support |
| 381753 | RUBBER, COVE MOLDING, 1.98"WIDE |
| 511531 | SWITCH TRAVEL LOCK |

SAFARI- BAMBI

CHASSIS

Axles

410875-11	Axle, 3500# 16'
410875-07	Axle, 4300 #, 19'
410875-01	Axle, 2800#, 22'
410875-14	AXLE- #3000, 23'
410875-09	Axle, 3800#, 25', 28' W
410875-08	Axle 4400#, 28' S/O, 30'
410867	Axle, 2800 lbs. w/parking brake
410875-19	Axle, 5000#, 20'

Axles, CSA

7440003	Axle, 4400 lbs, 30', 28' S/O
738002	Axle, 3800 lbs, 25', 28'
410868	Axle, 2800 lbs, 22'
454232	Axle, 5000 lbs, 19'
454231	Axle, 4300 lbs, 16'

Shocks

0220003	Shock absorber
0250173-15	Bolt, grade 5, 5/8"-18 x 1.5", shock mount
0130068-818	Nut, hex head flanged, 5/8"-18, shock mount
0140053-62	WASHER DISC SPRING, SP, 5/8 I.D.

SAFARI- BAMBI

CHASSIS

15" Tire/Wheel, 30', 28', 25', 20', 19'

410874	TIRE/WHEEL ASSY 15"
400844	Dust cover, center hub
400923	lug nut, Acorn
410843-01	Spare Tire/wheel assembly, steel 15"

14" Tire/Wheel, Aluminum, 22'

400984	TIRE/WHEEL ASSEMBLY, ALUMINUM 14"
400985	CENTER CAP, STAINLESS STEEL
400923	LUG NUT-1/2" ACORN TYPE
410848-01	SPARE TIRE/WHEEL ASSEMBLY

14" Tire/Wheel, 23', 16', Aluminum

410873	TIRE/WHEEL ASSY-14"
410877	CAP-CENTER S.S.
400923	LUG NUT-1/2" ACORN TYPE
410848-01	SPARE TIRE/WHEEL ASSEMBLY

Spare Tire Carrier

450414	"A" frame spare tire carrier
994073	BRACKET FOR SPARE TIRE

Wheel Well

200844	Wheel well, tandem
200514	Wheel well insulator, tandem
453617	WHEEL WELL BOX, 19 ft.
203289	LINER, WHEEL WELL-ABS, 16'

SAFARI- BAMBI

CHASSIS

Step, Single, 16', 22', (Added to 19" during MY 2006, PCR E-00007)

400962 STEP-MAIN DOOR STEEL 24"

Step, Single, 19' (Obsolete during MY 2006, PCR E-00007)

381416 STEP, SINGLE

Step, Double

381863 STEP-DOUBLE STEEL
0250175-03 SCREW HHCS GR5 3/8"-16 X 3/4"
0260100 3/8"-16 U-TYPE CAGE NUT

Jacks, Stabilizing, 16', 19', 22'

400914-03 STABILIZER JACK 20", LIGHTWEIGHT
400914-02 HANDLE, 15" (STABILIZER JACK)
400914-04 FOOT PADS-STABILIZER JACK (Set of Four)

Jacks, Stabilizing, 20', 23', 25', 28', 30'

400093 Stabilizing jacks, BAL w/handle, (4 ea.)
400093-02 CRANK, STABILIZER JACK (BAL)
400093-01 BAL jack, (1 ea.)
400093-04 Foot pad, BAL jack

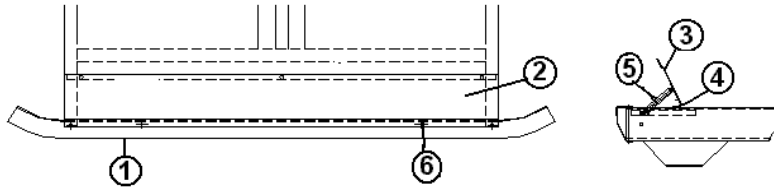
Hose Carrier

601544-02 E-Z Hose carrier, 46in., black

SAFARI- BAMBI

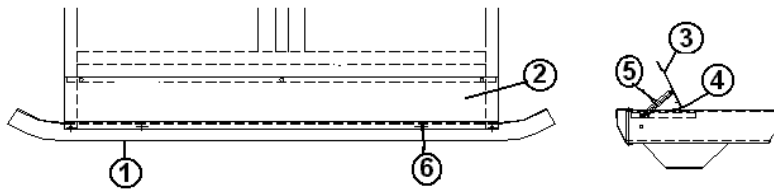
CHASSIS

Bumper Assembly, 16', 20', 22'



1. 410847 BUMPER, 16', 22'.
2. 453946 BOTTOM-STORAGE COMPARTMENT, 22'
3. 453948 LID REAR BUMPER COMPARTMENT, 22'
4. 380203-01 HINGE PIANO 1/8 PIN
5. 380024 ARMS SUPPORT RIGHT HAND
6. 380067 LOCK CAM BUMPER LID LATCH
- 365235 TAPE DBL COATED .12"X 1.00"
- 365013 TAPE CHARCOAL LOW DENSITY FOAM

Bumper Assembly, 23'

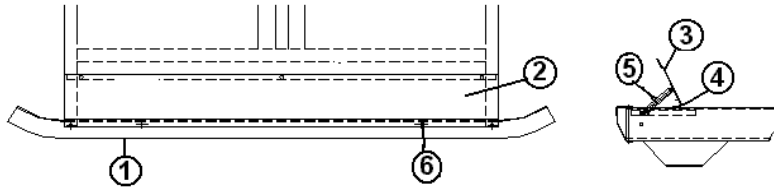


1. 410932 BUMPER
2. 454314 BOTTOM-STORAGE COMPARTMENT, 22'
3. 454315 LID REAR BUMPER COMPARTMENT, 22'
4. 380203-01 HINGE PIANO 1/8 PIN
5. 380024 ARMS SUPPORT RIGHT HAND
6. 380067 LOCK CAM BUMPER LID LATCH
- 365235 TAPE DBL COATED .12"X 1.00"
- 365013 TAPE CHARCOAL LOW DENSITY FOAM

SAFARI- BAMBI

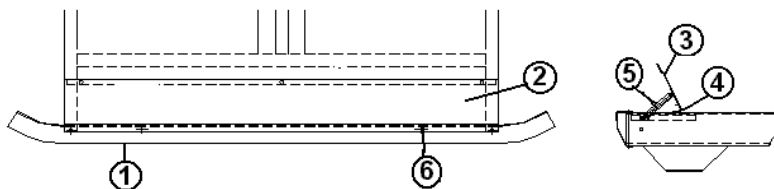
CHASSIS

Bumper Assembly, 19'



- | | | |
|----|-----------|----------------------------------|
| 1. | 410932 | BUMPER, 19 FT. |
| 2. | 453627 | BOTTOM-STORAGE COMPARTMENT, 19' |
| 3. | 454214 | LID REAR BUMPER COMPARTMENT, 19' |
| 4. | 380203-01 | HINGE PIANO 1/8 PIN |
| 5. | 380024 | ARMS SUPPORT RIGHT HAND |
| 6. | 380067 | LOCK CAM BUMPER LID LATCH |
| | 365235 | TAPE DBL COATED .12"X 1.00" |
| | 365013 | TAPE CHARCOAL LOW DENSITY FOAM |

Bumper Assembly, 25', 28', 30'



- | | | |
|-----|-----------|---|
| 1. | 410831 | BUMPER, 25', 28', 30' |
| 2. | 454147 | BOTTOM, SEWER COMPARTMENT, 28' S/O, 30' |
| 2a. | 453538 | BOTTOM-STORAGE COMPARTMENT, 25', 28' W |
| 3. | 453497 | LID REAR BUMPER COMPARTMENT |
| 4. | 380203-01 | HINGE PIANO 1/8 PIN |
| 5. | 380024 | ARMS SUPPORT RIGHT HAND |
| 6. | 380067 | LOCK CAM BUMPER LID LATCH |
| | 365235 | TAPE DBL COATED .12"X 1.00" |
| | 365013 | TAPE CHARCOAL LOW DENSITY FOAM |

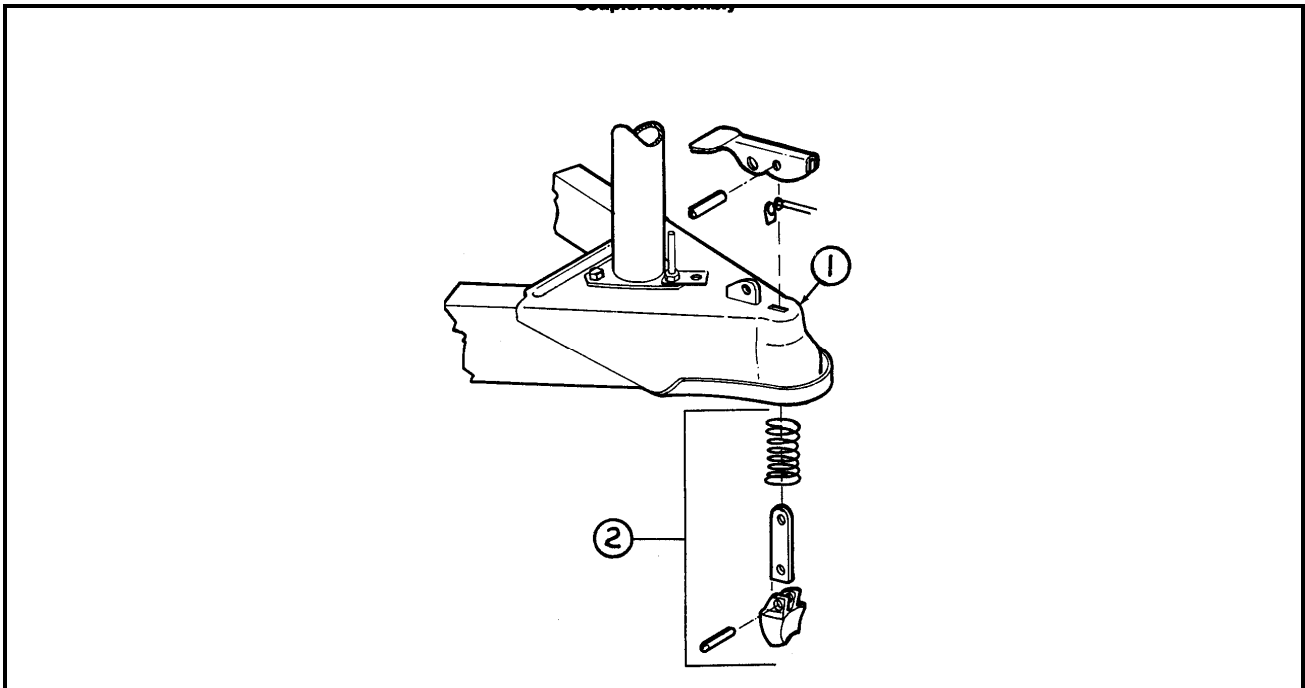
SAFARI- BAMBI

CHASSIS

Underbelly

114679	Aluminum underbelly, .019" x 65.75 x coil
101131-01	Aluminum, underbelly wrap, .024" x 22.5, gray
203304	ROLL, UNDERBELLY, BLACK PLASTIC

Hitch Coupler/Safety Chains

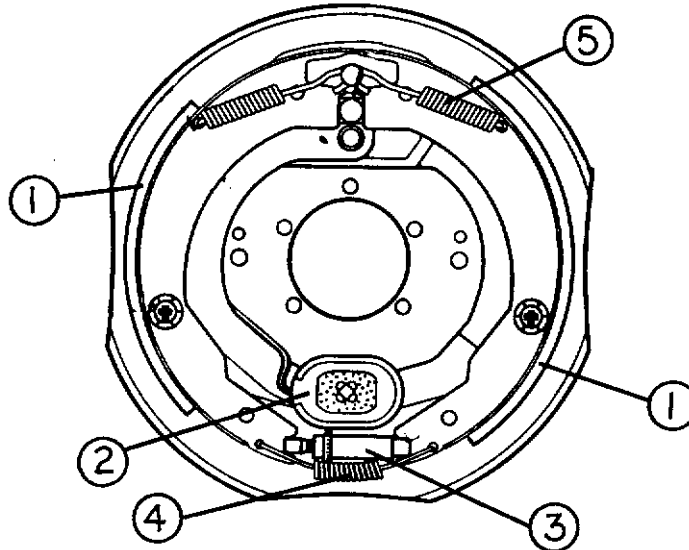


1. 680343	Coupler assembly, 2 5/16"
2. 680345	Repair kit, 2 5/16" coupler
400945	5/16" clevis, safety slip hook

SAFARI- BAMBI

CHASSIS

10" BRAKE ASSEMBLY

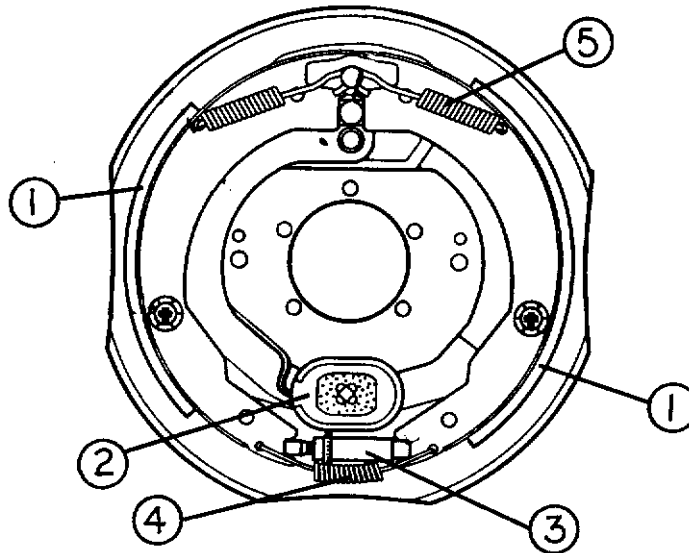


- | | |
|---------------|---|
| 1. 3160097-62 | Shoe and lining kit (includes hold down spring and pin) |
| 2. 3160097-65 | Magnet kit |
| 3. 3160097-63 | Adjuster assembly |
| 4. 3160097-64 | Adjusting screw spring |
| 5. 3160097-61 | Retractor spring |
| 3160096 | Brake assembly, RH, 10" Dexter |
| 3160097 | Brake assembly, LH, 10" Dexter |
| 3160255 | Brake drum 10", 5 lug |
| 685016 | Inner bearing, #L68149 |
| 685017 | Inner race, # L68111 |
| 680380 | Outer bearing, #L44649 |
| 680387 | Outer race, #L44610 |
| 680377 | Grease seal |
| 195511-17 | Hand brake kit |

SAFARI- BAMBI

CHASSIS

12" BRAKE ASSEMBLY

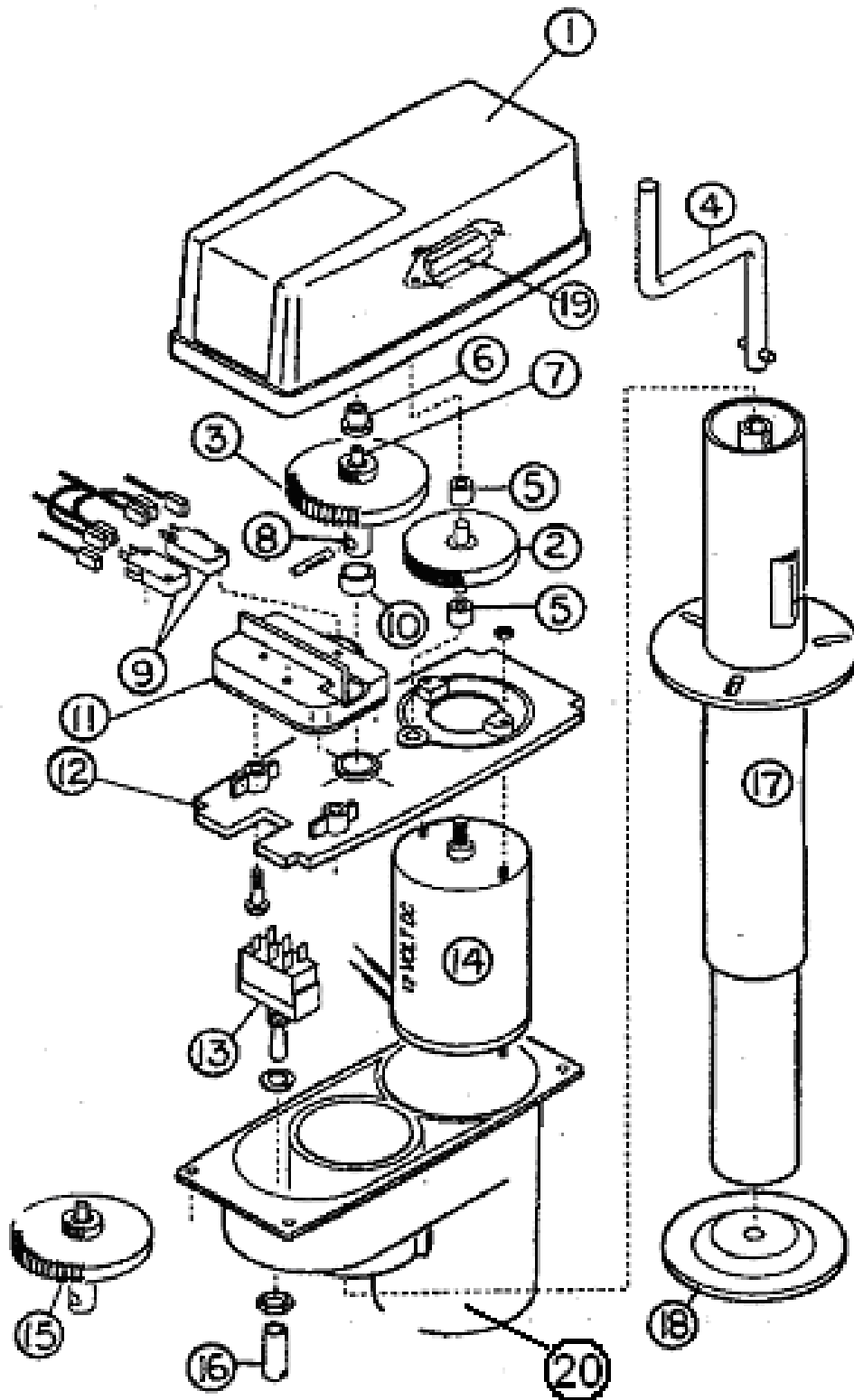


- | | |
|---------------|---|
| 1. 3160348-62 | Shoe and lining kit (includes hold down spring and pin) |
| 2. 3160348-65 | Magnet kit |
| 3. 3160348-63 | Adjuster assembly |
| 4. 3160348-64 | Adjusting screw spring |
| 5. 3160348-61 | Retractor spring |
| 3160347 | Brake assembly, RH, 12" Dexter |
| 3160348 | Brake assembly, LH, 12" Dexter |
| 3160121 | Brake drum, 12", 6 lugs |
| 450659 | Inner bearing, #25580 |
| 680364 | Inner race, #25520 |
| 450658 | Outer bearing, #LM67048 |
| 680365 | Outer race, #LM67010 |
| 680370-100 | Grease seal |

SAFARI- BAMBI

CHASSIS

Hitch Jack, Power



Part Numbers are on the next page

SAFARI- BAMBI

CHASSIS

Power Hitch Jack

511544	Power jack w/flag holder & light
012251	Power head less post
1. 012198	Cover, Super Jack
2. 010051	Gear, fiber, Super Jack
3. 015551	Drive gear, Super Jack
4. 016199	Crank handle, manual, Super Jack
5. 080501	Bushing, bronze, Super Jack
6. 010055	Bushing, flange, Super Jack
7. 015552	Gear, pot/reed, Super Jack
8. 015553	Shaft, Super Jack
9. 081703	Micro switch, Super Jack
10. 080520	Bushing/bronze,7/16,Super Jack
11. 012252	Limit switch assembly, Super Jack
12. 012200	Center plate, Super Jack
13. 081704	Switch, toggle, Super Jack
14. 016263	Motor, 12V, Super Jack
15. 011675	Drive gear assembly, Super Jack
16. 010069	Switch cover, Super Jack
17. 011631	Jack post, Super Jack
18. 410598	Foot pad #12231
19. 026503	Light, Jack
20. 012199	Housing for Motor and Switch

Hitch Jack, Manual

3320028	Jack, front, Atwood
453570	Stabilizer plate, front jack
410598	Foot pad
345272-05	BOLT HEX HD. 3/8-16" X 1.25"

SAFARI- BAMBI

DECALS/EXTERIOR TRIM

Decals/Logos/Nameplates

386088	DECAL, STRIPE, CENTER BLACK REFLECTIVE 5/16"
386127	NAMEPLATE SAFARI BLACK REFLECTIVE, D. LENZ
386126	NAMEPLATE-BAMBI BLACK/GRAY
386068	Medallion, screen door, 3", black
386150	DECAL, "AIRSTREAM", 2.4" X 28" BLACK
386151	DECAL, "AIRSTREAM", 1.3" X 16" BLACK
386132	DECAL, LS .875" X 1.875" BLACK
386175	NAMEPLATE-75th ANNIVERSARY
386157	DECAL-SPECIAL EDITION, 4.25" X 13"

Decal Option Package

386167-02	DECAL-FRONT BLACK DIE CUT (PAIR)
386166-02	DECAL-AFT DIE CUT BLACK (PAIR)
386165-02	DECAL-BLACK MAIN STRIPE 6"
386088	DECAL CENTER BLACK REFLECTIVE 5/1

Rub Rail trim

114460	Extrusion, rub rail
201763-01	Insert, rub rail, chrome, 1"
114466-01	Close out, casting, rub rail, angled RH
114466-02	Close out, casting, rub rail, angled LH
114465-01	Close out, casting, rub rail RH
114465-02	Close out, casting, rub rail LH

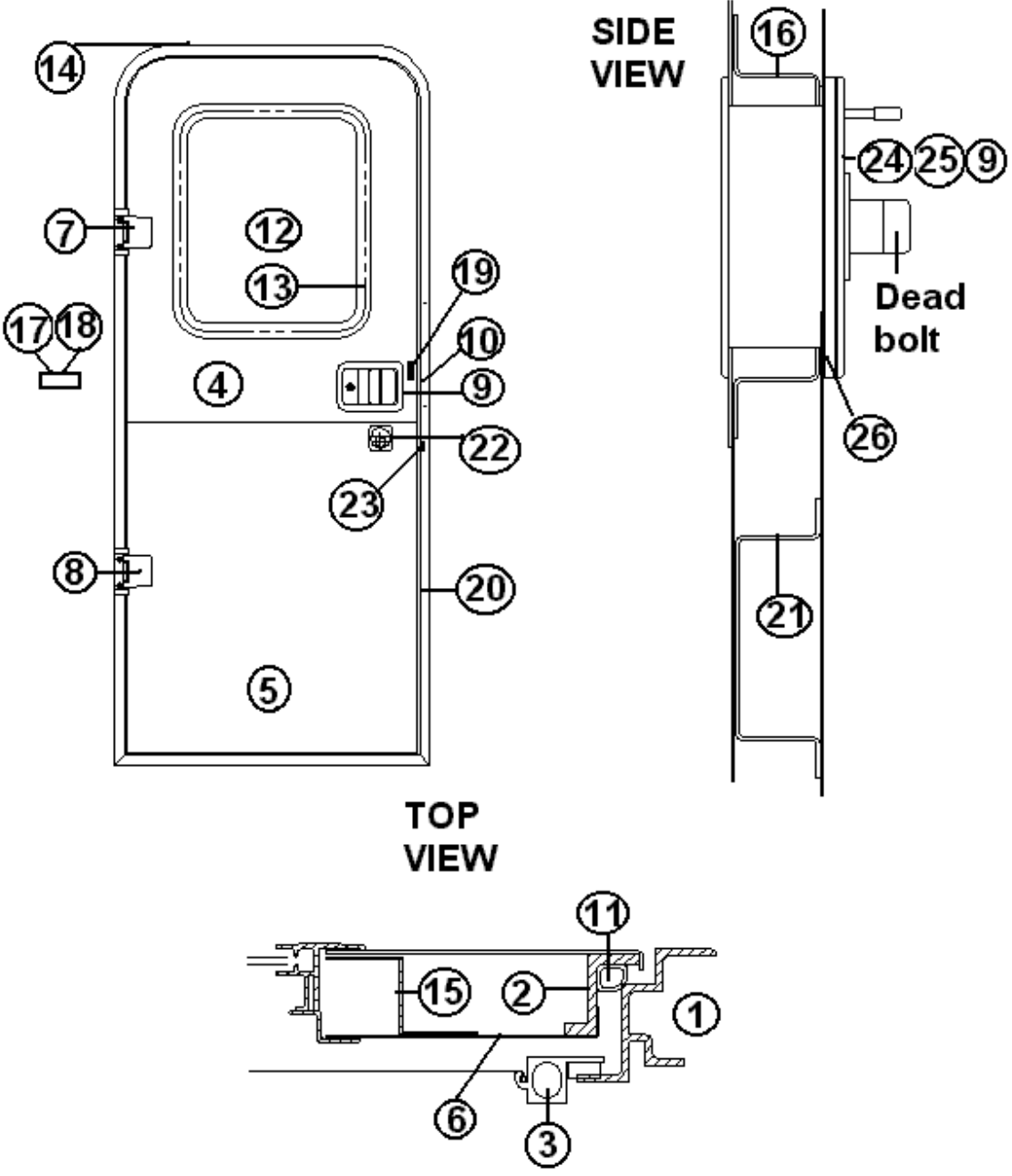
Reflectors

500095	REFLECTOR RED RECTANGULAR
500096	REFLECTOR, AMBER
510446	REFLECTOR, RED, STICK-ON

SAFARI- BAMBI

DOORS/WINDOWS/AWNING

Main Door, LH Hinge



SAFARI- BAMBI

DOORS/WINDOWS/AWNING

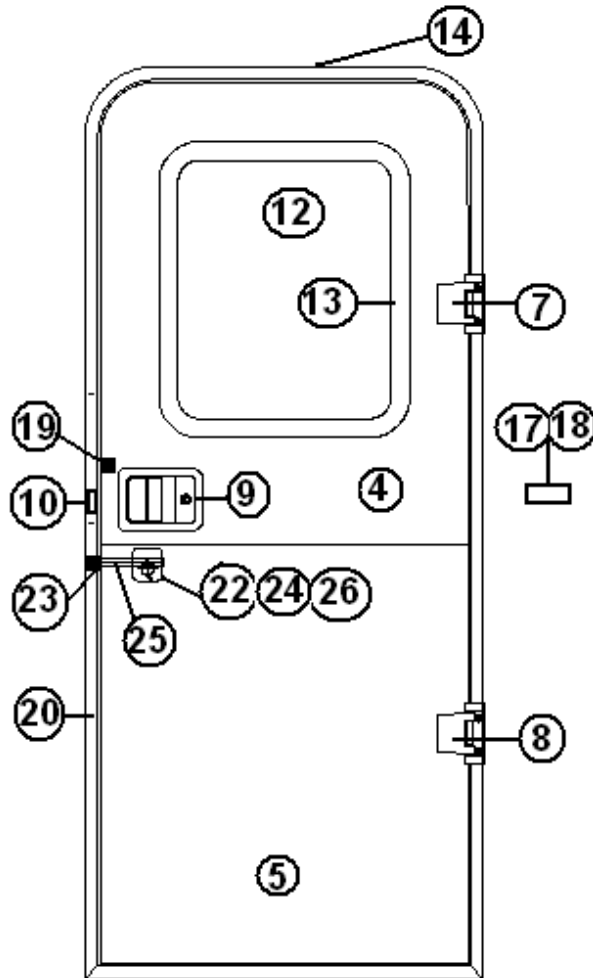
Main Door, LH Hinge

- 115207-01 Main Door, LH Hinge
- 1. 114653 Frame, main door, pre-formed
- 2. 114652 Jamb, main door, pre-formed
- 3. 114654 Screen door assembly
- 4. 114448-03 Skin, exterior, upper main door
- 5. 114449-03 Skin, exterior, lower main door
- 6. 114475 MAIN DOOR SKIN INNER
- 7. 381552-03 HINGE ASSY. MAIN DOOR UPPER
- 8. 381552-04 HINGE ASSY. MAIN DOOR LOWER
- 9. Trimark latch assembly parts shown in hardware section
- 10. 385595 Pocket strike, main door
- 11. 365232 Seal, main door
- 12. 371381-16 Window, Main Door, 17.75" X 21.25
- 13. 110460-01 TRIM RING-17.75" X 21.25"
- 14. 114363 Drip cap, main door
- 15. 114658 Inner door, "Z" bar, upper & lower
- 16. 114657 Hat section, formed, main door
- 17. 380290 Housing. Latch, mounted on side sheet
- 18. 380291 Latch assembly, mounted on side sheet
- 19. 201056 Striker, main door, black plastic
- 20. 114655 Trim ring formed, main door
- 21. 115004 Hat section assembly, dead bolt
- 22. 381323-01 Dead bolt, complete assembly
- 23. 381326 Striker w/ Trimark deadbolt
- 24. 345321-12 Screw, flat head, black
- 25. 453851 Bolt, Trimark, deadbolt
- 26. 203370 Spacer, deadbolt assembly

SAFARI- BAMBI

DOORS/WINDOWS/AWNING

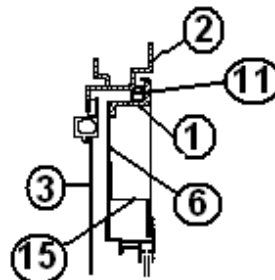
Main Door, RH Hinge



Latch
Assembly



Top
View



SAFARI- BAMBI

DOORS/WINDOWS/AWNING

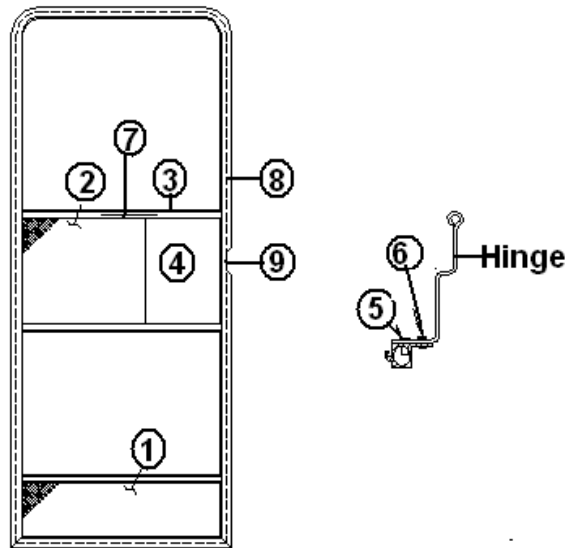
Main Door, RH Hinge

115207-02	Main door assembly, RH Hinge
1. 114652-01	Jamb, main door, pre-formed
2. 114653-01	Frame, main door, pre-formed
3. 114654-01	Screen door assembly, RH Hinge
4. 114448-02	Skin, exterior, upper main door
5. 114449-02	Skin, exterior, lower main door
6. 114475	MAIN DOOR SKIN INNER
7. 381552-02	HINGE ASSY. MAIN DOOR UPPER
8. 381552-01	HINGE ASSY. MAIN DOOR LOWER
9. Trimark latch assembly parts shown in hardware section	
10. 385595	Pocket strike, main door
11. 365232	Seal, main door
12. 371381-16	WINDOW, MAIN DOOR
13. 203370	Spacer, Trimark door Latch
14. 114363	Drip cap, main door
15. 114658	Inner door, "Z" bar, upper & lower
16. 114657	Hat section, formed, main door
17. 380290	Housing. Latch, mounted on side sheet
18. 380291	Latch assembly, mounted on side sheet
19. 201056	Striker, main door, black plastic
20. 114655	Trim ring formed, main door
21. 115004	Hat section assembly, dead bolt
22. 381323-01	Dead bolt, complete assembly
23. 381326	Striker w/ Trimark deadbolt
24. 345321-12	Screw, flat head, black
25. 453851	Bolt, Trimark, deadbolt
26. 203370	Spacer, deadbolt assembly
101171	HANDLE, CAST ALUMINUM

SAFARI- BAMBI

DOORS/WINDOWS/AWNING

Screen Door



114654	SCREEN DOOR ASSY. LH HINGE
114654-01	SCREEN DOOR ASSY. RH HINGE
1. 114648-01	Kick panel screen door
2. 114561-01	Panel, slider, screen door
3. 104784-78	EXTR.SCREENDOOR STIFENER #VH-9
4. 203287-02	Close out, plastic, screen door
5. 330130-02	RIVET POP SSD44SSBS
6. 325122	Rivet, hard, 5/32
7. 380004	HANDLE WITH 8/32 X 1 SCREW
8. 365013-01	Gasket, screen door, foam tape
9. 683946	BUG SEAL, edge of screen door close out
32226W	Guard, screen door
115171-01	SCREEN DOOR GUARD TOP
115171-02	SCREEN DOOR GUARD BOTTOM
380079	Screen, gray
200518	Spline, gray, screen insert
701624	VELCRO LOOP 5/8" WIDE
701625	VELCRO HOOK, 5/8" WIDE
381454	Screen door hold back latch, Bullet
386068	MEDALLION 3" LOGO, AIRSTREAM
381531-01	Hinge, screen door, upper
381531-02	Hinge, screen door, lower

SAFARI- BAMBI

DOORS/WINDOWS/AWNING

Refrigerator Door

922243	Door, refrigerator access, assembly
922156	Refer access door only
104417	Jamb, refrigerator access door
104439	Louvered panel, refrigerator access door
380988	HINGE, CONTINUOUS .5IN LEAF 16IN
203225	Trim, flexible
381812	Latch, twist Lock
690470-01	VENT-REFER-PLASTIC RADIUS CORNER

Side/Rear Small Access Door

100679-01	Side access door assembly, 20" x 11"
100679	Side access door assembly, small
365035	Seal, side access door
380770	LOCK & CASTING ASSEMBLY
380773	HINGE, ACCESS DOOR
365035	RUBBER SEAL ACCESS DOOR
115295	Spacer, formed, compartment door
115296	Jamb, formed, compartment door

Trunk Door, 16', 25' FB, 30' Bunk

922711	DOOR ASSY
115157	JAMB-TRUNK DOOR
380203-01	PIANO HINGE 1/8"
380770	LOCK & CASTING, BLACK
360016	BUMP-ON RUBBER
365035	RUBBER SEAL ACCESS DOOR
381065-10	10" CABLE SUPPORT

Exterior Shower Door, 16'

601876	Shower Door, exterior, white
381766	HATCH-ACCESS 7.75" X 12.63"
115153	CLOSE OUT, UTILITY DOOR
115167	JAMB, INNER WALL UTILITY DOOR

SAFARI- BAMBI
DOORS/WINDOWS/AWNING

Trunk Door, 28' S/O, 25' A

921159	Trunk door assembly, rear,
365035	Seal, access door
114675	Jamb, rear trunk door
380203-01	PIANO HINGE 1/8"
380770	LOCK & CASTING ASSEMBLY
360016	BUMP-ON RUBBER
381065-10	10" CABLE SUPPORT
701538	CARPET, ECONOLIER VELOUR BLACK 48"

Battery Box Lid

410551-02	LID BATTERY BOX
381430	LOCK, TWIST, STRAIGHT CAM
380203-01	PIANO HINGE 1/8" PIN
381814	Wing nut, battery hold down
381613	Black plastic cover, wing handle

SAFARI- BAMBI

DOORS/WINDOWS/AWNING

Windows, Non riveted

371381-02	Window, 19.25" x 22.75"
371381-07	Window, 19.25" x 29.75"
371381-08	Window, 31.25" x 29.75"
371381-12	Window, 49.63" x 24.19", egress rear
371381-05	Window, 49.63 "x 24.19", front
371381-10	Window, 43.94" x 24.19"
371381-15	Window-rear, 26.25" x 19.25"
371381-11	Window, rear end, 24", Egress, 16'
371381-16	Window, Main Door, 17.75" X 21.25"
371381-17	Window, Side Egress, 31.25" x 29.75"
371381-18	WINDOW- HEHR 19.25X22.75 FIXED
381665	GASKET "D" SEAL .50W X .36H BLACK

Window Trim, Non-Riveted

110460-08	Trim ring, window, 44.0" x 24.19", White
110460-01	Trim ring, window, 17.75" X 21.25", White
110460-02	Trim ring, window, 19.25' x 22.75", White
110460-06	Trim ring, window, 19.25" x 29.75", White
110460-07	Trim ring, window, 31.25" x 29.75", White
110460-05	Trim ring, window, 49.63" x 24.19", White
110460-10	Trim ring, window, 26.25 "X 19.25", White
110460-12	Trim ring, window, 26.25 "X 19.25", Aluminum
110460-11	TRIM RING ALUMINUM, 19.25" X 22.75"
201666-01	MOLDING-J 3/16" ALMOND PLASTIC
203225	TRIM LOK, WHITE, edge trim

SAFARI- BAMBI
DOORS/WINDOWS/AWNING

Windows, Riveted

371269-01	WINDOW 18" STACK
371319-05	WINDOW-MAIN DOOR
371323-01	WINDOW-18" OPENING
371346-02	WINDOW-48.97" FLAT FRT/WRAP RR
371380	WINDOW-OPENING 30" TALL
372088	WINDOW CORNER WRAP RS FRT, CS
372089	WINDOW CORNER WRAP CS FRT, RS
372218-01	WINDOW-21" X 28" EGRESS
371348-03	Window, front w/silver handles
371324-03	WINDOW-30"OPEN EGRESS
371270-01	WINDOW 30" STACK
371328	WINDOW, FRONT, DARK GLASS
372229	WINDOW, 21" X 28" OPENING

SAFARI- BAMBI

DOORS/WINDOWS/AWNING

Window Trim/Screens, Riveted

201578-02	END CAP-TRIM RING GRAY
201579-02	TRIM RING-LOWER R.S. GRAY
201580-02	TRIM RING-LOWER C.S. GRAY
201581-05	TRIM RING-UPPER R.S. GRAY
201581-06	TRIM RING-UPPER C.S. GRAY
203225-01	TRIM LOK-GRAY .75"
372222	TRIM RING-30" STACK WINDOW CLEAR
372223	TRIM RING-18" STACK WINDOW CLEAR
371319-06	TRIM RING-MILL FIN.MAIN DOOR
110900-03	TRIM FORMED INTERIOR FRT WRAP
110900-04	TRIM FORMED INTERIOR FRT WRAP
372225	TRIM RING INNER SUPPORT 30"
372226	TRIM RING INNER SUPPORT 18"
372174-03	SCREEN-18"OPENING WINDOW RAW M
371347-03	SCREEN-SQUARE FRT WINDOW RAW M
372220-01	SCREEN-21"X 28" ALT EGRESS-MIL
372215-01	SCREEN-30"OPENING WINDOW TALL
372174-03	SCREEN-18"OPENING WINDOW
371347-03	SCREEN-SQUARE FRT WINDOW
371349-01	SCREEN REAR ESCAPE STD
372230	SCREEN REAR 21" X 28"

Vista Views

922770-01	VISTA VIEW- 18"
203490-03	TRIM RING-18" VISTA VIEW
703462-03	SHADE-PULL 19.25"X9.5" VISTA VIEW
922772-01	BACKER-VISTA VIEW BLIND 18"
115222-02	Z BAR-FORMED 19.5"VISTA VIEW
922770-02	VISTA VIEW- 30"
203490-04	TRIM RING- 30" VISTA VIEW
703462-04	SHADE-PULL 31.25"X9.5"VISTA VIEW
922772-02	BACKER-VISTA VIEW BLIND 30"
115222-01	Z BAR-FORMED 31.5"VISTA VIEW

SAFARI- BAMBI

DOORS/WINDOWS/AWNING

Blinds, Riveted Windows

703191-04	BLIND BRUSHED ALUMINUM, 21" X 23"
703191-07	BLIND, METAL 27.5"W X 22"L
703191-08	BLIND, MINI-METAL 17.5"W X 22"
703191-10	BLIND BRUSHED ALUMINUM, 17.5 X 33
703191-11	BLIND BRUSHED ALUMINUM, 29.5 X 29
703191-12	BLIND BRUSHED ALUMINUM, 29.25 X 27
703191-13	BLIND BRUSHED ALUMINUM, 18.75 X 32
703191-14	BLIND BRUSHED ALUMINUM, 20.5 X 21
703191-15	BLIND BRUSHED ALUMINUM, 24.75 X 19
703191-17	BLIND BRUSHED ALUMINUM, 9.75" X 33.5"
703191-18	BLIND-50.5"X28" MINI BLIND

Window Stone Guard, Single front Window

110102-02	Rock guard, 19', 20' 22', 23'
110102-01	Rock guard, 25', 28'S/O, 28'W, 30'
683960	Arm support
683959	Arm support bracket
114749	HINGE "Y" ASSY.
114750	HINGE "J"
685364	BRKT, UPPER HINGE-45.375-STONEGUARD
114815-01	Extrusion, frame aluminum
685378	¼" rubber spline
685351	Rubber frame, black
290812-01	Plexi-glass, 28" x 84 " sheet
381021	Latch, draw flexible

SAFARI- BAMBI

DOORS/WINDOWS/AWNING

Window Stone Guard, Panoramic Front Windows

110188-01	3 Piece Stone Guard, wide body trailer
685275-100	3 Piece Stone Guard, narrow body trailer only
685275-101	CS wrap window stone guard, all units
685275-102	RS wrap window stone guard, all units
110102	Stone Guard, Center Piece, wide body trailer only
685275-103	Stone Guard, Center Piece, narrow body trailer only
685358	Turn fast stud
685362	Retainer, split ring
685359	Rubber receptacle
685361	Bracket, rubber receptacle
685363	Slip joint hinge, SS, CS per pair
683960	Arm support
683959	Arm support bracket
114749	HINGE "Y" ASSY. (ROCKGUARD ASSY.)
114750	HINGE "J" (ROCKGUARD ASSY.)
685364	BRKT, UPPER HINGE-45.375-STONEGUARD
381021	Latch, draw flexible

Stone guard frame

114815-01	Extrusion, frame aluminum
685354	Front window key, 90-degree angle riveted to inside corner of metal frame
685378	¼" rubber spline
685351	Rubber frame, black
290812-01	Plexi-glass, 28" x 84 " sheet
101401	Extrusion, door latch housing
685355	SLIP JOINT S.S.HINGE

*There was a running line change on the position of the arms on the centerpiece of the rock guards. When ordering this part, please specify if the arm is mounted toward the top of the guard or if it is mounted on the bottom of the guard.

SAFARI- BAMBI
DOORS/WINDOWS/AWNING

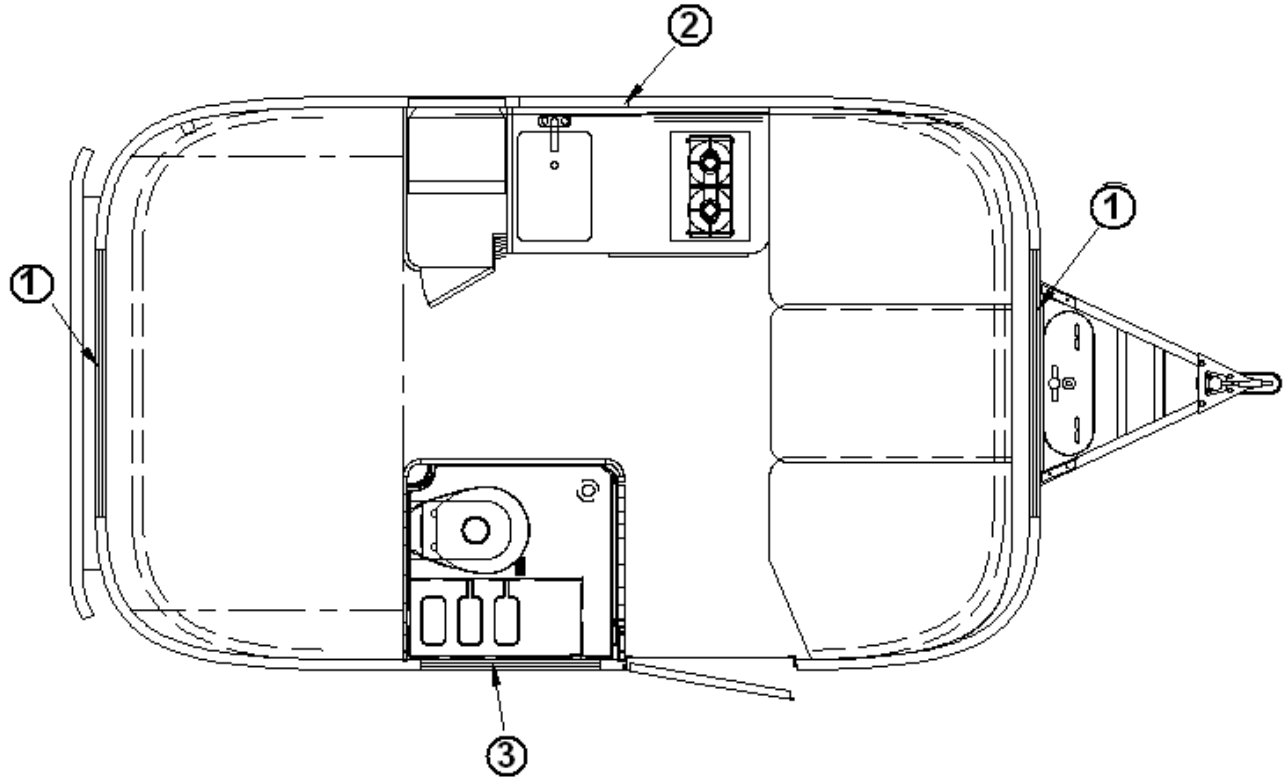
Awnings, Patio

702993-13	Awning, patio, 6' 8.25", Zip Dee, 16'
702993-09	Awning, patio, 9' 8", Zip Dee, 19'
702993-10	Awning, patio, 12' 4 1/2", 22'
702993-06	Awning, patio, 16' 4 1/2", 25f'
702993-12	Awning, patio, 19'6", 28' S/O
702993-08	Awning, patio, 18' 4", 28' W
702993-14	Awning, Patio, 21' 3 1/4", 30'
702993-16	Awning, Patio, 11' 3" 1/4", 20'
702993	Hardware package, Zip Dee
385577	TAPE CLEAR WEAR STRIP 3.5" WID

SAFARI- BAMBI

DRAPES/BLINDS/VALANCES

Drapes/Blinds 16'

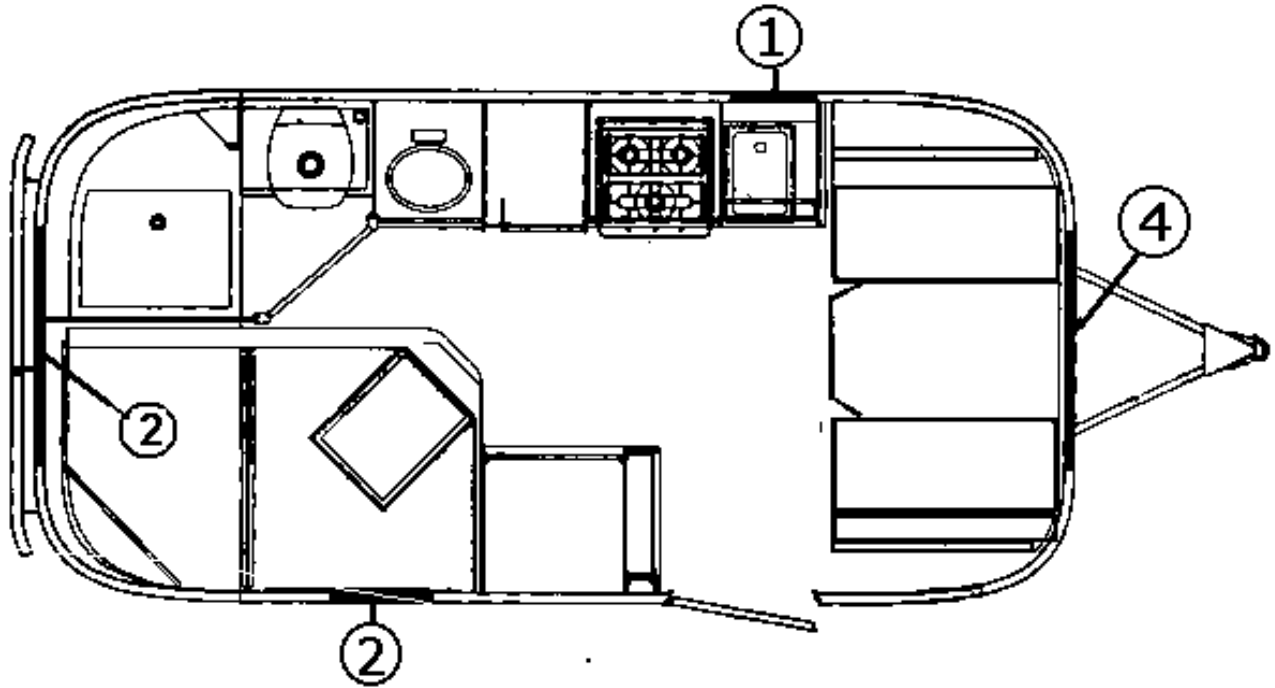


- | | |
|--------------|-------------------------------------|
| 1. 998171-09 | CURTAIN ASSY- 28.5" X 25.5" |
| 2. 703191-04 | BLIND MINI METAL 21" X 23" metal |
| 3. 703445-05 | SHADE-PULL, 21.00"W X 34.00"L WHITE |

SAFARI- BAMBI

DRAPES/BLINDS/VALANCES

Drapes/Blinds 19'

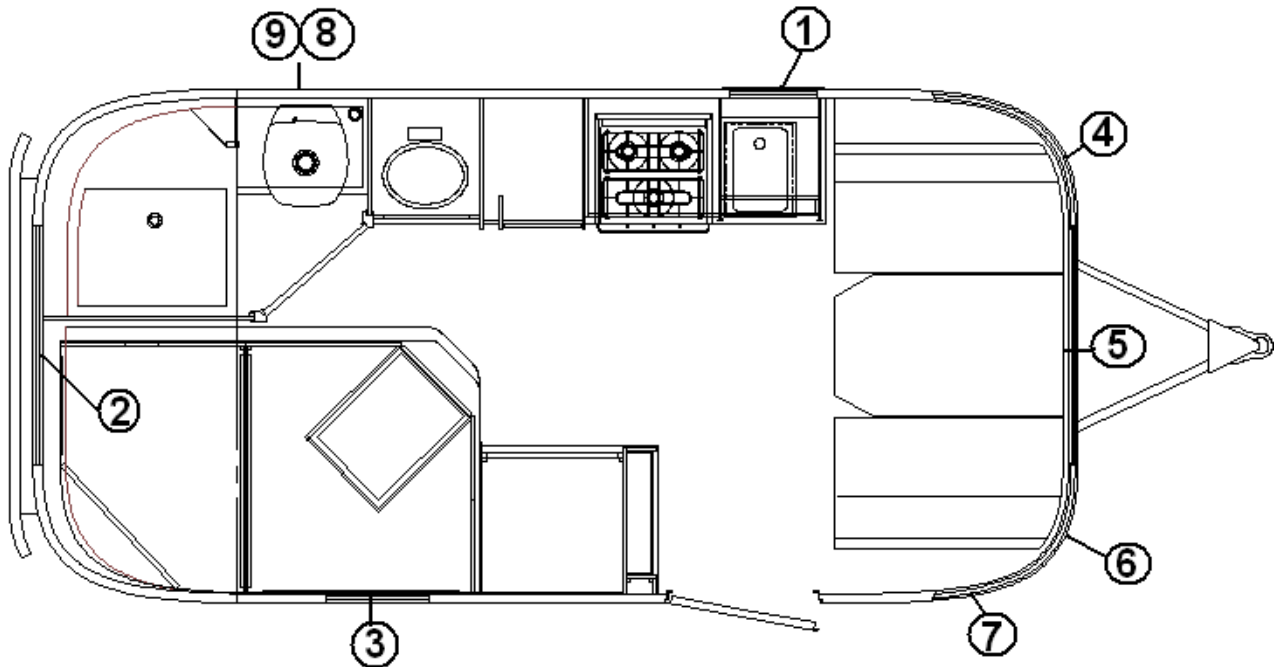


- | | |
|--------------|-----------------------------|
| 1. 703191-04 | BLIND MINI METAL, 21" X 23" |
| 2. 998171-03 | CURTAIN, 14.5" X 26.5" |
| 3. 998171-09 | CURTAIN, 28.5" X 25.5" |

SAFARI- BAMBI

DRAPES/BLINDS/VALANCES

Drapes/Blinds 19', Special Edition

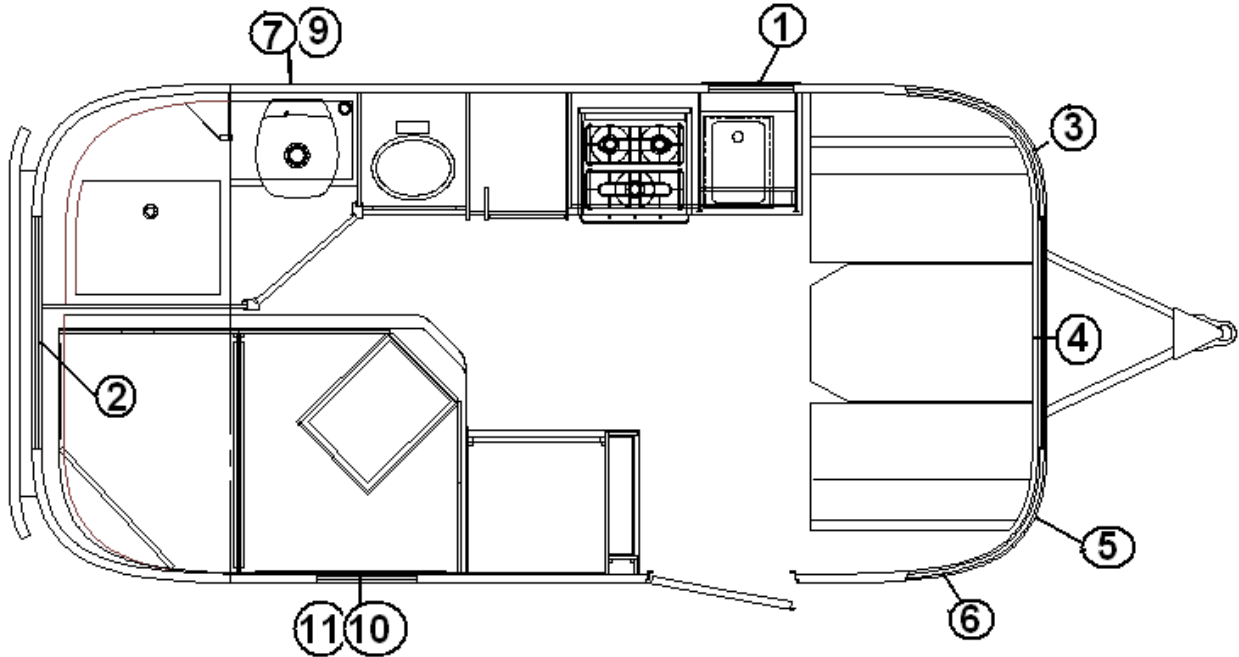


- | | |
|--------------|---------------------------------------|
| 1. 703191-04 | BLIND MINI METAL, 21" X 23" |
| 2. 703191-15 | BLIND BRUSHED ALUMINUM, 24.75" X 21"L |
| 3. 703191-13 | BLIND BRUSHED ALUMINUM, 18.75" X 32" |
| 4. 998144-11 | DRAPE-RS SIDE PANEL, 40" X 25.5" |
| 5. 998144-12 | DRAPE-RS FRT PANEL, 23" X 25.5" |
| 6. 998144-10 | DRAPE-CS FRT PANEL, 23" X 25.5" |
| 7. 998144-09 | DRAPE-CS SIDE PANEL, 40" X 25.5" |
| 8. 801589-02 | VALANCE ASSY-20" |
| 9. 703191-08 | BLIND, MINI-METAL 17.5"W X 22" |

SAFARI- BAMBI

DRAPES/BLINDS/VALANCES

Drapes/Blinds 19', Special Edition, Bunk Option

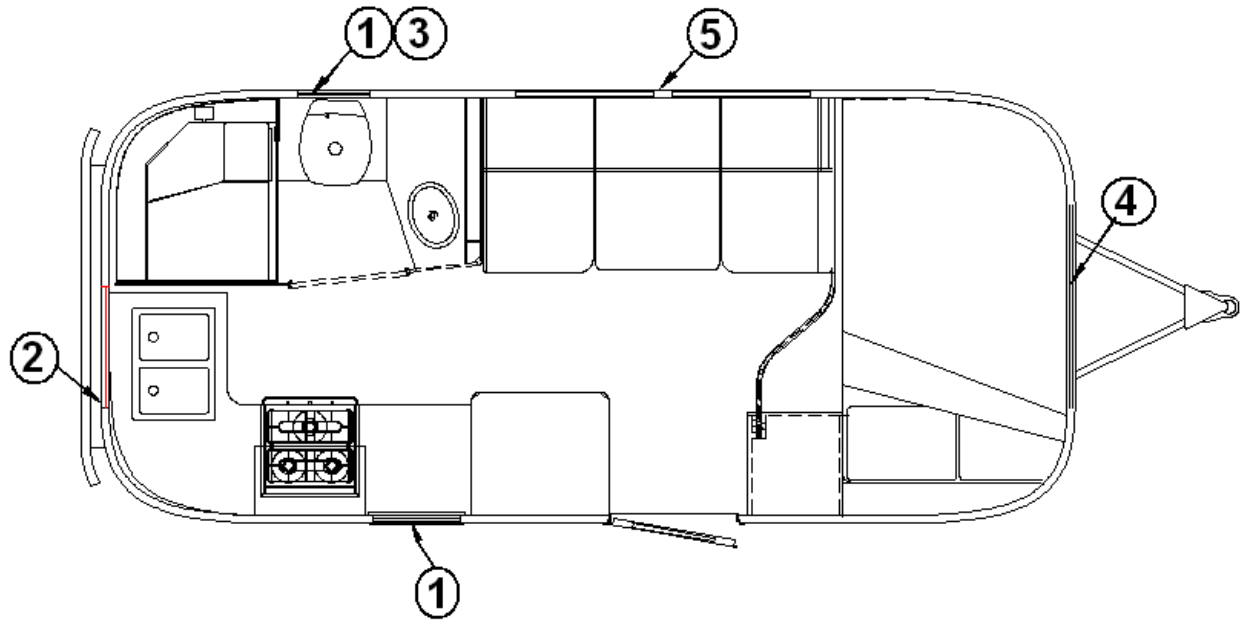


- | | | |
|-----|-----------|---------------------------------------|
| 1. | 703191-04 | BLIND MINI METAL, 21" X 23" |
| 2. | 703191-15 | BLIND BRUSHED ALUMINUM, 24.75" X 21"L |
| 3. | 998144-11 | DRAPE-CS SIDE PANEL, 40" X 25.5" |
| 4. | 998144-12 | DRAPE-CS FRT PANEL, 23" X 25.5" |
| 5. | 998144-10 | DRAPE-CS FRT PANEL, 23" X 25.5" |
| 6. | 998144-09 | DRAPE-CS SIDE PANEL, 40" X 25.5" |
| 7. | 801589-02 | VALANCE ASSY-20" |
| 8. | 703191-08 | BLIND, MINI-METAL 17.5"W X 22" |
| 9. | 998164-01 | CURTAIN PANEL, 16" X 17", NO PLEATS |
| 10. | 998164-02 | CURTAIN PANEL, 16" X 17", NO PLEATS |

SAFARI- BAMBI

DRAPES/BLINDS/VALANCES

Drapes/Blinds 20'

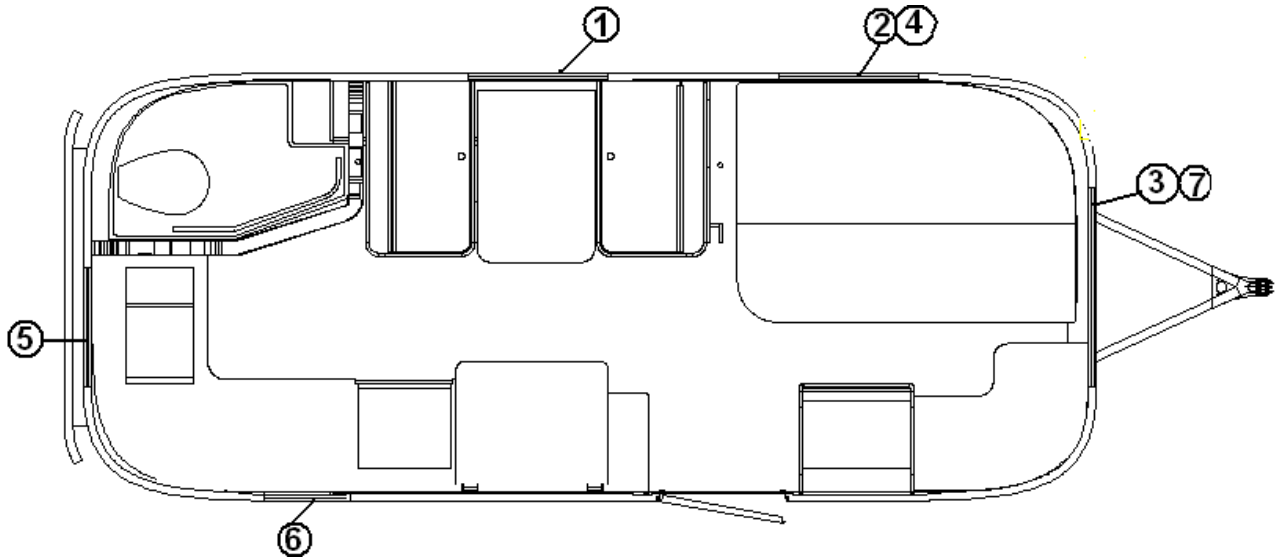


- | | |
|--------------|---------------------------------------|
| 1. 703191-04 | Blind, Mini-Metal, 21" X 23" |
| 2. 703191-07 | Blind, Mini-Metal, 27.5" X 22" |
| 3. 966136 | Valance Assembly |
| 4. 998171-09 | Curtain Assembly, 28.5" X 25.5" |
| 5. 998171-16 | Panel, Curtain, 34" Wide X 28.5" Long |

SAFARI- BAMBI

DRAPES/BLINDS/VALANCES

Drapes/Blinds 22'

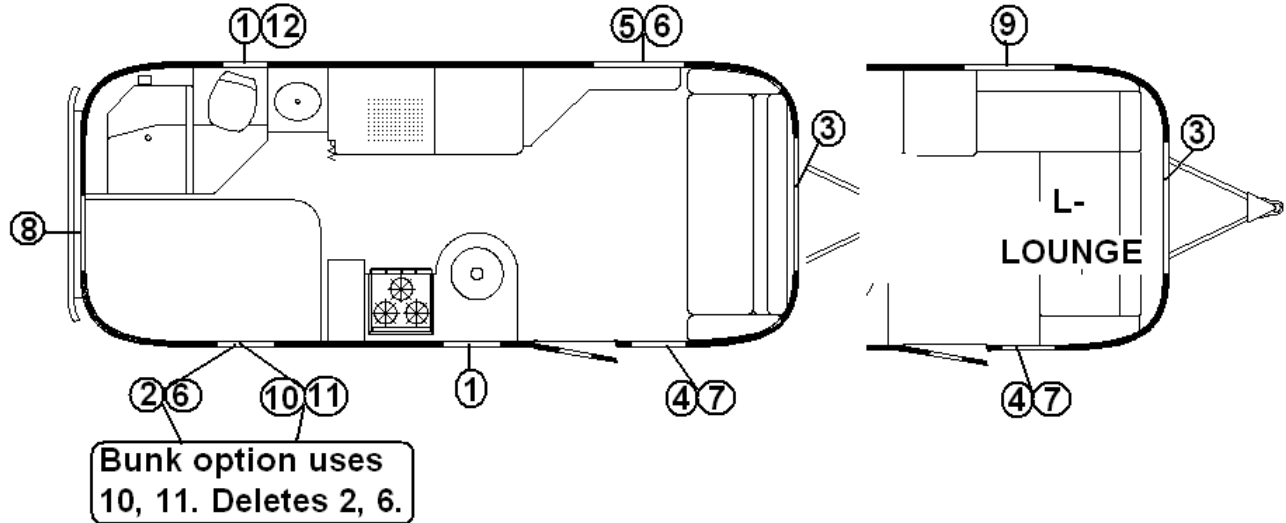


- | | |
|---------------|---------------------------------------|
| 1. 998171-06 | CURTAIN, 18" X 28.5" |
| 2. 998171-08 | CURTAIN, 18"X 35.5" |
| 3. 998171-09 | CURTAIN, 28.5"X 25.5" |
| 4. 966139-03B | VALANCE, 36"BED |
| 5. 703191-07 | BLIND, METAL 27.5"W X 22"L |
| 6. 703191-04 | BLIND, METAL 21" X 23" BRUSH ALUMINUM |
| 7. 966139-04 | VALANCE, 57" BED |

SAFARI- BAMBI

DRAPES/BLINDS/VALANCES

Drapes/Blinds 23'

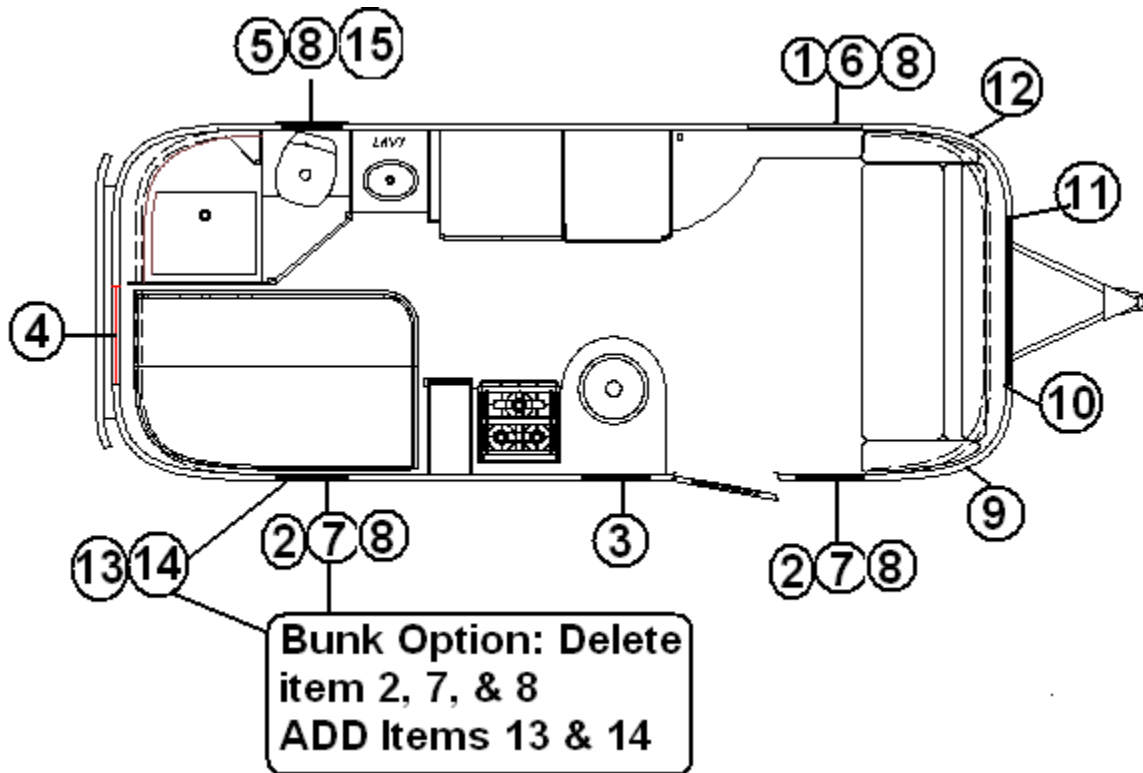


- | | |
|---------------|---------------------------------------|
| 1. 703191-04 | BLIND MINI METAL 21X23 BRUSH ALUMINUM |
| 2. 998171-04 | CURTAIN ASSY- 16.5" X 26.5" |
| 3. 998171-09 | CURTAIN ASSY- 28.5" X 25.5" |
| 4. 998171-02 | CURTAIN ASSY- 13" X 35.5" |
| 5. 998171-08 | CURTAIN ASSY- 18" X 35.5" |
| 6. 966139-03 | VALANCE ASSY- 36" |
| 7. 966139-02 | VALANCE ASSY- 26.5" |
| 8. 998171-03 | CURTAIN ASSY- 14.5" X 26.5" |
| 9. 998171-14 | CURTAIN ASSY- 18" X 34" |
| 10. 998164-01 | CURTAIN ASSY- 16.5", NO PLEATS |
| 11. 998164-01 | CURTAIN ASSY- 16.5", NO PLEATS |
| 12. 966136 | Bathroom Valance |

SAFARI- BAMBI

DRAPES/BLINDS/VALANCES

Drapes/Blinds 23' Special Edition

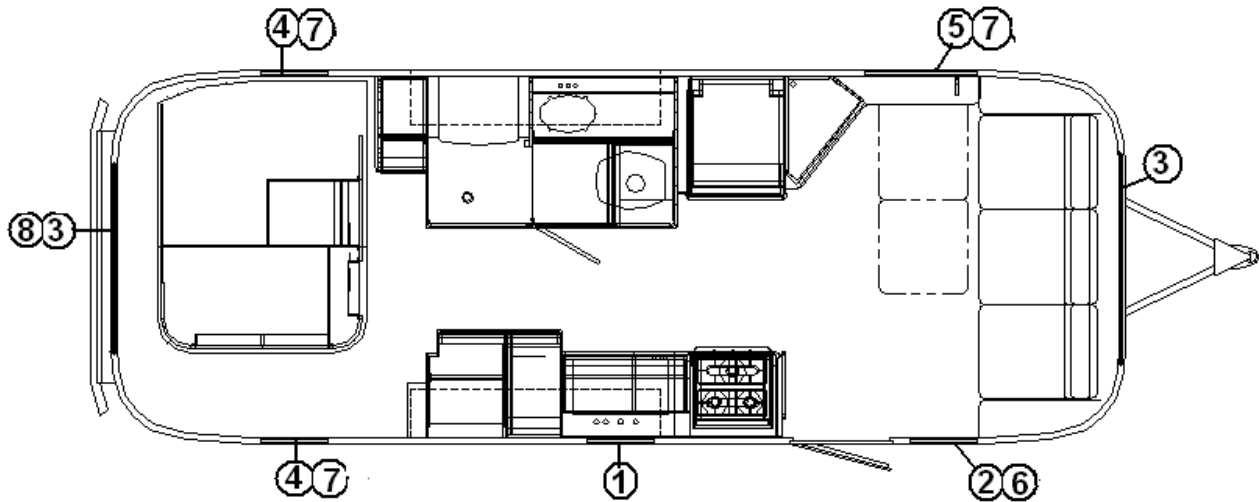


- | | |
|---------------|---|
| 1. 703191-11 | Blind brushed aluminum, 29.5" x 29" Long |
| 2. 703191-13 | Blind brushed aluminum, 18.75" x 32" Long |
| 3. 703191-04 | Blind brushed aluminum, 21" x 23" Long |
| 4. 703191-15 | Blind brushed aluminum, 24.75" x 21" Long |
| 5. 703191-10 | Blind brushed aluminum, 17.5" x 33" Long |
| 6. 801589-01 | Valance assembly, 32" |
| 7. 801589-02 | Valance assembly, 20" |
| 8. 381898 | Nylon Spacer |
| 9. 998144-09 | Drape, Curbside, side panel, 37" x 25.5" |
| 10. 998144-10 | Drape, Curbside, front panel, 23" x 25.5" |
| 11. 998144-12 | Drape, Roadside, front panel, 33" x 25.5" |
| 12. 998144-11 | Drape, Roadside, side panel, 40" x 25.5" |
| 13. 998164-02 | Curtain panel, 16" no pleats x 17" Long |
| 14. 998164-01 | Curtain panel, 16" no pleats x 12" Long |
| 15. 966136 | Bathroom valance |

SAFARI- BAMBI

DRAPES/BLINDS/VALANCES

Drapes/Blinds 25', A & B

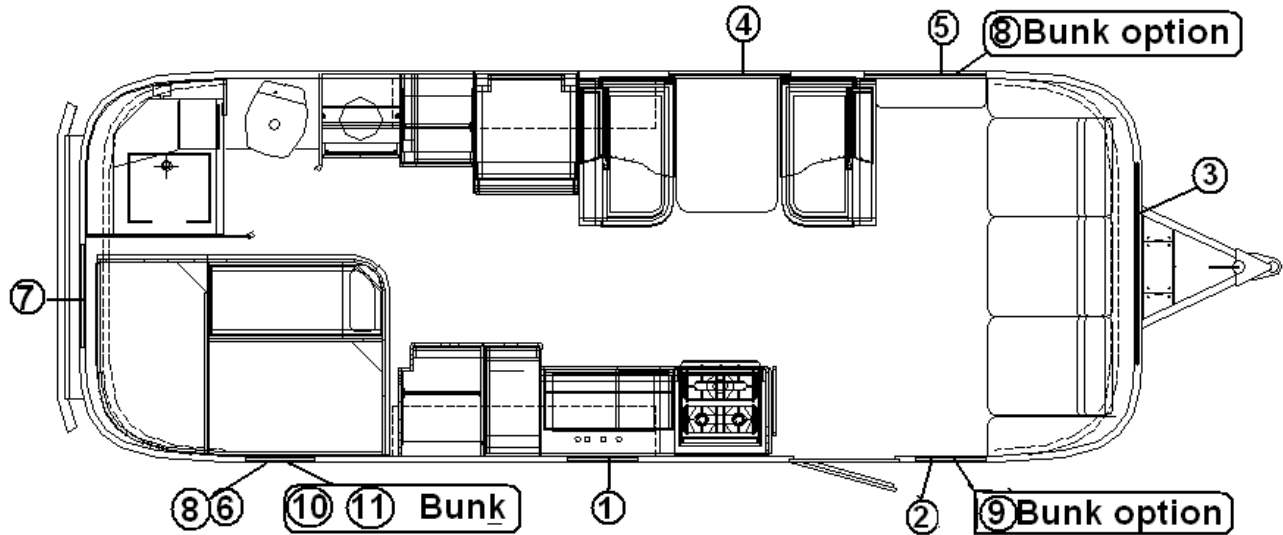


- | | |
|--------------|----------------------------|
| 1. 703191-04 | BLIND MINI METAL 21" X 23" |
| 2. 998171-02 | CURTAIN, 13" X 35.5" |
| 3. 998171-09 | CURTAIN, 28.5"X 25.5" |
| 4. 998171-04 | CURTAIN, 16.5"X 26.5" |
| 5. 998171-08 | CURTAIN, 18"X 35.5" |
| 6. 966139-02 | VALANCE, 26.5" |
| 7. 966139-03 | VALANCE, 36" BED |
| 8. 966139-04 | VALANCE, 57" BED |

SAFARI- BAMBI

DRAPES/BLINDS/VALANCES

Drapes/Blinds, 25' Sleep Six

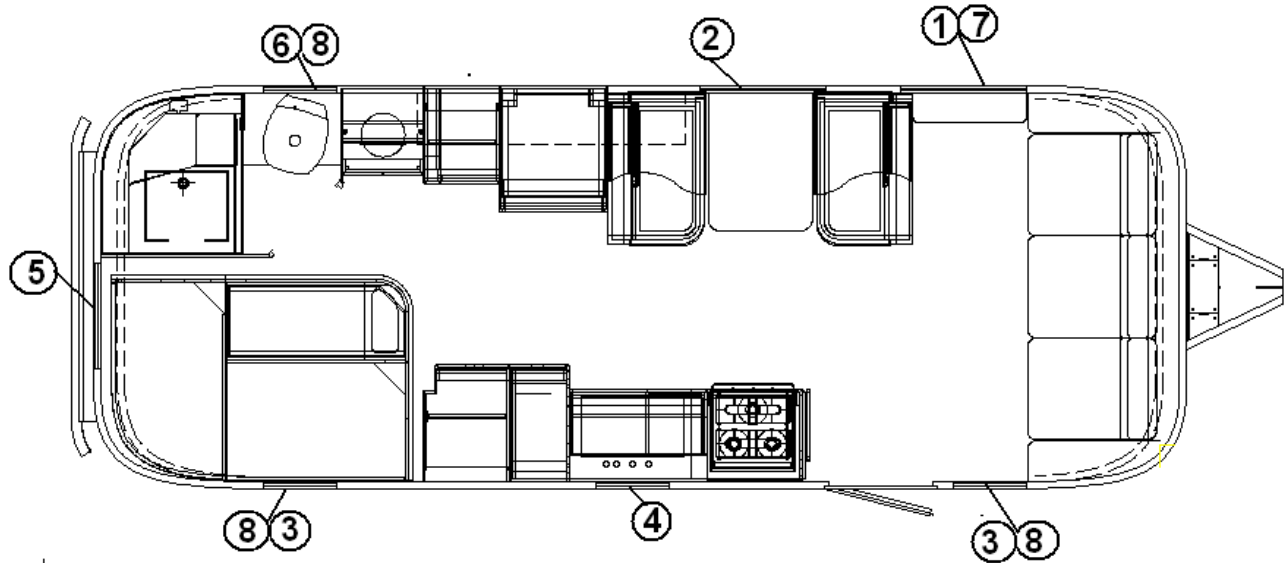


- | | |
|---------------|----------------------------|
| 1. 703191-04 | BLIND MINI METAL 21" X 23" |
| 2. 998171-02 | CURTAIN ASSY- 13" X 35.5" |
| 3. 998171-09 | CURTAIN ASSY- 28.5"X 25.5" |
| 4. 998171-05 | CURTAIN ASSY- 18"X 27.5" |
| 5. 998171-08 | CURTAIN ASSY- 18"X 35.5" |
| 6. 998171-04 | CURTAIN ASSY- 16.5"X 26.5" |
| 7. 998171-04 | CURTAIN ASSY- 16.5"X 26.5" |
| 8. 966139-03 | VALANCE ASSY-36" |
| 9. 966139-02 | VALANCE ASSY- 26.5" |
| 10. 998164-01 | CURTAIN ASSY- 16" X 26.5" |
| 11. 998164-02 | CURTAIN ASSY- 16" X 17" |

SAFARI- BAMBI

DRAPES/BLINDS/VALANCES

Drapes/Blinds, 25' Sleep Six Special Edition

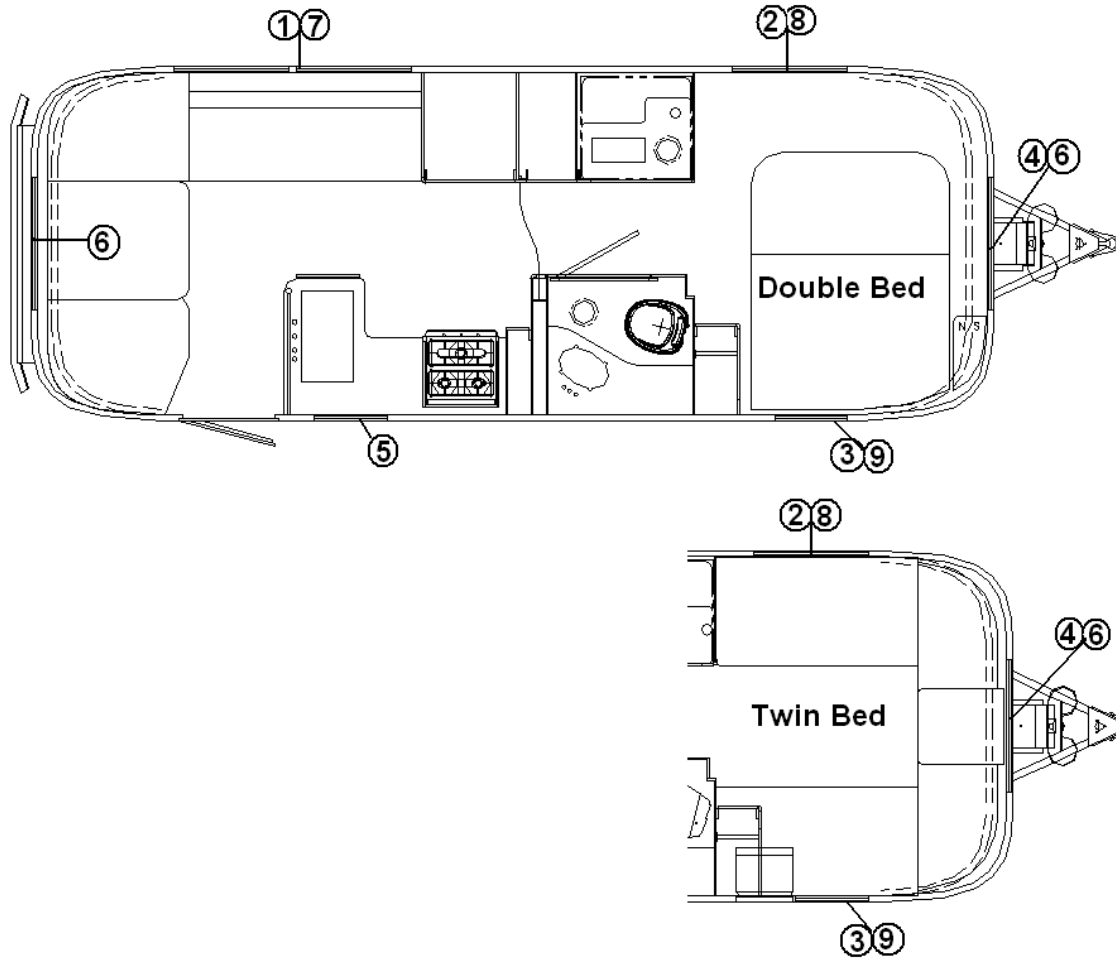


- | | | |
|----|-----------|------------------------------------|
| 1. | 703191-11 | BLIND BRUSHED ALUM 29.5 X 29L |
| 2. | 703191-12 | BLIND BRUSHED ALUM. 29.50 X 27 |
| 3. | 703191-13 | BLIND BRUSHED ALUM. 18.75 X 32 |
| 4. | 703191-04 | BLIND MINI METAL 21X23 BRUSH A |
| 5. | 703191-15 | BLIND BRUSHED ALUM 24.75 X 21L |
| 6. | 703191-10 | BLIND BRUSHED ALUM 17.5 X 33 |
| 7. | 801589-01 | VALANCE ASSY-32" |
| 8. | 801589-02 | VALANCE ASSY-20" |
| 9. | 381898 | SPACER-NYLON .166ID X.24 OD X .25L |

SAFARI- BAMBI

DRAPES/BLINDS/VALANCES

Drapes/Blinds 25' Front Bed

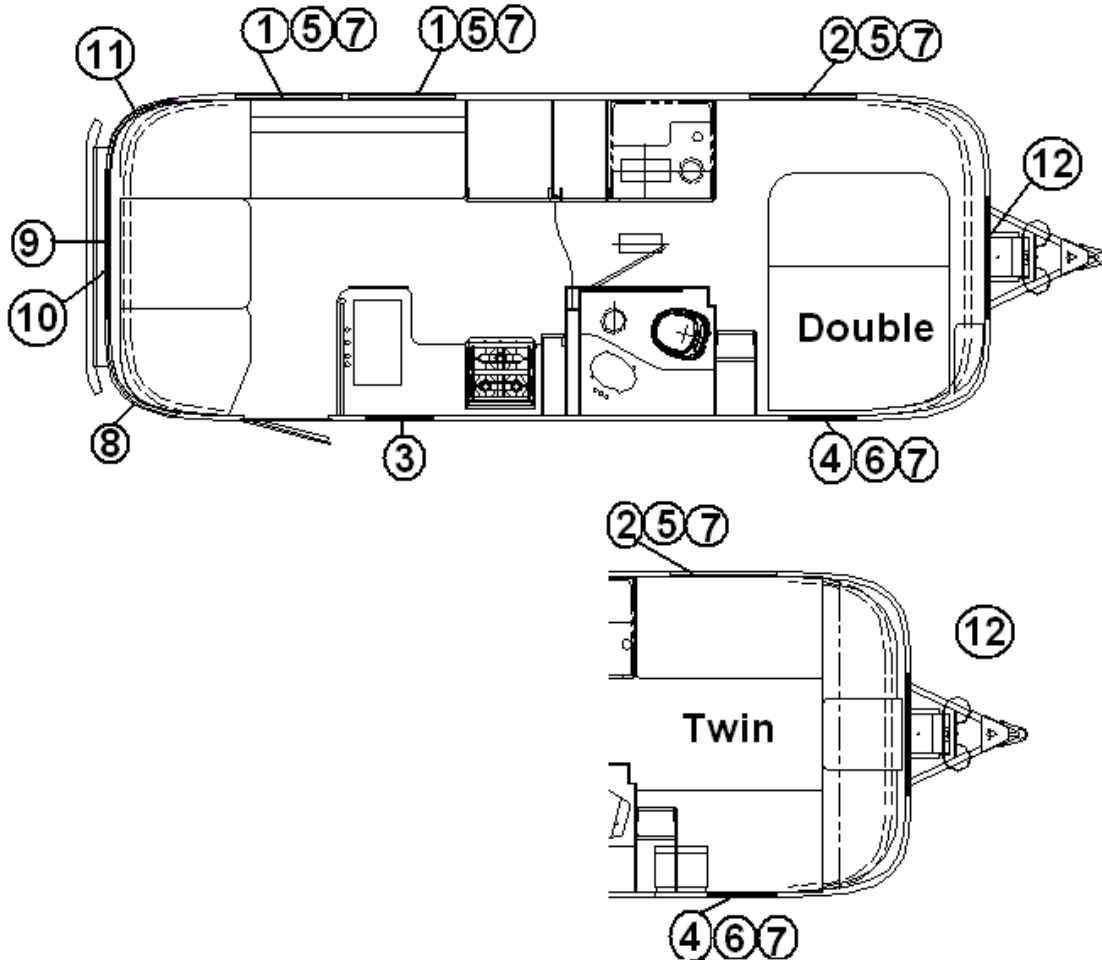


- | | |
|--------------|---------------------------------|
| 1. 966139-05 | Valance assembly, 69" |
| 2. 966139-03 | Valance assembly, 26" |
| 3. 966139-02 | Valance assembly, 26.5" |
| 4. 966139-04 | Valance assembly, 57" |
| 5. 703191-04 | Blind, 21" x 23", Aluminum |
| 6. 998171-09 | Curtain assembly, 38.5" x 25.5" |
| 7. 998171-11 | Curtain assembly, 35" x 30.5" |
| 8. 998171-08 | Curtain assembly, 18." x 55.5" |
| 9. 998171-04 | Curtain assembly, 16.5" x 26.5" |

SAFARI- BAMBI

DRAPES/BLINDS/VALANCES

Drapes/Blinds 25' Front Bed, Special Edition

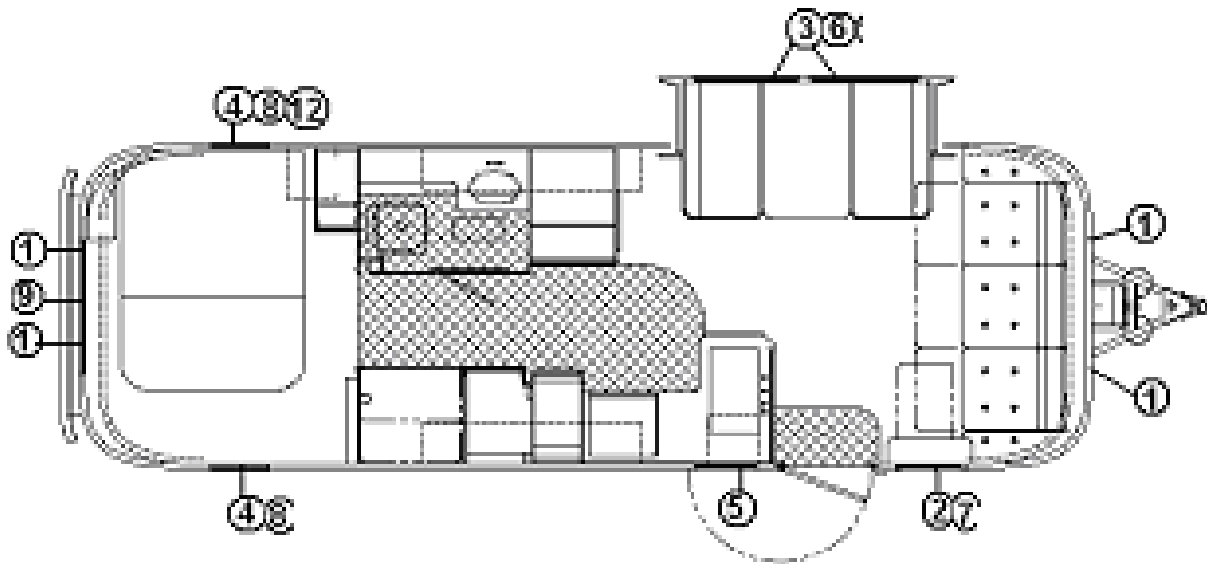


- | | |
|---------------|-----------------------------------|
| 1. 703191-11 | BLIND BRUSHED ALUM 29.5 X 29L |
| 2. 703191-17 | BLIND-29.75" X 33.5" MINI BLIND |
| 3. 703191-14 | BLIND BRUSHED ALUM. 20.5 X 21. |
| 4. 703191-13 | BLIND BRUSHED ALUM. 18.75 X 32 |
| 5. 801589-01 | VALANCE ASSY-32" |
| 6. 801589-02 | VALANCE ASSY-20" |
| 7. 381898 | SPACER-NYLON .166ID X .24OD X.25L |
| 8. 998144-09 | DRAPE-CS SIDE PANEL 40" X 25.5 |
| 9. 998144-07 | DRAPE-RS FRT PNL 27" X 25.50" |
| 10. 998144-05 | DRAPE-CS FRT PNL 27" X 25.50" |
| 11. 998144-11 | DRAPE-CS SIDE PANEL 40" X 25.5 |
| 12. 703191-18 | BLIND-50.5"X28" MINI BLIND |

SAFARI- BAMBI

DRAPES/BLINDS/VALANCES

Drapes/Blinds, 28' S/O

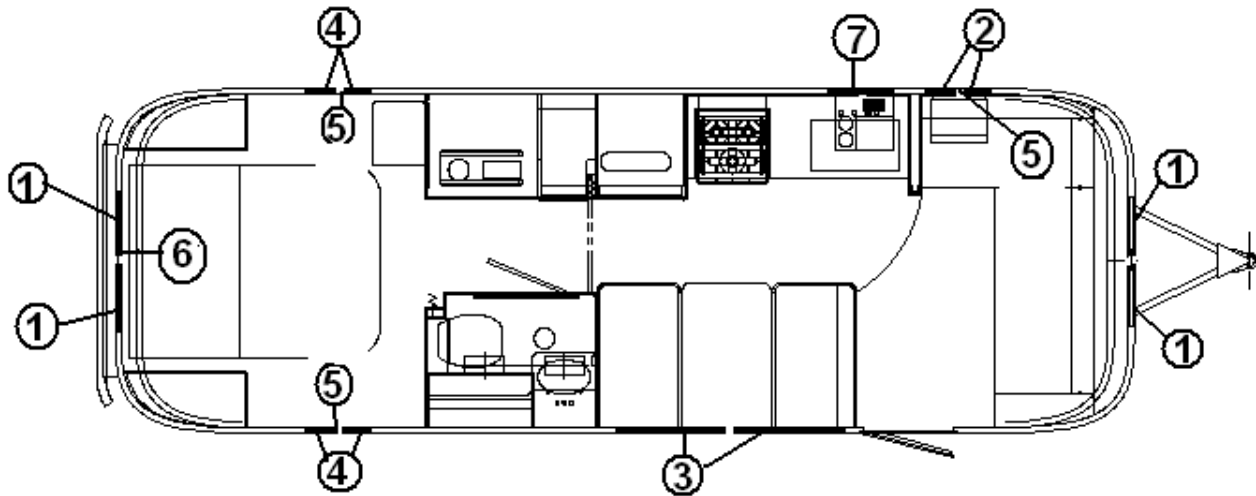


- | | |
|--------------|-----------------------------|
| 1. 998171-09 | CURTAIN ASSY- 28.5" X 25.5" |
| 2. 998171-02 | CURTAIN ASSY- 13" X 35.5" |
| 3. 998171-11 | CURTAIN ASSY- 35" X 30.5" |
| 4. 998171-04 | CURTAIN ASSY- 16.5" X 26.5" |
| 5. 703191-04 | BLIND MINI METAL 21" X 23" |
| 6. 966139-01 | VALANCE ASSY. 69" |
| 7. 966139-02 | VALANCE ASSY, 26.5" |
| 8. 966139-03 | VALANCE ASSY. 36" BED |
| 9. 966139-04 | VALANCE ASSY. 57" BED |

SAFARI- BAMBI

DRAPES/BLINDS/VALANCES

Drapes/Blinds 28' W

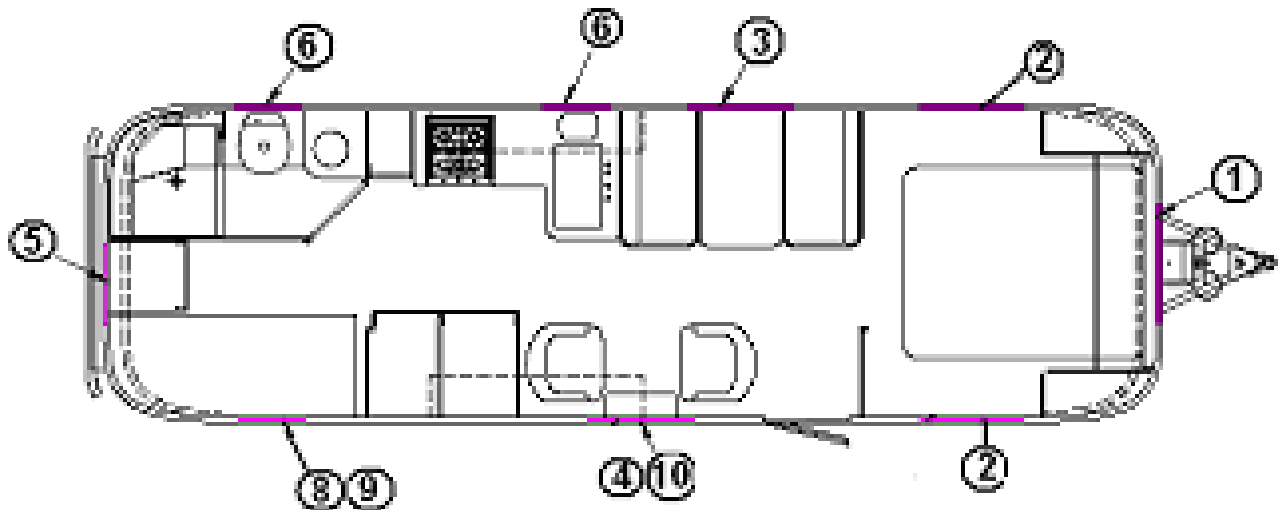


- | | |
|--------------|-----------------------------------|
| 1. 998171-09 | CURTAIN ASSY- 28.5" X 25.5" |
| 2. 998171-02 | CURTAIN ASSY- 13" X 35.5" |
| 3. 998171-10 | CURTAIN ASSY- 35"X 27.5" |
| 4. 998171-01 | CURTAIN ASSY- 13" X 26.5" |
| 5. 966139-02 | VALANCE ASSY- 26.5" |
| 6. 966139-04 | VALANCE ASSY-57" |
| 7. 701191-04 | Mini Blind, Brushed Aluminum |
| 702355-01 | SHADE, PULL, MICHELL, 20-1/8 X 3' |

SAFARI- BAMBI

DRAPES/BLINDS/VALANCES

Drapes/Blinds 30'



- | | |
|---------------|--------------------------------------|
| 1. 998171-09 | CURTAIN ASSEMBLY, 28.5" X 25.5" |
| 2. 998171-08 | CURTAIN ASSEMBLY, 18" X 35.5" |
| 3. 998171-05 | CURTAIN ASSEMBLY, 18" X 27.5" |
| 4. 998171-07 | CURTAIN ASSEMBLY, 18" X 31.5" |
| 5. 998171-03 | CURTAIN ASSEMBLY, 14.5X 26.5" |
| 6. 703191-04 | BLIND MINI METAL, 21" X 23" ALUMINUM |
| 7. 998164-01 | CURTAIN PANEL, 16" NO PLTS X 12" L |
| 8. 998164-02 | CURTAIN PANEL, 16"NO PLTS X 17" L |
| 9. 966139-06 | VALANCE ASSEMBLY, 36" |
| 10. 966139-03 | VALANCE ASSEMBLY, 36" |
| 702355-01 | SHADE, PULL,MICHELL, 20-1/8 X 3' |

SAFARI- BAMBI
DRAPES/BLINDS/VALANCES

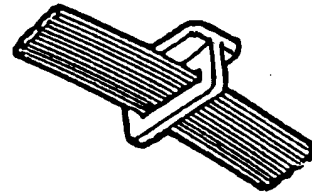
Drapes Hardware



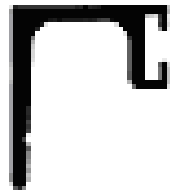
101220
Bracket, curtain
stand off



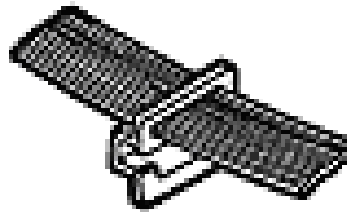
101217
Track, curtain



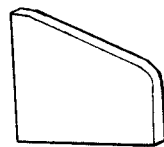
700044
Glides, w/elastic
"T" type



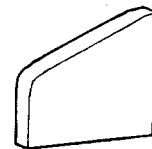
101225
Bracket, curtain
stand off



700045
Glides, w/elastic
"G" type



200785
End, curtain track, LH



200784
End, curtain track, RH

100099 EXTRUSION, ALUMINUM, CURTAIN TRACK TOP

SAFARI- BAMBI

ELECTRICAL, 110 VOLT

Shore Line Cord

511416-02 30-amp, male power inlet
511416-03 POWER CORD 30A 30' W/CONN UL/CSA

Converter

511654 POWER CENTER-110V/12V MAGNATEK, BROWN
511654-01 POWER CENTER-110V/12V MAGNATEK, BLACK
510743 GROUND BAR, 3 ½" LONG

Breakers, USA

510564-05 BREAKER BRYANT 30-20
510564-04 BREAKER BRYANT 20-20
510564-20 GFI BREAKER, TYPE BR, 20GFI, #GFCB-120
510564-06 BREAKER- BRYANT 20 GFI

Switches

500913-03 SWITCH T & B WHITE
511814-01 Receptacle, 15 amp, gray
511814-02 Decorator plate, gray

Exterior Outlet/Circuit Tester

510676-01 Outlet, exterior, gray
511023 Circuit tester (loose item)

Junction Box

510014 BOX JUNCTION OCTAGON #54151-C
510015 BOX COVER #54C-1
510475 CLIP, GROUND

SAFARI- BAMBI
ELECTRICAL, 110 VOLT

Breakers, CSA

510564-03 BREAKER BRYANT 15-15
510564-04 BREAKER BRYANT 20-20
510564-06 BREAKER- BRYANT 20 GFI

Receptacles

511451-01 RECEPTACLE 20A SINGLE WHITE
500563-01 RECEPTACLE, 15A 125V T&B TYPE
500967-01 COVER, BLANK, ELEC., IVORY #86
511287 Receptacle, 15 amp, single

SAFARI- BAMBI

ELECTRICAL, 12 VOLT

Battery/Battery Box, 16', 22'

511595	Battery box
511596	Battery, deep cycle
340023	Latch, Corbin, battery box
500837	Battery cable, black
500836-02	Battery cable, red, 72"

Battery/Battery Box, 20', 25', 28', 30'

511596	BATTERY-DEEP CYCLE GRP.24, 30'
511828	BATTERY-12V DEEP CYCLE AGM, w/solar panel option only
203415	Battery tray
381814	Wing nut, battery hold down
381613	Cover, black plastic for hold down wing nut
500836-02	Positive battery cable
500837	Negative Battery cable
410551-02	LID BATTERY BOX
381430	LOCK,TWIST,STRAIGHT CAM
380203-01	PIANO HINGE 1/8" PIN

7-Way Cable

500886-01	7-Way cable w/plug
510947-20	20 amp BREAKER, 12V DC, TYPE II, #12V20
510948-04	BAR BUSS CIRCUIT BREAKER
510743	GROUND BAR, 3 1/2" LONG

Fuse Box, CSA

964082	FUSE BLOCK ASSY. 12V CSA
452412-01	BRACKET FUSE BLOCK 12V CSA
511313	BLOCK FUSE ATC 12V 6 POSITION
511314	BUSHING UNIVERSAL 1" I.D. BLAC
511345	FUSE 30A AGU GLASS TUBE BUSSMA
510655-01	DOOR/FRAME ONLY W/LATCH 12V PA

SAFARI- BAMBI
ELECTRICAL, 12 VOLT

Switches, 12 Volt

502056	Mounting plate, 12 volt switch
500967-01	COVER, BLANK, IVORY
511745	SWITCH ASSY- THREE GANG WHITE
511327	Switch body w/rocker, single, white
510868-03	Switch panel, 4 gang, white, by door
511567-01	SWITCH BODY W/ROCKER, 2 GANG BLACK
511567-02	Switch body w/Rocker switches, two gang white
511566-02	Cover, switch, Printed, Two Gang, White
511566-01	SWITCH COVER-2 GANG BLACK
511665	SWITCH ASSY, CEILING WHITE
452412	BRACKET FUSE BLOCK 12V
510658	SWITCH W/WEATHER-PROOF BOOT
511810	SWITCH ASSY-4 GANG WHITE
511836	SWITCH, REFER/FAN WHITE #AH-AS
511682	SWITCH ASSY-3 GANG WHITE
511669	SWITCH ASSY-SHOWER WHITE
511658	SWITCH BODY W/COVER 3-GANG WHITE
511731	SWITCH-WATER HEATER
511531	SWITCH TRAVEL LOCK, S/O TT
500933	SWITCH-WATER HEATER ELECTRONIC
511672	SWITCH BODY W/COVER 3 GANG BLACK
511673	SWITCH COVER-TWO GANG BLACK
511674	SWITCH COVER-ONE GANG BLACK
511867	SWITCH ASSY-4 WAY WHITE 16' SAFARI

SAFARI- BAMBI
ELECTRICAL, 12 VOLT

Safety Detectors

510781	Detector, smoke
511309	Detector, LPG
510891	DETECTOR, SMOKE, CSA ONLY
511343	DETECTOR CARBON MONOXIDE 9 VOLT

Battery Disconnect

511655-01	BDO BEZEL ASSY-BLACK/SILVER
511655-02	BD RELAY 100 AMP 12VOLT
511655-03	CABLE, BDO/1, 20 FT

Covers for Wiring In Cabinets, Plastic

511227-03	RACEWAY-GRAY PLAS.TYPE L
511227-04	END CAP-RACEWAY GRAY

Inverter, 600 Watt, option

511968	INVERTER 600W W/REMOTE
511969	110A FUSE & FUSE BLACK
500039	GROUND LUG
500563-01	RECEPTACLE, 15A 125V T & B TYPE
511451-01	RECEPTACLE 20A SINGLE WHITE XL

SAFARI- BAMBI

ELECTRICAL, 12 VOLT

12 Volt Outlet

510807	Outlet, 12 volt
511121	Mounting plate, 12 volt receptacle
511276	Cover, 12 out let

Break away Switch

0300027	Break away switch, Bargman
0360254H	BREAK-AWAY SWITCH BRACKET

Solar Panel

511828	BATTERY-12V DEEP CYCLE AGM
511142-01	PANEL-SOLAR 53 WATT VLX-53
511142-02	BRACKET-MOUNTING KIT SOLAR PANEL
510696	HOLDER,FUSE,IN-LINE
510328	AGC 10 FUSE-FUSE PANEL
385947	LABEL 10 AMP FUSE MAX.
511846	KIT-CHARGE CONTROLLER DISPLAY
511851	CABLE- CAT 5E BLUE
511852	CONNECTOR- RJ45E

Monitor Panel and Sensor

511788-01	Monitor panel, CATCON Micropulse
511789-01	BOOT-SENSOR #500-20010-05
511789	SENSOR, TANK MONITOR
511286-01	WIRE FLAT TELEPHONE 26 GA. BLACK
511286-02	WIRE FLAT TELEPHONE 26 GA. IVORY
511252	PLUG PHONE 4 CONDUCTOR
511393	COUPLER-MODULAR EXTENSION, 4 CONDUCTOR
511817	COUPLER, IN LINE PHONE JACK

SAFARI- BAMBI
ELECTRICAL, 12 VOLT

External Telephone/TV Jack

452981	PHONE JACK PROTECTIVE PLATE
104619	Mounting plate, exterior telephone/TV jack
511411	Junction box, 7 terminals
511375	JACK MODULAR TELEPHONE TA-1020
510616	F CONNECTOR, COAX, 75 OHM

Interior Lights

511248	Light, 12 volt, incandescent, single, interior
500492	LAMPHOLDER 11-22XP14 LEECRAFT
511695	SPOTLIGHT-BRUSHED NICKEL
511694	LIGHT ,READING HALOGEN BRUSHED ALUMINUM
511971	LIGHT, 12V DOUBLE W/SWITCH
511970	LIGHT, 12V SINGLE W/SWITCH
511694-01	READING LIGHT, HALOGEN, NICKEL/BRASS

Interior Telephone Jack

510624-01	MODULAR PHONE QUICK JACK WHITE
511375	JACK MODULAR TELEPHONE
510174	TELEPHONE WIRE
511276	Cover, 12 outlet
510654-01	TV jack, 12 volt w/splitter

TV Hook Up Blank Plate

512025-01	V JUNCTION DEVICE, SELF CONTAINED, WHITE
512025-02	PLATE, SNAP ON, ONE GANG SCD, WHITE

Flashlight

690538	Flashlight, LED, rechargeable
--------	-------------------------------

SAFARI- BAMBI
ELECTRICAL, 12 VOLT

Exterior Lights

500092	Patio light, round, Signal Stat
510160	Bulb, patio light #1156
510732-02	Utility light (by main door)
510651	Light, front access compartment
511750	Light, teardrop, amber
511751	Teardrop light, red
500053	License plate light w/plate mounting bracket

Tail Light Assembly, Standard

500500-RS	TAILLIGHT ASSY. LED R.S.
500500-CS	TAILLIGHT ASSY. LED C.S.
511860-01	LIGHT-4"LED RED
511860-02	BEZEL- 4" ROUND CHROME W/VISOR
381873	Gasket, Taillight

Tail lights, Round, Cast, Roadside, Curbside

952696-01	TAIL LIGHT ASSEMBLY, ROADSIDE
952696-02	TAIL LIGHT ASSEMBLY, CURBSIDE
511661	TAIL LIGHT-LED OVAL 6"
511664-01	CASTING-TAIL LIGHT R.S.
511664-02	CASTING-TAIL LIGHT C.S.
511662	TRIM RING-TAIL LIGHT W/VISOR
115073-01	BRACKET-R.S. TAILLIGHT
115073-02	BRACKET-C.S. TAIL LIGHT
115074	BRACKET-CENTER TAIL LIGHT
381873	Gasket, Taillight

SAFARI- BAMBI
ELECTRICAL, 12 VOLT

Tail lights, Safari Classic Option

952762-01	TAIL LIGHT-ROADSIDE CLASSIC
114346-01	BEZEL TAIL LIGHT CASTING ROADSIDE
952762-02	TAIL LIGHT-CURBSIDE CLASSIC
114346-02	BEZEL TAIL LIGHT CASTING CURBSIDE
201929	CLOSE-OUT TAIL LIGHT
511003-03	LIGHT-RED CLASS "A" REFLEX W/CLEAR
511854	LENS-AMBER TAILLIGHT
511973	LIGHT, STOP/TAIL/TURN LED
195511-05	ORANGE LENS

Chassis Electrical Conduit

600035	ELL ABS LONG SWEEP 1 1/2"
601160-03	PIPE, ABS DVW, 2"
600193	2"DUCT THERMAFLEX FLEXIBLE AIR

SAFARI- BAMBI

ENTERTAINMENT

Radio/Antenna

511732 Radio, AM/FM/CD, CDX-CA710X
511761 SPEAKER 120W 6.5" WHITE SONY
500913-03 SWITCH , T & B WHITE
500484-05 Antenna lead & extension, 72"
511807 Antenna, AM/FM rubber, 13"
511827 Wall Plate, Coax, White

TV Antenna/Jack

510788-01 TV antenna, Winegard, long boom
510788-05 ANTENNA, TV WINEGARD SHORT BOOM
510788-03 Amplifier, TV antenna
510788-04 Hardware package, interior, Winegard
114396 TV antenna roof trough
510612 Coax, 75 ohm, standard
510613 Coax, 75-ohm w/three conductors
510623 Connector, coax, male to male
510616 CONNECTOR, COAX, 75 OHM
511827 WALL PLATE FLUSH MOUNT COAX-WHITE
510621-04 SPLITTER-COAX, 4 OUTLETS

Audio Upgrade Package

511822 SUBWOOFER POWERED, 6.5 WEDGE
203465 SPACER-SPEAKER PLASTIC 6.50" S
511191 CD CHANGER-10 DISK SONY CDX-75
952761 DIAGRAM-BLOCK PREMIUM SOUND SYSTEM
511863-02 A/B Selector Switch Kit
512024 Jack, 12V, DC, Audio Prep

SAFARI- BAMBI

ENTERTAINMENT

External Speakers, Wireless

511987 SPEAKER-OUTDOOR WIRELESS
386161 DECAL-AIRSTREAM .7" X 6.4" BLACK

Audio/Video Upgrade Package

511824 RADIO AM/FM/CD/DVD, JVC
511720 SPEAKER-6.5"BLK JVC
511822 SUBWOOFER 8" ACTIVE SONY
511622 CD CHANGER RF 12 DISK JVC
690490 TV, 15"LCD FLAT LC15EIU SHARP
381209-01 GROMMET-W/CAP BLACK 1.5" HOLE
203466 SPEAKER SPACER-PLASTIC 6.50" JVC
511703 CORD-PATCH MALE/MALE 2-WAY 20'
511834 PATCH CORD 30' DUAL MALE TO MALE
511835 PATCH CORD 30' 3-WAY MALE TO MALE
511732 RADIO AM/FM/CD/CD CONTROLLER
511761 SPEAKER 120W 6.5" WHITE SONY
500913-03 SWITCH T&B WHITE
511451-01 RECEPTACLE 20A SINGLE WHITE XL
511863-02 SPEAKER CONTROL MODULE-RLM SER
386159 LABEL-FLAT SCREEN TV

SAFARI- BAMBI

ENTERTAINMENT

Audio/Video Upgrade Package, 19' Front

511732	RADIO AM/FM/CD/CD CONTROLLER
511761	SPEAKER 120W 6.5" WHITE SONY
500913-03	SWITCH T&B WHITE
511839	RADIO AM/FM/CD/DVD KD-DV5000-2
511721	CHANGER-CD 12 DISC JVC #CH-X15
511856	WIRING KIT- 4 WAY FLAT EXT.SPE
511863	SWITCH-A/B SPEAKER-RADIO #AP-S
511863-01	MODULE-SPEAKER CONTROL #AT-RLM
511822	SUB WOOFER-POWERED 6.5" WEDGE
511863-02	A/B Selector Switch Kit
511926	Auxiliary audio switcher

Audio/Video Upgrades Package 23'

512059	RADIO-AM/FM/CD/DVD CONT-SONY
511761	SPEAKER 120W 6.5" WHITE SONY
511822	SUB WOOFER-POWERED 6.5" WEDGE
511191	CD CHANGER-10 DISK SONY CDX-75
511835	PATCH CORD 30' 3-WAY MALE TO MALE
512054	BRKT-WALL ARTICULATING ARM
385587	CAP-HOOD BUMPER
690534	TV- 19" LCD COLOR SONY
690543	TV- 15" LCD COLOR SONY
203465	SPACER-SPEAKER PLASTIC 6.50" S
511834	PATCH CORD 30' DUAL MALE TO MALE
511703	CORD-PATCH MALE/MALE 2-WAY 20'

SAFARI- BAMBI

ENTERTAINMENT

Exterior TV/Telephone Jack

500996 Jack, TV/phone, gray
510741 BOX/ELECTRICAL, 1 ½" X 2" X 3"
510654-01 TV jack/12 volt w/splitter, white
511276 Cover, 12 outlet

Radio System, Two Way Radio

511832 Radio, 2-Way

Radio, Forward Bedroom, 30'

511840 RADIO, AM/FM/CD FISHER
511841 CABLE, FEMALE TO TWO MALE
511842 ADAPTOR, METRA ANTENNA

Satellite Radio/Antenna System

511866-05 SATELLITE RADIO SYSTEM
511866-01 SATELLITE RADIO RECEIVER SIRUS
511866-02 SATELLITE RADIO KIT, HOME ADAPTER SIRUS
511862 SWITCH-SOURCE SELECTOR #XA-300
511866-03 BRACKET-DOCKING STATION RECEIVER
511866-04 PLANE-ANTENNA GROUND
511926 Auxiliary Audio Switcher

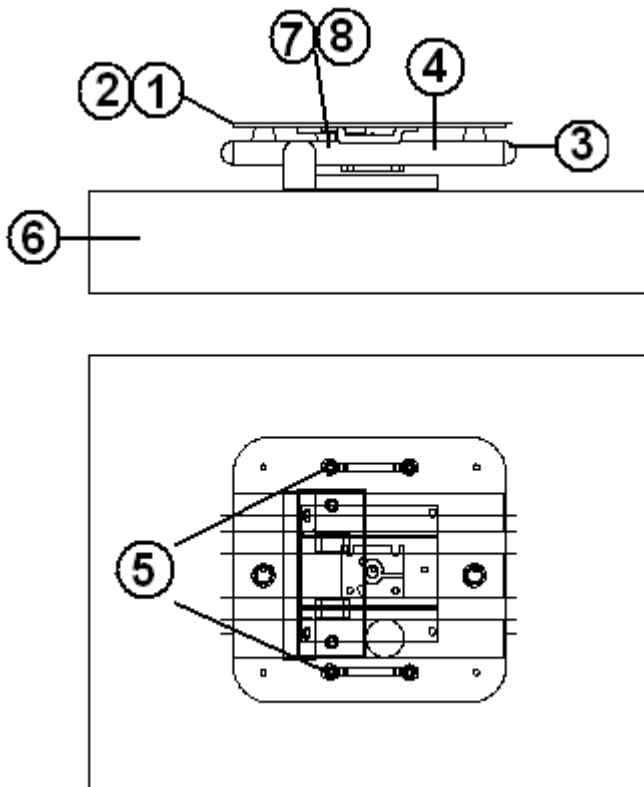
Satellite TV Jack

511534 Dual coax plate, Satellite TV, hook up

SAFARI- BAMBI

ENTERTAINMENT

Flat Screen TV/Bracket Installation



- | | |
|-----------|-------------------------------------|
| 1. 454477 | Bracket, TV mount Wall, 19' |
| 2. 454476 | Bracket, TV mount Wall, 15' |
| 3. 512105 | Bracket, articulating arm, flat TV |
| 4. 385587 | Cap Hood bumper |
| 5. 381566 | Loop, footman steel |
| 6. 703455 | Strap, 20" TV |
| 7. 454448 | TV mount stabilizer bracket, 15" TV |
| 8. 454455 | TV mount stabilizer bracket, 19" TV |
| 510110 | Clamps, adhesive backed |
| 350147-25 | Nut, nylon lack, 1/4" x 20 |
| 300111-25 | Washer flat |
| 690490 | TV, flat screen, 15' |
| 690534 | TV, Flat Screen, 19" |

SAFARI- BAMBI

FLOOR COVERING

Carpet/ /Rug/Linoleum

702794-07	Carpet, Landscape Wheat, All Color Schemes
381183-01	EDGEING, CARPET RIPPLE ALUMINUM 12'
701538	Carpet, Velour-compartment liner
701538-01	CARPET-ECONOLIER W/PSA BACK
700173-01	Pad, carpet, 1/2" thick

Floor Mats

702549	MATT ENTRANCE W/AIRSTREAM LOGO
703452	RUG, THROW OVAL 30'SAF

Vinyl Flooring

703460	LINOLEUM, WOOD PLANK DISCOVER
--------	-------------------------------

Diamond Tread Plate

115209-01	DIAMOND PLATE, .025" X 4' X 8'
115209-02	DIAMOND PLATE, 30" x 74"
115212-07	TREAD PLATE, 26.69" X 55.2", 30' DOUBLE BED

SAFARI- BAMBI

FURNITURE, DOORS

Doors, Roof Locker

965551-01	DOOR-RADIUS FOAM 15.25" X 35.5"
965551-02	DOOR-RADIUS FOAM 15.25" X 31.63"
965551-03	DOOR-RADIUS FOAM 15.25" X 28.38"
965551-04	Door, radius foam, 15" x 23.13"
965551-05	DOOR-RADIUS FOAM 15.25" X 12.5" RH
965551-06	DOOR-RADIUS FOAM 15.25" X 12.5" LH
965551-09	Door, radius foam, 15" x 4.06"
965551-10	DOOR-RADIUS FOAM 15.25" X 6.19"

SAFARI- BAMBI
FURNITURE, DOORS

Doors, Wardrobe/Cabinet

Width x height

801341-11	DOOR, 8.63" X 12.63"
801341-18	DOOR, 9.50"X 28.38"
801341-19	DOOR, 14.25"X 63.38"
801341-22	DOOR, 17.50" X 61.25"
801341-23	DOOR, 14.00" X 23.00" L
801341-24	DOOR, 14.00" W X 38.13" L
801341-25	DOOR, 14.63" X 23.63"
801341-26	DOOR, 18.63" X 23.63"
801341-37	Door, 24.44" x 10.19"
801341-38	Door, 19.81" x 31.31"
801341-40	Door, 21.63" x 8.00"
801341-41	Door, 21.63" X 4.81"
801341-42	Door, 25.06" x 16.13"
801341-43	Door, 13.81" X 25.38"
801341-44	Door, 11.38" X 23.63"
801341-45	Door, 11.38" X 38.13"
801341-47	Door, 8.88" X 19.13"
801341-48	DOOR, RS TWIN BED 25.00"X 14.25"
801341-49	DOOR, 17.38" X 14.25
801341-50	DOOR, 11.38" X 17.00"
801341-51	DOOR, 11.38" X 9.88"
801341-52	DOOR, 11.13" X 7.5"
801341-53	DOOR, 11.38" X 11.25"
801341-54	DOOR, 11.38" X 19.75"
801341-55	DOOR, 17.00" X 61.88"
801341-56	DOOR, 19.50" X 30.63"
801341-57	DOOR, 24.81" X 11.29"
801341-59	DOOR, 8.63" X 29.13"
801341-63	DOOR, 17.5" X 61.25"
801341-64	DOOR, 14.63" X 23.63"
801341-65	DOOR, 18.63" X 23.63"

(continued)

SAFARI- BAMBI
FURNITURE, DOORS

Doors, Wardrobe/Cabinet (continued)

801341-66	DOOR, 15.75" X 17.88"
801341-67	DOOR, 6.31"X 14.13"
801341-68	DOOR, 11.5" X 25.63"
801341-69	DOOR, 24.81" X 8.88"
801341-80	DOOR, 10.63" X 25.19"
801341-81	DOOR, 10.38" X 23.63"
801341-82	DOOR, 14.79" X 9.35"
801341-83	DOOR, 15.5" X 31.75"
801341-84	DOOR, 10.06" X 7.63"
801341-85	DOOR, 10.06" X 6"
801341-92	DOOR, 17.18" X 29.38"
801341-94	DOOR, 17.56" X 26.5"
801341-95	DOOR, 11.59" X 61.13"
801341-96	DOOR, 10.50" X 23.38"
801341-97	DOOR, 14.25" X 23.38"
801341-99	DOOR, 18" X 36.75"
801341-100	DOOR, 18" X 40"
801341-102	DOOR, 9.75" X 7"
801341-103	DOOR, 9.75" X 39.38"
801341-104	DOOR, 14.38" X 9.69"
801341-105	DOOR, 14.38" X 9.69"
801341-106	DOOR, 25.13" X 9.69"
801341-107	DOOR, 10.88" X 17"
801341-108	DOOR, 10.88" X 10"
801341-110	DOOR, 20.5" X 16.5"
801341-111	DOOR, 17.5" X 16.5"
801341-120	DOOR, 10.44" X 71"
801341-121	DOOR, 14.13" X 11.5"
801341-122	DOOR, 14.13" X 7.13"
801341-123	DOOR, 14.13" X 11"
801341-124	DOOR, 9.44" X 14.88"

SAFARI- BAMBI
FURNITURE, DOORS

Doors, Wardrobe/Cabinet (continued)

801341-129	DOOR, 25.13" X 7.5"
801341-131	DOOR, 14.13" X 27.13"
801341-138	DOOR, 6.5" X 46.25"
801341-139	DOOR, 6.5" X 16.5"
801341-152	DOOR 9.25W" X 23L"
801341-153	DOOR 9.25W" X 38.12L"
801341-154	DOOR 14.50" X 22.38"
801341-155	DOOR 21.62" X 6.00"
801341-164	DOOR-15.03" X 62.25"
801341-165	DOOR-15.03" X 15.31"
801341-168	Door, 9.25" x 9.88"
801341-169	Door, 13.75' x 30.88"
801341-184	Door, 26.75" X 16.5"
801341-185	Door, 15.88" X 57.44"
801341-186	Door, 15.88" X 6"
801341-187	Door, 15.88" X 9.63"
801341-188	Door, 12.75" X 31.31"
801341-189	Door, 14.88" X 7.38"
801341-190	Door, 23.63" X 10.38"
801341-191	Door, 8.69" X 22.38"
801341-192	Door, 17.75" X 25.75"
964385-16	Door, breaker box cover 7.5 x 13.75", 19 ft.

SAFARI- BAMBI
FURNITURE, DOORS

Doors, Bath

965567 DOOR ASSEMBLY "C" BATH, 25.50" X 72.00", 30',
28', 25' FB, 25'A & B
966409 Door Assembly, "C" bath, 24" X 72.00", 25' FB
966087 DOOR ASSEMBLY, MIRROR BATH, 30'
966047 DOOR, "C" BATH, 25' Sleep Six, 23', 19'
965512-01 DOOR, BATH, 22'
966554 BATH DOOR ASSY, W/MIRROR, 20'

Doors, Shower, 30', 25' SS, 25' A & B, 20', 19'

702937-03 SHOWER DOOR-ROLL AWAY, 62" X 36"
381403 LATCH-TRAVEL SHOWER DOOR

Doors, Foldette, 19', 25', 28'

702681-04 FOLDETTE IRVINE 56" X 73"
702681-03 DOOR FOLDETTE 46" X 73" BEIGE
101038 EXTRUSION, HEADER, BROWN, 25 Sleep Six
381563-01 Track, formed, foldette door
452258 BRACKET, MTG. FOLDETTE DOOR
701342-01 Strap, holdback, 7"
381581 STRAP CLEAR PLASTIC .75"W
700811 BUTTON CAP, HANDY #36
700812 BUTTON BOTTOM, HANDY #36 OAK

SAFARI- BAMBI

FURNITURE, DOORS

Doors, Foldette, 25' FB, 30'

702681-08	FOLDETTE DOOR, BEIGE 60" X 73"
381860	TRACK-FORMED FOLDETTE 30'
381890-01	TRACK-FORMED FOLDETTE 25' FB
381890-02	TRACK-STRAIGHT FOLDETTE 25' FB
701342-01	STRAP, VINYL, HOLDBACK, 7.0" LONG
452258	BRACKET, MTG. FOLDETTE DOOR

Doors, Foldette, 22', 23'

452258	BRACKET, MOUNTING, FOLDETTE DOOR
702681-08	FOLDETTE DOOR, BEIGE 60" X 73"
701342-01	STRAP, VINYL, HOLD-BACK, 7.0" LONG
381768	TRACK-FOLDETTE DOOR

Door, Foldette, 20'

702681-08	FOLDETTE DOOR, BEIGE 60" X 73"
381946	TRACK, FOLDETTE DR 20'

Doors, Sliding

966088	DOOR, FRONT SLIDING 30'
--------	-------------------------

SAFARI- BAMBI

FURNITURE, MIRRORS/DRAWERS

Mirrors

372203-04	Mirror, safety glass, medicine cabinet, 36" x 14"
372203-05	Mirror, safety glass, medicine cabinet, 19" x 14"
372203-11	MIRROR- POL EDGES- 17.00" X 21.25"
372203-14	Mirror, safety glass, 21.00" X 22.00"
372203-24	Mirror, safety glass, 9.50" x 20.00"
372203-30	Mirror, safety glass, medicine cabinet, 30" x 14"
372203-22	Mirror, safety glass, 14.00 X 16.
372203-26	Mirror, safety glass, 13.62" X 58"
372203-09	Mirror, safety glass, 14" X 22"
372203-33	MIRROR-SAFETY, .125" X 14" X 40"
372210-11	MIRROR- BEVELED, 7.75" X 19.50"
371383	MIRROR FOR MEDICINE CABINET, 22' 13.62" X 16"
372213	TRIM-BRIGHT CHROME 1/8"
371397	MIRROR-18.5" X 31"
966089	TRIM RING-MIRROR, 16', 30'
381220-01	MIRROR CLIP, #309NP NICKEL PLATE
381220-02	MIRROR CLIP, #318NP NICKLE PLATE
320097	SCREW, BRASS PLATED, OVAL HEAD
104965-01	RETAINER CLIP-GALLEY

SAFARI- BAMBI

FURNITURE, MIRRORS/DRAWERS

Drawers/Drawer Boxes

201016	Drawer, plastic, 16" x 22", lounge
201051	DRAWER 10" X 22", twin bed
801399-01	DRAWER HIDDEN 13.00W X 3.38 H, galley, 25'
801399-03	DRAWER-HIDDEN 4.13X 16.88"
801399-04	DRAWER-HIDDEN 13.00"W X 3.38"H, 30'
801399-05	DRAWER-HIDDEN 13.00"W X 3.38"H, 30'
801399-06	DRAWER-HIDDEN 17.69" X 12.88", 30'
964909-11	DRAWER BOX, 10" X 14.0" X 19", 16', 19' Dinette
965553-01	DRAWER, BOX, 4.38" X 12.5" X 17
965553-03	DRAWER, BOX, 4.38" X 7.88" X 17
965554-03	DRAWER BOX, 5.625" X 17.25" X 17"
965554-05	DRAWER BOX, 5.63" X 14.25" X 17.63"
965554-06	DRAWER BOX ASSY-5.63" X23" X 21.75"
965955-01	DRAWER BOX, 5.88"X 17.88"
965555-02	DRAWER BOX, 8.00" X 9.5" X 20"
965956-01	DRAWER BOX, 4.63"X17.38"
965558-02	DRAWER BOX, 8.00" X 11.5" X 14"
965558-03	DRAWER BOX, 8" X 10.25" X 14.88", 30'
965558-04	DRAWER BOX, 8" X 15.25" X 14.88"
965560-02	DRAWER BOX, 5.63" X 9.25" X 14.00"
965560-03	DRAWER BOX, 5.63" X 13.5"X 12"
965642-01	DRAWER BOX, 19.75", 19' Galley
965642-01	DRAWER BOX, 3.38" X 15.25" X 14.88"
965584-01	DRAWER BOX ASSEMBLY 13.00", galley, 25' SS
965584-02	DRAWER BOX, 3.38" X 13.75" X 13."
965957-01	DRAWER BOX, 8.38" X 18.5"

SAFARI- BAMBI

FURNITURE, MIRRORS/DRAWERS

Drawer Slides

381773-02	DRAWER SLIDE-3-3/8"H X 13.75"L
381773-03	DRAWER SLIDE 15.75"
381773-10	DRAWER SLIDE, 4.63" X 17.38"
381773-11	DRAWER SLIDE-4.63" X 18.5"
381773-15	DRAWER SLIDE-5.875" X 15.75"
381773-16	DRAWER SLIDE, 5.88" X 17.38"
381773-17	DRAWER SLIDE-5.875" X 18.5"
381773-21	DRAWER SLIDE-8.38" X 15.75"
381773-23	DRAWER SLIDE, 8.38" X 18.5"
381773-25	DRAWER SLIDE-8.38" X 21.63"
381773-26	CLIP-LOCKING (DRAWER SLIDE/BOX)

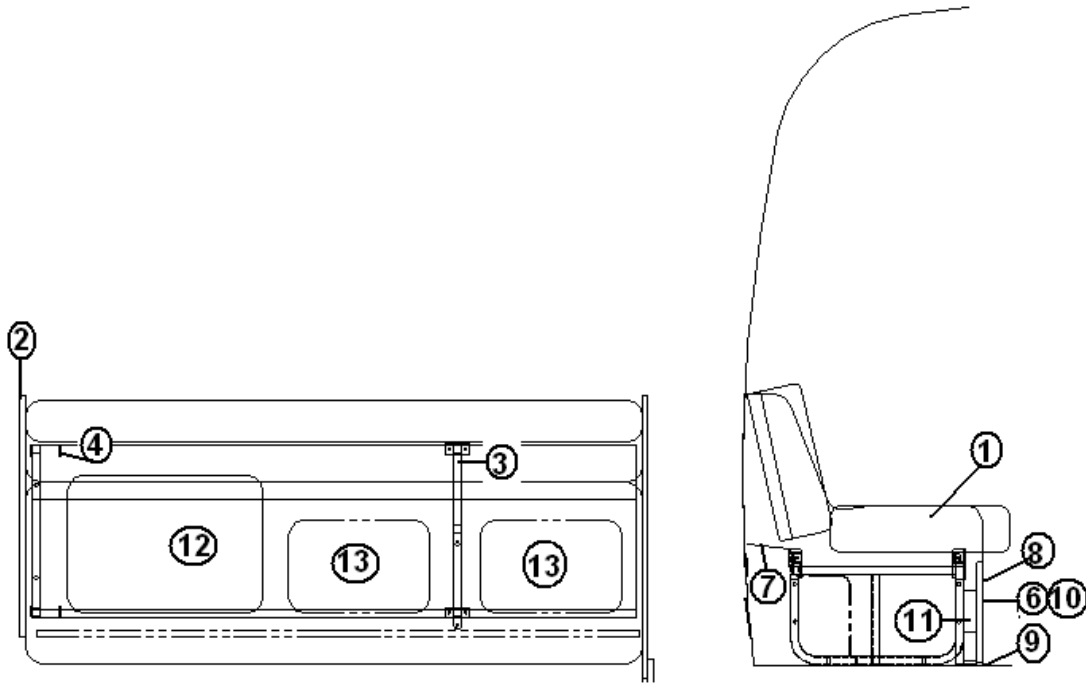
Storage Boxes

203419	STORAGE BOX 23"L X 16.75"W X 11.88"
203426	STORAGE BOX 35L"X16.75"WX12.50
203439	STORAGE BOX 17"L X 11.13"W X 6.38"
203447	STORAGE BOX 23.5" X 16.25" X 6.38"
965683	STORAGE BOX ASSY REAR BED, 28' S/O
965683-01	STORAGE BOX ASSY- REAR BED 25' Front Bed

SAFARI- BAMBI

FURNITURE, LOUNGE

Sofa, 30'

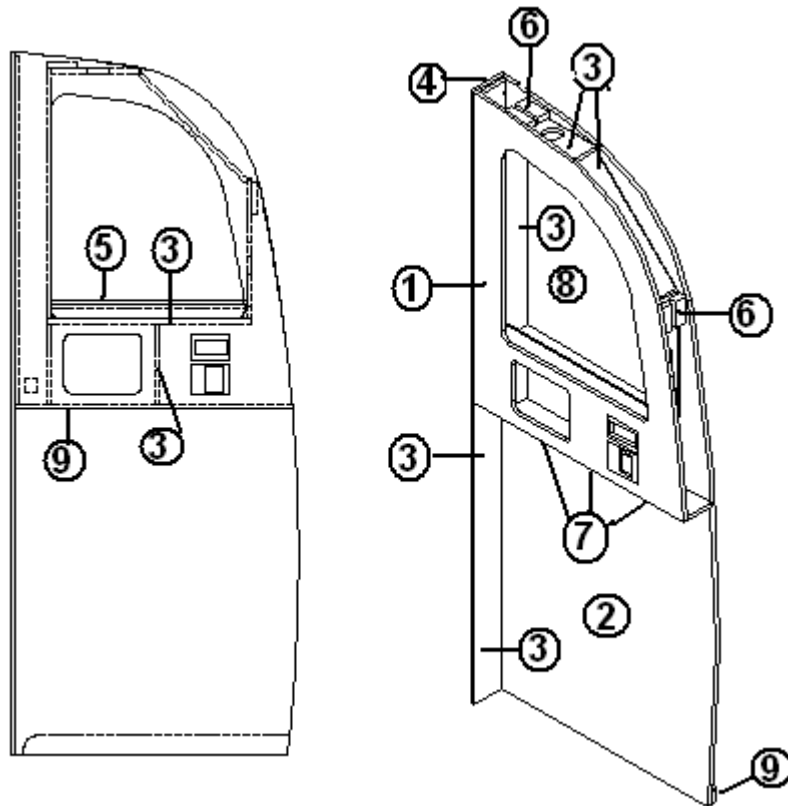


- | | |
|---------------|--------------------------------|
| 1. 703449-012 | SOFA 74" CLOTH, STRATUS |
| 1. 703449-174 | SOFA 74" CLOTH, BEACH CLUB |
| 1. 703449-184 | SOFA 74" CLOTH, FOREST SAGE |
| 1. 703449-195 | SOFA 74" CLOTH, MIDNIGHT SUN |
| 1. 703449-206 | SOFA 74" CLOTH, BUTTERSCOTCH |
| 1. 703449-02 | SOFA 74" ULTRA LEATHER |
| 2. 801500-15 | PANEL, SOFA CLOSEOUT |
| 3. 454224 | LEG, SOFA |
| 4. 453368-03 | FLEXSTEEL SOFA LEGS |
| 5. 320059 | SCREW #8 X 1 PH PHILLIPS WHITE |
| 6. 381775 | PULL HANDLE, CHROME |
| 7. 965592 | CLOSEOUT LOUNGE |
| 8. 965593 | CLOSEOUT PANEL BOTTOM |
| 9. 381072 | HINGE 3" X 1 7/8" OPEN GOLD |
| 10. 381228-01 | CATCH GRABBER DOOR C3-803 |
| 11. 801392 | PANEL, WHITELINER/WHITELINER |
| 12. 203447 | STORAGE BOX-23.5"X16.25"X6.38" |
| 13. 203439 | STORAGE BOX-17"LX11.13"WX6.38" |
| 801500-17 | PANEL - SOFA SPACER |
| 365238-03 | EDGE BANDING TAPE PVC |

SAFARI- BAMBI

FURNITURE, LOUNGE

Information Wall, 30'

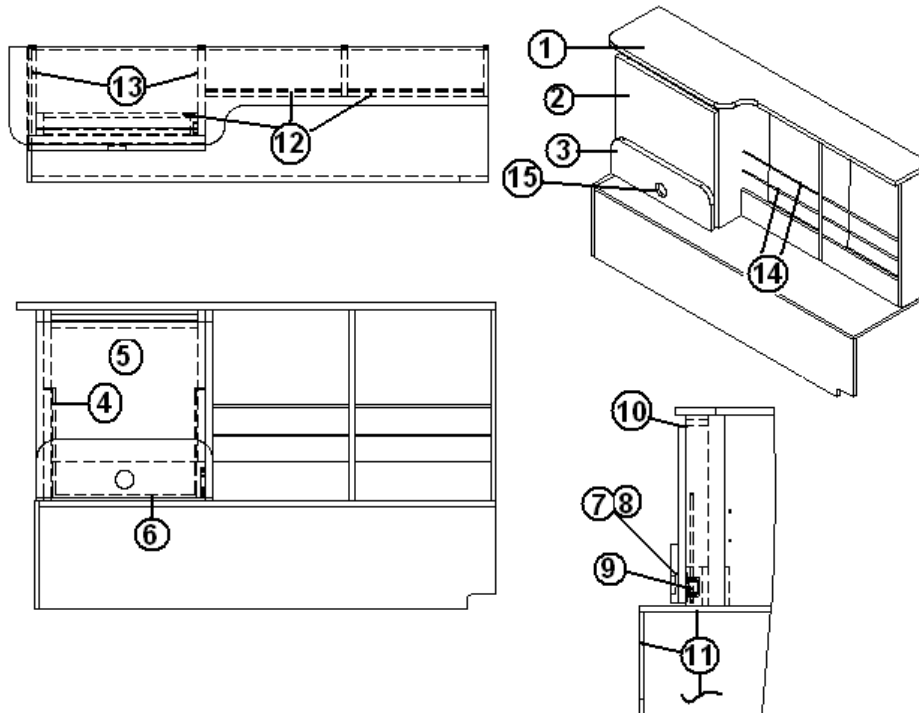


- | | |
|---|--|
| <p>966066</p> <p>1. 801500-04</p> <p>2. 801500-03</p> <p>3. 801392</p> <p>4. 801381-01</p> <p>5. 454211-01</p> <p>6. 801351</p> <p>7. 381854</p> <p>8. 801511</p> <p>9. 801383-01</p> <p>365268-03</p> <p>203445</p> <p>114070</p> <p>801002-17</p> | <p>INFORMATION WALL, 30'</p> <p>PANEL, FWD MAIN DR CS 30'SAF BUNK</p> <p>PANEL, AFT FWD BED CS 30'SAF BUNK</p> <p>PANEL, WHITELINER/WHITELINER 1</p> <p>PANEL, TROPICAL OAK/TRP OAK 12</p> <p>SHELF FRT-FORMED ALUM 30'SAF B</p> <p>LITE PLY-18MM (.75") 4'X 8'</p> <p>HOOK-COAT 2 PRONG BRIGHT NICKE</p> <p>PANEL, DRY ERASE 30'SAF</p> <p>PANEL, TRP OAK/WHITE LINER 1</p> <p>EDGEBANDING-.024"X .63" OAK</p> <p>T-MOLDING BLK FLEXIBLE POLY .5</p> <p>EXTRUSION, J-TRIM</p> <p>FIBERGLASS SHEET WHITE 77.5" X 435</p> |
|---|--|

SAFARI- BAMBI

FURNITURE, LOUNGE

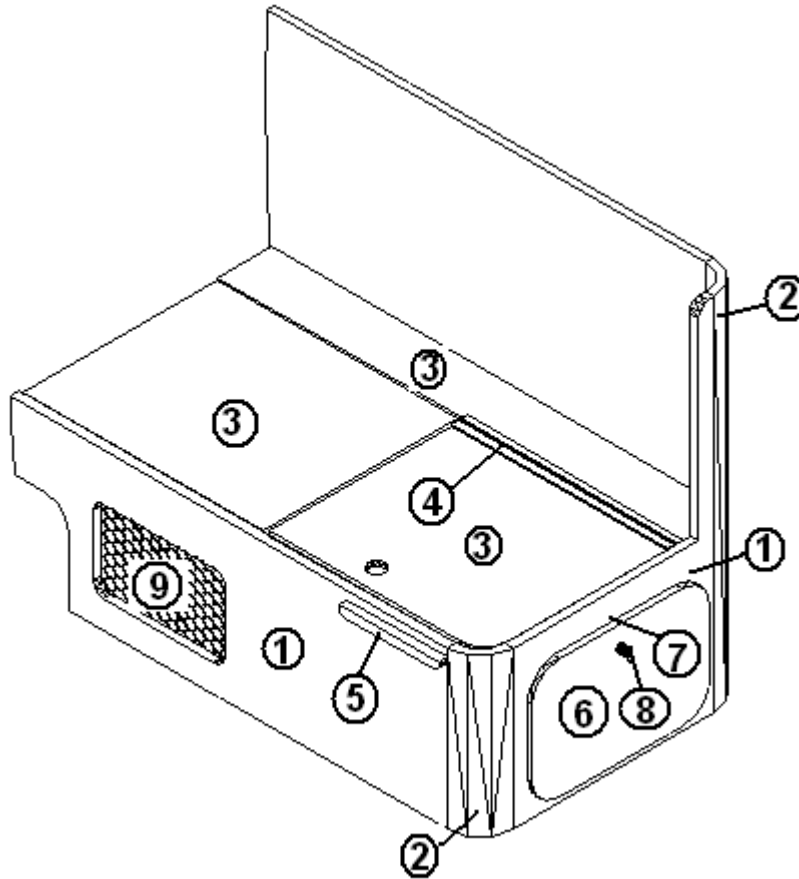
TABLE, WRITING, 30'



966105	TABLE ASSY-WRITING 30'SAF
1. 966104	TOP ASSY-WRITING TABLE 30'SAF
2. 966106	FLIP TABLE- 6" X 18"
3. 966106-01	FLIP TABLE- 18" X 18"
4. 380492-01	SUPPORT ROD-TABLE 11"FORMED
5. 340018	CATCH PLATE J-1
6. 380040	HINGE SOSS INVISIBLE L & R HAND
7. 380037	RETAINER SPRING LOCK
8. 380038	EYELET LOCK GS 5 10 BRASS
9. 381228-01	CATCH GRABBER DOOR
10. 380458	HINGE PIANO BROWN ANODIZED
11. 801383-01	PANEL, TRP OAK/WHITE LINER
12.801381-01	PANEL, TROPICAL OAK/TRP OAK
13.801395	PANEL, TROPICAL OAK/TROPICAL OAK
14.115042	ROD-.25" ALUMINUM, 6' LENGTH
15.381855	PULL, DRAWER RECESS W/BLACK
365268-01	EDGEBANDING-.024"X 1.13" OAK
365268-03	EDGEBANDING-.024"X .63" OAK

SAFARI- BAMBI
FURNITURE, LOUNGE

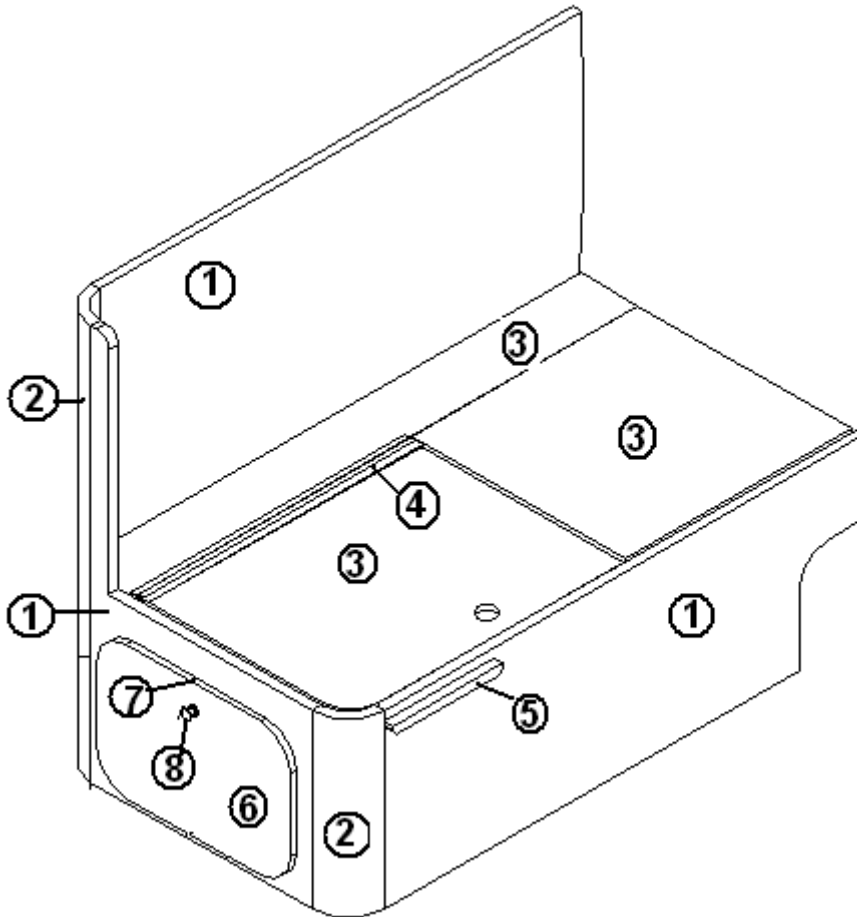
DINETTE SEAT, RH 30'



- | | |
|---------------|----------------------------------|
| 966069 | SEAT ASSY-RH DINETTE 30' |
| 1. 801351 | LITE PLY, 18MM (.75") 4' X 8' |
| 2. 801345 | RADIUS PLYWOOD .75" X 3" X 8' |
| 3. 800507-03 | LAUAN, 3/8" X 4'X 8' |
| 4. 380458 | HINGE PIANO BROWN ANODIZED |
| 5. 800470-006 | STOP-HARDWOOD .75" DINETTE CLETE |
| 6. 966137 | DOOR ASSY-DINETTE SEAT SAF |
| 7. 381228-01 | CATCH GRABBER DOOR C3-803 |
| 8. 381796 | KNOB HOLLOW 1.25"DIA BP1950H G |
| 9. 453783-05 | GRILL SCREEN, DINETTE |

SAFARI- BAMBI
FURNITURE, LOUNGE

DINETTE SEAT, LH 30'

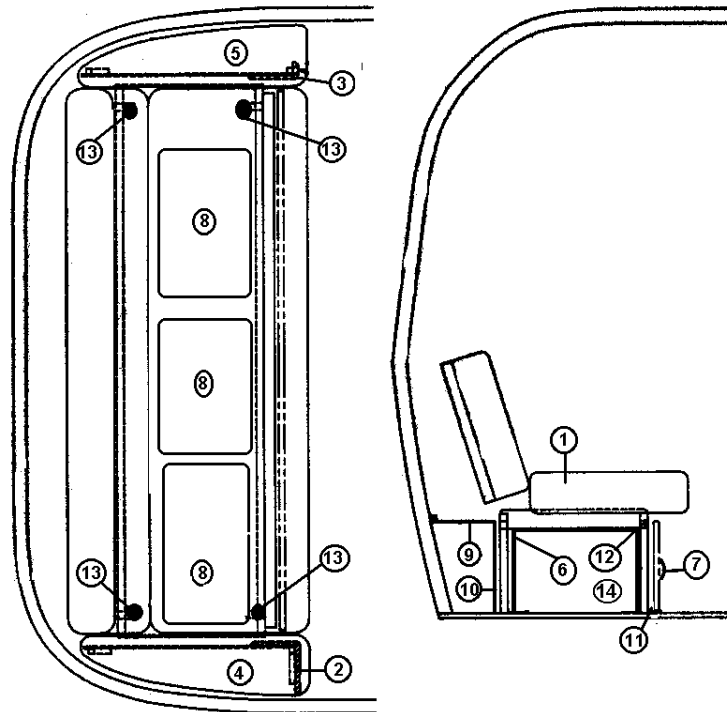


- | | |
|---------------|----------------------------------|
| 966068 | SEAT ASSY-LH DINETTE 30' |
| 1. 801351 | LITE PLY, 18MM (.75") 4' X 8' |
| 2. 801345 | RADIUS PLYWOOD .75" X 3" X 8' |
| 3. 800507-03 | LAUAN, 3/8" X 4'X 8' |
| 4. 380458 | HINGE PIANO BROWN ANODIZED |
| 5. 800470-006 | STOP-HARDWOOD .75" DINETTE CLETE |
| 6. 966137 | DOOR ASSY-DINETTE SEAT SAF |
| 7. 381228-01 | CATCH GRABBER DOOR |
| 8. 381796 | KNOB HOLLOW 1.25"DIA BP1950H G |
| 9. 453783-05 | GRILL SCREEN, DINETTE |

SAFARI- BAMBI

FURNITURE, LOUNGE

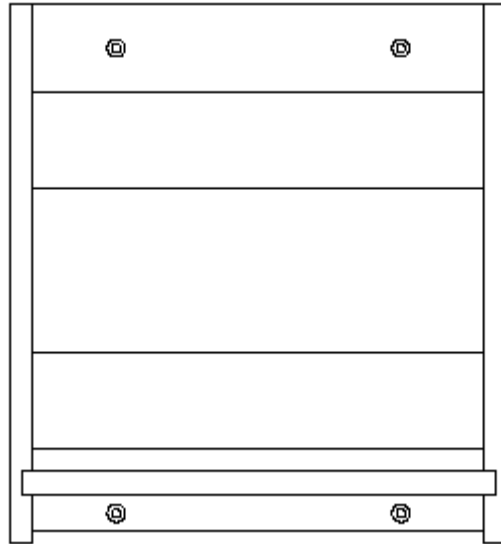
Front Lounge 25' Sleep Six, 28' S/O



- | | |
|---------------|------------------------------------|
| 1. 702798-012 | SOFA 74" CLOTH, STRATUS |
| 1. 702798-174 | SOFA 74" CLOTH, BEACH CLUB |
| 1. 702798-184 | SOFA 74" CLOTH, FOREST SAGE |
| 1. 702798-195 | SOFA 74" CLOTH, MIDNIGHT SUN |
| 1. 702798-206 | SOFA 74" CLOTH, BUTTERSCOTCH |
| 1. 702798-02 | Sofa, Ultra Leather, option |
| 2. 963400-01 | SUPPORT ASSY.-ARMREST RS |
| 3. 963400-02 | SUPPORT ASSY. ARMREST CS |
| 4. 963399-01 | SUB-ASSY. FACE ARMREST SUPPORT RS |
| 5. 963399-02 | SUB ASSY. FACE ARMREST SUPPORT CS |
| 6. 453368-03 | FLEXSTEEL SOFA LEGS |
| 7. 381775 | PULL HANDLE, CHROME |
| 8. 201016 | DRAWER 16" X 22" |
| 9. 965592 | CLOSEOUT LOUNGE |
| 10. 965593 | CLOSEOUT PANEL BOTTOM SOFA |
| 11. 381072 | HINGE 3" X 1 7/8" OPEN GOLD |
| 12. 381228-01 | CATCH GRABBER DOOR |
| 13. 345084 | SCREW-1/4"-14 X 1" THREAD CUTTING |
| 14. 203447 | STORAGE BOX-23.5" X 16.25" X 6.38" |

SAFARI- BAMBI
FURNITURE, LOUNGE

Magazine Rack, 25 A & B, 25' Sleep Six, 16'

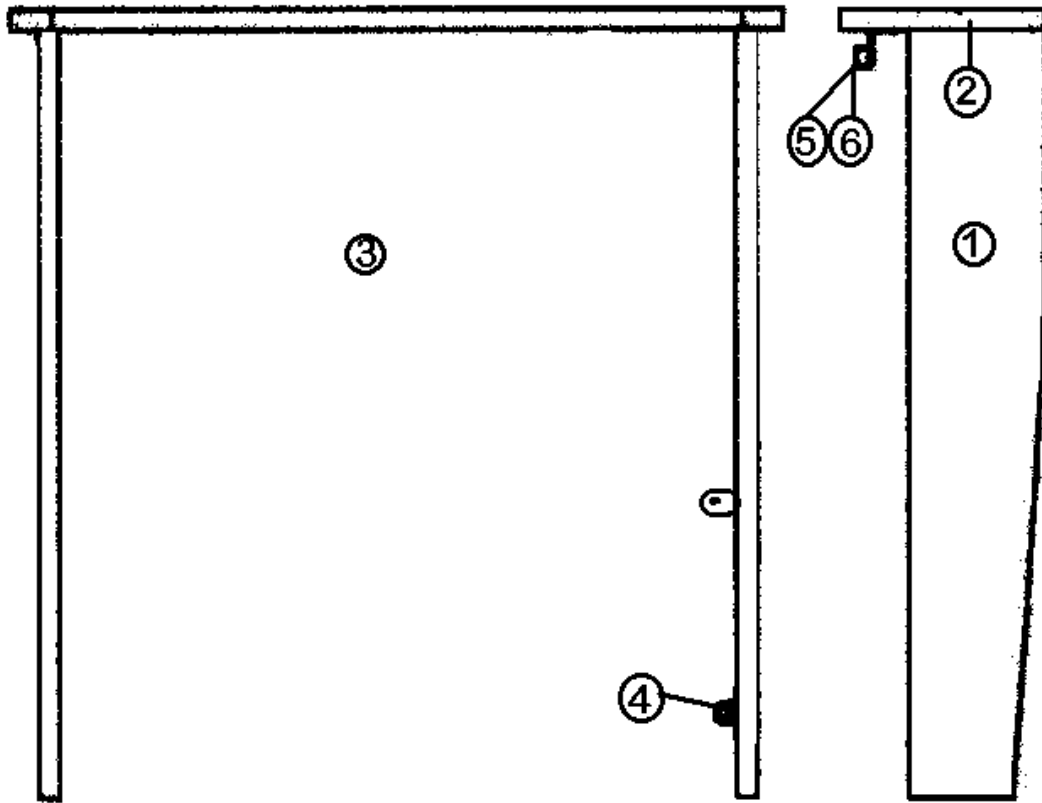


963990-006

Magazine Rack, 25 A & B, 25' Sleep Six

SAFARI- BAMBI
FURNITURE, LOUNGE

Cabinet Lift up Table, 25' Sleep Six

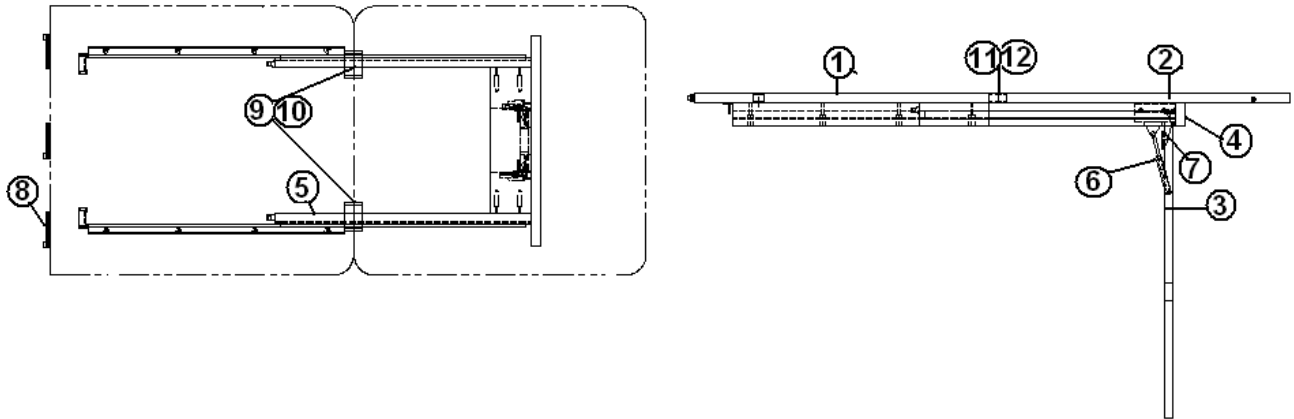


- | | |
|--------------|-----------------------------|
| 965608 | Cabinet, Lift up Table |
| 1. 801406 | Credenza leg, Tropical oak |
| 2. 801407 | Credenza top |
| 3. 966126-01 | Lift up table assembly, 24" |
| 4. 381074 | Bull dog catch |
| 5. 385935-01 | Hinge, pivot |

SAFARI- BAMBI

FURNITURE, LOUNGE

Table, Lift Up, 23', 25' Sleep Six, 25' A & B

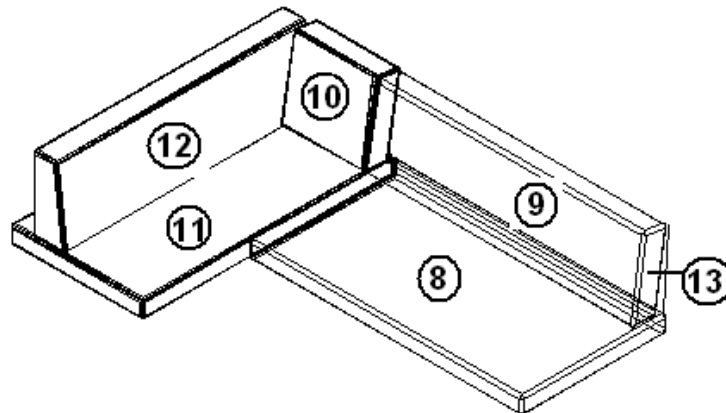
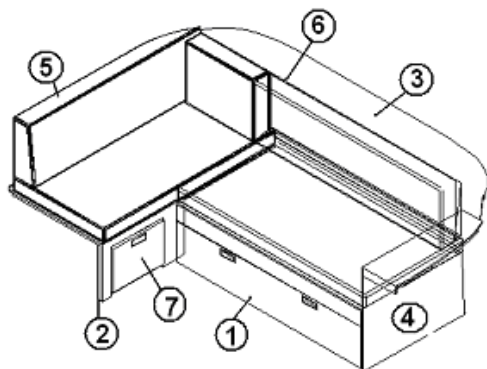


- | | |
|---|---|
| <ul style="list-style-type: none"> 966126-01 1. 965596-01 2. 965597-01 3. 962177-036 4. 965595 5. 381306 6. 381147 7. 385935-01 8. 201155 9. 380040 10. 345319-08 11. 380037 12. 380038 13. 381074 365268-03 365268-01 380203-01 | <ul style="list-style-type: none"> TABLE, LIFT UP 24.00" LEAF, TABLE, LOWER, TROPICAL OAK LEAF, TABLE, UPPER, TROPICAL OAK LEG HARDWOOD 30.50" FACER BOARD, LIFT-UP TABLE, T. OAK SLIDES, TABLE, LIFT-UP, RH & LH #20 DOOR SUPPORT - SPRING LOADED HINGE PIVOT ZINC PLATED SLIDING GUIDE, PLASTIC -TABLE HINGE SOSS INVISIBLE L & R HAND SCREW, PARTICLE BOARD, #8 X 1.00" RETAINER SPRING LOCK EYELET LOCK GS 5 10 BRASS CATCH BULL DOG #65S (COPPER) EDGEBANDING-.024" X .63" TROPICAL OAK Edge tape, Tropical Oak, 1.13" PIANO HINGE 1/8" |
|---|---|

SAFARI- BAMBI

FURNITURE, LOUNGE

Sofa "L" Lounge, 23'

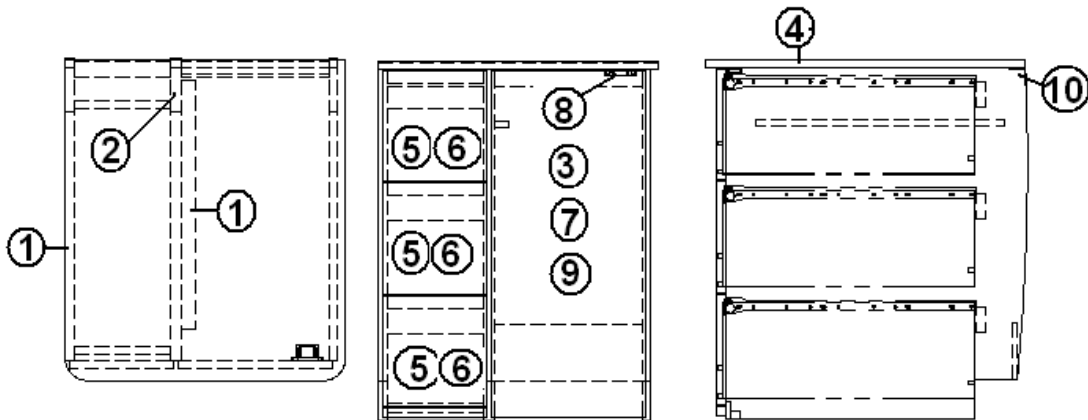


- | | |
|---------------|-------------------------------------|
| 1. 966350 | Sofa assembly |
| 2. 965828 | Sofa "L" section |
| 3. 966444 | Sofa back |
| 3. 966611 | Sofa back, Special Edition |
| 4. 965831 | Sofa armrest |
| 5. 703490 | "L" lounge cushion assembly |
| 6. 998149-07 | Back cushion support assembly |
| 7. 965936 | Door, "L" sofa |
| 8. 998186-01 | Fabric assembly bottom main cushion |
| 9. 998186-02 | Fabric assembly, back main cushion |
| 10. 998186-03 | Fabric assembly, side back rest |
| 11. 998186-04 | Fabric assembly, side base cushion |
| 12. 998186-05 | Fabric assembly, side back rest |
| 13. 998186-06 | Fabric assembly, wedge cushion |
| 203439 | STORAGE BOX 17"L X 11.13"W X 6.38" |
| 203447 | STORAGE BOX 23.5" X 16.25" X 6.38" |
| 381775 | PULL HANDLE, CHROME |
| 381072 | HINGE 3" X 1 7/8" OPEN GOLD |
| 381228-01 | CATCH GRABBER DOOR C3-803 |

SAFARI- BAMBI

FURNITURE, LOUNGE

Table/Stow Cabinet, 23'

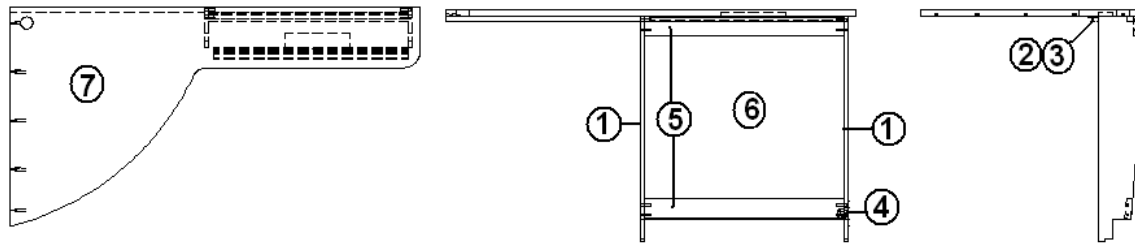


- | | |
|---------------|---------------------------------------|
| 1. 801383-01 | PANEL, TRP OAK/WHITE LINER |
| 2. 801378 | PANEL, WHITE LINER/GATOR 18 |
| 3. 701538 | CARPET, ECONOLIER VELOUR BLACK |
| 4. 966498 | Top, table/stow cabinet, Oak |
| 4. 966498-01 | Top, table/stow cabinet, Midnight Sun |
| 5. 965555-03 | Drawer box, 8" x 7.38" x 20" |
| 6. 801341-168 | Door, 9.25' x 9.88" |
| 7. 381607 | Hinge |
| 8. 381228-01 | Grabber catch |
| 9. 801341-169 | Door, 13.75' x 30.88" |
| 10. 114809 | Aluminum angle, 1.50" x 1.50" |
| 365268-01 | EDGE BANDING-.024" X 1.13" OAK |
| 365268-03 | EDGE BANDING-.024" X .63" OAK |
| 381408 | Push button lock |

SAFARI- BAMBI

FURNITURE, LOUNGE

Desk Assembly, 23', Standard

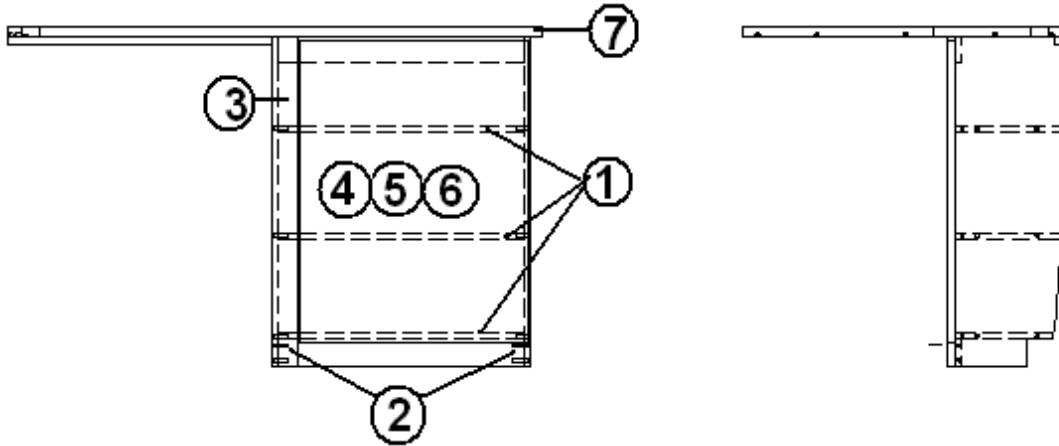


- | | |
|--|---|
| <ul style="list-style-type: none"> 966494 1. 801406 2. 380203-01 3. 101253 4. 381074 5. 801395 6. 966126-01 7. 801648 7. 801648-01 703578 703455 381566 365268-03 | <ul style="list-style-type: none"> DESK ASSY LEG CREDENZA, OAK PIANO HINGE 1/8" PIN EXTRUSION CREDENZA HINGE CATCH BULL DOG #65S (COPPER) PANEL, OAK/OAK TABLE, LIFT UP 24.00"W CUTOUT-DESK TOP, OAK CUTOUT-DESK TOP, MIDNIGHT SUN Desk chair Chair Strap Footman loop, chair strap EDGEBANDING-.024" X .63" OAK |
|--|---|

SAFARI- BAMBI

FURNITURE, LOUNGE

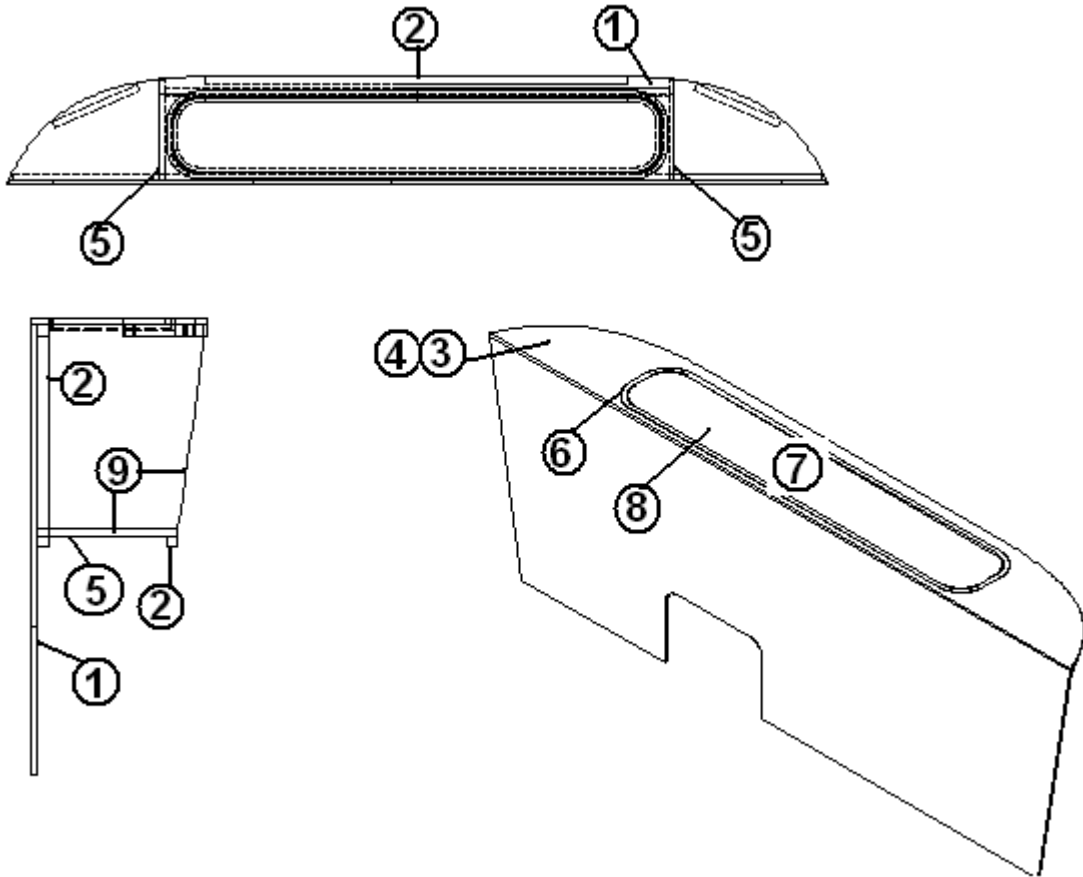
Desk Assembly, 23', Dinette Option



- | | |
|---|--|
| <ul style="list-style-type: none"> 966493 1. 801392 2. 801383-01 3. 801395 4. 801341-167 5. 381607 6. 381228-01 7. 966476 7. 966476-01 703578 703455 381566 | <ul style="list-style-type: none"> Desk, Dinette option PANEL/WHITELINER/WHITELINER PANEL, OAK/WHITELINER PANEL, OAK/OAK DOOR, 19.13" x 25.50" HINGE ASSY CATCH GRABBER DOOR TOP, DESK, DINETTE OPTION, OAK TOP, DESK, DINETTE OPTION, GRAPHITE Desk chair Chair Strap Footman loop, chair strap |
|---|--|

SAFARI- BAMBI
FURNITURE, LOUNGE

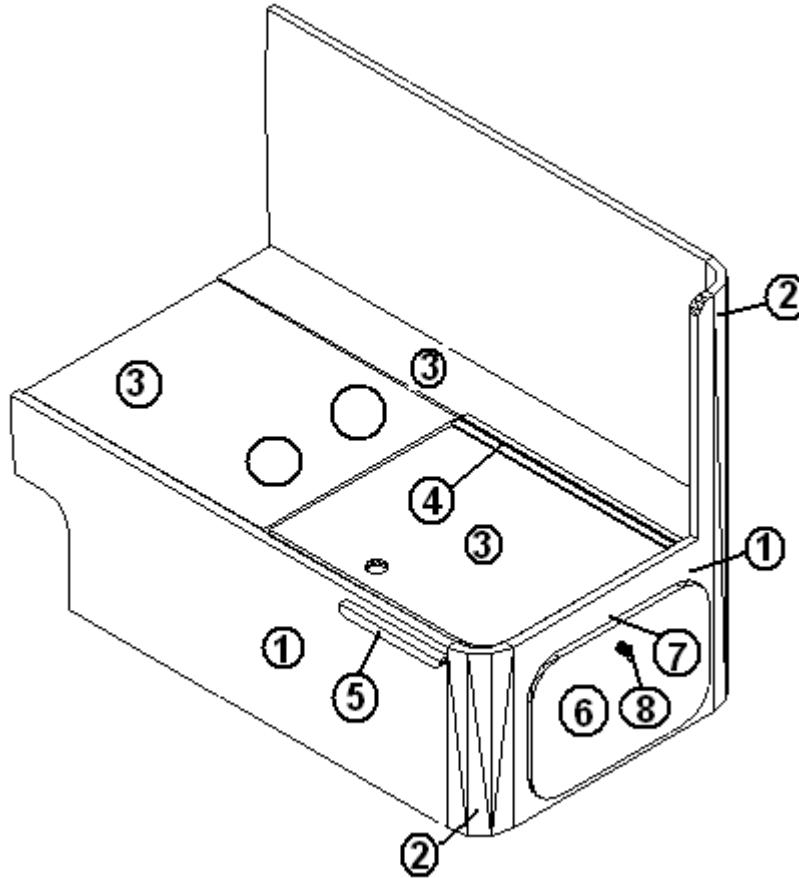
Sofa Back, 23'



- | | |
|--------------|---------------------------------|
| 966444 | SOFA BACK ASSY |
| 966611 | SOFA BACK ASSY, SPECIAL EDITION |
| 1. 800507-03 | LAUAN, 3/8" X 4'X 8' |
| 2. 800025-01 | PINE 3/4" X 3/4" STAINED |
| 3. 701764 | FOAM, 1/4" |
| 4. 703347 | FABRIC, COAL, 54" |
| 5. 801392 | PANEL, WHITELINER/WHITELINER |
| 6. 115203 | DOOR, JAMB |
| 7. 966134 | DOOR, SOFA BACK |
| 8. 381847 | HINGE-PIANO ANGLE .88" X 72" |
| 365013 | TAPE CHARCOAL LOW DENSITY FOAM |
| 381581 | STRAP CLEAR PLASTIC .75"W |

SAFARI- BAMBI
FURNITURE, LOUNGE

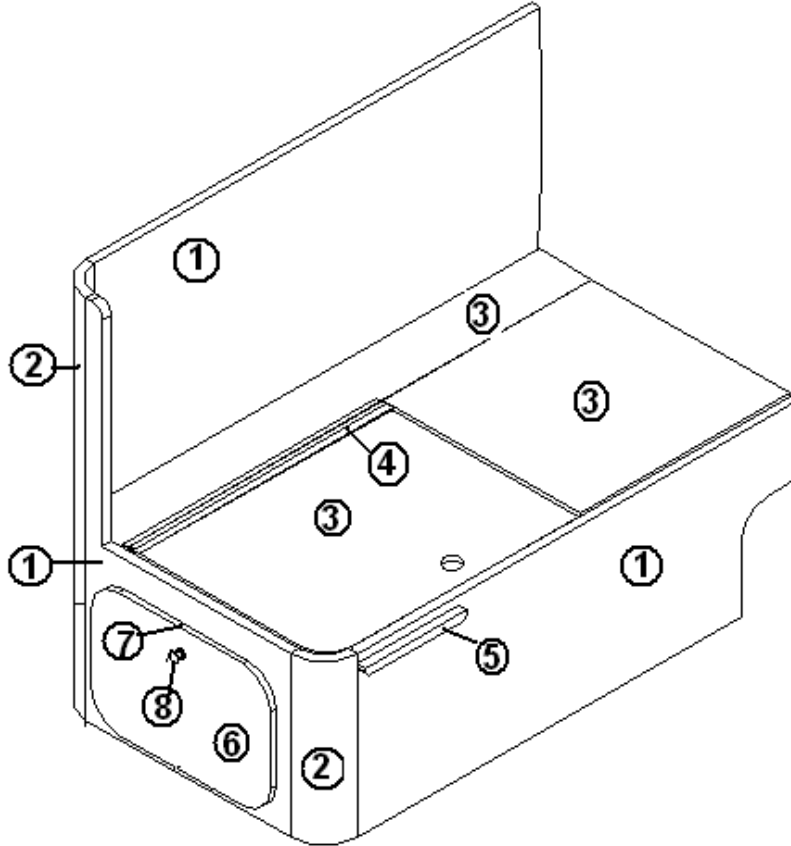
DINETTE SEAT, RH 20'



- | | |
|---------------|----------------------------------|
| 966557 | SEAT ASSY-RH DINETTE 30' |
| 1. 801351 | LITE PLY, 18MM (.75") 4' X 8' |
| 2. 801345 | RADIUS PLYWOOD .75" X 3" X 8' |
| 3. 800507-03 | LAUAN, 3/8" X 4'X 8' |
| 4. 380458 | HINGE PIANO BROWN ANODIZED |
| 5. 800470-006 | STOP-HARDWOOD .75" DINETTE CLETE |
| 6. 966137 | DOOR ASSY-DINETTE SEAT |
| 7. 381228-01 | CATCH GRABBER DOOR |
| 8. 381865 | PULL-BAR BRUSH NICKEL |
| 703309-06 | FOAM, DINETTE, SEAT BOTTOM LH/RH |
| 703309-05 | FOAM, DINETTE, RIGHT SIDE BACK |

SAFARI- BAMBI
 FURNITURE, LOUNGE

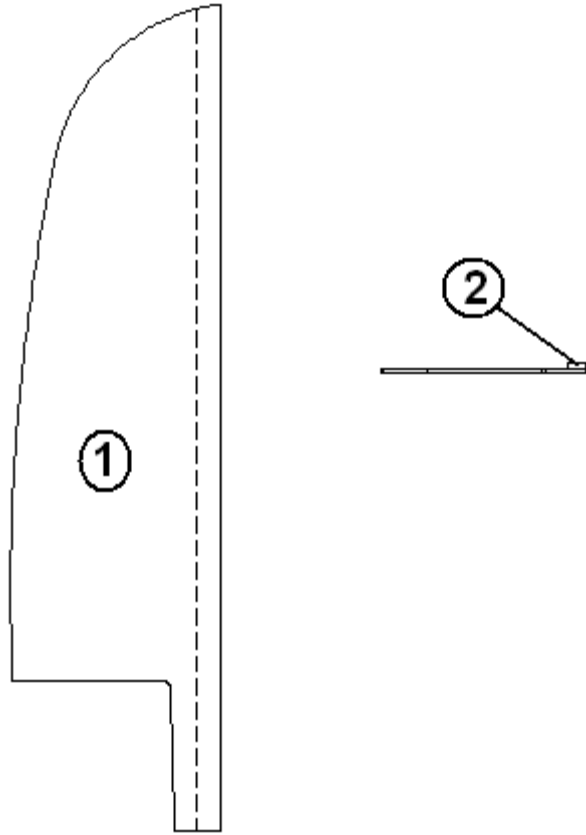
DINETTE SEAT, LH 20'



- | | |
|---------------|----------------------------------|
| 966558 | SEAT ASSY-LH DINETTE 30' |
| 1. 801351 | LITE PLY, 18MM (.75") 4' X 8' |
| 2. 801345 | RADIUS PLYWOOD .75" X 3" X 8' |
| 3. 800507-03 | LAUAN, 3/8" X 4'X 8' |
| 4. 380458 | HINGE PIANO BROWN ANODIZED |
| 5. 800470-006 | STOP-HARDWOOD .75" DINETTE CLETE |
| 6. 966137 | DOOR ASSY-DINETTE SEAT SAF |
| 7. 381228-01 | CATCH GRABBER DOOR |
| 8. 381865 | PULL-BAR BRUSH NICKEL |
| 703309-06 | FOAM, DINETTE, SEAT BOTTOM LH/RH |
| 703309-04 | FOAM, DINETTE, SIDE BACK |

SAFARI- BAMBI
FURNITURE, LOUNGE

PANEL ASSEMBLY, DINETTE/BEDROOM



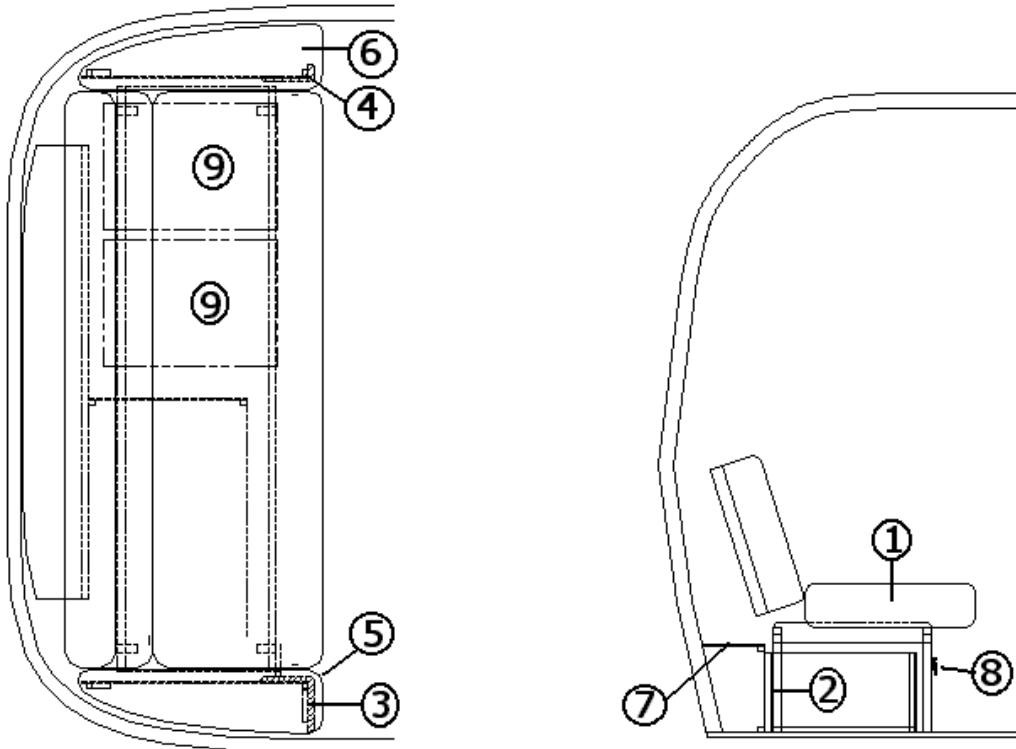
- 966563
- 1. 801658-04
- 2. 203138-04

PANEL ASSY. DINETTE/BED
PANEL, DINETTE/BED DIVIDER
EXTRUSION, PLASTIC, WALL, OAK

SAFARI- BAMBI

FURNITURE, LOUNGE

Front Lounge 19'

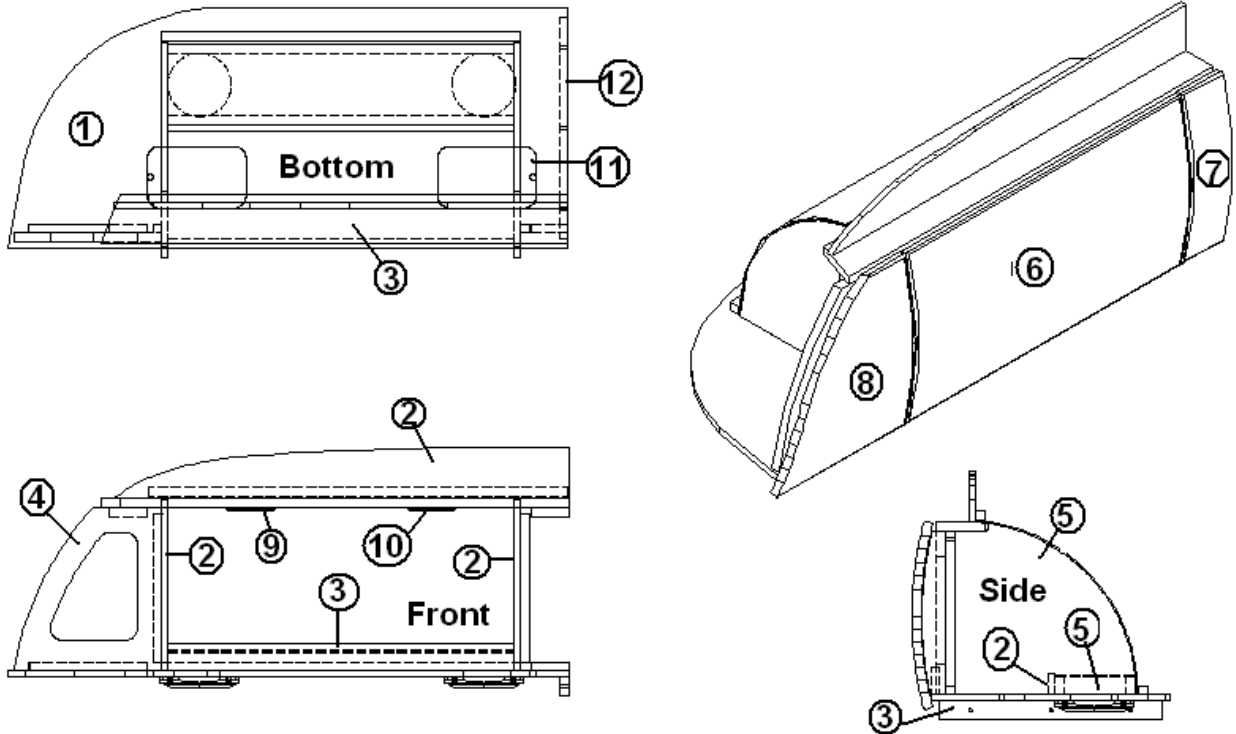


- | | |
|---------------|-----------------------------------|
| 1. 702798-012 | SOFA 74" CLOTH, STRATUS |
| 1. 702798-174 | SOFA 74" CLOTH, BEACH CLUB |
| 1. 702798-184 | SOFA 74" CLOTH, FOREST SAGE |
| 1.702798-195 | SOFA 74" CLOTH, MIDNIGHT SUN |
| 1.702798-206 | SOFA 74" CLOTH, BUTTERSCOTCH |
| 1. 702798-02 | SOFA, 74" ULTRA LEATHER |
| 2. 965810 | CLOSEOUT LOUNGE |
| 3. 965808-01 | SUPPORT ASSY.-ARMREST RS |
| 4. 965808-02 | SUPPORT ASSY. ARMREST CS |
| 5. 965807-01 | SUB-ASSY. FACE ARMREST SUPPORT CS |
| 6. 965807-02 | SUB ASSY. FACE ARMREST SUPPORT RS |
| 7. 965805 | Rear close-out assembly |
| 381576 | PULL HANDLE, BRASS |
| 203447 | STORAGE BOX |
| 965809-01 | Armrest Cushion Assy. RS |
| 965809-02 | Armrest Cushion Assy. CS |
| 965809-03 | Armrest Cushion Assy. RS Leather |
| 965809-04 | Armrest Cushion Assy. CS Leather |

SAFARI- BAMBI

FURNITURE, LOUNGE

End Liner Rear, 19', 23'

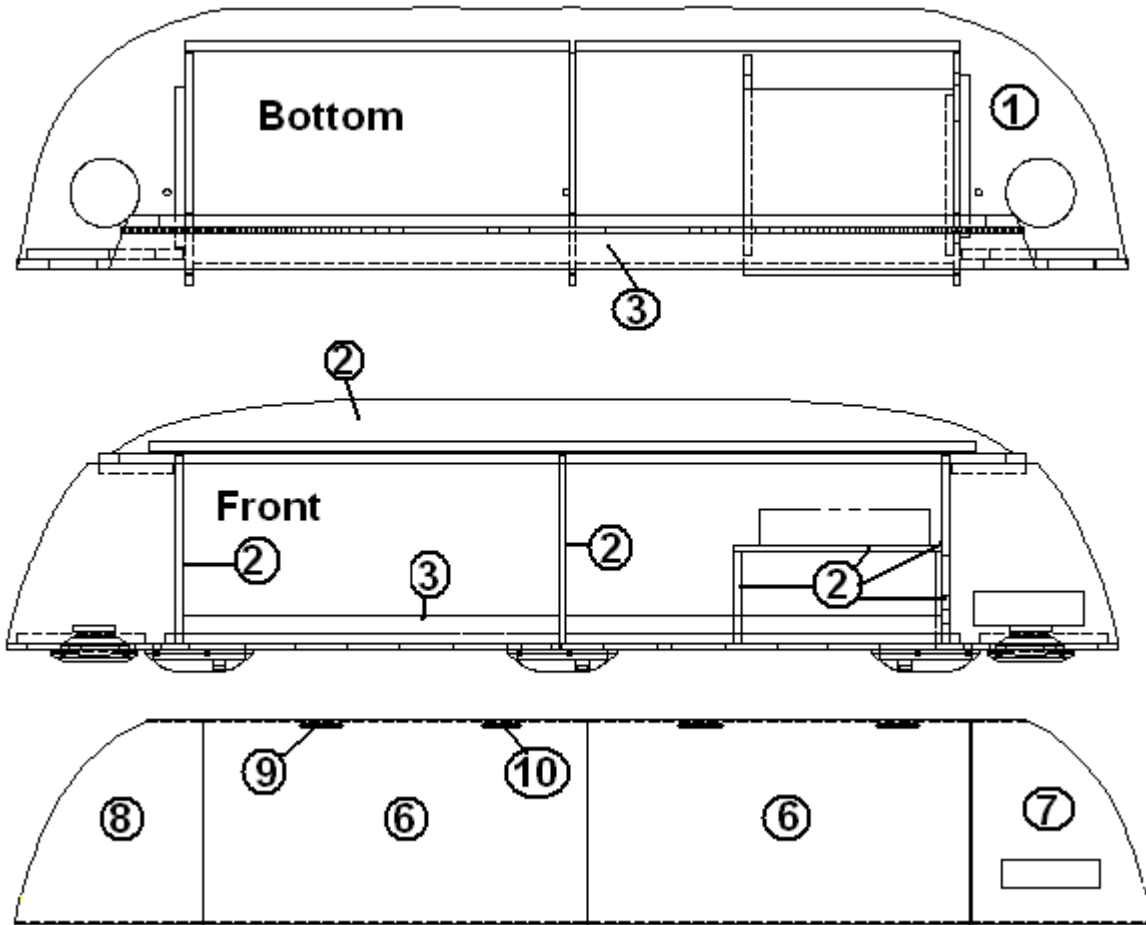


- | | |
|---------------|-------------------------------------|
| 966033 | ENDLINER, REAR |
| 1. 801383-01 | PANEL, OAK/WHITELINER |
| 2. 801392 | PANEL, WHITELINER/WHITELINER |
| 3. 801376-01 | PANEL OAK/WHITELINER |
| 4. 801438 | PANEL, FROST WHITE VINYL/RAW |
| 5. 965551-03 | DOOR-RADIUS FOAM 15.25" X 28.38" |
| 6. 965551-09 | DOOR-RADIUS FOAM 15.25" X 4.06" |
| 7. 965551-04 | DOOR-RADIUS FOAM 15.25" X 23.13" |
| 8. 965551-06A | DOOR-RADIUS FOAM LH 15.25" X 12.00" |
| 9. 381840-01 | HINGE-OVERHEAD SPRING LH |
| 10. 381840-02 | HINGE-OVERHEAD SPRING RH |
| 11. 511971 | LIGHT-12V DLB W/SWITCH |
| 12.511761 | SPEAKER 120W 6.5" WHITE SONY |
| 365268-01 | EDGEBANDING-.024" X 1.13" |
| 365268-03 | EDGEBANDING-.024" X .63" O |
| 381610-03 | COVER CAP-PLASTIC EUROPEAN PINE |

SAFARI- BAMBI

FURNITURE, LOUNGE

End Liner Front, 23', 20', 19', 16'

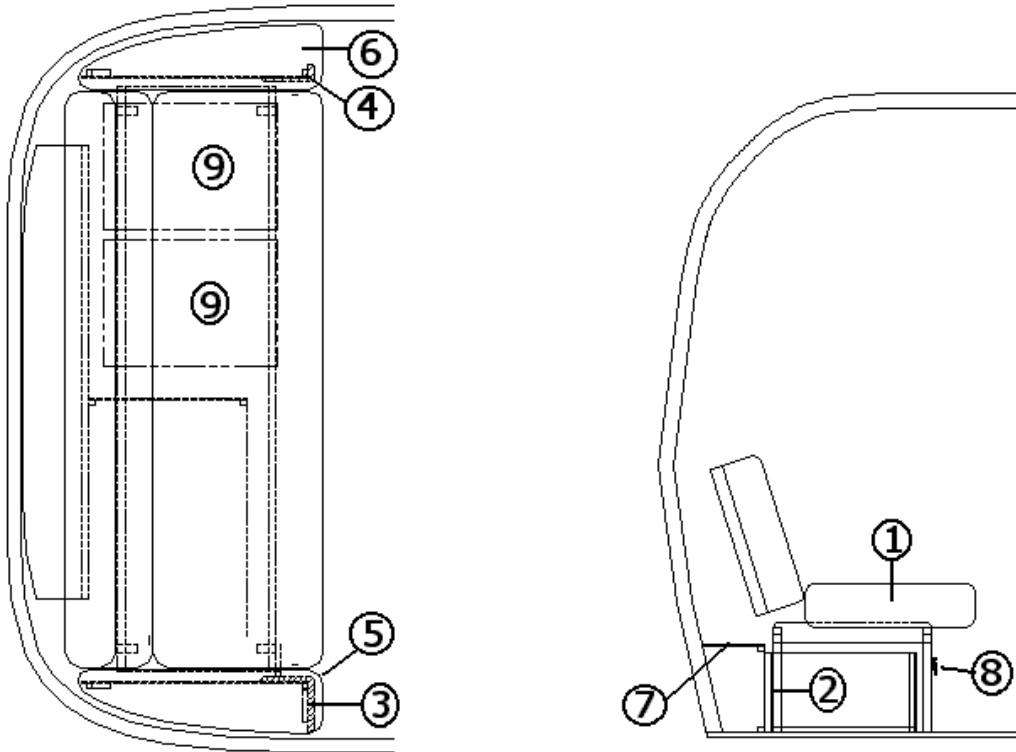


966032	ENDLINER FRONT W/RADIO, 19', 23'
966032-01	ENDLINER FRONT W/RADIO /CD CHANGER, 19'
966032-02	ENDLINER FRONT, 16'
966032-06	ENDLINER FRONT, 20'
1. 801383-01	PANEL, OAK/WHITELINER
2. 801392	PANEL, WHITELINER/WHITELINER 12MM
3. 801376-01	PANEL OAK/WHITELINER 18MM
4. 800506-06	PLYWOOD, 3/4" X 4' X 8'
5. 801438	PANEL, FROST WHITE VINYL/RAW
6. 965551-03	DOOR-RADIUS FOAM 15.25"X 28.38"
7. 965551-05	DOOR-RADIUS FOAM 15.25"X 12.5"
8. 965551-06	DOOR-RADIUS FOAM 15.25"X 12.5"
9. 381840-01	HINGE-OVERHEAD SPRING LH
10. 381840-02	HINGE-OVERHEAD SPRING RH

SAFARI- BAMBI

FURNITURE, LOUNGE

Sofa, 16' Ultra Leather Option

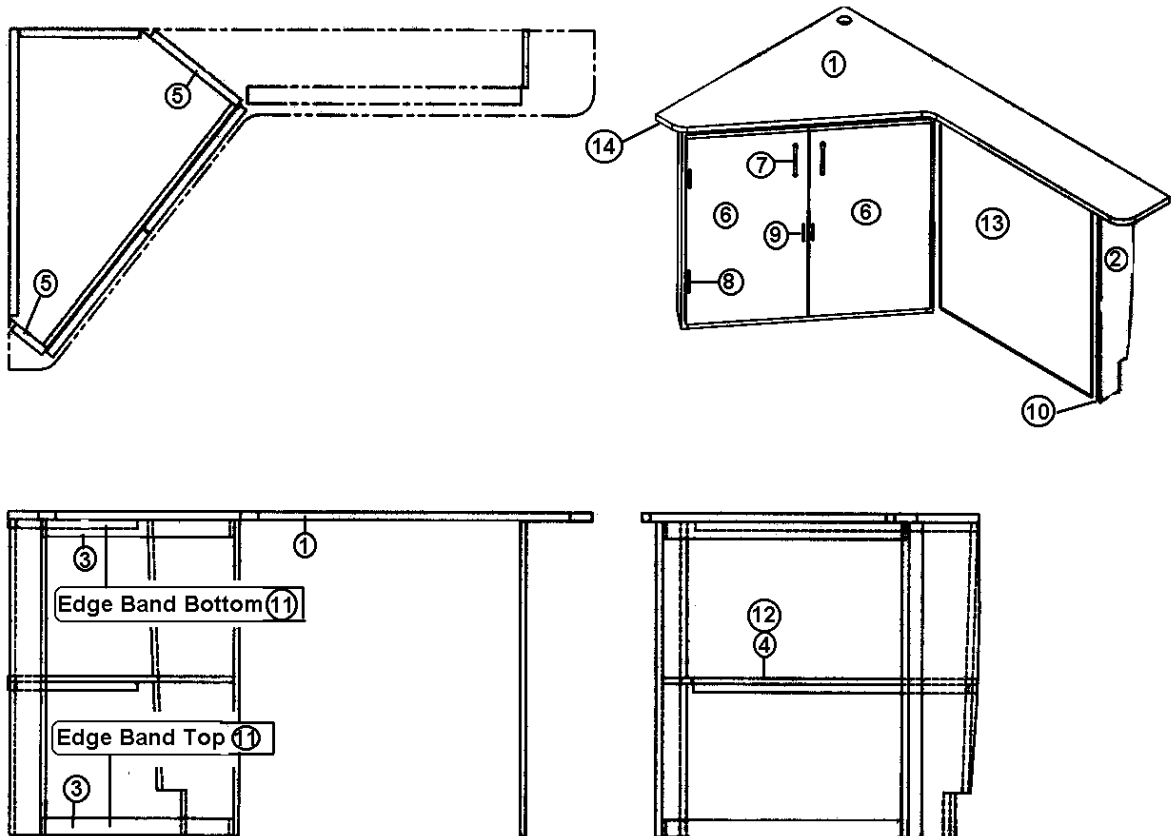


- | | |
|--------------|-----------------------------------|
| 1. 702798-02 | SOFA, 74" ULTRA LEATHER |
| 2. 965810 | CLOSEOUT LOUNGE |
| 3. 965808-01 | SUPPORT ASSY.-ARMREST RS |
| 4. 965808-02 | SUPPORT ASSY. ARMREST CS |
| 5. 965807-01 | SUB-ASSY. FACE ARMREST SUPPORT CS |
| 6. 965807-02 | SUB ASSY. FACE ARMREST SUPPORT RS |
| 7. 965805 | Rear close-out assembly |
| 8. 381576 | PULL HANDLE, BRASS |
| 9. 203447 | STORAGE BOX |
| 965809-01 | Armrest Cushion Assy. RS |
| 965809-02 | Armrest Cushion Assy. CS |
| 965809-03 | Armrest Cushion Assy. RS Leather |
| 965809-04 | Armrest Cushion Assy. CS Leather |

SAFARI- BAMBI

FURNITURE, LOUNGE

Credenza Cabinet, 25' A & B

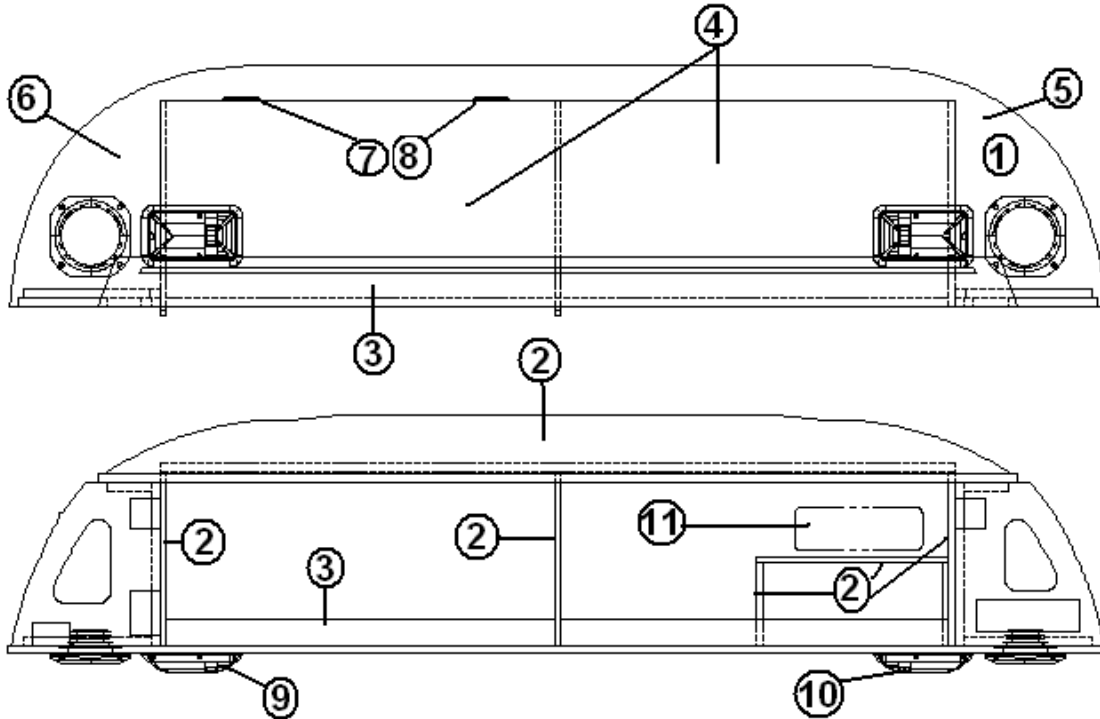


- | | |
|---------------|--|
| 965666 | Credenza Cabinet, Oak |
| 965666-01 | Credenza Cabinet Amarillo, Midnight Sun |
| 1. 965665 | TOP, CREDENZA, WHITE |
| 1. 965665-01 | TOP, CREDENZA, GRAPHITE |
| 2. 801383-01 | Paneling, Tropical Oak/White liner, 12mm |
| 3. 801392 | Paneling, White/White 12 MM |
| 4. 801376-01 | Paneling, Tropical Oak/White, 4' x 8' |
| 5. 801341-43 | Door, 13.81" x 25.38" |
| 6. 381865 | Door handle |
| 7. 381607 | Hinge assembly, Grass European |
| 8. 381228-01 | Door/drawer grabber catch, 3 lb. |
| 10. 365268-01 | Edge tape, Tropical Oak, 1.13 wide |
| 11. 365268-03 | Edge tape, Tropical Oak, .625" |
| 12. 365238-04 | Edge tape, White, 5/8" wide |
| 13. 966126-01 | TABLE, LIFT UP, 24.00" Wide |
| 14. 365238-04 | Edge banding, 5/8" Colonial .White |

SAFARI- BAMBI

FURNITURE, LOUNGE

Roof Locker, End Liner, 23', 25' Sleep Six, 25' A & B

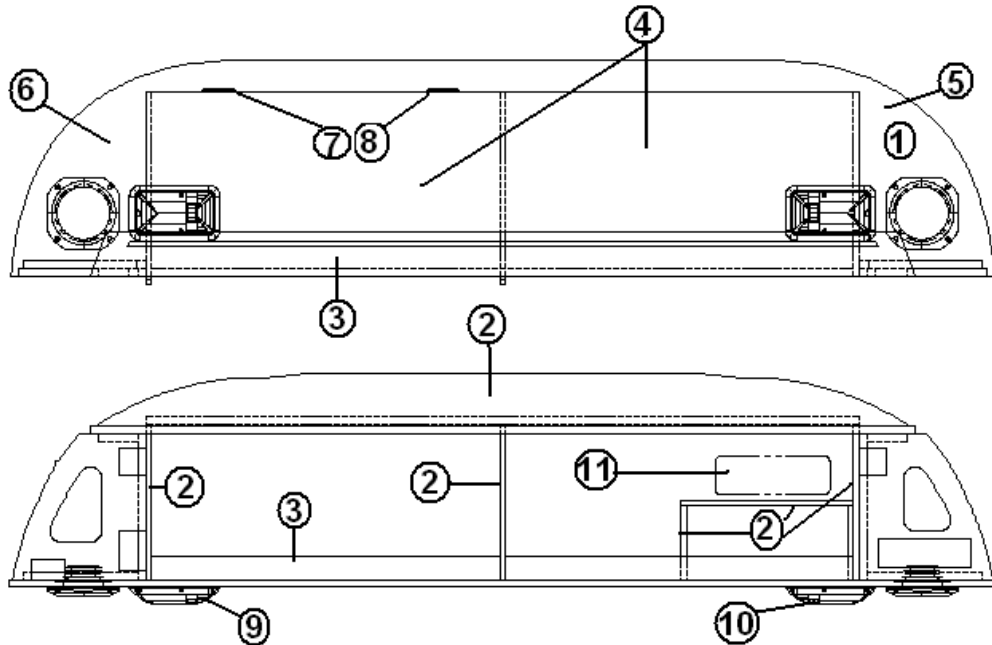


- | | |
|---|--|
| <p>966037-01
966037-04
966037-07
966037-08</p> <p>1. 801383-01
2. 801392
3. 801376-01
4. 965551-02
5. 965551-05
6. 965551-06
7. 381840-01
8. 381840-02
9. 511971
10. 511761
11. 965792</p> <p>365268-01
365268-03</p> | <p>LOCKER, FRONT W/RADIO
LOCKER, REAR, DELETE RADIO
LOCKER, FRONT W/RADIO, SPECIAL EDITION
LOCKER, FRONT W/RADIO & CD PLAYER
OPTION, SPECIAL EDITION</p> <p>PANEL, OAK/WHITE LINER
PANEL, WHITELINER/WHITELINER
PANEL, OAK/WHITE LINER
DOOR-RADIUS FOAM 15.25"X 31.63
DOOR-RADIUS FOAM 15.25"X 12.5"
DOOR-RADIUS FOAM 15.25"X 12.5
HINGE-OVERHEAD SPRING LH #372.
HINGE-OVERHEAD SPRING RH #372.
LIGHT-12V DLB W/SWITCH
SPEAKER 120W 6.5" WHITE SONY
CD OPTION, BOX
EDGEBANDING-.024"X 1.13" OAK
EDGEBANDING-.024"X .63" OAK</p> |
|---|--|

SAFARI- BAMBI

FURNITURE, LOUNGE

Roof Locker, End Liner, 25' Front Bed

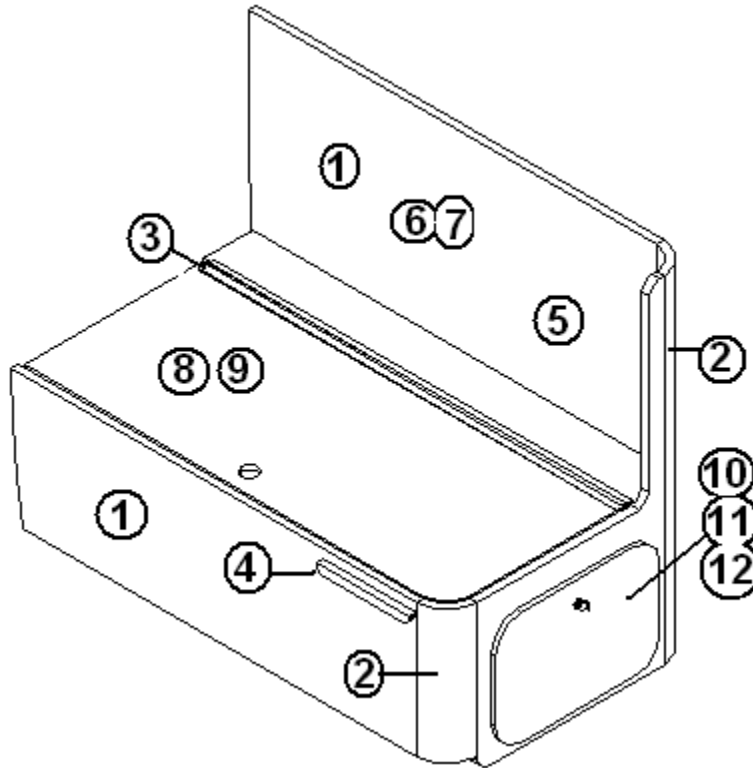


- | | |
|--------------|----------------------------------|
| 966037-04 | FRONT DELETE RADIO MOUNTING |
| 966037-05 | REAR, W/ RADIO LEFT SIDE |
| 966037-06 | REAR, W/RADIO & CD PLAYER |
| 966037-09 | REAR, W/ RADIO LEFT SIDE, S. E. |
| 966037-10 | REAR, W/RADIO & CD PLAYER S E |
| 966037-11 | FRONT DELETE RADIO MOUNTING, S E |
| 1. 801383-01 | PANEL, OAK/WHITE LINER |
| 2. 801392 | PANEL, WHITELINER/WHITELINER |
| 3. 801376-01 | PANEL, OAK/WHITE LINER |
| 4. 965551-02 | DOOR-RADIUS FOAM 15.25"X 31.63 |
| 5. 965551-05 | DOOR-RADIUS FOAM 15.25"X 12.5" |
| 6. 965551-06 | DOOR-RADIUS FOAM 15.25"X 12.5" |
| 7. 381840-01 | HINGE-OVERHEAD SPRING LH #372. |
| 8. 381840-02 | HINGE-OVERHEAD SPRING RH #372. |
| 9. 511249 | FIXTURE LIGHT INCANDESCENT DOU |
| 10. 511761 | SPEAKER 120W 6.5" WHITE SONY |
| 11. 965792 | CD OPTION, BOX |
| 365268-01 | EDGE BANDING-.024"X 1.13" OAK |
| 365268-03 | EDGE BANDING-.024"X .63" OAK |

SAFARI- BAMBI

FURNITURE, LOUNGE

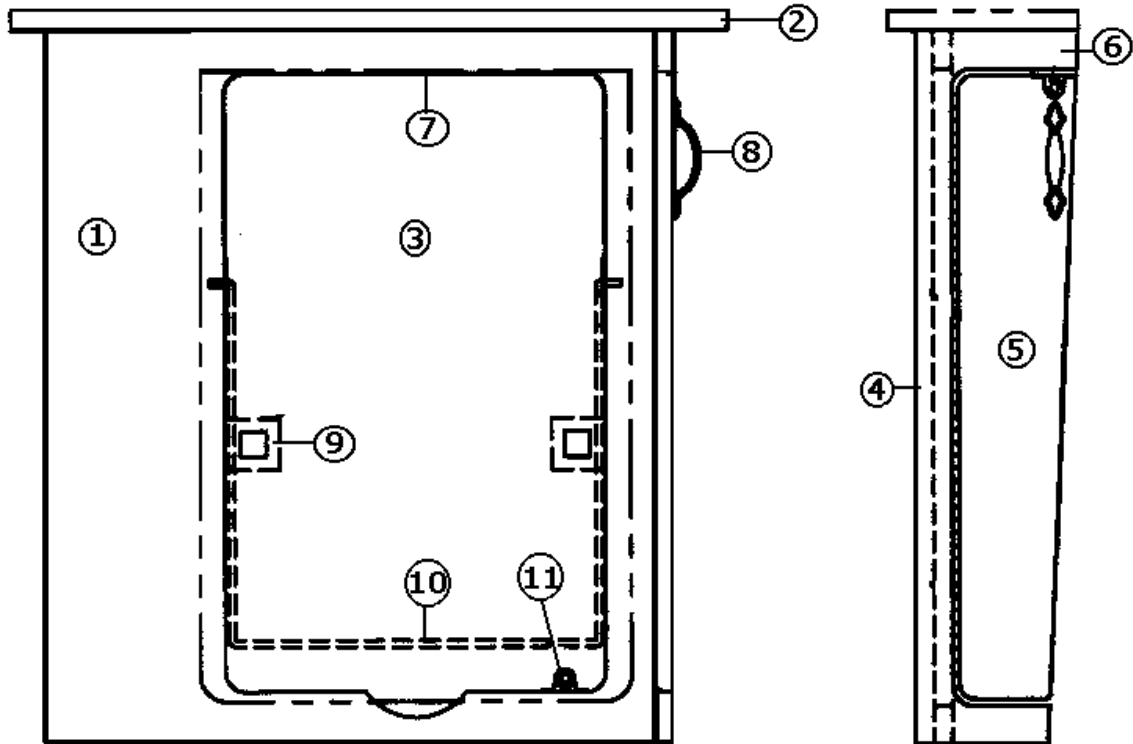
Dinette Seats 28' S/O



- 965717-01 Dinette Seat, RH (shown)
- 965717-02 Dinette Seat, LH (opposite)
- 1. 801351 Lite ply-18mm, 4' x 8'
- 2. 801345 Radius plywood, .75" x 3" x 8'
- 3. 380458 Hinge, piano, brown anodized
- 4. 800470-006 Stop, hardwood, 3/4" dinette cleat
- 5. 700414 Foam, 3/8" x 72" x 52'
- 6. 703309-01 Foam-left side back
- 7. 703309-02 Foam-right side back
- 8. 703309-03 Foam-seat bottom LH/RH
- 9. 703309-03 Foam-seat bottom LH/RH
- 10. 966137 DOOR ASSY-DINETTE SEAT
- 11. 381228-01 CATCH GRABBER DOOR
- 12. 381796 KNOB HOLLOW 1.25"

SAFARI- BAMBI
FURNITURE, LOUNGE

Writing Table Cabinet, 28' S/O

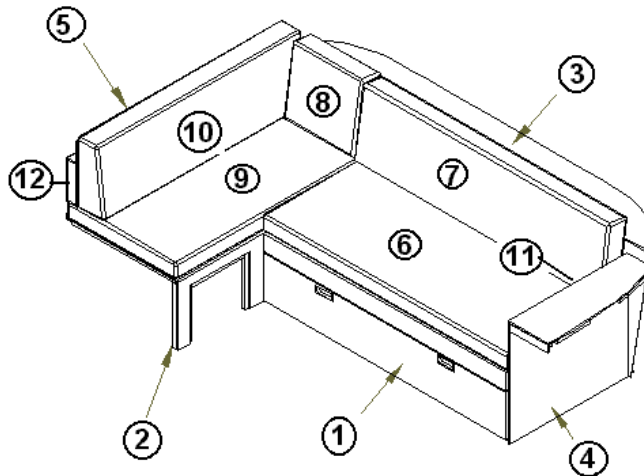


- | | |
|--------------|---------------------------------------|
| 965962 | Writing Table Cabinet Assembly |
| 1. 965963 | Face, writing table |
| 2. 965966 | Top, writing table |
| 3. 965967 | Table top assembly, writing |
| 4. 965965 | Face, end, writing table cabinet |
| 5. 965964 | Door writing table cabinet |
| 6. 801383-01 | Panel, Tropical Oak/White liner, 12mm |
| 7. 380458 | Hinge, piano, brown |
| 8. 381865 | Handle, door |
| 9. 340018 | Catch plate, J-1 |
| 10. 380492 | Bracket, table |
| 11. 381074 | Bull dog catch |
| 381228-01 | CATCH GRABBER DOOR |
| 203440 | T MOLDING-BLACK EMBOSSED, .8125 |

SAFARI- BAMBI

FURNITURE, LOUNGE

Sofa, Cushions/Foam, 28' W, 25' Sleep Six

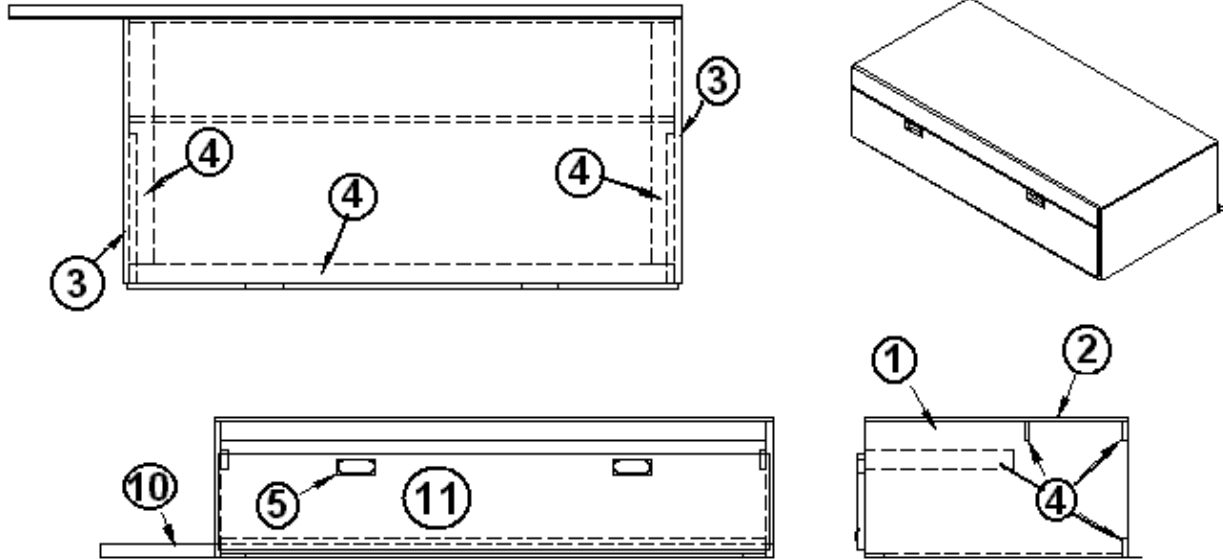


- | | |
|---------------|---|
| 1. 965827 | Sofa Assembly |
| 2. 965828 | Sofa "L" section assembly |
| 3. 966133 | Sofa back |
| 4. 965831 | Sofa arm rest, side |
| 5. 998149 | L-Lounge cushions assemblies |
| 6. 998149-01 | Bottom main fabric/cushion assembly |
| 6. 703340-01 | Bottom main cushion foam only |
| 7. 998149-02 | Back main cushion/fabric assembly |
| 7. 703340-02 | Back main cushion foam only |
| 8. 998149-03 | Small back cushion/fabric assembly |
| 8. 703340-08 | Small back cushion foam only |
| 9. 998149-04 | Base side cushion/fabric assembly |
| 9. 703340-04 | Base side cushion foam only |
| 10. 998149-05 | Back side front cushion/fabric assembly |
| 10. 703340-07 | Back side front cushion foam only |
| 11. 998149-06 | Wedge cushion/fabric assembly |
| 11. 703340-06 | Wedge cushion foam only |
| 12. 998149-07 | Back cushion support assembly |
| 12. 966065 | Armrest Assembly, Front |

SAFARI- BAMBI

FURNITURE, LOUNGE

Sofa Assembly, 28' W, 25' Sleep Six

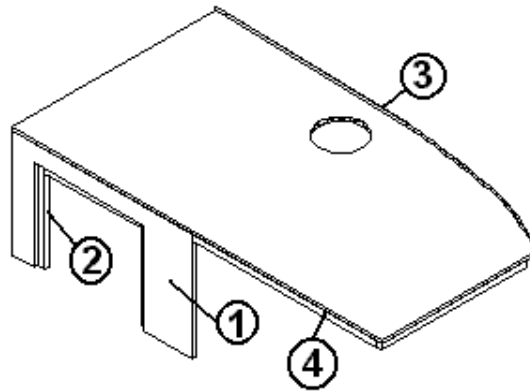


- | | |
|--|---|
| <p>965827
1. 965829
2. 800507-02
3. 801351
4. 850082
5. 381865
6. 381072
7. 365268-01
8. 381228-01
9. 114809
10. 365268-03
11. 965936
381826</p> | <p>Sofa Assembly
Sofa bed assembly
Luan, raw/raw, 1/4"
Lite ply, .75", 4' x 8'
Poplar, .75: x 2.00"
Handle, drawer/door
Hinge, 3" x 1 7/8", Open, Gold
Edgebanding, .024" x 1.13", Tropical Oak
Grabber door catch
Aluminum angle, 1.5" x 1.5"
Edgebanding, .024" x .63". Tropical Oak
Door, sofa option
SLIDE-BALL BEARING</p> |
|--|---|

SAFARI- BAMBI

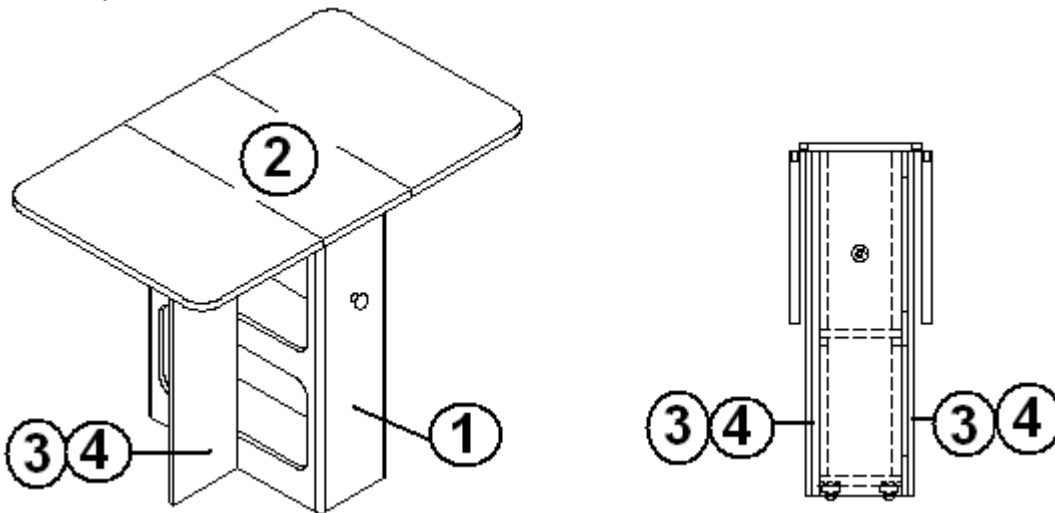
FURNITURE, LOUNGE

Sofa, L-section, 28' W, 25' Sleep Six, 23'



- | | |
|--------------|--|
| 965828 | Sofa, L-section |
| 1. 800507-04 | Luan, raw/raw, 1/2" |
| 2. 850082 | Poplar, .75: x 2.00" |
| 3. 114812 | Aluminum angle, 1" x 1" |
| 4. 365268-01 | Edgebanding, .024" x 1.13", Tropical Oak |

Table, Gate, 23'

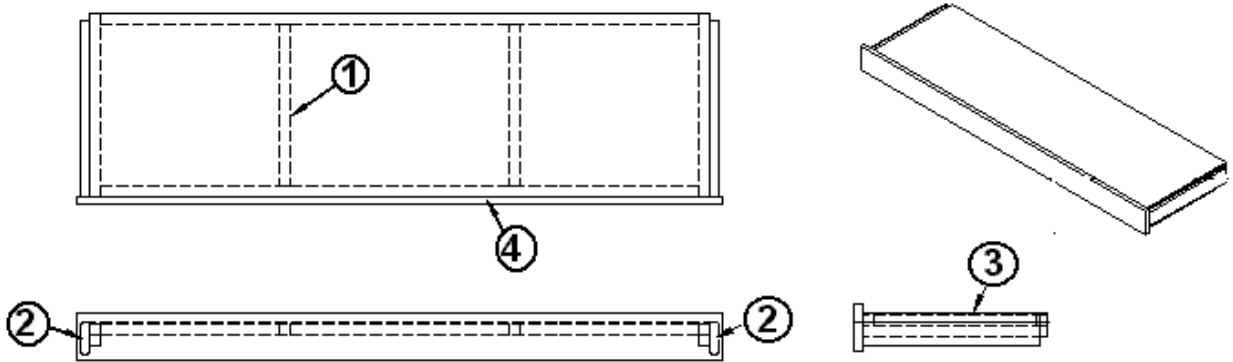


- | | |
|--------------|--------------------------|
| 966508 | Gate Table Assembly, 23' |
| 1. 966507 | Gate table base |
| 2. 966506 | Gate table top |
| 3. 801381-01 | Panel, Oak/Oak |
| 4. 381479 | Hinge, brass cabinet |

SAFARI- BAMBI

FURNITURE, LOUNGE

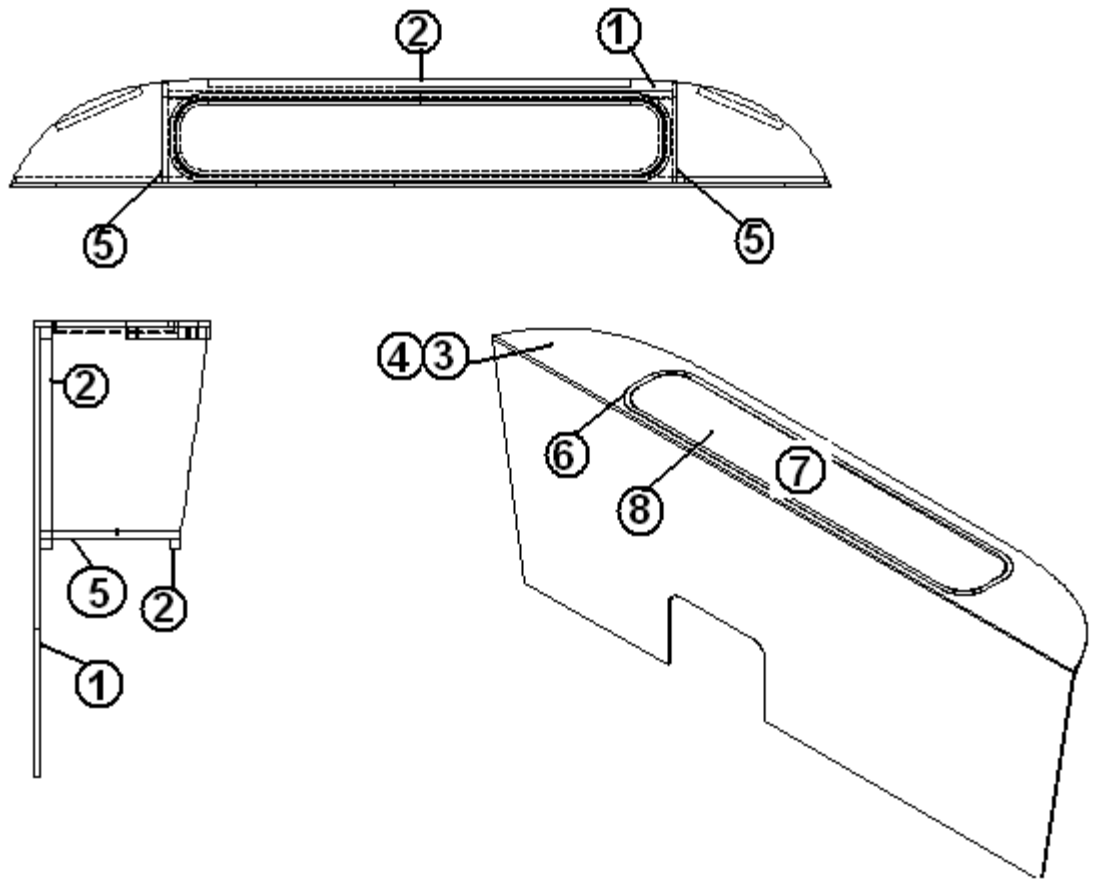
Sofa Bed, 28' W, 25' Sleep Six



- | | |
|---|---|
| <p>965829</p> <p>1. 915708</p> <p>2. 381826</p> <p>3. 800507-02</p> <p>4. 801351</p> <p>5. 330031-03</p> <p>6. 320117-03</p> <p>381072</p> <p>381865</p> <p>365268-03</p> | <p>Sofa Bed</p> <p>Weldment, sofa bed</p> <p>Slide, ball bearing</p> <p>Luan, 1/4" x 4' x 8'</p> <p>Lite ply, 18MM, .75" x 4' x 8'</p> <p>Rivet, dome head, SSS64SSBS</p> <p>Screw, Steel, Drywall, #6 x 1.625</p> <p>HINGE 3" X 1 7/8" OPEN GOLD</p> <p>Door handle</p> <p>EDGE BANDING-.024"X .63", OAK</p> |
|---|---|

SAFARI- BAMBI
FURNITURE, LOUNGE

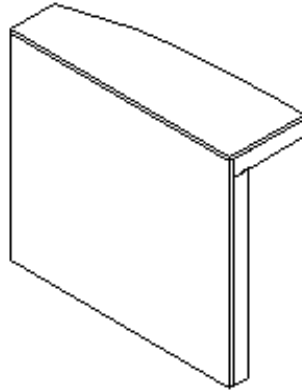
Sofa Back, 25' Sleep Six, 28' W



- | | |
|--------------|--------------------------------|
| 966133 | SOFA BACK ASSEMBLY |
| 1. 800507-03 | LAUAN, 3/8" X 4'X 8' |
| 2. 800025-01 | PINE 3/4" X 3/4" STAINED |
| 3. 701764 | FOAM, 1/4" |
| 4. 703347 | FABRIC, COAL, 54" |
| 5. 801392 | PANEL, WHITELINER/WHITELINER |
| 6. 115203 | DOOR, JAMB |
| 7. 966134 | DOOR, SOFA BACK |
| 8. 381847 | HINGE-PIANO ANGLE .88" X 72" |
| 365013 | TAPE CHARCOAL LOW DENSITY FOAM |
| 381581 | STRAP CLEAR PLASTIC .75"W |

SAFARI- BAMBI
FURNITURE, LOUNGE

Sofa Armrest, 28' W, 25' Sleep Six, 23'



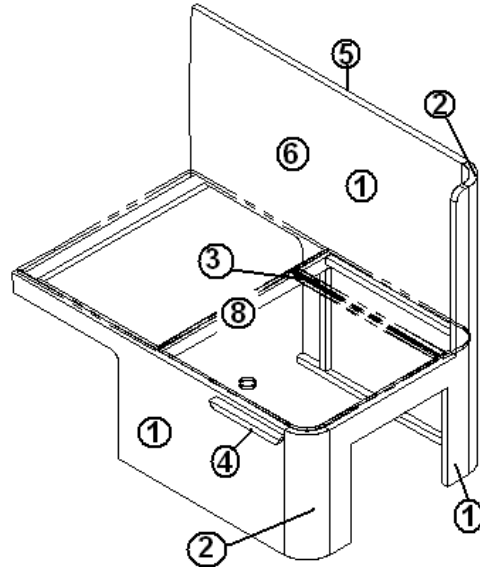
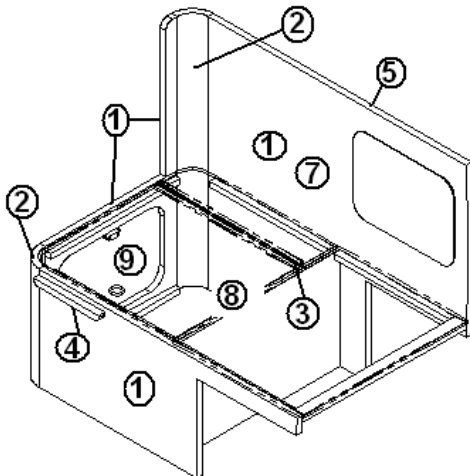
965831

Sofa Armrest

SAFARI- BAMBI

FURNITURE, LOUNGE

DINETTE SEATS, 22'

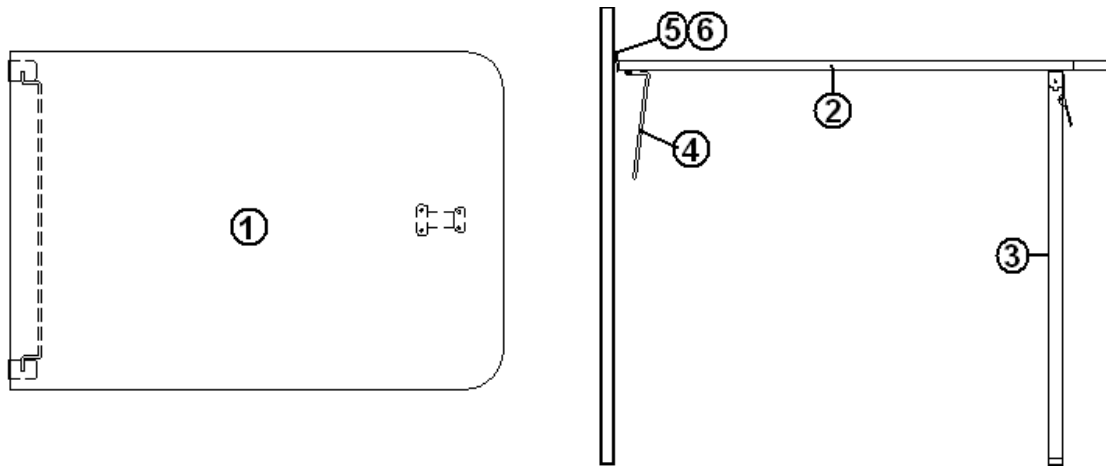


- | | |
|---------------|----------------------------------|
| 965944 | SEAT, RH 38" |
| 965945 | SEAT, LH 38" |
| 1. 801351 | LITE PLY-18MM (.75") 4' X 8' |
| 2. 801345 | RADIUS.PLYWOOD .75" X 3" X 8' |
| 3. 380458 | HINGE, BROWN, PIANO |
| 4. 800470-006 | STOP-HARDWOOD .75" DINNETE CLETE |
| 5. 700414 | FOAM 3/8 X 86"X 52' |
| 6. 703309-04 | FOAM, DINETTE, LEFT SIDE BACK |
| 7. 703309-05 | FOAM, DINETTE RIGHT SIDE BACK |
| 8. 703309-06 | FOAM, DINETTE, SEAT BOTTOM LH/RH |
| 9. 966137 | DOOR, DINETTE SEAT |
| 381228-01 | CATCH GRABBER DOOR |
| 381796 | KNOB HOLLOW 1.25"DIA. |
| 966053 | CLOSEOUT, DINETTE, 22' |

SAFARI- BAMBI

FURNITURE, LOUNGE

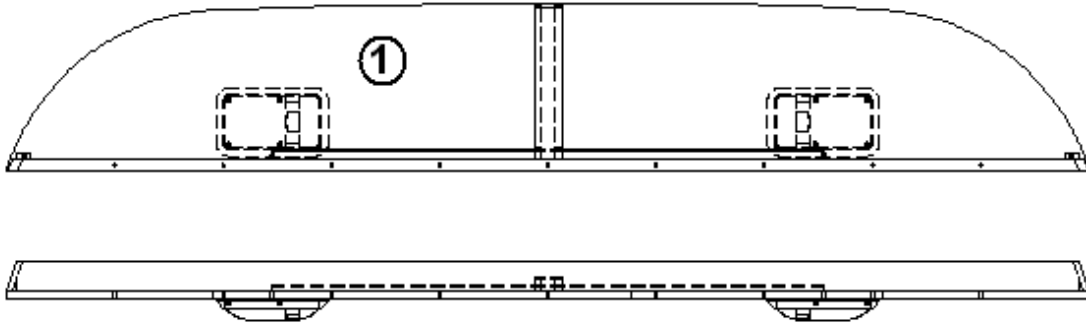
DINNETE TABLE, 20', 22'



- | | |
|--------------|---------------------------------|
| 965947 | TABLE ASSY-38" DINNETE, OAK |
| 965947-01 | TABLE ASSY-38" DINNETE, GRAPITE |
| 1. 801369 | PANEL, FROSTWHITE/WHITE LINER |
| 1. 801377 | PANEL, GALAXY GRAPHITE |
| 2. 365267 | EDGE BANDING-1.13" .024 PLY |
| 2. 365271 | EDGE BANDING, 1.13", GRAPHITE |
| 3. 700065-01 | LEG-SNAPO FOLDING, 30.5" CHROME |
| 4. 380284-02 | TABLE HINGE BRACKET |
| 5. 380284-03 | TABLE HINGE BRACKET |
| 6. 340018 | CATCH PLATE J-1 |

SAFARI- BAMBI
FURNITURE, LOUNGE

SHELF, FRONT, 22'

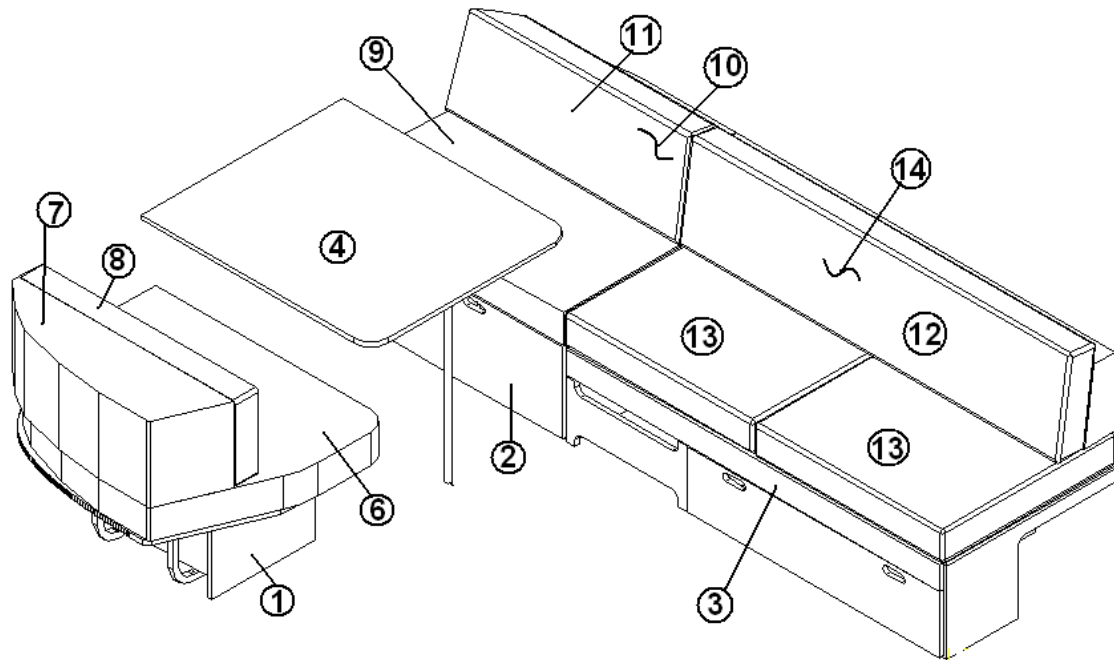


- | | |
|-----------|-------------------------------|
| 1. 966061 | SHELF, FRONT, 22' |
| 365268-01 | EDGE BANDING-.024"X 1.13" OAK |
| 365268-03 | EDGE BANDING-.024"X .63" OAK |
| 511227-03 | RACEWAY-GRAY PLASTIC, TYPE L |
| 511227-04 | END CAP-RACEWAY GRAY FORMED |

SAFARI- BAMBI

FURNITURE, LOUNGE

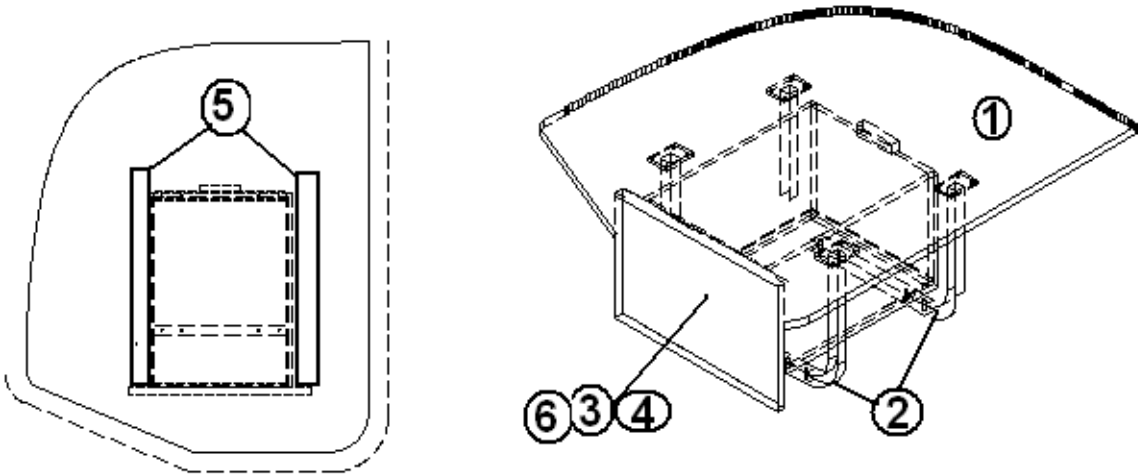
Sofa, Dinette, 25' Front Bed



- | | |
|---------------|-------------------------------|
| 1. 966221 | SEAT ASSY-CS DINETTE |
| 2. 966215 | SEAT ASSY-RS DINETTE |
| 3. 966217 | SOFA ASSY |
| 4. 966246 | TABLE ASSY- DINETTE |
| 5. 703486 | FOAM KIT-LNG/DINETTE |
| 6. 998173-01 | FABRIC ASSY-CS DIN.SEAT |
| 7. 998173-02 | FABRIC ASSY-CS BACK FILL |
| 8. 998173-03 | FABRIC ASSY-CS BACK REST |
| 9. 998173-04 | FABRIC ASSY-RS DIN SEAT |
| 10. 998173-05 | FABRIC ASSY-RS BACK FILL |
| 11. 998173-06 | FABRIC ASSY-RS BACK REST |
| 12. 998173-07 | FABRIC ASSY-DIN WEDGE |
| 13. 998173-08 | FABRIC ASSY-BOTT.CUSHION |
| 14. 998173-09 | FABRIC ASSY-CUSHION BACK REST |

SAFARI- BAMBI
FURNITURE, LOUNGE

Dinette Seat, Curbside, 25' Front Bed

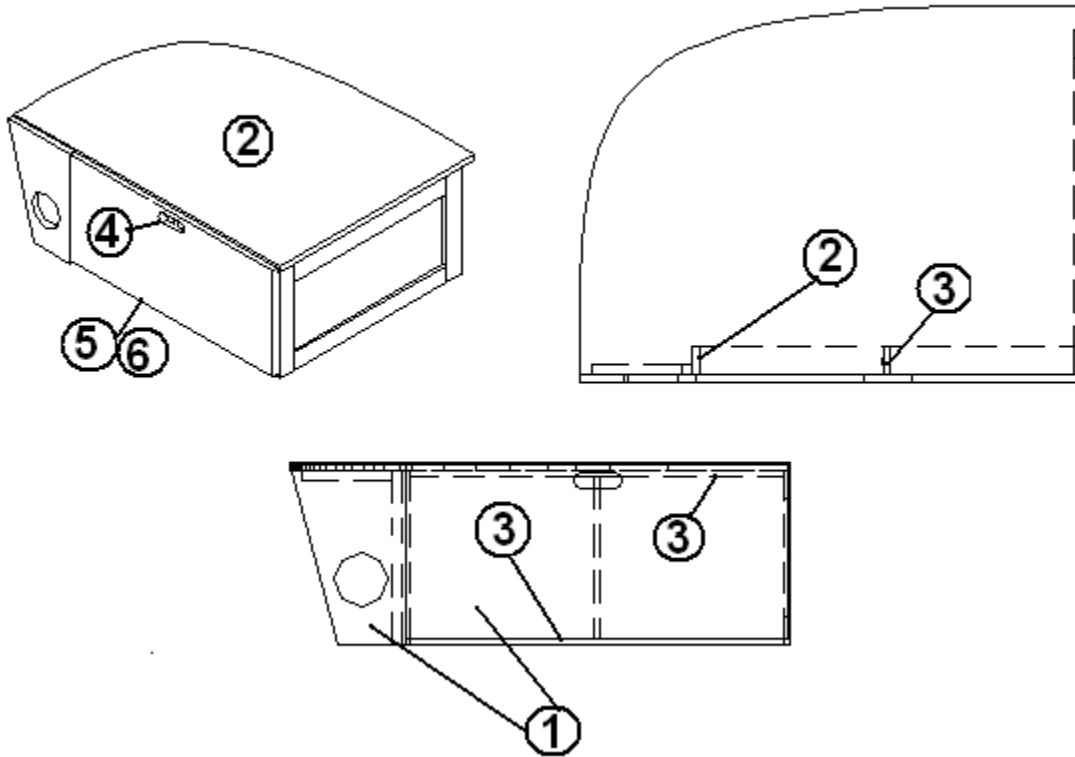


- | | |
|--------------|--------------------------------|
| 966221 | SEAT ASSY-CS DINETTE |
| 1. 801368 | PANEL, WHITE/WHITE |
| 2. 454177 | LEG-DINETTE ALUM |
| 3. 964909-11 | DWR BOX ASSY-10" X 14.00 X 19 |
| 4. 801375-28 | DOOR-DINETTE 11.5"X 18" |
| 5. 381833-01 | DRAWER SLIDE-UNDER SHELF 18"PR |
| 6. 381074 | CATCH BULL DOG #65S (COPPER) |
| 365268-01 | EDGE BANDING-.024"X 1.13" TROP |

SAFARI- BAMBI

FURNITURE, LOUNGE

Dinette Seat, Roadside, 25' Front Bed

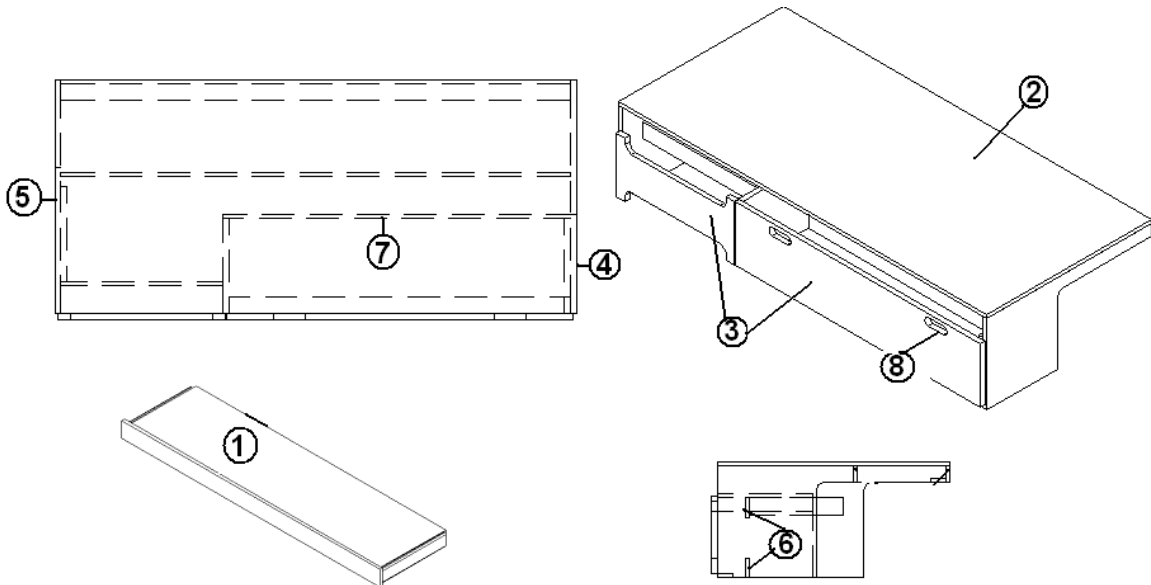


- | | |
|--------------|-------------------------------|
| 966215 | SEAT ASSY-RS DINETTE |
| 1. 801351 | LITE PLY-18MM (.75") 4' X 8' |
| 2. 801368 | PANEL, WHITE/WHITE |
| 3. 801392 | PANEL, WHITE/WHITE 12MM |
| 4. 381775 | DRAWER PULL-FLUSH |
| 5. 381072 | HINGE 3" X 1 7/8" OPEN GOLD |
| 6. 381228-01 | CATCH GRABBER DOOR |
| 365268-01 | EDGE BANDING-.024"X 1.13" Oak |
| 365268-03 | EDGE BANDING-.024"X .63" Oak |

SAFARI- BAMBI

FURNITURE, LOUNGE

Sofa Bed, 25' Front Bed

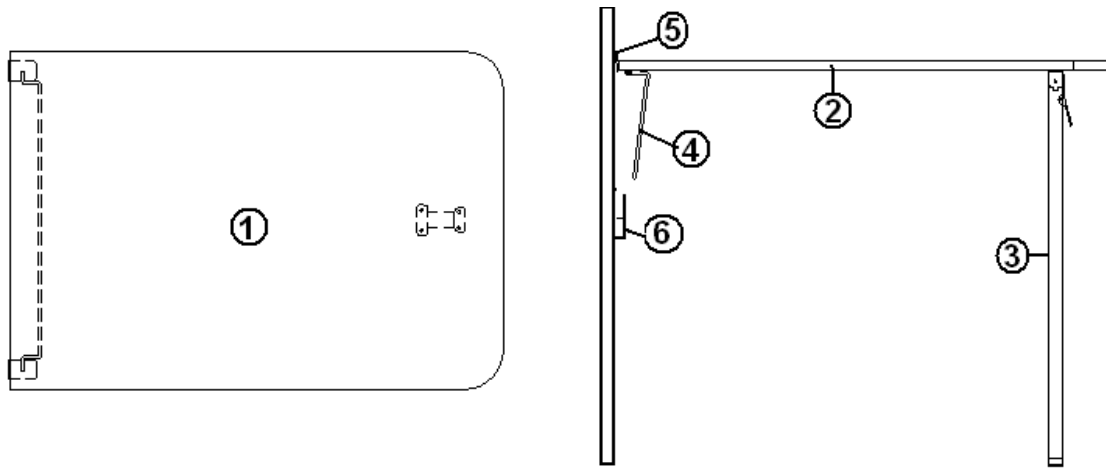


966217	SOFA ASSY
1. 966216	SOFA BED UPPER ASSY
2. 800506-04	PLYWOOD, 1/2" X 4' X 8'
3. 801351	LITE PLY-18MM (.75") 4' X 8'
4. 801368	PANEL, WHITE/WHITE
5. 801376-01	PANEL, OAK/WHITE 18MM
6. 801383-01	PANEL, OAK/WHITE
7. 801392	PANEL, WHITE/WHITE 12MM
8. 381775	DRAWER PULL-FLUSH
381072	HINGE 3" X 1 7/8" OPEN GOLD
381228-01	CATCH GRABBER DOOR
365268-01	EDGE BANDING-.024" X 1.13" OAK
365268-03	EDGE BANDING-.024" X .63" OAK
915811	WELDMENT-SOFA BED
381826	SLIDE-BALL BEARING
330031-03	RIVET DOME HEAD SSD64SSBS

SAFARI- BAMBI

FURNITURE, LOUNGE

Dinette Table, 25' Front Bed

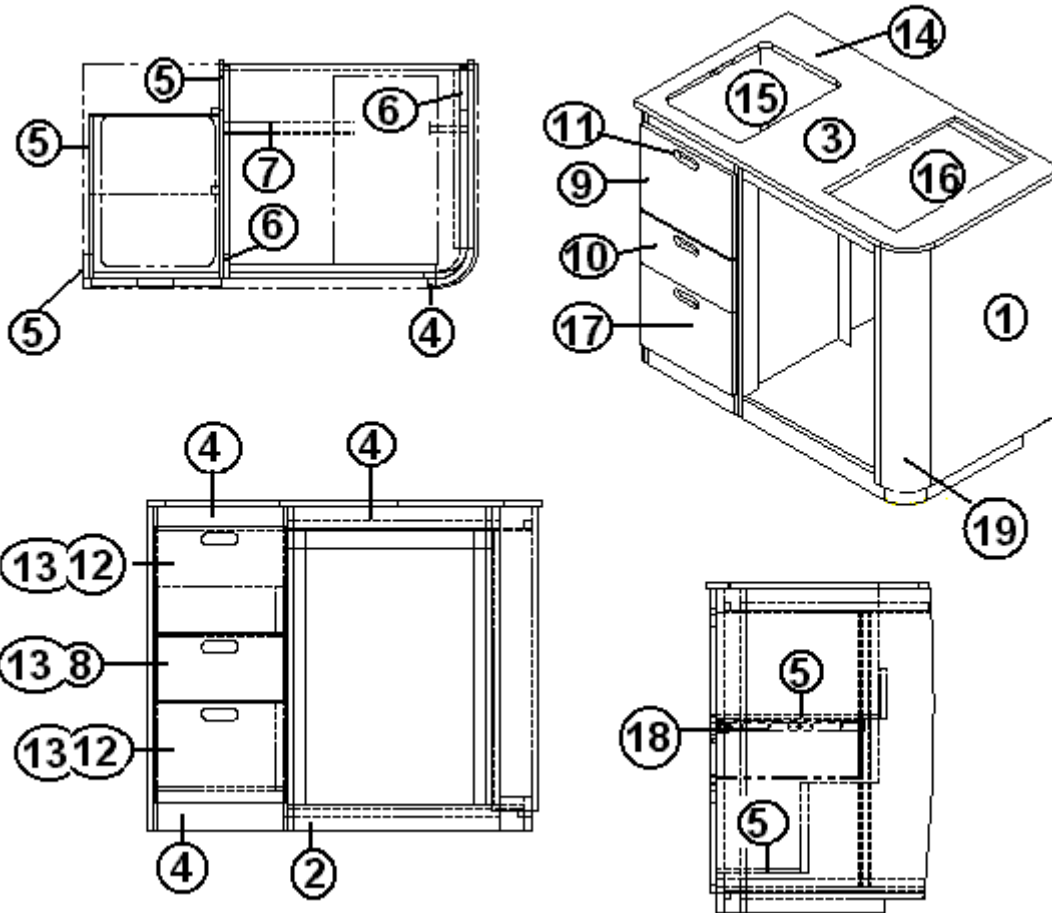


- | | |
|--|---|
| <ul style="list-style-type: none"> 966246 966246-01 1. 801368 1. 801377 2. 365267 2. 365273 3. 381881-04 4. 380284-02 5. 380284-03 6. 340018 381136 | <ul style="list-style-type: none"> TABLE ASSY-38" DINNETE, OAK TABLE ASSY-38" DINNETE, GRAPITE PANEL, FROSTWHITE/WHITE LINER PANEL, GALAXY GRAPHITE EDGEBANDING, OAK EDGEBANDING, GRAPHITE LEG-SNAPO FOLDING, 30.5" CHROME TABLE HINGE BRACKET TABLE HINGE BRACKET CATCH PLATE J-1 RUBBER BUMPER |
|--|---|

SAFARI- BAMBI

FURNITURE, GALLEY

GALLEY BASE, 16'



Part Numbers are on the next page.

SAFARI- BAMBI

FURNITURE, GALLEY

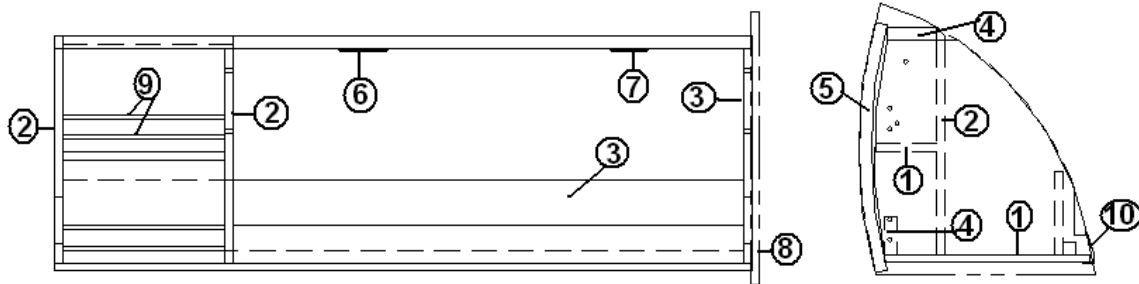
GALLEY BASE, 16'

965888-01	GALLEY BASE ASSEMBLY, 16',
1. 965885-01	PANEL SUB ASSEMBLY-FWD GALLEY
2. 965886-01	PANEL SUB ASSEMBLY, TOE KICK
3. 966147	TOP, GALLEY, WHITE
3. 966147-01	TOP, GALLEY, GRAPHITE
4. 801376-01	PANEL, OAK/WHITELINER
5. 801343-01	PANEL, OAK, 4' X 8'
6. 801369	PANEL, FROSTWHITE/WHITELINER
7. 381830	WIPER, RUBBER 1.125" X 2" L
8. 965560-03	DRAWER BOX, 5.63" X 13.5" X 12"
9. 801341-121	DOOR-GALLEY 14.13"X11.5"
10. 801341-122	DOOR-GALLEY 14.13"X7.13"
11. 381865	PULL-BAR BRUSH NICKEL
12. 381607	HINGE ASSEMBLY-GRASS EURO
13. 381228-01	CATCH GRABBER DOOR
14. 601894	FAUCET-MOEN CHATEAU W/SPRAY #7
15. 601938	SINK, S/S, SINGLE BOWL
16. 690471	COOKTOP-2 BURNER BLACK GLASS TOP
17. 801341-123	DOOR-GALLEY 14.13" X 11" GALLEY
18. 381773-15	DRAWER SLIDE-5.875"X 15.75"
19.801345	RADIUS PLYWOOD .75" X 3" X 8'
115064	TRIM-ALUM COUNTER TOP
365267	EDGEBANDING-1.13" .024 PLY
365268-02	EDGEBANDING-.024"X 1.63", OAK
365268-03	EDGEBANDING-.024"X .63", OAK
365268-01	EDGEBANDING-.024"X 1.13", OAK
200980-01	TRAY, SILVERWARE, ALMOND, 9" X 13"
203425	SINK COVER .5" NATURAL

SAFARI- BAMBI

FURNITURE, GALLEY

Roof Locker, Galley, 16'



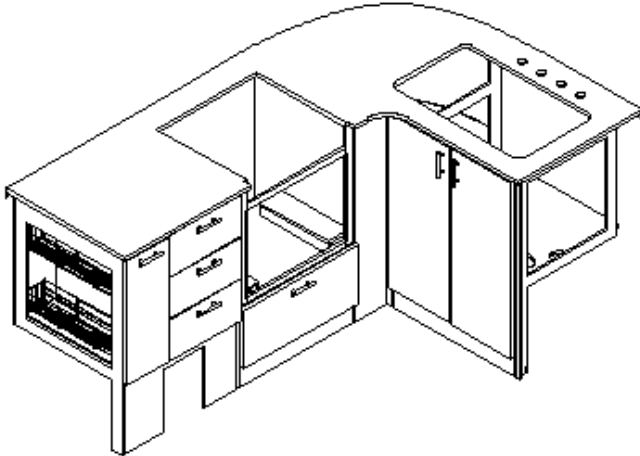
966156	ROOFLOCKER, GALLEY
1. 801381-01	PANEL OAK/OAK
2. 801383-01	PANEL, OAK/WHITELINER
3. 801392	PANEL, WHITELINER/WHITELINER
4. 801376-01	PANEL, OAK/WHITELINER
5. 965551-02	DOOR, RADIUS FOAM 15.25" X 31.63"
6. 381840-01	HINGE, OVERHEAD SPRING LH
7. 381840-02	HINGE, OVERHEAD SPRING RH
8. 965587	END CAP ASSEMBLY
9. 115085	ANGLE ALUMINUM, ROOFLOCKERS
10. 115042	ROD, .25" ALUMINUM
365268-03	EDGE BANDING-.024"X .63" OAK
365268-01	EDGE BANDING-.024"X 1.13" OAK
365268-03	EDGE BANDING-.024"X .63" OAK
115064	TRIM, ALUMINUM COUNTER TOP

SAFARI- BAMBI

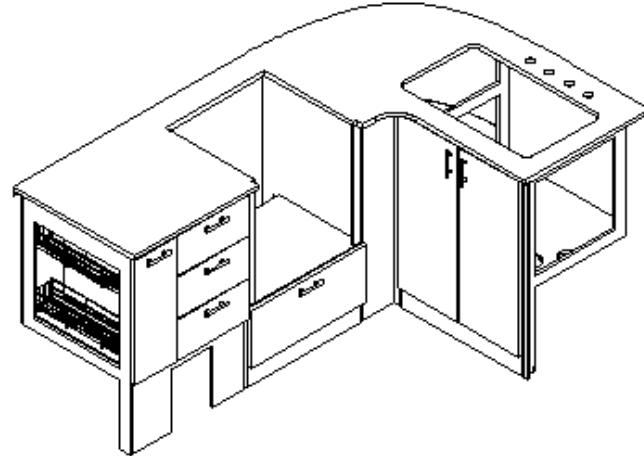
FURNITURE, GALLEY

Galley Assembly Installation, 20'

Optional Cooktop/Microwave



Standard Oven

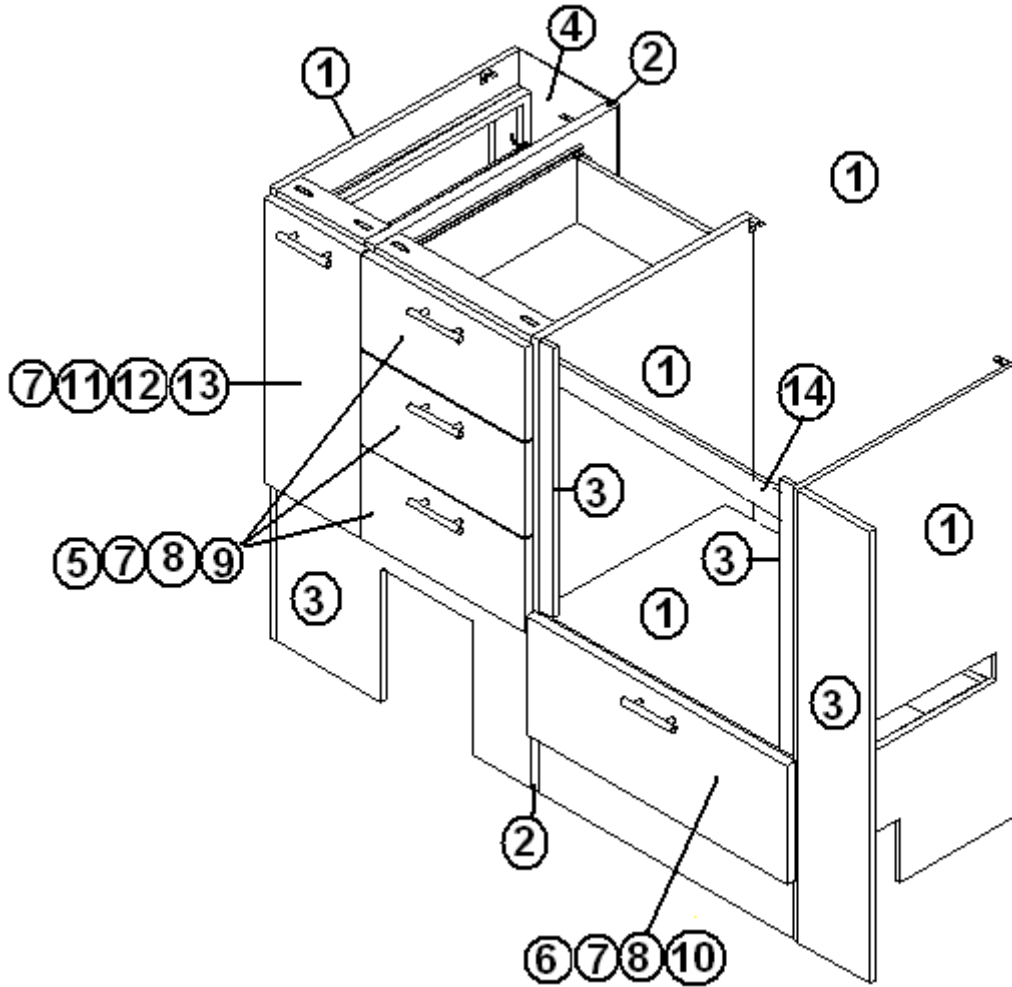


- | | |
|--------------|--|
| 1. 966556-01 | GALLEY ASSY, STANDARD OVEN |
| 2. 966556-02 | GALLEY ASSY, COOKTOP/MICROWAVE |
| 3. 966552-01 | BASE ASSY-GALLEY FORWARD, STANDARD OVEN |
| 4. 966552-02 | BASE ASSY-GALLEY FORWARD, OPTIONAL COOKTOP/MICROWAVE |
| 5. 966553 | BASE ASSY-GALLEY AFT |

SAFARI- BAMBI

FURNITURE, GALLEY

Galley Base, Forward, 20'



Part Numbers on the next page.

SAFARI- BAMBI

FURNITURE, GALLEY

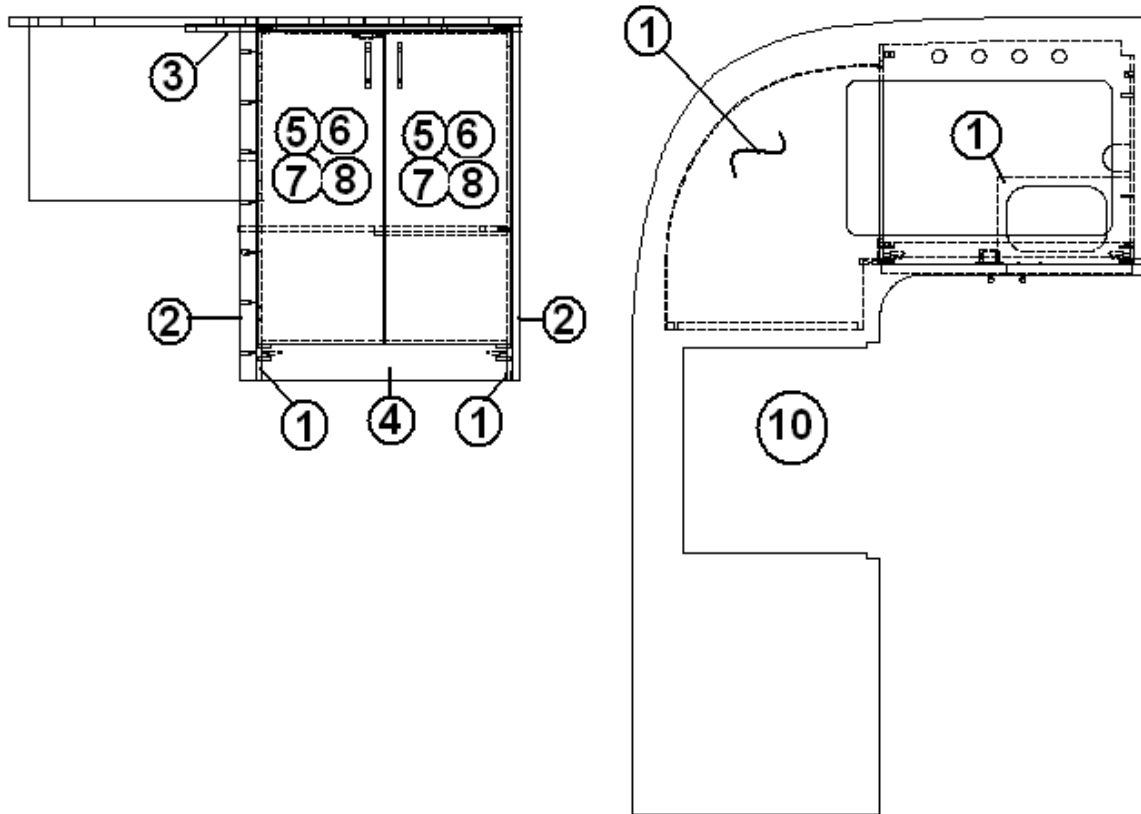
Galley Base, Forward, 20'

966552-01	BASE ASSY-GALLEY FWD, OVEN
966552-02	BASE ASSY-GALLEY FWD MICROWAVE
1. 801392	PANEL, WHITELINER/WHITELINER 12MM
2. 801368	PANEL, WHITELINER/WHITELINER 18MM
3. 801383-01	PANEL, OAK/WHITE LINER
4. 801438	PANEL, FROSTY WHITE VINYL/RAW 2.7 MM
5. 965554-05	DRAWER BOX ASSY-5.63" X 14.25" X 17.63"
6. 965554-06	DRAWER BOX ASSY-5.63" X23" X 21.75"
7. 381865	PULL-BAR BRUSH NICKEL
8. 381228-01	CATCH GRABBER DOOR
9. 801341-189	DOOR-GALLEY 14.88" X 7.38"
10. 801341-190	DOOR-GALLEY 23.63"X10.38"
11. 801341-191	DOOR-GALLEY 8.69"X22.38"
12.381551-03	ORGANIZER WHITE BASE
13.381551-02	WIRE BASKET 4" WIDE WHITE

SAFARI- BAMBI

FURNITURE, GALLEY

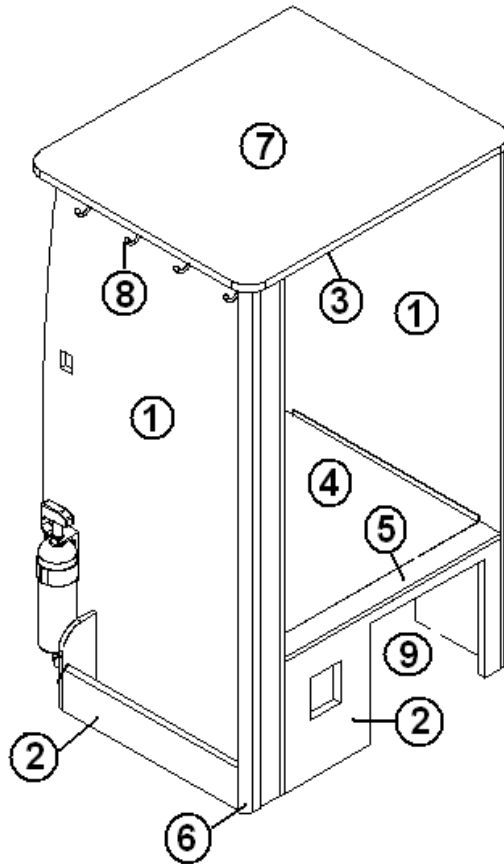
Galley Base, Aft, 20'



- | | |
|--|--|
| <p>966553
1. 801392
2. 801393-01
3. 801368
4. 801376-01
5. 801341-188
6. 381865
7. 381228-01
8. 381607
9. 966551-01
115064</p> | <p>BASE ASSY-GALLEY AFT
PANEL, WHITELINER/WHITELINER 12MM
CORNER TRIM-90D 1" RAD TROP OAK
PANEL, WHITELINER/WHITELINER 18MM
PANEL, T.OAK/WHITE LINER 18MM
DOOR-GALLEY 12.75" X 31.31"
PULL-BAR BRUSH NICKEL
CATCH GRABBER DOOR
HINGE ASSY-GRASS EURO
TOP ASSY-GALLEY WHITE
TRIM-ALUM COUNTER TOP</p> |
|--|--|

SAFARI- BAMBI
FURNITURE, GALLEY

Refrigerator Cabinet, 20'

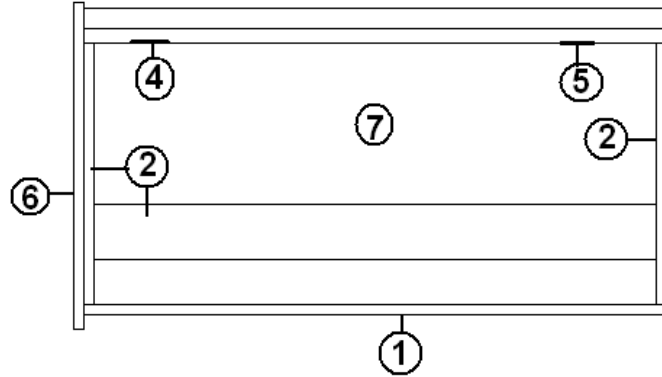
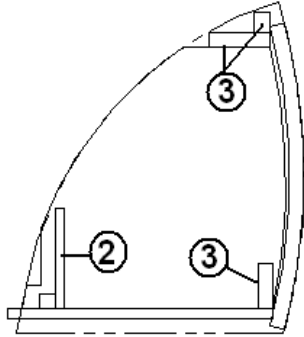


- | | |
|--------------|-----------------------------------|
| 966560 | REFER CABINET |
| 1. 801383-01 | PANEL, OAK/WHITE LINER |
| 2. 801376-01 | PANEL, T.OAK/WHITE LINER 18MM |
| 3. 801368 | PANEL, WHITELINER/WHITELINER 18MM |
| 4. 801392 | PANEL, WHITELINER/WHITELINER 12MM |
| 5. 801381-01 | PANEL, OAK/OAK 12MM |
| 6. 801393-01 | CORNER TRIM-90D 1" RADIUS, OAK |
| 7. 966561-01 | TOP ASSY-REFER, FROSTY WHITE |
| 7. 966561-02 | TOP ASSY-REFER, GALAXY GRAPHITE |
| 8. 381384 | HOOK-ALUM.COAT 1.68" |
| 9. 966559 | REFER STAND ASSY |

SAFARI- BAMBI

FURNITURE, GALLEY

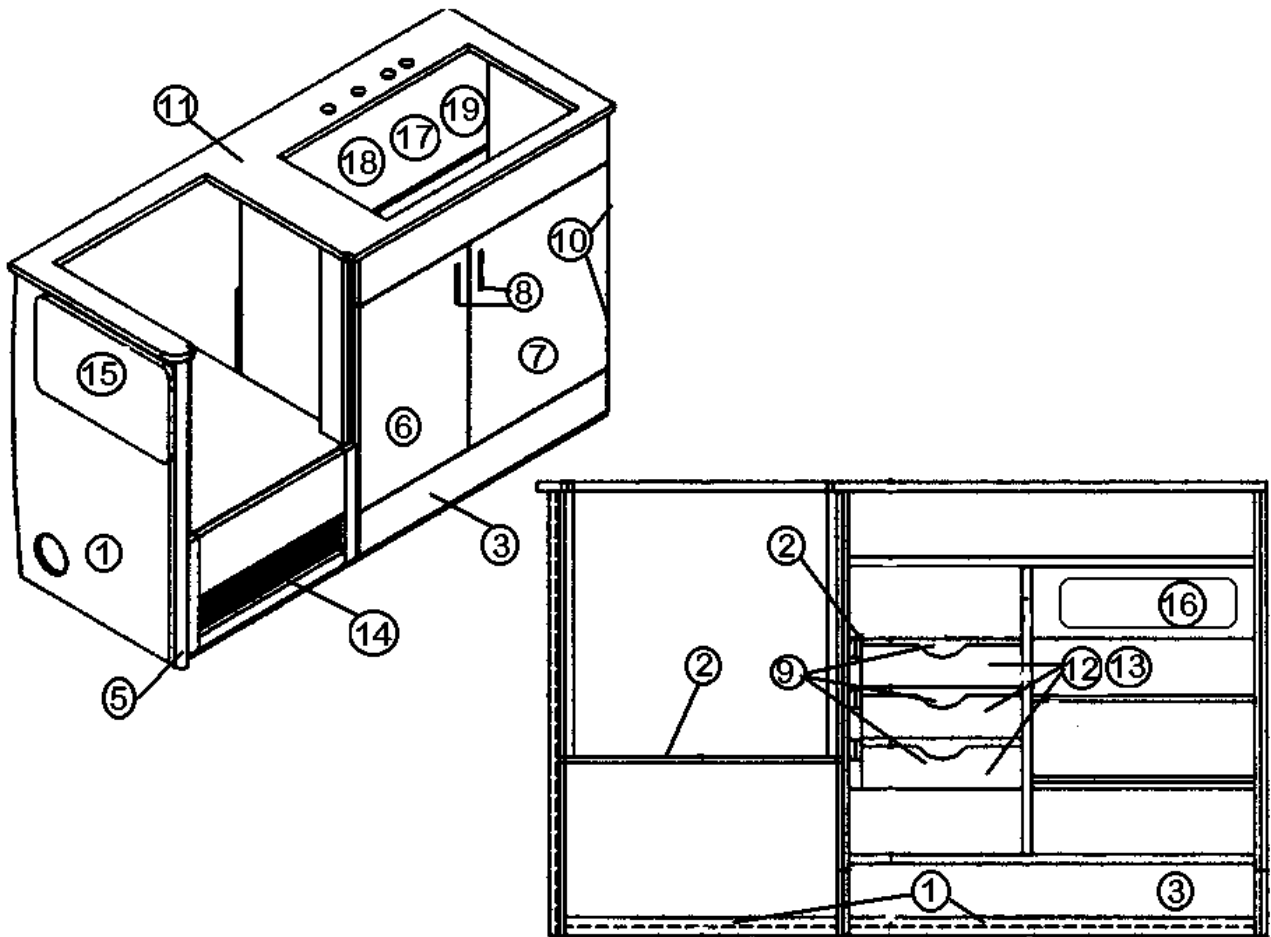
Roof Locker, Rear Galley, 20'



- | | |
|--------------|---------------------------------|
| 966565 | R/L ASSY, REAR GALLEY |
| 1. 801383-01 | PANEL, OAK/WHITE LINER |
| 2. 801392 | PANEL, WHITELINER/WHITELINER |
| 3. 801376-01 | PANEL, T.OAK/WHITE LINER 18MM |
| 4. 381840-01 | HINGE-OVERHEAD SPRING LH |
| 5. 381840-02 | HINGE-OVERHEAD SPRING RH |
| 6. 965587 | END CAP ASSEMBLY |
| 7. 965551-03 | DOOR-RADIUS FOAM 15.25" X 28.38 |

SAFARI- BAMBI FURNITURE, GALLEY

Galley, Full Oven, 25 A & B



Part numbers on the next page

SAFARI- BAMBI

FURNITURE, GALLEY

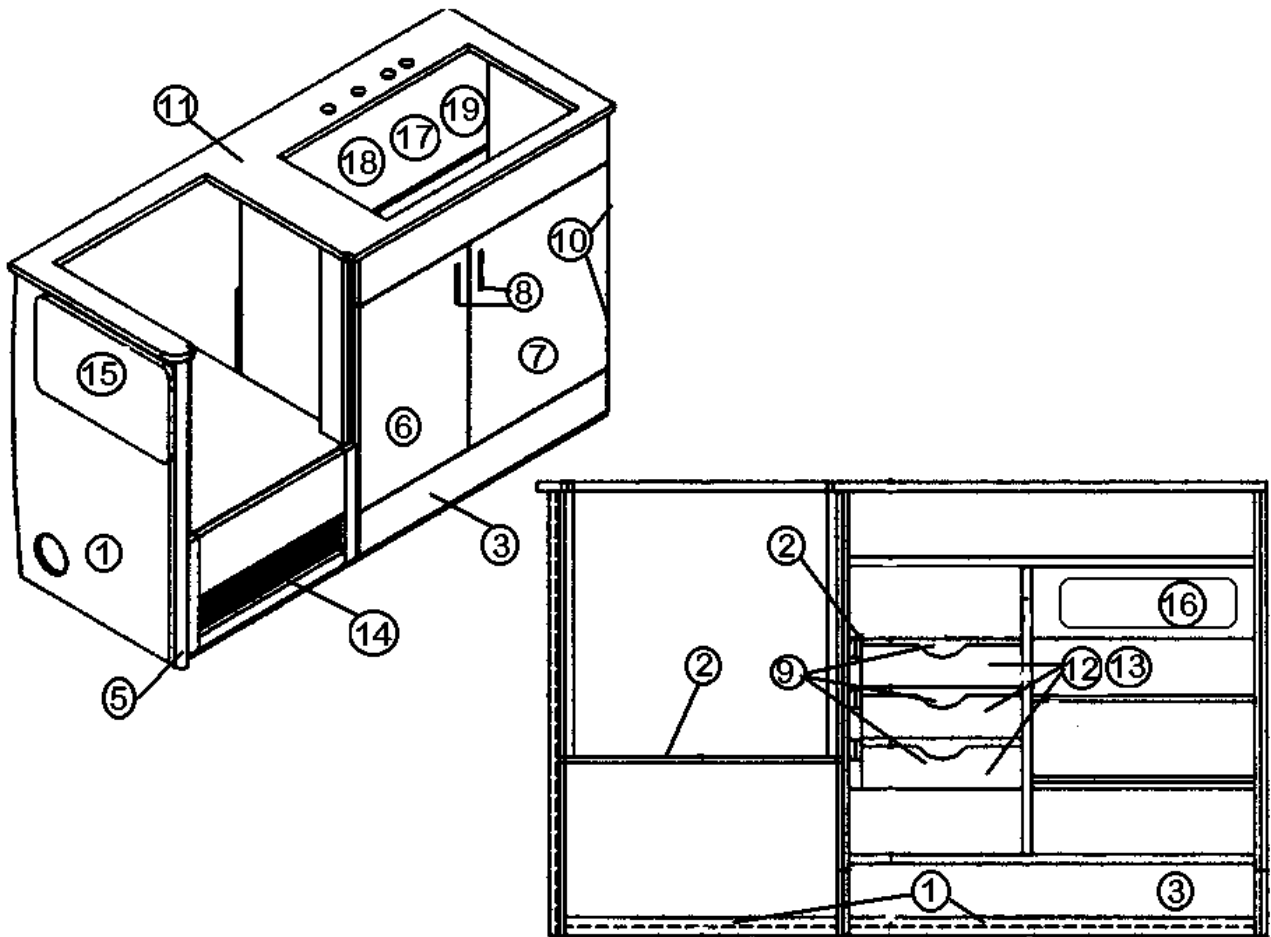
Galley, Full Oven, 25' A & B

965582	Galley Assembly, Full Oven, 25', Oak
965582-01	Galley Assembly, Full Oven, 25', Graphite
1. 801383-01	Paneling, Tropical Oak/White
2. 801392	Paneling, White/White 12 MM
3. 801376-01	Paneling, Tropical Oak/White, 4' x 8'
4. 801368	Paneling, White/White, Rexel
5. 801393-016	Corner trim, 90 °, 1" radius
6. 801341-25	Door, 14.63" x 23.63"
7. 801341-26	Door, 18.63" x 23.63"
8. 381865	Door handle
9. 381228-01	Door/drawer grabber catch
10. 381607	Hinge assembly, Grass European
11. 965583	Galley top assembly, Oak
11. 965583-01	Galley top assembly, Graphite
12. 965584-01	Drawer box assembly
12. 381773-02	SLIDE DRAWER 3-3/8"H X 13-3/4"L
13. 801399-01	Drawer hidden, 13.00" x 3.38"
14. 453783-04	Grill screen, sheared and painted
15. 965581	Flip up shelf, galley, Oak
15. 965581-01	Flip up shelf, galley, Graphite
16. 381615	Tray, 11", Plastic molded
17. 601963	Sink, Stainless Steel, 16" x 27"
18. 601744-01	Mounting clip, sink
19. *203509	Sink cover, natural
20. 600968	Basket strainer
21. 365268-01	Edge tape, Tropical Oak, 1.13 wide
22. 365238-04	Edge tape, White, 5/8" wide
381608-09	ROSETTE HAFELE

SAFARI- BAMBI

FURNITURE, GALLEY

Galley, Full Oven, 25 Sleep Six



Part numbers on the next page

SAFARI- BAMBI

FURNITURE, GALLEY

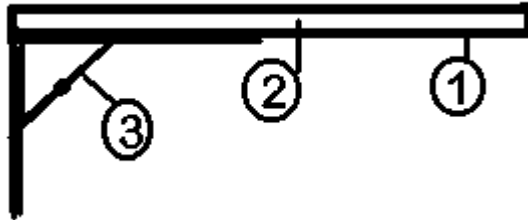
Galley, Full Oven, 25' Sleep Six

965582-02	Galley Assembly, Full Oven, 25', SS
1. 801383-01	Paneling, Tropical Oak/White
2. 801392	Paneling, White/White 12 MM
3. 801376-01	Paneling, Tropical Oak/White, 4' x 8'
4. 801368	Paneling, White/White, Rexel
5. 801393-016	Corner trim, 90 °, 1" radius
6. 801341-25	Door, 14.63" x 23.63"
7. 801341-26	Door, 18.63" x 23.63"
8. 381865	Door handle
9. 381228-01	Door/drawer grabber catch
10. 381607	Hinge assembly, Grass European
11. 965583	Galley top assembly, Oak
11. 965583-01	Galley top assembly, Graphite
12. 965584-01	Drawer box assembly
12. 381773-02	SLIDE DRAWER 3-3/8"H X 13-3/4"L
13. 801399-01	Drawer hidden, 13.00" x 3.38"
14. 453783-04	Grill screen, sheared and painted
15. 965581	Flip up shelf, galley, Oak
15. 965581-01	Flip up shelf, galley, Graphite
16. 381615	Tray, 11", Plastic molded
17. 601963	Sink, Stainless Steel, 16" x 27"
18. 601744-01	Mounting clip, sink
19. 203509	Sink cover, natural
600968	Basket strainer
365268-01	Edge tape, Tropical Oak, 1.13 wide
365238-04	Edge tape, White, 5/8" wide
381614	FOLDING SHELF BRACKET
115064	TRIM-ALUM COUNTER TOP
365267	EDGE BANDING-1.13" .024 PLY

SAFARI- BAMBI

FURNITURE, GALLEY

Galley Flip up Shelf, 25' Sleep Six, 25' A & B, 28' S/O

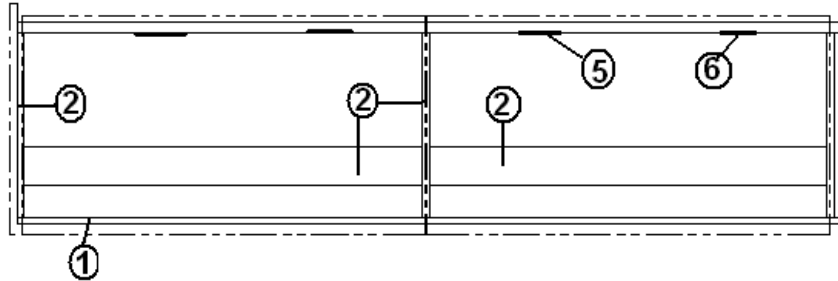
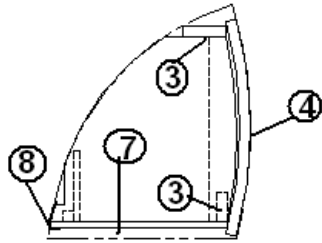


965581	Galley Flip up Shelf Assembly
965581-01	Galley Flip up Shelf Assembly, Graphite
1. 801369	PANEL, FROSTWHITE/WHITE LINER
1. 801377	PANEL, GRAPHITE/WHITELINER
2. 365267	EDGE BANDING-1.13" .024 PLY
2. 365273	EDGE BANDING, GRAPHITE
3. 381614	FOLDING SHELF BRACKET

SAFARI- BAMBI

FURNITURE, GALLEY

Roof Locker, Galley, 25', 28' S/O

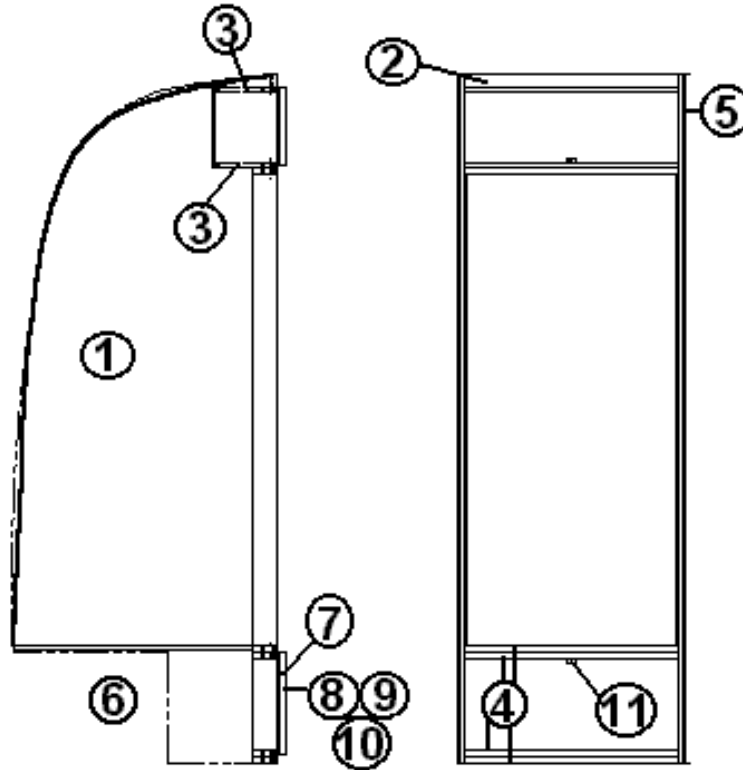


966038	ROOFLOCKER, GALLEY
1. 801383-01	PANEL, OAK/WHITE LINER
2. 801392	PANEL, WHITELINER/WHITELINER
3. 801376-01	PANEL, OAK/WHITE LINER
4. 965551-03	DOOR-RADIUS FOAM 15.25" X 28.38"
5. 381840-01	HINGE-OVERHEAD SPRING LH
6. 381840-02	HINGE-OVERHEAD SPRING RH
7. 965587	END CAP ASSEMBLY
8. 115085	ANGLE ALUMINUM
345276-04	SCREW HEX HD. CAP 1/4-20 X 1 I
350147-25	NUT, NYLON LOCK, 1/4-20
801381-01	PANEL, TROP OAK/TRP OAK 12
365268-03	EDGE BANDING-.024"X .63" OAK
365268-03	EDGE BANDING-.024"X .63" OAK
365268-01	EDGE BANDING-.024"X 1.13" OAK
381902	HOOK, Stainless Steel
365268-01	EDGE BANDING-.024"X 1.13" OAK

SAFARI- BAMBI

FURNITURE, GALLEY

Refrigerator Cabinet Assembly, 25' Sleep Six

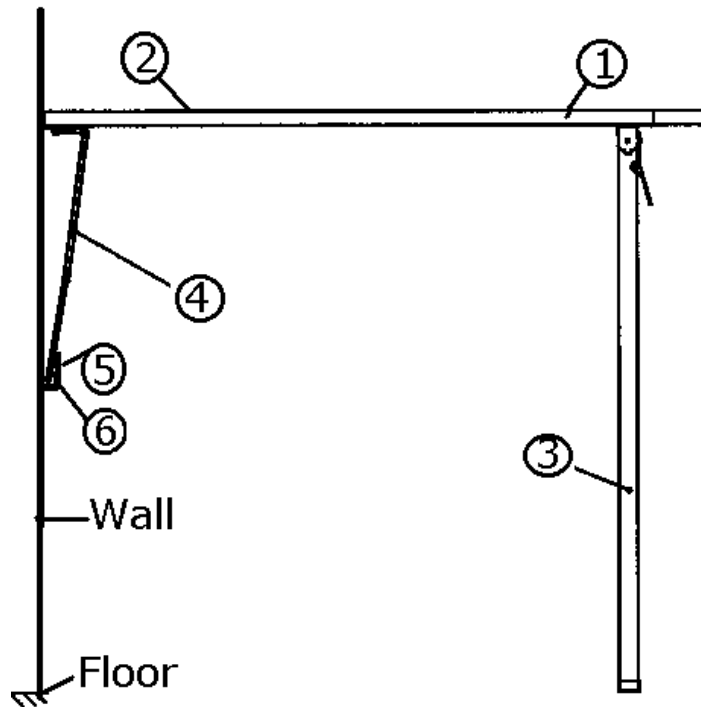


- | | |
|--|---|
| <p>965907</p> <p>1. 801380-06</p> <p>2. 801383-01</p> <p>3. 801392</p> <p>4. 801368</p> <p>5. 801393-016</p> <p>6. 965573</p> <p>7. 801341-57</p> <p>8. 801341-69</p> <p>9. 381865</p> <p>10. 381607</p> <p>11. 381228-01</p> <p>12. 365268-01</p> | <p>Refrigerator Cabinet Assembly, 25' Sleep Six</p> <p>PANEL-FWD REFER</p> <p>PANEL, TROPICAL OAK/WHITELINER</p> <p>PANEL, WHITELINER/WHITELINER</p> <p>PANEL, WHITELINER/WHITELINER</p> <p>CORNER TRIM, 90 DEGREE, 1" RADIUS</p> <p>STAND-REFER</p> <p>DOOR-REFER CABINET, 24.81" X 11.29"</p> <p>DOOR-REFER CABINET, 24.81" X 8.88"</p> <p>HANDLE-DRAWER/DOOR</p> <p>HINGE ASSY-GRASS EURO-SAFARI</p> <p>CATCH GRABBER DOOR</p> <p>EDGEBANDING-.024" X 1.13" TROPICAL OAK</p> |
|--|---|

SAFARI- BAMBI

FURNITURE, GALLEY

Dinette Table, 25' Sleep Six, 19', 23', 16'

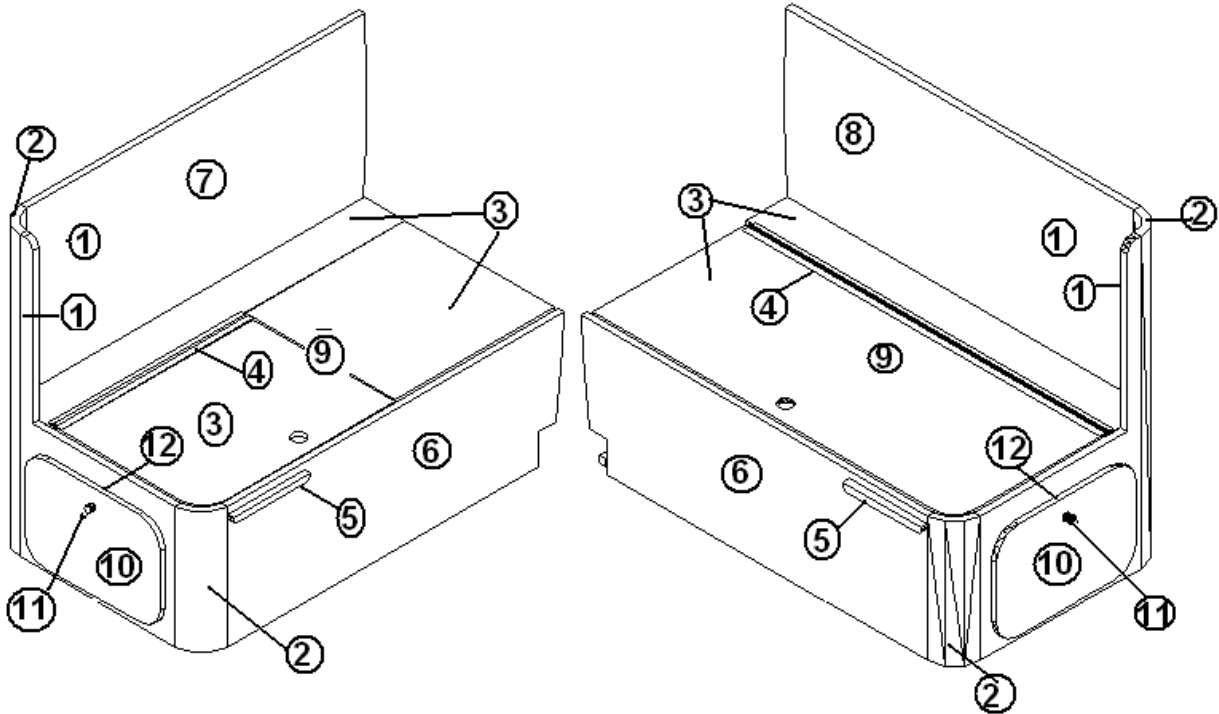


- | | |
|--------------|---------------------------------------|
| 965575 | Dinette Table, OAK |
| 965575-01 | Dinette Table, Amarillo, Midnight Sun |
| 1. 801369 | PANEL, FROSTWHITE/WHITE LINER |
| 1. 801377 | PANEL, GALAXY GRAPHITE/ WHITE LINER |
| 2. 365273 | EDGE BANDING, GALAXY GRAPHITE |
| 2. 365267 | EDGE BANDING-1.13" .024 PLY |
| 3. 700065-01 | Snapo folding leg |
| 4. 380284-02 | Table hinge bracket |
| 5. 340015 | Center Hinge |
| 6. 340018 | Catch Plate |
| 381136 | RUBBER BUMPER |

SAFARI- BAMBI

FURNITURE, GALLEY

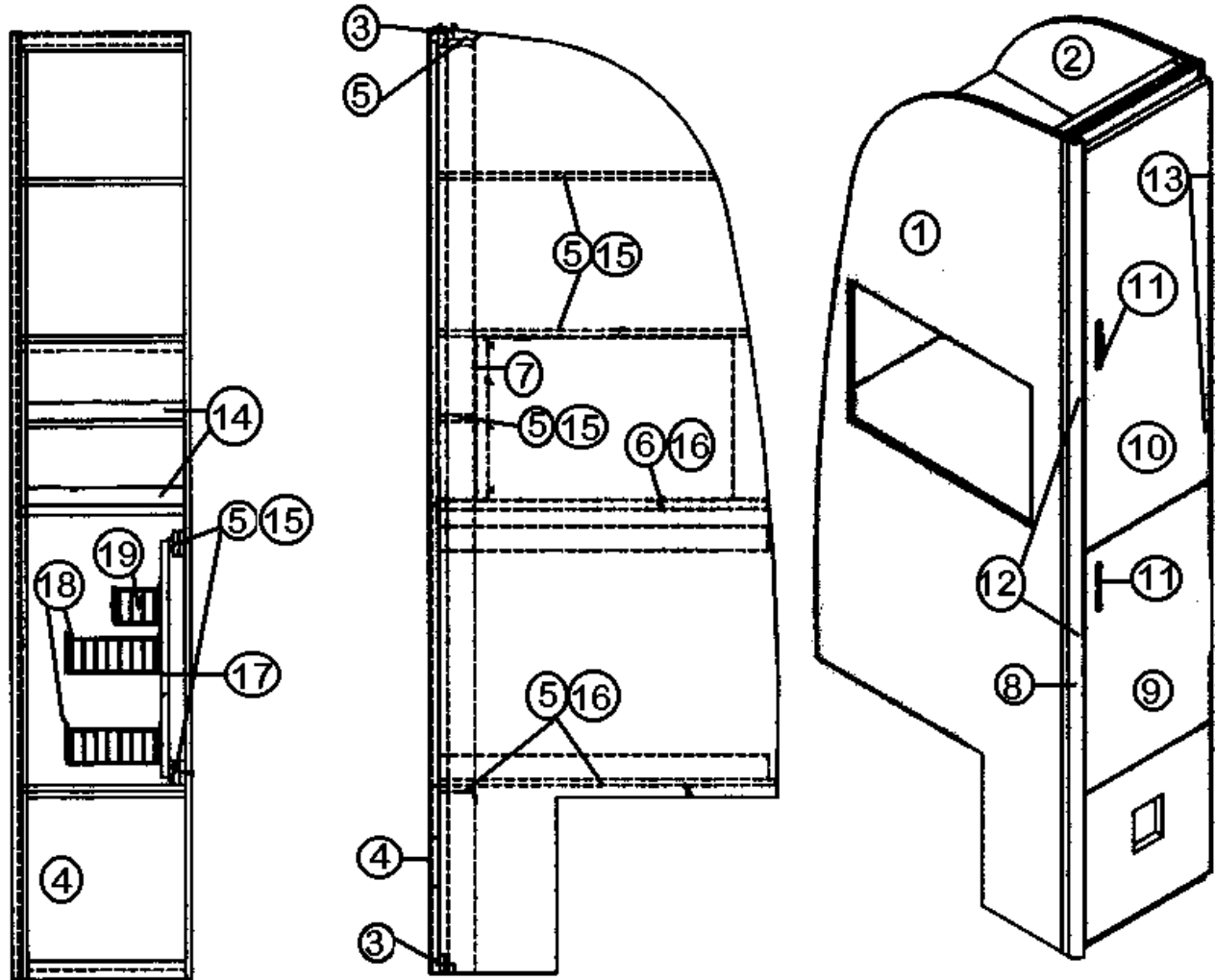
Dinette Seats, 25' Sleep Six



965930	SEAT ASSEMBLY- RH DINETTE
965931	SEAT ASSEMBLY- LH DINETTE 25'
1. 801351	LITE PLY-18MM (.75") 4'X 8'
2. 801345	RADIUS PLYWOOD .75"X 3"X 8'
3. 800507-03	LAUAN, 3/8"X 4'X 8'
4. 380458	HINGE PIANO BROWN ANODIZED
5. 800470-006	STOP-HARDWOOD
6. 700414	FOAM 3/8 X 86"X 52'
7. 703309-01	FOAM-DINETTE LEFT SIDE BACK
8. 703309-02	FOAM-DINETTE RIGHT SIDE BACK
9. 703309-03	FOAM-DINETTE SEAT BOTTOM LH/RH
10. 966137	DOOR ASSEMBLY
11. 381228-01	CATCH GRABBER
12. 381796	KNOB HOLLOW
700022	ZIPPER
700023	HEAD SLIDE, ZIPPER
800405-006	PLUG BUTTON, HARDWOOD

SAFARI- BAMBI FURNITURE, GALLEY

Pantry Assembly, 25' SS, 25' A & B, 28' S/O



Part numbers are on the next page.

SAFARI- BAMBI

FURNITURE, GALLEY

Pantry Assembly, 25' SS, 25' A & B, 28' S/O

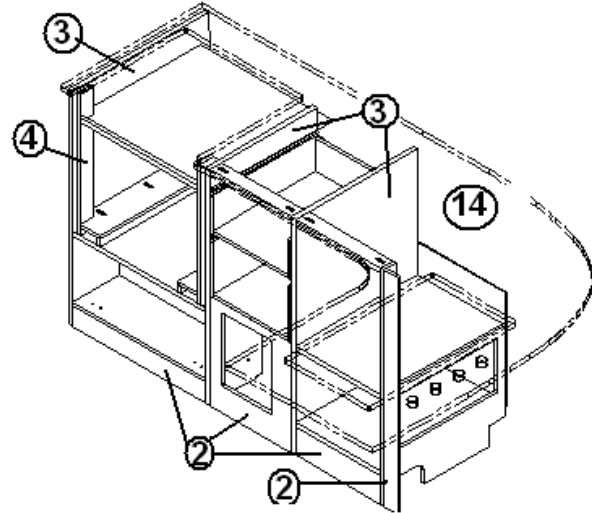
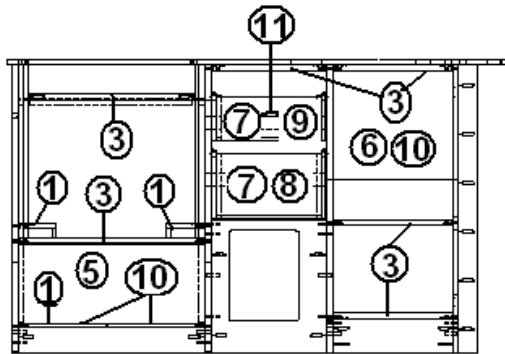
*965580	Pantry Assembly
1. *801380-09	Panel, Forward, Pantry
2. 801380-10	Panel, Aft, Pantry
3. 801383-01	Paneling, Tropical Oak/White
4. 801376-01	Paneling, Tropical Oak/White, 4' x 8'
5. 801392	Paneling, White/White 12 MM
6. 801368	Paneling, White liner/White Liner
7. 801438	PANEL, FRONT WHITE VINYL/RAW
8. 801393-016	Corner trim, 90°, 1" Radius
9. 801341-23	Door, 14.00" x 23.00"
10. 801341-24	Door, 14.00" x 38.13"
11. 381865	Door handle
12. 381228-01	Door/drawer grabber catch
13. 381607	Hinge assembly, Grass European
14. 115083	Shelf edge, formed
15. 365268-03	EDGEBANDING-.024"X .63" OAK
16. 365268-01	Edge tape, Tropical Oak, 1.13 wide
17. 381551-03	White base cabinet organizer
18. 381551-04	Wire basket, 8" wide
19. 381551-02	Wire basket, 4" wide
104965-01	RETAINER CLIP-GALLEY SINK-.88"
381805	BOLT, SLIDE, 3" ALUMINUM

*SPECIFY MICROWAVE BRAND, SAMSUNG OR TAPPEN

SAFARI- BAMBI

FURNITURE, GALLEY

GALLEY BASE, FORWARD, 22'

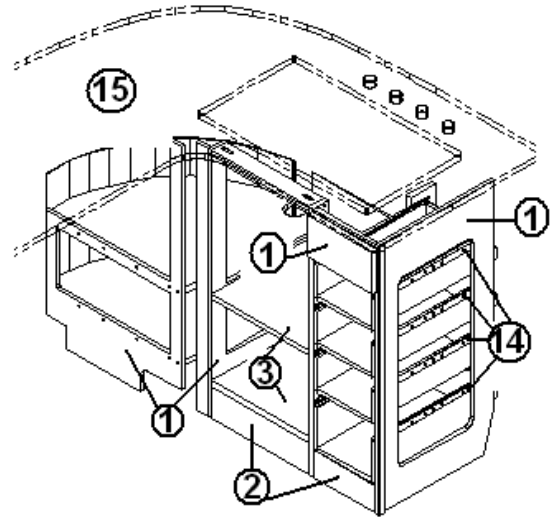
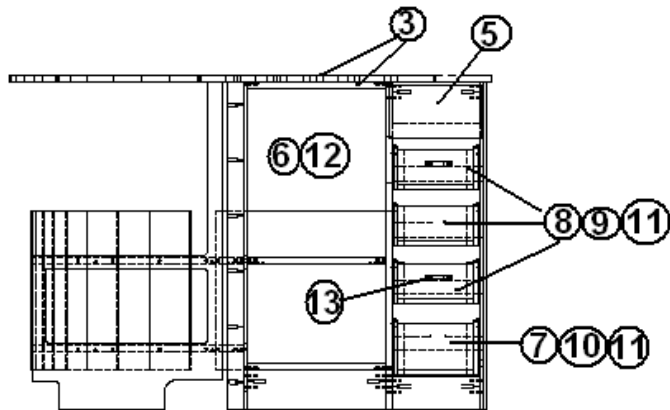
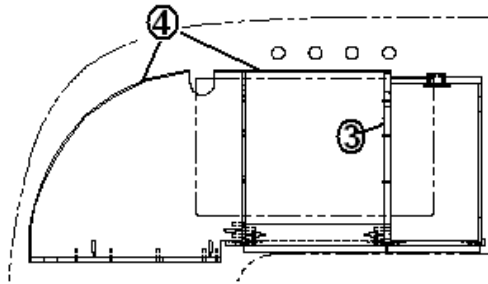


966148	ASSY. GALLEY BASE, FWD
1. 801392	PANEL, WHITELINER/WHITELINER
2. 801383-01	PANEL, OAK/WHITE LINER
3. 801368	PANEL, WHITELINER/WHITELINER
4. 801374	PANEL, WHITE LINER/RAW
5. 801341-81	DOOR-GALLEY 10.38" X 23.63"
6. 801341-83	DOOR-GALLEY 15.5" X 31.75"
7. 801341-82	DOOR-GALLEY 14.79" X 9.35"
8. 965957-01	DRAWER BOX, 8.38" X 18.5"
9. 965554-05	DRAWER BOX, 5.63" X 14.25" X 17.63
10. 381607	HINGE ASSY.
11. 381774	HANDLE-DRAWER/DOOR
12. 381228-01	CATCH GRABBER DOOR
13. 381773-23	DRAWER SLIDE, 8.375" X 18.5" (PAIR)
14. 966029	TOP ASSY. GALLEY, WHITE
14. 966029-01	TOP ASSY. GALLEY, GRAPHITE
365268-03	EDGE BANDING-.024" X .63", OAK
365268-01	EDGE BANDING-.024" X 1.13", OAK
200980-01	TRAY, SILVERWARE, ALMOND, 9" X 13"

SAFARI- BAMBI

FURNITURE, GALLEY

GALLEY BASE, AFT, 22'



Part numbers on the next page

SAFARI- BAMBI

FURNITURE, GALLEY

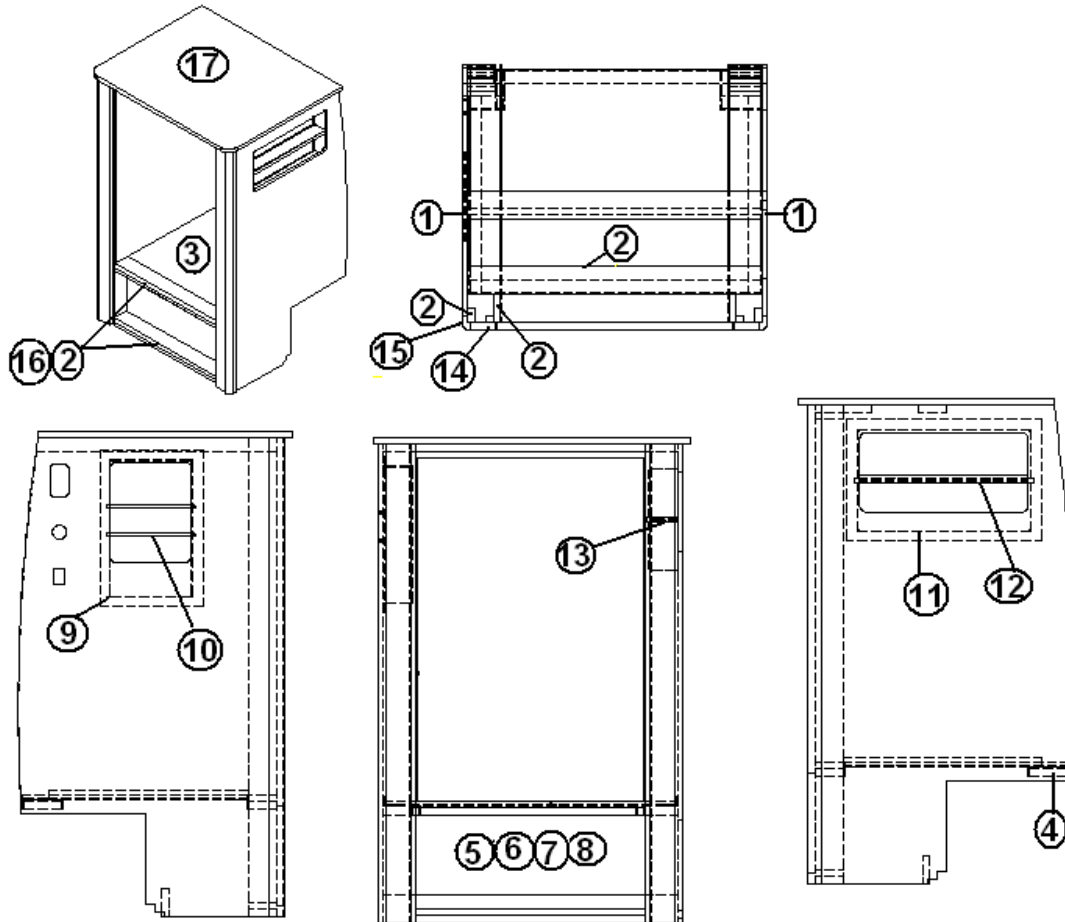
GALLEY BASE, AFT, 22'

966149	ASSY. GALLEY BASE
1. 801392	PANEL, WHITELINER/WHITELINER
2. 801383-01	PANEL, OAK/WHITE LINER
3. 801368	PANEL, WHITELINER/WHITELINER
4. 801438	PANEL, FROST WHITE VINYL/RAW
5. 801376-01	PANEL, OAK/WHITE LINER
6. 801341-83	DOOR-GALLEY 15.5" X 31.75"
7. 801341-84	DOOR-GALLEY 10.06" X 7.63"
8. 801341-85	DOOR-GALLEY 10.06" X 6"
9. 965956-01	DRAWER BOX ASSY-4.63" X 17.38"
10. 965955-01	DRAWER BOX ASSY-5.88" X 17.88"
11. 381228-01	CATCH GRABBER DOOR
12. 381607	HINGE ASSY.
13. 381865	PULL-BAR BRUSH NICKEL
14. 381773-16	DRAWER SLIDE-5.88"X17.38"
15. 966029	TOP ASSY. GALLEY
365268-03	EDGE BANDING-.024"X .63", OAK
365268-01	EDGE BANDING-.024"X 1.13", OAK
203509	SINK COVER .5", OAK
381773-10	DRAWER SLIDE-4.63" X 17.38"
365267	EDGE BANDING-1.13" .024 PLY

SAFARI- BAMBI

FURNITURE, GALLEY

Cabinet, Refrigerator, 22'



Part Numbers on the Next Page

SAFARI- BAMBI

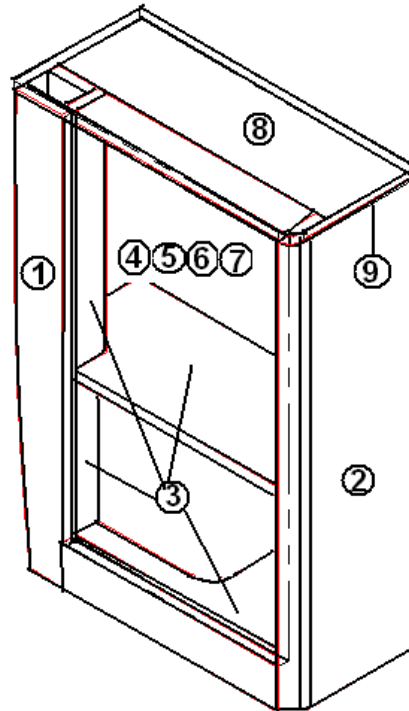
FURNITURE, GALLEY

Cabinet, Refrigerator, 22'

965940	CABINET ASSY-REFER
1. 801383-01	PANEL, OAK/WHITE LINER
2. 801368	PANEL, WHITELINER/WHITELINER
3. 800507-03	LAUAN, 3/8" X 4' X 8'
4. 965519	REFER STAND ASSY.
5. 801341-80	DOOR-GALLEY 10.63"X25.19"
6. 381607	HINGE ASSY.
7. 381228-01	CATCH GRABBER DOOR
8. 381865	PULL-BAR BRUSH NICKEL
9. 203383	RACK-MAGAZINE ABS
10. 115042	ROD-.25" ALUM INUM, 6'
11. 203384	RACK-SPICE ABS
12.203385	TRIM-"F"SELF EDGING CLEAR
13.203476	SHELF-REFRIGERATOR
14.801376-01	PANEL, OAK/WHITE LINER
15.801393-01	CORNER TRIM-90D 1" RADIUS
16.203445	T-MOLDING BLACK FLEXIBLE POLY .5
17.965953	TOP ASSY-REFER 22', WHITE
17. 965953-01	TOP ASSY-REFER 22', GRAPHITE
365268-01	EDGE BANDING-.024" X 1.13" OAK
365268-02	EDGE BANDING-.024"X 1.63" OAK
365267	EDGE BANDING-1.13" .024 PLY
511836	SWITCH- REFER/FAN WHITE #AH-AS

SAFARI- BAMBI
FURNITURE, GALLEY

TELEPHONE STAND, 22'

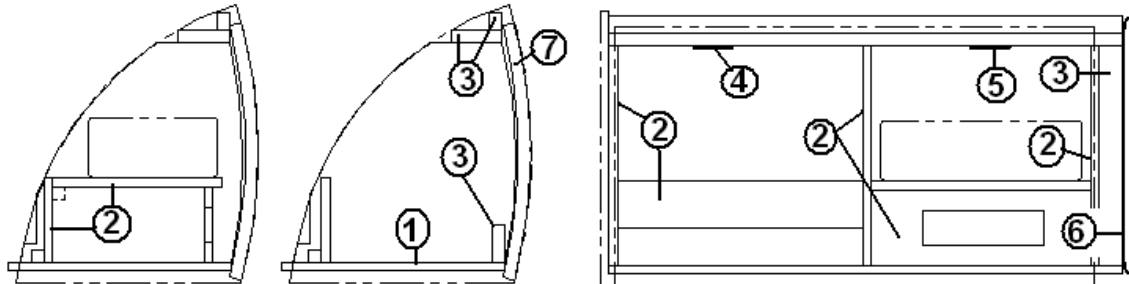


965954	TELEPHONE STAND, OAK, 22'
965954-01	TELEPHONE STAND, GRAPHITE, 22'
1. 801376-01	PANEL, OAK/WHITE LINER, 18MM
2. 801383-01	PANEL, OAK/WHITE LINER, 12MM
3. 801392	PANEL, WHITELINER/WHITELINER
4. 801341-92	DOOR, PHONE STAND. 17.18" X 29.38"
5. 381607	HINGE ASSY
6. 381865	PULL-BAR BRUSH NICKEL
7. 381228-01	CATCH GRABBER DOOR
8. 801369	PANEL, FROSTWHITE/WHITE LINER
8. 801377	PANEL, GRAPHITE
9. 365268-01	EDGE BANDING-.024"X 1.13" OAK
9. 365273	EDGE BANDING, GRAHITE, 1.125"
203385	TRIM-"F"SELF EDGING CLEAR

SAFARI- BAMBI

FURNITURE, GALLEY

ROOF LOCKER, REAR GALLEY, 22'

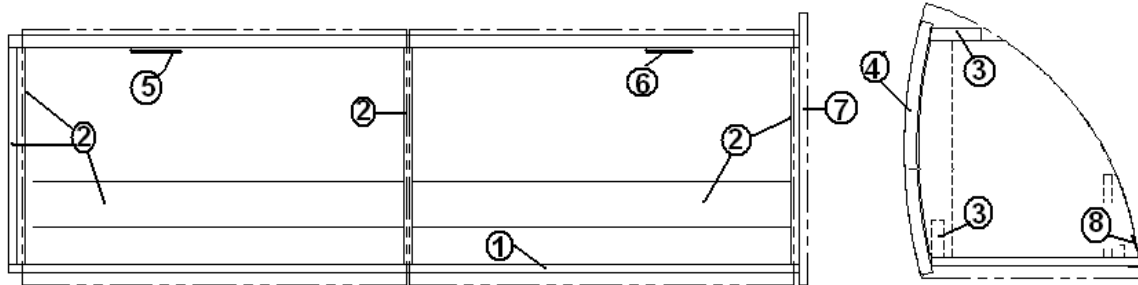


- | | |
|---|---|
| <p>966035</p> <p>1. 801383-01</p> <p>2. 801392</p> <p>3. 801376-01</p> <p>4. 381840-01</p> <p>5. 381840-02</p> <p>6. 965587</p> <p>7. 965551-03</p> <p>350147-25</p> <p>801381-01</p> <p>365268-03</p> <p>365268-01</p> | <p>ROOF LOCKER, REAR GALLEY</p> <p>PANEL, OAK/WHITE LINER</p> <p>PANEL, WHITELINER/WHITELINER</p> <p>PANEL, OAK/WHITE LINER</p> <p>HINGE-OVERHEAD SPRING LH #372.</p> <p>HINGE-OVERHEAD SPRING RH #372.</p> <p>END CAP ASSEMBLY</p> <p>DOOR-RADIUS FOAM 15.25" X 28.38</p> <p>NUT, NYLON LOCK, 1/4-20</p> <p>PANEL, OAK/OAK 12</p> <p>EDGE BANDING-.024"X .63" OAK</p> <p>EDGE BANDING-.024"X 1.13" OAK</p> |
|---|---|

SAFARI- BAMBI

FURNITURE, GALLEY

ROOF LOCKER, GALLEY, 22', 20', 19'

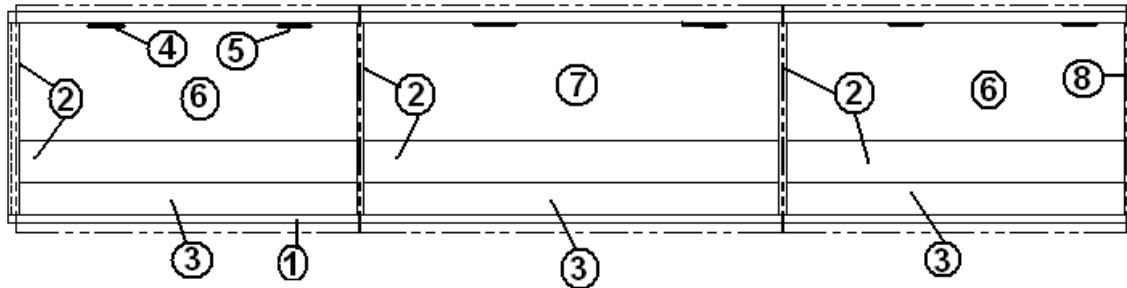


966034	ROOF LOCKER, GALLEY, 19', 22'
966034-01	ROOF LOCKER, GALLEY, 20'
1. 801383-01	PANEL, OAK/WHITE LINER
2. 801392	PANEL, WHITELINER/WHITELINER
3. 801376-01	PANEL, OAK/WHITE LINER
4. 965551-04	DOOR-RADIUS FOAM 15.25" X 23.13"
5. 381840-01	HINGE-OVERHEAD SPRING LH #372.
6. 381840-02	HINGE-OVERHEAD SPRING RH #372.
7. 965587	END CAP ASSEMBLY
8. 115085	ANGLE ALUMINUM - ROOFLOCKERS
345276-04	SCREW HEX HD. CAP 1/4-20 X 1"
350147-25	NUT,NYLON LOCK, 1/4-20
365268-03	EDGEBANDING-.024" X .63" OAK
365268-01	EDGEBANDING-.024" X 1.13" OAK
381902	HOOK-SS SCREW IN #29905 T36

SAFARI- BAMBI

FURNITURE, GALLEY

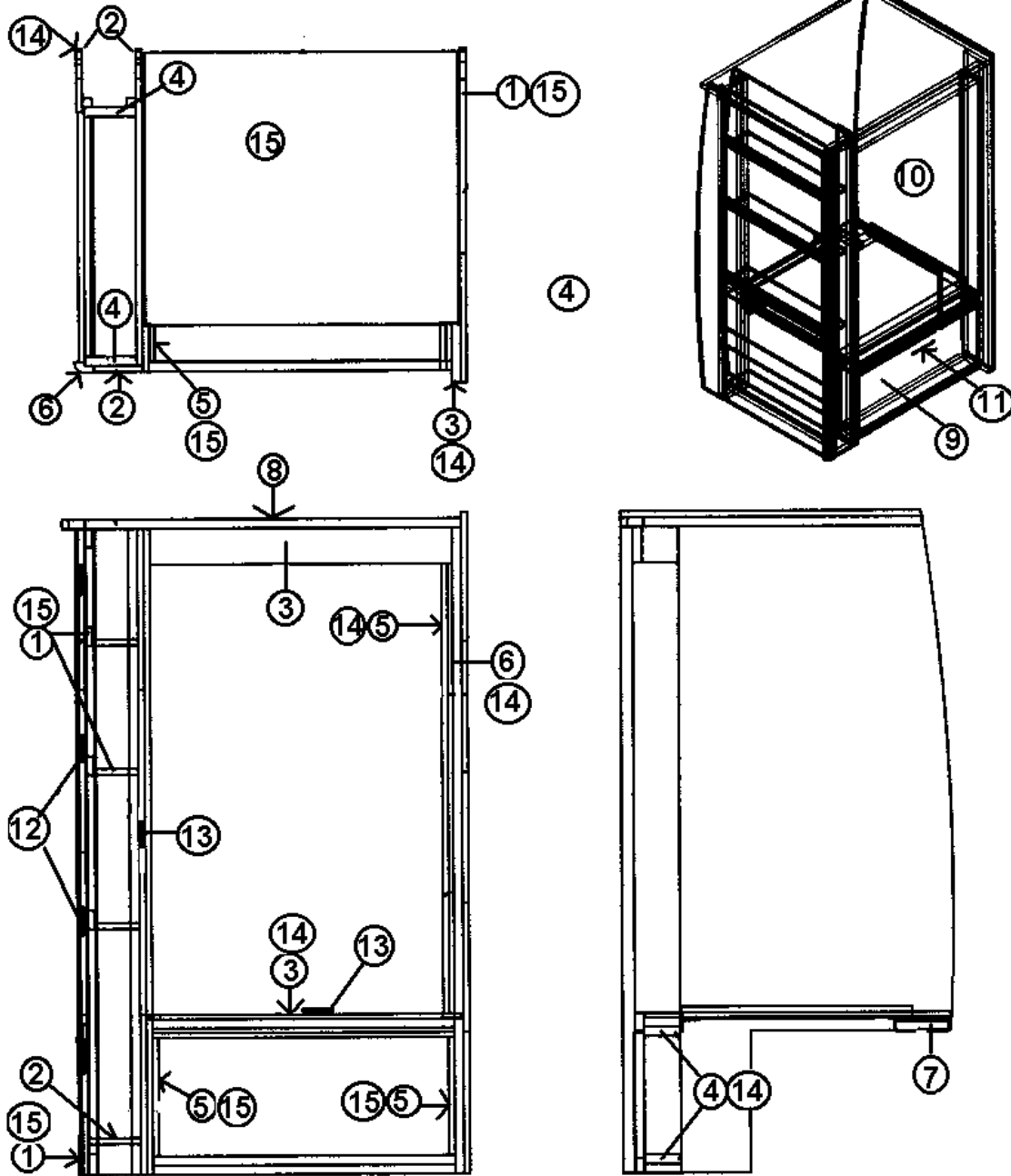
ROOF LOCKER, DINETTE, 20', 22', 30'



- | | |
|---|--|
| <ul style="list-style-type: none"> 966036 966036-01 1. 801383-01 2. 801392 3. 801376-01 4. 381840-01 5. 381840-02 6. 965551-04 7. 965551-03 8. 965587 345276-04 350147-25 365268-03 365268-01 966535 | <ul style="list-style-type: none"> ROOF LOCKER, DINETTE, 22', 30' ROOF LOCKER, DINETTE, 20' PANEL, OAK/WHITE LINER PANEL, WHITELINER/WHITELINER PANEL, OAK/WHITE LINER HINGE-OVERHEAD SPRING LH #372. HINGE-OVERHEAD SPRING RH #372. DOOR-RADIUS FOAM 15.25" X 23.13" DOOR-RADIUS FOAM 15.25" X 28.38" END CAP ASSEMBLY SCREW HEX HD. CAP 1/4-20 X 1" NUT, NYLON LOCK, 1/4-20 EDGE BANDING-.024" X .63" OAK EDGE BANDING-.024" X 1.13" CD changer shelf |
|---|--|

SAFARI- BAMBI FURNITURE, GALLEY

REFRIGERATOR CABINET, 19', 23'



Part numbers are on the next page.

SAFARI- BAMBI

FURNITURE, GALLEY

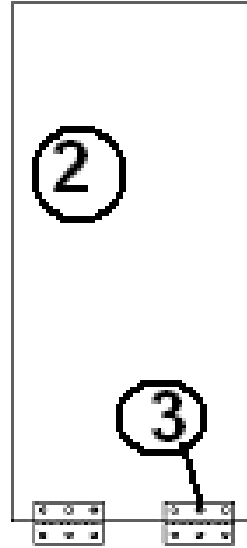
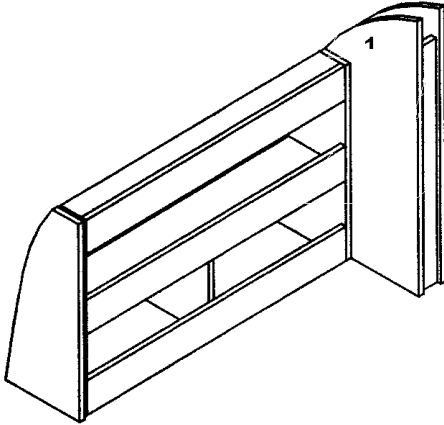
REFRIGERATOR CABINET, 19', 23'

965629	Refrigerator Cabinet White, 19'
965629-01	Refrigerator Cabinet Graphite, 19'
965629-02	Refrigerator Cabinet Bunk Option, 19', 23'
1. 801381-01	Paneling, Tropical Oak/Tropical Oak, 12MM
2. 801383-01	Paneling, Tropical Oak/White
3. 801376-01	Paneling, Tropical Oak/White, 4' x 8'
4. 801368	Paneling, White liner/White Liner, 18 MM
5. 801392	Paneling, White/White 12 MM
6. 801393-016	Corner trim, 90°, 1" Radius
7. 965630	Refer stand assembly
8. 965628	Refer cabinet top assembly
8. 965628-01	Refer cabinet top assembly, Amarillo, Mid. Sun
9. 801341-37	Door, 24.44" x 10.19"
10. 801341-38	Door, 19.81" x 31.31"
11. 381865	Door handle
12. 381607	Hinge assembly, Grass European
13. 381228-01	Door/drawer grabber catch
14. 365268-01	Edge tape, Tropical Oak, 1.13 wide
15. 365268-03	Edge tape, Tropical Oak, .625"
16. 365271	Edge tape, 1.125", silicon
381830	WIPER-RUBBER 1.125"X 2" L
964519-006	BLOCK-POCKET DOOR LATCH
511836	SWITCH- REFER/FAN WHITE #AH-AS

SAFARI- BAMBI

FURNITURE, GALLEY

Spice Cabinet Assembly/Shelf, Closeout , 19', 23'

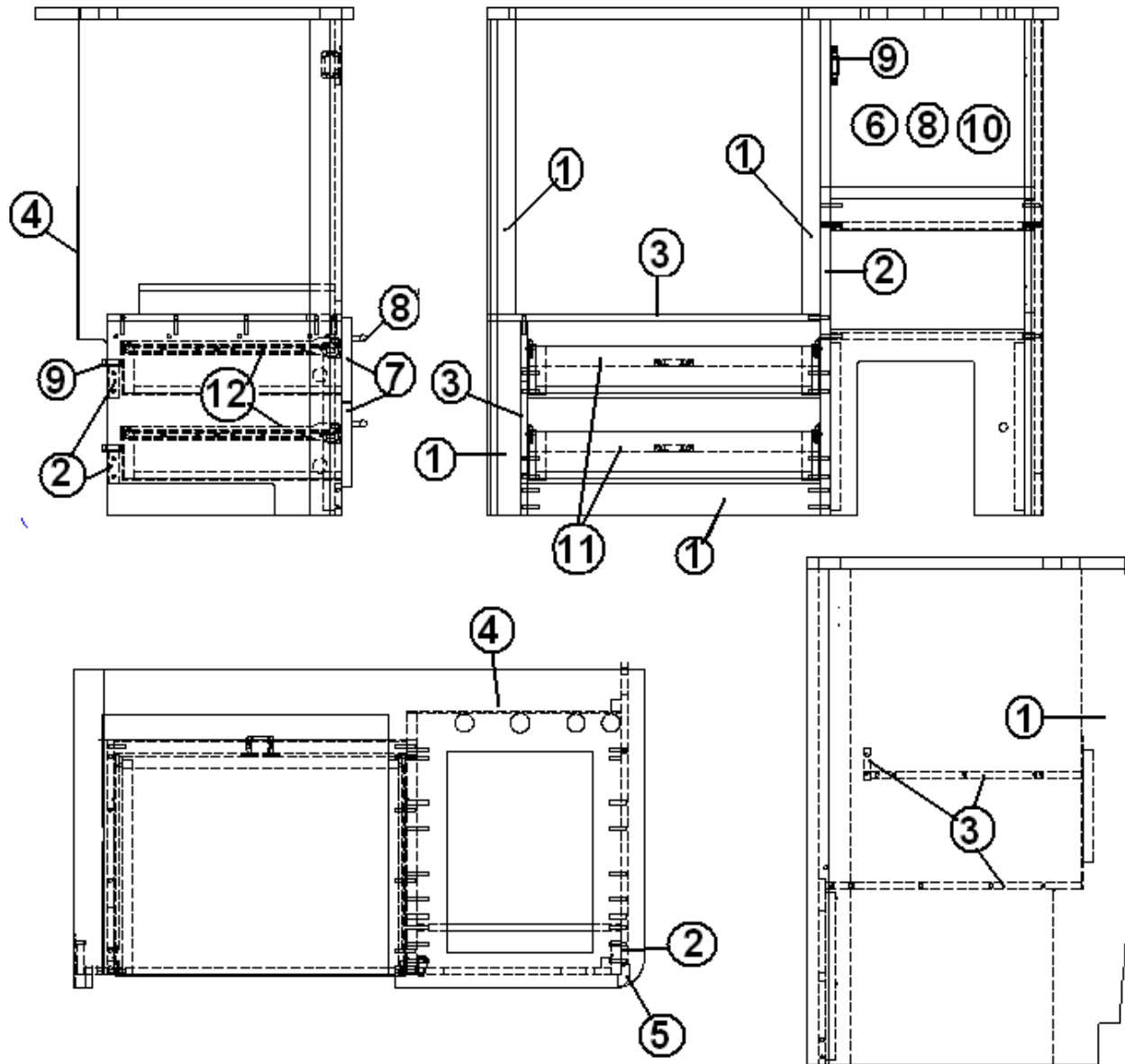


- 1. 965631 Spice Cabinet Assembly, 19"
- 1. 965631-01 Spice Cabinet Assembly, 23'
- 2. 965632 CLOSE OUT ASSY. SHELF
- 381479 HINGE, BRASS-CABINET, 2"X 1 3/8"

SAFARI- BAMBI

FURNITURE, GALLEY

Galley w/Full Oven Assembly, 19'



Part Numbers are on the Next Page

SAFARI- BAMBI

FURNITURE, GALLEY

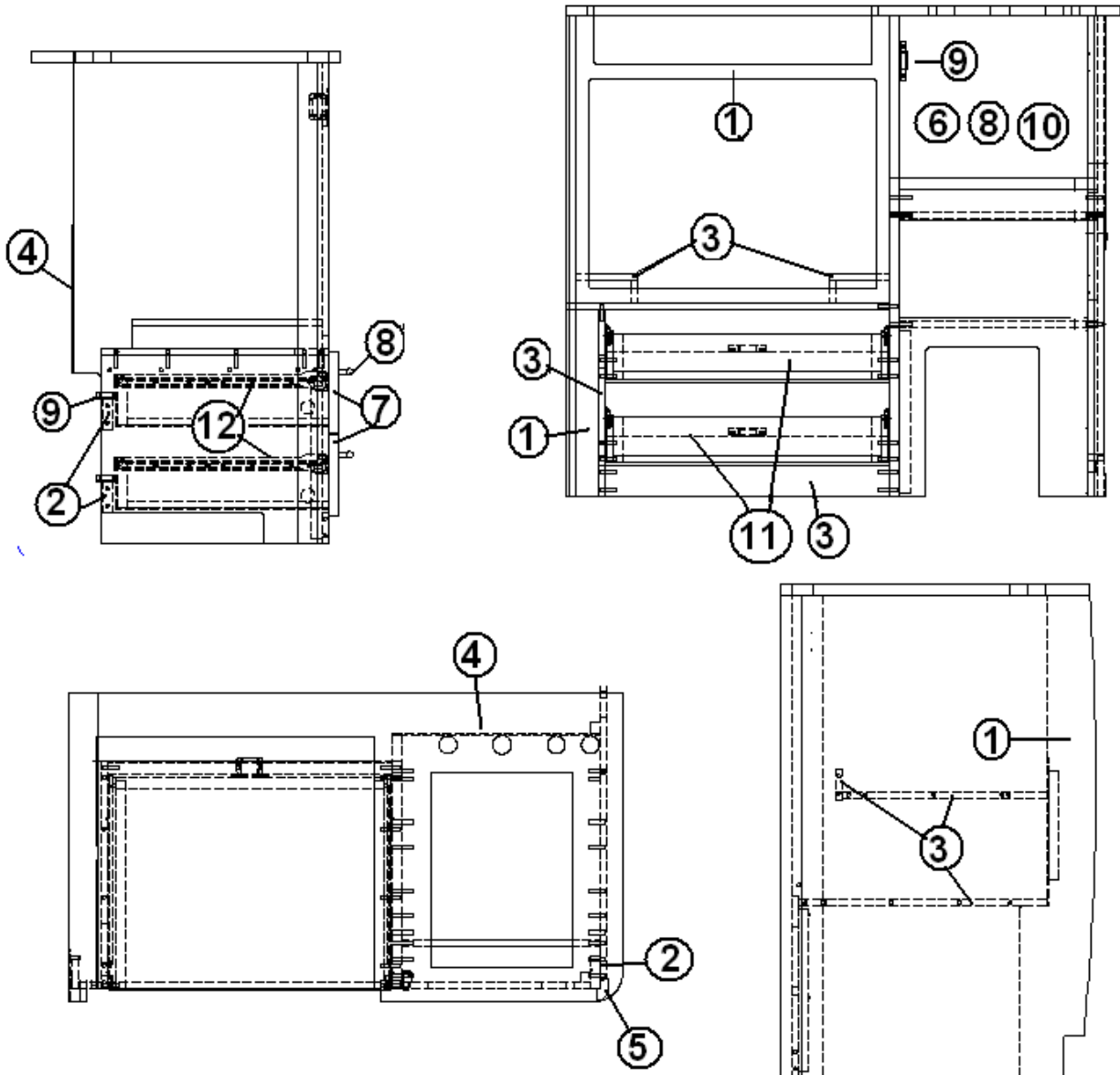
Galley w/Full Oven Assembly, 19'

966464-01	GALLEY ASSY, WHITE
966464-02	GALLEY ASSY, GRAPHITE
1. 801383-01	PANEL. OAK/ WHITELINER
2. 801368	PANEL, WHITELINER/ WHITELINER 18MM
3. 801392	PANEL, WHITELINER / WHITELINER 12MM
4. 801438	PANEL, WHITE VINYL/RAW 2.7MM
5. 801393-016	CORNER TRIM 90DEG. 1" RADIUS
6. 801341-154	DOOR 14.50" X 22.38"
7. 801341-155	DOOR 21.62" X 6.00"
8. 381865	PULL-BAR BRUSH NICKEL
9. 381228-01	CATCH GRABBER DOOR
10. 381607	HINGE ASSY-GRASS EURO
11. 965642-01	BOX ASSY. DRAWER 19.75"
12. 966465-01	GALLEY TOP ASSY FROSTY WHITE
12. 966465-02	GALLEY TOP ASSY GALAXY GRAHITE
13. 381773-03	DRAWER SLIDE 15.75"
365267	EDGE BANDING, 1.13" .024 PLY
115064	TRIM-ALUM COUNTER TOP
114812	ALUMINUM ANGLE 1.00" X 1.00"
365268-01	EDGE BANDING-.024"X 1.13" OAK
365268-03	EDGE BANDING-.024"X .63" OAK
801376-01	PANEL, OAK/WHITELINER 18MM
365268-01	EDGE BANDING-.024"X 1.13" OAK

SAFARI- BAMBI

FURNITURE, GALLEY

Galley w/Microwave Option, 19'



Part Numbers are on the Next Page

SAFARI- BAMBI

FURNITURE, GALLEY

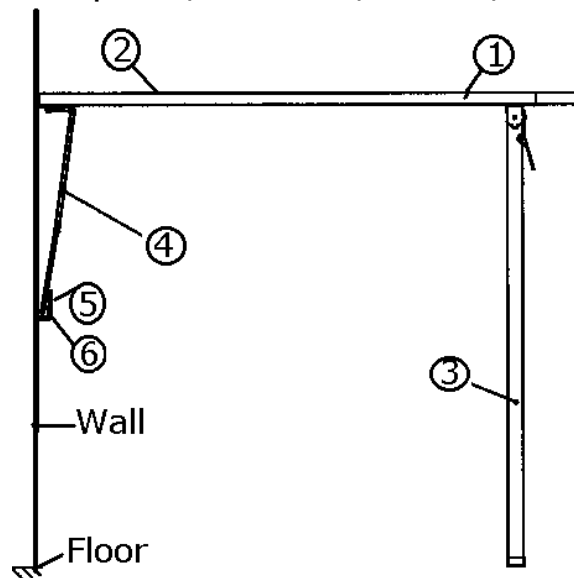
Galley w/Microwave Option, 19'

966464-03	GALLEY ASSY, WHITE
966464-04	GALLEY ASSY, GRAPHITE
1. 801383-01	PANEL. OAK/ WHITELINER 1
2. 801368	PANEL, WHITELINER/ WHITELINER 18MM
3. 801392	PANEL, WHITELINER / WHITELINER 12MM
4. 801438	PANEL, WHITE VINYL/RAW 2.7MM
5. 801393-016	CORNER TRIM 90DEG. 1" RADIUS
6. 801341-154	DOOR 14.50 X 22.38
7. 801341-155	DOOR 21.62 X 6.00
8. 381865	PULL-BAR BRUSH NICKEL
9. 381228-01	CATCH GRABBER DOOR
10. 381607	HINGE ASSY-GRASS EURO
11. 965642-01	BOX ASSY. DRAWER 19.75"
12. 966465-01	GALLEY TOP ASSY FROSTY WHITE
12. 966465-02	GALLEY TOP ASSY FROSTY GRAHITE
381773-03	DRAWER SLIDE 15.75"
365267	EDGE BANDING, 1.13" .024 PLY
115064	TRIM-ALUM COUNTER TOP
114812	ALUMINUM ANGLE 1.00" X 1.00"
365268-01	EDGE BANDING-.024"X 1.13" OAK
365268-03	EDGE BANDING-.024"X .63" OAK
801376-01	PANEL, OAK/WHITELINER 18MM
365268-01	EDGE BANDING-.024"X 1.13" OAK

SAFARI- BAMBI

FURNITURE, GALLEY

Dinette Table, 25' Sleep Six, 28' S/O, 28' W, 30'



965646

965646-01

Dinette Table Standard, 25' SS, 28 S/O, 30'

Dinette Table, Amarillo, Midnight Sun, 25' SS,
28 S/O, 30'

1. 801369

PANEL, FROST WHITE/WHITE LINER

1. 801377

Panel, Graphite/Rexal, Amarillo, Midnight Sun

2. 365267

EDGE BANDING-1.13" .024

3. 700065-01

Snapo folding table leg

4. 380284-03

Table hinge bracket

5. 340015

Center hinge

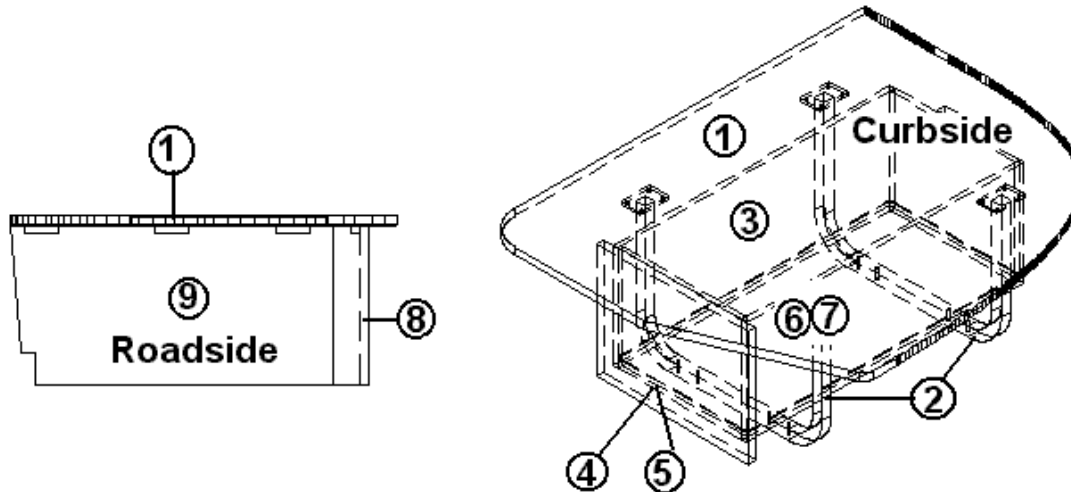
6. 340018

Catch plate

SAFARI- BAMBI

FURNITURE, GALLEY

Dinette Seat, Roadside/ Curbside, 16', 19', 23'

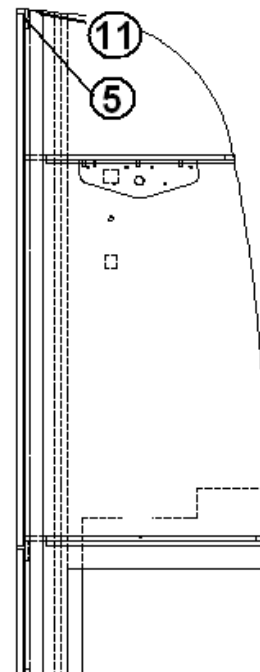
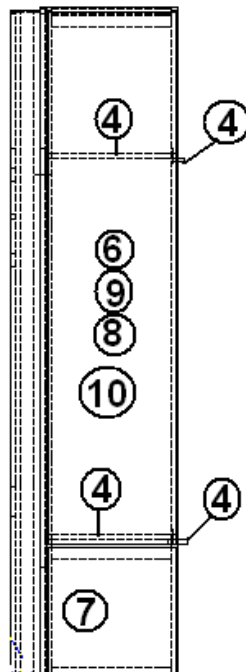
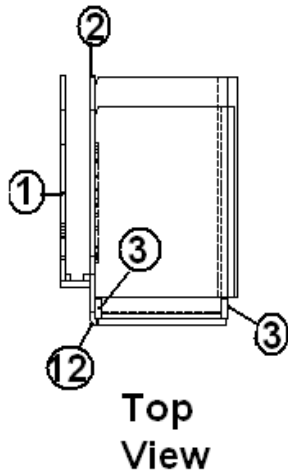


<p>965866-01 965865-01 1. 801368 2. 454177 3. 964909-11 4. 801375-28 5. 801833-01 6. 800581-01 7. 381704 8. 965932-01 9. 701538-01 381192 203474 365267 365268-01 998150-01 998150-02 998150-04 998150-05 998150-06 203439</p>	<p>Roadside Dinette Seat Assembly Curbside Dinette Seat Assembly Panel, Whiteliner/Whiteliner, 18mm Seat legs Drawer box assembly Drawer front 24" drawer slide w/mounting hardware Oak block Bulldog catch RS dinette seat support Trunk liner SLIDE, DRAWER, 18" (EACH=1 PAIR) NIPPLE-MOLDED PLASTIC EDGEBANDING-1.13" .024 PLY EDGEBANDING-.024"X 1.13" TROPICAL OAK SEAT ASSY-CS DINETTE CUSHION ASSEMBLY FILLER, CS DINETTE BACK CUSHION ASSY. SEAT ASSY-RS DINETTE CUSHION ASSEMBLY FILLER, RS DINETTE SEAT CUSHION ASSY. BACK REST, RS DINETTE CUSHION ASSEMBLY STORAGE BOX-17"L X 11.13"W X6.38"</p>
--	--

SAFARI- BAMBI

FURNITURE, GALLEY

Wardrobe, Aft, 23'

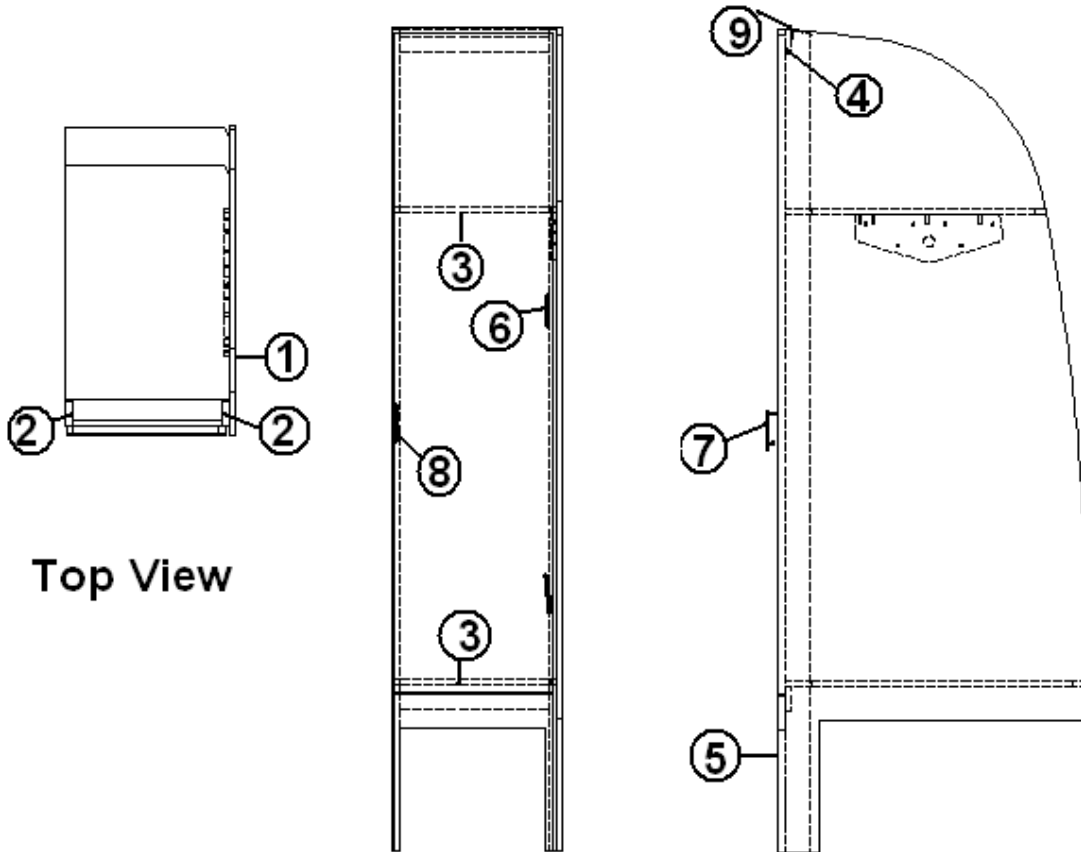


- | | |
|---------------|------------------------------|
| 966446 | WARDROBE, AFT |
| 1. 801629-05 | PANLE, FORWARD LAVY |
| 2. 801629-06 | PANEL, FORWARD WARDROBE |
| 3. 801368 | PANEL, WHITELINER/WHITELINER |
| 4. 801392 | PANEL, WHITELINER/WHITELINER |
| 5. 801383-01 | PANEL, OAK/ WHITELINER |
| 6. 801341-164 | DOOR-15.03" X 62.25" |
| 7. 801341-165 | DOOR-15.03" X 15.31" |
| 8. 381607 | HINGE ASSY |
| 9. 381865 | PULL-BAR BRUSH NICKEL |
| 10. 381228-01 | CATCH GRABBER DOOR |
| 11. 115085 | Aluminum angle |
| 12.801393-01 | CORNER TRIM, OAK |

SAFARI- BAMBI

FURNITURE, GALLEY

Wardrobe, Forward, 23'



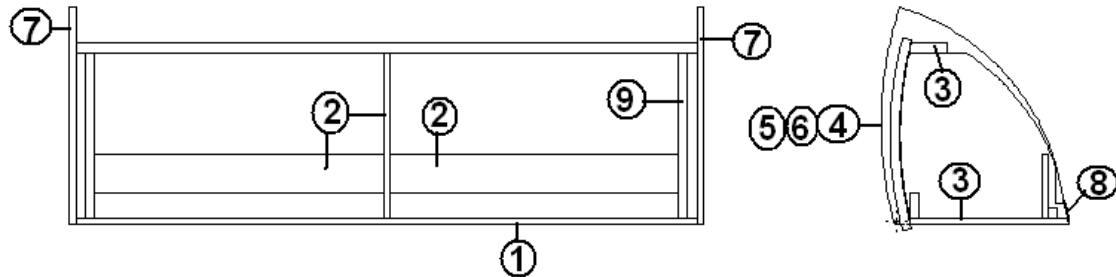
Top View

- | | |
|--------------|----------------------------------|
| 966447 | FORWARD WARDROBE ASSEMBLY |
| 1. 801629-04 | PANEL, FORWARD WARDROBE |
| 2. 801368 | PANEL WHITELINER/WHITELINER 18MM |
| 3. 801392 | PANEL WHITELINER/WHITELINER 12MM |
| 4. 801383-01 | PANEL, TRP OAK/WHITELINER 1 |
| 5. 801376-01 | PANEL, OAK/WHITELINER 18M |
| 6. 381607 | HINGE ASSY-GRASS EURO-SAFARI |
| 7. 381865 | PULL-BAR BRUSH NICKEL #3489 |
| 8. 381228-01 | CATCH GRABBER DOOR C3-803 |
| 9. 101115 | SHEET, ALUM .060 X 48 X 120 |

SAFARI- BAMBI

FURNITURE, GALLEY

Roof Locker, Galley, 23'

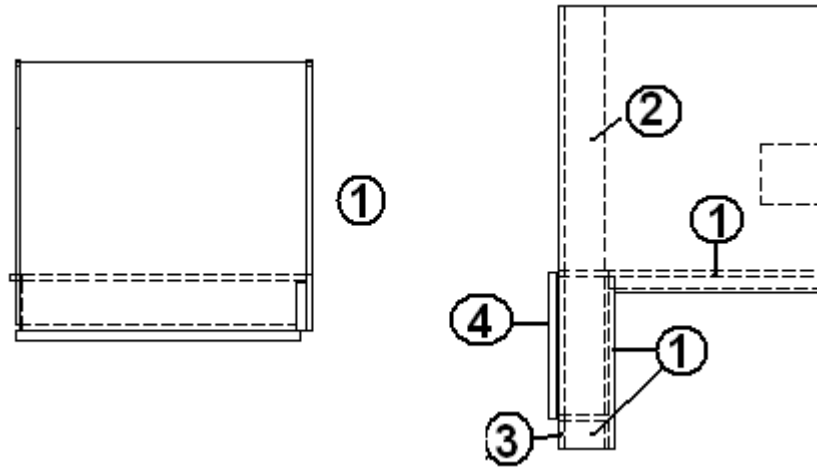


<p>966473</p> <p>1. 801383-01</p> <p>2. 801392</p> <p>3. 801376-01</p> <p>4. 965551-04</p> <p>5. 381840-01</p> <p>6. 381840-02</p> <p>7. 965587</p> <p>8. 801368</p> <p>9. 381902</p> <p>115085</p> <p>345276-04</p> <p>345275-04</p> <p>350147-25</p> <p>365268-03</p> <p>365268-01</p>	<p>R/L ASSY- GALLEY</p> <p>PANEL, OAK/WHITELINER</p> <p>PANELWHITELINER/WHITELINER12MM</p> <p>PANEL, OAK/WHITELINER</p> <p>DOOR-RADIUS FOAM 15.25" X 23.13"</p> <p>HINGE-OVERHEAD SPRING LH</p> <p>HINGE-OVERHEAD SPRING RH</p> <p>END CAP ASSEMBLY</p> <p>PANELWHITELINER/WHITELINER</p> <p>HOOK, STAINLESS STEEL. SCREW IN</p> <p>ANGLE ALUMINUM, ROOFLOCKERS</p> <p>SCREW HEX HD. CAP 1/4-20 X 1</p> <p>1/4-20X1 FLAT PHIL M/S ZN</p> <p>NUT, NYLON LOCK, 1/4-20</p> <p>EDGEBANDING-.024"X .63" TROP.O</p> <p>EDGEBANDING-.024"X 1.13" TROP</p>
--	--

SAFARI- BAMBI

FURNITURE, GALLEY

Galley Aft Section, 23'

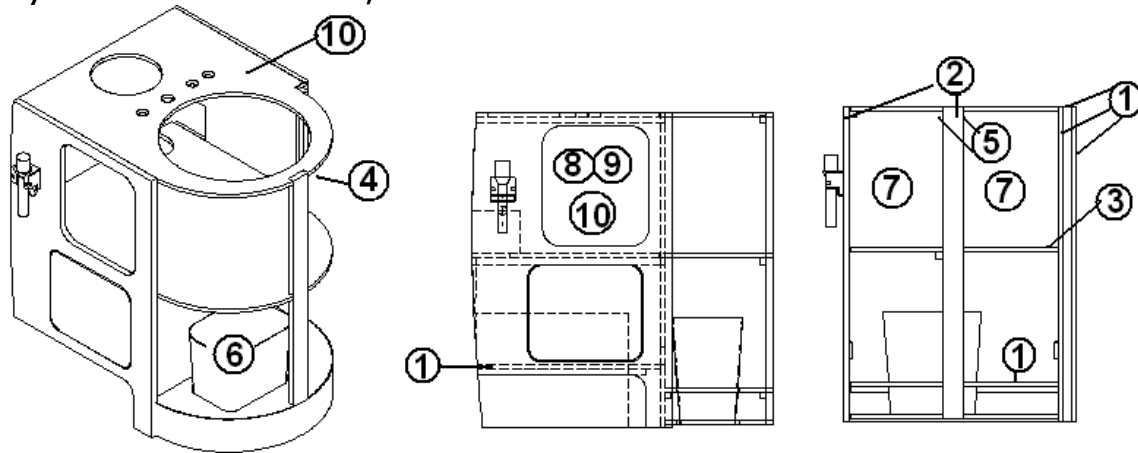


966487	GALLEY AFT SECT.ASSY
1. 801392	PANEL, WHITELINER/WHITELINER
2. 801368	PANEL, WHITELINER/WHITELINER
3. 801383-01	PANEL, TRP OAK/WHITELINER
4. 801376-01	PANEL, OAK/WHITELINER
381607	HINGE ASSY-GRASS EURO
381228-01	CATCH GRABBER DOOR
381774	HANDLE-DRAWER/DOOR

SAFARI- BAMBI

FURNITURE, GALLEY

Galley Forward Section, 23'

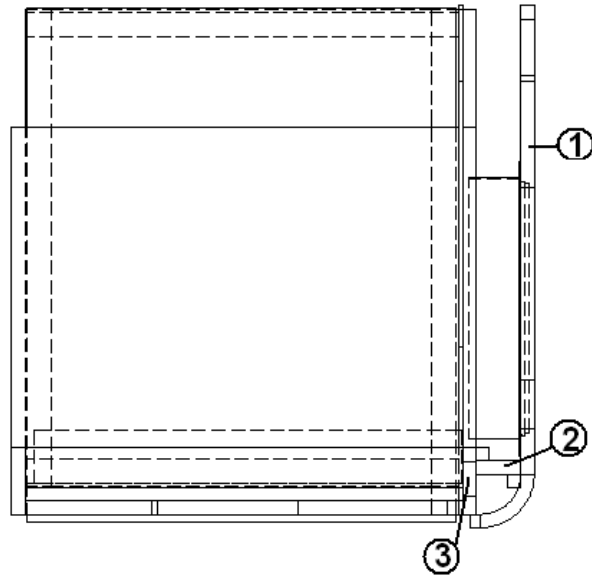
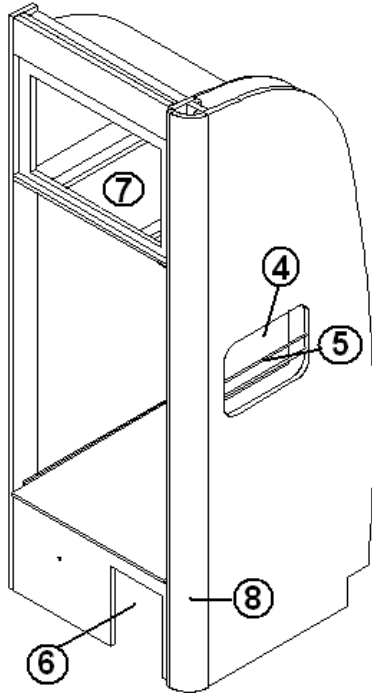


966488	GALLEY FORWARD SECTION
1. 801392	PANEL, WHITELINER/WHITELINER
2. 801376-01	PANEL, OAK/WHITELINER
3. 801368	PANEL, WHITELINER/WHITELINER
4. 801343-01	PANEL, OAK 4' X 8' VERTICAL
5. 381856	CATCH-TENSION 2-BALL
6. 966474	DOOR-RADIUS FOAM 16.81" X 31"
7. 381654	HINGE-NON BORE GLASS DOOR BLACK
8. 381707	STRIKE W/PULL-GLASS DOOR BLACK
9. 371391	DOOR-GLASS 11.56"X 13.06"
10. 966489	TOP, GALLEY
115309	Toe kick, aluminum
381774	HANDLE-DRAWER/DOOR
381607-07	BRACKET-BLIND CORNER 90D
381607	HINGE ASSY
365268-01	EDGEBANDING-.024"X 1.13" OAK
365268-03	EDGEBANDING-.024"X .63" OAK
365238-04	EDGEBANDING TAPE PVC 5/8" WHITE
381228-01	CATCH GRABBER DOOR
703560	FLOORING-RUBBER COIN BLACK
203445	T-MOLDING BLK FLEXIBLE POLY .5
381708	WASTEBASKET-11.38 X 8.25 X 12.
601894	FAUCET-MOEN CHATEAU W/SPRAY
601806	SINK-S.S. ROUND GALLEY
203509	SINK COVER, 1/2" NATURAL 13.25

SAFARI- BAMBI

FURNITURE, GALLEY

Refrigerator Cabinet, 23'



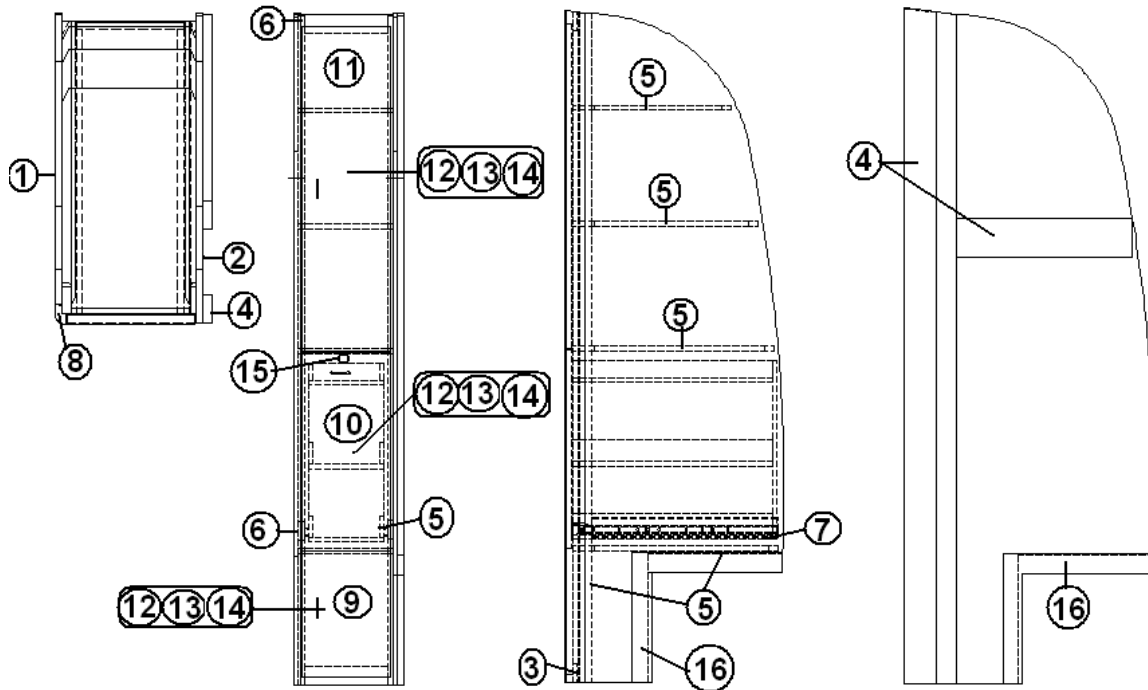
*966477	REFER CABINET ASSY
1. 966478	PANEL ASSY- REFER
2. 801368	PANELWHITELINER/WHITELINER
3. 801376-01	PANEL, OAK/WHITELINER
4. 203383	RACK-MAGAZINE ABS
5. 115042	ROD-.25"
6. 966480	STAND ASSY- REFER
7. 966485	COMPT.ASSY-MICROWAVE
8. 801345	RADIUS PLYWOOD .75" X 3" X 8'
365268-03	EDGE BANDING-.024" X .63" OAK
365268-01	EDGE BANDING-.024" X 1.13" OAK
801629-03	PANEL, FORWARD, REFER

*SPECIFY MICROWAVE BRAND, SAMSUNG OR TAPPEN

SAFARI- BAMBI

FURNITURE, GALLEY

Pantry, 23'

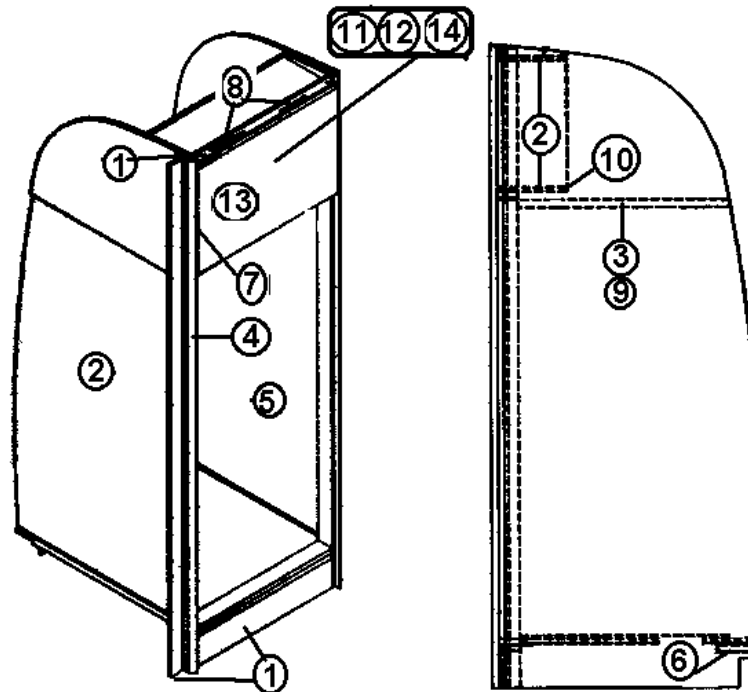


966440	PANTRY ASSY
1. 801629-01	PANLE, FORWARD PANTRY
2. 801629-02	PANEL, AFT PANTRY
3. 801383	PANEL, OAK/WHITELINER
4. 801376-01	PANEL, OAK/WHITELINER
5. 801392	PANELWHITELINER/WHITELINER
6. 801368	PANELWHITELINER/WHITELINER
7. 381925	SLIDE-DRAWER 24"
8. 801393-016	CORNER TRIM-90D 1" RADIUS OAK
9. 801341-152	DOOR 9.25W X 23L
10. 801341-153	DOOR 9.25WX 38.12L
11. 801341-166	DOOR 10.38" W X 14.63"
12. 381774	HANDLE-DRAWER/DOOR
13. 381228-01	CATCH GRABBER DOOR
14. 381607	HINGE ASSY-GRASS EURO
15. 381408	LOCK, PUSH, BUTTON STYLE, BLACK
16. 966503	SPACER, PANTRY/BED
365268-01	EDGE BANDING-.024"X 1.13" OAK
365238-04	EDGE BANDING TAPE PVC 5/8"

SAFARI- BAMBI

FURNITURE, GALLEY

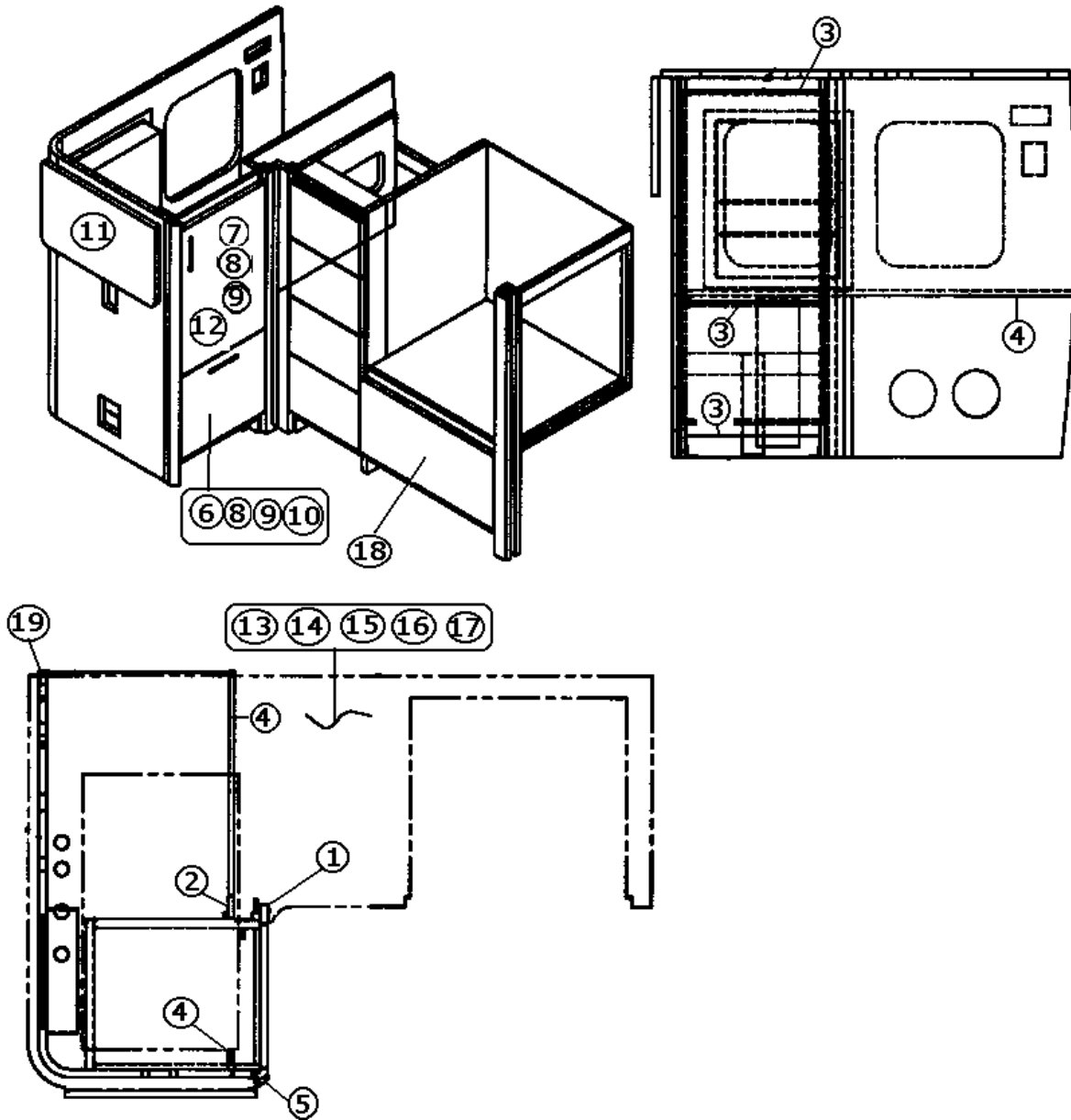
Refrigerator Cabinet, 25' A & B



- | | |
|---|---|
| <ul style="list-style-type: none"> 965664 1. 801392 2. 801392 3. 801368 4. 801393-016 5. 801380-12 6. 965663 7. 381608-05 8. 381607 9. 365268-01 10. 365268-03 11. 381865 12. 381228-01 13. 801341-42 14. 801438 381830 964172 | <ul style="list-style-type: none"> Refrigerator Cabinet Assembly, 25' A & B Paneling, White/White 12 MM Paneling, White/White 12 MM Laminate, White/White Corner trim, 1" radius Panel, forward refrigerator Refrigerator stand Lid stay, left Hafele Hinge assembly, Grass European Edge tape, Tropical Oak, 1.13 wide Edge tape, Tropical Oak, .625" Door handle Door/drawer grabber catch, 3 lb. Door, 25.06" x 16.13" PANEL, FROST WHITE VINYL/RAW WIPER-RUBBER 1.125" X 2" REFER CLOSE-OUT ASSY |
|---|---|

SAFARI- BAMBI FURNITURE, GALLEY

Galley Assembly, 28' S/O



Part Numbers on the Next Page

SAFARI- BAMBI

FURNITURE, GALLEY

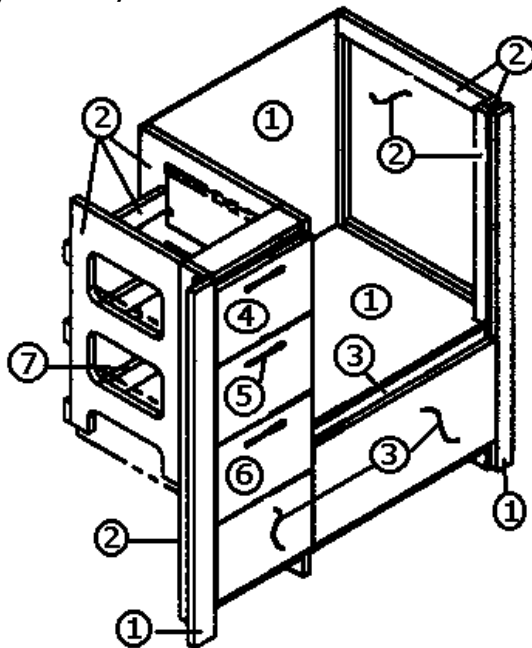
Galley Assembly, 28' S/O

965695-02	Galley Assembly, 28' S/O
965695-01	Galley Assembly, Midnight Sun
1. 801376-01	Panel, Tropical Oak/white liner, 18 mm
2. 801368	Panel, white Rexel/white Rexel
3. 801383-01	Panel, Tropical Oak/White liner
4. 801392	Panel, Tropical Oak/white liner, 12 mm
5. 801393-016	Corner trim, 90 degree radius
6. 801341-53	Door, 13.38" x 11.25"
7. 801341-54	Door, 13.38" x 19.25"
8. 381865	Door handle
9. 381228-01	Grabber catch, door
10. 965558-02	Drawer box assembly
11. 965581	Flip up shelf
11. 381614	FOLDING SHELF BRACKET
11. 965581-01	Flip up shelf, Amarillo, Midnight Sun
12. 381607	Hinge assembly
13. 965693	Galley top assembly
13a. 965693-01	Galley top assembly, Midnight Sun
14. 601963	Sink, Stainless Steel, 16" x 27"
15. 601744-01	Sink mounting clips
16. 600968	Basket strainer
17. 203509	Sink cover, natural
18. 965694	Galley oven section assembly
19. 965708	Forward galley panel assembly
965715	Galley backsplash,
801342-01	LAMINATE, ALUMINUM BRUSHED 4' X 8'
365271	EDGE BANDING-1.125" PVC SILICON
381773-21	DRAWER SLIDE-8.38" X 15.75"
115064	TRIM-ALUM COUNTER TOP

SAFARI- BAMBI

FURNITURE, GALLEY

Galley, Oven Section, 28' S/O

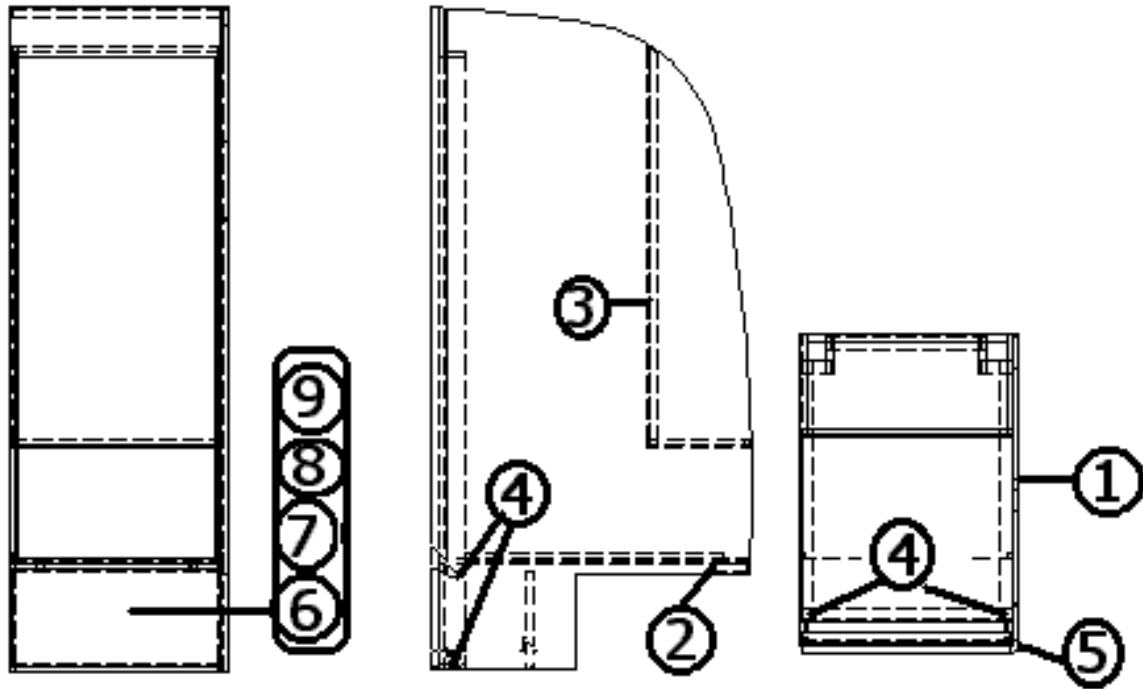


- | | |
|--------------|--|
| 965694 | Galley, Oven Section |
| 965694-01 | Galley, Oven Section, Amarillo, Midnight |
| 1. 801376-01 | Paneling, Tropical Oak/White liner |
| 2. 801368 | Paneling, White Rexel/White Rexel |
| 3. 801381-01 | Paneling, Tropical Oak/Tropical Oak |
| 4. 801341-52 | Door, cabinet, 11.13" x 7.50" |
| 5. 381865 | Handle, door |
| 6. 381228-01 | Catch, grabber door |
| 7. 965560-02 | Drawer box |
| 381773-15 | DRAWER SLIDE-5.875"X 15.75"(PA |
| 965708 | Forward galley panel assembly |
| 801345 | RADIUS PLYWOOD .75" X 3" X 8' |
| 801378 | PANEL, WHITE LINER/GATOR 18 |
| 203383 | RACK-MAGAZINE, ABS |
| 115042 | ROD-.25" ALUMINUM |
| 203387 | POCKET, FIRE EXTINGUISHER BRACKET |
| 381653 | LATCH-SINGLE TOUCH BLACK |
| 381654 | HINGE-NON BORE GLASS DOOR BLACK |
| 381707 | STRIKE W/PULL-GLASS DOOR BLACK |
| 371391 | DOOR-GLASS 11.56" X 13.06" |
| 203340 | Black T-Molding |

SAFARI- BAMBI

FURNITURE, GALLEY

Refrigerator Cabinet, 8 cu. ft. Refrigerator, 28' S/O

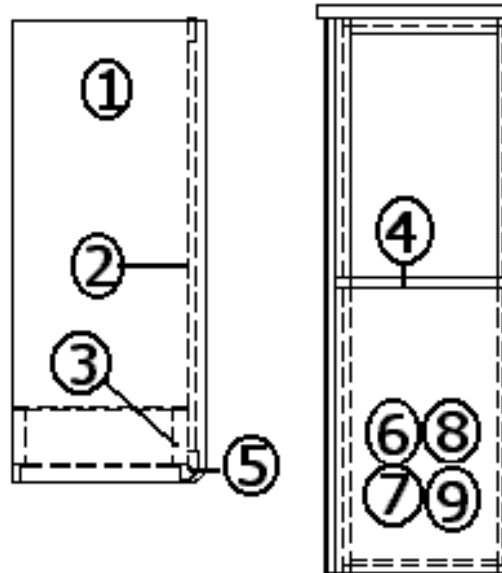


- | | |
|---|---|
| <p>965798
1. 801424-07
2. 965736
3. 381830
4. 801368
5. 801393-016
6. 801341-21
7. 381865
8. 381607
9. 381228-01
801506
801438
104821
365268-01</p> | <p>Refrigerator Cabinet
Panel, forward refer
Refer stand assembly
WIPER-RUBBER 1.125"X 2" L
Panel, white Rexel/white Rexel
Corner trim, 90 degree radius
Door, 24.81" x 9.31"
Door handle
Hinge assembly
Grabber catch, door
PANEL, ASCOT SAND/RAW .5" X 4' X 8'
PANEL, FRONT WHITE VINYL/RAW
SUPPORT, ROOFLOCKER, 74"
Edge tape, .024" x 1.13", Tropical Oak</p> |
|---|---|

SAFARI- BAMBI

FURNITURE, GALLEY

End Stand Cabinet, 28' S/O

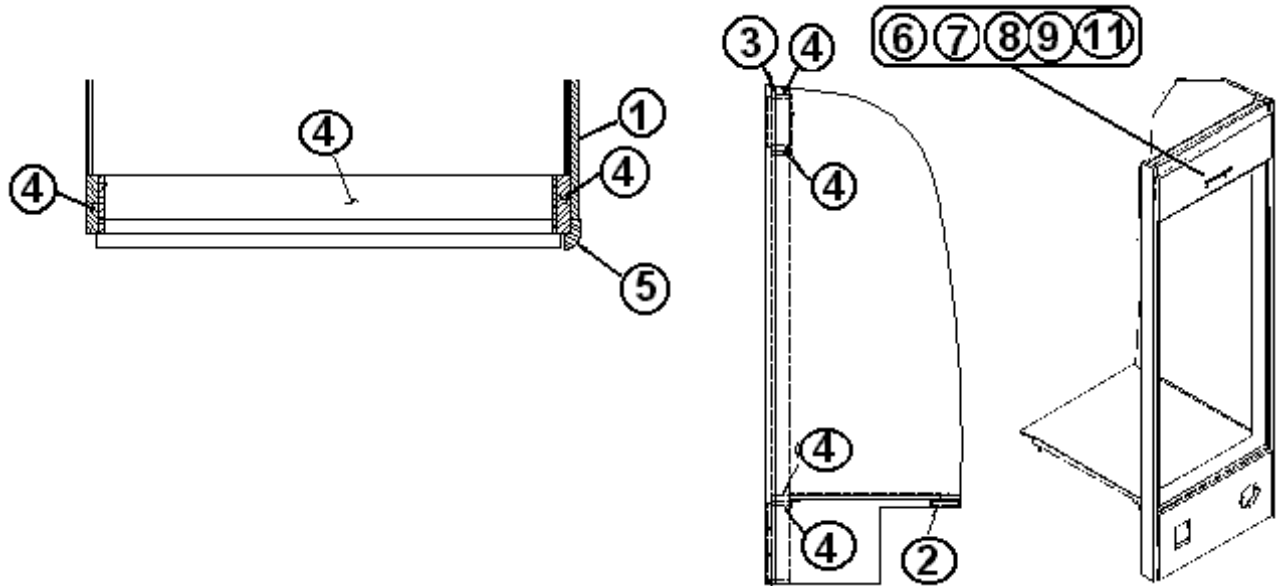


- | | |
|---------------|--|
| 965799 | End Stand Cabinet, White Suede |
| 965799-01 | End Stand Cabinet, Galaxy Graphite |
| 1. 965801 | Top assembly, end stand, white suede |
| 1a. 965801-01 | Top assembly, end stand, galaxy graphite |
| 2. 801383-01 | Panel, Tropical Oak/White liner |
| 3. 801368 | Panel, white Rexel/white Rexel |
| 4. 801392 | Panel, Tropical Oak/white liner, 12 mm |
| 5. 801393-014 | Corner trim, 90 degree radius |
| 6. 801341-59 | Door, 8.63" x 29.13" |
| 7. 381865 | Door handle |
| 8. 381607 | Hinge assembly |
| 9. 381228-01 | Grabber catch, door |
| 801369 | PANEL, FROSTWHITE/WHITE LINER |
| 365267 | EDGE BANDING-1.13" .024 PLY |
| 801438 | PANEL, FROST WHITE VINYL/RAW |
| 365268-01 | EDGE BANDING-.024"X 1.13" OAK |
| 365238-04 | EDGE BANDING TAPE PVC 5/8" C.WH |

SAFARI- BAMBI

FURNITURE, GALLEY

Refrigerator Cabinet, 28' W

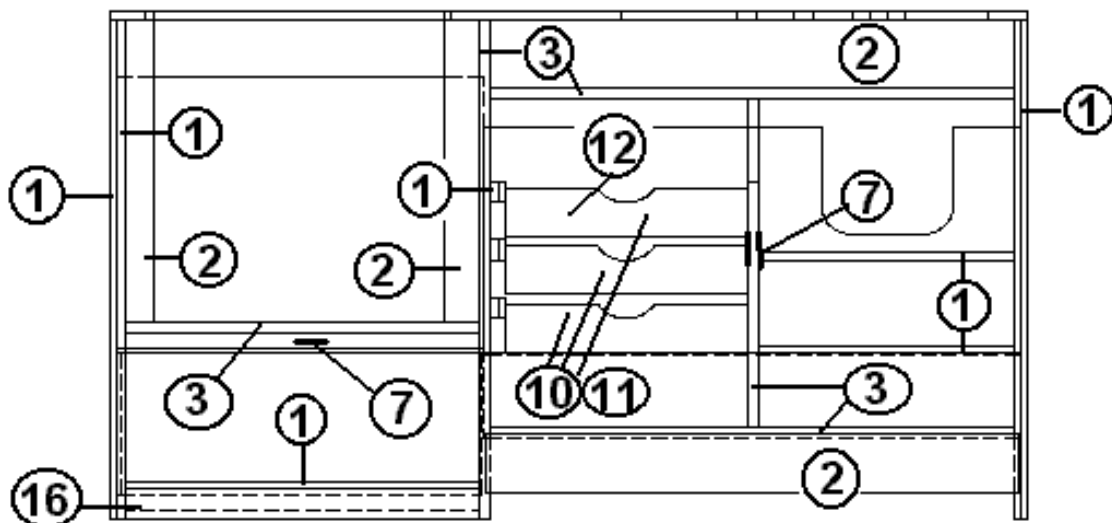
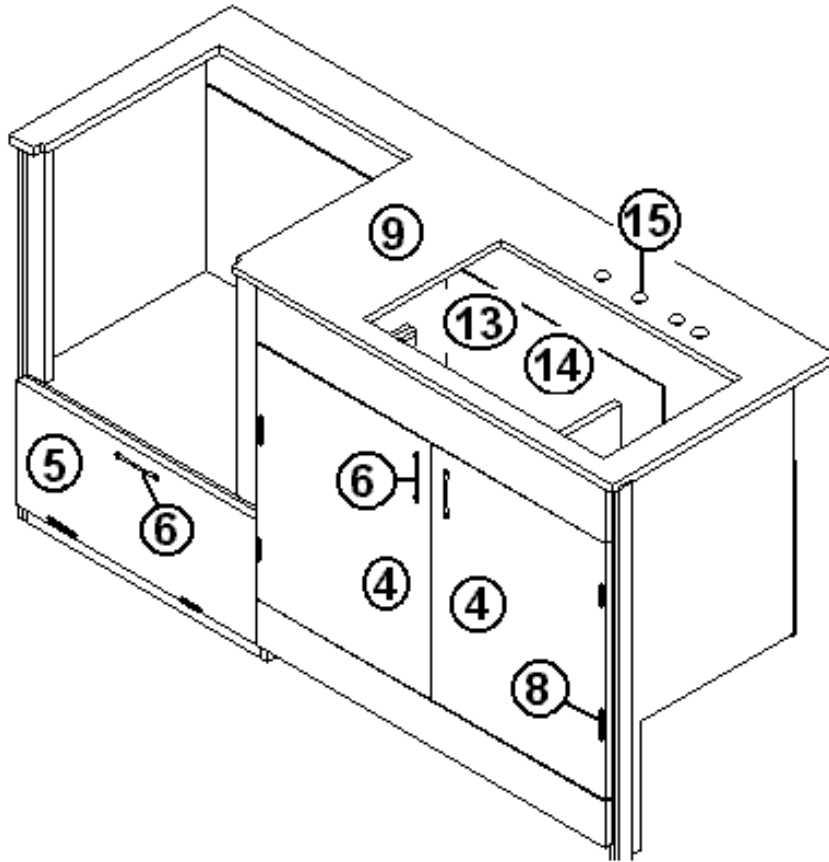


- | | |
|--|---|
| <p>965837</p> <p>1. 801454-03</p> <p>2. 965835</p> <p>3. 801376-01</p> <p>4. 801368</p> <p>5. 801393-016</p> <p>6. 801341-65</p> <p>7. 381865</p> <p>8. 381607</p> <p>9. 381228-01</p> <p>10. 365268-01</p> <p>11. 381608-05</p> <p>365278-01</p> <p>115168</p> <p>200980-01</p> <p>115064</p> | <p>Refrigerator Cabinet, 28' W</p> <p>Forward refer panel</p> <p>Refer stand assembly</p> <p>Paneling, Trop. Oak/Trop. Oak, 18 MM</p> <p>Paneling, Whiteliner/Whiteliner, 18MM</p> <p>Corner trim, 90 degree 1" radius</p> <p>Door, 8.13" x 24.75"</p> <p>Handle, door</p> <p>Hinge assembly</p> <p>Door grabber catch</p> <p>Edgebanding, .024" x 1.13", Tropical Oak</p> <p>Lid stay, left</p> <p>EDGEBANDING, BLACK, MAPLE 1.13"</p> <p>SHELF EDGE-FORMED</p> <p>TRAY, SILVER WARE, ALMOND, 9" X 13"</p> <p>TRIM, ALUMINUM COUNTER TOP</p> |
|--|---|

SAFARI- BAMBI

FURNITURE, GALLEY

Galley, Full Oven, 28' W



Part Numbers on next page

SAFARI- BAMBI

FURNITURE, GALLEY

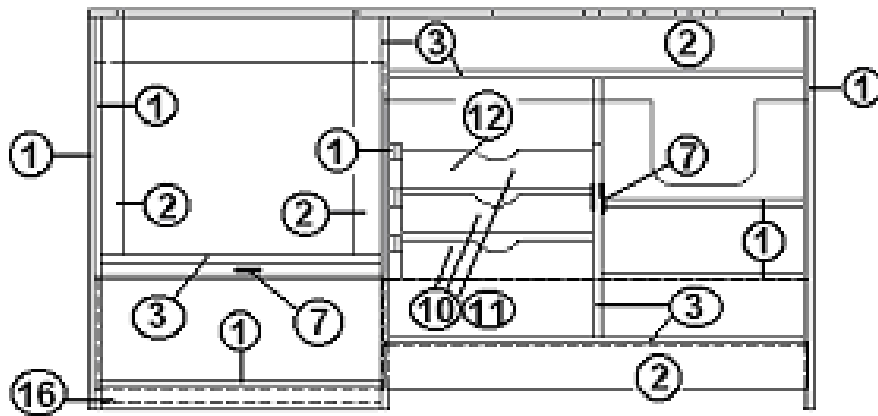
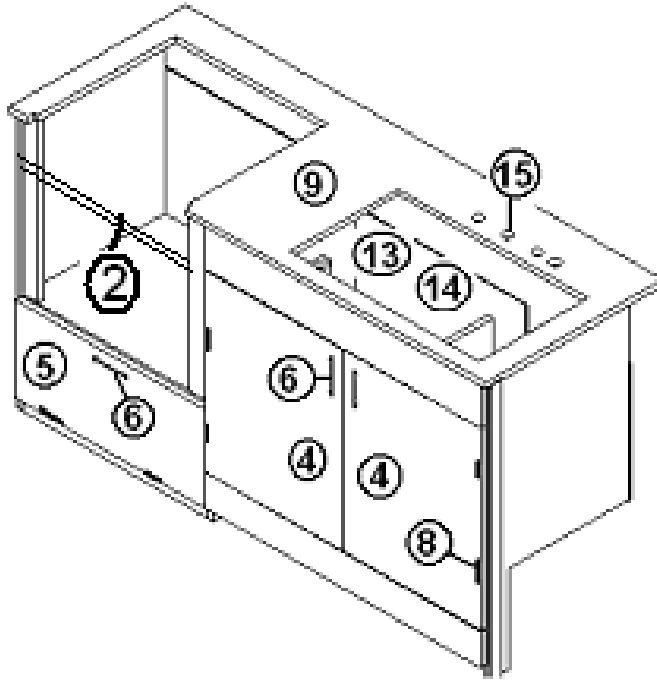
Galley, Full Oven, 28' W

965899	Galley, Full Oven, Tropical Oak
965899-01	Galley, Full Oven, Galaxy Graphite
1. 801392	Paneling, Whiteliner/Whiteliner
2. 801376-01	Paneling, Tropical Oak/Whiteliner, 18MM
3. 801368	Paneling, Whiteliner/Whiteliner, 18MM
4. 801341-26	Door, 18.63" x 23.63"
5. 801341-68	Door, 11.50" x 25.63"
6. 381865	Handle, Drawer/door
7. 381228-01	Door grabber catch
8. 381607	Hinge assembly
9. 965902	Galley top, Tropical Oak
9a. 965902-01	Galley top, Galaxy Graphite
10. 965584-02	Drawer box assembly
11. 801399-03	Drawer, 17.00" x 3.38"
12. 381615	Tray, silverware
13. 601963	Sink, Stainless Steel, 16" x 27"
13a. 601744-01	Mounting clip, sink
13b. 203509	Sink cover, natural
13. 600968	Basket strainer
14. 601746	Faucet, Moen, 8" Manor w/spray
15. 801383-01	Paneling, Tropical Oak/Whiteliner, 12MM
381773-02	SLIDE DRAWER 3-3/8H X 13-3/4L
965715-02	BACKSPLASH ASSY. GALLEY
365268-01	Edgebanding, .024" x 1.13", Tropical Oak
365273	EDGEBANDING GALAXY GRAPHITE, AMARILLO, Midnight Sun
365267	EDGEBANDING-1.13" .024 PLY
115064	TRIM, ALUMINUM, COUNTER TOP

SAFARI- BAMBI

FURNITURE, GALLEY

Galley, Microwave, Convection Oven, 28' W



SAFARI- BAMBI

FURNITURE, GALLEY

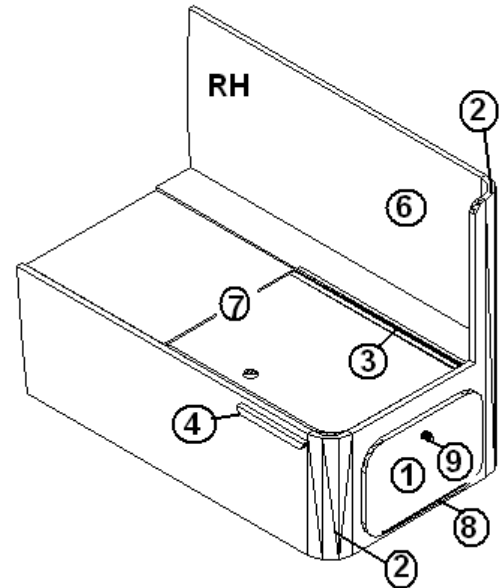
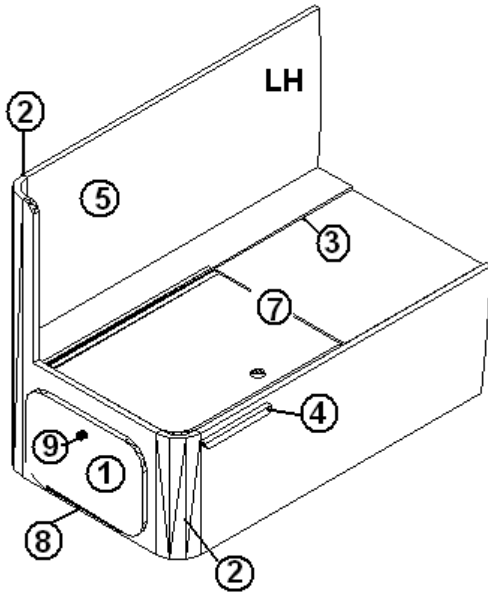
Galley, Microwave, Convection Oven, 28' W

965899-02	Galley, Micro. Convection, Tropical Oak
965899-03	Galley, Micro. Convection, Galaxy Graphite
1. 801392	Paneling, Whiteliner/Whiteliner
2. 801376-01	Paneling, Tropical Oak/Whiteliner, 18MM
3. 801368	Paneling, Whiteliner/Whiteliner, 18MM
4. 801341-26	Door, 18.63" x 23.63"
5. 801341-68	Door, 11.50" x 25.63"
6. 381865	Handle, Drawer/door
7. 381228-01	Door grabber catch
8. 381607	Hinge assembly
9. 965902	Galley top, Tropical Oak
9a. 965902-01	Galley top, Galaxy Graphite
10. 965584-02	Drawer box assembly
11. 801399-03	Drawer, 17.00" x 3.38"
12. 381615	Tray, silverware
13. *601963	Sink, Stainless Steel, 16" x 27"
13a. 601744-01	Mounting clip, sink
13b. 203425	Sink cover
14 600968	Basket strainer
15 601894	Faucet, Moen, 8" Manor w/spray
16 801383-01	Paneling, Tropical Oak/Whiteliner, 12MM
381773-02	SLIDE DRAWER 3-3/8H X 13-3/4L
965715-02	BACKSPLASH ASSY. GALLEY
365268-01	Edgebanding, .024" x 1.13", Tropical Oak
365273	EDGEBANDING GALAXY GRAPHITE, AMARILLO, Midnight Sun
365267	EDGEBANDING-1.13" .024 PLY
115064	TRIM, ALUMINUM, COUNTER TOP

SAFARI- BAMBI

FURNITURE, GALLEY

Dinette Seats, 28' W

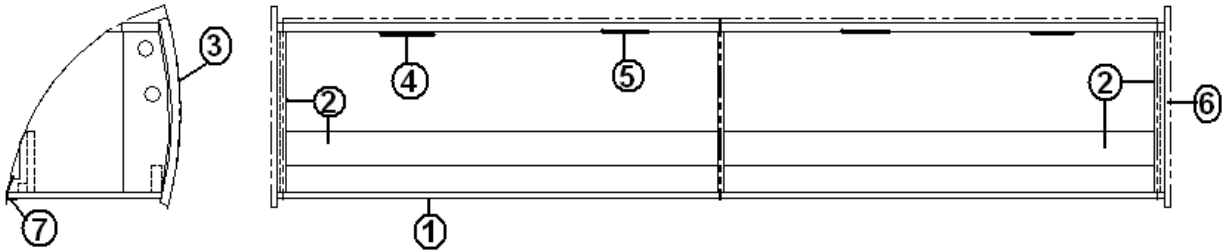


- | | |
|---------------|--------------------------------|
| 965894 | RH Dinette Seat |
| 965895 | LH Dinette Seat |
| 1. 966137 | DOOR, DINETTE |
| 2. 801345 | Radius plywood, .75" x 3" x 8' |
| 3. 380458 | Hinge, piano, brown |
| 4. 800470-006 | Stop, hardwood, 3/4" dinette |
| 5. 703309-01 | Foam, left side back |
| 6. 703309-02 | Foam, right side back |
| 7. 703309-03 | Foam, seat bottom |
| 8. 380458 | Hinge, piano, brown |
| 9. 381796 | Knob, Hollow |
| 700414 | Foam, 3/8" x 4' x 8' |
| 381228-01 | CATCH GRABBER DOOR |
| 800405-006 | PLUG BUTTON HARDWOOD |

SAFARI- BAMBI

FURNITURE, GALLEY

Dinette Locker, 28' W, 25' Sleep Six

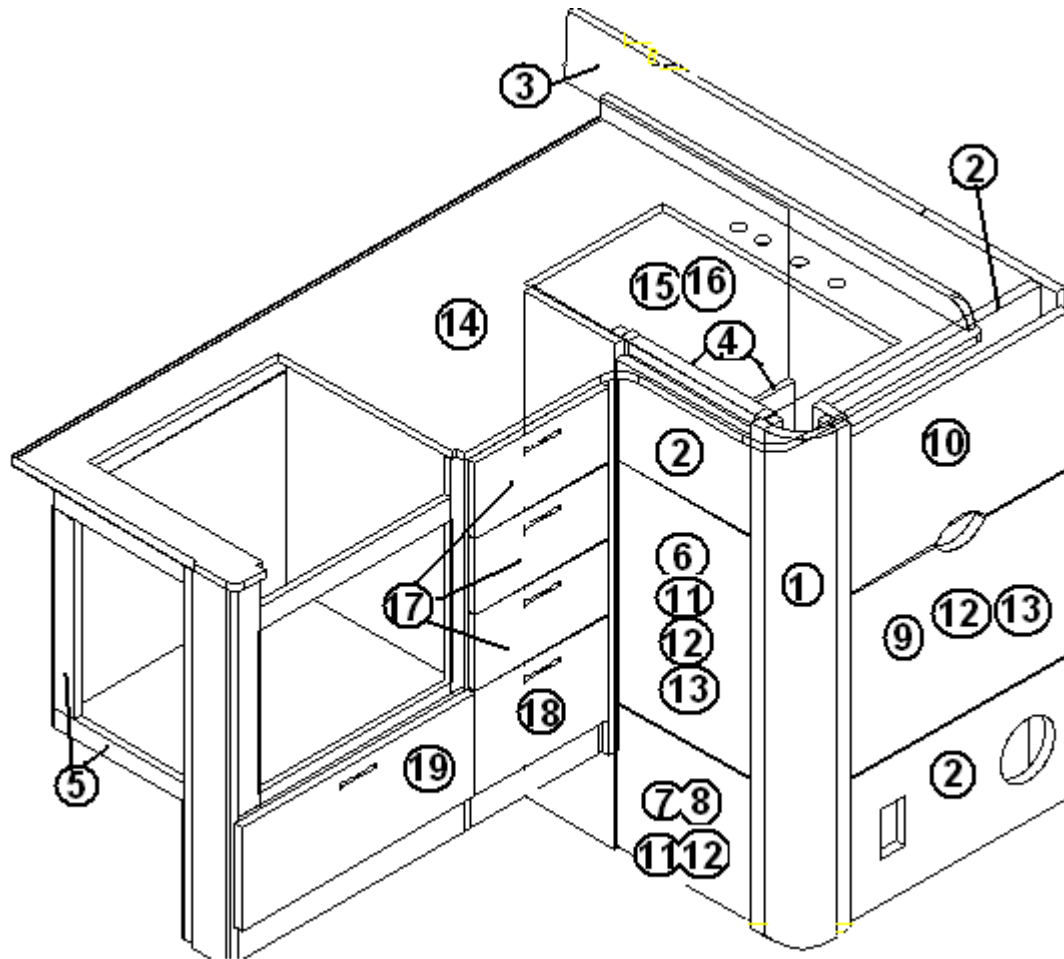


- | | |
|--------------|--------------------------------------|
| 966040 | Dinette Locker, 28" W Model |
| 1. 801383-01 | PANEL, OAK/WHITE LINER |
| 2. 801392 | PANEL, WHITELINER/WHITELINER |
| 3. 965551-01 | DOOR-RADIUS FOAM 15.25" X 35.5" |
| 4. 381840-01 | HINGE-OVERHEAD SPRING LH |
| 5. 381840-02 | HINGE-OVERHEAD SPRING RH |
| 6. 965587 | END CAP ASSEMBLY |
| 7. 115085-01 | ALUMINUM ANGLE, ROOF LOCKER, 71.875" |
| 345276-04 | SCREW HEX HD. CAP 1/4-20 X 1 I |
| 350147-25 | NUT, NYLON LOCK, 1/4-20 |
| 365268-03 | EDGE BANDING-.024"X .63", OAK |
| 365268-01 | EDGE BANDING-.024"X 1.13", OAK |

SAFARI- BAMBI

FURNITURE, GALLEY

Galley W/ Full Oven, 30'



Part Numbers on the Next Page

SAFARI- BAMBI

FURNITURE, GALLEY

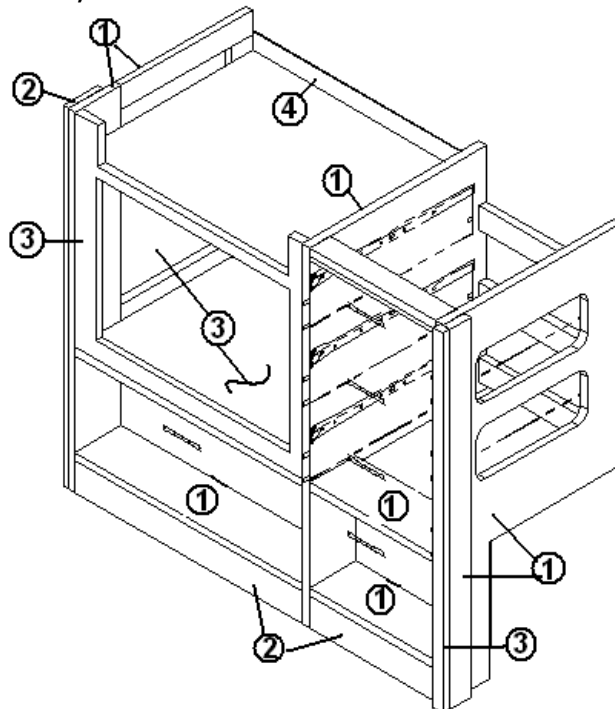
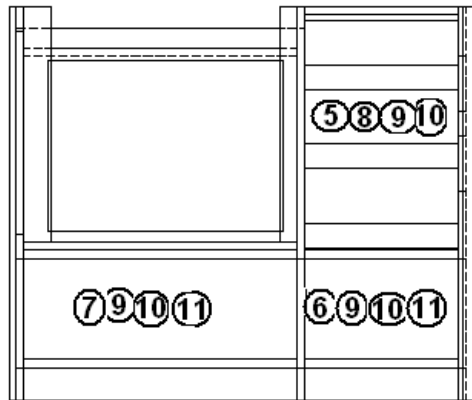
Galley W/ Full Oven, 30'

966092-01	GALLEY CABINET
1. 966093	CORNER SUB ASSY-GALLEY
2. 801343-01	PANEL, OAK, 4' X 8' VERTICAL
3. 801395	PANEL, OAK/OAK, 18mm
4. 801376-01	PANEL, T.OAK/WHT LINER
5. 801392	PANEL, WHITELINER/ WHITELINER, 12MM
6. 801341-107	DOOR, GALLEY, 10.88" X 17"
7. 801341-108	DOOR, GALLEY 10.88" X 10"
8. 965558-03	DRAWER BOX, 8" X 10.25" X 14.88"
9. 801399-06	DRAWER, 17.69" X 12.88", GALLEY
10. 801512	CUTTING BOARD-HDWD
11. 381865	PULL-BAR BRUSH NICKEL
12. 381228-01	CATCH GRABBER DOOR
13. 381607	HINGE ASSY
14. 966090	TOP ASSY-GALLEY
14. 966090-01	TOP ASSY-GALLEY, CSA
15. 601963	Sink, Stainless Steel, 16" x 27"
16. 601744-01	SINK, MOUNTING CLIP
17. 801341-104	DOOR-GAL 14.38"X9.69"
18. 801341-105	DOOR-GAL 14.38"X9.69"
19. 801341-106	DOOR-GAL 25.13"X9.69"
20. 965553-01	DRAWER BOX , 4.38" X 12.5" X 17"
381773-21	DRAWER SLIDE-8.38" X 15.75"(PAIR)
381773-11	DRAWER SLIDE-4.63" X 18.5" (PAIR)
601894	FAUCET-MOEN CHATEAU W/SPRAY
365268-01	EDGE BANDING-.024"X 1.13" TROPICAL
801369	PANEL, FRSTWHT/WHT LINER
365267	EDGE BANDING-1.13" .024
965715-01	BACKSPLASH ASSY-GAL 38"
801342-01	PANEL, ALUMINUM, BRUSHED 4' X 8'
115064	TRIM-ALUMINUM COUNTER TOP
203509	Sink cover, natural
200980-01	TRAY, SILVER WARE, ALMOND, 9" X 13"

SAFARI- BAMBI

FURNITURE, GALLEY

Galley, Aft w/Convection Microwave, 30'

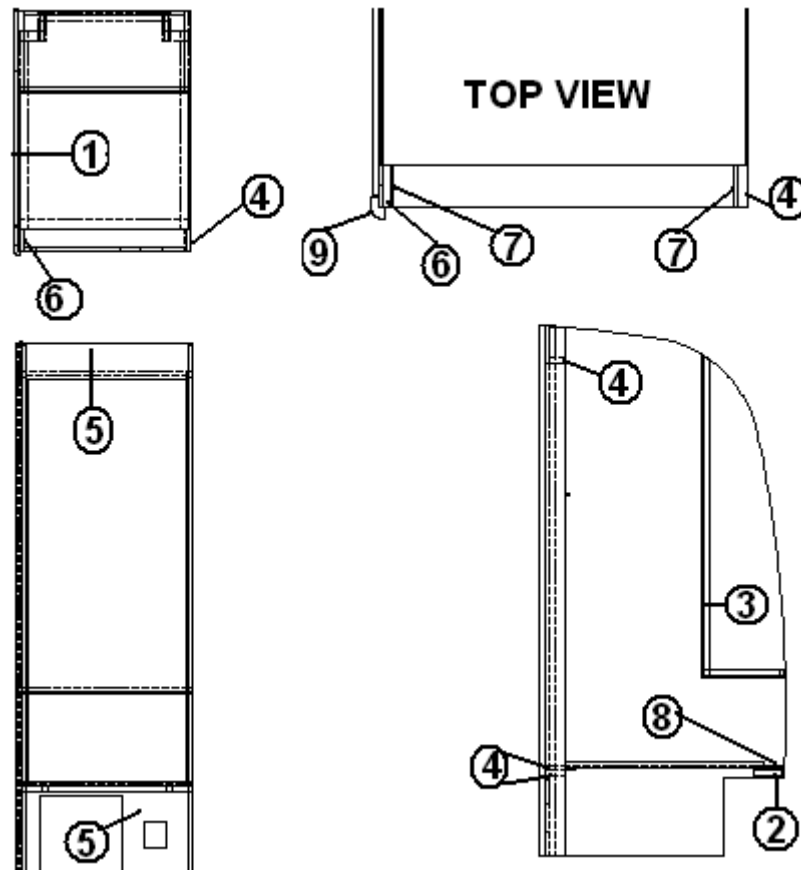


- | | |
|---------------|-------------------------------------|
| 966091-01 | GALLEY, AFT W/CONVECTION MICROWAVE |
| 1. 801368 | PANEL, PRELAM WHITELINER/WHITELINER |
| 2. 801383-01 | PANEL, PRELAM TRP OAK/WHT LINER |
| 3. 801376-01 | PANEL, PRELAM T.OAK/WHT LINER |
| 4. 801438 | PANEL, FRT WHT VINYL/RAW |
| 5. 801341-104 | DOOR-GAL 14.38"X9.69" |
| 6. 801341-105 | DOOR-GAL 14.38"X9.69" |
| 7. 801341-106 | DOOR-GAL 25.13"X9.69" |
| 8. 965553-01 | DWR BOX ASSY-4.38"X 12.5"X 17. |
| 9. 381865 | PULL-BAR BRUSH NICKEL |
| 10. 381228-01 | CATCH GRABBER DOOR |
| 11. 381607 | HINGE ASSY |
| 381806 | INSULATION #4 DBL SIDED W/PSA |
| 365268-01 | EDGEBANDING-.024"X 1.13" OAK |
| 365268-03 | EDGEBANDING-.024"X .63" OAK |
| 381773-11 | DRAWER SLIDE-4.63" X 18.5" (PAIR) |

SAFARI- BAMBI

FURNITURE, GALLEY

Cabinet, Refrigerator, 30'

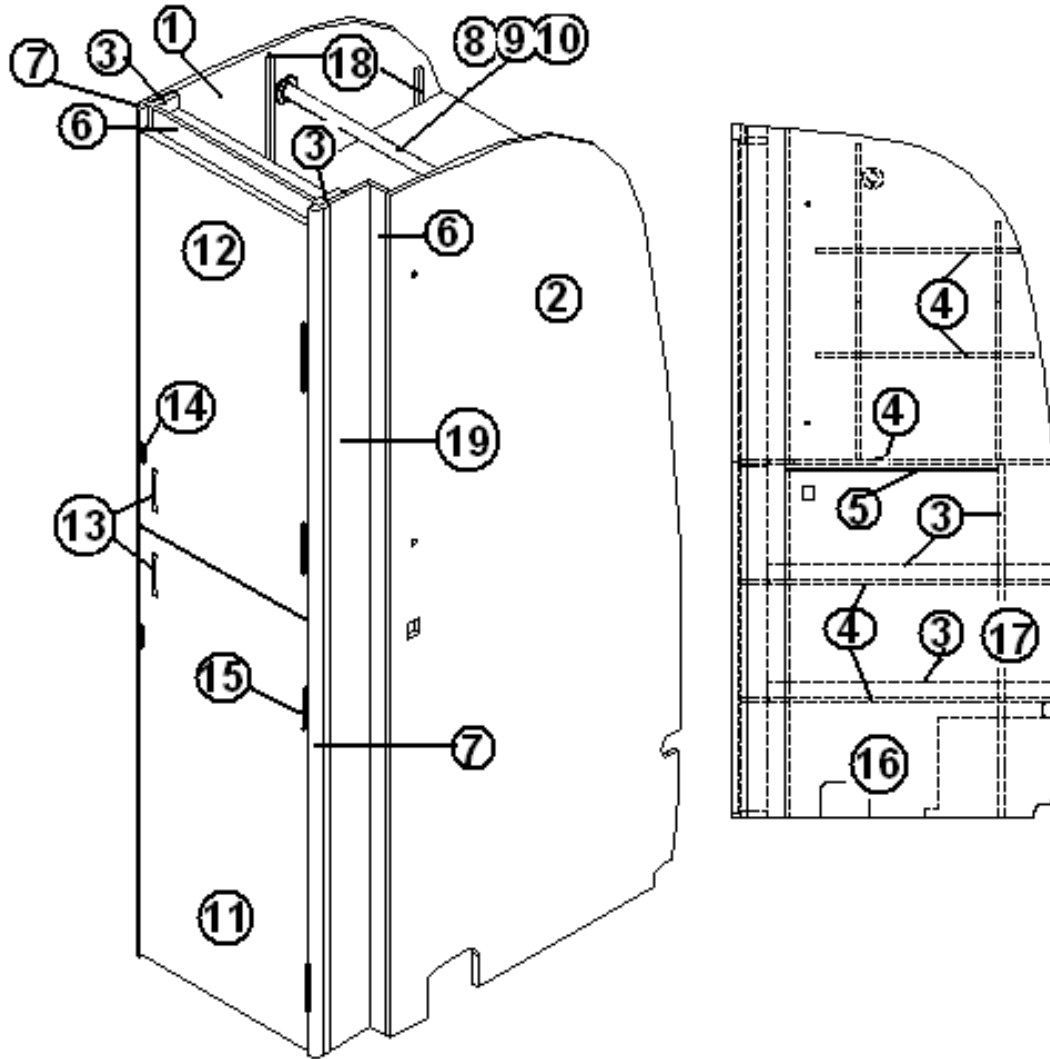


- | | |
|---|---|
| <p>966072
 1. 801500-09
 2. 965736
 3. 381830
 4. 801368
 5. 801383-01
 6. 801392
 7. 800507-02
 8. 800507-03
 9. 801393-01
 365268-01
 365268-03</p> | <p>CABINET, ASSEMBLY, REFER
 PANEL, FWD REFER CABINET,
 STAND ASSEMBLY, REFER28'S/O
 WIPER-RUBBER 1.125" X 2"
 PANEL, WHITELINER/WHITELINER
 PANEL, TRP OAK/WHITE LINER
 PANEL, WHITELINER/WHITELINER
 LAUAN, 1/4" X 4' X 8'
 LAUAN, 3/8" X 4' X 8'
 CORNER TRIM, TROPICAL OAK
 EDGEBANDING-.024"X 1.13" TROPICAL OAK
 EDGEBANDING-.024"X .63" TROPICAL OAK</p> |
|---|---|

SAFARI- BAMBI

FURNITURE, GALLEY

Wardrobe, Curbside, Mid 30'



Part Numbers on the Next Page

SAFARI- BAMBI

FURNITURE, GALLEY

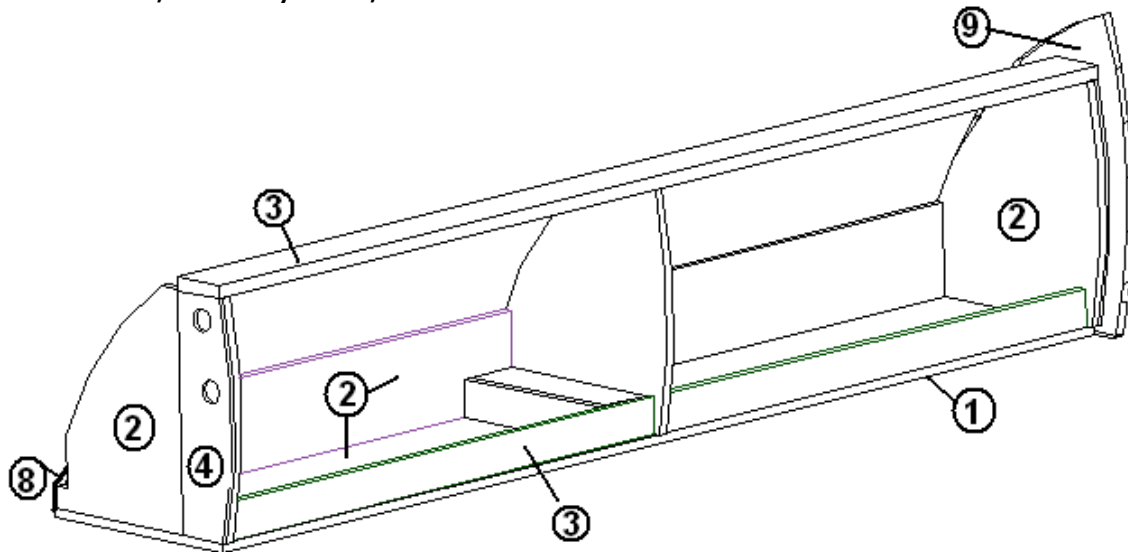
Wardrobe, Curbside, Mid 30'

966073	WARDROBE ASSEMBLY, CS MID 30'
1. 801500-10	PANEL, -FWD W/R
2. 801500-11	PANEL, -AFT W/R
3. 801368	PANEL, WHITELINER/WHITELINER
4. 801392	PANEL, WHITELINER/WHITELINER
5. 800507-02	LAUAN, 1/4" X 4' X 8'
6. 801383-01	PANEL, TRP OAK/WHITE LINER
7. 801393-01	CORNER TRIM, TROPICAL OAK
8. 380046	FLANGE CHROME
9. 380045	TUBING 3/4" ELECTRICAL METALLIC
10.200975-04	CONDUIT, FLEXIBLE BLACK PLASTIC
11. 801341-99	DOOR, W/R 18" X 36.75"
12.801341-100	DOOR, W/R 18" X 40"
13.381865	PULL-BAR BRUSH NICKEL
14.381228-01	CATCH GRABBER DOOR
15.381607	HINGE ASSEMBLY,
16.203419	BOX STORAGE, 23"L X 16.75"W X 11.88
17.203439	STORAGE BOX, 17"L X 11.13"W X 6.38"
18.381527	SHELF STRIPS SPEEDY
19.801500-16	PANEL,, AFT W/R FWD
365268-01	EDGE BANDING-.024"X 1.13" TROPICAL OAK
365268-03	EDGE BANDING-.024"X .63" TROPICAL OAK

SAFARI- BAMBI

FURNITURE, GALLEY

Roof Locker, Galley 30', 28' W

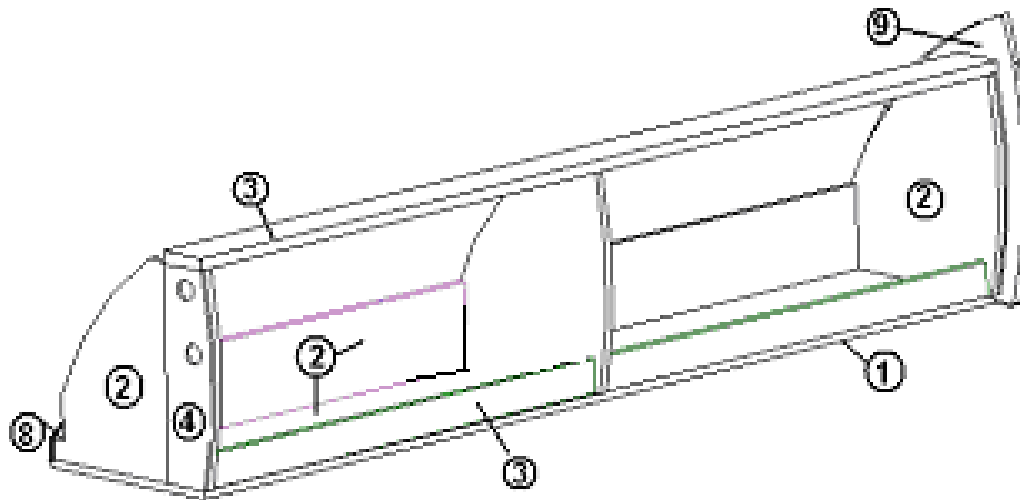


- | | |
|--------------|---------------------------------|
| 966042 | ROOFLOCKER, GALLEY |
| 1. 801383-01 | PANEL, TRP OAK/WHITE LINER |
| 2. 801392 | PANEL, WHITELINER/WHITELINER |
| 3. 801376-01 | PANEL, TROPICAL.OAK/WHITE LINER |
| 4. 800507-02 | LAUAN, 1/4" X 4' X 8' |
| 5. 965551-02 | DOOR-RADIUS FOAM 15.25" X 31.63 |
| 6. 381840-01 | HINGE-OVERHEAD SPRING LH #372. |
| 7. 381840-02 | HINGE-OVERHEAD SPRING RH #372. |
| 8. 115085 | ANGLE ALUMINUM, ROOFLOCKERS |
| 9. 965587 | END CAP ASSEMBLY |
| 345276-04 | SCREW HEX HD. CAP 1/4-20 X 1 |
| 350147-25 | NUT, NYLON LOCK, 1/4-20 |
| 365268-01 | EDGE BANDING-.024"X 1.13" |
| 365268-03 | EDGE BANDING-.024" X .63" OAK |
| 381902 | HOOK, STAINLESS STEEL |

SAFARI- BAMBI

FURNITURE, GALLEY

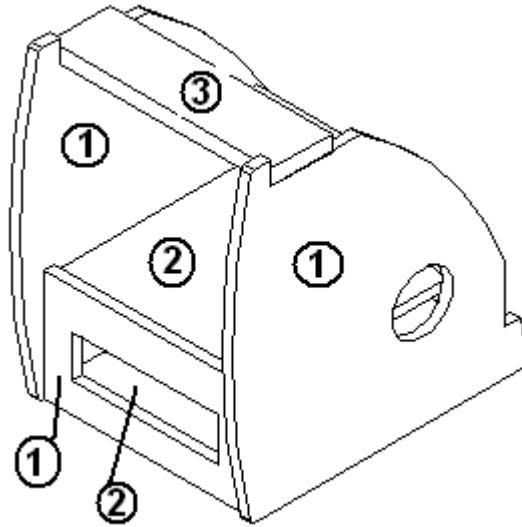
Roof Locker, Galley 30' BUNK



- | | |
|--------------|--------------------------------------|
| 966042-01 | ROOFLOCKER, GALLEY |
| 1. 801383-01 | PANEL, TRP OAK/WHITE LINER |
| 2. 801392 | PANEL, WHITELINER/WHITELINER |
| 3. 801376-01 | PANEL, TROPICAL.OAK/WHITE LINER |
| 4. 800507-02 | LAUAN, 1/4" X 4' X 8' |
| 5. 965551-02 | DOOR-RADIUS FOAM 15.25" X 31.63 |
| 6. 381840-01 | HINGE-OVERHEAD SPRING LH #372. |
| 7. 381840-02 | HINGE-OVERHEAD SPRING RH #372. |
| 8. 115085 | ANGLE ALUMINUM, ROOFLOCKERS |
| 9. 965587 | END CAP ASSEMBLY |
| 345276-04 | SCREW HEX HD. CAP 1/4-20 X 1 |
| 350147-25 | NUT, NYLON LOCK, 1/4-20 |
| 365268-03 | EDGEBANDING-.024"X .63" TROPICAL OAK |
| 365268-01 | EDGEBANDING-.024"X 1.13" |
| 381902 | HOOK, STAINLESS STEEL |
| 966070 | CLOSEOUT ASSY-DINETTE |

SAFARI- BAMBI
FURNITURE, GALLEY

Cabinet, Radio, 30'

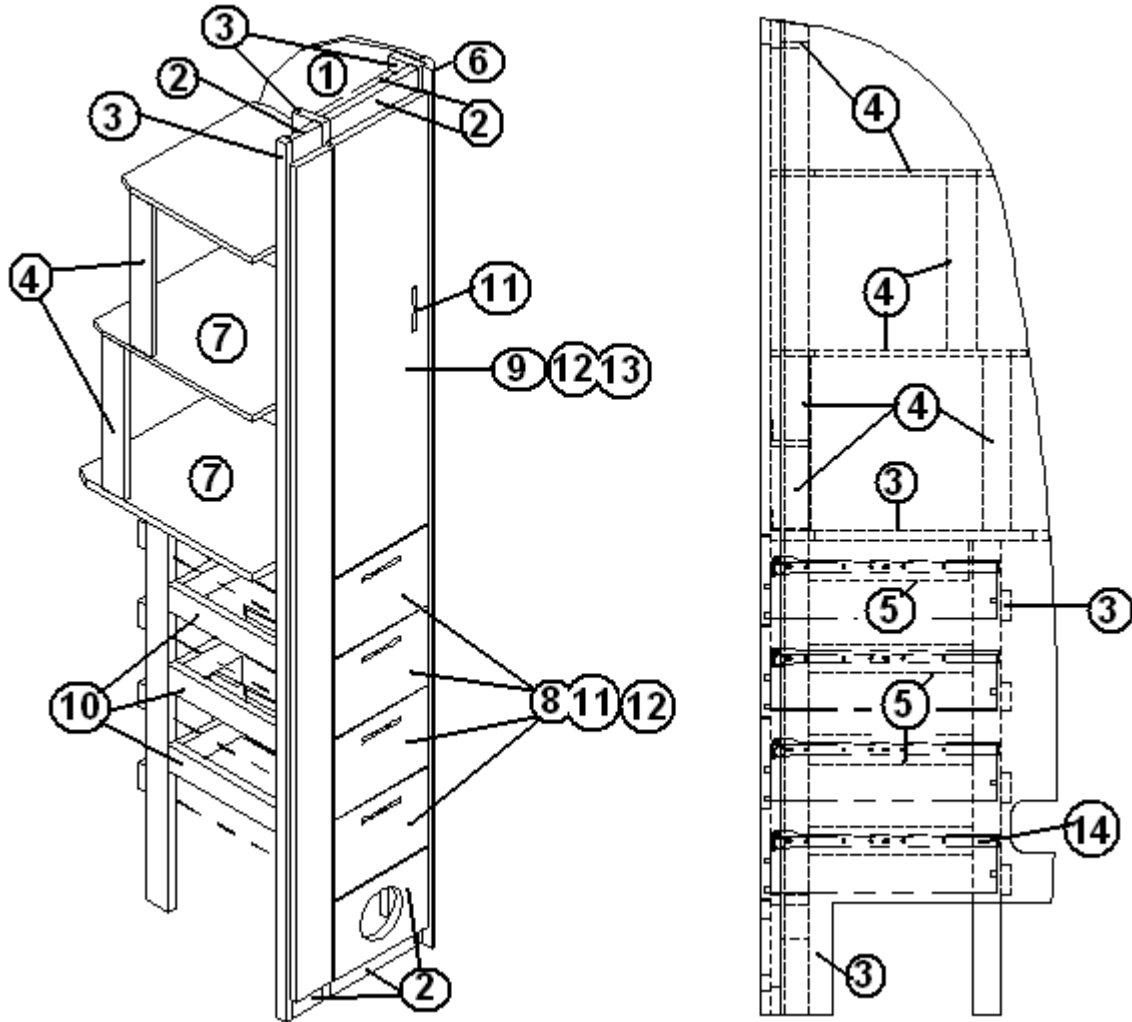


- | | |
|--------------|--------------------------------|
| 966103 | CABINET, RADIO, 30' |
| 1. 801381-01 | PANEL, OAK/OAK |
| 2. 801383-01 | PANEL, OAK/WHITE LINER |
| 3. 801395 | PANEL, OAK/OAK |
| 365268-01 | EDGE BANDING-.024" X 1.13" OAK |
| 365268-03 | EDGE BANDING-.024" X .63" OAK |
| 966175 | CLOSEOUT, CD CHANGER OPTION |

SAFARI- BAMBI

FURNITURE, GALLEY

Cabinet, Pantry, 30'



Part Numbers on the Next Page

SAFARI- BAMBI

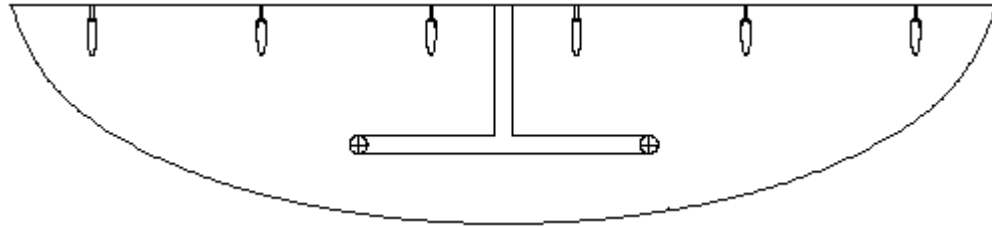
FURNITURE, GALLEY

Cabinet, Pantry, 30'

966057	CABINET, PANTRY, 30'
1. 801500-01	PANEL. FORWARD PANTRY
2. 801376-01	PANEL, OAK/WHITE LINER
3. 801368	PANEL, WHITELINER/WHITELINER
4. 801392	PANEL, WHITELINER/WHITELINER
5. 801351	LITE PLY-18MM (.75") 4' X 8'
6. 801393-01	CORNER TRIM, TROPICAL OAK
7. 115083	SHELF EDGE - FORMED
8. 801341-102	DOOR-PANTRY 9.75" X 7"
9. 801341-103	DOOR-PANTRY 9.75" X 39.38"
10. 965553-03	DRAWER BOX, 4.38" X 7.88" X 17"
11. 381865	PULL-BAR BRUSH NICKEL
12.381228-01	CATCH GRABBER DOOR
13.381607	HINGE ASSEMBLY
14.381773-11	DRAWER SLIDE-4.63" X 18.5" (PAIR)
365268-01	EDGE BANDING-.024"X 1.13" OAK
365238-04	EDGE BANDING TAPE PVC 5/8" C.WHITE
203434	SPACER, PLASTIC .75" DOOR SLIDE
365268-03	EDGE BANDING-.024" X .63" OAK
801368	PANEL, WHITELINER/ WHITELINER 18MM
365267	EDGE BANDING-1.13" .024 PLY

SAFARI- BAMBI
FURNITURE, GALLEY

Shelf Assembly, Valance 30'

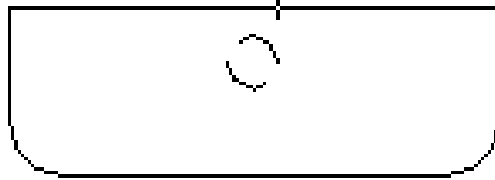


966107
115177

SHELF ASSEMBLY, VALANCE 30'
TRIM-COUNTER TOP 1.25" ALUMINUM

SAFARI- BAMBI
FURNITURE, GALLEY

Table, Galley Flip Up, 30'

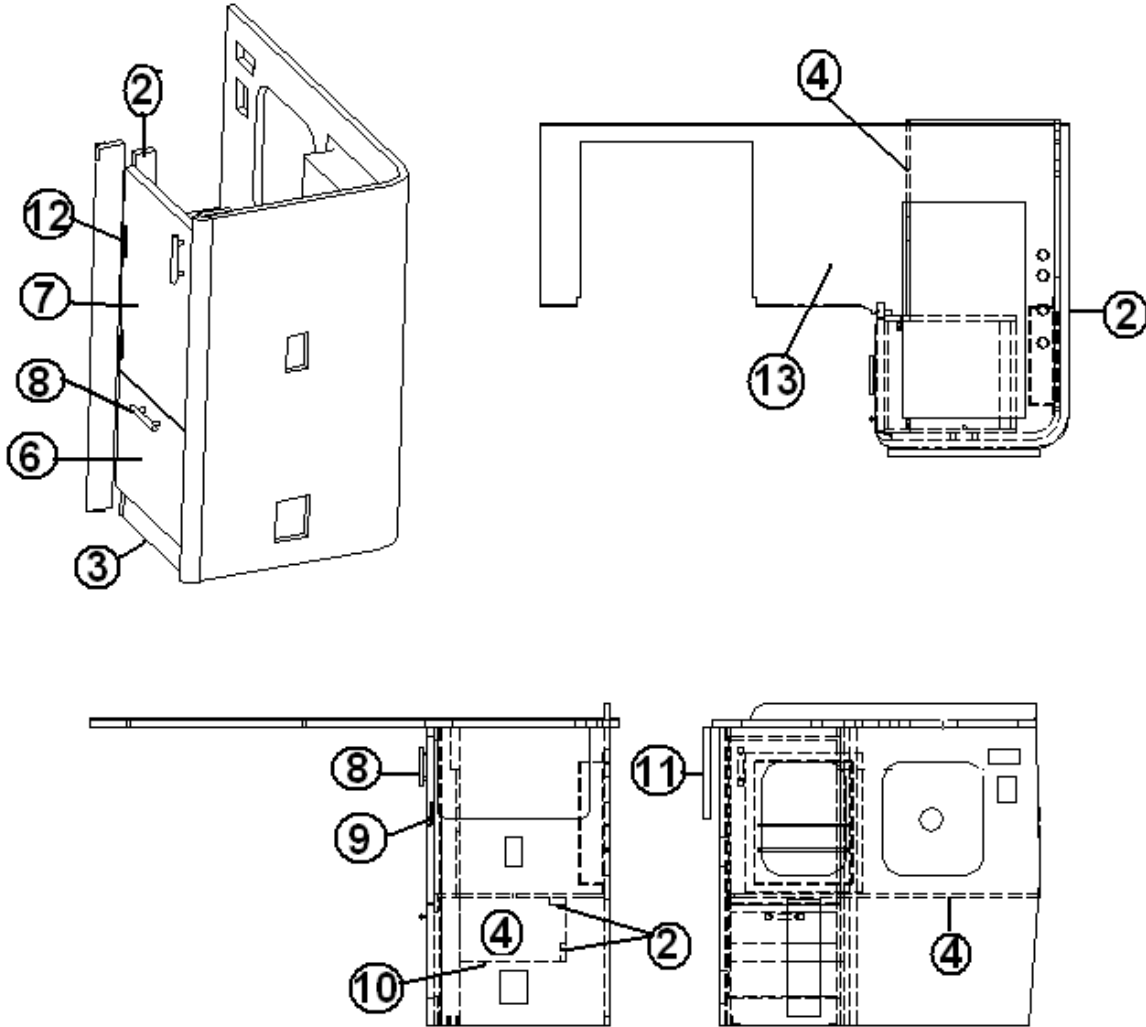


966106	FLIP TABLE, 6" X 18"
966106-01	FLIP TABLE, 18" X 18"
381855	PULL, DRAWER RECESSED
380492-01	SUPPORT ROD-TABLE 11", FORMED
340018	CATCH PLATE J-1
380040	HINGE SOSS INVISIBLE L & R HAND
380037	RETAINER SPRING LOCK
380038	EYELET LOCK GS 5 10 BRASS
381228-01	CATCH GRABBER DOOR
380458	HINGE PIANO BROWN ANODIZED
115042	ROD-.25" ALUMINUM, 6' LENGTH
365268-01	EDGE BANDING-.024"X 1.13", OAK
365268-03	EDGE BANDING-.024"X .63", OAK

SAFARI- BAMBI

FURNITURE, GALLEY

Galley, Sink Section, 25' Front Bed



Part Numbers On The Next Page

SAFARI- BAMBI

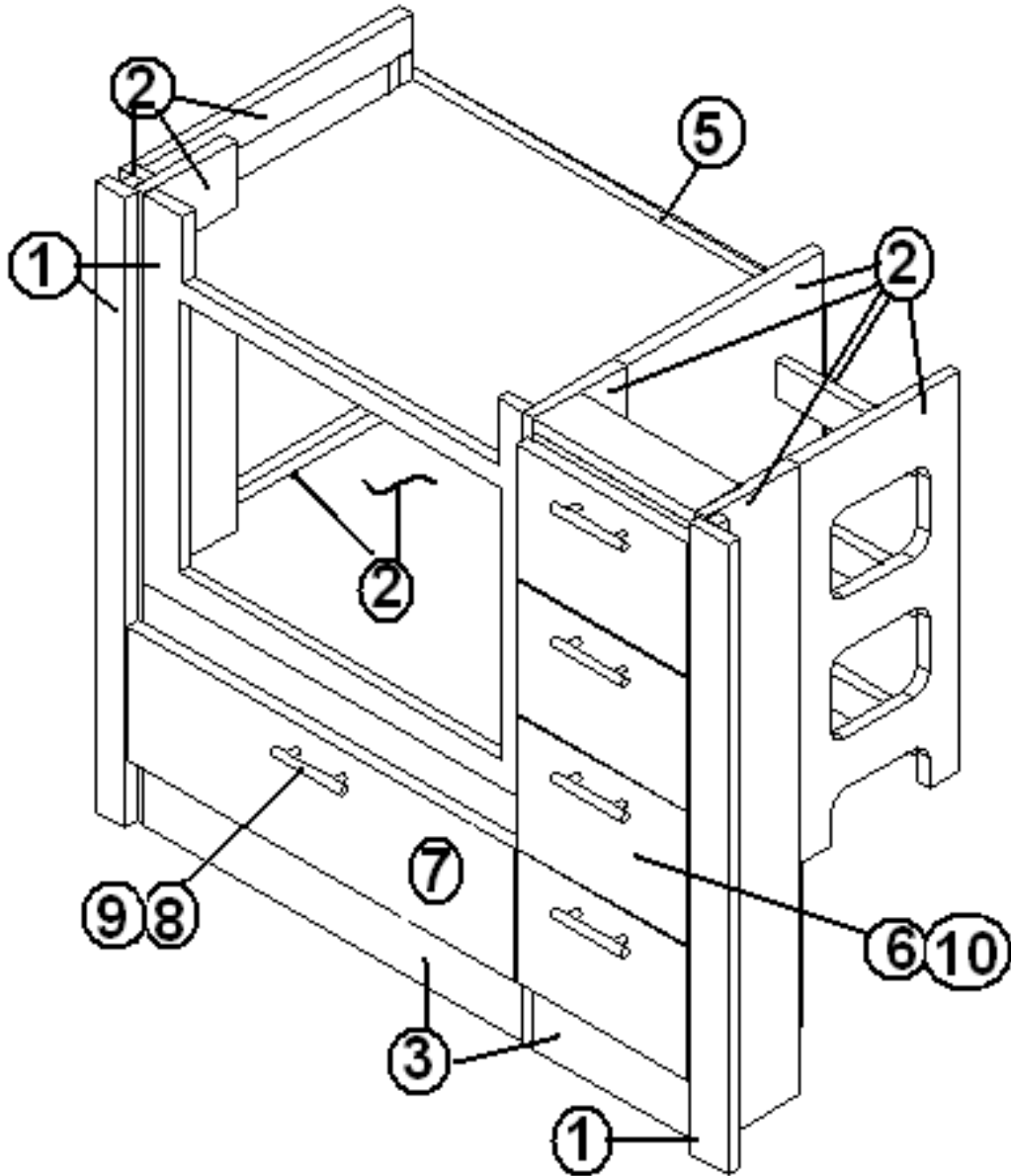
FURNITURE, GALLEY

Galley, Sink Section, 25' Front Bed

966224	GALLEY ASSY, Oak
966224-01	GALLEY ASSY, Graphite
1. 801376-01	PANEL, OAK/WHITE 18M
2. 801368	PANEL, WHITE/WHITE 1
3. 801383-01	PANEL, OAK/WHITE 1
4. 801392	PANEL, WHITE/WHITE 12MM
5. 801393-01	CORNER TRIM-90D 1" RADIUS OAK
6. 801341-53	DOOR-GALLEY 11.38" X 11.25"
7. 801341-54	DOOR-GALLEY 11.38" X 19.75"
8. 381865	PULL-BAR BRUSH NICKEL
9. 381228-01	CATCH GRABBER DOOR
10. 965558-02	DWR BOX ASSY, 8.00" X 11.5" X 14"
11. 965581	SHELF GALLEY FLIP UP, OAK
11. 965581-01	SHELF GALLEY FLIP UP, GRAPHITE
12. 381607	HINGE ASSY-GRASS EURO-SAFARI
13. 966222	TOP ASSY-GALLEY WHITE
13. 966222-01	TOP ASSY-GALLEY GRAPHITE
365268-01	EDGEBANDING-.024"X 1.13" OAK
365267	EDGEBANDING-1.13" .024 PLY
381614	FOLDING SHELF BRACKET
965715	BACKSPLASH ASSY-GALLEY
381773-21	DRAWER SLIDE, 8.38" X 15.75"
115064	TRIM-ALUM COUNTER

SAFARI- BAMBI
FURNITURE, GALLEY

Galley, Oven Section, 25' Front Bed



Part Numbers On The Next Page

SAFARI- BAMBI

FURNITURE, GALLEY

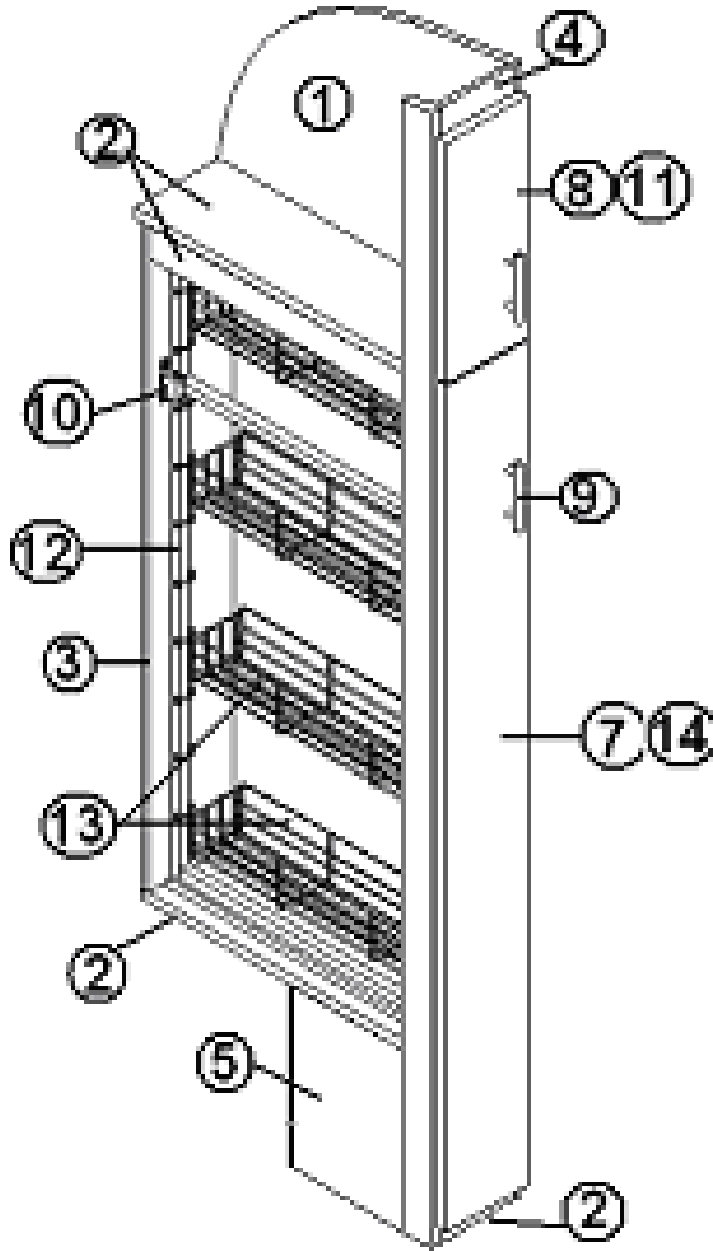
Galley, Oven Section, 25' Front Bed

966223	GALLEY OVEN
966223-01	GALLEY CONVECTION MICROWAVE
1. 801376-01	PANEL, OAK/WHITE 18MM
2. 801368	PANEL, WHITE/WHITE
3. 801383-01	PANEL, OAK/WHITE
4. 801392	PANEL, WHITE/WHITE 12MM
5. 801438	PANEL, WHITE VINYL/RAW
6. 801341-52	DOOR-GALLEY 11.13" X 7.5"
7. 801341-129	DOOR-GAL 25.13"X7.5"
8. 381865	PULL-BAR BRUSH NICKEL
9. 381228-01	CATCH GRABBER DOOR
10. 965560-02	DRAWER BOX ASSY-5.63"X 9.25"X 14"
365267	EDGE BANDING-1.13" .024 PLY
365268-01	EDGE BANDING-.024" X 1.13" OAK
365268-03	EDGE BANDING-.024" X .63" OAK
381773-15	DRAWER SLIDE-5.875" X 15.75"
203383	RACK-MAGAZINE ABS INT
115042	ROD-.25" ALUM 6' LENGTH
203387	POCKET-RECESSED FIRE EXT.BRKT.
381653	LATCH-SINGLE TOUCH BLACK XLLY
381654	HINGE-NON BORE GLASS DR.BLACK
381707	STRIKE W/PULL-GLASS DOOR BLACK
365238-04	EDGE BANDING TAPE PVC 5/8" C.WH
371391	DOOR-GLASS 11.56"X 13.06" GAL
203440	T MOLDING-BLACK EMBOSSED .8125

SAFARI- BAMBI

FURNITURE, GALLEY

Pantry Cabinet, 25' Front Bed



Part Numbers On The Next Page

SAFARI- BAMBI
FURNITURE, GALLEY

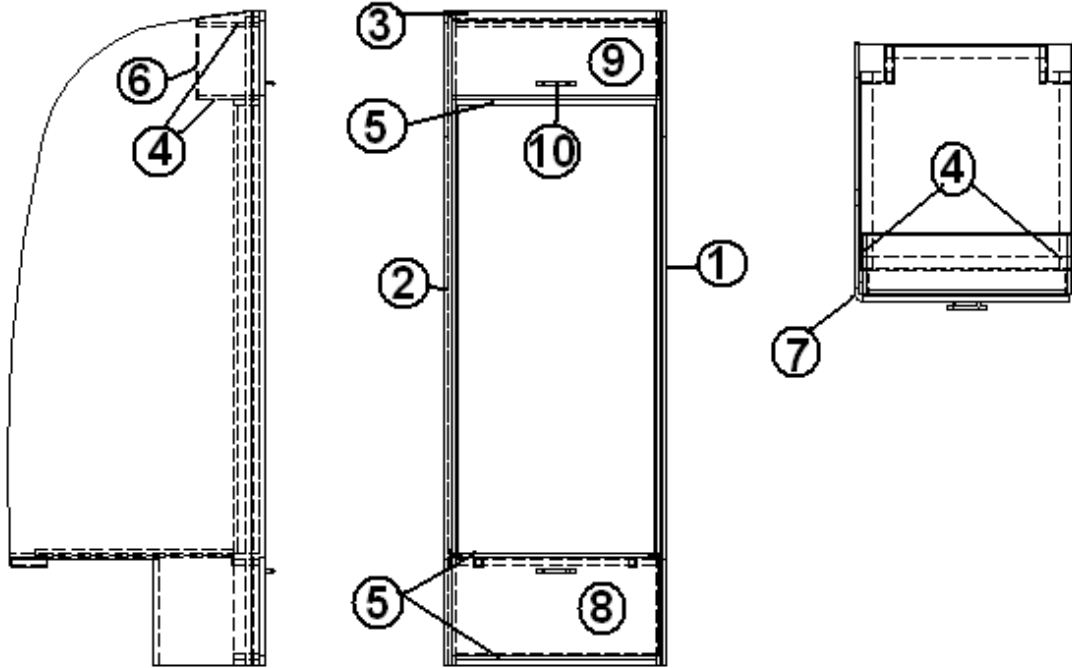
Pantry Cabinet, 25' Front Bed

966250	CABINET ASSY- PANTRY
1. 801548-08	PANEL, AFT PANTRY
2. 801368	PANEL, WHITE/WHITE
3. 801392	PANEL, WHITE/WHITE 12MM
4. 801383-01	PANEL, OAK/WHITE
5. 801438	PANEL, WHITE VINYL/RAW 2.7MM
6. Not used, RLC	
7. 801341-138	DOOR-PANTRY 6.5" X 58"
8. 801341-139	DOOR-PANTRY 6.5"X 16.5"
9. 381865	PULL-BAR BRUSH NICKEL
10. 381228-01	CATCH GRABBER DOOR
11. 381607	HINGE ASSY
12.381551-01	PANTRY RACK 1.5"W X 45"H WHITE
13.381551-02	WIRE BASKET 4" WIDE WHITE
14. 381408	Push button latch.
365268-03	EDGE BANDING-.024" X .63" OAK
365268-01	EDGE BANDING-.024" X 1.13" OAK

SAFARI- BAMBI

FURNITURE, GALLEY

Refrigerator Cabinet, 25' Front Bed

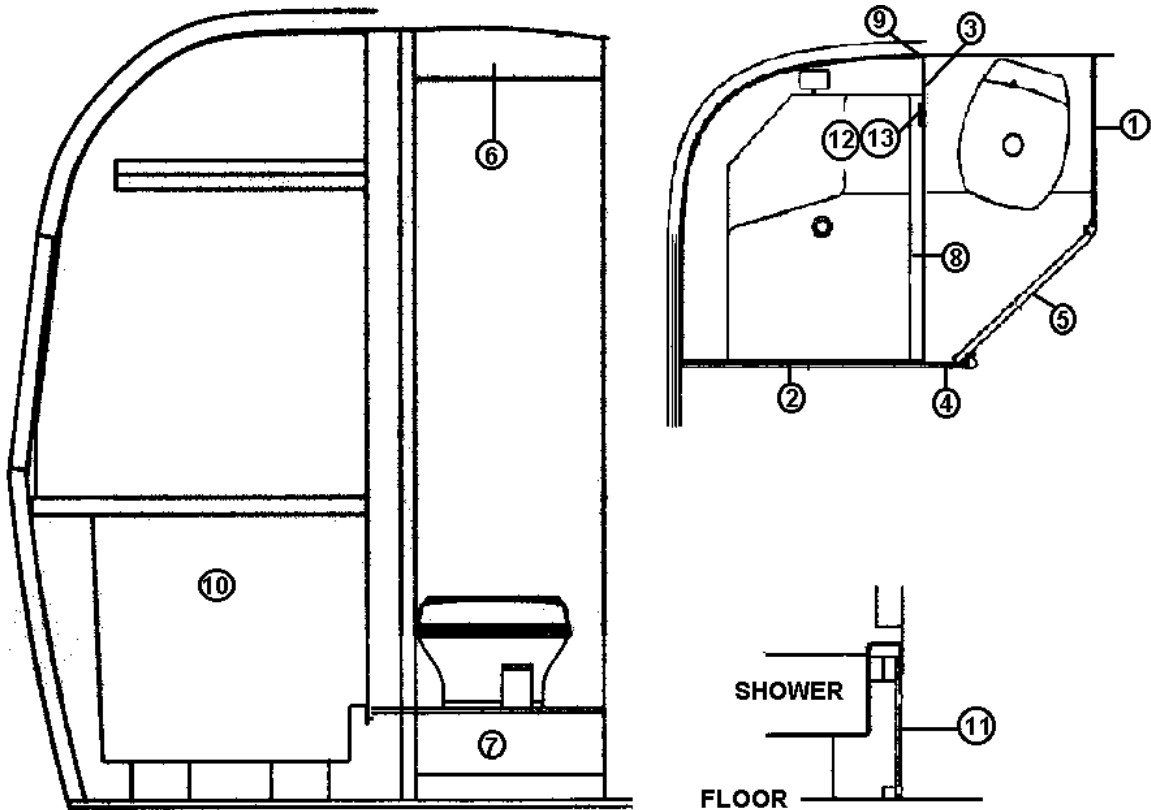


- | | |
|--|---|
| <p>966239</p> <p>1. 801548-02</p> <p>2. 801548-03</p> <p>3. 801383-01</p> <p>4. 801392</p> <p>5. 801368</p> <p>6. 801438</p> <p>7. 801393-017</p> <p>8. 801341-57</p> <p>9. 801341-69</p> <p>10. 381865</p> <p>381607</p> <p>381228-01</p> <p>365268-01</p> <p>365268-03</p> <p>965573</p> | <p>CABINET ASSY- REFER</p> <p>PANEL, AFT REFER</p> <p>PANEL, AFT REFER</p> <p>PANEL, OAK/WHITE 1</p> <p>PANEL, WHITE/WHITE 12MM</p> <p>PANEL, WHITE/WHITE 1</p> <p>PANEL, WHITE VINYL/RAW</p> <p>CORNER TRIM 90DEG. 1" RADIUS</p> <p>DOOR-REFER CAB.24.81" X 11.29"</p> <p>DOOR-REFER 24.81" X 8.88"</p> <p>PULL-BAR BRUSH NICKEL</p> <p>HINGE ASSY</p> <p>CATCH GRABBER DOOR</p> <p>EDGE BANDING-.024" X 1.13" OAK</p> <p>EDGE BANDING-.024" X .63" OAK</p> <p>STAND-REFER</p> |
|--|---|

SAFARI- BAMBI

FURNITURE, BATH

Bath Module 19', 23', 25' Sleep Six

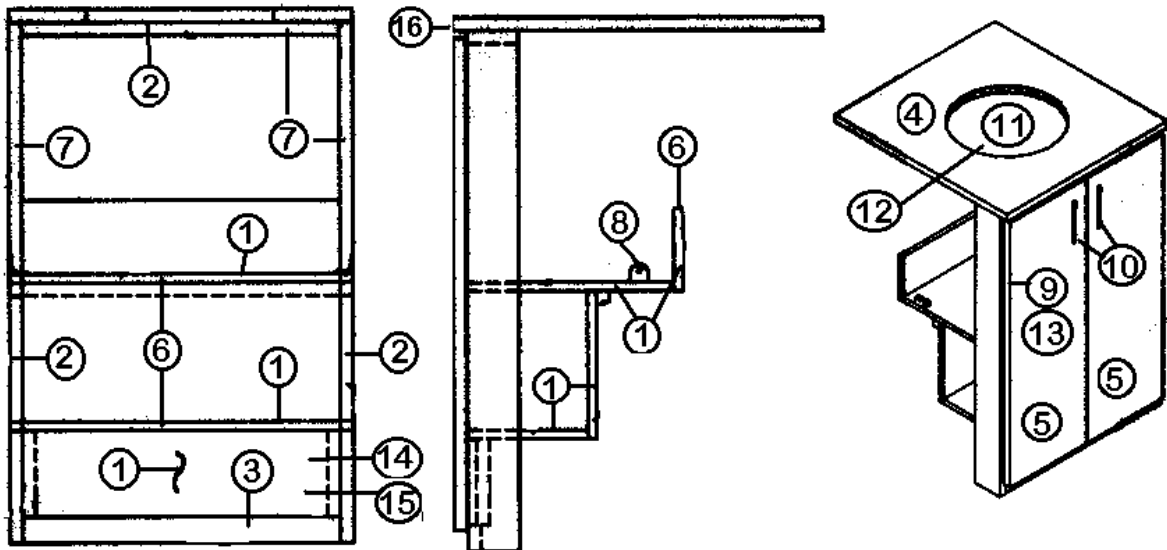


- | | |
|---------------|---|
| 1. 801380-01 | Panel, forward bath |
| 2. 801380-02 | Panel, aft bath |
| 3. 801380-03 | Panel, bath divider |
| 4. 801394-016 | Jamb, bath door, RS-CS |
| 5. 966047 | Door assembly, 25.50" X 72.00" |
| 6. 965564 | Header, bath door |
| 7. 966202 | Toilet stand assembly |
| 8. 702937-03 | Shower door, roll away, 62" x 36" |
| 9. 203138-03 | Extrusion, plastic, wall |
| 10. 203114 | Shower, 2 piece, fiberglass |
| 11. 965565-01 | Closeout, toe kick, shower |
| 12. 801506 | PANEL, ASCOT SAND/RAW .5" X 4' X 8' |
| 13. 365268-01 | EDGEBANDING-.024"X 1.13", OAK |
| 690495 | TOILET THETFORD AQUAMAGIC V-LOW PROFILE |

SAFARI- BAMBI

FURNITURE, BATH

Lavatory Cabinet, 19', 23' 25' Sleep Six



SAFARI- BAMBI

FURNITURE, BATH

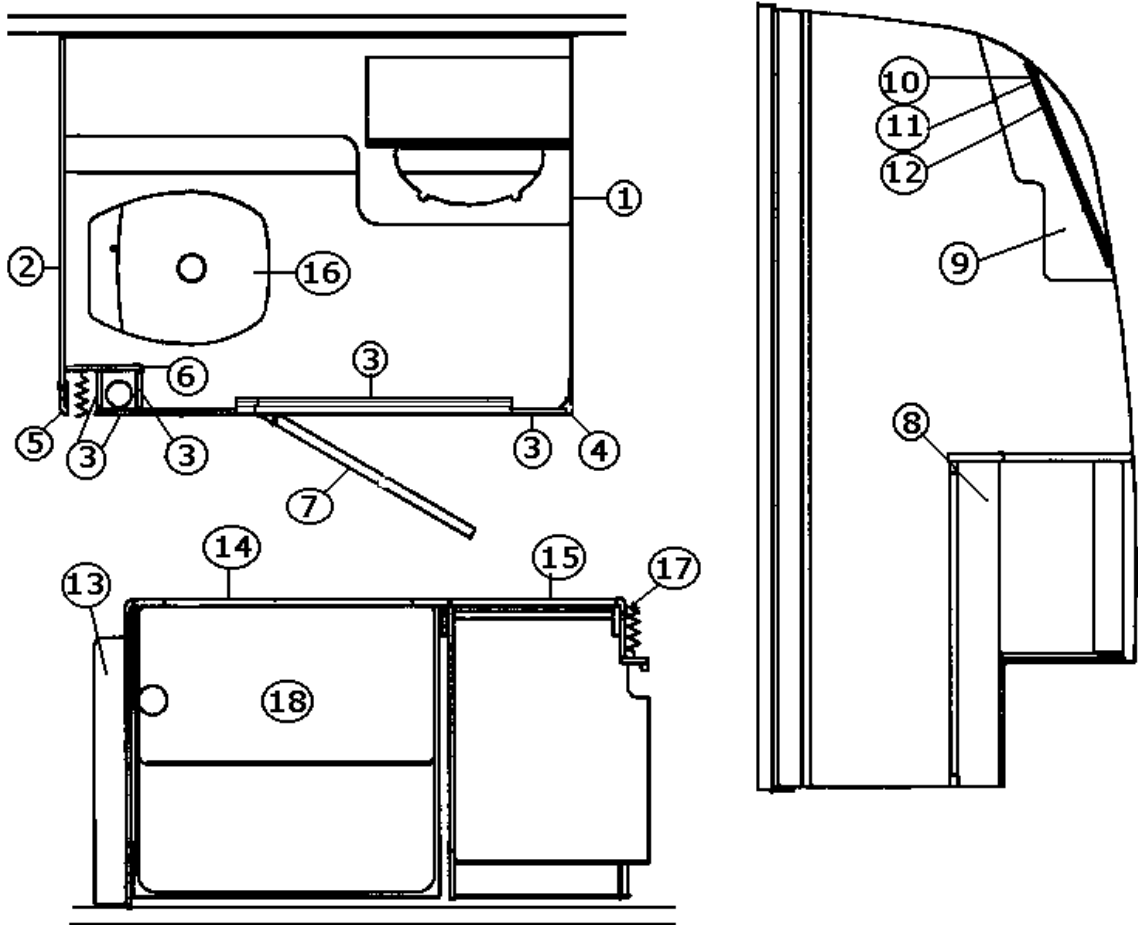
Lavatory Cabinet, 19', 23', 25' Sleep Six

965568-01	Lavatory Cabinet, Graphite, Oval sink
965568-02	Lavatory Cabinet, White, Oval sink
965568-03	Lavatory Cabinet, white, round sink, CSA
965568-04	Lavatory Cabinet, Graphite, round sink, CSA
1. 801392	Paneling, White/White 12 MM
2. 801438	PANEL, FROST WHITE VINYL/RAW
3. 801376-01	Paneling, Tropical Oak/White, 4' x 8'
4. 801385-01	Lavy top, Graphite, used w/oval sink
4. 801385-02	Lavy top, used w/oval sink, white
4. 801610	Lavy top, used w/round sink, CSA units, white
4. 801610-01	Lavy top, used w/round sink, CSA units, Amarillo, Midnight Sun
5. 801341-18	Door, 9.50" x 28.38"
6. 365238-04	Edge tape, PVC, 5/8" Colonial White
7. 365268-01	EDGEBANDING-.024"X 1.13" OAK
8. 381228-01	Door grabber catch
9. 381607	Hinge assembly, Grass European
10. 381865	Handle, drawer/door
11. 203410	SINK, LAVY 10" X 15" OVAL
11. 601804-01	SINK-LAVY YUKON ROUND, CSA Units Only
12. 601767-02	TAILPIECE, CHROME LAVY
13. 381609-02	Screw, Hafele European, #9-1"
14. 381610-01	Cover cap, plastic, European White
15. 381228-01	Door/drawer grabber catch

SAFARI- BAMBI

FURNITURE, BATH

Bath Module 28' S/O



Part Numbers on the Next Page

SAFARI- BAMBI

FURNITURE, BATH

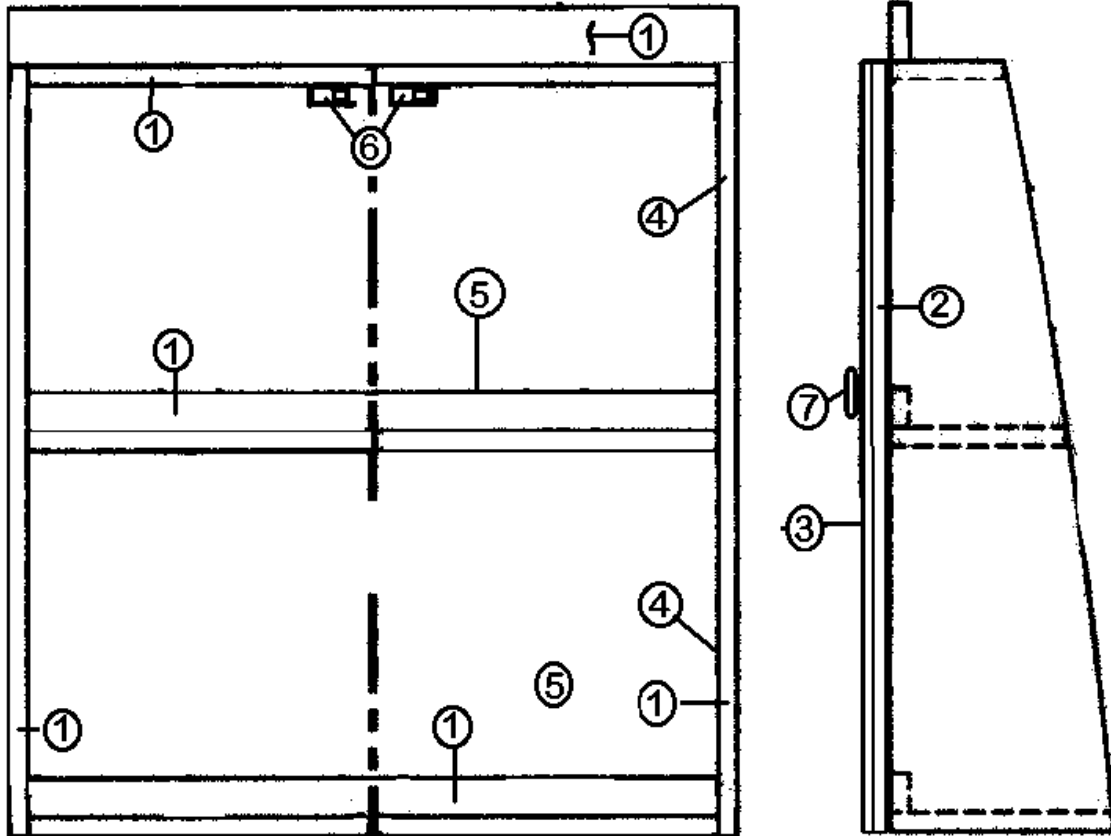
Bath Module 28' S/O

1. 801424-04 PANEL-FORWARD STOOL ROOM
2. 801424-05 PANEL-AFT STOOL ROOM
3. 801510 PANEL, TROPICAL OAK/ASCOT 12MM
4. 801415-007 CORNER TRIM 1" RADIUS
5. 801393-016 CORNER TRIM 90DEG. 1" RADIUS
6. 801172-07 MOLDING, CORNER ASCOT SAND 8'
7. 965567 DOOR ASSY-"C" BATH 25.50" X 72.00"
8. 965652 CABINET ASSY-LAVY
9. 965714 CABINET-MEDICINE ASSY
10. 372203-30 MIRROR-SAFETY 14"H X 30"W
11. 381220-01 MIRROR CLIP,#309NP NICKEL PLATED
12. 381220-02 MIRROR CLIP,#318NP NICKEL PLATED
13. 965761 CLOSEOUT ASSY-AFT SHOWER
14. 965649 COMP. ASSY-SHOWER
15. 965650 WARDROBE ASSY-CS
- 16.690495-01 TOILET THETFORD AQUAMAGIC V HI
17. 702681-03 DOOR FOLDETTE 46" X 73" BEIGE
18. 203081-01 SHOWER STALL-2 PC FIBERGLASS
- 365268-03 EDGE BANDING-.024"X .63" OAK
- 365238-04 EDGE BANDING TAPE PVC 5/8" C. WHITE
- 702306-03 SHOWER DOOR SILVER

SAFARI- BAMBI

FURNITURE, BATH

Medicine Cabinet, Lower, 23', 25' Sleep Six, 19'

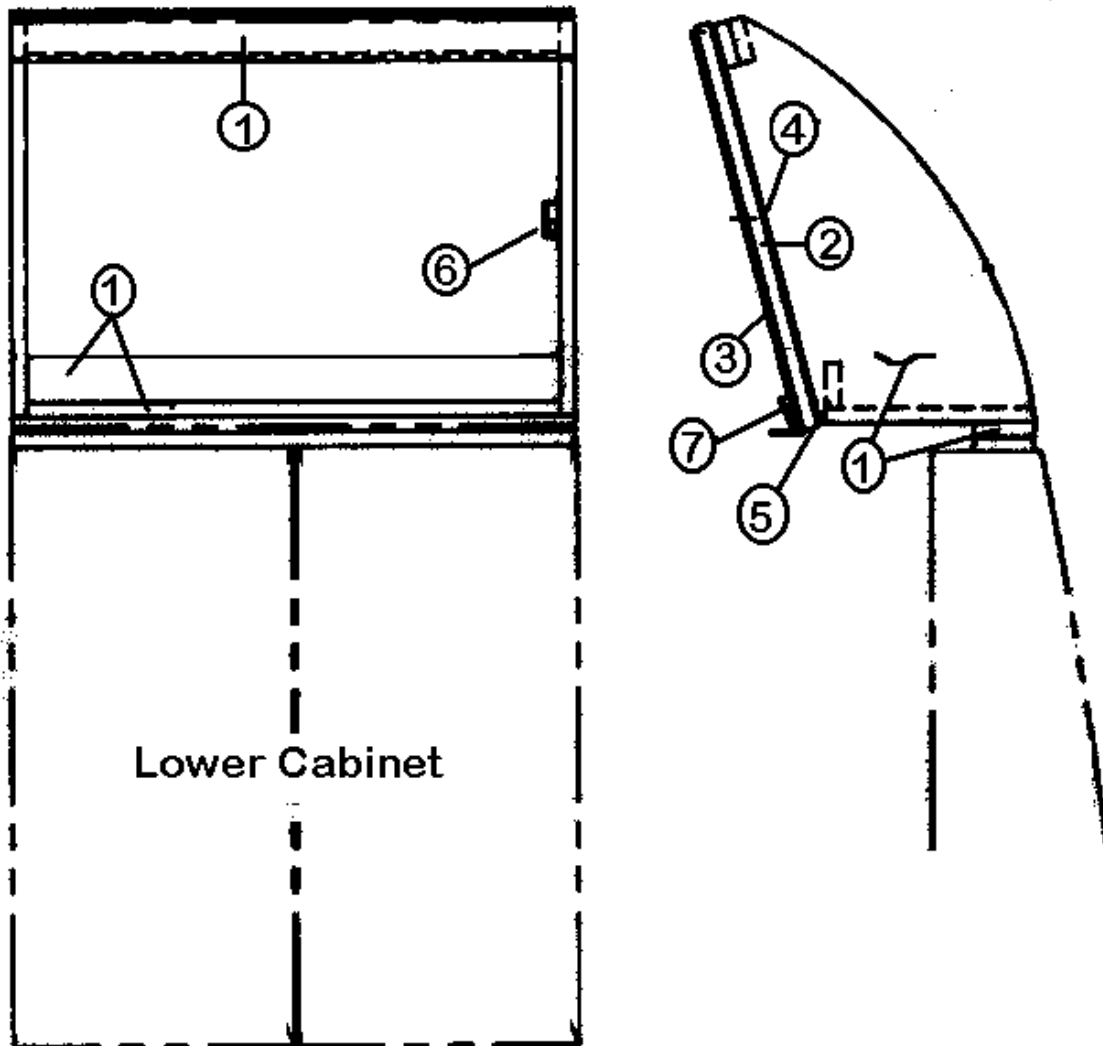


- | | |
|--------------|-------------------------------------|
| 965570 | Medicine Cabinet Assembly, Lower |
| 1. 801392 | PANEL, WHITELINER/WHITELINER |
| 2. 801383-01 | Paneling, Tropical Oak/White |
| 3. 372203-24 | Glass, safety mirrored, 9.50" x 20" |
| 4. 385935-01 | Hinge, pivot, zinc plated |
| 5. 365238-04 | Edge tape, white, .625" |
| 6. 381228 | Door/drawer grabber catch |
| 7. 381835 | Handle, chrome/brass, door/drawer |

SAFARI- BAMBI

FURNITURE, BATH

Medicine Cabinet, Upper, 19', 23', 25' Sleep Six

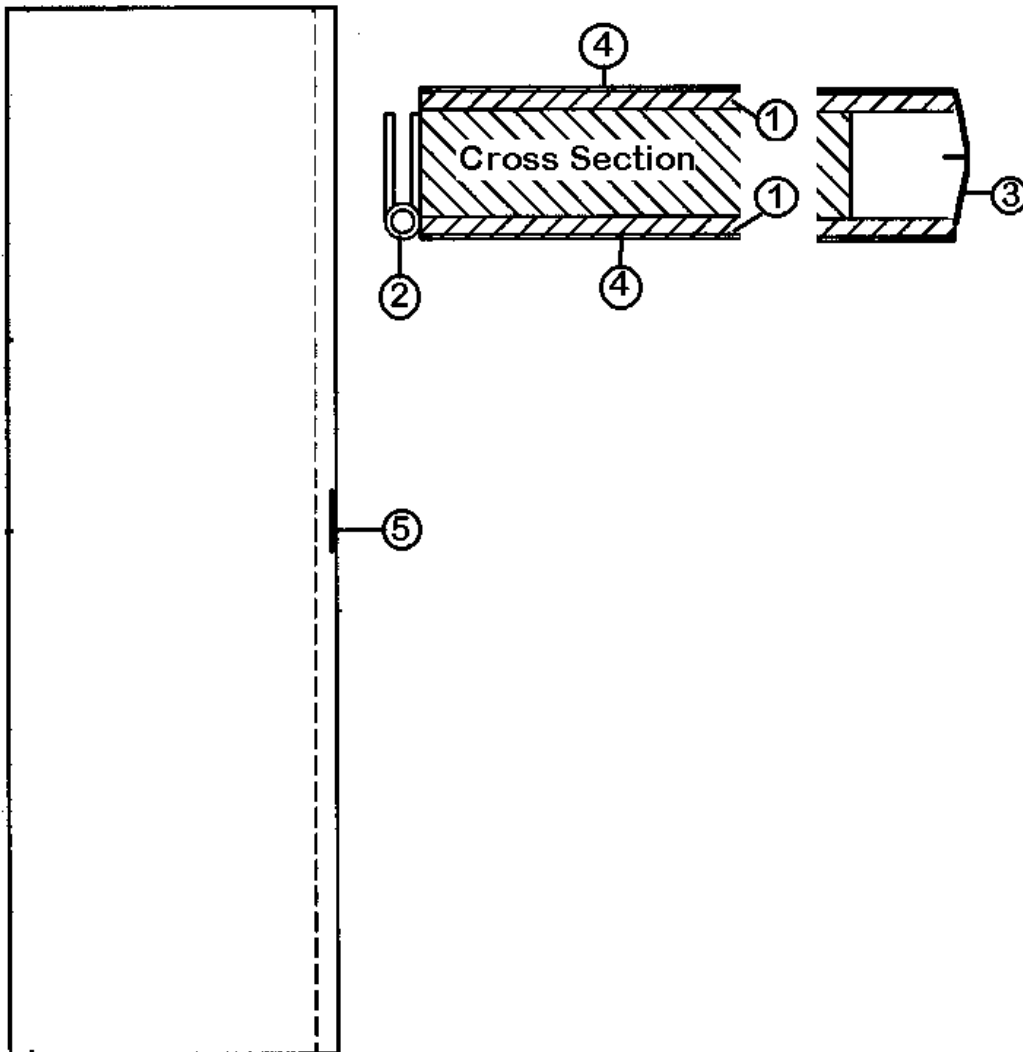


- | | |
|--------------|-----------------------------------|
| 965569 | Medicine Cabinet Assembly, Upper |
| 1. 801392 | PANEL, WHITELINER/WHITELINER |
| 2. 801368 | WHITELINERER/WHITELINERER |
| 3. 372203-05 | Glass, safety mirrored, 19" x 14" |
| 4. 385935-01 | Hinge, pivot, zinc plated |
| 5. 365238-04 | EDGEBANDING TAPE PVC 5/8" WHITE |
| 6. 381228-01 | Door/drawer grabber catch |
| 7. 381835 | Handle, chrome/brass, door/drawer |

SAFARI- BAMBI

FURNITURE, BATH

Door, Bath, 25' A, B, FB, 28' S/O, 28' W, 30'



965567 Door Assembly, "C" bath, 25.50" X 72.00", 28' S/O, 28' W, 30'

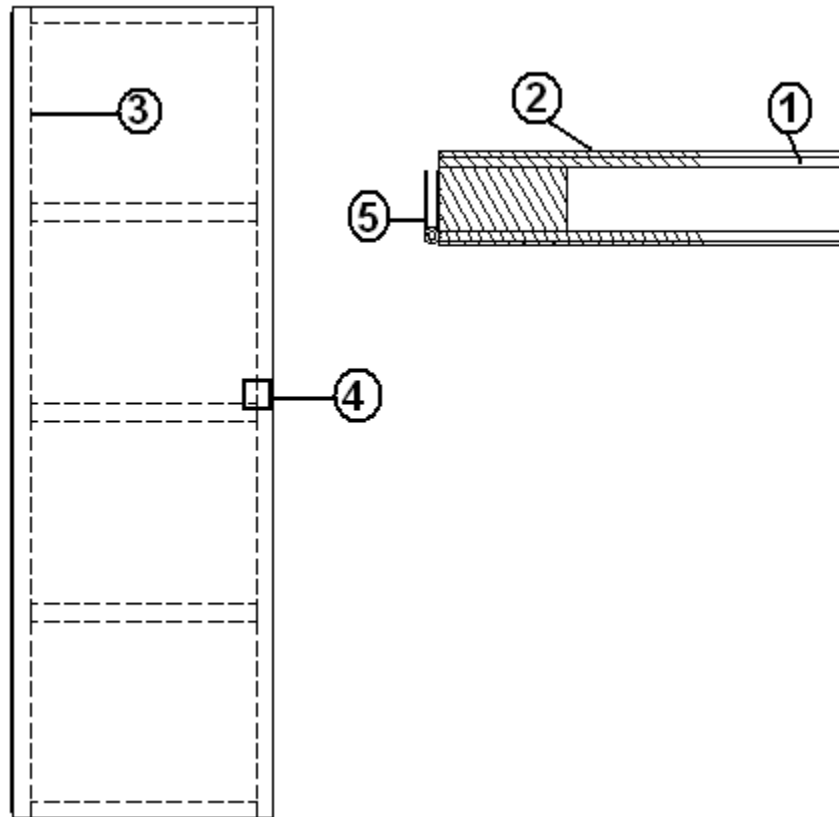
966409 Door Assembly, "C" bath, 24" X 72.00", 25' A & B, FB

- 1. 800507-01 Luan
- 2. 380458 Hinge, piano, brown anodized
- 3. 365268-04 Edge tape, .024" x 1.25", Tropical Oak
- 4. 801343-01 Laminate, Tropical Oak
- 5. 381771 Latch, privacy, lever lock set
- 454320 DOOR HANDLE COVER

SAFARI- BAMBI

FURNITURE, BATH

Door, Corner Bath, 19', 23', 25' Sleep Six

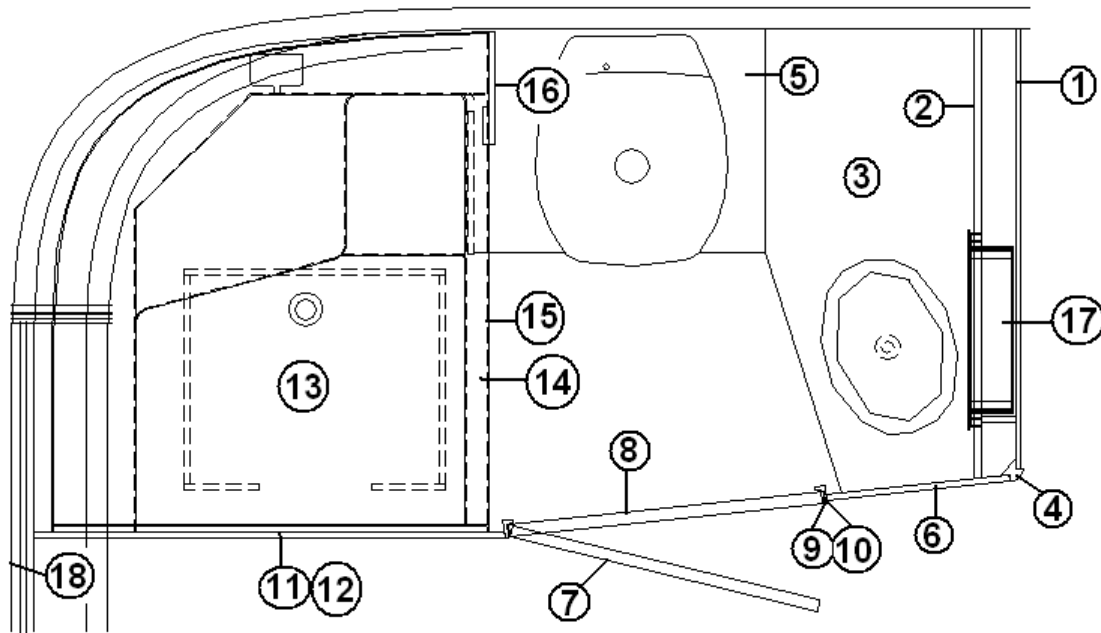


- | | |
|--------------|---|
| 966047 | DOOR, "C" BATH, 25' Sleep Six |
| 1. 800507-01 | LAUAN, 1/8" X 4' X 8' |
| 2. 801343-01 | LAMINATE, TROPICAL OAK, 4' X 8', VERTICAL |
| 3. 800507-06 | LAUAN-.75" X 4' X 8' |
| 4. 381771 | LATCH-LEVER LOCKSET PRIVACY |
| 5. 380458 | HINGE PIANO BROWN ANODIZED |
| 454320 | DOOR HANDLE COVER |
| 365268-04 | EDGE BANDING-.024" X 1.25" OAK |

SAFARI- BAMBI

FURNITURE, BATH

BATH MODULE, 20'

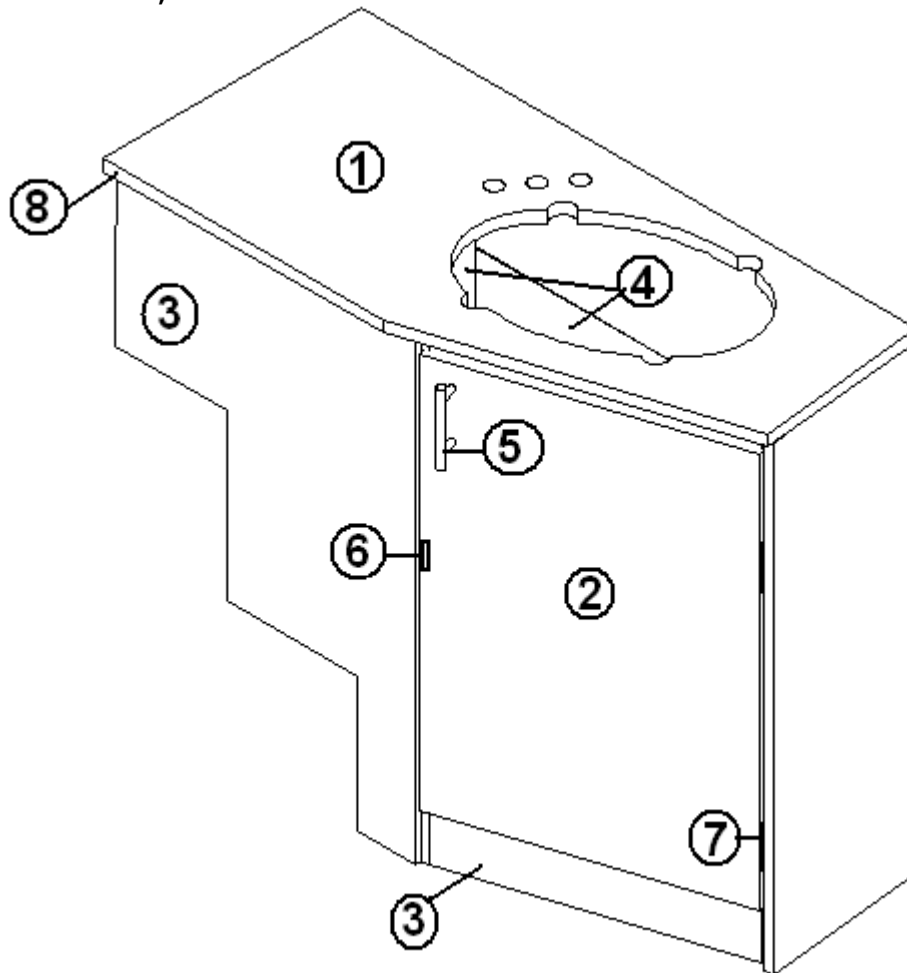


- | | |
|---------------|-------------------------------------|
| 1. 966569 | PANEL, AFT DINETTE ASSY |
| 2. 801658-06 | PANEL, AFT DINETTE |
| 3. 966555 | LAVY CAB.ASSY |
| 4. 801415-007 | CORNER TRIM, 1" RADIUS |
| 5. 965838 | STAND ASSY-TOILET |
| 6. 801658-07 | PANEL, FORWARD BATH |
| 7. 966554 | BATH DOOR ASSY-W/MIRROR |
| 8. 966568 | HEADER-BATH DOOR |
| 9. 801665-007 | "L" DOOR JAMB MOLDING |
| 10. 800638-02 | MOLDING,1/4 ROUND,OAK, 1/2" |
| 11.801658-03 | PANEL, AFT BATH |
| 12.203138-04 | EXTRUSION, PLASTIC WALL OAK |
| 13.203114 | SHOWER 2 PC FIBERGLASS |
| 14.702937-03 | SHOWER DOOR-ROLL AWAY 62" X 36" |
| 15.965565 | CLOSEOUT, SHOWER |
| 16.801380-03 | PANEL, BATH DIVIDER |
| 17.601847 | CABINET, MEDICINE W/MIRROR 16"X 22" |
| 18. 801658-05 | PANEL, AFT BATH |

SAFARI- BAMBI

FURNITURE, BATH

Lavatory Cabinet, 20'

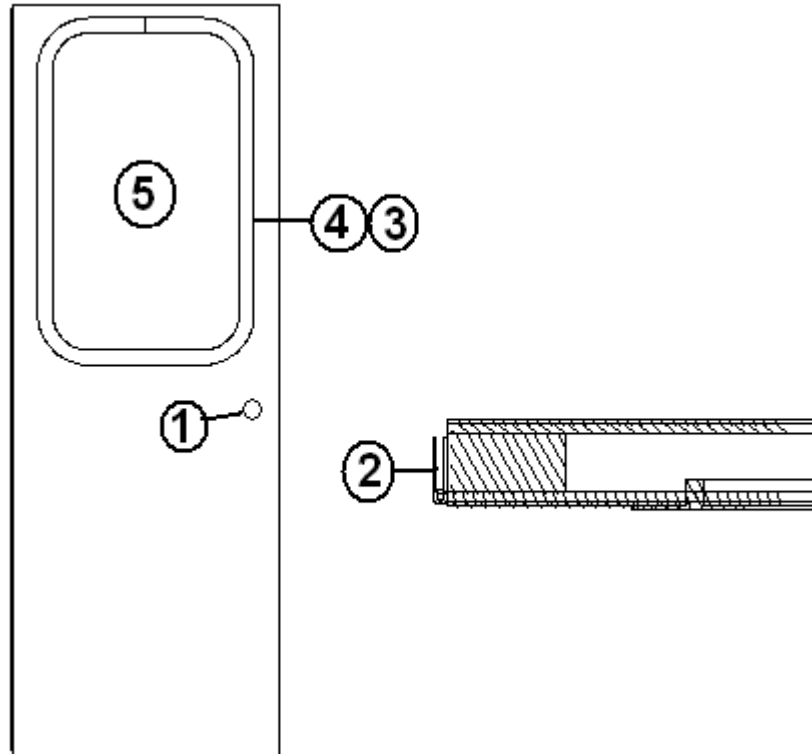


- | | |
|---------------|------------------------------|
| 966555 | LAVY CAB.ASSY |
| 1. 801659 | LAVY TOP, FROSTY WHITE |
| 2. 801341-192 | DOOR, LAVY 17.75"X25.75" |
| 3. 801383-01 | PANEL, OAK/WHITELINER |
| 4. 801392 | PANEL, WHITELINER/WHITELINER |
| 5. 381865 | PULL-BAR BRUSH NICKEL |
| 6. 381228-01 | CATCH GRABBER DOOR |
| 7. 381607 | HINGE ASSY-GRASS EURO |
| 8. 201673 | REVERSE COVE MOLDING, WHITE |

SAFARI- BAMBI

FURNITURE, BATH

Bath Door Assembly, 20'

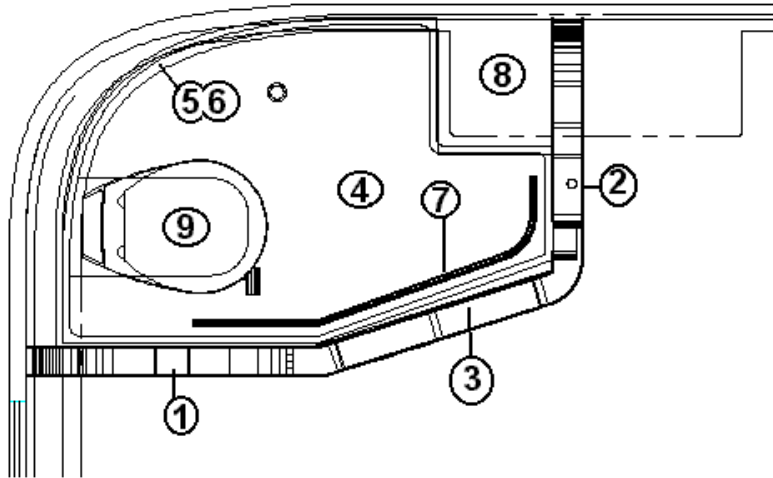


- | | |
|-----------|---------------------------------|
| 966554 | BATH DR ASSY-W/MIRROR |
| 1. 381771 | LATCH-LEVER LOCKSET PRIVACY |
| 2. 380458 | HINGE PIANO BROWN ANODIZED |
| 3. 966089 | TRIM RING-MIRROR |
| 4. 320034 | SCREW STAINLESS STEEL #8 X 5/8 |
| 5. 371397 | MIRROR, 18.5" X 31" W/4" RADIUS |

SAFARI- BAMBI

FURNITURE, BATH

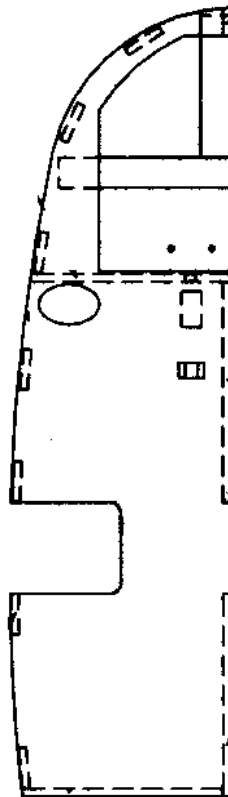
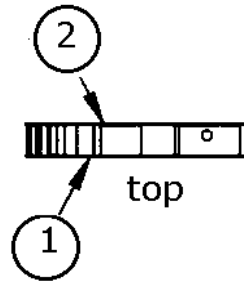
BATH LAYOUT, 22'



- | | |
|--------------|---------------------------|
| 1. 965505 | Bath Wall Left, |
| 2. 965506 | PANEL-BATH WALL RIGHT |
| 3. 965507 | BATH WALL, CENTER |
| 4. 203298 | SHOWER PAN |
| 5. 203328-01 | SHOWER SURROUND-UPPER |
| 6. 203328-02 | SHOWER SURROUND-LOWER |
| 7. 703132-01 | CURTAIN-SHOWER |
| 8. 601804-01 | SINK, YUKON, ROUND |
| 9. 690472 | TOILET, CHINA, HI-PROFILE |
| 203379 | ROOF MATERIAL FIBERGLASS |
| 203328-03 | MED CABINET SURROUND |
| 100097 | EXTR. ALUM CURTAIN TRACK |
| 965330 | ASSEMBLY-SHOWER STAND |

SAFARI- BAMBI

BATH WALL RIGHT, 22'



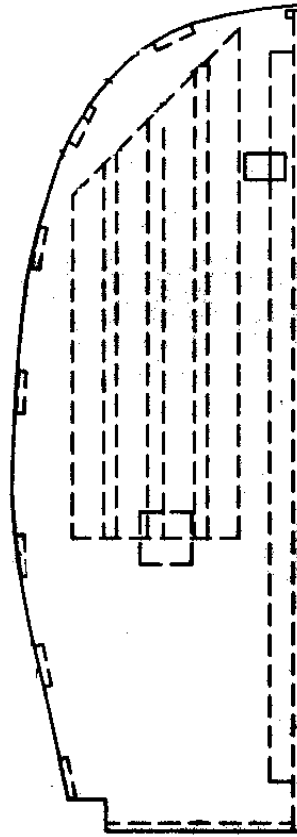
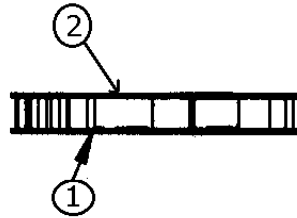
- | | |
|--------------|-------------------------------|
| 965506 | Bath Wall Right, 22 Ft. Model |
| 1. 801364-01 | Panel, right side, inner |
| 2. 801363 | Panel, right side, outside |
| 203335 | TRIM-H BLACK 1/8" DIVIDER |

Note: For replacement, Item 1 will be shipped loose and then glued to item 2 after item 2 is installed in trailer.

SAFARI- BAMBI

FURNITURE, BATH

BATH WALL LEFT, 22', 965505



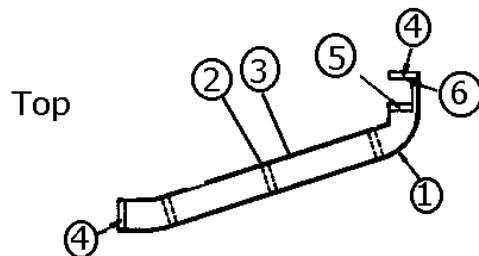
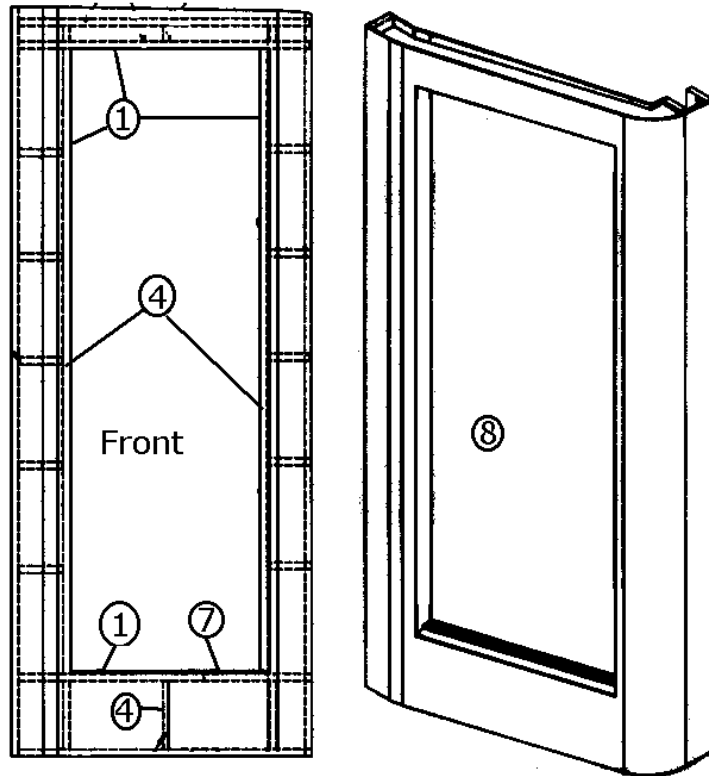
- 1. 801362-01 Panel, left side, outside, model
- 2. 801350 Panel, left side, inside
- 203379 ROOF MATL.FIBERGLASS-SMOOTH 10
- 203335 TRIM-H BLACK 1/8" DIVIDER

Note: Item 1 will be loose from item 2 when shipped, Install item 1 and glue and staple item 2 in place.

SAFARI- BAMBI

FURNITURE, BATH

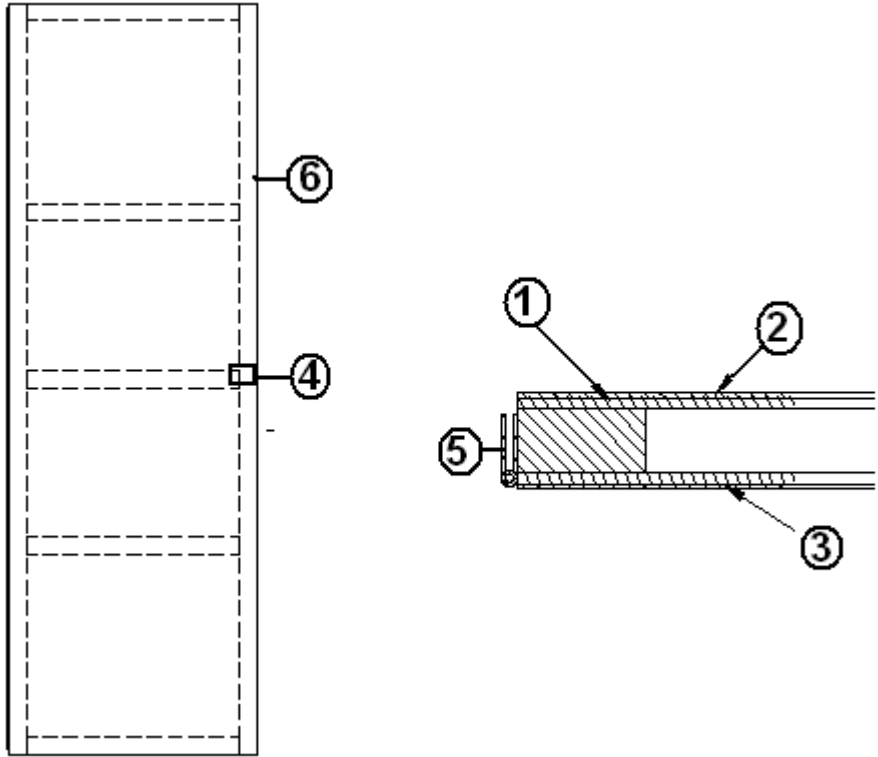
BATH WALL CENTER/DOOR, 22'



- | | |
|--------------|---------------------------|
| 965507 | BATHWALL CENTER, 22', |
| 1. 801343-01 | Panel, Oak 4' X 8' |
| 2. 800507-01 | Lauan, 1/8" |
| 3. 203379 | Fiberglass roof material |
| 4. 800498 | Poplar, 1" common |
| 5. 850072 | Poplar, 3/4" X 2.5" |
| 6. 380041 | Brace, Stanley corner, 1" |
| 7. 201666 | Molding, J-3/16", plastic |
| 8. 965512-01 | Bath door assembly |
| 800581-046 | HARDWOOD-13/16 X 2.5" |

SAFARI- BAMBI
FURNITURE, BATH

Door, Bath 22'

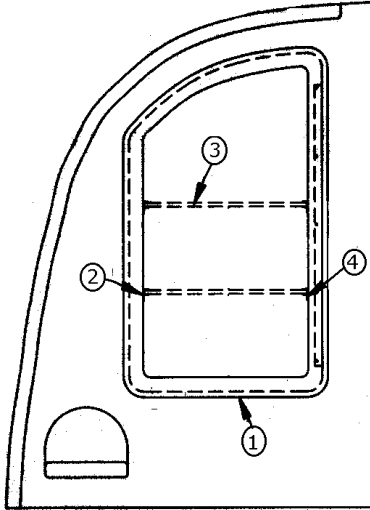


- | | |
|--------------|-----------------------------|
| 965512-01 | Door, Bath 22' |
| 1. 800507-01 | LAUAN, 1/8" X 4' X 8' |
| 2. 801355-01 | PANEL, FROST WHITE 4' X 8' |
| 3. 801343-01 | PANEL, OAK 4' X 8' |
| 4. 381771 | LATCH-LEVER LOCKSET PRIVACY |
| 5. 380458 | HINGE PIANO BROWN ANODIZED |
| 6. 365268-04 | EDGE BANDING-.024" X 1.25" |
| 454320 | DOOR HANDLE COVER |

SAFARI- BAMBI

FURNITURE, BATH

MEDICINE CABINET, 22'

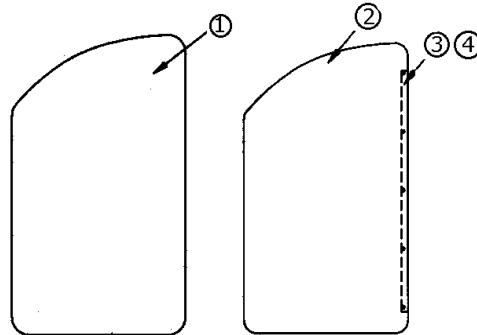


- | | |
|--------------|-----------------------------------|
| 965546 | Medicine Cabinet Assembly, 22' |
| 1. 965542 | Medicine cabinet mirror assembly |
| 2. 203385 | Self edging, "F" trim |
| 3. 203416 | Acrylic sheet, frosted .25" |
| 4. 381610-01 | Cover cap, plastic European white |
| 381610-01 | COVER CAP PLAS. EUROPEAN WHITE |

SAFARI- BAMBI

FURNITURE, BATH

MEDICINE CABINET MIRROR ASSEMBLY, 22'



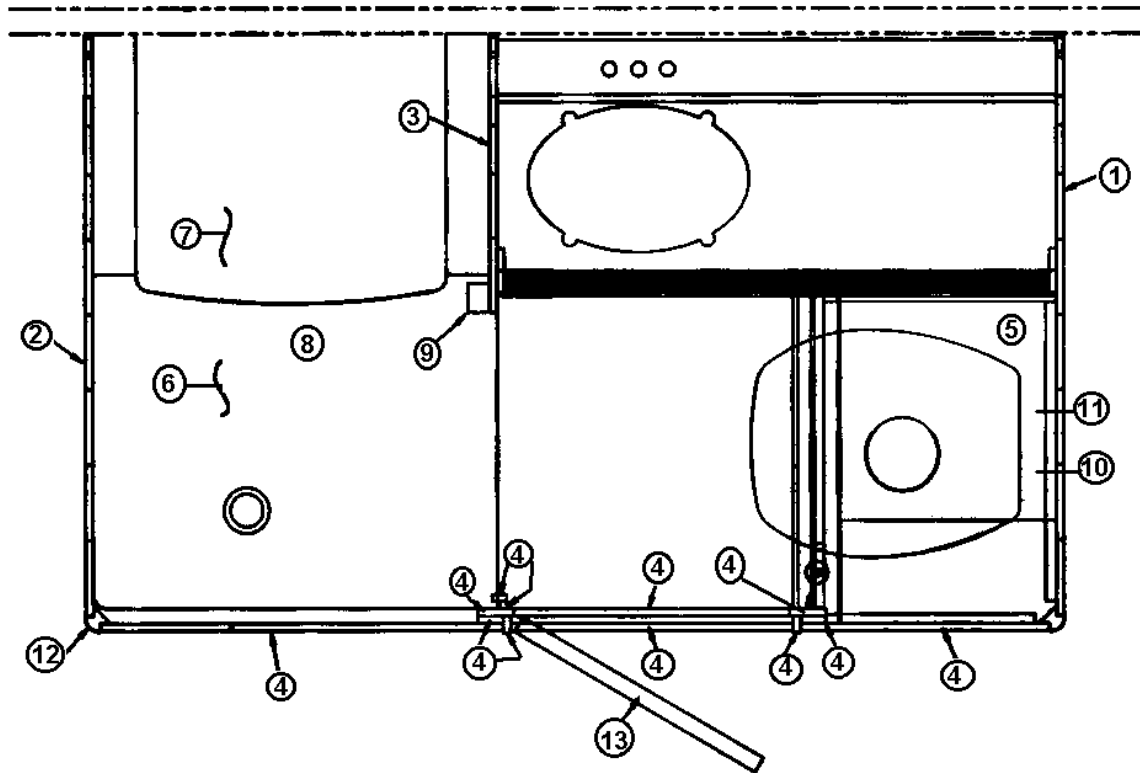
- 965542
- 1. 371383
- 2. 454009
- 3. 380988
- 4. 325035
- 5. 365222

Medicine Cabinet Mirror Assembly, 22'
Medicine cabinet radius mirror
Mirror backing plate
Hinge, continuous .5 in. leaf, 16 in.
Chicago rivets
Tape, double-coated, .08" x 3/4"

SAFARI- BAMBI

FURNITURE, BATH

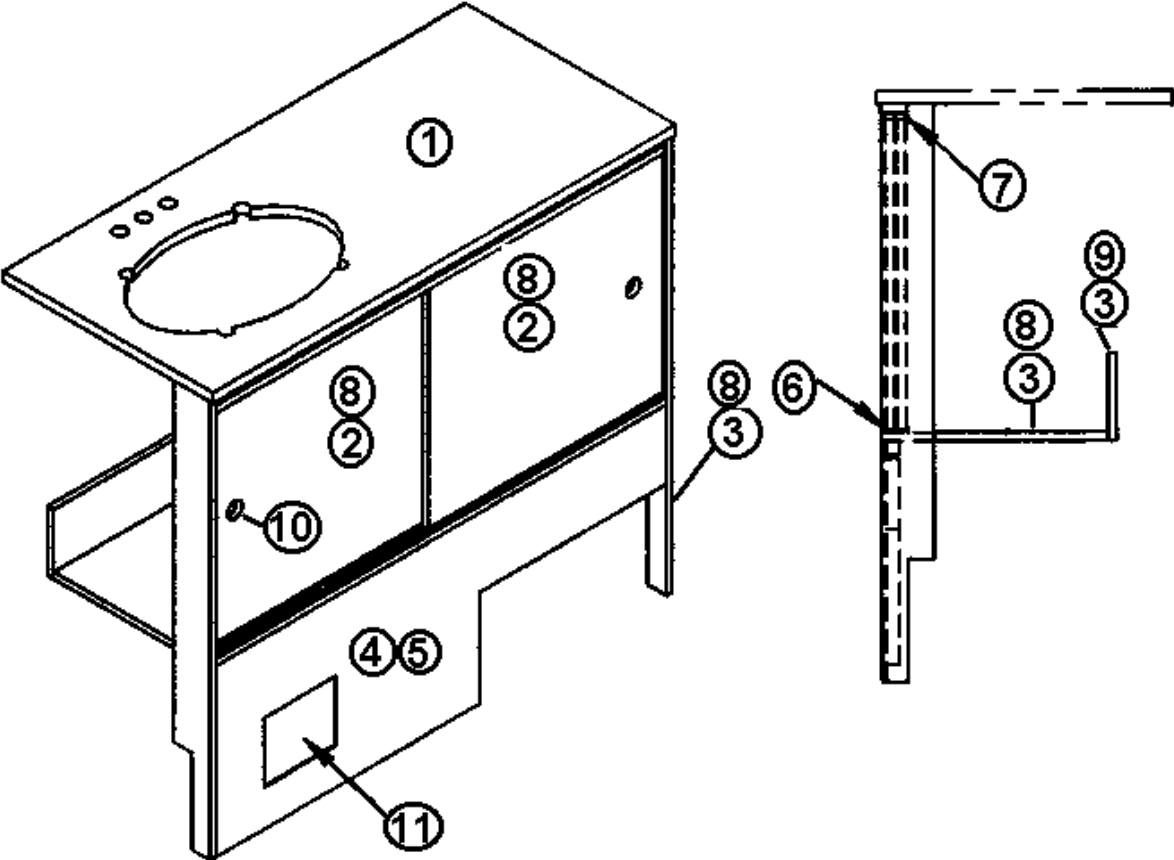
Bath Module 25' A & B



- | | |
|----------------|---------------------------------|
| 1. 801380-13 | Panel, Fwd, bath |
| 2. 801380-14 | Panel, Aft, bath |
| 3. 801380-15 | Panel, Middle, bath |
| 4. 801510 | PANEL, OAK/ASCOT 12MM |
| 5. 966208 | Toilet stand |
| 6. 964226 | Shower stand assembly |
| 7. 970028 | Shower seat support |
| 8. 201980 | Shower stall, fiberglass, 2 pc. |
| 9. 702937-03 | Shower door, Mylar roll-up |
| 10. 365268-03 | Edge tape, Tropical Oak, .625" |
| 11. 365238-04 | Edge tape, White, 5/8" wide |
| 12. 801415-007 | Corner trim, 1" radius |
| 13. 965567 | Bath door assembly |
| 115126 | CLOSE-OUT SHOWER |

SAFARI- BAMBI
FURNITURE, BATH

Lavatory Cabinet, 25' A & B



SAFARI- BAMBI

FURNITURE, BATH

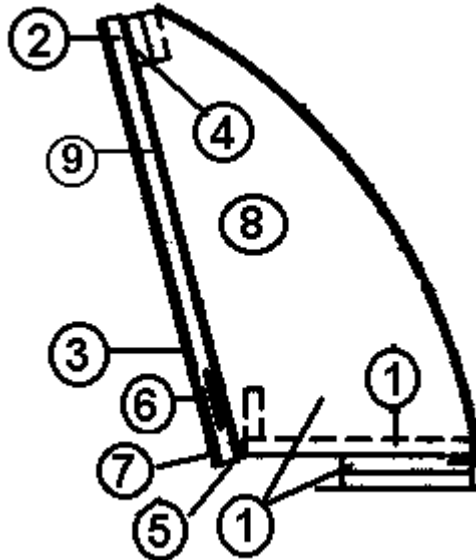
Lavatory Cabinet, 25' A & B

965671-01	Lavatory, 25', Amarillo, Midnight Sun, oval sink
965671-02	Lavatory, 25', Amarillo, White, oval sink
965671-03	Lavatory, 25', White w/ round sink
965671-04	Lavatory, 25', Amarillo, Midnight Sun w/round sink
1. 801414-01	Top assembly, used w/oval sink, graphite
1. 801414-02	Top assembly, used w/oval sink, white
1. 801611	Top assembly, used w/round sink, white, CSA
1. 801611-01	Top assembly, used w/round sink, graphite, CSA
2. 801369	PANEL, FROSTWHITE/WHITE LINER
2. 801377	PANEL, GRAPHITE/REX 4' X 8' 18", Amarillo, Midnight Sun
3. 801392	Paneling, White/White 12 MM
4. 800507-01	Luan, 1/8" x 4' x 8'
5. 801383-01	Paneling, Tropical Oak/White liner, 12mm
6. 200963-01	Track, sliding door, vanity, upper
7. 200963-02	Track, sliding door, vanity, lower
8. 365268-03	Edge tape, Tropical Oak, .625"
8. 365273	EDGEBANDING GALAXY GRAPHITE, Amarillo, Midnight Sun
9. 365238-04	Edge tape, White, 5/8" wide
10. 381839	KNOB-CHROME/BRASS 1.25"
11. 600969-01	Register, 4" x 6", sand
203410	SINK-STAINLESS STEEL LAVY 10" X 15", OVAL
601804-01	SINK-LAVY YUKON ROUND
381228-01	CATCH GRABBER DOOR

SAFARI- BAMBI

FURNITURE, BATH

Medicine Cabinet, 23', 25' A & B

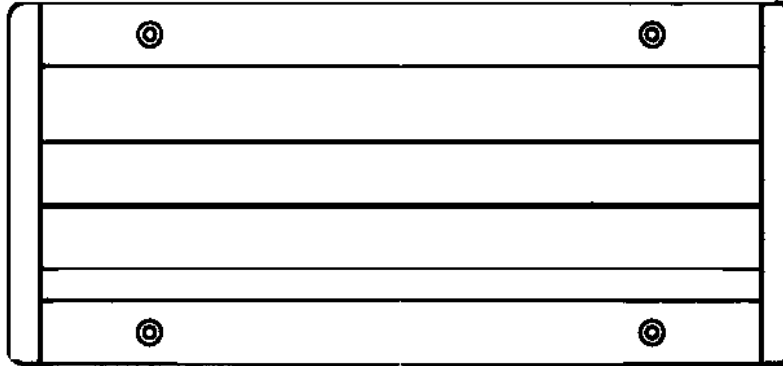


965676	Medicine Cabinet Assembly
1. 801392	PANEL, WHITELINER/WHITELINER
2. 801368	PANEL, WHITELINER/WHITELINER
3. 372203-04	Mirror, 36" x 14"
4. 385935-01	Hinge, pivot
5. 365238-04	Edge Tape, 5/8", colonial white
6. 381228	Grabber door catch
7. 381835	Handle, chrome/brass, door/drawer
8. 801355-01	Laminate, Frost White, 4' x 8', vertical
9. 380024	ARMS SUPPORT RIGHT HAND

SAFARI- BAMBI

FURNITURE, BATH

Spice Rack, 25' A, B, Front Bed, 28 S/O

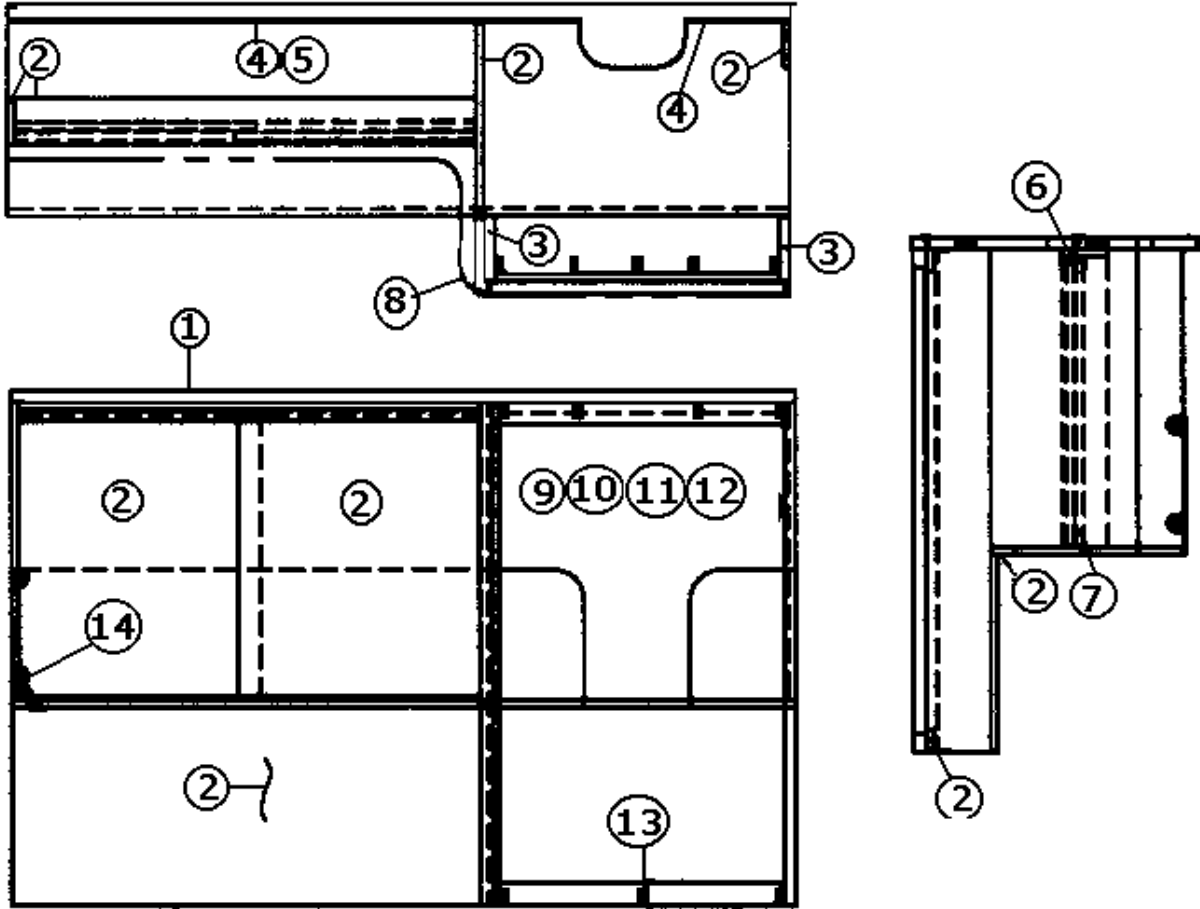


964532-006 Spice Rack, 20"

SAFARI- BAMBI

FURNITURE, BATH

Lavatory Cabinet, 28' S/O



SAFARI- BAMBI

FURNITURE, BATH

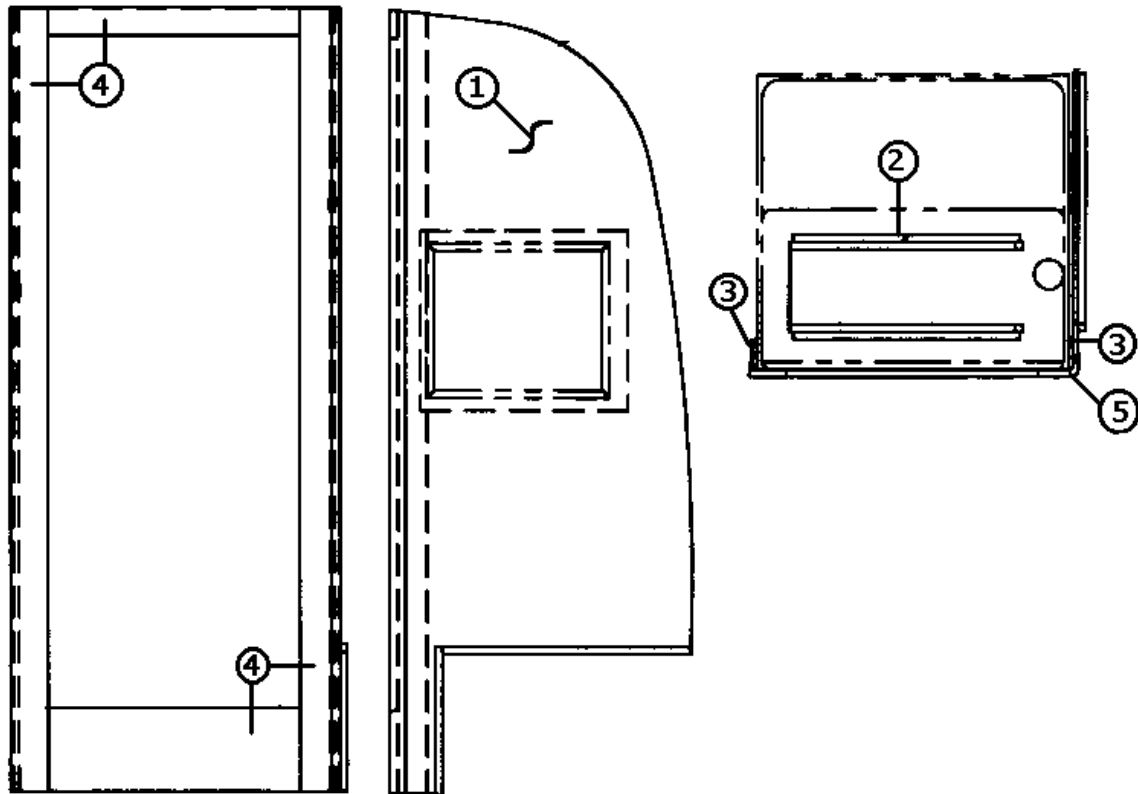
Lavatory Cabinet, 28' S/O

965652-01	Lavatory Cabinet, 28' S/O, graphite w/oval sink
965652-02	Lavatory Cabinet, 28' S/O, white w/oval sink
965652-03	Lavatory Cabinet, 28' S/O, white w/round sink
965652-04	Lavatory Cabinet, 28' S/O, graphite w/round sink
1. 965651-01	Top assembly, graphite, used w/oval sink
1. 965651-02	Top assembly, white, used w/oval sink
1. 801612	Top assembly, white, used w/round sink, CSA
1. 801612-01	Top assembly, graphite, used w/round sink, CSA
2. 801383-01	Panel, Tropical Oak/White liner
3. 801368	Panel, white Rexel/white Rexel
4. 801438	PANEL, FRONT WHITE VINYL/RAW
5. 801510	PANEL, OAK/ASCOT
6. 200963-01	Track, sliding door, upper
7. 200963-02	Track, sliding door, lower
8. 801393-016	Corner trim, 90 degree radius
9. 801341-56	Door
10. 381865	Door handle
11. 381228-01	Grabber catch, door
12. 381607	Hinge assembly
13. 380041	Brace, corner
14. 386141	Mounting angle
381796	Knob, hollow brass, nickel

SAFARI- BAMBI

FURNITURE, BATH

Shower Compartment Assembly, 28' S/O

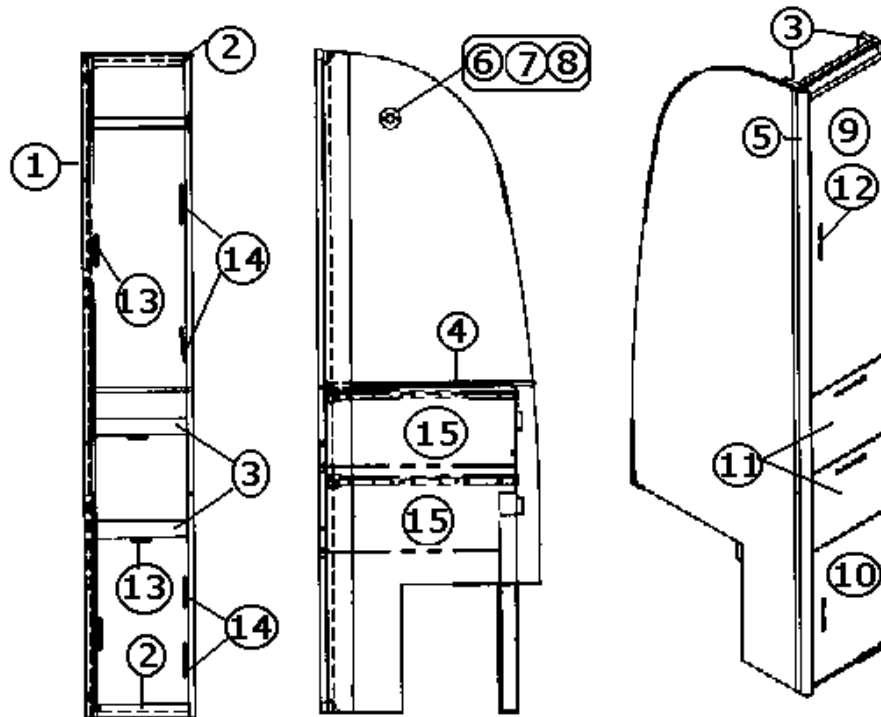


- | | |
|---------------|--|
| 965649 | Shower Compartment Assembly, 28' S/O |
| 1. 801424-03 | Panel, aft shower |
| 2. 961916-01 | Shower stand assembly |
| 3. 801392 | Panel, Tropical Oak/white liner, 12 mm |
| 4. 801376-01 | Panel, Tropical Oak/white liner, 18 mm |
| 5. 801393-016 | Corner trim, 90 degree, 1" radius |
| 6. 203081 | Shower stall, Pc. |
| 7. 702306-03 | Shower door, silver |
| 8. 365268-01 | Edge tape, .024" x 1.13", Tropical Oak |
| 381241-009 | TV SHELF W/MIRROR, BLACK |
| 381241-006 | TV SHELF W/MIRROR, OAK |

SAFARI- BAMBI

FURNITURE, BATH

Wardrobe, w/Drawers, 28' S/O, 25' FB

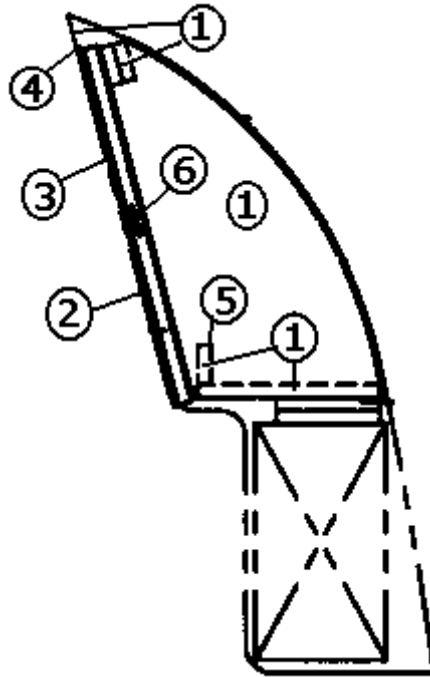


- | | |
|---------------|--|
| 965692 | Wardrobe Assembly, w/Drawers |
| 1. 801424-01 | Panel, Aft RS wardrobe |
| 2. 801383-01 | Panel, Tropical Oak/White liner |
| 3. 801368 | Panel, white Rexel/white Rexel |
| 4. 801392 | Panel, Tropical Oak/white liner, 12 mm |
| 5. 801393-016 | Corner trim, 90 degree radius |
| 6. 380046 | Chrome flange |
| 7. 380045 | Tubing, 3/4" metal |
| 8. 200975-04 | Conduit, black plastic |
| 9. 801341-45 | Door, 11.38" x 38.13" |
| 10. 801341-50 | Door, 11.38" x 17.00" |
| 11. 801341-51 | Door, 11.38" x 9.88" |
| 12. 381865 | Door handle |
| 13. 381228-01 | Grabber catch, door |
| 14. 381607 | Hinge assembly |
| 15. 965555-02 | Drawer box assembly |
| 16. 365268-01 | Edge tape, .024" x 1.13", Trop. Oak |
| 17. 365268-03 | Edge tape, Tropical Oak, .024" x .63" |
| 18. 203434 | Spacer plastic door slide |
| 381773-25 | DRAWER SLIDE-8.38"X 21.63" (PAIR) |

SAFARI- BAMBI

FURNITURE, BATH

Medicine Cabinet, 28' S/O

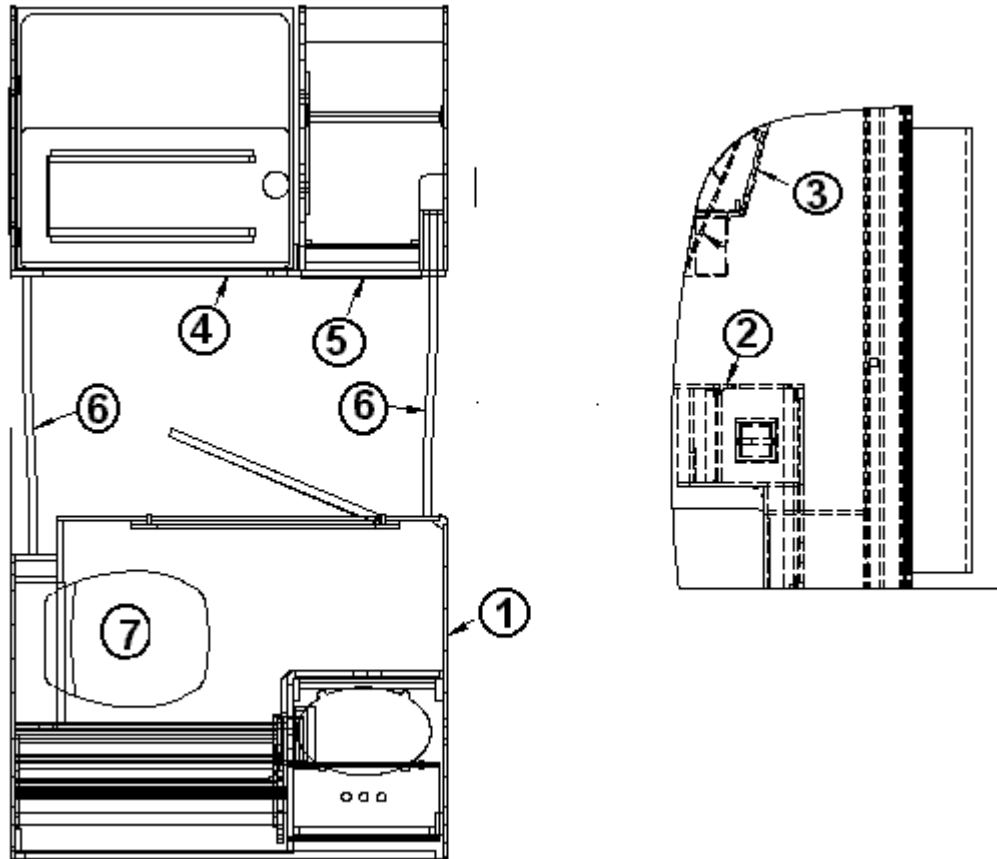


965714	Medicine Cabinet Assembly, 28' S/O
1. 801392	PANEL, WHITELINER/WHITELINER
2. 801368	PANEL, WHITELINER/WHITELINER
3. 372203-30	MIRROR-SAFETY 14" H X 30" W
4. 385935-01	HINGE PIVOT ZINC PLATED
5. 365238-04	EDGE BANDING TAPE PVC 5/8" C.WHITE
6. 381228-01	CATCH GRABBER DOOR C3-810
381835	Handle, chrome/brass, door/drawer
801438	PANEL, FRONT WHITE VINYL/RAW 2.7MM LA
801355-01	LAMINATE-FROST WHT 4' X 8'
381611-01	COSMETIC CABINET-30" REGAL
372203-14	MIRROR- POL EDGES- 21.00" X 22.00"
381220-01	MIRROR CLIP, NICKEL PLATE
381220-02	MIRROR CLIP, NICKEL PLATE
380024	ARMS SUPPORT RIGHT HAND
365268-03	EDGE BANDING-.024"X .63" TROP. OAK
365238-04	EDGE BANDING TAPE PVC 5/8" C. WHITE
385940-02	MIRROR PULL CHROME

SAFARI- BAMBI

FURNITURE, BATH

Bath Module, 28' W

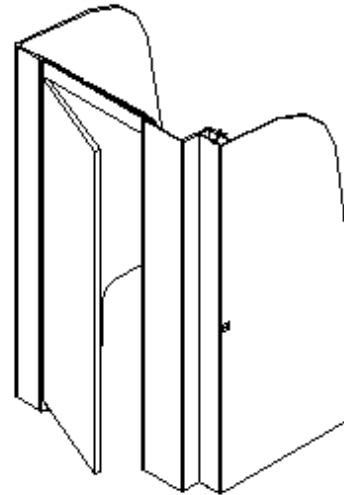
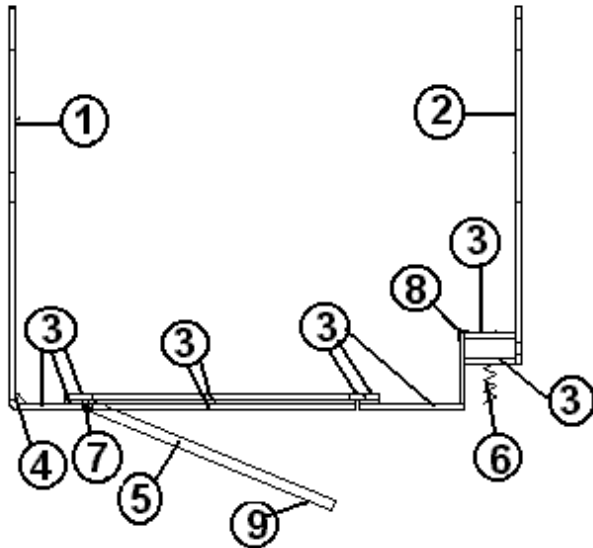


- | | |
|--------------|--------------------------------|
| 1. 965874 | Bath module assembly |
| 2. 965875-02 | Lavy cabinet assembly |
| 3. 965714 | Medicine cabinet assembly |
| 4. 965856 | Shower compartment assembly |
| 5. 965848 | Wardrobe assembly |
| 6. 702681-03 | DOOR FOLDETTE 46" X 73" BEIGE |
| 7. 690495-01 | TOILET THETFORD AQUAMAGIC V HI |
| PROFILE | |

SAFARI- BAMBI

FURNITURE, BATH

Bath Panels/Door, 28' W

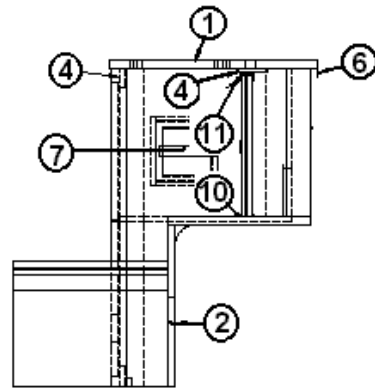
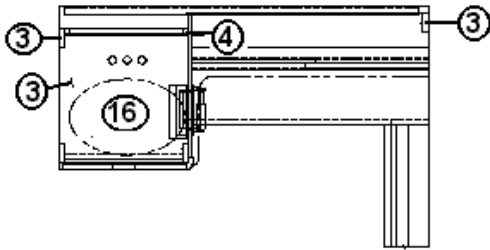
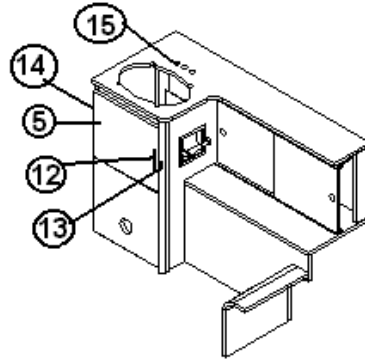
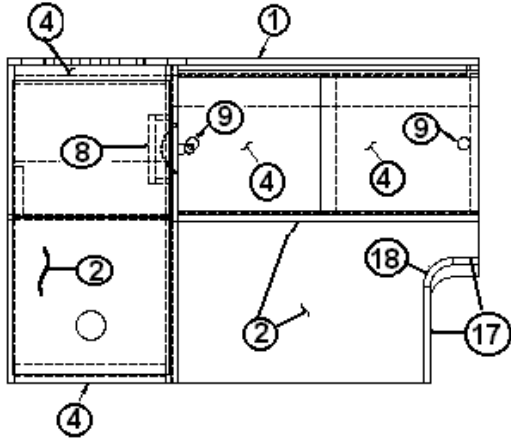


- | | |
|---------------|--|
| 1. 801454-07 | Panel, forward latrine |
| 2. 801454-08 | Panel, aft latrine |
| 3. 801510 | PANEL, OAK/ASCOT |
| 4. 801415-007 | Corner trim, 1" radius |
| 5. 965567 | Door assembly, 25.50" x 72.00" |
| 6. 702681-03 | DOOR FOLDETTTE 46" X 73" BEIGE |
| 7. 380458 | Hinge, piano, brown anodized |
| 8. 801393-016 | Corner molding, Artic, 1.88" |
| 9. 381771 | Latch, privacy, lever lock set |
| 365268-03 | Edgebanding, PVC, Tropical Oak, 5/8" |
| 365238-04 | Edgebanding, Tape, PVC, 5/8", Colonial White |

SAFARI- BAMBI

FURNITURE, BATH

Lavatory Cabinet, 28' W



Part numbers on the next page.

SAFARI- BAMBI

FURNITURE, BATH

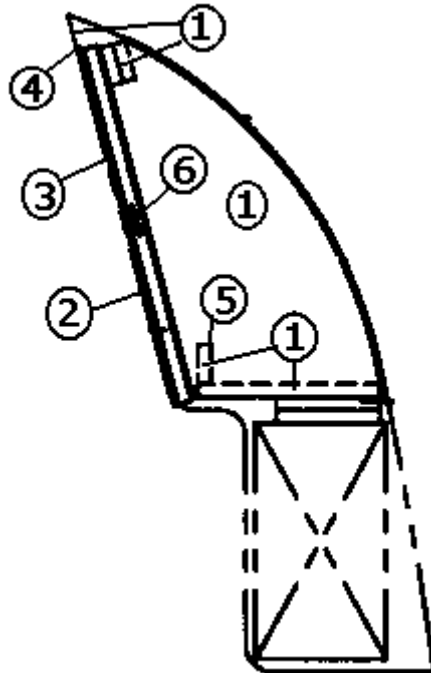
Lavatory Cabinet Assembly, 28' W

965875-01	Lavatory Cabinet, Graphite, w/oval sink
965875-02	Lavatory Cabinet, White, used w/oval sink
965875-03	Lavatory Cabinet, White used w/round sink
965875-04	Lavatory Cabinet Graphite used w/round sink
1. 965876-01	Lavatory top, graphite, used w/oval sink
1. 965876-02	Lavatory top, white, used w/oval sink
1. 801613	Lavatory top, white, used w/round sink
1. 801613-01	Lavatory top, graphite, used w/round sink
1. 801369	PANEL, FROST WHITE/WHITE LINER
2. 801383-01	Panel, Tropical Oak/Whiteline, 12MM
2a. 801377	PANEL, GRAPHITE, 4' X 8' 18"
3. 801393-016	Corner trim, 90 degree, 1" radius
4. 801341-67	Door/drawer, 16.31" x 14.13"
5. 114812	Aluminum angle, 1" x 1"
6. 381299	Toilet holder, recessed
7. 965572	Paper holder closeout
8. 381796	Knob, hollow brass, nickel
10. 200963-02	Track, sliding door, vanity lower
11. 200963-01	Track, sliding door, vanity upper
12. 381865	Handle, drawer/door
13. 381228-01	Door grabber catch
14. 381607	Hinge assembly
15. 601825	Faucet, lavy chrome
16. 203410	Sink, SS, 10" x 15", oval
16. 601804-01	SINK-LAVY YUKON ROUND, CSA Units Only
17. 801345	Radius, plywood, .75" x 3" x 8'
365267	EDGEBANDING-1.13" .024 PLY
365273	EDGEBANDING GALAXY GRAPHITE, Amarillo, Midnight Sun

SAFARI- BAMBI

FURNITURE, BATH

Medicine Cabinet Assembly, 28' W

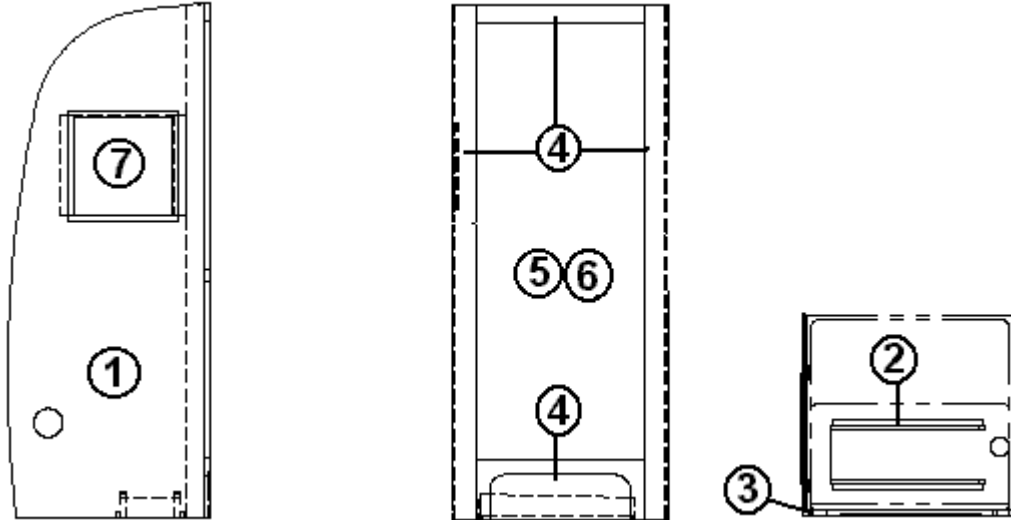


- | | |
|--------------|--|
| 965714 | Medicine Cabinet Assembly, 28' W |
| 1. 801392 | PANEL, WHITELINER/WHITELINER |
| 2. 801368 | PANEL, WHITELINERER/WHITELINERER |
| 3. 372203-30 | MIRROR-SAFETY 14" H X 30" W |
| 4. 385935-01 | HINGE PIVOT ZINC PLATED |
| 5. 365238-04 | EDGE BANDING TAPE PVC 5/8" COLONIAL
WHITE |
| 6. 381228-01 | CATCH GRABBER DOOR C3-810 |
| 381835 | Handle, chrome/brass, door/drawer |
| 801438 | PANEL, FROST WHITE VINYL/RAW |
| 801355-01 | LAMINATE-FROST WHT 4' X 8' |
| 381611-02 | COSMETIC CABINET-48" REGAL |
| 365238-04 | EDGE BANDING TAPE PVC 5/8" C. WHITE |

SAFARI- BAMBI

FURNITURE, BATH

Shower Compartment, 28' W



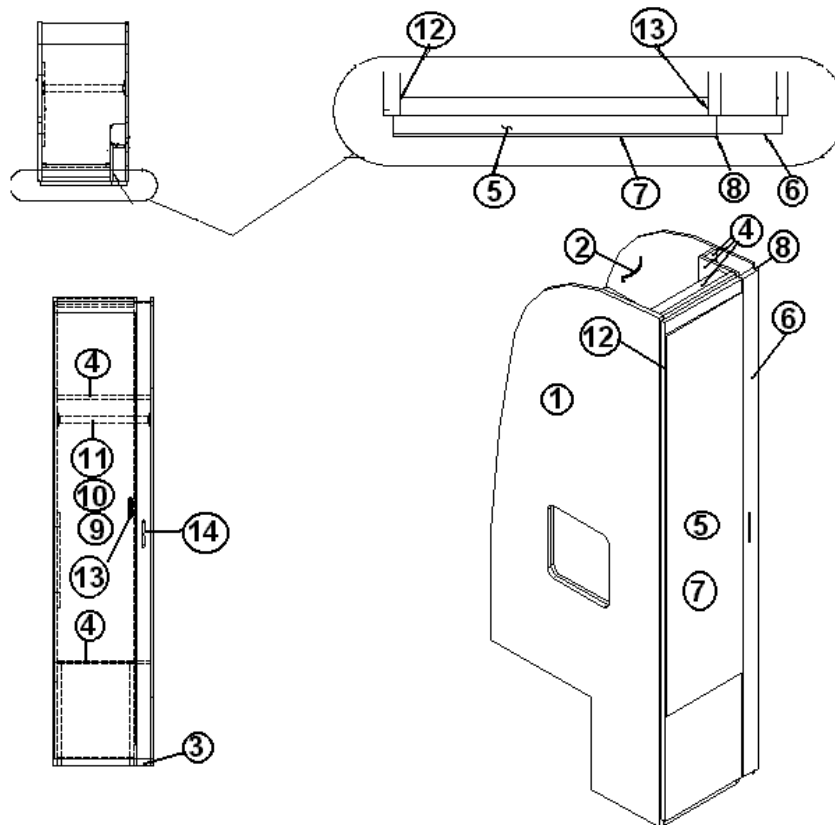
1. 801454-06
2. 965816
3. 801392
4. 801376-01
5. 203081-01
6. 702306-03
7. 381832
- 365268-01
- 801383-01

- Panel, aft shower
Shower stand assembly
Panel, Whiteliner/Whiteliner, 12MM
Panel, Tropical Oak/Tropical Oak, 18MM
Shower stall. 2 piece
Shower door, silver, 27"
TV shelf, recessed
Edgebanding, Oak/Whiteliner
Paneling, Oak/Whiteliner

SAFARI- BAMBI

FURNITURE, BATH

Wardrobe, 28' W

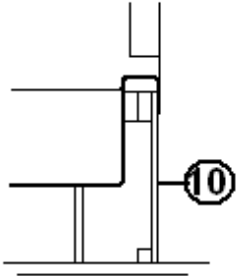
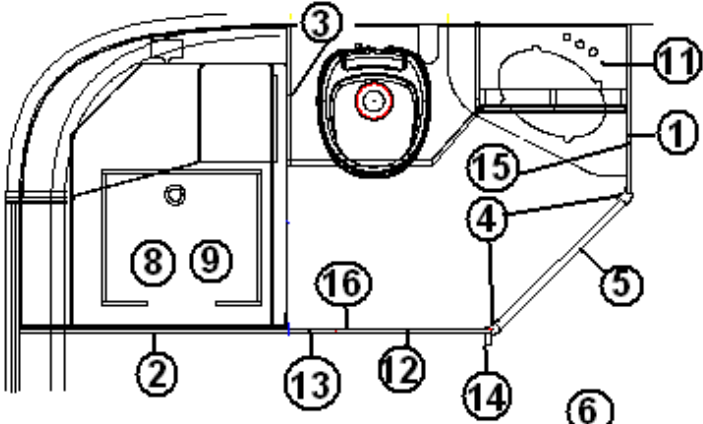


- | | |
|---------------|---|
| 965848 | Wardrobe Assembly, 28' W |
| 1. 801454-05 | Panel, forward wardrobe |
| 2. 801454-04 | Panel, aft wardrobe |
| 3. 801376-01 | Panel, Trop. Oak/Trop. Oak, 18 MM |
| 4. 801392 | Paneling, Whiteliner/Whiteliner |
| 5. 801341-64 | Door, 13.63" x 76.76" |
| 6. 801341-63 | Door, 2.75" x 75.56" |
| 7. 372203-26 | Mirror, polished edges, 13.62" x 58.50" |
| 8. 380203-01 | Hinge, piano |
| 9. 380046 | Flange, chrome |
| 10. 380045 | Tubing, metal, 3/4" |
| 11. 200975-04 | Conduit, black flexible |
| 12. 381607 | Hinge assy. European |
| 13. 381228-01 | Door grabber catch |
| 14. 381865 | Handle, door |
| 365268-03 | EDGEBANDING-.024"X .63", OAK |
| 365268-01 | Edge banding, Oak/Whiteliner |

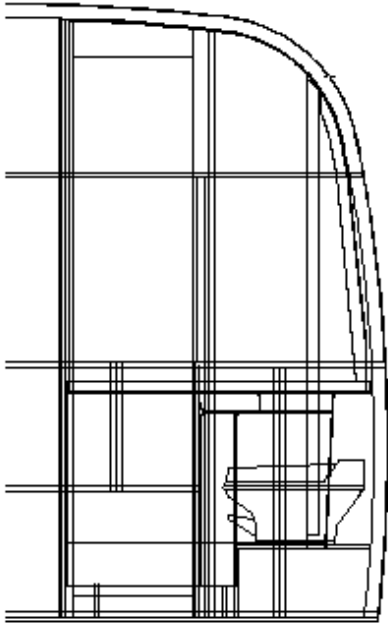
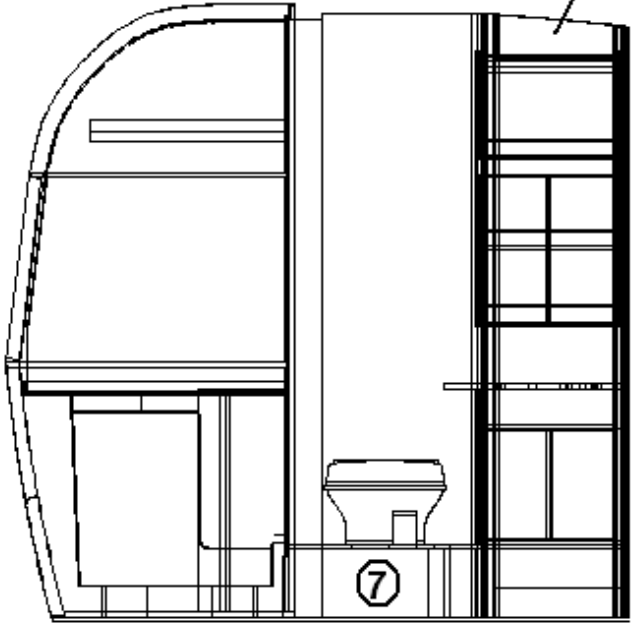
SAFARI- BAMBI

FURNITURE, BATH

Bath Module, 30'



INSTALL KICK PNL



Part Numbers on the Next Page

SAFARI- BAMBI

FURNITURE, BATH

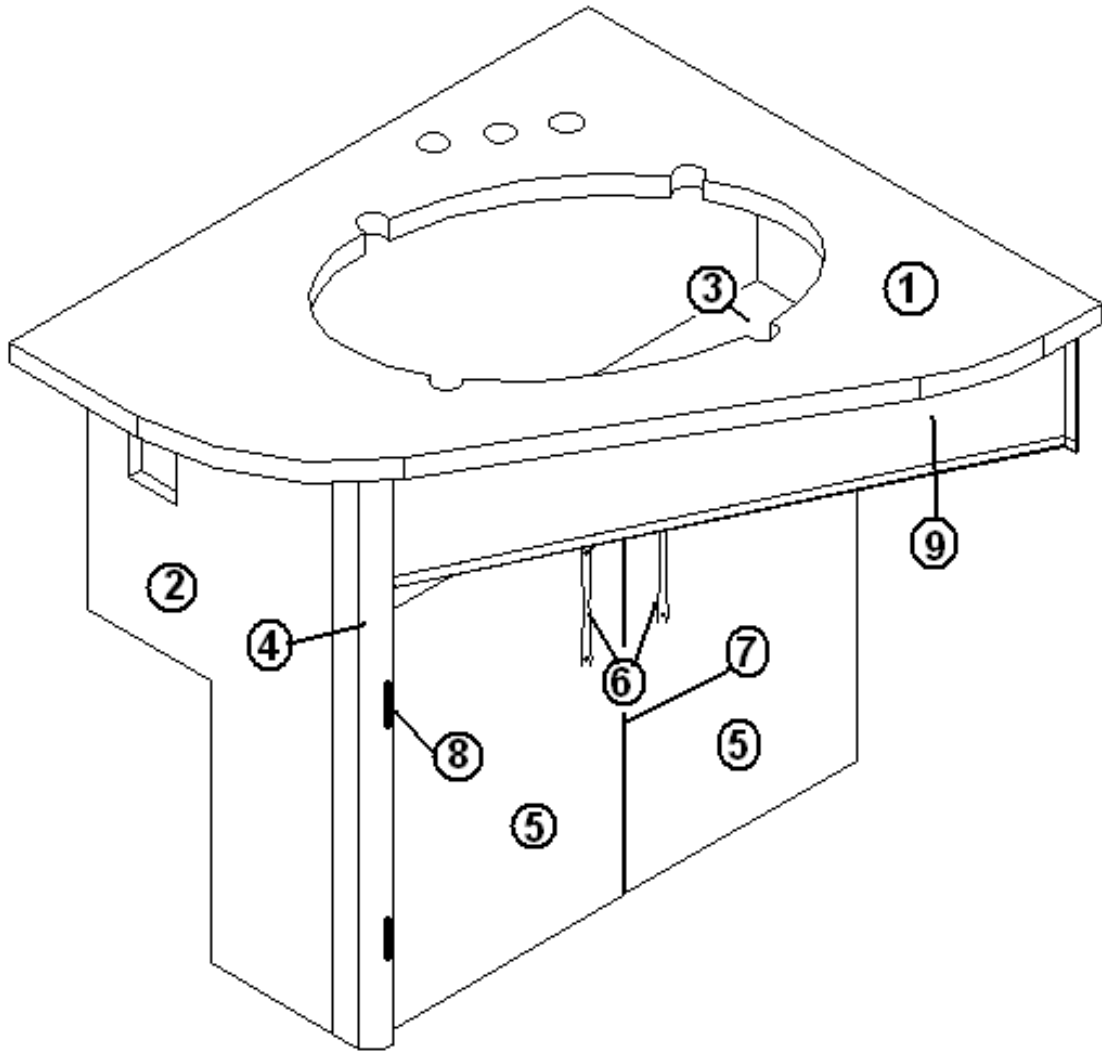
Bath Module, 30'

1. 801500-12	PANEL, FORWARD BATH
2. 801500-13	PANEL, AFT BATH 30' SAF
3. 801380-03	PANEL, BATH DIVIDER25'SS
4. 801394-01	CORNER TRIM 45D 2" RADIUS OAK
5. 965567	DOOR ASSY-"C"BATH 25.50"X 72.0
6. 965564	HEADER-BATH DOOR25'SS
7. 966207	STAND ASSY-TOILET 30'SAF
8. 702937-03	SHOWER DOOR-ROLL AWAY 62 X 36
9. 203114	SHOWER 2 PC FIBERGLASS
10. 965565-01	CLOSEOUT-SHOWER
11.966085-02	CABINET ASSEMBLY, LAVY
12.801500-14	PANEL, AFT BATH FWD
13.203440	T MOLDING-BLACK EMBOSSED .8125
14.801376-01	PANEL, OAK/WHITE LINER
15.966087	DOOR ASSY-MIRROR BATH
16.801505	PANEL, ASCOT SAND/RAW .125"X4'X8'
966086	TOP ASSY-LAVY
966086-01	TOP ASSY-LAVY, Graphite, CSA
203445	T-MOLDING BLK FLEXIBLE POLY .5

SAFARI- BAMBI

FURNITURE, BATH

Lavatory Cabinet Assembly, 30'



SAFARI- BAMBI

FURNITURE, BATH

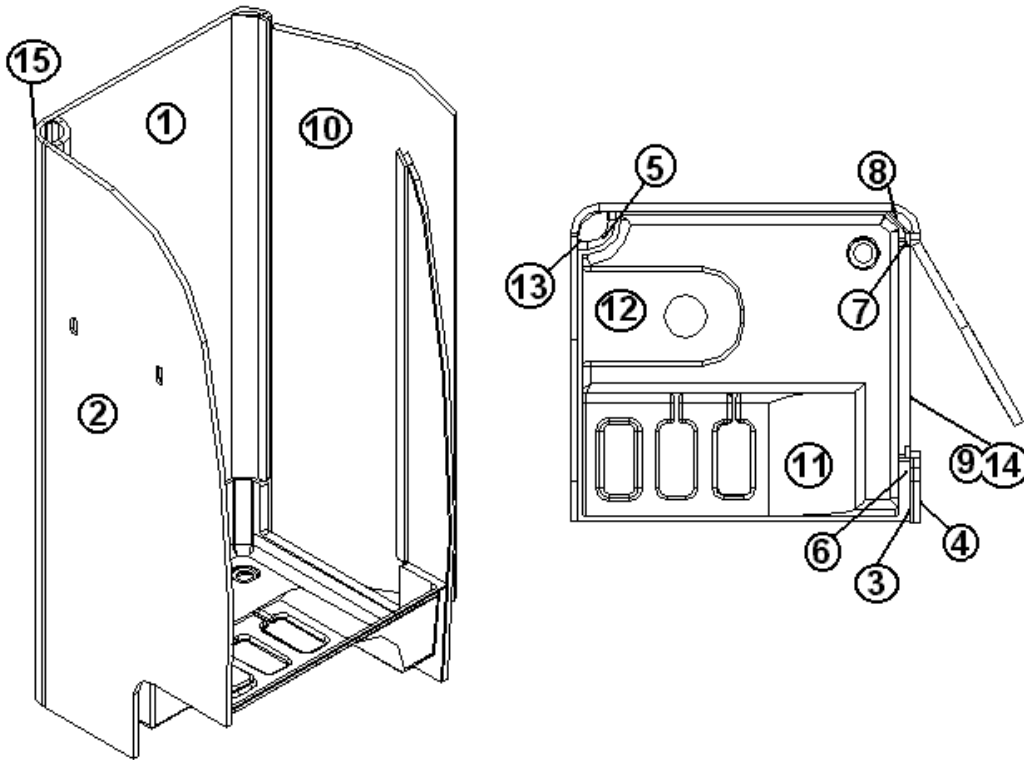
Lavatory Cabinet Assembly, 30'

966085-01	Lavatory Cabinet, Graphite w/oval sink
966085-02	Lavatory Cabinet, White w/oval sink
966085-03	Lavatory Cabinet, White w/round sink, CSA
966085-04	Lavatory Cabinet, Graphite w/round sink, CSA
1. 966086-01	TOP LAVY, Graphite, used on oval sink
1. 966086-02	TOP, LAVY, white, used on oval sink
1. 801614	TOP, LAVY, white, used on round sink, CSA
1. 801614-01	TOP, LAVY, graphite, used on round sink, CSA
1. 801383-01	PANEL, TROPICAL OAK/WHITE LINER
2. 801368	PANEL, WHITELINER/WHITELINER
3. 801393-01	CORNER TRIM-90D, TROPICAL ICAL OAK
4. 801341-124	DOOR, GALLEY, 9.44" X 14.88"
5. 381865	Handle, drawer/door
6. 381228-01	CATCH GRABBER DOOR
7. 381607	HINGE ASSY-GRASS EURO-SAFARI
8. 365268-01	EDGEBANDING-.024"X 1.13" TROPICAL
203410	SINK-ST.STEEL LAVY 10 X 15 OVAL
601804-01	SINK-LAVY YUKON ROUND, CSA Units Only
203440	T MOLDING-BLACK EMBOSSED
601825	FAUCET-VELLETA LAVY CHROME L47
114070	EXTRUSION, J-TRIM, MILL FINISH

SAFARI- BAMBI

FURNITURE, BATH

BATH LAYOUT, 16'

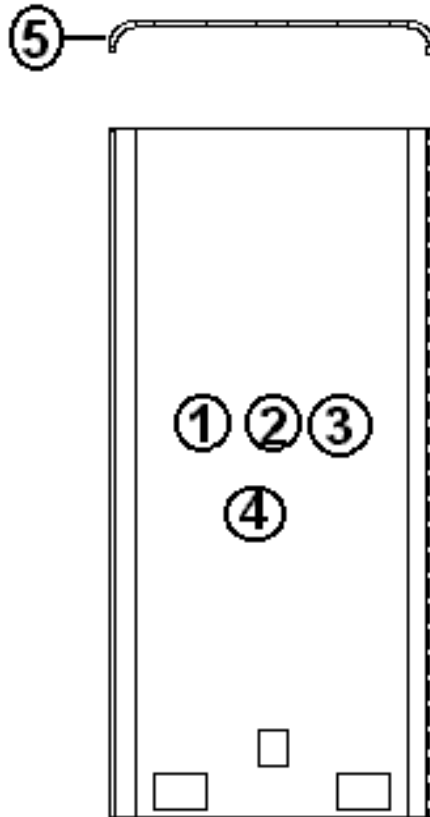


- | | |
|---------------|-----------------------------------|
| 1. 965889-04 | WALL ASSY-WET BATH |
| 2. 801466-10 | PANEL-AFT WET BATH |
| 3. 801466-11 | PANEL-FWD WET BATH |
| 4. 965889-05 | WALL SUB ASSY-FWD WET BATH |
| 5. 965889-06 | CLOSEOUT ASSY-WET BATH |
| 6. 801466-12 | JAMB-DOOR LEFT SIDE |
| 7. 801466-13 | JAMB-DOOR RIGHT SIDE |
| 8. 801466-14 | CLOSEOUT-FWD WET BATH |
| 9. 801466-15 | PANEL-WET BATH CLOSEOUT |
| 10. 965905-01 | DOOR ASSY-WET BATH 22.5" X 76.06" |
| 11. 203444-01 | BASE-SHOWER FIBERGLASS WHITE |
| 12. 690472 | TOILET-CHINA HI PROFILE WHITE |
| 13. 104913 | EXTRUSION, ANGLE, 1" X 1" X 1" |
| 14. 201666 | MOLDING, J-3/16 PLASTIC |
| 15. 801345 | RADIUS PLYWOOD .75" X 3" X 8" |
| 601847 | CABINET-MED W/MIRROR 16"X 22" |

SAFARI- BAMBI

FURNITURE, BATH

WALL ASSEMBLY, WET BATH, 16'

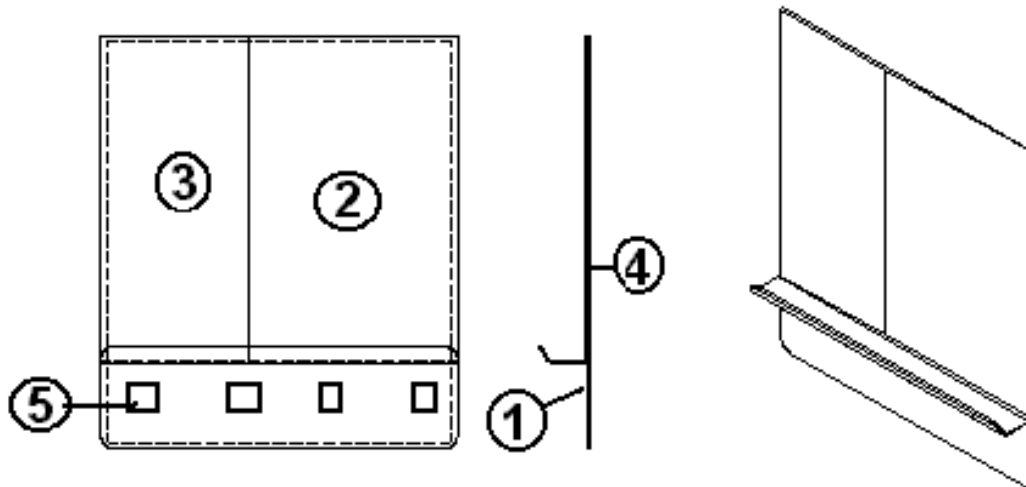


- | | |
|--------------|-------------------------------|
| 965889-04 | WALL ASSEMBLY, WET BATH |
| 1. 801343-01 | PANELING, OAK, 4' X 8' |
| 2. 801355-01 | PANEL, FROST WHITE 4' X 8' |
| 3. 801376-01 | PANEL OAK/WHITELINER |
| 4. 801351 | LITE PLY-18MM (.75") 4' X 8' |
| 5. 801345 | RADIUS PLYWOOD .75" X 3" X 8' |

SAFARI- BAMBI

FURNITURE, BATH

MIRROR/COAT HANGER, 16'

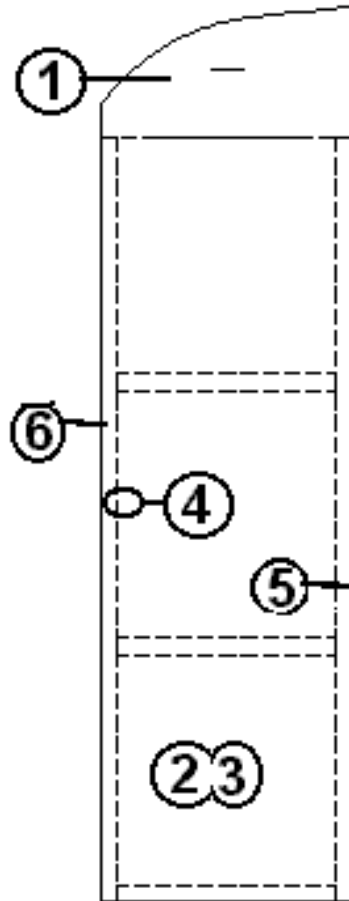


- | | |
|--------------|---------------------------------|
| 1. 203446 | SHELF-7.04" X 24" ORANGE |
| 2. 372203-09 | GLASS SAFETY MİRRORED 14" X 22" |
| 3. 801468 | CORK BOARD-.25" X 10" X 22" |
| 4. 101115 | SHEET, ALUM .060" X 48" X 120" |
| 5. 381384 | HOOK-ALUMINUM, COAT 1.68" |

SAFARI- BAMBI

FURNITURE, BATH

DOOR, BATH, 16'

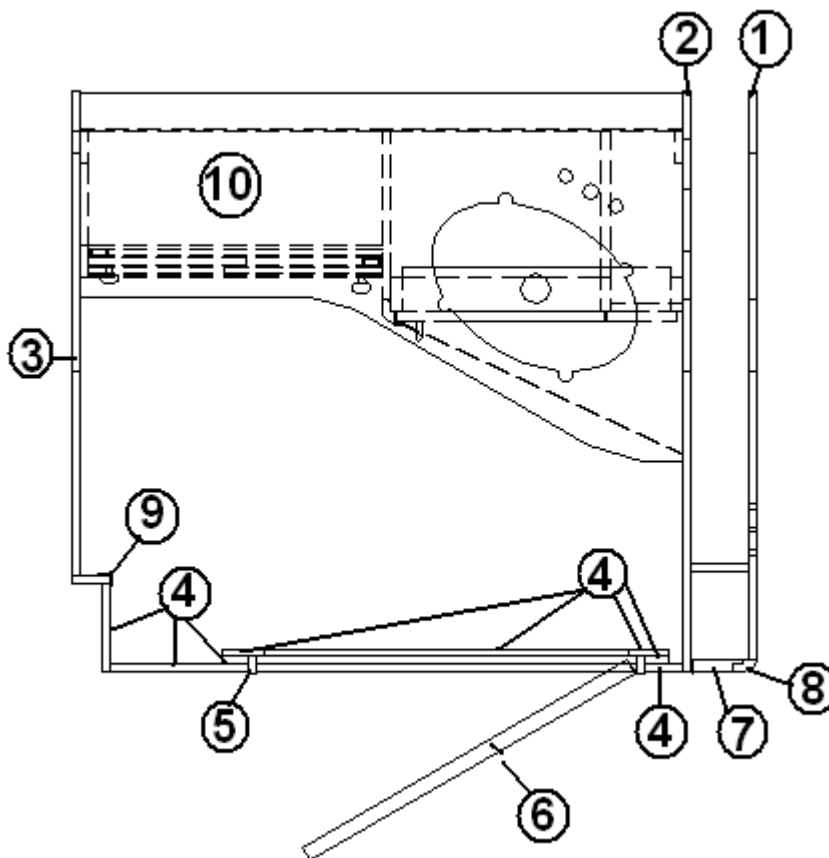


965905-01	DOOR, WET BATH 22.5" X 76.06"
1. 800507-06	LAUAN-.75" X 4' 8'
2. 800507-01	LAUAN, 1/8"X4'X8'
3. 801343-01	PANELING, OAK, 4' X 8'
4. 381771	LATCH-LEVER LOCKSET PRIVACY
5. 380458	HINGE PIANO BROWN ANODIZED
6. 365278-04	EDGE BANDING-BLACK MAPLE 1.25"
454320	DOOR HANDLE COVER

SAFARI- BAMBI

FURNITURE, BATH

Bath Module, 25' Front Bed

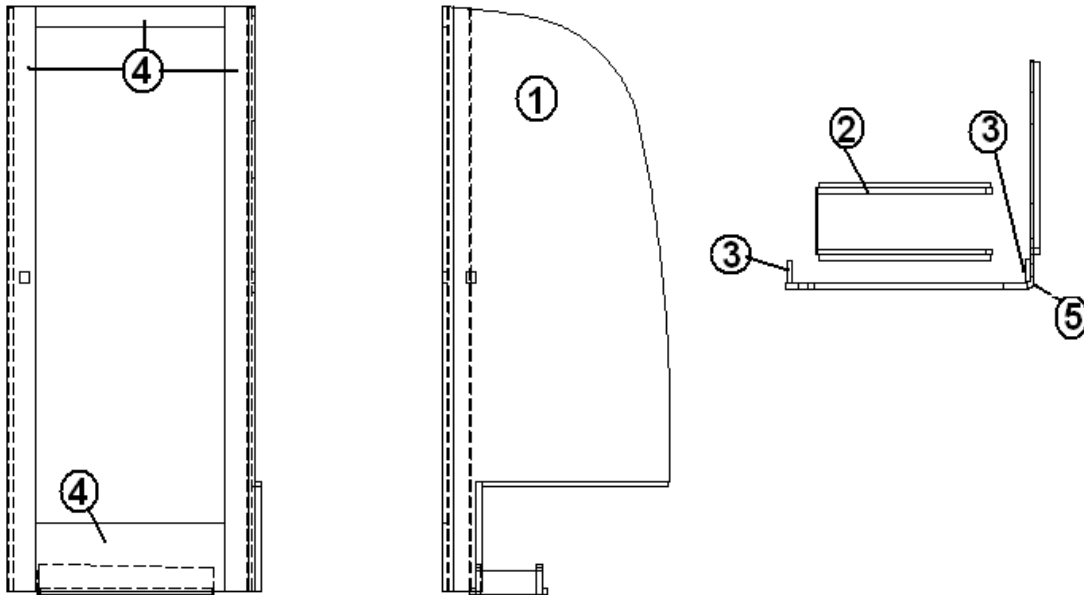


- | | | |
|-----|------------|--------------------------------|
| 1. | 801548-07 | PANEL, BATH/PANTRY |
| 2. | 801548-06 | PANEL, AFT BATH |
| 3. | 801548-05 | PANEL, FWD BATHROOM |
| 4. | 801510 | PANEL, OAK/ASCOT 12MM |
| 5. | 801381-01 | PANEL, OAK/OAK 12MM |
| 6. | 966409 | DOOR ASSY-"C"BATH 24" X 72.00" |
| 6. | 801383-01 | PANEL, OAK/WHITE LINER |
| 7. | 801393-017 | CORNER TRIM 90DEG. 1" RADIUS |
| 8. | 801172-07 | MOLDING-CORNER ASCOT SAND 8' |
| 10. | 966237 | CAB. ASSY-LAVY 25'FB |
| | 801548-01 | PANEL, AFT SHOWER |

SAFARI- BAMBI

FURNITURE, BATH

Shower Compartment, 25' Front Bed

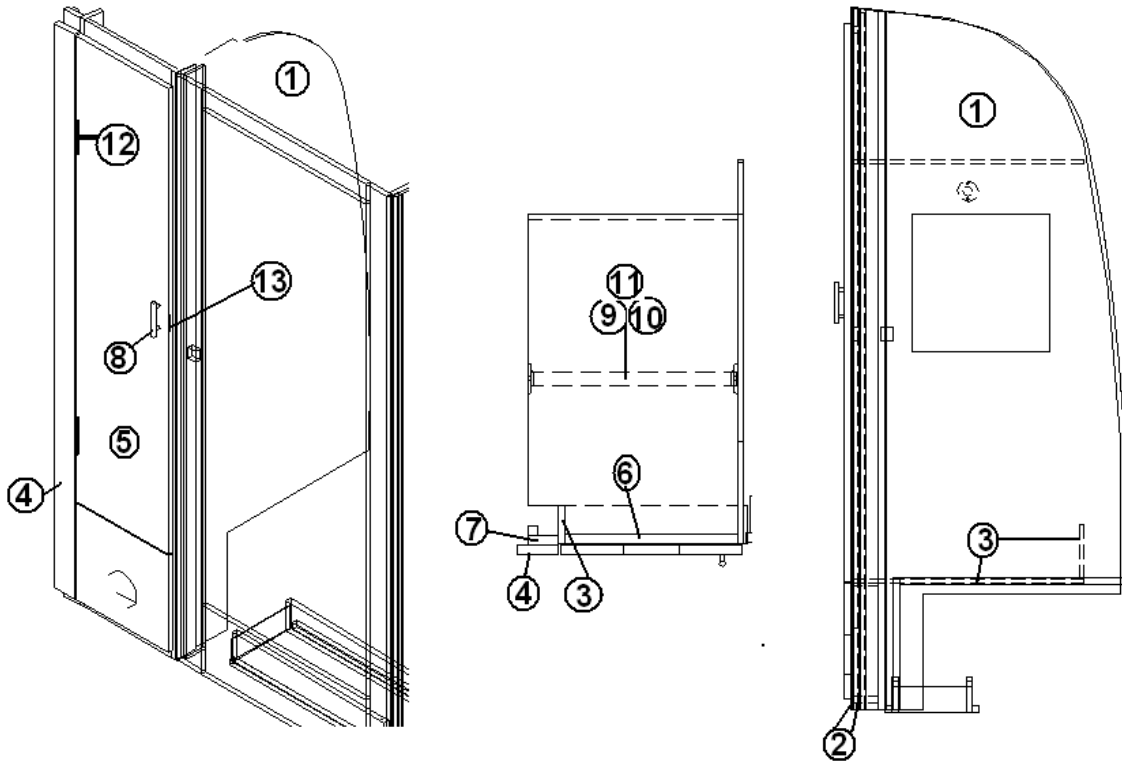


- | | |
|--------------|-------------------------------|
| 1. 801548-01 | PANEL, AFT SHOWER 25'FB |
| 2. 961916-01 | STAND ASSY-SHOWER |
| 3. 801392 | PANEL, WHITE/WHITE 12MM |
| 4. 801376-01 | PANEL, OAK/WHITE 18MM |
| 5. 801393-01 | CORNER TRIM-90D 1" RADIUS OAK |
| 203081 | SHOWER STALL 2 PC. |
| 702306-03 | SHOWER DOOR SILVER 27" |
| 365268-01 | EDGEBANDING-.024"X 1.13" OAK |

SAFARI- BAMBI

FURNITURE, BATH

Wardrobe, 25' Front Bed

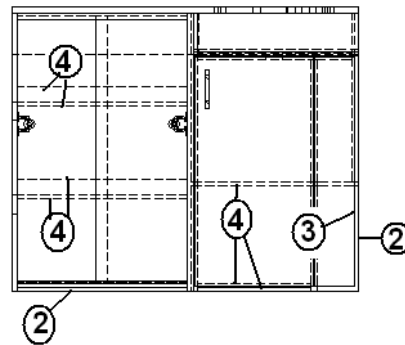
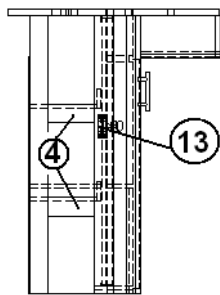
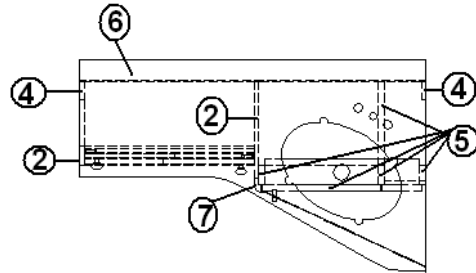
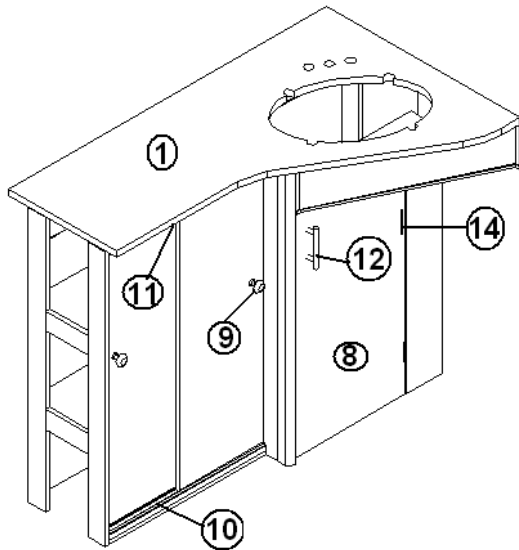


966240	WARDROBE ASSY
1. 801548-04	PANEL, FWD W/R
2. 801368	PANEL, WHITE/WHITE
3. 801392	PANEL, WHITE/WHITE 12MM
4. 801368	PANEL, WHITELINER/WHITELINER 18MM
5. 801341-60	DOOR-RS WARDROBE 14.25 X 62.38
6. 801395	PANEL, OAK/OAK
7. 801376-01	PANEL, OAK/WHITE 18M
8. 381865	PULL-BAR BRUSH NICKEL
9. 380045	TUBING 3/4"
10. 200975-04	CONDUIT, FLEXIBLE BLACK PLASTIC
12. 380046	Chrome flange
13. 381607	Hinge assembly
14. 381228-01	Grabber catch, door
801172-07	MOLDING-CORNER ASCOT SAND 8'

SAFARI- BAMBI

FURNITURE, BATH

Lavatory cabinet, 25' Front Bed



Part Numbers On the Next Page

SAFARI- BAMBI

FURNITURE, BATH

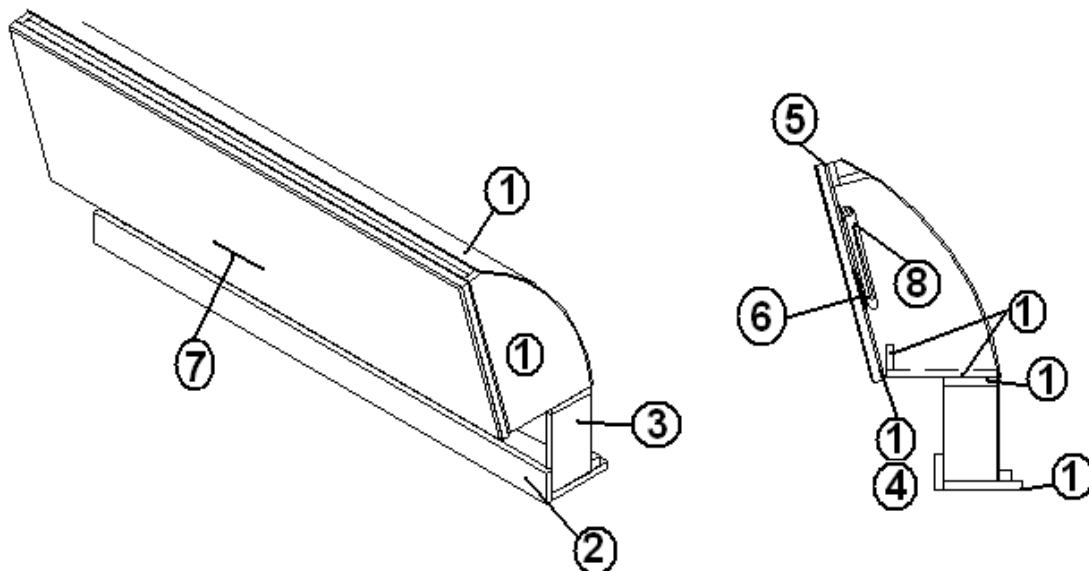
Lavatory Cabinet, 25' Front Bed

966237	Lavatory cabinet, white used w/oval sink
966237-01	Lavatory cabinet, graphite, used w/oval sink
966237-02	Lavatory cabinet, white, used w/round sink
966237-03	Lavatory cabinet, graphite, used w/round sink
1. 966242	Lavatory top, white, used on oval sink
1. 966242-01	Lavatory top, graphite, used on oval sink
1. 801615	Lavatory top, white, used on round sink
1. 801615-01	Lavatory top, graphite, used on round sink
2. 801383-01	PANEL, OAK/WHITE
3. 801376-01	PANEL, OAK/WHITE 18MM
4. 801392	PANEL, WHITE/WHITE 12MM
5. 801368	PANEL, WHITE/WHITE
6. 801374	PANEL, WHITE LINER/RAW 3MM
7. 801393-017	CORNER TRIM 90DEG. 1" RADIUS
8. 801341-131	DOOR-LAVY 14.13"X 27.13"
9. 381796	KNOB HOLLOW 1.25"DIA BP1950H G
10. 200963-02	TRACK, SLIDING DOOR, VANITY, LOWER
11. 200963-01	TRACK,SLIDING DOOR, VANITY, UPPER
12. 381865	PULL-BAR BRUSH NICKEL
13. 381228-01	CATCH GRABBER DOOR
14. 381607	HINGE ASSY-GRASS EURO
801376	PANEL, OAK/REX 4' X 8'
365268-03	EDGEBANDING-.024"X .63" TROP.O
365268-01	EDGEBANDING-.024"X 1.13" TROP
601825	FAUCET-VELLETA LAVY CHROME L47
203410	SINK-ST.STEEL LAVY 10 X 15 OVAL
601804-01	SINK-LAVY YUKON ROUND, CSA Units Only

SAFARI- BAMBI

FURNITURE, BATH

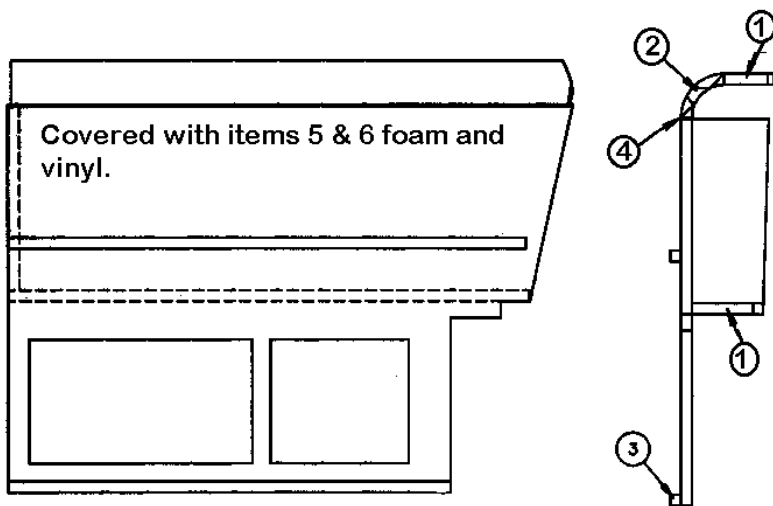
Medicine Cabinet, 25' Front Bed



- | | |
|--------------|---------------------------------|
| 966225 | MEDICINE CAB.ASSY |
| 1. 801392 | PANEL, WHITE/WHITE 12MM |
| 2. 801383-01 | PANEL, OAK/WHITE |
| 3. 801438 | PANEL, WHITE VINYL/RAW |
| 4. 372203-33 | MIRROR-SAFETY .125" X 14" X 40" |
| 5. 385935-01 | HINGE PIVOT ZINC PLATED |
| 6. 381228-01 | CATCH GRABBER DOOR |
| 7. 381835 | HANDLE-CHROME/BRASS |
| 8. 380024 | ARMS SUPPORT RIGHT HAND |
| 365238-04 | EDGE BANDING TAPE PVC 5/8" C.WH |
| 365238-03 | EDGE BANDING TAPE PVC 5/8" HORI |

SAFARI- BAMBI
FURNITURE, BEDROOM

Hamper-Headboard/TV Shelf, 16

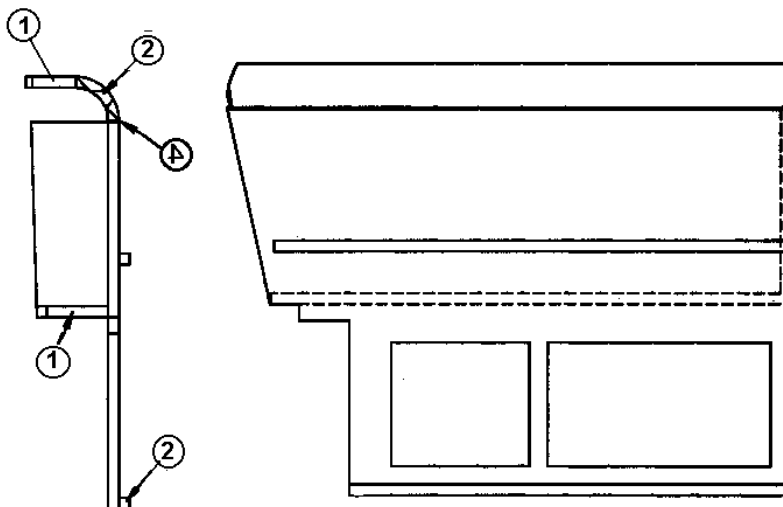


- | | |
|--------------|--|
| 965531 | Hamper-Headboard Assembly |
| 1. 801378 | Panel, Whiteliner/Gator |
| 2. 801345 | Radius plywood, .75" x 3" x 8' |
| 3. 800025-01 | Pine. Stained, 3/4" x 3/4" |
| 4. 380458 | Hinge, piano, brown, anodized |
| 5. 700414 | Foam, 3/8" x 72; wide (specify length) |
| 6. 702482-03 | HEADLINER SPECTRA OPAL X TEXTURE |

SAFARI- BAMBI

FURNITURE, BEDROOM

Hamper-Headboard Assembly, 16'

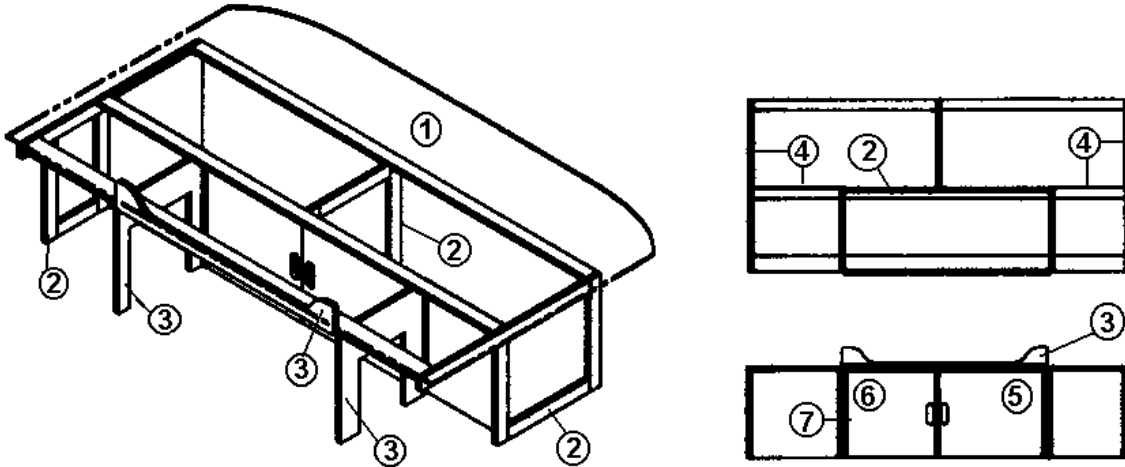


- | | |
|--------------|--|
| 965871 | Hamper-Headboard Assembly, 16 FT. |
| 1. 801378 | Panel, Whiteliner/Gator |
| 2. 801345 | Radius plywood, .75" x 3" x 8' |
| 3. 800025-01 | Pine. Stained, 3/4" x 3/4" |
| 4. 380458 | Hinge, piano, brown, anodized |
| 700414 | Foam, 3/8" x 72; wide (specify length) |
| 702482-03 | HEADLINER SPECTRA OPAL |

SAFARI- BAMBI

FURNITURE, BEDROOM

BED FRAME ASSEMBLY, 16'

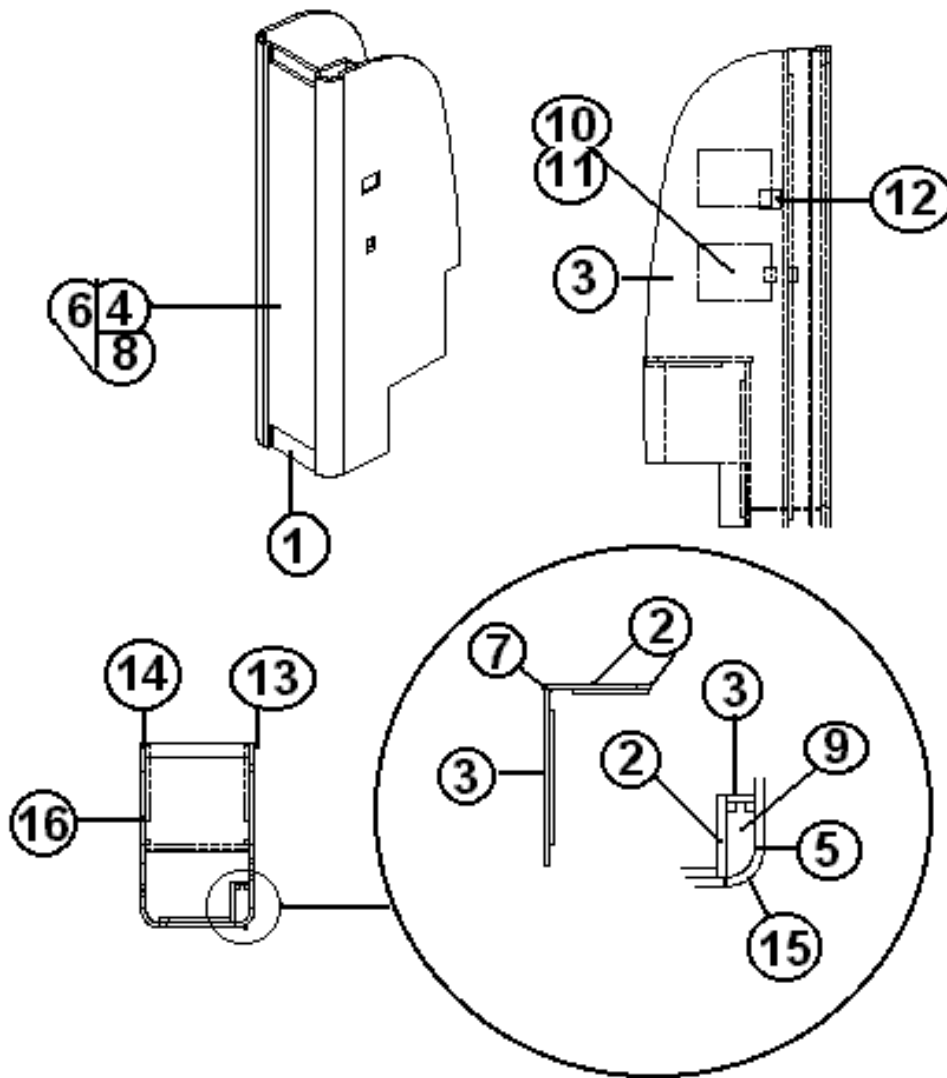


965870-01	FRAME ASSEMBLY-BED, 16'
1. 800506-03	PLYWOOD, 3/8" X 4' X 8'
2. 850082	POPLAR, .75" X 2.00"
3. 801376-01	PANEL OAK/WHITELINER
4. 801438	PANEL-FROST WHITE VINYL/RAW
5. 801341-110	DOOR-BED 20.5" X 16.5"
6. 801341-111	DOOR-BED 17.5" X 16.5"
7. 380458	HINGE PIANO BROWN ANODIZED
8. 203419	Storage box, 23" x 16.75" x 11.88"
9. 203447	Storage box, 23" x 16.75" x 6.38"
381228-01	CATCH GRABBER DOOR
381865	PULL-BAR BRUSH NICKEL #3489
801376-01	PANEL OAK/WHITELINER8M
365268-01	EDGE BANDING-.024"X 1.13" TROP
703190-05	MATTRESS-48"X 78"W/DLB RADIUS COR

SAFARI- BAMBI

FURNITURE, BEDROOM

WARDROBE/CLOSET ASSEMBLY, 16'



Part numbers are on the next page

SAFARI- BAMBI
FURNITURE, BEDROOM

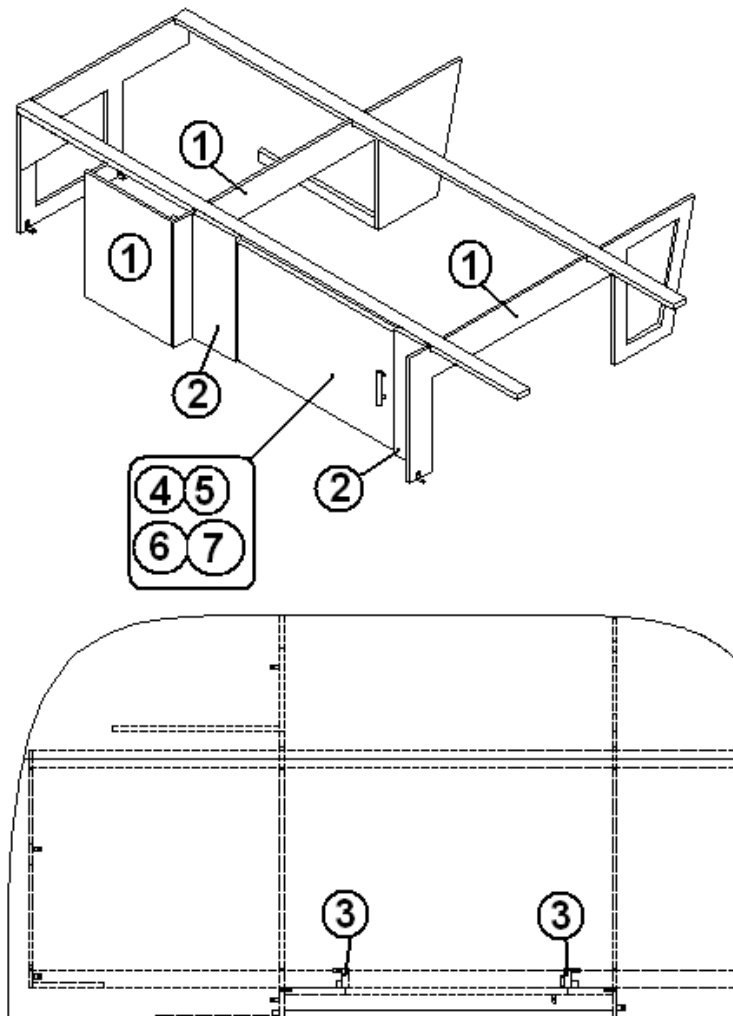
WARDROBE/CLOSET ASSEMBLY, 16'

965872-01	WARDROBE/CLOSET ASSEMBLY, 16'
1. 801376-01	PANEL OAK/WHITELINER8M
2. 801368	PANEL, WHITELINER/WHITELINER
3. 801392	PANEL, WHITELINER/WHITELINER
4. 801341-120	DOOR-W/R 10.44"X71" LAM
5. 380203-01	PIANO HINGE 1/8" PIN CLR ANODIZED
6. 381607	HINGE ASSEMBLY-GRASS EURO
7. 381228-01	CATCH GRABBER DOOR
8. 381865	PULL-BAR BRUSH NICKEL #3489
9. 702681-08	FOLDETTE DOOR, BEIGE 60"X 73"
10. 963990-006	MAGAZINE RACK
11. 386107	ROD-MAGAZINE RACK
12. 200773	CLOSEOUT, READING LIGHT ABS
13. 801466-09	PANEL-FWD WARDROBE
14. 965948-01	PANEL SUB ASSEMBLY-AFT WARDROBE
15. 801475	DOOR ASSEMBLY-W/R POCKET
16. 801466-18	PANEL-AFT WARDROBE
801378	PANEL, WHITE LINER/GATOR
365268-01	EDGE BANDING-.024"X 1.13", OAK
801345	RADIUS PLYWOOD .75" X 3" X 8'
380045	METALLIC TUBING
380046	FLANGE CHROME
200975-04	CONDUIT,FLEXIBLE BLACK PLASTIC
381838-01	TRACK-FORMED FOLDETTE 16'

SAFARI- BAMBI

FURNITURE, BEDROOM

BED ASSEMBLY, 20'

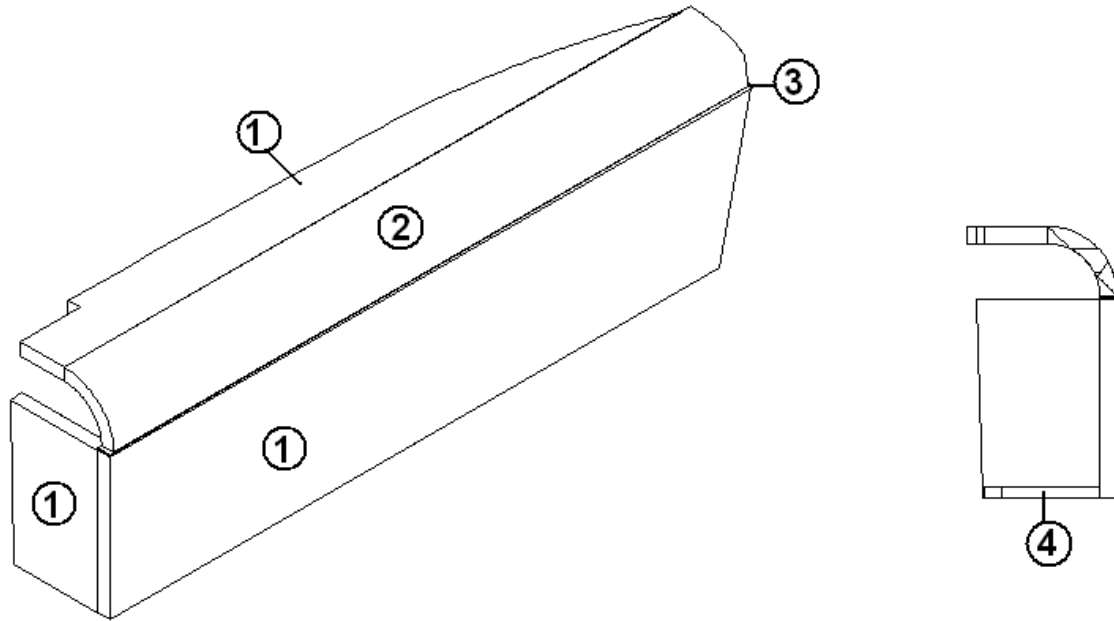


- | | |
|---------------|-----------------------------------|
| 966544 | BED ASSY. |
| 1. 801383-01 | PANEL, OAK/WHITE LINER 1 |
| 2. 801376-01 | PANEL, T.OAK/WHITE LINER 18MM |
| 3. 801368 | PANEL, WHITELINER/WHITELINER 18MM |
| 4. 801341-184 | DOOR-BED 26.75" X 16.5" |
| 5. 381865 | PULL-BAR BRUSH NICKEL |
| 6. 381607 | HINGE ASSY-GRASS EURO |
| 7. 381228-01 | CATCH GRABBER DOOR |

SAFARI- BAMBI

FURNITURE, BEDROOM

HAMPER ASSEMBLY, ROADSIDE, 20'

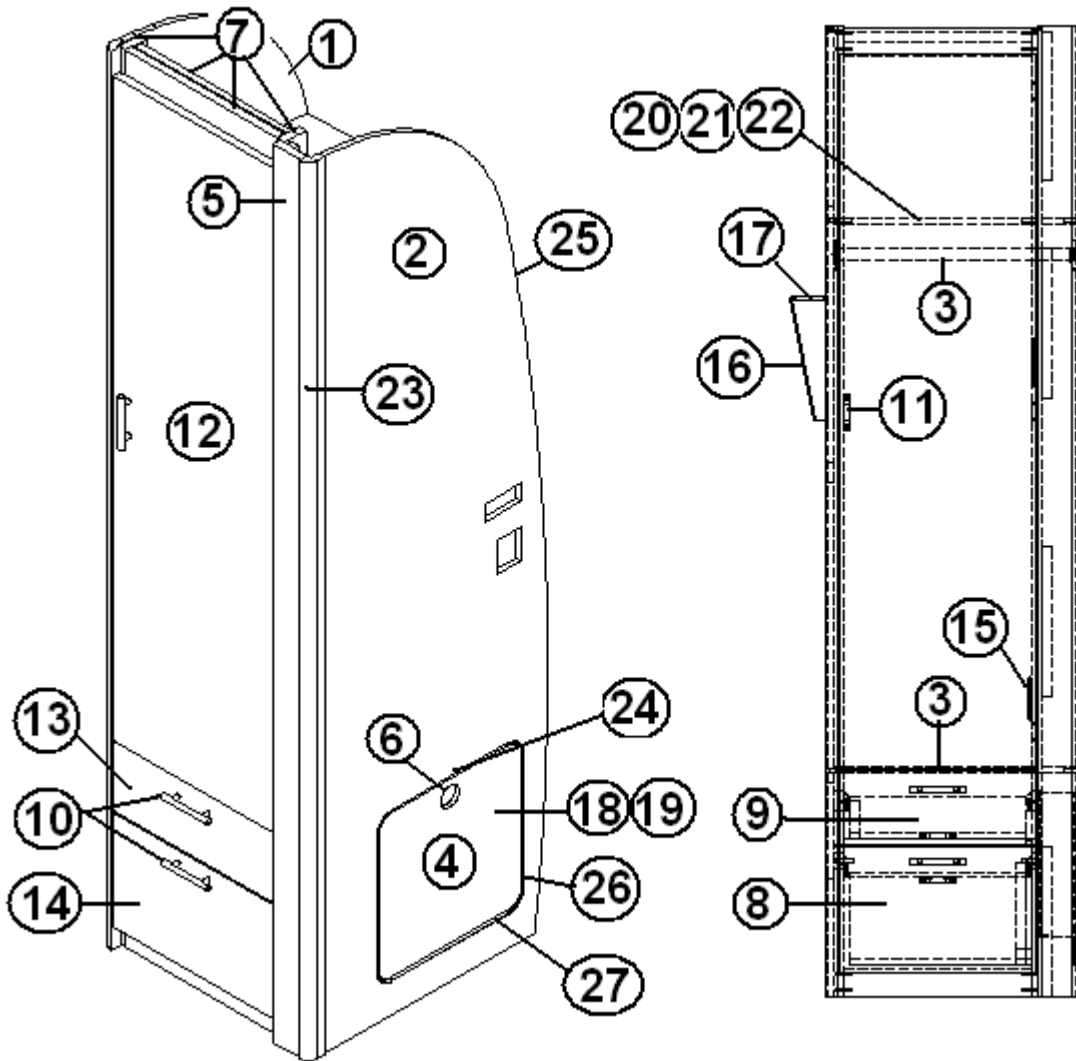


966545	RS HAMPER ASSY
1. 801378	PANEL, WHITE LINER/GATOR, 18MM
2. 801345	RADIUS PLYWOOD .75" X 3" X 8'
3. 380458	HINGE PIANO BROWN ANODIZED
4. 801392	PANEL, WHITELINER/WHITELINER 12MM
201673	REVERSE COVE MOLDING, WHITE, PLASTIC
702482-03	HEADLINER SPECTRA OPAL X TEXTURE

SAFARI- BAMBI

FURNITURE, BEDROOM

WARDROBE ASSEMBLY, 20'



PART NUMBERSON THE NEXT PAGE

SAFARI- BAMBI

FURNITURE, BEDROOM

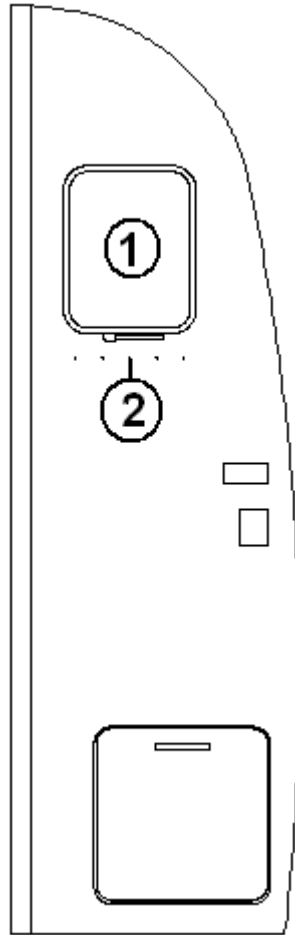
WARDROBE ASSEMBLY, 20'

966550	WARDROBE ASSY.
1. 801658-01	PANEL, FWD WARDROBE
2. 801658-02	PANEL, AFT WARDROBE
3. 801392	PANEL, WHITELINER/WHITELINER
4. 801383-01	PANEL, OAK/WHITE LINER
5. 801376-01	PANEL, T.OAK/WHITE LINER
6. 381855	PULL-DRW RECESS SS FACE W/BLACK
7. 801368	PANEL, WHITELINER/WHITELINER
8. 965558-04	DRAWER BOX, 8" X 15.25" X 14.88"
9. 965642-01	DRAWER BOX, 3.38" X 15.25" X 14.88"
10. 381865	PULL-BAR BRUSH NICKEL
11. 381228-01	CATCH GRABBER DOOR
12. 801341-185	DOOR-W/R 15.88" X 57.44"
13. 801341-186	DOOR-W/R 15.88" X 6"
14. 801341-187	DOOR-W/R 15.88" X 9.63"
15. 381607	HINGE ASSY-GRASS EURO
16. 386106-01	RACK, MAGAZINE WHITE
17. 386107	ROD, MAGAZINE RACK
18. 203383	RACK, MAGAZINE ABS
19. 104821	SUPPORT, ROOFLOCKER, 74"
20. 380045	TUBING ¾" ELECTRIC, METALLIC
21. 200975-04	CONDUIT, FLEXIBLE BLACK PLASTIC
22. 380046	FLANGE CHROME
23. 801393-01	CORNER TRIM, 1" RADIUS, OAK
24. 700822	HOOK, VELCRO, CIRCLE, ADHESIVE
25. 203138-03	EXTRUSION PLASTIC WALL BEIGE
26. 203445	T-MOLDING BLK FLEXIBLE POLY .5"
27. 381951	HINGE, FORMED, PIANO
381773-03	DRAWER SLIDE 15.75"

SAFARI- BAMBI

FURNITURE, BEDROOM

WARDROBE DRY ERASEBOARD AND KEYHOOKS, 20'



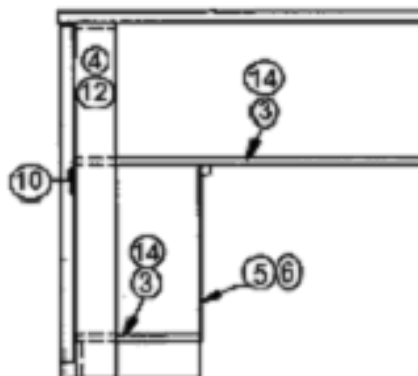
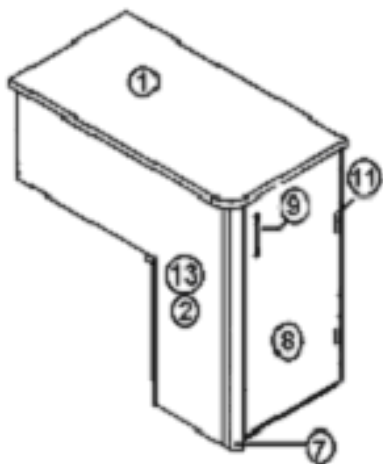
1. 381902
2. 381945

HOOK, STAINLESS STEEL, SCREW IN
BOARD, DRY/ERASE 11" X 14" MAGNETIC

SAFARI- BAMBI

FURNITURE, BEDROOM

Nightstand, 25' B (Double Bed)



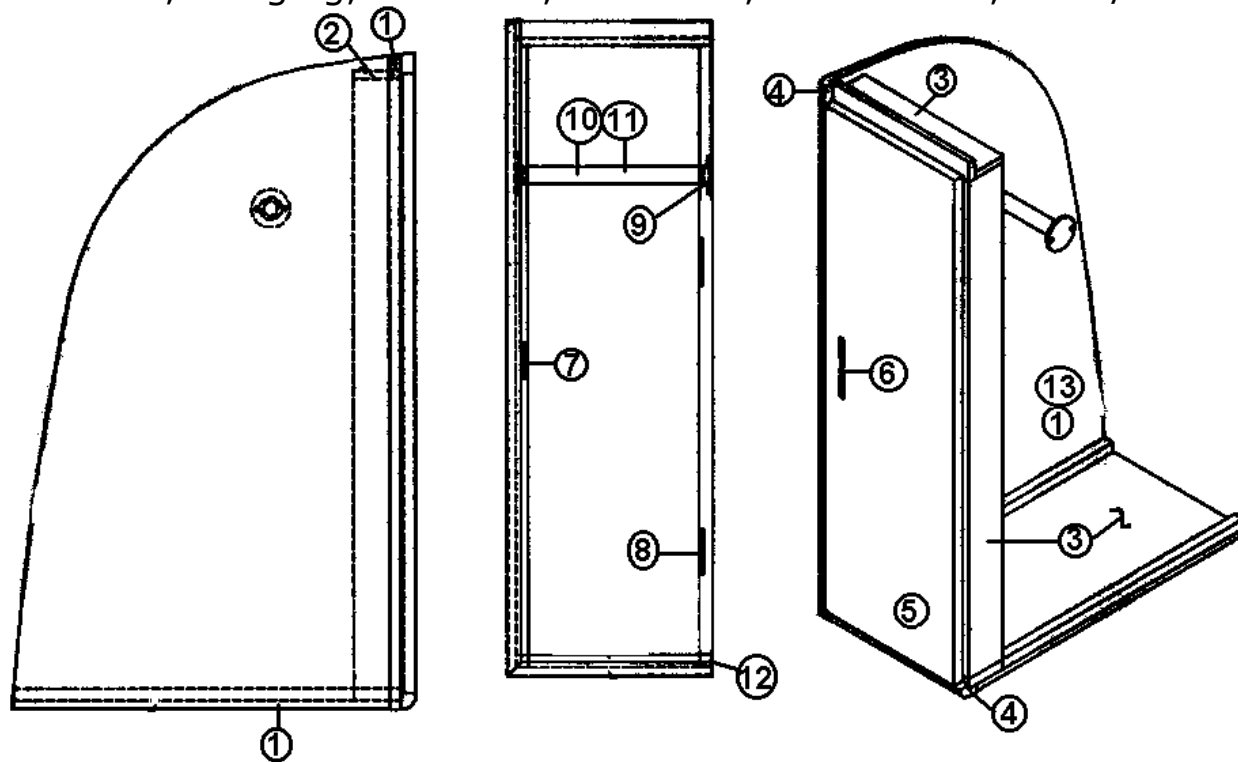
- | | |
|---|---|
| <p>965668
 965668-01
 1. 965667
 1. 965667-01
 2. 801383-01
 2. 801377

 3. 801392
 4. 801376-01
 5. 800507-01
 6. 801355-01
 7. 801393-016
 8. 801341-44
 9. 381865
 10. 381228-01
 11. 381607
 12. 365268-01
 13. 365268-03
 14. 365238-04
 453571
 365273</p> | <p>Nightstand, 25' B (Double Bed), Oak
 Nightstand, 25' B, Amarillo, Midnight Sun
 Nightstand top
 Nightstand, top, Amarillo, Midnight Sun
 Paneling, Tropical Oak/White Liner, 12mm
 PANEL, GRAPHITE 4' X 8' 18", Amarillo,
 Midnight Sun
 Paneling, White/White 12 MM
 Paneling, Tropical Oak/White, 4' x 8'
 Luan, 1/8" x 4' x 8'
 Laminate, Frost White, 4' x 8'
 Corner trim. 90 degree, 1" radius
 Door, 11.38" x 23.63"
 Door handle
 Door/drawer grabber catch, 3 lb.
 Hinge assembly, Grass European
 Edge tape, Tropical Oak, 1.13 wide
 Edge tape, Tropical Oak, .625"
 Edge tape, White, 5/8" wide
 WIRE CLOSEOUT, DOUBLE BED
 EDGEBANDING GALAXY GRAPHITE,
 Amarillo, Midnight Sun</p> |
|---|---|

SAFARI- BAMBI

FURNITURE, BEDROOM

Wardrobe, Hanging, Roadside, 25' A & B, 25' FB Twin, 28' S/O

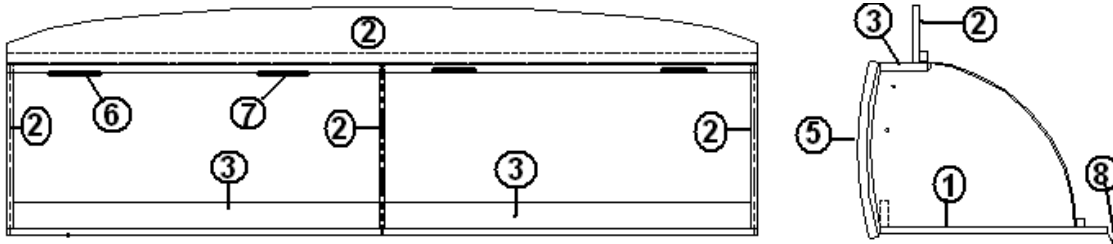


- | | |
|--|---|
| <p>965669</p> <p>1. 801381-01</p> <p>2. 801392</p> <p>3. 801368</p> <p>4. 801393-016</p> <p>5. 801341-45</p> <p>6. 381865</p> <p>7. 381228-01</p> <p>8. 381607</p> <p>9. 380046</p> <p>10. 380045</p> <p>11. 200975-04</p> <p>12. 365268-01</p> <p>13. 365240-01</p> <p>381241-009</p> <p>381241-006</p> | <p>RS Hanging Wardrobe</p> <p>Paneling, Tropical Oak/Tropical Oak</p> <p>Paneling, White/White 12 MM</p> <p>Laminate, White/White</p> <p>Corner trim, 1" radius</p> <p>Door, 13.81" x 38.13"</p> <p>Door handle</p> <p>Door/drawer grabber catch, 3 lb.</p> <p>Hinge assembly, Grass European</p> <p>Flange, chrome</p> <p>Tubing, 3/4" metallic</p> <p>Conduit, flexible, black plastic</p> <p>Edge tape, Tropical Oak, 1.13 wide</p> <p>Edge tape, white, 1 5/16"</p> <p>TV SHELF W/MIRROR, BLACK</p> <p>TV SHELF W/MIRROR, OAK</p> |
|--|---|

SAFARI- BAMBI

FURNITURE, BEDROOM

Roof Locker, Rear End, 30', 28' W

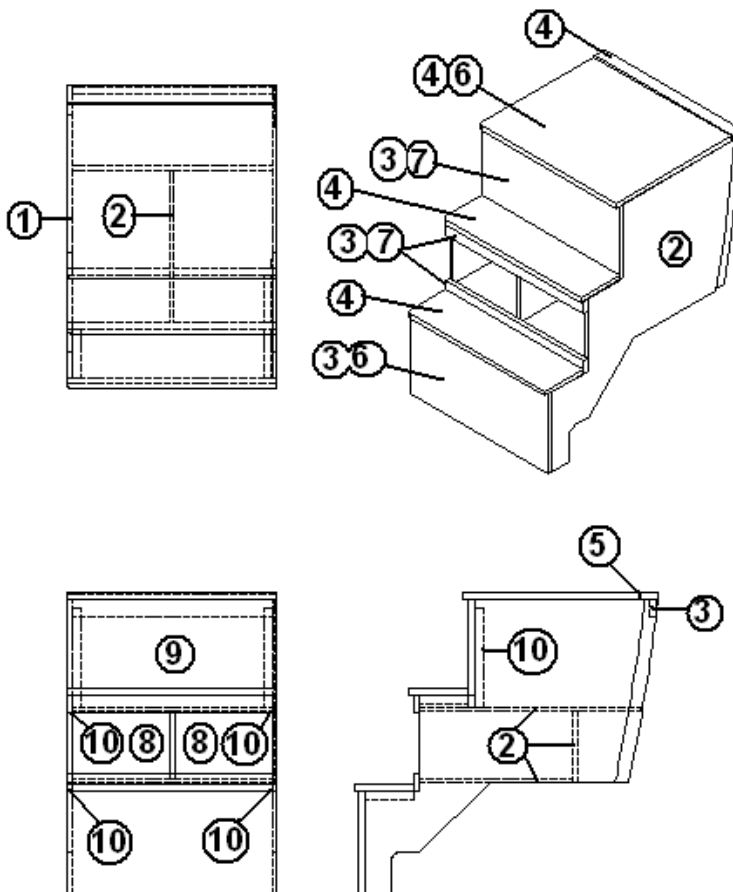


966041	Roof Locker, Rear End
966041	Roof Locker, Rear End, Special edition
1. 801383-01	PANEL, TRP OAK/WHITE LINER 1
2. 801392	PANEL, WHITELINER/WHITELINER 1
3. 801376-01	PANEL, T.OAK/WHITE LINER 18M
4. 801438	PANEL, FROST WHITE VINYL/RAW
5. 965551-02	DOOR-RADIUS FOAM 15.25"X 31.63
6. 381840-01	HINGE-OVERHEAD SPRING LH #372.
7. 381840-02	HINGE-OVERHEAD SPRING RH #372.
8. 104829	SUPPORT ROOFLOCKER GALLEY
345276-04	SCREW HEX HD. CAP 1/4-20 X 1 I
350147-25	NUT,NYLON LOCK,1/4-20
365268-01	EDGE BANDING-.024"X 1.13" OAK
365268-03	EDGE BANDING-.024"X .63", OAK
511971	LIGHT-12V DOUBLE W/SWITCH
801505	PANEL, SAND/RAW, 125" X 4' X 8'
345275-04	1/4"-20 X 1 FLAT PHIL M/S ZINC

SAFARI- BAMBI

FURNITURE, BEDROOM

Dresser, w/Stairs 30'

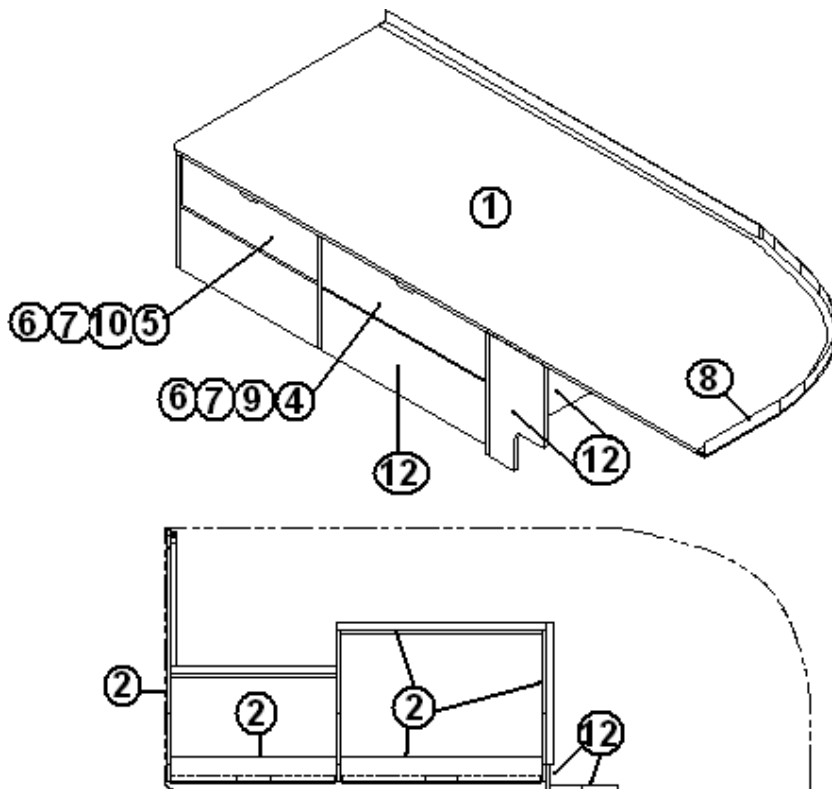


- | | |
|--|--|
| <p>966074</p> <p>1. 801383-01</p> <p>2. 801392</p> <p>3. 801376-01</p> <p>4. 801377</p> <p>5. 380458</p> <p>6. 381228-01</p> <p>7. 380041</p> <p>8. 203439</p> <p>9. 203419</p> <p>10. 114812</p> <p>365268-01</p> <p>365273</p> | <p>DRESSER ASSEMBLY, W/STAIRS 30'</p> <p>PANEL, TRP OAK/WHITE LINER</p> <p>PANEL, WHITELINER/WHITELINER</p> <p>PANEL, T.OAK/WHITE LINER</p> <p>PANEL, GRAPHITE/WHITE LINE</p> <p>HINGE PIANO BROWN ANODIZED</p> <p>CATCH GRABBER DOOR</p> <p>BRACE 1" STANLEY CORNER</p> <p>STORAGE BOX-17"L X 11.13"W X 6.38"</p> <p>BOX STORAGE 23"L X 16.75"W X 11.88</p> <p>ANGLE 1.00" X 1.00"</p> <p>EDGEBANDING-.024"X 1.13" OAK</p> <p>EDGEBANDING GALAXY GRAPHITE</p> |
|--|--|

SAFARI- BAMBI

FURNITURE, BEDROOM

BED, LOWER BUNK, 30'

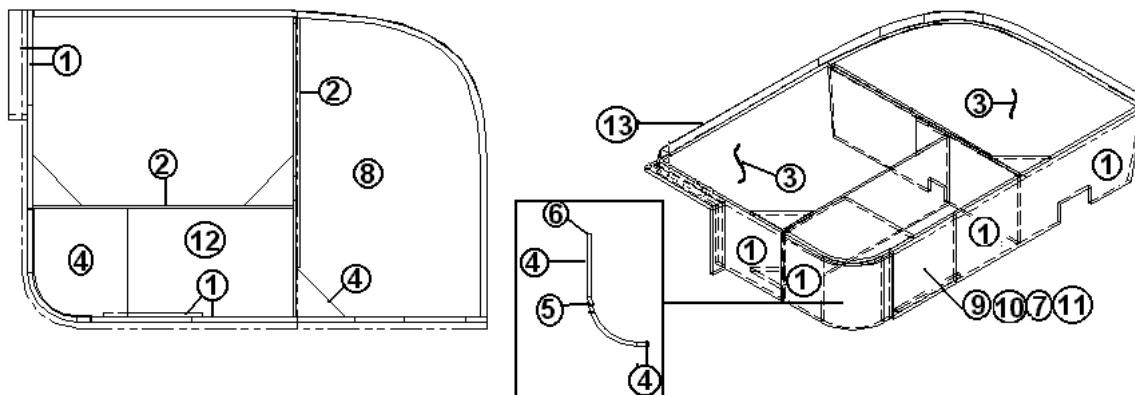


- | | |
|---|---|
| <p>966075
 1. 800507-03
 2. 801392
 3. 801376-01
 4. 801399-04
 5. 801399-05
 6. 365268-01
 7. 381773-26
 8. 114813
 9. 203447
 10. 203439
 11. 703450-05
 12. 801383-01
 381458
 365268-03
 966077</p> | <p>BED ASSEMBLY, LOWER BUNK
 LAUAN, 3/8" X 4' X 8'
 PANEL, WHITELINER/WHITELINER
 PANEL, T.OAK/WHITE LINER
 DRAWER-HIDDEN 13.00"W X 3.38"H
 DRAWER-HIDDEN 13.00"W X 3.38"H
 EDGEBANDING-.024"X 1.13" OAK
 CLIP-LOCKING (DRAWER SLIDE/BOX
 ANGLE 1.00" X 1.50"
 STORAGE BOX-23.5"X16.25"X6.38"
 STORAGE BOX-17"LX11.13"WX6.38"
 MATTRESS-7"X32"X 78" FOAM
 PANEL, TRP OAK/WHITE LINER 1
 TRIM LOCK,3/16" BLACK
 EDGEBANDING-.024"X .63" OAK
 DOOR ASSY-BED</p> |
|---|---|

SAFARI- BAMBI

FURNITURE, BEDROOM

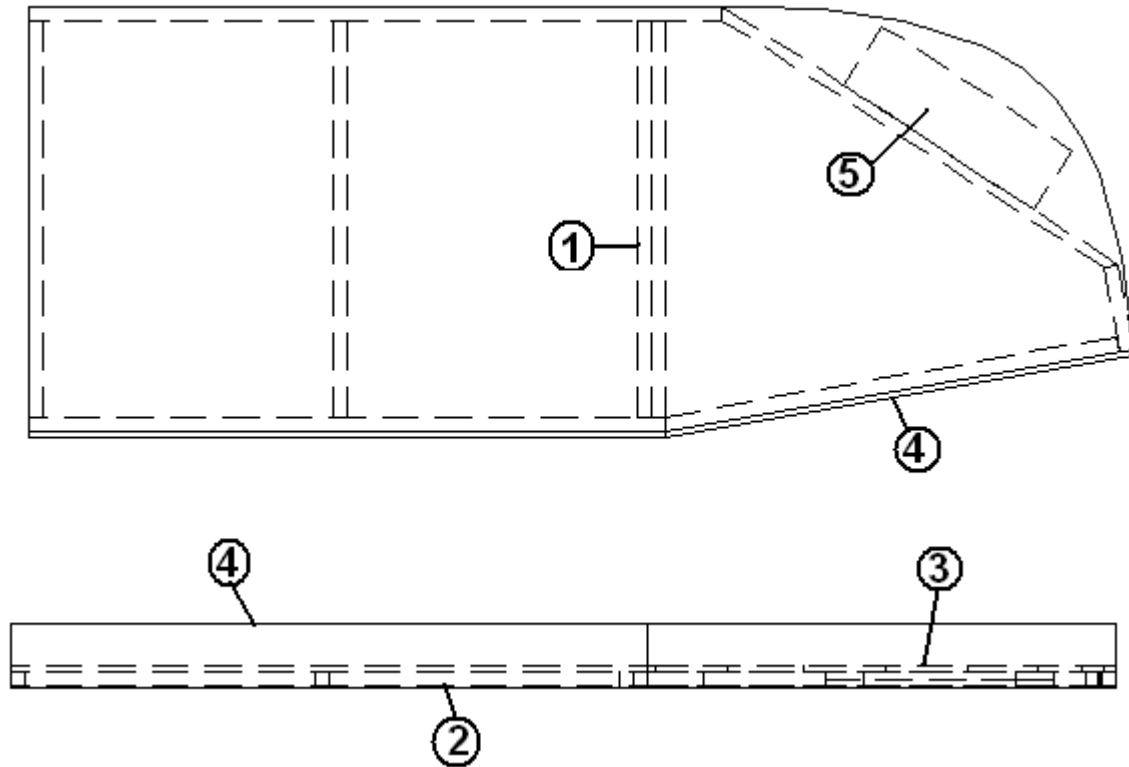
BED BASE, DOUBLE BED W/SINGLE BUNK, 30'



- | | |
|---|--|
| <ul style="list-style-type: none"> 965980-01 1. 801376-01 2. 801392 3. 800507-03 4. 801351 5. 966077 6. 801343 7. 381853 8. 703336-05 9. 381865 10. 381773-26 11. 381228-01 12. 203419 12. 203439 13. 115150 | <ul style="list-style-type: none"> BED BASE ASSEMBLY, 30' PANEL, TROPICAL OAK/WHITELINER PANEL, WHITELINER/WHITELINER LAUAN, 3/8" X 4' X 8' LITE PLY-18MM (.75") 4' X 8' DOOR, BED LAMINATE, TROPICAL OAK 4' X 8' HINGE-CONTINUOUS ALUM PIANO MATTRESS-60" X 75" W/11"RADIUS CORNER HANDLE-DRAWER/DOOR LOCKING CLIP, DRAWER SLIDE CATCH GRABBER DOOR STORAGE BOX 23L" X 16.75"W X 11.88" STORAGE BOX 17L" X 11.13"W X 6.38" ANGLE-BED SUPPORT 80" |
|---|--|

SAFARI- BAMBI
FURNITURE, BEDROOM

Bed, Upper Bunk 30', 25' Sleep Six

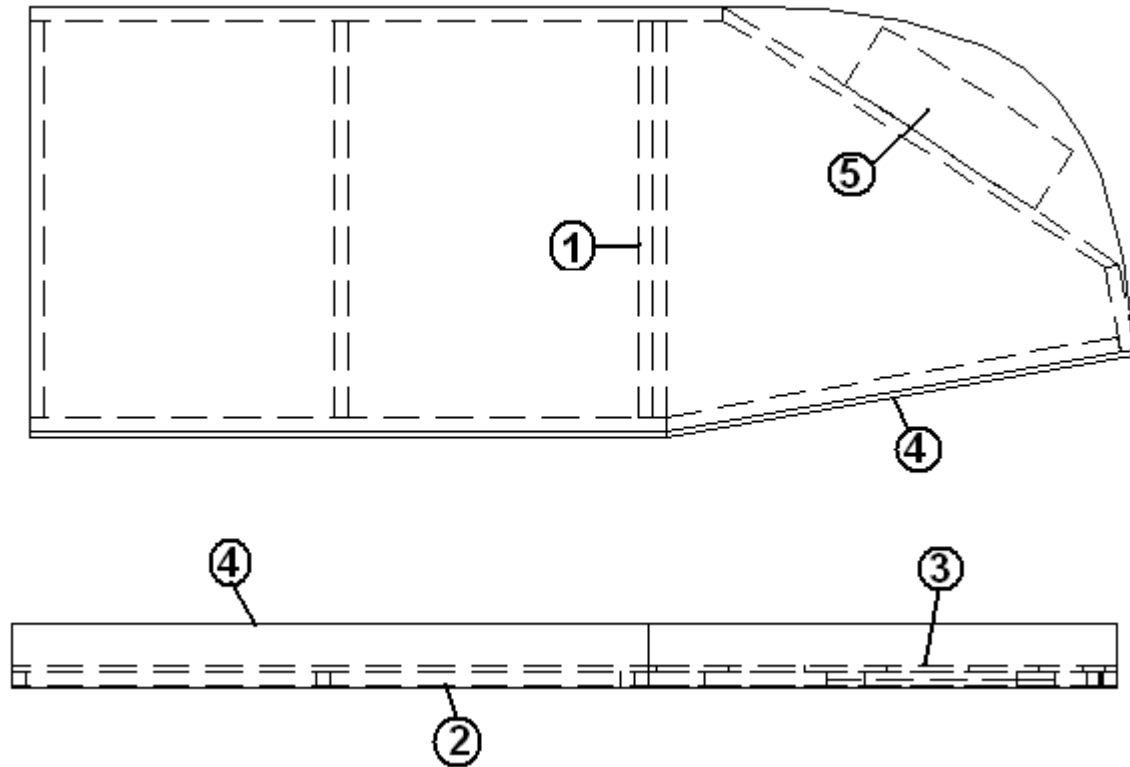


- | | |
|--------------|------------------------------|
| 966109 | BED, UPPER BUNK 30'SAF |
| 1. 915742 | WELDMENT- UPPER BUNK BED |
| 2. 801438 | PANEL, FROST WHITE VINYL/RAW |
| 3. 800507-03 | LAUAN, 3/8" X 4'X 8' |
| 4. 801381-01 | PANEL, OAK/OAK |
| 5. 801392 | PANEL, WHITELINER/WHITELINER |
| 703468 | UPPER BUNK SAFETY NET |
| 381736-04 | BRACE/RAIL-UPPER BUNK |

SAFARI- BAMBI

FURNITURE, BEDROOM

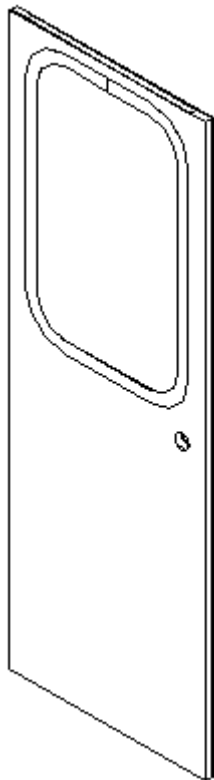
Bed, Upper Bunk Option, 23', 19'



- | | |
|--------------|------------------------------|
| 966352 | BED, UPPER BUNK 23' |
| 1. 915841 | WELDMENT- UPPER BUNK BED |
| 2. 801438 | PANEL, FROST WHITE VINYL/RAW |
| 3. 800507-03 | LAUAN, 3/8" X 4'X 8' |
| 4. 801381-01 | PANEL, OAK/OAK |
| 5. 801392 | PANEL, WHITELINER/WHITELINER |
| 703468 | UPPER BUNK SAFETY NET |
| 381736-03 | BRACE/RAIL-UPPER BUNK |
| 703501 | MATTRESS, UPPER BUNK |

SAFARI- BAMBI
FURNITURE, BEDROOM

DOOR, FRONT SLIDING 30'

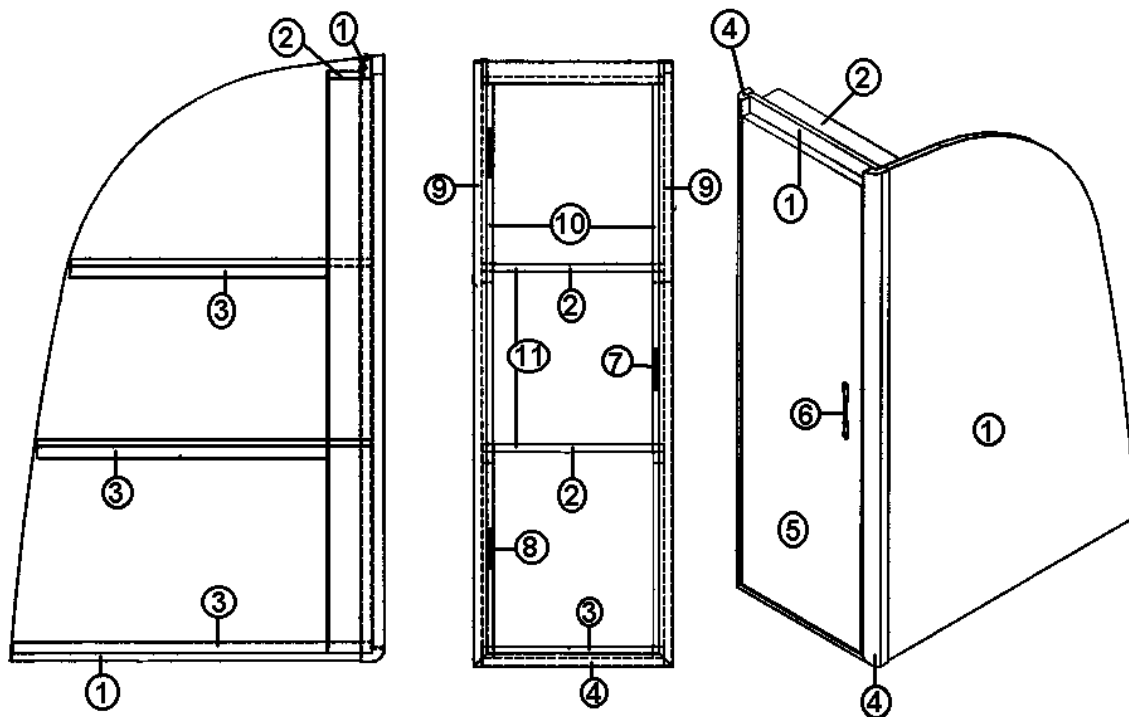


966088	DOOR, FRONT SLIDING 30'
966089	TRIM RING-MIRROR 30'SAF
371397	MIRROR-18.5" X 31"
381855	Recessed Drawer Pull
381443-01	SLIDING DOOR SET #71-222-5'
381443-02	BUMPER STOP #7014
381443-03	ANGLE STOP #1018
801500-05	PANEL, HEADER FWD SLD DR
801500-06	PANEL, HEADER AFT SLD DR INNER
801500-07	PANEL ,HEADER AFT SLD DR OUTER
801500-02	PANEL,FWD BOOTH SEAT 30'
801381-01	PANEL, TROPICAL OAK/TROPCAL OAK
365268-03	EDGE BANDING-.024" X .63", OAK

SAFARI- BAMBI

FURNITURE, BEDROOM

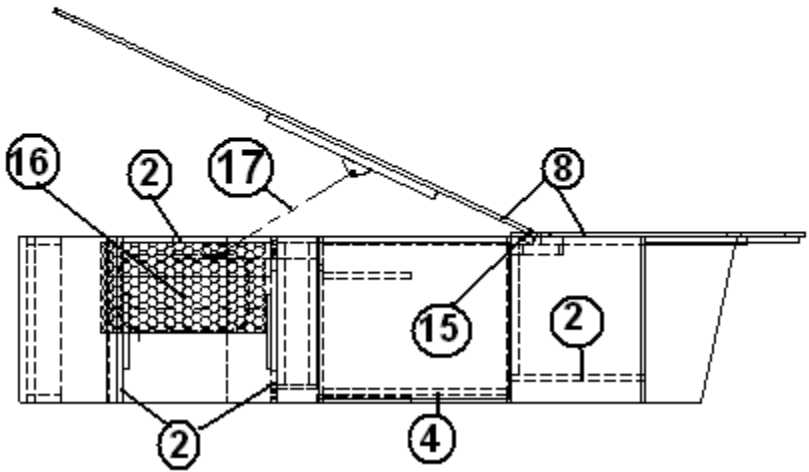
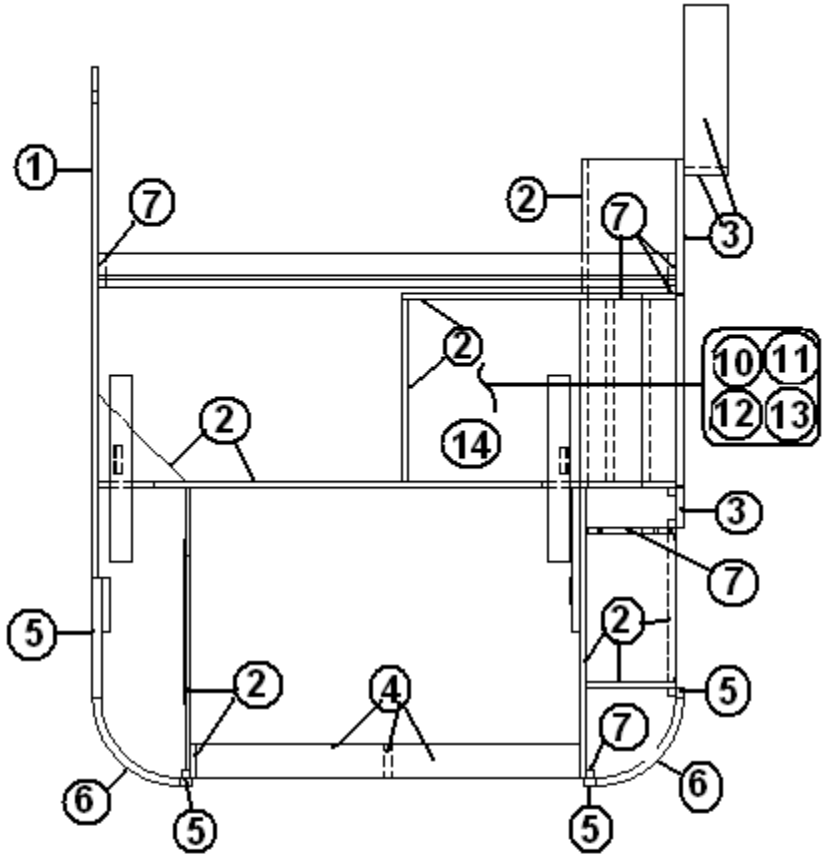
Linen Cabinet, Hanging, Curbside, 25' FB Double, 25' A & B, 28 S/O



- | | |
|--|--|
| <p>965682</p> <p>1. 801383-01</p> <p>2. 801392</p> <p>3. 801368</p> <p>4. 801393-016</p> <p>5. 801341-45</p> <p>6. 381865</p> <p>7. 381228-01</p> <p>8. 381607</p> <p> 381607-01</p> <p> 381607-02</p> <p> 381607-03</p> <p> 381607-04</p> <p>9. 365268-01</p> <p>10. 365240-01</p> <p>11. 365238-04</p> | <p>CS Hanging Linen Cabinet Assembly</p> <p>Paneling, Tropical Oak/White Liner</p> <p>Paneling, White/White 12 MM</p> <p>Laminate, White/White</p> <p>Corner trim, 1" radius</p> <p>Door, 11.38" x 38.13"</p> <p>Door handle</p> <p>Door/drawer grabber catch, 3 lb.</p> <p>Hinge assembly, Grass European</p> <p>HINGE-GRASS EURO W/80307 PLASTIC</p> <p>BASE PLATE-GRASS HINGE</p> <p>BASE PLATE-GRASS PLASTIC</p> <p>HINGE SCREW-GRASS #6X 5/8"</p> <p>Edge tape, Tropical Oak, 1.13 wide</p> <p>Edge tape, white, 1 5/16"</p> <p>Edge tape, White, 5/8" wide</p> |
|--|--|

SAFARI- BAMBI
FURNITURE, BEDROOM

Bed, Double, 25', 28' S/O



SAFARI- BAMBI

FURNITURE, BEDROOM

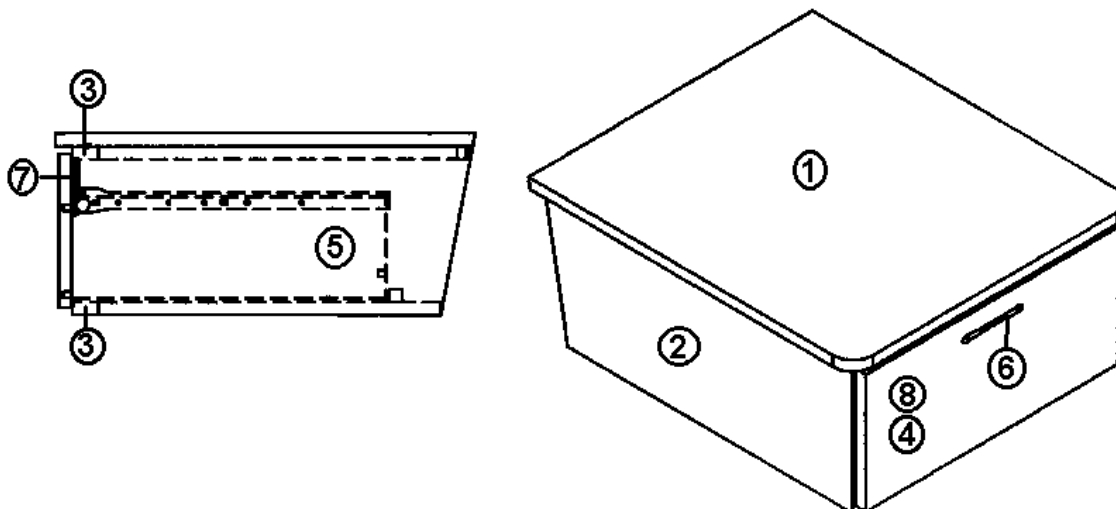
Bed, Double, 25', 28' S/O

966406	BED, DOUBLE, 28' S/O
966406-01	BED, DOUBLE, 25'
966406-02	BED, DOUBLE, 25' FRONT BED
1. 801383-01	PANEL OAK/WHITE LINER 12MM
2. 801392	PANEL, WHITELINER/WHITELINER 12MM
3. 801376-01	PANEL OAK/WHITE LINER 18M
4. 801368	PANEL, WHITELINER/WHITELINER 18MM
5. 801351	LITE PLY-18MM (.75") 4'X 8'
6. 801348	RADIUS PLYWOOD, .75" X 8" X 6'
7. 800025-01	PINE 3/4" X 3/4" STAINED
8. 800507-03	LAUAN, 3/8"X 4'X 8'
9. 114811	ALUMINUM ANGLE .50" X .50"
10. 801341-49	DOOR-RS TWIN BED 17.38" X 14.25"
11. 381607	HINGE
12. 381865	Door handle
13. 381228-01	CATCH GRABBER DOOR
12.203419	BOX STORAGE 23"L X16.75"W X11.88
13.380203-01	HINGE PIANO, 1/8" PIN
14.453783-05	GRILL SCREEN, 9.25"X 14.88"
17. 381067-09	SPRING-GAS 90 LBS.
17. 381262	BRACKET, PROP, W/BALL
17. 381310	GAS PROP BRACKET ASSY, UPPER
17. 381084	BALL, STUD
365268-01	EDGE BANDING-.024"X 1.13" OAK
365268-03	EDGE BANDING-.024"X .63" OAK
801343-01	PANEL, OAK 4' X 8' VERTICAL
201016	DRAWER 16" X 22"
115151	ANGLE-BED SUPPORT 43"
115101	CLOSEOUT BED BASE WIRES 17.19"

SAFARI- BAMBI

FURNITURE, BEDROOM

Nightstand, 25' B, 25' Front Bed Twin, 28' S/O

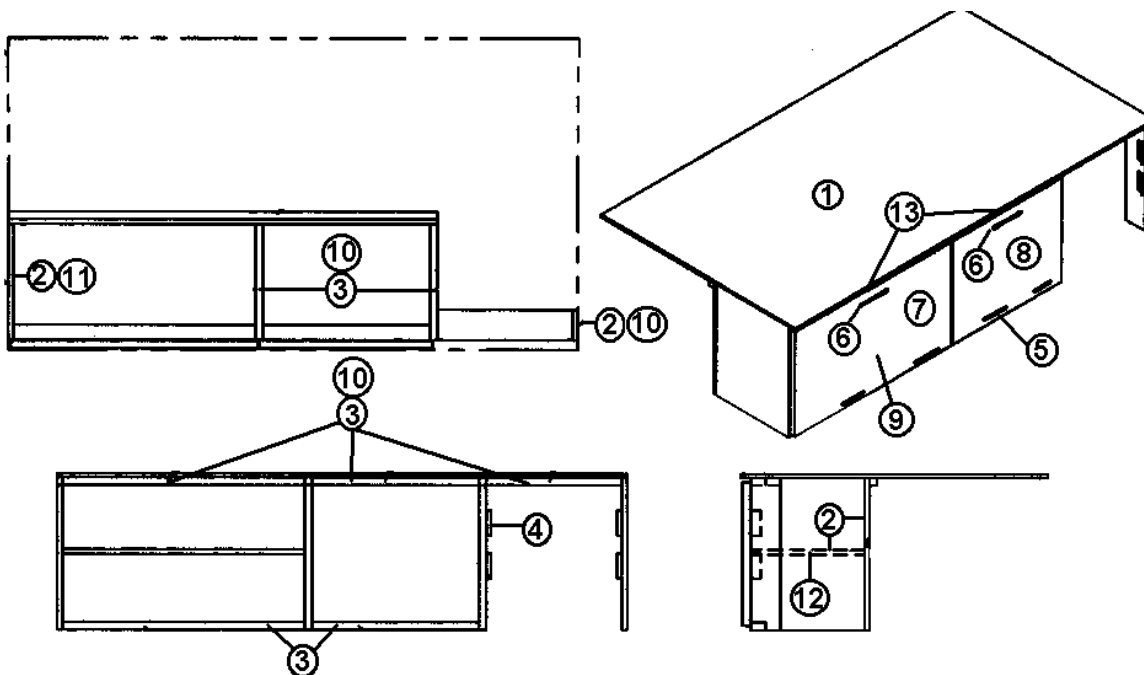


- | | |
|---------------|---------------------------------------|
| 965685 | Nightstand Assembly |
| 965685-01 | Nightstand Assembly, Midnight Sun |
| 1. 965684 | Nightstand top assembly, white |
| 1A. 965684-01 | Nightstand top assembly, Midnight Sun |
| 2. 801383-01 | Paneling, Tropical Oak/White liner |
| 3. 801378 | Laminate, Tropical Oak/White liner |
| 4. 801341-47 | Door, 8.88" x 19.13" |
| 5. 965554-03 | Drawer box assembly |
| 6. 381865 | Door handle |
| 7. 381228-01 | Door/drawer grabber catch, 3 lb. |
| 8. 365268-03 | Edge tape, Tropical Oak, .625" |
| 381773-17 | DRAWER SLIDE-5.875"X 18.5" (PAIR) |
| 801369 | Paneling, White/White |
| 801376-01 | Paneling, Tropical Oak, /White Liner |
| 365268-01 | Edge tape-.024" X 1.13" Tropical Oak |
| 801368 | Paneling, White liner/White Liner |
| 365267 | Edge tape, 1.13" .024, ply |
| 801377 | PANELING, GRAPHITE/REX 4' X 8' x 18" |
| 365273 | EDGEBANDING GALAXY GRAPHITE |

SAFARI- BAMBI

FURNITURE, BEDROOM

Bed, Twin, Roadside, 25' A, 25' FB, 28' S/O

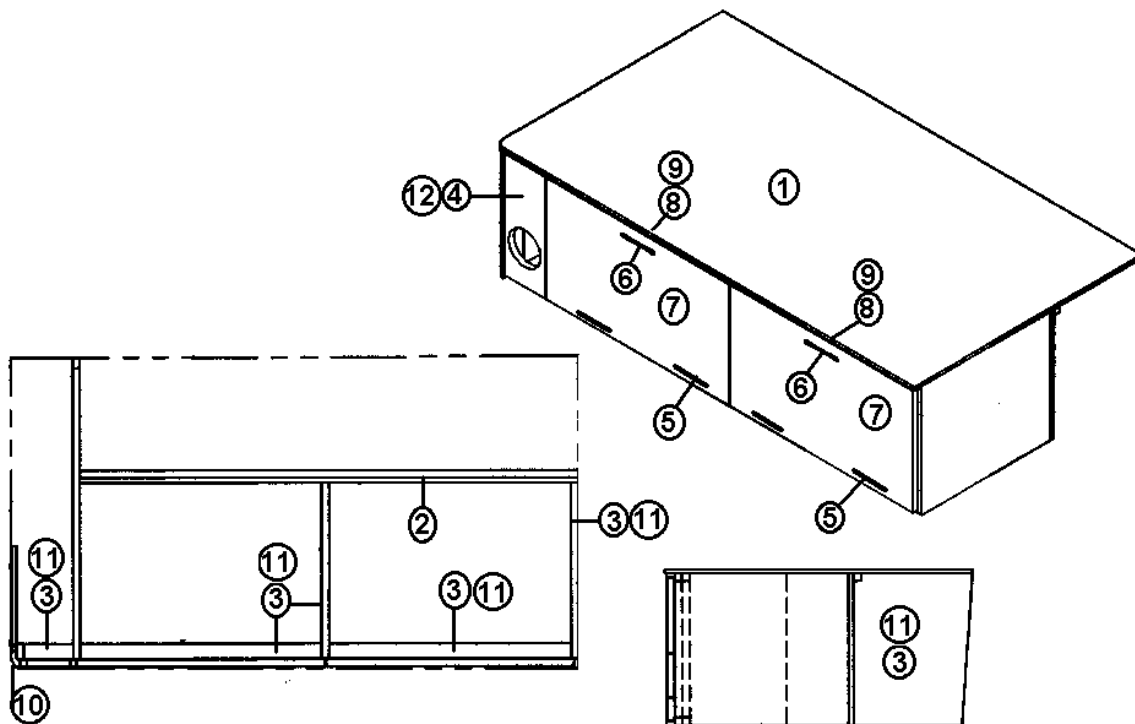


- | | |
|--|--|
| <p>965686
1. 800507-03
2. 801392
3. 801368
4. 114811
5. 385935-01
6. 381865
7. 801341-48
8. 801341-49
9. 201051
10. 365268-01
11. 365268-03
12. 365238-04
13. 381228-01
701538-01
965683</p> | <p>RS Bed Base Assembly, 25' A, 28' S/O
Luan, 3/8" x 4" x 8'
Paneling, White/White 12 MM
Laminate, White/White
Aluminum angle, 1/16" x 1/2" x 1/2"
Hinge, pivot
Door handle
Door, 25.00" x 14.25"
Door, 17.38" x 14.25"
Drawer, 10" x 22"
Edge tape, Tropical Oak, 1.13 wide
Edge tape, Tropical Oak, .625"
Edge tape, White, 5/8" wide
Door/drawer grabber catch, 3 lb.
CARPET-ECONOLIER W/PSA BACK
STORAGE BOX ASSY REAR</p> |
|--|--|

SAFARI- BAMBI

FURNITURE, BEDROOM

Bed, Twin, Curbside, 25' A, 25' FB, 28 S/O

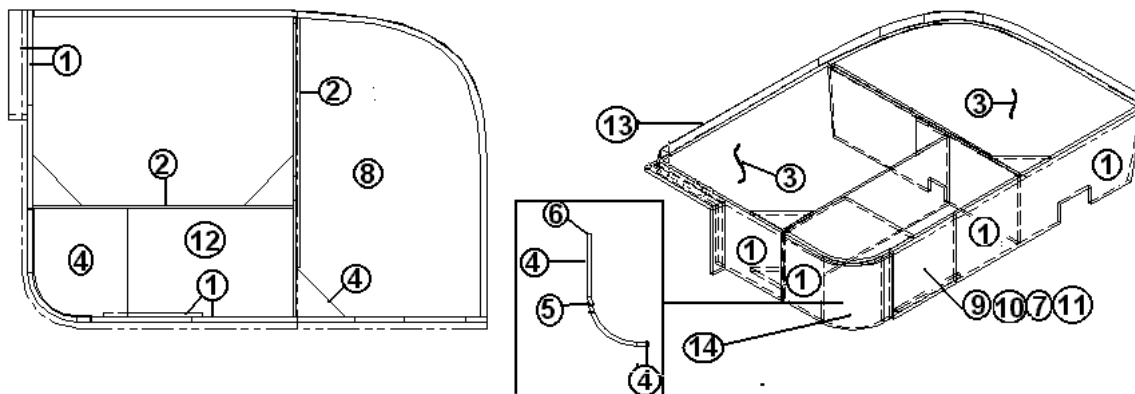


- | | |
|---|---|
| <p>965687</p> <p>1. 800507-03</p> <p>2. 801392</p> <p>3. 801368</p> <p>4. 801376-01</p> <p>5. 385935-01</p> <p>6. 381865</p> <p>7. 801341-48</p> <p>8. 381228-01</p> <p>9. 203419</p> <p>10. 801393-016</p> <p>11. 365268-01</p> <p>12. 801381-01</p> | <p>CS Bed Assembly, 25' A, 28 S/O</p> <p>Luan, 3/8" x 4" x 8'</p> <p>Paneling, White/White 12 MM</p> <p>Laminate, White/White</p> <p>Laminate, Tropical Oak/White Liner</p> <p>Hinge, pivot</p> <p>Door handle</p> <p>Door, 25.00" x 14.25"</p> <p>Door/drawer grabber catch, 3 lb.</p> <p>Storage box, 23"L x 16.75"W x 11.88"H</p> <p>Corner trim, 1" radius</p> <p>Edge tape, Tropical Oak, 1.13 wide</p> <p>Paneling, Tropical Oak/Tropical Oak, 12MM</p> |
|---|---|

SAFARI- BAMBI

FURNITURE, BEDROOM

Bed, 25 Sleep Six

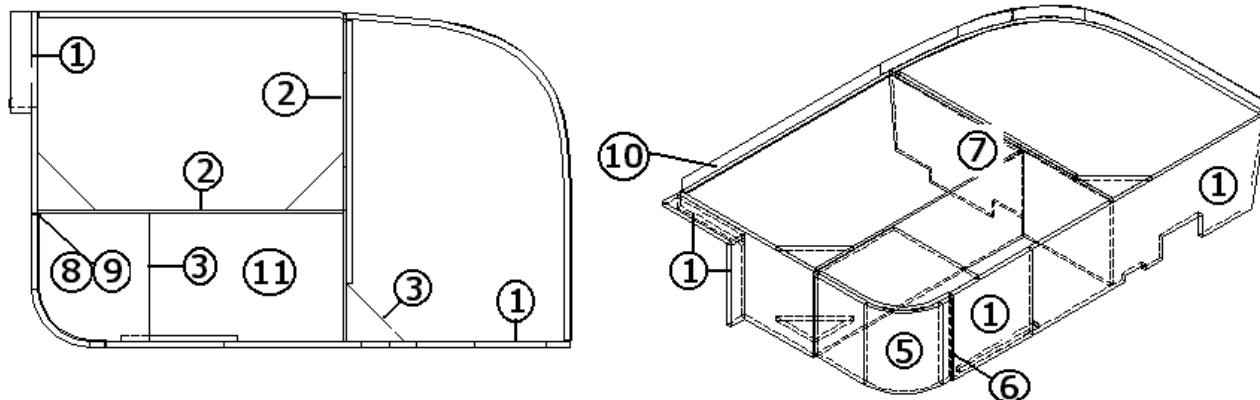


- | | |
|---|---|
| <p>965980</p> <p>1. 801376-01</p> <p>2. 801392</p> <p>3. 800507-03</p> <p>4. 801351</p> <p>5. 801348</p> <p>6. 801343</p> <p>7. 381853</p> <p>8. 702182-05</p> <p>9. 381865</p> <p>10. 381773-26</p> <p>11. 381228-01</p> <p>12. 203419</p> <p>12. 203439</p> <p>13. 115150</p> <p>14. 966058</p> <p> 381773-26</p> <p> 701538</p> <p> 701538-02</p> | <p>BED BASE ASSEMBLY</p> <p>PANEL, TROPICAL OAK/WHITELINER 18M</p> <p>PANEL, WHITELINER/WHITELINER</p> <p>LAUAN, 3/8" X 4' X 8'</p> <p>LITE PLY-18MM (.75") 4' X 8'</p> <p>RADIUS PLYWOOD-.75" X 8" X 6'</p> <p>LAMINATE, TROPICAL OAK 4' X 8'</p> <p>HINGE, PIANO</p> <p>MATTRESS-54"X 76"W/10"RADIUS CORNER</p> <p>HANDLE-DRAWER/DOOR</p> <p>LOCKING CLIP, DRAWER SLIDE</p> <p>CATCH GRABBER DOOR</p> <p>STORAGE BOX, 23"L X 16.75"W X 11.88"</p> <p>STORAGE BOX, 17"L X 11.13"W X 6.38"</p> <p>ANGLE-BED SUPPORT 80"</p> <p>DOOR ASSY. BED</p> <p>CLIP-LOCKING (DRAWER SLIDE/BOX)</p> <p>CARPET,ECONOLIER VELOUR BLACK</p> <p>PSA BACKING-ECONOLINE CARPET</p> |
|---|---|

SAFARI- BAMBI

FURNITURE, BEDROOM

Bed Base, 19', 23'

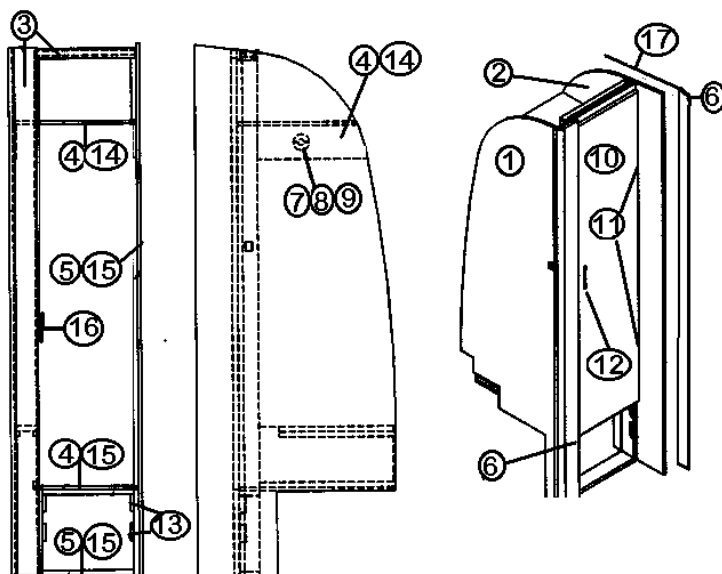


- | | |
|---|--|
| <p>965753
1. 801376-01
2. 801392
3. 801351
4. 801348
5. 966058
6. 381853
7. 703286-05
8. 381865
9. 381773-26
10. 114813
11. 203419
11. 203439
203426
701538-01
701538
701538-02</p> | <p>Bed Base Assembly, 19Ft.
Paneling, Tropical Oak/White, 4' x 8'
Paneling, White/White 12 MM
LITE PLY-18MM (.75") 4' X 8'
Radius plywood, .75" x 8" x 6'
DOOR ASSY. BED
HINGE, PIANO
MATTRESS-48" X 76" W/10" RADIUS CORNER
Door handle
Locking clip
Aluminum angle
BOX STORAGE 23"L X 16.75" WX 11.88"
STORAGE BOX-17"L X 11.13"W X 6.38"
STORAGE BOX 35L" X 16.75" W X12.50"
CARPET, ECONOLIER W/PSA BACK
CARPET, ECONOLIER VELOUR BLACK
PSA BACKING-ECONOLINE CARPET</p> |
|---|--|

SAFARI- BAMBI

FURNITURE, BEDROOM

Wardrobe, Roadside, 25' Sleep Six

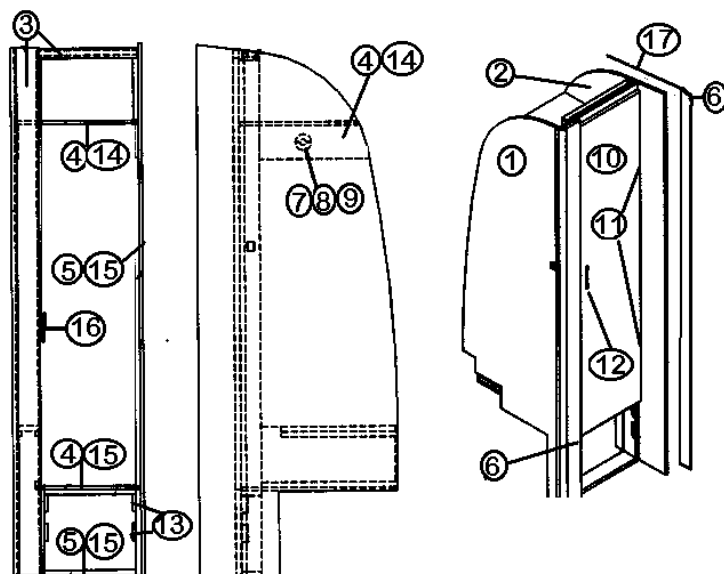


- | | |
|---------------|-------------------------------------|
| 965571 | RS Wardrobe Assembly, 25' Sleep Six |
| 1. 801380-04 | Panel, RS Wardrobe, aft |
| 2. 801380-05 | Panel, aft Refer |
| 3. 801383-01 | Paneling, Tropical Oak/White |
| 4. 801392 | Paneling, White/White 12 MM |
| 5. 801368 | Paneling, White liner/White Liner |
| 6. 801393-016 | Corner trim, 90°, 1" Radius |
| 7. 380046 | Flange Chrome |
| 8. 380045 | Tubing, 3/4" Metallic |
| 9. 200975-04 | Conduit, black, flexible, plastic |
| 10. 801341-19 | Door, 14.25" x 63.38" |
| 11. 381607 | Hinge assembly, Grass European |
| 12. 381865 | Door handle |
| 13. 114811 | Aluminum angle, 1/16" x 1/2" x 1/2" |
| 14. 365238-04 | Edge tape, White, 5/8" wide |
| 15. 365268-01 | Edge tape, Tropical Oak, 1.13 wide |
| 16. 381228-01 | Door/drawer grabber catch |
| 965644 | SHELF ASSY. RADIO |
| 381228-01 | CATCH GRABBER DOOR |

SAFARI- BAMBI

FURNITURE, BEDROOM

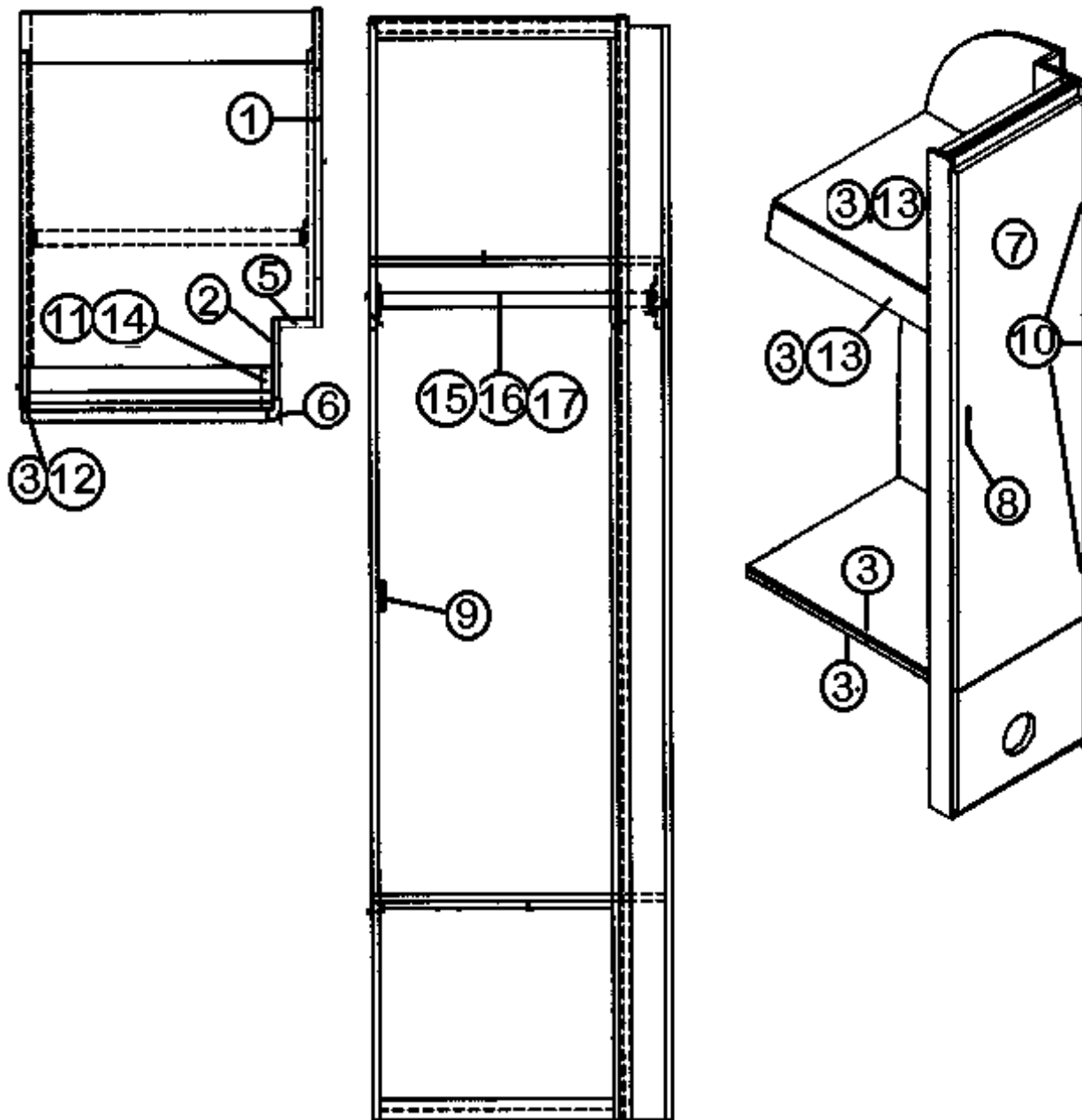
Wardrobe, Roadside, 19'



- | | |
|---------------|-------------------------------------|
| 965571-01 | RS Wardrobe Assembly, 19' |
| 1. 801380-04 | Panel, RS Wardrobe, aft |
| 2. 801380-11 | Panel, forward RS wardrobe |
| 3. 801383-01 | Paneling, Tropical Oak/White |
| 4. 801392 | Paneling, White/White 12 MM |
| 5. 801368 | Paneling, White liner/White Liner |
| 6. 801393-016 | Corner trim, 90°, 1" Radius |
| 7. 380046 | Flange Chrome |
| 8. 380045 | Tubing, 3/4" Metallic |
| 9. 200975-04 | Conduit, black, flexible, plastic |
| 10. 801341-19 | Door, 14.25" x 63.38" |
| 11. 381607 | Hinge assembly, Grass European |
| 12. 381865 | Door handle |
| 13. 100067 | Aluminum angle, 1/16" x 1/2" x 1/2" |
| 14. 365268-03 | Edge tape, Oak, 5/8" wide |
| 15. 365268-01 | Edge tape, Oak, 1.13 wide |
| 16. 381228-01 | Door/drawer grabber catch |
| 965644 | SHELF ASSY. RADIO |
| 195503-07 | 1" wire way, white |

SAFARI- BAMBI
FURNITURE, BEDROOM

Wardrobe, Curbside, 25' A & B, 25' Sleep Six



Parts numbers are on the next page.

SAFARI- BAMBI
FURNITURE, BEDROOM

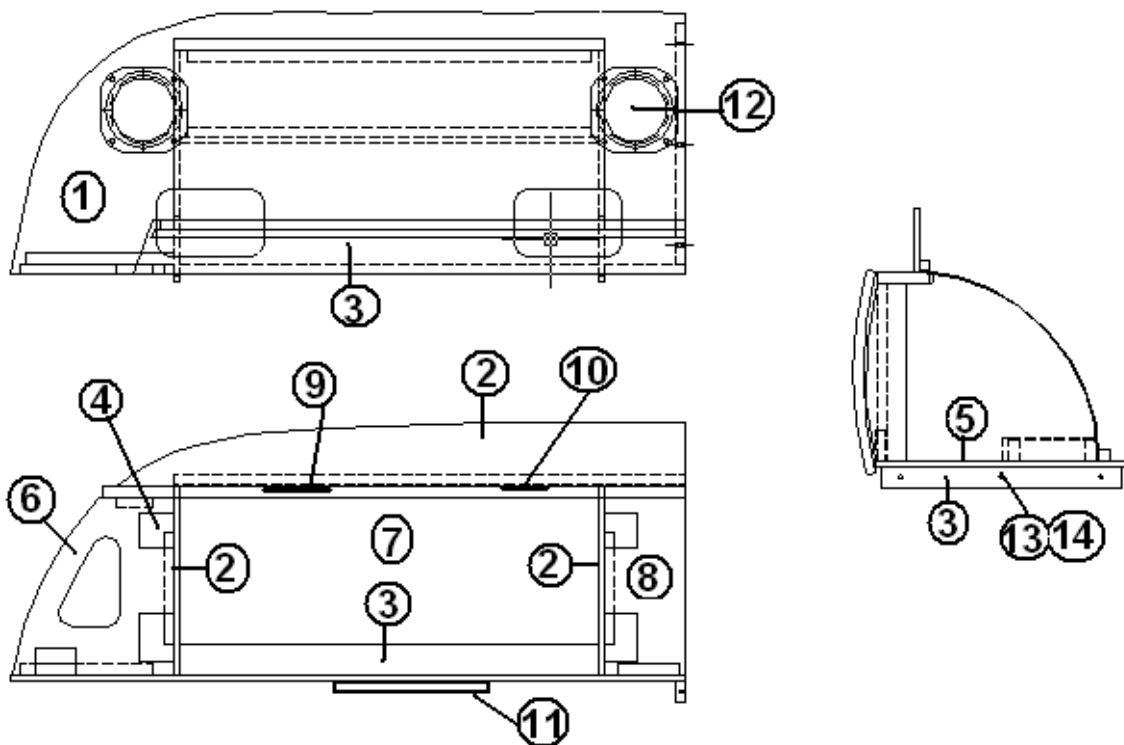
Wardrobe, Curbside, 25' A & B, 25' Sleep Six

965579	CS Wardrobe, 25' Sleep Six, 25' B
965579-01	CS Wardrobe, 25' A
965579-02	CS Wardrobe, 25' Sleep Six, Bunk Option
1. 801380-16	Panel, CS wardrobe, aft
2. 801380-08	Panel, Forward foldette door
3. 801392	Paneling, White/White 12 MM
4. 801383-01	Paneling, Tropical Oak/White
5. 801376-01	Paneling, Tropical Oak/White, 4' x 8'
6. 801393-016	Corner trim, 90°, 1" Radius, Tropical Oak
7. 801341-22	Door, 17.50" x 61.25"
8. 381865	Door handle
9. 381228-01	Door/drawer grabber catch
10. 381607	Hinge assembly, Grass European
11. 801368	Paneling, White liner/White Liner
12. 365268-03	Edge tape, Tropical Oak, .625"
13. 365238-04	Edge tape, White, 5/8" wide
14. 365268-01	Edge tape, Tropical Oak, 1.13
15. 380046	Flange Chrome
16. 380045	Tubing, 3/4" Metallic
17. 200975-04	Conduit, black, flexible, plastic

SAFARI- BAMBI

FURNITURE, BEDROOM

End liner Cabinet, Rear 25' Sleep Six

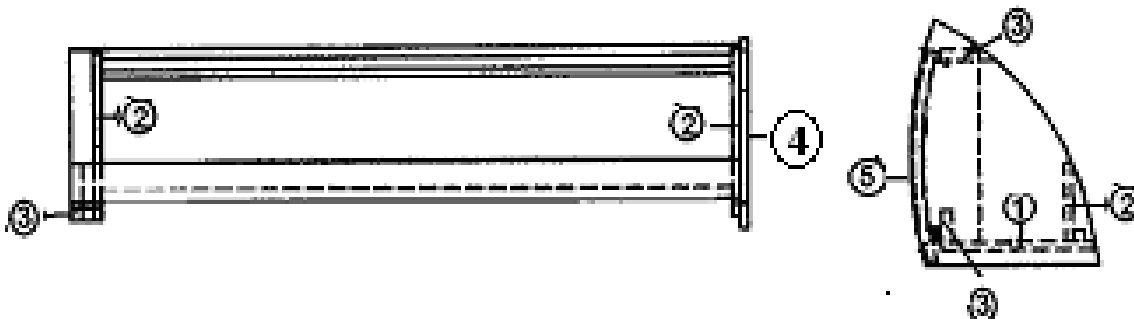


966039	ENDLINER ASSY. REAR
966039-01	ENDLINER ASSY. REAR, SPECIAL EDITION
1. 801383-01	PANEL, OAK/WHITE LINER
2. 801392	PANEL, WHITELINER/WHITELINER
3. 801376-01	PANEL, OAK/WHITE LINER
4. 800506-06	PLYWOOD, 3/4" X 4' X 8'
5. 801438	PANEL, FROST WHITE VINYL/RAW
6. 965551-06	DOOR-RADIUS FOAM LH 15.25" X 12.
7. 965551-02	DOOR-RADIUS FOAM 15.25"X 31.63"
8. 965551-10	DOOR-RADIUS FOAM 15.25" X 6.19"
9. 381840-01	HINGE-OVERHEAD SPRING LH
10. 381840-02	HINGE-OVERHEAD SPRING RH
11. 511971	LIGHT-12V DLB W/SWITCH
15.511761	SPEAKER 120W 6.5" WHITE SONY
16.381609-02	SCREW HAFELE EUROPEAN
17.381610-03	COVER CAP-PLASTIC EUROPEAN PINE
365268-01	EDGEBANDING-.024"X 1.13" OAK
365268-03	EDGEBANDING-.024"X .63" OAK

SAFARI- BAMBI

FURNITURE, BEDROOM

Roof Locker, Bedroom, 25' Front Bed, 23', 19'

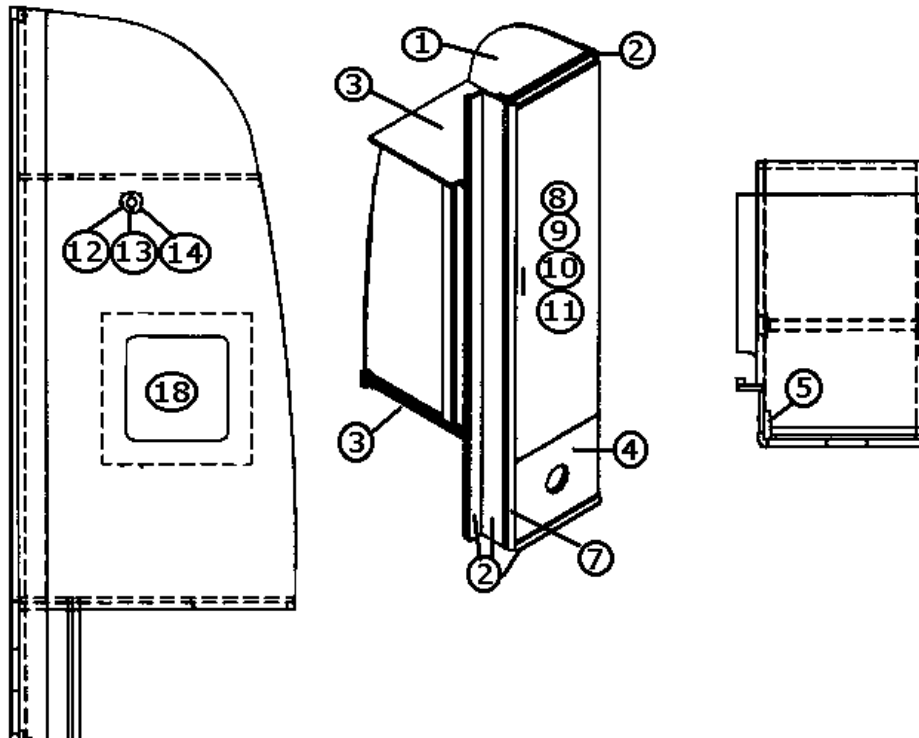


- | | |
|---|---|
| <p>966076</p> <p>1. 801383-01</p> <p>2. 801392</p> <p>3. 801376-01</p> <p>4. 801381</p> <p>5. 965552-01</p> <p>381840-01</p> <p>381840-02</p> <p>365268-01</p> <p>365268-03</p> <p>350147-25</p> <p>345275-04</p> | <p>Bedroom Locker Assembly</p> <p>Paneling, Tropical Oak/White</p> <p>Paneling, White/White 12 MM</p> <p>Paneling, Tropical Oak/White, 4' x 8'</p> <p>PANEL, TRP.OAK/TRP.OAK 12</p> <p>Door, radius foam, 13.75" x 41.00"</p> <p>Hinge, overhead spring, RH</p> <p>Hinge, overhead spring, LH</p> <p>Edge tape, Tropical Oak, 1.13 wide</p> <p>Edge tape, Tropical Oak, .625"</p> <p>Nut, Nylon lock, 1/4" x 20</p> <p>Screw, Flat head, 1/4" x 20 x 1"</p> |
|---|---|

SAFARI- BAMBI

FURNITURE, BEDROOM

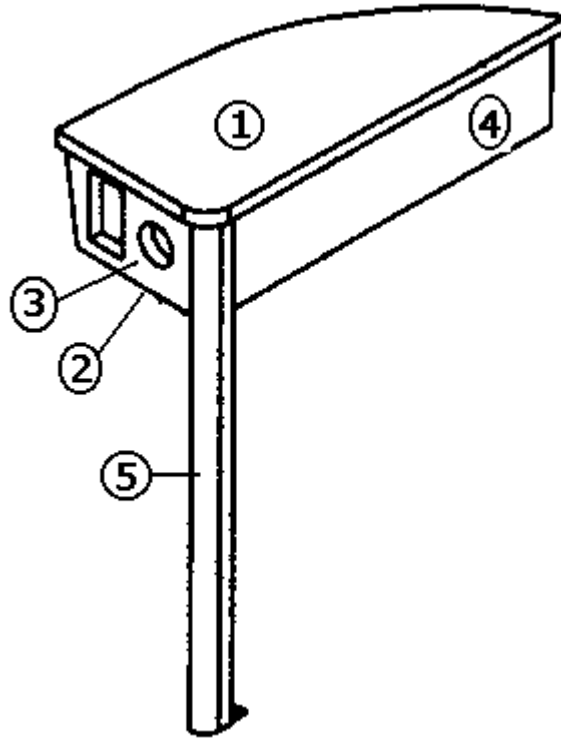
Wardrobe, CS, 28 S/O



- | | |
|---------------|--|
| 965650 | CS Wardrobe Assembly 28 S/O |
| 1. 801424-02 | Panel, aft CS wardrobe |
| 2. 801383-01 | Panel, Tropical Oak/White liner |
| 3. 801392 | Panel, Tropical Oak/white liner, 12 mm |
| 4. 801376-01 | Panel, Tropical Oak/white liner, 18 mm |
| 5. 801368 | Panel, white Rexel/white Rexel |
| 6. 801438 | PANEL, FRONT WHITE VINYL/RAW |
| 7. 801393-014 | Corner trim, 90 degree radius |
| 8. 801341-55 | Door, 17.00" x 61.88" |
| 8. 381865 | Door handle |
| 10. 381228-01 | Grabber catch, door |
| 11. 381607 | Hinge assembly |
| 12. 380046 | Chrome flange |
| 13. 380045 | Tubing, 3/4" metal |
| 14. 200975-04 | Conduit, black plastic |
| 15. 365268-01 | Edge tape, .024" x 1.13", Tropical Oak |
| 16. 365268-03 | Edge tape, Tropical Oak, .024" x .63" |
| 17. 365238-04 | Edge tape, Colonial White, 5/8" |
| 18. 965762 | Wardrobe closeout assembly |

SAFARI- BAMBI
FURNITURE, BEDROOM

Nightstand Assembly 28' S/O, 25' Front Bed Double

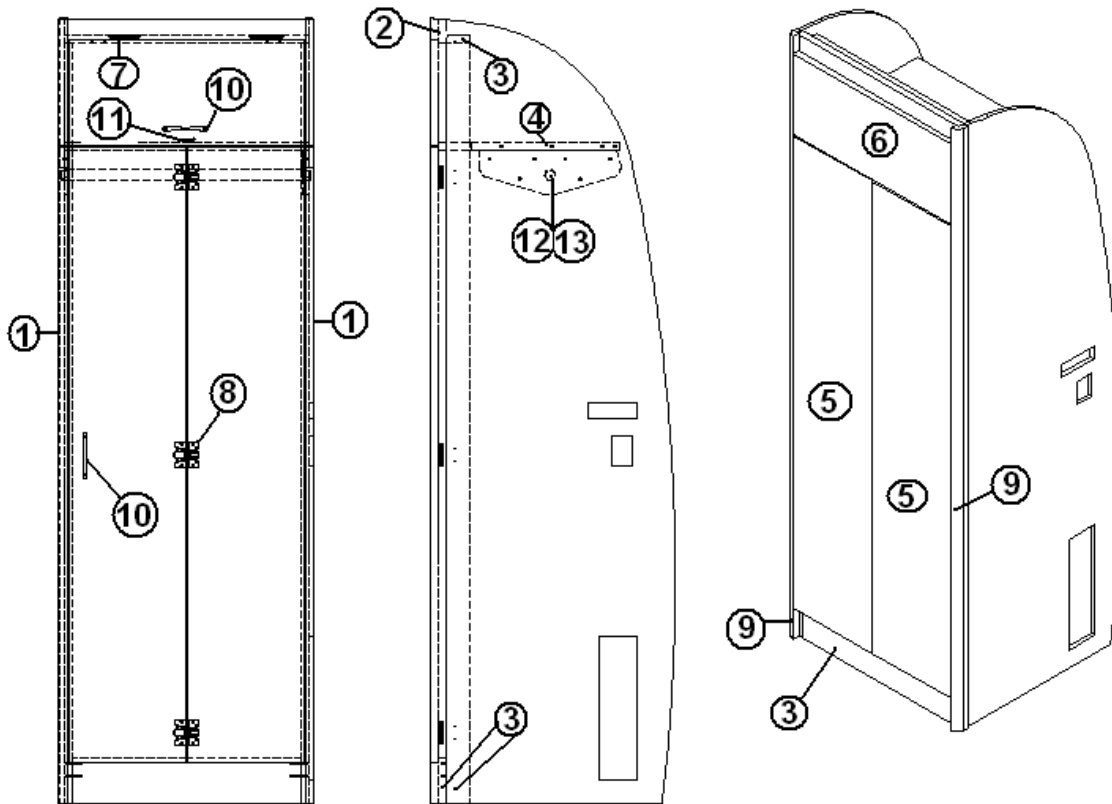


965711	Nightstand Assembly
965711-01	Nightstand Assembly, GRAPHITE
1. 801369	PANEL, PRELAM FRSTWHITE/WHITE LINER
1a.801377	PANEL, PRELAM GRAPHITE/WHITE LINER
2. 365267	EDGEBANDING-1.13" .024 PLY
2a.365273	Edge tape, PVC, Graphite, Amarillo, Midnight Sun
2. 801376-01	Paneling, Trop. Oak/White liner, 18 mm
3. 801383-01	Paneling, Trop. Oak/White liner, 12 mm
4. 801393-014	Corner trim, 90 degree 1" radius
5. 965268-01	Edge tape, .024" x 1.13", Trop. Oak

SAFARI- BAMBI

FURNITURE, BEDROOM

WARDROBE, CURBSIDE, 22'

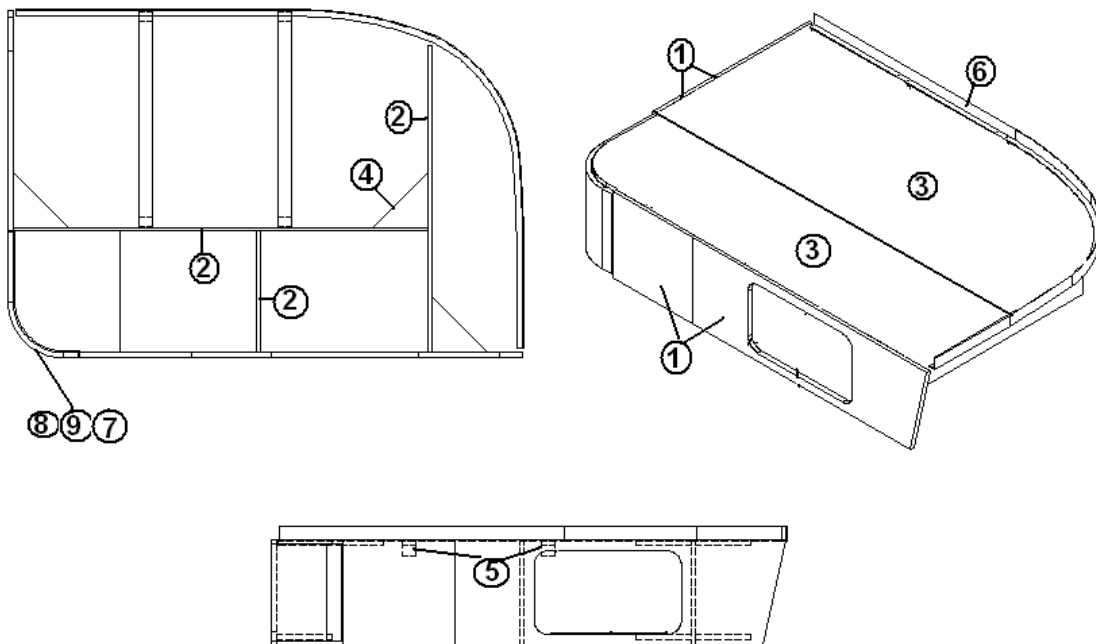


- | | |
|---------------|--------------------------------|
| 965937 | WARDROBE ASSY-CS, 22' |
| 1. 801383-01 | PANEL, OAK/WHITE LINER |
| 2. 801376-01 | PANEL, OAK/WHITE LINER |
| 3. 801368 | PANEL, WHITELINER/WHITELINER |
| 4. 801392 | PANEL, WHITELINER/WHITELINER |
| 5. 801341-95 | DOOR-W/R 11.59"X 61.13" |
| 6. 801341-96 | DOOR-W/R 10.50" X 23.38" |
| 7. 381607 | HINGE ASSY. |
| 8. 381763 | HINGE-BI FOLD DOOR |
| 9. 801393-016 | CORNER TRIM-90D 1" RADIUS OAK |
| 10. 381865 | PULL-BAR BRUSH NICKEL |
| 11. 381228-01 | CATCH GRABBER DOOR |
| 12. 380045 | TUBING 3/4", ELECTRIC METALLIC |
| 13. 200975-04 | CONDUIT, FLEXIBLE BLACK |
| 365268-01 | EDGE BANDING-.024" X 1.13" OAK |
| 365268-03 | EDGE BANDING-.024" X .63" OAK |

SAFARI- BAMBI

FURNITURE, BEDROOM

BED, 22'

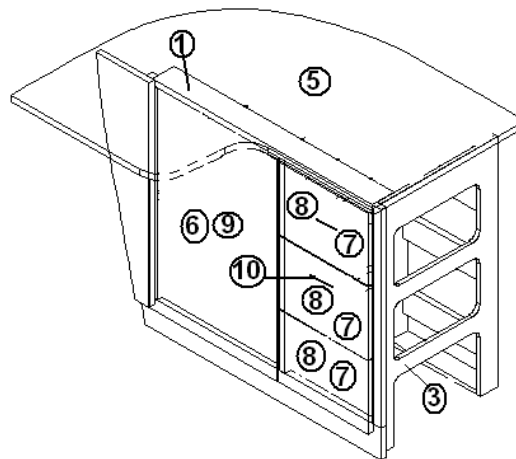
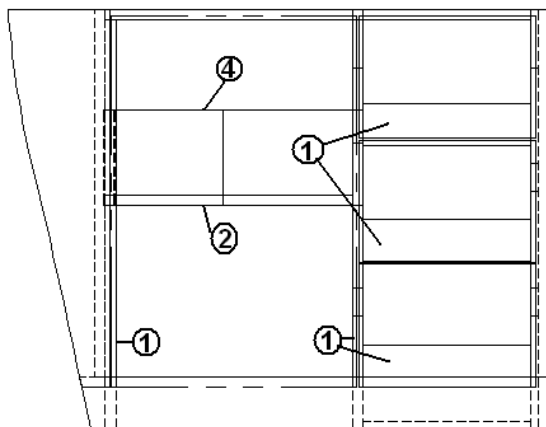


- | | |
|---|--|
| <p>965941
1. 801376-01
2. 801392
3. 800507-03
4. 801351
5. 114813
6. 115150
7. 965943
8. 380203-01
9. 381775
203419
203439
703182-05
203440
365268-01
381773-26</p> | <p>BED, 22'
PANEL, OAK/WHITE LINER
PANEL, WHITELINER/WHITELINER
LAUAN, 3/8"X 4'X 8'
LITE PLY-18MM (.75") 4' X 8'
ALUMINUM ANGLE 1.00" X 1.50"
ANGLE-BED SUPPORT 80"
PANEL, SUB ASSY-BED DOOR
PIANO HINGE
DRAWER PULL
BOX STORAGE 23"LX16.75"WX11.88
STORAGE BOX-17"LX11.13"WX6.38"
MATTRESS-54"X 76" W/10"R COR
T MOLDING-BLACK EMBOSSED .8125
EDGEBANDING-.024"X 1.13" OAK
CLIP-LOCKING (DRAWER SLIDE/BOX</p> |
|---|--|

SAFARI- BAMBI

FURNITURE, BEDROOM

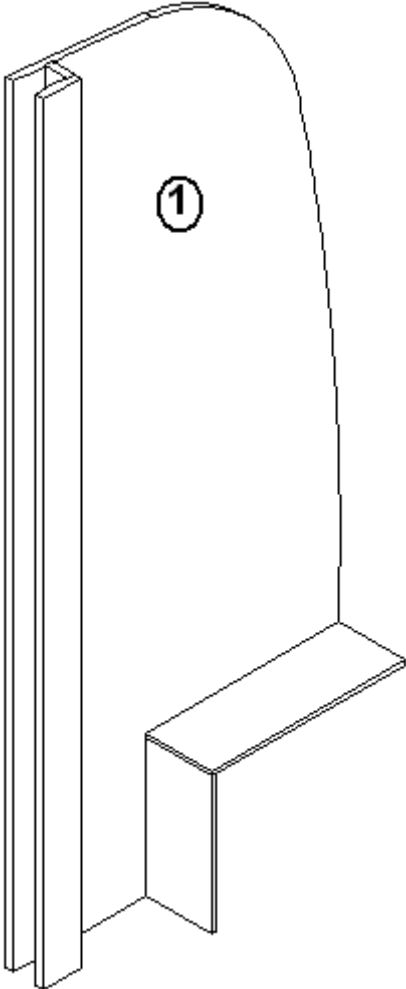
DRESSER, 22'



- | | |
|--|--|
| <ul style="list-style-type: none"> 966030 1. 801368 2. 801392 3. 801376-01 4. 801438 5. 965517-01 5. 965517 6. 801341-94 7. 801341-11 8. 381773-15 9. 381607 10. 381865 381228-01 115064 365268-01 365238-04 801369 | <p>DRESSER, 22'</p> <p>PANEL, WHITELINER/WHITELINER</p> <p>PANEL, WHITELINER/WHITELINER</p> <p>PANEL, OAK/WHITE LINER 18M</p> <p>PANEL, FROST WHITE VINYL/RAW</p> <p>TOP ASSY-DRESSER 22', WHITE</p> <p>TOP ASSY-DRESSER 22', GRAPHITE</p> <p>DOOR-DRESSER 17.56" X 26.5"</p> <p>DOOR-DRESSER 8.63" X 12.63"</p> <p>DRAWER SLIDE-5.875" X 15.75"(PAIR)</p> <p>HINGE ASSY.</p> <p>PULL-BAR BRUSH NICKEL</p> <p>CATCH GRABBER DOOR</p> <p>TRIM-ALUM COUNTER TOP</p> <p>EDGE BANDING-.024"X 1.13" OAK</p> <p>EDGE BANDING TAPE PVC 5/8" WHITE</p> <p>PANEL, FROST WHITE/WHITE LINER</p> |
|--|--|

SAFARI- BAMBI
FURNITURE, BEDROOM

WALL ASSY-AFT BED, 22'



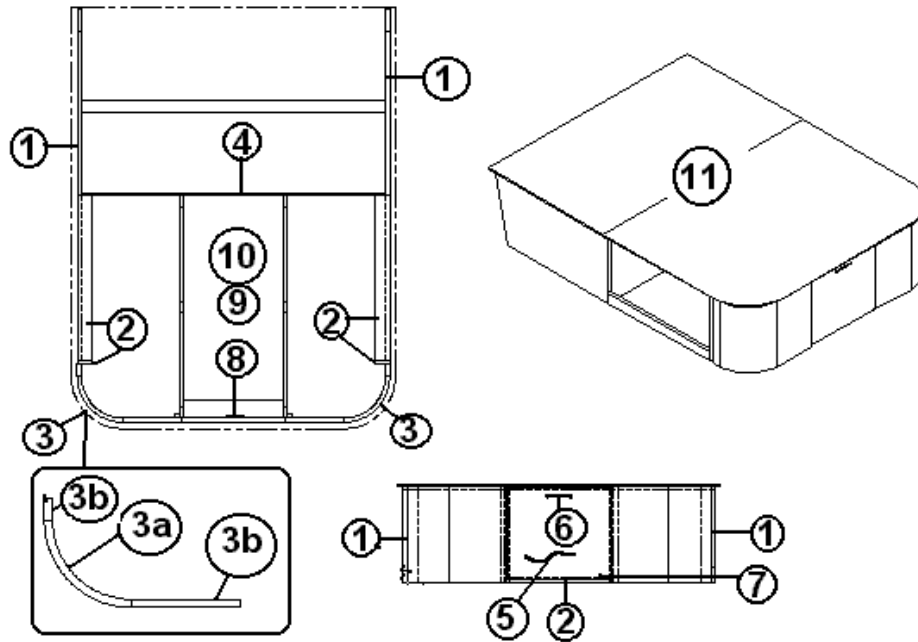
1. 965950

WALL ASSY-AFT BED, 22'

SAFARI- BAMBI

FURNITURE, BEDROOM

Bed Base Assembly, 28' W, 30'

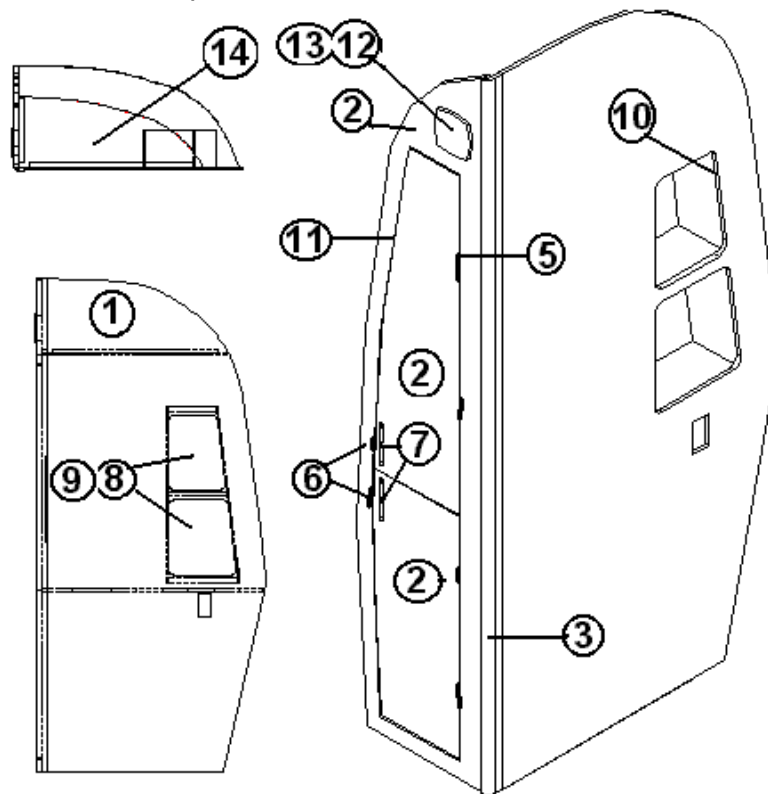


- | | |
|---------------|---|
| 965857 | Bed base Assembly |
| 1. 801376-01 | Panel, Tropical Oak/Whiteline, 18MM |
| 2. 801368 | Panel, Whiteline/Whiteline, 18MM |
| 3. 965858 | Bed corner sub assembly |
| 3a. 801348 | Radius plywood, .75" x 8" x 3' |
| 3b. 801351 | Lite ply, .75" |
| 4. 801392 | Panel, Whiteline/Whiteline, 12MM |
| 5. 801341-66 | Door, bed base, 15.75" x 17.88" |
| 6. 381865 | PULL-BAR BRUSH NICKEL |
| 7. 381607 | Hinge assembly |
| 8. 381228-01 | Door grabber catch |
| 9. 203419 | Storage box, 23"L x 16.75"W x 11.88"H |
| 10. 203439 | STORAGE BOX-17"L X 11.13"W X 6.38" |
| 11. 703336-05 | Mattress, 60" x 75"H, w/11" radius corner |
| 114812 | ALUMINUM ANGLE 1.00" X 1.00" |

SAFARI- BAMBI

FURNITURE, BEDROOM

Closet, Curbside Rear, 28' W

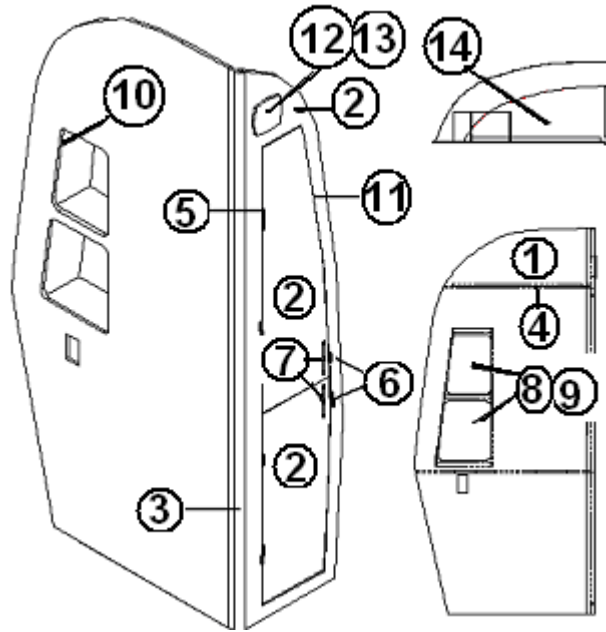


- | | |
|--|--|
| <ul style="list-style-type: none"> 965862-01 1. 801383-01 2. 801376-01 3. 801393-016 4. 801368 5. 381607 6. 381228-01 7. 381865 8. 965768-01 9. 965768-01 10. 203445 11. 365268-01 12. 511761 13. 511761 14. 801348 965584-02 381773-02 | <ul style="list-style-type: none"> Curbside Rear Closet Assembly, 28' W Paneling, Tropical Oak/Whiteliner, 12MM Paneling, Trop. Oak/Trop. Oak, 18 MM Corner trim, 90 degree 1" radius Paneling, Whiteliner/Whiteliner, 18MM Hinge assembly Door grabber catch Handle, door Rear closet bookshelf, CS Rear closet bookshelf, CS T-Molding, black embossed Edgebanding, .024" x 1.13", Tropical Oak Speaker, WHITE Speaker, WHITE Radius plywood, .75" x 8" x 6' DRAWER BOX ASSY-3.38" X13.75" X 13.0 SLIDE DRAWER 3-3/8H X 13-3/4L |
|--|--|

SAFARI- BAMBI

FURNITURE, BEDROOM

Closet, Roadside Rear, 28' W

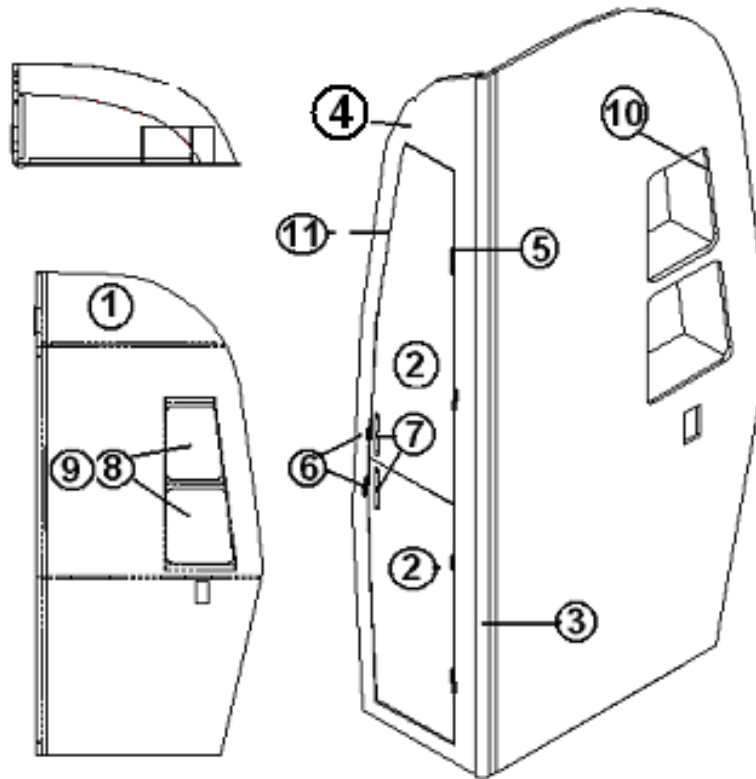


- | | |
|--|--|
| <ul style="list-style-type: none"> 965862-02 1. 801383-01 2. 801376-01 3. 801393-016 4. 801368 5. 381607 6. 381228-01 7. 381865 8. 965768-02 9. 965768-02 10. 203445 11. 365268-01 12. 511761 13. 511761 14. 801348 | <ul style="list-style-type: none"> Closet, Roadside Rear Paneling, Tropical Oak/Whiteline Paneling, Trop. Oak/Trop. Oak Corner trim, 90 degree 1" radius Paneling, Whiteline/Whiteline Hinge assembly Door grabber catch Handle, door Rear closet bookshelf, RS Rear closet bookshelf, RS T-Molding, black embossed Edgebanding, .024" x 1.13", Tropical Oak Speaker, WHITE Speaker, WHITE Radius plywood, .75" x 8" x 6' |
|--|--|

SAFARI- BAMBI

FURNITURE, BEDROOM

Closet, Hanging Linen, Roadside Rear, 30'

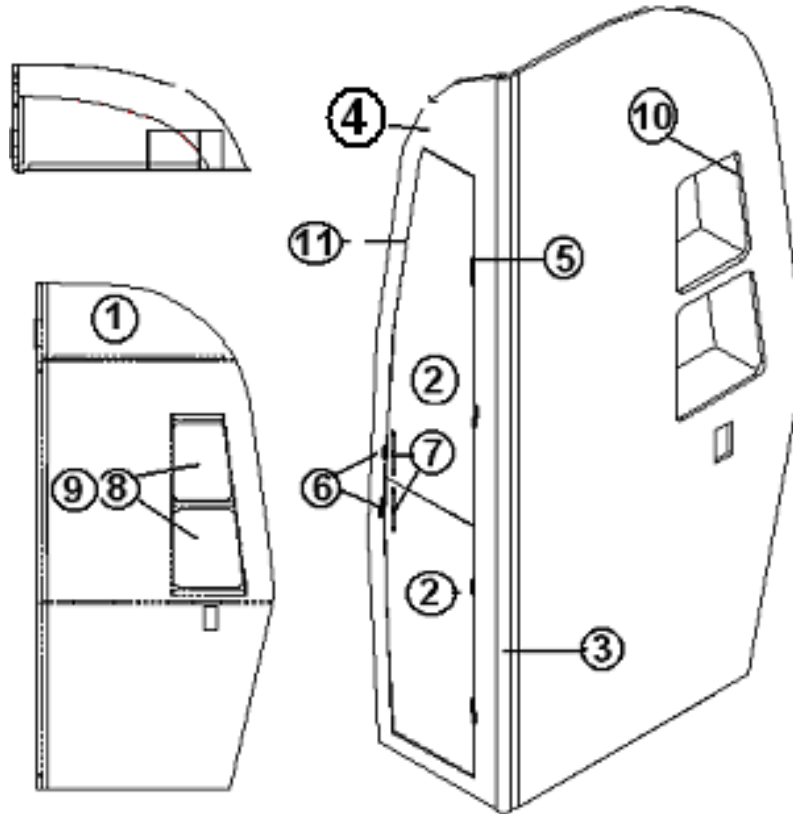


- | | |
|---|---|
| <p>965862-03
1. 801383-01
2. 801376-01
3. 801393-016
4. 801368
5. 381607
6. 381228-01
7. 381865
8. 965768-02
10. 203445
11. 365268-01
381808
966022-01
966135
381241-009
381241-006</p> | <p>Closet, Roadside Rear Assembly
Paneling, Tropical Oak/Whiteline, 12MM
Paneling, Trop. Oak/Trop. Oak, 18 MM
Corner trim, 90 degree 1" radius
Paneling, Whiteline/Whiteline, 18MM
Hinge assembly
Door grabber catch
Handle, door
Rear closet bookshelf, RS
T-Molding, black embossed
Edgebanding, .024" x 1.13", Tropical Oak
BRKT-FACE MOUNT HINGE
FRAME ASSY-TV SHELF 30'SAF
CLOSEOUT ASSY RS WARDROBE
TV shelf w/Black Frame
TV SHELF W/MIRROR, OAK</p> |
|---|---|

SAFARI- BAMBI

FURNITURE, BEDROOM

Closet, Hanging Linen, Curbside, 30'

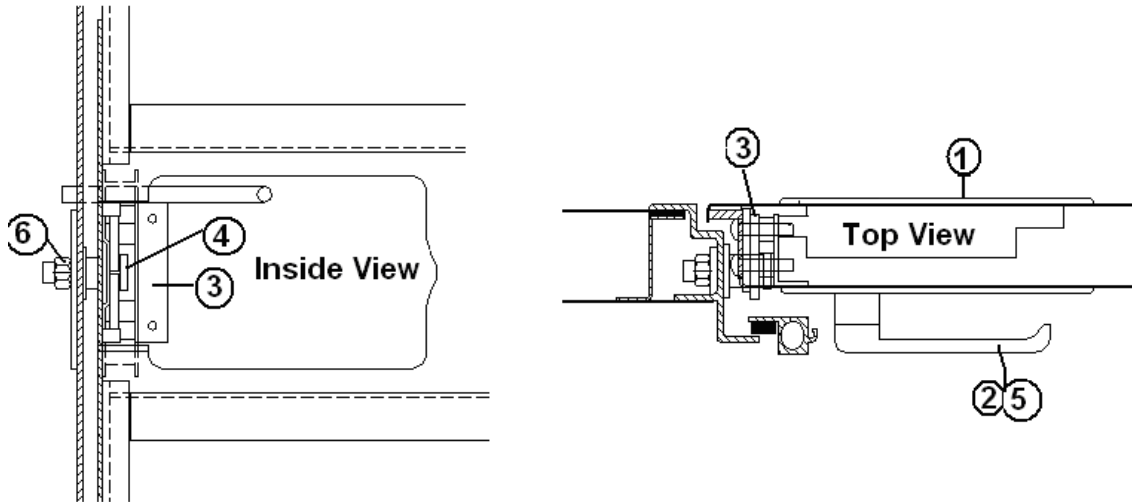


- | | |
|---------------|--|
| 965862-04 | Closet, Curbside Rear Assembly |
| 1. 801383-01 | Paneling, Tropical Oak/Whiteliner, 12MM |
| 2. 801376-01 | Paneling, Trop. Oak/Trop. Oak, 18 MM |
| 3. 801393-014 | Corner trim, 90 degree 1" radius |
| 4. 801368 | Paneling, Whiteliner/Whiteliner, 18MM |
| 5. 381607 | Hinge assembly |
| 6. 381228-01 | Door grabber catch |
| 7. 381865 | Handle, door |
| 8. 965768-01 | Rear closet bookshelf, CS |
| 10. 203445 | T-Molding, black embossed |
| 11. 365268-01 | Edgebanding, .024" x 1.13", Tropical Oak |
| 381808 | BRKT-FACE MOUNT HINGE |
| 965768-02 | SHELF ASSY-AFT CLOSET R.S |

SAFARI- BAMBI

HARDWARE

Main Door Lock, Left Hand Hinge

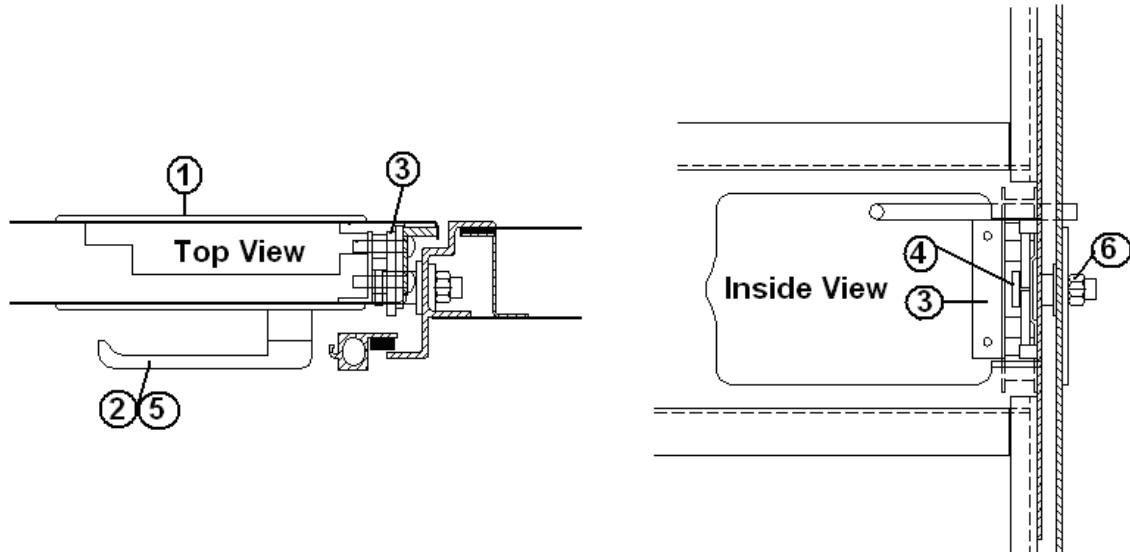


- | | |
|--------------|--------------------------------------|
| 1. 381547-01 | Main door lock, outside, housing |
| 2. 381547-07 | Main door lock, inside plate |
| 3. 381547-03 | Double rotary latch main door lock |
| 4. 381547-04 | Striker bolt w/washer main door lock |
| 5. 381547-08 | Screw package, main door lock |
| 6. 381550 | Plate, Striker Bolt |
| 385595 | POCKET-STRIKE |
| 381889 | KEY CHAIN, AIRSTREAM, CORIAN |
| 381901 | KEY RACK |

SAFARI- BAMBI

HARDWARE

Main Door Lock, Right Hand Hinge



- | | |
|--------------|--------------------------------------|
| 1. 381547-09 | Main door lock, outside, housing |
| 2. 381547-11 | Main door lock, inside plate |
| 3. 381547-10 | Double rotary latch, main door lock |
| 4. 381547-04 | Striker bolt w/washer main door lock |
| 5. 381547-08 | Screw package, main door lock |
| 6. 381550 | Plate, Striker Bolt |
| 385595 | POCKET-STRIKE |

DEADBOLT, MAIN DOOR, LH & RH HINGE

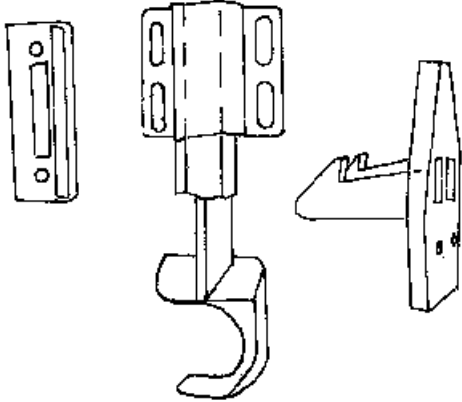
- | | |
|-----------|-----------------------------------|
| 381323-01 | DEADBOLT COMPLETE ASSY. #11840-12 |
| 381326 | STRIKER #10007 W/TRIMARK DEADBOLT |
| 453851 | BOLT, TRI/MARK |
| 203370 | SPACER-TRI/MARK DOOR LATCH |
| 385595 | POCKET-STRIKE |

SAFARI- BAMBI
HARDWARE

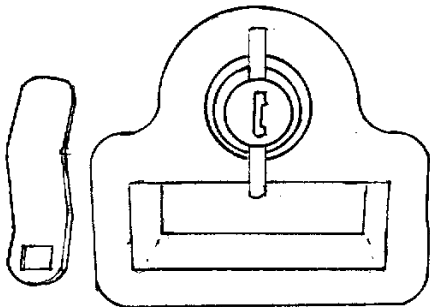
EXTERIOR LATCHES/LOCKS



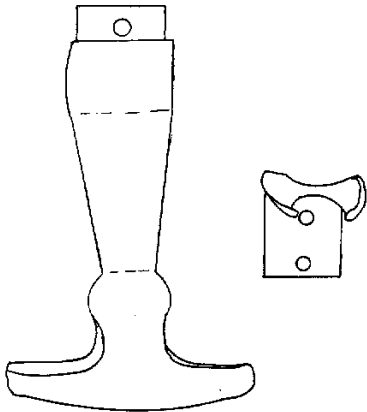
101171
Grab handle, main door



381454
Latch, screen door, Bullet



380770-Twist lock, black

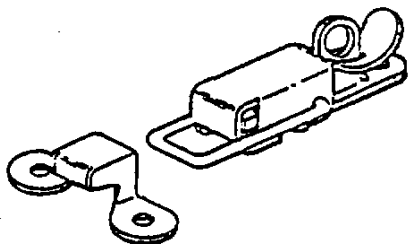


381021 Rubber T handle

SAFARI- BAMBI

HARDWARE

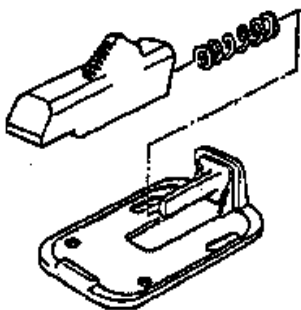
EXTERIOR LATCHES/LOCKS



340023 Corbin catch
w/strike, battery box



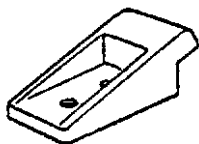
380067 Lock cam,
bumper lid



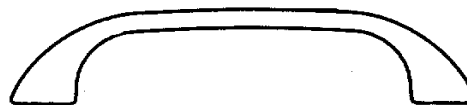
380291 Main door holdback,
(use w/housing #380290)



380290 Latch housing,



201056 Catch, main door
holdback

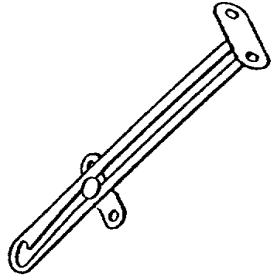


380004 Handle, screen door

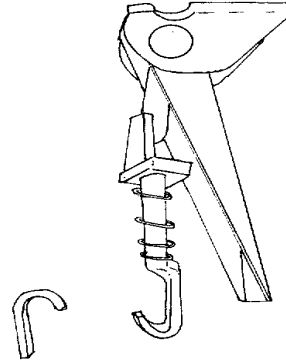
SAFARI- BAMBI

HARDWARE

EXTERIOR LATCHES/LOCKS



380024 Support arm,
bumper lid



380903 Latch w/strike,
chrome, gas bottle cover

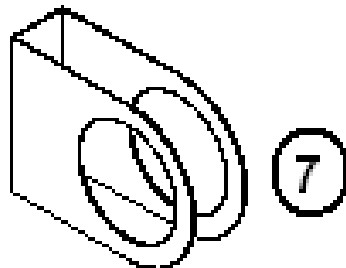
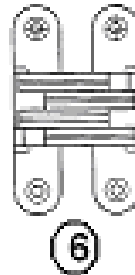
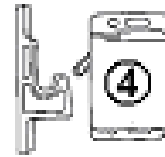
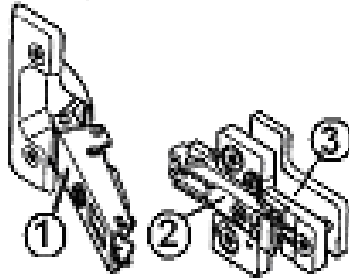
WRAP PROTECTOR LATCH

- 114819-01 Wrap protector hold back, 1.62"
- 114819-02 Wrap protector hold back, 2.50"
- 114819-03 Wrap protector hold back, 5.00"

SAFARI- BAMBI

HARDWARE

INTERIOR LATCHES/HINGES/TRIM



- | | |
|--------------|--|
| 1) 381607-01 | Hinge, cabinet |
| 2) 381607-02 | Base, metal |
| 3) 381607-03 | Base, plastic |
| 3) 381607-04 | HINGE SCREW |
| 4) 381228 | Grabber door, latch w/catch, 10lb.rating |
| 4) 381228-01 | Grabber door, latch w/catch, 3lb. Rating |
| 5) 381608-04 | Support arm, roof locker, RH |
| 5) 381608-05 | Support arm, roof locker, LH |
| 6) 380040 | Soss hinge, lift up table |
| 7) 454320 | Door handle Cover |

SAFARI- BAMBI

HARDWARE

INTERIOR LATCHES/HINGES



- | | |
|-----------|---|
| 1. 381772 | Head knocker, white mounts on interior |
| doorjamb | |
| 2. 381855 | Recessed Drawer Pull |
| 3. 360012 | Bumper, rubber white, stick-on, cylindrical |
| 4. 360016 | Bump on, rubber gray, square 3/8" x 3/8" |
| 360012-01 | Bumper, rubber brown, stick-on, cylindrical |

SAFARI- BAMBI

HARDWARE

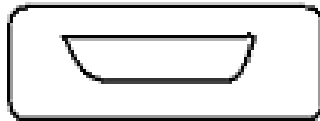
INTERIOR LATCHES/HINGES



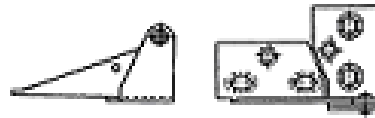
①



②



③



④



⑤

- | | |
|--------------|---|
| 1. 381865 | Handle drawer/door, chrome |
| 2. 381576 | Pull handle, brass |
| 3. 381775 | Pull handle, CHROME |
| 4. 385935-01 | Hinge pivot, zinc plated |
| 5. 381737 | Grab bar, interior, mounts on interior doorjamb |
| 381771 | Latch Swinging bath door |
| 381608-09 | Rosette Hafele, used on galley |
| 381835 | Handle, chrome/brass, Medicine cabinet |
| 385940-02 | MIRROR PULL CHROME |

SAFARI- BAMBI

HARDWARE

BATHROOM ACCESSORIES, 25', 25' Front Bed, 28', 30'

380034	Toilet paper holder, chrome
381822	18' towel bar, Brushed Nickel
381823	Soap Dish, Brushed Nickel
381824	Towel Ring, Brushed Nickel
380017	Holder, tumbler and toothbrush
381299	HOLDER RECESSED TOILET PAPER
381822	TOWEL BAR, NICKEL, 18"

BATHROOM ACCESSORIES, 20', 22'

381776	TOWEL BAR, CHROME 18"
381777	TOWEL RING, CHROME
381778	ROBE HOOK, DOUBLE, CHROME
380034	TOILET PAPER HOLDER, CHROME
380017	HOLDER TUMBLER & TOOTHBRUSH

BATHROOM ACCESSORIES, 16'

381259-01	TOWEL BAR, CHROME, 18"#HM-896-18
-----------	----------------------------------

SAFARI- BAMBI

HARDWARE

Wardrobe Clothes Rod

380045	Clothes rod
200975-04	Conduit, flexible, black (covers clothes rod)
380046	Bracket, clothes rod

Drapes

700005	FASTENER, CAP
700006	FASTENER SOCKET
700020	PILE VELCRO
700021	HOOK, VELCRO, WHITE

Sewer Hose Clamp/Water Fill key/Level

340084-52	CLAMP, HOSE SAE #52
381647	KEY WATER FILL CH 751
381269	Wheel Master trailer level
195329-240	SEWER HOSE ADAPTOR, elbow

Interior Hinges

380458	Hinge, piano, bath door, dinette seat, brown
380040	Soss hinge, #204, lift up table
381614	Folding shelf bracket, galley
381607	Hinge assembly, Grass Euro style
381607-01	HINGE-GRASS EURO, PLASTIC
381607-02	GRASS-GRASS HINGE
381607-03	GRASS-GRASS PLASTIC
381607-04	HINGE SCREW-GRASS
385935-01	Hinge, pivot, plated, medicine cabinet, twin bed
381840-01	HINGE-OVERHEAD SPRING LH, ROOF LOCKER
381840-02	HINGE-OVERHEAD SPRING RH, ROOF LOCKER
381072	HINGE 3" X 1 7/8" OPEN GOLD

SAFARI- BAMBI

HARDWARE

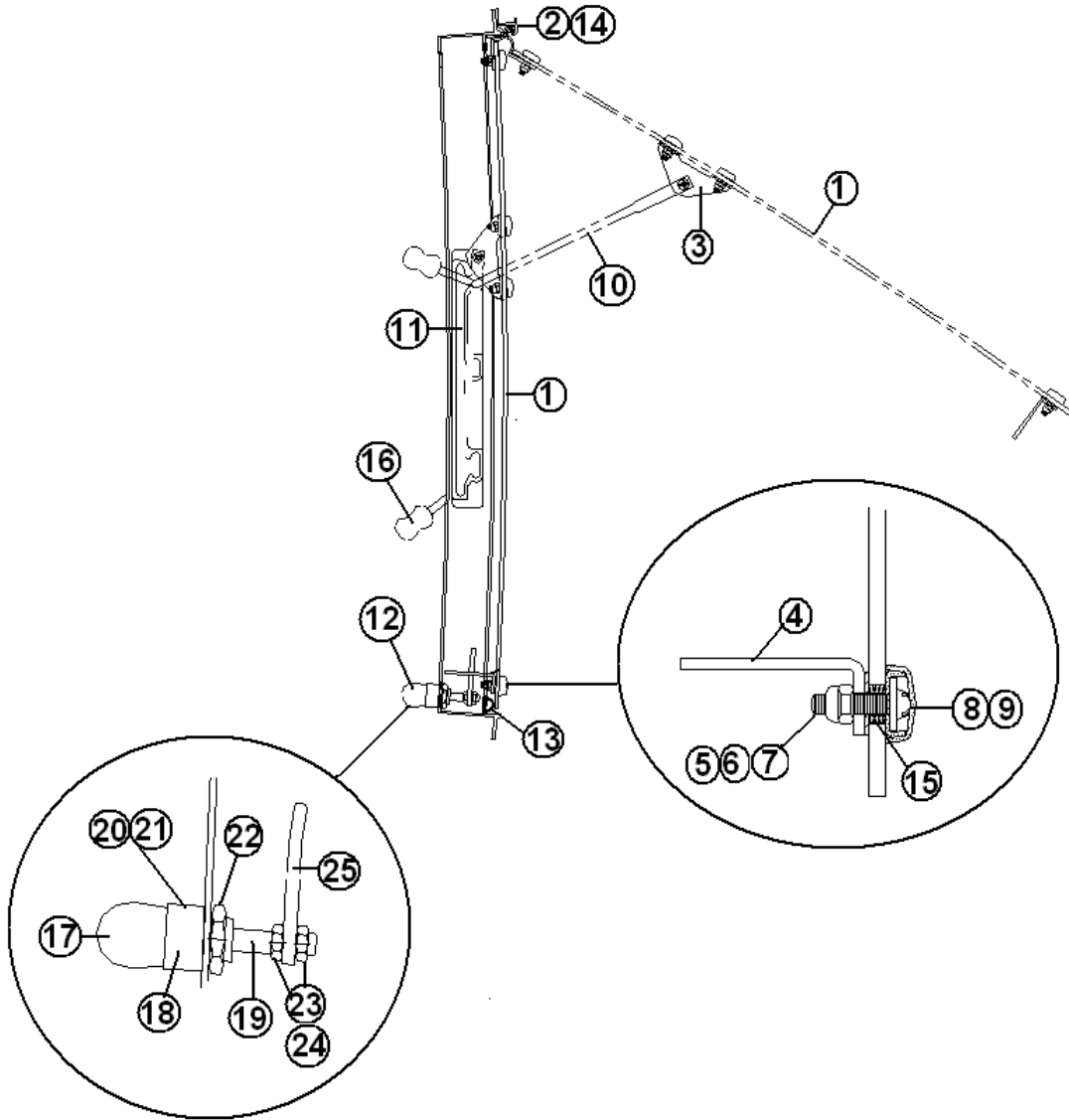
Detectors, Fire Extinguishers

510781	Smoke detector
510891	Smoke Detector CSA only
511309	LPG detector
511393	COUPLER-MODULAR EXTENSION
511411	JUNCTION BOX-7 TERMINAL 50-10-170
600162-01	Fire extinguisher
600162-02	Fire extinguisher, CSA
511343	DETECTOR CARBON MONOXIDE 9 VOLT

SAFARI- BAMBI

DOORS/WINDOWS/AWNINGS

Window Parts Diagram



Part numbers on next page

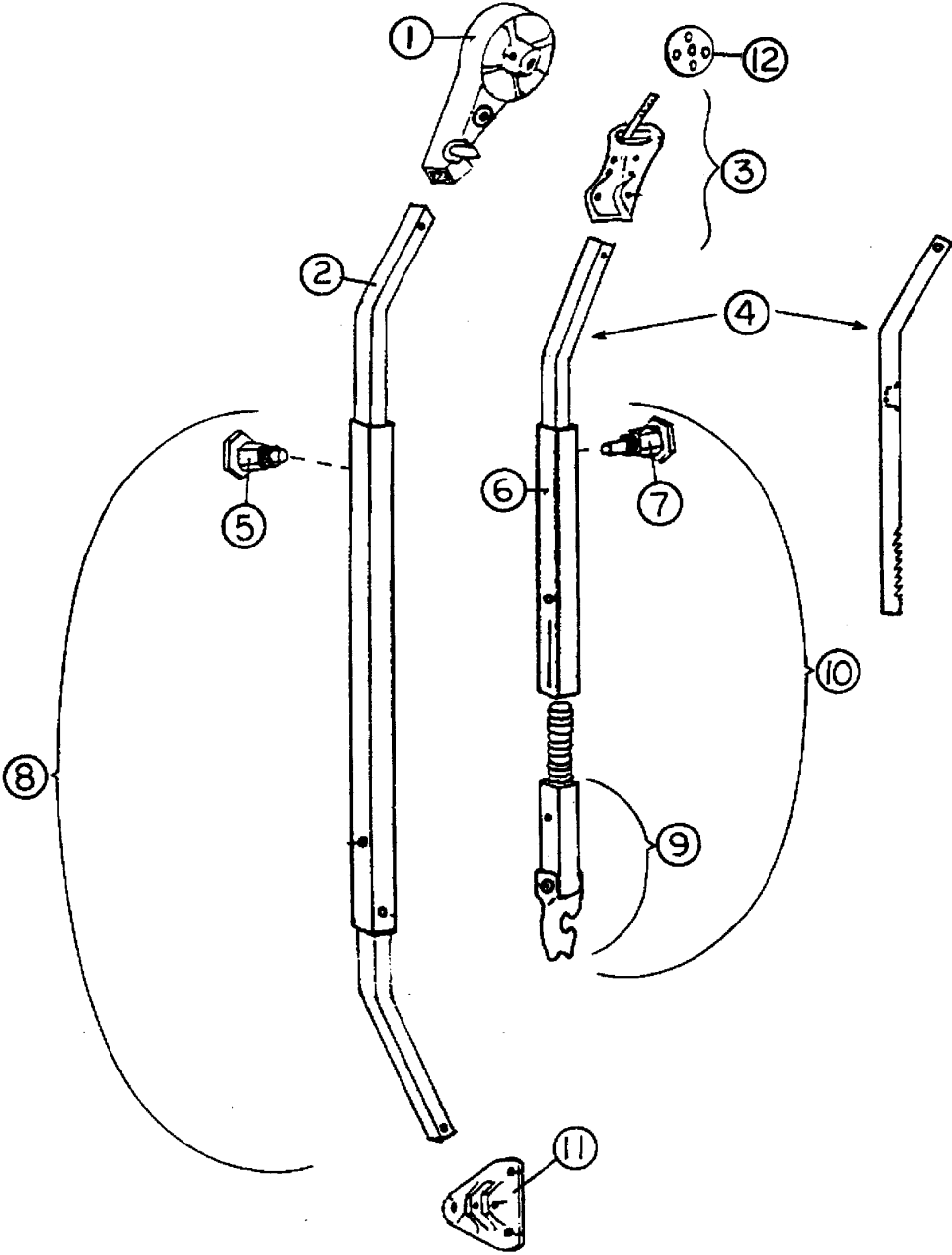
SAFARI- BAMBI

DOORS/WINDOWS/AWNINGS

1. 371323-100	Glass w/hardware, 18" window
1. 371324-100	Glass w/hardware, 30" window
2. 371323-101	Hinge, 18" window
2. 371324-101	Hinge, 30" window
3. 1101-0010	Bracket, window prop
4. 685124	Striker plate, window latch
5. 0706-0004	Flat washer
6. 0703-0001	Screw, #8-32 x .625", black, SS
7. 0702-0010	Nut, Nylox, #8-32, black SS
8. 0802-0004	Screw cover, 12-12 #100, black
9. 0802-0005	Washer, 12-12 screw cover bottom
10. 100903	Operating arm, RH
10. 100903-01	Operating arm, LH
11. 0802-0001	Guide, operating arm, RH
11. 0802-0002	Guide, operating arm, LH
12. 010020	Latch assembly, chrome
13. 381665	Gasket seal
14. 0101-0017	Male hinge extrusion, 1/2" pc.
15. 0706-0003	Bushing, window, acrylic
16. 380230-03	Window arm knob, silver
16. 380230-04	Window arm knob, red
17. 1101-0005	Latch handle, chrome
17. 195467-05	Latch handle, red
18. 1101-0007	Latch body
19. 1101-0008	Latch shaft
20. 1101-0009	Latch spring
21. 0707-0002	Pin, drive lock, 5/32" x 5/8", zinc
22. 0702-0001	Nut, hex panel, 5/8"-24, zinc
23. 0702-0002	Nut, jam, hex, 5/16-24
24. 385123	Washer, flat, .53" OD x .328" ID
25. 685123	Latch paw

SAFARI- BAMBI HARDWARE

AWNING HARDWARE



See next page for P/N

SAFARI- BAMBI

HARDWARE

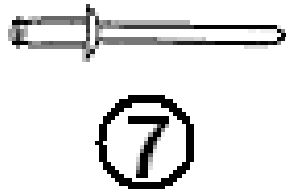
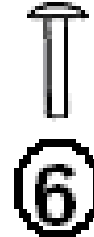
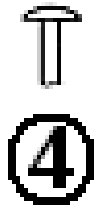
AWNING HARDWARE

702993	Awning Hardware, complete Assembly
1. 74043W-06	Front head assembly
1. 74043W-07	Rear head assembly
2. 74047W-11	Front main arm bar
2. 74047W-12	Rear main arm bar
3. 74056W	Clamp assembly, front, curved
3. 74056W-01	Clamp assembly, rear, curved
4. 74061WS-08	Rafter arm bar, satin
5. 74054W	Snap stud assembly
6. 74063W-04	Rafter arm tube, satin
7. 74072W	Ratchet stud
8. 74048WS-15	Front main arm tube assembly
8. 74048WS-16	Rear main arm tube assembly
9. 74068W-04	Claw bar assembly
10. 74048WS-17	Rafter arm assembly
11. 74055W	Base hinge, rib mount
12. 74060W	Clamp wheel

SAFARI- BAMBI

Hardware

Rivets, Buck

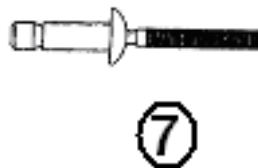
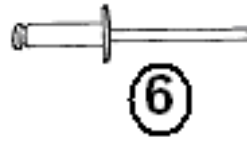
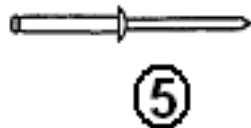
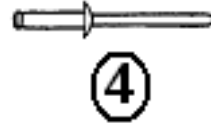
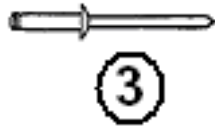
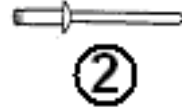
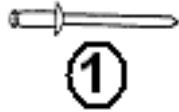


- | | |
|--------------|---|
| 1. 325043 | Rivet, 1/8", 1/4" length (hard) |
| 2. 325000-01 | Rivet, 1/8", 1/4" length anodized clear |
| 3. 325000-03 | Rivet, 1/8", length 1/4", long, anodized white |
| 4. 325001-01 | Rivet, 1/8", length 5/16", anodized clear |
| 5. 325002-01 | Rivet, 1/8", length 3/8", anodized clear |
| 6. 325004-01 | Rivet, 1/8", length 1/2", anodized clear |
| 7. 330127-03 | Rivet, grip range .063-.125, aluminum body,
aluminum mandrel |
| 8. 300101 | 1/8" I.D., Washer, aluminum |

SAFARI- BAMBI

Hardware

Rivets, Pop



1. 330126-02 Pop Rivet, dia. 1/8" grip range .126-.187, S.S. body and mandrel
2. 330126-03 Pop Rivet, dia., 1/8" grip range .126-.250, S.S. body and mandrel
3. 330127-050 Pop Rivet, grip range .251"-.312" aluminum body, aluminum mandrel
4. 330128-050 Pop Rivet, dia. 1/8" grip range .251"-.312" aluminum body, white, aluminum mandrel
5. 330127-080 Pop Rivet, dia. 1/8" grip range .325"-.565" aluminum, body & mandrel
6. 330038 Pop Rivet, dia. .150". (#20 bit) grip range .126-.250, aluminum body & mandrel (used-screen door hinge)
7. 325103 Pop Rivet, dia. 1/4" grip range .080-.325, SS body, steel mandrel

SAFARI- BAMBI

LABELS AND TAGS

Labels and Tags, USA

385193	Label, "12V distribution panel inside"
386119	Label, "DON'T USE AREA FOR STORAGE"
385068	Tag, cooking appliance warning
386118	Label, LP gas warning/fill
385517	Label, kill switch warning
385521	Label, emergency egress window
386122	Warning label/cooking appliance
386121	Label, LP gas warning label (odor)
385465	Exit label, English
385560	Label, air conditioner rating
385812	Label, Calif. hazardous substance
386120	Label, smoke detector
385359	Label, microwave or air conditioner
385837	Label, refrigeration ignition
386114	LABEL-RVIA SILVER
385418-01	Label, Federal registration
385062	Decal, 110-125 voltage AC
385565	Label, holding tank flushing
386012	Label warning, water heater
386082	LABEL THOR, 5.25" X .75'
385101	TAG AUX TANK DUMP VALVE HANDLE
385099	TAG MAIN TANK DUMP VALVE HANDLE
386060	LABEL SATELLITE RECEIVER JACK
386142	CHECK WHEEL LUG LABEL
386123	LABEL "POTABLE WATER ONLY"
386019	LABEL 1 AMP FUSE MAX.

SAFARI- BAMBI

LABELS AND TAGS

Labels and Tags, CSA

385949	LABEL "POTABLE WATER" CSA
385950	LABEL "SMOKE DETECTOR CSA
385951	LABEL "RANGE FRESH AIR" CSA
385952	LABEL "LP WARNING" CSA
385953	LABEL "IF YOU SMELL GAS" CSA
385954	LABEL "RANGE WARNING" CSA
385466	LABEL, EXIT LABEL (FRENCH)
385020	STICKER SELF ADHERING, JACK

SAFARI- BAMBI

PLUMBING, LPG SYSTEM

Gas Bottles

601710-01	LP gas bottle, 30lb. steel
601710-02	LP gas bottle, 30lb. steel, CSA
601781	LP Bottle, 20 lb., steel, CSA
601781-01	LP Bottle, 20 lb., steel, CSA
601686	Base plate, LP tank mounting
601687	Hold down kit, LP tank
915778	COVER ASSY-LP BOTTLE, 16'

Gas regulator and Fittings

601731	LP regulator, w/pigtails, mounting Bracket & cover
381613	Plastisol cover-LP wing handle
601685-01	LP hose, 1/2" FPT x 3/8" flare
601685-02	LP hose, 1/2" FPT x 3/8" flare, CSA only
195511-15	Adaptor, LP hose, 23' option
600468	Union flare, 5/8" x 5/8"
600238	Union flare, 3/8" x 3/8"
600004	Copper tubing, 5/8"
600008	Copper tubing, 3/8"
600436	Flare nut, forged, 5"/8
600435	Flare nut, forged, 3/8"
600000	Tee, brass, 5/8" x 5/8" x 3/8"
600003	Tee, brass, 5/8" x 3/8" x 3/8"
600661	GROUNDING CLAMP 1/2 TO 1 SIZE
600001	NUT BRASS FLARE 416 5/8
600661	GROUND FITTING .5" TO 1" DIE C
500038	LUG GROUND
500839	WIRE, BARE COPPER 8 GA.
601698-12	E-PEX 3/4 TUBING
601281	TEE BRASS UNION 5/8 X 5/8 X 5/8
601698-01	E-PEX 1/2" TUBING
380887	GROMMET, FLOOR
380886	GROMMET, FLOOR
340085-05	CLAMP #COY 1109 5/8"

SAFARI- BAMBI
PLUMBING, LPG SYSTEM

Gas Bottle Cover

921232	Gas bottle cover, 30#
921234	LP BOTTLE COVER 20#
380903	Latch and strike
200841	Lid, plastic, bottle cover
380773	Hinge, access door
114070	EXTRUDED J-TRIM, ALUMINUM GRAY
386088	TAPE DECAL-SIDE CENTER

SAFARI- BAMBI
PLUMBING, FRESH WATER

Fresh water tank, 16'

601861-01 Tank, fresh water, 21 gallon

Fresh water tank, 19'

601861-01 Tank, fresh water, 19 ft Bambi
964478 SLOPE PAD-Fresh tank, Bambi
454065 Strap fresh water tank, 19 FT

Fresh water tank, 20'

602101 TANK, FRESH WATER
454489 TANK PAN, GALVANIZED FRESH WATER
511780 PAD, TANK HEATING

Fresh water tank, 22'

601862-01 Fresh water tank
602066 FRESH TANK PAN
601808 STRAP-FRESH TANK PAN
511780 PAD, TANK HEATING, 6.5"X 18"

Fresh water tank, 23'

601863-02 TANK-FRESH WATER 39 GALLON
966288 TANK PAN
601808 STRAP-FRESH TANK PAN
511780 PAD-TANK HEATING 6.5" X 18"

SAFARI- BAMBI
PLUMBING, FRESH WATER

Fresh water tank, 28' W, 25'

601863-01	TANK, FRESH WATER 39 GALLON
601642	PAN, TANK ROTOCAST
453493	HANGER STRAP, TANK PAN
453615	TANK SUPPORT STRIP-62"
453616	TANK SUPPORT STRIP-22"

Fresh water tank, 28' S/O

601864-01	Fresh water tank, 28' S/O
601620	PAN FRESH TANK

Fresh water tank, 30'

601863-02	TANK-FRESH WATER 39 GALLON
601642	PAN-TANK ROTOCAST
453493	HANGER STRAP-TANK PAN
453615	TANK SUPPORT STRIP-62"

Fresh Water Tank Hose/Fittings

601243	DRAIN COCK, FRESH WATER
600155	PLUG, CLEANOUT 1 1/2"
601240	TUBING, 3/8 UD W/3/32" WALL CLEAR
601239-01	TUBING-1.375"ID RIBBED W/FLATS
0260043-06	WORM CLAMP #6
0260043-28	WORM CLAMP #28
453712	SHIELD FRESH WATER TANK DRAIN
601723	FILTER SCREEN, WATER
601240-01	TUBING 1/2" I.D. X 3/32" WALL THICKNESS

SAFARI- BAMBI

PLUMBING, FRESH WATER

Water Fill/Pump and Fittings

601194	Water fill w/lock, gray
601243	DRAIN COCK, FRESH WATER
600155	PLUG, CLEANOUT 1-1/2
601237	Plastic elbow, 90 degree, 1.25" MPT x 1.25" barb
601239	Tubing, 1.375" I.D., flexible, water fill hose
601061-03	Water pump, Shurflo
601668-01	Filter, pre water pump
601588	Drain cock, brass, water line drain
600139	CHECK VALVE, BRASS
601531	FITTING-90 DEGREE 3" H X ST
203085	PLUG WATER LINE 1/2" PLASTIC BLK
601658	VALVE 1/2" STOP CPVC
601659	RISER 1/2" FPT X 12" CPVC
601392-05	CITY WATER FILL W/REGULATOR CHROME
601723	FILTER SCREEN, WATER
600315	PUMP GUARD FILTER
601237	ELBOW 90 D 1.25 MPT X 1.25 BAR

City Water Hookup

600362	Connector, 1/2" FPT x water hose, swivel
600336	Plug with chain
601690	Nipple, 1/2" MPT x 2.50"
601689	Drop ell, 90 degree, 1/2" FPT
600309	Regulator, Watts, 1/2" FPT
600315	PUMP GUARD FILTER
601661	NIPPLE 1/2" BRASS HEX

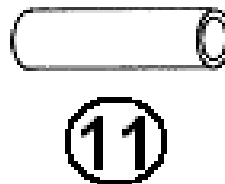
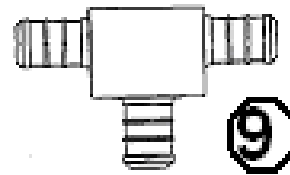
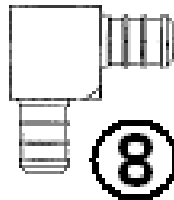
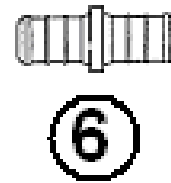
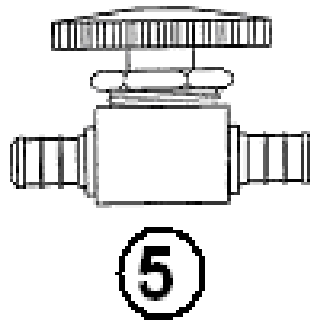
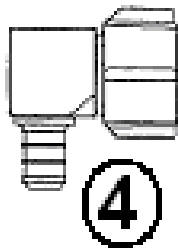
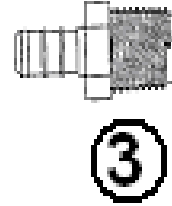
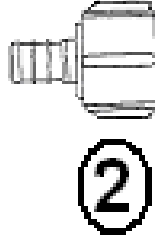
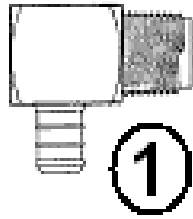
Water Pump Safari Upgrade Package

601791-03	Aquatec, water pump
601791-02	Fittings, slip in (Aquatec pump)
600315	PUMP GUARD FILTER

SAFARI- BAMBI

PLUMBING, FRESH WATER

Fresh Water Fittings



Part Numbers Are On The Next page

SAFARI- BAMBI

PLUMBING, FRESH WATER

Fresh Water Fittings

- | | |
|---------------|--------------------------------------|
| 1. 601698-04 | Elbow, 1/2" barb x 1/2" MPT |
| 2. 601698-03 | Coupler, 1/2" barb x 1/2" FPT |
| 3. 601698-02 | Coupler, 1/2" barb x 1/2" MPT |
| 4. 601698-05 | Elbow 1/2 barb x 1/2" FPT |
| 5. 601698-22 | Shut-off, 1/2" barb x 1/2" barb |
| 6. 601698-08 | Coupler, 1/2" x 1/2" barb |
| 7. 601698-09 | Plug, 1/2" barb |
| 8. 601698-10 | Elbow 1/2" barb x 1/2" barb |
| 9. 601698-11 | Tee, 1/2" x 1/2" x 1/2" |
| 10. 601698-15 | Crimp ring, 1/2" E-Pex, 1/2" (black) |
| 11. 601698-01 | E-Pex tube, 1/2" |
| 11. 601698-21 | E-Pex tube, 1/2", Red |
| 600836 | ELBOW 3/8 MPT X 1/2", BARB-COPPER |
| 601237 | ELBOW 90 D 1.25 MPT X 1.25 BAR |
| 601810 | VALVE, 1/2" FPT X 1/2" FPT KBI |
| 601811 | ELBOW, 1/2" MPT X 1/2" FPT STREET |
| 601812 | NIPPLE-BRASS 1/2" X 2.0" |

SAFARI- BAMBI

PLUMBING, FRESH WATER

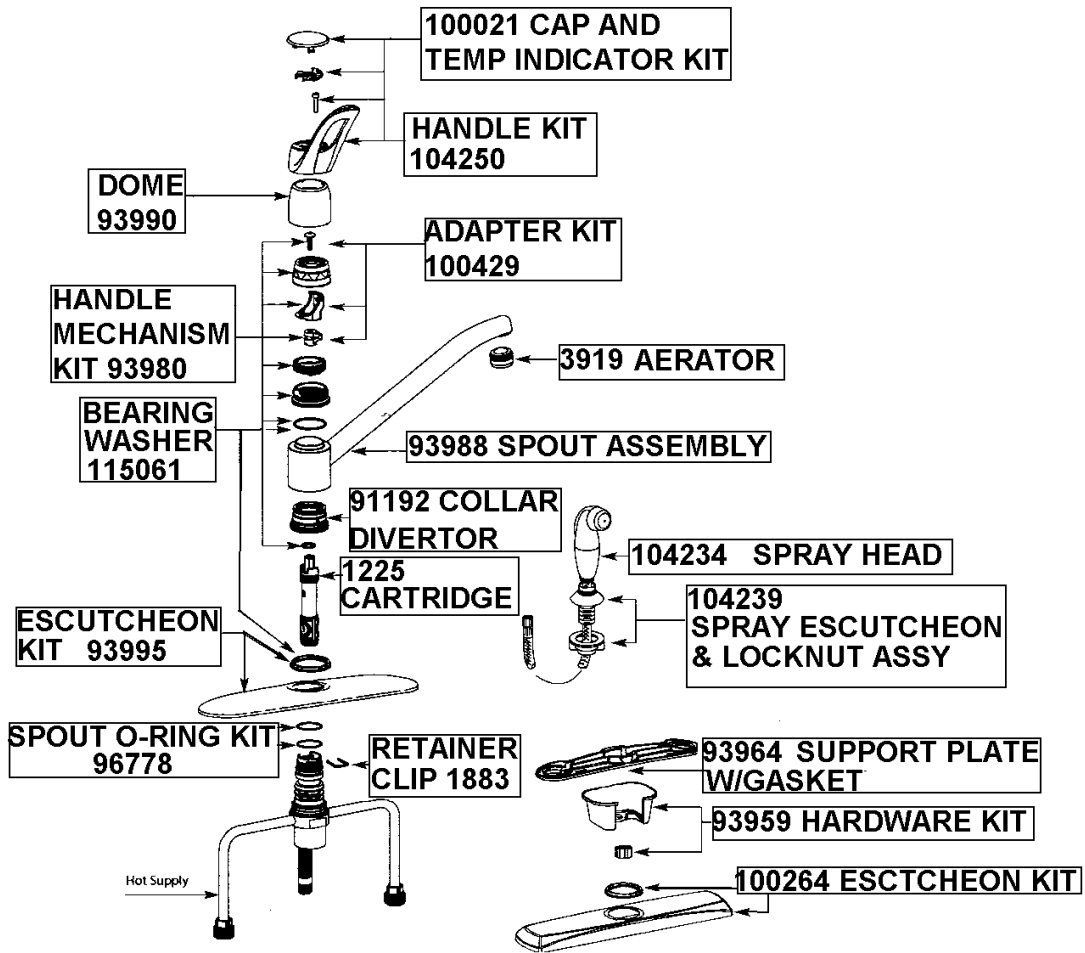
Faucet, Galley

601894

Single handle faucet, Moen 7460

Moen, Chateau, Single Handle Faucet
model 7460

TO ORDER PARTS CALL 1-800-BUY MOEN

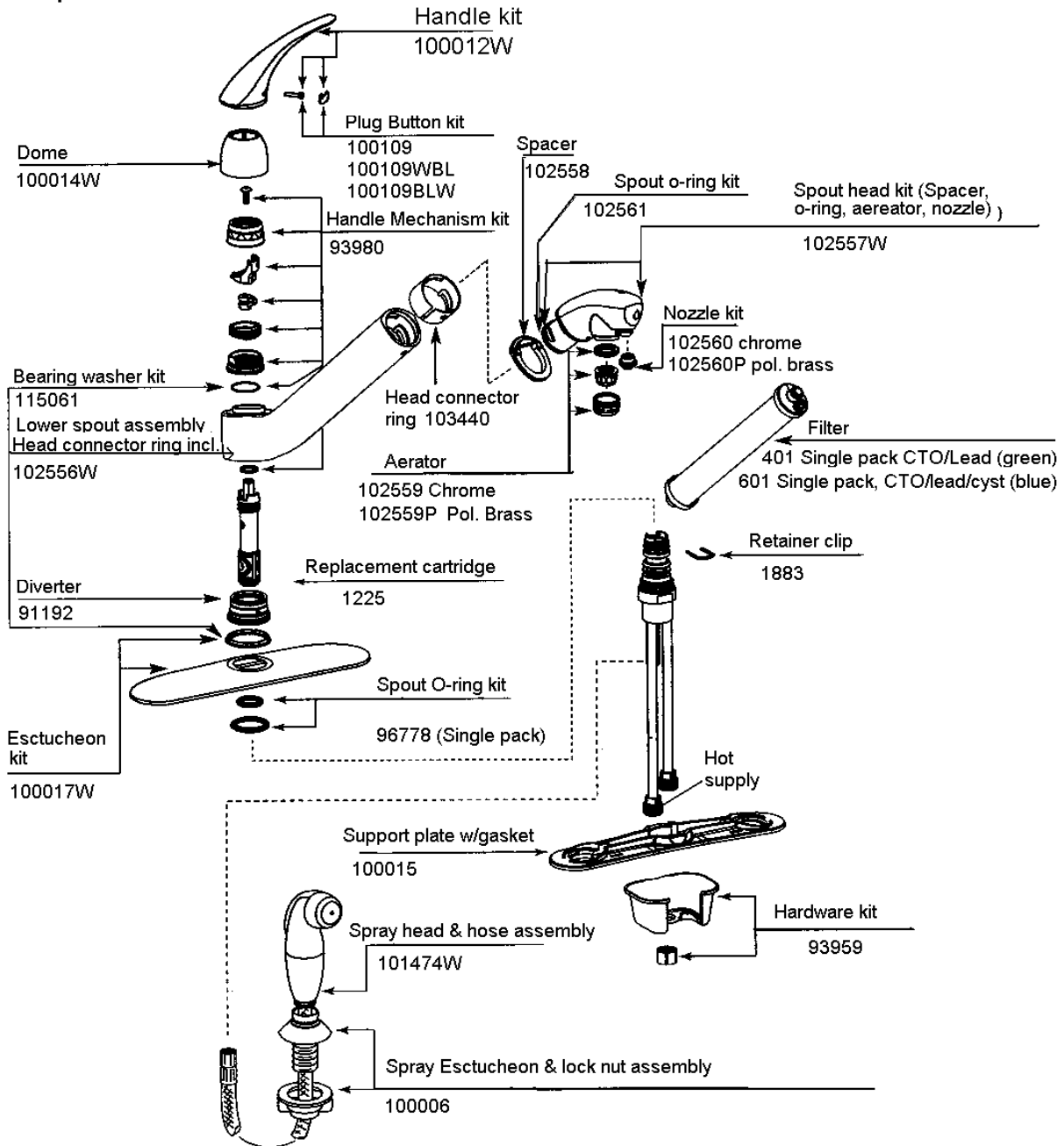


SAFARI- BAMBI

PLUMBING, FRESH WATER

Faucet, Galley, Safari Upgrade

601827-01 Faucet, MDL 7030W, Glacier, Moen
 Contact Moen direct at 1-800-BUY-MOEN for warranty and your local parts outlet.

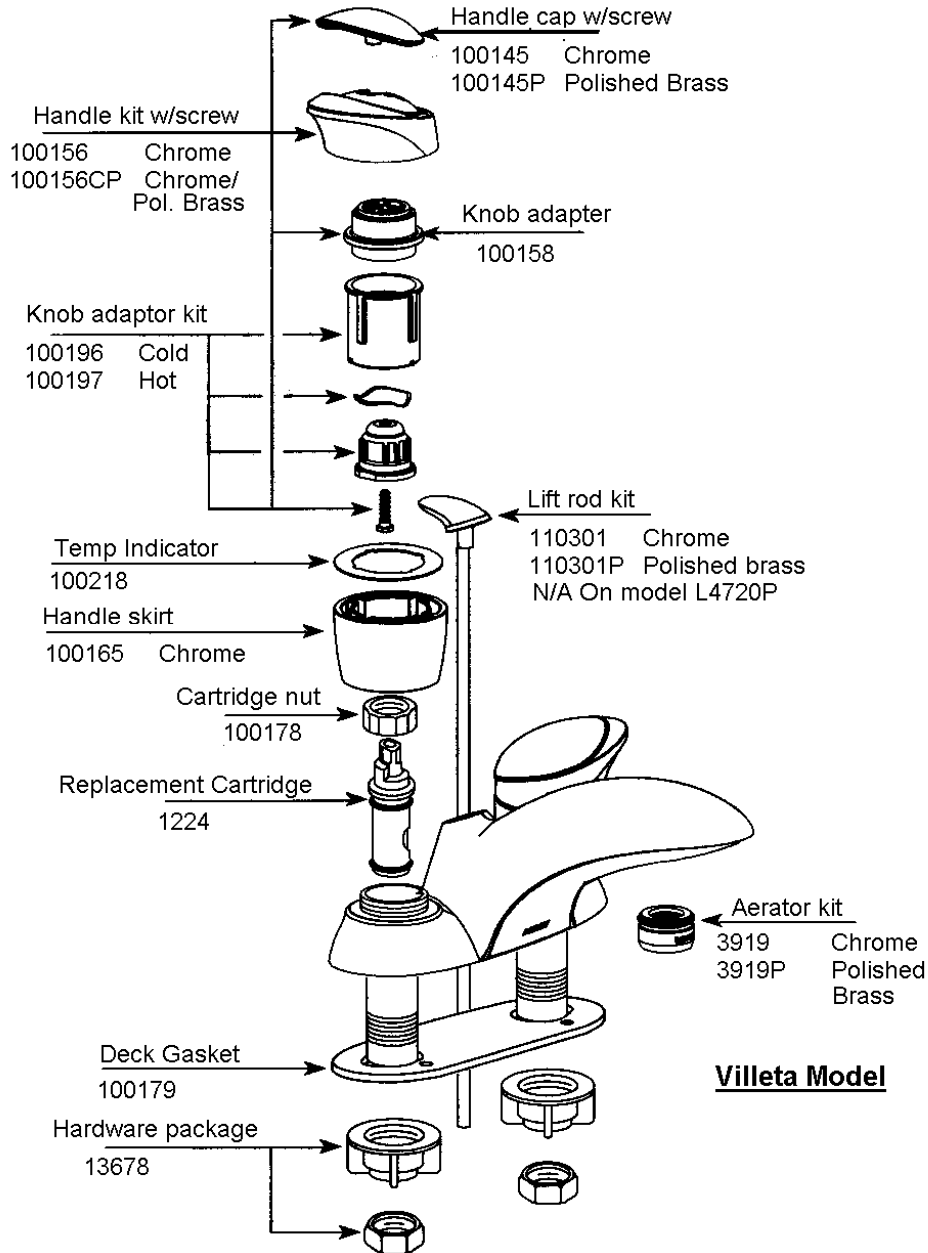


SAFARI- BAMBI

PLUMBING, FRESH WATER

Faucet, Lavatory

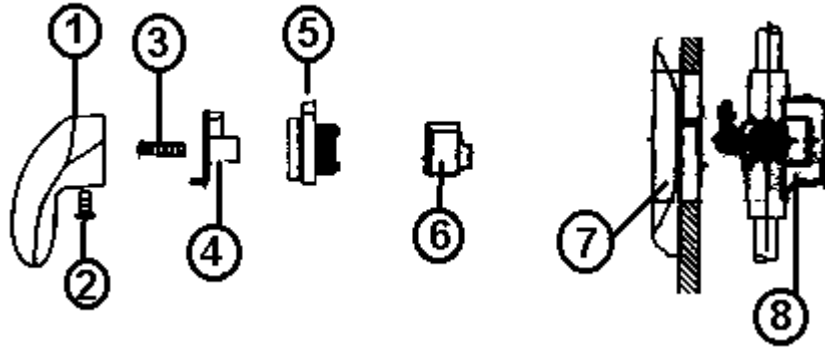
601825 Lavatory, Moen L4720P, chrome
 Contact 1-800-Buy Moen for parts and warranty



SAFARI- BAMBI

PLUMBING, FRESH WATER

Faucet, Chrome Shower Trim Kit



601829 Chrome shower faucet trim kit, Moen Valetta MDL TL2391

Contact Moen at 1-800-BUY-MOEN for warranty and local parts distributor.

1. Lever handle
2. Set screw
3. Handle screw
4. Handle adaptor
5. Brake
6. Key stop
7. Escutcheon
8. 601831 4-port posi-temp valve

600594 Strainer w/white rubber stopper

601358 Shower kit, includes:
Shower hose, shower head, Vacuum breaker, wall
mounts

SAFARI- BAMBI
PLUMBING, FRESH WATER

Faucet, Lavatory/Shower, 16'

604877-01	SHOWER VALVE 4 CP W/FLT WASHER
604877-02	HANDSET HOSE W/WALL BRACKET CP
604877-03	ELBOW-1/2 CHROME SUPPLY
604877-04	VACUUM BREAKER C P BRASS
601884	CENTER SET NUT - PLASTIC

Faucet, Lavatory/Shower, 20', 22'

690473	Faucet, Lavatory/Shower
601813	TAIL PIECE-LIFT/TURN DRAIN
601727	SHOWER DRAIN 2"W/GRID TOP

SAFARI- BAMBI

PLUMBING, DRAIN

Main (Black) Tanks Fittings

601588	DRAIN COCK RADIATOR BRASS
601266	FLANGE, CLOSET, 3 X 4, SLIP FIT, 22', 25', 28' S/O, 28' W, 30'
601424	FLANGE, CLOSET 4" X 3", THREADED, 25' A & B

Sinks/Shower, 30'

702937-03	SHOWER DOOR-ROLL AWAY 62" X 36"
203114	SHOWER 2 PC FIBERGLASS
203410	SINK, STAINLESS STEEL LAVY 10" X 15" OVAL
601804-01	SINK-LAVY YUKON ROUND, CSA Units Only
601963	Sink, Stainless Steel, 16" x 27"
203509	SINK COVER, 1/2" NATURAL OAK
601744-01	MOUNTING CLIPS FOR PORCELAIN S
600968	BASKET STRAINER

Sink/showers, 28' S/O

203081	SHOWER STALL, 2 PC
600594	Tub strainer w/rubber stopper
702306-03	SHOWER DOOR SILVER 27"
203410	SINK-LAVY, oval, Stainless steel
601804-01	SINK-LAVY YUKON ROUND, CSA Units Only
601963	Sink, Stainless Steel, 16" x 27"
203509	SINK COVER, 1/2" NATURAL 13.25
601744-01	MOUNTING CLIPS
601228	Close-out septic pan

SAFARI- BAMBI

PLUMBING, DRAIN

Sink/showers, 28' W

203081-01	SHOWER STALL, 2 PC
203410	SINK-LAVY, oval, Stainless steel
600594	Tub strainer w/rubber stopper
601804-01	SINK-LAVY YUKON ROUND, CSA Units Only
601963	Sink, Stainless Steel, 16" x 27"
203509	SINK COVER, 1/2" NATURAL OAK
600968	BASKET STRAINER
601744-01	MOUNTING CLIPS

Sink/showers, 25' A & B

601228	Close-out septic pan, 25 ft, 19 ft.
201980	Shower stall, two-piece, 25 ft. "A & B"
702937-03	SHOWER DOOR-ROLL AWAY 62 X 36
600594	Tub strainer w/rubber stopper
601963	Sink, Stainless Steel, 16" x 27"
601744-01	MOUNTING CLIPS
203509	SINK COVER, 1/2" NATURAL OAK
203410	SINK-LAVY, oval, Stainless steel
601804-01	SINK-LAVY YUKON ROUND, CSA Units Only

Sink/showers, 25' Front Bed

601963	Sink, Stainless Steel, 16" x 27"
601744-01	MOUNTING CLIPS FOR PORCELAIN
600968	BASKET STRAINER
203509	SINK COVER, 1/2" NATURAL OAK
203081	SHOWER STALL 2 PC.
702306-03	SHOWER DOOR SILVER 27"
600594	STRAINER W/WHITE RUBBER STOPPER
203410	SINK-ST. STEEL LAVY 10 X 15 OVAL
601804-01	SINK-LAVY YUKON ROUND, CSA Units Only

SAFARI- BAMBI

PLUMBING, DRAIN

Sink/showers, 25' Sleep Six

702937-03	SHOWER DOOR-ROLL AWAY 62 X 36
203114	Shower stall, two-piece, 25ft. "C", 19 FT.
600594	Tub strainer w/rubber stopper
601963	Sink, Stainless Steel, 16" x 27"
601744-01	MOUNTING CLIPS
203509	SINK COVER, 1/2" NATURAL OAK
203410	SINK-LAVY, oval, Stainless steel
601804-01	SINK-LAVY YUKON ROUND, CSA Units Only

Sink/showers, 23'

601806	SINK-S.S. ROUND GALLEY
203509	SINK COVER, 1/2" NATURAL 13.25
203410	SINK-ST.STEEL LAVY 10" X 15" OVAL
601767-02	TAILPIECE-CHROME LAVY
203114	SHOWER 2 PC FIBERGLASS

Sink/showers, 22'

601963	Sink, Stainless Steel, 16" x 27"
203509	SINK COVER, 1/2" NATURAL OAK
600968	BASKET STRAINER
601804-01	SINK 12" SS ROUND WITH STUDS
203298	SHOWER PAN
203328-01	SHOWER SURROUND-UPPER
203328-02	SHOWER SURROUND-LOWER
203328-03	MED CABINET SURROUND
601884	CENTER SET NUT - PLASTIC

SAFARI- BAMBI

PLUMBING, DRAIN

Sink/showers, 20'

601963 Sink, Stainless Steel, 16" x 27"
203509 SINK COVER, 1/2" NATURAL OAK
600968 BASKET STRAINER
601804-01 SINK 12" SS ROUND WITH STUDS
203114 SHOWER, 2 PC FIBERGLASS
702937-03 SHOWER DOOR-ROLL AWAY 62" X 36"

Sink/showers, 19'

601938 SINK, S/S, SINGLE BOWL 15.75 X
601714-01 TAIL PIECE 1-1/2X4"(GALLEY DRAIN)
601714-02 1 1/2" SLIP NUT W/WINGS
601714-03 1 1/2" BLACK RUBBER WASHER
195362-39 2" STRAINER ,MODEL # 7466JR
203425 Sink cover
601804-01 SINK-LAVY YUKON ROUND, CSA Units Only
203114 SHOWER 2 PC FIBERGLASS

Sink/showers, 16'

601938 SINK, S/S, SINGLE BOWL
203425 SINK COVER .5" NATURAL
601876 SHOWER-EXTERIOR, WHITE
203444-01 BASE-SHOWER FIBERGLASS WHITE

Shower Curtain, 16'

703467-01 SHOWER CURTAIN
703467-02 SHOWER CURTAIN
703467-03 SHOWER CURTAIN, STRAP
703236 FABRIC PENNE OFF WHITE SHOWER
700103 WEBBING 1/2IN FOR SHOWER CURTAIN
700045 GLIDES CURTAIN G3 W/ELASTIC
700021 HOOK, VELCRO, WHITE
700020 PILE VELCRO
381581 STRAP CLEAR PLASTIC .75" WIDE
700811 BUTTON CAP, HANDY
700812 BUTTON BOTTOM, HANDY
100097 EXTR. ALUM CURTAIN TRACK

SAFARI- BAMBI

PLUMBING, DRAIN

Shower Curtain, 22'

703132-01	CURTAIN-SHOWER
700044	GLIDES CURTAIN W/ELASTIC T-2
700020	PILE VELCRO
700021	HOOK, VELCRO, WHITE
203138-03	EXTRUSION PLASTIC WALL BEIGE
100097	EXTR. ALUM CURTAIN TRACK
701697	FABRIC SHOWER GUARD PEARL 72" WIDE

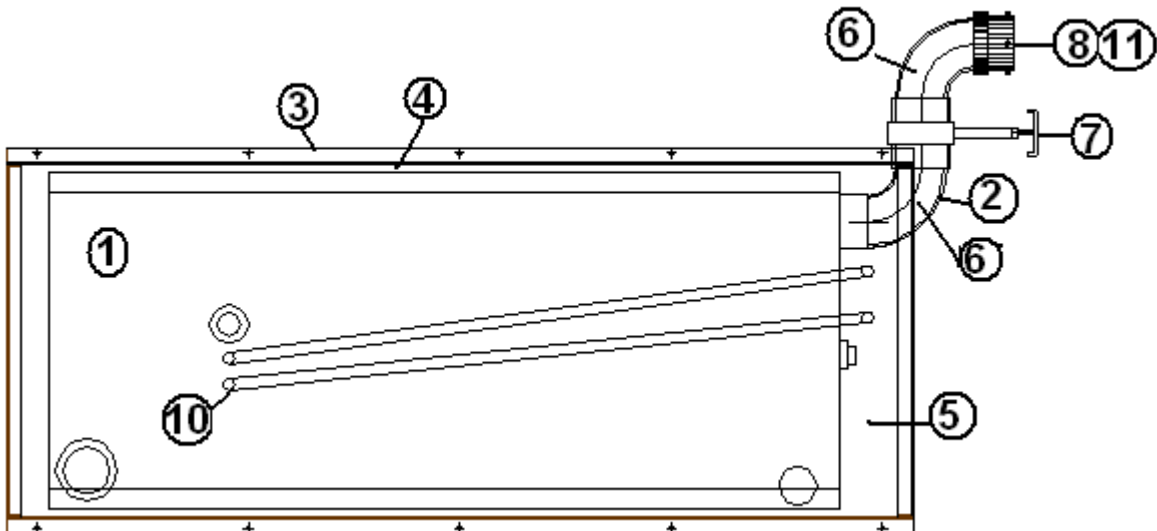
Black Tank Flush

601441	Tank flush system
--------	-------------------

SAFARI- BAMBI

PLUMBING, DRAIN

DRAIN VALVES/TANKS, 16'

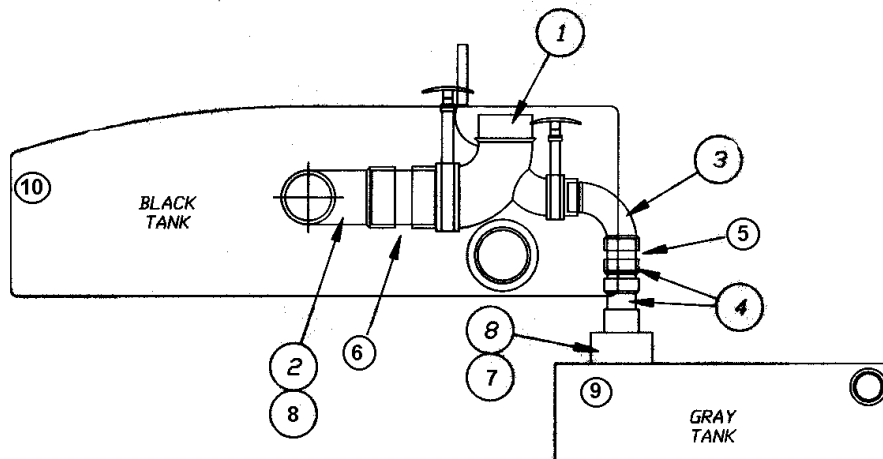


- | | |
|---------------|---|
| 1. 601844-05 | TANK-BLACK/GRAY 21 GAL 16'CCD |
| 2. 511789 | SENSOR-TANK MONITOR #500-10050 |
| 3. 601869 | PAN-WASTE TANK |
| 4. 200507 | STYROFOAM, 1" X 25" X 55" |
| 5. 200152 | STYROFOAM, 1/2" X 6" X 42" |
| 6. 600820 | 3"SINGLE SOCKET 90 DEGREE |
| 7. 601607-14 | VALVE ASSY-3"SPIGOT X 3"SPIGOT |
| 8. 601607-06 | TERMINATION ADAPTOR, 3" HUB X 3" |
| 9. 453945-07 | CLOSEOFF PLUMBING BLACK |
| 10. 601588 | DRAIN COCK RADIATOR BRASS |
| 11. 601607-07 | TERMINATION CAP, 3" BAY |
| 511286-01 | WIRE FLAT TELEPHONE |
| 511252 | PLUG PHONE 4 CONDUCTOR |
| 511393 | COUPLER-MODULAR EXTEN 4 CONDUCTOR |
| 601266 | TOILET, FLANGE, CLOSET, 3 X 4, SLIP FIT |

SAFARI- BAMBI

PLUMBING, DRAIN

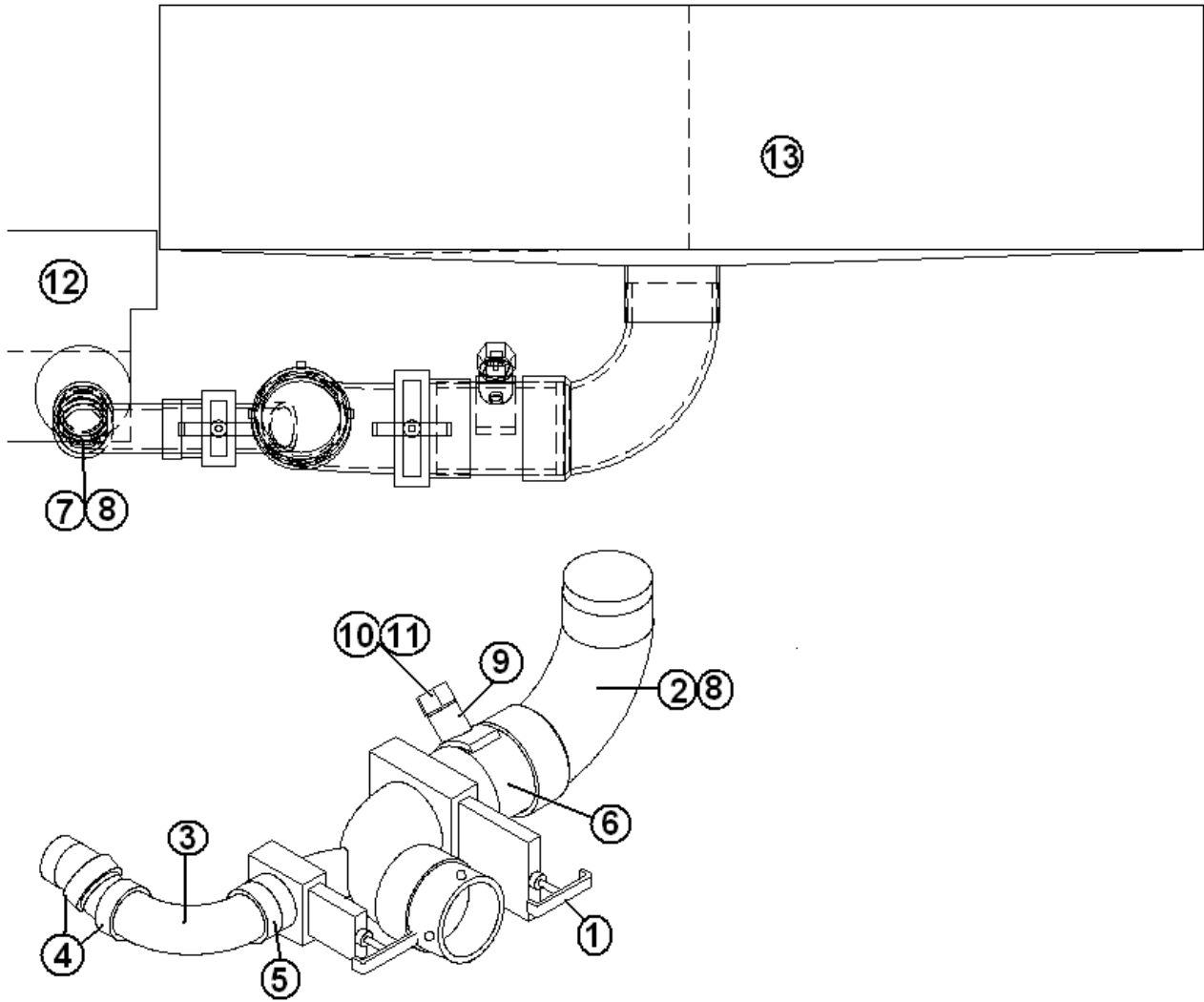
DRAIN VALVES/TANKS, 19'



- | | |
|---------------|-------------------------------------|
| 1. 601482 | Dump Valve Rotating assembly |
| 2. 600183 | 3" Ell, long sweep, 19', 25 SS |
| 3. 600431 | Elbow, 90, 1½" |
| 4. 601160-02 | Pipe, ABS DVW, 1½"-2.00" Long |
| 5. 601160-04 | Pipe, ABS DVW, 3"- 4" Long |
| 6. 114916 | Bracket, dump valve |
| 7. 195329-229 | Reducer adaptor, 3" to 1.5" |
| 8. 340092 | Clamp, worm type T40C-75-388-SB |
| 9. 601844-01 | Holding tank, gray, 19 Ft. |
| 10. 601854-01 | Black tank, 19' Bambi |
| 601717 | Pan, gray tank, 19 Ft. |
| 453622 | Gray tank pan closeout, 19 ft. |
| 964478 | Slope pad-Black tank, 19 ft. |
| 601228 | Close-out septic pan, 25 ft, 19 ft. |
| 453977 | Strap, black tank FWD. |
| 453978 | Strap, black tank AFT. |
| 601846 | ADAPTOR-3"PIPE, CATCON |

SAFARI- BAMBI
PLUMBING, DRAIN

DRAIN VALVES/TANKS, 20'



Part numbers on the next page.

SAFARI- BAMBI

PLUMBING, DRAIN

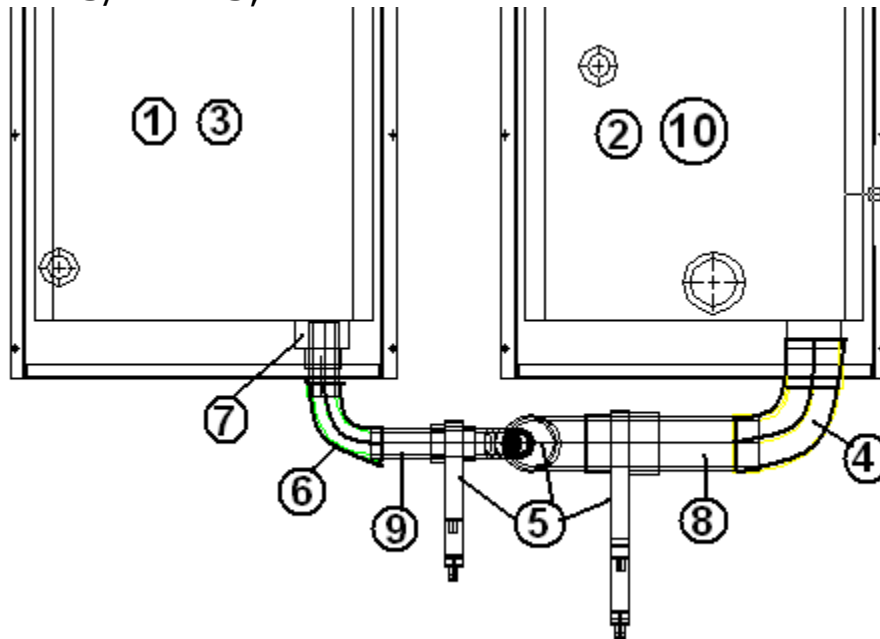
DRAIN VALVES/TANKS, 20'

- | | |
|----------------|-------------------------------------|
| 1. 601482 | Dump Valve Rotating assembly |
| 2. 600183 | 3" Ell, long sweep, 19', 25 SS |
| 3. 600431 | Elbow, 90, 1½" |
| 4. 604800 | Street Ell, 1.5", 22.5 Degrees, ABS |
| 5. 601160-02 | Pipe, ABS DVW, 1½"-2.00" Long |
| 6. 601160-04 | Pipe, ABS DVW, 3"- 4" Long |
| 7. 195329-229 | Reducer adaptor, 3" to 1.5" |
| 8. 340092 | Clamp, worm type T40C-75-388-SB |
| 9. 601846 | ADAPTOR-3"PIPE, CATCON |
| 10. 511789 | Sensor, tank monitor |
| 11. 51178-9-01 | Boot, Sensor |
| 12. 601844-03 | Holding tank, gray |
| 10. 601854-01 | Black tank |
| 602064 | Pan, gray tank |
| 453977 | Strap, black tank FWD. |
| 453978 | Strap, black tank AFT. |
| 511780 | PAD-TANK HEATING 6.5"X 18" TH- |
| 114916 | Bracket, dump valve |

SAFARI- BAMBI

PLUMBING, DRAIN

DRAIN VALVES/TANKS, 22'

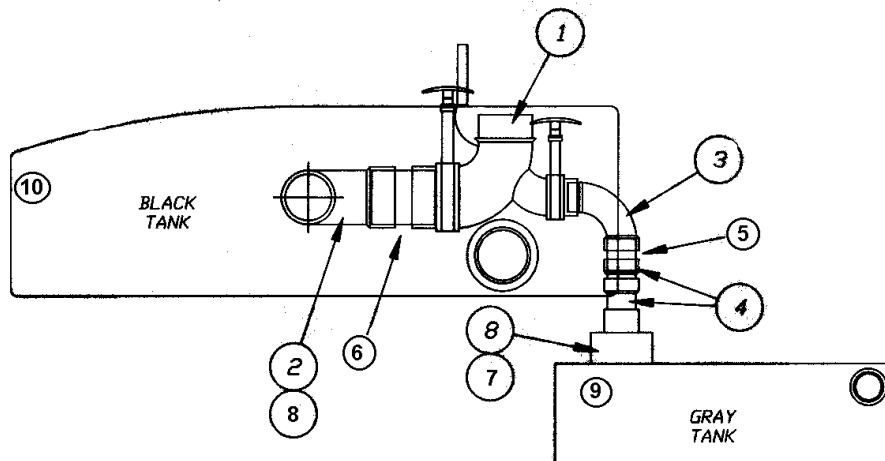


- | | |
|---------------|-------------------------------------|
| 1. 601844-03 | TANK-GRAY HOLDING 21 GALLON |
| 2. 601844-04 | TANK-BLACK HOLDING 21 GALLON |
| 3. 602064 | PAN ASSY - GRAY TANK |
| 4. 600820 | 3"SINGLE SOCKET 90 DEGREE |
| 5. 601482 | DUMP VALVE ROTATING ASSY. |
| 6. 600035 | ELL ABS LONG SWEEP 1 1/2" |
| 7. 195329-229 | REDUCER ADAPTOR 3" TO 1.5" 407 |
| 8. 601160-04 | PIPE, ABS DVW, 3" |
| 9. 601160-02 | PIPE, ABS DVW, 1 1/2" |
| 10. 602065 | PAN ASSEMBLY - BLACK TANK |
| 345074-05 | SCREW, 5/16", 18 X 7/8", HEX WASHER |
| 200507 | STYROFOAM, 1" X 25" X 55" |
| 200152 | STYROFOAM 1/2" X 6" X 42" |
| 453945-04 | CLOSEOFF PLUMBING GREY |
| 453945-07 | CLOSEOFF PLUMBING BLACK |
| 511286-01 | WIRE FLAT TELEPHONE 26 GA. |
| 511252 | PLUG PHONE 4 CONDUCTOR |
| 511789 | SENSOR-TANK MONITOR #500-10050 |
| 511393 | COUPLER-MODULAR EXTEN 4 CONDUCT |
| 511780 | PAD-TANK HEATING 6.5"X 18" TH- |
| 511789-01 | BOOT-SENSOR #500-20010-05 |

SAFARI- BAMBI

PLUMBING, DRAIN

DRAIN VALVES/TANKS, 23'

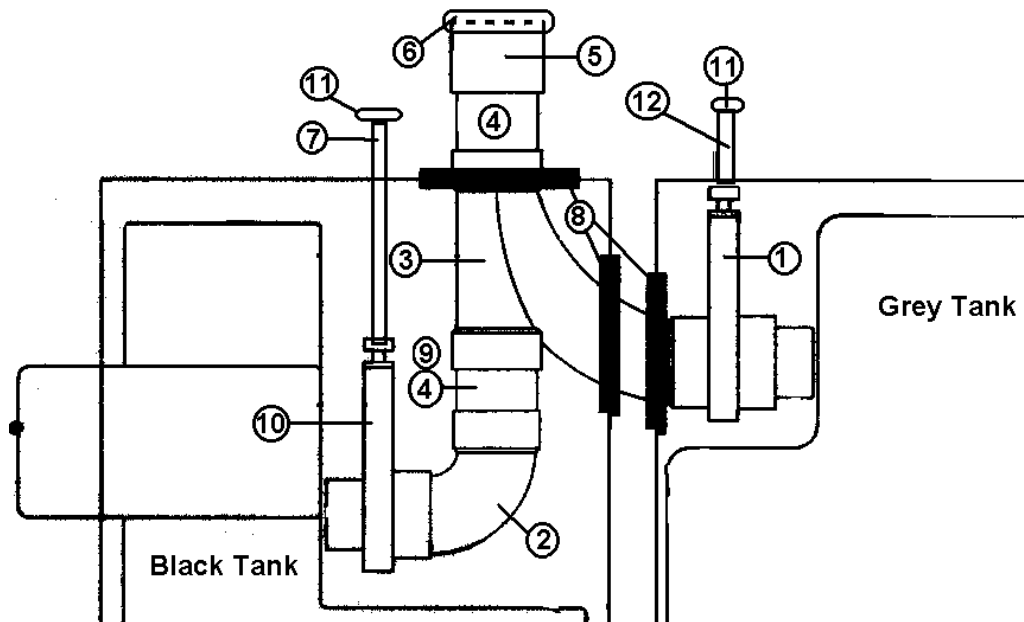


- | | |
|---------------|---------------------------------|
| 1. 601482 | Dump Valve Rotating assembly |
| 2. 600183 | 3" Ell, long swee |
| 3. 600431 | Elbow, 90, 1½" |
| 4. 601160-02 | Pipe, ABS DVW, 1½"-2.00" Long |
| 5. 601160-04 | Pipe, ABS DVW, 3"- 4" Long |
| 6. 114916 | Bracket, dump valve |
| 7. 195329-229 | Reducer adaptor, 3" to 1.5" |
| 8. 340092 | Clamp, worm type T40C-75-388-SB |
| 9. 601844-01 | Holding tank, gray |
| 10. 601854-01 | Black tank |
| 602052 | Pan, gray tank |
| 453615 | TANK SUPPORT STRIP, GRAY TANK |
| 203149 | SLOPE PAD-HOLDING TANK |
| 453493 | HANGER STRAP-TANK PAN SAFARI |
| 511780 | PAD-TANK HEATING 6.5"X 18" TH- |
| 453977 | Strap, black tank FWD. |
| 453978 | Strap, black tank AFT. |
| 601846 | ADAPTOR-3"PIPE, CATCON |
| 511252 | PLUG PHONE 4 CONDUCTOR |
| 511789 | SENSOR-TANK MONITOR |
| 511789-01 | BOOT-SENSOR |

SAFARI- BAMBI

PLUMBING, DRAIN

DRAIN VALVES/TANKS, 25' A & B

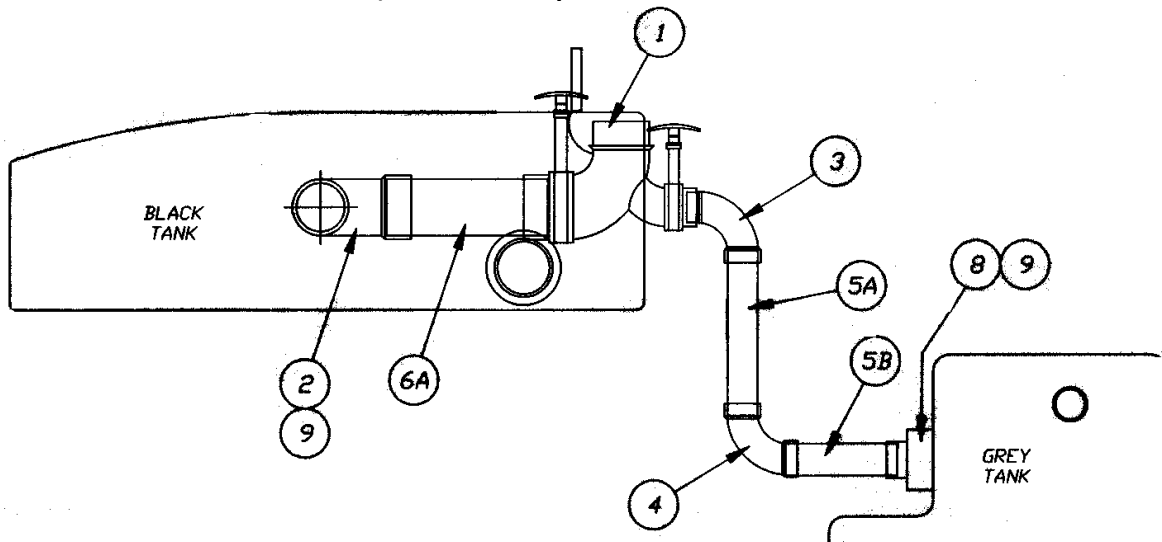


1. 601607-02 Valve assembly, 3" hub x 3" spigot
2. 601531 Fitting, 90 degree, 3" H x ST
3. 601187 3" Wye, comb and 1/8 bend
4. 601160-04 Pipe, ABS, 3"
5. 601607-06 TERMINATION ADAPTOR, 3" HUB X 3" BAY
6. 601607-07 TERMINATION CAP, 3" BAY
7. Rod comes with valve
8. 380481 BOOT RUBBER 3" DRAIN LINE
9. 600289 CALDER COUPLING 3IN (RUBBER)
10. 601607-11 VALVE ASSY. 3" SPIGOT X 3" SPIGOT
11. 601607-10 DUMP VALVE ROD EXTENSION 19"
- 601848-01 Gray tank, 25' Safari
- 601856-01 Black tank, 25 ft. Bambi
- 601642 Pan, tank, 25'
- 601228 Close-out septic pan, 25 ft, 19 ft.
- 203149 Slope pad, holding tanks, 25', 28' W
- 114086 Bracket, dump valve handle
- 453493 HANGER STRAP-TANK PAN

SAFARI- BAMBI

PLUMBING, DRAIN

DRAIN VALVES/TANKS, 25' Sleep Six

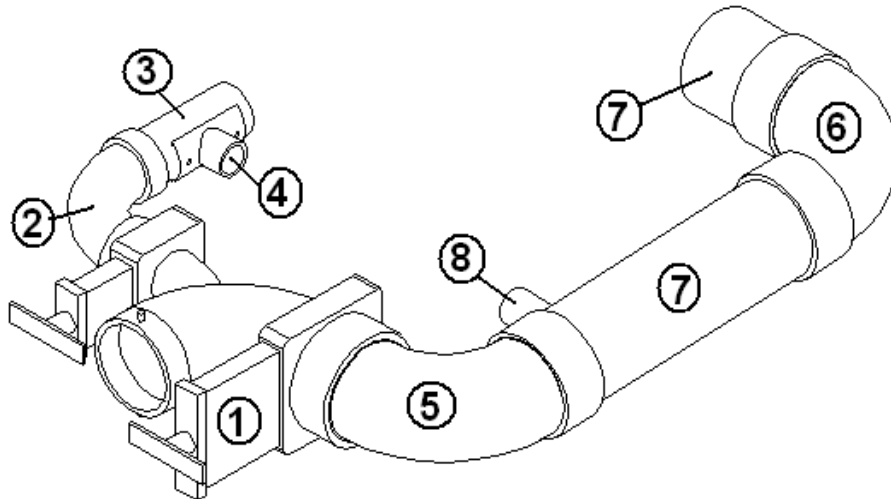


- | | |
|---------------|---------------------------------|
| 1. 601482 | Dump Valve Rotating assembly |
| 2. 600183 | Ell long sweep ABS 3" |
| 3. 600431 | Elbow, 90, 1½" |
| 4. 600035 | Ell ABS street, 1½" |
| 5A. 601160-02 | Pipe, ABS DVW, 1½"-10.00" Long |
| 5B. 601160-02 | Pipe, 1½"-ABS DVW, 7.00" Long |
| 6A. 601160-04 | Pipe, 3"-ABS DVW, 4" Long |
| 7. 114916 | Bracket, dump valve |
| 8. 195329-229 | Reducer adaptor, 3" to 1.5" |
| 9. 340092 | Clamp, worm type T40C-75-388-SB |
| 10. 601848-02 | Holding tank, gray |
| 11. 601854-01 | Black tank |
| 453615 | TANK SUPPORT STRIP-62" |
| 453616 | TANK SUPPORT STRIP-22" |
| 453963 | Strap, black tank FWD. |
| 453964 | Strap, black tank AFT. |
| 200152 | STYROFOAM ½" X 6" X 42" |
| 203149 | SLOPE PAD-HOLDING TANK |
| 601228 | CLOSEOUT, SEPTIC PAN |
| 601846 | ADAPTOR-3"PIPE CATCON |

SAFARI- BAMBI

PLUMBING, DRAIN

DRAIN VALVES/TANKS, 28' W



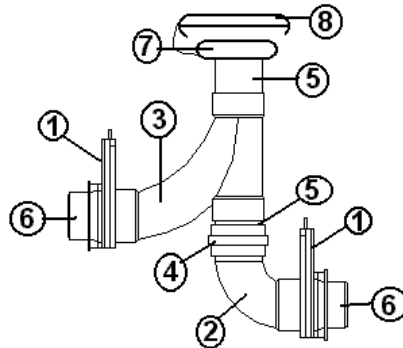
- | | |
|--------------|----------------------------------|
| 1. 601482 | DUMP VALVE ROTATING ASSEMBLY |
| 2. 600431 | ELBOW, 90, 1 1/2" |
| 3. 601160-02 | PIPE, ABS DVW, 1 1/2" |
| 4. 601845 | ADAPTOR-1.5", PIPE CATCON |
| 5. 600820 | 3" SINGLE SOCKET 90 DEGREE |
| 6. 600183 | ELL LONG SWEEP ABS 3" |
| 7. 601160-04 | PIPE, ABS DVW, 3" |
| 8. 601846 | ADAPTOR, 3" PIPE CATCON |
| 0360494 | BOOT RUBBER |
| 601889-01 | TANK-BLACK 35 GALLON |
| *601890-01 | TANK-GRAY 37 GALLON |
| 601895 | PAN-BLACK/GRAY TANK |
| 203149 | SLOPE PAD-HOLDING TANKS |
| 200152 | STYROFOAM 1/2 X 6 X 42" |
| 454178-01 | STRAP-BLACK/GRAY TANK 52.25" |
| 454178-02 | STRAP-BLACK/GRAY TANK 5.25" H |
| 454178-04 | STRAP-BLACK/GRAY TANK 4.75" H |
| 454178-05 | STRAP-BLACK/GRAY TANK 4.25" |
| 601424 | FLANGE, CLOSET 4" X 3", THREADED |

*601890-02 replaces -01, on units 518902 and units released after 518976. 601890-02 has a 2" wet vent opening.

SAFARI- BAMBI

PLUMBING, DRAIN

DRAIN VALVES/TANKS, 28' S/O

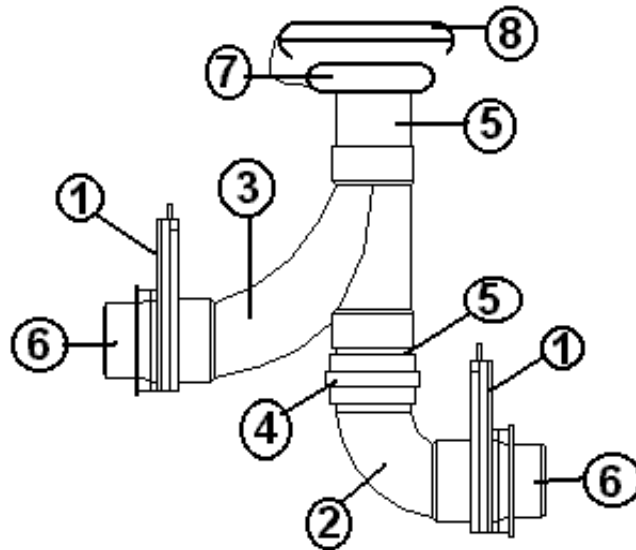


1. 601431 Dump valve w/o handle
 2. 600820 3" single socket, 90 Degree
 3. 600187 3" Wye, combination & 1/8" bend
 4. 600289 Calder coupler, 3"
 5. 601160-04 3" ABS pipe
 6. 601432 Adaptor, 3" tank valve
 7. 01639 Bayonet ring
 8. 01664 Cap. Positive seal, Thetford
- 04190 DUMP VALVE HANDLE 19 EXT THETFORD
380481 BOOT RUBBER 3" DRAIN LINE
385101 TAG AUX TANK DUMP VALVE HANDLE
385099 TAG MAIN TANK DUMP VALVE HANDLE
114086 BRACKET DUMP VALVE HANDLE
601441 SYSTEM, TANK FLUSH (NO-FUSS)
200954 SLOPE PAD, 22.75" X 55"
200152 STYROFOAM 1/2" X 6" X 42"
601626 PAN WASTE HOLDING TANKS
601850-01 Gray tank, 28' S/O Safari
601848-04 Black tank, 28' S/O Safari
600760-01 ADAPTER, MALE PIPE, 1/2" X 1/2", PLASTIC
601698-10 QQE33X 1/2" BARB EL
601698-01 E-PEX 1/2" TUBING
601266 FLANGE, CLOSET, 3 X 4, SLIP FIT

SAFARI- BAMBI

PLUMBING, DRAIN

DRAIN VALVES/TANKS, 25' FB

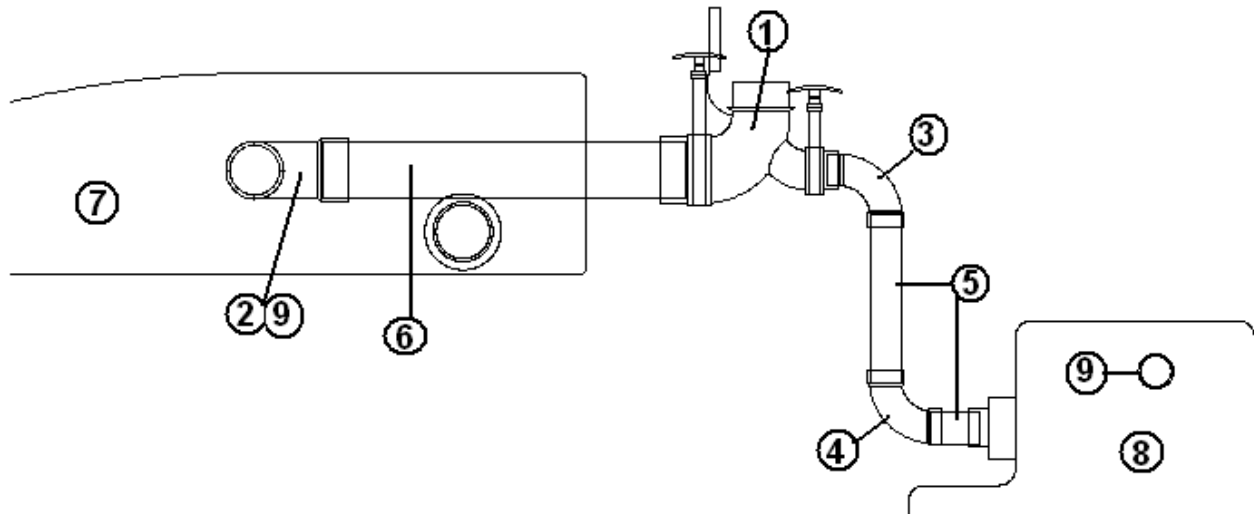


- | | |
|--------------|-----------------------------------|
| 1. 601431 | Dump valve w/o handle |
| 2. 600820 | 3" single socket, 90 Degree |
| 3. 600187 | 3" Wye, combination & 1/8" bend |
| 4. 600289 | Calder coupler, 3" |
| 5. 601160-04 | 3" ABS pipe |
| 6. 0310107 | WASTE VALVE ADAPTOR |
| 7. 01639 | Bayonet ring |
| 8. 01664 | Cap. Positive seal, Thetford |
| 04190 | DUMP VALVE HANDLE 19 EXT THETFORD |
| 380481 | BOOT RUBBER 3" DRAIN LINE |
| 385101 | TAG AUX TANK DUMP VALVE HANDLE |
| 385099 | TAG MAIN TANK DUMP VALVE HANDLE |
| 114086 | BRACKET DUMP VALVE HANDLE |
| 200152 | STYROFOAM 1/2" X 6" X 42" |
| 6012424 | FLANGE, CLOSET, 3 X 4, threaded |
| 601850-04 | TANK-GRAY 37 GAL. 25'FB SAF |
| 601848-09 | TANK-BLACK 39 GAL 25'FB SAF |
| 601642 | PAN-TANK ROTOCAST 25'SAFARI |
| 453493 | HANGER STRAP-TANK PAN SAFARI |
| 345074-05 | SCREW 5/16-18 X 7/8HEX WASHER |

SAFARI- BAMBI

PLUMBING, DRAIN

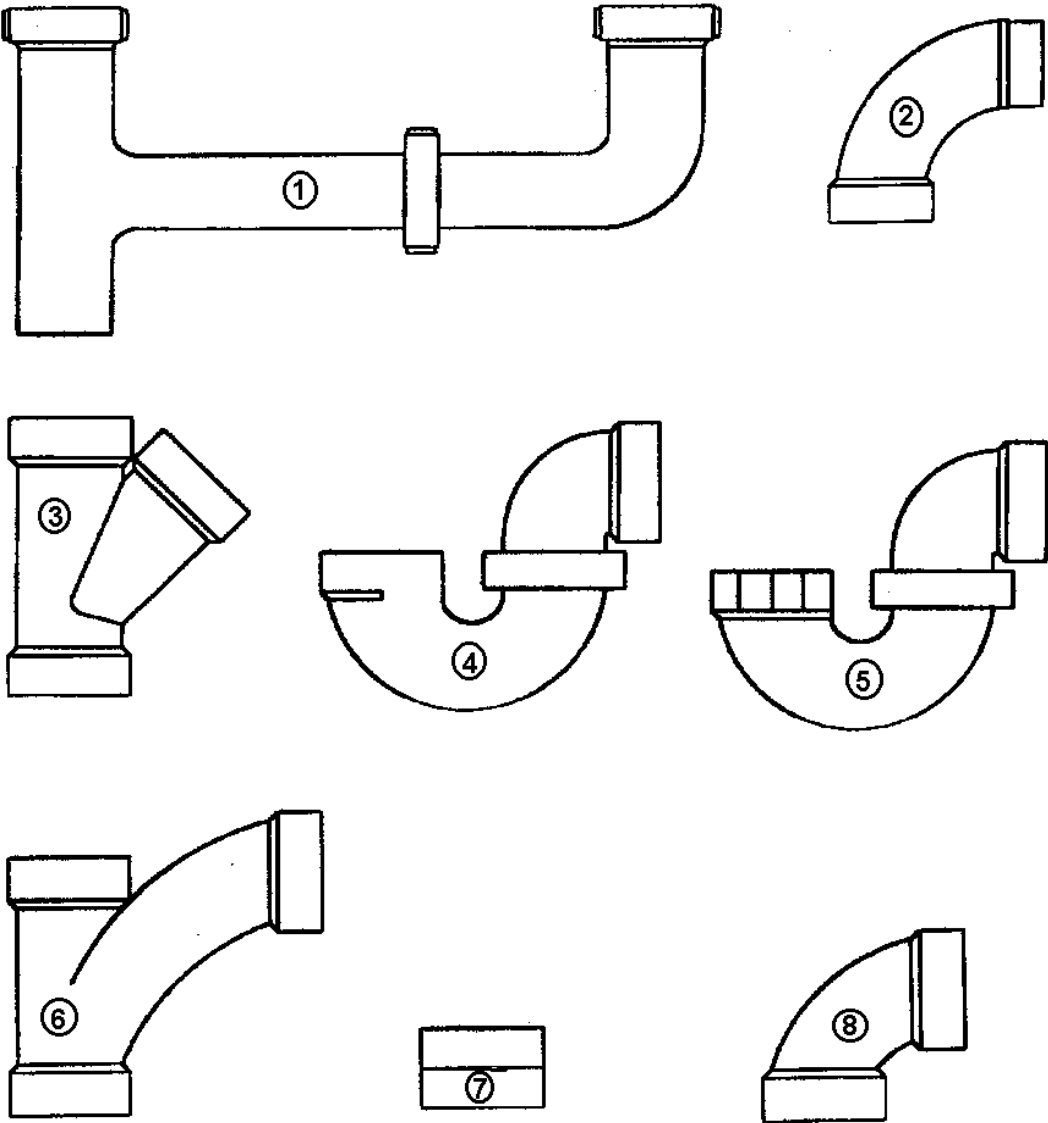
Dump Valves/Tanks, 30'



- | | |
|--------------|---------------------------------|
| 1. 601482 | DUMP VALVE ROTATING ASSY. |
| 2. 600183 | ELL LONG SWEEP ABS 3" |
| 3. 600431 | ELBOW, 90, 1 1/2" |
| 4. 600035 | ELL ABS LONG SWEEP 1 1/2" |
| 5. 601160-02 | PIPE, ABS DVW, 1 1/2" |
| 6. 601160-04 | PIPE, ABS DVW, 3" |
| 7. 601854-01 | TANK, BLACK HOLDING 17.3 GALLON |
| 8. 601848-08 | TANK, GREY 39 GALLON |
| 9. 601266 | FLANGE, CLOSET, 3 X 4, SLIP FIT |
| 601845 | ADAPTOR-1.5"PIPE CATCON |
| 114916 | BRACKET DUMP VALVE |
| 195329-229 | REDUCER ADAPTOR 3" TO 1.5" 407 |
| 340092 | CLAMP, WORM TYPE T40C-75-388-S |
| 601642 | PAN, TANK ROTOCAST |
| 200152 | STYROFOAM 1/2 X 6 X 42 |
| 453493 | HANGER STRAP, TANK PAN |
| 203149 | SLOPE PAD, HOLDING TANKS |
| 453615 | TANK, SUPPORT STRIP-62" |
| 453963 | STRAP-BLACK TANK FWD |
| 453964 | STRAP-BLACK TANK AFT |
| 600820 | 3"SINGLE SOCKET 90 DEGREE |

SAFARI- BAMBI
 PLUMBING, DRAIN

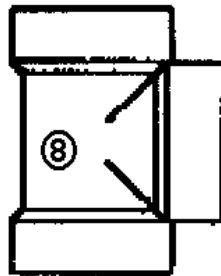
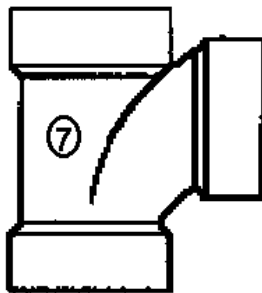
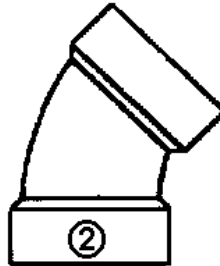
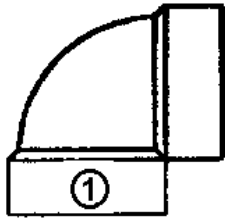
DRAIN FITTINGS, 1.5"



- 1. 600378 Continuous waste
 - 2. 600431 Elbow, 90 degree, long street
 - 3. 600094 Wye, #2301
 - 4. 600144 P-trap, 1.5" w/o slip nut
 - 5. 600622 P-trap, 1.5" w/slip nut
 - 6. 600182 Wye, 1.5", 1/8" bend
 - 7. 600227 1.5" coupling
 - 8. 601636 Elbow, 90 degree short sweep
- (continued)

SAFARI- BAMBI
PLUMBING, DRAIN

DRAIN FITTINGS, 1.5"



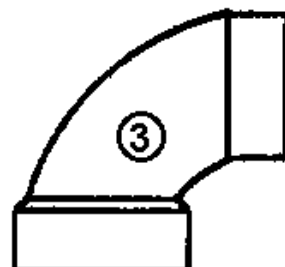
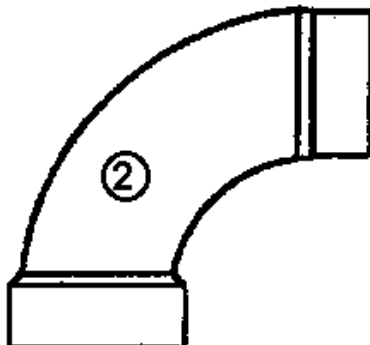
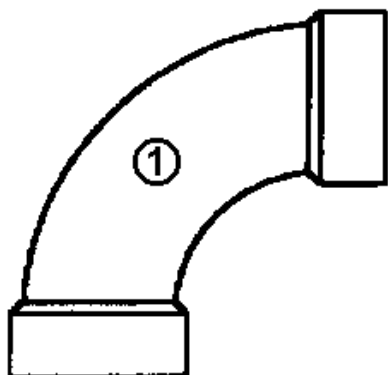
1. 600033 Elbow vent, 90 degree
2. 600030 Elbow, 45 degree, long degree
3. 600116 Elbow, 22.5 degree, short turn
4. 600538 Vent, 1.5"
5. 600155 Plug, 1.5"
6. 601677 Cap, 1.5"
7. 600156 Tee, sanitary, 1.5"
8. 601318 Tee, bi-directional, clean out, 1.5"
9. 600027 Elbow, 45 degree, long street

(continued)

SAFARI- BAMBI

PLUMBING, DRAIN

DRAIN FITTINGS, 1.5"



- 1. 600035 Elbow, 90 degree, long turn
- 2. 600431 Elbow, 90 degree, long street
- 3. 600662 Elbow, 90 degree, short street
- 4. 601263 Reducer, 1.5" to 1.25"
- 5. 601676 Adaptor
- 6. 600308 Adaptor, w/female threads

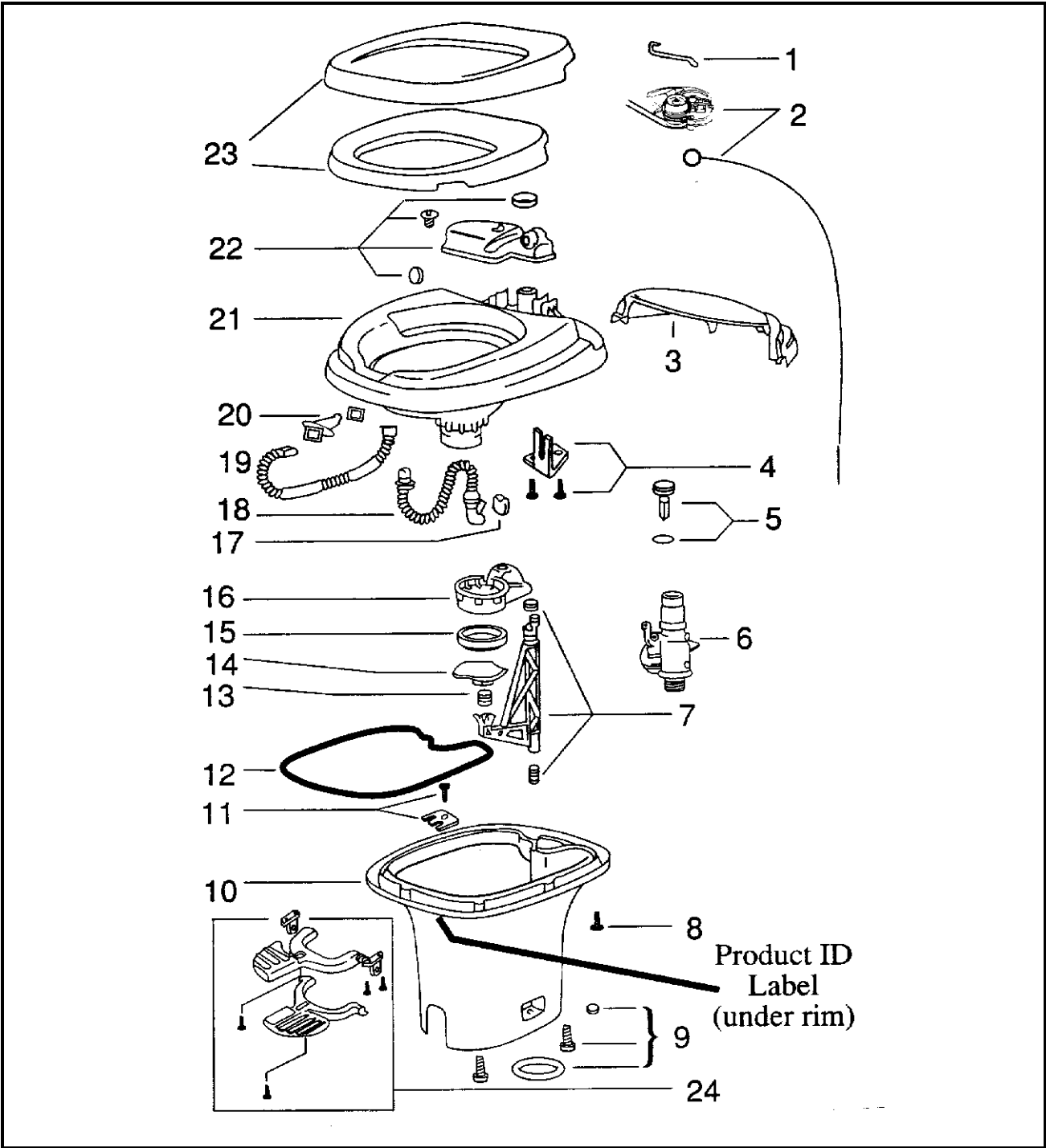
Not shown:

- 601200 ADAPTOR AUTO VENT W/EXT.
- 600625-01 PLUG, TRAP, 1-1/2" ADAPTER, FEMALE
- 600625-02 PLUG, TRAY 1-1/2" ADAPTER, MALE
- 601201 ADAPTOR SWIVEL STRAINER, 1.25"
- 601295 PLUG 1 1/4" ABS DWV, tank clean out
- 601240-01 TUBING 1/2" I.D. X 3/32" WALL THICK
- 600227 PLASTIC COUPLINGS
- 601267-04 NIPPLE 3" DIA. THD ONE 10" LG
- 601589 ADAPTOR BRASS 3/8 FPT X 1/2 MP

SAFARI- BAMBI

PLUMBING, DRAIN

Toilet, 19', 25', 28', 30'



SAFARI- BAMBI

PLUMBING, DRAIN

Toilet, 19', 25', 28', 30'

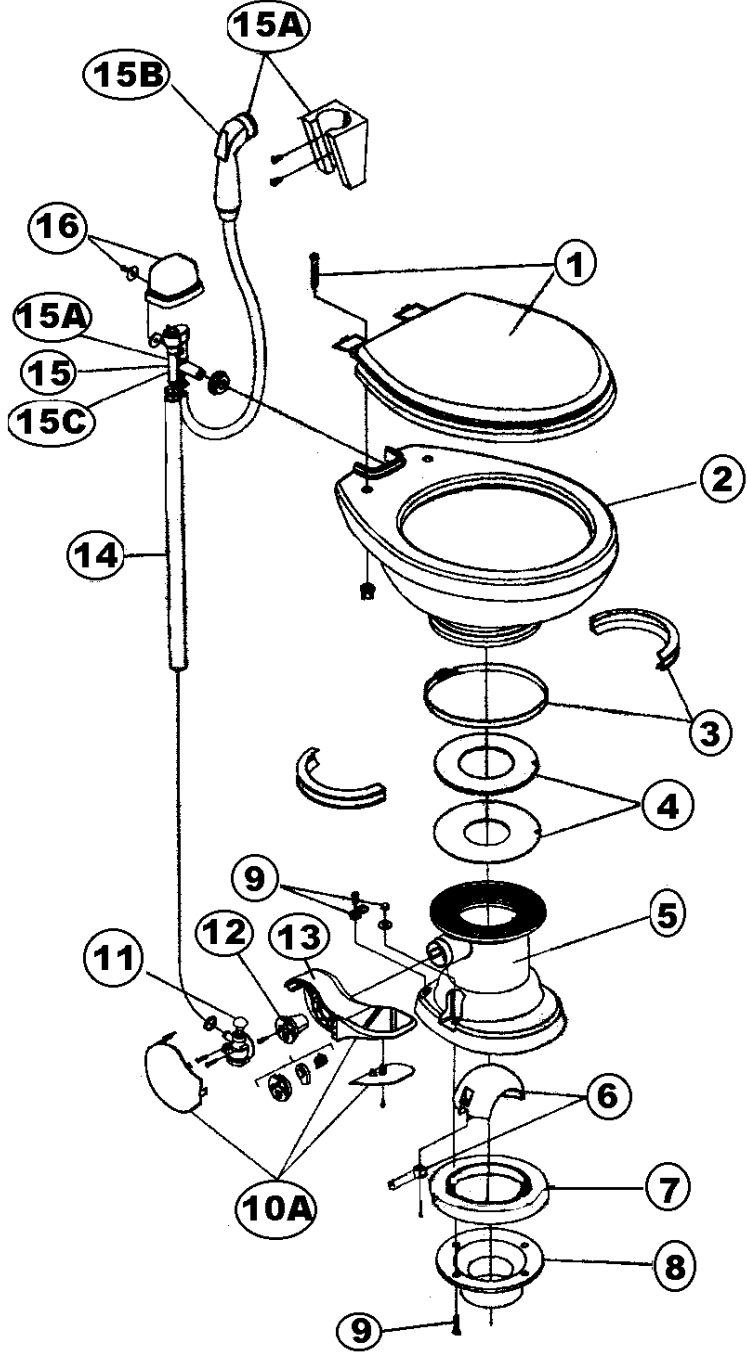
690495 Aqua Magic V, Low-Profile
690495-01 Aqua Magic V, High-Profile

- 1) 690387-513 Water valve link
- 2) 690387-571 Wire replacement package
- 3) 690387-562 Mechanism cover, white
- 4) 690387-634 Bracket assembly
- 5) 690387-631 Float assembly
- 6) 690387-168 Water valve replacement package
- 7) 690387-632 Actuator assembly
- 8) 690387-659 Screw base to bowl
- 9) 690387-524 Closet bolt package
- 10) 690387-356 Base, white, low
- 10a) 690387-062 Base, white, high
- 11) 690387-636 Retainer assembly
- 12) 690387-387 Sealant, base to bowl
- 13) 690387-519 Blade spring
- 14) 690387-262 Blade
- 15) 690387-481 Blade seal
- 16) 690387-520 Blade track
- 17) 690387-512 Flapper
- 18) 690387-511 Overflow tube
- 19) 690387-509 Flush tube
- 20) 690387-637 Nozzle assembly
- 21) 690387-726 Bowl
- 22) 690387-630 Reservoir tank assembly
- 23) 690387-162 Seat and cover assembly
- 24) 690387-821 Pedal package

SAFARI- BAMBI

PLUMBING, DRAIN

Toilet, 16', 22'



P/N Next Page

SAFARI- BAMBI

PLUMBING, DRAIN

Toilet, 16', 22'

Sealand Technology, Inc.

13128 State Route 226

PO Box 38

Big Prairie, OH. 44611-0038

Customer Service 1-800-321-9886

330-496-3211 (8:00 A.M.-5:00 P.M. ET)

Fax: 330-496-3097

www.sealandtechnology.com

- 690472 Sealand, Traveler Lite
- 1. 344088 Seat Assembly
- 2. 310790 China bowl kit
- 3. 310025 Ring & half clamp kit
- 4. 316140 Teflon & rubber seal kit
- 5. 310792 Base kit, includes 3, 4, 6, 7, 9, 10A, 11 & 12
- 6. 310681 Ball, shaft, cartridge kit
- 7. 343938 Floor flange seal
- 8. 600065 Flange, floor, threaded, Airstream
- 8a. 601266 TOILET, FLANGE, CLOSET, 3" X 4", SLIP FIT
- 9. 310794 Floor bolt mounting kit
- 10. 310117 Pedal cover kit
- 10A. 310682 Flush pedal kit (includes 12)
- 11. 314349 Water valve kit
- 12. 310683 Spring cartridge kit
- 13. Pedal included w/Part 10A
- 14. 340177 Supply hose
- 15. 310687 Vacuum breaker kit
- 15A. 319054 Vacuum breaker kit w/spray
- 15B. 340683 Hand spray
- 15C. 230335 Vacuum breaker (used w/spray)
- 16. 310795 Vacuum breaker cover kit

SAFARI- BAMBI
SEALER/GASKETS/PAINT

SEALER

6000360	Sealant, Butyl #884058
360001	Sealant, #884058
360002	Sealant, Vulkem 11.5 oz. tube
360209	Sealant, seam
360176	Sealant, Almond, kitchen and bath
360180-04	Sealant, Sikaflex #221, black
360180	Sealant, Sika-flex, gray
360210	Sealant, Paralastic 4334-014
360259	Silicone glazing sealant, range
360283-01	SEALANT SILICONE CORIAN G. WHITE
360074	SEALANT GE RTV 102 WHITE 3 OZ TUBE

SAFARI- BAMBI

GASKETS/PAINT

Gaskets



①



②



③



④



⑤



⑥

- | | |
|---------------|--|
| 1. 365035 | Gasket Access doorjamb |
| 2. 365013 | Gasket screen door |
| 3. 365232 | Gasket main, baggage door |
| 4. 371593-711 | Glazing Rubber, Creation Window |
| 5. 371593-713 | Seal plastic, sash Creation window |
| 6. 371593-712 | Foam seal, sash Creation window |
| 381665 | Gasket, D seal, window frame to shell |
| 380114 | Gasket, vent pipe |
| 365016 | Tape, foam, double face, 1/2" wide |
| 365235 | TAPE DBL COATED .12 X 1.00 |
| 365001-02 | Tape, vinyl foam, double face, 3/4" wide |
| 685510 | SEAM TAPE, BLACK 1/32" X 7/8" X 200 |
| 381830 | Gasket, wiper seal around refer compartment |
| 381589 | Rubber, floor wiper around refer compartment |
| 683946 | BUG SEAL, edge of screen door close out |

Paint

- | | |
|------------|-------------------------------------|
| 360213 | Paint, aluminum metallic |
| 360151 | Paint, gray metallic, Centari |
| 360260 | Paint, Pewter |
| 360213-100 | Paint, aluminum metallic, 16 OZ CAN |
| 360260-01 | Paint, Pewter, 16 OZ CAN |

SAFARI- BAMBI

UPHOLSTERY/FOAM/MATTRESS

Mattresses/Bedspreads, 16', 20'

703363 Bedspread
703190-05 Mattress

Mattresses/Bedspreads, 19', 23'

703287 Bedspread
703286-05 MATTRESS-48" X 76" W/10" RADIUS CORNER

Mattresses/Bedspreads, Bunk Option, 23' 19'

703501 MATTRESS-UPPER BUNK 4"
998180 THROW, TOP BUNK

Mattresses/Bedspreads, 22', 25' Sleep Six

703182-05 MATTRESS-52" X 76", W/10 "RADIUS CORNER
703379 Bedspread
998169 Bedspread, Top Bunk
703451 Mattress, Top Bunk

Mattresses/Bedspreads, 25' FB, 25' A, 28' W, 28' S/O Twins

703118 Bedspread, twin
703289-05 Mattress, 34" x 78"

Mattresses/Bedspreads, 25' FB, 25' B, 28' S/O Double

703301 Bedspread, 60" x 75" w/45 degree corner
703291-05 MATTRESS 60"X75" W/45 DEGREE CORNER

Mattresses/Bedspreads, 28' Double

703301 Bedspread, 60" x 75" w/45 degree corner
703336-05 MATTRESS-60" X 75" W/11"RADIUS CORNER

SAFARI- BAMBI

UPHOLSTERY/FOAM/MATTRESS

Mattresses/Bedspreads, 30', Bunk, Twin Down

703336-05	MATTRESS-60" X 75" W/11"RADIUS CORNER
703451	Mattress, Top Bunk
703450-05	Mattress, Lower Bunk
998169	Bedspread, Top Bunk
703301	Bedspread, 60" x 75" w/45 degree corner
998170	Bedspread, Lower Bunk
998169	THROW-BUNK TOP

Mattresses/Bedspreads, 30' Bunk/Double Down

998169	Bedspread, Top Bunk
703301	Bedspread, 60" x 75" w/45 degree corner
703336-05	MATTRESS-60" X 75" W/11"RADIUS CORNER
703451	Mattress, Top Bunk
703182-01	MATTRESS-52" X 76", W/10 "RADIUS CORNER
703379	Double Bed, Down

Sofa, 30'

703449-012	SOFA 74" CLOTH, STRATUS
702798-174	SOFA 74" CLOTH, BEACH CLUB
703449-184	SOFA 74" CLOTH, FOREST SAGE
702798-195	SOFA 74" CLOTH, MIDNIGHT SUN
702798-206	SOFA 74" CLOTH, BUTTERSCOTCH

SAFARI- BAMBI

UPHOLSTERY/FOAM/MATTRESS

Sofa/Armrests/Cushions, 28' S/O, 25 Sleep Six

702798-012	SOFA 74" CLOTH, STRATUS
702798-174	SOFA 74" CLOTH, BEACH CLUB
702798-184	SOFA 74" CLOTH, FOREST SAGE
702798-195	SOFA 74" CLOTH, MIDNIGHT SUN
702798-206	SOFA 74" CLOTH, BUTTERSCOTCH
702798-02	SOFA, 74" ULTRA LEATHER
965624-01	CUSHION ASSY. ARMREST RS
703281-01	FOAM ARMREST LOUNGE RS
965624-02	CUSHION ASSY. ARMREST CS
703281-02	FOAM ARMREST LOUNGE CS

Sofa/Armrests/Cushions, 25' A & B

702798-012	SOFA 74" CLOTH, STRATUS
702798-174	SOFA 74" CLOTH, BEACH CLUB
702798-184	SOFA 74" CLOTH, FOREST SAGE
702798-195	SOFA 74" CLOTH, MIDNIGHT SUN
702798-206	SOFA 74" CLOTH, BUTTERSCOTCH
702798-02	SOFA, 74" ULTRA LEATHER
963400-05	Arm rest support, RS, 25'
963399-04	Arm rest cushion, RS
963400-02	Arm rest support, CS, 25'
963399-02	Arm rest cushion, CS
965624-01	CUSHION ASSY. ARMREST RS
703281-01	FOAM ARMREST LOUNGE RS
965624-02	CUSHION ASSY. ARMREST CS
703281-02	FOAM ARMREST LOUNGE CS
201399	TRIM FLEXIBLE S-100-LG OFF WHITE, Armrests
381576	PULL HANDLE, BRASS

SAFARI- BAMBI

UPHOLSTERY/FOAM/MATTRESS

Sofa/Armrests/Cushions, 23'

702798-174	SOFA 74" CLOTH, BEACH CLUB
702798-184	SOFA 74" CLOTH, FOREST SAGE
702798-195	SOFA 74" CLOTH, MIDNIGHT SUN
702798-206	SOFA 74" CLOTH, BUTTERSCOTCH
702798-02	SOFA, 74" ULTRA LEATHER
965624-01	CUSHION ASSY ARMREST RS
703281-01	FOAM ARMREST LOUNGE RS
965624-02	CUSHION ASSY. ARMREST CS
703281-02	FOAM ARMREST LOUNGE CS

Sofa/Armrests, 19'

702798-174	SOFA 74" CLOTH, BEACH CLUB
702798-184	SOFA 74" CLOTH, FOREST SAGE
702798-195	SOFA 74" CLOTH, MIDNIGHT SUN
702798-02	SOFA, 74" ULTRA LEATHER
965592	CLOSEOUT LOUNGE
965809-01	Armrest Cushion Assy. RS
965809-02	Armrest Cushion Assy. CS
965809-03	Armrest Cushion Assy. RS Leather
965809-04	Armrest Cushion Assy. CS Leather

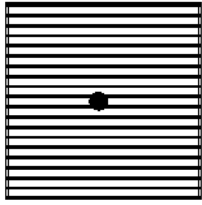
Sofa/Armrests, 16'

702798-02	SOFA, 74" ULTRA LEATHER
965809-03	Armrest Cushion Assy. RS Leather
965809-04	Armrest Cushion Assy. CS Leather

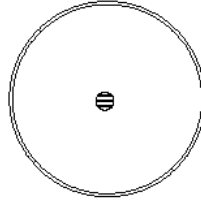
SAFARI- BAMBI

UPHOLSTERY/FOAM/MATTRESS

Pillow Kit, Stratus



703342-01

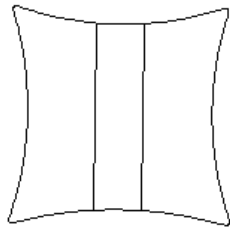


703342-02

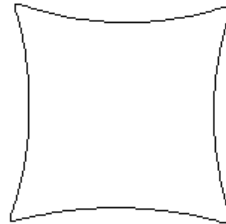


703342-03

Pillow Kit, Beach Club Blue

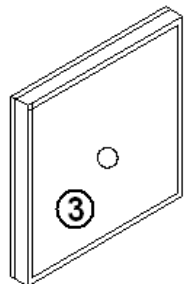
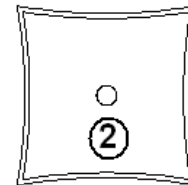
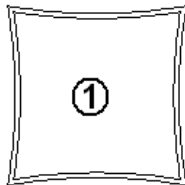


703469-04



703469-05

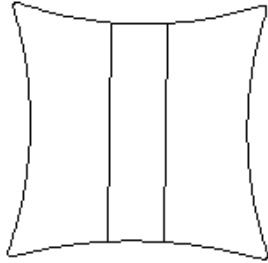
Pillow Kit, Butterscotch



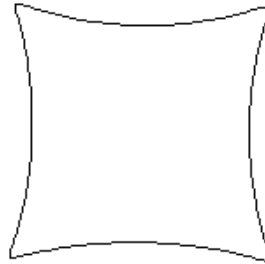
- 1. 703606-01 Lounge pillow
- 2. 703606-02 Lounge pillow
- 3. 703606-03 Bedroom pillow
- 4. 703606-04 Bedroom pillow

SAFARI- BAMBI
UPHOLSTERY/FOAM/MATTRESS

Pillow Kit, Forest Sage



703470-04
Lounge/Bedroom

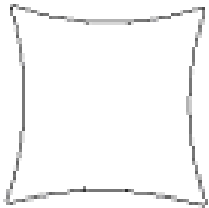


703470-05
Bedroom Only

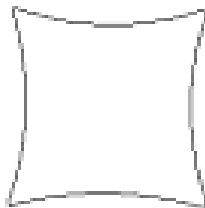
Pillow, Kit, Midnight Sun

703478-03 PILLOW KIT MIDNIGHT SUN
PILLOW KIT CONSIST OF 2 EA 703478-01, 1 EA 703478-02 & 2 EA
703478-05. USED ON 25' A & B, 25' SLEEP 6, 28'W & 28' S/O
SAFARI & 19' BAMBI W/SOFA OPTION

703478-04 PILLOW KIT MIDNIGHT SUN
CONSIST OF 2 EA 703478-05. USED ON 16' & 19' BAMBI'S & 22'
SAFARI.



703478-01
Lounge



703478-02
Lounge



703478-05
Bedroom

Pillows

701611 PILLOW, 21" X 31"

SAFARI- BAMBI

UPHOLSTERY/FOAM/MATTRESS

Dinette Foam, 23', 19', 16'

703368-01	FOAM-SEAT CS DINETTE
703368-02	FOAM-CS BACK FILLER
703368-04	FOAM-RS DINETTE SEAT
703368-05	FOAM-RS BACK FILLER
703368-06	FOAM-RS BACK REST

Dinette Foam/Covers, 20', 22'

700414	FOAM, UPHOLSTERY 3/8" X 86" X 52'
703309-04	FOAM, DINETTE, SIDE BACK
703309-05	FOAM, DINETTE, RIGHT SIDE BACK
703309-06	FOAM, DINETTE, SEAT BOTTOM LH/RH
703309-04-012	Left Side Back Seat Cover, Stratus
703309-05-012	Right Side Back Seat Cover, Stratus
703309-06-012	Bottom Seat Cover, Stratus
703309-04-174	Left Side Back Seat Cover, Beach Club
703309-05-174	Right Side Back Seat Cover, Beach Club
703309-06-174	Bottom Seat Cover, Beach Club
703309-04-184	Left Side Back Seat Cover, Forest Sage
703309-05-184	Right Side Back Seat Cover, Forest Sage
703309-06-184	Bottom Seat Cover, Forest Sage
703309-04-195	Left Side Back Seat Cover, Midnight Sun
703309-05-195	Right Side Back Seat Cover, Midnight Sun
703309-06-195	Bottom Seat Cover, Midnight Sun

SAFARI- BAMBI

UPHOLSTERY/FOAM/MATTRESS

Dinette Foam, 25' Sleep Six

700414	FOAM, UPHOLSTERY 3/8" X 86" X 52'
703309-01	FOAM-DINETTE LEFT SIDE BACK
703309-02	FOAM-DINETTE RIGHT SIDE BACK
703309-03	FOAM-DINETTE SEAT BOTTOM LH/RH

Dinette Foam, 25' Front Bed

703486-01	Foam, Curbside dinette seat
703486-02	Foam, curbside back filler
703486-03	Foam, curbside back rest
703486-04	Foam, roadside dinette
703486-05	Foam, roadside back filler
703486-06	Foam roadside backrest
703486-07	Foam cushion, lounge wedge
703486-08	Foam, cushion, lounge bottom
703486-09	Foam, cushion, backrest

SAFARI- BAMBI

UPHOLSTERY/FOAM/MATTRESS

Dinette Foam, 28' S/O, 28' W

700414	FOAM, UPHOLSTERY 3/8" X 86" X 52'
703309-01	Foam-left side back
703309-02	Foam-right side back
703309-03	Foam-seat bottom right/left

Dinette Foam, 30'

700414	FOAM, UPHOLSTERY 3/8" X 86" X 52'
703309-01	FOAM-DINETTE LEFT SIDE BACK
703309-02	FOAM-DINETTE RIGHT SIDE BACK
703309-03	FOAM-DINETTE SEAT BOTTOM LH/RH

Wall border

703339	Stratus
703417	Forest Sage
703425	Beach Club
703480	Midnight Sun
703608	Butterscotch

Chairs

703578	Chair, desk, 23'
381427	Holdback clip, desk chair
381553	Folding chair, Zip Dee, w/o Logo
703453	Pedestal Chair, 5 Star Base w/Buttons

Seam Tape, Interior wall

365286-03	TAPE-SEAM ASCOT 12" X 150'
365286-04	TAPE-SEAM ASCOT, 48" X 150'

SAFARI- BAMBI

VENTS/FANS/SKY LIGHTS

Refrigerator Roof vent

100341 Refrigerator, vent collar, roof, large
101394 Cover, refrigerator vent, roof, large
381042 MESH- GALVANIZED. .017 X 36

Roof Vent, Drain Tank

690264-03 Vent pipe cover, white
380114 Gasket, vent pipe
380228 Wire, hardware cloth

Roof vent, Non-Power

381606-01 Vent, roof, 14" x 14", non-power, white
381606-02 Trim ring, interior, roof vent, white

Range Hood and Vent

511791-01 Range hood, silver
511791-02 Range hood, silver, CSA
511017-11 Vent cover, exterior, range hood, gray
115175 DUCT-RANGE EXHAUST TRANSITION
454187 EXTENSION-RANGE EXHAUST
114913 ANGLE RANGE HOOD INSTAL.
365016 TAPE FOAM DUBL-KOTE - 1/2 #441
114230-04 CLOSEOUT FORMED R.EXHAUST 4.40
365190 SEAL RUBBER ADHESIVE 3/4" X 3"

SAFARI- BAMBI
VENTS/FANS/SKY LIGHTS

Vent, Bath, Power/Manual Lift

690266-01 Ventilator, power, bath
690266-02 Ventilator, power, bath, CSA
690266-03 EXTENSION GARNISH 4" ROOF
201666-01 MOLDING-J 3/16" PLASTIC TRIM

Vent, Bath, Power/Power Lift

381541-08 VENT-ROOF W/POWER LIFT WHITE
201666-01 MOLDING-J 3/16" PLASTIC

Vent, Refrigerator, Power, 16', 19', 22', 23'

690394 Power ventilator, refrigerator
511836 Switch, refrigerator fan

Vent, Power, Roof

381450 Vent, Fantastic roof, #6000RBT DBL, upgrade option
381841 VENT-FANTASTIC EXHAUST ONLY
511657 FANTASTIC FAN W/410KIB CONTROL, 22'

SAFARI- BAMBI
VENTS/FANS/SKY LIGHTS

Sky Light, 30'

381318-06	Skylight, 14.5" x 22.5"
201963	Trim, skylight, 14" X 22"
702804-04	Shade, skylight, pleated, 14.50" x 21.75"
114486	Mounting Frame, Sky light
320139	Screw, assembly w/sealing washer

Sky light, 28' S/O, 25' SS, 25' A & B, 28' W, 25' FB

381318-05	Skylight, 19.5" x 19.5"
201963	Trim, skylight, 19" x 19"
702804-03	Shade, skylight, pleated, 19.50" x 20"
114485	Mounting Frame, Sky light
320139	Screw, assembly w/sealing washer

SAFARI- BAMBI

WOOD/LAMINATES/TRIM

PLYWOOD

800506-04	Plywood, 3/4" x 4' x 8'
800506-06	Plywood, 3/4" x 4' x 8'
800976-01	Plywood, tongue and groove, 19/32'(floor)
800506-05	Plywood, 5/8" x 4' x 8'
801353	LITE PLY-3MM, 4' X 8'
801351	LITE PLY-18MM (.75") 4' X 8'

PANELING

801505	PANEL-ASCOT SAND/RAW .125" X4' X 8'
801506	PANEL, ASCOT SAND/RAW .5"X 4' X 8'
801510	PANEL, TROPICAL OAK/ASCOT 12MM
801507	PANEL, ASCOT SAND/SAND G2S .5" X 4'
801381-01	PANEL, TROPICAL OAK/TROPICAL OAK, 12MM
801383-01	PANEL, TROPICAL OAK/WHT LINER, 12MM
801392	PANEL, WHITE LINER/WHITE LINER, 12MM
801376	PANEL, OAK/REXAL, 4' X 8' 18MM
801376-01	PANEL, WHITE/WHITE LINER, 18MM
801368	PANEL, WHITE LINER/WHITE LINER, 18MM
801395	PANEL, TROPICAL OAK/TROPICAL OAK, 18MM
801377	PANELING, GRAPHITE/REX 4' X 8' x 18"
801438	PANEL, WHITE VINYL/RAW
801369	PANEL, FROST WHITE/WHITELINER
801445-01	PANEL, BLACK MAPLE/GATOR
801436-01	BLACK, MAPLE/WHITE 18MM

LUAN

800507-01	Panel, Lauan, 1/8 x 4' x 8'
800507-02	Panel, Lauan, 1/4" x 4' x 8', raw/raw
800507-03	Panel, Lauan, 3/8" x 4' x 8', raw/raw
800507-04	Panel, Lauan, 1/2" x 4' x 8', raw/raw

SAFARI- BAMBI

WOOD/LAMINATES/TRIM

Edge banding

365238-04	EDGE BANDING TAPE PVC 5/8" COLONIAL
365271	EDGE BANDING-1.125" PVC SILICON
365267	EDGE BANDING-1.13" .024 PLY
365240-01	EDGE BANDING-PVC, 1-5/16" WHITE
365266-01	EDGE BANDING-1.25"X .055", OAK
365273	EDGE BANDING GALAXY GRAPHITE
365278-01	EDGE BANDING, BLACK MAPLE 1.13"
365268-04	EDGE BANDING-.024"X 1.25" TROPICAL OAK
365268-03	EDGE BANDING-.024" X .63" TROPICAL OAK
365268-02	EDGE BANDING-.024"X 1.63" TROPICAL OAK
365268-01	EDGE BANDING-.024" X 1.13" TROPICAL OAK

PANELS, LAMINATED

801355-01	PANEL, FROST WHITE, 4' X 8' VERTICLE
801343-01	PANEL, TROPICAL OAK, 4' X 8' VERTICAL
801439-01	PANEL, BLACK MAPLE, 4' X 8', VERTICLE
801342-01	PANEL, ALUMINUM, BRUSHED 4' X 8' VERTICLE
801376	PANEL, TROPICAL OAK/REX 4' X 8' VERTICLE
801445-01	PANEL, BLACK MAPLE/GATOR .25" VERTICLE
801436-01	PANEL, BLACK MAPLE/WHITE 18MM VERTICLE
801439-01	PANEL, BLACK MAPLE-4' X 8' VERTICLE
801392	PANEL, WHITELINER/WHITELINER 12MM
801438	PANEL, -FROST WHITE VINYL/RAW 2.7MM

SAFARI- BAMBI
WOOD/LAMINATES/TRIM

TRIM, WOOD/PLASTIC



①



②



③



④



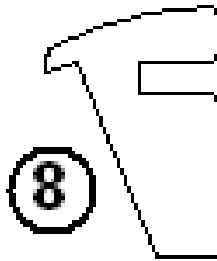
⑤



⑥



⑦



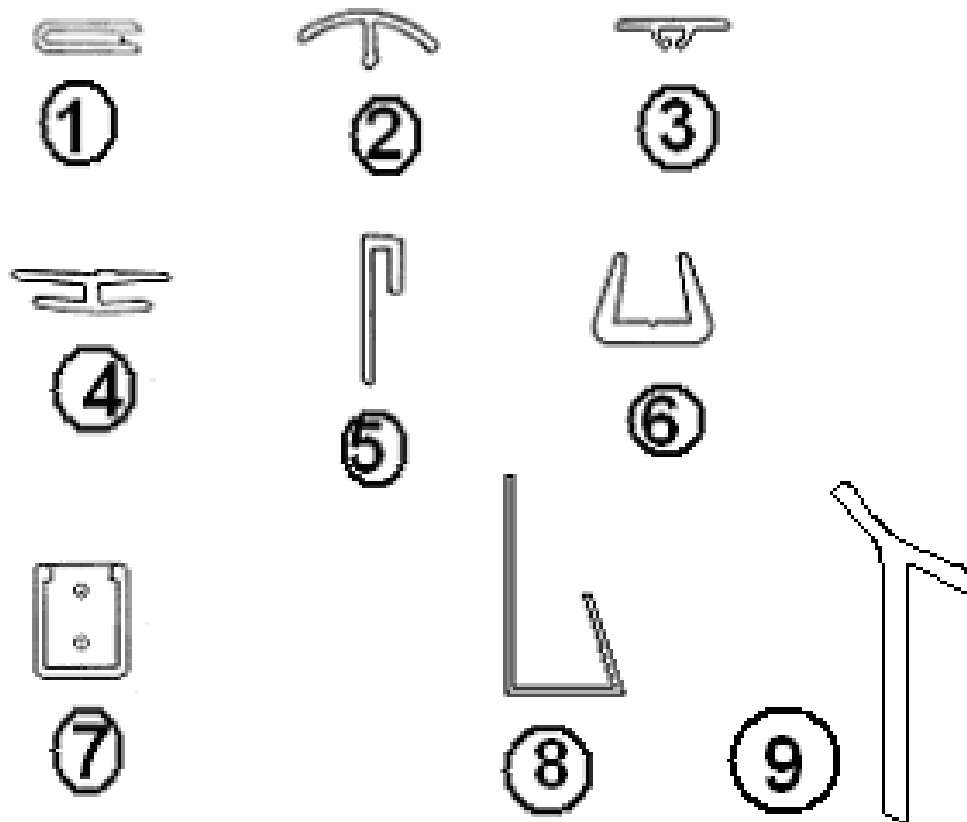
⑧

- | | |
|----------------|--|
| 1. 801393-016 | CORNER TRIM 90 DEG. 1" RADIUS |
| 2. 800405-006 | Plug hardwood button, screw cover |
| 3. 801173-046, | Header Molding, flat radius, 1.13" Oak |
| 4. 800617-016 | Molding Wainscot, Oak |
| 5. 115064 | Trim, Aluminum Counter top |
| 6. 800617-016 | MOLDING WAINSCOT 84" |
| 7. 801394-01 | CORNER TRIM 45 DE 2" RADIUS BATH, Oak |
| 8. 801533 | MOLDING, TOILET STAND 45 DEG., OAK |
| 801492-006 | THRESHOLD MAIN DOOR, unit w/linoleum |

SAFARI- BAMBI

WOOD/LAMINATES/TRIM

TRIM, PLASTIC



- | | |
|--------------|---------------------------------------|
| 1. 203225 | Trim lock, white |
| 2. 201728-03 | Extrusion plastic, ceiling trim |
| 3. 201728-01 | Extrusion Ceiling trim retainer |
| 4. 203159-04 | Trim, divider bar, Sand |
| 5. 114070 | Molding, "J" |
| 6. 203138-03 | Extrusion, plastic Panel edging Beige |
| 6. 203464-01 | Extrusion, panel, black |
| 7. 200003-01 | End cap, foldette support, brown |
| 8. 201666 | MOLDING-J-3/16 PLASTIC, ALMOND |
| 8. 201666-01 | MOLDING-J-3/16 PLASTIC, WHITE |
| 9. 201673-01 | Molding, cove, roof lockers |

SAFARI- BAMBI
NOTES

