

***LAND YACHT
GAS
MOTORHOME***

***PARTS
BOOK***

2005

2005 LAND YACHT GAS
TABLE OF CONTENTS
SECTION I
A through C

APPLIANCES

[Air conditioner, Furnace](#) I-1
[Micro-wave, Range, Refrigerator](#) I-2
[Water heater](#) I-3

BODY

[26ft. CS wall](#) I-4
[26ft. RS wall](#) I-6
[30ft.CS wall](#) I-8
[30ft.RS wall](#) I-10
[30ft. S/O, CS wall](#) I-12
[30ft. S/O, RS wall](#) I-14
[33ft.CS wall](#) I-16
[33ft.RS wall](#) I-18
[Roof](#)..... I-21
[Front end](#)..... I-22
[Aft end](#)..... I-24
[Slide out Room](#) I-26

CHASSIS

[Hitch](#) I-25
[Wheel cover](#) I-28
[Step](#)..... I-28
[Auxiliary heater](#) I-29
[Spare tire](#) I-29
[Automotive air conditioner](#)..... I-30
[Engine cover, Tool Kit](#)..... I-33

2005 LAND YACHT GAS
TABLE OF CONTENTS
SECTION II
D through E

DASH

[Dash parts, Glove box, Defroster](#)..... II-1
[Dash Shelf](#) II-2

[DECALS](#)..... II-3

DOORS/WINDOWS/AWNINGS

[33ft.RS](#)..... II-4
[33ft.CS](#)..... II-6
[30ft.RS](#)..... II-8
[30ft.CS](#)..... II-10
[30ft. S/O RS](#) II-12
[30ft. S/O CS](#) II-14
[26ft. RS](#)..... II-16
[26ft. CS](#)..... II-18
[Dual Pane Windows](#) II-25
[Main/screen door](#) II-26
[Trunk Door](#) II-29
[Hood](#)..... II-30

[DRAPES/BLINDS/VALANCES](#) II-31

ELECTRICAL

[110 volt](#)..... II-36
[12 volt](#) II-39
[Dash switches/lens](#)..... II-41
[Exterior Heated Mirrors](#)..... II-42
[Windshield wipers](#) II-46

ENTERTAINMENT

[Back-up Monitor](#) II-48
[Television, Radio](#)..... II-49

2005 LAND YACHT GAS
TABLE OF CONTENTS
SECTION III
F through H

FASTENERS

[Rivets](#) III-1
[Screws](#) III-3

FLOOR COVERING

[Carpet/Mats](#) III-5
[Linoleum](#) III-5

FURNITURE

[Interior doors](#) III-6
[Miscellaneous doors](#) III-7
[Mirrors](#) III-8
[Drawer Face](#) III-9
[Drawer Box](#) III-8
[Bedroom](#) III-11
[Bath](#) III-37
[Galley](#) III-67
[Cab & Lounge](#) III-112

HARDWARE

[Hood/Trunk/Compartment Door](#) III-130
[Main Door](#) III-132
[Drivers door](#) III-133
[Drawer Slides](#) III-135
[Exterior Handles/Catches](#) III-136
[Interior Cabinet](#) III-138
[Bath/Bed/Sliding Door](#) III-139
[Awning hardware](#) III-140
[Labels and Tags](#) III-141
[Safety Equipment](#) III-143

2005 LAND YACHT GAS TABLE OF CONTENTS

SECTION IV I through Z

INTERIOR TRIM

[Cab, Decorative Trim](#) IV-1

PLUMBING

[LPG](#)..... IV-2

[Fresh Water](#) IV-3

[Drain Water](#) IV-10

[Toilet](#) IV-21

GASKETS/SEALS/SEALER

[Gaskets](#) IV-25

[Sealer](#) IV-29

UPHOLSTERY/FOAM/MATTRESS

[Mattresses](#) IV-30

[Sofas](#) IV-30

[Seats](#) IV-32

[Wall Paper Border](#) IV-32

[Pillow kits](#) IV-33

[Dinette Foam/Upholstery](#)..... IV-37

[VENTS, FANS, SKYLIGHTS](#) IV-38

[WOOD PANELING/LAMINATES/TRIM](#) IV-40

2005 LAND YACHT GAS

APPLIANCES

Air Conditioner

690323-02	Air conditioner, Dometic, 13,500, manual
690323-03	Heat Strip, Dometic
690323-05	Air box/return grill, manual
690323-100	Shroud, air conditioner, Penguin
385582-01	Decal, Airstream w/bar
195329-143	Air conditioner, Dometic, 11,000, manual
510562	SWITCH, GENERATOR SWITCH OVER AUTO TS

Furnace

690274	Furnace, Hydroflame, #8535-IV, 34,000BTU, 30' & 33'
690274-01	Furnace, Hydroflame, #8531-IV, 30,000BTU, 26'
690274-12	Mounting flange
690274-11	Door exterior, Hydroflame
601244-03	Register, rotaire, black
601244-02	Register, rotaire, white
601398	Grill face plate, 10" x 2¼", brown
600247	4" duct hose, flexible
600526	FLANGE, 4 IN.
511228	Thermostat, room
601402-01	4" Rotaire floor vent, gold/sand
690341	ADAPTER, 4-2 FURNACE REDUCER
600193	2" DUCT THERMAFLEX FLEXIBLE AIR
690429	LOUVER-2" BLACK ROUND
601337	4" ROTO VENT W/SHUT-OFF BLACK
114327	HEAT DUCT BOX
601337	4" ROTO VENT W/SHUT-OFF BLACK
114079	ADAPTER-DUCT, 4.00" TO 2.00"

2005 LAND YACHT GAS

APPLIANCES

Microwave

690345-01	Microwave/convection oven, Sharp
690345-03	Trim kit, Sharp microwave
690407-01	Microwave, convection, CSA
6903407-02	Trim ring, microwave, white, CSA

Range

690396-10	COOKTOP-3 BURNER S. S. TOP
690396-09	Range, 3-burner w/oven, S. S. Top
690396-03	Range cover, bi-fold
114876	Trim ring, range recess, Black
114876-01	Trim ring, range recess, Silver
601911	Range Covers, Midnight
601911-01	Range Covers, Sandstone
601911-02	Range Covers, Everest

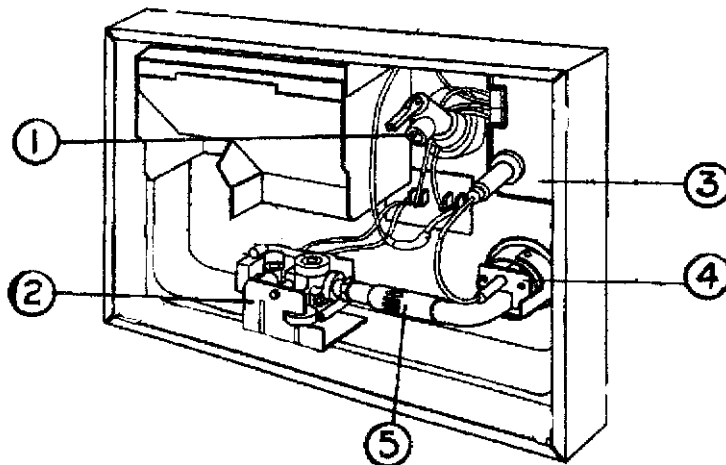
Refrigerator

690493-01	REFER-8CF LH DOOR ROYAL RM3862LS, 30'
690492-03	REFER-8CF RH DOOR AMERICANA, RM2862RB, 26'
690493-02	REFER-8CF RH DOOR ROYAL RM3862RS, 30 S/O, 33'
690494-03	REFER-10CF RH DOOR NDR1062RSSIMH, 26', 30 S/O, 33'
690494-06	REFER-10CF LH DOOR NDR1062LSSIMH, 30'
690340-03	Door, exterior, refrigerator, flush mount, NU White
690340-01	Door, exterior, refrigerator, flush mount, gray
690370-100	Cooling unit, RM3862
965934-03	INSERT ASSY-REFER 20.62" X 38.62"
965934-01	INSERT ASSY-REFER 20.62" X 15.75"

2005 LAND YACHT GAS APPLIANCES

Water Heater

690489	WATER HEATER-6 GALLON, DSI/110V#96
690259-02	WATER HEATER ACCESS DOOR, GRAY
690259-03	WATER HEATER MOUNTING FLANGE
381648	COVER LATCH HOLE WATER HEATER
690417-05	SWITCH-DUAL WATER HEATER #9123
385988	DECAL-WATER HEATER

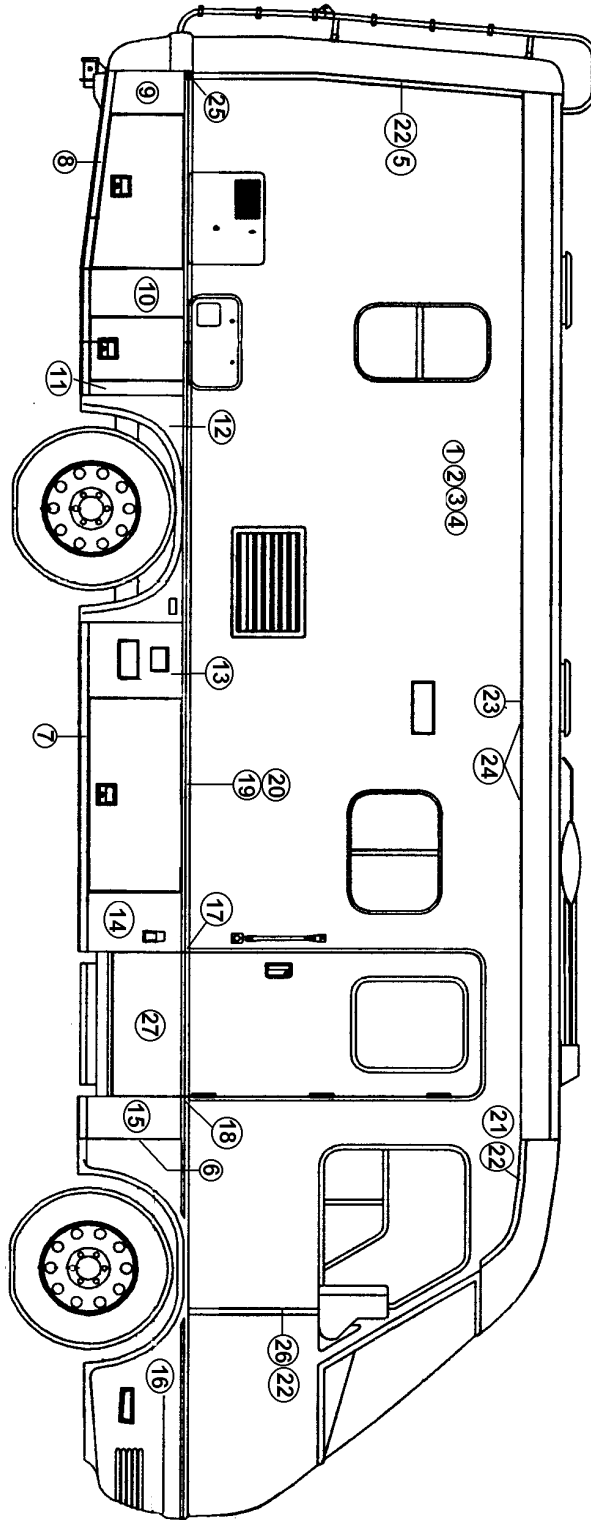


1. 091604	Relief valve, pressure/temperature
2. 093870	Solenoid valve
3. 093865	Circuit board
4. 093868	Spark probe
5. 092615	Main burner
091160	Heating element, 110volt
091873	ECO thermostat
091092	On/off switch, 110Volt

2005 LAND YACHT GAS

EXTERIOR SHELL

Wall, Curbside, 26'



26' CS Body

2005 LAND YACHT GAS

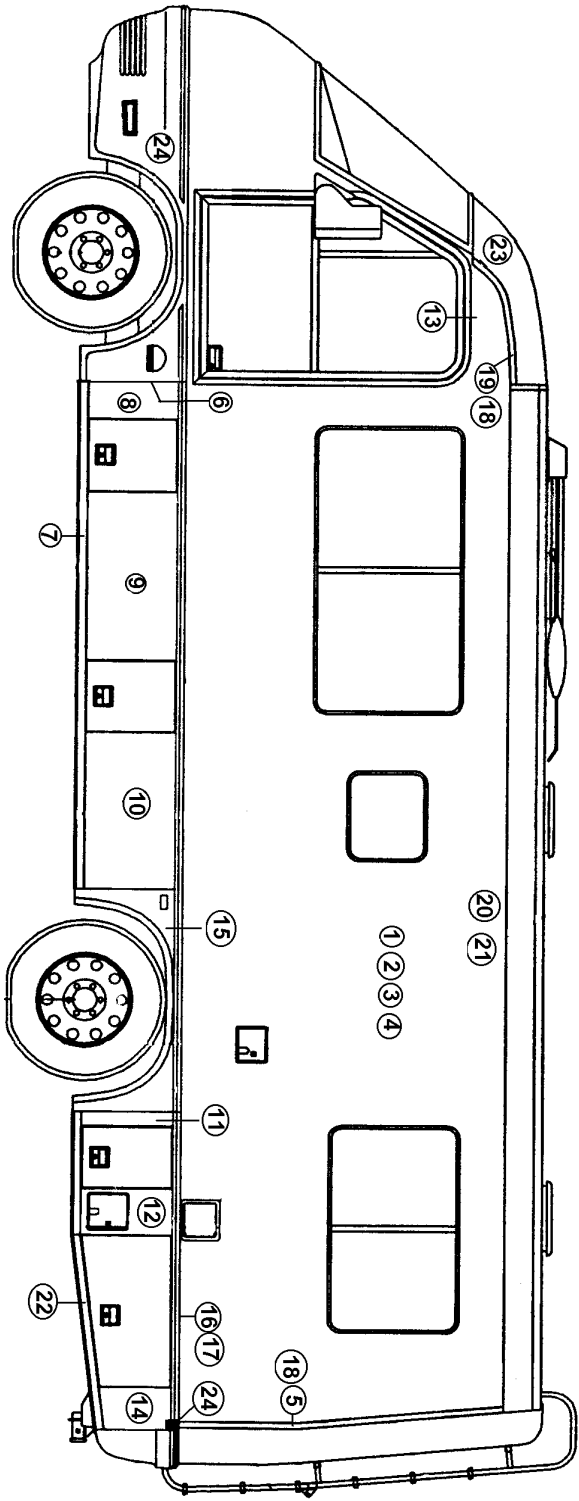
EXTERIOR SHELL

Wall, Curbside, 26'

1. 801002-01 Fiberglass sheet, frost white, 72" x 332"
2. 915657 Weldment, CS wall
3. 203075 Styrofoam sheet, 1½" thick
4. 801505 Panel, Ascot Sand/Raw, .125" X 4' X 8'
5. 114076-03 Trim molding, rear end to sidewall, CS
6. 114070-02 Extrusion, J-trim, Pewter Gray
7. 114583-01 Extrusion, rocker panel, Pewter Gray
8. 115055-02 Extrusion, angled, rear rocker panel, CS
9. 115054-01 Skirt, angled, 9"
10. 114587-14 Skirt, Double flange 9.06"
11. 114586-19 Skirt, L/H flange, 2"
12. 201805 Fender skirt
13. 114585-20 Skirt, R/H flange, 15.62"
14. 114587-22 Skirt, double flange, 12.50"
15. 114586-20 Skirt, L/H flange, 10.00"
16. 201971-01 Fender, CS, w/o docking light hole
17. 385955-02 End cap, rub rail, casting, LH
18. 385955-01 End cap, rub rail, casting, RH
19. 114584 Extrusion, rub rail installation
20. 201709-02 Rub rail molding, black
21. 114077-04 Trim extrusion, top cap-sidewall, CS
22. 320115-06 Screw, #6x1", flat head, stainless
23. 114570 Extrusion, awning rail
24. 386093 End cap, awning rail, LH
24. 386094 End cap, awning rail, RH
25. 114754-01 End cap, rub rail, rear end shell
26. 114005-02 Trim extrusion, white
27. 114062 Skirt panel, main door

2005 LAND YACHT GAS EXTERIOR SHELL

Wall, Roadside, 26'



26' RS Body

2005 LAND YACHT GAS

EXTERIOR SHELL

Wall, Roadside, 26'

1. 801002-01 Fiberglass sheet, frost white, 72" x 332"
2. 915656 Weldment, roadside wall, 26'
3. 203075 Styrofoam sheet, 1½" thick
4. 801505 Panel, Ascot Sand/Raw, .125" X 4' X 8'
5. 114076-04 Trim molding, rear shell-sidewall, RS
6. 114070-02 Extrusion, J-trim, Pewter Gray
7. 114583-01 Extrusion, rocker panel, Pewter Gray
8. 114585-19 Skirt, R/H flange 8.00"
9. 114587-23 Skirt, R/H flange 35.625"
10. 114586-18 Skirt, R/H flange 33.104"
11. 114585-18 Skirt, R/H flange 2.0"
12. 114587-14 Skirt, Double flange 9.06
13. 114814 Drip cap drivers door
14. 115054-02 Skirt, angled 9"
15. 201805 Fender skirt
16. 114584 Extrusion, rub rail installation
17. 201709-02 Rub rail molding, black
18. 320115-06 Screw, #6x1" flat head, stainless
19. 114077-03 Trim, extrusion, front cap to sidewall, RS
20. 114570 Extrusion, awning rail
21. 386093 End cap, awning rail, LH
21. 386094 End cap, awning rail, RH
22. 115055-01 Extrusion, angled, rear rocker panel, RS
23. 201869-01 Front cap, Nu White
24. 114754-01 End cap, rub rail, rear end shell

2005 LAND YACHT GAS

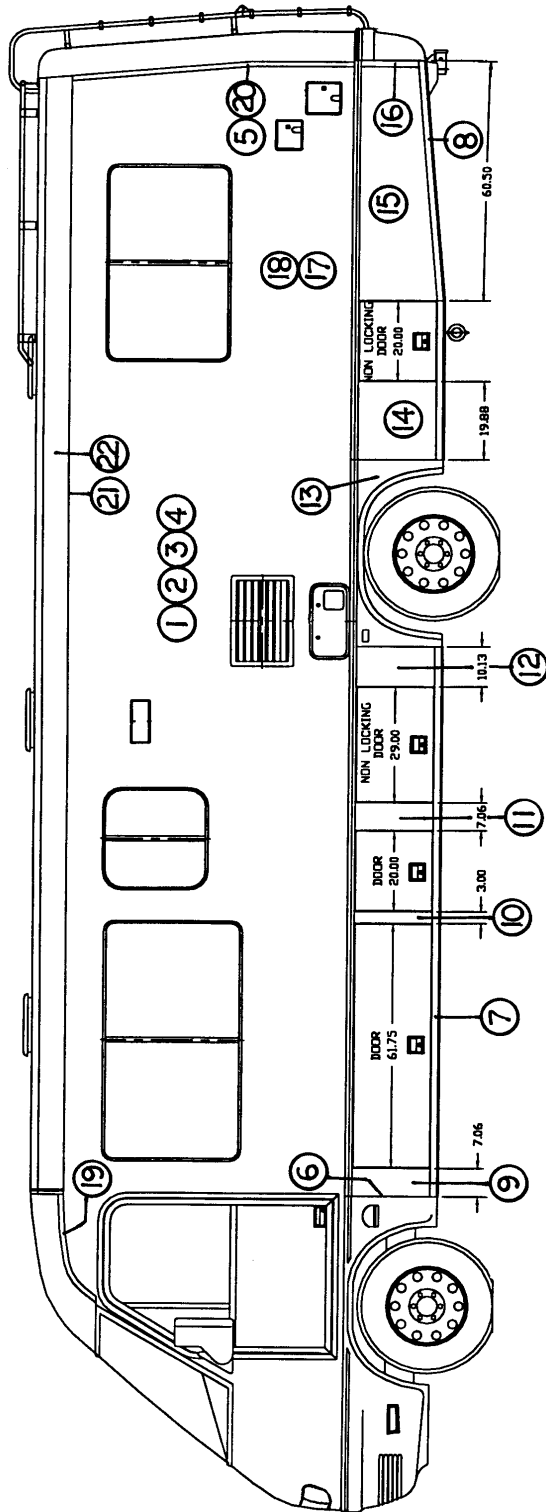
EXTERIOR SHELL

Wall, Curbside, 30'

1. 801002-01 Fiberglass sheet, frost white 72" x 332"
2. 915361 Weldment, CS wall, 30'
3. 203075 Styrofoam sheet 1 ½" thick
4. 801505 Panel, Ascot Sand/Raw, .125" X 4' X 8'
5. 114076-03 Trim molding, ends to sidewall, CS
7. 114585-15 Filler panel, 16.25"
8. 114587-18 Filler panel, 13.75"
8. 114615-01 Rocker panel Weldment, 30' RS
9. 114586-04 Filler panel, 10.75"
10. 201805 Fender skirt
11. 114585-09 Filler panel, 23.93"
12. 114586-15 Filler panel, 9.56"
13. 114587-10 Filler panel, 7.62"
14. 114587-16 Filler panel, 8.0"(over size, cut to fit.
15. 114070-02 Extrusion, J-trim, Pewter Gray
16. 385955-02 End cap, rub rail casting, LH (cut to fit)
17. 385955-01 End cap, rub rail, casting, RH
18. 114584 Extrusion, rub rail
19. 201709-02 Rub rail molding, black
20. 114570 Extrusion, awning rail
21. 386093 End cap, awning rail, LH
21. 386094 End cap, awning rail, RH
22. 320115-06 Screw, #6 x 1", flat head, stainless
23. 114077-04 Trim extrusion, front cap to sidewall
- 114754-02 End cap, rub rail, rear end shell

2005 LAND YACHT GAS EXTERIOR SHELL

Wall, roadside, 30'



See next page for P/N

2005 LAND YACHT GAS

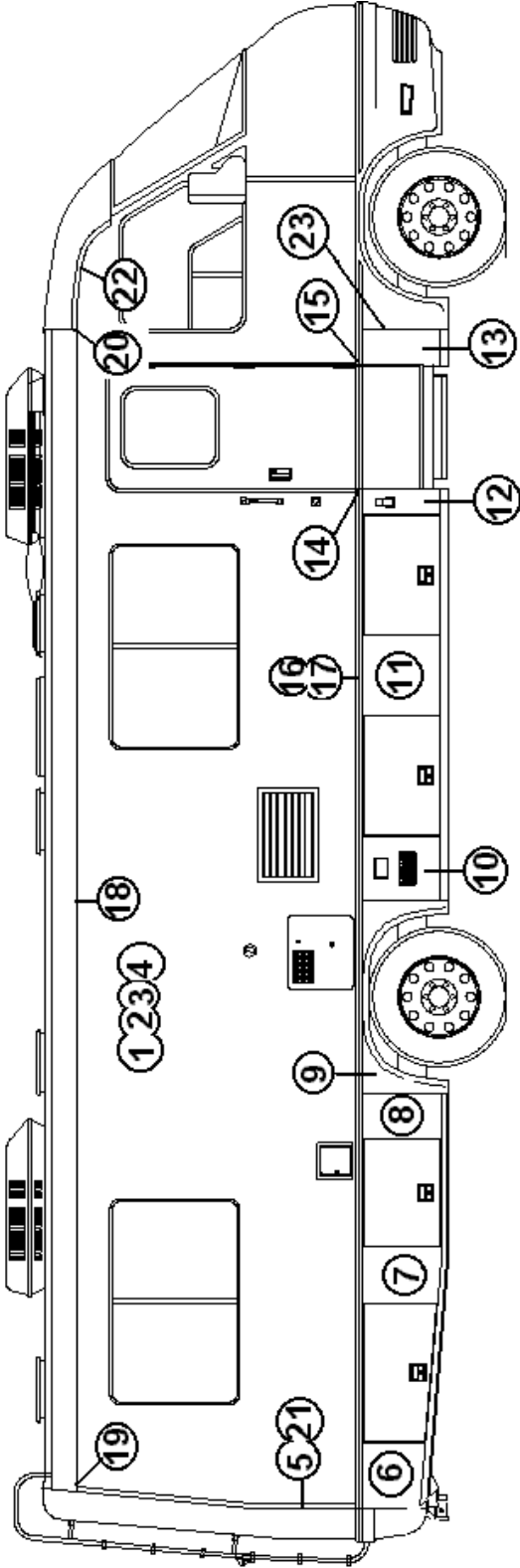
EXTERIOR SHELL

Wall, roadside, 30'

1. 801002-01 Fiberglass sheet, frost white, 72"x332"
2. 915360 Weldment, roadside wall, 30'
3. 203075 Styrofoam sheet, 1½" thick
4. 801505 Panel, Ascot Sand/Raw, .125" X 4' X 8'
5. 114076-04 Trim molding, ends to sidewall, RS
6. 114070-02 Extrusion, J-trim, Pewter Gray
7. 114583-01 Extrusion, rocker panel, Pewter Gray
8. 114615-02 Weldment, rear rocker panel, RS
9. 114587-16 Filler panel, 8.00" (oversize, cut to fit)
10. 115124-03 Filler panel, 3.00"
11. 114587-16 Filler panel, 7.06"
12. 114586-10 Filler panel, 10.13"
13. 201805 Fender skirt
14. 114585-10 Filler panel, 19.88
15. 114588 Filler panel, angled, 60.50"
16. 114005-02 Trim molding, ends to sidewall
17. 114584 Extrusion, rub rail installation
18. 201709-02 Rub rail molding, black
19. 114077-03 Trim, extrusion, front cap to sidewall
20. 320115-06 Screw, #6x1" flat head, stainless steel
21. 114570 Extrusion, awning rail
22. 386093 End cap, awning rail, LH
22. 386094 End cap, awning rail, RH
- 114754-01 End cap, rub rail, rear end shell

2005 LAND YACHT GAS EXTERIOR SHELL

Wall, Curbside, 30' S/O



2005 LAND YACHT GAS

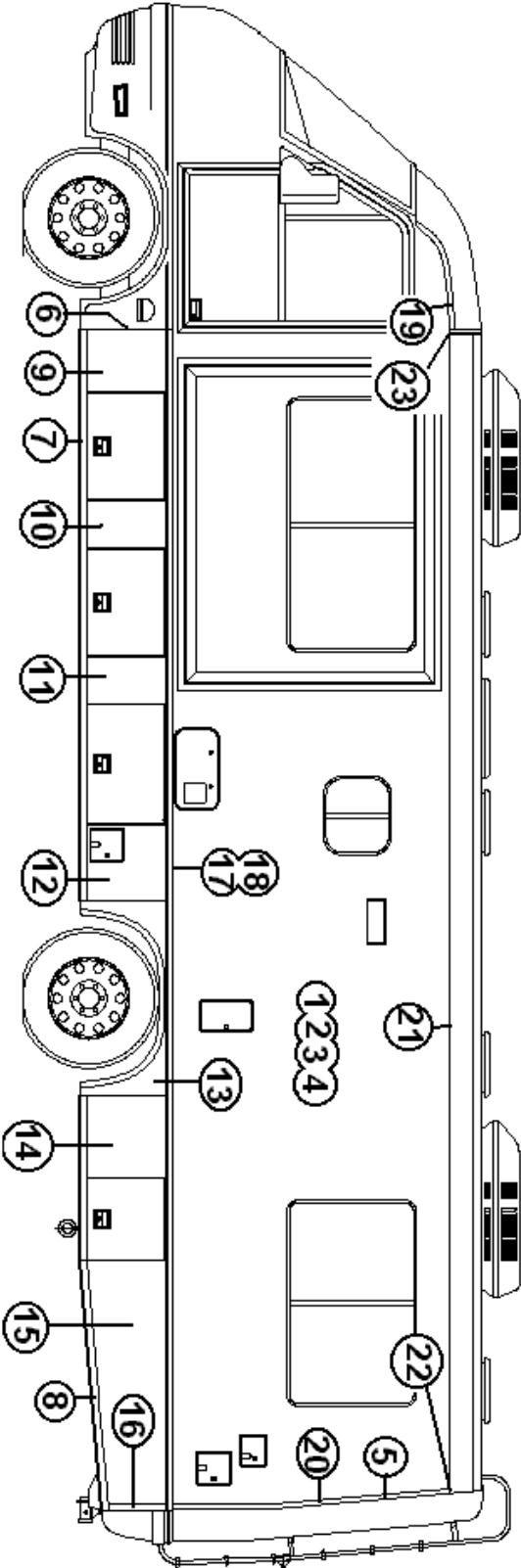
EXTERIOR SHELL

Wall, Curbside, 30' S/O

- | | |
|---------------|--|
| 1. 801002-01 | Fiberglass sheet, frost white 72" x 332" |
| 2. 915712 | Weldment, CS wall, 30' |
| 3. 203075 | Styrofoam sheet 1 ½" thick |
| 4. 801505 | Panel, Ascot Sand/Raw, .125" X 4' X 8' |
| 5. 114076-03 | Trim molding, ends to sidewall, CS |
| 6. 114589-01 | Skirt, angled, 16.13" |
| 7. 115124-03 | Skirt, angled, 13.75 |
| 7. 114615-02 | Rocker panel Weldment, 30' RH |
| 8. 114586-04 | Filler panel, 11.00" |
| 9. 201805 | Fender skirt |
| 10. 114585-15 | Filler panel, 16.25" |
| 11. 114587-25 | Filler panel, 19.25" |
| 12. 114587-05 | Filler panel, 6.25" |
| 13. 114586-20 | Filler panel, 10.0"(over size, cut to fit) |
| 14. 385955-02 | End cap, rub rail casting, LH (cut to fit) |
| 15. 385955-01 | End cap, rub rail, casting, RH |
| 16. 114584 | Extrusion, rub rail |
| 17. 201709-02 | Rub rail molding, black |
| 18. 114570 | Extrusion, awning rail |
| 19. 386093 | End cap, awning rail, LH |
| 20. 386094 | End cap, awning rail, RH |
| 21. 320115-06 | Screw, #6 x 1", flat head, stainless |
| 22. 114077-04 | Trim extrusion, front cap to sidewall |
| 23. 114070-02 | Extrusion, J-trim, Pewter Gray |
| 23. 114754-02 | End cap, rub rail, rear end shell |

2005 LAND YACHT GAS EXTERIOR SHELL

Wall, Roadside, 30' S/O



2005 LAND YACHT GAS

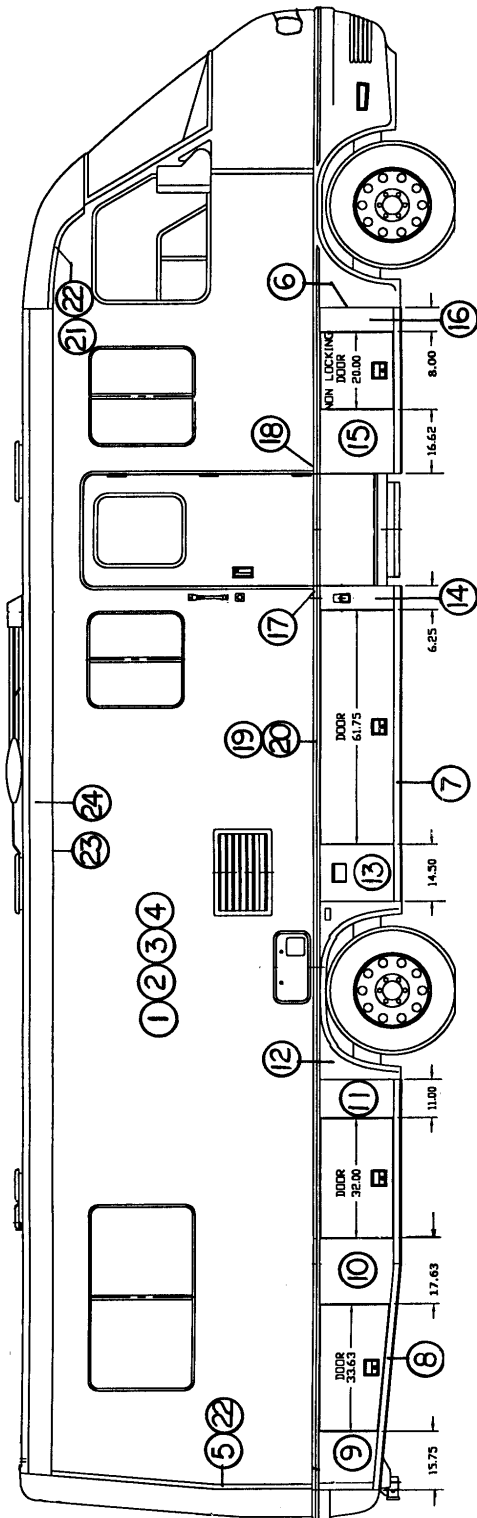
EXTERIOR SHELL

Wall, Roadside, 30' S/O

- | | |
|---------------|---|
| 1. 801002-01 | Fiberglass sheet, frost white, 72"x332" |
| 2. 915713 | Weldment, roadside wall, 30' |
| 3. 203075 | Styrofoam sheet, 1½" thick |
| 4. 801505 | Panel, Ascot Sand/Raw, .125" X 4' X 8' |
| 5. 114076-04 | Trim molding, ends to sidewall, RS |
| 6. 114070-02 | Extrusion, J-trim, Pewter Gray |
| 7. 114583-01 | Extrusion, rocker panel, Pewter Gray |
| 8. 114615-01 | Weldment, rear rocker panel, RS |
| 9. 114585-15 | Filler panel, 10.00" (oversize, cut to fit) |
| 10. 114587-24 | Filler panel, 13.75" |
| 11. 114587-24 | Filler panel, 13.75" |
| 12. 114586-21 | Filler panel, 18.50" |
| 13. 201805 | Fender skirt |
| 14. 114585-10 | Filler panel, 19.88 |
| 15. 114588 | Filler panel, angled, 60.50" |
| 16. 114005-02 | Trim molding, ends to sidewall |
| 17. 114584 | Extrusion, rub rail installation |
| 18. 201709-02 | Rub rail molding, black |
| 19. 114077-03 | Trim, extrusion, front cap to sidewall |
| 20. 320115-06 | Screw, #6x1" flat head, stainless steel |
| 21. 114570 | Extrusion, awning rail |
| 22. 386093 | End cap, awning rail, LH |
| 23. 386094 | End cap, awning rail, RH |
| 114754-01 | End cap, rub rail, rear end shell |

2005 LAND YACHT GAS EXTERIOR SHELL

Wall, Curbside, 33'



See next page for P/N

2005 LAND YACHT GAS

EXTERIOR SHELL

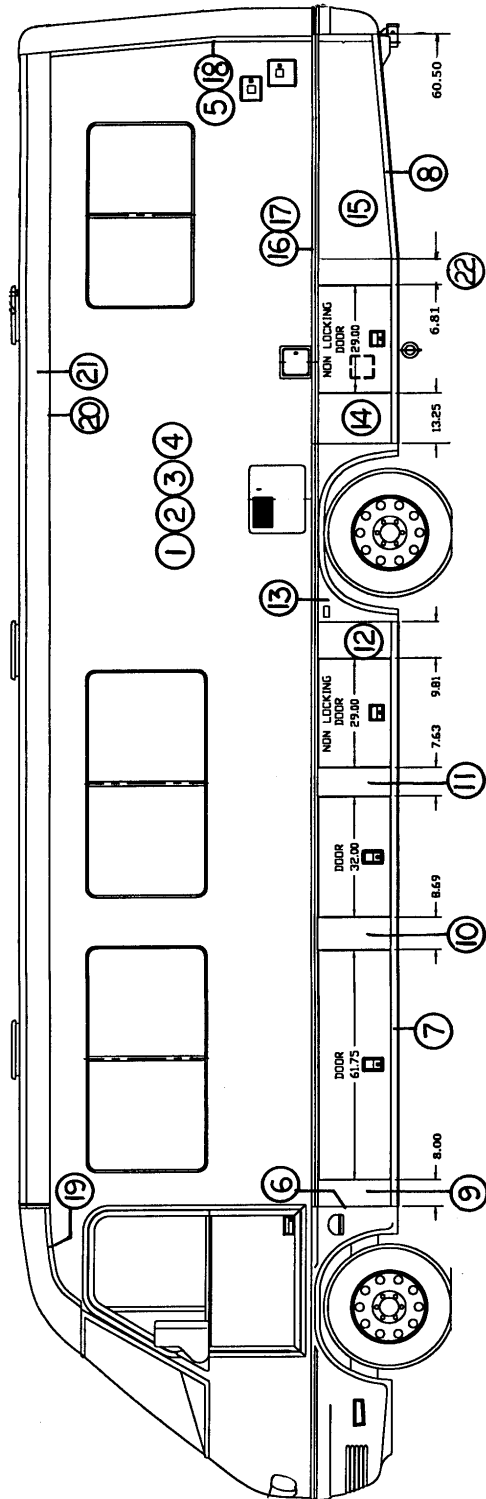
Wall, Curbside, 33'

1. 801002-10 Fiberglass sheet, frost white 72"x360"
2. 963884 Assembly, CS wall, 33'
3. 203075 Styrofoam sheet 1 1/2" thick
4. 801505 Panel, Ascot Sand/Raw, .125" X 4' X 8'
5. 114076-03 Trim molding, ends to sidewall, CS
6. 114070-02 Extrusion, J-trim, Pewter Gray
7. 114583-01 Extrusion, rocker panel, Pewter Gray
8. 114591-02 ROCKER PANEL WELDMENT
9. 114589-01 Filler panel, angled, CS, 15.75"
10. 114124-02 Filler panel, 17.56
11. 114586-04 Filler panel, 11.00
12. 201805 Fender skirt
13. 114585-01 Filler panel, 14.50
14. 114586-17 Filler panel, 6.25
15. 114585-17 Filler panel, 16.63
16. 114586-08 Filler panel, 7.09
17. 385955-02 End cap, rub rail, casting, LH
18. 385955-01 End cap, rub rail, casting, RH
19. 114584 Extrusion, rub rail installation
20. 201709-02 Rub rail molding, black
21. 114077-04 Trim extrusion, front cap to sidewall, CS
22. 320115-06 Screw, #6x1", flat head, stainless
23. 114570 Extrusion, awning rail
24. 386093 End cap, awning rail, LH
24. 386094 End cap, awning rail, RH
- 114754-02 End cap, rub rail, rear end shell

2005 LAND YACHT GAS

EXTERIOR SHELL

Wall, Roadside, 33'



See next page for P/N

2005 LAND YACHT GAS

EXTERIOR SHELL

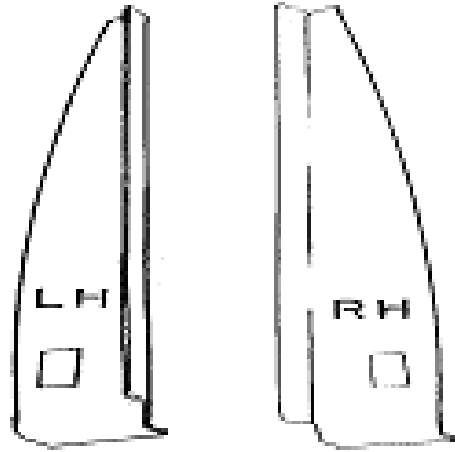
Wall, Roadside, 33'

1. 801002-10 Fiberglass sheet, frost white, 72" x 360"
2. 963885 Assembly, roadside wall, 33"
3. 203075 Styrofoam sheet, 1½" thick
4. 801505 Panel, Ascot Sand/Raw, .125" X 4' X 8'
5. 114076-04 Trim molding, ends to sidewall, RS
6. 114070-02 Extrusion, J-trim, Pewter Gray
7. 114583-01 Extrusion, rocker panel, Pewter Gray
8. 114591-01 Extrusion, angled, rear rocker panel, RS
9. 114586-07 Filler panel, 7.31"
10. 114587-09 Filler panel, 8.69" wide
11. 114587-10 Filler panel, 7.63" wide
12. 114586-01 Filler panel, 9.81" wide
13. 201805 Fender skirt
14. 114585-04 Filler panel, 13.25" wide
15. 114588 Filler panel, angled, 60.50" wide
16. 114584 Extrusion, rub rail installation
17. 201709-02 Rub rail molding, black
18. 320115-06 Screw, #6x1" flat head, stainless
19. 114077-03 Trim, extrusion, front cap to sidewall, RS
20. 114570 Extrusion, awning rail
21. 386093 End cap, awning rail, LH
21. 386094 End cap, awning rail, RH
22. 114586-16 Filler panel, 6.81" wide

2005 LAND YACHT GAS

EXTERIOR SHELL

Lower Compartment Filler Panel Flange



114594-01

Seal, flange, LH

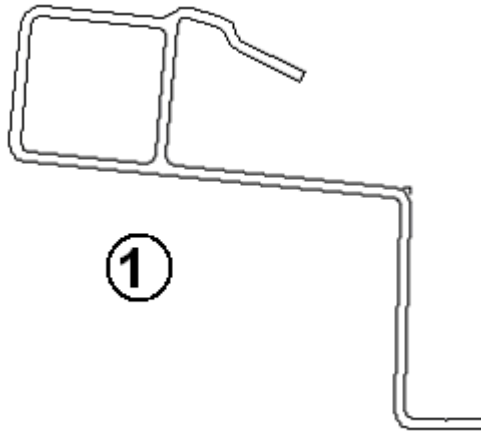
114594-02

Seal, flange, RH

2005 LAND YACHT GAS

EXTERIOR SHELL

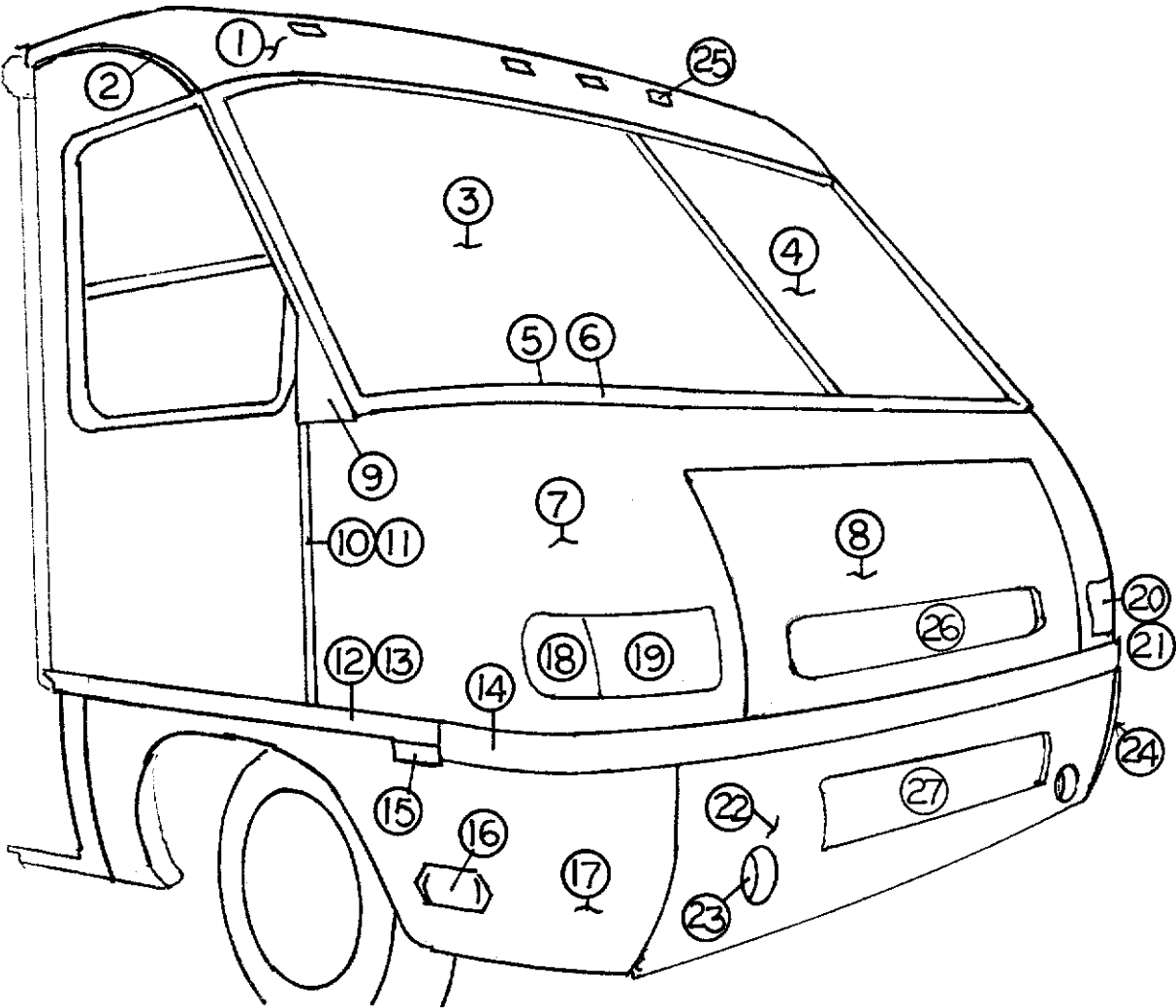
Roof



1. 114739-02 ROOF/WALL ATTACHMENT - 329"
203379 Fiberglass roof material, white, 106"W x 320"L
- 114601-03 ROOF BOW W/1 HOLE
- 114601-07 BOW ROOF W/2 HOLE
- 114601-08 ROOF BOW W/4 HOLE
- 203075 Styrofoam sheet 1 1/2 thick
- 702482 Headliner, spectra, Opal X
- 800507-01 Luan, 1/8"x4'x8'(inside)
- 201728-03 Extrusion, ceiling trim, white
- 201728-01 Extrusion, ceiling trim, retainer
- 702482-03 Headliner, Spectra Opal, textured, R/L

2005 LAND YACHT GAS EXTERIOR SHELL

Front End



See next page for P/N

2005 LAND YACHT GAS

EXTERIOR SHELL

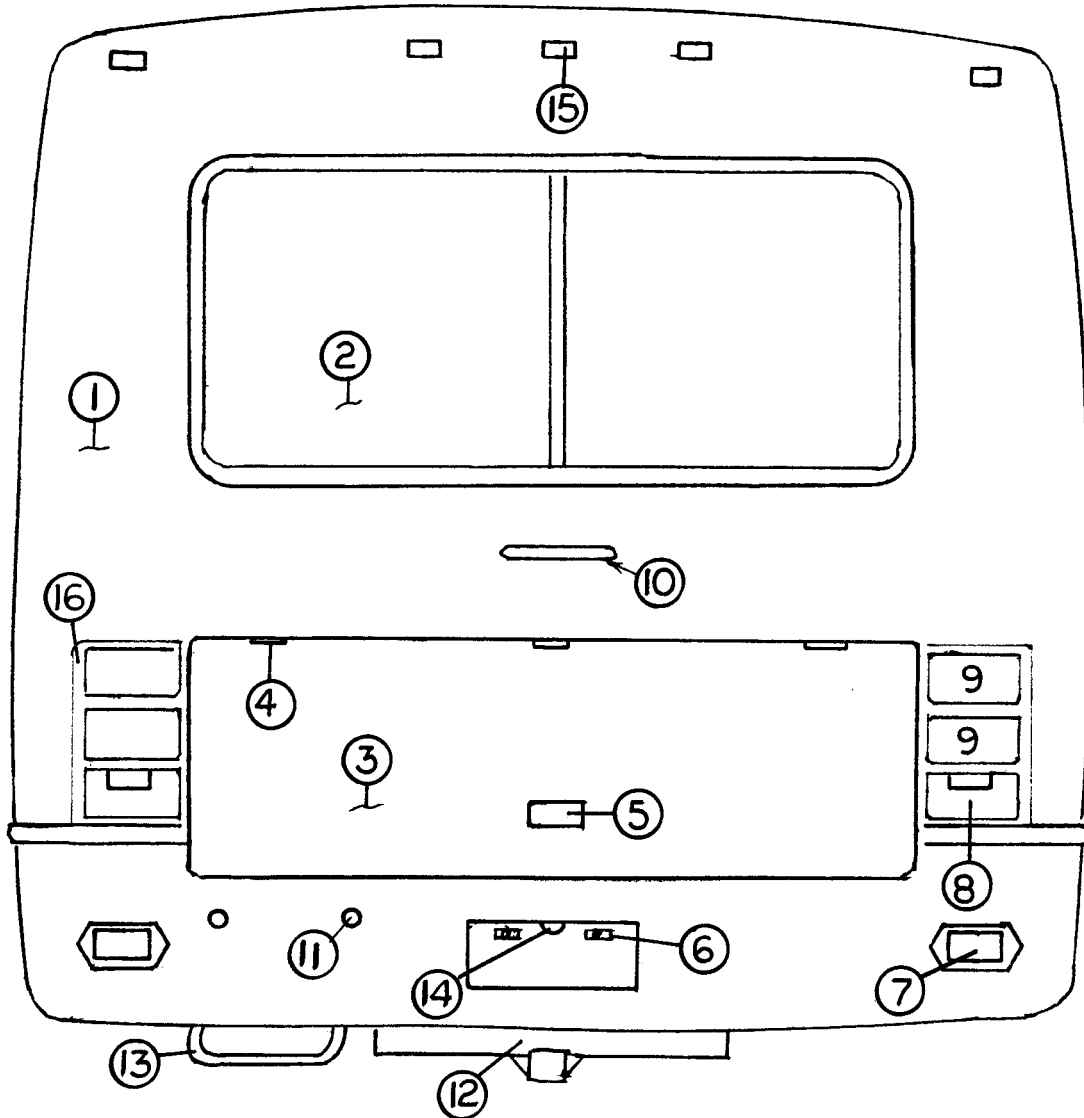
Front End

- | | |
|---------------|---|
| 1. 201869-01 | Front cap, Nu White |
| 2. 114077-04 | Trim, extrusion, cap to sidewall, CS |
| 2. 114077-03 | Trim, extrusion, cap to sidewall, RS |
| 3. 371291 | Windshield, CS |
| 4. 371290 | Windshield, RS |
| 5. 381319 | Gasket, windshield (surrounds both windshields) |
| 6. 201260 | Insert, windshield gasket |
| 7. 203236 | Nose, front, fiberglass |
| 8. 203237 | Hood, fiberglass |
| 9. 114838-01 | Cover, A pillar, CS |
| 9. 114838-02 | Cover, A pillar, RS |
| 10. 114005-02 | Trim molding, nose to sidewall |
| 11. 320115-06 | Screw, #6x1" flathead, stainless |
| 12. 114584 | Extrusion, rub rail installation |
| 13. 201709-02 | Rub rail molding, black |
| 14. 201909 | Molding, black bumper trim |
| 15. 500892 | Light, clearance/turn signal, amber |
| 16. 511101-01 | Light, docking, halogen, S.S. bezel |
| 17. 201971-01 | Fender CS, w/o docking light hole |
| 18. 511527 | Light, turn signal, amber, CS |
| 19. 511525 | Headlight, CS |
| 20. 511526 | Headlight, RS |
| 20. 511529 | Bulb, headlight |
| 21. 511528 | Light, turn signal, amber, RS |
| 22. 203238 | Bumper, front |
| 23. 511514 | Driving light kit, halogen |
| 24. 201970 | Fender, RS |
| 25. 511750 | Amber teardrop light beginning |
| 26. 381714 | GRILL, HOOD |
| 27. 381715 | GRILL, BUMPER |
| 510784-01 | LAMP SOCKET W/BULB#1156 Frt. Fender |
| 453816-01 | BRACKET-HEADLIGHT-OUTSIDE RH |
| 453816-02 | BRACKET-HEADLIGHT-OUTSIDE LH |
| 453814-01 | BRACKET-HEADLIGHT-UPPER RH |
| 453814-02 | BRACKET-HEADLIGHT UPPER LH |
| 453783-03 | GRILL SCREEN, LY HOOD |

2005 LAND YACHT GAS

EXTERIOR SHELL

Aft End



See next page for P/N

2005 LAND YACHT GAS

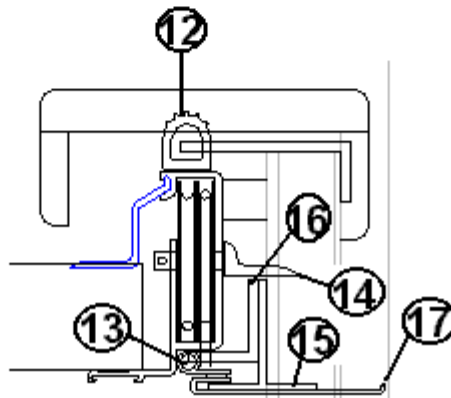
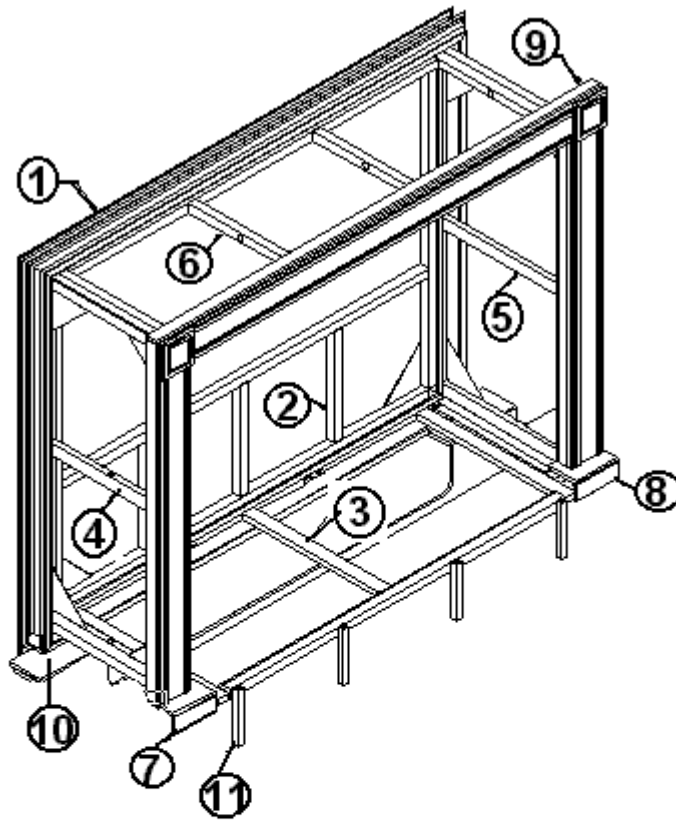
EXTERIOR SHELL

Aft End

1. 203088-02 Cap, rear end
1. 203088-01 Cap, rear end, 26' w/o window
2. 371373-02 Window, stationary, rear, 29.25 x 62.25
3. 203018-01 Trunk door, Land Yacht, Nu-white
4. 381434 Hinge, stainless, 3"x3"
5. 195373 Paddle latch, black, w/lock
6. 381077 Well nut, license plate
7. 511101-01 Light, docking, halogen
8. 511240 Light, stop/tail/turn/back-up
9. 511239 Light, stop/tail/turn
10. 511154-02 Light-strip, 3rd brake light, 1x10"
11. 381148-01 Socket, bottom support, ladder
11. 114224 Plunger, bottom support, ladder
12. 400868 Hitch, Reese #38563
12. 400957 Hitch, Reese, 26' only
13. 961601 Step assembly, bottom, roof ladder
14. 511294 Light, license plate
15. 510984-01 Light, clearance, red
16. 386011 Trim, taillight, stainless steel
- 381578 Ladder

2005 LAND YACHT GAS EXTERIOR SHELL

Slide Out Room, 30'



PART NUMBERS ON THE NEXT PAGE

2005 LAND YACHT GAS

EXTERIOR SHELL

Slide Out Room, 30'

1. 381843	MECHANISM-SLIDE OUT
2. 922728	WALL ASSY-SOFA SLIDE
3. 922725	FLOOR ASSY-SOFA S/O
4. 922724-01	SIDE ASSY-LH SOFA S/O
5. 922724-02	SIDE ASSY-LH SOFA S/O
6. 922723	ROOF ASSY-SOFA S/O
7. 966011-01	FASCIA ASSY-RH LOUNGE
8. 966011-02	FASICA ASSY-LH LOUNGE
9. 966012	HEADER ASSY-LOUNGE
10. 966020	CLOSEOUT ASSY-SLIDE OUT MECHANISM
11. 915731	WELDMENT-KICKBOARD SUPPORT
12. 365281	BULB SEAL-WHITE
13. 365283	SEAL-"P" BLACK S/O ROOM
14. 365284	SEAL-WIPER BLACK 1.38" S/O ROOM
15. 115170	EXTRUSION-.125" X 2" X 2" X 12'
16. 114768	EXTRUSION SLIDE OUT CORNER TRIM
17. 114771	EXTRUSION, SLIDE OUT TRIM
381228-01	CATCH GRABBER DOOR
701538-01	CARPET-ECONOLIER W/PSA BACK
702949-13	COVER-GALLEY S/O W/METAL SHIELD
702949-01	COVER-HARDWARE SLIDE OUT SATIN
511694-01	READING LIGHT-HALOGEN NICKEL/BRASS
511816-01	TRIM RING-BRASS OVAL CEILING LIGHT
511816	LIGHT-OVAL CEILING LOW PROFILE
454184	BRACKET-SEAT BELT 1-HOLE
454185	BRACKET-SEAT BELT 2-HOLE
801505	Panel, Ascot Sand/Raw, .125" X 4' X 8'
702482	HEADLINER SPECTRA OPAL X
703313-02	CARPET TUFTED PATTERN FROST
203379	ROOF, FIBERGLASS, SMOOTH
801002-10	SHEET, FIBERGLASS WHITE 72 X 360

2005 LAND YACHT GAS

CHASSIS

Leveling Jack System, 30', 33'

410871-01 Leveling jack system, Automatic, Power Gear
453917 Bracket, jack pump

Leveling jack system, 26'

410871 Jack kit complete, Power Gear 26' (800-334-4712)

Step

961601 Step assembly, roof ladder
511483 Step, single, Kwikiee
511483-01 Pigtail. Kwikiee step
511486 Switch, magnetic, round
685031-01 Control box, main, Kwikiee
410700-100 Motor, assy., w/actuator arm

Wheel simulator/Mud flaps

410818 Wheel simulator
400571 Mud flaps, pair
203322 MUD FLAP 11.00" X 21.00", 26'
454005 ANGLE-MUD FLAP MOUNT, 26'
453667-01 Splash guard drop, Left hand
453667-02 Splash guard drop, Right hand

Emergency Brake, 26'

453976 Emergency brake bracket, 26'
453979 Emergency brake support, 26'

2005 LAND YACHT GAS

CHASSIS

Heater, Rear, Auxiliary

690311	Heater, rear, auxiliary
510929-04	Switch, dash, rear heat
510930-04	Lens, rear heat switch
600969	Register, 4 x 6", Sand
452575-01	DUCT AUX HEATER (LH)
452575-02	DUCT AUX HEATER (RH)
914055	ASSEMBLY, PAN AUX HEATER
600526	Flange, 4"
452722-01	Front hose kit, diverts antifreeze to auxiliary heater

Spare Tire

452087	Hanger, spare tire, N/A 26'
410631	Winch, spare tire
452140	SPACER SPARE TIRE
451811	Extender, tire valve, pr.
703147	Spare tire cover, 26ft.

Wheel well Liner/Fuel Pipe/Coil Spring Spacer

453461-05	Spacer, coil spring, 1"
203321	Wheel well liner
410850	Fuel fill, pipe, 26'

Tank Straps/Mounting Brackets, 33', 30' S/O, 30'

452380-01	STRAP GRAY TANK 43.5"
452380-02	STRAP GRAY TANK 42"
452380-03	STRAP GRAY TANK 43.25"
452379-01	BRACKET GRAY TANK MOUNTING LH
452379-02	BRACKET GRAY TANK MOUNTING RH
453399	GUARD BLACK TANK
914128-01	STRAP LP TANK
914128-02	STRAP LP TANK

2005 LAND YACHT GAS

CHASSIS

Dash Heater/AC

Specific Climate Systems Inc.
1200 West Risinger Road
Fort Worth, Texas
Technical Assistance: 1-800-275-7524

SERVICE /PARTS

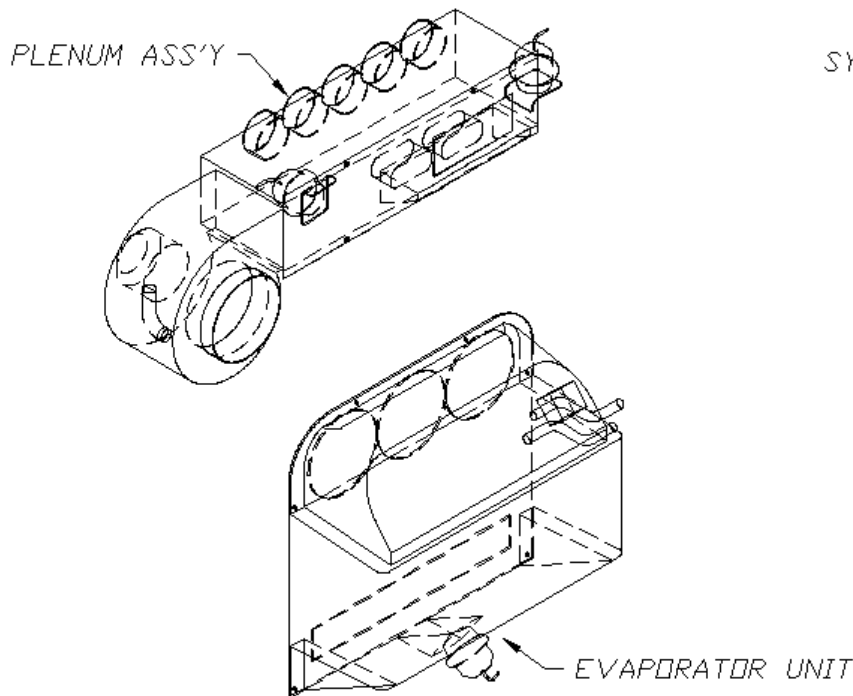
SCS has requested you to call them on the 800 number listed above should you experience any service problems. If your dealership is not able to repair this system, they are usually able to help get any repairs needed at an air conditioner repair facility close to your location.

Warranty or retail parts may be obtained by using the toll free phone number above.

2005 LAND YACHT GAS

CHASSIS

Dash Heater/AC



SYSTEM INCLUDES:

EVAPORATOR UNIT #090-00433

PLENUM ASS'Y #093-00598

ACCESSORY KIT #09300596

690508	Kit heater/Dash AC Large Control
690456	Grille, louvered, 1.5" x 6" defroster duct
601599	Hose, duct 2", black
600465	Hose, air duct 2 1/2" dia.
203110	Duct, defroster trans
600214-03	Heater hose, 5/8"

*Workhorse, the chassis manufacturer, installs the compressor, condenser and associated parts on their RV chassis.

2005 LAND YACHT GAS

CHASSIS

Engine Cover

203296	COVER-ENGINE FIBERGLASS LYMH 8.1L
203297	BASE-ENGINE COVER FIBERGLASS 8.1L
381568	SEAL EXTRUDED 1.25 X .625 EPDM
381077	WELLNUT #G-1032
203276	½" NOISE BARRIER, 104-E
365194	2" TAPE - ALUM. FOIL

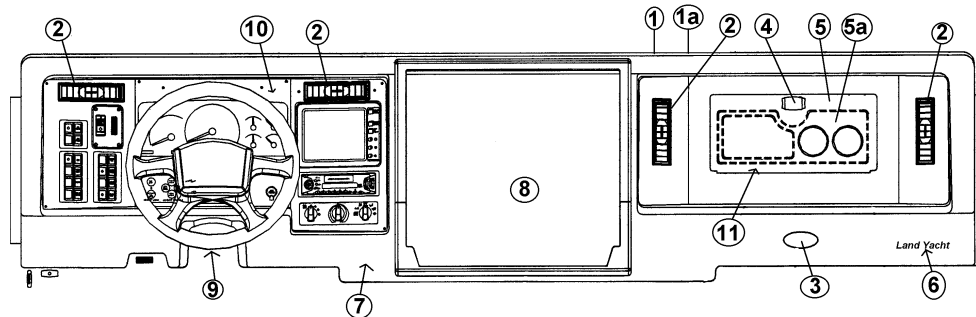
Tool Kit

380188	TRIANGLE EMERGENCY WARNING SET 3
104315	BRACKET, FRONT LICENSE PLATE
381006	LUG WRENCH #14064610(STEEL WHEEL)
451811	EXTENDER, TIRE VALVE, (1) PAIR
381666	SOCKET DEEP WELL 3/8" DRIVE X 3/4"
381667	RATCHET, 10" 3/8" DRIVE
410821	VALVE TUBELESS CLAMP IN TR416

2005 LAND YACHT GAS

DASH

Dash Assembly



- | | |
|---------------|--|
| 1. 201754-02 | Dash top, plastic |
| 1. 703140-01 | Cover, vinyl, dash w/pad |
| 2. 690456 | Dash louver, A/C-heater, Acme |
| 3. 386068 | Medallion, 3", black |
| 4. 381438 | Latch, glove box, non-locking, squeeze |
| 5. 203313-01 | Panel, glove box |
| 5. 452358 | CATCH, GLOVE BOX LATCH, FORMED |
| 5. 381442 | RETAINER CLIP, GLOVE BOX LATCH |
| 5. 381437 | HINGE, GLOVE BOX HINGE |
| 5. 320122 | SCREW, BLACK, #4 PFH |
| 6. 385641 | Decal, Land Yacht |
| 7. 203485 | Dash face, front |
| 8. 965928 | Dash shelf assembly |
| 9. 203312 | ABS Closeout, steering column |
| 10. 203484-01 | Instrument panel, w/monitor |
| 10. 203484-02 | Instrument panel, w/o monitor |
| 11. 201934 | Tray, glove box door |
| 11. 201958 | Glove box, black |

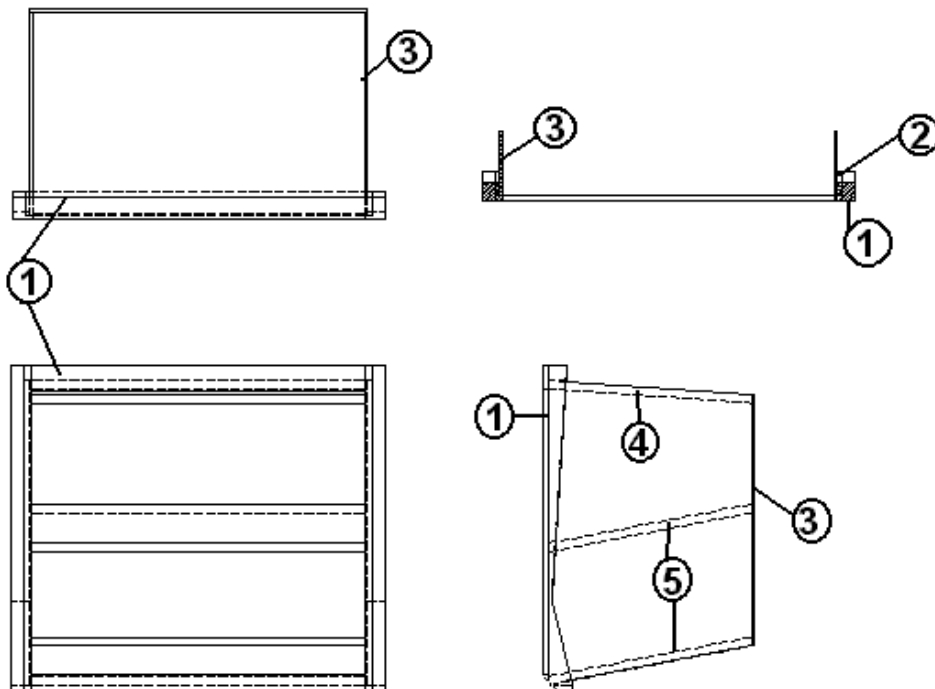
Defroster

- | | |
|--------|----------------------------|
| 203308 | Defroster box |
| 114090 | Deflector, plenum, defrost |
| 452676 | ADAPTER DEFROSTER PLENUM |

2005 LAND YACHT GAS

DASH

Dash Shelf Assembly, All Models



- 965928 Dash Shelf Assembly
- 1. 965927-006 FACE FRAME - DASH SHELF
 - 2. 800507-02 LAUAN, 1/4" X 4' X 8'
 - 3. 801181-006 PANEL 5/32 G1S OLYMPIC/RAW 4' X 8'
 - 4. 801179-006 PANEL 1/2" G1S VINYL/RAW 4' X 7'
 - 5. 701538-01 CARPET-ECONOLIER W/PSA BACK
 - 701538 CARPET, ECONOLIER VELOUR BLACK
 - 701538-01 PSA BACKING-ECONOLINE CARPET
 - 381870-01 HINGE, GLASS DOOR. DUOMATIC
 - 381707 STRIKE W/PULL-GLASS DOOR BLACK
 - 381706-03 TRIM CAP-H SERIES SM HINGE ARM
 - 381870-02 TRIM CAP-H SERIES SM HINGE arm
 - 371393 GLASS DASH CAB LYMH
 - 703238 VINYL CADDY BUFF
 - 381653 LATCH-SINGLE TOUCH BLACK

2005 LAND YACHT GAS

DECALS/MEDALLIONS

Decals

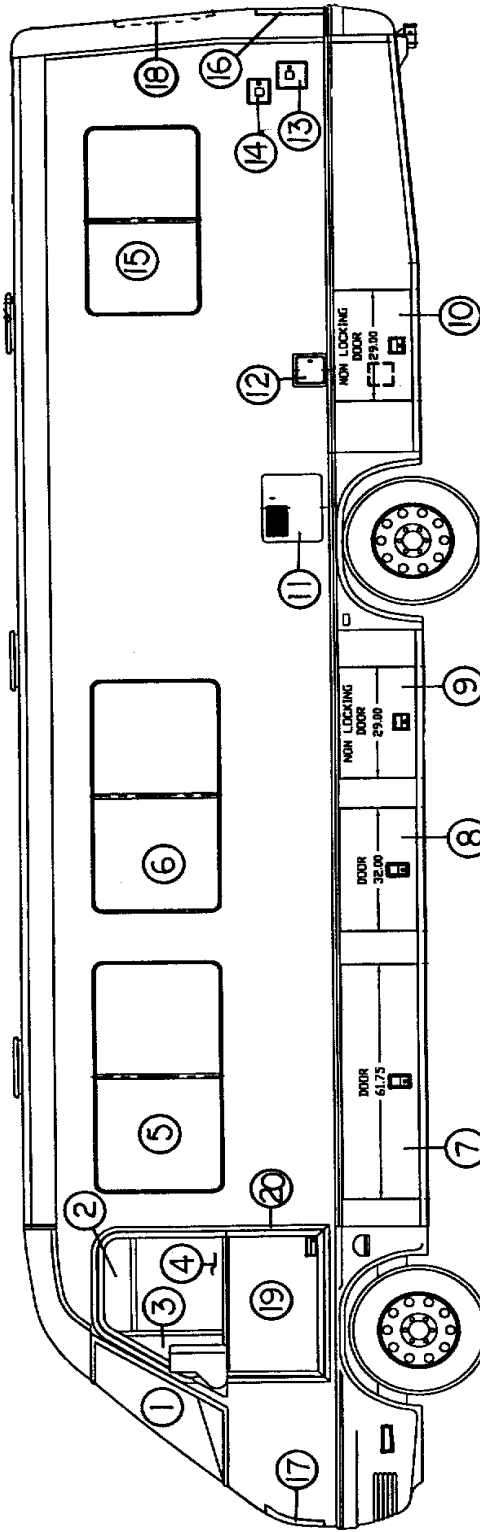
386051	Decal, logo, AIRSTREAM, 32"
385641	DECAL, LAND YACHT GLOVE BOX
385988	DECAL-WATER HEATER
385582-01	DECAL AIRSTREAM W/BAR, CHARCOAL, GRAY
385309	DECAL, FUEL FILL
386017	DECAL-CONTROL PANEL BACKER-BLACK
386151	DECAL-AIRSTREAM, 1.3" X 16" BLACK
386076	DECAL LAND YACHT GOLD 6"
386091	Logo, "AIRSTREAM", Black raised letters

Medallions

386043-03	MEDALLION-BLACK AIRSTREAM 12"
386063-03	MEDALLION, 8" BLACK
386068	Medallion, 3", black

2005 LAND YACHT GAS DOORS/WINDOWS/AWNINGS

Roadside Wall, 33'



See next page for P/N

2005 LAND YACHT GAS

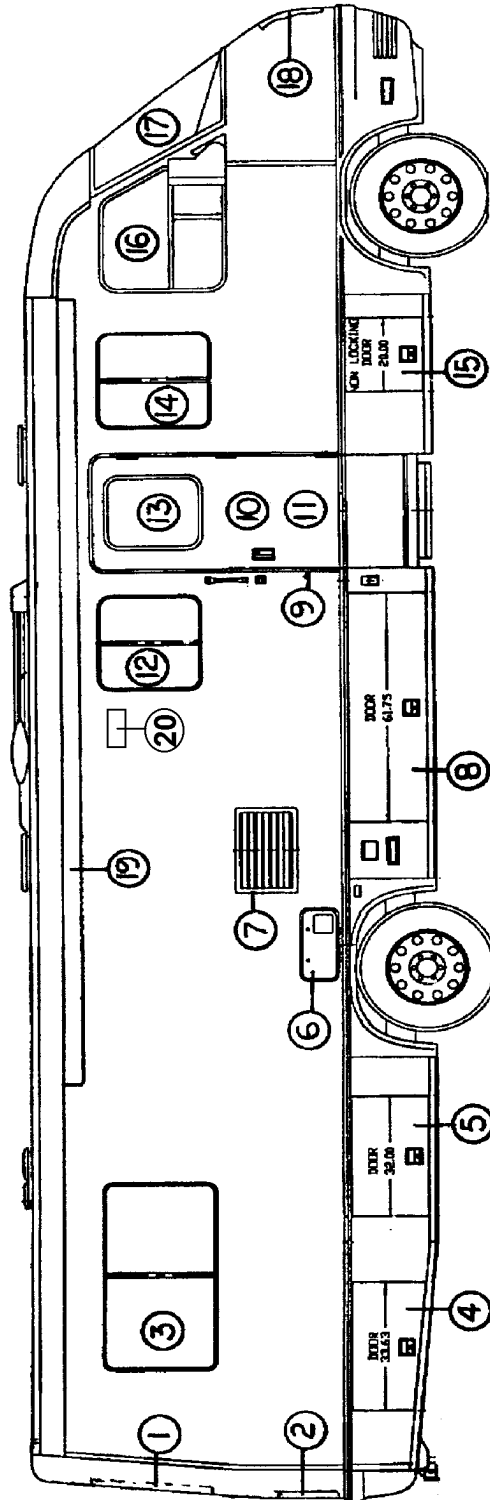
DOORS/WINDOWS/AWNINGS

Roadside Wall, 33'

- | | |
|-------------------------------|---|
| 1. 371290 | Windshield, RS |
| 2. 372196 | Glass, drivers door, upper fixed |
| 3. 372194 | Glass, drivers door, fixed |
| 4. 372195 | Glass, drivers door, movable |
| 4. 114808-02 | Drip cap, cab window |
| 5. 371373-05 | Window, horizontal slide, 29.75" x 60.25", RS |
| 6. 371373-05 | Window, horizontal slide, 29.75" x 60.25", RS |
| 7. 921166-01 | Compartment door, 61.75" |
| 8. 921166-02 | Compartment door, 32.00" |
| 9. 921169-03 | Compartment door, non-locking, 29.00" |
| 10. 921169-03 | Compartment door, non-locking, 29.00" |
| 11. 690259-02 | Door, water heater access |
| 11. 690259-03 | Mounting flange, water heater access |
| 12. 201865-02 | Fuel fill housing, polar white |
| 13. 511045-02 | Cord door hatch, 110volt |
| 14. 201866-02 | Water fill, potable water tank |
| 15. 371373-22 | Window, horizontal slide, egress, 30.25" x 48.88" |
| 16. 203018-01 | Trunk door, LY, Nu white |
| 17. 203237 | Hood, fiberglass |
| 18. 371373-02 | Window, stationary, rear, 29.25" x 62.25" |
| 19. 922328-04 | Drivers door assembly |
| 19. 114814 | Drip cap, drivers door |
| 20. 195279-02 | Jamb, drivers door |

2005 LAND YACHT GAS DOORS/WINDOWS/AWNINGS

Curbside wall, 33'



See next page for P/N

2005 LAND YACHT GAS

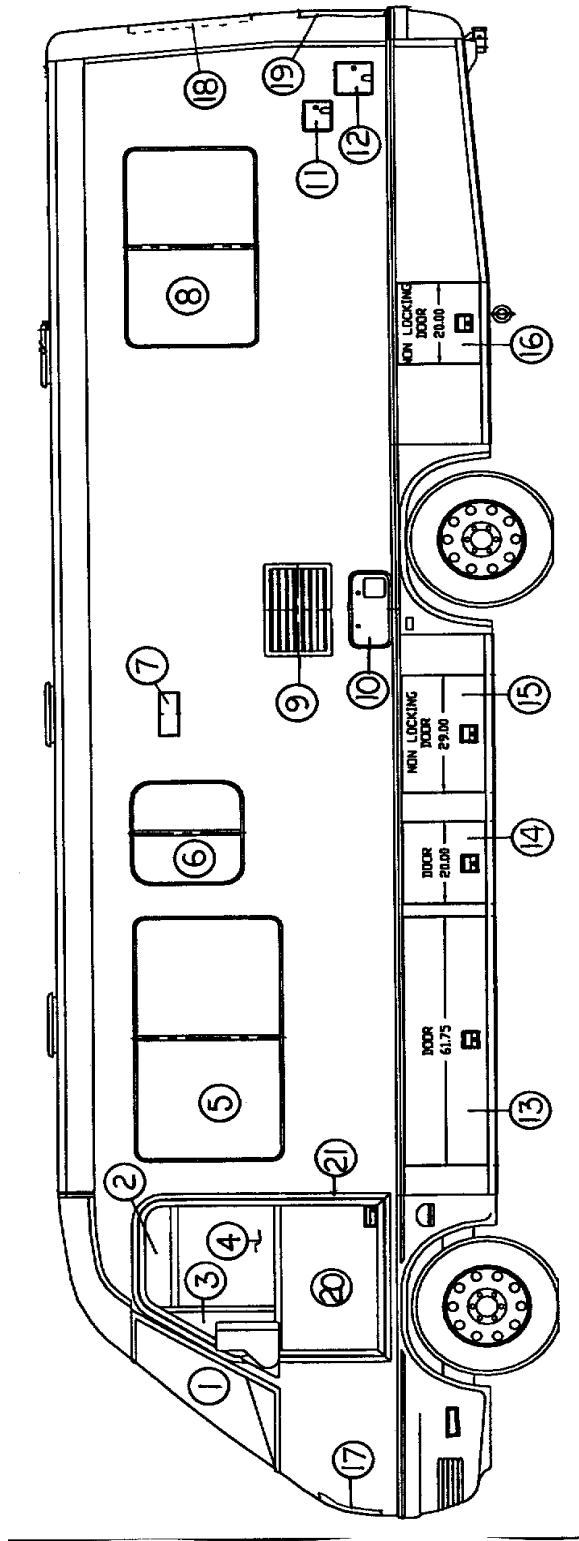
DOORS/WINDOWS/AWNINGS

Curbside wall, 33'

1. 371373-02 Window, stationary, rear, 29.25" x 62.25"
2. 203018-01 Trunk door, LY, Nu white
3. 371373-21 Window, horizontal slide, 30.25" x 48.88", CS
4. [921167-01](#) Compartment door, angled, CS, 33.63
5. [921166-02](#) Compartment door, 32.00"
6. 690274-11 Door, Hydroflame, exterior
7. 690340-01 Door, refrigerator, flush mount
8. [921166-01](#) Compartment door, 61.75"
9. 922375-02 Doorjamb assembly
10. 109988-05 Main door
10. 114059 Drip cap, main door
11. 922372 Screen door assembly
12. 371373-09 Window, horizontal slide, 25.25" x 25.75", CS
13. 371373-01 Window, main door, 19.25" x 23.25"
14. 371373-10 Window, horizontal slide, 29.75" x 26.25", CS
15. [921169-04](#) Compartment door, non-locking, 20.00
16. 371371-01 Window, cab, CS, angled
16. 114808-02 Drip cap, cab window
17. 371291 Windshield, CS
18. 203237 Hood, fiberglass
19. 702679-59 Awning, patio, 17', Charcoal Tweed
19. 702679-17 Hardware patio awning Satin
20. 511152-01 Vent cover, exterior range, white

2005 LAND YACHT GAS DOORS/WINDOW/AWNINGS

Roadside Wall, 30'



See next page for P/N

2005 LAND YACHT GAS

DOORS/WINDOW/AWNINGS

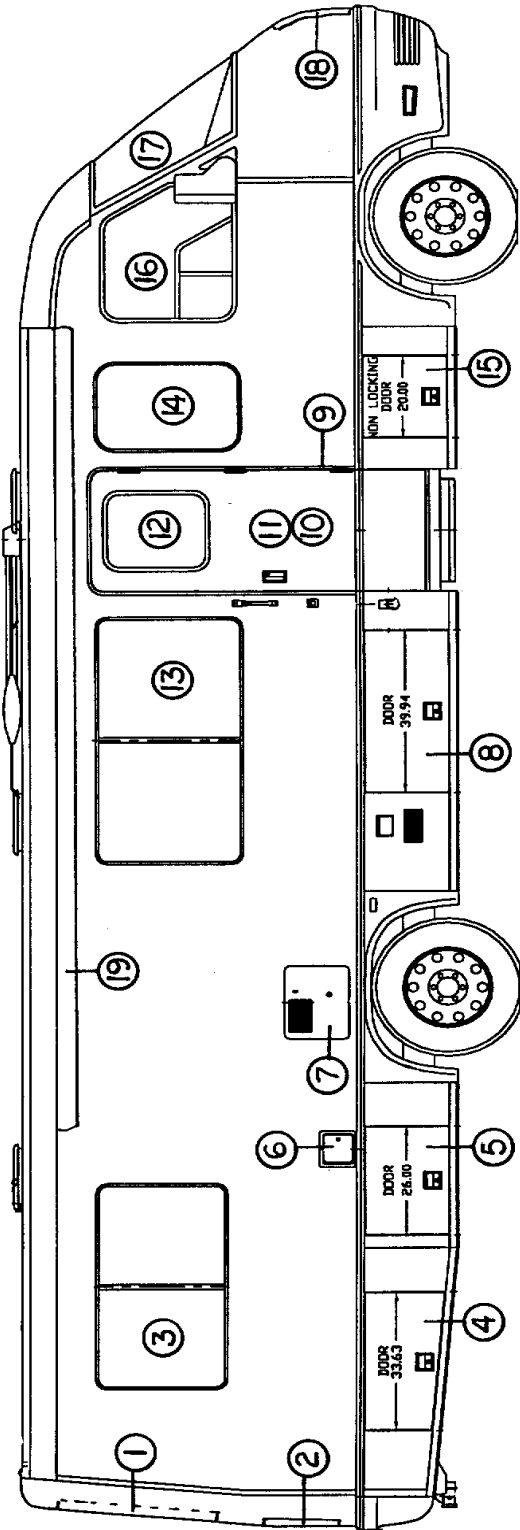
Roadside Wall, 30'

- | | |
|-------------------------------|--|
| 1. 371290 | Windshield, RS |
| 2. 372196 | Glass, drivers door, upper, fixed |
| 3. 372194 | Glass, drivers door, fixed |
| 4. 372195 | Glass, drivers door, movable |
| 5. 371373-05 | Window, horizontal slide, RS, 29.75" x 60.25" |
| 6. 371373-04 | Window, horizontal slide, RS, 25.25" x 25.75" |
| 7. 511152-01 | Vent cover, range exhaust |
| 8. 371373-22 | Window, horizontal, slide, RS, egress, 30.25" x 48.88" |
| 9. 690340-03 | Door, refrigerator, flush mount |
| 10. 690274-11 | Door, Hydroflame furnace, exterior |
| 11. 201866-02 | Water fill, potable water |
| 12. 511045-02 | Cord door hatch, 110 volt |
| 13. 921166-01 | Compartment door, 61.75" |
| 14. 921166-04 | Compartment door, 20.00" |
| 15. 921169-03 | Compartment door, non-locking, 29.00" |
| 16. 921169-04 | Compartment door, non-locking, 20.00" |
| 17. 203237 | Hood, fiberglass |
| 18. 371373-02 | Window, stationary, rear, 29.25x62.25" |
| 19. 203018-01 | Trunk door, LY, Nu white |
| 20. 922328-04 | Drivers door assembly |
| 20. 114814 | Drip cap, drivers door |
| 21. 195279-02 | Jamb, drivers door |

See option section for double pane window parts numbers.

2005 LAND YACHT GAS DOORS/WINDOWS/AWNINGS

Curbside Wall, 30'



See next page for P/N

2005 LAND YACHT GAS

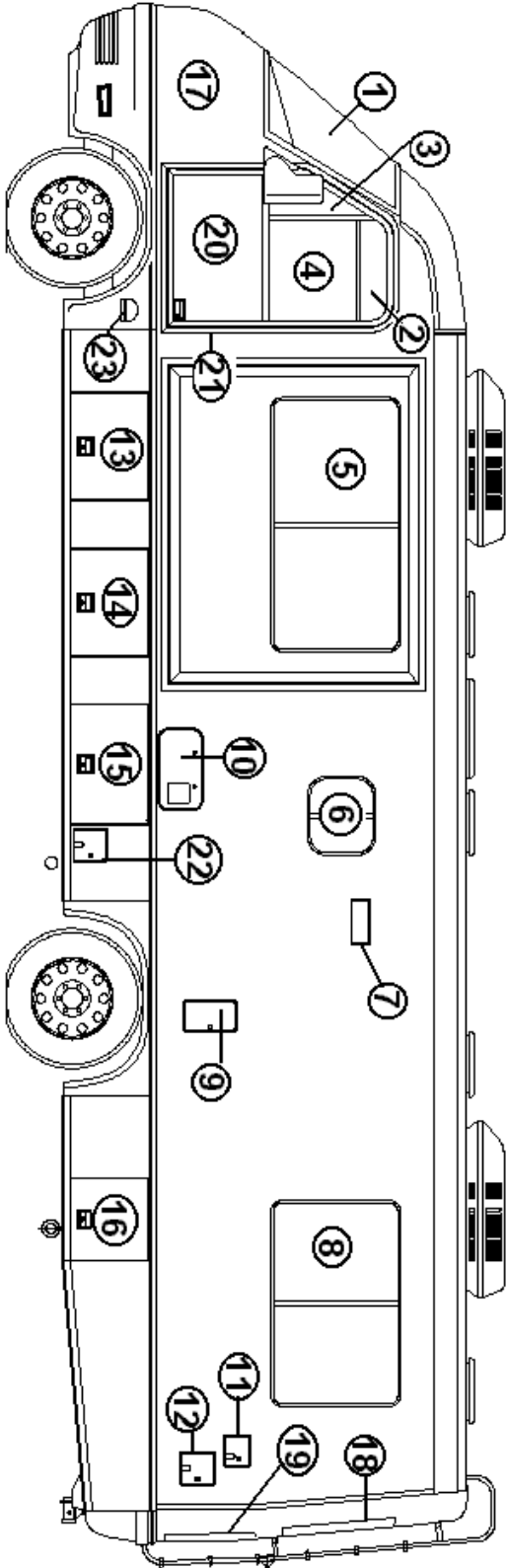
DOORS/WINDOWS/AWNINGS

Curbside Wall, 30'

1. 371373-02 Window, stationary, rear, 29.25" x 62.25"
2. 203018-01 Trunk door, Nu-white
3. 371373-21 Window, horizontal slide, CS, 30.25" x 48.88"
4. [921167-01](#) Compartment door, CS, angled, 33.63"
5. [921166-08](#) Compartment door, 26.00"
6. 201865-02 Fuel fill housing, polar white
7. 690259-05 Water heater access door white
7. 690259-06 Cover/mounting flange, water heater
8. [921166-05](#) Compartment door, 39.94"
9. 922375-02 Doorjamb assembly
10. 109988-05 Main door
- 10" 114059 Cap, drip, main door, white
11. 922372 Screen door assembly
12. 371373-01 Window, main door, 19.25" x 23.25"
13. 371373-06 Window, horizontal slide, CS, 29.75" x 60.25"
14. 371373-08 Window, stationary, CS, 29.75" x 21.50"
15. [921169-04](#) Compartment door, non-locking, 20.00"
16. 371371-01 Window cab, CS, angled
16. 114808-02 Drip cap, cab window, CS, white
17. 371291 Windshield, CS
18. 203237 Hood, fiberglass
19. 702679-63 Awning, patio, 16', Charcoal Tweed
19. 702679-17 Awning, hardware, Satin

2005 LAND YACHT GAS DOORS/WINDOW/AWNINGS

Roadside Wall, 30' S/O



2005 LAND YACHT GAS

DOORS/WINDOW/AWNINGS

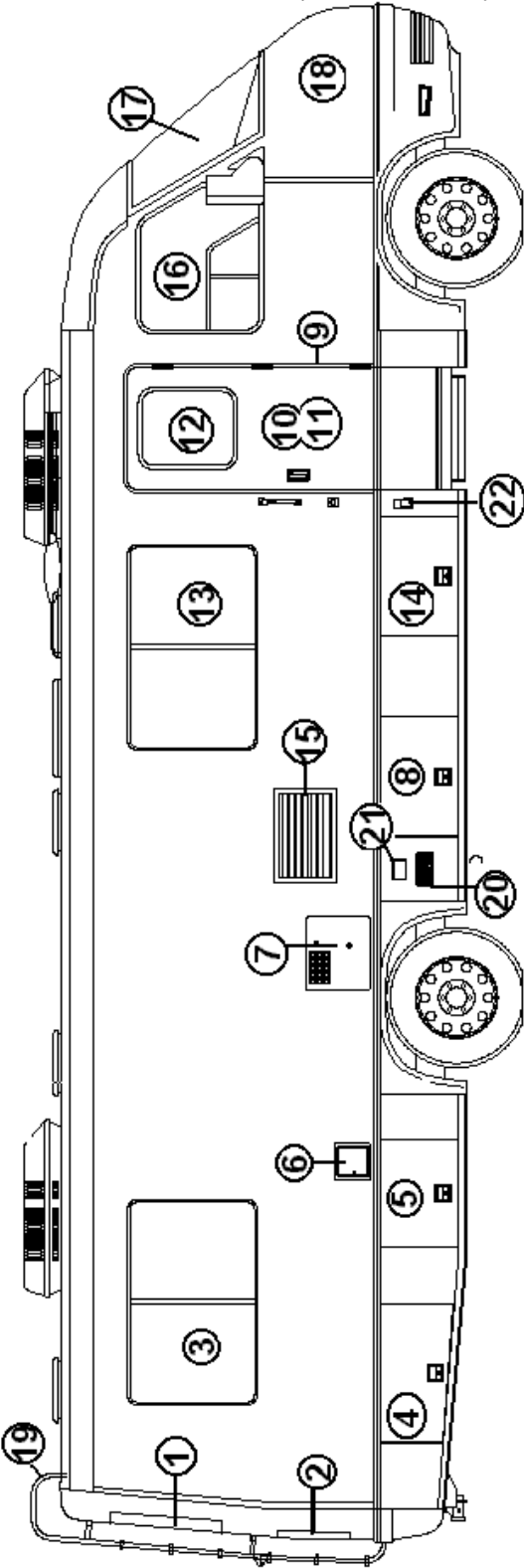
Roadside Wall, 30' S/O

- | | |
|-------------------------------|--|
| 1. 371290 | Windshield, RS |
| 2. 372196 | Glass, drivers door, upper, fixed |
| 3. 372194 | Glass, drivers door, fixed |
| 4. 372195 | Glass, drivers door, movable |
| 5. 371373-05 | Window, horizontal slide, RS, 29.75" x 60.25" |
| 6. 371373-25 | Window, horizontal slide, RS, 25.25" x 18" |
| 7. 511152-01 | Vent cover, range exhaust |
| 8. 371373-22 | Window, horizontal, slide, RS, egress, 30.25" x 48.88" |
| 9. 381766 | Hatch, access, water fill, 7.75" x 12.63" |
| 10. 690274-11 | Door, Hydroflame furnace, exterior |
| 10. 690274-12 | Door flange, furnace, exterior |
| 11. 201866-02 | Water fill, potable water |
| 12. 511045-02 | Cord door hatch, 110 volt |
| 13. 921166-08 | Compartment door, 26" |
| 14. 921166-08 | Compartment door, 26" |
| 15. 921169-03 | Compartment door, non-locking, 29.00" |
| 16. 921169-04 | Compartment door, non-locking, 20.00" |
| 17. 203237 | Hood, fiberglass |
| 18. 371373-02 | Window, stationary, rear, 29.25x62.25" |
| 19. 203018-01 | Trunk door, LY, Nu white |
| 20. 922328-04 | Drivers door assembly |
| 20. 114814 | Drip cap, drivers door |
| 21. 195279-02 | Jamb, drivers door |

See option section for double pane window parts numbers.

2005 LAND YACHT GAS DOORS/WINDOWS/AWNINGS

Curbside Wall, 30'



2005 LAND YACHT GAS

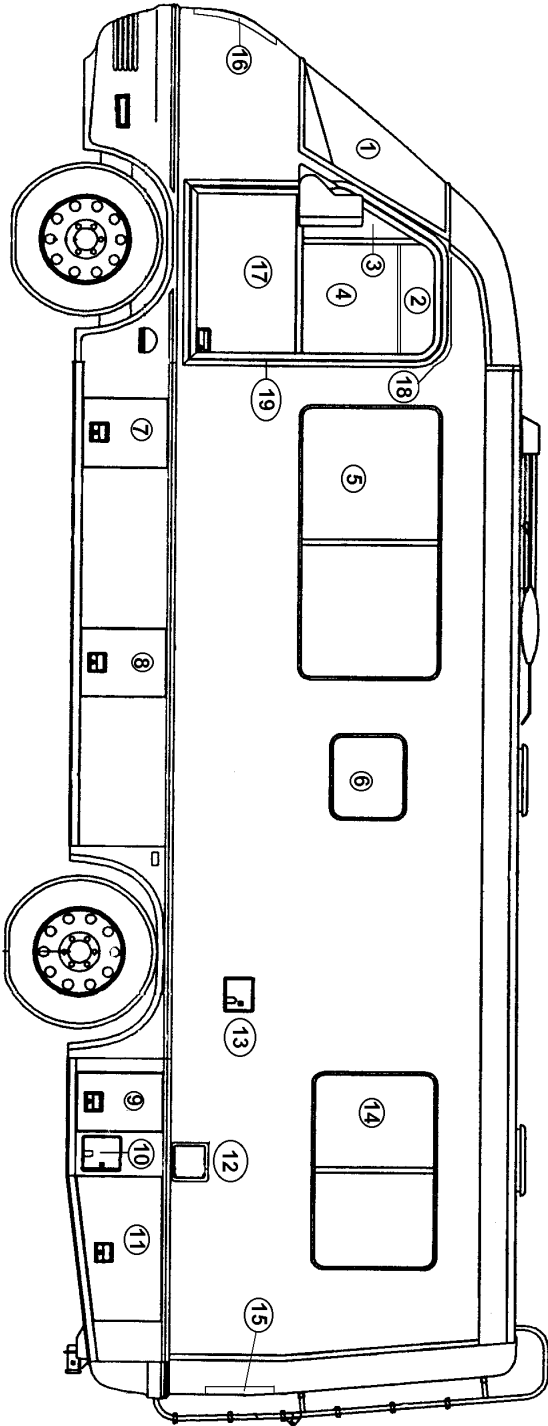
DOORS/WINDOWS/AWNINGS

Curbside Wall, 30'

1. 371373-02 Window, stationary, rear, 29.25" x 62.25"
2. 203018-01 Trunk door, Nu-white
3. 371373-21 Window, horizontal slide, CS, 30.25" x 48.88"
4. [921167-01](#) Compartment door, CS, angled, 33.63"
5. [921166-08](#) Compartment door, 26.00"
6. 201865-02 Fuel fill housing, polar white
7. 690259-05 Water heater access door white
7. 690259-06 Cover/mounting flange, water heater
8. [921166-03](#) Compartment door, 29"
9. 922375-02 Doorjamb assembly
10. 109988-05 Main door
10. 114059 Cap, drip, main door, white
11. 923086 Screen door assembly
12. 371373-01 Window, main door, 19.25" x 23.25"
13. 371373-21 Window, horizontal slide, CS, 30.25" x 48.88"
14. [921166-03](#) Compartment door, 29"
15. 690340-03 Refrigerator access door, Nu-White
16. 371371-01 Window cab, CS, angled
16. 114808-02 Drip cap, cab window, CS, white
17. 371291 Windshield, CS
18. 203237 Hood, fiberglass
19. 702679-63 Awning, patio, 16', Charcoal Tweed
19. 702679-17 Awning, hardware, Satin
20. 511101-01 LIGHT-DOCK SEALED BEAM
20. 201991 HOUSING DOCKING LIGHT
21. 510676-01 OUTLET, EXTERIOR, 120 VOLT

2005 LAND YACHT GAS DOORS/WINDOWS/AWNINGS

Roadside Wall, 26'



2005 LAND YACHT GAS

DOORS/WINDOWS/AWNINGS

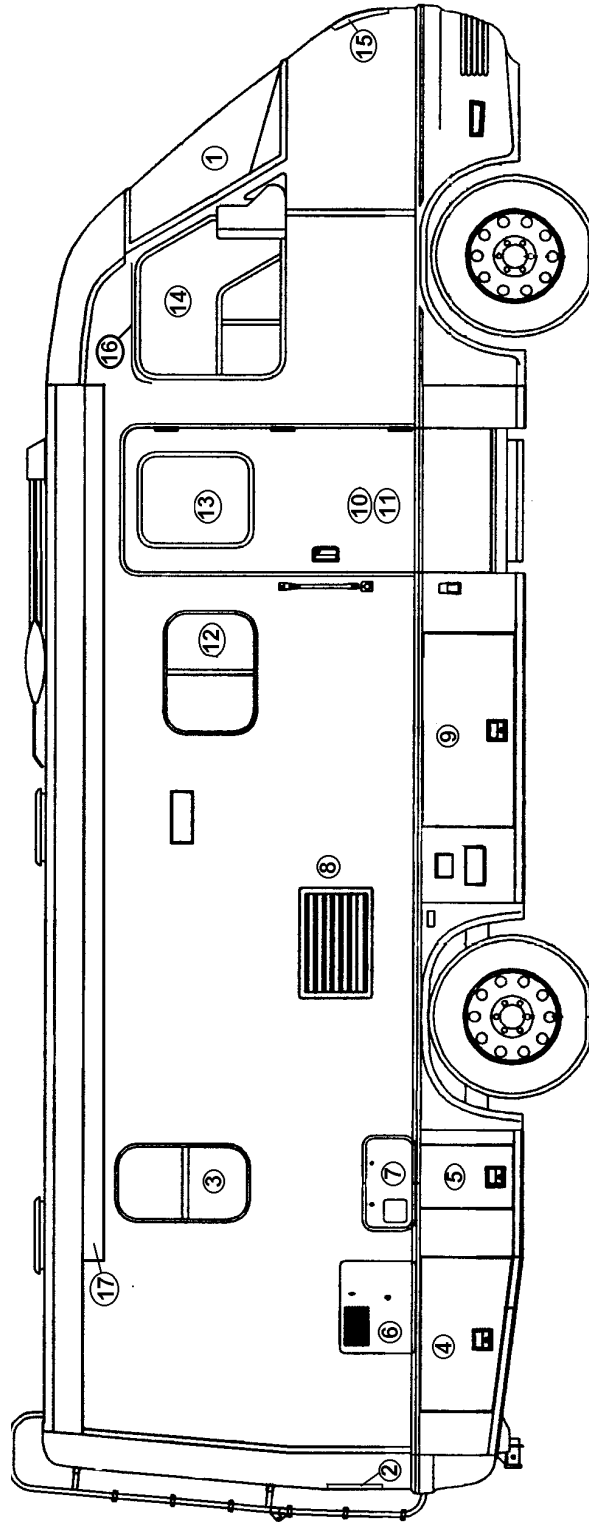
Roadside Wall, 26'

- | | |
|-------------------------------|---|
| 1. 371290 | Windshield, RS |
| 2. 372196 | Glass, drivers door, upper fixed |
| 3. 372194 | Glass, drivers door, fixed |
| 4. 372195 | Glass, drivers door, movable |
| 5. 371373-05 | Window, horizontal slide, 29.75" x 60.25", RS |
| 6. 371373-25 | Window, RS, Horizontal slider, 15.25" x 18.00" |
| 7. 921166-11 | Compartment door, 15.00" |
| 8. 921166-11 | Compartment door, 15.00" |
| 9. 921166-11 | Compartment door, 15.00" |
| 10. 511045-02 | Cord door hatch, 110volt |
| 11. 921207-02 | Compartment door, angled |
| 12. 201865-02 | Fuel fill housing, polar white |
| 13. 201866-02 | Water fill, potable water tank |
| 14. 371373-24 | Window, horizontal slide, egress, 26.00" x 43.00" |
| 15. 203018-01 | Trunk door, LY, Nu white |
| 16. 203237 | Hood, fiberglass |
| 17. 922328-04 | Drivers door assembly |
| 18. 114818 | Drip cap, drivers door |
| 19. 195279-02 | Jamb, drivers door |

See option section for double pane window parts numbers.

2005 LAND YACHT GAS DOORS/WINDOWS/AWNINGS

Curbside wall, 26'



2005 LAND YACHT GAS

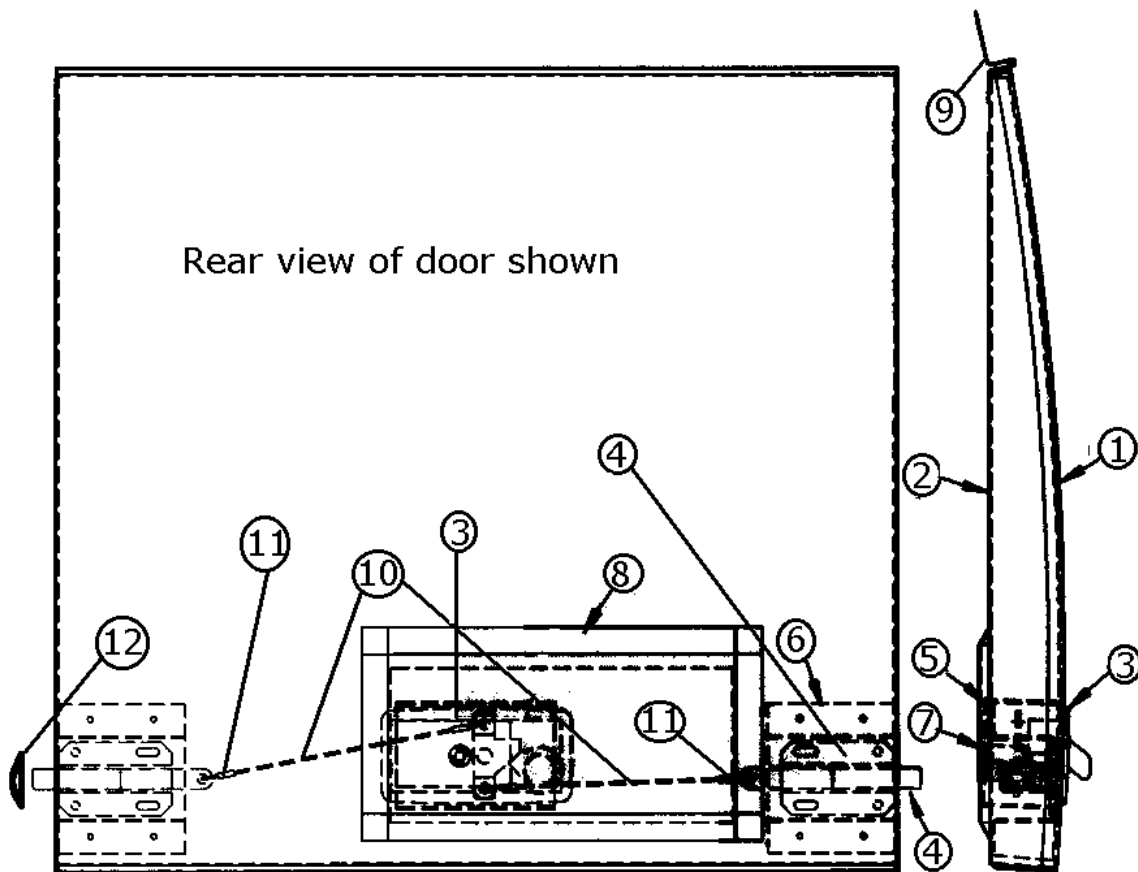
DOORS/WINDOWS/AWNINGS

Curbside wall, 26'

- | | |
|------------------------------|---|
| 1. 371291 | Windshield, CS |
| 2. 203018-01 | Trunk door, LY, Nu white |
| 3. 371373-23 | Window, CS Vertical slider, 26.50" x 15.00" |
| 4. 921207-01 | Compartment door, angled C/S |
| 5. 921166-11 | Compartment door, 15.00" |
| 6. 690259-05 | Door, water heater access |
| 6. 690259-06 | Mounting flange, water heater access |
| 7. 690274-11 | Door, Hydroflame, exterior |
| 8. 690340-01 | Door, refrigerator, flush mount |
| 9. 921166-12 | Compartment door, 40.00" |
| 10. 109988-05 | Main door assembly |
| 10. 922375-02 | Doorjamb assembly |
| 11. 923086 | Screen door assembly |
| 12. 371373-26 | Window, CS Horizontal slider, 15.40" x 23.00" |
| 13. 371373-01 | Window, main door, 19.25" x 23.25" |
| 14. 371371-01 | Window, cab, CS, angled |
| 15. 203237 | Hood, fiberglass |
| 16. 114808-02 | Drip cap, cab window |
| 17. 702679-59 | Awning, patio, 17', Charcoal Tweed |
| 17. 702679-17 | Awning hardware, patio, Satin finish |

2005 LAND YACHT GAS DOORS/WINDOWS/AWNINGS

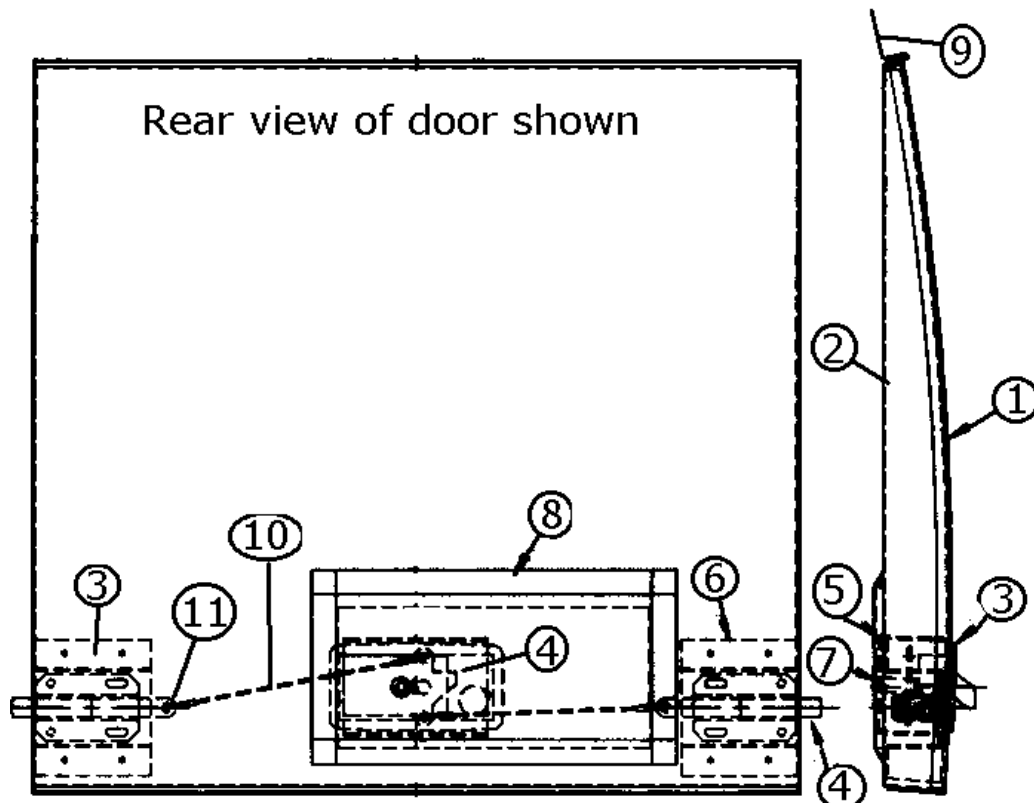
Compartment Door, Locking



- | | |
|--|---|
| <ul style="list-style-type: none"> 1. Outer Panel 2. Inner Panel 3. 381565-01 4. 381565-04 5. 453396 6. 114756 7. 345287-03 8. 114758 9. 381529 10. 381456 11. 381455 12. 381484 13. 381427 14. 365232 | <ul style="list-style-type: none"> Handle assembly, keyed alike, w/collar Plunger, bolt assembly, w/o rod collar Bracket, latch mounting Hat section, compartment latch Machine screw, #10-24 x 1/2" long Plate, compartment latch cover Hinge, compartment door Cable, galvanized, uncoated Loop sleeve, stainless steel Strike, compartment door Hold back, main door, not shown Seal, baggage door |
|--|---|

2005 LAND YACHT GAS DOORS/WINDOWS/AWNINGS

Compartment door, non-locking



- | | |
|-----|--|
| 1. | PANEL OUTER DOOR |
| 2. | PANEL INNER DOOR |
| 3. | 381565-02 Handle assembly, keyed alike, w/collar |
| 4. | 381565-04 Plunger, bolt assembly, w/o rod collar |
| 5. | 453396 Bracket, latch mounting |
| 6. | 114756 Hat section, compartment latch |
| 7. | 345287-03 Machine screw, #10-24 x 1/2" long |
| 8. | 114758 Plate, compartment latch cover |
| 9. | 381529 Hinge, compartment door |
| 10. | 381456 Cable, galvanized, uncoated |
| 11. | 381455 Loop sleeve, stainless steel |
| 12. | 381484 Strike, compartment door, not shown |
| 13. | 381427 Hold back, main door, not shown |
| 14. | 365232 Seal, baggage door, not shown |

2005 LAND YACHT GAS

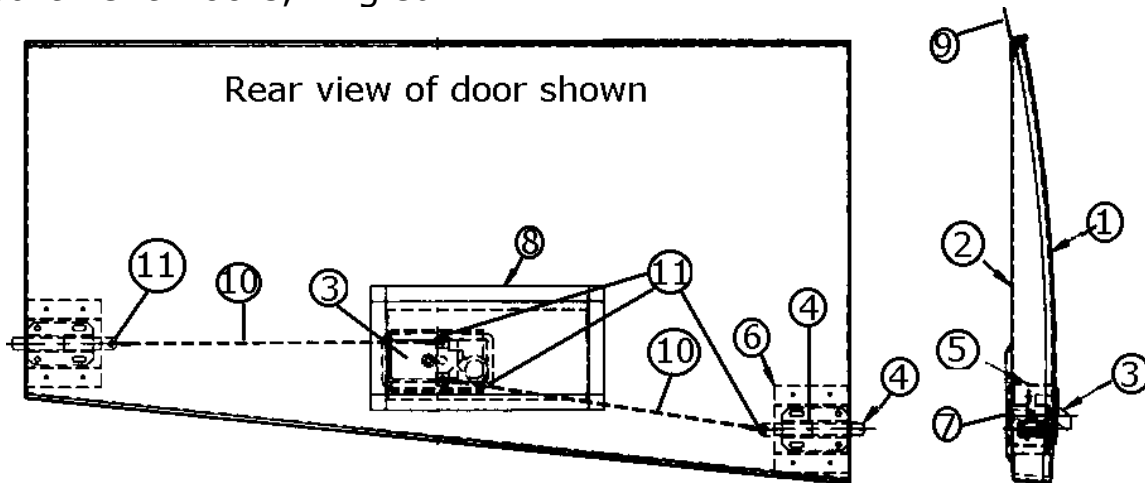
DOORS/WINDOWS/AWNINGS

Compartment Door, Inner/Outer Panels

114733-01	PANEL OUTER DOOR 61.75
114733-02	PANEL OUTER DOOR 32.00
114733-03	PANEL OUTER DOOR 29.00
114733-04	PANEL OUTER DOOR 20.00
114733-05	PANEL OUTER DOOR 39.94
114733-06	PANEL OUTER DOOR 36.00
114733-07	PANEL OUTER DOOR 50.00
114733-08	PANEL OUTER DOOR 26.00
114733-09	PANEL OUTER DOOR 18.00
114733-11	PANEL OUTER DOOR 15.00
114733-12	PANEL OUTER DOOR 40.00
114732-02	PANEL INNER DOOR 31.88
114732-01	PANEL INNER DOOR 61.63
114732-02	PANEL INNER DOOR 32.00
114732-03	PANEL INNER DOOR 20.00
114732-05	PANEL INNER DOOR 39.94
114732-06	PANEL INNER DOOR 36.00
114732-07	PANEL INNER DOOR 50.00
114732-08	PANEL INNER DOOR 26.00
114732-09	PANEL INNER DOOR 18.00
114732-11	PANEL INNER DOOR 15.00
114732-12	PANEL INNER DOOR 40.00

2005 LAND YACHT GAS DOORS/WINDOWS/AWNINGS

Compartment Doors, Angled



- | | |
|-----|--|
| 1. | PANEL OUTER ANGLED DOOR |
| 2. | PANEL INNER ANGLED DOOR |
| 3. | 381565-01 Handle assembly, keyed alike, w/collar |
| 3. | 381565-02 Handle, non-locking doors |
| 4. | 381565-04 Plunger, bolt assembly, w/o rod collar |
| 5. | 453396 Bracket, latch mounting |
| 6. | 114756 Hat section, compartment latch |
| 7. | 345287-03 Machine screw, #10-24 x 1/2" long |
| 8. | 114758 Plate, compartment latch cover |
| 9. | 381529 Hinge, compartment door |
| 10. | 381456 Cable, galvanized, uncoated |
| 11. | 381455 Loop sleeve, stainless steel |
| 12. | 381454 Strike, compartment door, not shown |
| 13. | 381427 Hold back, main door, not shown |
| 14. | 365232 Seal, baggage door, not shown |

2005 LAND YACHT GAS

DOORS/WINDOWS/AWNINGS

Compartment Door, Angled, Inner & Outer Panels

114734-01	Outer Panel, 33.63 CS angled door
114734-02	Outer Panel, 33.63 RS angled door
114762-01	Outer Panel, 40.00 CS angled door
114762-02	Outer Panel, 40.00 RS angled door
115057-01	Outer Panel, 32.00 CS angled door
115057-02	Outer Panel, 23.00 RS angled door
114735-01	Inner Panel, 33.63 CS angled door
114735-02	Inner Panel, 33.63 RS angled door
114763-01	Inner Panel, 40.00 CS angled door
114763-02	Inner Panel, 40.00 RS angled door
115058-01	Inner Panel, 32.00 CS angled door
115058-02	Inner Panel, 23.00 RS angled door

2005 LAND YACHT GAS

DOORS/WINDOWS/AWNINGS

Dual Pane Windows

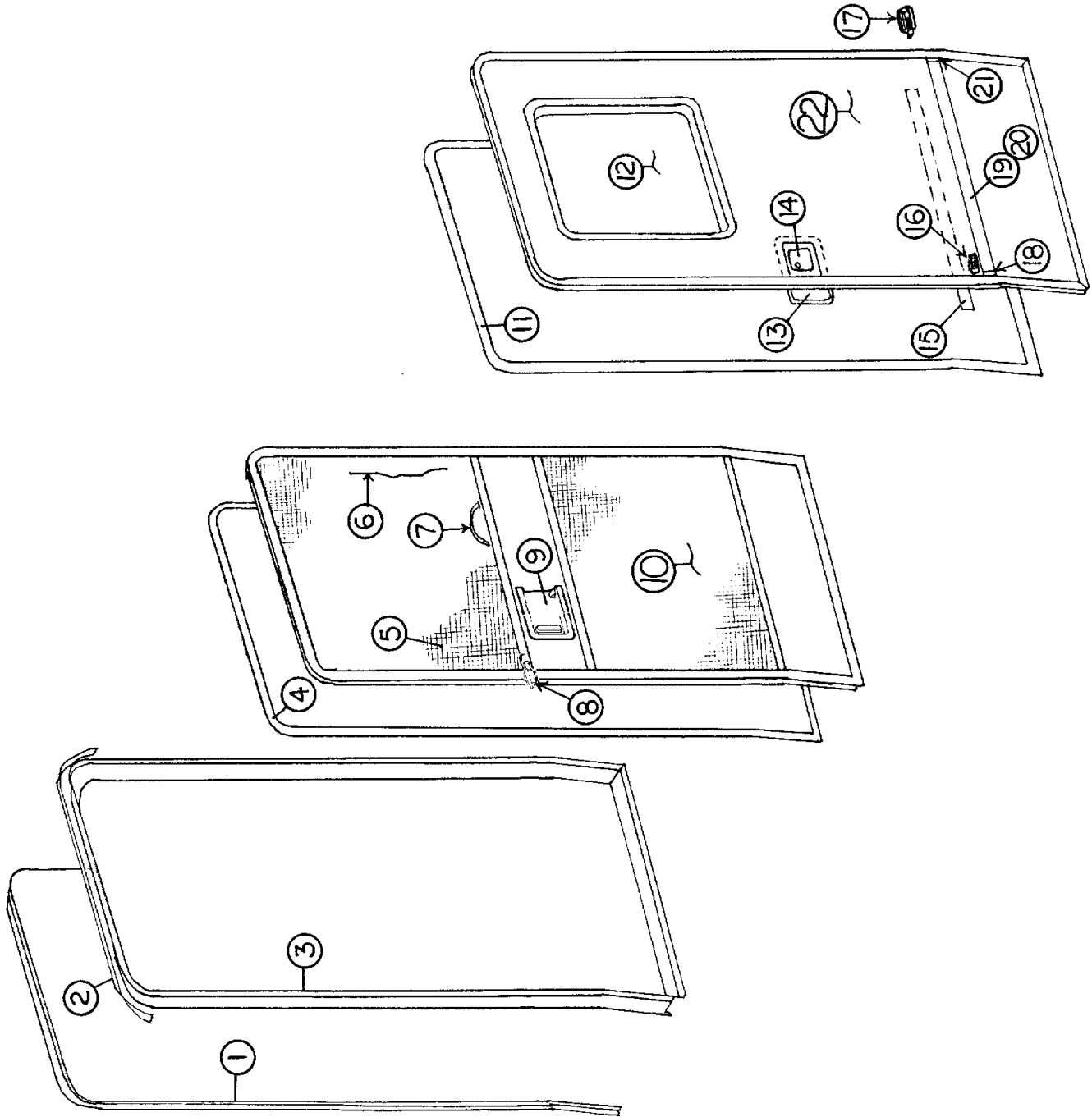
		High x Wide
371368-01	Cab window CS	
371366-01	Window DP, Stationary	19.25 x 23.25
371366-02	Window DP, Stationary,	29.25 x 62.25
371366-04	Window DP, RS, horizontal slider	25.25 x 25.75
371366-05	Window DP, RS, horizontal slider	29.75 x 60.25
371366-06	Window DP, CS, horizontal slider	29.75 x 60.25
371366-08	Window DP, Stationary	29.75 x 21.50
371366-09	Window DP, CS, horizontal slider	25.25 x 29.75
371366-10	Window DP, CS, horizontal slider	29.75 x 26.25
371366-21	Window DP, CS, horizontal slider	30.30 x 48.88
371366-22	Window DP, RS, horizontal slider	30.30 x 48.88
371366-24	Window, horizontal slide, egress	26.00" x 43.00"
371366-29	Window, RS, Horizontal slider	15.25" x 18.00"
371366-30	Window, CS Vertical slider	26.50" x 15.00"
371366-31	Window, CS Horizontal slider	15.40" x 23.00"

Power Awning, One Step Satin Finish

703300-11	Awning, Power 16', 30 ft. model
703300-10	Awning, Power, 17', 26ft. & 33 ft. model
703300-01	Hardware, standard one step, Satin
703300-03	Control box, one-step awning

2005 LAND YACHT GAS DOORS/WINDOWS/AWNINGS

Main/Screen Door



See next page for P/N

2005 LAND YACHT GAS

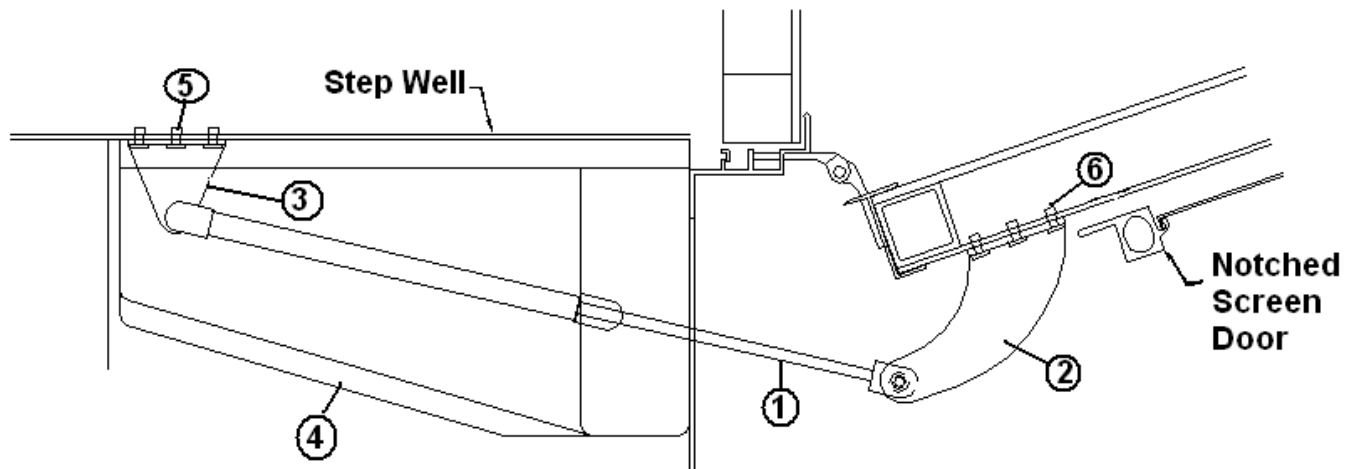
DOORS/WINDOWS/AWNINGS

Main/Screen Door

1. 114566 Trim, inside doorjamb
 2. 114059 Drip cap, main door
 3. 922375-02 Jamb, main door
 4. 365013 Gasket, screen door, low-density foam
 5. 380079 Screen, plastic mesh
 6. 200518 Spline, Gray, round, screen installation
 7. 380004 Pull handle, screen door w/screws
 8. 381454 Latch, screen door, double action, Bullet
 9. 203000 Closeout, plastic, sliding, screen door, (Gizzy)
 10. 922372 Screen door assembly, 30' & 33'
 10. 923086 Screen door assembly, notched, 26', 30' S/O
 11. 365045 Seal, main door
 12. 371373-01 Window, single pane, stationary, 19.25" x 23.25"
 13. 203002 Cover, inner door lock pocket, plastic
 14. 381521-01 Outside lock housing
 14. 381521-02 Inside lock plate
 14. 381284 Striker bolt
 14. 381521-04 Caged nut
 14. 381521-03 Rotary latch
 14. 381521-05 Screws, inside lock plate
 14. 381285 Housing and black paddle
 15. 114005-02 Trim, inside door face (also used as roof trim)
 16. 201056 Catch, main door hold back
 17. 380291 Main door hold back, used w/housing 380290
 17. 380290 Latch housing, main door hold back
 18. 385955-02 End cap, rub rail, LH
 19. 114584 Extrusion, rub rail
 20. 201709-02 Insert, black, rub rail trim
 21. 385955-01 End cap, rub rail, RH
 22. 109988-05 Main door assembly
 - 114050 Panel, kick, screen door, 30' & 33'
 - 115059 Panel, kick, screen door, notched 26', 30' S/O
 - 114561 Panel, slider, screen door
- *16 and 17 not used on 26' & 30' S/O with piston door stop

2005 LAND YACHT GAS DOORS/WINDOWS/AWNINGS

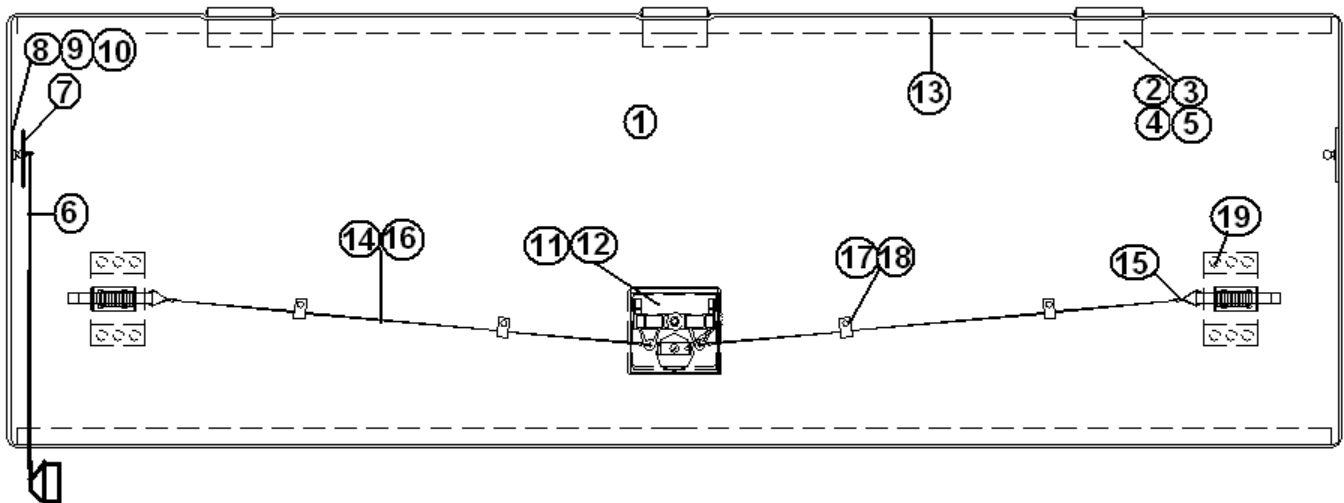
Main/Screen Door Prop Rod, 26', 30' S/O



- | | |
|--------------|--------------------------------|
| 1. 381862 | PROP-GAS SPRING 25 LB #TB-1625 |
| 2. 381858 | BRKT- LH PROP CURVED RH STUD |
| 3. 381633 | BRACKET PROP 2" 10MM |
| 4. 203156 | COVER - DOOR PROP |
| 5. 330031-03 | RIVET DOME HEAD SSD64SSB |
| 6. 330139-02 | RIVET MAGNALOK SS 1/4" |
| 7. 320116-08 | SCREW BLACK PHIL HEAD |

2005 LAND YACHT GAS DOORS/WINDOWS/AWNINGS

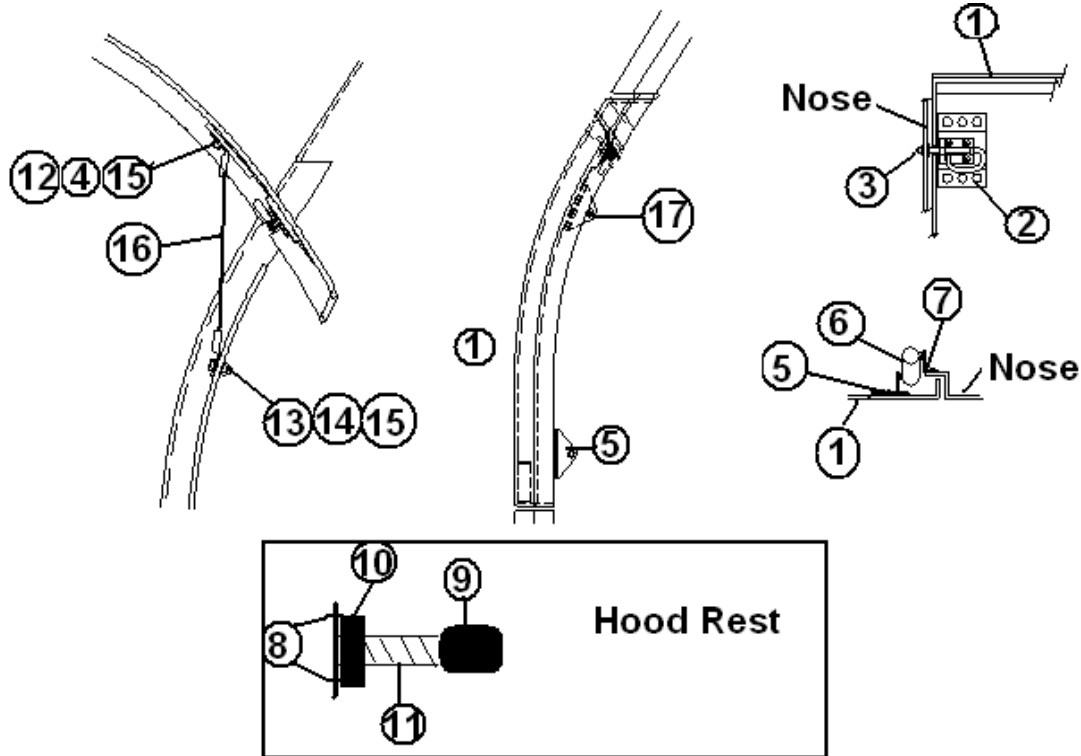
Trunk Door



- | | |
|--------------|-----------------------------------|
| 1. 203018-01 | DOOR TRUNK LY MH NU-WHITE |
| 2. 381434 | HINGE, S.S., 3" X 3" |
| 3. 345355 | SCREW #8 X 3/4 FH PH SS |
| 4. 345356 | SCREW MACHINE #8-32X1.00 FH PH |
| 5. 350147-19 | NUT, NYLON LOCK, #10-24 |
| 6. 381569-01 | SPRING GAS 17.20 50# SL36 |
| 7. 381310 | GAS PROP BRKT. ASSY-UPPER |
| 8. 381262 | BRACKET, PROP, W/BALL, #004002 AN |
| 9. 330031 | RIVET BLIND SSD 68BS 3/16X5/8 |
| 10. 300012 | WASHER, ALUM 3/16 ID |
| 11. 195373 | BLACK PADDLE HNDL W/LOCK #TF27 |
| 12. 381533 | STRIKER TRUNK DOOR |
| 13. 365205 | GASKET WEATHERSTRIP |
| 14. 381456 | CABLE GALV COATED 3048-GV-2 |
| 15. 381455 | LOOP SLEEVE, STAINLESS STEEL |
| 16. 201871 | TUBING, CLEAR ACRYLIC, 1/8 ID |
| 17. 381457 | CLAMP, ONE HOLE JIFFY, 1/4" |
| 18. 320078 | SCREW, 8 X 3-8 |
| 19. 320006 | SCREW SHEET METAL 8X3/4 BH PHI |

2005 LAND YACHT GAS DOORS/WINDOWS/AWNINGS

Hood



- | | |
|---------------|----------------------------------|
| 1. 203237 | HOOD FRONT |
| 2. 381109 | LATCH BUNK (PULL-OUT PANTRY) |
| 3. 381461 | BUSHING NYLON STEP |
| 4. 320078 | SCREW, 8 X 3-8 |
| 5. 381262 | BRACKET, PROP, W/BALL |
| 6. 381569-01 | SPRING GAS 17.20 50# |
| 7. 381310 | GAS PROP BRKT. ASSY-UPPER |
| 7. 330031 | RIVET BLIND SSD 68BS 3/16 X 5/8' |
| 8. 330126-03 | RIVET POP SSD44SSBS |
| 9. 385587 | CAP-HOOD BUMPER #4603 |
| 10. 350150-14 | NUT, HX-COARSE THD, GR2, 1/4" |
| 11. 350153 | NUT PLATE, 1/4" X 20 |
| 12. 345283-03 | SCREW CAP, 1/4" X 20 X 1 1/2" |
| 13. 345323-06 | SCREW MACHINE 10 X 24 X 3/4" PFH |
| 14. 350147-19 | NUT, NYLON LOCK, #10-24 |
| 15. 300012 | WASHER, ALUM 3/16 ID |
| 16. 380238 | CABLE SUPPORT #BWR-7217 |
| 17. 381633 | BRACKET PROP 2" 10MM |

2005 LAND YACHT GAS

DRAPES/BLINDS/VALANCES

Drapes, Windshield, Brackets/Caps/Track



①



②



③



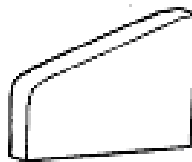
④



⑤



⑥



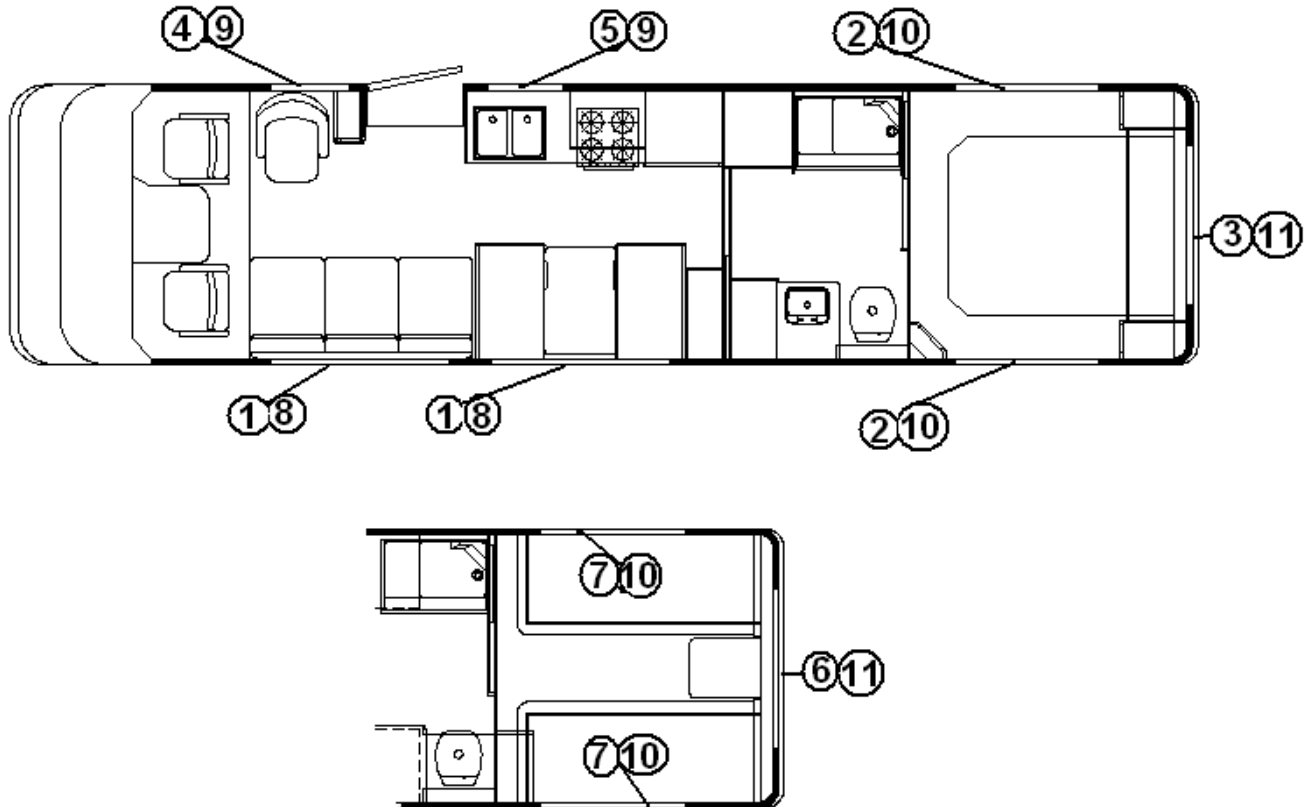
⑦

- | | |
|-----------|----------------------------|
| 1. 114021 | Bracket, curtain stand off |
| 2. 101225 | Bracket, curtain stand off |
| 3. 101220 | Track, standoff |
| 4. 101217 | Track, curtain |
| 5. 700044 | Glides, w/elastic T |
| 6. 200785 | End, curtain track, LH |
| 7. 200784 | End, curtain track, RH |

2005 LAND YACHT GAS

DRAPES/BLINDS/VALANCES

Shades/Shadow Boxes, 33'

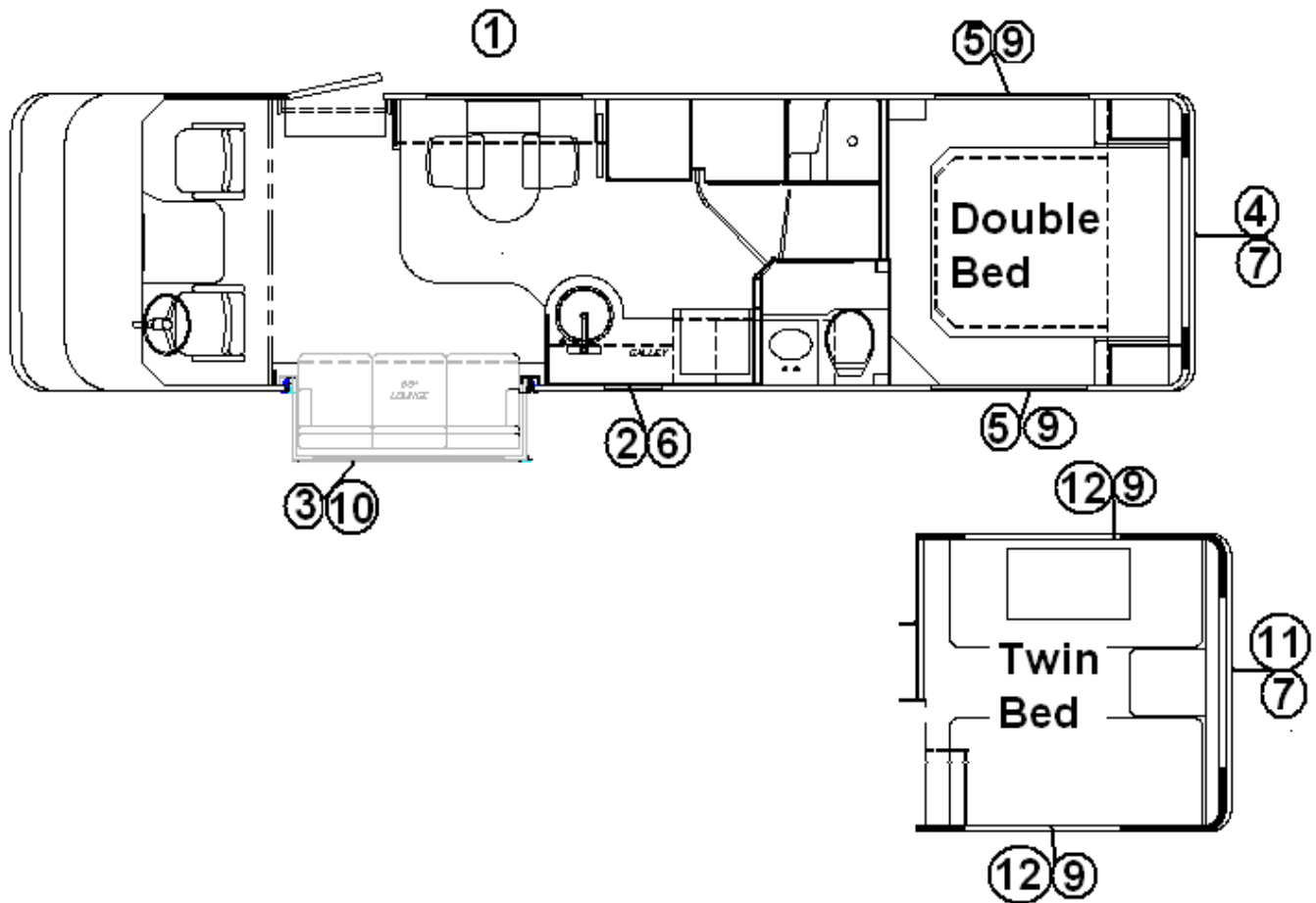


- | | |
|---------------|-------------------------------------|
| 1. 966131-01 | SHADOW BOX, 62" X 30" |
| 2. 966131-08 | SHADOW BOX, 52" X 36" |
| 3. 966131-09 | TOPPER, W/LEGS 62.5" X 28.5" |
| 4. 966131-11 | SHADOW BOX, 29" X 30" |
| 5. 966131-24 | VALANCE, 30.25" |
| 6. 966131-10 | SHADOW BOX, 66"X27.5" |
| 7. 966131-15 | SHADOW BOX, 52" X 31" |
| 8. 703272-33 | SHADE PLEATED DAY/NITE 60.25" X 27" |
| 9. 703272-04 | SHADE PLEATED DAY/NITE 27" X 27" |
| 10. 703273-34 | SHADE PLEATED NITE ONLY 49.5" X 32" |
| 11. 703273-20 | SHADE SINGLE PLTD NITE 63" X 31" |
| 108569 | Drapes, front windshield |
| 109463-14 | Tie-back, drapes |

2005 LAND YACHT GAS

DRAPES/BLINDS/VALANCES

Shades/Shadow Boxes, 30' S/O

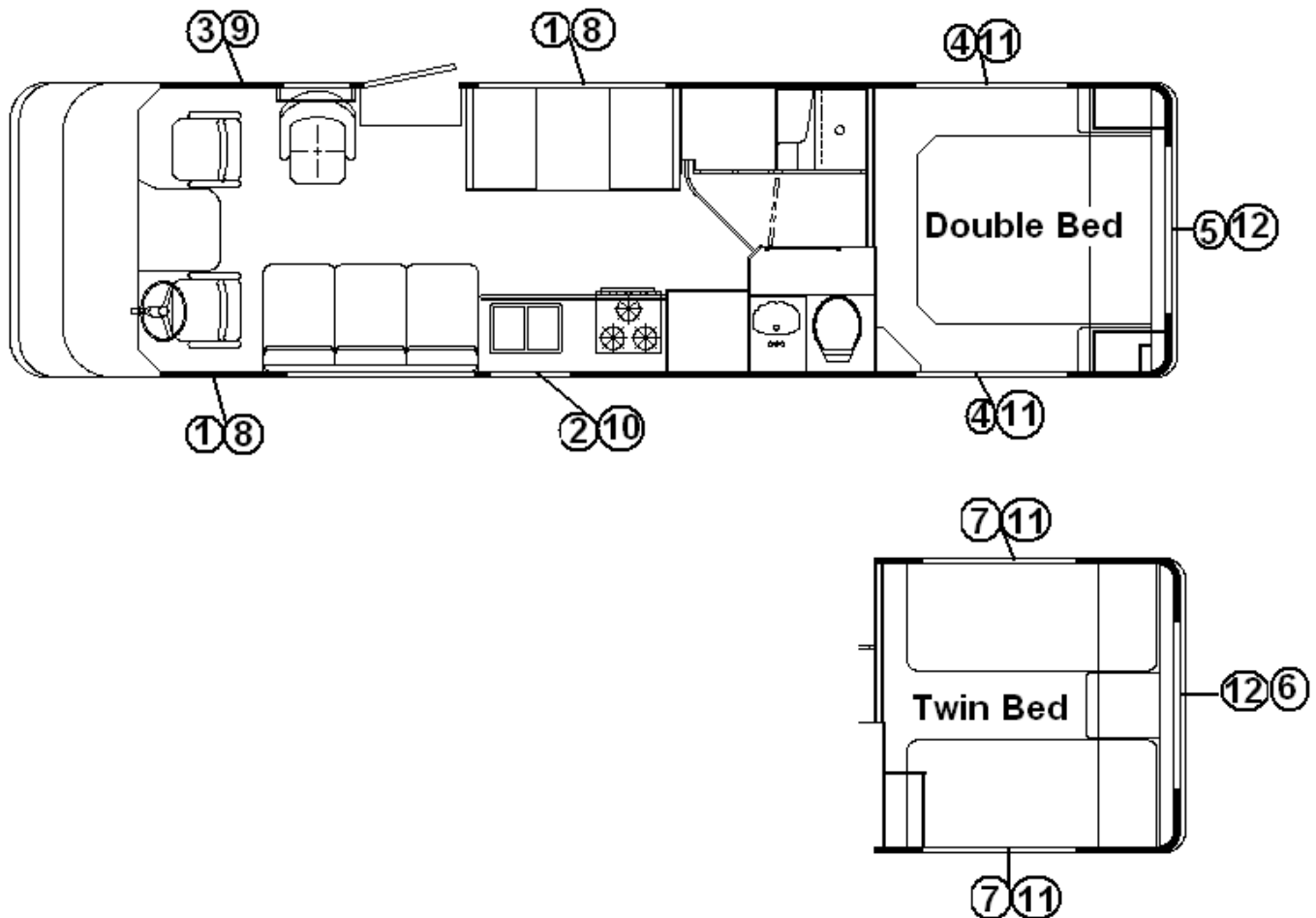


- | | | |
|-----|-----------|-----------------------------------|
| 1. | 966131-15 | SHADOW BOX ASSY, 52" X 31" |
| 2. | 966131-03 | VALANCE ASSY- STOOL, ROOM |
| 3. | 966131-26 | TOPPER ASSY-W/LEGS |
| 4. | 966131-08 | SHADOW BOX ASSY, 52" X 36" |
| 5. | 966131-09 | TOPPER ASSY-W/LEGS, 62.5"X 28.5" |
| 6. | 703191-05 | BLIND-MINI METAL, 21" X 17.5" |
| 7. | 703273-20 | SHADE SINGLE PLTD NITE, 63" X 31" |
| 8. | 703273-34 | SHADE PLTD NITE ONLY, 49.5" X 32" |
| 9. | 703272-41 | SHADE-PLTD DAY/NIGHT, 66" X 32" |
| 10. | 703272-34 | SHADE PLTD DAY/NITE, 49.5' X 32" |
| 11. | 966131-10 | SHADOW BOX ASSY-66" X 27.5" |
| 12. | 966131-15 | SHADOW BOX ASSY-52" X 31" |
| | 108569 | Drapes, front windshield |
| | 109463-14 | Tie-back, drapes |

2005 LAND YACHT GAS

DRAPES/BLINDS/VALANCES

Shades/Shadow Boxes, 30'

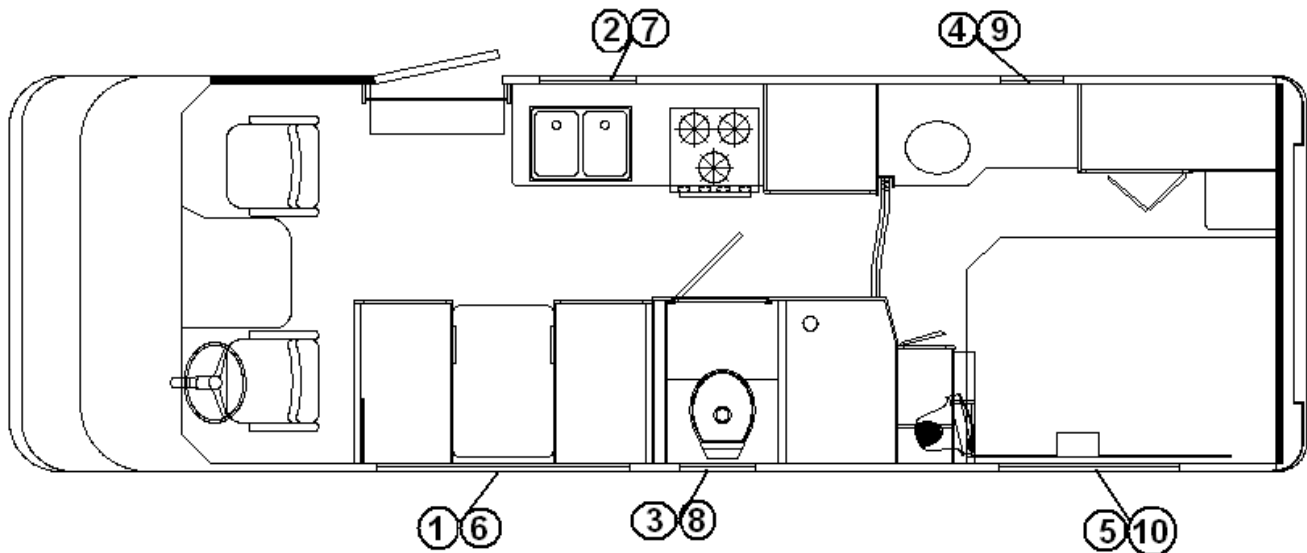


- | | |
|---------------|-----------------------------------|
| 1. 966131-01 | SHADOW BOX, 62" X 30" |
| 2. 966131-23 | VALANCE, 30.25" |
| 3. 966131-07 | SHADOW BOX, 24.5" X 30" |
| 4. 966131-08 | SHADOW BOX, 52" X 36" |
| 5. 966131-09 | TOPPER ASSY, W/LEGS 62.5" X 28.5" |
| 6. 966131-10 | SHADOW BOX, 66" X 27.5" |
| 7. 966131-15 | SHADOW BOX, 52" X 31" |
| 8. 703272-33 | SHADE PLTD DAY/NITE, 60.25" X 27" |
| 9. 703272-03 | SHADE PLTD DAY/NITE 22.5" X 33" |
| 10. 703272-04 | SHADE PLTD DAY/NITE 27" X 27" |
| 11. 703273-34 | SHADE PLTD NITE ONLY 49.5" X 32" |
| 12. 703273-20 | SHADE SINGLE PLTD NITE 63" X 31" |
| 108569 | Drapes, front windshield |
| 109463-14 | Tie-back, drapes |

2005 LAND YACHT GAS

DRAPES/BLINDS/VALANCES

Shades/Shadow Boxes, 26"



- | | |
|---------------|--------------------------------|
| 1. 966131-01 | SHADOW BOX ASSY- 62"X30" |
| 2. 966131-22 | VALANCE ASSY-28.5" |
| 3. 966131-03 | VALANCE ASSY- STOOL ROOM |
| 4. 966131-04 | SHADOW BOX ASSY-20"X28.75" |
| 5. 966131-05 | SHADOW BOX ASSY-47"X28.75" |
| 6. 703272-33 | SHADE PLTD DAY/NITE 60.25 X 27 |
| 7. 703272-38 | SHADE PLTD DAY/NITE |
| 8. 703273-36 | SHADE NITE ONLY 20 X 17.25 |
| 9. 703273-37 | SHADE NITE ONLY 6 17 X 28.5 |
| 10. 703273-29 | SHADE SINGLE PLTD NITE 45 X 29 |
| 108569 | Drapes, front windshield |
| 109463-14 | Tie-back, drapes |

2005 LAND YACHT GAS

ELECTRICAL, 110 VOLT

Breaker Box

- 511336 Breaker box, Square D, 30-amp, 30ft. & 33ft.
- 511647 Breaker box, 30-amp, flush mount, Square "D", 26ft.
- 510662 Breaker, 20 amp, double, Square D 2020
- 510663 Breaker, 30 amp, Square D 0130
- 510661 Breaker, 20 amp, Square D GFI
- 510666 BREAKER 15/20 AMP QOT1520
- 201890 Cover, exterior 110V, below floor

50 Amp Service System

- 511149-04 Power cord, 50 amp, 36ft.
- 511289 Breaker kit, 30 amp, Onan
- 511533 Switch, auto transfer, 50 amp
- 510723 Breaker box
- 510724 Breaker, double pole, 50 amp
- 500913-02 Switch, T & B brown #HDS 151 BR
- 10496W 30H-50F-adaptor plugH/18 inch cord
- 510514 Switch, 3-way Ivory
- 500385 COVER, 120V. SWITCH
- 114456 Mounting Panel, Breaker Box
- 510678 BREAKER, SQUARE D QO120

CSA Breakers

- 510717 BREAKER, SQUARE "D"
- 510666 BREAKER 15/20 AMP QOT1520
- 510678 BREAKER, SQUARE D QO120
- 510664 BREAKER, SQUARE D #QO115GFI, 15 AMP

2005 LAND YACHT GAS

ELECTRICAL, 110 VOLT

Converter/Power Cord

203016	TRIM RING POWER CORD ACCESS, compartment
510634	Power cord, 120volt, 36 ft.
511426	Converter, electronic, 55 amp.
511638	FUSE BLOCK-FLUSH MOUNT SNG.INP

Generator, 7.0 KW

511707	Generator, Onan Gold, 7.0 KW
452376-01	Hanger, generator
452376-02	Hanger, generator, RH
0453735	Hour Meter
0453736	Hour Meter, mounting bracket
914067	Generator tailpipe
452190	Generator exhaust hanger
201779	CLOSE-OUT, GENERATOR, 33'

Generator, 5.5 KW

511649	Generator, Onan, 5.5 Gold
345415	Clamp, 5/8" Step less ear
511468-01	CONNECTOR L.T. STRAIGHT PLASTIC
511535	BUSHING 3/4" X 1/2"
511469-01	CONNECTOR, LT, 90D PLASTIC, 1/2"
511469-02	CONNECTOR, LT, 90D PLASTIC 3/4"
381509	HANGER-TAILPIPE
453990	Hanger, generator, RH
453989	Hanger, generator, LH
914388	TAILPIPE-GENERATOR
0451204	HANGER EXHAUST ONAN GENERATOR, 33'
914349	TAILPIPE-GENERATOR, 26' LYMH
511533	Switch over relay, automatic, shore to gen.
510676-01	Receptacle, weatherproof, w/cover
201779	CLOSE-OUT, GENERATOR, 33'

2005 LAND YACHT GAS

ELECTRICAL, 110 VOLT

Switch, CSA

510888-02	RECEPTACLE W/COVER, GFI, BROWN
510888-04	SPACER, GFI RECEPTACLE, BROWN
511330	BOX, SWITCH 3" X2 " X 3.5"
500913-03	SWITCH T & B WHITE
511330	Switch Box, 3" x 2" x3.5"

Interior outlet

511451-02	Receptacle, 20A, Single Brown, 26 Ft.
511814-01	RECEPTACLE-DUPLEX GRAY, GALLEY RANGE HOOD
511814-02	PLATE-DECORATOR 1 GANG GRAY

Inverter/Lockout, TV

511340	Inverter, 130 watt, (operates front TV only)
511278	Lock-out, 110 volt disconnect, TV

Exterior Outlet

500785	OUTLET, DUPLEX BROWN T & B
510606	SWITCH & RECEPTACLE, BOX
500385	Switch cover, white, 110-volt light switch

2005 LAND YACHT GAS

ELECTRICAL, 12-VOLT

Battery

511132	Battery, deep cycle
511273	Tray, battery hold-down
511034-01	CABLE BATTERY AUTOMOTIVE 0 GA
511034-02	CABLE BATTERY AUTOMOTIVE 0 GA
511039	CABLE, AUX. BATTERY, NEGATIVE

Battery Control Center/AC-Microwave Selector Switch

511632-01	Battery control center, Intellitec
511632-02	Cable assembly, battery control center
511632-04	Switch bezel, battery control center, black/silver
511637	Selector switch, automatic, rear AC-microwave
511638	Flush mount fuse block, single input, Intellitec

Circuit Breakers/Junction Block under Engine Cover

500475-05	Circuit breaker, 12 volt, 5amp, w/ears
500475-25	Circuit breaker, 12 volt, 25amp, w/ears
511090	Stud type junction block
511554	WING NUT-GROUNDING "GREEN"

Flasher/7-Way/Coax Plate

510843	Flasher, heavy duty
913938	ASSY., BRACKET, 7 WAY PLUG
511534	Dual coax plate for satellite pre-wire

Backup Alarm

510734	Alarm, back-up
510976	Buzzer, headlight warning GM#999373

Ambient temperature sensor

511724	Ambient temperature sensor harness
--------	------------------------------------

2005 LAND YACHT GAS

ELECTRICAL, 12-VOLT

Exterior Lights

511525	Headlight, CS
511526	Headlight, RS
511529	Bulb, headlight
380644	Screw, directional adj. Headlight
381376	Spring, headlight tension
511528	Turn signal, front, amber, RS
511527	Turn signal, front. Amber, CS
500892	Light, side clearance/reflector, amber
511750	Amber teardrop light, front clearance
510984-01	Light, clearance, red
511240	Light, tail/turn/stop/back-up
511239	Light, tail/turn/stop
511154-02	Light strip, 3 rd brake light 1"x10"
511294	Light, license plate
510732-02	Light, utility #1327 (by door)
510672-02	Light, porch (high on side of unit)
511248	Light, compartment
453147	BRACKET LIGHT UTILITY COMPARTMENT
511514	Driving light kit, Halogen
114861	DRIVING LIGHT MOUNTING BRACKET
511101-01	Light, docking, halogen, stainless steel
201991	Housing docking light
510673-02	LIGHT-UTILITY W/SWITCH BLACK

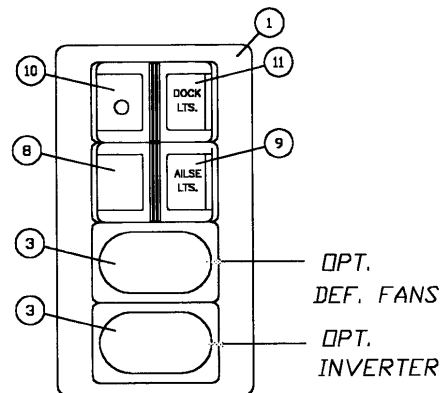
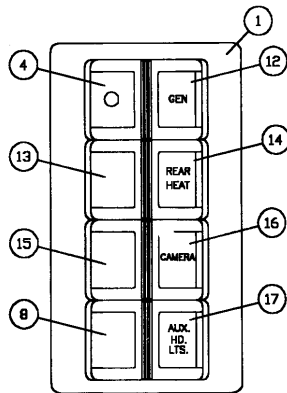
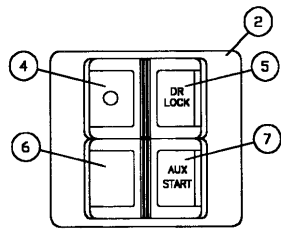
Fuses and Fuse holders

511452	Fuse holder, ATC, single, weather proof
500883-01	FUSE 12, CSA 1 AMP
510696	HOLDER, FUSE, IN-LINE
500773-01	FUSE ATC 12V DC 1 AMP
500883-15	FUSES, 12V, CSA 15 AMP
195466-251	30 AMP FUSE HOLDER W/COVER
500773-30	FUSE, ATC, 12 VDC, 30 AMP

2005 LAND YACHT GAS

ELECTRICAL, 12 VOLT

Dash Switches/Bezels



- | | |
|---------------|--------------------------------------|
| 1. 510931-01 | Bezel, dash switch, #822537-4, 4-SW |
| 2. 510931-02 | Bezel, dash switch, #822535-4, 2-SW |
| 3. 510929-01 | Switch, dash, blank, #4864 |
| 4. 510929-03 | Switch, dash, #4775-12-GR |
| 5. 510930-02 | Lens, switch, DOOR LOCK, #4139-638 |
| 6. 510929-02 | Switch, dash, #4770-12 |
| 7. 510930-33 | Lens, dash switch, AUX. START |
| 8. 510929-05 | Switch, dash, #4967-12 |
| 9. 510930-06 | Lens, switch, AISLE LIGHT, #4139-642 |
| 10. 510929-07 | Switch, dash #4771-12-RD |
| 11. 510930-07 | Lens, switch, DOCK LIGHTS, #4139-638 |
| 12. 510930-03 | Lens, switch, GENERATOR, #4139-633 |
| 13. 510929-04 | Switch, dash, #4773-12 |
| 14. 510930-04 | Lens, switch, REAR HEATER, #4139-639 |
| 15. 510929-08 | Switch, DASH CAMERA |
| 16. 510930-25 | Lens, dash switch, REAR CAMERA |
| 17. 510930-37 | Lens, Dash switch, AUX. HD LIGHTS |

2005 LAND YACHT GAS

ELECTRICAL, 12-VOLT

TV Jack, Exterior

500976 Outlet, TV Coax
511206-01 BOX WEATHER PROOF 2 GANG 1/2"HOLES

Exterior Mirror Control

511305-10 Control switch, heated mirror
511305-05 Mirrors, exterior, Velvac, heated/remote
511305-09 Cable extension, exterior mirror, 5.5'
511305-08 Cable extension, exterior mirror, 11.0'

Keyless Entry

511162-01 Keyless entry w/remote
511162-02 Transmitter 4 channel
381741 Key fob instruction plaque
451486 Flat linkage
451485 Wire linkage
511352 Module locking, centralized S-35-H
510814 Switch, pushpin type-drivers door jamb
510802-01 Actuator, door lock, 5-wire
511352 Module, locking, keyless entry
511612-02 CONNECTOR W/PIGTAIL 2 PIN NATURAL
511612-03 CONNECTOR W/PIGTAIL, SIX-PIN GRAY
511612-04 CONNECTOR W/PIGTAIL, SIX-PIN BLACK

Power Window

195441-05 Power window regulator, Rockwell
195386 Switch, momentary, on-off, window, cab door
195388 SWITCH PLATE BEZEL FOR P/N# 195386

2005 LAND YACHT GAS

ELECTRICAL, 12-VOLT

TV Jack, Interior

500996	Jack, TV/phone, Gray
510624-01	Modular, telephone jack-bedroom
510614-01	TV Jack, 12-Volt white
511644	Circuit breaker, Mini, Type 1, 10A. 12V
511817	COUPLER ASSY-IN LINE PHONE JAC

CSA Option Electrical Components

511293	CSA daytime running lights
511293-01	Module, daytime running lights
510732-02	Porch light, CSA
510634-01	Power cord, 36ft.
511101-01	Light, docking, halogen, stainless steel, 26 Ft.
201991	Housing docking light

Wiring Cover

511227-01	Wiring cover, brown
511227-02	End cap, wiring cover, brown

2005 LAND YACHT GAS

ELECTRICAL, 12-VOLT

Tank & Battery Monitor System

511788-02	Micropulse monitor system, CatCon
511252	PLUG PHONE 4 CONDUCTOR
511789	SENSOR-TANK MONITOR
511789-01	BOOT-SENSOR #500-20010-05
511393	COUPLER-MODULAR EXTENSION 4 CONDUCTOR
511286-01	TELEPHONE WIRE, BLACK
511286-01	TELEPHONE WIRE, IVORY

Solar Panel

511141	Solar panel, 5watt
511413	Light, indicator, solar panel

12-Volt Outlet

510807	Outlet, 12-volt
511276	Cover, 12-volt outlet, black
510596	Cigarette lighter, chrome

Switches, Interior

511643	SWITCH BODY W/COVER-3 GANG BLACK
511486	Switch, magnetic, round, step
511913-02	Switch, T & B Brown #WDS151 BR
511803	CONTROLLER-SLIDE OUT ROOM LYMH
511804	SWITCH-SLIDE OUT ROOM LYMH
511474-02	Switch, dimmer, black
511327	SWITCH BODY W/ROCKER 1 GANG, defrost fans
511328	SW. COVER 1 GANG PRINTED WHITE
511023	TESTER CIRCUIT ANALYZER 3WIRE
511040	SWITCH DOOR MOMENTARY NORM "ON"
962203-01	ASSY. SWITCH CLUSTER MAIN DOOR
500967-02	COVER, BLANK, BROWN, #850
511771	SWITCH ASSY-TWO GANG WHITE

2005 LAND YACHT GAS

ELECTRICAL, 12-VOLT

Switch Cluster/Main Door

511513	Light, green LED, monitors battery disconnect
511083-02	Cover, 4-gang switch at entrance door
511078	Switch, 4-gang, at entrance door

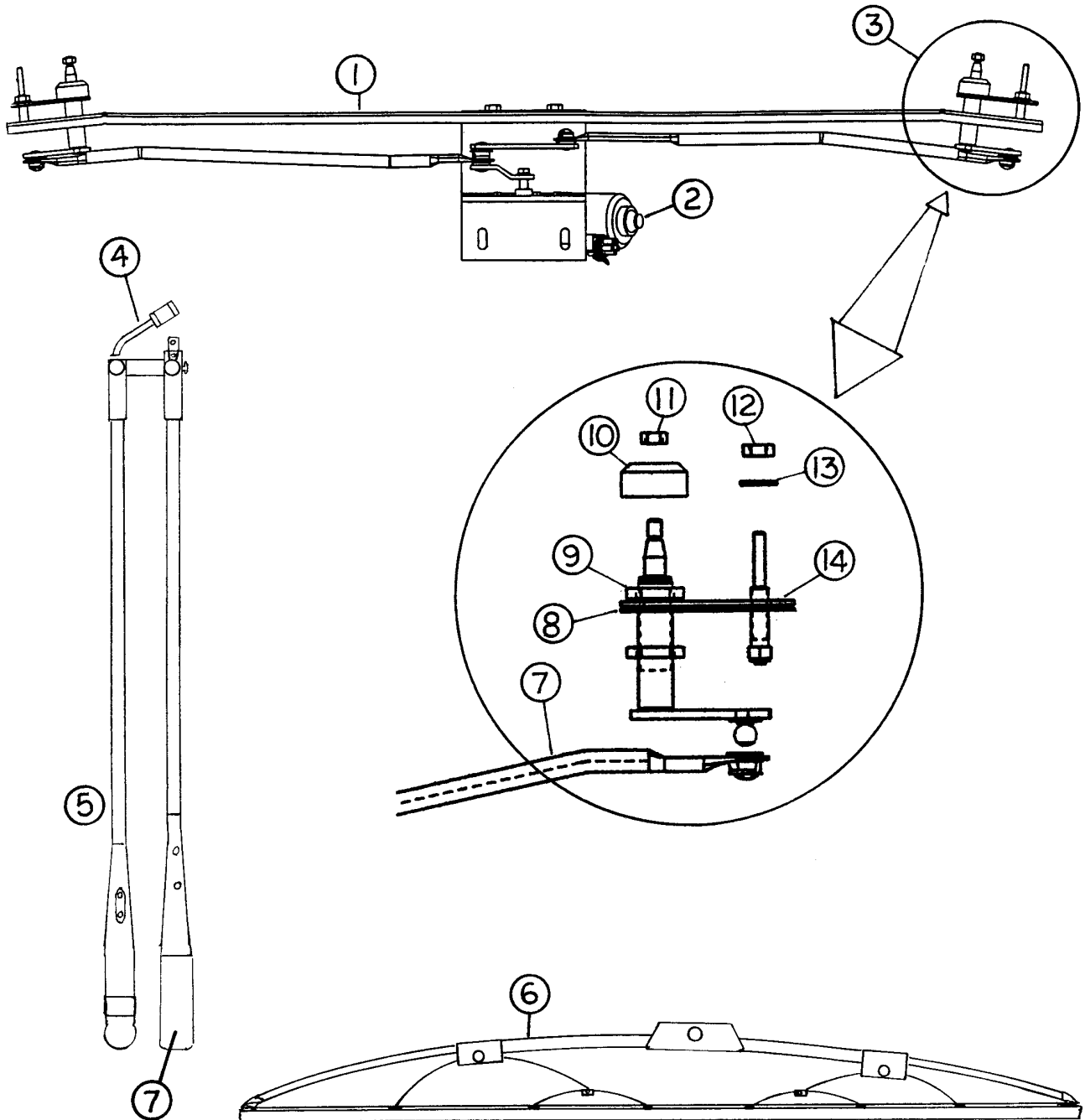
Lights, Interior

511297	Light, reading, halogen w/switch
511137-100	Bulb, halogen, reading light
511694-01	Reading Light, halogen nickel/brass
511802-01	LIGHT-BEDROOM WALL BRASS/NICKEL
511802-02	SHADE-BDRM WALL LIGHT
511800	LIGHT-DINETTE 3 BULB BRASS/NICKEL
500956	Light, wardrobe, brown, w/switch
681924	Bulb, wardrobe light, 581
511361	Light, courtesy, flush-mount, dash, black Separate bulb not available
510973	Light dome, triple, black
511031	Bulb, dome light, 168
511410	Light, shower, incandescent
50085-02	Bulb, incandescent, #1141
511421	Light, courtesy, black
511248	Light incandescent
511052	Light, wall, 3-bulb, brass
511298	WALL LAMP 12V
511298-01	SHADE WALL LAMP RECTANGULAR
511848	LIGHT-FLUOR. 13" RECESSED
511847	LIGHT-FLUOR.4.75"X 18.75"
511849	LIGHT-FLUOR. SURFACE MT.

2005 LAND YACHT GAS

ELECTRICAL, 12-VOLT

Windshield Wiper System



See next page for P/N

2005 LAND YACHT GAS

ELECTRICAL, 12-VOLT

Windshield Wiper System

1. 511419-08 Windshield wiper assy, Trico
 2. 511419-101 Wiper motor, Trico
 3. 511419-102 Pivot and link assembly, Trico
 4. 511419-103 Washer jet and tubing, Trico
 5. 511419-104 Pantograph arm assembly, Trico
 6. 511419-105 Blade assembly, 28", Trico (does not inter change with 1998 and prior)
 7. Link
 8. Oval rubber gasket
 9. Nut, 1 1/8"
 10. Rain shield
 11. Nut, arm retainer -8mm
 12. Nut, swivel retainer -10mm
 13. Washer
 14. Oval faceplate
- 511419-04 Harness, wiper Trico
511419-04 Harness, wiper Chevy/Trico
510914 Terminal, relay block
510844-01 Relay, Bosch #86-117
510844-02 Socket, Bosch relay

2005 LAND YACHT GAS

ENTERTAINMENT

TV Antenna

510788-01	Antenna, TV, Winegard
510788-03	Amplifier, antenna, Winegard
510788-04	Hardware package, Winegard Antenna
510788-107	Gear, elevating, plastic, Winegard
510788-118	Handle, directional kit, Winegard

Rear View Camera System

511709	Monitor system, Weldex
511709-01	Camera, 5.5" monitor system
511709-02	Monitor, 5.5" monitor system
511709-03	Cable, 5.5" monitor system, 30', 33' Models
454067	Monitor bracket, 5.5" monitor system, 30', 33' Models
453968	BRKT. CAMERA MOUNTING
511044-05	HOLE INSERT W-22349824
511044-03	ACTUATOR PUSH/PULL
511044-04	PIGTAIL FOR ACTUATOR
381542	THREADED STUD - MONITOR SUPPORT
453031	BRASS BRACKET SPRING
345414	SPRING-CAMERA BRACKET
203488	COVER-REAR MONITOR OUTER

2005 LAND YACHT GAS

ENTERTAINMENT

Television

690491	TV, 20", LCD, Sharp, color, stereo
690502	TV, Toshiba 13", mono, MDL. 12A23M
511449	KIT 4' AUDIO SOCKET EXTENSION
511464-04	Speaker-Headphone system
511423	Plug-earphone
500975	Headphones, lightweight
115188	BRACKET, TV SMALL ANGLE, 26' Bedroom
115196-01	BRACKET-TV MOUNT UPPER 26' Bedroom
381458	TRIM LOCK, 3/16" BLACK

Radio

511838	RADIO AM/FM/CD KDAR300 PAC 2
510818	Noise suppressor, stereo, installed as needed.
511807	Radio antenna, rubber
510866-108	EXTENSION-SPEAKERS 108"
511874	SPEAKER, 4" 2-WAY
500484-07	ANTENNA LEAD & EXTENSION 144"

CD Changer

511721	CD Changer, 12 disc, JVC, CHX-15
--------	----------------------------------

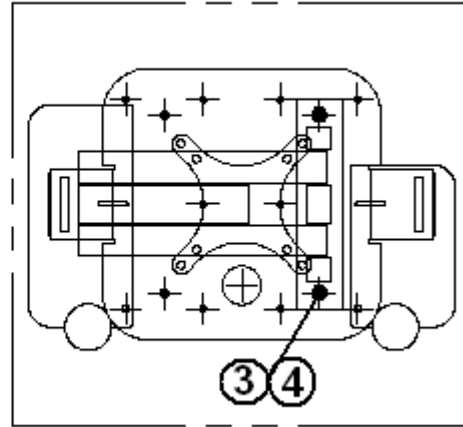
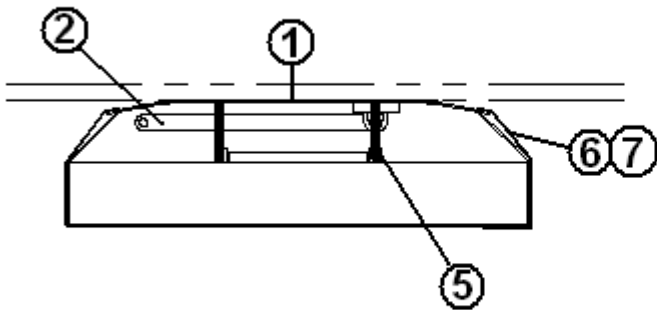
VCR/DVD w/Video Control

690482	DVD/VCR player w/video control, JVC XR-XVC20
511645	"y" adaptor, male to 2-female, RCA
511310	Video control center
115224	Bracket, mounting, VCR/DVD
511570	PATCH CORD, RCA, MALE TO MALE
511646	PATCH CORD 3-WAY 20" RCA

2005 LAND YACHT GAS

ENTERTAINMENT

Television Bracket, Flat Screen



- | | |
|--------------|-------------------------------|
| 1. 454230 | Bracket, TV Mount to wall |
| 2. 511774 | BRACKET-ARTICULATING ARM FLAT |
| 3. 350147-25 | NUT, NYLON LOCK, 1/4-20 |
| 4. 300111-25 | WASHER, FLAT 1/4" |
| 5. 385587 | CAP-HOOD BUMPER |
| 6. 703455 | STRAP 20" FLAT SCREEN TV |
| 7. 703445-01 | STRAP 15" FLAT SCREEN TV |
| 195345-01 | 1 1/2" BROWN NYLON WEBBING |
| 703456 | VELCRO, LOOP BLACK 1.5" |
| 703456-01 | VELCRO, HOOK BLACK 1.5" |
| 381385 | DUAL LOCK #400 |
| 381386 | DUAL LOCK #170 |

2005 LAND YACHT GAS

FASTENERS

Rivets, Pop



①



②



③



④



⑤



⑥



⑦



⑧



⑨



⑩



⑪

2005 LAND YACHT GAS

FASTENERS

Rivets, Pop

1. 330126-02 Rivet, pop, diameter 1/8 "grip range .126-.187stainless steel mandrel
2. 330126-03 Rivet, pop, diameter 1/8 "grip range .126-.250stainless steel body
3. 330031-01 Rivet, pop, diameter 3/16" grip range .375-.725stainless steel body, stainless steel mandrel
4. 330031 Rivet, pop, diameter 3/16" grip range .5/8" stainless steel body, stainless steel mandrel
5. 330031-03 Rivet, pop diameter 3/16" grip range .126-.250stainless steel body, steel mandrel
6. 320108-01 Rivet, bulb tite, w/washer, diameter 3/16" grip range .050-.187aluminum body, aluminum mandrel
7. 330139-01 diameter 1/4" grip range .080-.375stainless steel body, stainless steel mandrel
8. 330137 diameter 1/8" grip range .039-.189aluminum body, steel mandrel
9. 330127-03 diameter 1/8" grip range .063-.125aluminum body aluminum mandrel
10. 300101 1/8" I.D. washer, aluminum
11. 330127-05 diameter 1/8" grip range .251-.312aluminum body, aluminum mandrel

2005 LAND YACHT GAS

FASTENERS

Screws

320122	Screw, pan head, black #4 x 1/8" (glove box tray)
320114-04	Screw wood oval head, Phillips Burnished brass#5 x 1/2"
320114-05	Screw wood, oval head, Phillips Burnished brass#5 x 5/8" # 6 x 1.00"
320115-06	Screw wood, flat head, Phillips, stainless steel
320124-06	Screw, flathead, Phillips, stainless w/white head
320006	SCREW SHEET METAL 8 X 3/4" BH PHIL
320007	SCREW SHEET METAL 8 X 1" PH
320009	SCREW #8 X 2", MILL FINISH
320015	SCREW PHILLIPS HEAD TYPE A
320016	SCREW PHILLIPS HEAD 8 X 1/2" PH
320019	BROWN PHIL HEAD SCREW #8; 1"
320024	SCREW PHIL HEAD TYPE A 8 X 3/4"
320029	SCREW #8 X 3/4 PAN HEAD PHIL DR A
320034	SCREW STAINLESS STEEL #8 X 5/8"
320078	SCREW, 8 X 3/8"
320079	SCREW, BROWN. -#8 X 2 1/2"
320094-04	SCREW, OVAL HEAD, BLACK, PHIL, 75" L
320118-10	SCREW, SHT MET, #8 X 1 1/2", CSK, PFH, SS
320116-02	BLACK PHIL HEAD SCREW #8; 1/2"
320120-500	SCREW, 10-32 FLAT HEAD CAD. PLATED
320123-06	SCREW, #6 X 1.00 CSK PFH SST GRAY
320127-04	SCREW SHEET METAL #8 QDPH BLK .75
320128	SCREW #8 X 1.25 SM PN HD PHILLIPS
320129	INSERT-THREADED 1/4"O.D. X 1/4"L
320130-05	SCREW-#10-32 X .75" SLOT HEX HD
320130-09	SCREW #10-32 SLOTTED HEX HD 1.25L
320130-11	SCREW #10-32 SLOTTED HEX HD 1.50L
320037-00	SCREW #6 FH PHIL/HD 3/8" ZINC SMS
345025	SCREW THREAD FORMING 8-32 X 1/2
345084	SCREW-1/4-14 X 1 THREADED. CUTTING
345272-04	3/8-16 X 1.0 HEX HD. CAP SCREW
345275-03	SCREW FLAT HD. MACH.1/4-20 X 3/4
345276-02	SCREW, CAP, HEX HD, 1/4-20X1/2", GR 5

2005 LAND YACHT GAS

FASTENERS

Screws

345276-04	SCREWS, HEX HD. CAP, 1/4-20 X 1 IN.
345276-05	SCREW, HEX HD. CAP, 1/4-20 X 1 ¼
345283-03	CAP SCREW, 1/4-20 X 1 1/2, CAD PLATED
345287-03	MACHINE SCREW ROUND HEAD PLTD .50
345287-07	MACH.SCREW,10-24X1 IN GRADE 5
345321-12	SCREW, #8-32 FLAT HEAD, BLK, 1.625
345323-06	SCREW, MACHINE 10-24 X 3/4" PFH SS
345326-07	SCREW TAPPING, #10 SST, PPH, 1.50
345355	SCREW #8 X 3/4 FH PH SS
345356	SCREW MACHINE #8-32 X 1.00 FH PH SS
345383	SCREW 1/4-20 X 2.25 PH, FH SS
345413	SCREW HEX HD CAP ZINC 6MM X 45MM
345363-01	SCREW WOOD 1-1/2 COARSE THD
345385	SCREW- #8 X 1 BLK TRUSS HD PHIL
381630-01	SCREW-SS PAN PHILLIPS HEAD
195296-01	3/8-#8 PK. SCREW S.S.
195296-08	SCREW 8" X 5/8" PH PAN SMS TYP B
250041	SCREW 1/4 X 3/4 SELF-TAPPING
250174-02	SCREW HHCS GR5 1/4-20 X 1/2 PLATED

2005 LAND YACHT GAS

FLOOR COVERING

Carpet/Mats

703466-01	Carpet, TAPIOCA
700173-01	Carpet padding, 1/2"
381183-01	EDGING, CARPET RIPPLE ALUMINUM 12'
201785-01	TRIM-OUT, FLOOR, 3-1/2" ROUND
201785-02	TRIM-OUT, FLOOR, 5" ROUND
381346	Floor mats, cab, drivers or passenger
702549	Mat, entrance, w/Airstream logo
702550	Mat, entrance, step well

Linoleum

703362	LINOLEUM-OPTIMATIONS
114070	EXTRUSION, J-TRIM, MILL FINISH
966170-006	Floor molding, 32"
966171-006	Floor molding, 6"
966172-006	Floor molding, 4"

Step Covering

702893	Flooring, smooth rubber, .13" X 31" W
702812-02	Flooring, step-tread, round black knobs
453321-03	ROUND COLD FINISH FATIGUE 3/4"
453321	ROUND COLD FINISHED FATIGUE 3/
453322-03	SHIM STEEL 2.50" X 6"

Compartment Covering

701538	Carpet, Velour, for storage compartment
701538-01	CARPET-ECONO-LINER W/PSA BACK
201709-02	Extruded trim molding, black, baggage compartment

2005 LAND YACHT GAS

FURNITURE

Doors, Interior Raised Panel/Bi-Fold

		Side to side x top to bottom (Inches)
800597-026	door, raised panel	14.00 x 20.00
800597-036	door, raised panel	16.50 x 20.00
800597-066	door, raised panel	12.25 x 16.00
800597-096	door, raised panel	11.00 x 29.75
800597-176	door, raised panel	11.50 x 15.75
800597-356	door, raised panel	13.57 x 15.50
800597-406	door, raised panel	09.75 x 33.00
800597-546	door, raised panel	10.75 x 14.50
800597-556	door, raised panel	11.50 x 22.00
800597-566	door, raised panel	07.75 x 17.50
800597-596	door, raised panel	11.50 x 18.50
800597-606	door, raised panel	17.00 x 10.00
800597-746	door, raised panel	10.25 x 29.50
800597-766	door, raised panel	11.50 x 19.00
800597-776	door, raised panel	11.50 x 18.00
800597-806	door, raised panel	10.50 x 36.75
801333-016	door, raised panel, bi-fold	12.25 X 48.75

Doors, Frames for Mirrors

		Width x height
800557-096	door frame, for mirror	11.12 x 28.12
800557-106	door frame for mirror	22.00 x 60.00
800557-156	door frame for mirror	19.00 x 60.00
800557-236	door frame, for mirror	10.50 x 32.50
800557-326	door frame for mirror	11.50 x 17.50
800557-336	door frame for mirror	11.50 x 19.50
800557-376	door frame, for mirror	10.50 x 42.00

2005 LAND YACHT GAS

FURNITURE

Doors, Foldette, Shower, 26'

702681-05	Door, foldette, 31' x 73", 26 Ft.
381765	Foldette formed track for 702681-05
601878	Shower door, 26ft.
381403	LATCH-TRAVEL SHOWER DOOR #4482
201666-01	MOLDING-J 3/16" PLASTIC

Doors, Swinging, Sliding, Foldette, Shower, 30' S/O, 30'

962782-01	Door bath swinging
966122	Door, bath slider
702681-03	Door, foldette, beige
702306-02	Shower door
381403	LATCH-TRAVEL SHOWER DOOR #4482
381563	TRACK FORMED FOLDETTTE DOOR CUR
201666-01	MOLDING-J 3/16" PLASTIC

Doors, Bath, Shower, 33'

702306-04	Shower door, 33ft.
381403	LATCH-TRAVEL SHOWER DOOR #4482
966123	Sliding Bath Door, 71" x 34.5", 33'
966122	Sliding Bath Door, 71.0" x 25.5", 33'

Foldette Door Strap

381581	STRAP CLEAR PLASTIC .75"W
700811	BUTTON CAP, HANDY #36
700812	BUTTON BOTTOM, HANDY #36

2005 LAND YACHT GAS

FURNITURE

Mirrors

		(Inches)
371262-03	mirror, safety	9.88 X 28.12
371262-04	mirror, safety	19.12 x 28.12
371262-10	mirror, safety	16.13 x 28.13
371262-15	mirror, safety	10.56 x 17.12
371262-32	mirror, safety	11.12 X 28.12
371262-34	mirror, safety	7.62 x 29.62
371262-66	mirror, safety	31.00 X 66.88
372210-02	mirror, beveled	8.62 x 16.62
372210-06	mirror, safety	8.62 x 14.62
372210-10	Mirror, beveled	7.62 x 29.62
372210-11	mirror, beveled	7.75 x 19.50
372210-22	mirror, beveled	7.62 x 39.12
372203-14	mirror, safety	21.0 x 22.0
372203-15	mirror, safety	17.00 x 25.25
372203-18	mirror, polished	11.12 x 28.12
372203-19	mirror, safety	11.13 x 22.5
372203-32	mirror, safety	31.00 x 66
371243	Mirror rear view, GM #911722	
381220-02 assembly	Mirror clip, nickel-plated #309, bedroom corner mirror	

2005 LAND YACHT GAS

FURNITURE

Drawer Face

		(Inches)
800599-016	Drawer face	7.00 x 10.50
800599-026	Drawer face	7.00 x 11.75
800599-076	Drawer face	4.50 x 14
800599-186	Drawer face	7.00 x 16.75
800599-216	Drawer face	7.00 x 23.00
800599-226	Drawer face	7.00 x 14.00
800599-386	Drawer face	7.00 x 21.50
800599-406	Drawer face	7.00 x 10.25
800599-526	Drawer face	7.00 x 12.75
800599-586	Drawer face	4.75 x 21.50
800599-656	Drawer face	8.00 x 10.50
800599-696	Drawer face	4.75 x 19.00
800599-706	Drawer face	12.00 x 21.50
800599-716	Drawer face	16.75 x 16.75
800599-836	Drawer face	5.00 x 15.50

2005 LAND YACHT GAS

FURNITURE

Drawer Boxes

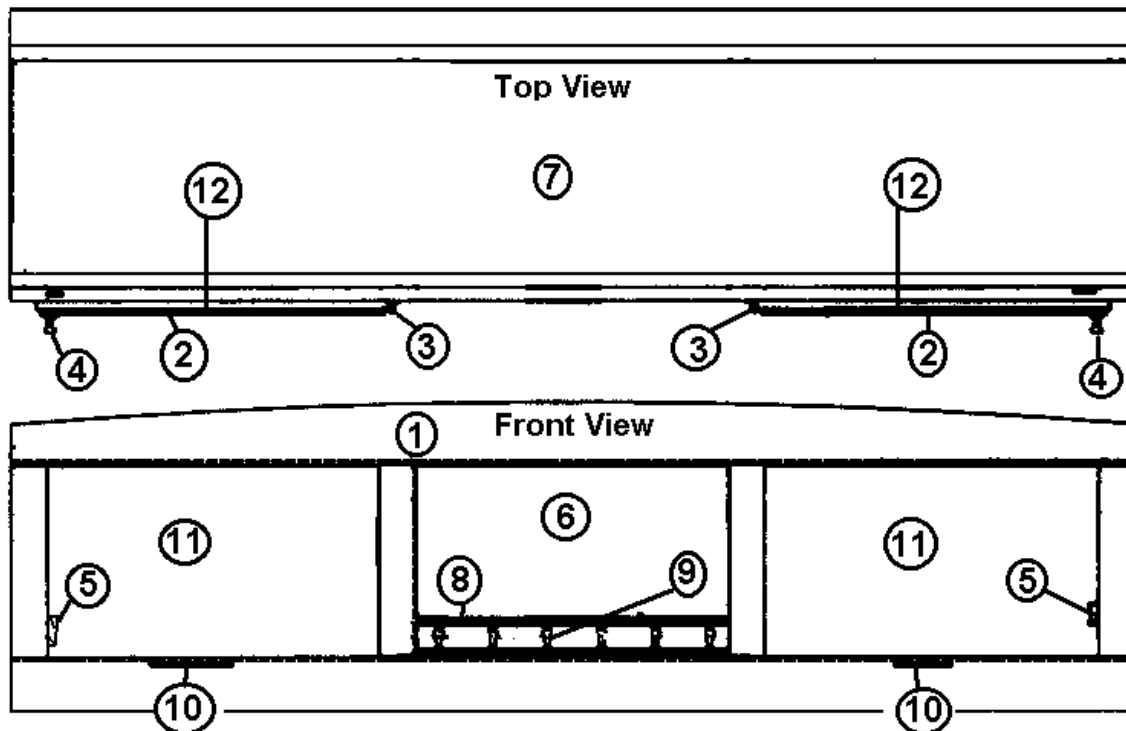
(Inches)

964906-02	Drawer box	19.50 X 18.00 X 2.75
964906-03	Drawer box	2.75 x 14.00 x 11.00
964906-11	Drawer box	2.75 x 8.25 x 18.0
964906-02	Drawer box	2.75 x 18.0 x 19.5
964906-19	Drawer box	2.75, Lavatory cabinet, 26'
964910-16	Drawer box	5.00 x 10.81 x 20.0
964910-02	Drawer box	5.00 x 10.0 x 18.0
964910-03	Drawer box	5.00 x 19.5 x 18.0
964910-06	Drawer box	5.00 x 19.5 x 14.0
964910-07	Drawer box	5.00 x 10.0 x 14.0
964910-15	Drawer box	5.00 x 15.0 x 20.0
964910-16	Drawer box	5.00 x 10.81 x 20.0
964910-19	Drawer box	5.00 x 14.00 x 11.5
964910-20	Drawer box	8.50 X 14.00 X 5.00
964907-14	Drawer box	6.00 X 8.75 X 20.00
964908-03	Drawer box	8.00 x 13.25 x 20.00
965561	DRAWER BOX, LOUNGE, 26'LYMH	
963790	Drawer box (goes under "J" bed)	
964008	Drawer box (goes under sofa), 33' & 30'	

2005 LAND YACHT GAS

FURNITURE, BEDROOM

Roof locker, Center, Double Bed, 33', 30' S/O, 30'

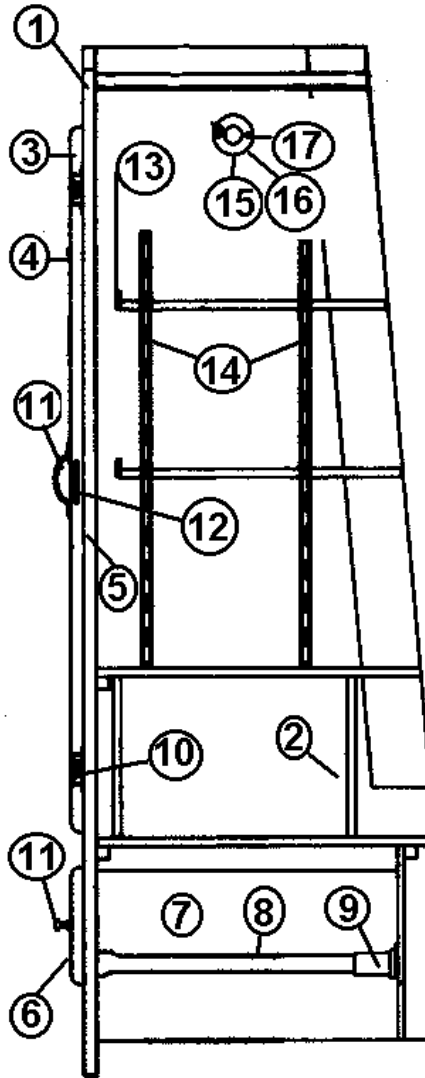


- | | |
|---------------|---|
| 963836-05 | Roof locker, Center rear, Double bed |
| 1. 964430-016 | Face frame assembly |
| 2. 800557-336 | Door frame, 11.50" x 19.50" |
| 3. 381836 | Hinge, Bright Brass |
| 4. 381835 | Handle, Chrome/Brass |
| 5. 381228-01 | Grabber door catch |
| 6. 371262-15 | Mirror, 10.56" x 17.12" |
| 7. 800571-016 | Wood flat molding, .52" wide x 80" long |
| 8. 381449-04 | Decorative rail |
| 9. 381449-05 | Post, decorative rail, polished brass |
| 10. 511297 | Halogen reading light |
| 11. 372210-02 | Mirror, beveled, 8.62" x 16.62" |
| 12. 381754 | Mirror clip |

2005 LAND YACHT GAS

FURNITURE, BEDROOM

Wardrobe, Double Bed, Roadside, 33', 30' S/O, 30'



Parts Numbers Next Page

2005 LAND YACHT GAS

FURNITURE, BEDROOM

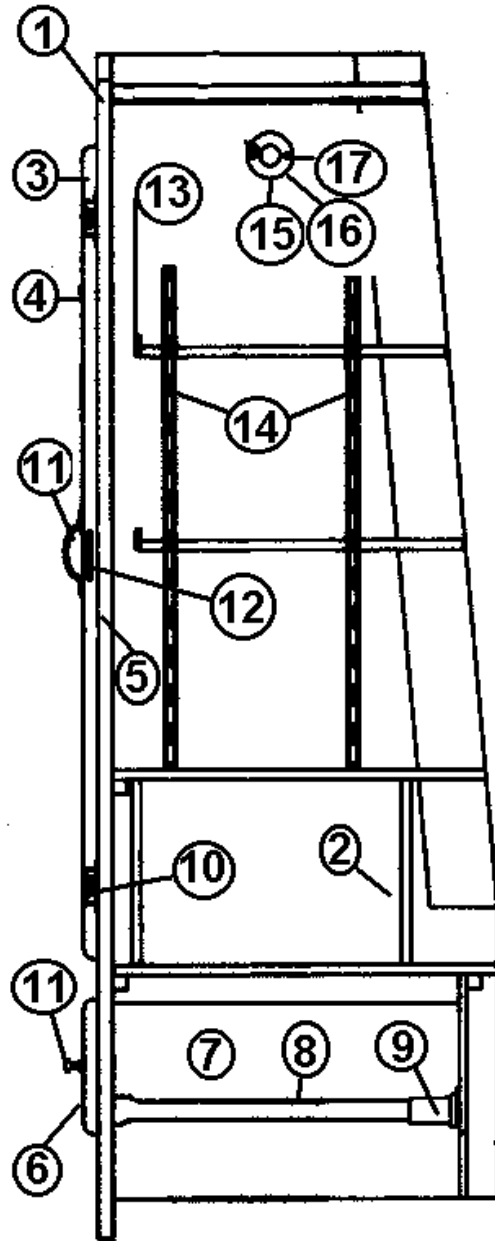
Wardrobe, Double Bed, Roadside, 33', 30' S/O, 30'

963895-05	Wardrobe Assembly, RS Rear
1. 962816-016	Face frame, RS wardrobe
2. 963187-016	FRAME-W/R SHELF W/NOTCH
3. 800557-376	Door frame, 10.50" x 42.00"
4. 372210-22	Mirror w/design, 7.62" x 39.12"
5. 381754	Mirror clip
6. 800599-40z	Drawer face, 7.00" x 10.50"
7. 964906-11	Drawer box, 8.25" x 18" x 2.75"
8. 381526-03	Drawer slide, 18"
9. 381526-06	Drawer slide back socket, adjustable
10. 381836	Hinge, Bright Brass
11. 381835	Handle, Chrome/Brass
12. 381228	Grabber door catch
13. 800573-016	Molding, door edge, 1 3/32" wide
14. 381527	Speedy shelf strips
15. 380045	3/4" metal tubing
16. 380046	Chrome flange
17. 200975-04	Plastic conduit, black
800572-016	MOLDING PANEL EDGE 23/32" Wide
961761	PANEL PADDED HANGING WARDROBE
386017	DECAL-CONTROL PANEL BACKER-BLACK
964868	CONTROL PANEL ASSY. BEDROOM

2005 LAND YACHT GAS

FURNITURE, BEDROOM

Wardrobe, Curbside, Double Bed, 33', 30' S/O, 30'



Parts Numbers Next Page

2005 LAND YACHT GAS

FURNITURE, BEDROOM

Wardrobe, Curbside, Double Bed, 33', 30' S/O, 30'

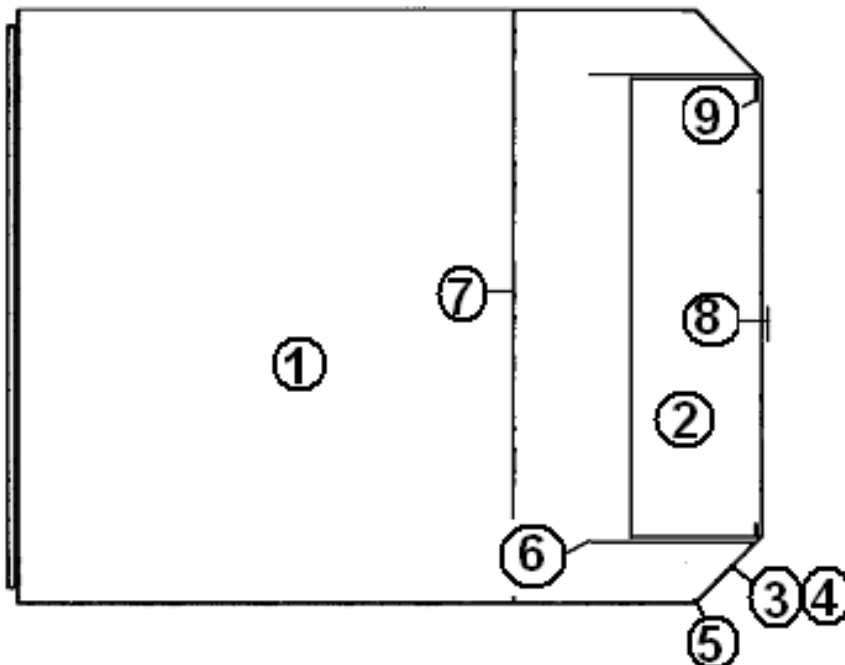
963895-06	Wardrobe Assembly, CS Rear
1. 962817-016	Face frame, CS wardrobe
2. 963187-016	FRAME-W/R SHELF W/NOTCH
3. 800557-376	Door frame, 10.50" x 42.00"
4. 372210-22	Mirror w/design, 7.62" x 39.12"
5. 381754	Mirror clip
6. 800599-406	Drawer face, 7.00" x 10.50"
7. 964906-11	Drawer box, 8.25" x 18" x 2.75"
8. 381526-03	Drawer slide, 18"
9. 381526-06	Drawer slide back socket, adjustable
10. 381836	Hinge, Bright Brass
11. 381835	Handle, Chrome/Brass
12. 381228	Grabber door catch
13. 800573-016	Molding, door edge, 1 3/32" wide
14. 381527	Speedy shelf strips
15. 380045	3/4" metal tubing
16. 380046	Chrome flange
17. 200975-04	Plastic conduit, black

961761	PANEL PADDED HANGING WARDROBE
800572-016	MOLDING PANEL EDGE 23/32 X 80
386017	DECAL-CONTROL PANEL BACKER-BLACK
964868	CONTROL PANEL ASSY. BEDROOM
365265-01	EDGEBANDING-5/8", OAK

2005 LAND YACHT GAS

FURNITURE, BEDROOM

Bed, Double, 33', 30' S/O, 30'

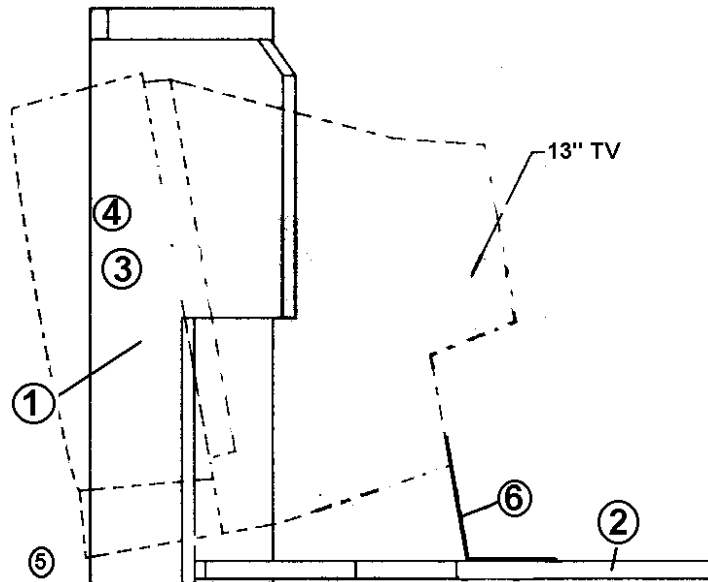


- | | |
|---------------|----------------------------------|
| 963789 | Double bed Assembly, J-Model |
| 1. 800507-03 | LAUAN, 3/8" X4' X 8' |
| 2. 963790 | DRAWER BOX ASSY. J BED |
| 3. 801180-006 | PANEL 1/2", G2S OAK/OAK, 4' X 7' |
| 4. 365265-01 | EDGE BANDING-5/8", OAK |
| 5. 114690 | ANGLE BED CORNER |
| 6. 381400-01 | SLIDE DRAWER, 12" PAIR |
| 7. 380203-01 | PIANO HINGE 1/8" PIN |
| 8. 381835 | HANDLE-CHROME/BRASS |
| 9. 381228-01 | CATCH GRABBER DOOR C3-803 |
| 801172-016 | MOLDING CORNER |
| 381836 | HINGE-BRITE BRASS |
| 965605-03 | Headboard "J" double |

2005 LAND YACHT GAS

FURNITURE, BEDROOM

TV Cabinet Bedroom, Double Bed, 33', 30' S/O, 30'

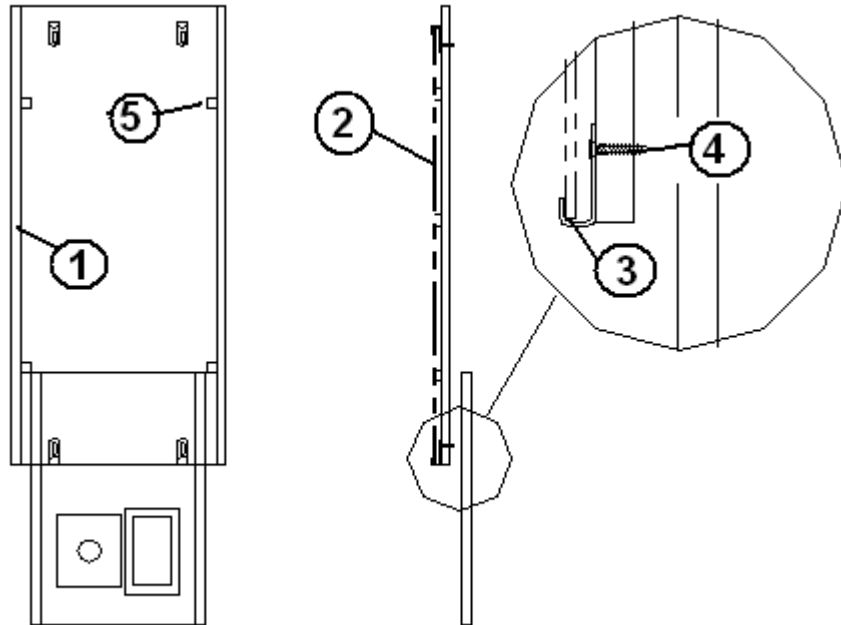


965417-02	TV Cabinet Bedroom
1. 800506-04	1/2" plywood
2. 801180-006	1/2" Oak paneling, G2S
3. 700414	Foam, 3/8" x 72"
4. 090137-C	Vinyl upholstery
5. 800572-016	23/32" wood molding
6. 115045	TV bracket
6a. 115188	Bracket, TV small angle
6b. 115196	Bracket, TV mount Upper
381385	Dual Lock, #400
381386	Dual Lock, #170
801508-006	PANEL, WOOD VINYL/ASCOT .5" X 4' X 8'

2005 LAND YACHT GAS

FURNITURE, BEDROOM

Mirror, Corner, Double Bed, 23.63", 33', 30' S/O, 30'

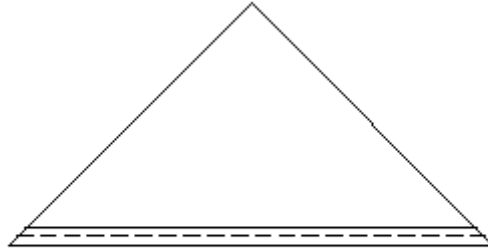


- 966079 Mirror Assembly, Corner
1. 801185 PANEL- .5" OAK/RAW, G1S
2. 372203-19 MIRROR, POLISHED EDGES, 11.12" X 28"
3. 381220-02 MIRROR CLIP, NICKEL PLATE
4. 320118-04 SCREW SHEET METAL, #8 X 3/4"
5. 360016 BUMP-ON RUBBER

2005 LAND YACHT GAS

FURNITURE, BEDROOM

Make Up Cabinet Top, Double Bed, 33', 30' S/O, 30'



966078

TOP-MAKE UP CABINET

801230

PANEL PRELAMINATE OAK

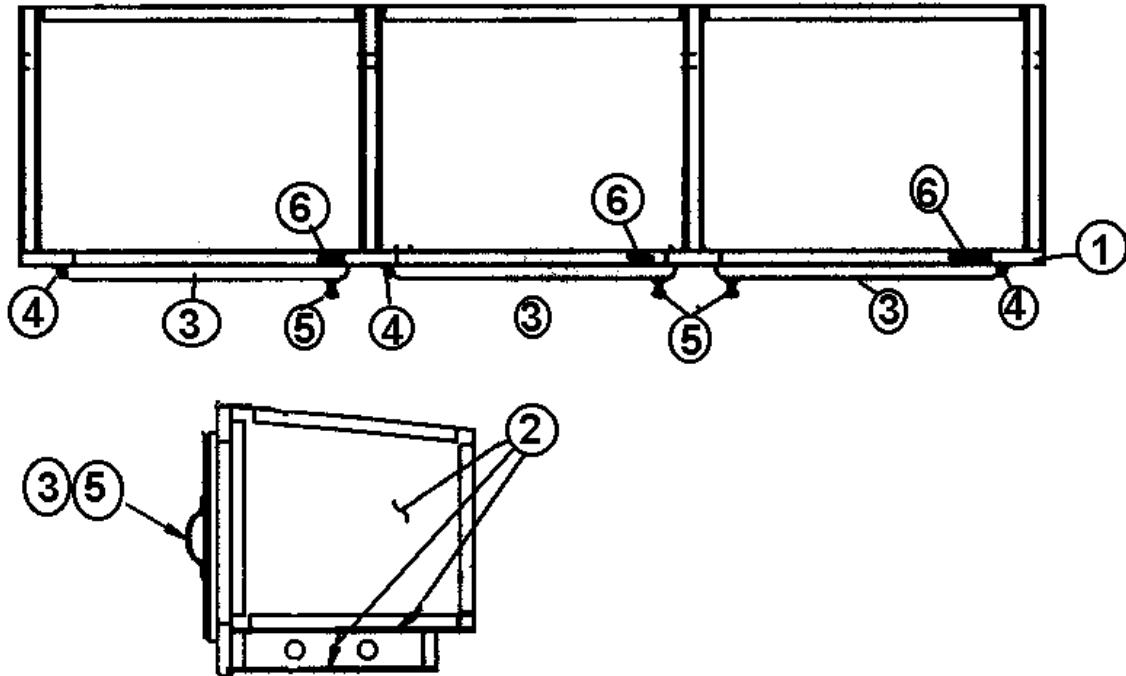
964280

COUNTER TOP EDGE MOLDING OAK

2005 LAND YACHT GAS

FURNITURE, BEDROOM

Roof Locker Roadside, Twin Bedroom, 33', 30' S/O, 30'

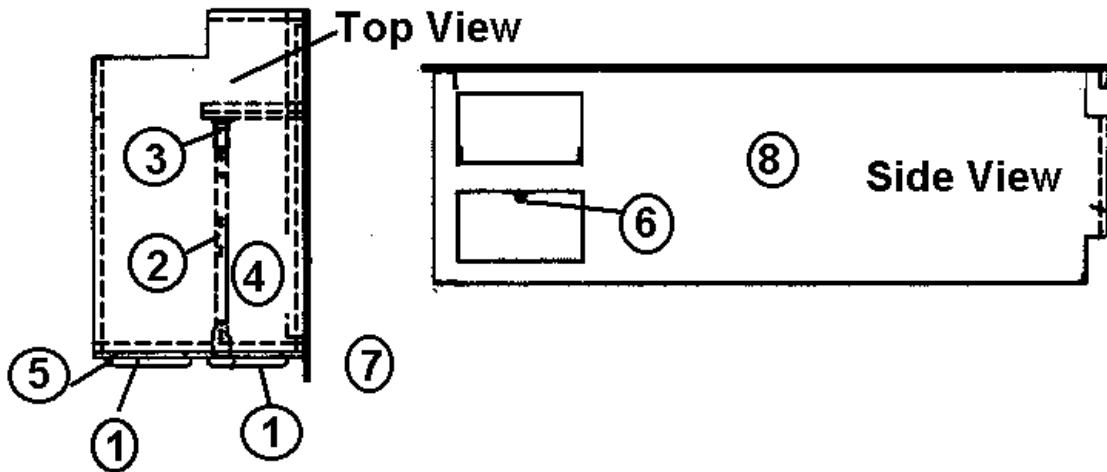


- | | |
|---------------|-------------------------------------|
| 963831-01 | RS Twin Bedroom Roof Locker |
| 1. 963832-016 | Face frame, roof locker |
| 2. 801181-006 | 5/32" G1S paneling, oak |
| 3. 800597-176 | Door, raised panel, 11.50" x 15.75" |
| 4. 381836 | Hinge, Bright Brass |
| 5. 381835 | Handle, Chrome/Brass |
| 6. 381228-01 | Door, grabber catch |
| 800575-016 | Molding, corner, 80" long |

2005 LAND YACHT GAS

FURNITURE, BEDROOM

Bed, Curbside Twin, 33', 30' S/O, 30'



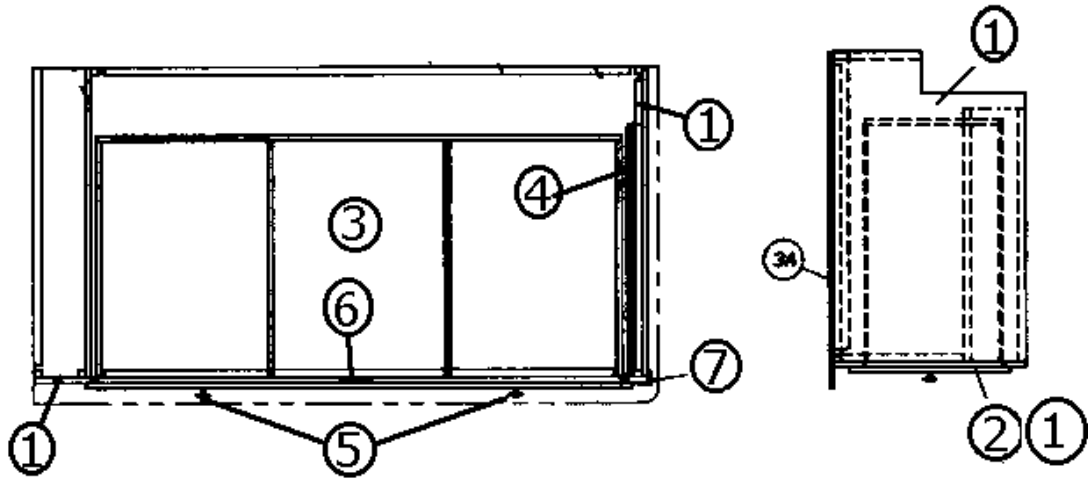
963004-01.....Bed, Curbside Twin

- | | |
|---------------|-------------------------------------|
| 1. 800599-026 | Drawer face, smooth, 7.00" x 11.75" |
| 2. 381526-04 | Drawer slide, 20.00" |
| 3. 381526-06 | Adjustable drawer slide socket |
| 4. 964910-02 | Drawer box, 10" x 18" x 5" |
| 5. 381836 | Hinge, Bright Brass |
| 6. 381228-01 | Door grabber, catch |
| 7. 800575-016 | Corner molding, (not shown) |
| 8. 801180-006 | 1/2" GS, Paneling |
| 9. 381835 | Handle, Chrome/Brass |
| 961519 | HEADBOARD |

2005 LAND YACHT GAS

FURNITURE, BEDROOM

Bed, Roadside Twin, 33', 30' S/O, 30'

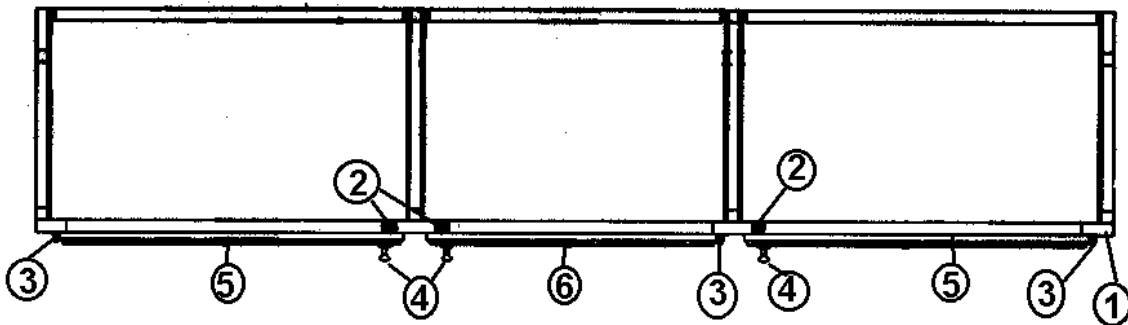


- 963005 Bed, RS twin
- 1. 801180-006 1/2" paneling, G1S, oak
 - 2. 365265-01 Edge tape, 5/8"
 - 3. 961789 Bed box, RS twin bed
 - 4. 381090 Drawer slide, 22"
 - 5. 381835 Handle, Chrome/Brass
 - 6. 381228-01 Grabber catch
 - 7. 800575-016 Corner molding, Oak
- 961519 HEADBOARD

2005 LAND YACHT GAS

FURNITURE, BEDROOM

Roof Locker, Curbside, 33', 30' S/O, 30'



96
5090-01
Ro
of
Locker
Assembl
y,
Curbside
96

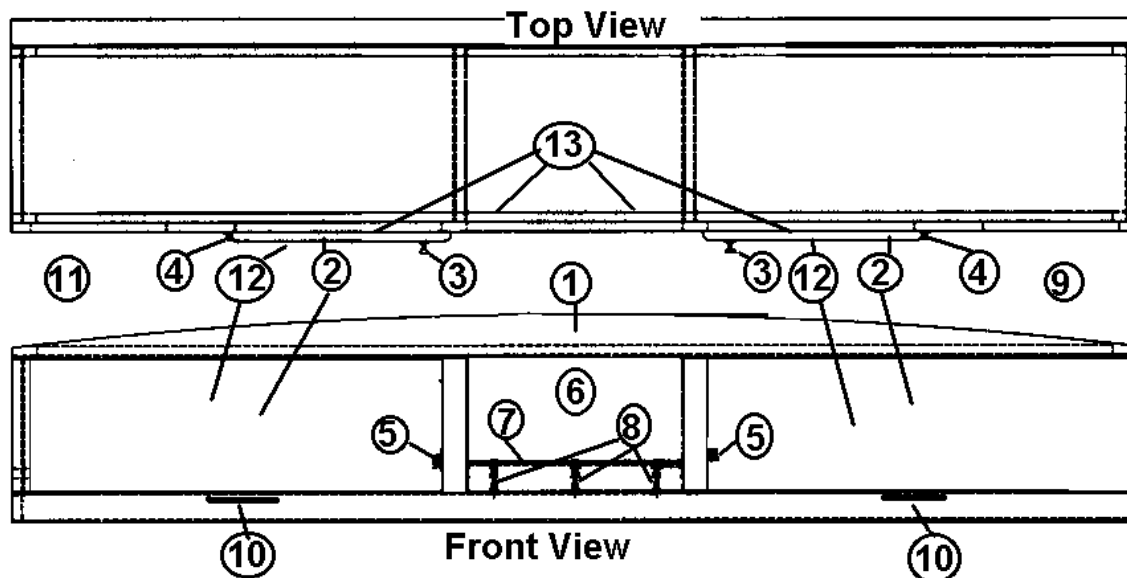
5090 Roof Locker Assembly , Roadside

- 1. 965089-006 Face frame, dinette locker
- 2. 381228-01 Grabber catch
- 3. 381836 Hinge, Bright Brass
- 4. 381835 Handle, Chrome/Brass
- 5. 800597-556 Door, raised panel, 11.50" x 22.00"
- 6. 800597-596 Door, raised panel, 11.50" x 18.50"
- 365250-006 EDGEBANDING 5/8"

2005 LAND YACHT GAS

FURNITURE, BEDROOM

Roof locker, Twin, Center, 33', 30' S/O, 30'

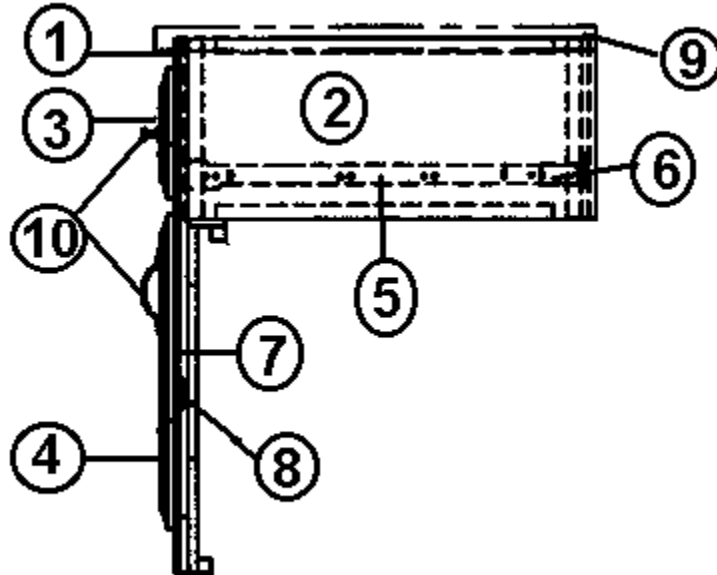


- | | |
|---------------|--------------------------------------|
| 963835-03 | Rear Twin, Center Roof locker |
| 1. 963837-016 | Face frame, roof locker |
| 2. 800557-326 | Door frame, 11.50" x 17.50" |
| 3. 381835 | Handle, Chrome/Brass |
| 4. 381836 | Hinge, Bright Brass |
| 5. 381228-01 | Grabber catch |
| 6. 371262-15 | Mirror, 10.56" x 17.12" |
| 7. 381449-04 | Galley rail decorative rod |
| 8. 381449-05 | Post decorative rail, Polished Brass |
| 9. 800571-016 | Flat wood molding, .52 wide |
| 10. 511297 | Light, Halogen, reading |
| 11. 702482-03 | Textured vinyl headliner |
| 12. 372210-06 | Mirror, 8.62" x 14.62" |
| 381754 | Mirror/panel retainer clip |

2005 LAND YACHT GAS

FURNITURE, BEDROOM

Nightstand, Center, Twin, 33', 30' S/O, 30'

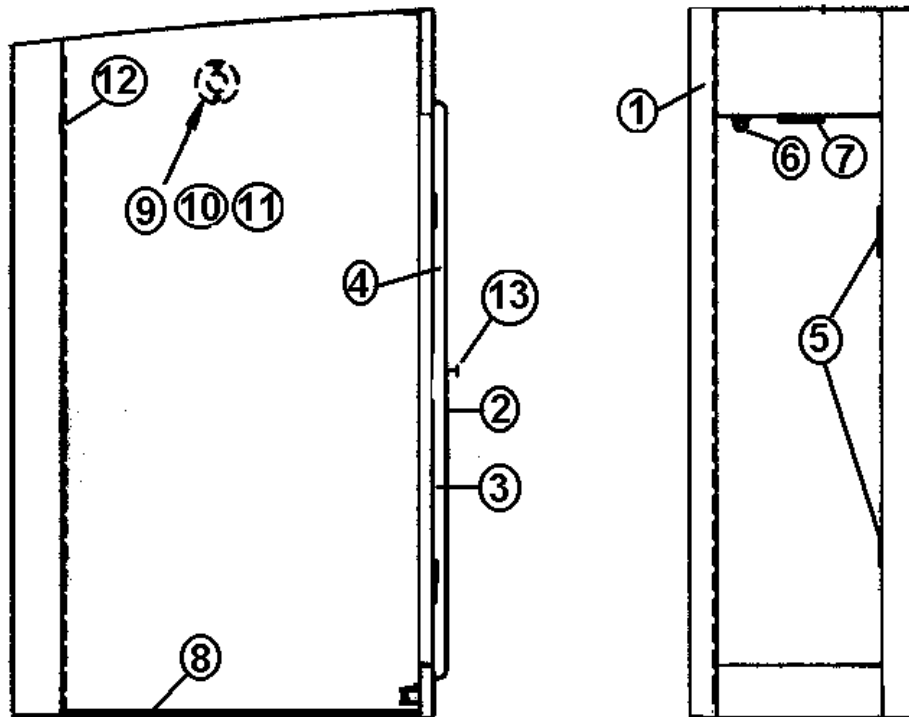


- | | |
|---------------|-------------------------------------|
| 963893-01 | Center Nightstand, Twin Bedroom |
| 1. 961779-016 | Face frame, twin bedroom nightstand |
| 2. 964910-15 | Drawer box, 15" x 20" x 5" |
| 3. 800599-186 | Drawer face, 7.00" x 16.75" |
| 4. 800599-716 | Drawer face, 16.75" x 16.75" |
| 5. 381526-05 | Drawer slide, 22.00" |
| 6. 381526-06 | Drawer slide adjustable back socket |
| 7. 381836 | Hinge, Bright Brass |
| 8. 381074 | Bulldog catch, copper color |
| 9. 961780 | Top, twin bed nightstand |
| 10. 381835 | Handle, Chrome/Brass |

2005 LAND YACHT GAS

FURNITURE, BEDROOM

Wardrobe, Roadside Twin, 33', 30' S/O, 30'

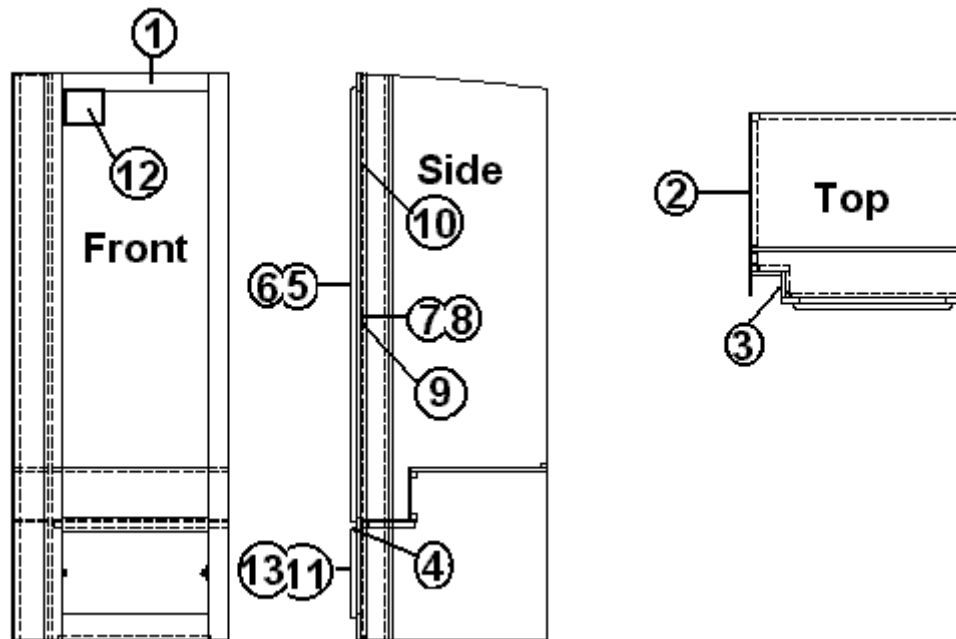


- | | |
|---------------|------------------------------------|
| 963894-04 | RS Wardrobe, Twin Bedroom |
| 1. 963611-016 | Face frame, RS hanging wardrobe |
| 2. 800557-236 | Door frame, 10.50" x 32.50" |
| 3. 372210-10 | Mirror, beveled, 7.62" x 29.62" |
| 4. 381754 | Mirror/panel retainer clip |
| 5. 381836 | Hinge, Bright Brass |
| 6. 381228-01 | Grabber catch |
| 7. 500956 | Light, 111 brown w/switch |
| 8. 800571-01Z | Flat molding, .52" wide x 80" Long |
| 9. 380045 | 3/4" metal tubing |
| 10. 380046 | Flange, chrome |
| 11. 200975-04 | Black plastic conduit |
| 12. 800397-01 | Cedar planked paneling, 5/32" |
| 13. 381835 | Handle, Chrome/Brass |

2005 LAND YACHT GAS

FURNITURE, BEDROOM

Wardrobe, Curbside, 30' S/O, 30'



965861

Curbside Wardrobe

1. 965860-01

FACE FRAME-WARDROBE CS

2. 801462-01

PANEL-FORWARD WARDROBE

3. 801180-00Z

PANEL 1/2" WOOD VINYL G2S

4. 381228-01

CATCH GRABBER DOOR C3-803

5. 800557-10Z

DOOR FRAME ONLY 22.00" X 60."

6. 371262-04

MIRROR- SAFETY- 19.12" X 28.12"

7. 801181-00Z

PANEL 5/32" G1S WOOD/RAW 4' X 8'

8. 381754

MIRROR CLIP

9. 381228

CATCH GRABBER DOOR C3-810

10. 381836

HINGE-BRITE BRASS

11. 800599-70Z

DRAWER FACE, 12.50" X 21.50"

12. 500956

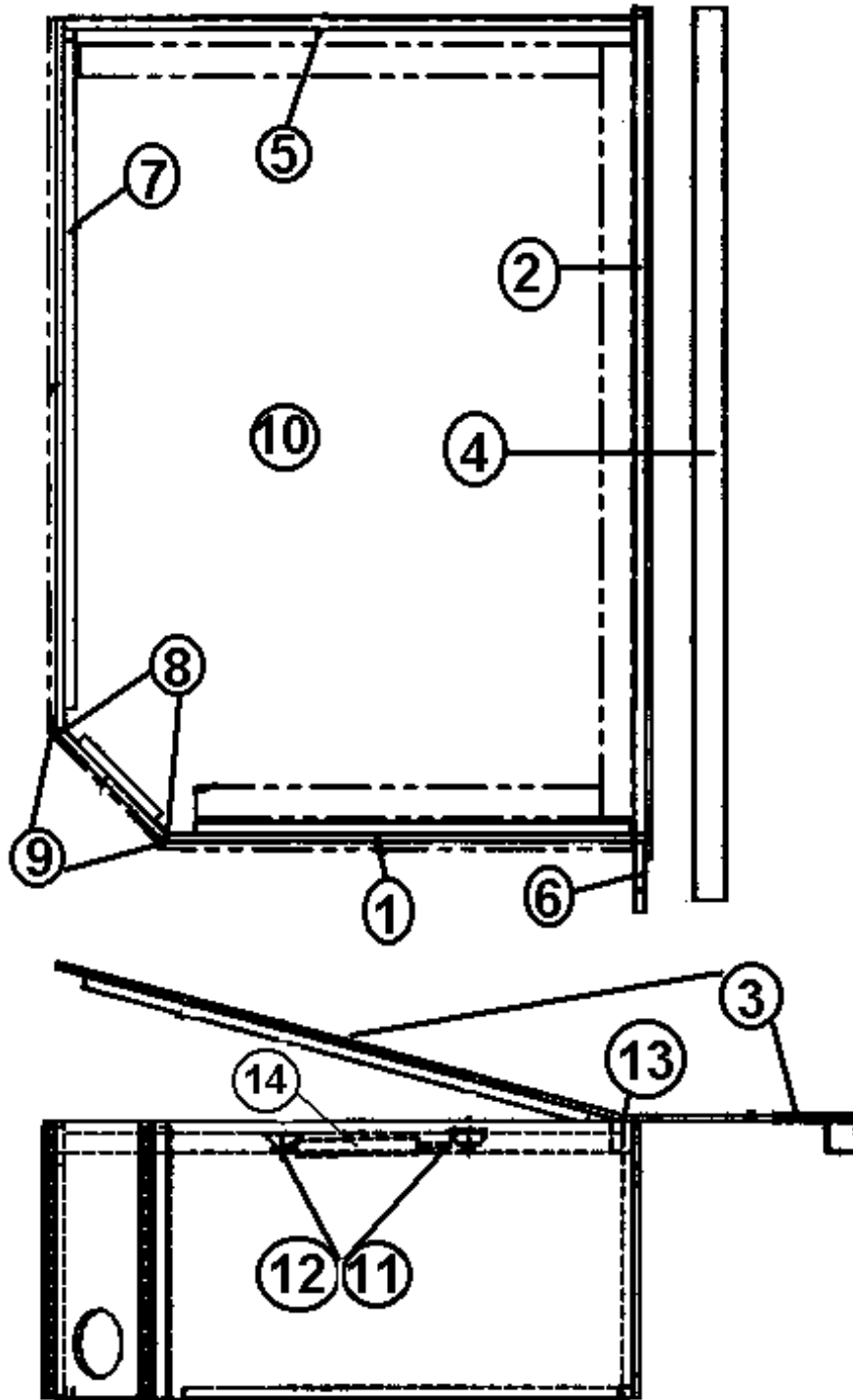
LIGHT, WARDROBE, BROWN, W/SWITCH

13. 381835

HANDLE-CHROME/BRASS

2005 LAND YACHT GAS FURNITURE, BEDROOM

Bed, Corner Double, 26'



Part Numbers On The Next Page

2005 LAND YACHT GAS

FURNITURE, BEDROOM

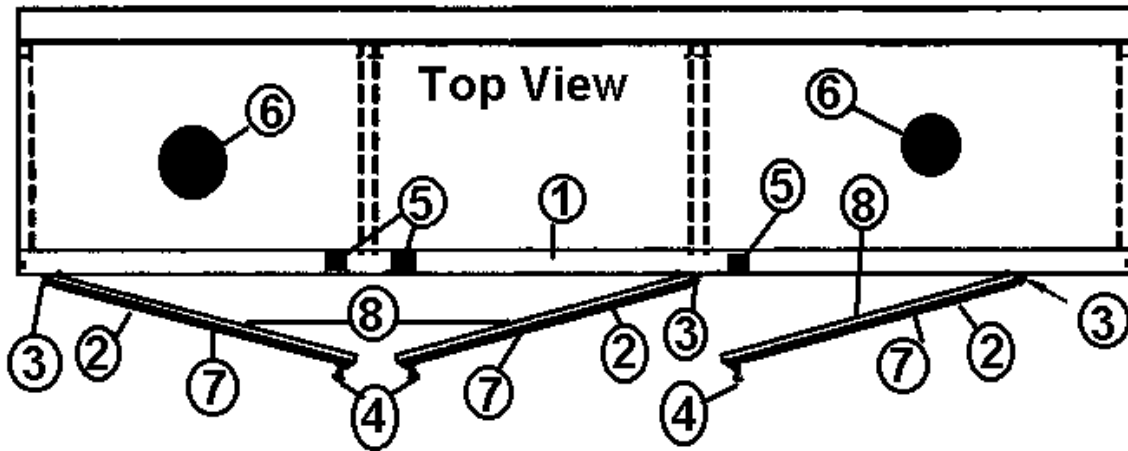
Bed, Corner Double, 26'

965467	Double Bed Assembly
1. 801179-006	1/2" Paneling, G1S, Vinyl/Raw, 4' x 7'
2. 800506-04	1/2" plywood
3. 965488	Bed top assembly
4. 800500	Fir, 1 1/2" x 3 1/2"
5. 850082	Poplar, .75" x 2.00
6. 801181-006	Panel, 5/32" G1S, oak/raw, 4' x 8'
7. 800025-01	Pine, 3/4" x 3/4", stained
8. 114690	Angled bed corner
9. 801172-016	Molding corner oak
10. 365265-01	5/8" edge banding, used several places
11. 381262	Bracket, prop, w/ball, angled
12. 381263	Bracket, prop, w/ball, straight
13. 380203	Hinge
14. 381067-09-	Spring, gas, 90 Lbs.
965605-02	HEADBOARD ASSY 2-TONE 26'LYMH

2005 LAND YACHT GAS

FURNITURE, BEDROOM

Roof Locker, Rear, 26'

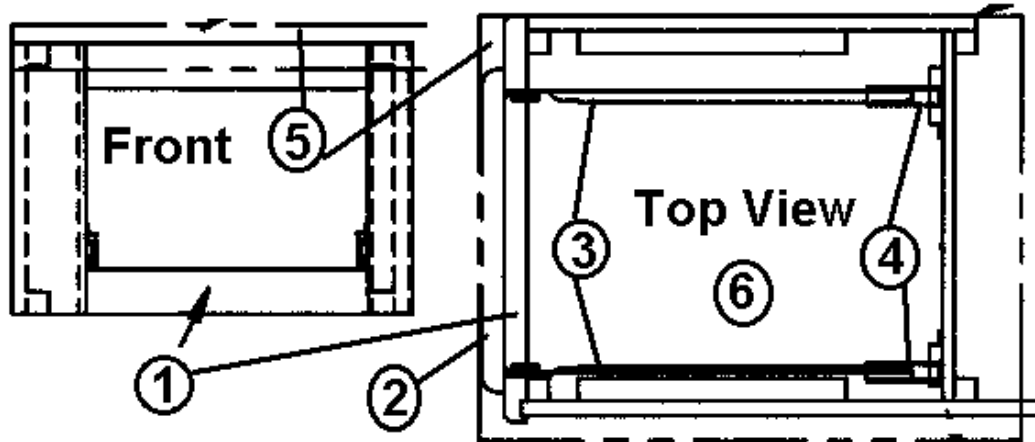


- | | |
|---------------|--------------------------------------|
| 965451-01 | Rear Liner Locker, 26 Ft. |
| 1. 965450-006 | Face frame, rear roof locker, 26 FT |
| 2. 800557-336 | Door, frame only, 11.50" x 19.50" |
| 3. 381836 | Hinge, Bright Brass |
| 4. 381835 | Handle, Chrome/Brass |
| 5. 381228-01 | Grabber catch |
| 6. 511297 | Halogen reading light |
| 7. 372210-02 | Mirror, beveled, 8.62" x 16.62" |
| 8. 381754 | Mirror clip |
| 9. 702482-03 | Vinyl headliner, not shown |
| 10. 365239 | Non-skid foam, 1/4" thick, not shown |

2005 LAND YACHT GAS

FURNITURE, BEDROOM

Nightstand, 26'

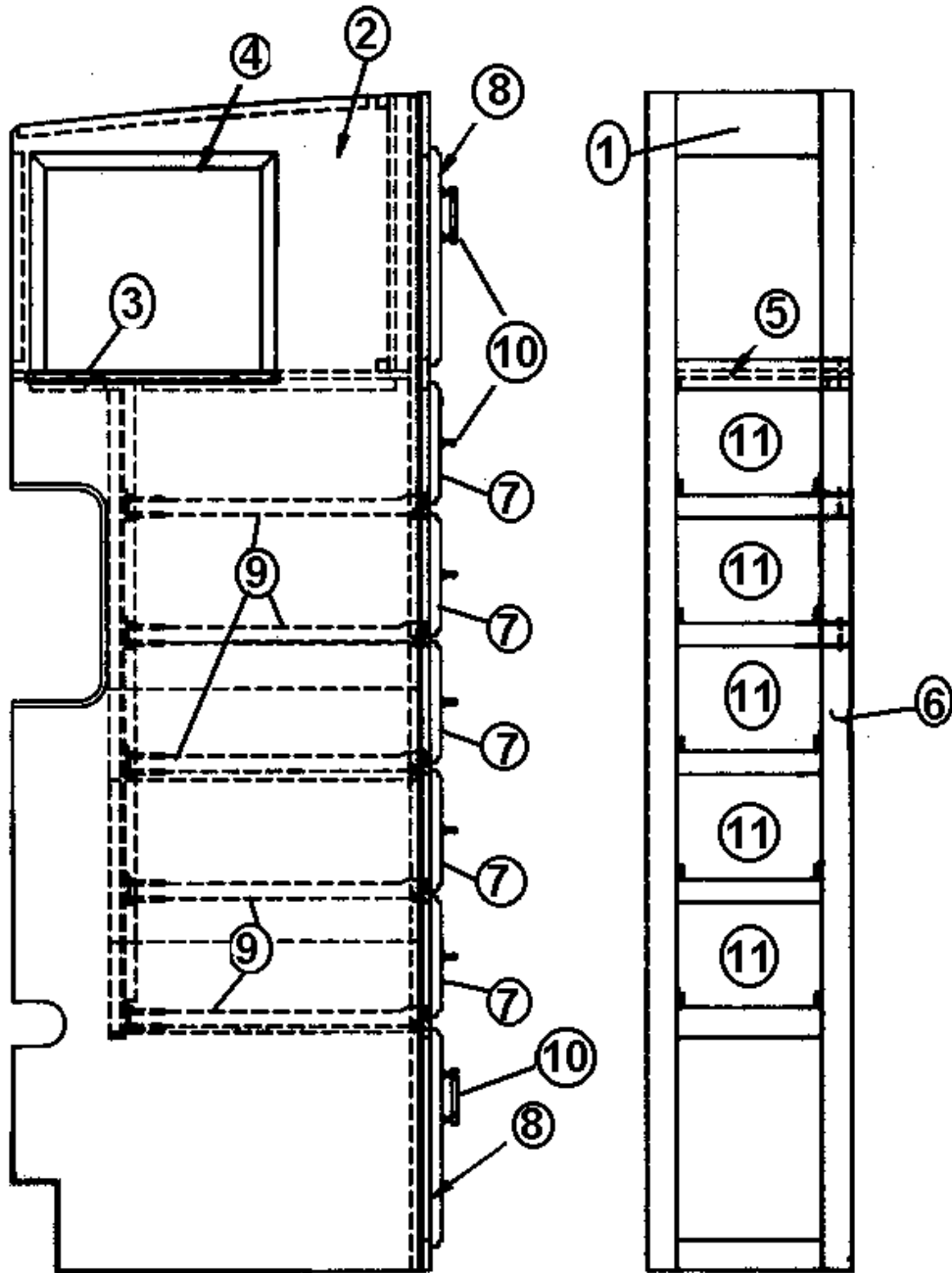


- | | |
|---------------|------------------------------------|
| 965453 | Nightstand, assembly |
| 1. 965452-006 | Face frame, nightstand assembly |
| 2. 800599-016 | Oak drawer face, 7" x 10.50" |
| 3. 381526-01 | Drawer Slide, 14" |
| 4. 381526-06 | Adjustable rear slide back socket |
| 5. 965465 | Nightstand assembly top |
| 6. 964910-20 | Drawer box, 8.50" x 14.00' x 5.00" |
| 381835 | HANDLE-CHROME/BRASS |

2005 LAND YACHT GAS

FURNITURE, BEDROOM

Wardrobe Roadside, 26'



Part Numbers On The Next Page

2005 LAND YACHT GAS

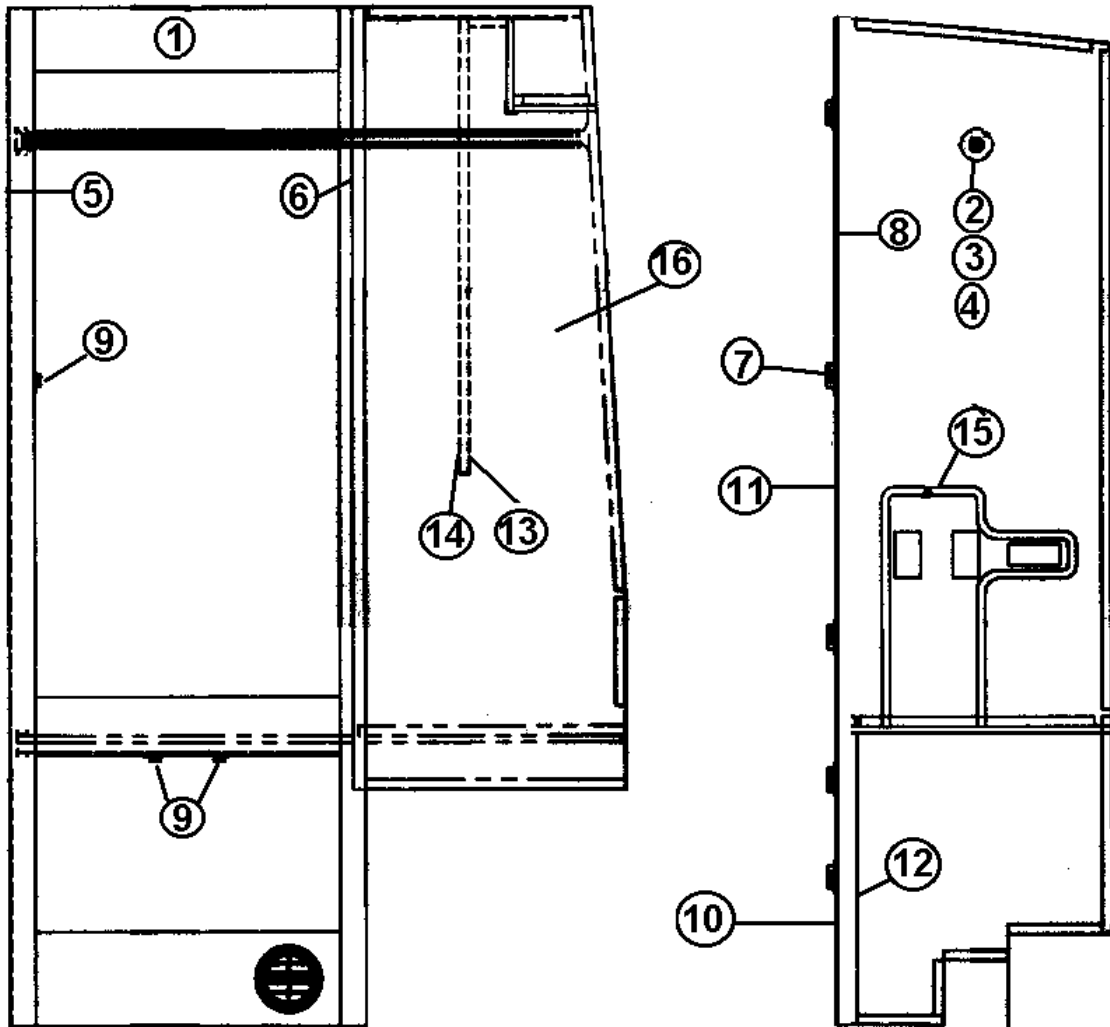
FURNITURE, BEDROOM

Wardrobe Roadside, 26'

- | | |
|---------------|---|
| 965461 | RS Wardrobe Assembly |
| 1. 965477-006 | Face frame, RS wardrobe |
| 2. 801336-07 | Panel, aft, RS Wardrobe |
| 3. 965473 | Trim, TV support |
| 4. 800573-016 | Molding door edge, 1 3/32" |
| 5. 801179-006 | 1/2" paneling, G1S, Vinyl/Raw |
| 6. 800507-02 | 1/4" lauan |
| 7. 800599-656 | Drawer face, 8.00" x 10.50" |
| 8. 800597-546 | Door, raised panel, 10.75" x 14.50" |
| 9. 381526-03 | drawer slide, 18" |
| 10. 381835 | Handle, Chrome/Brass |
| 11. 965907-14 | Drawer box, 6" x 8.75" x 20" (Changed to 944907-02 during model year. |
| 11. 964907-02 | DRAWER BOX, 8.5" X 18" X 6" |

2005 LAND YACHT GAS FURNITURE, BEDROOM

Wardrobe Curbside, 26'



PN Next Page

2005 LAND YACHT GAS

FURNITURE, BEDROOM

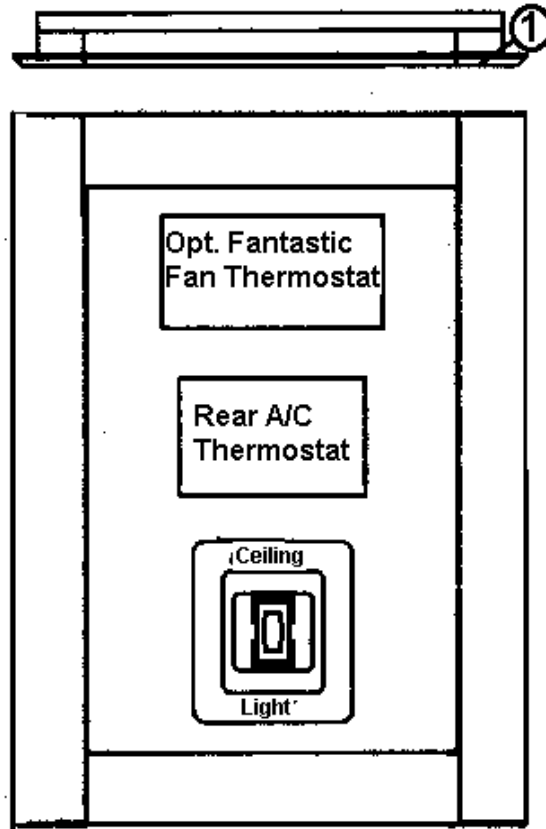
Wardrobe Curbside, 26'

965462-01	CS Wardrobe Assembly
1. 965480-006	Face frame, CS wardrobe
2. 380045	3/4" metal tubing
3. 380046	Chrome flange
4. 200975	Plastic conduit, black
5. 801506	1/2" Paneling, Ascot Sand/Raw
6. 801172-07	Corner molding, Ascot Sand
7. 381835	Handle, Chrome/Brass
8. 381836	Hinge, Bright Brass
9. 381228	Grabber door catch
10.800597-066	Raised panel door, 12.25" x 16.00"
11. 801333-016	Raised panel door, 12.25" x 48.75"
12. 381763	Hinge, bi-fold door
13. 511227-02	End cap fitting, brown
14. 511227-01	Raceway type L, brown
15. 201873	Cover shower, plumbing ABS
16. 801336-10	CS wardrobe panel, rear
17. 801336-13	CS wardrobe panel, front, not shown
801336-10	PANEL-CS WARDROBE REAR
801336-13	PANEL-CS WARDROBE FRONT
371262-66	MIRROR- SAFETY, 31.00" X 66.88"

2005 LAND YACHT GAS

FURNITURE, BEDROOM

Control Panel, 30' S/O, 33', 30'



964868 Control panel Assembly, Bedroom
1.964869 Frame, control panel
2. 386017 Decal, control panel backer

2005 LAND YACHT GAS

FURNITURE, BATH

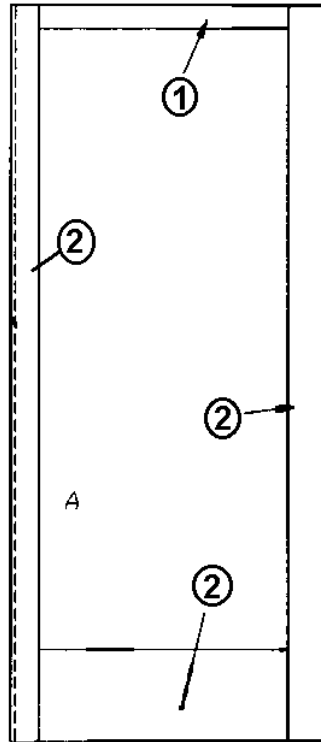
Bath Module, 33'

- | | |
|----------------|-------------------------------------|
| 1. 962216-016 | FACE FRAME-SHOWER |
| 2. 800882 | PANEL AFT BATH |
| 3. 800987 | PANEL FWD SHOWER |
| 4. 801072 | PANEL AFT SHOWER |
| 5. 801506 | PANEL, ASCOT SAND/RAW .5" X 4' X 8' |
| 6. 966123 | DOOR ASSY. SLIDING, BATH |
| 7. 381443-01 | SLIDING DOOR SET #71-222-5' |
| 8. 381443-02 | BUMPER STOP #7014 |
| 9. 381443-03 | ANGLE STOP #1018 |
| 10. 800880-016 | STILE AFT BATH PANEL |
| 11. 801172-07 | MOLDING-CORNER ASCOT SAND 8' |
| 12. 114811 | ALUM. ANGLE .50 X .50 |
| 13. 114811 | ALUM. ANGLE .50 X .50 |
| 14. 965893 | LAVY/TOILET STAND |
| 15. 201957 | SHOWER STALL - FIBERGLASS |
| 16. 690442-01 | TOILET L-PRO W/W.SAVER PARCHMENT |
| 702306-04 | SHOWER DOOR GOLD 27" PIVOT TYPE |
| 800880-016 | STILE AFT BATH PANEL |

2005 LAND YACHT GAS

FURNITURE, BATH

Face Frame, Shower, 33'



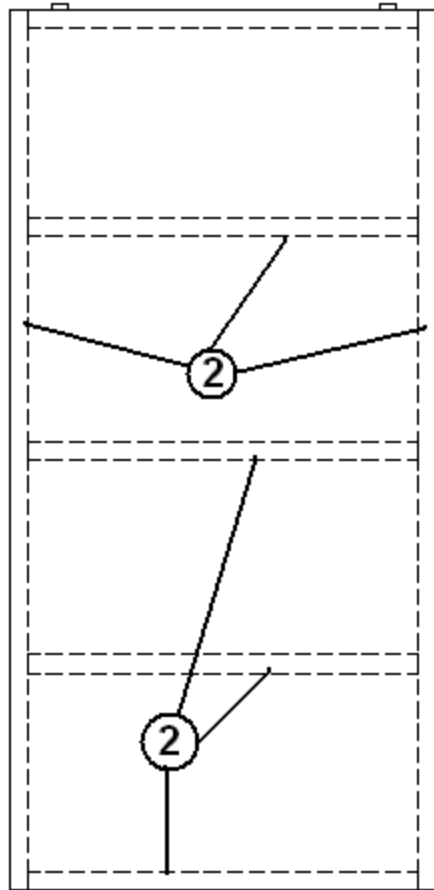
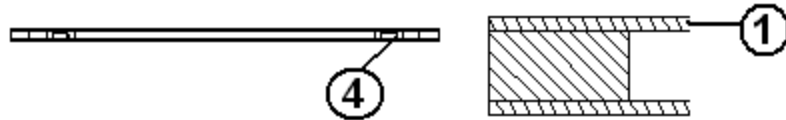
962216-016
1. 800581-04
2. 800248

Face Frame, Shower
Oak lumbar, 13/16" 2.5"
Oak lumbar, 13/16"

2005 LAND YACHT GAS

FURNITURE, BATH

Door, Bath, Sliding, 71" X 25.5", 33'



- | | |
|---------------|---------------------------------|
| 966123 | DOOR, SLIDING BATH |
| 1. 801181-006 | PANEL 5/32" G1S OAK/RAW 4' X 8' |
| 2. 800507-06 | LAUAN-.75" X 4' X 8' |
| 3. 201427 | FINGER PULL, LIGHT BROWN |
| 4. 200009 | SLIDING DOOR GUIDE |
| 365266-01 | EDGEBANDING-1.25"X .055", OAK |
| 365265-01 | EDGEBANDING-5/8" OAK |

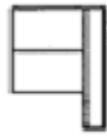
2005 LAND YACHT GAS

FURNITURE, BATH

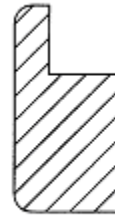
Door, Bath Jamb/Header, 33', 30', 30'S/O, 26'



①



②



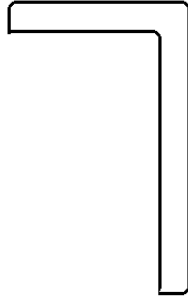
③

- | | |
|--------------|--------------------------|
| 1. 961410-01 | Bath doorjamb |
| 2. 963426-01 | Bath door header |
| 3. 800815-02 | Aft Bath Panel End Stile |

2005 LAND YACHT GAS

FURNITURE, BATH

Shower trim Molding, Oak, 1/2" x 1.13" angled, 26'

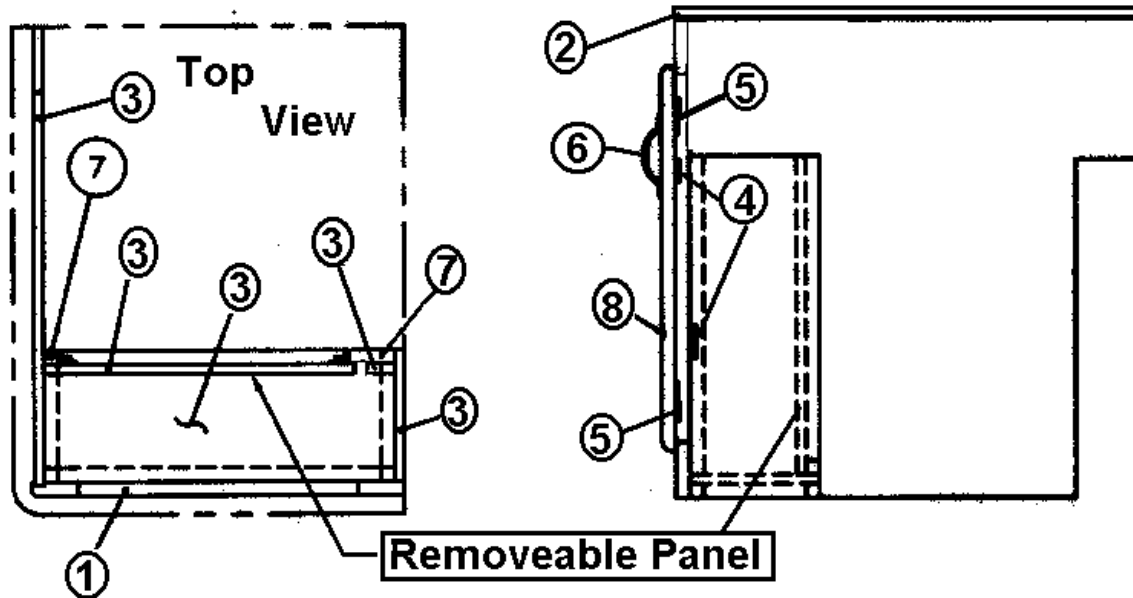


964822-006 Shower trim Molding, Oak, 1/2" x 1.13" angled

2005 LAND YACHT GAS

FURNITURE, BATH

Lavatory Cabinet, 33'

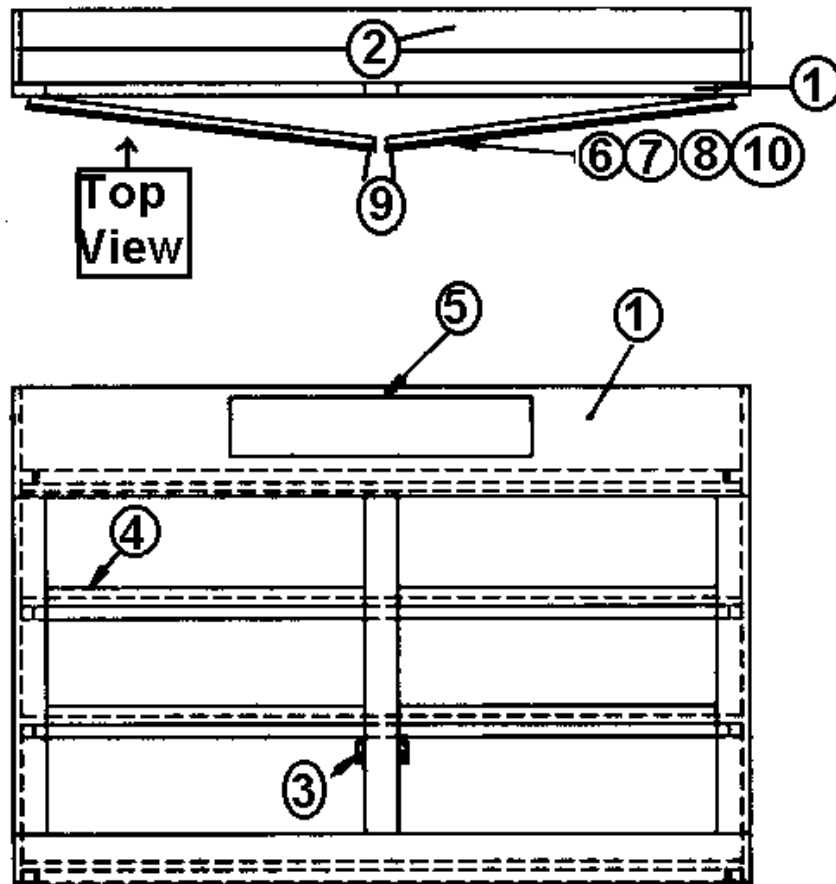


- | | |
|---------------|-----------------------------------|
| 965813-01 | Lavatory Assembly |
| 1. 961699-016 | Face frame, Lavatory cabinet |
| 2. 601910 | Lavatory top, Corian, Midnight |
| 2. 601910-01 | Lavatory top, Corian, Sandstone |
| 2. 601910-02 | Lavatory top, Corian, Everest |
| 3. 801180-006 | Panel, 1/2" G2S, oak/oak |
| 4. 381228-01 | Door grabber catch |
| 5. 381601 | Hinge, Antique Brass |
| 6. 381835 | Handle, Chrome/Brass |
| 7. 800031 | Pine, 3/4" x 2 1/2" |
| 8. 800597-036 | Drawer face, oak, 16.50" x 20.00" |

2005 LAND YACHT GAS

FURNITURE, BATH

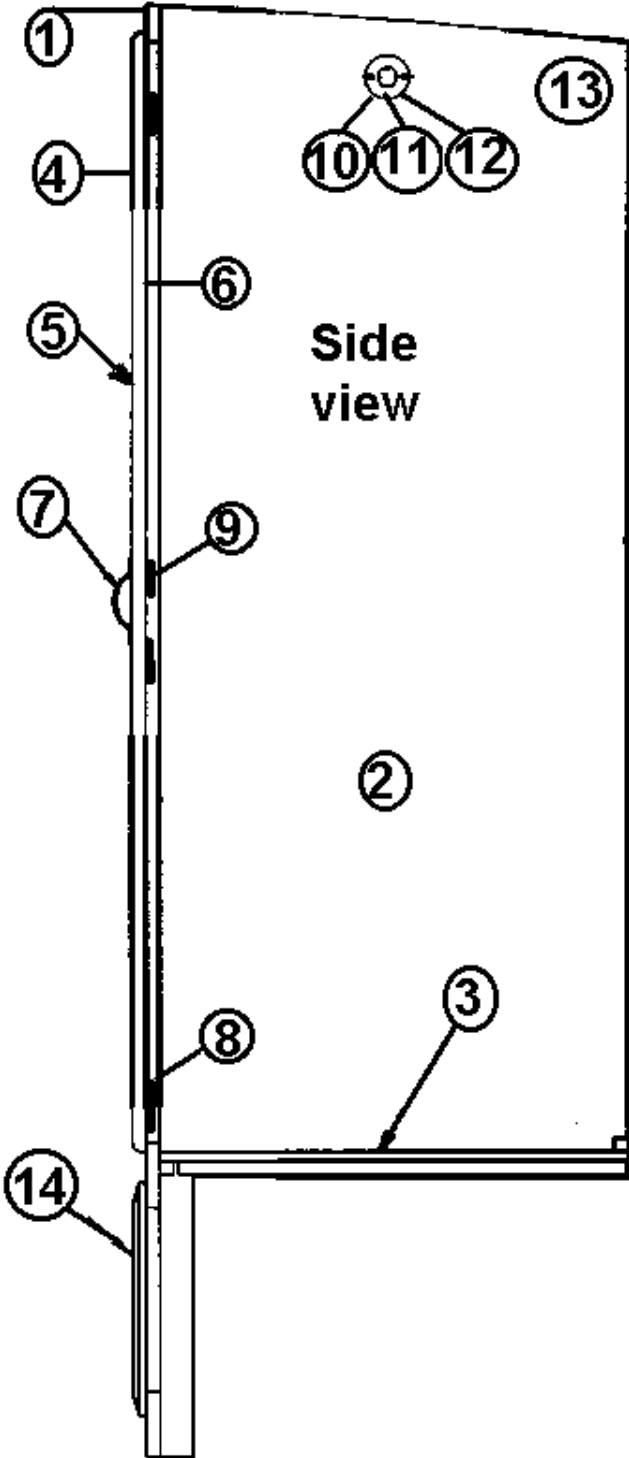
Medicine Cabinet Assembly, 33'



- | | |
|----------------|------------------------------|
| 963932-01 | Medicine Cabinet Assembly |
| 1. 961927-016 | Face frame, medicine cabinet |
| 2. 801180-006 | Panel, 1/2" G2S, Oak |
| 3. 381228 | Door grabber catch |
| 4. 800573-016 | 1 3/32" door edge molding |
| 5. 511052 | Light wall, 3-bulb, brass |
| 6. 372203-14 | Beveled mirror, 21" x 22" |
| 7. 381836 | Hinge, Bright Brass |
| 8. 365365-01 | 5/8" edge banding tape |
| 9. 385940 | Pull/mirror door |
| 10. 801179-006 | Panel, 1/2' oak/raw, 4' x 8' |

2005 LAND YACHT GAS
FURNITURE, BATH

Wardrobe, Curbside 33'



P/N Next page

2005 LAND YACHT GAS

FURNITURE, BATH

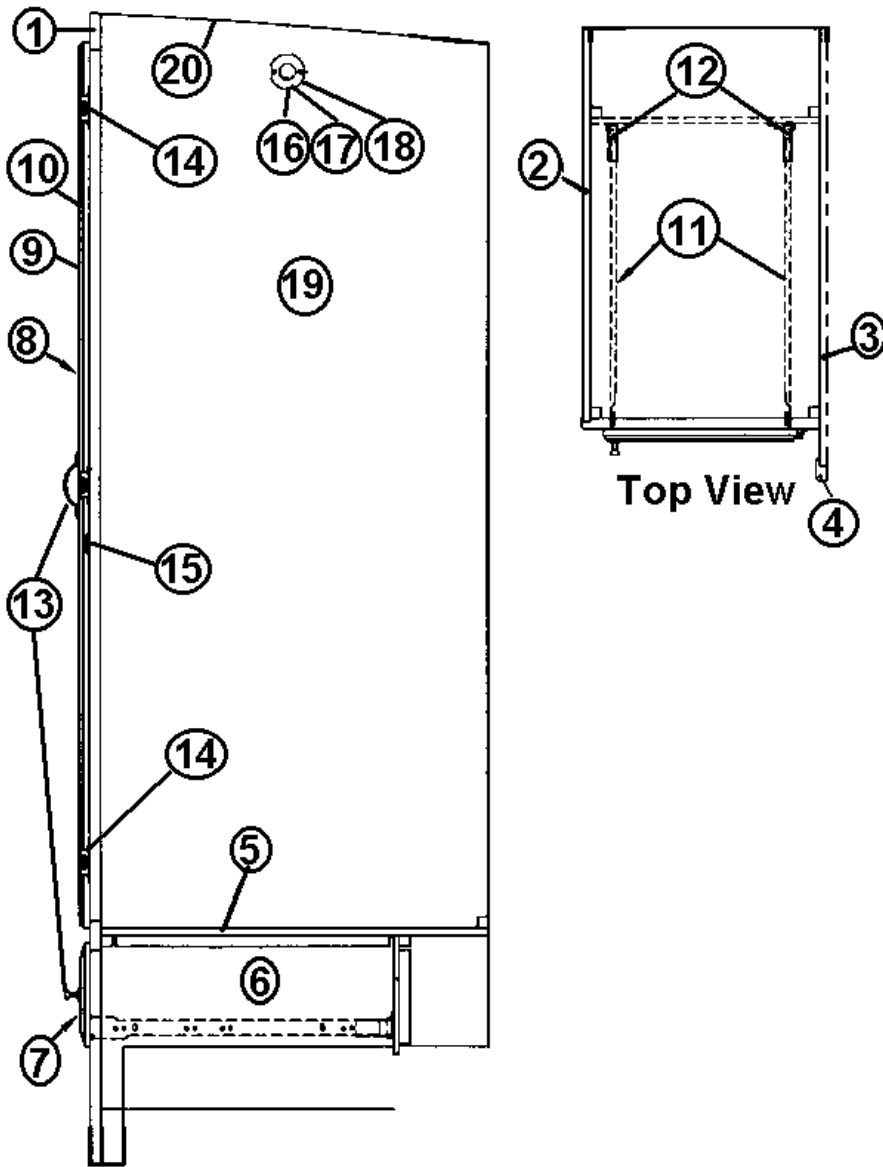
Wardrobe, Curbside 33'

963876	Wardrobe Assembly
1. 963875-016	Face frame, CS wardrobe
2. 801144	Panel, FWD CS Wardrobe
3. 801179-006	Panel, 1/2" G1S Oak/raw
4. 800557-156	Door frame, oak, smooth, 19" x 60.12"
5. 371262-10	Mirror, safety, 1/8" x 16.13" x 28.13"
6. 381574	Mirror clip
7. 381835	Handle, Chrome/Brass
8. 381836	Hinge, Bright Brass
9. 381228	Door gabber catch
10. 380045	3/4" tubing, metal
11. 380046	Chrome flange
12. 200975-04	Black flexible conduit
13. 500956	Wardrobe light, brown w/ switch
14. 800881-056	Louvered door, oak, 19" x 12.50"

2005 LAND YACHT GAS

FURNITURE, BATH

Wardrobe, Roadside, 33'



P/N Next page

2005 LAND YACHT GAS

FURNITURE, BATH

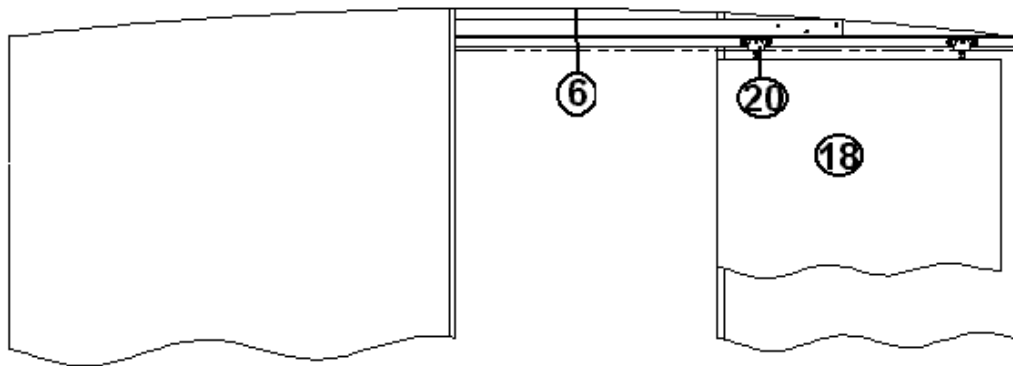
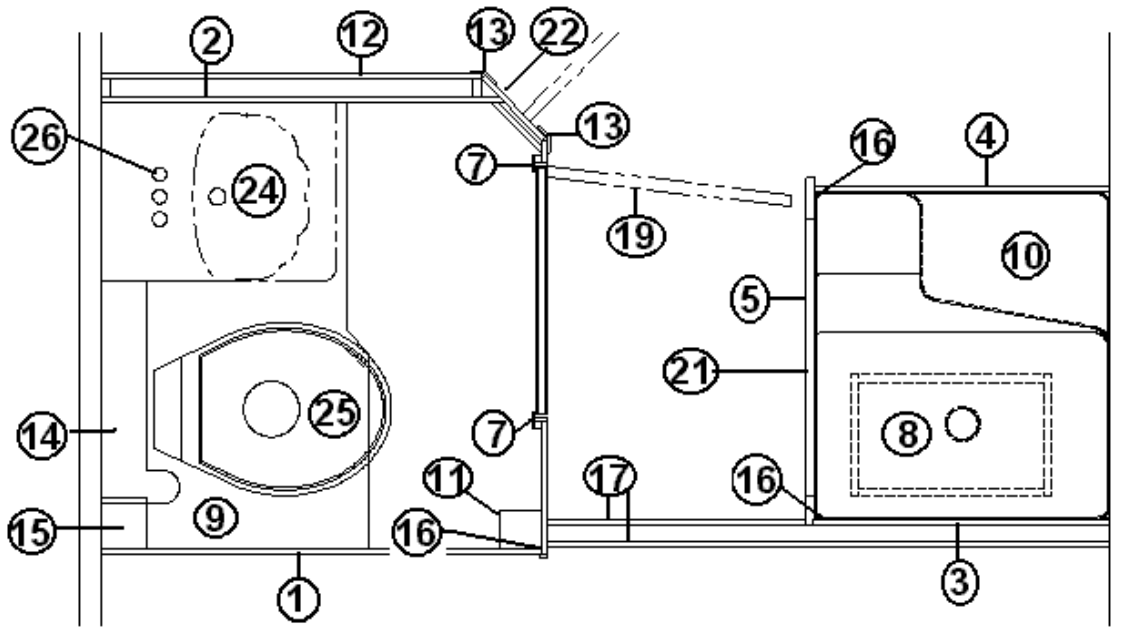
Wardrobe, Roadside, 33'

- 963890 RS Wardrobe Assembly, 33Ft.
1. 961710-016 Face frame, RS Wardrobe
 2. 800886 Panel, Aft RS Wardrobe
 3. 800887 Panel, FWD RS Wardrobe
 4. 800815-026 Stile-aft bath panel end
 5. 801508-006 Panel, 1/2", G1S, Vinyl/sand
 6. 964910-16 Drawer box, 10.81" x 20" x 5"
 7. 800599-526 Drawer face, 7" x 12.75"
 8. 800557-096 Door frame, 12.75" x 60.00"
 9. 371262-03 Mirrored safety glass, 9.88" x 28.12"
 10. 381574 Mirror clip
 11. 381526-04 Drawer slide, 20.00"
 12. 381526-06 Adjustable back socket, drawer slide
 13. 381835 Handle, Chrome/Brass
 14. 381836 Hinge, Bright Brass
 15. 381228 Door grabber catches
 16. 380045 3/4" tubing, metal
 17. 380046 Chrome flange
 18. 200975-04 Black flexible conduit
 19. 500956 Wardrobe light w Brown. switch
 20. 203138-01 Extrusion plastic wall, white
 - 201666-01 MOLDING-J 3/16" PLASTIC

2005 LAND YACHT GAS

FURNITURE, BATH

Bath Module, 30 S/O, 30'



P/N Next page

2005 LAND YACHT GAS

FURNITURE, BATH

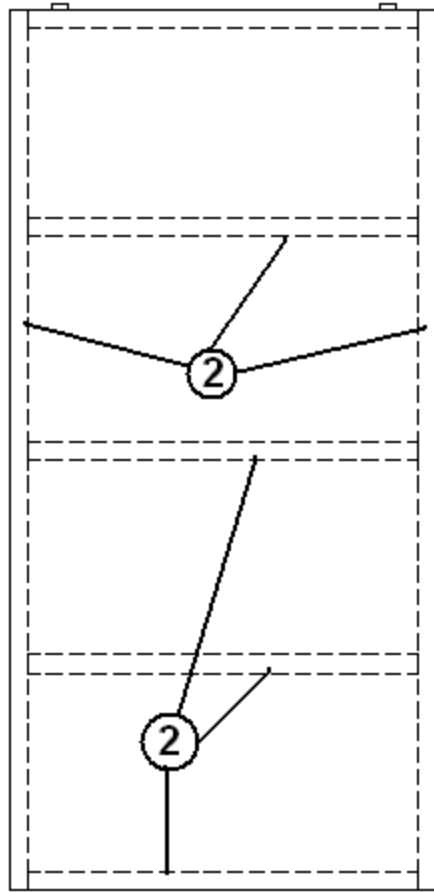
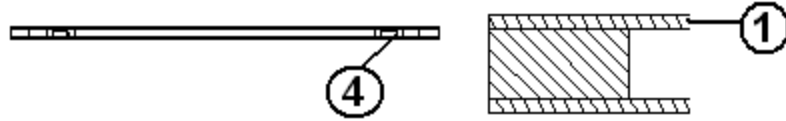
Bath Module, 30 S/O, 30'

1. 801057-01	PANEL AFT BATH
2. 801462-05	PANEL-FWD BATH
3. 801462-03	PANEL-AFT SHOWER
4. 801462-02	PANEL-FWD SHOWER
5. 965859-016	FACE FRAME-SHOWER
6. 963426-016	HEADER BATH DOOR
7. 961410-016	JAMB-BATH DOOR
8. 962792	SHOWER STAND ASSEMBLY
9. 965925	STAND ASSY-TOILET
10. 203001	SHOWER STALL ALMOND
11. 964024	VENT CLOSE OUT BATH
12. 801462-06	PANEL-FWD BATH
13.801172-07	MOLDING-CORNER ASCOT SAND 1.88"
14.965580	Plumbing/heat duct cover
15.965878	CLOSEOUT ASSY-VENT PIPE
16.114811	ALUMINUM ANGLE .50 X .50
17.801180-006	PANEL 1/2" WOOD VINYL G2S
18.966122	DOOR SLIDER ASSEMBLY
19.962782-01	DOOR ASSY BATH SWINGING
20.381443-01	SLIDING DOOR SET
21.203004	SHOWER CAP PLASTIC FORMED
22.702306-02	SHOWER DOOR GOLD, 26" OPENING
23.801506	PANEL, ASCOT SAND/RAW .5" X 4 ' X 8'
24.200406-06	LAVY BOWL OVAL PARCHMENT CSA
25.690442-01	TOILET LOW-PROFILE W/WATER SAVER
26.601892	FAUCET MOEN VELETTA LAVY CHROME
801057-15	PANEL, FWD BATH

2005 LAND YACHT GAS

FURNITURE, BATH

Door, Bath, Sliding, 71" X 25.5", 30' S/O, 30'

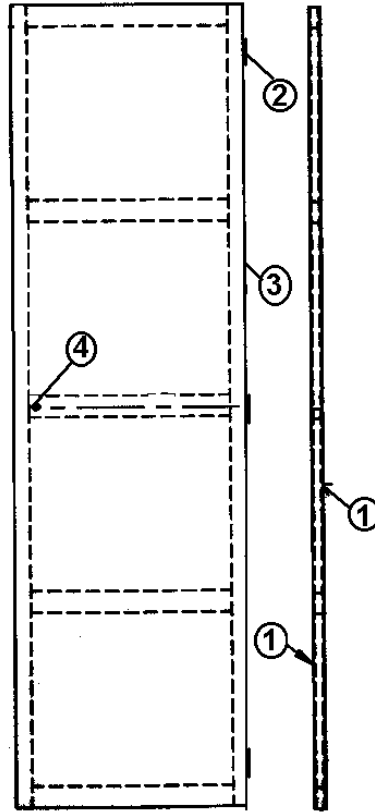


- | | |
|---------------|---------------------------------|
| 966122 | DOOR, SLIDING BATH |
| 1. 801181-006 | PANEL 5/32" G1S OAK/RAW 4' X 8' |
| 2. 800507-06 | LAUAN-.75" X 4' X 8' |
| 3. 201427 | FINGER PULL, LIGHT BROWN |
| 4. 200009 | SLIDING DOOR GUIDE |
| 365266-01 | EDGEBANDING-1.25"X .055", OAK |

2005 LAND YACHT GAS

FURNITURE, BATH

Door Bath, Swinging, 30 S/O, 26'

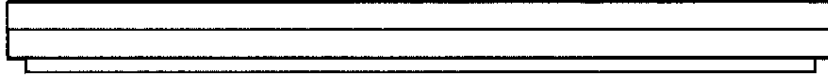


962782-02	Swinging Bath Door Assembly
1. 801181-006	Panel, 5/32", G1S, Oak/Raw
2. 381072	Hinge, 3" x 1 7/8", open gold
3. 365366-01	Edge banding tape, 1 1/4" Natural Oak
381022	Latch, bathroom, lockable
381443-01	SLIDING DOOR SET #71-222-5'
381443-02	BUMPER STOP
800572-016	MOLDING PANEL EDGE 23/32" X 80
801178-06	MOLDING, FLAT .81" ASCOT 8'
381443-03	ANGLE STOP

2005 LAND YACHT GAS

FURNITURE, BATH

Door, Bath, Header, 30' S/O



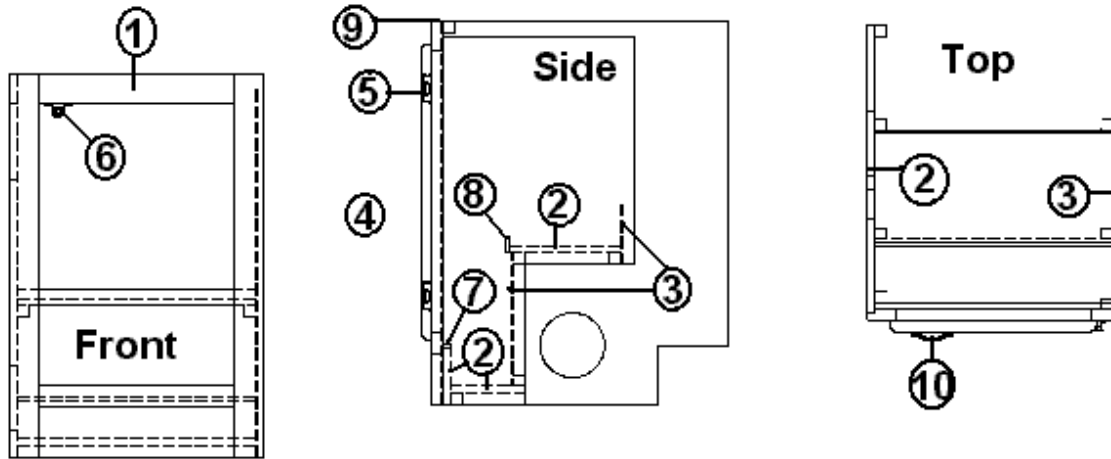
963426-026

Bath Door Header

2005 LAND YACHT GAS

FURNITURE, BATH

Lavatory Cabinet, 30 S/O



965882

Lavatory Cabinet Assembly, 30 S/O

1. 962956-016

FACE FRAME LAVY CABINET

2. 801180-006

PANEL 1/2" WOOD VINYL G2S

3. 801181-006

PANEL 5/32" G1S WOOD/RAW 4'X8'

4. 800597-026

DOOR- RAISED PANEL, 14.00" X 20.00"

5. 381836

HINGE-BRITE BRASS

6. 381228-01

CATCH GRABBER DOOR

7. 800571-016

MOLDING FLAT .52"W X 80"

8. 800573-016

MOLDING DOOR EDGE 1-3/32 X 80

9. 601934

LAVY TOP ASSEMBLY, CORIAN, MIDNIGHT

9. 601934-01

LAVY TOP ASSEMBLY, CORIAN, SANDSTONE

9. 601934-02

LAVY TOP ASSEMBLY, CORIAN, EVEREST

10. 381835

HANDLE-CHROME/BRASS

200406-06

LAVY BOWL OVAL PARCHMENT CSA

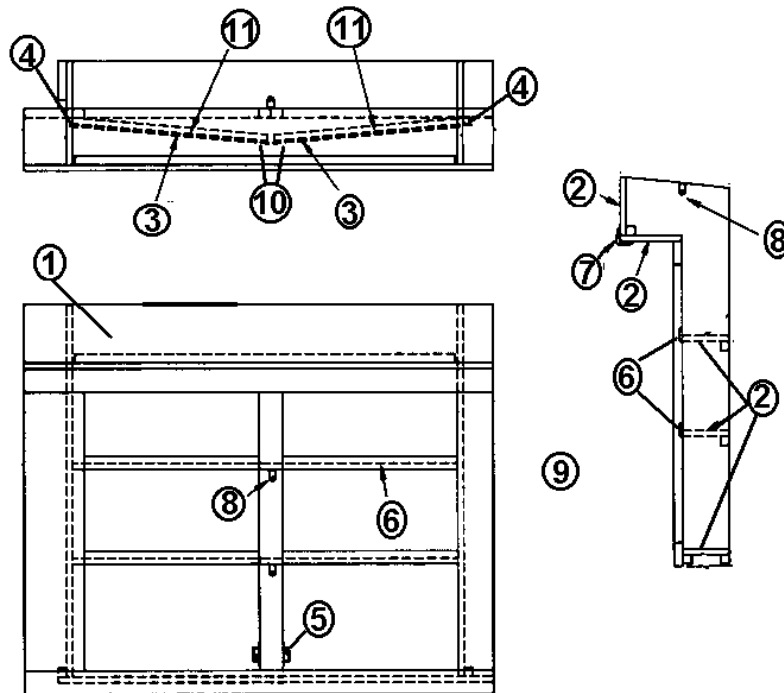
380034

TOILET PAPER HOLDER, CHROME

2005 LAND YACHT GAS

FURNITURE, BATH

Medicine Cabinet, 30' S/O, 30'

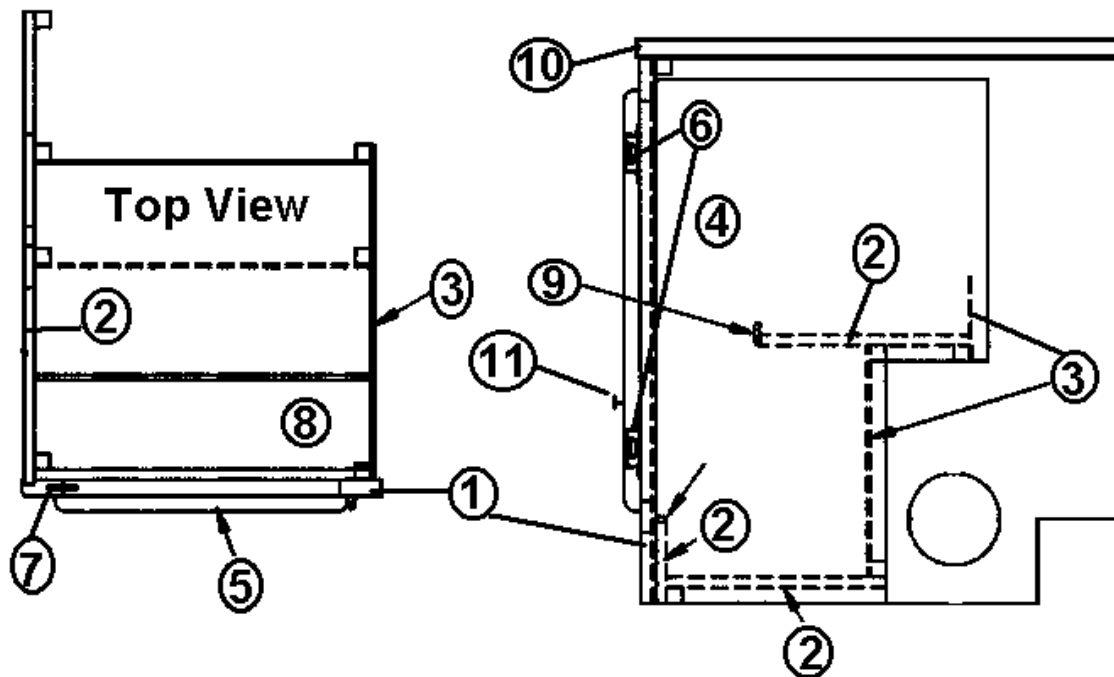


- | | |
|----------------|-----------------------------------|
| 963931-01 | Medicine Cabinet Assembly |
| 1. 962750-016 | Face frame, medicine cabinet |
| 2. 801180-006 | Panel, 1/2" G2S, Oak |
| 3. 372203-15 | Mirror, beveled, 17.00" x 25.25" |
| 4. 381836 | Hinge, Bright Brass |
| 5. 381228-01 | Grabber door catch |
| 6. 800573-016 | Door edge molding, 1 3/32" x 80" |
| 7. 800575-016 | Corner molding, 80" length |
| 8. 380041 | Stanley corner brace |
| 9. 365265-01 | 5/8" edge banding tape, not shown |
| 10. 385940 | Mirror pull, door |
| 11. 801179-006 | Panel, oak/raw |

2005 LAND YACHT GAS

FURNITURE, BATH

Lavatory Cabinet, 30'

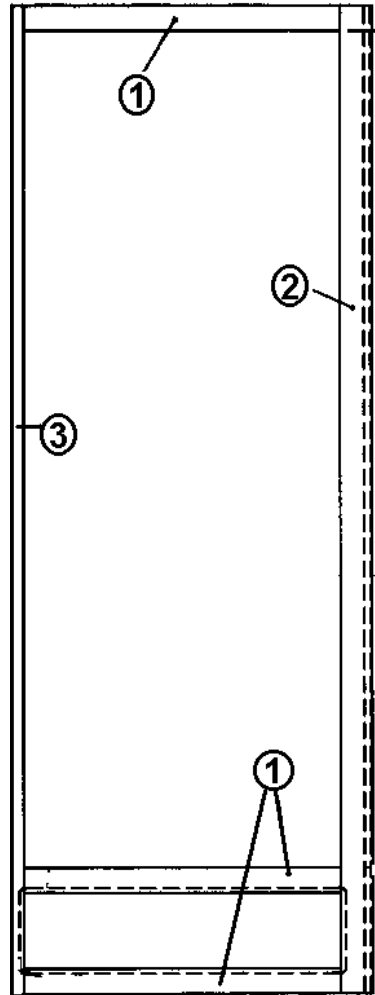


- | | |
|---------------|---|
| 965814-01 | Lavatory Cabinet Assembly |
| 1. 962956-016 | Face frame, Lavatory cabinet |
| 2. 801180-006 | Panel, 1/2" oak/oak, G2S |
| 3. 801181-006 | Panel, 5/32", G1S, oak/raw |
| 4. 380034 | Toilet paper holder, chrome |
| 5. 800597-026 | Raised panel door, 14" x 20" |
| 6. 381836 | Hinge, Bright Brass |
| 7. 381228-01 | Door grabber catch |
| 8. 800571-016 | Wood molding, flat, 1/4" x 33/64" x 80" |
| 9. 800573-016 | Molding, door edge, 1 3/32 x 80" |
| 10. 601909 | Lavatory top, Corian, Midnight |
| 10. 601909-01 | Lavatory top, Corian, Sandstone |
| 10. 601909-02 | Lavatory top, Corian, Everest |
| 11. 381835 | Handle, Chrome/Brass |

2005 LAND YACHT GAS

FURNITURE, BATH

Shower, Face Frame, 30'

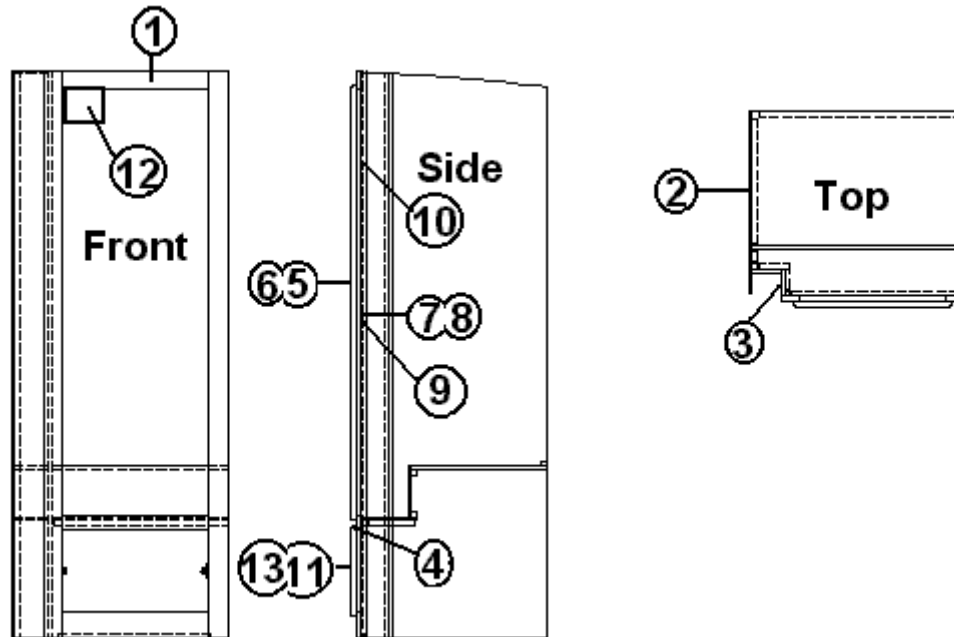


- | | |
|--------------|------------------------------|
| 962747-016 | Face Frame, Shower |
| 1. 800581-02 | Oak lumbar, 13/16" x 2.0" |
| 2. 800581-04 | Oak lumbar, 13/16" x 2.5" |
| 3. 800428 | Oak lumbar, hardwood, 13/16" |

2005 LAND YACHT GAS

FURNITURE, BATH

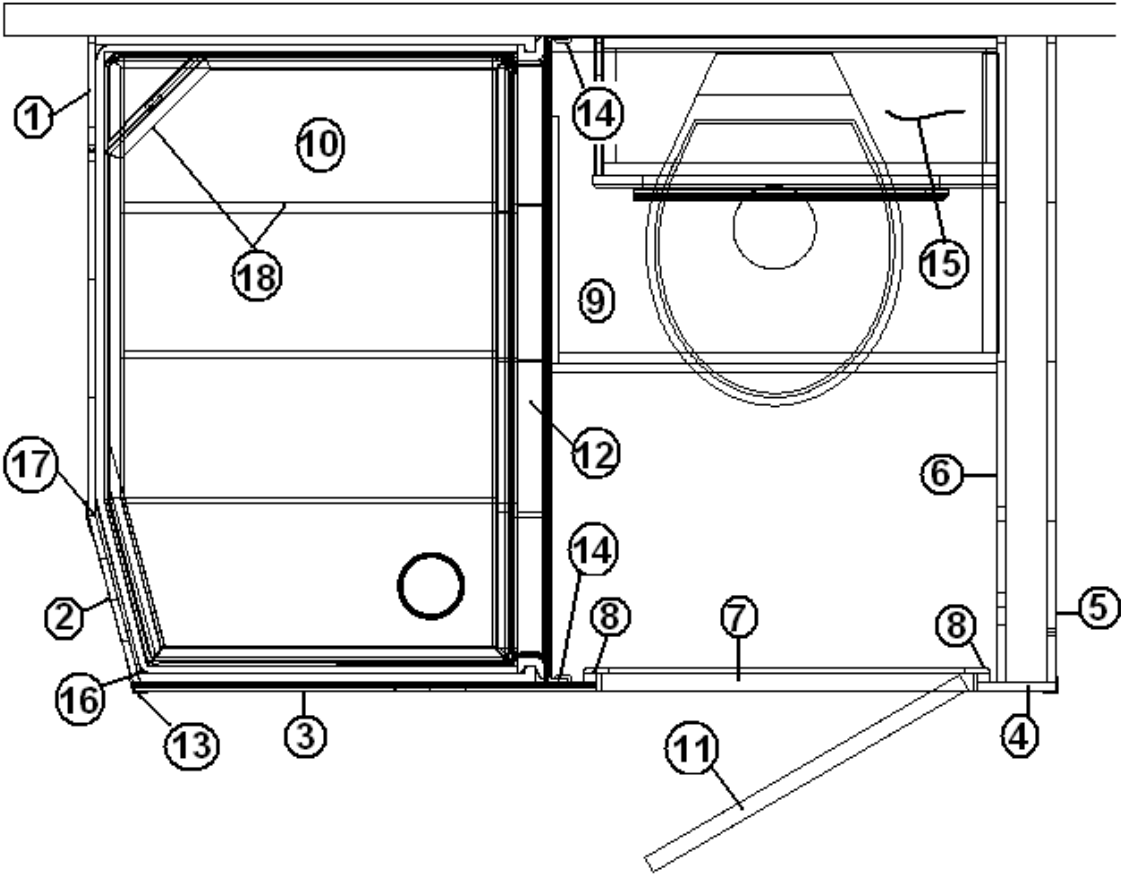
Wardrobe, Curbside, 30' S/O, 30'



- | | |
|----------------|----------------------------------|
| 965861 | Curbside Wardrobe, 30' S/O |
| 1. 965860-016 | FACE FRAME-WARDROBE CS |
| 2. 801462-01 | PANEL-FORWARD WARDROBE |
| 3. 801180-006 | PANEL 1/2" WOOD VINYL G2S |
| 4. 381228-01 | CATCH GRABBER DOOR C3-803 |
| 5. 800557-106 | DOOR FRAME ONLY 22.00" X 60." |
| 6. 371262-04 | MIRROR- SAFETY- 19.12" X 28.12" |
| 7. 801181-006 | PANEL 5/32" G1S WOOD/RAW 4' X 8' |
| 8. 381754 | MIRROR CLIP |
| 9. 381228 | CATCH GRABBER DOOR C3-810 |
| 10. 381836 | HINGE-BRITE BRASS |
| 11. 800599-706 | DRAWER FACE, 12.50" X 21.50" |
| 12. 500956 | LIGHT, BROWN, W/SWITCH |
| 13. 381835 | HANDLE-CHROME/BRASS |

2005 LAND YACHT GAS FURNITURE, BATH

Bath Module, 26'



Part Numbers Are on the Next Page

2005 LAND YACHT GAS

FURNITURE, BATH

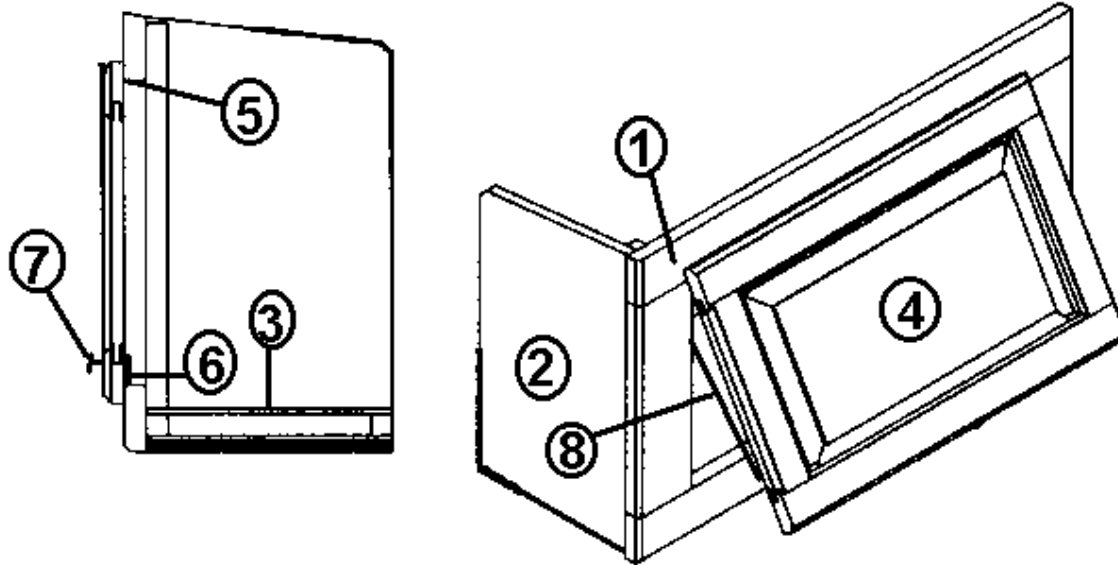
Bath Module, 26'

1. 801336-01	PANEL-AFT SHOWER
2. 801336-02	PANEL-AFT SHOWER
3. 801336-03	PANEL-AFT BATH DOOR
4. 801336-04	PANEL-FWD BATH DOOR
5. 801336-05	PANEL-AFT DINETTE/L-SOFA
6. 801336-06	PANEL-FWD STOOL ROOM
7. 963426-026	HEADER-BATH DOOR
8. 961410-016	JAMB-BATH DOOR
9. 965455	TOILET STAND
10. 203318-02	SHOWER STALL FIBERGLASS
11. 962782-02	DOOR ASSY BATH SWINGING
12. 601878	DOOR-SHOWER-TRI-SLIDE
13. 801172-016	MOLDING CORNER WOODGRAIN
14. 964822-006	MOLDING-SHOWER STALL TRIM
15. 965459-01	WATER CLST ROOFLOCKER
16. 115060-02	ALUM ANGLE CENTER SECT
17. 115060-01	ALUM ANGLE INNER-CORNER SHWR
18. 965490	ASSY. SHOWER STAND

2005 LAND YACHT GAS

FURNITURE, BATH

Medicine Cabinet, Over Lavatory, 26'



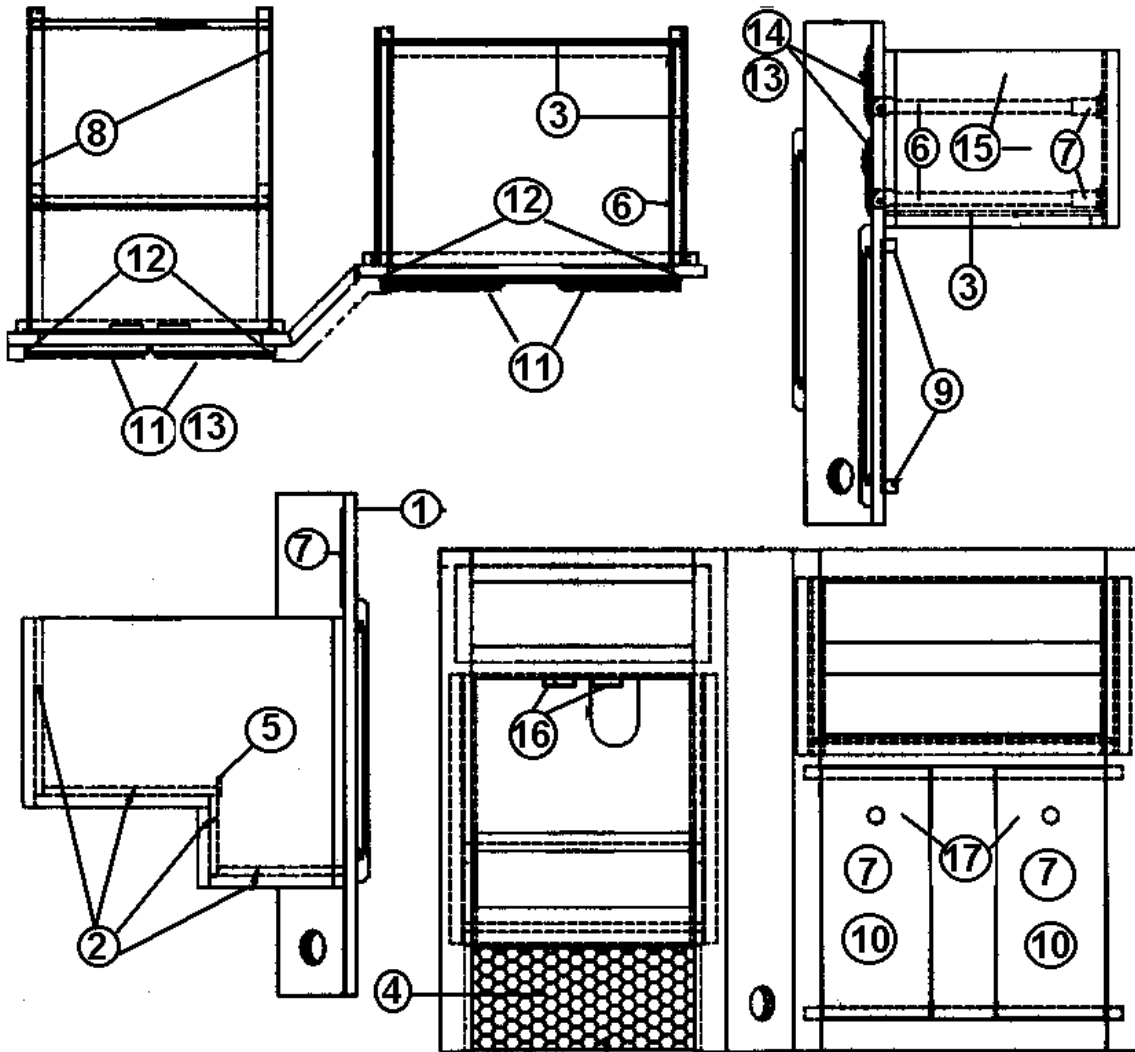
- 965459-01
1. 965458-006
2. 801180-006
3. 801181-006
4. 800597-766
5. 381836
6. 381228-01
7. 381835
8. 381147

- Medicine Cabinet, Over Lavatory
Face frame, W/C Overhead
Panel, 1/2" wood vinyl G2S
Panel, 5/32" G1S, Oak/Raw 4' x 7'
Door, raised panel, 11.50" x 19.00"
Hinge, Bright Brass
Door grabber catch
Handle, chrome/brass
Door support, spring loaded

2005 LAND YACHT GAS

FURNITURE, BATH

Lavatory Base, 26'



P/N next page

2005 LAND YACHT GAS

FURNITURE, BATH

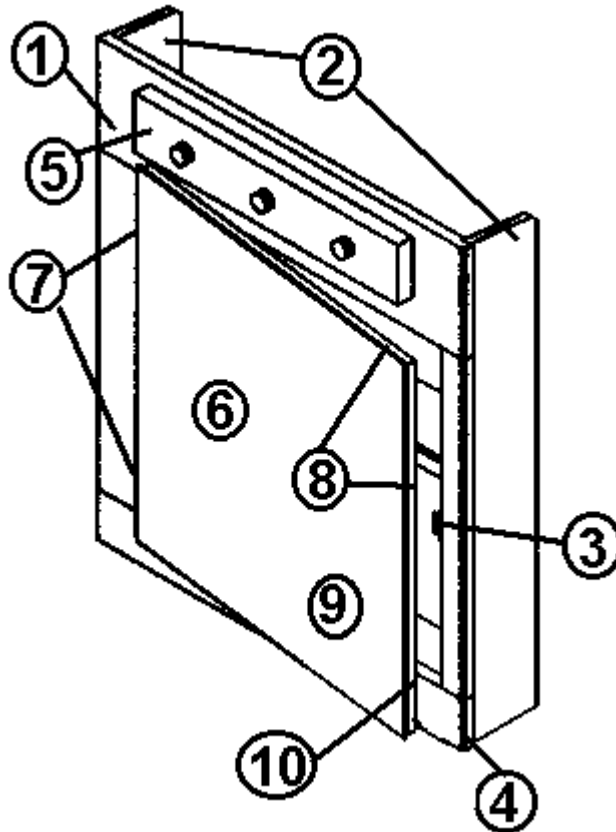
Lavatory Base, 26'

- | | |
|----------------|-------------------------------------|
| 965463-02 | Lavatory Base Assembly 26 FT. |
| 1. 965474-006 | Lavatory face frame base |
| 2. 801179-006 | Panel, 1/2" G1S, vinyl/raw, 4' x 7' |
| 3. 800507-02 | Lauan, 1/4" x 4' x 8' |
| 4. 800599-83 | Drawer face, 5" x 15.50" |
| 5. 800573-016 | Hardwood, flat molding |
| 6. 381526-01 | Drawer slide, 14" |
| 7. 801181-006 | Panel, 5/32", G1S, Oak/Raw, 4' x 8' |
| 8. 381526-06 | Adjustable rear bracket, pair |
| 9. 800025-01 | 3/4" x 3/4' stained pine bat |
| 10. 381386 | Dual lock #170 |
| 11. 800597-566 | Door, raised panel, 7.75" x 17.50" |
| 12. 381836 | Hinge, Bright Brass |
| 13. 381835 | Handle, Chrome/Brass |
| 14. 800599-696 | Drawer face, 4.75" x 19.00" |
| 15. 964906-19 | Drawer box, 2.75" x 17.00" x 19.00" |
| 16. 381228-01 | Door grabber catch |
| 17. 385269 | Label, DON'T USE AREA FOR STORAGE |
| 18. 601933 | Lavatory top, Corian, Midnight |
| 18. 601933-01 | Lavatory top, Corian, Sandstone |
| 18. 601933-02 | Lavatory top, Corian, Everest |
| 381526-01 | DRAWER SLIDE-950-RV 14" 350MM PER |

2005 LAND YACHT GAS

FURNITURE, BATH

Medicine Cabinet, 26'

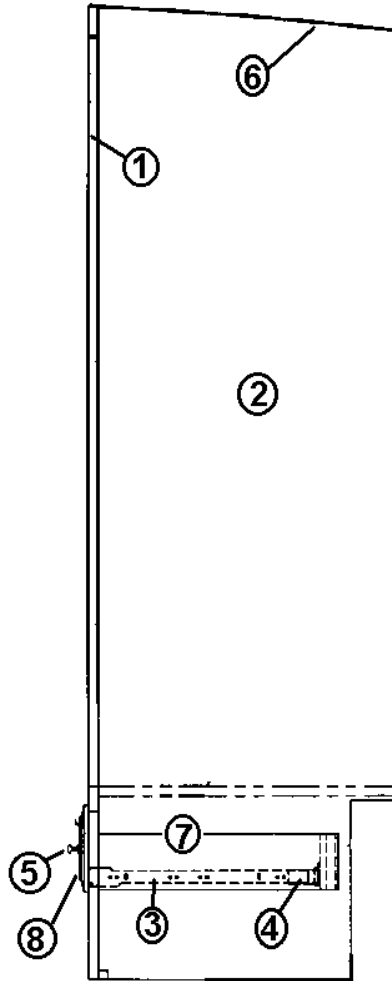


- | | |
|----------------|---|
| 965479 | Medicine Cabinet |
| 1. 965478-006 | Face frame, medicine Cabinet |
| 2. 801180-006 | Panel, 1/2" Wood/vinyl, G2S |
| 3. 381228 | Grabber door catch |
| 4. 800573-016 | Molding door edge, 1 3/32" x 80" |
| 5. 511052 | Wall light 3 bulb #526 Brass |
| 6. 372203-14 | Mirror, polished edges, 21.00" x 22.00" |
| 7. 381836 | Hinge, Bright Brass |
| 8. 365265-01 | Edge banding tape, 5/8" |
| 9. 385940 | Mirror pull, brass |
| 10. 801179-006 | Panel, 1/2" G1S, vinyl/raw, 4' x 7' |
| 381754 | MIRROR CLIP R2 |

2005 LAND YACHT GAS

FURNITURE, GALLEY

Refrigerator Cabinet, 33'

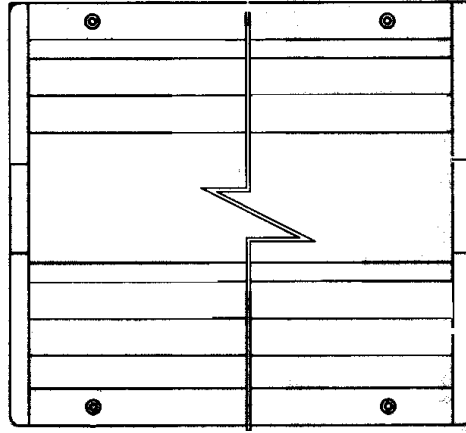


963879	Refrigerator Cabinet, 33 Ft
1. 963880-016	Face frame, refer cabinet
2. 801143	Panel, forward refer
3. 381526-03	Drawer slide, 18"
4. 381526-06	Adjustable rear bracket
5. 381835	Handle, Chrome/Brass
6. 203138-03	Extrusion plastic, wall beige
7. 964910-03	Drawer box, 19.50" x 18.00" x 5.00"
800599-216	Drawer face, 7.00" x 23.00"

2005 LAND YACHT GAS

FURNITURE, GALLEY

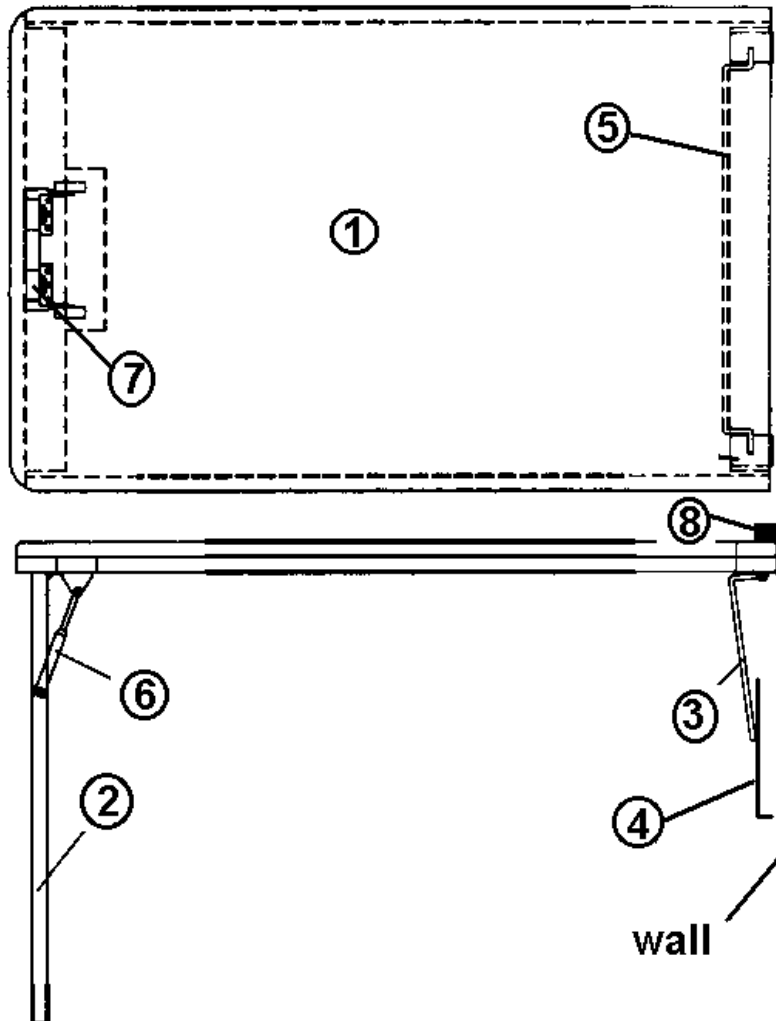
Spice Rack, 33', 30', 30' S/O



963991-006 Spice Rack, Oak

2005 LAND YACHT GAS FURNITURE, GALLEY

Dinette Table, 33'

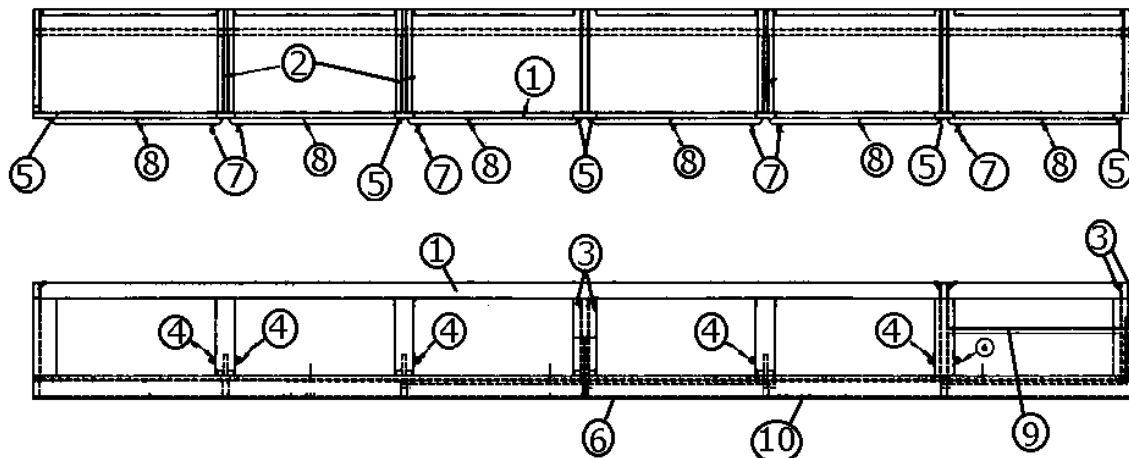


- | | |
|---------------|-----------------------------|
| 962720-03 | Dinette Table Assembly |
| 1. 801054-006 | Oak top, 21" x 32" |
| 2. 962177-036 | Hard wood leg, 27.50" |
| 3. 380284-01 | Table hinge-bracket |
| 4. 340018 | Catch plate, J-1 |
| 5. 340015 | Center hinge, J-4 |
| 6. 381147 | Door support, spring loaded |
| 7. 380210 | Hinge, plain steel |
| 8. 963654-06 | Backsplash, dinette table |

2005 LAND YACHT GAS

FURNITURE, GALLEY

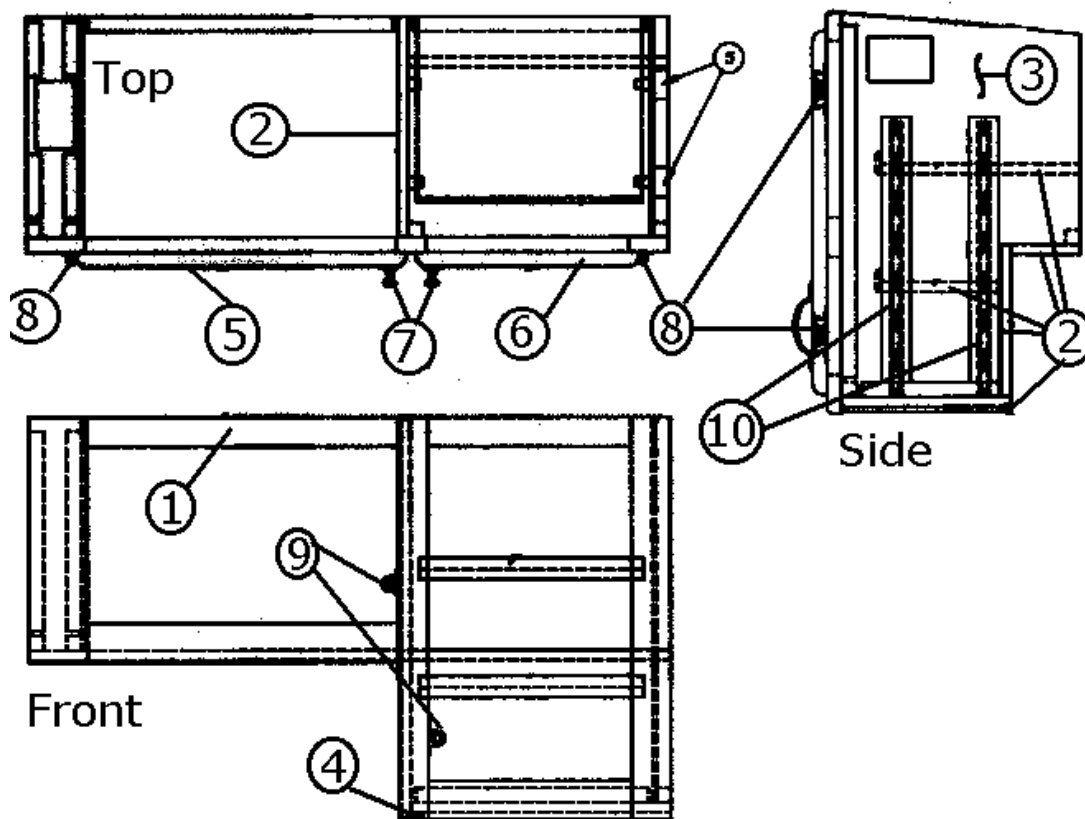
Roof Locker, Roadside Galley & Dinette, 33'



- | | |
|---------------|--|
| 964147 | RS & Dinette Roof Locker Assembly, 33' |
| 1. 964145-006 | Face frame, dinette & RS roof locker |
| 2. 801180-006 | Panel, 1/2" G2S |
| 3. 801181-006 | Panel, 5/32", G1S |
| 4. 381228-01 | Door grabber catch |
| 5. 381836 | Hinge, Bright Brass |
| 6. 511694-01 | Reading Light, halogen nickel/brass |
| 7. 381835 | Handle, Chrome/Brass |
| 8. 800597-556 | Door, raised panel, 11.50" x 22.00" |
| 9. 800573-016 | Molding, door edge, 1-3/32" x 80" |
| 10. 511694-01 | Reading light |

2005 LAND YACHT GAS FURNITURE, GALLEY

Roof Locker, Galley Overhead, 33'

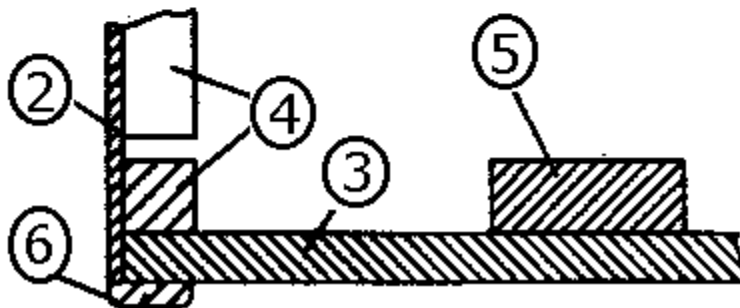
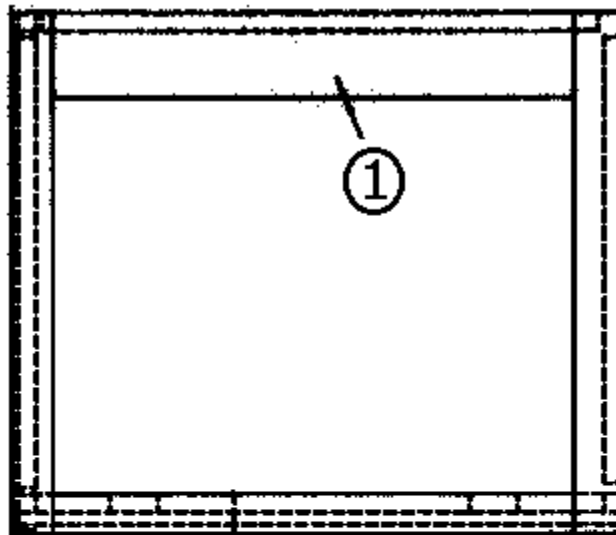


- | | |
|--|--|
| <p>963896</p> <p>1. 962843-016</p> <p>2. 801180-006</p> <p>3. 801181-006</p> <p>4. 800573-016</p> <p>5. 800597-776</p> <p>6. 800597-606</p> <p>7. 381835</p> <p>8. 381836</p> <p>9. 381228-01</p> <p>10. 381527</p> <p>511249</p> <p>962846-01</p> <p>962845-016</p> | <p>Galley Over head Cabinet Assembly, 33'</p> <p>Face frame, galley overhead</p> <p>Panel, 1/2", G2S, Oak/Oak</p> <p>Panel, 5/32" G1S, Oak/Oak</p> <p>Molding, door edge, Oak 1 3/32" x 80"</p> <p>Door, smooth 11.50" x 18.00"</p> <p>Door, smooth, 17.00' x 10.00"</p> <p>Handle, Chrome/Brass</p> <p>Hinge, Bright Brass</p> <p>Door, grabber catch</p> <p>Speedy shelf strips, 18"</p> <p>LIGHT, INCANDESCENT DOUBLE</p> <p>End cap, galley roof locker</p> <p>FRAME END CAP GALLEY OVERHEAD</p> |
|--|--|

2005 LAND YACHT GAS

FURNITURE, GALLEY

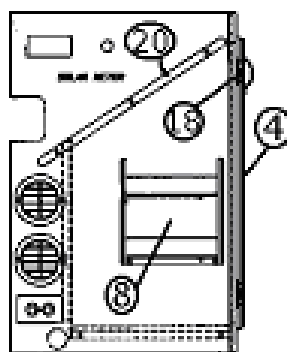
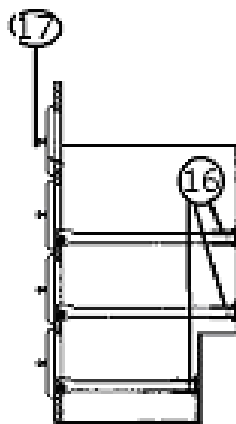
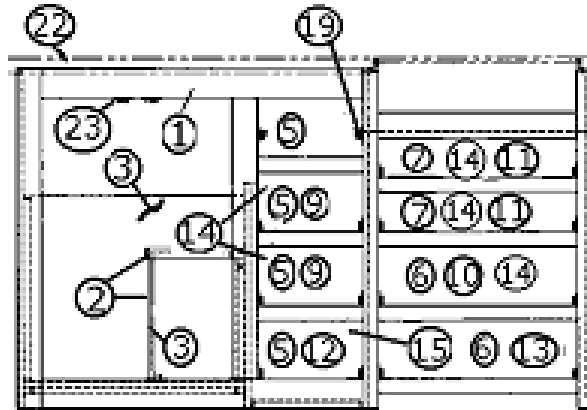
Microwave Cabinet, 33', 26'



- | | |
|---------------|---------------------------------------|
| 961040-01 | Microwave Cabinet Assembly, CS |
| 1. 961038-016 | Face frame microwave cabinet, CS |
| 1. 966100-006 | Face frame microwave cabinet, CS, CSA |
| 2. 801181-006 | 5/32", oak G1S, paneling |
| 3. 801180-006 | 1/2" Oak G1S, paneling |
| 4. 800025-01 | Pine, .75" x .75" |
| 5. 800028 | Pine, .75" x 1.50" |
| 6. 800572-016 | Trim, flat, oak, .75" x 20.25" |

2005 LAND YACHT GAS FURNITURE, GALLEY

Galley, 33'



Part Numbers Next Page

2005 LAND YACHT GAS

FURNITURE, GALLEY

Galley, 33'

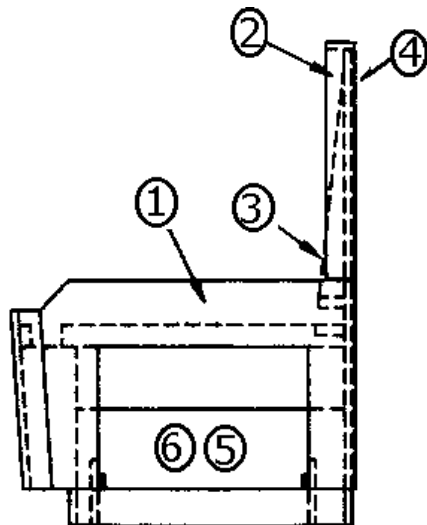
964576-07	Galley Assembly, 60"
1. 964577-006	Face frame, galley
2. 801181-006	5/32" oak G1S, paneling
3. 801180-006	1/2" Oak G1S, paneling
4. 800597-746	Door, raised panel, 10.25" x 29.50"
5. 800599-026	Drawer face, 7.00" x 11.75"
6. 800599-386	Drawer face, 7.00 x 21.00"
7. 800599-586	Drawer face, 4.75" x 21.50"
8. 963990-006	Magazine rack
9. 964910-02	Drawer box, 10" x 18" x 5"
10. 964910-03	Drawer box, 19.50" x 18" 5"
11. 964906-02	Drawer box, 19.50" x 18.00" 2.75"
12.964910-07	Drawer box, 10" x 14" x 5"
13.964910-06	Drawer box, 19.50" x 14." x 5."
14.381526-03	Drawer slide, 18"
15.381526-01	Drawer slide, 14"
16.381526-06	Drawer slide back socket
17.381835	Handle, Chrome/Brass
18.381836	Hinge, Bright Brass
19.381074	Bull dog catch
20.800631-006	Handrail, 23"
21.511361	Light, courtesy, black flush
22.601922	Galley top assembly, Midnight
22. 601922-01	Galley top assembly, Sandstone
22. 601922-02	Galley top assembly, Everest
23.*601969	Galley top assembly, Midnight
22. *601969-01	Galley top assembly, Sandstone
22. *601969-02	Galley top assembly, Everest
24.381228-01	Door grabber catch
25.800571-016	Molding, flat, 1/4" x 33/64" x 80"
26.800573-016	Molding, door, oak, 1 3/32" x 80"
26. 601244-03	Register, rotaire, black
200980-01	Tray, silverware
381491	Trash container, roll out

*Used after unit 641388

2005 LAND YACHT GAS

FURNITURE, GALLEY

Dinette Seat, RH, 33'



964492-01

Dinette Seat, RH

1. 964494

Dinette seat sub-assembly, RH

2. 964496

Dinette back sub assembly, RH

3. 964498

Dinette cushion support, RH

4. 964500-02

Upholstered back, RH

5. 964908-03

Drawer box, 13.25" x 20.00" x 8.00"

6. 381526-05

Drawer slide, 22.00"

381576

Handle, Brass

964334-02

Flex spring-seat, 20.25" x 38.00", RH

703125-03

Top dinette seat, urethane buff

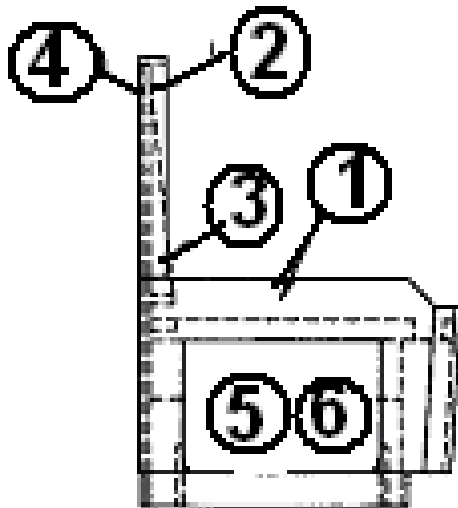
800470-006

STOP-HARDWOOD

2005 LAND YACHT GAS

FURNITURE, GALLEY

Dinette Seat LH, 33'



964493-01

Dinette Seat, LH

1 964495

Dinette seat assembly, LH

2. 964497

Dinette back sub assembly, LH

3. 964499

Dinette cushion support, LH

4. 964500-02

Upholstered back, RH

5. 964908-03

Drawer box, 13.25" x 20.00" x 8.00"

6. 381526-05

Drawer slide, 22.00"

381576

Handle, Brass

964334-02

Flex spring-seat, 20.25" x 38.00", LH

703125-03

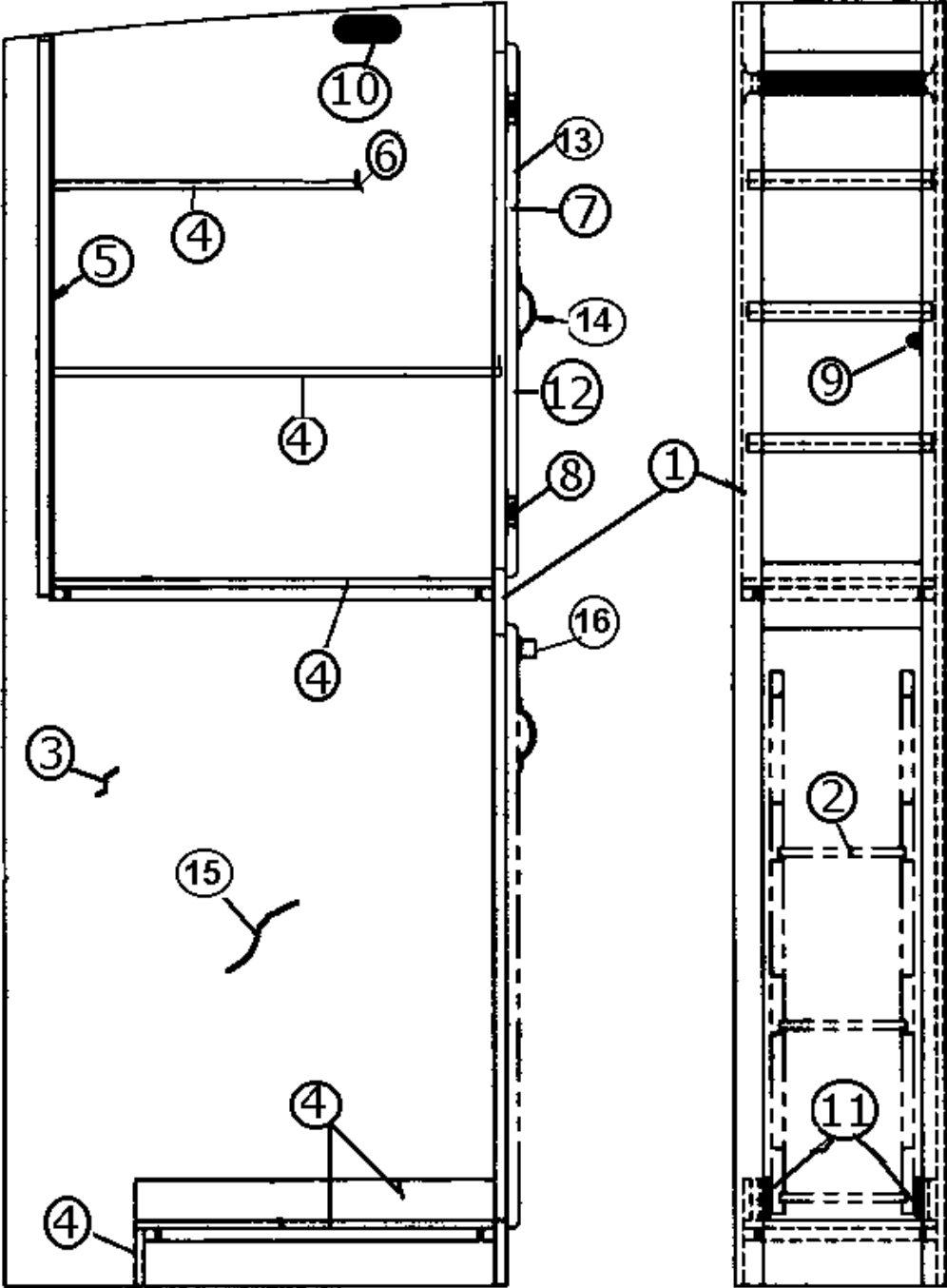
Top dinette seat, urethane buff,

800470-006

STOP-HARDWOOD

2005 LAND YACHT GAS
FURNITURE, GALLEY

Pantry, 33'



See P/N next page

2005 LAND YACHT GAS

FURNITURE, GALLEY

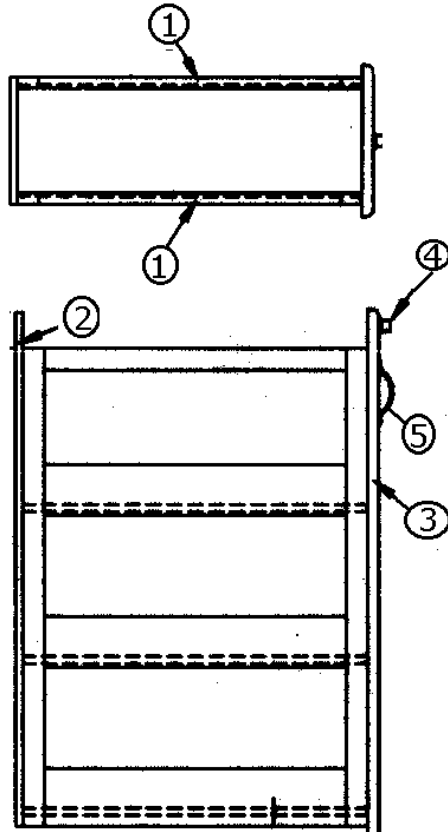
Pantry, 33'

965938-01	Pantry Assembly, 33'
1. 961708-016	Face frame, pantry
2. 963891	Pantry section assembly
3. 800889	Panel, aft. Pantry
4. 801180-006	Panel, G2S, 1/2"
5. 800397-01	Cedar, 1/8" x 4' x 8' paneling
6. 800573-01	Molding, door edge, 1 3/32" x 80"
7. 800557-236	Frame, door, oak, 10.5" x 32.5"
8. 381836	Hinge, Bright Brass
9. 381228-01	Door, grabber catch
10. 500956	Wardrobe light, brown, w/switch
11. 381090	Drawer slide, 22"
12. 371262-34	Mirrored, safety glass, 7.62" x 29.62"
13. 381754	Retainer clip, mirror
14. 381835	Handle, Chrome/Brass
15. 801145	Panel, forward pantry
16. 381408	Lock, push button
801145	PANEL FWD PANTRY

2005 LAND YACHT GAS

FURNITURE, GALLEY

Pantry Section Assembly, 33'



963891
Assembly, 33'

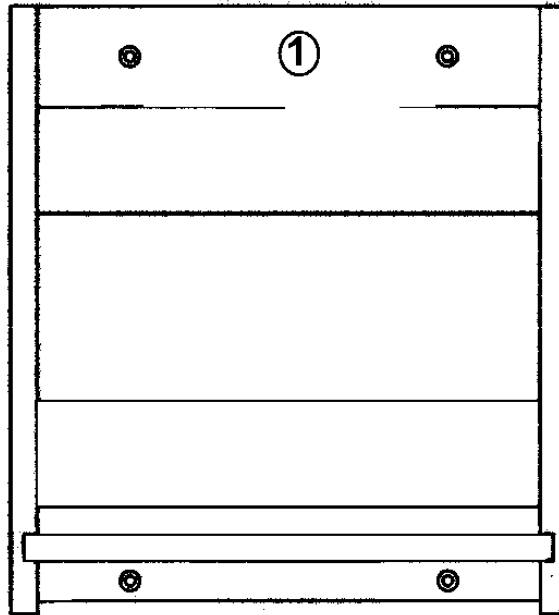
Pantry Section

- | | |
|---------------|-------------------------------------|
| 1. 961593-01 | Face frame, pantry |
| 2. 801180-006 | 1/2" G2S paneling |
| 3. 800597-806 | Door, raised panel, 10.50" x 36.75" |
| 4. 381408 | Lock, push button, black |
| 5. 381835 | Handle, Chrome/Brass |

2005 LAND YACHT GAS

FURNITURE, GALLEY

Magazine Rack, 33', 30', 30' S/O



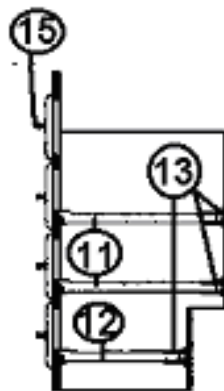
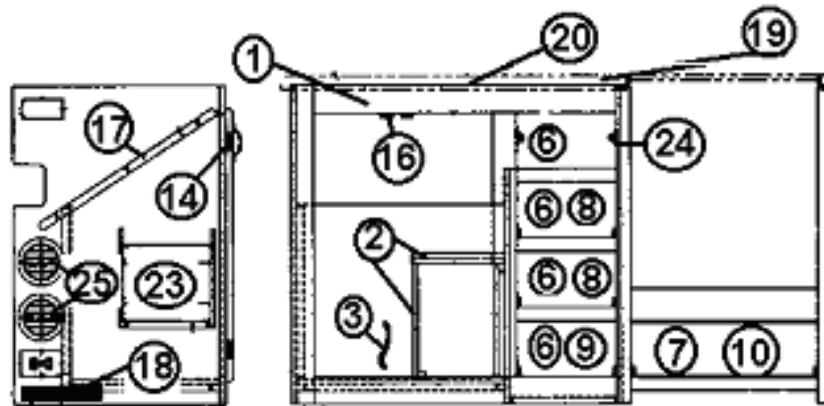
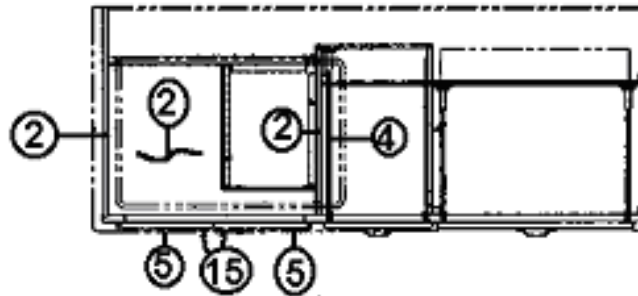
1. 963990-006

Magazine Rack

2005 LAND YACHT GAS

FURNITURE, GALLEY

Galley, Full Oven Option, 33'



See part numbers on the next page.

2005 LAND YACHT GAS

FURNITURE, GALLEY

Galley, Full Oven Option, 33'

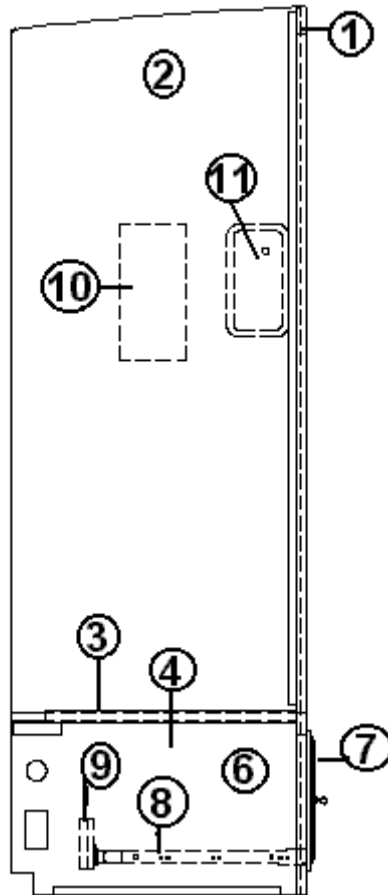
964593-02	Galley Assembly, Full Oven Option, 33'
1. 964594-006	Face frame, galley full oven
2. 801180-006	Panel, 1/2", G2S, Oak/Oak
3. 801181-006	5/32" oak G1S, paneling
4. 800506-04	Plywood, 1/2" x 4' x 8'
5. 800597-746	Door, raised panel, 10.25" x 29.50"
6. 800599-026	Drawer face, 7.00" x 11.75"
7. 800599-386	Drawer face, 7.00 x 21.00"
8. 964910-02	Drawer box, 10" x 18" x 5"
9. 964910-07	Drawer box, 10" x 14" x 5"
10. 964910-06	Drawer box, 19.50" x 14." x 5."
11. 381526-03	Drawer slide, 18"
12. 381526-01	Drawer slide, 14"
13. 381526-06	Drawer slide back socket
14. 381836	Hinge, Bright Brass
15. 381835	Handle, Chrome/Brass
16. 381228-01	Door grabber catch
17. 800631-006	Handrail, 23"
18. 511361-006	Light, courtesy, black flush
19. 601922	Galley top assembly, Midnight
19. 601922-01	Galley top assembly, Sandstone
19. 601922-02	Galley top assembly, Everest
19. *601969	Galley top assembly, Midnight
19. *601969-01	Galley top assembly, Sandstone
19. *601969-02	Galley top assembly, Everest
20. 601799	Galley sink, stainless steel
20. *601963	Sink, Stainless Steel, 16" x 27"
21. 800571-016	Molding, flat, 1/4" x 33/64" x 80"
22. 800573-016	Molding, door edge, oak, 1 3/32" x 80"
23. 963990-006	Magazine rack
24. 381074	Bull dog catch
25. 601244-03	Register, rotaire, black

*Used on and after unit 641388.

2005 LAND YACHT GAS

FURNITURE, GALLEY

Refrigerator, Refrigerator, 30' SO

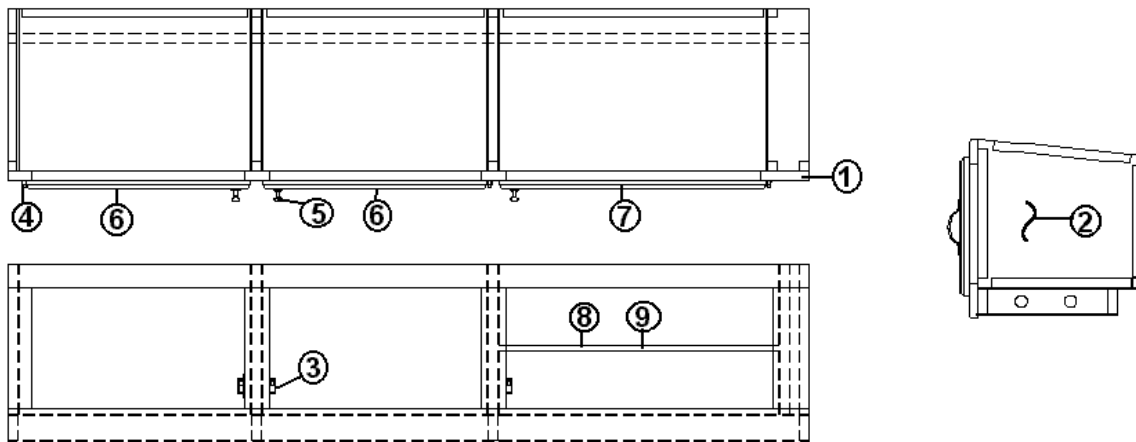


- | | |
|---------------|-----------------------------------|
| 965846 | CABINET ASSEMBLY, REFER, 30' SO |
| 1. 965847-016 | FACE FRAME, REFER CABINET, 30'SO |
| 2. 801462 | PANEL-FWD REFER |
| 3. 801181-006 | PANEL 5/32" G1S WOOD/RAW 4' X 8' |
| 4. 962769 | REFER STAND ASSY. |
| 5. 381835 | HANDLE-CHROME/BRASS |
| 6. 964909-02 | DRAWER BOX- 19.50 X 18.00 X 10.00 |
| 7. 800599-706 | DRAWER FACE- 12.50 X 21.50 |
| 8. 381526-03 | DRW SLIDE-950-RV 18" |
| 9. 381526-06 | BRACKET ADJUSTABLE REAR |
| 10. 115172 | BACKER-TV .090 X 6" X 12" |
| 11. 203122 | COVER COMPARTMENT LATCH |

2005 LAND YACHT GAS

FURNITURE, GALLEY

Roof Locker, Dinette, 30' SO

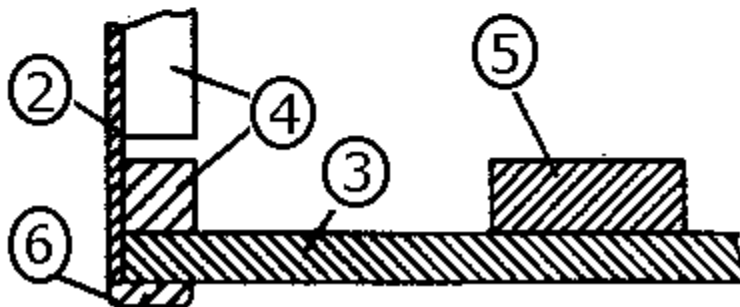
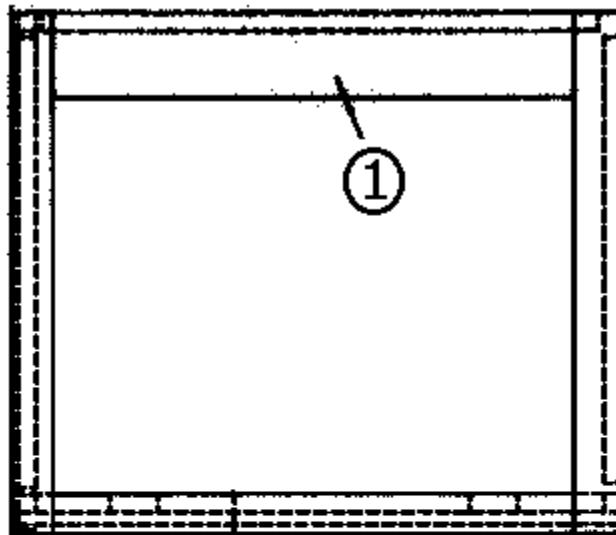


- | | |
|---------------|-------------------------------------|
| 965892 | ROOFLOCKER ASSY-DINETTE 30' SO |
| 1. 965891-006 | FACE FRAME, DINETTE R/L |
| 2. 801181-006 | PANEL 5/32" G1S WOOD/RAW 4' X 8' |
| 3. 381228-01 | CATCH GRABBER DOOR |
| 4. 381836 | HINGE-BRITE BRASS |
| 5. 381835 | HANDLE-CHROME/BRASS |
| 6. 800597-596 | DOOR, RAISED PANEL, 11.50" X 18.50" |
| 7. 800597-556 | DOOR, RAISED PANEL, 11.50 X 22.00" |
| 8. 801180-006 | PANEL 1/2" WOOD VINYL G2S |
| 9. 800571-016 | MOLDING FLAT .52"W X 80" |

2005 LAND YACHT GAS

FURNITURE, GALLEY

Microwave Cabinet, RS, All Models

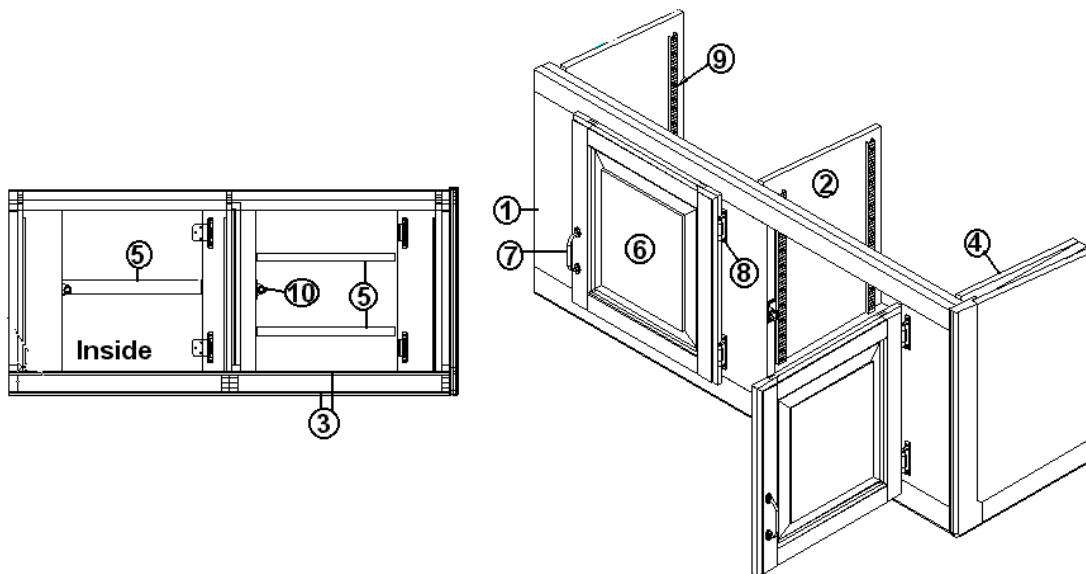


- | | |
|---------------|----------------------------------|
| 961040-02 | Microwave Cabinet Assembly, RS |
| 1. 961039-016 | Face frame microwave cabinet, RS |
| 2. 801181-006 | 5/32", oak G1S, paneling |
| 3. 801180-006 | 1/2" Oak G1S, paneling |
| 4. 800025-01 | Pine, .75" x .75" |
| 5. 800028 | Pine, .75" x 1.50" |
| 6. 800572-016 | Trim, flat, oak, .75" x 20.25" |

2005 LAND YACHT GAS

FURNITURE, GALLEY

Roof Locker, Galley 30' S/O

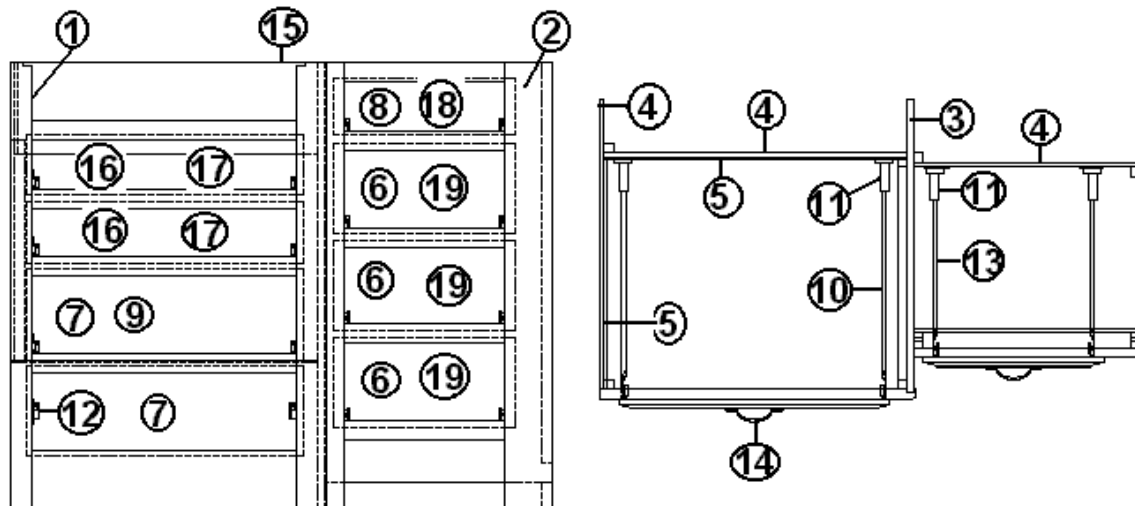


- | | |
|---------------|-------------------------------------|
| 965884 | ROOFLOCKER, GALLEY 30' SO |
| 1. 965883-006 | FACE FRAME-GALLEY R/L |
| 2. 801180-006 | PANEL 1/2" WOOD VINYL G2S |
| 3. 801181-006 | PANEL 5/32" G1S WOOD/RAW 4'X8' |
| 4. 965890 | END CAP ASSY. 13.25" |
| 4. 965483-016 | FACE FRAME-END CAP 18.75" |
| 5. 800573-016 | MOLDING DOOR EDGE 1 3/32" X 80" |
| 6. 800597-356 | DOOR, RAISED PANEL, 13.75" X 15.50" |
| 7. 381835 | HANDLE-CHROME/BRASS |
| 8. 381836 | HINGE-BRITE BRASS |
| 9. 381527 | SHELF STRIPS SPEEDY |
| 10. 381074 | CATCH BULL DOG #65S (COPPER) |

2005 LAND YACHT GAS

FURNITURE, GALLEY

Galley, Cook Top, Left Section, 30' SO

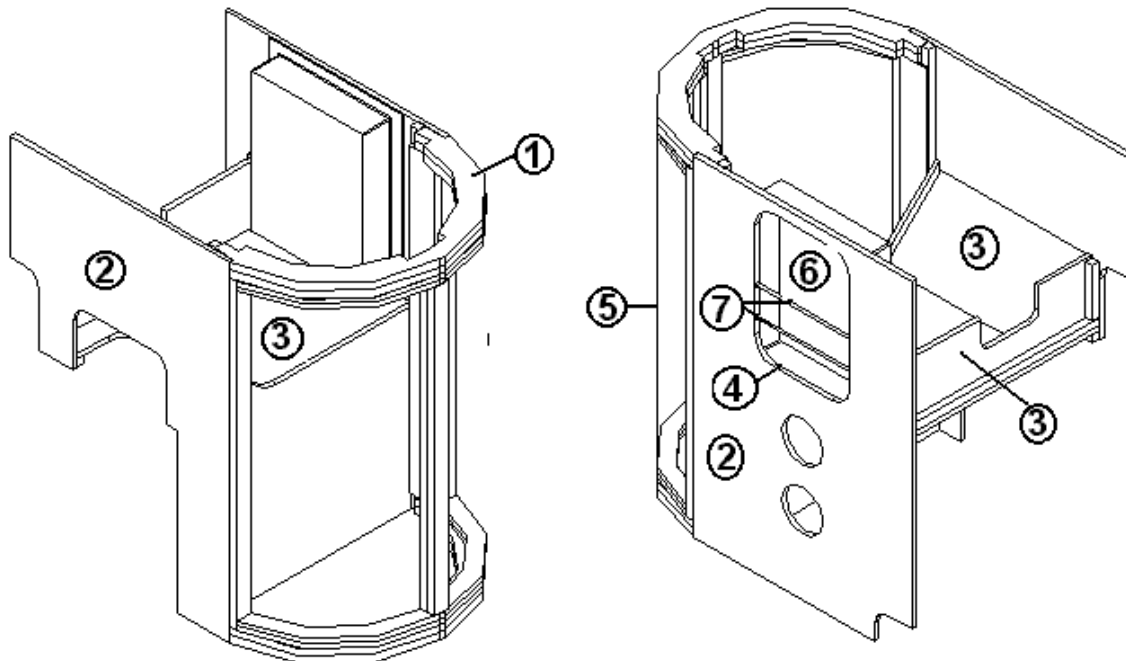


966014	GALLEY, LEFT SECTION COOKTOP, 30' SO
1. 965915-006	FACE FRAME-GALLEY LEFT
2. 965916-006	FACE FRAME-GALLEY CENTER
3. 801179-006	PANEL 1/2" G1S OAK/RAW 4' X 7'
4. 800507-03	LAUAN, 3/8" X 4'X 8'
5. 801181-006	PANEL 5/32" G1S WOOD/RAW 4' X 8'
6. 800599-226	DRAWER FACE, 7.00" X 14.00"
7. 800599-386	DRAWER FACE, 7.00" X 21.50"
8. 964906-03	DRAWER BOX- 11.50" X 14.00" X 2.75"
9. 964910-03	DRAWER BOX- 19.50" X 18.00" X 5.00"
10. 381526-03	DRAWER SLIDE-950-RV 18"
11. 381526-06	BRACKET, ADJUSTABLE, REAR
12. 381228-01	CATCH GRABBER DOOR
13. 381526-01	DRAWER SLIDE-950-RV 14"
14. 381835	HANDLE-CHROME/BRASS
15. 965946-01	TOP ASSY-GALLEY, CORIAN, EVEREST
15. 965946-02	TOP ASSY-GALLEY, CORIAN, MIDNIGHT
15. 965946-03	TOP ASSY-GALLEY, CORIAN, SANDSTONE
16. 800599-586	DRAWER FACE, 4.75" X 21.50"
17. 964906-02	DRAWER BOX, 19.50" X 18.00" X 2.75"
18. 800599-076	DRAWER FACE, 4.50" X 14.00"
19. 964910-19	DRAWER BOX, 11.50" X 14.00" X 5.00"

2005 LAND YACHT GAS

FURNITURE, GALLEY

Galley Right Base, 30'SO

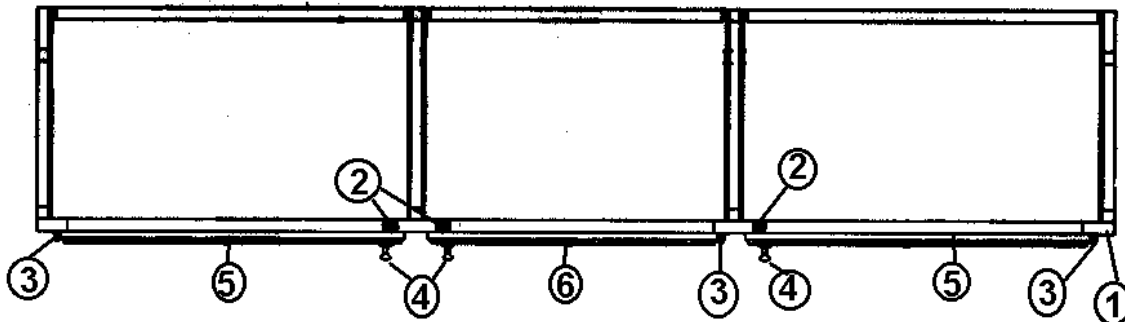


966016	CABINET, RIGHT GALLEY BASE 30'SO
1. 965917-006	FACE FRAME ASSY.
2. 801180-006	PANEL ½' WOOD VINYL G2S
3. 801179-006	PANEL ½" G1S VINYL/RAW
4. 203445	T-MOLDING BLK FLEXIBLE POLY .5
5. 801481	DOOR-12" X 31" RADIUS
6. 203383	RACK-MAGAZINE ABS
7. 1150422	ROD-.25" ALUMINUM
381856	CATCH-TENSION 2-BALL
601827-01	FAUCET-PURETOUCH CLASSIC W/SPRAY
381836	HINGE-BRITE BRASS
381835	HANDLE-CHROME/BRASS
601806	SINK-SS 16.5"
381708	WASTEBASKET-11.38" X 8.25" X 12"
203487-01	COVER, SINK ROUND EVEREST
203487-02	COVER, SINK ROUND MIDNIGHT
203487-03	COVER, SINK ROUND SANDSTONE

2005 LAND YACHT GAS

FURNITURE, GALLEY

Roof Locker, Dinette, Curbside, 30' S/O, 30'

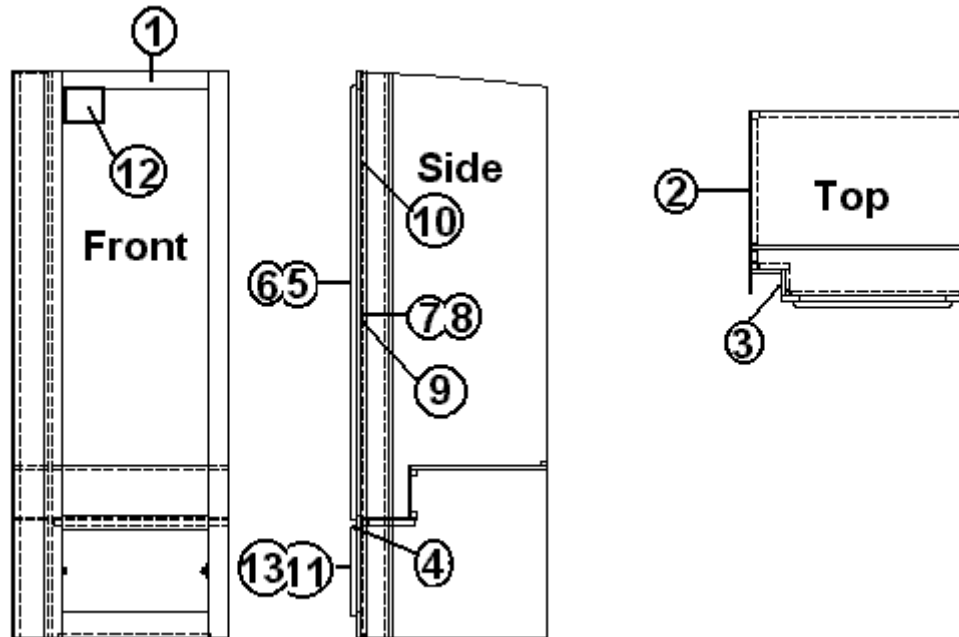


- | | |
|---------------|-------------------------------------|
| 965090-01 | CS (Dinette) Roof Locker Assembly |
| 1. 965089-006 | Face frame, dinette locker |
| 2. 381228-01 | Grabber catch |
| 3. 381836 | Hinge, Bright Brass |
| 4. 381835 | Handle, Chrome/Brass |
| 5. 800597-556 | Door, raised panel, 11.50" x 22.00" |
| 6. 800597-596 | Door, raised panel, 11.50" x 18.50" |
| 800571-016 | MOLDING FLAT .52"W X 80" |
| 365250-006 | EDGE BANDING 5/8" |

2005 LAND YACHT GAS

FURNITURE, GALLEY

Wardrobe, Curbside, 30' S/O, 30'

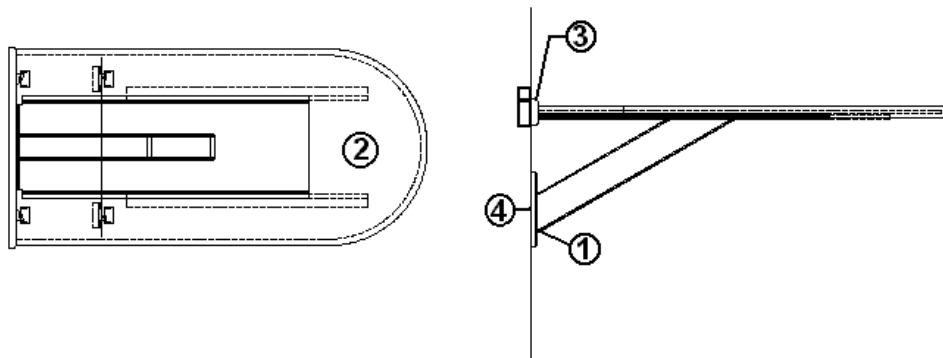


- | | |
|----------------|----------------------------------|
| 965861 | Curbside Wardrobe, 30' S/O |
| 1. 965860-01 | FACE FRAME-WARDROBE CS |
| 2. 801462-01 | PANEL-FORWARD WARDROBE |
| 3. 801180-006 | PANEL 1/2" WOOD VINYL G2S |
| 4. 381228-01 | CATCH GRABBER DOOR C3-803 |
| 5. 800557-106 | DOOR FRAME ONLY 22.00" X 60." |
| 6. 371262-04 | MIRROR- SAFETY- 19.12" X 28.12" |
| 7. 801181-006 | PANEL 5/32" G1S WOOD/RAW 4' X 8' |
| 8. 381754 | MIRROR CLIP |
| 9. 381228 | CATCH GRABBER DOOR C3-810 |
| 10. 381836 | HINGE-BRITE BRASS |
| 11. 800599-706 | DRAWER FACE, 12.50" X 21.50" |
| 12. 500956 | LIGHT, WARDROBE, BROWN, W/SWITCH |
| 13. 381835 | HANDLE-CHROME/BRASS |

2005 LAND YACHT GAS

FURNITURE, GALLEY

Dinette Table, w/Chairs, 30 SO

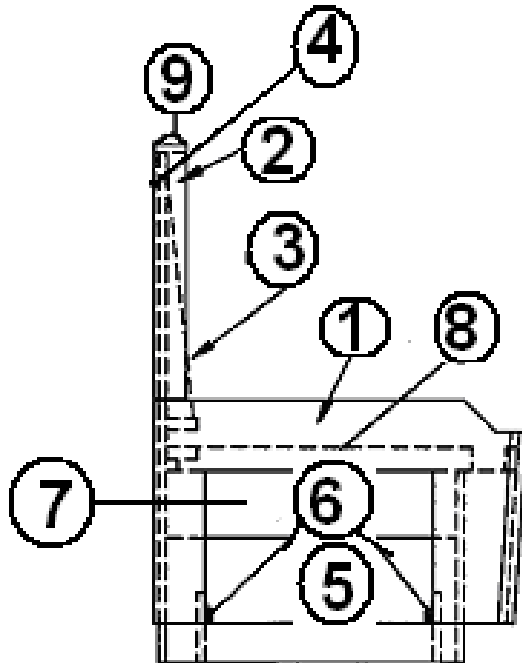


- | | |
|---------------|----------------------------------|
| 965908-01 | Dinette table, 30 SO |
| 1. 453807 | BRACKET-DINETTE TABLE |
| 2. 965908-01 | TABLE ASSY-DINETTE |
| 2. 601935 | TOP- DIN.TABLE CORIAN, MIDNIGHT |
| 2. 601935-01 | TOP- DIN.TABLE CORIAN, SANDSTONE |
| 2. 601935-02 | TOP- DIN.TABLE CORIAN, EVEREST |
| 3. 965911 | SPACER-DINETTE TABLE BOTTOM |
| 4. 965912-006 | SPACER-DINETTE, TABLE TOP |
| 381228-01 | CATCH GRABBER DOOR |
| 381857 | ALIGNER-TABLE #TT0103 (PR) |
| 963654-016 | BACK SPLASH, DINETTE TABLE 21" |

2005 LAND YACHT GAS

FURNITURE, GALLEY

Dinette Seat w/Booth, LH, 30' S/O, 30'



964536

L/H Dinette Seat

1. 964531-02

Dinette seat sub assembly-LH

2. 964534

Dinette back sub assembly-LH

3. 964499-02

Dinette cushion support-RH

4. 964538

Upholstered back, LH

5. 964908-03

Drawer box, 13.25" x 20" x 8"

6. 381526-05

Drawer slide, 22.00"

7. 381576

Pull handle, Brass

8. 964334-03

Flex spring-seat, 21.63" x 32.00"

9. 703125-03

TOP DINETTE SEAT URETHANE BUFF

201787-01

POCKET DEADBOLT INTERIOR 2.25D

800470-006

STOP-HARDWOOD

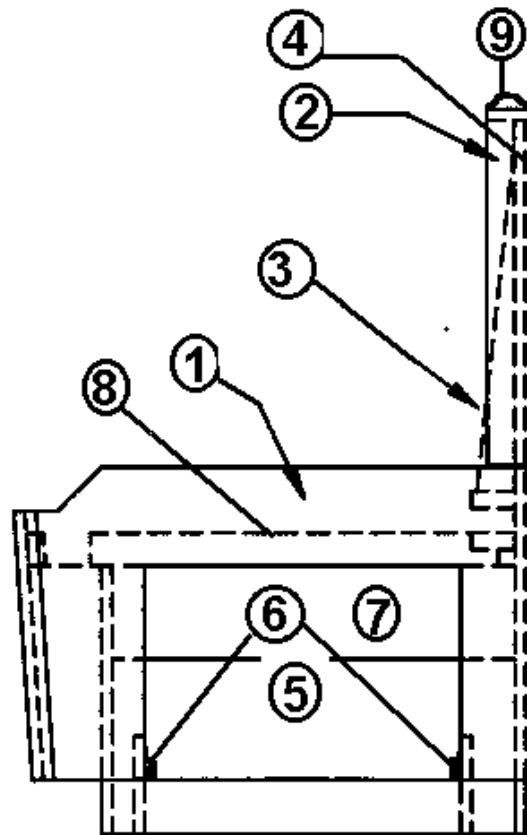
800631-006

HANDRAIL 23" LONG

2005 LAND YACHT GAS

FURNITURE, GALLEY

Dinette Seat R/H, 30'



964535

R/H Dinette Seat

1. 964531-01

Dinette seat sub assembly-RH

2. 964533

Dinette back sub assembly-RH

3. 964498-02

Dinette cushion support-RH

4. 964537

Upholstered back, RH

5. 964908-03

Drawer box, 13.25" x 20" x 8"

6. 381526-05

Drawer slide, 22.00"

7. 381576

Pull handle

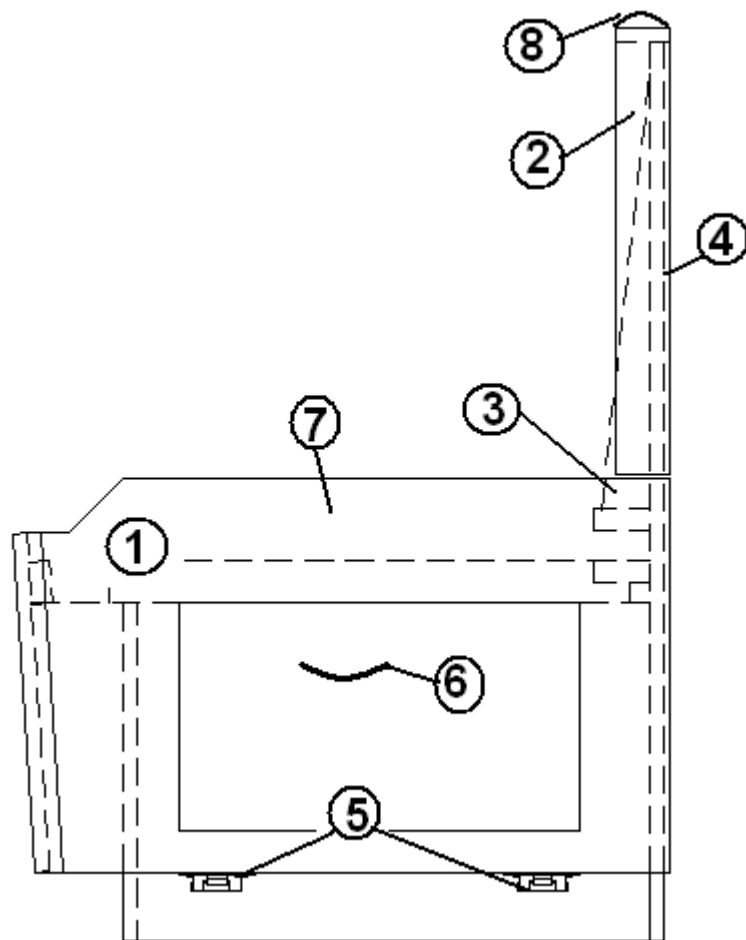
8. 964334-03

Flex spring-seat, 21.63" x 32.00"

2005 LAND YACHT GAS

FURNITURE, GALLEY

Dinette Seat w/Booth, RH, 30' S/O

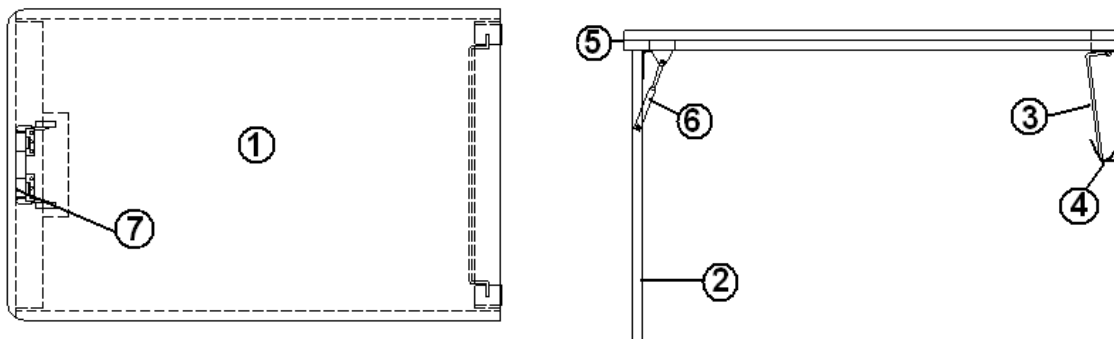


- | | |
|--------------|----------------------------------|
| 966152 | DINETTE SEAT, RH |
| 1. 966151 | DINETTE SEAT SUB ASSY. |
| 2. 964533 | BACK-DINETTE SUB ASSY RH |
| 3. 964498-02 | CUSION SUPPORT-DINETTE RH |
| 4. 964537 | BACK-UPHOL.RH DINETTE SEAT |
| 5. 381601 | HINGE ANTIQUE BRASS |
| 6. 381576 | PULL HANDLE BRASS |
| 7. 964334-03 | FLEX SPRING-SEAT 21.63" X 32.00" |
| 8. 703125-03 | TOP DINETTE SEAT URETHANE BUFF |

2005 LAND YACHT GAS

FURNITURE, GALLEY

Dinette Table, w/Booth, 30' S/O, 30'

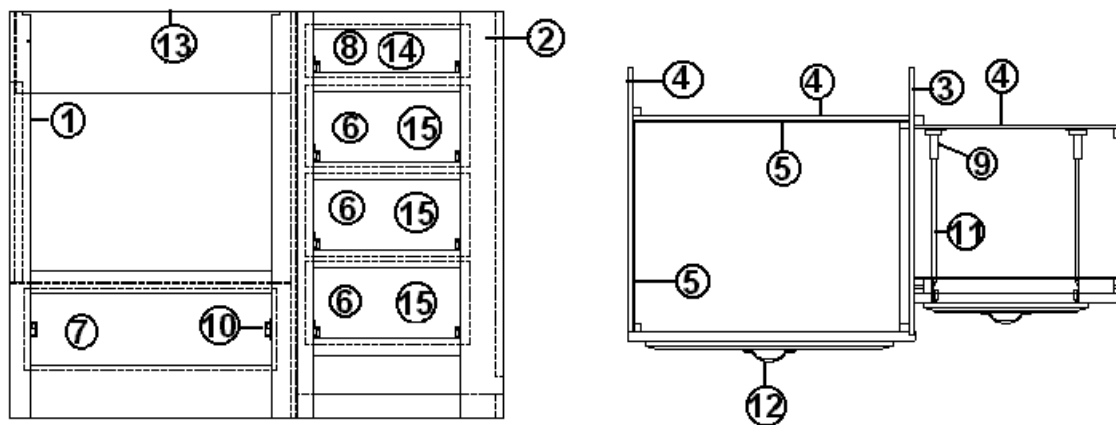


- | | |
|---------------|----------------------------------|
| 962720-03 | DINETTE TABLE |
| 1. 801070-006 | DINETTE TOP RESISTOVAR 21" X 32" |
| 2. 962177-036 | LEG-HARDWOOD 30.50" |
| 3. 380284-04 | HINGE, TABLE BRKT, 15" X 7.38" |
| 4. 340018 | CATCH PLATE |
| 5. 340015 | CENTER HINGE |
| 6. 381147 | SUPPORT, SPRING LOADED DOOR |
| 7. 380210 | HINGE PLAIN STEEL |
| 454193 | BRACKET-SEAT BELTS BOOTH DINETTE |
| 700349 | SEATBELT, MINI BUCKLE BLACK WEB |

2005 LAND YACHT GAS

FURNITURE, GALLEY

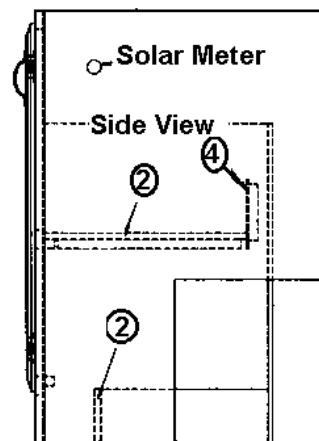
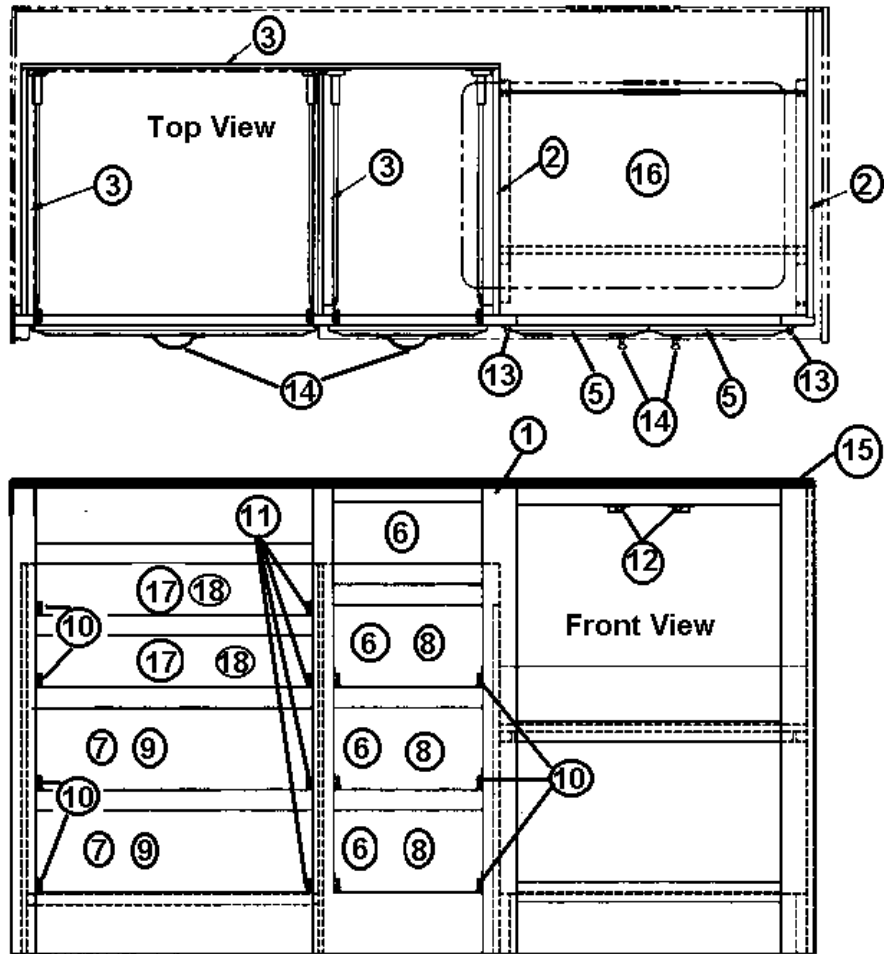
Galley, Oven Section, Cook Top Option, 30' S/O



- | | |
|----------------|-------------------------------------|
| 966015 | GALLEY, LEFT SECTION OVEN/COOKTOP |
| 1. 965913-006 | FACE FRAME-GALLEY LEFT |
| 2. 965916-006 | FACE FRAME-GALLEY CENTER |
| 3. 801179-006 | PANEL 1/2" G1S VINYL/RAW 4' X 7' |
| 4. 800507-03 | LAUAN, 3/8" X 4' X 8' |
| 5. 801181-006 | PANEL 5/32" G1S WOOD/RAW 4' X 8' |
| 6. 800599-226 | DRAWER FACE, 7.00" X 14.00" |
| 7. 800599-386 | DRAWER FACE, 7.00" X 21.50" |
| 8. 964906-03 | DRAWER BOX- 11.50" X 14.00" X 2.75" |
| 9. 381526-06 | BRACKET, ADJUSTABLE, REAR |
| 10. 381228-01 | CATCH GRABBER DOOR |
| 11. 381526-01 | DRAWER SLIDE-950-RV 14" |
| 12. 381835 | HANDLE-CHROME/BRASS |
| 13. 965946-01 | TOP ASSY-GALLEY, CORIAN, EVEREST |
| 13. 965946-02 | TOP ASSY-GALLEY, CORIAN, MIDNIGHT |
| 13. 965946-03 | TOP ASSY-GALLEY, CORIAN, SANDSTONE |
| 14. 800599-076 | DRAWER FACE, 4.50" X 14.00" |
| 15. 964910-19 | DRAWER BOX, 11.50" X 14.00" X 5.00" |

2005 LAND YACHT GAS FURNITURE, GALLEY

Galley, 30'



PN Next Page

2005 LAND YACHT GAS

FURNITURE, GALLEY

Galley, 30'

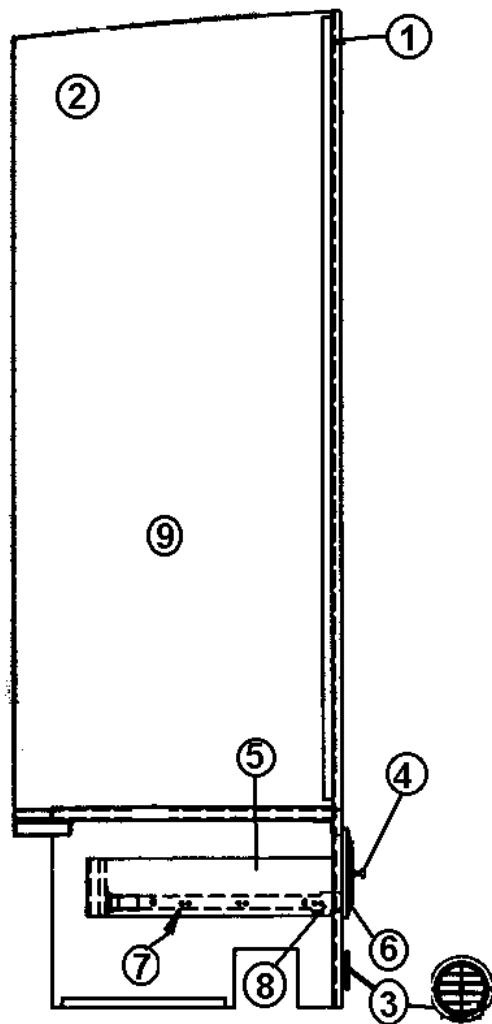
964578-09	Galley assembly, 60"
1. 964579-006	Face frame, galley
2. 801180-006	Panel, 1/2" G2S Oak
3. 800507-03	Lauan, 3/8"
4. 801181-006	Panel 5/32" G1S, Oak/Oak
5. 800597-746	Door, raised panel, 10.25" x 29.50"
6. 800599-026	Drawer face, 7.00" x 11.75"
7. 800599-386	Drawer face, 7" x 21.50"
8. 964910-02	Drawer box, 10" x 18" x 5"
9. 964910-03	Drawer box, 19.50" x 18" x 5"
10. 381526-03	Drawer slide, 18"
11. 381526-06	Drawer slide back socket
12. 381228-01	Door grabber catch
13. 381836	Hinge, Bright Brass
14. 381835	Handle, Chrome/Brass
15. 601921	Galley top, Corian, Midnight
15. 601921-01	Galley top, Corian, Sandstone
15. 601921-02	Galley top, Corian, Everest
15. *601964	Galley top, Corian, Midnight
15. *601964-01	Galley top, Corian, Sandstone
15. *601964-02	Galley top, Corian, Everest
16. 601799	16" x 27" sink, Stainless steel
16. 600968	Sink basket strainer
16. *601963	Sink, Stainless Steel, 16" x 27"
16. 381635	Sink clip, under mount, Corian
17. 800599-586	Drawer face, smooth, 4.75" x 21"
18. 964906-02	Drawer box, 19.50" x 18" x 2.75"

*Used on and after unit 641388.

2005 LAND YACHT GAS

FURNITURE, GALLEY

Refrigerator Cabinet, 30'

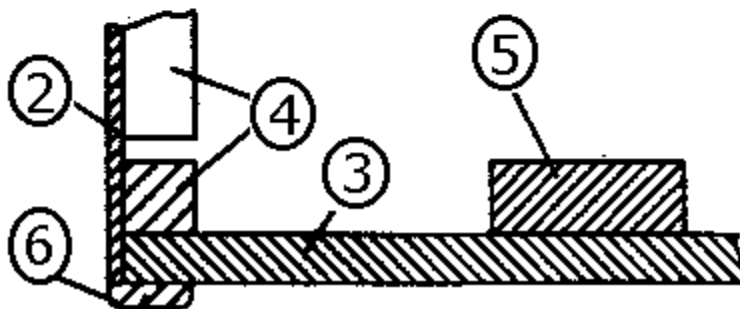
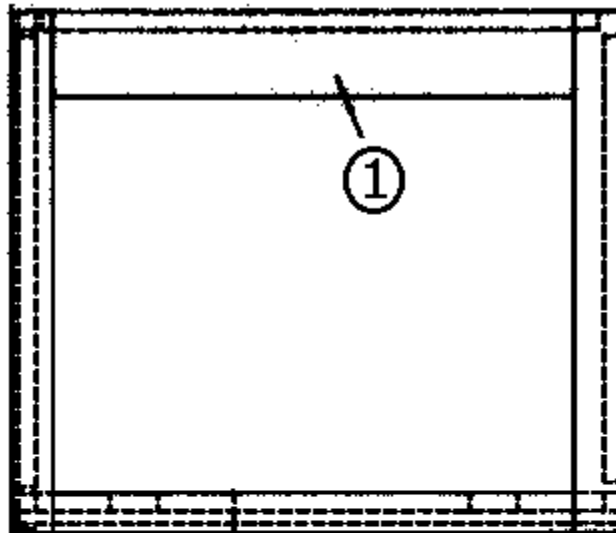


- | | |
|---------------|-------------------------------|
| 963925 | Refer Cabinet Assembly |
| 1. 963924-016 | Face frame, refer cabinet |
| 2. 801057-12 | Panel, FWD refer cabinet |
| 3. 601244-03 | Register, Rotaire, Black |
| 4. 381835 | Handle, Chrome/Brass |
| 5. 964910-03 | Drawer box, 19.50" x 18" x 5" |
| 6. 800599-216 | Drawer face, 7. " x 23.00" |
| 7. 381526-03 | Drawer slide, 18" |
| 8. 381526-06 | Drawer slide rear bracket |

2005 LAND YACHT GAS

FURNITURE, GALLEY

Microwave Cabinet, 30'

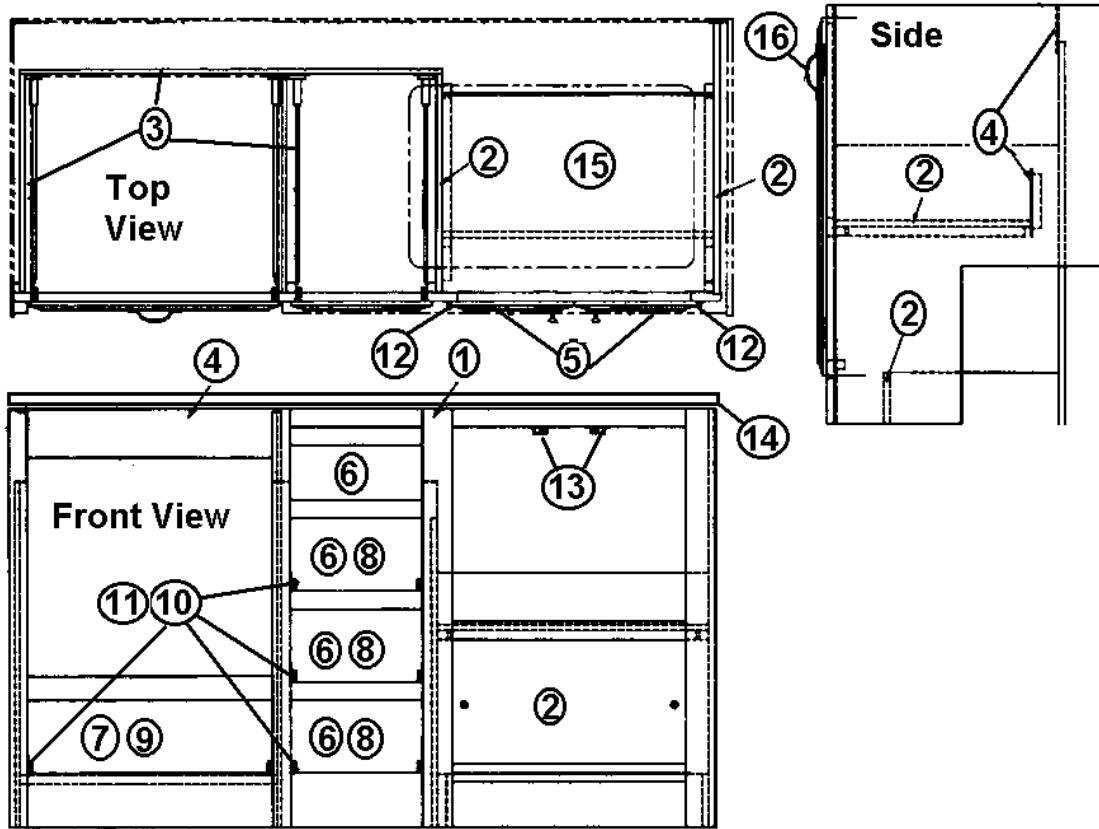


- | | |
|---|--|
| <p>961040-02</p> <p>1. 961039-016</p> <p>2. 801181-006</p> <p>3. 801180-006</p> <p>4. 800025-01</p> <p>5. 800028</p> <p>6. 800572-016</p> | <p>Microwave Cabinet Assembly</p> <p>Face frame microwave cabinet</p> <p>5/32", oak G1S, paneling</p> <p>1/2" Oak G1S, paneling</p> <p>Pine, .75" x .75"</p> <p>Pine, .75" x 1.50"</p> <p>Trim, flat, oak, .75" x 20.25"</p> |
|---|--|

2005 LAND YACHT GAS

FURNITURE, GALLEY

Galley, Range w/ Full Oven, 30'



Part numbers On the Next Page

2005 LAND YACHT GAS

FURNITURE, GALLEY

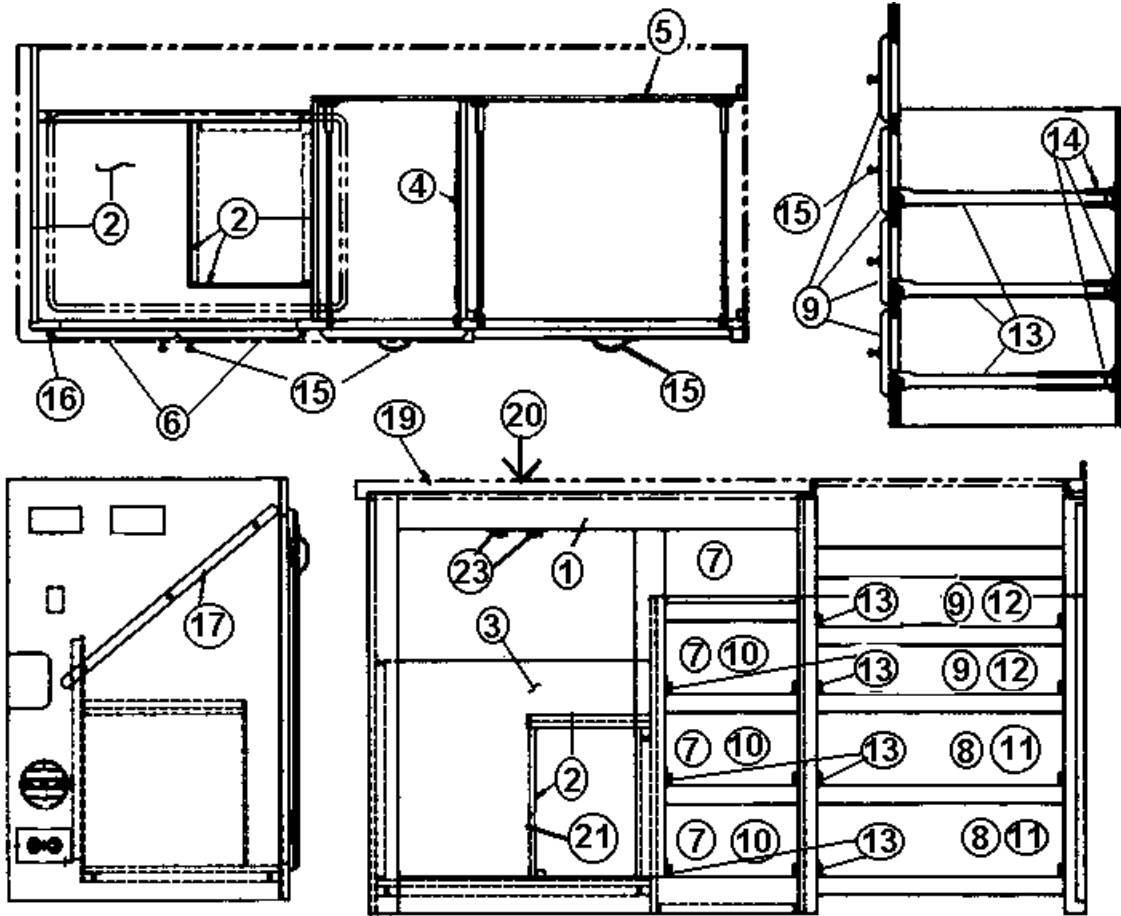
Galley, Range w/ Full Oven, 30'

964595-03	Galley, Optional range w/ Full Oven
1. 964596	Face frame, full oven galley
2. 801180-006	Panel, 1/2" G2S Oak/Oak
3. 800507-03	Lauan, 3/8" x 4' x 8'
4. 801181-006	Panel, 3/32" G1S oak/Oak
5. 800597-746	Door, raised panel, 10.25" x 29.50"
6. 800599-026	Drawer face, 7.00" x 11.75"
7. 800599-386	Drawer face, 7.00" x 21.50"
8. 964910-02	Drawer box, 10.00" x 18.00" x 5.00"
9. 964910-03	Drawer box, 19.50" x 18.00" x 5.00"
10. 381526-03	Drawer slide, 18.00"
11. 381526-06	Drawer slide back socket, Adjustable
12. 381836	Hinge, Bright Brass
13. 381228-01	Door grabber catch
14. 601921	Galley top, Corian, Midnight
14. 601921-01	Galley top, Corian, Sandstone
14. 601921-02	Galley top, Corian, Everest
15. 601799	16" x 27" sink, stainless steel
15. 381635	Sink clip, under mount, Corian
15. *601963	Sink, Stainless Steel, 16" x 27"
16. 381835	Handle, Chrome/Brass

*Used on and after unit 641388.

2005 LAND YACHT GAS FURNITURE, GALLEY

Galley, 26'



P/N Next Page

2005 LAND YACHT GAS

FURNITURE, GALLEY

Galley, 26'

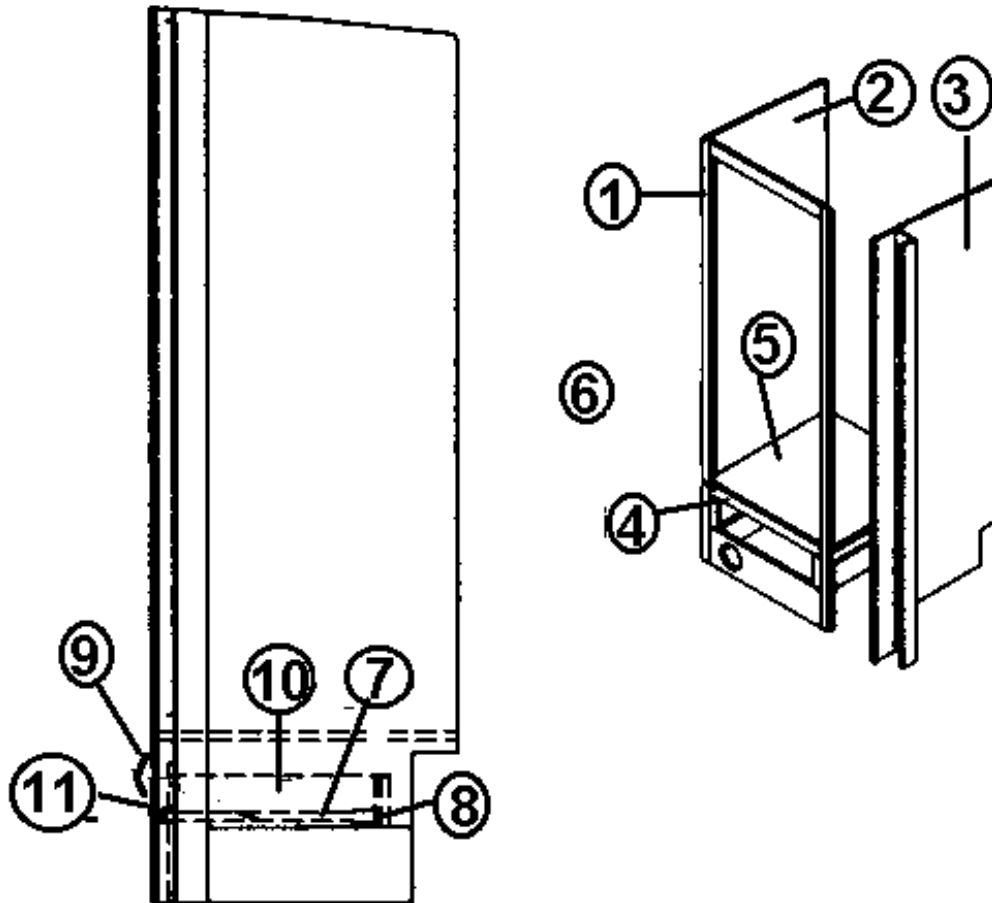
965472-02	Galley Assembly, 60", 26 Ft.
1. 964577-006	Face frame, galley
2. 801180-006	Panel, 1/2" G1S Oak/Oak
3. 801181-006	Panel, 5/32", G1S Oak/Oak
4. 800506-04	1/2" plywood
5. 800507-03	3/8" lauan
6. 800597-746	Door, raised panel, 10.25" x 29.50"
7. 800599-026	Drawer face, 7.00" x 11.75"
8. 800599-386	Drawer face, 7.00" x 21.50"
9. 800599-586	Drawer face, 4.75" x 21.50"
10. 964910-02	Drawer box, 10" x 18" x 5"
11. 964910-03	Drawer box, 19.50" x 18.00" x 5.00"
12. 964906-02	Drawer box, 19.50" x 18.00" x 2.75"
13. 381526-03	Drawer slide, 18.00"
14. 381526-06	Drawer slide back socket
15. 381835	Handle, Chrome/Brass
16. 381836	Hinge, Bright Brass
17. 800631-006	Oak handrail, 23" long
18. 511361	Courtesy light, black, flush mount
19. 601922	Galley top assembly, Midnight
19. 601922-01	Galley top assembly, Sandstone
19. 601922-02	Galley top assembly, Everest
19. *601969	Galley top assembly, Midnight
19. *601969-01	Galley top assembly, Sandstone
19. *601969-02	Galley top assembly, Everest
20. 601799	Sink, Stainless steel, 16" x 27"
20. *601963	Sink, Stainless Steel, 16" x 27"
21. 800571-016	Flat Oak molding, 1/4" x 33/64" x 80"
22. 800573-016	Door edge molding, Oak, 1 3/32" x 80"
23. 381228-01	Door grabber catch

*Used on and after unit 641388.

2005 LAND YACHT GAS

FURNITURE, GALLEY

Refrigerator Cabinet, 26'

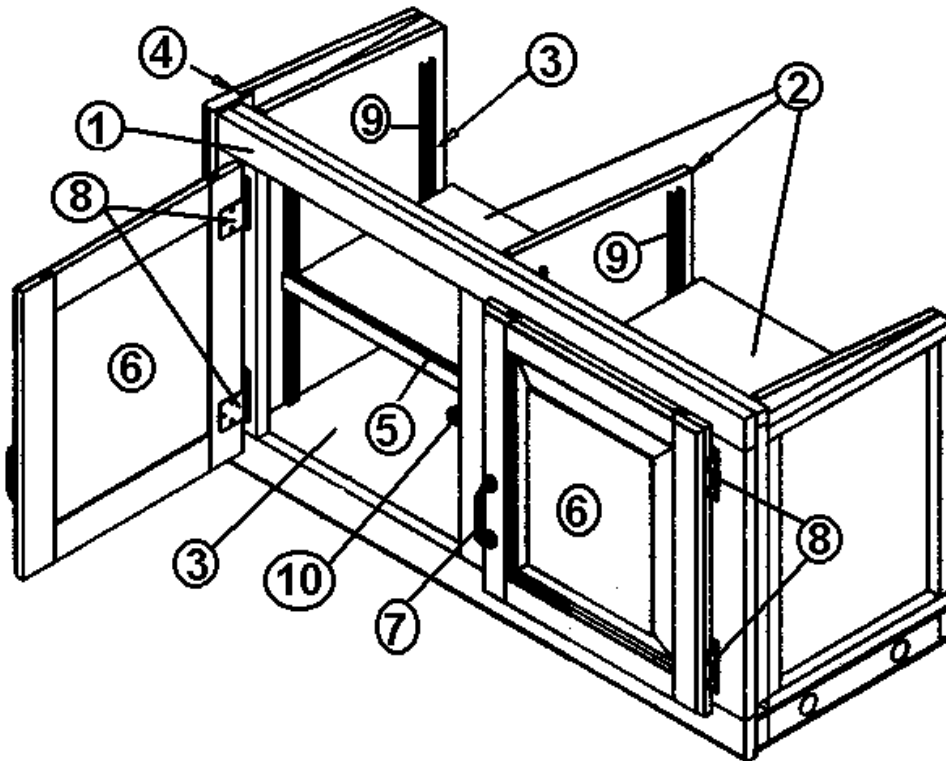


- | | |
|----------------|--------------------------------------|
| 965481 | Refrigerator Cabinet Assembly |
| 1. 965437-006 | Face frame, refer cabinet |
| 2. 801336-08 | Panel, forward refer |
| 3. 801336-09 | Panel, aft refer |
| 4. 965482-006 | Hardwood, aft refer |
| 5. 801180-06 | Panel, 1/2" G2S, Oak/Oak |
| 6. 800766-006 | Hardwood trim, .50", not shown |
| 7. 381526-03 | Drawer slide, 18", pair |
| 8. 381526-06 | Drawer slide rear adjustable bracket |
| 9. 381835 | Handle, Chrome/Brass |
| 10. 964910-03 | Drawer box, 19.50" x 18.00" x 5.00" |
| 11. 800599-216 | Drawer face, 7.00" x 23.00" |
| 961739 | REFER STAND ASSY. |

2005 LAND YACHT GAS

FURNITURE, GALLEY

Roof Locker, Galley, 26'

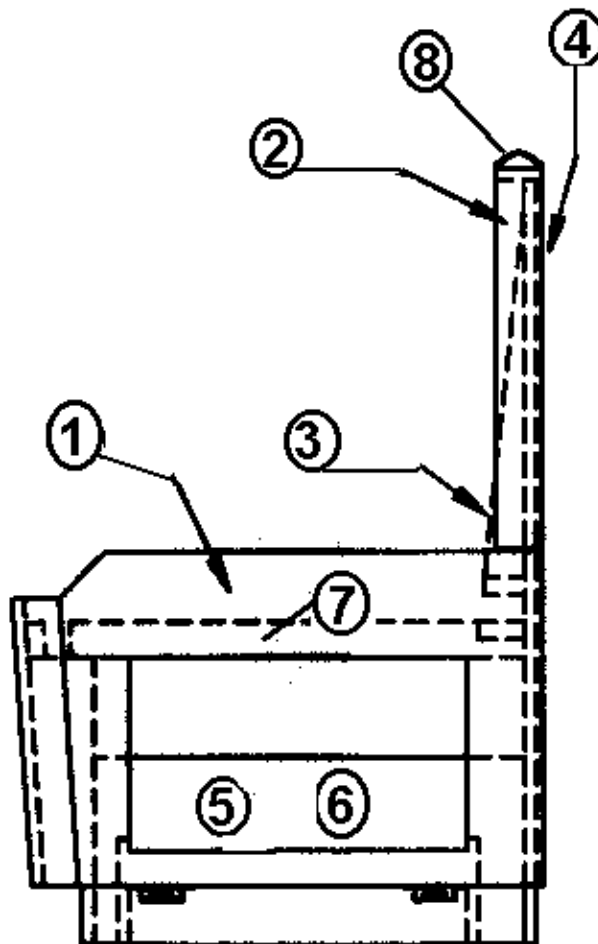


- | | |
|---------------|------------------------------------|
| 965475-01 | Overhead Galley Assembly |
| 1. 965476-006 | Face frame, galley |
| 2. 801180-006 | Panel, 1/2" G2S Oak/Oak |
| 3. 801181-006 | Panel 5/32", G1S Oak/Oak |
| 4. 965484 | End cap assembly |
| 4. 965483-006 | Frame, end cap |
| 5. 800573-016 | Door edge molding, 1 3/32" x 80" |
| 6. 800597-356 | Raised panel door, 13.57" x 15.50" |
| 7. 381835 | Handle, Chrome/Brass |
| 8. 381601 | Hinge, Bright Brass |
| 9. 381527 | Speedy shelf strips |
| 10. 381074 | Bull dog catch |

2005 LAND YACHT GAS

FURNITURE, GALLEY

Dinette Seat, RH, 26'

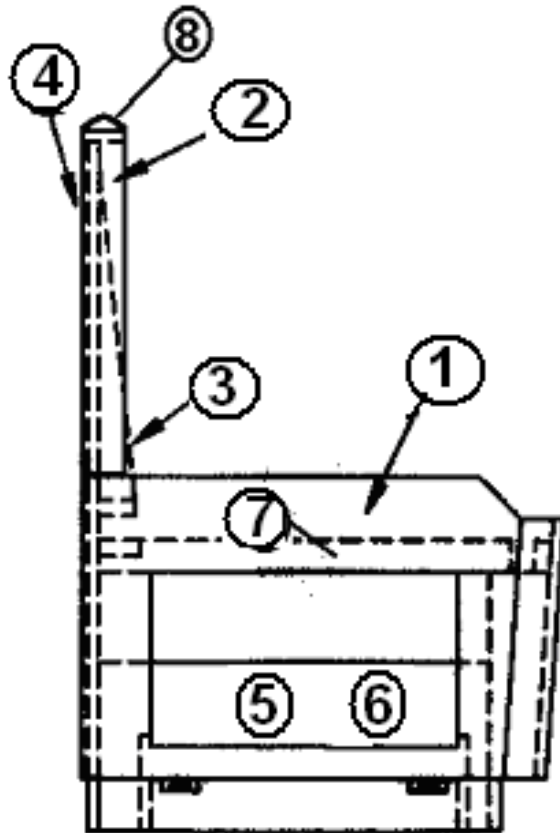


- | | |
|--------------|--------------------------------------|
| 965456-03 | R/H Dinette Seat Assembly |
| 1. 965457-01 | Dinette seat sub assembly-RH |
| 2. 964496 | Dinette back assembly-RH |
| 3. 964498 | Dinette cushion support-RH |
| 4. 964500-02 | Upholstered back-RH |
| 5. 381836 | Hinge, Bright Brass |
| 6. 381576 | Pull, Brass |
| 7. 964334-02 | Flex-spring seat, 21.63" x 38.00" |
| 8. 703125-03 | Dinette seat back top, urethane buff |
| 9. 700349 | Seat belt, not shown |
| 800470-006 | Hardwood Stop |

2005 LAND YACHT GAS

FURNITURE, GALLEY

Dinette Seat, LH, 26'

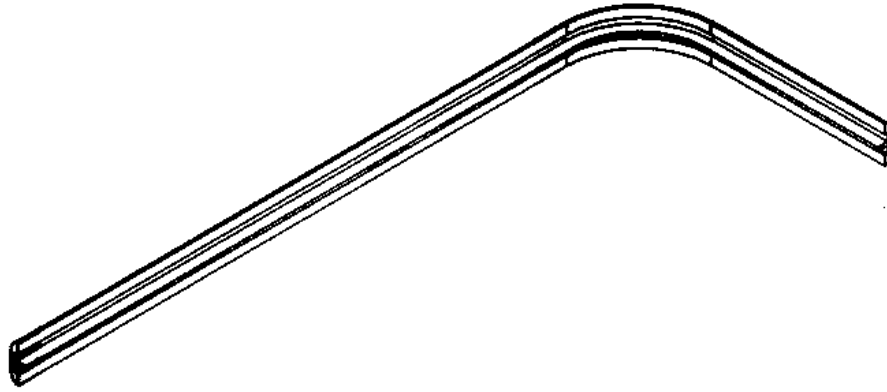


- | | |
|--------------|--------------------------------------|
| 965456-04 | L/H Dinette Seat Assembly |
| 1. 965457-02 | Dinette seat sub assembly-LH |
| 2. 964497 | Dinette back assembly-LH |
| 3. 964499 | Dinette cushion support-LH |
| 4. 964501 | Upholstered back-LH |
| 5. 381836 | Hinge, Bright Brass |
| 6. 381576 | Pull, Brass |
| 7. 964334-02 | Flex-spring seat, 21.63" x 38.00" |
| 8. 703125-03 | Dinette seat back top, urethane buff |
| 9. 700349 | Seat belt, not shown |
| 800470-006 | Hardwood Stop |

2005 LAND YACHT GAS

FURNITURE, GALLEY

Dinette Seat Top, All Models

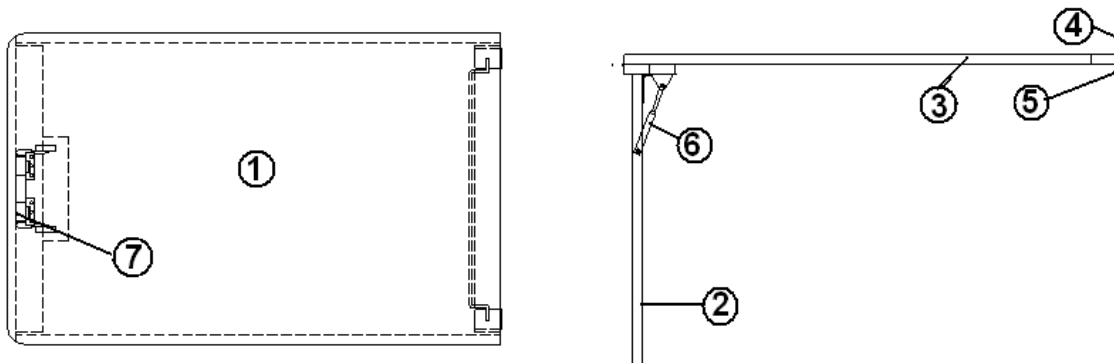


703125-03 Top, dinette seat, urethane Buff

2005 LAND YACHT GAS

FURNITURE, GALLEY

Dinette Table, 26'

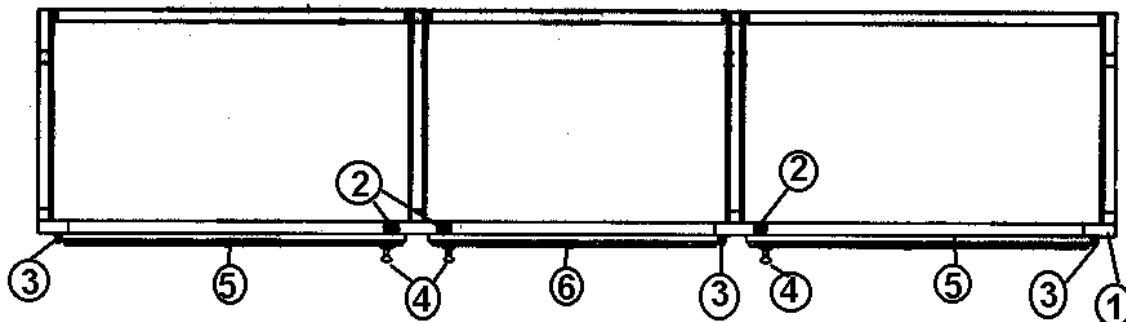


- | | |
|---------------|-------------------------------|
| 1. 965468 | DINETTE TABLE ASSY |
| 2. 962177-036 | LEG HARDWOOD 30.50" |
| 3. 964280-006 | COUNTERTOP EDGE MOLDING |
| 4. 963654-01 | BACK SPLASH DINETTE TABLE 21" |
| 5. 380210 | HINGE PLAIN STEEL |
| 6. 381147 | SUPPORT - SPRING LOADED DOOR |
| 7. 380284-04 | HINGE, TABLE BRKT, 15 X 7.38 |

2005 LAND YACHT GAS

FURNITURE, GALLEY

Roof Locker, Dinette, 26'

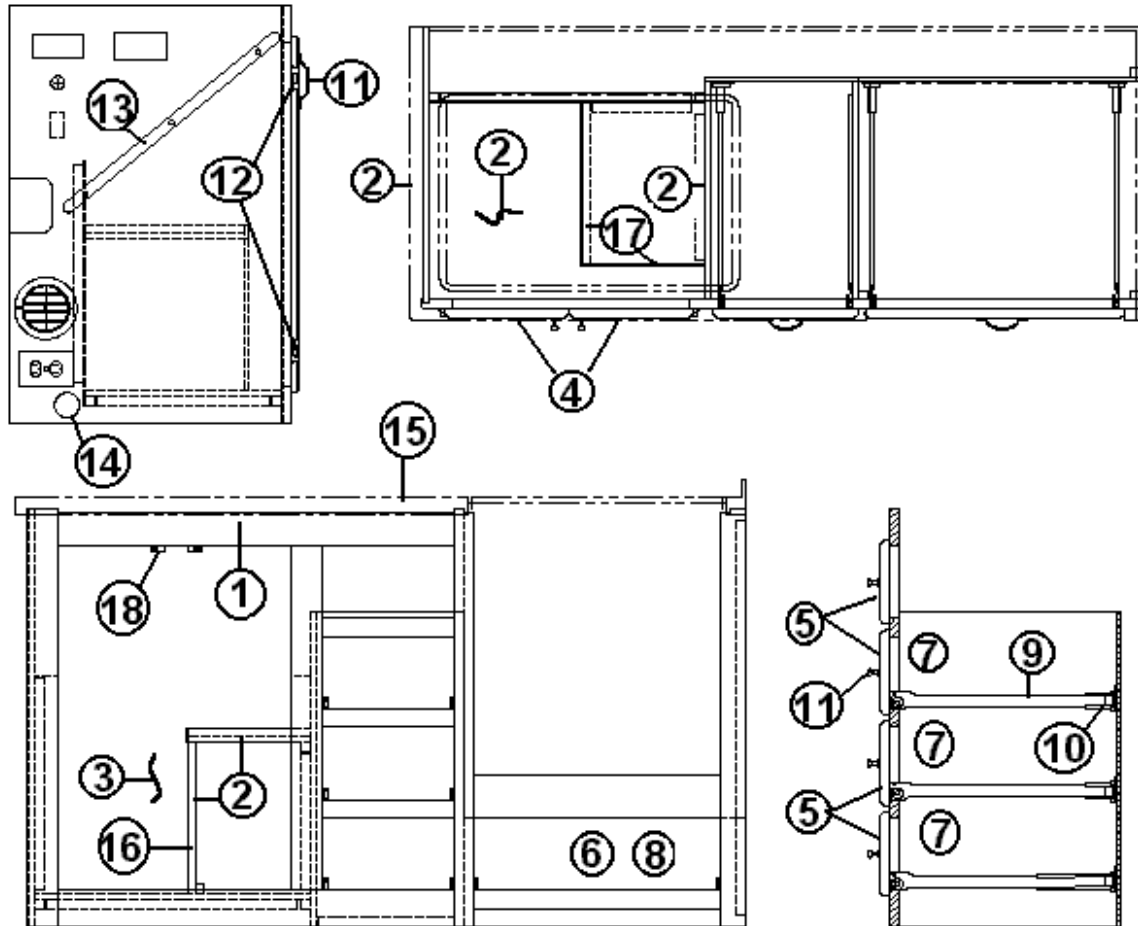


- | | |
|---------------|-------------------------------------|
| 965447-01 | Locker Assembly, Dinette, 26 Ft. |
| 1. 965089-006 | Face frame, dinette locker |
| 2. 381228-01 | Grabber catch |
| 3. 381836 | Hinge, Bright Brass |
| 4. 381835 | Handle, Chrome/Brass |
| 5. 800597-556 | Door, raised panel, 11.50" x 22.00" |
| 6. 800597-596 | Door, raised panel, 11.50" x 18.50" |
| 800571-016 | MOLDING FLAT .52"W X 80" |
| 365250-006 | EDGE BANDING 5/8" |

2005 LAND YACHT GAS

FURNITURE, GALLEY

Galley, Full Oven Option, 26'



Part numbers are on the next page

2005 LAND YACHT GAS

FURNITURE, GALLEY

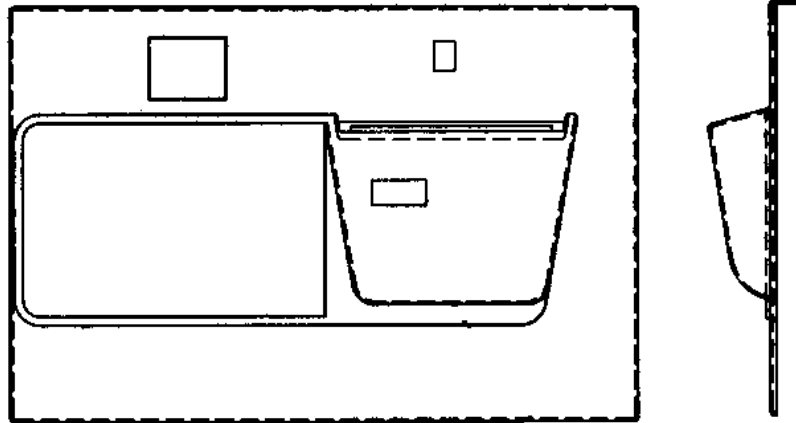
Galley, Full Oven Option, 26'

965495-03	GALLEY ASSY, FULL OVEN 26'LYMH
1. 964594-006	FACE FRAME-GALLEY, FULL OVEN 33'LY
2. 801180-006	PANEL 1/2" WOOD VINYL G2S
3. 801181-006	PANEL 5/32" G1S WOOD/RAW 4' X 8'
4. 800597-746	DOOR, RAISED PANEL- 10.25" X 29.50"
5. 800599-026	DRAWER FACE, 7.00" X 11.75"
6. 800599-386	DRAWER FACE, 7.00" X 21.50"
7. 964910-02	DRAWER BOX, 10.00" X 18.00" X 5.00"
8. 964910-03	DRAWER BOX- 19.50" X 18.00" X 5.00"
9. 381526-03	DRAWER SLIDE, 950-RV 18"
10. 381526-06	BRACKET ADJUSTABLE REAR
11. 381835	HANDLE-CHROME/BRASS
12. 381836	HINGE-BRITE BRASS
13. 800631-006	HANDRAIL, OAK, 23"LONG
14. 511361	LIGHT COURTESY FLUSH MOUNT BLACK
15. 601922	Galley top assembly, Midnight
15. 601922-01	Galley top assembly, Sandstone
15. 601922-02	Galley top assembly, Everest
15. *601969	Galley top assembly, Midnight
15. *601969-01	Galley top assembly, Sandstone
15. *601969-02	Galley top assembly, Everest
16.800571-016	MOLDING FLAT .52" W X 80"
17.800573-016	MOLDING DOOR EDGE 1-3/32" X 80"
18.381228-01	CATCH GRABBER DOOR

Used after unit 641388

2005 LAND YACHT GAS
FURNITURE, CAB AND LOUNGE

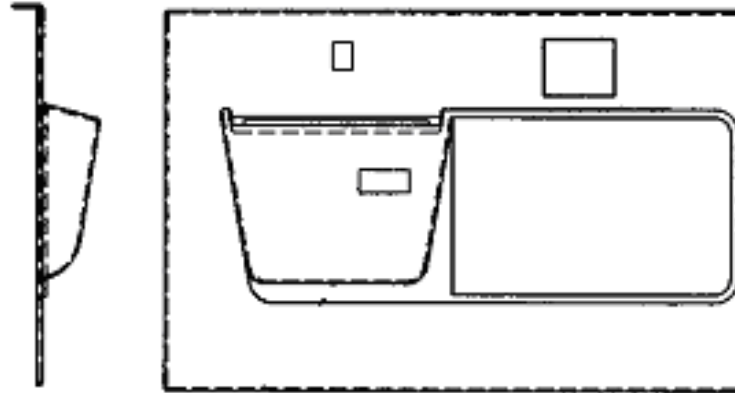
Interior Panel, Drivers Door, All Models



- 201767-03 Panel, Interior Drivers Door
- 201747-03 PANEL, SWITCH DRIVERS DOOR
- 104527-01 EXTRUSION J-TRIM-BRITE

2005 LAND YACHT GAS
FURNITURE, CAB AND LOUNGE

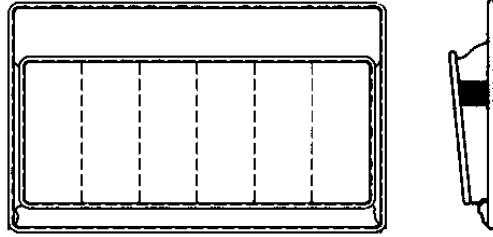
Interior Panel, Passenger Cab, All Models



201768-04 Panel, Passenger side
201756-01 PANEL, SWITCH PASSENGER DOOR
104527-01 EXTRUSION J-TRIM-BRITE

2005 LAND YACHT GAS
FURNITURE, CAB AND LOUNGE

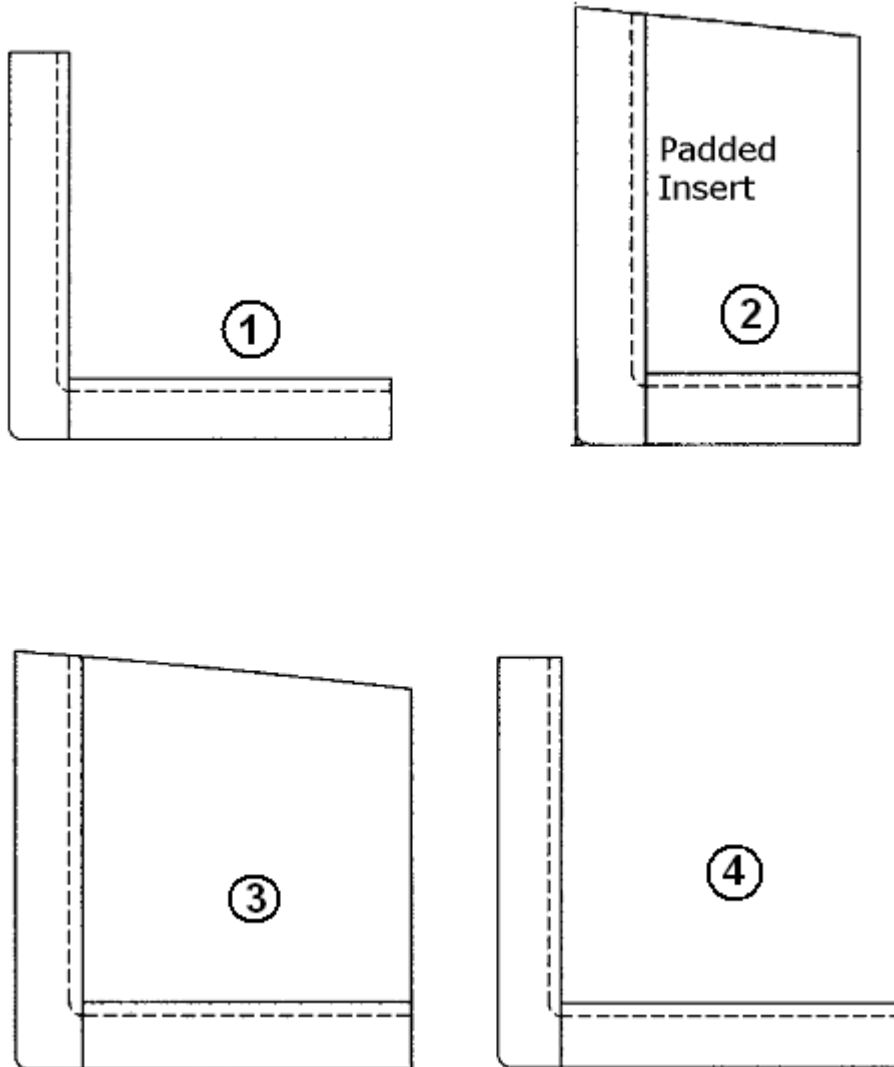
Drivers Door Map Pocket, All Models



702192-09 Pocket, Map, Buff

2005 LAND YACHT GAS FURNITURE, CAB AND LOUNGE

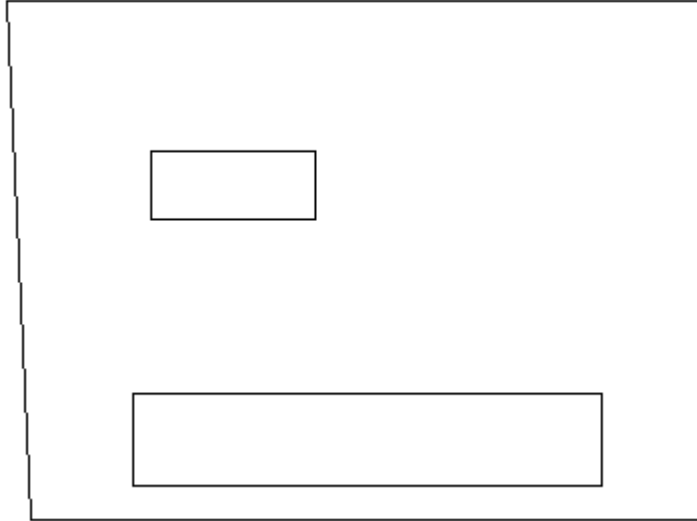
Roof Locker End Caps, All Models



- | | |
|---------------|-------------------------------|
| 1. 963816-016 | FRAME-END CAP 16" RH |
| 1.963816-026 | FRAME-END CAP 16" LH |
| 2. 963817-01 | ASSY. END CAP 10.12" RH |
| 2. 963817-02 | ASSY. END CAP 10.12" LH |
| 3. 963840-01 | ASSY. END CAP 14.75" RH |
| 3. 963840-02 | ASSY. END CAP 14.75" LH |
| 3. 962846-01 | END CAP ASSY GALLEY OVERHEAD |
| 4. 962845-016 | FRAME-END CAP GALLEY OVERHEAD |

2005 LAND YACHT GAS
FURNITURE, CAB AND LOUNGE

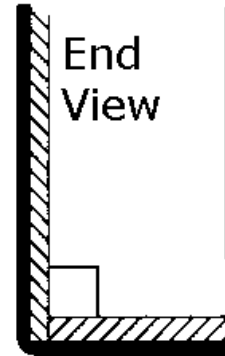
Kick Panel, Drivers Side, All Models



964032	KICK PANEL
800506-04	PLYWOOD, 1/2" X 4' X 8'
703466-01	Carpet, TAPIOCA
690431	VENT-2"INLET CLOSE ANGLE
345329-07	SCREW PHILLIPS #6

2005 LAND YACHT GAS
FURNITURE, CAB AND LOUNGE

Closeout, Above Cab Door & Window, All Models

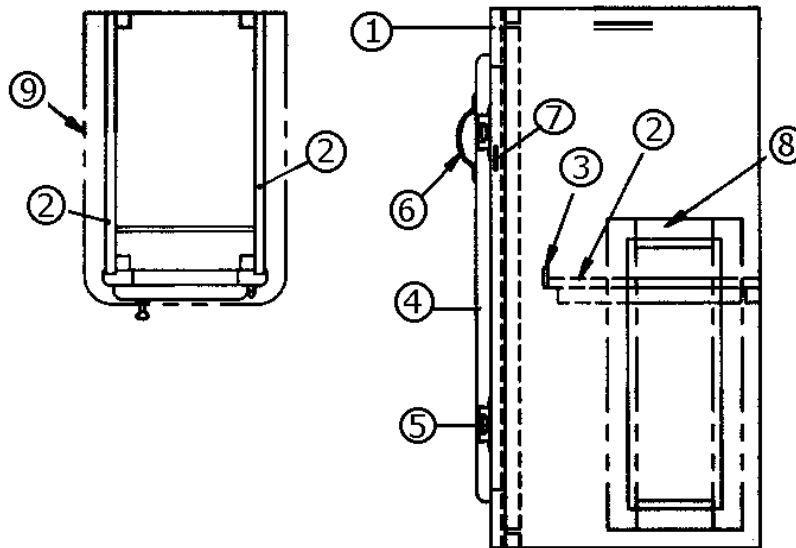


- 960669-01 RS Cab Area Closeout, (above drivers door)
- 960669-02 CS Cab Area Closeout,

2005 LAND YACHT GAS

FURNITURE, CAB & LOUNGE

End Table Assembly, 33'



963900

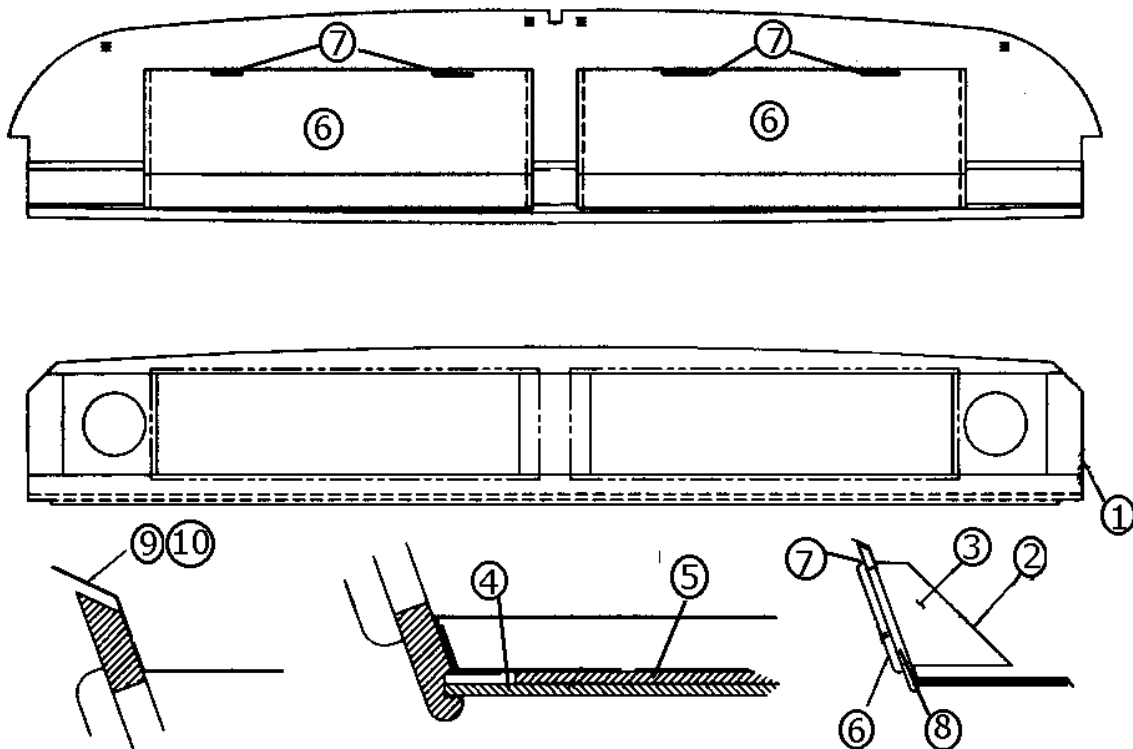
End Table Assembly, 33Ft.

- | | |
|---------------|----------------------------------|
| 1. 961715-016 | Face frame, end table |
| 2. 801180-006 | 1/2" paneling G2S |
| 3. 800573-016 | Molding door edge, 1 3/32" x 80" |
| 4. 800599-216 | Drawer face, smooth, 7" x 23" |
| 5. 381836 | Hinge, Bright brass |
| 6. 381835 | Handle, Chrome/Brass |
| 7. 381228-01 | Door, grabber catch |
| 8. 986832-01 | Framed recess, extinguisher |
| 9. 963123-006 | Top end table |
| 986832-01 | Framed recess fire extinguisher |

2005 LAND YACHT GAS

FURNITURE, CAB & LOUNGE

Roof Locker, Front End, All Models



963928-01

1. 960482-016

2. 114025

3. 801180-006

4. 960527

5. 800695

6. 800587-406

7. 381836

8. 381147

9. 114026-01

10. 114026-02

11. 701538

12. 381835

510793

Front Roof Locker Assembly

Face frame, front end liner

Pan, front roof locker

1/2" G2S paneling

Bottom, front locker

Spacer, front locker bottom

Door, raised panel, 9.75" x 33.00"

Hinge, Bright Brass

Door support, spring loaded

Mounting angle, front locker, 33.5"

Mounting angle, front locker, 6.81"

Carpet, velour black, not shown

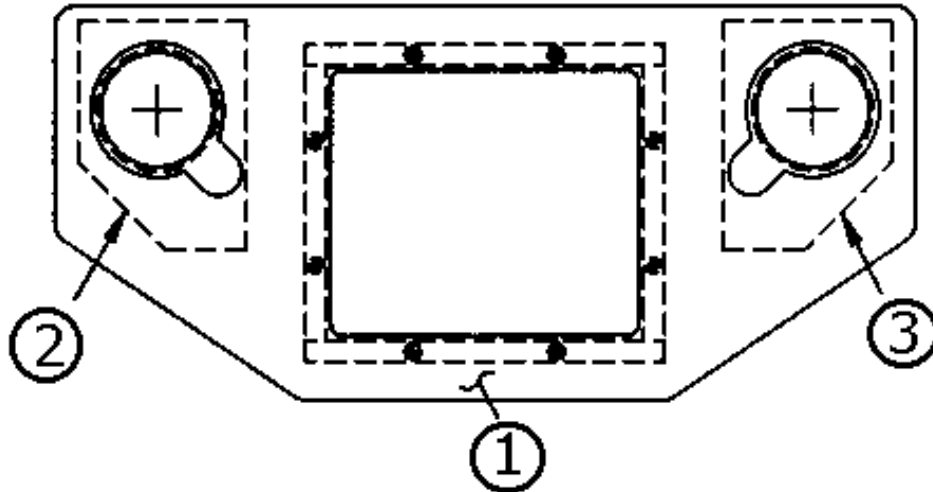
Handle, Chrome/Brass

Light, Dome, triple, Black

2005 LAND YACHT GAS

FURNITURE, CAB & LOUNGE

Beverage Tray Assembly, All Models

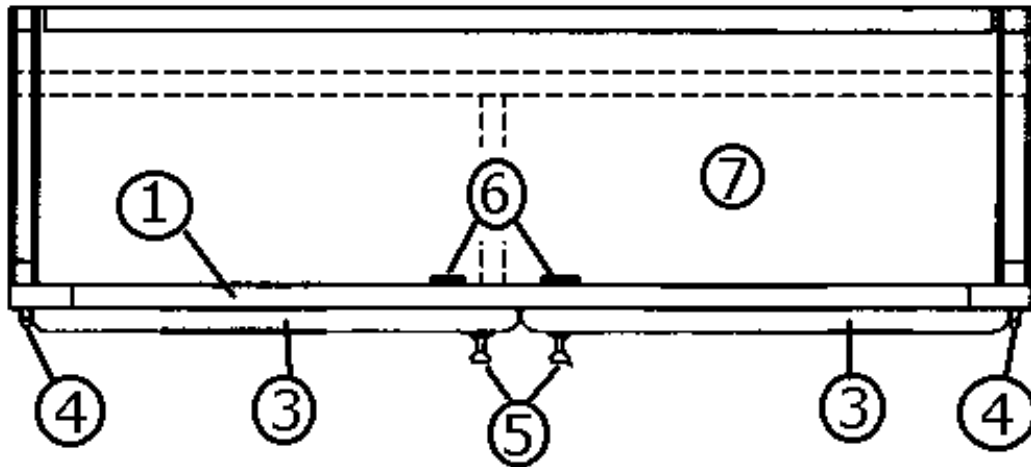


- | | |
|---------------|------------------------------|
| 964045-02 | Beverage Tray Assembly |
| 1. 963992-026 | Beverage tray, L-29 |
| 2. 203011-01 | Beverage tray cup holder, LH |
| 3. 203011-02 | Beverage tray cup holder, RH |

2005 LAND YACHT GAS

FURNITURE, CAB & LOUNGE

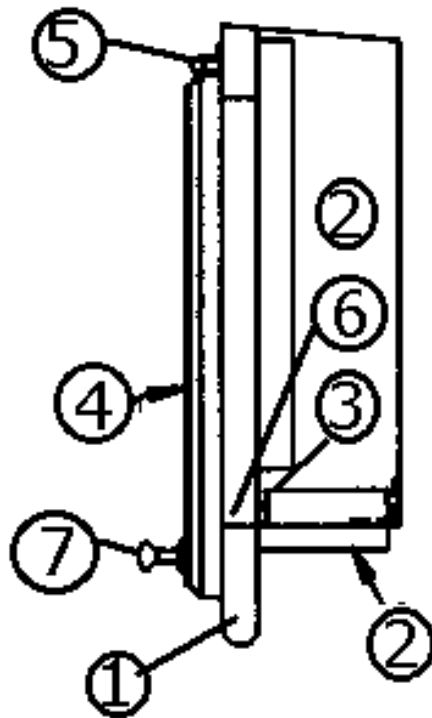
Roof Locker, Roadside Lounge/Galley, 33'



- | | |
|---------------|---------------------------------------|
| 963801-01 | Roof Locker, RS Lounge/galley, 33 Ft. |
| 1. 963802-016 | Face frame, CS lounge/galley |
| 2. 801181-006 | Paneling, 5/32", G1S |
| 3. 800597-176 | Door, raised panel, 11.50" x 15.25" |
| 4. 381601 | Hinge, Bright brass |
| 5. 381835 | Handle, Chrome/Brass |
| 6. 381228-01 | Door grabber catch |
| 511248 | Light, incandescent, not shown |
| 960579 | END CAP, ROOFLOCKER, R.H. |
| 963816-016 | FRAME-END CAP 16" RH |
| 960580 | ASSY., END CAP, ROOFLOCKER, L.H. |
| 963816-026 | FRAME-END CAP 16" LH |

2005 LAND YACHT GAS
FURNITURE, CAB & LOUNGE

Roof Locker, Above Main Door, 33'



963797

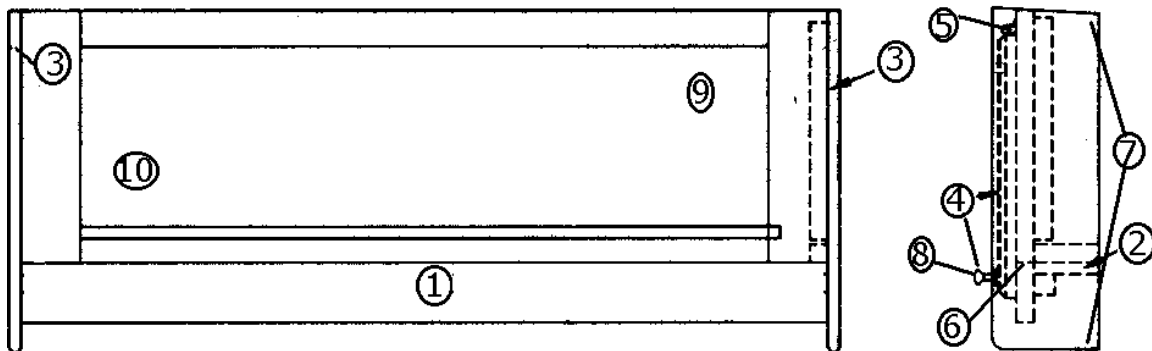
- 1. 963798-016
- 2. 801180-006
- 3. 800577-09
- 4. 800597-096
- 5. 381836
- 6. 381147
- 7. 381835

Door Header, Cabinet
Face frame door header
1/2" G2S paneling
Decorative trim, 27.12
Door, raised panel, 11.00" x 29.75"
Hinge, Bright brass
Door support, spring loaded
Handle, Chrome/Brass

2005 LAND YACHT GAS

FURNITURE, CAB & LOUNGE

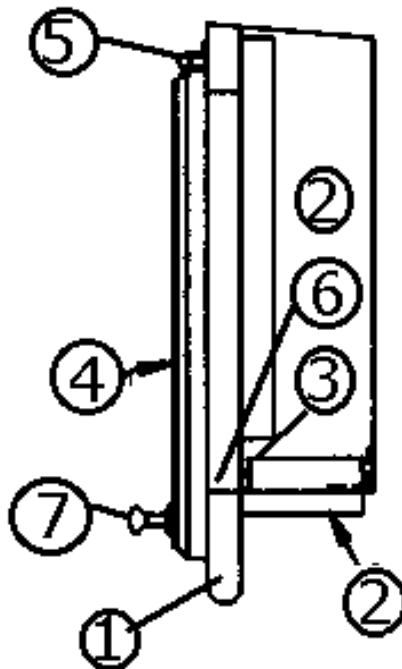
Header Cabinet Above Main Door, 30' S/O, 26'



- | | |
|---------------|-------------------------------------|
| 965449 | Header Cabinet Above Main Door |
| 1. 965448-006 | Face frame, door header, 34.00" |
| 2. 801180-006 | 1/2" G2S paneling |
| 3. 965487-006 | End cap, door header |
| 4. 800597-096 | Door, raised panel, 11.00" x 29.75" |
| 5. 381836 | Hinge, Bright Brass |
| 6. 381147 | Door support, spring loaded |
| 7. 385963 | Mounting bracket |
| 8. 381835 | Handle, Chrome/Brass |

2005 LAND YACHT GAS
FURNITURE, CAB & LOUNGE

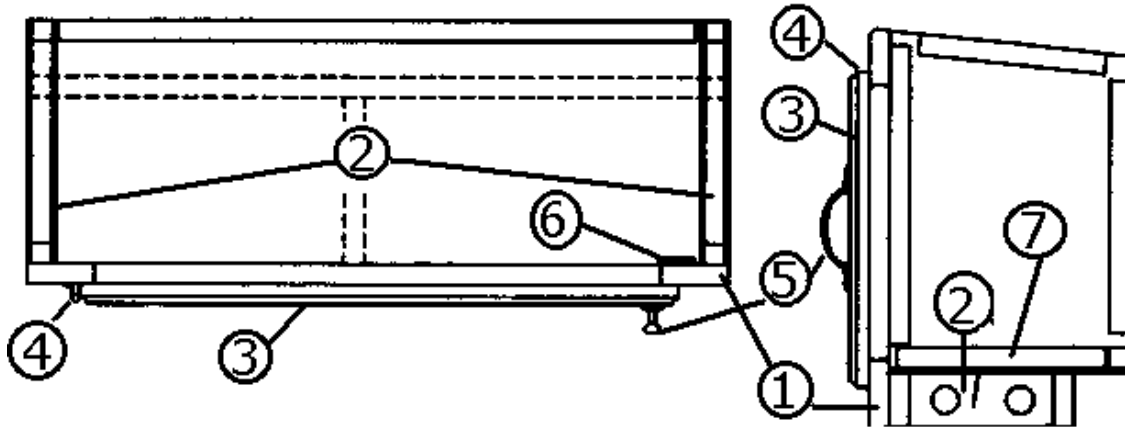
Door Header, Cabinet, 30'



- | | |
|---------------|-------------------------------------|
| 964744-01 | Door Header, Cabinet |
| 1. 963809-016 | Face frame door header, 32.75" |
| 2. 801180-006 | 1/2" G2S paneling |
| 3. 800577-13 | Decorative trim, 25.25" |
| 4. 800597-096 | Door, raised panel, 11.00" x 29.75" |
| 5. 381836 | Hinge, Bright Brass |
| 6. 381147 | Door support, spring loaded |
| 7. 381835 | Handle, Chrome/Brass |
| 800457-006 | ROD-DOWEL 1/2" DIA. 36" LONG |

2005 LAND YACHT GAS
FURNITURE, CAB & LOUNGE

Roof Locker CS Lounge, 30'

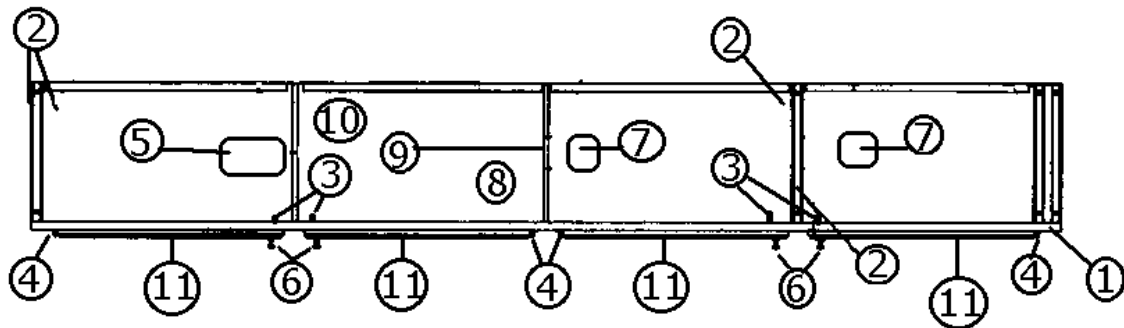


- | | |
|---------------|-------------------------------------|
| 963806-01 | Roof Locker CS Lounge |
| 1. 963807-01 | Face frame, CS lounge roof locker |
| 2. 801181-006 | 1/2" G1S paneling |
| 3. 800597-556 | Door, raised panel, 11.50" x 22.00" |
| 4. 381601 | Hinge, Bright brass |
| 5. 381835 | Handle, Chrome/Brass |
| 6. 381228-01 | Grabber catch |
| 7. 511248 | Light, incandescent |

2005 LAND YACHT GAS

FURNITURE, CAB & LOUNGE

Roof Locker, RS Lounge, 30'

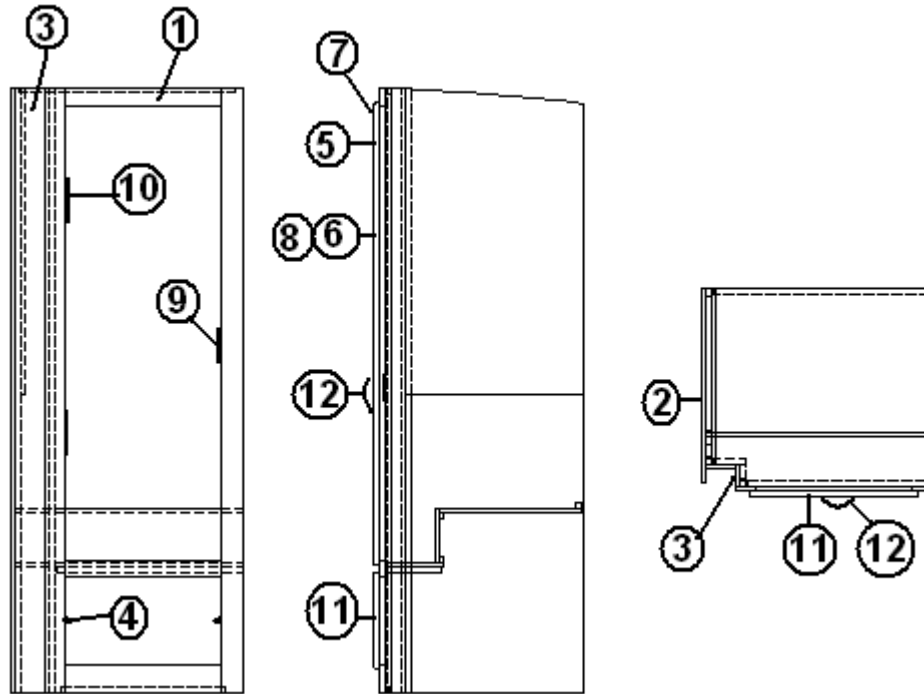


- | | |
|----------------|-------------------------------------|
| 963810-01 | Roof Locker, RS Lounge |
| 1. 964146-006 | Face frame, RS Locker |
| 2. 801181-006 | 5/32" G1S paneling, 4'x8' sheet |
| 3. 381228-01 | Door grabber catch |
| 4. 381836 | Hinge, Bright brass |
| 5. 511694-01 | READING LIGHT-HALOGEN, NICKEL/BRASS |
| 6. 381835 | Handle, Chrome/Brass |
| 7. 511248 | Light, incandescent, single |
| 8. 800571-016 | Molding, flat, 1/4z' x 33/64" x 80" |
| 9. 801180-006 | Panel, 1/2" G2S |
| 10. 800573-016 | Molding, door edge, 1 3/32" x 80" |
| 11. 800597-556 | Door, raised panel, 11.50" x 22.00" |

2005 LAND YACHT GAS

FURNITURE, CAB & LOUNGE

Wardrobe, Curbside, 30'

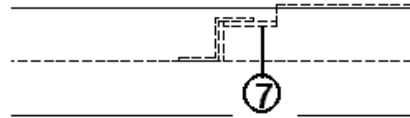
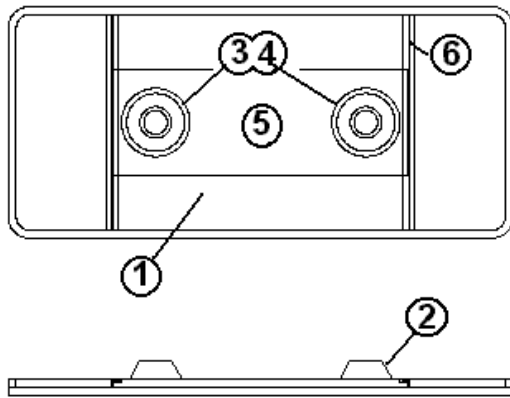


965861	WARDROBE ASSY-CS
1. 965860-016	FACE FRAME-W/R CS
2. 801057-14	PANEL-FWD WARDROBE
3. 801180-006	PANEL 1/2" WOOD VINYL G2S
4. 381228-01	CATCH GRABBER DOOR C3-803
5. 800557-106	DOOR - FRAME ONLY 22.00 X 60.0
6. 371262-04	MIRROR- SAFETY- 19.12 X 28.12
7. 801181-006	PANEL 5/32" G1S WOOD/RAW 4' X 8'
8. 381754	MIRROR CLIP R2
9. 381228	CATCH GRABBER DOOR
10. 381836	HINGE-BRITE BRASS
11. 800599-706	DRAWER FACE- 12.50 X 21.50
12.381835	HANDLE-CHROME/BRASS
801179-006	PANEL 1/2" G1S VINYL/RAW 4' X 7'

2005 LAND YACHT GAS

FURNITURE, CAB & LOUNGE

Table, Pedestal, 26'

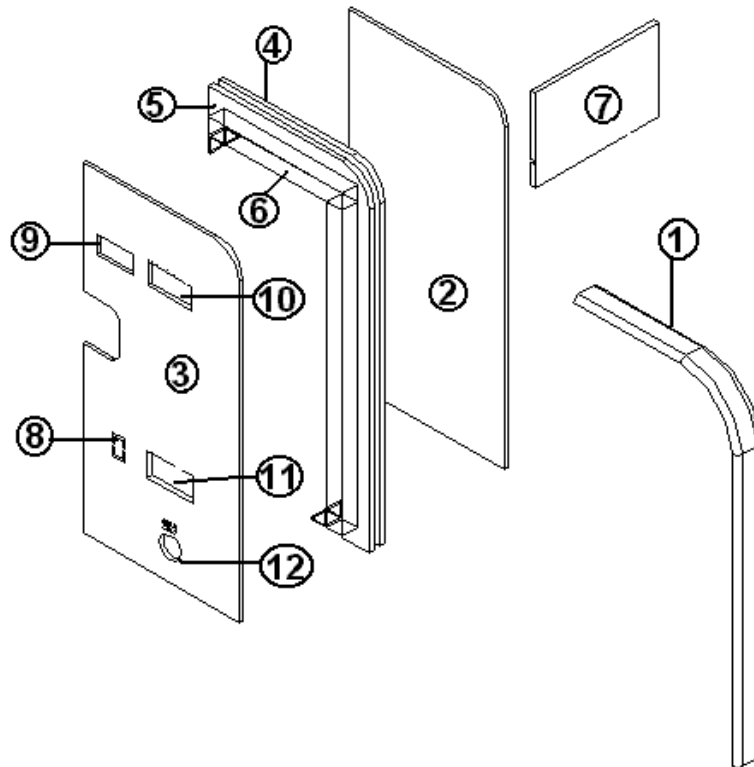


- | | |
|--------------|---|
| 965557 | TABLE, PEDESTAL |
| 1. 965556 | ASSY-TOP, PEDESTAL TABLE |
| 2. 380338 | SOCKET, PEDESTAL, TABLE |
| 3. 380339 | SOCKET, PEDESTAL, FLOOR |
| 4. 380337 | LEG, PEDESTAL, 28.5 IN. |
| 5. 801369 | PANEL, FROST WHITE/WHITE LINER |
| 6. 195462-01 | JAMB, COLONIAL WHITE |
| 7. 801355-01 | LAMINATE, FROST WHITE, 4' X 8' VERTICLE |

2005 LAND YACHT GAS

FURNITURE, CAB & LOUNGE

Wall, Entry, 30' S/O



- | | |
|--------------|----------------------------------|
| 966043 | WALL ASSEMBLY, ENTRY HALF 30'SO |
| 1. 703125-03 | TOP DINETTE SEAT URETHANE BUFF |
| 2. 801484-01 | PANEL-HALF WALL ENTRY |
| 3. 801484-02 | PANEL-HALF WALL ENTRY W/HOLES |
| 4. 801490-01 | FRAME-HALF WALL OUTER |
| 5. 801490-02 | FRAME-HALF WALL INNER |
| 6. 801491 | PANEL-LOCK COVER CS |
| 7. 915732 | WELDMENT-HALF WALL SUPPORT |
| 8. | POWER AWNING SWITCH |
| 9. 511474-02 | SWITCH-DIMMER 12V BLACK |
| 10. | ENTRY SWITCHES |
| 11. 511002 | SWITCH BATTERY DISCONNECT |
| 12. 51136 | LIGHT COURTESY FLUSH MOUNT BLACK |
| 801392 | PANEL, WHITELINER/WHITELINER |
| 365238-04 | EDGEBANDING PVC 5/8" WHITE |

2005 LAND YACHT GAS

HARDWARE

Hood Prop/Latch

381569-01	Prop, spring, 17.20 60#, front hood
381262	Bracket, prop, w/ball, hood & trunk
381633	bracket, prop, 2"
381310	Gas rod bracket assembly upper, hood

Hood Latch

381109	Bunk latch (slide bolt), front hood
385587	Cap, rubber, hood bumper, black
381461	BUSHING NYLON STEP
381565-04	Plunger, bolt, assembly, w/o rod collar
452736	Bracket, hood latch pocket
452737	Bracket, pull cable
381484	Strike, compartment door
381327	Cable, hood release
380238	Cable support
381434	Hinge, stainless steel 3 x 3"
381456	Cable, coated, handle to plunger
453478	BRACKET HOOD RELEASE

Door, Compartment

381565-01	Handle assembly, keyed alike, lower comp.
381565-05	Key TM 904
381565-02	Handle assy., non-locking, lower compartment
381565-04	Plunger, bolt assy., w/o rod collar, lower compartment
453396	Bracket, latch mounting
114758	Plate, compartment latch cover
381529	Hinge, lower compartment
381456	Cable, coated, handle to plunger
381455	LOOP SLEEVE, STAINLESS STEEL
381484	Strike, compartment door
381503	TWIST LOCK 1/4 TURN, non-locking

2005 LAND YACHT GAS

HARDWARE

Door, Trunk

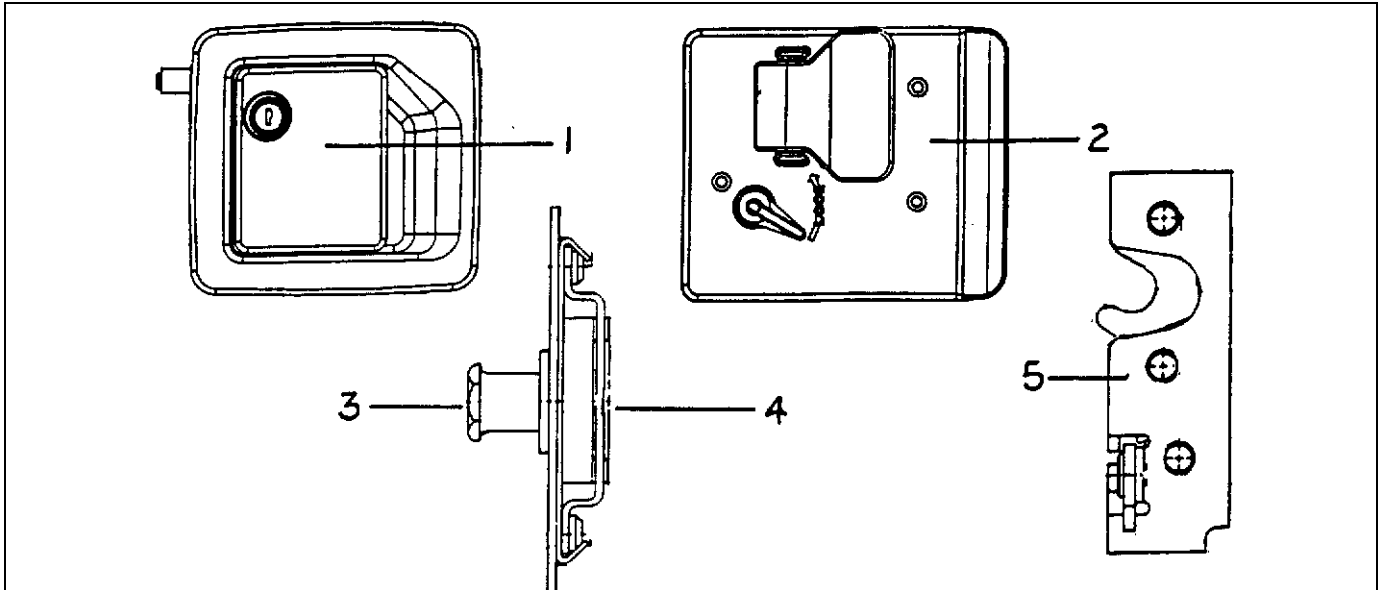
381569-01	Spring, gas prop, 50#, trunk door
381262	BRACKET, PROP, W/BALL, ANGLE
381455	LOOP SLEEVE, STAINLESS STEEL, TRUNK
201871	TUBING, CLEAR ACRYLIC, 1/8 ID, 1/4OD TRUNK
381457	CLAMP, ONE HOLE JIFFY, 1/4", TRUNK
195373	Paddle handle w/lock, black, trunk
381373	Rod connecting
381533	Striker, trunk door lock
381310	Bracket, gas prop, upper, trunk door
381434	HINGE, S.S., 3" X 3"
365205	GASKET WEATHERSTRIP
381456	CABLE GALV COATED

Windows, Se-Gi

371366-101	Sweep latch, SE-GI window
371366-100	Weep hole cover, SE-GI window

2005 LAND YACHT GAS HARDWARE

Main Door Latch/Lock



- | | |
|--------------|---------------------------|
| 1. 381521-01 | Outside lock housing |
| 2. 381521-02 | Inside lock plate |
| 3. 381284 | Striker bolt |
| 4. 381521-04 | Caged nut |
| 5. 381521-03 | Rotary latch |
| 381521-05 | Screws, inside lock plate |
| 381285 | Housing and black paddle |

Main Door Dead Bolt

- | | |
|-----------|---|
| 510802-01 | Actuator, door lock, 5-wire |
| 381323-01 | Dead bolt assembly |
| 452030 | Bolt, Tri-mark dead bolt |
| 381326 | Striker, 10007 w/Tri-mark dead bolt |
| 345321-12 | Screw, #8-32, flat head, black |
| 201787-01 | Pan, plastic, dead bolt, interior, main door only |
| 200772 | PAN, DEADBOLT, TRI-MARK |

2005 LAND YACHT GAS

HARDWARE

Main Door Hinges

960699	ASSY., HINGE, DOOR, ENTRANCE
381334	Hinge leaf, jamb, main door
381336	Hinge leaf, door
381377	Hinge leaf, screen door
385599-075	Bearing, sleeve, hinge
310024	Pin, hinge .250" x 6"
300118-01	Washer, nylon, main door hinge

Screen Door

380079	Screen, plastic mesh
200518	Spline, Gray, round, screen installation
380004	Pull handle, screen door w/screws
381454	Latch, screen door, double action, Bullet
203000	Closeout, plastic, sliding, screen door, (Gizzy)

Main Door Holdback

201056	Catch, main door hold back
380291	Main door hold back, used w/housing 380290
380290	Latch housing, main door hold back

Drivers Door Hinge

381395	ASSY., HINGE, DRIVER DOOR
381394	Hinge leaf, jamb, driver door
381393	Hinge leaf, driver door
310024-01	Hinge pin 8"
453962	Spacer, driver door
385599-075	BEARING SLEEVE HINGE .075"
300118-01	WASHER,NYLON,.252(ID).50(OD)

2005 LAND YACHT GAS

HARDWARE

Drivers Door Lock

381285	Housing and black paddle, exterior
195293-08	Bezel and lever assy., inside
195293-01	Latch and linkage w/override and unlock
381381	Rod, inside release lock
381382	Rod, inside release latch
381391	Rod, outside release latch
381284	Striker bolt-Tri-mark
195293-12	Rod end clip, LH
195293-11	Rod end clip, RH
195293-04	ROD END CLIP RH. 80801-00 7R
195297-03	INNER DOOR TRIM, NU-WHITE
510802-01	Actuator, door lock, 5-wire Acme

Drivers Door Misc.

381859	Assist handle, drivers door
381045	Ash tray, drivers door
195345	Webbing, brown nylon strap, drivers door
114103	TRIM-FORMED, SASH, CAB DOOR
114149	THRESHOLD-SUB, DRIVER'S DOOR
381363	ASSIST STRAP-DRIVERS DOOR

Drivers Door Power Window

684910	CHANNEL SCHLEGLE
195386	Switch, momentary, power window
195387	CONNECTOR RA5-15 WIRE HARNESS
195388	SWITCH PLATE BEZEL
195282-02	Extrusion, drivers window guide
195314	Window lift bracket, drivers door
195441-01	WINDOW REGULATOR 95 & PRESENT

2005 LAND YACHT GAS

HARDWARE

Drawer Slides

381526-06	Rear bracket, adjustable, drawer slides
381526-01	Drawer slide, 14" roller type
381526-03	Drawer slide 18" roller type
381526-04	Drawer slide, 20" roller type
381526-05	Drawer slide, 22" roller type
381400-01	Drawer slide, 12" ball bearing type
381400	Drawer slide, 14" ball bearing type
381090	Drawer slide, 22" ball bearing type

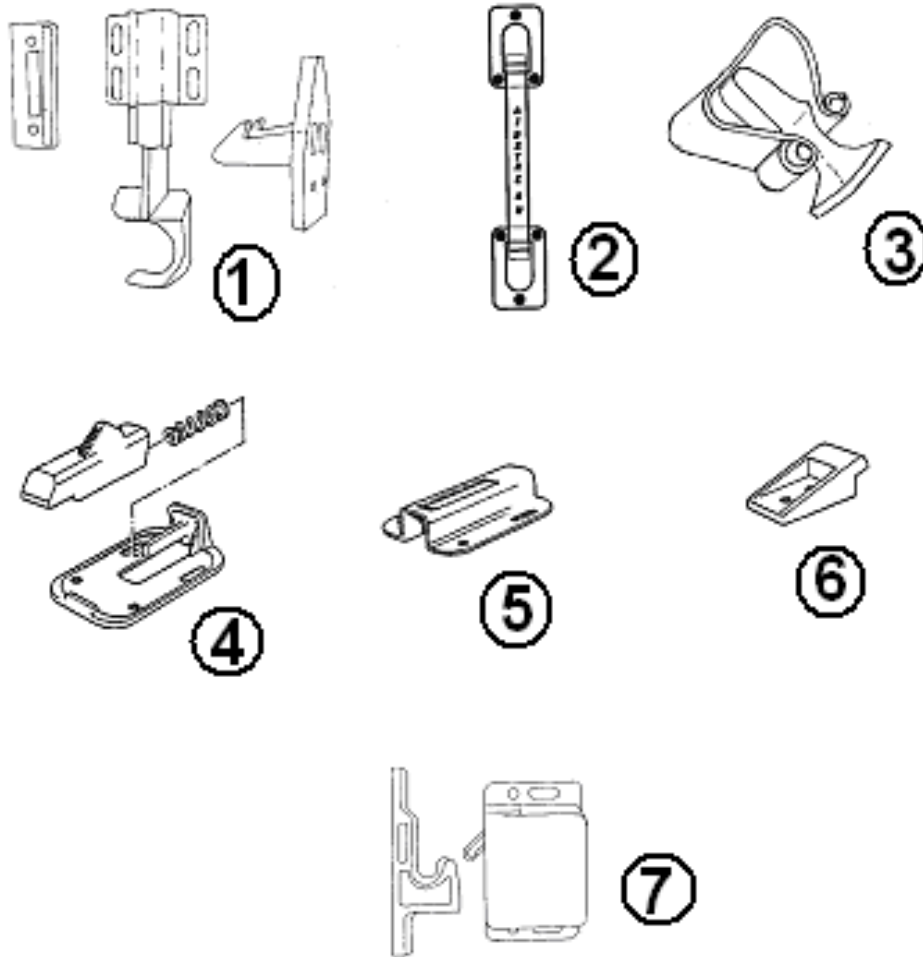
Interior Hinges

380210	Hinge, plain steel, dinette
380284-02	Hinge bracket, dinette table, 33'
380284-04	HINGE, TABLE BRKT, 15 X 7.38, 30'
380203-01	Hinge, piano, clear anodized, 1/8" pin, "J" bed top
381072	Hinge, 3" x 17/8", open Gold, Bath slider door, 30'
381601	Hinge, Bright Brass, dinette locker

2005 LAND YACHT GAS

HARDWARE

Exterior Handles/Catches

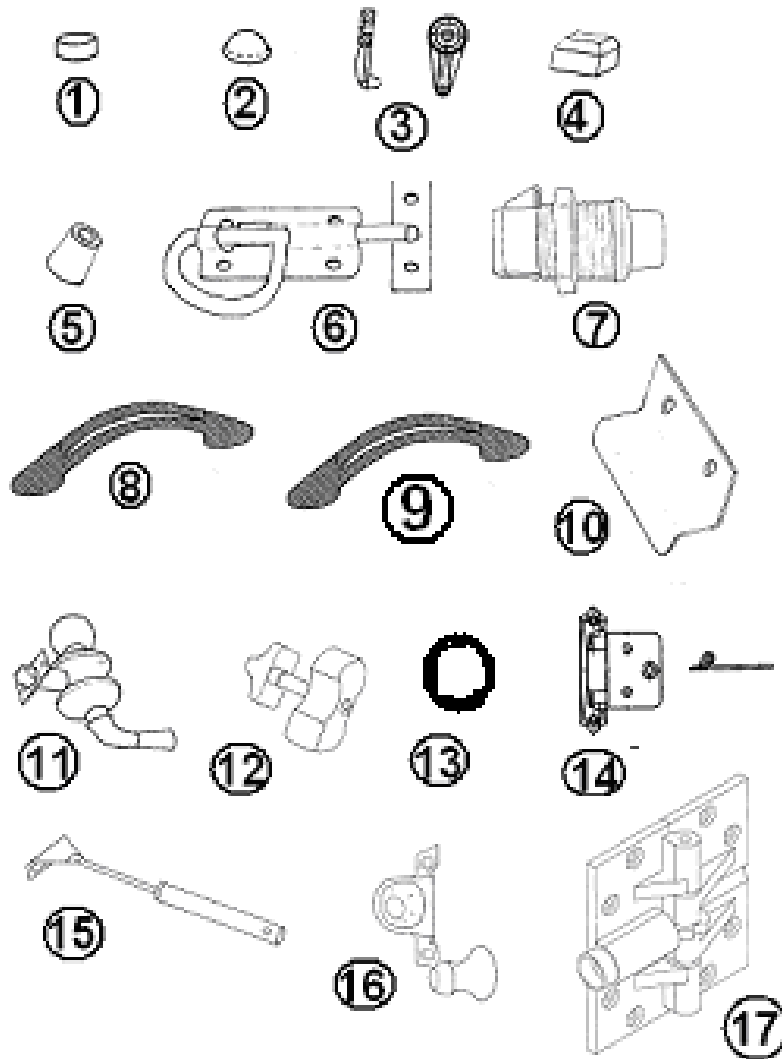


- | | |
|--------------|---|
| 1. 381454 | Latch, screen door, Bullet |
| 2. 381859 | Grab handle, embossed, "AIRSTREAM" |
| 3. 381427 | Friction catch, lower comp, door to side back |
| 4. 380291 | Main door hold, Used w/ housing#380290 |
| 5. 380290 | Latch housing, main door holdback |
| 6. 201056 | Catch, main door holdback |
| 7. 381228 | Grabber door latch w/catch, 10 lb. rating |
| 7. 381228-01 | Gabber door latch w/catch, 3 lb. rating |

2005 LAND YACHT GAS

HARDWARE

Interior Cabinet



Part Numbers On the Next Page

2005 LAND YACHT GAS

HARDWARE

Interior Cabinet

- 1. 360012 Bumper, rubber, white, stick-on, cylindrical
- 1. 360012-01 Bumper, rubber, brown, stick-on, cylindrical
- 2. 195329-220 Bumper rubber, clear, stick-on, oval
- 3. 381754 Clip, mirror, retainer, metal
- 4. 380016 Bumper, rubber, square, Gray 3/8" x 3/8"
- 5. 385587 Cap, rubber, hood bumper, black
- 6. 381109 Slide bolt latch
- 7. 381408 Latch, push button, black, pantry
- 8. 381835 Door handle, Brass/Chrome
- 9. 381576 Pull Handle, Brass
- 10. 385940 Mirror pull, brass
- 11. 381022 Latch, swinging bath door
- 12.702306-04 Travel latch shower door
- 13.201427 Finger pull light brown
- 14.381836 Hinge, Bright Brass
- 15.381147 Door support R/L, spring loaded
- 16.381074 Bull dog door catch
- 17.381763 Hinge, bi-fold locking
- 381736-01 HANDLE-INTERIOR ASSIST, 32.50

Wardrobe

- 380046 Flange, chrome, clothes rod support
- 380045 Tubing 3/4" metal, clothes rod
- 200975-04 Conduit, flexible, -black, covers clothes rod
- 381298 "J" bracket, center clothes rod support
- 381243 Clip, shelf support, rear wardrobe
- 381527 Speedy shelf strip
- 381576 Pull handle, brass, sofa & dinette drawer

2005 LAND YACHT GAS

HARDWARE

Bath Accessories

- 381626-02 Towel bar, 18", chrome and brass
- 380017 Tooth brush/tumbler holder
- 380248 Soap dish
- 381299 Toilet paper holder, recessed

Bed Prop, 26'

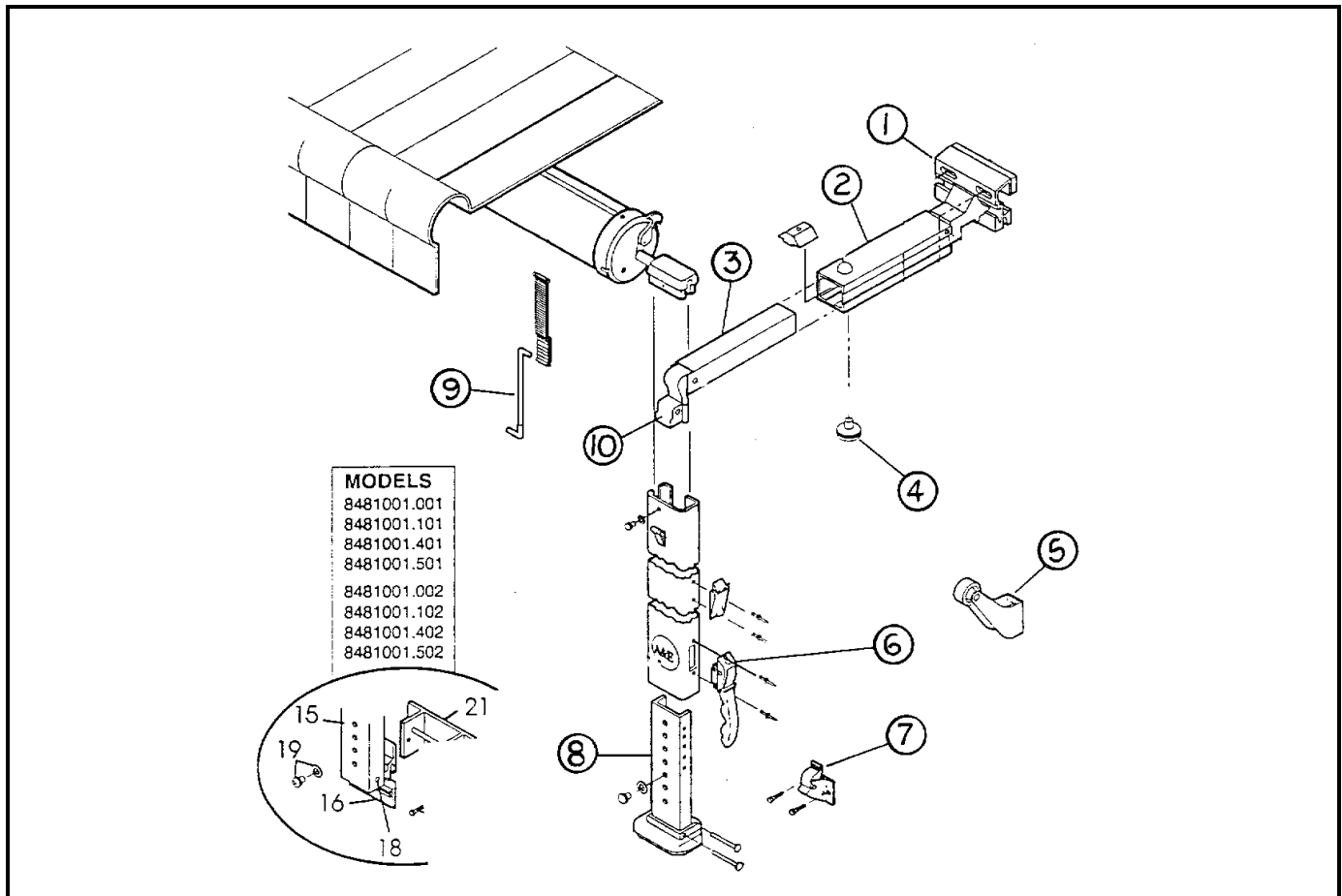
- 381067-09 Prop, gas, 90#-twin bed
- 381262 Bracket, prop, w/ball-angle
- 381085 Clip, retaining, gas prop bracket
- 381263 Bracket, prop, w/ball, straight

Sliding Door

- 381385 Dual lock #400-1" strips
- 381386 Dual lock #170-1" strips
- 381443-04 Sliding door set, includes carriers, top door plates, and track
- 381443-01 SLIDING DOOR SET, #71-222-5', bath sliding door
- 381443-02 BUMPER STOP, #7014
- 381443-03 ANGLE STOP #1018

2005 LAND YACHT GAS HARDWARE

Awning



702679-17W

- 1. 702679-104
- 2. 702679-103
- 3. 702679-105
- 4. 702679-106
- 5. 702679-109
- 6. 702679-111
- 7. 702679-108
- 8. 702679-107
- 9. 702679-102
- 10. 702679-110

Patio Awning Hardware

- Bracket top, A&E awning
- Rafter, main, A&E awning
- Secondary rafter, A&E awning
- Knob, adjustment, 1 7/8" A&E awning
- Door roller, A&E awning
- Lift handle, A&E awning
- Bracket, bottom mounting, A&E awning
- Arm, adjustable, A&E awning
- E-Z pull rod, A&E awning
- Slider assembly, A&E awning

2005 LAND YACHT GAS

HARDWARE

Labels and Tags

386113	Plate, RVIA
385531	FMVSS certification label
385095	Tag registry #11999
385465	Label, exit warning (English)
386122	Label, warning label/cooking appliance
386121	Label, LP gas warning label (odor)
385788	Warning label, pilot light/refuel
385101	Tag, auxiliary tank dump valve handle
385099	Tag, black tank dump valve handle
385063	Label, drain cap
385062	Decal, 110-125 voltage AC
385309	Decal, fuel fill
386118	LP gas warning/fill label
385141	Tag, seat, clear w/black letters
385518	Label, dimension and clearance
385193	Label, 12Volt distribution inside
385560	Air conditioner rating label
385561	Generator rating label
385565	Label, holding tank flushing
385805-01	A/C priority switch label-front
385805-02	A/C priority switch label-rear
385812	Label, Calif. hazardous substance
386120	Label, smoke detector
385612	Label, parking brake warning
385829	Decal, fuse and relay
385828	Decal, fuse panel warning
385851	Label, cellular phone
386101	LABEL SLEEPING ACCOMMODATION
400868-03	"Label only" Reese hitch
385987	Label, 5-amp fuse, max.
386095	Label, Towing warning
385933	Label, name set relay
385941	Label, waste water holding

2005 LAND YACHT GAS

HARDWARE

Label and Tags

385942	Label, sewage holding tank
385943	Label, "cap must be in place"
385947	Label, 10-amp fuse maximum
385608	Label, sewer hose L/Y M/H
385620	Label, unleaded fuel only
385098	Label, seat occupancy
385989	Decal, mirror, heat
385988	Decal, water heater
386012	Label, warning, water heater
386038	LABEL CSA HOLDING TANKS FRESH WATER
386082	LABEL THOR, 5.25" X .75'
386039	LABEL AIRSTREAM ALIGNMENT
385615	Label, fuse block L/Y M/H
385917	Decal, Oak table w/no mar finish
195328	TAG, SERIAL # - MH CAB DOOR
386019	LABEL 1 AMP FUSE MAX. BS-93
386017	DECAL-CONTROL PANEL BACKER-BLACK
386119	Label, DON'T USE AREA FOR STORAGE
386100	Label, Fuse, 12-Volt
386102	Label, Disc Changer
386103	Label, DVD, Front TV
386104	Label, DVD, Rear TV
386124	LABEL REFUELING WARNING
386123	LABEL "POTABLE WATER ONLY"
386143	LABEL-WARNING S/O OPERATION

2005 LAND YACHT GAS

HARDWARE

CSA Labels

385098-CSA	Label, seat occupancy (FRENCH)
385949	Label, "potable water" CSA
385950	Label, "smoke detector" CSA
385951	Label, "range fresh air" CSA
385952	Label, "LP warning" CSA
385953	Label, "If you smell gas" CSA
385954	Label, "range warning" CSA
385466	Label, exit label (French)

Detectors/Fire Ext./Rear View Mirror

510781	Detector, smoke #1056 w/silencer
511343	Detector, carbon monoxide-9 volt
511309	Detector, LPG
510734	Alarm, back-up
690381-02	Fire extinguisher
380188	Emergency warning triangle (set of 3)
371243	MIRROR, REAR VIEW, GM #911722
380990	BRKT, MIRROR SUPPORT, GM #9831062

Fuel Fill Cover

201798	COVER, FUEL FILL WALL, PLASTIC
201865-02	HOUSING FUEL FILL, POLAR WHITE

2005 LAND YACHT GAS

INTERIOR TRIM

Cab

203040-01	COVERS CENTER POST BUFF
201997-03	A-POST COVER ROADSIDE ABS BUFF
203323-01	A-POST COVER CURBSIDE ABS BUFF
201787-01	POCKET DEADBOLT INTERIOR
201808	COVER, DEADBOLT POCKET
203321	COVER, WHEEL BOX, INTERIOR, 33'
961873	COVER FUEL FILL HOUSING LYMH
381515	Sun visor

Decorative Trim

381449-04	Rail, decorative rod, 30"
381449-05	Post, decorative rail, polished brass
381089	GOLD DECORATIVE METAL GRILLWORK

2005 LAND YACHT GAS

PLUMBING, LPG

Tanks/Shields

601500	LP tank, 105# w/90 ohm sender-33'
601447	LP tank, 90# w/90 ohm sender, 30'
601797	LP tank, 81# w/90 ohm sender, 30 S/O, 26'
453980	Propane tank mounting bracket, 26'
453882	Shield, exhaust-LPG tank, 33', 30'
511229	Sending unit, 90 ohm, Snap On
454175	Heat shield LPG line
453923	EXHAUST SHIELD LP TANK, 33'

Regulator/Fittings

601674	LP Regulator, 2-stage 30ft. & 33ft.
203135	Cover, regulator, 30ft. & 33ft.
201649	ACCESS COVER LP REGULATOR, 33' only
943433	Vapor line
601673-01	Hose 3/8" x 48", low pressure
601661	Close nipple, 1/2" NPT, brass
601408	Elbow, 90 degree, 1/2" NPT
601409	"T", 1/2" NPT
601412-08	CONNECTOR-M, .50 PIPE TO .38 TUBE
601675	Union, 3/8" M FL x 3/8" m NPT
600000	"T", 5/8 x 5/8" x 3/8", brass
600003	"T", 5/8" x 3/8" x 3/8", brass
600436	Flare nut, forged 5/8"
600435	Flare nut, forged 3/8"

2005 LAND YACHT GAS

PLUMBING-FRESH WATER

Tank, 26'

601851-01 Tank, fresh water, 50gal. 26ft

Tank, 30', 33', 30' S/O

Fresh Tank Water Fill/Flush

201866-02	City water fill, polar white
381766	Hatch, access, water fill, 7.75" x 12.63"
601239-01	Tubing, ribbed, 1.375 I.D., water fill
453994	BOX-EXT.WATER/TANK FLUSH
690423	FAUCET WASHER/DRYER
601469	VACUUM BREAKER, 3/4IN GARDEN H

2005 LAND YACHT GAS

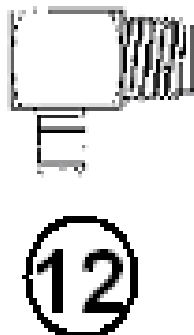
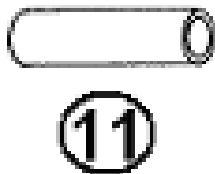
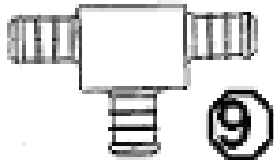
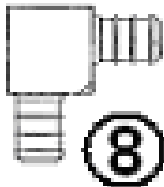
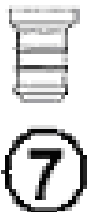
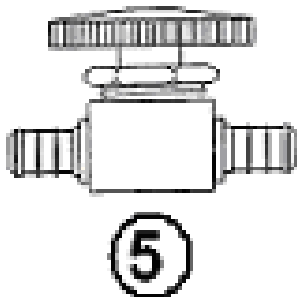
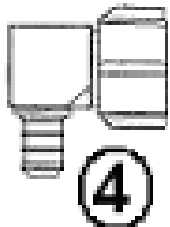
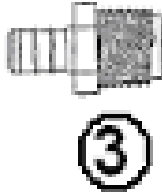
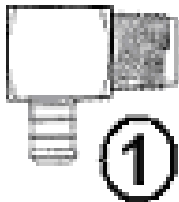
PLUMBING-FRESH WATER

City water Hookup/Water Pump

600309	Regulator, Watts
600139	Check valve, brass
601791-03	Water pump, Aquatec
601791-02	Fitting, slip in, Aquatec pump
601723	Filter, screen water
601668	WATER PUMP PRE-FILTER
943576	HOSE-WATER PUMP
601565	HOSE WATER W/FITTINGS 12" LONG
203085	PLUG WATER LINE 1/2" PLASTIC BLK
601238	ADAPTOR 1.25 MPT X 1.25 BARB
601467	SILLCOCK, 1/2" FEMALE W/WHEEL HAND.
601469	VACUUM BREAKER, 3/4IN GARDEN HOSE
600241-01	HOSE ADAPTOR, STRAIGHT #02593
340084-52	CLAMP, HOSE SAE #52
453092	BRACKET EXT. WATER SERVICE
381041-07	PLUG, HEYCO, BLACK, 1 IN., HOLE SIZE
381041-11	PLUG, HEYCO BLACK 1.5, HOLE SIZE

2005 LAND YACHT GAS
PLUMBING, FRESH WATER

Fresh Water Fittings



2005 LAND YACHT GAS

PLUMBING, FRESH WATER

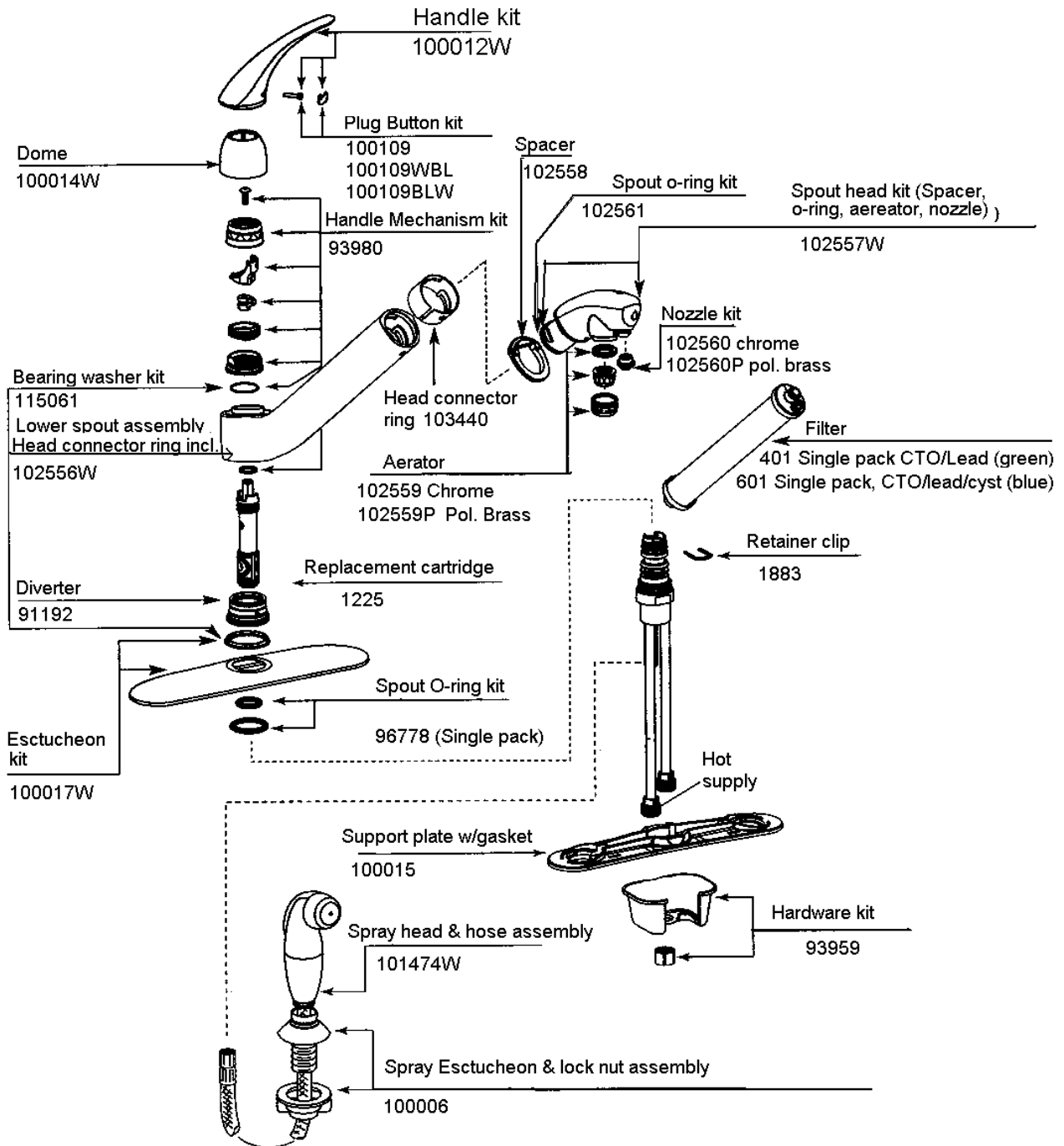
Fresh Water Fittings

1. 601698-04 Elbow, 1/2" barb x 1/2" MPT
2. 601698-03 Coupler, 1/2" barb x 1/2" FPT
3. 601698-02 Coupler, 1/2" barb x 1/2" MPT
4. 601698-05 Elbow 1/2 barb x 1/2" FPT
5. 601698-22 Shut-off, 1/2" barb x 1/2" barb
6. 601698-08 Coupler, 1/2" x 1/2" barb
7. 601698-09 Plug, 1/2" barb
8. 601698-10 Elbow 1/2" barb x 1/2" barb
9. 601698-11 Tee, 1/2" x 1/2" x 1/2"
10. 601698-15 Crimp ring, 1/2E-Pex, 1/2" (black)
11. 601698-01 E-Pex tube, 1/2"
12. 601698-14 3/4" barb x 3/4" MPT EL
13. 601658 Valve 1/2" Stop, CPVC

2005 LAND YACHT GAS

PLUMBING, FRESH WATER

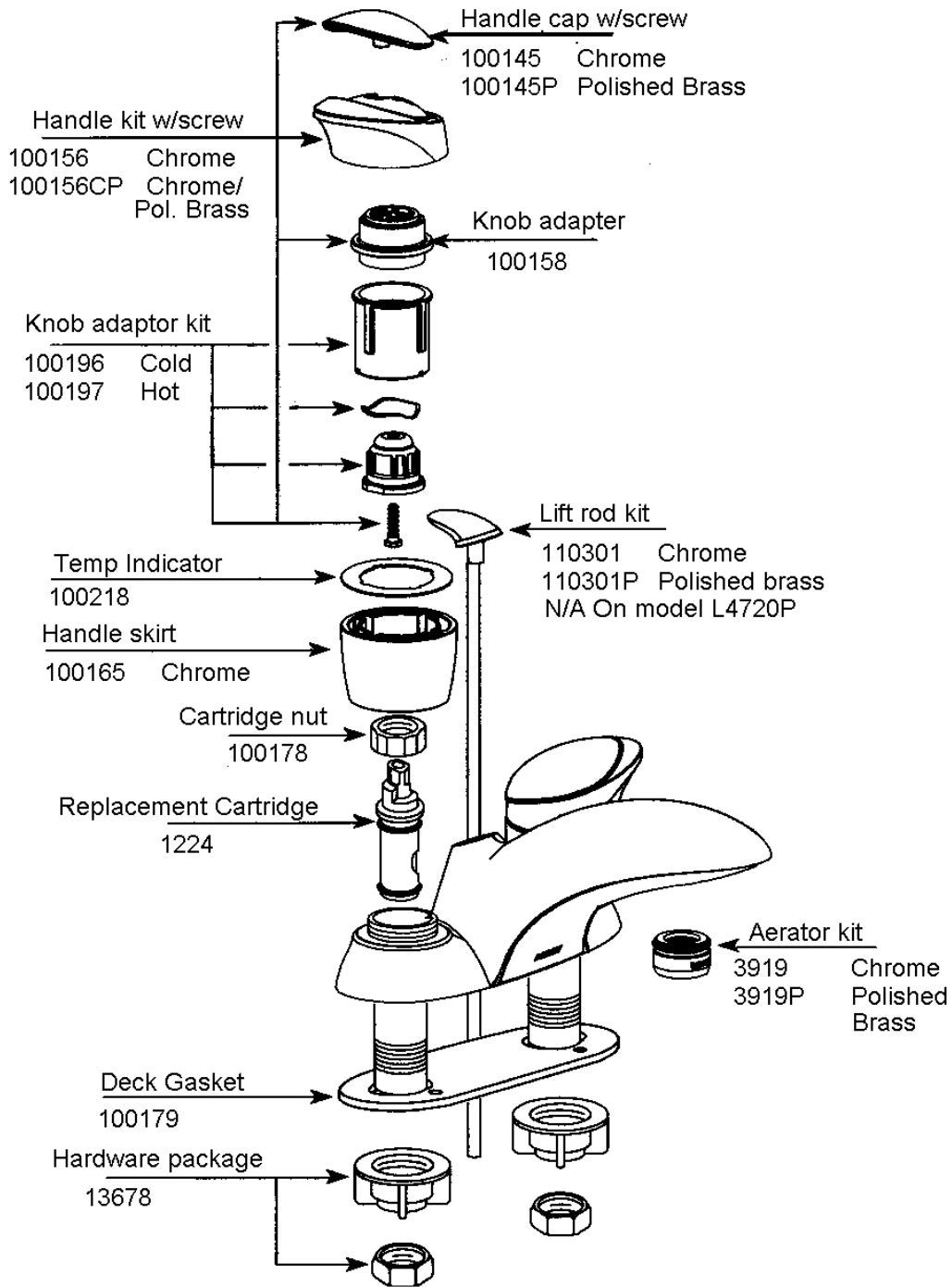
Faucet, Galley



601827-01, MDL 7030, Chrome, Moen Pure Touch Classic

2005 LAND YACHT GAS PLUMBING, FRESH WATER

Faucet, Lavatory



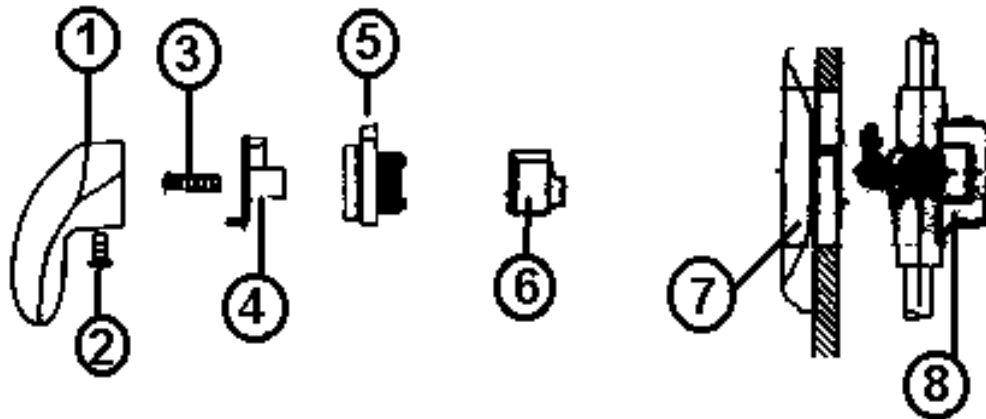
601892 FAUCET MOEN VILLETA, L4720CP

2005 LAND YACHT GAS

PLUMBING, FRESH WATER

Faucet, Shower

Contact Moen at 1-800-BUY-MOEN for warranty and local parts distributor.



601830 Brass shower faucet trim kit, Moen Valetta MDL TL2391CP

1. Lever handle
2. Set screw
3. Handle screw
4. Handle adaptor
5. Brake
6. Key stop
7. Escutcheon
8. 601831 4-port posi-temp valve

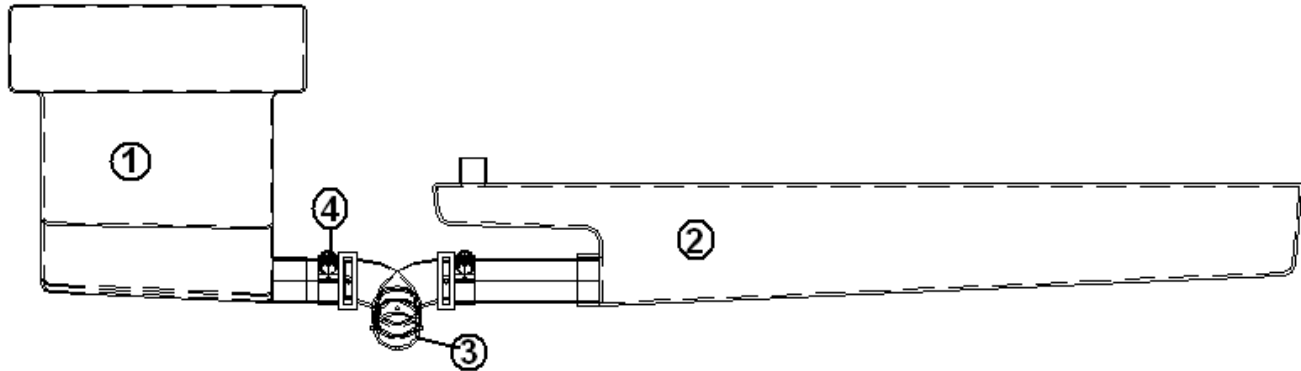
Shower Head

- | | |
|------------|------------------------------|
| 601358 | Shower hardware unit, chrome |
| 601358-100 | Shower head , chrome |
| 600330 | Shower hose, chrome |
| 600332 | Vacuum breaker, chrome |

2005 LAND YACHT GAS

PLUMBING, DRAIN WATER

Drain Tank System, 33'

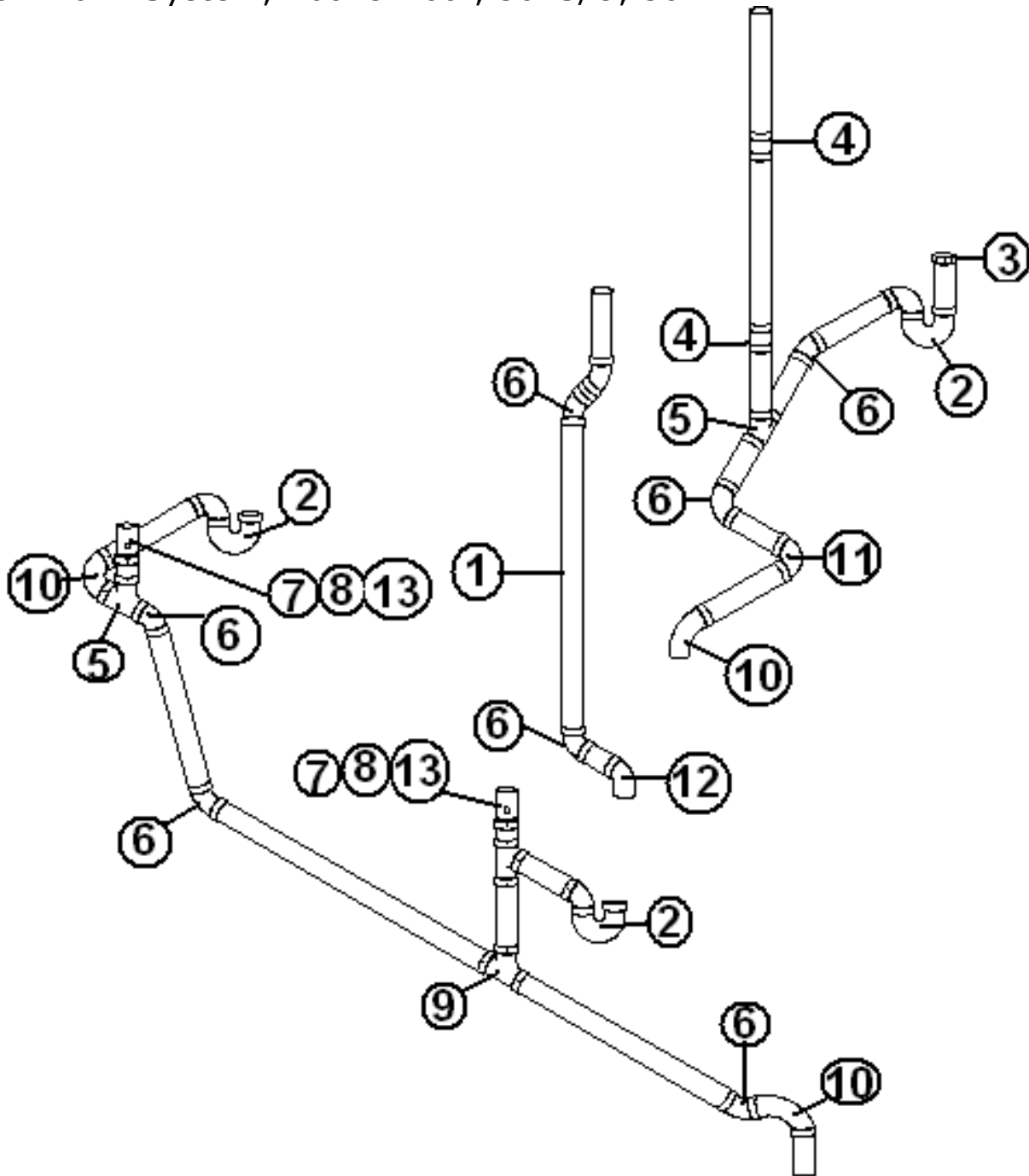


1. 601859-01 Holding tank, black, 33ft.
2. 601857-01 Holding tank, gray
3. 601843 Dump Valve, rotating
4. 601846 ADAPTOR-3"PIPE CATCON
- 601160-04 Pipe, drain, 3" plastic
- 1601424 Closet flange, 4" x 3"
- 114075 BRACKET-VALVE, DUMP
- 452159 BRACKET, DUMP VALVE HANDLE
- 914190 PAN ASSY. BLACK TANK
- 453135 SPLASH GUARD BLACK TANK
- 914191 PAN ASSY. GRAY TANK
- 601229-01 COMPARTMENT, STORAGE SEWER HOSE
- 601441 Tank flush system, NO-FUSS
- 601441-02 Tank flush system, CSA

2005 LAND YACHT GAS

PLUMBING, DRAIN WATER

Drain Tank System, Above Floor, 30' S/O, 30'



Part Numbers On The Next Page

2005 LAND YACHT GAS

PLUMBING, DRAIN WATER

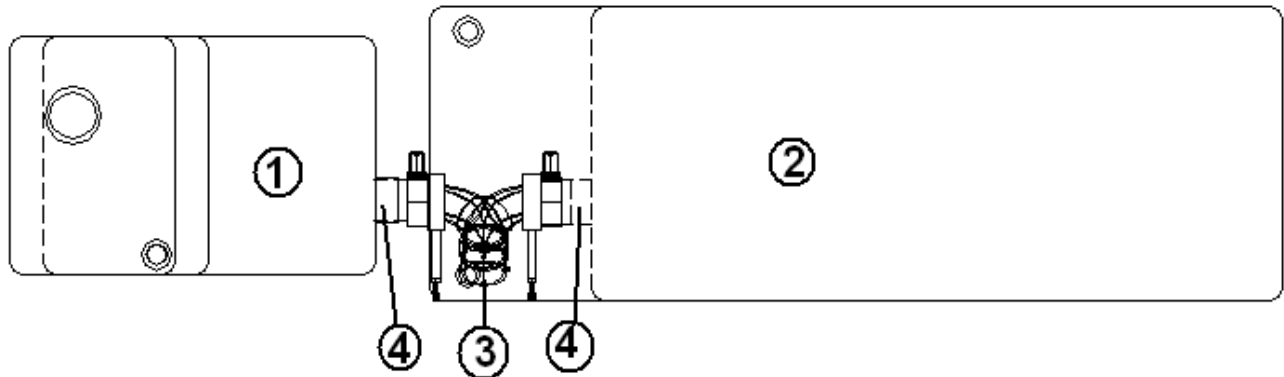
Drain Tank System, Above Floor, 30' S/O, 30'

1. 601160-02 PIPE, ABS DVW, 1 1/2"
2. 600144 P TRAP ABS 1 1/2"
3. 601362-01 DRAIN, POLISHED BRASS #728-MP-X
4. 600227 PLASTIC COUPLINGS
5. 600156 TEE SANITARY
6. 600030 ELL ABS 45 DEGREES LG TURN
7. 600538 VENT V-200 AUTOMATIC
8. 600308 ADAPTER ABS FEMALE SLOAN #2891
9. 600182 WYE, 1.5" X 1.5" X1.5", 1/8 BEND
10. 600662 1 1/2' ELBOW, SHORT RADIUS
11. 600035 ELL ABS LONG SWEEP 1 1/2"
- 12.600027 ELBOW ABS LONG ST 45 DEGREES
- 13.601263 BUSHING 1.5" X 1.25 ABS

2005 LAND YACHT GAS

PLUMBING, DRAIN WATER

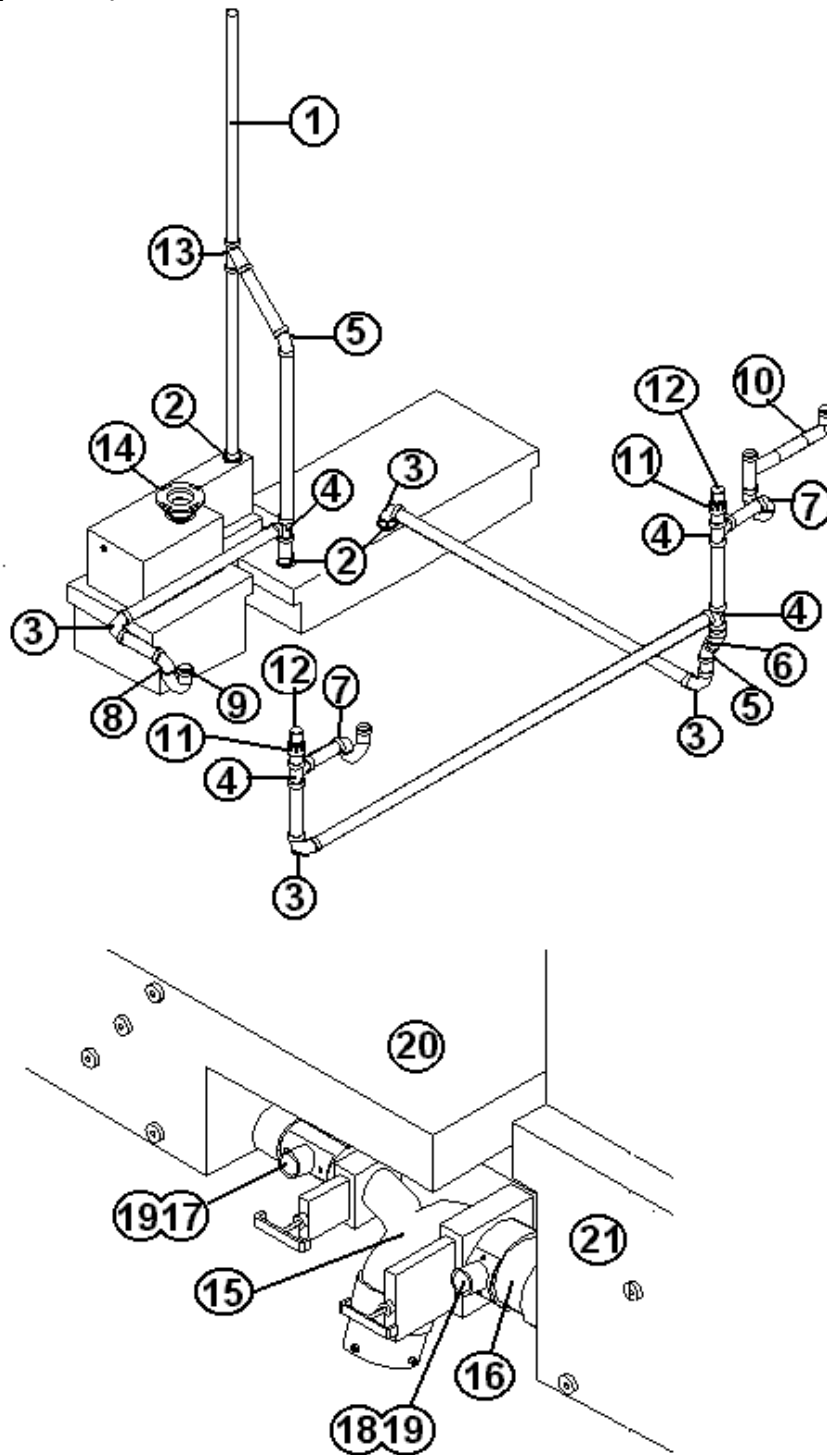
Drain Tank System, Tanks/Valves, 30' S/O, 30'



- | | |
|--------------|---------------------------------|
| 1. 601857-01 | TANK-GRAY HOLDING |
| 2. 601858-01 | TANK-BLACK HOLDING |
| 3. 601843 | DUMP VALVE |
| 4. 601846 | ADAPTOR-3"PIPE CATCON |
| 601610-04 | CAP WITH STOP 4" |
| 381041-07 | PLUG HEYCO BLACK 1" HOLE SIZE |
| 381041-11 | PLUG HEYCO BLACK 1.5" HOLE SIZE |
| 601441 | SYSTEM, TANK FLUSH |
| 601610 | ELECTICAL CONDUIT 4" X 10' LIG |
| 914189 | Pan. Black tank |
| 914196 | Pan, gray tank |
| 453135 | SPLASH GUARD BLACK TANK |

2005 LAND YACHT GAS PLUMBING, DRAIN WATER

Drain Tank System, 26'



Parts numbers are on the next page.

2005 LAND YACHT GAS

PLUMBING, DRAIN WATER

Drain Tank System, 26'

1. 601160-02 PIPE, ABS DVW, 1 1/2"
2. 601676 ADAPTER THREADED 1 1/2"
3. 600035 ELL ABS LONG SWEEP 1 1/2"
4. 600156 TEE SANITARY
5. 600030 ELL ABS 45 DEGREES LONG TURN
6. 600027 ELBOW ABS LONG ST 45 DEGREES
7. 600144 P TRAP ABS 1 1/2"
8. 600622 P-TRAP 1-1/2 W/SLIP NUT & WASH
9. 600822 ADAPTER P-TRAP
10. 600378 CONTINUOUS WASTE 1 1/2"
11. 600538 VENT V-200 AUTOMATIC
12. 600308 ADAPTER ABS FEMALE SLOAN
13. 600094 WYE
14. 600065 FLANGE, FLOOR, THREADED
15. 601482 DUMP VALVE ROTATING ASSEMBLY
16. 601160-04 PIPE, ABS DVW, 3"
17. 601845 ADAPTOR, 1.5" PIPE CATCON
18. 601846 ADAPTOR, 3" PIPE CATCON
19. 511789 SENSOR-TANK MONITOR
19. 511789-01 BOOT-SENSOR
20. 601852-01 TANK-GRAY HOLDING 23 GALLON
21. 601853-01 TANK-BLACK HOLDING 24 GALLON
- 511393 COUPLER-MODULAR EXTENSION 4 CONDUCTOR
- 381041-07 PLUG HEYCO BLACK 1" HOLE SIZE
- 381041-11 PLUG HEYCO BLACK 1.5" HOLE SIZE
- 453810 Bracket, holding tank
- 453981 Support, holding tank
- 601441 System, tank flush
- 601610-04 CAP WITH STOP 4"
- 601229-01 COMPT. SEWER, HOSE DELETE/METAL HOSE

2005 LAND YACHT GAS

PLUMBING, DRAIN WATER

Shower Stall/Sinks, 26'

203318-02	Shower stall, 26ft
203367-02	BOWL-LAVY KARRAN SOLID, 26 ft. only
453833	CLIP, SINK MOUNT
601362-02	DRAIN, POLISHED CHROME
320129	INSERT-THREADED 1/4"O.D. X 1/4"L
320131	WINGNUT-#10-32 ZINC
601799	SINK, GALLEY, S.S. 16" X 27"
*601963	Sink, Stainless Steel, 16" x 27"
600968	BASKET STRAINER
381635	CLIP SINK-UNDERMOUNT-CORIAN
320130-05	SCREW-#10-32 X .75" SLOT HEX
601900	Sink cover-Corian, Midnight
601900-01	Sink cover-Corian, Sandstone
601900-02	Sink cover-Corian, Everest
*601971	Sink cover-Corian, Midnight
*601971-01	Sink cover-Corian, Sandstone
*601971-02	Sink cover-Corian, Everest

Shower Stall/Sinks, 30'

203001	Shower stall, almond, 30 ft.
203004	SHOWER CAP PLASTIC FORMED
200406-06	Lavatory bowl 33' & 30'
601799	SINK-STAINLESS STEEL 1GALLEY, 16" X 27", 30' & 33'
*601963	Sink, Stainless Steel, 16" x 27"
600968	BASKET STRAINER
381635	SINK CLIP-UNDER MOUNT-CORIAN
320130-05	SCREW-#10-32 X .75" SLOT HEX HD
601900	Sink cover-Corian, Midnight
601900-01	Sink cover-Corian, Sandstone
601900-02	Sink cover-Corian, Everest
*601971	Sink cover-Corian, Midnight
*601971-01	Sink cover-Corian, Sandstone
*601971-02	Sink cover-Corian, Everest

*Used on and after unit 641388.

2005 LAND YACHT GAS

PLUMBING, DRAIN WATER

Shower Stall/Sinks, 30' S/O

203001	SHOWER STALL ALMOND
203004	SHOWER CAP PLASTIC FORMED
200406-06	LAVY BOWL OVAL PARCHMENT CSA
320130-09	SCREW #10-32 SLOTTED HEX HD
320130-11	SCREW #10-32 SLOTTED HEX HD
320129	INSERT-THREADED 1/4"O.D. X 1/4"
601806	SINK, S.S. ROUND GALLEY
203487-01	COVER, SINK ROUND EVEREST
203487-02	COVER, SINK ROUND MIDNIGHT
203487-03	COVER, SINK ROUND SANDSTONE

Shower Stall/Sinks, 33

201957	Shower stall, fiberglass, 33 ft.
601362-02	Shower drain, chrome
200406-06	Lavatory bowl, oval-includes tail, basket and stopper
601799	SINK-STAINLESS STEEL 1GALLEY, 16" X 27", 30' & 33'
*601963	Sink, Stainless Steel, 16" x 27"
600968	BASKET STRAINER
381635	SINK CLIP-UNDER MOUNT-CORIAN
320130-05	SCREW-#10-32 X .75" SLOT HEX HD
601900	Sink cover-Corlan, Midnight
601900-01	Sink cover-Corlan, Sandstone
601900-02	Sink cover-Corlan, Everest
*601971	Sink cover-Corlan, Midnight
*601971-01	Sink cover-Corlan, Sandstone
*601971-02	Sink cover-Corlan, Everest
*Used on and after unit 641388.	

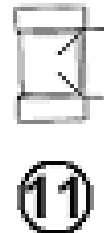
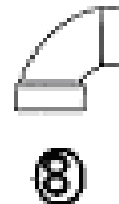
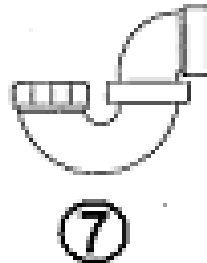
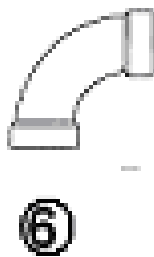
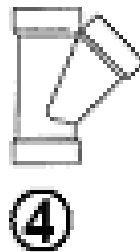
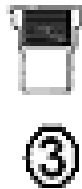
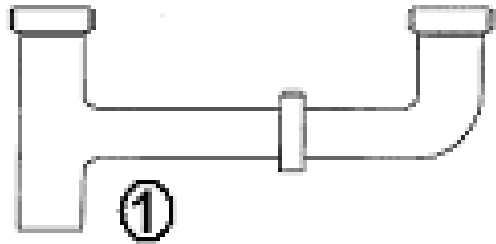
Tank Straps

454065	Aluminum Strap
381883	Nylon Strap
454290	Strap Brackets

2005 LAND YACHT GAS

PLUMBING, DRAIN WATER

Drain Line Fitting



P/N after the following page.

2005 LAND YACHT GAS

PLUMBING, DRAIN WATER

Drain Line Fittings



12



13



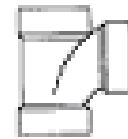
14



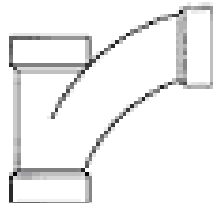
15



16



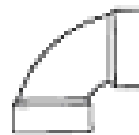
17



18



19



20

Part Numbers on the Next Page

2005 LAND YACHT GAS

PLUMBING, DRAIN WATER

Drain Line Fittings

1. 600378	Continuous waste
2. 600625-01	Tray adaptor
3. 600625-02	Tray Adaptor
4. 600094	Wye, #2301
5. 600144	P-trap, 1.5" w/o slip nut
6. 600035	Elbow, 90 degree, long turn
7. 600622	P-trap, 1.5" with slip nut
8. 600662	Elbow, 90 degree, short street
9. 600027	Elbow, 45 degree, long street
10. 600033	Elbow vent, 90 degree
11. 601318	Tee, bi-directional clean out, 1.5"
12. 600155	Plug, 1.5"
13. 600538	Vent, 1.5"
14. 601263	Reducer, 1.5" to 1.25"
15. 601676	Adapter
16. 600308	Adapter, w/female threads
17. 600156	Tee, sanitary, 1.5"
18. 600182	Wye, 1.5", 1/8" bend
19. 600227	Coupling, 1.5"
20. 600030	Elbow, 45 degrees, long turn
601200	ADAPTOR, AUTO VENT W/EXT. #A-201
600625-01	PLUG, TRAP, 1-1/2" ADAPTER, FEMALE
600625-02	PLUG, TRAY 1-1/2" ADAPTER, MAL
600094	WYE #2301

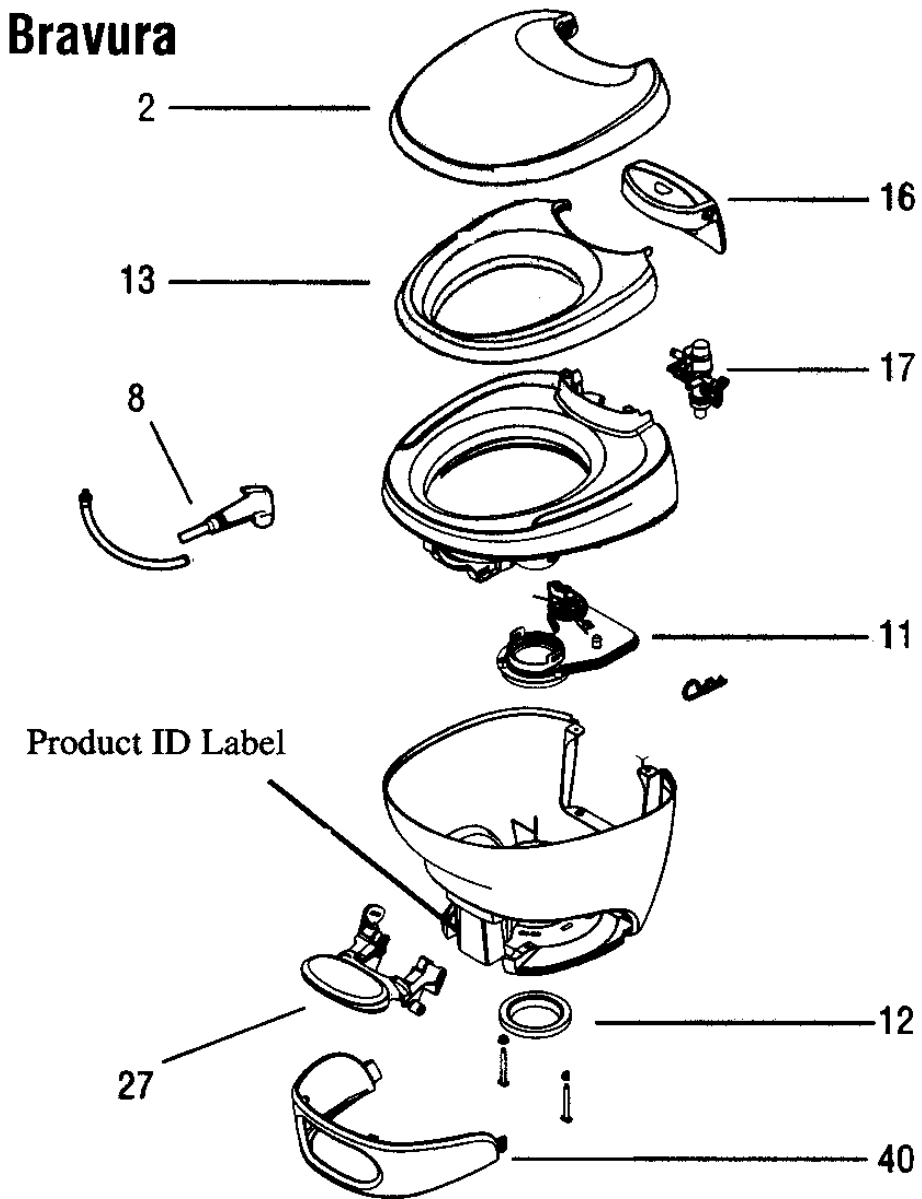
2005 LAND YACHT GAS

PLUMBING, DRAIN WATER

Toilet, Low profile, 33', 30', 30' S/O

Parts available from Thetford

Bravura



690442-01 Toilet, Low profile

2005 LAND YACHT GAS

PLUMBING, DRAIN WATER

Toilet, Low profile, 33', 30', 30' S/O

Before ordering parts, record the Product ID information.

No. Description

- 1 Hinge Pins (2)
- 2 Seat Cover
- 3 Vacuum Breaker
- 4 Flush Tube
- 5 Flush Nozzle Assy.
- 6 Overflow Trap
- 7 Water Supply Tube
- 8 Hand Spray Kit (Water Saver Option Only)
- 9 Side Access Covers (2)
- 10 Water Valve
- 11 Lower Mechanism Assy.
- 12 Closet Flange Seal & Bolt Pkg.
- 13 Seat
- 14 Hinge Post Kit
- 15 Upper Mechanism Assy.
- 16 Pod
- 17 Water Module
- 18 Water Valve Link
- 19 Lever Assy.*
- 20 Wire Replacement Pkg.†
- 21 Mechanism Cover

No. Description

- 22 Bracket & 2 Screws†
- 23 Float Assy.
- 24 Actuator Assy.
- 25 Base to Bowl Screws (9)
- 26 Closet Bolt Pkg.
- 27 Pedal Pkg.†
- 28 Base
- 29 Retainer & Screw†
- 30 Sealant
- 31 Blade Spring
- 32 Blade
- 33 Blade Seal
- 34 Blade Track
- 35 Flapper
- 36 Overflow Tube
- 37 Nozzle Assy.
- 38 Bowl
- 39 Reservoir Assy.
- 40 Shroud

Specify High or Low

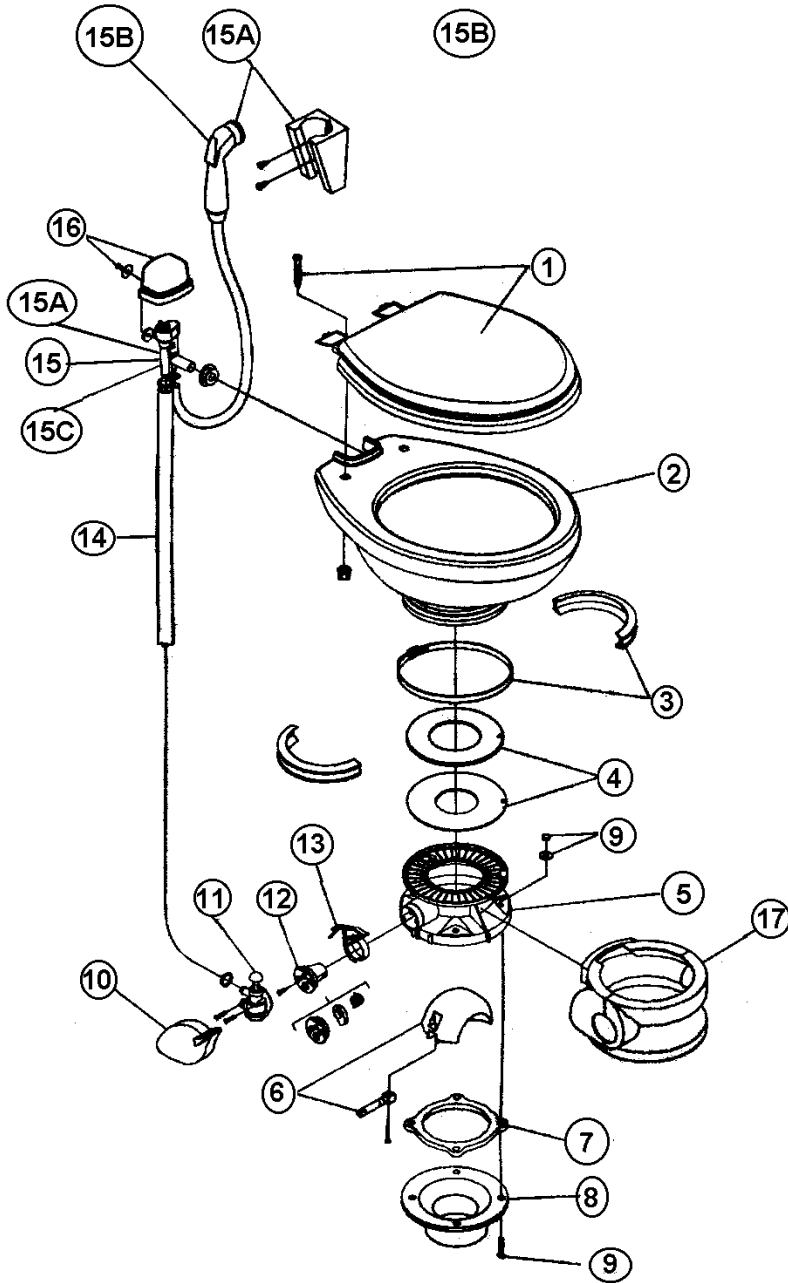
* Hand Flush only

† Foot-Pedal Flush only

2005 LAND YACHT GAS PLUMBING, DRAIN WATER

Toilet, 26'

Model 111



2005 LAND YACHT GAS

PLUMBING, DRAIN WATER

Toilet, 26'

For the name of the nearest authorized service center, please call 1-800-321-9886 between the hours of 8:00 AM and 5:00 PM, Eastern Time.

601792-01	Sealand Toilet Traveler Lite Bone, 26'
690472-01	Sealand, Traveler Lite, White, 26'
1. 344089	Seat assembly, Bone
1. 344088	Seat Assembly, White
2. 310791	China bowl kit, Bone
2. 310790	China bowl kit, White
3. 310048	Ring and half clamp kit, Bone
3. 310025	Ring & half clamp kit, White
4. 316140	Teflon® & Rubber seal kit
5. 310802	Base kit, Bone (includes 3, 4, 6, 7, 9 thru 13, & 17.
5. 310792	Base kit, White, includes 3, 4, 6, 7, 9, 10A, 11 & 12.
6. 381162	Ball, shaft, and cartridge kit, Bone
6. 310681	Ball, shaft, cartridge kit, White
7. 341549	Floor flange seal, Bone
8. 600065	Flange, floor, threaded, White
8.	Floor flange, see drain plumbing section of this book
9. 310064	Floor bolt-mounting kit, Bone
9. 310794	Floor bolt mounting kit, White
10. 310118	Pedal cover kit, Bone
10. 310117	Pedal cover kit, white
11. 314349	Water valve kit
12. 310683	Spring cartridge kit
13. 340825	Flush lever, Bone
14. 340177	Supply hose, Bone
15. 310687	Vacuum breaker kit, Bone
15a. 319054	Vacuum breaker kit, w/spray, Bone
15b. 340683	Hand spray, white
15c. 230335	Vacuum breaker (used w/spray) , Bone
16. 310796	Vacuum breaker cover kit, Bone
16. 310795	Vacuum breaker cover kit

2005 LAND YACHT GAS

GASKETS/SEALS/SEALER

Gaskets, Compartments/Windshield/Main Door



①



②



③



④



⑤



⑥



⑦



⑧



⑨

1. 365205 Gasket, weather strip, rear trunk door
2. 365237-01 Seal, dust, compartment door edge
3. 365232 Seal, compartment doorjamb
4. 365208 Gasket, seal-compartment door hinge and window to body
5. 201260 Insert, windshield gasket, rubber
6. 381319 Gasket, windshield, includes center strip
7. 365013 Gasket, screen door, low-density foam
8. 365045 Seal, main door
9. 381764 Trim edge, rubber

2005 LAND YACHT GAS

GASKETS/SEALS/SEALER

Gaskets, Driver Door/Window



①



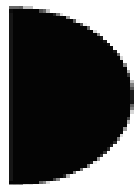
②



③



④



⑤

- | | |
|-----------|--|
| 1. 365232 | Seal, bulb type, door to jamb |
| 2. 381364 | Seal, bulb type (wind barrier at top of door) |
| 3. 684910 | Channel, Schlegle, window track |
| 4. 195287 | Gasket, window lip seal |
| 5. 381665 | Gasket, d seal, .50"W x .36"H, black, window to body |

2005 LAND YACHT GAS

GASKETS/SEALS/SEALER

Gaskets, Se-Gi Windows



①



②



③



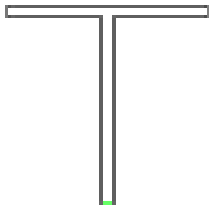
④

- | | |
|---------------|--|
| 1. 371366-103 | Track, window screen, Se-Gi |
| 2. 371366-102 | Track, sliding pane, Se-Gi |
| 3. 371366-104 | Wiper seal, vertical, Se-Gi |
| 4. 371366-105 | Screw cover, clamp ring, Se-Gi |
| 381830 | Wiper gasket, refer baffle and panels, 1.12" x 2.00" |

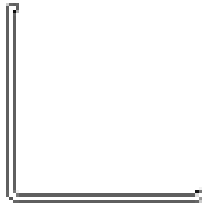
2005 LAND YACHT GAS

GASKETS/SEALS/SEALER

Gasket/Extrusions, 30' S/O Slide Out Room



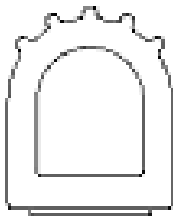
①



②



③



④



⑤



⑥

1. 115170 EXTRUSION, 125" X 2" X 2 "X 12'
2. 114768 EXTRUSION, SLIDE OUT CORNER TRIM
3. 114771 EXTRUSION, SLIDEOUT TRIM
4. 365281 BULBSEAL-WHITE
5. 365283 SEAL, "P" BLACK
6. 365284 SEAL, WIPERBLACK 1.38"

2005 LAND YACHT GAS

GASKETS/SEALS

Sealer

360209-01	Sealer, black, #5507
360281	Sealant, thermoplastic, clear
360268-01	Liqua Seal, roof, white
365001	Tape, double coated foam
360074	Sealant, GE RTV, white
360001	Butyl sealent#884058
360176	Sealant, almond, bathroom
360210	Sealant, Paralastic #4334-04 (refrigerator Compartment sealer)
360180	Sikaflex, 221 adhesive/sealant
360052	Vulkem seal, black
360283-01	Silicone sealer, Corian white
360286	Sealant, Gray, SU-6000
360209-02	Sealant, seam, Acryl-R, white
360255-03	SEALER ANTI-WICK SIA-458B
365261	ADHESIVE, THERMOSET, JET WELD
360259	SILICONE GLAZING SEALANT, galley to wall
365190	SEAL, RUBBER, ADHESIVE, 3/4" X 3/4", refer comp.
685510	Seam tape, black
365287	SEALANT URETHANE-1100 FAST SET
360001	SEALANT BUTYL RUBBER

2005 LAND YACHT GAS

UPHOLSTERY/FOAM/MATTRESS

Mattress/Bedsread, Twin Bed

701768	Mattress, inner spring, 34" x 79.5"
702489-364	Bed spread, twin, Crystal Creek
702489-404	Bed spread, twin, Willow
702489-141	Bed spread, twin, Chiffon Gold

Mattress/Bedsread, Double Bed

702674	Mattress, 60" x 75", w/45° degree corner, double
702676-364	Bedsread, double, Crystal Creek
702676-404	Bedsread, double, Willow
702676-141	Bedsread, double, Chiffon Gold

Mattress/Bedsread, Corner Double Bed, 26'

703148	Mattress, 54" x 74" w/45° corner
703149-364	Bedsread, 75", corner double, Crystal Creek
703149-404	Bedsread, 75", corner double, Willow
703149-141	Bedsread, 75", corner double, Chiffon Gold

Pillow

701611	Pillow, 21" x 31"
--------	-------------------

Sofa, 33'

702801-364	Sofa, jack knife, 74", Crystal Creek
702801-404	Sofa, jack knife, 74", Willow
702801-141	Sofa, jack knife, 74", Chiffon Gold
702801-02	Sofa, jack knife, 74", leather Buff, w/drawer face, 33'
964008	Drawer box, lounge (drawer face comes w/lounge)
453626	Sofa leg
381576	Pull handle, brass, lounge
381400	SLIDE DRAWER
960844	CLOSEOUT, LOUNGE END AFT & GALLLEY
381636	Sofa lock kit

2005 LAND YACHT GAS
UPHOLSTERY/FOAM/MATTRESS

Sofa, 30', 30' S/O

702800-364	Sofa, jack knife, 68", Crystal Creek
702800-404	Sofa, jack knife, 68", Willow
702800-141	Sofa, jack knife, 68", Chiffon Gold
702800-02	Sofa, jack knife, 68", leather Buff, w/drawer face, 30'
381636	Sofa lock kit
964008	Drawer box, lounge (drawer face comes w/lounge)
381576	Pull handle, brass
453626	Leg, sofa

Sofa, 26'

703235-364	Sofa w/armrest, model, Crystal Creek
703235-404	Sofa w/armrest, model, Willow
703235-141	Sofa w/armrest, model, Chiffon Gold
703235-02	Sofa, leather, Buff
381636	Sofa lock kit

Sofa, 26' Leather Option

702235-02	Sofa, optional, 26'
400963	Sofa leg
380337	Pedestal leg
380338	Socket, pedestal table
380339	Socket, pedestal, floor
381636	Sofa lock kit

2005 LAND YACHT GAS

UPHOLSTERY/FOAM/MATTRESS

Seats/Chairs/Seat Belts

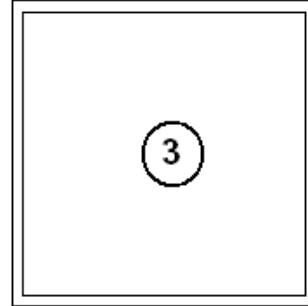
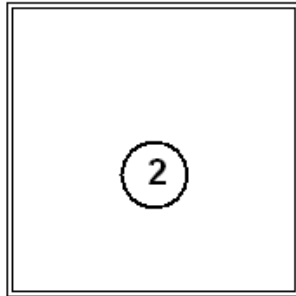
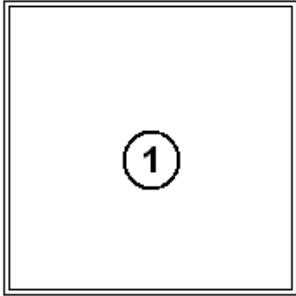
703278-031	Drivers seat, power
703279-021	Passenger seat, manual
703278-041	Cab seat, passenger, power w/padded skirt, option
703278-061	Cab seat, passenger, power w/padded skirt & footrest
703376	Dinette Chair, 30' S/O
453903	PEDESTAL SWIVEL CHAIR FLEXSTEEL
703022	Swivel Chair
381069	ASSY SEAT BELT KIT COCKTAIL CHAIR
700349	SEATBELT, MINI BUCKLE BLACK WEB
703009-05	Chair, Folding Type, Free Standing

Wall Paper Border

703399	Crystal Creek, 5.25" Wallpaper Border
703409	Willow, 5.25" Wallpaper Border
703426	Chiffon Gold, 5.25" Wallpaper Border
703337	Golden Touch, 5.25" Wallpaper Border

2005 LAND YACHT GAS
UPHOLSTERY/FOAM/MATTRESS

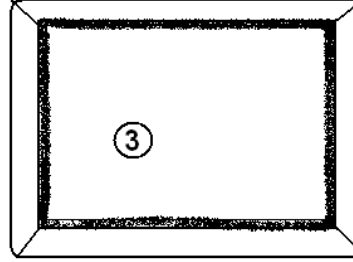
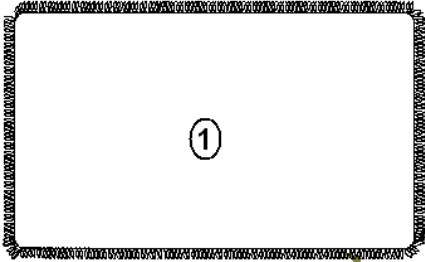
Pillow kit, Golden Touch



1. 703341-01 Lounge Bedroom Pillow, Corbin/Cinnabar
2. 703341-02 Lounge Pillow, Hearthstone
3. 703341-03 Bedroom Pillows, Satin stripe/Gold

2005 LAND YACHT GAS
UPHOLSTERY/FOAM/MATTRESS

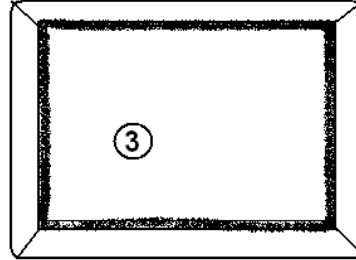
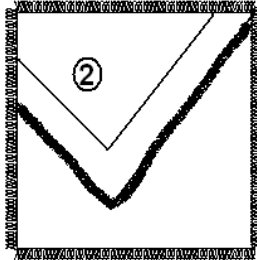
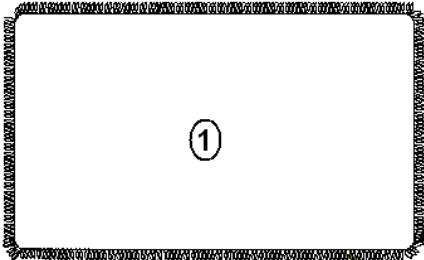
Pillow Kit, Crystal Creek



- | | |
|--------------|-----------------|
| 1. 703439-03 | Bedroom Pillows |
| 2. 703439-01 | Bedroom Pillows |
| 3. 703439-04 | Bedroom Pillows |

2005 LAND YACHT GAS
UPHOLSTERY/FOAM/MATTRESS

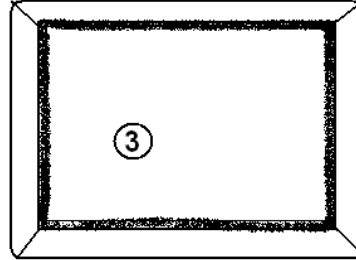
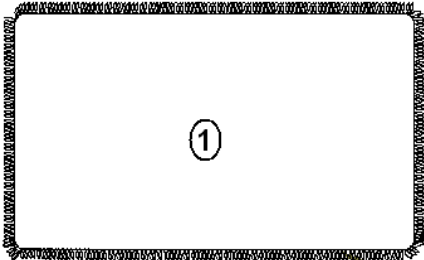
Pillow Kit, Chiffon Gold



- | | |
|--------------|-----------------|
| 1. 703441-03 | Bedroom Pillows |
| 2. 703441-01 | Bedroom Pillows |
| 3. 703441-04 | Bedroom Pillows |

2005 LAND YACHT GAS
UPHOLSTERY/FOAM/MATTRESS

Pillow Kit, Willow



- | | |
|--------------|-----------------|
| 1. 703440-03 | Bedroom Pillows |
| 2. 703440-01 | Bedroom Pillows |
| 3. 703440-04 | Bedroom Pillows |

2005 LAND YACHT GAS

UPHOLSTERY/FOAM/MATTRESS

Dinette Foam/Seat Covers, 30'

702464-17	Foam, dinette, upper back, RH
702464-18	Foam, dinette, upper back, LH
702464-06	Foam, dinette, lower both sides
702464-08	Foam, dinette seat aft
702464-10	Foam, dinette seat forward
964334-03	Flex spring seat, dinette, 21.63" x 32.00 `
998070	COVER, SEAT, SIDE DINETTE
998071	COVER, BACK, SIDE DINETTE

Dinette Upholstery 33', 26'

702464-19	Foam, dinette, upper back, RH
702464-20	Foam, dinette, upper back, LH
702464-07	Foam, dinette, lower back, both sides
702464-09	Foam, dinette seat aft
702464-11	Foam, dinette seat, forward
998070	Seat cover, side dinette
998071	Seat cover, dinette

2005 LAND YACHT GAS

VENTS/FANS

Skylight, Galley

- 203153-01 Skylight, 22" x 22" clear, galley
- 203152-02 Trim, skylight 22" x 22"
- 702804-02 Pleated shade, skylight, 20.25" x 21.0"

Skylight, Shower

- 203148-01 Skylight, heavy duty, shower, 14.5" x 22.5"
- 203148-02 Trim inner, skylight, 14.0" x 22.0"

Skylight, Bath

- 203153-02 Skylight, bath, 14" x 22", clear, bath
- 203152-01 Trim inner, skylight, 14" x 22"
- 702804-01 Pleated shade, skylight, 12.75" x 21.25"

Roof Vent, Ceiling

- 381153-02 Vent, Jensen #757
- 381153-100 Screen, Jensen #757 vent
- 511657 Fantastic fan w/control
- 381841 VENT-FANTASTIC EXHAUST ONLY

Vents, Refrigerator

- 381207-03 Vent, refrigerator, roof w/screen

Fan, Defrost

- 511376 Fan, defrost, oscillating
- 511327 Switch body w/rocker switch, 1 gang white
- 510929-05 Switch only, dash
- 510930-35 Lens, dash switch-defrost fan

2005 LAND YACHT GAS

VENTS/FANS

Range Vent

511792-02	RANGE HOOD W/FAN/LIGHT/GENERATOR START
511792-04	RANGE HOOD W/FAN/LIGHT/GENERATOR START, CSA
453486-02	EXTENSION-RANGEHOOD END CAP, SILVER
452995	DUCT RANGE EXHAUST TRANSITION
114230-03	CLOSEOUT FORMED R.EXHAUST 6.75"
511017-02	Vent, exterior white, range hood
511017-20	Vent, exterior white, range hood, CSA

Vent, Bath

690266-01	Ventilator, power, bath
-----------	-------------------------

2005 LAND YACHT GAS
WOOD/LAMINATES/INTERIOR TRIM

Paneling

800397-01	Cedar, planked, 5/32" x 4' x 8'
800542-02	Structure wood, 3/8" x 4' x 8'
800507-01	Paneling, lauan 1/8" x 4' x 8'
800507-02	Paneling, lauan 1/4" x 4' x 8'
800507-03	Paneling, lauan 3/8" x 4' x 8'
800507-04	Paneling, lauan 1/2" x 4' x 8'
800507-06	Paneling, lauan 3/4" x 4' x 8'
801505	Panel, Ascot Sand/Raw, .125" X 4' X 8'
801506	Panel, Ascot Sand/Raw.5" X 4'X 8'
801180-006	Paneling, 1/2" x 4' x 7', G2S, vinyl/vinyl
801179-006	Paneling, 1/2" x 4' x 7', G1S, vinyl/raw
801181-006	Paneling, 5/32" x 4' x 7, G1S, vinyl, raw
801508-006	Panel, Ascot Sand/Raw, 1/2" X 4' X 8'
801230-006	PRELAMINATED PANEL, Oak 4'X 8' X 5/

Wall Seam Tape

365286-01	TAPE-SEAM ASCOT, 1.12" X 150'
365286-02	Tape, seam, Ascot/Sand, 1.12 wide
365286-03	Tape, seam, Ascot/Sand, 8" wide
365286-04	Tape, seam, Ascot/Sand, 12" wide
365286-05	Tape, seam, Ascot/Sand, 48" wide

* Vinyl wood cover needs to be specified.

2005 LAND YACHT GAS

WOOD/INTERIOR

Wood Molding



①



②



③



④



⑤



⑥



⑦



⑧

- | | |
|---------------|--|
| 1. 801206-016 | Molding, floor, wood, 43" |
| 2. 801265-006 | Molding, chair rail, wood |
| 3. 801172-07 | Molding, corner, Ascot/Sand |
| 4. 800571-016 | Molding, wood, flat 1/4" x .052W x 80" |
| 5. 800617-016 | Molding, Wainscoat, wood |
| 6. 801172-016 | Molding, flexible corner, wood |
| 6. 801172-056 | Molding, flexible corner, Oak |
| 7. 801173-036 | Molding, flat radius, .88" wood |
| 8. 801173-046 | Molding, flat radius, 1.13" wood |

2005 LAND YACHT GAS

WOOD/INTERIOR TRIM

Wood/Plastic Molding



①



②



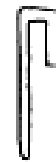
③



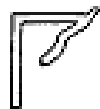
④



⑤



⑥



⑦



⑧



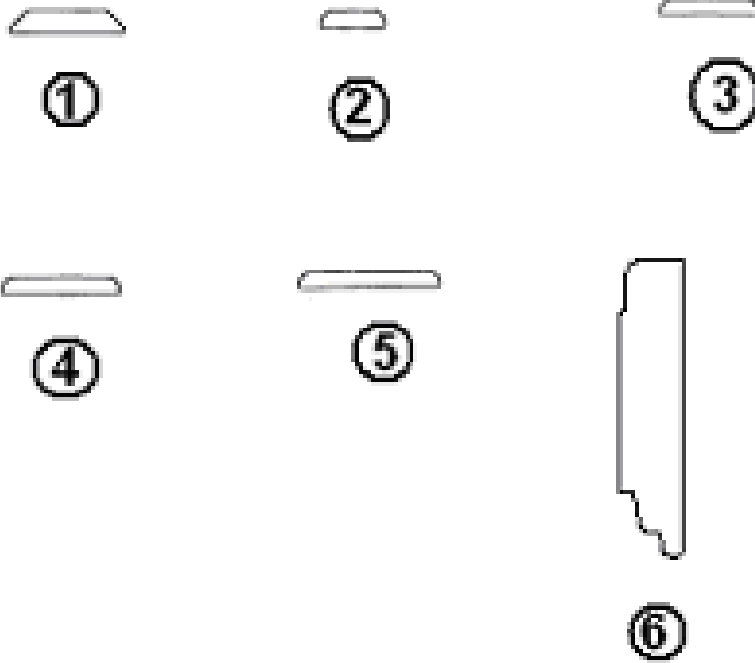
⑨

- | | |
|---------------|--|
| 1. 800573-016 | Molding, wood, door edge 1 3/32 x 80" |
| 2. 800572-016 | Molding, wood, panel edge, 23/32 x 80" |
| 3. 201728-03 | Extrusion, ceiling trim |
| 4. 201728-01 | Extrusion, ceiling trim retainer |
| 5. 203159-04 | Trim, divider bar, interior panels, Ascot Sand |
| 6. 201666-01 | Molding, J 3/16, plastic, almond |
| 7. 201790-01 | Molding, cove, white, ceiling to wall |
| 8. 203138-03 | Extrusion, wall, plastic, beige (panel edging) |
| 8. 203138-04 | Extrusion, wall, plastic, oak (panel edging) |
| 9. 801266-006 | Baseboard, molding |

2005 LAND YACHT GAS

WOOD/INTERIOR TRIM

Wood Molding/Edge Banding



- | | |
|---------------|---|
| 1. 801178-06 | Flat molding, vinyl, .81" wide, Oak |
| 2. 801173-016 | Flat molding, vinyl wrapped, Oak, .50 wide |
| 3. 801173-026 | Flat molding, vinyl wrapped, Oak, .75 wide |
| 4. 801173-036 | Flat molding, vinyl wrapped, Oak, .88 wide |
| 5. 801173-046 | Flat molding, vinyl wrapped, Oak, 1.13 wide |
| 6. 801265-006 | Molding, Chair Rail |
| 800766-006 | Trim panel, hardwood, .50" |
| 800405-006 | Plug, hardwood |
| 964280-006 | Edge molding, countertop |
| 365266-01 | EDGE BANDING-1.25" X .055", Oak |
| 365265-01 | EDGE BANDING-5/8", Oak |

