

***INTERNATIONAL  
TRAVEL TRAILER***

***PARTS  
BOOK***

**2006**



2006 INTERNATIONAL TRAVEL TRAILER  
TABLE OF CONTENTS  
SECTION I, A through C

APPLIANCES

[Air Conditioner, Furnace, Microwave](#).....I-1  
[Range, Refrigerator, Water Heater, Range Hood](#).....I-2

BODY

[End shell, aft](#) .....I-3  
[End shell, front](#) ..... I-13  
[16 Ft. CCD RS Wall](#)..... I-19  
[16 Ft. CCD CS Wall](#)..... I-21  
[19 Ft. CCD RS Wall](#)..... I-23  
[19 Ft. CCD CS Wall](#)..... I-25  
[19 Ft. 75<sup>th</sup> Anniversary RS Wall](#) ..... I-27  
[19 Ft. 75<sup>th</sup> Anniversary CS Wall](#) ..... I-29  
[22 Ft. CCD RS Wall](#)..... I-31  
[22 Ft. CCD CS Wall](#)..... I-33  
[25 Ft. RS Wall](#)..... I-35  
[25 Ft. CS Wall](#) ..... I-37  
[28 Ft CCD CS Wall](#)..... I-39  
[28 Ft CCD RS Wall](#)..... I-41  
[Roof, Floor](#) ..... I-43  
[Wrap Protectors](#) ..... I-44  
[Body interior](#) ..... I-45

CHASSIS

[Axles, Shocks, Tires, Wheels](#) ..... I-46  
[Spare Tire Carrier, Step](#) ..... I-47  
[Manual Hitch Jack/Safety Chains](#) ..... I-47  
[Bumper/Bumper Storage](#)..... I-48  
[Stabilizer Jacks/Hose Carrier](#)..... I-50  
[Under belly metal](#)..... I-50  
[Hitch Coupler](#)..... I-51  
[Brakes](#)..... I-52  
[Power jack](#) ..... I-54

# 2006 INTERNATIONAL TRAVEL TRAILER TABLE OF CONTENTS

## SECTION II D through E

<a href="#">DECAL/EXTERIOR TRIM</a> .....	II-1
---	------

### DOORS/WINDOWS/AWNING

<a href="#">Exterior Doors</a> .....	II-2
<a href="#">Windows, Window Trim &amp; Screens</a> .....	II-9
<a href="#">Window Rock Guard</a> .....	II-15
<a href="#">Awnings</a> .....	II-17

### DRAPES/BLINDS/VALANCES

<a href="#">16 Ft. CCD Model</a> .....	II-18
<a href="#">19 Ft. CCD Model</a> .....	II-19
<a href="#">19 Ft. 75<sup>th</sup> Anniversary Model</a> .....	II-20
<a href="#">22 Ft. CCD Model</a> .....	II-21
<a href="#">25 Ft. CCD Model</a> .....	II-22
<a href="#">28 Ft. CCD Model</a> .....	II-23
<a href="#">Drape trim and track</a> .....	II-24
<a href="#">Drape Parts/Material</a> .....	II-25

### ELECTRICAL

<a href="#">110 volt</a> .....	II-26
<a href="#">12 volt</a> .....	II-27
<a href="#">Exterior light/reflectors</a> .....	II-30

### ENTERTAINMENT

<a href="#">Radio/antenna</a> .....	II-31
-------------------------------------	-------

# 2006 INTERNATIONAL TRAVEL TRAILER TABLE OF CONTENTS

## SECTION III F through H

### FASTENERS

<a href="#">Rivets</a> .....	III-1
------------------------------	-------

<a href="#">FLOOR COVERING</a> .....	III-3
--------------------------------------	-------

### FURNITURE DRAWINGS & CHARTS

<a href="#">Drawer Slides/Boxes</a> .....	III-3
---	-------

<a href="#">Mirrors</a> .....	III-3
-------------------------------	-------

<a href="#">Interior Doors</a> .....	III-4
--------------------------------------	-------

<a href="#">Bedroom</a> .....	III-6
-------------------------------	-------

<a href="#">Lavatory</a> .....	III-32
--------------------------------	--------

<a href="#">Galley</a> .....	III-60
------------------------------	--------

<a href="#">Lounge</a> .....	III-104
------------------------------	---------

### HARDWARE

<a href="#">Exterior locks/hinges</a> .....	III-123
---	---------

<a href="#">Window Hardware</a> .....	III-124
---------------------------------------	---------

<a href="#">Cabinet Hinge/Catch</a> .....	III-128
---	---------

<a href="#">Interior Trim</a> .....	III-129
-------------------------------------	---------

<a href="#">Lavatory Accessories</a> .....	III-130
--	---------

<a href="#">Interior Hinges</a> .....	III-130
---------------------------------------	---------

<a href="#">Dinette Table Hardware</a> .....	III-130
--	---------

<a href="#">Bed Gas Springs</a> .....	III-130
---------------------------------------	---------

<a href="#">Awning Hardware</a> .....	III-131
---------------------------------------	---------

# 2006 INTERNATIONAL TRAVEL TRAILER TABLE OF CONTENTS

## SECTION IV L through Z

LABELS and TAGS ..... IV-1

### PLUMBING

LPG ..... IV-2

Fresh water ..... IV-8

Freshwater Fittings ..... IV-16

Faucets ..... IV-19

Drain water ..... IV-24

Toilet ..... IV-34

Black Tank Flush/Loose parts ..... IV-35

SAFETY EQUIPMENT ..... IV-36

SEALER/GASKETS ..... IV-37

PAINT ..... IV-38

UPHOLSTERY/FOAM/MATTRESS ..... IV-39

VENTS/FANS ..... IV-42

SKY LIGHTS ..... IV-42

WOOD/LAMINATES/TRIM ..... IV-43

# 2006 INTERNATIONAL TRAVEL TRAILER

## APPLIANCES

### **Air Conditioner**

195329-143 AIR CONDITIONER 11,000 BTU  
690323-02 AIR CONDITIONER, 13,500 BTU MANUAL  
511252 PLUG PHONE 4 CONDUCTOR  
690323-05 AIR BOX/RETURN GRILL MANUAL  
961270 Pan Assembly, drain, air conditioner  
690323-03 AIR CONDITIONER, DOMETIC HEAT STRIP  
601240-01 TUBING 1/2ID X 5/8OD BLACK PLASTIC  
386149 Decal, "AIRSTREAM"

### **Furnace**

690439 FURNACE, 12,000 BTU, 16'  
690395 FURNACE, 16,000 BTU, 19'  
690467 FURNACE, 18,000 BTU, 22'  
115067 CASTING ALUM WEDGE, 22'  
690274-01 FURNACE, 30,000BTU, 28'  
690274-04 HYDROFLAME FURNACE, 25'  
690274-09 FURNACE EXTERIOR DOOR, HYDROFLAME, SILVER  
511228 THERMOSTAT ROOM #36684 OFF WHITE  
600193 2" DUCT THERMAFLEX FLEXIBLE, DUCT  
600247 4" HOSE, HEAT DUCT FLEX  
601244-01 REGISTER-ROTAIRE #3840-96 4" BROWN  
203070 REGISTER PLASTIC BROWN 2" X 10"  
601244-03 REGISTER, ROTAIRE, BLACK  
690429 LOUVER-2" BLACK ROUND  
600526 FLANGE, 4 IN  
601348 TEE, HEAT DUCT, 4" X 4" X 2"  
600193 2" DUCT THERMAFLEX FLEXIBLE AIR

### **Microwave**

690476-01 MICROWAVE-SAMSUNG W/KIT UL  
690476-02 MICROWAVE-SAMSUNG W/KIT UL/CSA APPROVED  
690549-01 MICROWAVE, TAPPEN, STAINLESS STEEL  
690549-02 MICROWAVE, TAPPEN, BLACK  
690549-03 MICROWAVE, TAPPEN TRIM, STAINLESS STEEL  
690549-04 MICROWAVE, TAPPEN TRIM, BLACK  
690345-01 MICROWAVE-CONVECTION SHARP R-820BK  
690345-03 TRIM RING, CONVECTION MICROWAVE

# 2006 INTERNATIONAL TRAVEL TRAILER

## APPLIANCES

### Range

690471 Cook-top, 2-burner, black glass top, 16'  
690396-10 COOKTOP-3 BURNER S.S. TOP, 19', 28'  
690396-09 RANGE, 22" W/S.S. TOP/DOOR, 19', 22', 25', 28'  
690396-03 Range bi-fold cover

### Refrigerator

690393-07 REFER-4CF 2-WAY RH RM2451RB, 19'  
690470-02 REFER-3CF 2-WAY RH DR RM2352RB, 16 Ft., 22'  
690492-01 REFER-6CF LH DR AMERICANA, RM2662LB, 25', 28'  
965934-01 INSERT ASSY-REFER 20.62" X 15.75", 25', 28'  
965934-02 INSERT ASSY-REFER 20.62" X 32.62", 19', 25', 28'  
965934-04 INSERT ASSY-REFER 19.5" X 26", 16', 22'

### Water Heater

690199 ELECTRONIC IGNITION WATER HEATER  
320006 SCREW, SHEET METAL, 8 X 3/4" BH PHIL  
690209 BRUSHED ALUM ACCESS COVER  
601671 ELBOW STREET 90DEG 1/2"  
381648 COVER LATCH HOLE WATER HEATER

### Range Hood

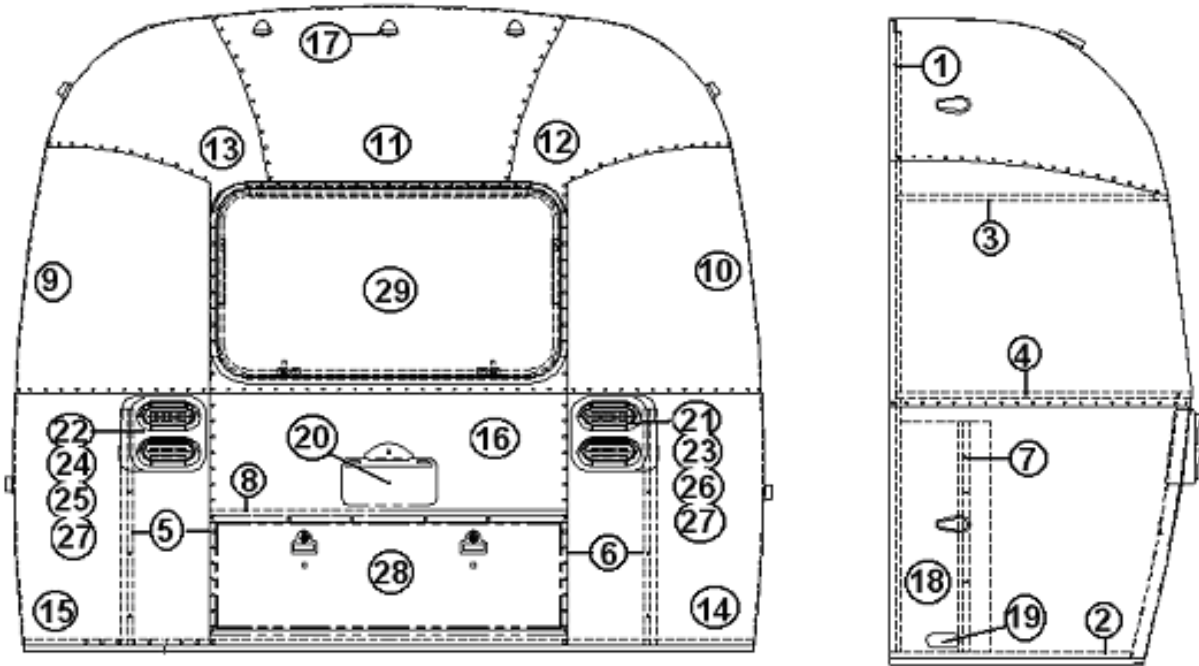
511017-11 EXTERIOR VENT GRAY  
511791-02 RANGE HOOD-VENTLINE SILVER, CSA  
115175 DUCT-RANGE EXHAUST TRANSITION  
454187 EXTENSION-RANGE EXHAUST  
511791-01 RANGE HOOD-VENTLINE SILVER  
114913 ANGLE RANGE HOOD  
365016 TAPE FOAM DUBL-KOTE - 1/2"  
114230-04 CLOSEOUT FORMED R.EXHAUST  
114462 DUCT RANGE EXHAUST TRANSITION  
365190 SEAL, RUBBER, ADHESIVE, 3/4" X 3/4"



# 2006 INTERNATIONAL TRAVEL TRAILER

## EXTERIOR SHELL

AFT END, 16'



# 2006 INTERNATIONAL TRAVEL TRAILER

## EXTERIOR SHELL

AFT END, 16', 922709

922709	Aft Shell, 16'
1. 114994	Weldment, zero bow
2. 104463	BOW FLOOR, NARROW BODY TRAILER
3. 104351	BOW-UPPER WINDOW-NARROW BODY
4. 104343	BOW-LOWER WINDOW-NARROW BODY
5. 114505-01	SUPPORT LOWER END SHELL LH
6. 114505-02	SUPPORT LOWER END RH
7. 101315	BRACE VERTICAL REAR
8. 104408	EXTRUSION, Z RIB
9. 114888	SEGMENT-CENTER LEFT "BRIGHT"
10. 114889	SEGMENT-CENTER RIGHT "BRIGHT"
11. 114892	SEGMENT #25 NARROW BRIGHT
12. 114890	SEGMENT-#26 "BRIGHT"
13. 114891	SEGMENT-#27 "BRIGHT"
14. 114894	SEGMENT-#28 "BRIGHT"
15. 114895	SEGMENT-#29 "BRIGHT"
16. 114880-198	ALUMINUM SHEET .040" X 51" X 198"
17. 511751	MARKER LIGHT, RED TEARDROP
18. 114849-03	ALUMINUM SHEET, .060 26"W X 8'
19. 500095	REFLECTOR RED RECTANGULAR
20. 500053	LIGHT AND HOLDER LICENSE
21. 952696-02	TAILLIGHT ASSY-CS
22. 952696-01	TAILLIGHT ASSY-RS
23. 203386-01	POCKET-INNER TAILLIGHT LH
24. 203386-02	POCKET-INNER TAILLIGHT RH
25. 115073-01	BRACKET-R.S. TAILLIGHT
26. 115073-02	BRACKET-C.S. TAILLIGHT
27. 115074	BRACKET-CENTER TAILLIGHT
28. 922711	DOOR ASSY-TRUNK
29. 371326	WINDOW REAR ROUND CORNERS

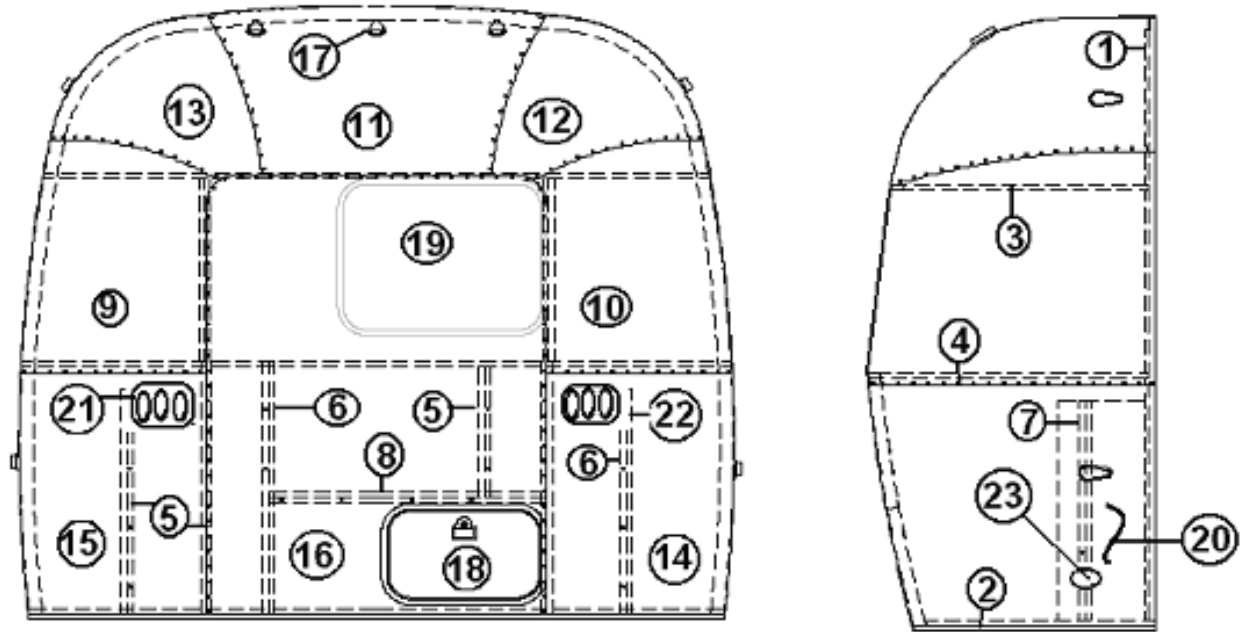
Rear Wrap Windows, Option, 16'

371328	Window, center, dark glass
372088-101	Curbside front wrap window
372089-101	Roadside, front wrap window

# 2006 INTERNATIONAL TRAVEL TRAILER

## EXTERIOR SHELL

AFT END, 19', 964513



# 2006 INTERNATIONAL TRAVEL TRAILER

## EXTERIOR SHELL

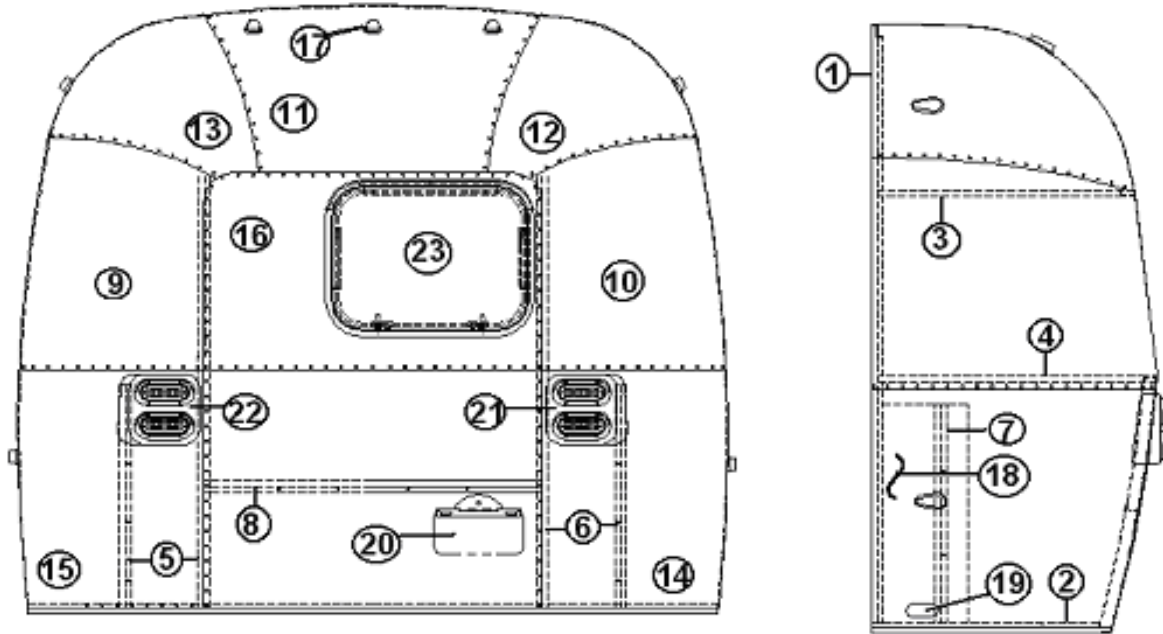
AFT END, 19', 964513

964513	AFT SHELL 19FT.
1. 114994	End bow
2. 104463	Floor bow
3. 104351	Upper window bow
4. 104343	Lower window bow
5. 114505-01	Support, lower end, LH
6. 114505-02	Support, lower end, RH
7. 101315	Brace, vertical rear
8. 104408	Z-rib
9. 114888	Segment, center left
10. 114889	Segment, center right
11. 114892	Segment #25
12. 114890	Segment #26
13. 114891	Segment #27
14. 114894	Segment #28
15. 114895	Segment #29
16. NPN	Alum. Sheet, .060 x 19.0" x 51.0"
17. 511751	Marker light, tear drop
18. 100679-01	Door assembly, side access
19. 372229	WINDOW-21"X 28" OPENING, REAR END
20. 114849-03	Aluminum sheet, gray
21. 952696-01	RS tail light assembly
22. 952696-02	CS tail light assembly
23. 500095	Red reflector, rectangular
500053	LIGHT LICENSE PLATE

# 2006 INTERNATIONAL TRAVEL TRAILER

## EXTERIOR SHELL

AFT END, 22', 922627-01



# 2006 INTERNATIONAL TRAVEL TRAILER

## EXTERIOR SHELL

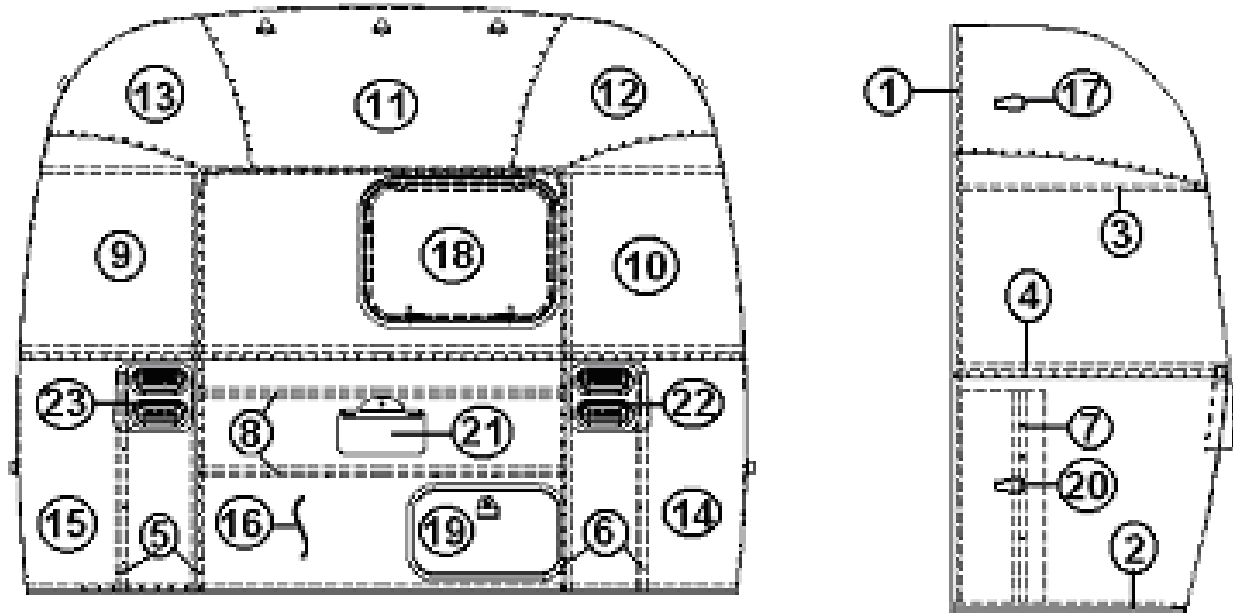
AFT END, 22', 922627-01

922627-01	AFT SHELL, 22'
1. 114994	WELDMENT ZERO BOW "NB"
2. 104463	BOW FLOOR, NARROW BODY
3. 104351	BOW-UPPER WINDOW-NARROW BODY
4. 104343	BOW-LOWER WINDOW-NARROW BODY
5. 114505-01	SUPPORT LOWER END SHELL LH
6. 114505-02	SUPPORT LOWER END RH
7. 101315	BRACE VERTICAL REAR
8. 104408	EXTRUSION, Z RIB
9. 114888	SEGMENT-CENTER LEFT "BRIGHT"
10. 114889	SEGMENT-CENTER RIGHT "BRIGHT"
11. 114892	SEGMENT #25 NARROW BRIGHT
12. 114890	SEGMENT-#26 "BRIGHT"
13. 114891	SEGMENT-#27 "BRIGHT"
14. 114894	SEGMENT-#28 "BRIGHT"
15. 114895	SEGMENT-#29 "BRIGHT"
16. 114880-307	ALUMINUM SHEET .040" X 51" X 307"
17. 511750	MARKER LIGHT-AMBER TEARDROP
18. 114849-03	ALUMINUM SHEET .060" X 26"W X 8'
19. 500095	REFLECTOR RED RECTANGULAR
20. 500053	LIGHT AND HOLDER LICENSE
21. 952696-02	Tail light assembly, curbside
22. 965696-01	Tail light assembly, roadside
23. 372218-01	WINDOW-21" X 28" EGRESS

# 2006 INTERNATIONAL TRAVEL TRAILER

## EXTERIOR SHELL

AFT END, 25', 922706



# 2006 INTERNATIONAL TRAVEL TRAILER

## EXTERIOR SHELL

AFT END, 25', 922706

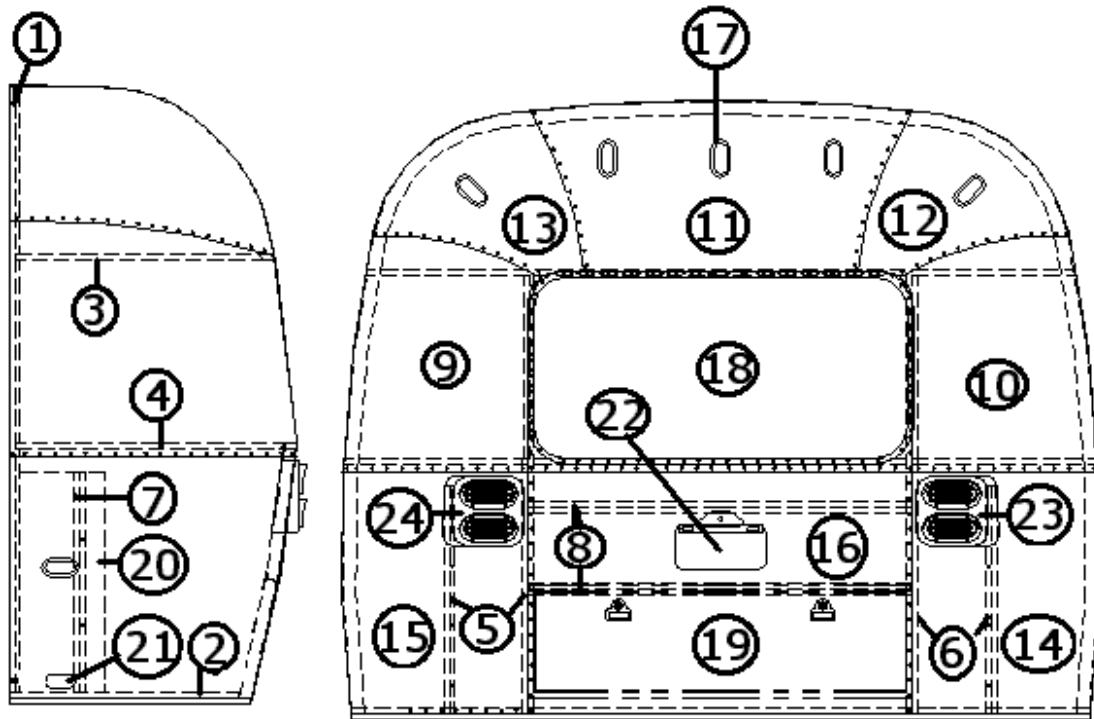
- |                |                                   |
|----------------|-----------------------------------|
| 1) 114993      | End bow                           |
| 2) 114676      | Floor bow                         |
| 3) 114678      | Upper window bow                  |
| 4) 114677      | Lower window bow                  |
| 5) 114505-01   | Support, lower end, LH            |
| 6) 114505-02   | Support, lower end, RH            |
| 7) 101315      | Brace, vertical rear              |
| 8) 104408      | Z-rib                             |
| 9) 114888      | Segment, center left              |
| 10) 114889     | Segment, center right             |
| 11) 114893     | Segment #25                       |
| 12) 114890     | Segment #26                       |
| 13) 114891     | Segment #27                       |
| 14) 114894     | Segment #28                       |
| 15) 114895     | Segment #29                       |
| 16) 114357-307 | Alum. Sheet, .060 x 19.0" x 51.0" |
| 17) 511751     | Marker light, tear drop, red      |
| 18) 372218-01  | Window 21" x 28", egress          |
| 19) 100679     | Trunk door assembly               |
| 20) 500095     | Red reflector, rectangular        |
| 21) 500053     | LIGHT LICENSE PLATE               |
| 22) 952696-02  | CS tail light assembly            |
| 23) 952696-01  | RS tail light assembly            |



# 2006 INTERNATIONAL TRAVEL TRAILER

## EXTERIOR SHELL

AFT END, 28', 922677



# 2006 INTERNATIONAL TRAVEL TRAILER

## EXTERIOR SHELL

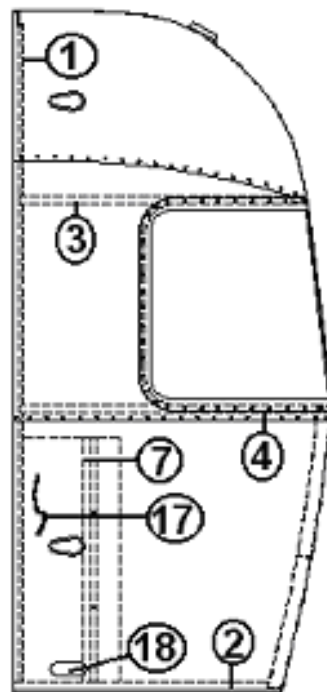
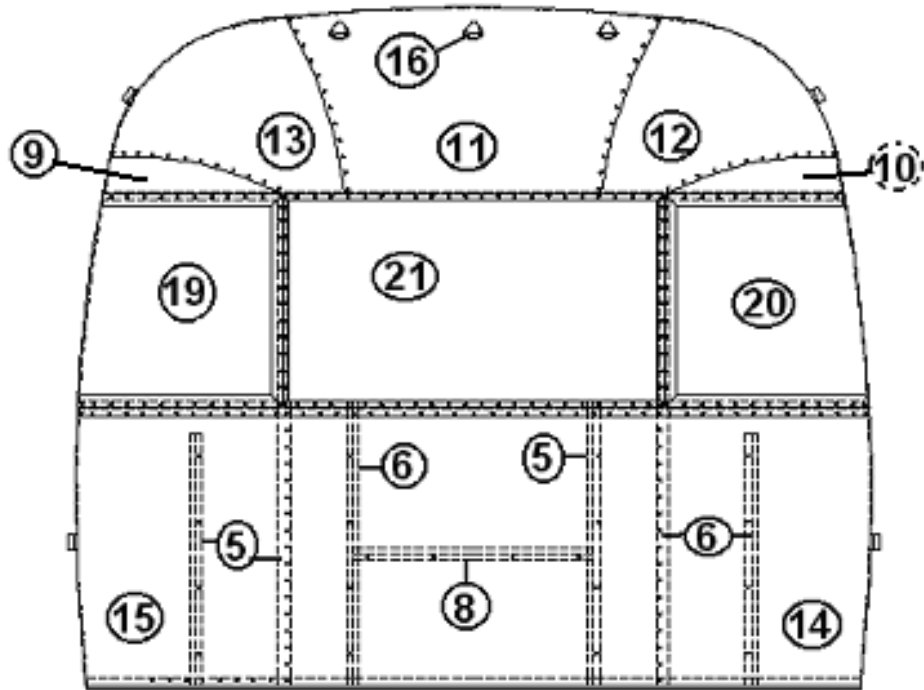
AFT END, 28', 922677

- |                |  |
|----------------|--|
| 1) 114993      | End bow                                |
| 2) 114676      | Floor bow                              |
| 3) 114678      | Upper window bow                       |
| 4) 114677      | Lower window bow                       |
| 5) 114505-01   | Support, lower end, LH                 |
| 6) 114505-02   | Support, lower end, RH                 |
| 7) 101315      | Brace, vertical rear                   |
| 8) 104408      | Z-rib                                  |
| 9) 114888      | Segment, center left                   |
| 10) 114889     | Segment, center right                  |
| 11) 114893     | Segment #25                            |
| 12) 114890     | Segment #26                            |
| 13) 114891     | Segment #27                            |
| 14) 114894     | Segment #28                            |
| 15) 114895     | Segment #29                            |
| 16) 114880-307 | Alum. Sheet, .060 x 19.0" x 51.0"      |
| 17) 511751     | Marker light, tear drop                |
| 18) 371348-02  | Window, Rear w/ red handles            |
| 19) 921159-01  | Trunk door assembly                    |
| 20) 114362     | Alum. Sheet, .060 x28.0"x 8.0", Pewter |
| 21) 500095     | Red reflector, rectangular             |
| 22) 500053     | LIGHT LICENSE PLATE                    |
| 23) 952696-02  | CS tail light assembly                 |
| 24) 952696-01  | RS tail light assembly                 |

# 2006 INTERNATIONAL TRAVEL TRAILER

## EXTERIOR SHELL

FRONT END, 16', 22', 922626-01



# 2006 INTERNATIONAL TRAVEL TRAILER

## EXTERIOR SHELL

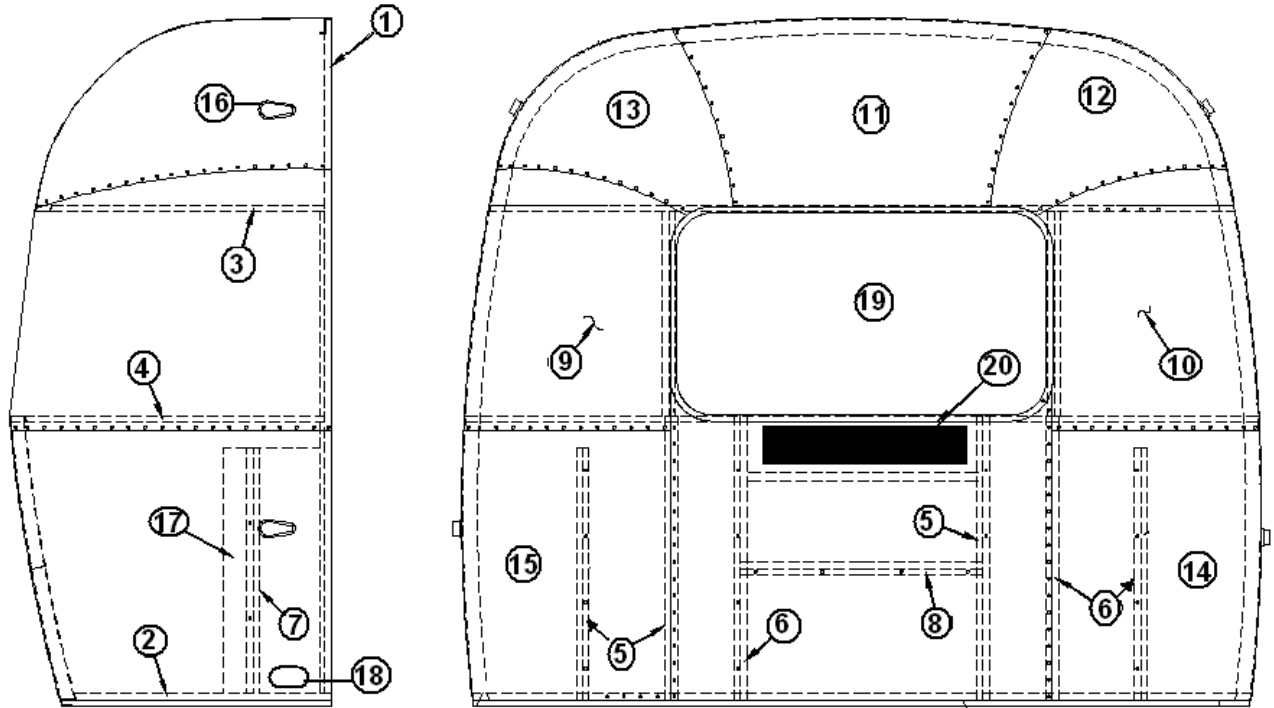
### FRONT END, 16', 22', 922626-01

922626-01	Front Shell, 16', 22'
1. 114994	Weldment, end bow, NB
2. 104463	Floor bow, captive extrusion
3. 104351	Upper, window bow
4. 104343	Lower, window bow
5. 114505-01	Support, lower end shell, left-hand
6. 114505-02	Support, lower end, right-hand
7. 101315	Brace, vertical rear
8. 104408	Rib bow
9. 114888	Segment, center left, bright
10. 114889	Segment, center right, bright
11. 114892	Segment, #25, NB, bright
12. 114890	Segment, #26, bright
13. 114891	Segment, #27, bright
14. 114894	Segment, #28, bright
15. 114895	Segment, #29, bright
16. 511750	Amber teardrop lights
17. 114849-03	Aluminum sheet, 060 x 12.00" x 29.00"
18. 500096	Reflector, amber
19. 372089-101	CS front panoramic window
20. 372088-101	RS front panoramic window
21. 371328	Front window,
21. 371328-100	Front window glass only

# 2006 INTERNATIONAL TRAVEL TRAILER

## EXTERIOR SHELL

Front End, 19', 964512



# 2006 INTERNATIONAL TRAVEL TRAILER

## EXTERIOR SHELL

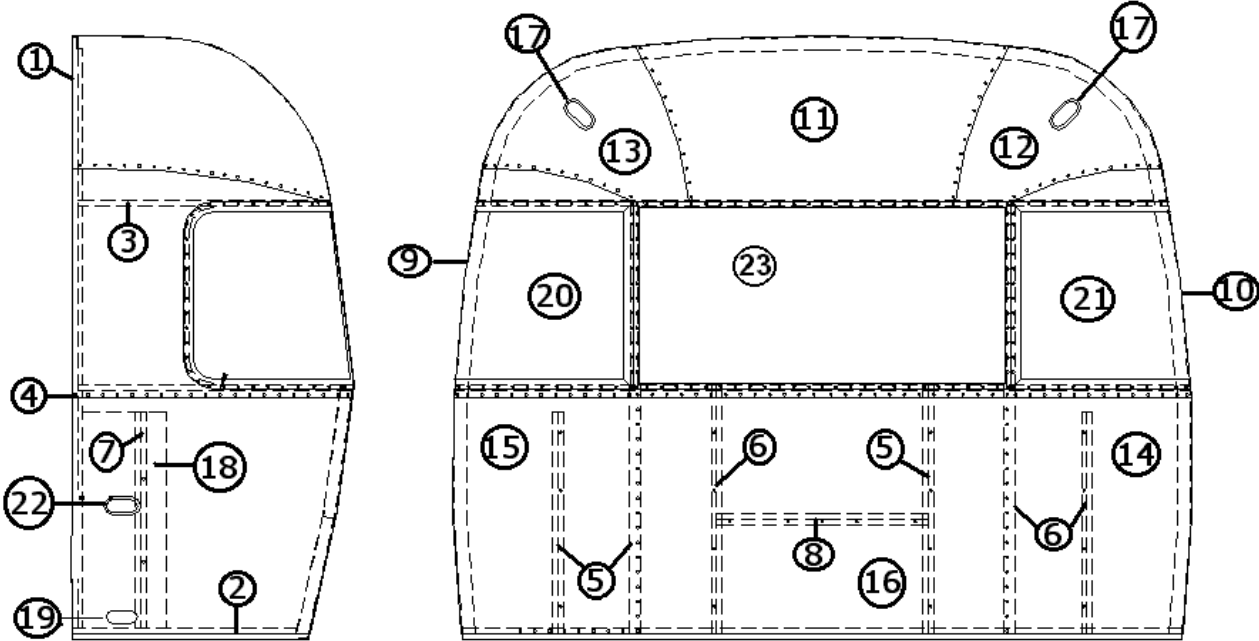
Front End, 19', 964512

964512	Front End Shell, 19',
1. 114994	Weldment, end bow, NB
2. 104463	Floor bow, captive extrusion
3. 104351	Upper, window bow
4. 104343	Lower, window bow
5. 114505-01	Support, lower end shell, left-hand
6. 114505-02	Support, lower end, right-hand
7. 101315	Brace, vertical rear
8. 104408	Rib bow
9. 114888	Segment, center left, bright
10. 114889	Segment, center right, bright, OPPOSITE SIDE
11. 114892	Segment, #25, NB, bright
12. 114890	Segment, #26, bright
13. 114891	Segment, #27, bright
14. 114894	Segment, #28, bright
15. 114895	Segment, #29, bright
16. 511750	Amber teardrop lights
17. 114849-03	Aluminum sheet, 060 x 12.00" x 29.00"
18. 500096	Reflector, amber
19. 371328	WINDOW FRONT DARK GLASS
20. 453629	HAT SECTION-DINETTE TABLE SUPPORT

# 2006 INTERNATIONAL TRAVEL TRAILER

## EXTERIOR SHELL

FRONT END, 25', 28', 922676



# 2006 INTERNATIONAL TRAVEL TRAILER

## EXTERIOR SHELL

FRONT END, 25', 28', 922676

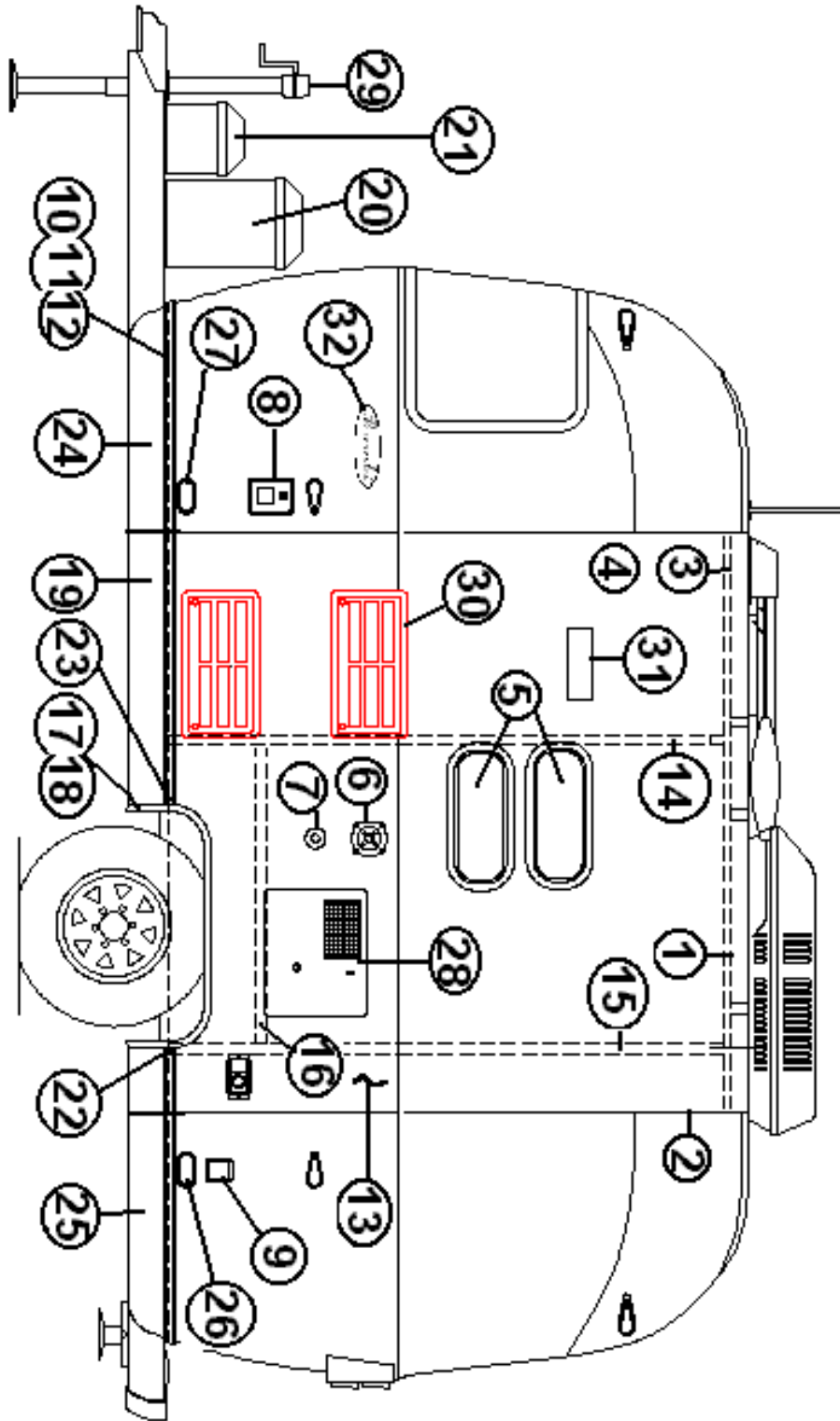
922676	Front Shell 25', 28'
1) 114993	End bow
2) 114676	Floor bow
3) 114678	Upper window bow
4) 114677	Lower window bow
5) 114505-01	Support, lower end, LH
6) 114505-02	Support, lower end, RH
7) 101315	Brace, vertical rear
8) 104408	Z-rib
9) 114888	Segment, center left
10) 114889	Segment, center right
11) 114893	Segment #25
12) 114890	Segment #26
13) 114891	Segment #27
14) 114894	Segment #28
15) 114895	Segment #29
16) 101115	Alum. sheet, .060" x 41.00" x 51"
17) 511750	Marker light teardrop, red/chrome
18) 114829-03	Aluminum sheet, Pewter 26" x 8"
19) 500096	Reflector, amber
20) 372089-101	Panoramic window, CS front
21) 372088-101	Panoramic window, RS front
22) 511750	Amber teardrop lights.
23) 371346-02	WINDOW, 48.97" Front/Rear End



# 2006 INTERNATIONAL TRAVEL TRAILER

## EXTERIOR SHELL

ROADSIDE WALL, 16'



# 2006 INTERNATIONAL TRAVEL TRAILER

## EXTERIOR SHELL

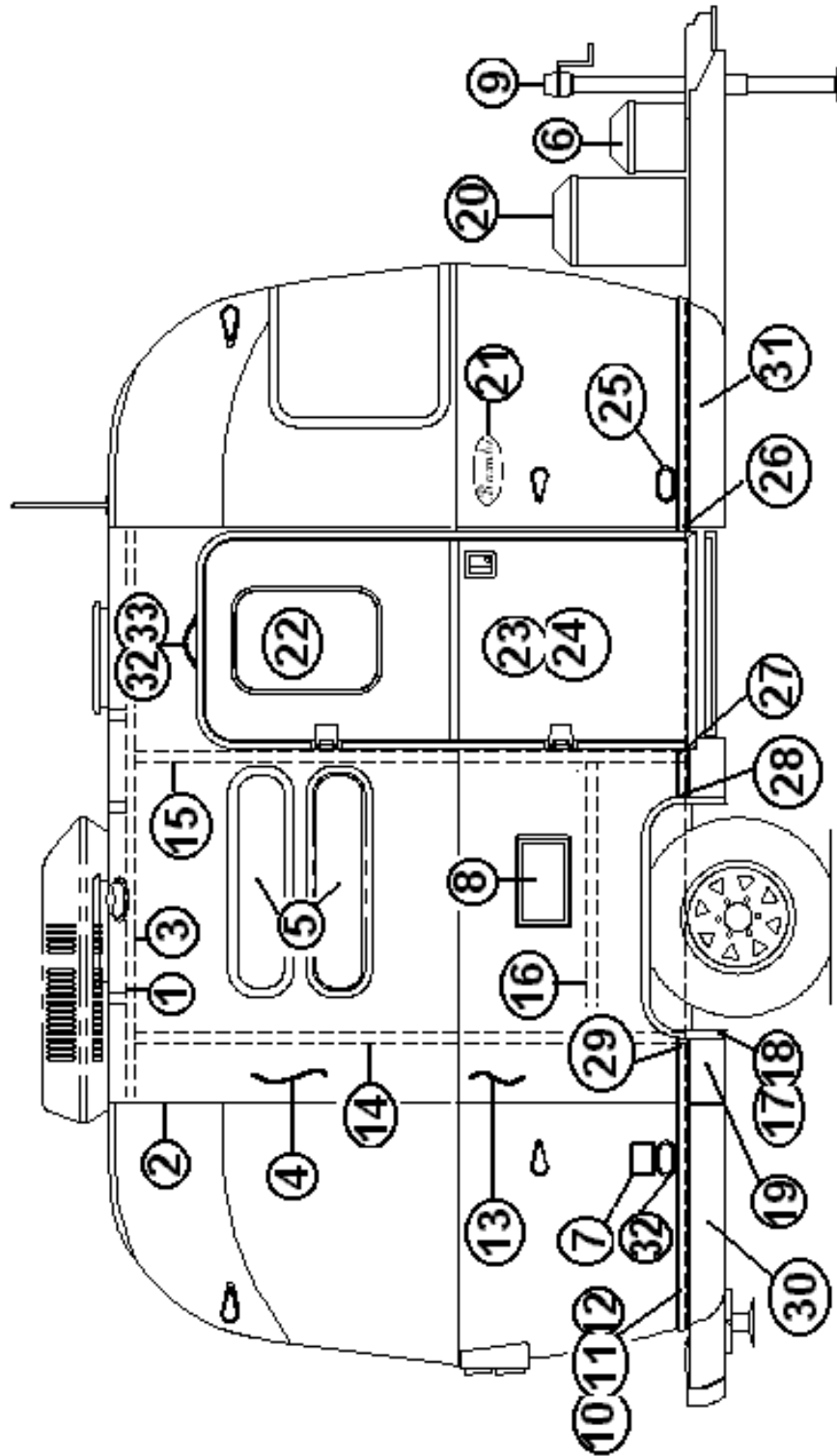
### ROADSIDE WALL, 16'

- |                |                                       |
|----------------|---------------------------------------|
| 1) 114290-02   | Extrusion, awning/drip rail           |
| 2) 114994      | Rib, end bow                          |
| 3) 104707-05   | Extrusion, "I" beam                   |
| 4) 114880-201  | Aluminum sheet, .040 x 51 x 201"      |
| 5) 371269-01   | Window, 18" stacked                   |
| 6) 601392-05   | City water hook up, chrome            |
| 7) 601441      | SYSTEM, TANK FLUSH                    |
| 8) 601194      | WATER FILL W/LOCK, GRAY, W/LABEL      |
| 9) 511416-02   | POWER INLET, 30A, 125V, MALE          |
| 10) 114460     | Extrusion, rub rail                   |
| 11) 201763-01  | Insert, rub rail, chrome, 1"          |
| 12) 100986     | Floor channel                         |
| 13) 114879-201 | Aluminum sheet, .040 x 33 x 201"      |
| 14) 114387-02  | Bow, Z rib, LH                        |
| 15) 114387-01  | Bow, Z rib, RH                        |
| 16) 100986     | Wheel well stiffener (floor channel)  |
| 17) 114003-03  | Wheel well trim, inner, single axle   |
| 18) 114004-03  | Wheel well trim, outer, single axle   |
| 19) 203304     | ROLL, UNDERBELLY, BLACK PLASTIC       |
| 20) 915778     | COVER ASSY-LP BOTTLE                  |
| 21) 511595     | Battery box                           |
| 22) 114466-01  | Casting, rub rail end, wheel well, RH |
| 23) 114466-02  | Casting, rub rail end, wheel well, LH |
| 24) 203303-01  | BANANA WRAP BLACK RS FRONT            |
| 25) 203303-02  | BANANA WRAP, BLACK RS REAR            |
| 26) 500095     | Reflector, red, rectangular           |
| 27) 500096     | Reflector, amber                      |
| 28) 690209     | BRUSHED ALUM ACCESS COVER             |
| 29) 3320028    | FRONT-WIND JACK ATWOOD                |
| 30) 690470-01  | VENT-REFER-PLASTIC RADIUS CORNER      |
| 30a) 115038-01 | Vent jamb                             |
| 31) 511017-11  | EXTERIOR VENT GRAY                    |
| 32) 386125     | NAMEPLATE, BAMBI, RED-WHITE-BLUE      |

# 2006 INTERNATIONAL TRAVEL TRAILER

## EXTERIOR SHELL

CURBSIDE WALL, 16'



# 2006 INTERNATIONAL TRAVEL TRAILER

## EXTERIOR SHELL

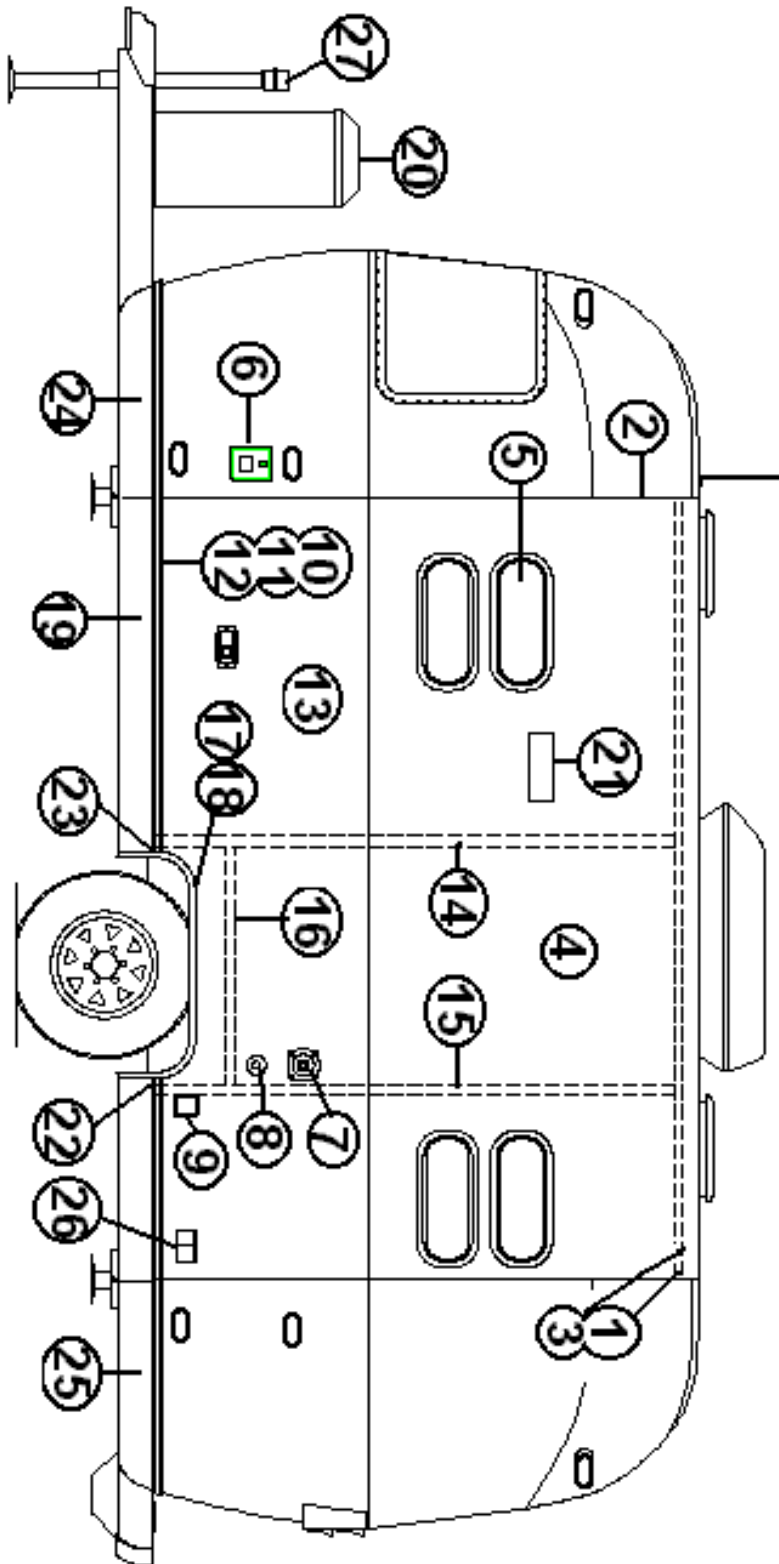
### CURBSIDE WALL, 16'

- |                |  |
|----------------|--|
| 1) 114290-02   | Extrusion, awning/drip rail            |
| 2) 114994      | Rib, end bow                           |
| 3) 104707-05   | Extrusion, "I" beam                    |
| 4) 114880-201  | Aluminum sheet, .040 x 51 x 201"       |
| 5) 371270-01   | WINDOW 30" STACK                       |
| 6) 511595      | Battery box                            |
| 7) 510676-01   | OUTLET, EXTERIOR, 120 VOLT, GR         |
| 8) 381766      | HATCH-ACCESS 7.75" X 12.63"            |
| 9) 3320028     | FRONT-WIND JACK ATWOOD                 |
| 10) 114460     | Extrusion, rub rail                    |
| 11) 201763-01  | Insert, rub rail, chrome, 1"           |
| 12) 100986     | Floor channel                          |
| 13) 114879-201 | Aluminum sheet, .040 x 33 x 201"       |
| 14) 114387-01  | Bow, Z rib, RH                         |
| 15) 114387-02  | Bow, Z rib, LH                         |
| 16) 100986     | Wheel well stiffener (floor channel)   |
| 17) 114003-03  | Wheel well trim, inner, single axle    |
| 18) 114004-03  | Wheel well trim, outer, single axle    |
| 19) 203304     | ROLL, UNDERBELLY, BLACK PLASTIC        |
| 20) 915778     | COVER ASSY-LP BOTTLE                   |
| 21) 386125     | NAMEPLATE, BAMBI, RED-WHITE-BLUE       |
| 22) 371319-05  | WINDOW-MAIN DOOR                       |
| 23) 115207     | Main door assembly                     |
| 24) 114654     | Screen door assembly                   |
| 25) 114652     | Jamb, main door, pre-formed            |
| 26) 114465-01  | Casting, rub rail end, door, RH        |
| 27) 114465-02  | Casting, rub rail end, door, LH        |
| 28) 114466-01  | Casting, rub rail end, wheel well, RH  |
| 29) 114466-02  | Casting, rub rail end, wheel well, LH  |
| 30) 203303-01  | BANANA WRAP BLACK CS REAR              |
| 31) 203303-02  | BANANA WRAP, BLACK CS FRONT            |
| 32) 101323     | CASTING, ALUMINUM STEP, LIGHT POLISHED |
| 33) 201185     | LENS STEP LIGHT                        |

# 2006 INTERNATIONAL TRAVEL TRAILER

## EXTERIOR SHELL

ROADSIDE WALL, 19'



# 2006 INTERNATIONAL TRAVEL TRAILER

## EXTERIOR SHELL

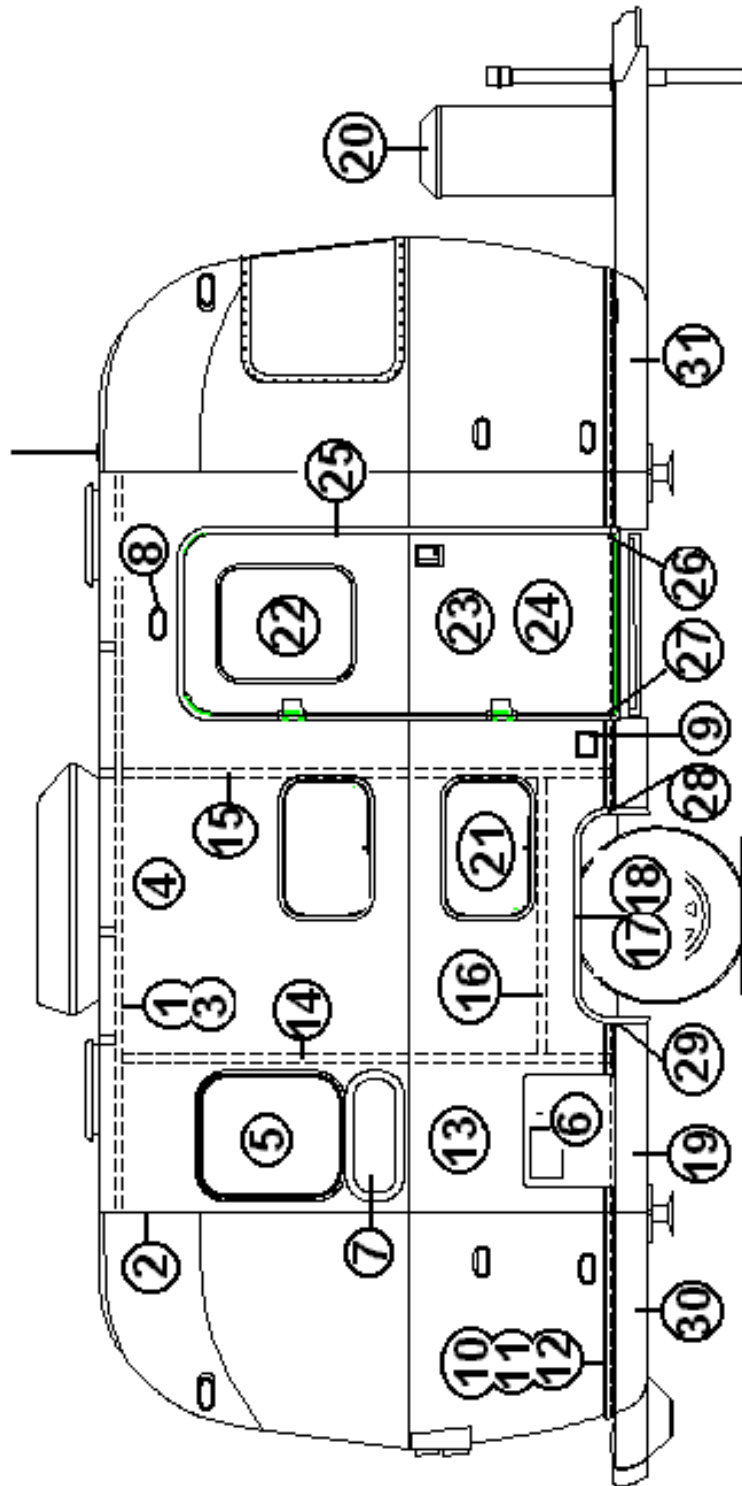
### ROADSIDE WALL, 19'

- |                |  |
|----------------|--|
| 1) 114290-02   | Extrusion, awning/drip rail              |
| 2) 114994      | Rib, end bow                             |
| 3) 104707-05   | Extrusion, "I" beam                      |
| 4) 114880-238  | Aluminum sheet, upper, .040 x 51" x 238" |
| 5) 371269-01   | Window, 18" stacked                      |
| 6) 601194      | Water fill w/lock, gray                  |
| 6a) 381647     | CH 751 Key only                          |
| 7) 601392-05   | City water hook-up                       |
| 8) 601441      | SYSTEM, TANK FLUSH                       |
| 9) 511416-02   | Power inlet, 30 amp.                     |
| 10) 114460     | Extrusion, rub rail                      |
| 11) 201763-01  | Insert, rub rail, chrome, 1"             |
| 12) 100986     | Floor channel                            |
| 13) 114880-238 | Aluminum sheet, lower, .040 x 33" x 238" |
| 14) 114387-02  | Bow, Z rib, LH                           |
| 15) 114387-01  | Bow, Z rib, RH                           |
| 16) 100986     | Wheel well stiffener (floor channel)     |
| 17) 114003-04  | Wheel well trim, inner, single axle      |
| 18) 114004-04  | Wheel well trim, outer, single axle      |
| 19) 101131-01  | Underbelly wrap, .024 x 22.5, pewter     |
| 20) 921232     | Cover, 30# LPG bottles                   |
| 21) 511017-11  | Vent cover, range exhaust                |
| 22) 114466-01  | Casting, rub rail end, wheel well, RH    |
| 23) 114466-02  | Casting, rub rail end, wheel well, LH    |
| 24) 203251-01  | Banana wrap, RS front                    |
| 25) 203251-03  | Banana wrap, RS rear                     |
| 26a) 104619    | Mounting plate, telephone & TV jack      |
| 26b) 510624-01 | Modular phone quick jack, white          |
| 27) 3320028    | Manual hitch jack                        |

# 2006 INTERNATIONAL TRAVEL TRAILER

## EXTERIOR SHELL,

CURBSIDE WALL, 19'



# 2006 INTERNATIONAL TRAVEL TRAILER

## EXTERIOR SHELL

### CURBSIDE WALL, 19'

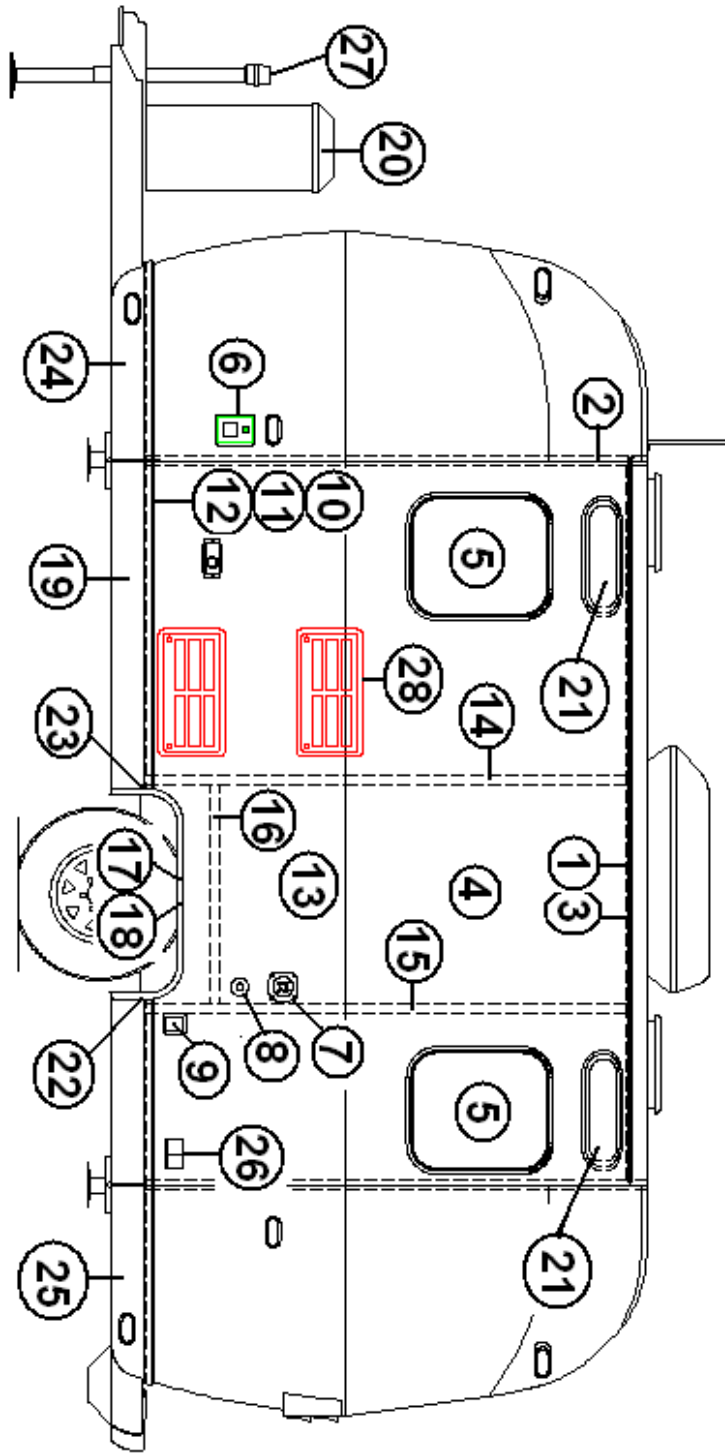
1. 114290-02 Extrusion, awning/drip rail
2. 114994 Rib, end bow
3. 104707-05 Extrusion, "I" beam
4. 114880-238 Aluminum sheet, upper, .040 x 51 x 228"
5. 371323-01 Window, 18" opening
6. 690259-03 Cover and mounting flange, Atwood
7. 371269-01 Window, 18" stacked
8. 101323 Casting, step light, polished
8. 201185 Lens, step light
9. 511416-02 30-amp, male power inlet
10. 114460 Extrusion, rub rail
11. 201763-01 Insert, rub rail, chrome, 1"
12. 100986 Floor channel
13. 114879-238 Aluminum sheet, lower, .040 x 33 x 238"
14. 114387-02 Bow, Z rib, LH
15. 114387-01 Bow, Z rib, RH
16. 100986 Wheel well stiffener (floor channel)
17. 114003-04 Wheel well trim, inner, single axle
18. 114004-04 Wheel well trim, outer, single axle
19. 101131-01 Underbelly wrap, .024 x 22.5, pewter
20. 921232 Cover, 30# LPG bottles
21. 922243 Door assembly, refrigerator assess
22. 371319-05 Window, main door
- 22.
23. 110067-01 Main door assembly
24. 114654 Screen door assembly
25. 114652 Jamb, main door, pre-formed
26. 114465-01 Casting, rub rail end, door, RH
27. 114465-02 Casting, rub rail end, door, LH
28. 114466-01 Casting, rub rail end, wheel well, RH
29. 114466-02 Casting, rub rail end, wheel well, LH
30. 203251-04 Banana wrap, CS rear
31. 203251-02 Banana wrap, CS front



# 2006 INTERNATIONAL TRAVEL TRAILER

## EXTERIOR SHELL

ROADSIDE WALL, 19', 75<sup>th</sup> Anniversary



# 2006 INTERNATIONAL TRAVEL TRAILER

## EXTERIOR SHELL

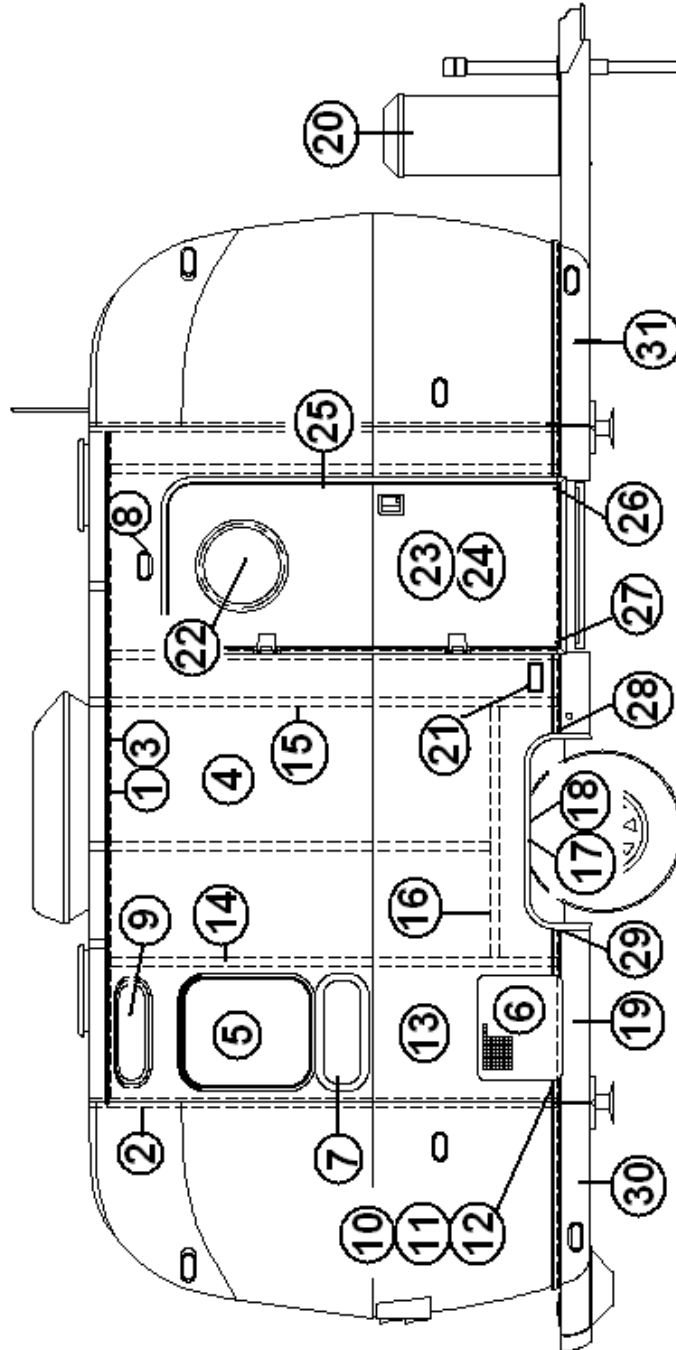
### ROADSIDE WALL, 19', 75<sup>th</sup> Anniversary

- |                |  |
|----------------|--|
| 1) 114290-02   | Extrusion, awning/drip rail              |
| 2) 114994      | Rib, end bow                             |
| 3) 104707-06   | Extrusion, "I" beam                      |
| 4) 114880-238  | Aluminum sheet, upper, .040 x 51" x 238" |
| 5) 371323-01   | Window, 18" opening                      |
| 6) 601194      | Water fill w/lock, gray                  |
| 6a) 381647     | CH 751 Key only                          |
| 7) 601392-05   | City water hook-up                       |
| 8) 601441      | SYSTEM, TANK FLUSH                       |
| 9) 511416-02   | Power inlet, 30 amp.                     |
| 10) 115344     | Extrusion, rub rail, anodized            |
| 11) 201763-01  | Insert, rub rail, chrome, 1"             |
| 12) 100986     | Floor channel                            |
| 13) 114880-238 | Aluminum sheet, lower, .040 x 33" x 238" |
| 14) 114387-02  | Bow, Z rib, LH                           |
| 15) 114387-01  | Bow, Z rib, RH                           |
| 16) 100986     | Wheel well stiffener (floor channel)     |
| 17) 114003-04  | Wheel well trim, inner, single axle      |
| 18) 114004-04  | Wheel well trim, outer, single axle      |
| 19) 101131-01  | Underbelly wrap, .024 x 22.5, pewter     |
| 20) 921232     | Cover, 30# LPG bottles                   |
| 21) 922770-01  | Vista view, 18"                          |
| 22) 114466-01  | Casting, rub rail end, wheel well, RH    |
| 23) 114466-02  | Casting, rub rail end, wheel well, LH    |
| 24) 203251-01  | Banana wrap, RS front                    |
| 25) 203251-03  | Banana wrap, RS rear                     |
| 26a) 104619    | Mounting plate, telephone & TV jack      |
| 26b) 510624-01 | Modular phone quick jack, white          |
| 27) 3320028    | Manual hitch jack                        |
| 28) 690470-01  | Refrigerator vent, side wall             |

# 2006 INTERNATIONAL TRAVEL TRAILER

## EXTERIOR SHELL

CURBSIDE WALL, 19', 75<sup>th</sup> Anniversary



# 2006 INTERNATIONAL TRAVEL TRAILER

## EXTERIOR SHELL

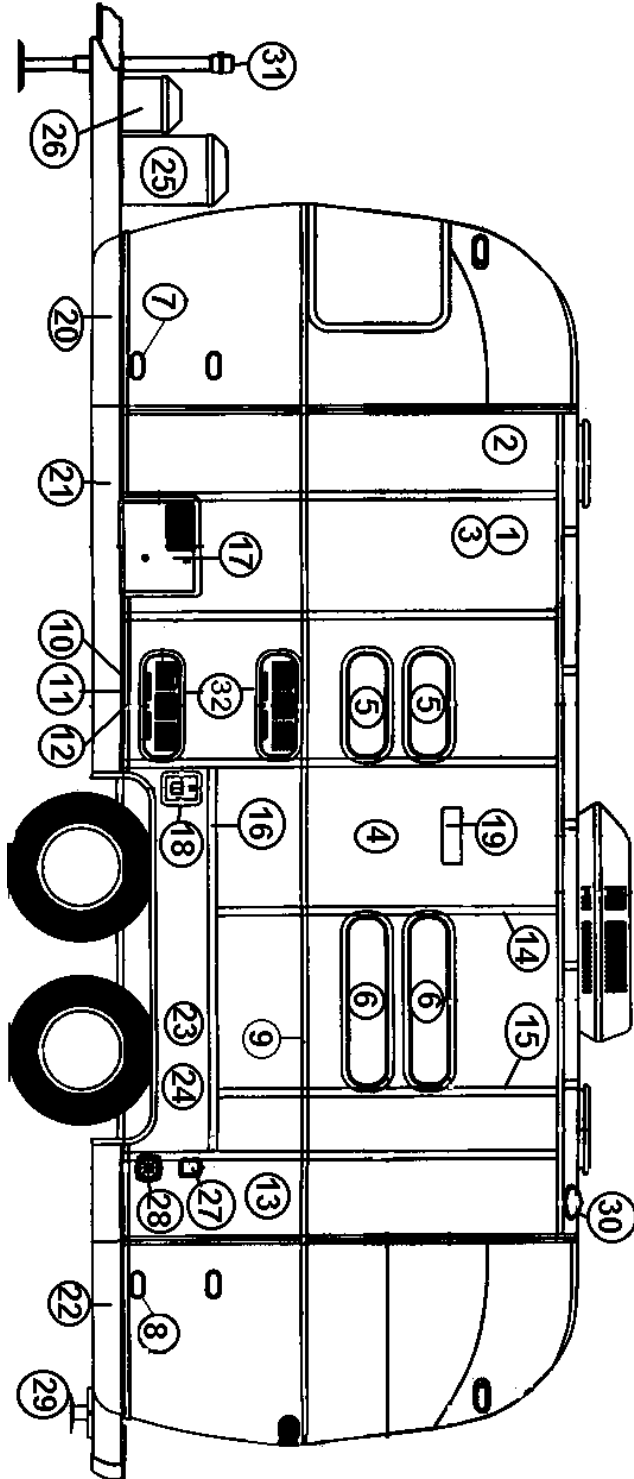
### CURBSIDE WALL, 19', 75<sup>th</sup> Anniversary

1. 114290-02 Extrusion, awning/drip rail
2. 114994 Rib, end bow
3. 104707-06 Extrusion, "I" beam
4. 114880-238 Aluminum sheet, upper, .040 x 51 x 238"
5. 371323-01 Window, 18" opening
6. 690259-03 Cover and mounting flange, Atwood
7. 371269-01 Window, 18" stacked
8. 101323 Casting, step light, polished
8. 201185 Lens, step light
9. 922770-01 Vista view, 18"
10. 115344 Extrusion, rub rail, anodized
11. 201763-01 Insert, rub rail, chrome, 1"
12. 100986 Floor channel
13. 114879-238 Aluminum sheet, lower, .040 x 33 x 238"
14. 114387-02 Bow, Z rib, LH
15. 114387-01 Bow, Z rib, RH
16. 100986 Wheel well stiffener (floor channel)
17. 114003-04 Wheel well trim, inner, single axle
18. 114004-04 Wheel well trim, outer, single axle
19. 101131-01 Underbelly wrap, .024 x 22.5, pewter
20. 921232 Cover, 30# LPG bottles
21. 511416-02 30-amp, male power inlet
22. 371414 Window, porthole, main door
23. 115329 Main door assembly, 75th Anniversary
24. 114654 Screen door assembly
25. 114652 Jamb, main door, pre-formed
26. 114465-01 Casting, rub rail end, door, RH
27. 114465-02 Casting, rub rail end, door, LH
28. 114466-01 Casting, rub rail end, wheel well, RH
29. 114466-02 Casting, rub rail end, wheel well, LH
30. 203251-04 Banana wrap, CS rear
31. 203251-02 Banana wrap, CS front

# 2006 INTERNATIONAL TRAVEL TRAILER

## EXTERIOR SHELL

ROADSIDE WALL, 22'



PN Next Page

# 2006 INTERNATIONAL TRAVEL TRAILER

## EXTERIOR SHELL

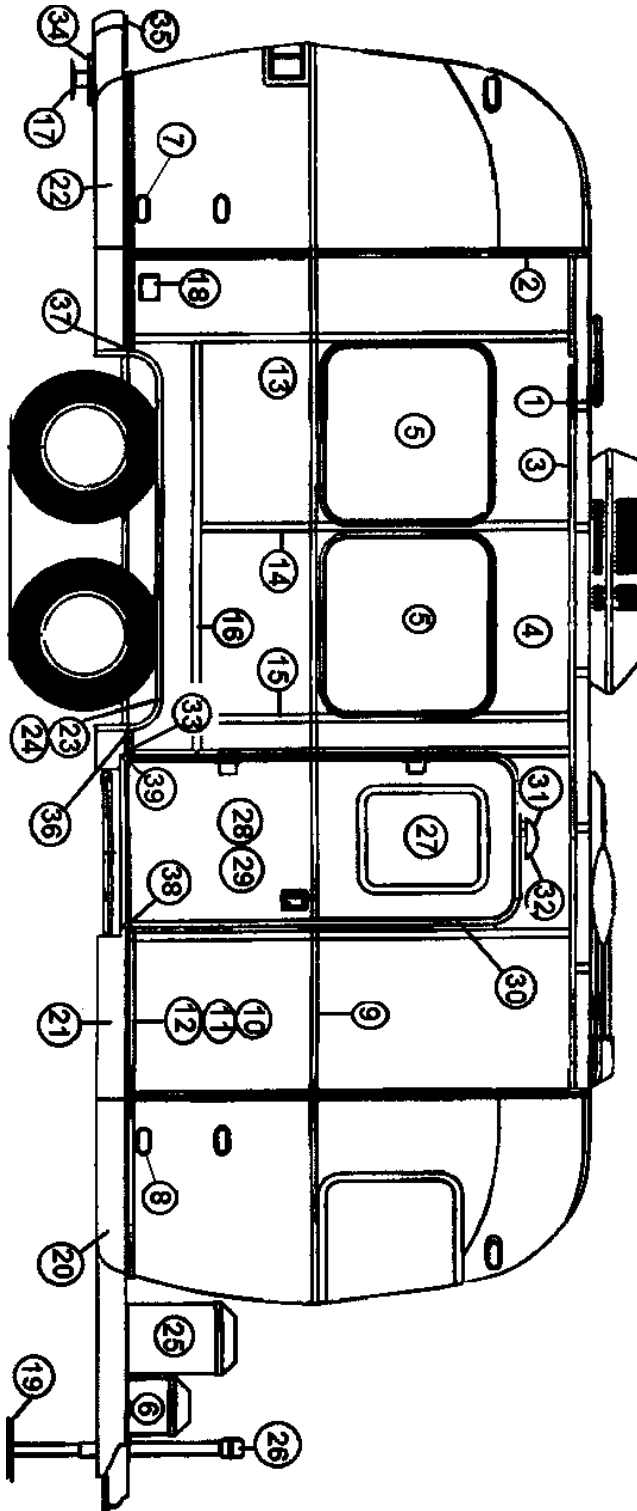
### ROADSIDE WALL, 22'

- |                |  |
|----------------|--|
| 1) 114290-03   | Extrusion, awning/drip rail            |
| 2) 114994      | Rib, end bow                           |
| 3) 104707-06   | Extrusion, "I" beam                    |
| 4) 114880-262  | Alum, sheet, upper, .040" x 51" x 262" |
| 5) 371269-01   | Window, 18" fixed window               |
| 6) 371270-01   | Window, 30", fixed window              |
| 7) 500096      | REFLECTOR, AMBER                       |
| 8) 500095      | REFLECTOR RED                          |
| 9) 100034      | "Z" bar, 48"                           |
| 10) 114460     | Extrusion, rub rail                    |
| 11) 201763-01  | Insert, rub rail, chrome, 1"           |
| 12) 100986     | Floor channel                          |
| 13) 114879-262 | Alum. sheet, lower, .040" x 33" x 262" |
| 14) 114387-01  | Bow, Z rib, RH                         |
| 15) 114387-02  | Bow, Z rib, LH                         |
| 16) 100986     | Wheel well stiffener (floor channel)   |
| 17) 690209     | Access door, Atwood water heater       |
| 18) 601194     | water heater exterior door, Atwood     |
| 19) 511017-11  | Vent cover, exterior range exhaust     |
| 20) 203303-01  | Banana wrap, RS front                  |
| 21) 203304     | ROLL, UNDERBELLY, BLACK PLASTIC        |
| 22) 203303-02  | Banana, rear corner, RS                |
| 23) 684936     | Wheel well trim, outer, tandem axle    |
| 24) 684937     | Wheel well trim, inner, tandem axle    |
| 25) 921234     | Bottle cover, LP                       |
| 26) 511595     | Battery box                            |
| 27) 511416-02  | 30-amp, male power inlet               |
| 28) 601392-05  | City water hook-up, chrome w/regulator |
| 29) 400914-03  | Stabilizer jack, 20"                   |
| 2a) 400914-02  | Handle, stabilizer jack                |
| 30) 690266-01  | Bath power ventilator                  |
| 31) 511544     | Jack, Super w/light                    |
| 32) 690470-01  | Vent, sidewall, refrigerator access    |
| 32a) 115038-01 | Door Jamb                              |

# 2006 INTERNATIONAL TRAVEL TRAILER

## EXTERIOR SHELL

CURBSIDE WALL, 22'



PN Next Page

# 2006 INTERNATIONAL TRAVEL TRAILER

## EXTERIOR SHELL

### CURBSIDE WALL, 22'

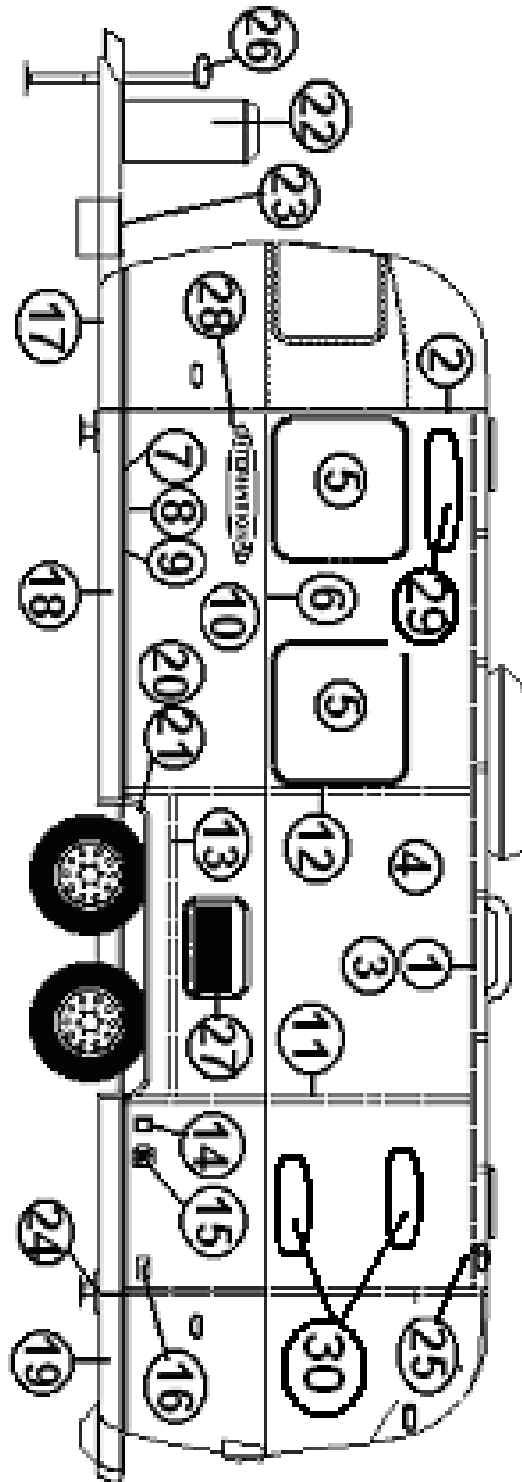
- 1) 114290-03 Extrusion, awning/drip rail
- 2) 114994 Rib, end bow
- 3) 104707-06 Extrusion, "I" beam
- 4) 114880-262 Window sheet, .040" x 51" x 262"
- 5) 371380 Window, Tall, 30"opening
- 6) 511595 Battery box
- 7) 500096 REFLECTOR, AMBER
- 8) 500095 REFLECTOR RED
- 9) 100034 "Z" bar 48"
- 10) 114460 Extrusion, rub rail
- 11) 201763-01 Insert, rub rail, chrome, 1"
- 12) 100986 Floor channel
- 13) 114879-262 Side sheet, .040" x 33" x 262"
- 14) 114387-01 Bow, Z rib, RH
- 15) 114387-02 Bow, Z rib, LH
- 16) 100986 Wheel well stiffener (floor channel)
- 17) 400914-02 Handle, stabilizer jack
- 18) 510676-01 Outlet, exterior 110 volt, gray
- 19) 410598 Super Jack footpad
- 20) 203303-02 Banana wrap, CS front
- 21) 203304 ROLL, UNDERBELLY, BLACK PLASTIC
- 22) 203303-01 Banana wrap, CS rear
- 23) 684936 Wheel well trim, outer, tandem axle
- 24) 684937 Wheel well trim, inner, tandem axle
- 25) 921234 Bottle cover, LP
- 26) 511544 Jack, Super w/light
- 27) 371319-05 Window, main door
- 28) 110067-05 Main door assembly
- 29) 114654 Screen door assembly
- 30) 114652 Main door jamb, formed
- 31) 101323 Casting, main door light
- 32) 201185 Lens, main door light
- 33) 114465-02 Close out rub rail, LH
- 34) 400914-03 Stabilizer jack, 20"
- 35) 410847 Bumper, polished
- 36) 114466-01 Casting, rub rail end, wheel well, RH
- 37) 114466-02 Casting, rub rail end, wheel well, LH
- 38) 114465-01 Close out rub rail, RH
- 39) 114465-02 Close out rub rail, LH



# 2006 INTERNATIONAL TRAVEL TRAILER

## EXTERIOR SHELL

ROADSIDE WALL, 25'



# 2006 INTERNATIONAL TRAVEL TRAILER

## EXTERIOR SHELL

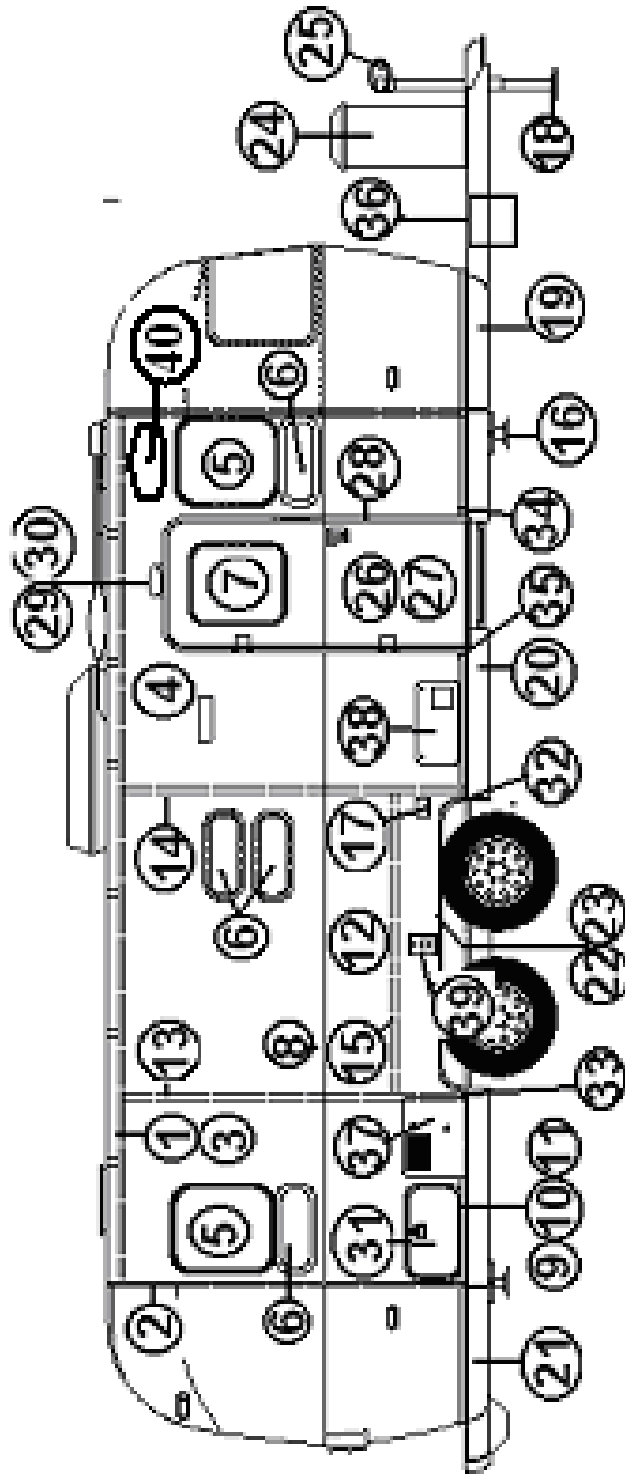
### ROADSIDE WALL, 25'

1. 114290-01 Extrusion, awning/drip rail
2. 114993 Rib, end bow
3. 104707-05 Extrusion, "I" beam
4. 114880-262 Alum, sheet, upper, .040" x 51" x 262"
5. 371380 Window, opening, 30" tall
6. 100034 "Z" bar, 48"
7. 114460 Extrusion, rub rail
8. 201763-01 Insert, rub rail, chrome, 1"
9. 100986 Floor channel
10. 114879-262 Alum. sheet, lower, .040" x 33" x 262"
11. 114387-01 Bow, Z rib, RH
12. 114387-02 Bow, Z rib, LH
13. 100986 Wheel well stiffener (floor channel)
14. 511416-02 30-amp, male power inlet
15. 601392-05 City water hook-up, chrome w/regulator
16. 510624-01 MODULAR PHONE QUICK JACK WHITE
- 16a. 104619 MTG. PLATE, EXT. TELE. & TV JACK
17. 200542-01 Banana wrap, RS front
18. 101131-01 Underbelly wrap, .024" x 22.5", Pewter
19. 200543-01 Banana, rear corner, RS
20. 684936 Wheel well trim, outer, tandem axle
21. 684937 Wheel well trim, inner, tandem axle
22. 921232 Bottle cover, LP
23. 410551-02 LID BATTERY BOX
24. 400093 Stabilizer jack, 20", ALUMINUM
- 24a. 400093-04 Handle, stabilizer jack
25. 690266-01 Bath power ventilator
26. 400961 Jack, Power
27. 922243 Refer access door, 104417 Jamb
28. 386108 NAMEPLATE-INTERNATIONAL
29. 371269-01 WINDOW 18" STACK
30. 922770-01 Vista View Window, 30"

# 2006 INTERNATIONAL TRAVEL TRAILER

## EXTERIOR SHELL

CURBSIDE WALL, 25'



# 2006 INTERNATIONAL TRAVEL TRAILER

## EXTERIOR SHELL

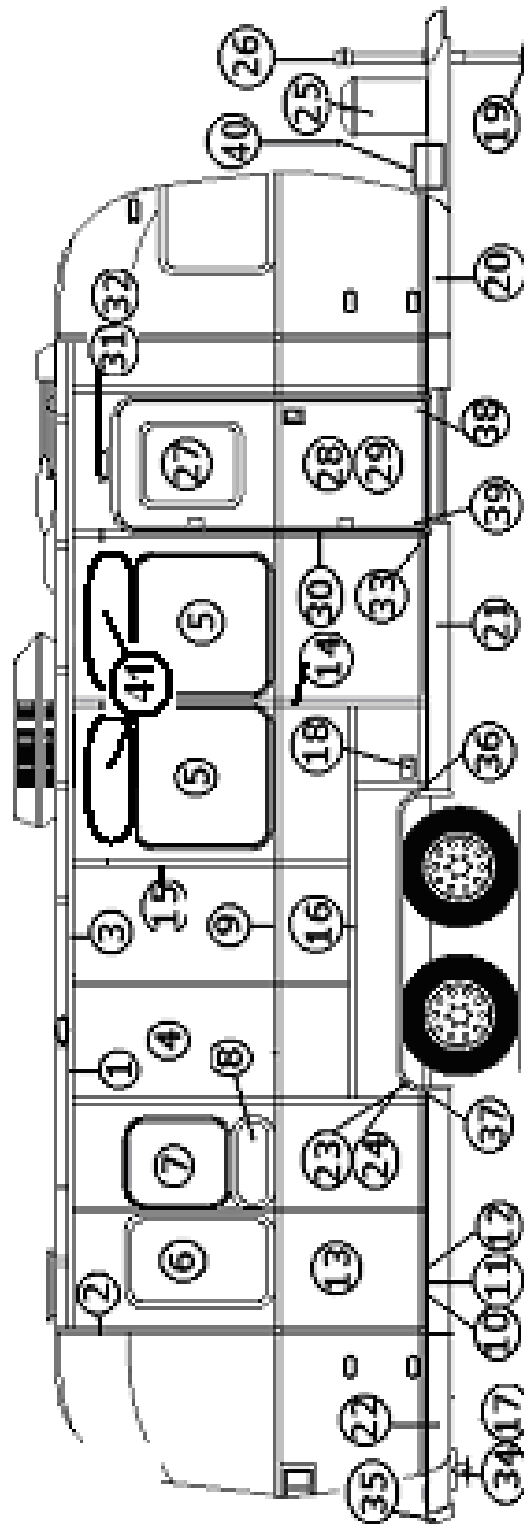
CURBSIDE WALL, 25'

- 1) 114290-01 Extrusion, awning/drip rail
- 2) 114993 End bow
- 3) 104707-05 Extrusion, "I" beam
- 4) 114880-262 Window sheet, .040" x 51" x 262"
- 5) 371323-01 WINDOW-18" OPENING
- 5) 371286-01 WINDOW, 18" X 30" FIXED, BUNK OPTION ONLY
- 6) 371269-01 WINDOW 18" STACK
- 7) 371319-05 WINDOW-MAIN DOOR
- 8) 100034 "Z" bar 48"
- 9) 114460 Extrusion, rub rail
- 10) 201763-01 Insert, rub rail, chrome, 1"
- 11) 100986 Floor channel
- 12) 114879-262 Side sheet, .040" x 33" x 262"
- 13) 114387-01 Bow, Z rib, RH
- 14) 114387-02 Bow, Z rib, LH
- 15) 100986 Wheel well stiffener (floor channel)
- 16) 400093 Stabilizer jack, 20"
- 16a) 400093-04 Handle, stabilizer jack
- 17) 510676-01 Outlet, exterior 110 volt, gray
- 18) 410598 Super Jack footpad
- 19) 200543-01 Banana wrap, CS front
- 20) 101131-01 Underbelly wrap, .024 x 22.5, Pewter
- 21) 200542-01 Banana wrap, CS rear
- 22) 684936 Wheel well trim, outer, tandem axle
- 23) 684937 Wheel well trim, inner, tandem axle
- 24) 921232 Bottle cover, LP
- 25) 400961 Jack, Super
- 26) 110067-05 Main door assembly
- 27) 114654 Screen door assembly
- 28) 114652 Main door jamb, formed
- 29) 101323 Casting, main door light
- 30) 201185 Lens, main door light
- 31) 100679-01 Side Access Door Assembly
- 32) 114466-01 Casting, rub rail end, wheel well, RH
- 33) 114466-02 Casting, rub rail end, wheel well, LH
- 34) 114465-01 Close out rub rail, RH
- 35) 114465-02 Close out rub rail, LH
- 36) 410551-02 LID BATTERY BOX
- 37) 690209 Access door, Atwood water heater
- 38) 690274-09 Door exterior, Hydroflame
- 39) 601194 WATER FILL W/LOCK, GRAY, W/LABEL
- 40) 922770-02 Vista View Window, 18"

# 2006 INTERNATIONAL TRAVEL TRAILER

## EXTERIOR SHELL

CURBSIDE WALL, 28'



# 2006 INTERNATIONAL TRAVEL TRAILER

## EXTERIOR SHELL

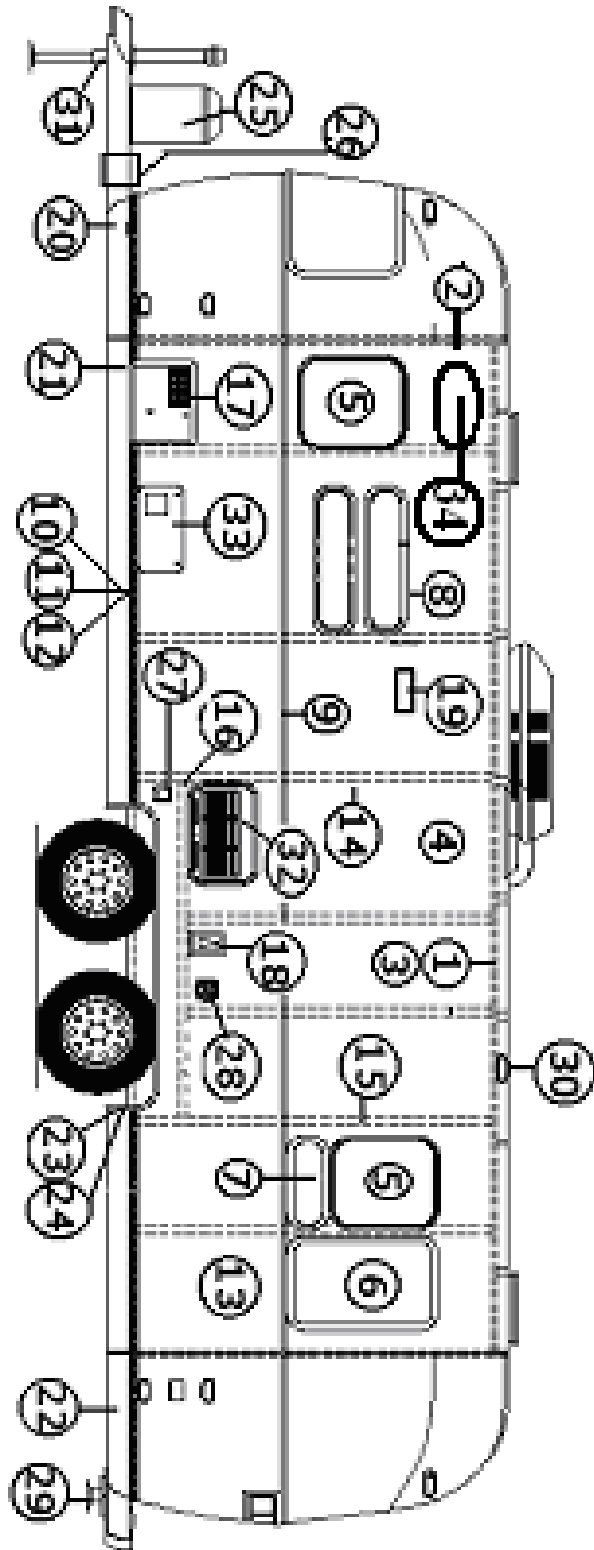
### CURBSIDE WALL, 28'

- 1) 114290-01 Extrusion, awning/drip rail
- 2) 114993 End bow
- 3) 104707-06 Extrusion, "I" beam
- 4) 114880-238 Window sheet, .040" x 51" x 238"
- 5) 371380 Window, Tall, 30" opening
- 6) 371286-01 Window, 18" X 30" curved fixed
- 7) 371323-01 Window, 18" opening
- 8) 371269-01 Window, 18" stacked
- 9) 100034 "Z" bar 48"
- 10) 114460 Extrusion, rub rail
- 11) 201763-01 Insert, rub rail, chrome, 1"
- 12) 100986 Floor channel
- 13) 114879-238 Side sheet, .040" x 33" x 238"
- 14) 114387-01 Bow, Z rib, RH
- 15) 114387-02 Bow, Z rib, LH
- 16) 100986 Wheel well stiffener (floor channel)
- 17) 400914-02 Handle, stabilizer jack
- 18) 510676-01 Outlet, exterior 110 volt, gray
- 19) 410598 Super Jack footpad
- 20) 200543-01 Banana wrap, CS front
- 21) 101131-01 Underbelly wrap, .024 x 22.5, Pewter
- 22) 200542-01 Banana wrap, CS rear
- 23) 684936 Wheel well trim, outer, tandem axle
- 24) 684937 Wheel well trim, inner, tandem axle
- 25) 921232 Bottle cover, LP
- 26) 400961 Jack, Super w/light
- 27) 371319-05 Window, main door
- 28) 110067-05 Main door assembly
- 29) 114654 Screen door assembly
- 30) 114652 Main door jamb, formed
- 31) 101323 Casting, main door light
- 32) 201185 Lens, main door light
- 33) 114465-02 Close out rub rail, LH
- 34) 400914-03 Stabilizer jack, 20"
- 35) 410831 Bumper, polished
- 36) 114466-01 Casting, rub rail end, wheel well, RH
- 37) 114466-02 Casting, rub rail end, wheel well, LH
- 38) 114465-01 Close out rub rail, RH
- 39) 114465-02 Close out rub rail, LH
- 40) 410551-02 LID BATTERY BOX
- 41) 922770-01 Vista View Window, 30"

# 2006 INTERNATIONAL TRAVEL TRAILER

## EXTERIOR SHELL

ROADSIDE WALL, 28'



P/N on the next page.

# 2006 INTERNATIONAL TRAVEL TRAILER

## EXTERIOR SHELL

### ROADSIDE WALL, 28'

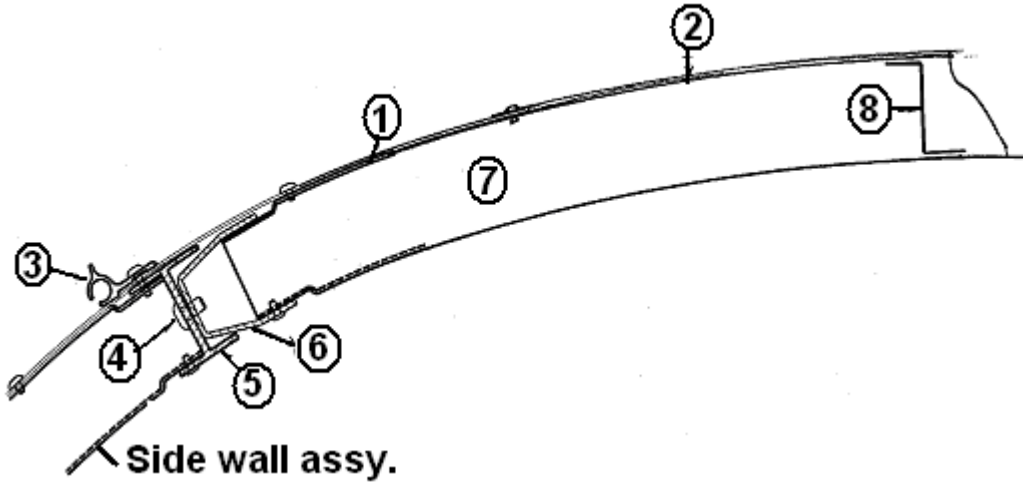
- |                |  |
|----------------|--|
| 1) 114290-01   | Extrusion, awning/drip rail            |
| 2) 114993      | Rib, end bow                           |
| 3) 104707-06   | Extrusion, "I" beam                    |
| 4) 114880-238  | Alum, sheet, upper, .040" x 51" x 238" |
| 5) 371323-01   | Window, 18", opening window            |
| 6) 371286-01   | Window, 18", curved fixed window       |
| 7) 371269-01   | Window, 18" stacked                    |
| 8) 371270-01   | Window, 30" stacked                    |
| 9) 100034      | "Z" bar, 48"                           |
| 10) 114460     | Extrusion, rub rail                    |
| 11) 201763-01  | Insert, rub rail, chrome, 1"           |
| 12) 100986     | Floor channel                          |
| 13) 114879-238 | Alum. sheet, lower, .040" x 33" x 238" |
| 14) 114387-01  | Bow, Z rib, RH                         |
| 15) 114387-02  | Bow, Z rib, LH                         |
| 16) 100986     | Wheel well stiffener (floor channel)   |
| 17) 690209     | Access door, Atwood water heater       |
| 18) 601194     | Water fill, w/lock                     |
| 19) 511017-11  | Vent cover, exterior range exhaust     |
| 20) 200542-01  | Banana wrap, RS front                  |
| 21) 101131-01  | Underbelly wrap, .024" x 22.5", Pewter |
| 22) 200543-01  | Banana, rear corner, RS                |
| 23) 684936     | Wheel well trim, outer, tandem axle    |
| 24) 684937     | Wheel well trim, inner, tandem axle    |
| 25) 921232     | Bottle cover, LP                       |
| 26) 410551-02  | LID BATTERY BOX                        |
| 27) 511416-02  | 30-amp, male power inlet               |
| 28) 601392-05  | City water hook-up, chrome w/regulator |
| 29) 400914-03  | Stabilizer jack, 20"                   |
| 29A) 400914-02 | Handle, stabilizer jack                |
| 30) 690266-01  | Bath power ventilator                  |
| 31) 400961     | Jack, Power                            |
| 32) 922243     | Refer access door, 104417 Jamb         |
| 33) 690274-09  | Door exterior, Hydroflame              |
| 34) 922770-02  | Vista View Window, 18"                 |



# 2006 INTERNATIONAL TRAVEL TRAILER

## EXTERIOR SHELL

Roof End View



- |               |   |
|---------------|---|
| 1) 114669-307 | Alum. Sheet, white, .032" x 12.69" x 307" |
| 2) 114489-198 | Alum. Sheet, white, .032" x 60" x 198"    |
| 2) 114489-238 | Alum. Sheet, white, .032" x 60" x 238"    |
| 2) 114489-262 | Alum. Sheet, white, .032" x 60" x 262"    |
| 2) 114489-307 | Alum. Sheet, white, .032" x 60" x 307"    |
| 3) 114290-02  | Extrusion, awning/drip rail               |
| 4) 340123-02  | Rivet, Huck, 3/16" x 1/2"                 |
| 5) 104707-05  | Extrusion, "I" beam                       |
| 6) 114987-01  | Extrusion, roof corner, 194"              |
| 7) 114387-03  | BOX Z-RIB ROOF                            |
| 8) 104408     | Extrusion, Z-bar, horizontal              |
| 330139-01     | RIVET, MAGNALOK SS 1/4"                   |

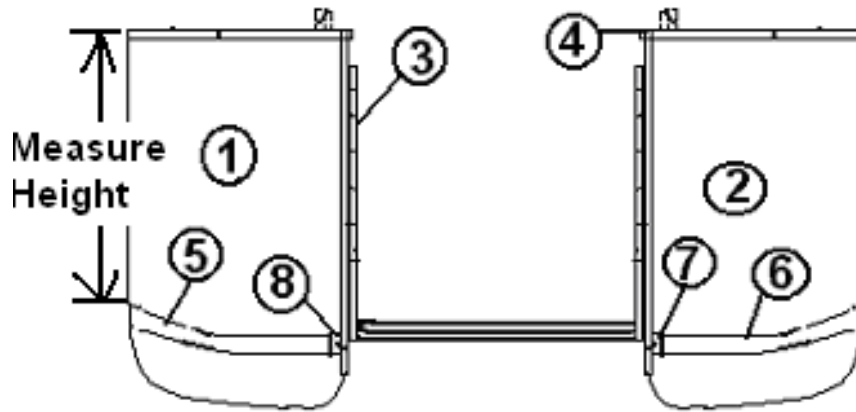
## FLOORING, SUB STRUCTURE

- |           |                                |
|-----------|--------------------------------|
| 801309-01 | FLOORING-OSB .625"X 96"X 216"  |
| 345073-21 | 1/4-20 X 3 SCREW WAFERHEAD     |
| 100986    | EXTRUSION, FLOOR               |
| 300023-02 | WASHER, HOLD DOWN-HOLE OFFSET  |
| 345084    | SCREW-1/4-14X1 THREAD. CUTTING |

# 2006 INTERNATIONAL TRAVEL TRAILER

## EXTERIOR SHELL

### Wrap Protector/Holdbacks



- |               |  |
|---------------|--|
| 109325-02     | Wrap Protector, Complete Set, 16, 19'            |
| 109325-100    | Wrap Protector, Complete Set, 22', 25', 28', 30' |
| 1. 966276     | Wrap Protector, CS, 28" Tall, 22', 25', 28', 30' |
| 1. 685365-100 | Wrap Protector, CS, 28" Tall, 16, 19'            |
| 2. 966277     | Wrap Protector, RS, 28" Tall, 22', 25', 28', 30' |
| 2. 685366-100 | Wrap Protector, RS, 28" Tall, 16, 19'            |
| 3. 381605-01  | Hinge, stainless, wrap protector                 |
| 4. 100742-01  | Extrusion, mirror/wrap trim protector            |
| 5. 114460     | Extrusion, rub rail                              |
| 6. 201763-01  | Insert, rub rail, chrome                         |
| 7. 114465-01  | CASTING CLOSEOUT RUB RAIL RH                     |
| 8. 114465-02  | CASTING CLOSE-OUT RUB RAIL LH                    |
| 101401        | EXTRUSION, DOOR LATCH HOUSING/STONE              |
| 345417        | NUT ACORN, HEX, LOCKING SS 1/4-                  |
| 345376        | NUT HEX HD 1/4-20 SS                             |
| 345336-07     | CAP SCREW HEX HD 1/4-20 HEX .75"                 |
| 114819-01     | Wrap protector hold back, 1.62"                  |
| 114819-02     | Wrap protector hold back, 2.50"                  |
| 114819-03     | Wrap protector hold back, 5.00"                  |

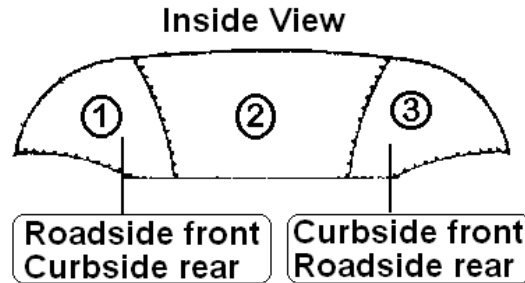
# 2006 INTERNATIONAL TRAVEL TRAILER

## INTERIOR SHELL

### SKIN

114879-262	ALUMINUM SHEET .040" X 33" X 262"
114880-262	ALUMINUM SHEET .040" X 51" X 262"
114879-307	ALUMINUM SHEET .040" X 33" X 307"
114880-307	ALUMINUM SHEET .040" X 51" X 307"

### INTERIOR END SEGMENTS



#### 16', 19', 22' Models

1. 114891-01 INTERIOR SEGMENT
2. 114892-01 INTERIOR SEGMENT
3. 114890-01 INTERIOR SEGMENT

#### 25', 28' Models

1. 114891-01 Interior Segment
2. 114893-01 Interior Segment
3. 114890-01 Interior Segment

### INTERIOR TRIM

114655-01	TRIM RING FORMED MAIN DOOR
381772	HEAD KNOCKER-ENTRANCE DOOR
201666-01	MOLDING-J 3/16" ALMOND PLASTIC, bath wall
110900-03	TRIM FORMED INT. FRONT WRAP ALUM.
110900-04	TRIM FORMED INTERIOR FRONT WRAP ALUM
114157-01	EXTRUSION END LINER UPPER WHITE
371319-06	TRIM RING-MAIN DOOR WINDOW

### INTERIOR WHEEL WELL LINER

965821	Close-out Wheel Well 22'
203289	LINER, WHEEL WELL-ABS
200514	WHEEL WELL INSULATOR, PLASTIC, TANDEM
453617	Wheel well box, 16' & 19' models

# 2006 INTERNATIONAL TRAVEL TRAILER

## CHASSIS

### Axles

410875-11	AXLE-3500#, 16'
410875-07	AXLE- 4300#, 19'
410875-01	AXLE- 2800#, 22'
410875-09	AXLE – 3800 lbs. 25', 28'

### Axles, CSA

454231	AXLE-4300#, 16'
454232	AXLE- 5000#, 19'
410868	AXLE- 2800#, 22'
7380002	AXLE – 3800#, 25', 28'

### Shocks

0220003	Shock absorber
0250173-15	Bolt, grade 5, 5/8"-18 x 1.5", shock mount
0130068-818	Nut, hex head flanged, 5/8"-18, shock mount

### Tires/Wheels, 14", 16', 22' Models

400984	Tire/Wheel assembly, 14", no rivets
400985	COVER, DUST, 4", STAINLESS STEEL
400923	LUG NUT-1/2" ACORN TYPE

### Tires/Wheels, 15", 19', 25', 28' Models

410840-01	TIRE/WHEEL ASSY "D" RANGE
400844	COVER, HUB DUST, 4", STAINLESS STEEL
400923	LUG NUT-1/2" ACORN TYPE

### Tires/Wheels, 15", 19' 75<sup>th</sup> Anniversary

410921	Tire/wheel assembly
410922	Baby moon center cap

# 2006 INTERNATIONAL TRAVEL TRAILER

## CHASSIS

### Spare Tire and Carrier

410848	TIRE W/14" STEEL WHEEL-SPARE
410848-01	Spare tire, steel rim 14"
410843-01	SPARE TIRE/WHEEL ASSEMBLY 15" "D"
450414	"A" frame spare tire carrier
994073	Bracket, Spare Tire

Step Assembly, 16', 22', (Added to 19" during MY 2006, PCR E-00007)

400962	STEP-MAIN DOOR STEEL 24"
0250175-03	SCREW HHCS GR5 3/8-16 X 3/4"
0260100	3/8-16 U-TYPE CAGE NUT

Step Assembly, 19' (Obsolete during MY 2006, PCR E-00007)

381416	STEP, SINGLE
--------	--------------

Step Assembly, 25', 28'

381863	STEP-DOUBLE STEEL
0250175-03	SCREW HHCS GR5 3/8-16 X 3/4"
0260100	3/8-16 U-TYPE CAGE NUT

### Hitch Jack

3320028	FRONT-WIND MANUAL JACK, ATWOOD
410598	FOOT PAD #12231

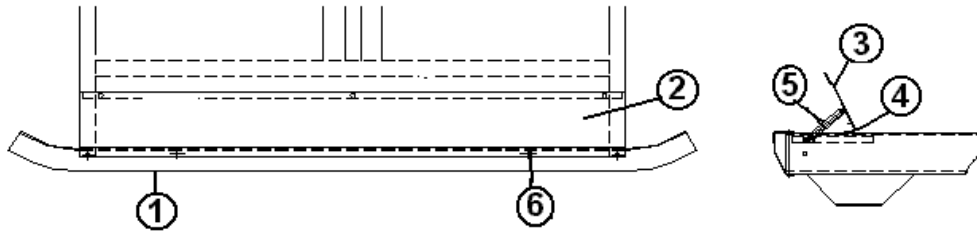
### Safety Chains

400953	Safety Chain, 1/4" x 30"
400945	5/16" clevis, safety slip hook

# 2006 INTERNATIONAL TRAVEL TRAILER

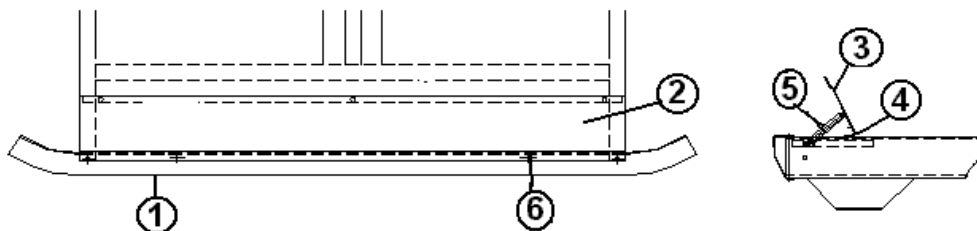
## CHASSIS

### Bumper/Bumper Storage Assembly, 16', 22'



- |              |                                       |
|--------------|---------------------------------------|
| 1. 410847    | BUMPER, 16', 22'.                     |
| 2. 453946    | BOTTOM-STORAGE COMPARTMENT, 16', 22'  |
| 3. 453948    | LID REAR BUMPER COMPARTMENT, 16', 22' |
| 4. 380203-01 | HINGE PIANO 1/8 PIN                   |
| 5. 380024    | ARMS SUPPORT RIGHT HAND               |
| 6. 380067    | LOCK CAM BUMPER LID LATCH             |
| 365013       | TAPE CHARCOAL LOW DENSITY FOAM        |

### Bumper/Bumper Storage Assembly, 19'

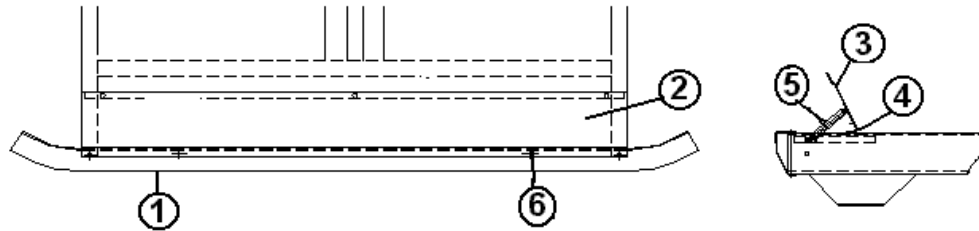


- |              |                                |
|--------------|--------------------------------|
| 1. 410932    | BUMPER                         |
| 2. 453627    | BOTTOM-STORAGE COMPARTMENT     |
| 3. 454214    | LID REAR BUMPER COMPARTMENT    |
| 4. 380203-01 | HINGE PIANO 1/8 PIN            |
| 5. 380024    | ARMS SUPPORT RIGHT HAND        |
| 6. 380067    | LOCK CAM BUMPER LID LATCH      |
| 365013       | TAPE CHARCOAL LOW DENSITY FOAM |

# 2006 INTERNATIONAL TRAVEL TRAILER

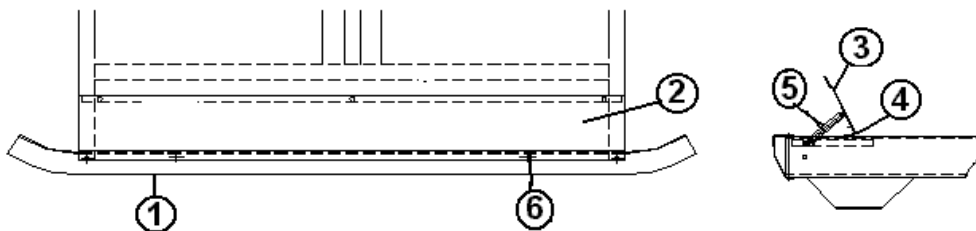
## CHASSIS

### Bumper/Bumper Storage Assembly, 25'



- |              |                                 |
|--------------|---------------------------------|
| 1. 410831    | BUMPER, 25'                     |
| 2. 453538    | BOTTOM-STORAGE COMPARTMENT, 25' |
| 3. 453497    | LID REAR BUMPER COMPARTMENT     |
| 4. 380203-01 | HINGE PIANO 1/8 PIN             |
| 5. 380024    | ARMS SUPPORT RIGHT HAND         |
| 6. 380067    | LOCK CAM BUMPER LID LATCH       |
| 365013       | TAPE CHARCOAL LOW DENSITY FOAM  |
| 381435       | HATCH ACCESS COVER, 4" WHITE    |

### Bumper/Bumper Storage Assembly, 28'



- |              |                                  |
|--------------|----------------------------------|
| 1. 410831    | REAR BUMPER 28'                  |
| 2. 453538    | BOTTOM-SEWER HOSE COMPART, 28'   |
| 3. 453497    | LID REAR BUMPER COMPARTMENT, 28' |
| 4. 380203-01 | HINGE PIANO 1/8 PIN              |
| 5. 380024    | ARMS SUPPORT RIGHT HAND          |
| 6. 380067    | LOCK CAM BUMPER LID LATCH        |
| 365013       | TAPE CHARCOAL LOW DENSITY FOAM   |
| 381435       | HATCH ACCESS COVER, 4" WHITE     |

# 2006 INTERNATIONAL TRAVEL TRAILER

## CHASSIS

### Stabilizing Jacks, 16', 22', 28'

400914-03	STABILIZER JACK 20"
400914-02	HANDLE-15"(STABILIZER JACK)
400914-04	Stabilizer jack footpad, set of 4
385020	STICKER SELF ADHERING, JACK

### Stabilizing Jacks, 19', 25'

400093	Stabilizing jacks, BAL w/handle, set of 4, 19'
400093-01	BAL jack, each
400093-04	Foot pad, BAL jack
400093-02	CRANK, STABILIZER JACK (BAL)
400093-05	BAL JACKS, BACK, W/FOOTPAD & CRANK
385020	STICKER SELF ADHERING, JACK

### Hose Carrier

601544-02	EZ HOSE CARRIER-BLACK 45
454227	BRACKET, HOSE CARRIER

### Underbelly

101131-01	Aluminum, underbelly wrap, .024" x 22.5, gray
702754	UNDERBELLY, DARCO 105" WIDE BLACK
114679	ALUMINUM UNDERBELLY .019" X" 65.75"
200093	INSULATION, FIBERGLASS

### Compartment Bottom

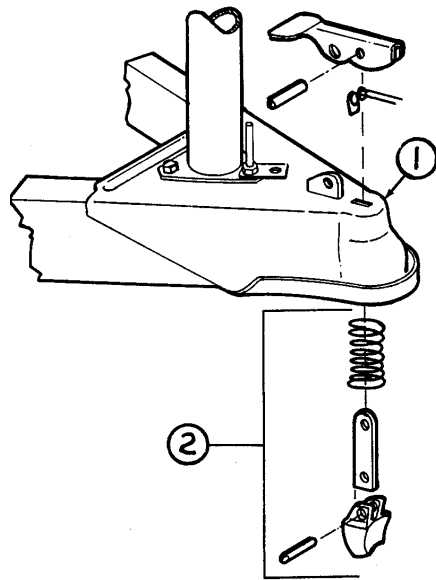
115209-01	ALUMINUM DIAMOND PLATE-.025" X 4' X 90"
-----------	---



# 2006 INTERNATIONAL TRAVEL TRAILER

## CHASSIS

### Hitch Coupler



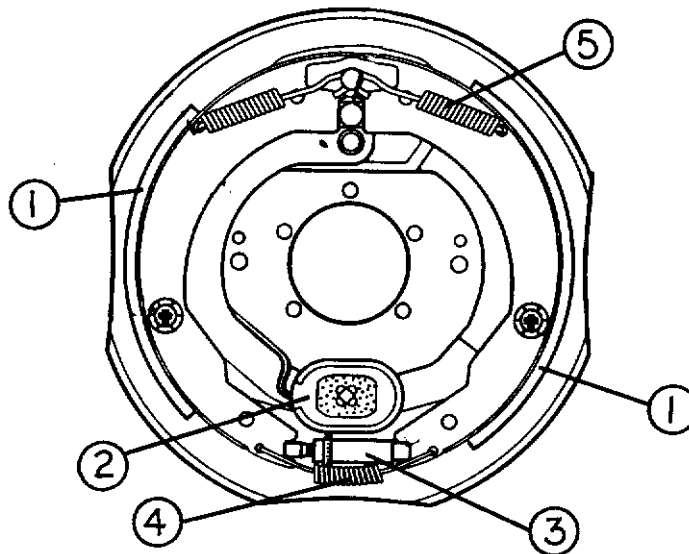
- 1) 680343 Coupler assembly, 2 5/16"
- 2) 680345 Repair kit, 2 5/16" coupler

# 2006 INTERNATIONAL TRAVEL TRAILER

## CHASSIS

### 10" BRAKE ASSEMBLY

3160255	Brake drum 10", 5 lug
685016	Inner bearing, #L68149
685017	Inner race, # L68111
680380	Outer bearing, #L44649
680387	Outer race, #L44610
680377	Grease seal
3160096	Brake assembly, RH, 10" Dexter
3160097	Brake assembly, LH, 10" Dexter



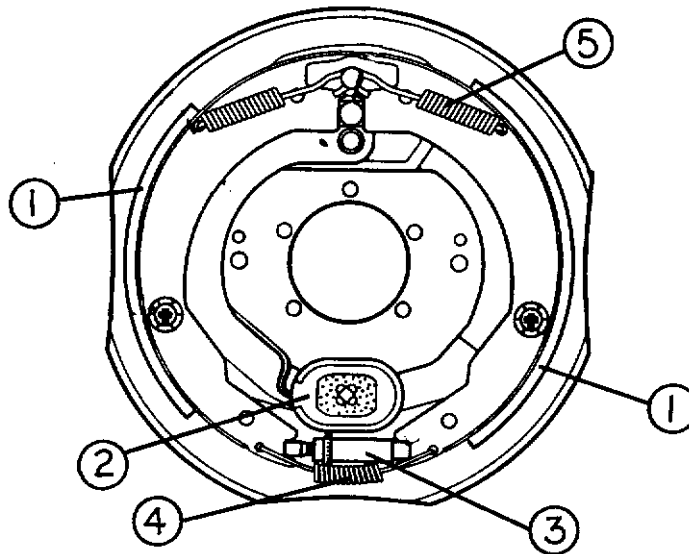
- |               |   |
|---------------|---|
| 1) 3160097-62 | Shoe and lining kit (includes hold down spring and pin) |
| 2) 3160097-65 | Magnet kit  |
| 3) 3160097-63 | Adjuster assembly                                       |
| 4) 3160097-64 | Adjusting screw spring                                  |
| 5) 3160097-61 | Retractor spring  |

# 2006 INTERNATIONAL TRAVEL TRAILER

## CHASSIS

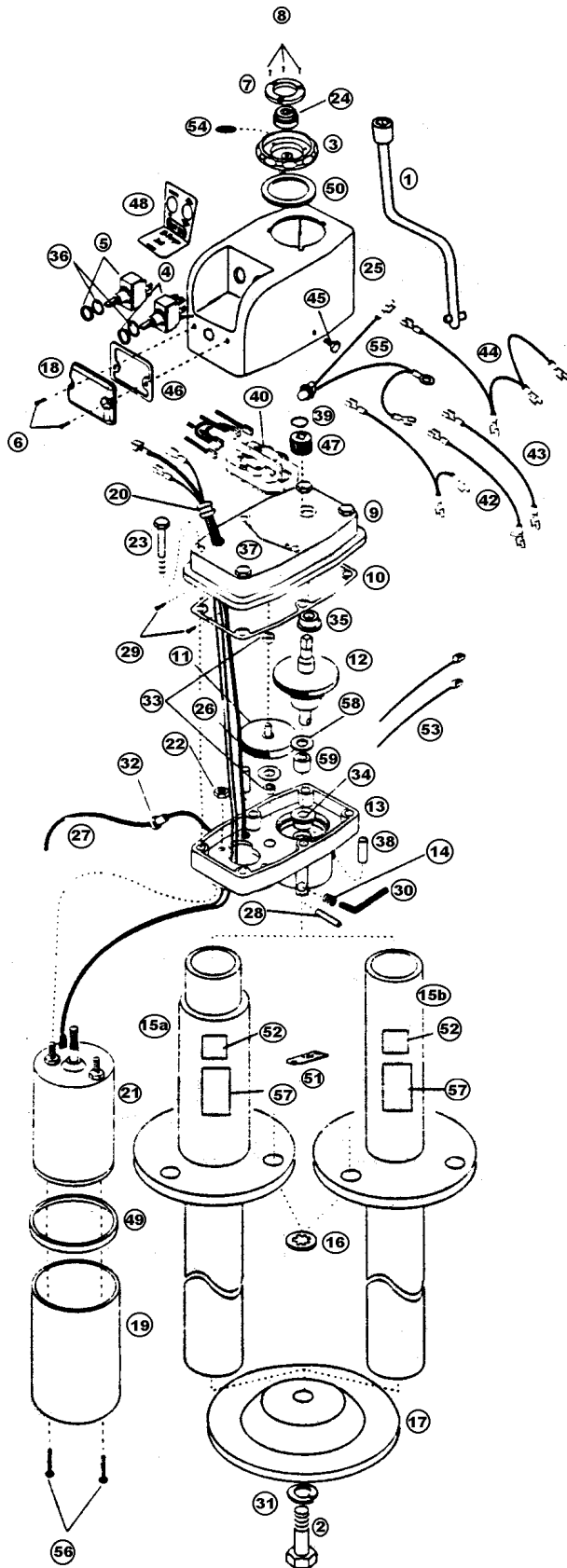
### 12" BRAKE ASSEMBLY

3160121	Brake drum, 12", 6 lug
450659	Inner bearing, #25580
680364	Inner race, #25520
450658	Outer bearing, #LM67048
680365	Outer race, #LM67010
680370-100	Grease seal
3160347	Brake assembly, RH, 12" Dexter
3160348	Brake assembly, LH, 12" Dexter



1) 3160348-62	Shoe and lining kit (includes hold down spring and pin)
2) 3160348-65	Magnet kit
3) 3160348-63	Adjuster assembly
4) 3160348-64	Adjusting screw spring
5) 3160348-61	Retractor spring

# 2006 INTERNATIONAL TRAVEL TRAILER



## CHASSIS

POWER JACK P/N 400961

Barker Hi-Power 3,000

## MANUFACTURER:

Barker Manufacturing Co.

730 east Michigan Ave.

Battle Creek, MI. 49014

Customer Service Phone

& Parts Ordering

616-965-2371

P/N	Description
1. 21047	CRANK
2. 600-0011	HEX BOLT 1/2-20X 3/4
3. 27268	CAP, MACHINED-BLACK
27341	CAP, MACHINED (WHITE)
4. 736-0005	ACTUATOR TOGGLE
	SWITCH AND NUT
5. 736-0004	LAMP TOGGLE SWITCH
	AND NUT
6. 606-5001	#10 X 1/2 PHILLIPS HEAD
	SCREW
7. 27343	LEVEL RETAINER-WHITE
27269	(black)
8. 606-0011	#6-32 X 5/8 TYPE 'F' SCREW
9. 27247	UPPER HOUSING
10. 17422	GASKET
11. 22012	DRIVE GEAR ASSEMBLY
12. 27248	OUTPUT GEAR ASSEMBLY
13. 23674	LOWER HOUSING BLACK
25697	(WHITE)
14. 608-0006	5/16-18 X 1/2" SET SCREW
15A. 27313	POST ASSY. (BLACK-2 1/4"
OD)	
15A. 27527	POST ASSY. (WHITE-2 1/4"
15B. 27335	POST ASSY. (BLACK-2- OD)
16. 619-0003	INTERNAL TOOTH LOCK
	WASHER
17. 21349	FOOT PLATE (BLACK)
17. 12752	FOOT PLATE (SILVER,
	WHITE)
18. 27262	LENS
19. 27276	MOTOR SLEEVE (BLACK)
19. 27344	MOTOR SLEEVE (WHITE)
20. 26236	RUBBER GROMMET
21. 17414	ELECTRIC MOTOR
22. 611-2100	HEX LOCK NUT
23. 605-0012	SCREW
24. 27272	CIRCULAR LEVEL
25. 27338	COVER (WHITE)

Continued on next page

## 2006 INTERNATIONAL TRAVEL TRAILER

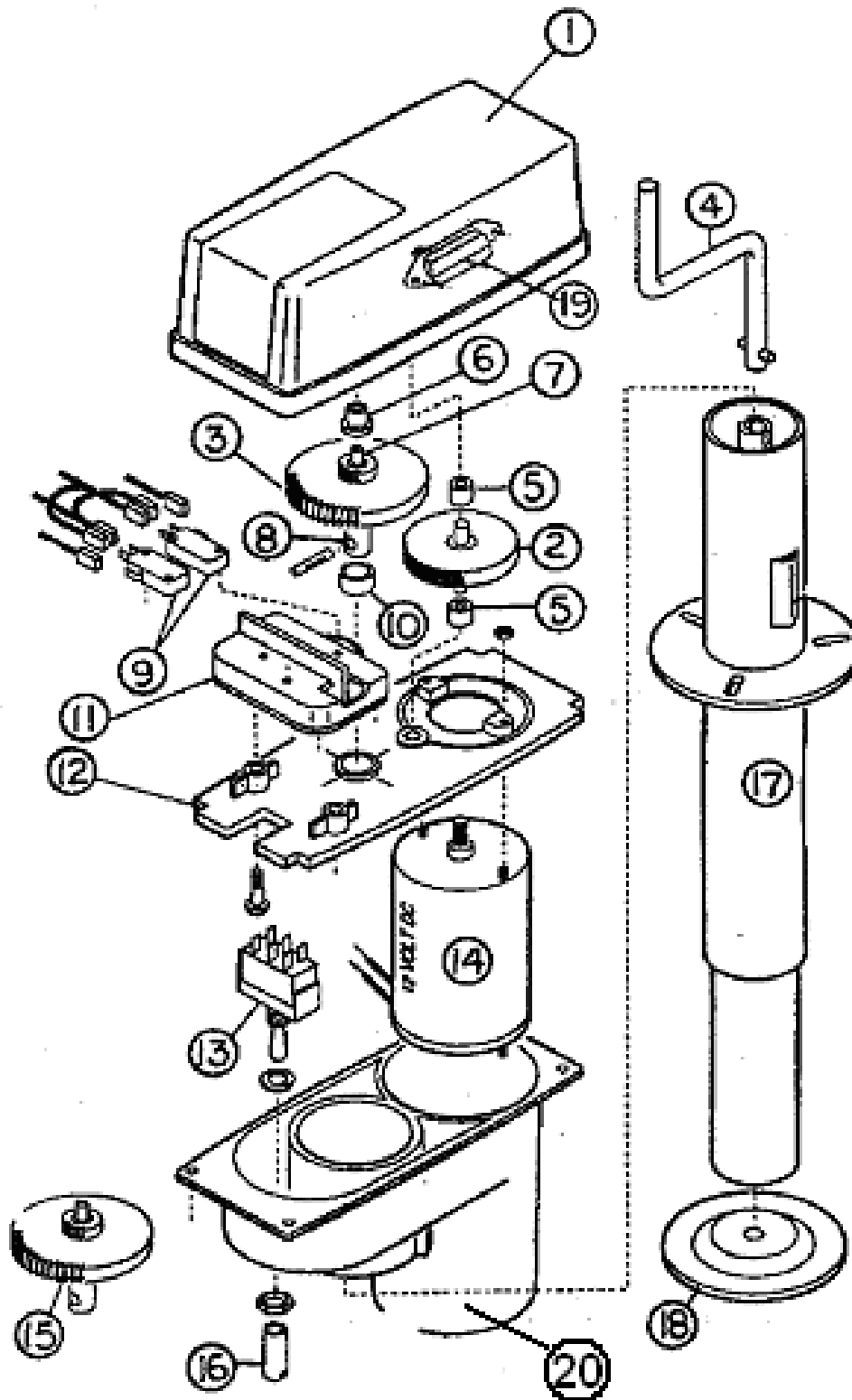
### Power Jack Parts Diagram (Cont.)

25.	27259	COVER (BLACK)
26.	80208	WASHER, SPACER
27.	27251	GREY WIRE ASSEMBLY
28.	623-1216	GROOVE PIN
29.	606-0009	#10 X 3/8 SCREW (LIMIT SWITCH)
30.	636-0000	HEX KEY
31.	618-1002	LOCK WASHER 1/2"
32.	80504	SNAP BUSHING
33.	80501	BUSHING
34.	645-0024	FLANGE BUSHING
35.	641-0009	BUSHING
36.	635-0015	"0"-RING TOGGLE SWITCH SEAL
37.	16434	HOLE PLUG
38.	621-0004	1/8" DIA X 3/4 DOWEL
39.	634-0023	RETAINER RING
40.	27512	LIMIT SWITCH ASSY.
41.	27257	1BLACK WIRE ASSEMBLY
42.	27256	WHITE WIRE ASSEMBLY
43.	27254	BLUE WIRE ASSEMBLY
44.	27252	GREEN WIRE ASSEMBLY
45.	606-0008	#10-16 X 3/4" TEK SCREW (BLACK)
45.	606-0010	#10-16 X 3/4" TEK SCREW ZINC PLATED
46.	27263	LENS GASKET
47.	27277	POT/REED DRIVE GEAR
48.	27264	COVER LABEL
49.	27274	MOTOR SEAL
50.	27273	CAP GASKET
51.	26351	I.D. TAG (55:1)
52.	24047	WARNING LABEL
53.	17892	CABLE TIE GRAY
53.	16392	CABLE TIE BLACK
54.	620-0000	WAVE SPRING
55.	27253	LAMP WIRE ASSY
56.	603-5017	#10-32 x 5/8" PHILLIPS SCREW (BLACK)
56.	603-5011	#10-32 x 5/8" PHILLIPS SCREW (SILVER)
57.	12393	SYNCHRONIZE LABEL
58.	14459	THRUST WASHER
59.	14489	1/2" X 5/8" X 3/4" BEARING

# 2006 INTERNATIONAL TRAVEL TRAILER

## CHASSIS

### Power Jack



Part Numbers are on the next page

# 2006 INTERNATIONAL TRAVEL TRAILER

## CHASSIS

### Power Hitch Jack

511544	Power jack w/flag holder & light
012251	Power head less post
1. 012198	Cover, Super Jack
2. 010051	Gear, fiber, Super Jack
3. 015551	Drive gear, Super Jack
4. 016199	Crank handle, manual, Super Jack
5. 080501	Bushing, bronze, Super Jack
6. 010055	Bushing, flange, Super Jack
7. 015552	Gear, pot/reed, Super Jack
8. 015553	Shaft, Super Jack
9. 081703	Micro switch, Super Jack
10. 080520	Bushing/bronze,7/16,Super Jack
11. 012252	Limit switch assembly, Super Jack
12. 012200	Center plate, Super Jack
13. 081704	Switch, toggle, Super Jack
14. 016263	Motor, 12V, Super Jack
15. 011675	Drive gear assembly, Super Jack
16. 010069	Switch cover, Super Jack
17. 011631	Jack post, Super Jack
18. 410598	Foot pad #12231
19. 026503	Light, Jack
20. 012199	Housing for Motor and Switch

# 2006 INTERNATIONAL TRAVEL TRAILER

## EXTERIOR TRIM

### Decal/Medallions

386068	MEDALLION 3" LOGO, AIRSTREAM, Main door
386125	NAMEPLATE, BAMBI, RED-WHITE-BLUE
386130	NAMEPLATE-CCD CHRIS DEAM
386108	NAMEPLATE-INTERNATIONAL
386152	DECAL-AIRSTREAM 2.4"X 28"
386162	NAMEPLATE-QSE.125"X8" X 3.75", Quicksilver

### Rub Rail Trim

114460	Extrusion, rub rail
115344	Extrusion, rub rail, anodized, 75 <sup>th</sup> Anniversary
201763-01	Insert, rub rail, chrome, 1"
114466-01	Close out, casting, rub rail, angled RH
114466-02	Close out, casting, rub rail, angled LH
114465-01	Close out, casting, rub rail RH
114465-02	Close out, casting, rub rail LH

### Reflectors

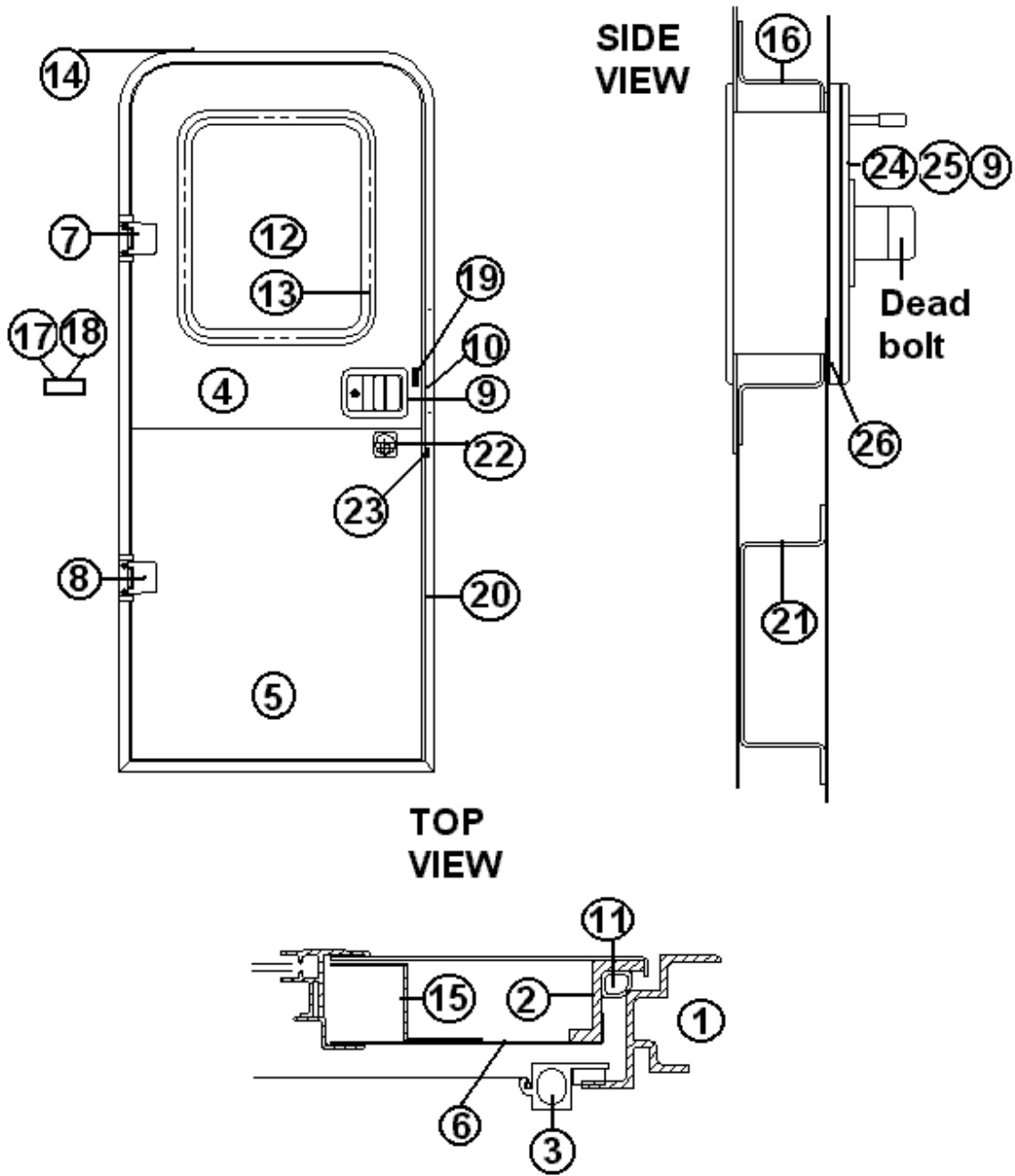
500095	REFLECTOR RED RECTANGULAR
500096	REFLECTOR, AMBER
510446	REFLECTOR, RED, STICK-ON



# 2006 INTERNATIONAL TRAVEL TRAILER

## DOORS, EXTERIOR

Door, Main



# 2006 INTERNATIONAL TRAVEL TRAILER

## DOORS, EXTERIOR

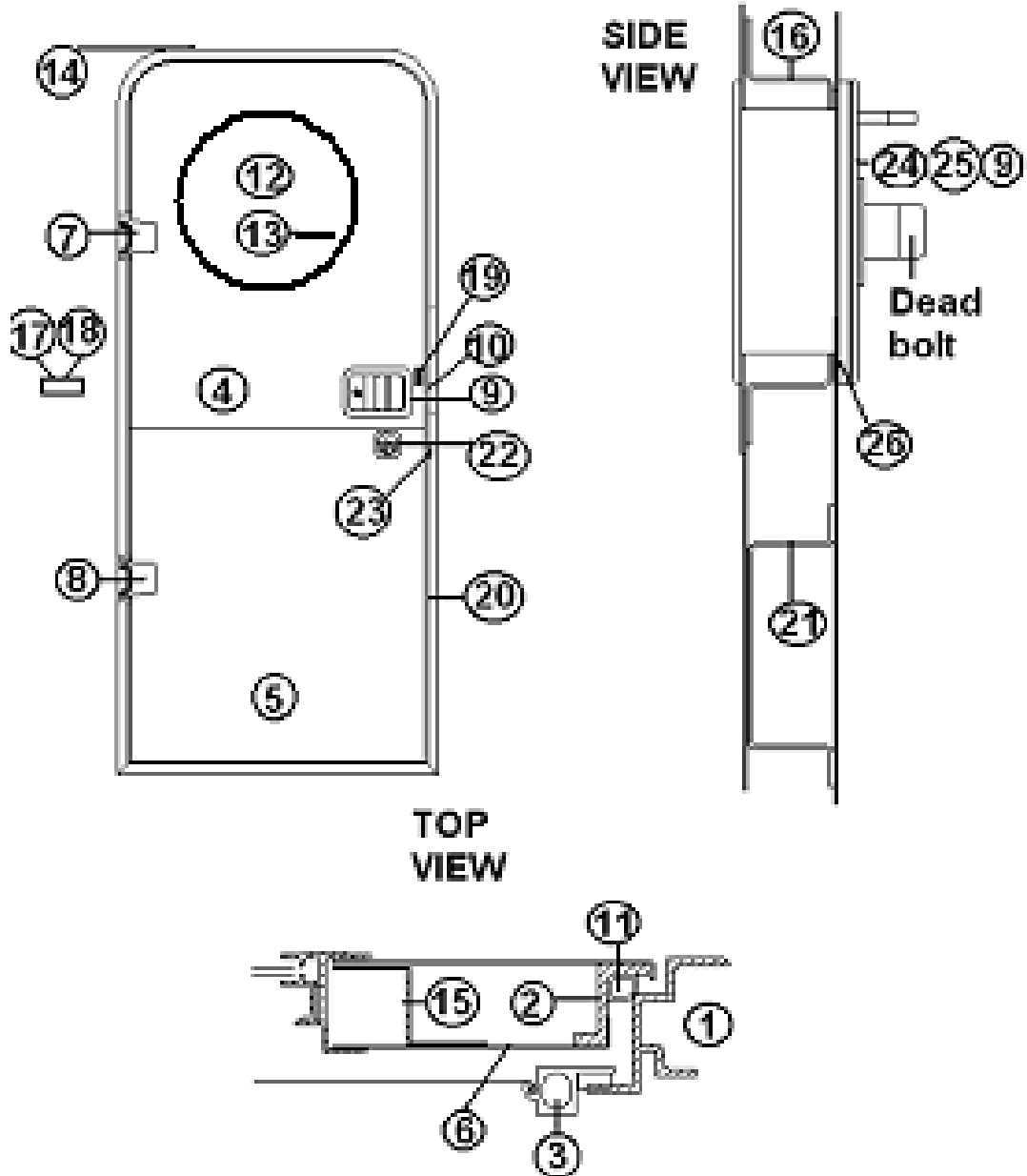
### Door, Main

- 115207-04 Main door assembly, LH hinge
- 1. 114653 Frame, main door, pre-formed
- 2. 114652 Jamb, main door, pre-formed
- 3. 114654 Screen door assembly
- 4. 114448-03 Skin, exterior, upper main door
- 5. 114449-03 Skin, exterior, lower main door
- 6. 114475 MAIN DOOR SKIN INNER
- 7. 381552-03 HINGE ASSY. MAIN DOOR UPPER
- 8. 381552-04 HINGE ASSY. MAIN DOOR LOWER
- 9. Trimark latch assembly parts shown in hardware section
- 10. 385595 Pocket strike, main door
- 11. 365232 Seal, main door
- 12. 371400-01 Window, main door, etched
- 13. 115208 Trim ring, main door window
- 14. 114363 Drip cap, main door
- 15. 114658 Inner door, "Z" bar, upper & lower
- 16. 114657 Hat section, formed, main door
- 17. 380290 Housing. Latch, mounted on side sheet
- 18. 380291 Latch assembly, mounted on side sheet
- 19. 201056 Striker, main door, black plastic
- 20. 114655 Trim ring formed, main door
- 21. 115004 Hat section assembly, dead bolt
- 22. 381323-01 Dead bolt, complete assembly
- 23. 381326 Striker w/ Trimark deadbolt
- 24. 345321-12 Screw, flat head, black
- 25. 453851 Bolt, Trimark, deadbolt
- 26. 203370 Spacer, deadbolt assembly

# 2006 INTERNATIONAL TRAVEL TRAILER

## DOORS, EXTERIOR

Door, Main, 75<sup>th</sup> Anniversary



# 2006 INTERNATIONAL TRAVEL TRAILER

## DOORS, EXTERIOR

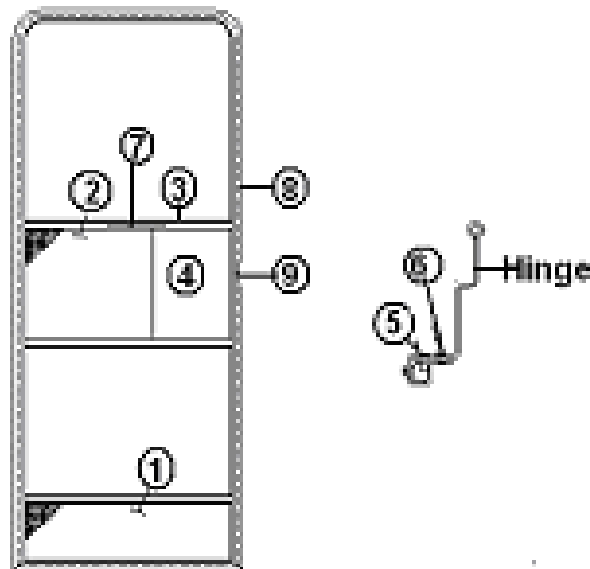
### Door, Main, 75<sup>th</sup> Anniversary

115329	Main door assembly, porthole window
1. 114653	Frame, main door, pre-formed
2. 114652	Jamb, main door, pre-formed
3. 114654	Screen door assembly
4. 114448-03	Skin, exterior, upper main door
5. 114449-03	Skin, exterior, lower main door
6. 114475	MAIN DOOR SKIN INNER
7. 381552-03	HINGE ASSY. MAIN DOOR UPPER
8. 381552-04	HINGE ASSY. MAIN DOOR LOWER
9.	Trimark latch assembly parts shown in hardware section
10. 385595	Pocket strike, main door
11. 365232	Seal, main door
12. 371414	Window, porthole, 75 <sup>th</sup> Anniversary
13. 115327	Trim ring, window, porthole, 75 <sup>th</sup> Anniversary
13. 371415	Sash, porthole window
14. 114363	Drip cap, main door
15. 114658	Inner door, "Z" bar, upper & lower
16. 114657	Hat section, formed, main door
17. 380290	Housing. Latch, mounted on side sheet
18. 380291	Latch assembly, mounted on side sheet
19. 201056	Striker, main door, black plastic
20. 114655	Trim ring formed, main door
21. 115004	Hat section assembly, dead bolt
22. 381323-01	Dead bolt, complete assembly
23. 381326	Striker w/ Trimark deadbolt
24. 345321-12	Screw, flat head, black
25. 453851	Bolt, Trimark, deadbolt
26. 203370	Spacer, deadbolt assembly

# 2006 INTERNATIONAL TRAVEL TRAILER

## DOORS, EXTERIOR

### Door, Screen



- |              |   |
|--------------|---|
| 1. 114648-01 | Kick panel screen door                  |
| 2. 114561-01 | Panel, slider, screen door              |
| 3. 104784-78 | EXTR.SCREENDOOR STIFENER #VH-9          |
| 4. 203287-02 | Close out, plastic, screen door         |
| 5. 330126-03 | RIVET POP SSD44SSBS                     |
| 6. 325122    | Rivet, hard, 5/32                       |
| 7. 380004    | HANDLE WITH 8/32 X 1 SCREW              |
| 8. 365013-01 | Gasket, screen door, foam tape          |
| 9. 683946    | BUG SEAL, edge of screen door close out |
| 114654       | SCREEN DOOR ASSY.                       |
| 380079       | Screen, gray                            |
| 200518       | Spline, gray, screen insert             |
| 701624       | VELCRO LOOP 5/8" WIDE                   |
| 701625       | VELCRO HOOK, 5/8" WIDE                  |
| 381454       | Screen door hold back latch, Bullet     |
| 386068       | MEDALLION 3" LOGO, AIRSTREAM            |

### Screen Door Guard

- |        |  |
|--------|--|
| 32226W | Guard, screen door                                       |
| 381968 | Guard, screen door, custom, 75 <sup>th</sup> Anniversary |

# 2006 INTERNATIONAL TRAVEL TRAILER

## DOORS, EXTERIOR

### Door, Refer Access

922243	ASSEMBLY, REFER ACCESS DOOR, 19', 25', 28'
922156	DOOR, REFER ACCESS
104417	JAMB, REFRIGERATOR ACCESS
104439	LOUVERED PANEL, REFER ACCESS DOOR
380988	HINGE, CONTINUOUS .5IN LEAF 16IN
203225	TRIM LOCK WHITE #1375 1/8 W-3
381812	LATCH TWIST CHROME

### Door, Side Access, Small, 19', Aft End

100679-01	Small, access door assembly, rear or side
365035	Seal, side access door
380773	HINGE, ACCESS DOOR
380770	LOCK & CASTING ASSEMBLY
115295	SPACER, FORMED COMPARTMENT DOOR
115296	JAMB, FORMED COMPARTMENT DOOR

### Door, Battery

410551-02	LID BATTERY BOX
381430	LOCK, TWIST, STRAIGHT CAM
380203-01	PIANO HINGE 1/8", Battery box lid
381814	NUT-WING 5/16 #1809
381613	PLASTISOL COVER-LP WING HANDLE

### Door, Trunk/Side Assembly, 61.50"

921159	DOOR ASSY TRUNK
114673	PANEL OUTER TRUNK DOOR
114674	PANEL INNER TRUNK DOOR
114675	JAMB TRUNK DOOR
380203-01	PIANO HINGE 1/8" PIN
380770	LOCK & CASTING ASSEMBLY
360016	BUMP-ON RUBBER
365035	RUBBER SEAL ACCESS DOOR
381065-10	10" CABLE SUPPORT

# 2006 INTERNATIONAL TRAVEL TRAILER

## DOORS, EXTERIOR

### Door, Trunk Assembly, 16'

922711	DOOR ASSEMBLY-TRUNK
115158	PANEL, OUTER TRUNK DOOR
115159	PANEL, INNER TRUNK DOOR
115157	JAMB-TRUNK DOOR
380203-01	PIANO HINGE 1/8" PIN
380770	LOCK & CASTING ASSEMBLY
360016	BUMP-ON RUBBER
365035	RUBBER SEAL ACCESS DOOR
701538-01	CARPET-ECONOLIER W/PSA BACK
701538	CARPET, ECONOLIER VELOUR BLACK
381065-10	10" CABLE SUPPORT

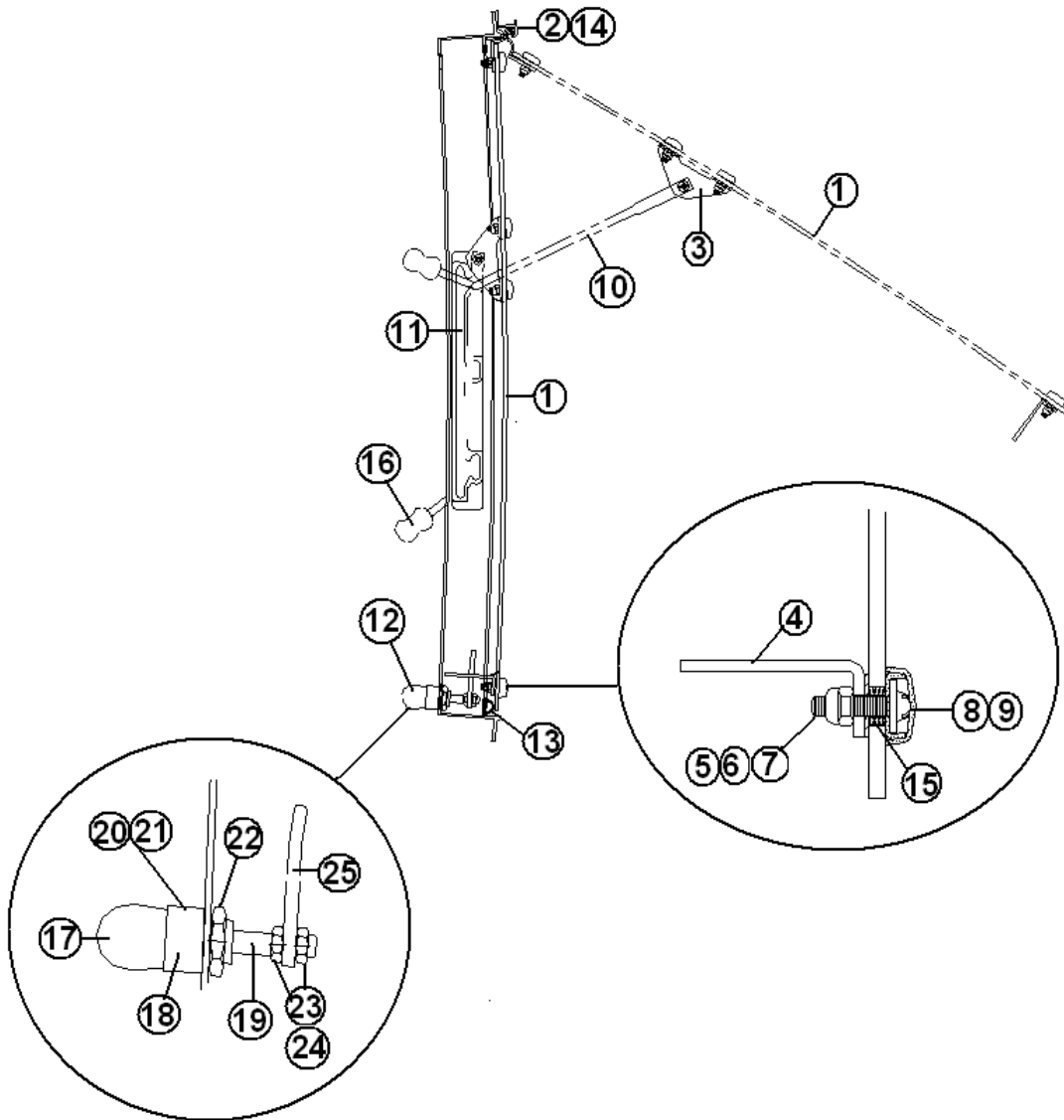
### Door, Water Service, 16'

381766	HATCH-ACCESS 7.75" X 12.63"
115153	CLOSEOUT-UTILITY DOOR
115167	JAMB-INNER WALL UTILITY DOOR

# 2006 INTERNATIONAL TRAVEL TRAILER

## WINDOWS/SCREENS

### Opening Windows Diagram



Part numbers on next page



# 2006 INTERNATIONAL TRAVEL TRAILER

## DOORS/WINDOWS/AWNINGS

- |               |                                     |
|---------------|-------------------------------------|
| 1. 371323-100 | Glass w/hardware, 18" window        |
| 1. 371324-100 | Glass w/hardware, 30" window        |
| 2. 371323-101 | Hinge, 18" window                   |
| 2. 371324-101 | Hinge, 30" window                   |
| 3. 1101-0010  | Bracket, window prop                |
| 4. 685124     | Striker plate, window latch         |
| 5. 0706-0004  | Flat washer                         |
| 6. 0703-0001  | Screw, #8-32 x .625", black, SS     |
| 7. 0702-0010  | Nut, Nylox, #8-32, black SS         |
| 8. 0802-0004  | Screw cover, 12-12 #100, black      |
| 9. 0802-0005  | Washer, 12-12 screw cover bottom    |
| 10. 100903    | Operating arm, RH                   |
| 10. 100903-01 | Operating arm, LH                   |
| 11. 0802-0001 | Guide, operating arm, RH            |
| 11. 0802-0002 | Guide, operating arm, LH            |
| 12. 010020    | Latch assembly, chrome              |
| 13. 381665    | Gasket seal                         |
| 14. 0101-0017 | Male hinge extrusion, 1/2" pc.      |
| 15. 0706-0003 | Bushing, window, acrylic            |
| 16. 380230-03 | Window arm knob, silver             |
| 16. 380230-04 | Window arm knob, red                |
| 17. 1101-0005 | Latch handle, chrome                |
| 17. 195467-05 | Latch handle, red                   |
| 18. 1101-0007 | Latch body                          |
| 19. 1101-0008 | Latch shaft                         |
| 20. 1101-0009 | Latch spring                        |
| 21. 0707-0002 | Pin, drive lock, 5/32" x 5/8", zinc |
| 22. 0702-0001 | Nut, hex panel, 5/8"-24, zinc       |
| 23. 0702-0002 | Nut, jam, hex, 5/16-24              |
| 24. 385123    | Washer, flat, .53" OD x .328" ID    |
| 25. 685123    | Latch paw                           |

# 2006 INTERNATIONAL TRAVEL TRAILER

## WINDOWS/SCREENS

### Windows and Screens, 16'

371319-05 WINDOW-MAIN DOOR  
371269-01 WINDOW 18" STACK  
371270-01 WINDOW 30" STACK  
371328 WINDOW CENTER DARK GLASS  
371326 WINDOW REAR ROUND CORNER  
372088-101 WINDOW CORNER WRAP RS FRT, CS  
372089-101 WINDOW CORNER WRAP CS FRT, RS  
372173-02 SCREEN-FRONT WINDOW CLEAR FRAME  
372176-03 SCREEN REAR ESCAPE

### Windows and Screens, 19'

371319-05 WINDOW, MAIN DOOR TRAILER  
371269-01 Window, 18" stacked  
371400-01 WINDOW, MAIN DOOR ETCHED  
371323-01 Window, 18" OPENING  
371328 Window, FRONT END, DARK GLASS  
372088-101 Window, CORNER WRAP RS FRT, CS  
372089-101 Window, CORNER WRAP CS FRT, RS  
372229 WINDOW-21"X 28" OPENING  
372174-03 SCREEN-18"OPENING WINDOW RAW M  
371347-03 SCREEN-SQUARE FRT WINDOW RAW M  
372230 SCREEN-21"X 28" CLEAR 19'

### Windows and Screens, 19', 75<sup>th</sup> Anniversary

371414 Window, porthole, main door  
115327 Trim ring, porthole window, main door  
371323-01 Window, 18" opening  
372174-03 Screen, 18" opening window  
371328 Window, front end, dark glass  
371347-03 Screen, front end window  
922770-01 Vista view, 18"  
372229 Window, rear end, 21"X 28" opening  
372230 Screen, rear end window, 21" X 28"  
371269-01 Window, 18" stack  
372226 Trim ring, inner support 18" stack window

# 2006 INTERNATIONAL TRAVEL TRAILER

## WINDOWS/SCREENS

### Windows and Screens, 22'

371319-05	WINDOW-MAIN DOOR
371269-01	WINDOW 18" STACK
371270-01	WINDOW 30" STACK
371380	WINDOW, OPENING 30" TALL
372218-01	WINDOW-21" X 28" EGRESS
372088-101	CURBSIDE WINDOW WRAP
372089-101	WINDOW, REAR CORNER WRAP RS SOLAR
371328	WINDOW FRONT DARK GLASS
372215-01	SCREEN-30"OPENING WINDOW TALL
372173-02	SCREEN-FRONT WINDOW CLEAR FRAME
372220-01	SCREEN-21" X 28" ALT EGRESS

### Windows and Screens, 25'

371269-01	WINDOW 18" STACK
371319-05	WINDOW-MAIN DOOR
371323-01	WINDOW-18" OPENING
371286-01	WINDOW, 18" X 30", FIXED, BUNK OPTION ONLY
371346-02	WINDOW, 48.97" Front End
371380	WINDOW-OPENING 30" TALL
372088-101	WINDOW CORNER WRAP RS FRT, CS
372089-101	WINDOW CORNER WRAP CS FRT, RS
372218-01	WINDOW-21" X 28" EGRESS, Rear End
922770-02	VISTA VIEW- 30"
922770-01	VISTA VIEW- 18"
372174-03	SCREEN-18"OPENING WINDOW RAW M
371347-03	SCREEN-SQUARE FRT WINDOW RAW M
372220-01	SCREEN-21"X 28" ALT EGRESS-MIL
372215-01	SCREEN-30"OPENING WINDOW TALL

# 2006 INTERNATIONAL TRAVEL TRAILER

## WINDOWS/SCREENS

### Windows and Screens, 28'

371269-01	WINDOW 18" STACK
371270-01	WINDOW 30" STACK
371286-01	WINDOW 18 X 30 CURVED FIXED
371319-05	WINDOW-MAIN DOOR
371323-01	WINDOW-18" OPENING
371346-02	WINDOW FRONT DARK GLASS
371348-02	WINDOW-REAR W/RED HANDLES
371380	WINDOW-OPENING 30" TALL
922770-02	VISTA VIEW- 30"
922770-01	VISTA VIEW- 18"
195510-19	GLASS AND HARDWARE FOR 371380 WINDOW
372088-101	WINDOW, PANORAMIC, RS FRONT
372089-101	WINDOW, PANORAMIC, CS FRONT
372174-03	SCREEN-18"OPENING WINDOW
371347-03	SCREEN-SQUARE FRT WINDOW
371349-03	SCREEN-REAR ESCAPE
372215-01	SCREEN-30"OPENING WINDOW TALL

### Main Door Trim

371319-06	TRIM RING, MAIN DOOR
-----------	----------------------

# 2006 INTERNATIONAL TRAVEL TRAILER

## WINDOWS/SCREENS

### Panoramic Window Trim

201578-02	END CAP-TRIM RING GRAY
201579-02	TRIM RING-LOWER R.S. GRAY
201580-02	TRIM RING-LOWER C.S. GRAY
201581-05	TRIM RING-UPPER R.S. GRAY
201581-06	TRIM RING-UPPER C.S. GRAY
203225-01	TRIM LOK-GRAY .75"

### Stacked Window Trim

372225	TRIM RING INNER SUPPORT 30"
372226	TRIM RING INNER SUPPORT 18"
372228	TRIM RING-18"X 30" WINDOW
372227	TRIM RING-INNER SPACER 18" X 30"
372222	TRIM RING-30" STACK WINDOW CLEAR
372223	TRIM RING-18" STACK WINDOW CLEAR
203225-01	TRIM, gray flexible, goes around window rings
200967-01	TRIM RING, 18" X 30", FIXED

# 2006 INTERNATIONAL TRAVEL TRAILER

## WINDOWS/SCREENS

### WINDOW STONE GUARD

685275-100	3-Piece Solar Stone Guard Assembly, 16', 19', 22'
110188-01	3-Piece Solar Stone Guard Assembly, 25, 28'
685275-101	CS wrap window solar protector, stone guard
685275-102	RS wrap window solar protector, stone guard
685275-103	Stone guard, center piece only, 45.25", 16', 19', 22'
*110102	Stone guard, center piece only, 25', 28'
685358	Turn fast stud
685362	Retainer, split ring
685359	Rubber receptacle
685361	Bracket, rubber receptacle
685363	Slip joint hinge, SS, CS per pair
683960	Arm support
683959	Arm support bracket
114749	HINGE "Y" ASSY. (ROCKGUARD ASSY.)
114750	HINGE "J" (ROCKGUARD ASSY.)
685364	BRKT, UPPER HINGE-45.375-STONEGUARD
381021	Latch, draw flexible
114815-01	Extrusion, frame aluminum
685354	Front window key, 90-degree angle riveted to inside corner of metal frame
685378	1/4" rubber spline
685351	Rubber frame, black
290812-01	Plexi-glass, 28" x 84 " sheet
101401	Extrusion, door latch housing

\*There was a running line change on the position of the arms on the centerpiece of the rock guards. When ordering this part, please specify if the arm is mounted toward the top of the guard or if it is mounted on the bottom of the guard.

# 2006 INTERNATIONAL TRAVEL TRAILER

## WINDOWS/SCREENS

Vista View Window, Trim, Shade, 18"

922770-01	VISTA VIEW, 18"
203490-01	TRIM RING, 18" VISTA VIEW
703462-01	SHADE, PULL 19.25" X 9.5", 18" VISTA VIEW
922772-01	BACKER, VISTA VIEW BLIND 18"

Vista View Window, Trim, Shade, 30"

922770-02	VISTA VIEW, 30"
203490-02	TRIM RING, 30" VISTA VIEW
703462-02	SHADE, PULL 31.25" X 9.5", 30" VISTA VIEW
922772-02	BACKER, VISTA VIEW BLIND 30"

# 2006 INTERNATIONAL TRAVEL TRAILER

## AWNINGS

### PATIO AWNINGS

702993-13      AWNING, PATIO, 6' 8.25", 16'  
702993-09      AWNING, PATIO, 9'8", 19'  
702993-10      AWNING-PATIO 12' 4.5", 22'  
702993-06      AWNING, PATIO, 16' 4.50", 25'  
702993-08      AWNING, PATIO, 18' 4 ½", 28'  
702993          HARDWARE MOUNTING ZIP DEE #HE-AS7  
703546          AWNING-PATIO 6'8, w/Quicksilver Logo, 16'  
385577          TAPE, CLEAR, WEAR STRIP, 3.5" WIDE

### Window Awnings

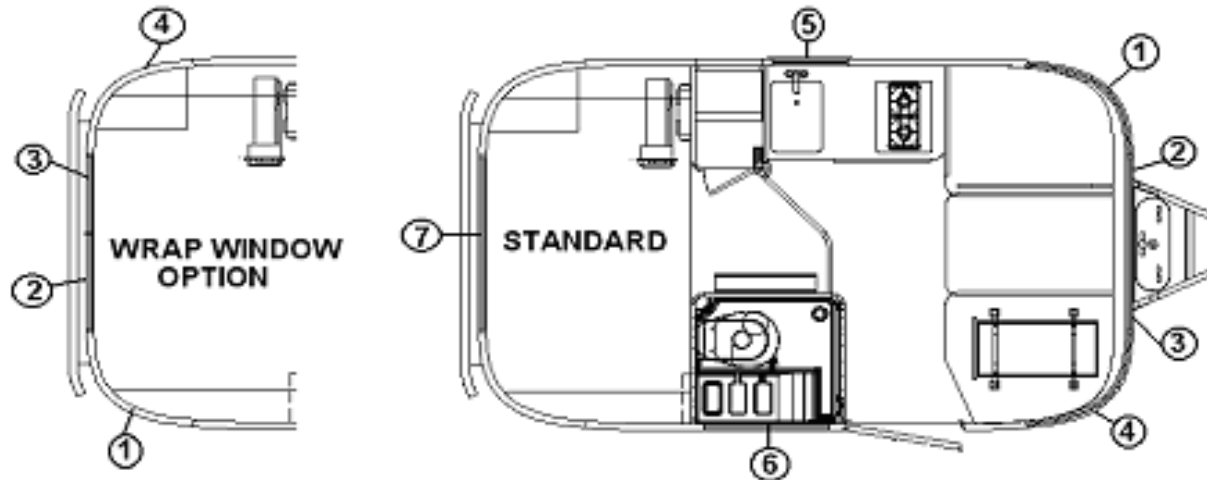
703181-13      Awning, 9' 8" RS window, Charcoal, 19'  
703181-10      Awning, 12' 4" RS window, Charcoal, 22'  
703181-05      Awning, 16' 4.5" RS window, Charcoal, 25'  
703181-12      Awning, 18' 4.5" RS window, Charcoal, 28'  
703181-15      Awning, 52.63" Rear window, Charcoal, 25', 28'  
703181-01      Awning, 47" window, Charcoal, rear 16', 19', 22'  
385577          TAPE, CLEAR, WEAR STRIP, 3.5" WIDE



# 2006 INTERNATIONAL TRAVEL TRAILER

## DRAPES/BLINDS

Drape/Shades, 16 Ft.



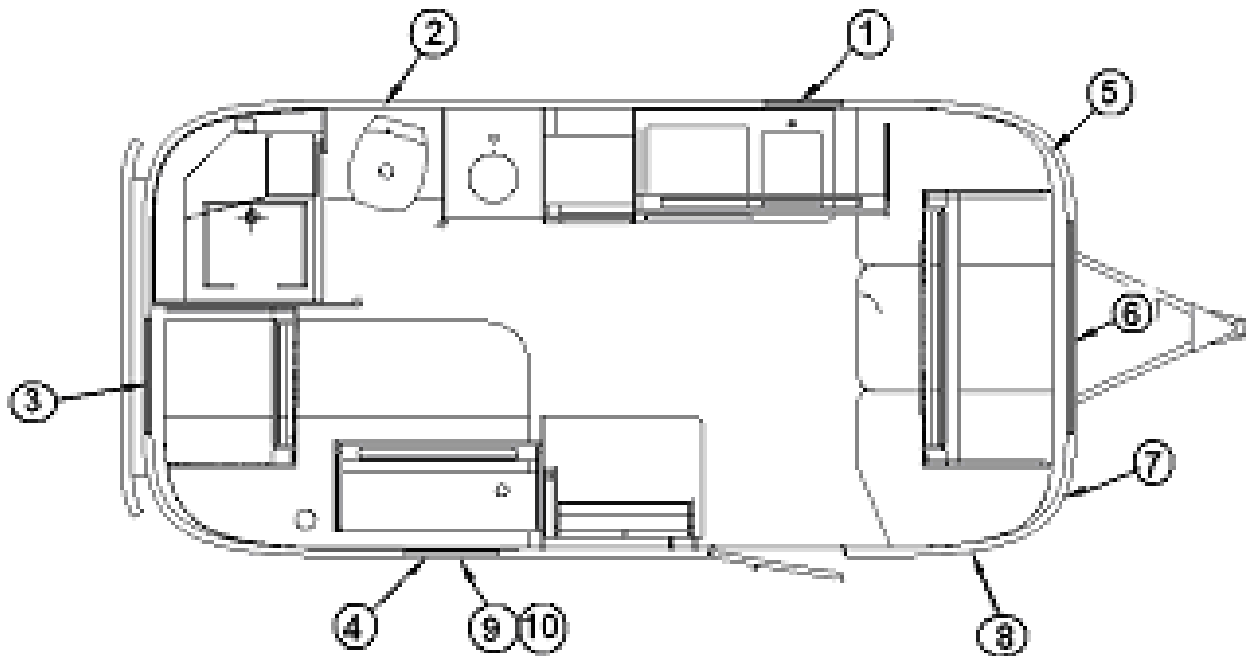
- |              |                                  |
|--------------|----------------------------------|
| 1. 998144-11 | DRAPE-CS SIDE PANEL, 40" X 25.5" |
| 2. 998144-12 | DRAPE-CS FRT PANEL, 23" X 25.5"  |
| 3. 998144-10 | DRAPE-CS FRT PANEL, 23" X 25.5"  |
| 4. 998144-09 | DRAPE-CS SIDE PANEL 40" X 25.5   |
| 5. 703445-07 | SHADE PULL 18.50" X 34.00" L     |
| 6. 703445-04 | SHADE-PULL WHITE 29.75"X 34.00   |
| 7. 703445-06 | SHADE, WHITE PULL 42.75" X 34"   |

For rear panoramic window option use item 1, 2, 3, and 4 reversed.

# 2006 INTERNATIONAL TRAVEL TRAILER

## DRAPES/BLINDS

Drapes/Shades, 19 Ft.



1. 703445-01 SHADE-PULL 20.00" W X 24.00" L WHITE
2. 703445-07 SHADE-PULL 20.00" W X 24.00" L WHITE
3. 703445-03 SHADE-PULL 25.25" W X 24.00" L WHITE
4. 703445-05 SHADE-PULL 21.00" W X 34.00" L WHITE
5. 998144-11 DRAPE-CS SIDE PANEL 40" X 25.5"
6. 998144-12 DRAPE-CS FRONT PANEL 23"X 25.5"
7. 998144-10 DRAPE-CS FRONT PANEL 23"X 25.5"
8. 998144-09 DRAPE-CS SIDE PANEL 40" X 25.5"
9. 998164-01 CURTAIN PNL-16" NO PLTS X 12"L
10. 998164-02 CURTAIN PNL- 16"NO PLTS X 17"L

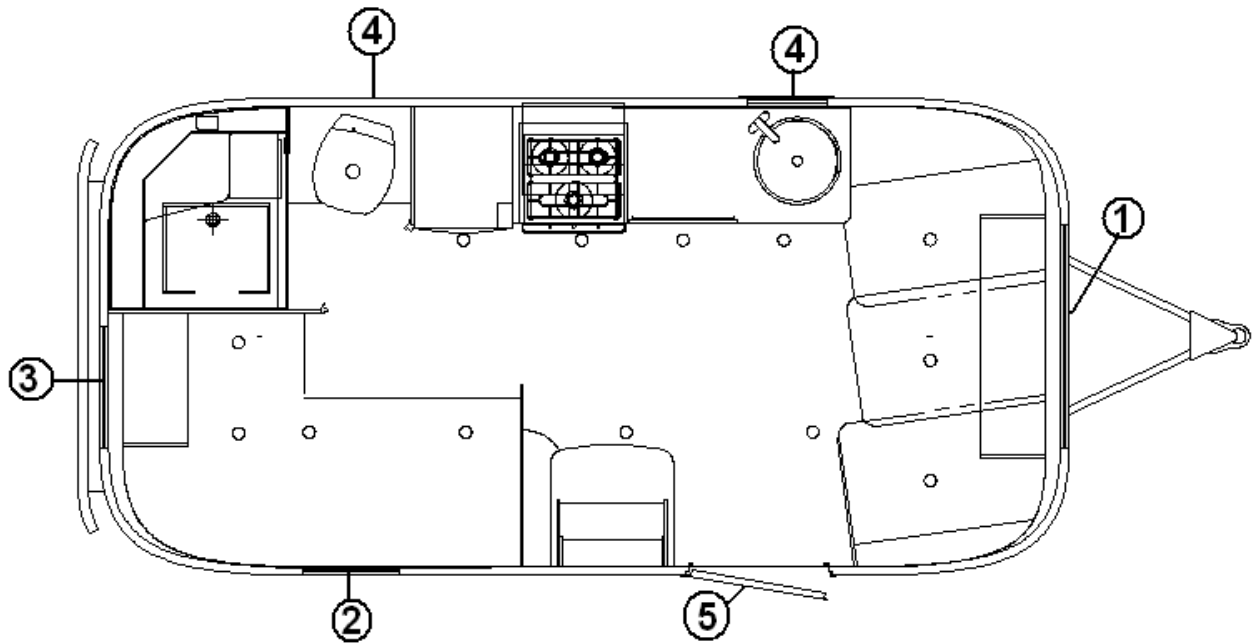
ITEM 4 NOT USED ON BUNK MODEL

ITEMS 9 & 10 USED ON BUNK MODEL ONLY

# 2006 INTERNATIONAL TRAVEL TRAILER

## DRAPES/BLINDS

Drapes/Shades, 19 Ft. 75<sup>th</sup> Anniversary

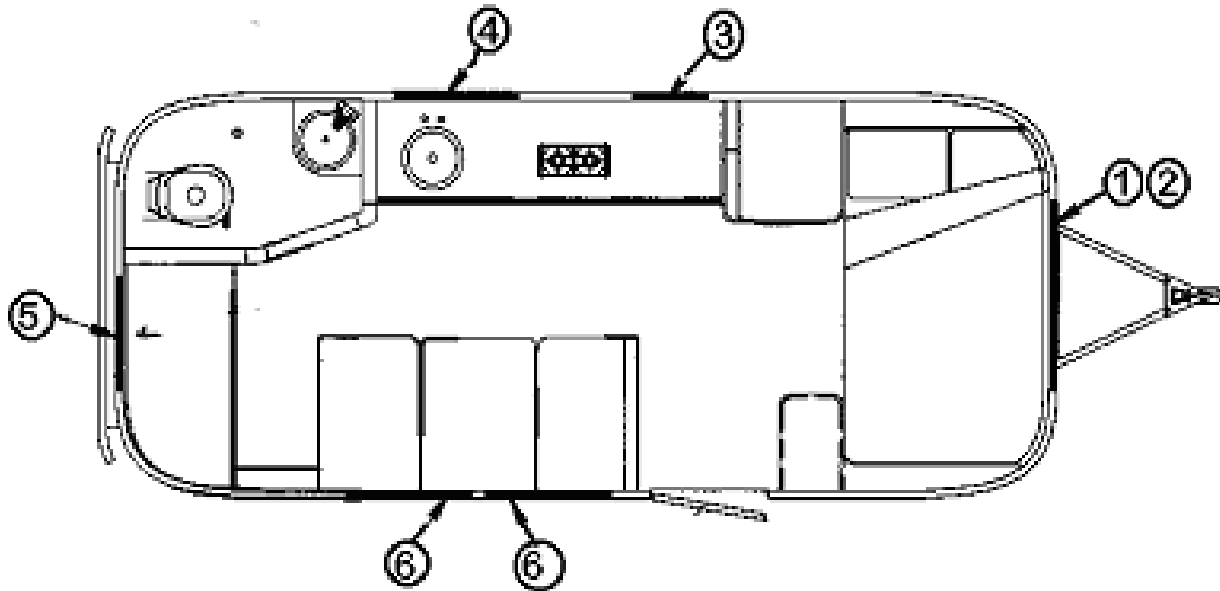


- |              |                                   |
|--------------|-----------------------------------|
| 1. 998171-09 | CURTAIN ASSY- 28.5" X 25.5"       |
| 2. 703191-13 | BLIND BRUSHED ALUM. 18.75" X 32"  |
| 3. 703191-01 | BLIND-MINI B.ALUM 25.38" X 21.62" |
| 4. 703191-08 | BLIND, MINI-METAL 17.5"W X 22"    |
| 5. 703191-04 | BLIND MINI METAL 21" X 23"        |

# 2006 INTERNATIONAL TRAVEL TRAILER

## DRAPES/BLINDS

Drapes/Shades, 22 Ft.

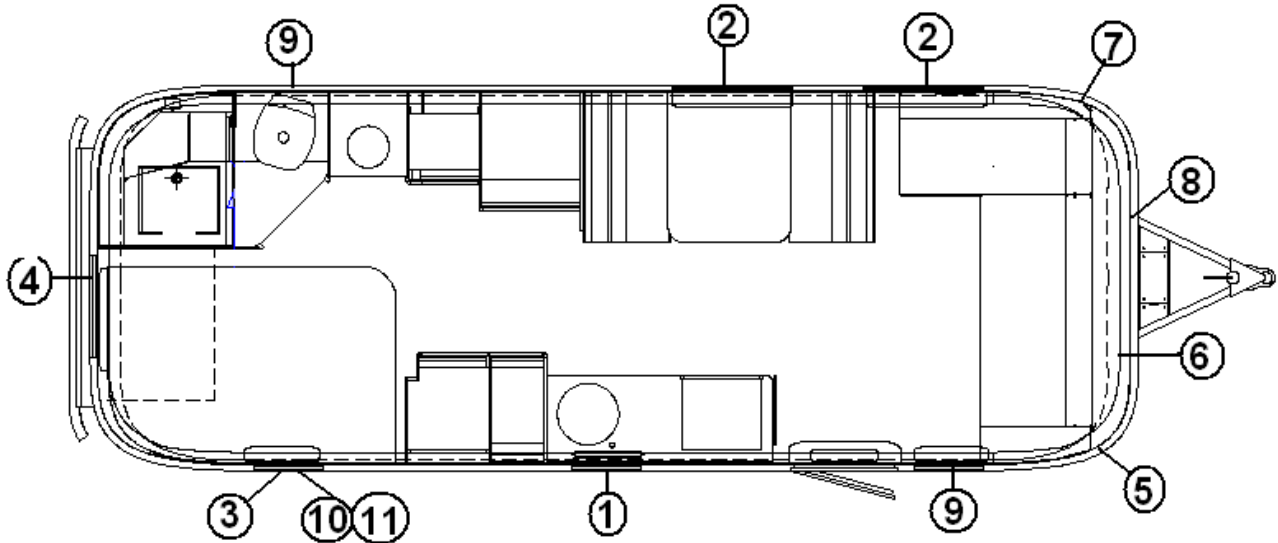


- |              |                                  |
|--------------|----------------------------------|
| 1. 998144-01 | Drape, CS, rear panel            |
| 1.998144-02  | Drape, CS side panel             |
| 2. 998144-03 | Drape, RS Rear panel             |
| 2.998144-04  | Drape, RS side panel             |
| 3. 703445-01 | Pull shade only, 20" x 24"       |
| 4. 703445-02 | Pull shade only, 32.50" x 24"    |
| 5. 703445-03 | Pull shade only, 24.25" x 24.00" |
| 6. 703445-04 | Pull shade only, 29.75" x 34.00" |

# 2006 INTERNATIONAL TRAVEL TRAILER

## DRAPES/BLINDS

Drapes/Shades, 25 Ft.

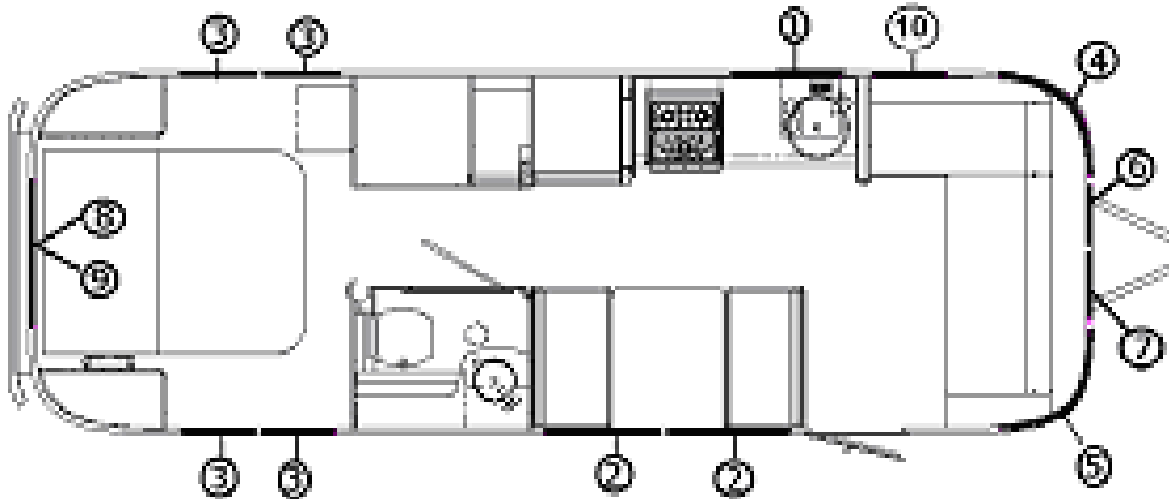


- |               |   |
|---------------|---|
| 1. 703445-01  | SHADE-PULL WHITE 20.00" X 24.00           |
| 2. 703445-04  | SHADE-PULL WHITE 29.75" X 34.00"          |
| 3. 703445-05  | SHADE-PULL WHITE 21" X 34", NO BUNK ONLY  |
| 4. 703445-03  | SHADE-PULL WHITE 25.25" X 24.00           |
| 5. 998144-05  | DRAPE-CS FRONT PANEL 27" X 29"            |
| 6. 998144-09  | DRAPE-CS SIDE PANEL, 40" X 25.5"          |
| 7. 998144-07  | DRAPE-RS FRONT PANEL 27" X 29"            |
| 8. 998144-04  | DRAPE-RS SIDE PANEL 29" X 40"             |
| 9. 703445-07  | SHADE PULL 18.50" X 34.00"                |
| 10. 998164-01 | CURTAIN, 16" X 17", BUNK OPTION           |
| 11. 998164-02 | CURTAIN, 16" X 17", BUNK OPTION           |
| 703462-03     | SHADE, PULL 19.25" X 9.5", 18" VISTA VIEW |
| 703462-02     | SHADE, PULL 31.25" X 9.5", 30" VISTA VIEW |

# 2006 INTERNATIONAL TRAVEL TRAILER

## DRAPES/BLINDS

Drapes/Shades, 28 FT.

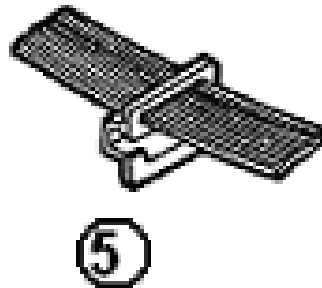
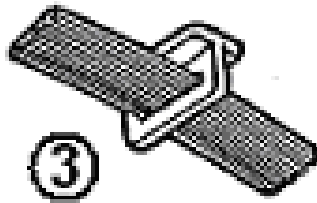


- |               |                                    |
|---------------|------------------------------------|
| 1. 703445-02  | Shade-pull white, 32.50" x 24"     |
| 2. 703445-04  | Shade-pull white, 29.75" x 34"     |
| 3. 703445-05  | Shade-pull white, 21.00" x 34"     |
| 4. 998144-11  | DRAPE-RS SIDE PANEL 40" X 25.5"    |
| 5. 998144-09  | DRAPE-CS SIDE PANEL 40" X 25.5"    |
| 6. 998144-07  | DRAPE-RS FRONT PANEL 27"X 29"      |
| 7. 998144-05  | DRAPE-CS FRONT PANEL 27"X 29"      |
| 8. 998144-06  | DRAPE-CS REAR PANEL 30"X 29"       |
| 9. 998144-08  | DRAPE-RS REAR PANEL 30"X 29"       |
| 10. 703445-07 | SHADE ASSEMBLY, 18.5" X 34"        |
| 11. 702355-01 | SHADE, PULL, MICHELL, 20-1/8" X 3' |

# 2006 INTERNATIONAL TRAVEL TRAILER

## DRAPES/BLINDS

### Drape Hardware



- |           |                             |
|-----------|-----------------------------|
| 1. 101220 | Bracket, curtain stand off  |
| 2. 101217 | Track, curtain              |
| 3. 700044 | Glides, w/elastic, T" type  |
| 4. 101225 | Bracket, curtain, stand off |
| 5. 700045 | Glides, w/elastic, "G" type |
| 6. 200785 | End, curtain track, LH      |
| 7. 200784 | End, curtain track, RH      |

# 2006 INTERNATIONAL TRAVEL TRAILER

## DRAPES/BLINDS

### Drape Parts/Material

700473	DRAPERY LINING, MARLINE WHITE 48"W
700005	FASTENER, CAP
700006	FASTENER SOCKET
340030	FASTENER STUD NICKEL PLATED
700020	PILE VELCRO
100099	EXTR, ALUM. CURTAIN TRACK TOP
114157-01	EXTRUSION END LINER UPPER WHITE
702761	FABRIC WHITE
700013	PERMA TAPE #4813-3IN 100 YD ROLL
700021	HOOK, VELCRO, WHITE



# 2006 INTERNATIONAL TRAVEL TRAILER

## ELECTRICAL, 110 VOLT

### Shoreline Cord/Converter

511416-02 30-amp, male power inlet for power cord  
511416-03 POWER CORD 30A, 30' W/CONN UL/C  
511654-01 POWER CENTER-110V/12V MAGNATEK

### Breakers/Breaker Box

453573 MOUNTING BRACKET-BREAKER BOX  
510564-05 Breaker 30-20, Bryant  
510564-03 Breaker, Bryant, 15-15  
510564-07 Breaker 15 GFI, Bryant  
510564-04 Breaker 20-20, Bryant, CSA  
510564-06 Breaker 20 GFI, Bryant, CSA

### Interior/Exterior Receptacles

500563-01 Receptacle, 15 amp, white  
511287 Receptacle, 15 amp, single  
510676-01 Outlet, exterior, gray  
511023 Circuit tester (loose item)  
500967-01 COVER, BLANK, ELECTRICAL OUTLET, IVORY

### Junction Box

510014 BOX JUNCTION OCTAGON #54151-C  
510015 BOX COVER #54C-1  
510475 CLIP, GROUND  
510110 CLAMPS ADHESIVE BACKED

### Battery Disconnect

511655-01 BEZEL ASSY-BLACK/SILVER  
511655-02 RELAY 100 AMP 12VOLT  
511655-03 CABLE, 20 Ft.

# 2006 INTERNATIONAL TRAVEL TRAILER

## ELECTRICAL, 12 VOLT

### Battery

511596	Battery, deep cycle, lead acid
511595	Battery box
500836	Positive battery cable
500837	Negative Battery cable
203415	BATTERY TRAY
340023-01	CATCH, CORBIN

### 7- way Cable/Breakaway Switch

500886-01	7-Way cable w/plug
510743	Ground bar, 3 1/2" long
511411	Junction box, 7 terminals
0300027	Break away switch, Bargman
0360254H	Bracket, breakaway switch

### Interior Lights

511694	Reading light, halogen, Nickel
511248	FIXTURE LIGHT INCANDESCENT SINGLE
511297-01	LIGHT-HALOGEN, READING W/SWITCH NICKEL
511695	SPOTLIGHT-BRUSHED NICKEL
511249	Light, 12 volt, incandescent, double, interior
511695-01	SPOT LIGHT-SURFACE MOUNT HALOGEN BRIGHT
512035	Lamp shade trim, QUICKSILVER EDTION
512036	SHADE-LAMP WALL SCONCE, QUICKSILVER EDTION
512037	SCONCE-WALL, QUICKSILVER EDTION
512143	SHADE-LAMP HALF MOON 4" X 8" BLK, 75th Ann.

### Monitor System

511788-01	Monitor panel, CATCON Micropulse
511252	PLUG PHONE 4 CONDUCTOR
511789	SENSOR-TANK MONITOR #500-10050
511393	COUPLER-MODULAR EXTENSION 4 CONDUCTOR
511286-01	WIRE-TELEPHONE 26GA FLAT BACK
511286-02	WIRE-TELEPHONE 26GA FLAT IVORY
511789-01	BOOT-SENSOR #500-20010-05

## 2006 INTERNATIONAL TRAVEL TRAILER

### ELECTRICAL, 12 VOLT

#### Solar Panel System

511828	BATTERY-12V DEEP CYCLE AGM
511142-01	PANEL-SOLAR 53 WATT VLX-53
511142-02	BRACKET-MOUNTING KIT SOLAR PANEL
510696	HOLDER, FUSE, IN-LINE
500883-05	FUSE, 12 VOLT-AGC, 5 AMP
385987	LABEL-5 AMP FUSE MAX
511846	KIT-CHARGE CONTROLLER DISPLAY
511851	CABLE- CAT 5E BLUE
511852	CONNECTOR- RJ45E

#### Inverter, 600 Watt, 16', 19'

511968	INVERTER 600W W/REMOTE
511969	110A FUSE & FUSE BLACK
500039	GROUND LUG
500563-01	RECEPTACLE, 15A 125V T & B TYPE
511451-01	RECEPTACLE 20A SINGLE WHITE XL

## 2006 INTERNATIONAL TRAVEL TRAILER

### ELECTRICAL, 12 VOLT

#### Switches

502056	Mounting plate, 12 volt switch
511327	Switch body w/rocker, single, white
511567-02	Switch body w/Rocker switches two gang white
511566-02	Cover, switch, Printed, Two Gang, White
500913-03	SWITCH T & B WHITE
511665	SWITCH ASSY-CEILING WHITE
511669	SWITCH ASSY-SHOWER WHITE
511658	SWITCH BODY W/COVER 3-GANG
511763	SWITCH W/COVER & INDICATOR, LOUNGE/PATIO
511672	SWITCH BODY W/COVER 3 GANG BLACK
511673	SWITCH COVER-TWO GANG BLACK
511674	SWITCH COVER-ONE GANG BLACK
510658	SWITCH W/WEATHER-PROOF BOOT #1
511784	SWITCH BODY W/COVER 4-GANG BLACK
511100	SWITCH BODY WITH SWITCHES
511785	COVER-SWITCH SPDT INDIRECT BLACK
511809	SWITCH BODY W/COVER 4-GANG
511781	SWITCH ASSY-LIGHTED 2GANG ROCK
511799	SWITCH-W/COVER VANITY/INDIRECT
511817	COUPLER ASSY-IN LINE PHONE JACK
510947-20	BREAKER, 12V DC, TYPE II, #12V 20APP
500933	SWITCH-WATER HEATER ELECTRONIC
511844	SWITCH BODY W/COVER 4-GANG
510888-05	RECEPTACLE W/COVER GFI WHITE
511999	SWITCH ASSY-2 GANG BLACK
511975	SWITCH ASSY-4 GANG BLACK
511731-01	SWITCH-WATER HEATER BLACK
511979	SWITCH ASSY-3 GANG BLACK
511980	SWITCH ASSY-4 GANG BLACK
512140	SWITCH ASSY 4 GANG BLACK, 75 TH Ann.

#### 12 Volt Outlet/Breaker

452412-01	BRACKET FUSE BLOCK 12V
510807	Outlet, 12 volt
511121	Mounting plate, 12 volt receptacle

## 2006 INTERNATIONAL TRAVEL TRAILER

### ELECTRICAL, 12 VOLT

#### EXTERIOR LIGHTS

500092	Patio light, round, Signal Stat
510160	Bulb, patio light #1156
510732-02	Utility light (by main door)
511751	Red teardrop lights.
511750	Amber teardrop lights.
500053	License plate light w/plate mounting bracket
994165	Entrance light assembly above main door
101323	CASTING, ALUM STEP LIGHT, POLISHED
201185	LENS STEP LIGHT
500492	LIGHT BULB SOCKET (riveted to casting)
510445	LAMP, #1141

#### Taillight Assembly

952696-01	Tail light assembly RS
952696-02	Tail light assembly CS
511664-01	CASTING-TAILLIGHT R.S.
511664-02	CASTING-TAILLIGHT C.S.
511661	TAILLIGHT-LED OVAL 6"
203386-01	POCKET-INNER TAILLIGHT LH
203386-02	POCKET-INNER TAILLIGHT RH
511662	TRIM RING-TAILLIGHT W/VISOR
500095	Red rectangular reflector
115073-01	BRACKET-R.S. TAILLIGHT
115073-02	BRACKET-C.S. TAILLIGHT
115074	BRACKET-CENTER TAILLIGHT

# 2006 INTERNATIONAL TRAVEL TRAILER

## ENTERTAINMENT

### Radio/Speakers/Antenna

511732	Radio AM/FM/CD, #CDX-CA400
511761	SPEAKER 120W 6.5" WHITE SONY
511807	ANTENNA, AM/FM RUBBER 13"
500913-03	SWITCH T&B WHITE

### TV Antenna/Booster System

510788-01	Antenna, TV Wineguard, long boom
510788-05	ANTENNA-TV WINEGARD SHORT BOOM, 16 Ft.
500484-05	Antenna lead & extension, 72"
500484-04	ANTENNA LEAD & EXTENSION 48"
500484-07	ANTENNA LEAD & EXTENSION 144"
510788-03	Amplifier, TV antenna
510788-04	Hardware package, interior, Winegard
510612	Coax, 75 ohm, standard
510623	Connector, coax, male to male
510616	F CONNECTOR, COAX, 75 OHM
114396	Trough, TV antenna, roof

### TV Hook Up Blank Plate

512025-01	V JUNCTION DEVICE, SELF CONTAINED, WHITE
512025-02	PLATE, SNAP ON, ONE GANG SCD, WHITE

# 2006 INTERNATIONAL TRAVEL TRAILER

## ENTERTAINMENT

### Satellite Radio Upgrade

511866-01	SATELLITE RADIO RECEIVER, SIRUS
511866-02	SATELLITE RADIO KIT-HOME ADAPTER
511866-05	KIT-SIRIUS SATELLITE RADIO
511862	SWITCH-SOURCE SELECTOR #XA-300
511866-03	BRACKET, DOCKING STA.RECEIVER MTG
511866-04	PLANE-ANTENNA GROUND
511863-02	A/B Selector Switch Kit
511926	Auxiliary audio switcher
512024	Jack, Audio Prep

### External Speakers, Wireless

511987	SPEAKER-OUTDOOR WIRELESS
386161	DECAL-AIRSTREAM .7"X6.4" BLACK

### Bedroom TV Shelf

381241-009	TV SHELF-BLACK FRAME W/MIRROR
------------	-------------------------------

## 2006 INTERNATIONAL TRAVEL TRAILER

### ENTERTAINMENT

#### Audio/Video Upgrade Package

511839	RADIO AM/FM/CD/DVD KD-DV5000-2
511839-01	HARNESS-MODIFIED JVC RADIO PIG
511720	SPEAKER-6.5"BLK JVC #CSX-V620
511835	PATCH CORD 30' 3-WAY MALE TO MALE
500913-03	SWITCH T & B WHITE
511732	Radio, AM/FM/CD, CDX-CA710X
511761	Speaker, Sony, 6.5"
511721	CHANGER-CD 12 DISC JVC #CH-X15
511856	WIRING KIT- 4 WAY FLAT EXT.SPEAKER
511703	CORD-PATCH MALE/MALE 2-WAY 20'
511834	PATCH CORD 30' DUAL MALE TO MALE
690490	TELEVISION, 15" FLAT SCREEN
690534	TV- 19"LCD COLOR SONY
511863-02	A/B Selector Switch Kit
966405	Shelf, CD changer
512024	Jack, Audio Prep
511822	SUB WOOFER-POWERED 6.5" WEDGE
511645	Y' ADAPTER MALE TO 2-FEMALE
386159	LABEL-FLAT SCREEN TV

#### Audio Upgrade Package

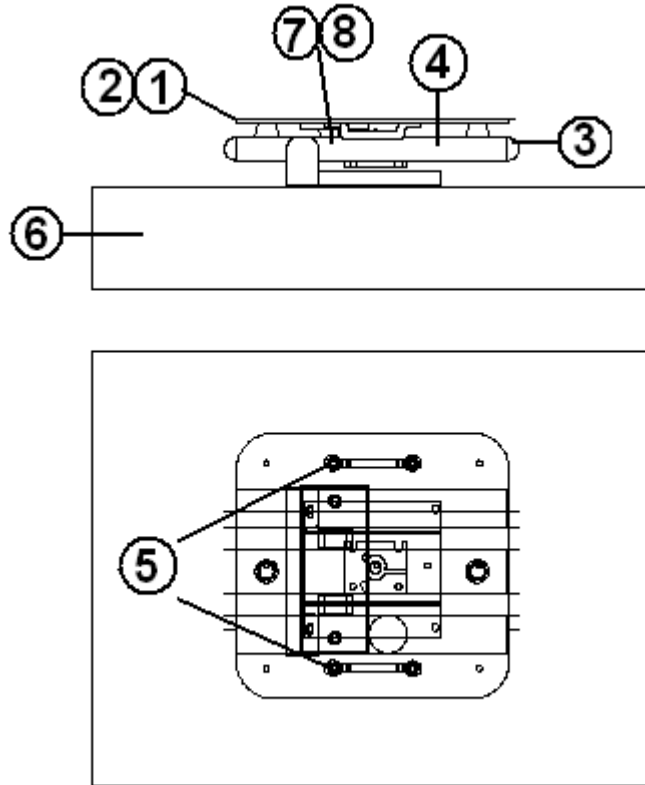
511191	CD changer, 10 unit, Sony CDX-434RF
203465	Speaker spacer, plastic, Sony
511822	SUB WOOFER-POWERED 6.5" WEDGE
512024	JACK- 12V DC AUDIO PREP
511863-02	SPEAKER CONTROL MODULE-RLM SERVER
511827	WALL PLATE FLUSH MOUNT COAX-WH
511646	PATCH CORD 3-WAY 20" RCA
511703	CORD-PATCH MALE/MALE 2-WAY 20'
966405	Shelf, CD changer
201991	HOUSING DOCKING LIGHT



# 2006 INTERNATIONAL TRAVEL TRAILER

## ENTERTAINMENT

### Flat Screen TV Bracket Installation



- |           |                                     |
|-----------|-------------------------------------|
| 1. 454477 | Bracket, TV mount Wall, 19'         |
| 2. 454476 | Bracket, TV mount Wall, 15'         |
| 3. 512105 | Bracket, articulating arm, flat TV  |
| 4. 385587 | Cap Hood bumper                     |
| 5. 381566 | Loop, footman steel                 |
| 6. 703455 | Strap, 20" TV                       |
| 7. 454448 | TV mount stabilizer bracket, 15" TV |
| 8. 454455 | TV mount stabilizer bracket, 19" TV |
| 510110    | Clamps, adhesive backed             |
| 350147-25 | Nut, nylon lack, 1/4" x 20          |
| 300111-25 | Washer flat                         |

# 2006 INTERNATIONAL TRAVEL TRAILER

## ENTERTAINMENT

### TV/Telephone Jacks/Wiring

500996	Jack, TV/phone, gray, Exterior
510654-01	TV jack/12 volt w/splitter, white
510624-01	Modular phone quick jack, white
452981	PHONE JACK PROTECTIVE PLATE
104619	Mounting plate, exterior telephone/TV jack
510741	BOX/ELECTRICAL, 1-1/2" X 2" X 3"
510174	TELEPHONE WIRE

# 2006 INTERNATIONAL TRAVEL TRAILER

## FASTENERS

### Rivets



325043(hard)  
325000 (soft)  
Rivet, buck type  
dia. 1/8"  
length 1/4"



325000-01  
Rivet, buck type  
dia. 1/8"  
length 1/4"  
anodized clear



325000-03  
Rivet, buck type  
dia. 1/8"  
length 1/4"  
anodized white



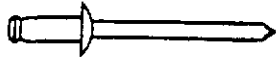
325001-01  
Rivet, buck type  
dia. 1/8"  
length 5/16"  
anodized clear



325002  
Rivet, buck type  
dia. 1/8"  
length 3/8"  
anodized clear



325004-01  
Rivet, buck type  
dia. 1/8"  
length 1/2"  
anodized clear



330129-08 Brown  
dia. 1/8"  
grip range .063-.125  
aluminum body  
aluminum mandrel



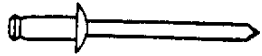
300101  
1/8" I.D.  
washer, aluminum

\*Common bolts and screws readily available at local hardware outlets have not been listed.

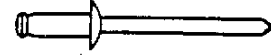
# 2006 INTERNATIONAL TRAVEL TRAILER

## \*FASTENERS

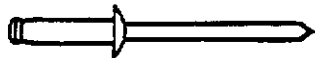
### Rivets



330126-02  
rivet, pop  
dia. 1/8 "  
grip range .126-.187  
stainless steel  
stainless steel mandrel



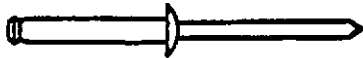
330126-03  
rivet, pop  
dia. 1/8 "  
grip range .126-.250  
body stainless steel  
stainless steel mandrel



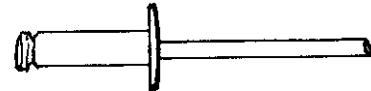
330127-05  
rivet, pop  
dia. 1/8 "  
grip range .251-.312  
aluminum body  
aluminum mandrel



330128-050  
rivet, pop  
dia. 1/8 "  
grip range .251-.312  
aluminum body, white  
aluminum mandrel



330127-08  
rivet, pop  
dia. 1/8 "  
grip range .325-.565  
aluminum body  
aluminum mandrel



330038  
rivet, pop  
dia. .150 (#20 bit)  
grip range .126-.250  
aluminum body  
aluminum mandrel  
(used-screen door hinge)



325103  
dia. 1/4 "  
grip range .080-.325  
SS body, steel mandrel

\*Common bolts and screws not listed.

# 2006 INTERNATIONAL TRAVEL TRAILER

## FURNITURE

### Floor Covering

365257	ADHESIVE, AHB MULTI PURPOSE FLOOR
702665	Rug cushion, non-slip
703460	LINOLEUM- WOOD PLANK DISCOVER
702549	MATT ENTRANCE W/AIRSTREAM LOGO
703547	FLOORING-TEAK/HOLLY, QUICKSILVER EDITION
703547-01	TAPE-DLB SIDE FLOOR, QUICKSILVER EDITION
701538	CARPET, ECONOLIER VELOUR BLACK 48"
703347	FABRIC-CHARCOAL TWEED, used on furniture

### Floor Covering, 75<sup>th</sup> Anniversary

703618	Linoleum, Green Murmur
--------	------------------------

### Drawer Slides

381192	SLIDE, DRAWER, 18" (EACH1 PAIR)
381833-01	DRAWER SLIDE-UNDER SHELF 18" (PAIR)
381773-15	DRAWER SLIDE-5.875"X 15.75"(PAIR)

### Drawer Boxes

965560-03	DRAWER BOX, 5.63" X 13.5" X 12"
965553-01	DRAWER BOX, 4.38" X 12.5" X 17"
965554-04	DRAWER BOX, 5.63" X 12.5" X 17"

### Mirrors

372203-24	MIRROR- POL EDGES, 9.50" X 20"
372203-05	MIRROR, POLISHED EDGES- 19.00" X 14"
372203-15	MIRROR- POL EDGES- 17.00" X 25.25"
372203-09	GLASS SAFETY MIRRORED 14" X 22"
371383	MIRROR, MEDECINE CABINET, 13.62" X 16.00", 22'
454009	BACKER PLATE-MIRROR
381220-01	MIRROR CLIP, #309NP NICKEL PLATE
381220-02	MIRROR CLIP, #318NP NICKEL PLATE

# 2006 INTERNATIONAL TRAVEL TRAILER

## FURNITURE

### Doors, Cabinet/Roof locker

801375-01	DOOR, GALLEY 19.63" X 21.25"
801375-02	DOOR, GALLEY, 14.38" X 7.00"
801375-03	DOOR, GALLEY, 14.38" X 14.13"
801375-05	DOOR, GALLEY, 25.13" X 8.69"
801375-06	DOOR, GALLEY, 34.13" X 8.69"
801375-07	DOOR, DESK, 6.25" X 17.13"
801375-08	DOOR, WARDROBE, 19.50" X 72.00"
801375-09	DOOR, NIGHTSTAND, 9.75" X 6.5"
801375-12	DOOR, BED BASE, 20.60" X 16.5"
801375-14	DOOR-LAVATORY 15.88" X 13.63"
801375-17	DOOR-GALLEY 25.13" X 8.69"
801375-15	DOOR-LAVATORY 15.88" X 13.63"
801375-16	DOOR-GALLEY 20.13" X 21.25"
801375-18	DOOR-REFER 8.50" X 24.56"
801375-19	DOOR-WARDROBE 13.63" X 76.56"
801375-20	DOOR-WARDROBE 2.75" X 76.56"
801375-21	DOOR, DINETTE, 11.5"X 18.00"
801375-22	DOOR, DINETTE, 20.5"X 16.5"
801375-23	DOOR, DINETTE, 17.5"X 16.5"
801375-24	DOOR, GALLEY, 14.13"X 11.5"
801375-25	DOOR, GALLEY, 14.13"X 7.13"
801375-26	DOOR, GALLEY, 10.75"X 77.5"
801375-27	DOOR, LAVATORY, 9.75" X 22.88"
801375-29	DOOR, GALLEY, 14.13"X 11"
965563-01	DOOR, SLIDING, PLEXIGLASS, 17.50" x 11.31"
965563-03	DOOR, SLIDNG, PLEXIGLASS, 15.00" x 11.31"
965563-05	DOOR, SLIDING, PLEXIGLASS 11.75 x 11.31"
965563-08	DOOR, PLEXIGLASS SLIDING 11.31" X 30"
965563-09	DOOR-SLIDING PLEXIGLASS 26" x 11.31"

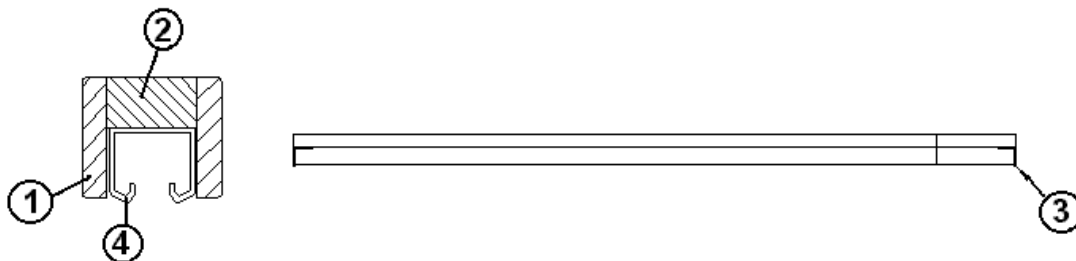
# 2006 INTERNATIONAL TRAVEL TRAILER

## FURNITURE

### Doors, Cabinet/Roof locker

801341-60	DOOR-RS WARDROBE 14.25" X 62.38"
801341-61	DOOR-REFER CABINET, 10.19" X 25.19"
801341-62	DOOR-REFER CAB.8.38"X 25.19"
801341-70	DOOR-RS W/R 17.5" X 61.25"
801341-71	DOOR-PANTRY 14"X 23"
801341-72	DOOR-PANTRY 14"X 38.13"
801341-73	DOOR-GALLEY 14.63" X 23.63"
801341-74	DOOR-GALLEY 18.63" X 23.63"
801341-78	DOOR-REFER 24.44" X 10.19"
801341-79	DOOR-REFER 19.81" X 50.12"
801341-156	DOOR-GALLEY 14.25" X 23.38"
801341-157	DOOR-GALLEY 21.63" X 6"
801341-158	DOOR-14.13" X 11.5"
801341-159	DOOR-14.13" X 7.13"
801341-160	DOOR-14.13" X 11"
801341-163	DOOR-10.44" X 71"

### Doors, Foldette, 16', 19', 22', 28'

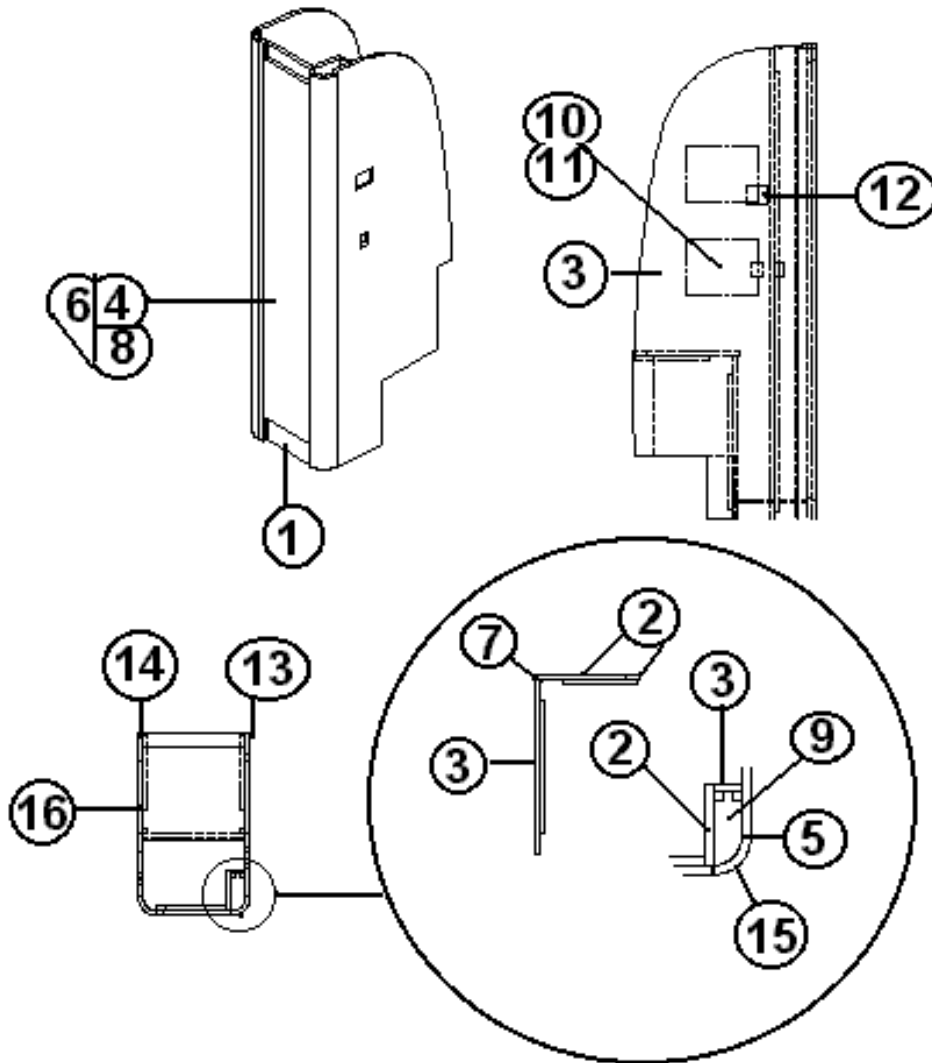


702681-07	DOOR-FOLDETTTE 60"X 73" GREY
1. 801368	PANEL, WHITELINER/WHITELINER
2. 800304	PINE-5/8X2-1/2"
3. 452258	BRACKET, MTG. FOLDETTTE DOOR
4. 381838	TRACK-FORMED FOLDETTTE, 16'
381769	TRACK-FOLDETTTE DOOR, 22'
701342-01	STRAP, VINYL, HOLD-BACK, 7.0"LONG
381838-01	TRACK-FOLDETTTE DOOR METAL 16'TRL

# 2006 INTERNATIONAL TRAVEL TRAILER

## FURNITURE, BEDROOM

### WARDROBE/CLOSET ASSEMBLY, 16'



Part numbers are on the next page



# 2006 INTERNATIONAL TRAVEL TRAILER

## FURNITURE, BEDROOM

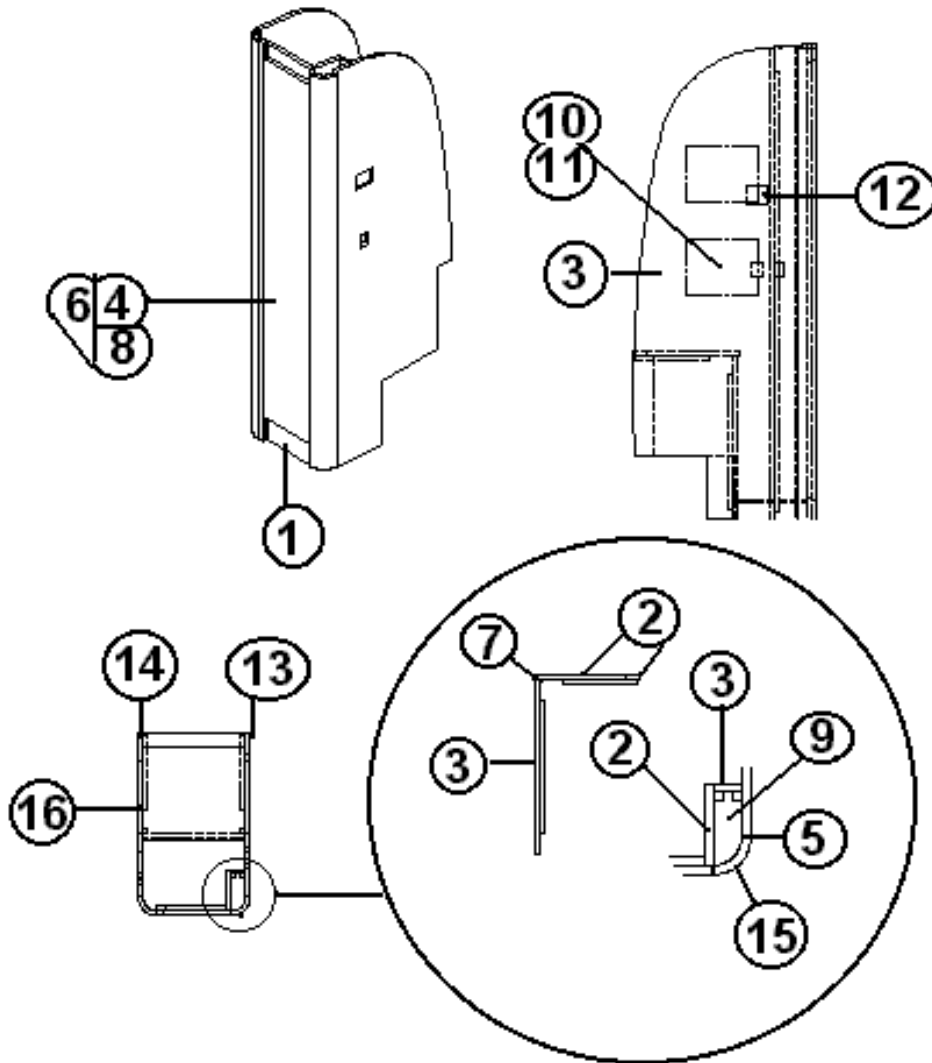
### WARDROBE/CLOSET ASSEMBLY, 16'

965872	WARDROBE/CLOSET ASSEMBLY, 16'
1. 801436-01	PANEL, BLACK MAP/WHITE 18M
2. 801368	PANEL, WHITELINER/WHITELINER
3. 801392	PANEL, WHITELINER/WHITELINER
4. 801375-26	DOOR-GALLEY 10.75" X 77.5"
5. 380203-01	PIANO HINGE 1/8" PIN CLR ANODIZED
6. 381607	HINGE ASSEMBLY-GRASS EURO
7. 381228-01	CATCH GRABBER DOOR
8. 381775	DRAWER PULL-FLUSH SATIN #UT-10
8. 381931	Handle, drawer/door, Quicksilver Edition
9. 702681-07	DOOR-FOLDETTE 60"X 73" GREY
10. 386106-01	RACK-MAGAZINE WHITE
11. 386107	ROD-MAGAZINE RACK
12. 200773	CLOSEOUT, READING LIGHT ABS
13. 801466-08	PANEL-FWD WARDROBE
14. 965948	PANEL SUB ASSEMBLY-AFT WARDROBE
15. 801475	DOOR ASSEMBLY-W/R POCKET
16. 801466-07	PANEL-AFT WARDROBE
801378	PANEL, WHITE LINER/GATOR 18
801439-01	LAMINATE-BLACK MAPLE-4' X 8'
801436-01	PANEL, BLACK MAPLE/WHITE 18MM
365278-01	EDGE BANDING-BLACK MAPLE 1.13"
380045	METALLIC TUBING
380046	FLANGE CHROME
200975-04	CONDUIT,FLEXIBLE BLACK PLASTIC
381838	TRACK-FORMED FOLDETTE 16'

# 2006 INTERNATIONAL TRAVEL TRAILER

## FURNITURE, BEDROOM

### WARDROBE/CLOSET ASSEMBLY, 16', QUICKSILVER



Part numbers are on the next page

# 2006 INTERNATIONAL TRAVEL TRAILER

## FURNITURE, BEDROOM

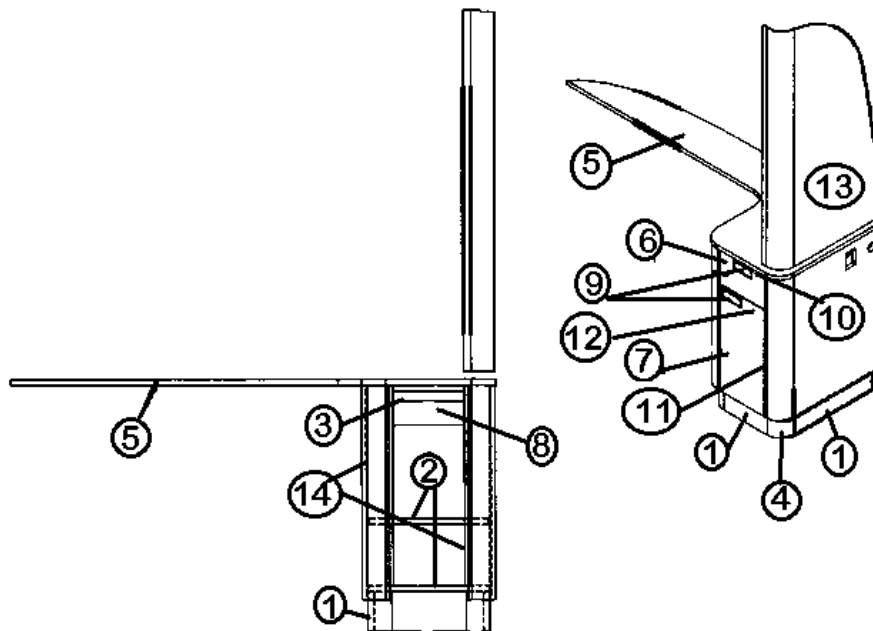
### WARDROBE/CLOSET ASSEMBLY, 16', QUICKSILVER

966490	WARDROBE/CLOSET ASSEMBLY, 16'
1. 801635	PANEL, ABET ALMOND
2. 801368	PANEL, WHITELINER/WHITELINER
3. 801392	PANEL, WHITELINER/WHITELINER
4. 801341-163	DOOR-GALLEY 10.44" X 71"
5. 380203-01	PIANO HINGE 1/8" PIN CLR ANODIZED
6. 381607	HINGE ASSEMBLY-GRASS EURO
7. 381228-01	CATCH GRABBER DOOR
8. 381931	Handle, drawer/door, Quicksilver Edition
9. 702681-07	DOOR-FOLDETTE 60"X 73" GREY
10. 386106-01	RACK-MAGAZINE WHITE
11. 386107	ROD-MAGAZINE RACK
12.200773	CLOSEOUT, READING LIGHT ABS
13.801466-16	PANEL-FWD WARDROBE
14.965948	PANEL SUB ASSEMBLY-AFT WARDROBE
15.801475	DOOR ASSEMBLY-W/R POCKET
16.801466-07	PANEL-AFT WARDROBE
801378	PANEL, WHITE LINER/GATOR 18
801439-01	LAMINATE-BLACK MAPLE-4' X 8'
801634	LAMINATE-KALEIDOSCOPE ALUMINUM
365267	EDGEBANDING-1.13" .024 PLY
801355-01	PANEL, FROSTY WHITE 4' X 8' VERTICAL
380045	METALLIC TUBING
380046	FLANGE CHROME
200975-04	CONDUIT, FLEXIBLE BLACK PLASTIC
381838	TRACK-FORMED FOLDETTE 16'
381838-01	TRACK-FOLDETTE DR METAL 16'

# 2006 INTERNATIONAL TRAVEL TRAILER

## FURNITURE, BEDROOM

### Nightstand Assembly, 22'

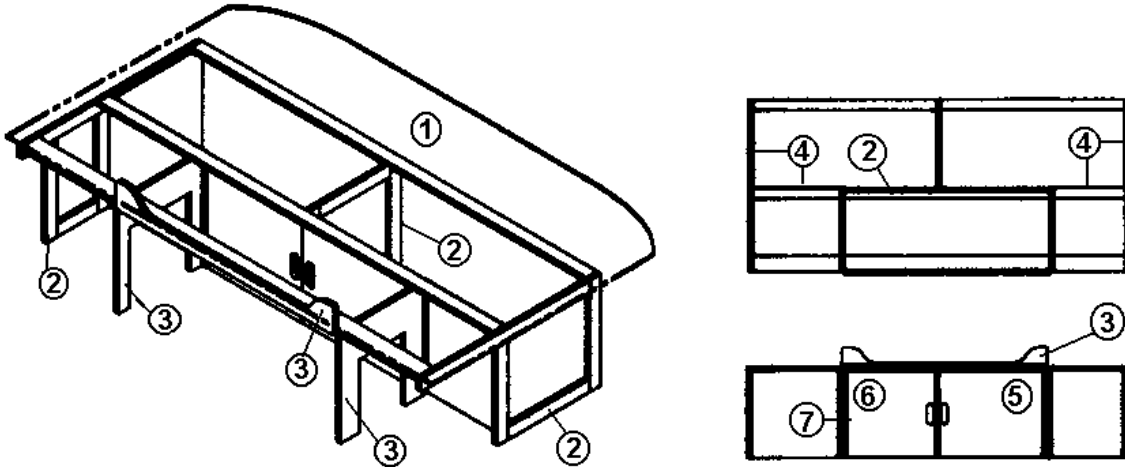


965532	Nightstand Assembly, 22'
1. 801372	PANEL, RAVEN/WHITELINER 18MM
2. 801378	PANEL, WIHTELINER/GATOR 18MM
3. 801351	.75" lite plywood
4. 801345	Radius plywood, .75" x 3" x 8'
5. 965533	Nightstand top assembly
6. 801375-09	Door, nightstand, 9.75" x 6.50"
7. 801375-10	Door, nightstand, 9.75" x 10.25"
8. 965553-03	Drawer box, 4.38" x 7.88" x 17.63"
9. 381775	Drawer pull
10. 381948	Drawer locking clip
11. 381607	Hinge assembly, Grass-Euro
12. 381228-01	Door grabber catch
13. 203329	Wall, formed Plexiglas
14. 381242-01	Bracket, shelf
381243	Shelf bracket Clips
381782	PULL-GLASS DOOR CHROME PLATED
381773-11	DRAWER SLIDE-4.63" X 18.5"
365278-01	EDGE BANDING-BLACK MAPLE 1.13"
365267	EDGE BANDING 1.13" .024 PLY

# 2006 INTERNATIONAL TRAVEL TRAILER

## FURNITURE, BEDROOM

### BED FRAME ASSEMBLY, 16'

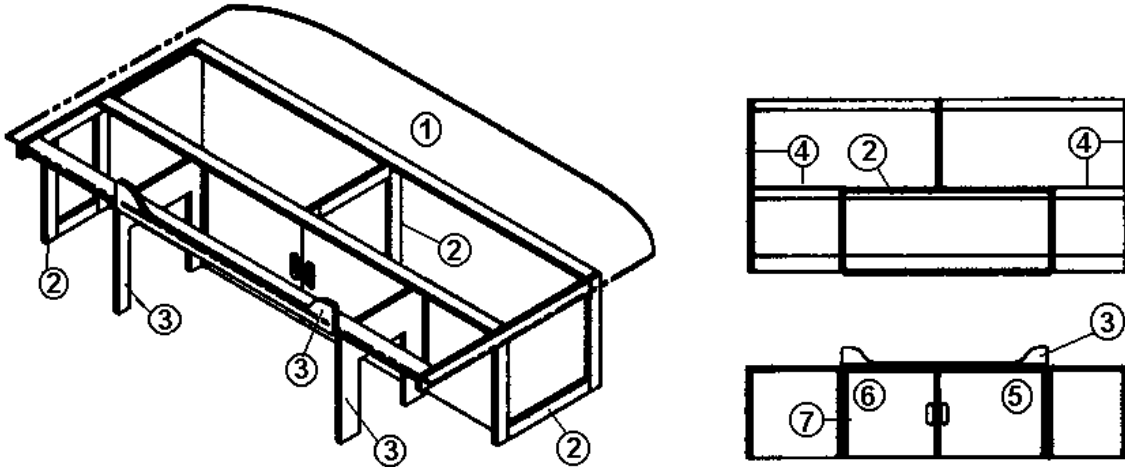


- |              |                                     |
|--------------|-------------------------------------|
| 965870       | FRAME ASSEMBLY-BED, 16'             |
| 1. 800506-03 | PLYWOOD, 3/8" X 4' X 8'             |
| 2. 850082    | POPLAR, .75" X 2.00"                |
| 3. 801436-01 | PANEL, BLACK MAP/WHITE 18M V        |
| 4. 801438    | PANEL-FROST WHITE VINYL/RAW 2.7MM   |
| 5. 801375-22 | DOOR-DINETTE 20.5" X 16.5"          |
| 6. 801375-23 | DOOR-DINETTE 17.5" X 16.5"          |
| 7. 381853    | HINGE-CONTINUOUS, PIANO             |
| 8. 203419    | Storage box, 23" x 16.75" x 11.88"  |
| 9. 203447    | Storage box, 23" x 16.75" x 6.38"   |
| 801369-01    | PANEL, FROST WHITE/WHITE LIN 18     |
| 365267       | EDGE BANDING-1.13" .024 PLY         |
| 365278-01    | EDGE BANDING-BLACK MAPLE 1.13"      |
| 703190-05    | MATTRESS-48" X 78" W/DLB RADIUS COR |
| 381228-01    | CATCH GRABBER DOOR                  |
| 381832       | SHELF-TV RECESSED                   |

# 2006 INTERNATIONAL TRAVEL TRAILER

## FURNITURE, BEDROOM

### BED FRAME ASSEMBLY, 16', QUICKSILVER

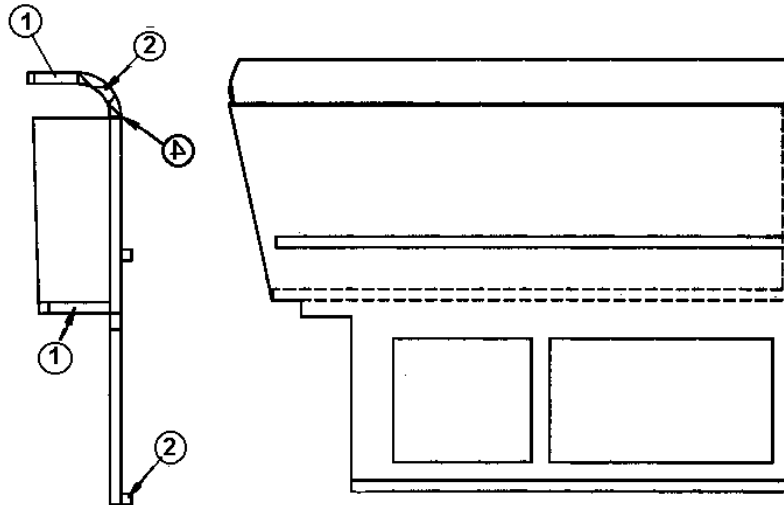


965870-02	FRAME ASSEMBLY-BED, 16'
1. 800506-03	PLYWOOD, 3/8" X 4' X 8'
2. 850082	POPLAR, .75" X 2.00"
3. 801436-01	PANEL, BLACK MAP/WHITE 18M V
4. 801438	PANEL-FROST WHITE VINYL/RAW 2.7MM
5. 801375-22	DOOR-DINETTE 20.5" X 16.5"
6. 801375-23	DOOR-DINETTE 17.5" X 16.5"
7. 381853	HINGE-CONTINUOUS, PIANO
203419	Storage box, 23" x 16.75" x 11.88"
203447	Storage box, 23" x 16.75" x 6.38"
965870-14	TRIM-FACE 40" QSE
801369-01	PANEL, FROST WHITE/WHITE LIN 18
365267	EDGE BANDING-1.13" .024 PLY
365289-01	EDGE BANDING HARD ROCK MAPLE 5/8"
703190-05	MATTRESS-48" X 78" W/DLB RADIUS COR
381228-01	CATCH GRABBER DOOR

# 2006 INTERNATIONAL TRAVEL TRAILER

## FURNITURE, BEDROOM

### Hamper-Headboard Assembly, 16', 965871

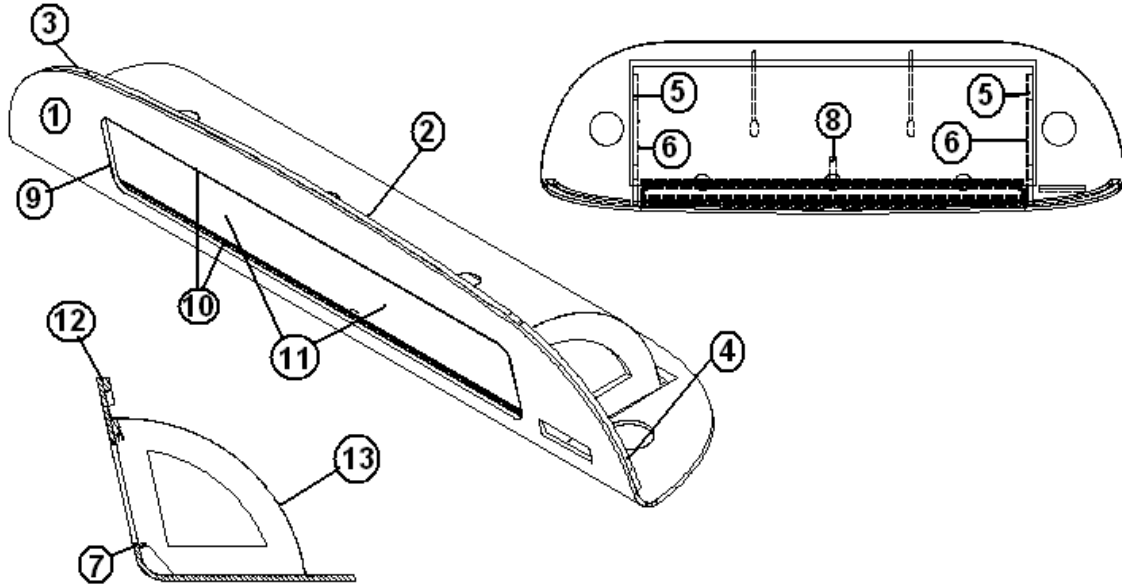


- |              |  |
|--------------|--|
| 965871       | Hamper-Headboard Assembly, 16 FT.      |
| 1. 801378    | Panel, Whiteliner/Gator                |
| 2. 801345    | Radius plywood, .75" x 3" x 8'         |
| 3. 800025-01 | Pine. Stained, 3/4" x 3/4"             |
| 4. 380458    | Hinge, piano, brown, anodized          |
| 5. 700414    | Foam, 3/8" x 72; wide (specify length) |
| 6. 703198    | VINYL-ALANTE AL 810 WHITE              |
| 7. 702482-03 | HEADLINER SPECTRA OPAL                 |

# 2006 INTERNATIONAL TRAVEL TRAILER

## FURNITURE, BEDROOM

### Roof Locker, Rear End Liner, 16'



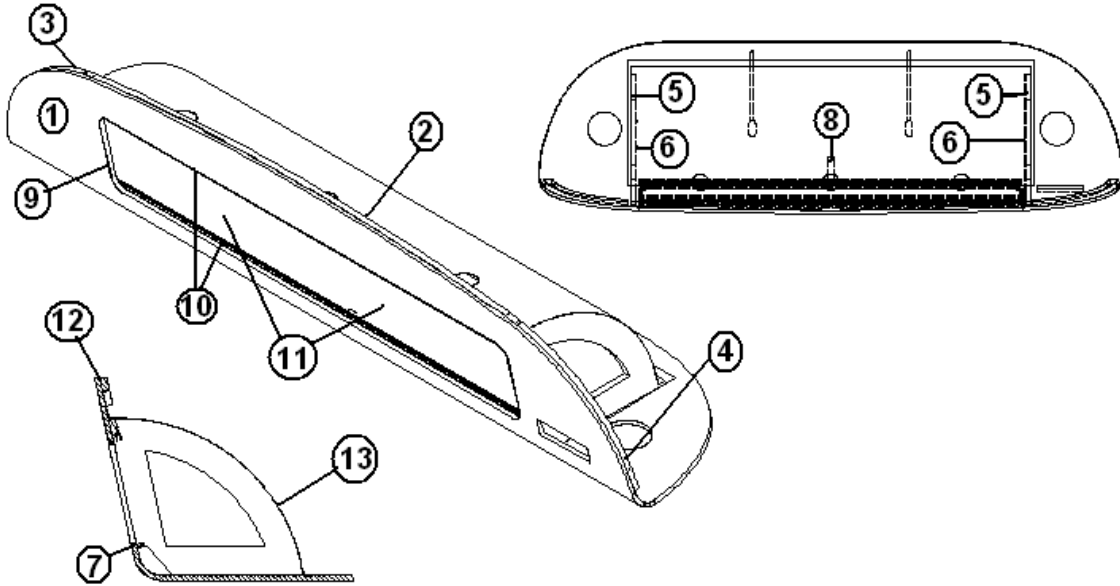
966387-02	Roof Locker, Rear End Liner
1. 801593-03	Locker face, rear liner roof locker
2. 801596-01	Backer, liner locker, center
3. 801596-02	Backer, liner locker, LH
4. 801596-03	Backer, liner locker, RH
5. 801594	Divider, liner locker
6. 801595	Divider, liner locker, w/o Audio Switch Holes
6. 801595-01	Divider, liner locker, w/o Audio Switch Holes
7. 115261-01	Angled, formed, 58.50"
8. 115226-01	Bracket, locker center support
9. 203508-01	T-trim, 9/16", wood grain
10. 381245	Sliding door track
11. 203387-02	Door, sliding Plexiglas, 11.31" x 30"
12. 201673	Cove molding, Ivory, plastic
13. 115264-02	Pan, liner, locker
511695-01	SPOT LIGHT-SUR.MGT HALOGEN BR.



# 2006 INTERNATIONAL TRAVEL TRAILER

## FURNITURE, BEDROOM

Roof Locker, Rear End Liner, 16', Quicksilver

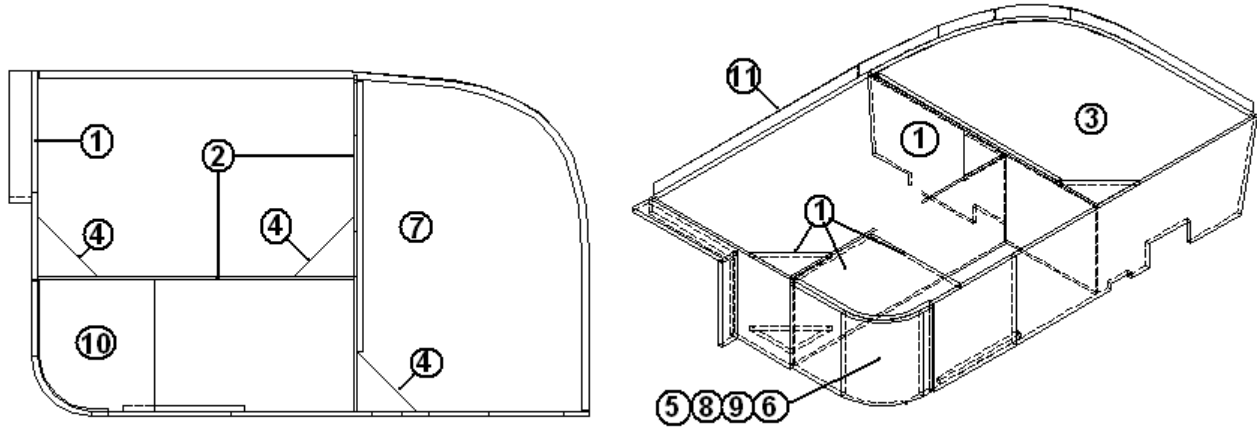


966387-04	Roof Locker, Rear End Liner
1. 801593-03	Locker face, rear liner roof locker
2. 801596-01	Backer, liner locker, center
3. 801596-02	Backer, liner locker, LH
4. 801596-03	Backer, liner locker, RH
5. 801594	Divider, liner locker
6. 801595-02	Divider, liner locker, w/o Audio Switch Holes
6. 801595-03	Divider, liner locker, w/o Audio Switch Holes
7. 115261-01	Angled, formed, 58.50"
8. 115226-01	Bracket, locker center support
9. 203508-01	T-trim, 9/16", wood grain
10. 381245	Sliding door track
11. 203357-02	Door, 11.31" X 30"
12. 201673	Cove molding, Ivory, plastic
13. 115264-02	Pan, liner, locker
511695-01	SPOT LIGHT-SUR.MGT HALOGEN BR.

# 2006 INTERNATIONAL TRAVEL TRAILER

## FURNITURE, BEDROOM

### BED BASE ASSEMBLY, 19', 965753

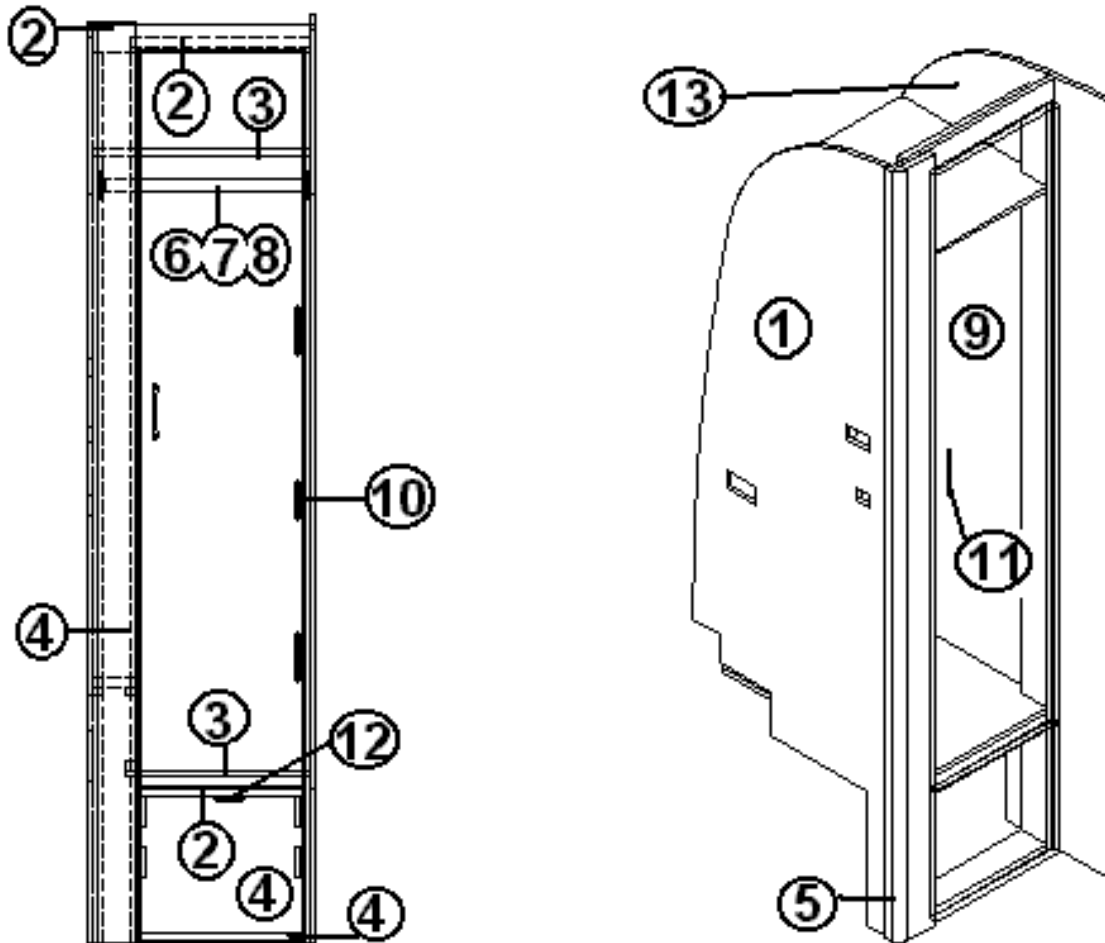


965753	BED BASE ASSEMBLY, 19'
1. 801436-01	PANEL, BLK MAP/WHITE 18MM
2. 801392	PANEL, WHITELINER/WHITELINER
3. 800507-03	LAUAN, 3/8"X 4' X 8'
4. 801351	LITE PLY-18MM (.75") 4' X 8'
5. 966058-01	DOOR ASSY - BED
6. 380458	HINGE PIANO BROWN ANODIZED
7. 703286-05	MATTRESS 48 X 76 W/10"RADIUS CORNER
8. 381865	PULL-BAR BRUSH NICKEL
9. 381948	CLIP-LOCKING (DRAWER SLIDE/BOX)
10. 203419	BOX STORAGE 23"LX16.75"WX11.88"
10A. 203439	STORAGE BOX-17"LX11.13"WX6.38"
114813	ALUMINUM ANGLE 1.00" X 1.50"
701538-01	CARPET, ECONOLIER W/PSA BACK
115150	ANGLE-BED SUPPORT 80"

# 2006 INTERNATIONAL TRAVEL TRAILER

## FURNITURE, BEDROOM

### WARDROBE ASSEMBLY, RS, 19' 965840-01



Part Numbers are on the Next page

## 2006 INTERNATIONAL TRAVEL TRAILER

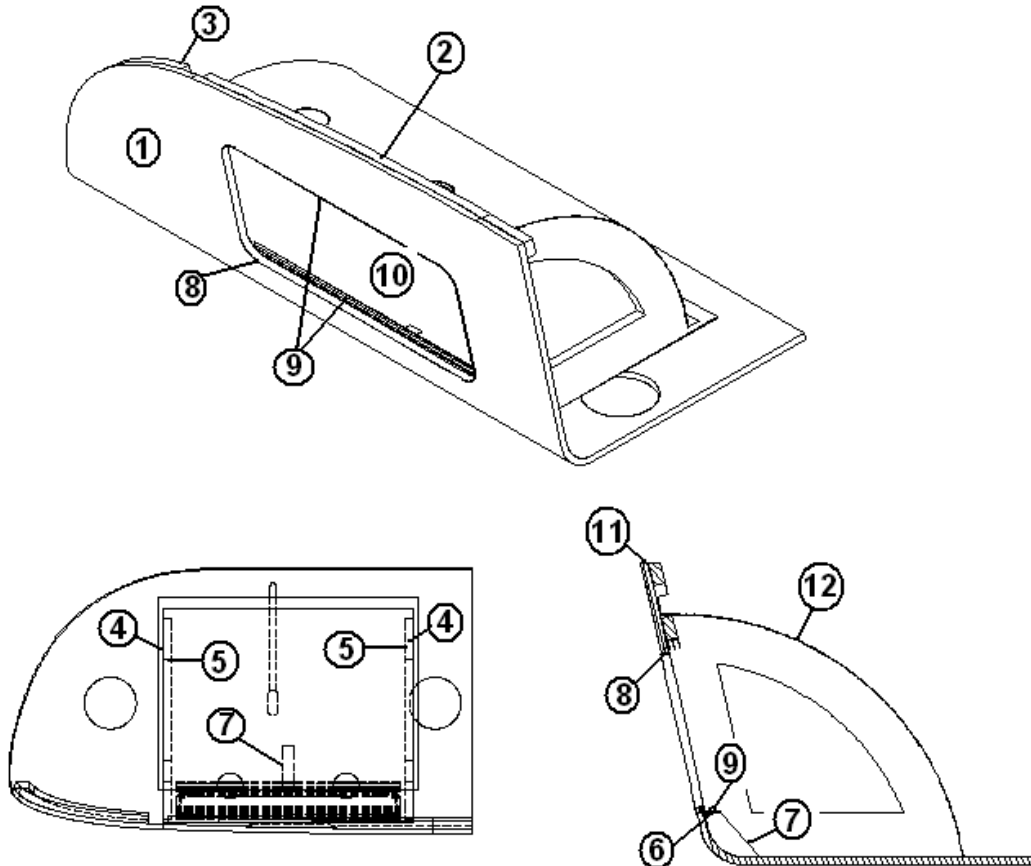
### WARDROBE ASSEMBLY, RS, 19' 965840-01

965840-01	WARDROBE ASSEMBLY, RS, 19'
1. 801460-02	PANEL-RS AFT WARDROBE, 25'SS
2. 801456-01	PANEL, BLACK MAPLE/WHITE LIN 12M
3. 801392	PANEL, WHITELINER/WHITELINER
4. 801436-01	PANEL, BLACK MAPLE/WHITE 18M
5. 801393-02	CORNER TRIM-90D 1"RADIUS, 84"
6. 380046	FLANGE CHROME
7. 380045	TUBING 3/4" METALLIC
8. 200975-04	CONDUIT, FLEXIBLE BLACK PLASTIC
9. 801341-60	DOOR-RS WARDROBE 14.25" X 62.38"
10. 381607	HINGE ASSY-GRASS EURO
11. 381865	PULL-BAR BRUSH NICKEL
12. 381228-01	CATCH GRABBER DOOR
13. 801460-13	PANEL-FWD RS WARDROBE, 19'
381832	SHELF-TV RECESSED, BLACK
801376-01	PANEL, OAK/WHITE LINER 18MM
365278-01	EDGE BANDING-BLACK MAPLE 1.13"
381775	DRAWER PULL, FLUSH
114811	ALUMINUM ANGLE .50" X .50"
365238-04	EDGE BANDING TAPE PVC 5/8" C. WHITE
801456-01	PANEL, BLACK MAPLE/WHIT LINER 12MM
380041	BRACE 1" STANLEY CORNER

# 2006 INTERNATIONAL TRAVEL TRAILER

## FURNITURE, BEDROOM

### Roof Locker, Rear Corner End Liner, 19'

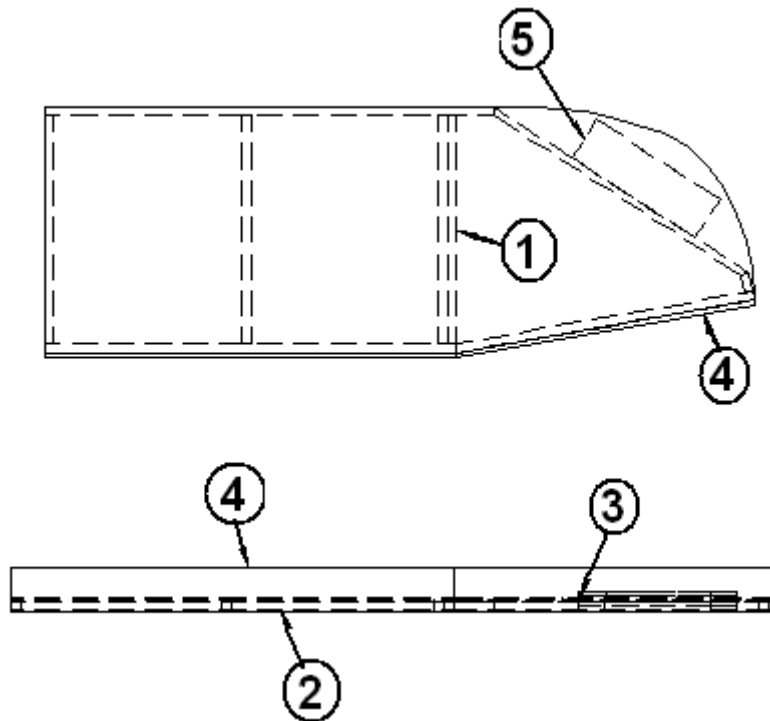


- |               |   |
|---------------|---|
| 966388        | Roof Locker, Rear Corner End Liner            |
| 1. 801593-06  | Locker face, Rear end roof locker             |
| 2. 801596-01  | Backer, liner locker, center                  |
| 3. 801596-02  | Backer, liner locker, LH                      |
| 4. 801594     | Divider, liner locker                         |
| 5. 801595     | Divider, liner locker, w/o Audio Switch Holes |
| 5. 801595-01  | Divider, liner locker, w/o Audio Switch Holes |
| 6. 115261-04  | Angled, formed, 22"                           |
| 7. 115226-01  | Bracket, locker center support                |
| 8. 203508-01  | T-trim, 9/16", wood grain                     |
| 9. 381245     | Sliding door track                            |
| 10. 965563-05 | Door, sliding Plexiglas, 11.31" x 11.75"      |
| 11. 201673    | Cove molding, Ivory, plastic                  |
| 12. 115264-04 | Pan, liner, locker                            |

# 2006 INTERNATIONAL TRAVEL TRAILER

## FURNITURE, BEDROOM

### Bunk Bed, Upper, 19'

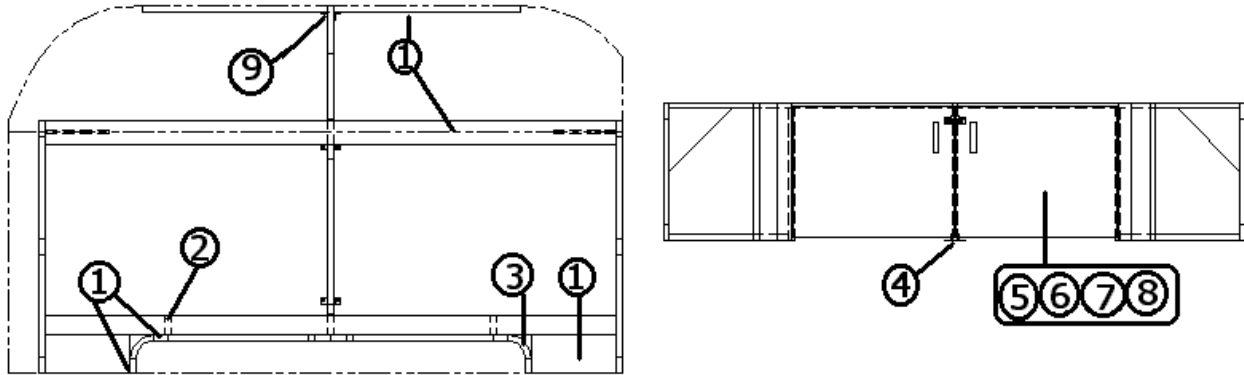


966352-01	UPPER BUNK
1. 915841	WELDMENT-UPPER BUNK
2. 801438	PNL-FRT WHT VINYL/RAW 2.7MM
3. 800507-03	LAUAN, 3/8" X 4' X 8'
4. 801456	PANEL, BLACK MAPLE/WHITE LINER 12MM
5. 801392	PANEL, WHITELINER/WHITELINER 12MM
381736-03	BRACE-UPPER BUNK BED
703501	MATTRESS-UPPER BUNK 4"
114743	ANGLE ALUMINUM, 11" X 1.50" X 2.00"
703468	UPPER BUNK SAFETY NET
703526	THROW-TOP BUNK BED
365209	TAPE-FOAM

# 2006 INTERNATIONAL TRAVEL TRAILER

## FURNITURE, BEDROOM

### Bed Assembly, 22' Model

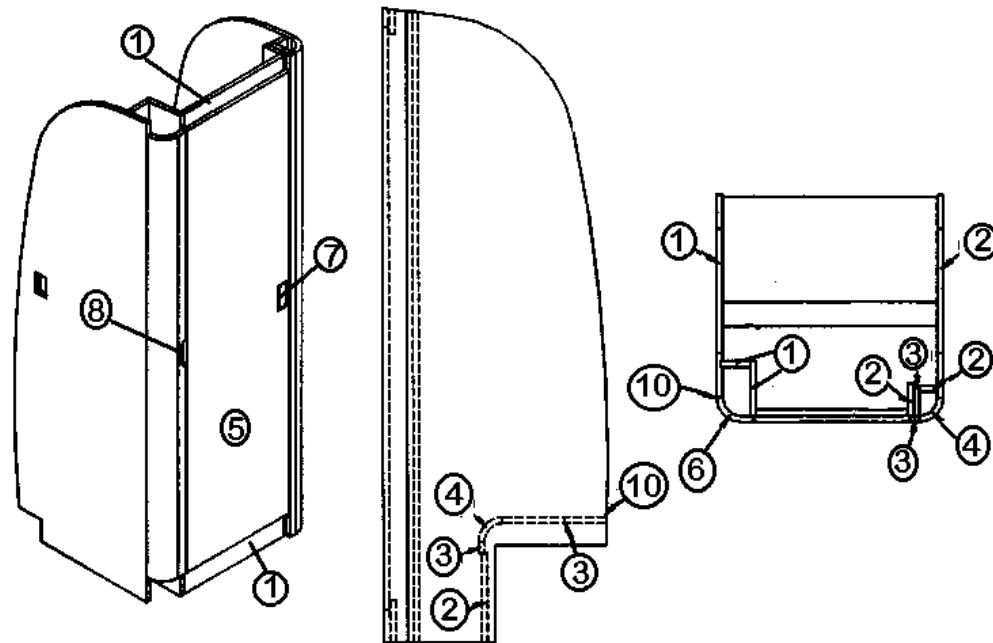


965978	Assembly, Bed base, 22'
1. 801351	Light plywood, $\frac{3}{4}$ "
2. 801368	Panel, white liner/White liner
3. 801345	Radius plywood, $\frac{3}{4}$ " x 3" x 8'
4. 365238-01	EDGEBANDING TAPE PVC 15/16"
5. 801375-12	Door, 20.56" x 16.50"
6. 381607	Hinge, assembly, grass euro
7. 381228-01	Grabber catch
8. 381775	Drawer/door handle
9. 385693-01	Bracket mounting bracket, lambrequin
801355-01	LAMINATE, FROST WHITE 4' X 8'
203419	BOX STORAGE 23"L X 16.75" W X 11.88"
203439	STORAGE BOX 17"L X 11.13"W X 6.38"
703190-05	MATTRESS-48" X 78" W/DLB RADIUS CORNER

# 2006 INTERNATIONAL TRAVEL TRAILER

## FURNITURE, BEDROOM

### Wardrobe Assembly, 22'



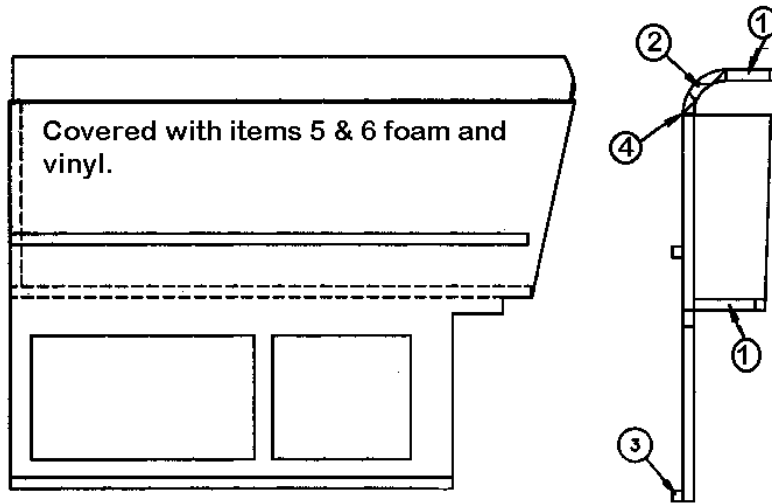
- 965527 Wardrobe Assembly
1. 801436-01 PANEL, BLACK MAPLE/WHITE
2. 801378 PANEL, WHITE LINER/GATOR
3. 801351 Lite plywood, .75" x 4' x 8'
4. 801345 Radius plywood, .75" x 3" x 8'
5. 801375-08 Door, Slatewood, 19.50" x 72.00"
6. 965536 Foldette door cover
7. 381775 Drawer handle
8. 381607 Hinge, Grass-Euro
9. 381228-01 Door Grabber catch
10. 380203-01 Piano hinge 1/8" pin clear anodized
- 801439-01 LAMINATE-BLACK MAPLE, 4' X 8',  
VERTICAL
- 365278-01 EDGE BANDING-BLACK MAPLE 1.13"
- 801355-01 PANEL, FROSTY WHITE 4' X 8' VERTICLE



# 2006 INTERNATIONAL TRAVEL TRAILER

## FURNITURE, BEDROOM

### Hamper-Headboard/TV Shelf, 19', 22'

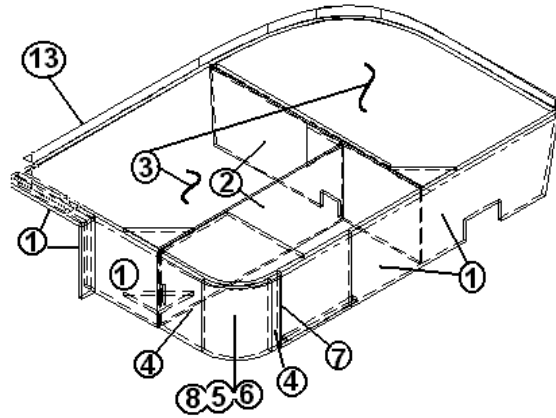
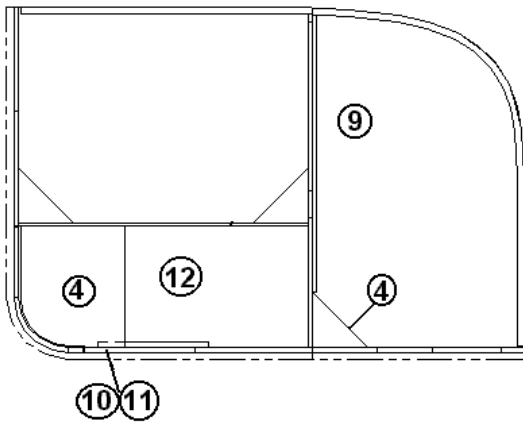


- |              |  |
|--------------|--|
| 965531       | Hamper-Headboard Assembly              |
| 1. 801378    | Panel, Rexel/raw                       |
| 2. 801345    | Radius plywood, .75" x 3" x 8'         |
| 3. 800025-01 | Pine. Stained, 3/4" x 3/4"             |
| 4. 380458    | Hinge, piano, brown, anodized          |
| 5. 700414    | Foam, 3/8" x 72; wide (specify length) |
| 6. 702482-03 | HEADLINER SPECTRA OPAL X TEXTURE       |

# 2006 INTERNATIONAL TRAVEL TRAILER

## FURNITURE, BEDROOM

### BED BASE ASSEMBLY, 25'

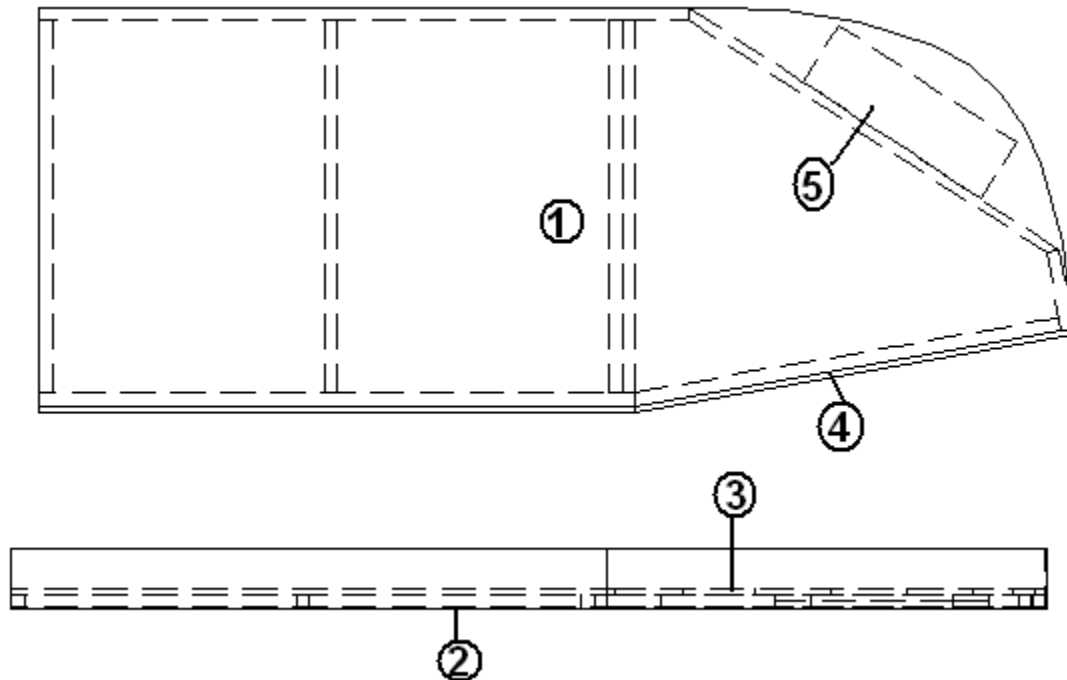


965843	BED BASE ASSEMBLY, 25'
1. 801436-01	PANEL, BLACK MAPLE/WHITE 18MM
2. 801392	PANEL, WHITELINER/WHITELINER
3. 800507-03	LAUAN, 3/8" X 4' X 8'
4. 801351	LITE PLY-18MM (.75") 4' X 8'
5. 801348	RADIUS PLYWOOD-.75" X 8" X 6'
6. 966058-01	DOOR ASSEMBLY, BED
7. 381853	HINGE, ALUMINUM, PIANO
8. 701538-01	CARPET-ECONOLIER
9. 703182-05	MATTRESS-52" X 76" W/10" RADIUS CORNER
10. 381775	DRAWER PULL-FLUSH SATIN #UT-10
11. 381948	CLIP-LOCKING (DRAWER SLIDE/BOX)
12. 203419	BOX STORAGE 23"L X 1 6.75" W X 11.88"
12a. 203439	STORAGE BOX, 17"L X 11.13" W X 6.38"
13. 115150	ANGLE-BED SUPPORT 80"
114813	ALUMINUM ANGLE 1.00" X 1.50"

# 2006 INTERNATIONAL TRAVEL TRAILER

## FURNITURE, BEDROOM

966109-01 BED, BUNK OPTION 25'



- |              |                                     |
|--------------|-------------------------------------|
| 966109-01    | BED, UPPER BUNK 25'                 |
| 1. 915742    | WELDMENT- UPPER BUNK BED            |
| 2. 801438    | PANEL, FRONT, WHITE VINYL/RAW       |
| 3. 800507-03 | LAUAN, 3/8" X 4' X 8'               |
| 4. 801456    | PANEL, BLACK MAPLE/WHITE LINER 12MM |
| 5. 801392    | PANEL, WHITELINER/WHITELINER        |
| 703451       | MATTRESS- 4" X 30" X 78"            |
| 365209       | TAPE-FOAM, .045 X 1/2", BLACK       |

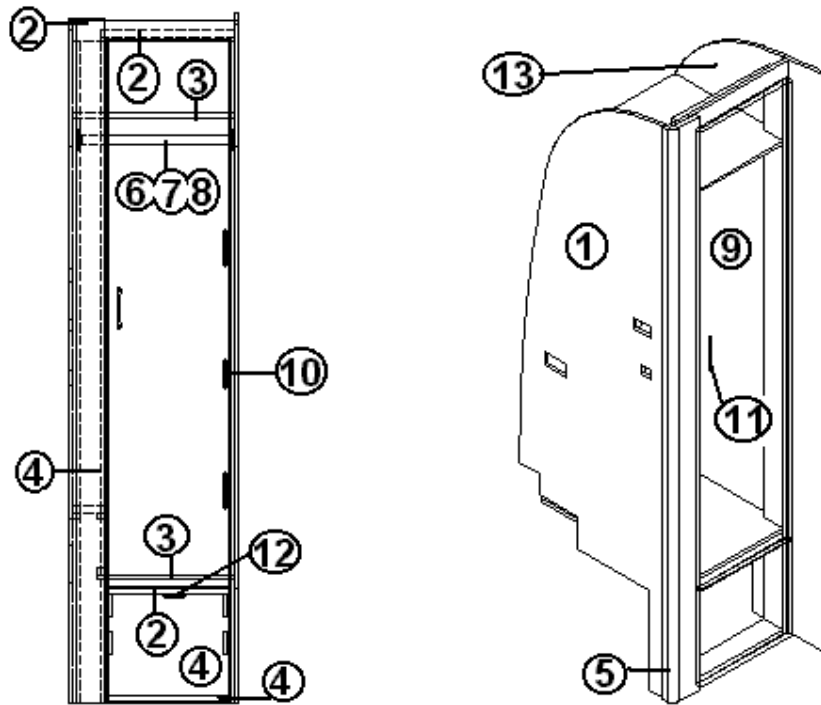
DOOR, FOLDETTE, 25'

- |           |   |
|-----------|---|
| 702681-04 | DOOR FOLDETTE IRVINE 56" X 73"          |
| 101038    | EXTRUSION, HEADER, 110', BROWN          |
| 801343-01 | LAMINATE, TROPICAL OAK 4' X 8' VERTICAL |
| 200003-01 | END CAP MOUNTING, BLACK                 |
| 701342-01 | STRAP, VINYL, HOLD BACK, 7.0" LONG      |

# 2006 INTERNATIONAL TRAVEL TRAILER

## FURNITURE, BEDROOM

### RS WARDROBE ASSEMBLY, RS, 25', 965840

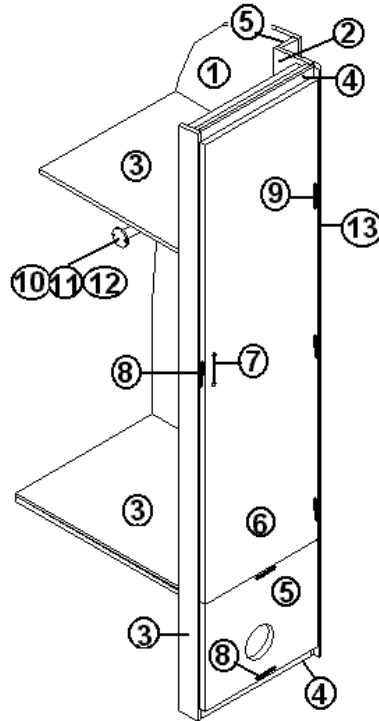


965840	RS WARDROBE ASSEMBLY, 25'
1. 801460-02	PANEL-RS AFT WARDROBE, 25'
2. 801456-01	PANEL, BLACK MAPLE/WHITE LIN 12M
3. 801392	PANEL, WHITELINER/WHITELINER
4. 801436-01	PANEL, BLACK MAPLE/WHITE 18M
5. 801393-02	CORNER TRIM-90D 1"RADIUS, 84"
6. 380046	FLANGE CHROME
7. 380045	TUBING 3/4" METALLIC
8. 200975-04	CONDUIT, FLEXIBLE BLACK PLASTIC
9. 801341-60	DOOR-RS WARDROBE 14.25" X 62.38"
10. 381607	HINGE ASSY-GRASS EURO
11. 381775	DRAWER PULL, FLUSH
12. 381228-01	CATCH GRABBER DOOR
13. 801460-03	PANEL-FWD RS WARDROBE
365278-01	EDGE BANDING-BLACK MAPLE 1.13"
365238-04	EDGE BANDING TAPE PVC 5/8" WHITE
365278-03	EDGE BANDING-BLACK MAPLE .625"
381832	SHELF-TV RECESSED, BLACK

# 2006 INTERNATIONAL TRAVEL TRAILER

## FURNITURE, BEDROOM

WARDROBE, CS, 25', 965841, 965841-01 w/ BUNK OPTION, 25'

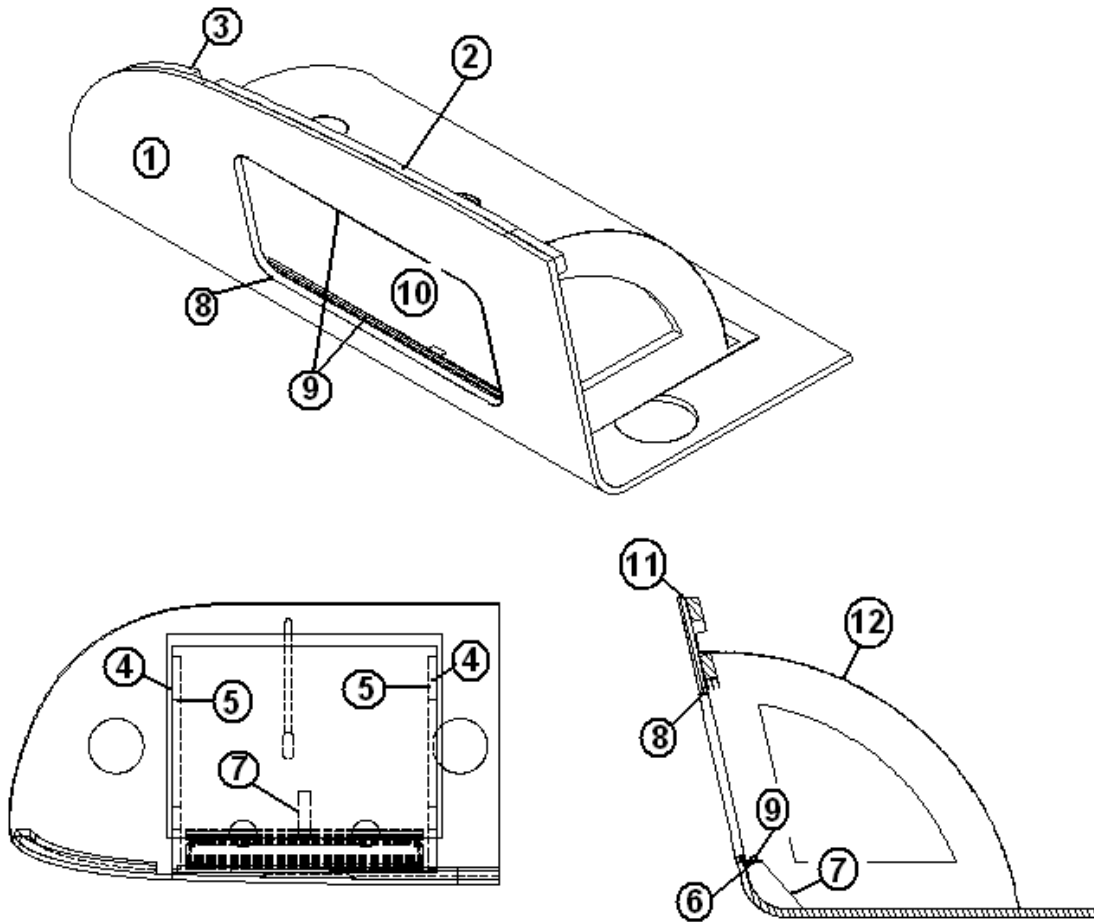


965841	WARDROBE ASSY, CS
1. 801460-06	PANEL-CS AFT WARDROBE
1a. 801460-15	PANEL-CS AFT WARDROBE, w/upper bunk
2. 801460-07	PANEL-FWD FOLDETTTE DOOR
3. 801392	PANEL, WHITELINER/WHITELINER
4. 801383	PANEL, TROPICAL OAK/WHITELINER
5. 801436-01	PANEL, BLACK MAPLE/WHITE 18M H
6. 801341-70	DOOR-RS W/R 17.5" X 61.25"
7. 381775	DRAWER PULL, FLUSH
8. 381228-01	CATCH GRABBER DOOR
9. 381607	HINGE ASSY-GRASS EURO
10. 380046	FLANGE CHROME
11. 380045	TUBING 3/4", METALLIC
12. 200975-04	CONDUIT, FLEXIBLE BLACK PLASTIC
13. 801393-02	CORNER TRIM-90D 1"RADIUS, 84"

# 2006 INTERNATIONAL TRAVEL TRAILER

## FURNITURE, BEDROOM

### Roof Locker, Rear End Liner, 25'

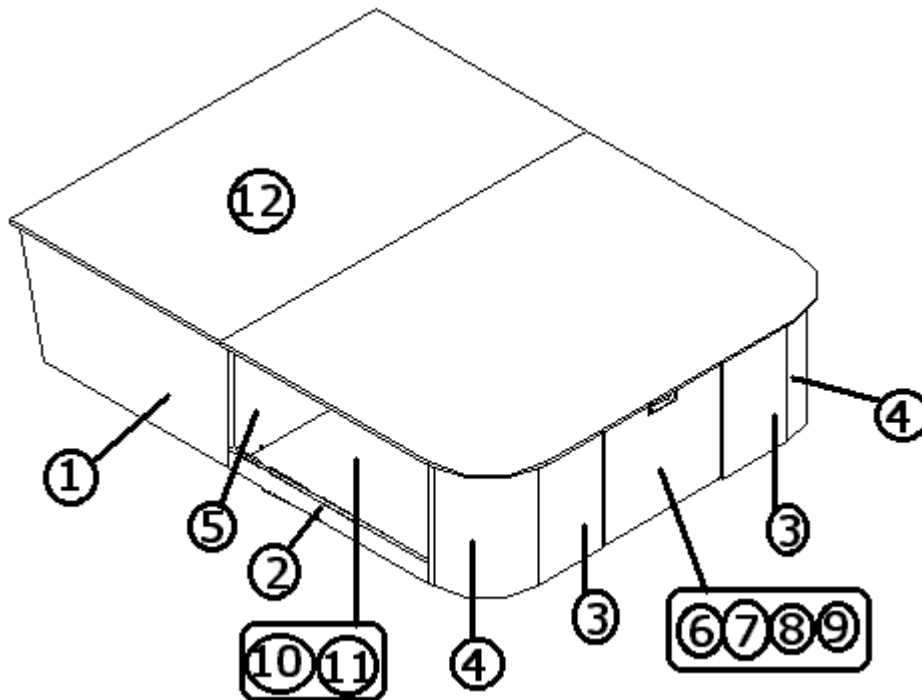


- |               |   |
|---------------|---|
| 966389        | Roof Locker, Rear End Liner                   |
| 1. 801593-05  | Locker face, Rear end roof locker             |
| 2. 801596-01  | Backer, liner locker, center                  |
| 3. 801596-02  | Backer, liner locker, LH                      |
| 4. 801594     | Divider, liner locker                         |
| 5. 801595     | Divider, liner locker, w/o Audio Switch Holes |
| 5. 801595-01  | Divider, liner locker, w/o Audio Switch Holes |
| 6. 115261-03  | Angled, formed, 28.50"                        |
| 7. 115226-01  | Bracket, locker center support                |
| 8. 203508-01  | T-trim, 9/16", wood grain                     |
| 9. 381245     | Sliding door track                            |
| 10. 965563-03 | Door, sliding Plexiglas, 11.31" x 15"         |
| 11. 201673    | Cove molding, Ivory, plastic                  |
| 12. 115264-03 | Pan, liner, locker                            |

# 2006 INTERNATIONAL TRAVEL TRAILER

## FURNITURE, BEDROOM

### Bed Base, 28', 965988

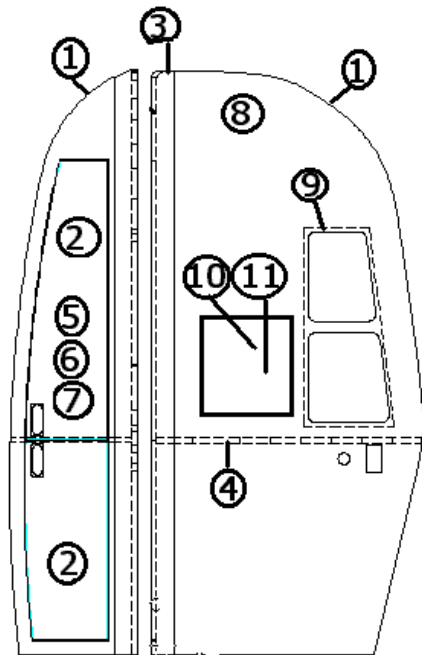


- |               |                                       |
|---------------|---------------------------------------|
| 965988        | Bed Base, 28'                         |
| 1. 801436-01  | Panel, black Maple/White liner, 18mm  |
| 2. 801368     | Laminate, white liner/white liner     |
| 3. 801351     | Lite ply, 3/4"                        |
| 4. 965858-01  | Sub assembly, bed corner, 28'         |
| 5. 801392     | Panel, white liner/white liner        |
| 6. 801375-02  | DOOR-BED BASE 14.00" X 7.00"          |
| 7. 381775     | Drawer pull                           |
| 8. 381607     | Hinge assembly, Grass-Euro            |
| 9. 381228-01  | Door grabber catch                    |
| 10. 203419    | Storage box, 23"L x 16.75"W x 11.88"H |
| 11. 203439    | Storage box, 17"L x 11.13"W x 6.38"H  |
| 12. 703336-05 | Mattress, 60" x 75", 11" radius       |
| 365278-01     | EDGE BANDING-BLACK MAPLE 1.13"        |
| 380203-01     | PIANO HINGE 1/8" PIN CLEAR ANODIZED   |
| 381067-09     | SPRING, GAS 90 LBS.                   |
| 381262        | BRACKET, PROP, W/BALL                 |
| 381310        | GAS PROP BRKT. ASSY-UPPER             |
| 381084        | BALL, STUD                            |

# 2006 INTERNATIONAL TRAVEL TRAILER

## FURNITURE, BEDROOM

Rear Closets, 28', CS-965994, RS-965995



965994

CS Rear Closet, 28' (shown)

965995

RS Rear Closet, 28' (opposite)

1. 801378-01

Panel, white liner/gator, 18mm

2. 801436-01

Panel, Black décor, Maple/White

3. 801345

Radius plywood, .75" x 3" x 8'

4. 801386

Panel, white liner/white liner, 18mm

5. 381607

Hinge assembly, Grass-Euro

6. 381228-01

Grabber catch

7. 381775

Drawer pull, satin

8. 801439-01

Laminate, black décor, maple

9. 965768-01

Book shelf, CS

9a. 965768-02

Book shelf, RS

10. 386106-01

Magazine rack

11. 386107

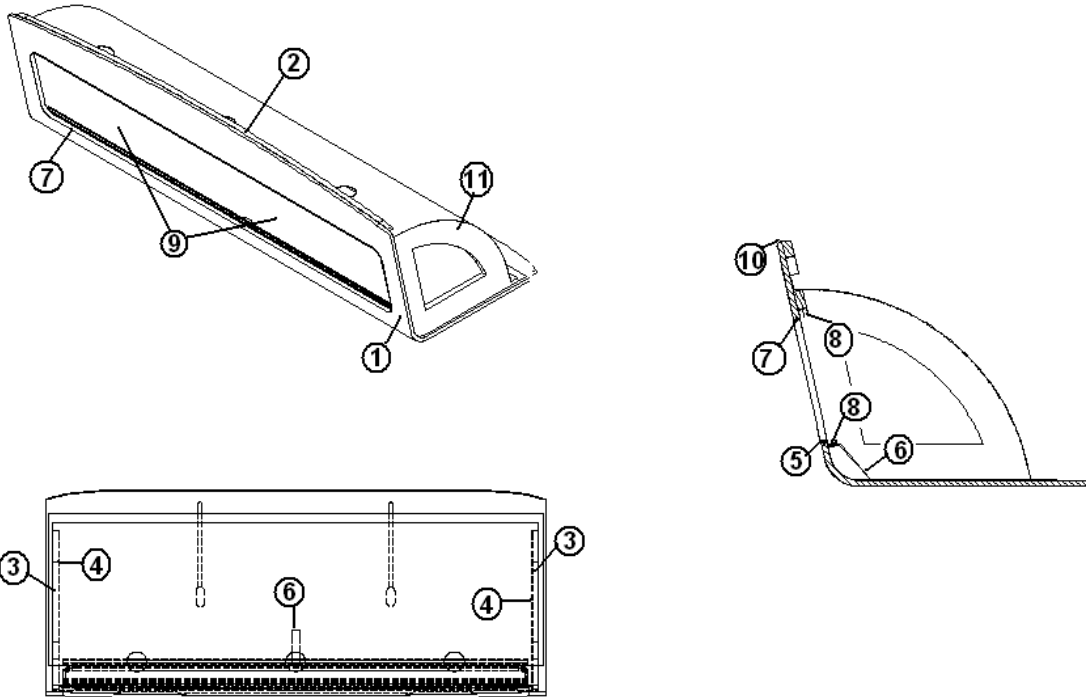
Magazine, rod



# 2006 INTERNATIONAL TRAVEL TRAILER

## FURNITURE, BEDROOM

### Roof Locker, Rear End Liner, 28'

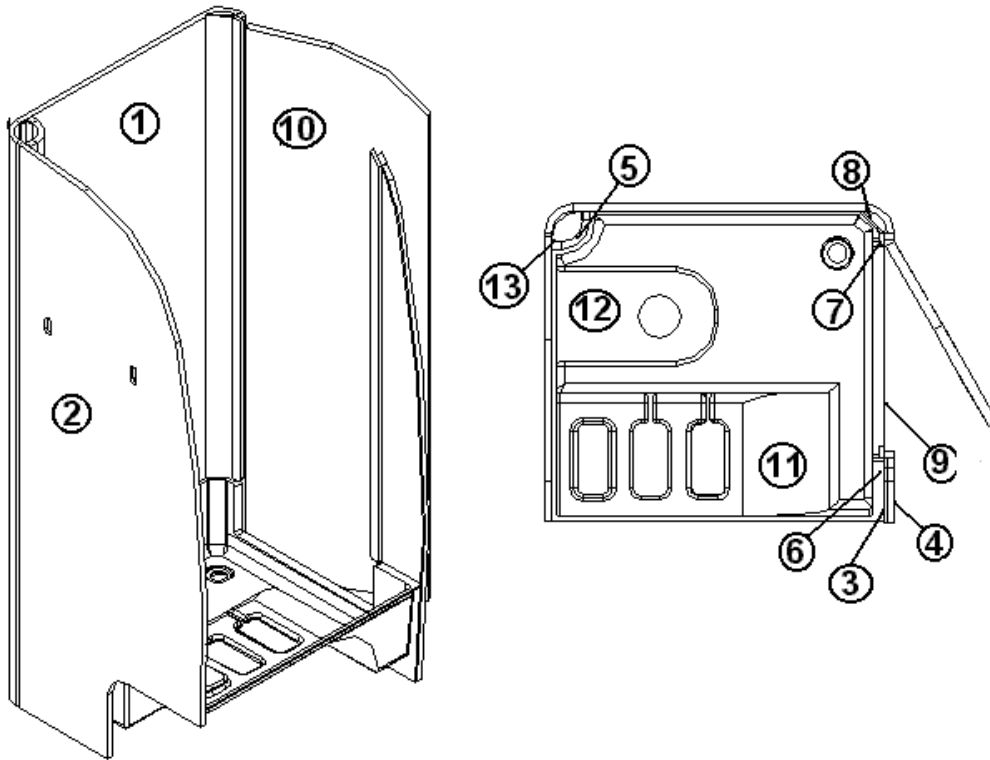


966386	Roof Locker, Rear End Liner
1. 801593-02	Locker face, front end roof locker
2. 801596-01	Backer, liner locker, center
3. 801594	Divider, liner locker
4. 801595	Divider, liner locker, w/o Audio Switch Holes
4. 801595-01	Divider, liner locker, w/Audio Switch Holes
5. 115261-01	Angled, formed, 58.50"
6. 115226-01	Bracket, locker center support
7. 203508-01	T-trim, 9/16", wood grain
10. 381245	Sliding door track
11. 965563-08	Door, sliding Plexiglas, 11.31" x 30"
12. 201673	Cove molding, Ivory, plastic
13. 115264-01	Pan, liner, locker

# 2006 INTERNATIONAL TRAVEL TRAILER

## FURNITURE, BATH

### BATH LAYOUT, 16'

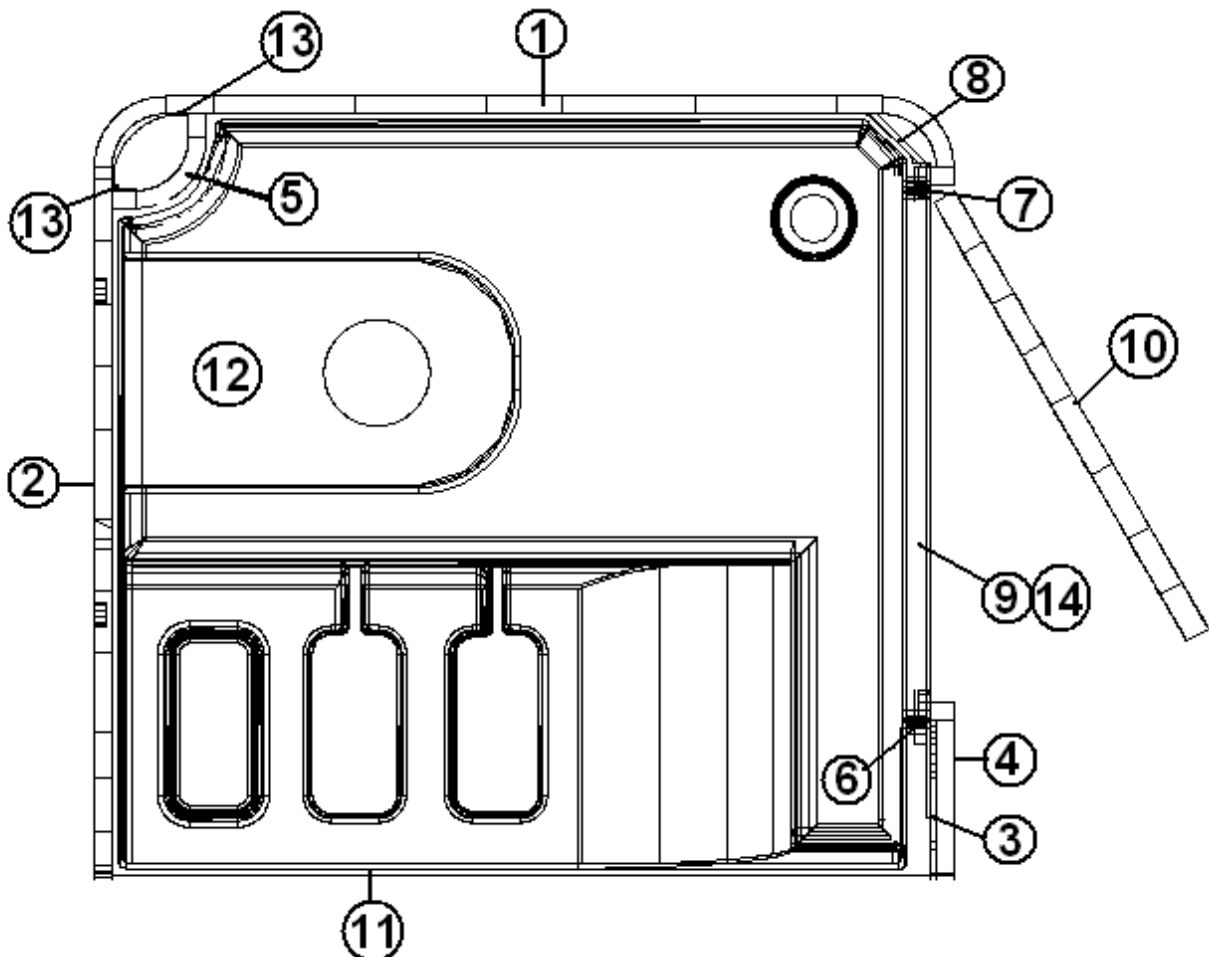


- |               |                                   |
|---------------|-----------------------------------|
| 1. 965889-01  | WALL ASSY-WET BATH                |
| 2. 801466-01  | PANEL-AFT WET BATH                |
| 3. 801466-02  | PANEL-FWD WET BATH                |
| 4. 965889-02  | WALL SUB ASSY-FWD WET BATH        |
| 5. 965889-03  | CLOSEOUT ASSY-WET BATH            |
| 6. 801466-03  | JAMB-DOOR LEFT SIDE               |
| 7. 801466-04  | JAMB-DOOR RIGHT SIDE              |
| 8. 801466-05  | CLOSEOUT-FWD WET BATH             |
| 9. 801466-06  | PANEL-WET BATH CLOSEOUT           |
| 10. 965905    | DOOR ASSY-WET BATH 22.5" X 76.06" |
| 11. 203444-01 | BASE-SHOWER FIBERGLASS WHITE      |
| 12. 690472    | TOILET-CHINA HI PROFILE WHITE     |
| 13. 114812    | ALUM. ANGLE 1.00" X 1.00"         |
| 601847        | CABINET-MED W/MIRROR 16"X 22"     |

# 2006 INTERNATIONAL TRAVEL TRAILER

## FURNITURE, BATH

### BATH LAYOUT, 16', QUICKSILVER

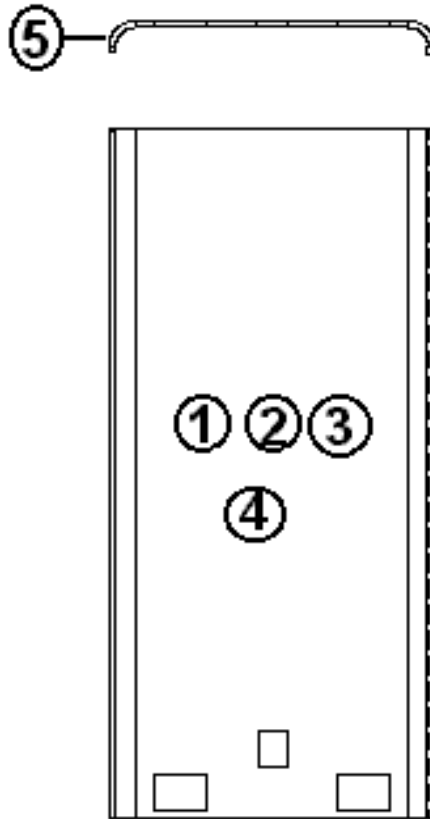


- |               |                                |
|---------------|--------------------------------|
| 1. 966471     | WALL ASSY, WET BATH QSE        |
| 2. 801639     | PANEL, AFT, WET BATH QSE       |
| 3. 801466-17  | PANEL, FWD, WET BATH QSE       |
| 4. 965889-02  | WALL SUB ASSY, FWD WET BATH    |
| 5. 965889-03  | CLOSEOUT ASSY, WET BATH        |
| 6. 801466-03  | JAMB, DOOR LEFT SIDE           |
| 7. 801466-04  | JAMB, DOOR RIGHT SIDE          |
| 8. 801466-05  | CLOSEOUT, FWD WET BATH         |
| 9. 801466-06  | PANEL, WET BATH CLOSEOUT       |
| 10. 966468    | DOOR ASSY, WET BATH QSE        |
| 11. 203444-01 | BASE, SHOWER FIBERGLASS WHITE  |
| 12. 690472    | TOILET, CHINA HI PROFILE WHITE |
| 13. 104913    | EXTRUSION, ANGLE               |
| 14. 201666    | MOLDING-J-3/16 PLASTIC, ALMOND |

# 2006 INTERNATIONAL TRAVEL TRAILER

## FURNITURE, BATH

WALL ASSEMBLY, WET BATH, 16', 965889-01

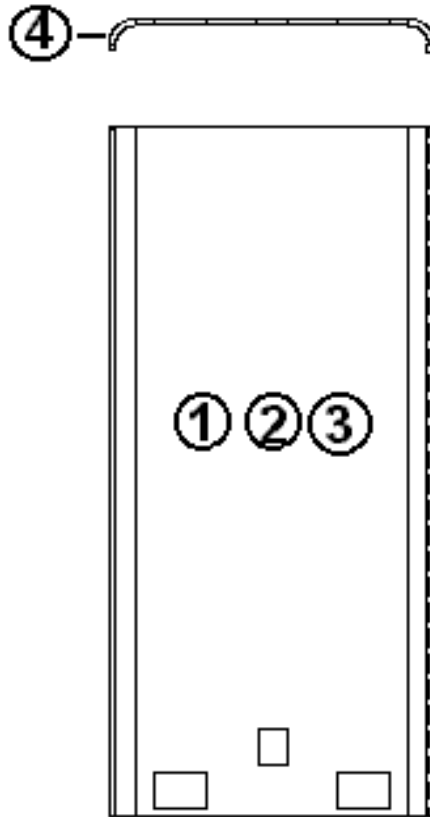


- |              |  |
|--------------|--|
| 1. 801355-01 | LAMINATE, FROST WHITE 4' X 8' VERTICAL |
| 2. 801437-01 | LAMINATE, EXTREME GREEN VERTICAL 4'    |
| 3. 801369-01 | PANEL, FROST WHITE/WHITE LINER         |
| 4. 801351    | LITE PLY-18MM (.75") 4' X 8'           |
| 5. 801345    | RADIUS PLYWOOD .75" X 3" X 8'          |

# 2006 INTERNATIONAL TRAVEL TRAILER

## FURNITURE, BATH

WALL ASSEMBLY, WET BATH, 16', QUICKSILVER

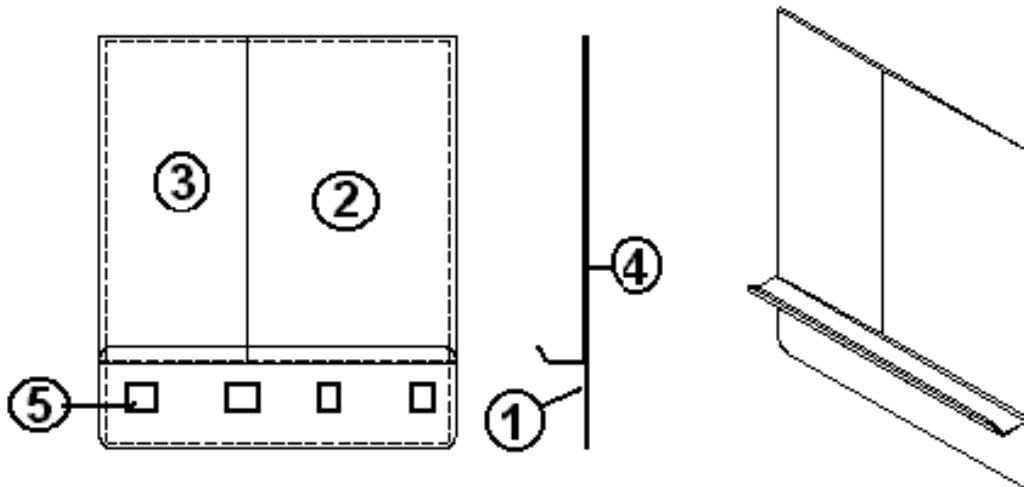


- |              |  |
|--------------|--|
| 966471       | WALL ASSY- WET BATH QSE                |
| 1. 801355-01 | LAMINATE, FROST WHITE 4' X 8' VERTICAL |
| 2. 801369-01 | PANEL, FROST WHITE/WHITE LINER         |
| 3. 801351    | LITE PLY-18MM (.75") 4' X 8'           |
| 4. 801345    | RADIUS PLYWOOD .75" X 3" X 8'          |

# 2006 INTERNATIONAL TRAVEL TRAILER

## FURNITURE, BATH

### MIRROR/COAT HANGER, 16'

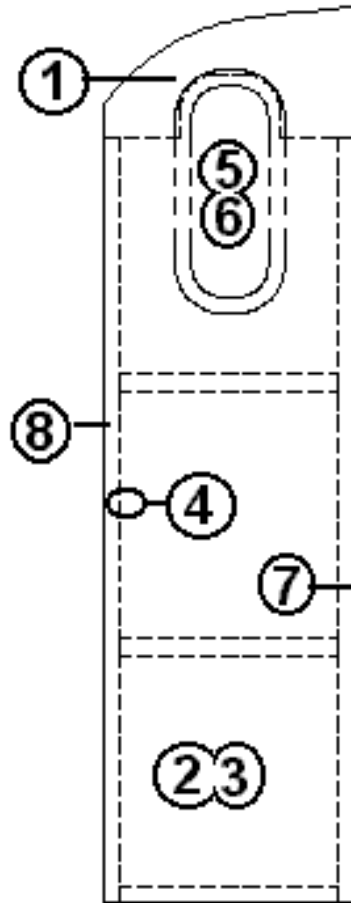


- |              |                                 |
|--------------|---------------------------------|
| 1. 203446    | SHELF-7.04" X 24" ORANGE        |
| 2. 372203-09 | GLASS SAFETY MİRRORED 14" X 22" |
| 3. 801468    | CORK BOARD-.25" X 10" X 22"     |
| 4. 101115    | SHEET, ALUM .060" X 48" X 120"  |
| 5. 381384    | HOOK-ALUMINUM, COAT 1.68"       |
| 203466       | SPEAKER SPACER-PLASTIC 6.50" J  |

# 2006 INTERNATIONAL TRAVEL TRAILER

## FURNITURE, BATH

DOOR, BATH, 16'

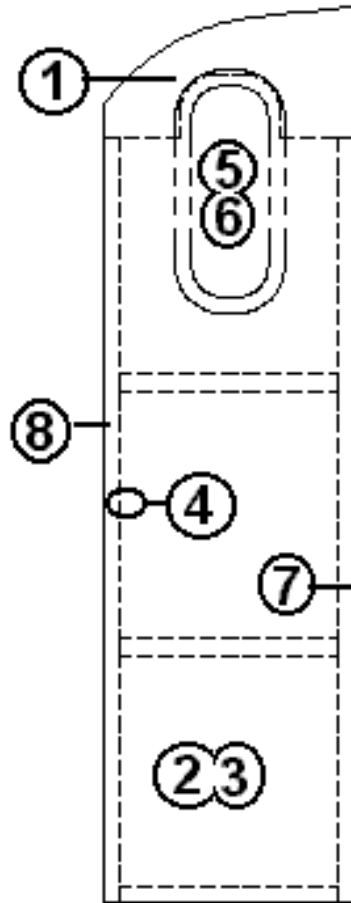


965905	DOOR ASSEMBLY-WET BATH 22.5" X 76.06"
1. 800507-06	LAUAN-.75" X 4' 8'
2. 800507-01	LAUAN, 1/8"X4'X8'
3. 801437-01	LAMINATE-EXTREME GREEN VERTICAL 4'
4. 381771	LATCH-LEVER LOCKSET PRIVACY
5. 371384	WINDOW-BATH DOOR
6. 203475	TRIM, 18" STACK WINDOW 16'/22'
7. 380203-01	PIANO HINGE 1/8" PIN CLR ANODIZED
8. 365278-04	EDGEBANDING-BLACK MAPLE 1.25"
454320	DOOR HANDLE COVER

# 2006 INTERNATIONAL TRAVEL TRAILER

## FURNITURE, BATH

DOOR, BATH, 16', QUICKSILVER



966468	DOOR ASSEMBLY-WET BATH 22.5" X 76.06"
1. 800507-06	LAUAN-.75" X 4' 8'
2. 800507-01	LAUAN, 1/8"X4'X8'
3. 801355-01	LAMINATE, FROSTY WHITE 4' X 8' VERTICLE
4. 381771	LATCH-LEVER LOCKSET PRIVACY
5. 371384	WINDOW-BATH DOOR
6. 203475	TRIM, 18" STACK WINDOW 16'/22'
7. 380203-01	PIANO HINGE 1/8" PIN CLR ANODIZED
8. 365278-04	EDGEBANDING-BLACK MAPLE 1.25"
454320	DOOR HANDLE COVER



## 2006 INTERNATIONAL TRAVEL TRAILER

### FURNITURE, BATH

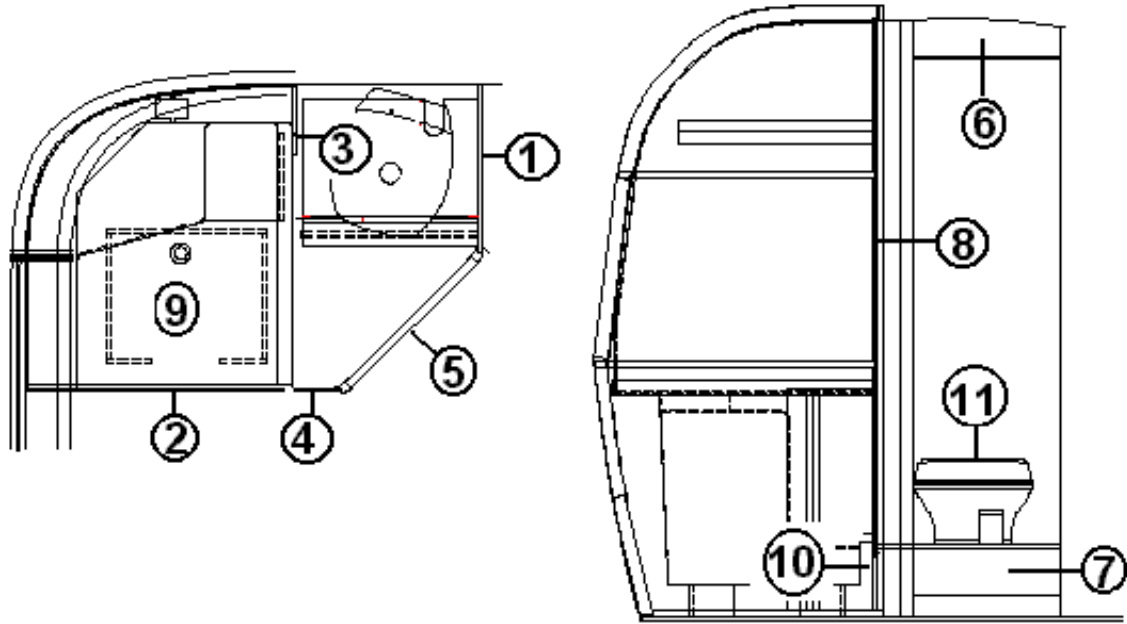
#### SHOWER CURTAIN, 16'

703467-01	SHOWER CURTAIN, SQUARE CORNER
703467-02	SHOWER CURTAIN, CONTOURED
703236	FABRIC PENNE OFF WHITE SHOWER
700103	WEBBING 1/2IN FOR SHOWER CURTAIN
700045	GLIDES CURTAIN G3 W/ELASTIC
700021	HOOK, VELCRO, WHITE
700020	PILE VELCRO
703467-03	STRAP-SHOWER CURTAIN
381581	STRAP CLEAR PLASTIC .75" WIDE
700811	BUTTON CAP, HANDY
700812	BUTTON BOTTOM, HANDY
100097	EXTR. ALUM CURTAIN TRACK

# 2006 INTERNATIONAL TRAVEL TRAILER

## FURNITURE, BATH

### BATH LAYOUT, 25', 19'

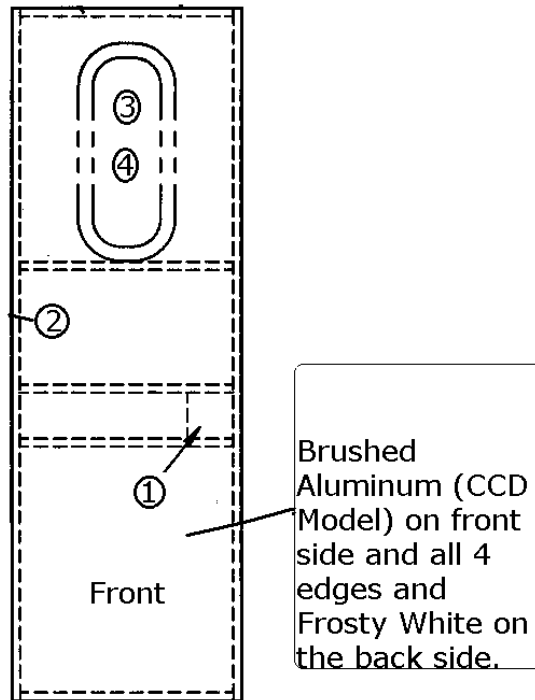


- |     |           |   |
|-----|-----------|---|
| 1.  | 801460-08 | PANEL-RS SHOWER, 25'                        |
| 1a. | 801460-14 | PANEL-AFT SHOWER, 19'                       |
| 1b. | 801460-10 | PANEL-AFT SHOWER, 19' 75 <sup>th</sup> Ann. |
| 2.  | 801460-09 | PANEL-AFT SHOWER                            |
| 3.  | 801460-10 | PANEL-SHOWER DIVIDER                        |
| 4.  | 801394-02 | CORNER TRIM-45D 2" RADIUS 84"               |
| 5.  | 966115    | DOOR ASSEMBLY-BATH                          |
| 6.  | 965839    | HEADER-BATH DOOR                            |
| 7.  | 965838    | STAND ASSY-TOILET                           |
| 8.  | 702937-03 | SHOWER DOOR-ROLL AWAY 62" X 36"             |
| 9.  | 203114    | SHOWER 2 PC. FIBERGLASS                     |
| 10. | 965565-01 | CLOSEOUT-SHOWER                             |
| 11. | 690472-01 | TOILET-CHINA LOW PROFILE WHITE              |
|     | 365278-02 | EDGE BANDING-BLACK MAPLE 1.625"             |

# 2006 INTERNATIONAL TRAVEL TRAILER

## FURNITURE, BATH

DOOR, BATH, 19' 25', 966115

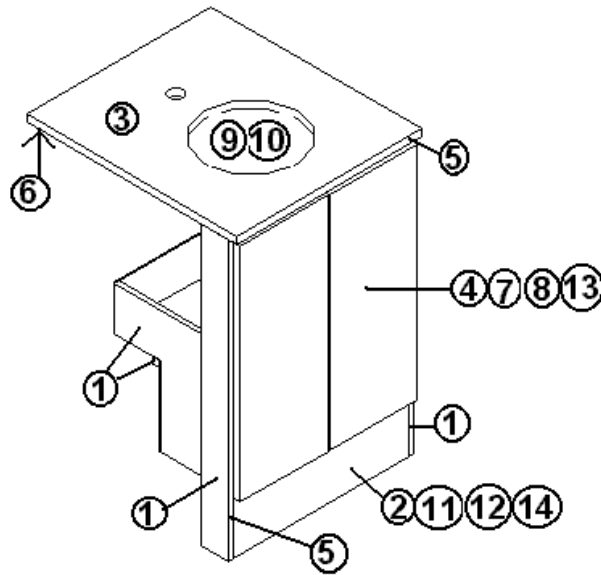


966115	Bath door, 19'
1. 381771	Latch, bath door
2. 380203-01	Hinge, Clear
3. 371384	Window, 18"
4. 203475	TRIM STACK WINDOW 18"
454320	DOOR HANDLE COVER
801355-01	Frosty White Formica
365278-04	EDGE BANDING-.024"X 1.25" BLACK MAPLE
801439-01	LAMINATE-BLACK MAPLE-4' X 8'
801456-01	PANEL, PRELAM BLK MPL/WHT LIN 12MM
801392	PANEL, PRELAM WHTLIN/WHTLIN 12MM
365238-04	EDGE BANDING TAPE PVC 5/8" C.WHITE
801438	PANEL, FRONT WHITE VINYL/RAW 2.7MM
201666	MOLDING-J-3/16 PLASTIC, ALMOND

# 2006 INTERNATIONAL TRAVEL TRAILER

## FURNITURE, BATH

### LAVATORY CABINET, 25', 19', 965844

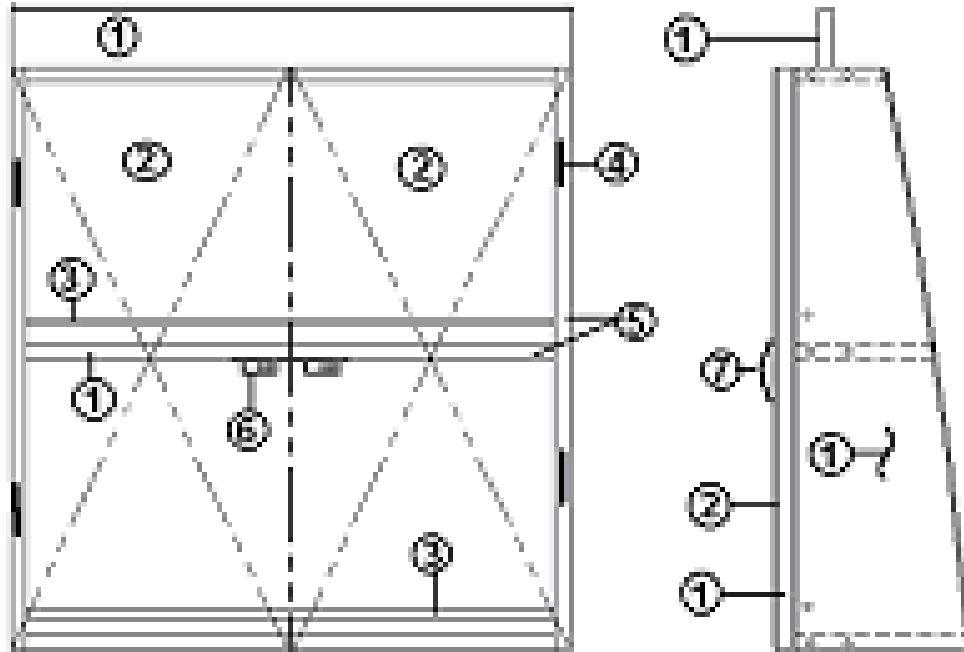


965844	CABINET ASSEMBLY, LAVATORY 25', 19'
1. 801392	PANEL, WHITELINER/WHITELINER
2. 801456-01	PANEL, BLACK MAPLE/WHITE LINER 12MM
3. 965845	CUTOUT ASSY-LAVATORY TOP
4. 801375-27	DOOR-LAVATORY 9.75" X 22.88"
5. 365278-03	EDGE BANDING-BLACK MAPLE .625"
6. 386141	BRACKET MTG. ANGLE LAMBREQUIN
7. 381607	HINGE ASSY-GRASS EURO-SAFARI
8. 381865	PULL-BAR BRUSH NICKEL
9. 601804-01	SINK-LAVATORY YUKON ROUND
10. 601813	TAIL PIECE-LIFT/TURN DRAIN
11. 381228-01	CATCH GRABBER DOOR C3-803
12. 381074	CATCH BULL DOG #65S (COPPER)
385963	BRACKET, MOUNTING ANGLE, LAMBREQUIN
801369-01	PANEL, FROST WHITE/WHITE LINER
365267	EDGE BANDING-1.13" .024 PLY
801436-01	PANEL, BLACK MAPLE/WHITE 18M V
365278-01	EDGE BANDING-BLACK MAPLE 1.13"
365238-04	EDGE BANDING TAPE PVC 5/8" C.WHITE
801438	PANEL, FROST WHITE VINYL/RAW 2.7MM

# 2006 INTERNATIONAL TRAVEL TRAILER

## FURNITURE, BATH

### MEDICINE CABINET, LOWER, 19', 25', 965570

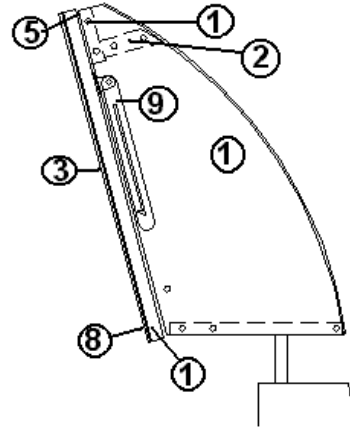
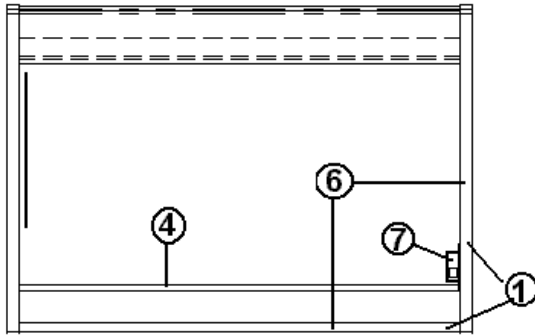


- |              |  |
|--------------|--|
| 965570       | Medicine Cabinet, Lower                  |
| 1. 801392    | PANEL, WHITELINER/WHITELINER             |
| 2. 372203-24 | MIRROR- POL EDGES, 9.50" X 20"           |
| 3. 115042    | ROD, MEDICINE CABINET                    |
| 4. 385935-01 | HINGE PIVOT ZINC PLATED                  |
| 5. 365238-04 | EDGEBANDING TAPE PVC 5/8" Colonial White |
| 6. 381228-01 | CATCH GRABBER DOOR C3-803                |
| 7. 381835    | HANDLE-CHROME/BRASS                      |

# 2006 INTERNATIONAL TRAVEL TRAILER

## FURNITURE, BATH

Medicine cabinet, Upper, 19', 25', 965569

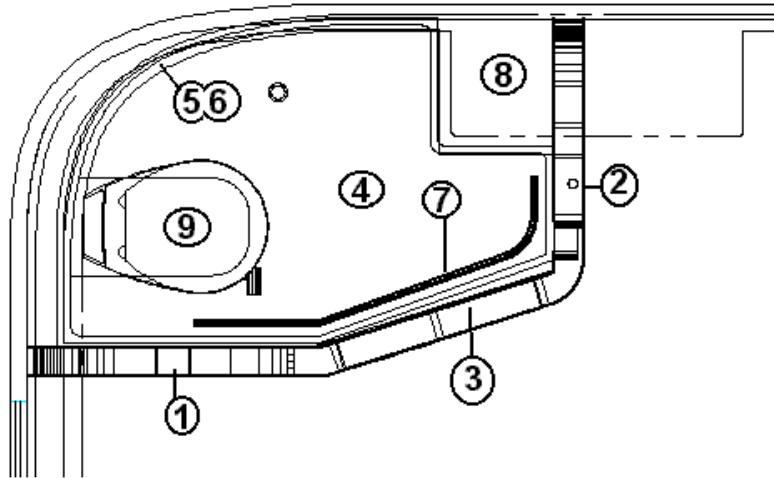


- |              |  |
|--------------|--|
| 965569       | Medicine cabinet, Upper, 19', 25'        |
| 1. 801392    | PANEL, WHITELINER/WHITELINER             |
| 2. 801368    | PANEL, WHITELINER/WHITELINER             |
| 3. 372203-05 | MIRROR, POLISHED EDGES- 19.00" X 14"     |
| 4. 115042    | ROD, MEDICINE CABINET                    |
| 5. 385935-01 | HINGE PIVOT ZINC PLATED                  |
| 6. 365238-04 | EDGEBANDING TAPE PVC 5/8" Colonial White |
| 7. 381228-01 | CATCH GRABBER DOOR C3-803                |
| 8. 381835    | HANDLE-CHROME/BRASS                      |

# 2006 INTERNATIONAL TRAVEL TRAILER

## FURNITURE, BATH

### BATH LAYOUT, 22'

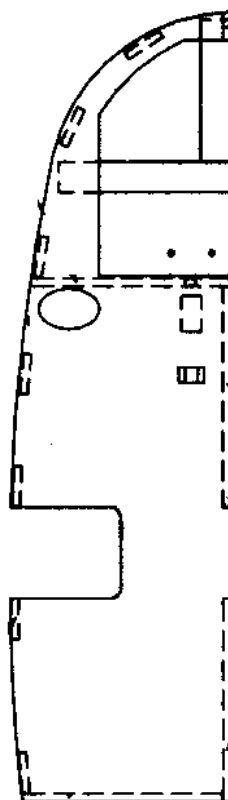
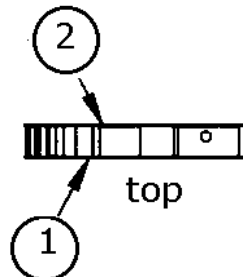


- |              |                           |
|--------------|---------------------------|
| 1. 965505-01 | Bath Wall Left,           |
| 2. 965506-01 | PANEL-BATH WALL RIGHT     |
| 3. 965507-01 | BATH WALL, CENTER         |
| 4. 203298    | SHOWER PAN                |
| 5. 203328-01 | SHOWER SURROUND-UPPER     |
| 6. 203328-02 | SHOWER SURROUND-LOWER     |
| 7. 703132-01 | CURTAIN-SHOWER            |
| 8. 601804-01 | SINK, YUKON, ROUND        |
| 9. 690472    | TOILET, CHINA, HI-PROFILE |
| 203379       | ROOF MATERIAL FIBERGLASS  |
| 203328-03    | MEDICINE CABINET SURROUND |
| 100097       | EXTR. ALUM CURTAIN TRACK  |
| 201666-01    | Molding, J-3/16", plastic |

# 2006 INTERNATIONAL TRAVEL TRAILER

## FURNITURE, BATH

### BATH WALL RIGHT, 22'



965506-01	Bath Wall Right, 22 Ft. Model
1. 801364-02	Panel, right side, inner
2. 801363	Panel, right side, outside
203335	TRIM-H BLACK 1/8" DIVIDER
201666-01	Molding, J-3/16", plastic

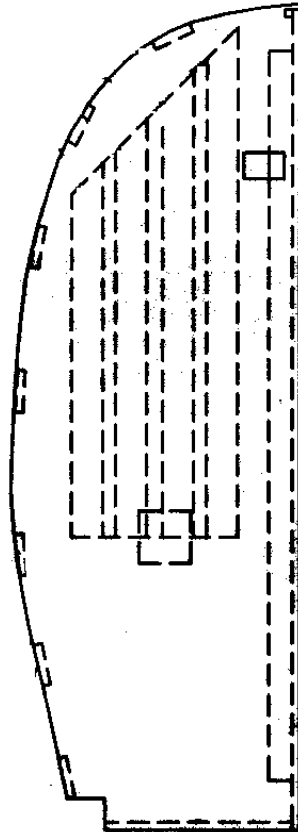
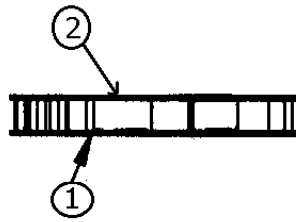
Note: For replacement, Item 1 will be shipped loose and then glued to item 2 after item 2 is installed in trailer.



# 2006 INTERNATIONAL TRAVEL TRAILER

## FURNITURE, BATH

### BATH WALL LEFT, 22'



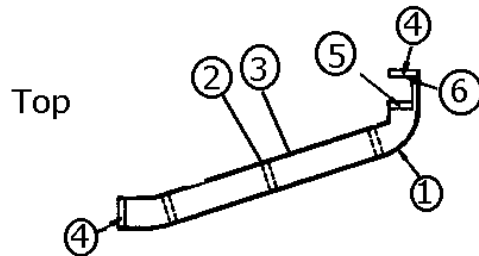
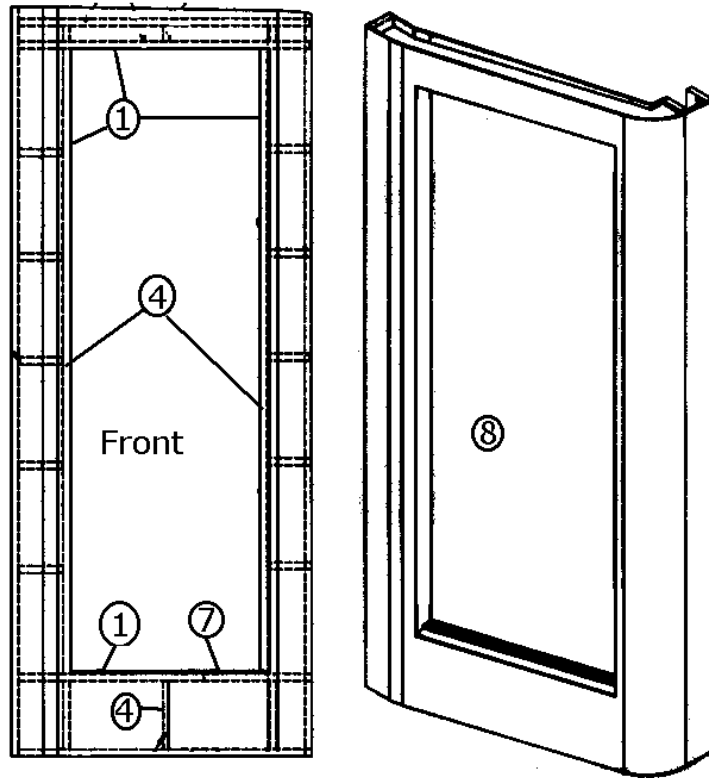
- |              |                                  |
|--------------|----------------------------------|
| 965505-01    | BATH WALL LEFT, 22',             |
| 1. 801362-02 | Panel, left side, outside, model |
| 2. 801350    | Panel, left side, inside         |
| 203379       | ROOF MATL.FIBERGLASS-SMOOTH 10   |
| 203335       | TRIM-H BLACK 1/8" DIVIDER        |
| 201666-01    | Molding, J-3/16", plastic        |

Note: Item 1 will be loose from item 2 when shipped, Install item 1 and glue and staple item 2 in place.

# 2006 INTERNATIONAL TRAVEL TRAILER

## FURNITURE, BATH

### BATH WALL CENTER, 22', 965507-01

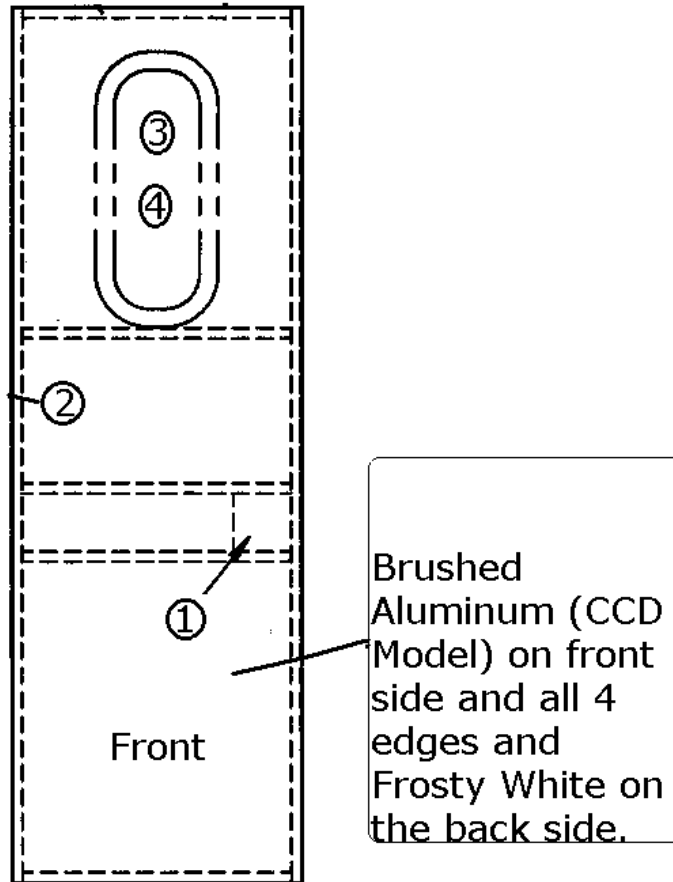


- |              |                           |
|--------------|---------------------------|
| 965507-01    | BATHWALL CENTER, 22',     |
| 1. 801342-01 | Brushed Aluminum, model   |
| 2. 800507-01 | Lauan, 1/8"               |
| 3. 203379    | Fiberglass roof material  |
| 4. 800498    | Poplar, 1" common         |
| 5. 850072    | Poplar, 3/4" X 2.5"       |
| 6. 380041    | Brace, Stanley corner, 1" |
| 7. 201666-01 | Molding, J-3/16", plastic |
| 8. 966116    | Bath door assembly        |
| 800581-046   | HARDWOOD-13/16 X 2.5"     |

# 2006 INTERNATIONAL TRAVEL TRAILER

## FURNITURE, BATH

DOOR, BATH, 22', 966116

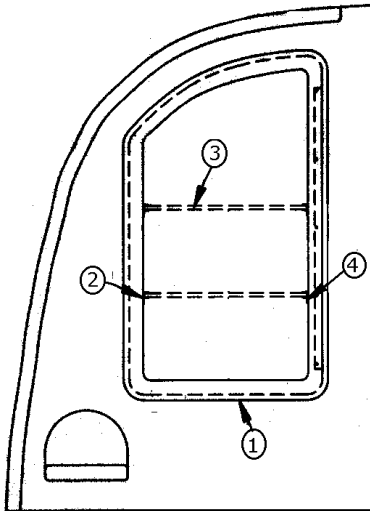


966116	Bath door, 22 Ft.
5. 381771	Latch, bath door
6. 380203-01	Hinge, Clear
7. 371384	Window, 18"
8. 203475	TRIM STACK WINDOW 18
801355-01	Frosty White Formica
801342-01	Brushed Aluminum, LAMINATE
365278-04	EDGE BANDING-.024"X 1.25" BLACK MAPLE
454320	DOOR HANDLE COVER

# 2006 INTERNATIONAL TRAVEL TRAILER

## FURNITURE, BATH

### MEDICINE CABINET, 22'

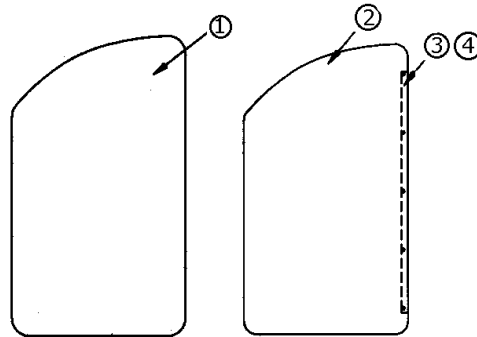


- |              |                                   |
|--------------|-----------------------------------|
| 965546       | Medicine Cabinet Assembly, 22'    |
| 1. 965542    | Medicine cabinet mirror assembly  |
| 2. 203385    | Self edging, "F" trim             |
| 3. 203330    | Acrylic sheet, frosted .25"       |
| 4. 381610-01 | Cover cap, plastic European white |
| 203416       | SHELF ACRYLIC .25"                |

# 2006 INTERNATIONAL TRAVEL TRAILER

## FURNITURE, BATH

### MEDICINE CABINET MIRROR ASSEMBLY, 22'

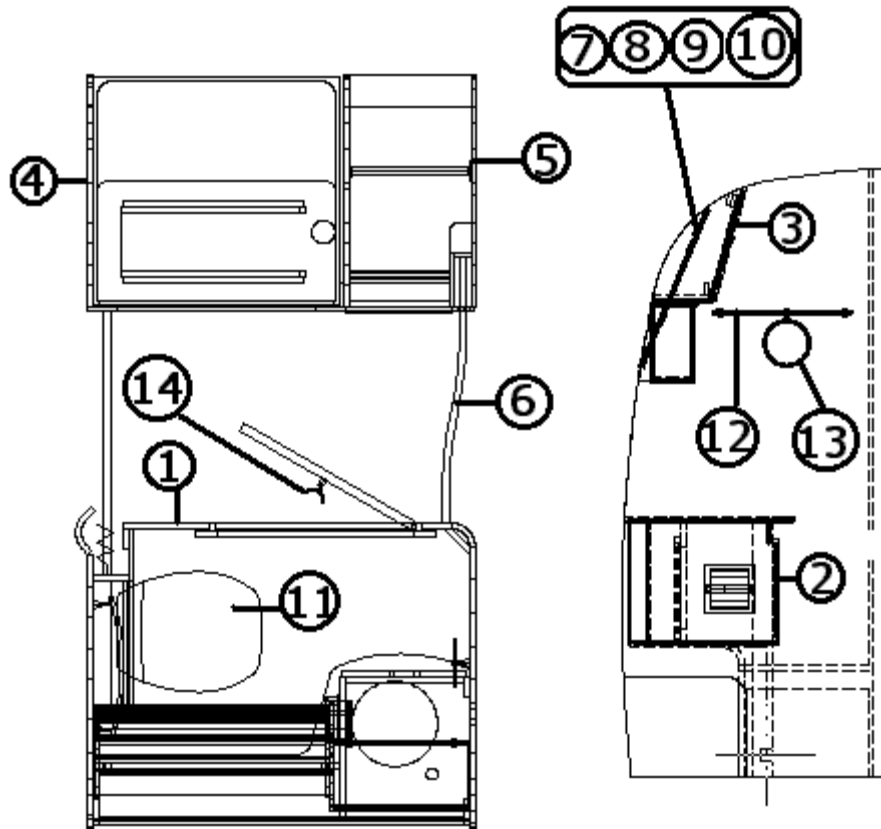


- |           |                                       |
|-----------|---------------------------------------|
| 965542    | Medicine Cabinet Mirror Assembly, 22' |
| 1. 371383 | Medicine cabinet radius mirror        |
| 2. 454009 | Mirror backing plate                  |
| 3. 380988 | Hinge, continuous .5 in. leaf, 16 in. |
| 4. 325035 | Chicago rivets                        |
| 5. 365222 | Tape, double-coated, .08" x 3/4"      |

# 2006 INTERNATIONAL TRAVEL TRAILER

## FURNITURE, BATH

### BATH LAYOUT, 28'

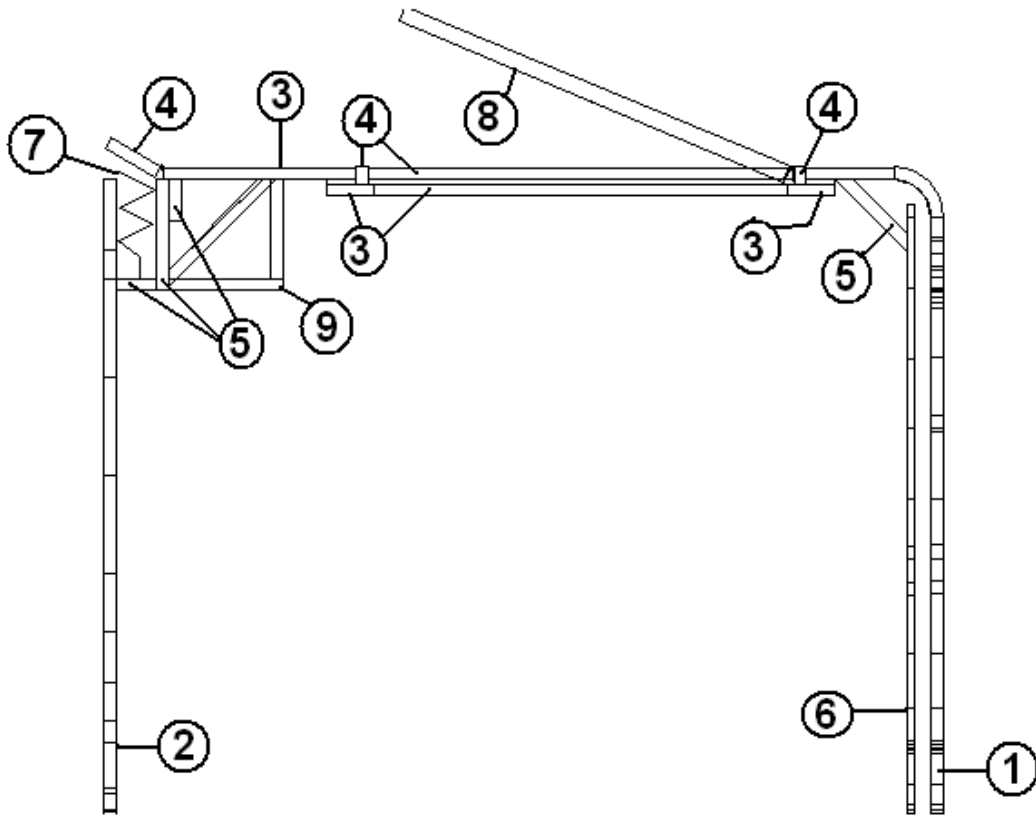


- |               |                                      |
|---------------|--------------------------------------|
| 1. 966263     | Front latrine wall assembly          |
| 2. 965742     | Lavatory cabinet assembly            |
| 3. 965714     | Medicine cabinet assembly            |
| 4. 965999     | Shower compartment assembly          |
| 5. 965737     | Wardrobe cabinet assembly            |
| 6. 381827     | Gray formed foldette track           |
| 7. 372203-15  | Mirror, polished edges, 17" x 25.25" |
| 8. 800507-02  | Lauan, 1/4"                          |
| 9. 381220-01  | Mirror clip, nickel plated           |
| 10. 381220-02 | Mirror clip, nickel plated           |
| 11. 690472    | Toilet China, high profile, white    |
| 12. 381776    | Towel bar, 18" chrome                |
| 13. 381777    | Towel ring, chrome                   |
| 14. 381778    | Robe hook, double, chrome            |

# 2006 INTERNATIONAL TRAVEL TRAILER

## FURNITURE, BATH

### LATRINE FRONT WALL ASSEMBLY, 28', 966263

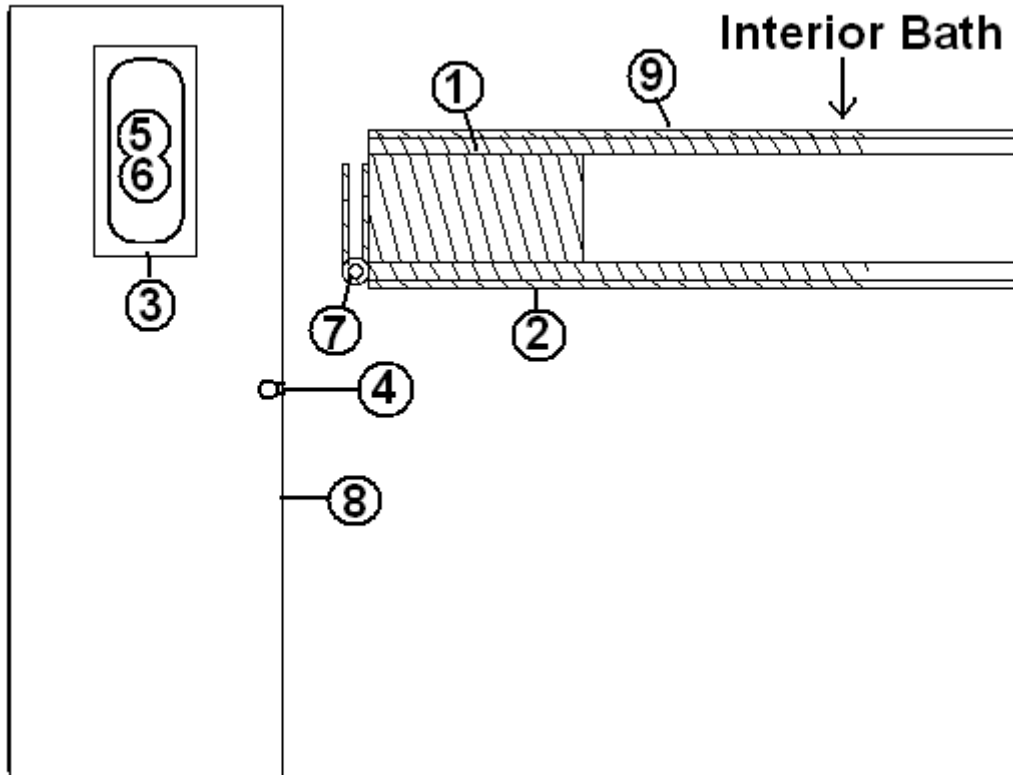


966263	Latrine Front Wall Assembly, 28'
1. 966264	Forward latrine panel
2. 801429-06	Aft latrine panel
3. 801441-01	Panel, Black décor, Maple/Frosty
4. 801436-01	Panel, Black décor, Maple/White
5. 801369-01	Panel, White/White Rexel
6. 801563	Bath divider wall
7. 702681-07	Door, foldette, 60" x 73", Gray
8. 966117	Door, Bathroom, 28'
8. . 966169	Black tank vent closeout
365278-02	EDGE BANDING-BLK MAPLE 1.625"

# 2006 INTERNATIONAL TRAVEL TRAILER

## FURNITURE, BATH

DOOR, BATH W/WINDOW, 28', 966117



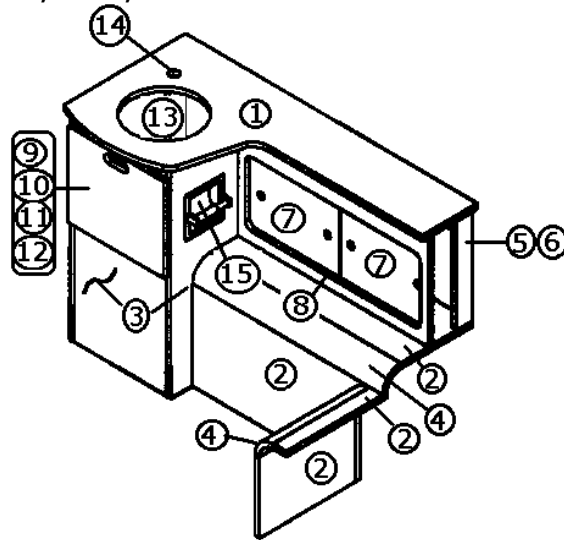
- |              |   |
|--------------|---|
| 966117       | BATH DOOR W/WINDOW, 28'CCD              |
| 1. 800507-01 | LAUAN, 1/8" X 4' X 8'                   |
| 2. 801439-01 | LAMINATE, BLACK MAPLE, 4' X 8'          |
| 3. 800507-06 | LAUAN-.75" X 4' x 8'                    |
| 4. 381771    | LATCH, LEVER LOCKSET PRIVACY            |
| 5. 371384    | WINDOW, BATH DOOR                       |
| 6. 203475    | TRIM, 18" STACK WINDOW                  |
| 7. 380203-01 | PIANO HINGE 1/8" PIN                    |
| 8. 365278-04 | EDGE BANDING, .024" X 1.25" BLACK MAPLE |
| 9. 801355-01 | LAMINATE, FROST WHITE 4' X 8'           |
| 454320       | DOOR HANDLE COVER                       |
| 381802-01    | TAP CAP #2 WHITE                        |
| 365267       | EDGE BANDING-1.13" .024 PLY             |



# 2006 INTERNATIONAL TRAVEL TRAILER

## FURNITURE, BATH

### LAVATORY CABINET, 28', 965742

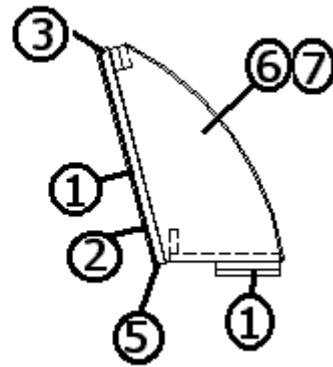
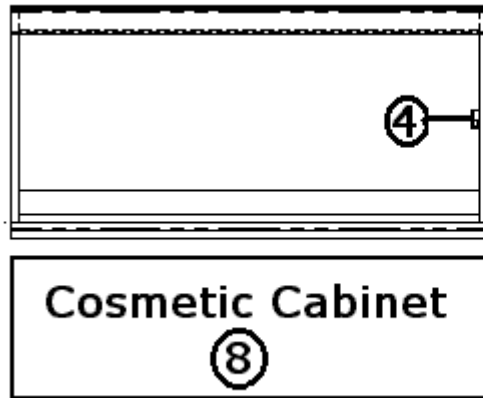


- |               |   |
|---------------|---|
| 965742        | Lavatory Cabinet, 28'                     |
| 1. 965989     | Lavatory top assembly                     |
| 2. 801351     | Lite ply, .75"                            |
| 3. 801369     | Panel, White/White Rexel                  |
| 4. 801345     | Radius plywood, .75" x 3" x 8'            |
| 5. 801353     | Lite ply 3 MM                             |
| 6. 801438     | PANEL, FROSTY WHITE VINYL/RAW 2.7MM       |
| 7. 965563-05  | Door, sliding Plexi-glass, 11.38" X 13.5" |
| 8. 203388     | Sliding door track                        |
| 9. 801375-14  | Door, Lavatory, 15.88" x 13.63"           |
| 10. 381775    | Drawer pull, satin                        |
| 11. 381607    | Hinge assembly, Grass-Euro                |
| 12. 381228-01 | Grabber catch                             |
| 13. 601804-01 | Sink, Yukon round                         |
| 14. 601842    | Faucet, small lever handle                |
| 15. 381229    | Toilet paper holder                       |
| 114812        | Aluminum angle, 1" x 1"                   |
| 965572        | CLOSEOUT-PAPER HOLDER                     |
| 801457-01     | PANEL, BLACK MAPLE/FROSTY WHITE           |
| 801392        | PNL-PRELAM WHTLINER/WHTLINER              |
| 203508-01     | T-Trim, 9/16" wood grain                  |

# 2006 INTERNATIONAL TRAVEL TRAILER

## FURNITURE, BATH

### MEDICINE CABINET, 28', 965714

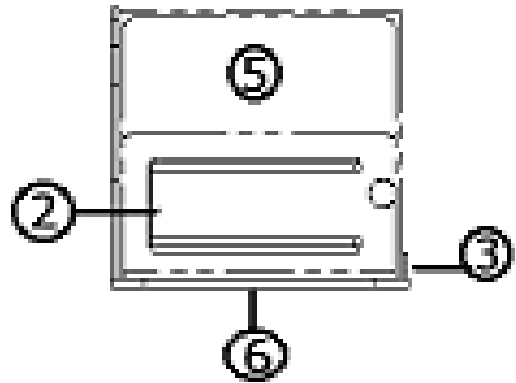
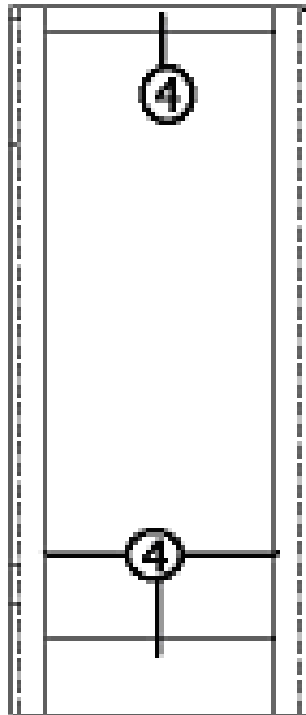
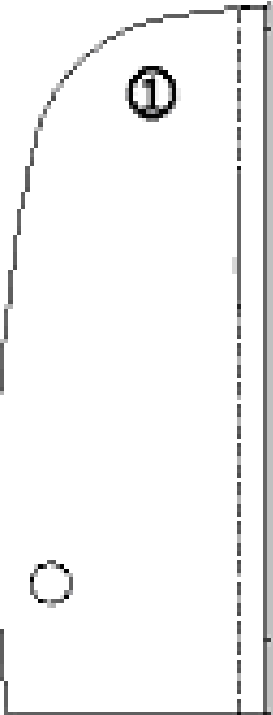


965714	Medicine Cabinet, 28'
1. 801392	Panel, white liner/white liner
2. 372203-30	Mirrored safety glass, 30" x 14"
3. 385935-01	Hinge, pivot, zinc plated
4. 381228-01	Door grabber catch
5. 381835	HANDLE-CHROME/BRASS
6. 801353	Lite ply, 3mm
7. 801355-01	Laminate Frosty white, vertical
8. 381611-01	Cosmetic cabinet
380024	ARMS SUPPORT RIGHT HAND
365238-04	Edge tape, 5/8" PVC white

# 2006 INTERNATIONAL TRAVEL TRAILER

## FURNITURE, BATH

### SHOWER LAYOUT, 28'



1. 801429-20

2. 965816

3. 801392

4. 801436-01

5. 203081-01

6. 702306-03

6. 381403

965987

365278-01

365238-04

201666

Panel, aft shower

Shower stand assembly

Panel, white liner/white liner, 12mm

Panel, black décor, Maple/White liner

Shower stall, 2 pc.

Shower door, silver

LATCH-TRAVEL SHOWER DOOR

CLOSE OUT-MEDICINE CAB

EDGE BANDING-BLACK MAPLE 1.13"

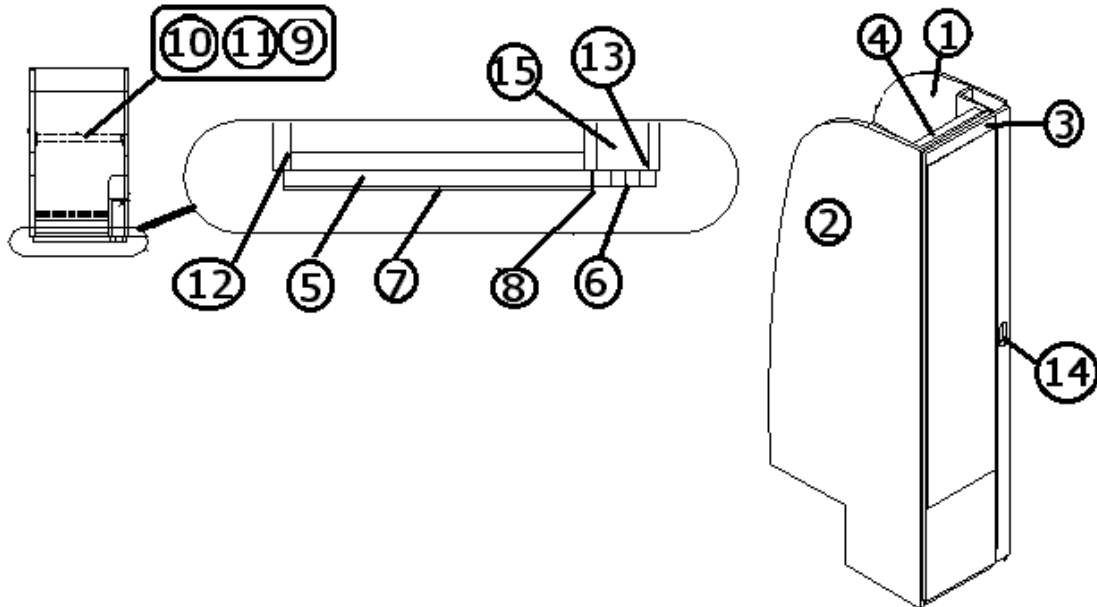
EDGE BANDING 5/8" COLONIAL WHITE

MOLDING-J-3/16 PLASTIC, ALMOND

# 2006 INTERNATIONAL TRAVEL TRAILER

## FURNITURE, BATH

### WARDROBE CABINET, 28', 965737



965737	Wardrobe Cabinet Assembly, 28'
1. 801429-21	Panel, forward wardrobe
2. 801429-22	Panel, aft wardrobe
3. 801436-01	Panel, black décor, Maple/White liner
4. 801392	Panel, white liner/white liner
5. 801375-19	Door, wardrobe, 13.63" x 76.56"
6. 801375-20	Door, wardrobe, 2.75" x 76.56"
7. 372203-26	Mirror, 13.62" x 58.50"
8. 380203-01	Piano hinge, 1/8" pin, clear anodized
9. 380046	Chrome flange
10. 380045	Tubing, metal
11. 200975-04	Conduit, black plastic
12. 381607	Hinge assembly, Grass-Euro
13. 381228-01	Door grabber catch
14. 381775	Drawer pull, satin
15. 702681-07	Door, foldette, 60" x 73", gray
385940-02	MIRROR PULL CHROME #362PC
365278-01	EDGE BANDING-BLACK MAPLE 1.13"
365240-01	EDGE BANDING-PVC 3M 1-5/16" WHITE

# 2006 INTERNATIONAL TRAVEL TRAILER

## FURNITURE, BATH

### SHOWER/SHOWER CURTAIN, 22'

703132-01	CURTAIN-SHOWER
700044	GLIDES CURTAIN W/ELASTIC T-2
700020	PILE VELCRO
700021	HOOK, VELCRO, WHITE
100097	EXTR. ALUM CURTAIN TRACK
203328-01	SHOWER SURROUND-UPPER
203328-02	SHOWER SURROUND-LOWER
203328-03	MED CABINET SURROUND
203298	SHOWER PAN

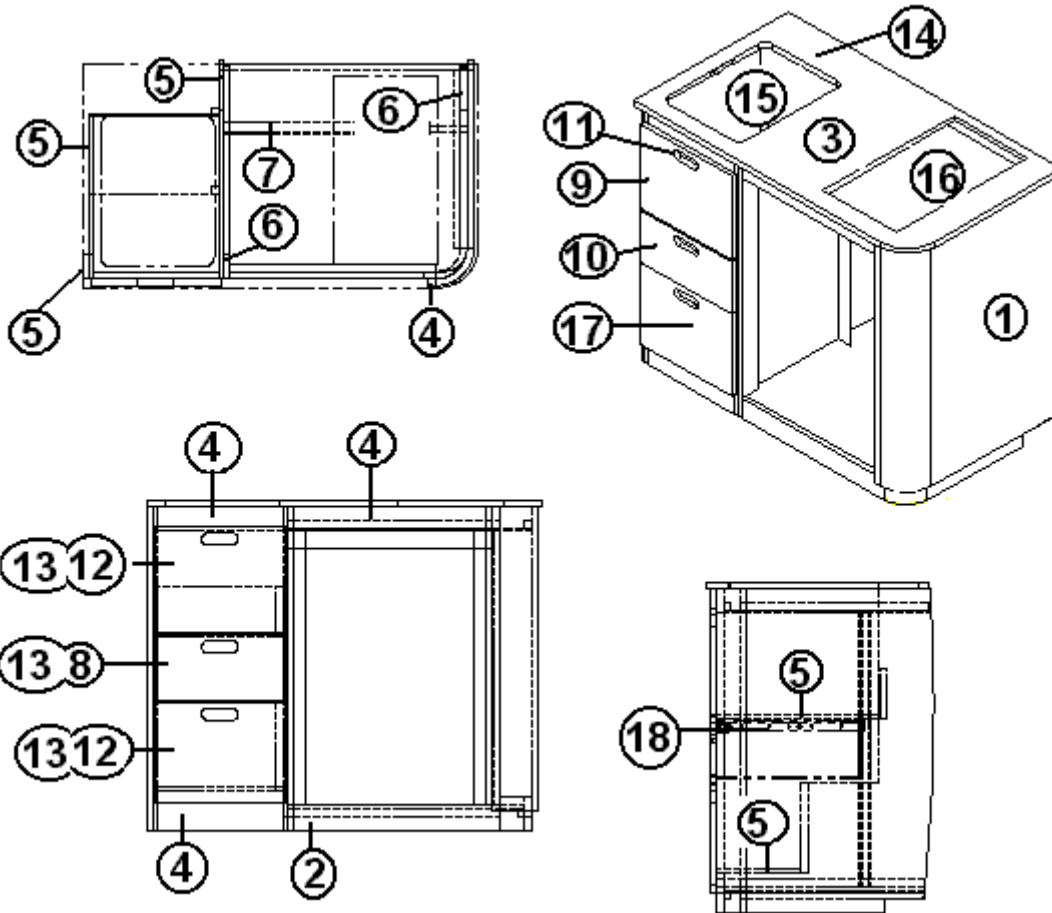
### Bath Door, 19' 75<sup>th</sup> Anniversary

371412	Window, porthole, bath door
371413	Sash, porthole, bath door
371416	Glass, porthole, bath door
115328	Trim ring, bath door
454320	DOOR HANDLE COVER-SAF/CCD
381771	LATCH-LEVER LOCKSET PRIVACY

# 2006 INTERNATIONAL TRAVEL TRAILER

## FURNITURE, GALLEY

### GALLEY BASE ASSEMBLY, 16', 965888



Part Numbers are on the next page.

# 2006 INTERNATIONAL TRAVEL TRAILER

## FURNITURE, GALLEY

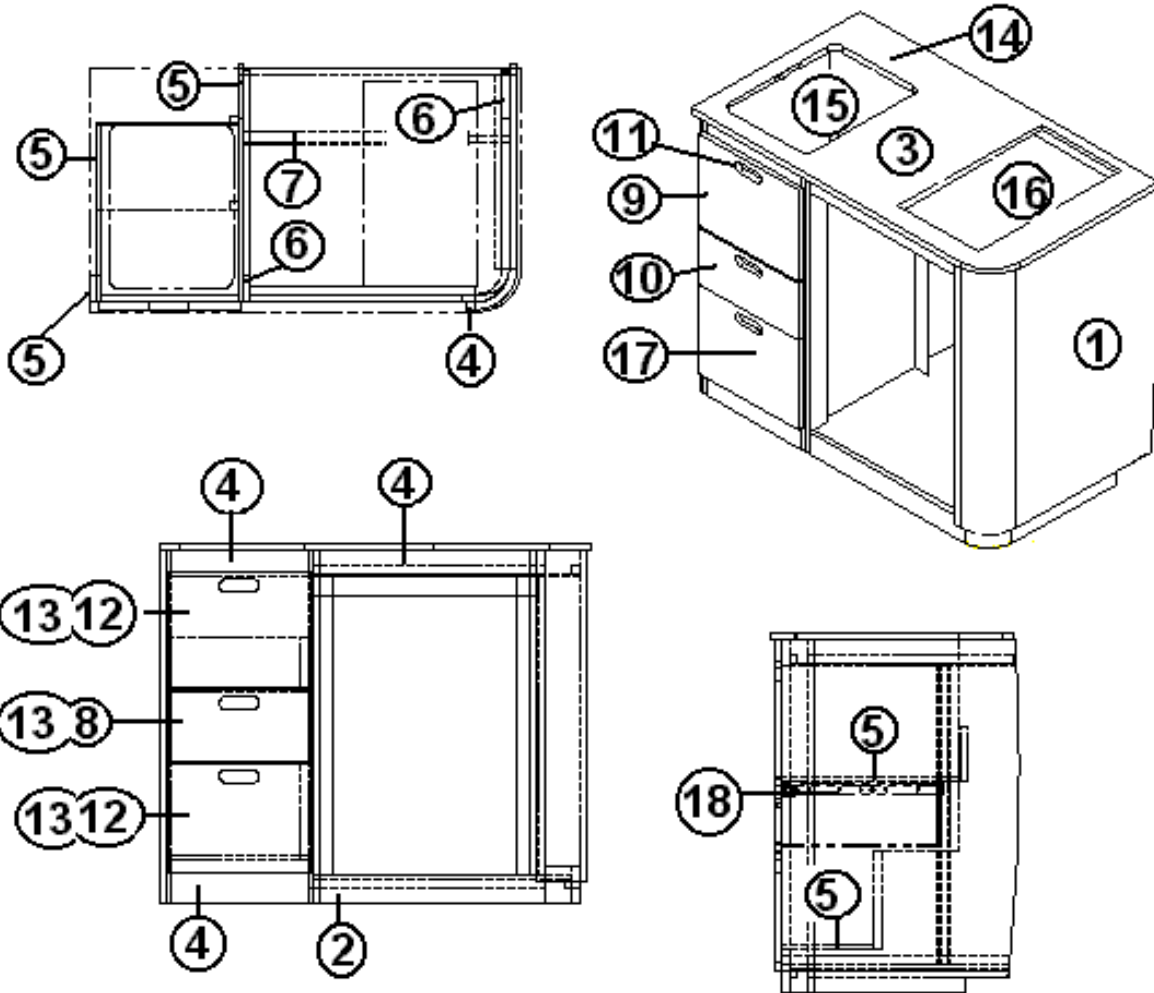
### GALLEY BASE ASSEMBLY, 16', 965888

965888	GALLEY BASE ASSEMBLY, 16',
1. 965885	PANEL SUB ASSEMBLY-FWD GALLEY
2. 965886	PANEL SUB ASSEMBLY, TOE KICK
3. 966147	GALLEY TOP CUTOUT, 16'
4. 801436-01	PANEL, BLACK MAP/WHITE 18M V
5. 801392	PANEL, WHITELINER/WHITELINER 1
6. 801368	PANEL, WHITELINER/WHITELINER
7. 381830	WIPER-RUBBER 1.125" X 2" L
8. 965560-03	DRAWER BOX ASSEMBLY-5.63" X13.5" X 12"
9. 801375-24	DOOR-GALLEY 14.13" X 11.5"
10. 801375-25	DOOR-GALLEY 14.13" X 7.13"
11. 381775	DRAWER PULL-FLUSH SATIN
12. 381607	HINGE ASSEMBLY-GRASS EURO
13. 381228-01	CATCH GRABBER DOOR
14. 601894	FAUCET-MOEN CHATEAU W/SPRAY
15. 601938	SINK, S/S, SINGLE BOWL
16. 690471	COOKTOP-2 BURNER BLACK GLASS TOP
17. 801375-29	DOOR-GALLEY 14.13" X 11"
18. 381773-15	DRAWER SLIDE-5.875"X 15.75"
115064	TRIM-ALUM COUNTER TOP
801368	PANEL, WHITELINER/WHITELINER 1
365267	EDGE BANDING-1.13" .024 PLY
365278-02	EDGE BANDING-BLACK MAPLE 1.625"
365278-03	EDGE BANDING-BLACK MAPLE .625"
801436-01	PANEL, BLACK MAPLE/WHITE 18M `
365278-01	EDGE BANDING, BLACK MAPLE 1.13"
200980-01	TRAY, SILVERWARE, ALMOND, 9" X 13"
203425	SINK COVER .5" NATURAL

# 2006 INTERNATIONAL TRAVEL TRAILER

## FURNITURE, GALLEY

### GALLEY BASE ASSEMBLY, 16', QUICKSILVER



Part Numbers are on the next page.



# 2006 INTERNATIONAL TRAVEL TRAILER

## FURNITURE, GALLEY

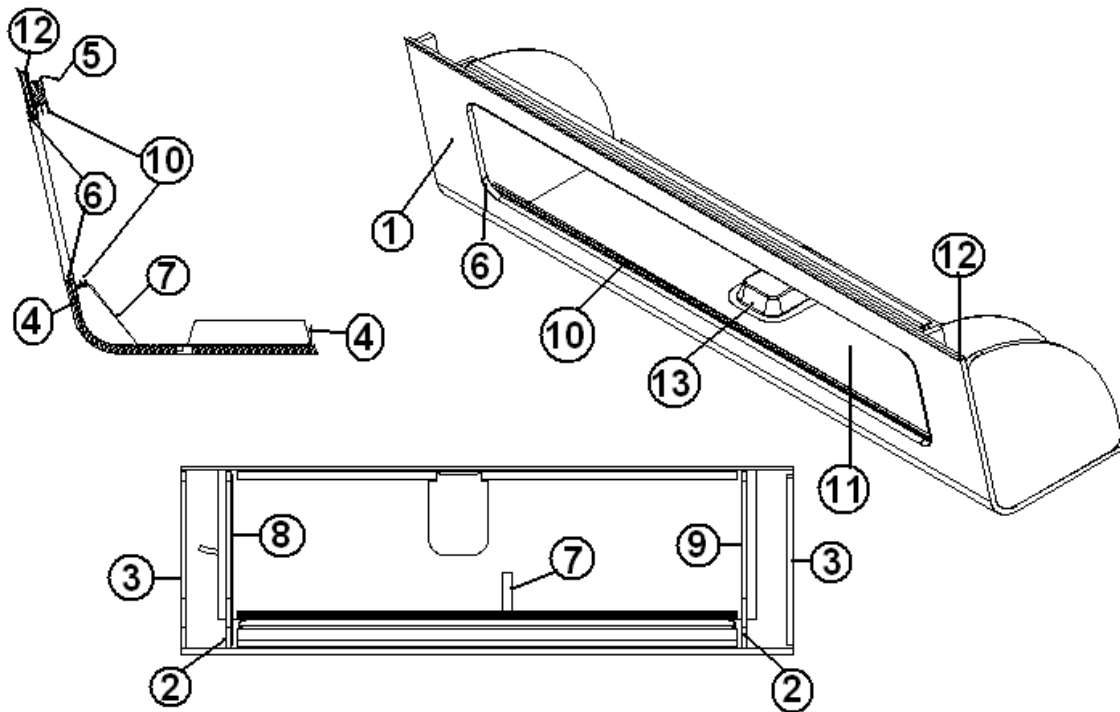
### GALLEY BASE ASSEMBLY, 16', QUICKSILVER

966481	GALLEY BASE ASSEMBLY, 16',
1. 966483	PANEL SUB ASSEMBLY-FWD GALLEY
2. 966484	PANEL SUB ASSEMBLY, TOE KICK
3. 966486	GALLEY TOP CUTOUT, 16'
4. 801635	LAMINATE, ABET ALMOND
5. 801392	PANEL, WHITELINER/WHITELINER 1
6. 801368	PANEL, WHITELINER/WHITELINER
7. 381830	WIPER-RUBBER 1.125" X 2" L
8. 965560-04	DRAWER BOX ASSEMBLY-5.63" X 12.3" X 14.9"
9. 801341-158	DOOR-14.13" X 11.5"
10. 801341-159	DOOR-14.13" X 7.13"
11. 381931	Handle, drawer/door, Quicksilver Edition
12. 381607	HINGE ASSEMBLY-GRASS EURO
13. 381228-01	CATCH GRABBER DOOR
14. 601867	FAUCET-INTEGRA PULL OUT SPOUT
15. 601938	SINK, S/S, SINGLE BOWL
16. 690471	COOKTOP-2 BURNER BLACK GLASS TOP
17. 801341-160	DOOR-GALLEY 14.13" X 11"
18. 381773-15	DRAWER SLIDE-5.875"X 15.75"
115064	TRIM-ALUM COUNTER TOP
365267	EDGE BANDING-1.13" .024 PLY
200980-01	TRAY, SILVERWARE, ALMOND, 9" X 13"
203425	SINK COVER .5" NATURAL

# 2006 INTERNATIONAL TRAVEL TRAILER

## FURNITURE, GALLEY

### Roof Locker, Galley, 16'

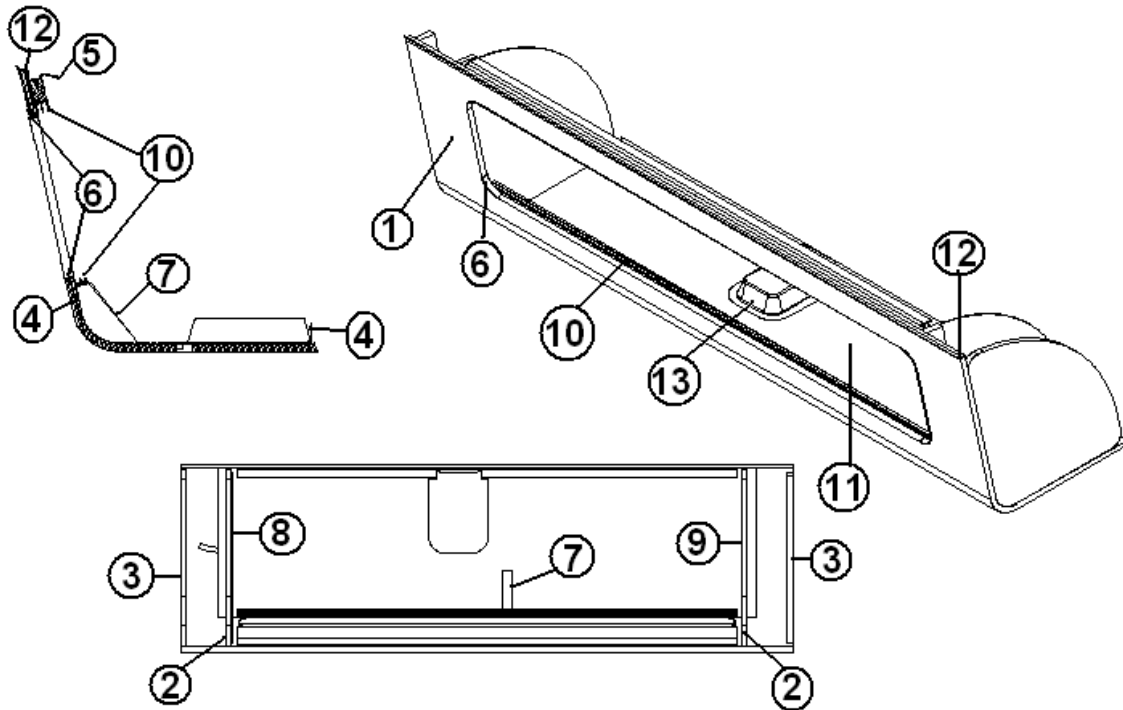


- |               |                                |
|---------------|--------------------------------|
| 966199        | Galley Roof Locker, 16'        |
| 1. 801542-05  | Locker face, galley            |
| 2. 801545-02  | Divider, partial               |
| 3. 801545-01  | Divider, full                  |
| 4. 115227-03  | Angled, formed, 33"            |
| 5. 104821     | Roof locker support, 74"       |
| 6. 203508-01  | T-trim, 9/16", wood grain      |
| 7. 115226     | Bracket, locker center support |
| 8. 801539-01  | Divider, LH, galley            |
| 9. 801539-02  | Divider, RH, galley            |
| 10. 381245    | Sliding door track             |
| 11. 965563-01 | Door, sliding Plexiglas        |
| 12. 201673    | Cove molding, Ivory, plastic   |
| 13. 200772    | Pan, dead bolt, plastic        |
| 201673        | COVE MOLDING, IVORY, PLASTIC   |

# 2006 INTERNATIONAL TRAVEL TRAILER

## FURNITURE, GALLEY

Roof Locker, Galley, 16', Quicksilver

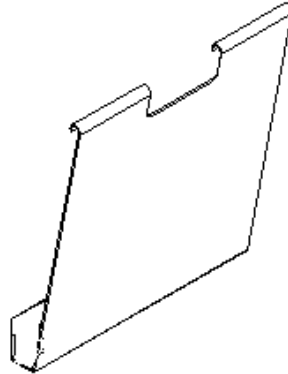


966199-01	Galley Roof Locker, 16'
1. 801542-05	Locker face, galley
2. 801545-02	Divider, partial
3. 801545-01	Divider, full
4. 115227-03	Angled, formed, 33"
5. 104821	Roof locker support, 74"
6. 203508-01	T-trim, 9/16", wood grain
7. 115226	Bracket, locker center support
8. 801539-05	Divider, LH, galley
9. 801539-06	Divider, RH, galley
10. 381245	Sliding door track
11. 203357-01	DOOR-11.31" X 17.5"
12. 201673	Cove molding, Ivory, plastic
13. 200772	Pan, dead bolt, plastic
201673	COVE MOLDING, IVORY, PLASTIC

# 2006 INTERNATIONAL TRAVEL TRAILER

## FURNITURE, GALLEY

RACK-MAGAZINE WHITE



386106-01

RACK-MAGAZINE WHITE

386107

ROD-MAGAZINE RACK

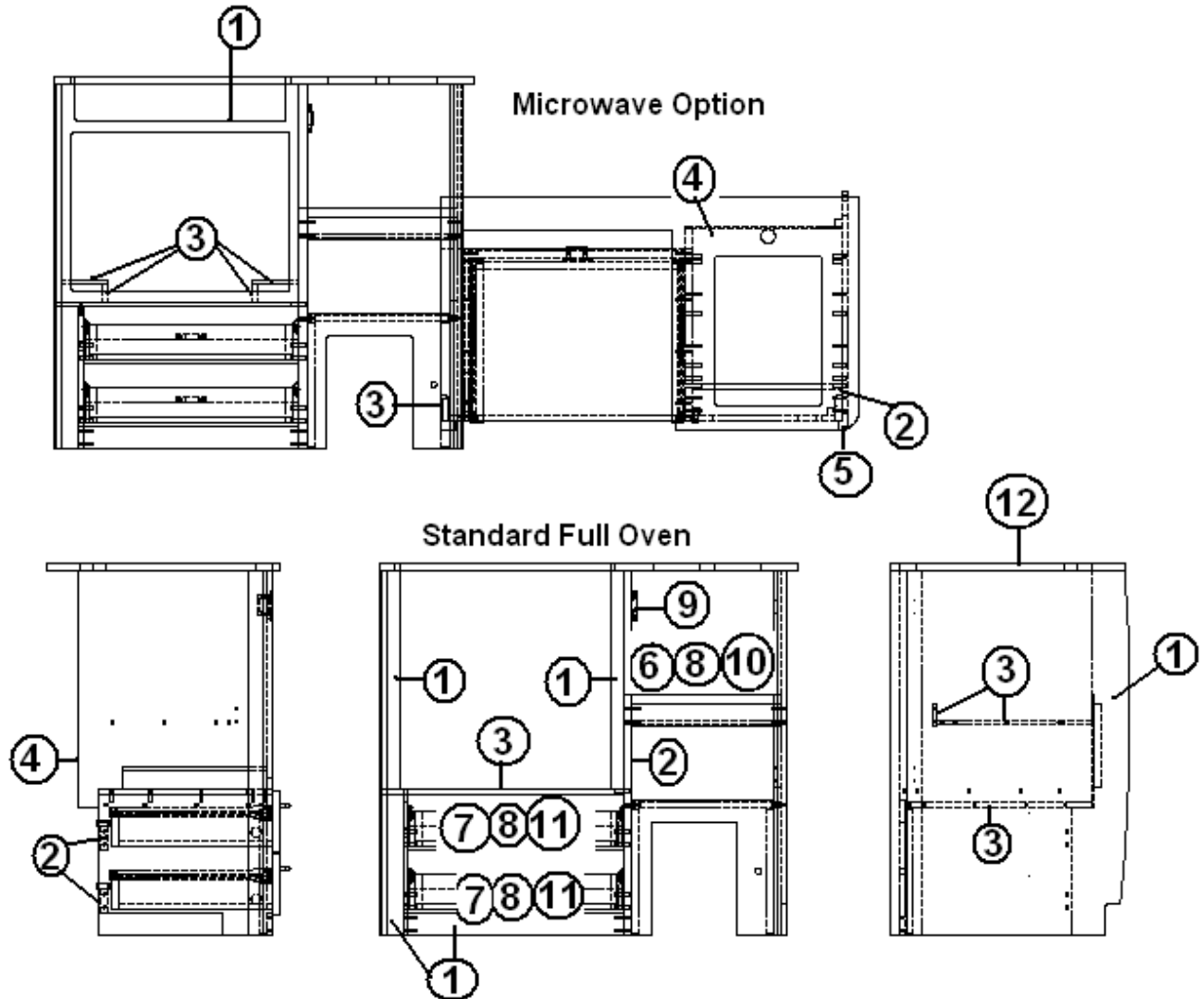
115064

TRIM-ALUM COUNTER TOP

# 2006 INTERNATIONAL TRAVEL TRAILER

## FURNITURE, GALLEY

### GALLEY CABINET ASSEMBLY, 19'



Parts numbers are on the next page

# 2006 INTERNATIONAL TRAVEL TRAILER

## FURNITURE, GALLEY

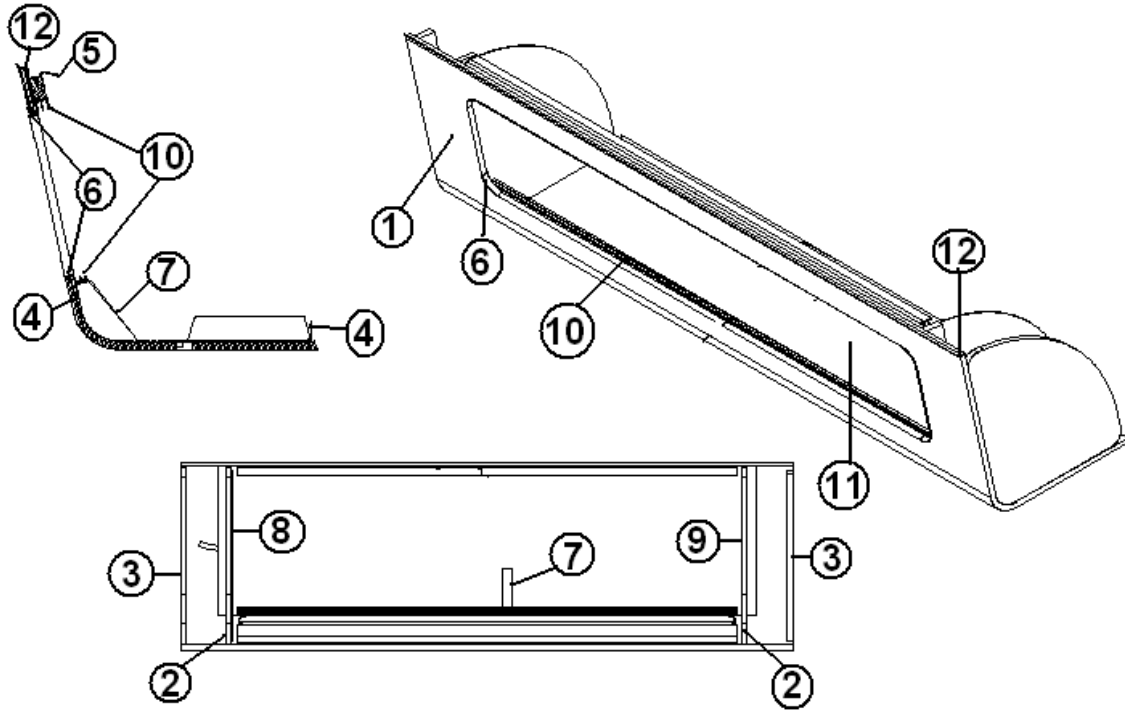
### GALLEY CABINET ASSEMBLY, 19'

966466	GALLEY CABINET, 19'
966466-01	GALLEY CABINET, MICROWAVE, 19'
1. 801456-01	PANEL, BLACK MAPLE/WHITE LINER
2. 801368	PANEL WHITELINER/WHITELINER
3. 801392	PANEL, WHITELINER/WHITELINER
4. 801438	PANEL, FROSTY WHITER/RAW
5. 801393-02	CORNER TRIM-90D 1"RADIUS 84"
6. 801341-156	DOOR-GALLEY 14.25" X 23.38"
7. 801341-157	DOOR-GALLEY 21.63" X 6"
8. 381865	PULL-BAR BRUSH NICKEL
9. 381228-01	CATCH GRABBER DOOR
10. 381607	HINGE ASSY-GRASS EURO
11. 965642-01	BOX ASSY. DRAWER 19.75"
12. 966467	TOP ASSY-GALLEY
601867	FAUCET-INTEGRA PULL OUT SPOUT
601938	SINK, S/S, SINGLE BOWL
195362-39	2" STRAINER ,MODEL
601714-01	TAIL PIECE 1-1/2" X 4"
601714-02	1-1/2" SLIP NUT W/WINGS
601714-03	1-1/2" BLACK RUBBER WASHER
115064	TRIM-ALUM COUNTER TOP
203425	SINK COVER .5" NATURAL
801369-01	PANEL-, FROST WHITE/WHITE LINER
365278-01	EDGE BANDING-BLK MAPLE 1.13"
365278-03	EDGE BANDING-BLK MAPLE .625"

# 2006 INTERNATIONAL TRAVEL TRAILER

## FURNITURE, GALLEY

### Roof Locker, Galley, 19'

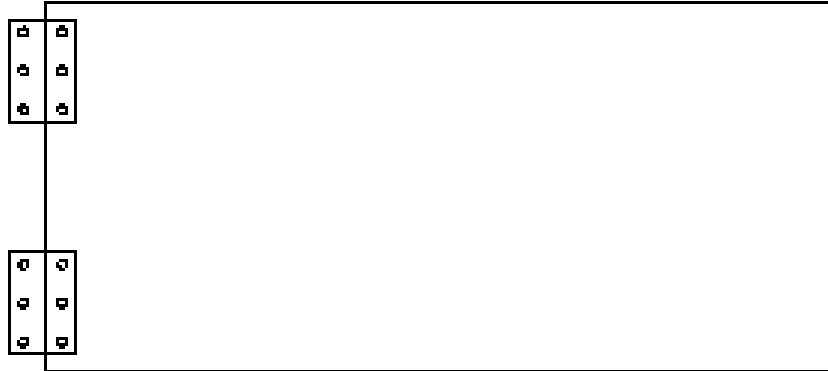


966266	Galley Roof Locker, 19'
1. 801542-07	Locker face, galley
2. 801545-02	Divider, partial
3. 801545-01	Divider, full
4. 115227-03	Angled, formed, 33"
5. 104821	Roof locker support, 74"
6. 203508-01	T-trim, 9/16", wood grain
7. 115226	Bracket, locker center support
8. 801539-01	Divider, LH, galley
9. 801539-02	Divider, RH, galley
10. 381245	Sliding door track
11. 965563-01	Door, sliding Plexiglas
12. 201673	Cove molding, Ivory, plastic
511695-01	Spot light

# 2006 INTERNATIONAL TRAVEL TRAILER

## FURNITURE, GALLEY

### GALLEY CABINET CLOSEOUT SHELF, 19', 965923



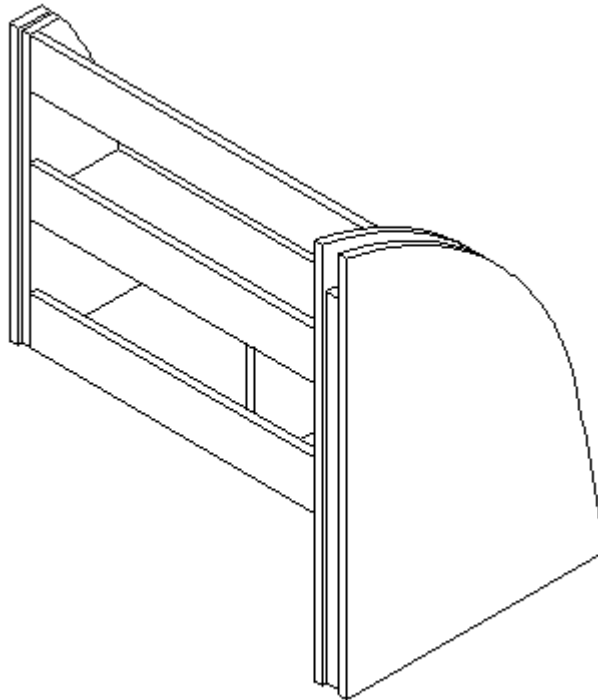
965923	GALLEY CABINET CLOSEOUT SHELF, 19'
801458-01	BLACK MAPLE/BLACK MAPLE
381479	HINGE,BRASS-CABINET,2" X 1-3/8"
365278-03	EDGE BANDING-BLACK MAPLE .625"
381688	BUMP ON
381074	CATCH BULL DOG #65S (COPPER)



# 2006 INTERNATIONAL TRAVEL TRAILER

## FURNITURE, GALLEY

### SPICE RACK ASSY, 19'

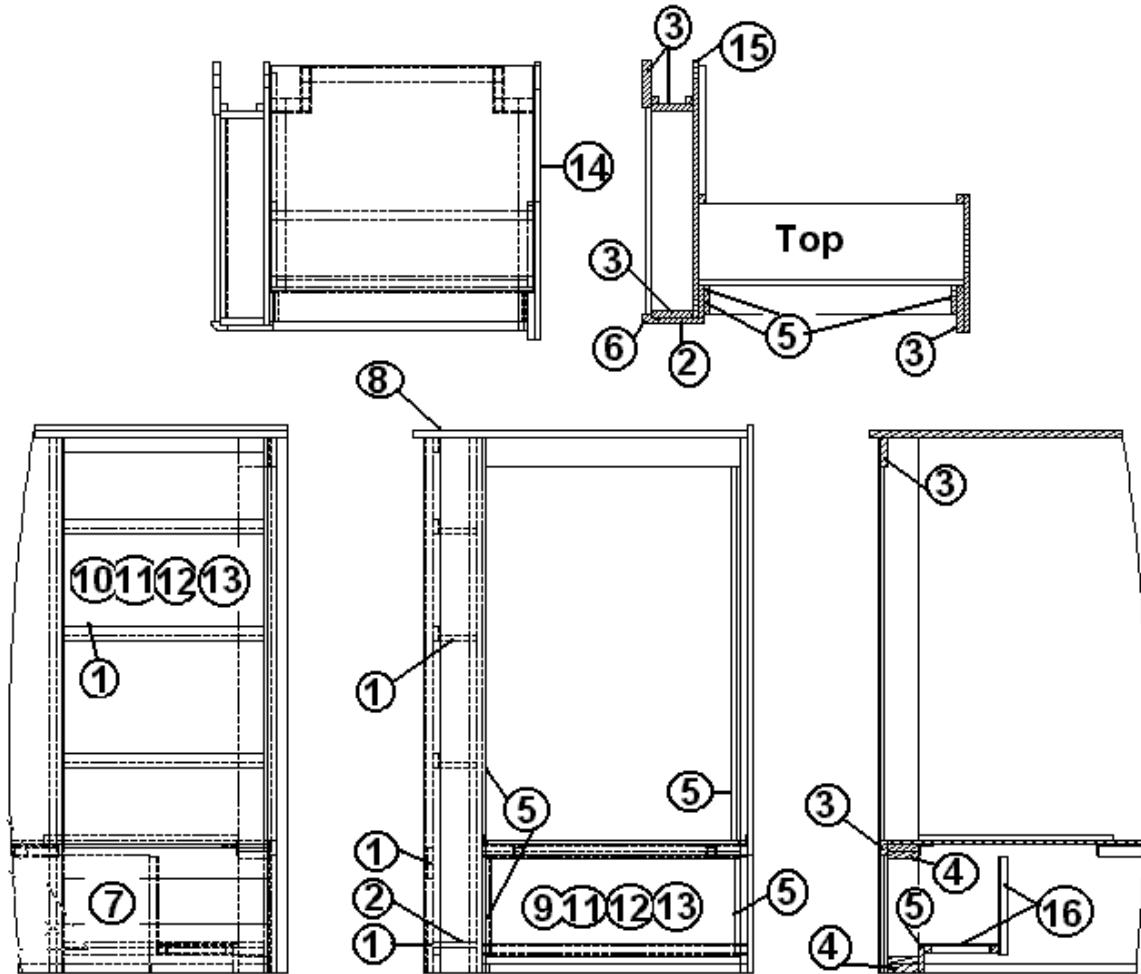


965914	SPICE RACK ASSY, 19'
801458-01	PANEL, PRELAM BLACK MAPLE/BLACK MAPLE 12MM
365278-03	EDGEBANDING-BLK MAPLE .625"
365016	TAPE FOAM DOUBLE-KOTE, 1/2"
381209-01	GROMMET-W/CAP BLACK 1.5" HOLE
386141	CORNER BRACE FOR CABINET BUILD

# 2006 INTERNATIONAL TRAVEL TRAILER

## FURNITURE, GALLEY

### CABINET, REFRIGERATOR/PANTRY 19', 965913



Part Numbers on Next Page

# 2006 INTERNATIONAL TRAVEL TRAILER

## FURNITURE, GALLEY

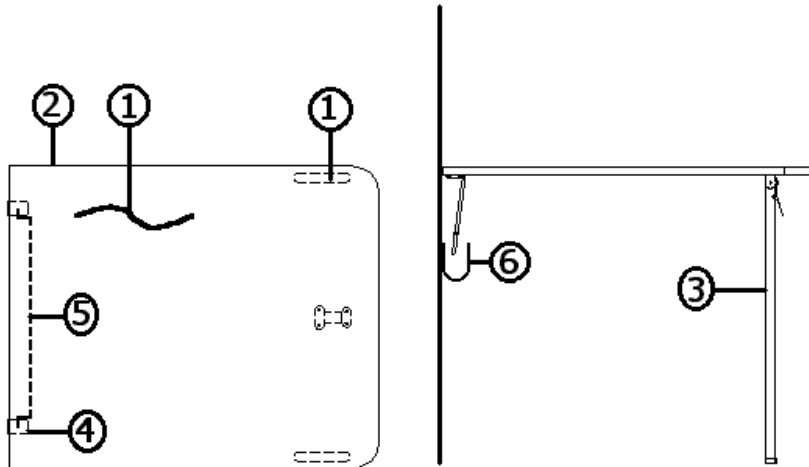
### CABINET, REFRIGERATOR/PANTRY 19'

965913	CABINET ASSEMBLY-REFER/PANTRY 19'
965913-02	CABINET ASSEMBLY-REFER/PANTRY 19' BUNK
1. 801458-01	PANEL-, BLACK MAPLE/BLACK MAPLE
2. 801456-01	PANEL-, BLACK MAPLE/WHITE LINER
3. 801436-01	PANEL-, BLACK MAPLE/WHITE
4. 801368	PANEL-, WHITELINER/WHITELINER
5. 801392	PANEL-, WHITELINER/WHITELINER
6. 801393-02	CORNER TRIM-90D 1"RADIUS, 84"
7. 965630	STAND ASSY. REFER
8. 965628-02	TOP ASSY-REFER
9. 801376-01	PANEL, TROPICAL OAK/WHITE LINER
10. 801341-78	DOOR-REFER 24.44" X 10.19"
11. 801341-79	DOOR-REFER 19.81" X 50.12"
12. 801369-01	PANEL, FROST WHITE/WHITE LINER
13. 381607	HINGE ASSY-GRASS EURO
14. 381228-01	CATCH GRABBER DOOR
15. 801471-01	PANEL-AFT REFER
15. 801471-03	PANEL-AFT REFER W/BUNK OPTION
16. 801471-02	PANEL-FWD REFER
381865	PULL-BAR BRUSH NICKEL
801369-01	PANEL, PRELAM FROST WHITE/WHITE LINER
365267	EDGEBANDING-1.13" .024 PLY
365278-01	EDGEBANDING-BLK MAPLE 1.13"
365278-03	EDGEBANDING-BLACK MAPLE .625"
801438	PANEL, FROST WHITE VINYL/RAW 2.7MM
801458-01	PANEL, BLACK MAPLE/BLACK MAPLE 12MM
801456-01	PANEL, BLACK MAPLE/WHITE LINER 12MM

# 2006 INTERNATIONAL TRAVEL TRAILER

## FURNITURE, GALLEY

### DINETTE TABLE, 22', 25', 28'



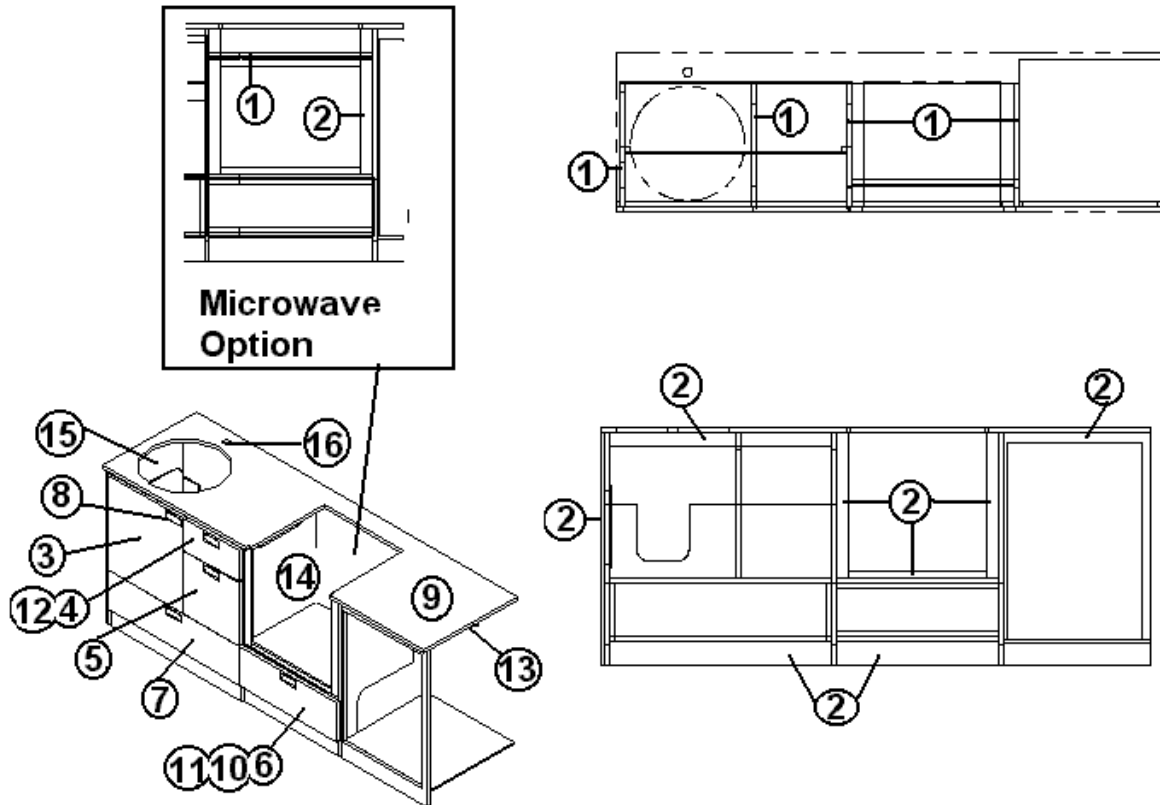
- |              |                                |
|--------------|--------------------------------|
| 965774       | Dinette Table Assembly         |
| 1. 801369-01 | Panel, Frost white/white Liner |
| 2. 365267    | Edge tape, 1.19"               |
| 3. 700065-01 | Table leg, folding             |
| 4. 380284-02 | Table hinge bracket            |
| 5. 380284-03 | Center hinge                   |
| 6. 340018    | Catch plate                    |
| 7. 381136    | RUBBER BUMPER                  |

# 2006 INTERNATIONAL TRAVEL TRAILER

## FURNITURE, GALLEY

GALLEY, FULL OVEN & MICROWAVE, 22'

Replaced by 966469-01, 966469-02 during model year



Part Numbers on the next page.

# 2006 INTERNATIONAL TRAVEL TRAILER

## FURNITURE, GALLEY

### GALLEY, FULL OVEN & MICROWAVE, 22'

Replaced by 966469-01, 966469-02 during model year

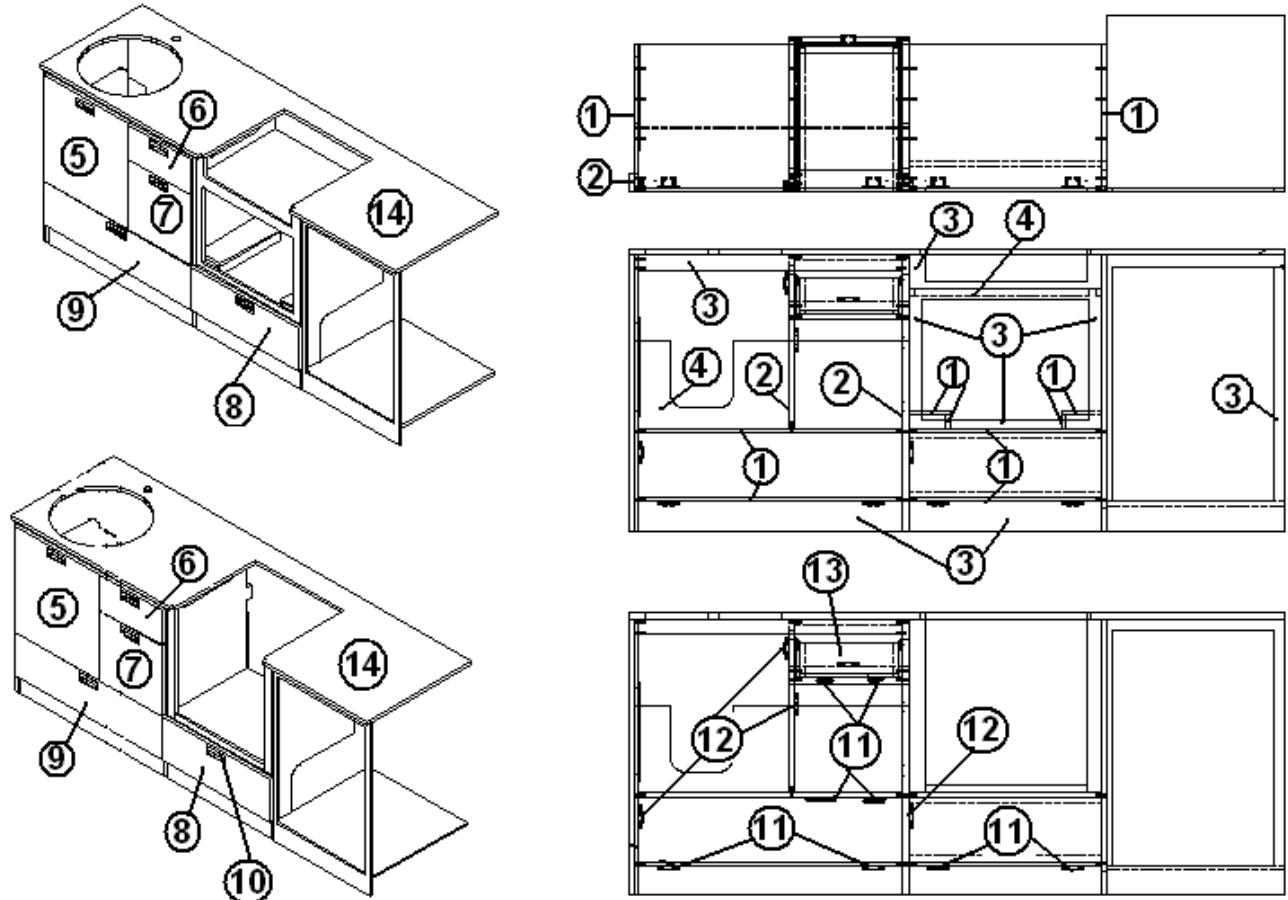
965811	Galley Base, 22', Full Oven
965811-01	Galley Base, 22', Microwave
1. 801368	PANEL, WHITELINER/WHITELINER
2. 801436-01	PANEL, BLACK MAP/WHITE
3. 801375-01	DOOR-GALLEY 19.63" X 21.25"
4. 801375-02	DOOR-GALLEY 14.38" X 7.00"
5. 801375-03	DOOR-GALLEY 14.38" X 14.13"
6. 801375-05	DOOR-GALLEY 25.13" X 8.69"
7. 801375-06	DOOR-GALLEY 34.13" X 8.69"
8. 381775	DRAWER PULL-FLUSH SATIN
9. 965526-01	TOP-GALLEY ASSY 3-BURN W/OVEN
10. 381607	HINGE ASSY-GRASS EURO
11. 381228-01	CATCH GRABBER DOOR
12. 965553-01	DRAWER BOX, 4.38" X 12.5" X 17"
12. 381773-11	DRAWER SLIDE, 4.63" X 18.5"
13. 115064	TRIM, ALUM COUNTER TOP
14. 690396-09	RANGE-22" W/OVEN, S.S. TOP/DOOR
15. 601806	SINK, S. S. ROUND GALLEY
16. 601867	FAUCET, KITCHEN PULL OUT
203483	COVER-SINK ROUND 17.75"
200980-01	TRAY, SILVERWARE,ALMOND,9" X 13"
365267	EDGE BANDING-1.13" .024 PLY
801369	PANEL, FROST WHITE/WHITE LINER
365278-01	EDGE BANDING-BLACK MAPLE 1.13"
365278-02	EDGE BANDING-BLACK MAPLE 1.625"
801368	PANEL-PRELAM WHTLINER/WHTLINER
801438	PANEL-FRT WHT VINYL/RAW
380041	BRACE 1", STANLEY CORNER
386106	MAGAZINE RACK
386107	ROD-MAGAZINE RACK

# 2006 INTERNATIONAL TRAVEL TRAILER

## FURNITURE, GALLEY

GALLEY, FULL OVEN & MICROWAVE, 22'

Replaces 965811, 965811-01 during model year



# 2006 INTERNATIONAL TRAVEL TRAILER

## FURNITURE, GALLEY

GALLEY, FULL OVEN & MICROWAVE, 22'

Replaces 965811, 965811-01 during model year

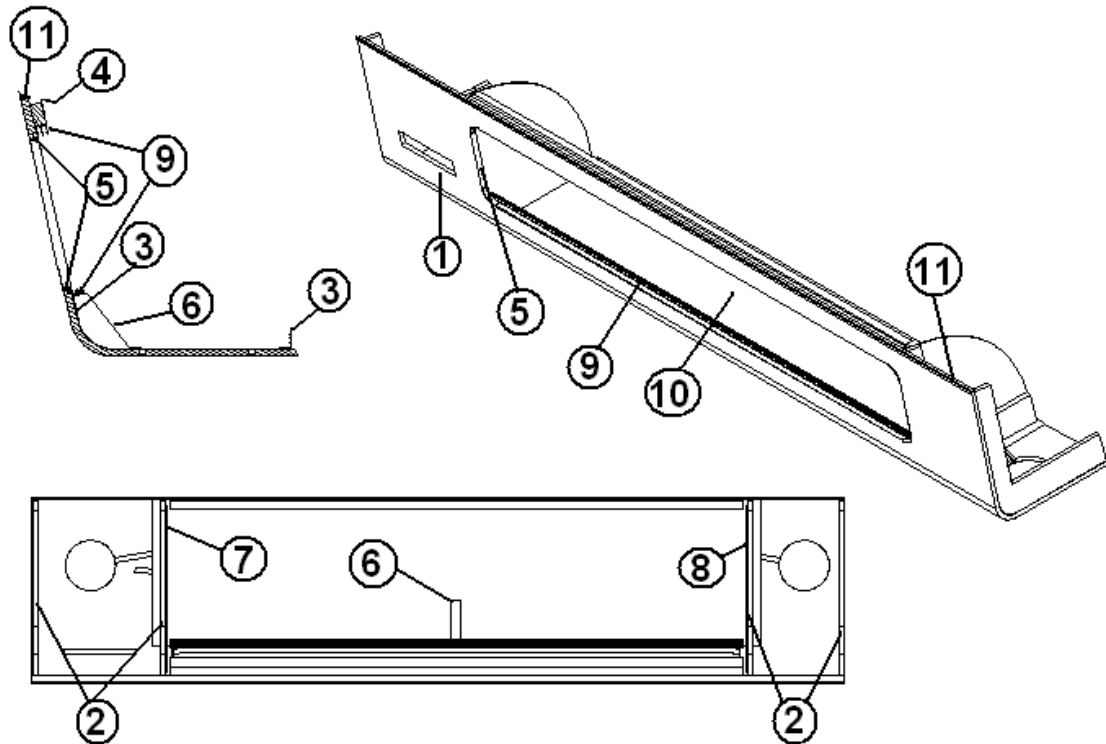
966469-01	GALLEY, FULL OVEN
966469-02	GALLEY, MICROWAVE
1. 801392	PANEL-, WHITELINER/WHITELINER
2. 801368	PANEL, WHITELINER/WHITELINER
3. 801456-01	PANEL, BLACK MAPLE/WHITE
4. 801438	PANEL, FROSTY WHITE/RAW
5. 801375-01	DOOR-GALLEY 19.63" X 21.25"
6. 801375-02	DOOR-GALLEY 14.38" X 7.00"
7. 801375-03	DOOR-GALLEY 14.38" X 14.13"
8. 801375-05	DOOR-GALLEY 25.13" X 8.69"
9. 801375-06	DOOR-GALLEY 34.13" X 8.69"
10. 381775	DRAWER PULL-FLUSH SATIN
11. 381607	HINGE ASSY-GRASS EURO
12. 381228-01	CATCH GRABBER DOOR
13. 965553-01	DRAWER BOX, 4.38" X 12.5" X 17"
14. 965526-01	TOP-GALLEY ASSY 3-BURN W/OVEN
115064	TRIM, ALUM COUNTER TOP
365278-01	EDGE BANDING-BLACK MAPLE 1.13"
365278-03	EDGE BANDING-BLACK MAPLE .625"



# 2006 INTERNATIONAL TRAVEL TRAILER

## FURNITURE, GALLEY

### Roof Locker, Galley, 22'

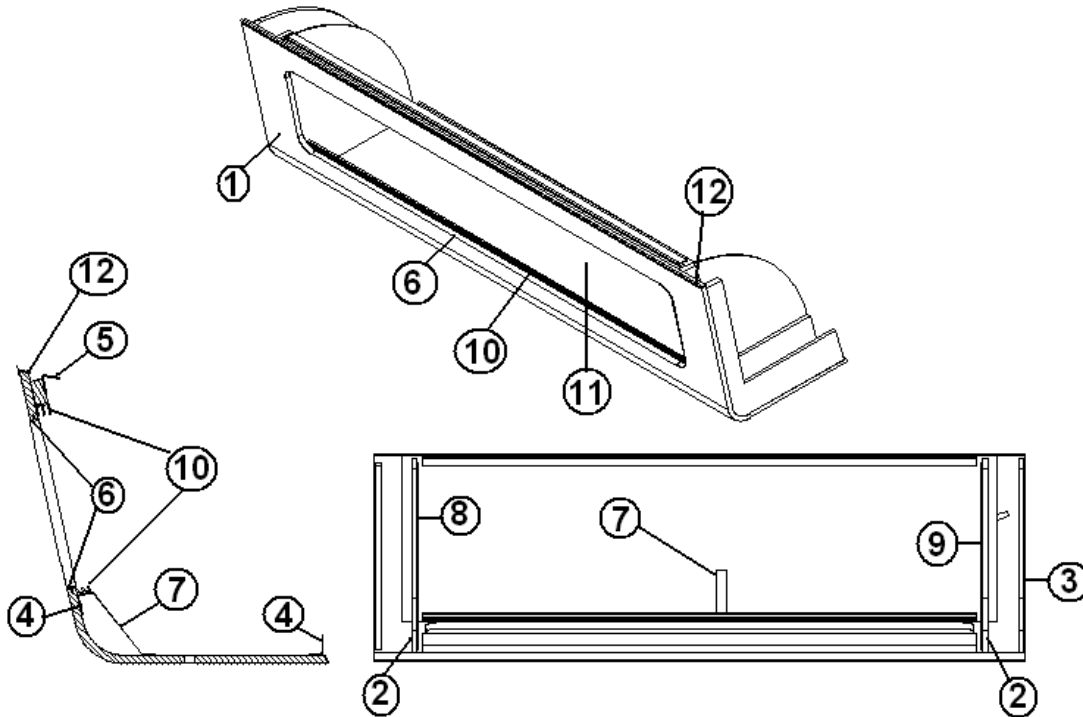


- |               |                                |
|---------------|--------------------------------|
| 966190        | Galley Roof Locker, 22'        |
| 1. 801542-01  | Locker face, galley            |
| 2. 801545-02  | Divider, partial               |
| 3. 115227-01  | Angled, formed, 58.50"         |
| 4. 104821     | Roof locker support, 74"       |
| 5. 203508-01  | T-trim, 9/16", wood grain      |
| 6. 115226     | Bracket, locker center support |
| 7. 801539-01  | Divider, LH, galley            |
| 8. 801539-02  | Divider, RH, galley            |
| 9. . 381245   | Sliding door track             |
| 10. 965563-08 | Door, sliding Plexiglas        |
| 11. 201673    | Cove molding, Ivory, plastic   |

# 2006 INTERNATIONAL TRAVEL TRAILER

## FURNITURE, GALLEY

### Roof Locker, Galley, 25'

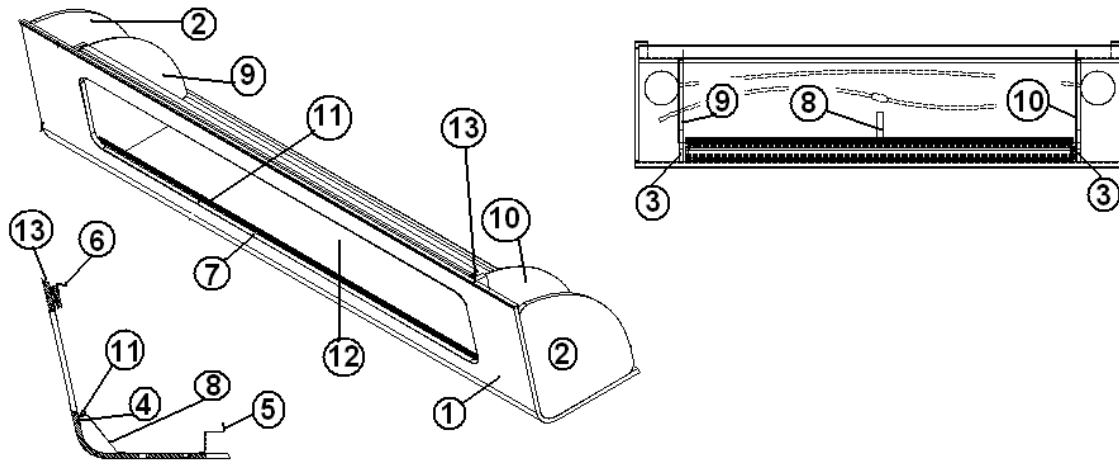


- |               |                                |
|---------------|--------------------------------|
| 966197        | Galley Roof Locker, 25'        |
| 1. 801542-06  | Locker face, galley            |
| 2. 801545-02  | Divider, partial               |
| 3. 801545-01  | Divider, full                  |
| 4. 115227-02  | Angled, formed, 50.50"         |
| 5. 104821     | Roof locker support, 74"       |
| 6. 203508-01  | T-trim, 9/16", wood grain      |
| 7. 115226     | Bracket, locker center support |
| 8. 801539-01  | Divider, LH, galley            |
| 9. 801539-02  | Divider, RH, galley            |
| 10. 381245    | Sliding door track             |
| 11. 965563-09 | Door, sliding Plexiglas        |
| 12. 201673    | Cove molding, Ivory, plastic   |

# 2006 INTERNATIONAL TRAVEL TRAILER

## FURNITURE, GALLEY

Roof Locker, Dinette, 16', 22', 28'

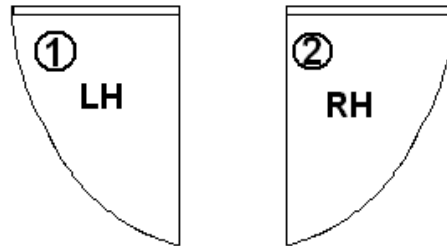


966195	Dinette Roof Locker, 22'
1. 801542-02	Locker face, dinette
2. 801545-01	Divider, full
3. 801545-03	Divider, partial, short
4. 115227-01	Angled, formed, 58.50"
5. 115228-01	Blind close out, formed
6. 104821	Roof locker support, 74"
7. 203508-01	T-trim, 9/16", wood grain
8. 115226	Bracket, locker center support
9. 801540-01	Divider, LH, dinette
10. 801540-02	Divider, RH, dinette
11. 381245	Sliding door track
12. 965563-08	Door, sliding Plexiglas
13. 201673	Cove molding, Ivory, plastic

# 2006 INTERNATIONAL TRAVEL TRAILER

## FURNITURE, GALLEY

ROOF LOCKER SHELVES, RH, LH, 16', 19', 22', 25', 28'



1. 965898-01

Roof Locker Shelf Assembly, LH

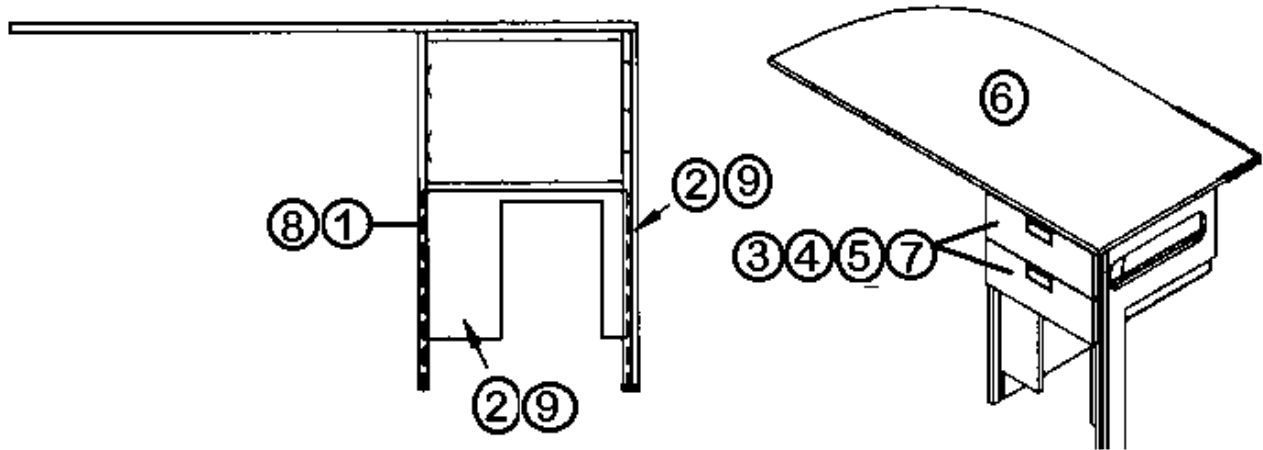
2. 965898

Roof locker Shelf Assembly, RH

# 2006 INTERNATIONAL TRAVEL TRAILER

## FURNITURE, GALLEY

### DESK ASSEMBLY 22'

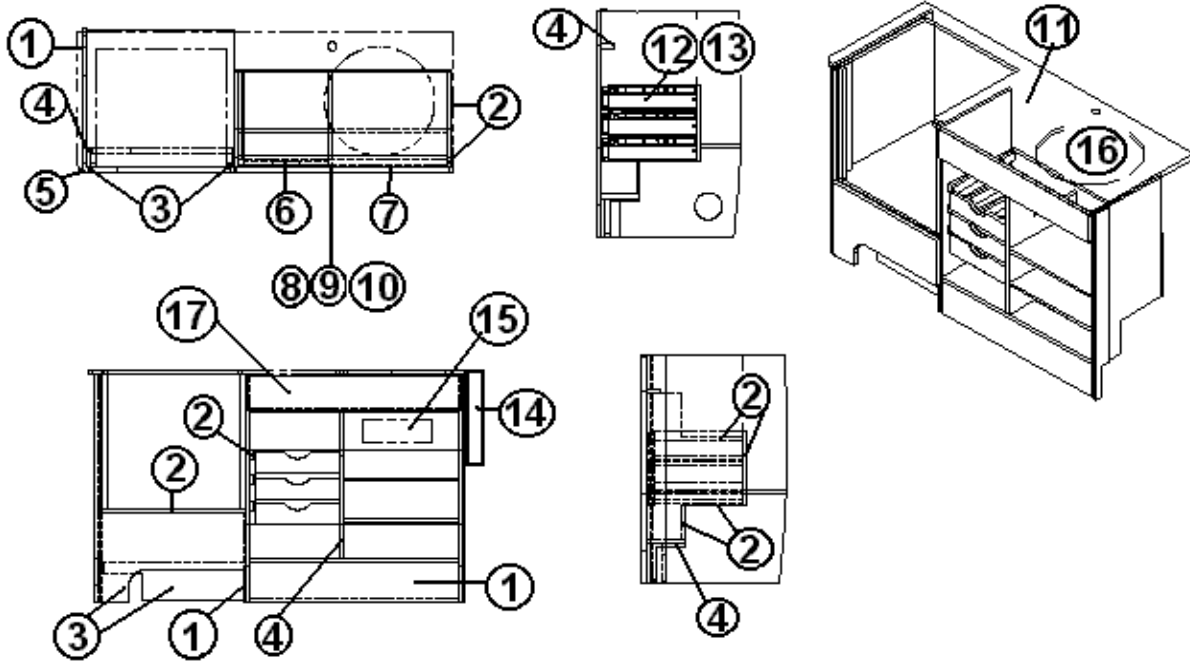


965535	Desk Assembly, 22' Model
1. 801369	Panel, Rexel, Frosty white/white
2. 801351	Lite plywood
3. 801375-07	Door, 6.25" x 17.13", Frosty white
4. 965553-04	Drawer box assembly, 4.38" x 15.25" x 17.63"
5. 381775	Drawer pull
6. 965540	Desk top assembly
7. 381948	Clip, locking drawer
8. 365369	PANEL, FROSTY WHITE/WHITE LINER
9. 365267	EDGE BANDING-1.13"
381209-01	GROMMET-W/CAP BLACK 1.5" HOLE
381773-11	DRAWER SLIDE-4.63" X 18.5" (PAIR)
365278-02	EDGE BANDING-BLK MAPLE 1.625"
365267	EDGE BANDING-1.13"
115064	TRIM-ALUM COUNTER TOP

# 2006 INTERNATIONAL TRAVEL TRAILER

## FURNITURE, GALLEY

GALLEY, FULL OVEN, 25', 965849



# 2006 INTERNATIONAL TRAVEL TRAILER

## FURNITURE, GALLEY

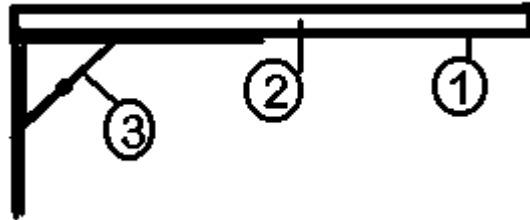
### GALLEY, FULL OVEN, 25', 965849

965849	GALLEY ASSY-FULL OVEN, 25'
1. 801456-01	PANEL, BLACK MAPLE/WHITE LINER
2. 801369-01	PANEL, WHITELINER/WHITELINER
3. 801436-01	PANEL, BLACK MAPLE/WHITE 18M
4. 801368	PANEL, WHITELINER/WHITELINER
5. 801393-02	CORNER TRIM, 90D 1" RADIUS 84"
6. 801341-73	DOOR-GALLEY 14.63" X 23.63"
7. 801341-74	DOOR-GALLEY 18.63" X 23.63"
8. 381775	DRAWER PULL, FLUSH
9. 381228-01	CATCH GRABBER DOOR
10. 381607	HINGE ASSY-GRASS EURO
11. 965851	GALLEY TOP, 25'
12. 965584-01	DRW BOX ASSY 3.38" X 13.75" X 13"
12A. 381773-02	SLIDE DRAWER 3-3/8" H X 13-3/4" L
13. 801399-02	DRAWER-HIDDEN 13.00" W X 3.38" H
14. 965850	SHELF-GALLEY FLIP UP SHELF
15. 381615	TRAY 11" MOLDED PLASTIC
16. 601806	SINK-S.S. ROUND GALLEY
16a. 600968	BASKET STRAINER
17. 801369	PANEL, FROSTY WHITE/WHITE LINER
381614	FOLDING SHELF BRACKET
365267	EDGE BANDING-1.13"
365278-03	EDGE BANDING-BLK MAPLE .625"
203483	COVER-SINK ROUND 17.75", OAK
115064	TRIM-ALUMINUM COUNTER TOP
365278-01	EDGE BANDING-BLACK MAPLE, 1.13"

# 2006 INTERNATIONAL TRAVEL TRAILER

## FURNITURE, GALLEY

### GALLEY FLIP UP SHELF, 25', 965850



- 965850  
1. 801369  
2. 365267  
3. 381614

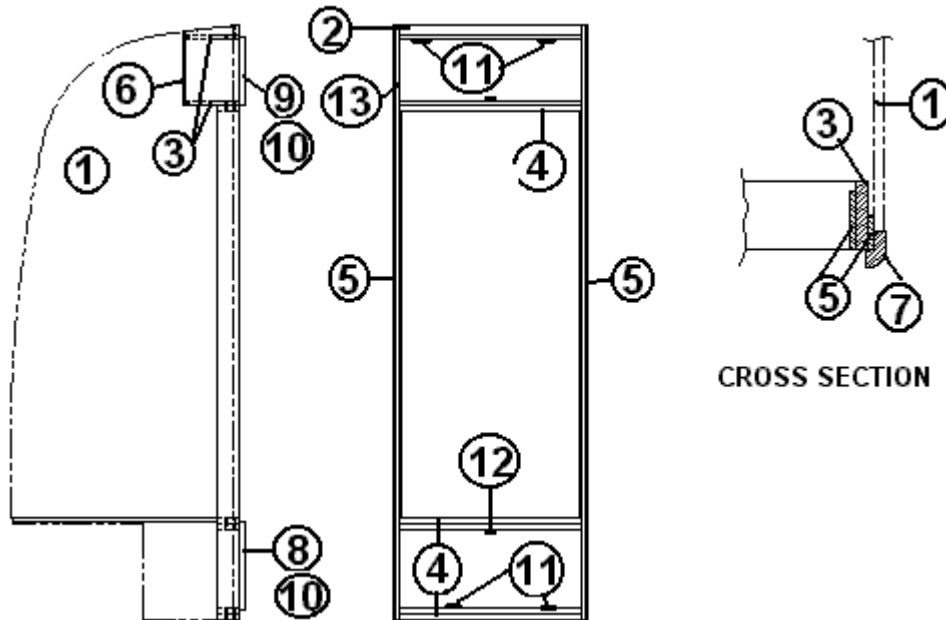
Galley Flip up Shelf Assembly, 25'  
PANEL, FROSTY WHITE/WHITE LINER  
EDGEBANDING-1.13" .024 PLY  
FOLDING SHELF BRACKET



# 2006 INTERNATIONAL TRAVEL TRAILER

## FURNITURE, GALLEY

### REFRIGERATOR CABINET, 25', 965836

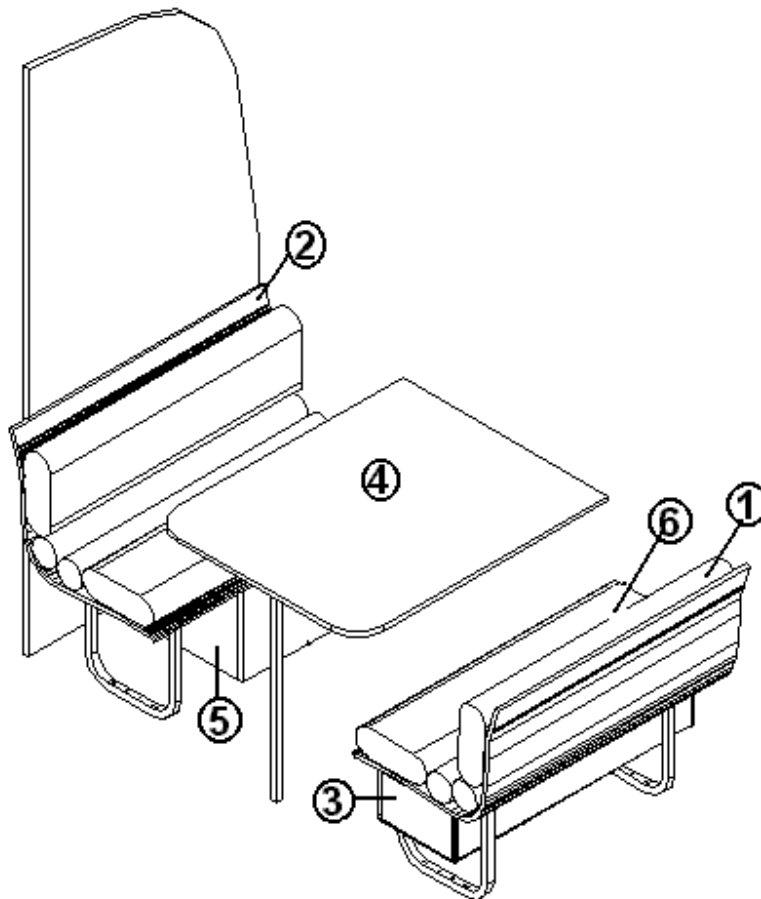


965836	Refrigerator Cabinet Assembly, 25'
1. 801460-01	PANEL-FWD REFER, 25'
2. 801456-01	PANEL, BLACK MAPLE/WHITE LINER 12MM
3. 801392	PANEL, WHITELINER/WHITELINER
4. 801368	PANEL, WHITELINER/WHITELINER
5. 800507-02	LAUAN, 1/4" X 4' X 8'
6. 801438	PANEL, WHITE VINYL/RAW
7. 801393-02	CORNER TRIM-90D 1"RADIUS, 84"
8. 801341-61	DOOR-REFER CABINET, 10.19" X 25.19"
9. 801341-62	DOOR-REFER CAB.8.38"X 25.19"
10. 381775	DRAWER PULL, FLUSH
11. 381607	HINGE ASSY-GRASS EURO
12. 381228-01	CATCH GRABBER DOOR C3-803
13. 381608-05	LID STAY-LEFT HAFELE
365278-01	EDGE BANDING-BLACK MAPLE 1.13"
965573	STAND-REFER, 25'
365278-03	EDGE BANDING-BLACK MAPLE .625"

# 2006 INTERNATIONAL TRAVEL TRAILER

## FURNITURE, GALLEY

### DINETTE LAYOUT, 25'

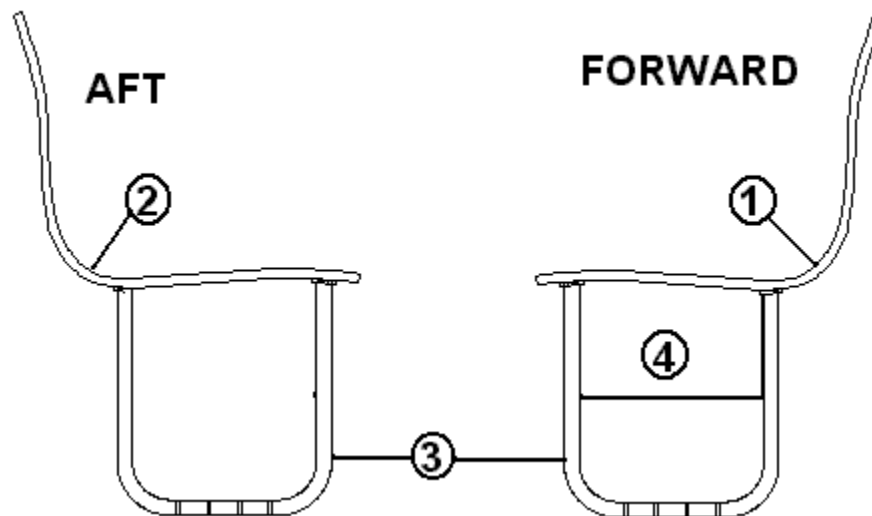


- |               |  |
|---------------|--|
| 1. 965788     | SEAT ASSY-FWD DINETTE                      |
| 2. 965853     | SEAT ASSY-AFT BOOTH, 25'                   |
| 3. 965854     | CLOSEOUT-DINETTE SEAT, 25'                 |
| 4. 965774     | DINETTE TABLE                              |
| 5. 203439     | STORAGE BOX-17"L X 11.13"W X 6.38"         |
| 6. 703352-123 | Booth dinette seat cushions, Charade       |
| 6. 703352-133 | Booth dinette seat cushions, Lemon Grass   |
| 6. 703352-143 | Booth dinette seat cushions, Hazard Orange |
| 6. 703352-115 | Booth seat cushions, Midnight Sun          |
| 6. 703352-156 | Booth seat cushions, Aruba                 |

# 2006 INTERNATIONAL TRAVEL TRAILER

## FURNITURE, GALLEY

### DINETTE SEAT ASSEMBLIES FORWARD, AFT, 25'

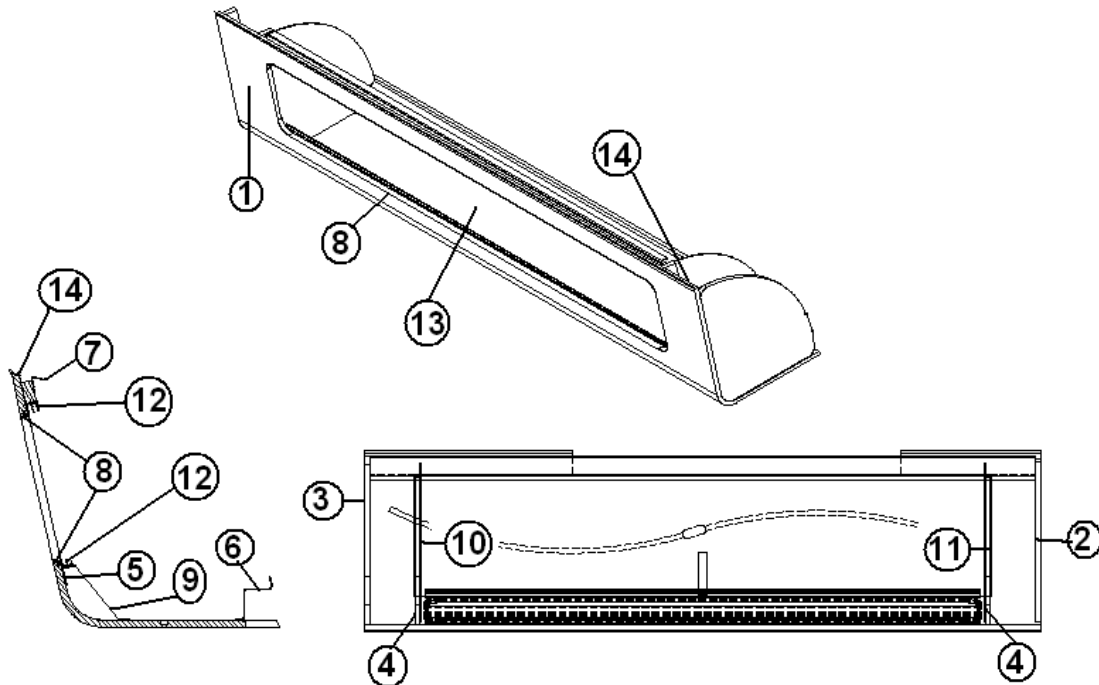


- 965788 DINETTE SEAT ASSEMBLY FORWARD, 25'
- 965853 DINETTE SEAT ASSEMBLY AFT, 25'
- 1. 801446 SEAT-DINETTE PLYMOLD CONTOURED
- 2. 801446 SEAT-DINETTE PLYMOLD CONTOURED
- 3. 115140 LEG-DINETTE BASE
- 4. 115141 CLOSEOUT-BOTTOM DINETTE SEAT
- 801498 DOOR-DINETTE STORAGE
- 381847 HINGE-PIANO ANGLE .88" X 72"
- 381228-01 CATCH GRABBER DOOR C3-803
- 801456-01 PANEL, BLACK MAPLE/WHITE LINER 12MM
- 365278-03 EDGE BANDING-BLACK MAPLE .625"
- 114070 EXTRUSION, J-TRIM

# 2006 INTERNATIONAL TRAVEL TRAILER

## FURNITURE, GALLEY

Roof locker, Dinette, 25'



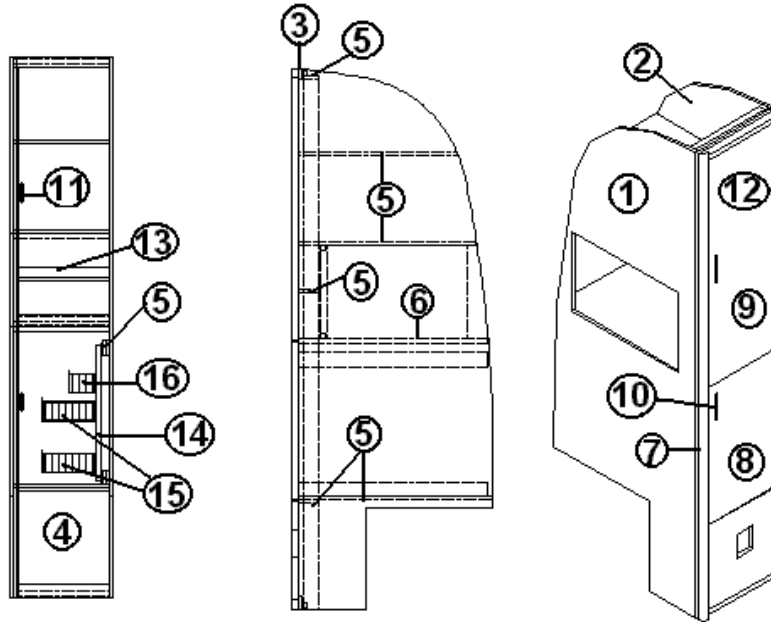
966196 Dinette roof locker, 25'

- |               |                                |
|---------------|--------------------------------|
| 1. 801542-04  | Locker face, dinette           |
| 2. 801545-01  | Divider, full                  |
| 3. 801545-02  | Divider, partial               |
| 4. 801545-03  | Divider, partial, short        |
| 5. 115227-01  | Angled, formed, 58.50"         |
| 6. 115228-01  | Blind close out, formed        |
| 7. 104821     | Roof locker support, 74"       |
| 8. 203508-01  | T-trim, 9/16", wood grain      |
| 9. 115226     | Bracket, locker center support |
| 10. 801540-01 | Divider, LH, dinette           |
| 11. 801540-02 | Divider, RH, dinette           |
| 12. 381245    | Sliding door track             |
| 13. 965563-08 | Door, sliding Plexiglas        |
| 14. 201673    | Cove molding, Ivory, plastic   |

# 2006 INTERNATIONAL TRAVEL TRAILER

## FURNITURE, GALLEY

### PANTRY ASSEMBLY, 25', 965842



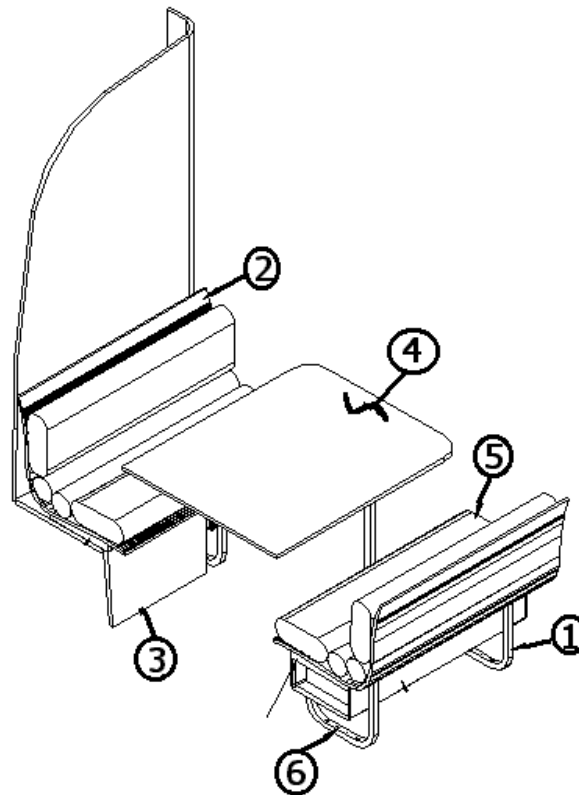
- |               |                                  |
|---------------|----------------------------------|
| *965842       | PANTRY ASSEMBLY, 25'             |
| 1. *801460-04 | PANEL-FWD PANTRY, 25'            |
| 2. 801460-05  | PANEL-AFT PANTRY, 25'            |
| 3. 801456-01  | PANEL, BLACK MAPLE/WHITE LIN 12M |
| 4. 801436-01  | PANEL, BLACK MAPLE/WHITE 18MM    |
| 5. 801392     | PANEL, WHITELINER/WHITELINER     |
| 6. 801368     | PANEL, WHITELINER/WHITELINER     |
| 7. 801393-02  | CORNER TRIM-90D 1"RADIUS, 84"    |
| 8. 801341-71  | DOOR-PANTRY 14"X 23"             |
| 9. 801341-72  | DOOR-PANTRY 14"X 38.13"          |
| 10. 381775    | DRAWER PULL, FLUSH               |
| 11. 381228-01 | CATCH GRABBER DOOR               |
| 12. 381607    | HINGE ASSY-GRASS EURO            |
| 13. 115083    | SHELF EDGE, FORMED               |
| 14. 381551-03 | ORGANIZER WHITE BASE CABINET     |
| 15. 381551-04 | BASKET-WIRE WHITE 8" WIDE        |
| 16. 381551-02 | WIRE BASKET 4" WIDE WHITE        |
| 381805        | Bolt, slide, 3" aluminum         |

\*DESINATED MICROWAVE BRAND, SAMSUNG OR TAPPEN

# 2006 INTERNATIONAL TRAVEL TRAILER

## FURNITURE, GALLEY

### DINETTE LAYOUT, 28'



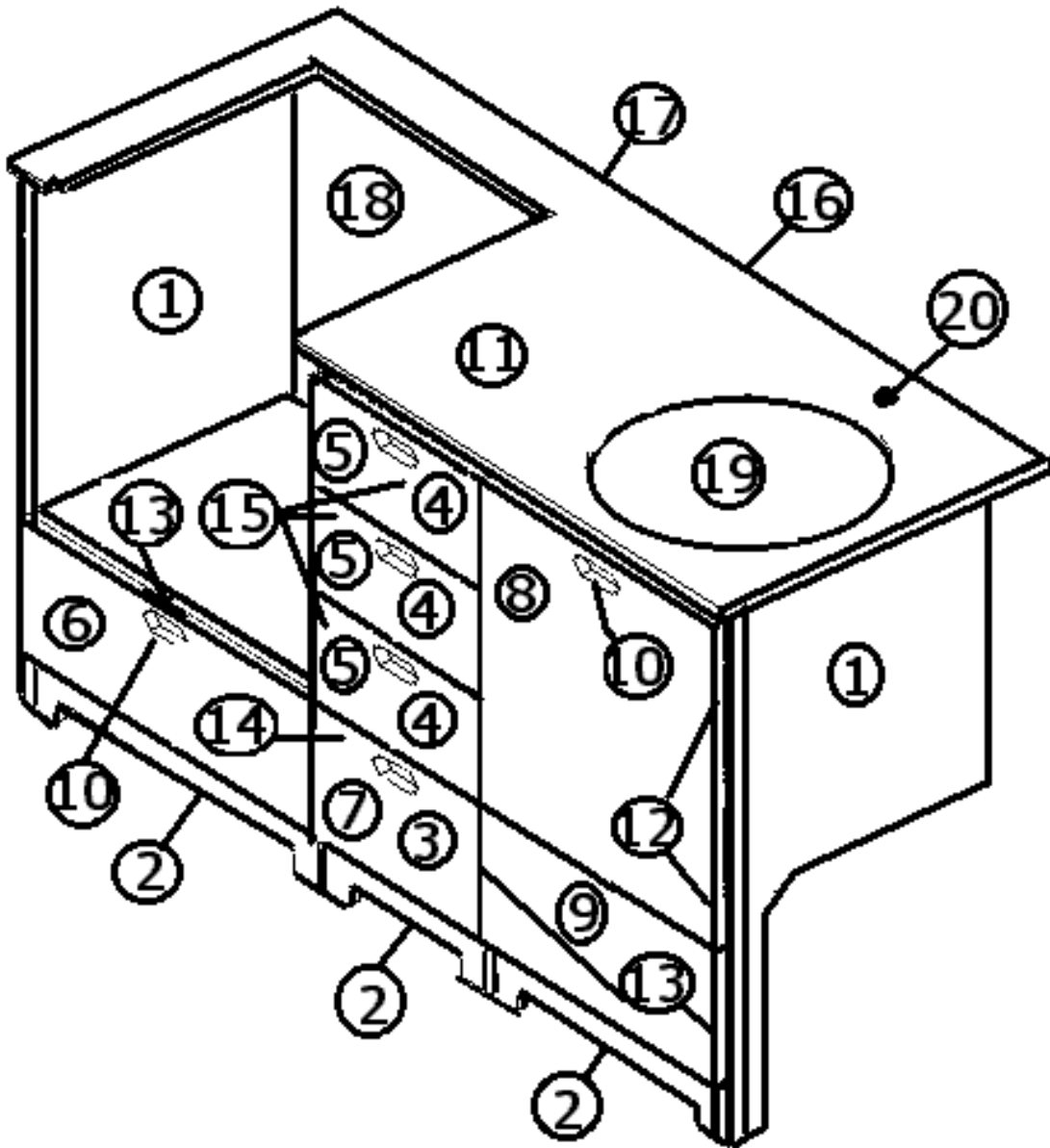
965788	SEAT ASSY-FWD DINETTE, 28'
965789	SEAT ASSY-AFT DINETTE, 28'
1. 801446	Booth seat, contoured
2. 801446	Booth seat, contoured
3. 965775	Closeout, dinette seat
4. 965774	Dinette table assembly
5. 703352-123	Booth seat cushions, Charade
5a. 703352-133	Booth seat cushions, Lemon Grass
5b. 703352-143	Booth seat cushions, Hazard Orange
5c. 703352-115	Booth seat cushions, Midnight Sun
5d. 703352-156	Booth seat cushions, Aruba
6. 115140	Leg, dinette seat
203439	STORAGE BOX-17"L X 11.13"W X 6.38"
801498	DOOR-DINETTE STORAGE
381847	HINGE-PIANO ANGLE .88" X 72"
381228-01	CATCH GRABBER DOOR C3-803

# 2006 INTERNATIONAL TRAVEL TRAILER

## FURNITURE, GALLEY

GALLEY CABINET, 28'

Replaced during model year by 966475-01



Part Numbers on Next Page

# 2006 INTERNATIONAL TRAVEL TRAILER

## FURNITURE, GALLEY

### GALLEY CABINET, 28'

Replaced during model year by 966475-01

965992-01	Galley Base Assembly, 28'
1. 801368	Panel, WHITELINER/WHITELINER, 18mm
2. 801436-01	Panel, Black Maple/White, 18mm
3. 381373-11	Drawer slide/box, 6136/470mm
4. 381373-17	Drawer slide/box, 6236/470mm
5. 801375-02	Drawer door, 14.38" x 7.00", Frosty
6. 801375-17	Drawer door, 25.13" x 8.69", Frosty
7. 801375-15	Drawer door, 14.38" x 8.69", Frosty
8. 801375-16	Drawer door, 20.13" x 21.25", Frosty
9. 801369-01	False panel, 21.13" x 8.69", Frosty
10. 381775	Drawer/door pull, flush
11. 965993-01	Galley top assembly
12. 381607	Hinge assembly, Euro-Grass
13. 381228-01	Door grabber catch
14. 965553-01	Drawer box assembly
15. 965554-04	Drawer box assembly
16. 115064	Counter top trim
17. 365267	Ply edge tape, 1 1/8"
18. 690396-09	Range, 22", Gas
19. 601806	Sink, galley, Round Stainless Steel
20. 601867	Faucet, Pull-Out, Moen
200980-01	TRAY, SILVERWARE, ALMOND, 9" X 13"
965715-02	BACKSPLASH ASSY. GALLEY
203483	COVER-SINK ROUND 17.75" NATURAL OAK
600968	BASKET STRAINER

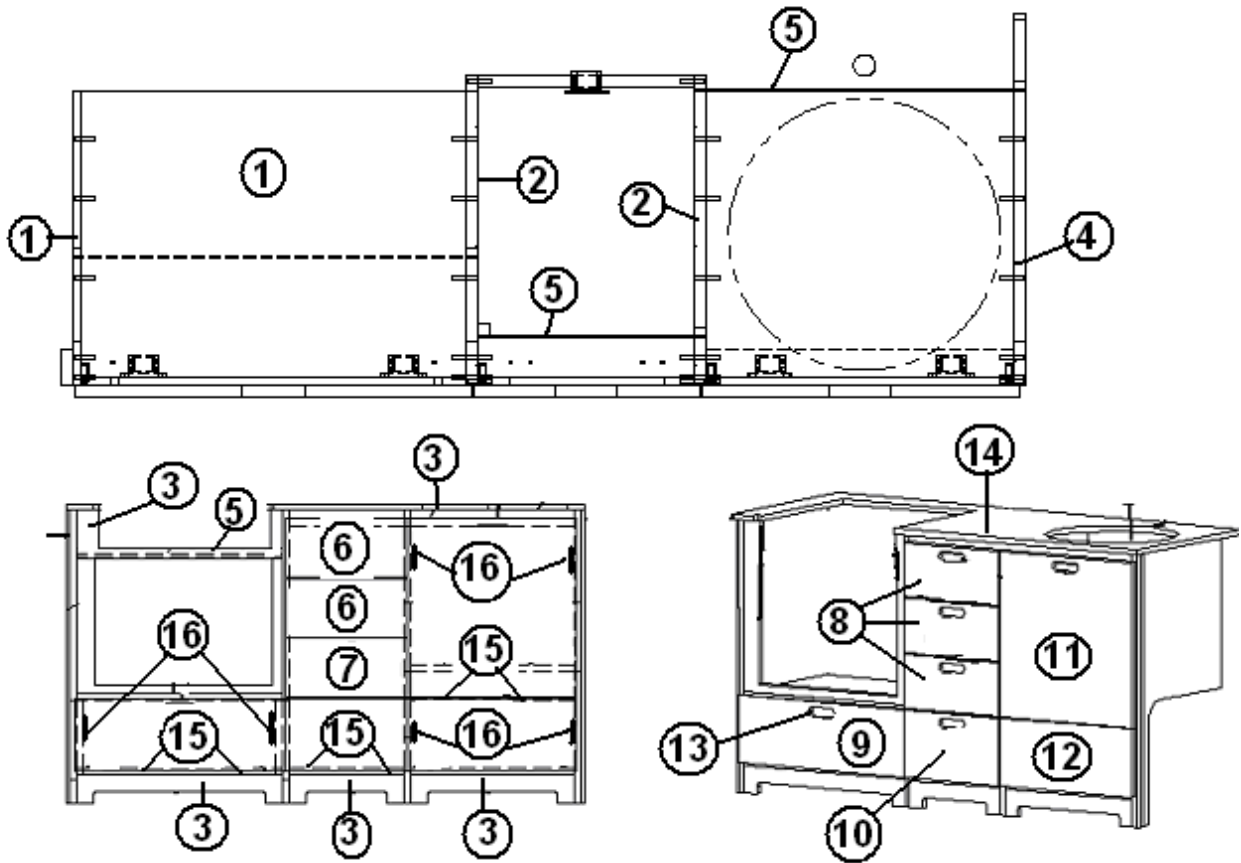


# 2006 INTERNATIONAL TRAVEL TRAILER

## FURNITURE, GALLEY

GALLEY CABINET, Full Oven 28", 966475-01

Replaces 965992 during model year.



Part Numbers on Next Page

# 2006 INTERNATIONAL TRAVEL TRAILER

## FURNITURE, GALLEY

GALLEY CABINET, Full Oven 28", 966475-01

Replaces 965992 during model year.

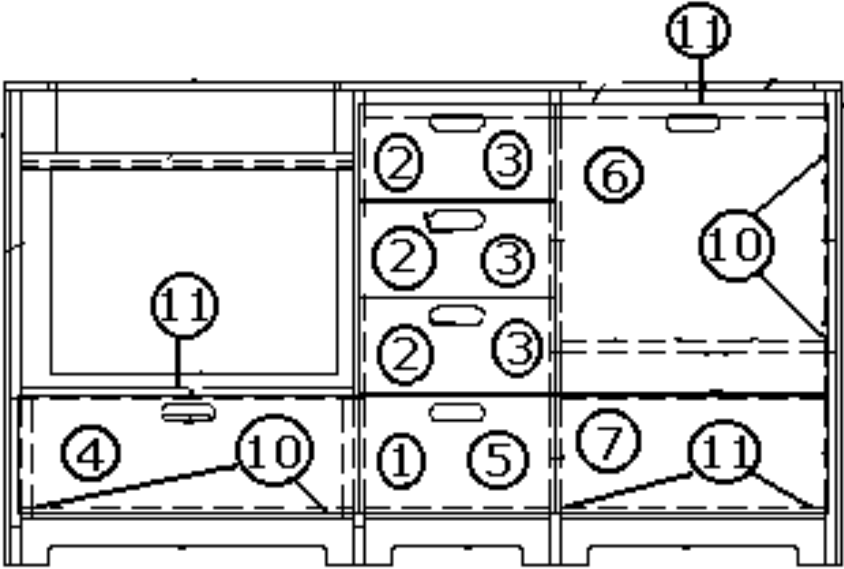
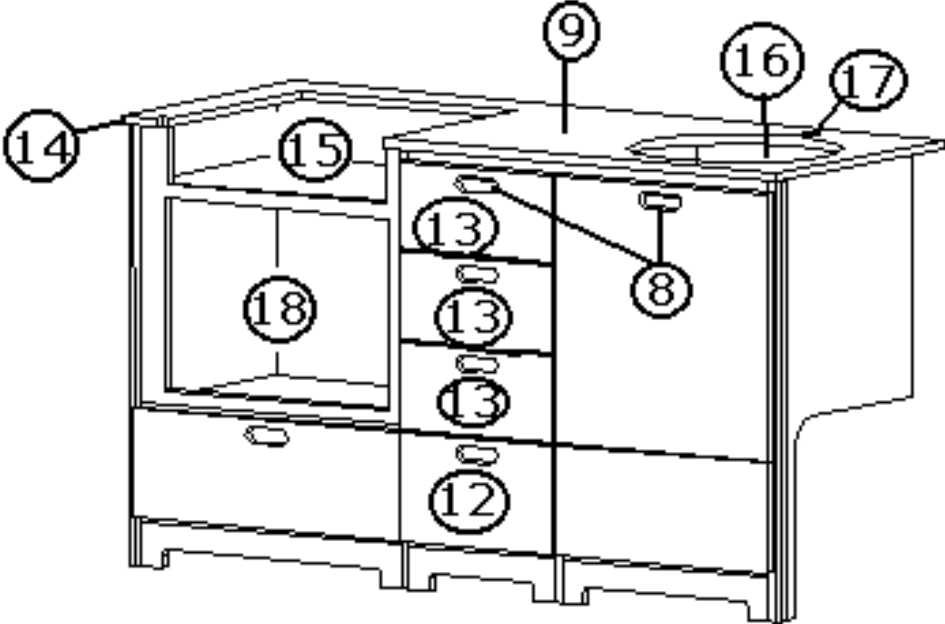
966475-01	Galley Base Assembly, 28', Full Oven
1. 801392	Panel, WHITE LINER/WHITE LINER 12MM
2. 801368	Panel, White/white
3. 801456-01	Panel, Black maple/Whiteliner, 12MM
4. 801436-01	Panel, BLACK MAPLE/WHITE 18M VERTICAL
5. 801438	PANEL, FROST WHITE VINYL/RAW 2.7MM
6. 965554-04	DRAWER BOX, 5.63" X 12.5" X 17"
7. 965553-01	DRAWER BOX, 4.38" X 12.5" X 17"
8. 801375-02	DOOR, GALLEY, 14.38" X 7.00"
9. 801375-17	DOOR-GALLEY 25.13" X 8.69"
10. 801375-15	DOOR-LAVATORY 15.88" X 13.63"
11. 801375-16	DOOR-GALLEY 20.13" X 21.25"
12. 801369	PANEL, FROST WHITE/WHITE LINER
13. 381775	Drawer pull
14.965993	Galley Top Assembly
15.381607	Hinge assembly, grass-euro
16.381228-01	Door grabber catch

# 2006 INTERNATIONAL TRAVEL TRAILER

## FURNITURE, GALLEY

GALLEY CABINET, MICROWAVE, 28', 965802

Replaced by 966475-02 during model year



Parts Numbers on the next page.

# 2006 INTERNATIONAL TRAVEL TRAILER

## FURNITURE, GALLEY

GALLEY CABINET, MICROWAVE, 28', 965802

Replaced by 966475-02 during model year

- |               |                                      |
|---------------|--------------------------------------|
| 965802        | Galley Base Assembly, 28', Microwave |
| 1. 381773-11  | Drawer slide/box                     |
| 2. 381773-17  | Drawer slide/box                     |
| 3. 801375-02  | Drawer door, 14.38" x 7.00"          |
| 4. 801375-17  | Drawer door, 25.13" x 8.69"          |
| 5. 801375-15  | Drawer door, 14.38" x 8.69           |
| 6. 801375-16  | Drawer door, 20.13" x 21.25"         |
| 7. 801369-01  | PANEL, FROST WHITE/WHITELINER        |
| 8. 381775     | Drawer/door pull                     |
| 9. 965993     | Galley top assembly                  |
| 10. 381607    | Hinge assembly, grass-euro           |
| 11. 381228-01 | Door grabber catch                   |
| 12. 965553-01 | Drawer box assembly                  |
| 13. 965553-04 | Drawer box assembly                  |
| 14. 115064    | Counter top trim                     |
| 15. 690396-10 | Cook top, 22"                        |
| 16. 601806    | Sink, round S.S.                     |
| 17. 601867    | Faucet                               |
| 18. 690345-01 | MICROWAVE-CONVECTION SHARP R-820BK   |
| 18. 690345-03 | TRIM RING, CONVECTION MICROWAVE      |

Not shown:

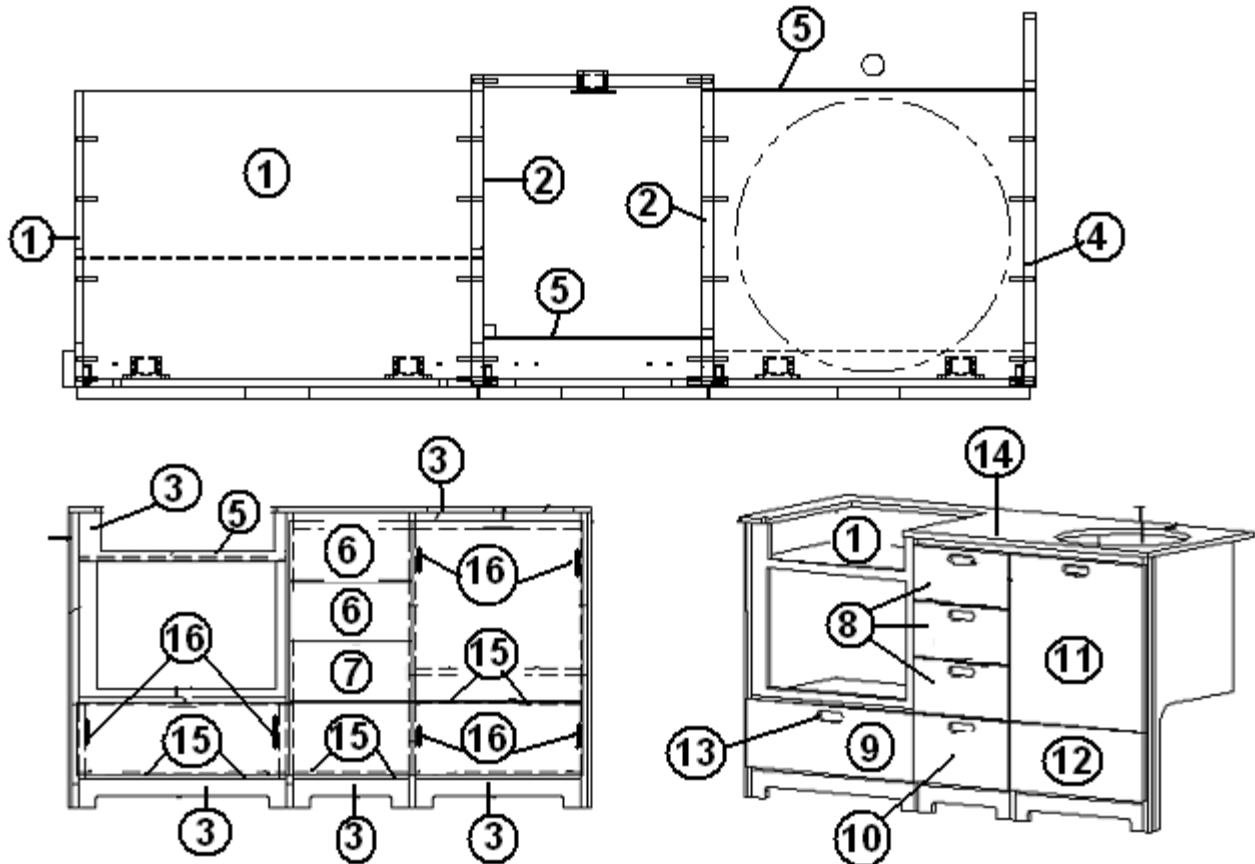
- |           |   |
|-----------|---|
| 381773-17 | DRAWER SLIDE-5.875" X 18.5" (PAIR)          |
| 801368    | WHITELINER/WHITELINER                       |
| 801436-01 | Panel, Black décor, Maple/White liner, 18MM |
| 365267    | Edge tape, 1 1/8", ply                      |
| 365278    | Edge tape, maple, 1.13"                     |

# 2006 INTERNATIONAL TRAVEL TRAILER

## FURNITURE, GALLEY

GALLEY CABINET, MICROWAVE, 28', 966475-02

Replaces 965802 during model year



Parts Numbers on the next page.

# 2006 INTERNATIONAL TRAVEL TRAILER

## FURNITURE, GALLEY

GALLEY CABINET, MICROWAVE, 28', 966475-02

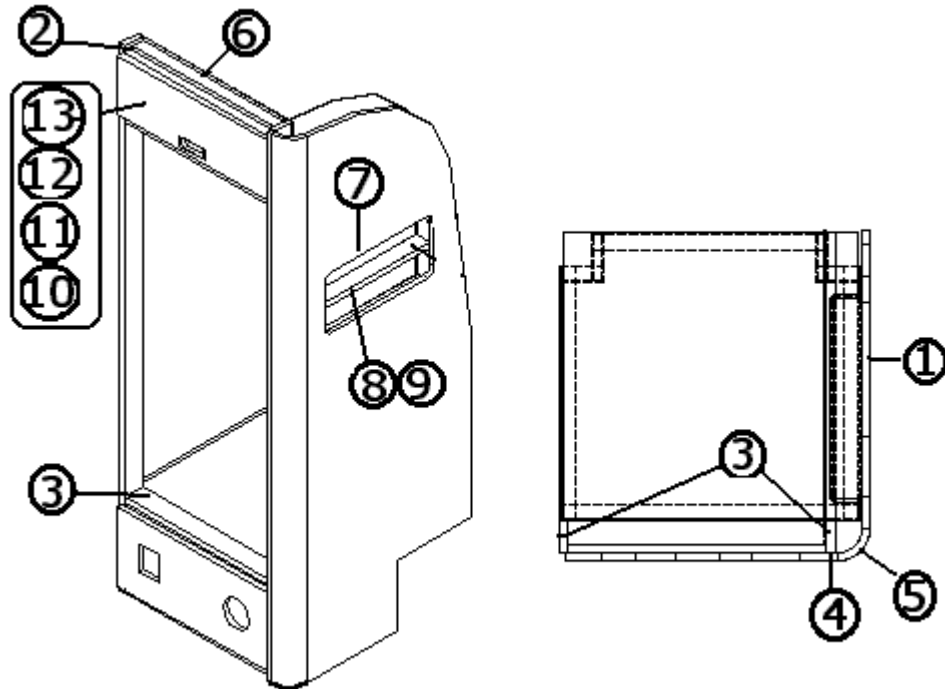
Replaces 965802 during model year

966475-02	Galley Base Assembly, 28', Microwave
1. 801392	Panel, WHITE LINER/WHITE LINER 12MM
2. 801368	Panel, White/white
3. 801456-01	Panel, Black maple/Whiteline, 12MM
4. 801436-01	Panel, BLACK MAPLE/WHITE 18M VERTICAL
5. 801438	PANEL, FROST WHITE VINYL/RAW 2.7MM
6. 965554-04	DRAWER BOX, 5.63" X 12.5" X 17"
7. 965553-01	DRAWER BOX, 4.38" X 12.5" X 17"
8. 801375-02	DOOR, GALLEY, 14.38" X 7.00"
9. 801375-17	DOOR-GALLEY 25.13" X 8.69"
10. 801375-15	DOOR-LAVATORY 15.88" X 13.63"
11. 801375-16	DOOR-GALLEY 20.13" X 21.25"
12. 801369	PANEL, FROST WHITE/WHITE LINER
13. 381775	Drawer pull
15.965993	Galley Top Assembly
16.381607	Hinge assembly, grass-euro
17.381228-01	Door grabber catch

# 2006 INTERNATIONAL TRAVEL TRAILER

## FURNITURE, GALLEY

### REFRIGERATOR CABINET, 28', 965997

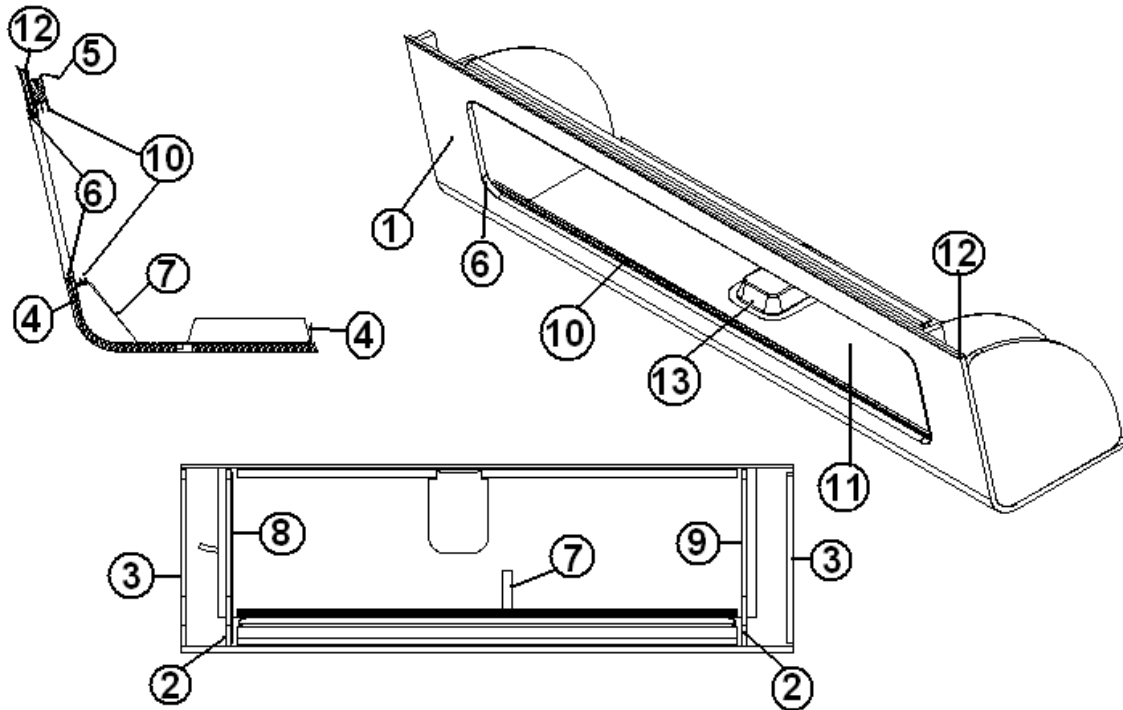


- 965997 Refrigerator Cabinet Assembly, 28'
- 1. 966056 Panel, forward refer
  - 2. 801436-01 Panel, black décor, maple/white liner
  - 3. 801368 Panel, white liner/white liner
  - 4. 801351 Lite ply, .75"
  - 5. 801345 Radius plywood, .75" x 3" x 8'
  - 6. 801438 Panel, 2.7mm x 48" x 84", white/raw
  - 7. 203384 Spice rack, ABS
  - 8. 203385 Trim, "F" self edging clear
  - 9. 203330 Plastic, Frosted white
  - 10. 801375-18 Door refer cabinet, 8.5" x 25.56"
  - 11. 381775 Drawer pull
  - 12. 381607 Hinge assembly, Grass-Euro
  - 13. 381228-01 Door grabber catch
- 203476 SHELF-REFRIGERATOR  
203440 T MOLDING-BLACK EMBOSSED .8125  
115064 TRIM-ALUM COUNTER TOP

# 2006 INTERNATIONAL TRAVEL TRAILER

## FURNITURE, GALLEY

### Roof Locker, Galley, 28'



966198	Galley Roof Locker, 28'
1. 801542-03	Locker face, galley
2. 801545-02	Divider, partial
3. 801545-01	Divider, full
4. 115227-02	Angled, formed, 50.50"
5. 104821	Roof locker support, 74"
6. 203508-01	T-trim, 9/16", wood grain
7. 115226	Bracket, locker center support
8. 801539-01	Divider, LH, galley
9. 801539-02	Divider, RH, galley
10. 381245	Sliding door track
11. 965563-09	Door, sliding Plexiglas
12. 201673	Cove molding, Ivory, plastic
13. 200772	Pan, dead bolt, plastic



# 2006 INTERNATIONAL TRAVEL TRAILER

## FURNITURE, GALLEY

### SILVERWARE TRAY

200980-01 TRAY, SILVERWARE, ALMOND, 9" X 13"

### CHAIR/MAGAZINE RACKS

203382 Air chair, orange

386106 Magazine rack, 22'

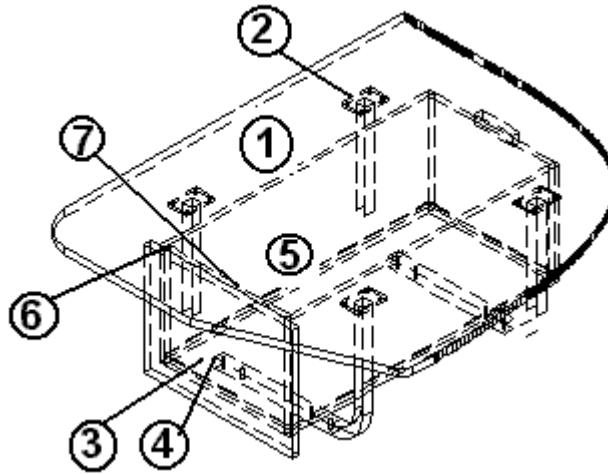
386106-01 Magazine rack, 16', 19', 28'

386107 Magazine rack rod, 16', 22'

# 2006 INTERNATIONAL TRAVEL TRAILER

## FURNITURE, LOUNGE

### DINETTE SEAT ASSEMBLY, CS, 16', 19'

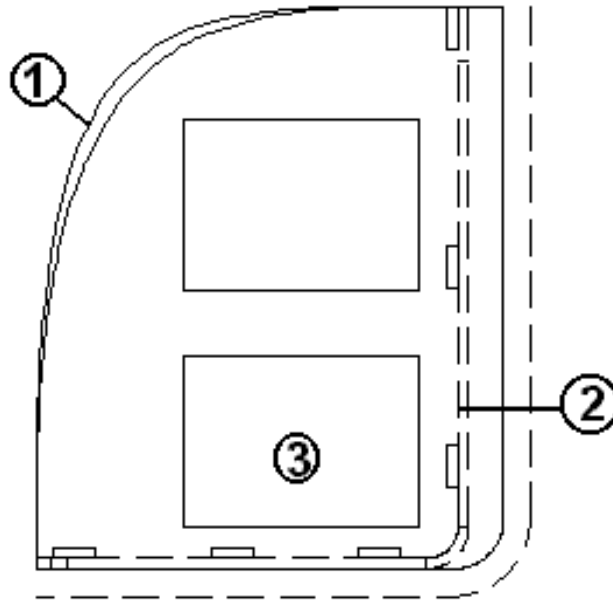


- 965865 SEAT ASSEMBLY-CS DINETTE, 16', 19'
- 1. 801368 PANEL, WHITELINER/WHITELINER, seat top
- 2. 454177 LEG-DINETTE ALUMINUM
- 3. 964909-11 DRAWER BOX ASSEMBLY-10" X 14.00" X 29"
- 4. 801375-21 DOOR-DINETTE 11.5"X 16.00"
- 5. 381192 SLIDE, DRAWER, 18"
- 6. 800581-01 LUMBER, OAK, 13/16" X 1.5"
- 7. 381074 CATCH BULL DOG #65S (COPPER)
- 203474 NIPPLE-MOLDED PLASTIC
- 801436-01 PANEL, BLACK MAPLE/WHITE 18MM VERTICLE
- 365267 EDGE BANDING-1.13" .024 PLY
- 365278-01 EDGE BANDING-BLACK MAPLE 1.13"

# 2006 INTERNATIONAL TRAVEL TRAILER

## FURNITURE, LOUNGE

### DINETTE SEAT ASSEMBLY, RS, 16', 19'

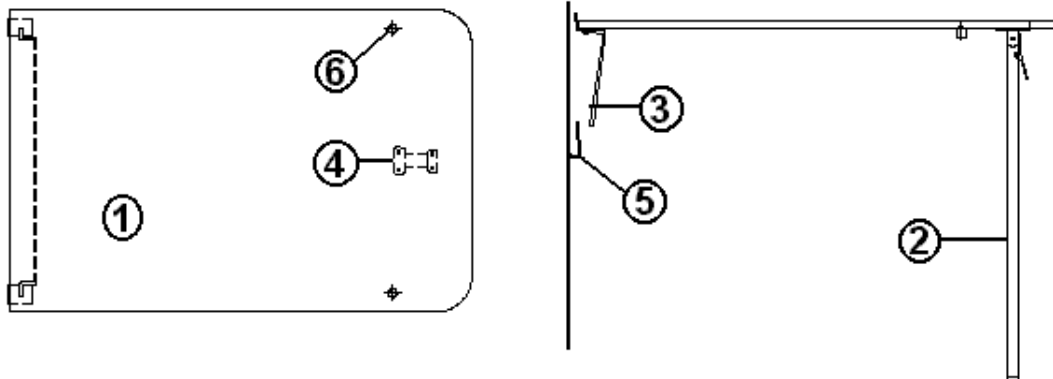


- |              |  |
|--------------|--|
| 965866       | SEAT ASSEMBLY-RS DINETTE, 16', 19'     |
| 1. 801368    | PANEL, WHITELINER/WHITELINER, SEAT TOP |
| 2. 965932    | SUPPORT ASSEMBLY-RS DINETTE            |
| 3. 701538-01 | CARPET-ECONOLIER                       |
| 801345       | RADIUS PLYWOOD .75"X 3"X 8'            |
| 801355-01    | LAMINATE, FROST WHITE 4 'X 8'          |
| 365267       | EDGE BANDING-1.13" .024 PLY            |

# 2006 INTERNATIONAL TRAVEL TRAILER

## FURNITURE, LOUNGE

### DINETTE TABLE ASSEMBLY, 16', 19'

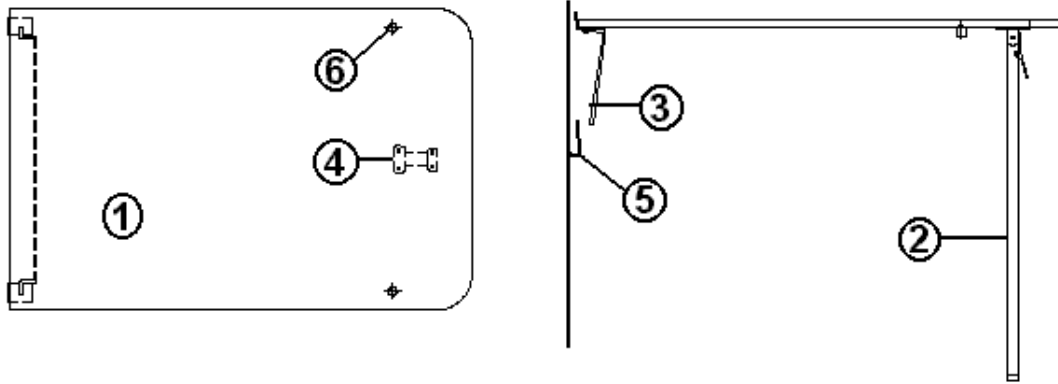


- |              |                                   |
|--------------|-----------------------------------|
| 965867       | TABLE ASSEMBLY-DINETTE, 16', 19'  |
| 1. 801368    | PANEL, WHITELINER/WHITELINER, TOP |
| 2. 700065-01 | LEG-SNAPO FOLDING, 30.5" CHROME   |
| 3. 380284-02 | TABLE HINGE BRACKET               |
| 4. 380284-03 | CENTER HINGE J-4                  |
| 5. 340018    | CATCH PLATE J-1                   |
| 6. 381136    | RUBBER BUMPER                     |
| 365267       | EDGEBANDING-1.13" .024 PLY        |

# 2006 INTERNATIONAL TRAVEL TRAILER

## FURNITURE, LOUNGE

### DINETTE TABLE ASSEMBLY, 16', QUICKSILVER

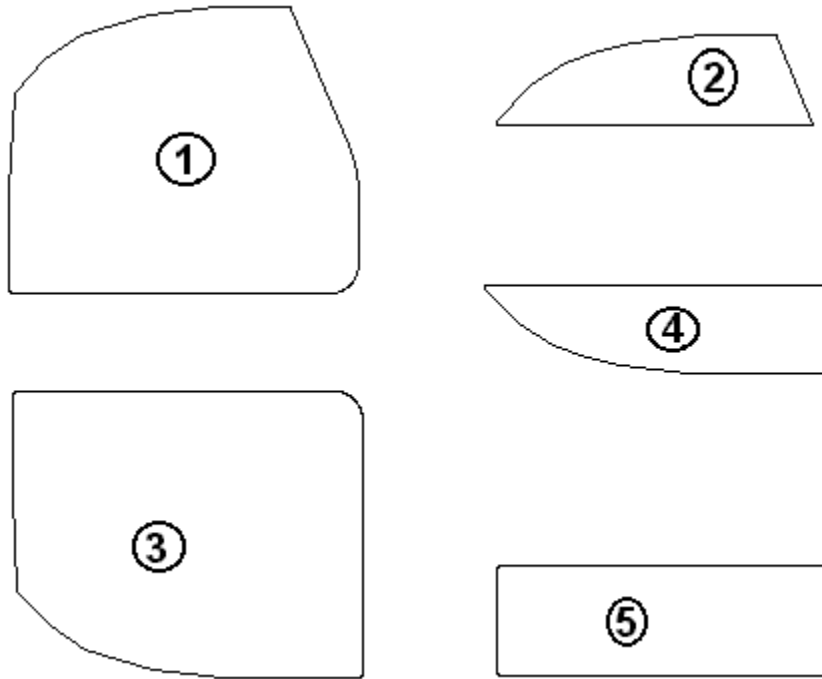


- |              |                                  |
|--------------|----------------------------------|
| 966524       | TABLE ASSEMBLY-DINETTE, 16', 19' |
| 1. 801633    | LAMINATE, NAT.GEO. 3' X 8'       |
| 2. 700065-01 | LEG-SNAPO FOLDING, 30.5" CHROME  |
| 3. 380284-02 | TABLE HINGE BRACKET              |
| 4. 380284-03 | CENTER HINGE J-4                 |
| 5. 340018    | CATCH PLATE J-1                  |
| 6. 381136    | RUBBER BUMPER                    |
| 115177       | TRIM-COUNTER TOP 1.25", ALUMINUM |

# 2006 INTERNATIONAL TRAVEL TRAILER

## FURNITURE, LOUNGE

### DINETTE SEAT ASSEMBLIES/CUSHIONS, 16', 19'

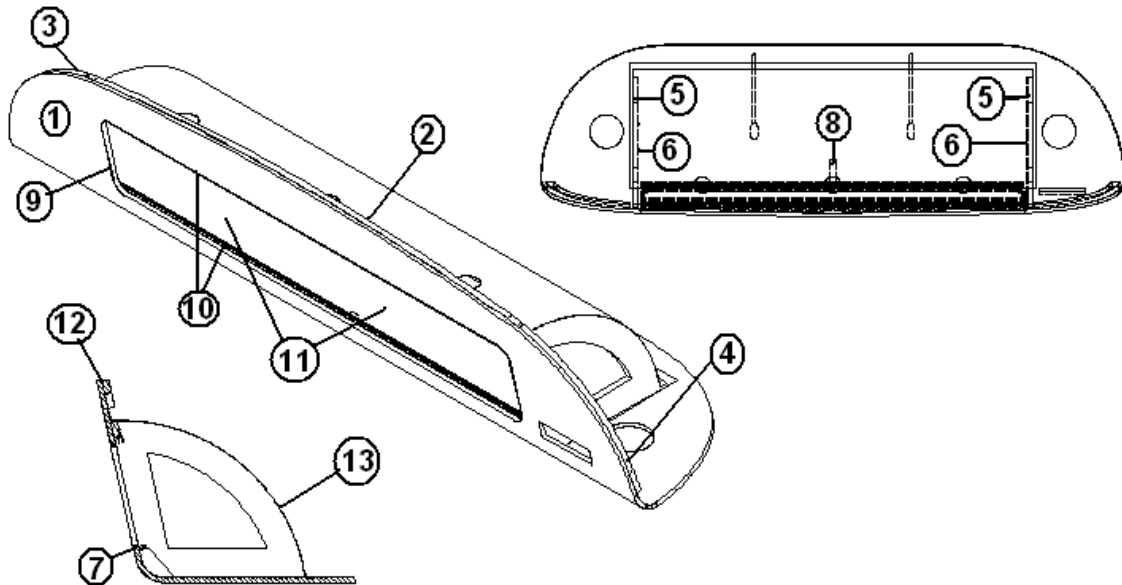


- |                |                                 |
|----------------|---------------------------------|
| 1. 998150-01   | SEAT ASSEMBLY-CS DINETTE        |
| 1a. 703368-01  | FOAM-SEAT CS DINETTE            |
| 1b. 998150-101 | COVER, CS DINETTE SEAT          |
| 2. 998150-02   | FILLER ASSEMBLY-CS DINETTE BACK |
| 2a. 703368-02  | CS BACK FILLER                  |
| 2b. 998150-102 | COVER, CS DINETTE BACK          |
| 3. 998150-04   | SEAT ASSEMBLY-RS DINETTE        |
| 3a. 703368-04  | FOAM-RS DINETTE SEAT            |
| 3b. 998150-104 | COVER, RS DINETTE SEAT          |
| 4. 998150-05   | FILLER ASSEMBLY-RS DINETTE SEAT |
| 4a. 703368-05  | FOAM-RS BACK FILLER             |
| 4b. 998150-105 | COVER, RS DINETTE SEAT FILLER   |
| 5. 998150-06   | BACK REST ASSEMBLY-RS DINETTE   |
| 5a. 703368-06  | FOAM-RS BACK REST               |
| 5b. 998150-106 | COVER, BACK REST, RS DINETTE    |
| 700022         | ZIPPER                          |
| 700020         | PILE VELCRO                     |
| 700021         | HOOK, VELCRO, WHITE             |
| 703446         | SILK FILM SHEETING #SFS 36 AIR  |

# 2006 INTERNATIONAL TRAVEL TRAILER

## FURNITURE, LOUNGE

Roof Locker, Front End Liner, 16' start-518384, 19'

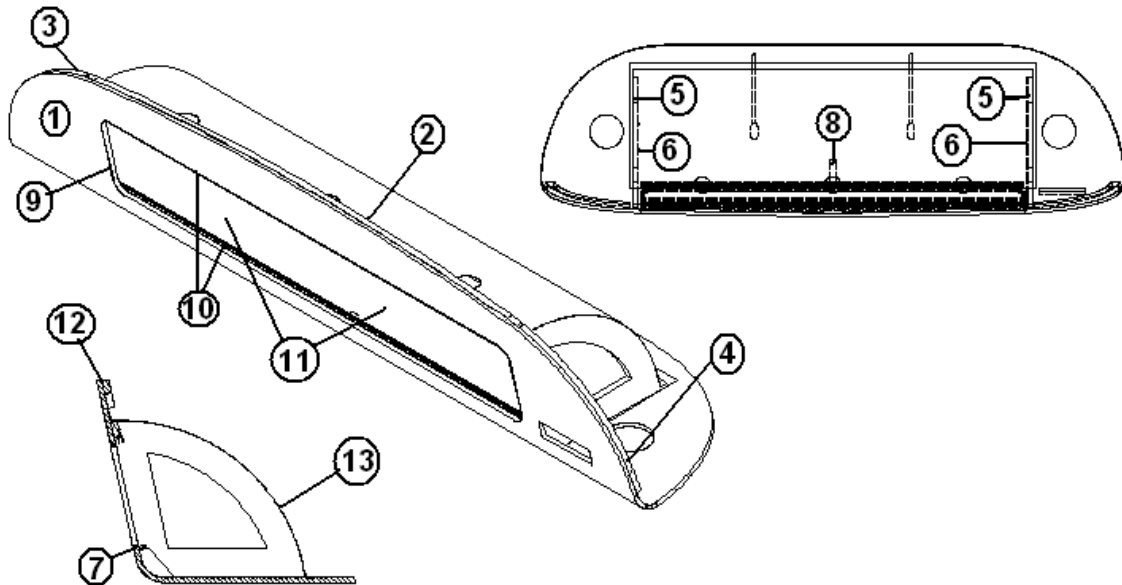


- |               |  |
|---------------|--|
| 966387-01     | Roof Locker, Front End Liner                 |
| 1. 801593-04  | Locker face, front end roof locker           |
| 2. 801596-01  | Backer, liner locker, center                 |
| 3. 801596-02  | Backer, liner locker, LH                     |
| 4. 801596-03  | Backer, liner locker, RH                     |
| 5. 801594     | Divider, liner locker                        |
| 6. 801595     | Divider, liner locker, no Audio Switch Holes |
| 6. 801595-01  | Divider, liner locker, w Audio Switch Holes  |
| 7. 115261-01  | Angled, formed, 58.50"                       |
| 8. 115226-01  | Bracket, locker center support               |
| 9. 203508-01  | T-trim, 9/16", wood grain                    |
| 10. 381245    | Sliding door track                           |
| 11. 965563-09 | Door, sliding Plexiglas, 11.31" x 26"        |
| 12. 201673    | Cove molding, Ivory, plastic                 |
| 13. 115264-02 | Pan, liner, locker                           |

# 2006 INTERNATIONAL TRAVEL TRAILER

## FURNITURE, LOUNGE

### Roof Locker, Front End Liner, 16' Quicksilver



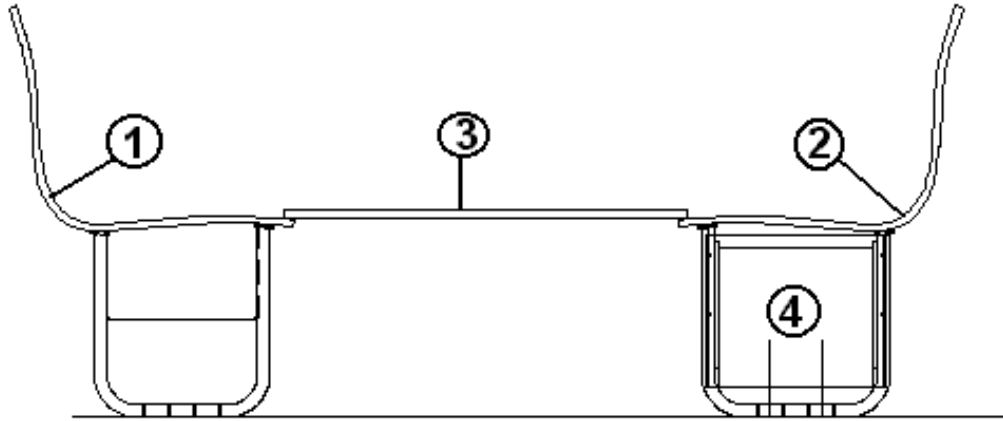
- 966387-03 Roof Locker, Front End Liner
- 801593-04 Locker face, front end roof locker
- 801596-01 Backer, liner locker, center
- 801596-02 Backer, liner locker, LH
- 801596-03 Backer, liner locker, RH
- 801594 Divider, liner locker
- 801595-02 Divider, liner locker, no Audio Switch Holes
- 6. 801595-03 Divider, liner locker, w Audio Switch Holes
- 115261-01 Angled, formed, 58.50"
- 115226-01 Bracket, locker center support
- 203508-01 T-trim, 9/16", wood grain
- 10. 381245 Sliding door track
- 11. 203357-02 Door, 11.31" X 30"
- 12. 201673 Cove molding, Ivory, plastic
- 13. 115264-02 Pan, liner, locker



# 2006 INTERNATIONAL TRAVEL TRAILER

## FURNITURE, LOUNGE

### DINETTE SEAT/TABLE, 22'

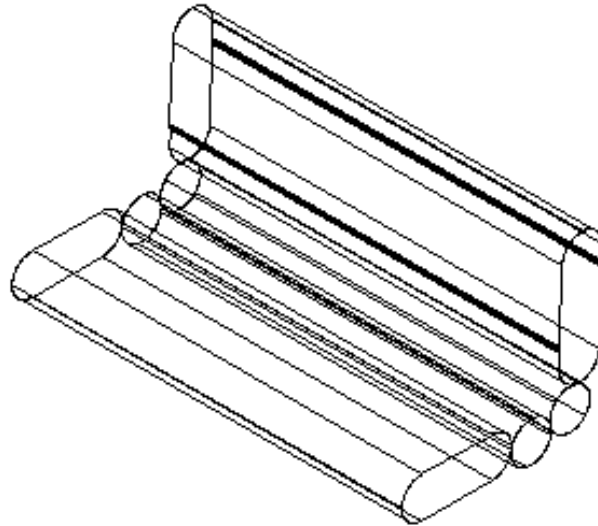


- |               |                                       |
|---------------|---------------------------------------|
| 1. 965819     | SEAT ASSY-LH DINETTE                  |
| 1a. 801446    | SEAT                                  |
| 1b. 115140    | LEG                                   |
| 1c. 115141-01 | CLOSEOUT UNDER SEAT                   |
| 2. 965820     | SEAT ASSY-RH DINETTE                  |
| 2a. 801446    | SEAT                                  |
| 2b. 115145    | LEG                                   |
| 2c. 454171    | DINETTE ELECTRICAL BOX                |
| 3. 965774     | DINETTE TABLE                         |
| 4. 203439     | STORAGE BOX, 17" L X 11.13" W X 6.38" |
| 801498        | DOOR-DINETTE STORAGE                  |
| 801369-01     | PANEL-PRELAM FRST WHT/WHT LINER       |
| 365267        | EDGEBANDING-1.13"                     |
| 381847        | HINGE-PIANO ANGLE .88" X 72"          |
| 381228-01     | CATCH GRABBER DOOR                    |

# 2006 INTERNATIONAL TRAVEL TRAILER

## FURNITURE, LOUNGE

### DINETTE CUSHION KIT, 22'

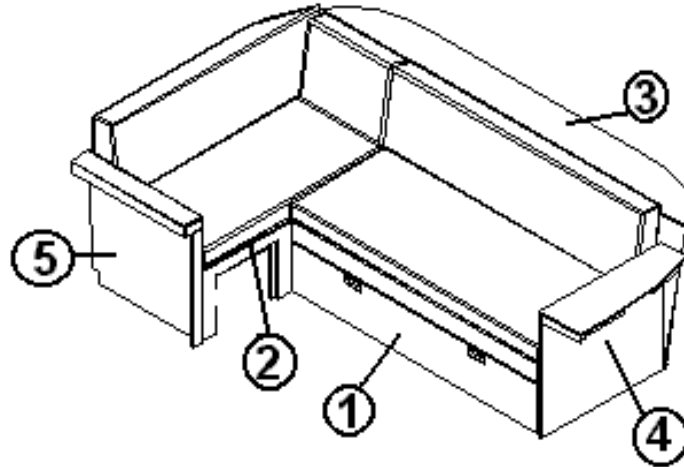


703352-123	BLUE STREAK
703352-133	LEMONGRASS
703352 143	HAZARD ORANGE
703352-115	Midnight Sun
703352-156	Aruba

# 2006 INTERNATIONAL TRAVEL TRAILER

## FURNITURE, LOUNGE

SOFA, 25'

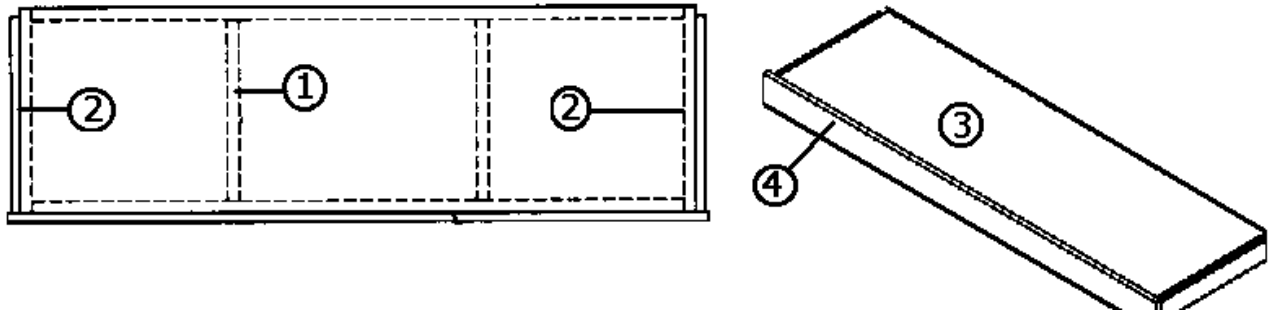


- |           |                            |
|-----------|----------------------------|
| 965982    | SOFA ASSY 25'              |
| 1. 965983 | SOFA ASSY-L SECTION, 25'   |
| 2. 966132 | SOFA ASSY-BACK             |
| 3. 965985 | SOFA ASSY-ARMREST          |
| 4. 965852 | ARMREST ASSEMBLY, L-LOUNGE |

# 2006 INTERNATIONAL TRAVEL TRAILER

## FURNITURE, LOUNGE

### SOFA BED ASSEMBLY, 25', 965981

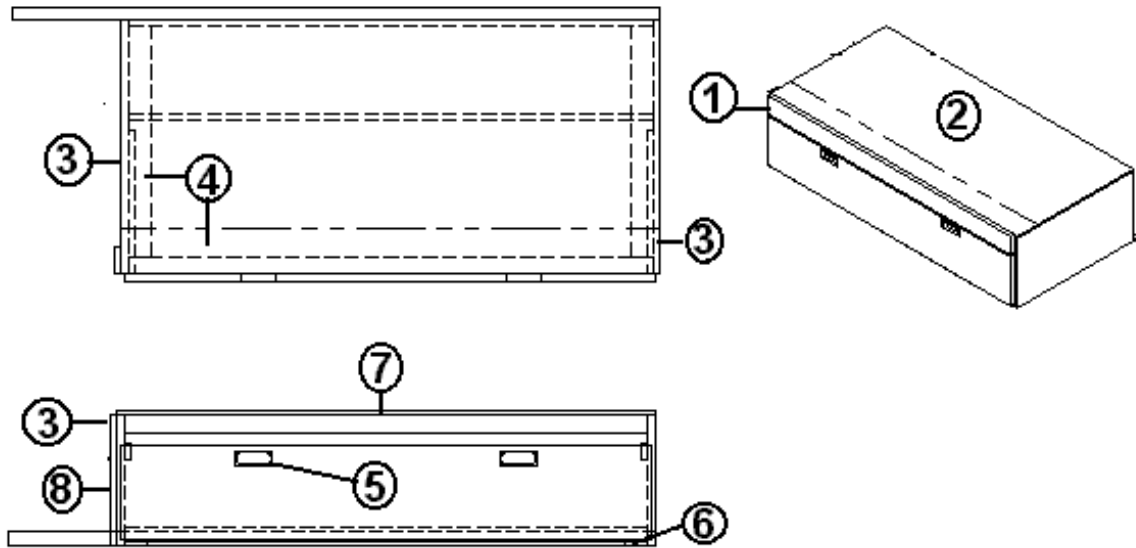


965981	Sofa Bed Assembly, 25'
1. 915708	Weldment, sofa bed
2. 381826	Slide, ball bearing, 16"
3. 800507-02	Lauan, 1/4" x 4' x 8'
4. 801351	Light ply, 18m
703347	Fabric, black tweed
330031-03	Rivet, dome head
320117-03	Screw, steel drywall, #6 x 1.625"
203447	STORAGE BOX, 23.5" X 16.25" X 6.38"

# 2006 INTERNATIONAL TRAVEL TRAILER

## FURNITURE, LOUNGE

### SOFA ASSEMBLY, 25', 28', 965982

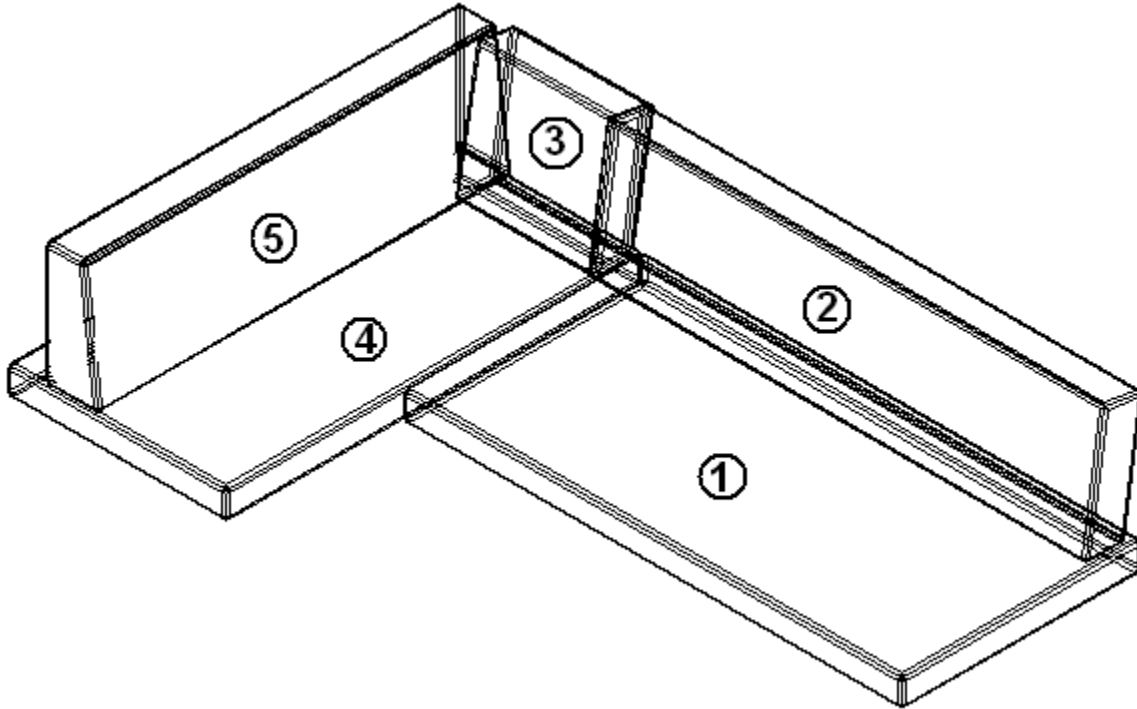


965982	Sofa Assembly, 25'
1. 965981	SOFA ASSY-BED SECTION
2. 800506-04	PLYWOOD, 1/2" X 4' X 8'
3. 801351	Light ply, 18mm
4. 850082	POPLAR, .75" X 2.00"
5. 381775	DRAWER PULL-FLUSH SATIN
6. 381072	HINGE 3" X 1 7/8" OPEN GOLD
7. 381228-01	CATCH GRABBER DOOR
8. 114809	ALUMINUM ANGLE 1.50" X 1.50"

# 2006 INTERNATIONAL TRAVEL TRAILER

## FURNITURE, LOUNGE

SOFA CUSHIONS, 25', 28'

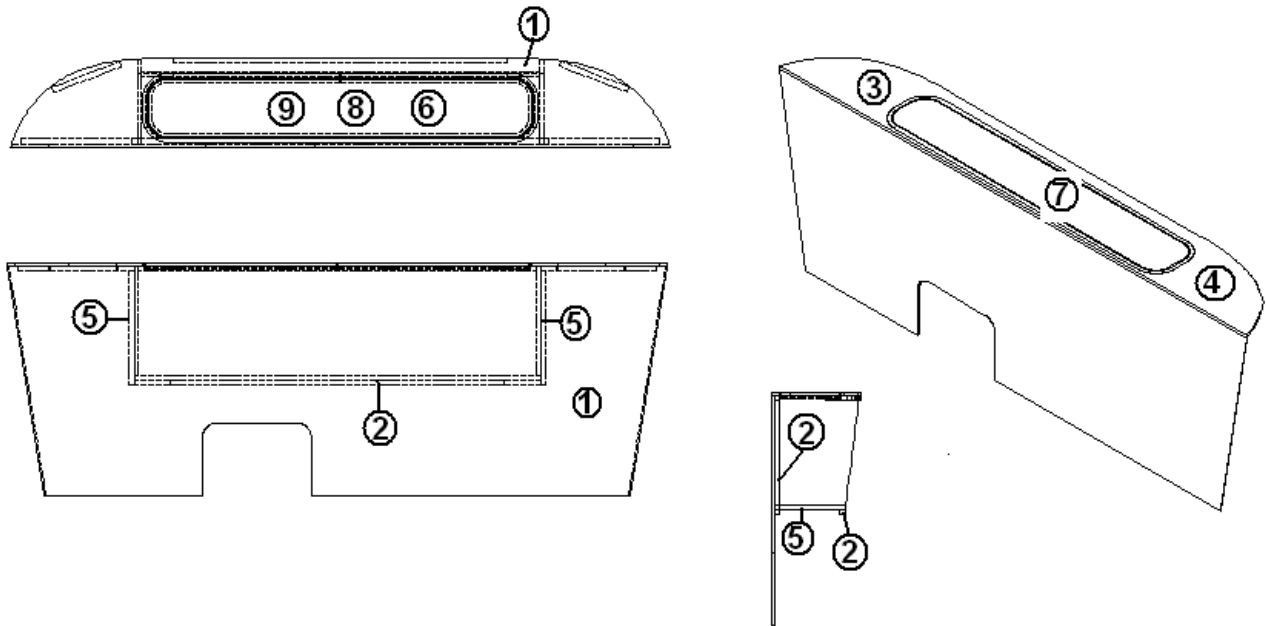


703340	Cushions, sofa
1. 703340-01	Foam cushion, bottom main
2. 703340-02	Foam cushion, back, main
3. 703340-03	Foam Cushion, Small Back Rest
4. 703340-04	Foam cushion, Base side
5. 703340-05	Foam Cushion, Back Rest Side
703340-06	FOAM-CUSHION WEDGE 78"
965812	CUSHION ASSY-FOAM WEDGE L LOUNGE

# 2006 INTERNATIONAL TRAVEL TRAILER

## FURNITURE, LOUNGE

### SOFA BACK ASSEMBLY, 25', 28', 966132



966132

1. 800507-03

2. 800025-01

3. 701764

4. 703347

5. 801392

6. 115203

7. 966134

8. 381847

9. 365013-01

381581

100627

381847

365013

BACK ASSY-SOFA CCD

LAUAN, 3/8" X 4' X 8'

PINE 3/4" X 3/4" STAINED

FOAM, 1/4"

FABRIC, COAL, 54"

PANEL, WHITELINER/WHITELINER

JAMB, SOFA BACK DOOR

DOOR ASSY, SOFA BACK

HINGE, PIANO ANGLE .88" X 72"

TAPE, FOAM, SCREEN DOOR-CHARCOAL

STRAP, CLEAR PLASTIC .75" W

ACCESS DOOR FRAME EXTRUSION

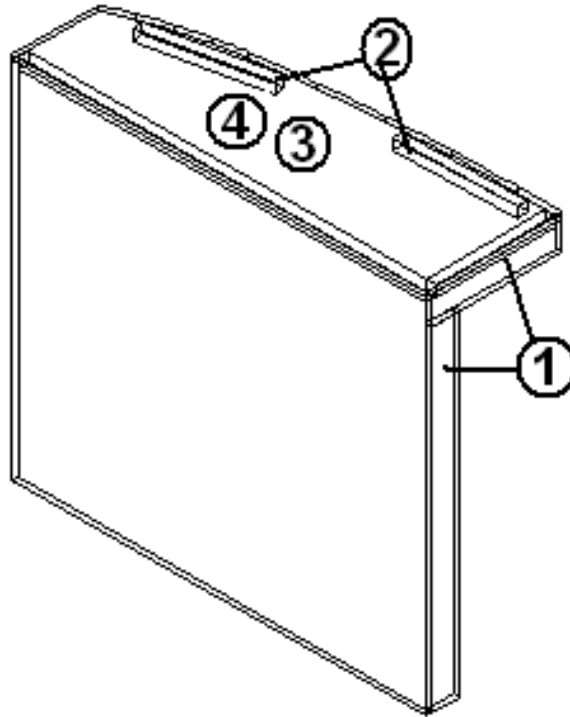
HINGE-PIANO ANGLE .88" X 72"

TAPE,FOAM-SCREEN DOOR-CHARCOAL

# 2006 INTERNATIONAL TRAVEL TRAILER

## FURNITURE, LOUNGE

### SOFA ARMREST ASSEMBLY, 25', 28', 965985



- 965985  
1. 800507-03  
2. 800025-01  
3. 701764  
4. 703347

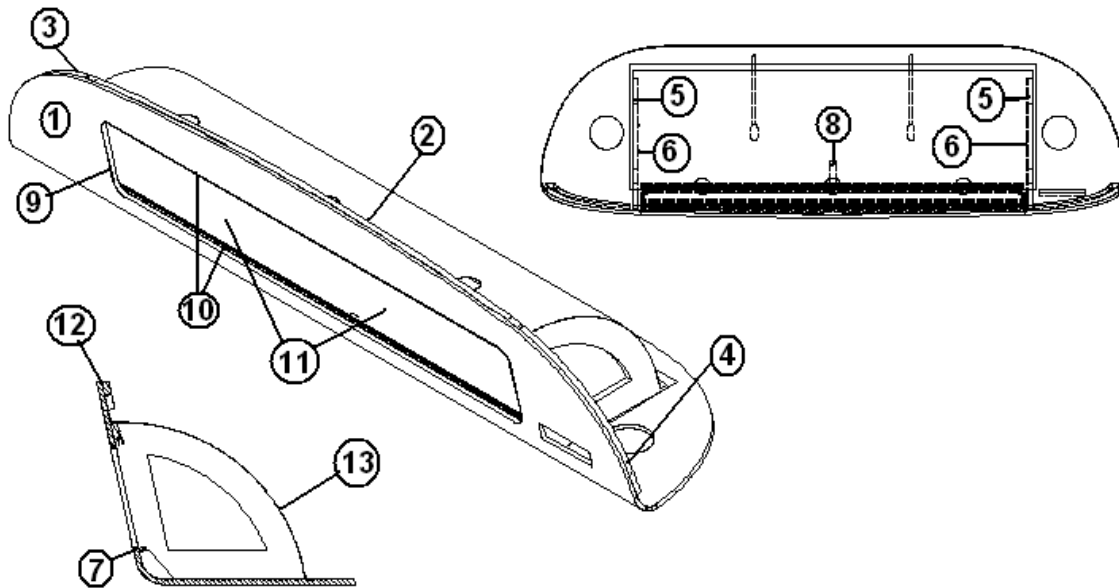
SOFA ASSY-ARMREST  
LAUAN, 3/8" X 4' X 8'  
PINE 3/4" X 3/4", STAINED  
FOAM, 1/4"  
FABRIC, COAL, 54"



# 2006 INTERNATIONAL TRAVEL TRAILER

## FURNITURE, LOUNGE

Roof Locker, Front End Liner, 25', 28'

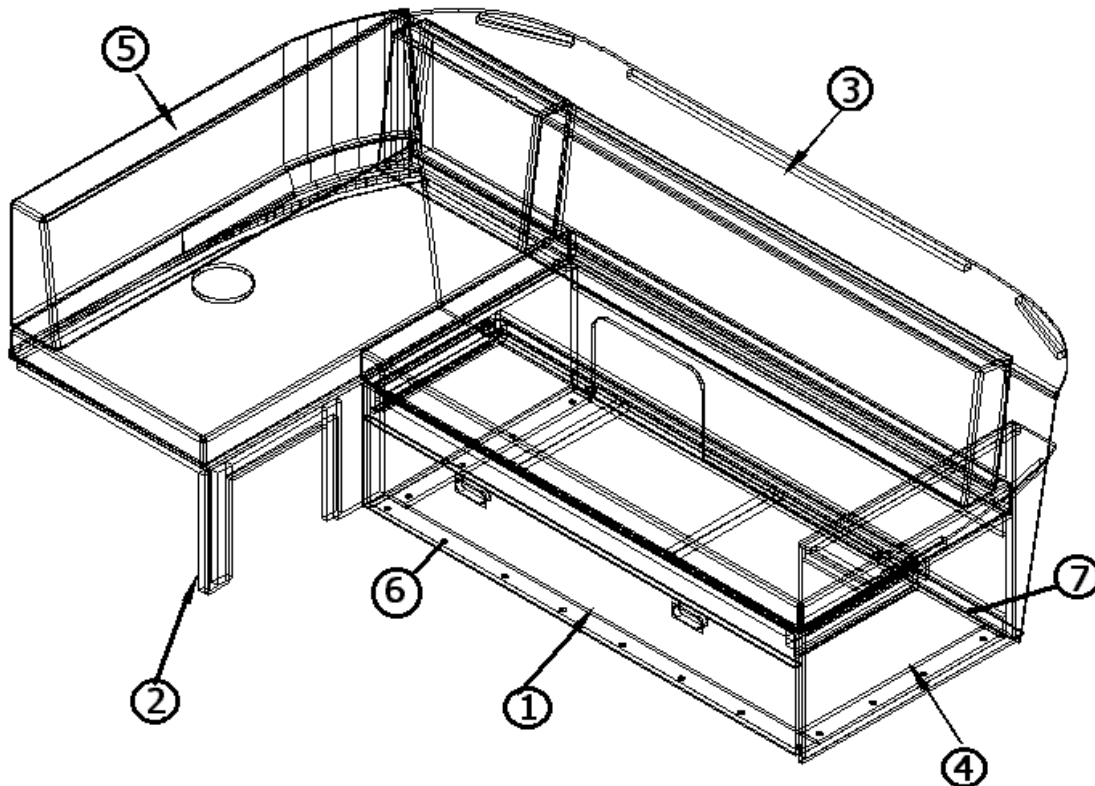


- |               |   |
|---------------|---|
| 966371        | Roof Locker, Front End Liner                  |
| 1. 801593-01  | Locker face, front end roof locker            |
| 2. 801596-01  | Backer, liner locker, center                  |
| 3. 801596-02  | Backer, liner locker, LH                      |
| 4. 801596-03  | Backer, liner locker, RH                      |
| 5. 801594     | Divider, liner locker                         |
| 6. 801595     | Divider, liner locker, w/o Audio Switch Holes |
| 6. 801595-01  | Divider, liner locker, w/o Audio Switch Holes |
| 7. 115261-01  | Angled, formed, 58.50"                        |
| 8. 115226-01  | Bracket, locker center support                |
| 9. 203508-01  | T-trim, 9/16", wood grain                     |
| 10. 381245    | Sliding door track                            |
| 11. 965563-08 | Door, sliding Plexiglas, 11.31" x 30"         |
| 12. 201673    | Cove molding, Ivory, plastic                  |
| 13. 115264-01 | Pan, liner, locker                            |

# 2006 INTERNATIONAL TRAVEL TRAILER

## FURNITURE, LOUNGE

SOFA, 28'

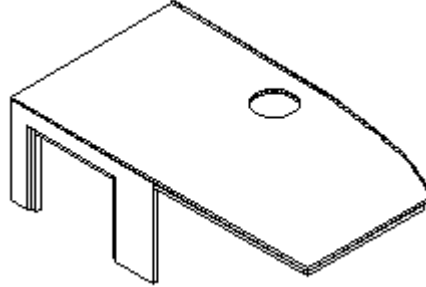


- |              |                                       |
|--------------|---------------------------------------|
| 1. 965982    | Sofa Assembly                         |
| 2. 965983    | Sofa L-Section Assembly               |
| 3. 966132    | Sofa back assembly                    |
| 4. 965985    | Sofa armrest assembly                 |
| 5. 703340    | L-lounge cushion assembly             |
| 6. 320059-01 | Screw, #8 x 1.25", white Philips      |
| 7. 345004    | Screw, 1/4-14 washer hex/head cadmium |
| 8. 381609-02 | Screw Hafele, European, #9 x 1"       |
| 9. 381610-04 | Tap cap, black, # 2                   |
| 203447       | STORAGE BOX-23.5" X 16.25" X 6.38"    |
| 965812       | CUSHION ASSY-FOAM WEDGE L LOUNGE      |

# 2006 INTERNATIONAL TRAVEL TRAILER

## FURNITURE, LOUNGE

SOFA, L-SECTION, 25', 28', 965983



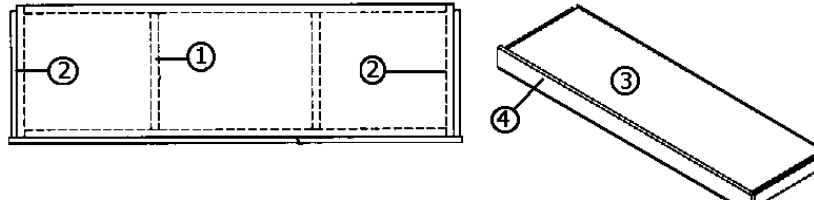
965983

Sofa L-Section Assembly, 25', 28'

# 2006 INTERNATIONAL TRAVEL TRAILER

## FURNITURE, LOUNGE

SOFA BED, 28', 965981

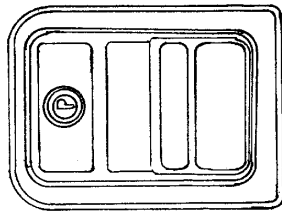


965981	Sofa Bed Assembly, 28'
1. 915708	Weldment, sofa bed
2. 381826	Slide, ball bearing, 16"
3. 800507-02	Lauan, 1/4" x 4' x 8'
4. 801351	Light ply, 18mm
703347	Fabric, black tweed
330031-03	Rivet, dome head
320117-03	Screw, steel drywall, #6 x 1.625"
381228-01	CATCH GRABBER DOOR
381072	HINGE 3" X 1 7/8" OPEN GOLD
381775	DRAWER PULL-FLUSH SATIN

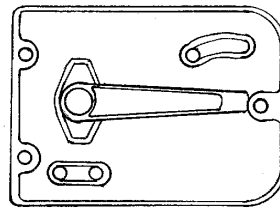
# 2006 INTERNATIONAL TRAVEL TRAILER

## HARDWARE

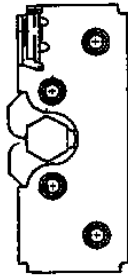
### MAIN DOOR LOCK/LATCH



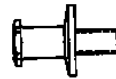
381547-01  
Main door lock, outside  
Housing



381547-07  
Main door lock, inside  
plate



381547-03  
Double rotary latch,  
main door lock



381547-04  
Striker bolt w/washer  
main door lock

- 381547-08 Screw package, main door lock
- 381550 PLATE STRIKER BOLT
- 385595 POCKET-STRIKE
- 453851 Dead bolt, main door, Tri-mark
- 101401 Extrusion door latch housing/stone guard

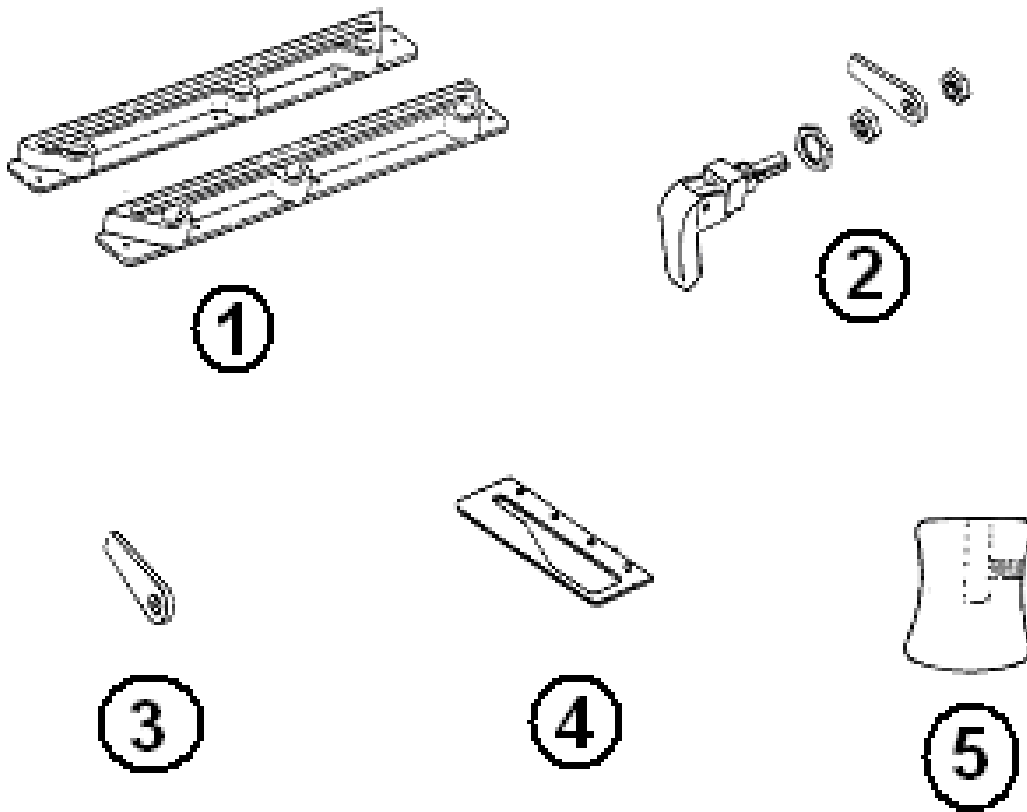
### MAIN DOOR DEAD BOLT

- 381323-01 DEADBOLT COMPLETE ASSY. #11840-12
- 381326 STRIKER #10007 W/TRIMARK DEADBOLT
- 345321-12 SCREW, #8-32 FLAT HEAD, BLK, 1.625
- 453851 BOLT - TRI/MARK
- 203370 SPACER-TRI/MARK DOOR LATCH
- 203375 HIGH DENSITY POLYETHYLENE .187"TH

# 2006 INTERNATIONAL TRAVEL TRAILER

## HARDWARE

### WINDOW HARDWARE



- |              |                                  |
|--------------|----------------------------------|
| 1. 0802-0001 | Window guide, RH                 |
| 1. 0802-0002 | Window guide, LH                 |
| 2. 010020    | Lower window latch, chrome       |
| 2. 195467-05 | Lower window latch, w/red handle |
| 3. 685123    | Pawl, window latch, straight     |
| 4. 685124    | Striker plate, window latch      |
| 5. 380230-03 | Knob window arm, silver          |
| 5. 380230-04 | Knob, window arm, red            |

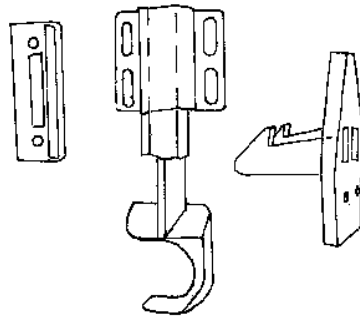
# 2006 INTERNATIONAL TRAVEL TRAILER

## HARDWARE

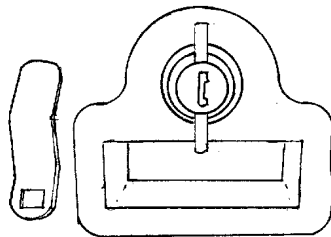
### EXTERIOR LATCHES/LOCKS



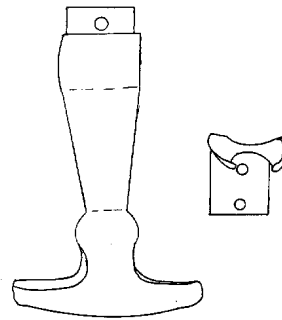
101171 Grab  
Handle, main door



381454 Latch,  
screen door, Bullet



380770-102 Twist lock, black

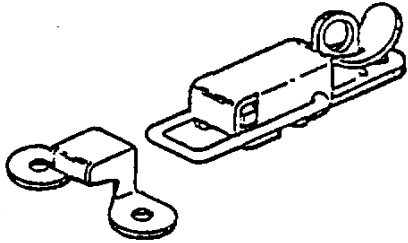


381021 Rubber T handle

# 2006 INTERNATIONAL TRAVEL TRAILER

## HARDWARE

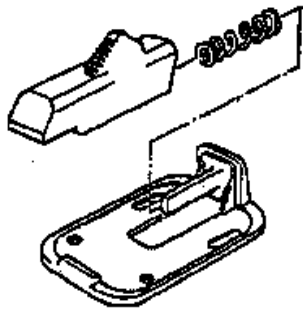
### EXTERIOR LATCHES/LOCKS



340023-01 Corbin catch  
w/strike, battery box



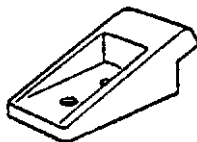
380067 Lock cam,  
bumper lid



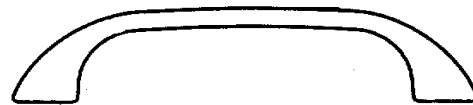
380291 Main door holdback,  
(use w/housing #380290)



380290 Latch housing,



201056 Catch, main door  
holdback



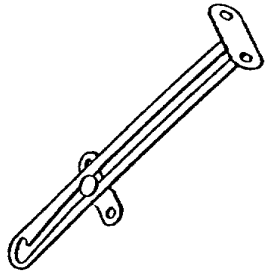
380004 Handle, screen door



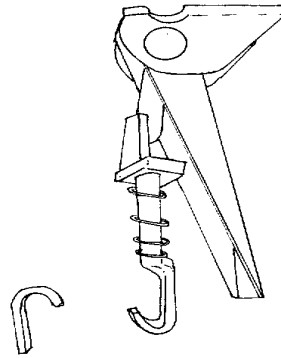
# 2006 INTERNATIONAL TRAVEL TRAILER

## HARDWARE

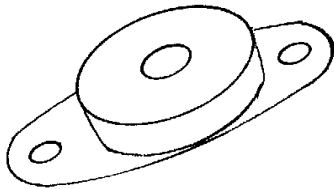
### EXTERIOR LATCHES/LOCKS



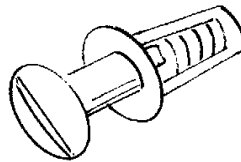
380024 Support arm,  
bumper lid



380903 Latch w/strike,  
chrome, gas bottle cover



685359  
Rubber receptacle  
1/4 latch, Southco



685348  
Stud, 1/4 turn latch  
Southco



685362  
Retaining ring  
1/4 turn stud

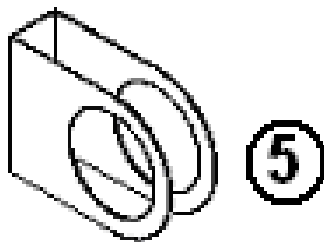
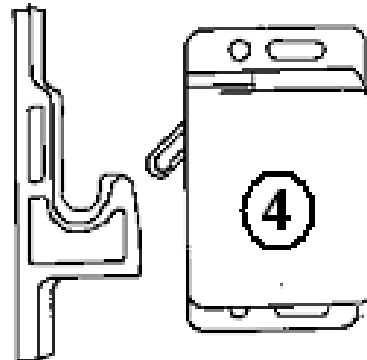
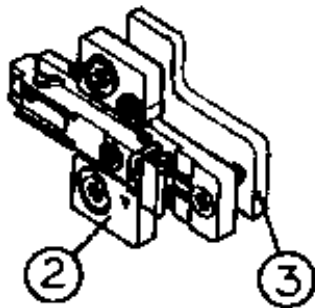
### EXTERIOR HINGES

- 381552-03 Hinge assembly, main door, upper
- 381552-04 Hinge assembly, main door, lower
- 381531-01 Hinge, screen door, upper
- 381531-02 Hinge, screen door, lower
- 380773 Hinge, exterior access door, 13¼, gas bottle cover
- 385395 Hinge, pivot, zinc plated, refer cabinet
- 380203-01 Piano hinge, 1/8" pin, Hose carrier lid, Battery box lid, access doors,
- 381605-01 HINGE PIANO STAINLESS STEEL, wrap protector

# 2006 INTERNATIONAL TRAVEL TRAILER

## HARDWARE

### INTERIOR CABINET HINGE/CATCH



- |              |                    |
|--------------|--------------------|
| 381607       | Hinge assembly     |
| 1) 381607-01 | Hinge, cabinet     |
| 2) 381607-02 | Base, metal        |
| 3)*381607-03 | Base, plastic      |
| 3) 381608-04 | Screw #6 x 5/8"    |
| 4) 381228-01 | Grabber door latch |
| 5) 454320    | Door latch cover   |
- \*Not used in all applications

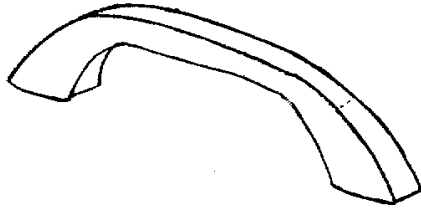
# 2006 INTERNATIONAL TRAVEL TRAILER

## HARDWARE

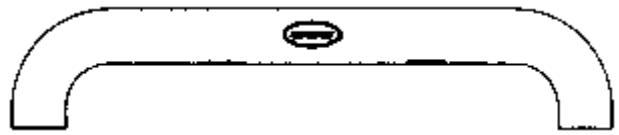
### INTERIOR TRIM



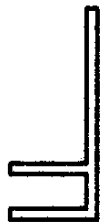
360016 Bumper, rubber



381737 Grab bar, interior,  
mounts on interior doorjamb



381772  
Head knocker, white



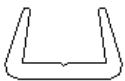
203385  
"F" Trim



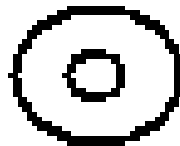
203335 H-trim  
Black plastic



115064 Molding  
Aluminum cove



203138-05  
EXTRUSION-PLASTIC  
WALL BLACK



381610-01  
381610-04

SCREW CAP, WHITE  
SCREW CAP, BLACK

# 2006 INTERNATIONAL TRAVEL TRAILER

## HARDWARE

### BATHROOM ACCESSORIES

381776	TOWEL BAR, CHROME 18", 25', 19', 22'
381777	TOWEL RING, CHROME, 25', 19', 22'
381778	ROBE HOOK, CHROME, 19', 22', 25'
381299	Recessed toilet paper holder, 19', 25', 28'
380034	TOILET PAPER HOLDER, CHROME, 22'

### MISCELLANEOUS INTERIOR HINGES

380458-01	Hinge, piano, Brown, bath door
380988	Hinge, medicine cabinet mirror assembly, 22'
380203-01	Hinge, Bath Door, Wardrobe, clear
380458	HINGE PIANO BROWN, 16', 19' BED/HAMPER

### DINETTE TABLE HARDWARE

380284-02	TABLE HINGE BRACKET
380284-03	CENTER HINGE J-4
340018	CATCH PLATE J-1
700065-01	Snapo folding leg

### BED GAS SPRINGS, 28'

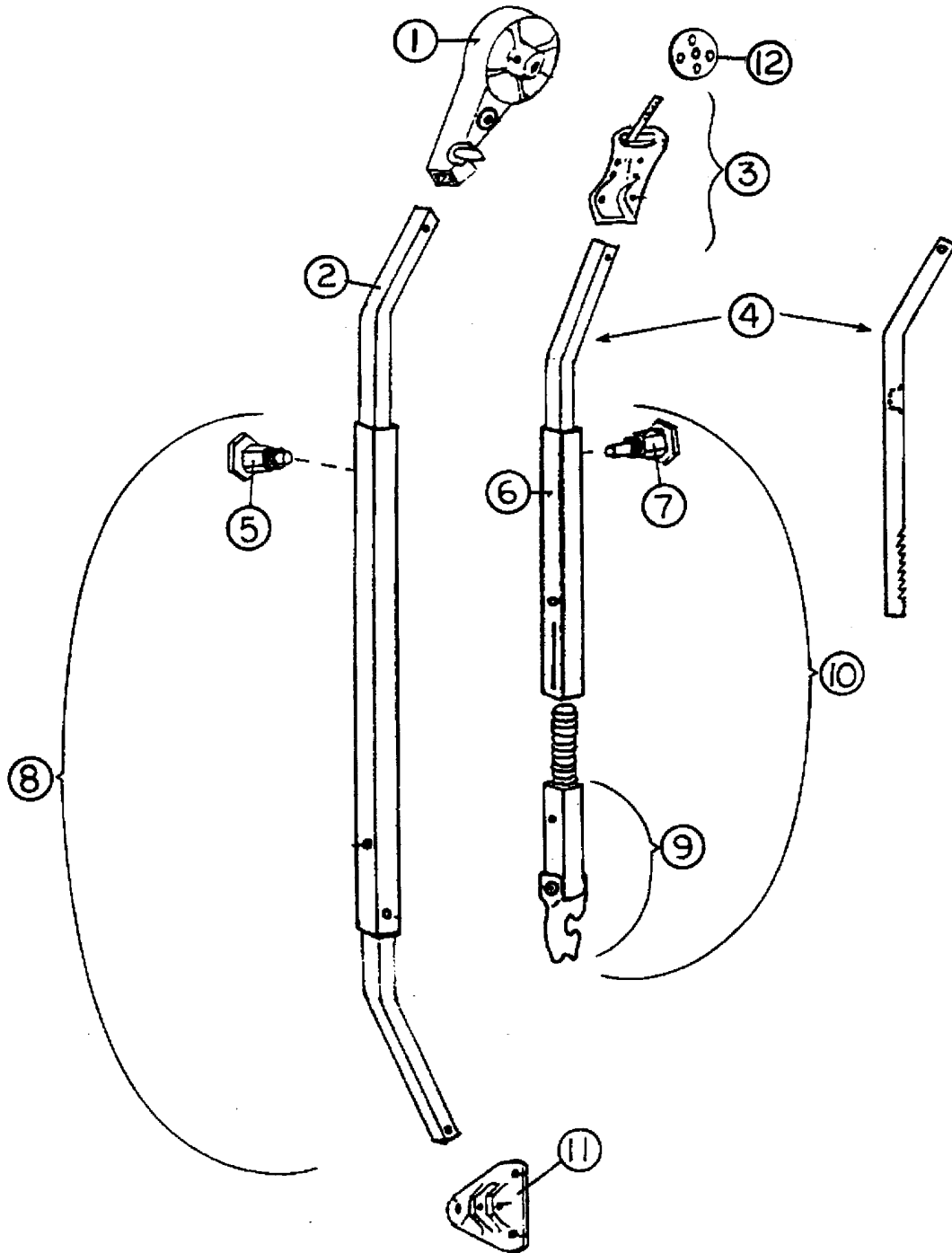
380203-01	PIANO HINGE 1/8" PIN CLEAR ANODIZED
381067-09	SPRING, GAS 90 LBS.
381262	BRACKET, PROP, W/BALL
381310	GAS PROP BRKT. ASSY-UPPER
381084	BALL, STUD

# 2006 INTERNATIONAL TRAVEL TRAILER

## HARDWARE

### AWNING HARDWARE

See next page for P/N



# 2006 INTERNATIONAL TRAVEL TRAILER

## HARDWARE

### AWNING HARDWARE

702993	Awning Hardware, complete Assembly
1. 74043W-06	Front head assembly
1. 74043W-07	Rear head assembly
2. 74047W-11	Front main arm bar
2. 74047W-12	Rear main arm bar
3. 74056W	Clamp assembly, front, curved
3. 74056W-01	Clamp assembly, rear, curved
4. 74061WS-08	Rafter arm bar, satin
5. 74054W	Snap stud assembly
6. 74063W-04	Rafter arm tube, satin
7. 74072W	Ratchet stud
8. 74048WS-15	Front main arm tube assembly
8. 74048WS-16	Rear main arm tube assembly
9. 74068W-04	Claw bar assembly
10. 74048WS-17	Rafter arm assembly
11. 74055W	Base hinge, rib mount
12. 74060W	Clamp wheel

# 2006 INTERNATIONAL TRAVEL TRAILER

## LABELS AND TAGS

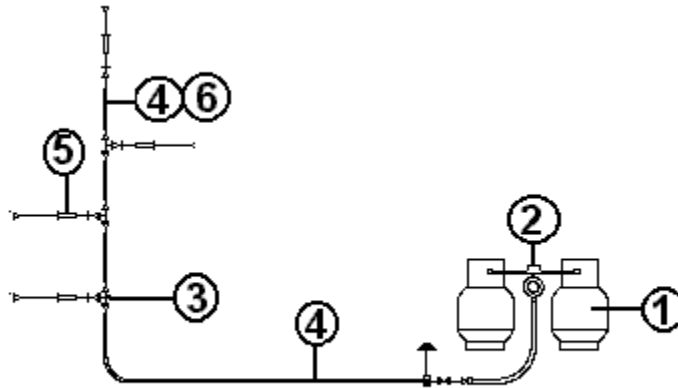
### Labels and Tags

385193	Label, "12V distribution panel inside"
386119	Label, "DON'T USE AREA FOR STORAGE"
385068	Tag, cooking appliance warning
386118	Label, LP gas warning/fill
385517	Label, kill switch warning
385521	Label, emergency egress window
386122	Warning label/cooking appliance
386121	Label, LP gas warning label (odor)
385465	Exit label, English
385560	Label, air conditioner rating
385812	Label, Calif. hazardous substance
386120	Label, smoke detector
385359	Label, microwave or air conditioner
385837	Label, refrigeration ignition
386142	CHECK WHEEL LUG LABEL
385062	Decal, 110-125 voltage AC
385565	Label, holding tank flushing
386012	Label warning, water heater
386082	LABEL THOR, 5.25" X .75'
385101	TAG AUX TANK DUMP VALVE HANDLE
385099	TAG MAIN TANK DUMP VALVE HANDLE
386111	LABEL 30 AMP FUSE MAX
386114	LABEL-RVIA SILVER
386123	LABEL "POTABLE WATER ONLY"
386038	LABEL CSA HOLDING TANKS FRESH
385020	Sticker, Self adhering, "JACK"
385949	LABEL "POTABLE WATER" CSA
385950	LABEL "SMOKE DETECTOR CSA
385951	LABEL "RANGE FRESH AIR" CSA
385952	LABEL "LP WARNING" CSA
385953	LABEL "IF YOU SMELL GAS" CSA
385954	LABEL "RANGE WARNING" CSA
385466	LABEL, EXIT, FRENCH

# 2006 INTERNATIONAL TRAVEL TRAILER

## PLUMBING, LPG

### LPG SYSTEM, 16'



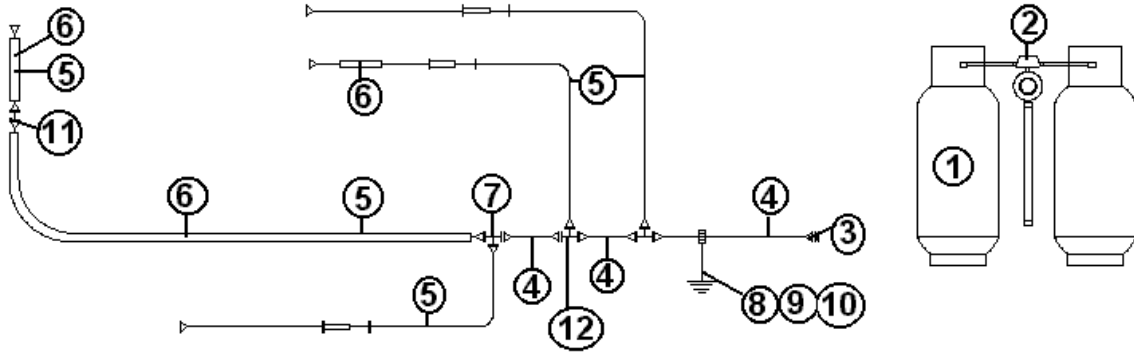
- |               |                                  |
|---------------|----------------------------------|
| 1. 601781     | LP TANK-20LB STEEL               |
| 1A. 601781-01 | LP TANK-20LB STEEL, CSA          |
| 2. 601731     | LP REGULATOR W/MTG. BRACKET      |
| 3. 600000     | TEE BRASS 5/8 X 5/8 X 3/8        |
| 4. 600004     | TUBING COPPER 5/8 OD             |
| 5. 600008     | TUBING COPPER 3/8OD              |
| 6. 601159-02  | TUBING, .50IN,POLY. CSA APPROVE  |
| 601686        | BASE PLATE - LP TANK             |
| 601687        | HOLD DOWN KIT - LP TANK SAFARI   |
| 601685-01     | LP HOSE-1/2"FPT X 3/8F-36" #19   |
| 601685-02     | LP HOSE 1/2"FPT X 3/8"FL-36, CSA |
| 381613        | PLASTISOL COVER-LP WING HANDLE   |
| 600003        | TEE 5/8 X 3/8 X 3/8              |
| 600436        | FORGED FLARE NUTS 5/8IN          |
| 600435        | FORGED FLARE NUTS 3/8IN          |
| 380887        | GROMMET, FLOOR                   |
| 380886        | GROMMET, FLOOR                   |
| 600661        | GROUNDING CLAMP 1/2 TO 1 SIZE    |
| 500839        | WIRE, BARE COPPER 8 GA.          |
| 500038        | LUG GROUND                       |
| 340085-05     | CLAMP #COY 1109 5/8 IN.          |
| 601734        | FITTING-BRASS 5/8 OD FLARE X 1   |
| 600000        | TEE BRASS 5/8 X 5/8 X 3/8        |
| 201649        | ACCESS COVER LP REGULATOR        |



# 2006 INTERNATIONAL TRAVEL TRAILER

## PLUMBING, LPG

### LPG SYSTEM, 19'

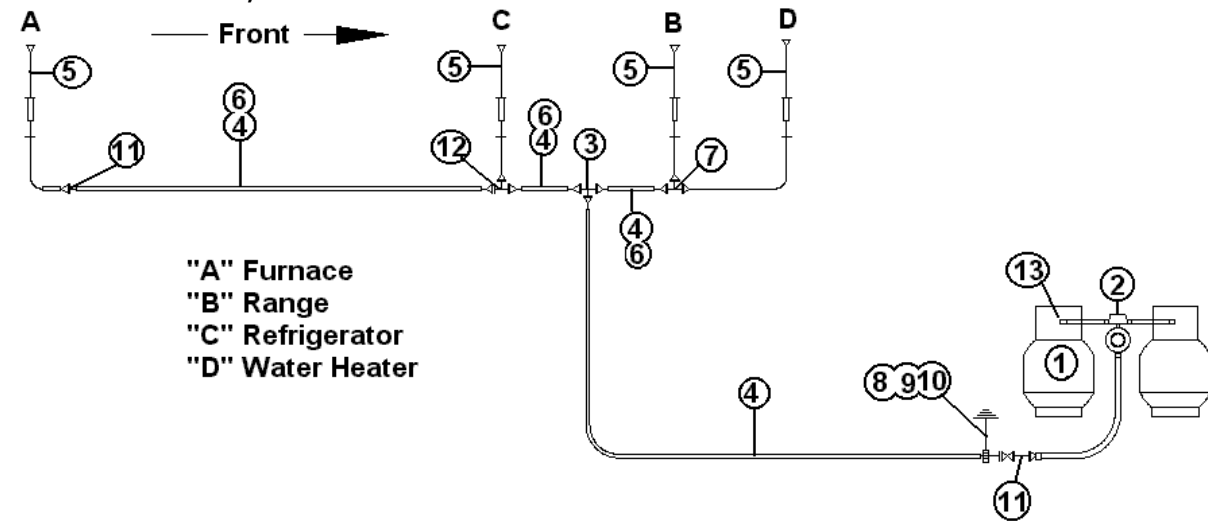


- |              |                                  |
|--------------|----------------------------------|
| 1. 601710-01 | CYLINDER 30# STEEL LP            |
| 2. 601731    | LP REGULATOR W/MTG. BRACKET      |
| 3. 600468    | UNION FLARE 5/8 X 5/8            |
| 4. 600004    | TUBING COPPER 5/8 OD             |
| 5. 600008    | TUBING COPPER 3/8OD              |
| 6. 601159-02 | TUBING, .50IN, POLY.             |
| 7. 600003    | TEE 5/8 X 3/8 X 3/8              |
| 8. 600661    | GROUNDING CLAMP 1/2" TO 1        |
| 9. 500839    | WIRE, BARE COPPER 8 GA.          |
| 10. 500038   | LUG GROUND                       |
| 11. 600238   | 3/8IN FLARE UNION                |
| 12. 600000   | TEE BRASS 5/8 X 5/8 X 3/8        |
| 601686       | BASE PLATE - LP TANK             |
| 601687       | HOLD DOWN KIT - LP TANK          |
| 601685-01    | LP HOSE-1/2" FPT X 3/8F-36"      |
| 381613       | PLASTISOL COVER-LP WING HANDLE   |
| 601159-02    | TUBING, .50IN, POLY. CSA APPROVE |

# 2006 INTERNATIONAL TRAVEL TRAILER

## PLUMBING, LPG

### LPG SYSTEM, 22'



- |                |                                    |
|----------------|------------------------------------|
| 1. 601781      | LP TANK-20LB STEEL                 |
| 1a. 601781-01  | LP TANK-20LB STEEL, CSA            |
| 2. 601731      | LP REGULATOR W/MTG. BRACKET        |
| 3. 601281      | TEE BRASS UNION 5/8" X 5/8" X 5/8" |
| 4. 600004      | TUBING COPPER 5/8" OD              |
| 5. 600008      | TUBING COPPER 3/8" OD              |
| 6. 601159-02   | TUBING.50IN, POLY., CSA APPROVE    |
| 7. 600003      | TEE 5/8" X 3/8" X 3/8"             |
| 8. 600661      | GROUNDING CLAMP 1/2" TO 1 SIZE     |
| 9. 500839      | WIRE, BARE COPPER 8                |
| 10. 500038     | LUG GROUND                         |
| 11. 601734     | FITTING-BRASS 5/8 OD FLARE X 1     |
| 12. 600000     | TEE BRASS 5/8" X 5/8" X 3/8"       |
| 13. 601685-01  | LP HOSE, 1/2" FPT X 3/8"           |
| 13a. 601685-02 | LP HOSE, 1/2" FPT X 3/8", CSA      |
| 201649         | ACCESS COVER LP REGULATOR          |
| 601687         | HOLD DOWN KIT - LP TANK SAFARI     |
| 381613         | PLASTISOL COVER-LP WING HANDLE     |
| 600436         | FORGED FLARE NUTS 5/8 IN.          |
| 600435         | FORGED FLARE NUTS 3/8 IN.          |
| 380887         | GROMMET, FLOOR                     |
| 380886         | GROMMET, FLOOR                     |
| 345004         | SCREW 1/4-14 WASHER HEX/HEAD C     |
| 340085-05      | CLAMP #COY 1109 5/8 IN. DIA.       |

# 2006 INTERNATIONAL TRAVEL TRAILER

## PLUMBING, LPG

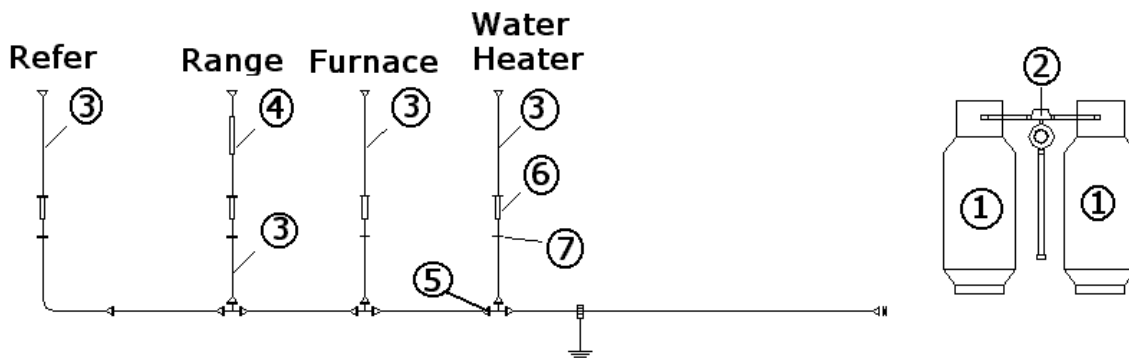
### LPG SYSTEM, 25'

601710-01	CYLINDER 30# STEEL LP
601731	LP REGULATOR W/MTG. BRACKET
201649	ACCESS COVER LP REGULATOR
601687	HOLD DOWN KIT - LP TANK
601685-01	LP HOSE-1/2"FPT X 3/8F-36" #19
381613	PLASTISOL COVER-LP WING HANDLE
600436	FORGED FLARE NUTS 5/8"
600004	TUBING COPPER 5/8 OD
600000	TEE BRASS 5/8 X 5/8 X 3/8
600003	TEE 5/8 X 3/8 X 3/8
600008	TUBING COPPER 3/8OD
600435	FORGED FLARE NUTS 3/8IN
600661	GROUNDING CLAMP 1/2 TO 1 SIZE
345084	SCREW-1/4-14X1 THD.CUTTING
350005	NUT 3/8-16 UNC HEX HD PLATED
600468	UNION FLARE 5/8 X 5/8
601159-02	TUBING .50IN,POLY., WIRE BARE COPPER 8 GA.
500038	LUG GROUND
340085-05	CLAMP #COY 1109 5/8 IN. DIA.
600000	TEE BRASS 5/8 X 5/8 X 3/8

# 2006 INTERNATIONAL TRAVEL TRAILER

## PLUMBING, LPG

### LPG SYSTEM 28'



- |              |                                  |
|--------------|----------------------------------|
| 1. 601710-01 | Bottle, LP, 30 LBS.              |
| 2. 601731    | LP REGULATOR W/MTG. BRACKET      |
| 3. 600008    | TUBING COPPER 3/8 OD             |
| 4. 601159-02 | TUBING .50IN, POLY, CSA APPROVED |
| 5. 600435    | FORGED FLARE NUTS 3/8IN          |
| 6. 380887    | GROMMET, FLOOR                   |
| 7. 380886    | GROMMET, FLOOR                   |
| 601685-01    | LP HOSE-1/2"FPT X 3/8F-36" #19   |
| 600001       | Flare nut, 5/8"                  |
| 600661       | Ground Clamp                     |
| 500038       | Ground C\clamp                   |
| 500839       | Wire, copper, #8                 |
| 600004       | Copper line, 5/8"                |
| 600000       | 5/8" x 5/8" x 3/8" Tee           |
| 600004       | Copper line, 5/8"                |
| 601454       | Flare union, 3/8" MPT x 5/8" MPT |

# 2006 INTERNATIONAL TRAVEL TRAILER

## PLUMBING, LPG

### LP BOTTLES AND FITTINGS

601781	LP TANK-20LB STEEL
601781-01	LP TANK-20LB STEEL, CSA
601710-01	Bottle, LP, steel, 30#
601710-02	Bottle, LP, steel, CSA
601731	Regulator and hose assembly, Marshall Brass
601685-01	18" LP Hose
601785-02	18" LP Hose, CSA
601687	HOLD DOWN KIT - LP TANK
381613	PLASTISOL COVER-LP WING HANDLE
601686	BASE PLATE - LP TANK

### LP BOTTLE COVER 19', (22' after 518629), 25' & 28'

*921234	Bottle cover, LP, 22'
921232	Bottle cover, LP, 19', 25'
380903	Latch and strike
200841	Lid, plastic, bottle cover
380773	Hinge, access door
114070	J-trim, extrusion, aluminum

### LP BOTTLE COVER, 16'

**915778	COVER ASSY-LP BOTTLE, 16'
115202	LID LP BOTTLE COVER
381136	RUBBER BUMPER
114070	EXTRUSION. J-TRIM, MILL FINISH

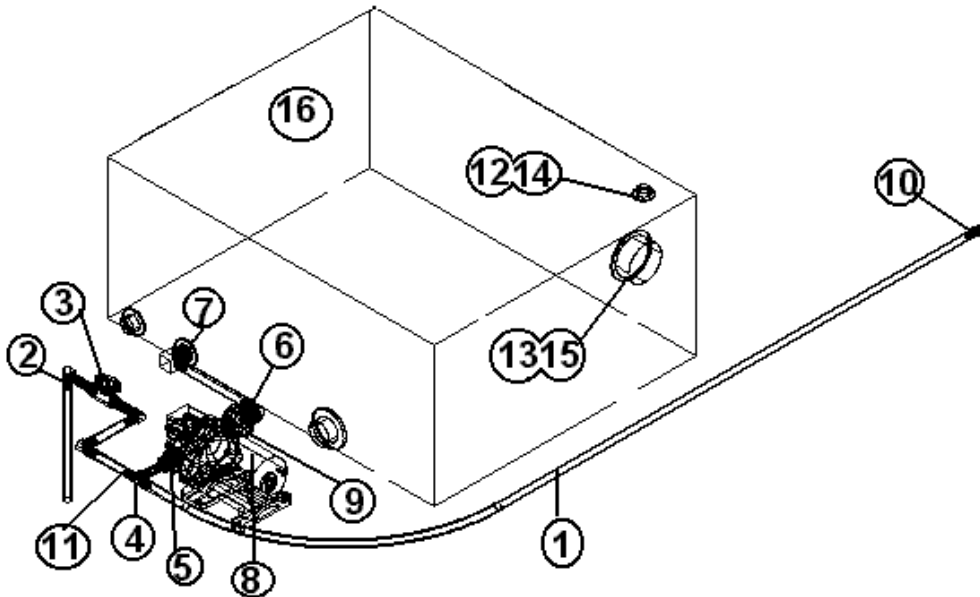
\*921234 start on and after 22' models 518689,Used on protos 518542 & 518625 also.

\*\*915778 stopped on 22' models only before unit 518689

# 2006 INTERNATIONAL TRAVEL TRAILER

## PLUMBING, FRESHWATER

Fresh Water System, 16'



- |               |                                     |
|---------------|-------------------------------------|
| 1. 601698-01  | E-PEX 1/2" TUBING                   |
| 2. 601698-10  | QQE33X 1/2" BARB EL                 |
| 3. 601698-22  | BALL VALVE 1/4" TURN                |
| 4. 601698-11  | QQT333X 1/2" BARB TEE               |
| 5. 601698-03  | QQSFC33XPXP 1/2"B X 1/2" FPT SWIVEL |
| 6. 601698-05  | QQE33BSXP 1/2" B X 1/2" FPT SWIVEL  |
| 7. 601698-04  | QQE33BTX 1/2" BX1/2" MPT BARB EL    |
| 8. 601061-03  | PUMP WATER SHURFLO                  |
| 9. 601668-01  | WATER PUMP PRE-FILTER               |
| 10. 601698-08 | QQC33X 1/2" BARB COUPLING           |
| 11. 601698-15 | 1/2" CRIMP RING                     |
| 12. 601240-01 | TUBING 1/2" I.D. X 3/32 WALL        |
| 13. 601239-01 | TUBING 1.375" I.D. RIBBED           |
| 14. 340084-12 | CLAMP, HOSE                         |
| 17. 340084-20 | CLAMP, HOSE                         |
| 18. 601861-01 | Fresh water tank                    |
| 600139        | CHECK VALVE, BRASS                  |
| 601531        | FITTING-90 DEGREE 3" H X ST         |
| 203085        | PLUG WATER LINE 1/2" PLASTIC BLACK  |
| 601658        | VALVE 1/2" STOP CPVC                |
| 601659        | RISER 1/2" FPT X 12" CPVC           |

# 2006 INTERNATIONAL TRAVEL TRAILER

## PLUMBING, FRESHWATER

### Water Fill/Tank System, 19'

600139	CHECK VALVE, BRASS
600309	REGULATOR, WATTS 1/2"
203085	PLUG WATER LINE 1/2" PLASTIC B
601861-01	Tank, fresh water
964478	SLOPE PAD-Fresh tank
454065	Strap fresh water tank
453712	SHIELD FRESH WATER TANK DRAIN
601588	DRAIN COCK RADIATOR BRASS
601469	VACUUM BREAKER, 3/4IN GARDEN HOSE
601061-03	PUMP WATER SHURFLO 2088-404-14
601668-01	WATER PUMP PRE-FILTER

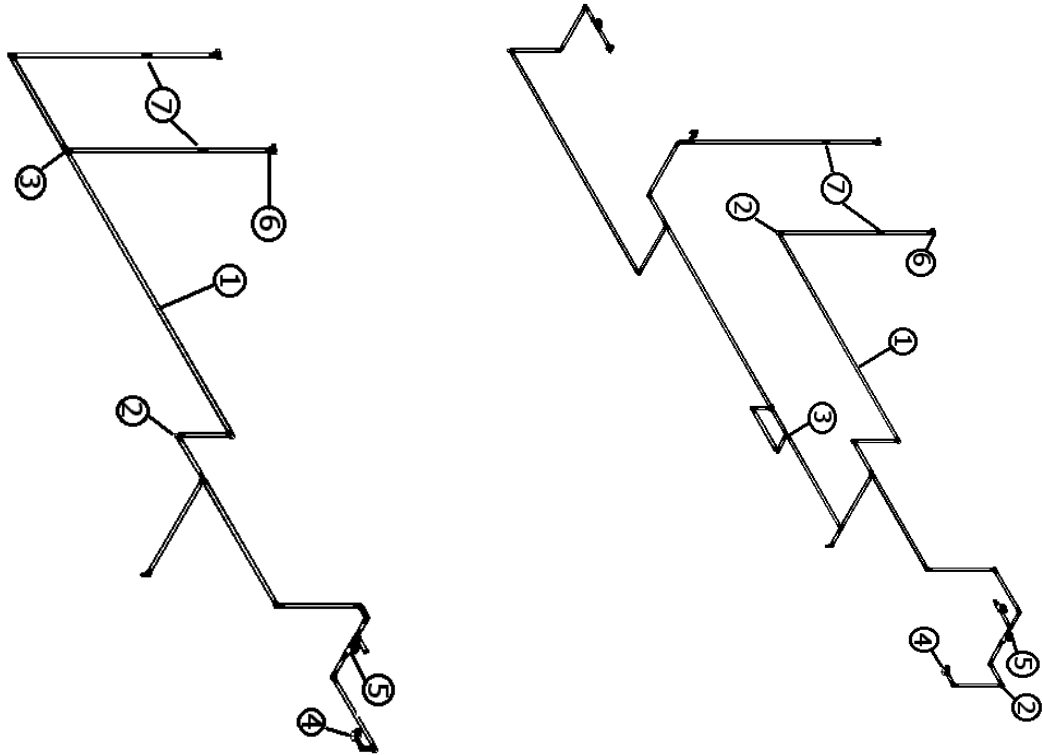
### Tank Straps, 19'

454065	Aluminum strap
--------	----------------

# 2006 INTERNATIONAL TRAVEL TRAILER

## PLUMBING, FRESHWATER

### Fresh Water Line/Pump Lay out 22'



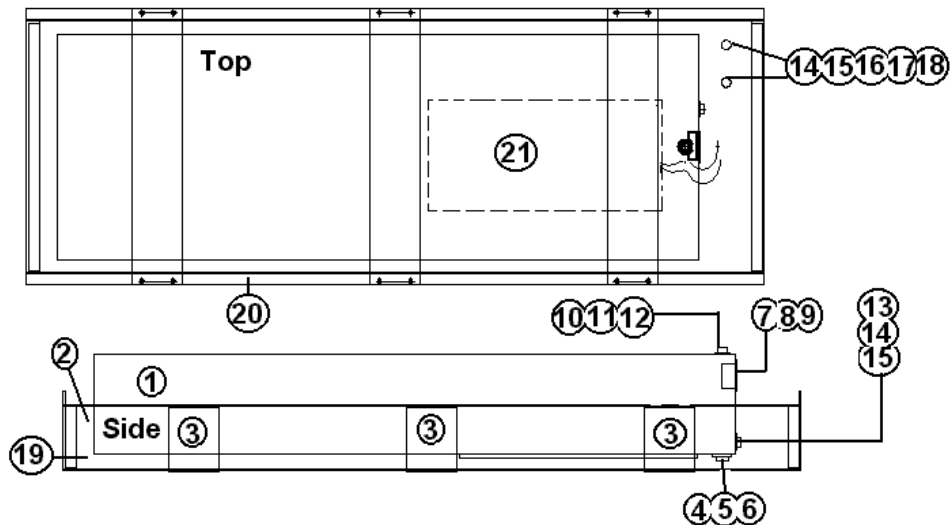
- |              |                              |
|--------------|------------------------------|
| 1. 601698-01 | E-Pex tubing, 1/2"           |
| 2. 601698-10 | QQE333X 1/2" Barb Tee        |
| 3. 601698-11 | QQT333X 1/2" Barbed Tee      |
| 4. 601698-04 | QQE33BTX 1/2" MPT Barbed EL  |
| 5. 601698-22 | Ball Valve, 1/4" Turn        |
| 6. 601698-03 | QQSFC33XPXP, 1/2" x 1/2" FPT |
| 7. 601698-08 | QQC33X 1/2" Barbed Coupling  |
| 601698-15    | 1/2" Crimp Ring              |
| 203085       | PLUG WATER LINE 1/2" PLASTIC |
| 601658       | VALVE 1/2" STOP CPVC         |
| 601659       | RISER 1/2" FPT X 12" CPVC    |



# 2006 INTERNATIONAL TRAVEL TRAILER

## PLUMBING, FRESHWATER

### Fresh Water Tank Layout, 22'



- |               |                                       |
|---------------|---------------------------------------|
| 1. 601862-01  | TANK-FRESH WATER, 30 GAL              |
| 2. 602066     | FRESH TANK PAN ASSY                   |
| 3. 601808     | STRAP-FRESH TANK PAN                  |
| 4. 601810     | VALVE, 1/2" FPT X 1/2" FPT            |
| 5. 601811     | ELBOW, 1/2" MPT X 1/2" FPT STREET     |
| 6. 601812     | NIPPLE-BRASS 1/2" X 2.0"              |
| 7. 601237     | ELBOW 90 D 1.25 MPT X 1.25 BAR        |
| 8. 601239-01  | TUBING-1.375" ID RIBBED W/FLATS       |
| 9. 0260043-20 | WORM CLAMP #20                        |
| 10. 601698-04 | QQE33BTX 1/2" B X 1/2" MPT BARB ELBOW |
| 11. 601240-01 | TUBING 1/2" I.D. X 3/32 WALL TH       |
| 12. 340086    | MINIATURE SCREW TYPE HOSE CLAM        |
| 11. 601698-04 | QQE33BTX 1/2" B X 1/2" MPT BARB ELBOW |
| 12. 601698-01 | E-PEX 1/2" TUBING                     |
| 13. 601698-15 | 1/2" CRIMP RING                       |
| 14. 601588    | DRAIN COCK RADIATOR BRASS             |
| 15. 601589    | ADAPTOR BRASS 3/8" FPT X 1/2" MP      |
| 16. 601698-03 | QQSFC33XPXP 1/2" B X 1/2" FPT SW ADP  |
| 17. 200507    | STYROFOAM, 1" X 25" X 55"             |
| 18. 200152    | STYROFOAM 1/2" X 6" X 42"             |
| 19. 511780    | PAD-TANK HEATING 6.5"X 18"            |

# 2006 INTERNATIONAL TRAVEL TRAILER

## PLUMBING, FRESHWATER

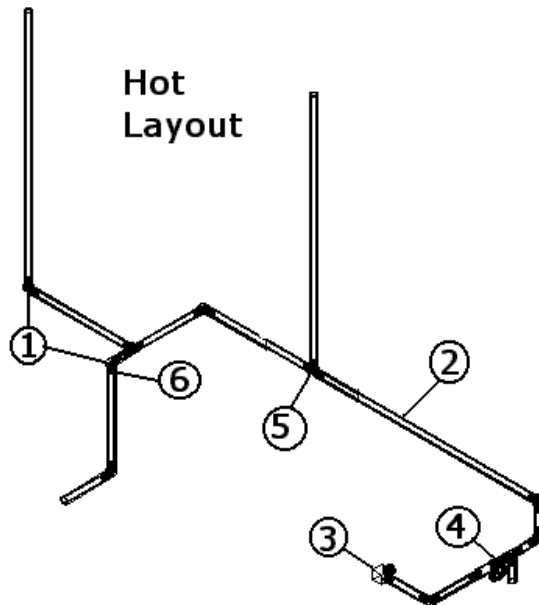
### Fresh Water System, 25'

601863-01	TANK-FRESH WATER 39 GAL #W0199
601642	PAN-TANK ROTOCAST 25'SAFARI
453493	HANGER STRAP-TANK PAN SAFARI
601243	DRAIN COCK, FRESH WATER
600155	PLUG, CLEANOUT 1-1/2"
453712	SHIELD FRESH WATER TANK DRAIN
511252	PLUG PHONE 4 CONDUCTOR
511789	SENSOR-TANK MONITOR
511393	COUPLER-MODULAR EXTEN 4 CONDUCTOR
200152	STYROFOAM 1/2 X 6 X 42
453615	TANK SUPPORT STRIP-62" SAFARI
601723	FILTER SCREEN, WATER

# 2006 INTERNATIONAL TRAVEL TRAILER

## PLUMBING, FRESHWATER

### Fresh Water Plumbing, Hot 28'

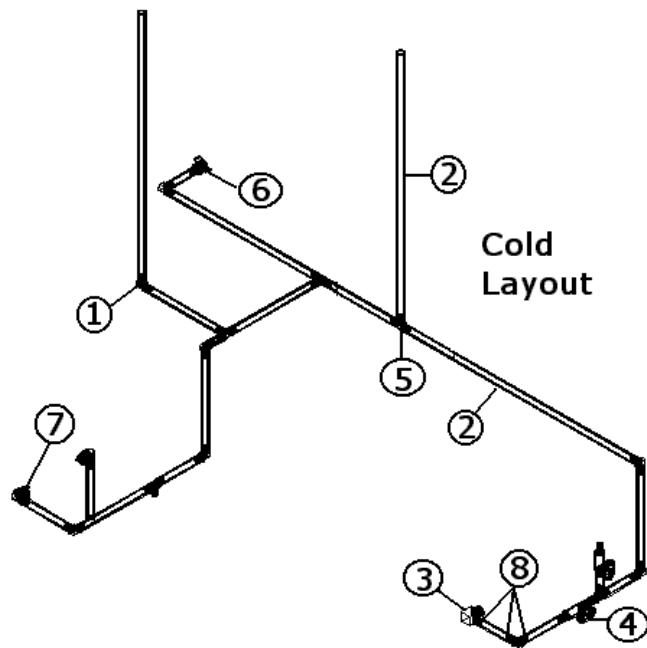


- |              |                              |
|--------------|------------------------------|
| 1. 601698-10 | QQE33X 1/2 BARB EL           |
| 2. 601698-21 | TUBING E-PEX 1/2' RED        |
| 3. 601698-04 | QQE33BTX 1/2BX1/2MPT BARB EL |
| 4. 601698-22 | BALL VALVE 1/4 TURN          |
| 5. 601698-11 | QQT333X 1/2 BARB TEE         |
| 6. 601698-15 | 1/2 CRIMP RING               |

# 2006 INTERNATIONAL TRAVEL TRAILER

## PLUMBING, FRESHWATER

### Fresh Water Plumbing Cold, 28'



- |              |  |
|--------------|--|
| 1. 601698-10 | QQE33X 1/2 BARB EL                               |
| 2. 601698-21 | TUBING E-PEX 1/2' RED                            |
| 3. 601698-04 | QQE33BTX 1/2BX1/2MPT BARB EL                     |
| 4. 601698-22 | BALL VALVE 1/4 TURN                              |
| 5. 601698-11 | QQT333X 1/2 BARB TEE                             |
| 6. 601698-03 | QQSFC33XPXP 1/2" "B X 1/2" FPT SWIVEL<br>ADAPTOR |
| 7. 601698-05 | QQE33BSXP 1/2"B X 1/2" FPT SWIVEL                |
| 8. 601698-15 | 1/2" CRIMP RING                                  |
| 601863-01    | TANK-FRESH WATER 39 GAL #W0199                   |
| 601642       | PAN-TANK ROTOCAST                                |
| 453493       | HANGER STRAP-TANK PAN                            |
| 601243       | DRAIN COCK, FRESH WATER                          |
| 600155       | PLUG, CLEANOUT 1-1/2                             |
| 601240-01    | TUBING 1/2" I.D. X 3/32 WALL THICKNESS           |
| 453712       | SHIELD FRESH WATER TANK DRAIN                    |
| 601239-01    | TUBING-1.375"ID RIBBED W/FLATS                   |
| 453615       | TANK SUPPORT STRIP-62"                           |
| 601723       | FILTER SCREEN, WATER                             |

# 2006 INTERNATIONAL TRAVEL TRAILER

## PLUMBING, FRESHWATER

### Water Pump/Tank Fittings

601243	DRAIN COCK, FRESH WATER
600155	PLUG, CLEANOUT, 1 1/2"
453712	SHIELD, FRESH WATER TANK DRAIN
601061-03	Water pump, Shurflo 2088-404-144
601668-01	Water pump, pre-filter, Shurflo
601723	FILTER SCREEN, WATER
965771	BRACKET ASSY-WATER PUMP, 22'
601588	DRAIN COCK RADIATOR BRASS

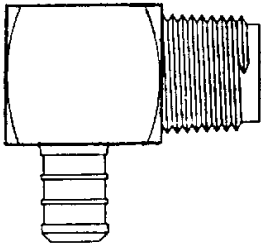
### City Water Fill System

600336	PLUG WITH CHAIN
600315	PUMP GUARD FILTER
600362	CONNECTOR 3/4 X 1/2 HOSE
601689	DROP ELL 90 DEGREE FITTING
320098-02	SCREW,SMS,SS OVAL HD.PHIL
601661	NIPPLE 1/2" BRASS HEX
601690	NIPPLE-1/2"MPT X 2.50" BRASS
601237	ELBOW 90 D 1.25 MPT X 1.25 Brass
601237	ELBOW 90 D 1.25 MPT X 1.25 Brass
600227	PLASTIC COUPLINGS
601194	WATER FILL W/LOCK, GRAY, W/LABEL
601392-05	CITY WATER FILL W/REGULATOR

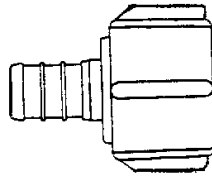
# 2006 INTERNATIONAL TRAVEL TRAILER

## PLUMBING, FRESHWATER

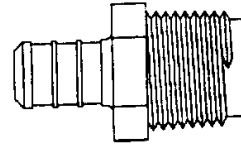
### FRESH WATERLINE/FITTINGS



601698-04  
Elbow, 1/2" barb  
x 1/2" MPT

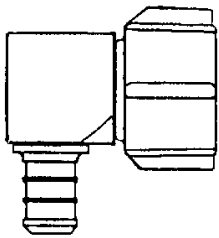


601698-03  
Coupler, 1/2" barb  
x 1/2" FPT

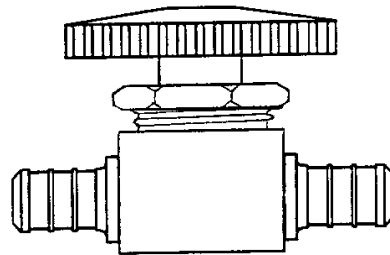


601698-02  
Coupler, 1/2" barb  
x 1/2" MPT

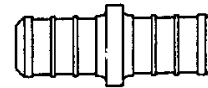
### FRESH WATER-FITTINGS



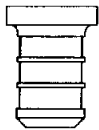
601698-05  
Elbow 1/2" barb x  
1/2" FPT



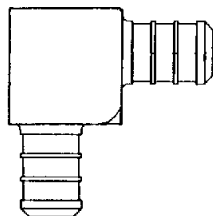
601698-22  
Shut-off, 1/2" barb x  
1/2" barb



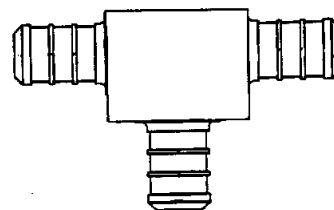
601698-08  
Coupler  
1/2" x 1/2" barb



601698-09  
Plug, 1/2" barb



601698-10  
Elbow 1/2" barb x  
1/2" barb



601698-11  
Tee, 1/2" x 1/2" x  
1/2" barb

# 2006 INTERNATIONAL TRAVEL TRAILER

## PLUMBING, FRESHWATER

### FRESH WATERLINE/FITTINGS



601698-15  
Crimp ring, 1/2



601698-01  
E-Pex, 1/2" (black)



601698-21  
E-Pex tube, 1/2" Red

# 2006 INTERNATIONAL TRAVEL TRAILER

Notes



# 2006 INTERNATIONAL TRAVEL TRAILER

## PLUMBING, FRESHWATER

### GALLEY FAUCET, 601867, Moen, MODEL 67315C

MODEL 67315C

[www.moen.com](http://www.moen.com)

PH. 1-800-BUY MOEN

United States

Moen Incorporated

25300 Al Moen Drive

North Olmstead, OH. 44070-8022

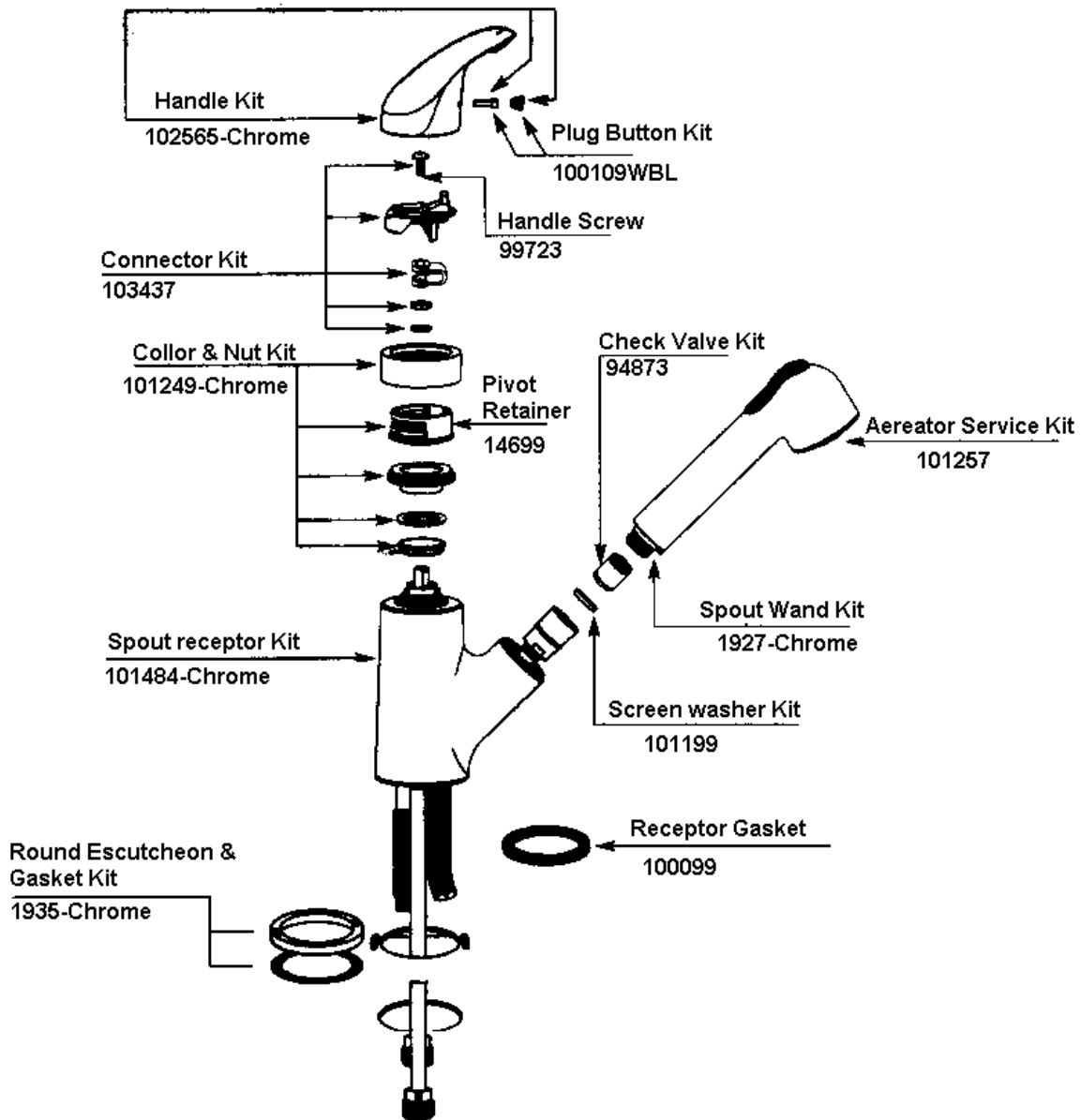
Contact local Moen dealer for all replacement parts.

Canada

Moen Inc.

2816 Bristol Circle

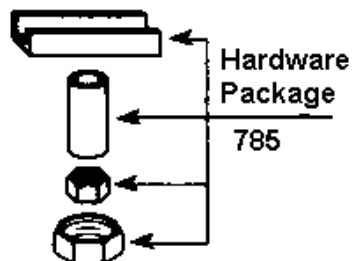
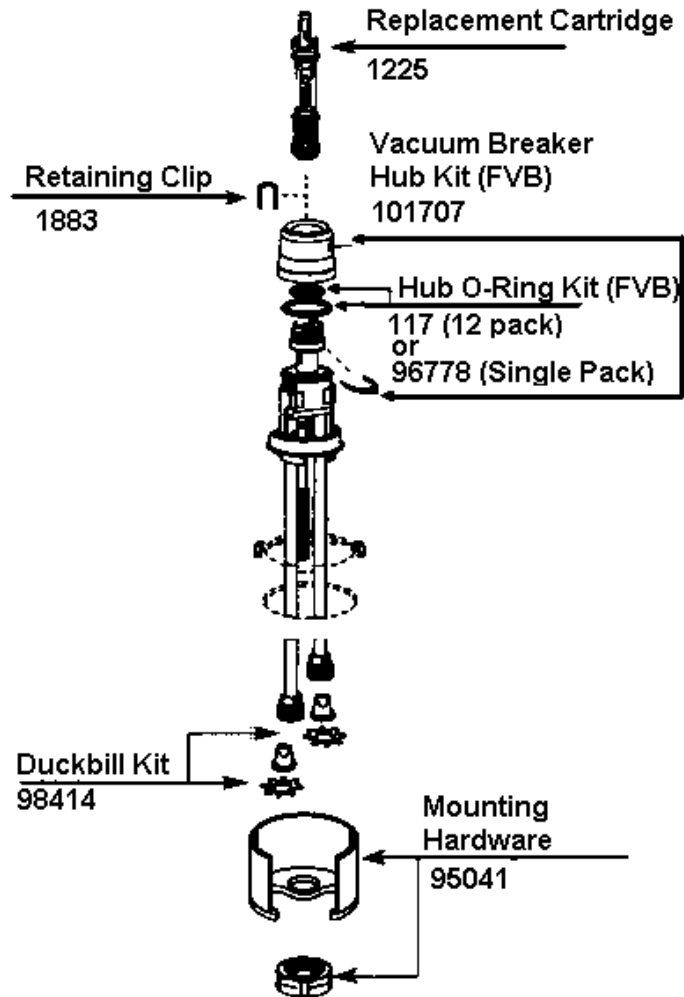
Oakville, Ontario L6H5s7



# 2006 INTERNATIONAL TRAVEL TRAILER

## PLUMBING, FRESHWATER

### GALLEY FAUCET, 601867, Moen, MODEL 67315C



601867

GALLEY FAUCET, Moen, MODEL 67315C

# 2006 INTERNATIONAL TRAVEL TRAILER

## PLUMBING, FRESHWATER

### FAUCET-SMALL LEVER HANDLE BATH, 601842

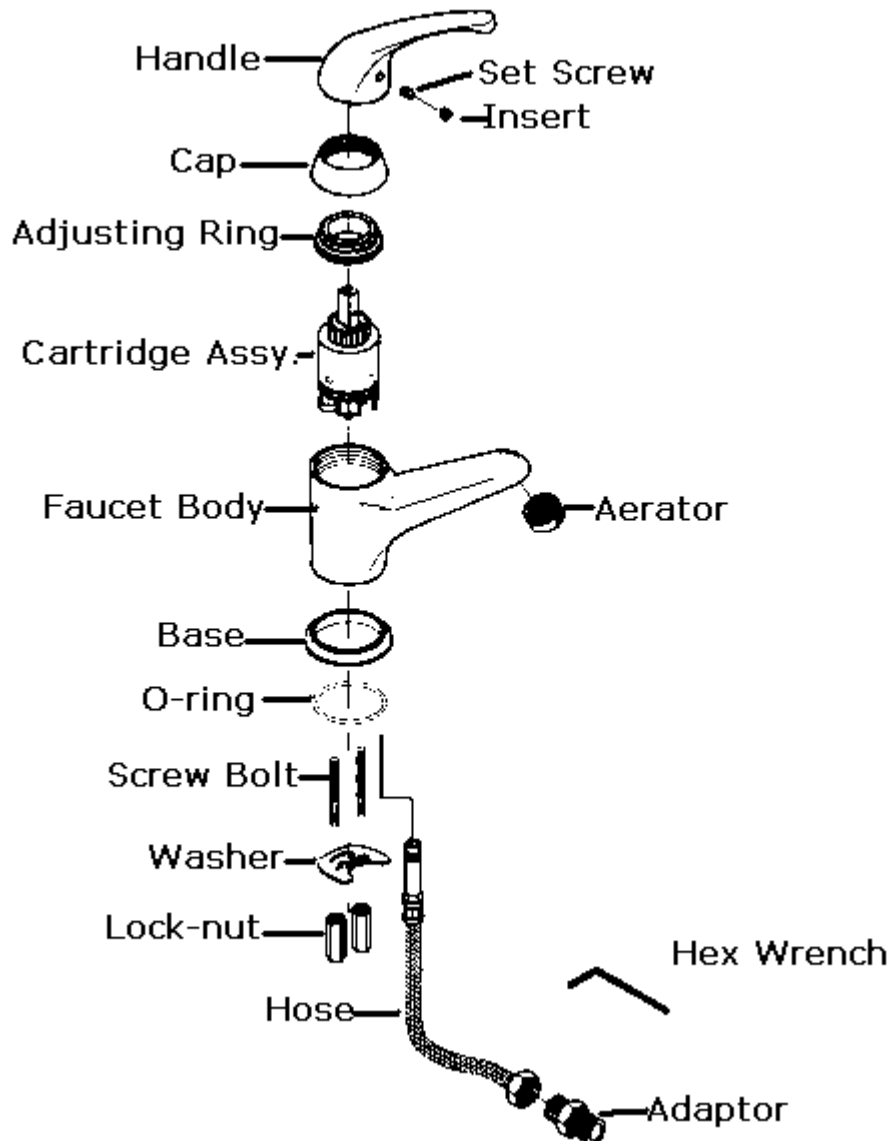
Model 97155BR

ITC Inc.

230 East Lakewood Blvd.

Holland, MI 49424

Tel. 616-396-1355



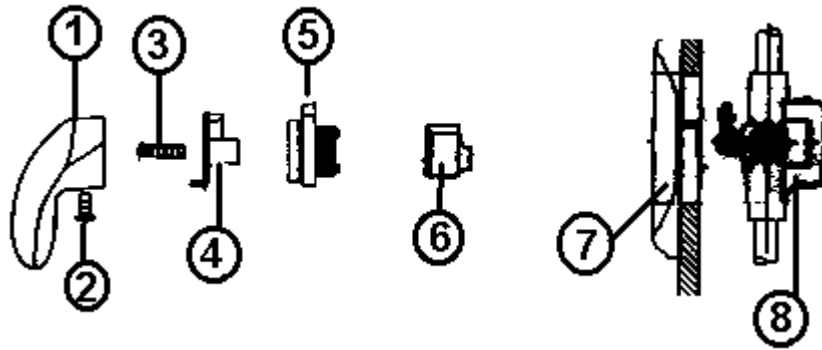
601842 FAUCET-SMALL LEVER HANDLE BATH

# 2006 INTERNATIONAL TRAVEL TRAILER

## PLUMBING, FRESHWATER

Faucet, Shower, 19', 25', 28'

601829      Faucet, Shower, Chrome, Moen MDL TL2391



1. Lever handle
2. Set screw
3. Handle screw
4. Handle adaptor
5. Brake
6. Key stop
7. Escutcheon
8. 601831      4-port posi-temp valve

600594      Strainer w/white rubber stopper

601358      Shower kit, includes:

Shower hose, shower head,  
Vacuum breaker, wall mounts

601185-08      PLUG, PIPE 1/2" MALE NPT, STEEL

114969      COVER, VENT PIPE

## 2006 INTERNATIONAL TRAVEL TRAILER

### PLUMBING, FRESHWATER

#### Faucet, Shower, 16'

604877-01	4 cp SHOWER VALVE W/FELT WASHER
604877-02	CP HANDSET HOSE W/WALL BRACKET
604877-03	1/2' CHROME SUPPLY ELBOW
604877-04	CP BRASS VACUUM BREAKER
601884	CENTER SET NUT - PLASTIC
360258-03	SEALANT-LATEX CAULK CLEAR 10.3

#### Faucet, Lavatory/Shower, 22'

690473	Faucet, Lavatory/Shower, 22'
601813	TAIL PIECE-LIFT/TURN DRAIN, 22'
601727	SHOWER DRAIN 2"W/GRID TOP, 22'

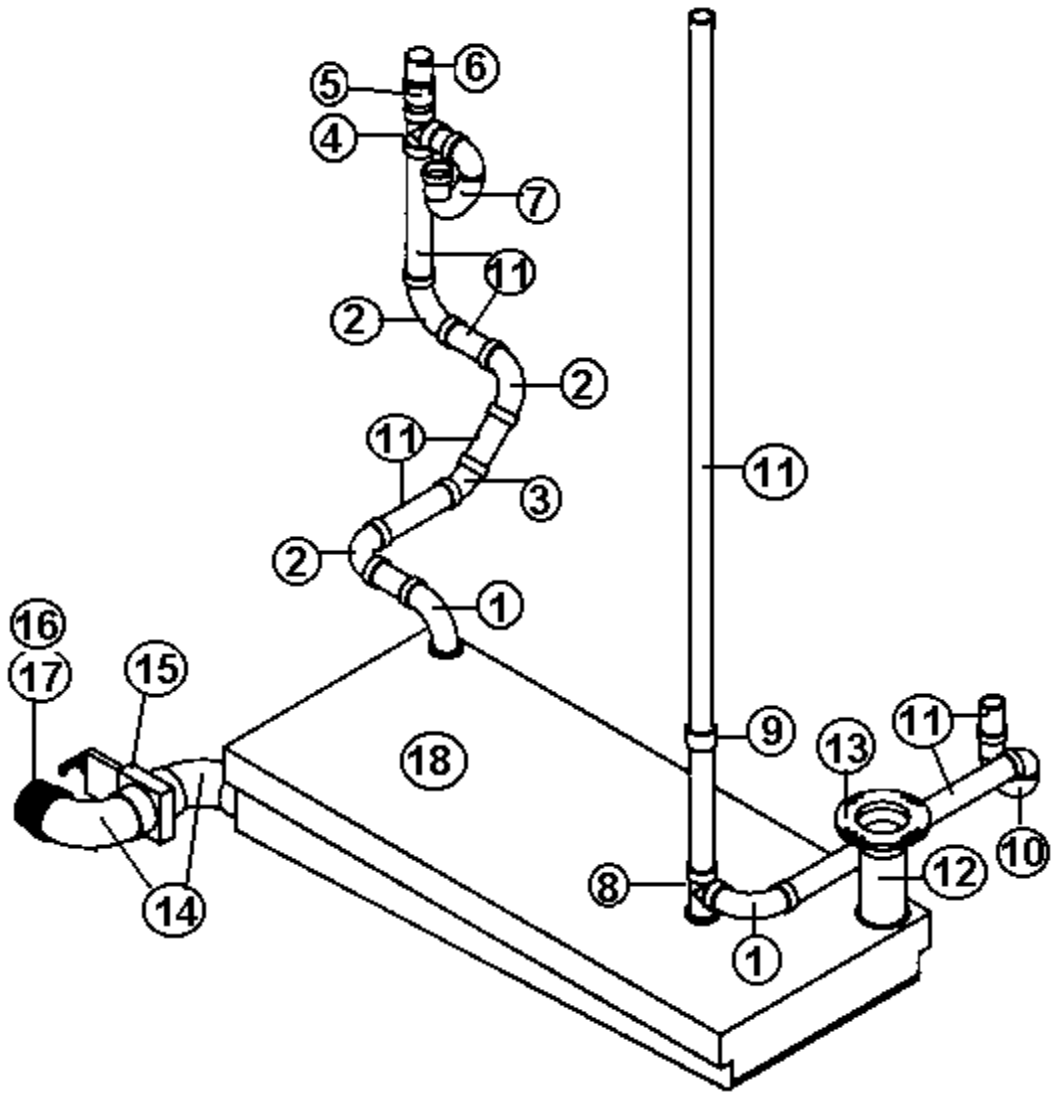
#### Faucet, Shower, 25' CSA

601825	FAUCET, VELLETA LAVATORY CHROME
604877-01	SHOWER VALVE 4 CP W/FLT W/SHR
601358	SHOWER HARDWARE UNIT, CHROME

# 2006 INTERNATIONAL TRAVEL TRAILER

## PLUMBING, DRAIN

### DRAIN SYSTEM, 16'



P/N on Next Page

# 2006 INTERNATIONAL TRAVEL TRAILER

## PLUMBING, DRAIN

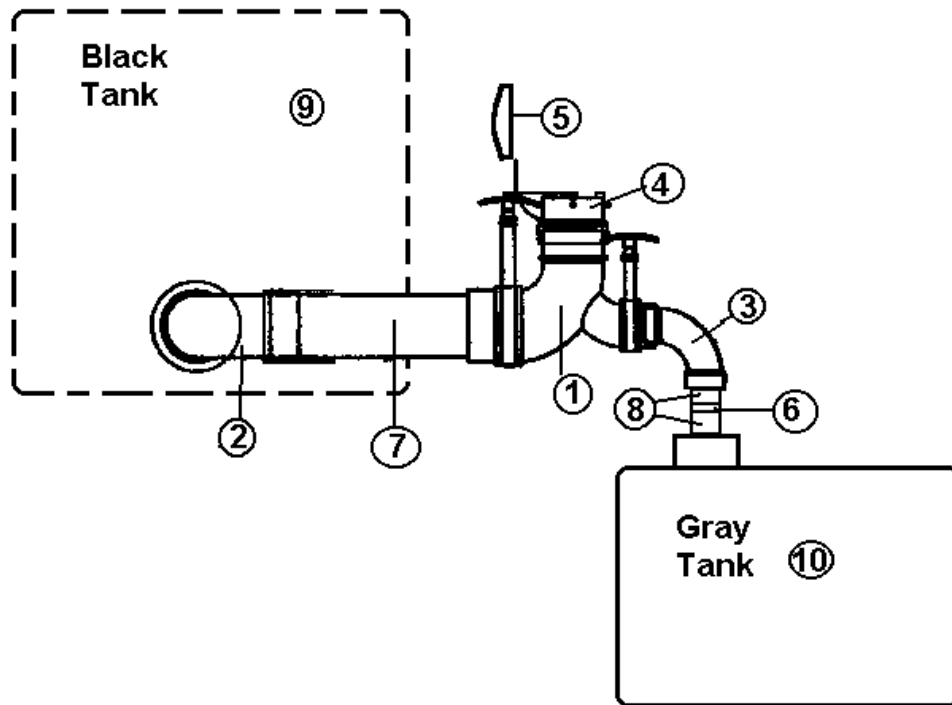
### DRAIN SYSTEM, 16'

- |               |                                      |
|---------------|--------------------------------------|
| 1. 600431     | Elbow, 90, 1.5"                      |
| 2. 600035     | Ell, ABS, Long sweep, 1.5"           |
| 3. 600030     | Ell. 45 degrees, long turn           |
| 4. 600156     | Tee, sanitary                        |
| 5. 600308     | Adaptor, ABS, female, Sloan #2891    |
| 6. 600538     | Vent, V-200 automatic                |
| 7. 600622     | P-trap, 1.5" w/slip nut & washer     |
| 8. 601868     | Sanitary tee, spig x hub x hub       |
| 9. 600227     | Plastic couplings                    |
| 10. 600144    | P-trap, ABS DVW, 1.5"                |
| 11. 601160-02 | Pipe, ABS, DVW, 1.5"                 |
| 12. 601267-04 | Nipple, 3" Dia. THD one, 10" long    |
| 13. 601266    | Flange, closet, 3' x4", slip fit     |
| 14. 600820    | 3" single socket, 90 degree          |
| 19.601607-14  | Dump valve, 3"                       |
| 20.601607-06  | Termination adaptor, 3" hub x 3" bay |
| 21.601607-07  | Termination cap, 3" bay              |
| 22.601844-05  | Tank, black/gray combination         |
| 511789        | SENSOR-TANK MONITOR #500-10050       |
| 601588        | Drain cock, radiator, brass          |
| 453945-07     | Close off, plumbing, black           |
| 601869        | Tank pan                             |
| 200507        | STYROFOAM, 1 X 25 X 55"              |
| 200152        | STYROFOAM 1/2 X 6 X 42"              |
| 601589        | ADAPTOR BRASS 3/8 FPT X 1/2 MP       |

# 2006 INTERNATIONAL TRAVEL TRAILER

## PLUMBING, DRAIN

### DRAIN SYSTEM, 19'



Part Numbers on the Next Page



# 2006 INTERNATIONAL TRAVEL TRAILER

## PLUMBING, DRAIN

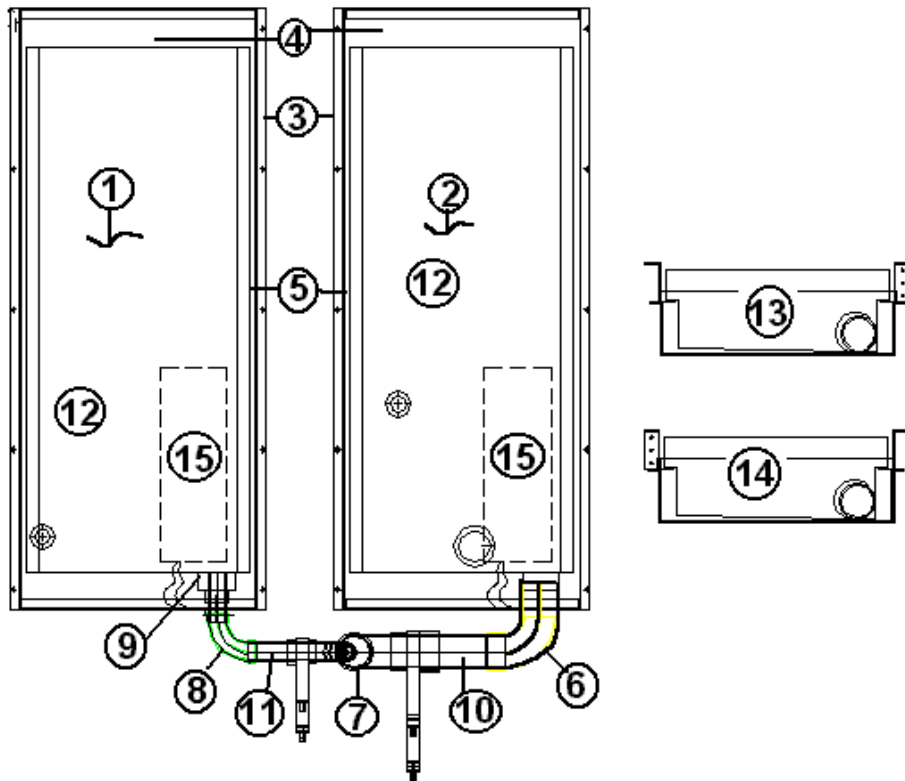
### DRAIN SYSTEM, 19'

1. 601482	DUMP VALVE ROTATING ASSEMBLY
2. 600183	ELL LONG SWEEP ABS 3"
3. 600035	ELL ABS LONG SWEEP 1-1/2"
4. 600241-01	HOSE ADAPTOR, STRAIGHT
5. 001664	CAP POSITIVE SEAL THETFORD 3"
6. 601160-02	PIPE, ABS DVW, 1-1/2"
7. 601160-04	PIPE, ABS DVW, 3"
8. 601800	STRAIGHT ELBOW, 22 DEGREE, 1.5"
9. 601854-01	TANK-BLACK HOLDING 17.3 GALLON
10. 601844-01	TANK-GRAY HOLDING 21 GAL #0910
114916	BRACKET DUMP VALVE
601717	TANK PAN
453622	TANK PAN CLOSE-OUT
601228	CLOSEOUT, SEPTIC PAN
453977	STRAP-BLACK TANK FWD
453978	STRAP-BLACK TANK AFT
964478	SLOPE PAD-BLACK TANK
453712	SHIELD, FRESH WATER TANK DRAIN
601846	ADAPTOR-3"PIPE CATCON
601266	Flange, closet, 3' x4", slip fit
600033	ELBOW, VENT, 1.50 90 DEG.
600035	ELL ABS LONG SWEEP 1 1/2"
600156	TEE SANITARY
600144	P TRAP ABS 1 1/2"
600030	ELL ABS 45 DEGREES LONG TURN
600538	VENT V-200 AUTOMATIC
601200	ADAPT, AUTO VENT W/EXT. #A-201
601318	TEE BI-DIRECTIONAL CLEANOUT 1 1/2"
600155	PLUG, CLEANOUT 1 1/2"
600625-01	PLUG, TRAP, 1-1/2" ADAPTER, FEMALE
600625-02	PLUG, TRAY 1-1/2" ADAPTER, MALE
601722	ADAPTER-1.5" MALE HUB X MIPT
600622	P-TRAP 1 1/2" W/SLIP NUT & WASHER
601589	ADAPTOR BRASS 3/8" FPT X 1/2" MP

# 2006 INTERNATIONAL TRAVEL TRAILER

## PLUMBING, DRAIN

### DRAIN SYSTEM, 22'

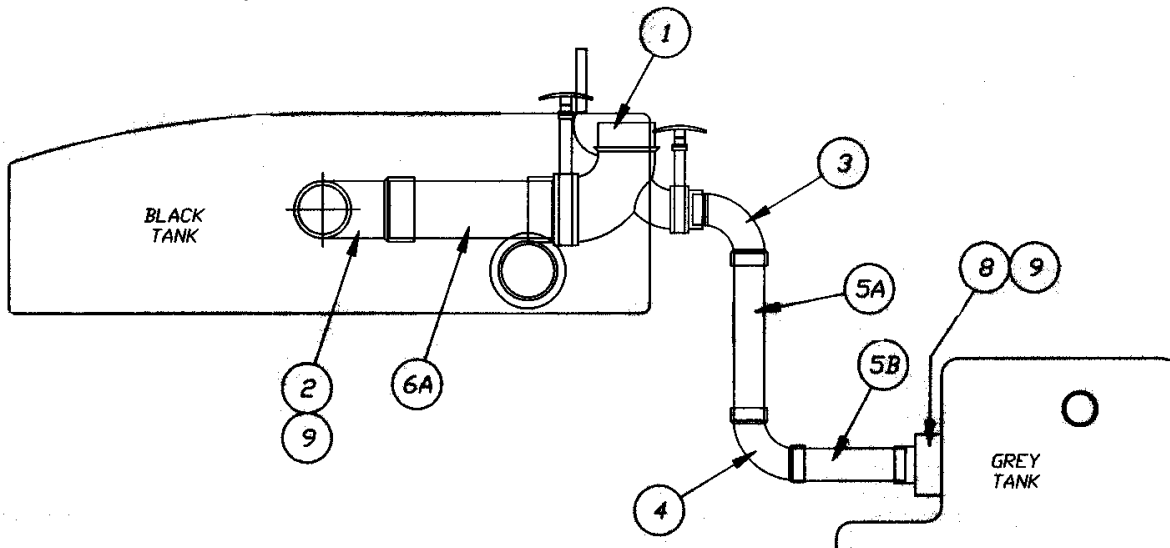


- |               |                                |
|---------------|--------------------------------|
| 1. 601844-02  | TANK-GRAY HOLDING 21 GAL       |
| 2. 601844-04  | TANK-BLACK HOLDING 21 GAL      |
| 3. 602064     | PAN-GRAY TANK ASSY             |
| 3. 602065     | PAN-BLACK TANK ASSY            |
| 4. 200507     | STYROFOAM, 1" X 25" X 55"      |
| 5. 200152     | STYROFOAM ½" X 6" X 42"        |
| 6. 600820     | 3"SINGLE SOCKET 90DEGREE       |
| 7. 601482     | DUMP VALVE ROTATING ASSY.      |
| 8. 600035     | ELL ABS LONG SWEEP 1 ½"        |
| 9. 195329-229 | REDUCER ADAPTOR 3" TO 1.5" 407 |
| 10. 601160-04 | PIPE, ABS DVW, 3"              |
| 11. 601160-02 | PIPE, ABS DVW, 1 ½"            |
| 12. 511789    | SENSOR-TANK MONITOR #500-10050 |
| 13. 453945-04 | CLOSE OFF PLUMBING GREY        |
| 14. 453945-07 | CLOSE OFF PLUMBING BLACK       |
| 15. 511780    | PAD-TANK HEATING 6.5" X 18"    |

# 2006 INTERNATIONAL TRAVEL TRAILER

## PLUMBING, DRAIN

### DRAIN SYSTEM, 25'

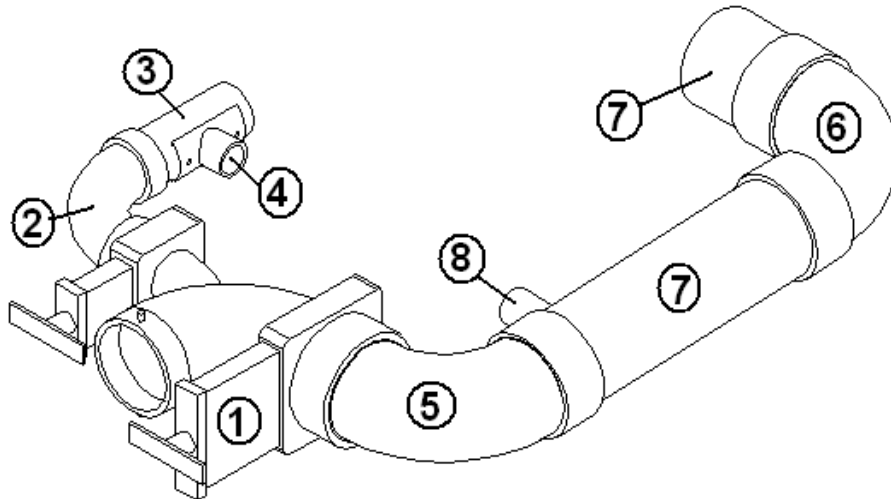


- |               |                                 |
|---------------|---------------------------------|
| 1. 601482     | Dump Valve Rotating assembly    |
| 2. 600820     | Ell long sweep ABS 3"           |
| 3. 600431     | Elbow, 90, 1½"                  |
| 4. 600035     | Ell ABS street, 1½"             |
| 5A. 601160-02 | Pipe, ABS DVW, 1½"-10.00" Long  |
| 5B. 601160-02 | Pipe, 1½"-ABS DVW, 7.00" Long   |
| 6A. 601160-04 | Pipe, 3"-ABS DVW, 4" Long       |
| 7. 114916     | Bracket, dump valve             |
| 8. 195329-229 | Reducer adaptor, 3" to 1.5"     |
| 9. 340092     | Clamp, worm type T40C-75-388-SB |
| 10. 601848-02 | Holding tank, gray              |
| 10a. 453615   | TANK SUPPORT STRIP-62"          |
| 10b. 453616   | TANK SUPPORT STRIP-22"          |
| 10c. 453493   | HANGER STRAP-TANK PAN           |
| 11. 601854-01 | Black tank                      |
| 11a, 453963   | STRAP-BLACK TANK FWD            |
| 11b. 453964   | Strap, black tank AFT.          |
| 601228        | CLOSEOUT, SEPTIC PAN            |
| 601642        | PAN-TANK ROTOCAST               |
| 203149        | SLOPE PAD-HOLDING TANKS         |

# 2006 INTERNATIONAL TRAVEL TRAILER

## PLUMBING, DRAIN

### DUMP VALVE ASSEMBLY, 28'



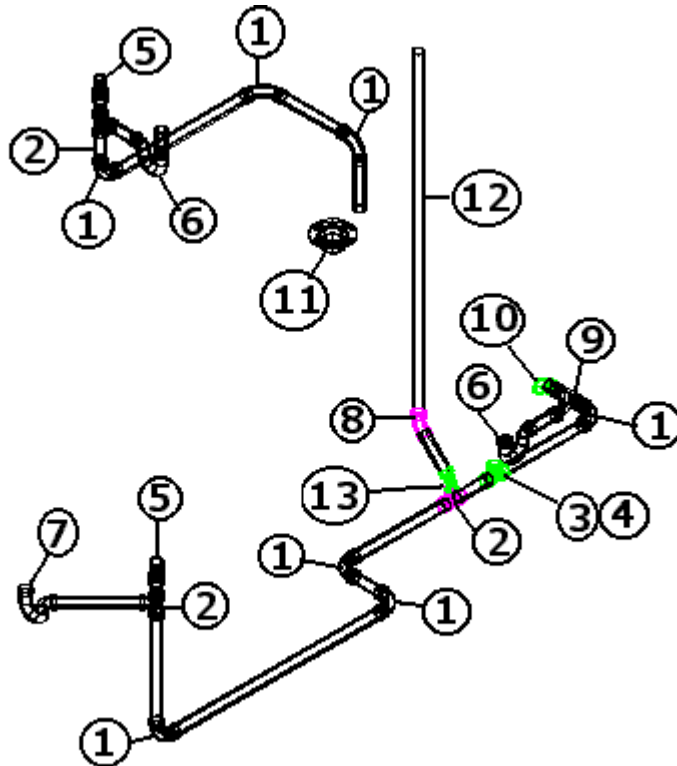
- |              |                               |
|--------------|-------------------------------|
| 1. 601482    | DUMP VALVE ROTATING ASSEMBLY  |
| 2. 600431    | ELBOW, 90, 1 1/2"             |
| 3. 601160-02 | PIPE, ABS DVW, 1 1/2"         |
| 4. 601845    | ADAPTOR-1.5", PIPE CATCON     |
| 5. 600820    | 3" SINGLE SOCKET 90 DEGREE    |
| 6. 600183    | ELL LONG SWEEP ABS 3"         |
| 7. 601160-04 | PIPE, ABS DVW, 3"             |
| 8. 601846    | ADAPTOR, 3" PIPE CATCON       |
| 0360494      | BOOT RUBBER                   |
| 601889-01    | TANK-BLACK 35 GALLON          |
| *601890-01   | TANK-GRAY 37 GALLON           |
| 601895       | PAN-BLACK/GRAY TANK           |
| 203149       | SLOPE PAD-HOLDING TANKS       |
| 200152       | STYROFOAM 1/2 X 6 X 42"       |
| 454178-01    | STRAP-BLACK/GRAY TANK 52.25"  |
| 454178-02    | STRAP-BLACK/GRAY TANK 5.25" H |
| 454178-05    | STRAP-BLACK/GRAY TANK 4.25"   |
| 601806       | SINK, S. S. ROUND GALLEY      |

\*601890-02 replaces -01, on units 518902 and units released after 518976. 601890-02 has a 2" wet vent opening.

# 2006 INTERNATIONAL TRAVEL TRAILER

## PLUMBING, DRAIN

### DRAIN SYSTEM, 28'



- |               |   |
|---------------|---|
| 1. 600035     | ELL ABS Extra long Sweep, 1.5"          |
| 2. 600156     | Tee sanitary                            |
| 3. 601318     | Tee Bi-directional, clean out, 1.5"     |
| 4. 600155     | Plug, clean out, 1.5"                   |
| 5. 600538     | Vent, V-200 automatic                   |
| 6. 600144     | P-trap, ABS, 1.5"                       |
| 7. 600622     | P-trap, 1.5" w/slip nut and washer      |
| 8. 600030     | ELL ABS, 45 degrees, long turn          |
| 9. 600182     | Wye, 1.5' x 1.5" x 1/8" bend, ABS       |
| 10. 600431    | Elbow, 90, 1.5" turn                    |
| 11. 601424    | Flange, closet, 4" x 3" threaded        |
| 12. 601160-02 | Pipe, ABS DVW, 1.5" (all straight pipe) |
| 20. 600027    | Elbow, ABS long street 45 degrees       |

## 2006 INTERNATIONAL TRAVEL TRAILER

### PLUMBING, DRAIN

#### Sinks/showers, 16'

601938	SINK, S/S, SINGLE BOWL
203425	SINK COVER .5" NATURAL
203444-01	BASE-SHOWER FIBERGLASS WHITE

#### Sinks/showers, 19'

601804-01	SINK, BATH, 12" SS ROUND
601938	SINK, GALLEY, S/S, SINGLE BOWL
203425	SINK COVER .5" NATURAL OAK
203114	SHOWER 2 PC FIBER GLASS

#### Sinks/showers, 22'

601804-01	SINK, BATH, 12" SS ROUND
601806	SINK-S.S. ROUND GALLEY
203483	COVER-SINK ROUND 17.75"
203298	SHOWER PAN-BAMBI
203328-01	SHOWER SURROUND-UPPER, WHITE
203328-02	SHOWER SURROUND-LOWER, WHITE
203328-02	SHOWER SURROUND-LOWER, WHITE

#### Sinks/showers, 25'

601804-01	SINK 12", BATH, SS ROUND WITH STUDS
601806	SINK-S.S. ROUND GALLEY
203483	COVER-SINK ROUND 17.75"
203114	SHOWER 2 PC FIBER GLASS

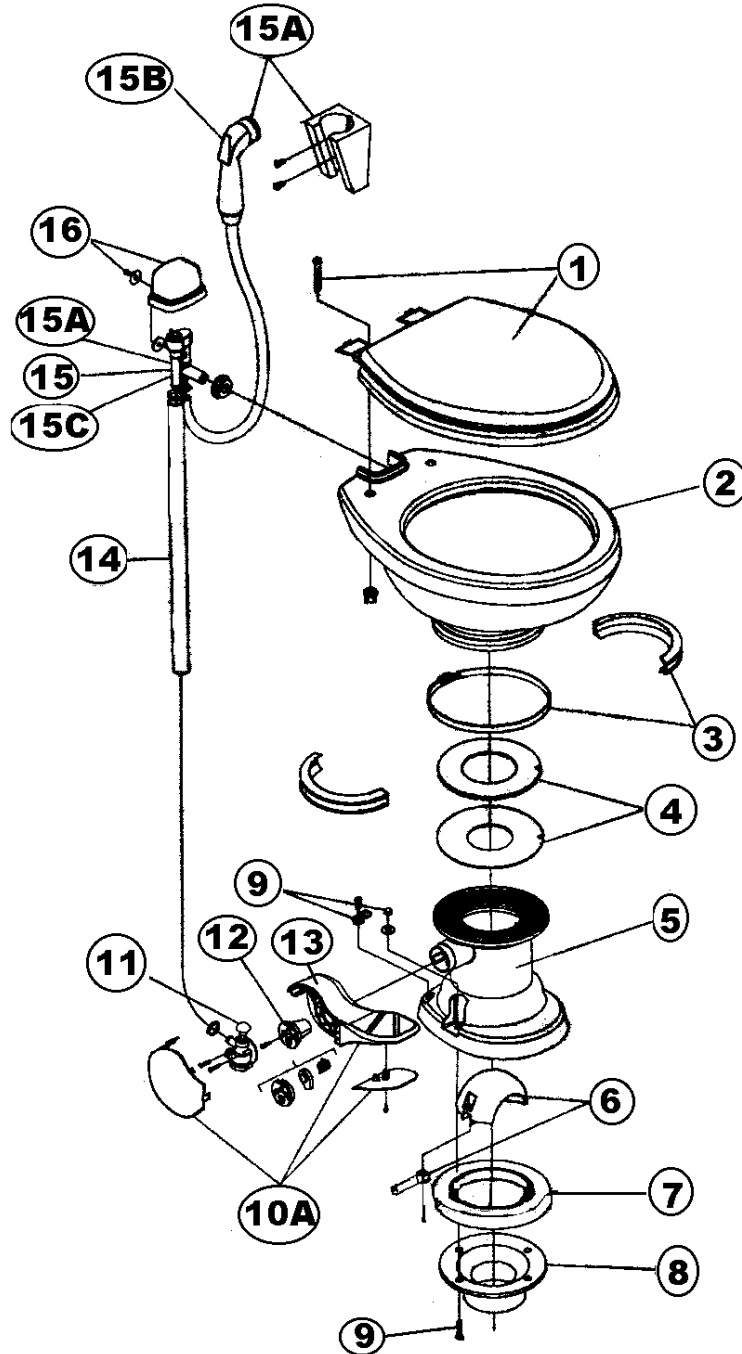
#### Sinks/showers, 28'

203081-01	SHOWER STALL-2 PC FIBER 28'CCD
601804-01	SINK 12" SS ROUND WITH STUDS, LAVATORY
601806	SINK-S.S. ROUND GALLEY
203483	COVER-SINK ROUND 17.75"

# 2006 INTERNATIONAL TRAVEL TRAILER

## PLUMBING, DRAIN

Toilet, WHITE



P/N Next Page

# 2006 INTERNATIONAL TRAVEL TRAILER

## PLUMBING, DRAIN

### Sealand, Traveler Lite Parts List, WHITE

Sealand Technology, Inc.

13128 State Route 226

PO Box 38

Big Prairie, OH. 44611-0038

Customer Service 1-800-321-9886

330-496-3211 (8:00 A.M.-5:00 P.M. ET)

Fax: 330-496-3097

[www.sealandtechnology.com](http://www.sealandtechnology.com)

- |             |  |
|-------------|--|
| 690472      | Sealand, Traveler Lite, White, HIGH PROFILE, 16', 22', 28' |
| 690472-01   | Sealand, Traveler Lite, White LOW PROFILE, 19', 25'        |
| 1. 344088   | Seat Assembly  |
| 2. 310790   | China bowl kit   |
| 3. 310025   | Ring & half clamp kit                                      |
| 4. 316140   | Teflon & rubber seal kit                                   |
| 5. 310792   | Base kit, includes 3, 4, 6, 7, 9, 10A, 11 & 12             |
| 6. 310681   | Ball, shaft, cartridge kit                                 |
| 7. 343938   | Floor flange seal  |
| 8. 600065   | Flange, floor, threaded, Airstream                         |
| 8a. 601266  | TOILET, FLANGE, CLOSET, 3" X 4", SLIP FIT                  |
| 9. 310794   | Floor bolt mounting kit                                    |
| 10. 310117  | Pedal cover kit  |
| 10A. 310682 | Flush pedal kit (includes 12)                              |
| 11. 314349  | Water valve kit  |
| 12. 310683  | Spring cartridge kit                                       |
| 13.         | Pedal included w/Part 10A                                  |
| 14. 340177  | Supply hose  |
| 15. 310687  | Vacuum breaker kit   |
| 15A. 319054 | Vacuum breaker kit w/spray                                 |
| 15B. 340683 | Hand spray   |
| 15C. 230335 | Vacuum breaker (used w/spray)                              |
| 16. 310795  | Vacuum breaker cover kit                                   |



# 2006 INTERNATIONAL TRAVEL TRAILER

## PLUMBING, DRAIN

### Black Tank Flush

601441	SYSTEM, TANK FLUSH
601698-10	QQE33X 1/2" BARB EL
601698-05	QQE33BSXP 1/2" B X 1/2" FPT SWV EL
601698-03	QQSFC33XPXP 1/2" B X 1/2" FPT SW ADP
601698-15	1/2" CRIMP RING
601698-04	QQE33BTX 1/2" B X 1/2" MPT BARB EL
601698-01	E-PEX 1/2" TUBING

### Plumbing Loose Parts

340084-52	CLAMP, HOSE SAE #52, for sewer hose
600241-01	SEWER HOSE ADAPTOR, STRAIGHT #02593
381647	KEY WATER FILL CH751
195329-240	SEWER HOSE ADAPTOR

# 2006 INTERNATIONAL TRAVEL TRAILER

## SAFETY EQUIPMENT

### Detectors/Fire Extinguishers

510781	Smoke detector
510891	Smoke Detector CSA only
511309	LPG detector
511343	DETECTOR, CARBON MONOXIDE
600162-01	Fire extinguisher
600162-02	Fire extinguisher, CSA
203387	POCKET-RECESSED FIRE EXT. BRACKET

# 2006 INTERNATIONAL TRAVEL TRAILER

## SEALER/GASKETS/PAINT

### SEALER

360001	Sealant, #884058
360002	Sealant, Vulkem 11.5 oz. tube
360209	Sealant, seam
360176	Sealant, Almond, kitchen and bath
360180-04	Sealant, Sikaflex #221, black
360180	Sealant, Sika-flex, gray
360210	Sealant, Paralastic 4334-014
360283	Sealant, silicone, Corian Bone
360283-01	SEALANT SILICONE CORIAN G. WHITE
685510	SEAM TAPE, BLACK, RUBBER 1/32 X 7/8 X 2

### GASKETS/TAPE



365035, Gasket  
Access doorjamb



365013-01, Gasket  
screen door



365232, Gasket  
main door

365190 SEAL, RUBBER, 3/4" X 3/4", Refer, Range hood

381665 Gasket, D seal, window frame to shell

0401-0002 Gasket, window frame to glass

365016 Tape, foam, double face, 1/2" wide

685510 Seam tape, exterior metal, black rubber

365013 TAPE CHARCOAL, FOAM, bumper lid, screen door,

365001 TAPE DOUBLE COATED FOAM

381830 Gasket wiper, L section, 1.12" x 2.00", seal around refer baffle

# 2006 INTERNATIONAL TRAVEL TRAILER

## SEALER/GASKETS/PAINT

### PAINT

360213	Paint, aluminum metallic
360151	Paint, gray metallic, Centari
360151-01	Paint, gray metallic, Centari, 16 oz. can
360260	Paint, Pewter
360260-100	Paint, Pewter, 16 oz. can

## 2006 INTERNATIONAL TRAVEL TRAILER

### UPHOLSTERY/FOAM/MATTRESS

#### Pillows

701611	PILLOW, 21 X 31
703353-143	Pillows, Hazard Orange, L-Lounge
703353-133	Pillows, Lemon Grass, L-Lounge
703353-123	Pillows, Blue Streak, L-Lounge
703353-156	Pillow Kit, Aruba, Bedroom
703372-143	Pillows, Hazard Orange, L-Lounge
703372-133	Pillows, Lemon Grass, Bedroom
703372-123	Pillows, Blue Streak, Bedroom
703372-156	Pillow Kit, Aruba, Bedroom
703549	PILLOW KIT, QUICKSILVER

#### Mattress, 19'

703286-05	MATTRESS-48" X76" W/10"RADIUS
703501	MATTRESS-UPPER BUNK 4", 19'

#### Mattress, 25'

703182-05	MATTRESS, 52" X 76"
703451	MATTRESS-UPPER BUNK 4", 25'

#### Mattress, 22', 16'

703190-05	MATTRESS-48" X 78" W/DOUBLE RADIUS CORNER
-----------	---

#### Mattress, 28'

703336-05	Mattress, 60" x 75" w/11" Radius corner
-----------	---

#### Bedsread, 16'

703363-143	Bedsread, 16', Hazard Orange
703363-133	Bedsread, 16', Lemon Grass
703363-123	Bedsread, 16', Blue Streak

## 2006 INTERNATIONAL TRAVEL TRAILER

### UPHOLSTERY/FOAM/MATTRESS

#### Bedsread, 19'

703287-143 Bedsread, 19' Model, Hazard Orange  
703287-133 Bedsread, 19' Model, Lemon Grass  
703287-123 Bedsread, 19' Model, Blue Streak  
703468 UPPER BUNK SAFETY NET  
703526 THROW-TOP BUNK BED

#### Bedsread, 22'

703197-143 Bedsread, 22' CCD Model, Hazard Orange  
703197-133 Bedsread, 22' CCD Model, Lemon Grass  
703197-123 Bedsread, 22' CCD Model, Blue Streak

#### Bedsread, 25'

703379-143 Bedsread, 25' model, Hazard Orange  
703379-133 Bedsread, 25' model, Lemon Grass  
703379-123 Bedsread, 25' model, Blue Streak  
703482 Throw, Bunk Bed  
703468 UPPER BUNK SAFETY NET

#### Bedsread, 28'

703356-143 Bedsread, 28' CCD, Hazard Orange  
703356-133 Bedsread, 28' CCD, Lemon Grass  
703356-123 Bedsread, 28' CCD, Blue Streak

#### Net, Storage Bag

703364 NET, STORAGE BAG BLACK 10"X 14"

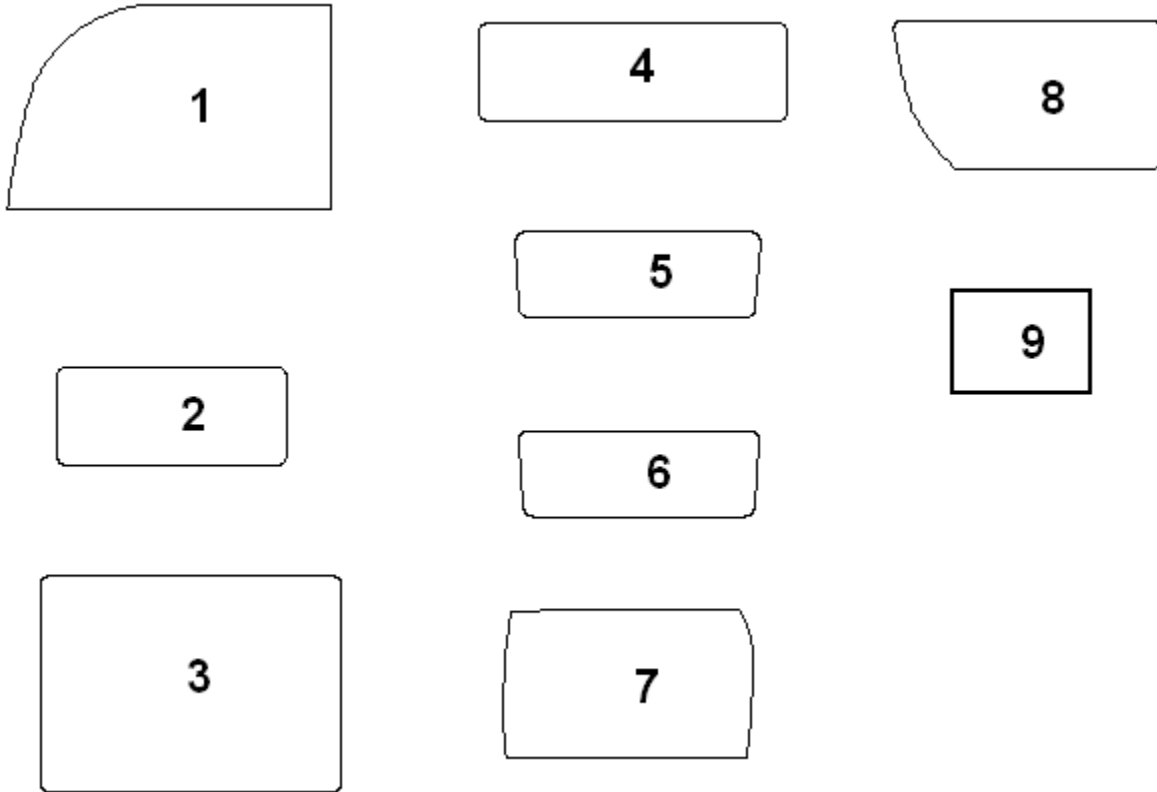
#### VINYL STRAP FOR FOLDETTE DOORS

381581 STRAP CLEAR PLASTIC .75"W  
700811 BUTTON CAP, HANDY  
700812 BUTTON BOTTOM, HANDY, OAK

# 2006 INTERNATIONAL TRAVEL TRAILER

## UPHOLSTERY/FOAM/MATTRESS

Cushions/Pillow, 19', 75<sup>th</sup> Anniversary



703617	Complete dinette/rear lounge kit
703617-01	Rear lounge base, radius
703617-02	Rear lounge backrest, 15" x 35"
703617-03	Roadside lounge base, 33" x 46"
703617-04	Rear lounge backrest, 15" x 47"
703617-05	Roadside dinette backrest, 13" x 37.32"
703617-06	Curbside dinette backrest, 13" x 37.76"
703617-07	Roadside dinette base, 22.50" x 38.05"
703617-08	Curbside dinette base, 22.75" x 40.77"
703617-09	Pillow, 14' x 14"

## 2006 INTERNATIONAL TRAVEL TRAILER

### VENTS/FANS/ SKY LIGHTS

Refer Vent, Roof, 19', 25', 28'

100341	Refrigerator, vent collar, roof, large
101394	Cover, refrigerator vent, roof, large
381042	MESH, galvanized for refer vent. .017 X 36"

Refer Side Vent/Power Fan, 16', 19', 22'

690394	Power ventilator, refrigerator
690470-01	VENT, SIDE WALL, REFER
115038-01	DOOR JAMB, REFRIGERATOR, CLOSEOUT, 16 Ft.
511997	SWITCH-REFER RED LED

Black Tank Roof Vent Pipe Cover

690264-03	Vent pipe cover
380114	Gasket, vent pipe
380228	Wire, hardware cloth

Vents, 75<sup>th</sup> Anniversary

372256	Vent, SS, 4.62" x 9.12", bath door
372257	Vent, SS, 4" diameter, Curbside dinette seat



## 2006 INTERNATIONAL TRAVEL TRAILER

### VENTS/FANS/ SKY LIGHTS

#### Vents, Non-Power

- 381606-01 Vent, roof, 14" x 14", non-power, white
- 381606-02 Trim ring, interior, roof vent, white

#### Vents, Power, Bath

- 690266-01 Ventilator, power, bath
- 690266-02 Ventilator, power, bath, CSA
- 690266-03 EXTENSION GARNISH 4", power vent

#### Vents, Power, Roof

- 381564-03 VENT W/WALL THERMOSTAT 2000TRS, Gray
- 381841 VENT, ROOF FANTASTIC EXHAUST ONLY
- 511657 FANTASTIC FAN W/410KIB CONTROL

#### Skylight, 19 ½" X 19 ½"

- 114485 MOUNTING FRAME SKYLIGHT
- 381318-05 SKYLIGHT 19 ½" X 19 ½"
- 201962 TRIM RING 19 X 19 SKYLIGHT WHI
- 702804-03 SHADE PLTD SKYLIGHT 19.25" X 20.00"

#### Skylight, 14 ½" X 22 ½", 28'

- 114486 MOUNTING FRAME SKYLIGHT #1422
- 381318-06 SKYLIGHT 14-1/2 X 22-1/2 - TRL
- 201963 TRIM RING 14 X 22 SKYLIGHT WHI
- 702804-04 SHADE PLTD, SKYLIGHT, 14.50" X 22.75"

# 2006 INTERNATIONAL TRAVEL TRAILER

## WOOD TRIM /FORMICA/PANELING

### PLYWOOD

800506-03	PLYWOOD, 3/8" X 4' X 8'
800506-05	Plywood, 5/8" x 4' x 8'
800506-06	PLYWOOD, 3/4" X 4' X 8'
800506-04	PLYWOOD, 1/2" X 4' X 8'
801351	LITE PLY-18MM (.75") 4' X 8'

### Cabinet formed Radius Corners

801345	RADIUS PLYWOOD .75" X 3" X 8'
801348	RADIUS PLYWOOD-.75" X 8" X 6'

### PANELING, LUAN

800507-01	Panel, lauan, 1/8 x 4' x 8'
800507-02	Panel, Lauan, 1/4" x 4' x 8', raw/raw
800507-03	Panel, Lauan, 3/8" x 4' x 8', raw/raw
800507-04	Panel, Lauan, 1/2" x 4' x 8', raw/raw
800507-06	LAUAN, .75" X 4' 8'

### MAIN DOOR THRESHOLD

801492-006	THRESHOLD MAIN DOOR
------------	---------------------

## 2006 INTERNATIONAL TRAVEL TRAILER

### WOOD/LAMINATES/TRIM

#### Formica

801355-01	Frosty White Formica, vertical
801437-01	EXTREME GREEN VERTICAL 4'
801439-01	Black Maple, vertical, 4'x 8'
801635	LAMINATE-ABET ALMOND, QUICKSILVER EDITION
801634	LAMINATE-KALEIDOSCOPE/ALUMINUM, QUICKSILVER EDITION
801633	LAMINATE ,NATIONAL GEOGRAPHY Map . 3' X 8', QUICKSILVER EDITION

#### Edge banding

365267	EDGE BANDING-1.13" .024 PLY
365240-01	EDGE BANDING-PVC 3M 1-5/16" WHITE
365238-04	EDGE BANDING TAPE PVC 5/8" C. WHITE
365278-01	EDGE BANDING-BLACK MAPLE 1.13"
365278-02	EDGE BANDING-BLACK MAPLE 1.625"
365278-03	EDGE BANDING-BLACK MAPLE .625"
365278-04	EDGE BANDING, .024" X 1.25" BLACK MAPLE

## 2006 INTERNATIONAL TRAVEL TRAILER WOOD TRIM /FORMICA/PANELING

### Panels, Pre-laminated

801368	Panel, White/white
801369	Panel, Frosty white/white
801369-01	Panel, Frosty white/white, vertical
801373	Panel, Citrus orange/raw
801378	Panel, Rexel/raw
801441-01	Panel, BLACK MAPLE/FROSTY WHITE 18MM
801436-01	Panel, BLACK MAPLE/WHITE 18M VERTICAL
801392	Panel, WHITE LINER/WHITE LINER 12MM
801445-01	Panel, BLACK MAPLE/GATOR .25" VERTICAL
801438	PANEL, FROST WHITE VINYL/RAW 2.7MM
801505	PANEL, ASCOT SAND/RAW .125" X 4' X 8'
801537	PANEL, 12MM w/SPECIAL GROOVES
801372	PANEL, RAVEN/WHITELINER, 18MM
801456-01	Panel, Black maple/Whiteline, 12MM



