

AIRSTREAM

A-Series Motorhome

2006 Parts Book



2006 A-Series Motorhome

TABLE of CONTENTS

SECTION I A Through C

APPLIANCES

Air conditioner, Range, Refrigerator ,	I-1
Microwave, Washer/Dryer, Dishwasher	I-2
Hydro Hot Heating/Hot Water System	I-3

EXTERIOR SHELL

Curbside Wall, A-37	I-5
Roadside wall, A-37	I-7
Curbside Wall, A-39	I-9
Roadside Wall, A-39	I-11
Slide out extrusion	I-12
Slide out gasket	I-13
Front end	I-15
Aft end	I-17
Roof	I-19
Galley Slide Out Room	I-21
Wardrobe Slide Out Room	I-23
Bedroom Slide Out Room	I-25

CHASSIS

Hitch/7-Way Bracket, Step	I-27
Step Cover, Mud flap ,.....	I-27
Fuel fill pipe, Tire valve extender	I-27
Auxiliary Airline Kit, Air Cleaner	I-28
Heat Shields, Air Diverter	I-28
Leveling Jacks	I-29
Engine Cover	I-31
Air conditioner	I-33

2006 A-Series Motorhome

TABLE of CONTENTS

SECTION II D Through E

DASH, MEDALLIONS	II-1
--	------

DOORS/WINDOWS/AWNINGS

Roadside, A-37	II-2
Curbside A-37	II-4
Roadside A-39	II-6
Curbside A-39	II-8
Main/screen Door	II-10
Rear Access Door	II-12

DRAPES/BLINDS/VALANCES	II-13
--	-------

ELECTRICAL

110 volt	II-15
12 volt chassis	II-18
Exterior Mirrors, Energy Management	II-20
Battery Compartment	II-20
12 volt Receptacle	II-21
12 volt armrest/dash switches/lens	II-22
12 volt interior switches	II-23
12 volt interior lights	II-23
Fuses, 12 volt exterior lights	II-24
Tail/License Plate/Headlamp/Parking Lights	II-25
Tank Monitor System	II-26
Keyless Entry/Solar Panel	II-26
Windshield wiper	II-28

ENTERTAINMENT

Monitor, back-up, Monitor Passenger Side	II-27
Detectors/Alarms, Air Horn	II-27
Television	II-30
Radio/sound system	II-32
Satellite System	II-33

2006 A-Series Motorhome

TABLE of CONTENTS

SECTION III F Through H

FASTENERS

Rivets	III-1
------------------------------	-------

FLOOR COVERING

Carpet, Mats	III-3
Tile	III-3

FURNITURE

Mirrors	III-4
Lavatory	III-5
Bedroom	III-6
Galley	III-8
Cab/Lounge	III-9

HARDWARE

Main/ Screen Door	III-11
Generator Flip Up Door	III-14
Lower compartments	III-15
Slide out	III-17
Clothes Rod, Safety Equipment, Books/Video	III-20
Clock	III-20
Interior Latches/Handles	III-21
Bath Accessories, Bed Prop	III-21
Windshield Squeegee	III-21

LABELS/TAGS	III-22
-----------------------------------	--------

2006 A-Series Motorhome TABLE of CONTENTS

SECTION IV L through Z

PLUMBING

Fresh water	IV-1
Faucets	IV-4
Utility compartment	IV-5
Shower/Sinks, Toilet, Sewer Hose	IV-6
Drain Layout/Tanks	IV-7

SEALS/SEALER

Gaskets	IV-9
Sealer	IV-12

UPHOLSTERY/FOAM/MATTRESSES

Mattress/Pillow Kits	IV-13
Sofas/Chairs	IV-15
Cab Seats, Ceiling Liner,	IV-16
Sun Visors, Cabinet Trim Upholstery	IV-16

VENTS/FANS/SKYLIGHTS

Vents	IV-17
Sky Lights	IV-18

WOOD/WOOD TRIM

Paneling/Seam Tape	IV-19
Wood Molding	IV-20
Plastic Trim	IV-23

2006 A-Series Motorhome

APPLIANCES

Air Conditioner

690323-33	Air conditioner, 13,500 Penguin
690323-32	Air conditioner, 13,500 BTU w/H. Pump CCC
690323-37	A/C, Brisk air, 15,000 BTU, w/ heat pump
690323-31	Comfort Control Center
690323-100	Shroud, exterior, Penguin
203069-01	Register, almond, 4" x 8"
690380-08	Sensor, dual air
690323-28	Bolt, cover kit
601611-02	DUCTING Y-CONNECTORS AC/HEAT
601611-01	DUCTING A/C-HEAT 2" X 7.5 "X 8' CEILING
511252	PLUG PHONE 4 CONDUCTOR
511378	CABLE THERMOSTAT 7 CONDUCTOR

Range

690524	Stove, 2/burner, electric, glass top
601976	Range cover, Corian

Refrigerator

690510	Refrigerator, 21.6 CU FT Amana S.S. Door
381942	T handle, plastic
115306	Latch, refrigerator

2006 A-Series Motorhome

APPLIANCES

Microwave

690503-01 MICROWAVE-S.S. CONVEC AMANA

Washer/Dryer

690424-01 Washer/dryer combo, Splendide 2000S

386145 Vent kit

386062 Label, "Caution open window or vent"

703566 CARPET-MULTIPILE AUTO W/PSA BACK

381242-01 BRACKET SHELF VERTICAL

381243 CLIP, SHELF SUPPORT

Dishwasher

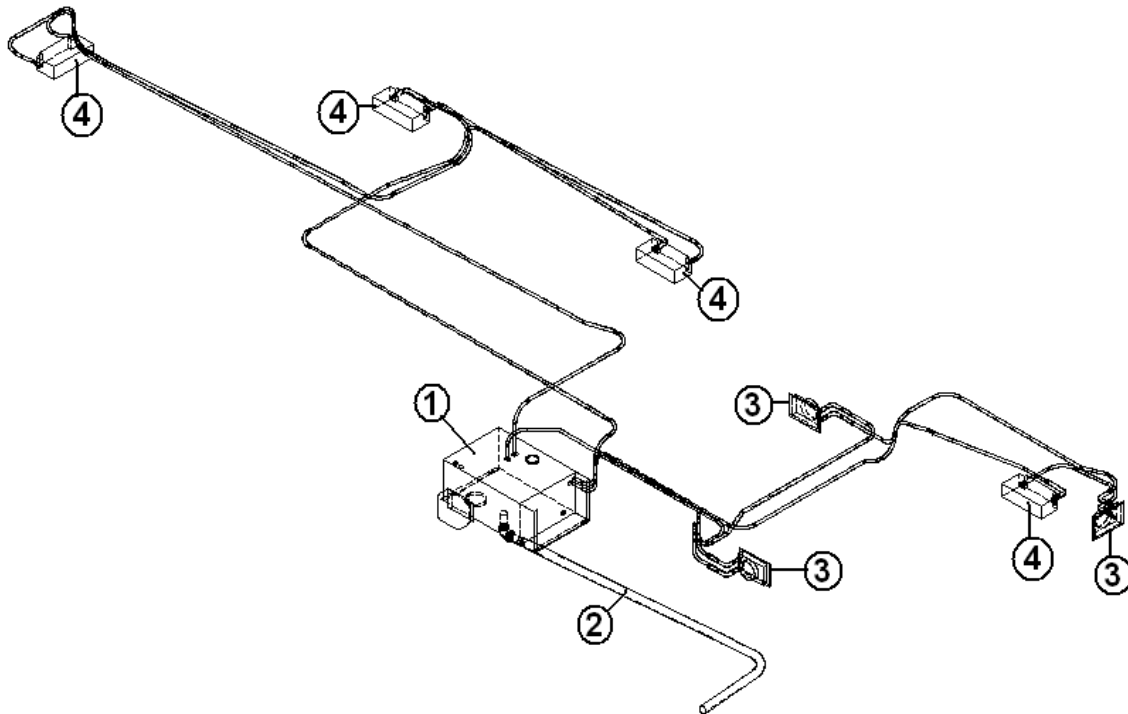
690526 Dishwasher

602062 Tailpiece extension, 1.5" X 8" spout

2006 A-Series Motorhome

APPLIANCES

Hydro Hot Heating/Hot Water System



- | | |
|--------------|-------------------------------------|
| 1. 690562 | HYDRA HOT SYSTEM |
| 1. 690562-01 | HYDRA HOT SYSTEM, CSA |
| 2. 914396 | EXHAUST PIPE, HYDRO HOT |
| 3. 690562-02 | HEAT EXCHANGER, COZY |
| 4. 690562-13 | HEAT EXCHANGER WISPER |
| 690562-03 | THERMOSTAT, LOW TEMP W/DIODE |
| 690562-14 | THERMOSTAT, ROOM, POSTIVE OFF |
| 115297 | EXHAUST PIPE, 2" ALUMINUM |
| 601945 | STAND PIPE, FUEL, HYDRO HOT |
| 386177 | DECAL, THERMOSTAT |
| 381918 | Register, floor, 2.25" X10", Nickel |

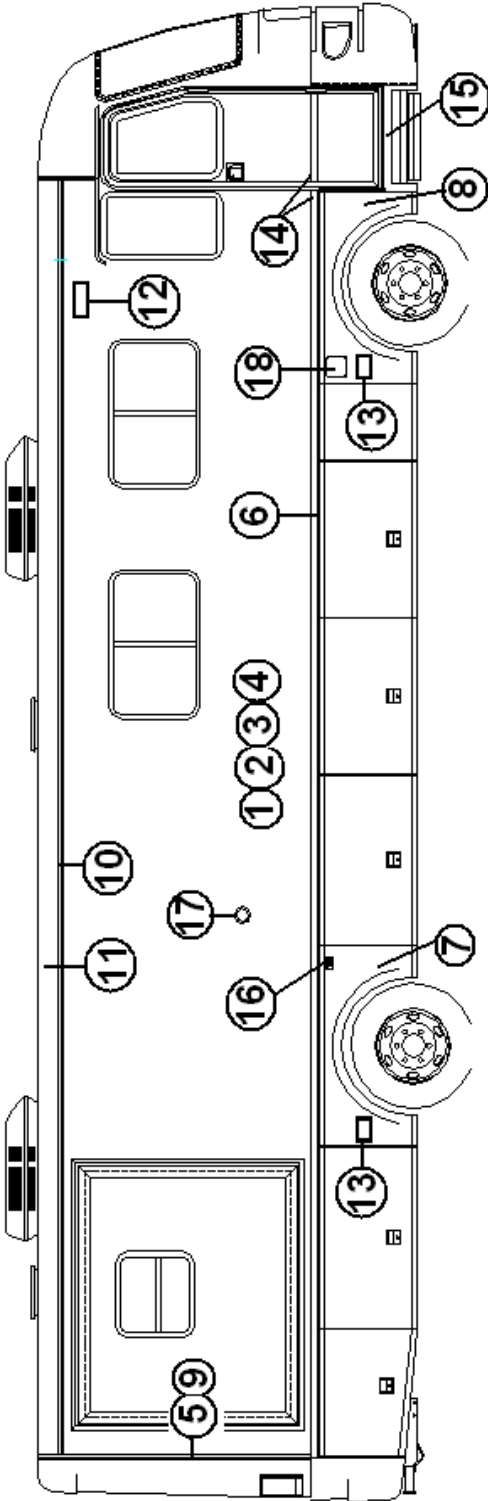
2006 A-Series Motorhome

Notes

2006 A-Series Motorhome

EXTERIOR SHELL

Wall, Curbside, A-37



See next page for P/N

2006 A-Series Motorhome

EXTERIOR SHELL

Wall, Curbside, A-37

- | | |
|---------------|--|
| 1. 801002-17 | Sheet fiberglass, White, 77.5" x 384" |
| 2. 114879-307 | Aluminum Sheet, 040" X 33" X 307" |
| 3. 114880-307 | Aluminum sheet, 040" X 51" X 307" |
| 4. 915780 | Weldment, C/S wall |
| 5. 114862-01 | Extrusion, end cap trim |
| 6. 114865 | Extrusion, rub rail |
| 7. 203211 | Fender, C/S rear |
| 8. 203213 | Fender, C/S front w/fill |
| 9. 320124-06 | Screw, #6 x 1", stainless steel, white |
| 10. 114570 | Extrusion, awning rail |
| 10. 386093 | Awning rail cap, LH |
| 10. 386094 | Awning rail cap, RH |
| 11. 114568 | Extrusion, roof corner cap |
| 12. 511509 | Light, entrance door, fluorescent |
| 13. 511101-01 | Docking light, stainless steel |
| 14. 114914-02 | Cap, end, rub rail extrusion, LH |
| 14. 114914-01 | Cap, end, rub rail extrusion, RH |
| 15. 203215 | Panel, step skirt |
| 16. 510984-02 | Light, side marker, amber |
| 16. 381396 | Gasket, clearance light |
| 17. 386145 | Vent kit, dryer |

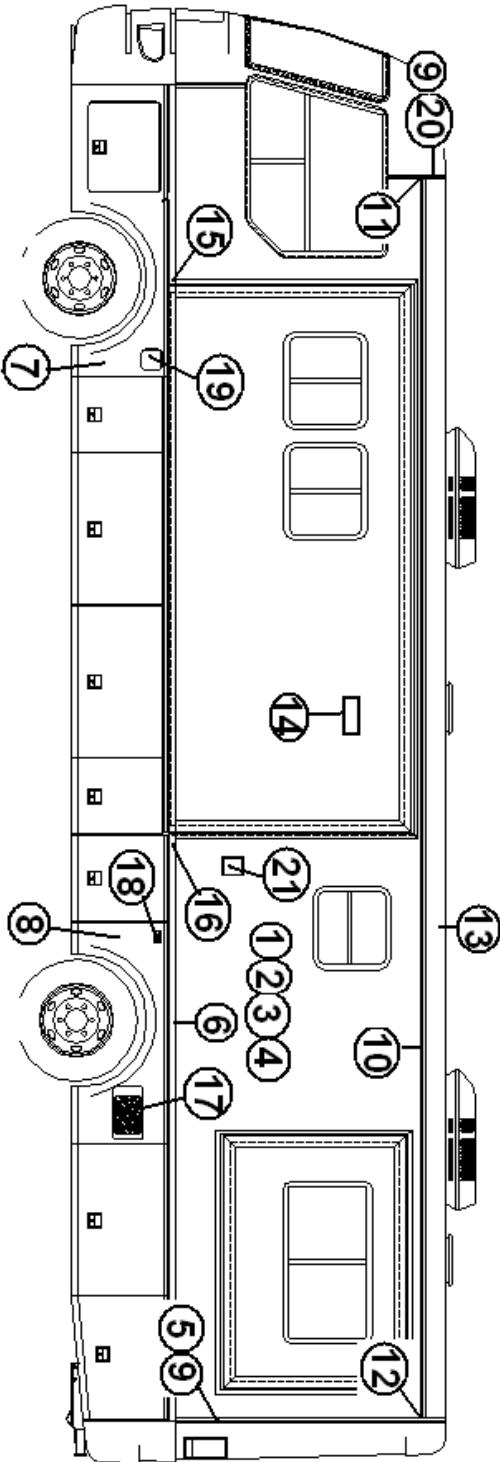
Interior Skin

- | | |
|------------|-------------------------------------|
| 114879-201 | ALUMINUM, SHEET, .040" X 3" X 201" |
| 114880-238 | ALUMINUM, SHEET, .040" X 51" X 238" |
| 114879-307 | ALUMINUM, SHEET, 040" X 33" X 307" |
| 114880-307 | ALUMINUM, SHEET, .040" X 51" X 307" |

2006 A-Series Motorhome

EXTERIOR SHELL

Wall, Roadside, A-37



See next page for P/N

2006 A-Series Motorhome

EXTERIOR SHELL

Wall, Roadside, A-37

- | | |
|---------------|--|
| 1. 801002-17 | Sheet fiberglass, White, 77.5 x 384" |
| 2. 915781 | Weldment, R/S wall, A-37 |
| 3. 114879-307 | Aluminum Sheet, 040" X 33" X 307" |
| 4. 114880-307 | Aluminum sheet, 040" X 51" X 307" |
| 5. 114862-01 | Extrusion, end cap trim |
| 6. 114865 | Extrusion, rub rail |
| 7. 203214 | Fender, R/S front w/fill & door |
| 8. 203522 | Fender, R/S rear w/intake |
| 9. 320124-06 | Screw, #6 x 1", stainless steel, white |
| 10. 114570 | Extrusion, awning rail |
| 11. 386093 | Awning rail cap, LH |
| 12. 386094 | Awning rail cap, RH |
| 13. 114568 | Extrusion, roof corner cap |
| 14. 511017-02 | Vent cover, exterior, range exhaust |
| 15. 114914-02 | End cap, rub rail, LH |
| 16. 114914-01 | End cap, rub rail, RH |
| 17. 454418 | Screen, air intake |
| 18. 510984-02 | Light, side marker, amber |
| 18. 381396 | Gasket, clearance light |
| 19. 203047 | Bezel, fuel fill |
| 20. 381641 | Door, fuel fill access |
| 21. 601194-03 | Water fill w/lock, white |

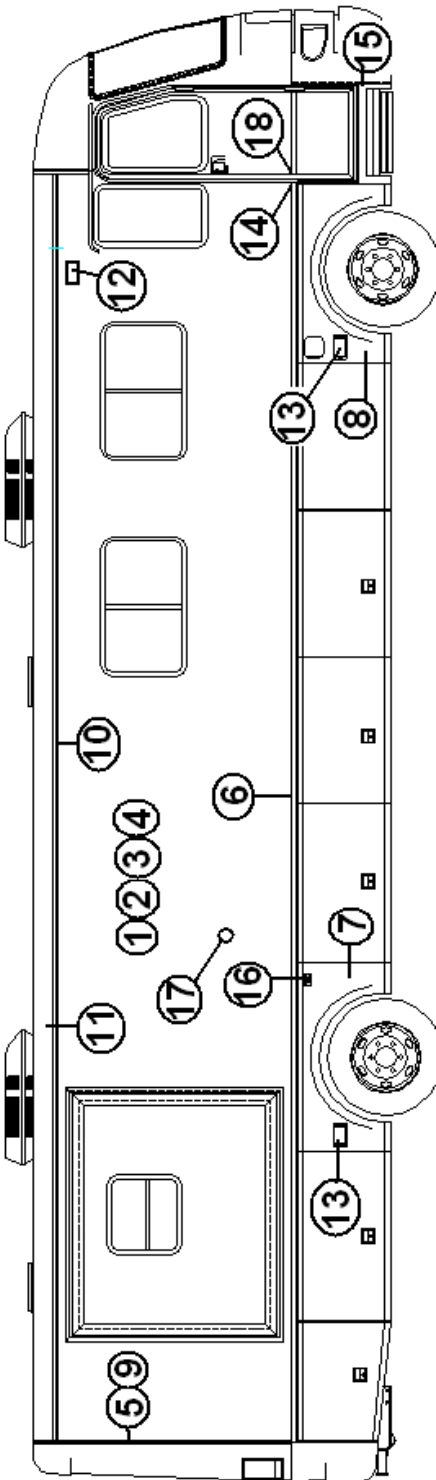
Interior Skin

- | | |
|------------|-------------------------------------|
| 114879-201 | ALUMINUM, SHEET, .040" X 3" X 201" |
| 114880-238 | ALUMINUM, SHEET, .040" X 51" X 238" |
| 114879-307 | ALUMINUM, SHEET, 040" X 33" X 307" |
| 114880-307 | ALUMINUM, SHEET, .040" X 51" X 307" |

2006 A-Series Motorhome

EXTERIOR SHELL

Wall, Curbside, A-39



See next page for P/N

2006 A-Series Motorhome

EXTERIOR SHELL

Wall, Curbside, A-39

- | | |
|---------------|--|
| 1. 801002-19 | Sheet fiberglass, White, 77.5" x 439" |
| 2. 114879-307 | Aluminum Sheet, 040" X 33" X 307" |
| 3. 114880-307 | Aluminum sheet, 040" X 51" X 307" |
| 4. 915907 | Weldment, C/S wall |
| 5. 114862-01 | Extrusion, end cap trim |
| 6. 114865 | Extrusion, rub rail |
| 7. 203211 | Fender, C/S rear |
| 8. 203213 | Fender, C/S front w/fill |
| 9. 320124-06 | Screw, #6 x 1", stainless steel, white |
| 10. 114570 | Extrusion, awning rail |
| 10. 386093 | Awning rail cap, LH |
| 10. 386094 | Awning rail cap, RH |
| 11. 114568 | Extrusion, roof corner cap |
| 12. 511509 | Light, entrance door, fluorescent |
| 13. 511101-01 | Docking light, stainless steel |
| 14. 114914-02 | Cap, end, rub rail extrusion, LH |
| 14. 114914-01 | Cap, end, rub rail extrusion, RH |
| 15. 203215 | Panel, step skirt |
| 16. 510984-02 | Light, side marker, amber |
| 16. 381396 | Gasket, clearance light |
| 17. 386145 | Vent kit, dryer |

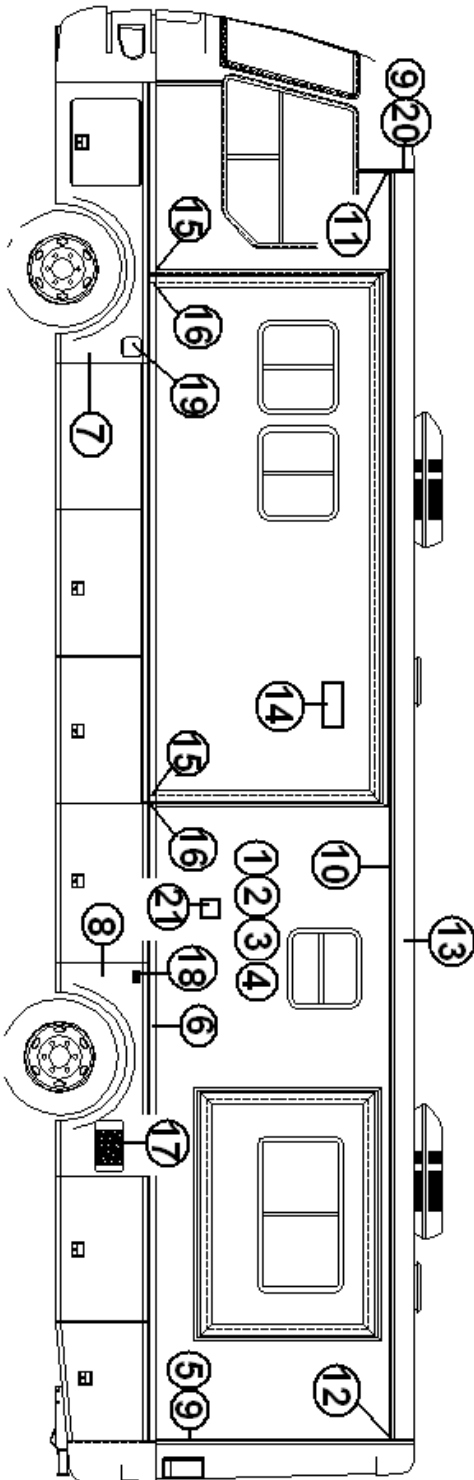
Interior Skin

- | | |
|------------|-------------------------------------|
| 114879-201 | ALUMINUM, SHEET, .040" X 3" X 201" |
| 114880-238 | ALUMINUM, SHEET, .040" X 51" X 238" |
| 114879-307 | ALUMINUM, SHEET, 040" X 33" X 307" |
| 114880-307 | ALUMINUM, SHEET, .040" X 51" X 307" |

2006 A-Series Motorhome

EXTERIOR SHELL

Wall, Roadside, A-39



See next page for P/N

2006 A-Series Motorhome

EXTERIOR SHELL

Wall, Roadside, A-39

1. 801002-19	Sheet fiberglass, White, 77.5 x 439"
2. 915906	Weldment, R/S wall, A-37
3. 114879-307	Aluminum Sheet, 040" X 33" X 307"
4. 114880-307	Aluminum sheet, 040" X 51" X 307"
5. 114862-01	Extrusion, end cap trim
6. 114865	Extrusion, rub rail
7. 203214	Fender, R/S front w/fill & door
8. 203522	Fender, R/S rear w/intake
9. 320124-06	Screw, #6 x 1", stainless steel, white
10. 114570	Extrusion, awning rail
11. 386093	Awning rail cap, LH
12. 386094	Awning rail cap, RH
13. 114568	Extrusion, roof corner cap
14. 511017-02	Vent cover, exterior, range exhaust
15. 114914-02	End cap, rub rail, LH
16. 114914-01	End cap, rub rail, RH
17. 454418	Screen, air intake
18. 510984-02	Light, side marker, amber
18. 381396	Gasket, clearance light
19. 203047	Bezel, fuel fill
20. 381641	Door, fuel fill access
21. 601194-03	Water fill w/lock, white

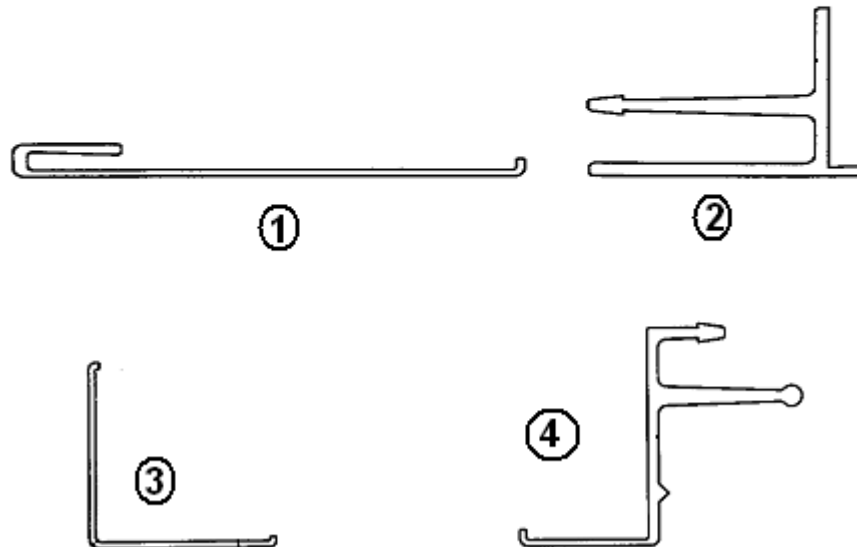
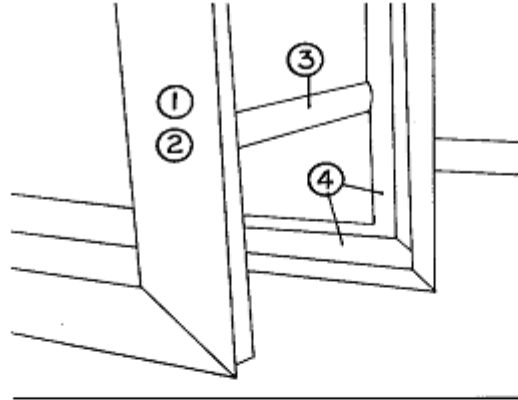
Interior Skin

114879-201	ALUMINUM, SHEET, .040" X 3" X 201"
114880-238	ALUMINUM, SHEET, .040" X 51" X 238"
114879-307	ALUMINUM, SHEET, 040" X 33" X 307"
114880-307	ALUMINUM, SHEET, .040" X 51" X 307"

2006 A-Series Motorhome

EXTERIOR SHELL

Slide-out Extrusion



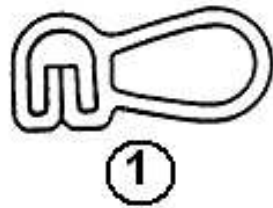
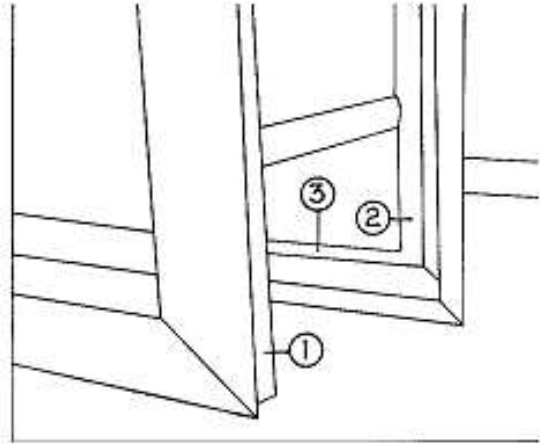
- | | |
|-----------|---|
| 1. 114771 | Extrusion, slide out |
| 2. 114770 | Extrusion, slide, trim out box(fits behind 1. |
| 3. 114768 | Extrusion, slide out |
| 4.114726 | Extrusion, slide corner trim out frame |

Item 1 is slotted to allow adjustment to the sidewall Cutout. Fitting will be required.

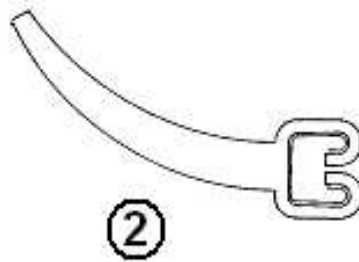
2006 A-Series Motorhome

EXTERIOR SHELL

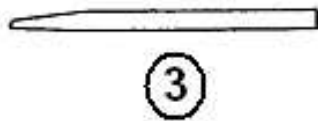
Slide Out Gaskets



1



2



3



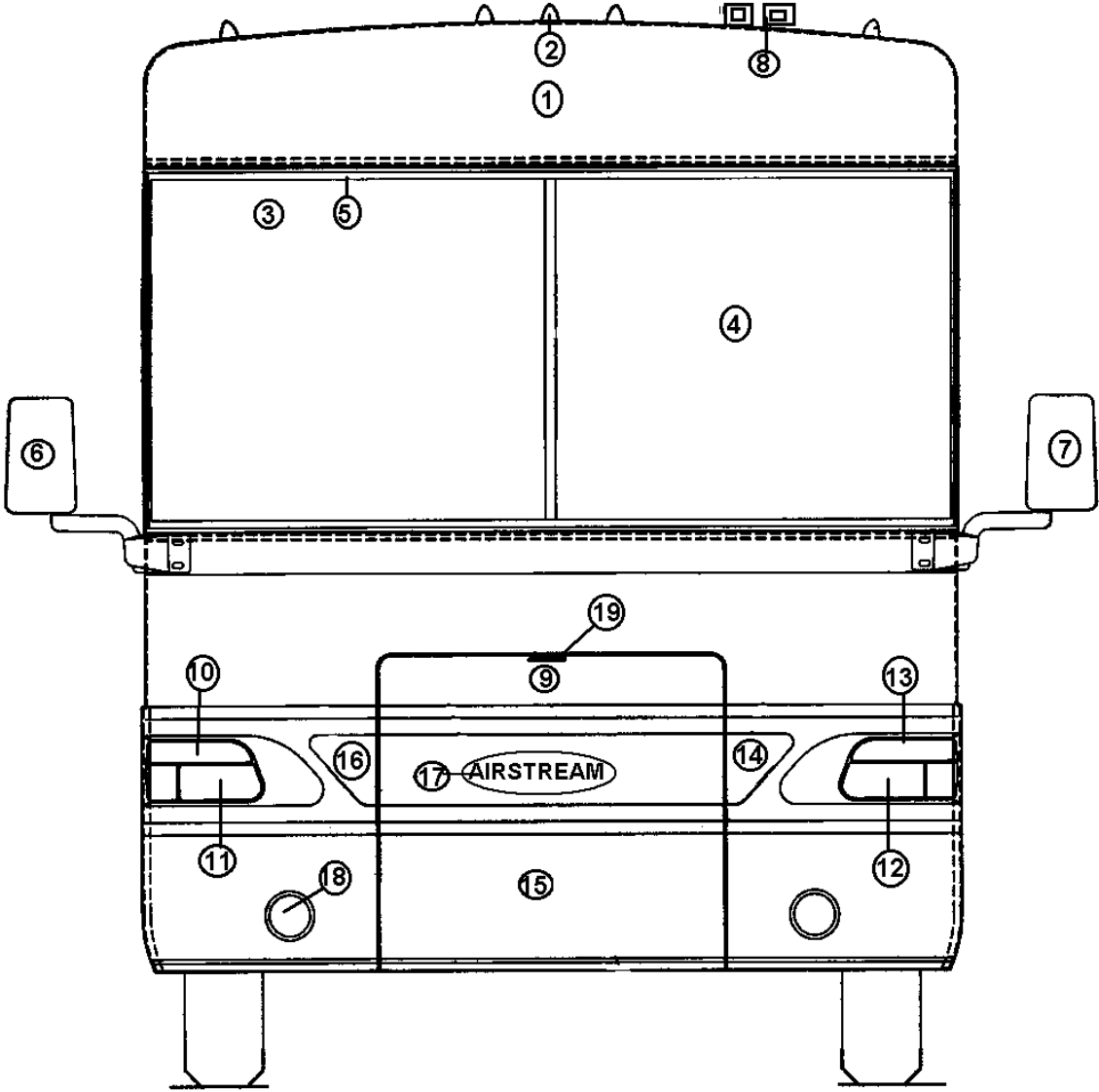
4

1. 381594 Rubber extrusion Bulb type, black
2. 381587 Rubber extrusion wiper
3. 381589 Rubber extrusion floor wiper
4. 381663 Rubber extrusion bulb

2006 A-Series Motorhome

EXTERIOR SHELL

Front End



See next page for P/N

2006 A-Series Motorhome

EXTERIOR SHELL

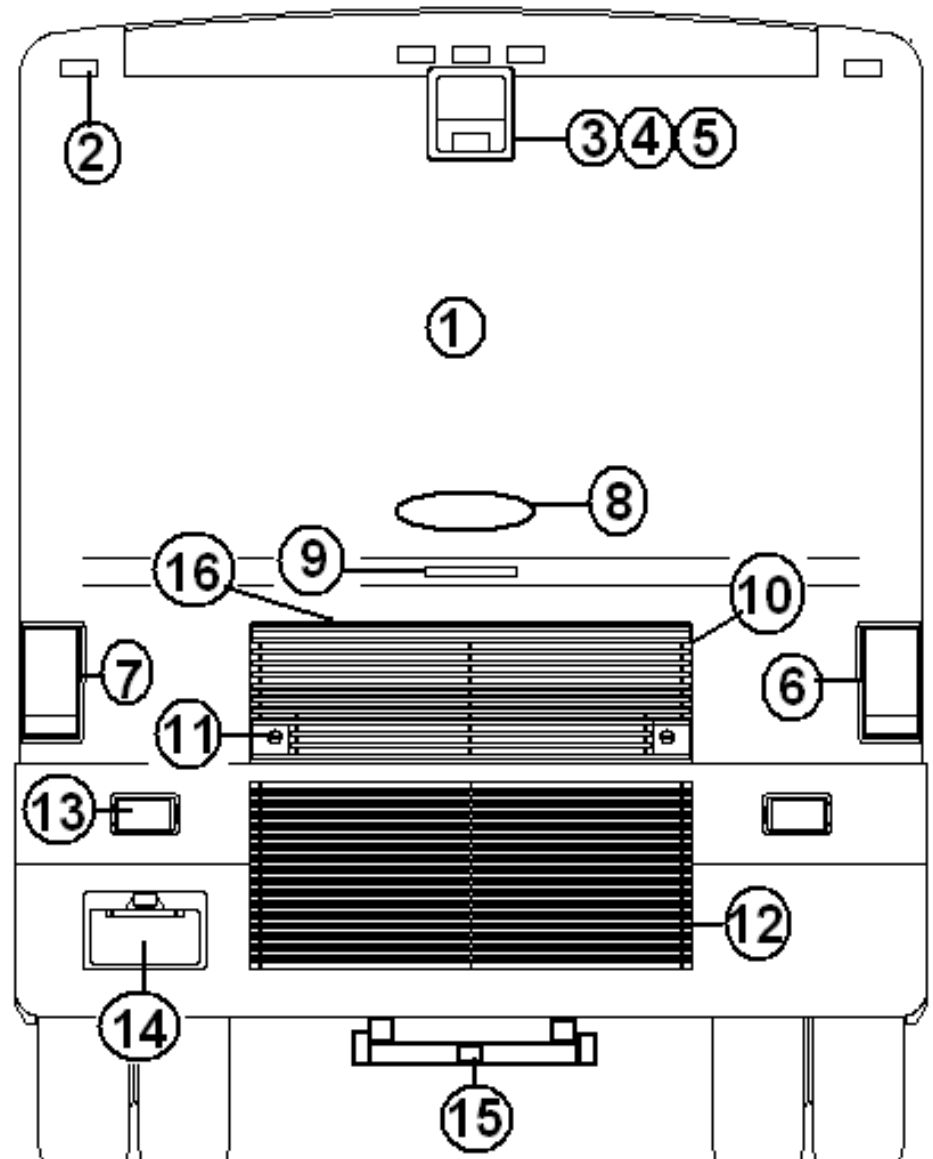
Front End

1. 203231	Front nose/cap, XL diesel
2. 511400	Light clearance, tear drop, amber
3. 371370	Windshield, C/S
4. 371369	Windshield, R/S
5. 381640	Gasket, windshields
6. 511512-02	Mirror, cab, black, C/S
7. 511512-01	Mirror, cab, black, R/S
8. 510804	Horn, air, chrome
8. 510804-01	Elbow kit, air horns
8. 512133	Horn pigtail, 2-way
9. 203232	Access cover, generator, fiberglass
10. 511398-02	Parking light/turn signal C/S
11. 511397-02	Head light, C/S
12. 511397-01	Head light, R/S
13. 511398-01	Parking light/turn signal, R/S
14. 453773-01	Panel, nose, stainless steel, R/S
15. 453773-04	Panel, nose, stainless steel, center
16. 453773-02	Panel, nose, stainless steel, C/S
17. 386043-03	MEDALLION-BLACK AIRSTREAM 12"
18. 511879	Fog light, clear, round
19. 381702-01	Handle, Non-Locking generator door
511399	BRKT-HEADER PANEL FORD #8190A
381652	RETAINER-PARK LAMP, FORD
104315	BRACKET, FRONT LICENSE PLATE, MH.

2006 A-Series Motorhome

EXTERIOR SHELL

Aft End



See next page for P/N

2006 A-Series Motorhome

EXTERIOR SHELL

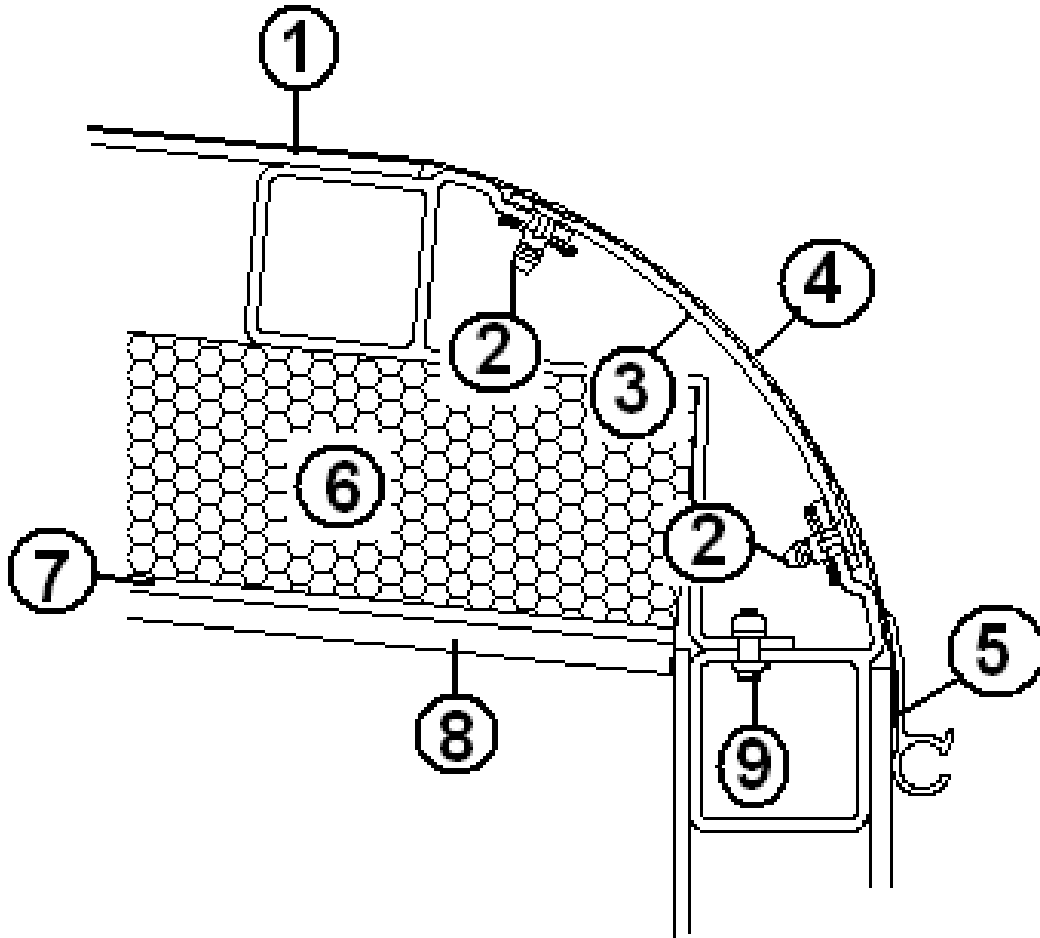
Aft End

- | | |
|---------------|---------------------------------|
| 1. 203216-01 | Rear cap, XL diesel |
| 2. 510984-01 | Light clearance, red |
| 2. 381396 | GASKET, CLEARANCE LIGHT |
| 3. 511948 | Camera, rear view |
| 4. 203181 | Cover, back up camera |
| 5. 115298 | Bracket, rear view camera |
| 6. 511589-01 | Tail light assembly, R/S |
| 7. 511589-02 | Tail light assembly, C/S |
| 7. 511584 | Socket, turn signal, Ford |
| 7. 511585 | Socket, Stop/tail light, Ford |
| 7. 511586 | Socket, Back-up light, Ford |
| 7. 511587 | Bulb, 3357, stop/tail |
| 7. 511588 | Bulb, 3156, turn/back-up |
| 8. 386043-03 | MEDALLION-BLACK AIRSTREAM 12" |
| 9. 511154-02 | Light strip, 3rd brake |
| 10. 922855 | Door, rear access, louvered |
| 11. 381227-01 | Latch, vise-action, curved pawl |
| 12. 922854 | Louver assembly, rear |
| 13. 511101-01 | Docking light, stainless steel |
| 14. 511407 | License plate light w/holder |
| 15. 400968 | Hitch, Reese, 10,000lbs. |
| 16. 381434 | HINGE, S.S., 3 X 3 |
| 381639-01 | Ladder, rear roof |

2006 A-Series Motorhome

EXTERIOR SHELL

Roof



See next page for P/N

2006 A-Series Motorhome

EXTERIOR SHELL

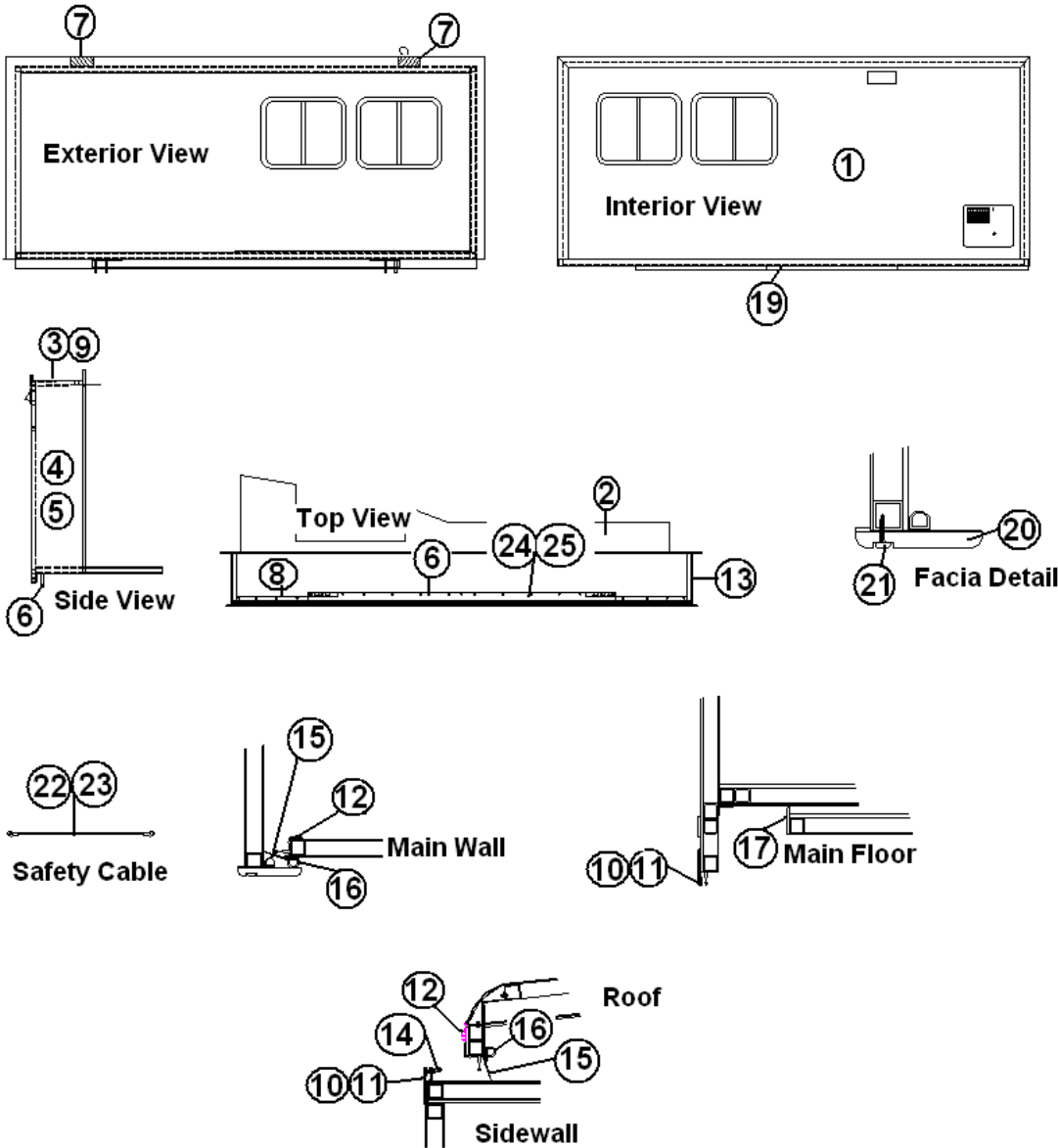
Roof

1. 203379 Fiberglass sheet, roof, 106"wide, smooth
2. 330139-01 RIVET MAGNALOK SS 1/4"GR.080-.
3. 114739-04 Extrusion, roof/wall attachment
4. 203379 Fiberglass sheet, roof, 106"wide, smooth
5. 114570 Extrusion, awning rail
6. 203075 STYROFOAM SHEET 1 1/2"
7. 800507-01 Luan, 1/8" x 4" x 8'
8. 703545 Headliner, white
- 386093 Awning rail cap, LH
- 386094 Awning rail cap, RH
- 203355-01 Extrusion, ceiling trim retainer
- 203355-02 Extrusion, ceilings trim, Baton
- 330134 RIVET, COUNTER SUNK, OLYMPIC RV6
- 601611-02 DUCTING Y-CONNECTORS AC/HEAT C
- 601611-01 DUCTING A/C-HEAT 2" X 7.5" X 8' CEILING

2006 A-Series Motorhome

EXTERIOR SHELL

Galley Slide out Room



Part Numbers on Next Page

2006 A-Series Motorhome

EXTERIOR SHELL

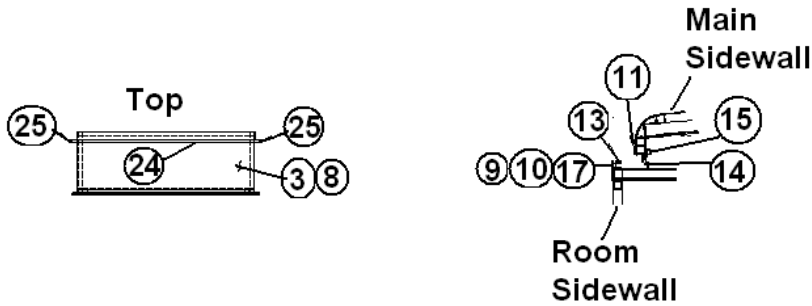
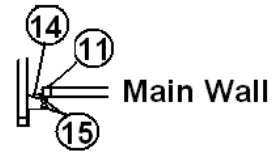
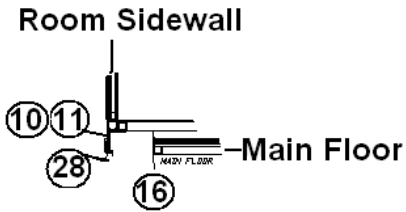
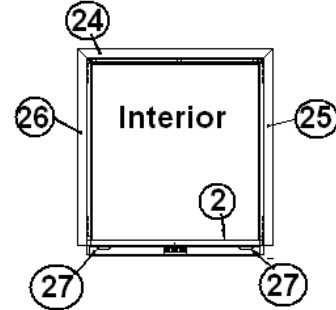
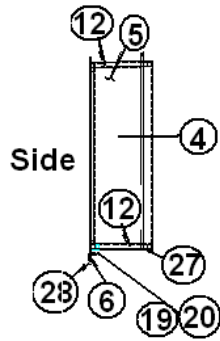
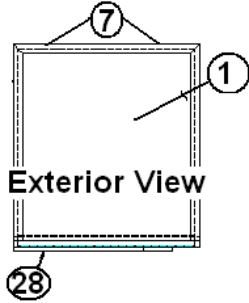
Galley Slide out Room

1. 922829	WALL ASSY-MAIN GALLEY S/O
2. 9647986	FLOOR ASSY-GALLEY S/O
3. 964795	ROOF ASSY-GALLEY SLIDE
4. 922847-01	AFT WALL ASSY-S/O
5. 962847-02	FWD WALL ASSY-S/O
6. 914326	ANGLE-FLOOR MOUNTING SLIDE OUT
7. 381592-01	TRAVEL LOCK- 18.5"
8. 101134	ALUMINUM ANGLE, 1/8" X 1" X 1.5"
9. 114839-02	ROOF WRAP-S/O ROOM 164"
10. 114770	EXTRUSION, SLIDE OUT BOX
11. 114771	EXTRUSION, SLIDE OUT TRIM
12. 114726	EXTRUSION - SLIDE OUT FRAME
13. 114768	EXTRUSION SLIDE OUT CORNER TRIM
14. 381594	RUBBER EXTRUSION BULB BLACK
15. 381587	RUBBER EXTRUSION, WIPER
16. 381663	GASKET D-SEAL EPDM SPONGE SD-2
17. 381589	RUBBER EXTRUSION, FLOOR WIPER
18. 114816	DRAIN PAN SLIDE OUT ROOM
19. 114970	TRIM SLIDE-OUT LOWER
20. 964902-006	FACIA, 5 1/2 X 73 W/GROOVE, Oak
21. 800572-016	MOLDIN EDGE 23/32 X 80 Oak
385946	WARNING LABEL SLIDE OUT OPERATION
381623	ROLLER FLOOR SLIDE-OUT
453703	CLOSE OUT, SLIDE MECHANISM
381730	FELT PAD, SELF ADHESIVE 1.5"

2006 A-Series Motorhome

EXTERIOR SHELL

Wardrobe Slide Out Room



SEE NEXT PAGE FOR P/N

2006 A-Series Motorhome

EXTERIOR SHELL

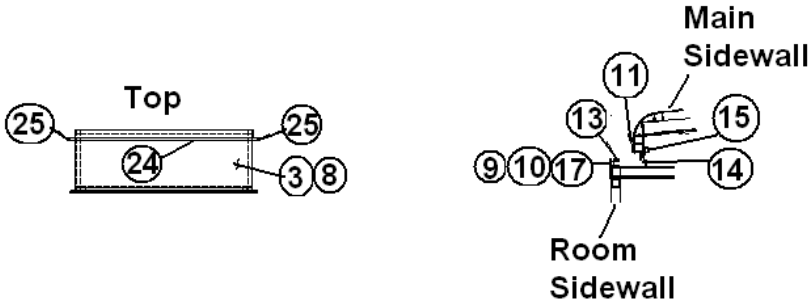
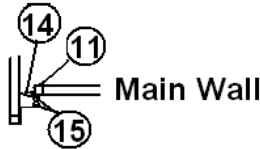
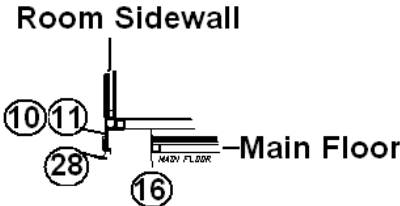
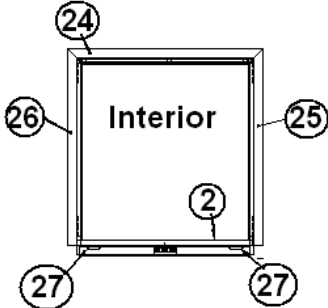
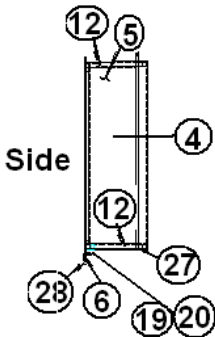
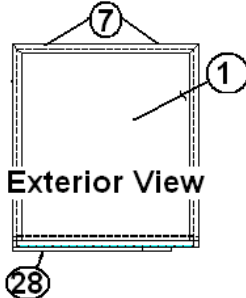
Wardrobe Slide Out Room

1. 922809 Main wall assembly WDRB slide
2. 922805 Floor assembly, slide-out
3. 922808 Roof assembly, WDRB S/O
4. 801002-10 Sheet, fiberglass, 72" X 360"
5. 922810 Wall assembly, aft S/O
6. 965299 Assembly, S/O WDRB mounting angle
7. 381709 Travel-bar, 18.50"
8. 114851-02 Roof wrap, bedroom, wardrobe slide out
9. 114770 Extrusion, slide-out box
10. 114771 Extrusion, slide-out trim
11. 114726 Extrusion, slide-out trim
12. 114768 Extrusion, slide-out corner trim
13. 381594 Rubber extrusion, bulb
14. 381587 Rubber extrusion, wiper
15. 381663 GASKET D-SEAL EPDM SPONGE SD-2
16. 381589 Rubber extrusion, floor wiper
17. 365235 Tape a double coated, .12 x 1.00
18. 114816 Drain pan, slide out-room
19. 345406 Carriage bolt, 3/8-16 x 1 1/4" long
20. 350170 Nut, 3/8-16
21. 330139-01 Rivet Magnalok, stainless steel, 1/4", GR .080-.375
22. 330139-02 Rivets Magnalok, stainless steel 1/4", GR.350-.625
23. 385946 Warning label, slide operation
24. 453925 Interior seal wardrobe, top
25. 453926-02 Interior seal wardrobe, right hand side
26. 453926-01 Interior seal wardrobe, left-hand side
27. 381623 Roller floor, slide-out
28. 114970 Trim, lower slide-out

2006 A-Series Motorhome

EXTERIOR SHELL

Bed Slide Out Room



SEE NEXT PAGE FOR P/N

2006 A-Series Motorhome

EXTERIOR SHELL

Bed Slide Out Room

1. 922809 Main wall assembly
2. 922804 Floor assembly, slide-out
3. 922808 Roof assembly
4. 801002-10 Sheet, fiberglass, 72" X 360"
5. 922807 Wall assembly, aft S/O
6. 965299 Assembly, S/O mounting angle
7. 381709 Travel-bar, 18.50"
8. 114851-02 Roof wrap, bedroom slide out
9. 115169 Extrusion, 1.25" X 1" X 2" X 16'
10. 114771 Extrusion, slide-out trim
11. 114726 Extrusion, slide-out trim
12. 114768 Extrusion, slide-out corner trim
13. 381594 Rubber extrusion, bulb
14. 381587 Rubber extrusion, wiper
15. 381663 GASKET D-SEAL EPDM SPONGE SD-2
16. 381589 Rubber extrusion, floor wiper
17. 365235 Tape a double coated, .12 x 1.00
18. 114816 Drain pan, slide out-room
19. 345406 Carriage bolt, 3/8-16 x 1 1/4" long
20. 350170 Nut, 3/8-16
21. 330139-01 Rivet Magnalok, stainless steel, 1/4", GR .080-.375
22. 330139-02 Rivets Magnalok, stainless steel 1/4", GR.350-.625
23. 385946 Warning label, slide operation
24. 453925 Interior seal wardrobe, top
25. 453926-02 Interior seal wardrobe, right hand side
26. 453926-01 Interior seal wardrobe, left-hand side
27. 381887 Roller floor, slide-out
28. 114970 Trim, lower slide-out

2006 A-Series Motorhome

CHASSIS

Hitch/7-Way Bracket

400968 Reese hitch, 390 Series, XL, 10,000, Lbs
913938 BRACKET ASSEMBLY, 7 WAY PLUG

Entrance Step

511909 STEP, DOUBLE, ELECTRIC
511909-01 STEP, DOUBLE, HARNESS
511909-02 STEP, DOUBLE, SWITCH KIT
454428 APPLIQUE-S.S. STEPWELL

Step Cover

381697 Step cover, sliding
381697-01 Air kit complete, sliding step
203528 Step Trim, black, 8'

Mud Flaps/Splash Guard

921197-01 Mud flap assembly, roadside, notched
921197-02 Mud flap assembly, curbside, notched
921197-03 Mud flap assembly, roadside
203229 Splash guard, only
201709-02 Trim molding extrusion, black

Fuel Fill/Tire Valve Extender

410773 Hose, fuel fill 2" I.D.
410838 Pipe, 'S' fuel fill, 2.0"
6000326 Hose, fuel fill vent, .625" I.D. x 36"
203047 Bezel, fuel fill
381641 DOOR FUEL FILL ACCESS
451811 Extender, tire valve, pr.

2006 A-Series Motorhome

CHASSIS

Auxiliary Air Line Kit

381179 HOSE, COILED, AIR 50 FT.
381180 COUPLER, AIR HOSE, MALE #5139-11
381181 AIR CHUCK, DUAL FOOT, #401
381182 TIRE GAUGE, DUAL FOOT, #8102A
410821 VALVE TUBELESS CLAMP IN TR416

Cloth Covering

702754 Under belly cloth, Darco, 105" wide, black

Air Cleaner

454435 REDUCER, 6" TO 5", HUMP HOSE
602068 HOSE CLAMP T-BOLT

Heat Shields

454430 HEAT SHIELD, UPPER
454431 HEAT SHIELD, LOWER

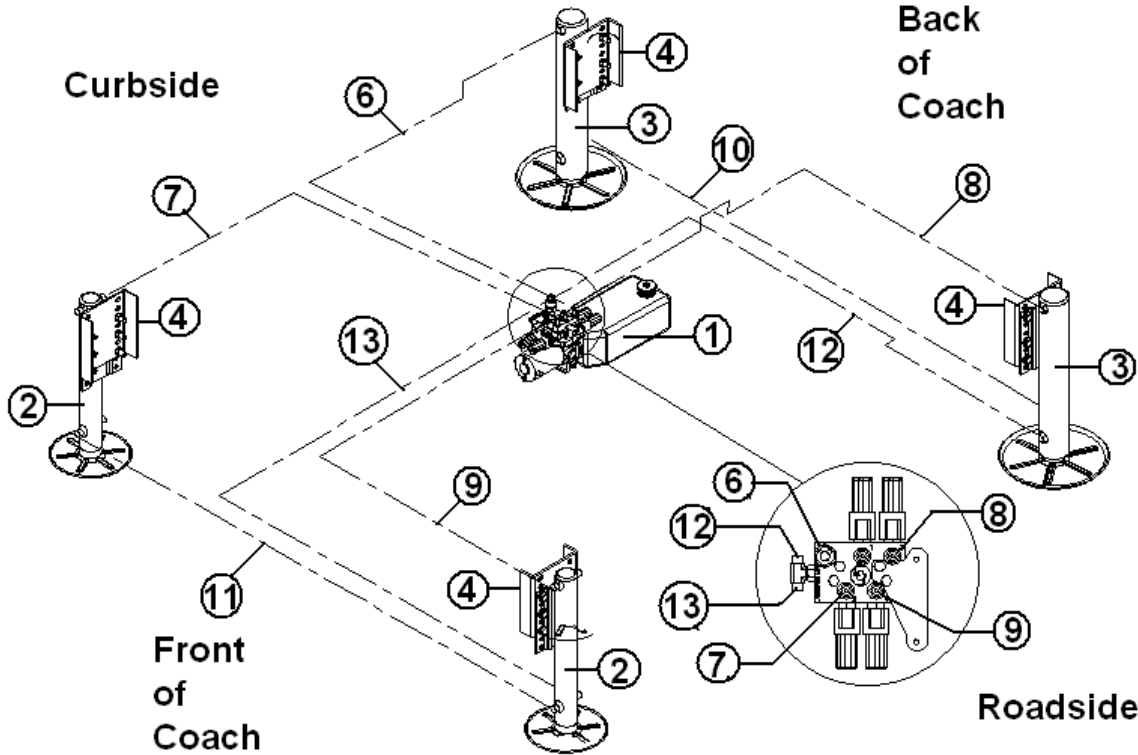
Air Diverter

115279-01 ANGLE-AIR DIVERTER 12"
115279-02 ANGLE-AIR DIVERTER 10"
115279-03 ANGLE-AIR DIVERTER 8"

2006 A-Series Motorhome

CHASSIS

Leveling Jacks



Part number on the next page

2006 A-Series Motorhome

CHASSIS

Leveling Jacks

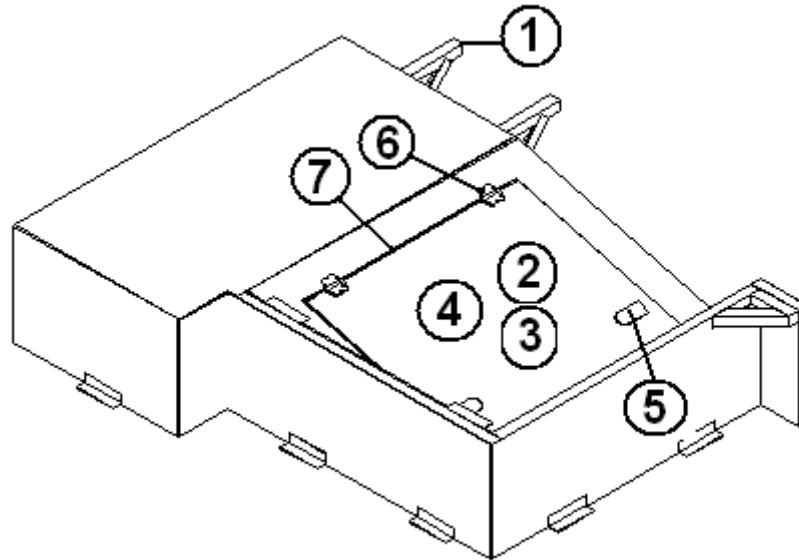
Order Parts 1-13 from:
Lippert Systems

410882	LEVELING JACK KIT
1. 115128	Hydraulic pump
2. 115841	Jack, 12,000 lb.
3. 115842	Jack, 23,000 lb.
4. 100345	U-channel, 2" x 7' x 2" x 8"
5.	Hydraulic Hose kit
6. 120502	Rear curbside extension
7. 120503	Front curbside extension
8. 120504	Rear roadside extension
9. 120505	Front curbside extension
10. 120506	Rear crossover
11. 120507	Front crossover
12. 120508	Rear retractor
13. 120509	Front retractor
510914	TERMINAL, RELAY BLOCK
510844-01	Relay, Bosch
510844-02	Socket, Bosch relay

2006 A-Series Motorhome

CHASSIS

Engine Cover, A-37



922851	Engine cover assembly
1. 915856	Engine cover weldment
2. 915858	Door weldment
3. 922856	Door, assembly
4. 203511	Insulation, fire seal
5. 381735	Latch, engine cover lid, non locking
6. 381434	HINGE, S.S., 3 X 3, ENGINE COVER
7. 365292	Gasket, engine cover

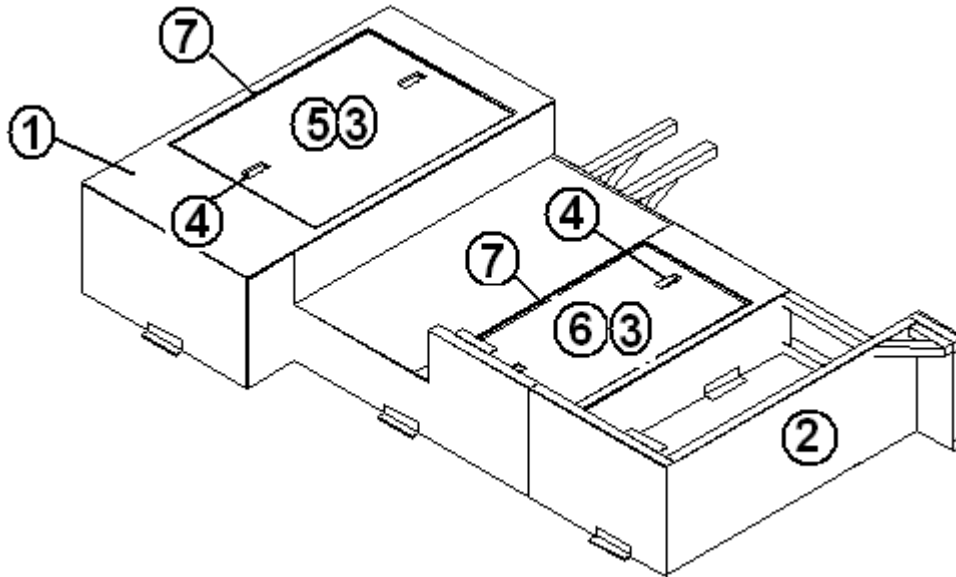
Day Light Running Lights

511561	MODULE - DAYTIME RUNNING LIGHT
--------	--------------------------------

2006 A-Series Motorhome

CHASSIS

Engine Cover, A-39



922919	ENGINE COVER ASSY.
1. 915914	FRAME ASSY-ENGINE COVER
2. 915915	FLOOR ASSY-ENGINE COVER
3. 203511	INSULATION-FIRE SEAL
4. 381735	LATCH-ENGINE COVER LID- NON LO
5. 922921	DOOR ASSY-UPPER ENGINE COVER
6. 922920	DOOR. ASSY-LOWER ENGINE COVER
7. 365292	SEAL-BULB DOOR

2006 A-Series Motorhome

CHASSIS

Dash A/C, Heater

690496-00	DASH AIR CONDITIONER/HEATER
601556	HOSE AC #6 5/16
601557	HOSE AC #8 13/32
601558	HOSE AC #12 5/8
690429	LOUVER-2" BLACK ROUND
601599	HOSE DUCT 2"
203458	DEFROSTER TRANSITION DUCT
601720-03	FITTING #8X8 F-OR BEAD LOCK
601720-04	FITTING #10X12 F-OR BEAD LOCK
690461	DEFROST BOX 4 HOLE BLACK
511112	PUMP VACUUM #4570568

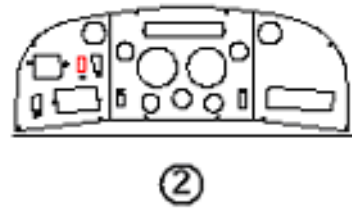
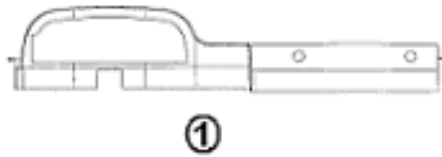
SERVICE PARTS SCS has requested you to call them on the 800 number listed above should you experience any service problems. They are usually able to help get any repairs needed at an air conditioner repair facility close to your location.

Specific Climate Systems Inc.
1200 West Risinger Road
Fort Worth, Texas
Technical Assistance: 1-800-275-7524

2006 A-Series Motorhome

DASH

Dash Parts



- | | |
|--------------|--------------------------------|
| 1) 203247-01 | Dash, vinyl wrapped |
| 2) 511998 | Panel, dash cluster, black |
| 2) 512079 | Speedometer, metric, CSA |
| 3) 203248-01 | Trim ring, I.P. vinyl |
| 4) 512019 | Panel. Center console |
| 690459 | ROTAIRE VENT, 2.5" BLACK |
| 690458 | LOUVER VENT, 2.0" ROUND, BLACK |
| 114958 | BRACKET, DASH LH SUPPORT |
| 114957 | BRACKET, DASH RH SUPPORT |
| 510914 | TERMINAL, RELAY BLOCK |
| 510844-01 | Relay, Bosch |
| 510844-02 | Socket, Bosch relay |
| 511112 | Vacuum pump |
| 203521 | STRIP, ABS, .12" X 2.75" X 48" |
| 381610-03 | SCREW COVER CAP, PLASTIC |
| 703566 | Upholstery, medium dark oak |

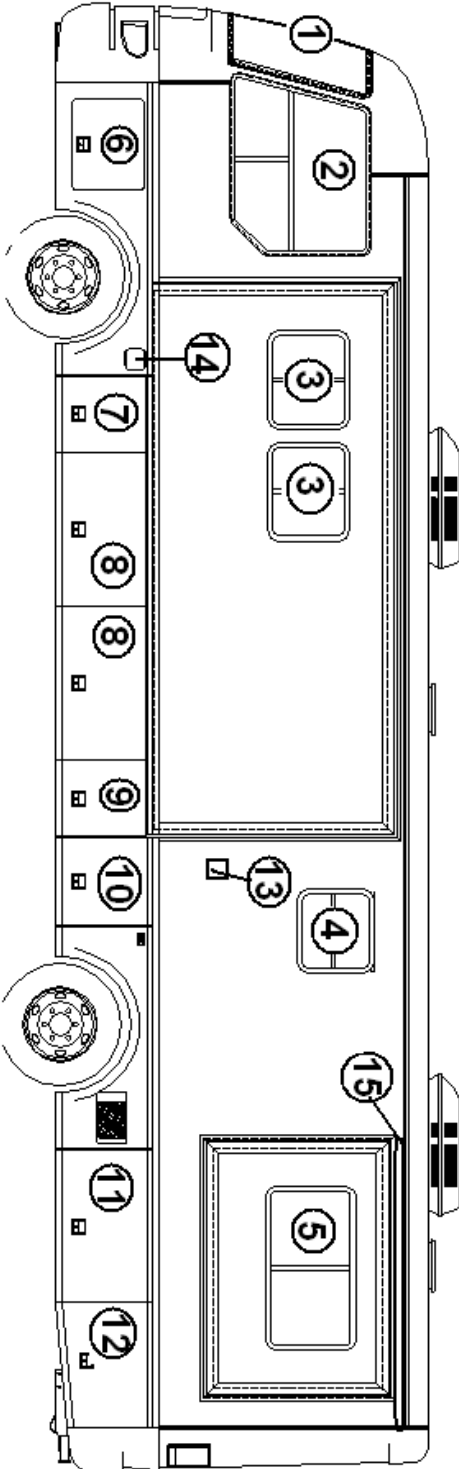
MEDALLIONS

- | | |
|-----------|------------------------------------|
| 386043-03 | MEDALLION, BLACK, "AIRSTREAM", 12" |
| 386064-03 | MEDALLION, 3" BLACK |

2006 A-Series Motorhome

DOORS/WINDOWS/AWNINGS

Roadside Wall, A-37



See next page for P/N

2006 A-Series Motorhome

DOORS/WINDOWS/AWNINGS

Roadside Wall, A-37

- | | |
|---------------|--|
| 1. 371369 | Windshield, R/S |
| 2. 371401-06 | Cab window, R/S |
| 3. 371401-07 | Window, dual awning |
| 4. 371401-04 | Window, 34.75" X 17.75" |
| 5. 371401-02 | Window, 24.25" X 41" |
| 6. 922561 | Door assembly, front fender access |
| 6. 203218 | Door only, front fender access |
| 7. 922800 | Door, compartment, short, 23.18" |
| 8. 921196 | Door, compartment, 46.69,short (under slide out) |
| 9. 922800 | Door, compartment, short, 23.18" |
| 10. 922801 | Door, compartment, 26.75" |
| 11. 921191 | Door, compartment, 46.25,short |
| 12. 921229 | Door, compartment, angled 38" |
| 13. 601194-03 | Water fill, potable water |
| 14. 381641 | Door, fuel fill access |
| 15. 702949-01 | Slide out cover hardware |
| 15. 702949-14 | Slide out cover, bedroom & wardrobe |
| 16. 702949-05 | Cover, galley S/O, 174" |
| 16. 702949-01 | Hardware, galley S/O cover |

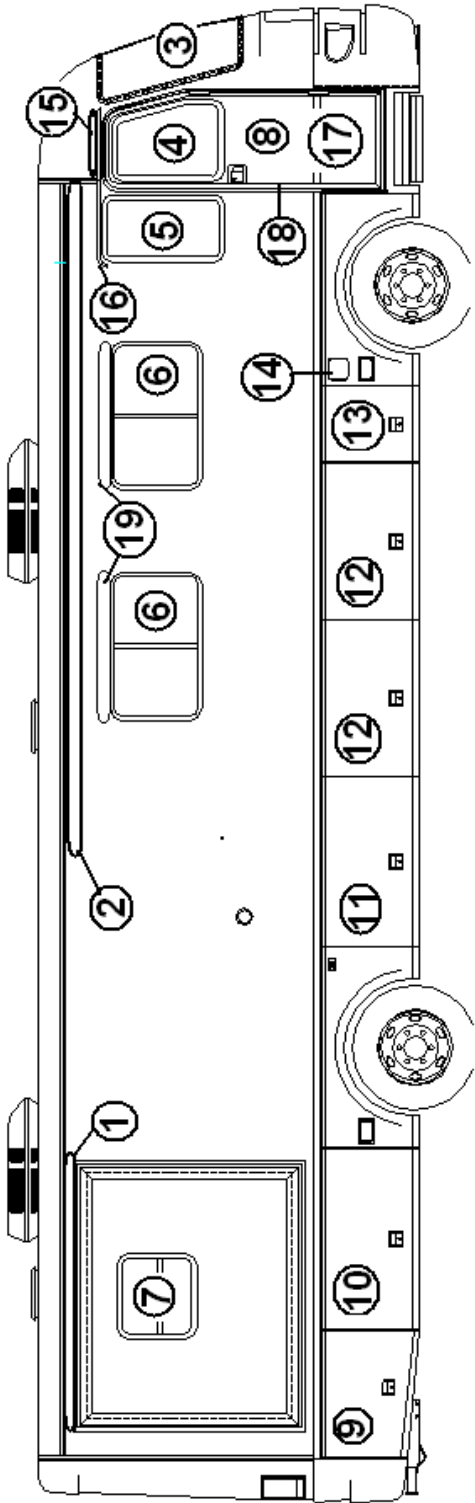
Power Awning

- | | |
|-----------|---------------------------------------|
| 703300-12 | 19' power awning, Charcoal Tweed |
| 703300-02 | Hardware, basement, Weatherpro, Satin |
| 703300-03 | Control Box, Weatherpro Awning |
| 385577 | TAPE CLEAR WEAR STRIP 3.5" WIDE |

2006 A-Series Motorhome

DOORS/WINDOWS/AWNINGS

Curbside Wall, A-37



See next page for P/N

2006 A-Series Motorhome

DOORS/WINDOWS/AWNINGS

Curbside Wall, A-37

- | | |
|---------------|-------------------------------------|
| 1. 702949-01 | Slide out cover hardware |
| 1. 702949-14 | Slide out cover, bedroom & wardrobe |
| 2. 702679-60 | Awning, patio, 19' charcoal tweed |
| 2. 702679-11 | Awning, patio, hardware |
| 3. 371370 | Windshield, C/S |
| 4. 371401-05 | Window, angled, main door |
| 5. 371401-04 | Window, stationary, angled |
| 6. 371401-01 | Window, CS Sliding, 24.25" X 41" |
| 7. 371401-03 | Window, sliding, 20.75" X 22.5" |
| 8. 922521-100 | Main door assembly |
| 9. 921228 | Door, compartment, angled, 38" |
| 10. 921194 | Door, compartment, 54.25" |
| 11. 921190 | Door, compartment, C/S, 50.75" |
| 12. 921195 | Door, compartment, C/S, 46.69" |
| 13. 922802 | Door, compartment, C/S, 22.69" |
| 14. 381641 | Door, fuel fill access |
| 15. 702679-62 | Awning, 4' Door, Charcoal Tweed |
| 15. 702679-27 | Hardware, Door Awning |
| 16. 114966 | Drip cap, main door/window |
| 17. 922522 | Screen door assembly |
| 18. 922519 | Jamb assembly, main door |
| 19. 702679-61 | Awning, window, 4', Charcoal Tweed |
| 19. 702679-12 | Hardware, window awning, satin |

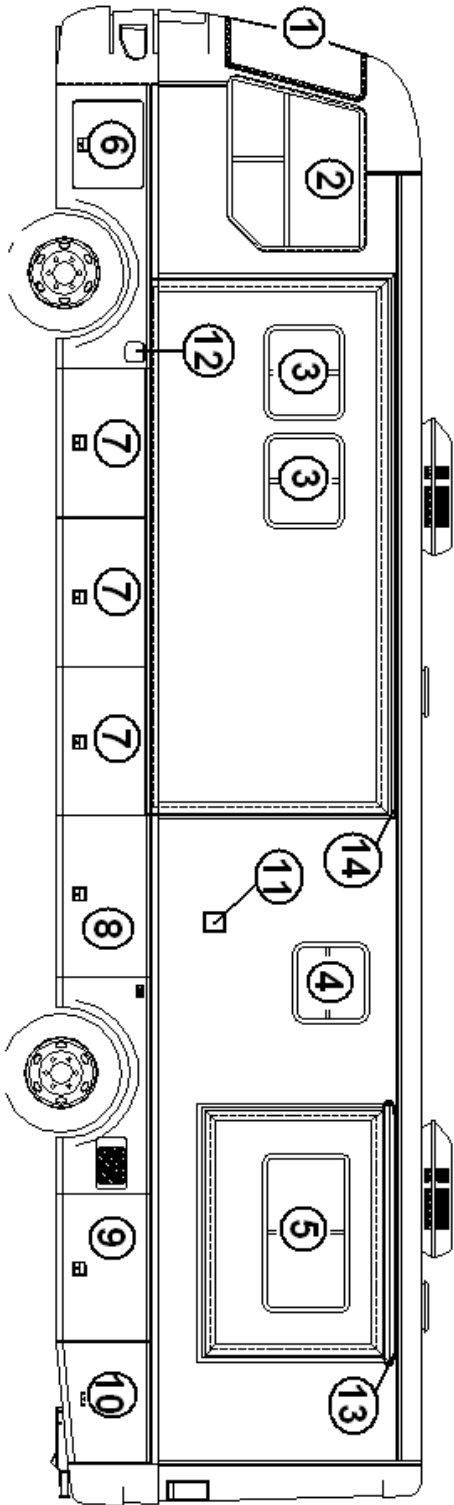
Power Awning

- | | |
|-----------|---------------------------------------|
| 703300-12 | 19' power awning, Charcoal Tweed |
| 703300-02 | Hardware, basement, Weatherpro, Satin |
| 703300-03 | Control Box, Weatherpro Awning |
| 385577 | TAPE CLEAR WEAR STRIP 3.5" WIDE |

2006 A-Series Motorhome

DOORS/WINDOWS/AWNINGS

Roadside Wall, A-39



See next page for P/N

2006 A-Series Motorhome

DOORS/WINDOWS/AWNINGS

Roadside Wall, A-39

- | | |
|---------------|-------------------------------------|
| 1. 371369 | Windshield, R/S |
| 2. 371401-06 | Cab window, R/S |
| 3. 371401-07 | Window, dual awning |
| 4. 371401-03 | Window, 34.75" X 17.75" |
| 5. 371401-02 | Window, 24.25" X 41" |
| 6. 922561 | Door assembly, front fender access |
| 6. 203218 | Door only, front fender access |
| 7. 921196 | Door, compartment, 46.69,short |
| 8. 921190 | Door, compartment, short, 50.75" |
| 9. 921191 | Door, compartment, 46.25,short |
| 10. 921229 | Door, compartment, angled 38" |
| 11. 601194-03 | Water fill, potable water |
| 12. 381641 | Door, fuel fill access |
| 13. 702949-01 | Slide out cover hardware |
| 13. 702949-14 | Slide out cover, bedroom & wardrobe |
| 14. 702949-05 | Cover, galley S/O, 174" |
| 14. 702949-01 | Hardware, galley S/O cover |

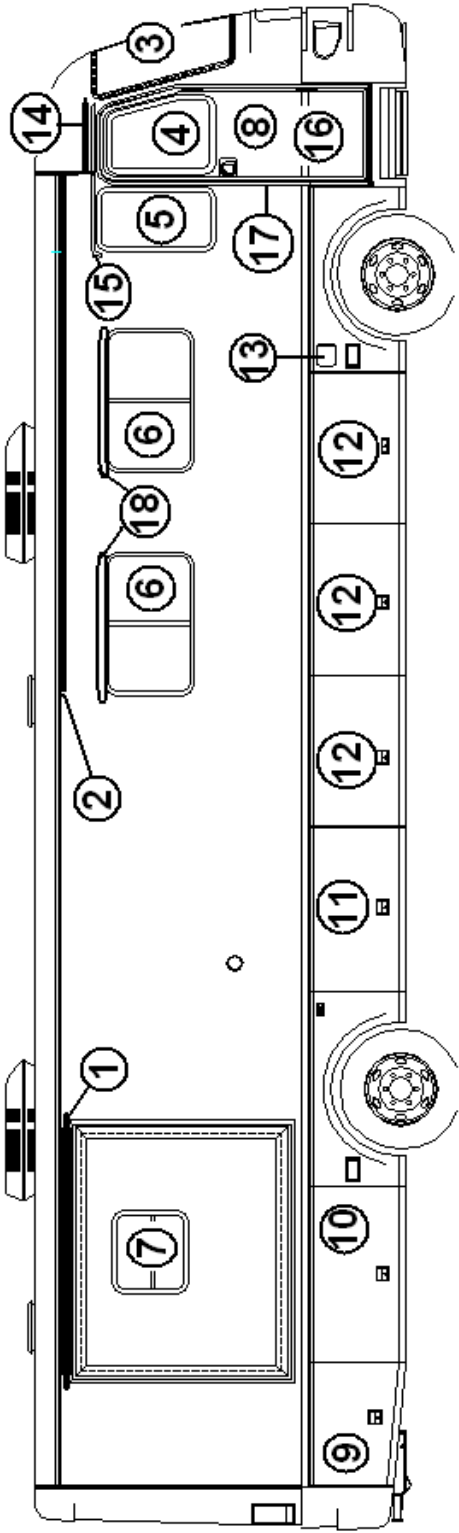
Power Awning

- | | |
|-----------|---------------------------------------|
| 703300-12 | 19' power awning, Charcoal Tweed |
| 703300-02 | Hardware, basement, Weatherpro, Satin |
| 703300-03 | Control Box, Weatherpro Awning |
| 385577 | TAPE CLEAR WEAR STRIP 3.5" WIDE |

2006 A-Series Motorhome

DOORS/WINDOWS/AWNINGS

Curbside Wall, A-39



See next page for P/N

2006 A-Series Motorhome

DOORS/WINDOWS/AWNINGS

Curbside Wall, A-39

- | | |
|---------------|-------------------------------------|
| 1. 702949-01 | Slide out cover hardware |
| 1. 702949-14 | Slide out cover, bedroom & wardrobe |
| 2. 702679-60 | Awning, patio, 19' charcoal tweed |
| 2. 702679-11 | Awning, patio, hardware |
| 3. 371370 | Windshield, C/S |
| 4. 371401-05 | Window, angled, main door |
| 5. 371401-04 | Window, stationary, angled |
| 6. 371401-01 | Window, CS Sliding, 24.25" X 41" |
| 7. 371401-03 | Window, sliding, 20.75" X 22.5" |
| 8. 922521-100 | Main door assembly |
| 9. 921228 | Door, compartment, angled, 38" |
| 10. 921194 | Door, compartment, 54.25" |
| 11. 921190 | Door, compartment, C/S, 50.75" |
| 12. 921195 | Door, compartment, C/S, 46.69" |
| 13. 381641 | Door, fuel fill access |
| 14. 702679-62 | Awning, 4' Door, Charcoal Tweed |
| 14. 702679-27 | Hardware, Door Awning |
| 15. 114966 | Drip cap, main door/window |
| 16. 922522 | Screen door assembly |
| 17. 922519 | Jamb assembly, main door |
| 18. 702679-61 | Awning, window, 4', Charcoal Tweed |
| 18. 702679-12 | Hardware, window awning, satin |

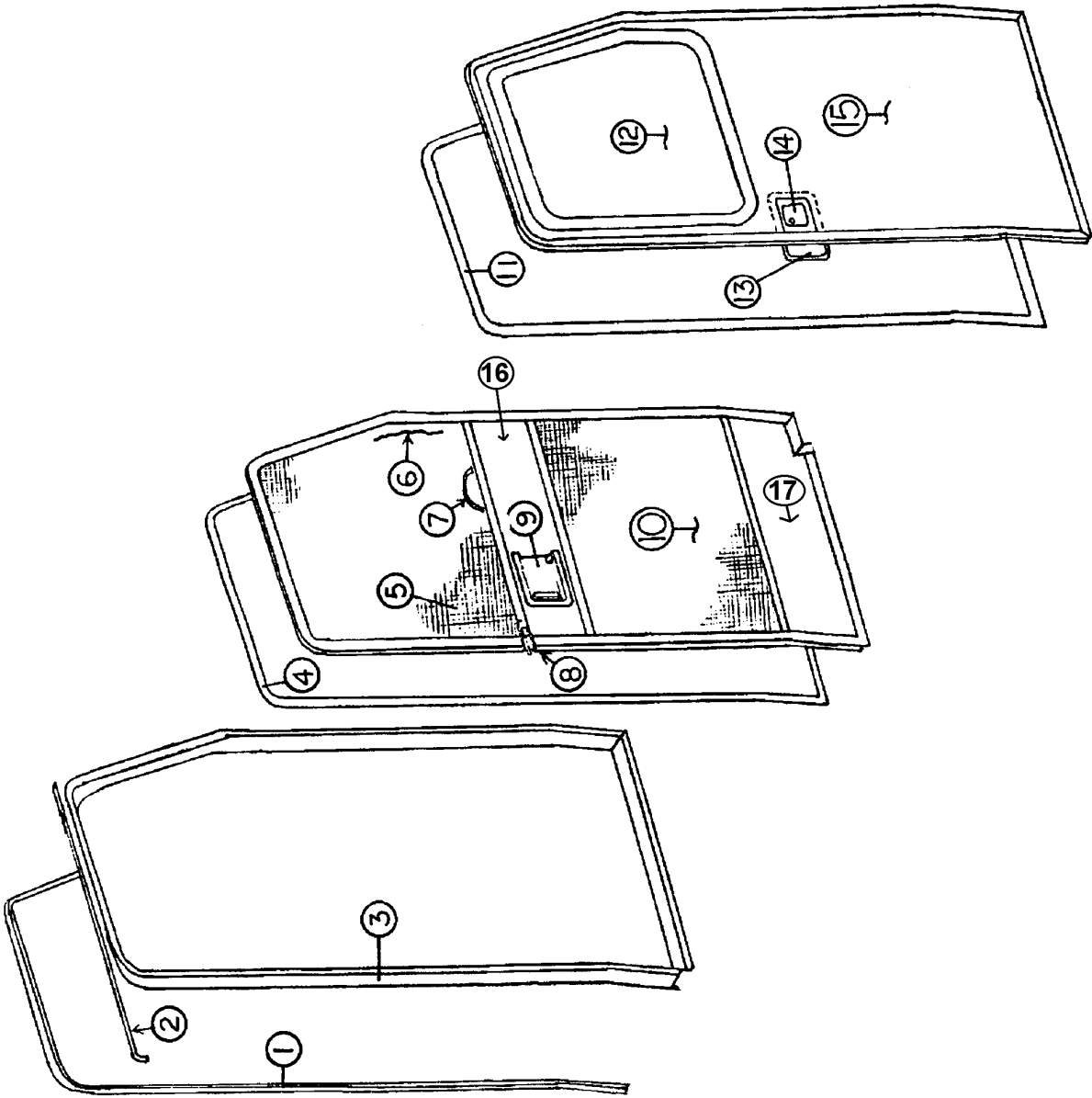
Power Awning

- | | |
|-----------|---------------------------------------|
| 703300-12 | 19' power awning, Charcoal Tweed |
| 703300-02 | Hardware, basement, Weatherpro, Satin |
| 703300-03 | Control Box, Weatherpro Awning |
| 385577 | TAPE CLEAR WEAR STRIP 3.5" WIDE |

2006 A-Series Motorhome

DOORS/WINDOWS/AWNINGS

Main/Screen Door



See Next Page for Part numbers.

2006 A-Series Motorhome

DOORS/WINDOWS/AWNINGS

Main/Screen Door

- | | |
|---------------------|--|
| 922521-100 | Main door assembly |
| 1. 114829 | Trim, inside doorjamb |
| 2. 114966 | Drip cap, main door/window |
| 3. 922519 | Jamb, main door |
| 4. 365013-01 | Gasket, screen door, low-density foam |
| 5. 380079 | Screen, plastic mesh |
| 6. 200518 | Spline, gray, round, screen installation |
| 7. 380004 | Pull handle, screen door w/screws |
| 8. 381454 | Latch, screen door, double action, Bullet |
| 9. 203000-01 | Close out, plastic, sliding, screen door,
(Gizzy) |
| 10. 922522 | Screen door assembly |
| 11. 365045 | Seal, main door |
| 12. 371366-16 | Window, angled, main door |
| 13. 203002 | Cover, inner door lock pocket, plastic |
| 14. Door lock--the | main door lock is made up of five |
| separate parts- see | hardware in Section III for listing |
| 15. 922520 | Main Door Frame Assembly |
| 16. 114561 | PANEL SLIDER SCREEN DOOR |
| 17. 114837 | KICK PANEL, SCREEN DOOR |

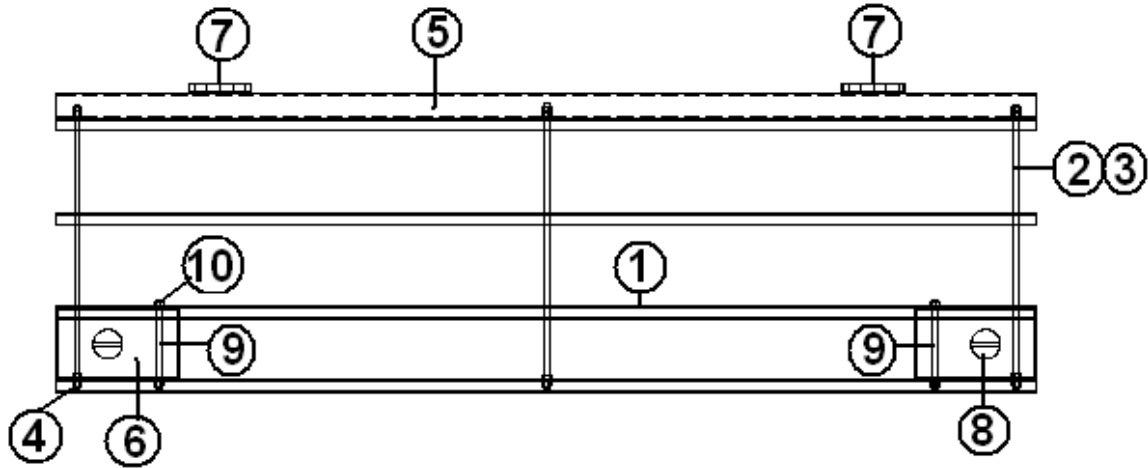
Main Door Stop

- | | |
|-----------|---------------------------------------|
| 381862 | Prop, gas spring |
| 381634 | Bracket, prop, curved |
| 203156 | Cover, bottom doorstep, black plastic |
| 381633 | BRACKET PROP 2" 10MM |
| 381632-01 | CLIP SAFETY 10MM STL END FITTING |

2006 A-Series Motorhome

DOORS/WINDOWS/AWNINGS

Rear Access Door



- | | |
|---------------|--------------------------------|
| 922855 | DOOR ASSY-REAR LOUVERED |
| 1. 114868 | EXTRU., LOUVER REAR GRILL |
| 2. 345391 | ROD-THREADED 1/4-20 X 10' |
| 3. 452213-450 | SPACER, 4.5" LONG |
| 4. 350022 | NUT KEP 1/4-20 CAD PLATED |
| 5. 115184 | TOP RAIL |
| 6. 115276 | LATCH PLATE |
| 7. 381434 | HINGE, S.S., 3 X 3 |
| 8. 381227-01 | WISE-ACTION LATCH, CURVED PAWL |
| 9. 452213-350 | SPACER, 3.5" LONG |
| 10. 345417 | NUT, ACORN, STAINLESS, LOCK |
| 381569-05 | Gas spring, 30#-rear access |
| 381262 | Bracket, prop w/ball |
| 381310 | Bracket, gas prop, upper |

2006 A-Series Motorhome

DRAPES/BLINDS/VALANCES

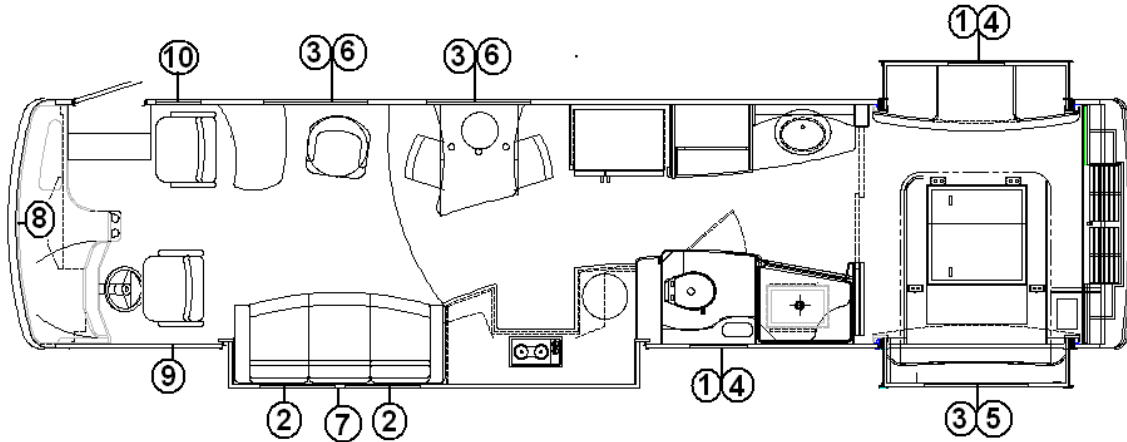
Windshield Drape, A-37, A-39

702975	Windshield wrap curtain w/track & strap
964900-013	Stop, front windshield, Wrap, CS
964900-023	Stop, front windshield, Wrap, RS
101220	TRACK, STAND-OFF, CURTAIN
101225	EXTRUSION ALUM CURTAIN TRACK ATTACH
101217	EXTRUSION CURTAIN TRACK
114021	EXTRUSION CURTAIN TRACK STANDOFF
100097	EXTRUSION ALUM CURTAIN TRACK
200784	ENDS, CURTAIN TRACK, RH WHITE
200785	ENDS, CURTAIN TRACK LH WHITE

2006 A-Series Motorhome

DRAPES/BLINDS/VALANCES

Shades/Shadow Boxes, A-Series



- | | |
|--------------|---|
| 1. 703522-44 | SHADE-MINI BLIND 24.38X24 SILVER |
| 2. 703522-43 | SHADE-MINI BLIND 31.88X28 SILVER |
| 3. 703522-42 | SHADE-MINI BLIND 42.88X28 SILVER |
| 4. 966479-01 | SHADOW BOX BATH/CS BEDROOM |
| 5. 966479-02 | SHADOW BOX CS REAR S/O |
| 6. 966479-03 | SHADOW BOX CS DINETTE |
| 7. 966479-04 | SHADOW BOX RS LOUNGE |
| 8. 702975 | Windshield wrap curtain w/track & strap |
| 9. 966470 | Closeout driver's shade |
| 10. 702818 | Shade, Kool Screen, black |
| 10. 966491 | Closeout, passenger shade |

2006 A-Series Motorhome

ELECTRICAL, 110 VOLT

Power Cord

511149-04 Power cord, 36 ft.
10469W Adapter plug, 30M-50 Amp, 18 in.
381435 Hatch, 4", white, power cord exit

Inverter/Battery Charger

511883-03 INVERTER/CHARGER KIT 3100 WATT
511883-02 Automatic generator start module
511883-04 Full remote w/LCD display
511883-05 Remote display cable
511883-06 400 amp covered fuse block
511333 CABLE-BATTERY 2/0 BLACK
511273 TRAY BATTERY HOLD DOWN
511089-02 TERMINAL-BATTERY-NEGATIVE
511089-03 TERMINAL BATTERY POSITIVE 2/0
381915 VENT, LOUVERED INVERTER BOX

Generator

511896 GENERATOR-12 CSI DIESEL
914395 Generator exhaust pipe
511686 Hour meter w/deluxe bezel, interior
453621 BRACKET FUSE BLOCK 12V
511882 SWITCH-TRANSFER 50A/2P 120/240

Breaker Box, Coach, CSA

510564-03 BREAKER BRYANT 15-15
510564-08 BREAKER BRYANT 20-15
510564-09 BREAKER, BRYANT 15A SPST
512074 BOX JUNCTION OCTAGON

2006 A-Series Motorhome

ELECTRICAL, 110 VOLT

Exterior Receptacles/Circuit Tester

510888-05	RECEPTACLE W/COVER GFI WHITE
511330	BOX, SWITCH 3" X 2" X 3.5", CSA
511023	Tester, circuit analyzer (loose item)

Dryer Receptacle

511084	RECEPTACLE TRAILER SINGLE
511085	BOX METAL 4" SQ. 1.5" DEEP
511086	COVER BOX METAL
511276	COVER 12VOLT OUTLET BLACK

Breaker Box, Coach, USA

511885	BREAKER, MAIN, 120/240V AC-5
510564-01	BREAKER BRYANT 20 AMP
510564-06	BREAKER- BRYANT 20 GFI
510564-10	BREAKER - 25 AMP #BR-125
510564-04	BREAKER BRYANT 20-20
510564-02	BREAKER BRYANT 30 AMP
510014	BOX JUNCTION OCTAGON
510015	BOX COVER

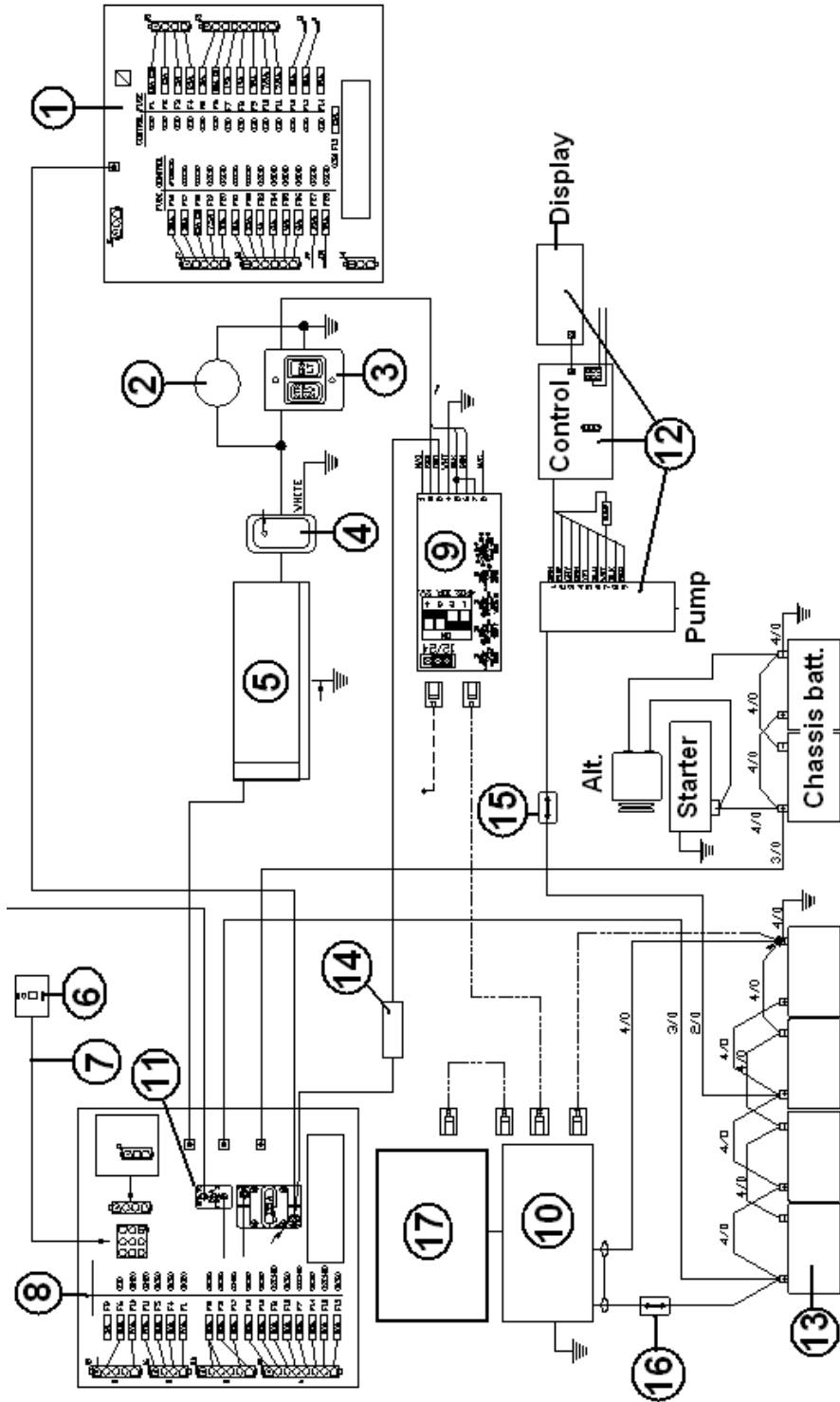
2006 A-Series Motorhome

NOTES

2006 A-Series Motorhome

ELECTRICAL, 12 VOLT

Chassis Diagram



2006 A-Series Motorhome

ELECTRICAL, 12 VOLT

Chassis Diagram

1. 511465	Secondary battery control panel
2. 511686	HOURMETER W/DELUXE BEZEL LCD
3. 511579-104	Generator stop/start, drivers panel
4. 511506	Switch, generator start, galley panel
5. 511896	GENERATOR-12 CSI DIESEL
6. 511572-05	Battery disconnect switch, Intellitec
7. 511572-02	Disconnect switch cable, Intellitec
8. 511572-01	Primary battery control center, Intellitec
9. 511883-02	Automatic generator start module
10. 511883-01	Inverter/converter
11. 510663	BREAKER, 30 AMP QO130
12. 410882	LEVELING JACK KIT
13. 511881	Battery, AGM, Glassmat
14. 510696	HOLDER, FUSE, IN-LINE
14. 500883-05	FUSE, 12 VOLT-AGC, 5 AMP.
15.	FUSE, 12 VOLT, 80 amp
16. 511883-06	400 Amp covered fuse
17. 511883-04	Inverter remote LCD display
511510-02	Junction block, stud type, Red
511510-01	Junction block, stud type, Black
511615	W.P. GFI/DEC COVER W/GASKET
511616-01	RECEPTACLE MOUNTING-SINGLE WHITE
511090	STUD-TYPE JUNCTION BLOCK

2006 A-Series Motorhome

ELECTRICAL, 12 VOLT

Mirrors, Exterior, Heated

511512	Mirror, exterior, black, pair
511512-01	Mirror, exterior, black, Roadside
511512-02	Mirror, exterior, black, Curbside
511511	Mirror, exterior, chrome, pair
511511-01	Mirror, exterior, chrome, Roadside
511511-02	Mirror, exterior, chrome, Curbside
511305-10	HEATED MIRROR CONTROL SWITCH
511305-09	CABLE-EXTENSION, 5.5 FT
511305-11	CABLE-EXTENSION 15' REMOTE MIRROR

Energy Management System

511884-01	SYSTEM, ENERGY MANAGEMENT, W/INVERTER SUBPANEL, 50 AMP
511884-02	MONITOR PANEL, 50AMP, EMS BLACK
511884-03	CABLE-EMS MONITOR PNL 50'

Battery Compartment/Load Center

511881	Battery, AGM, Glassmat
703484	STRAP-BATTERY
511273	TRAY BATTERY HOLD DOWN
511510-01	JUNCTION STUD-PASS THRU BLACK
511510-02	JUNCTION STUD-PASS THRU RED
511554	WING NUT-GROUNDING "GREEN"
511555	BATTERY LUG -1/4"STUD 2-1 AWGR
511899	LUG- BATTERY CABLE 4/0
511333	CABLE-BATTERY 2/0 BLACK
511089-01	TERMINAL-BATTERY-NEGATIVE
511089-02	TERMINAL BATTERY POSITIVE 2/0
201709-02	EXTRUSION TRIM MOLDING, BLACK
195345-01	1/2" BROWN NYLON WEBBING
703456	VELCRO, LOOP BLACK 1.5"
703456-01	VELCRO, HOOK BLACK 1.5"

2006 A-Series Motorhome

ELECTRICAL, 12 VOLT

Interior 12-Volt Receptacle

510596	Cigarette lighter
510596-01	WIRING CIGARETTE LIGHTER CHROME
510807	Outlet, 12 volt, lighter receptacle
511276	Cover, 12-volt outlet, black
510843	Flasher, heavy duty

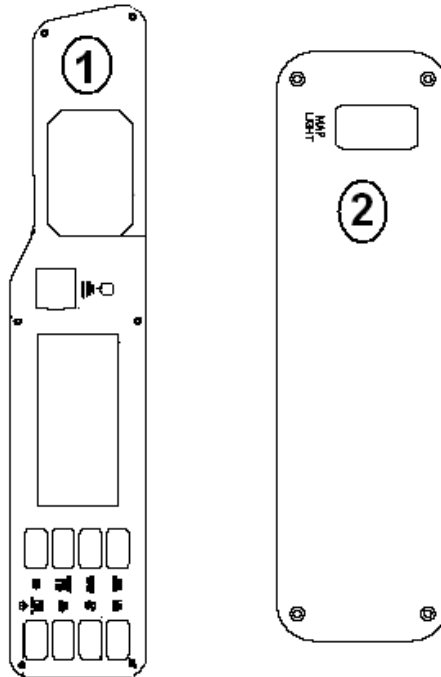
Bosch Relay

510914	TERMINAL, RELAY BLOCK
510844-01	Relay, Bosch
510844-02	Socket, Bosch relay

2006 A-Series Motorhome

ELECTRICAL, 12 VOLT

Switches/Panels, Cab Armrests



1. 512018 Driver Switch Panel w/switches
w/navigation system
2. 512082 Passenger Switch Panel w/switches
- 512019 Center Console panel
- 320094-04 SCREW, OVAL HEAD, BLACK
- 320006 SCREW SHEET METAL 8 X 3/4"
- 381081-01 SNAP CAP W/WASHER, WHITE
- 511579-100 Back-up camera, Door lock
- 511579-101 Drive, map, aisle, docking lights
- 511579-102 Defrost fans, HI-LO
- 511579-103 Aux start, I.C.C. blink
- 511579-104 Generator stop/start
- 511579-105 Switch blank (if needed)
- 511579-106 LED light & Bezel door unlocked warning
- 511305-10 Remote exterior mirror
- 511419-06 Wiper/washer

2006 A-Series Motorhome

ELECTRICAL, 12 VOLT

Switches/Switch Covers

511572-05	ONE GANG SWITCH PANEL BR. DIES
511615	W.P. GFI/DEC COVER W/GASKET
511419-06	SWITCH WIPER/WASHER FREIGHTLINER
511900	SWITCH- 12V DIMMER BLACK
511972	SWITCH KIT
511912	Receptacle plate, Stainless Steel

Switch Custer, Main Door

962203-01	Switch cluster, main door
511078	Switch body, illuminated, door entrance
511083-02	Cover, switch, 3 & 4 gang, door entrance
511513	Light, green LED

Interior Lights

511848	Light, fluorescent, 13" recessed
511847	Light, fluorescent, 4.75"X 18.75"
511849	Light, fluorescent, Surface Mount, #98 P
511495-100	Bulb, 71-921 wedge base
511495	Wall lamp, bedroom
511891	LIGHT-HALOGEN SATURN, RECESSED
511892-01	TRIM RING, SATURN LIGHT
511694	LIGHT, READING HALOGEN BRUSHED
511914	LIGHT, SIDE LOUNGE W/GLOBE
511248	FIXTURE LIGHT INCANDESCENT SINGLE
511361	LIGHT COURTESY, FLUSH MOUNT BLACK
500956	LIGHT, WARDROBE, BROWN, W/SWITCH
511490-01	LIGHTING, FLEXIBLE
511490-02	CONNECTOR KIT, FLEXIBLE LIGHTING
511978	INCANDESCENT LIGHT, 19.75" X 1.75" X 2.75"
511493	LIGHT-DINETTE 3-BULB HANGING
512038	STRIP-LIGHTED STEP TRIM

2006 A-Series Motorhome

ELECTRICAL, 12 VOLT

Fuses

511452	FUSE HOLDER 15A WEATHERPROOF ATC
500773-01	FUSE ATC 12V DC 1 AMP
500883-05	FUSE, 12 VOLT-AGC, 5 AMP
500883-15	FUSES, 12V, CSA 15 AMP
511392	Fuse holder, 15amp,in-line
500883-01	FUSE 12, CSA 1 AMP
510696	HOLDER, FUSE, IN-LINE
510720-04	BREAKER- AUTO SET ATC
511607-15	BREAKER-15A SKYDECKS
511883-06	400 Amp covered fuse

Exterior Lights

510672-02	Light, porch, white
511248	Light, compartment
510732-02	CSA PORCH LIGHT
511101-01	Light, docking, halogen, S.S., bezel
201991	HOUSING DOCKING LIGHT
511400	Light, front top marker, tear drop, amber
510984-01	Light, side marker, red
381396	GASKET, CLEARANCE LIGHT
511879	Light, fog, round, clear
511497	Search light w/remote
511509	LIGHT FLUORESCENT, ENTRANCE

2006 A-Series Motorhome

ELECTRICAL, 12 VOLT

Tail/License Plate Lights

511407	Light, license plate w/holder
511589-01	Tail light assembly, R/S
511589-02	Tail light assembly, C/S
511584	Socket, turn signal, Ford
511585	Socket, Stop/tail light, Ford
511586	Socket, Back-up light, Ford
511587	Bulb, 3357, stop/tail
511588	Bulb, 3156, turn/back-up
511154-02	Light strip, 3rd brake

Headlamp/Parking Lights

511397-02	Head light, C/S
511397-01	Head light, R/S
511398-01	Parking lamp, R/S
511398-02	Parking lamp, C/S
511402	Socket and pigtail, headlight
511406	Socket, front turn and parking light
511408	Socket, side marker w/194NA bulb

2006 A-Series Motorhome

ELECTRICAL, 12 VOLT

Monitor System

511788-02	MONITOR PANEL-CATCON
511252	PLUG PHONE 4 CONDUCTOR
511789	SENSOR-TANK MONITOR #500-10050
511789-01	BOOT-SENSOR #500-20010-05
511393	COUPLER-MODULAR EXTEN 4 CONDUC
511817	COUPLER ASSY-IN LINE
511286-01	Telephone wire, 26 gauge, and black
511286-02	Telephone wire, 26 gauge, and ivory
601845	ADAPTOR, 1.5" PIPE, CATCON
601846	ADAPTOR, 3" PIPE, CATCON
510839	Diode

Keyless Entry

511162-01	Keyless entry w/remote
511162-02	Transmitter, 4 channel
510802-01	Actuator, door lock, 5 wires
511352	Module, locking, centralized
451486	FLAT LINKAGE ELECTRIC DOOR LOCK
451485	WIRE LINKAGE, ELECTRIC DOOR LOCK
381741	KEY FOB INSTRUCTIONAL PLAQUE

Solar Panel

511572-04	Charge controller, Solar panel
511572-06	Monitor panel, charge controller, solar panel
511142-01	Solar panel, 53 watt
511142-02	Mounting bracket (4., solar panel

2006 A-Series Motorhome

ELECTRICAL, 12 VOLT

Monitor, Backup

511948	MONITOR SYSTEM, PIONEER
511952	VIDEO CABLE-M/M RCA 50'
115298	BRACKET-CAMERA
511946	DVD, NAVIGATION SERVER
511947	Kit, voice command
203181	COVER, BACK UP MONITOR

Monitor, LCD, Passenger Side

690545	Monitor, color, LCD, 6.5"
--------	---------------------------

Detectors/Alarms

510781	Detector, smoke
511343	Detector, carbon monoxide, 9 volt
510734	Alarm, back up
510976	Buzzer, headlamp, warning

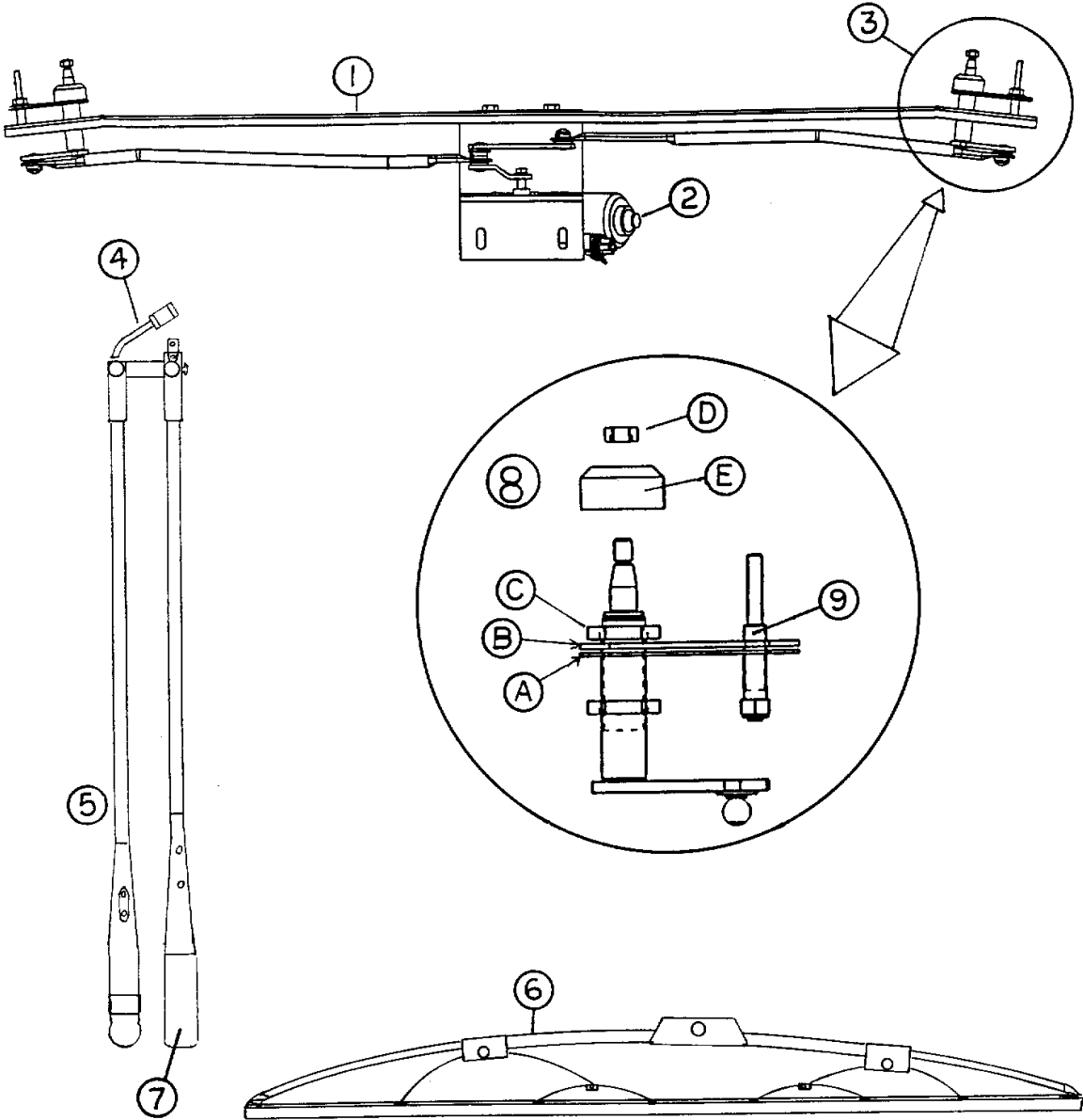
Air

510804	Horns, air, chrome
510804-01	ELBOW KIT, AIR HORN
345384	COMPRESSION FITTING 1/4" O.D.H
512133	Horn pigtail, 2-way

2006 A-Series Motorhome

ELECTRICAL, 12 VOLT

Windshield Wiper



See next page for P/N

2006 A-Series Motorhome

ELECTRICAL, 12 VOLT

Windshield Wiper

- | | |
|----------------|---------------------------------------|
| 1. 511440 | Windshield wiper assy, XL |
| 2. 511440-100 | Wiper motor, Ford/Freightliner |
| 3. 511440-102 | Pivot and link assembly, Trico |
| 4. 511419-103 | Washer jet and tubing, Trico |
| 5. 511419-104 | Pantograph arm assembly, Trico |
| 6. 511419-105 | Blade assembly, 28", Trico |
| 7. 511419-106 | Head cover, main arm, black, Trico |
| 8. 511440-107 | Hardware kit, includes the following: |
| 8. Gasket | |
| 8. Face plate | |
| 8. Thin nut | |
| 8. 8 mm nut | |
| 8. Rain shield | |
| 9. 511440-108 | Swivel assembly, slave arm, Trico |
| 511419-06 | Switch, wiper/washer, Freightliner |

2006 A-Series Motorhome

ENTERTAINMENT

Television, Bedroom

690509	TV-21" LCD STEREO COLOR SONY
511633	PATCH CORD M/M RCA 10'
511634	PATCH CORD 3-WAY M/M RCA 6'
115139-01	BRACKET-RH TV MOUNT BEDROOM
115139-02	BRACKET-LH TV MOUNT BEDROOM
500975	Headphones, light weight
511423	PLUG-EARPHONE W/6" WIRE #30421

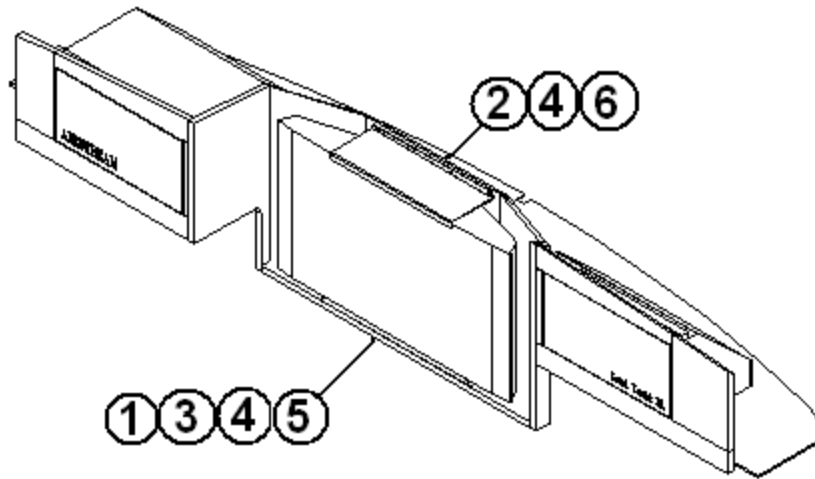
Television Antenna/Jack

510788-01	Antenna, TV, Winegard
510788-03	Amplifier, TV antenna
510788-04	Hardware package, TV antenna
500976	Outlet, TV jack
500996	Jack, TV/phone, gray
510624-01	MODULAR PHONE QUICK JACK WHITE
510614-01	JACK TV 12V WHITE
510888-07	RECEPTACLE COVER WHITE
511815-01	RECEPTACLE DUPLEX BLACK SELF CONTAINED
511815-02	PLATE-DECORATOR 1 GANG BLACK

2006 A-Series Motorhome

ENTERTAINMENT

Television, Front Cab



- | | |
|---------------|--------------------------------|
| 690504 | TV- LCD COLOR 26" SONY |
| 1. 454236 | BRKT-BOTTOM LCD TV |
| 2. 454237 | BRKT. UPPER LCD TV |
| 3. 345425-05 | SCREW-16MM PAN HD BLACK |
| 4. 320005 | SCREW SHEET METAL 8 X 1BH |
| 5. 800405-008 | PLUG BUTTON HARDWOOD |
| 6. 365239 | FOAM NON-SKID PAD 1/4 X 1 X 1/ |
| 511278 | Lock out, 110 volt disconnect |
| 511283 | BOX HANDY 2" X 4" METAL |
| 511278 | Lock out, 110 volt disconnect |
| 511283 | BOX HANDY 2" X 4" METAL |

2006 A-Series Motorhome

ENTERTAINMENT

Radio

511959 RADIO-AM/FM/CD/DVD PIONEER
511761 SPEAKER 120W 6.5" WHITE SONY
511423 PLUG-EARPHONE W/6" WIRE
500975 HEADPHONES, LIGHTWEIGHT

Home Theatre Sound System

690544 HOME THEATER SYS-DVD/VCR SONY
690544-01 Speaker, Flush, 2.5"
690544-02 Grille, Cream, 2.5"
690544-03 DVD/VCR/CD Main Unit
690544-04 Base module
690544-05 Remote Control
690544-06 Speaker wire package
511858 SOURCE SELECTOR-SPEAKER #6CHXO
511858-01 SELECTOR-SPKR.SOURCE HT

Antenna, Radio/CB

511807 Antenna, radio, rubber
511458 Antenna, side mount, CB
500484-07 ANTENNA LEAD & EXTENSION 144"

Radio Remote Control, Bedroom

511517-02 CABLE LEAD-REMOTE COMMANDER RCX-60
511517-01 Remote commander, Sony

CD Changer

511949 12 Disc CD Changer

2006 A-Series Motorhome

ENTERTAINMENT

Video Control System

511310	Video control center
511409	TERMINAL-FEMALE QUICK DISC.AA2134
511570	PATCH CORD, RCA, MALE-TO-MALE 50'
511488-03	Patch cord, radio to amplifier
511423	PLUG-EARPHONE W/6" WIRE #30421W

Speaker/Headphone System

511464-07	Speaker/headphone system, Includes:
511464-02	Speaker, 4", 5-Watt max., 8 ohm
511464-03	Speaker grille, black
511464-05	Headphone\dual speaker control
511464-06	Speaker harness

Satellite System

511624-01	Satellite system, auto, stationary
511624-05	Satellite system, auto, stationary, low profile
511624-04	Harness Satellite Dish Control
*690557	Receiver, satellite, HD, Model HD10
511635	Plate-Dual cable, Dome entry
511384	Satellite pre-wire kit, includes:
511384-01	RG-6 Coax cable
511384-02	RG-coax cable connector
511384-03	Decals, window, roof, pre-wire brochure
511388	CONNECTOR-2 PIN CAP
511389	TERMINAL-SOCKET AMP
453604	BRACKET, MOUNTING, SATELLITE DISH

2006 A-Series Motorhome

ENTERTAINMENT

Entertainment Center, Exterior

690535	HOME THEATER SYSTEM
966427	BOX-SUBWOOFER
454448	TV MOUNT STABILIZER BRACKET
454434	BRKT-TV WALL MOUNT
511774	BRACKET-ARTICULATING ARM FLAT
701538-01	CARPET-ECONOLIER W/PSA BACK
385587	CAP-HOOD BUMPER #4603

XM Satellite Radio

511950	TUNER-XM PIONEER
511951	ANTENNA XM

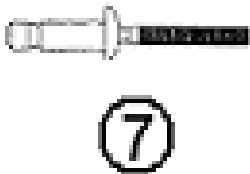
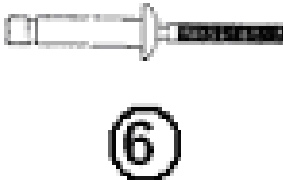
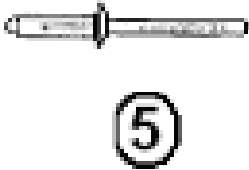
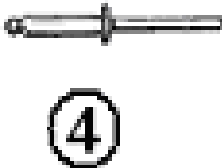
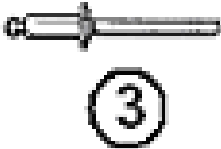
2006 A-Series Motorhome

NOTES

2006 A-Series Motorhome

FASTENERS

Rivets



Part Numbers On The Next Page

2006 A-Series Motorhome

FASTENERS

Rivets

1. 330126-05 Rivet, 1/8" diameter, Grip range .126-.187, Stainless steel body, Stainless steel mandrel
2. 330126-03 Rivet, 1/8" grip range, .126-.250 stainless steel body, stainless steel mandrel
3. 330031-03 Rivet, diameter 3/16", grip range .125-.250, stainless steel mandrel
4. 330031-01 Rivet, Diameter 3/16", Grip range .126-.250, Stainless steel body, Steel mandrel
5. 320108-01 Rivet, bulb tite, diameter 3/16", grip range .050-.187, aluminum body, aluminum mandrel
6. 330139-02 Diameter 1/4", Grip range .350-.625, Stainless steel body, Stainless steel mandrel
7. 330139-01 Diameter 1/4", grip range .080-.375, stainless steel body, stainless steel mandrel
8. 330137 Diameter 1/8", grip range .039-.189, aluminum body, steel mandrel

2006 A-Series Motorhome

FLOOR COVERING

Carpet/Mats

703563	CARPET-TRILOGY/PORTICO
700173	Carpet padding, 3/8"
700173-01	Carpet padding, 1/2"
701538-01	Carpet, Velour black, storage compartments
702979-01	Vinyl flooring cover, compartment bottoms
702550-01	Matt, entrance, step well
702549	Matt, entrance, w/Airstream logo
702893	FLOORING, SMOOTH RUBBER, STEP
381346	FLOOR MATTS
201763	RUBBER STRIP, BAGGAGE COMPARTMENT INSERT
702950	CARPET FLAP-FUSE PNL COVER
201785-01	TRIM-OUT, FLOOR, 3 1/2" ROUND

Carpet, Cab Closeouts/Bedroom Headboard

703566	CARPET, MULTIPLE AUTO W/PSA
703566-01	CARPET, MULTI AUTO, MEDIUM OAK
703566-02	PSA BACKING-CARPET

Tile

703495-01	TILE, SLATE COPPER 13.3" X 13.3"
703495-02	TILE, SLATE COPPER 6.5" X 6.5"
703495-03	TILE, SLATE COPPER 2" X 2"
703495-04	GROUT, 05 CHAMIOUS MAPLE
115291	TRIM-TILE RADIUS .375"
703550	CAULK-HARVEST ACRYLIC
703562	FLOORING-CENTIVA MAGICS 36" X 36"

2006 A-Series Motorhome

FURNITURE

Mirrors

371387	MIRROR HEADBOARD 10VG W/BEVEL
371406-05	MIRROR .125" X 15.13" X 17.5"
371407	MIRROR-16" X 60", W/CLEAN CUT EDGE
371406-02	MIRROR-17"X51"W/POL. EDGE
371406-04	MIRROR-.125" X 25" X 45.13"
386176	Decal, frosted, for PN 371406-04

2006 A-Series Motorhome

FURNITURE, BATH

Furniture Note:

All furniture not listed in this book was made by:

Columbus Cabinet Manufacturer

Creative Mobile Interiors

6497 Seeds Road

Grove City, OH 43123

Contact: Owen Connaughton-President

614.539.4600

Fax: 614.801.1008

Email: owen@creativemobileinteriors.com

Laminate: Brand: Nevamar, name: Honey Birdseye Maple,
high gloss w/peel coat, # WM8322

Lavatory Cabinet Tile

703496-01 TILE-LAVY OCHRE MOSAIC 1"X1"

703496-02 EPOXY-1900 SAND DUNE

703496-03 POWDER-SAND DUNE

Lavatory Cabinet

601975 TOP-CORIAN WATER CLOSET

690541 TOP ASSY-LAVY TILE

801656-01 BACKSPLASH, LAVY 19"

801656-02 BACKSPLASH, 28" LAVY

801656-03 BACKSPLASH, 39" LAVY

703496-01 TILE-LAVY OCHRE MOSAIC 1"X 1"

703496-02 EPOXY-1900 SAND DUNE

703496-03 POWDER-SAND DUNE

703550 CAULK-HARVEST ACRYLIC

115299 TRIM-T CHANNEL TILE .375"

602055 TOP-TOILET STAND CORIAN

381937 TRACK-POCKET DOOR

381938 HARDWARE-POCKET DOOR

381939 LATCH-POCKET DOOR

2006 A-Series Motorhome

FURNITURE, BEDROOM

Furniture Note:

All furniture not listed in this book was made by:

Columbus Cabinet Manufacturer

Creative Mobile Interiors

6497 Seeds Road

Grove City, OH 43123

Contact: Owen Connaughton-President

614.539.4600

Fax: 614.801.1008

Email: owen@creativemobileinteriors.com

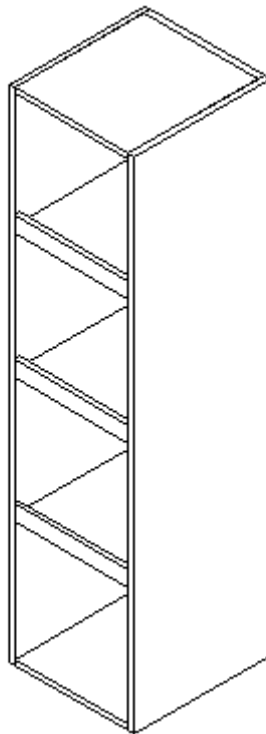
Using Laminate:

Brand: Nevamar

Name: Honey Birdseye Maple, high gloss w/peel coat

Laminate # WM8322

Shoes Storage, Wardrobe, A-37



966472

Shoe storage, aft wardrobe

2006 A-Series Motorhome

FURNITURE, BEDROOM

Bed Top

602059	TOP-W/R BED. CORIAN
966461	BED LID ASSY
915901	JAMB-BED LID DOOR
114743	ANGLE ALUMINUM, 11" X 1.50" X 2.00"

Bed Lid

922890	BED LID ASSY
915900	WELDMENT-BED LID
381775	DRAWER PULL-FLUSH SATIN
381434	HINGE, S.S., 3 X 3
381569-03	SPRING GAS
381633	BRACKET PROP 2" 10MM
703566	Upholstery, medium dark oak

2006 A-Series Motorhome

FURNITURE, GALLEY

Furniture Note:

All furniture not listed in this book was made by:
Columbus Cabinet Manufacturer
Creative Mobile Interiors
6497 Seeds Road
Grove City, OH 43123
Contact: Owen Connaughton-President
614.539.4600
Fax: 614.801.1008
Email: owen@creativemobileinteriors.com

Using Laminate:

Brand: Nevamar

Name: Honey Birdseye Maple, high gloss w/peel coat
Laminate # WM8322

Galley

601972	TOP, CORIAN GALLEY
801636	CUTTING BOARD, HARDWOOD
801641	PANEL, GALLEY BACKER
601973	TOP, CORIAN DINETTE TABLE
601976	COVER, CORIAN RANGE
601977	COVER, CORIAN SINK, 17.19" Diameter
453807	BRACKET-DINETTE TABLE
602056,	TOP-DIN.SHELF CORIAN
602069	EXTENSION, GALLEY CORIAN
601806	SINK-S.S. ROUND GALLEY
601961	FAUCET-FLORIANO BRIZO PULL DOW

2006 A-Series Motorhome

FURNITURE, CAB/LOUNGE

Furniture Note:

All furniture not listed in this book was made by:

Columbus Cabinet Manufacturer

Creative Mobile Interiors

6497 Seeds Road

Grove City, OH 43123

Contact: Owen Connaughton-President

614.539.4600

Fax: 614.801.1008

Email: owen@creativemobileinteriors.com

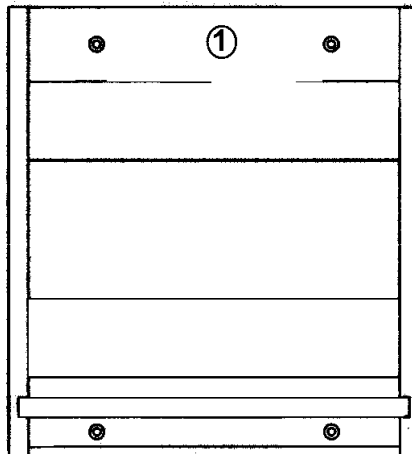
Using Laminate:

Brand: Nevamar

Name: Honey Birdseye Maple, high gloss w/peel coat

Laminate # WM8322

Magazine Rack



1. 963990-008

Magazine Rack, Cherry

1. 963990-010

Magazine Rack, Birdseye maple

1. 963990-011

Magazine Rack, Vermont maple

Computer Table

601974

Corian top, computer table

2006 A-Series Motorhome

FURNITURE, CAB/LOUNGE

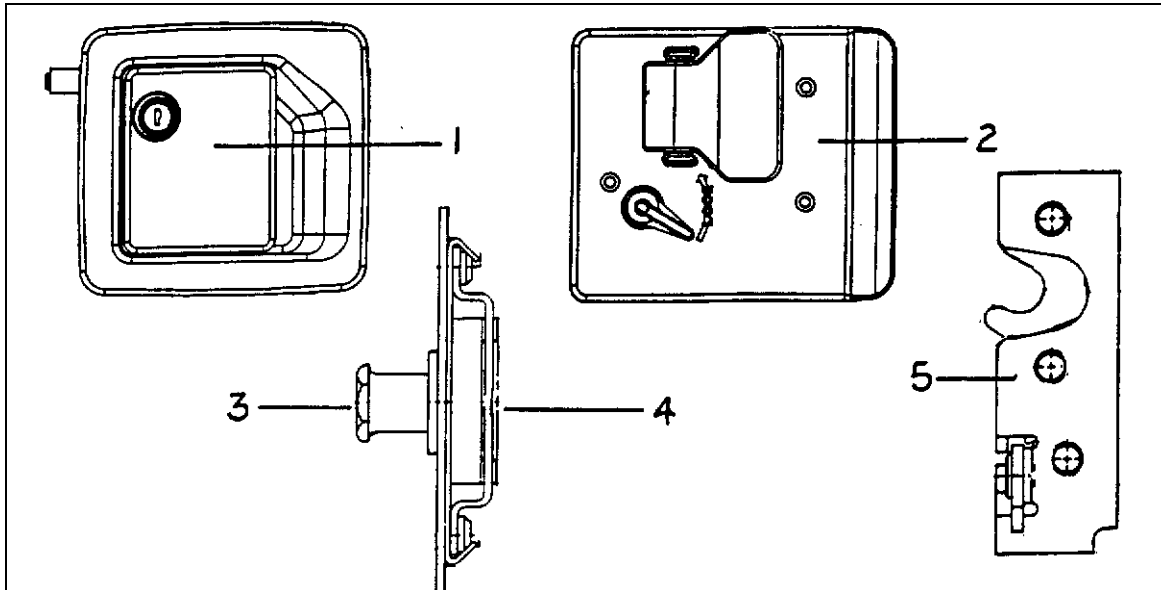
Cab Interior Trim

203198-06	Cover "A" pillar, C/S
203198-04	Cover "A" pillar, R/S
964546-02	Armrest assembly, R/S
203194-01	SIDE PANEL CAB LH ABS
964547-06	Armrest assembly, C/S
203222-01	PANEL CAB CS 38 X 24 ABS
702192-09	Pocket map
203223	Cup holder, black
201787-01	POCKET DEADBOLT INTERIOR

2006 A-Series Motorhome

HARDWARE

Main Door Lock



- 1. 381521-01 outside lock housing
- 2. 381521-02 inside lock plate
- 3. 381284 Striker bolt
- 4. 381521-04 Caged nut
- 5. 381521-03 Rotary latch
- 381521-05 Screws, inside lock plate

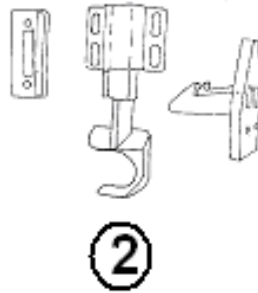
Main Door Dead Bolt

- 510802-01 Actuator, door lock, 5-wire
- 381323-01 Dead bolt assembly
- 452030 Bolt, Tri-mark dead bolt
- 381326 Striker, 10007 w/Tri-mark dead bolt
- 345321-12 Screw, #8-32, flat head, black
- 200772 Pan, plastic, dead bolt, interior

2006 A-Series Motorhome

HARDWARE

Main/Screen Door Handles/Latches



- | | |
|-----------|-----------------------------------|
| 1. 381859 | Main door Grab handle "AIRSTREAM" |
| 2. 381454 | Latch, screen door |
| 3. 380004 | Handle, Screen |

2006 A-Series Motorhome

HARDWARE

Main/Screen Door Hinges/Closeouts

960699	Hinge assembly, main entrance door
381334	Hinge leaf, jamb, main door
381336	Hinge leaf, door, main
381377	Hinge leaf, screen door
385599-075	Bearing, sleeve, main door hinge
300118-01	Washer, nylon, main door hinge
310024	Hinge pin, .250 x 6.0"
203002	Cover, inner door lock
203000-01	Close-out, screen door, plastic slide

Window, Se-Gi

371366-100	Weep hole cover, SE-GI window
371366-101	Sweep latch, SE-GI window

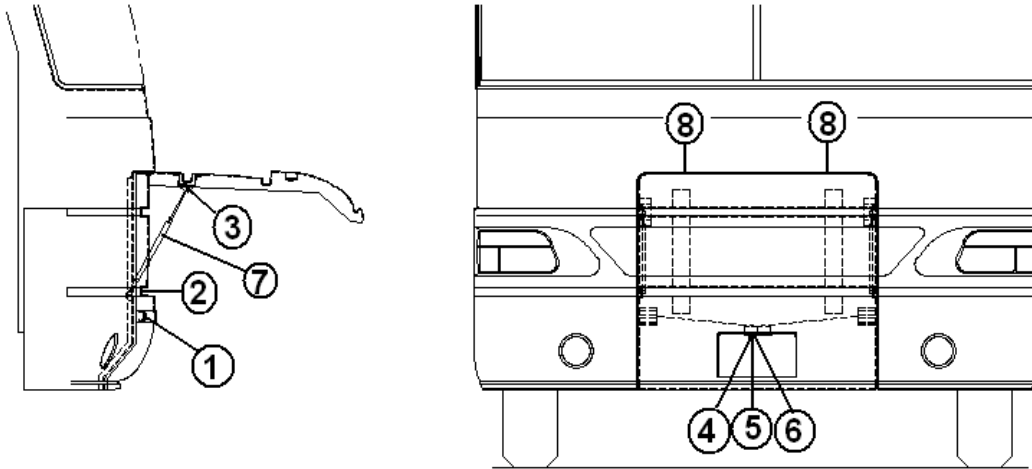
Door, Fender Compartment

381569-01	Prop, gas spring, 50#
381659-02	Bracket, 16", prop
381659-03	Clip, 16", prop
381662	S-HOOK STD. ZINC CHROMATE STEE
381661	CHAIN, SASH CADMIUM PLATED STE
381663	GASKET D-SEAL EPDM SPONGE SD-2
380203-01	PIANO HINGE 1/8" PIN CLR ANODI

2006 A-Series Motorhome

HARDWARE

Door, Generator Flip Up

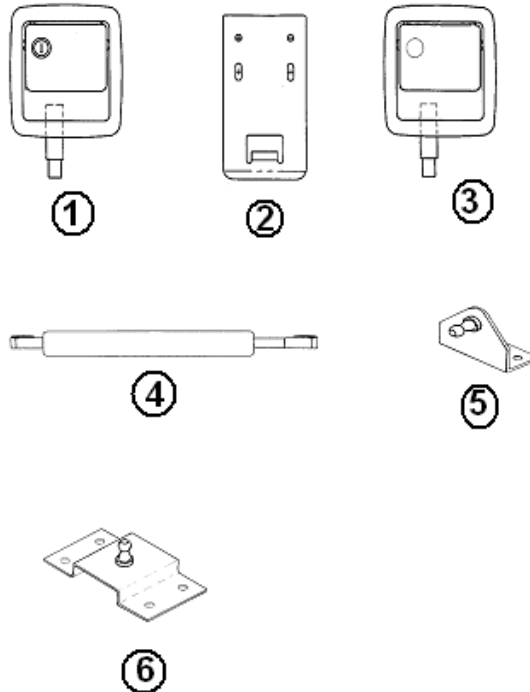


- | | |
|--------------|--|
| 1. 454446 | STRIKER-HOOD |
| 2. 381489 | BRACKET PROP BALL SOCKET |
| 3. 381262 | BRACKET, PROP, W/BALL, ANGLED |
| 4. 381702-03 | Latch, double rotary, LH, straight panel |
| 5. 381702-02 | Latch, double rotary, RH, straight panel |
| 6. 381702-01 | Handle, paddle, non-lock |
| 7. 381940 | SPRING, GAS |
| 8. 381434 | HINGE, S.S., 3" X 3" |

2006 A-Series Motorhome

HARDWARE

Door, Compartment, Props/Latches

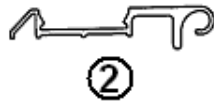


- | | | |
|----|-----------|--|
| 1. | 381888-01 | Latch, lower compartment, Locking |
| 2. | 453707 | Strike plate, compartment latch |
| 3. | 381888-02 | Latch, lower, compartment, non-locking |
| 4. | 381659-01 | Prop, gas spring, 50# |
| | 381659-03 | Prop, gas spring, 40# |
| | 381659-02 | Bracket, 16", prop |
| 5. | 381672 | Prop Bracket w/ball, tall |
| 6. | 381673 | Prop bracket ,raised |
| | 381262 | Bracket, prop w/ball angled |
| | 381637-03 | Plate, latch back |
| | 381888-03 | Key, baggage door TM 500 |
| | 381637-05 | Latch mtg. Brkt., lower compartment |
| | 203186 | BALL NYLON |
| | 114822 | DRIP CAP COMPT DOOR |
| | 381663-01 | GASKET D-SEAL EPDM SPONGE SD-2 |

2006 A-Series Motorhome

HARDWARE

Compartment Door



1. 381650 Hinge, lower (Used on short doors below slide outs)
 2. 114864 Hinge, lower compartment, body side
 3. 114863 Hinge, lower door side
 4. 203184 Corner trim Lower compartment Black plastic
 5. 114869 Extrusion, threshold lower compartment
- 381662 S-HOOK STD
381661 CHAIN, SASH

Slide Out Tray/Power Cord Retractor

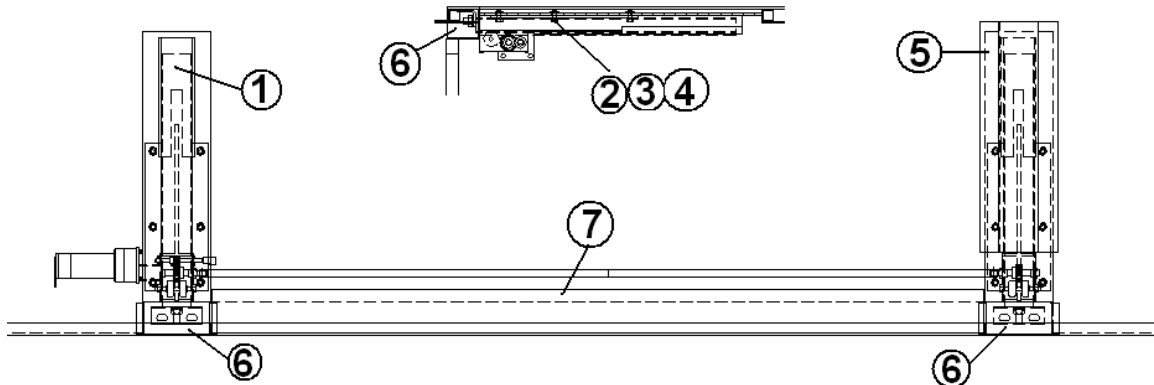
- 381674 Slide 42", slide out tray
381674-01 Trim, "U" channel, 48", for slide
310028 LYNCH PIN, 1/4" PIN
*511496 Retractor, power cord
512113 Retractor, power cord
203228 Tub, power cord storage

*Replaced by 512113 during model year.

2006 A-Series Motorhome

HARDWARE

Slide Out Mechanism, Galley

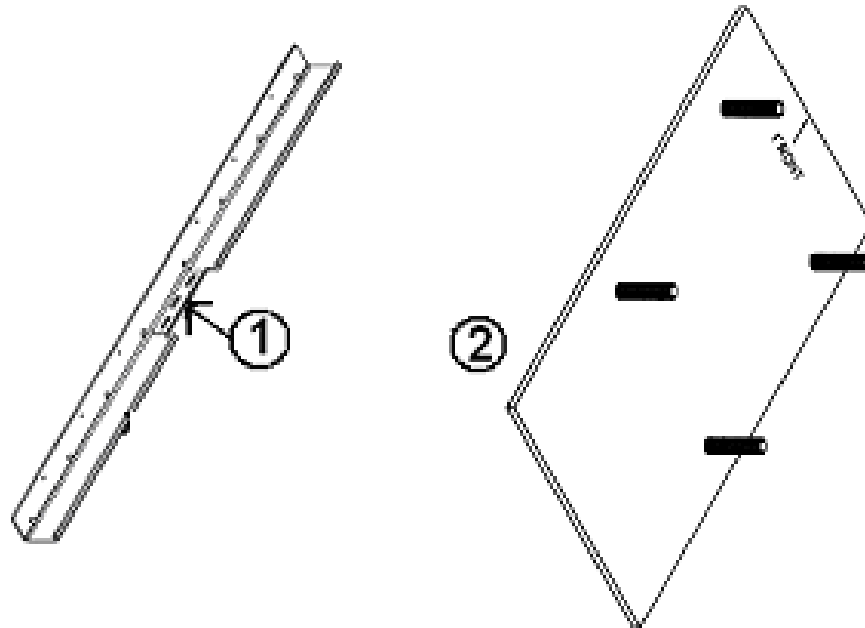


- | | |
|--------------|---------------------------------|
| 1. 410844 | SLIDE-OUT SYS.POWER GEAR |
| 2. 345269-05 | BOLT- 1/2-13 HEX HD GR.5 |
| 3. 300112-50 | WASHER FLAT, 1/2" |
| 4. 300072-08 | LOCK WASHER |
| 5. 453695 | HAT SECT-CLOSE OUT |
| 6. 453703 | CLOSE OUT |
| 7. 452276 | STEEL 20 GA GALVANIZED |
| 340093-06 | CLIP, "J" VINYL COATED, 3/4" ID |
| 965074 | BOOT, SLIDE OUT SHAFT |

2006 A-Series Motorhome

HARDWARE

Slide Out Mounting, Wardrobe

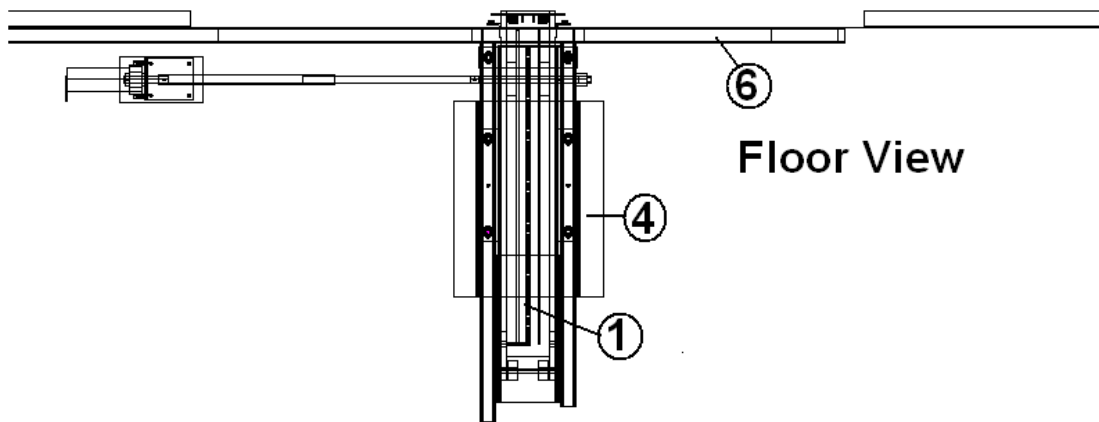
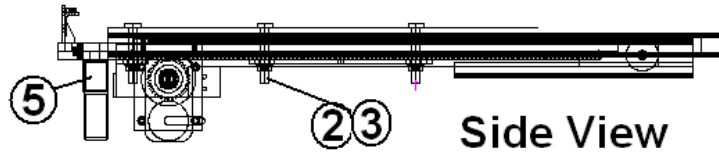


- | | |
|-----------|-------------------------------------|
| 1. 965299 | Wardrobe Mounting. Angle |
| 2. 453905 | WDRB slide-out motor mounting plate |
| 381623 | Roller, floor slide out |
| 381709 | Bar, travel lock, 18.50", Wardrobe |
| 381623 | Roller, floor slide out |
| 114970 | TRIM SLIDE-OUT LOWER |
| 965074 | BOOT, SLIDE OUT SHAFT |
| 381730 | FELT PAD, SELF ADHESIVE 1.5"DIA. |
| 340093-06 | CLIP, "J" VINYL COATED, 3/4" ID |
| 203376 | DISK-ACRYLIC 1/4"X 2.00" DIA |

2006 A-Series Motorhome

HARDWARE

Slide Out Mechanism, Wardrobe/Bedroom



- 1. 381878 Slide out system, Wardrobe
- 1. 381879 Slide out system, Bedroom
- 2. 345405 BOLT 1/2-13 X 3.5" CARRIAGE bolt
- 3. 350132 NUT, FLANGED MAC-LOCK 1/2" X 13
- 4. 453938 CLOSE-OUT, WARDROBE SLIDE MECH
- 5. 453937 CLOSE-OUT, SLIDE MECHANISM
- 6. 452276 STEEL 20 GA GALVANIZED

2006 A-Series Motorhome

HARDWARE

Wardrobe Clothes Rod

381845-01 Clothes Rod, telescopic

Fire Extinguisher/Emergency Triangle

600162-01 Fire extinguisher

600162-02 Fire extinguisher, CSA

380188 Emergency warning triangle, set of 3

Book/Video

381761-02 SAFETY NOTEBOOK/VIDEO

381932 75th ANNIVERSARY BOOK – 2006

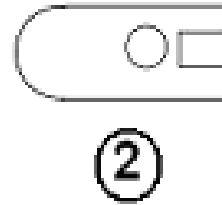
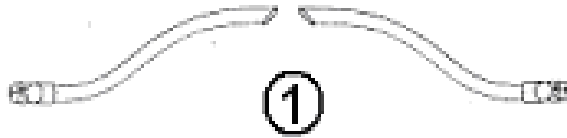
Clock

381899 CLOCK, ATTIMO BRUSHED NICKEL ACCENT

2006 A-Series Motorhome

HARDWARE

Interior/Latches/Handles



1. 381736-01 Handle, exit, interior, wall, 32.50"
- 1.. 381736-02 Handle, exit, interior, dash, 20.50"
2. 381735 LATCH-ENGINE COVER LID- NON LOCK

Bath Accessories

- 381822 TOWEL BAR BR. NICKEL, 18"
- 381823 SOAP DISH W/ACRYLIC BOWL
- 381824 TOWEL RING BRUSHED NICKEL

Rear Bed Prop

- 381569-03 SPRING GAS
- 381633 BRACKET PROP 2" 10MM

Windshield Squeegee

- 381313 Squeegee w/telescoping handle

2006 A-Series Motorhome

HARDWARE

Label and Tags

385531	FMVSS certification label
385815	Name plate, motorhome hitch rating
385095	Tag registry #11999
385465	Label, exit warning (English)
386122	Label, warning label/cooking appliance
386121	Label, LP gas warning label (odor)
385788	Warning label, pilot light/refuel
385101	Tag, auxiliary tank dump valve handle
385099	Tag, black tank dump valve handle
385063	Label, drain cap
385062	Decal, 110-125 voltage AC
385309	Decal, fuel fill
386118	LP gas warning/fill label
385141	Tag, seat, clear w/black letters
385518	Label, dimension and clearance
385800	LABEL, HOT WATER DISPENSER
385193	Label, 12Volt distribution inside
385560	Air conditioner rating label
385561	Generator rating label
385565	Label, holding tank flushing
385805-01	A/C priority switch label-front
385805-02	A/C priority switch label-rear
385812	Label, Calif. hazardous substance
386120	Label, smoke detector
385612	Label, parking brake warning
385620	Label, unleaded fuel only
385829	Decal, fuse and relay
385828	Decal, fuse panel warning
385835	LABEL CARBURETOR WARNING
385851	Label, cellular phone
385933	Label, name set relay

(continued)

2006 A-Series Motorhome

HARDWARE

Label and Tags

386113	LABEL-RVIA GOLD
385941	Label, waste water holding
385942	Label, sewage holding tank
385943	Label, "cap must be in place"
385947	Label, 10amp fuse maximum
385098	Label, seat occupancy
386012	Label, warning, water heater
386039	LABEL AIRSTREAM ALIGNMENT
386119	LABEL "DO NOT STORE COMBUSTIBLE"
386124	LABEL REFUELING WARNING
386123	LABEL "POTABLE WATER ONLY"
386159	LABEL-FLAT SCREEN TV
385608	LABEL, SEWER HOSE
385931-01	Decal sheet, utility compartment
385966	Label, inverter circuit
386040	LABEL AIRSTREAM FLEXIBLE
386038	Label, CSA holding tanks fresh water
386057	Label, washer/dryer vent
386059	DEL, ENGINE BLOCK HEATER SWITCH
386061	LABEL, REMOVE PANEL FOR ACCESSORY
386082	LABEL THOR 5.25" X .75"
386095	Label, Towing warning
386096	Label, warning (roof), SLIPPERY WHEN WET
386110	LABEL-OK TO SHIP
386173	LABEL-WASHER/DRYER CIRCUIT
386172	LABEL-DISHWASHER CIRCUIT
386174	DECAL-ENERGY MGT.DISPLAY

(continued)

2006 A-Series Motorhome

HARDWARE

Label and Tags

385946	Label, warning, slide out operation
381741	KEY FOB INSTRUCTIONAL PLAQUE
385984	LABEL SET, COAX CABLE
386101	LABEL SLEEPING ACCOMMODATION
386116	LABEL-CAUTION UMBRELLA
386117	LABEL-WARNING CAPACITY, SKY DECK
386144	LABEL, CHASSIS FUSES

Label and Tags, CSA

385949	"POTABLE WATER" CSA
385950	LABEL "SMOKE DETECTOR CSA
385951	LABEL "RANGE FRESH AIR" CSA
385952	LABEL "LP WARNING" CSA
385953	LABEL "IF YOU SMELL GAS" CSA
385954	LABEL "RANGE WARNING" CSA
386120	LABEL SMOKE ALARM WARNING
386118	LABEL LP GAS TRI-WARNING
386121	LABEL "IF YOU SMELL GAS"
386122	LABEL "COMFORT HEATING"
385466	LABEL, EXIT LABEL (FRENCH)

2006 390/396/Sky Deck XL

PLUMBING, FRESH WATER

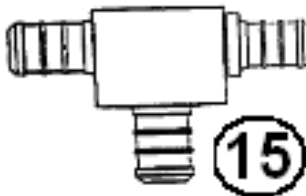
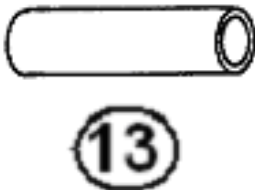
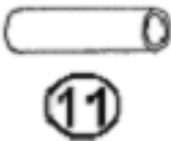
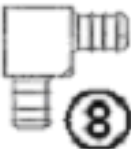
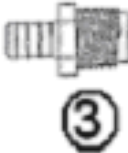
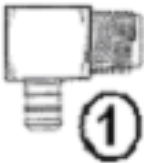
Tank/Pump/Fittings

601864-03	TANK-FRESH WATER 54.5 GALLON
114517	STRAP FRESH WATER TANK
601239-01	Hose, 1.375I.D.water tank fill
601061-03	Water pump, Sureflo
602063	VALVE-CHROME SUPPLY .5" IPS X .38"
601392-05	City water hook-up w/regulator
601733	Hose, 36" vinyl riser (used on galley slide out)
601658	VALVE 1/2" STOP CPVC
203072-01	ELBOW 3/4" MPT X 3/4" BARB 90 DEGREE
203072-02	ELBOW 3/4" BARB X 3/4" BARB 90 DEGREE
203085	PLUG WATER LINE 1/2" PLASTIC

2006 A-Series Motorhome

PLUMBING, FRESH WATER

Fresh Water Fittings



Part Numbers on the Next Page

2006 390/396/Sky Deck XL

PLUMBING, FRESH WATER

Fresh Water Fittings

1. 601698-04	Elbow, 1/2" barb x 1/2" MPT
2. 601698-03	Coupler, 1/2" barb x 1/2" FPT
3. 601698-02	Coupler, 1/2" barb x 1/2" MPT
4. 601698-05	Elbow 1/2 barb x 1/2" FPT
5. 601698-22	Shut-off, 1/2" barb x 1/2" barb
6. 601698-08	Coupler, 1/2" x 1/2" barb
7. 601698-09	Plug, 1/2" barb
8. 601698-10	Elbow 1/2" barb x 1/2" barb
9. 601698-11	Tee, 1/2" x 1/2" x 1/2"
10. 601698-15	Crimp ring, 1/2E-Pex, 1/2" (black)
11. 601698-01	E-Pex tube, 1/2"
12. 601698-16	Crimp ring, 3/4, E-Pex, black
13. 601698-12	E-Pex tube, 3/4"
14. 601698-13	Elbow, 3/4" x 3/4" barb
15. 601698-18	Tee, 3/4" x 1/2" x 3/4" barb
15. 601698-20	Tee, 3/4" x 3/4" x 1/2" barb
601698-14	3/4 BARB X 3/4 MPT EL
601698-07	QV477X 1/2 BARB RB SHUTOFF VALVE
601698-20	TEE 3/4" X 3/4" X 1/2"

2006 A-Series Motorhome

PLUMBING, FRESH WATER

Faucet, Galley

601961 FAUCET-FLORIANO BRIZO PULL DOW

Faucet, Lavatory

601960 FAUCET-TREVI BRIZO

Faucet, Shower

601962-02 22" wall bar, 69" hose, 5 function shower head

601962-03 Elbow, 90 degree, wall bar

601962-04 Stainless steel pressure valve

601962-05 Stainless steel handle

Faucet, Washer/Dryer

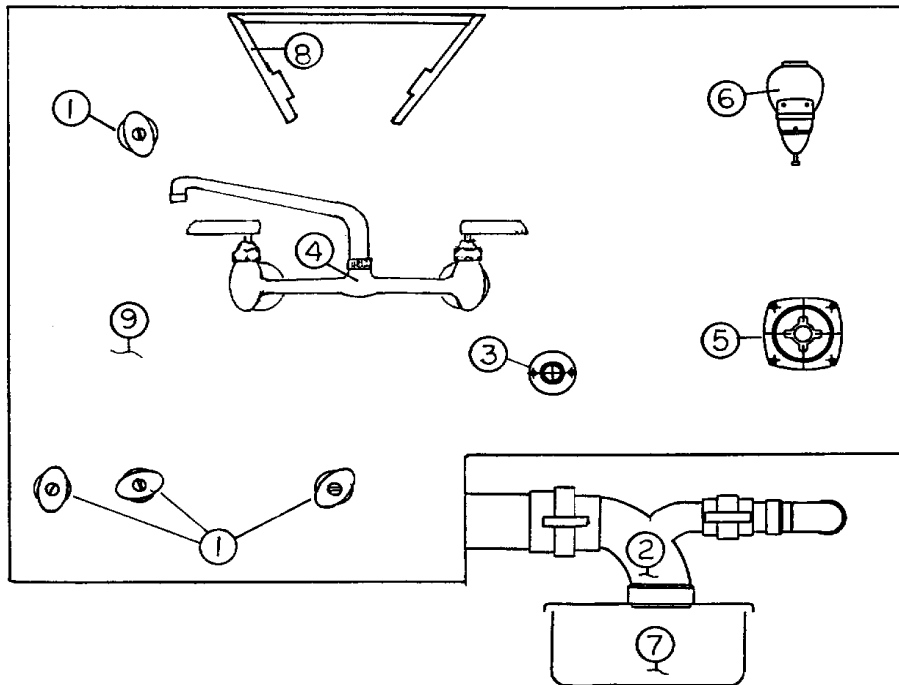
690423 Faucet, washer/dryer

601738 Box, valve control, washer/dryer

2006 390/396/Sky Deck XL

PLUMBING, DRAIN

Utility Compartment



1. 601698-22 Shut-off, 1/2 barb x 1/2 barb
2. 601482 Dump valves, includes gray and black w/drop out
3. 601786 Water hook up, black water flush
4. 601742 Faucet, BK, heavy duty
5. 601392-05 City water hook up w/ regulator
6. 381651 Dispenser, liquid soap
7. 203201 Pan, sewer hose storage
8. 203035 Holder, paper towel
- 511045-02 Hatch, electrical, polar white
- 381435 HATCH, ACCESS COVER, 4" WHITE
- 381463-02 Cover access hatch, sewer hose, black, 5"
- 385931-01 Decal sheet, all panel decals
- 690264-03 PLUMBING FLASHING V-2049-1 WHITE
- 701538 Carpet, Black Velour
- 511605 Exterior water pump switch
- 195329-240 SEWER HOSE ADAPTOR
- 340084-52 CLAMP, HOSE SAE #52

2006 A-Series Motorhome

PLUMBING, DRAIN

Shower/ Sinks

203180-03	SHOWER STALL FIBERGLASS
602051	DRAIN TIP TOE SATIN NICKEL FINISH
703511	DOOR-SHOWER BR NICK.W/FLUTED G
601806	SINK-S.S. ROUND GALLEY
601977	COVER, CORIAN SINK, 17.19"
601959	SINK-VESSAL CRYSTAL 15"
602050	DRAIN-FLIP NICKEL

Toilet

601944-03	TOILET TRAVEL, LO-PRO, PLATINUM
-----------	---------------------------------

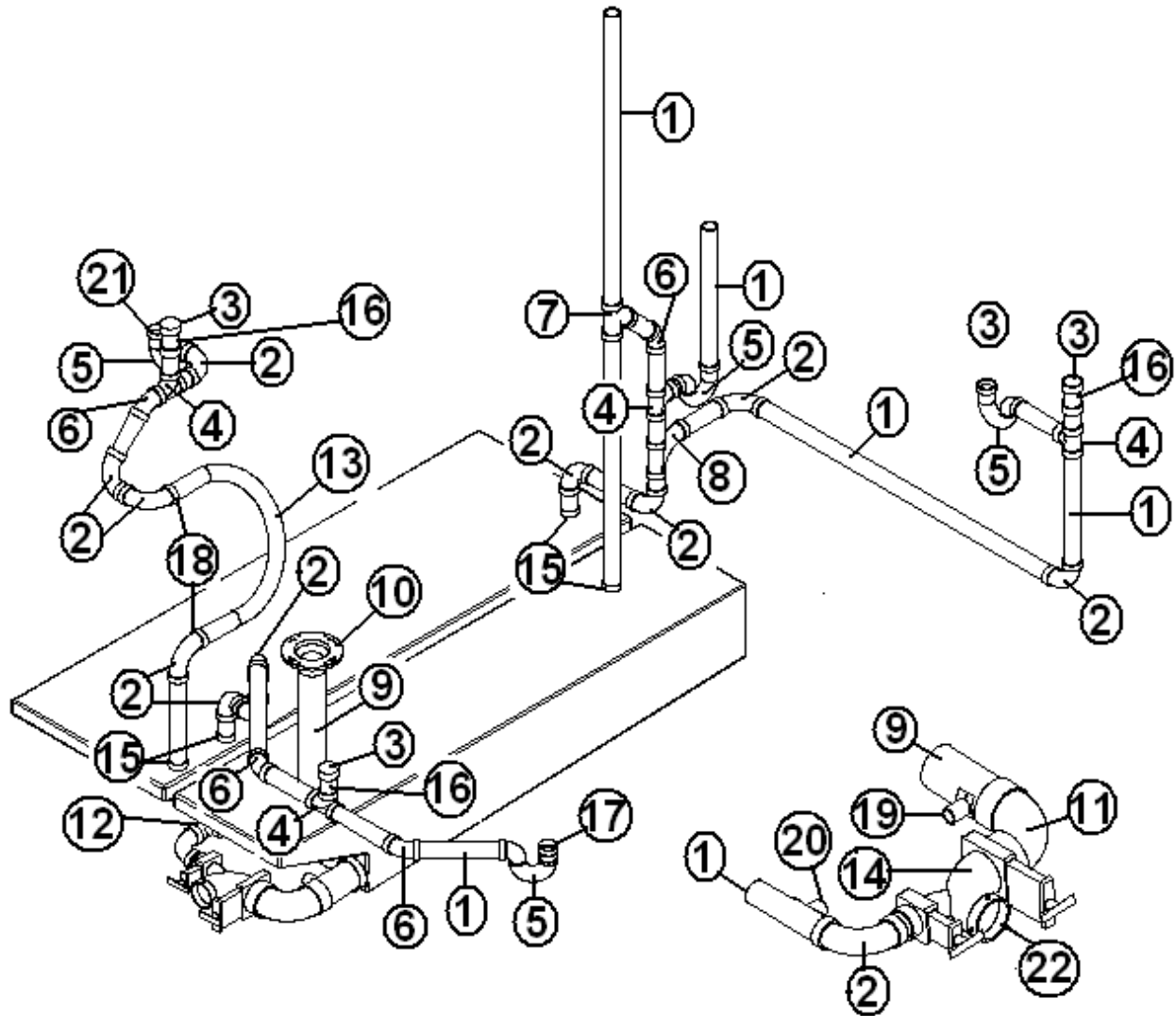
Sewer Hose

601607-08	Sewer hose, 20', w/hose adaptor
01664	CAP POSITIVE SEAL THETFORD 3IN

2006 390/396/Sky Deck XL

PLUMBING, DRAIN

Drain System



2006 A-Series Motorhome

PLUMBING, DRAIN

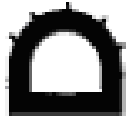
Drain System

1. 601160-02	PIPE, ABS DVW, 1.5"
2. 600035	ELL ABS LONG SWEEP 1.5"
3. 600538	VENT V-200 AUTOMATIC
4. 600156	TEE SANITARY
5. 600622	P-TRAP 1-1/2 W/SLIP NUT & WASH
6. 600027	ELBOW ABS LONG ST 45 DEGREES
7. 600094	WYE #2301
8. 600182	WYW, 1.5" X 1.5" X 1.5"
9. 601160-04	PIPE, ABS DVW, 3"
10. 601266	FLANGE, CLOSET, 3 X 4, SLIP FIT
11. 600662	1.5" ELBOW
12. 195329-229	REDUCER ADAPTOR 3" TO 1.5"
13.601700-01	HOSE-DRAIN TIGER, FLEX 1.5"
14.601482	DUMP VALVE ROTATING ASSY.
15.601676	ADAPTER THREADED 1 1/2" MALE
16.600308	ADAPTER ABS FEMALE SLOAN
17.600442	SWIVEL STRAINER, TUB DRAIN
18.601699	ADAPTER 1 1/2" MPT X 1 1/2" BAR
19.601846	ADAPTOR-3", PIPE CATCON
20.601845	ADAPTOR-1.5", PIPE CATCON
21.602062	TAIL PIECE EXTENTION
22.01664	CAP POSITIVE SEAL THETFORD 3IN
511789	SENSOR-TANK MONITOR #500-10050
511393	COUPLER-MODULAR EXTENSION 4 CONDUCTOR
511252	LUG PHONE 4 CONDUCTOR
511789-01	BOOT-SENSOR #500-20010-05
601860-02	TANK-GRAY HOLDING 79 GALLONS
601865-02	TANK-BLACK HOLDING 55 GALLONS
453757	ANGLE-TANK STOP 10"
453756	BRACE-FRESH WATER TANK
963557	SPACER BLACK TANK GAS BUS
203227	SLOPE PAD-.60" X 43" X 61"
601441	Tank flush, no-fuss

2006 390/396/Sky Deck XL

SEALER, GASKETS

Gaskets, Windows/Doors



①



②



③



④



⑤



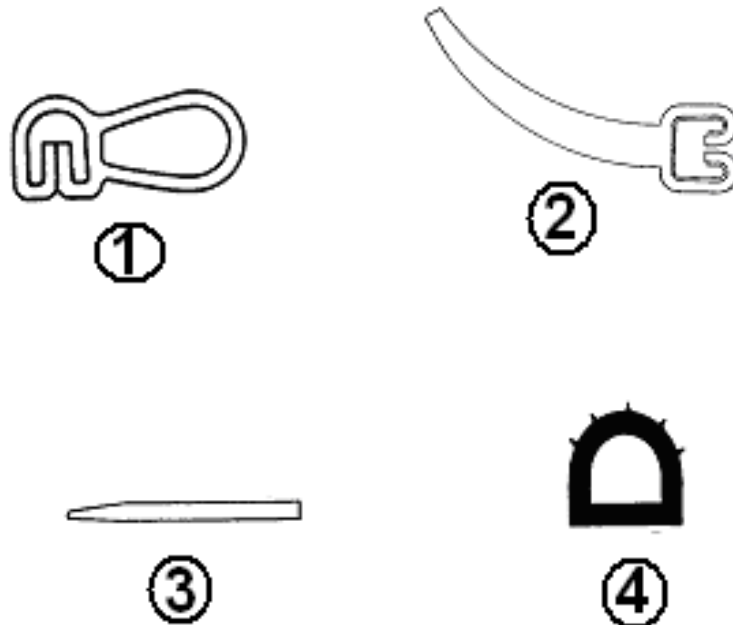
⑥

- | | |
|-----------|---|
| 1. 381663 | Gasket, lower compartment door |
| 2. 365232 | Seal, main door/compartment door jamb |
| 3. 365045 | Seal, main door |
| 4. 201260 | Insert, windshield gasket, rubber |
| 5. 381640 | Gasket, windshield, includes center strip |
| 6. 365013 | Gasket, screen door, low-density foam |

2006 A-Series Motorhome

SEALER, GASKETS

Gaskets, Slide Out Room



1. 381594 Rubber extrusion, bulb type, black
 2. 381587 Rubber extrusion, wiper
 3. 381589 Rubber extrusion, floor wiper
 4. 381663 Rubber floor, extrusion, bulb w/tape, used on inside wall
- 381396 Gasket, clearance light, neoprene
365292 Gasket, engine cover
365283 SEAL-"P" BLACK S/O ROOM
365284 SEAL-WIPER BLACK 1.38" S/O ROOM
365281 BULB SEAL-WHITE

2006 390/396/Sky Deck XL

SEALER, GASKETS

Gaskets, SE-GI Windows



- | | |
|---------------|--------------------------------|
| 1. 371366-103 | Track, window screen, Se-Gi |
| 2. 371366-102 | Track, sliding pane, Se-Gi |
| 3. 371366-104 | Wiper seal, vertical, Se-Gi |
| 4. 371366-105 | Screw cover, clamp ring, Se-Gi |

2006 A-Series Motorhome

SEALER, GASKETS

Sealer

360209-02	Sealer, black, windshield
360052	Vulkem sealer, black,
360180	Sika flex #221
360268-01	Liqua Seal, roof, white
365256	ADHESIVE, INDUSTRIAL #4799
360074	Sealant, GE RTV, white
360001	Butyl sealant
360176	Sealant, almond, bathroom
360210	Sealant, paralastic #4334-04 (refrigerator compartment sealer)
360283-01	Silicone sealer, Corian, Glacier White
360286	Sealant, gray
360069-01	Sealer, 1/8 x 1 1/4 putty tape
365293-01	Sikaflex, Urethane, white

Tape

365001	Tape, double coated foam
365235	TAPE DBL COATED .12 X 1.00
365245	TAPE, .045" X 1" X 36' DBL COATED
385577	TAPE CLEAR WEAR STRIP 3.5" WIDE

2006 390/396/Sky Deck XL

UPHOLSTERY/FOAM/MATTRESS

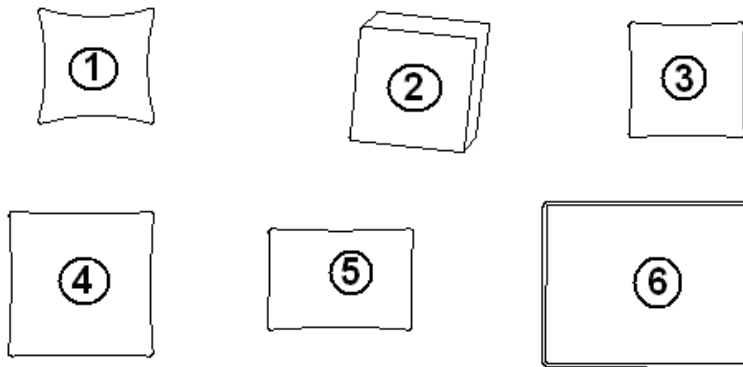
Mattress

703483 MATTRESS 60 X 75" W/8" RADIUS
701611 Pillow 21 x 31"

Bedsread

703494-485 Bedsread, 62" x 76", Caramel Mocha
703494-466 Bedsread, 62" x 76", Café Latte
703494-476 Bedsread, 62" x 76", Espresso

Pillow Kit, Caramel Mocha

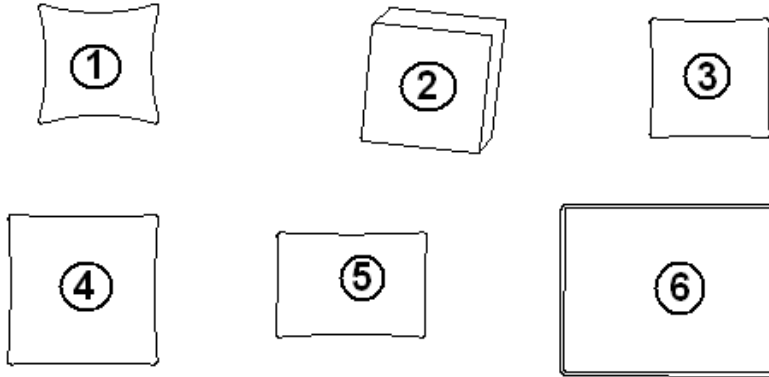


- 703510-07 Complete pillow kit
- 1. 703510-01 Accent pillow
- 2. 703510-02 Accent pillow
- 3. 703510-03 Accent pillow
- 4. 703510-04 Accent pillow
- 5. 703510-05 Accent pillow
- 6. 703510-06 Pillow sham, bedroom

2006 A-Series Motorhome

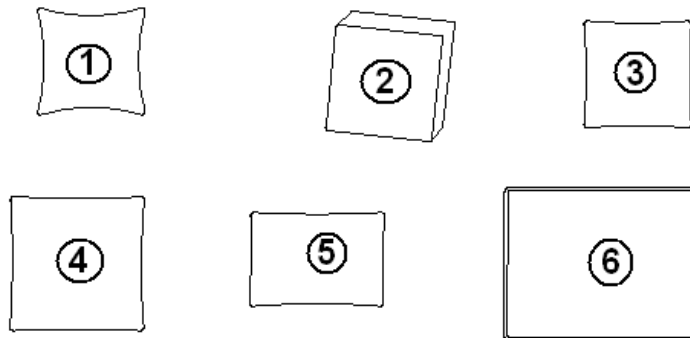
UPHOLSTERY/FOAM/MATTRESS

Pillow Kit, Café Latte



- 703574-07 Complete pillow kit
- 1. 703574-01 Accent pillow
- 2. 703574-02 Accent pillow
- 3. 703574-03 Accent pillow
- 4. 703574-04 Accent pillow
- 5. 703574-05 Accent pillow
- 6. 703574-06 Pillow sham, bedroom

Pillow Kit, Espresso



- 703575-07 Complete pillow kit
- 1. 703575-01 Accent pillow
- 2. 703575-02 Accent pillow
- 3. 703575-03 Accent pillow
- 4. 703575-04 Accent pillow
- 5. 703575-05 Accent pillow
- 6. 703575-06 Pillow sham, bedroom

2006 390/396/Sky Deck XL

UPHOLSTERY/FOAM/MATTRESS

Sofas

- 703504-46L Sofa sleeper, 83", Café Latte
- 703504-47L Sofa sleeper, 83", Espresso
- 703504-48L Sofa sleeper, 83", Caramel Mocha

Chairs/Recliners

- 703505-46L Recliner, leather, Café Latte
- 703505-47L Recliner, leather, Espresso
- 703505-48L Recliner, leather, Caramel Latte
- 703009-03 Chair, folding, Medium Oak
- 703009-05 Chair, folding, Natural Oak
- 703465-01 Chair, dinette

2006 A-Series Motorhome

UPHOLSTERY/FOAM/MATTRESS

Seats, Driver, passenger

703502-46L	SEAT PILOT ISS 6-WAY CAFFE LATTE
703502-47L	SEAT PILOT ISS 6-WAY ESPRESSO
703502-48L	SEAT PILOT ISS 6-WAY CAMEL MOCHA
703503-46L	SEAT COPILOT ISS 6-WAY CAFFE LATTE
703503-47L	SEAT COPILOT ISS 6-WAY ESPRESSO
703503-48L	SEAT COPILOT ISS 6-WAY CAMEL MOCHA
703532-46L	SEAT WIDE, PASSENGER W/HEAT, CAFFE LATTE
703532-47L	SEAT WIDE, PASSENGER W/HEAT,ESPRESSO
703532-48L	SEAT WIDE, PASSENGER W/HEAT,CAMEL MOCHA

Ceiling Liner

703545	HEADLINER, VINYL WHITE
702992-02	Headliner, Neutral

Sun Visors

381756-01	SUN VISOR ADJUSTABLE 96-777-3LHR
381756-02	SUN VISOR ADJUSTABLE 96-777-3RHR

Cabinet Carpet

703566	Upholstery, dark oak
--------	----------------------

2006 390/396/Sky Deck XL

VENTS/FANS/SKY LIGHTS

Vent, Power Lift, Bath

381541-08	Roof vent w/power lift, white
381541-07	TRIM RING, LIGHT BEIGE
381541-09	TRIM RING, WHITE
381917	VENT-CEILING, 6.63", ROUND WHITE
381153-02	VENT, JENSEN #757- CSA (POWERED)

Vent, Bath, Round

690266-01	Ventilator, round, bath
690266-02	Ventilator, round, bath, CSA

Power Fan, Ceiling

381841-01	Vent, Fantastic fan, Exhaust only, Beige
-----------	--

Fan, Defrost

511547	Fan, defrost
--------	--------------

Cooling Fan, Front Roof Locker

512073	FAN-12V CASE
--------	--------------

2006 A-Series Motorhome

VENTS/FANS/SKY LIGHTS

Vent, Washer/Dryer

386145 VENT KIT -DRYER PAINTABLE

Range Vent, Exterior

511017-02 VENT, EXTERIOR COLONIAL WHITE

511017-20 VENT EXTERIOR WHITE 4 LOUVRE CSA

Sky Light, 14.5" x 22.5"

203148-01 Skylight, 14.5 x 22.5

203148-02 Inner trim, dome, skylight, 14 x 22

702804-01 Shade, pleated, skylight, 12.75" X 21.25"

Sky Light, 14." x 22", Clear

203153-02 SKYLIGHT 14 X 22 CLEAR

203152-04 SKYLIGHT PLASTIC. 13.25 X 21 CREAM

203152-06 SKYLIGHT-INTERIOR GARNISH, 13.25" X 21" X
4", WHITE

Galley Sky Light w/Shade

702804-02 Shade, pleated, 20.25 x 21.00

203153-01 Skylight, 22" x 22"

203152-05 Trim ring, skylight, 21.5" x 21.5"

2006 390/396/Sky Deck XL

WOOD/INTERIOR TRIM

Paneling

801616	Panel, Vermont Maple
801617	Panel, Birdseye Maple
801618	Panel, Cherry
800397-01	Cedar, planked, 5/32"x4'x 8'
801505	Panel, Ascot Sand/Raw, .125" X 4' X 8'
801506	Panel, Ascot Sand/Raw, .5" X 4' X 8'
801392	PANEL WHITELINER/WHITELINER 12MM
801438	PANEL, FROSTY WHITE VINYL

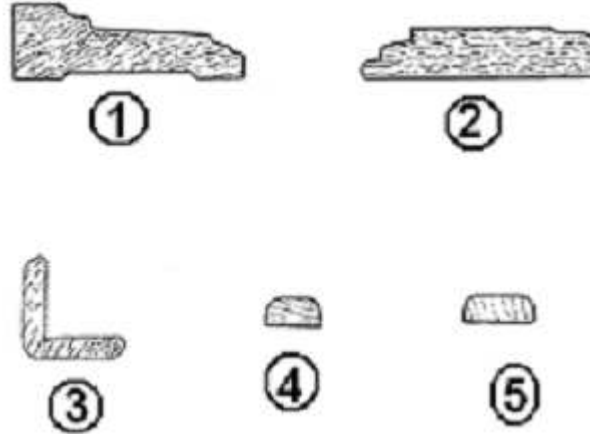
Seam Tape

365286-01	Tape, seam, Ascot Sand, 1 1/8" wide
365286-02	Tape, seam, Ascot Sand, 8" wide
365286-03	Tape, seam, Ascot Sand, 12" wide
365286-04	Tape, seam, Ascot Sand, 48" wide

2006 A-Series Motorhome

WOOD/INTERIOR TRIM

Molding Wood, Cherry

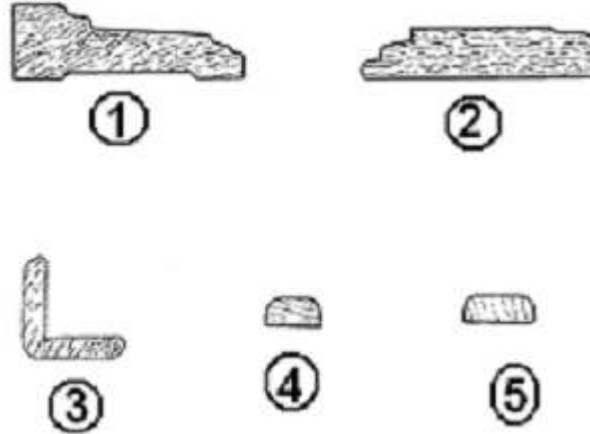


- | | |
|---------------|---|
| 1. 801266-008 | Molding, base board |
| 2. 801265-008 | Molding, chair rail, oak |
| 3. 801175-07 | Molding, corner, Ascot Sand |
| 4. 800571-018 | Molding, Oak, flat .25"H x .52"W x 80"L |
| 5. 800572-018 | Molding, panel edge, Oak 23/32 x 80" |
| 201785-01 | TRIM-OUT, FLOOR, 3-1/2" ROUND |

2006 390/396/Sky Deck XL

INTERIOR TRIM

Molding Wood, Birdseye Maple

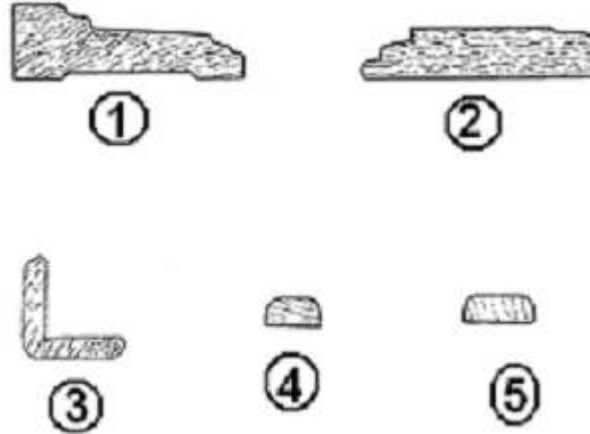


- | | |
|----------------|---|
| 1. 801266-0010 | Molding, base board |
| 2. 801265-0010 | Molding, chair rail, oak |
| 3. 801175-07 | Molding, corner, Ascot Sand |
| 4. 800571-0010 | Molding, Oak, flat .25"H x .52"W x 80"L |
| 5. 800572-0010 | Molding, panel edge, Oak 23/32 x 80" |
| 201785-01 | TRIM-OUT, FLOOR, 3-1/2" ROUND |

2006 A-Series Motorhome

INTERIOR TRIM

Molding Wood, Vermont Maple

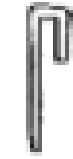


- | | |
|----------------|---|
| 1. 801266-0011 | Molding, base board |
| 2. 801265-0011 | Molding, chair rail, oak |
| 3. 801175-07 | Molding, corner, Ascot Sand |
| 4. 800571-0011 | Molding, Oak, flat .25"H x .52"W x 80"L |
| 5. 800572-0011 | Molding, panel edge, Oak 23/32 x 80" |
| 201785-01 | TRIM-OUT, FLOOR, 3-1/2" ROUND |

2006 390/396/Sky Deck XL

INTERIOR TRIM

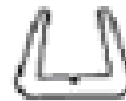
Plastic Trim



①



②



③



④



⑤

- | | |
|--------------|---------------------------------------|
| 1) 201666-01 | J-Molding, 3/16, plastic, Almond |
| 2) 201790-01 | Molding, cove, white, ceiling to wall |
| 3) 203138-03 | Extrusion, wall, plastic, beige |
| 4) 203138-04 | Extrusion, wall, plastic, oak |
| 5) 201936 | Wire cover, Dark Brown |
| 203157 | Molding, baseboard, PVC |

2006 A-Series Motorhome

NOTES

