

AIRSTREAM

AN AMERICAN LEGEND

SAFARI/BAMBI TRAILER

Parts Book

2005

2005 SAFARI- BAMBI
TABLE OF CONTENTS
SECTION I
A through B

APPLIANCES

[Air Conditioner, Furnace](#) I-1
[Microwave, Range, Refrigerator, Water Heater](#) I-2

BODY

[End shell, aft](#) I-3
[End shell, front](#) I-15
[Roof](#) I-21
[RS wall, 30'](#) I-25
[CS wall 30'](#) I-27
[RS wall, 28 W](#) I-29
[CS wall, 28 W](#) I-31
[RS wall, 28 Slide out](#) I-33
[CS wall, 28 Slide out](#) I-35
[RS wall, 25 sleep six "C"](#) I-37
[CS wall, 25 sleep six "C"](#) I-39
[CS wall, 25 "A & B"](#) I-41
[RS wall, 25 "A & B"](#) I-43
[RS wall, 25 Front Bed](#) I-45
[CS wall, 25 Front Bed](#) I-47
[CS wall, 22'](#) I-49
[RS Wall, 22'](#) I-51
[RS Wall, 19ft](#) I-53
[CS Wall, 19ft](#) I-55
[RS Wall, 16ft](#) I-57
[CS Wall, 16ft](#) I-59
[Slide out Room](#) I-61
[Slide Out Room Wall Structure/Rocker Panel](#) I-63
[Wrap Protector](#) I-64
[Body interior](#) I-65
[Slide Mechanism](#) I-67
[Slide out Shell](#) I-68

2005 SAFARI- BAMBI
TABLE OF CONTENTS
SECTION II
C through E

CHASSIS

[Axles, Shocks, Tires, Wheels](#) II-1
[Wheel wells, Step](#) II-2
[Hose Carrier, Stabilizing jacks](#) II-2
[Rear bumper](#) II-3
[Under belly metal, Coupler, hitch](#) II-6
[Brakes/Grease Seal/Bearings](#) II-7
[Front jacks](#) II-9

[DECALS/EXTERIOR TRIM](#) II-11

DOORS/WINDOWS/AWNING

[Doors](#) II-12
[Windows](#) II-19
[Stone Guard](#) II-21
[Awning](#) II-21

[DRAPES/BLINDS/VALANCES](#) II-22

ELECTRICAL

[110 volt](#) II-32
[12 volt](#) II-34

[ENTERTAINMENT](#) II-39

2005 SAFARI- BAMBI
TABLE OF CONTENTS
SECTION III
F through H

FLOOR COVERING

Carpet	III-1
Mats	III-1
Vinyl Flooring	III-1

FURNITURE

Interior doors	III-2
Mirrors	III-6
Drawer	III-6
Lounge	III-8
Galley	III-39
Lavatory	III-103
Bedroom	III-151

HARDWARE

Exterior locks/hinges	III-189
Interior drawer slides/hinges latches	III-194
Bath Accessories	III-197
Wardrobe, Drapes, Interior Hinges.	III-198
Detectors/Fire extinguisher	III-199
Awning hardware	III-200
Rivets	III-202

2005 SAFARI- BAMBI TABLE OF CONTENTS

SECTION IV

L through Z

LABELS and TAGS	IV-1
---------------------------------------	------

PLUMBING

LPG	IV-3
Fresh water	IV-5
Faucets	IV-10
Drain water	IV-15
Toilet	IV-31

SEALER	IV-35
------------------------------	-------

GASKETS/PAINT	IV-36
-------------------------------------	-------

UPHOLSTERY

Mattresses	IV-37
Sofa/Armrests	IV-39
Pillows	IV-41
Dinette Foam	IV-43
Wall Borders/Chairs/Seam Tape	IV-44

VENTS/FANS	IV-46
----------------------------------	-------

SKY LIGHTS	IV-47
----------------------------------	-------

PLYWOOD/PANELING	IV-48
--	-------

EDGEBANDING/LAMINATES	IV-49
---	-------

INTERIOR TRIM	IV-50
-------------------------------------	-------

2005 SAFARI- BAMBI

APPLIANCES

Air Conditioners

195329-143	Air conditioner, 11, 000 Dometic
690323-32	AC roof, 13,500 BTU w/Heat pump ducted
690380-03	Air box-Penguin heat pump, polar white
690323-37	AC roof, 15,000 BTU w/Heat pump
690323-02	Air Conditioner, 13,500 Manual
690323-31	COMFORT CONTROL CENTER
961270	Pan Assembly, drain, air conditioner
690323-03	Heat strip, Dometic air conditioner
511252	PLUG PHONE 4 CONDUCTOR
690323-100	Shroud, exterior, Penquin
690323-05	Air box/return grill
601240-01	Black drain tubing, ½" ID
386149	Decal, Airstream, Roof A/C shroud

Furnace

690439	Furnace, 12,000 BTU Direct Pump, 16'
690395	Furnace, Hydroflame, 7916-II, 19 Ft Safari
690467-02	Furnace, 18,000 BTU, 22'
690274-04	Furnace, Hydroflame, 8525-IV, 25 ft
690274-01	Furnace, Hydroflame, 8531, 28', 30' Safari
600247	Hose, 4", flex heat duct
600193	Hose, 2", flex heat duct
690341	Adapter, 4-2 furnace reducer
600526	Flange, 4"
601244-03	REGISTER-ROTAIRE #3840-96 4", BLACK
601244-01	REGISTER-ROTAIRE #3840-96 4"BROWN
601244-02	REGISTER, ROTAIRE 4" WHITE
601429	Louver, 2" Black, round
203070	REGISTER PLASTIC BROWN 2" X 10"
511228	Thermostat, furnace, off white
601348	TEE, HEAT DUCT, 4 X 4 X 2
600526	FLANGE, 4"
690467-01	DIVERTER-FURNACE DISCHARGE, 22'

2005 SAFARI- BAMBI

APPLIANCES

Range

690396-09 RANGE 22", W/OVEN S.S. TOP/DOOR
690396-10 Cook top, 3 burner, Stainless Steel
690396-03 Bi-fold cover

Refrigerators

690470-02 Refrigerator, 3 cu. Ft., 2-way, RH Door, 16'
690393-05 Refrigerator, 4 Cu. Ft. RM2452RB, 19'
690492-01 Refrigerator, 6CF, RM2662LB, 28' W, 25' SS
690393-06 Refrigerator, 4 CF RM2452LB, 22'
690492-03 Refrigerator, 8 CF RM2862RB, 30'
690492-02 Refrigerator, 6 CF, RM2662RB, 25' A & B, 25' FB
690492-04 Refrigerator, 8CF, RM2862LB, 28' S/O
965934-01 INSERT ASSY, REFER 20.62" X 15.75"
965934-02 INSERT ASSY, REFER 20.62" X 32.62"
965934-03 INSERT ASSY-REFER 20.62" X 38.62"
801448-12 REFER ALUM INSERT, 4CF, 22'
690394 Power ventilator, refrigerator

Water Heater

690199 Water heater, electronic ignition
500933 Switch package, water heater
690209 Access cover, brushed aluminum
381648 COVER LATCH HOLE, WATER HEATER

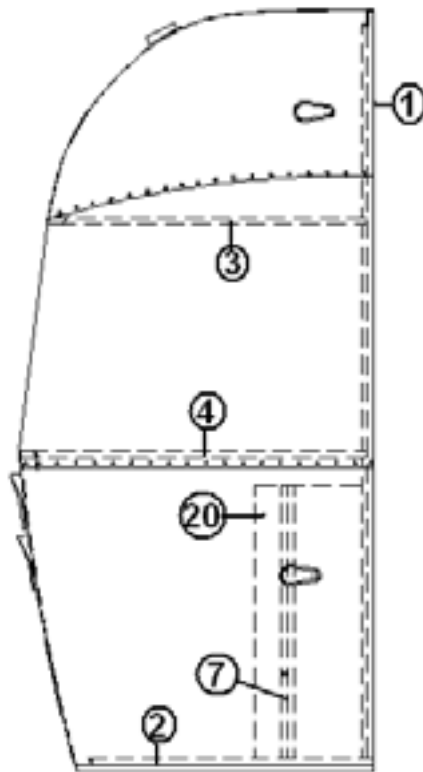
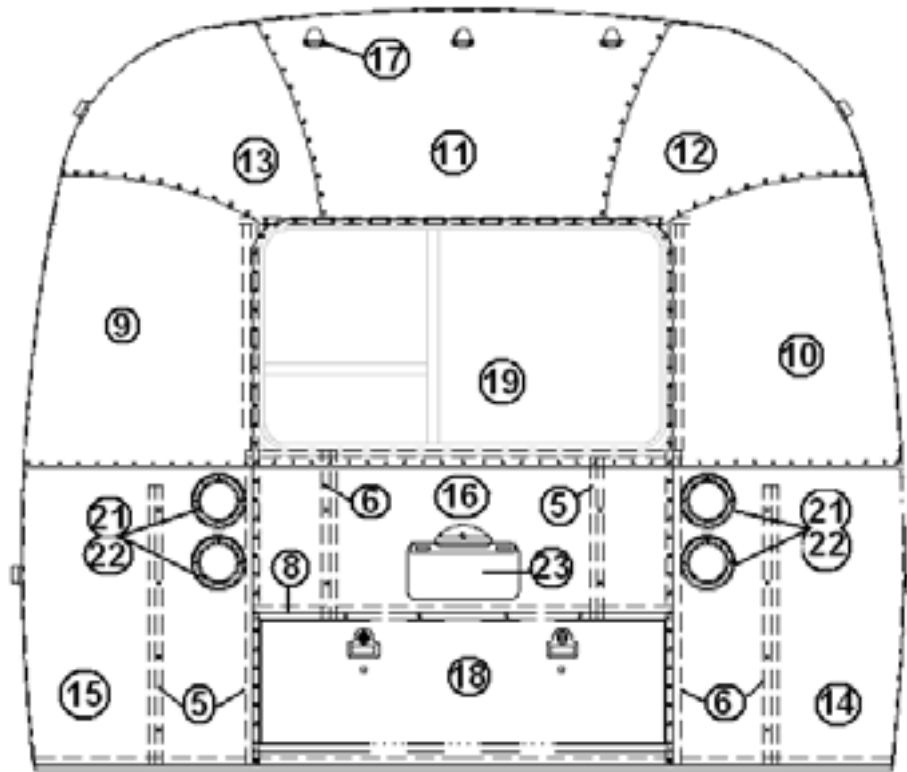
Microwaves

690476-01 MICROWAVE-SAMSUNG W/KIT UL
690476-02 MICROWAVE-SAMSUNG W/KIT UL/CSA APPROVED
690345-01 MICROWAVE-CONVECTION SHARP R-820BK
690345-03 TRIM RING, CONVECTION MICROWAVE 7A

2005 SAFARI- BAMBI

EXTERIOR BODY

AFT END 16'



2005 SAFARI- BAMBI

EXTERIOR BODY

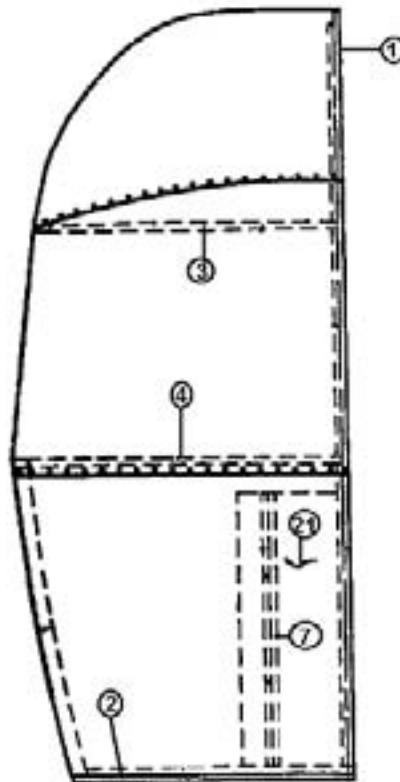
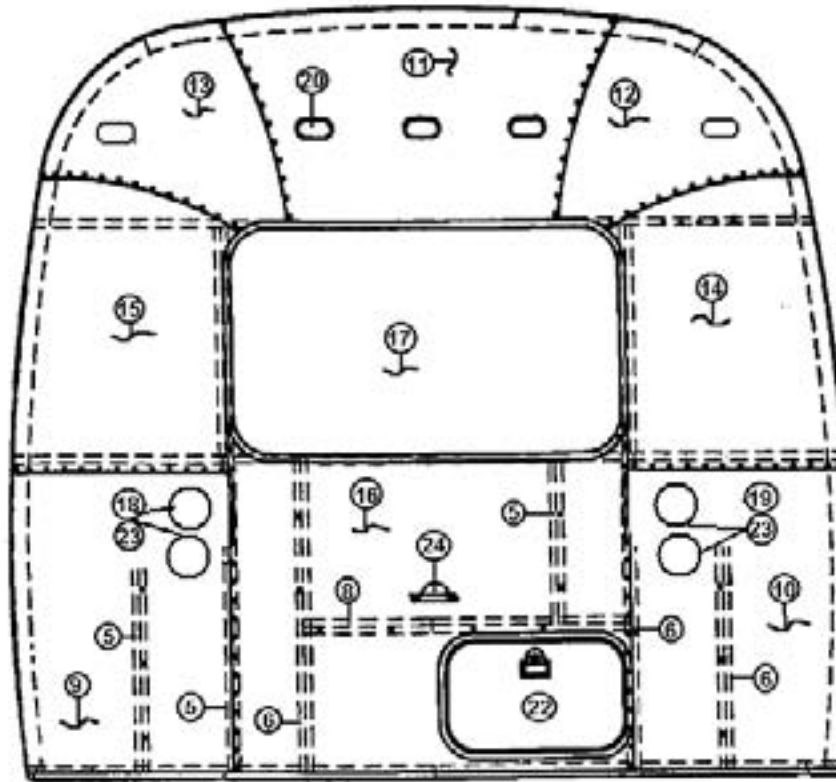
AFT END 16'

- | | |
|----------------|-------------------------------------|
| 1. 114994 | WELDMENT ZERO BOW |
| 2. 104463 | BOW FLOOR |
| 3. 104351 | BOW-UPPER WINDOW |
| 4. 104343 | BOW-LOWER WINDOW |
| 5. 114505-01 | SUPPORT, LOWER, END SHELL, LH |
| 6. 114505-02 | SUPPORT, LOWER, END SHELL, RH |
| 7. 101315 | BRACE VERTICAL REAR |
| 8. 104408 | EXTRUSION, Z RIB |
| 9. 114888 | SEGMENT-CENTER LEFT "BRIGHT" |
| 10. 114889 | SEGMENT-CENTER RIGHT "BRIGHT" |
| 11. 114892 | SEGMENT #25 NARROW BRIGHT |
| 12. 114890 | SEGMENT-#26 "BRIGHT" |
| 13. 114891 | SEGMENT-#27 "BRIGHT" |
| 14. 114894 | SEGMENT-#28 "BRIGHT" |
| 15. 114895 | SEGMENT-#29 "BRIGHT" |
| 16. 114880-307 | ALUMINUM SHEET .040"X51"X307" |
| 17. 511751 | MARKERLIGHT-RED TEARDROP |
| 18. 922711 | DOOR ASSY-TRUNK |
| 19. 371381-11 | Window, rear end, 24", Egress, 16' |
| 20. 114849-03 | ALUMINUM SHEET, 060 26" W X 8' GRAY |
| 21. 511860-01 | LIGHT-4"LED RED |
| 22. 511860-02 | BEZEL- 4" ROUND CHROME W/VISOR |
| 23. 500053 | LIGHT AND HOLDER LICENSE |

2005 SAFARI- BAMBI

EXTERIOR BODY

AFT END, 19'



2005 SAFARI- BAMBI

EXTERIOR BODY

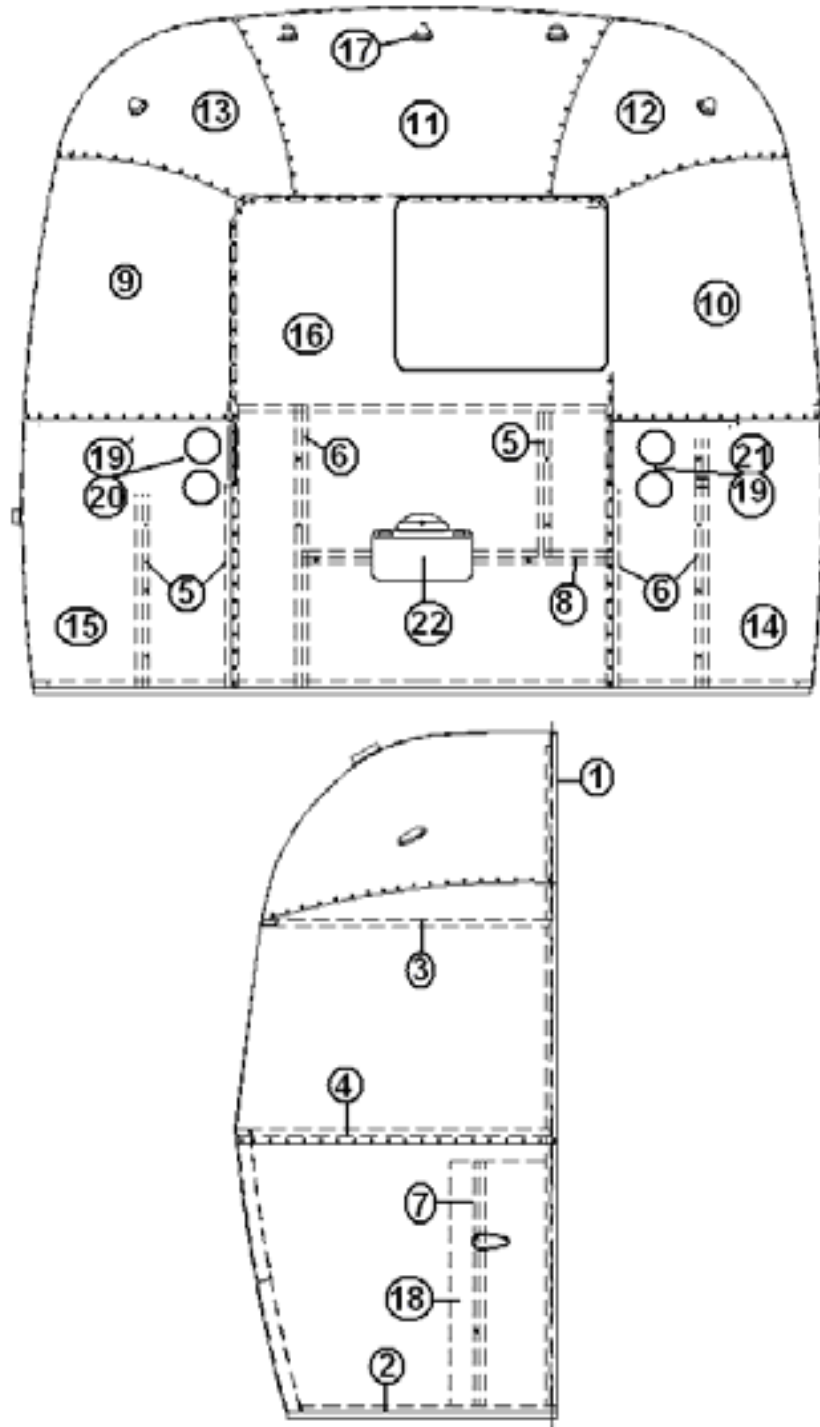
AFT END, 19'

964513-05	End shell complete, Aft, Bambi 19 FT
1) 114994	End bow
2) 104463	Floor bow
3) 104351	Upper window bow
4) 104343	Lower window bow
5) 114505-01	Support, lower end, LH
6) 114505-02	Support, lower end, RH
7) 101315	Brace, vertical rear
8) 104408	Extrusion rib
9) 114895	Segment #29
10) 114894	Segment #28
11) 114892	Segment #25(narrow)
12) 114890	Segment #26
13) 114891	Segment #27
14) 114889	Segment, center right
15) 114888	Segment, center left
16) NPN	Alum. sheet, 050x41x45.25x51.0
17) 371381-15	Window, rear egress, 43.94 x 24.19
18) 500500-RS	TAILLIGHT ASSY- LED R.S.
19) 500500-CS	TAILLIGHT ASSY- LED C.S
20) 511751	Teardrop light, red
21) 114880-262	Alum. Sheet, 040 x 12.0" x 29.0"
22) 100679-01	Door assembly, access
23) 201462	Pocket, ABS taillight
24) 500053	Light and license plate holder

2005 SAFARI- BAMBI

EXTERIOR BODY

AFT END, 22'



2005 SAFARI- BAMBI

EXTERIOR BODY

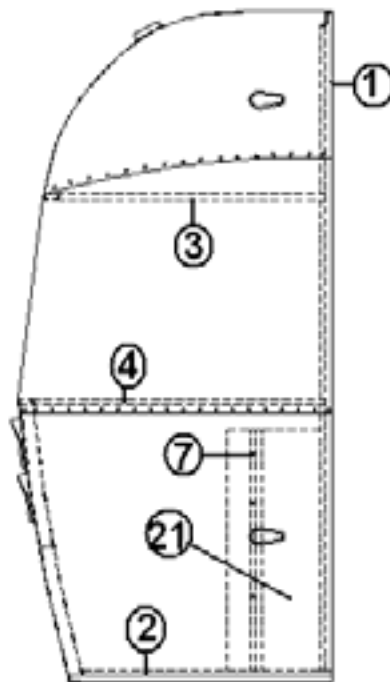
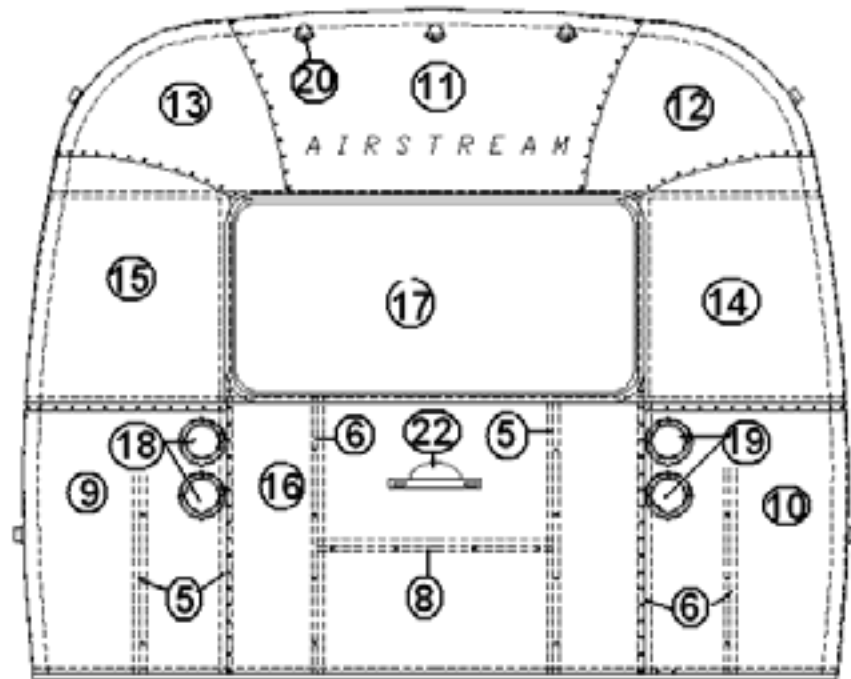
AFT END, 22'

922726-05	END SHELL ASSY-REAR
1. 114994	WELDMENT ZERO BOW "NB"
2. 104463	BOW FLOOR, NARROW BODY
3. 104351	BOW-UPPER WINDOW-NARROW BODY
4. 104343	BOW-LOWER WINDOW-NARROW BODY
5. 114505-01	SUPPORT LOWER END SHELL LH
6. 114505-02	SUPPORT LOWER END RH
7. 101315	BRACE VERTICAL REAR
8. 104408	Z RIB
9. 114888	SEGMENT-CENTER LEFT "BRIGHT"
10. 114889	SEGMENT-CENTER RIGHT "BRIGHT"
11. 114892	SEGMENT #25 NARROW BRIGHT
12. 114890	SEGMENT-#26 "BRIGHT"
13. 114891	SEGMENT-#27 "BRIGHT"
14. 114894	SEGMENT-#28 "BRIGHT"
15. 114895	SEGMENT-#29 "BRIGHT"
16. 114880-198	ALUMINUM SHEET .040" X 51" X 198"
17. 511751	MARKERLIGHT-RED TEAR DROP
18. 114849-03	ALUMINUM SHEET, 060 26" W X 8' GRAY
19. 201462	POCKET, ABS TAILLIGHT
20. 500500-RS	TAILLIGHT ASSY- LED R.S.
21. 500500-CS	TAILLIGHT ASSY- LED C.S.
22. 500053	LIGHT AND HOLDER LICENSE

2005 SAFARI- BAMBI

EXTERIOR BODY

AFT END, 25' FB



Part Numbers are on the Next Page

2005 SAFARI- BAMBI

EXTERIOR BODY

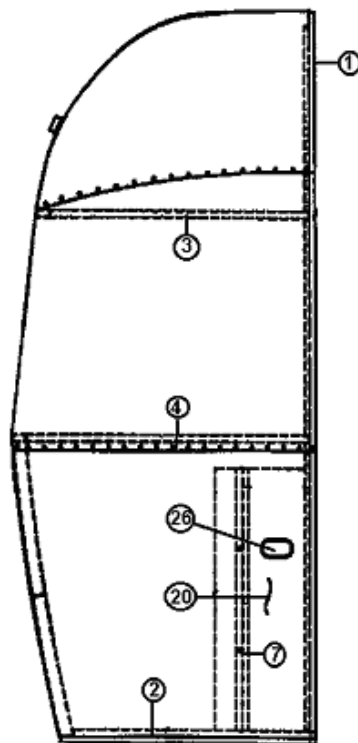
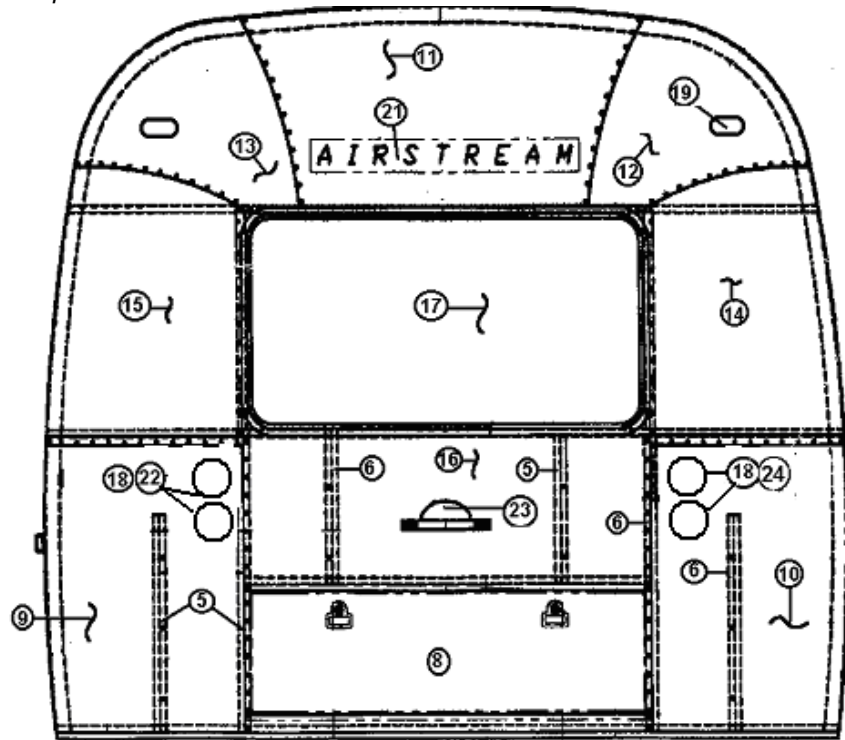
AFT END, 25' FB

921227	End shell complete, Aft, 25' FB
1) 114994	End bow
2) 114676	Floor bow
3) 114678	Upper window bow
4) 114677	Lower window bow
5) 114505-01	Support, lower end, LH
6) 114505-02	Support, lower end, RH
7) 101315	Brace, vertical rear
8) 104408	Extrusion rib
9) 114895	Segment #29
10) 114894	Segment #28
11) 114893	Segment #25
12) 114890	Segment #26
13) 114891	Segment #27
14) 114889	Segment, center right
15) 114888	Segment, center left
16) NPN	Alum. sheet, 050x41x45.25x51.0
17) 371381-05	Window, rear egress, 43.94 x 24.19
18) 500500-RS	TAILLIGHT ASSY- LED R.S.
19) 500500-CS	TAILLIGHT ASSY- LED C.S.
20) 511751	Teardrop light, red
21) 114880-262	Alum. Sheet, 040 x 12.0" x 29.0"
22) 500053	Light and license plate holder
386091	LOGO AIRSTREAM BLK RSD LETTERS

2005 SAFARI- BAMBI

EXTERIOR BODY

AFT END, 25', 28'



See next page for P/N

2005 SAFARI- BAMBI

EXTERIOR BODY

AFT END, 25', 28'

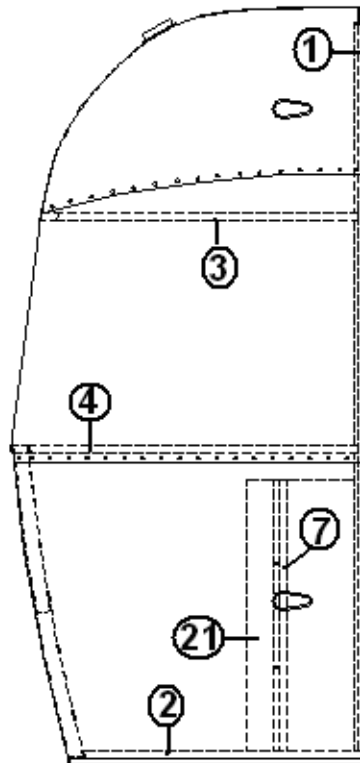
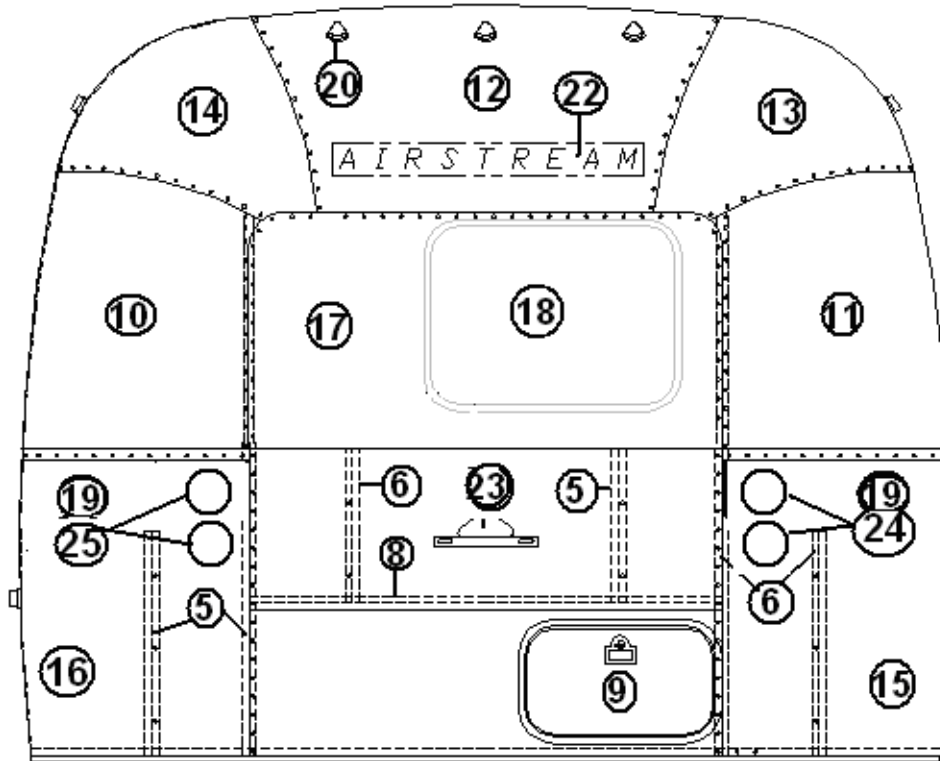
921180-04	End shell, 25 "B", delete rear door
921180-05	End shell, 25 "A", 28' add rear trunk door
921180-06	End shell complete, 25' SS
1) 114993	End bow
2) 114676	Floor bow
3) 114678	Upper window bow
4) 114677	Lower window bow
5) 114505-01	Support, lower end, LH
6) 114505-02	Support, lower end, RH
7) 101315	Brace, vertical rear
8) 921159-01	Trunk door assembly, double bed only
8) 100679-01	Access door assembly, rear, Safari 25' SS
9) 114895	Segment, #29
10) 114894	Segment, #28
11) 114893	Segment #25
12) 114890	Segment #26
13) 114891	Segment #27
14) 114889	Segment, center right
15) 114888	Segment, center left
16) 114880-307	Alum. sheet, .050" x 19" x 51"
17) 371381-12	Window, rear egress, 49.63" x 24.19"
17.) 371381-15	Window, rear egress, Safari 25' SS
18) 201462	POCKET, ABS TAILLIGHT
19) 511751	Teardrop light, red
20) 114880-262	Alum. sheet, .040"x 12.0" x29.0")
21) 386150	Decal, "AIRSTREAM"
22) 500500-RS	TAILLIGHT ASSY- LED R.S.
23) 500053	Light and license plate holder
24) 500500-CS	TAILLIGHT ASSY- LED C.S.

*The 25' Sleep Six corner bed models have a different rear window and a smaller rear access door.

2005 SAFARI- BAMBI

EXTERIOR BODY

AFT END, 30'



See next page for P/N

2005 SAFARI- BAMBI

EXTERIOR BODY

AFT END, 30'

921224-05

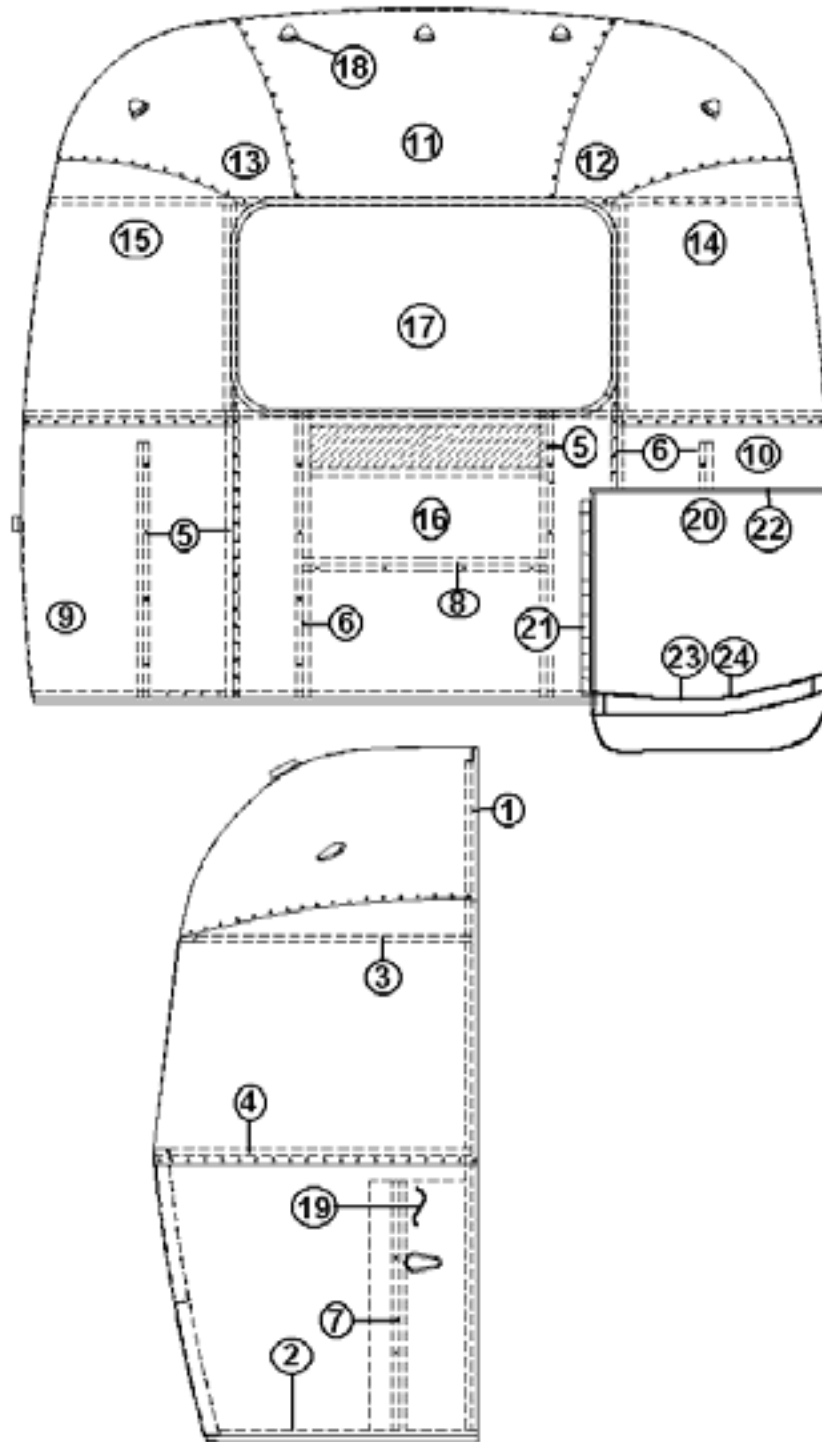
END SHELL, REAR, 30'

- | | |
|----------------|------------------------------------|
| 1. 114993 | WELDMENT ZERO BOW "WB" |
| 2. 114676 | BOW FLOOR ALTERED |
| 3. 114678 | BOW UP WINDOW ALTERED |
| 4. 114677 | BOW LOWER WINDOW ALTERED |
| 5. 114505-01 | SUPPORT LOWER END SHELL LH |
| 6. 114505-02 | SUPPORT LOWER END RH |
| 7. 101315 | BRACE VERTICAL REAR |
| 8. 104408 | EXTRUSION, Z RIB |
| 9. 100679-01 | DOOR ASSEMBLY, SIDE ACCESS |
| 10. 114888 | SEGMENT-CENTER LEFT "BRIGHT" |
| 11. 114889 | SEGMENT-CENTER RIGHT "BRIGHT" |
| 12. 114893 | SEGMENT-#25 WIDE BODY "BRIGHT" |
| 13. 114890 | SEGMENT-#26 "BRIGHT" |
| 14. 114891 | SEGMENT-#27 "BRIGHT" |
| 15. 114894 | SEGMENT-#28 "BRIGHT" |
| 16. 114895 | SEGMENT-#29 "BRIGHT" |
| 17. 114880-307 | ALUMINUM SHEET .040" X 51" X 307" |
| 18. 371381-15 | WINDOW 26.25" X 19.25" FLAT EGRESS |
| 19. 201462 | POCKET, ABS TAILLIGHT |
| 20. 386150 | Decal, "AIRSTREAM" |
| 21. 511751 | MARKERLIGHT-RED TEARDROP |
| 22. 114849-03 | ALUMINUM SHEET, 060" X 26" W X 8' |
| 23. 500053 | LIGHT AND HOLDER LICENSE |
| 24. 500500-RS | TAILLIGHT ASSY- LED R.S. |
| 25. 500500-CS | TAILLIGHT ASSY- LED C.S. |

2005 SAFARI- BAMBI

EXTERIOR BODY

FRONT END 16', 19', 22'



See next page for P/N.

2005 SAFARI- BAMBI

EXTERIOR BODY

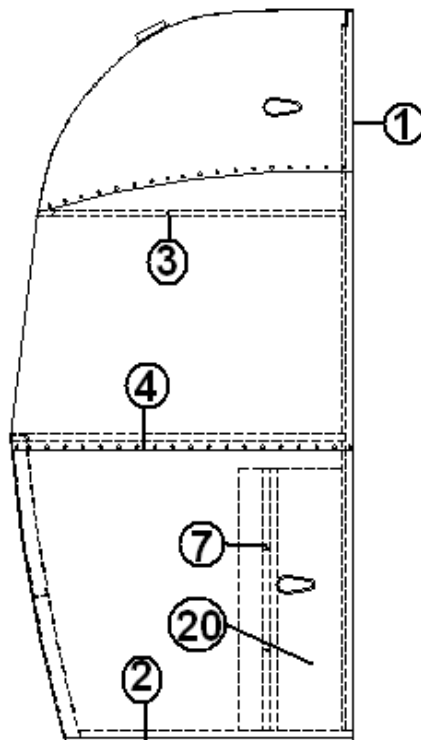
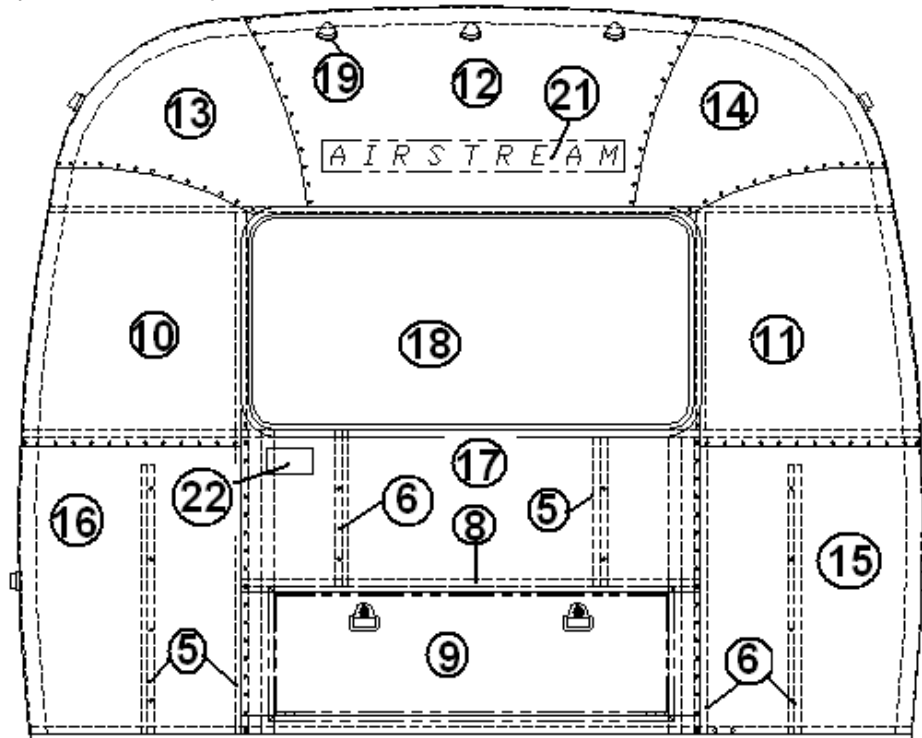
FRONT END 16', 19', 22'

964512	Front End Shell
1) 114994	End bow
2) 104463	Floor bow
3) 104351	Upper window bow
4) 104343	Lower window bow
5) 114505-01	Support, lower end, LH
6) 114505-02	Support, lower end, RH
7) 101315	Brace, vertical rear
8) 104408	Extrusion, Z rib
9) 114895	Segment #29
10) 114894	Segment #28
11) 114892	Segment #25(narrow)
12) 114890	Segment #26
13) 114891	Segment #27
14) 114889	Segment, center right
15) 114888	Segment, center left
16) 114849-03	Aluminum sheet (Cut to 41" x 45.25")
17) 371381-10	Window, 43.94 x 24.19,Bambi
18) 511750	Light, teardrop, amber
19) 114880-262	Aluminum sheet, (Cut to 12" x 29")
20)	See wrap protector section.
21) 381605-01	Hinge, stainless, wrap protector
22) 100742-01	Extrusion, mirror/wrap trim protector
23) 114460	Extrusion, rub rail
24) 201763-02	Insert, rub rail, black
500096	REFLECTOR, AMBER

2005 SAFARI- BAMBI

EXTERIOR SHELL

Front End, 30' Bunk, 25' FB



Part Numbers are on the Next Page

2005 SAFARI- BAMBI

EXTERIOR SHELL

Front End, 30' Bunk, 25' FB

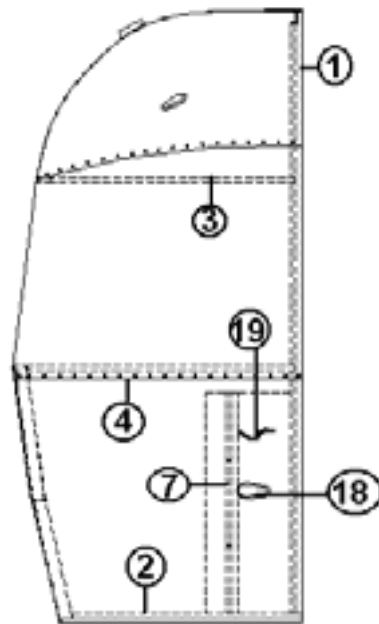
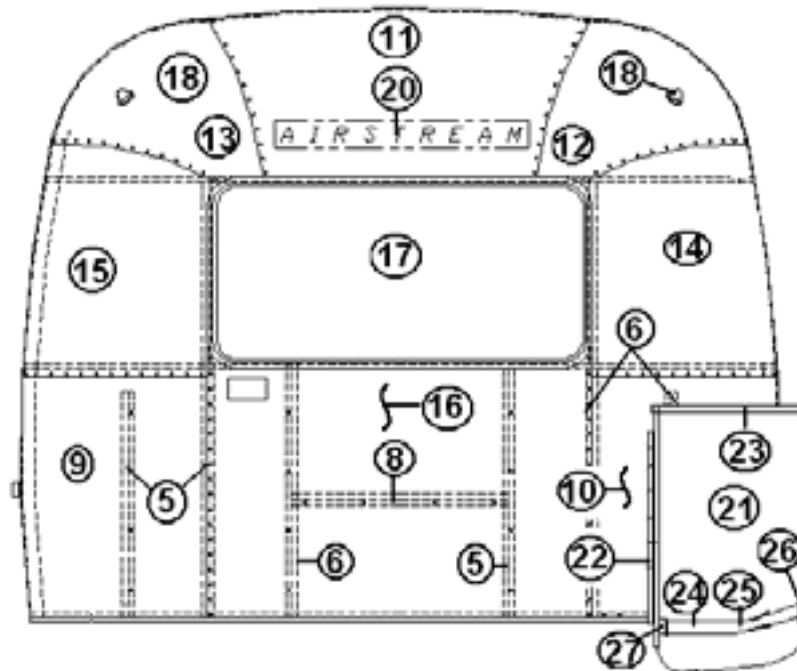
921225-01	END SHELL ASSY
1. 114993	WELDMENT ZERO BOW "WB"
2. 114676	BOW FLOOR ALTERED
3. 114678	BOW UP WINDOW ALTERED
4. 114677	BOW LOWER WINDOW ALTERED
5. 114505-01	SUPPORT LOWER END SHELL LH
6. 114505-02	SUPPORT LOWER END RH
7. 101315	BRACE VERTICAL REAR
8. 104408	EXTR.,Z RIB DIE NO. 240572
9. 922711	DOOR ASSEMBLY TRUNK
10. 114888	SEGMENT-CENTER LEFT "BRIGHT"
11. 114889	SEGMENT-CENTER RIGHT "BRIGHT"
12. 114893	SEGMENT-#25 WIDE BODY "BRIGHT"
13. 114890	SEGMENT-#26 "BRIGHT"
14. 114891	SEGMENT-#27 "BRIGHT"
15. 114894	SEGMENT-#28 "BRIGHT"
16. 114895	SEGMENT-#29 "BRIGHT"
17. 114880-307	ALUMINUM, .040"X51"X307"
18. 371381-05	WINDOW FLAT
19. 511750	MARKERLIGHT-AMBER TEARDROP
20. 114849-03	ALUMINUM, .060 26"W X 8' GRAY
21. 386150	AIRSTREAM LOGO, BLACK
22. 386118	LABEL, LP GAS

Note: Delete trunk door in 25' FB

2005 SAFARI- BAMBI

EXTERIOR BODY

FRONT END, 25', 28' S/O, 28' W, 30'



2005 SAFARI- BAMBI

EXTERIOR BODY

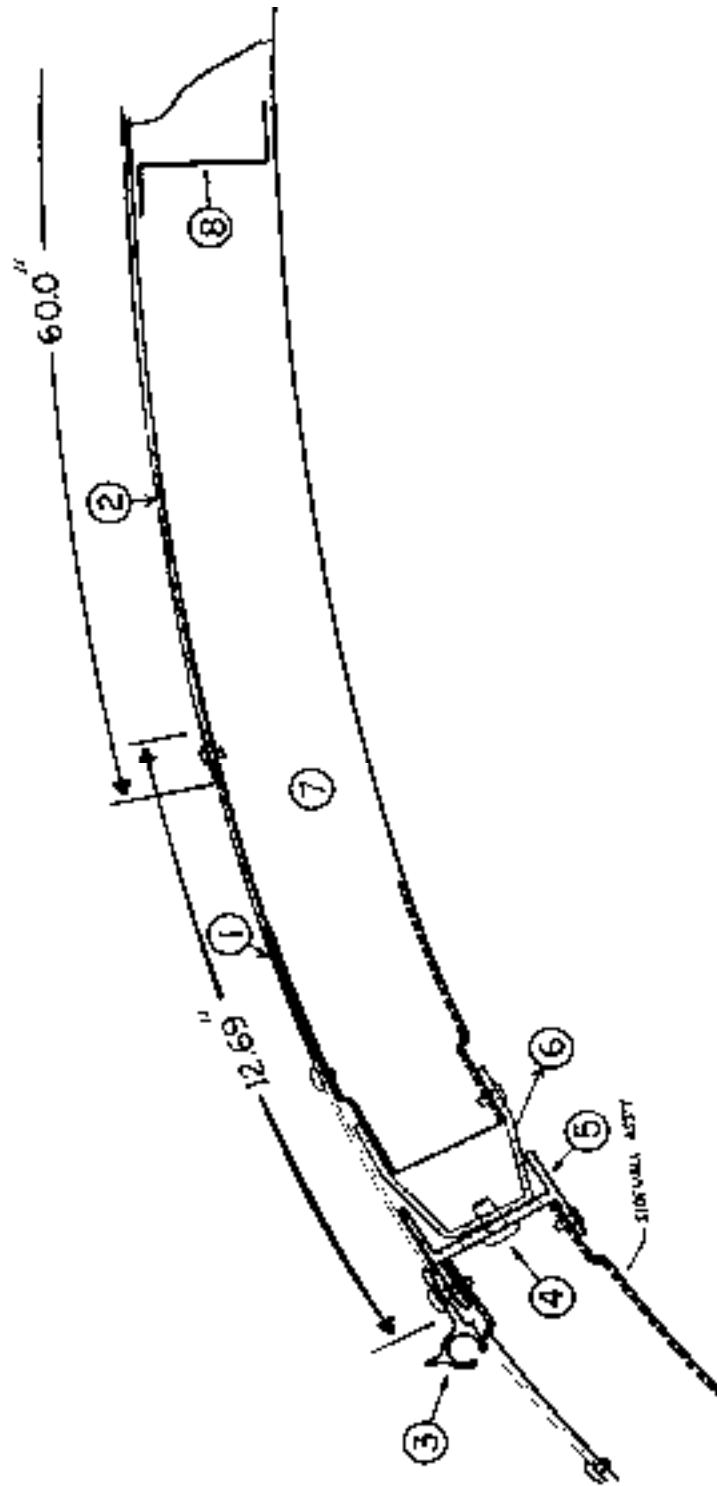
FRONT END, 25', 28' S/O, 28' W, 30'

921179-01	End shell complete, front
1) 114993	End bow
2) 114676	Floor bow
3) 114678	Upper window bow
4) 114677	Lower window bow
5) 114505-01	Support, lower end, LH
6) 114505-02	Support, lower end, RH
7) 101315	Brace, vertical rear
8) 104408	Extrusion rib
9) 114895	Segment #29
10) 114894	Segment #28
11) 114893	Segment #25
12) 114890	Segment #26
13) 114891	Segment #27
14) 114889	Segment, center right
15) 114888	Segment, center left
16) 114880-307	Alum. sheet, .050 x 19.0 x 51.0
17) 371381-05	Window, 49.63 x 24.19", Safari
18) 511750	Light, teardrop, amber
19) 114880-262	Alum. sheet, .040 x 12.0 x 29.0
20) 386150	Decal, "AIRSTREAM"
21) See Wrap protector section	
22) 381605-01	Hinge, stainless, wrap protector
23) 100742-01	Extrusion, mirror/wrap trim protector
24) 114460	Extrusion, rub rail
25) 201763-021	Insert, rub rail, chrome
26) 114465-01	CASTING CLOSEOUT RUB RAIL RH
27) 114465-02	CASTING CLOSE-OUT RUB RAIL LH

2005 SAFARI- BAMBI

EXTERIOR BODY

ROOF, 25', 28', 30'



See next page for P/N

2005 SAFARI- BAMBI

EXTERIOR BODY

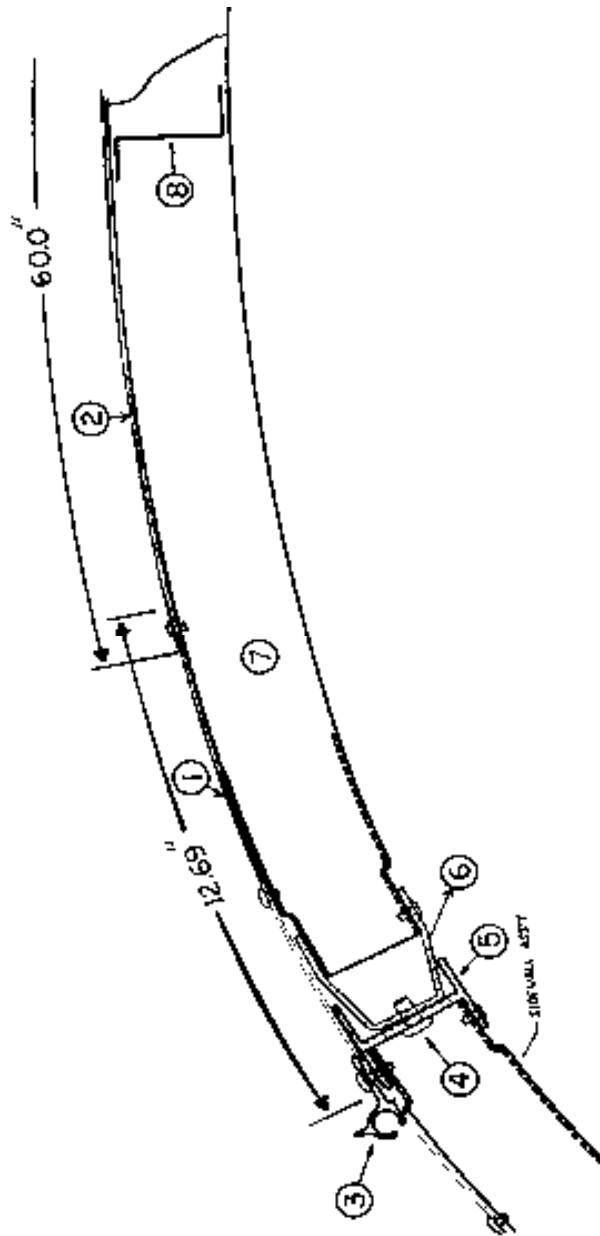
ROOF, 16', 25', 28', 30'

- | | |
|----------------|---|
| 1) 114669-307 | Alum. sheet, white, .032" x 12.69" x 307" |
| 2) 114489-262 | Alum. sheet, white, .032" x 60.0" x 262" |
| 2a) 114489-198 | Alum. sheet, white, .032" x 60" x 198" |
| 3) 114290-01 | Extrusion, awning/drip rail, 197.25" |
| 3a) 114290-02 | Extrusion, awning/drip rail, 261" |
| 3b) 114290-03 | Extrusion, awning/drip rail, 307" |
| 4) 330139-01 | RIVET MAGNALOK SS 1/4" |
| 5) 104707-05 | Extrusion, "I" beam |
| 6) 114987-01 | Extrusion, roof corner, 194" |
| 6a) 114987-02 | Extrusion, roof corner, 258" |
| 7) 114668 | Roof bow |
| 8) 104408 | Extrusion, Z-bar, horizontal |
| 114396 | Air deflector, between roof A/C. and |
| refrigerator | |

2005 SAFARI- BAMBI

EXTERIOR BODY

ROOF, 19', 22'



See next page for P/N

2005 SAFARI- BAMBI

EXTERIOR BODY

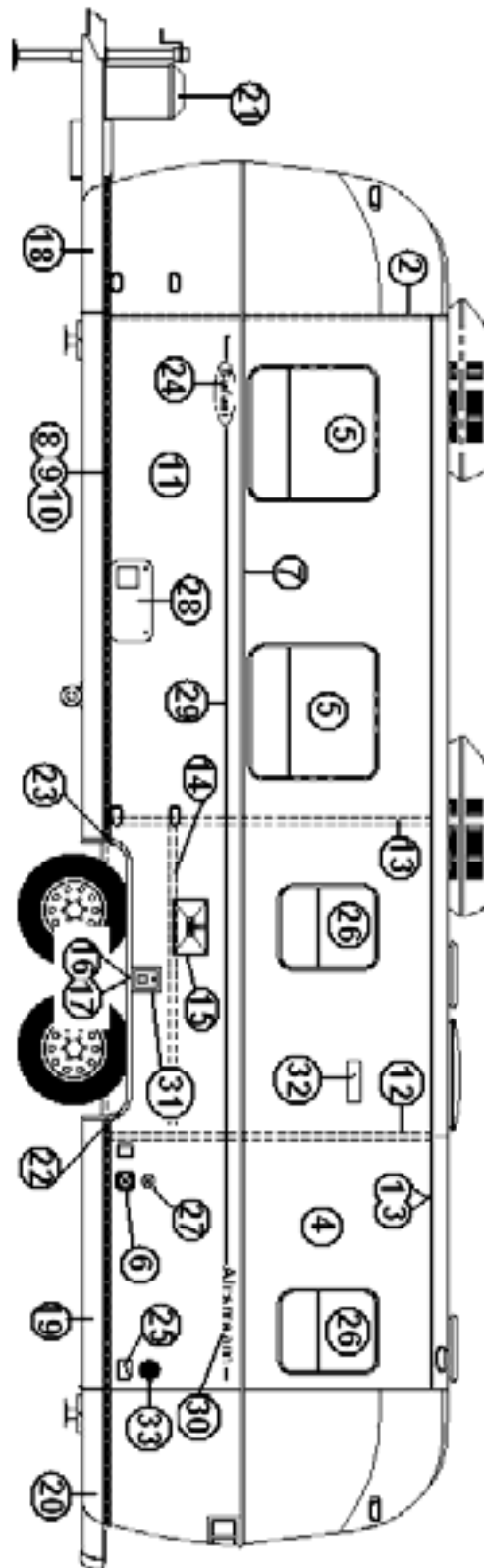
ROOF 19', 22'

- | | |
|---------------|---------------------------------------|
| 1) 114362 | Alum. sheet, white, .050 x 7.0 |
| 2) 114489-259 | Alum. sheet, white, .032 x 60" x 259" |
| 2) 114489-198 | Alum. sheet, white, .032 x 60" x 198" |
| 3) 114290-01 | Extrusion, awning/drip rail |
| 4) 340123-02 | Rivet, Huck, 3/16 x 1/2" |
| 5) 104707-05 | Extrusion, "I" beam |
| 6) 114987-02 | Extrusion, roof corner |
| 7) 114387-03 | Roof bow |
| 8) 104408 | Extrusion, Z bar, horizontal |

2005 SAFARI- BAMBI

EXTERIOR BODY

Wall, Roadside Wall, 30'



2005 SAFARI- BAMBI

EXTERIOR BODY

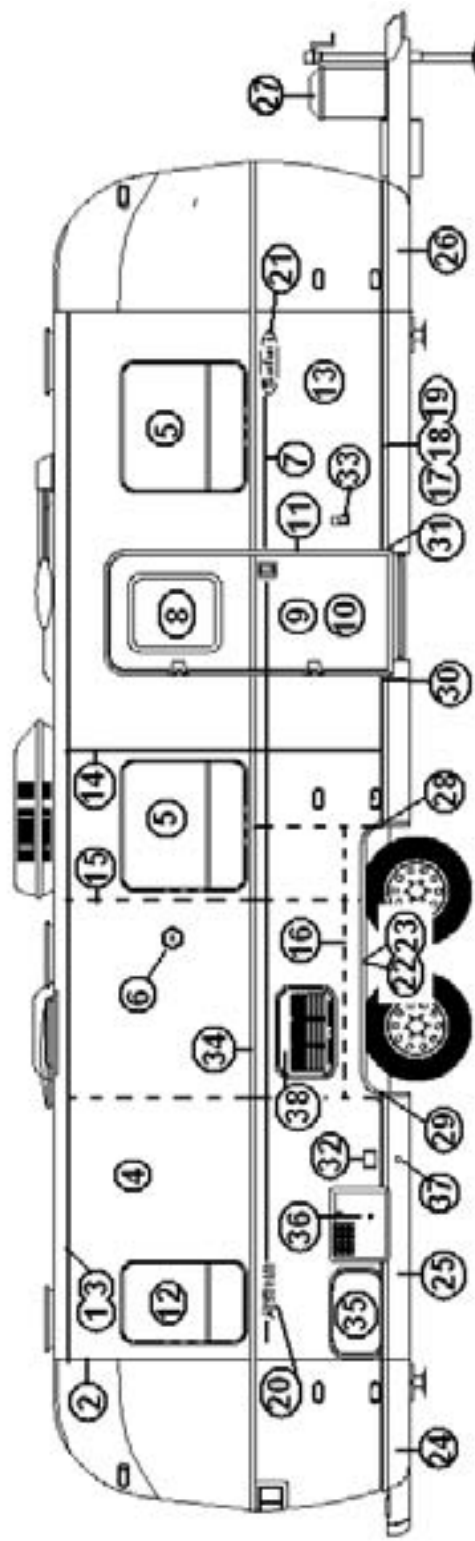
Wall, Roadside, 30'

- 1) 114290-01 Extrusion, awning/drip rail
- 2) 114993 Rib, end bow
- 3) 104707-01 Extrusion, "I" beam
- 4) 114880-307 Alum. sheet, upper, .040" x 51" x 307"
- 5) 371381-08 Window, 31.25" X 29.75"
- 5) 371381-17 Window, Side egress, 31.25" X 29.75"
- 6) 601392-05 City water hook-up
- 7) 100034 "Z" bar, 48"
- 8) 114460 Extrusion, rub rail
- 9) 201763-01 Insert, rub rail, chrome, 1"
- 10) 100986 Floor channel
- 11) 114879-307 Alum. sheet, lower, .040" x 33" x 307"
- 12) 114387-01 Bow, Z rib, RH
- 13) 114387-02 Bow, Z rib, LH
- 14) 100986 Wheel well stiffener (floor channel)
- 15) 601876 Shower, exterior, white
- 16) 684936 Wheel well trim, inner, tandem axle
- 17) 684937 Wheel well trim, outer, tandem axle
- 18) 200542-01 Banana wrap, RS front
- 19) 101131-01 Underbelly wrap, .024" x 22.5", Pewter
- 20) 200544 Banana wrap, RS rear
- 21) 104264 Cover, 30# LPG bottles
- 22) 114466-01 Casting, rub rail end, wheel well, RH
- 23) 114466-02 Casting, rub rail end, wheel well, LH
- 24) 386127 Safari Name plate
- 25) 104619 MTG. PLATE, TELEPHONE & TV JACK
- 25) 452981 PHONE JACK PROTECTIVE PLATE
- 25) 511375 JACK MODULAR TELEPHONE
- 26) 371381-02 Window, 19.25" X 22.75"
- 27) 601441 Black tank Flush
- 28) 690274-09 Furnace, exterior door
- 29) 386088 Decal, black reflective
- 30) 386151 DECAL, AIRSTREAM 1.3"X 16" BLACK
- 31) 601194 Water fill w/lock, gray w/label
- 32) 511017-11 Vent cover, range exhaust
- 33) 511416-02 POWER INLET, 30A, 125V, MALE - GRAY

2005 SAFARI- BAMBI

EXTERIOR BODY

Wall, Curbside, 30'



2005 SAFARI- BAMBI

EXTERIOR BODY

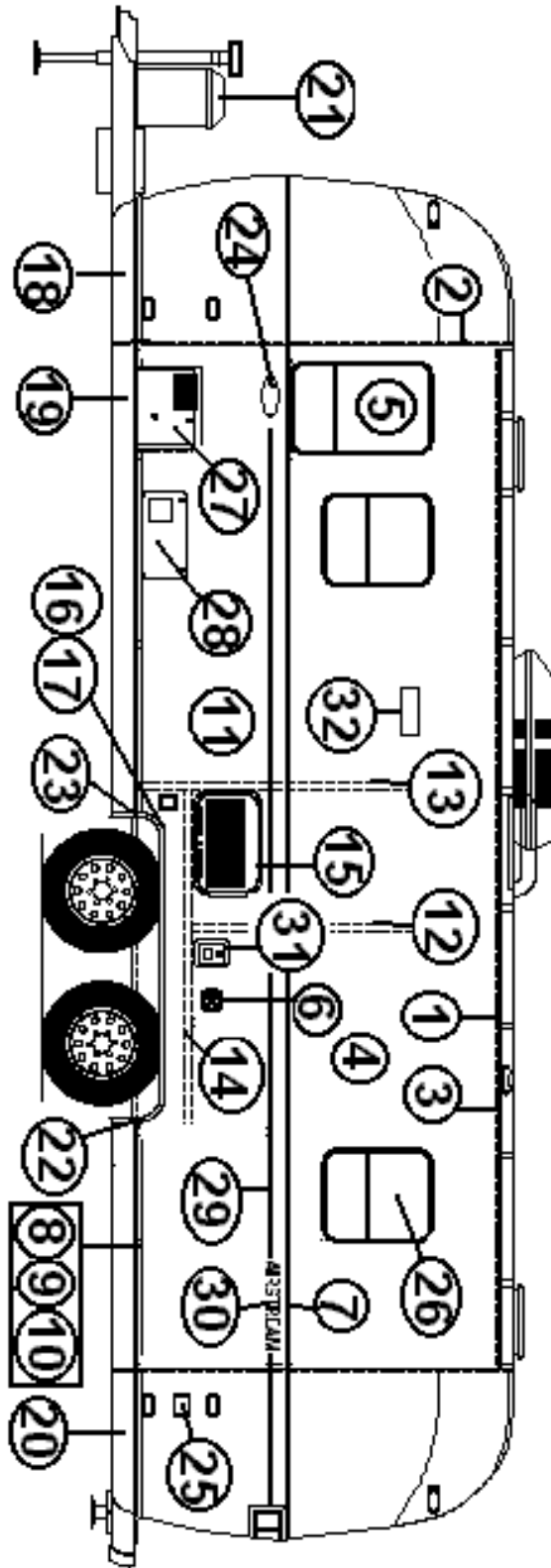
Wall, Curbside, 30'

- 1) 114290-01 Extrusion, awning/drip rail
- 2) 114993 Rib, end bow
- 3) 104707-01 Extrusion, "I" beam
- 4) 114880-307 Alum. sheet, upper, .040" x 51" x 307"
- 5) 371381-08 Window, 31.25X29.75"
- 6) 500092 Flood light and lens
- 7) 386088 Decal, black reflective
- 8) 371381-16 Window, Main Door, 17.75" X 21.25"
- 9) 110067-07 Main door assembly
- 10) 114654 Screen door assembly
- 11) 114652 Jamb, main door
- 12) 371381-07 Window 19.25 X 29.75
- 13) 114879-307 Alum. sheet, lower, .040" x 33 x 307"
- 14) 114387-01 Bow, Z rib, RH
- 15) 114387-02 Bow, Z rib, LH
- 16) 100986 Wheel well stiffener (floor channel)
- 17) 114460 Extrusion, rub rail
- 18) 201763-01 Insert, rub rail, chrome, 1"
- 19) 100986 Floor channel
- 20) 386151 DECAL, AIRSTREAM 1.3"X 16" BLACK
- 21) 386127 Nameplate, Safari
- 22) 684936 Wheel well trim, inner, tandem axle
- 23) 684937 Wheel well trim, outer, tandem axle
- 24) 200545 Banana wrap, CS rear
- 25) 101131-01 Underbelly wrap, .024" x 22.5, Pewter
- 26) 200543-01 Banana wrap, CS front
- 27) 104264 Cover, 30# LPG bottles
- 28) 114466-01 Casting, rub rail end, wheel well, RH
- 29) 114466-02 Casting, rub rail end, wheel well, LH
- 30) 114465-02 CASTING CLOSEOUT, RUB RAIL LH
- 31) 114465-01 CASTING CLOSEOUT, RUB RAIL RH
- 32) 510676-01 OUTLET, EXTERIOR, 120 VOLT, GRAY
- 33) 510732-02 UTILITY LIGHT #1327
- 34) 100034 "Z" bar, 48"
- 35) 100679 Side Access Door Assembly
- 36) 690199 Water Heater
- 37) 511872 PIGTAIL-AUDIO OUTSIDE
- 38) 922243 Door, refrigerator access

2005 SAFARI- BAMBI

EXTERIOR BODY

Wall, Roadside 28'



2005 SAFARI- BAMBI

EXTERIOR BODY

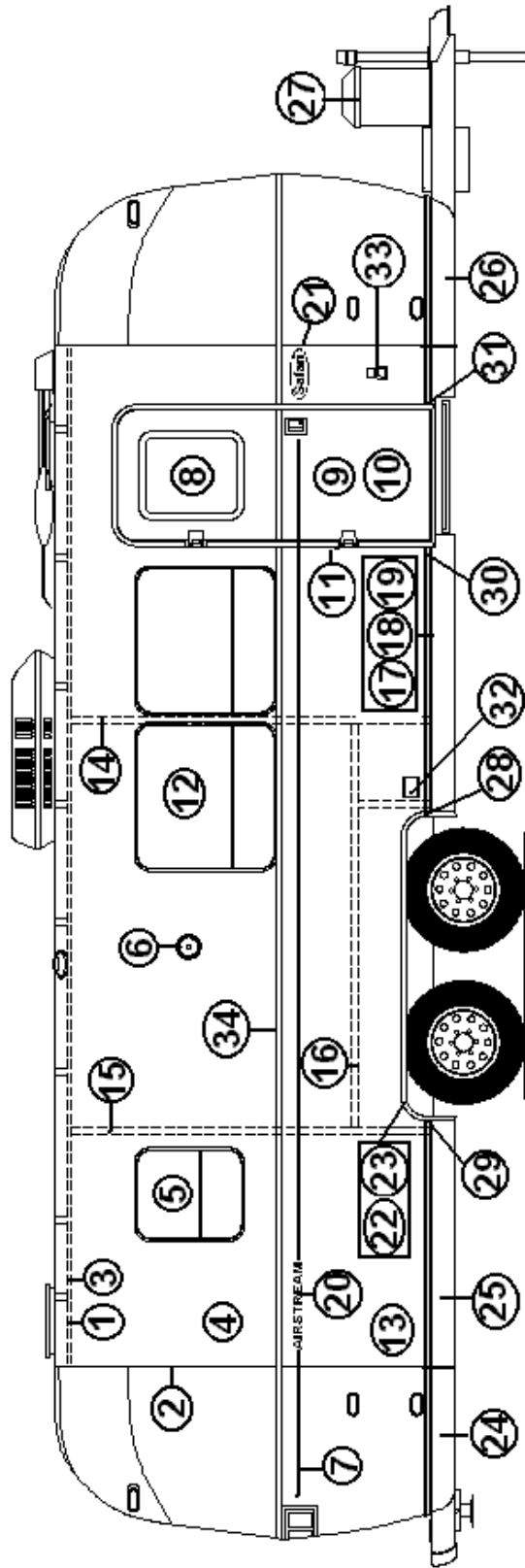
Wall, Roadside 28'

- 1) 114290-02 Extrusion, awning/drip rail, 261"
- 2) 114993 Rib, end bow
- 3) 104707-06 Extrusion, "I" beam, 258"
- 4) 114880-307 Alum. sheet, upper, .040" x 51" x 307"
- 5) 371381-07 Window, 19.25 X 29.75, 8" Vent
- 6) 601392-05 City water hook-up
- 7) 100034 "Z" bar, 48"
- 8) 114460 Extrusion, rub rail
- 9) 201763-01 Insert, rub rail, chrome, 1"
- 10) 100986 Floor channel
- 11) 114879-307 Alum. sheet, lower, .040" x 33" x 307"
- 12) 114387-01 Bow, Z rib, RH
- 13) 114387-02 Bow, Z rib, LH
- 14) 100986 Wheel well stiffener (floor channel)
- 15) 922243 Door, refrigerator access
- 16) 684936 Wheel well trim, inner, tandem axle
- 17) 684937 Wheel well trim, outer, tandem axle
- 18) 200542-01 Banana wrap, RS front
- 19) 101131-01 Underbelly wrap, .024" x 22.5", Pewter
- 20) 200544 Banana wrap, RS rear
- 21) 104264 Cover, 30# LPG bottles
- 22) 114466-01 Casting, rub rail end, wheel well, RH
- 23) 114466-02 Casting, rub rail end, wheel well, LH
- 24) 386127 Safari Name plate
- 25) 104619 MTG. PLATE, TELEPHONE & TV JACK
- 25) 452981 PHONE JACK PROTECTIVE PLATE
- 25) 511375 JACK MODULAR TELEPHONE
- 26) 371381-02 Window, 19.24" x 22.75"
- 27) 690209 Access cover, Atwood
- 28) 690274-09 Access door, FURNACE
- 29) 386088 Decal, black reflective
- 30) 386151 DECAL, AIRSTREAM 1.3"X 16" BLACK
- 31) 601194 Water fill w/lock, gray w/label
- 32) 511017-11 Vent cover, range exhaust
- 33) 511416-02 POWER INLET, 30A, 125V, MALE - GRAY

2005 SAFARI- BAMBI

EXTERIOR BODY

Wall, Curbside, 28' W



2005 SAFARI- BAMBI

EXTERIOR BODY

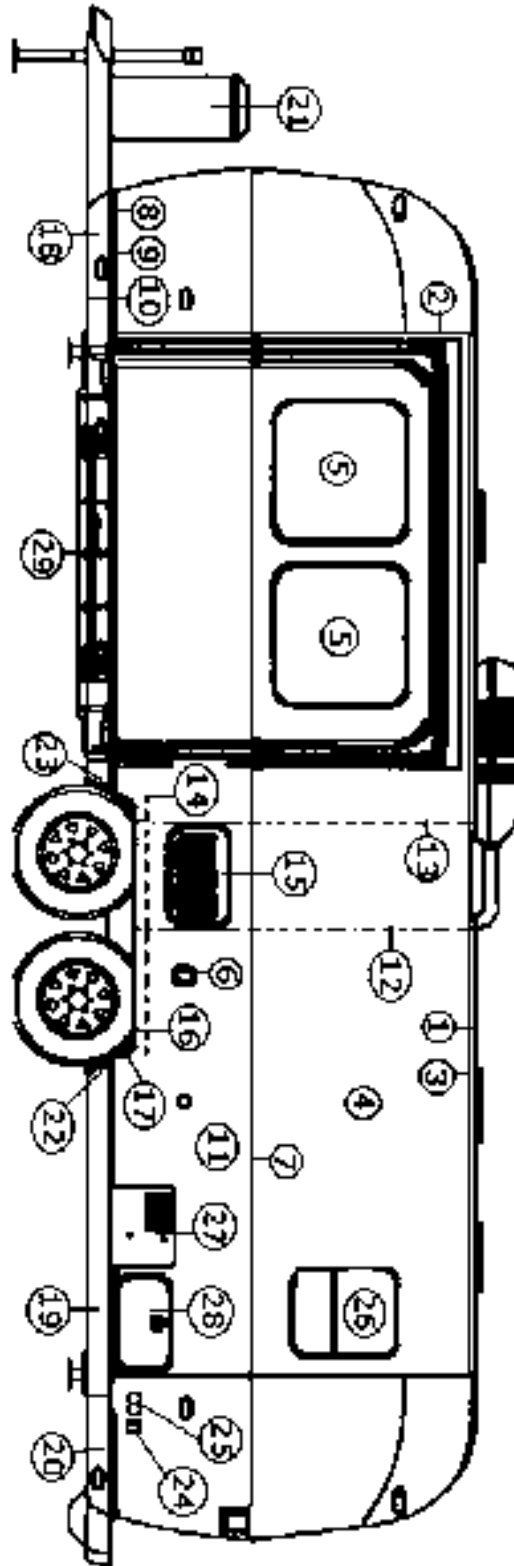
Wall, Curbside, 28' W

- 1) 114290-02 Extrusion, awning/drip rail, 261"
- 2) 114993 Rib, end bow
- 3) 104707-06 Extrusion, "I" beam, 258"
- 4) 114880-307 Alum. sheet, upper, .040" x 51" x 307"
- 5) 371381-02 Window, 19.25" x 22.75"
- 6) 500092 Flood light and lens
- 7) 386088 Decal, black reflective
- 8) 371381-16 Window, Main Door, 17.75" X 21.25"
- 9) 110067-07 Main door assembly
- 10) 114654 Screen door assembly
- 11) 114652 Jamb, main door
- 12) 371381-08 Window, 31.25" x 22.75"
- 13) 114879-262 Alum. sheet, lower, .040" x 33 x 262"
- 14) 114387-01 Bow, Z rib, RH
- 15) 114387-02 Bow, Z rib, LH
- 16) 100986 Wheel well stiffener (floor channel)
- 17) 114460 Extrusion, rub rail
- 18) 201763-01 Insert, rub rail, chrome, 1"
- 19) 100986 Floor channel
- 20) 386151 DECAL, AIRSTREAM 1.3"X 16" BLACK
- 21) 386127 Nameplate, Safari
- 22) 684936 Wheel well trim, inner, tandem axle
- 23) 684937 Wheel well trim, outer, tandem axle
- 24) 200545 Banana wrap, CS rear
- 25) 101131-01 Underbelly wrap, .024" x 22.5, Pewter
- 26) 200543-01 Banana wrap, CS front
- 27) 104264 Cover, 30# LPG bottles
- 28) 114466-01 Casting, rub rail end, wheel well, RH
- 29) 114466-02 Casting, rub rail end, wheel well, LH
- 30) 114465-02 CASTING CLOSEOUT, RUB RAIL LH
- 31) 114465-01 CASTING CLOSEOUT, RUB RAIL RH
- 32) 510676-01 OUTLET, EXTERIOR, 120 VOLT, GRAY
- 33) 510732-02 UTILITY LIGHT
- 34) 100034 "Z" bar, 48"

2005 SAFARI- BAMBI

EXTERIOR BODY

Wall, Roadside, 28' S/O



See P/N on next page

2005 SAFARI- BAMBI

EXTERIOR BODY

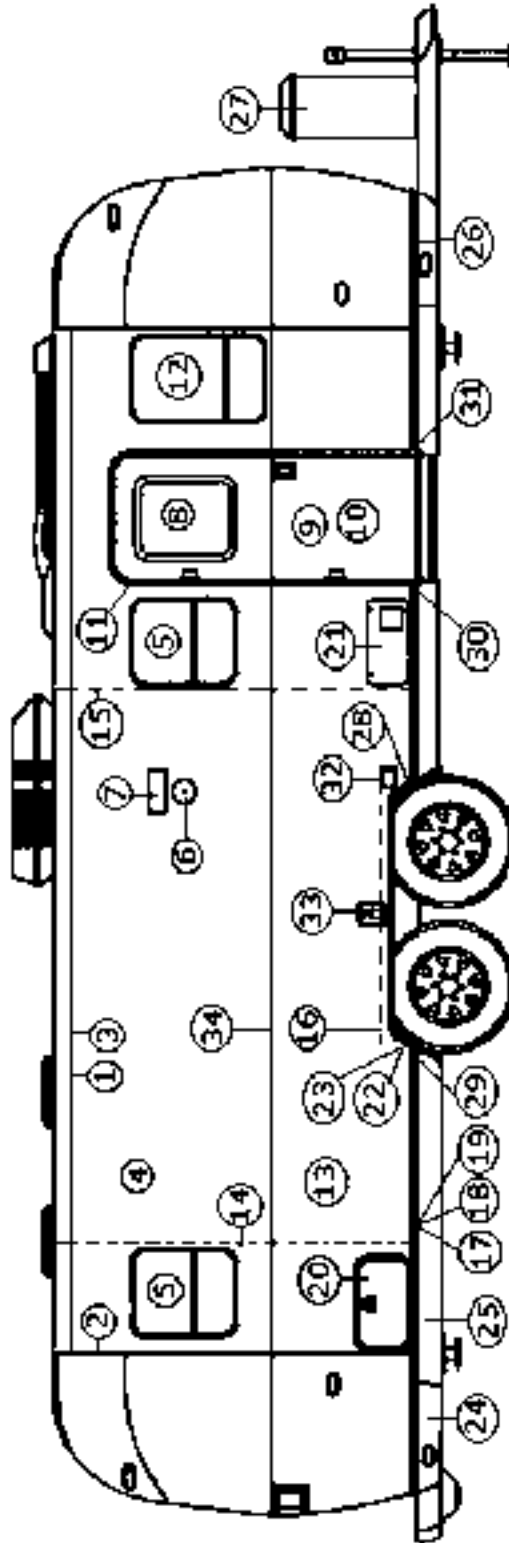
Wall, Roadside, 28' S/O

- 1) 114290-02 Extrusion, awning/drip rail, 261"
- 2) 114993 Rib, end bow
- 3) 104707-06 Extrusion, "I" beam, 258"
- 4) 114880-307 Alum. sheet, upper, .040" x 51" x 307"
- 5) 371381-08 Window, 31.25" x 29.75"
- 6) 601392-05 City water hook-up
- 7) 100034 "Z" bar, 48"
- 8) 114460 Extrusion, rub rail
- 9) 201763-01 Insert, rub rail, chrome, 1"
- 10) 100986 Floor channel
- 11) 114879-198 Alum. sheet, lower, .040" x 33" x 198"
- 12) 114387-01 Bow, Z rib, RH
- 13) 114387-02 Bow, Z rib, LH
- 14) 100986 Wheel well stiffener(floor channel)
- 15) 922243 Door, refrigerator access
- 16) 684936 Wheel well trim, inner, tandem axle
- 17) 684937 Wheel well trim, outer, tandem axle
- 18) 200542-01 Banana wrap, RS front
- 19) 101131-01 Underbelly wrap, .024" x 22.5", Pewter
- 20) 200544 Banana wrap, RS rear
- 21) 104264 Cover, 30# LPG bottles
- 22) 114466-01 Casting, rub rail end, wheel well, RH
- 23) 114466-02 Casting, rub rail end, wheel well, LH
- 24) 511416-02 POWER INLET, 30A, 125V, MALE - GRAY
- 25) 104619 MTG. PLATE, TELEPHONE & TV JACK
- 25) 452981 PHONE JACK PROTECTIVE PLATE
- 25 511375 JACK MODULAR TELEPHONE
- 26) 371381-02 Window, 19.24" x 22.75"
- 27) 690209 Access cover, Atwood
- 28) 100679-01 Access door w/jamb
- 29) 115029 COVER BOTTOM-S/O MOTOR

2005 SAFARI- BAMBI

EXTERIOR BODY

Wall, Curbside 28' S/O



See P/N on next page

2005 SAFARI- BAMBI

EXTERIOR BODY

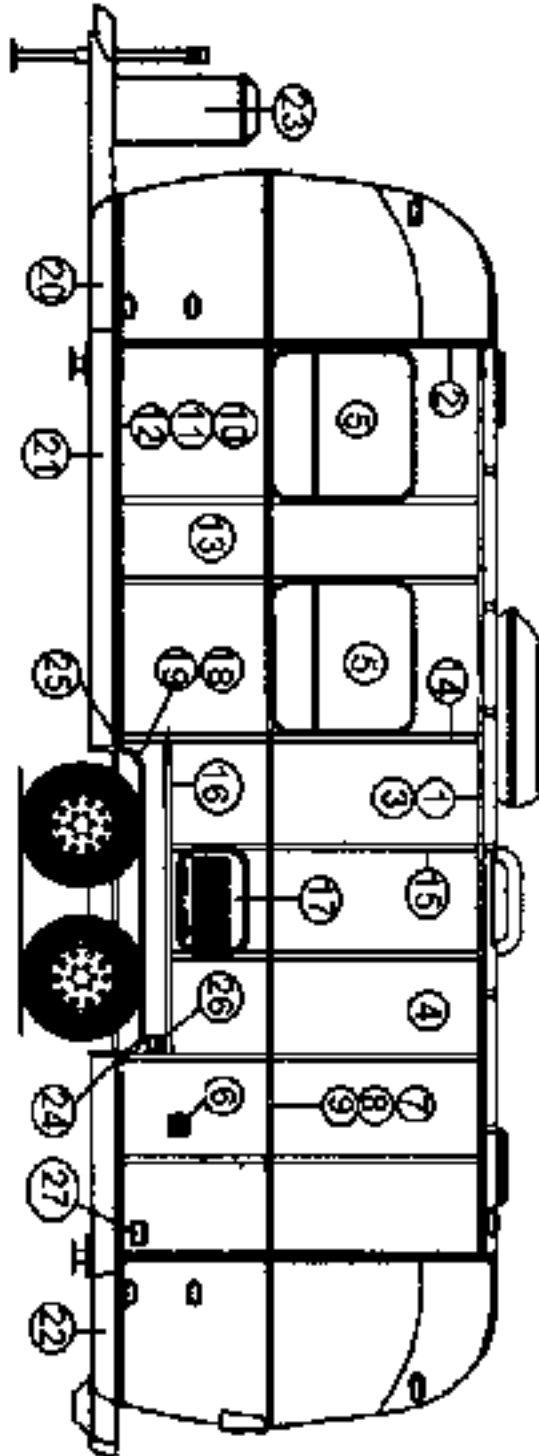
Wall, Curbside 28' S/O

- 1) 114290-02 Extrusion, awning/drip rail, 261"
- 2) 114993 Rib, end bow
- 3) 104707-06 Extrusion, "I" beam, 258"
- 4) 114880-307 Alum. sheet, upper, .040" x 51" x 307"
- 5) 371381-02 Window, 19.25" x 22.75"
- 6) 500092 Flood light and lens
- 7) 511017-11 Vent cover, range exhaust
- 8) 371381-16 Window, Main Door, 17.75" X 21.25"
- 9) 110067-07 Main door assembly
- 10) 114654 Screen door assembly
- 11) 114652 Jamb, main door
- 12) 371381-07 Window, 19.25" x 29.75"
- 13) 114879-262 Alum. sheet, lower, .040" x 33 x 262"
- 14) 114387-01 Bow, Z rib, RH
- 15) 114387-02 Bow, Z rib, LH
- 16) 100986 Wheel well stiffener(floor channel)
- 17) 114460 Extrusion, rub rail
- 18) 201763-01 Insert, rub rail, chrome, 1"
- 19) 100986 Floor channel
- 20) 100679-01 Access door w/jamb
- 21) 690274-09 Cover, Hydroflame furnace
- 22) 684936 Wheel well trim, inner, tandem axle
- 23) 684937 Wheel well trim, outer, tandem axle
- 24) 200545 Banana wrap, CS rear
- 25) 101131-01 Underbelly wrap, .024" x 22.5, Pewter
- 26) 200543-01 Banana wrap, CS front
- 27) 104264 Cover, 30# LPG bottles
- 28) 114466-01 Casting, rub rail end, wheel well, RH
- 29) 114466-02 Casting, rub rail end, wheel well, LH
- 30) 114465-02 CASTING CLOSEOUT, RUB RAIL LH
- 31) 114465-01 CASTING CLOSEOUT, RUB RAIL RH
- 32) 510676-01 OUTLET, EXTERIOR, 120 VOLT, GRAY
- 33) 601194 Water fill w/lock, gray w/label
- 34) 100034 "Z" bar, 48"

2005 SAFARI- BAMBI

EXTERIOR BODY

Wall, Roadside, 25' Sleep Six



See next page for P/N

2005 SAFARI- BAMBI

EXTERIOR BODY

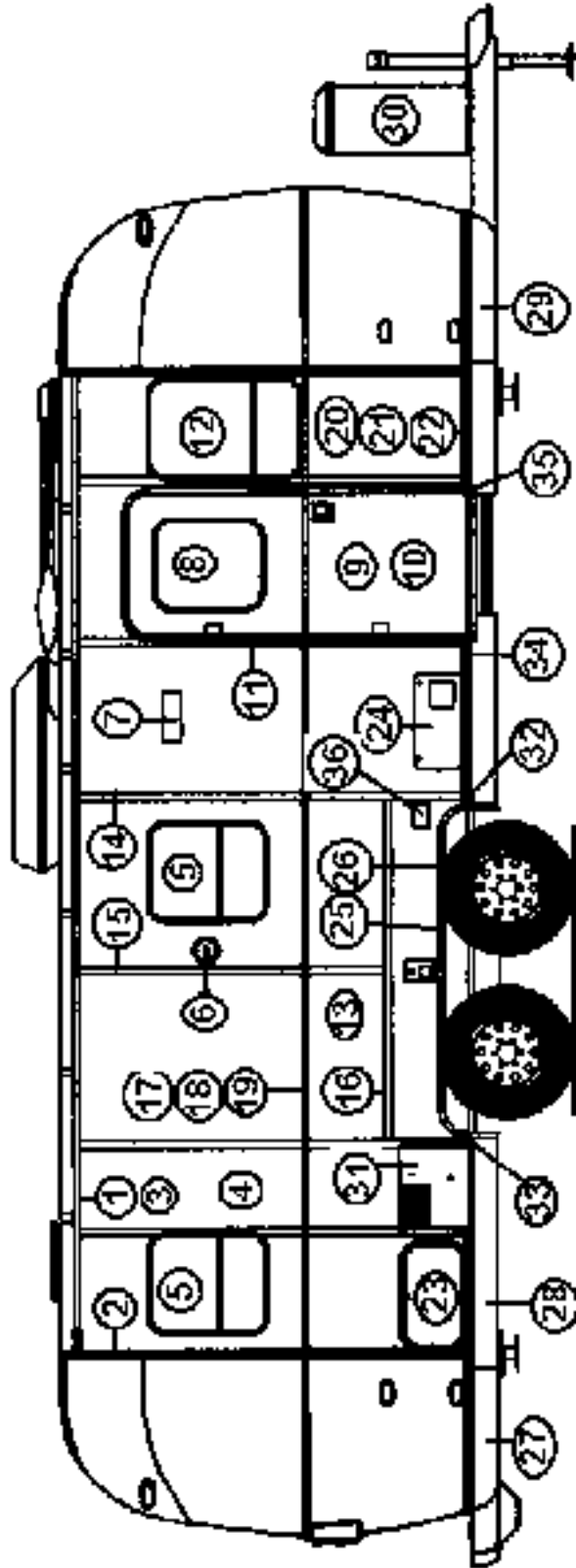
Wall, Roadside, 25' Sleep Six

- | | |
|----------------|---|
| 1) 114290-01 | Extrusion, awning/drip rail |
| 2) 114993 | Rib, end bow |
| 3) 104707-05 | Extrusion, "I" beam |
| 4) 114880-198 | Aluminum sheet, upper, .040" x 51" x 198" |
| 5) 371381-08 | Window, 31.25" x 29.75" |
| 6) 601392-05 | City water hook-up |
| 7) 325002 | RIVET SHANK DIA 1/8" X3/8" PLAIN |
| 8) 365016 | Tape, double stick 1/2" |
| 9) 100034 | "Z" bar, 48" |
| 10) 114460 | Extrusion, rub rail |
| 11) 201763-01 | Insert, rub rail, chrome, 1" |
| 12) 100986 | Floor channel |
| 13) 114879-198 | Aluminum sheet, lower, .040" x 33" x 198" |
| 14) 114387-01 | Bow, Z rib, RH |
| 15) 114387-02 | Bow, Z rib, LH |
| 16) 100986 | Wheel well stiffener(floor channel) |
| 17) 922243 | Door, refrigerator access |
| 18) 684936 | Wheel well trim, inner, tandem axle |
| 19) 684937 | Wheel well trim, outer, tandem axle |
| 20) 200542-01 | Banana wrap, RS front |
| 21) 101131-01 | Underbelly wrap, .024" x 22.5", Pewter |
| 22) 200544 | Banana wrap, RS rear |
| 23) 104264 | Cover, 30# LPG bottles |
| 24) 114466-01 | Casting, rub rail end, wheel well, RH |
| 25) 114466-02 | Casting, rub rail end, wheel well, LH |
| 26) 511416-02 | POWER INLET, 30A, 125V, MALE - GRAY |
| 27) 104619 | MTG. PLATE, EXTERIOR TELEPHONE & TV JACK |
| 452981 | PHONE JACK PROTECTIVE PLATE |
| 511375 | JACK MODULAR TELEPHONE |

2005 SAFARI- BAMBI

EXTERIOR BODY

Wall, Curbside, 25' Sleep Six



See next page for P/N

2005 SAFARI- BAMBI

EXTERIOR BODY

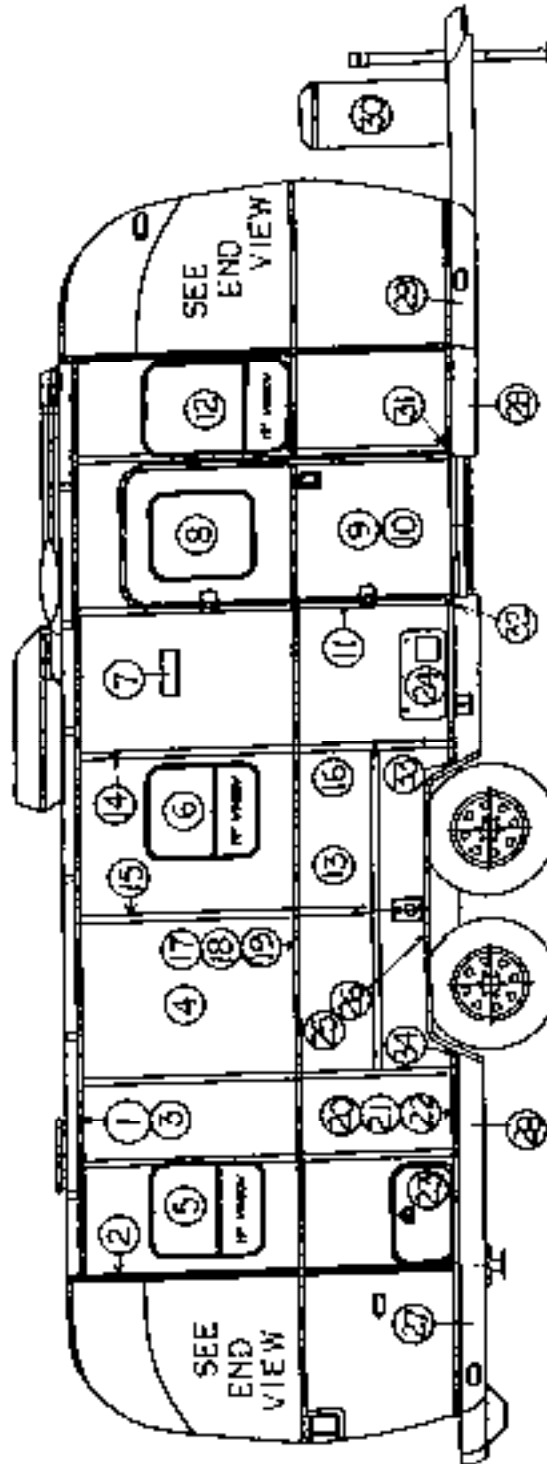
Wall, Curbside, 25' Sleep Six

- 1) 114290-01 Extrusion, awning/drip rail
- 2) 114993 Rib, end bow
- 3) 104707-05 Extrusion, "I" beam
- 4) 114880-198 Aluminum sheet, upper, .040" x 51" x 198"
- 5) 371381-02 Window, 19.25" x 22.75"
- 6) 500092 Flood light and lens
- 7) 511017-11 Vent cover, range exhaust
- 8) 371381-16 Window, Main Door, 17.75" X 21.25"
- 9) 110067-07 Main door assembly
- 10) 114654 Screen door assembly
- 11) 114652 Jamb, main door
- 12) 371381-07 Window, 19.25" x 29.75"
- 13) 114879-198 Aluminum sheet, lower, .040" x 33 x 198"
- 14) 114387-01 Bow, Z rib, RH
- 15) 114387-02 Bow, Z rib, LH
- 16) 100986 Wheel well stiffener(floor channel)
- 17) 325002 RIVET SHANK DIA 1/8" X3/8" PLAIN
- 18) 365016 Tape, double stick 1/2"
- 19) 100034 "Z" bar, 48"
- 20) 114460 Extrusion, rub rail
- 21) 201763-01 Insert, rub rail, chrome, 1"
- 22) 100986 Floor channel
- 23) 100679-01 Access door w/jamb
- 24) 690274-09 Cover, Hydroflame furnace
- 25) 684936 Wheel well trim, inner, tandem axle
- 26) 684937 Wheel well trim, outer, tandem axle
- 27) 200545 Banana wrap, CS rear
- 28) 101131-01 Underbelly wrap, .024" x 22.5, Pewter
- 29) 200543-01 Banana wrap, CS front
- 30) 104264 Cover, 30# LPG bottles
- 31) 690209 Access cover, Atwood
- 32) 114466-01 Casting, rub rail end, wheel well, RH
- 33) 114466-02 Casting, rub rail end, wheel well, LH
- 34) 114465-02 CASTING CLOSEOUT, RUB RAIL LH
- 35) 114465-01 CASTING CLOSEOUT, RUB RAIL RH
- 36) 510676-01 OUTLET, EXTERIOR, 120 VOLT, GRAY

2005 SAFARI- BAMBI

EXTERIOR BODY

Wall, Curbside, 25' A & B



See next page for P/N

2005 SAFARI- BAMBI

EXTERIOR BODY

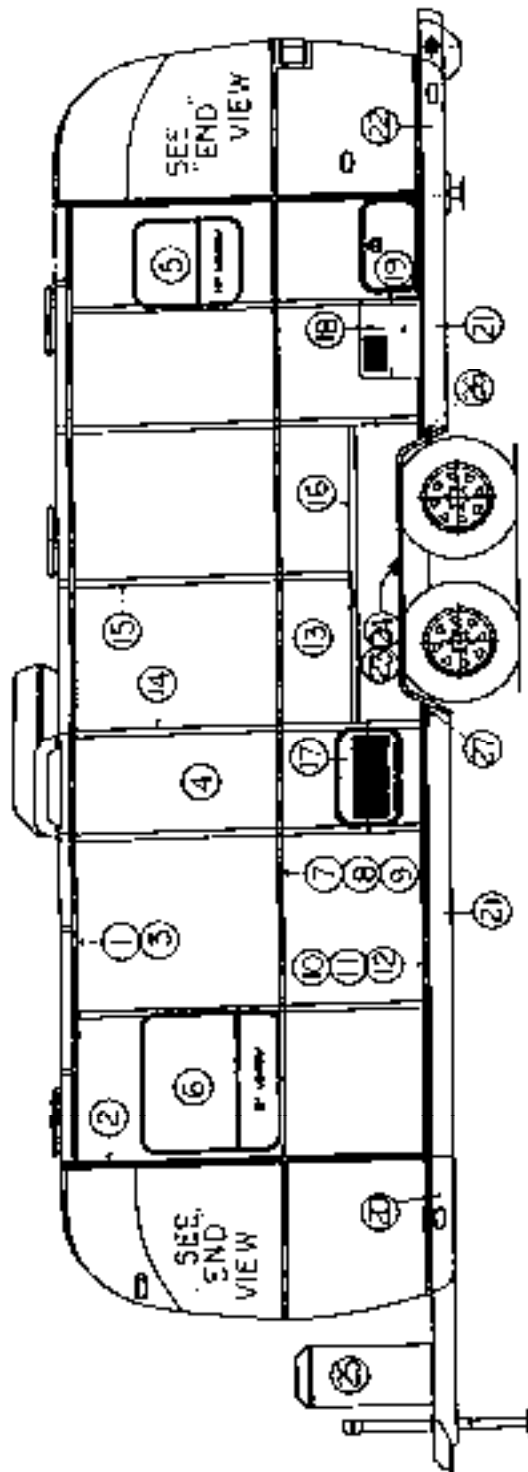
Wall, Curbside, 25' A & B

- 1) 114290-01 Extrusion, awning/drip rail
- 2) 114993 Rib, end bow
- 3) 104707-05 Extrusion, "I" beam
- 4) 114880-198 Aluminum sheet, upper, .040" x 51" x 198"
- 5) 371381-02 Window, 19.25" x 22.75"
- 6) 371381-02 Window, 19.25" x 22.75"
- 7) 511017-11 Vent cover, range exhaust
- 8) 371381-16 Window, Main Door, 17.75" X 21.25"
- 9) 110067-07 Main door assembly
- 10) 114654 Screen door assembly
- 11) 114652 Jamb, main door
- 12) 371381-07 Window, 19.25" x 29.75"
- 13) 114879-198 Aluminum sheet, lower, .040" x 33" x 198"
- 14) 114387-01 Bow, Z rib, RH
- 15) 114387-02 Bow, Z rib, LH
- 16) 100986 Wheel well stiffener(floor channel)
- 17) 325002 RIVET SHANK DIA 1/8" X3/8" PLAIN
- 18) 365016 Tape, double stick 1/2"
- 19) 100034 "Z" bar, 48"
- 20) 114460 Extrusion, rub rail
- 21) 201763-01 Insert, rub rail, chrome, 1"
- 22) 100986 Floor channel
- 23) 100679-01 Access door w/jamb
- 24) 690274-09 Cover, Hydroflame furnace
- 25) 684936 Wheel well trim, inner, tandem axle
- 26) 684937 Wheel well trim, outer, tandem axle
- 27) 200545 Banana wrap, CS rear
- 28) 101131-01 Underbelly wrap, .024" x 22.5", Pewter
- 29) 200543-01 Banana wrap, CS front
- 30) 104264 Cover, 30# LPG bottles
- 31) 114465-01 Casting, rub rail end, door, RH
- 32) 114465-02 Casting, rub rail end, door, LH
- 33) 114466-01 Casting, rub rail end, wheel well, RH
- 34) 114466-02 Casting rub rail end, wheel well, LH

2005 SAFARI- BAMBI

EXTERIOR BODY

Wall, Roadside, 25' A & B



2005 SAFARI- BAMBI

EXTERIOR BODY

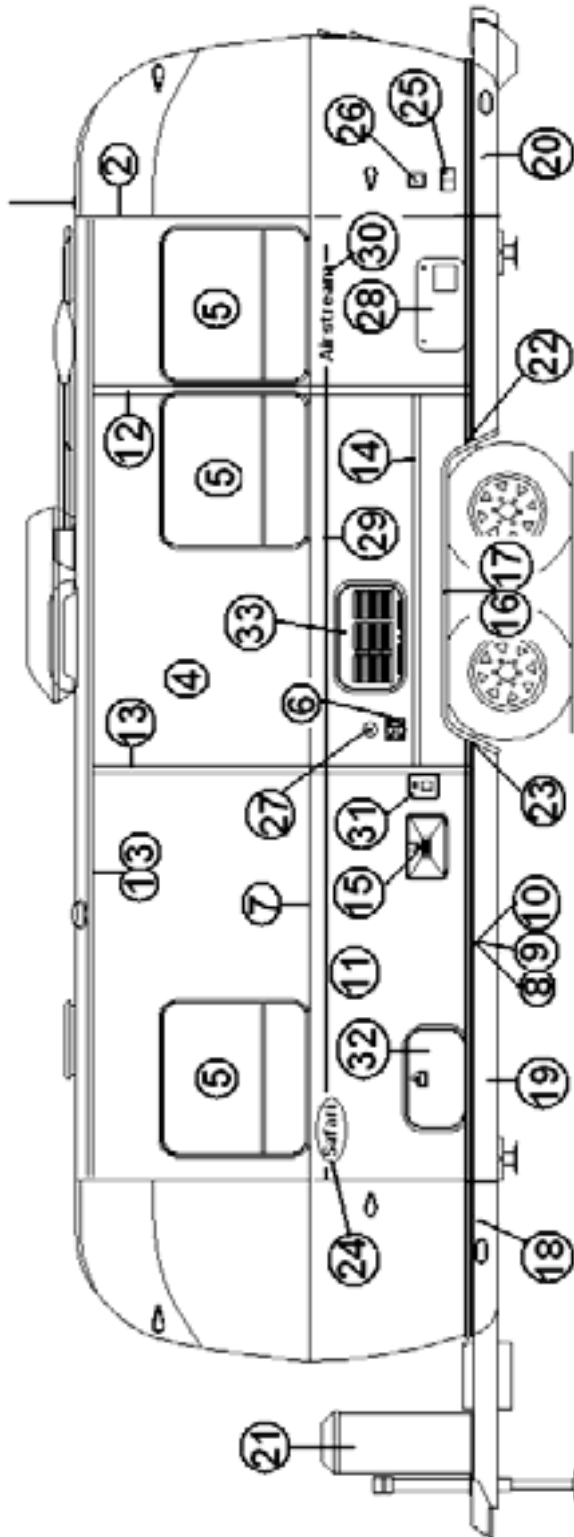
Wall, Roadside, 25' A & B

- 1) 114290-01 Extrusion, awning/drip rail
- 2) 114993 Rib, end bow
- 3) 104707-05 Extrusion, "I" beam
- 4) 114880-198 Aluminum sheet, upper, .040" x 51" x 198"
- 5) 371381-02 Window, 19.25" x 22.75"
- 6) 371381-08 Window, 31.25" X 29.75"
- 7) 325002 RIVET SHANK DIA 1/8" X3/8" PLAIN
- 8) 365016 Tape, double stick 1/2"
- 9) 100034 "Z" bar, 48"
- 10) 114460 Extrusion, rub rail
- 11) 201763-01 Insert, rub rail, chrome, 1"
- 12) 100986 Floor channel
- 13) 114879-198 Aluminum sheet, lower, .040" x 33" x 198"
- 14) 114387-01 Bow, Z rib, RH
- 15) 114387-02 Bow, Z rib, LH
- 16) 100986 Wheel well stiffener(floor channel)
- 17) 922243 Door, refrigerator access
- 18) 690209 Access door, Atwood
- 19) 100679-01 Access door w/jamb
- 20) 200542-01 Banana wrap, RS front
- 21) 101131-01 Underbelly wrap, .024 x 22.5, Pewter
- 22) 200544 Banana wrap, RS rear
- 23) 684936 Wheel well trim, inner, tandem axle
- 24) 684937 Wheel well trim, outer, tandem axle
- 25) 104264 Cover, 30# LPG bottles
- 26) 114466-01 Casting, rub rail end, wheel well, RH
- 27) 114466-02 Casting, rub rail end, wheel well, LH

2005 SAFARI- BAMBI

EXTERIOR BODY

Wall, Roadside, 25' FB



Part Numbers are on the Next Page

2005 SAFARI- BAMBI

EXTERIOR BODY

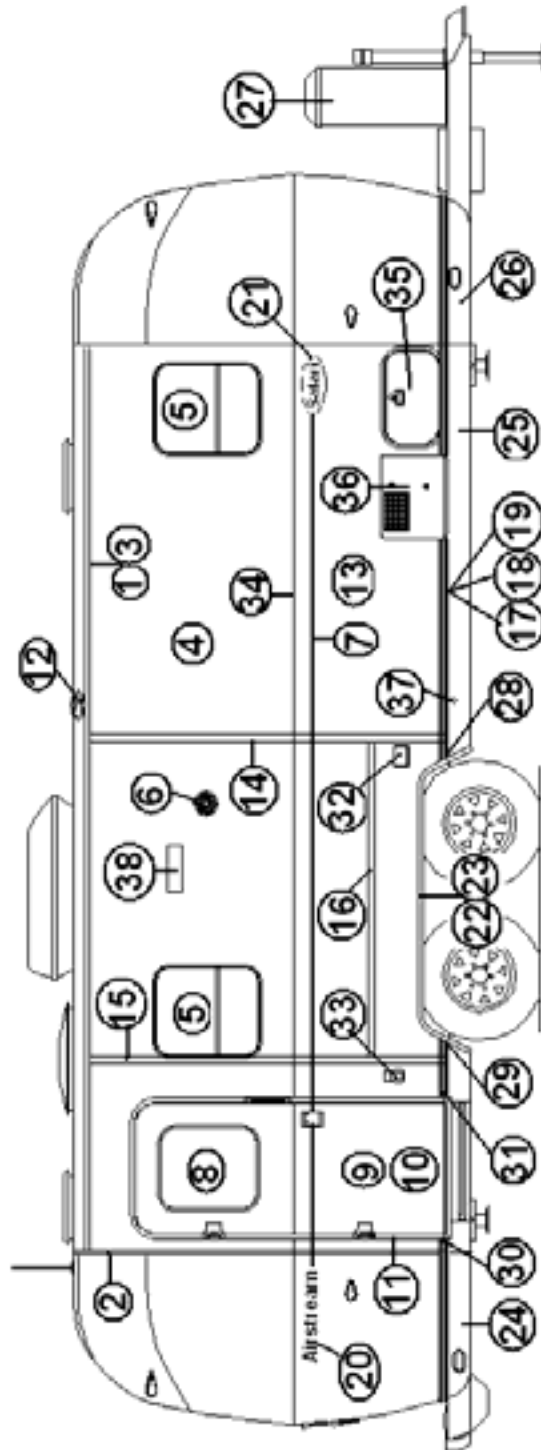
Wall, Roadside, 25' FB

- 1) 114290-01 Extrusion, awning/drip rail
- 2) 114993 Rib, end bow
- 3) 104707-01 Extrusion, "I" beam
- 4) 114880-307 Alum. sheet, upper, .040" x 51" x 307"
- 5) 371381-08 Window, 31.25" X 29.75"
- 5) 371381-17 Window, Side egress, 31.25" X 29.75"
- 6) 601392-05 City water hook-up
- 7) 100034 "Z" bar, 48"
- 8) 114460 Extrusion, rub rail
- 9) 201763-01 Insert, rub rail, chrome, 1"
- 10) 100986 Floor channel
- 11) 114879-307 Alum. sheet, lower, .040" x 33" x 307"
- 12) 114387-01 Bow, Z rib, RH
- 13) 114387-02 Bow, Z rib, LH
- 14) 100986 Wheel well stiffener (floor channel)
- 15) 601876 Shower, exterior, white
- 16) 684936 Wheel well trim, inner, tandem axle
- 17) 684937 Wheel well trim, outer, tandem axle
- 18) 200542-01 Banana wrap, RS front
- 19) 101131-01 Underbelly wrap, .024" x 22.5", Pewter
- 20) 200544 Banana wrap, RS rear
- 21) 104264 Cover, 30# LPG bottles
- 22) 114466-01 Casting, rub rail end, wheel well, RH
- 23) 114466-02 Casting, rub rail end, wheel well, LH
- 24) 386127 Safari Name plate
- 25) 104619 MTG. PLATE, TELEPHONE & TV JACK
- 25) 452981 PHONE JACK PROTECTIVE PLATE
- 25) 511375 JACK MODULAR TELEPHONE
- 26) 511416-02 POWER INLET, 30A, 125V, MALE – GRAY
- 27) 601441 Black tank Flush
- 28) 690274-01 Furnace, 30,000 BTU
- 29) 386088 Decal, black reflective
- 30) 386151 DECAL, AIRSTREAM 1.3"X 16" BLACK
- 31) 601194 Water fill w/lock, gray w/label
- 32) 100679 Side Access Door Assembly
- 33) 922243 Refer Access door

2005 SAFARI- BAMBI

EXTERIOR BODY

Wall, Curbside, 25' FB



Part Numbers are on the Next Page

2005 SAFARI- BAMBI

EXTERIOR BODY

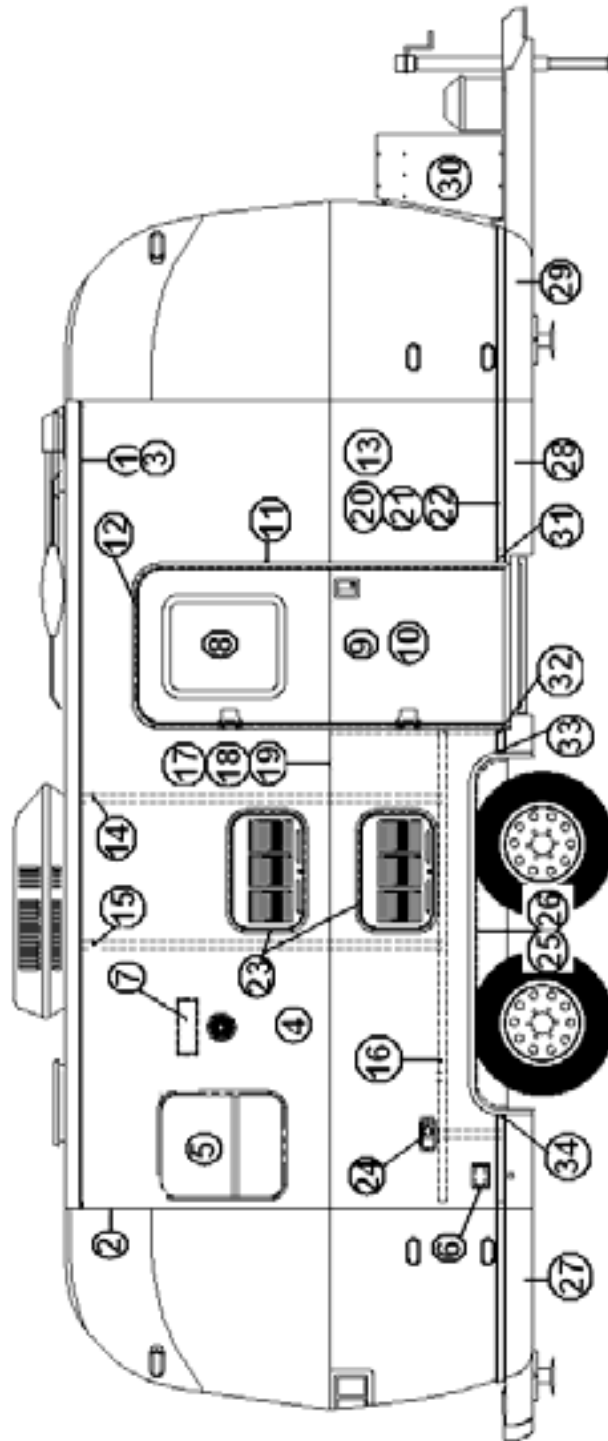
Wall, Curbside, 25' FB

- 1) 114290-01 Extrusion, awning/drip rail
- 2) 114993 Rib, end bow
- 3) 104707-01 Extrusion, "I" beam
- 4) 114880-307 Alum. sheet, upper, .040" x 51" x 307"
- 5) 371381-02 Window, 19.25" x 22.75"
- 6) 500092 Flood light and lens
- 7) 386088 Decal, black reflective
- 8) 371381-16 WINDOW 17.25" X 21.25"
- 9) 110067-07 Main door assembly
- 10) 114654 Screen door assembly
- 11) 114652 Jamb, main door
- 12) 690266-01 Shower roof vent
- 13) 114879-307 Alum. sheet, lower, .040" x 33 x 307"
- 14) 114387-01 Bow, Z rib, RH
- 15) 114387-02 Bow, Z rib, LH
- 16) 100986 Wheel well stiffener (floor channel)
- 17) 114460 Extrusion, rub rail
- 18) 201763-01 Insert, rub rail, chrome, 1"
- 19) 100986 Floor channel
- 20) 386151 DECAL, AIRSTREAM 1.3"X 16" BLACK
- 21) 386127 Nameplate, Safari
- 22) 684936 Wheel well trim, inner, tandem axle
- 23) 684937 Wheel well trim, outer, tandem axle
- 24) 200545 Banana wrap, CS rear
- 25) 101131-01 Underbelly wrap, .024" x 22.5, Pewter
- 26) 200543-01 Banana wrap, CS front
- 27) 104264 Cover, 30# LPG bottles
- 28) 114466-01 Casting, rub rail end, wheel well, RH
- 29) 114466-02 Casting, rub rail end, wheel well, LH
- 30) 114465-02 CASTING CLOSEOUT, RUB RAIL LH
- 31) 114465-01 CASTING CLOSEOUT, RUB RAIL RH
- 32) 510676-01 OUTLET, EXTERIOR, 120 VOLT, GRAY
- 33) 510732-02 UTILITY LIGHT #1327
- 34) 100034 "Z" bar, 48"
- 35) 100679 Side Access Door Assembly
- 36) 690199 Water Heater
- 37) 511872 PIGTAIL-AUDIO OUTSIDE
- 38) 511017-11 EXTERIOR VENT GRAY

2005 SAFARI- BAMBI

EXTERIOR BODY

Wall, Curbside, 22'



2005 SAFARI- BAMBI

EXTERIOR BODY

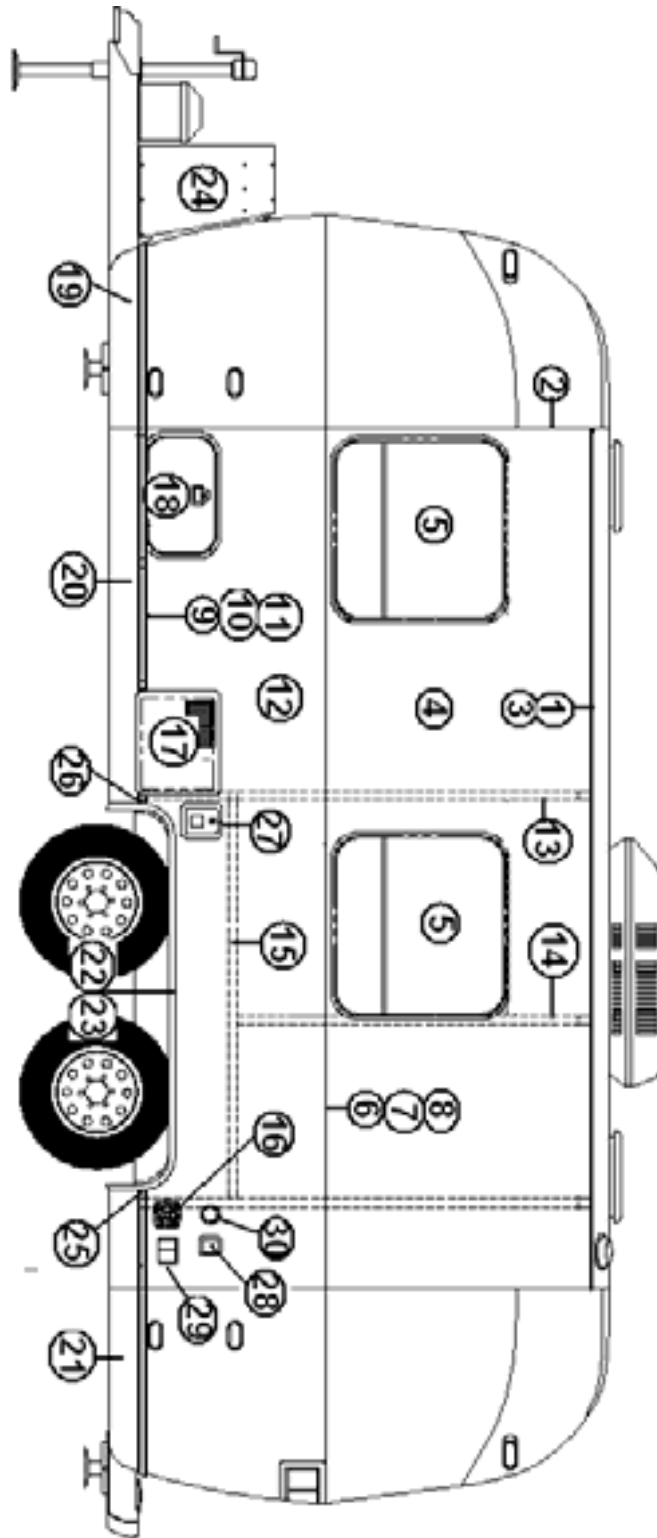
Wall, Curbside, 22'

- 1) 114290-01 Extrusion, awning/drip rail
- 2) 114993 Rib, end bow
- 3) 104707-05 Extrusion, "I" beam
- 4) 114880-198 Aluminum sheet, upper, .040" x 51" x 198"
- 5) 371381-02 WINDOW 19.25" X 22.75"
- 6) 510676-01 Outlet, 110 Volt
- 7) 511017-11 Vent cover, range exhaust
- 8) 371381-16 Window, Main Door, 17.75" X 21.25"
- 9) 110067-07 Main door assembly
- 10) 114654 Screen door assembly
- 11) 114652 Jamb, main door
- 12) 114363 Drip cap, main door
- 13) 114879-198 Aluminum sheet, lower, .040" x 33" x 198"
- 14) 114387-01 Bow, Z rib, RH
- 15) 114387-02 Bow, Z rib, LH
- 16) 100986 Wheel well stiffener(floor channel)
- 17) 325002 RIVET SHANK DIA 1/8" X3/8" PLAIN
- 18) 365016 Tape, double stick 1/2"
- 19) 100034 "Z" bar, 48"
- 20) 114460 Extrusion, rub rail
- 21) 201763-01 Insert, rub rail, chrome, 1"
- 22) 100986 Floor channel
- 23) 922156 Door, refer access
- 24) 922156 Door, refer access
- 25) 684936 Wheel well trim, inner, tandem axle
- 26) 684937 Wheel well trim, outer, tandem axle
- 27) 203303-01 BANANA WRAP BLACK RS FRONT/CS REAR
- 28) 203304 ROLL, UNDERBELLY, BLACK PLASTIC
- 29) 203303-02 BANANA WRAP, BLACK CS FRONT/RS REAR
- 30) 915723 Cover, LP Bottle
- 31) 114465-01 Casting, rub rail end, door, RH
- 32) 114465-02 Casting, rub rail end, door, LH
- 33) 114466-01 Casting, rub rail end, wheel well, RH
- 34) 114466-02 Casting rub rail end, wheel well, LH

2005 SAFARI- BAMBI

EXTERIOR BODY

Wall, Roadside, 22'



2005 SAFARI- BAMBI

EXTERIOR BODY

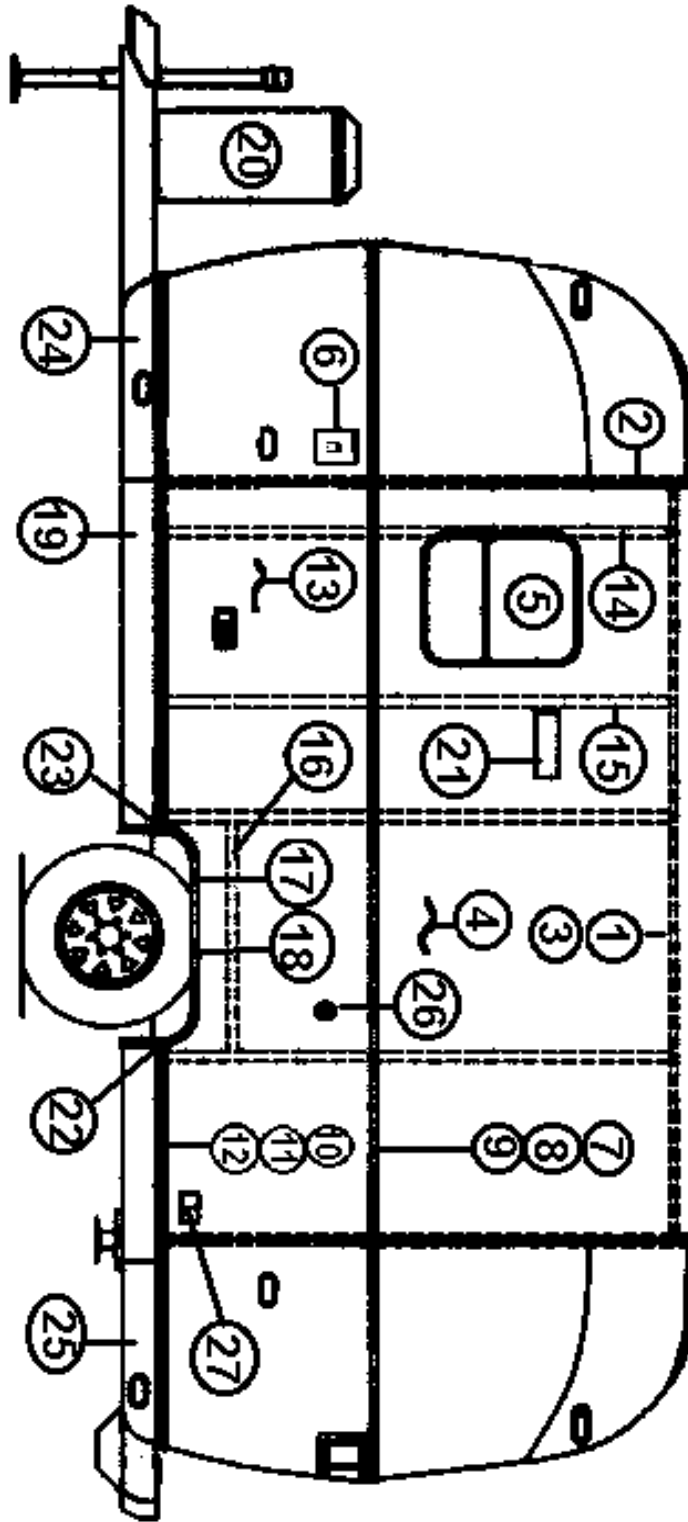
Wall, Roadside, 22'

- | | |
|----------------|---|
| 1) 114290-01 | Extrusion, awning/drip rail |
| 2) 114993 | Rib, end bow |
| 3) 104707-05 | Extrusion, "I" beam |
| 4) 114880-198 | Aluminum sheet, upper, .040" x 51" x 198" |
| 5) 371381-08 | WINDOW 31.25" X 29.75" |
| 6) 325002 | RIVET SHANK DIA 1/8" X3/8" PLAIN |
| 7) 365016 | Tape, double stick 1/2" |
| 8) 100034 | "Z" bar, 48" |
| 9) 114460 | Extrusion, rub rail |
| 10) 201763-01 | Insert, rub rail, chrome, 1" |
| 11) 100986 | Floor channel |
| 12) 114879-198 | Aluminum sheet, lower, .040" x 33" x 198" |
| 13) 114387-01 | Bow, Z rib, RH |
| 14) 114387-02 | Bow, Z rib, LH |
| 15) 100986 | Wheel well stiffener (floor channel) |
| 16) 601392-05 | City, water hook up |
| 17) 690209 | Access door, Atwood |
| 18) 100679-01 | Access door w/jamb |
| 19) 203303-01 | BANANA WRAP BLACK RS FRONT/CS REAR |
| 20) 203304 | ROLL, UNDERBELLY, BLACK PLASTIC |
| 21) 203303-02 | BANANA WRAP, BLACK CS FRONT/RS REAR |
| 22) 684936 | Wheel well trim, inner, tandem axle |
| 23) 684937 | Wheel well trim, outer, tandem axle |
| 24) 915723 | Cover, LP Bottle |
| 25) 114466-01 | Casting, rub rail end, wheel well, RH |
| 26) 114466-02 | Casting, rub rail end, wheel well, LH |
| 27) 601194 | Water fill w/lock |
| 28) 511416-02 | Power inlet, shoreline |
| 29) 104619 | MTG. PLATE, EXTERIOR TELEPHONE & TV JACK |
| 29) 452981 | PHONE JACK PROTECTIVE PLATE |
| 29) 511375 | JACK MODULAR TELEPHONE |
| 30) 601197-02 | Water hook-up for blank tank flush |

2005 SAFARI- BAMBI

EXTERIOR BODY

Wall, Roadside, 19'



2005 SAFARI- BAMBI

EXTERIOR BODY

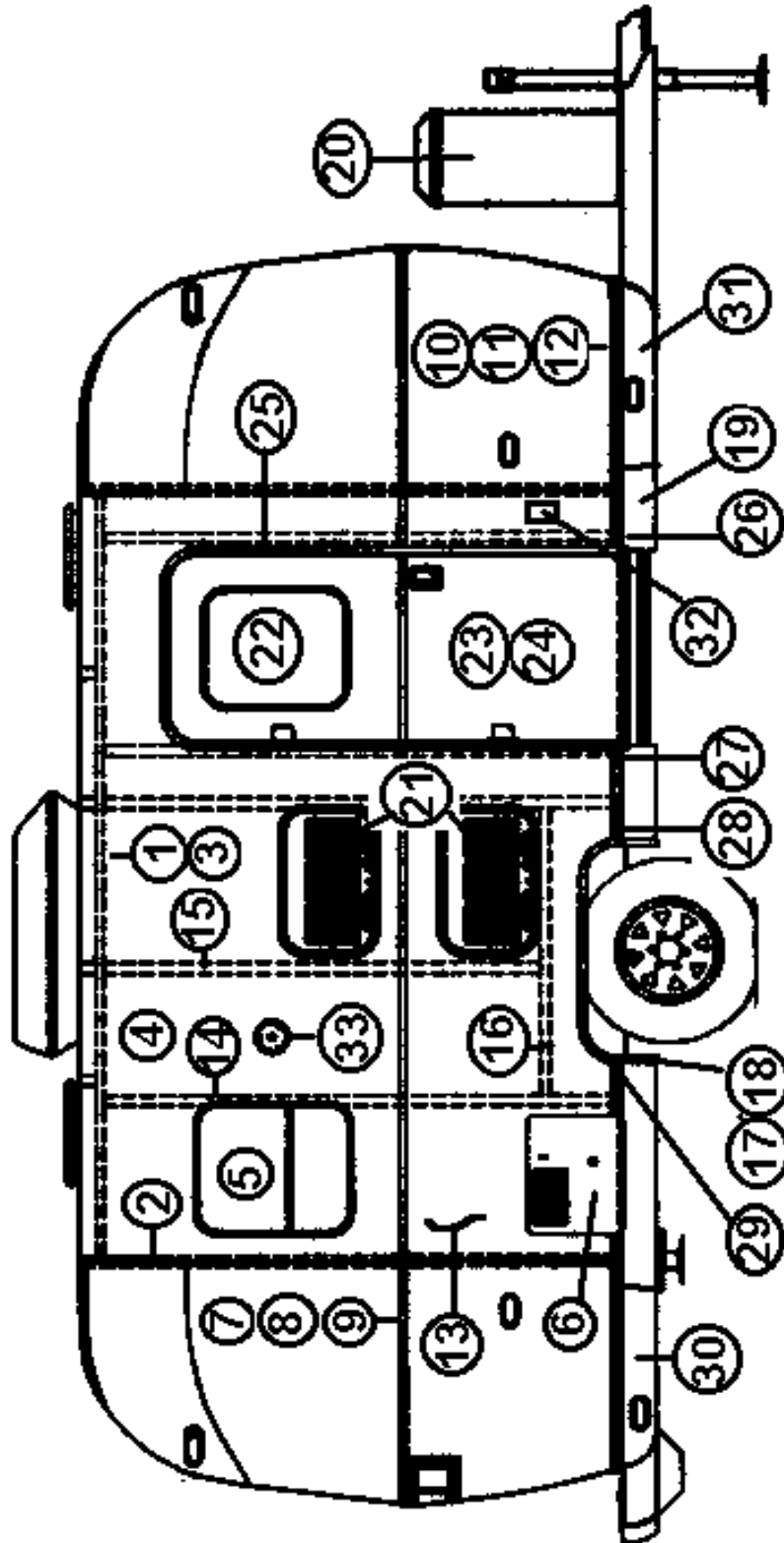
Wall, Roadside, 19'

- | | |
|----------------|--|
| 1) 114290-01 | Extrusion, awning/drip rail |
| 2) 114994 | Rib, end bow |
| 3) 104707-05 | Extrusion, "I" beam |
| 4) 114880-262 | Aluminum sheet, upper, .040 x 51 x 262" |
| 5) 371381-02 | Window, 19.25" x 22.75" |
| 6) 601194 | Water fill w/lock, gray |
| 6) 381647 | CH 751 Key only |
| 7) 325002 | RIVET SHANK DIA 1/8" X3/8" PLAIN |
| 8) 365016 | Tape, double stick 1/2" |
| 9) 100034 | "Z" bar, 48" |
| 10) 114460 | Extrusion, rub rail |
| 11) 201763-01 | Insert, rub rail, chrome, 1" |
| 12) 100986 | Floor channel |
| 13) 114880-262 | Aluminum sheet, lower, .040 x 33 x 262" |
| 14) 114387-02 | Bow, Z rib, LH |
| 15) 114387-01 | Bow, Z rib, RH |
| 16) 100986 | Wheel well stiffener (floor channel) |
| 17) 114003-04 | Wheel well trim, inner, single axle |
| 18) 114004-04 | Wheel well trim, outer, single axle |
| 19) 101131-01 | Underbelly wrap, .024 x 22.5, pewter |
| 20) 104264 | Cover, 30# LPG bottles |
| 21) 511017-11 | Vent cover, range exhaust |
| 22) 114466-01 | Casting, rub rail end, wheel well, RH |
| 23) 114466-02 | Casting, rub rail end, wheel well, LH |
| 24) 203251-01 | Banana wrap, RS front |
| 25) 203251-03 | Banana wrap, RS rear |
| 26) 601392-05 | City water hook-up |
| 27). 104619 | Mounting plate, exterior telephone & TV jack |
| 511375 | JACK MODULAR TELEPHONE |
| 452981 | Phone jack protective plate |

2005 SAFARI- BAMBI

BODY

Wall, Curbside, 19'



2005 SAFARI- BAMBI

EXTERIOR BODY

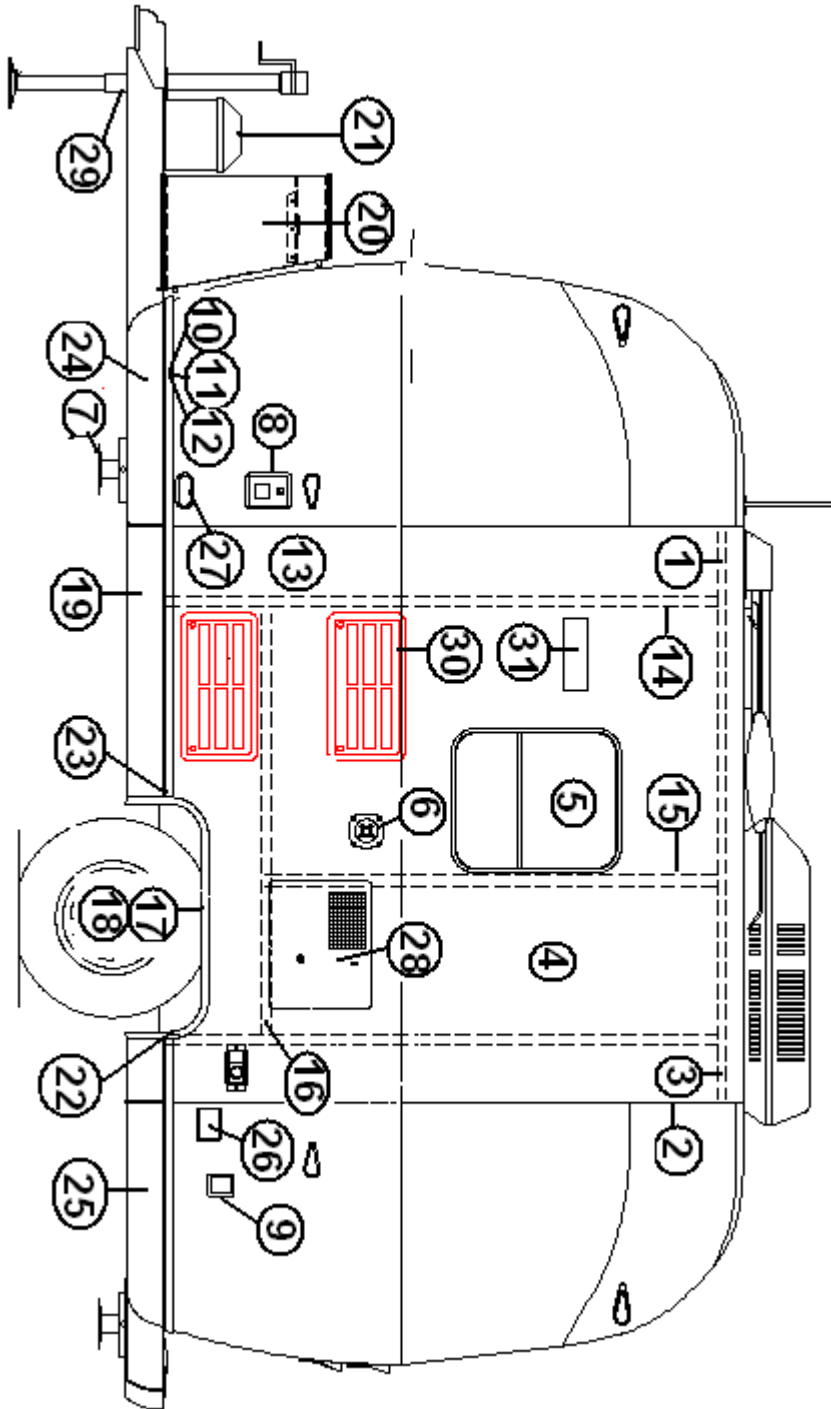
Wall, Curbside, 19'

- 1) 114290-01 Extrusion, awning/drip rail
- 2) 114994 Rib, end bow
- 3) 104707-05 Extrusion, "I" beam
- 4) 114880-262 Aluminum sheet, upper, .040 x 51 x 262"
- 5) 371381-02 Window, 19.25 x 22.75"
- 6) 690259-03 Cover and mounting flange, Atwood
- 7) 325002 RIVET SHANK DIA 1/8" X3/8" PLAIN
- 8) 365016 Tape, double stick 1/2"
- 9) 100034 "Z" bar, 48"
- 10) 114460 Extrusion, rub rail
- 11) 201763-01 Insert, rub rail, chrome, 1"
- 12) 100986 Floor channel
- 13) 114879-262 Aluminum sheet, lower, .040 x 33 x 262"
- 14) 114387-02 Bow, Z rib, LH
- 15) 114387-01 Bow, Z rib, RH
- 16) 100986 Wheel well stiffener (floor channel)
- 17) 114003-04 Wheel well trim, inner, single axle
- 18) 114004-04 Wheel well trim, outer, single axle
- 19) 101131-01 Underbelly wrap, .024 x 22.5, pewter
- 20) 104264 Cover, 30# LPG bottles
- 21) 922243 Door assembly, refrigerator assess
- 22) 371381-16 Window, Main Door, 17.75" X 21.25"
- 23) 110067-01 Main door assembly
- 24) 114654 Screen door assembly
- 25) 114652 Jamb, main door, pre-formed
- 26) 114465-01 Casting, rub rail end, door, RH
- 27) 114465-02 Casting, rub rail end, door, LH
- 28) 114466-01 Casting, rub rail end, wheel well, RH
- 29) 114466-02 Casting, rub rail end, wheel well, LH
- 30) 203251-04 Banana wrap, CS rear
- 31) 203251-02 Banana wrap, CS front

2005 SAFARI- BAMBI

EXTERIOR BODY

Wall, Roadside, 16'



2005 SAFARI- BAMBI

EXTERIOR BODY

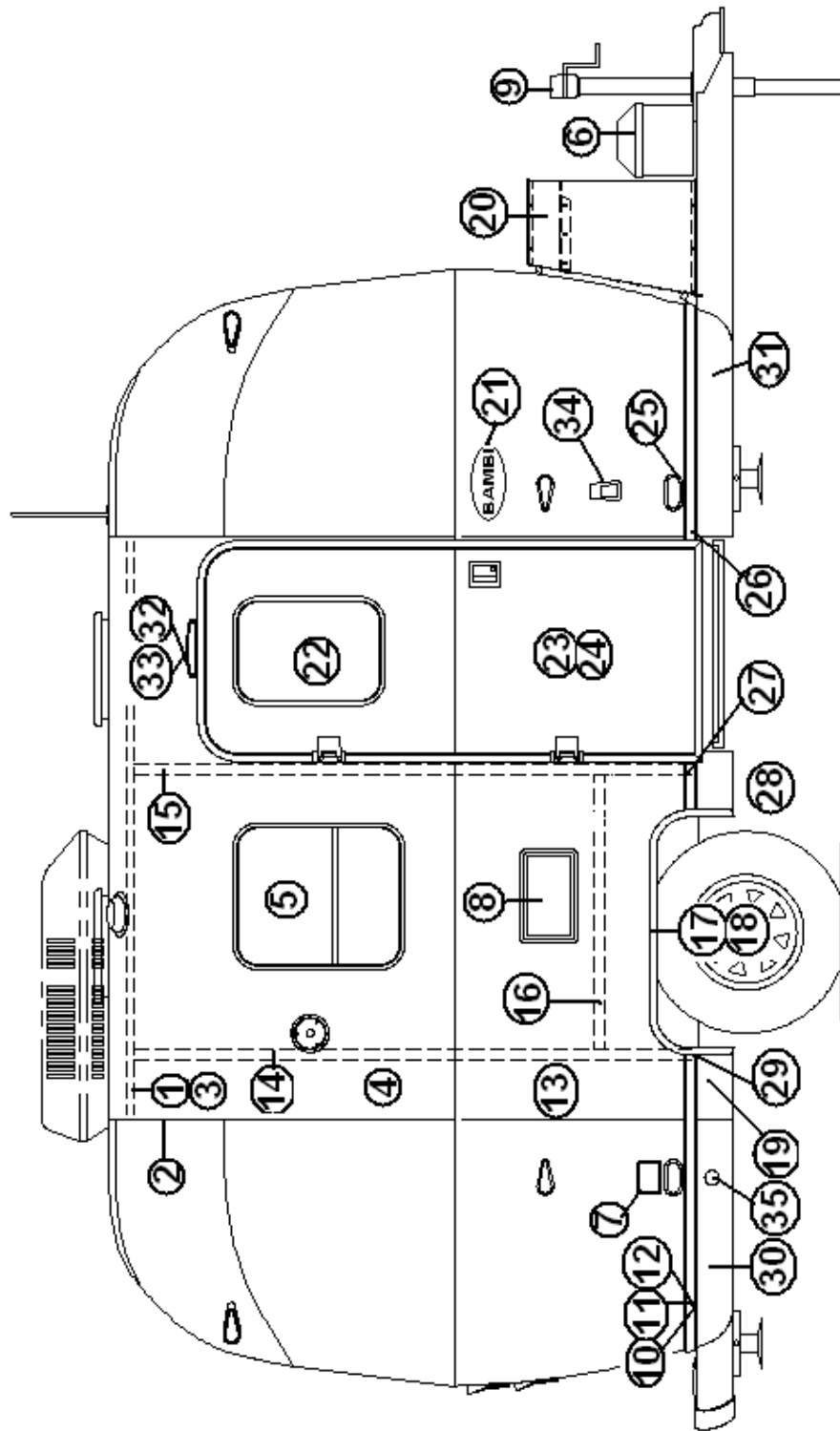
Wall, Roadside, 16'

- 1) 114290-02 Extrusion, awning/drip rail
- 2) 114994 Rib, end bow
- 3) 104707-05 Extrusion, "I" beam
- 4) 114880-198 Aluminum sheet, .040 x 51 x 198"
- 5) 371381-02 Window, 19.25" X 22.75" 8"
- 6) 601392-05 City water hook up, chrome
- 7) 400914-03 STABILIZER JACKS
- 8) 601194 WATER FILL W/LOCK, GRAY, W/LABEL
- 9) 511416-02 POWER INLET, 30A, 125V, MALE
- 10) 114460 Extrusion, rub rail
- 11) 201763-01 Insert, rub rail, chrome, 1"
- 12) 100986 Floor channel
- 13) 114879-198 Aluminum sheet, .040 x 33 x 198"
- 14) 114387-02 Bow, Z rib, LH
- 15) 114387-01 Bow, Z rib, RH
- 16) 100986 Wheel well stiffener (floor channel)
- 17) 114003-03 Wheel well trim, inner, single axle
- 18) 114004-03 Wheel well trim, outer, single axle
- 19) 203304 ROLL, UNDERBELLY, BLACK PLASTIC
- 20) 915723 LP Bottle Cover
- 21) 511595 Battery box
- 22) 114466-01 Casting, rub rail end, wheel well, RH
- 23) 114466-02 Casting, rub rail end, wheel well, LH
- 24) 203303-01 BANANA WRAP BLACK RS FRONT
- 25) 203303-02 BANANA WRAP, BLACK RS REAR
- 26) 500996 Jack, TV/Telephone
- 27) 500096 Reflector, amber
- 28) 690209 BRUSHED ALUM ACCESS COVER
- 29) 3320028 FRONT-WIND JACK ATWOOD
- 30) 690470-01 VENT-REFER-PLASTIC RADIUS CORNER
- 30a) 115038-01 Vent jamb
- 31) 511017-11 EXTERIOR VENT GRAY
- 32) 386126 NAMEPLATE-BAMBI BLACK/GRAY

2005 SAFARI- BAMBI

EXTERIOR BODY

Wall, Curbside, 16'



2005 SAFARI- BAMBI

EXTERIOR BODY

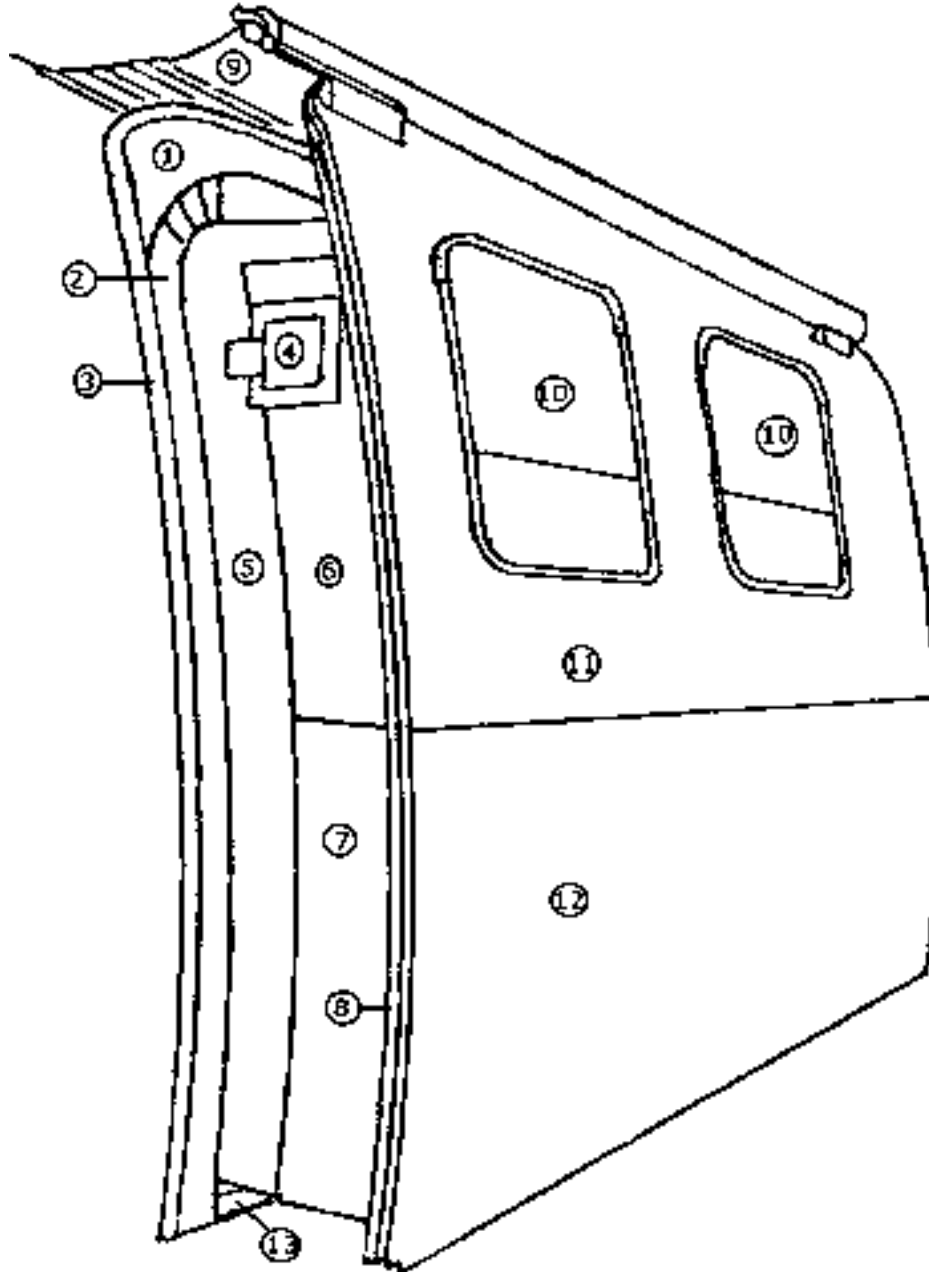
Wall, Curbside, 16'

- | | |
|----------------|---------------------------------------|
| 1) 114290 | Extrusion, awning/drip rail |
| 2) 114994 | Rib, end bow |
| 3) 104707-05 | Extrusion, "I" beam |
| 4) 114880-198 | Aluminum sheet, .040 x 51 x 198" |
| 5) 371381-02 | Window, 19.25" X 22.75" 8" |
| 6) 511595 | Battery box |
| 7) 510676-01 | OUTLET, EXTERIOR, 120 VOLT, GR |
| 8) 381766 | HATCH, ACCESS 7.75" X 12.63" |
| 9) 3320028 | FRONT-WIND JACK ATWOOD |
| 10) 114460 | Extrusion, rub rail |
| 11) 201763-01 | Insert, rub rail, chrome, 1" |
| 12) 100986 | Floor channel |
| 13) 114879-198 | Aluminum sheet, .040 x 33 x 198" |
| 14) 114387-02 | Bow, Z rib, LH |
| 15) 114387-02 | Bow, Z rib, LH |
| 16) 100986 | Wheel well stiffener (floor channel) |
| 17) 114003-03 | Wheel well trim, inner, single axle |
| 18) 114004-03 | Wheel well trim, outer, single axle |
| 19) 203304 | ROLL, UNDERBELLY, BLACK PLASTIC |
| 20) 915723 | COVER ASSY-LP BOTTLE |
| 21) 386126 | NAMEPLATE-BAMBI BLACK/GRAY |
| 22) 371381-16 | Window, 17.75" X 21.25" Etched Glass |
| 23) 115207-01 | Main door assembly |
| 24) 114654 | Screen door assembly |
| 25) 114652 | Jamb, main door, pre-formed |
| 26) 114465-01 | Casting, rub rail end, door, RH |
| 27) 114465-02 | Casting, rub rail end, door, LH |
| 28) 114466-01 | Casting, rub rail end, wheel well, RH |
| 29) 114466-02 | Casting, rub rail end, wheel well, LH |
| 30) 203303-01 | Banana wrap CS rear |
| 31) 203303-02 | Banana wrap CS front |
| 32) 101323 | STEP, LIGHT POLISHED |
| 33) 201185 | LENS STEP LIGHT |
| 34) 510732-02 | CSA PORCH LIGHT |
| 35) 511872 | PIGTAIL EXTERNAL SPEAKER |

2005 SAFARI- BAMBI

EXTERIOR BODY

Slide Out Room, 28'



P/N Next Page

2005 SAFARI- BAMBI

EXTERIOR BODY

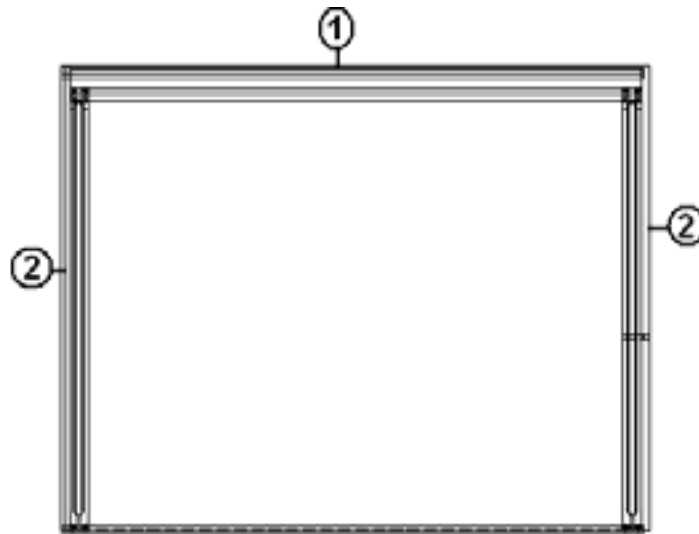
Slide Out Room, 28'

1) 965248	S/O JAMB-FIBERGLASS
2) 381669-02	WIPER SEAL ASSY
3) 114974-01	RING-TRIM EXTERIOR S/O RH
3a) 114974-02	RING-TRIM EXTERIOR S/O LH
3b) 114930	EXTRUSION- "L" SECTION
4) 952648-01	Travel lock, forward
4a) 952648-02	Travel lock, aft
5) 965247	ROOM SHELL-FIBERGLASS
6) 114990-07	END SKIN-FWD FORMED
7) 114990-08	END SKIN-AFT FORMED
8) 381663	Gasket, seal, room to exterior to room
9) 703122-03	Cover, roll out awning
9A) 702949-01	Mounting hardware, cover awning
10) 371381-08	Window, 49.63" x 24.19", 24" egress
11) 115025-02	OUTER S/O UPPER SKIN ASSY
12) 115024-02	OUTER S/O SKIN LOWER ASSY
13) 381587	Gasket, floor wiper
965155	Spacer block w/ magnet
381728	Rubber wiper seal, 2.5" wide
114977	ANGLE-GREY FORMED FLOOR EDGE
915621	MOUNTING PLATE, SLIDE-OUT ARM
114941	CLOSEOUT-UNDER FLOOR CENTER S/O
801304	SHIM-SLIDE OUT ROLLER
381705	ROLLER BLOCK ASSY.
203226-01	DRAIN PLASTIC RH
203226-02	DRAIN PLASTIC LH
203243	GUIDE BLOCKS NYLON
114980-02	COVER-TRAVEL LOCK LH
114980-01	COVER-TRAVEL LOCK RH

2005 SAFARI- BAMBI

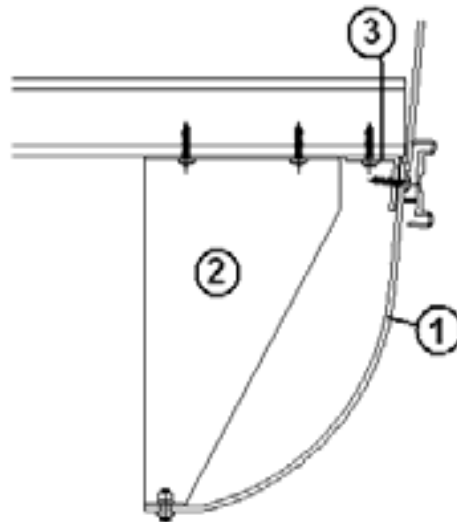
EXTERIOR BODY

Slide Out Room Wall Frame, 28'



114919-12 EXTRUSION HEADER 112"
114926 PILLAR, CAST ALUMINUM

Slide Out Room Rocker Panel, 28'

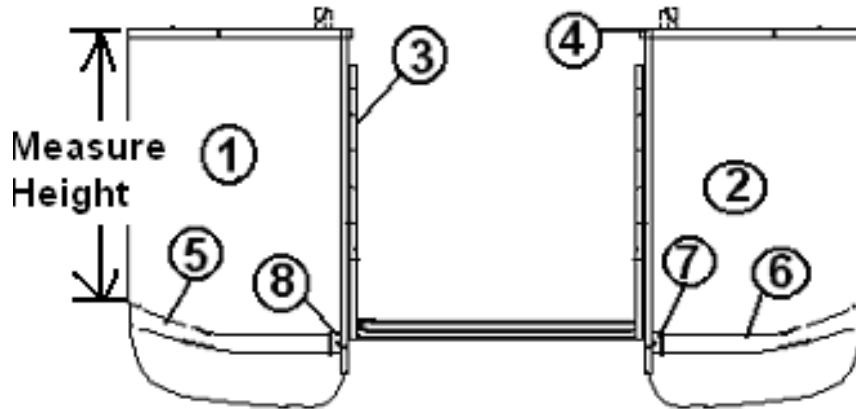


1. 115000 EXTR.-ROCKER PANEL ALUMINUM
2. 114981 GUSSET-UNDERWRAP
3. 115001 ANGLE-ROCKER MOUNTING

2005 SAFARI- BAMBI

EXTERIOR SHELL

Wrap Protector/Holdbacks



The height of the protector changed during the model year. Please measure height and order accordingly.

109325-02	Wrap Protector Set, 28" tall, 16, 19'
109325-100	Wrap Protector, Set, 28" tall, 22', 25', 28', 30'
1. 685365-100	Wrap protector, CS, 22" Tall
1. 966276	Wrap Protector, CS, 28" Tall, 22', 25', 28', 30'
2. 1685366-100	Wrap protector, RS, 22" Tall
2. 966277	Wrap Protector, RS, 28" Tall, 22', 25', 28', 30'
3. 381605-01	Hinge, stainless, wrap protector
4. 100742-01	Extrusion, mirror/wrap trim protector
5. 114460	Extrusion, rub rail
6. 201763-021	Insert, rub rail, chrome
7. 114465-01	CASTING CLOSEOUT RUB RAIL RH
8. 114465-02	CASTING CLOSE-OUT RUB RAIL LH
101401	EXTRUSION, DOOR LATCH HOUSING/STONE
114819-01	Wrap protector hold back, 1.62"
114819-02	Wrap protector hold back, 2.50"
114819-03	Wrap protector hold back, 5.00"

2005 SAFARI- BAMBI

INTERIOR BODY

Interior Skin

114445 Aluminum sheet, .032" x 34" x coil
114853-01 Aluminum sheet, .032" x 57" x coil

Wall fabric, Headliner, Before unit 517299

702482-03 Head liner, end liner, Spectra Opal
702481 Wall liner, Geometric Pearl

Wall fabric, Headliner, Beginning with unit 517299

703498 Headliner, Hobnail, Ivory

Wall/Skin Trim

114157-01 Extrusion, end liner, upper, white
201728-01 Extrusion, ceiling trim retainer
201728-03 Extrusion, ceiling trim
203225 Trim, flexible, "U", white
203138-01 Extrusion, plastic, wall, white
203138-02 Extrusion, plastic, wall, brown
203138-03 Extrusion, plastic, wall, beige
203138-04 EXTRUSION - PLASTIC WALL OAK
101077 Extrusion, main doorjamb trim, interior
114879-198 Aluminum sheet, cut to fit, .040" X33" X 198"
114070 Extrusion, J-Trim, Aluminum

2005 SAFARI- BAMBI

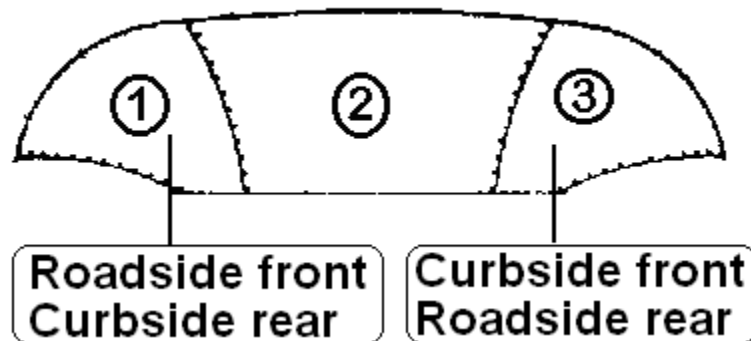
INTERIOR BODY

Slide Out Room, 28'

454154-03	BACKER UPPER S/O FASCIA BOARD
454154-04	BACKER UPPER S/O FASCIA BOARD
453817	BACKER-FWD/AFT FASCIA BOARD
801303-01	FASCIA BOARD-AFT
801303-02	FASCIA BOARD- FWD
801440	FASCIA BOARD-UPPER 90.5"
114931-01	RING-TRIM INTERIOR RH
114931-02	RING-TRIM INTERIOR LH
114507-01	TRIM WHITE 16' PC. STRAIGHT UPPER

Interior Skin, Aluminum Finish

Inside View



1. 114891-01	SEGMENT-#27 INTERIOR
2. 114893-01	SEGMENT-#25 WIDE INTERIOR
3. 114890-01	SEGMENT-#26 INTERIOR
114879-238	ALUM.SHEET .040" X 33" X 238"
114880-238	ALUM.SHEET .040" X 51" X 238"
114879-262	ALUM.SHEET .040" X 33" X 262"
114880-262	ALUM.SHEET .040" X 51" X 262"

2005 SAFARI- BAMBI

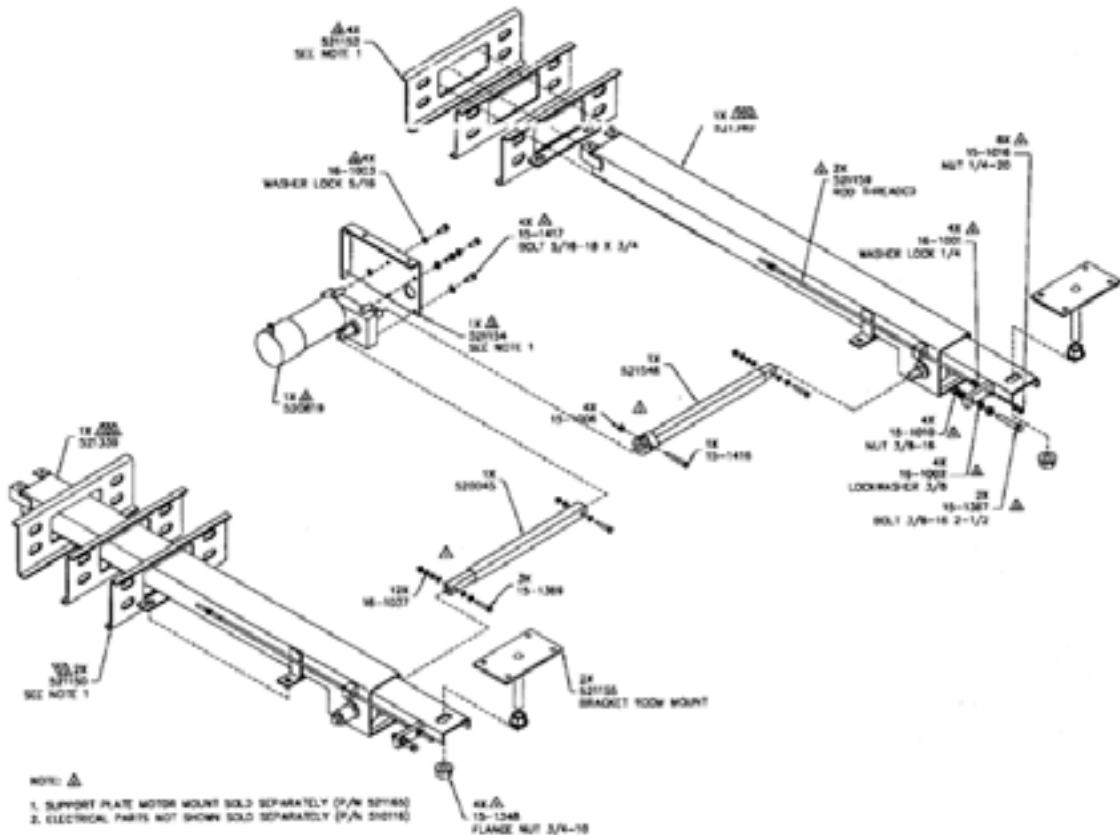
INTERIOR BODY

Slide Out Room Mechanism, 28'

Airstream P/N-400947

Power Gear P/N-511174

Order all parts from Power Gear 1-800-334-4712

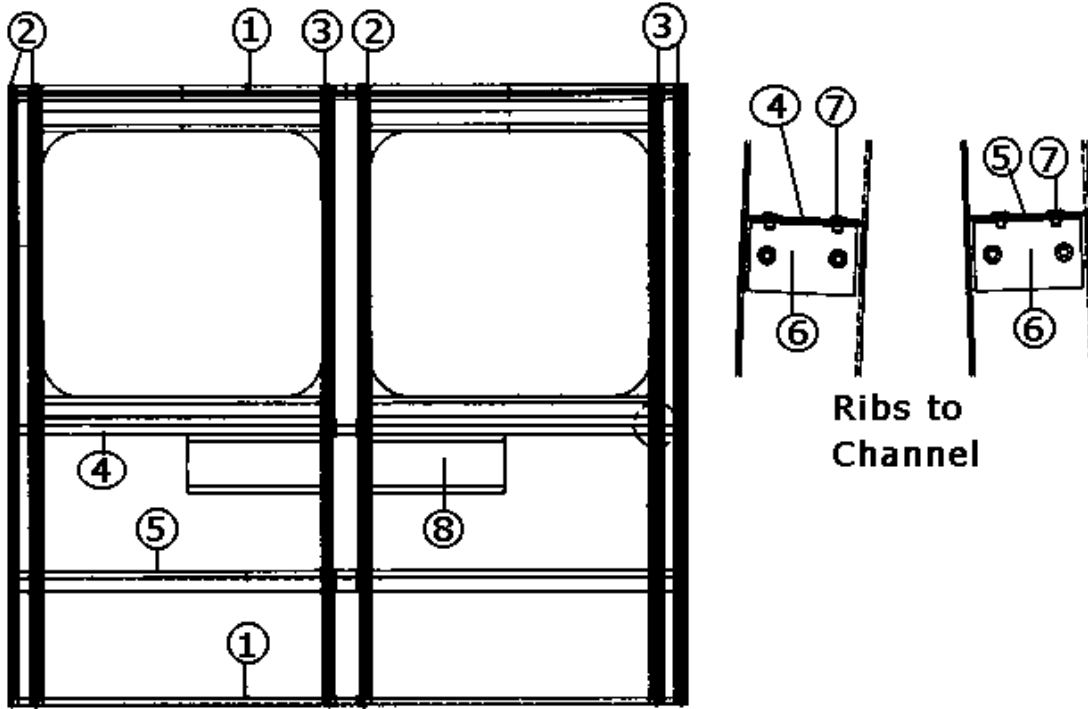


- | | |
|-----------|--------------------------------|
| 400947 | Slide Out Room Mechanism, 28' |
| 511443 | CORD-PORTABLE SERVICE |
| 801304 | SHIM-SLIDE OUT ROLLER |
| 381705 | ROLLER BLOCK ASSY. |
| 365255 | TAPE-MAGNETIC/ADHESIVE 3" WIDE |
| 114941 | CLOSEOUT-UNDER FLOOR CENTER |
| 115029 | COVER BOTTOM-S/O MOTOR |
| 381605-01 | HINGE, PIANO, ALUMINUM |
| 511536-03 | HARNES SLIDE OUT ROOM SWITCHES |

2005 SAFARI- BAMBI

INTERIOR BODY

Slide Out Insert Shell 28' S/O



- | | |
|--------------|------------------------------------|
| 1. 114938 | Aluminum Extrusion |
| 2. 114939-01 | Rib, RH |
| 3. 114939-02 | Rib, LH |
| 4. 114415 | C-channel, formed |
| 5. 100034 | Z-bar, horizontal frame |
| 6. 114414 | Angle, formed, 1" x 1" x 1.5" |
| 7. 330126-03 | Pop rivet, SSD44SSBS |
| 8. 453629 | Hat section, dinette table support |
| 381753 | RUBBER, COVE MOLDING, 1.98"WIDE |
| 511531 | SWITCH TRAVEL LOCK |

2005 SAFARI- BAMBI

CHASSIS

Axles

410875-02 Axle, 3500# 16'
*410875-11 Axle, 3500# 16'
410875-07 Axle, 4300 #, 19'
410875-01 Axle, 2800#, 22'
410875-03 AXLE- 3000#, 25' Front Bed
410875-09 Axle, 3800#, 25', 28' W
410875-08 Axle 4400#, 28' S/O, 30'

Shocks

0220003 Shock absorber
0250173-15 Bolt, grade 5, 5/8"-18 x 1.5", shock mount
0130068-818 Nut, hex head flanged, 5/8"-18, shock mount
0140053-62 WASHER DISC SPRING, SP, 5/8 I.D.

15" Tire/Wheel, 30', 28', 25', 19'

410874 TIRE/WHEEL ASSY 15"
400844 Dust cover, center hub
400923 lug nut, Acorn
410843-01 Spare Tire/wheel assembly, steel 15"

14" Tire/Wheel, 16', 22'

410873 TIRE/WHEEL ASSY-14"
410877 CAP-CENTER S.S.
400923 LUG NUT-1/2" ACORN TYPE

Spare Tire Carrier

450414 "A" frame spare tire carrier
994073 BRACKET FOR SPARE TIRE

* Replaced 410875-02 start unit 518513

2005 SAFARI- BAMBI

CHASSIS

Wheel Well

200844	Wheel well, tandem
200514	Wheel well insulator, tandem
453617	WHEEL WELL BOX, 19 ft.
964183	CLOSEOUT ASSY-CS WHEELWELL, 25'
203289	LINER, WHEEL WELL-ABS, 16'

Step, Single

400962	STEP-MAIN DOOR STEEL 24"
--------	--------------------------

Step, Double

381863	STEP-DOUBLE STEEL
0250175-03	SCREW HHCS GR5 3/8"-16 X 3/4"
0260100	3/8"-16 U-TYPE CAGE NUT

Jacks, Stabilizing, 16', *19', 22'

*400914-03	STABILIZER JACK 20", LIGHTWEIGHT
*400914-02	HANDLE, 15" (STABILIZER JACK)
*400914-04	FOOT PADS-STABILIZER JACK (Set of Four)

Jacks, Stabilizing, 19', 25', 28', 30'

400093	Stabilizing jacks, BAL w/handle, (4 ea.)
400093-02	CRANK, STABILIZER JACK (BAL)
400093-01	BAL jack, (1 ea.)
400093-04	Foot pad, BAL jack

Hose Carrier

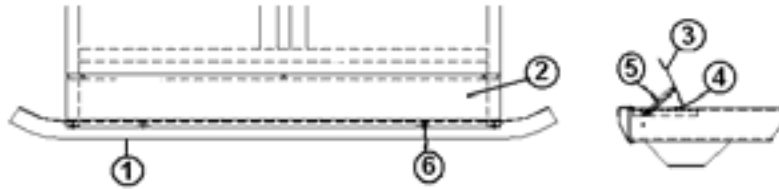
601544-02	E-Z Hose carrier, 46in., black
-----------	--------------------------------

* Began using this jack on 19' during model year.

2005 SAFARI- BAMBI

CHASSIS

Bumper Assembly, 16', 22'

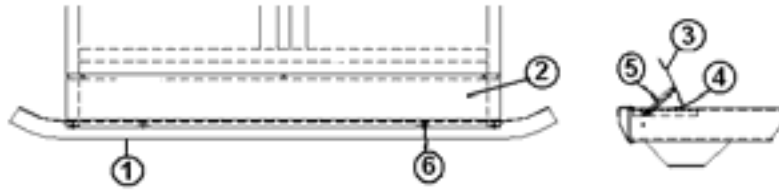


- | | |
|--------------|----------------------------------|
| 1. 410847 | BUMPER, 16', 22'. |
| 2. 453946 | BOTTOM-STORAGE COMPARTMENT, 22' |
| 3. 453948 | LID REAR BUMPER COMPARTMENT, 22' |
| 4. 380203-01 | HINGE PIANO 1/8 PIN |
| 5. 380024 | ARMS SUPPORT RIGHT HAND |
| 6. 380067 | LOCK CAM BUMPER LID LATCH |
| 365235 | TAPE DBL COATED .12"X 1.00" |
| 365013 | TAPE CHARCOAL LOW DENSITY FOAM |

2005 SAFARI- BAMBI

CHASSIS

Bumper Assembly, 19'

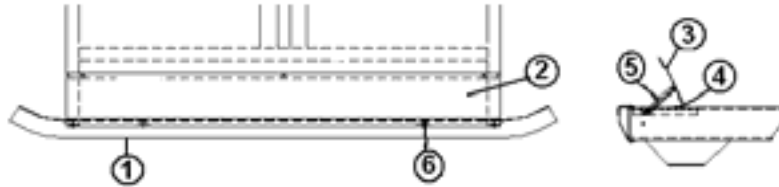


- | | |
|--------------|----------------------------------|
| 1. 410932 | BUMPER, 19 FT. |
| 2. 453627 | BOTTOM-STORAGE COMPARTMENT, 19' |
| 3. 454214 | LID REAR BUMPER COMPARTMENT, 19' |
| 4. 380203-01 | HINGE PIANO 1/8 PIN |
| 5. 380024 | ARMS SUPPORT RIGHT HAND |
| 6. 380067 | LOCK CAM BUMPER LID LATCH |
| 365235 | TAPE DBL COATED .12"X 1.00" |
| 365013 | TAPE CHARCOAL LOW DENSITY FOAM |

2005 SAFARI- BAMBI

CHASSIS

Bumper Assembly, 25', 28', 30'



- | | |
|--------------|---|
| 1. 410831 | BUMPER, 25', 28', 30' |
| 2. 454147 | BOTTOM, SEWER COMPARTMENT, 28' S/O, 30' |
| 2a. 453538 | BOTTOM-STORAGE COMPARTMENT, 25', 28' W |
| 3. 453497 | LID REAR BUMPER COMPARTMENT |
| 4. 380203-01 | HINGE PIANO 1/8 PIN |
| 5. 380024 | ARMS SUPPORT RIGHT HAND |
| 6. 380067 | LOCK CAM BUMPER LID LATCH |
| 365235 | TAPE DBL COATED .12"X 1.00" |
| 365013 | TAPE CHARCOAL LOW DENSITY FOAM |

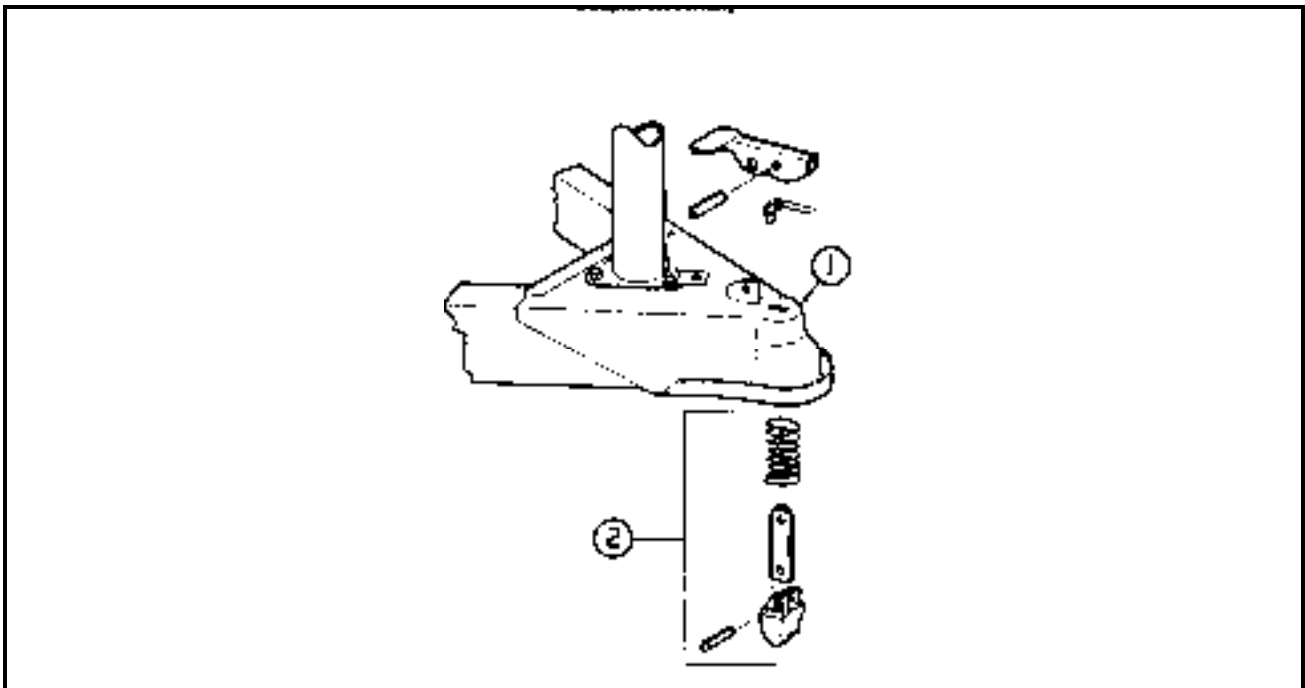
2005 SAFARI- BAMBI

CHASSIS

Underbelly

114679	Aluminum underbelly, .019" x 65.75 x coil
101131-01	Aluminum, underbelly wrap, .024" x 22.5, gray
203304	ROLL, UNDERBELLY, BLACK PLASTIC

Hitch Coupler/Safety Chains

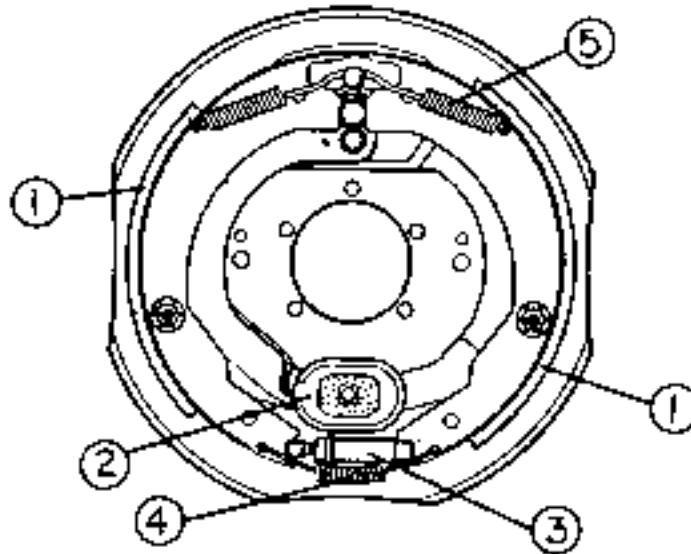


1) 680343	Coupler assembly, 2 5/16"
2) 680345	Repair kit, 2 5/16" coupler
400945	5/16" clevis, safety slip hook

2005 SAFARI- BAMBI

CHASSIS

10" BRAKE ASSEMBLY

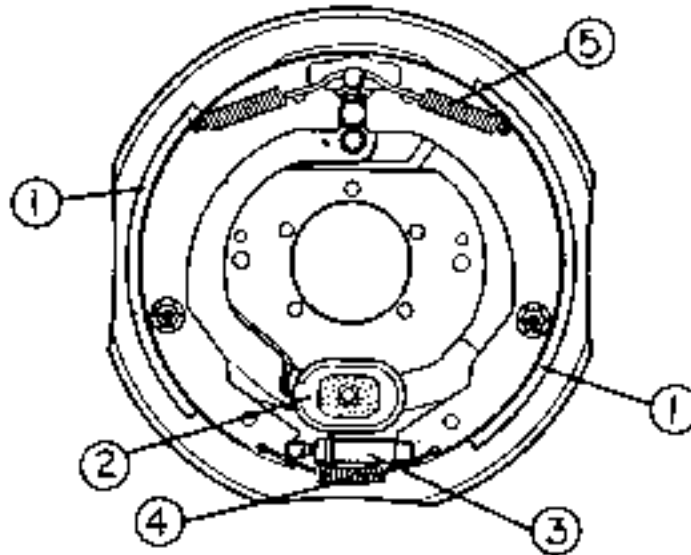


- | | |
|---------------|---|
| 1) 3160097-62 | Shoe and lining kit (includes hold down spring and pin) |
| 2) 3160097-65 | Magnet kit |
| 3) 3160097-63 | Adjuster assembly |
| 4) 3160097-64 | Adjusting screw spring |
| 5) 3160097-61 | Retractor spring |
| 3160096 | Brake assembly, RH, 10" Dexter |
| 3160097 | Brake assembly, LH, 10" Dexter |
| 3160255 | Brake drum 10", 5 lug |
| 685016 | Inner bearing, #L68149 |
| 685017 | Inner race, # L68111 |
| 680380 | Outer bearing, #L44649 |
| 680387 | Outer race, #L44610 |
| 680377 | Grease seal |

2005 SAFARI- BAMBI

CHASSIS

12" BRAKE ASSEMBLY

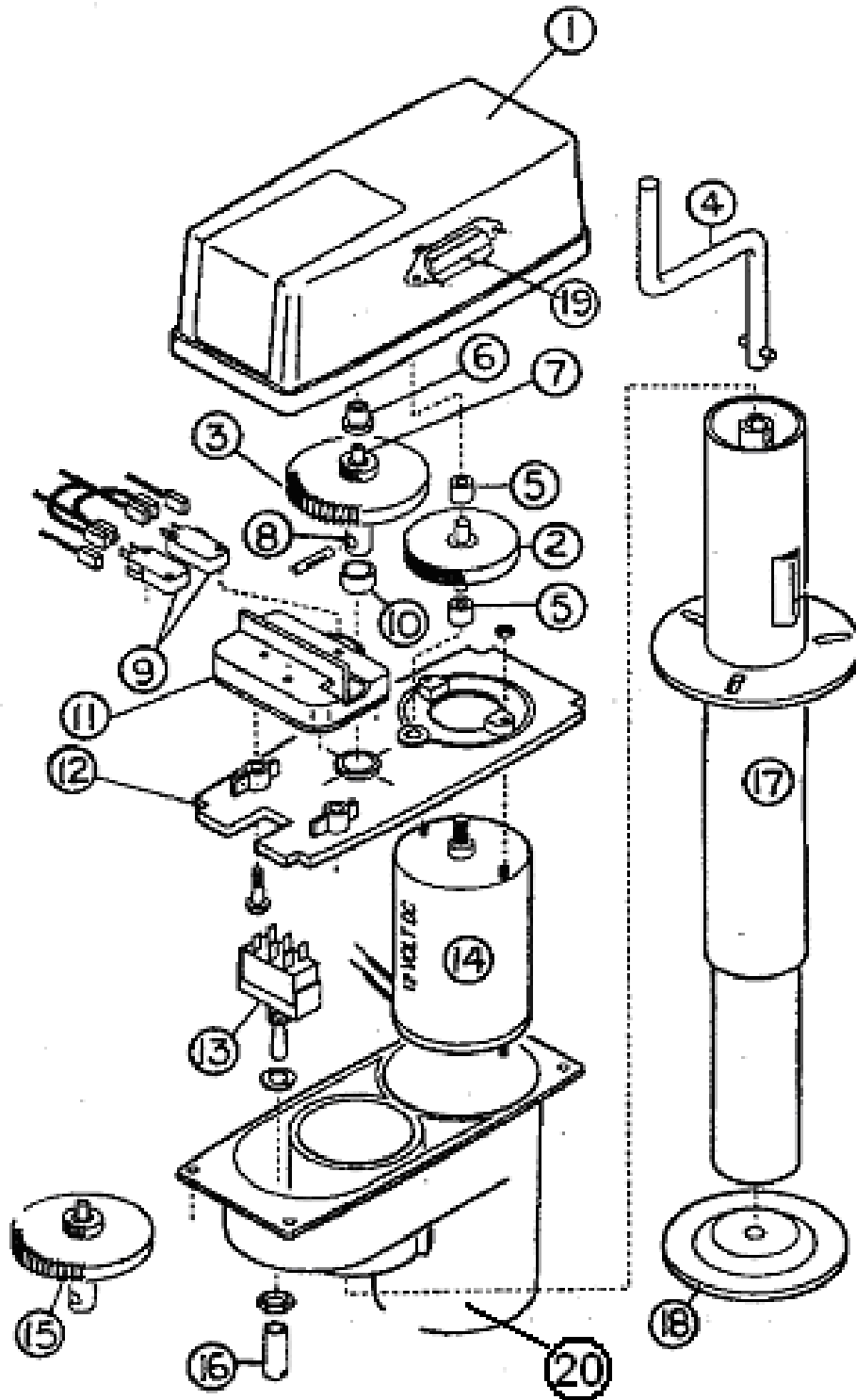


- | | |
|---------------|---|
| 1) 3160348-62 | Shoe and lining kit (includes hold down spring and pin) |
| 2) 3160348-65 | Magnet kit |
| 3) 3160348-63 | Adjuster assembly |
| 4) 3160348-64 | Adjusting screw spring |
| 5) 3160348-61 | Retractor spring |
| 3160347 | Brake assembly, RH, 12" Dexter |
| 3160348 | Brake assembly, LH, 12" Dexter |
| 3160121 | Brake drum, 12", 6 lug |
| 450659 | Inner bearing, #25580 |
| 680364 | Inner race, #25520 |
| 450658 | Outer bearing, #LM67048 |
| 680365 | Outer race, #LM67010 |
| 680370-100 | Grease seal |

2005 SAFARI- BAMBI

CHASSIS

Hitch Jack, Power



Part Numbers are on the next page

2005 SAFARI- BAMBI

CHASSIS

Power Hitch Jack

511544	Power jack w/flag holder & light
012251	Power head less post
1. 012198	Cover, Super Jack
2. 010051	Gear, fiber, Super Jack
3. 015551	Drive gear, Super Jack
4. 016199	Crank handle, manual, Super Jack
5. 080501	Bushing, bronze, Super Jack
6. 010055	Bushing, flange, Super Jack
7. 015552	Gear, pot/reed, Super Jack
8. 015553	Shaft, Super Jack
9. 081703	Micro switch, Super Jack
10. 080520	Bushing/bronze, 7/16, Super Jack
11. 012252	Limit switch assembly, Super Jack
12. 012200	Center plate, Super Jack
13. 081704	Switch, toggle, Super Jack
14. 016263	Motor, 12V, Super Jack
15. 011675	Drive gear assembly, Super Jack
16. 010069	Switch cover, Super Jack
17. 011631	Jack post, Super Jack
	18. 410598 Foot pad #12231
19. 026503	Light, Jack
20. 012199	Housing for Motor and Switch

Hitch Jack, Manual

3320028	Jack, front, Atwood
453570	Stabilizer plate, front jack
410598	Foot pad
345272-05	BOLT HEX HD. 3/8-16" X 1.25"

2005 SAFARI- BAMBI

DECALS/EXTERIOR TRIM

Decals/Logos/Nameplates

386088	DECAL, STRIPE, CENTER BLACK REFLECTIVE 5/16"
386127	NAMEPLATE SAFARI BLACK REFLECTIVE, D. LENZ
386126	NAMEPLATE-BAMBI BLACK/GRAY
386068	Medallion, screen door, 3", black
386150	DECAL, "AIRSTREAM", 2.4" X 28" BLACK
386151	DECAL, "AIRSTREAM", 1.3" X 16" BLACK
386132	DECAL, LS .875" X 1.875" BLACK
386089	Reflective letters, "Safari"
386149	Decal, Airstream, Roof A/C shroud

Rub Rail trim

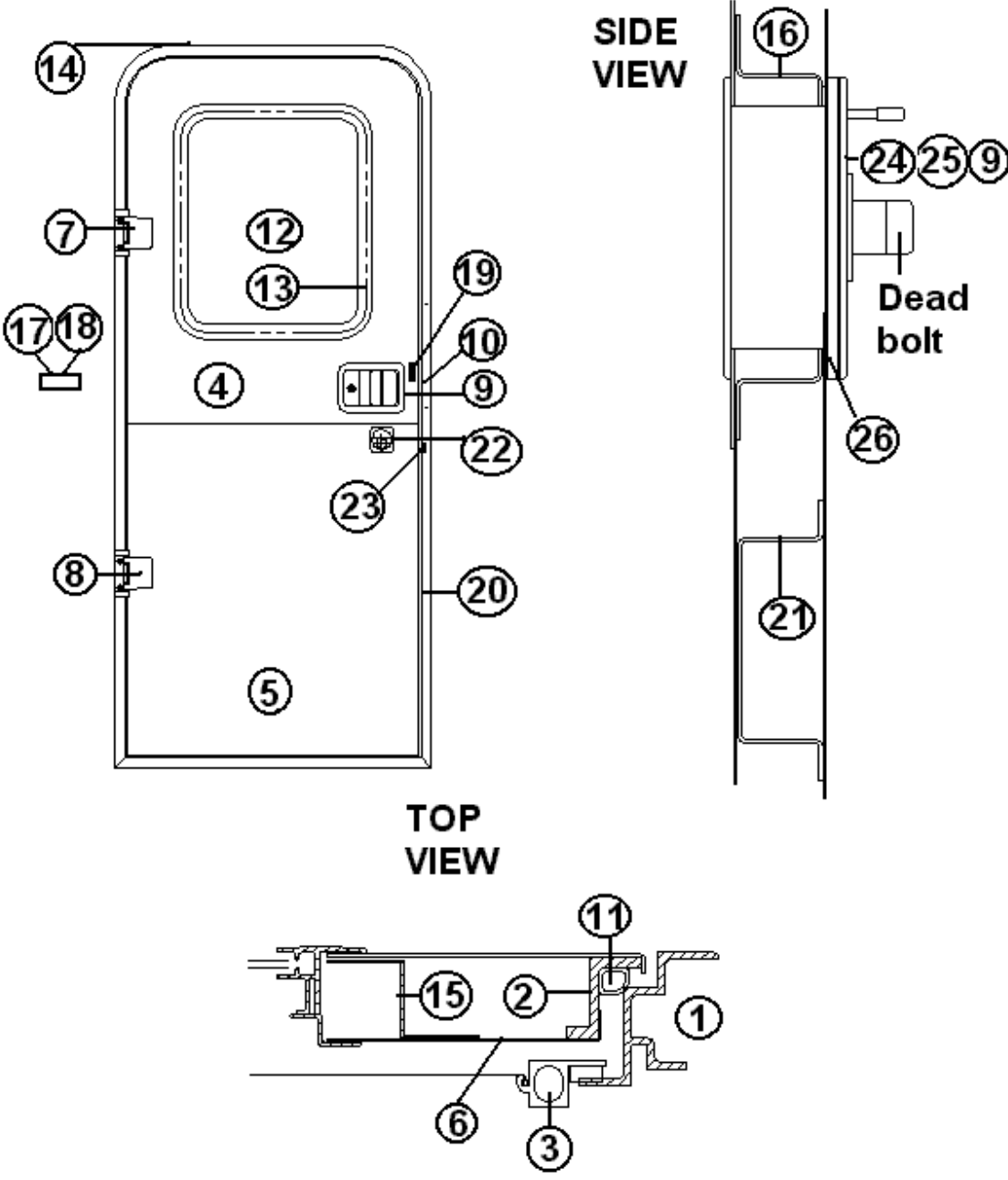
114460	Extrusion, rub rail
201763-01	Insert, rub rail, chrome, 1"
114466-01	Close out, casting, rub rail, angled RH
114466-02	Close out, casting, rub rail, angled LH
114465-01	Close out, casting, rub rail RH
114465-02	Close out, casting, rub rail LH

Reflectors

500095	REFLECTOR RED RECTANGULAR
500096	REFLECTOR, AMBER
510446	REFLECTOR, RED, STICK-ON

2005 SAFARI- BAMBI DOORS/WINDOWS/AWNING

Main Door, LH Hinge



2005 SAFARI- BAMBI

DOORS/WINDOWS/AWNING

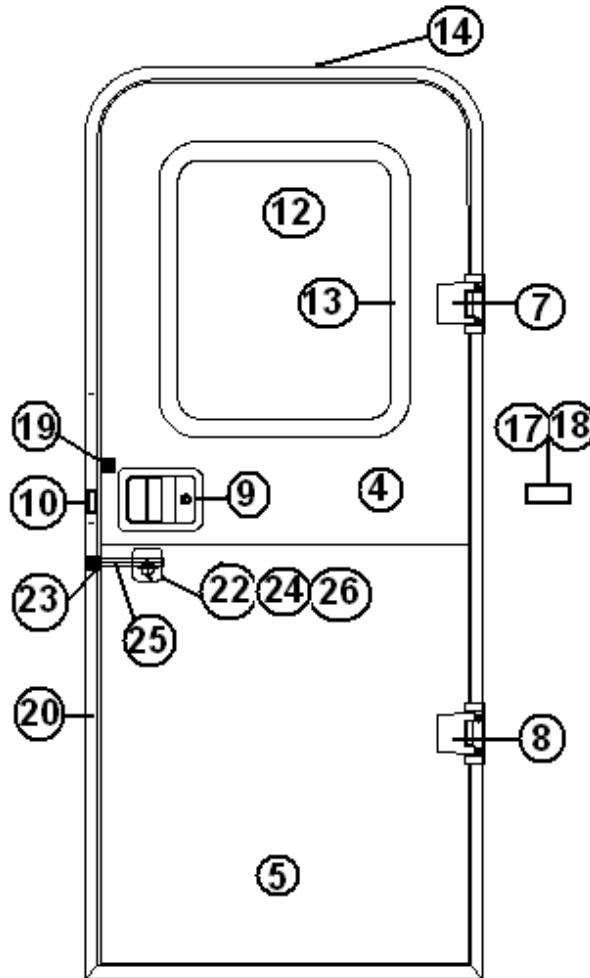
Main Door, LH Hinge

- 115207-01 Main Door, LH Hinge
- 1. 114653 Frame, main door, pre-formed
- 2. 114652 Jamb, main door, pre-formed
- 3. 114654 Screen door assembly
- 4. 114448-03 Skin, exterior, upper main door
- 5. 114449-03 Skin, exterior, lower main door
- 6. 114475 MAIN DOOR SKIN INNER
- 7. 381552-03 HINGE ASSY. MAIN DOOR UPPER
- 8. 381552-04 HINGE ASSY. MAIN DOOR LOWER
- 9. Trimark latch assembly parts shown in hardware section
- 10. 385595 Pocket strike, main door
- 11. 365232 Seal, main door
- 12. 371381-16 Window, Main Door, 17.75" X 21.25
- 13. 110460-01 TRIM RING-17.75" X 21.25"
- 14. 114363 Drip cap, main door
- 15. 114658 Inner door, "Z" bar, upper & lower
- 16. 114657 Hat section, formed, main door
- 17. 380290 Housing. Latch, mounted on side sheet
- 18. 380291 Latch assembly, mounted on side sheet
- 19. 201056 Striker, main door, black plastic
- 20. 114655 Trim ring formed, main door
- 21. 115004 Hat section assembly, dead bolt
- 22. 381323-01 Dead bolt, complete assembly
- 23. 381326 Striker w/ Trimark deadbolt
- 24. 345321-12 Screw, flat head, black
- 25. 453851 Bolt, Trimark, deadbolt
- 26. 203370 Spacer, deadbolt assembly

2005 SAFARI- BAMBI

DOORS/WINDOWS/AWNING

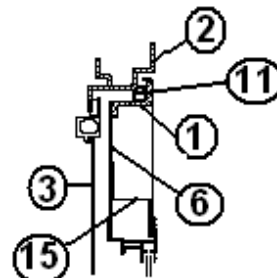
Main Door, RH Hinge



Latch Assembly



Top View



2005 SAFARI- BAMBI

DOORS/WINDOWS/AWNING

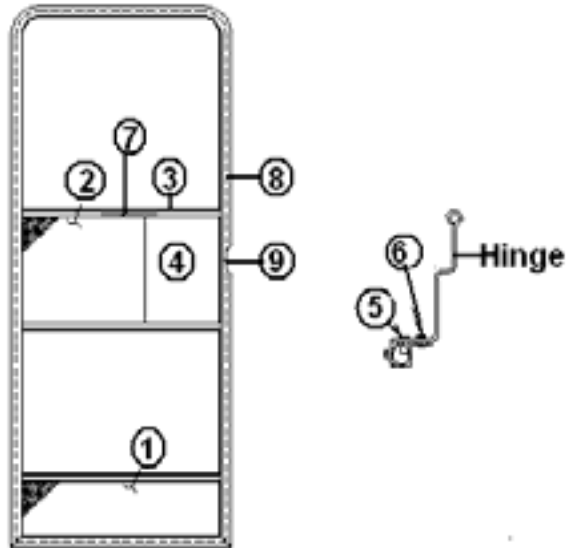
Main Door, RH Hinge

- 115207-02 Main door assembly, RH Hinge
- 1. 114652-01 Jamb, main door, pre-formed
- 2. 114653-01 Frame, main door, pre-formed
- 3. 114654-01 Screen door assembly, RH Hinge
- 4. 114448-02 Skin, exterior, upper main door
- 5. 114449-02 Skin, exterior, lower main door
- 6. 114475 MAIN DOOR SKIN INNER
- 7. 381552-02 HINGE ASSY. MAIN DOOR UPPER
- 8. 381552-01 HINGE ASSY. MAIN DOOR LOWER
- 9. Trimark latch assembly parts shown in hardware section
- 10. 385595 Pocket strike, main door
- 11. 365232 Seal, main door
- 12. 371381-16 WINDOW, MAIN DOOR
- 13. 203370 Spacer, Trimark door Latch
- 14. 114363 Drip cap, main door
- 15. 114658 Inner door, "Z" bar, upper & lower
- 16. 114657 Hat section, formed, main door
- 17. 380290 Housing. Latch, mounted on side sheet
- 18. 380291 Latch assembly, mounted on side sheet
- 19. 201056 Striker, main door, black plastic
- 20. 114655 Trim ring formed, main door
- 21. 115004 Hat section assembly, dead bolt
- 22. 381323-01 Dead bolt, complete assembly
- 23. 381326 Striker w/ Trimark deadbolt
- 24. 345321-12 Screw, flat head, black
- 25. 453851 Bolt, Trimark, deadbolt
- 26. 203370 Spacer, deadbolt assembly
- 101171 HANDLE, CAST ALUMINUM

2005 SAFARI- BAMBI

DOORS/WINDOWS/AWNING

Screen Door



114654	SCREEN DOOR ASSY. LH HINGE
114654-01	SCREEN DOOR ASSY. RH HINGE
1. 114648-01	Kick panel screen door
2. 114561-01	Panel, slider, screen door
3. 104784-78	EXTR.SCREENDOOR STIFENER #VH-9
4. 203287-02	Close out, plastic, screen door
5. 330130-02	RIVET POP SSD44SSBS
6. 325122	Rivet, hard, 5/32
7. 380004	HANDLE WITH 8/32 X 1 SCREW
8. 365013-01	Gasket, screen door, foam tape
9. 683946	BUG SEAL, edge of screen door close out
32226W	Guard, screen door
115171-01	SCREEN DOOR GUARD TOP
115171-02	SCREEN DOOR GUARD BOTTOM
380079	Screen, gray
200518	Spline, gray, screen insert
701624	VELCRO LOOP 5/8" WIDE
701625	VELCRO HOOK, 5/8" WIDE
381454	Screen door hold back latch, Bullet
386068	MEDALLION 3" LOGO, AIRSTREAM
381531-01	Hinge, screen door, upper
381531-02	Hinge, screen door, lower

2005 SAFARI- BAMBI

DOORS/WINDOWS/AWNING

Refrigerator Door

922243	Door, refrigerator access, assembly
922156	Refer access door only
104417	Jamb, refrigerator access door
381812	Door latch, short paw
104439	Louvered panel, refrigerator access door
380988	HINGE, CONTINUOUS .5IN LEAF 16IN
203225	Trim, flexible
381812	Latch, twist Lock

Side/Rear Small Access Door

100679-01	Side access door assembly, 20" x 11"
100679	Side access door assembly, small
365035	Seal, side access door
380770	LOCK & CASTING ASSEMBLY
380773	HINGE, ACCESS DOOR
365035	RUBBER SEAL ACCESS DOOR

Trunk Door, 16', 25' FB

922711	DOOR ASSY-TRUNK
115157	JAMB-TRUNK DOOR
380203-01	PIANO HINGE 1/8"
380770	LOCK & CASTING, BLACK
360016	BUMP-ON RUBBER
365035	RUBBER SEAL ACCESS DOOR
381065-10	10" CABLE SUPPORT

Exterior Shower Door, 16'

601876	Shower Door, exterior, white
381766	HATCH-ACCESS 7.75" X 12.63"
115153	CLOSE OUT, UTILITY DOOR
115167	JAMB, INNER WALL UTILITY DOOR

2005 SAFARI- BAMBI

DOORS/WINDOWS/AWNING

Trunk Door, 28' S/O, 25' A

921159	Trunk door assembly, rear,
365035	Seal, access door
114675	Jamb, rear trunk door
380203-01	PIANO HINGE 1/8"
380770	LOCK & CASTING ASSEMBLY
360016	BUMP-ON RUBBER
381065-10	10" CABLE SUPPORT
701538	CARPET, ECONOLIER VELOUR BLACK 48"

Battery Box Lid

410551-02	LID BATTERY BOX
381430	LOCK, TWIST, STRAIGHT CAM
380203-01	PIANO HINGE 1/8" PIN
381814	Wing nut, battery hold down
381613	Black plastic cover, wing handle

2005 SAFARI- BAMBI

DOORS/WINDOWS/AWNING

Windows, Non riveted

371381-02	Window, 19.25" x 22.75"
371381-07	Window, 19.25" x 29.75"
371381-08	Window, 31.25" x 29.75"
371381-12	Window, 49.63" x 24.19", egress rear
371381-05	Window, 49.63 "x 24.19", front
371381-10	Window, 43.94" x 24.19"
371381-15	Window-rear, 26.25" x 19.25"
371381-11	Window, rear end, 24", Egress, 16'
371381-16	Window, Main Door, 17.75" X 21.25"
371381-17	Window, Side Egress, 31.25" x 29.75"
381665	GASKET "D" SEAL .50W X .36H BLACK

Windows, Riveted

371269-01	WINDOW 18" STACK
371319-05	WINDOW-MAIN DOOR
371323-01	WINDOW-18" OPENING
371346-02	WINDOW-48.97" FLAT FRT/WRAP RR
371380	WINDOW-OPENING 30" TALL
372088	WINDOW CORNER WRAP RS FRT, CS
372089	WINDOW CORNER WRAP CS FRT, RS

Window Trim, Non-Riveted

110460-08	Trim ring, window, 44.0" x 24.19", White
110460-01	Trim ring, window, 17.75" X 21.25", White
110460-02	Trim ring, window, 19.25' x 22.75", White
110460-06	Trim ring, window, 19.25" x 29.75", White
110460-07	Trim ring, window, 31.25" x 29.75", White
110460-05	Trim ring, window, 49.63" x 24.19", White
110460-10	Trim ring, window, 26.25 "X 19.25", White
110460-12	Trim ring, window, 26.25 "X 19.25", Aluminum
110460-11	TRIM RING ALUMINUM, 19.25" X 22.75"
201666-01	MOLDING-J 3/16" ALMOND PLASTIC
203225	TRIM LOK, WHITE, edge trim

2005 SAFARI- BAMBI

DOORS/WINDOWS/AWNING

Window Trim/Screens, Riveted

201578-02	END CAP-TRIM RING GRAY
201579-02	TRIM RING-LOWER R.S. GRAY
201580-02	TRIM RING-LOWER C.S. GRAY
201581-05	TRIM RING-UPPER R.S. GRAY
201581-06	TRIM RING-UPPER C.S. GRAY
203225-01	TRIM LOK-GRAY .75"
372222	TRIM RING-30" STACK WINDOW CLEAR
372223	TRIM RING-18" STACK WINDOW CLEAR
371319-06	TRIM RING-MILL FIN.MAIN DOOR
110900-03	TRIM FORMED INTERIOR FRT WRAP
110900-04	TRIM FORMED INTERIOR FRT WRAP
372225	TRIM RING INNER SUPPORT 30"
372226	TRIM RING INNER SUPPORT 18"
372174-03	SCREEN-18"OPENING WINDOW RAW M
371347-03	SCREEN-SQUARE FRT WINDOW RAW M
372220-01	SCREEN-21"X 28" ALT EGRESS-MIL
372215-01	SCREEN-30"OPENING WINDOW TALL

Vista Views

922770-01	VISTA VIEW- 18"
203490-01	TRIM RING-18" VISTA VIEW
703462-01	SHADE-PULL 19.25"X9.5" VISTA VIEW
922772-01	BACKER-VISTA VIEW BLIND 18"
115222-02	Z BAR-FORMED 19.5"VISTA VIEW
922770-02	VISTA VIEW- 30"
203490-02	TRIM RING- 30" VISTA VIEW
703462-02	SHADE-PULL 31.25"X9.5"VISTA VEW
922772-02	BACKER-VISTA VIEW BLIND 30"
115222-01	Z BAR-FORMED 31.5"VISTA VIEW

2005 SAFARI- BAMBI

DOORS/WINDOWS/AWNING

Blinds, Riveted Windows

703191-10	BLIND BRUSHED ALUM 17.5 X 33
703191-11	BLIND BRUSHED ALUM 29.5 X 29
703191-12	BLIND BRUSHED ALUM. 29.25 X 27
703191-13	BLIND BRUSHED ALUM. 18.75 X 32
703191-14	BLIND BRUSHED ALUM. 20.5 X 21
703191-15	BLIND BRUSHED ALUM 24.75 X 19

Window Stone Guard

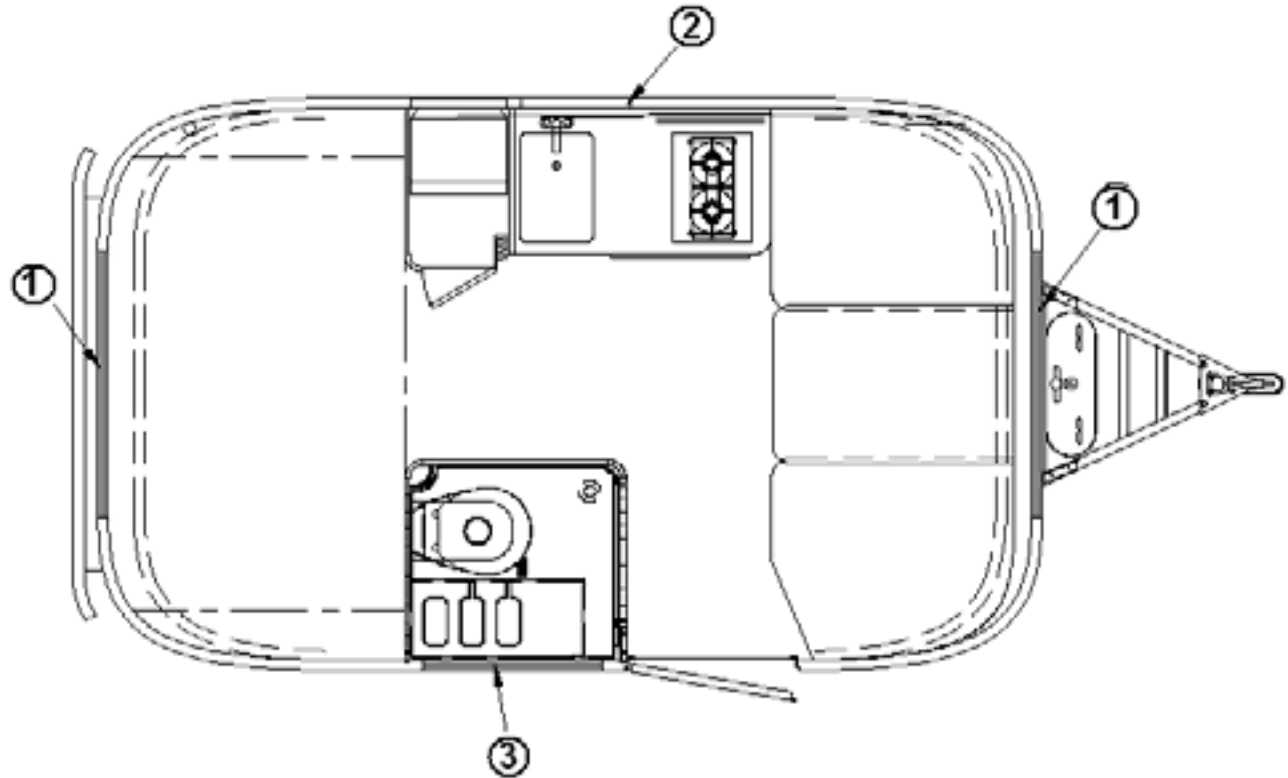
110102-02	Rock guard, 16', 19', 22'
110102-01	Rock guard, 25', 28', 30'
683960	Arm support
683959	Arm support bracket
114749	HINGE "Y" ASSY.
114750	HINGE "J"
685364	BRKT, UPPER HINGE-45.375-STONEGUARD
114815-01	Extrusion, frame aluminum
685378	¼" rubber spline
685351	Rubber frame, black
290812-01	Plexi-glass, 28" x 84 " sheet
381021	Latch, draw flexible

Awnings, Patio

702993-09	Awning, patio, 9' 8", Zip Dee, 19 FT
702993-10	Awning, patio, 12' 4 ½", 22'
702993-06	Awning, patio, 16' 4½", 25ft.
702993-12	Awning, patio, 19'6", 28' S/O
702993-08	Awning, patio, 18' 4", 28' W
702993-14	Awning, Patio, 21' 3 ¼", 30'
702993	Hardware package, Zip Dee

2005 SAFARI- BAMBI
DRAPES/BLINDS/VALANCES

Drapes/Blinds 16'



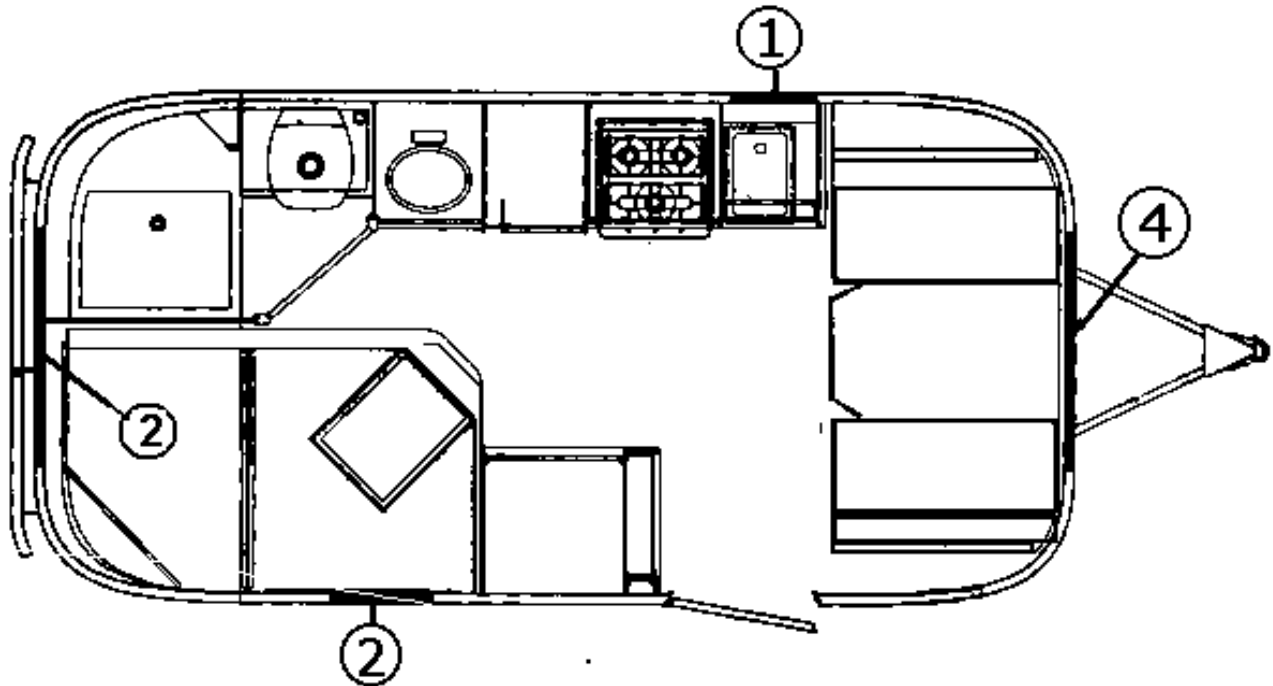
ORDER 2 CURTAIN PANELS PER WINDOW FOR COMPLETE
ASSEMBLY

- | | |
|--------------|-------------------------------------|
| 1. 998171-09 | CURTAIN PANEL- 28.5" X 25.5" |
| 2. 703191-04 | BLIND MINI METAL 21" X 23" metal |
| 3. 703445-05 | SHADE-PULL, 21.00"W X 34.00"L WHITE |

2005 SAFARI- BAMBI

DRAPES/BLINDS/VALANCES

Drapes/Blinds 19'



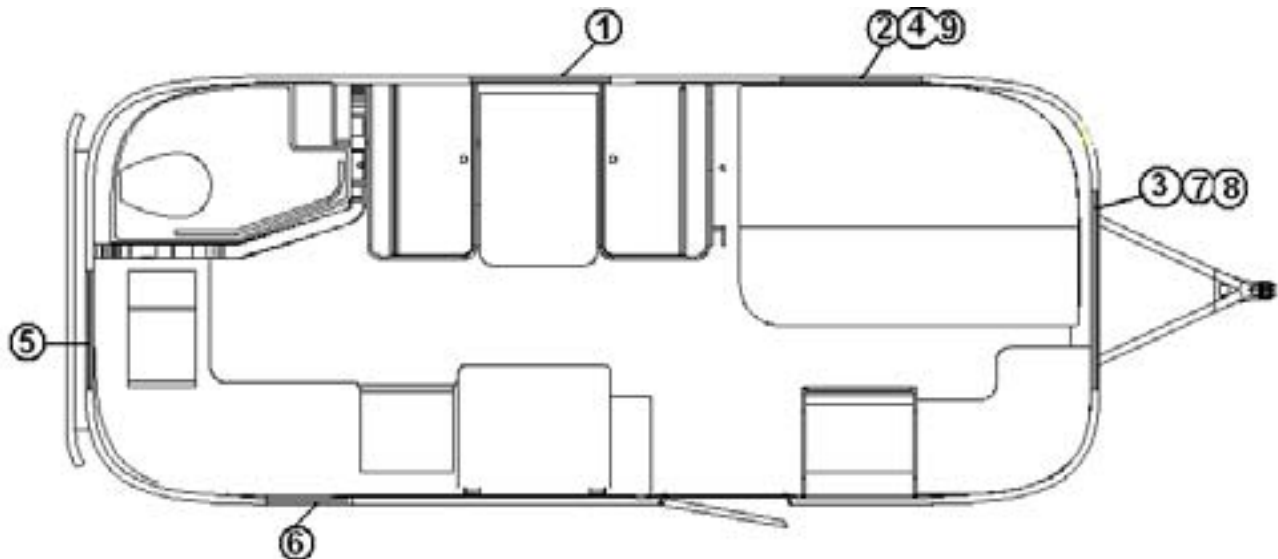
ORDER 2 CURTAIN PANELS PER WINDOW FOR COMPLETE ASSEMBLY

- | | |
|--------------|------------------------------|
| 1. 703191-04 | BLIND MINI METAL, 21" X 23" |
| 2. 998171-03 | CURTAIN PANEL, 14.5" X 26.5" |
| 3. 998171-09 | CURTAIN PANEL, 28.5" X 25.5" |

2005 SAFARI- BAMBI

DRAPES/BLINDS/VALANCES

Drapes/Blinds 22'

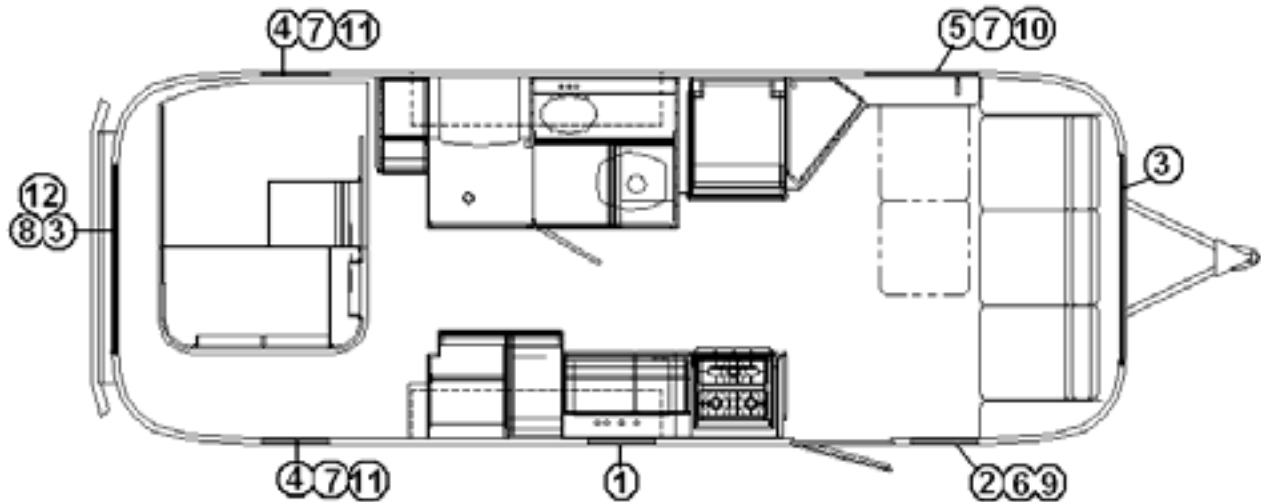


ORDER 2 CURTAIN PANELS PER WINDOW FOR COMPLETE ASSEMBLY

- | | | |
|----|-----------------------|---------------------------------------|
| 1. | 998171-06 | CURTAIN PANEL, 18" X 28.5" |
| 2. | 998171-08 | CURTAIN PANEL, 18"X 35.5" |
| 3. | 998171-09 | CURTAIN PANEL, 28.5"X 25.5" |
| 4. | 966139-03 | VALANCE, 36"BED |
| 5. | 703191-07 | BLIND, METAL 27.5"W X 22"L |
| 6. | 703191-04 | BLIND, METAL 21" X 23" BRUSH ALUMINUM |
| 7. | 966139-04 | VALANCE, 57" BED |
| 8. | 966140-04B
UPGRADE | VALANCE INSERT, 55" x 4", INTERIOR |
| 9. | 966140-03B
UPGRADE | VALANCE INSERT, 55" x 4", INTERIOR |

2005 SAFARI- BAMBI DRAPES/BLINDS/VALANCES

Drapes/Blinds 25', A & B

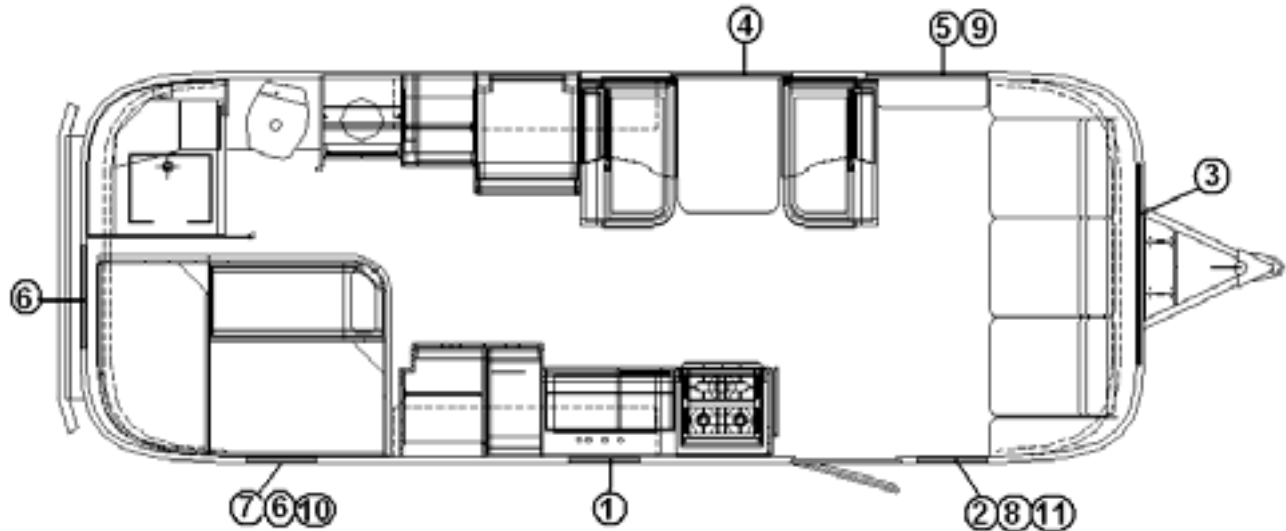


ORDER 2 CURTAIN PANELS PER WINDOW FOR COMPLETE
ASSEMBLY

- | | |
|----------------|-----------------------------|
| 1. 703191-04 | BLIND MINI METAL 21" X 23" |
| 2. 998171-02 | CURTAIN PANEL, 13" X 35.5" |
| 3. 998171-09 | CURTAIN PANEL, 28.5"X 25.5" |
| 4. 998171-04 | CURTAIN PANEL, 16.5"X 26.5" |
| 5. 998171-08 | CURTAIN PANEL, 18"X 35.5" |
| 6. 966139-02 | VALANCE, 26.5" |
| 7. 966139-03 | VALANCE, 36" BED |
| 8. 966139-04 | VALANCE, 57" BED |
| 9. 966140-02 | Valance insert, 34" x 4.00" |
| 10. 966140-03 | Valance insert, 34" x 4.00" |
| 11. 966140-03b | Valance insert, 34" x 4.00" |
| 12. 966140-04 | Valance insert, 55" x 4.00" |

2005 SAFARI- BAMBI DRAPES/BLINDS/VALANCES

Drapes/Blinds, 25' Sleep Six



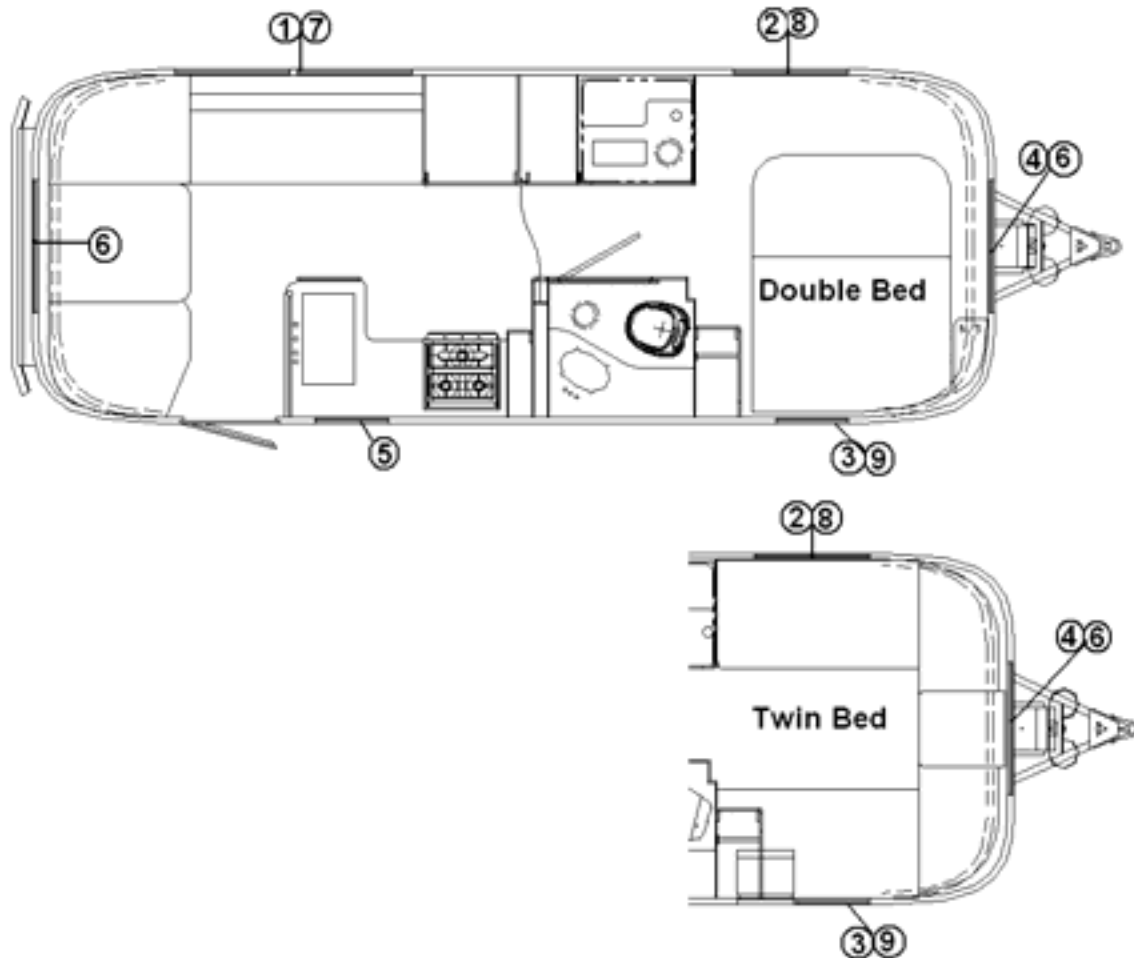
ORDER 2 CURTAIN PANELS PER WINDOW FOR COMPLETE
ASSEMBLY

- | | |
|----------------|-------------------------------|
| 1. 703191-04 | BLIND MINI METAL 21" X 23" |
| 2. 998171-02 | CURTAIN PANEL 13" X 35.5" |
| 3. 998171-09 | CURTAIN PANEL 28.5"X 25.5" |
| 4. 998171-05 | CURTAIN PANEL 18"X 27.5" |
| 5. 998171-08 | CURTAIN PANEL 18"X 35.5" |
| 6. 998171-04 | CURTAIN PANEL 16.5"X 26.5" |
| 7. 966139-03 | VALANCE ASSY-36" |
| 8. 966139-02 | VALANCE ASSY- 26.5" |
| 9. 966140-03 | Valance insert, 34" x 4.00" |
| 10. 966140-03B | Valance insert, 34" x 4.00" |
| 11. 966140-02 | Valance insert, 24.5" x 4.00" |

2005 SAFARI- BAMBI

DRAPES/BLINDS/VALANCES

Drapes/Blinds 25' Front Bed

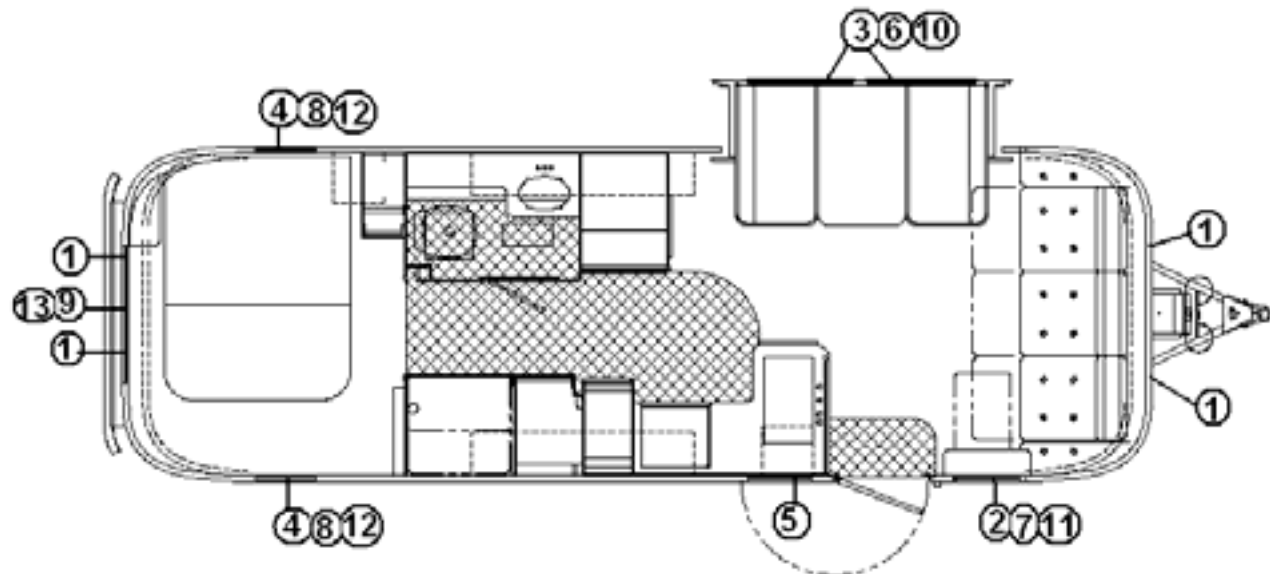


ORDER 2 CURTAIN PANELS PER WINDOW FOR COMPLETE ASSEMBLY

- | | |
|--------------|------------------------------|
| 1. 966139-05 | Valance assembly, 69" |
| 2. 966139-03 | Valance assembly, 26" |
| 3. 966139-02 | Valance assembly, 26.5" |
| 4. 966139-04 | Valance assembly, 57" |
| 5. 703191-04 | Blind, 21" x 23", Aluminum |
| 6. 998171-09 | Curtain PANEL, 38.5" x 25.5" |
| 7. 998171-12 | Curtain PANEL, 35" x 35.5" |
| 8. 998171-08 | Curtain PANEL, 18." x 55.5" |
| 9. 998171-04 | Curtain PANEL, 16.5" x 26.5" |

2005 SAFARI- BAMBI DRAPES/BLINDS/VALANCES

Drapes/Blinds, 28' S/O

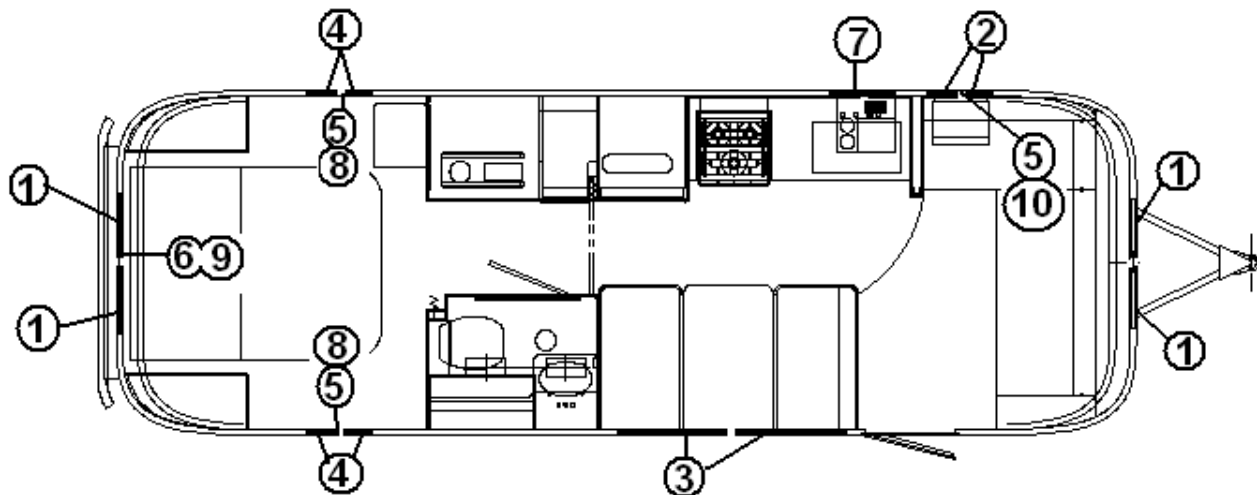


ORDER 2 CURTAIN PANELS PER WINDOW FOR COMPLETE
ASSEMBLY

- | | |
|---------------|-------------------------------|
| 1. 998171-09 | CURTAIN PANEL 28.5" X 25.5" |
| 2. 998171-02 | CURTAIN PANEL 13" X 35.5" |
| 3. 998171-11 | CURTAIN PANEL 35" X 30.5" |
| 4. 998171-04 | CURTAIN PANEL 16.5" X 26.5" |
| 5. 703191-04 | BLIND MINI METAL 21" X 23" |
| 6. 966139-01 | VALANCE ASSY. 69" |
| 7. 966139-02 | VALANCE ASSY, 26.5" |
| 8. 966139-03 | VALANCE ASSY. 36" BED |
| 9. 966139-04 | VALANCE ASSY. 57" BED |
| 10. 966140-01 | Valance insert, 67" x 4.00" |
| 11. 966140-02 | Valance insert, 24.5" x 4.00" |
| 12. 966140-03 | Valance insert, 34" x 4.00" |
| 13. 966140-04 | Valance insert, 55" x 4.00" |

2005 SAFARI- BAMBI DRAPES/BLINDS/VALANCES

Drapes/Blinds 28' W

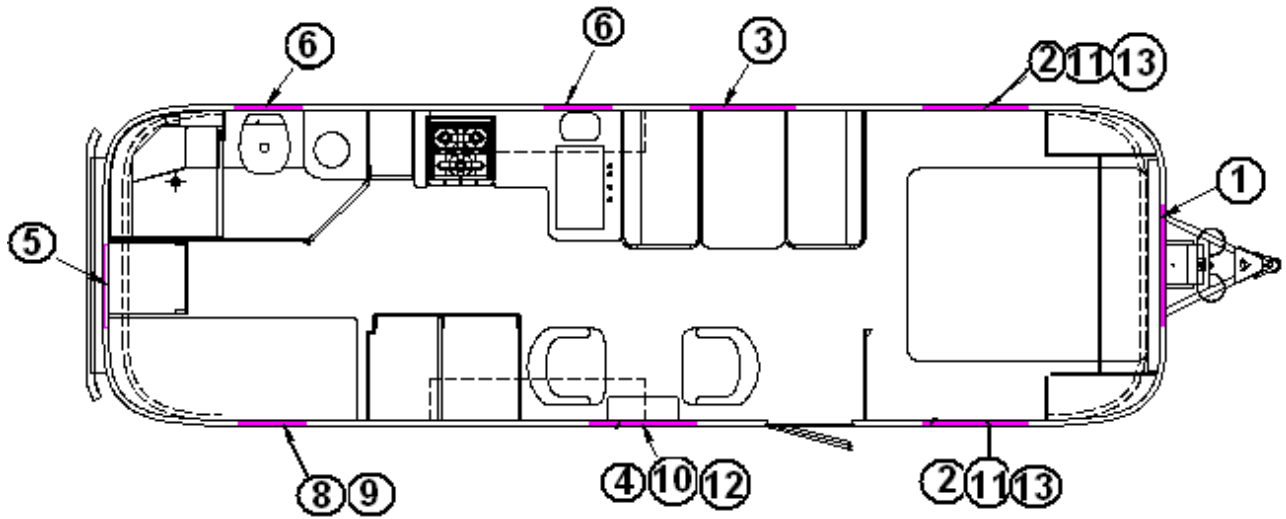


ORDER 2 CURTAIN PANELS PER WINDOW FOR COMPLETE
ASSEMBLY

- | | |
|---------------|-------------------------------|
| 1. 998171-09 | CURTAIN PANEL, 28.5" X 25.5" |
| 2. 998171-02 | CURTAIN PANEL, 13" X 35.5" |
| 3. 998171-10 | CURTAIN PANEL, 35" X 27.5" |
| 4. 998171-01 | CURTAIN PANEL, 13" X 26.5" |
| 5. 966139-02 | VALANCE ASSEMBLY 26.5" |
| 6. 966139-04 | VALANCE ASSMEBLY, 57" |
| 7. 701191-04 | Mini Blind, Brushed Aluminum |
| 8. 966140-02b | Valance insert, 24.5" x 4.00" |
| 9. 966140-05 | Valance insert, 55" x 4.00" |
| 10. 966140-02 | Valance insert, 24.5" x 4.00" |

2005 SAFARI- BAMBI
 DRAPES/BLINDS/VALANCES

Drapes/Blinds 30'



ORDER 2 CURTAIN PANELS PER WINDOW FOR COMPLETE ASSEMBLY

- | | |
|---------------|--------------------------------------|
| 1. 998171-09 | CURTAIN PANEL, 28.5" X 25.5" |
| 2. 998171-08 | CURTAIN PANEL, 18" X 35.5" |
| 3. 998171-05 | CURTAIN PANEL, 18" X 27.5" |
| 4. 998171-07 | CURTAIN PANEL, 18" X 31.5" |
| 5. 998171-03 | CURTAIN PANEL, 14.5X 26.5" |
| 6. 703191-04 | BLIND MINI METAL, 21" X 23" ALUMINUM |
| 7. 998164-01 | CURTAIN PANEL, 16" NO PLTS X 12" L |
| 8. 998164-02 | CURTAIN PANEL, 16"NO PLTS X 17" L |
| 9. 966139-06 | VALANCE ASSEMBLY, 36" |
| 10. 966139-03 | VALANCE ASSEMBLY, 36" |
| 11. 966140-03 | Valance insert |
| 12.966140-03b | Valance insert, bedroom |
| 702355-01 | SHADE, PULL,MICHELL, 20-1/8 X 3' |

2005 SAFARI- BAMBI
DRAPES/BLINDS/VALANCES

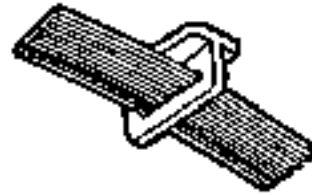
Drapes Hardware



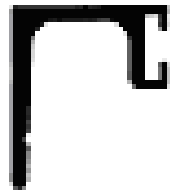
101220
Bracket, curtain
stand off



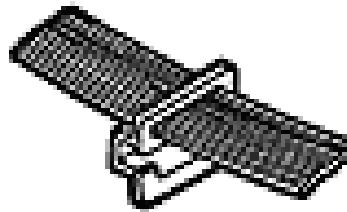
101217
Track, curtain



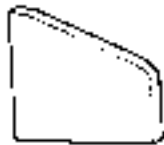
700044
Glides, w/elastic
"T" type



101225
Bracket, curtain
stand off



700045
Glides, w/elastic
"G" type



200785
End, curtain track, LH



200784
End, curtain track, RH

100099 EXTRUSION, ALUMINUM, CURTAIN TRACK TOP

2005 SAFARI- BAMBI

ELECTRICAL, 110 VOLT

Shore Line Cord

- 511416-02 30-amp, male power inlet
- 511416-03 POWER CORD 30A 30' W/CONN UL/CSA

Converter

- 511654 POWER CENTER-110V/12V MAGNATEK, BROWN
- 511654-01 POWER CENTER-110V/12V MAGNATEK, BLACK
- 510743 GROUND BAR, 3 ½" LONG

Breakers, USA

- 510564-3020 BREAKER BRYANT 30-20
- 510564-2020 BREAKER BRYANT 20-20
- 510564-20 GFI BREAKER, TYPE BR, 20GFI, #GFCB-120

Switches

- 500913-03 SWITCH T & B WHITE
- 511814-01 Receptacle, 15 amp, gray
- 511814-02 Decorator plate, gray
- 511637 SWITCH-SELECTOR AUTO ENERGY

Exterior Outlet/Circuit Tester

- 510676-01 Outlet, exterior, gray
- 511023 Circuit tester (loose item)

Junction Box

- 510014 BOX JUNCTION OCTAGON #54151-C
- 510015 BOX COVER #54C-1
- 510475 CLIP, GROUND

2005 SAFARI- BAMBI

ELECTRICAL, 110 VOLT

Breakers, CSA

510564-03	BREAKER BRYANT 15-15
510564-04	BREAKER BRYANT 20-20
510564-06	BREAKER- BRYANT 20 GFI

Receptacles

511451-01	RECEPTACLE 20A SINGLE WHITE
510888-05	RECEPTACLE W/COVER GFI WHITE, CSA
510888-06	SPACER RECEPTACLE GFI WHITE
500563-01	RECEPTACLE, 15A 125V T&B TYPE
500967-01	COVER, BLANK, ELEC., IVORY #86
511287	Receptacle, 15 amp, single

2005 SAFARI- BAMBI

ELECTRICAL, 12 VOLT

Battery/Battery Box, 16', 22'

511595	Battery box
511596	Battery, deep cycle
340023	Latch, Corbin, battery box
453603	Strap, battery box
500837	Battery cable, black
500836-02	Battery cable, red, 72"

Battery/Battery Box, 25', 28', 30'

511132	Battery, deep cycle
203415	Battery tray
381814	Wing nut, battery hold down
381613	Cover, black plastic for hold down wing nut
500836	Positive battery cable
500837	Negative Battery cable
410551-02	LID BATTERY BOX

7-Way Cable

500886	7-Way cable w/plug
510947-20	20 amp BREAKER, 12V DC, TYPE II, #12V20
510948-04	BAR BUSS CIRCUIT BREAKER
510743	GROUND BAR, 3 ½" LONG

Fuse Box, CSA

964082	FUSE BLOCK ASSY. 12V CSA
452412-01	BRACKET FUSE BLOCK 12V CSA
511313	BLOCK FUSE ATC 12V 6 POSITION
511314	BUSHING UNIVERSAL 1" I.D. BLAC
511345	FUSE 30A AGU GLASS TUBE BUSSMA
510655-01	DOOR/FRAME ONLY W/LATCH 12V PA

2005 SAFARI- BAMBI

ELECTRICAL, 12 VOLT

Safety Detectors

510781	Detector, smoke
511309	Detector, LPG
510891	DETECTOR, SMOKE, CSA ONLY
511343	DETECTOR CARBON MONOXIDE 9 VOLT

Battery Disconnect

511655-01	BDO BEZEL ASSY-BLACK/SILVER
511655-02	BD RELAY 100 AMP 12VOLT
511655-03	CABLE, BDO/1, 20 FT

Switches, 12 Volt

502056	Mounting plate, 12 volt switch
500967-01	COVER, BLANK, IVORY
511745	SWITCH ASSY- THREE GANG WHITE
511327	Switch body w/rocker, single, white
510868-03	Switch panel, 4 gang, white, by door
511567-01	SWITCH BODY W/ROCKER, 2 GANG BLACK
511567-02	Switch body w/Rocker switches, two gang white
511566-02	Cover, switch, Printed, Two Gang, White
511566-01	SWITCH COVER-2 GANG BLACK
511665	SWITCH ASSY, CEILING WHITE
452412	BRACKET FUSE BLOCK 12V
510658	SWITCH W/WEATHER-PROOF BOOT
511810	SWITCH ASSY-4 GANG WHITE
511836	SWITCH, REFER/FAN WHITE #AH-AS

Covers for Wiring In Cabinets, Plastic

511227-01	RACEWAY TYPE L WIT BROWN
511227-02	END CAP FITTING FOR BROWN RACEWAY

2005 SAFARI- BAMBI

ELECTRICAL, 12 VOLT

12 Volt Outlet

510807	Outlet, 12 volt
511121	Mounting plate, 12 volt receptacle
511276	Cover, 12 outlet

Break away Switch

0300027	Break away switch, Bargman
0360254H	BREAK-AWAY SWITCH BRACKET

Solar Panel

511828	BATTERY-12V DEEP CYCLE AGM
511142-01	PANEL-SOLAR 53 WATT VLX-53
511142-02	BRACKET-MOUNTING KIT SOLAR PANEL
510696	HOLDER,FUSE,IN-LINE
510328	AGC 10 FUSE-FUSE PANEL
385947	LABEL 10 AMP FUSE MAX.
511846	KIT-CHARGE CONTROLLER DISPLAY
511851	CABLE- CAT 5E BLUE
511852	CONNECTOR- RJ45E

Monitor Panel and Sensor

511788-01	Monitor panel, CATCON Micropulse
511789-01	BOOT-SENSOR #500-20010-05
511789	SENSOR, TANK MONITOR
511286-01	WIRE FLAT TELEPHONE 26 GA. BLACK
511286-02	WIRE FLAT TELEPHONE 26 GA. IVORY
511252	PLUG PHONE 4 CONDUCTOR
511393	COUPLER-MODULAR EXTENSION, 4 CONDUCTOR
511817	COUPLER, IN LINE PHONE JACK

2005 SAFARI- BAMBI

ELECTRICAL, 12 VOLT

External Telephone/TV Jack

452981	PHONE JACK PROTECTIVE PLATE
104619	Mounting plate, exterior telephone/TV jack
511411	Junction box, 7 terminals
511375	JACK MODULAR TELEPHONE TA-1020

Switches, 12 Volt

511682	SWITCH ASSY-3 GANG WHITE
511669	SWITCH ASSY-SHOWER WHITE
511658	SWITCH BODY W/COVER 3-GANG WHITE
511665	SWITCH ASSY-CEILING WHITE
511731	SWITCH-WATER HEATER
511531	SWITCH TRAVEL LOCK, S/O TT
500933	SWITCH-WATER HEATER ELECTRONIC
511672	SWITCH BODY W/COVER 3 GANG BLACK
511673	SWITCH COVER-TWO GANG BLACK
511674	SWITCH COVER-ONE GANG BLACK

Interior Lights

511248	Light, 12 volt, incandescent, single, interior
511249	Light, 12 volt, incandescent, double, interior
511694	Halogen reading light, brass/nickel
500492	LAMPHOLDER 11-22XP14 LEECRAFT
511648	LIGHT READING HALOGEN
511695	SPOTLIGHT-BRUSHED NICKEL
511694	LIGHT-READING HALOGEN BRUSHED

Interior Telephone Jack

510624-01	MODULAR PHONE QUICK JACK WHITE
510174	TELEPHONE WIRE
511276	Cover, 12 outlet
510654-01	TV jack, 12 volt w/splitter

2005 SAFARI- BAMBI

ELECTRICAL, 12 VOLT

Exterior Lights

500092	Patio light, round, Signal Stat
510160	Bulb, patio light #1156
510732-02	Utility light (by main door)
510651	Light, front access compartment
511750	Light, teardrop, amber
511751	Teardrop light, red
500053	License plate light w/plate mounting bracket

Tail Light Assembly, Standard

500500-RS	TAILLIGHT ASSY. LED R.S.
500500-CS	TAILLIGHT ASSY. LED C.S.
511860-01	LIGHT-4"LED RED
511860-02	BEZEL- 4" ROUND CHROME W/VISOR

Tail lights, Round, Cast, Roadside, Curbside

952696-01	TAIL LIGHT ASSEMBLY, ROADSIDE
952696-02	TAIL LIGHT ASSEMBLY, CURBSIDE
511661	TAIL LIGHT-LED OVAL 6"
511664-01	CASTING-TAIL LIGHT R.S.
511664-02	CASTING-TAIL LIGHT C.S.
511662	TRIM RING-TAIL LIGHT W/VISOR
115073-01	BRACKET-R.S. TAILLIGHT
115073-02	BRACKET-C.S. TAIL LIGHT
115074	BRACKET-CENTER TAIL LIGHT
381873	Gasket, Taillight

2005 SAFARI- BAMBI

ENTERTAINMENT

Radio/Antenna

511732	Radio, AM/FM/CD, CDX-CA710X
511761	SPEAKER 120W 6.5" WHITE SONY
500913-03	SWITCH , T & B WHITE
510610	Antenna, radio, side mount
511807	Antenna, AM/FM rubber, 13"
511827	Wall Plate, Coax, White

TV Antenna/Jack

510788-01	TV antenna, Winegard, long boom
510788-05	ANTENNA, TV WINEGARD SHORT BOOM
510788-03	Amplifier, TV antenna
500484-05	Antenna lead & extension, 72"
510788-04	Hardware package, interior, Winegard
114396	TV antenna roof trough
510612	Coax, 75 ohm, standard
510613	Coax, 75-ohm w/three conductors
510623	Connector, coax, male to male
510616	CONNECTOR, COAX, 75 OHM
511827	WALL PLATE FLUSH MOUNT COAX-WHITE

Audio Upgrade Package

511825	SUBWOOFER 8" ACTIVE SONY
203465	SPACER-SPEAKER PLASTIC 6.50" S
511191	CD CHANGER-10 DISK SONY CDX-75
511856	WIRING KIT- 4 WAY FLAT EXT.SPE
511863	SWITCH-A/B SPEAKER-RADIO #AP-S
952761	DIAGRAM-BLOCK PREMIUM SOUND SYSTEM
511863-01	MODULE-SPEAKER CONTROL #AT-RLM
511863-02	A/B Selector Switch Kit
511926	Auxiliary audio switcher

2005 SAFARI- BAMBI

ENTERTAINMENT

External Speakers

511861 SPEAKER-OUTDOOR #OA-502B PAIR
511872 PIGTAIL-AUDIO OUTSIDE

Audio/Video Upgrade Package

511824 RADIO AM/FM/CD/DVD, JVC
511839 RADIO AM/FM/CD/DVD KD-DV5000-2
511720 SPEAKER-6.5"BLK JVC
511822 SUBWOOFER 8" ACTIVE SONY
511622 CD CHANGER RF 12 DISK JVC
690490 TV, 15"LCD FLAT LC15EIU SHARP
511829 Connector, "F" Male/Male adaptor
381209-01 GROMMET-W/CAP BLACK 1.5" HOLE
203466 SPEAKER SPACER-PLASTIC 6.50" JVC
511703 CORD-PATCH MALE/MALE 2-WAY 20'
511834 PATCH CORD 30' DUAL MALE TO MALE
511835 PATCH CORD 30' 3-WAY MALE TO MALE
511863-02 A/B Selector Switch Kit
111125-01 Bracket, 15' Flat TV, 16' Bambi
511926 Auxiliary audio switcher

Audio/Video Upgrade Package, 19' Front

511732 RADIO AM/FM/CD/CD CONTROLLER
511761 SPEAKER 120W 6.5" WHITE SONY
500913-03 SWITCH T&B WHITE
511839 RADIO AM/FM/CD/DVD KD-DV5000-2
511721 CHANGER-CD 12 DISC JVC #CH-X15
511856 WIRING KIT- 4 WAY FLAT EXT.SPE
511863 SWITCH-A/B SPEAKER-RADIO #AP-S
511863-01 MODULE-SPEAKER CONTROL #AT-RLM
511822 SUB WOOFER-POWERED 6.5" WEDGE
511863-02 A/B Selector Switch Kit
511926 Auxiliary audio switcher

2005 SAFARI- BAMBI

ENTERTAINMENT

Exterior TV/Telephone Jack

500996 Jack, TV/phone, gray
510741 BOX/ELECTRICAL, 1 ½" X 2" X 3"
510654-01 TV jack/12 volt w/splitter, white
511276 Cover, 12 outlet

511375 JACK MODULAR TELEPHONE

Radio System, Two Way Radio

511832 Radio, 2-Way

Radio, Forward Bedroom, 30'

511840 RADIO, AM/FM/CD FISHER
511841 CABLE, FEMALE TO TWO MALE
511842 ADAPTOR, METRA ANTENNA

Satellite Radio/Antenna System

511866-05 SATELLITE RADIO SYSTEM
511866-01 SATELLITE RADIO RECEIVER SIRUS
511866-02 SATELLITE RADIO KIT, HOME ADAPTER SIRUS
511862 SWITCH-SOURCE SELECTOR #XA-300
511870 KIT-INFRARED REPEATER
511866-03 BRACKET-DOCKING STATION RECEIVER
511866-04 PLANE-ANTENNA GROUND

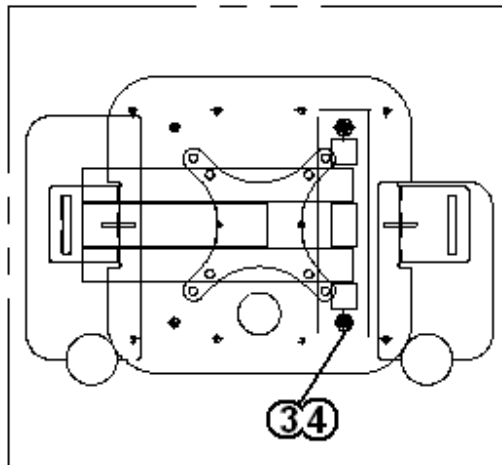
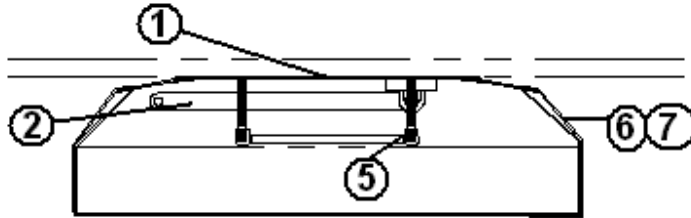
Satellite TV Jack

511534 Dual coax plate, Satellite TV, hook up
340093-03 CLIP, "J" - VINYL COATED, 1/2"

2005 SAFARI- BAMBI

ENTERTAINMENT

TV Bracket and hardware, Flat Screen TV



- | | |
|--------------|--------------------------------|
| 1. 454230 | BRACKET, TV MOUNT, WALL |
| 2. 511774 | BRACKET-ARTICULATING ARM FLAT |
| 3. 350147-25 | NUT, NYLON LOCK, ¼"-20 |
| 4. 300111-25 | WASHER, FLAT ¼" |
| 5. 385587 | CAP-HOOD BUMPER |
| 6. 345425-03 | SCREW, -4MM PAN HD 10 BLACK |
| 7. 703455 | STRAP 15" FLAT SCREEN TV |
| 7. 703455 | STRAP 20" FLAT SCREEN TV |
| 381566 | LOOP FOOTMAN STEEL 1.625"X .56 |

2005 SAFARI- BAMBI

FLOOR COVERING

Carpet/ /Rug/Linoleum

702794-07	Carpet, Landscape Wheat, All Color Schemes
381183-01	EDGEING, CARPET RIPPLE ALUMINUM 12'
701538	Carpet, Velour-compartment liner
701538-01	CARPET-ECONOLIER W/PSA BACK, cabinet liner
700173	Pad, carpet, 3/8" thick

Floor Mats

702549	MATT ENTRANCE W/AIRSTREAM LOGO
703452	RUG, THROW OVAL 30'SAF

Vinyl Flooring

703460	LINOLEUM, WOOD PLANK DISCOVER
--------	-------------------------------

Diamond Plate

115209	DIAMOND PLATE, .025" X 4' X 8'
--------	--------------------------------

2005 SAFARI- BAMBI

FURNITURE, DOORS

Doors, Roof Locker

965551-01	DOOR-RADIUS FOAM 15.25" X 35.5"
965551-02	DOOR-RADIUS FOAM 15.25" X 31.63"
965551-03	DOOR-RADIUS FOAM 15.25" X 28.38"
965551-04	Door, radius foam, 15" x 23.13"
965551-05	DOOR-RADIUS FOAM 15.25" X 12.5" RH
965551-06	DOOR-RADIUS FOAM 15.25" X 12.5" LH
965551-09	Door, radius foam, 15" x 4.06"
965551-10	DOOR-RADIUS FOAM 15.25" X 6.19"

2005 SAFARI- BAMBI

FURNITURE, DOORS

Doors, Wardrobe/Cabinet

Width x height

801341-11	DOOR, 8.63" X 12.63"
801341-18	DOOR, 9.50"X 28.38"
801341-19	DOOR, 14.25"X 63.38"
801341-22	DOOR, 17.50" X 61.25"
801341-23	DOOR, 14.00" X 23.00" L
801341-24	DOOR, 14.00" W X 38.13" L
801341-25	DOOR, 14.63" X 23.63"
801341-26	DOOR, 18.63" X 23.63"
801341-37	Door, 24.44" x 10.19"
801341-38	Door, 19.81" x 31.31"
801341-40	Door, 21.63" x 8.00"
801341-41	Door, 21.63" X 4.81"
801341-42	Door, 25.06" x 16.13"
801341-43	Door, 13.81" X 25.38"
801341-44	Door, 11.38" X 23.63"
801341-47	Door, 8.88" X 19.13"
801341-45	Door, 11.38" X 38.13"
801341-48	DOOR, RS TWIN BED 25.00"X 14.25"
801341-49	DOOR, 17.38" X 14.25
801341-50	DOOR, 11.38" X 17.00"
801341-51	DOOR, 11.38" X 9.88"
801341-52	DOOR, 11.13" X 7.5"
801341-53	DOOR, 11.38" X 11.25"
801341-54	DOOR, 11.38" X 19.75"
801341-55	DOOR, 17.00" X 61.88"
801341-56	DOOR, 19.50" X 30.63"
801341-57	DOOR, 24.81" X 11.29"
801341-59	DOOR, 8.63" X 29.13"
801341-63	DOOR, 17.5" X 61.25"
801341-64	DOOR, 14.63" X 23.63"
801341-65	DOOR, 18.63" X 23.63"
801341-66	DOOR, 15.75" X 17.88"
801341-67	DOOR, 6.31"X 14.13"

(continued)

2005 SAFARI- BAMBI

FURNITURE, DOORS

Doors, Wardrobe/Cabinet (continued)

801341-68	DOOR, 11.5" X 25.63"
801341-69	DOOR, 24.81" X 8.88"
801341-80	DOOR, 10.63" X 25.19"
801341-81	DOOR, 10.38" X 23.63"
801341-82	DOOR, 14.79" X 9.35"
801341-83	DOOR, 15.5" X 31.75"
801341-84	DOOR, 10.06" X 7.63"
801341-85	DOOR, 10.06" X 6"
801341-92	DOOR, 17.18" X 29.38"
801341-94	DOOR, 17.56" X 26.5"
801341-95	DOOR, 11.59" X 61.13"
801341-96	DOOR, 10.50" X 23.38"
801341-97	DOOR, 14.25" X 23.38"
801341-99	DOOR, 18" X 36.75"
801341-100	DOOR, 18" X 40"
801341-102	DOOR, 9.75" X 7"
801341-103	DOOR, 9.75" X 39.38"
801341-104	DOOR, 14.38" X 9.69"
801341-105	DOOR, 14.38" X 9.69"
801341-106	DOOR, 25.13" X 9.69"
801341-107	DOOR, 10.88" X 17"
801341-108	DOOR, 10.88" X 10"
801341-110	DOOR, 20.5" X 16.5"
801341-111	DOOR, 17.5" X 16.5"
801341-120	DOOR, 10.44" X 71"
801341-121	DOOR, 14.13" X 11.5"
801341-122	DOOR, 14.13" X 7.13"
801341-123	DOOR, 14.13" X 11"
801341-124	DOOR, 9.44" X 14.88"
964385-16	Door, breaker box cover 7.5 x 13.75", 19 ft.

2005 SAFARI- BAMBI

FURNITURE, DOORS

Doors, Bath

965567 DOOR ASSEMBLY "C" BATH, 25.50" X 72.00"
966409 Door Assembly, "C" bath, 24" X 72.00"
966087 DOOR ASSEMBLY, MIRROR BATH, 30'
966047 DOOR, "C" BATH, 25' Sleep Six, 19'
965512-01 DOOR, BATH, 22'

Doors, Shower

702937-03 SHOWER DOOR-ROLL AWAY, 62" X 36"

Doors, Foldette, 19', 25', 28'

702681-04 FOLDETTE IRVINE 56" X 73"
702681-03 DOOR FOLDETTE 46" X 73" BEIGE
800727-01 CLOSEOUT, FOLDETTE DOOR, OAK
101038 EXTRUSION, HEADER, BROWN, 25 Sleep Six
381563-01 Track, formed, foldette door
452258 BRACKET, MTG. FOLDETTE DOOR
701342-01 Strap, holdback, 7"
381581 STRAP CLEAR PLASTIC .75"W
700811 BUTTON CAP, HANDY #36
700812 BUTTON BOTTOM, HANDY #36 OAK

Doors, Foldette, 22', 30'

702681-08 DOOR, FOLDETTE 60"X 73" BEIGE, 30'
381860 TRACK-FORMED FOLDETTE 30'
701342-01 STRAP, VINYL, HOLDBACK, 7.0" LONG

Doors, Sliding

966088 DOOR, FRONT SLIDING 30'

2005 SAFARI- BAMBI

FURNITURE, MIRRORS/DRAWERS

Mirrors

372203-04	Mirror, safety glass, medicine cabinet, 36" x 14"
372203-05	Mirror, safety glass, medicine cabinet, 19" x 14"
372203-14	Mirror, safety glass, 21.00" X 22."
372203-15	Mirror, safety glass, 17.00 X 25.
372203-24	Mirror, safety glass, 9.5" x 20.0"
372203-30	Mirror, safety glass, medicine cabinet, 30" x 14"
372203-22	Mirror, safety glass, 14.00 X 16.
372203-26	Mirror, safety glass, 13.62" X 58"
372210-11	MIRROR- BEVELED, 7.75" X 19.50"
372213	TRIM-BRIGHT CHROME 1/8"

Drawers/Drawer Boxes

201016	Drawer, plastic, 16" x 22", lounge
201051	DRAWER 10" X 22", twin bed
965584-01	DRAWER BOX ASSEMBLY 13.00", galley, 25' SS
965642-01	DRAWER BOX, 19.75", 19' Galley
801399-01	DRAWER HIDDEN 13.00W X 3.38 H, galley, 25' SS
964909-11	DRAWER BOX, 10" X 14.0" X 19", 16', 19' Dinette
965558-03	DRAWER BOX, 8" X 10.25" X 14.88", 30'
965553-01	DRAWER, BOX, 4.38" X 12.5" X 17.
965558-02	DRAWER BOX, 8.00" X 11.5" X 14"
965560-02	DRAWER BOX, 5.63" X 9.25" X 14.00"
965555-02	DRAWER BOX, 8.00" X 9.5" X 20
965554-03	DRAWER BOX, 5.625" X 17.25" X 17"
965554-05	DRAWER BOX, 5.63" X 14.25" X 17.63"
965584-02	DRAWER BOX, 3.38" X 13.75" X 13."
801399-03	DRAWER-HIDDEN 4.13X 16.88"
965957-01	DRAWER BOX, 8.38" X 18.5"
965956-01	DRAWER BOX, 4.63"X17.38"
965955-01	DRAWER BOX, 5.88"X 17.88"

2005 SAFARI- BAMBI

FURNITURE, MIRRORS/DRAWERS

Drawer Slides

381773-03	DRAWER SLIDE 15.75"
381773-21	DRAWER SLIDE-8.38" X 15.75"
381773-15	DRAWER SLIDE-5.875" X 15.75"
381773-25	DRAWER SLIDE-8.38" X 21.63"
381773-17	DRAWER SLIDE-5.875" X 18.5"
381773-11	DRAWER SLIDE-4.63" X 18.5"
381773-02	DRAWER SLIDE-3-3/8"H X 13.75"L
381773-10	DRAWER SLIDE, 4.63" X 17.38"
381773-02	DRAWER SLIDE, 3-3/8H X 13-3/4L
381773-16	DRAWER SLIDE, 5.88" X 17.38"
381773-23	DRAWER SLIDE, 8.38" X 18.5"
381773-26	CLIP-LOCKING (DRAWER SLIDE/BOX)

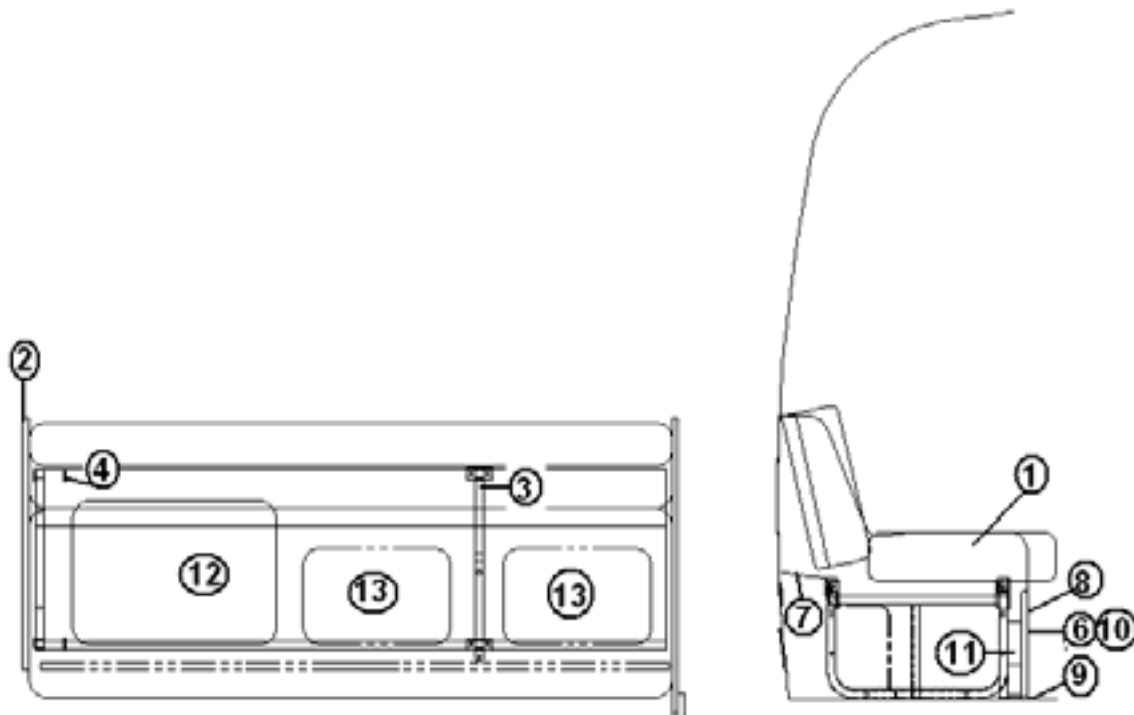
Storage Boxes

203419	STORAGE BOX 23"L X 16.75"W X 11.88"
203439	STORAGE BOX 17"L X 11.13"W X 6.38"
203447	STORAGE BOX 23.5" X 16.25" X 6.38"

2005 SAFARI- BAMBI

FURNITURE, LOUNGE

Sofa, 30'

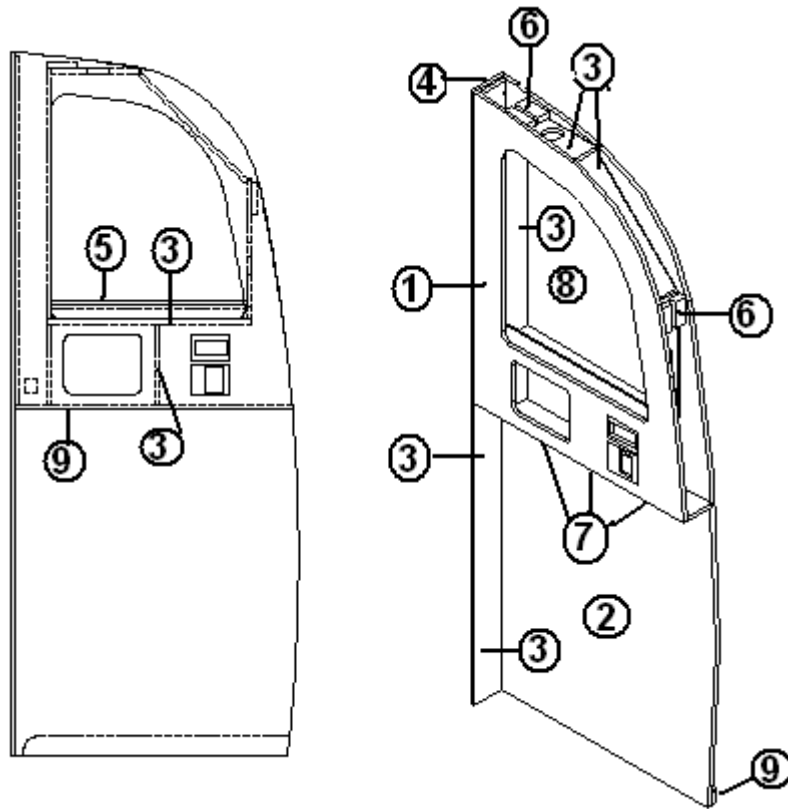


- | | |
|---------------|--------------------------------|
| 1. 703449-012 | SOFA 74" CLOTH, STRATUS |
| 1. 703449-174 | SOFA 74" CLOTH, BEACH CLUB |
| 1. 703449-184 | SOFA 74" CLOTH, FOREST SAGE |
| 1. 703449-195 | SOFA 74" CLOTH, MIDNIGHT SUN |
| 1. 703449-02 | SOFA 74" ULTRA LEATHER |
| 2. 801500-15 | PANEL, SOFA CLOSEOUT |
| 3. 454224 | LEG, SOFA |
| 4. 453368-03 | FLEXSTEEL SOFA LEGS |
| 5. 320059 | SCREW #8 X 1 PH PHILLIPS WHITE |
| 6. 381775 | PULL HANDLE, CHROME |
| 7. 965592 | CLOSEOUT LOUNGE |
| 8. 965593 | CLOSEOUT PANEL BOTTOM |
| 9. 381072 | HINGE 3" X 1 7/8" OPEN GOLD |
| 10. 381228-01 | CATCH GRABBER DOOR C3-803 |
| 11. 801392 | PANEL, WHITELINER/WHITELINER |
| 12. 203447 | STORAGE BOX-23.5"X16.25"X6.38" |
| 13. 203439 | STORAGE BOX-17"LX11.13"WX6.38" |
| 801500-17 | PANEL - SOFA SPACER |
| 365238-03 | EDGE BANDING TAPE PVC |

2005 SAFARI- BAMBI

FURNITURE, LOUNGE

Information Wall, 30'

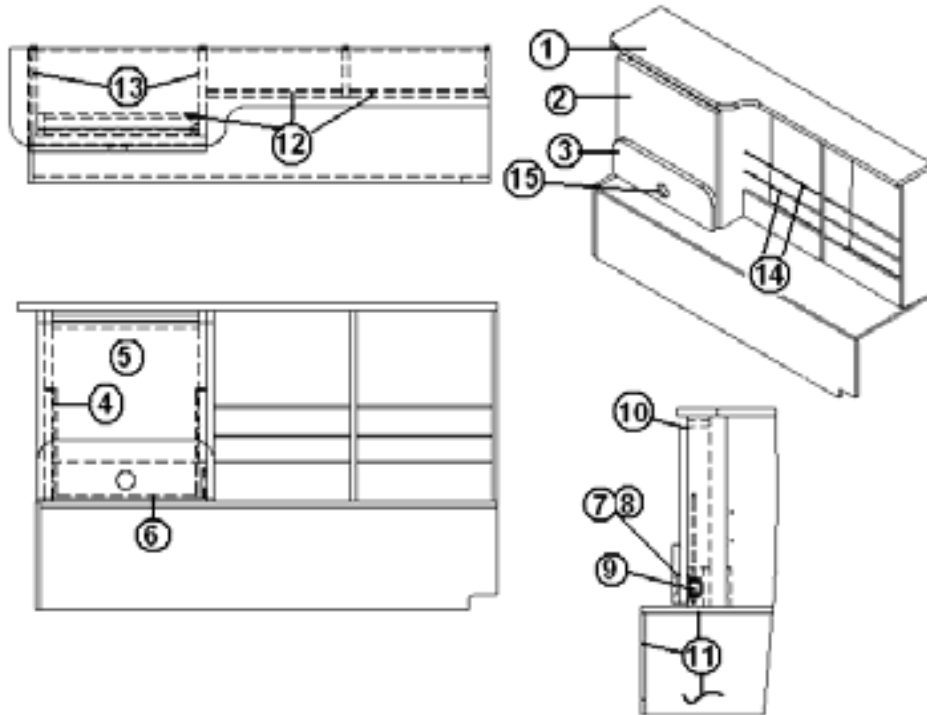


966066	INFORMATION WALL, 30'
1. 801500-04	PANEL,FWD MAIN DR CS 30'SAF BUNK
2. 801500-03	PANEL,AFT FWD BED CS 30'SAF BUNK
3. 801392	PANEL, WHITELINER/WHITELINER 1
4. 801381-01	PANEL, TROPICAL OAK/TRP OAK 12
5. 454211-01	SHELF FRT-FORMED ALUM 30'SAF B
6. 801351	LITE PLY-18MM (.75") 4'X 8'
7. 381854	HOOK-COAT 2 PRONG BRIGHT NICKE
8. 801511	PANEL,DRY ERASE 30'SAF
9. 801383-01	PANEL, TRP OAK/WHITE LINER 1
365268-03	EDGE BANDING-.024"X .63" OAK
203445	T-MOLDING BLK FLEXIBLE POLY .5
365268-03	EDGE BANDING-.024"X .63" OAK
114070	EXTRUSION, J-TRIM
801002-174	FIBERGLASS SHEET WHITE 77.5" X 435

2005 SAFARI- BAMBI

FURNITURE, LOUNGE

TABLE, WRITING, 30'

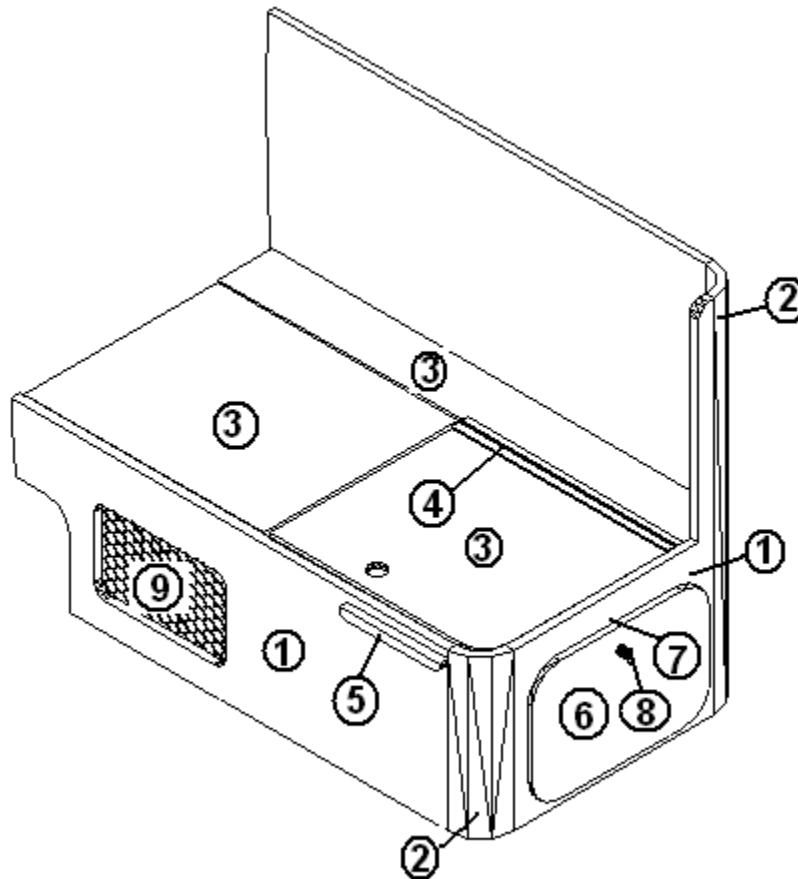


966105	TABLE ASSY-WRITING 30'SAF
1. 966104	TOP ASSY-WRITING TABLE 30'SAF
2. 966106	FLIP TABLE- 6" X 18"
3. 966106-01	FLIP TABLE- 18" X 18"
4. 380492-01	SUPPORT ROD-TABLE 11"FORMED
5. 340018	CATCH PLATE J-1
6. 380040	HINGE SOSS INVISIBLE L & R HAND
7. 380037	RETAINER SPRING LOCK
8. 380038	EYELET LOCK GS 5 10 BRASS
9. 381228-01	CATCH GRABBER DOOR
10. 380458	HINGE PIANO BROWN ANODIZED
11. 801383-01	PANEL, TRP OAK/WHITE LINER
12. 801381-01	PANEL, TROPICAL OAK/TRP OAK
13. 801395	PANEL, TROPICAL OAK/TROPICAL OAK
14. 115042	ROD-.25" ALUMINUM, 6' LENGTH
15. 381855	PULL, DRAWER RECESS W/BLACK
365268-01	EDGE BANDING-.024"X 1.13" OAK
365268-03	EDGE BANDING-.024"X .63" OAK
381855	Recessed Drawer Pull

2005 SAFARI- BAMBI

FURNITURE, LOUNGE

DINETTE SEAT, RH 30'

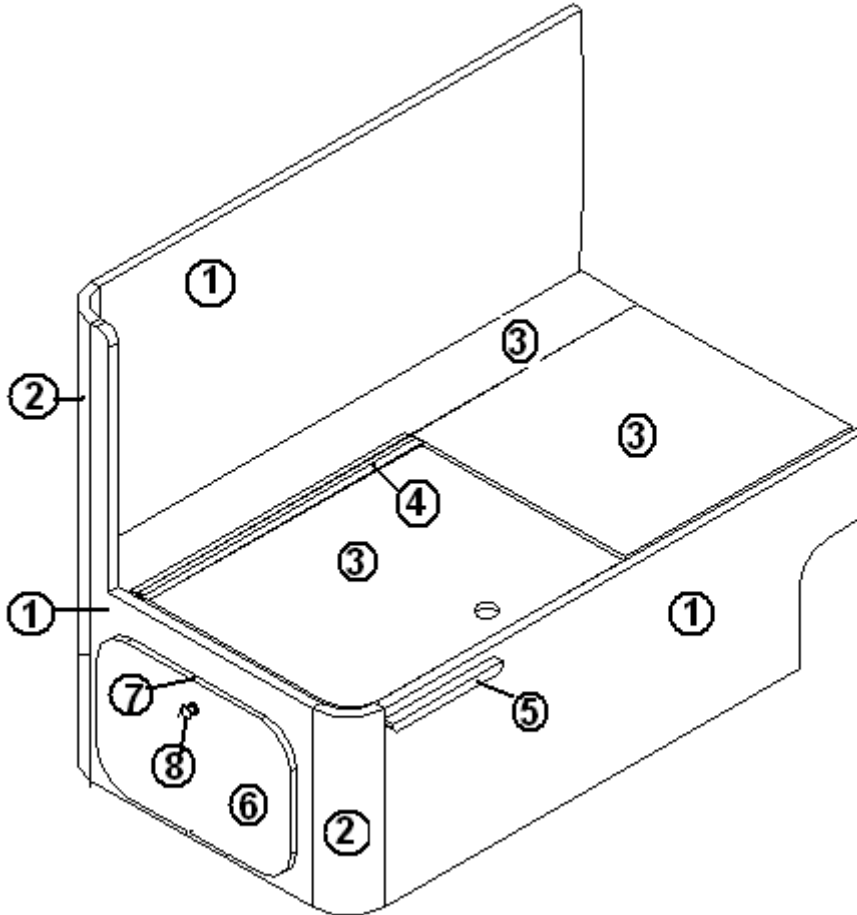


966069	SEAT ASSY-RH DINETTE 30'
1. 801351	LITE PLY, 18MM (.75") 4' X 8'
2. 801345	RADIUS PLYWOOD .75" X 3" X 8'
3. 800507-03	LAUAN, 3/8" X 4'X 8'
4. 380458	HINGE PIANO BROWN ANODIZED
5. 800470-006	STOP-HARDWOOD .75" DINETTE CLETE
6. 966137	DOOR ASSY-DINETTE SEAT SAF
7. 381228-01	CATCH GRABBER DOOR C3-803
8. 381796	KNOB HOLLOW 1.25"DIA BP1950H G
9. 453783-05	GRILL SCREEN, DINETTE

2005 SAFARI- BAMBI

FURNITURE, LOUNGE

DINETTE SEAT, LH 30'

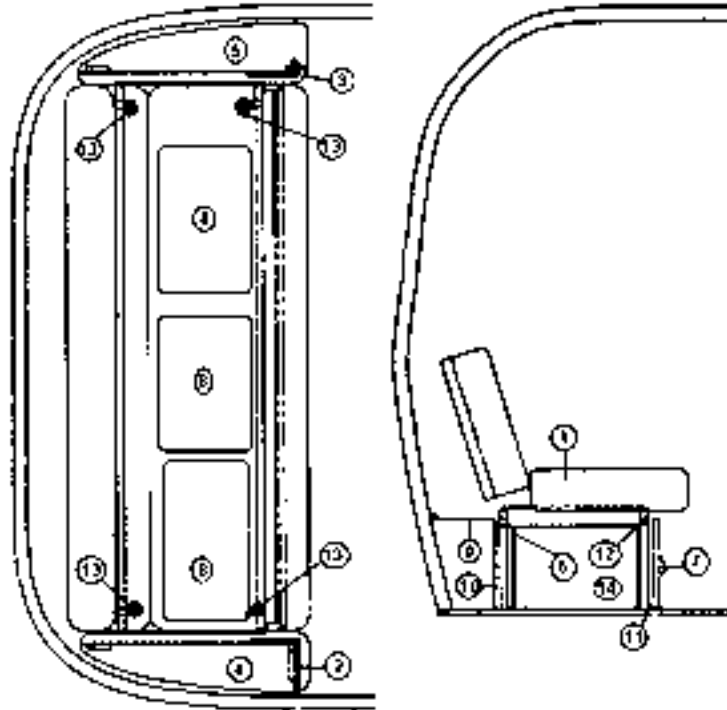


- | | |
|---------------|----------------------------------|
| 966068 | SEAT ASSY-LH DINETTE 30' |
| 1. 801351 | LITE PLY, 18MM (.75") 4' X 8' |
| 2. 801345 | RADIUS PLYWOOD .75" X 3" X 8' |
| 3. 800507-03 | LAUAN, 3/8" X 4'X 8' |
| 4. 380458 | HINGE PIANO BROWN ANODIZED |
| 5. 800470-006 | STOP-HARDWOOD .75" DINETTE CLETE |
| 6. 966137 | DOOR ASSY-DINETTE SEAT SAF |
| 7. 381228-01 | CATCH GRABBER DOOR |
| 8. 381796 | KNOB HOLLOW 1.25"DIA BP1950H G |
| 9. 453783-05 | GRILL SCREEN, DINETTE |

2005 SAFARI- BAMBI

FURNITURE, LOUNGE

Front Lounge 25' Sleep Six, 28' S/O

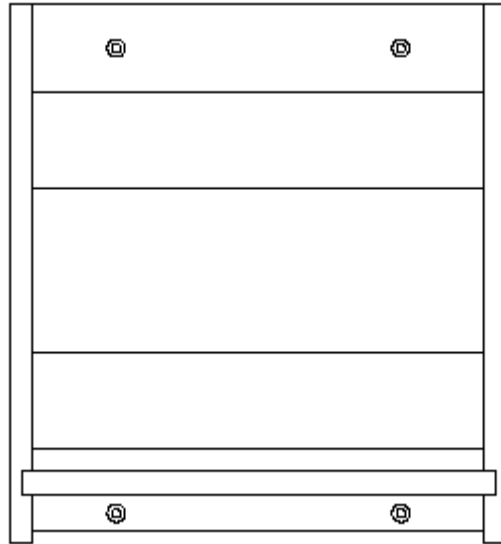


- | | |
|---------------|------------------------------------|
| 1. 702798-012 | SOFA 74" CLOTH, STRATUS |
| 1. 702798-174 | SOFA 74" CLOTH, BEACH CLUB |
| 1. 702798-184 | SOFA 74" CLOTH, FOREST SAGE |
| 1. 702798-195 | SOFA 74" CLOTH, MIDNIGHT SUN |
| 1. 702798-02 | Sofa, Ultra Leather, option |
| 2. 963400-01 | SUPPORT ASSY.-ARMREST RS |
| 3. 963400-02 | SUPPORT ASSY. ARMREST CS |
| 4. 963399-01 | SUB-ASSY. FACE ARMREST SUPPORT RS |
| 5. 963399-02 | SUB ASSY. FACE ARMREST SUPPORT CS |
| 6. 453368-03 | FLEXSTEEL SOFA LEGS |
| 7. 381775 | PULL HANDLE, CHROME |
| 8. 201016 | DRAWER 16" X 22" |
| 9. 965592 | CLOSEOUT LOUNGE |
| 10. 965593 | CLOSEOUT PANEL BOTTOM SOFA |
| 11. 381072 | HINGE 3" X 1 7/8" OPEN GOLD |
| 12. 381228-01 | CATCH GRABBER DOOR |
| 13. 345084 | SCREW-1/4"-14 X 1" THREAD CUTTING |
| 14. 203447 | STORAGE BOX-23.5" X 16.25" X 6.38" |

2005 SAFARI- BAMBI

FURNITURE, LOUNGE

Magazine Rack, 25 A & B, 25' Sleep Six



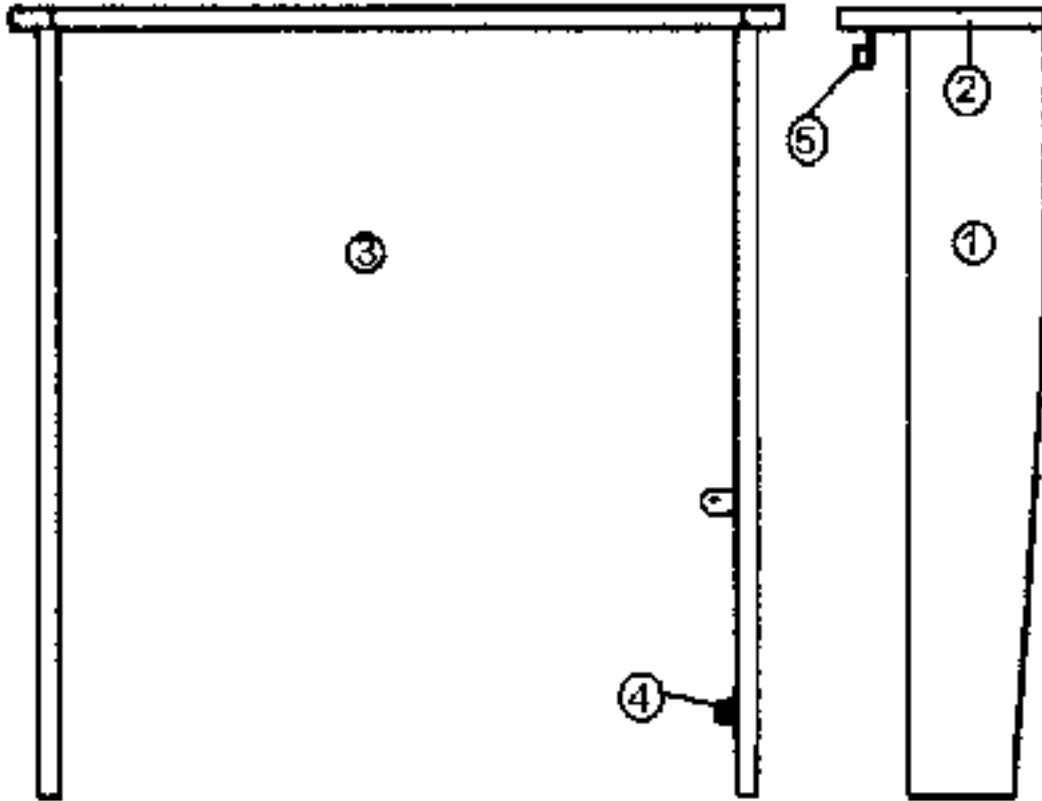
963990-006

Magazine Rack, 25 A & B, 25' Sleep Six

2005 SAFARI- BAMBI

FURNITURE, LOUNGE

Cabinet Lift up Table, 25' Sleep Six

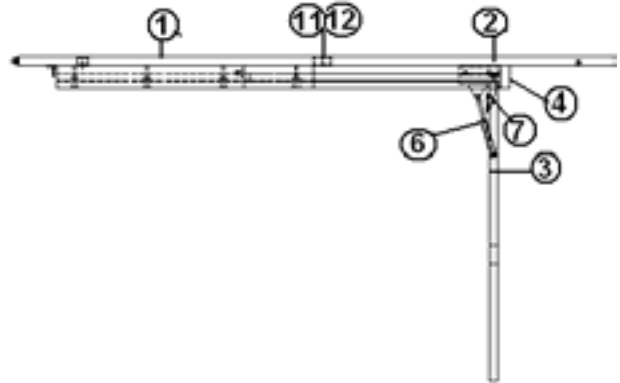
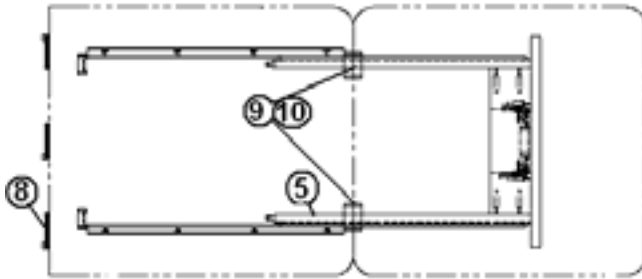


- | | |
|--------------|-----------------------------|
| 965608 | Cabinet, Lift up Table |
| 1. 801406 | Credenza leg, Tropical oak |
| 2. 801407 | Credenza top |
| 3. 966126-01 | Lift up table assembly, 24" |
| 4. 381074 | Bull dog catch |
| 5. 385935-01 | Hinge, pivot |

2005 SAFARI- BAMBI

FURNITURE, LOUNGE

Table, Lift Up, 25' Sleep Six, 25' A & B

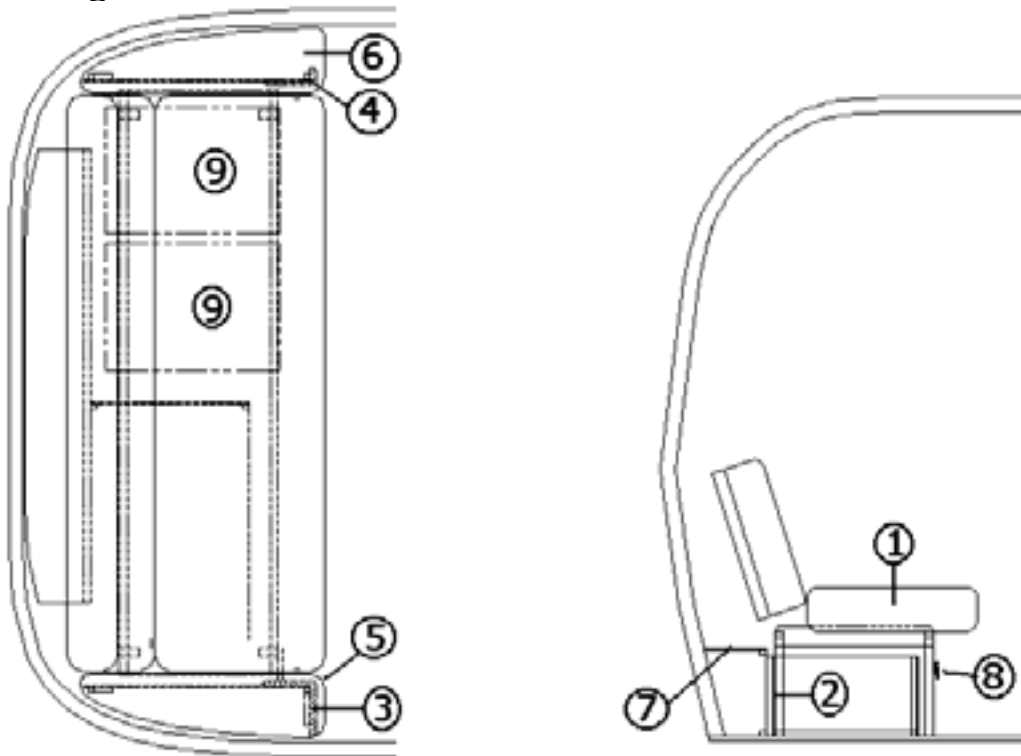


- | | |
|---------------|---------------------------------------|
| 966126-01 | TABLE, LIFT UP 24.00" |
| 1. 965596-01 | LEAF, TABLE, LOWER, TROPICAL OAK |
| 2. 965597-01 | LEAF, TABLE, UPPER, TROPICAL OAK |
| 3. 962177-036 | LEG HARDWOOD 30.50" |
| 4. 965595 | FACER BOARD, LIFT-UP TABLE, T. OAK |
| 5. 381306 | SLIDES, TABLE, LIFT-UP, RH & LH #20 |
| 6. 381147 | DOOR SUPPORT - SPRING LOADED |
| 7. 385935-01 | HINGE PIVOT ZINC PLATED |
| 8. 201155 | SLIDING GUIDE, PLASTIC -TABLE |
| 9. 380040 | HINGE SOSS INVISIBLE L & R HAND |
| 10. 345319-08 | SCREW, PARTICLE BOARD, #8 X 1.00" |
| 11. 380037 | RETAINER SPRING LOCK |
| 12. 380038 | EYELET LOCK GS 5 10 BRASS |
| 13. 381074 | CATCH BULL DOG #65S (COPPER) |
| 365268-03 | EDGEBANDING-.024" X .63" TROPICAL OAK |
| 365268-01 | Edge tape, Tropical Oak, 1.13" |

2005 SAFARI- BAMBI

FURNITURE, LOUNGE

Front Lounge 19'

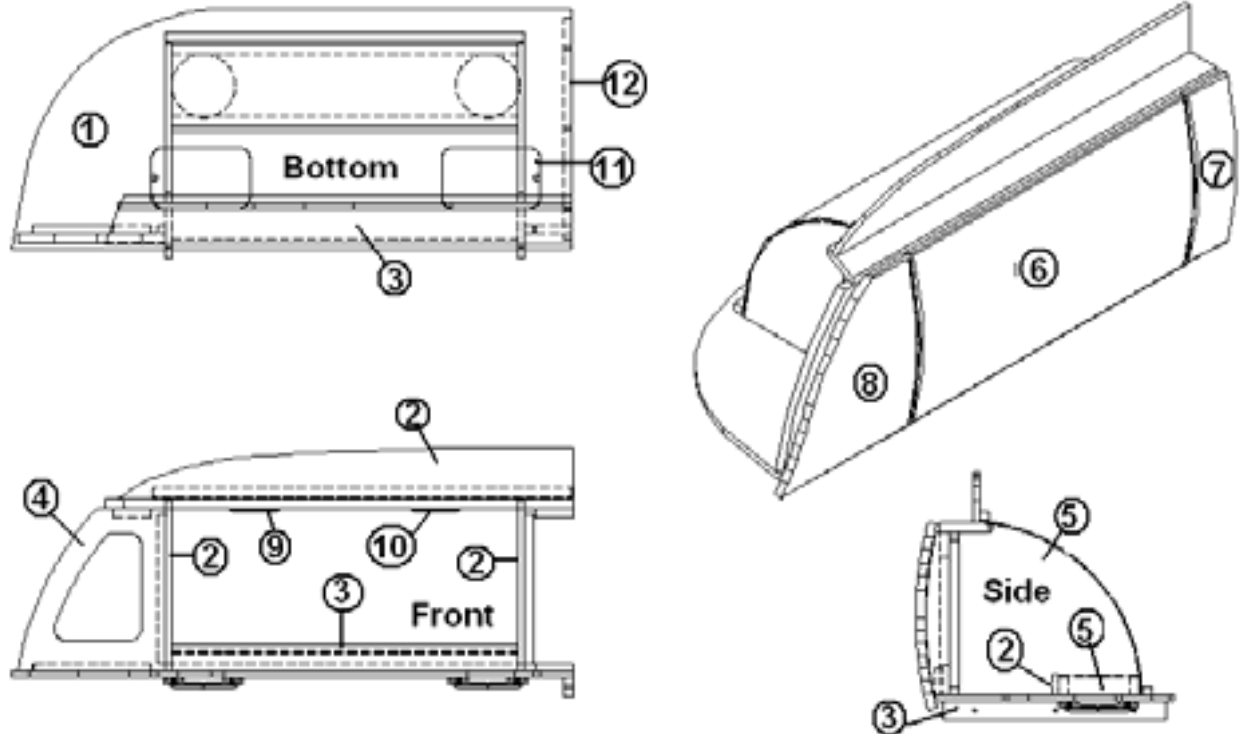


- | | |
|---------------|-----------------------------------|
| 1. 702798-012 | SOFA 74" CLOTH, STRATUS |
| 1. 702798-017 | SOFA 74" CLOTH, BEACH CLUB |
| 1. 702798-184 | SOFA 74" CLOTH, FOREST SAGE |
| 1.702798-192 | SOFA 74" CLOTH, MIDNIGHT SUN |
| 1. 702798-02 | SOFA, 74" ULTRA LEATHER |
| 2. 965592 | CLOSEOUT LOUNGE |
| 3. 965808-01 | SUPPORT ASSY.-ARMREST RS |
| 4. 965808-02 | SUPPORT ASSY. ARMREST CS |
| 5. 963399-01 | SUB-ASSY. FACE ARMREST SUPPORT RS |
| 6. 963399-02 | SUB ASSY. FACE ARMREST SUPPORT CS |
| 7. 965805 | Rear close-out assembly |
| 381576 | PULL HANDLE, BRASS |
| 201016 | DRAWER 16" X 22" |
| 965809-01 | Armrest Cushion Assy. RS |
| 965809-02 | Armrest Cushion Assy. CS |
| 965809-03 | Armrest Cushion Assy. RS Leather |
| 965809-04 | Armrest Cushion Assy. CS Leather |

2005 SAFARI- BAMBI

FURNITURE, LOUNGE

End Liner Rear, 19 ft.

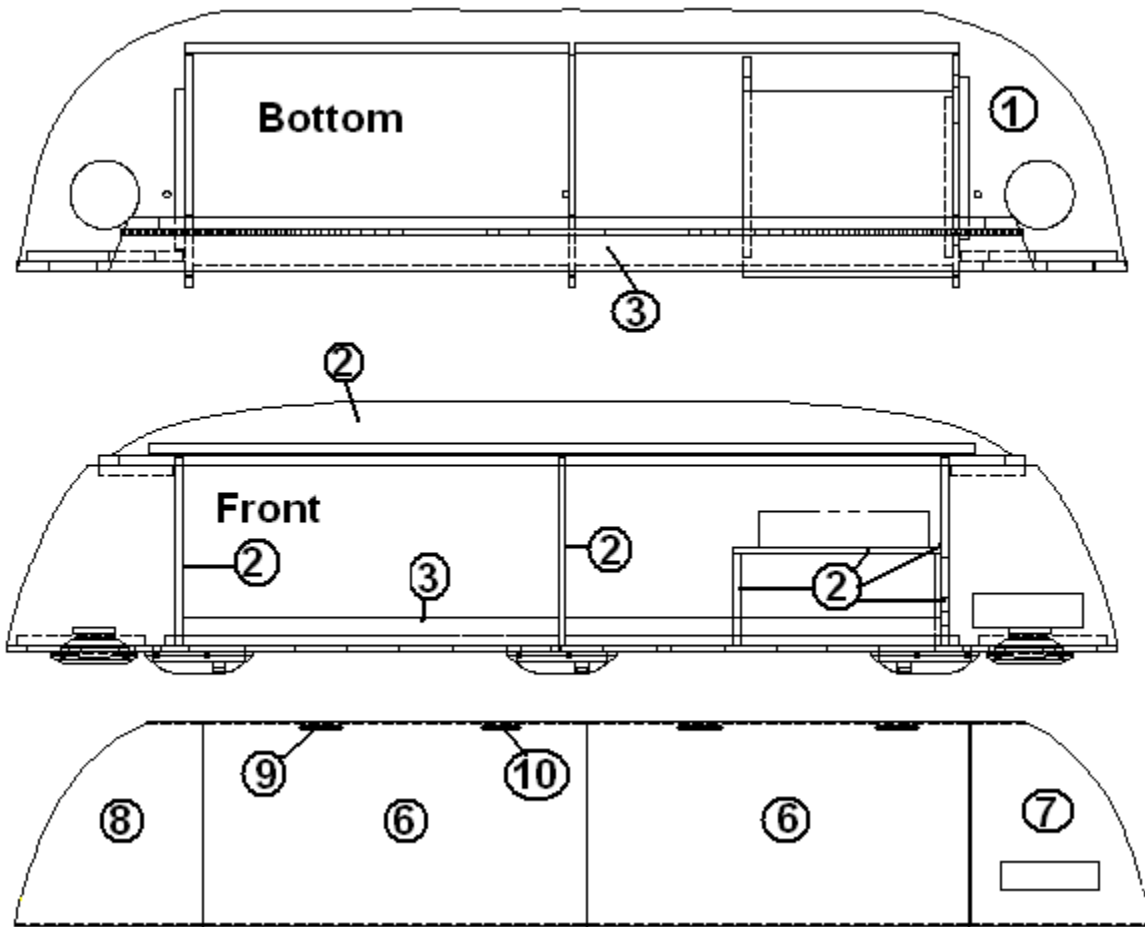


966033	ENDLINER, REAR
1. 801383-01	PANEL, OAK/WHITELINER
2. 801392	PANEL, WHITELINER/WHITELINER
3. 801376-01	PANEL OAK/WHITELINER
4. 801438	PANEL, FROST WHITE VINYL/RAW
5. 965551-03	DOOR-RADIUS FOAM 15.25" X 28.38"
6. 965551-09	DOOR-RADIUS FOAM 15.25" X 4.06"
7. 965551-04	DOOR-RADIUS FOAM 15.25" X 23.13"
8. 965551-06A	DOOR-RADIUS FOAM LH 15.25" X 12.00"
9. 381840-01	HINGE-OVERHEAD SPRING LH
10. 381840-02	HINGE-OVERHEAD SPRING RH
11. 511249	FIXTURE LIGHT INCANDESCENT DOUBLE
12.511761	SPEAKER 120W 6.5" WHITE SONY
365268-01	EDGEBANDING-.024" X 1.13"
365268-03	EDGEBANDING-.024" X .63" O
381610-03	COVER CAP-PLASTIC EUROPEAN PINE

2005 SAFARI- BAMBI

FURNITURE, LOUNGE

End Liner Front, 19', 16'

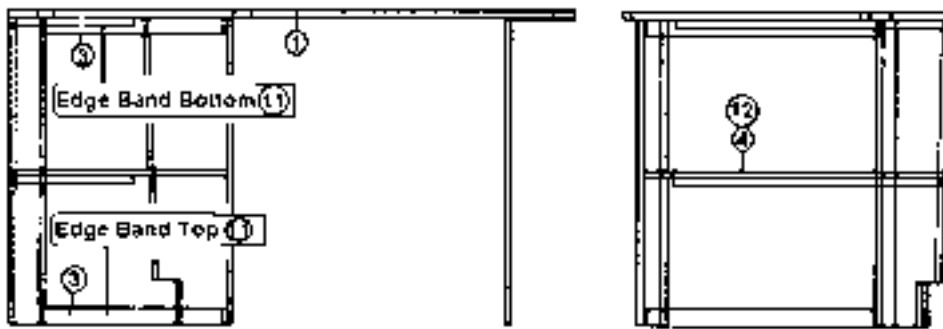
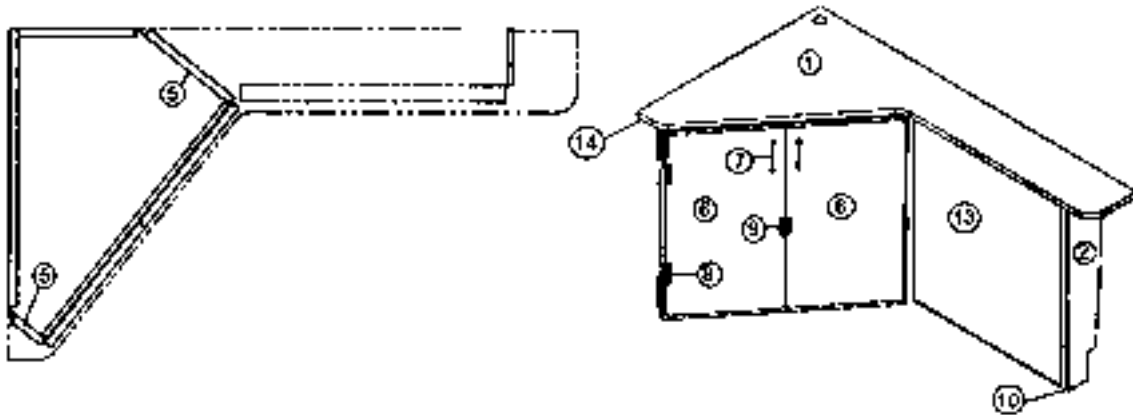


966032	ENDLINER FRONT W/RADIO, 19'
966032-01	ENDLINER FRONT W/RADIO /CD CHANGER, 19'
966032-02	ENDLINER FRONT, 16'
1. 801383-01	PANEL, OAK/WHITELINER
2. 801392	PANEL, WHITELINER/WHITELINER 12MM
3. 801376-01	PANEL OAK/WHITELINER 18MM
4. 800506-06	PLYWOOD, 3/4" X 4' X 8'
5. 801438	PANEL, FROST WHITE VINYL/RAW
6. 965551-03	DOOR-RADIUS FOAM 15.25"X 28.38"
7. 965551-05	DOOR-RADIUS FOAM 15.25"X 12.5"
8. 965551-06	DOOR-RADIUS FOAM 15.25"X 12.5"
9. 381840-01	HINGE-OVERHEAD SPRING LH
10. 381840-02	HINGE-OVERHEAD SPRING RH

2005 SAFARI- BAMBI

FURNITURE, LOUNGE

Credenza Cabinet, 25' A & B

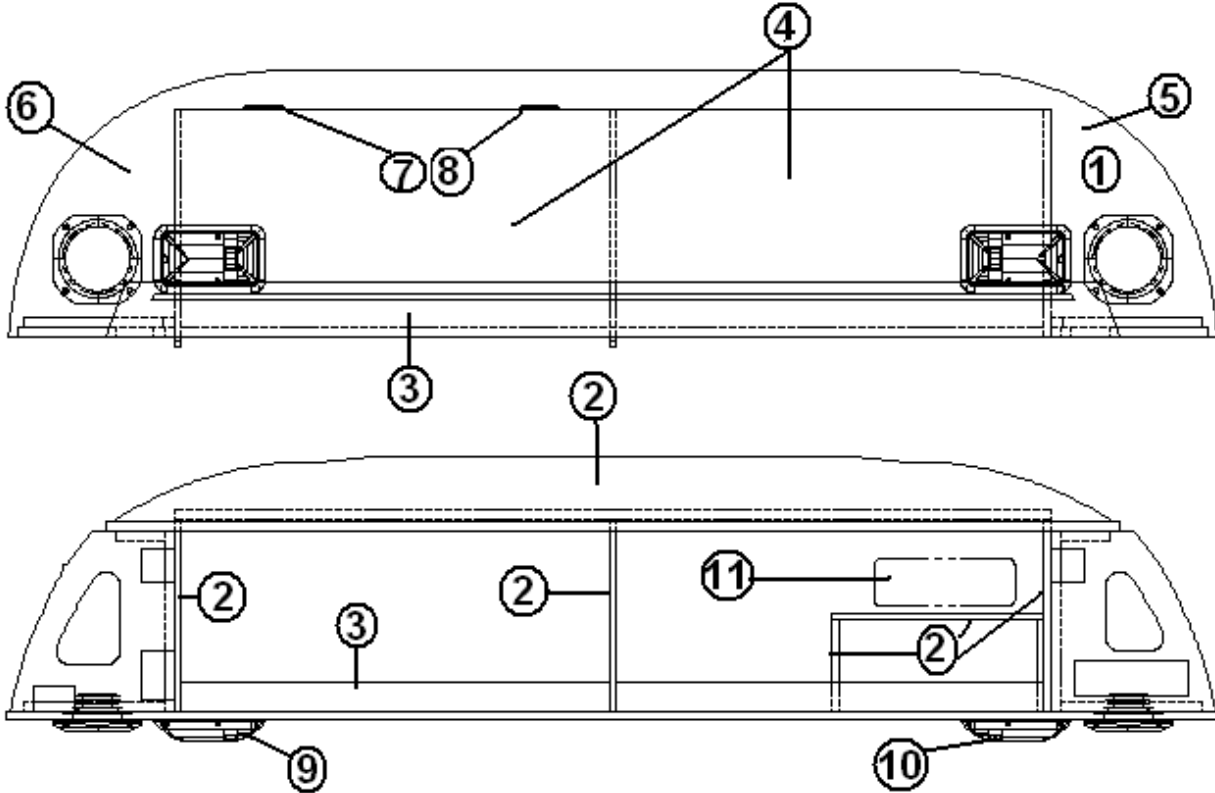


- | | |
|---------------|--|
| 965666 | Credenza Cabinet, Oak |
| 965666-01 | Credenza Cabinet Amarillo, Midnight Sun |
| 1. 965665 | TOP, CREDENZA |
| 2. 801383-01 | Paneling, Tropical Oak/White liner, 12mm |
| 3. 801392 | Paneling, White/White 12 MM |
| 4. 801376-01 | Paneling, Tropical Oak/White, 4' x 8' |
| 5. 801383-01 | Paneling, Tropical Oak/White liner, 12mm |
| 6. 801341-43 | Door, 13.81" x 25.38" |
| 7. 381865 | Door handle |
| 8. 381607 | Hinge assembly, Grass European |
| 9. 381228-01 | Door/drawer grabber catch, 3 lb. |
| 10. 365268-01 | Edge tape, Tropical Oak, 1.13 wide |
| 11. 365268-03 | Edge tape, Tropical Oak, .625" |
| 12. 365238-04 | Edge tape, White, 5/8" wide |
| 13. 966126-01 | TABLE, LIFT UP, 24.00" Wide |
| 14. 365238-04 | Edge banding, 5/8" Colonial .White |

2005 SAFARI- BAMBI

FURNITURE, LOUNGE

Roof Locker, End Liner, 25' Sleep Six, "A", 28' S/O, 28' W

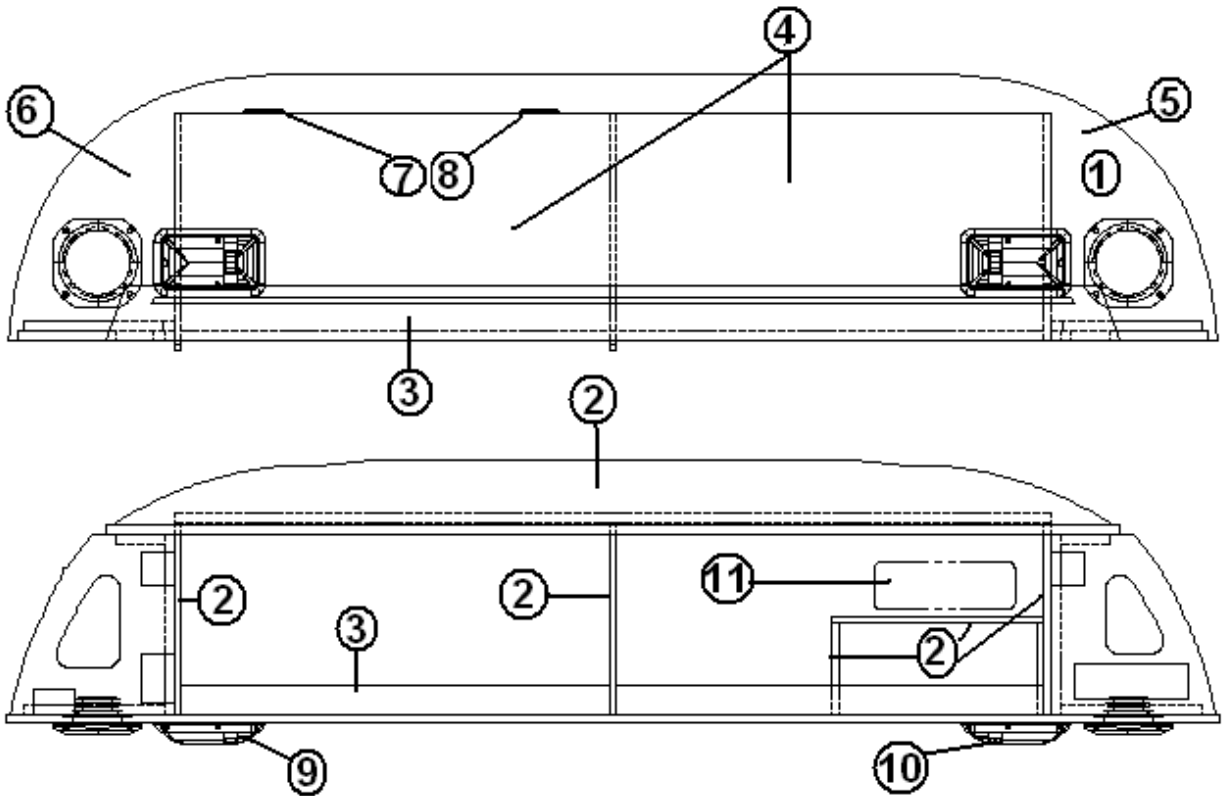


- | | |
|--------------|--------------------------------|
| 966037-01 | LOCKER, FRONT W/RADIO |
| 966037-04 | LOCKER, REAR, DELETE RADIO |
| 1. 801383-01 | PANEL, OAK/WHITE LINER |
| 2. 801392 | PANEL, WHITELINER/WHITELINER |
| 3. 801376-01 | PANEL, OAK/WHITE LINER |
| 4. 965551-02 | DOOR-RADIUS FOAM 15.25"X 31.63 |
| 5. 965551-05 | DOOR-RADIUS FOAM 15.25"X 12.5" |
| 6. 965551-06 | DOOR-RADIUS FOAM 15.25"X 12.5 |
| 7. 381840-01 | HINGE-OVERHEAD SPRING LH #372. |
| 8. 381840-02 | HINGE-OVERHEAD SPRING RH #372. |
| 9. 511249 | FIXTURE LIGHT INCANDESCENT DOU |
| 10. 511761 | SPEAKER 120W 6.5" WHITE SONY |
| 11. 965792 | CD OPTION, BOX |
| 365268-01 | EDGEBANDING-.024"X 1.13" OAK |
| 365268-03 | EDGEBANDING-.024"X .63" OAK |

2005 SAFARI- BAMBI

FURNITURE, LOUNGE

Roof Locker, End Liner, 25' FB

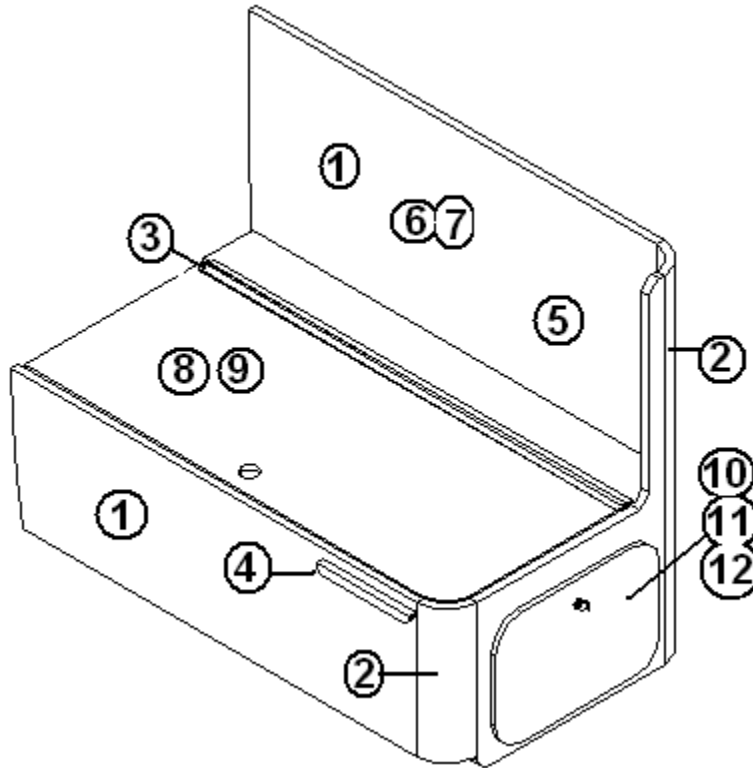


- | | |
|--------------|--------------------------------|
| 966037-04 | LOCKER, FRONT W/RADIO |
| 966037-05 | LOCKER, REAR, DELETE RADIO |
| 1. 801383-01 | PANEL, OAK/WHITE LINER |
| 2. 801392 | PANEL, WHITELINER/WHITELINER |
| 3. 801376-01 | PANEL, OAK/WHITE LINER |
| 4. 965551-02 | DOOR-RADIUS FOAM 15.25"X 31.63 |
| 5. 965551-05 | DOOR-RADIUS FOAM 15.25"X 12.5" |
| 6. 965551-06 | DOOR-RADIUS FOAM 15.25"X 12.5" |
| 7. 381840-01 | HINGE-OVERHEAD SPRING LH #372. |
| 8. 381840-02 | HINGE-OVERHEAD SPRING RH #372. |
| 9. 511249 | FIXTURE LIGHT INCANDESCENT DOU |
| 10. 511761 | SPEAKER 120W 6.5" WHITE SONY |
| 11. 965792 | CD OPTION, BOX |
| 365268-01 | EDGE BANDING-.024"X 1.13" OAK |
| 365268-03 | EDGE BANDING-.024"X .63" OAK |

2005 SAFARI- BAMBI

FURNITURE, LOUNGE

Dinette Seats 28' S/O

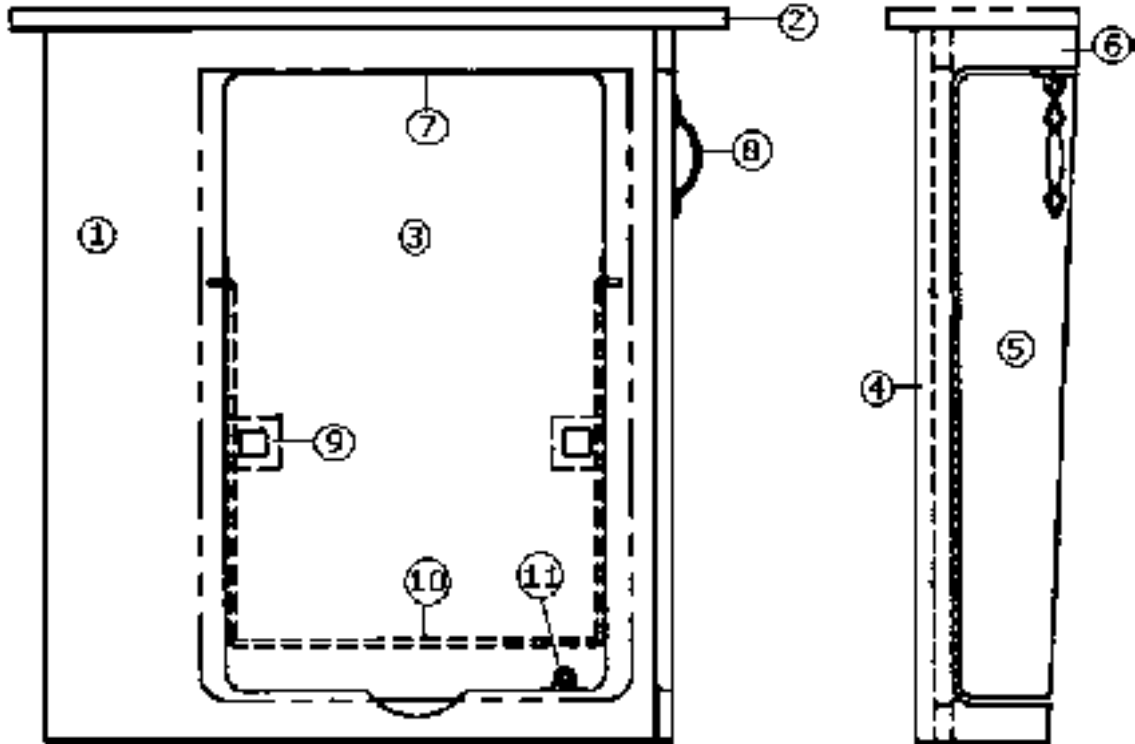


- 965717-01 Dinette Seat, RH (shown)
- 965717-02 Dinette Seat, LH (opposite)
- 1. 801351 Lite ply-18mm, 4' x 8'
- 2. 801345 Radius plywood, .75" x 3" x 8'
- 3. 380458 Hinge, piano, brown anodized
- 4. 800470-006 Stop, hardwood, 3/4" dinette cleat
- 5. 700414 Foam, 3/8" x 72" x 52'
- 6. 703309-01 Foam-left side back
- 7. 703309-02 Foam-right side back
- 8. 703309-03 Foam-seat bottom LH/RH
- 9. 703309-03 Foam-seat bottom LH/RH
- 10. 966137 DOOR ASSY-DINETTE SEAT
- 11. 381228-01 CATCH GRABBER DOOR
- 12. 381796 KNOB HOLLOW 1.25"
- 800405-006 PLUG BUTTON HARDWOOD

2005 SAFARI- BAMBI

FURNITURE, LOUNGE

Writing Table Cabinet, 28' S/O

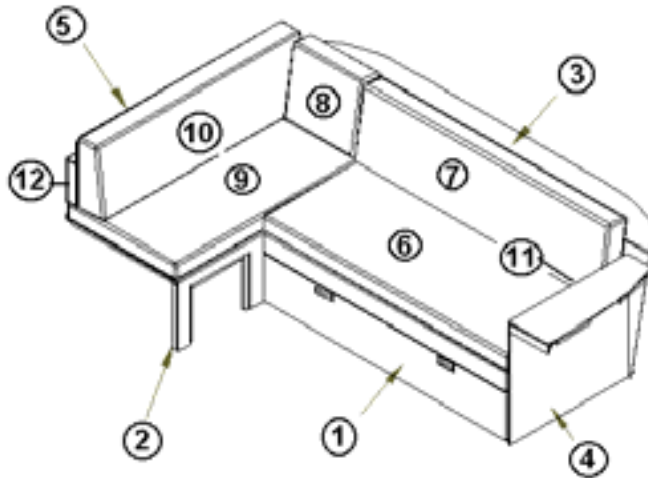


- | | |
|--------------|---------------------------------------|
| 965962 | Writing Table Cabinet Assembly |
| 1. 965963 | Face, writing table |
| 2. 965966 | Top, writing table |
| 3. 965967 | Table top assembly, writing |
| 4. 965965 | Face, end, writing table cabinet |
| 5. 965964 | Door writing table cabinet |
| 6. 801383-01 | Panel, Tropical Oak/White liner, 12mm |
| 7. 380458 | Hinge, piano, brown |
| 8. 381865 | Handle, door |
| 9. 340018 | Catch plate, J-1 |
| 10. 380492 | Bracket, table |
| 11. 381074 | Bull dog catch |
| 381228-01 | CATCH GRABBER DOOR |
| 203440 | T MOLDING-BLACK EMBOSSED, .8125 |

2005 SAFARI- BAMBI

FURNITURE, LOUNGE

Sofa, Cushions/Foam, 28' W, 25' Sleep Six

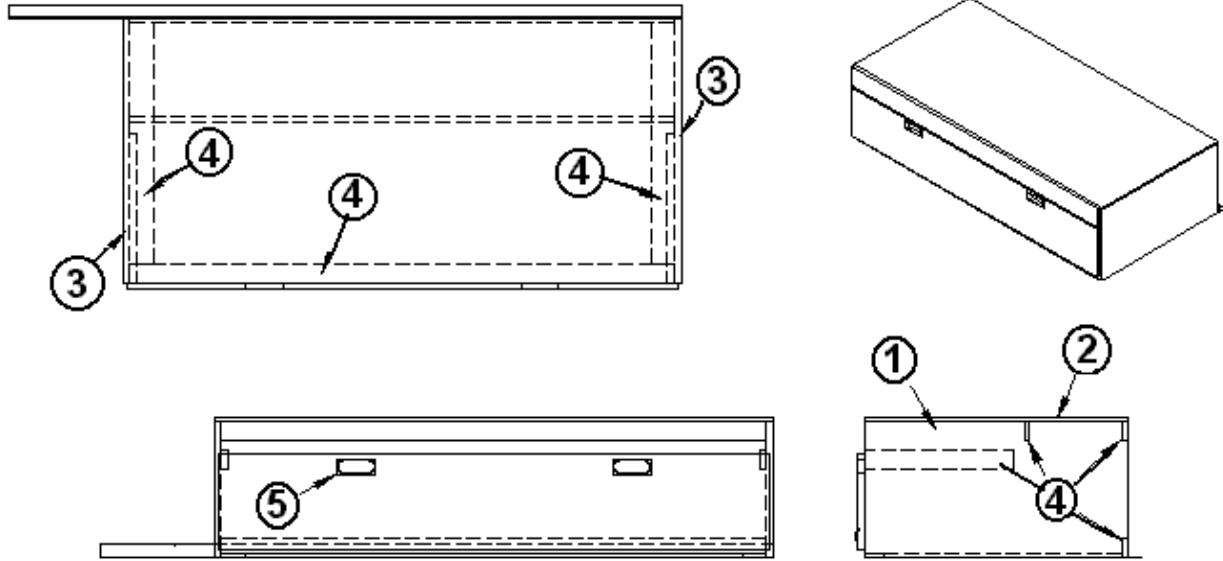


- | | |
|---------------|---|
| 1. 965827 | Sofa Assembly |
| 2. 965828 | Sofa "L" section assembly |
| 3. 965830 | Sofa back |
| 4. 965831 | Sofa arm rest, side |
| 5. 998149 | L-Lounge cushions assemblies |
| 6. 998149-01 | Bottom main cushion assembly |
| 6. 703340-01 | Bottom main cushion foam only |
| 7. 998149-02 | Back main cushion/fabric assembly |
| 7. 703340-02 | Back main cushion foam only |
| 8. 998149-03 | Small back cushion/fabric assembly |
| 8. 703340-08 | Small back cushion foam only |
| 9. 998149-04 | Base side cushion/fabric assembly |
| 9. 703340-04 | Base side cushion foam only |
| 10. 998149-05 | Back side front cushion/fabric assembly |
| 10. 703340-07 | Back side front cushion foam only |
| 11. 998149-06 | Wedge cushion/fabric assembly |
| 11. 703340-06 | Wedge cushion foam only |
| 12. 998149-07 | Back cushion support assembly |
| 12. 966065 | Armrest Assembly, Front |

2005 SAFARI- BAMBI

FURNITURE, LOUNGE

Sofa Assembly, 28' W, 25' Sleep Six

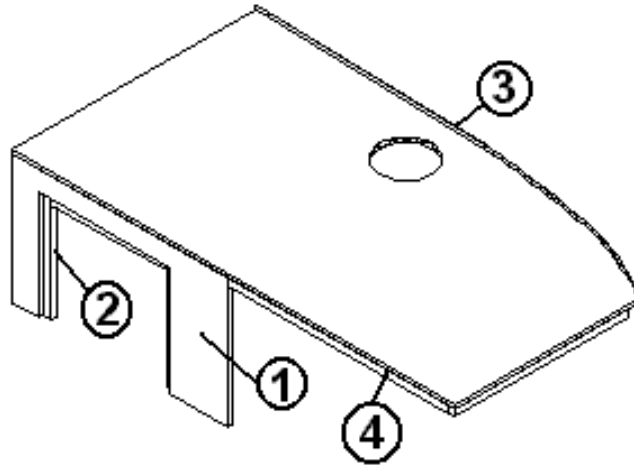


- | | |
|--------------|--|
| 965827 | Sofa Assembly |
| 1. 965829 | Sofa bed assembly |
| 2. 800507-04 | Luan, raw/raw, 1/2" |
| 3. 801351 | Lite ply, .75", 4' x 8' |
| 4. 850082 | Poplar, .75: x 2.00" |
| 5. 381865 | Handle, drawer/door |
| 381072 | Hinge, 3" x 1 7/8", Open, Gold |
| 365268-01 | Edgebanding, .024" x 1.13", Tropical Oak |
| 381228-01 | Grabber door catch |
| 114809 | Aluminum angle, 1.5" x 1.5" |
| 365268-03 | Edgebanding, .024" x .63". Tropical Oak |

2005 SAFARI- BAMBI

FURNITURE, LOUNGE

Sofa, L-section, 28' W, 25' Sleep Six



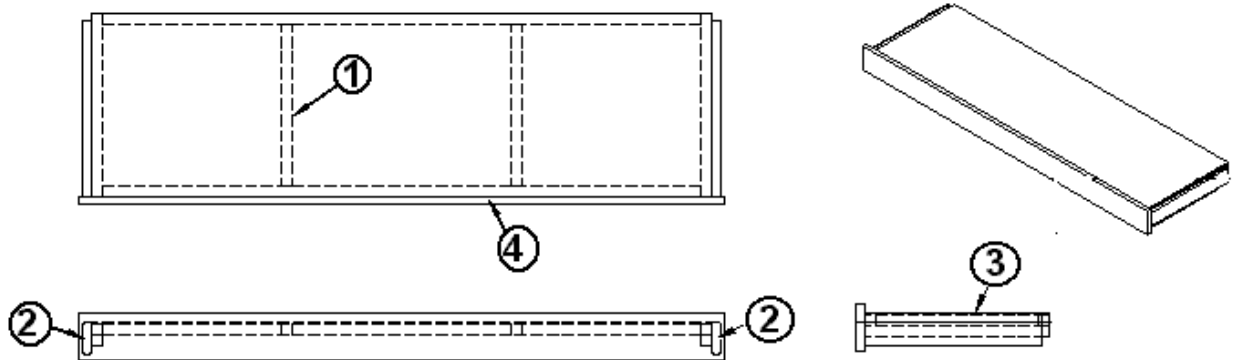
965828 Sofa, L-section

1. 800507-04 Luan, raw/raw, 1/2"
2. 850082 Poplar, .75: x 2.00"
3. 114812 Aluminum angle, 1" x 1"
4. 365268-01 Edgebanding, .024" x 1.13", Tropical Oak

2005 SAFARI- BAMBI

FURNITURE, LOUNGE

Sofa Bed, 28' W, 25' Sleep Six

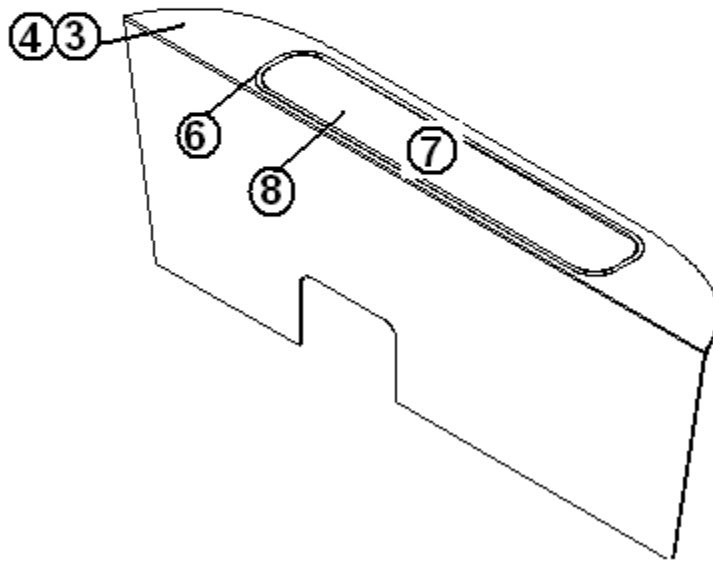
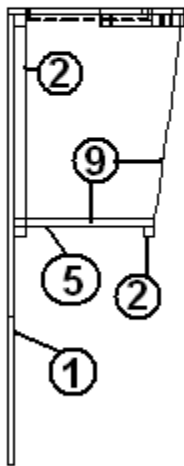
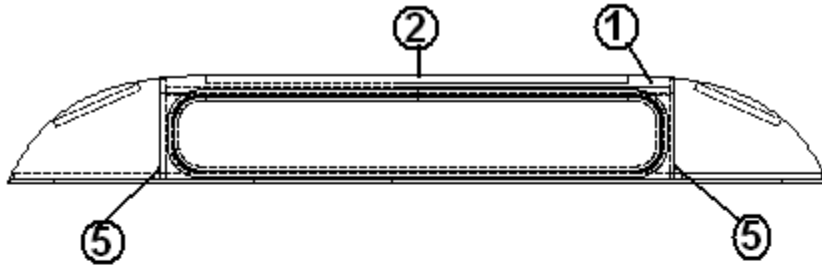


965829	Sofa Bed
1. 915708	Weldment, sofa bed
2. 381826	Slide, ball bearing
3. 800507-02	Luan, 1/4" x 4' x 8'
4. 801351	Lite ply, 18MM, .75" x 4' x 8'
5. 330031-03	Rivet, dome head, SSS64SSBS
6. 320117-03	Screw, Steel, Drywall, #6 x 1.625
381072	HINGE 3" X 1 7/8" OPEN GOLD
381865	Door handle
365268-03	EDGE BANDING-.024"X .63", OAK

2005 SAFARI- BAMBI

FURNITURE, LOUNGE

Sofa Back, 25' Sleep Six, 28' W

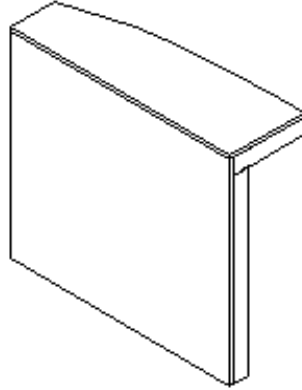


- | | |
|--------------|--------------------------------|
| 966133 | SOFA BACK ASSEMBLY |
| 1. 800507-03 | LAUAN, 3/8" X 4'X 8' |
| 2. 800025-01 | PINE 3/4" X 3/4" STAINED |
| 3. 701764 | FOAM, 1/4" |
| 4. 703347 | FABRIC, COAL, 54" |
| 5. 801392 | PANEL, WHITELINER/WHITELINER |
| 6. 115203 | DOOR, JAMB |
| 7. 966134 | DOOR, SOFA BACK |
| 8. 381847 | HINGE-PIANO ANGLE .88" X 72" |
| 365013 | TAPE CHARCOAL LOW DENSITY FOAM |
| 381581 | STRAP CLEAR PLASTIC .75"W |

2005 SAFARI- BAMBI

FURNITURE, LOUNGE

Sofa Armrest, 28' W, 25' Sleep Six



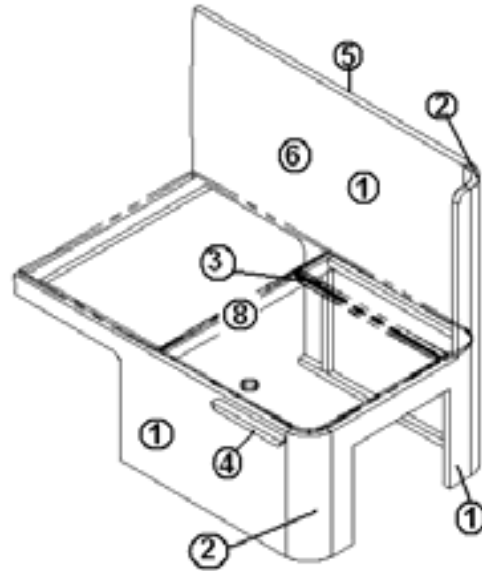
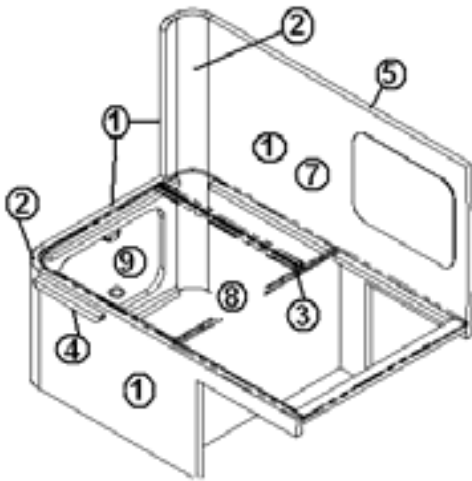
965831

Sofa Armrest

2005 SAFARI- BAMBI

FURNITURE, LOUNGE

DINETTE SEATS, 22'

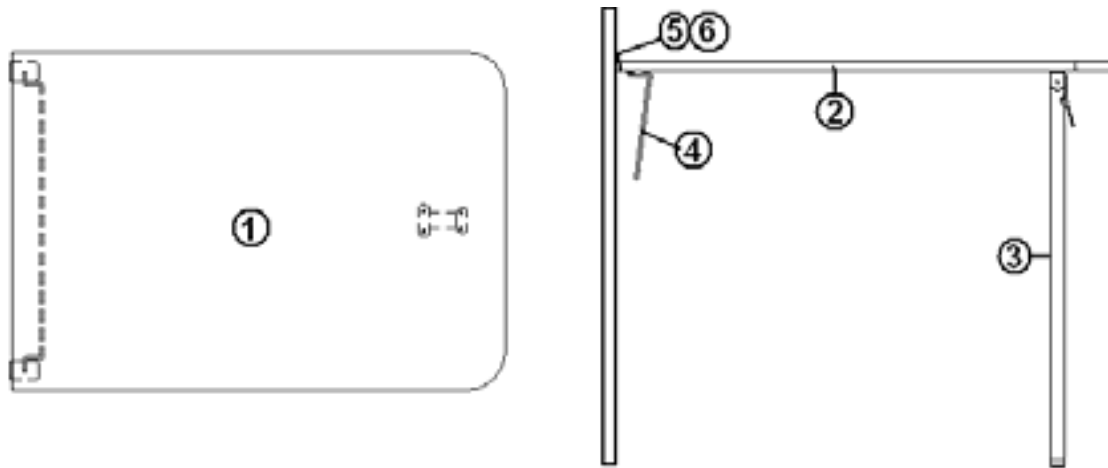


- | | |
|---------------|----------------------------------|
| 965944 | SEAT, RH 38" |
| 965945 | SEAT, LH 38" |
| 1. 801351 | LITE PLY-18MM (.75") 4' X 8' |
| 2. 801345 | RADIUS.PLYWOOD .75" X 3" X 8' |
| 3. 380458 | HINGE, BROWN, PIANO |
| 4. 800470-006 | STOP-HARDWOOD .75" DINNETE CLETE |
| 5. 700414 | FOAM 3/8 X 86"X 52' |
| 6. 703309-04 | FOAM-DIN.LEFT SIDE BACK |
| 7. 703309-05 | FOAM-DIN.RIGHT SIDE BACK |
| 8. 703309-06 | FOAM-DIN.SEAT BOTTOM LH/RH |
| 9. 966137 | DOOR, DINETTE SEAT |
| 381228-01 | CATCH GRABBER DOOR |
| 381796 | KNOB HOLLOW 1.25"DIA. |
| 966053 | CLOSEOUT, DINETTE, 22' |

2005 SAFARI- BAMBI

FURNITURE, LOUNGE

DINNETE TABLE, 22'

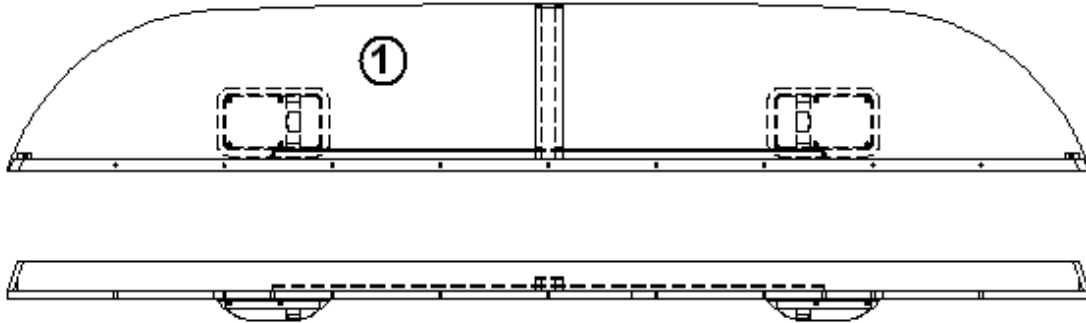


- | | |
|--------------|---------------------------------|
| 965947 | TABLE ASSY-38" DINNETE, OAK |
| 965947-01 | TABLE ASSY-38" DINNETE, GRAPITE |
| 1. 801369 | PANEL, FROSTWHITE/WHITE LINER |
| 1. 801377 | PANEL, GALAXY GRAPHITE |
| 2. 365267 | EDGE BANDING-1.13" .024 PLY |
| 2. 365271 | EDGE BANDING, 1.13", GRAPHITE |
| 3. 700065-01 | LEG-SNAPO FOLDING, 30.5" CHROME |
| 4. 380284-02 | TABLE HINGE BRACKET |
| 5. 380284-03 | TABLE HINGE BRACKET |
| 6. 340018 | CATCH PLATE J-1 |

2005 SAFARI- BAMBI

FURNITURE, LOUNGE

SHELF, FRONT, 22'

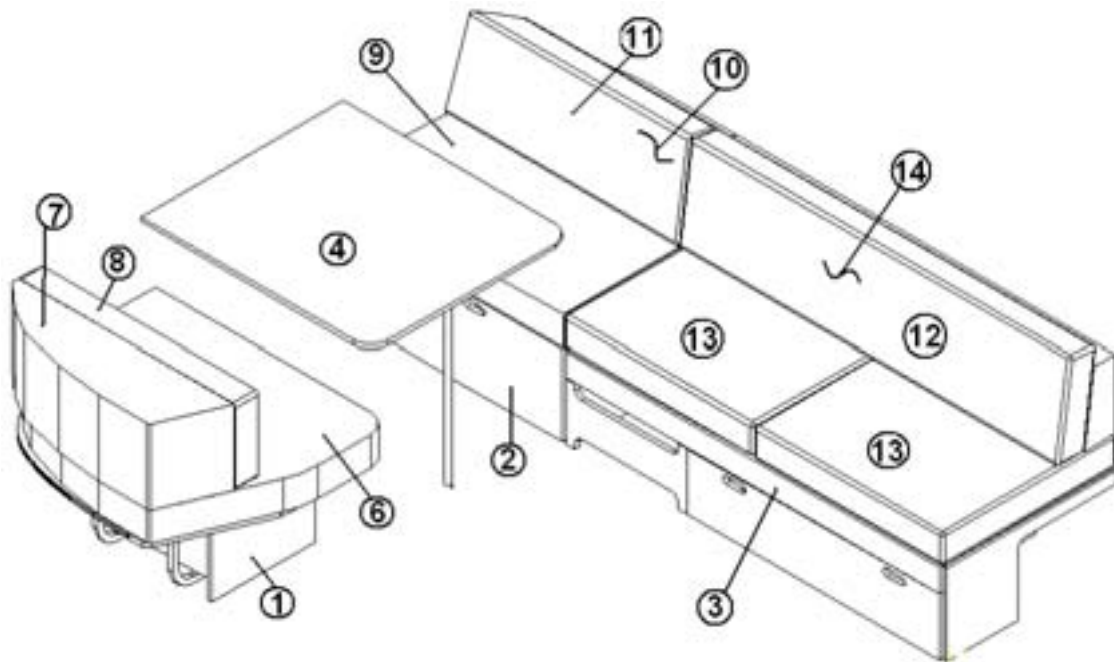


- | | |
|-----------|-------------------------------|
| 1. 966061 | SHELF, FRONT, 22' |
| 365268-01 | EDGE BANDING-.024"X 1.13" OAK |
| 365268-03 | EDGE BANDING-.024"X .63" OAK |
| 511227-03 | RACEWAY-GRAY PLASTIC, TYPE L |
| 511227-04 | END CAP-RACEWAY GRAY FORMED |

2005 SAFARI- BAMBI

FURNITURE, LOUNGE

Sofa, Dinette, 25' Front Bed

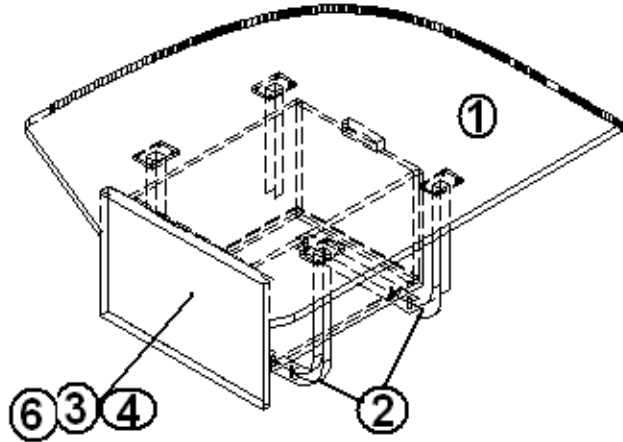
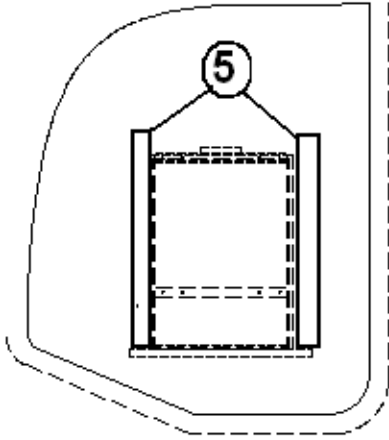


- | | |
|---------------|-------------------------------|
| 1. 966221 | SEAT ASSY-CS DINETTE |
| 2. 966215 | SEAT ASSY-RS DINETTE |
| 3. 966217 | SOFA ASSY |
| 4. 966246 | TABLE ASSY- DINETTE |
| 5. 703486 | FOAM KIT-LNG/DINETTE |
| 6. 998173-01 | FABRIC ASSY-CS DIN.SEAT |
| 7. 998173-02 | FABRIC ASSY-CS BACK FILL |
| 8. 998173-03 | FABRIC ASSY-CS BACK REST |
| 9. 998173-04 | FABRIC ASSY-RS DIN SEAT |
| 10. 998173-05 | FABRIC ASSY-RS BACK FILL |
| 11. 998173-06 | FABRIC ASSY-RS BACK REST |
| 12. 998173-07 | FABRIC ASSY-DIN WEDGE |
| 13. 998173-08 | FABRIC ASSY-BOTT.CUSHION |
| 14. 998173-09 | FABRIC ASSY-CUSHION BACK REST |

2005 SAFARI- BAMBI

FURNITURE, LOUNGE

Dinette Seat, Curbside, 25' Front Bed

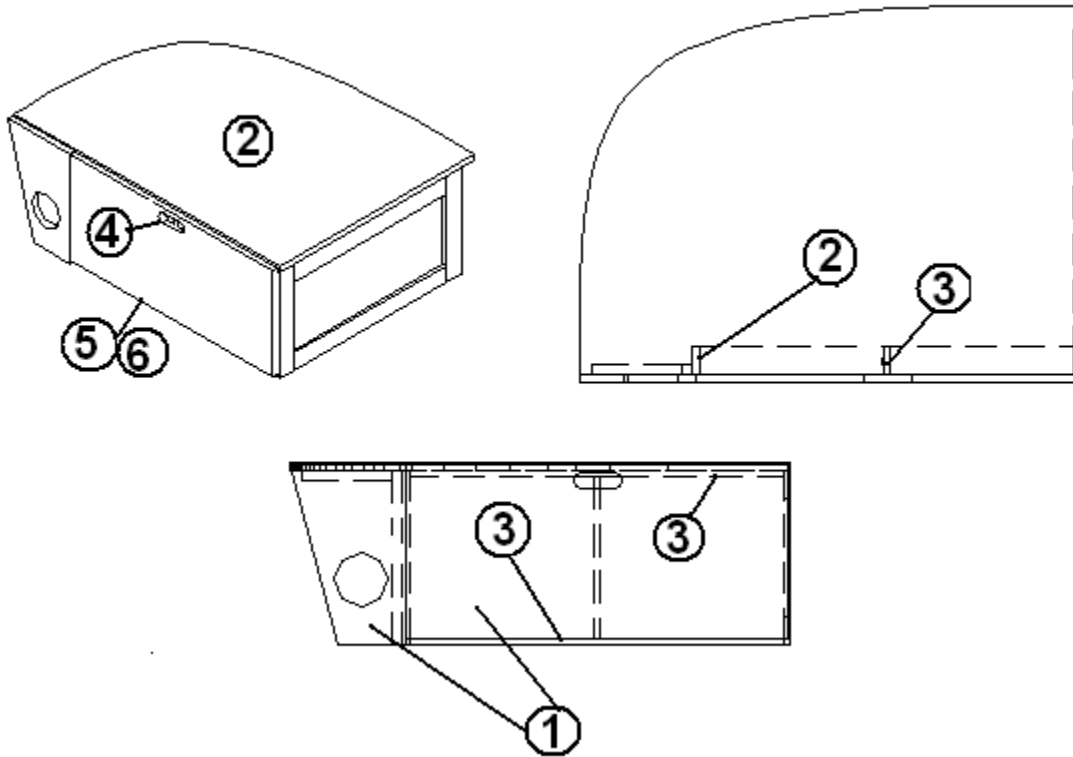


- | | |
|--------------|--------------------------------|
| 966221 | SEAT ASSY-CS DINETTE |
| 1. 801368 | PANEL, WHITE/WHITE |
| 2. 454177 | LEG-DINETTE ALUM |
| 3. 964909-11 | DWR BOX ASSY-10" X 14.00 X 19 |
| 4. 801375-28 | DOOR-DINETTE 11.5"X 18" |
| 5. 381833-01 | DRAWER SLIDE-UNDER SHELF 18"PR |
| 6. 381074 | CATCH BULL DOG #65S (COPPER) |
| 365268-01 | EDGE BANDING-.024"X 1.13" TROP |

2005 SAFARI- BAMBI

FURNITURE, LOUNGE

Dinette Seat, Roadside, 25' Front Bed

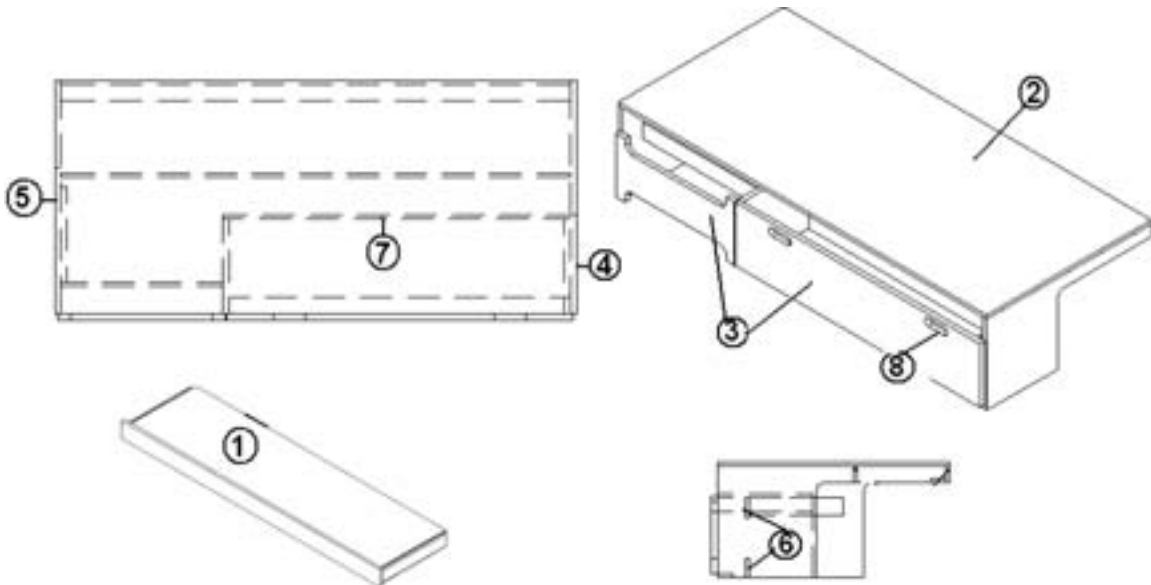


966215	SEAT ASSY-RS DINETTE
1. 801351	LITE PLY-18MM (.75") 4' X 8'
2. 801368	PANEL, WHITE/WHITE
3. 801392	PANEL, WHITE/WHITE 12MM
4. 381775	DRAWER PULL-FLUSH
5. 381072	HINGE 3" X 1 7/8" OPEN GOLD
6. 381228-01	CATCH GRABBER DOOR
365268-01	EDGE BANDING-.024"X 1.13" Oak
365268-03	EDGE BANDING-.024"X .63" Oak

2005 SAFARI- BAMBI

FURNITURE, LOUNGE

Sofa Bed, 25' Front Bed

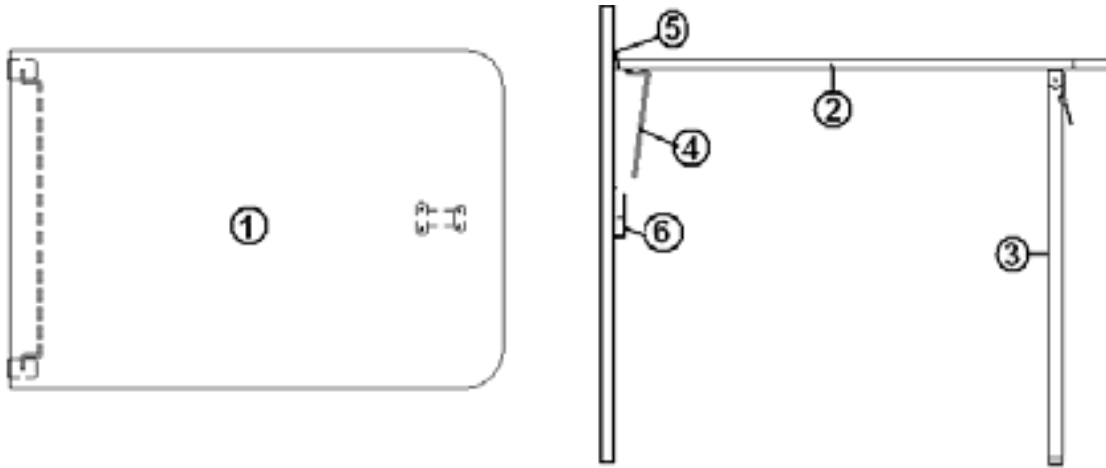


966217	SOFA ASSY
1. 966216	SOFA BED UPPER ASSY
2. 800506-04	PLYWOOD, 1/2" X 4'X 8'
3. 801351	LITE PLY-18MM (.75") 4' X 8'
4. 801368	PANEL, WHITE/WHITE
5. 801376-01	PANEL, OAK/WHITE 18MM
6. 801383-01	PANEL, OAK/WHITE
7. 801392	PANEL, WHITE/WHITE 12MM
8. 381775	DRAWER PULL-FLUSH
381072	HINGE 3" X 1 7/8" OPEN GOLD
381228-01	CATCH GRABBER DOOR
365268-01	EDGE BANDING-.024"X 1.13" OAK
365268-03	EDGE BANDING-.024" X .63" OAK
915811	WELDMENT-SOFA BED
381826	SLIDE-BALL BEARING
330031-03	RIVET DOME HEAD SSD64SSBS

2005 SAFARI- BAMBI

FURNITURE, LOUNGE

Dinette Table, 25' Front Bed

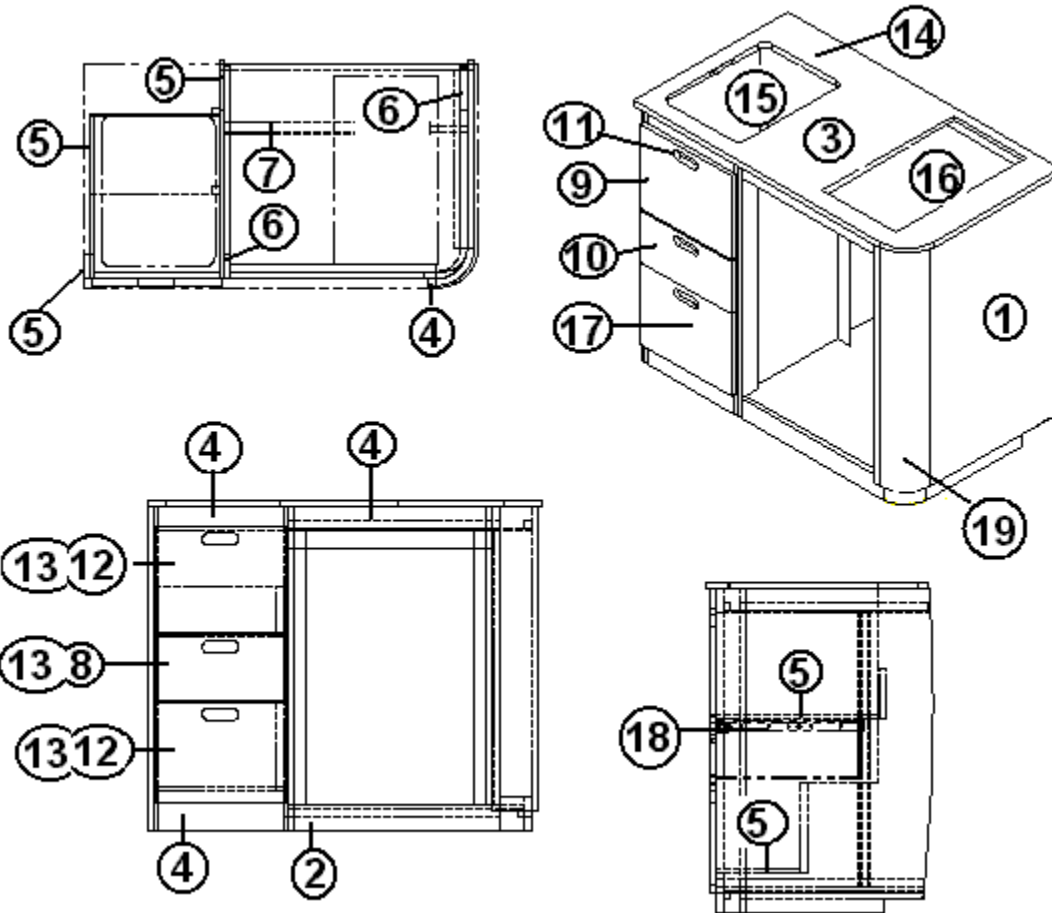


- | | |
|--------------|---------------------------------|
| 966246 | TABLE ASSY-38" DINNETE, OAK |
| 966246-01 | TABLE ASSY-38" DINNETE, GRAPITE |
| 1. 801368 | PANEL, FROSTWHITE/WHITE LINER |
| 1. 801377 | PANEL, GALAXY GRAPHITE |
| 2. 365267 | EDGEBOARDING, OAK |
| 2. 365273 | EDGEBOARDING, GRAPHITE |
| 3. 381881-04 | LEG-SNAPO FOLDING, 30.5" CHROME |
| 4. 380284-02 | TABLE HINGE BRACKET |
| 5. 380284-03 | TABLE HINGE BRACKET |
| 6. 340018 | CATCH PLATE J-1 |
| 381136 | RUBBER BUMPER |

2005 SAFARI- BAMBI

FURNITURE, GALLEY

GALLEY BASE, 16'



Part Numbers are on the next page.

2005 SAFARI- BAMBI

FURNITURE, GALLEY

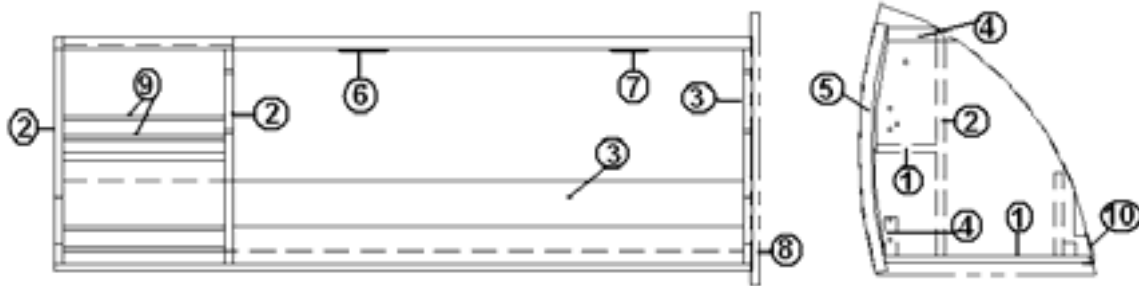
GALLEY BASE, 16'

965888-01	GALLEY BASE ASSEMBLY, 16',
1. 965885-01	PANEL SUB ASSEMBLY-FWD GALLEY
2. 965886-01	PANEL SUB ASSEMBLY, TOE KICK
3. 966147	TOP, GALLEY
4. 801376-01	PANEL OAK/WHITELINER
5. 801343-01	PANEL, OAK, 4' X 8'
6. 801369	PANEL, FROSTWHITE/WHITELINER
7. 381830	WIPER, RUBBER 1.125" X 2" L
8. 965560-03	DRAWER BOX, 5.63" X 13.5" X 12"
9. 801341-121	DOOR-GALLEY 14.13"X11.5"
10. 801341-122	DOOR-GALLEY 14.13"X7.13"
11. 381865	PULL-BAR BRUSH NICKEL
12. 381607	HINGE ASSEMBLY-GRASS EURO
13. 381228-01	CATCH GRABBER DOOR
14. 601894	FAUCET-MOEN CHATEAU W/SPRAY #7
15. 601938	SINK, S/S, SINGLE BOWL
16. 690471	COOKTOP-2 BURNER BLACK GLASS TOP
17. 801341-123	DOOR-GALLEY 14.13" X 11" GALLEY
18. 381773-15	DRAWER SLIDE-5.875"X 15.75"
19.801345	RADIUS PLYWOOD .75" X 3" X 8'
115064	TRIM-ALUM COUNTER TOP
365267	EDGEBANDING-1.13" .024 PLY
365268-02	EDGEBANDING-.024"X 1.63", OAK
365268-03	EDGEBANDING-.024"X .63", OAK
365268-01	EDGEBANDING-.024"X 1.13", OAK
200980-01	TRAY, SILVERWARE, ALMOND, 9" X 13"
203425	SINK COVER .5" NATURAL

2005 SAFARI- BAMBI

FURNITURE, GALLEY

ROOF LOCKER GALLEY



966156	ROOFLOCKER, GALLEY
1. 801381-01	PANEL OAK/OAK
2. 801383-01	PANEL, OAK/WHITELINER
3. 801392	PANEL, WHITELINER/WHITELINER
4. 801376-01	PANEL, OAK/WHITELINER
5. 965551-02	DOOR, RADIUS FOAM 15.25" X 31.63"
6. 381840-01	HINGE, OVERHEAD SPRING LH
7. 381840-02	HINGE, OVERHEAD SPRING RH
8. 965587	END CAP ASSEMBLY
9. 115085	ANGLE ALUMINUM, ROOFLOCKERS
10. 115042	ROD, .25" ALUMINUM
365268-03	EDGEBANDING-.024"X .63" OAK
365268-01	EDGEBANDING-.024"X 1.13" OAK
365268-03	EDGEBANDING-.024"X .63" OAK

2005 SAFARI- BAMBI

FURNITURE, GALLEY

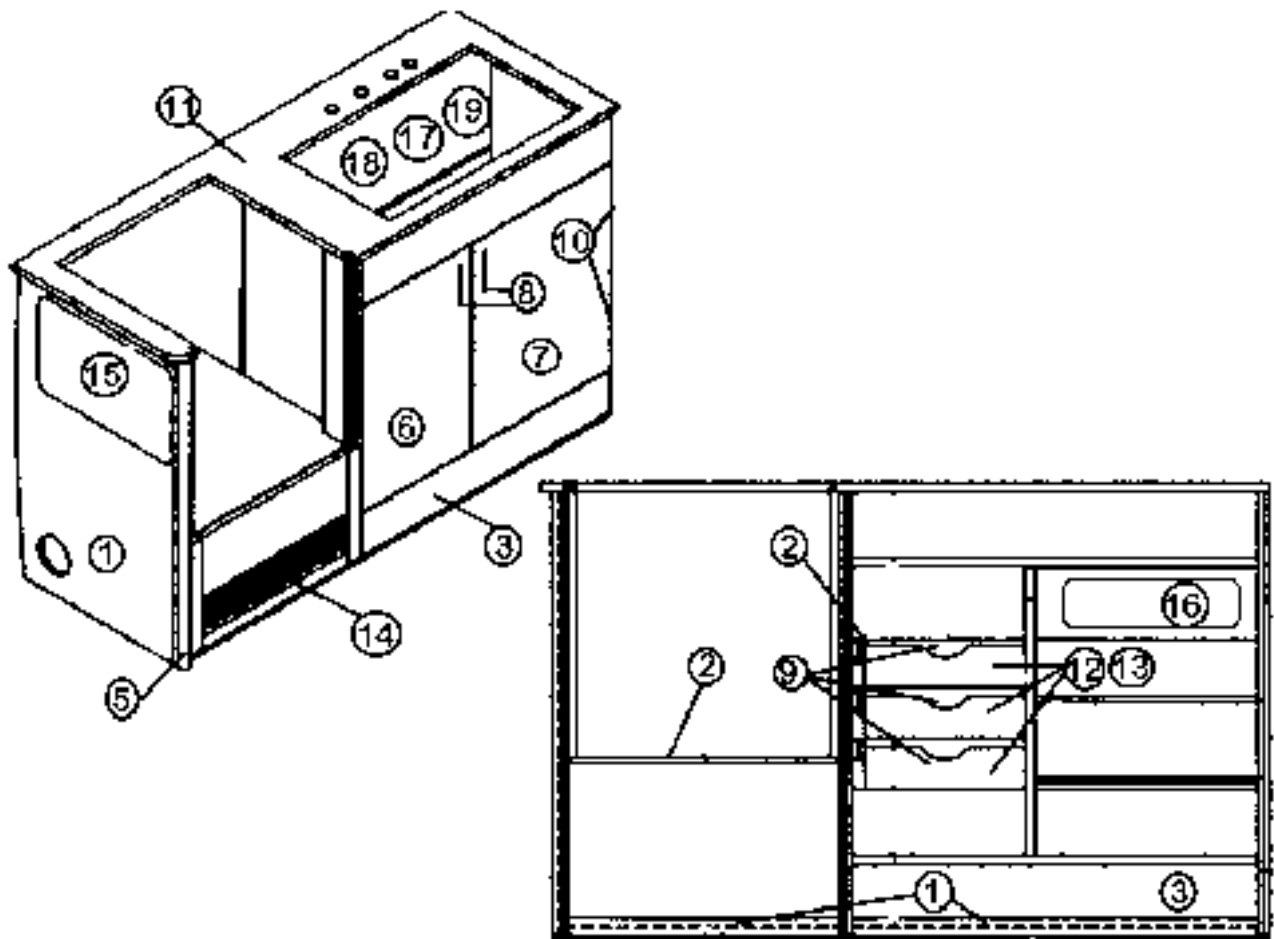
SHELF ASSY-TV STORAGE, 16'

966060-01 SHELF ASSY-TV STORAGE 16'

2005 SAFARI- BAMBI

FURNITURE, GALLEY

Galley, Full Oven, 25 A & B



Part numbers on the next page

2005 SAFARI- BAMBI

FURNITURE, GALLEY

Galley, Full Oven, 25' A & B

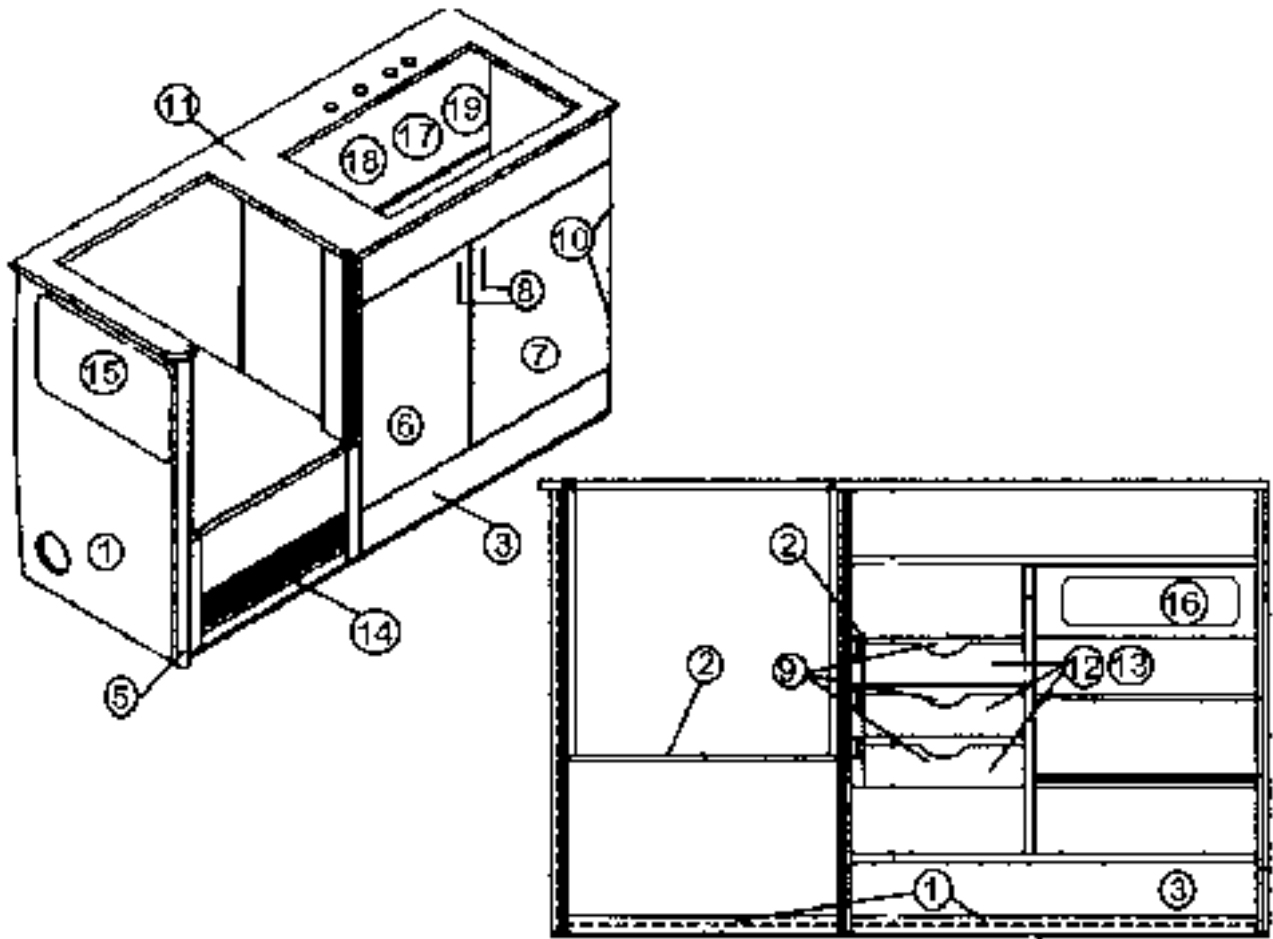
965582	Galley Assembly, Full Oven, 25', Oak
965582-01	Galley Assembly, Full Oven, 25', Graphite
1. 801383-01	Paneling, Tropical Oak/White
2. 801392	Paneling, White/White 12 MM
3. 801376-01	Paneling, Tropical Oak/White, 4' x 8'
4. 801368	Paneling, White/White, Rexel
5. 801393-016	Corner trim, 90 °, 1" radius
6. 801341-25	Door, 14.63" x 23.63"
7. 801341-26	Door, 18.63" x 23.63"
8. 381865	Door handle
9. 381228-01	Door/drawer grabber catch
10. 381607	Hinge assembly, Grass European
11. 965583	Galley top assembly, Oak
11. 965583-01	Galley top assembly, Graphite
12. 965584-01	Drawer box assembly
12. 381773-02	SLIDE DRAWER 3-3/8"H X 13-3/4"L
13. 801399-01	Drawer hidden, 13.00" x 3.38"
14. 453783-02	Grill screen, sheared and painted
15. 965581	Flip up shelf, galley, Oak
15. 965581-01	Flip up shelf, galley, Graphite
16. 381615	Tray, 11", Plastic molded
17. 601799	Sink, Stainless Steel, 16" x 27"
17. *601963	Sink, Stainless Steel, 16" x 27"
18. 601744-01	Mounting clip, sink
19. 203424	Sink covers, laminated
19. *203509	Sink cover, natural
20. 600968	Basket strainer
21. 365268-01	Edge tape, Tropical Oak, 1.13 wide
22. 365238-04	Edge tape, White, 5/8" wide

*Used on and after unit 518357.

2005 SAFARI- BAMBI

FURNITURE, GALLEY

Galley, Full Oven, 25 Sleep Six



Part numbers on the next page

2005 SAFARI- BAMBI

FURNITURE, GALLEY

Galley, Full Oven, 25' Sleep Six

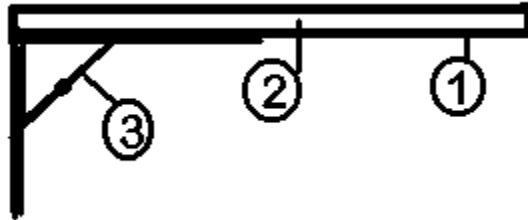
965582-02	Galley Assembly, Full Oven, 25', SS
1. 801383-01	Paneling, Tropical Oak/White
2. 801392	Paneling, White/White 12 MM
3. 801376-01	Paneling, Tropical Oak/White, 4' x 8'
4. 801368	Paneling, White/White, Rexel
5. 801393-016	Corner trim, 90 °, 1" radius
6. 801341-25	Door, 14.63" x 23.63"
7. 801341-26	Door, 18.63" x 23.63"
8. 381865	Door handle
9. 381228-01	Door/drawer grabber catch
10. 381607	Hinge assembly, Grass European
11. 965583	Galley top assembly, Oak
12. 965584-01	Drawer box assembly
12. 381773-02	SLIDE DRAWER 3-3/8"H X 13-3/4"L
13. 801399-01	Drawer hidden, 13.00" x 3.38"
14. 453783-02	Grill screen, sheared and painted
15. 965581	Flip up shelf, galley, Oak
15. 965581-01	Flip up shelf, galley, Graphite
16. 381615	Tray, 11", Plastic molded
17. 601799	Sink, Stainless Steel, 16" x 27"
17. *601963	Sink, Stainless Steel, 16" x 27"
18. 601744-01	Mounting clip, sink
19. 203424	Sink covers, laminated
19. *203509	Sink cover, natural
20. 600968	Basket strainer
21. 365268-01	Edge tape, Tropical Oak, 1.13 wide
22. 365238-04	Edge tape, White, 5/8" wide

*Used on and after unit 518357.

2005 SAFARI- BAMBI

FURNITURE, GALLEY

Galley Flip up Shelf, 25' Sleep Six, 25' A & B



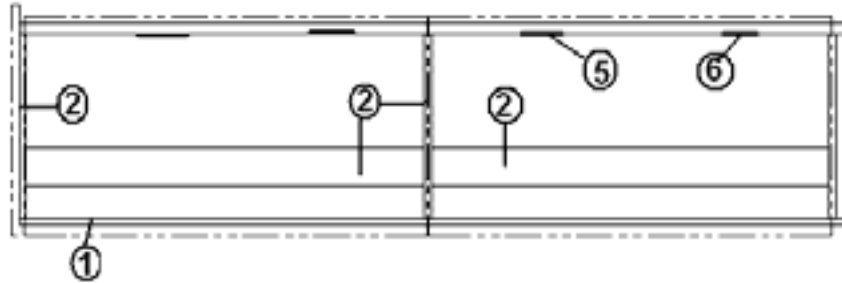
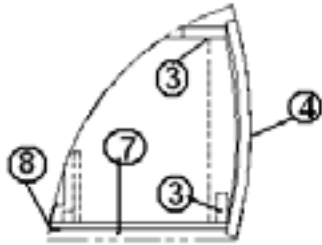
- 965581
1. 801369
2. 365267
3. 381614

Galley Flip up Shelf Assembly
PANEL, FROSTWHITE/WHITE LINER
EDGEBANDING-1.13" .024 PLY
FOLDING SHELF BRACKET

2005 SAFARI- BAMBI

FURNITURE, GALLEY

Roof Locker, Galley, 25'

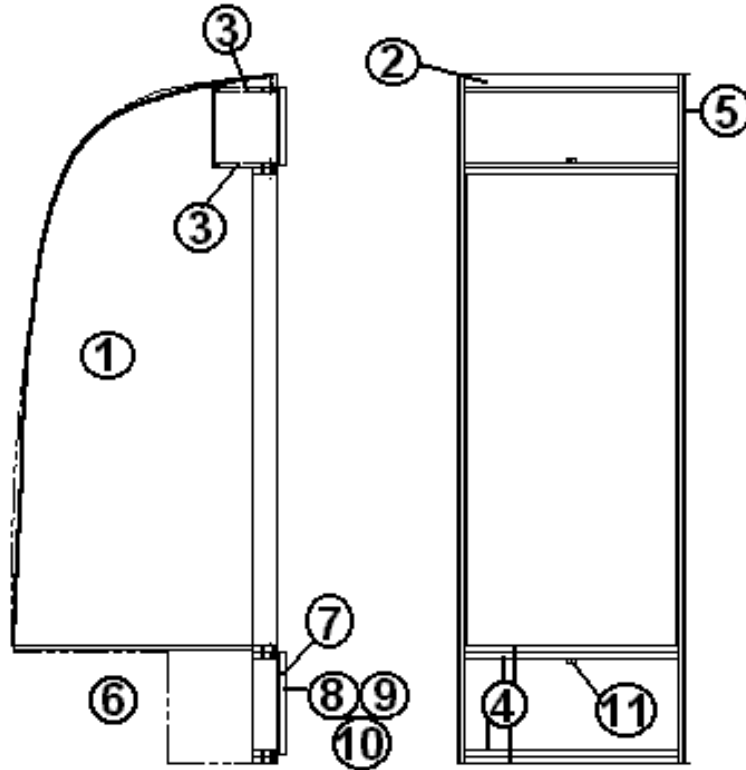


- | | |
|--------------|----------------------------------|
| 966038 | ROOFLOCKER, GALLEY |
| 1. 801383-01 | PANEL, OAK/WHITE LINER |
| 2. 801392 | PANEL, WHITELINER/WHITELINER |
| 3. 801376-01 | PANEL, OAK/WHITE LINER |
| 4. 965551-03 | DOOR-RADIUS FOAM 15.25" X 28.38" |
| 5. 381840-01 | HINGE-OVERHEAD SPRING LH |
| 6. 381840-02 | HINGE-OVERHEAD SPRING RH |
| 7. 965587 | END CAP ASSEMBLY |
| 8. 115085 | ANGLE ALUMINUM |
| 345276-04 | SCREW HEX HD. CAP 1/4-20 X 1 I |
| 350147-25 | NUT, NYLON LOCK, 1/4-20 |
| 801381-01 | PANEL, TROP OAK/TRP OAK 12 |
| 365268-03 | EDGE BANDING-.024"X .63" OAK |
| 365268-03 | EDGE BANDING-.024"X .63" OAK |
| 365268-01 | EDGE BANDING-.024"X 1.13" TROP |

2005 SAFARI- BAMBI

FURNITURE, GALLEY

Refrigerator Cabinet Assembly, 25' Sleep Six

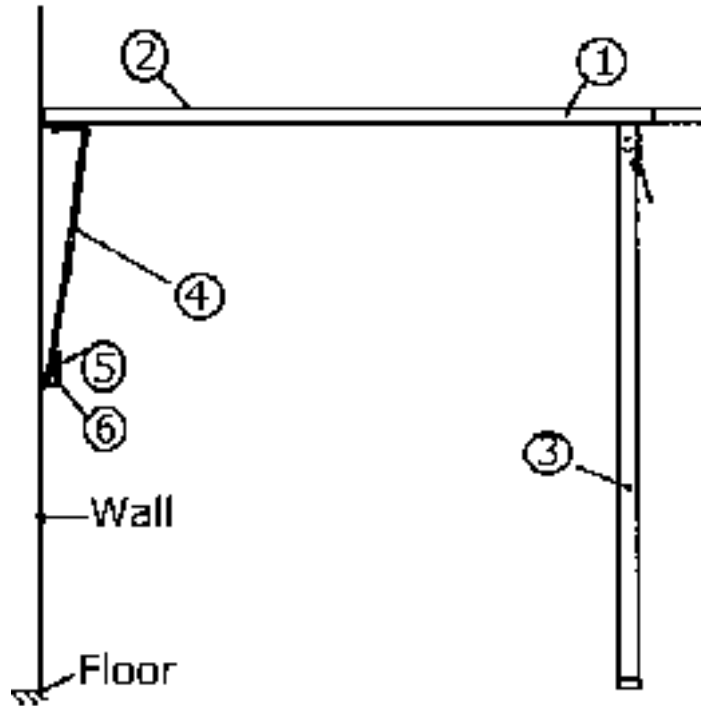


- | | |
|---------------|--|
| 965907 | Refrigerator Cabinet Assembly, 25' Sleep Six |
| 1. 801380-06 | PANEL-FWD REFER |
| 2. 801383-01 | PANEL, TROPICAL OAK/WHITELINER |
| 3. 801392 | PANEL, WHITELINER/WHITELINER |
| 4. 801368 | PANEL, WHITELINER/WHITELINER |
| 5. 801393-016 | CORNER TRIM, 90 DEGREE, 1" RADIUS |
| 6. 965573 | STAND-REFER |
| 7. 801341-57 | DOOR-REFER CABINET, 24.81" X 11.29" |
| 8. 801341-69 | DOOR-REFER CABINET, 24.81" X 8.88" |
| 9. 381865 | HANDLE-DRAWER/DOOR |
| 10. 381607 | HINGE ASSY-GRASS EURO-SAFARI |
| 11. 381228-01 | CATCH GRABBER DOOR |
| 12. 365268-01 | EDGEBANDING-.024" X 1.13" TROPICAL OAK |

2005 SAFARI- BAMBI

FURNITURE, GALLEY

Dinette Table, 25' Sleep Six, 19', 16'

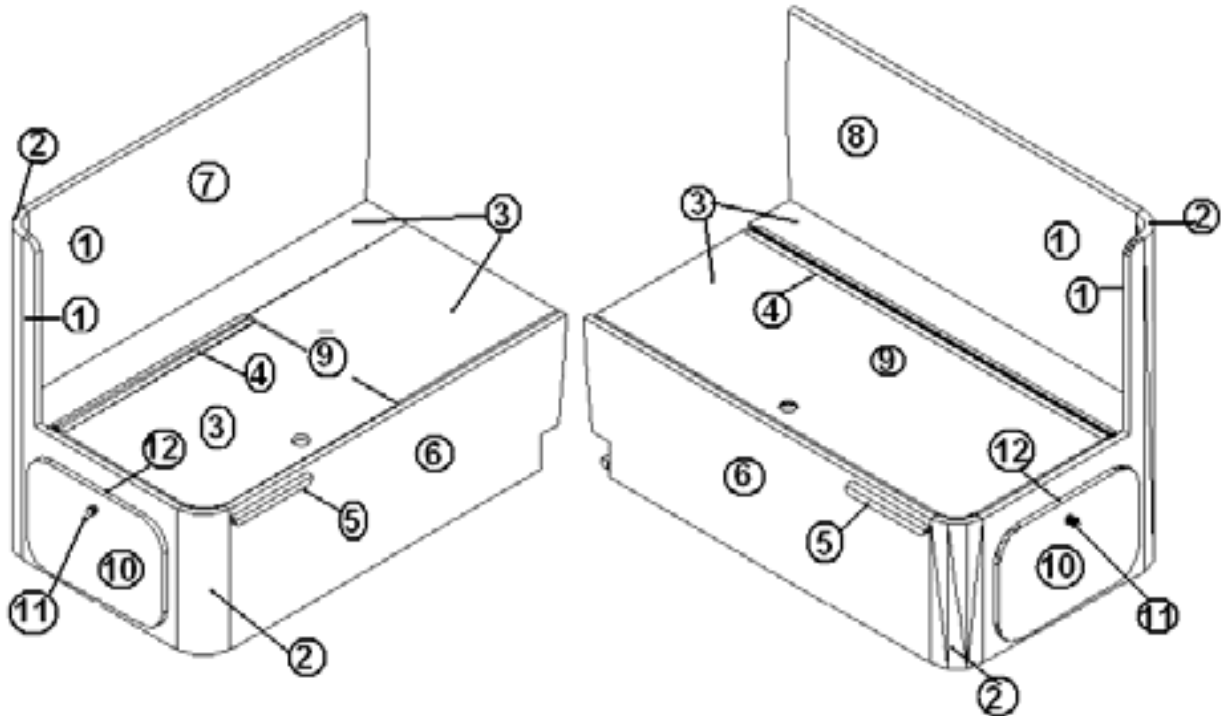


965575	Dinette Table, OAK
965575-01	Dinette Table, Amarillo, Midnight Sun
1. 801369	PANEL, FROSTWHITE/WHITE LINER
1. 801377	PANEL, GALAXY GRAPHITE/ WHITE LINER
2. 365273	EDGE BANDING, GALAXY GRAPHITE
2. 365267	EDGE BANDING-1.13" .024 PLY
3. 700065-01	Snapo folding leg
4. 380284-02	Table hinge bracket
5. 340015	Center Hinge
6. 340018	Catch Plate
381136	RUBBER BUMPER

2005 SAFARI- BAMBI

FURNITURE, GALLEY

Dinette Seats, 25' Sleep Six

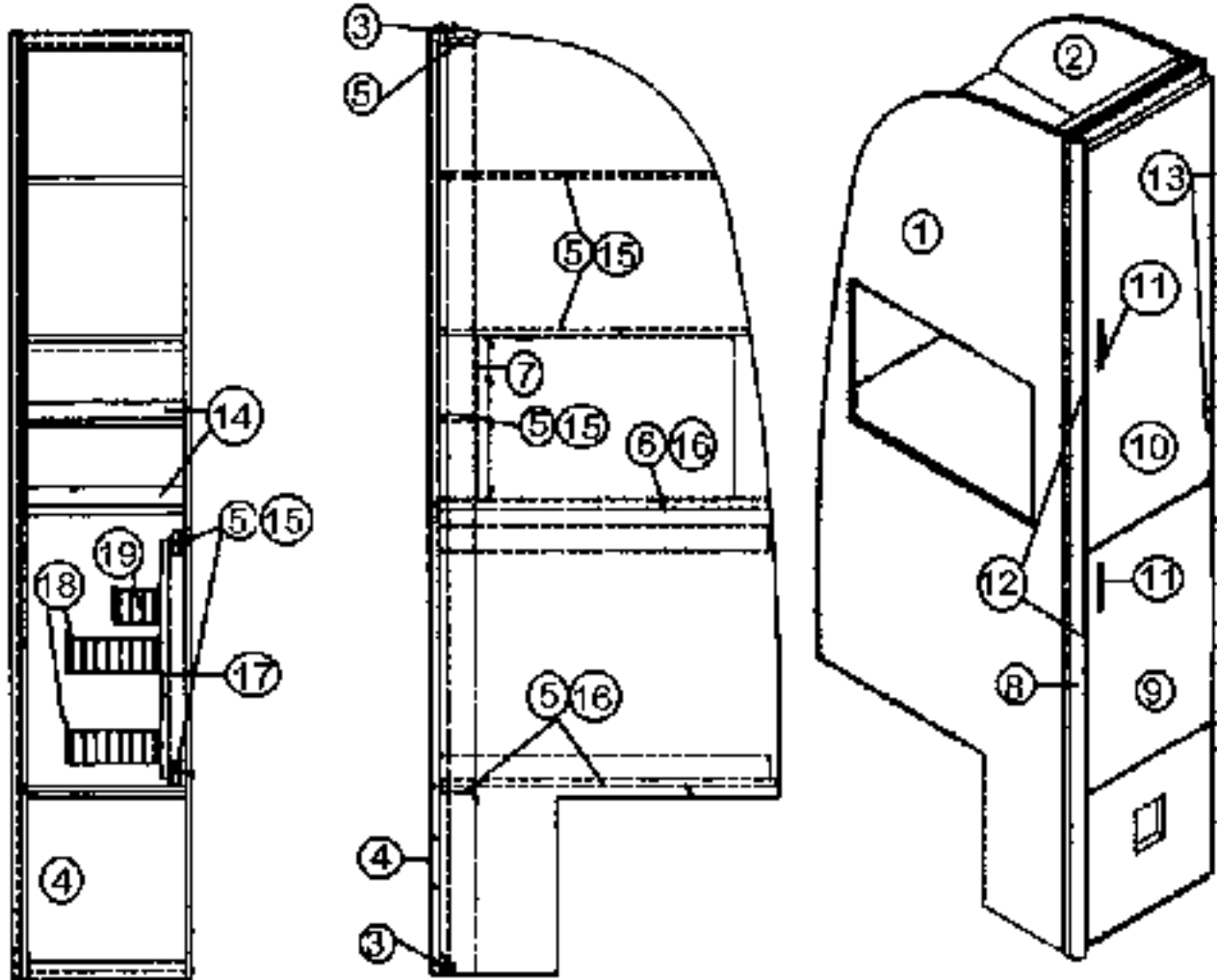


965930	SEAT ASSEMBLY- RH DINETTE
965931	SEAT ASSEMBLY- LH DINETTE 25'
1. 801351	LITE PLY-18MM (.75") 4'X 8'
2. 801345	RADIUS PLYWOOD .75"X 3"X 8'
3. 800507-03	LAUAN, 3/8"X 4'X 8'
4. 380458	HINGE PIANO BROWN ANODIZED
5. 800470-006	STOP-HARDWOOD
6. 700414	FOAM 3/8 X 86"X 52'
7. 703309-01	FOAM-DINETTE LEFT SIDE BACK
8. 703309-02	FOAM-DINETTE RIGHT SIDE BACK
9. 703309-03	FOAM-DINETTE SEAT BOTTOM LH/RH
10. 966137	DOOR ASSEMBLY
11. 381228-01	CATCH GRABBER
12. 381796	KNOB HOLLOW
700022	ZIPPER
700023	HEAD SLIDE, ZIPPER
800405-006	PLUG BUTTON, HARDWOOD

2005 SAFARI- BAMBI

FURNITURE, GALLEY

Pantry Assembly, 25', 28 S/O



Part numbers are on the next page.

2005 SAFARI- BAMBI

FURNITURE, GALLEY

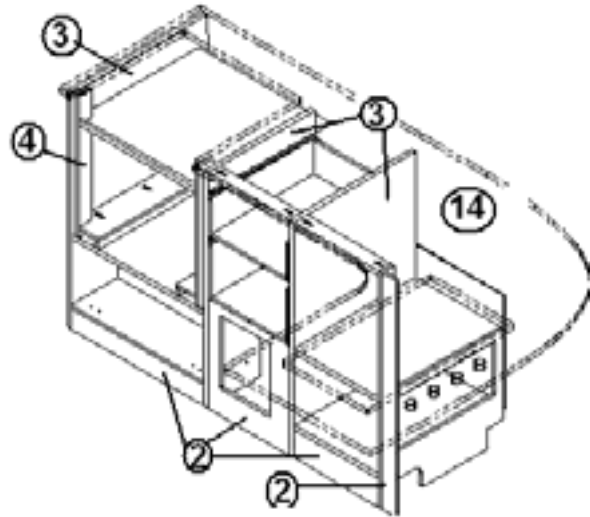
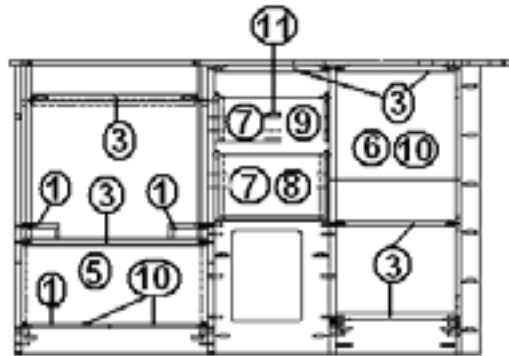
Pantry Assembly, 25', 28' S/O

965580	Pantry Assembly
1. 801380-09	Panel, Forward, Pantry
2. 801380-10	Panel, Aft, Pantry
3. 801383-01	Paneling, Tropical Oak/White
4. 801376-01	Paneling, Tropical Oak/White, 4' x 8'
5. 801392	Paneling, White/White 12 MM
6. 801368	Paneling, White liner/White Liner
7. 801438	PANEL, FRONT WHITE VINYL/RAW
8. 801393-016	Corner trim, 90°, 1" Radius
9. 801341-23	Door, 14.00" x 23.00"
10. 801341-24	Door, 14.00" x 38.13"
11. 381865	Door handle
12. 381228-01	Door/drawer grabber catch
13. 381607	Hinge assembly, Grass European
14. 115083	Shelf edge, formed
15. 365268-03	EDGEBANDING-.024"X .63" OAK
16. 365268-01	Edge tape, Tropical Oak, 1.13 wide
17. 381551-03	White base cabinet organizer
18. 381551-04	Wire basket, 8" wide
19. 381551-02	Wire basket, 4" wide
104965-01	RETAINER CLIP-GALLEY SINK-.88"
381805	BOLT, SLIDE, 3" ALUMINUM

2005 SAFARI- BAMBI

FURNITURE, GALLEY

GALLEY BASE, FORWARD, 22'

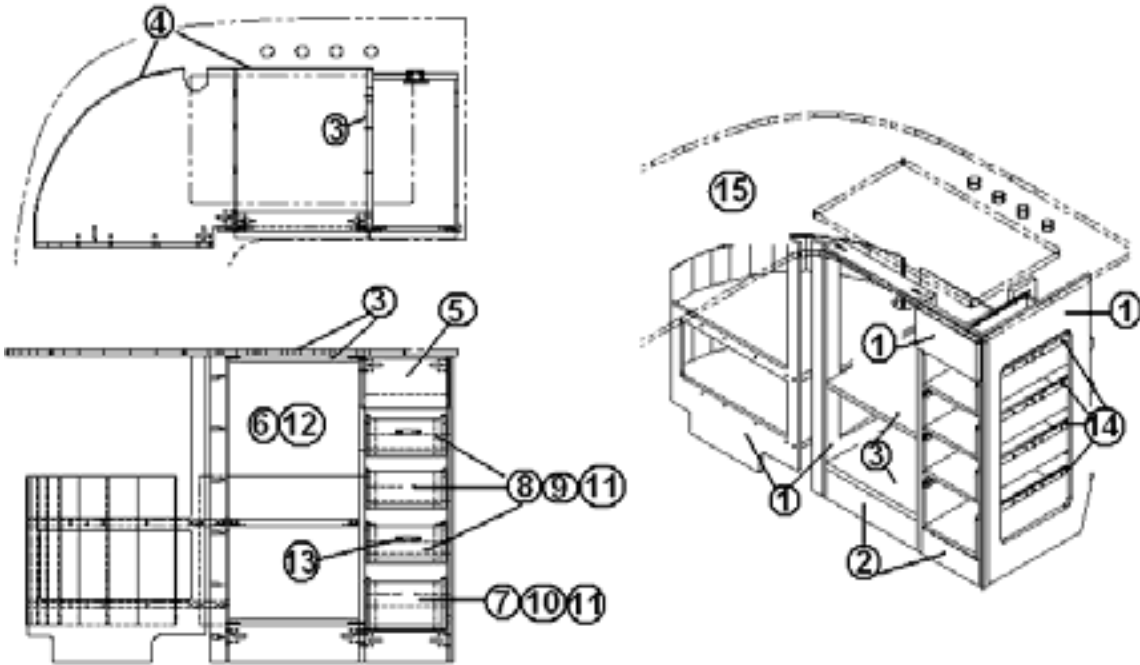


- | | |
|---------------|-------------------------------------|
| 966148 | ASSY. GALLEY BASE, FWD |
| 1. 801392 | PANEL, WHITELINER/WHITELINER |
| 2. 801383-01 | PANEL, OAK/WHITE LINER |
| 3. 801368 | PANEL, WHITELINER/WHITELINER |
| 4. 801374 | PANEL, WHITE LINER/RAW |
| 5. 801341-81 | DOOR-GALLEY 10.38" X 23.63" |
| 6. 801341-83 | DOOR-GALLEY 15.5" X 31.75" |
| 7. 801341-82 | DOOR-GALLEY 14.79" X 9.35" |
| 8. 965957-01 | DRAWER BOX, 8.38" X 18.5" |
| 9. 965554-05 | DRAWER BOX, 5.63" X 14.25" X 17.63 |
| 10. 381607 | HINGE ASSY. |
| 11. 381774 | HANDLE-DRAWER/DOOR |
| 12. 381228-01 | CATCH GRABBER DOOR |
| 13. 381773-17 | DRAWER SLIDE, 5.875" X 18.5" (PAIR) |
| 14. 966029 | TOP ASSY. GALLEY |
| 365268-03 | EDGEBANDING-.024" X .63", OAK |
| 365268-01 | EDGEBANDING-.024" X 1.13", OAK |
| 200980-01 | TRAY, SILVERWARE, ALMOND, 9" X 13" |

2005 SAFARI- BAMBI

FURNITURE, GALLEY

GALLEY BASE, AFT, 22'

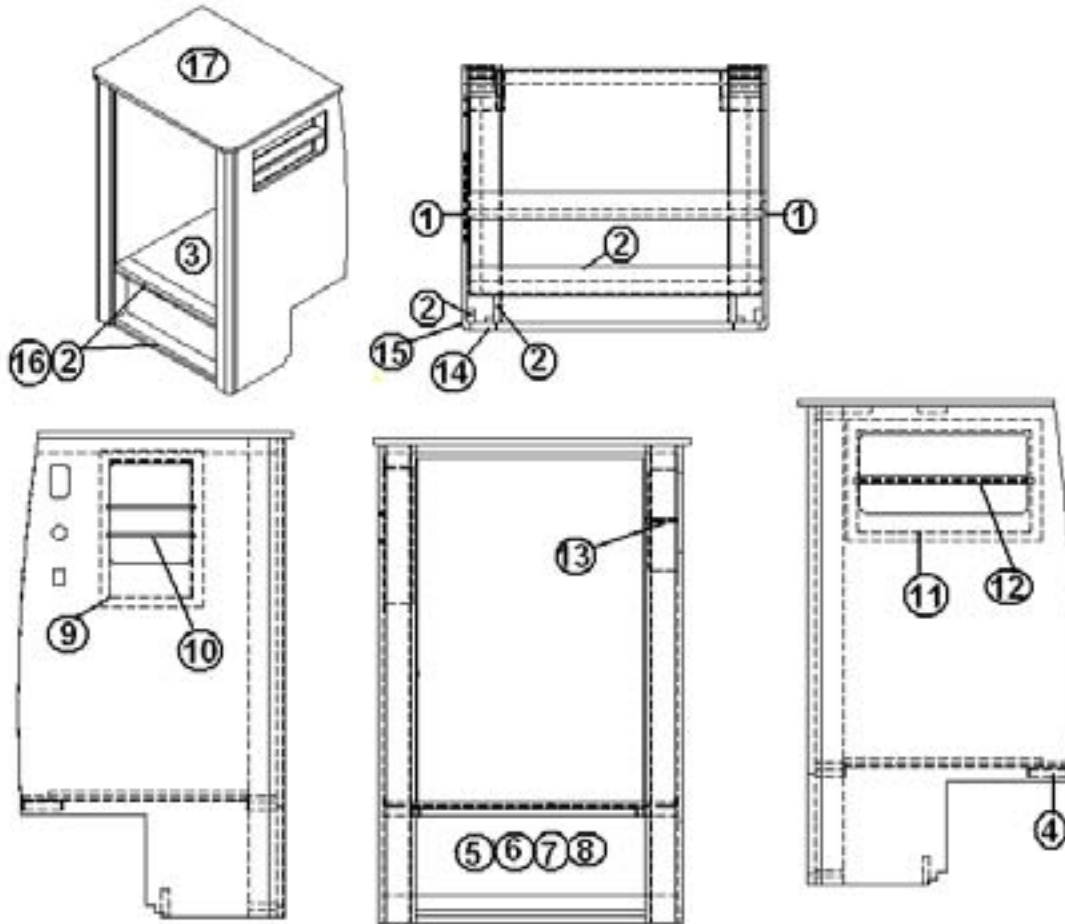


966149	ASSY. GALLEY BASE
1. 801392	PANEL, WHITELINER/WHITELINER
2. 801383-01	PANEL, OAK/WHITE LINER
3. 801368	PANEL, WHITELINER/WHITELINER
4. 801438	PANEL, FROST WHITE VINYL/RAW
5. 801376-01	PANEL, OAK/WHITE LINER
6. 801341-83	DOOR-GALLEY 15.5" X 31.75"
7. 801341-84	DOOR-GALLEY 10.06" X 7.63"
8. 801341-85	DOOR-GALLEY 10.06" X 6"
9. 965956-01	DRAWER BOX ASSY-4.63" X 17.38"
10. 965955-01	DRAWER BOX ASSY-5.88" X 17.88"
11. 381228-01	CATCH GRABBER DOOR
12. 381607	HINGE ASSY.
13. 381865	PULL-BAR BRUSH NICKEL
14. 381773-16	DRAWER SLIDE-5.88"X17.38"
15. 966029	TOP ASSY. GALLEY
365268-03	EDGE BANDING-.024"X .63", OAK
365268-01	EDGE BANDING-.024"X 1.13", OAK
203424	SINK COVER .5", OAK

2005 SAFARI- BAMBI

FURNITURE, GALLEY

Cabinet, Refrigerator, 22'



Part Numbers on the Next Page

2005 SAFARI- BAMBI

FURNITURE, GALLEY

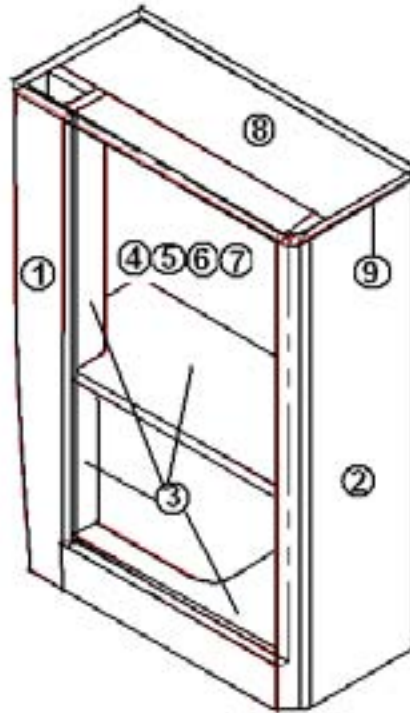
Cabinet, Refrigerator, 22'

965940	CABINET ASSY-REFER
1. 801383-01	PANEL, OAK/WHITE LINER
2. 801368	PANEL, WHITELINER/WHITELINER
3. 800507-03	LAUAN, 3/8" X 4' X 8'
4. 965519	REFER STAND ASSY.
5. 801341-80	DOOR-GALLEY 10.63"X25.19"
6. 381607	HINGE ASSY.
7. 381228-01	CATCH GRABBER DOOR
8. 381865	PULL-BAR BRUSH NICKEL
9. 203383	RACK-MAGAZINE ABS
10. 115042	ROD-.25" ALUM INUM, 6'
11. 203384	RACK-SPICE ABS
12. 203385	TRIM-"F"SELF EDGING CLEAR
13. 203476	SHELF-REFRIGERATOR
14. 801376-01	PANEL, OAK/WHITE LINER
15. 801393-01	CORNER TRIM-90D 1" RADIUS
16. 203445	T-MOLDING BLACK FLEXIBLE POLY .5
17. 965953	TOP ASSY-REFER 22'
365268-01	EDGEBANDING-.024" X 1.13" OAK
365268-02	EDGEBANDING-.024"X 1.63" OAK
365267	EDGEBANDING-1.13" .024 PLY
511836	SWITCH- REFER/FAN WHITE #AH-AS

2005 SAFARI- BAMBI

FURNITURE, GALLEY

TELEPHONE STAND, 22'

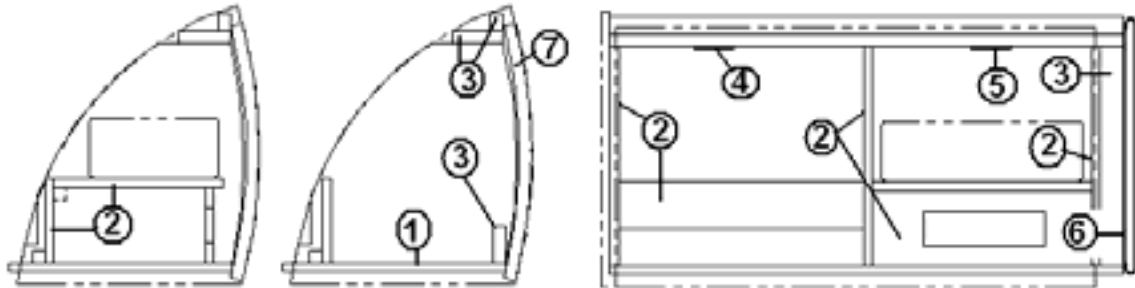


965954	TELEPHONE STAND, OAK, 22'
965954-01	TELEPHONE STAND, GRAPHITE, 22'
1. 801376-01	PANEL, OAK/WHITE LINER, 18MM
2. 801383-01	PANEL, OAK/WHITE LINER, 12MM
3. 801392	PANEL, WHITELINER/WHITELINER
4. 801341-92	DOOR, PHONE STAND. 17.18" X 29.38"
5. 381607	HINGE ASSY
6. 381865	PULL-BAR BRUSH NICKEL
7. 381228-01	CATCH GRABBER DOOR
8. 801369	PANEL, FROSTWHITE/WHITE LINER
8. 801377	PANEL, GRAPHITE
9. 365271	EDGEBANDING-1.125" PVC SILICON
9. 365273	EDGEBANDING, GRAHITE, 1.125"

2005 SAFARI- BAMBI

FURNITURE, GALLEY

ROOF LOCKER, REAR GALLEY, 22'



- | | |
|--------------|---------------------------------|
| 966035 | ROOF LOCKER, REAR GALLEY |
| 1. 801383-01 | PANEL, OAK/WHITE LINER |
| 2. 801392 | PANEL, WHITELINER/WHITELINER |
| 3. 801376-01 | PANEL, OAK/WHITE LINER |
| 4. 381840-01 | HINGE-OVERHEAD SPRING LH #372. |
| 5. 381840-02 | HINGE-OVERHEAD SPRING RH #372. |
| 6. 965587 | END CAP ASSEMBLY |
| 7. 965551-03 | DOOR-RADIUS FOAM 15.25" X 28.38 |
| 350147-25 | NUT, NYLON LOCK, 1/4-20 |
| 801381-01 | PANEL, OAK/OAK 12 |
| 365268-03 | EDGE BANDING-.024"X .63" OAK |
| 365268-01 | EDGE BANDING-.024"X 1.13" OAK |

2005 SAFARI- BAMBI

FURNITURE, GALLEY

ROOF LOCKER, GALLEY, 22', 19'



966034	ROOF LOCKER, GALLEY
1. 801383-01	PANEL, OAK/WHITE LINER
2. 801392	PANEL, WHITELINER/WHITELINER
3. 801376-01	PANEL, OAK/WHITE LINER
4. 965551-04	DOOR-RADIUS FOAM 15.25" X 23.13"
5. 381840-01	HINGE-OVERHEAD SPRING LH #372.
6. 381840-02	HINGE-OVERHEAD SPRING RH #372.
7. 965587	END CAP ASSEMBLY
8. 115085	ANGLE ALUMINUM - ROOFLOCKERS
345276-04	SCREW HEX HD. CAP 1/4-20 X 1"
350147-25	NUT,NYLON LOCK, 1/4-20
365268-03	EDGEBANDING-.024"X .63" OAK
365268-01	EDGEBANDING-.024"X 1.13" OAK

2005 SAFARI- BAMBI

FURNITURE, GALLEY

ROOF LOCKER, DINETTE, 22'

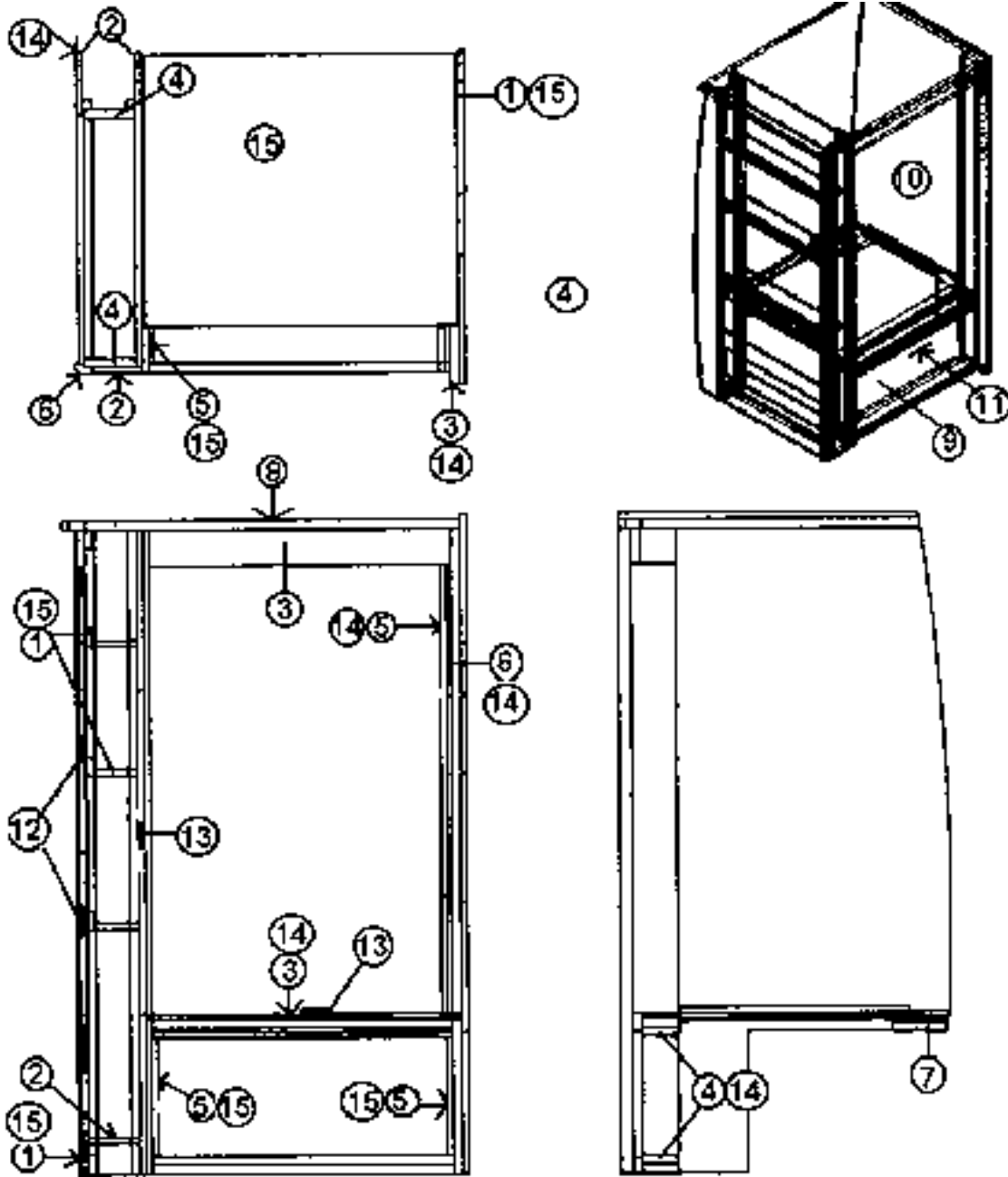


- | | |
|--------------|----------------------------------|
| 966036 | ROOF LOCKER, DINETTE, 22' |
| 1. 801383-01 | PANEL, OAK/WHITE LINER |
| 2. 801392 | PANEL, WHITELINER/WHITELINER |
| 3. 801376-01 | PANEL, OAK/WHITE LINER |
| 4. 381840-01 | HINGE-OVERHEAD SPRING LH #372. |
| 5. 381840-02 | HINGE-OVERHEAD SPRING RH #372. |
| 6. 965551-04 | DOOR-RADIUS FOAM 15.25" X 23.13" |
| 7. 965551-03 | DOOR-RADIUS FOAM 15.25" X 28.38" |
| 8. 965587 | END CAP ASSEMBLY |
| 345276-04 | SCREW HEX HD. CAP 1/4-20 X 1" |
| 350147-25 | NUT, NYLON LOCK, 1/4-20 |
| 365268-03 | EDGE BANDING-.024" X .63" OAK |
| 365268-01 | EDGE BANDING-.024" X 1.13" |

2005 SAFARI- BAMBI

FURNITURE, GALLEY

Refrigerator Cabinet, 19 ft.



Part numbers are on the next page.

2005 SAFARI- BAMBI

FURNITURE, GALLEY

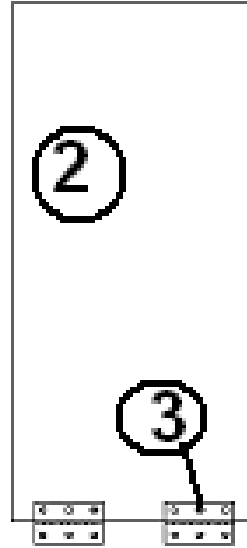
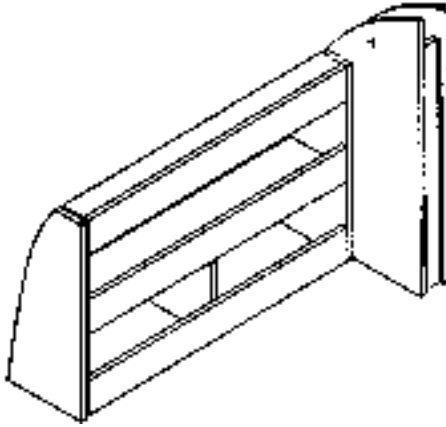
Refrigerator Cabinet, 19 ft.

965629	Refrigerator Cabinet Assembly
1. 801381-01	Paneling, Tropical Oak/Tropical Oak, 12MM
2. 801383-01	Paneling, Tropical Oak/White
3. 801376-01	Paneling, Tropical Oak/White, 4' x 8'
4. 801368	Paneling, White liner/White Liner, 18 MM
5. 801392	Paneling, White/White 12 MM
6. 801393-016	Corner trim, 90°, 1" Radius
7. 965630	Refer stand assembly
8. 965628	Refer cabinet top assembly
965628-01	Refer cabinet top assembly, Amarillo, Mid. Sun
9. 801341-37	Door, 24.44" x 10.19"
10. 801341-38	Door, 19.81" x 31.31"
11. 381865	Door handle
12. 381607	Hinge assembly, Grass European
13. 381228-01	Door/drawer grabber catch
14. 365268-01	Edge tape, Tropical Oak, 1.13 wide
15. 365268-03	Edge tape, Tropical Oak, .625"
16. 365271	Edge tape, 1.125", silicon
381830	WIPER-RUBBER 1.125"X 2" L
964519-006	BLOCK-POCKET DOOR LATCH
511836	SWITCH- REFER/FAN WHITE #AH-AS

2005 SAFARI- BAMBI

FURNITURE, GALLEY

Spice Cabinet Assembly/Shelf, Closeout , 19 ft.



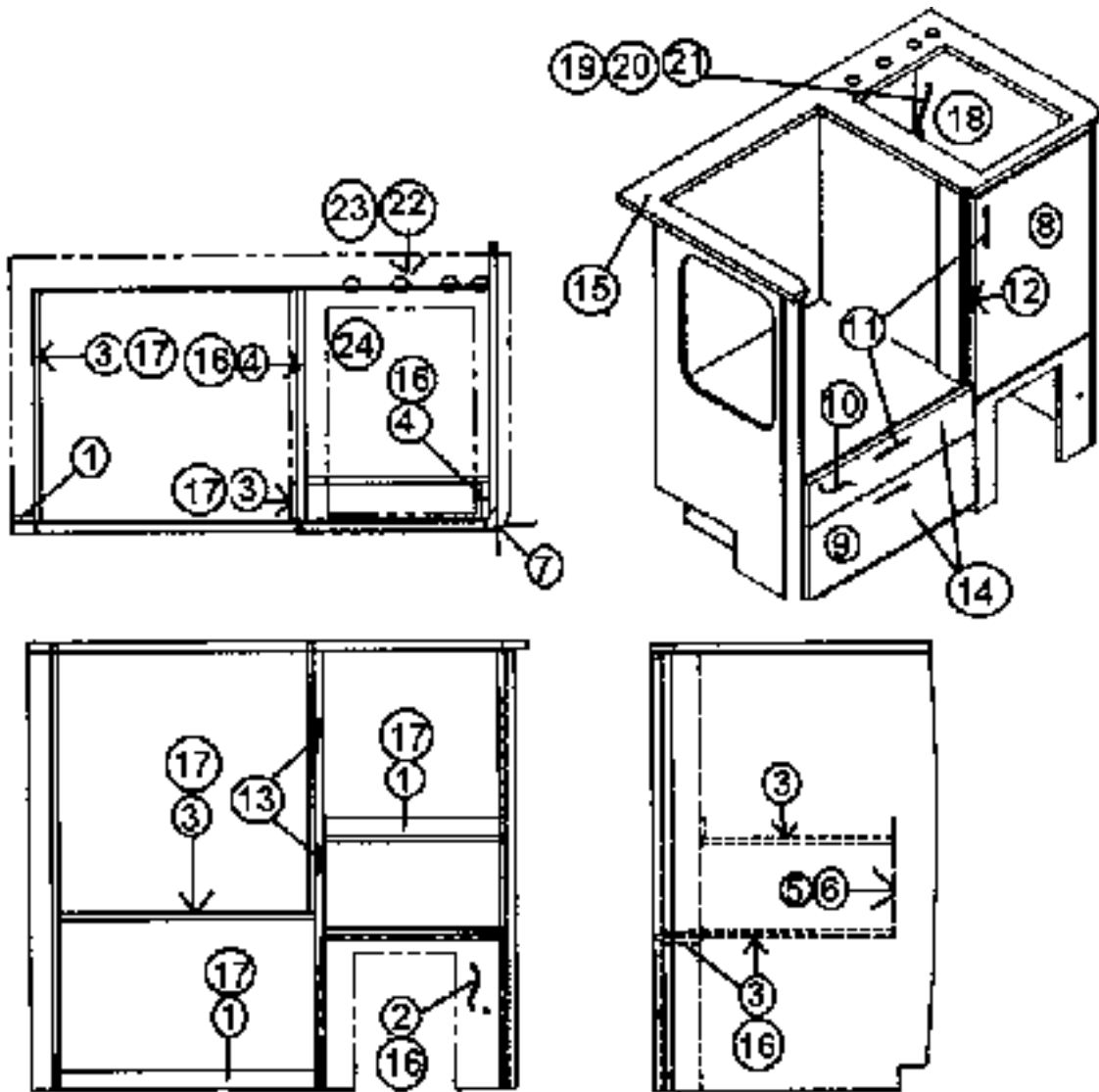
1. 965631
2. 965632
- 381479

Spice Cabinet Assembly, 19 ft.
CLOSE OUT ASSY. SHELF
HINGE, BRASS-CABINET, 2"X 1 3/8"

2005 SAFARI- BAMBI

FURNITURE, GALLEY

Galley Assembly, 19 ft.



Part numbers are on the next page.

2005 SAFARI- BAMBI

FURNITURE, GALLEY

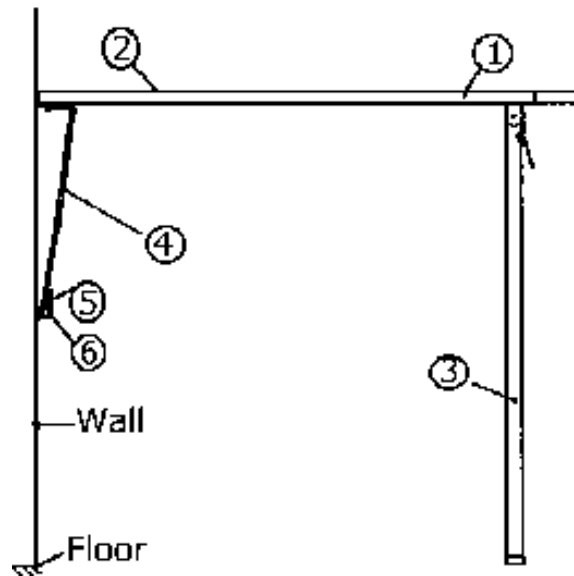
Galley Assembly, 19 ft.

965641	Galley, full Oven, 19 ft.
965641-02	Galley, Microwave/Convection, 19 ft.
1. 801383-01	Paneling, Tropical Oak/White liner, 12mm
2. 801376-01	Paneling, Tropical Oak/White, 4' x 8'
3. 801392	Paneling, White/White 12 MM
4. 801368	Paneling, White liner/White Liner, 18 MM
5. 801353	Lite ply, 3mm
6. 801438	Panel, Frost White/Raw
7. 801393-016	Corner trim, 90°, 1" Radius
8. 801341-41	Door, 21.63" x 4.81"
9. 801341-40	Door, 21.63" x 8.00"
10. 801341-97	Door, 14.25" x 23.38"
11. 381865	Door handle
12. 381228-01	Door/drawer grabber catch, 3 lb.
13. 381607	Hinge assembly, Grass European
14. 965642-01	Drawer box assembly, 19.75"
14. 381773-03	DRAWER SLIDE, 15.75"
15. 965640	Galley top assembly
15. 965640-01	Galley top assembly, Amarillo, Midnight Sun
16. 365268-01	Edge tape, Tropical Oak, 1.13 wide
17. 365268-03	Edge tape, Tropical Oak, .625"
18. 601938	SINK, S/S, SINGLE BOWL
19. 601714-01	Tail piece, 1 ½" x 4"
20. 601714-02	Slip nut w/wings
21. 601174-03	Black rubber washer
22. 601894	FAUCET-MOEN CHATEAU W/SPRAY #7
23. 195362-39	2" strainer
24. 203425	Sink cover

2005 SAFARI- BAMBI

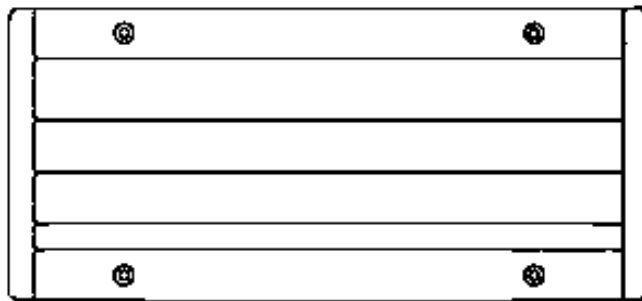
FURNITURE, GALLEY

Dinette Table, 25' Sleep Six, 28' S/O, 28' W, 30'



- | | |
|--------------|---|
| 965646 | Dinette Table Standard, 25', 28 S/O, 30' |
| 965646-01 | Dinette Table, Amarillo, Midnight Sun, 25', 28 S/O, 30' |
| 1. 801369 | PANEL, FROST WHITE/WHITE LINER |
| 1. 801377 | Panel, Graphite/Rexal, Amarillo, Midnight Sun |
| 2. 365267 | EDGE BANDING-1.13" .024 |
| 3. 700065-01 | Snapo folding table leg |
| 4. 380284-02 | Table hinge bracket |
| 5. 340015 | Center hinge |
| 6. 340018 | Catch plate |

Spice Rack, 25' A, B, Font Bed, 28 S/O

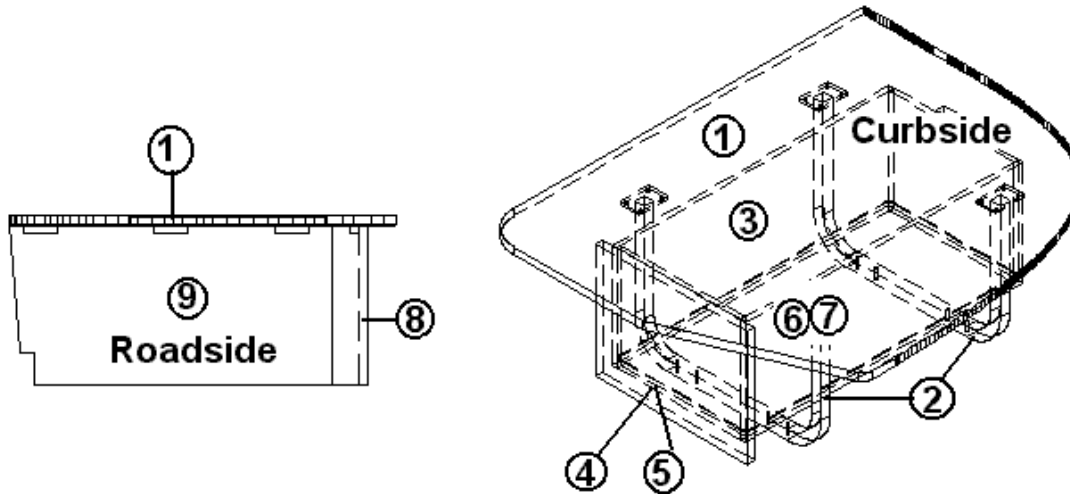


964532-006 Spice Rack

2005 SAFARI- BAMBI

FURNITURE, GALLEY

Dinette Seat, Roadside/ Curbside, 19'

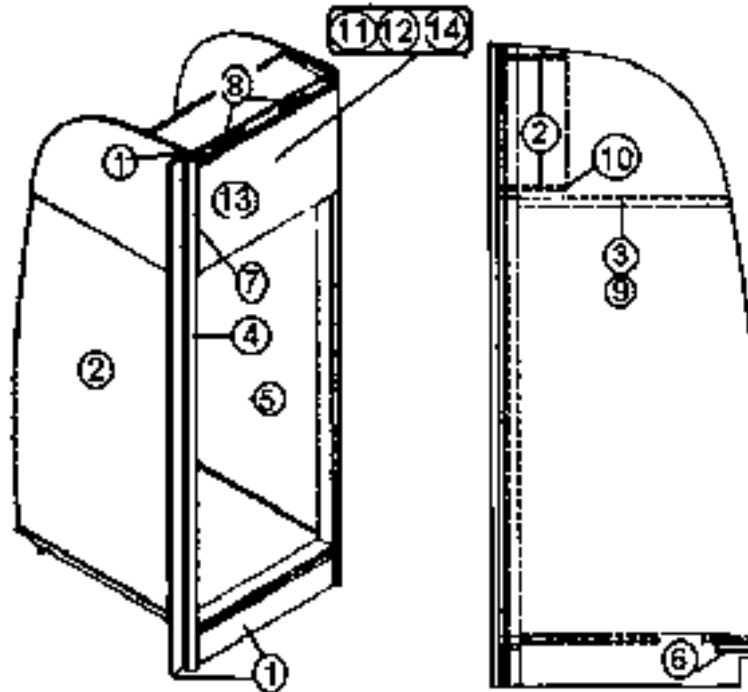


965866-01	Roadside Dinette Seat Assembly
965865-01	Curbside Dinette Seat Assembly
1. 801368	Panel, Whiteliner/Whiteliner, 18mm
2. 454177	Seat legs
3. 964909-11	Drawer box assembly
4. 801375-28	Drawer front
5. 381833-01	24" drawer slide w/mounting hardware
6. 800581-01	Oak block
7. 381074	Bulldog catch
8. 965932-01	RS dinette seat support
9. 701538-01	Trunk liner
381192	SLIDE, DRAWER, 18" (EACH=1 PAIR)
203474	NIPPLE-MOLDED PLASTIC
365267	EDGE BANDING-1.13" .024 PLY
365268-01	EDGE BANDING-.024" X 1.13" TROPICAL OAK
998150-01	SEAT ASSY-CS DINETTE CUSHION ASSEMBLY
998150-02	FILLER, CS DINETTE BACK CUSHION ASSEMBLY
998150-04	SEAT ASSY-RS DINETTE CUSHION ASSEMBLY
998150-05	FILLER, RS DINETTE SEAT CUSHION ASSEMBLY
998150-06	BACK REST, RS DINETTE CUSHION ASSEMBLY
203439	STORAGE BOX-17"L X 11.13"W X 6.38"

2005 SAFARI- BAMBI

FURNITURE, GALLEY

Refrigerator Cabinet, 25' A & B

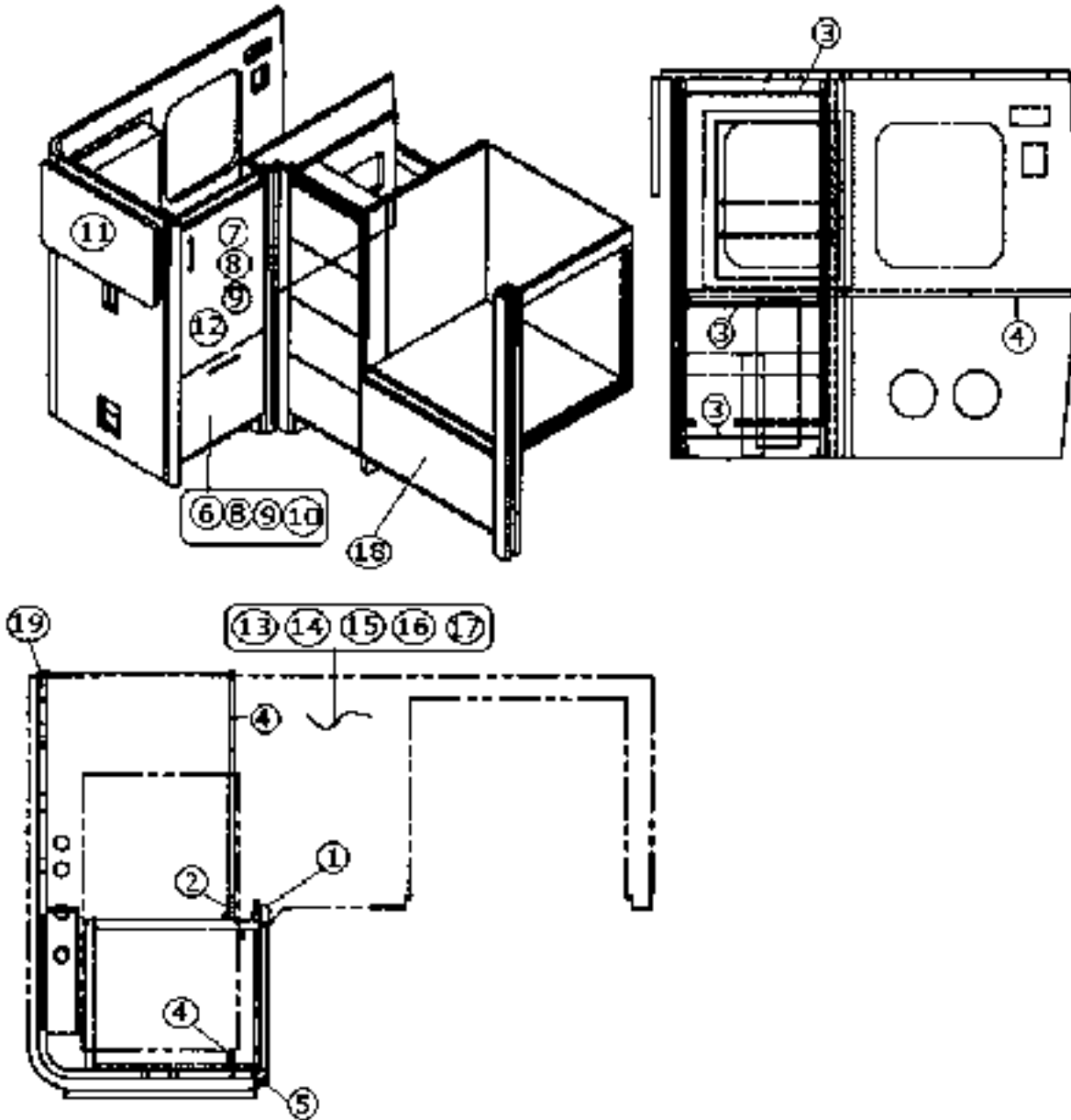


- | | |
|---------------|--|
| 965664 | Refrigerator Cabinet Assembly, 25' A & B |
| 1. 801383-01 | Paneling, Tropical Oak/White liner, 12mm |
| 2. 801392 | Paneling, White/White 12 MM |
| 3. 801368 | Laminate, White/White |
| 4. 801393-016 | Corner trim, 1" radius |
| 5. 801380-12 | Panel, forward refrigerator |
| 6. 965663 | Refrigerator stand |
| 7. 381608-05 | Lid stay, left Hafele |
| 8. 381607 | Hinge assembly, Grass European |
| 9. 365268-01 | Edge tape, Tropical Oak, 1.13 wide |
| 10. 365268-03 | Edge tape, Tropical Oak, .625" |
| 11. 381865 | Door handle |
| 12. 381228-01 | Door/drawer grabber catch, 3 lb. |
| 13. 801341-42 | Door, 25.06" x 16.13" |
| 14. 801438 | PANEL, FROST WHITE VINYL/RAW |

2005 SAFARI- BAMBI

FURNITURE, GALLEY

Galley Assembly, 28' S/O



Part Numbers on the Next Page

2005 SAFARI- BAMBI

FURNITURE, GALLEY

Galley Assembly, 28' S/O

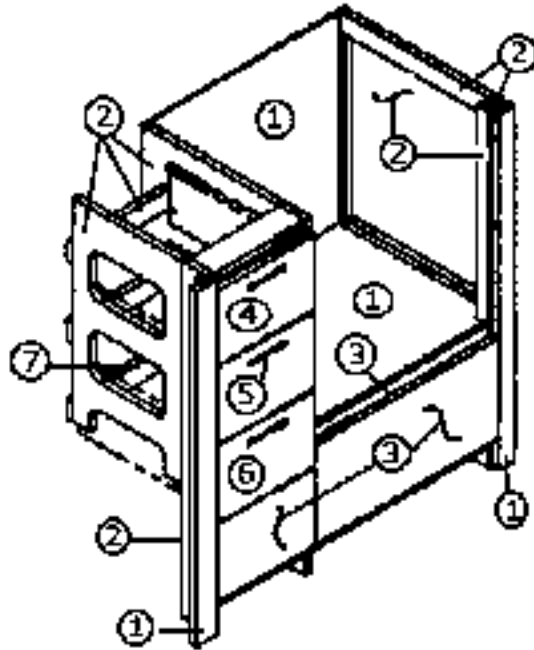
965695-02	Galley Assembly, 28' S/O
965695-01	Galley Assembly, Amarillo, Midnight Sun
1. 801376-01	Panel, Tropical Oak/white liner, 18 mm
2. 801368	Panel, white Rexel/white Rexel
3. 801383-01	Panel, Tropical Oak/White liner
4. 801392	Panel, Tropical Oak/white liner, 12 mm
5. 801393-016	Corner trim, 90 degree radius
6. 801341-53	Door, 13.38" x 11.25"
7. 801341-54	Door, 13.38" x 19.25"
8. 381865	Door handle
9. 381228-01	Grabber catch, door
10. 965558-02	Drawer box assembly
11. 965581	Flip up shelf
11. 381614	FOLDING SHELF BRACKET
11. 965581-01	Flip up shelf, Amarillo, Midnight Sun
12. 381607	Hinge assembly
13. 965693	Galley top assembly
13a. 965693-01	Galley top assembly, Amarillo, Midnight Sun
14. 601799	Sink, stainless steel, 16" x 27"
14. *601963	Sink, Stainless Steel, 16" x 27"
15. 601744-01	Sink mounting clips
16. 600968	Basket strainer
17. 203424	Sink covers
17. *203509	Sink cover, natural
18. 965694	Galley oven section assembly
19. 965708	Forward galley panel assembly
965715	Galley backsplash,
801342-01	LAMINATE, ALUMINUM BRUSHED 4' X 8'
365271	EDGE BANDING-1.125" PVC SILICON

*Used on and after unit 518357.

2005 SAFARI- BAMBI

FURNITURE, GALLEY

Galley, Oven Section, 28' S/O

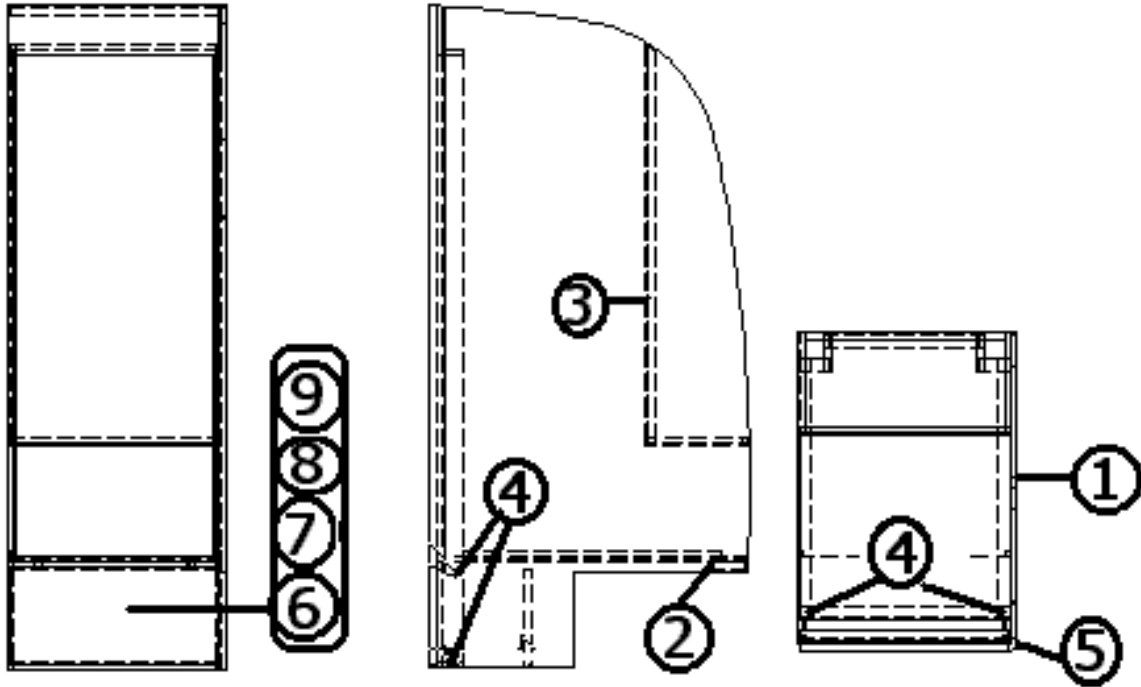


- | | |
|--------------|---|
| 965694 | Galley, Oven Section |
| 965694-01 | Galley, Oven Section , Amarillo, Midnight Sun |
| 1. 801376-01 | Paneling, Tropical Oak/White liner |
| 2. 801368 | Paneling, White Rexel/White Rexel |
| 3. 801381-01 | Paneling, Tropical Oak/Tropical Oak |
| 4. 801341-52 | Door, cabinet, 11.13" x 7.50" |
| 5. 381865 | Handle, door |
| 6. 381228-01 | Catch, grabber door |
| 7. 965560-02 | Drawer box |
| 965708 | Forward galley panel assembly |
| 801345 | RADIUS PLYWOOD .75" X 3" X 8' |
| 801378 | PANEL, WHITE LINER/GATOR 18 |
| 203383 | RACK-MAGAZINE, ABS |
| 115042 | ROD-.25" ALUMINUM |
| 203387 | POCKET, FIRE EXTINGUISHER BRACKET |
| 381653 | LATCH-SINGLE TOUCH BLACK |
| 381654 | HINGE-NON BORE GLASS DOOR BLACK |
| 381707 | STRIKE W/PULL-GLASS DOOR BLACK |
| 371391 | DOOR-GLASS 11.56" X 13.06" |
| 203340 | Black T-Molding |

2005 SAFARI- BAMBI

FURNITURE, GALLEY

Refrigerator Cabinet, 8 cu. ft. Refrigerator, 28' S/O

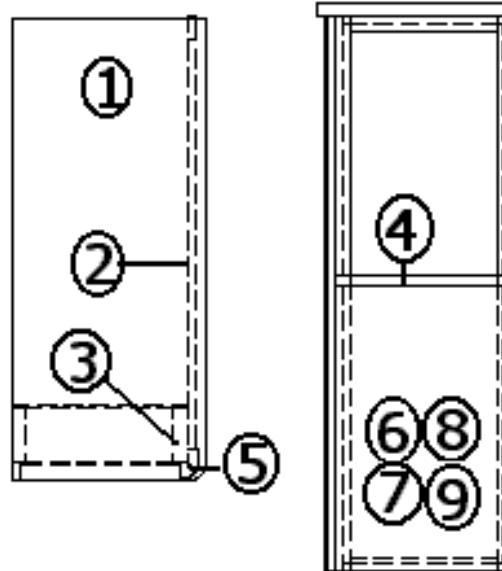


- | | |
|-----------------|--|
| 965798 | Refrigerator Cabinet |
| 1. 801424-07 | Panel, forward refer |
| 2. 965736 | Refer stand assembly |
| 3. 381830 | WIPER-RUBBER 1.125"X 2" L |
| 4. 801368 | Panel, white Rexel/white Rexel |
| 5. 801393-016 | Corner trim, 90 degree radius |
| 6. 6. 801341-57 | Door, 24.81" x 11.93" |
| 7. 381865 | Door handle |
| 8. 381607 | Hinge assembly |
| 9. 381228-01 | Grabber catch, door |
| 801506 | PANEL, ASCOT SAND/RAW .5" X 4' X 8' |
| 801438 | PANEL, FRONT WHITE VINYL/RAW |
| 365268-01 | Edge tape, .024" x 1.13", Tropical Oak |

2005 SAFARI- BAMBI

FURNITURE, GALLEY

End Stand Cabinet, 28' S/O

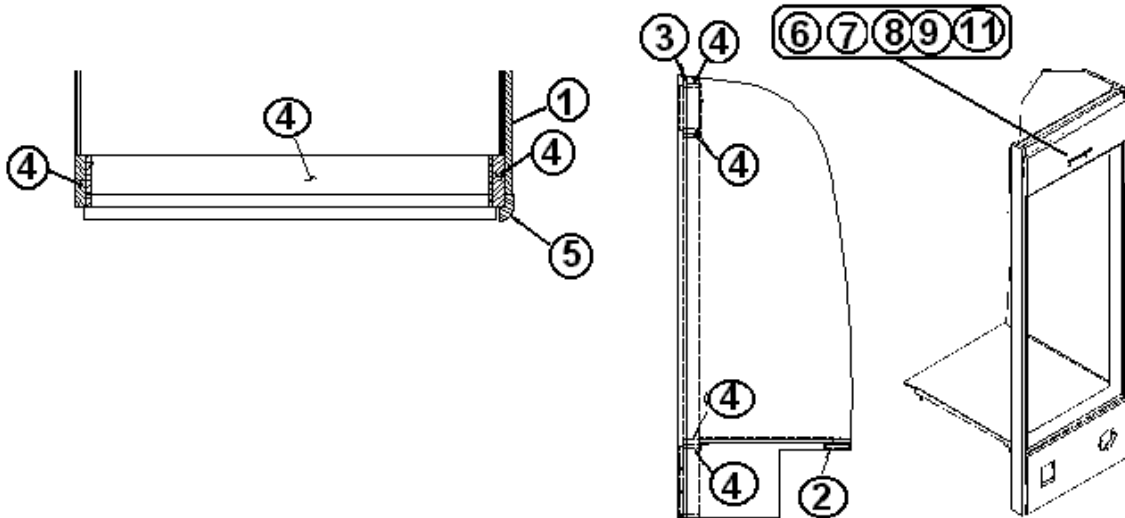


965799	End Stand Cabinet, White Suede
965799-01	End Stand Cabinet, Galaxy Graphite
1. 965801	Top assembly, end stand, white suede
1a. 965801-01	Top assembly, end stand, galaxy graphite
2. 801383-01	Panel, Tropical Oak/White liner
3. 801368	Panel, white Rexel/white Rexel
4. 801392	Panel, Tropical Oak/white liner, 12 mm
5. 801393-014	Corner trim, 90 degree radius
6. 801341-59	Door, 8.63" x 29.13"
7. 381865	Door handle
8. 381607	Hinge assembly
9. 381228-01	Grabber catch, door
801369	PANEL, FROSTWHITE/WHITE LINER
365267	EDGE BANDING-1.13" .024 PLY
801438	PANEL, FROST WHITE VINYL/RAW
365268-01	EDGE BANDING-.024"X 1.13" OAK
365238-04	EDGE BANDING TAPE PVC 5/8" C.WH

2005 SAFARI- BAMBI

FURNITURE, GALLEY

Refrigerator Cabinet, 28' W

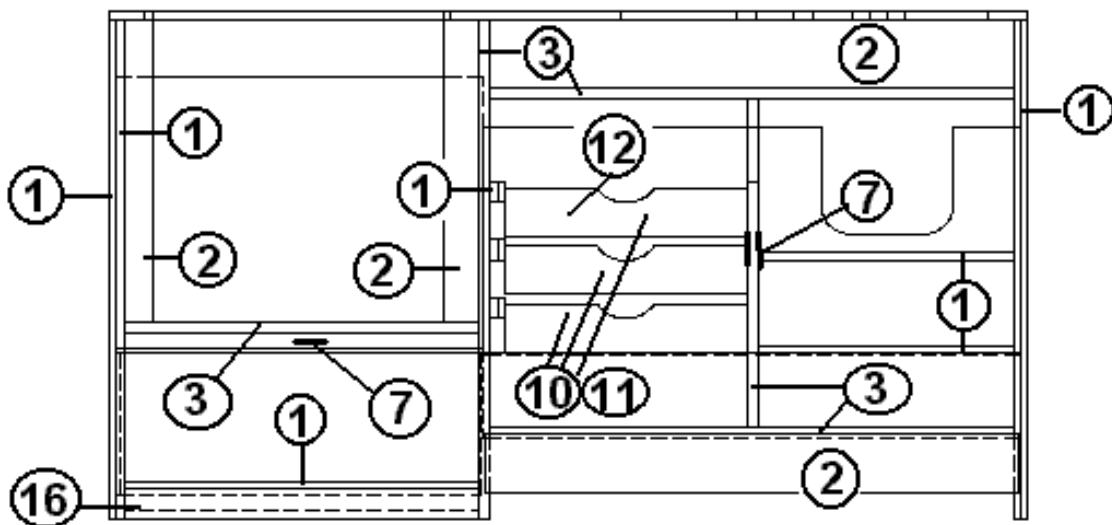
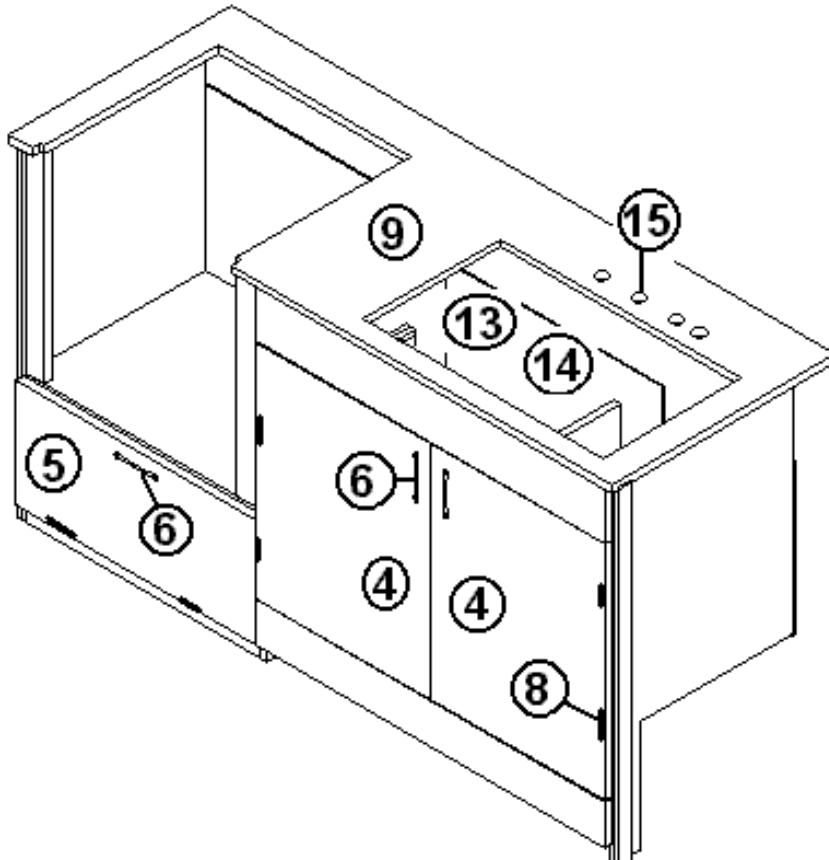


- | | |
|---------------|--|
| 965837 | Refrigerator Cabinet, 28' W |
| 1. 801454-03 | Forward refer panel |
| 2. 965835 | Refer stand assembly |
| 3. 801376-01 | Paneling, Trop. Oak/Trop. Oak, 18 MM |
| 4. 801368 | Paneling, Whiteliner/Whiteliner, 18MM |
| 5. 801393-016 | Corner trim, 90 degree 1" radius |
| 6. 801341-65 | Door, 8.13" x 24.75" |
| 7. 381865 | Handle, door |
| 8. 381607 | Hinge assembly |
| 9. 381228-01 | Door grabber catch |
| 10. 365268-01 | Edgebanding, .024" x 1.13", Tropical Oak |
| 11. 381608-05 | Lid stay, left |
| 365278-01 | EDGEBANDING, BLACK, MAPLE 1.13" |
| 115168 | SHELF EDGE-FORMED |
| 200980-01 | TRAY, SILVER WARE, ALMOND, 9" X 13" |
| 115064 | TRIM, ALUMINUM COUNTER TOP |

2005 SAFARI- BAMBI

FURNITURE, GALLEY

Galley, Full Oven, 28' W



Part Numbers on next page

2005 SAFARI- BAMBI

FURNITURE, GALLEY

Galley, Full Oven, 28' W

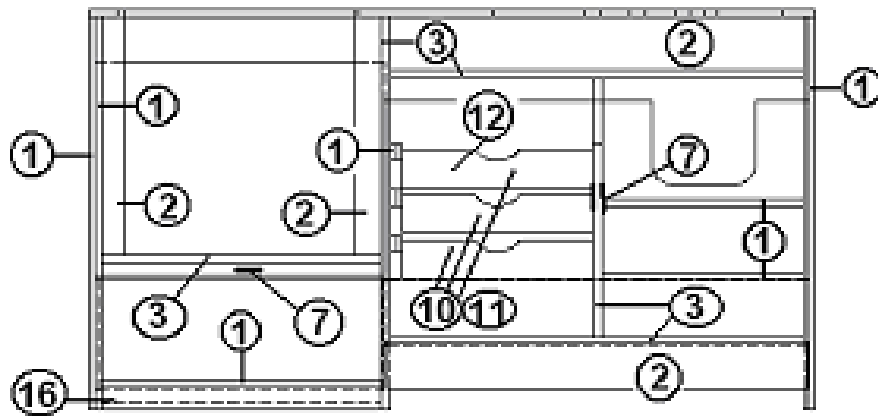
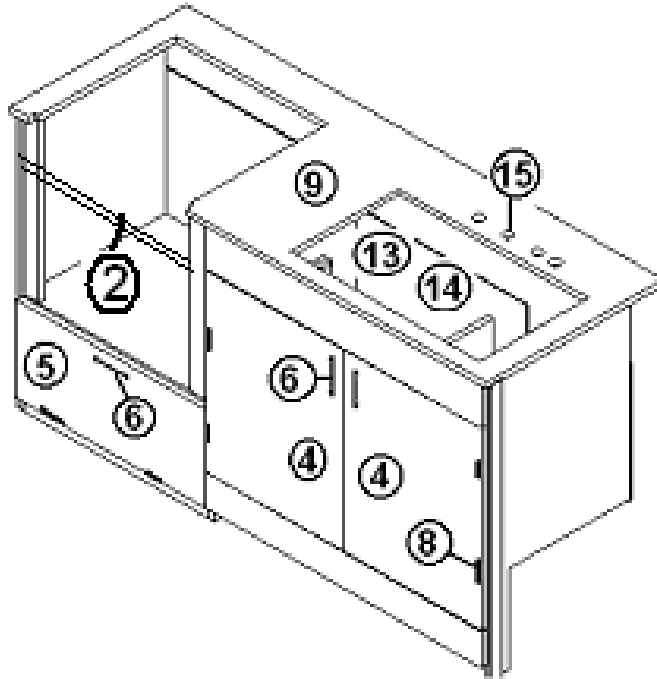
965899	Galley, Full Oven, Tropical Oak
965899-01	Galley, Full Oven, Galaxy Graphite
1. 801392	Paneling, Whiteliner/Whiteliner
2. 801376-01	Paneling, Tropical Oak/Whiteliner, 18MM
3. 801368	Paneling, Whiteliner/Whiteliner, 18MM
4. 801341-26	Door, 18.63" x 23.63"
5. 801341-68	Door, 11.50" x 25.63"
6. 381865	Handle, Drawer/door
7. 381228-01	Door grabber catch
8. 381607	Hinge assembly
9. 965902	Galley top, Tropical Oak
9a. 965902-01	Galley top, Galaxy Graphite
10. 965584-02	Drawer box assembly
11. 801399-03	Drawer, 17.00" x 3.38"
12. 381615	Tray, silverware
13. 601799	Sink, SS, 16" x 27", Porcelain
13. *601963	Sink, Stainless Steel, 16" x 27"
13a. 601744-01	Mounting clip, sink
13b. 203425	Sink cover
13b. *203509	Sink cover, natural
14. 600968	Basket strainer
15. 601746	Faucet, Moen, 8" Manor w/spray
16. 801383-01	Paneling, Tropical Oak/Whiteliner, 12MM
381773-02	SLIDE DRAWER 3-3/8H X 13-3/4L
965715-02	BACKSPLASH ASSY. GALLEY
365268-01	Edgebanding, .024" x 1.13", Tropical Oak
365273	EDGEBANDING GALAXY GRAPHITE, AMARILLO, Midnight Sun
365267	EDGEBANDING-1.13" .024 PLY
115064	TRIM, ALUMINUM, COUNTER TOP

*Used on and after unit 518357.

2005 SAFARI- BAMBI

FURNITURE, GALLEY

Galley, Microwave, Convection Oven, 28' W



2005 SAFARI- BAMBI

FURNITURE, GALLEY

Galley, Microwave, Convection Oven, 28' W

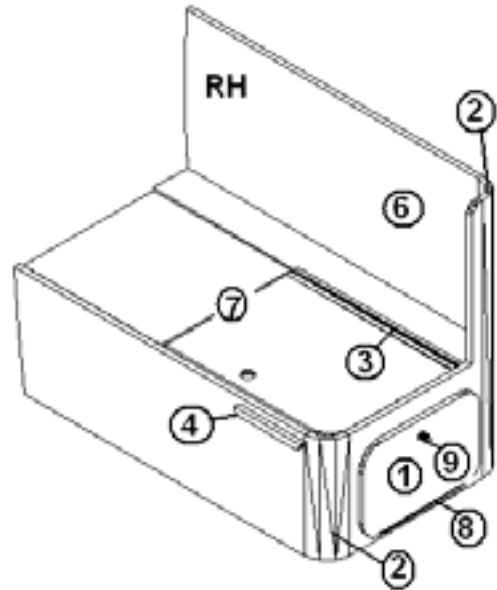
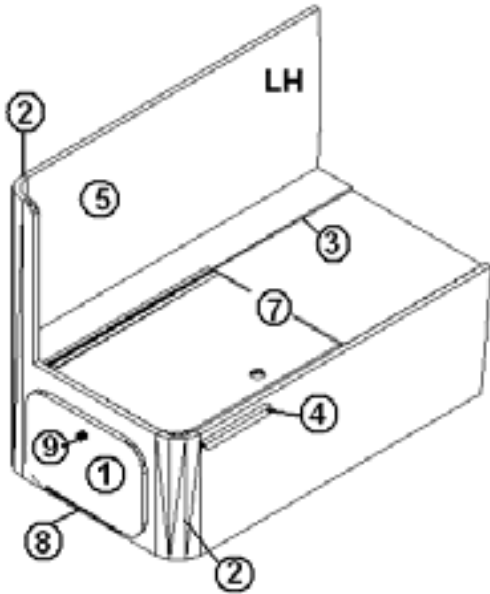
965899-03	Galley, Micro. Convection, Tropical Oak
965899-04	Galley, Micro. Convection, Galaxy Graphite
1. 801392	Paneling, Whiteliner/Whiteliner
2. 801376-01	Paneling, Tropical Oak/Whiteliner, 18MM
3. 801368	Paneling, Whiteliner/Whiteliner, 18MM
4. 801341-26	Door, 18.63" x 23.63"
5. 801341-68	Door, 11.50" x 25.63"
6. 381865	Handle, Drawer/door
7. 381228-01	Door grabber catch
8. 381607	Hinge assembly
9. 965902	Galley top, Tropical Oak
9a. 965902-01	Galley top, Galaxy Graphite
10. 965584-02	Drawer box assembly
11. 801399-03	Drawer, 17.00" x 3.38"
12. 381615	Tray, silverware
13. 601799	Sink, SS, 16" x 27", Porcelain
13. *601963	Sink, Stainless Steel, 16" x 27"
13a. 601744-01	Mounting clip, sink
13b. 203425	Sink cover
13b. *203509	Sink cover, natural
14 600968	Basket strainer
15 601746	Faucet, Moen, 8" Manor w/spray
16 801383-01	Paneling, Tropical Oak/Whiteliner, 12MM
381773-02	SLIDE DRAWER 3-3/8H X 13-3/4L
965715-02	BACKSPLASH ASSY. GALLEY
365268-01	Edgebanding, .024" x 1.13", Tropical Oak
365273	EDGEBANDING GALAXY GRAPHITE, AMARILLO, Midnight Sun
365267	EDGEBANDING-1.13" .024 PLY
115064	TRIM, ALUMINUM, COUNTER TOP

*Used on and after unit 518357.

2005 SAFARI- BAMBI

FURNITURE, GALLEY

Dinette Seats, 28' W

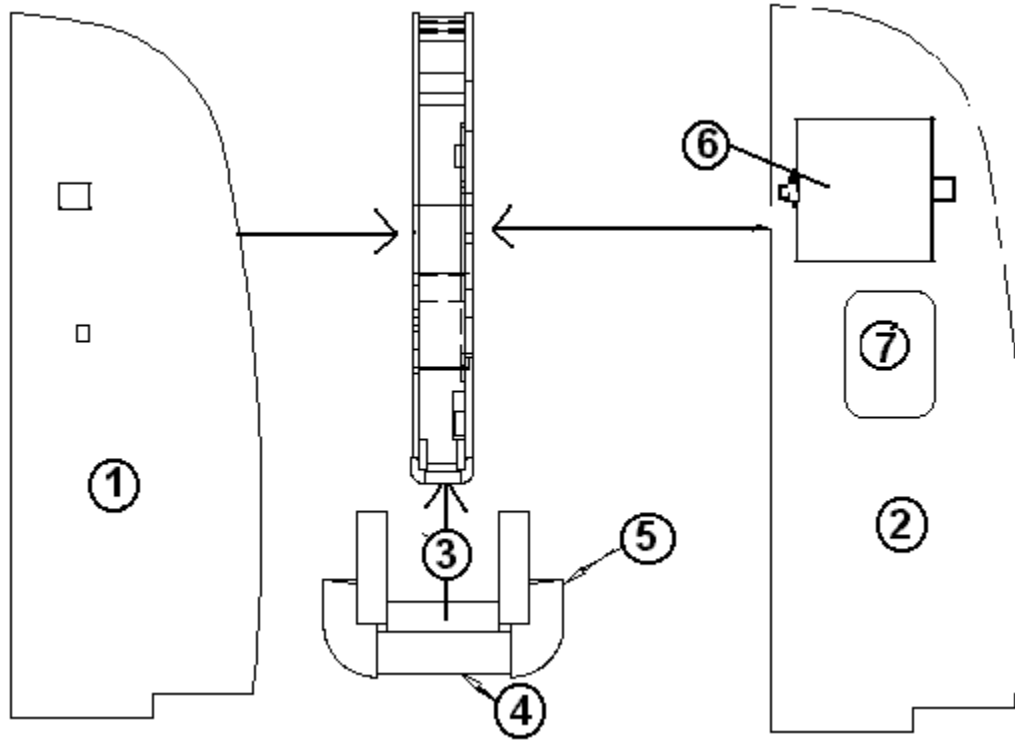


- | | |
|---------------|--------------------------------|
| 965894 | RH Dinette Seat |
| 965895 | LH Dinette Seat |
| 1. 966137 | DOOR, DINETTE |
| 2. 801345 | Radius plywood, .75" x 3" x 8' |
| 3. 380458 | Hinge, piano, brown |
| 4. 800470-006 | Stop, hardwood, 3/4" dinette |
| 5. 703309-01 | Foam, left side back |
| 6. 703309-02 | Foam, right side back |
| 7. 703309-03 | Foam, seat bottom |
| 8. 380458 | Hinge, piano, brown |
| 9. 381796 | Knob, Hollow |
| 700414 | Foam, 3/8" x 4' x 8' |
| 381228-01 | CATCH GRABBER DOOR |
| 800405-006 | PLUG BUTTON HARDWOOD |

2005 SAFARI- BAMBI

FURNITURE, GALLEY

Wall Assembly, Forward Galley, 28' W

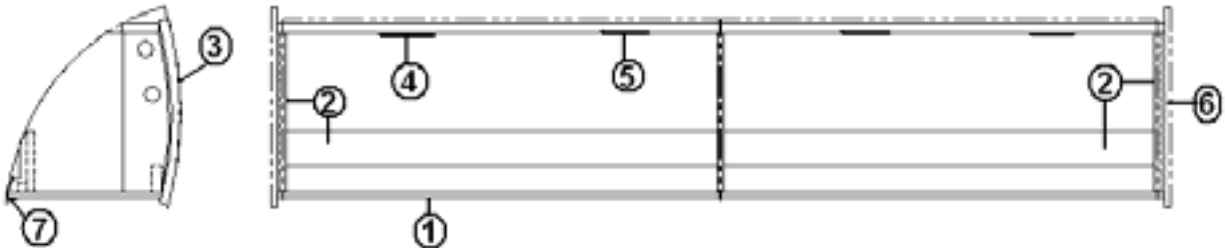


- | | |
|---------------|--------------------------------------|
| 965832 | Wall Assembly Forward Galley, 28' W |
| 1. 801454-01 | Panel forward L-sofa |
| 2. 801454-02 | Panel forward galley base |
| 3. 965833 | Nose, galley wall sub assembly |
| 4. 801376-01 | Paneling, Trop. Oak/Trop. Oak, 18 MM |
| 5. 801393-016 | Corner trim, 1" radius |
| 6. 381832 | Recessed TV |
| 6. 203383 | Magazine rack |
| 115042 | Aluminum rod |

2005 SAFARI- BAMBI

FURNITURE, GALLEY

Dinette Locker, 28' W, 25' Sleep Six

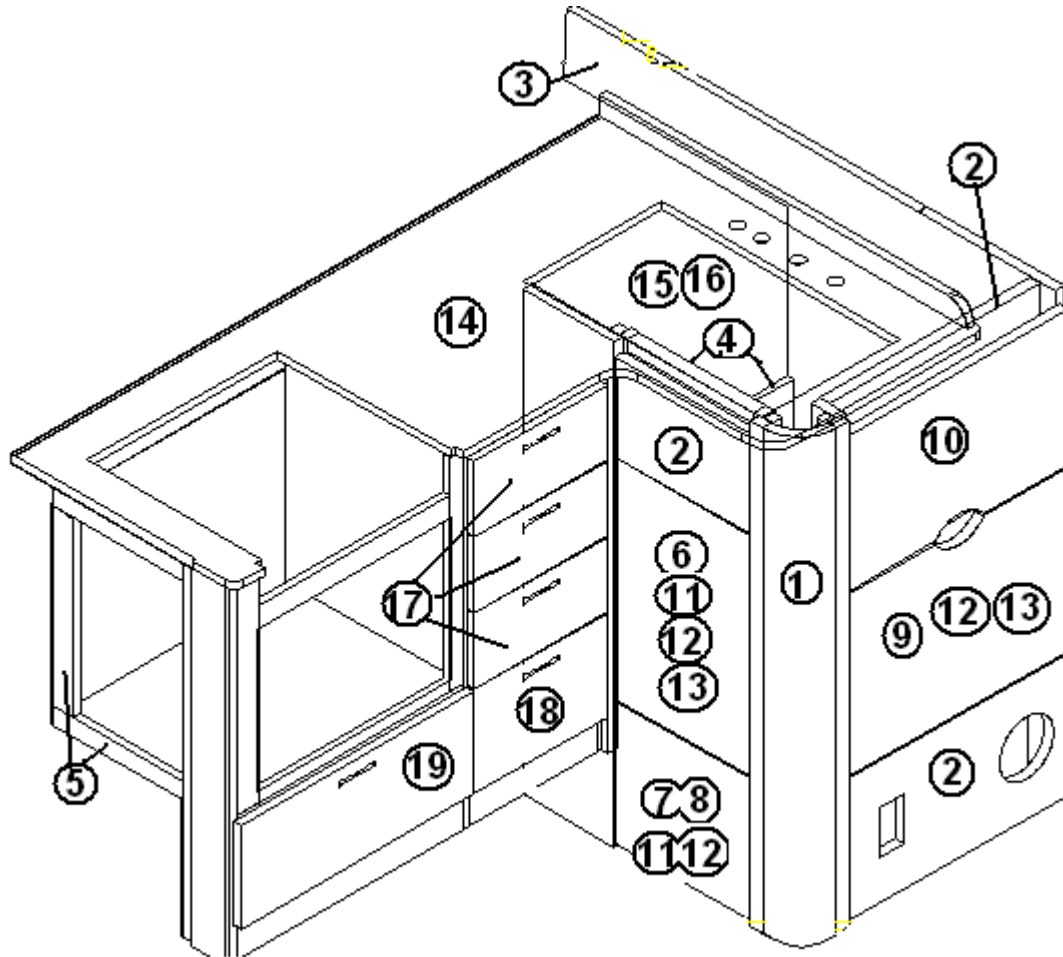


- | | |
|--------------|--------------------------------------|
| 966040 | Dinette Locker, 28" W Model |
| 1. 801383-01 | PANEL, OAK/WHITE LINER |
| 2. 801392 | PANEL, WHITELINER/WHITELINER |
| 3. 965551-01 | DOOR-RADIUS FOAM 15.25" X 35.5" |
| 4. 381840-01 | HINGE-OVERHEAD SPRING LH |
| 5. 381840-02 | HINGE-OVERHEAD SPRING RH |
| 6. 965587 | END CAP ASSEMBLY |
| 7. 115085-01 | ALUMINUM ANGLE, ROOF LOCKER, 71.875" |
| 801383-01 | PANEL TRP OAK/WHITE LINER |
| 345276-04 | SCREW HEX HD. CAP 1/4-20 X 1 I |
| 350147-25 | NUT, NYLON LOCK, 1/4-20 |
| 365268-03 | EDGE BANDING-.024"X .63", OAK |
| 365268-01 | EDGE BANDING-.024"X 1.13", OAK |

2005 SAFARI- BAMBI

FURNITURE, GALLEY

Galley W/ Full Oven, 30'



Part Numbers on the Next Page

2005 SAFARI- BAMBI

FURNITURE, GALLEY

Galley W/ Full Oven, 30'

- | | |
|----------------|------------------------------------|
| 966092-01 | GALLEY CABINET |
| 1. 966093 | CORNER SUB ASSY-GALLEY |
| 2. 801368 | PANEL, WHITELINER/WHITELINER |
| 3. 801383-01 | PANEL, TRP OAK/WHT LINER |
| 4. 801376-01 | PANEL, T.OAK/WHT LINER |
| 5. 801438 | PANEL, FRONT WHITE VINYL/RAW |
| 6. 801341-107 | DOOR, GALLEY, 10.88" X 17" |
| 7. 801341-108 | DOOR, GALLEY 10.88" X 10" |
| 8. 965558-03 | DRAWER BOX, 8" X 10.25" X 14.88" |
| 9. 801399-06 | DRAWER, 17.69" X 12.88", GALLEY |
| 10. 801512 | CUTTING BOARD-HDWD |
| 11. 381865 | PULL-BAR BRUSH NICKEL |
| 12. 381228-01 | CATCH GRABBER DOOR |
| 13. 381607 | HINGE ASSY |
| 14. 966090 | TOP ASSY-GALLEY |
| 15. 601799 | SINK-S.S. 16" X 27" |
| 15. *601963 | Sink, Stainless Steel, 16" x 27" |
| 16. 601744-01 | SINK, MOUNTING CLIP |
| 17. 801341-104 | DOOR-GAL 14.38"X9.69" |
| 18. 801341-105 | DOOR-GAL 14.38"X9.69" |
| 19. 801341-106 | DOOR-GAL 25.13"X9.69" |
| 20. 965553-01 | DRAWER BOX , 4.38" X 12.5" X 17" |
| 381773-21 | DRAWER SLIDE-8.38" X 15.75"(PAIR) |
| 381773-11 | DRAWER SLIDE-4.63" X 18.5" (PAIR) |
| 601894 | FAUCET-MOEN CHATEAU W/SPRAY |
| 365268-01 | EDGE BANDING-.024"X 1.13" TROPICAL |
| 801369 | PANEL, FRSTWHT/WHT LINER |
| 365267 | EDGE BANDING-1.13" .024 |
| 965715-01 | BACKSPLASH ASSY-GAL 38" |
| 801342-01 | PANEL, ALUMINUM, BRUSHED 4' X 8' |
| 365271 | EDGE BANDING-1.125" PVC SILICON |
| 115064 | TRIM-ALUMINUM COUNTER TOP |
| 801395 | PANEL, TROPICAL OAK/TROPICAL OAK |
| 801392 | PANEL, WHITELINER/WHITELINER |

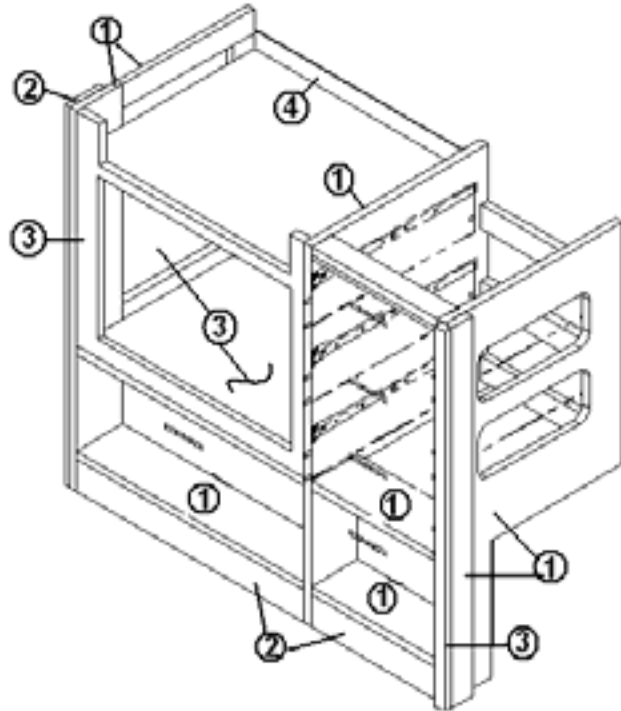
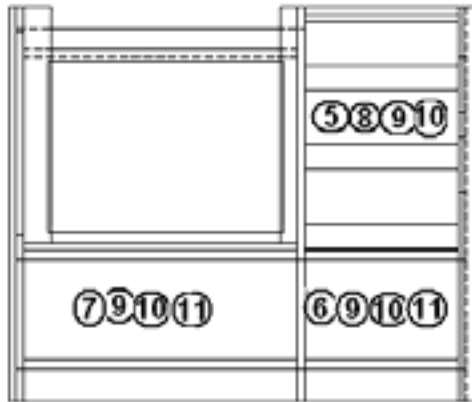
*203509 Sink cover, natural

*Used on and after unit 518357.

2005 SAFARI- BAMBI

FURNITURE, GALLEY

Galley, Aft w/Convection Microwave, 30'

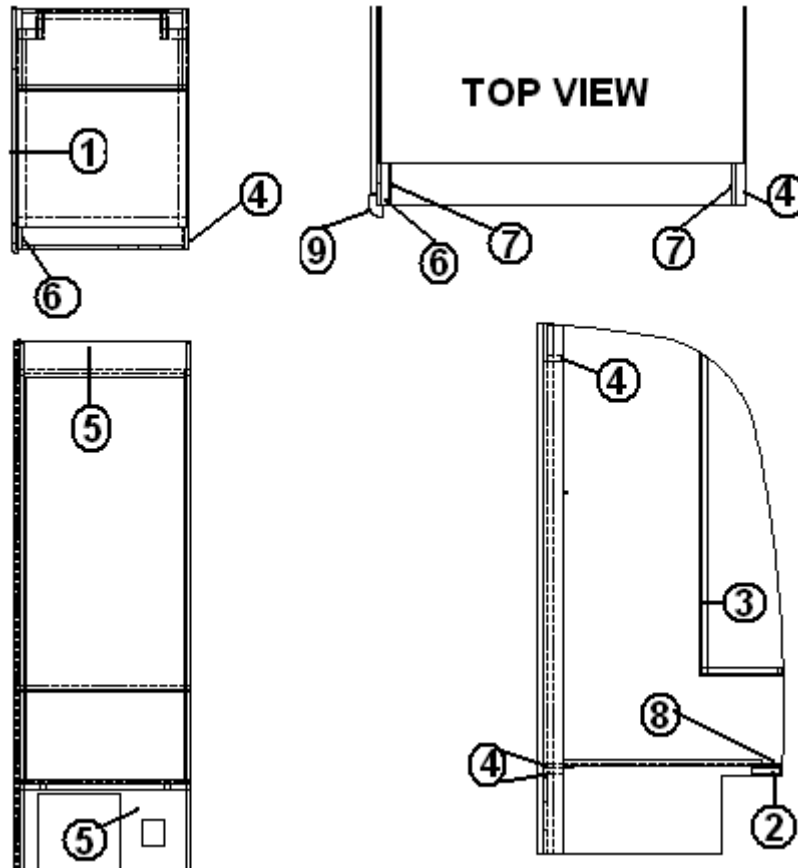


- | | |
|---------------|-------------------------------------|
| 966091-01 | GALLEY, AFT W/CONVECTION MICROWAVE |
| 1. 801368 | PANEL, PRELAM WHITELINER/WHITELINER |
| 2. 801383-01 | PANEL, PRELAM TRP OAK/WHT LINER |
| 3. 801376-01 | PANEL, PRELAM T.OAK/WHT LINER |
| 4. 801438 | PANEL, FRT WHT VINYL/RAW |
| 5. 801341-104 | DOOR-GAL 14.38"X9.69" |
| 6. 801341-105 | DOOR-GAL 14.38"X9.69" |
| 7. 801341-106 | DOOR-GAL 25.13"X9.69" |
| 8. 965553-01 | DWR BOX ASSY-4.38"X 12.5"X 17. |
| 9. 381865 | PULL-BAR BRUSH NICKEL |
| 10. 381228-01 | CATCH GRABBER DOOR |
| 11. 381607 | HINGE ASSY |
| 381806 | INSULATION #4 DBL SIDED W/PSA |
| 801376-01 | PANEL, PRELAM T.OAK/WHT LINER |
| 365268-01 | EDGEBANDING-.024"X 1.13" OAK |
| 801368 | PANEL, PRELAM WHITELINER/WHITELINER |
| 365267 | EDGEBANDING-1.13" .024 PLY |
| 801368 | PANEL, PRELAM WHITELINER/WHITELINER |
| 381773-11 | DRAWER SLIDE-4.63" X 18.5" (PAIR) |

2005 SAFARI- BAMBI

FURNITURE, GALLEY

Cabinet, Refrigerator, 30'

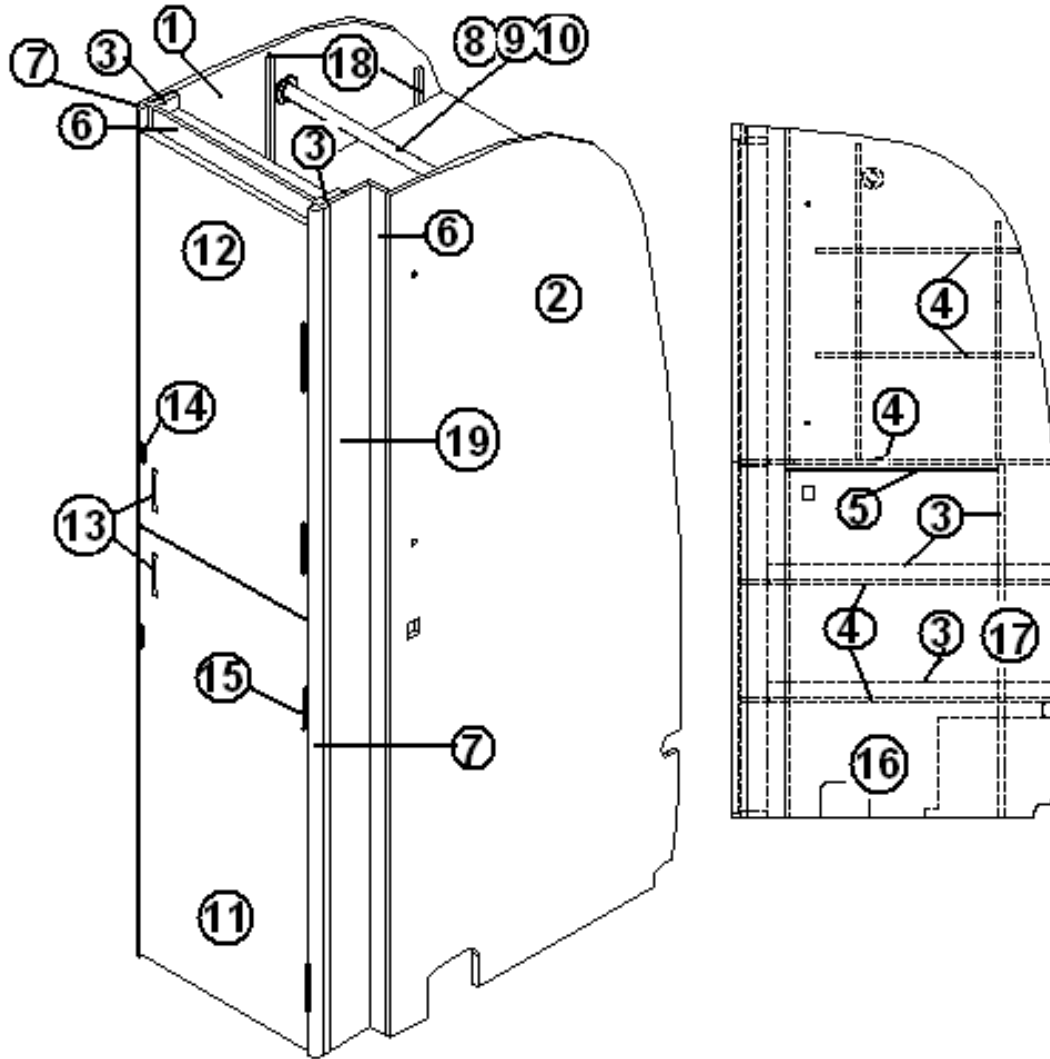


- | | |
|--------------|--|
| 966072 | CABINET, ASSEMBLY, REFER |
| 1. 801500-09 | PANEL, FWD REFER CABINET, |
| 2. 965736 | STAND ASSEMBLY, REFER28'S/O |
| 3. 381830 | WIPER-RUBBER 1.125" X 2" |
| 4. 801368 | PANEL, WHITELINER/WHITELINER |
| 5. 801383-01 | PANEL, TRP OAK/WHITE LINER |
| 6. 801392 | PANEL, WHITELINER/WHITELINER |
| 7. 800507-02 | LAUAN, 1/4" X 4' X 8' |
| 8. 800507-03 | LAUAN, 3/8" X 4' X 8' |
| 9. 801393-01 | CORNER TRIM, TROPICAL OAK |
| 365268-01 | EDGE BANDING-.024"X 1.13" TROPICAL OAK |
| 365268-03 | EDGE BANDING-.024"X .63" TROPICAL OAK |

2005 SAFARI- BAMBI

FURNITURE, GALLEY

Wardrobe, Curbside, Mid 30'



Part Numbers on the Next Page

2005 SAFARI- BAMBI

FURNITURE, GALLEY

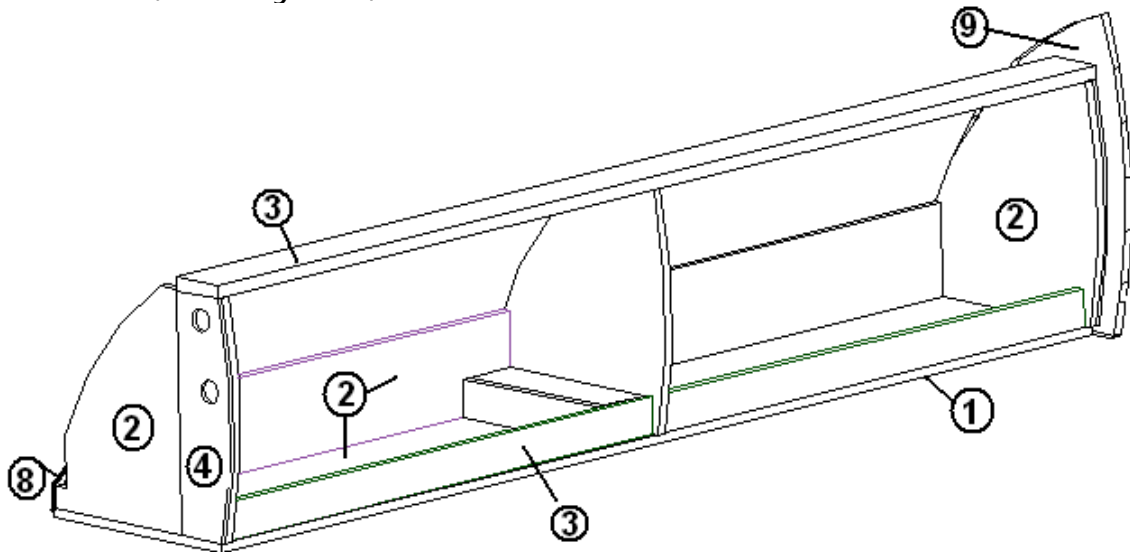
Wardrobe, Curbside, Mid 30'

966073	WARDROBE ASSEMBLY, CS MID 30'
1. 801500-10	PANEL, -FWD W/R
2. 801500-11	PANEL, -AFT W/R
3. 801368	PANEL, WHITELINER/WHITELINER
4. 801392	PANEL, WHITELINER/WHITELINER
5. 800507-02	LAUAN, 1/4" X 4' X 8'
6. 801383-01	PANEL, TRP OAK/WHITE LINER
7. 801393-01	CORNER TRIM, TROPICAL OAK
8. 380046	FLANGE CHROME
9. 380045	TUBING 3/4" ELECTRICAL METALLIC
10.200975-04	CONDUIT, FLEXIBLE BLACK PLASTIC
11. 801341-99	DOOR, W/R 18" X 36.75"
12.801341-100	DOOR, W/R 18" X 40"
13.381865	PULL-BAR BRUSH NICKEL
14.381228-01	CATCH GRABBER DOOR
15.381607	HINGE ASSEMBLY,
16.203419	BOX STORAGE, 23"L X 16.75"W X 11.88
17.203439	STORAGE BOX, 17"L X 11.13"W X 6.38"
18.381527	SHELF STRIPS SPEEDY
19.801500-16	PANEL,, AFT W/R FWD
365268-01	EDGE BANDING-.024"X 1.13" TROPICAL OAK
365268-03	EDGE BANDING-.024"X .63" TROPICAL OAK

2005 SAFARI- BAMBI

FURNITURE, GALLEY

Roof Locker, Galley 30', 28' W

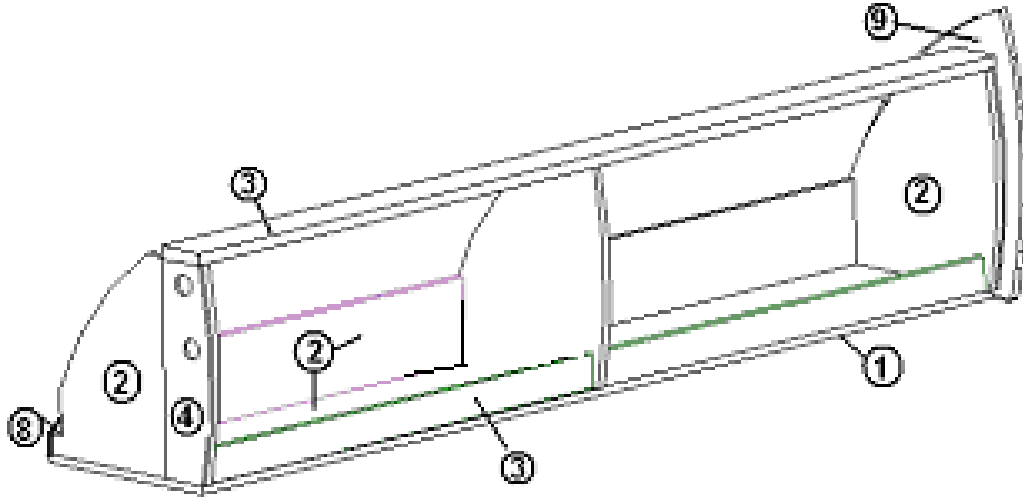


- 966042 ROOFLOCKER, GALLEY
1. 801383-01 PANEL, TRP OAK/WHITE LINER
 2. 801392 PANEL, WHITELINER/WHITELINER
 3. 801376-01 PANEL, TROPICAL.OAK/WHITE LINER
 4. 800507-02 LAUAN, 1/4" X 4' X 8'
 5. 965551-02 DOOR-RADIUS FOAM 15.25" X 31.63
 6. 381840-01 HINGE-OVERHEAD SPRING LH #372.
 7. 381840-02 HINGE-OVERHEAD SPRING RH #372.
 8. 115085 ANGLE ALUMINUM, ROOFLOCKERS
 9. 965587 END CAP ASSEMBLY
- 345276-04 SCREW HEX HD. CAP 1/4-20 X 1
350147-25 NUT, NYLON LOCK, 1/4-20
365268-01 EDGE BANDING-.024"X 1.13"

2005 SAFARI- BAMBI

FURNITURE, GALLEY

Roof Locker, Dinette 30'

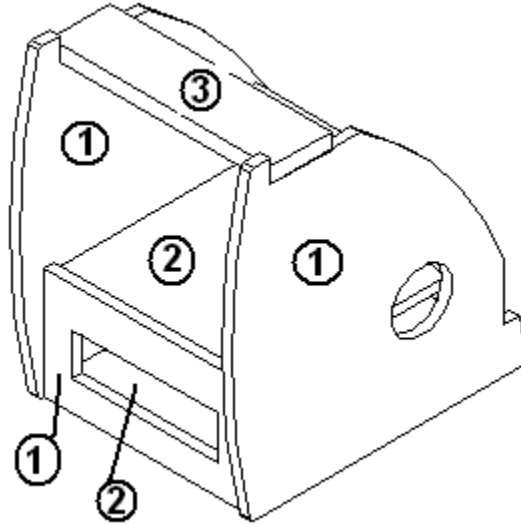


- | | |
|--------------|--------------------------------------|
| 966042-01 | ROOFLOCKER, GALLEY |
| 1. 801383-01 | PANEL, TRP OAK/WHITE LINER |
| 2. 801392 | PANEL, WHITELINER/WHITELINER |
| 3. 801376-01 | PANEL, TROPICAL.OAK/WHITE LINER |
| 4. 800507-02 | LAUAN, 1/4" X 4' X 8' |
| 5. 965551-02 | DOOR-RADIUS FOAM 15.25" X 31.63 |
| 6. 381840-01 | HINGE-OVERHEAD SPRING LH #372. |
| 7. 381840-02 | HINGE-OVERHEAD SPRING RH #372. |
| 8. 115085 | ANGLE ALUMINUM, ROOFLOCKERS |
| 9. 965587 | END CAP ASSEMBLY |
| 345276-04 | SCREW HEX HD. CAP 1/4-20 X 1 |
| 350147-25 | NUT, NYLON LOCK, 1/4-20 |
| 365268-03 | EDGEBANDING-.024"X .63" TROPICAL OAK |
| 365268-01 | EDGEBANDING-.024"X 1.13" |

2005 SAFARI- BAMBI

FURNITURE, GALLEY

Cabinet, Radio, 30'

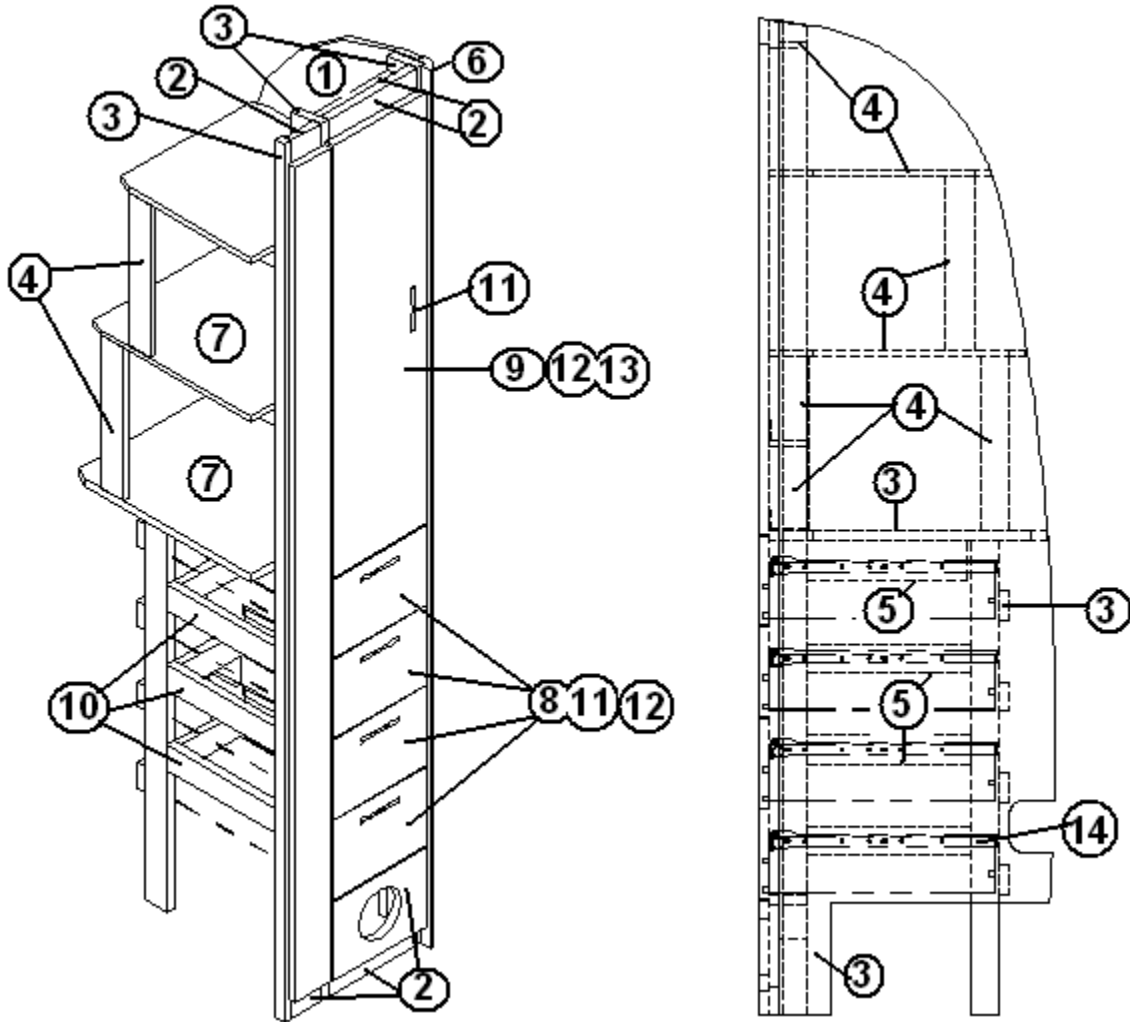


- | | |
|--------------|------------------------------------|
| 966103 | CABINET, RADIO, 30' |
| 1. 801381-01 | PANEL, TROPICAL OAK/TRP OAK |
| 2. 801383-01 | PANEL, TRP OAK/WHITE LINER |
| 3. 801395 | PANEL, TROPICAL OAK/TROPICAL OAK |
| 365268-01 | EDGEBANDING-.024"X 1.13" TROP. OAK |
| 365268-03 | EDGEBANDING-.024"X .63" TROP. OAK |

2005 SAFARI- BAMBI

FURNITURE, GALLEY

Cabinet, Pantry, 30'



Part Numbers on the Next Page

2005 SAFARI- BAMBI

FURNITURE, GALLEY

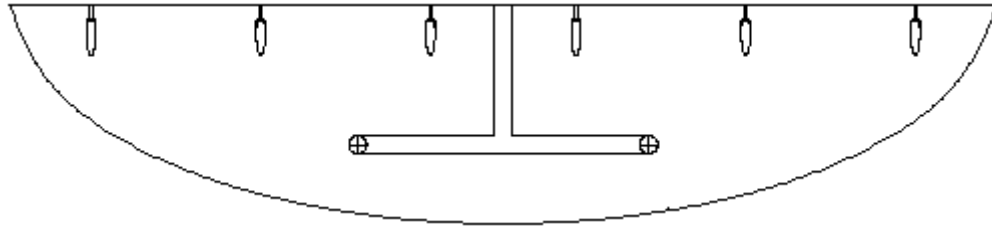
Cabinet, Pantry, 30'

966057	CABINET, PANTRY, 30'
1. 801500-01	PANEL. FORWARD PANTRY
2. 801376-01	PANEL, OAK/WHITE LINER
3. 801368	PANEL, WHITELINER/WHITELINER
4. 801392	PANEL, WHITELINER/WHITELINER
5. 801351	LITE PLY-18MM (.75") 4' X 8'
6. 801393-01	CORNER TRIM, TROPICAL OAK
7. 115083	SHELF EDGE - FORMED
8. 801341-102	DOOR-PANTRY 9.75" X 7"
9. 801341-103	DOOR-PANTRY 9.75" X 39.38"
10. 965553-03	DRAWER BOX, 4.38" X 7.88" X 17"
11. 381865	PULL-BAR BRUSH NICKEL
12. 381228-01	CATCH GRABBER DOOR
13. 381607	HINGE ASSEMBLY
14. 381773-11	DRAWER SLIDE-4.63" X 18.5" (PAIR)
365268-01	EDGE BANDING-.024"X 1.13" OAK
365238-04	EDGE BANDING TAPE PVC 5/8" C.WHITE
203434	SPACER, PLASTIC .75" DOOR SLIDE

2005 SAFARI- BAMBI

FURNITURE, GALLEY

Shelf Assembly, Valance 30'



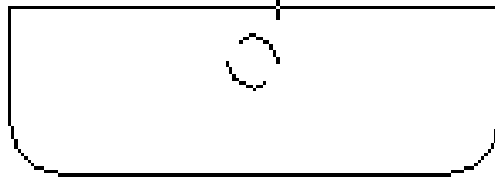
966107
115177

SHELF ASSEMBLY, VALANCE 30'
TRIM-COUNTER TOP 1.25" ALUMINUM

2005 SAFARI- BAMBI

FURNITURE, GALLEY

Table, Galley Flip Up, 30'

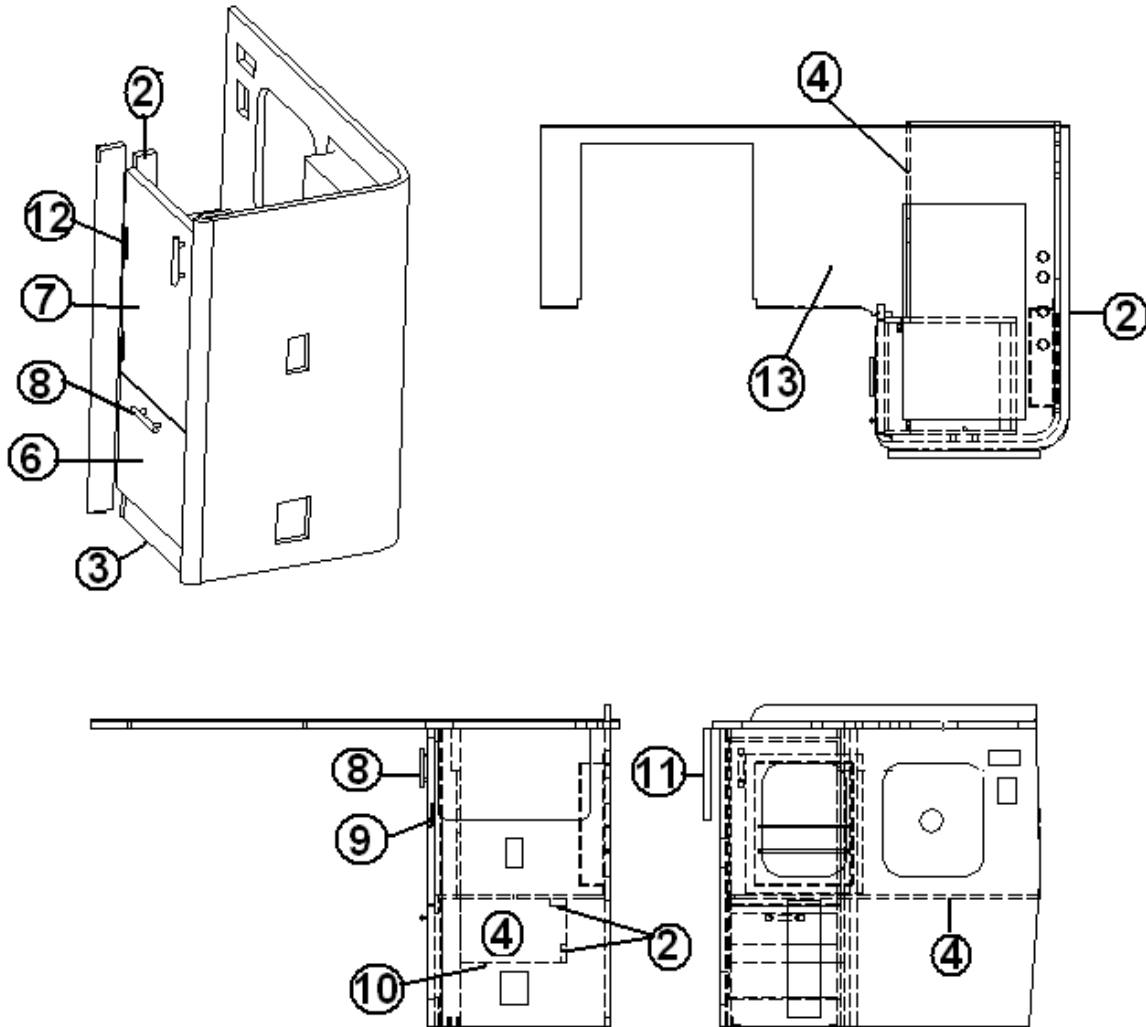


966106	FLIP TABLE- 6" X 18"
966106-01	FLIP TABLE- 18" X 18"
381855	PULL, DRAWER RECESSED
380492-01	SUPPORT ROD-TABLE 11", FORMED
340018	CATCH PLATE J-1
380040	HINGE SOSS INVISIBLE L & R HAND
380037	RETAINER SPRING LOCK
380038	EYELET LOCK GS 5 10 BRASS
381228-01	CATCH GRABBER DOOR
380458	HINGE PIANO BROWN ANODIZED
115042	ROD-.25" ALUMINUM, 6' LENGTH
365268-01	EDGE BANDING-.024"X 1.13", OAK
365268-03	EDGE BANDING-.024"X .63", OAK

2005 SAFARI- BAMBI

FURNITURE, GALLEY

Galley, Sink Section, 25' Front Bed



Part Numbers On The Next Page

2005 SAFARI- BAMBI

FURNITURE, GALLEY

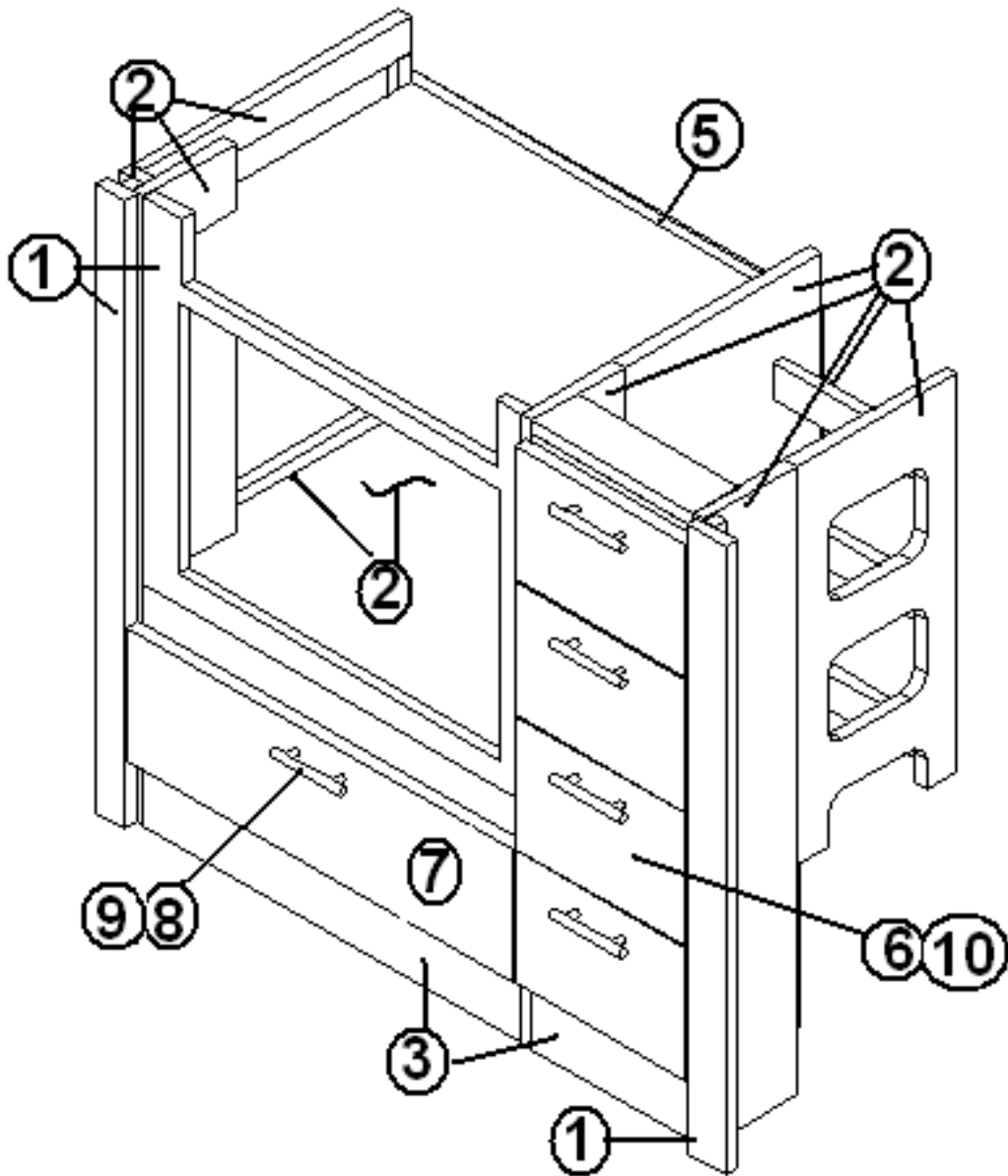
Galley, Sink Section, 25' Front Bed

966224	GALLEY ASSY, Oak
966224-01	GALLEY ASSY, Graphite
1. 801376-01	PANEL, OAK/WHITE 18M
2. 801368	PANEL, WHITE/WHITE 1
3. 801383-01	PANEL, OAK/WHITE 1
4. 801392	PANEL, WHITE/WHITE 12MM
5. 801393-01	CORNER TRIM-90D 1" RADIUS OAK
6. 801341-53	DOOR-GALLEY 11.38" X 11.25"
7. 801341-54	DOOR-GALLEY 11.38" X 19.75"
8. 381865	PULL-BAR BRUSH NICKEL
9. 381228-01	CATCH GRABBER DOOR
10. 965558-02	DWR BOX ASSY, 8.00" X 11.5" X 14"
11. 965581	SHELF GALLEY FLIP UP, OAK
11. 965581-01	SHELF GALLEY FLIP UP, GRAPHITE
12. 381607	HINGE ASSY-GRASS EURO-SAFARI
13. 966222	TOP ASSY-GALLEY WHITE
13. 966222-01	TOP ASSY-GALLEY GRAPHITE
365268-01	EDGEBANDING-.024"X 1.13" OAK
365267	EDGEBANDING-1.13" .024 PLY
381614	FOLDING SHELF BRACKET
965715	BACKSPLASH ASSY-GALLEY
365271	EDGEBANDING-1.125" PVC SILICON
381773-21	DRAWER SLIDE, 8.38" X 15.75"
115064	TRIM-ALUM COUNTER

2005 SAFARI- BAMBI

FURNITURE, GALLEY

Galley, Oven Section, 25' Front Bed



Part Numbers On The Next Page

2005 SAFARI- BAMBI

FURNITURE, GALLEY

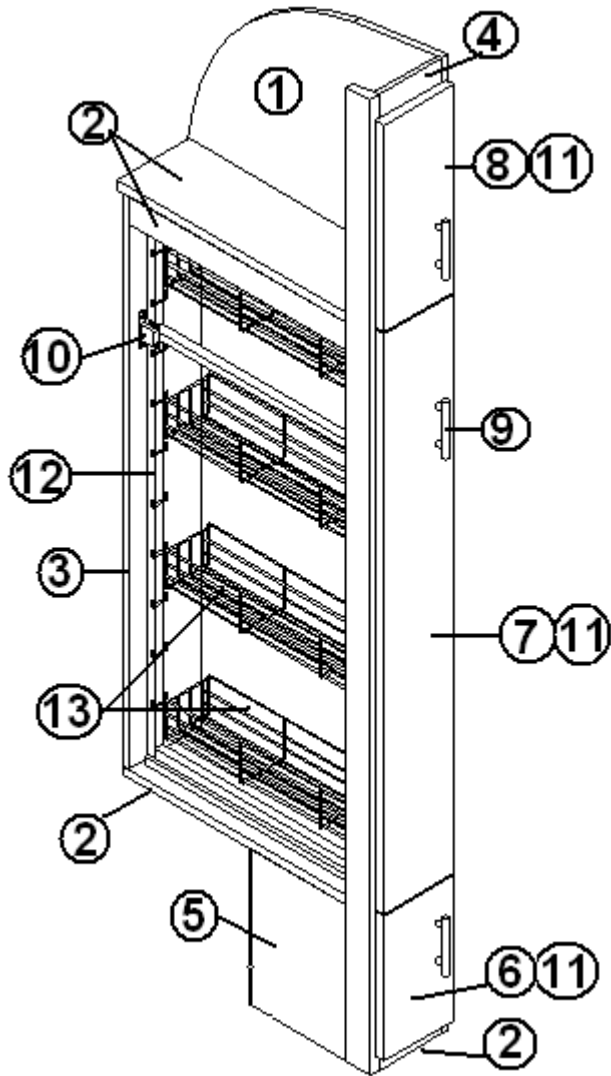
Galley, Oven Section, 25' Front Bed

966223	GALLEY OVEN
966223-01	GALLEY CONVECTION MICROWAVE
1. 801376-01	PANEL, OAK/WHITE 18MM
2. 801368	PANEL, WHITE/WHITE
3. 801383-01	PANEL, OAK/WHITE
4. 801392	PANEL, WHITE/WHITE 12MM
5. 801438	PANEL, WHITE VINYL/RAW
6. 801341-52	DOOR-GALLEY 11.13" X 7.5"
7. 801341-129	DOOR-GAL 25.13"X7.5"
8. 381865	PULL-BAR BRUSH NICKEL
9. 381228-01	CATCH GRABBER DOOR
10. 965560-02	DRAWER BOX ASSY-5.63"X 9.25"X 14"
365267	EDGE BANDING-1.13" .024 PLY
365268-01	EDGE BANDING-.024" X 1.13" OAK
365268-03	EDGE BANDING-.024" X .63" OAK
381773-15	DRAWER SLIDE-5.875" X 15.75"
203383	RACK-MAGAZINE ABS INT
115042	ROD-.25" ALUM 6' LENGTH
203387	POCKET-RECESSED FIRE EXT.BRKT.
381653	LATCH-SINGLE TOUCH BLACK XLLY
381654	HINGE-NON BORE GLASS DR.BLACK
381707	STRIKE W/PULL-GLASS DOOR BLACK
365238-04	EDGE BANDING TAPE PVC 5/8" C.WH
371391	DOOR-GLASS 11.56"X 13.06" GAL
203440	T MOLDING-BLACK EMBOSSED .8125

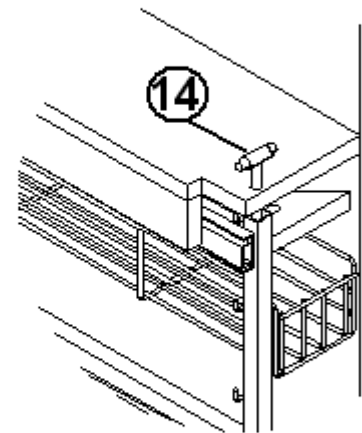
2005 SAFARI- BAMBI

FURNITURE, GALLEY

Pantry Cabinet, 25' Front Bed



Travel Lock



Part Numbers On The Next Page

2005 SAFARI- BAMBI

FURNITURE, GALLEY

Pantry Cabinet, 25' Front Bed

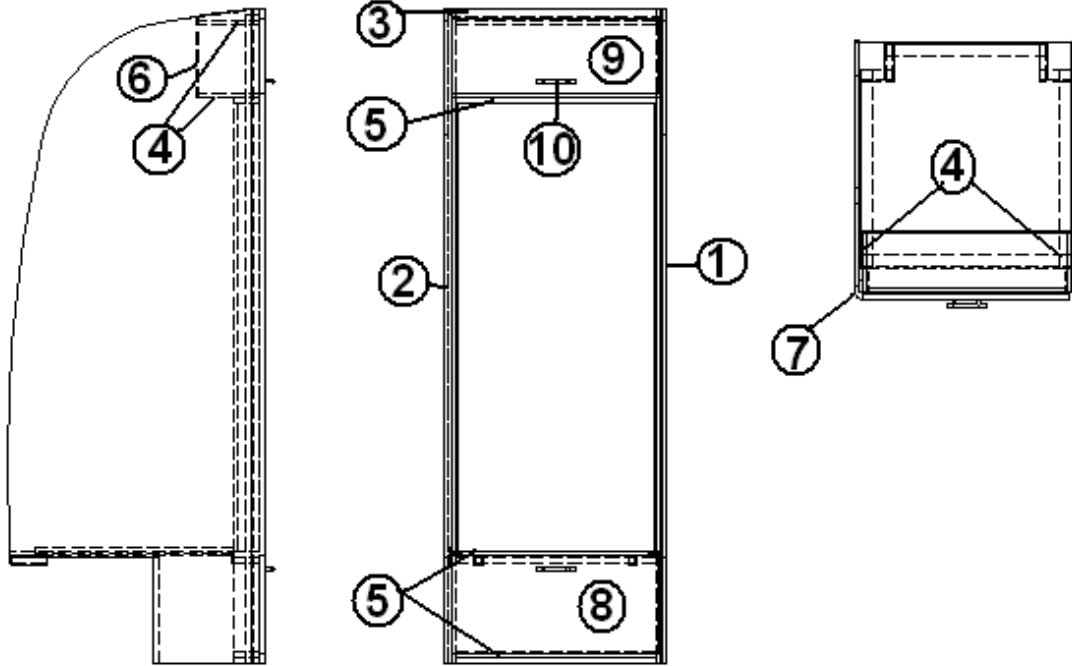
966250	CABINET ASSY- PANTRY
1. 801548-08	PANEL, AFT PANTRY
2. 801368	PANEL, WHITE/WHITE
3. 801392	PANEL, WHITE/WHITE 12MM
4. 801383-01	PANEL, OAK/WHITE
5. 801438	PANEL, WHITE VINYL/RAW 2.7MM
6. 801341-137	DOOR-PANTRY 6.5"X 11.63"
7. 801341-138	DOOR-PANTRY 6.5" X 46.25"
8. 801341-139	DOOR-PANTRY 6.5"X 16.5"
9. 381865	PULL-BAR BRUSH NICKEL
10. 381228-01	CATCH GRABBER DOOR
11. 381607	HINGE ASSY
12. 381551-01	PANTRY RACK 1.5"W X 45"H WHITE
13. 381551-02	WIRE BASKET 4" WIDE WHITE
14. *04190	DUMP VALVE HANDLE 19 EXT THETFORD
14. 381408	Push button latch.
365268-03	EDGE BANDING-.024" X .63" OAK
365268-01	EDGE BANDING-.024" X 1.13" OAK

*Changed to 381408 during model year.

2005 SAFARI- BAMBI

FURNITURE, GALLEY

Refrigerator Cabinet, 25' Front Bed

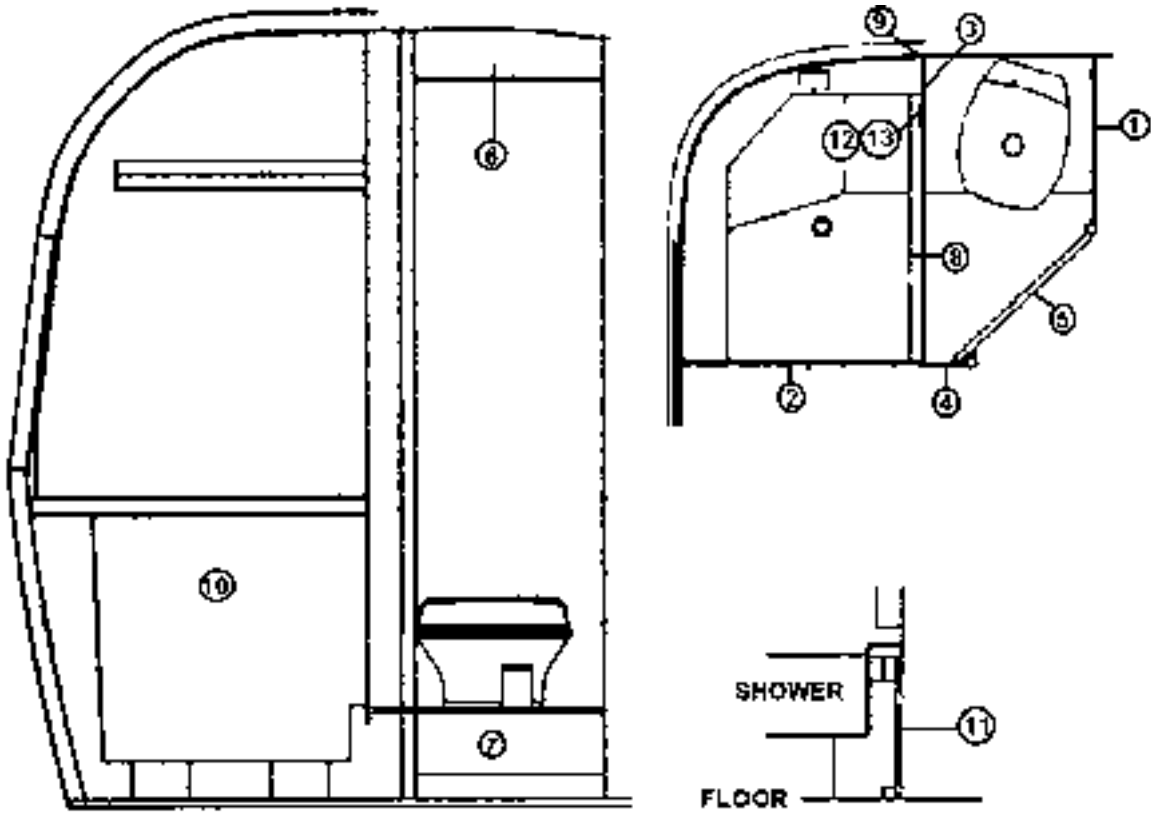


966239	CABINET ASSY- REFER
1. 801548-02	PANEL, AFT REFER
2. 801548-03	PANEL, AFT REFER
3. 801383-01	PANEL, OAK/WHITE 1
4. 801392	PANEL, WHITE/WHITE 12MM
5. 801368	PANEL, WHITE/WHITE 1
6. 801438	PANEL, WHITE VINYL/RAW
7. 801393-017	CORNER TRIM 90DEG. 1" RADIUS
8. 801341-57	DOOR-REFER CAB.24.81" X 11.29"
9. 801341-69	DOOR-REFER 24.81" X 8.88"
10. 381865	PULL-BAR BRUSH NICKEL
381607	HINGE ASSY
381228-01	CATCH GRABBER DOOR
365268-01	EDGE BANDING-.024" X 1.13" OAK
365268-03	EDGE BANDING-.024" X .63" OAK
965573	STAND-REFER

2005 SAFARI- BAMBI

FURNITURE, BATH

Bath Module 19', 25' Sleep Six

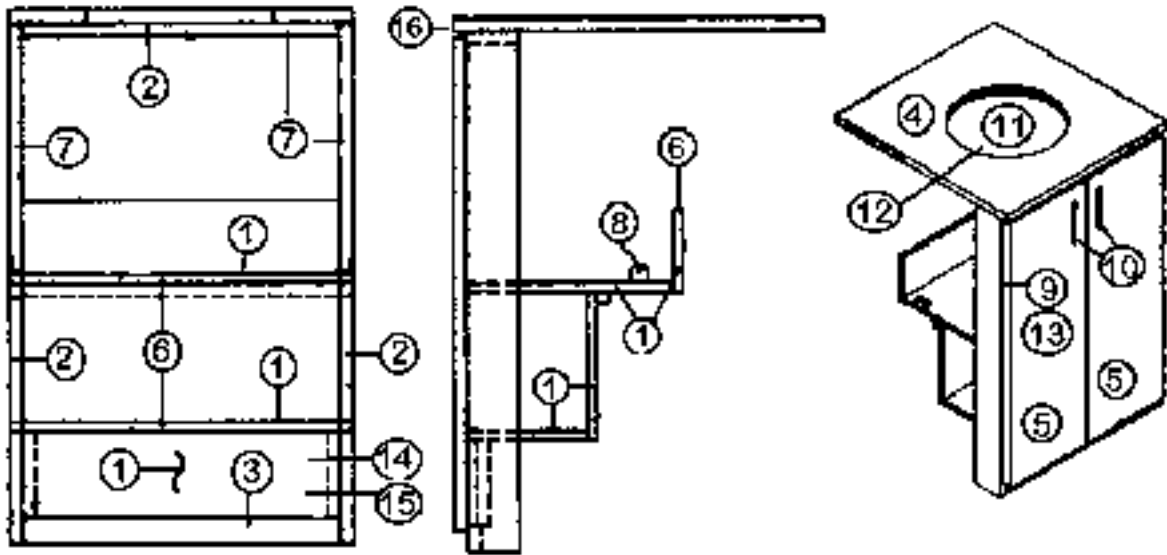


- | | |
|---------------|---|
| 1. 801380-01 | Panel, forward bath |
| 2. 801380-02 | Panel, aft bath |
| 3. 801380-03 | Panel, bath divider |
| 4. 801394-016 | Jamb, bath door, RS-CS |
| 5. 966047 | Door assembly, 25.50" X 72.00" |
| 6. 965564 | Header, bath door |
| 7. 965838 | Toilet stand assembly |
| 8. 702937-03 | Shower door, roll away, 62" x 36" |
| 9. 203138-03 | Extrusion, plastic, wall |
| 10. 203114 | Shower, 2 piece, fiberglass |
| 11. 965565-01 | Closeout, toe kick, shower |
| 12. 801506 | PANEL, ASCOT SAND/RAW .5" X 4' X 8' |
| 13. 365268-01 | EDGEBANDING-.024"X 1.13", OAK |
| 690495 | TOILET THETFORD AQUAMAGIC V-LOW PROFILE |

2005 SAFARI- BAMBI

FURNITURE, BATH

Lavatory Cabinet, 19', 25' Sleep Six



2005 SAFARI- BAMBI

FURNITURE, BATH

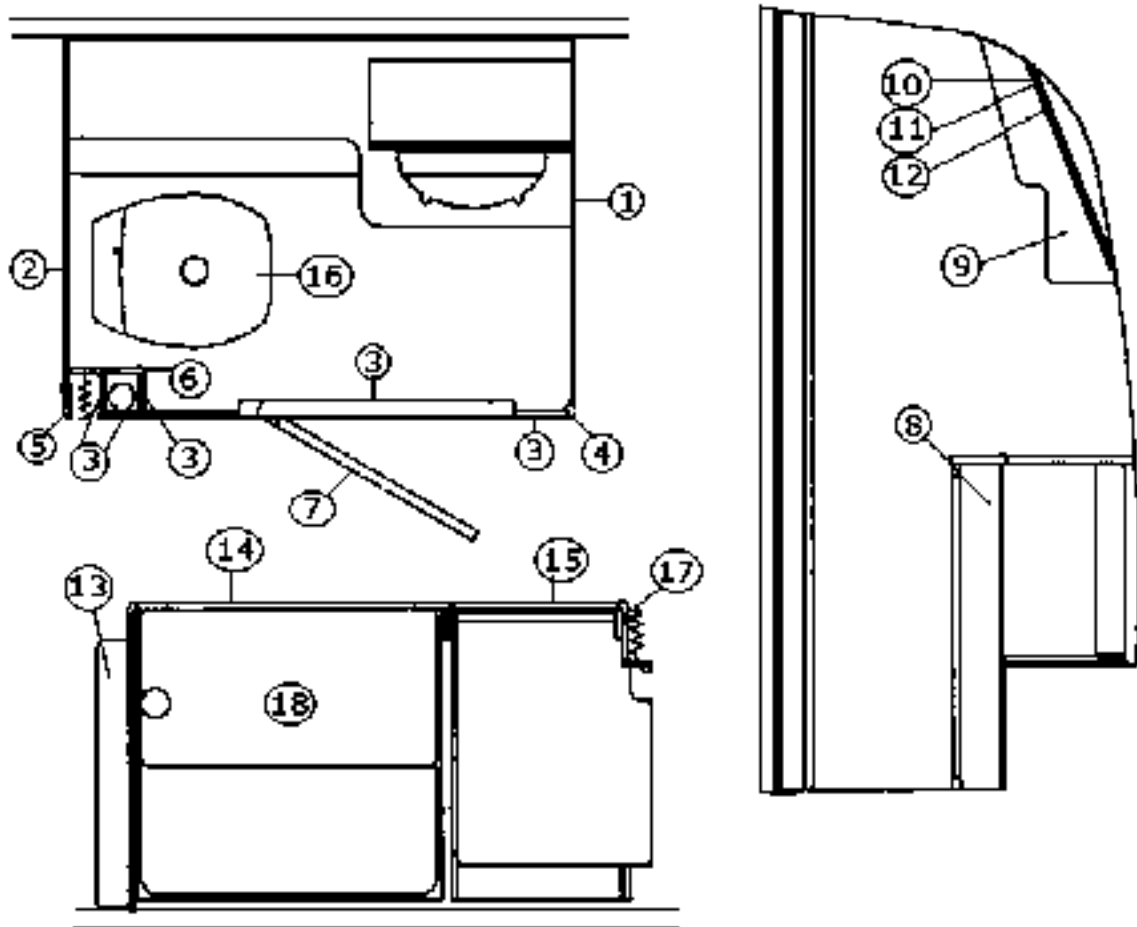
Lavatory Cabinet, 19', 25' Sleep Six

965568-01	Lavatory Cabinet, Graphite, Oval sink
965568-02	Lavatory Cabinet, White, Oval sink
965568-03	Lavatory Cabinet, white, round sink
965568-04	Lavatory Cabinet, Graphite, round sink
801392	Paneling, White/White 12 MM
1. 801438	PANEL, FROST WHITE VINYL/RAW
2. 801376-01	Paneling, Tropical Oak/White, 4' x 8'
3. 801385-01	Lavy top, Graphite, used w/oval sink
4a. 801385-01	Lavy top, Amarillo, Midnight Sun w/oval sink
4b. 801385-02	Lavy top, used w/round sink, white
4d. 801610	Lavy top, used w/round sink, CSA units, white
4e. 801610-01	Lavy top, used w/round sink, CSA units, Amarillo, Midnight Sun
4. 801341-18	Door, 9.50" x 28.38"
5. 365238-04	Edge tape, PVC, 5/8" Colonial White
6. 365271	Edge tape, PVC Silicon, 1.125"
7. 381607	Hinge assembly, Grass European
10. 381865	Handle, drawer/door
11. 203410	SINK, LAVY 10" X 15" OVAL
11. 601804-01	SINK-LAVY YUKON ROUND, CSA Units Only
12. 601767-02	TAILPIECE, CHROME LAVY
13. 381609-02	Screw, Hafele European, #9-1"
14. 381610-01	Cover cap, plastic, European White
15. 381228-01	Door/drawer grabber catch
16. 801369	PANEL, FROSTWHITE/WHITE LINER
381074	CATCH BULL DOG

2005 SAFARI- BAMBI

FURNITURE, BATH

Bath Module 28' S/O



Part Numbers on the Next Page

2005 SAFARI- BAMBI

FURNITURE, BATH

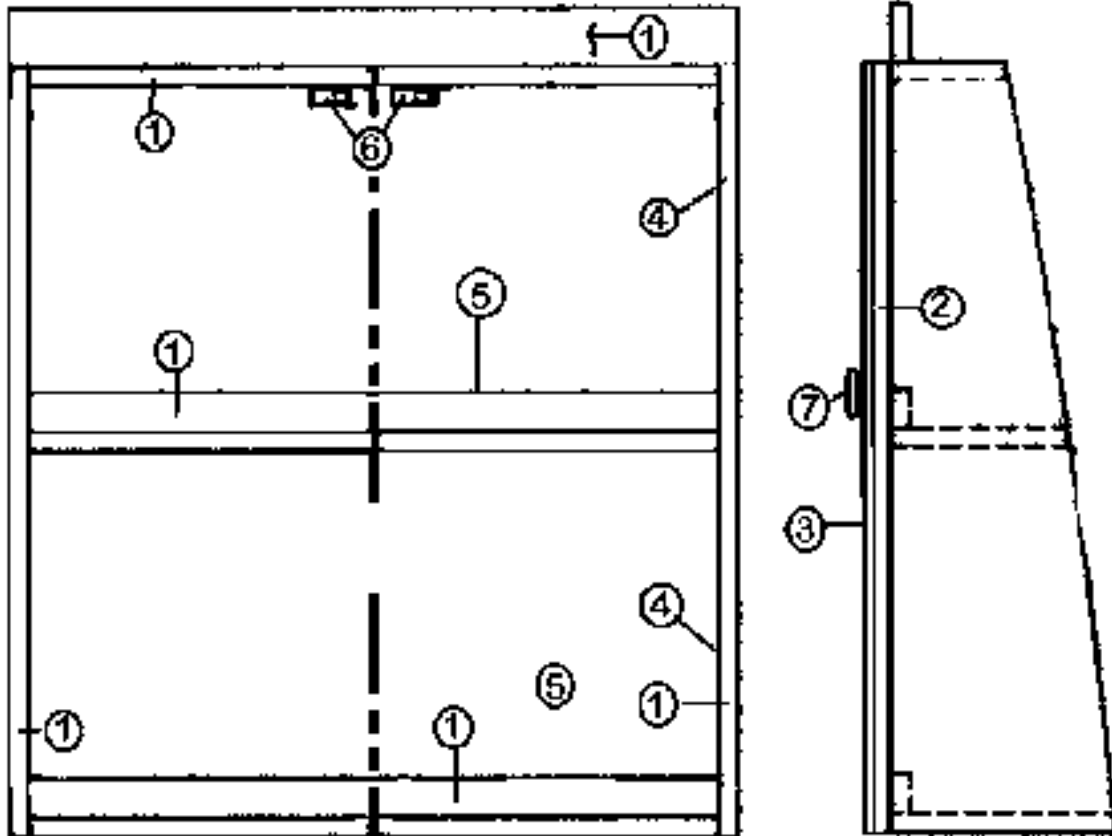
Bath Module 28' S/O

1. 801424-04 PANEL-FORWARD STOOL ROOM
2. 801424-05 PANEL-AFT STOOL ROOM
3. 801409 PANEL-TROP. OAK LAM/ARTIC VINYL 12MM
4. 801415-007 CORNER TRIM 1" RADIUS
5. 801393-016 CORNER TRIM 90DEG. 1" RADIUS
6. 801172-07 MOLDING, CORNER ASCOT SAND 8'
7. 965567 DOOR ASSY-"C" BATH 25.50" X 72.00"
8. 965652 CABINET ASSY-LAVY
9. 965714 CABINET-MEDICINE ASSY
10. 372203-30 MIRROR-SAFETY 14"H X 30"W
11. 381220-01 MIRROR CLIP,#309NP NICKEL PLATED
12. 381220-02 MIRROR CLIP,#318NP NICKEL PLATED
13. 965761 CLOSEOUT ASSY-AFT SHOWER
14. 965649 COMP. ASSY-SHOWER
15. 965650 WARDROBE ASSY-CS
16. 690495-01 TOILET THETFORD AQUAMAGIC V HI
17. 702681-03 DOOR FOLDETTE 46" X 73" BEIGE
18. 203081-01 SHOWER STALL-2 PC FIBERGLASS
- 365268-03 EDGE BANDING-.024"X .63" OAK
- 365238-04 EDGE BANDING TAPE PVC 5/8" C. WHITE
- 702306-03 SHOWER DOOR SILVER

2005 SAFARI- BAMBI

FURNITURE, BATH

Medicine Cabinet, Lower, 25' Sleep Six, 19'

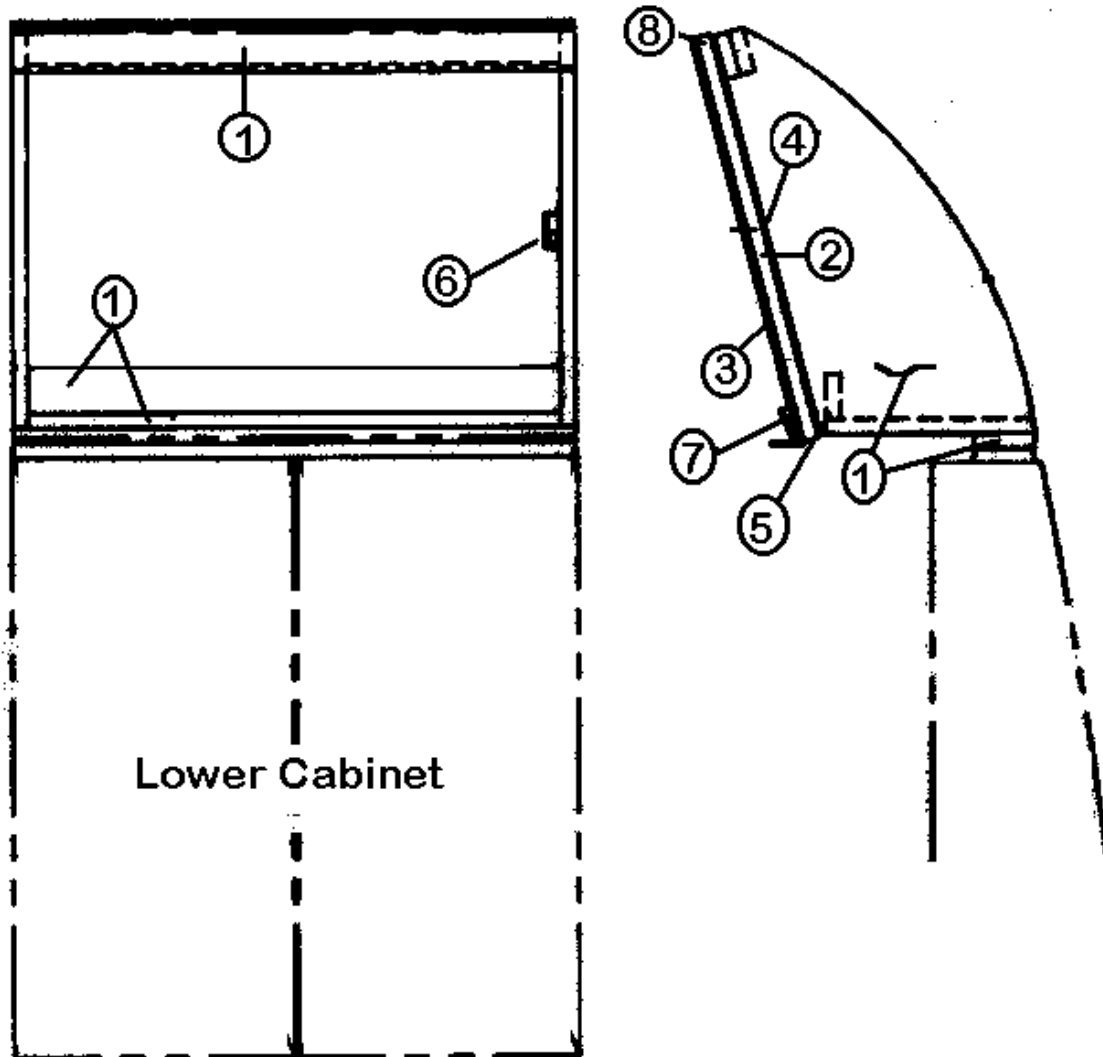


- | | |
|--------------|-------------------------------------|
| 965570 | Medicine Cabinet Assembly, Lower |
| 1. 801392 | PANEL, WHITELINER/WHITELINER |
| 2. 801383-01 | Paneling, Tropical Oak/White |
| 3. 372203-24 | Glass, safety mirrored, 9.50" x 20" |
| 4. 385935-01 | Hinge, pivot, zinc plated |
| 5. 365238-03 | Edge tape, white, .625" |
| 6. 381228 | Door/drawer grabber catch |
| 7. 381835 | Handle, chrome/brass, door/drawer |

2005 SAFARI- BAMBI

FURNITURE, BATH

Medicine Cabinet, Upper, 19', 25' Sleep Six, 19'

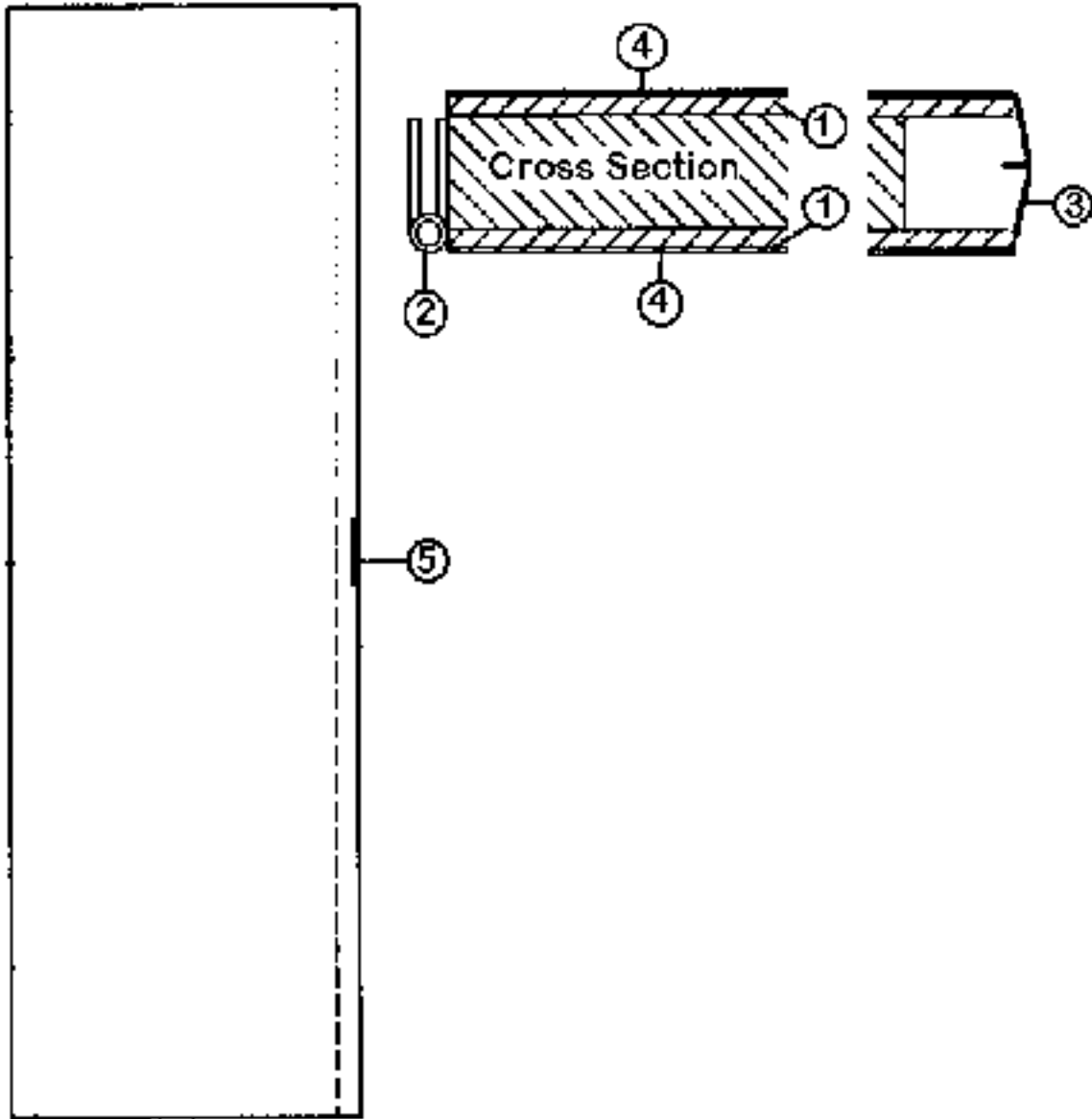


- | | |
|--------------|-----------------------------------|
| 965569 | Medicine Cabinet Assembly, Upper |
| 1. 801392 | PANEL, WHITELINER/WHITELINER |
| 2. 801368 | WHITELINERER/WHITELINERER |
| 3. 372203-05 | Glass, safety mirrored, 19" x 14" |
| 4. 385935-01 | Hinge, pivot, zinc plated |
| 5. 365238-04 | EDGEBANDING TAPE PVC 5/8" WHITE |
| 6. 381228-01 | Door/drawer grabber catch |
| 7. 381835 | Handle, chrome/brass, door/drawer |
| 8. 365234 | QUICK TACK EVER SEAL TAPE |

2005 SAFARI- BAMBI

FURNITURE, BATH

Door, Bath, 25' A, B, FB, 28' S/O, 28' W, 30'

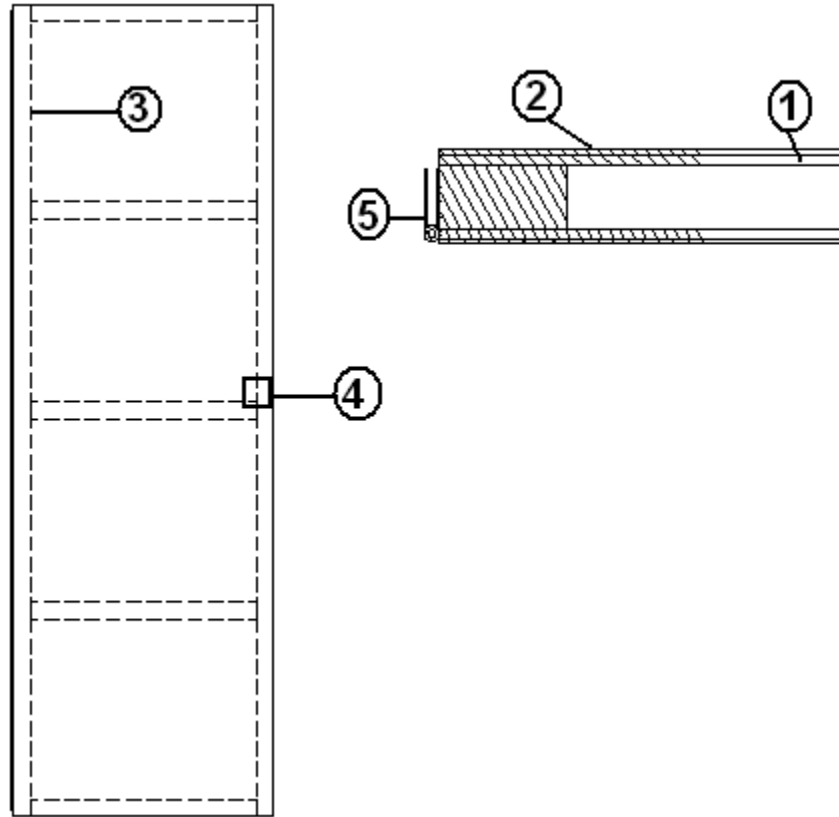


- | | |
|--------------|--|
| 965567 | Door Assembly, "C" bath, 25.50" X 72.00" |
| 966409 | Door Assembly, "C" bath, 24" X 72.00" |
| 1. 800507-01 | Luan |
| 2. 380458 | Hinge, piano, brown anodized |
| 3. 365268-04 | Edge tape, .024" x 1.25", Tropical Oak |
| 4. 801343-01 | Laminate, Tropical Oak |
| 5. 381771 | Latch, privacy, lever lock set |

2005 SAFARI- BAMBI

FURNITURE, BATH

Door, Corner Bath, 19', 25' Sleep Six

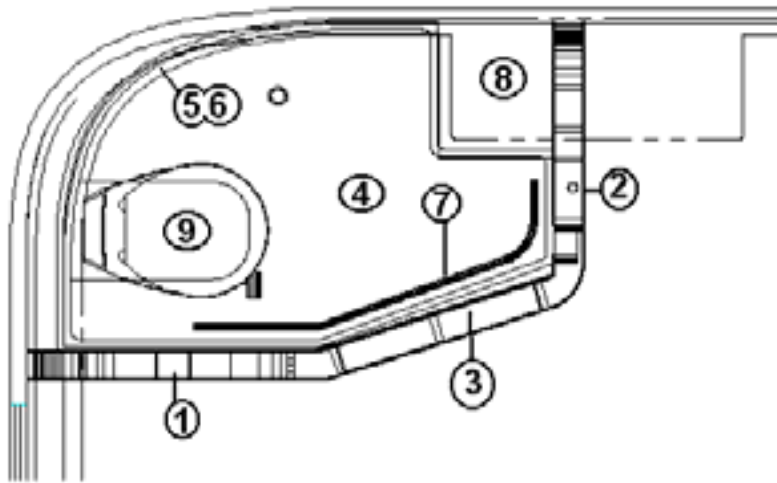


- | | |
|--------------|---|
| 966047 | DOOR, "C" BATH, 25' Sleep Six |
| 1. 800507-01 | LAUAN, 1/8" X 4' X 8' |
| 2. 801343-01 | LAMINATE, TROPICAL OAK, 4' X 8', VERTICAL |
| 3. 800507-06 | LAUAN-.75" X 4' X 8' |
| 4. 381771 | LATCH-LEVER LOCKSET PRIVACY |
| 5. 380458 | HINGE PIANO BROWN ANODIZED |
| 365268-04 | EDGE BANDING-.024" X 1.25" TROP |

2005 SAFARI- BAMBI

FURNITURE, BATH

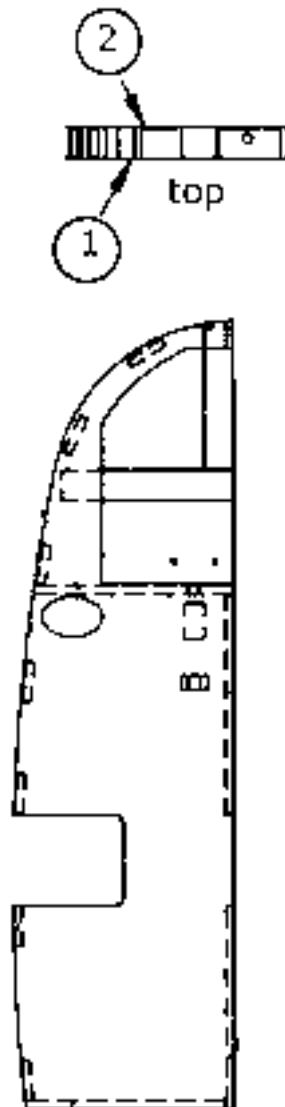
BATH LAYOUT, 22'



- | | |
|--------------|---------------------------|
| 1. 965505 | Bath Wall Left, |
| 2. 965506 | PANEL-BATH WALL RIGHT |
| 3. 965507 | BATH WALL, CENTER |
| 4. 203298 | SHOWER PAN |
| 5. 203328-01 | SHOWER SURROUND-UPPER |
| 6. 203328-02 | SHOWER SURROUND-LOWER |
| 7. 703132-01 | CURTAIN-SHOWER |
| 8. 601804-01 | SINK, YUKON, ROUND |
| 9. 690472 | TOILET, CHINA, HI-PROFILE |
| 203379 | ROOF MATERIAL FIBERGLASS |
| 203328-03 | MED CABINET SURROUND |
| 100097 | EXTR. ALUM CURTAIN TRACK |

2005 SAFARI- BAMBI

BATH WALL RIGHT, 22'



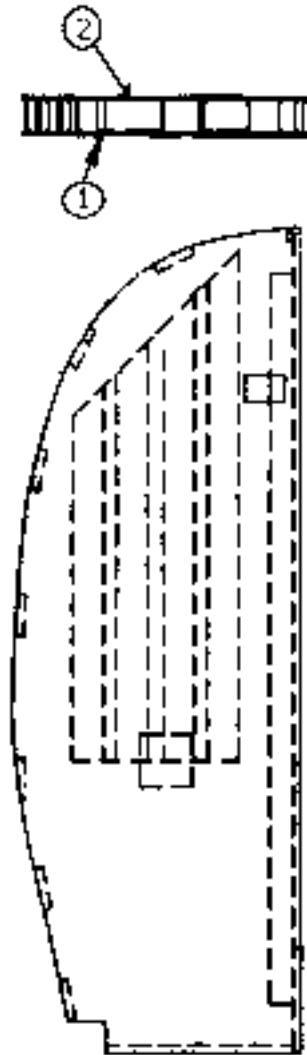
- | | |
|--------------|-------------------------------|
| 965506 | Bath Wall Right, 22 Ft. Model |
| 1. 801364-01 | Panel, right side, inner |
| 2. 801363 | Panel, right side, outside |
| 203335 | TRIM-H BLACK 1/8" DIVIDER |

Note: For replacement, Item 1 will be shipped loose and then glued to item 2 after item 2 is installed in trailer.

2005 SAFARI- BAMBI

FURNITURE, BATH

BATH WALL LEFT, 22', 965505



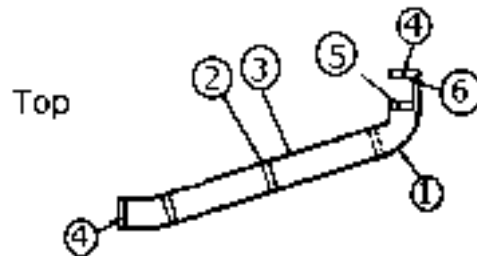
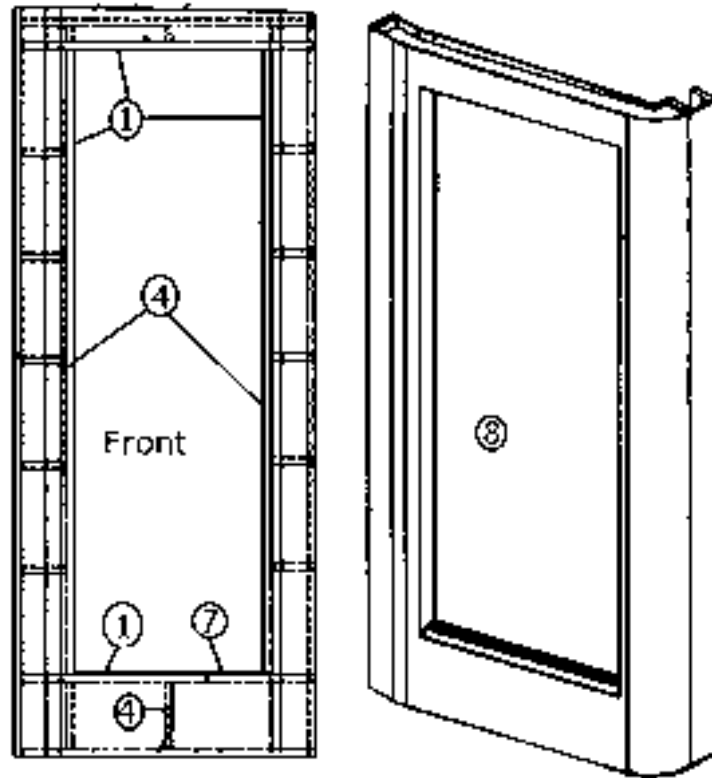
- 1. 801362-01 Panel, left side, outside, model
- 2. 801350 Panel, left side, inside
- 203379 ROOF MATL.FIBERGLASS-SMOOTH 10
- 203335 TRIM-H BLACK 1/8" DIVIDER

Note: Item 1 will be loose from item 2 when shipped, Install item 1 and glue and staple item 2 in place.

2005 SAFARI- BAMBI

FURNITURE, BATH

BATH WALL CENTER/DOOR, 22'

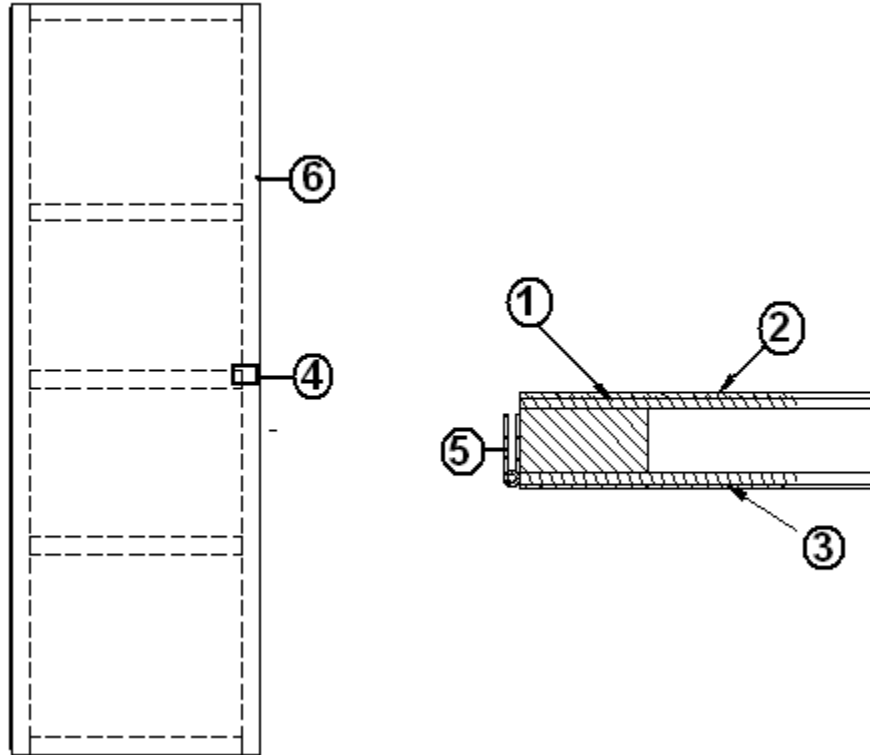


- | | |
|--------------|---------------------------|
| 965507 | BATHWALL CENTER, 22', |
| 1. 801343-01 | Panel, Oak 4' X 8' |
| 2. 800507-01 | Lauan, 1/8" |
| 3. 203379 | Fiberglass roof material |
| 4. 800498 | Poplar, 1" common |
| 5. 850072 | Poplar, 3/4" X 2.5" |
| 6. 380041 | Brace, Stanley corner, 1" |
| 7. 201666 | Molding, J-3/16", plastic |
| 8. 965512-01 | Bath door assembly |
| 800581-046 | HARDWOOD-13/16 X 2.5" |

2005 SAFARI- BAMBI

FURNITURE, BATH

Door, Bath 22'

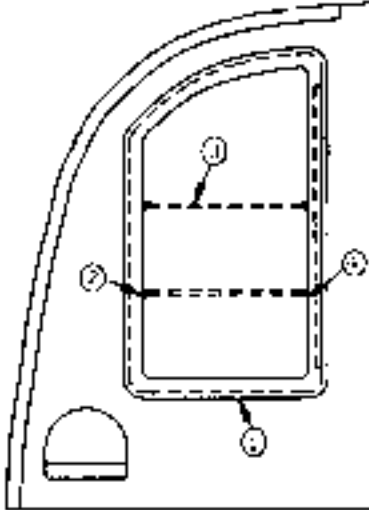


- | | |
|--------------|-----------------------------|
| 965512-01 | Door, Bath 22' |
| 1. 800507-01 | LAUAN, 1/8" X 4' X 8' |
| 2. 801355-01 | PANEL, FROST WHITE 4' X 8' |
| 3. 801343-01 | PANEL, OAK 4' X 8' |
| 4. 381771 | LATCH-LEVER LOCKSET PRIVACY |
| 5. 380458 | HINGE PIANO BROWN ANODIZED |
| 6. 365268-04 | EDGE BANDING-.024" X 1.25" |

2005 SAFARI- BAMBI

FURNITURE, BATH

MEDICINE CABINET, 22'

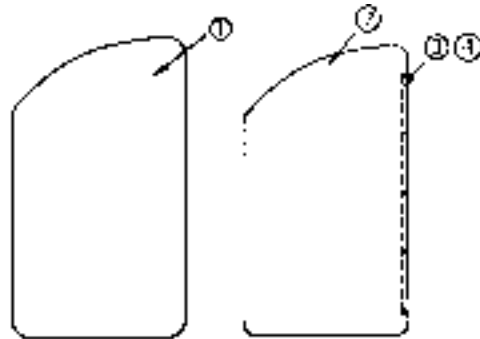


- | | |
|-----------|-----------------------------------|
| 965546 | Medicine Cabinet Assembly, 22' |
| 1. 965542 | Medicine cabinet mirror assembly |
| 2. 203285 | Self edging, "F" trim |
| 3. 203330 | Acrylic sheet, frosted .25" |
| 4. 381610 | Cover cap, plastic European white |
| 203416 | SHELF ACRYLIC .25" |
| 381610-01 | COVER CAP PLAS. EUROPEAN WHITE |

2005 SAFARI- BAMBI

FURNITURE, BATH

MEDICINE CABINET MIRROR ASSEMBLY, 22'

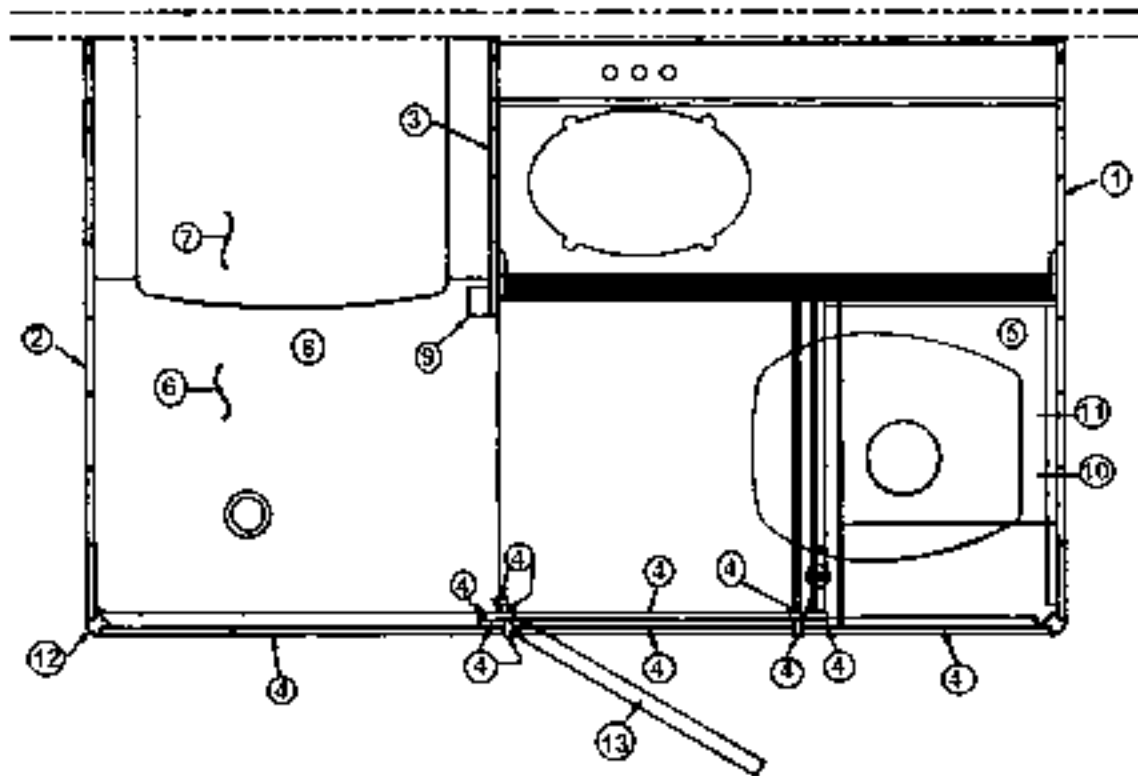


- | | |
|-----------|---------------------------------------|
| 965542 | Medicine Cabinet Mirror Assembly, 22' |
| 1. 371383 | Medicine cabinet radius mirror |
| 2. 454009 | Mirror backing plate |
| 3. 380988 | Hinge, continuous .5 in. leaf, 16 in. |
| 4. 325035 | Chicago rivets |
| 5. 365222 | Tape, double-coated, .08" x 3/4" |

2005 SAFARI- BAMBI

FURNITURE, BATH

Bath Module 25' A & B

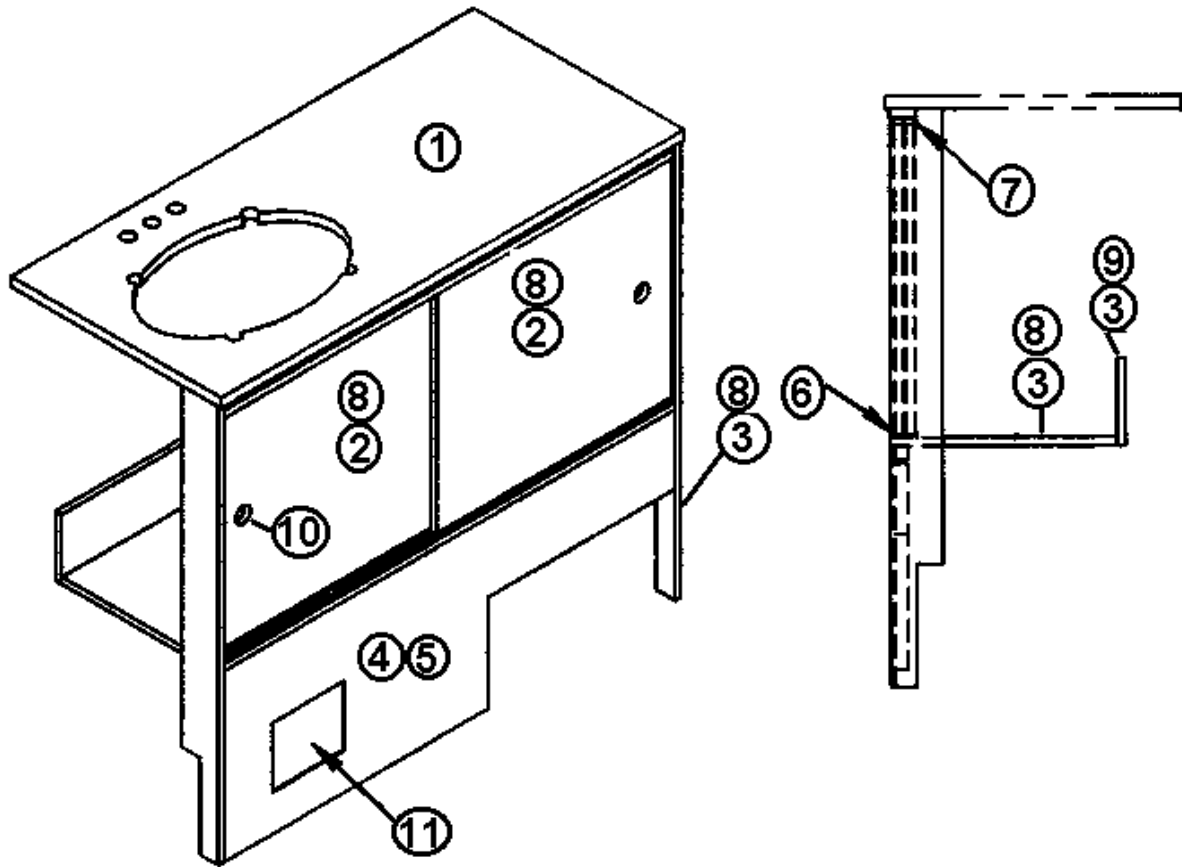


- | | |
|----------------|---------------------------------|
| 1. 801380-13 | Panel, Fwd, bath |
| 2. 801380-14 | Panel, Aft, bath |
| 3. 801380-15 | Panel, Middle, bath |
| 4. 801510 | PANEL, OAK/ASCOT 12MM |
| 5. 965901 | Toilet stand |
| 6. 964226 | Shower stand assembly |
| 7. 970028 | Shower seat support |
| 8. 201980 | Shower stall, fiberglass, 2 pc. |
| 9. 702937-03 | Shower door, Mylar roll-up |
| 10. 365268-03 | Edge tape, Tropical Oak, .625" |
| 11. 365238-04 | Edge tape, White, 5/8" wide |
| 12. 801415-007 | Corner trim, 1" radius |
| 13. 965567 | Bath door assembly |

2005 SAFARI- BAMBI

FURNITURE, BATH

Lavatory Cabinet, 25' A & B



2005 SAFARI- BAMBI

FURNITURE, BATH

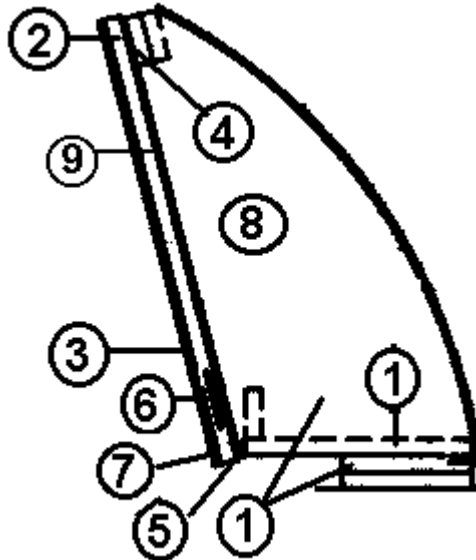
Lavatory Cabinet, 25' A & B

965671-01	Lavatory, 25', Amarillo, Midnight Sun, oval sink
965671-02	Lavatory, 25', Amarillo, White, oval sink
965671-03	Lavatory, 25', White w/ round sink
965671-04	Lavatory, 25', Amarillo, Midnight Sun w/round sink
1. 801414-01	Top assembly, used w/oval sink, graphite
1. 801414-02	Top assembly, used w/oval sink, white
1. 801611	Top assembly, used w/round sink, white, CSA
1. 801611-01	Top assembly, used w/round sink, graphite, CSA
2. 801369	PANEL, FROSTWHITE/WHITE LINER
2. 801377	PANEL, GRAPHITE/REX 4' X 8' 18", Amarillo, Midnight Sun
3. 801392	Paneling, White/White 12 MM
4. 800507-01	Luan, 1/8" x 4' x 8'
5. 801383-01	Paneling, Tropical Oak/White liner, 12mm
6. 200963-01	Track, sliding door, vanity, upper
7. 200963-02	Track, sliding door, vanity, lower
8. 365268-03	Edge tape, Tropical Oak, .625"
8. 365273	EDGEBANDING GALAXY GRAPHITE, Amarillo, Midnight Sun
9. 365238-04	Edge tape, White, 5/8" wide
10. 381839	KNOB-CHROME/BRASS 1.25"
11. 600969-01	Register, 4" x 6", sand
203410	SINK-STAINLESS STEEL LAVY 10" X 15", OVAL
601804-01	SINK-LAVY YUKON ROUND
381228-01	CATCH GRABBER DOOR

2005 SAFARI- BAMBI

FURNITURE, BATH

Medicine Cabinet, 25' A & B

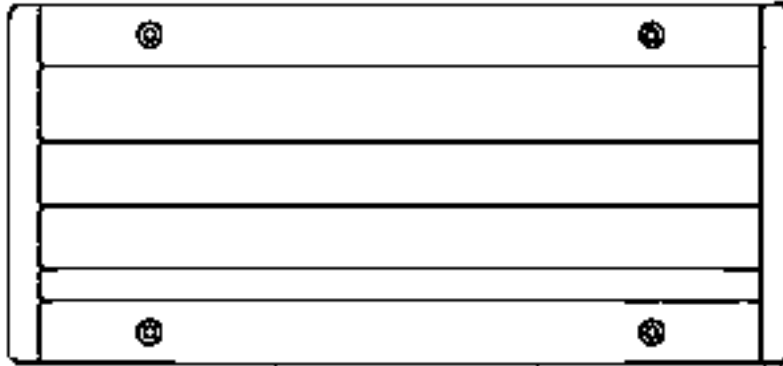


- | | |
|--------------|--|
| 965676 | Medicine Cabinet Assembly |
| 1. 801392 | PANEL, WHITELINER/WHITELINER |
| 2. 801368 | PANEL, WHITELINER/WHITELINER |
| 3. 372203-04 | Mirror, 36" x 14" |
| 4. 385935-01 | Hinge, pivot |
| 5. 365238-04 | Edge Tape, 5/8", colonial white |
| 6. 381228 | Grabber door catch |
| 7. 381835 | Handle, chrome/brass, door/drawer |
| 8. 801355-01 | Laminate, Frost White, 4' x 8', vertical |
| 9. 380024 | ARMS SUPPORT RIGHT HAND |

2005 SAFARI- BAMBI

FURNITURE, BATH

Spice Rack, 28' S/O

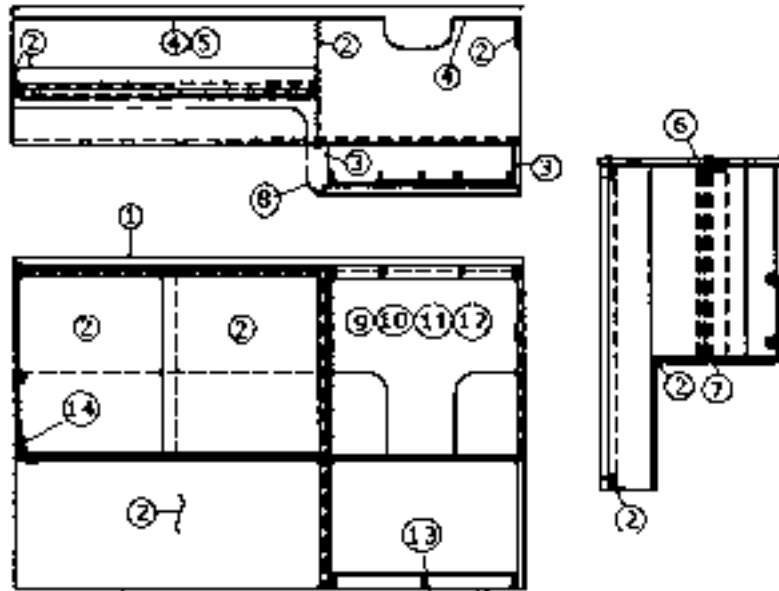


964532-006 Spice Rack, 20"

2005 SAFARI- BAMBI

FURNITURE, BATH

Lavatory Cabinet, 28' S/O



2005 SAFARI- BAMBI

FURNITURE, BATH

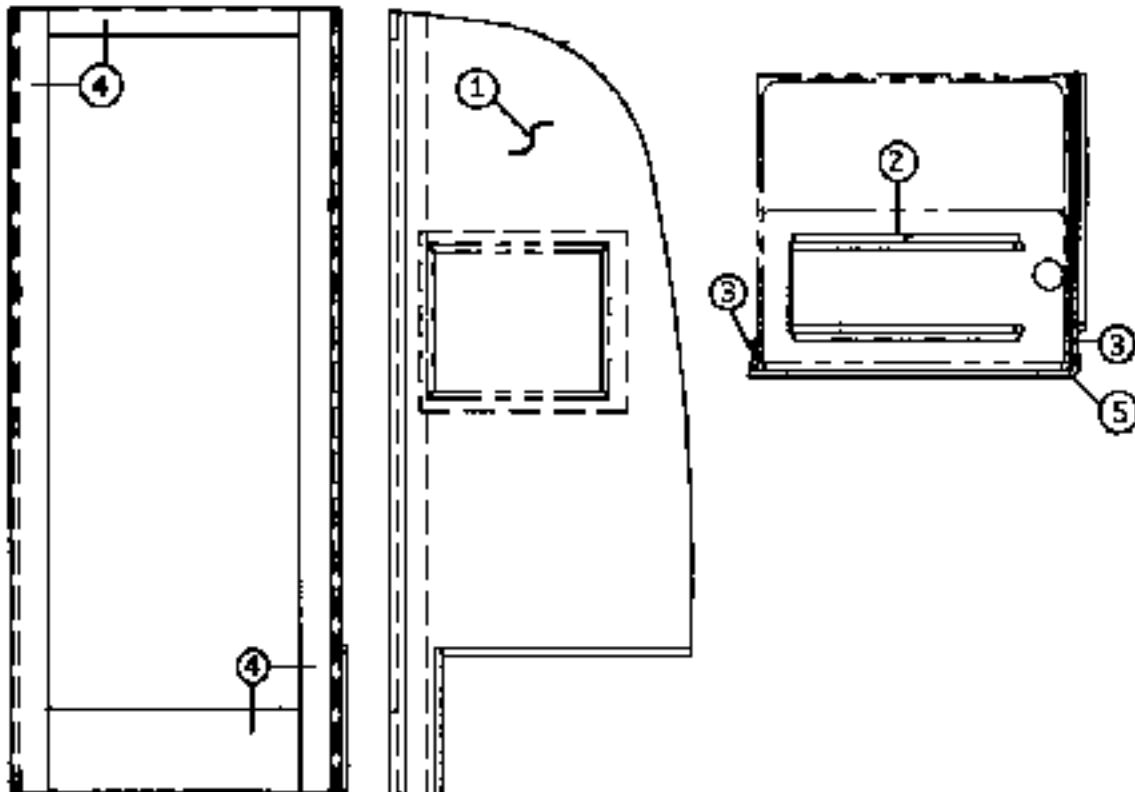
Lavatory Cabinet, 28' S/O

965652-01	Lavatory Cabinet, 28' S/O, graphite w/oval sink
965652-02	Lavatory Cabinet, 28' S/O, white w/oval sink
965652-03	Lavatory Cabinet, 28' S/O, white w/round sink
965652-04	Lavatory Cabinet, 28' S/O, graphite w/round sink
1. 965651-01	Top assembly, graphite, used w/oval sink
1. 965651-02	Top assembly, white, used w/oval sink
1. 801612	Top assembly, white, used w/round sink, CSA
1. 801612-01	Top assembly, graphite, used w/round sink, CSA
1. 801383-01	Panel, Tropical Oak/White liner
2. 801368	Panel, white Rexel/white Rexel
3. 801438	PANEL, FRONT WHITE VINYL/RAW
4. 801510	PANEL, OAK/ASCOT
5. 200963-01	Track, sliding door, upper
6. 200963-02	Track, sliding door, lower
7. 801393-016	Corner trim, 90 degree radius
8. 801341-56	Door
10. 381865	Door handle
11. 381228-01	Grabber catch, door
12. 381607	Hinge assembly
13. 380041	Brace, corner
14. 386141	Mounting angle
381796	Knob, hollow brass, nickel

2005 SAFARI- BAMBI

FURNITURE, BATH

Shower Compartment Assembly, 28' S/O

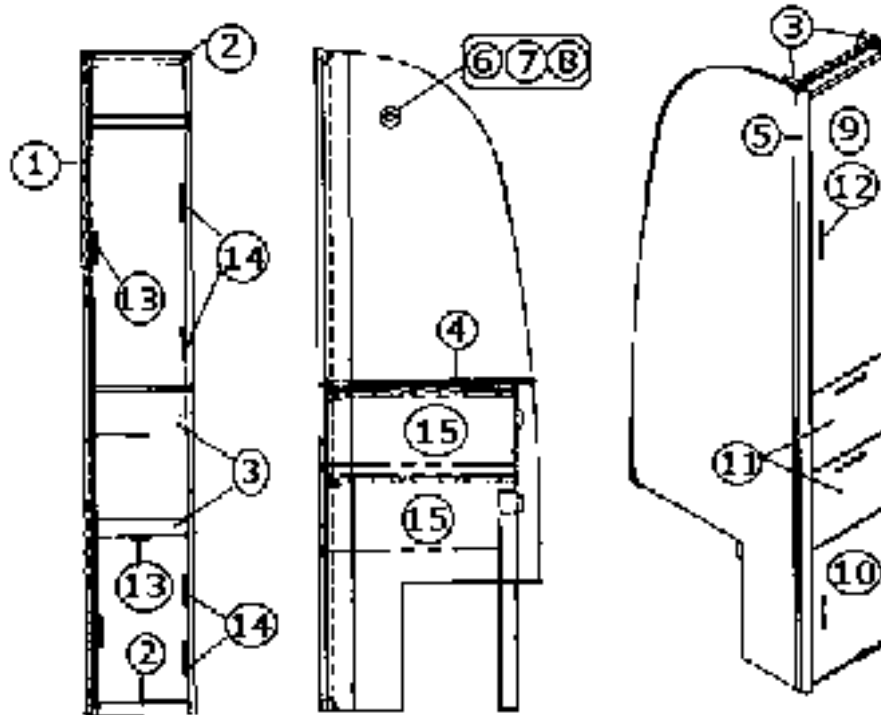


965649	Shower Compartment Assembly, 28' S/O
1. 801424-03	Panel, aft shower
2. 961916-01	Shower stand assembly
3. 801392	Panel, Tropical Oak/white liner, 12 mm
4. 801376-01	Panel, Tropical Oak/white liner, 18 mm
5. 801393-016	Corner trim, 90 degree, 1" radius
6. 203081	Shower stall, Pc.
7. 702306-03	Shower door, silver
8. 365268-01	Edge tape, .024" x 1.13", Tropical Oak
381832	SHELF-TV RECESSED

2005 SAFARI- BAMBI

FURNITURE, BATH

Wardrobe, w/Drawers, 28' S/O, 25' FB

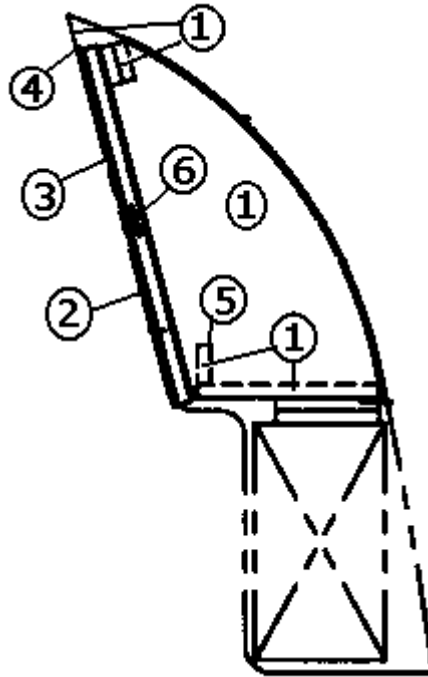


- | | |
|---------------|--|
| 965692 | Wardrobe Assembly, w/Drawers |
| 1. 801424-01 | Panel, Aft RS wardrobe |
| 2. 801383-01 | Panel, Tropical Oak/White liner |
| 3. 801368 | Panel, white Rexel/white Rexel |
| 4. 801392 | Panel, Tropical Oak/white liner, 12 mm |
| 5. 801393-016 | Corner trim, 90 degree radius |
| 6. 380046 | Chrome flange |
| 7. 380045 | Tubing, 3/4" metal |
| 8. 200975-04 | Conduit, black plastic |
| 9. 801341-45 | Door, 11.38" x 38.13" |
| 10. 801341-50 | Door, 11.38" x 17.00" |
| 11. 801341-51 | Door, 11.38" x 9.88" |
| 12. 381865 | Door handle |
| 13. 381228-01 | Grabber catch, door |
| 14. 381607 | Hinge assembly |
| 15. 965555-02 | Drawer box assembly |
| 16. 365268-01 | Edge tape, .024" x 1.13", Trop. Oak |
| 17. 365268-03 | Edge tape, Tropical Oak, .024" x .63" |
| 18. 203434 | Spacer plastic door slide |
| 381773-25 | DRAWER SLIDE-8.38"X 21.63" (PAIR) |

2005 SAFARI- BAMBI

FURNITURE, BATH

Medicine Cabinet, 28' S/O

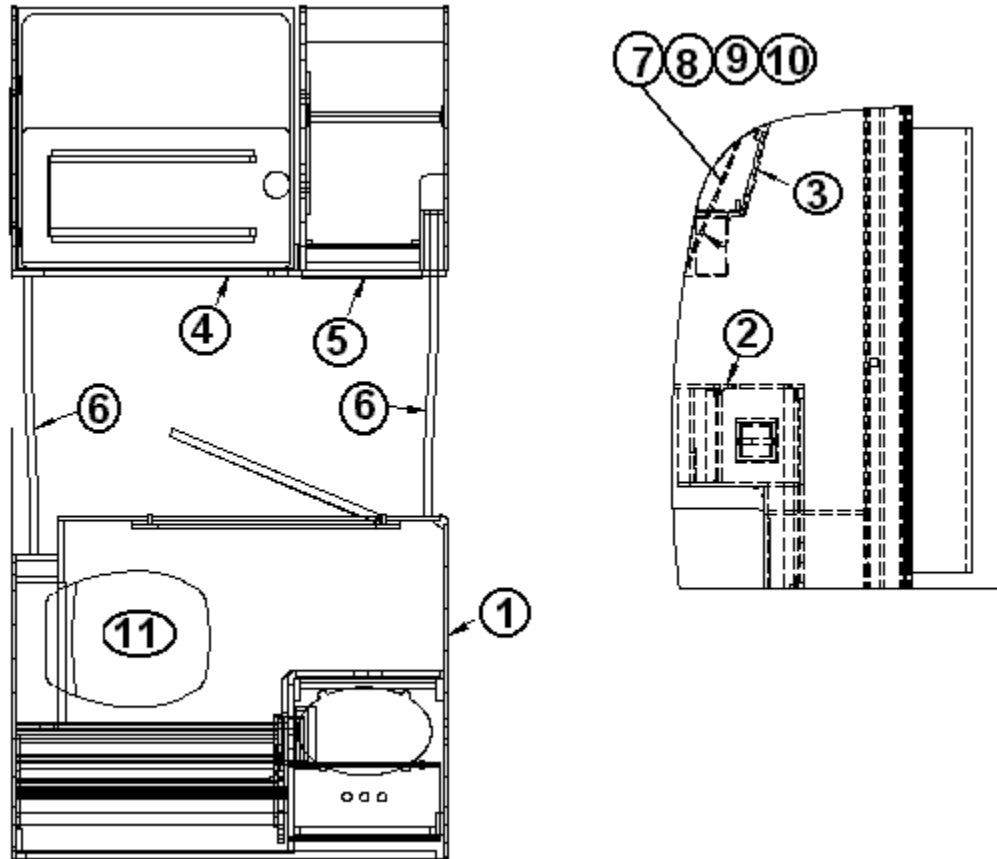


965714	Medicine Cabinet Assembly, 28' S/O
1. 801392	PANEL, WHITELINER/WHITELINER
2. 801368	PANEL, WHITELINER/WHITELINER
3. 372203-30	MIRROR-SAFETY 14" H X 30" W
4. 385935-01	HINGE PIVOT ZINC PLATED
5. 365238-04	EDGE BANDING TAPE PVC 5/8" C.WHITE
6. 381228-01	CATCH GRABBER DOOR C3-810
381835	Handle, chrome/brass, door/drawer
801438	PANEL, FRONT WHITE VINYL/RAW 2.7MM LA
801355-01	LAMINATE-FROST WHT 4' X 8'
381611-01	COSMETIC CABINET-30" REGAL
372203-14	MIRROR- POL EDGES- 21.00" X 22.00"
381220-01	MIRROR CLIP, NICKEL PLATE
381220-02	MIRROR CLIP, NICKEL PLATE
380024	ARMS SUPPORT RIGHT HAND
365268-03	EDGE BANDING-.024"X .63" TROP. OAK
365238-04	EDGE BANDING TAPE PVC 5/8" C. WHITE

2005 SAFARI- BAMBI

FURNITURE, BATH

Bath Module, 28' W

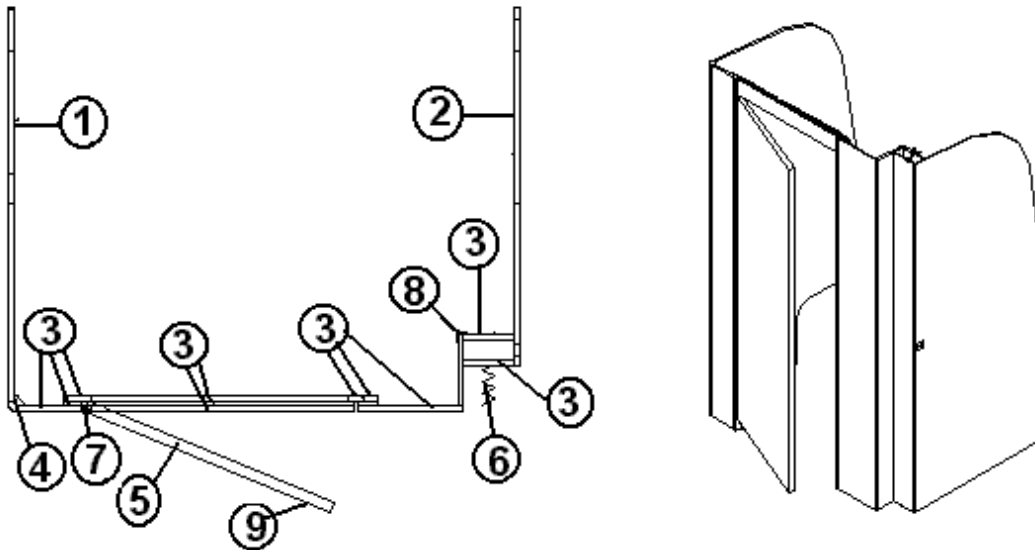


- | | |
|---------------|--|
| 1. 965874 | Bath module assembly |
| 2. 965875 | Lavy cabinet assembly |
| 3. 965714 | Medicine cabinet assembly |
| 4. 965856 | Shower compartment assembly |
| 5. 965848 | Wardrobe assembly |
| 6. 702681-03 | DOOR FOLDETTE 46" X 73" BEIGE |
| 7. 372203-15 | Mirror, polished edges, 17" x 25.25" |
| 8. 800507-02 | Luan, 1/4" |
| 9. 381220-01 | Mirror clip |
| 10. 381220-02 | Mirror clip |
| 11. 690495-01 | TOILET THETFORD AQUAMAGIC V HI PROFILE |

2005 SAFARI- BAMBI

FURNITURE, BATH

Bath Panels/Door, 28' W

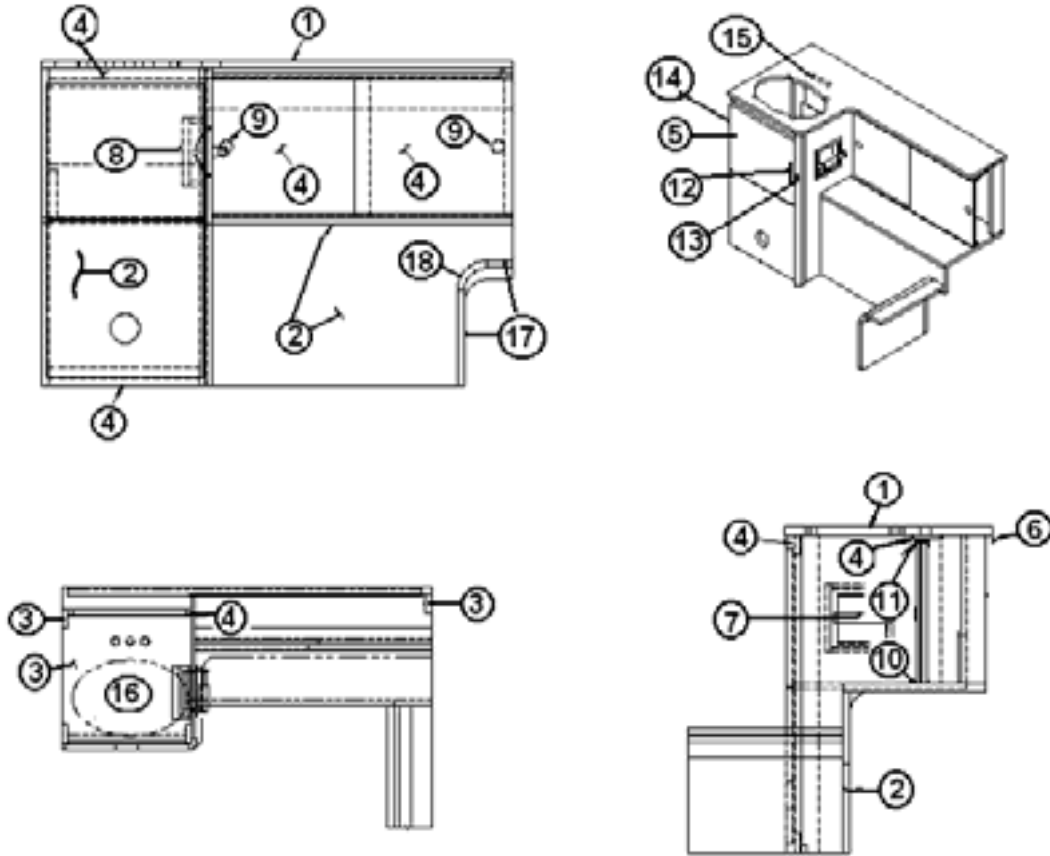


- | | |
|---------------|--|
| 1. 801454-07 | Panel, forward latrine |
| 2. 801454-08 | Panel, aft latrine |
| 3. 801510 | PANEL, OAK/ASCOT |
| 4. 801415-007 | Corner trim, 1" radius |
| 5. 965567 | Door assembly, 25.50" x 72.00" |
| 6. 702681-03 | DOOR FOLDETTE 46" X 73" BEIGE |
| 7. 380458 | Hinge, piano, brown anodized |
| 8. 801393-016 | Corner molding, Artic, 1.88" |
| 9. 381771 | Latch, privacy, lever lock set |
| 365268-03 | Edgebanding, PVC, Tropical Oak, 5/8" |
| 365238-04 | Edgebanding, Tape, PVC, 5/8", Colonial White |

2005 SAFARI- BAMBI

FURNITURE, BATH

Lavatory Cabinet, 28' W



Part numbers on the next page.

2005 SAFARI- BAMBI

FURNITURE, BATH

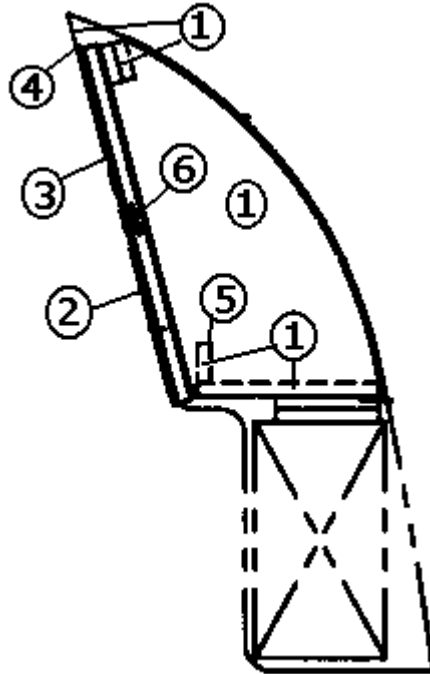
Lavatory Cabinet Assembly, 28' W

965875-01	Lavatory Cabinet, Graphite, w/oval sink
965875-02	Lavatory Cabinet, White, used w/oval sink
965875-03	Lavatory Cabinet, White used w/round sink
965875-04	Lavatory Cabinet Graphite used w/round sink
1. 965876-01	Lavatory top, graphite, used w/oval sink
1. 965876-02	Lavatory top, white, used w/oval sink
1. 801613	Lavatory top, white, used w/round sink
1. 801613-01	Lavatory top, graphite, used w/round sink
1. 801369	PANEL, FROST WHITE/WHITE LINER
2. 801383-01	Panel, Tropical Oak/Whiteliner, 12MM
3a. 801377	PANEL, GRAPHITE, 4' X 8' 18"
3. 801393-016	Corner trim, 90 degree, 1" radius
4. 801341-67	Door/drawer, 16.31" x 14.13"
5. 114812	Aluminum angle, 1" x 1"
6. 381299	Toilet holder, recessed
7. 965572	Paper holder closeout
8. 381796	Knob, hollow brass, nickel
10. 200963-02	Track, sliding door, vanity lower
11. 200963-01	Track, sliding door, vanity upper
12. 381865	Handle, drawer/door
13. 381228-01	Door grabber catch
14. 381607	Hinge assembly
15. 601825	Faucet, lavy chrome
16. 203410	Sink, SS, 10" x 15", oval
16. 601804-01	SINK-LAVY YUKON ROUND, CSA Units Only
17. 801345	Radius, plywood, .75" x 3" x 8'
18.365267	EDGEBANDING-1.13" .024 PLY
18 365273	EDGEBANDING GALAXY GRAPHITE, Amarillo, Midnight Sun

2005 SAFARI- BAMBI

FURNITURE, BATH

Medicine Cabinet Assembly, 28' W

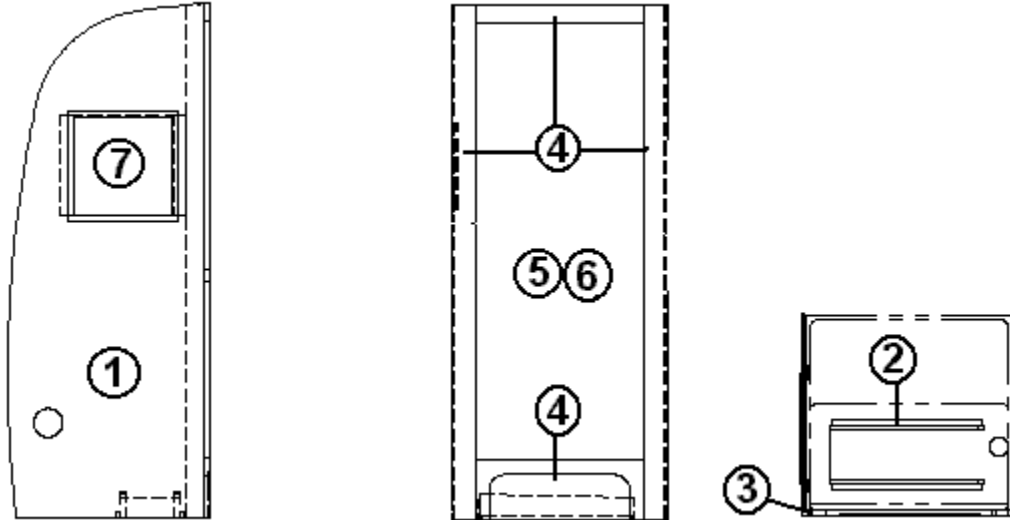


- | | |
|--------------|--|
| 965714 | Medicine Cabinet Assembly, 28' W |
| 1. 801392 | PANEL, WHITELINER/WHITELINER |
| 2. 801368 | PANEL, WHITELINERER/WHITELINERER |
| 3. 372203-30 | MIRROR-SAFETY 14" H X 30" W |
| 4. 385935-01 | HINGE PIVOT ZINC PLATED |
| 5. 365238-04 | EDGE BANDING TAPE PVC 5/8" COLONIAL
WHITE |
| 6. 381228-01 | CATCH GRABBER DOOR C3-810 |
| 381835 | Handle, chrome/brass, door/drawer |
| 801438 | PANEL, FROST WHITE VINYL/RAW |
| 801355-01 | LAMINATE-FROST WHT 4' X 8' |
| 381611-02 | COSMETIC CABINET-48" REGAL |
| 365238-04 | EDGE BANDING TAPE PVC 5/8" C. WHITE |

2005 SAFARI- BAMBI

FURNITURE, BATH

Shower Compartment, 28' W

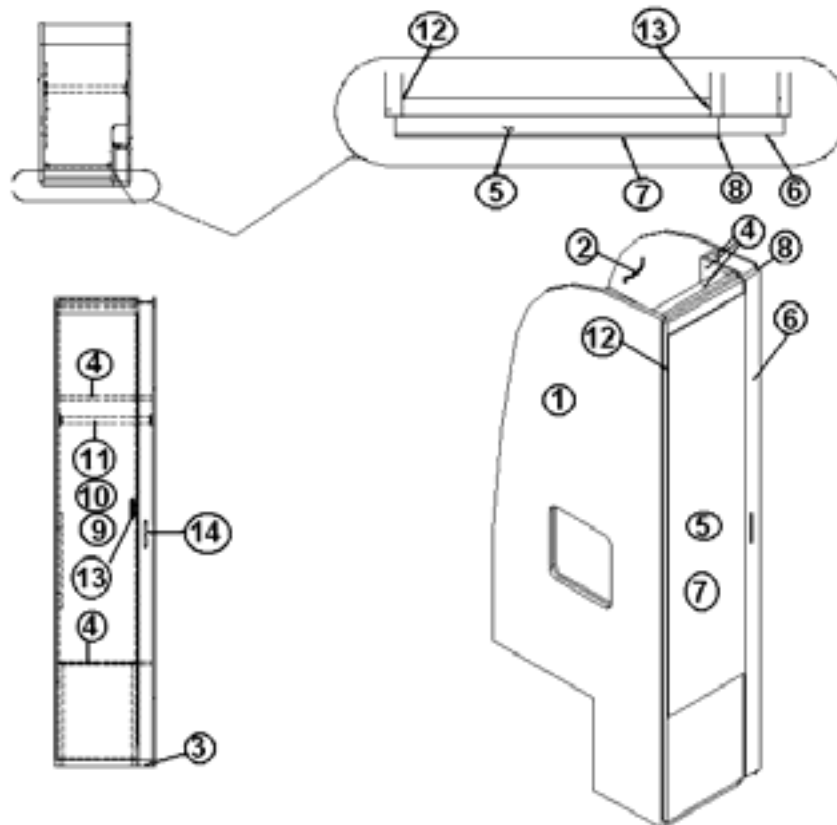


- | | |
|--------------|--|
| 1. 801454-06 | Panel, aft shower |
| 2. 965816 | Shower stand assembly |
| 3. 801392 | Panel, Whiteliner/Whiteliner, 12MM |
| 4. 801376-01 | Panel, Tropical Oak/Tropical Oak, 18MM |
| 5. 203081-01 | Shower stall. 2 piece |
| 6. 702306-03 | Shower door, silver, 27" |
| 7. 381832 | TV shelf, recessed |
| 365268-01 | Edgebanding, Oak/Whiteliner |
| 801383-01 | Paneling, Oak/Whiteliner |

2005 SAFARI- BAMBI

FURNITURE, BATH

Wardrobe, 28' W

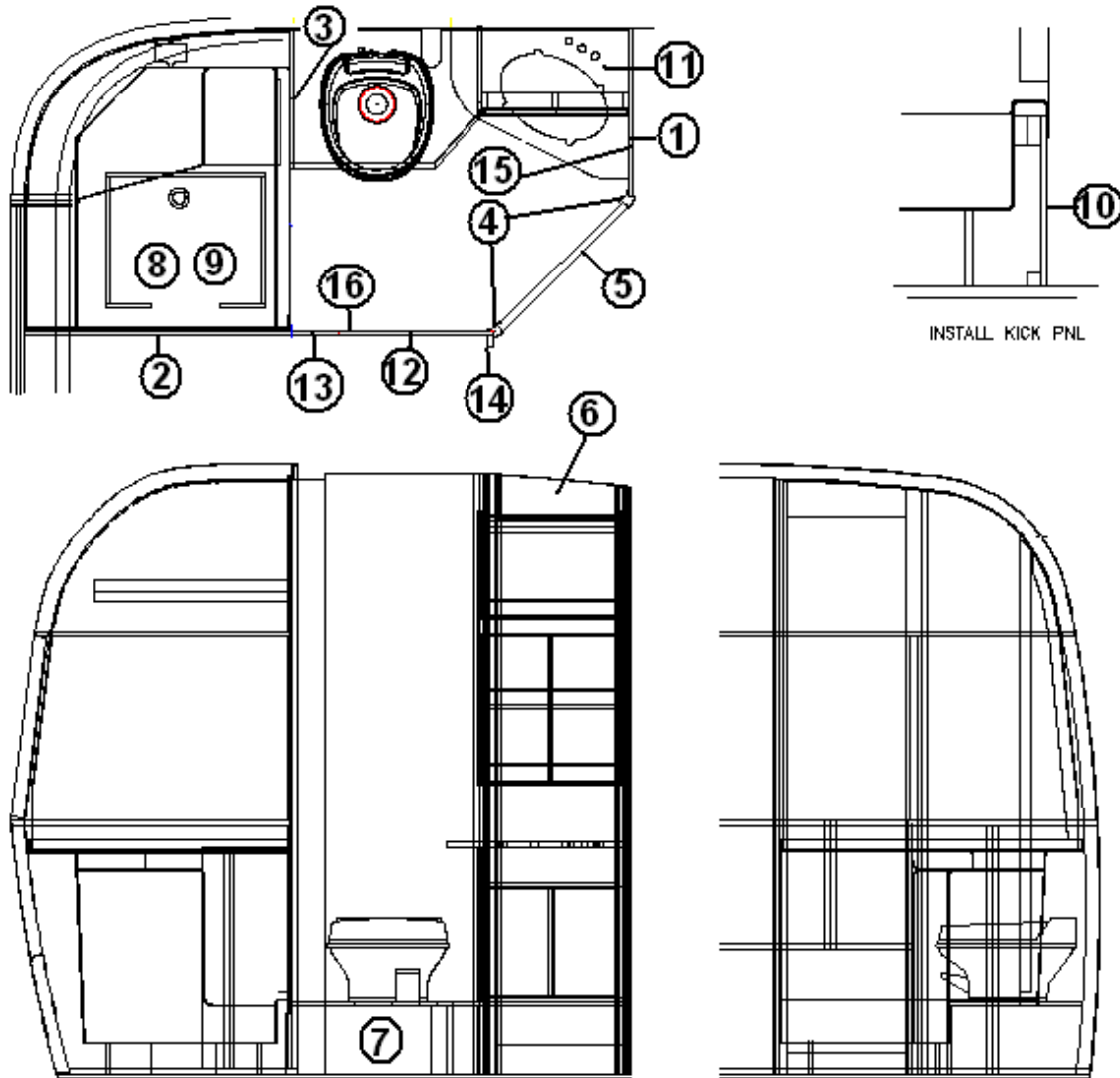


- | | |
|---------------|---|
| 965848 | Wardrobe Assembly, 28' W |
| 1. 801454-05 | Panel, forward wardrobe |
| 2. 801454-04 | Panel, aft wardrobe |
| 3. 801376-01 | Panel, Trop. Oak/Trop. Oak, 18 MM |
| 4. 801392 | Paneling, Whiteliner/Whiteliner |
| 5. 801341-64 | Door, 13.63" x 76.76" |
| 6. 801341-63 | Door, 2.75" x 75.56" |
| 7. 372203-26 | Mirror, polished edges, 13.62" x 58.50" |
| 8. 380203-01 | Hinge, piano |
| 9. 380046 | Flange, chrome |
| 10. 380045 | Tubing, metal, 3/4" |
| 11. 200975-04 | Conduit, black flexible |
| 12. 381607 | Hinge assy. European |
| 13. 381228-01 | Door grabber catch |
| 14. 381865 | Handle, door |
| 365268-03 | EDGEBANDING-.024"X .63", OAK |
| 365268-01 | Edgebanding, Oak/Whiteliner |

2005 SAFARI- BAMBI

FURNITURE, BATH

Bath Module, 30'



Part Numbers on the Next Page

2005 SAFARI- BAMBI

FURNITURE, BATH

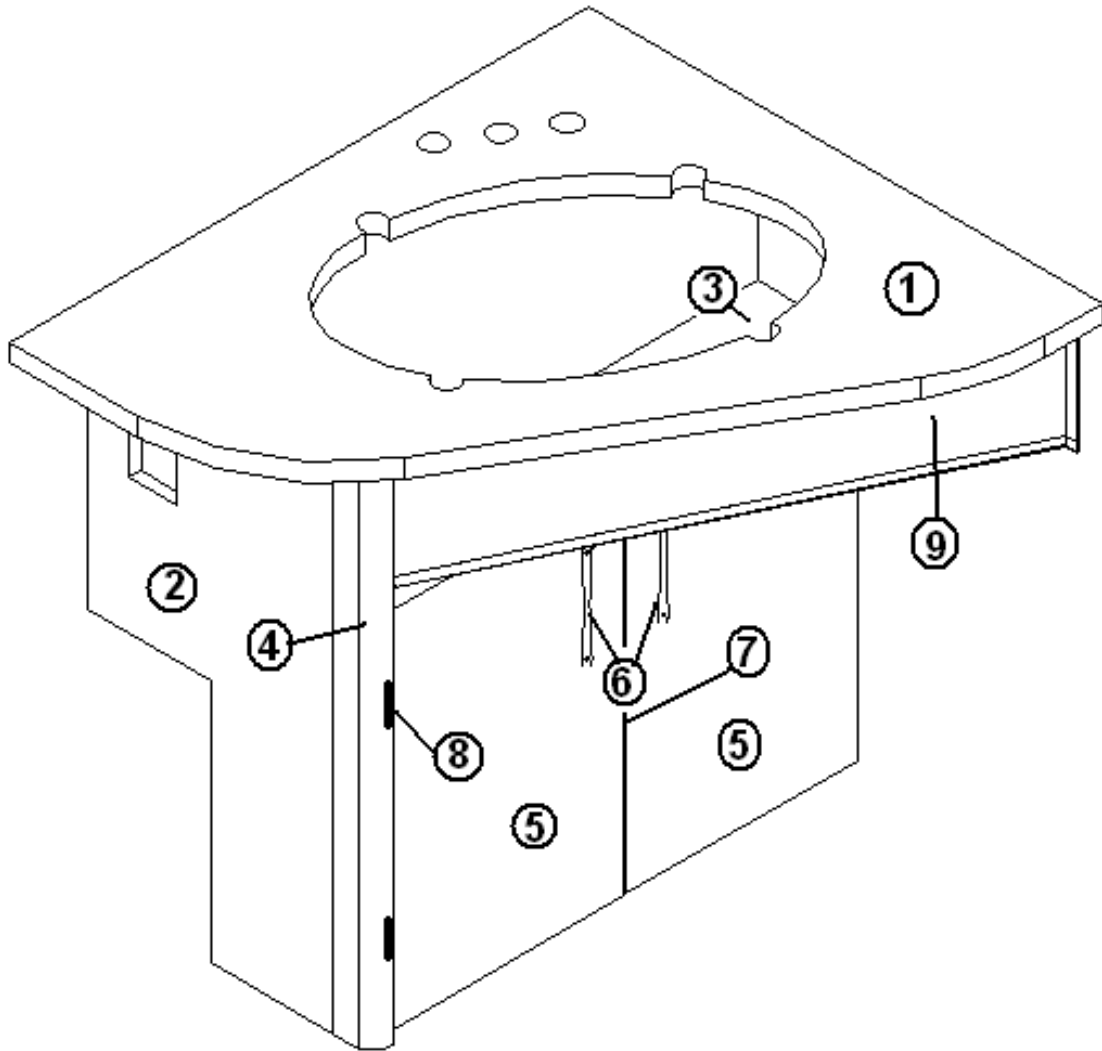
Bath Module, 30'

- | | |
|---------------|-----------------------------------|
| 1. 801500-12 | PANEL, FORWARD BATH |
| 2. 801500-13 | PANEL, AFT BATH 30' SAF |
| 3. 801380-03 | PANEL, BATH DIVIDER25'SS |
| 4. 801394-016 | CORNER TRIM 45D 2" RADIUS OAK |
| 5. 965567 | DOOR ASSY-"C"BATH 25.50"X 72.0 |
| 6. 965564 | HEADER-BATH DOOR25'SS |
| 7. 966080 | STAND ASSY-TOILET 30'SAF |
| 8. 702937-03 | SHOWER DOOR-ROLL AWAY 62 X 36 |
| 9. 203114 | SHOWER 2 PC FIBERGLASS |
| 10. 965565-01 | CLOSEOUT-SHOWER |
| 11. 966085 | CABINET ASSEMBLY, LAVY |
| 12. 801500-14 | PANEL, AFT BATH FWD |
| 13. 203440 | T MOLDING-BLACK EMBOSSED .8125 |
| 14. 801376-01 | PANEL, OAK/WHITE LINER |
| 15. 966087 | DOOR ASSY-MIRROR BATH |
| 16. 801505 | PANEL, ASCOT SAND/RAW .125"X4'X8' |
| 966086 | TOP ASSY-LAVY 30'SAF |
| 203445 | T-MOLDING BLK FLEXIBLE POLY .5 |

2005 SAFARI- BAMBI

FURNITURE, BATH

Lavatory Cabinet Assembly, 30'



2005 SAFARI- BAMBI

FURNITURE, BATH

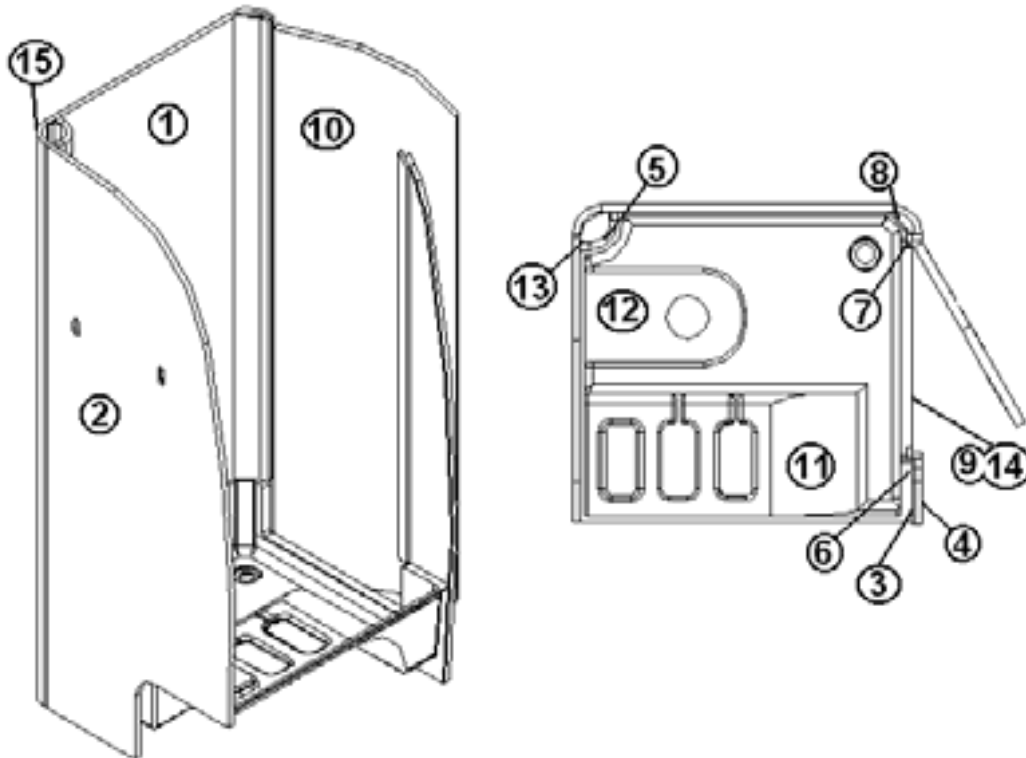
Lavatory Cabinet Assembly, 30'

966085-01	Lavatory Cabinet, Graphite w/oval sink
966085-02	Lavatory Cabinet, White w/oval sink
966085-03	Lavatory Cabinet, White w/round sink
966085-04	Lavatory Cabinet, Graphite w/round sink
1. 966086	TOP, LAVY, white, used on oval sink
1. 966086-01	TOP LAVY, Graphite, used on oval sink
1. 966086-02	TOP, LAVY, white, used on round sink
1. 801614	TOP, LAVY, white, used on round sink, CSA
1. 801614-01	TOP, LAVY, graphite, used on round sink, CSA
2. 801383-01	PANEL, TROPICAL OAK/WHITE LINER
3. 801368	PANEL, WHITELINER/WHITELINER
4. 801393-01	CORNER TRIM-90D, TROPICAL ICAL OAK
5. 801341-124	DOOR, GALLEY, 9.44" X 14.88"
6. 381774	Handle, drawer/door
7. 381228-01	CATCH GRABBER DOOR
8. 381607	HINGE ASSY-GRASS EURO-SAFARI
9. 365268-01	EDGEBANDING-.024"X 1.13" TROPICAL
203410	SINK-ST.STEEL LAVY 10 X 15 OVAL
601804-01	SINK-LAVY YUKON ROUND, CSA Units Only
203440	T MOLDING-BLACK EMBOSSED
601825	FAUCET-VELLETA LAVY CHROME L47

2005 SAFARI- BAMBI

FURNITURE, BATH

BATH LAYOUT, 16'

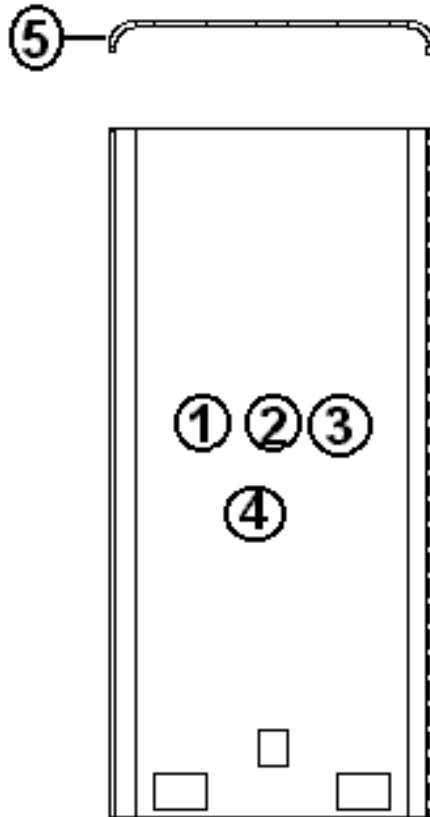


- | | |
|---------------|-----------------------------------|
| 1. 965889-04 | WALL ASSY-WET BATH |
| 2. 801466-10 | PANEL-AFT WET BATH |
| 3. 801466-11 | PANEL-FWD WET BATH |
| 4. 965889-05 | WALL SUB ASSY-FWD WET BATH |
| 5. 965889-06 | CLOSEOUT ASSY-WET BATH |
| 6. 801466-12 | JAMB-DOOR LEFT SIDE |
| 7. 801466-13 | JAMB-DOOR RIGHT SIDE |
| 8. 801466-14 | CLOSEOUT-FWD WET BATH |
| 9. 801466-15 | PANEL-WET BATH CLOSEOUT |
| 10. 965905-01 | DOOR ASSY-WET BATH 22.5" X 76.06" |
| 11. 203444-01 | BASE-SHOWER FIBERGLASS WHITE |
| 12. 690472 | TOILET-CHINA HI PROFILE WHITE |
| 13. 104913 | EXTRUSION, ANGLE, 1" X 1" X 1" |
| 14. 201666 | MOLDING, J-3/16 PLASTIC |
| 15. 801345 | RADIUS PLYWOOD .75" X 3" X 8' |
| 601847 | CABINET-MED W/MIRROR 16"X 22" |

2005 SAFARI- BAMBI

FURNITURE, BATH

WALL ASSEMBLY, WET BATH, 16'

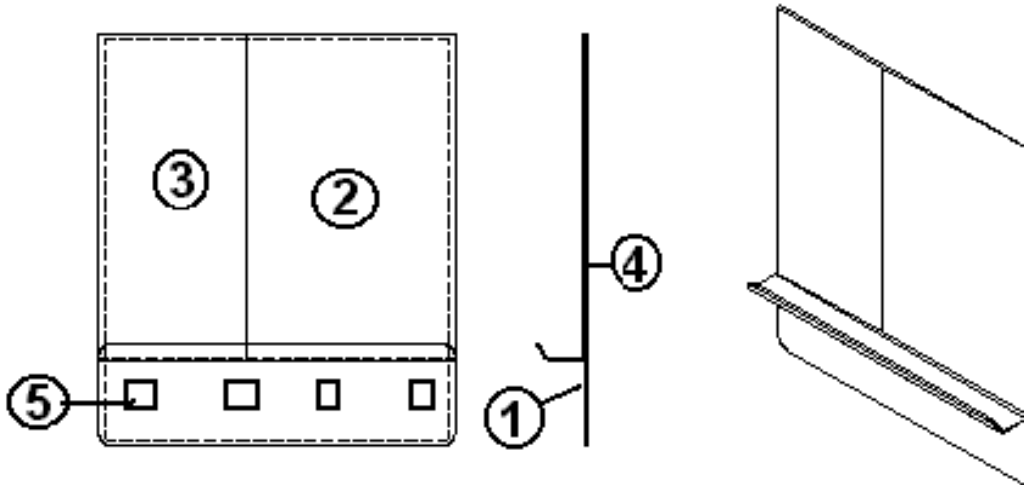


- | | |
|--------------|-------------------------------|
| 965889-04 | WALL ASSEMBLY, WET BATH |
| 1. 801343-01 | PANELING, OAK, 4' X 8' |
| 2. 801355-01 | PANEL, FROST WHITE 4' X 8' |
| 3. 801376-01 | PANEL OAK/WHITELINER |
| 4. 801351 | LITE PLY-18MM (.75") 4' X 8' |
| 5. 801345 | RADIUS PLYWOOD .75" X 3" X 8' |

2005 SAFARI- BAMBI

FURNITURE, BATH

MIRROR/COAT HANGER, 16'

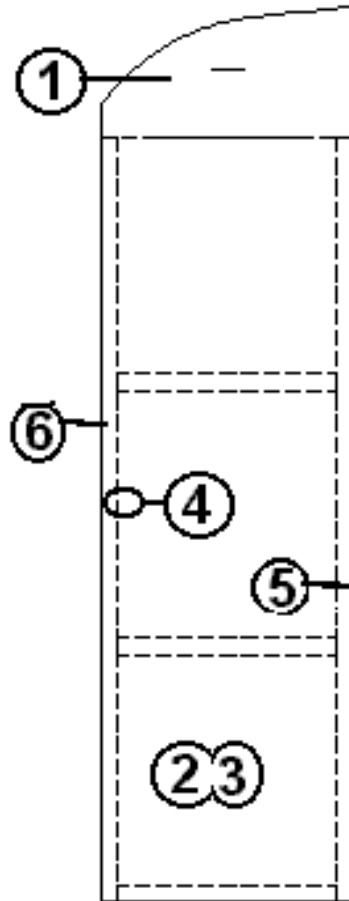


- | | |
|--------------|---------------------------------|
| 1. 203446 | SHELF-7.04" X 24" ORANGE |
| 2. 372203-09 | GLASS SAFETY MIRRORED 14" X 22" |
| 3. 801468 | CORK BOARD-.25" X 10" X 22" |
| 4. 101115 | SHEET, ALUM .060" X 48" X 120" |
| 5. 381384 | HOOK-ALUMINUM, COAT 1.68" |

2005 SAFARI- BAMBI

FURNITURE, BATH

DOOR, BATH, 16'



- | | |
|--------------|--------------------------------|
| 965905-01 | DOOR, WET BATH 22.5" X 76.06" |
| 1. 800507-06 | LAUAN-.75" X 4' 8' |
| 2. 800507-01 | LAUAN, 1/8"X4'X8' |
| 3. 801343-01 | PANELING, OAK, 4' X 8' |
| 4. 381771 | LATCH-LEVER LOCKSET PRIVACY |
| 5. 380458 | HINGE PIANO BROWN ANODIZED |
| 6. 365278-04 | EDGE BANDING-BLACK MAPLE 1.25" |

2005 SAFARI- BAMBI

FURNITURE, BATH

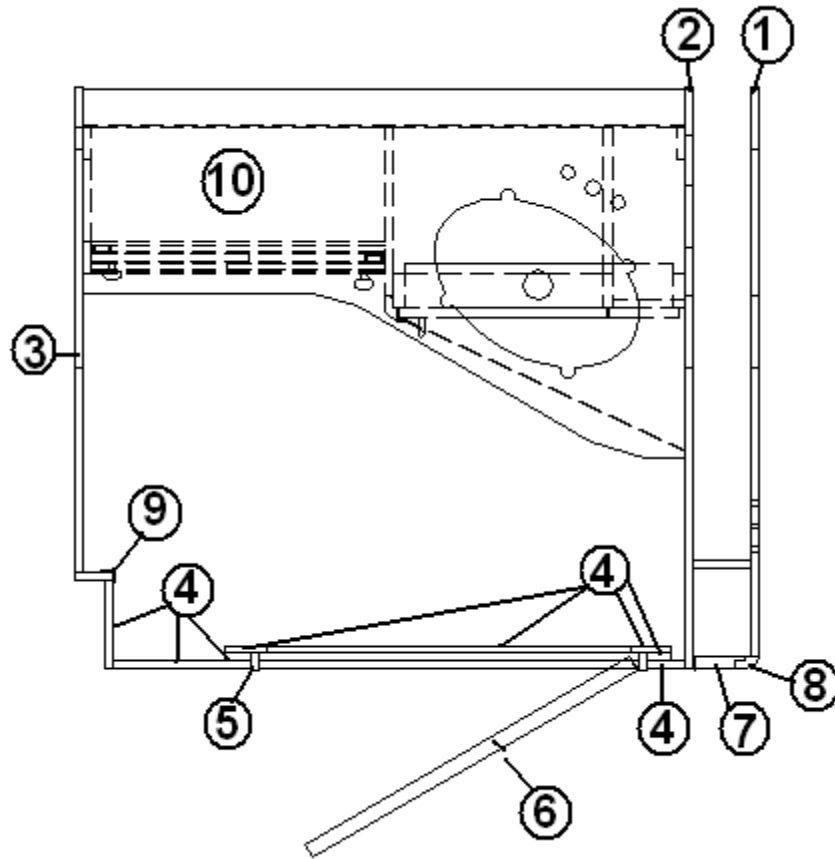
SHOWER CURTAIN, 16'

703467-01	SHOWER CURTAIN
703467-02	SHOWER CURTAIN
703467-03	SHOWER CURTAIN, STRAP
703236	FABRIC PENNE OFF WHITE SHOWER
700103	WEBBING 1/2IN FOR SHOWER CURTAIN
700045	GLIDES CURTAIN G3 W/ELASTIC
700021	HOOK, VELCRO, WHITE
700020	PILE VELCRO
703467-03	STRAP-SHOWER CURTAIN
381581	STRAP CLEAR PLASTIC .75" WIDE
700811	BUTTON CAP, HANDY
700812	BUTTON BOTTOM, HANDY
100097	EXTR. ALUM CURTAIN TRACK

2005 SAFARI- BAMBI

FURNITURE, BATH

Bath Module, 25' Front Bed



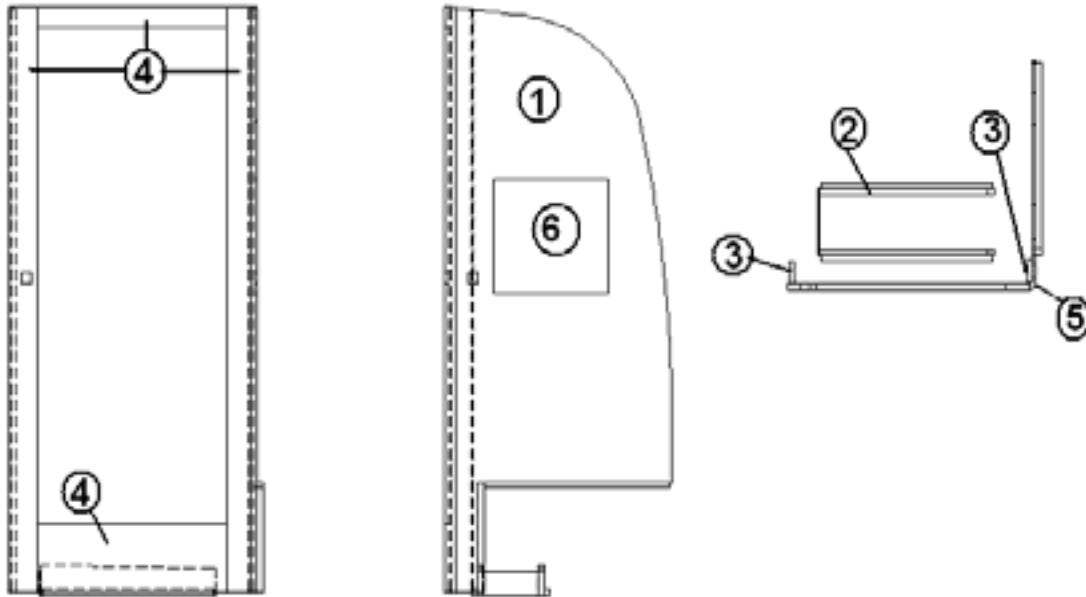
- | | |
|---------------|----------------------------------|
| 1. 801548-07 | PANEL, BATH/PANTRY |
| 2. 801548-06 | PANEL, AFT BATH |
| 3. 801548-05 | PANEL, FWD BATHROOM |
| 4. 801510 | PANEL, OAK/ASCOT 12MM |
| 5. 801381-01 | PANEL, OAK/OAK 12MM |
| 6. 965567 | DOOR ASSY-"C"BATH 25.50"X 72.00" |
| 6. *966409 | DOOR ASSY-"C"BATH 24" X 72.00" |
| 7. 801395 | PANEL, OAK/OAK 18MM |
| 8. 801393-017 | CORNER TRIM 90DEG. 1" RADIUS |
| 9. 801172-07 | MOLDING-CORNER ASCOT SAND 8' |
| 10. 966237 | CAB. ASSY-LAVY 25'FB |
| 801548-01 | PANEL, AFT SHOWER |

*RLC during model year.

2005 SAFARI- BAMBI

FURNITURE, BATH

Shower Compartment, 25' Front Bed

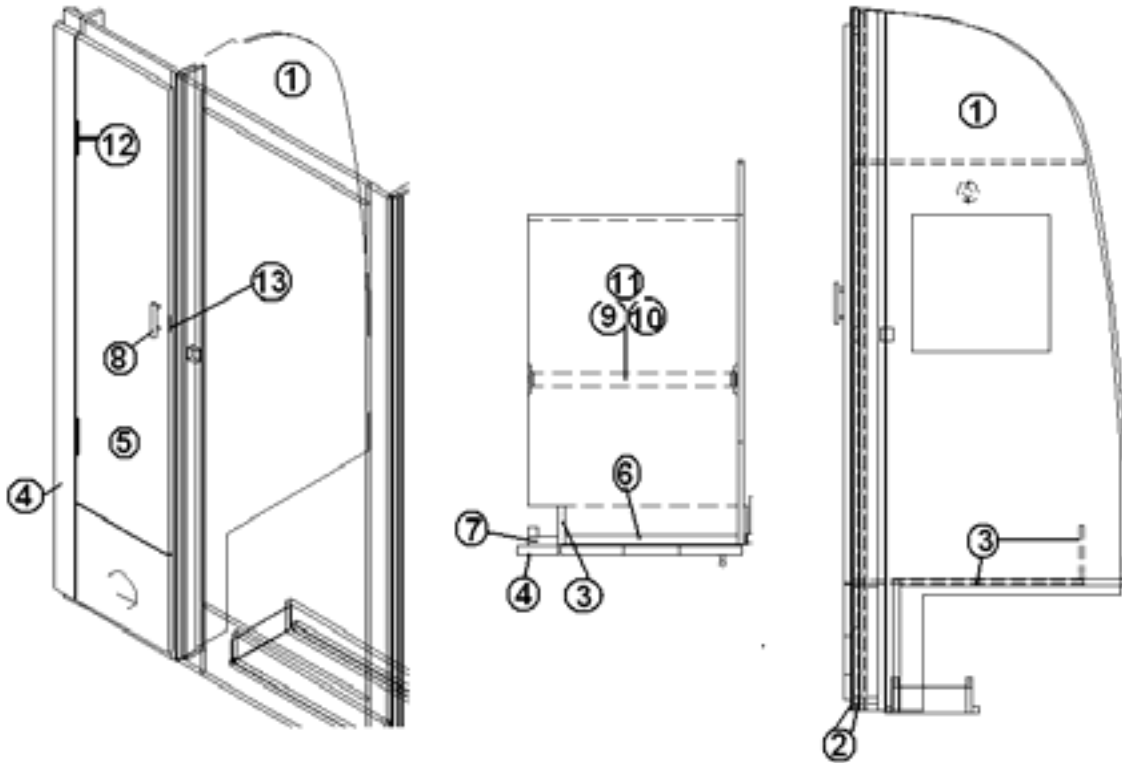


- | | |
|--------------|-------------------------------|
| 1. 801548-01 | PANEL, AFT SHOWER 25'FB |
| 2. 961916-01 | STAND ASSY-SHOWER |
| 3. 801392 | PANEL, WHITE/WHITE 12MM |
| 4. 801376-01 | PANEL, OAK/WHITE 18MM |
| 5. 801393-01 | CORNER TRIM-90D 1" RADIUS OAK |
| 6. 381832 | SHELF-TV RECESSED |
| 203081 | SHOWER STALL 2 PC. |
| 702306-03 | SHOWER DOOR SILVER 27" |
| 365268-01 | EDGE BANDING-.024"X 1.13" OAK |

2005 SAFARI- BAMBI

FURNITURE, BATH

Wardrobe, 25' Front Bed

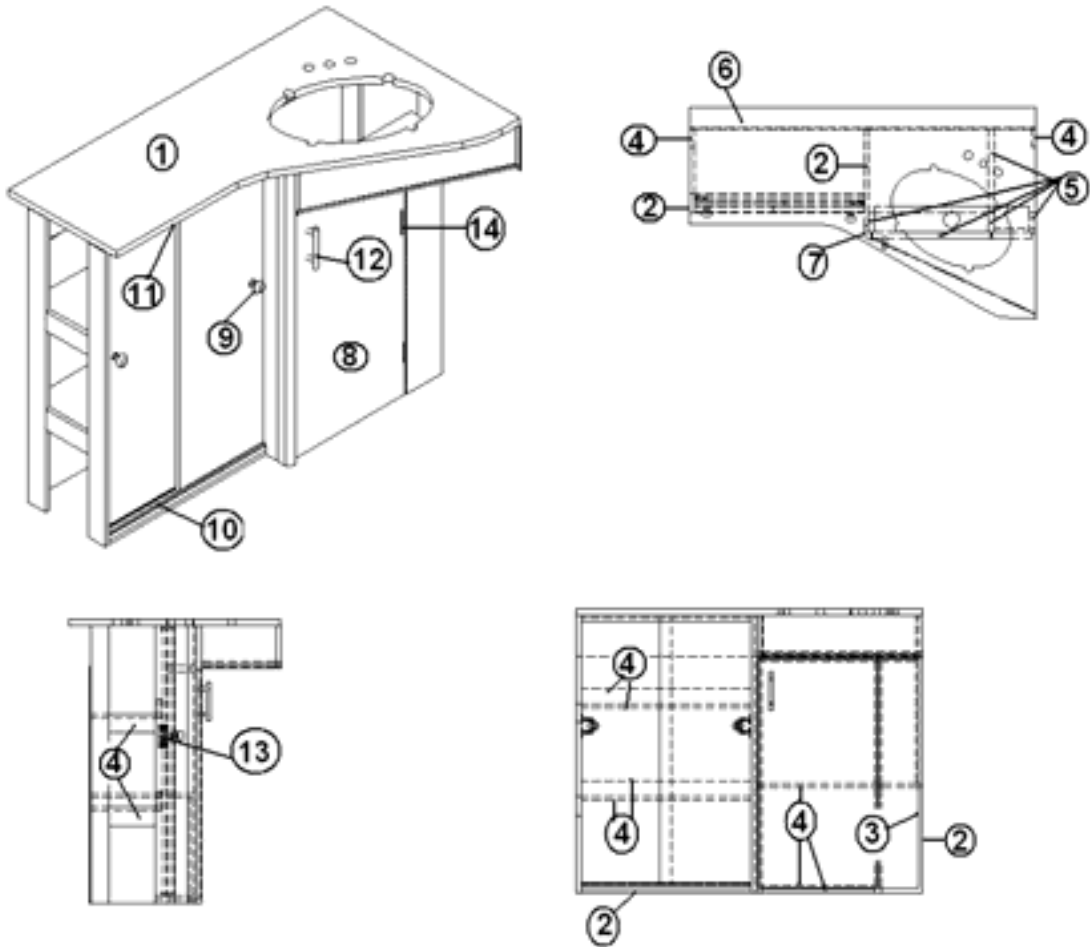


966240	WARDROBE ASSY
1. 801548-04	PANEL,FWD W/R
2. 801368	PANEL, WHITE/WHITE
3. 801392	PANEL, WHITE/WHITE 12MM
4. 801395	PANEL, OAK/OAK 18
5. 801341-60	DOOR-RS WARDROBE 14.25 X 62.38
6. 801395	PANEL, OAK/OAK
7. 801376-01	PANEL, OAK/WHITE 18M
8. 381865	PULL-BAR BRUSH NICKEL
9. 380045	TUBING 3/4" ELEC METALLIC
10. 200975-04	CONDUIT,FLEXIBLE BLACK PLASTIC
11. 380046	Chrome flange
12.381607	Hinge assembly
13.381228-01	Grabber catch, door
801172-07	MOLDING-CORNER ASCOT SAND 8'

2005 SAFARI- BAMBI

FURNITURE, BATH

Lavatory cabinet, 25' Front Bed



Part Numbers On the Next Page

2005 SAFARI- BAMBI

FURNITURE, BATH

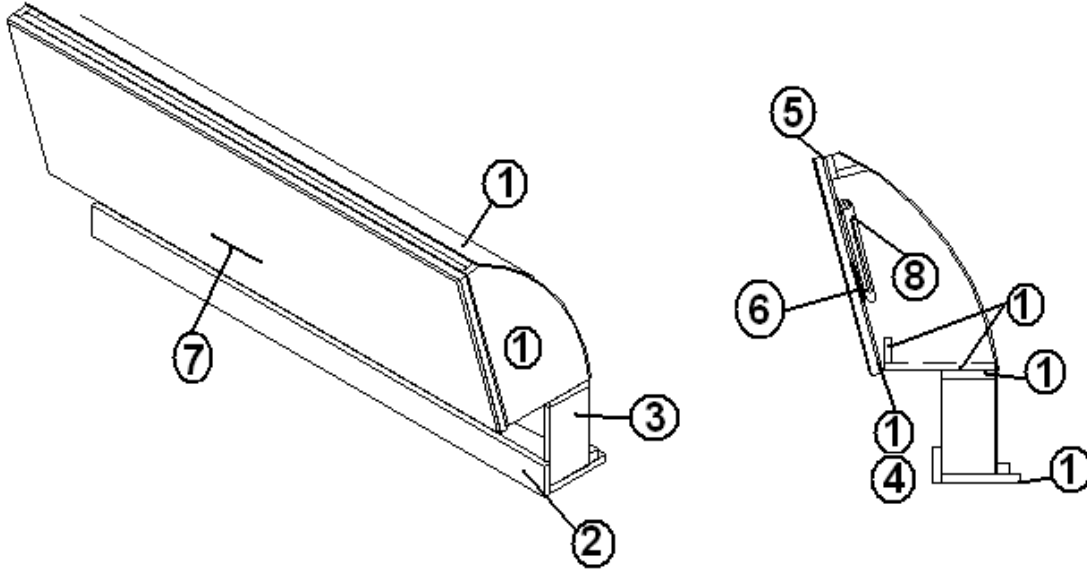
Lavatory Cabinet, 25' Front Bed

966237	Lavatory cabinet, white used w/oval sink
966237-01	Lavatory cabinet, graphite, used w/oval sink
966237-02	Lavatory cabinet, white, used w/round sink
966237-03	Lavatory cabinet, graphite, used w/round sink
1. 966242	Lavatory top, white, used on oval sink
1. 966242-01	Lavatory top, graphite, used on oval sink
1. 801615	Lavatory top, white, used on round sink
1. 801615-01	Lavatory top, graphite, used on round sink
2. 801383-01	PANEL, OAK/WHITE
3. 801376-01	PANEL, OAK/WHITE 18MM
4. 801392	PANEL, WHITE/WHITE 12MM
5. 801368	PANEL, WHITE/WHITE
6. 801374	PANEL, WHITE LINER/RAW 3MM
7. 801393-017	CORNER TRIM 90DEG. 1" RADIUS
8. 801341-131	DOOR-LAVY 14.13"X 27.13"
9. 381796	KNOB HOLLOW 1.25"DIA BP1950H G
10. 200963-02	TRACK, SLIDING DOOR, VANITY, LOWER
11. 200963-01	TRACK,SLIDING DOOR, VANITY, UPPER
12. 381865	PULL-BAR BRUSH NICKEL
13. 381228-01	CATCH GRABBER DOOR
14. 381607	HINGE ASSY-GRASS EURO
801376	PANEL, OAK/REX 4' X 8'
365268-03	EDGEBANDING-.024"X .63" TROP.O
365268-01	EDGEBANDING-.024"X 1.13" TROP
601825	FAUCET-VELLETA LAVY CHROME L47
203410	SINK-ST.STEEL LAVY 10 X 15 OVAL
601804-01	SINK-LAVY YUKON ROUND, CSA Units Only

2005 SAFARI- BAMBI

FURNITURE, BATH

Medicine Cabinet, 25' Front Bed

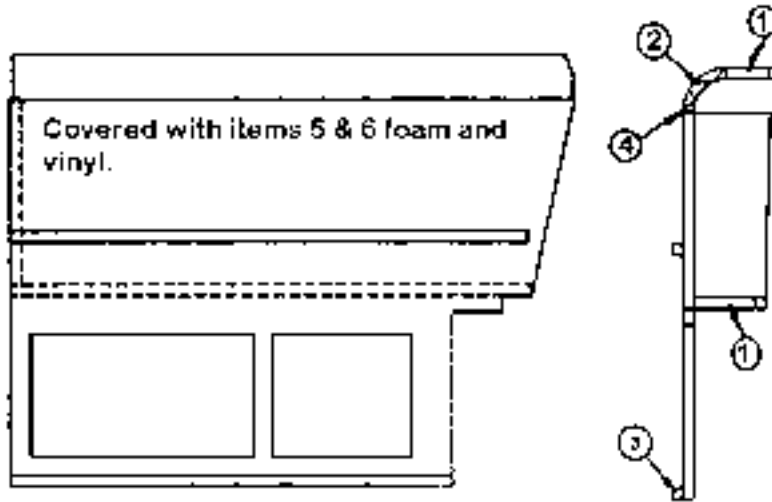


- | | |
|--------------|---------------------------------|
| 966225 | MEDICINE CAB.ASSY |
| 1. 801392 | PANEL, WHITE/WHITE 12MM |
| 2. 801383-01 | PANEL, OAK/WHITE |
| 3. 801438 | PANEL, WHITE VINYL/RAW |
| 4. 372203-33 | MIRROR-SAFETY .125" X 14" X 40" |
| 5. 385935-01 | HINGE PIVOT ZINC PLATED |
| 6. 381228-01 | CATCH GRABBER DOOR |
| 7. 381835 | HANDLE-CHROME/BRASS |
| 8. 380024 | ARMS SUPPORT RIGHT HAND |
| 365238-04 | EDGEBANDING TAPE PVC 5/8" C.WH |
| 365238-03 | EDGEBANDING TAPE PVC 5/8" HORI |

2005 SAFARI- BAMBI

FURNITURE, BEDROOM

Hamper-Headboard/TV Shelf, 16

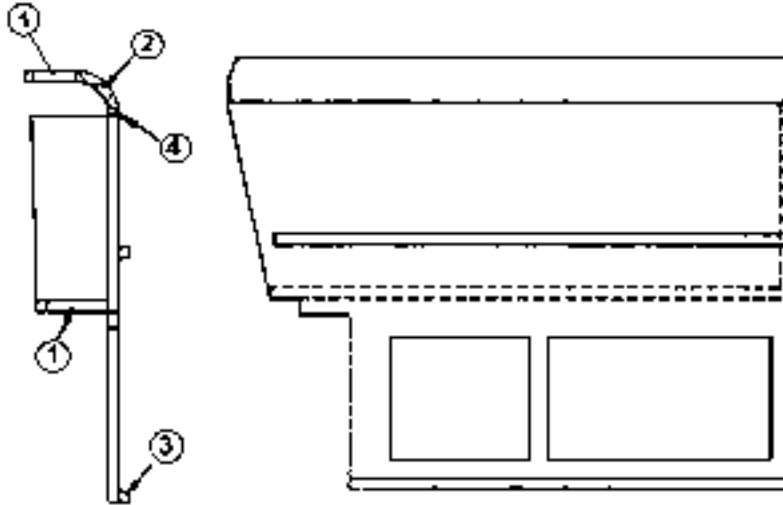


- | | |
|--------------|--|
| 965531 | Hamper-Headboard Assembly |
| 1. 801378 | Panel, Whiteliner/Gator |
| 2. 801345 | Radius plywood, .75" x 3" x 8' |
| 3. 800025-01 | Pine. Stained, 3/4" x 3/4" |
| 4. 380458 | Hinge, piano, brown, anodized |
| 5. 700414 | Foam, 3/8" x 72; wide (specify length) |
| 6. 702482-03 | HEADLINER SPECTRA OPAL X TEXTURE |

2005 SAFARI- BAMBI

FURNITURE, BEDROOM

Hamper-Headboard Assembly, 16', 965871

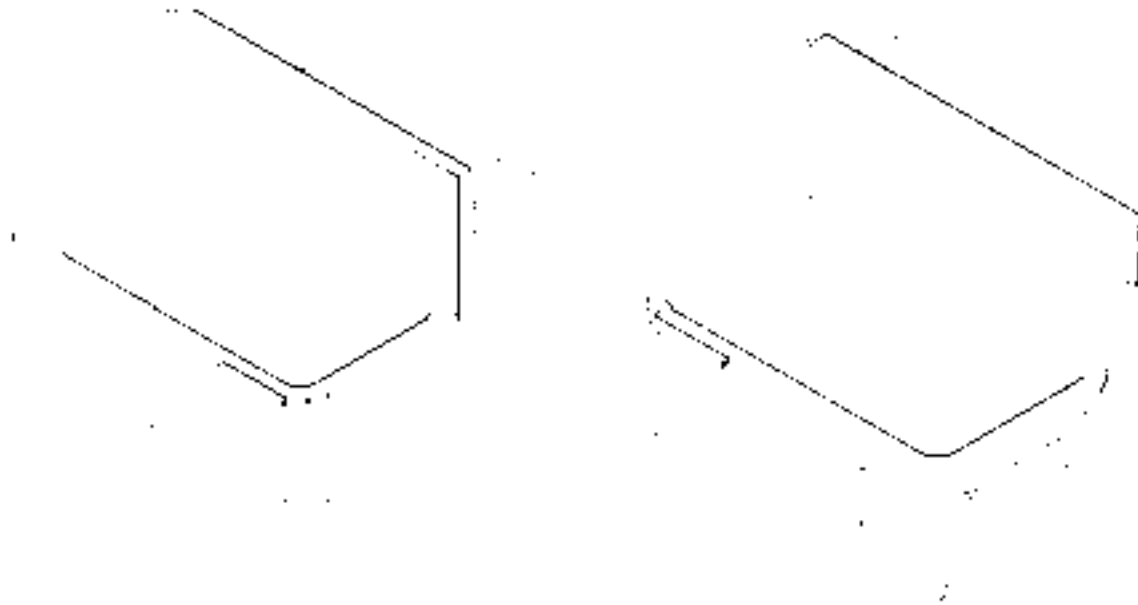


- | | |
|--------------|--|
| 965871 | Hamper-Headboard Assembly, 16 FT. |
| 1. 801378 | Panel, Whiteliner/Gator |
| 2. 801345 | Radius plywood, .75" x 3" x 8' |
| 3. 800025-01 | Pine. Stained, 3/4" x 3/4" |
| 4. 380458 | Hinge, piano, brown, anodized |
| 700414 | Foam, 3/8" x 72; wide (specify length) |
| 702482-03 | HEADLINER SPECTRA OPAL |

2005 SAFARI- BAMBI

FURNITURE, BEDROOM

Dinette Seats, 16'

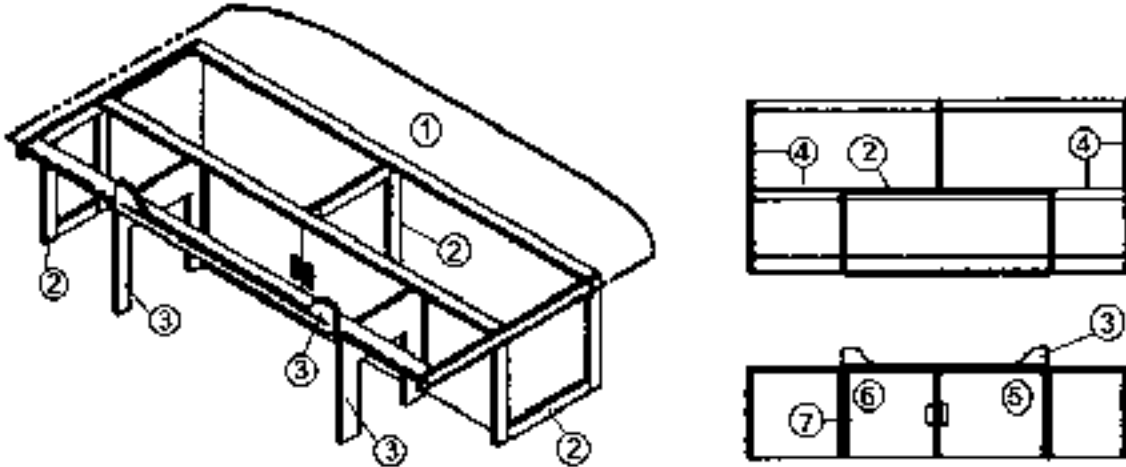


965655	SEAT ASSY DINETTE RH
965654	SEAT ASSY. DINETTE LH
801381-01	PANEL OAK/TRP OAK 12
801345	RADIUS PLYWOOD .75" X 3" X 8'
365268-03	EDGE BANDING-.024"X .63" OAK
800470-006	STOP-HARDWOOD
380458	HINGE PIANO BROWN ANODIZED
700414	FOAM 3/8" X 86"X 52'

2005 SAFARI- BAMBI

FURNITURE, BEDROOM

BED FRAME ASSEMBLY, 16'

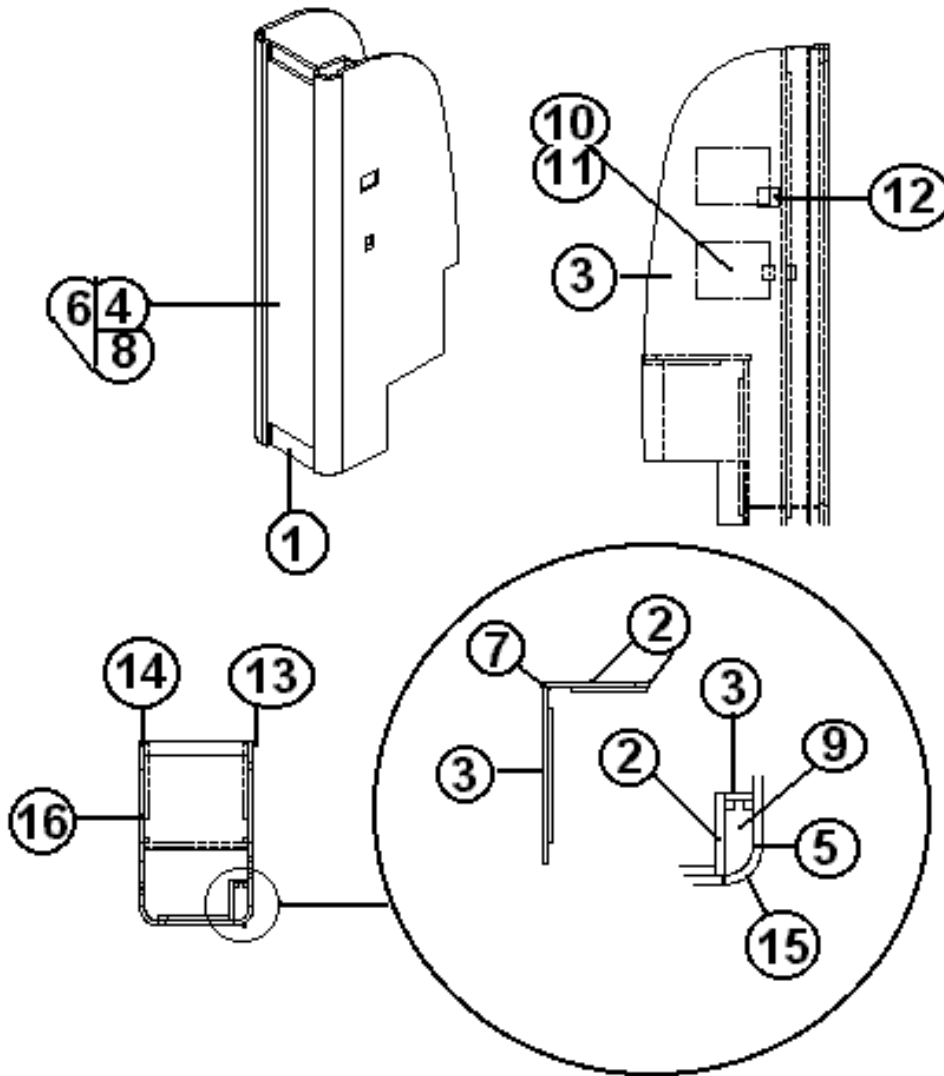


- 965870-01 FRAME ASSEMBLY-BED, 16'
- 1. 800506-03 PLYWOOD, 3/8" X 4' X 8'
- 2. 850082 POPLAR, .75" X 2.00"
- 3. 801376-01 PANEL OAK/WHITELINER
- 4. 801438 PANEL-FROST WHITE VINYL/RAW
- 5. 801341-110 DOOR-BED 20.5" X 16.5"
- 6. 801341-111 DOOR-BED 17.5" X 16.5"
- 7. 380458 HINGE PIANO BROWN ANODIZED
- 8. 203419 Storage box, 23" x 16.75" x 11.88"
- 9. 203447 Storage box, 23" x 16.75" x 6.38"
- 381228-01 CATCH GRABBER DOOR
- 381865 PULL-BAR BRUSH NICKEL #3489
- 801376-01 PANEL OAK/WHITELINER8M
- 365268-01 EDGE BANDING-.024"X 1.13" TROP
- 365268-01 EDGE BANDING-.024"X 1.13" TROP
- 703190 MATTRESS-48"X 78"W/DLB RADIUS COR

2005 SAFARI- BAMBI

FURNITURE, BEDROOM

WARDROBE/CLOSET ASSEMBLY, 16'



Part numbers are on the next page

2005 SAFARI- BAMBI

FURNITURE, BEDROOM

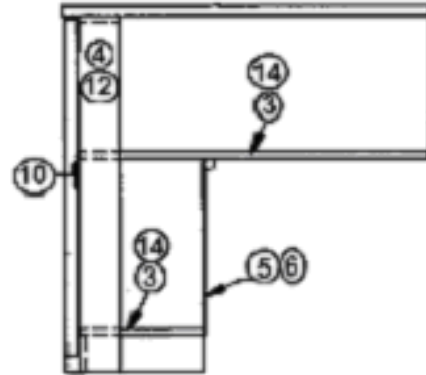
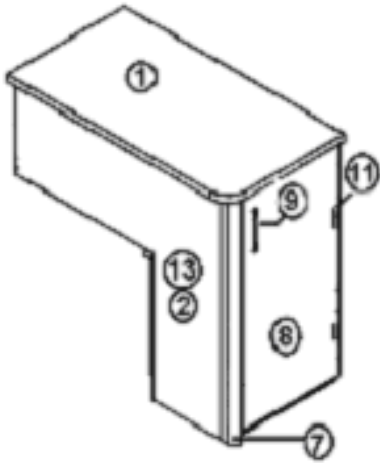
WARDROBE/CLOSET ASSEMBLY, 16'

965872-01	WARDROBE/CLOSET ASSEMBLY, 16'
1. 801376-01	PANEL OAK/WHITELINER8M
2. 801368	PANEL, WHITELINER/WHITELINER
3. 801392	PANEL, WHITELINER/WHITELINER
4. 801341-120	DOOR-W/R 10.44"X71" LAM
5. 380203-01	PIANO HINGE 1/8" PIN CLR ANODIZED
6. 381607	HINGE ASSEMBLY-GRASS EURO
7. 381228-01	CATCH GRABBER DOOR
8. 381865	PULL-BAR BRUSH NICKEL #3489
9. 702681-08	FOLDETTE DOOR, BEIGE 60"X 73"
10. 963990-006	MAGAZINE RACK
11. 386107	ROD-MAGAZINE RACK
12. 200773	CLOSEOUT, READING LIGHT ABS
13. 801466-09	PANEL-FWD WARDROBE
14. 965948-01	PANEL SUB ASSEMBLY-AFT WARDROBE
15. 801475	DOOR ASSEMBLY-W/R POCKET
16. 801466-07	PANEL-AFT WARDROBE
801378	PANEL, WHITE LINER/GATOR
365268-01	EDGE BANDING-.024"X 1.13", OAK
801345	RADIUS PLYWOOD .75" X 3" X 8'
380045	METALLIC TUBING
380046	FLANGE CHROME
200975-04	CONDUIT,FLEXIBLE BLACK PLASTIC
381838-01	TRACK-FORMED FOLDETTE 16'

2005 SAFARI- BAMBI

FURNITURE, BEDROOM

Nightstand, 25' B (Double Bed)

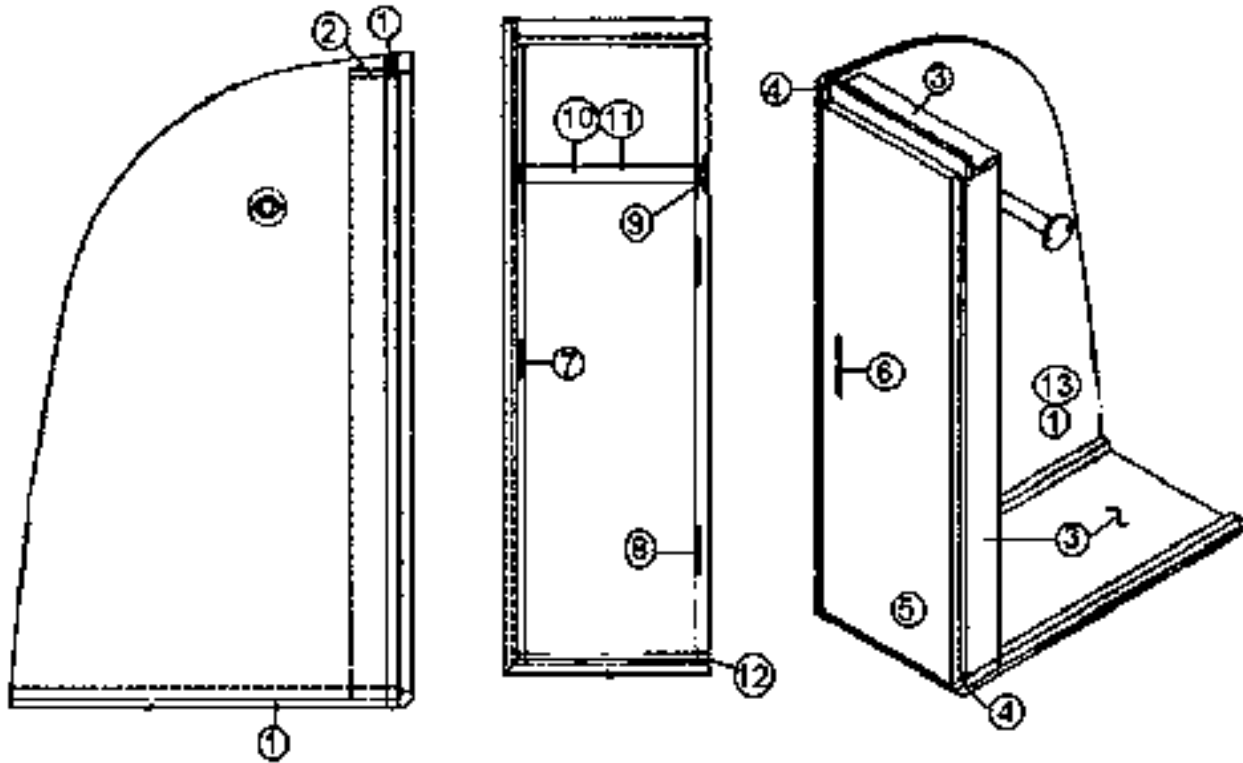


965668	Nightstand, 25' B (Double Bed), Oak
965668-01	Nightstand, 25' B, Amarillo, Midnight Sun
1. 965667	Nightstand top
1. 965667-01	Nightstand, top, Amarillo, Midnight Sun
2. 801383-01	Paneling, Tropical Oak/White Liner, 12mm
2. 801377	PANEL, GRAPHITE 4' X 8' 18", Amarillo, Midnight Sun
3. 801392	Paneling, White/White 12 MM
4. 801376-01	Paneling, Tropical Oak/White, 4' x 8'
5. 800507-01	Luan, 1/8" x 4' x 8'
6. 801355-01	Laminate, Frost White, 4' x 8'
7. 801393-016	Corner trim. 90 degree, 1" radius
8. 801341-44	Door, 11.38" x 23.63"
9. 381865	Door handle
10. 381228-01	Door/drawer grabber catch, 3 lb.
11. 381607	Hinge assembly, Grass European
12. 365268-01	Edge tape, Tropical Oak, 1.13 wide
13. 365268-03	Edge tape, Tropical Oak, .625"
14. 365238-04	Edge tape, White, 5/8" wide
453571	WIRE CLOSEOUT, DOUBLE BED
365273	EDGEBANDING GALAXY GRAPHITE, Amarillo, Midnight Sun

2005 SAFARI- BAMBI

FURNITURE, BEDROOM

Wardrobe, Hanging, Roadside, 25' A & B, 28' S/O

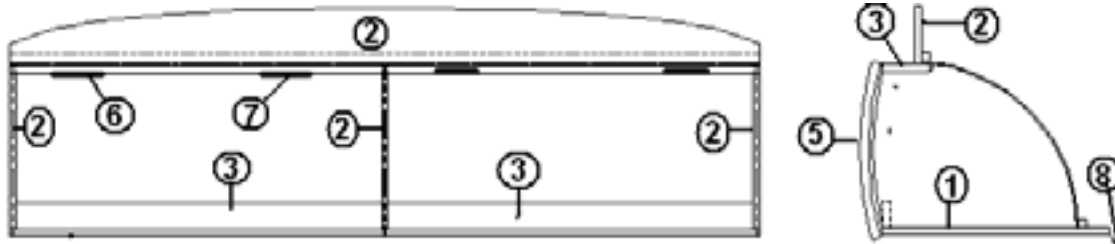


- | | |
|---------------|-------------------------------------|
| 965669 | RS Hanging Wardrobe |
| 1. 801381-01 | Paneling, Tropical Oak/Tropical Oak |
| 2. 801392 | Paneling, White/White 12 MM |
| 3. 801368 | Laminate, White/White |
| 4. 801393-016 | Corner trim, 1" radius |
| 5. 801341-45 | Door, 13.81" x 38.13" |
| 6. 381865 | Door handle |
| 7. 381228-01 | Door/drawer grabber catch, 3 lb. |
| 8. 381607 | Hinge assembly, Grass European |
| 9. 380046 | Flange, chrome |
| 10. 380045 | Tubing, 3/4" metallic |
| 11. 200975-04 | Conduit, flexible, black plastic |
| 12. 365268-01 | Edge tape, Tropical Oak, 1.13 wide |
| 13. 365240-01 | Edge tape, white, 1 5/16" |

2005 SAFARI- BAMBI

FURNITURE, BEDROOM

Roof Locker, Rear End, 30', 28' W

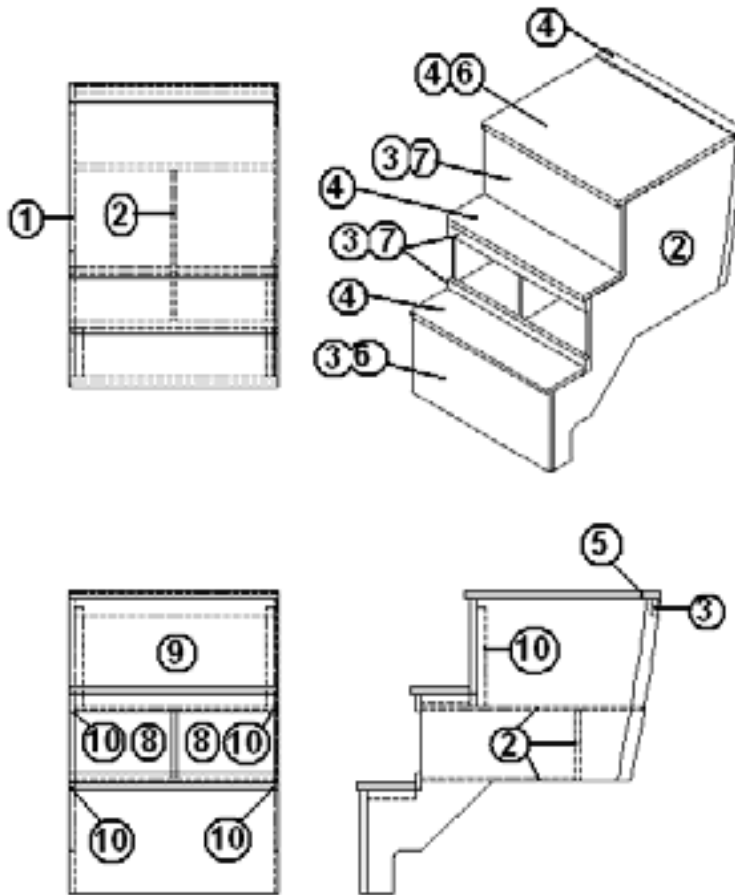


- | | |
|--------------|---------------------------------|
| 966041 | Roof Locker, Rear End, 30' |
| 1. 801383-01 | PANEL, TRP OAK/WHITE LINER 1 |
| 2. 801392 | PANEL, WHITELINER/WHITELINER 1 |
| 3. 801376-01 | PANEL, T.OAK/WHITE LINER 18M |
| 4. 801438 | PANEL, FROST WHITE VINYL/RAW |
| 5. 965551-02 | DOOR-RADIUS FOAM 15.25"X 31.63 |
| 6. 381840-01 | HINGE-OVERHEAD SPRING LH #372. |
| 7. 381840-02 | HINGE-OVERHEAD SPRING RH #372. |
| 8. 104829 | SUPPORT ROOFLOCKER GALLEY |
| 345276-04 | SCREW HEX HD. CAP 1/4-20 X 1 I |
| 350147-25 | NUT,NYLON LOCK,1/4-20 |
| 365268-01 | EDGE BANDING-.024"X 1.13" OAK |
| 365268-03 | EDGE BANDING-.024"X .63", OAK |
| 511249 | LIGHT INCANDESCENT DOUBLE |
| 801505 | PANEL, SAND/RAW, 125" X 4' X 8' |
| 345275-04 | 1/4"-20 X 1 FLAT PHIL M/S ZINC |

2005 SAFARI- BAMBI

FURNITURE, BEDROOM

Dresser, w/Stairs 30'

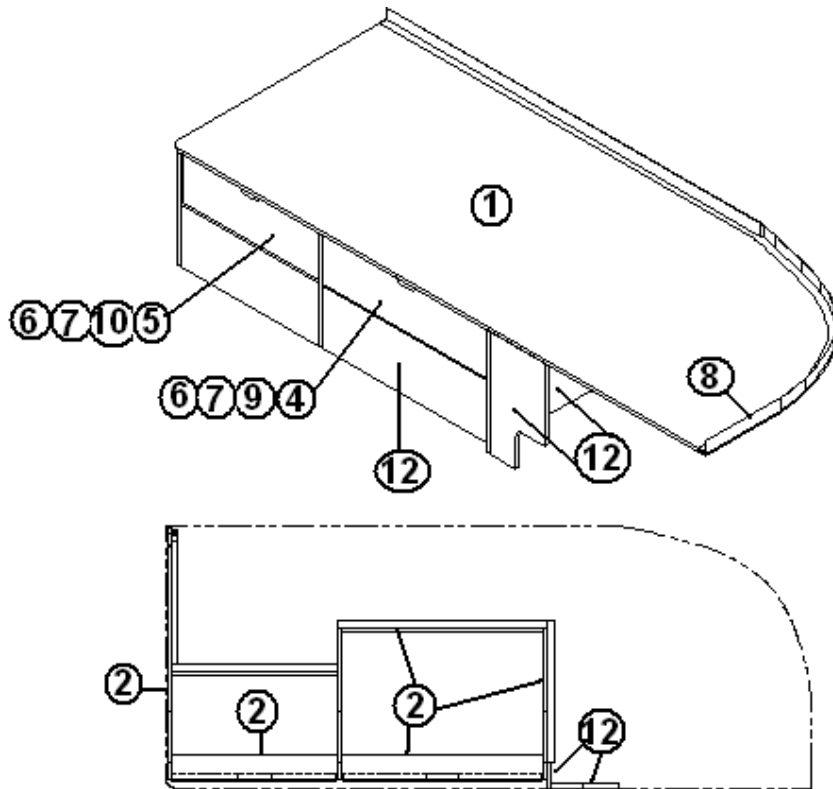


- | | |
|--------------|------------------------------------|
| 966074 | DRESSER ASSEMBLY, W/STAIRS 30' |
| 1. 801383-01 | PANEL, TRP OAK/WHITE LINER |
| 2. 801392 | PANEL, WHITELINER/WHITELINER |
| 3. 801376-01 | PANEL, T.OAK/WHITE LINER |
| 4. 801377 | PANEL, GRAPHITE/WHITE LINE |
| 5. 380458 | HINGE PIANO BROWN ANODIZED |
| 6. 381228-01 | CATCH GRABBER DOOR |
| 7. 380041 | BRACE 1" STANLEY CORNER |
| 8. 203439 | STORAGE BOX-17"L X 11.13"W X 6.38" |
| 9. 203419 | BOX STORAGE 23"L X 16.75"W X 11.88 |
| 10. 114812 | ANGLE 1.00" X 1.00" |
| 365268-01 | EDGEBANDING-.024"X 1.13" OAK |
| 365273 | EDGEBANDING GALAXY GRAPHITE |

2005 SAFARI- BAMBI

FURNITURE, BEDROOM

BED, LOWER BUNK, 30'

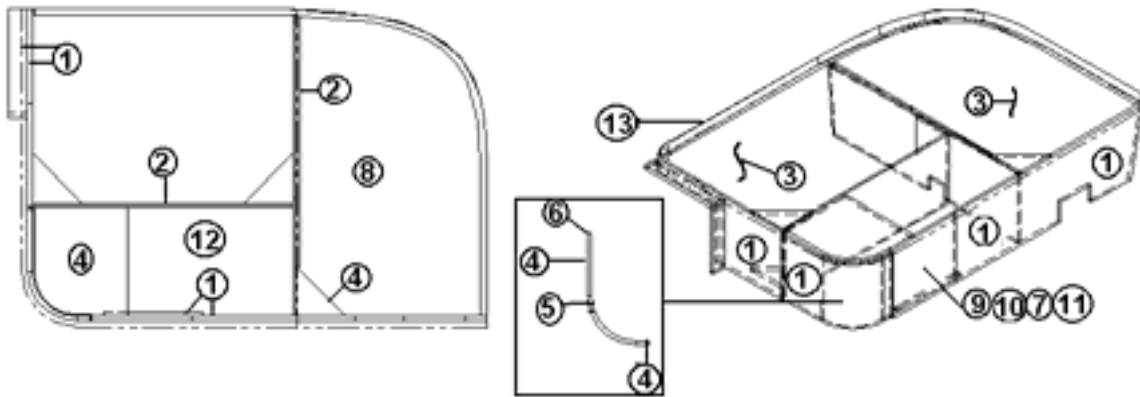


- | | |
|---------------|--------------------------------|
| 966075 | BED ASSEMBLY, LOWER BUNK |
| 1. 800507-03 | LAUAN, 3/8" X 4' X 8' |
| 2. 801392 | PANEL, WHITELINER/WHITELINER |
| 3. 801376-01 | PANEL, T.OAK/WHITE LINER |
| 4. 801399-04 | DRAWER-HIDDEN 13.00"W X 3.38"H |
| 5. 801399-05 | DRAWER-HIDDEN 13.00"W X 3.38"H |
| 6. 365268-01 | EDGE BANDING-.024"X 1.13" OAK |
| 7. 381773-26 | CLIP-LOCKING (DRAWER SLIDE/BOX |
| 8. 114813 | ANGLE 1.00" X 1.50" |
| 9. 203447 | STORAGE BOX-23.5"X16.25"X6.38" |
| 10. 203439 | STORAGE BOX-17"LX11.13"WX6.38" |
| 11. 703450 | MATTRESS-7"X32"X 78" FOAM |
| 12. 801383-01 | PANEL, TRP OAK/WHITE LINER 1 |
| 381458 | TRIM LOCK,3/16" BLACK |
| 365268-03 | EDGE BANDING-.024"X .63" OAK |

2005 SAFARI- BAMBI

FURNITURE, BEDROOM

BED BASE, DOUBLE 30'

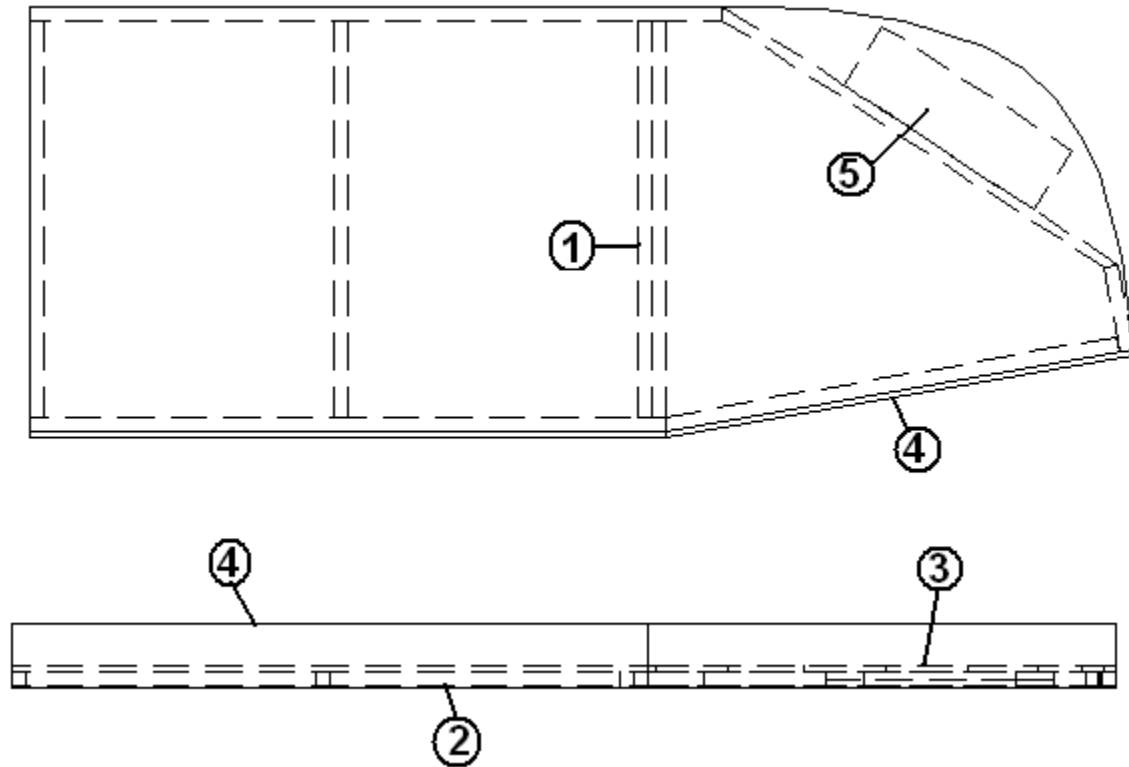


- | | |
|---------------|--------------------------------------|
| 965980-01 | BED BASE ASSEMBLY, 30' |
| 1. 801376-01 | PANEL, TROPICAL OAK/WHITELINER |
| 2. 801392 | PANEL, WHITELINER/WHITELINER |
| 3. 800507-03 | LAUAN, 3/8" X 4' X 8' |
| 4. 801351 | LITE PLY-18MM (.75") 4' X 8' |
| 5. 966058 | DOOR, BED |
| 6. 801343 | LAMINATE, TROPICAL OAK 4' X 8' |
| 7. 381853 | HINGE-CONTINUOUS ALUM PIANO |
| 8. 703182-01 | MATTRESS-52"X 76"W/10" RADIUS CORNER |
| 9. 381865 | HANDLE-DRAWER/DOOR |
| 10. 381773-26 | LOCKING CLIP, DRAWER SLIDE |
| 11. 381228-01 | CATCH GRABBER DOOR |
| 12. 203426 | STORAGE BOX 35L" X 16.75"W X 12.50" |
| 13. 115150 | ANGLE-BED SUPPORT 80" |

2005 SAFARI- BAMBI

FURNITURE, BEDROOM

Bed, Upper Bunk 30', 25' Sleep Six

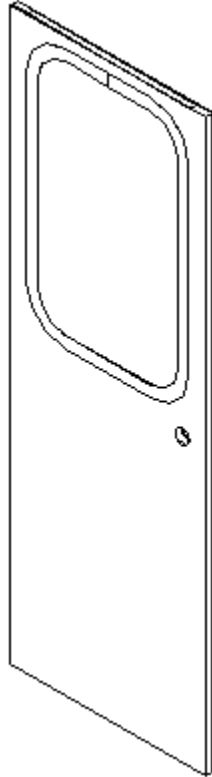


- | | |
|--------------|------------------------------|
| 966109 | BED, UPPER BUNK 30'SAF |
| 1. 915742 | WELDMENT- UPPER BUNK BED |
| 2. 801438 | PANEL, FROST WHITE VINYL/RAW |
| 3. 800507-03 | LAUAN, 3/8" X 4'X 8' |
| 4. 801381-01 | PANEL, OAK/OAK |
| 5. 801392 | PANEL, WHITELINER/WHITELINER |

2005 SAFARI- BAMBI

FURNITURE, BEDROOM

DOOR, FRONT SLIDING 30'

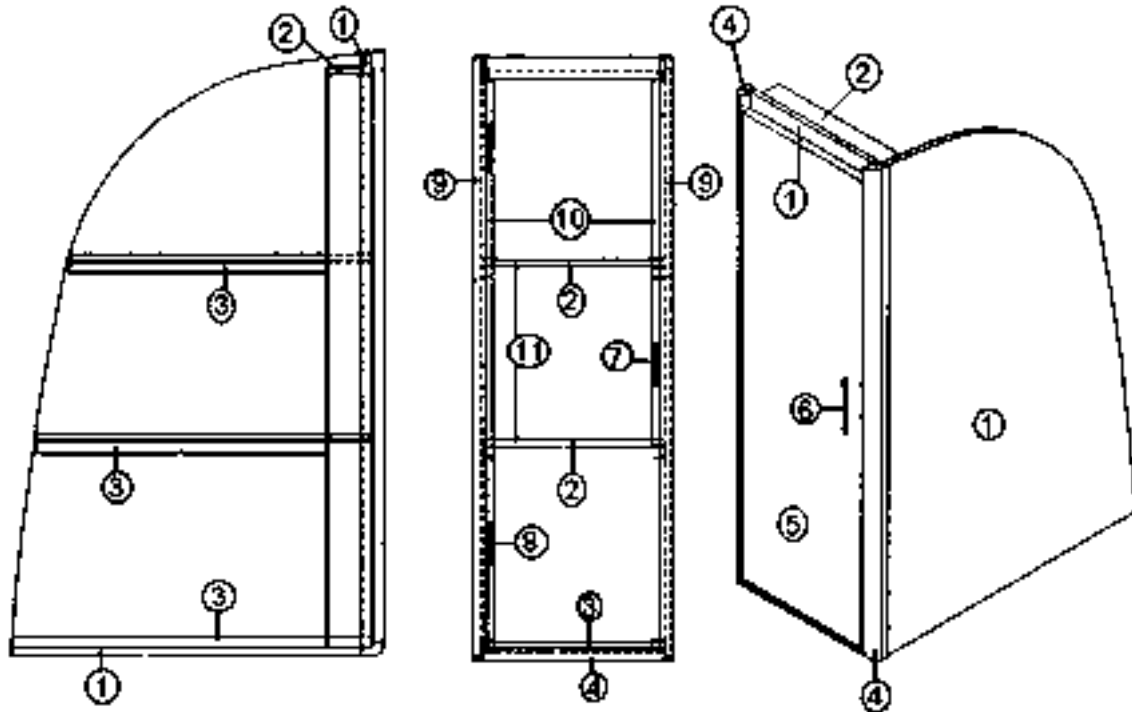


966088	DOOR, FRONT SLIDING 30'
966089	TRIM RING-MIRROR 30'SAF
371397	MIRROR-18.5" X 31"
381855	Recessed Drawer Pull
381443-01	SLIDING DOOR SET #71-222-5'
381443-02	BUMPER STOP #7014
381443-03	ANGLE STOP #1018
801500-05	PANEL, HEADER FWD SLD DR
801500-06	PANEL, HEADER AFT SLD DR INNER
801500-07	PANEL ,HEADER AFT SLD DR OUTER
801500-02	PANEL,FWD BOOTH SEAT 30'
801381-01	PANEL, TROPICAL OAK/TROPCAL OAK
365268-03	EDGE BANDING-.024" X .63", OAK

2005 SAFARI- BAMBI

FURNITURE, BEDROOM

Linen Cabinet, Hanging, Curbside, 25' FB, 25' A & B, 28 S/O

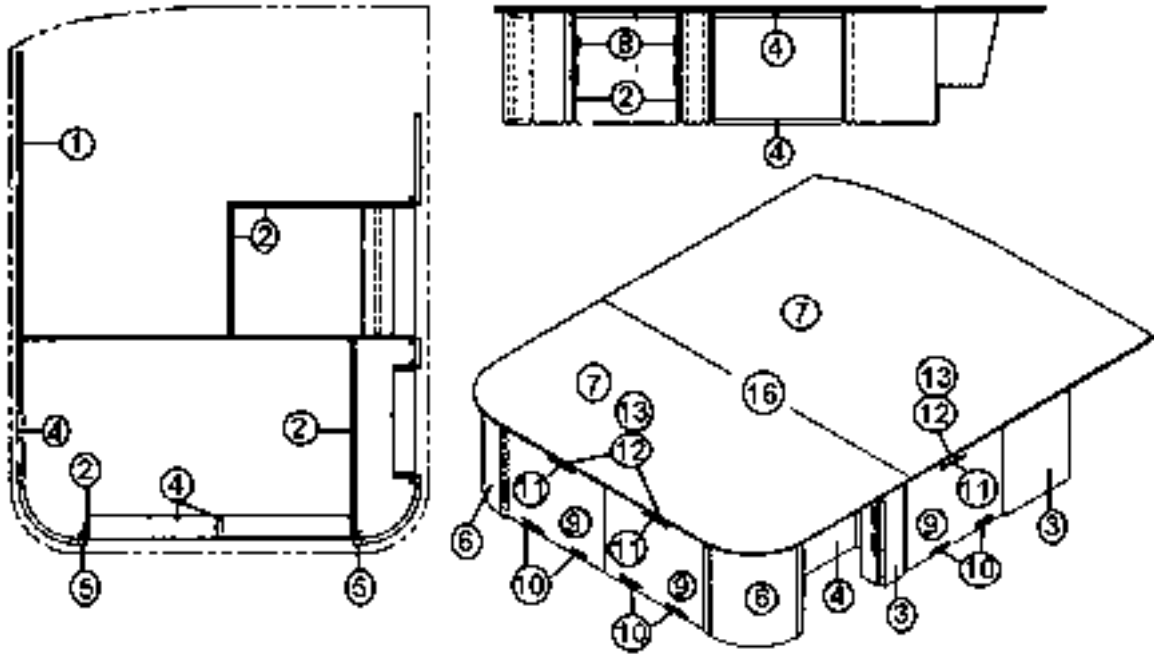


- | | |
|---------------|------------------------------------|
| 965682 | CS Hanging Linen Cabinet Assembly |
| 1. 801383-01 | Paneling, Tropical Oak/White Liner |
| 2. 801392 | Paneling, White/White 12 MM |
| 3. 801368 | Laminate, White/White |
| 4. 801393-016 | Corner trim, 1" radius |
| 5. 801341-45 | Door, 11.38" x 38.13" |
| 6. 381865 | Door handle |
| 7. 381228-01 | Door/drawer grabber catch, 3 lb. |
| 8. 381607 | Hinge assembly, Grass European |
| 381607-01 | HINGE-GRASS EURO W/80307 PLASTIC |
| 381607-02 | BASE PLATE-GRASS HINGE |
| 381607-03 | BASE PLATE-GRASS PLASTIC |
| 381607-04 | HINGE SCREW-GRASS #6X 5/8" |
| 9. 365268-01 | Edge tape, Tropical Oak, 1.13 wide |
| 10. 365240-01 | Edge tape, white, 1 5/16" |
| 11. 365238-04 | Edge tape, White, 5/8" wide |

2005 SAFARI- BAMBI

FURNITURE, BEDROOM

Bed, Double, 25' B, 25' FB, 28' S/O

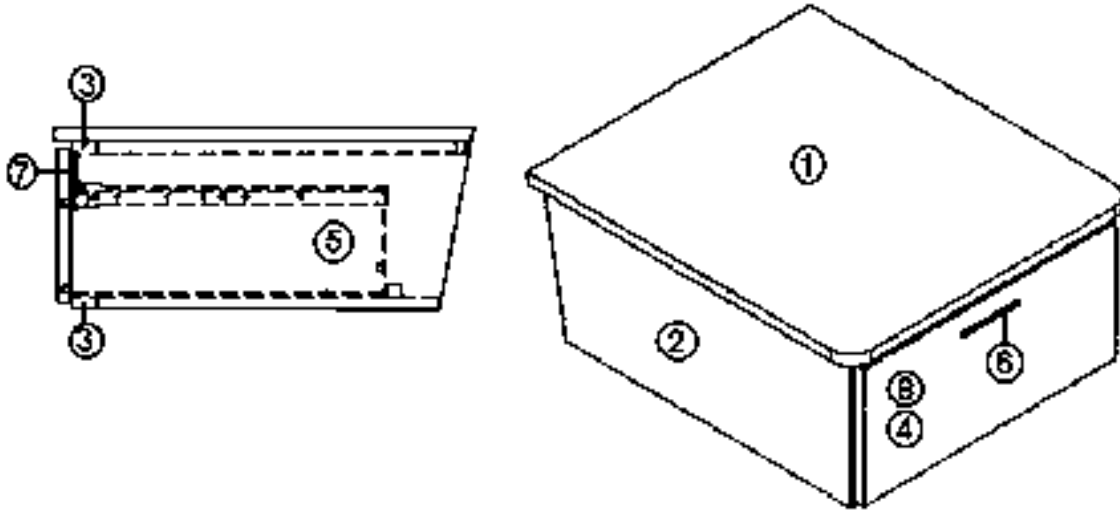


- | | |
|---------------|--|
| 965675 | Bed Assembly, 28' S/O |
| 965675-01 | Bed Assembly, 25' |
| 965675 -02 | Bed Assembly, 25' FB |
| 1. 801383-01 | Paneling, Tropical Oak/White liner, 12mm |
| 2. 801392 | Paneling, White/White 12 MM |
| 3. 801376-01 | Paneling, Tropical Oak/White, 4' x 8' |
| 4. 801368 | Laminate, White/White |
| 5. 801351 | Lite plywood, .75" x4' x 8' |
| 6. 801348 | Radius plywood, .75" x 8" x 6' |
| 7. 800507-03 | Luan, 3/8" x 4' x 8' |
| 8. 100067 | Aluminum angle, 1/16" x 1/2" x 1/2" |
| 9. 801341-49 | Door, 17.38" x 14.25" |
| 10. 381607 | Hinge assembly, Grass European |
| 11. 381865 | Door handle |
| 12. 381228-01 | Door/drawer grabber catch, 3 lb. |
| 13. 203419 | Storage box, 23"L x 16.75"W x 11.88"H |
| 365268-01 | Edge tape, Tropical Oak, 1.13 wide |
| 365268-03 | Edge tape, Tropical Oak, .625" |
| 703291 | Mattress, 60" x 75" w/11" radius corners |
| 201016 | 16" x 22" drawer |

2005 SAFARI- BAMBI

FURNITURE, BEDROOM

Nightstand, 25' B, 25' FB, 28' S/O

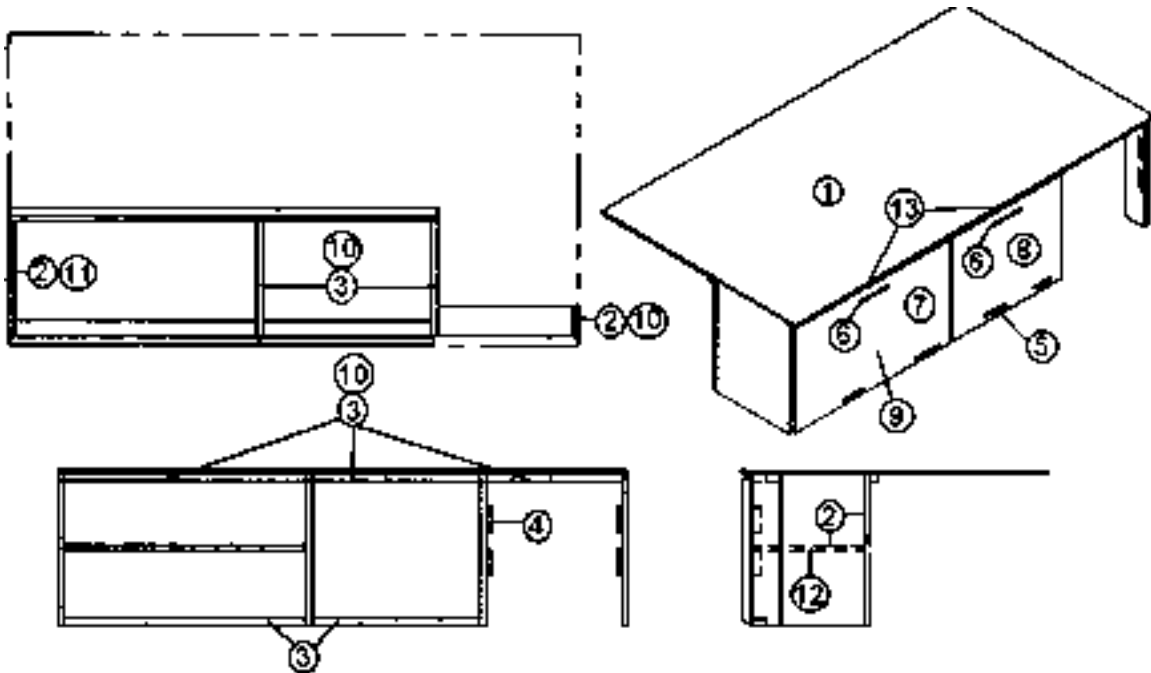


965685	Nightstand Assembly
965685-01	Nightstand Assembly, Amarillo, Midnight Sun
1. 965684	Nightstand top assembly, white
1A. 965984-01	Nightstand top assembly, Amarillo, Midnight Sun
2. 801383-01	Paneling, Tropical Oak/White liner
3. 801378	Laminate, Tropical Oak/White liner
4. 801341-47	Door, 8.88" x 19.13"
5. 965554-03	Drawer box assembly
6. 381865	Door handle
7. 381228-01	Door/drawer grabber catch, 3 lb.
8. 365268-03	Edge tape, Tropical Oak, .625"
801382	Paneling, White Suede/White
365271	Edge Tape-1.125" PVC Silicon
801376-01	Paneling, Tropical Oak, /White Liner
365268-01	Edge tape-.024" X 1.13" Tropical Oak
801368	Paneling, White liner/White Liner
365267	Edge tape, 1.13" .024, ply
801377	PANELING, GRAPHITE/REX 4' X 8' x 18"
365273	EDGEBANDING GALAXY GRAPHITE

2005 SAFARI- BAMBI

FURNITURE, BEDROOM

Bed, Twin, Roadside, 25' A, 25' FB, 28' S/O

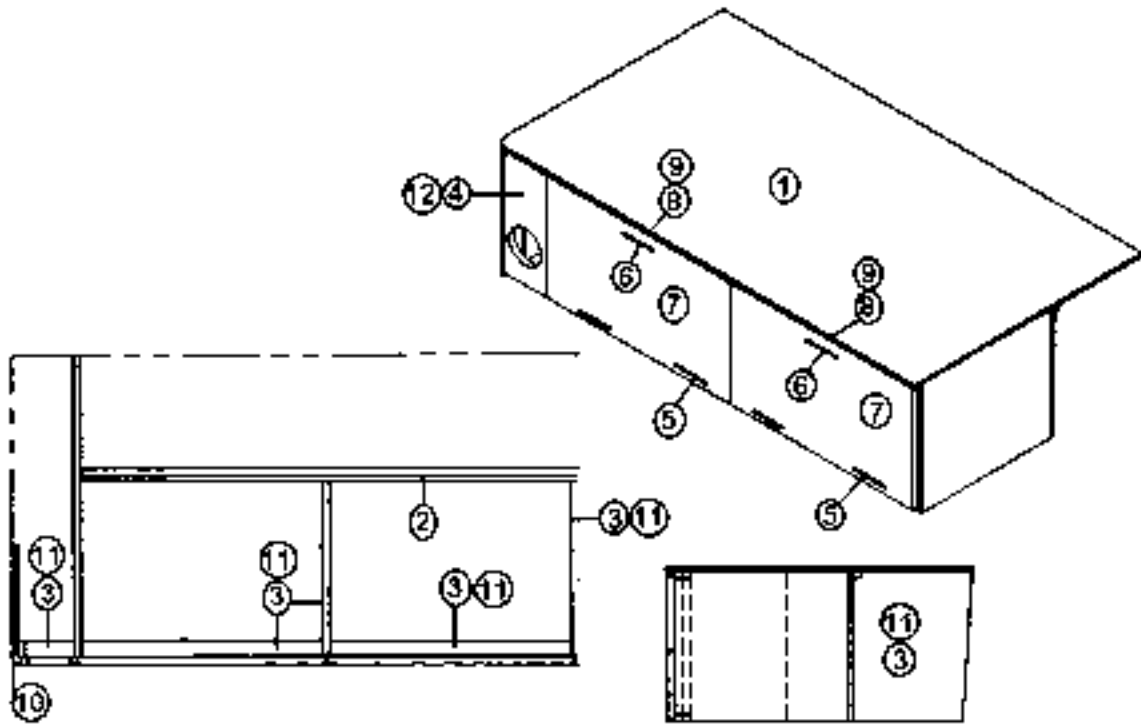


- | | |
|---------------|--------------------------------------|
| 965686 | RS Bed Base Assembly, 25' A, 28' S/O |
| 1. 800507-03 | Luan, 3/8" x 4" x 8' |
| 2. 801392 | Paneling, White/White 12 MM |
| 3. 801368 | Laminate, White/White |
| 4. 114811 | Aluminum angle, 1/16" x 1/2" x 1/2" |
| 5. 385935-01 | Hinge, pivot |
| 6. 381865 | Door handle |
| 7. 801341-48 | Door, 25.00" x 14.25" |
| 8. 801341-49 | Door, 17.38" x 14.25" |
| 9. 201051 | Drawer, 10" x 22" |
| 10. 365268-01 | Edge tape, Tropical Oak, 1.13 wide |
| 11. 365268-03 | Edge tape, Tropical Oak, .625" |
| 12. 365238-04 | Edge tape, White, 5/8" wide |
| 13. 381228-01 | Door/drawer grabber catch, 3 lb. |

2005 SAFARI- BAMBI

FURNITURE, BEDROOM

Bed, Twin, Curbside, 25' A, 25' FB, 28 S/O

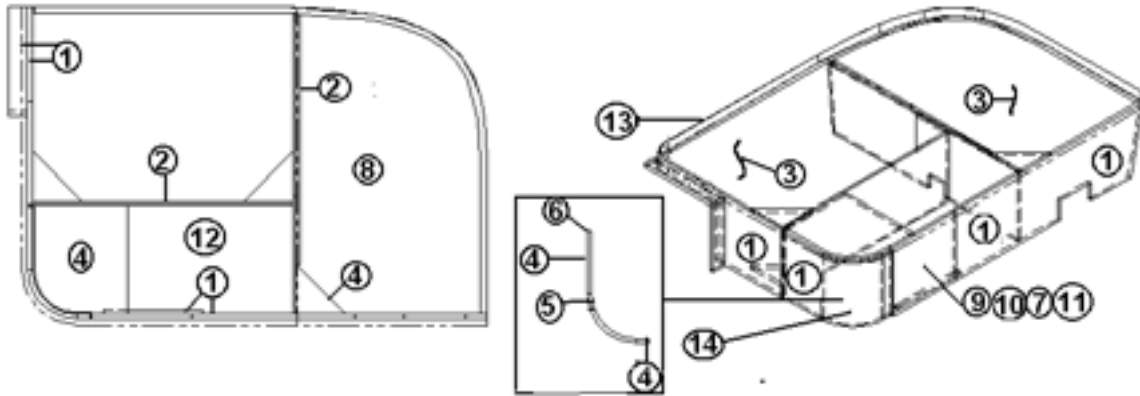


- | | |
|----------------|---|
| 965687 | CS Bed Assembly, 25' A, 28 S/O |
| 1. 800507-03 | Luan, 3/8" x 4" x 8' |
| 2. 801392 | Paneling, White/White 12 MM |
| 3. 801368 | Laminate, White/White |
| 4. 801376-01 | Laminate, Tropical Oak/White Liner |
| 5. 385935-01 | Hinge, pivot |
| 6. 381865 | Door handle |
| 7. 801341-48 | Door, 25.00" x 14.25" |
| 8. 381228-01 | Door/drawer grabber catch, 3 lb. |
| 9. 203419 | Storage box, 23"L x 16.75"W x 11.88"H |
| 10. 801393-016 | Corner trim, 1" radius |
| 11. 365268-01 | Edge tape, Tropical Oak, 1.13 wide |
| 12. 801381-01 | Paneling, Tropical Oak/Tropical Oak, 12MM |

2005 SAFARI- BAMBI

FURNITURE, BEDROOM

Bed, 25 Sleep Six

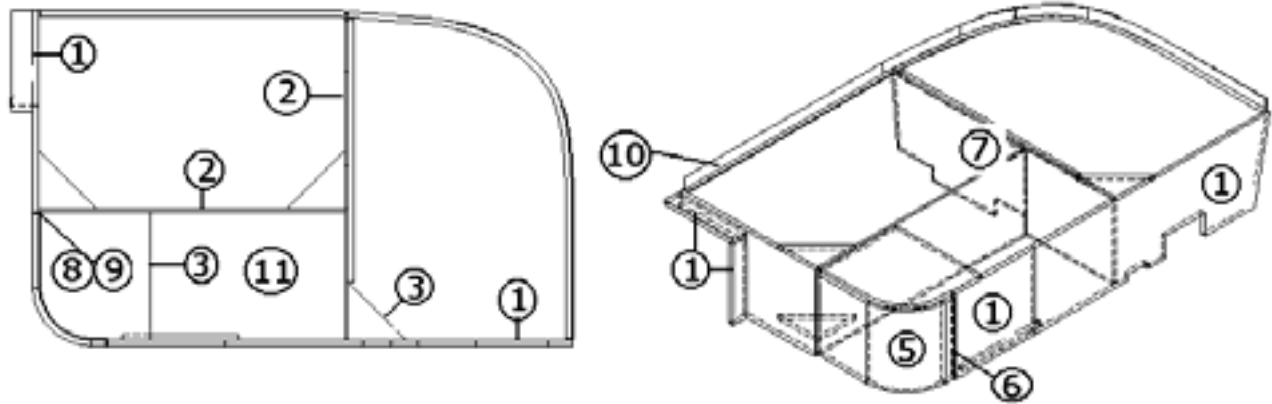


- | | |
|---------------|--------------------------------------|
| 965980 | BED BASE ASSEMBLY |
| 1. 801376-01 | PANEL, TROPICAL OAK/WHITELINER 18M |
| 2. 801392 | PANEL, WHITELINER/WHITELINER |
| 3. 800507-03 | LAUAN, 3/8" X 4' X 8' |
| 4. 801351 | LITE PLY-18MM (.75") 4' X 8' |
| 5. 801348 | RADIUS PLYWOOD-.75" X 8" X 6' |
| 6. 801343 | LAMINATE, TROPICAL OAK 4' X 8' |
| 7. 381853 | HINGE, PIANO |
| 8. 702182-01 | MATTRESS-54"X 76"W/10"RADIUS CORNER |
| 9. 381865 | HANDLE-DRAWER/DOOR |
| 10. 381773-26 | LOCKING CLIP, DRAWER SLIDE |
| 11. 381228-01 | CATCH GRABBER DOOR |
| 12. 203419 | STORAGE BOX, 23"L X 16.75"W X 11.88" |
| 12. 203439 | STORAGE BOX, 17"L X 11.13"W X 6.38" |
| 13. 115150 | ANGLE-BED SUPPORT 80" |
| 14. 966058 | DOOR ASSY. BED |

2005 SAFARI- BAMBI

FURNITURE, BEDROOM

Bed Base, 19Ft.

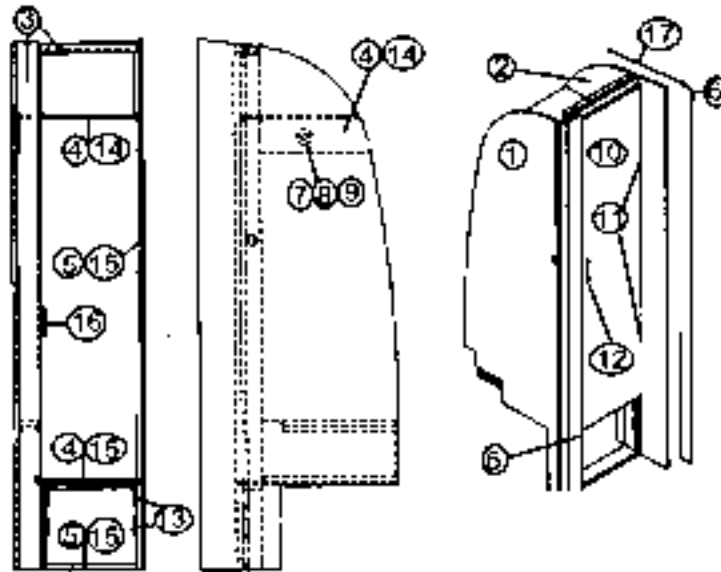


- | | |
|--------------|--|
| 965753 | Bed Base Assembly, 19Ft. |
| 1. 801376-01 | Paneling, Tropical Oak/White, 4' x 8' |
| 2. 801392 | Paneling, White/White 12 MM |
| 3. 801351 | LITE PLY-18MM (.75") 4' X 8' |
| 4. 801348 | Radius plywood, .75" x 8" x 6' |
| 5. 966058 | DOOR ASSY. BED |
| 6. 381853 | HINGE, PIANO |
| 7. 703286 | MATTRESS-48" X 76" W/10" RADIUS CORNER |
| 8. 381865 | Door handle |
| 9. 381773-26 | Locking clip |
| 10. 114813 | Aluminum angle |
| 11. 203419 | BOX STORAGE 23"L X 16.75" WX 11.88" |
| 11. 203439 | STORAGE BOX-17"L X 11.13"W X 6.38" |

2005 SAFARI- BAMBI

FURNITURE, BEDROOM

Wardrobe, Roadside, 25' Sleep Six

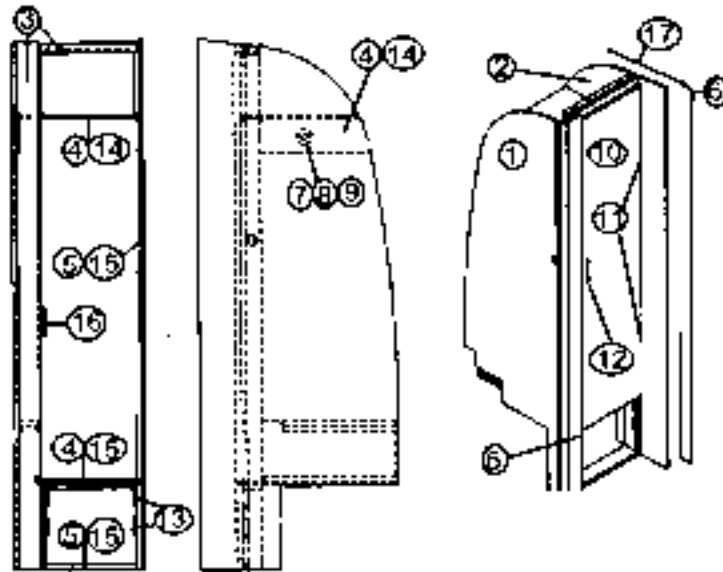


- | | |
|---------------|-------------------------------------|
| 965571 | RS Wardrobe Assembly, 25' Sleep Six |
| 1. 801380-04 | Panel, RS Wardrobe, aft |
| 2. 801380-05 | Panel, aft Refer |
| 3. 801383-01 | Paneling, Tropical Oak/White |
| 4. 801392 | Paneling, White/White 12 MM |
| 5. 801368 | Paneling, White liner/White Liner |
| 6. 801393-016 | Corner trim, 90°, 1" Radius |
| 7. 380046 | Flange Chrome |
| 8. 380045 | Tubing, 3/4" Metallic |
| 9. 200975-04 | Conduit, black, flexible, plastic |
| 10. 801341-19 | Door, 14.25" x 63.38" |
| 11. 381607 | Hinge assembly, Grass European |
| 12. 381865 | Door handle |
| 13. 114811 | Aluminum angle, 1/16" x 1/2" x 1/2" |
| 14. 365238-04 | Edge tape, White, 5/8" wide |
| 15. 365268-01 | Edge tape, Tropical Oak, 1.13 wide |
| 16. 381228-01 | Door/drawer grabber catch |
| 965644 | SHELF ASSY. RADIO |
| 381228-01 | CATCH GRABBER DOOR |

2005 SAFARI- BAMBI

FURNITURE, BEDROOM

Wardrobe, Roadside, 19'

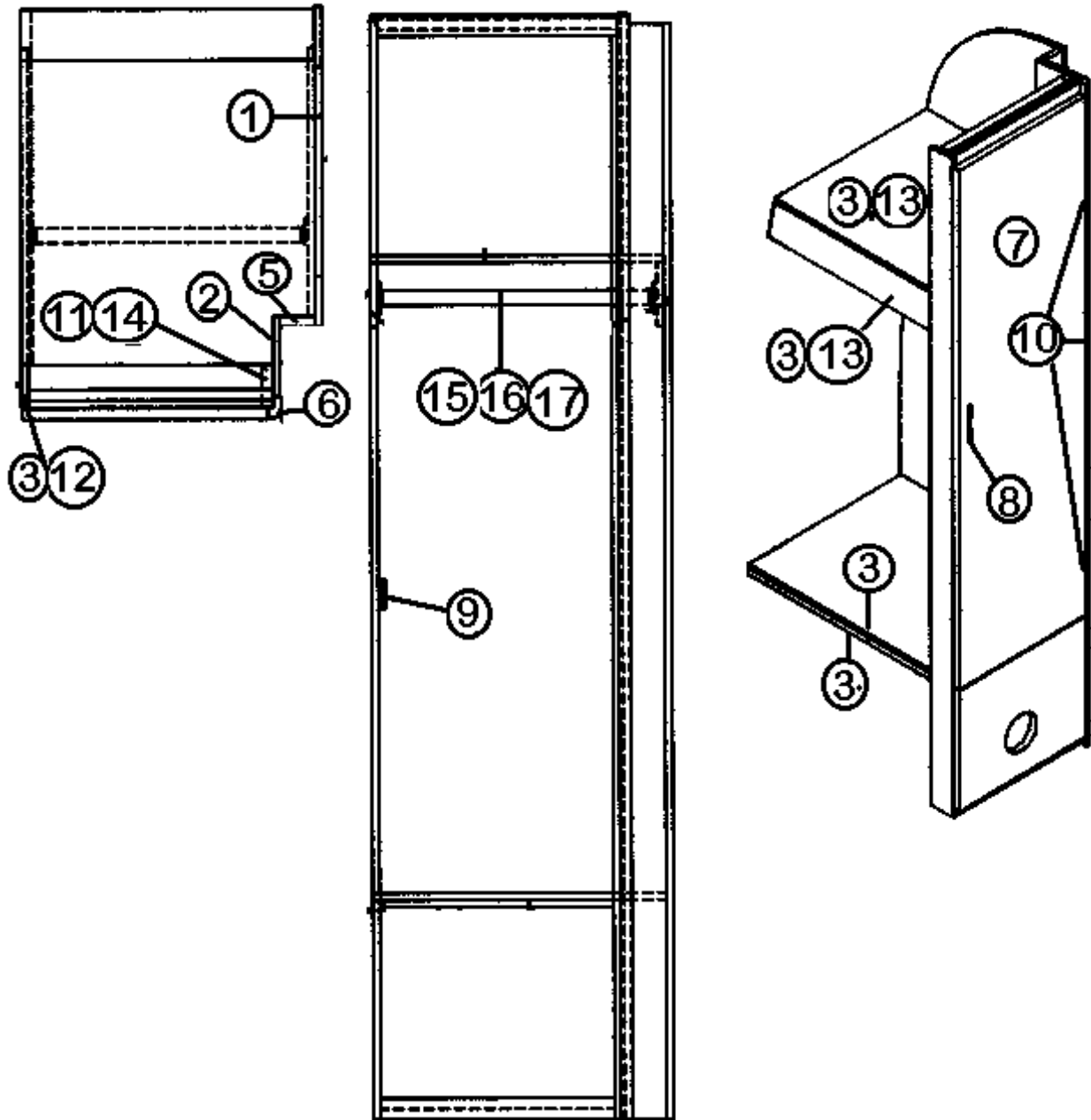


- | | |
|---------------|--|
| 965571-01 | RS Wardrobe Assembly, 19', 25' Sleep Six |
| 1. 801380-04 | Panel, RS Wardrobe, aft |
| 2. 801380-11 | Panel, forward RS wardrobe |
| 3. 801383-01 | Paneling, Tropical Oak/White |
| 4. 801392 | Paneling, White/White 12 MM |
| 5. 801368 | Paneling, White liner/White Liner |
| 6. 801393-016 | Corner trim, 90°, 1" Radius |
| 7. 380046 | Flange Chrome |
| 8. 380045 | Tubing, 3/4" Metallic |
| 9. 200975-04 | Conduit, black, flexible, plastic |
| 10. 801341-19 | Door, 14.25" x 63.38" |
| 11. 381607 | Hinge assembly, Grass European |
| 12. 381865 | Door handle |
| 13. 100067 | Aluminum angle, 1/16" x 1/2" x 1/2" |
| 14. 365268-03 | Edge tape, Oak, 5/8" wide |
| 15. 365268-01 | Edge tape, Oak, 1.13 wide |
| 16. 381228-01 | Door/drawer grabber catch |
| 965644 | SHELF ASSY. RADIO |
| 195503-07 | 1" wire way, white |
| 381241-006 | TV SHELF W/MIRROR, OAK |

2005 SAFARI- BAMBI

FURNITURE, BEDROOM

Wardrobe, Curbside, 25' A & B, 25' Sleep Six



Parts numbers are on the next page.

2005 SAFARI- BAMBI

FURNITURE, BEDROOM

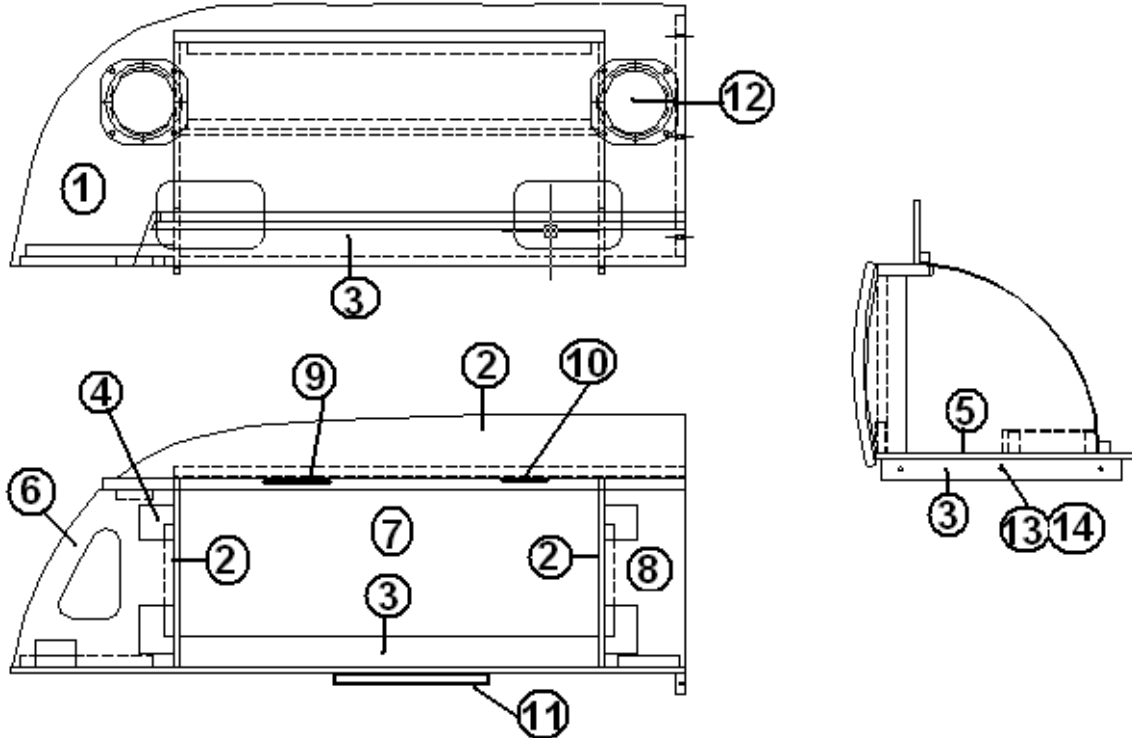
Wardrobe, Curbside, 25' A & B, 25' Sleep Six

965579	CS Wardrobe, 25' Sleep Six
965579-01	CS Wardrobe, 25' A
965579-02	CS Wardrobe, 25' Sleep Six, Bunk Option
1. 801380-07	Panel, CS wardrobe, aft
2. 801380-08	Panel, Forward foldette door
3. 801392	Paneling, White/White 12 MM
4. 801383-01	Paneling, Tropical Oak/White
5. 801376-01	Paneling, Tropical Oak/White, 4' x 8'
6. 801393-016	Corner trim, 90°, 1" Radius, Tropical Oak
7. 801341-22	Door, 17.50" x 61.25"
8. 381865	Door handle
9. 381228-01	Door/drawer grabber catch
10. 381607	Hinge assembly, Grass European
11. 801368	Paneling, White liner/White Liner
12. 365268-03	Edge tape, Tropical Oak, .625"
13. 365238-04	Edge tape, White, 5/8" wide
14. 365268-01	Edge tape, Tropical Oak, 1.13
15. 380046	Flange Chrome
16. 380045	Tubing, 3/4" Metallic
17. 200975-04	Conduit, black, flexible, plastic

2005 SAFARI- BAMBI

FURNITURE, BEDROOM

End liner Cabinet, Rear 25' Sleep Six

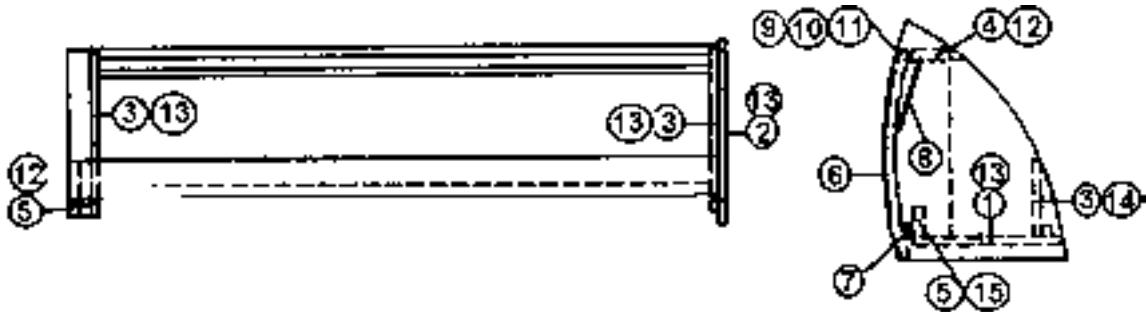


- | | |
|---------------|-----------------------------------|
| 966039 | ENDLINER ASSY. REAR |
| 1. 801383-01 | PANEL, OAK/WHITE LINER |
| 2. 801392 | PANEL, WHITELINER/WHITELINER |
| 3. 801376-01 | PANEL, OAK/WHITE LINER |
| 4. 800506-06 | PLYWOOD, 3/4" X 4' X 8' |
| 5. 801438 | PANEL, FROST WHITE VINYL/RAW |
| 6. 965551-06 | DOOR-RADIUS FOAM LH 15.25" X 12. |
| 7. 965551-02 | DOOR-RADIUS FOAM 15.25"X 31.63" |
| 8. 965551-10 | DOOR-RADIUS FOAM 15.25" X 6.19" |
| 9. 381840-01 | HINGE-OVERHEAD SPRING LH |
| 10. 381840-02 | HINGE-OVERHEAD SPRING RH |
| 11. 511249 | FIXTURE LIGHT INCANDESCENT DOUBLE |
| 12. 511761 | SPEAKER 120W 6.5" WHITE SONY |
| 13. 381609-02 | SCREW HAFELE EUROPEAN |
| 14. 381610-03 | COVER CAP-PLASTIC EUROPEAN PINE |
| 365268-01 | EDGE BANDING-.024"X 1.13" OAK |
| 365268-03 | EDGE BANDING-.024"X .63" OAK |

2005 SAFARI- BAMBI

FURNITURE, BEDROOM

Roof Locker, Bedroom, 25' FB, 19'

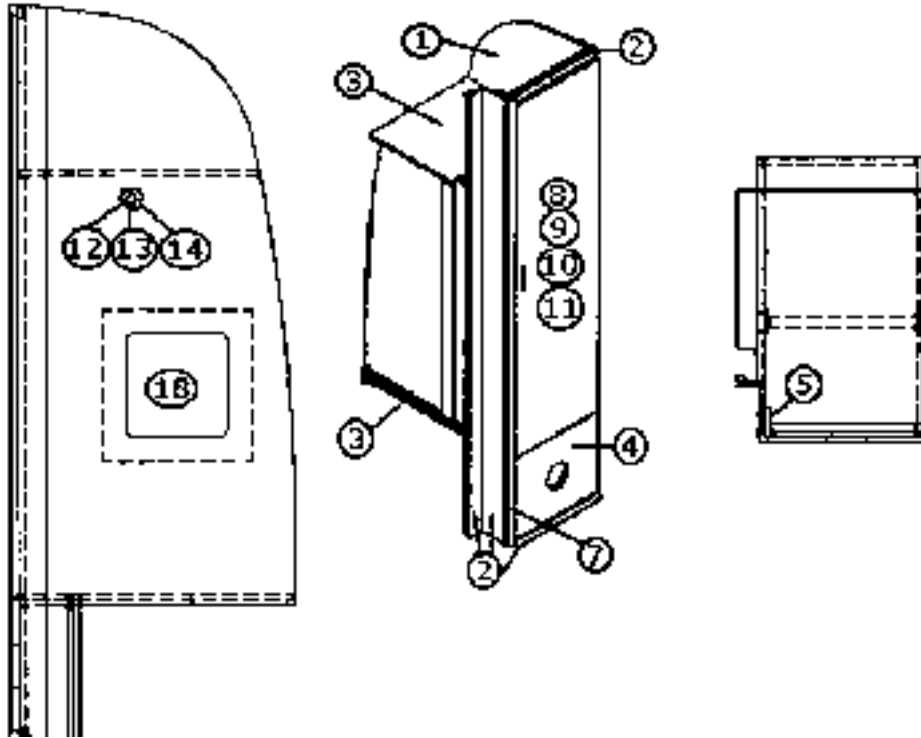


- | | |
|---------------|---|
| 966076 | Bedroom Locker Assembly, 19 ft. |
| 1. 801383-01 | Paneling, Tropical Oak/White |
| 2. 801381-01 | Paneling, Tropical Oak/Tropical Oak, 12MM |
| 3. 801392 | Paneling, White/White 12 MM |
| 4. 801376-01 | Paneling, Tropical Oak/White, 4' x 8' |
| 5. 801368 | Paneling, White liner/White Liner, 18 MM |
| 6. 965552-01 | Door, radius foam, 13.75" x 41.00" |
| 7. 381228-01 | Door/drawer grabber catch |
| 8. 381608-05 | Lid stay, left Hafele |
| 9. 381840-01 | Hinge, overhead spring, RH |
| 10. 381840-02 | Hinge, overhead spring, LH |
| 12. 365268-01 | Edge tape, Tropical Oak, 1.13 wide |
| 13. 365268-03 | Edge tape, Tropical Oak, .625" |
| 14. 365238-04 | Edge tape, White, 5/8" wide |
| 15. 365240-01 | Edge tape, white, 1 5/16" |
| 350147-25 | Nut, Nylon lock, 1/4" x 20 |
| 345275-04 | Screw, Flat head, 1/4" x 20 x 1" |

2005 SAFARI- BAMBI

FURNITURE, BEDROOM

Wardrobe, CS 28 S/O

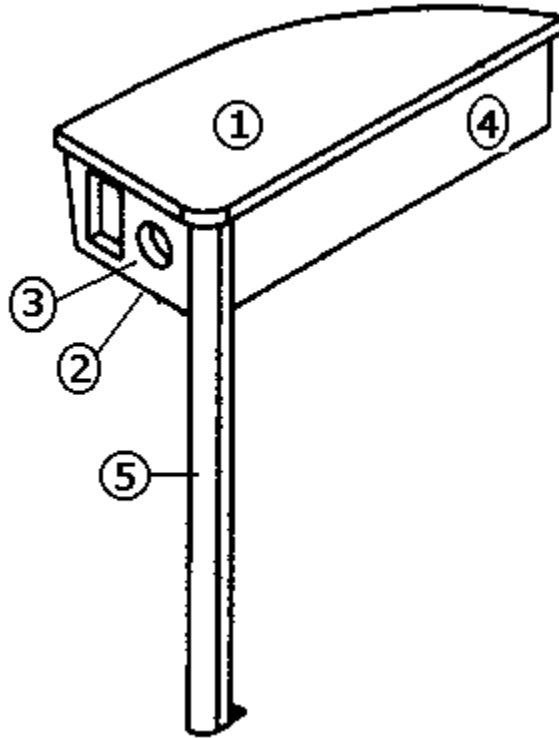


- | | |
|---------------|--|
| 965650 | CS Wardrobe Assembly 28 S/O |
| 1. 801424-02 | Panel, aft CS wardrobe |
| 2. 801383-01 | Panel, Tropical Oak/White liner |
| 3. 801392 | Panel, Tropical Oak/white liner, 12 mm |
| 4. 801376-01 | Panel, Tropical Oak/white liner, 18 mm |
| 5. 801368 | Panel, white Rexel/white Rexel |
| 6. 801438 | PANEL, FRONT WHITE VINYL/RAW |
| 7. 801393-014 | Corner trim, 90 degree radius |
| 8. 801341-55 | Door, 17.00" x 61.88" |
| 8. 381865 | Door handle |
| 10. 381228-01 | Grabber catch, door |
| 11. 381607 | Hinge assembly |
| 12. 380046 | Chrome flange |
| 13. 380045 | Tubing, 3/4" metal |
| 14. 200975-04 | Conduit, black plastic |
| 15. 365268-01 | Edge tape, .024" x 1.13", Tropical Oak |
| 16. 365268-03 | Edge tape, Tropical Oak, .024" x .63" |
| 17. 365238-04 | Edge tape, Colonial White, 5/8" |
| 18. 965762 | Wardrobe closeout assembly |

2005 SAFARI- BAMBI

FURNITURE, BEDROOM

Nightstand Assembly 28' S/O, 25' FB

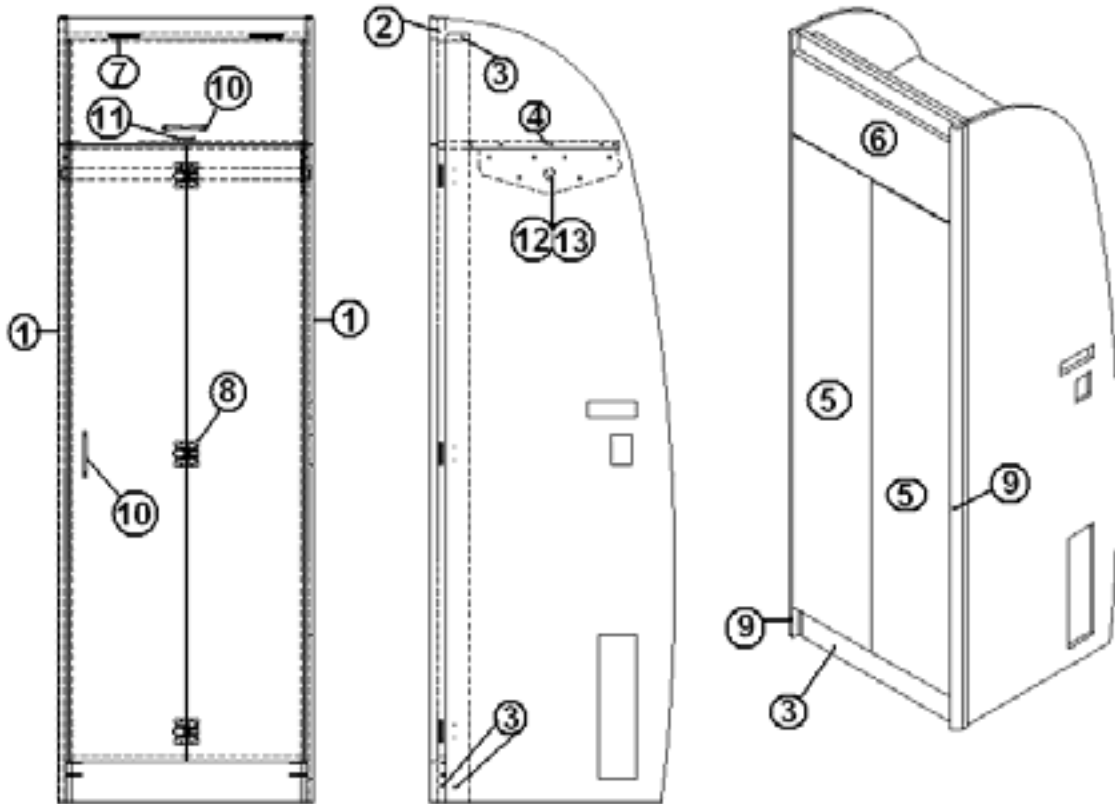


965711	Nightstand Assembly 28' S/O
1. 801369	PANEL, PRELAM FRSTWHITE/WHITE LINER
1a.801377	PANEL, PRELAM GRAPHITE/WHITE LINER
2. 365267	EDGE BANDING-1.13" .024 PLY
2a.365273	Edge tape, PVC, Graphite, Amarillo, Midnight Sun
2. 801376-01	Paneling, Trop. Oak/White liner, 18 mm
3. 801383-01	Paneling, Trop. Oak/White liner, 12 mm
4. 801393-014	Corner trim, 90 degree 1" radius
5. 965268-01	Edge tape, .024" x 1.13", Trop. Oak
381832	TV SHELF W/ MIRROR, 28' S/O

2005 SAFARI- BAMBI

FURNITURE, BEDROOM

WARDROBE, CURBSIDE, 22'

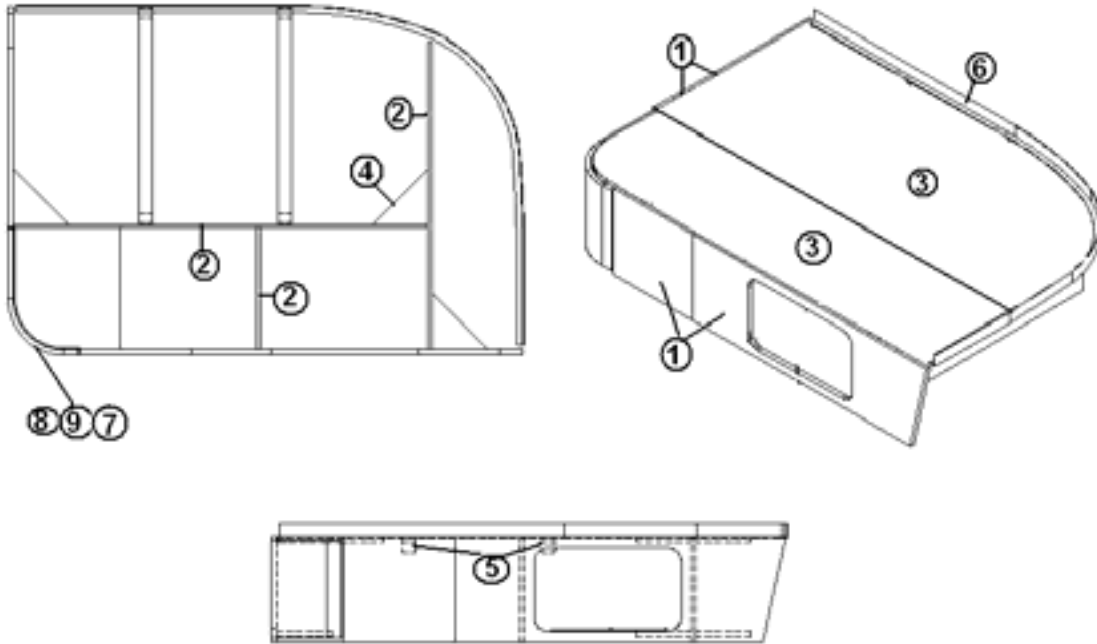


- | | |
|---------------|--------------------------------|
| 965937 | WARDROBE ASSY-CS, 22' |
| 1. 801383-01 | PANEL, OAK/WHITE LINER |
| 2. 801376-01 | PANEL, OAK/WHITE LINER |
| 3. 801368 | PANEL, WHITELINER/WHITELINER |
| 4. 801392 | PANEL, WHITELINER/WHITELINER |
| 5. 801341-95 | DOOR-W/R 11.59"X 61.13" |
| 6. 801341-96 | DOOR-W/R 10.50" X 23.38" |
| 7. 381607 | HINGE ASSY. |
| 8. 381763 | HINGE-BI FOLD DOOR |
| 9. 801393-01 | CORNER TRIM-90D 1" RADIUS OAK |
| 10. 381865 | PULL-BAR BRUSH NICKEL |
| 11. 381228-01 | CATCH GRABBER DOOR |
| 12. 380045 | TUBING 3/4", ELECTRIC METALLIC |
| 13. 200975-04 | CONDUIT, FLEXIBLE BLACK |
| 365268-01 | EDGE BANDING-.024" X 1.13" OAK |
| 365268-03 | EDGE BANDING-.024" X .63" OAK |

2005 SAFARI- BAMBI

FURNITURE, BEDROOM

BED, 22'

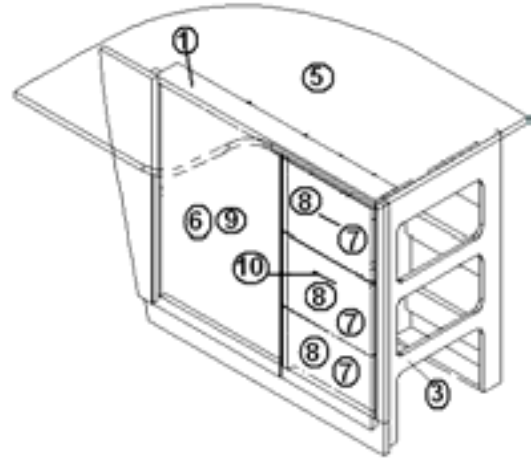
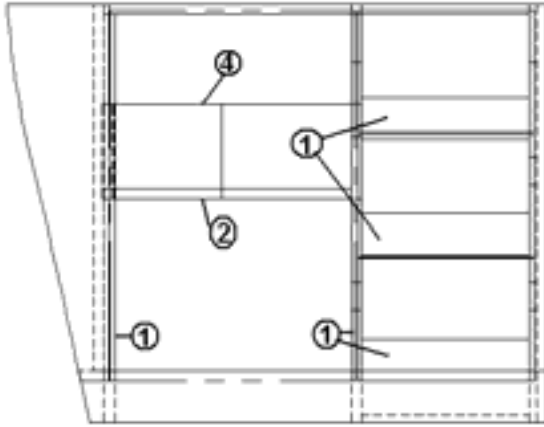


965941	BED, 22'
1. 801376-01	PANEL, OAK/WHITE LINER
2. 801392	PANEL, WHITELINER/WHITELINER
3. 800507-03	LAUAN, 3/8"X 4'X 8'
4. 801351	LITE PLY-18MM (.75") 4' X 8'
5. 114813	ALUMINUM ANGLE 1.00" X 1.50"
6. 115150	ANGLE-BED SUPPORT 80"
7. 965943	PANEL, SUB ASSY-BED DOOR
8. 380203-01	PIANO HINGE
9. 381775	DRAWER PULL
203419	BOX STORAGE 23"LX16.75"WX11.88
203439	STORAGE BOX-17"LX11.13"WX6.38"
703182-01	MATTRESS-54"X 76" W/10"R COR
203440	T MOLDING-BLACK EMBOSSED .8125
365268-01	EDGEBANDING-.024"X 1.13" OAK
381773-26	CLIP-LOCKING (DRAWER SLIDE/BOX

2005 SAFARI- BAMBI

FURNITURE, BEDROOM

DRESSER, 22'

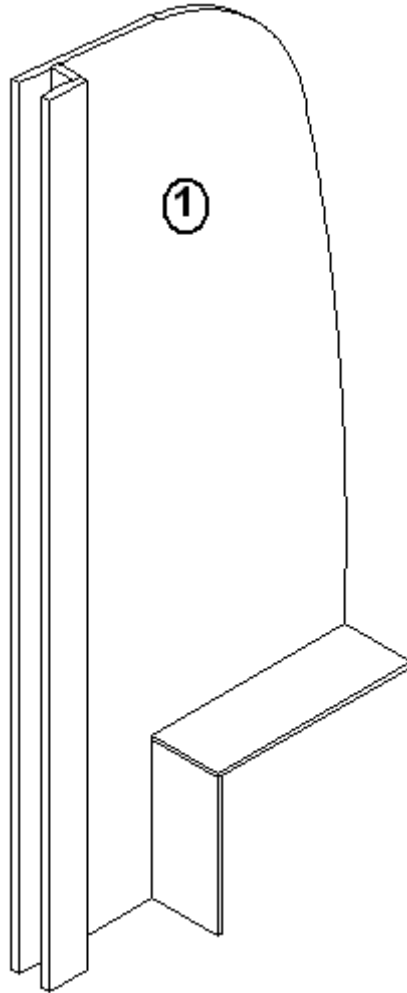


- | | |
|--------------|------------------------------------|
| 966030 | DRESSER, 22' |
| 1. 801368 | PANEL, WHITELINER/WHITELINER |
| 2. 801392 | PANEL, WHITELINER/WHITELINER |
| 3. 801376-01 | PANEL, OAK/WHITE LINER 18M |
| 4. 801438 | PANEL, FROST WHITE VINYL/RAW |
| 5. 965517-01 | TOP ASSY-DRESSER 22' |
| 6. 801341-94 | DOOR-DRESSER 17.56" X 26.5" |
| 7. 801341-11 | DOOR-DRESSER 8.63" X 12.63" |
| 8. 381773-15 | DRAWER SLIDE-5.875" X 15.75"(PAIR) |
| 9. 381607 | HINGE ASSY. |
| 10. 381865 | PULL-BAR BRUSH NICKEL |
| 381228-01 | CATCH GRABBER DOOR |
| 115064 | TRIM-ALUM COUNTER TOP |
| 365268-01 | EDGE BANDING-.024"X 1.13" OAK |
| 365238-04 | EDGE BANDING TAPE PVC 5/8" WHITE |
| 801369 | PANEL, FROST WHITE/WHITE LINER |

2005 SAFARI- BAMBI

FURNITURE, BEDROOM

WALL ASSY-AFT BED, 22'



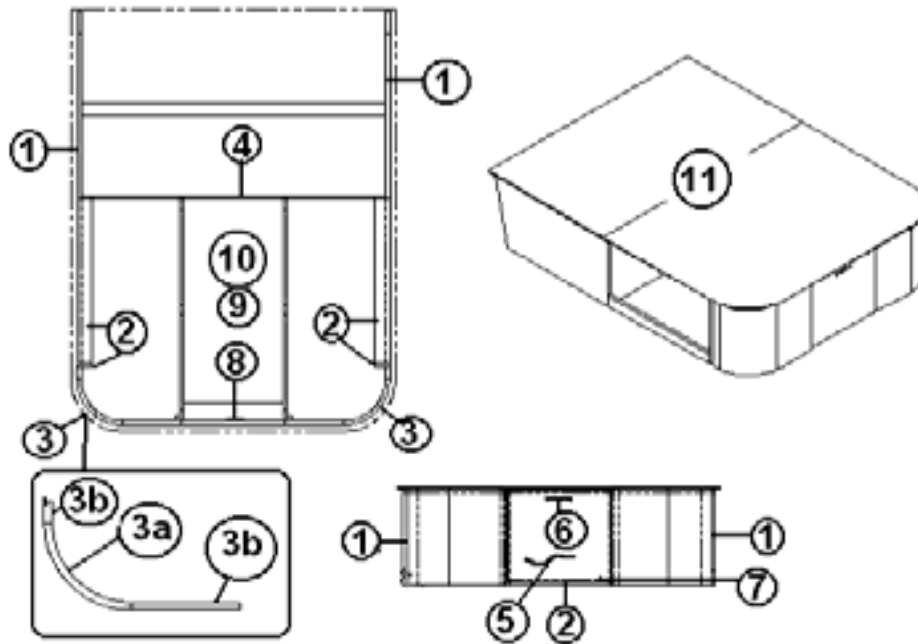
1. 965950

WALL ASSY-AFT BED, 22'

2005 SAFARI- BAMBI

FURNITURE, BEDROOM

Bed Base Assembly, 28' W, 30'

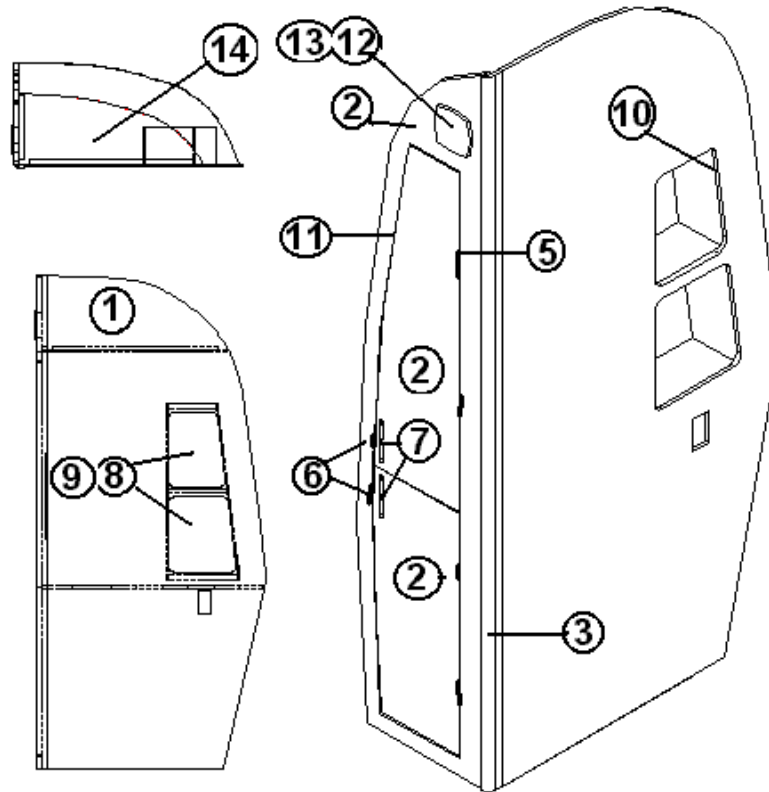


- | | |
|--------------|---|
| 965857 | Bed base Assembly |
| 1. 801376-01 | Panel, Tropical Oak/Whiteline, 18MM |
| 2. 801368 | Panel, Whiteline/Whiteline, 18MM |
| 3. 965858 | Bed corner sub assembly |
| 3a. 801348 | Radius plywood, .75" x 8" x 3' |
| 3b. 801351 | Lite ply, .75" |
| 4. 801392 | Panel, Whiteline/Whiteline, 12MM |
| 5. 801341-66 | Door, bed base, 15.75" x 17.88" |
| 6. 381865 | PULL-BAR BRUSH NICKEL |
| 7. 381607 | Hinge assembly |
| 8. 381228-01 | Door grabber catch |
| 9. 203419 | Storage box, 23"L x 16.75"W x 11.88"H |
| 10. 203439 | STORAGE BOX-17"L X 11.13"W X 6.38" |
| 11. 703336 | Mattress, 60" x 75"H, w/11" radius corner |
| 365268-01 | EDGE BANDING-.024" X 1.13" TROPICAL OAK |

2005 SAFARI- BAMBI

FURNITURE, BEDROOM

Closet, Curbside Rear, 28' W

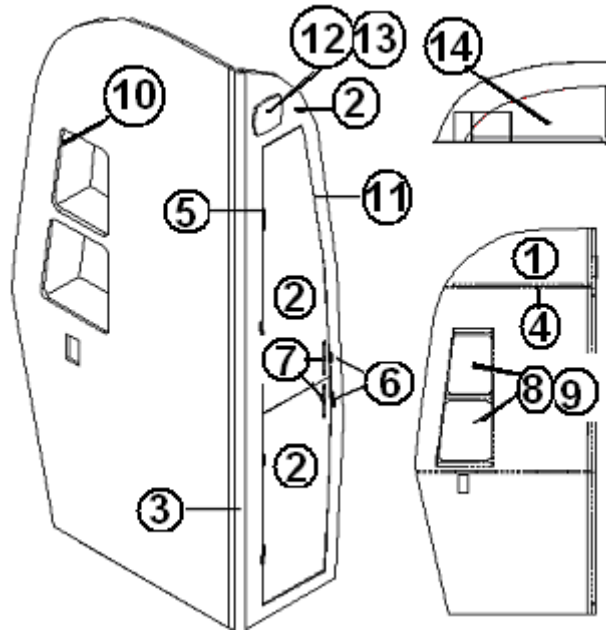


- | | |
|---------------|--|
| 965862-01 | Curbside Rear Closet Assembly, 28' W |
| 1. 801383-01 | Paneling, Tropical Oak/Whiteline, 12MM |
| 2. 801376-01 | Paneling, Trop. Oak/Trop. Oak, 18 MM |
| 3. 801393-016 | Corner trim, 90 degree 1" radius |
| 4. 801368 | Paneling, Whiteline/Whiteline, 18MM |
| 5. 381607 | Hinge assembly |
| 6. 381228-01 | Door grabber catch |
| 7. 381865 | Handle, door |
| 8. 965768-01 | Rear closet bookshelf, CS |
| 9. 965768-01 | Rear closet bookshelf, CS |
| 10. 203445 | T-Molding, black embossed |
| 11. 365268-01 | Edgebanding, .024" x 1.13", Tropical Oak |
| 12. 511761 | Speaker, WHITE |
| 13. 511761 | Speaker, WHITE |
| 14. 801348 | Radius plywood, .75" x 8" x 6' |

2005 SAFARI- BAMBI

FURNITURE, BEDROOM

Closet, Roadside Rear, 28' W

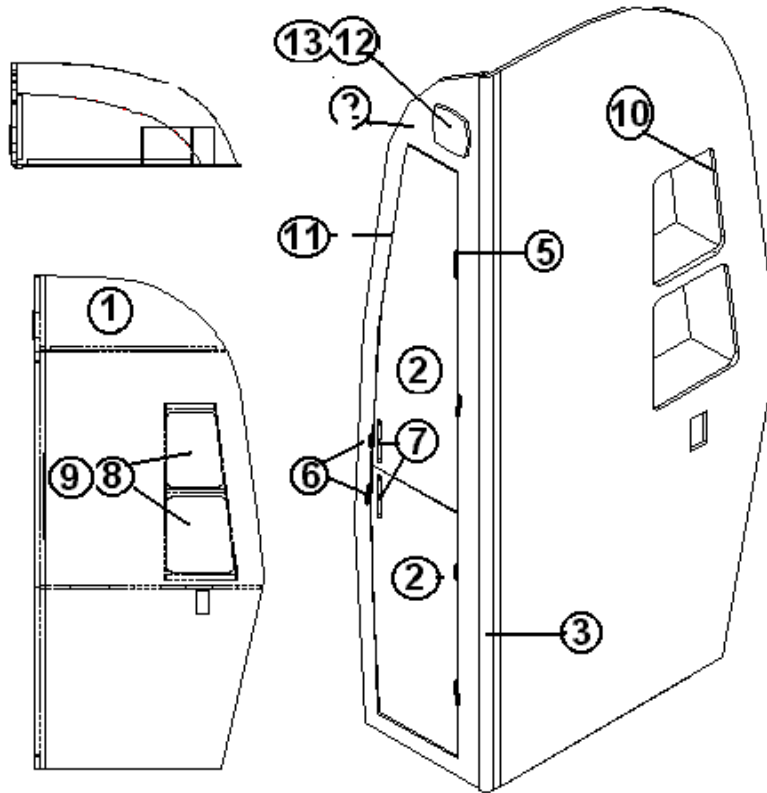


- | | |
|---------------|--|
| 965862-02 | Closet, Roadside Rear |
| 1. 801383-01 | Paneling, Tropical Oak/Whiteline |
| 2. 801376-01 | Paneling, Trop. Oak/Trop. Oak |
| 3. 801393-016 | Corner trim, 90 degree 1" radius |
| 4. 801368 | Paneling, Whiteline/Whiteline |
| 5. 381607 | Hinge assembly |
| 6. 381228-01 | Door grabber catch |
| 7. 381865 | Handle, door |
| 8. 965768-02 | Rear closet bookshelf, RS |
| 9. 965768-02 | Rear closet bookshelf, RS |
| 10. 203445 | T-Molding, black embossed |
| 11. 365268-01 | Edgebanding, .024" x 1.13", Tropical Oak |
| 12. 511761 | Speaker, WHITE |
| 13. 511761 | Speaker, WHITE |
| 14. 801348 | Radius plywood, .75" x 8" x 6' |

2005 SAFARI- BAMBI

FURNITURE, BEDROOM

Closet, Hanging Linen, Roadside Rear, 30'

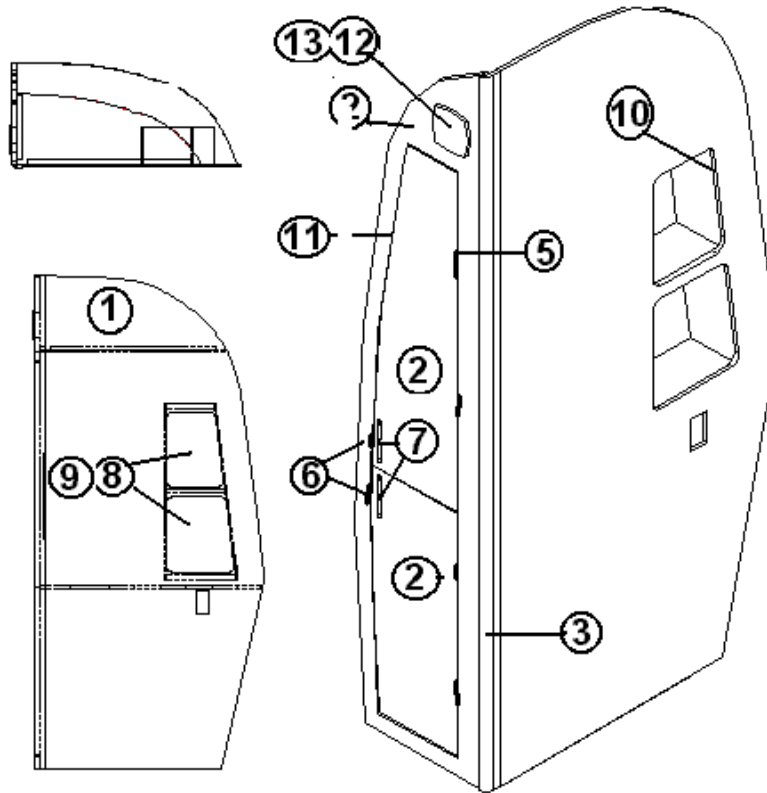


- | | |
|---------------|--|
| 965862-03 | Closet, Roadside Rear Assembly |
| 1. 801383-01 | Paneling, Tropical Oak/Whiteline, 12MM |
| 2. 801376-01 | Paneling, Trop. Oak/Trop. Oak, 18 MM |
| 3. 801393-016 | Corner trim, 90 degree 1" radius |
| 4. 801368 | Paneling, Whiteline/Whiteline, 18MM |
| 5. 381607 | Hinge assembly |
| 6. 381228-01 | Door grabber catch |
| 7. 381865 | Handle, door |
| 8. 965768-02 | Rear closet bookshelf, RS |
| 10. 203445 | T-Molding, black embossed |
| 11. 365268-01 | Edgebanding, .024" x 1.13", Tropical Oak |
| 12. 511617 | Speaker, coustic |
| 13. 511617-01 | Speaker grille, black |
| 381808 | BRKT-FACE MOUNT HINGE |

2005 SAFARI- BAMBI

FURNITURE, BEDROOM

Closet, Hanging Linen, Curbside, 30'

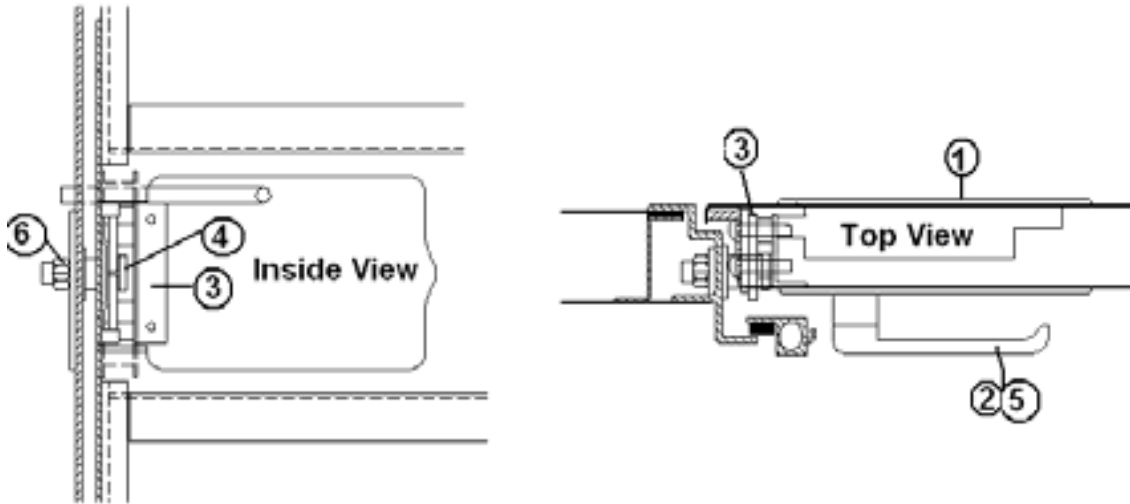


- | | |
|---------------|--|
| 965862-04 | Closet, Curbside Rear Assembly |
| 1. 801383-01 | Paneling, Tropical Oak/Whiteline, 12MM |
| 2. 801376-01 | Paneling, Trop. Oak/Trop. Oak, 18 MM |
| 3. 801393-014 | Corner trim, 90 degree 1" radius |
| 4. 801368 | Paneling, Whiteline/Whiteline, 18MM |
| 5. 381607 | Hinge assembly |
| 6. 381228-01 | Door grabber catch |
| 7. 381865 | Handle, door |
| 8. 965768-01 | Rear closet bookshelf, CS |
| 10. 203445 | T-Molding, black embossed |
| 11. 365268-01 | Edgebanding, .024" x 1.13", Tropical Oak |
| 12. 511617 | Speaker, coustic |
| 13. 511617-01 | Speaker grille, black |
| 381808 | BRKT-FACE MOUNT HINGE |

2005 SAFARI- BAMBI

HARDWARE

Main Door Lock, Left Hand Hinge

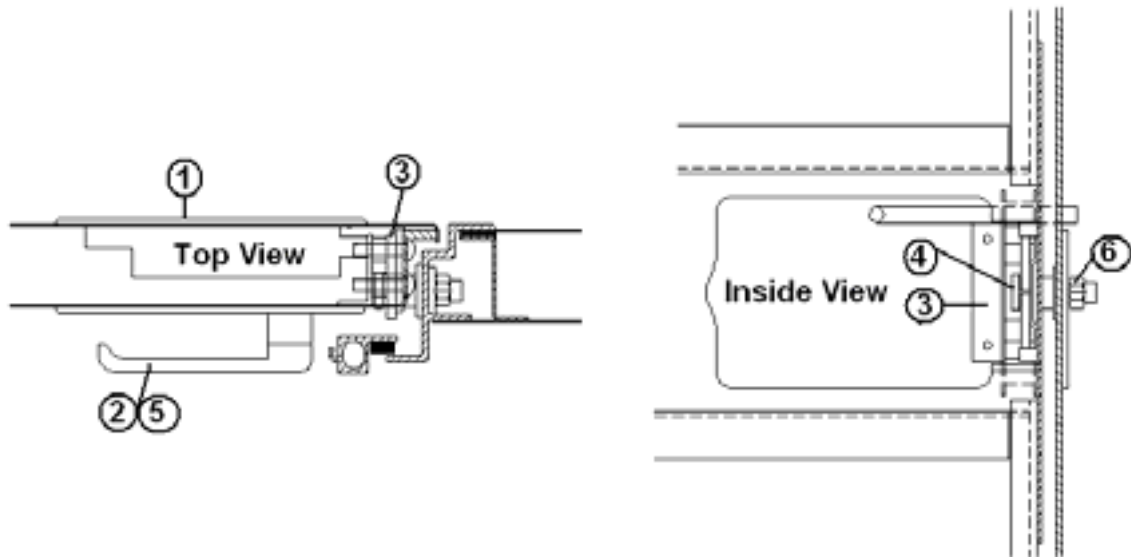


- | | |
|--------------|--------------------------------------|
| 1. 381547-01 | Main door lock, outside, housing |
| 2. 381547-07 | Main door lock, inside plate |
| 3. 381547-03 | Double rotary latch main door lock |
| 4. 381547-04 | Striker bolt w/washer main door lock |
| 5. 381547-08 | Screw package, main door lock |
| 6. 381550 | Plate, Striker Bolt |
| 385595 | POCKET-STRIKE |
| 381889 | KEY CHAIN, AIRSTREAM, CORIAN |
| 381901 | KEY RACK |

2005 SAFARI- BAMBI

HARDWARE

Main Door Lock, Right Hand Hinge



- | | |
|--------------|--------------------------------------|
| 1. 381547-09 | Main door lock, outside, housing |
| 2. 381547-11 | Main door lock, inside plate |
| 3. 381547-10 | Double rotary latch, main door lock |
| 4. 381547-04 | Striker bolt w/washer main door lock |
| 5. 381547-08 | Screw package, main door lock |
| 6. 381550 | Plate, Striker Bolt |
| 385595 | POCKET-STRIKE |

DEADBOLT, MAIN DOOR, LH & RH HINGE

- | | |
|-----------|-----------------------------------|
| 381323-01 | DEADBOLT COMPLETE ASSY. #11840-12 |
| 381326 | STRIKER #10007 W/TRIMARK DEADBOLT |
| 453851 | BOLT, TRI/MARK |
| 203370 | SPACER-TRI/MARK DOOR LATCH |
| 385595 | POCKET-STRIKE |

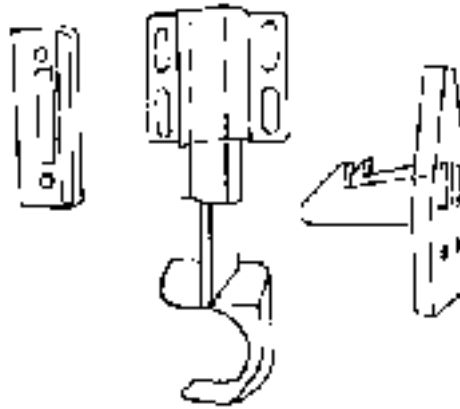
2005 SAFARI- BAMBI

HARDWARE

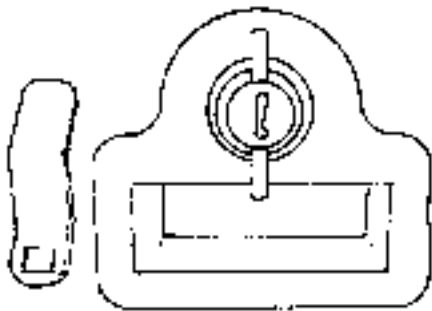
EXTERIOR LATCHES/LOCKS



101171
Grab handle, main door



381454
Latch, screen door, Bullet



380770-Twist lock, black

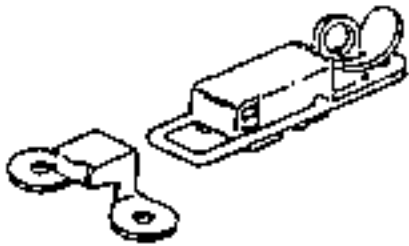


381021 Rubber T handle

2005 SAFARI- BAMBI

HARDWARE

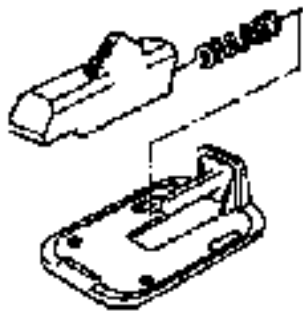
EXTERIOR LATCHES/LOCKS



340023 Corbin catch
w/strike, battery box



380067 Lock cam,
bumper lid



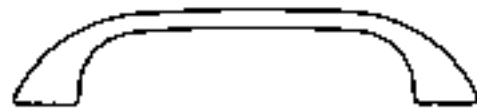
380291 Main door holdback,
(use w/housing #380290)



380290 Latch housing,
(use w/holdback #380291)



201056 Catch, main door
holdback

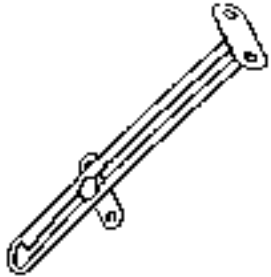


380004 Handle, screen door

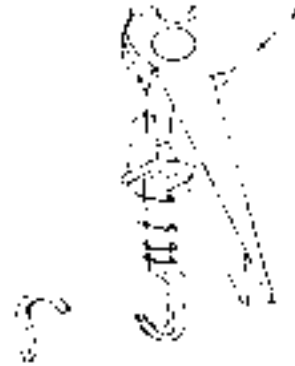
2005 SAFARI- BAMBI

HARDWARE

EXTERIOR LATCHES/LOCKS



380024 Support arm,
bumper lid



380903 Latch w/strike,
chrome, gas bottle cover

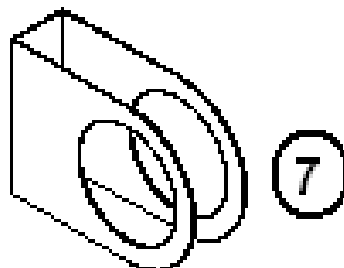
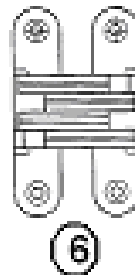
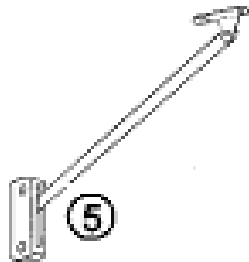
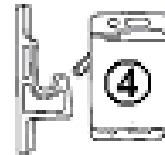
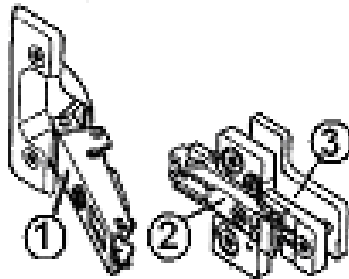
WRAP PROTECTOR LATCH

- 114819-01 Wrap protector hold back, 1.62"
- 114819-02 Wrap protector hold back, 2.50"
- 114819-03 Wrap protector hold back, 5.00"

2005 SAFARI- BAMBI

HARDWARE

INTERIOR LATCHES/HINGES/TRIM

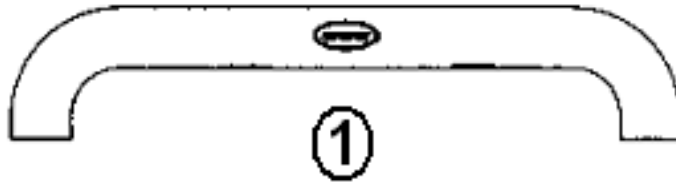


- | | |
|--------------|--|
| 1) 381607-01 | Hinge, cabinet |
| 2) 381607-02 | Base, metal |
| 3) 381607-03 | Base, plastic |
| 3) 381607-04 | HINGE SCREW |
| 4) 381228 | Grabber door, latch w/catch, 10lb.rating |
| 4) 381228-01 | Grabber door, latch w/catch, 3lb. Rating |
| 5) 381608-04 | Support arm, roof locker, RH |
| 5) 381608-05 | Support arm, roof locker, LH |
| 6) 380040 | Soss hinge, lift up table |
| 7) 454320 | Door handle Cover |

2005 SAFARI- BAMBI

HARDWARE

INTERIOR LATCHES/HINGES



- | | |
|-----------|---|
| 1. 381772 | Head knocker, white mounts on interior |
| doorjamb | |
| 2. 381855 | Recessed Drawer Pull |
| 3. 360012 | Bumper, rubber white, stick-on, cylindrical |
| 4. 360016 | Bump on, rubber gray, square 3/8" x 3/8" |
| 360012-01 | Bumper, rubber brown, stick-on, cylindrical |

2005 SAFARI- BAMBI

HARDWARE

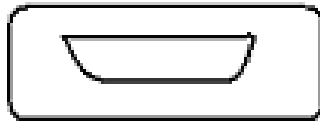
INTERIOR LATCHES/HINGES



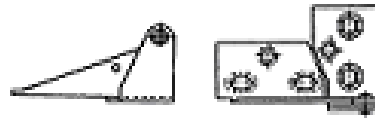
①



②



③



④



⑤

- | | |
|--------------|---|
| 1. 381865 | Handle drawer/door, chrome |
| 2. 381576 | Pull handle, brass |
| 3. 381775 | Pull handle, CHROME |
| 4. 385935-01 | Hinge pivot, zinc plated |
| 5. 381737 | Grab bar, interior, mounts on interior doorjamb |
| 381771 | Latch Swinging bath door |
| 381608-09 | Rosette Hafele, used on galley |
| 381835 | Handle, chrome/brass, Medicine cabinet |

2005 SAFARI- BAMBI

HARDWARE

BATHROOM ACCESSORIES, 25', 28', 30'

380034	Toilet paper holder, chrome
381822	18' towel bar, Brushed Nickel
381823	Soap Dish, Brushed Nickel
381824	Towel Ring, Brushed Nickel
380017	Holder, tumbler and toothbrush
381299	HOLDER RECESSED TOILET PAPER
381822	TOWEL BAR, NICKEL, 18"

BATHROOM ACCESSORIES, 22'

381776	TOWEL BAR, CHROME 18"
381777	TOWEL RING, CHROME
381778	ROBE HOOK, DOUBLE, CHROME
380034	TOILET PAPER HOLDER, CHROME
380017	HOLDER TUMBLER & TOOTHBRUSH
381823	SOAP DISH W/ACRYLIC BOWL

BATHROOM ACCESSORIES, 25' Front Bed

380034	Toilet paper holder, chrome
381259-01	TOWEL BAR, CHROME, 18"#HM-896-18
381259-03	ENDS, TOWEL BAR, CHROME
380017	Holder, tumbler and toothbrush
380248	HOLDER SOAP DRAINING TYPE

BATHROOM ACCESSORIES, 16', 19'

381299	HOLDER RECESSED TOILET PAPER
381259-01	TOWEL BAR, CHROME, 18"#HM-896-18
380017	HOLDER TUMBLER & TOOTHBRUSH
380248	HOLDER SOAP DRAINING TYPE
381259-03	ENDS, TOWEL BAR, CHROME

2005 SAFARI- BAMBI

HARDWARE

Wardrobe Clothes Rod

380045	Clothes rod
200975-04	Conduit, flexible, black (covers clothes rod)
380046	Bracket, clothes rod

Drapes

700005	FASTENER, CAP
700006	FASTENER SOCKET
700020	PILE VELCRO
700021	HOOK, VELCRO, WHITE

Sewer Hose Clamp/Water Fill key/Level

340084-52	CLAMP, HOSE SAE #52
381647	KEY WATER FILL CH 751
600241-01	HOSE ADAPTOR, STRAIGHT #02593
381269	Wheel Master trailer level

Interior Hinges

380458	Hinge, piano, bath door, dinette seat, brown
380210	Hinge, 2" metal, lift up table
380040	Soss hinge, #204, lift up table
381614	Folding shelf bracket, galley
381607	Hinge assembly, Grass Euro style
381607-01	HINGE-GRASS EURO, PLASTIC
381607-02	GRASS-GRASS HINGE
381607-03	GRASS-GRASS PLASTIC
381607-04	HINGE SCREW-GRASS
385935-01	Hinge, pivot, plated, medicine cabinet

2005 SAFARI- BAMBI

HARDWARE

Detectors, Fire Extinguishers

510781	Smoke detector
510891	Smoke Detector CSA only
511309	LPG detector
511393	COUPLER-MODULAR EXTENSION
511411	JUNCTION BOX-7 TERMINAL 50-10-170
600162-01	Fire extinguisher
600162-02	Fire extinguisher, CSA
511343	DETECTOR CARBON MONOXIDE 9 VOLT

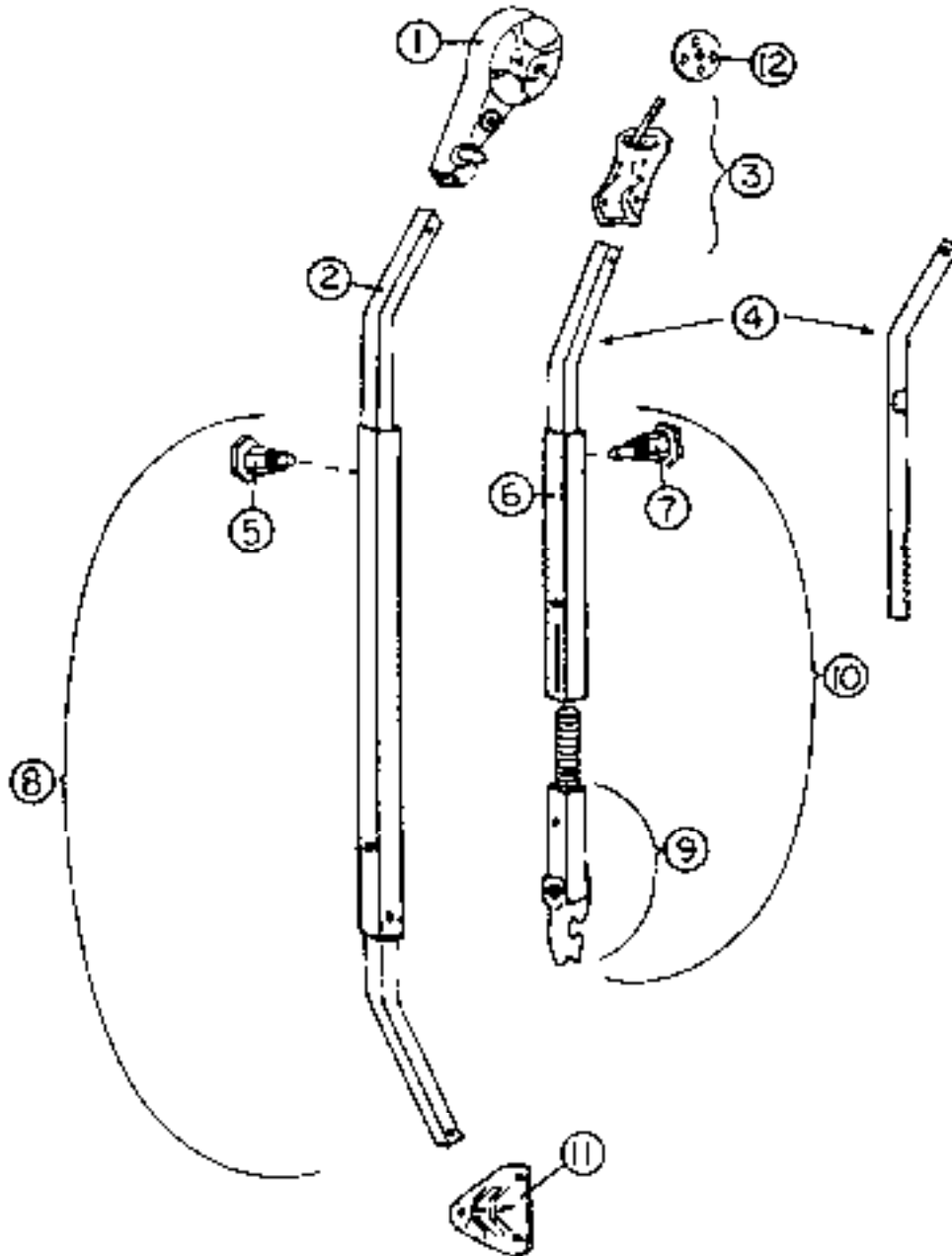
Riveted Windows

683975	Window guide, RH
683975-01	Window guide, LH
010020	Lower window latch
381088	Lower window latch, w/red handle
685123	Pawl, window latch, straight
685124	Striker plate, window latch
380230-03	Knob window arm, silver
380230-04	Knob, window arm, red
0703-0001	Screw 8-32 x 1/2", black
0703-0010	Screw 8-32 x 1/2", stainless
0706-0003	Washer, flat, nylon, clear
0706-0004	Washer, flat, nylon, black
0802-0004	Screw cap, black
0802-0005	Snap cap washer, clear

2005 SAFARI- BAMBI

HARDWARE

AWNING HARDWARE



See next page for P/N

2005 SAFARI- BAMBI

HARDWARE

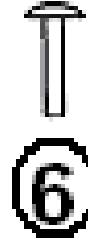
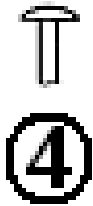
AWNING HARDWARE

702993	Awning Hardware, complete Assembly
1. 74043W-06	Front head assembly
1. 74043W-07	Rear head assembly
2. 74047W-11	Front main arm bar
2. 74047W-12	Rear main arm bar
3. 74056W	Clamp assembly, front, curved
3. 74056W-01	Clamp assembly, rear, curved
4. 74061WS-08	Rafter arm bar, satin
5. 74054W	Snap stud assembly
6. 74063W-04	Rafter arm tube, satin
7. 74072W	Ratchet stud
8. 74048WS-15	Front main arm tube assembly
8. 74048WS-16	Rear main arm tube assembly
9. 74068W-04	Claw bar assembly
10. 74048WS-17	Rafter arm assembly
11. 74055W	Base hinge, rib mount
12. 74060W	Clamp wheel

2005 SAFARI- BAMBI

Hardware

Rivets, Buck

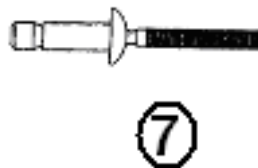
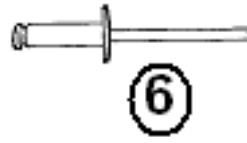
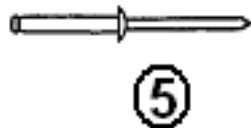
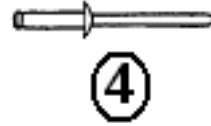
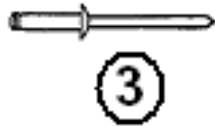
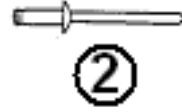
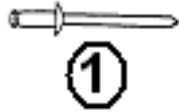


- | | |
|--------------|---|
| 1. 325043 | Rivet, 1/8", 1/4" length (hard) |
| 2. 325000-01 | Rivet, 1/8", 1/4" length anodized clear |
| 3. 325000-03 | Rivet, 1/8", length 1/4", long, anodized white |
| 4. 325001-01 | Rivet, 1/8", length 5/16", anodized clear |
| 5. 325002-01 | Rivet, 1/8", length 3/8", anodized clear |
| 6. 325004-01 | Rivet, 1/8", length 1/2", anodized clear |
| 7. 330127-03 | Rivet, grip range .063-.125, aluminum body,
aluminum mandrel |
| 8. 300101 | 1/8" I.D., Washer, aluminum |

2005 SAFARI- BAMBI

Hardware

Rivets, Pop



1. 330126-02 Pop Rivet, dia. 1/8" grip range .126-.187, S.S. body and mandrel
2. 330126-03 Pop Rivet, dia., 1/8" grip range .126-.250, S.S. body and mandrel
3. 330127-050 Pop Rivet, grip range .251"-.312" aluminum body, aluminum mandrel
4. 330128-050 Pop Rivet, dia. 1/8" grip range .251"-.312" aluminum body, white, aluminum mandrel
5. 330127-080 Pop Rivet, dia. 1/8" grip range .325"-.565" aluminum, body & mandrel
6. 330038 Pop Rivet, dia. .150". (#20 bit) grip range .126-.250, aluminum body & mandrel (used-screen door hinge)
7. 325103 Pop Rivet, dia. 1/4" grip range .080-.325, SS body, steel mandrel

2005 SAFARI- BAMBI

LABELS AND TAGS

Labels and Tags, USA

385193	Label, "12V distribution panel inside"
386119	Label, "DON'T USE AREA FOR STORAGE"
385068	Tag, cooking appliance warning
386118	Label, LP gas warning/fill
385517	Label, kill switch warning
385521	Label, emergency egress window
386122	Warning label/cooking appliance
386121	Label, LP gas warning label (odor)
385465	Exit label, English
385560	Label, air conditioner rating
385812	Label, Calif. hazardous substance
386120	Label, smoke detector
385359	Label, microwave or air conditioner
385837	Label, refrigeration ignition
386114	LABEL-RVIA SILVER
385418-01	Label, Federal registration
385062	Decal, 110-125 voltage AC
385565	Label, holding tank flushing
386012	Label warning, water heater
386082	LABEL THOR, 5.25" X .75'
385101	TAG AUX TANK DUMP VALVE HANDLE
385099	TAG MAIN TANK DUMP VALVE HANDLE
952583	CHART, 12 VOLT LOCATION 25' SAFARI
952582	CHART 120-V LOCATION
386060	LABEL SATELLITE RECEIVER JACK
386142	CHECK WHEEL LUG LABEL

2005 SAFARI- BAMBI

LABELS AND TAGS

Labels and Tags, CSA

385949	LABEL "POTABLE WATER" CSA
385950	LABEL "SMOKE DETECTOR CSA
385951	LABEL "RANGE FRESH AIR" CSA
385952	LABEL "LP WARNING" CSA
385953	LABEL "IF YOU SMELL GAS" CSA
385954	LABEL "RANGE WARNING" CSA
385466	LABEL, EXIT LABEL (FRENCH)

2005 SAFARI- BAMBI

PLUMBING, LPG SYSTEM

Gas Bottles

601710-01	LP gas bottle, 30lb. steel
601710-02	LP gas bottle, 30lb. steel, CSA
601781	LP Bottle, 20 lb., steel, CSA
601781-01	LP Bottle, 20 lb., steel, CSA
601686	Base plate, LP tank mounting
601687	Hold down kit, LP tank

Gas regulator and Fittings

601731	LP regulator, Marshall Brass w/pigtails, mounting Bracket & cover
381613	Plastisol cover-LP wing handle, 25 SS, 19'
601685-01	LP hose, 1/2" FPT x 3/8" flare
601685-02	LP hose, 1/2" FPT x 3/8" flare, CSA only
600468	Union flare, 5/8" x 5/8"
600238	Union flare, 3/8" x 3/8"
600004	Copper tubing, 5/8"
600008	Copper tubing, 3/8"
600436	Flare nut, forged, 5"/8
600435	Flare nut, forged, 3/8"
600000	Tee, brass, 5/8" x 5/8" x 3/8"
600003	Tee, brass, 5/8" x 3/8" x 3/8"
600661	GROUNDING CLAMP 1/2 TO 1 SIZE
600001	NUT BRASS FLARE 416 5/8
600661	GROUND FITTING .5" TO 1" DIE C
500038	LUG GROUND
500839	WIRE, BARE COPPER 8 GA.
601698-12	E-PEX 3/4 TUBING
600003	TEE 5/8 X 3/8 X 3/8
601281	TEE BRASS UNION 5/8 X 5/8 X 5/8
601698-01	E-PEX 1/2" TUBING
380887	GROMMET, FLOOR
380886	GROMMET, FLOOR
340085-05	CLAMP #COY 1109 5/8"

2005 SAFARI- BAMBI

PLUMBING, LPG SYSTEM

Gas Bottle Cover, Safari, 19', 25', 28', 30'

104264	Gas bottle cover, Safari
380903	Latch and strike
200841	Lid, plastic, bottle cover
380773	Hinge, access door
114070	EXTRUDED J-TRIM, ALUMINUM GRAY
386088	TAPE DECAL-SIDE CENTER

Gas Bottle Cover, Safari, 16', 22'

915778	COVER ASSY-LP BOTTLE
--------	----------------------

2005 SAFARI- BAMBI

PLUMBING, FRESH WATER

Fresh water tank, 16'

601861-01 Tank, fresh water, 21 gallon

Fresh water tank, 19'

601861-01 Tank, fresh water, 19 ft Bambi
964478 SLOPE PAD-Fresh tank, Bambi
454065 Strap fresh water tank, 19 FT

Fresh water tank, 22'

601862-01 Fresh water tank
601807 FRESH TANK PAN
601808 STRAP-FRESH TANK PAN
511780 PAD, TANK HEATING, 6.5"X 18"

Fresh water tank, 25', 28' W, 25' FB

601863-01 TANK, FRESH WATER 39 GALLON
601642 PAN, TANK ROTOCAST
453493 HANGER STRAP, TANK PAN
453615 TANK SUPPORT STRIP-62"
453616 TANK SUPPORT STRIP-22"

Fresh water tank, 28' S/O

601864-01 Fresh water tank, 28' S/O
601620 PAN FRESH TANK

Fresh water tank, 30'

601863-02 TANK-FRESH WATER 39 GALLON
601642 PAN-TANK ROTOCAST
453493 HANGER STRAP-TANK PAN
453615 TANK SUPPORT STRIP-62"

2005 SAFARI- BAMBI

PLUMBING, FRESH WATER

Fresh Water Tank Hose/Fittings

601243	DRAIN COCK, FRESH WATER
600155	PLUG, CLEANOUT 1 1/2"
601240	TUBING, 3/8 UD W/3/32" WALL CLEAR
601239-01	TUBING-1.375"ID RIBBED W/FLATS
0260043-06	WORM CLAMP #6
0260043-28	WORM CLAMP #28
453712	SHIELD FRESH WATER TANK DRAIN
601723	FILTER SCREEN, WATER

Water Fill/Pump and Fittings

601194	Water fill w/lock, gray
601243	DRAIN COCK, FRESH WATER
600155	PLUG, CLEANOUT 1-1/2
601237	Plastic elbow, 90 degree, 1.25" MPT x 1.25" barb
601239	Tubing, 1.375" I.D., flexible, water fill hose
601061-03	Water pump, Shurflo
601668-01	Filter, pre water pump
601588	Drain cock, brass, water line drain
600139	CHECK VALVE, BRASS
601531	FITTING-90 DEGREE 3" H X ST
203085	PLUG WATER LINE 1/2" PLASTIC BLK
601658	VALVE 1/2" STOP CPVC
601659	RISER 1/2" FPT X 12" CPVC
601392-05	CITY WATER FILL W/REGULATOR CHROME
601723	FILTER SCREEN, WATER

2005 SAFARI- BAMBI

PLUMBING, FRESH WATER

City Water Hookup

600362	Connector, ½" FPT x water hose, swivel
600336	Plug with chain
601690	Nipple, ½" MPT x 2.50"
601689	Drop ell, 90 degree, ½" FPT
600309	Regulator, Watts, ½" FPT
600315	PUMP GUARD FILTER

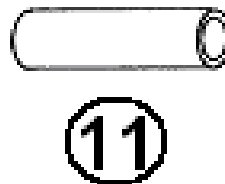
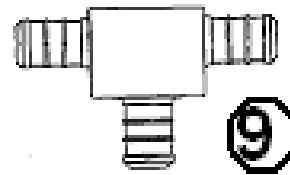
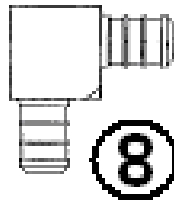
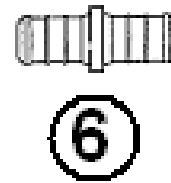
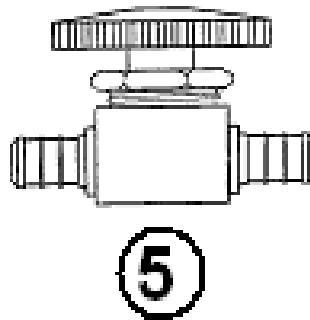
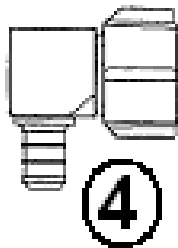
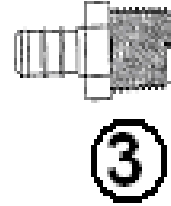
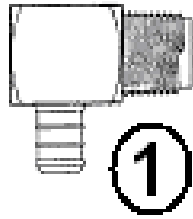
Water Pump Safari Upgrade Package

601791-03	Aquatec, water pump
601791-02	Fittings, slip in (Aquatec pump)

2005 SAFARI- BAMBI

PLUMBING, FRESH WATER

Fresh Water Fittings



Part Numbers Are On The Next page

2005 SAFARI- BAMBI

PLUMBING, FRESH WATER

Fresh Water Fittings

1. 601698-04 Elbow, ½" barb x ½" MPT
2. 601698-03 Coupler, ½" barb x ½" FPT
3. 601698-02 Coupler, ½" barb x ½" MPT
4. 601698-05 Elbow ½" barb x ½" FPT
5. 601698-22 Shut-off, ½" barb x ½" barb
6. 601698-08 Coupler, ½" x ½" barb
7. 601698-09 Plug, ½" barb
8. 601698-10 Elbow ½" barb x ½" barb
9. 601698-11 Tee, ½" x ½" x ½"
10. 601698-15 Crimp ring, ½" E-Pex, ½" (black)
11. 601698-01 E-Pex tube, ½"
- 600836 ELBOW 3/8 MPT X 1/2", BARB-COPPER
- 601237 ELBOW 90 D 1.25 MPT X 1.25 BAR
- 601810 VALVE, ½" FPT X ½" FPT KBI
- 601811 ELBOW, ½" MPT X ½" FPT STREET
- 601812 NIPPLE-BRASS ½" X 2.0"

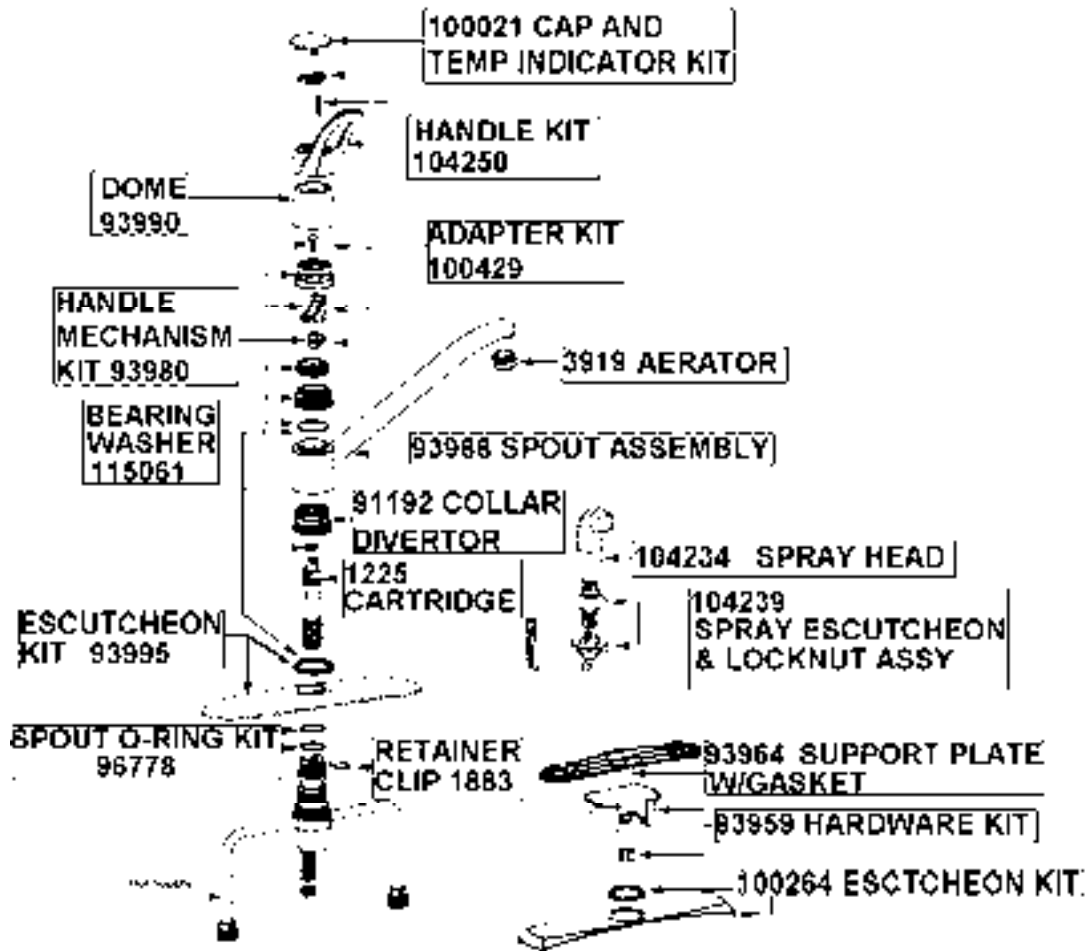
2005 SAFARI- BAMBI

PLUMBING, FRESH WATER

Faucet, Galley

601894 Single handle faucet, Moen 7460

**Moen, Chateau, Single Handle Faucet
model 7460
TO ORDER PARTS CALL 1-800-BUY MOEN**

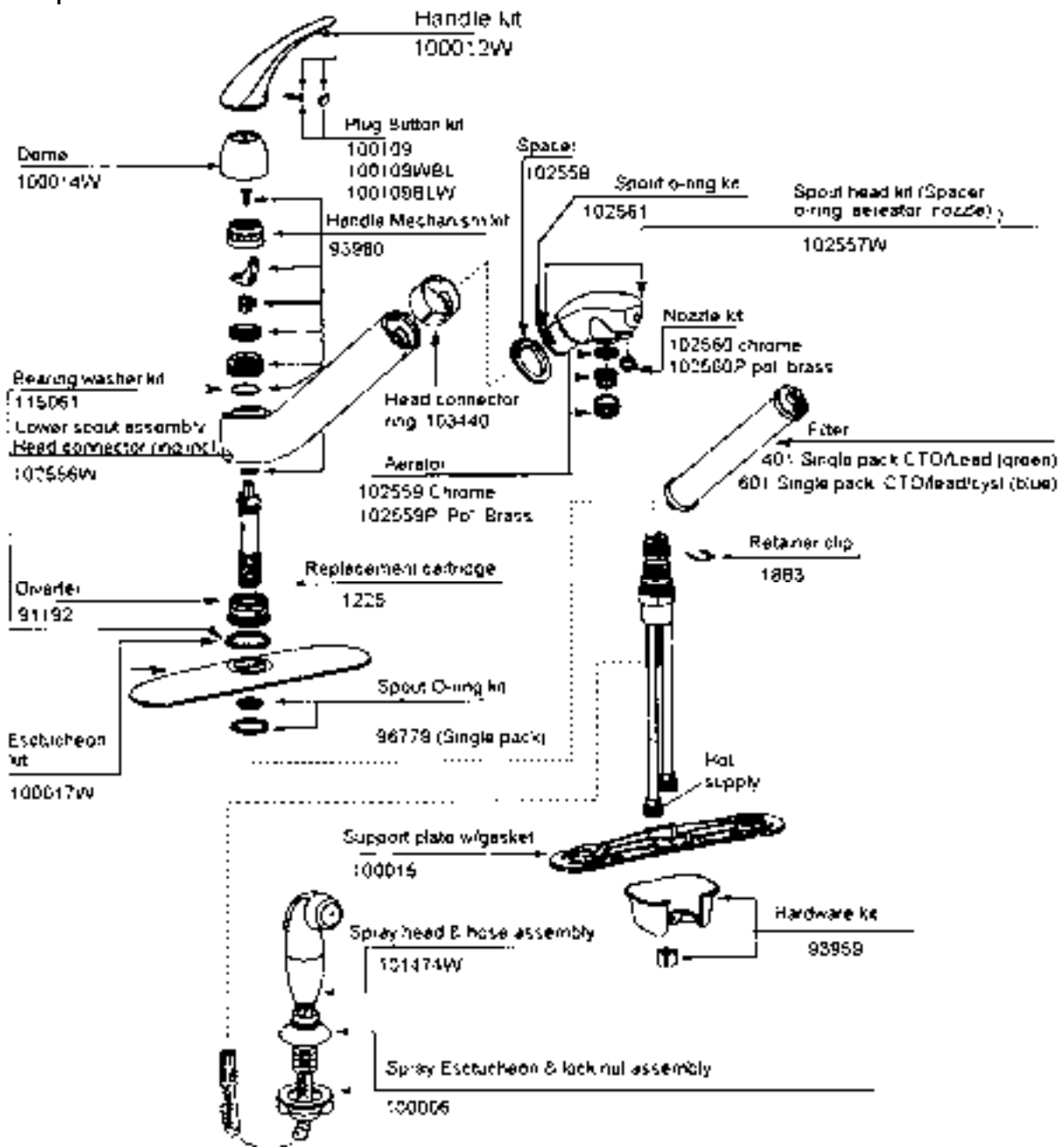


2005 SAFARI- BAMBI

PLUMBING, FRESH WATER

Faucet, Galley, Safari Upgrade

601827-01 Faucet, MDL 7030W, Glacier, Moen
 Contact Moen direct at 1-800-BUY-MOEN for warranty and your local parts outlet.

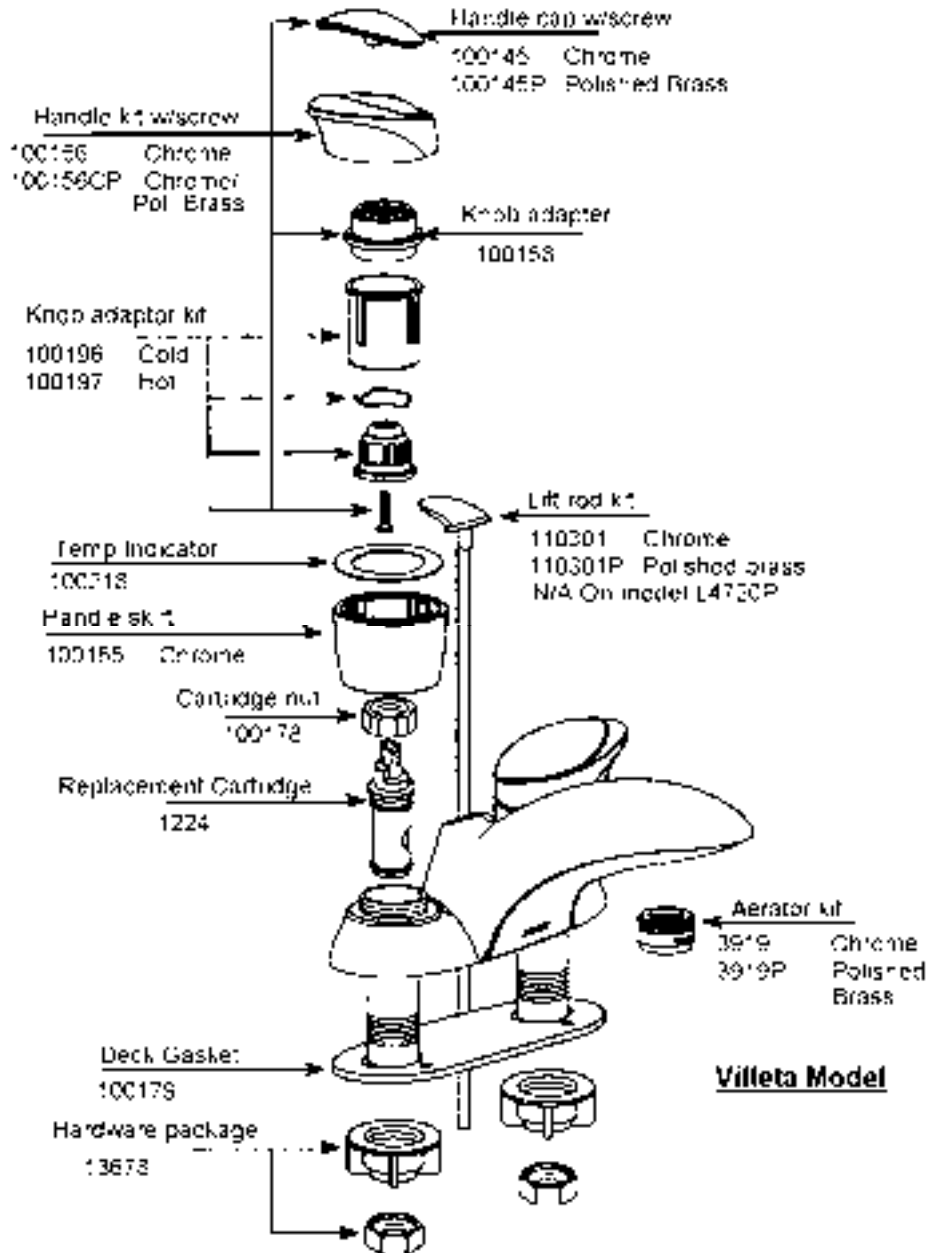


2005 SAFARI- BAMBI

PLUMBING, FRESH WATER

Faucet, Lavatory

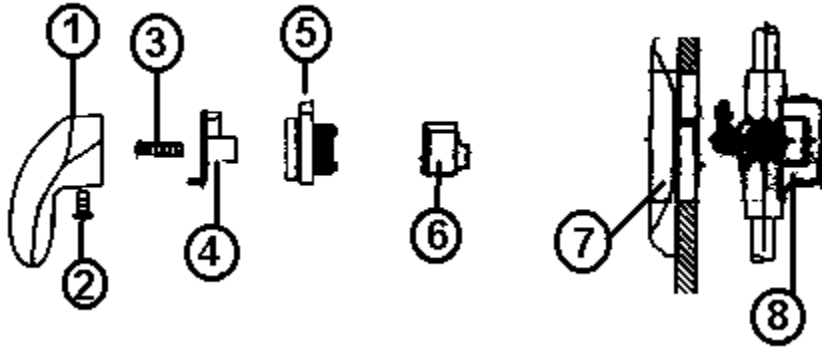
601825 Lavatory, Moen L4720P, chrome,
Contact 1-800-Buy Moen for parts and warranty



2005 SAFARI- BAMBI

PLUMBING, FRESH WATER

Faucet, Chrome Shower Trim Kit



601829 Chrome shower faucet trim kit, Moen Valetta MDL TL2391
Contact Moen at 1-800-BUY-MOEN for warranty and local parts distributor.

1. Lever handle
2. Set screw
3. Handle screw
4. Handle adaptor
5. Brake
6. Key stop
7. Escutcheon
8. 601831 4-port posi-temp valve

600594 Strainer w/white rubber stopper

601358 Shower kit, includes:
Shower hose, shower head, Vacuum breaker, wall mounts

2005 SAFARI- BAMBI

PLUMBING, FRESH WATER

Faucet, Lavatory/Shower, 16'

604877-01	SHOWER VALVE 4 CP W/FLT WASHER
604877-02	HANDSET HOSE W/WALL BRACKET CP
604877-03	ELBOW-1/2 CHROME SUPPLY
604877-04	VACUUM BREAKER C P BRASS
601884	CENTER SET NUT - PLASTIC

Faucet, Lavatory/Shower, 22'

690473	Faucet, Lavatory/Shower, 22'
601813	TAIL PIECE-LIFT/TURN DRAIN, 22'
601727	SHOWER DRAIN 2"W/GRID TOP, 22'

2005 SAFARI- BAMBI

PLUMBING, DRAIN

Main (Black) Tanks Fittings

601588 DRAIN COCK RADIATOR BRASS
601266 FLANGE, CLOSET, 3 X 4, SLIP FIT
601424 FLANGE, CLOSET 4" X 3", THREADED

Sinks/Shower, 30'

702937-03 SHOWER DOOR-ROLL AWAY 62" X 36"
203114 SHOWER 2 PC FIBERGLASS
**203410 SINK, STAINLESS STEEL LAVY 10" X 15" OVAL
*601799 SINK, Stainless Steel. 16" X 27"
601744-01 MOUNTING CLIPS FOR PORCELAIN S
600968 BASKET STRAINER
*203424 COVER SINK

Sink/showers, 28' S/O

203081 SHOWER STALL, 2 PC
600594 Tub strainer w/rubber stopper
*601799 SINK, galley, STAINLESS STEEL 16" X 27"
601744-01 MOUNTING CLIPS
203424 Sink cover
**203410 SINK-LAVY, oval, Stainless steel
601228 Close-out septic pan
*203424 COVER SINK

Sink/showers, 28' W

203081 SHOWER STALL, 2 PC
600594 Tub strainer w/rubber stopper
*601799 SINK, galley, STAINLESS STEEL 16" X 27"
600968 BASKET STRAINER
601744-01 MOUNTING CLIPS
*203424 Sink cover
**203410 SINK-LAVY, oval, Stainless steel

*601963 Sink, Stainless Steel, 16" x 27" replaced all 601799 after unit 518357. Use cover 203509 in place of 203424

**601804-01 SINK-LAVY YUKON ROUND, CSA Units Only

2005 SAFARI- BAMBI

PLUMBING, DRAIN

Sink/showers, 25' A & B

601228 Close-out septic pan, 25 ft, 19 ft.
201980 Shower stall, two-piece, 25 ft. "A & B"
600594 Tub strainer w/rubber stopper
*601799 SINK, galley, STAINLESS STEEL 16" X 27"
601744-01 MOUNTING CLIPS
*203424 Sink cover
**203410 SINK-LAVY, oval, Stainless steel
601642 Pan, tank, 25'

Sink/showers, 25' Front Bed

*601799 SINK-S.S. 16 X 27
601744-01 MOUNTING CLIPS FOR PORCELAIN
600968 BASKET STRAINER
*203424 SINK COVER .5" NATURAL
203081 SHOWER STALL 2 PC.
702306-03 SHOWER DOOR SILVER 27"
600594 STRAINER W/WHITE RUBBER STOPPER
601642 PAN-TANK ROTOCAST 25'
453493 HANGER STRAP-TANK PAN
**203410 SINK-ST.STEEL LAVY 10 X 15 OVA

Sink/showers, 25' Sleep Six

203114 Shower stall, two-piece, 25ft. "C", 19 FT.
600594 Tub strainer w/rubber stopper
*601799 SINK, galley, STAINLESS STEEL 16" X 27"
601744-01 MOUNTING CLIPS
*203424 Sink cover
**203410 SINK-LAVY, oval, Stainless steel

*601963 Sink, Stainless Steel, 16" x 27" replaced all 601799 after unit 518357. Use cover 203509 in place of 203424

**601804-01 SINK-LAVY YUKON ROUND, CSA Units Only

2005 SAFARI- BAMBI

PLUMBING, DRAIN

Sink/showers, 22'

*601799 SINK, galley, STAINLESS STEEL 16" X 27"
600968 BASKET STRAINER
601804-01 SINK 12" SS ROUND WITH STUDS
203298 SHOWER PAN
203328-01 SHOWER SURROUND-UPPER
203328-02 SHOWER SURROUND-LOWER
203328-03 MED CABINET SURROUND
*203424 SINK COVER .5", OAK

*601963 Sink, Stainless Steel, 16" x 27" replaced all 601799 after unit 518357. Use cover 203509 in place of 203424

Sink/showers, 19'

601938 SINK, S/S, SINGLE BOWL 15.75 X
601714-01 TAIL PIECE 1-1/2X4"(GALLEY DRAIN)
601714-02 1 1/2" SLIP NUT W/WINGS
601714-03 1 1/2" BLACK RUBBER WASHER
195362-39 2" STRAINER ,MODEL # 7466JR
203425 Sink cover
**203410 SINK-ST.STEEL LAVY 10" X 15" OVAL
601767-02 TAILPIECE-CHROME LAVY

Sink/showers, 16'

601938 SINK, S/S, SINGLE BOWL
203425 SINK COVER .5" NATURAL
601876 SHOWER-EXTERIOR WHITE
203444-01 BASE-SHOWER FIBERGLASS WHITE

*601963 Sink, Stainless Steel, 16" x 27" replaced all 601799 after unit 518357. Use cover 203509 in place of 203424

**601804-01 SINK-LAVY YUKON ROUND, CSA Units Only

2005 SAFARI- BAMBI

PLUMBING, DRAIN

Shower Curtain, 16'

703132	SHOWER CURTAIN
703236	FABRIC PENNE OFF WHITE SHOWER
700044	GLIDES CURTAIN W/ELASTIC T-2
700020	PILE VELCRO
700822	HOOK, VELCRO, CIRCLE, ADHESIVE

Shower Curtain, 22'

703132-01	CURTAIN-SHOWER
700044	GLIDES CURTAIN W/ELASTIC T-2
700020	PILE VELCRO
700021	HOOK, VELCRO, WHITE
203138-03	EXTRUSION PLASTIC WALL BEIGE
100097	EXTR. ALUM CURTAIN TRACK
701697	FABRIC SHOWER GUARD PEARL 72" WIDE

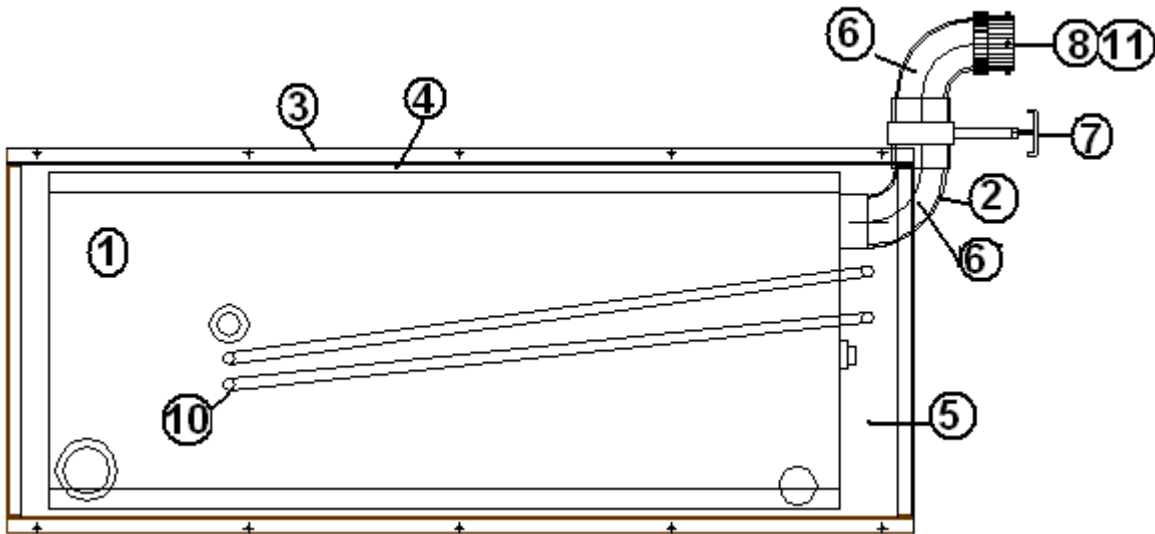
Black Tank Flush

601441	Tank flush system
601197-02	Water hook-up for blank tank flush

2005 SAFARI- BAMBI

PLUMBING, DRAIN

DRAIN VALVES/TANKS, 16'

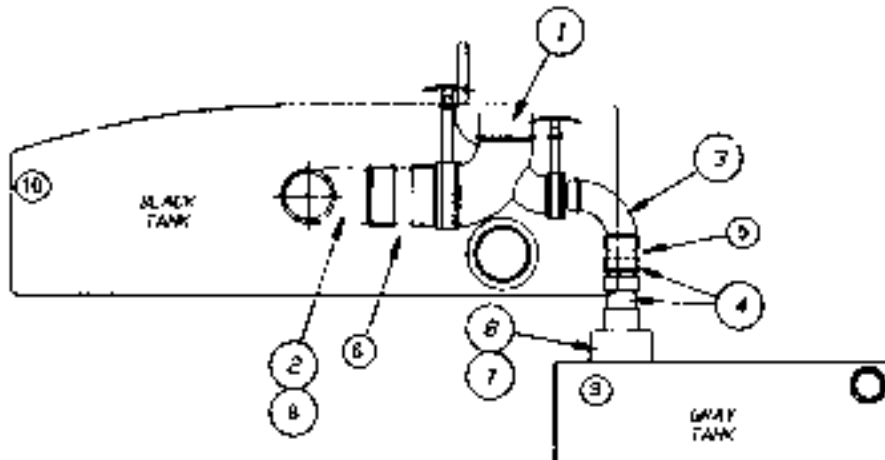


- | | |
|---------------|--|
| 1. 601844-05 | TANK-BLACK/GRAY 21 GAL 16'CCD |
| 2. 511789 | SENSOR-TANK MONITOR #500-10050 |
| 3. 601869 | PAN-WASTE TANK |
| 4. 200507 | STYROFOAM, 1" X 25" X 55" |
| 5. 200152 | STYROFOAM, 1/2" X 6" X 42" |
| 6. 600820 | 3" SINGLE SOCKET 90 DEGREE |
| 7. 601607-14 | VALVE ASSY-3" SPIGOT X 3" SPIGOT |
| 8. 601607-06 | TERMINATION ADAPTOR, 3" HUB X 3" |
| 9. 453945-07 | CLOSEOFF PLUMBING BLACK |
| 10. 601588 | DRAIN COCK RADIATOR BRASS |
| 11. 601607-07 | TERMINATION CAP, 3" BAY |
| 511286 | WIRE FLAT TELEPHONE |
| 511252 | PLUG PHONE 4 CONDUCTOR |
| 511789 | SENSOR-TANK MONITOR #500-10050 |
| 511393 | COUPLER-MODULAR EXTEN 4 CONDUCTOR |
| 601266 | TOILET FLANGE, CLOSET, 3 X 4, SLIP FIT |

2005 SAFARI- BAMBI

PLUMBING, DRAIN

DRAIN VALVES/TANKS, 19'

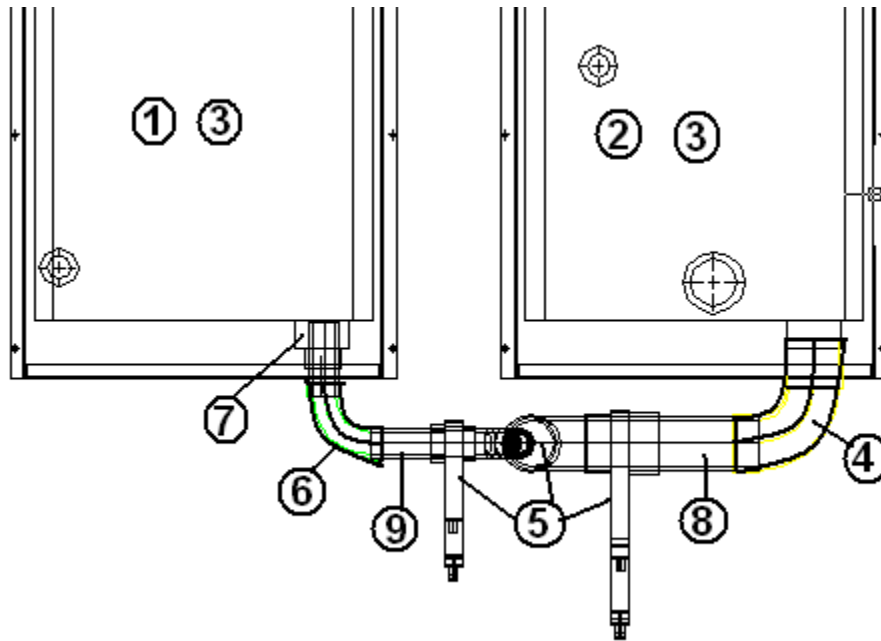


- | | |
|---------------|-------------------------------------|
| 1. 601482 | Dump Valve Rotating assembly |
| 2. 600183 | 3" Ell, long sweep, 19', 25 SS |
| 3. 600431 | Elbow, 90, 1½" |
| 4. 601160-02 | Pipe, ABS DVW, 1½"-2.00" Long |
| 5. 601160-04 | Pipe, ABS DVW, 3"- 4" Long |
| 6. 114916 | Bracket, dump valve |
| 7. 195329-229 | Reducer adaptor, 3" to 1.5" |
| 8. 340092 | Clamp, worm type T40C-75-388-SB |
| 9. 601844-01 | Holding tank, gray, 19 Ft. |
| 10. 601854-01 | Black tank, 19' Bambi |
| 601717 | Pan, gray tank, 19 Ft. |
| 453622 | Gray tank pan closeout, 19 ft. |
| 964478 | Slope pad-Black tank, 19 ft. |
| 601228 | Close-out septic pan, 25 ft, 19 ft. |
| 453977 | Strap, black tank FWD. |
| 453978 | Strap, black tank AFT. |
| 001664 | Bayonet Cap |
| 601846 | ADAPTOR-3"PIPE, CATCON |

2005 SAFARI- BAMBI

PLUMBING, DRAIN

DRAIN VALVES/TANKS, 22'

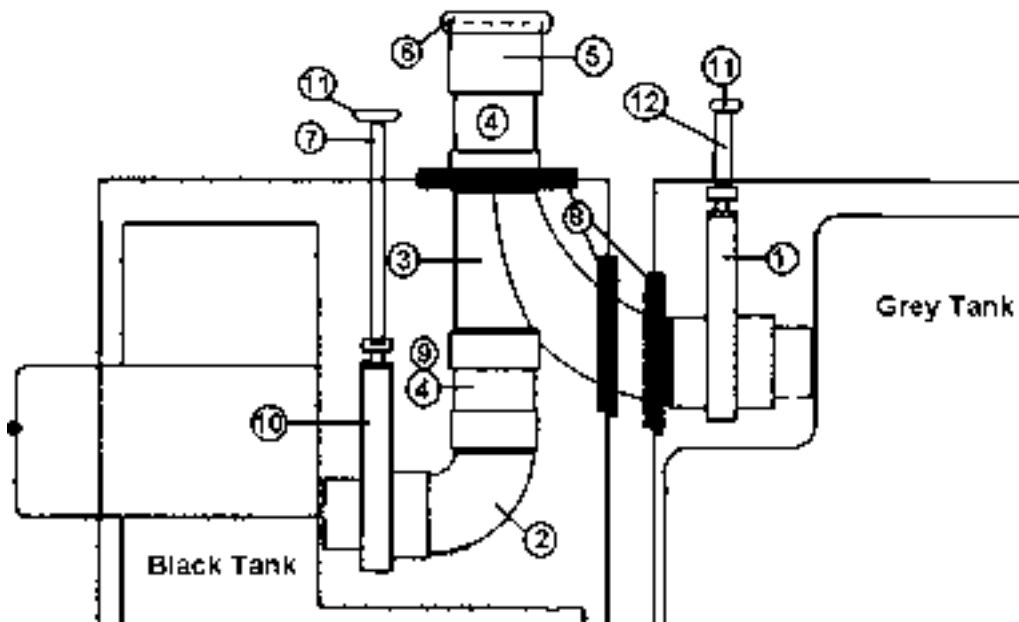


- | | |
|---------------|-------------------------------------|
| 1. 601844-03 | TANK-GRAY HOLDING 21 GALLON |
| 2. 601844-04 | TANK-BLACK HOLDING 21 GALLON |
| 3. 601809 | PAN-WASTE TANK ASSY. |
| 4. 600820 | 3" SINGLE SOCKET 90 DEGREE |
| 5. 601482 | DUMP VALVE ROTATING ASSY. |
| 6. 600035 | ELL ABS LONG SWEEP 1 1/2" |
| 7. 195329-229 | REDUCER ADAPTOR 3" TO 1.5" 407 |
| 8. 601160-04 | PIPE, ABS DVW, 3" |
| 9. 601160-02 | PIPE, ABS DVW, 1 1/2" |
| 345074-05 | SCREW, 5/16", 18 X 7/8", HEX WASHER |
| 200507 | STYROFOAM, 1" X 25" X 55" |
| 200152 | STYROFOAM 1/2" X 6" X 42" |
| 453945-04 | CLOSEOFF PLUMBING GREY |
| 453945-07 | CLOSEOFF PLUMBING BLACK |
| 511286 | WIRE FLAT TELEPHONE 26 GA. |
| 511252 | PLUG PHONE 4 CONDUCTOR |
| 511789 | SENSOR-TANK MONITOR #500-10050 |
| 511393 | COUPLER-MODULAR EXTEN 4 CONDUCT |
| 511780 | PAD-TANK HEATING 6.5" X 18" TH- |
| 511789-01 | BOOT-SENSOR #500-20010-05 |

2005 SAFARI- BAMBI

PLUMBING, DRAIN

DRAIN VALVES/TANKS, 25' A & B

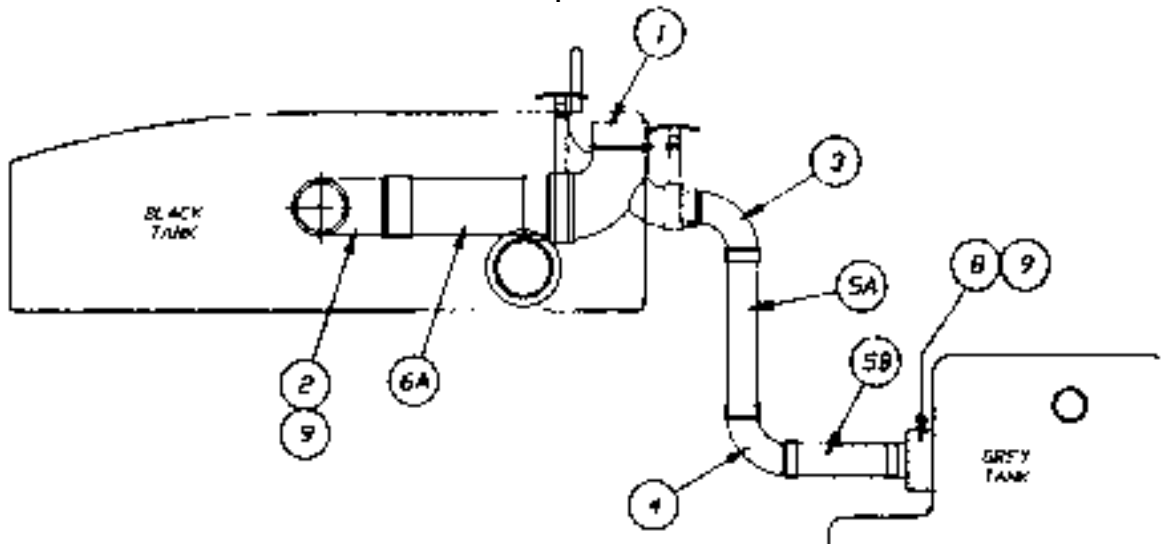


1. 601607-02 Valve assembly, 3" hub x 3" spigot
2. 601531 Fitting, 90 degree, 3" H x ST
3. 601187 3" Wye, comb and 1/8 bend
4. 601160-04 Pipe, ABS, 3"
5. 601607-06 TERMINATION ADAPTOR, 3" HUB X 3" BAY
6. 601607-07 TERMINATION CAP, 3" BAY
7. Rod comes with valve
8. 380481 BOOT RUBBER 3" DRAIN LINE
9. 600289 CALDER COUPLING 3IN (RUBBER)
10. 601607-11 VALVE ASSY. 3" SPIGOT X 3" SPIGOT
11. 601607-10 DUMP VALVE ROD EXTENSION 19"
601848-01 Gray tank, 25' Safari
601856-01 Black tank, 25 ft. Bambi
601642 Pan, tank, 25'
601228 Close-out septic pan, 25 ft, 19 ft.
203149 Slope pad, holding tanks, 25', 28' W
601228 Close out Septic pan
0360494 4" x 6", Rubber stick pad
114086 Bracket, dump valve handle
453493 HANGER STRAP-TANK PAN

2005 SAFARI- BAMBI

PLUMBING, DRAIN

DRAIN VALVES/TANKS, 25' Sleep Six

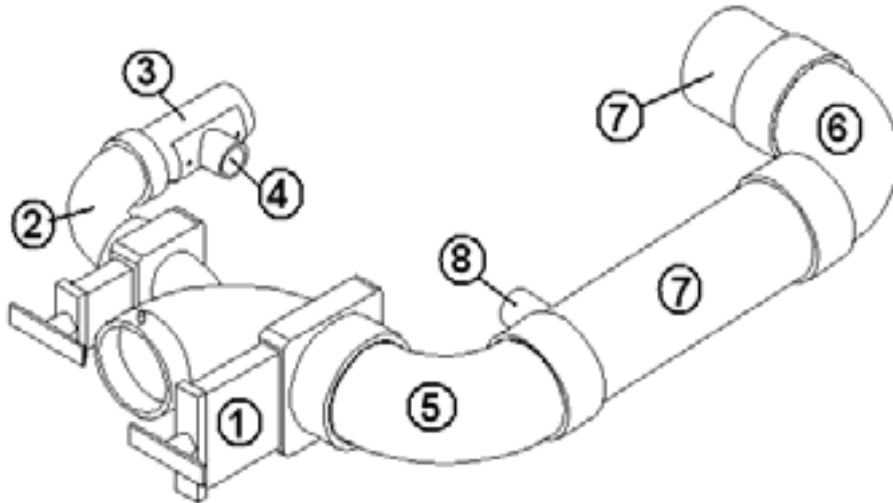


- | | |
|---------------|---------------------------------|
| 1. 601482 | Dump Valve Rotating assembly |
| 2. 600183 | EII long sweep ABS 3" |
| 3. 600431 | Elbow, 90, 1½" |
| 4. 600035 | EII ABS street, 1½" |
| 5A. 601160-02 | Pipe, ABS DVW, 1½"-10.00" Long |
| 5B. 601160-02 | Pipe, 1½"-ABS DVW, 7.00" Long |
| 6A. 601160-04 | Pipe, 3"-ABS DVW, 4" Long |
| 7. 114916 | Bracket, dump valve |
| 8. 195329-229 | Reducer adaptor, 3" to 1.5" |
| 9. 340092 | Clamp, worm type T40C-75-388-SB |
| 10. 601848-02 | Holding tank, gray |
| 11. 601854-01 | Black tank |
| 453615 | TANK SUPPORT STRIP-62" |
| 453616 | TANK SUPPORT STRIP-22" |
| 453963 | Strap, black tank FWD. |
| 453964 | Strap, black tank AFT. |
| 01664 | Bayonet Cap |
| 01639 | 3" Termination Ring |
| 200152 | STYROFOAM ½" X 6" X 42" |
| 203149 | SLOPE PAD-HOLDING TANK |

2005 SAFARI- BAMBI

PLUMBING, DRAIN

DRAIN VALVES/TANKS, 28' W

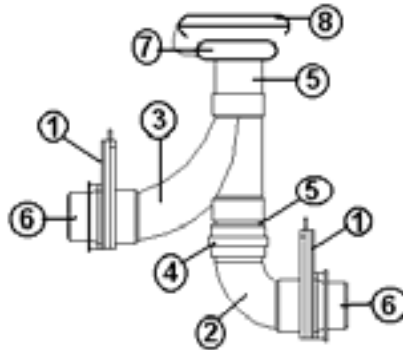


- | | |
|--------------|----------------------------------|
| 1. 601482 | DUMP VALVE ROTATING ASSEMBLY |
| 2. 600431 | ELBOW, 90, 1 1/2" |
| 3. 601160-02 | PIPE, ABS DVW, 1 1/2" |
| 4. 601845 | ADAPTOR-1.5", PIPE CATCON |
| 5. 600820 | 3"SINGLE SOCKET 90 DEGREE |
| 6. 600183 | ELL LONG SWEEP ABS 3" |
| 7. 601160-04 | PIPE, ABS DVW, 3" |
| 8. 601846 | ADAPTOR, 3" PIPE CATCON |
| 0360494 | BOOT RUBBER |
| 601889-01 | TANK-BLACK 35 GALLON |
| 601890-01 | TANK-GRAY 37 GALLON |
| 601895 | PAN-BLACK/GRAY TANK |
| 203149 | SLOPE PAD-HOLDING TANKS |
| 200152 | STYROFOAM 1/2 X 6 X 42" |
| 454178-01 | STRAP-BLACK/GRAY TANK 52.25" |
| 454178-02 | STRAP-BLACK/GRAY TANK 5.25" H |
| 454178-04 | STRAP-BLACK/GRAY TANK 4.75" H |
| 454178-05 | STRAP-BLACK/GRAY TANK 4.25" |
| 601424 | FLANGE, CLOSET 4" X 3", THREADED |

2005 SAFARI- BAMBI

PLUMBING, DRAIN

DRAIN VALVES/TANKS, 28' S/O

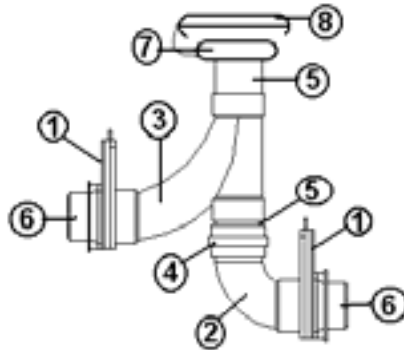


- | | |
|--------------|-----------------------------------|
| 1. 601431 | Dump valve w/o handle |
| 2. 600820 | 3" single socket, 90 Degree |
| 3. 600187 | 3" Wye, combination & 1/8" bend |
| 4. 600289 | Calder coupler, 3" |
| 5. 601160-04 | 3" ABS pipe |
| 6. 601432 | Adaptor, 3" tank valve |
| 7. 01639 | Bayonet ring |
| 8. 01664 | Cap. Positive seal, Thetford |
| 04190 | DUMP VALVE HANDLE 19 EXT THETFORD |
| 380481 | BOOT RUBBER 3" DRAIN LINE |
| 385101 | TAG AUX TANK DUMP VALVE HANDLE |
| 385099 | TAG MAIN TANK DUMP VALVE HANDLE |
| 114086 | BRACKET DUMP VALVE HANDLE |
| 601441 | SYSTEM, TANK FLUSH (NO-FUSS) |
| 200954 | SLOPE PAD, 22.75" X 55" |
| 200152 | STYROFOAM 1/2" X 6" X 42" |
| 601626 | PAN WASTE HOLDING TANKS |
| 601850-01 | Gray tank, 28' S/O Safari |
| 601848-04 | Black tank, 28' S/O Safari |
| 601266 | FLANGE, CLOSET, 3 X 4, SLIP FIT |

2005 SAFARI- BAMBI

PLUMBING, DRAIN

DRAIN VALVES/TANKS, 25' FB

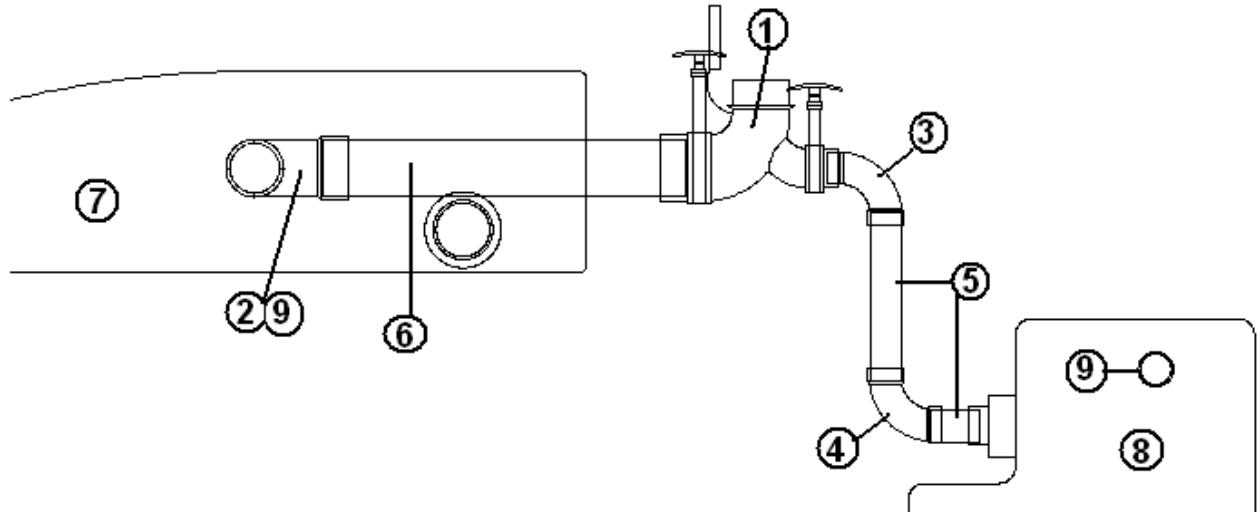


- | | |
|--------------|-----------------------------------|
| 1. 601431 | Dump valve w/o handle |
| 2. 600820 | 3" single socket, 90 Degree |
| 3. 600187 | 3" Wye, combination & 1/8" bend |
| 4. 600289 | Calder coupler, 3" |
| 5. 601160-04 | 3" ABS pipe |
| 6. 0310107 | WASTE VALVE ADAPTOR |
| 7. 01639 | Bayonet ring |
| 8. 01664 | Cap. Positive seal, Thetford |
| 04190 | DUMP VALVE HANDLE 19 EXT THETFORD |
| 380481 | BOOT RUBBER 3" DRAIN LINE |
| 385101 | TAG AUX TANK DUMP VALVE HANDLE |
| 385099 | TAG MAIN TANK DUMP VALVE HANDLE |
| 114086 | BRACKET DUMP VALVE HANDLE |
| 200152 | STYROFOAM 1/2" X 6" X 42" |
| 6012424 | FLANGE, CLOSET, 3 X 4, threaded |
| 601850-04 | TANK-GRAY 37 GAL. 25'FB SAF |
| 601848-09 | TANK-BLACK 39 GAL 25'FB SAF |
| 601642 | PAN-TANK ROTOCAST 25'SAFARI |
| 453493 | HANGER STRAP-TANK PAN SAFARI |
| 345074-05 | SCREW 5/16-18 X 7/8HEX WASHER |

2005 SAFARI- BAMBI

PLUMBING, DRAIN

Dump Valves/Tanks, 30'

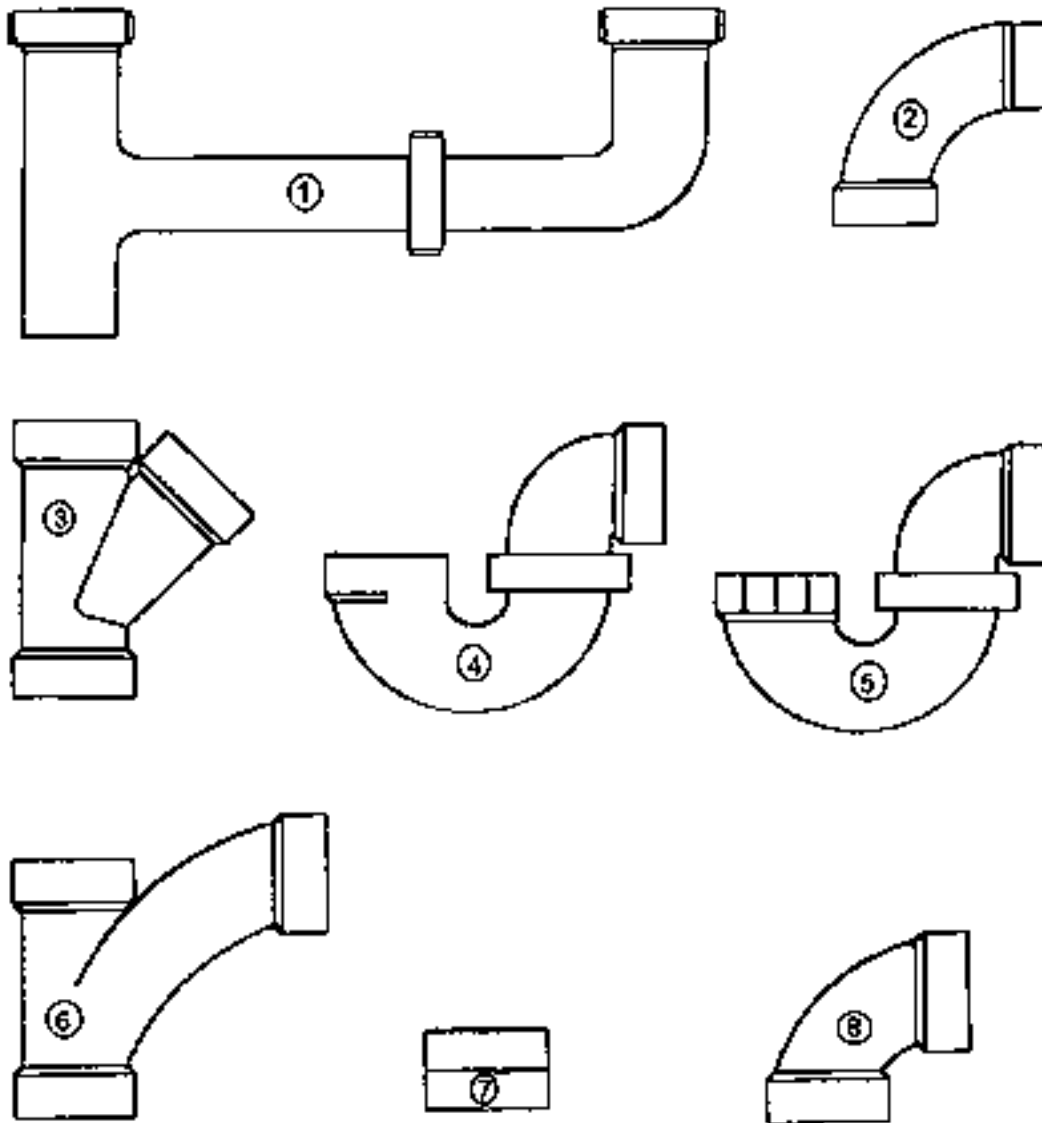


- | | |
|--------------|---------------------------------|
| 1. 601482 | DUMP VALVE ROTATING ASSY. |
| 2. 600183 | ELL LONG SWEEP ABS 3" |
| 3. 600431 | ELBOW, 90, 1 1/2" |
| 4. 600035 | ELL ABS LONG SWEEP 1 1/2" |
| 5. 601160-02 | PIPE, ABS DVW, 1 1/2" |
| 6. 601160-04 | PIPE, ABS DVW, 3" |
| 7. 601854-01 | TANK, BLACK HOLDING 17.3 GALLON |
| 8. 601848-08 | TANK, GREY 39 GALLON |
| 9. 601266 | FLANGE, CLOSET, 3 X 4, SLIP FIT |
| 114916 | BRACKET DUMP VALVE |
| 195329-229 | REDUCER ADAPTOR 3" TO 1.5" 407 |
| 340092 | CLAMP, WORM TYPE T40C-75-388-S |
| 601642 | PAN, TANK ROTOCAST |
| 200152 | STYROFOAM 1/2 X 6 X 42 |
| 453493 | HANGER STRAP, TANK PAN |
| 203149 | SLOPE PAD, HOLDING TANKS |
| 453615 | TANK, SUPPORT STRIP-62" |
| 200093 | INSULATION, FIBERGLASS |
| 453963 | STRAP-BLACK TANK FWD |
| 453964 | STRAP-BLACK TANK AFT |

2005 SAFARI- BAMBI

PLUMBING, DRAIN

DRAIN FITTINGS, 1.5"



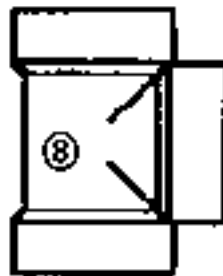
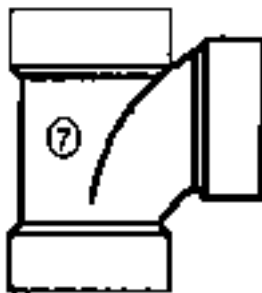
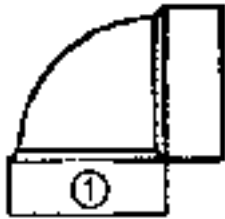
1. 600378 Continuous waste
2. 600431 Elbow, 90 degree, long street
3. 600094 Wye, #2301
4. 600144 P-trap, 1.5" w/o slip nut
5. 600622 P-trap, 1.5" w/slip nut
6. 600182 Wye, 1.5", 1/8" bend
7. 600227 1.5" coupling
8. 601636 Elbow, 90 degree short sweep

(continued)

2005 SAFARI- BAMBI

PLUMBING, DRAIN

DRAIN FITTINGS, 1.5"



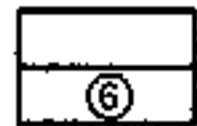
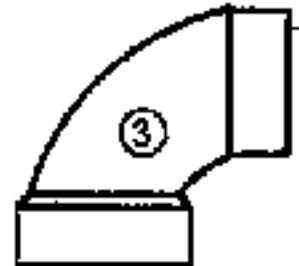
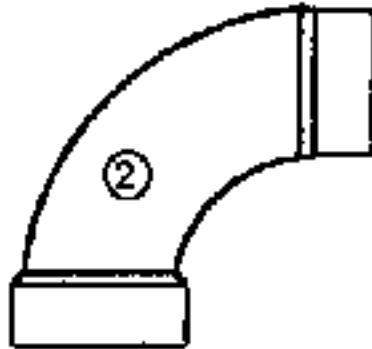
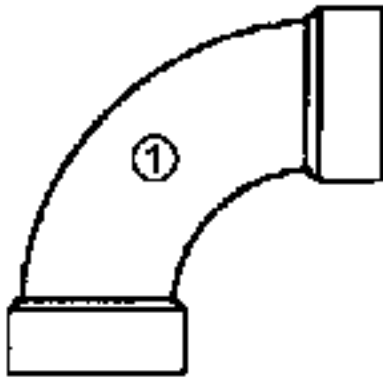
1. 600033 Elbow vent, 90 degree
2. 600030 Elbow, 45 degree, long degree
3. 600116 Elbow, 22.5 degree, short turn
4. 600538 Vent, 1.5"
5. 600155 Plug, 1.5"
6. 601677 Cap, 1.5"
7. 600156 Tee, sanitary, 1.5"
8. 601318 Tee, bi-directional, clean out, 1.5"
9. 600027 Elbow, 45 degree, long street

(continued)

2005 SAFARI- BAMBI

PLUMBING, DRAIN

DRAIN FITTINGS, 1.5"



1. 600035 Elbow, 90 degree, long turn
2. 600431 Elbow, 90 degree, long street
3. 600662 Elbow, 90 degree, short street
4. 601263 Reducer, 1.5" to 1.25"
5. 601676 Adaptor
6. 600308 Adaptor, w/female threads

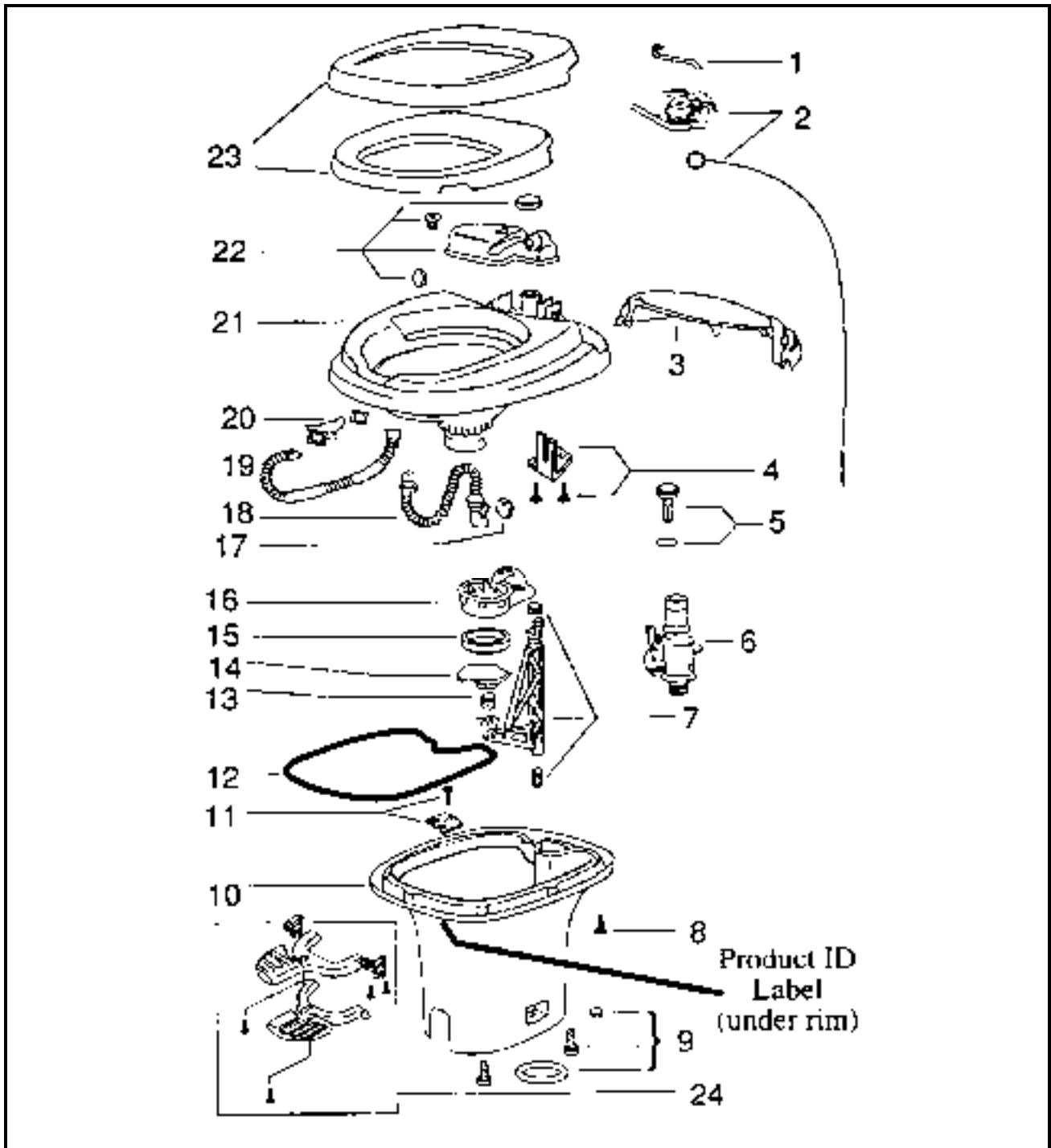
Not shown:

- | | |
|-----------|-------------------------------------|
| 601200 | ADAPTOR AUTO VENT W/EXT. |
| 600625-01 | PLUG, TRAP, 1-1/2" ADAPTER, FEMALE |
| 600625-02 | PLUG, TRAY 1-1/2" ADAPTER, MALE |
| 601201 | ADAPTOR SWIVEL STRAINER, 1.25" |
| 601295 | PLUG 1 1/4" ABS DWV, tank clean out |
| 601240-01 | TUBING 1/2" I.D. X 3/32" WALL THICK |
| 600227 | PLASTIC COUPLINGS |
| 600035 | ELL ABS LONG SWEEP 1 1/2" |

2005 SAFARI- BAMBI

PLUMBING, DRAIN

Toilet, 25', 28', 30'



2005 SAFARI- BAMBI

PLUMBING, DRAIN

Toilet, 19', 25', 28', 30'

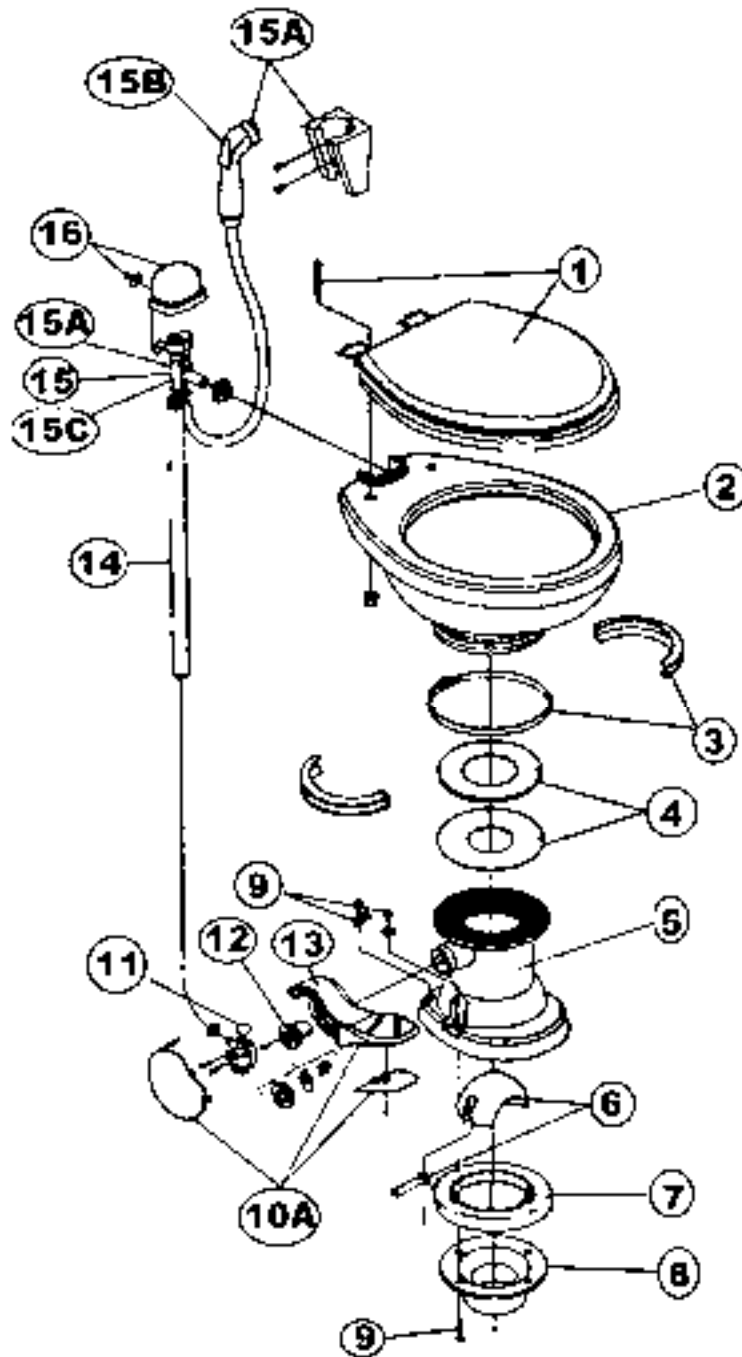
690495 Aqua Magic V, Low-Profile
690495-01 Aqua Magic V, High-Profile

- 1) 690387-513 Water valve link
- 2) 690387-571 Wire replacement package
- 3) 690387-562 Mechanism cover, white
- 4) 690387-634 Bracket assembly
- 5) 690387-631 Float assembly
- 6) 690387-168 Water valve replacement package
- 7) 690387-632 Actuator assembly
- 8) 690387-659 Screw base to bowl
- 9) 690387-524 Closet bolt package
- 10) 690387-356 Base, white, low
- 10a) 690387-062 Base, white, high
- 11) 690387-636 Retainer assembly
- 12) 690387-387 Sealant, base to bowl
- 13) 690387-519 Blade spring
- 14) 690387-262 Blade
- 15) 690387-481 Blade seal
- 16) 690387-520 Blade track
- 17) 690387-512 Flapper
- 18) 690387-511 Overflow tube
- 19) 690387-509 Flush tube
- 20) 690387-637 Nozzle assembly
- 21) 690387-726 Bowl
- 22) 690387-630 Reservoir tank assembly
- 23) 690387-162 Seat and cover assembly
- 24) 690387-821 Pedal package

2005 SAFARI- BAMBI

PLUMBING, DRAIN

Toilet, 16', 22'



P/N Next Page

2005 SAFARI- BAMBI

PLUMBING, DRAIN

Toilet, 16', 22'

Sealand Technology, Inc.

13128 State Route 226

PO Box 38

Big Prairie, OH. 44611-0038

Customer Service 1-800-321-9886

330-496-3211 (8:00 A.M.-5:00 P.M. ET)

Fax: 330-496-3097

www.sealandtechnology.com

- 690472 Sealand, Traveler Lite
- 1. 344088 Seat Assembly
- 2. 310790 China bowl kit
- 3. 310025 Ring & half clamp kit
- 4. 316140 Teflon & rubber seal kit
- 5. 310792 Base kit, includes 3, 4, 6, 7, 9, 10A, 11 & 12
- 6. 310681 Ball, shaft, cartridge kit
- 7. 343938 Floor flange seal
- 8. 600065 Flange, floor, threaded, Airstream
- 8a. 601266 TOILET, FLANGE, CLOSET, 3" X 4", SLIP FIT
- 9. 310794 Floor bolt mounting kit
- 10. 310117 Pedal cover kit
- 10A. 310682 Flush pedal kit (includes 12)
- 11. 314349 Water valve kit
- 12. 310683 Spring cartridge kit
- 13. Pedal included w/Part 10A
- 14. 340177 Supply hose
- 15. 310687 Vacuum breaker kit
- 15A. 319054 Vacuum breaker kit w/spray
- 15B. 340683 Hand spray
- 15C. 230335 Vacuum breaker (used w/spray)
- 16. 310795 Vacuum breaker cover kit

2005 SAFARI- BAMBI

SEALER/GASKETS/PAINT

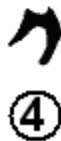
SEALER

6000360	Sealant, Butyl #884058
360001	Sealant, #884058
360002	Sealant, Vulkem 11.5 oz. tube
360209	Sealant, seam
360176	Sealant, Almond, kitchen and bath
360180-04	Sealant, Sikaflex #221, black
360180	Sealant, Sika-flex, gray
360210	Sealant, Paralastic 4334-014
360259	Silicone glazing sealant, range
360283-01	SEALANT SILICONE CORIAN G. WHITE
360074	SEALANT GE RTV 102 WHITE 3 OZ TUBE

2005 SAFARI- BAMBI

GASKETS/PAINT

Gaskets



- | | |
|---------------|--|
| 1. 365035 | Gasket Access doorjamb |
| 2. 365013 | Gasket screen door |
| 3. 365232 | Gasket main, baggage door |
| 4. 371593-711 | Glazing Rubber, Creation Window |
| 5. 371593-713 | Seal plastic, sash Creation window |
| 6. 371593-712 | Foam seal, sash Creation window |
| 381665 | Gasket, D seal, window frame to shell |
| 380114 | Gasket, vent pipe |
| 365016 | Tape, foam, double face, 1/2" wide |
| 365235 | TAPE DBL COATED .12 X 1.00 |
| 365001-02 | Tape, vinyl foam, double face, 3/4" wide |
| 685510 | SEAM TAPE, BLACK 1/32" X 7/8" X 200 |
| 381830 | Gasket, wiper seal around refer compartment |
| 381589 | Rubber, floor wiper around refer compartment |
| 683946 | BUG SEAL, edge of screen door close out |

Paint

- | | |
|------------|-------------------------------------|
| 360213 | Paint, aluminum metallic |
| 360151 | Paint, gray metallic, Centari |
| 360260 | Paint, Pewter |
| 360213-100 | Paint, aluminum metallic, 16 OZ CAN |
| 360260-01 | Paint, Pewter, 16 OZ CAN |

2005 SAFARI- BAMBI
UPHOLSTERY/FOAM/MATTRESS

Mattresses/Bedsreads, 16'

703363 Bedsread
703190 Mattress

Mattresses/Bedsreads, 19'

703287 Bedsread
703286 MATTRESS-48" X 76" W/10" RADIUS CORNER

Mattresses/Bedsreads, 22', 25' Sleep Six

703182-01 MATTRESS-52" X 76", W/10 "RADIUS CORNER
703379 Bedsread
998169 Bedsread, Top Bunk
703451 Mattress, Top Bunk

Mattresses/Bedsreads, 25', 28', 28' S/O Twins

702820- Bedsread, twin
703289 Mattress, 34" x 78"

Mattresses/Bedsreads, 25', 28' S/O Double

703301 Bedsread, 60" x 75" w/45 degree corner
703291 MATTRESS 60"X75" W/45 DEGREE CORNER

Mattresses/Bedsreads, 28' Double

703301 Bedsread, 60" x 75" w/45 degree corner
703336 MATTRESS-60" X 75" W/11"RADIUS CORNER

2005 SAFARI- BAMBI
UPHOLSTERY/FOAM/MATTRESS

Mattresses/Bedspreads, 30', Bunk, Twin Down

703336	MATTRESS-60" X 75" W/11"RADIUS CORNER
703451	Mattress, Top Bunk
703450	Mattress, Lower Bunk
998169	Bedspread, Top Bunk
703301	Bedspread, 60" x 75" w/45 degree corner
998170	Bedspread, Lower Bunk
998169	THROW-BUNK TOP

Mattresses/Bedspreads, 30' Bunk/Double Down

998169	Bedspread, Top Bunk
703301	Bedspread, 60" x 75" w/45 degree corner
703336	MATTRESS-60" X 75" W/11"RADIUS CORNER
703451	Mattress, Top Bunk
703182-01	MATTRESS-52" X 76", W/10 "RADIUS CORNER
703379	Double Bed, Down
998169	THROW-BUNK TOP

2005 SAFARI- BAMBI
UPHOLSTERY/FOAM/MATTRESS

Sofa, 30'

703449-012	SOFA 74" CLOTH, STRATUS
703449-017	SOFA 74" CLOTH, BEACH CLUB
703449-184	SOFA 74" CLOTH, FOREST SAGE
703449-192	SOFA 74" CLOTH, MIDNIGHT SUN

Sofa/Armrests/Cushions, 28' S/O, 25 Sleep Six

702798-012	SOFA 74" CLOTH, STRATUS
702798-017	SOFA 74" CLOTH, BEACH CLUB
702798-184	SOFA 74" CLOTH, FOREST SAGE
702798-192	SOFA 74" CLOTH, MIDNIGHT SUN
702798-02	SOFA, 74" ULTRA LEATHER
963400-01	ARMREST SUPPORT ASSY. RS
963400-02	ARMREST SUPPORT ASSY. CS
965624-01	CUSHION ASSY. ARMREST RS
703281-01	FOAM ARMREST LOUNGE RS
965624-02	CUSHION ASSY. ARMREST CS
703281-02	FOAM ARMREST LOUNGE CS

Sofa/Armrests/Cushions, 25' A & B

702798-012	SOFA 74" CLOTH, STRATUS
702798-017	SOFA 74" CLOTH, BEACH CLUB
702798-184	SOFA 74" CLOTH, FOREST SAGE
702798-192	SOFA 74" CLOTH, MIDNIGHT SUN
702798-02	SOFA, 74" ULTRA LEATHER
963400-05	Arm rest support, RS, 25'
963399-04	Arm rest cushion, RS
963400-02	Arm rest support, CS, 25'
963399-02	Arm rest cushion, CS
965624-01	CUSHION ASSY. ARMREST RS
703281-01	FOAM ARMREST LOUNGE RS
965624-02	CUSHION ASSY. ARMREST CS
703281-02	FOAM ARMREST LOUNGE CS
702798-012	SOFA 74" CLOTH, STRATUS

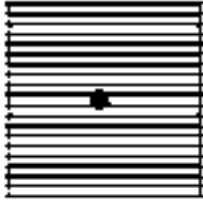
2005 SAFARI- BAMBI
UPHOLSTERY/FOAM/MATTRESS

Sofa/Armrests, 19'

702798-017	SOFA 74" CLOTH, BEACH CLUB
702798-184	SOFA 74" CLOTH, FOREST SAGE
702798-192	SOFA 74" CLOTH, MIDNIGHT SUN
702798-02	SOFA, 74" ULTRA LEATHER
965592	CLOSEOUT LOUNGE
965808-01	SUPPORT ASSY.-ARMREST RS
965808-02	SUPPORT ASSY. ARMREST CS
963399-01	SUB-ASSY. FACE ARMREST SUPPORT RS
963399-02	SUB ASSY. FACE ARMREST SUPPORT CS
965805	Rear close-out assembly
381576	PULL HANDLE, BRASS
201016	DRAWER 16" X 22"

2005 SAFARI- BAMBI
UPHOLSTERY/FOAM/MATTRESS

Pillow Kit, Stratus



703342-01

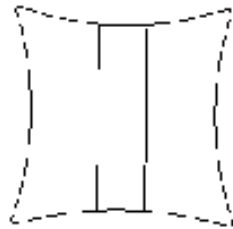


703342-02



703342-03

Pillow Kit, Beach Club Blue



703469-04



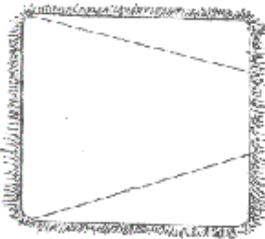
703469-05

Amarillo, Midnight Sun Pillow Kit



702882-18 Designate, Lounge or Bedroom

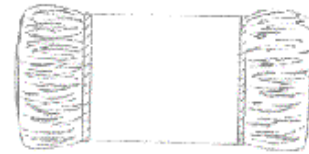
Spice Trader



703370-01



703370-02

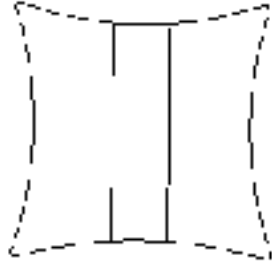


703370-03

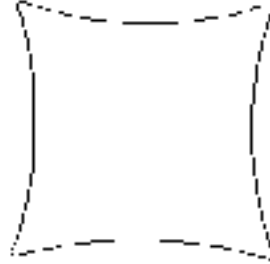
2005 SAFARI- BAMBI

UPHOLSTERY/FOAM/MATTRESS

Pillow Kit, Forest Sage



703470-04
Lounge/Bedroom

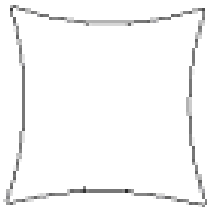


703470-05
Bedroom Only

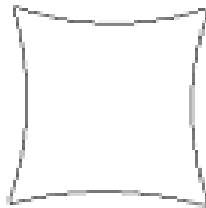
Pillow, Kit, Midnight Sun

703478-03 PILLOW KIT MIDNIGHT SUN
PILLOW KIT CONSIST OF 2 EA 703478-01, 1 EA 703478-02 & 2 EA 703478-05. USED ON 25' A & B, 25' SLEEP 6, 28'W & 28' S/O SAFARI & 19' BAMBI W/SOFA OPTION

703478-04 PILLOW KIT MIDNIGHT SUN
CONSIST OF 2 EA 703478-05. USED ON 16' & 19' BAMBI'S & 22' SAFARI.



703478-01
Lounge



703478-02
Lounge



703478-05
Bedroom

Pillows

701611 PILLOW, 21" X 31"

2005 SAFARI- BAMBI
UPHOLSTERY/FOAM/MATTRESS

Dinette Foam, 19', 16'

703368-01	FOAM-SEAT CS DINETTE
703368-02	FOAM-CS BACK FILLER
703368-04	FOAM-RS DINETTE SEAT
703368-05	FOAM-RS BACK FILLER
703368-06	FOAM-RS BACK REST

Dinette Foam, 22'

700414	FOAM, UPHOLSTERY 3/8" X 86" X 52'
703309-05	FOAM-DIN.RIGHT SIDE BACK
703309-04	FOAM-DIN.LEFT SIDE BACK
703309-06	FOAM-DIN.SEAT BOTTOM LH/RH
703309-04-012	Left Side Back Seat Cover, Stratus
703309-05-012	Right Side Back Seat Cover, Stratus
703309-06-012	Bottom Seat Cover, Stratus
703309-04-174	Left Side Back Seat Cover, Beach Club
703309-05-174	Right Side Back Seat Cover, Beach Club
703309-06-174	Bottom Seat Cover, Beach Club
703309-04-184	Left Side Back Seat Cover, Forest Sage
703309-05-184	Right Side Back Seat Cover, Forest Sage
703309-06-184	Bottom Seat Cover, Forest Sage
703309-04-195	Left Side Back Seat Cover, Midnight Sun
703309-05-195	Right Side Back Seat Cover, Midnight Sun
703309-06-195	Bottom Seat Cover, Midnight Sun

2005 SAFARI- BAMBI
UPHOLSTERY/FOAM/MATTRESS

Dinette Foam, 25' Sleep Six

700414	FOAM, UPHOLSTERY 3/8" X 86" X 52'
703309-01	FOAM-DINETTE LEFT SIDE BACK
703309-02	FOAM-DINETTE RIGHT SIDE BACK
703309-03	FOAM-DINETTE SEAT BOTTOM LH/RH

Dinette Foam, 25' Front Bed

703486-01	Foam, Curbside dinette seat
703486-02	Foam, curbside back filler
703486-03	Foam, curbside back rest
703486-04	Foam, roadside dinette
703486-05	Foam, roadside back filler
703486-06	Foam roadside backrest
703486-07	Foam cushion, lounge wedge
703486-08	Foam, cushion, lounge bottom
703486-09	Foam, cushion, backrest

2005 SAFARI- BAMBI
UPHOLSTERY/FOAM/MATTRESS

Dinette Foam, 28' S/O, 28' W

700414	FOAM, UPHOLSTERY 3/8" X 86" X 52'
703309-01	Foam-left side back
703309-02	Foam-right side back
703309-03	Foam-seat bottom right/left

Dinette Foam, 30'

700414	FOAM, UPHOLSTERY 3/8" X 86" X 52'
703309-01	FOAM-DINETTE LEFT SIDE BACK
703309-02	FOAM-DINETTE RIGHT SIDE BACK
703309-03	FOAM-DINETTE SEAT BOTTOM LH/RH

Wall border

703339	Stratus
703417	Forest Sage
703425	Beach Club
703480	Midnight Sun

Chairs

381553	Folding chair, Zip Dee, w/o Logo
703453	Pedestal Chair, 5 Star Base w/Buttons

Seam Tape

365286-03	TAPE-SEAM ASCOT 12" X 150'
-----------	----------------------------

2005 SAFARI- BAMBI

VENTS/FANS/SKY LIGHTS

Refrigerator Roof vent

100341	Refrigerator, vent collar, roof, large
101394	Cover, refrigerator vent, roof, large
381042	MESH- GALVANIZED. .017 X 36

Roof Vent, Drain Tank

690264-03	Vent pipe cover, white
380114	Gasket, vent pipe
380228	Wire, hardware cloth

Roof vent, Non-Power

381606-01	Vent, roof, 14" x 14", non-power, white
381606-02	Trim ring, interior, roof vent, white

Range Hood and Vent

511791-01	Range hood, silver
511791-02	Range hood, silver, CSA
511017-11	Vent cover, exterior, range hood, gray
115175	DUCT-RANGE EXHAUST TRANSITION
454187	EXTENSION-RANGE EXHAUST
114913	ANGLE RANGE HOOD INSTAL.
365016	TAPE FOAM DUBL-KOTE - 1/2 #441
114230-04	CLOSEOUT FORMED R.EXHAUST 4.40
365190	SEAL RUBBER ADHESIVE 3/4" X 3"

2005 SAFARI- BAMBI

VENTS/FANS/SKY LIGHTS

Vent, Bath, Power/Manual Lift

690266-01	Ventilator, power, bath
690266-02	Ventilator, power, bath, CSA
690266-03	EXTENSION GARNISH 4" ROOF
201666-01	MOLDING-J 3/16" PLASTIC TRIM

Vent, Bath, Power/Power Lift

381541-08	VENT-ROOF W/POWER LIFT WHITE
201666-01	MOLDING-J 3/16" PLASTIC

Vent, Refrigerator, Power, 19'

690394	Power ventilator, refrigerator, 16', 19'
--------	--

Vent, Power, Roof

381450	Vent, Fantastic roof, #6000RBT DBL, upgrade option
381841	VENT-FANTASTIC EXHAUST ONLY

Sky Lights

381318-05	Skylight, 19.5" x 19.5"
201962	Trim, skylight
702804-03	Shade, skylight, pleated, 19.25" x 20"
114485	Mounting Frame, Sky light

2005 SAFARI- BAMBI

WOOD/LAMINATES/TRIM

PLYWOOD

800506-04	Plywood, 3/4" x 4' x 8'
800506-06	Plywood, 3/4" x 4' x 8'
800976-01	Plywood, tongue and groove, 19/32'(floor)
800506-05	Plywood, 5/8" x 4' x 8'
801353	LITE PLY-3MM, 4' X 8'
801351	LITE PLY-18MM (.75") 4' X 8'

PANELING

801505	PANEL-ASCOT SAND/RAW .125" X4' X 8'
801506	PANEL, ASCOT SAND/RAW .5"X 4' X 8'
801510	PANEL, TROPICAL OAK/ASCOT 12MM
801507	PANEL, ASCOT SAND/SAND G2S .5" X 4'
801381-01	PANEL, TROPICAL OAK/TROPICAL OAK, 12MM
801383-01	PANEL, TROPICAL OAK/WHT LINER, 12MM
801392	PANEL, WHITE LINER/WHITE LINER, 12MM
801376-01	PANEL, WHITE/WHITE LINER, 18MM
801368	PANEL, WHITE LINER/WHITE LINER, 18MM
801382	PANEL, WHITE SUEDE/SHELF LINER, 18MM
801395	PANEL, TROPICAL OAK/TROPICAL OAK, 18MM
801377	PANELING, GRAPHITE/REX 4' X 8' x 18"
801438	PANEL, WHITE VINYL/RAW
801369	PANEL, FROST WHITE/WHITELINER
801445-01	PANEL, BLACK MAPLE/GATOR
801436-01	BLACK, MAPLE/WHITE 18MM

LUAN

800507-01	Panel, Lauan, 1/8 x 4' x 8'
800507-02	Panel, Lauan, 1/4" x 4' x 8', raw/raw
800507-03	Panel, Lauan, 3/8" x 4' x 8', raw/raw
800507-04	Panel, Lauan, 1/2" x 4' x 8', raw/raw

2005 SAFARI- BAMBI

WOOD/LAMINATES/TRIM

Edge banding

365268-03	EDGE BANDING-.024" X .63" TROPICAL OAK
365238-04	EDGE BANDING TAPE PVC 5/8" COLONIAL
365268-02	EDGE BANDING-.024"X 1.63" TROPICAL OAK
365268-01	EDGE BANDING-.024" X 1.13" TROPICAL OAK
365271	EDGE BANDING-1.125" PVC SILICON
365267	EDGE BANDING-1.13" .024 PLY
365240-01	EDGE BANDING-PVC, 1-5/16" WHITE
365266-01	EDGE BANDING-1.25"X .055", OAK
365273	EDGE BANDING GALAXY GRAPHITE
365278-01	EDGE BANDING, BLACK MAPLE 1.13"
365268-04	EDGE BANDING-.024"X 1.25" TROPICAL OAK

PANELS, LAMINATED

801355-01	PANEL, FROST WHITE, 4' X 8' VERTICLE
801343-01	PANEL, TROPICAL OAK, 4' X 8' VERTICAL
801439-01	PANEL, BLACK MAPLE, 4' X 8', VERTICLE
801439-01	PANEL, BLACK MAPLE-4' X 8', VERTICLE
801342-01	PANEL, ALUMINUM, BRUSHED 4' X 8' VERTICLE
801376	PANEL, TROPICAL OAK/REX 4' X 8'

2005 SAFARI- BAMBI

WOOD/LAMINATES/TRIM

TRIM, WOOD/PLASTIC



①



②



③



④



⑤



⑥

- | | |
|----------------|--|
| 1. 801393-016 | CORNER TRIM 90 DEG. 1" RADIUS |
| 2. 800405-006 | Plug hardwood button, screw cover |
| 3. 801173-046, | Header Molding, flat radius, 1.13" Oak |
| 4. 800617-016 | Molding Wainscoat, Oak |
| 5. 115064 | Trim, Aluminum Counter top |
| 6. 800617-016 | MOLDING WAINSCOT 84" |
| 801492-006 | THRESHOLD MAIN DOOR, unit w/linoleum |
| 801242-006 | THRESHOLD MAIN DOOR, unit w/carpet |

2005 SAFARI- BAMBI

WOOD/LAMINATES/TRIM

TRIM, PLASTIC



①



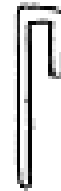
②



③



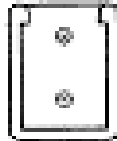
④



⑤



⑥



⑦

- | | |
|--------------|---------------------------------------|
| 1. 203225 | Trim lock, white |
| 2. 201728-03 | Extrusion plastic, ceiling trim |
| 3. 201728-01 | Extrusion Ceiling trim retainer |
| 4. 203159-04 | Trim, divider bar, Sand |
| 5. 114070 | Molding, "J" |
| 6. 203138-03 | Extrusion, plastic Panel edging Beige |
| 7. 200003-01 | End cap, foldette support, brown |

