

***INTERNATIONAL
TRAVEL TRAILER***

***PARTS
BOOK***

2005

***INTERNATIONAL
TRAVEL TRAILER***

***PARTS
BOOK***

2005

2005 INTERNATIONAL TRAVEL TRAILER TABLE OF CONTENTS

SECTION I A through C

APPLIANCES

Air Conditioner, Furnace, Microwave	I-1
Range, Refrigerator, Water Heater, Range Hood	I-2

BODY

End shell, aft	I-3
End shell, front	I-13
16 Ft. CCD RS Wall	I-19
16 Ft. CCD CS Wall	I-21
19 Ft. CCD RS Wall	I-23
19 Ft. CCD CS Wall	I-25
22 Ft. CCD RS Wall	I-27
22 Ft. CCD CS Wall	I-29
25 Ft. RS Wall	I-31
25 Ft. CS Wall	I-33
28 Ft CCD CS Wall	I-35
28 Ft CCD RS Wall	I-37
Roof, Floor	I-39
Wrap Protectors	I-40
Body interior	I-41

CHASSIS

Axles, Shocks, Tires, Wheels	I-42
Spare Tire Carrier, Step	I-43
Manual Hitch Jack, Safety Chains	I-43
Bumper/Bumper Storage	I-44
Jacks, Hose Carrier	I-46
Under belly metal	I-46
Hitch Coupler	I-47
Brakes	I-48
Power jack	I-50

2005 INTERNATIONAL TRAVEL TRAILER TABLE OF CONTENTS

SECTION II D through E

DECAL/EXTERIOR TRIM	II-1
---	------

DOORS/WINDOWS/AWNING

Exterior Doors	II-2
Windows, Window Trim & Screens	II-7
Window Rock Guard	II-13
Awnings	II-15

DRAPES/BLINDS/VALANCES

16 Ft. CCD Model	II-16
19 Ft. CCD Model	II-17
22 Ft. CCD Model	II-18
25 Ft. CCD Model	II-19
28 Ft. CCD Model	II-20
Drape trim and track	II-21
Drape Parts/Material	II-22

ELECTRICAL

110 volt	II-23
12 volt	II-24
Exterior light/reflectors	II-27

ENTERTAINMENT

Radio/antenna	II-28
-------------------------------------	-------

2005 INTERNATIONAL TRAVEL TRAILER TABLE OF CONTENTS

SECTION III F through H

FASTENERS

Rivets	III-1
------------------------------	-------

FLOOR COVERING	III-3
--------------------------------------	-------

FURNITURE DRAWINGS & CHARTS

Drawer Slides/Boxes	III-3
---	-------

Mirrors	III-3
-------------------------------	-------

Interior Doors	III-4
--------------------------------------	-------

Bedroom	III-5
-------------------------------	-------

Lavatory	III-25
--------------------------------	--------

Galley	III-52
------------------------------	--------

Lounge	III-92
------------------------------	--------

HARDWARE

Exterior locks/hinges	III-109
---	---------

Window Hardware	III-110
---------------------------------------	---------

Cabinet hinge/Catch	III-114
---	---------

Interior Trim	III-115
-------------------------------------	---------

Lavatory Accessories	III-116
--	---------

Interior Hinges	III-116
---------------------------------------	---------

Dinette table hardware	III-116
--	---------

Awning hardware	III-117
---------------------------------------	---------

2005 INTERNATIONAL TRAVEL TRAILER TABLE OF CONTENTS

SECTION IV L through Z

[LABELS and TAGS](#) IV-1

PLUMBING

[LPG](#) IV-2

[Fresh water](#) IV-8

[Freshwater Fittings](#) IV-16

[Faucets](#) IV-19

[Drain water](#) IV-24

[Toilet](#) IV-31

[Black Tank Flush/Loose parts](#) IV-33

[SAFETY EQUIPMENT](#) IV-34

[SEALER/GASKETS](#) IV-35

[PAINT](#) IV-36

[UPHOLSTERY/FOAM/MATTRESS](#) IV-37

[VENTS/FANS](#) IV-39

[SKY LIGHTS](#) IV-40

[WOOD/LAMINATES/TRIM](#) IV-41

2005 INTERNATIONAL TRAVEL TRAILER

APPLIANCES

Air Conditioner

195329-143	AIR CONDITIONER 11,000 BTU
690323-02	AIR CONDITIONER, 13,500 BTU MANUAL
690323-37	AIR CONDITIONER, 15,000 BTU
511252	PLUG PHONE 4 CONDUCTOR
690323-05	AIR BOX/RETURN GRILL MANUAL
961270	Pan Assembly, drain, air conditioner
690323-03	AIR CONDITIONER, DOMETIC HEAT STRIP
601240-01	TUBING 1/2ID X 5/8OD BLACK PLASTIC
386149	Decal, "AIRSTREAM"

Furnace

690439	FURNACE, 12,000 BTU, 16'
690395	FURNACE, 16,000 BTU, 19'
690467	FURNACE, 18,000 BTU, 22 Ft. Model
690274-01	FURNACE, 30,000BTU, 25', 28'
511228	THERMOSTAT ROOM #36684 OFF WHITE
600193	2" DUCT THERMAFLEX FLEXIBLE, DUCT
600247	4" HOSE, HEAT DUCT FLEX
601244-01	REGISTER-ROTAIRE #3840-96 4" BROWN
203070	REGISTER PLASTIC BROWN 2" X 10"
601244-03	REGISTER, ROTAIRE, BLACK
690429	LOUVER-2" BLACK ROUND
690341	ADAPTER, 4-2 FURNACE REDUCER
600526	FLANGE, 4 IN
601348	TEE, HEAT DUCT, 4" X 4" X 2"
600193	2" DUCT THERMAFLEX FLEXIBLE AIR
601752	TORPEDO BOOT, 2.25" X 10.00

Microwave

690476-01	MICROWAVE-SAMSUNG W/KIT UL
690476-02	MICROWAVE-SAMSUNG W/KIT UL/CSA APPROVED
690345-01	MICROWAVE-CONVECTION SHARP R-820BK
690345-03	TRIM RING, CONVECTION MICROWAVE

2005 INTERNATIONAL TRAVEL TRAILER

APPLIANCES

Range

690471	Cook-top, 2-burner, black glass top, 16'
690396-10	COOKTOP-3 BURNER S.S. TOP
690396-09	RANGE-22" W/OVEN S.S. TOP/DOOR
690396-03	Range bi-fold cover
114876	Trim ring, range recess

Refrigerator

690393-05	REFER-4CF RH DR 2-WAY RM2452RB, 19'
690470-02	REFER-3CF 2-WAY RH DR RM2352RB, 16 Ft., 22'
690492-01	REFER-6CF LH DR AMERICANA, RM2662LB, 25', 28'
965934-01	INSERT ASSY-REFER 20.62" X 15.75"
965934-02	INSERT ASSY-REFER 20.62" X 32.62"

Water Heater

690199	ELECTRONIC IGNITION WATER HEATER
320006	SCREW, SHEET METAL, 8 X 3/4" BH PHIL
690209	BRUSHED ALUM ACCESS COVER
601671	ELBOW STREET 90DEG 1/2"
381648	COVER LATCH HOLE WATER HEATER

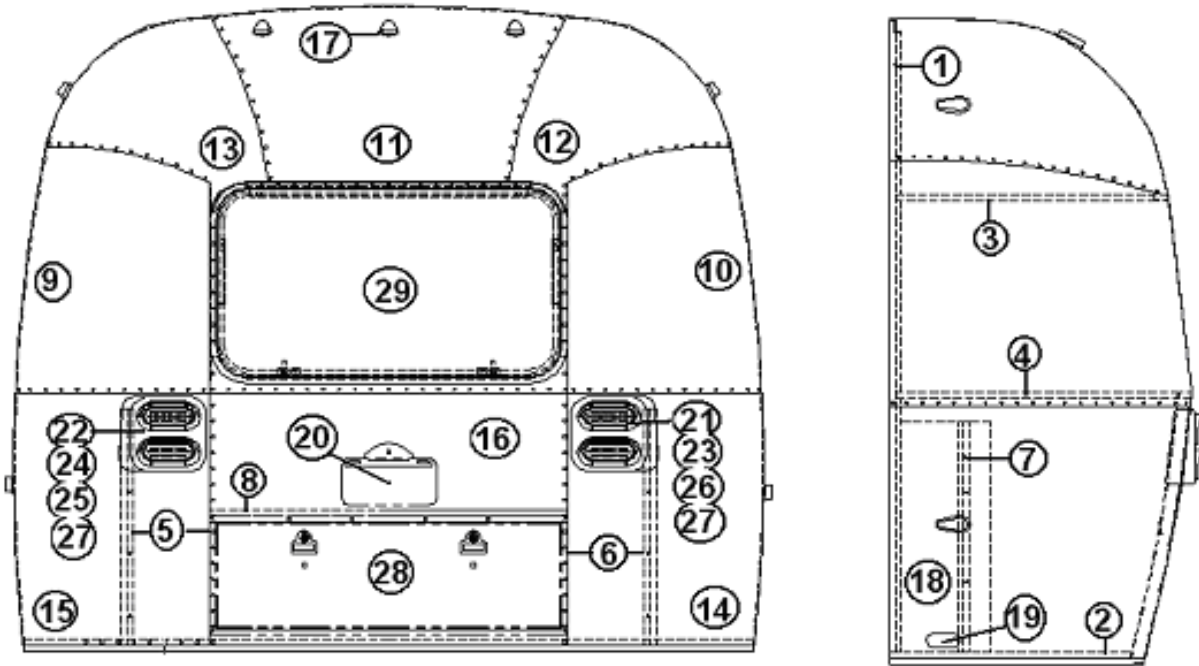
Range Hood

511017-11	EXTERIOR VENT GRAY
115175	DUCT-RANGE EXHAUST TRANSITION
454187	EXTENSION-RANGE EXHAUST
511791-01	RANGE HOOD-VENTLINE SILVER
114913	ANGLE RANGE HOOD
365016	TAPE FOAM DUBL-KOTE - 1/2"
114230-04	CLOSEOUT FORMED R.EXHAUST

2005 INTERNATIONAL TRAVEL TRAILER

EXTERIOR SHELL

AFT END, 16'



2005 INTERNATIONAL TRAVEL TRAILER

EXTERIOR SHELL

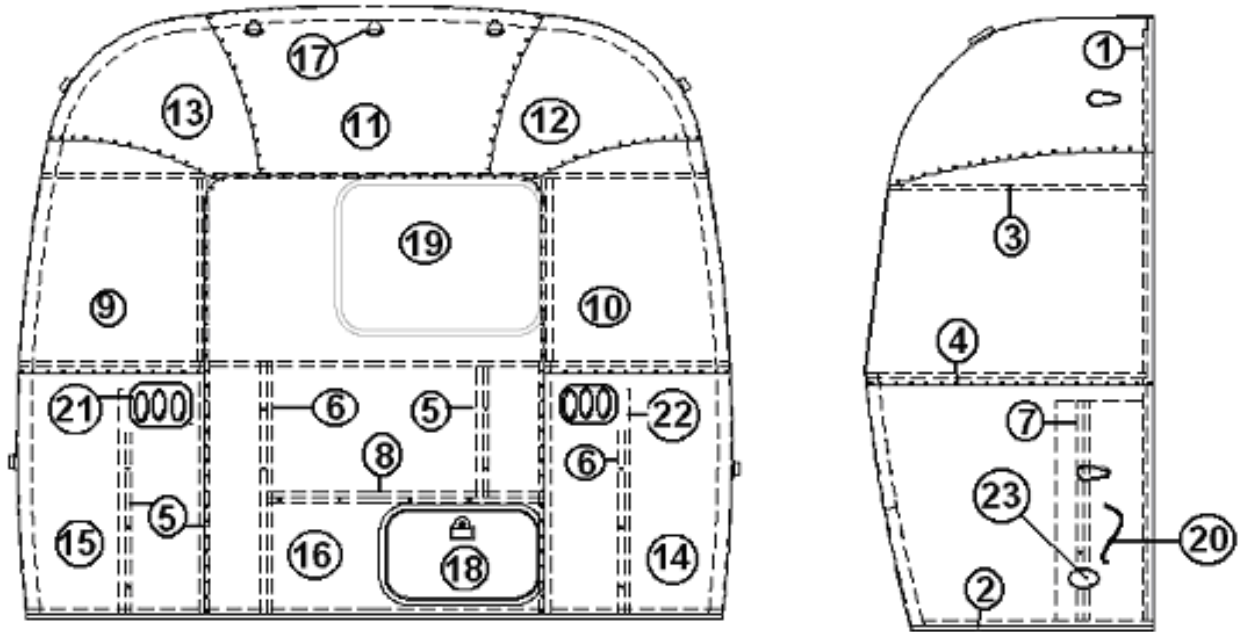
AFT END, 16', 922709

922709	Aft Shell, 16'
1. 114994	Weldment, zero bow
2. 104463	BOW FLOOR, NARROW BODY TRAILER
3. 104351	BOW-UPPER WINDOW-NARROW BODY
4. 104343	BOW-LOWER WINDOW-NARROW BODY
5. 114505-01	SUPPORT LOWER END SHELL LH
6. 114505-02	SUPPORT LOWER END RH
7. 101315	BRACE VERTICAL REAR
8. 104408	EXTRUSION, Z RIB
9. 114888	SEGMENT-CENTER LEFT "BRIGHT"
10. 114889	SEGMENT-CENTER RIGHT "BRIGHT"
11. 114892	SEGMENT #25 NARROW BRIGHT
12. 114890	SEGMENT-#26 "BRIGHT"
13. 114891	SEGMENT-#27 "BRIGHT"
14. 114894	SEGMENT-#28 "BRIGHT"
15. 114895	SEGMENT-#29 "BRIGHT"
16. 114880-198	ALUMINUM SHEET .040" X 51" X 198"
17. 511751	MARKER LIGHT, RED TEARDROP
18. 114849-03	ALUMINUM SHEET, .060 26"W X 8'
19. 500095	REFLECTOR RED RECTANGULAR
20. 500053	LIGHT AND HOLDER LICENSE
21. 952696-02	TAILLIGHT ASSY-CS
22. 952696-01	TAILLIGHT ASSY-RS
23. 203386-01	POCKET-INNER TAILLIGHT LH
24. 203386-02	POCKET-INNER TAILLIGHT RH
25. 115073-01	BRACKET-R.S. TAILLIGHT
26. 115073-02	BRACKET-C.S. TAILLIGHT
27. 115074	BRACKET-CENTER TAILLIGHT
28. 922711	DOOR ASSY-TRUNK
29. 371326	WINDOW REAR ROUND CORNERS
Rear Wrap Windows, Option, 16'	
371328	Window, center, dark glass
372088	Curbside front wrap window
372089	Roadside, front wrap window

2005 INTERNATIONAL TRAVEL TRAILER

EXTERIOR SHELL

AFT END, 19', 964513



2005 INTERNATIONAL TRAVEL TRAILER

EXTERIOR SHELL

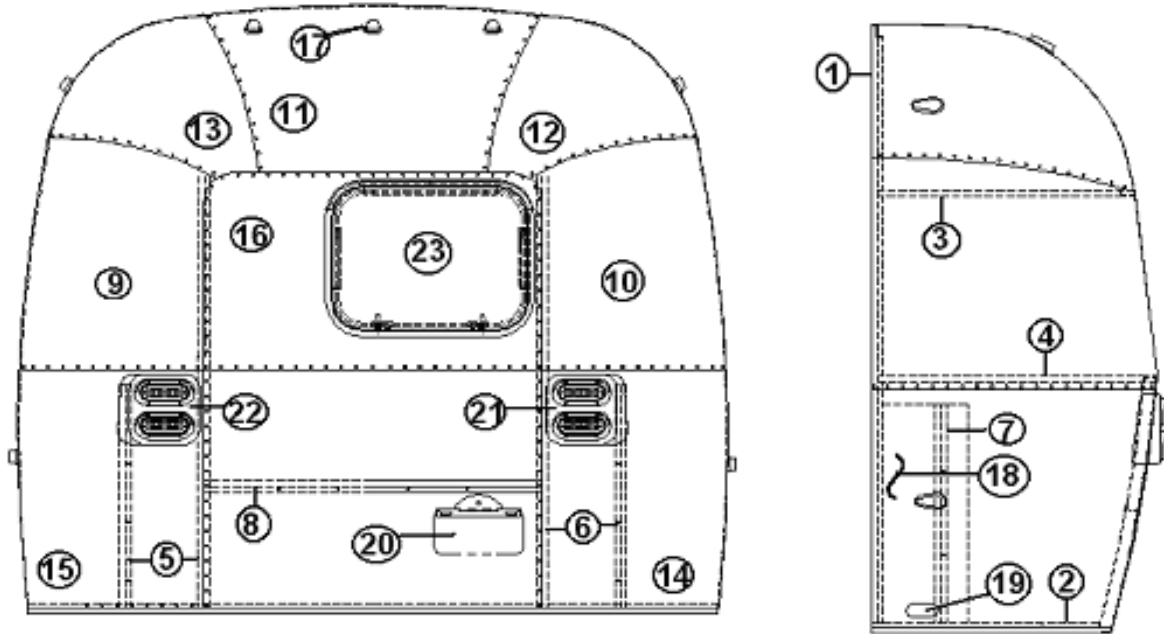
AFT END, 19', 964513

964513	AFT SHELL 19FT.
1. 114994	End bow
2. 104463	Floor bow
3. 104351	Upper window bow
4. 104343	Lower window bow
5. 114505-01	Support, lower end, LH
6. 114505-02	Support, lower end, RH
7. 101315	Brace, vertical rear
8. 104408	Z-rib
9. 114888	Segment, center left
10. 114889	Segment, center right
11. 114892	Segment #25
12. 114890	Segment #26
13. 114891	Segment #27
14. 114894	Segment #28
15. 114895	Segment #29
16. NPN	Alum. Sheet, .060 x 19.0" x 51.0"
17. 511751	Marker light, tear drop
18. 100679-01	Door assembly, side access
19. 372229	WINDOW-21"X 28" OPENING, REAR END
20. 114849-03	Aluminum sheet, gray
21. 952696-01	RS tail light assembly
22. 952696-02	CS tail light assembly
23. 500095	Red reflector, rectangular
500053	LIGHT LICENSE PLATE

2005 INTERNATIONAL TRAVEL TRAILER

EXTERIOR SHELL

AFT END, 22', 922627-01



2005 INTERNATIONAL TRAVEL TRAILER

EXTERIOR SHELL

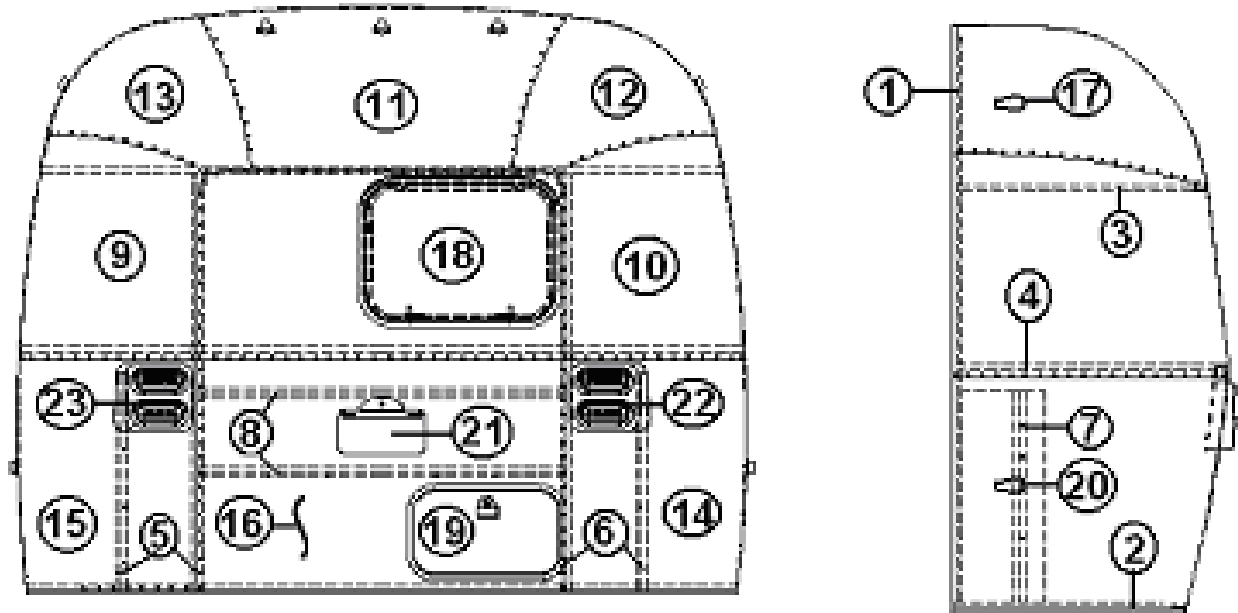
AFT END, 22', 922627-01

922627-01	AFT SHELL, 22'
1. 114994	WELDMENT ZERO BOW "NB"
2. 104463	BOW FLOOR, NARROW BODY
3. 104351	BOW-UPPER WINDOW-NARROW BODY
4. 104343	BOW-LOWER WINDOW-NARROW BODY
5. 114505-01	SUPPORT LOWER END SHELL LH
6. 114505-02	SUPPORT LOWER END RH
7. 101315	BRACE VERTICAL REAR
8. 104408	EXTRUSION, Z RIB
9. 114888	SEGMENT-CENTER LEFT "BRIGHT"
10. 114889	SEGMENT-CENTER RIGHT "BRIGHT"
11. 114892	SEGMENT #25 NARROW BRIGHT
12. 114890	SEGMENT-#26 "BRIGHT"
13. 114891	SEGMENT-#27 "BRIGHT"
14. 114894	SEGMENT-#28 "BRIGHT"
15. 114895	SEGMENT-#29 "BRIGHT"
16. 114880-307	ALUMINUM SHEET .040" X 51" X 307"
17. 511750	MARKER LIGHT-AMBER TEARDROP
18. 114849-03	ALUMINUM SHEET .060" X 26"W X 8'
19. 500095	REFLECTOR RED RECTANGULAR
20. 500053	LIGHT AND HOLDER LICENSE
21. 952696-02	Tail light assembly, curbside
22. 965696-01	Tail light assembly, roadside
23. 372218-01	WINDOW-21" X 28" EGRESS

2005 INTERNATIONAL TRAVEL TRAILER

EXTERIOR SHELL

AFT END, 25', 922706



2005 INTERNATIONAL TRAVEL TRAILER

EXTERIOR SHELL

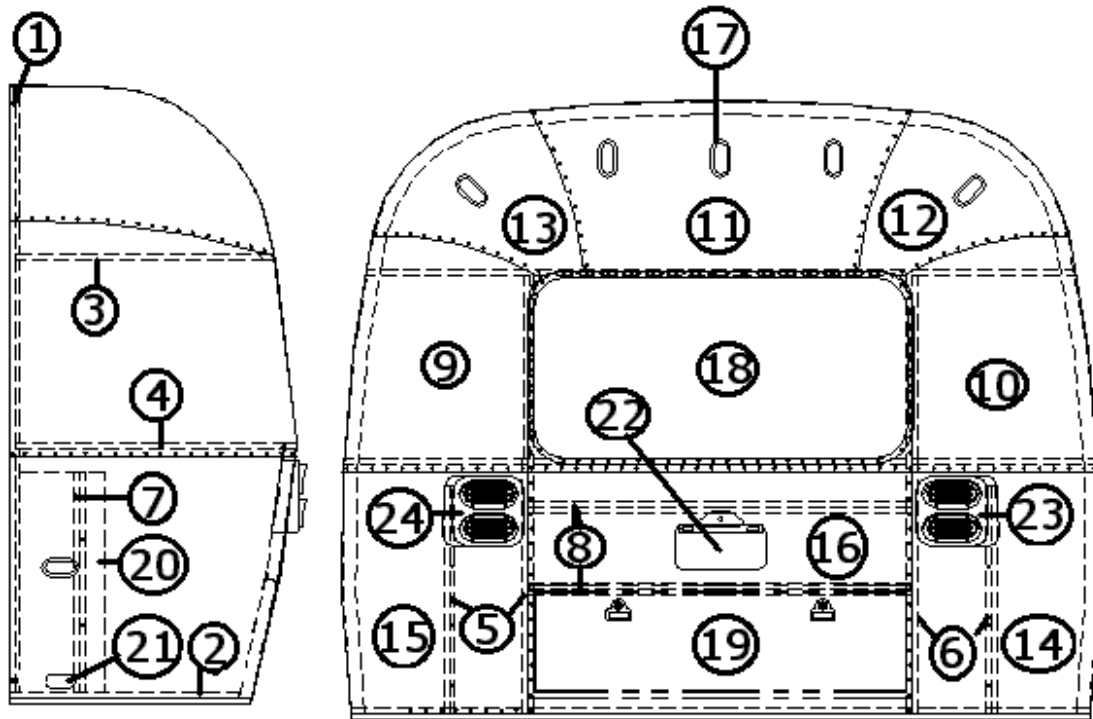
AFT END, 25', 922706

- | | |
|---|------------------------------|
| 1) 114993 | End bow |
| 2) 114676 | Floor bow |
| 3) 114678 | Upper window bow |
| 4) 114677 | Lower window bow |
| 5) 114505-01 | Support, lower end, LH |
| 6) 114505-02 | Support, lower end, RH |
| 7) 101315 | Brace, vertical rear |
| 8) 104408 | Z-rib |
| 9) 114888 | Segment, center left |
| 10) 114889 | Segment, center right |
| 11) 114893 | Segment #25 |
| 12) 114890 | Segment #26 |
| 13) 114891 | Segment #27 |
| 14) 114894 | Segment #28 |
| 15) 114895 | Segment #29 |
| 16) NPN Alum. Sheet, .060 x 19.0" x 51.0" | |
| 17) 511751 | Marker light, tear drop, red |
| 18) 372218-01 | Window 21" x 28", egress |
| 19) 100679 | Trunk door assembly |
| 20) 500095 | Red reflector, rectangular |
| 21) 500053 | LIGHT LICENSE PLATE |
| 22) 952696-02 | CS tail light assembly |
| 23) 952696-01 | RS tail light assembly |

2005 INTERNATIONAL TRAVEL TRAILER

EXTERIOR SHELL

AFT END, 28', 922677



2005 INTERNATIONAL TRAVEL TRAILER

EXTERIOR SHELL

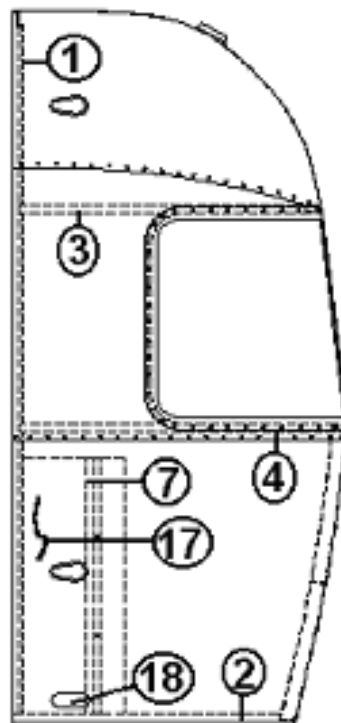
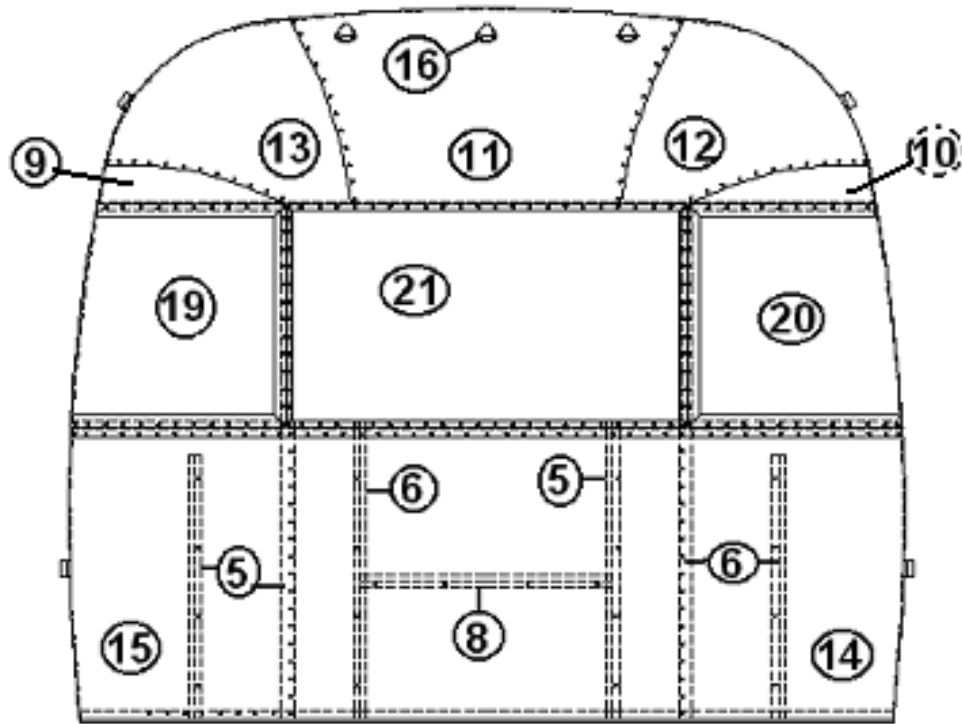
AFT END, 28', 922677

- 1) 114993 End bow
- 2) 114676 Floor bow
- 3) 114678 Upper window bow
- 4) 114677 Lower window bow
- 5) 114505-01 Support, lower end, LH
- 6) 114505-02 Support, lower end, RH
- 7) 101315 Brace, vertical rear
- 8) 104408 Z-rib
- 9) 114888 Segment, center left
- 10) 114889 Segment, center right
- 11) 114893 Segment #25
- 12) 114890 Segment #26
- 13) 114891 Segment #27
- 14) 114894 Segment #28
- 15) 114895 Segment #29
- 16) NPN Alum. Sheet, .060 x 19.0" x 51.0"
- 17) 511751 Marker light, tear drop
- 18) 371348 WINDOW REAR OPENING (STD)
- 19) 921159-01 Trunk door assembly
- 20) NPN Alum. Sheet, .060 x28.0"x 8.0", Pewter
- 21) 500095 Red reflector, rectangular
- 22) 500053 LIGHT LICENSE PLATE
- 23) 952696-02 CS tail light assembly
- 24) 952696-01 RS tail light assembly

2005 INTERNATIONAL TRAVEL TRAILER

EXTERIOR SHELL

FRONT END, 16', 22', 922626-01



2005 INTERNATIONAL TRAVEL TRAILER

EXTERIOR SHELL

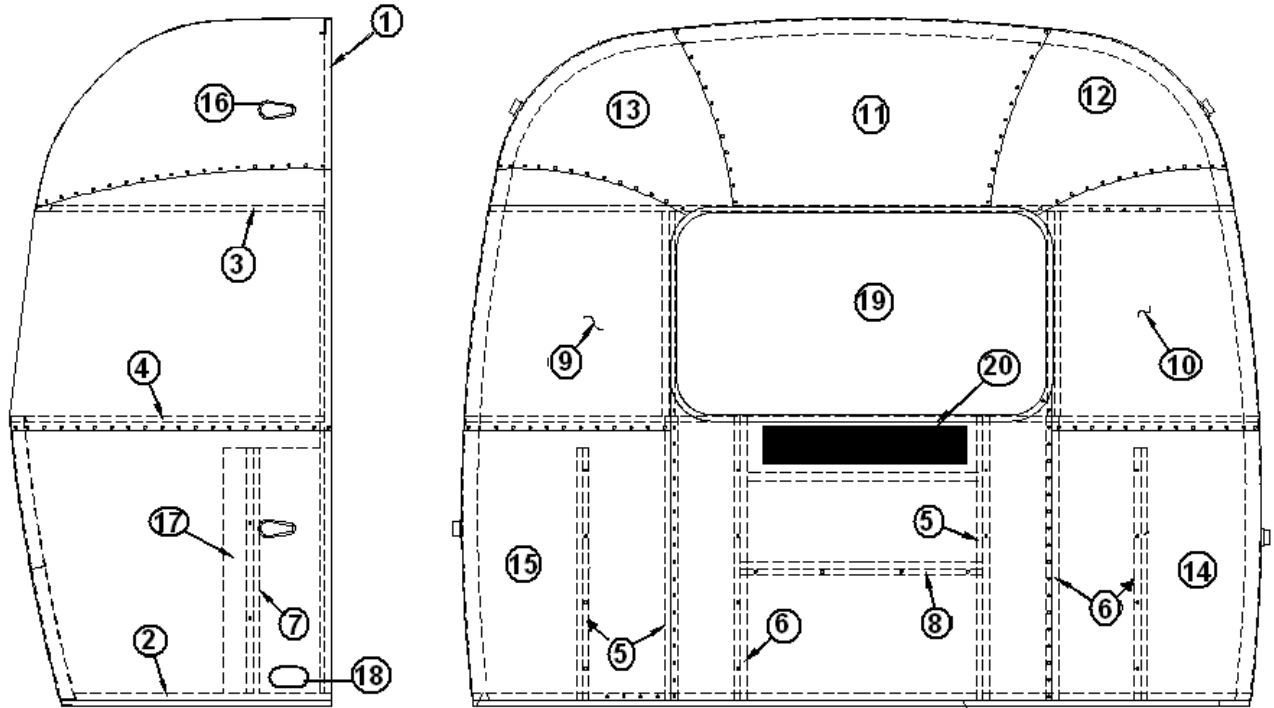
FRONT END, 16', 22', 922626-01

922626-01	Front Shell, 16', 22'
1. 114994	Weldment, end bow, NB
2. 104463	Floor bow, captive extrusion
3. 104351	Upper, window bow
4. 104343	Lower, window bow
5. 114505-01	Support, lower end shell, left-hand
6. 114505-02	Support, lower end, right-hand
7. 101315	Brace, vertical rear
8. 104408	Rib bow
9. 114888	Segment, center left, bright
10. 114889	Segment, center right, bright, OPPOSITE SIDE
11. 114892	Segment, #25, NB, bright
12. 114890	Segment, #26, bright
13. 114891	Segment, #27, bright
14. 114894	Segment, #28, bright
15. 114895	Segment, #29, bright
16. 511750	Amber teardrop lights
17. 114849-03	Aluminum sheet, 060 x 12.00" x 29.00"
18. 500096	Reflector, amber
19. 372089-101	CS front panoramic window
20. 372088-101	RS front panoramic window
21. 371328	Front window,
21. 371328-100	Front window glass only

2005 INTERNATIONAL TRAVEL TRAILER

EXTERIOR SHELL

Front End, 19', 964512



2005 INTERNATIONAL TRAVEL TRAILER

EXTERIOR SHELL

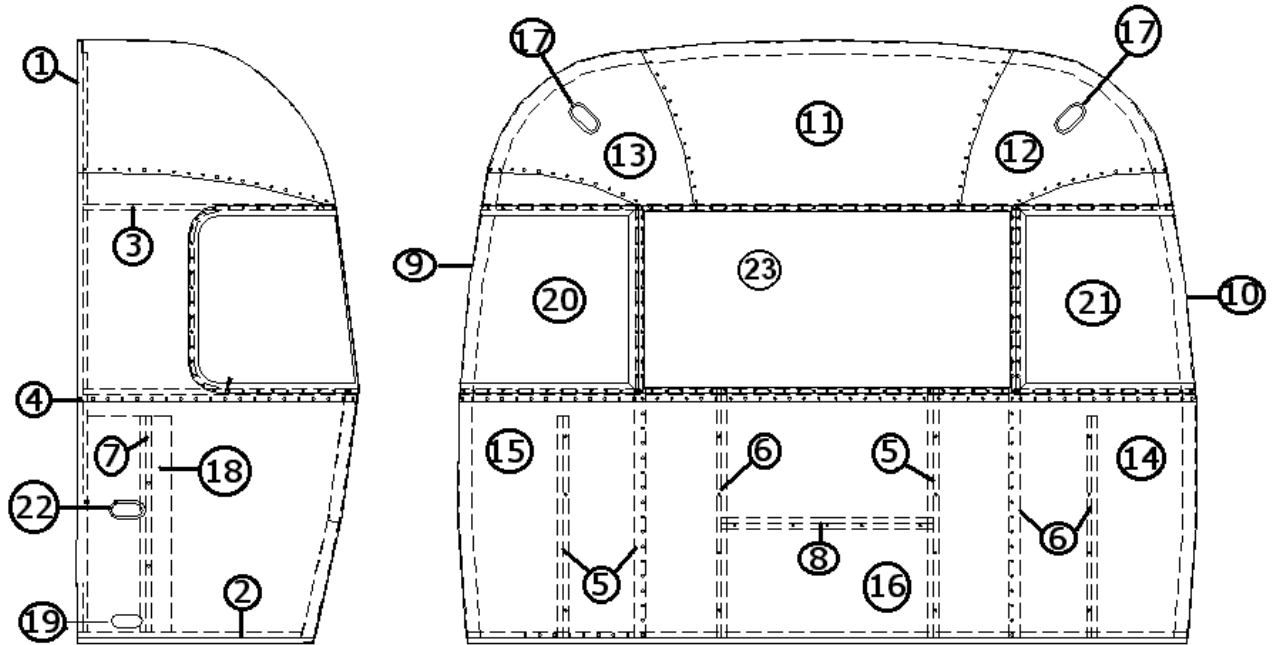
Front End, 19', 964512

964512	Front End Shell, 19',
1. 114994	Weldment, end bow, NB
2. 104463	Floor bow, captive extrusion
3. 104351	Upper, window bow
4. 104343	Lower, window bow
5. 114505-01	Support, lower end shell, left-hand
6. 114505-02	Support, lower end, right-hand
7. 101315	Brace, vertical rear
8. 104408	Rib bow
9. 114888	Segment, center left, bright
10. 114889	Segment, center right, bright, OPPOSITE SIDE
11. 114892	Segment, #25, NB, bright
12. 114890	Segment, #26, bright
13. 114891	Segment, #27, bright
14. 114894	Segment, #28, bright
15. 114895	Segment, #29, bright
16. 511750	Amber teardrop lights
17. 114849-03	Aluminum sheet, 060 x 12.00" x 29.00"
18. 500096	Reflector, amber
19. 371328	WINDOW FRONT DARK GLASS
20. 453629	HAT SECTION-DINETTE TABLE SUPPORT

2005 INTERNATIONAL TRAVEL TRAILER

EXTERIOR SHELL

FRONT END, 25', 28', 922676



2005 INTERNATIONAL TRAVEL TRAILER

EXTERIOR SHELL

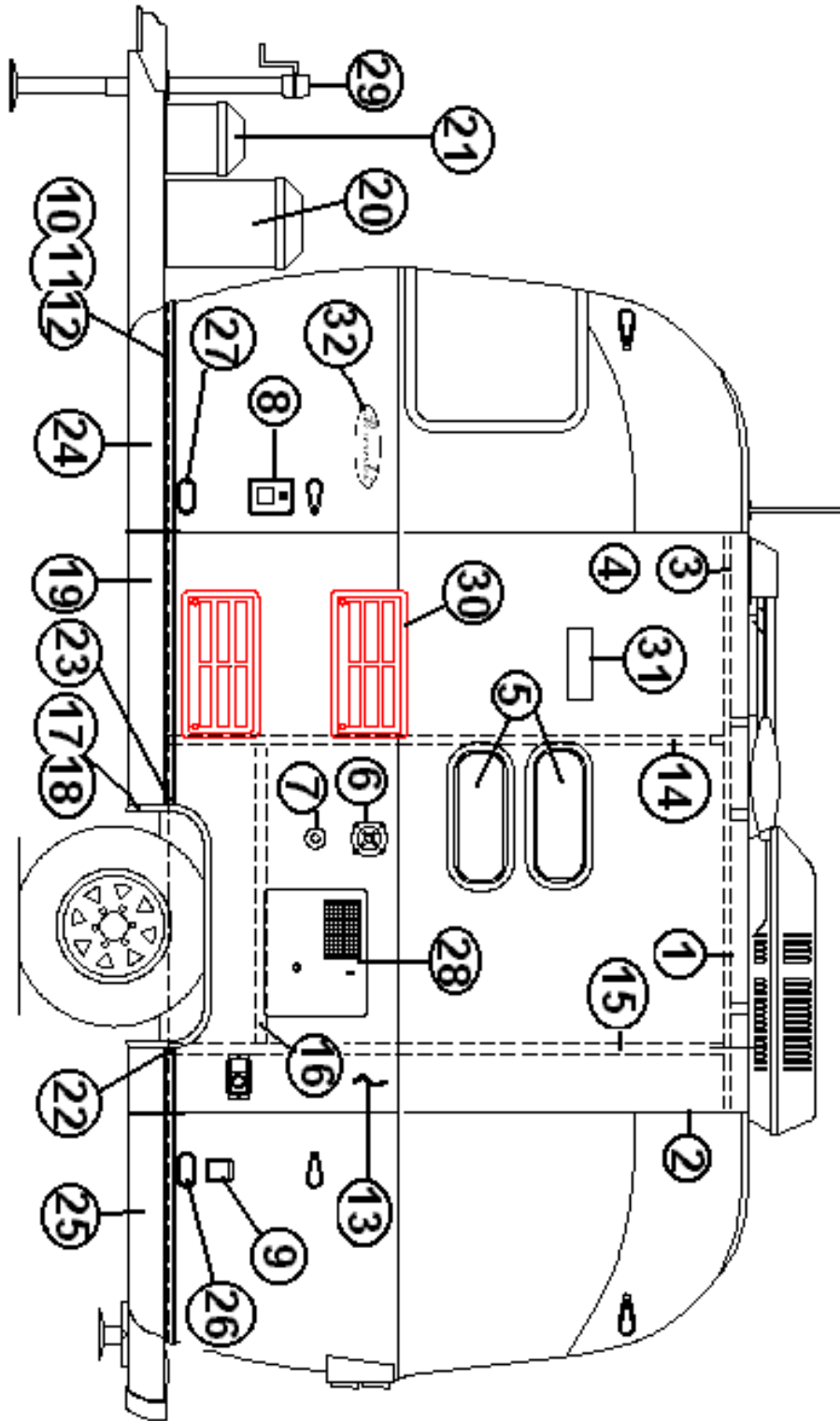
FRONT END, 25', 28', 922676

922676	Front Shell 25', 28'
1) 114993	End bow
2) 114676	Floor bow
3) 114678	Upper window bow
4) 114677	Lower window bow
5) 114505-01	Support, lower end, LH
6) 114505-02	Support, lower end, RH
7) 101315	Brace, vertical rear
8) 104408	Z-rib
9) 114888	Segment, center left
10) 114889	Segment, center right
11) 114893	Segment #25
12) 114890	Segment #26
13) 114891	Segment #27
14) 114894	Segment #28
15) 114895	Segment #29
16) NPN Alum. sheet, .060" x 41.00" x 51"	
17) 511750	Marker light teardrop, red/chrome
18) 114829-03	Aluminum sheet, Pewter 26" x 8"
19) 500096	Reflector, amber
20) 372089	Panoramic window, CS front
21) 372088	Panoramic window, RS front
22) 511750	Amber teardrop lights.
23) 371346-02	WINDOW, 48.97" Front/Rear End

2005 INTERNATIONAL TRAVEL TRAILER

EXTERIOR SHELL

ROADSIDE WALL, 16'



2005 INTERNATIONAL TRAVEL TRAILER

EXTERIOR SHELL

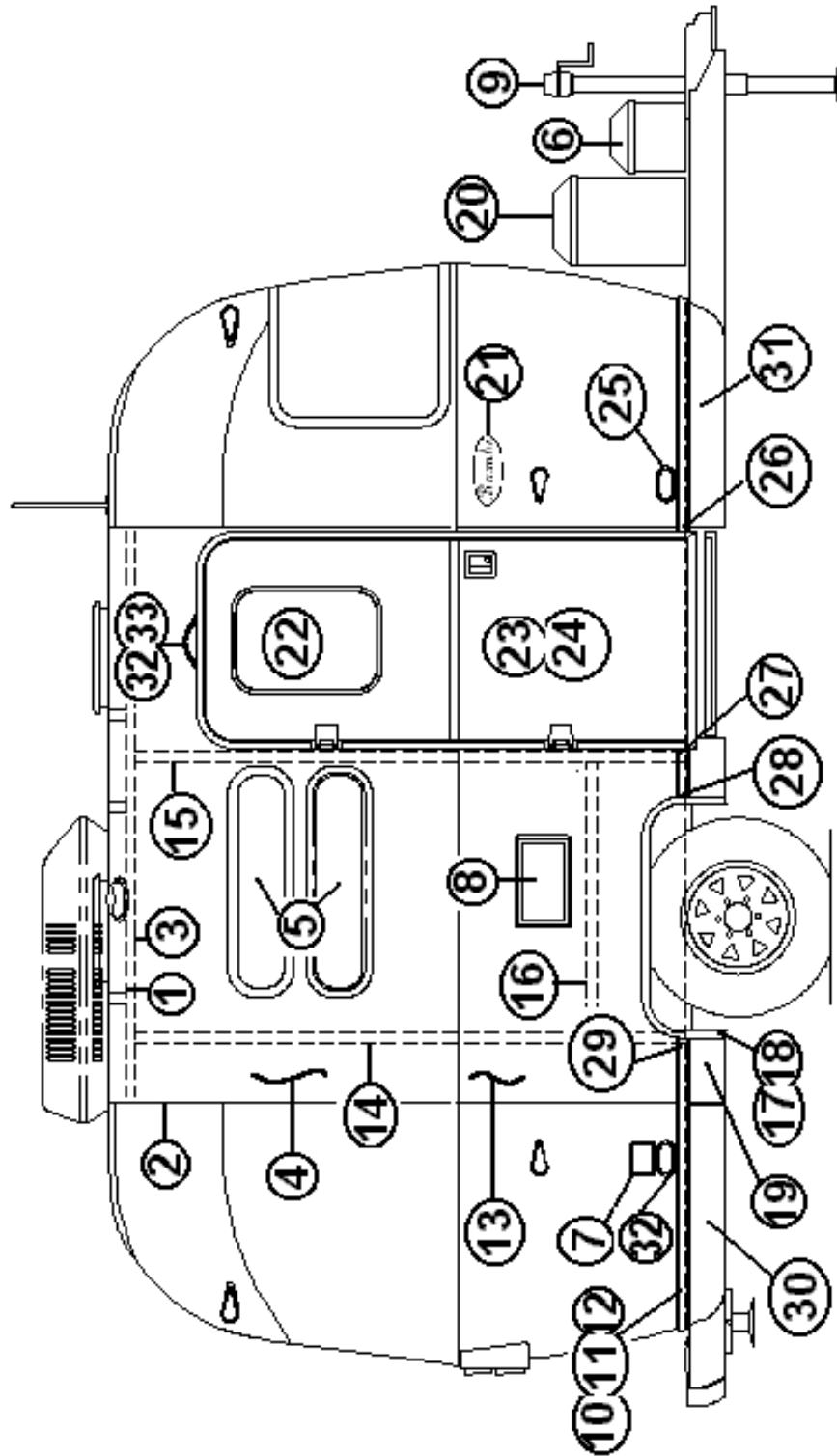
ROADSIDE WALL, 16'

- | | |
|----------------|---------------------------------------|
| 1) 114290-02 | Extrusion, awning/drip rail |
| 2) 114994 | Rib, end bow |
| 3) 104707-05 | Extrusion, "I" beam |
| 4) 114880-262 | Aluminum sheet, .040 x 51 x 262" |
| 5) 371269-01 | Window, 18" stacked |
| 6) 601392-05 | City water hook up, chrome |
| 7) 601197-02 | HOOK-UP, TANK FLUSH, CHROME |
| 8) 601194 | WATER FILL W/LOCK, GRAY, W/LABEL |
| 9) 511416-02 | POWER INLET, 30A, 125V, MALE |
| 10) 114460 | Extrusion, rub rail |
| 11) 201763-01 | Insert, rub rail, chrome, 1" |
| 12) 100986 | Floor channel |
| 13) 114879-262 | Aluminum sheet, .040 x 33 x 262" |
| 14) 114387-02 | Bow, Z rib, LH |
| 15) 114387-01 | Bow, Z rib, RH |
| 16) 100986 | Wheel well stiffener (floor channel) |
| 17) 114003-03 | Wheel well trim, inner, single axle |
| 18) 114004-03 | Wheel well trim, outer, single axle |
| 19) 203304 | ROLL, UNDERBELLY, BLACK PLASTIC |
| 20) 915778 | COVER ASSY-LP BOTTLE |
| 21) 511595 | Battery box |
| 22) 114466-01 | Casting, rub rail end, wheel well, RH |
| 23) 114466-02 | Casting, rub rail end, wheel well, LH |
| 24) 203303-01 | BANANA WRAP BLACK RS FRONT |
| 25) 203303-02 | BANANA WRAP, BLACK RS REAR |
| 26) 500095 | Reflector, red, rectangular |
| 27) 500096 | Reflector, amber |
| 28) 690209 | BRUSHED ALUM ACCESS COVER |
| 29) 3320028 | FRONT-WIND JACK ATWOOD |
| 30) 690470-01 | VENT-REFER-PLASTIC RADIUS CORNER |
| 30a) 115038-01 | Vent jamb |
| 31) 511017-11 | EXTERIOR VENT GRAY |
| 32) 386125 | NAMEPLATE, BAMBI, RED-WHITE-BLUE |

2005 INTERNATIONAL TRAVEL TRAILER

EXTERIOR SHELL

CURBSIDE WALL, 16'



2005 INTERNATIONAL TRAVEL TRAILER

EXTERIOR SHELL

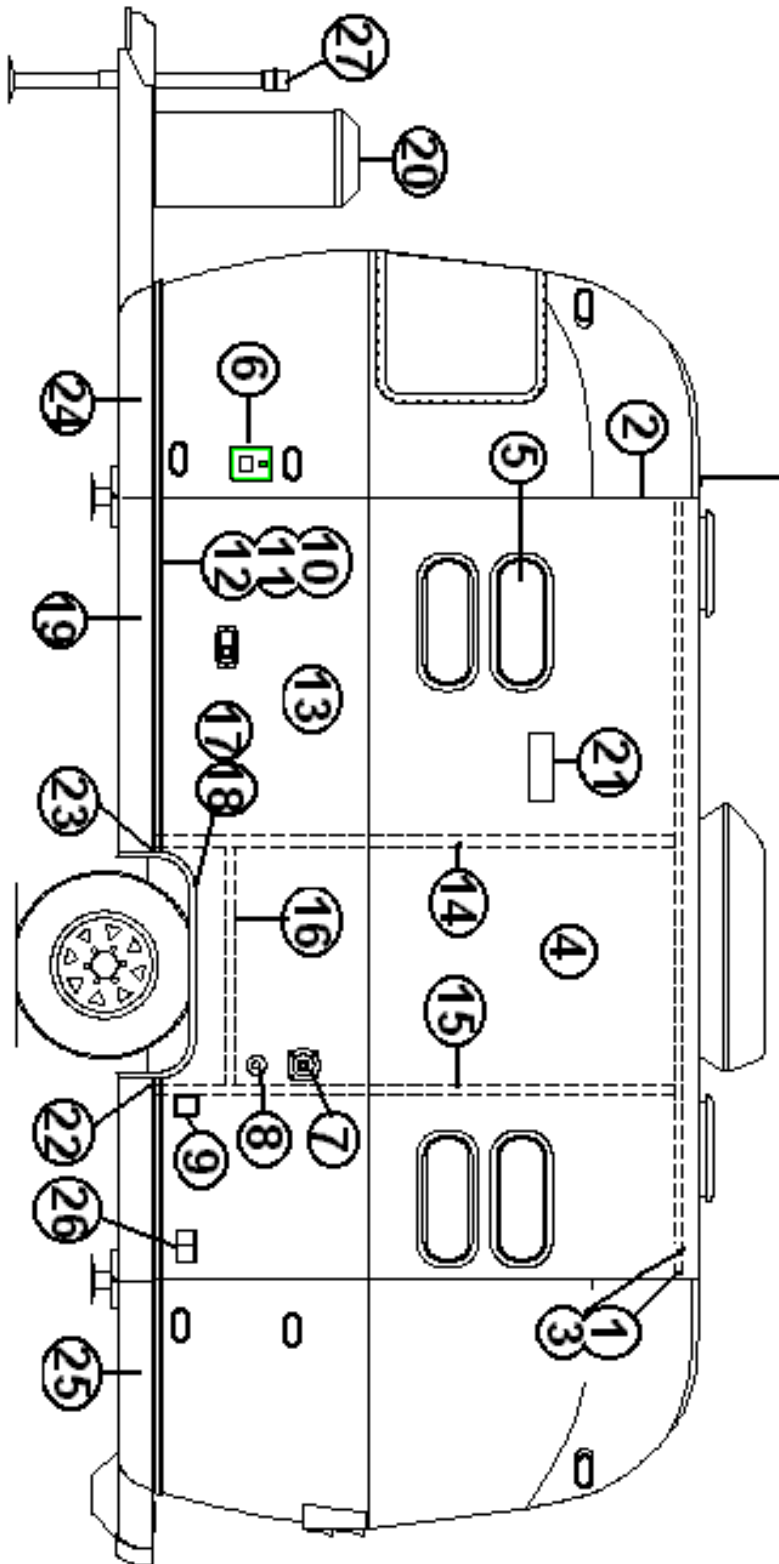
CURBSIDE WALL, 16'

- | | |
|----------------|--|
| 1) 114290 | Extrusion, awning/drip rail |
| 2) 114994 | Rib, end bow |
| 3) 104707-05 | Extrusion, "I" beam |
| 4) 114880-262 | Aluminum sheet, .040 x 51 x 262" |
| 5) 371270-01 | WINDOW 30" STACK |
| 6) 511595 | Battery box |
| 7) 510676-01 | OUTLET, EXTERIOR, 120 VOLT, GR |
| 8) 381766 | HATCH-ACCESS 7.75" X 12.63" |
| 9) 3320028 | FRONT-WIND JACK ATWOOD |
| 10) 114460 | Extrusion, rub rail |
| 11) 201763-01 | Insert, rub rail, chrome, 1" |
| 12) 100986 | Floor channel |
| 13) 114879-262 | Aluminum sheet, .040 x 33 x 262" |
| 14) 114387-02 | Bow, Z rib, LH |
| 15) 114387-02 | Bow, Z rib, LH |
| 16) 100986 | Wheel well stiffener (floor channel) |
| 17) 114003-03 | Wheel well trim, inner, single axle |
| 18) 114004-03 | Wheel well trim, outer, single axle |
| 19) 203304 | ROLL, UNDERBELLY, BLACK PLASTIC |
| 20) 915778 | COVER ASSY-LP BOTTLE |
| 21) 386125 | NAMEPLATE, BAMBI, RED-WHITE-BLUE |
| 22) 371319-05 | WINDOW-MAIN DOOR |
| 23) 115207 | Main door assembly |
| 24) 114654 | Screen door assembly |
| 25) 114652 | Jamb, main door, pre-formed |
| 26) 114465-01 | Casting, rub rail end, door, RH |
| 27) 114465-02 | Casting, rub rail end, door, LH |
| 28) 114466-01 | Casting, rub rail end, wheel well, RH |
| 29) 114466-02 | Casting, rub rail end, wheel well, LH |
| 30) 203303-01 | BANANA WRAP BLACK CS REAR |
| 31) 203303-02 | BANANA WRAP, BLACK CS FRONT |
| 32) 101323 | CASTING, ALUMINUM STEP, LIGHT POLISHED |
| 33) 201185 | LENS STEP LIGHT |

2005 INTERNATIONAL TRAVEL TRAILER

EXTERIOR SHELL

ROADSIDE WALL, 19'



2005 INTERNATIONAL TRAVEL TRAILER

EXTERIOR SHELL

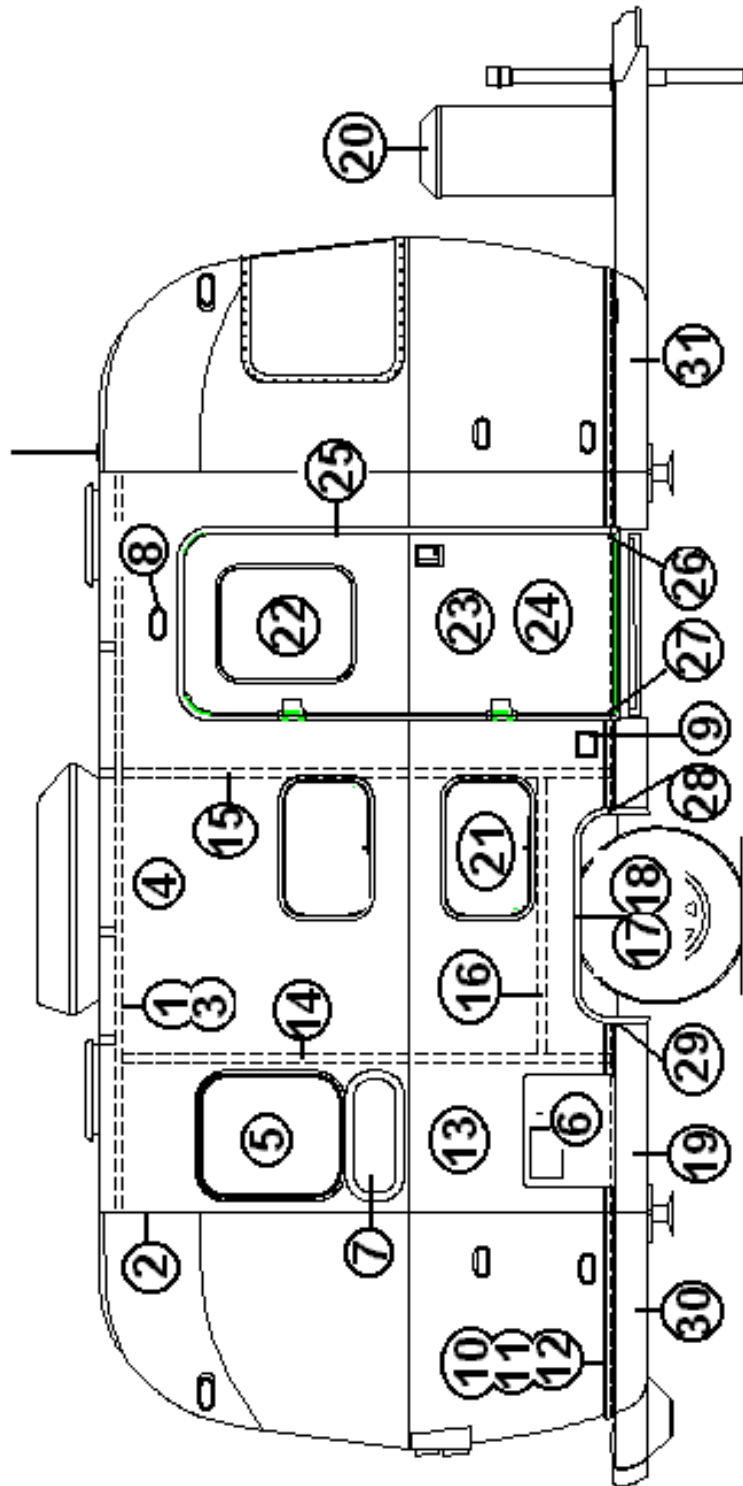
ROADSIDE WALL, 19'

- | | |
|----------------|--|
| 1) 114290-02 | Extrusion, awning/drip rail |
| 2) 114994 | Rib, end bow |
| 3) 104707-05 | Extrusion, "I" beam |
| 4) 114880-238 | Aluminum sheet, upper, .040 x 51" x 238" |
| 5) 371269-01 | Window, 18" stacked |
| 6) 601194 | Water fill w/lock, gray |
| 6a) 381647 | CH 751 Key only |
| 7) 601392-05 | City water hook-up |
| 8) 601197-02 | Hook up, tank flush, chrome |
| 9) 511416-02 | Power inlet, 30 amp. |
| 10) 114460 | Extrusion, rub rail |
| 11) 201763-01 | Insert, rub rail, chrome, 1" |
| 12) 100986 | Floor channel |
| 13) 114880-238 | Aluminum sheet, lower, .040 x 33" x 238" |
| 14) 114387-02 | Bow, Z rib, LH |
| 15) 114387-01 | Bow, Z rib, RH |
| 16) 100986 | Wheel well stiffener (floor channel) |
| 17) 114004-04 | Wheel well trim, outer, single axle |
| 18) 114003-04 | Wheel well trim, inner, single axle |
| 19) 101131-01 | Underbelly wrap, .024 x 22.5, pewter |
| 20) 921232 | Cover, 30# LPG bottles |
| 21) 511017-11 | Vent cover, range exhaust |
| 22) 114466-01 | Casting, rub rail end, wheel well, RH |
| 23) 114466-02 | Casting, rub rail end, wheel well, LH |
| 24) 203251-01 | Banana wrap, RS front |
| 25) 203251-03 | Banana wrap, RS rear |
| 26a) 104619 | Mounting plate, telephone & TV jack |
| 26b) 510624-01 | Modular phone quick jack, white |
| 27) 3320028 | Manual hitch jack |

2005 INTERNATIONAL TRAVEL TRAILER

EXTERIOR SHELL,

CURBSIDE WALL, 19'



2005 INTERNATIONAL TRAVEL TRAILER

EXTERIOR SHELL

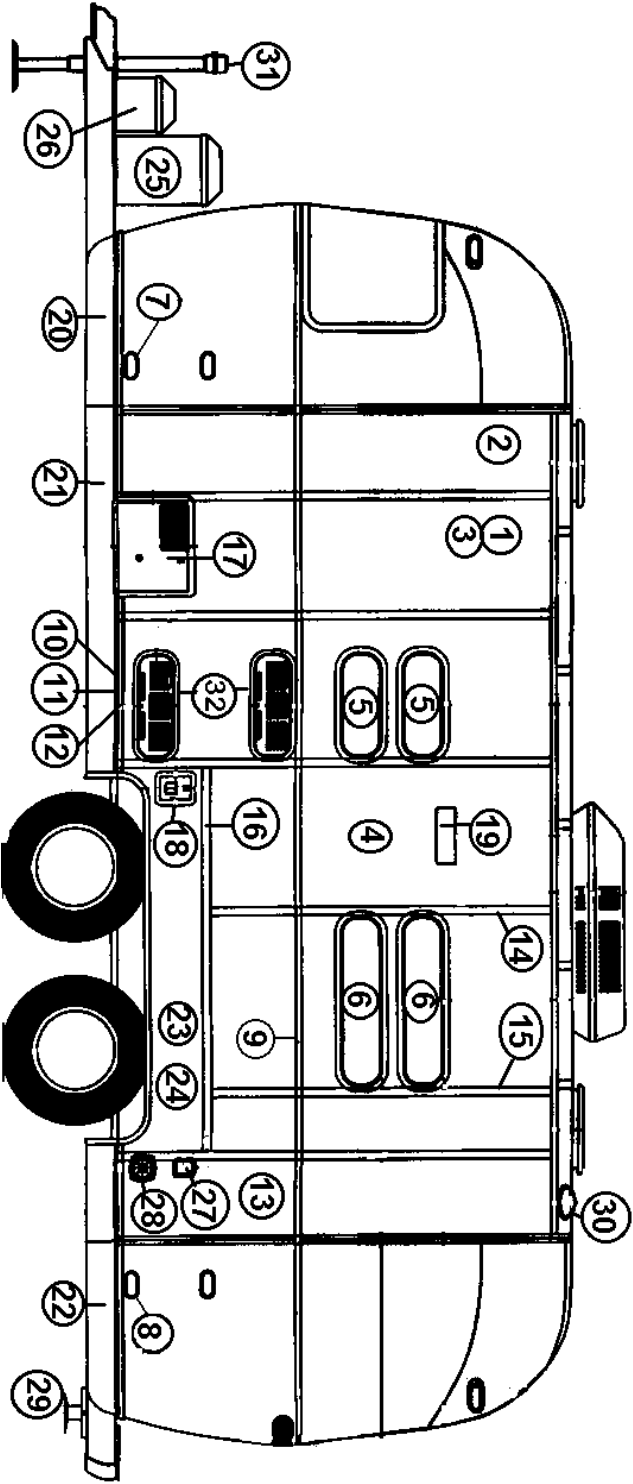
CURBSIDE WALL, 19'

1. 114290-02 Extrusion, awning/drip rail
2. 114994 Rib, end bow
3. 104707-05 Extrusion, "I" beam
4. 114880-238 Aluminum sheet, upper, .040 x 51 x 228"
5. 371323-01 Window, 18" OPENING
6. 690259-03 Cover and mounting flange, Atwood
7. 371269-01 Window, 18" stacked
8. 101323 CASTING, STEP, LIGHT POLISHED
9. 201185 LENS STEP LIGHT
10. 511416-02 30-amp, male power inlet
11. 114460 Extrusion, rub rail
12. 201763-01 Insert, rub rail, chrome, 1"
13. 100986 Floor channel
14. 114879-238 Aluminum sheet, lower, .040 x 33 x 238"
15. 114387-02 Bow, Z rib, LH
16. 114387-01 Bow, Z rib, RH
17. 100986 Wheel well stiffener (floor channel)
18. 114003-04 Wheel well trim, inner, single axle
19. 114004-04 Wheel well trim, outer, single axle
20. 101131-01 Underbelly wrap, .024 x 22.5, pewter
21. 921232 Cover, 30# LPG bottles
22. 922243 Door assembly, refrigerator assess
23. 371319-05 Window, main door
24. 110067-01 Main door assembly
25. 114654 Screen door assembly
26. 114652 Jamb, main door, pre-formed
27. 114465-01 Casting, rub rail end, door, RH
28. 114465-02 Casting, rub rail end, door, LH
29. 114466-01 Casting, rub rail end, wheel well, RH
30. 114466-02 Casting, rub rail end, wheel well, LH
31. 203251-04 Banana wrap, CS rear
32. 203251-02 Banana wrap, CS front

2005 INTERNATIONAL TRAVEL TRAILER

EXTERIOR SHELL

ROADSIDE WALL, 22'



PN Next Page

2005 INTERNATIONAL TRAVEL TRAILER

EXTERIOR SHELL

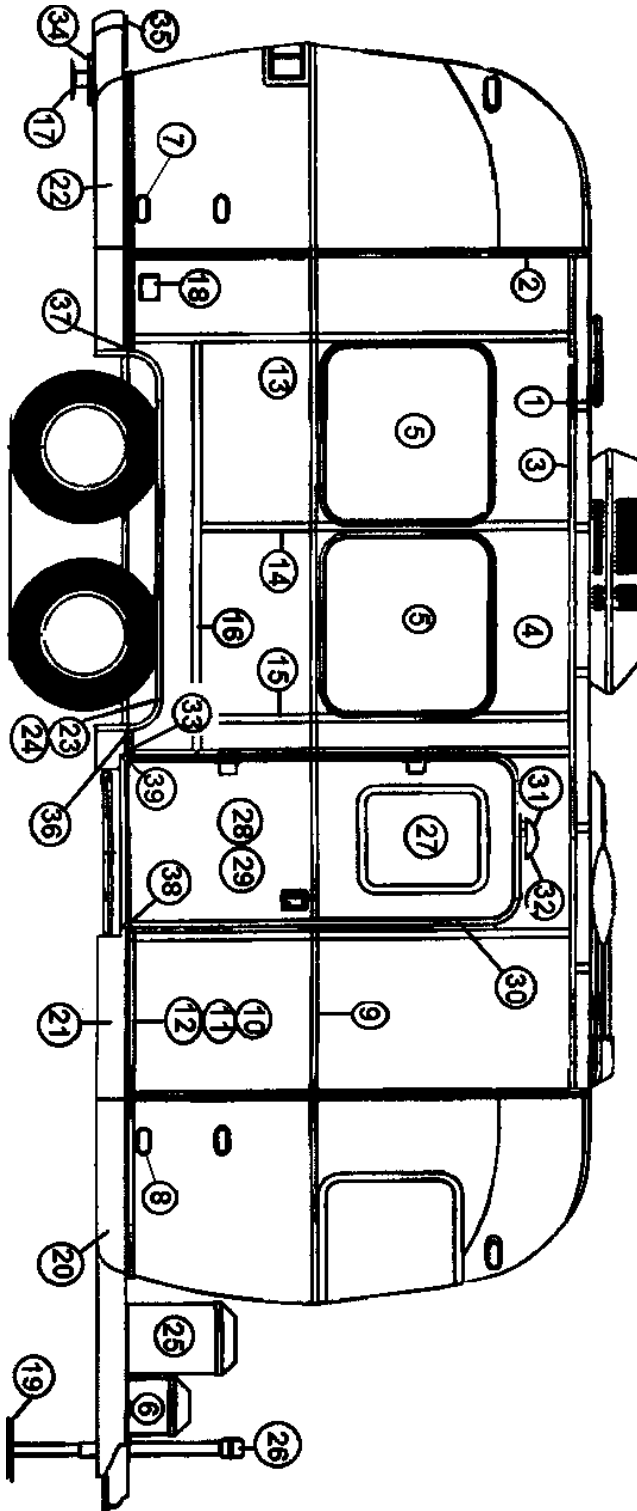
ROADSIDE WALL, 22'

- 1) 114290-03 Extrusion, awning/drip rail
- 2) 114993 Rib, end bow
- 3) 104707-01 Extrusion, "I" beam
- 4) 114880-198 Alum, sheet, upper, .040" x 51" x 198"
- 5) 371269-01 Window, 18" fixed window
- 6) 371270-01 Window, 30", fixed window
- 7) 500096 REFLECTOR, AMBER
- 8) 500095 REFLECTOR RED
- 9) 100034 "Z" bar, 48"
- 10) 114460 Extrusion, rub rail
- 11) 201763-01 Insert, rub rail, chrome, 1"
- 12) 100986 Floor channel
- 13) 114879-198 Alum. sheet, lower, .040" x 33" x 198"
- 14) 114387-01 Bow, Z rib, RH
- 15) 114387-02 Bow, Z rib, LH
- 16) 100986 Wheel well stiffener (floor channel)
- 17) 690209 Access door, Atwood water heater
- 18) 601194 water heater exterior door, Atwood
- 19) 511017-11 Vent cover, exterior range exhaust
- 20) 203303-01 Banana wrap, RS front
- 21) 203304 ROLL, UNDERBELLY, BLACK PLASTIC
- 22) 203303-02 Banana, rear corner, RS
- 23) 684936 Wheel well trim, outer, tandem axle
- 24) 684937 Wheel well trim, inner, tandem axle
- 25) 915778 Bottle cover, LP, vinyl, optional
- 26) 511595 Battery box
- 27) 511416-02 30-amp, male power inlet
- 28) 601392-05 City water hook-up, chrome w/regulator
- 29) 400914-03 Stabilizer jack, 20"
- 2a) 400914-02 Handle, stabilizer jack
- 30) 690266-01 Bath power ventilator
- 31) 511544 Jack, Super w/light
- 32) 690470-01 Vent, sidewall, refrigerator access
- 32a) 115038-01 Door Jamb

2005 INTERNATIONAL TRAVEL TRAILER

EXTERIOR SHELL

CURBSIDE WALL, 22'



PN Next Page

2005 INTERNATIONAL TRAVEL TRAILER

EXTERIOR SHELL

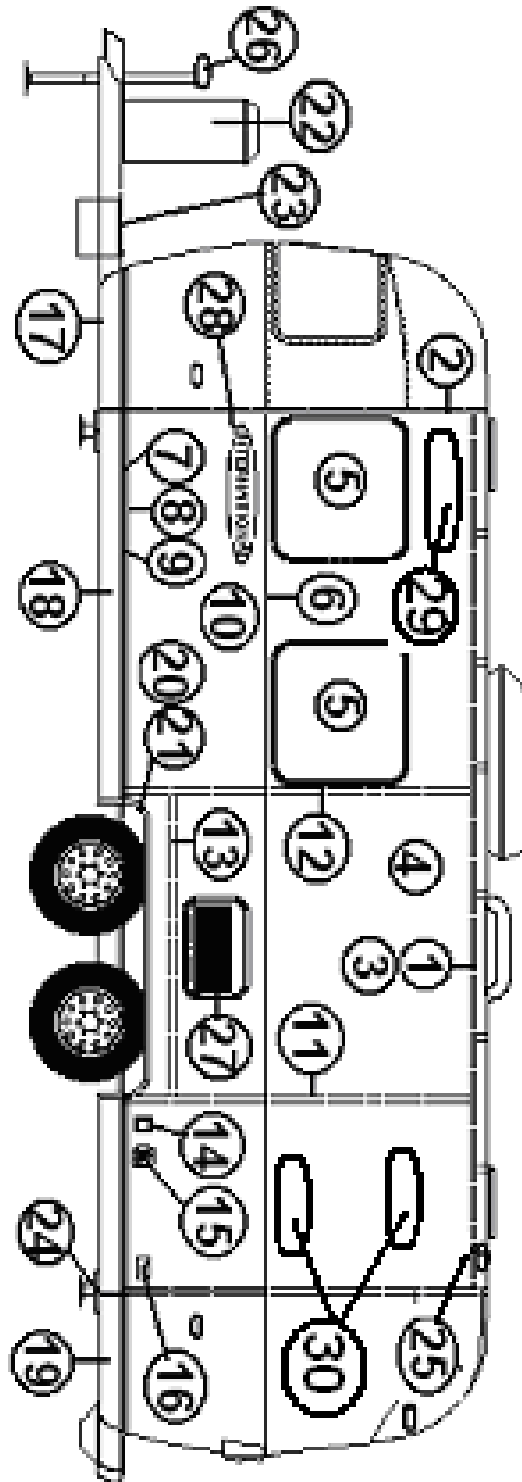
CURBSIDE WALL, 22'

- 1) 114290 Extrusion, awning/drip rail
- 2) 114993 Rib, end bow
- 3) 104707-05 Extrusion, "I" beam
- 4) 114880-198 Window sheet, .040" x 51" x 198"
- 5) 371380 Window, Tall, 30"opening
- 6) 511595 Battery box
- 7) 500096 REFLECTOR, AMBER
- 8) 500095 REFLECTOR RED
- 9) 100034 "Z" bar 48"
- 10) 114460 Extrusion, rub rail
- 11) 201763-01 Insert, rub rail, chrome, 1"
- 12) 100986 Floor channel
- 13) 114879-198 Side sheet, .040" x 33" x 198"
- 14) 114387-01 Bow, Z rib, RH
- 15) 114387-02 Bow, Z rib, LH
- 16) 100986 Wheel well stiffener (floor channel)
- 17) 400914-02 Handle, stabilizer jack
- 18) 510676-01 Outlet, exterior 110 volt, gray
- 19) 410598 Super Jack footpad
- 20) 203303-02 Banana wrap, CS front
- 21) 203304 ROLL, UNDERBELLY, BLACK PLASTIC
- 22) 203303-01 Banana wrap, CS rear
- 23) 684936 Wheel well trim, outer, tandem axle
- 24) 684937 Wheel well trim, inner, tandem axle
- 25) 915778 Bottle cover, LP, vinyl, optional
- 26) 511544 Jack, Super w/light
- 27) 371319-05 Window, main door
- 28) 110067-05 Main door assembly
- 29) 114654 Screen door assembly
- 30) 114652 Main door jamb, formed
- 31) 101323 Casting, main door light
- 32) 201185 Lens, main door light
- 33) 114465-02 Close out rub rail, LH
- 34) 400914-03 Stabilizer jack, 20"
- 35) 410847 Bumper, polished
- 36) 114466-01 Casting, rub rail end, wheel well, RH
- 37) 114466-02 Casting, rub rail end, wheel well, LH
- 38) 114465-01 Close out rub rail, RH
- 39) 114465-02 Close out rub rail, LH

2005 INTERNATIONAL TRAVEL TRAILER

EXTERIOR SHELL

ROADSIDE WALL, 25'



3

2005 INTERNATIONAL TRAVEL TRAILER

EXTERIOR SHELL

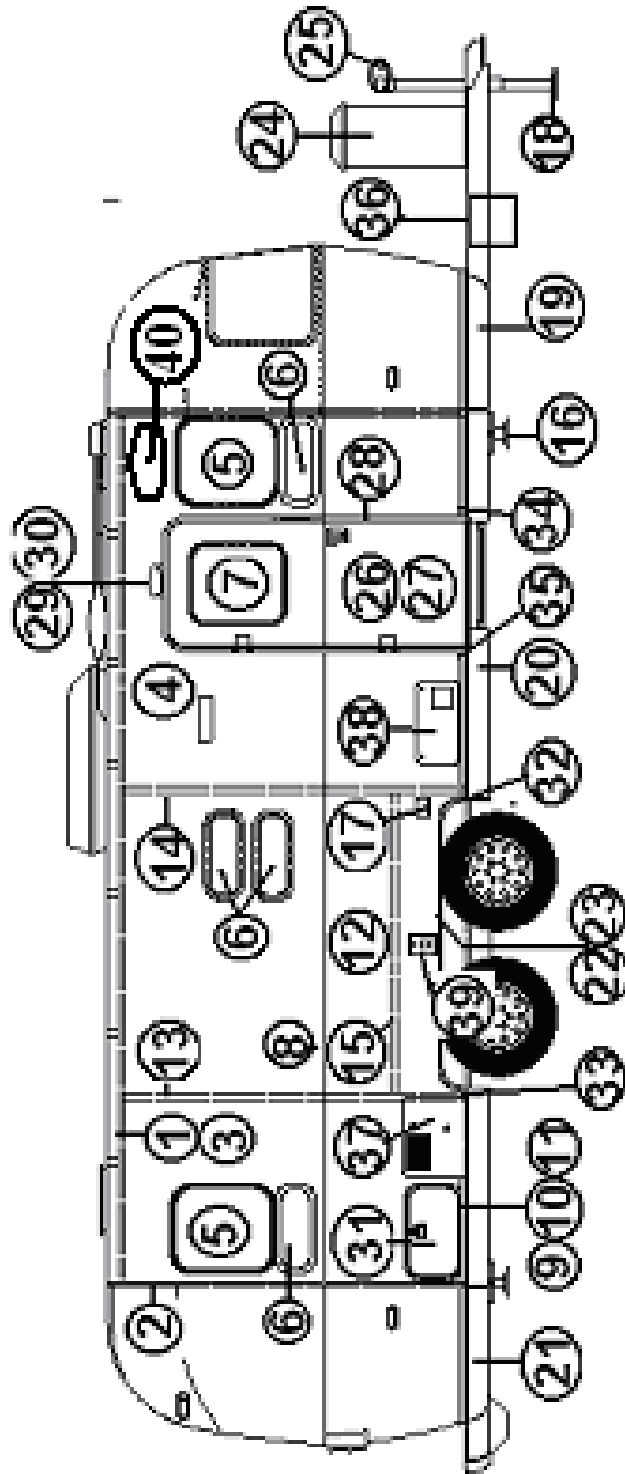
ROADSIDE WALL, 25'

1. 114290 Extrusion, awning/drip rail
2. 114993 Rib, end bow
3. 104707-01 Extrusion, "I" beam
4. 114880-198 Alum, sheet, upper, .040" x 51" x 198"
5. 371380 Window, opening, 30" tall
6. 100034 "Z" bar, 48"
7. 114460 Extrusion, rub rail
8. 201763-01 Insert, rub rail, chrome, 1"
9. 100986 Floor channel
10. 114879-198 Alum. sheet, lower, .040" x 33" x 198"
11. 114387-01 Bow, Z rib, RH
12. 114387-02 Bow, Z rib, LH
13. 100986 Wheel well stiffener (floor channel)
14. 511416-02 30-amp, male power inlet
15. 601392-05 City water hook-up, chrome w/regulator
16. 510624-01 MODULAR PHONE QUICK JACK WHITE
- 16a. 104619 MTG. PLATE, EXT. TELE. & TV JACK
17. 200542-01 Banana wrap, RS front
18. 101131-01 Underbelly wrap, .024" x 22.5", Pewter
19. 200543-01 Banana, rear corner, RS
20. 684936 Wheel well trim, outer, tandem axle
21. 684937 Wheel well trim, inner, tandem axle
22. 921232 Bottle cover, LP
23. 410551-02 LID BATTERY BOX
24. 400093 Stabilizer jack, 20", ALUMINUM
- 24a. 400093-04 Handle, stabilizer jack
25. 690266-01 Bath power ventilator
26. 400961 Jack, Power
27. 922243 Refer access door, 104417 Jamb
28. 386108 NAMEPLATE-INTERNATIONAL
29. 922770-02 Vista View Window, 30"
30. 371269-01 Window, 18" stack

2005 INTERNATIONAL TRAVEL TRAILER

EXTERIOR SHELL

CURBSIDE WALL, 25'



2005 INTERNATIONAL TRAVEL TRAILER

EXTERIOR SHELL

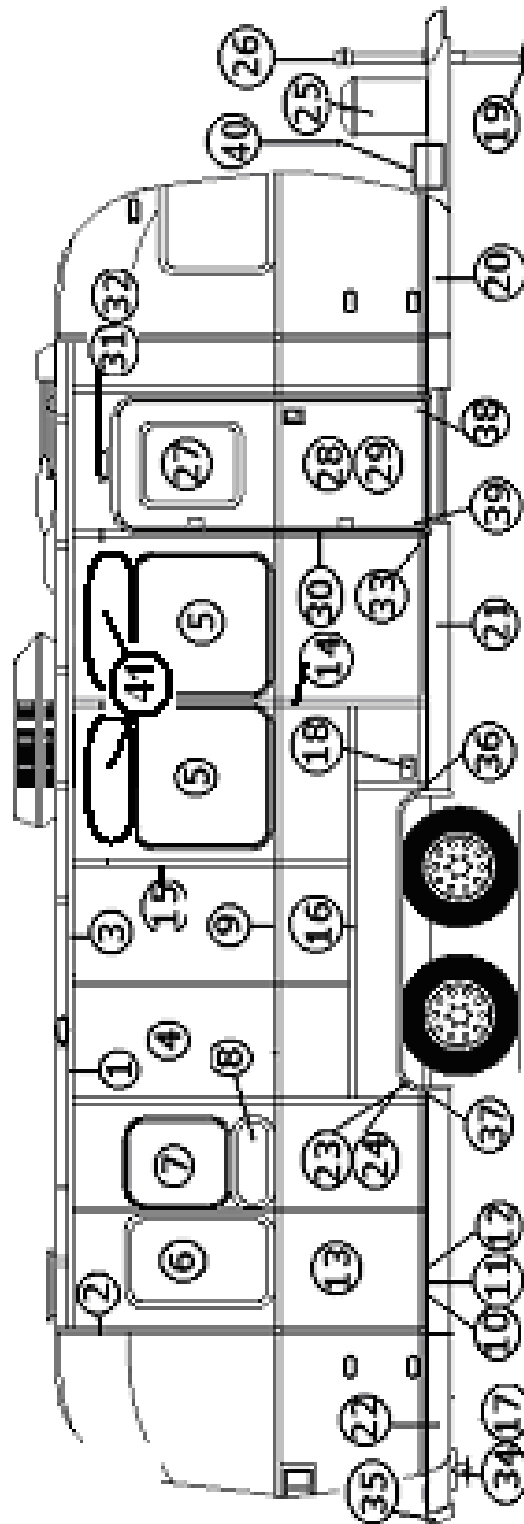
CURBSIDE WALL, 25'

- 1) 114290 Extrusion, awning/drip rail
- 2) 114993 End bow
- 3) 104707-01 Extrusion, "I" beam
- 4) 114880-198 Window sheet, .040" x 51" x 198"
- 5) 371323-01 WINDOW-18" OPENING
- 6) 371269-01 WINDOW 18" STACK
- 7) 371319-05 WINDOW-MAIN DOOR
- 8) 100034 "Z" bar 48"
- 9) 114460 Extrusion, rub rail
- 10) 201763-01 Insert, rub rail, chrome, 1"
- 11) 100986 Floor channel
- 12) 114879-198 Side sheet, .040" x 33" x 198"
- 13) 114387-01 Bow, Z rib, RH
- 14) 114387-02 Bow, Z rib, LH
- 15) 100986 Wheel well stiffener (floor channel)
- 16) 400093 Stabilizer jack, 20"
- 16a) 400093-04 Handle, stabilizer jack
- 17) 510676-01 Outlet, exterior 110 volt, gray
- 18) 410598 Super Jack footpad
- 19) 200543-01 Banana wrap, CS front
- 20) 101131-01 Underbelly wrap, .024 x 22.5, Pewter
- 21) 200542-01 Banana wrap, CS rear
- 22) 684936 Wheel well trim, outer, tandem axle
- 23) 684937 Wheel well trim, inner, tandem axle
- 24) 921232 Bottle cover, LP
- 25) 400961 Jack, Super
- 26) 110067-05 Main door assembly
- 27) 114654 Screen door assembly
- 28) 114652 Main door jamb, formed
- 29) 101323 Casting, main door light
- 30) 201185 Lens, main door light
- 31) 114465-02 Close out rub rail, LH
- 32) 114466-01 Casting, rub rail end, wheel well, RH
- 33) 114466-02 Casting, rub rail end, wheel well, LH
- 34) 114465-01 Close out rub rail, RH
- 35) 114465-02 Close out rub rail, LH
- 36) 410551-02 LID BATTERY BOX
- 37) 690209 Access door, Atwood water heater
- 38) 690274-09 Door exterior, Hydroflame
- 39) 601194 WATER FILL W/LOCK, GRAY, W/LABEL
- 40) 922770-01 Vista View Window, 18"

2005 INTERNATIONAL TRAVEL TRAILER

EXTERIOR SHELL

CURBSIDE WALL, 28'



2005 INTERNATIONAL TRAVEL TRAILER

EXTERIOR SHELL

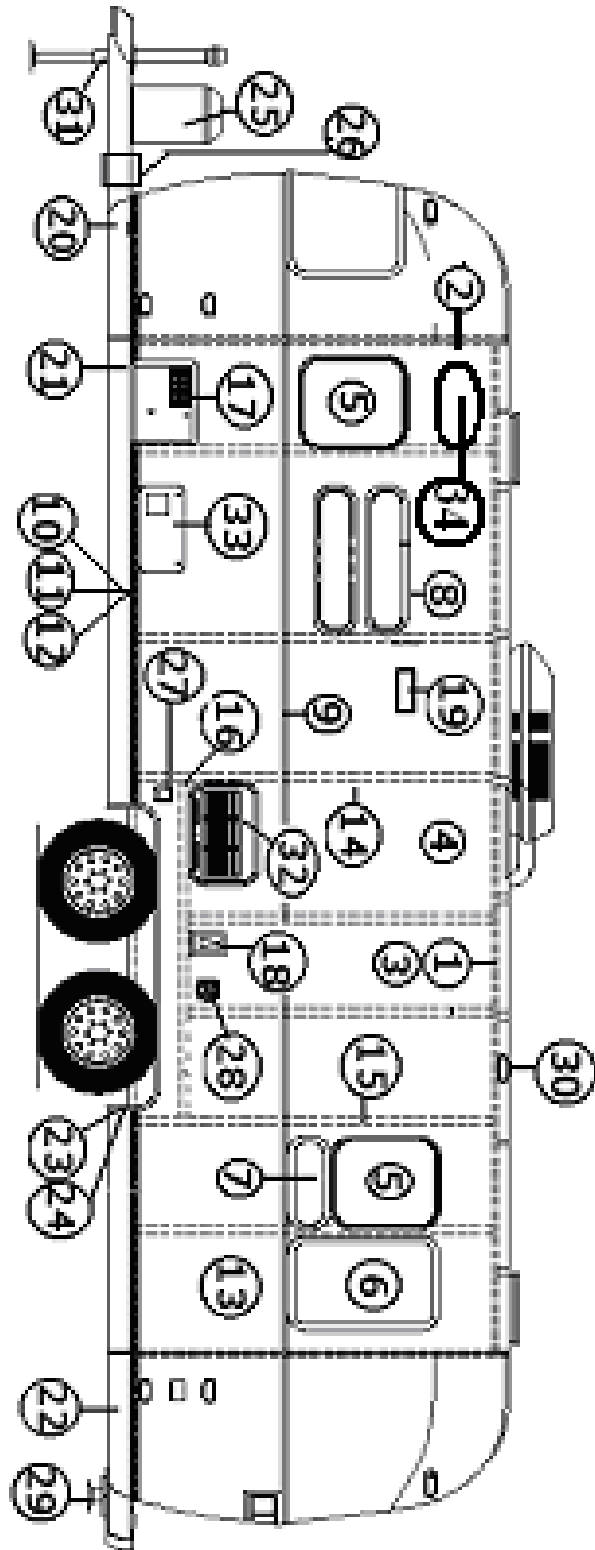
CURBSIDE WALL, 28'

- 1) 114290-01 Extrusion, awning/drip rail
- 2) 114993 End bow
- 3) 104707-06 Extrusion, "I" beam
- 4) 114880-238 Window sheet, .040" x 51" x 238"
- 5) 371380 Window, Tall, 30" opening
- 6) 371286-01 Window, 18" X 30" curved fixed
- 7) 371323-01 Window, 18" opening
- 8) 371269-01 Window, 18" stacked
- 9) 100034 "Z" bar 48"
- 10) 114460 Extrusion, rub rail
- 11) 201763-01 Insert, rub rail, chrome, 1"
- 12) 100986 Floor channel
- 13) 114879-238 Side sheet, .040" x 33" x 238"
- 14) 114387-01 Bow, Z rib, RH
- 15) 114387-02 Bow, Z rib, LH
- 16) 100986 Wheel well stiffener (floor channel)
- 17) 400914-02 Handle, stabilizer jack
- 18) 510676-01 Outlet, exterior 110 volt, gray
- 19) 410598 Super Jack footpad
- 20) 200543-01 Banana wrap, CS front
- 21) 101131-01 Underbelly wrap, .024 x 22.5, Pewter
- 22) 200542-01 Banana wrap, CS rear
- 23) 684936 Wheel well trim, outer, tandem axle
- 24) 684937 Wheel well trim, inner, tandem axle
- 25) 921232 Bottle cover, LP
- 26) 400961 Jack, Super w/light
- 27) 371319-05 Window, main door
- 28) 110067-05 Main door assembly
- 29) 114654 Screen door assembly
- 30) 114652 Main door jamb, formed
- 31) 101323 Casting, main door light
- 32) 201185 Lens, main door light
- 33) 114465-02 Close out rub rail, LH
- 34) 400093 Stabilizer jack, 20"
- 35) 410831 Bumper, polished
- 36) 114466-01 Casting, rub rail end, wheel well, RH
- 37) 114466-02 Casting, rub rail end, wheel well, LH
- 38) 114465-01 Close out rub rail, RH
- 39) 114465-02 Close out rub rail, LH
- 40) 410551-02 LID BATTERY BOX
- 41) 922770-02 Vista View Window, 30"

2005 INTERNATIONAL TRAVEL TRAILER

EXTERIOR SHELL

ROADSIDE WALL, 28'



P/N on the next page.

2005 INTERNATIONAL TRAVEL TRAILER

EXTERIOR SHELL

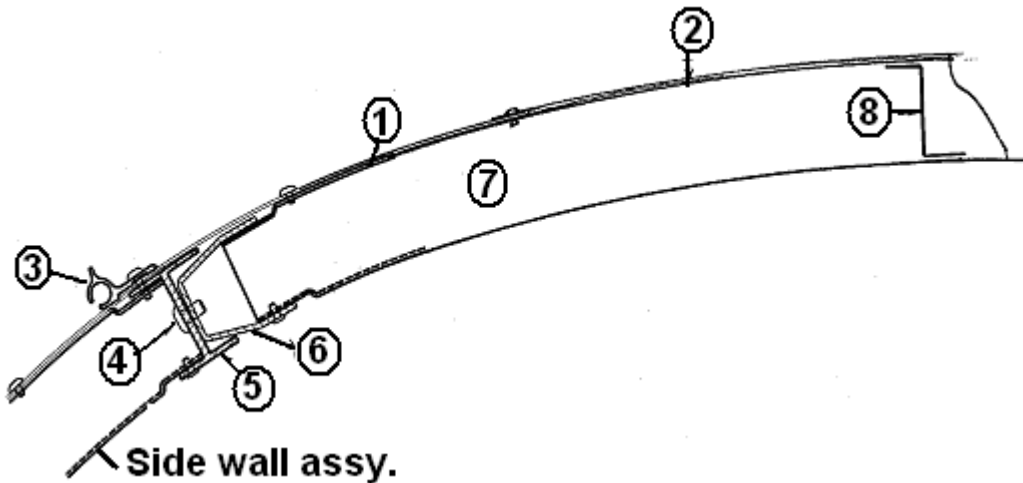
ROADSIDE WALL, 28'

- | | |
|----------------|--|
| 1) 114290-01 | Extrusion, awning/drip rail |
| 2) 114993 | Rib, end bow |
| 3) 104707-06 | Extrusion, "I" beam |
| 4) 114880-238 | Alum, sheet, upper, .040" x 51" x 238" |
| 5) 371323-01 | Window, 18", opening window |
| 6) 371286-01 | Window, 18", curved fixed window |
| 7) 371269-01 | Window, 18" stacked |
| 8) 371270-01 | Window, 30" stacked |
| 9) 100034 | "Z" bar, 48" |
| 10) 114460 | Extrusion, rub rail |
| 11) 201763-01 | Insert, rub rail, chrome, 1" |
| 12) 100986 | Floor channel |
| 13) 114879-238 | Alum. sheet, lower, .040" x 33" x 238" |
| 14) 114387-01 | Bow, Z rib, RH |
| 15) 114387-02 | Bow, Z rib, LH |
| 16) 100986 | Wheel well stiffener (floor channel) |
| 17) 690209 | Access door, Atwood water heater |
| 18) 601194 | Water fill, w/lock |
| 19) 511017-11 | Vent cover, exterior range exhaust |
| 20) 200542-01 | Banana wrap, RS front |
| 21) 101131-01 | Underbelly wrap, .024" x 22.5", Pewter |
| 22) 200543-01 | Banana, rear corner, RS |
| 23) 684936 | Wheel well trim, outer, tandem axle |
| 24) 684937 | Wheel well trim, inner, tandem axle |
| 25) 921232 | Bottle cover, LP |
| 26) 410551-02 | LID BATTERY BOX |
| 27) 511416-02 | 30-amp, male power inlet |
| 28) 601392-05 | City water hook-up, chrome w/regulator |
| 29) 400093 | Stabilizer jack, 20" |
| 29A) 400093-04 | Handle, stabilizer jack |
| 30) 690266-01 | Bath power ventilator |
| 31) 400961 | Jack, Power |
| 32) 922243 | Refer access door, 104417 Jamb |
| 33) 690274-09 | Door exterior, Hydroflame |
| 34) 922770-01 | Vista View Window, 18" |

2005 INTERNATIONAL TRAVEL TRAILER

EXTERIOR SHELL

Roof End View



- | | |
|---------------|---|
| 1) 114669-307 | Alum. Sheet, white, .032" x 12.69" x 307" |
| 2) 114489-198 | Alum. Sheet, white, .032" x 60" x 198" |
| 3) 114290 | Extrusion, awning/drip rail |
| 4) 340123-02 | Rivet, Huck, 3/16" x 1/2" |
| 5) 104707-05 | Extrusion, "I" beam |
| 6) 114987-01 | Extrusion, roof corner, 194" |
| 7) 114668 | Roof bow |
| 8) 104408 | Extrusion, Z-bar, horizontal |
| 114290-02 | EXTRUSION AWNING/DRIP RAIL 261" |

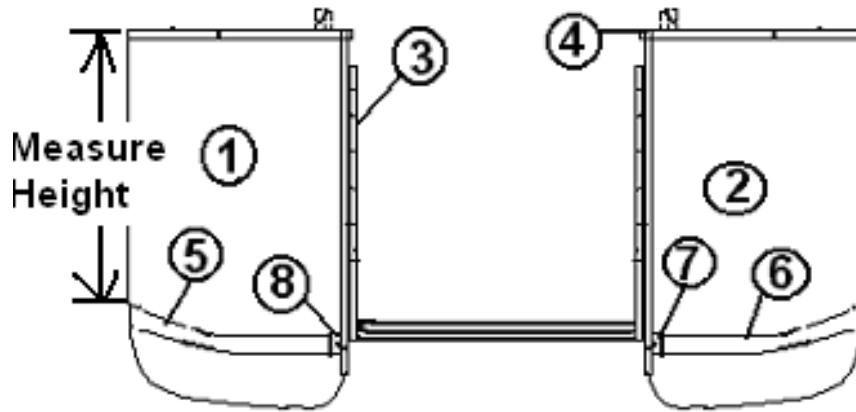
FLOORING, SUB STRUCTURE

- | | |
|-----------|--------------------------------|
| 801309-01 | FLOORING-OSB .625"X 96"X 216" |
| 345073-21 | 1/4-20 X 3 SCREW WAFERHEAD |
| 100986 | EXTRUSION, FLOOR |
| 300023-02 | WASHER, HOLD DOWN-HOLE OFFSET |
| 345084 | SCREW-1/4-14X1 THREAD. CUTTING |

2005 INTERNATIONAL TRAVEL TRAILER

EXTERIOR SHELL

Wrap Protector/Holdbacks



The height of the protector changed during the model year. Please measure height and order accordingly.

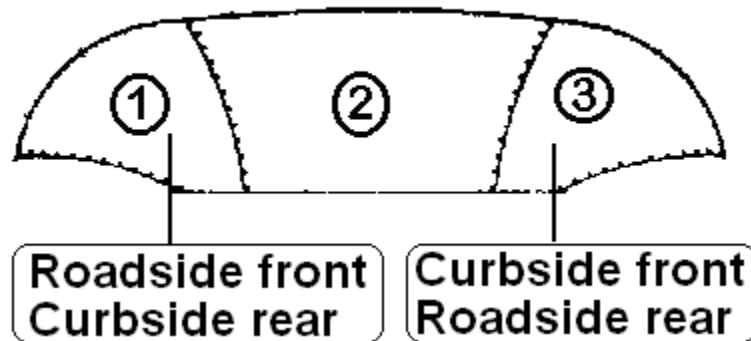
- 109325-02 Wrap Protector Set, 28" tall, 16, 19'
- 109325-100 Wrap Protector, Set, 28" tall, 22', 25', 28', 30'
 - 1. 685365-100 Wrap protector, CS, 22" Tall
 - 1. 966276 Wrap Protector, CS, 28" Tall, 22', 25', 28', 30'
 - 2. 685366-100 Wrap protector, RS, 22" Tall
 - 2. 966277 Wrap Protector, RS, 28" Tall, 22', 25', 28', 30'
 - 3. 381605-01 Hinge, stainless, wrap protector
 - 4. 100742-01 Extrusion, mirror/wrap trim protector
 - 5. 114460 Extrusion, rub rail
 - 6. 201763-021 Insert, rub rail, chrome
 - 7. 114465-01 CASTING CLOSEOUT RUB RAIL RH
 - 8. 114465-02 CASTING CLOSE-OUT RUB RAIL LH
 - 101401 EXTRUSION, DOOR LATCH HOUSING/STONE
 - 345336-07 CAP SCREW HEX HD 1/4-20 HEX .75"
 - 114819-01 Wrap protector hold back, 1.62"
 - 114819-02 Wrap protector hold back, 2.50"
 - 114819-03 Wrap protector hold back, 5.00"

2005 INTERNATIONAL TRAVEL TRAILER

INTERIOR SHELL

INTERIOR END SEGMENTS

Inside View



16', 19', 22' Models

1. 114891-01 INTERIOR SEGMENT
2. 114892-01 INTERIOR SEGMENT
3. 114890-01 INTERIOR SEGMENT

25', 28' Models

1. 114891-01 Interior Segment
2. 114893-01 Interior Segment
3. 114890-01 Interior Segment

INTERIOR TRIM

- | | |
|-----------|---|
| 114655-01 | TRIM RING FORMED MAIN DOOR |
| 381772 | HEAD KNOCKER-ENTRANCE DOOR |
| 201666-01 | MOLDING-J 3/16" ALMOND PLASTIC, bath wall |
| 110900-03 | TRIM FORMED INT. FRONT WRAP ALUM. |
| 110900-04 | TRIM FORMED INTERIOR FRONT WRAP ALUM |
| 114157-01 | EXTRUSION END LINER UPPER WHITE |
| 371319-06 | TRIM RING-MAIN DOOR |

INTERIOR WHEEL WELL LINER

- | | |
|--------|---------------------------------------|
| 965821 | Close-out Wheel Well 22' |
| 203289 | LINER, WHEEL WELL-ABS |
| 200514 | WHEEL WELL INSULATOR, PLASTIC, TANDEM |

2005 INTERNATIONAL TRAVEL TRAILER

CHASSIS

Axles

410875-02 AXLE-3500# 10" BRAKES/14" WHEELS, 16'
*410875-11 AXLE-3500# 10" BRAKES/14" WHEELS, 16'
410875-01 AXLE- 2800#, 10" BRAKES/14" WHEELS, 22'
410875-09 AXLE - 3800 lbs. 25', 28'
410875-07 AXLE- 4300#, 19'

Axles, CSA

454231 AXLE-4300#, 16'
454232 AXLE- 5000#, 19'
410868 AXLE- 2800#, 22'
7300253 AXLE - 3000#, 25'
735047H AXLE 3500#, 28'

Shocks

0220003 Shock absorber
0250173-15 Bolt, grade 5, 5/8"-18 x 1.5", shock mount
0130068-818 Nut, hex head flanged, 5/8"-18, shock mount
400923 Acorn lug nut

Tires/Wheels, 14", 16', 22' Models

400984 Tire/Wheel assembly, 14", no rivets
400985 COVER, DUST, 4", STAINLESS STEEL
400923 LUG NUT-1/2" ACORN TYPE

Tires/Wheels, 15", 19', 25', 28' Models

410840-01 TIRE/WHEEL ASSY "D" RANGE
400844 COVER, HUB DUST, 4", STAINLESS STEEL
400923 LUG NUT-1/2" ACORN TYPE

*Replaced 410875-02 start unit 518513

2005 INTERNATIONAL TRAVEL TRAILER

CHASSIS

Spare Tire and Carrier

410848	TIRE W/14" STEEL WHEEL-SPARE
410848-01	Spare tire, steel rim 14"
410843-01	SPARE TIRE/WHEEL ASSEMBLY 15" "D"
450414	"A" frame spare tire carrier
994073	Bracket, Spare Tire

Step Assembly, 16', 22'

400962	STEP-MAIN DOOR STEEL 24", 16 Ft, 22 Ft.
0250175-03	SCREW HHCS GR5 3/8-16 X 3/4"
0260100	3/8-16 U-TYPE CAGE NUT

Step Assembly, 19'

381416	STEP, SINGLE
--------	--------------

Step Assembly, 25', 28'

381863	STEP-DOUBLE STEEL
0250175-03	SCREW HHCS GR5 3/8-16 X 3/4"
0260100	3/8-16 U-TYPE CAGE NUT

Manual Hitch Jack

3320028	FRONT-WIND MANUAL JACK, ATWOOD
410598	FOOT PAD #12231

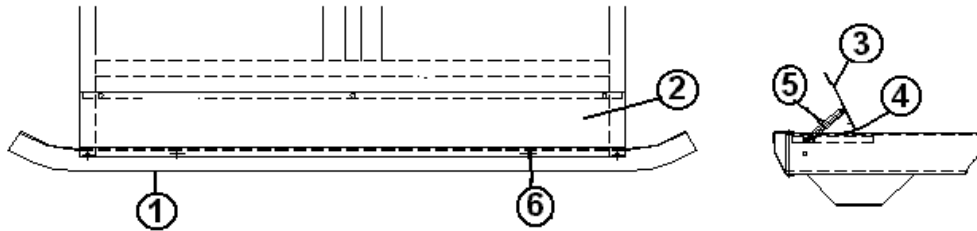
Safety Chains

400953	Safety Chain, 1/4" x 30"
400945	5/16" clevis, safety slip hook

2005 INTERNATIONAL TRAVEL TRAILER

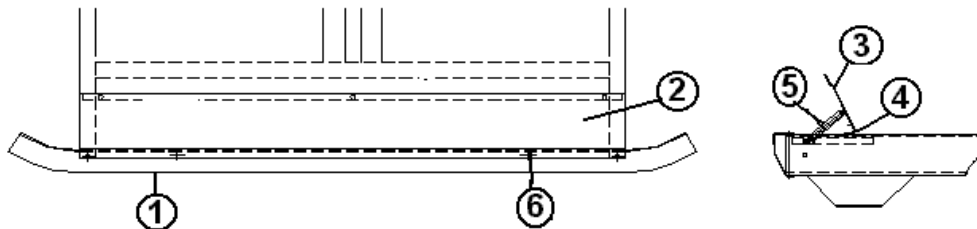
CHASSIS

Bumper/Bumper Storage Assembly, 16', 22'



- | | |
|--------------|---------------------------------------|
| 1. 410847 | BUMPER, 16', 22'. |
| 2. 453946 | BOTTOM-STORAGE COMPARTMENT, 16', 22' |
| 3. 453948 | LID REAR BUMPER COMPARTMENT, 16', 22' |
| 4. 380203-01 | HINGE PIANO 1/8 PIN |
| 5. 380024 | ARMS SUPPORT RIGHT HAND |
| 6. 380067 | LOCK CAM BUMPER LID LATCH |
| 365013 | TAPE CHARCOAL LOW DENSITY FOAM |
| 381435 | HATCH ACCESS COVER, 4" WHITE |

Bumper/Bumper Storage Assembly, 19'

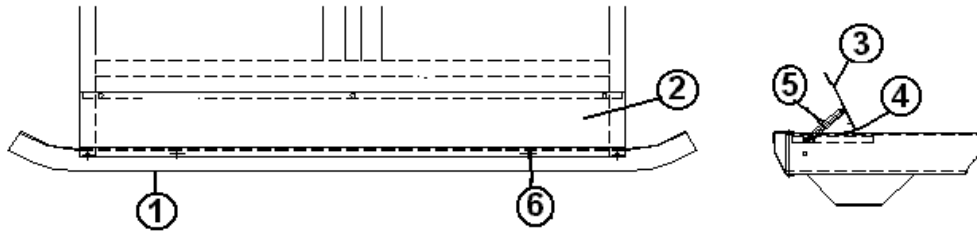


- | | |
|--------------|--------------------------------|
| 1. 410932 | BUMPER |
| 2. 453627 | BOTTOM-STORAGE COMPARTMENT |
| 3. 921239-03 | LID REAR BUMPER COMPARTMENT |
| 4. 380203-01 | HINGE PIANO 1/8 PIN |
| 5. 380024 | ARMS SUPPORT RIGHT HAND |
| 6. 380067 | LOCK CAM BUMPER LID LATCH |
| 365013 | TAPE CHARCOAL LOW DENSITY FOAM |
| 381435 | HATCH ACCESS COVER, 4" WHITE |

2005 INTERNATIONAL TRAVEL TRAILER

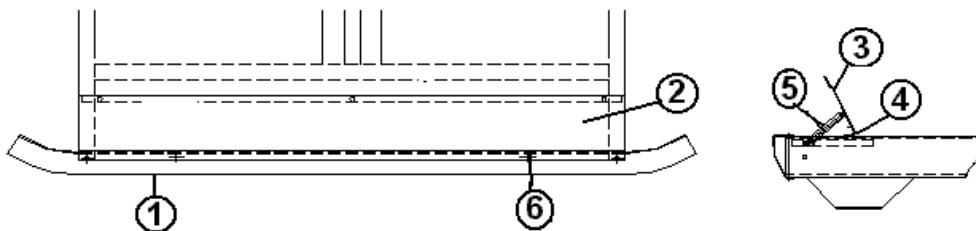
CHASSIS

Bumper/Bumper Storage Assembly, 25'



- | | |
|--------------|---------------------------------|
| 1. 410831 | BUMPER, 25' |
| 2. 453538 | BOTTOM-STORAGE COMPARTMENT, 25' |
| 3. 453497 | LID REAR BUMPER COMPARTMENT |
| 4. 380203-01 | HINGE PIANO 1/8 PIN |
| 5. 380024 | ARMS SUPPORT RIGHT HAND |
| 6. 380067 | LOCK CAM BUMPER LID LATCH |
| 365013 | TAPE CHARCOAL LOW DENSITY FOAM |
| 381435 | HATCH ACCESS COVER, 4" WHITE |

Bumper/Bumper Storage Assembly, 28'



- | | |
|--------------|----------------------------------|
| 1. 410831 | REAR BUMPER 28' |
| 2. 453538 | BOTTOM-SEWER HOSE COMPART, 28' |
| 3. 453497 | LID REAR BUMPER COMPARTMENT, 28' |
| 4. 380203-01 | HINGE PIANO 1/8 PIN |
| 5. 380024 | ARMS SUPPORT RIGHT HAND |
| 6. 380067 | LOCK CAM BUMPER LID LATCH |
| 365013 | TAPE CHARCOAL LOW DENSITY FOAM |
| 381435 | HATCH ACCESS COVER, 4" WHITE |

2005 INTERNATIONAL TRAVEL TRAILER

CHASSIS

Stabilizing Jacks, 16', 22', 28'

400914-03	STABILIZER JACK 20"
400914-02	HANDLE-15"(STABILIZER JACK)
400914-04	Stabilizer jack footpad, set of 4
385020	STICKER SELF ADHERING, JACK

Stabilizing Jacks, 19', 25'

400093	Stabilizing jacks, BAL w/handle, set of 4, 19'
400093-01	BAL jack, each
400093-04	Foot pad, BAL jack
400093-02	CRANK, STABILIZER JACK (BAL)
400093-05	BAL jackS, BACK, W/FOOTPAD & CRANK
385020	STICKER SELF ADHERING, JACK

Power Jack

400961	POWER JACK
410598	FOOT PAD, POWER JACK

Underbelly

101131-01	Aluminum, underbelly wrap, .024" x 22.5, gray
702754	UNDERBELLY, DARCO 105" WIDE BLACK
114679	ALUMINUM UNDERBELLY .019" X" 65.75"
200093	INSULATION, FIBERGLASS

Hose Carrier

601544-02	EZ HOSE CARRIER-BLACK 45
454227	BRACKET, HOSE CARRIER

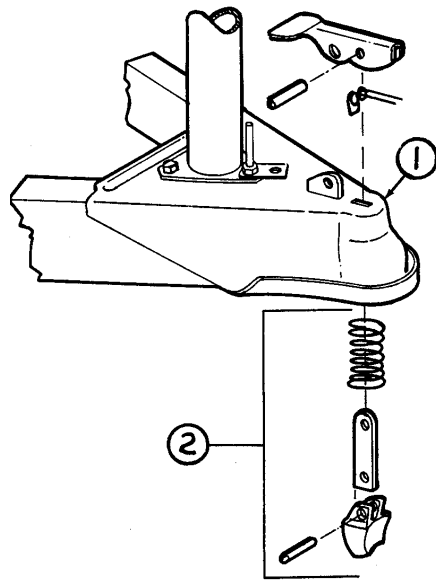
Compartment Bottom

115209	ALUMINUM DIAMOND PLATE-.025" X 4' X 8'
--------	--

2005 INTERNATIONAL TRAVEL TRAILER

CHASSIS

Hitch Coupler



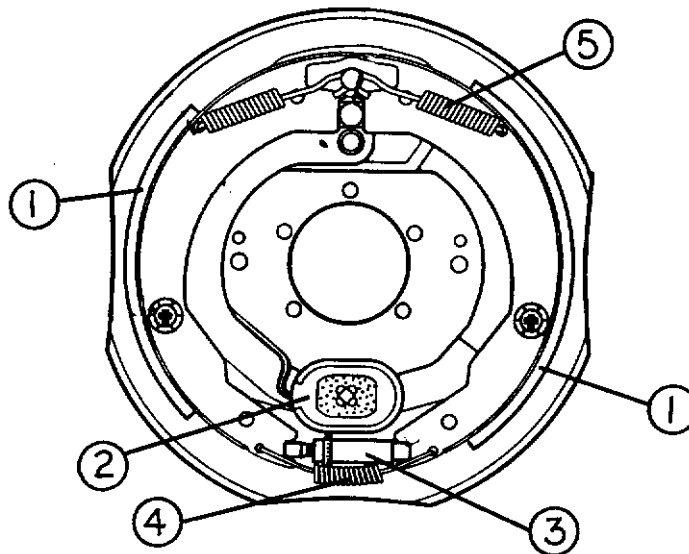
- 1) 680343 Coupler assembly, 2 5/16"
- 2) 680345 Repair kit, 2 5/16" coupler

2005 INTERNATIONAL TRAVEL TRAILER

CHASSIS

10" BRAKE ASSEMBLY

3160255	Brake drum 10", 5 lug
685016	Inner bearing, #L68149
685017	Inner race, # L68111
680380	Outer bearing, #L44649
680387	Outer race, #L44610
680377	Grease seal
3160096	Brake assembly, RH, 10" Dexter
3160097	Brake assembly, LH, 10" Dexter



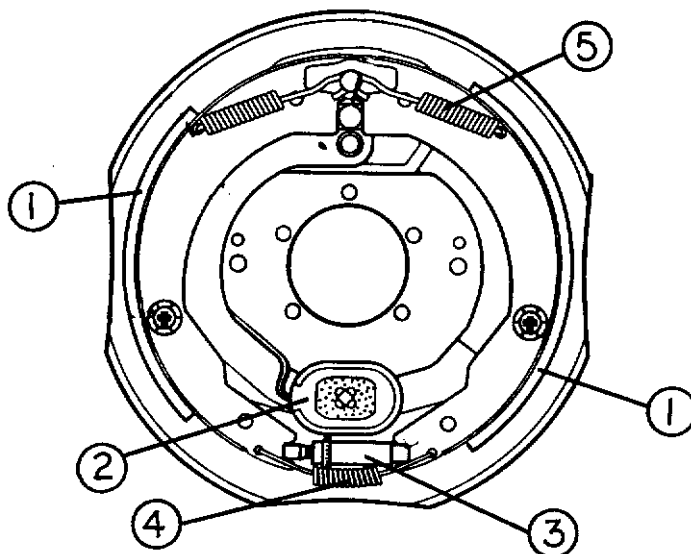
1) 3160097-62	Shoe and lining kit (includes hold down spring and pin)
2) 3160097-65	Magnet kit
3) 3160097-63	Adjuster assembly
4) 3160097-64	Adjusting screw spring
5) 3160097-61	Retractor spring

2005 INTERNATIONAL TRAVEL TRAILER

CHASSIS

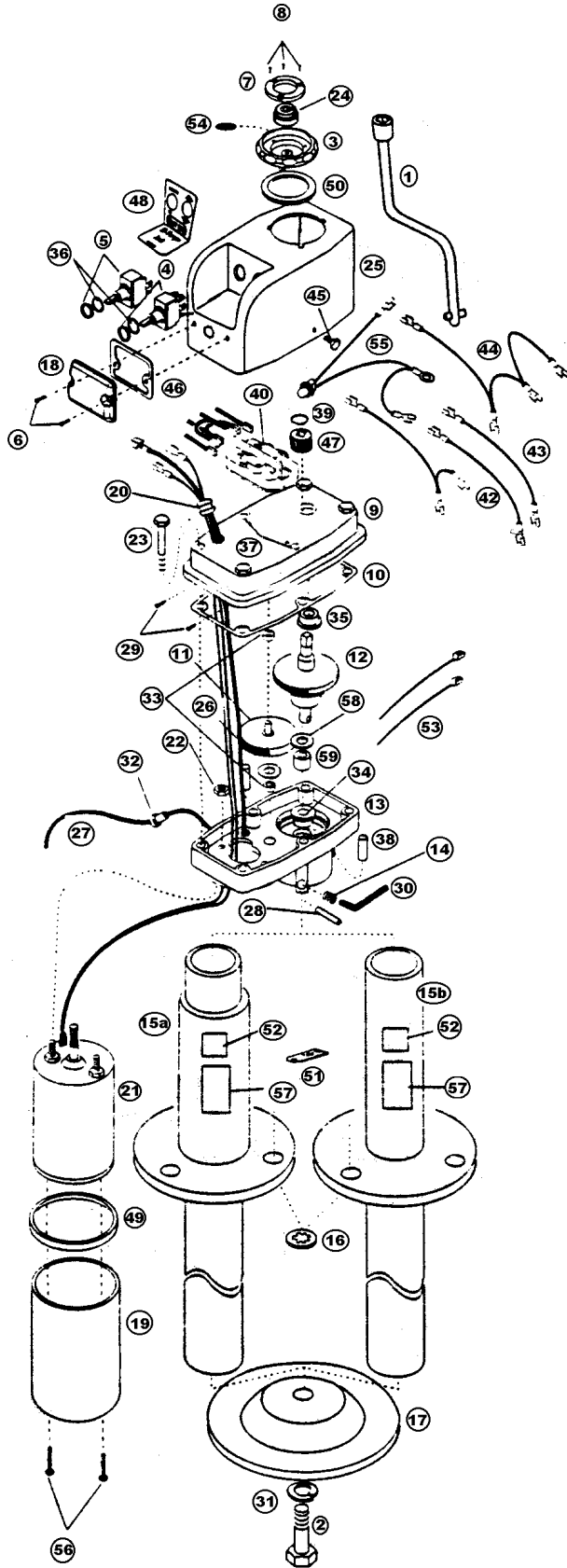
12" BRAKE ASSEMBLY

3160121	Brake drum, 12", 6 lug
450659	Inner bearing, #25580
680364	Inner race, #25520
450658	Outer bearing, #LM67048
680365	Outer race, #LM67010
680370-100	Grease seal
3160347	Brake assembly, RH, 12" Dexter
3160348	Brake assembly, LH, 12" Dexter



1) 3160348-62	Shoe and lining kit (includes hold down spring and pin)
2) 3160348-65	Magnet kit
3) 3160348-63	Adjuster assembly
4) 3160348-64	Adjusting screw spring
5) 3160348-61	Retractor spring

2005 INTERNATIONAL TRAVEL TRAILER



CHASSIS

POWER JACK P/N 400961

Barker Hi-Power 3,000

MANUFACTURER:

Barker Manufacturing Co.
730 east Michigan Ave.
Battle Creek, MI. 49014

Customer Service Phone
& Parts Ordering
616-965-2371

P/N	Description
1. 21047	CRANK
2. 600-0011	HEX BOLT 1/2-20X 3/4
3. 27268	CAP, MACHINED-BLACK
27341	CAP, MACHINED (WHITE)
4. 736-0005	ACTUATOR TOGGLE
	SWITCH AND NUT
5. 736-0004	LAMP TOGGLE SWITCH
	AND NUT
6. 606-5001	#10 X 1/2 PHILLIPS HEAD
	SCREW
7. 27343	LEVEL RETAINER-WHITE
27269	(black)
8. 606-0011	#6-32 X 5/8 TYPE 'F' SCREW
9. 27247	UPPER HOUSING
10. 17422	GASKET
11. 22012	DRIVE GEAR ASSEMBLY
12. 27248	OUTPUT GEAR ASSEMBLY
13. 23674	LOWER HOUSING BLACK
25697	(WHITE)
14. 608-0006	5/16-18 X 1/2" SET SCREW
15A. 27313	POST ASSY. (BLACK-2 1/4"
OD)	
15A. 27527	POST ASSY. (WHITE-2 1/4"
15B. 27335	POST ASSY. (BLACK-2- OD)
16. 619-0003	INTERNAL TOOTH LOCK
	WASHER
17. 21349	FOOT PLATE (BLACK)
17. 12752	FOOT PLATE (SILVER,
	WHITE)
18. 27262	LENS
19. 27276	MOTOR SLEEVE (BLACK)
19. 27344	MOTOR SLEEVE (WHITE)
20. 26236	RUBBER GROMMET
21. 17414	ELECTRIC MOTOR
22. 611-2100	HEX LOCK NUT
23. 605-0012	SCREW
24. 27272	CIRCULAR LEVEL
25. 27338	COVER (WHITE)

Continued on next page

2005 INTERNATIONAL TRAVEL TRAILER

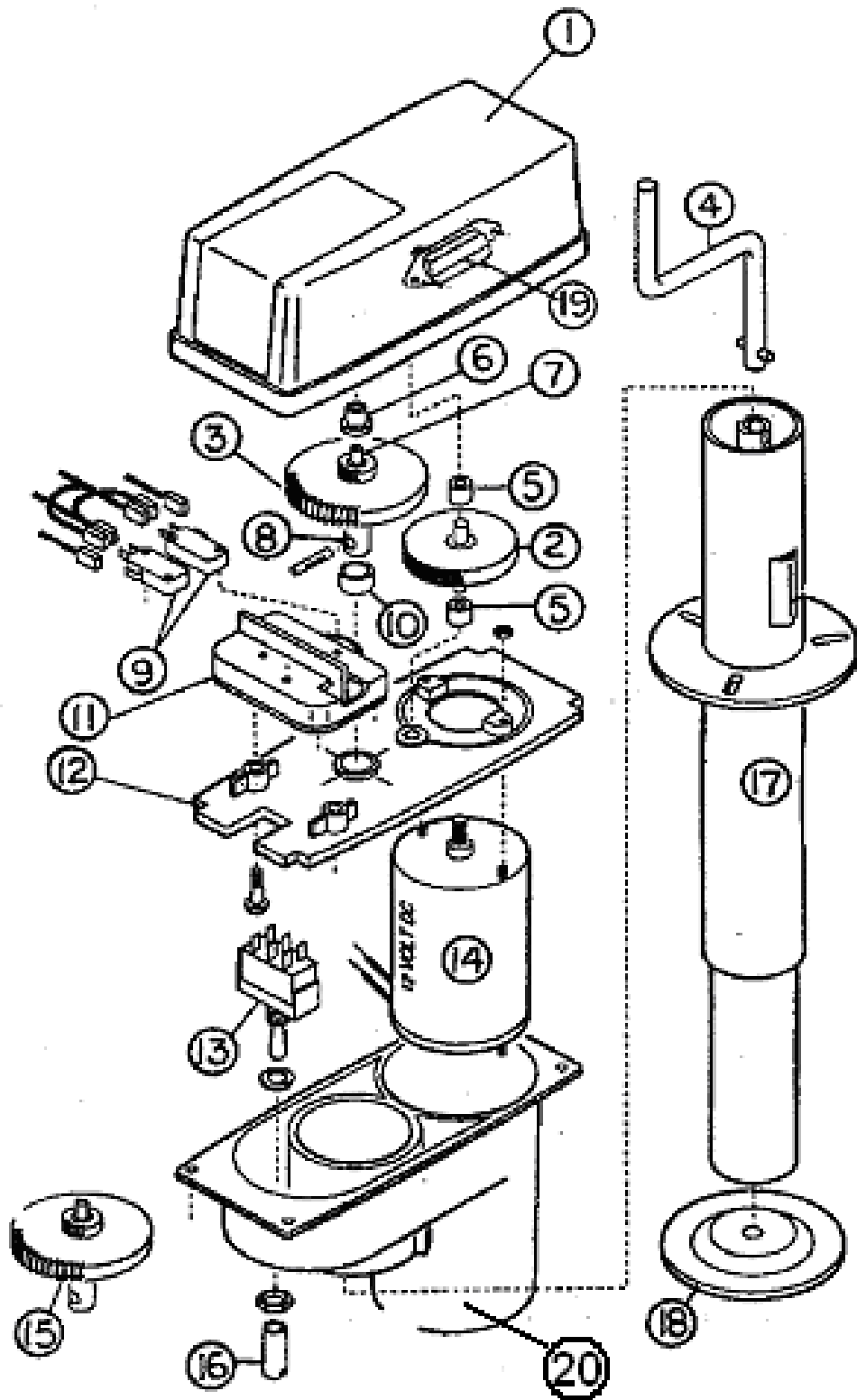
Power Jack Parts Diagram (Cont.)

25.	27259	COVER (BLACK)
26.	80208	WASHER, SPACER
27.	27251	GREY WIRE ASSEMBLY
28.	623-1216	GROOVE PIN
29.	606-0009	#10 X 3/8 SCREW (LIMIT SWITCH)
30.	636-0000	HEX KEY
31.	618-1002	LOCK WASHER 1/2"
32.	80504	SNAP BUSHING
33.	80501	BUSHING
34.	645-0024	FLANGE BUSHING
35.	641-0009	BUSHING
36.	635-0015	"0"-RING TOGGLE SWITCH SEAL
37.	16434	HOLE PLUG
38.	621-0004	1/8" DIA X 3/4 DOWEL
39.	634-0023	RETAINER RING
40.	27512	LIMIT SWITCH ASSY.
41.	27257	1BLACK WIRE ASSEMBLY
42.	27256	WHITE WIRE ASSEMBLY
43.	27254	BLUE WIRE ASSEMBLY
44.	27252	GREEN WIRE ASSEMBLY
45.	606-0008	#10-16 X 3/4" TEK SCREW (BLACK)
45.	606-0010	#10-16 X 3/4" TEK SCREW ZINC PLATED
46.	27263	LENS GASKET
47.	27277	POT/REED DRIVE GEAR
48.	27264	COVER LABEL
49.	27274	MOTOR SEAL
50.	27273	CAP GASKET
51.	26351	I.D. TAG (55:1)
52.	24047	WARNING LABEL
53.	17892	CABLE TIE GRAY
53.	16392	CABLE TIE BLACK
54.	620-0000	WAVE SPRING
55.	27253	LAMP WIRE ASSY
56.	603-5017	#10-32 x 5/8" PHILLIPS SCREW (BLACK)
56.	603-5011	#10-32 x 5/8" PHILLIPS SCREW (SILVER)
57.	12393	SYNCHRONIZE LABEL
58.	14459	THRUST WASHER
59.	14489	1/2" X 5/8" X 3/4" BEARING

2005 INTERNATIONAL TRAVEL TRAILER

CHASSIS

Power Jack



Part Numbers are on the next page

2005 INTERNATIONAL TRAVEL TRAILER

CHASSIS

Power Hitch Jack

511544	Power jack w/flag holder & light
012251	Power head less post
1. 012198	Cover, Super Jack
2. 010051	Gear, fiber, Super Jack
3. 015551	Drive gear, Super Jack
4. 016199	Crank handle, manual, Super Jack
5. 080501	Bushing, bronze, Super Jack
6. 010055	Bushing, flange, Super Jack
7. 015552	Gear, pot/reed, Super Jack
8. 015553	Shaft, Super Jack
9. 081703	Micro switch, Super Jack
10. 080520	Bushing/bronze,7/16,Super Jack
11. 012252	Limit switch assembly, Super Jack
12. 012200	Center plate, Super Jack
13. 081704	Switch, toggle, Super Jack
14. 016263	Motor, 12V, Super Jack
15. 011675	Drive gear assembly, Super Jack
16. 010069	Switch cover, Super Jack
17. 011631	Jack post, Super Jack
18. 410598	Foot pad #12231
19. 026503	Light, Jack
20. 012199	Housing for Motor and Switch

2005 INTERNATIONAL TRAVEL TRAILER

EXTERIOR TRIM

Decal/Medallions

386068	MEDALLION 3" LOGO, AIRSTREAM, Main door
386125	NAMEPLATE, BAMBI, RED-WHITE-BLUE
386130	NAMEPLATE-CCD CHRIS DEAM
386108	NAMEPLATE-INTERNATIONAL
386152	DECAL-AIRSTREAM 2.4"X 28"

Rub Rail Trim

114460	Extrusion, rub rail
201763-01	Insert, rub rail, chrome, 1"
114466-01	Close out, casting, rub rail, angled RH
114466-02	Close out, casting, rub rail, angled LH
114465-01	Close out, casting, rub rail RH
114465-02	Close out, casting, rub rail LH

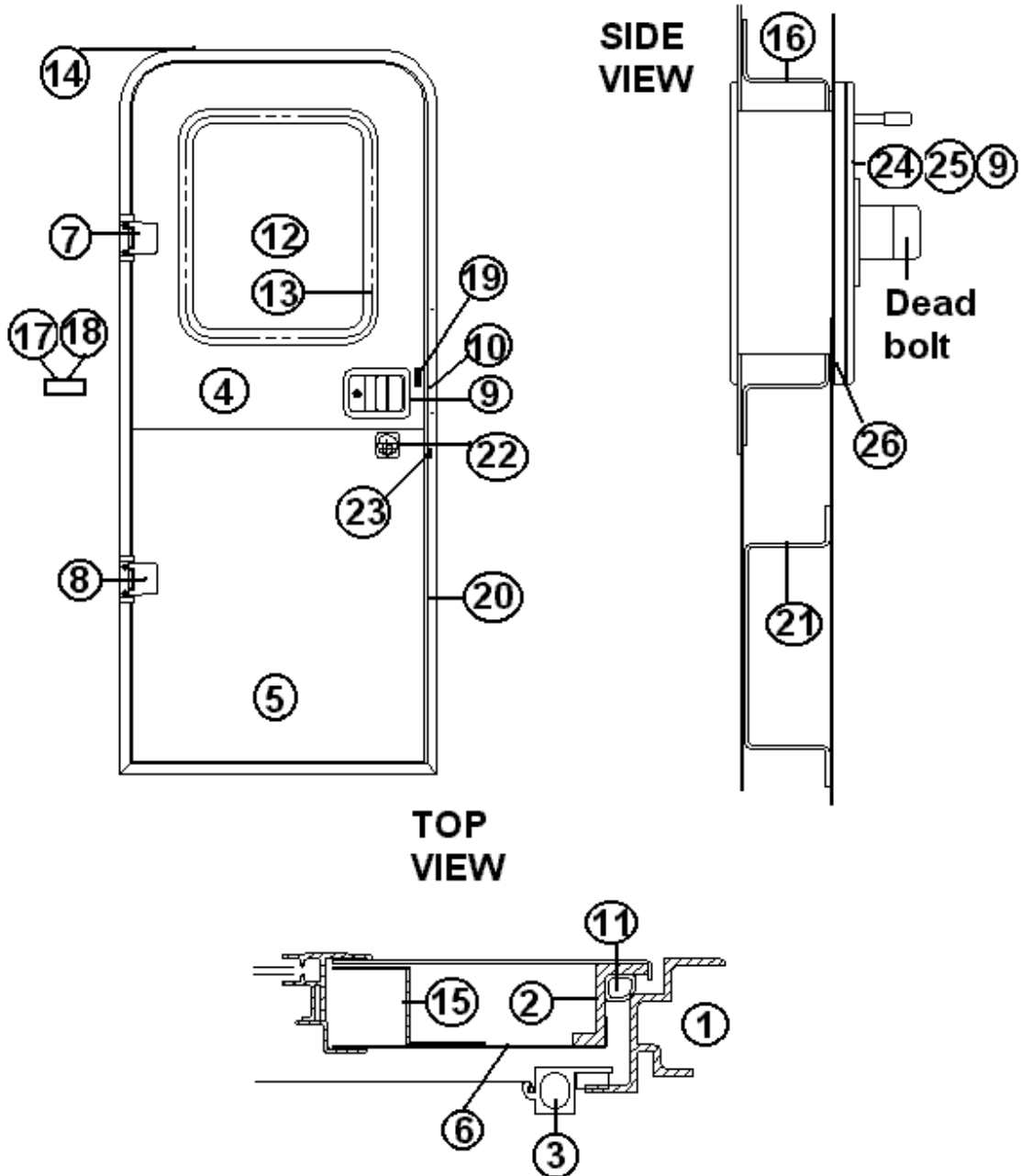
Reflectors

500095	REFLECTOR RED RECTANGULAR
500096	REFLECTOR, AMBER
510446	REFLECTOR, RED, STICK-ON

2005 INTERNATIONAL TRAVEL TRAILER

DOORS, EXTERIOR

Door, Main



2005 INTERNATIONAL TRAVEL TRAILER

DOORS, EXTERIOR

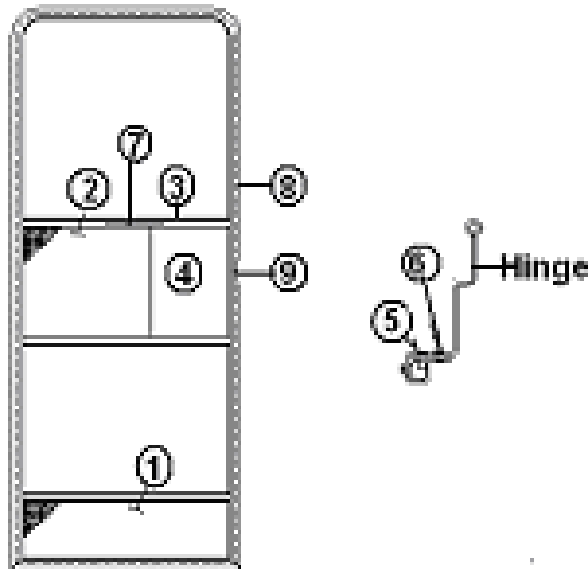
Door, Main

- 115207-04 Main door assembly, LH hinge
- 1. 114653 Frame, main door, pre-formed
- 2. 114652 Jamb, main door, pre-formed
- 3. 114654 Screen door assembly
- 4. 114448-03 Skin, exterior, upper main door
- 5. 114449-03 Skin, exterior, lower main door
- 6. 114475 MAIN DOOR SKIN INNER
- 7. 381552-03 HINGE ASSY. MAIN DOOR UPPER
- 8. 381552-04 HINGE ASSY. MAIN DOOR LOWER
- 9. Trimark latch assembly parts shown in hardware section
- 10. 385595 Pocket strike, main door
- 11. 365232 Seal, main door
- 12. 371400-01 WINDOW-MAIN DR.ETCHED
- 13. 115208 TRIM RING- MAIN DR.WINDOW
- 14. 114363 Drip cap, main door
- 15. 114658 Inner door, "Z" bar, upper & lower
- 16. 114657 Hat section, formed, main door
- 17. 380290 Housing. Latch, mounted on side sheet
- 18. 380291 Latch assembly, mounted on side sheet
- 19. 201056 Striker, main door, black plastic
- 20. 114655 Trim ring formed, main door
- 21. 115004 Hat section assembly, dead bolt
- 22. 381323-01 Dead bolt, complete assembly
- 23. 381326 Striker w/ Trimark deadbolt
- 24. 345321-12 Screw, flat head, black
- 25. 453851 Bolt, Trimark, deadbolt
- 26. 203370 Spacer, deadbolt assembly

2005 INTERNATIONAL TRAVEL TRAILER

DOORS, EXTERIOR

Door, Screen



- | | |
|--------------|---|
| 1. 114648-01 | Kick panel screen door |
| 2. 114561-01 | Panel, slider, screen door |
| 3. 104784-78 | EXTR.SCREENDOOR STIFENER #VH-9 |
| 4. 203287-02 | Close out, plastic, screen door |
| 5. 330130-02 | RIVET POP SSD44SSBS |
| 6. 325122 | Rivet, hard, 5/32 |
| 7. 380004 | HANDLE WITH 8/32 X 1 SCREW |
| 8. 365013-01 | Gasket, screen door, foam tape |
| 9. 683946 | BUG SEAL, edge of screen door close out |
| 114654 | SCREEN DOOR ASSY. |
| 380079 | Screen, gray |
| 200518 | Spline, gray, screen insert |
| 701624 | VELCRO LOOP 5/8" WIDE |
| 701625 | VELCRO HOOK, 5/8" WIDE |
| 381454 | Screen door hold back latch, Bullet |
| 386068 | MEDALLION 3" LOGO, AIRSTREAM |

Screen Door Guard

- | | |
|-----------|--------------------------|
| 32226W | Guard, screen door |
| 115171-01 | SCREEN DOOR GUARD TOP |
| 115171-02 | SCREEN DOOR GUARD BOTTOM |

2005 INTERNATIONAL TRAVEL TRAILER

DOORS, EXTERIOR

Door, Refer Access

922243	ASSEMBLY, REFER ACCESS DOOR, 19', 25', 28'
922156	DOOR, REFER ACCESS
104417	JAMB, REFRIGERATOR ACCESS
104439	LOUVERED PANEL, REFER ACCESS DOOR
380988	HINGE, CONTINUOUS .5IN LEAF 16IN
203225	TRIM LOCK WHITE #1375 1/8 W-3
381812	LATCH TWIST CHROME

Door, Side Access, Small

100679-01	Small, access door assembly, rear or side
365035	Seal, side access door
380773	HINGE, ACCESS DOOR
380770	LOCK & CASTING ASSEMBLY

Door, Battery

410551-02	LID BATTERY BOX
381430	LOCK, TWIST, STRAIGHT CAM
381205-01	HINGE, CONTINUOUS 14", Battery box lid
381814	NUT-WING 5/16 #1809
381613	PLASTISOL COVER-LP WING HANDLE

Door, Trunk/Side Assembly, 61.50"

921159	DOOR ASSY TRUNK
114673	PANEL OUTER TRUNK DOOR
114674	PANEL INNER TRUNK DOOR
114675	JAMB TRUNK DOOR
380203-01	PIANO HINGE 1/8" PIN
380770	LOCK & CASTING ASSEMBLY
360016	BUMP-ON RUBBER
365035	RUBBER SEAL ACCESS DOOR

2005 INTERNATIONAL TRAVEL TRAILER

DOORS, EXTERIOR

Door, Trunk Assembly, 16'

922711	DOOR ASSEMBLY-TRUNK
115158	PANEL, OUTER TRUNK DOOR
115159	PANEL, INNER TRUNK DOOR
115157	JAMB-TRUNK DOOR
380774-02	HINGE, COMPT DOOR 61.50"
380770	LOCK & CASTING ASSEMBLY
360016	BUMP-ON RUBBER
365035	RUBBER SEAL ACCESS DOOR
701538-01	CARPET-ECONOLIER W/PSA BACK
701538	CARPET, ECONOLIER VELOUR BLACK
701538-02	PSA BACKING-ECONOLINE CARPET
381065-10	10" CABLE SUPPORT

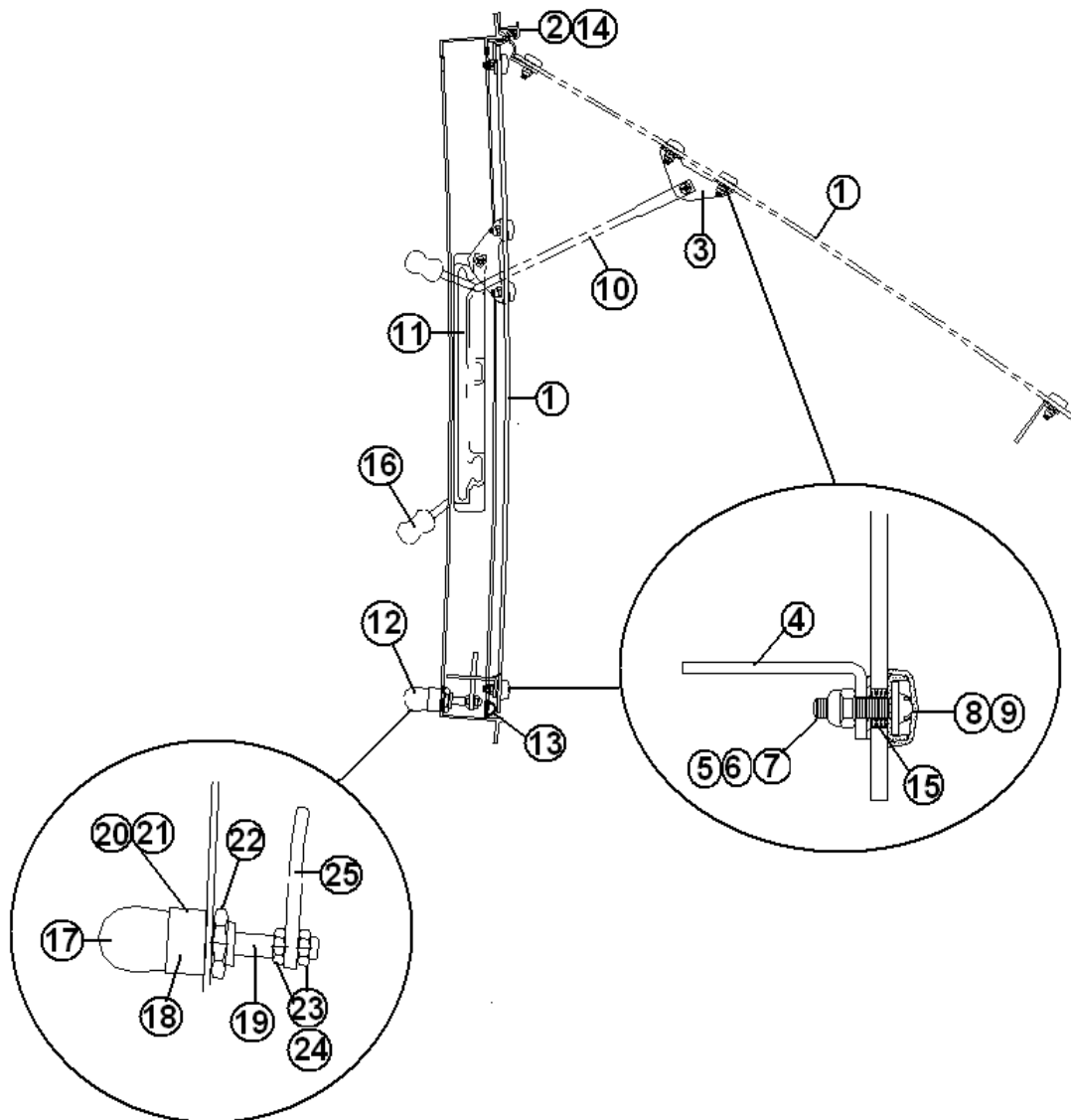
Door, Water Service, 16'

381766	HATCH-ACCESS 7.75" X 12.63"
115153	CLOSEOUT-UTILITY DOOR
115167	JAMB-INNER WALL UTILITY DOOR

2005 INTERNATIONAL TRAVEL TRAILER

WINDOWS/SCREENS

Opening Windows Diagram



Part numbers on next page

2005 INTERNATIONAL TRAVEL TRAILER

DOORS/WINDOWS/AWNINGS

- | | |
|---------------|-------------------------------------|
| 1. 371323-100 | Glass w/hardware, 18" window |
| 1. 371324-100 | Glass w/hardware, 30" window |
| 2. 371323-101 | Hinge, 18" window |
| 2. 371324-101 | Hinge, 30" window |
| 3. 1101-0010 | Bracket, window prop |
| 4. 685124 | Striker plate, window latch |
| 5. 0706-0004 | Flat washer |
| 6. 0703-0001 | Screw, #8-32 x .625", black, SS |
| 7. 0702-0010 | Nut, Nylox, #8-32, black SS |
| 8. 0802-0004 | Screw cover, 12-12 #100, black |
| 9. 0802-0005 | Washer, 12-12 screw cover bottom |
| 10. 100903 | Operating arm, RH |
| 10. 100903-01 | Operating arm, LH |
| 11. 0802-0001 | Guide, operating arm, RH |
| 11. 0802-0002 | Guide, operating arm, LH |
| 12. 010020 | Latch assembly, chrome |
| 13. 381665 | Gasket seal |
| 14. 0101-0017 | Male hinge extrusion, 1/2" pc. |
| 15. 0706-0003 | Bushing, window, acrylic |
| 16. 380230-03 | Window arm knob, silver |
| 16. 380230-04 | Window arm knob, red |
| 17. 1101-0005 | Latch handle, chrome |
| 17. 195467-05 | Latch handle, red |
| 18. 1101-0007 | Latch body |
| 19. 1101-0008 | Latch shaft |
| 20. 1101-0009 | Latch spring |
| 21. 0707-0002 | Pin, drive lock, 5/32" x 5/8", zinc |
| 22. 0702-0001 | Nut, hex panel, 5/8"-24, zinc |
| 23. 0702-0002 | Nut, jam, hex, 5/16-24 |
| 24. 385123 | Washer, flat, .53" OD x .328" ID |
| 25. 685123 | Latch paw |

2005 INTERNATIONAL TRAVEL TRAILER

WINDOWS/SCREENS

Windows and Screens, 16'

371319-05	WINDOW-MAIN DOOR
371269-01	WINDOW 18" STACK
371270-01	WINDOW 30" STACK
371328	WINDOW CENTER DARK GLASS
371326	WINDOW REAR ROUND CORNER
372088	WINDOW CORNER WRAP RS FRT, CS
372089	WINDOW CORNER WRAP CS FRT, RS
372173-02	SCREEN-FRONT WINDOW CLEAR FRAME
372176	SCREEN REAR ESCAPE STD (WHITE)

Windows and Screens, 19'

371319-05	WINDOW, MAIN DOOR TRAILER
371269-01	Window, 18" stacked
371400-01	WINDOW, MAIN DOOR ETCHED
371323-01	Window, 18" OPENING
371328	Window, FRONT END, DARK GLASS
372088	Window, CORNER WRAP RS FRT, CS
372089	Window, CORNER WRAP CS FRT, RS
372174-03	SCREEN-18"OPENING WINDOW RAW M
371347-03	SCREEN-SQUARE FRT WINDOW RAW M
372230	SCREEN-21"X 28" CLEAR 19'

2005 INTERNATIONAL TRAVEL TRAILER

WINDOWS/SCREENS

Windows and Screens, 22'

371319-05	WINDOW-MAIN DOOR
371269-01	WINDOW 18" STACK
371270-01	WINDOW 30" STACK
371380	WINDOW, OPENING 30" TALL
372218-01	WINDOW-21" X 28" EGRESS
372088	CURBSIDE WINDOW WRAP
372089	WINDOW, REAR CORNER WRAP RS SOLAR
371328	WINDOW FRONT DARK GLASS
372215-01	SCREEN-30"OPENING WINDOW TALL
372173-02	SCREEN-FRONT WINDOW CLEAR FRAME
372220-01	SCREEN-21" X 28" ALT EGRESS

Windows and Screens, 25'

371269-01	WINDOW 18" STACK
371319-05	WINDOW-MAIN DOOR
371323-01	WINDOW-18" OPENING
371346-02	WINDOW, 48.97" Front End
371380	WINDOW-OPENING 30" TALL
372088	WINDOW CORNER WRAP RS FRT, CS
372089	WINDOW CORNER WRAP CS FRT, RS
372218-01	WINDOW-21" X 28" EGRESS, Rear End
922770-02	VISTA VIEW- 30"
922770-01	VISTA VIEW- 18"
372174-03	SCREEN-18"OPENING WINDOW RAW M
371347-03	SCREEN-SQUARE FRT WINDOW RAW M
372220-01	SCREEN-21"X 28" ALT EGRESS-MIL
372215-01	SCREEN-30"OPENING WINDOW TALL

2005 INTERNATIONAL TRAVEL TRAILER

WINDOWS/SCREENS

Windows and Screens, 28'

371269-01	WINDOW 18" STACK
371270-01	WINDOW 30" STACK
371286-01	WINDOW 18 X 30 CURVED FIXED
371319-05	WINDOW-MAIN DOOR
371323-01	WINDOW-18" OPENING
371346-02	WINDOW FRONT DARK GLASS
371348-02	WINDOW-REAR W/RED HANDLES
371380	WINDOW-OPENING 30" TALL
922770-02	VISTA VIEW- 30"
922770-01	VISTA VIEW- 18"
195510-19	GLASS AND HARDWARE FOR 371380 WINDOW
372088-101	WINDOW, PANORAMIC, RS FRONT
372089-101	WINDOW, PANORAMIC, CS FRONT
372174-03	SCREEN-18"OPENING WINDOW
371347-03	SCREEN-SQUARE FRT WINDOW
371349-03	SCREEN-REAR ESCAPE
372215-01	SCREEN-30"OPENING WINDOW TALL

Main Door Trim

371319-06	TRIM RING, MAIN DOOR
-----------	----------------------

2005 INTERNATIONAL TRAVEL TRAILER

WINDOWS/SCREENS

Panoramic Window Trim

201578-02	END CAP-TRIM RING GRAY
201579-02	TRIM RING-LOWER R.S. GRAY
201580-02	TRIM RING-LOWER C.S. GRAY
201581-05	TRIM RING-UPPER R.S. GRAY
201581-06	TRIM RING-UPPER C.S. GRAY
203225-01	TRIM LOK-GRAY .75"

Stacked Window Trim

372225	TRIM RING INNER SUPPORT 30"
372226	TRIM RING INNER SUPPORT 18"
372228	TRIM RING-18"X 30" WINDOW
372227	TRIM RING-INNER SPACER 18" X 30"
372222	TRIM RING-30" STACK WINDOW CLEAR
372223	TRIM RING-18" STACK WINDOW CLEAR
203225-01	TRIM, gray flexible, goes around window rings

2005 INTERNATIONAL TRAVEL TRAILER

WINDOWS/SCREENS

WINDOW STONE GUARD

685275-100	3-Piece Solar Stone Guard Assembly, 16', 19', 22'
110188-01	3-Piece Solar Stone Guard Assembly, 25, 28'
685275-101	CS wrap window solar protector, stone guard
685275-102	RS wrap window solar protector, stone guard
685275-103	Stone guard, center piece only, 45.25", 16', 19', 22'
110102	Stone guard, center piece only, 25', 28'
685358	Turn fast stud
685362	Retainer, split ring
685359	Rubber receptacle
685361	Bracket, rubber receptacle
685363	Slip joint hinge, SS, CS per pair
683960	Arm support
683959	Arm support bracket
114749	HINGE "Y" ASSY. (ROCKGUARD ASSY.)
114750	HINGE "J" (ROCKGUARD ASSY.)
685364	BRKT, UPPER HINGE-45.375-STONEGUARD
381021	Latch, draw flexible
114815-01	Extrusion, frame aluminum
685354	Front window key, 90-degree angle riveted to inside corner of metal frame
685378	1/4" rubber spline
685351	Rubber frame, black
290812-01	Plexi-glass, 28" x 84 " sheet
101401	Extrusion, door latch housing

2005 INTERNATIONAL TRAVEL TRAILER

WINDOWS/SCREENS

Vista View Window, Trim, Shade, 18"

922770-01	VISTA VIEW, 18"
203490-01	TRIM RING, 18" VISTA VIEW
703462-01	SHADE, PULL 19.25" X 9.5", 18" VISTA VIEW
922772-01	BACKER, VISTA VIEW BLIND 18"

Vista View Window, Trim, Shade, 30"

922770-02	VISTA VIEW, 30"
203490-02	TRIM RING, 30" VISTA VIEW
703462-02	SHADE, PULL 31.25" X 9.5", 30" VISTA VIEW
922772-02	BACKER, VISTA VIEW BLIND 30"

2005 INTERNATIONAL TRAVEL TRAILER

AWNINGS

PATIO AWNINGS

702993-13	AWNING, PATIO, 6' 8.25", 16'
702993-09	AWNING, PATIO, 9'8", 19'
702993-10	AWNING-PATIO 12' 4.5", 22'
702993-06	AWNING, PATIO, 16' 4.50", 25'
702993-08	AWNING, PATIO, 18' 4 ½", 28'
702993	HARDWARE MOUTING ZIP DEE #HE-AS7

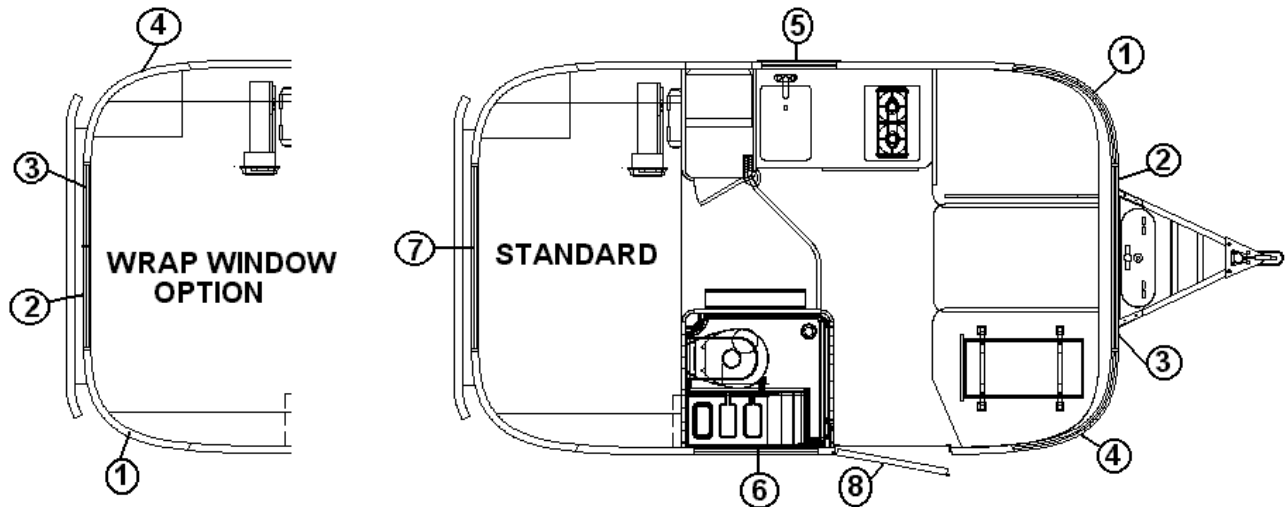
Window Awnings

703181-13	Awning, 9' 8" RS window, Charcoal, 19'
703181-10	Awning, 12' 4" RS window, Charcoal, 22'
703181-05	Awning, 16' 4.5" RS window, Charcoal, 25'
703181-12	Awning, 18' 4.5" RS window, Charcoal, 28'
703181-15	Awning, 52.63" Rear window, Charcoal, 25', 28'
703181-01	Awning, 47" window, Charcoal, rear 16', 19', 22'

2005 INTERNATIONAL TRAVEL TRAILER

DRAPES/BLINDS

Drape/Shades, 16 Ft.



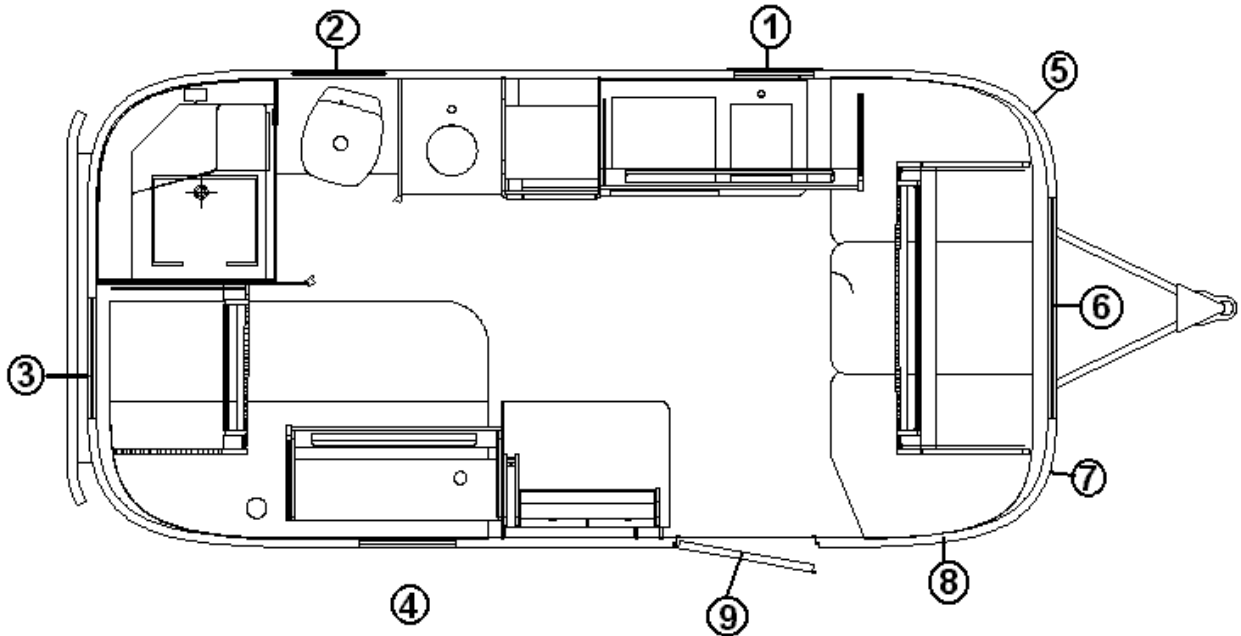
- | | |
|--------------|------------------------------------|
| 1. 998144-11 | DRAPE-CS SIDE PANEL, 40" X 25.5" |
| 2. 998144-12 | DRAPE-CS FRT PANEL, 23" X 25.5" |
| 3. 998144-10 | DRAPE-CS FRT PANEL, 23" X 25.5" |
| 4. 998144-09 | DRAPE-CS SIDE PANEL 40" X 25.5 |
| 5. 703445-07 | SHADE PULL 18.50" X 34.00" L |
| 6. 703445-04 | SHADE-PULL WHITE 29.75"X 34.00 |
| 7. 703445-06 | SHADE, WHITE PULL 42.75" X 34" |
| 8. 702355-01 | SHADE, PULL, MICHELL, 20-1/8" X 3' |

For rear panoramic window option use item 1, 2, 3, and 4 reversed.

2005 INTERNATIONAL TRAVEL TRAILER

DRAPES/BLINDS

Drapes/Shades, 19 Ft.

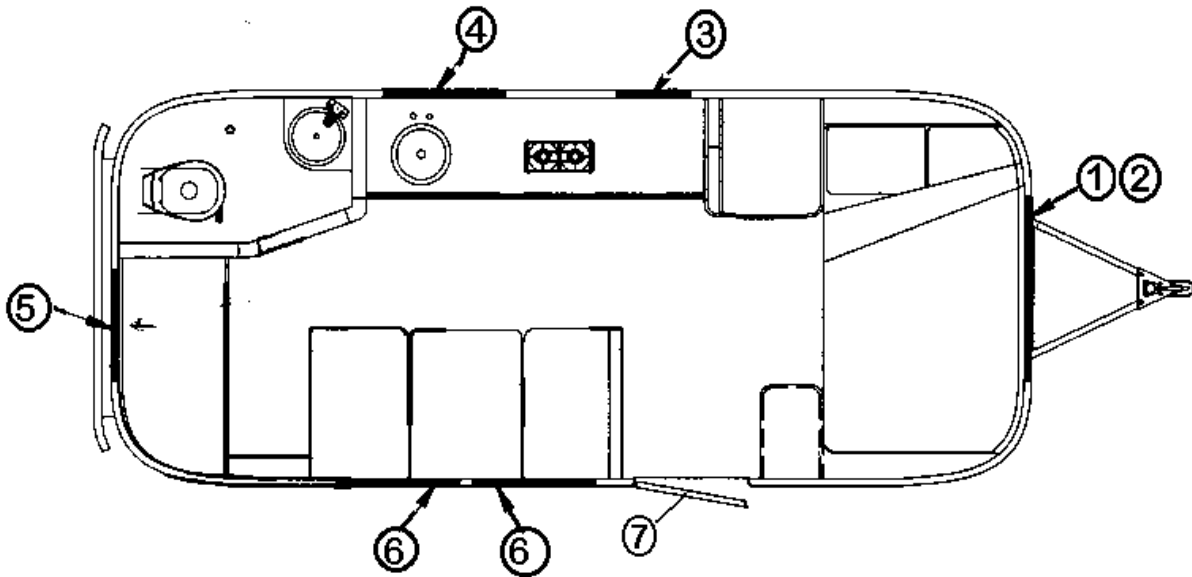


1. 703445-01 SHADE-PULL 20.00" W X 24.00" L WHITE
2. 703445-01 SHADE-PULL 20.00" W X 24.00" L WHITE
3. 703445-03 SHADE-PULL 25.25" W X 24.00" L WHITE
4. 703445-05 SHADE-PULL 21.00" W X 34.00" L WHITE
5. 998144-11 DRAPE-CS SIDE PANEL 40" X 25.5"
6. 998144-12 DRAPE-CS FRONT PANEL 23"X 25.5"
7. 998144-10 DRAPE-CS FRONT PANEL 23"X 25.5"
8. 998144-09 DRAPE-CS SIDE PANEL 40" X 25.5"
9. 703191-04 BLIND MINI METAL 21" X 23" BRUSH ALUMINUM

2005 INTERNATIONAL TRAVEL TRAILER

DRAPES/BLINDS

Drapes/Shades, 22 Ft.

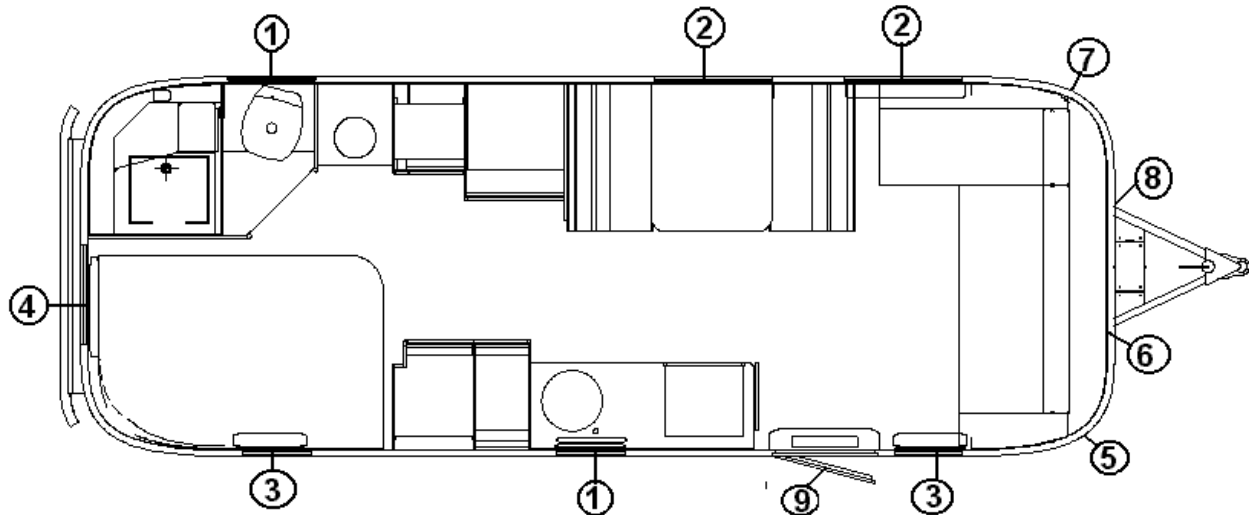


- | | |
|--------------|------------------------------------|
| 1. 998144-01 | Drape, CS, rear panel |
| 1.998144-02 | Drape, CS side panel |
| 2. 998144-03 | Drape, RS Rear panel |
| 2.998144-04 | Drape, RS side panel |
| 3. 703445-01 | Pull shade only, 20" x 24" |
| 4. 703445-02 | Pull shade only, 32.50" x 24" |
| 5. 703445-03 | Pull shade only, 24.25" x 24.00" |
| 6. 703445-04 | Pull shade only, 29.75" x 34.00" |
| 7. 702355-01 | SHADE, PULL, MICHELL, 20-1/8" X 3' |

2005 INTERNATIONAL TRAVEL TRAILER

DRAPES/BLINDS

Drapes/Shades, 25 Ft.

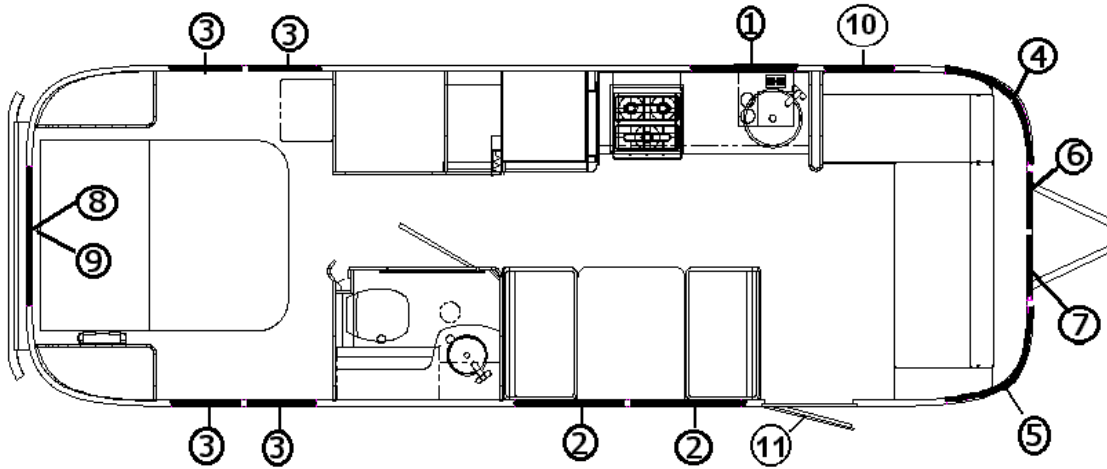


- | | |
|--------------|---|
| 1. 703445-01 | SHADE-PULL WHITE 20.00"X 24.00 |
| 2. 703445-04 | SHADE-PULL WHITE 29.75" X 34.00" |
| 3. 703445-05 | SHADE-PULL WHITE 21" X 34" |
| 4. 703445-03 | SHADE-PULL WHITE 25.25"X 24.00 |
| 5. 998144-05 | DRAPE-CS FRONT PANEL 27"X 29" |
| 6. 998144-09 | DRAPE-CS SIDE PANEL, 40" X 25.5" |
| 7. 998144-07 | DRAPE-RS FRONT PANEL 27"X 29" |
| 8. 998144-04 | DRAPE-RS SIDE PANEL 29" X 40" |
| 9. 702355-01 | SHADE, PULL, MICHELL, 20-1/8" X 3' |
| 703462-01 | SHADE, PULL 19.25" X 9.5", 18" VISTA VIEW |
| 703462-02 | SHADE, PULL 31.25" X 9.5", 30" VISTA VIEW |
| 703191-04 | BLIND MINI METAL, 21" X 23" ALUMINUM |

2005 INTERNATIONAL TRAVEL TRAILER

DRAPES/BLINDS

Drapes/Shades, 28 FT.

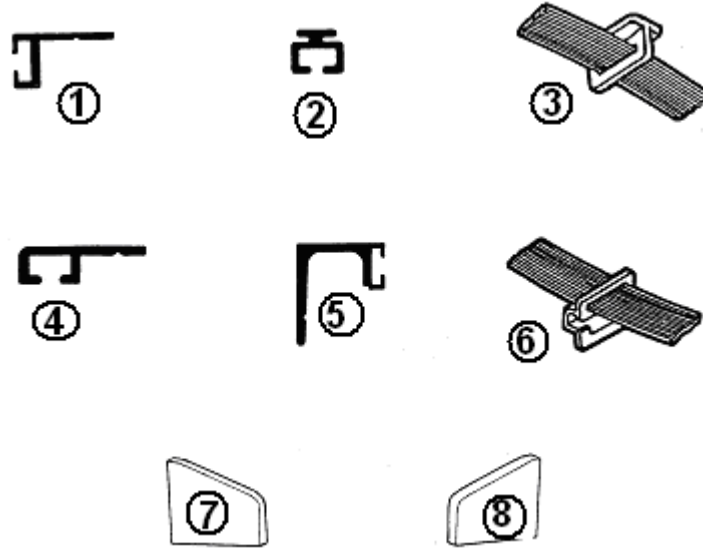


- | | |
|---------------|------------------------------------|
| 1. 703445-02 | Shade-pull white, 32.50" x 24" |
| 2. 703445-04 | Shade-pull white, 29.75" x 34" |
| 3. 703445-05 | Shade-pull white, 21.00" x 34" |
| 4. 998144-11 | DRAPE-RS SIDE PANEL 40" X 25.5" |
| 5. 998144-09 | DRAPE-CS SIDE PANEL 40" X 25.5" |
| 6. 998144-07 | DRAPE-RS FRONT PANEL 27"X 29" |
| 7. 998144-05 | DRAPE-CS FRONT PANEL 27"X 29" |
| 8. 998144-06 | DRAPE-CS REAR PANEL 30"X 29" |
| 9. 998144-08 | DRAPE-RS REAR PANEL 30"X 29" |
| 10. 703445-07 | SHADE ASSEMBLY, 18.5" X 34" |
| 11. 702355-01 | SHADE, PULL, MICHELL, 20-1/8" X 3' |

2005 INTERNATIONAL TRAVEL TRAILER

DRAPES/BLINDS

Drape Hardware



- | | |
|-----------|-----------------------------|
| 1. 101220 | Bracket, curtain stand off |
| 2. 101217 | Track, curtain |
| 3. 700044 | Glides, w/elastic, T" type |
| 4. 114021 | Bracket, curtain, stand off |
| 5. 101225 | Bracket, curtain, stand off |
| 6. 700045 | Glides, w/elastic, "G" type |
| 7. 200785 | End, curtain track, LH |
| 8. 200784 | End, curtain track, RH |

2005 INTERNATIONAL TRAVEL TRAILER

DRAPES/BLINDS

Drape Parts/Material

700473	DRAPERY LINING, MARLINE WHITE 48"W
700005	FASTENER, CAP
700006	FASTENER SOCKET
340030	FASTENER STUD NICKEL PLATED
700020	PILE VELCRO
100099	EXTR, ALUM. CURTAIN TRACK TOP
114157-01	EXTRUSION END LINER UPPER WHITE
200784	ENDS, CURTAIN TRACK, RH WHITE
200785	ENDS, CURTAIN TRACK, LH WHITE
702761	FABRIC WHITE
700473	DRAPERY LINING, MARLINE WHITE 48"W
700013	PERMA TAPE #4813-3IN 100 YD ROLL
700045	GLIDES CURTAIN G3 W/ELASTIC
700020	PILE VELCRO
700021	HOOK, VELCRO, WHITE

2005 INTERNATIONAL TRAVEL TRAILER

ELECTRICAL, 110 VOLT

Shoreline Cord/Converter

511416-02 30-amp, male power inlet for power cord
511416-03 POWER CORD 30A, 30' W/CONN UL/C
511654-01 POWER CENTER-110V/12V MAGNATEK

Breakers/Breaker Box

453573 MOUNTING BRACKET-BREAKER BOX
510564-05 Breaker 30-20, Bryant
510564-03 Breaker, Bryant, 15-15
510564-07 Breaker 15 GFI, Bryant
510564-04 Breaker 20-20, Bryant, CSA
510564-06 Breaker 20 GFI, Bryant, CSA

Interior/Exterior Receptacles

500563-01 Receptacle, 15 amp, white
511287 Receptacle, 15 amp, single
510676-01 Outlet, exterior, gray
511023 Circuit tester (loose item)

Junction Box

510014 BOX JUNCTION OCTAGON #54151-C
510015 BOX COVER #54C-1
510475 CLIP, GROUND
510223 BLANK METAL COVER

Battery Disconnect

511655-01 BEZEL ASSY-BLACK/SILVER
511655-02 RELAY 100 AMP 12VOLT
511655-03 CABLE, 20 Ft.

2005 INTERNATIONAL TRAVEL TRAILER

ELECTRICAL, 12 VOLT

Battery

511596	Battery, deep cycle, lead acid
511595	Battery box
453603	Battery box strap
500836	Positive battery cable
500837	Negative Battery cable
203415	BATTERY TRAY
340023	CATCH, CORBIN

7- way Cable/Breakaway Switch

500886	7-Way cable w/plug
510743	Ground bar, 3 1/2" long
511411	Junction box, 7 terminals
0300027	Break away switch, Bargman
0360254H	Bracket, breakaway switch

Interior Lights

511694	Reading light, halogen, Nickel
511248	FIXTURE LIGHT INCANDESCENT SINGLE
511297-01	LIGHT-HALOGEN, READING W/SWITCH NICKEL
511695	SPOTLIGHT-BRUSHED NICKEL
511249	Light, 12 volt, incandescent, double, interior
511163	LIGHT COMPARTMENT #PD771WW

Monitor System

511788-01	Monitor panel, CATCON Micropulse
511252	PLUG PHONE 4 CONDUCTOR
511789	SENSOR-TANK MONITOR #500-10050
511393	COUPLER-MODULAR EXTENSION 4 CONDUCTOR
511286-01	WIRE-TELEPHONE 26GA FLAT BACK
511286-02	WIRE-TELEPHONE 26GA FLAT IVORY

2005 INTERNATIONAL TRAVEL TRAILER

ELECTRICAL, 12 VOLT

Solar Panel System

511828	BATTERY-12V DEEP CYCLE AGM
511142-01	PANEL-SOLAR 53 WATT VLX-53
511142-02	BRACKET-MOUNTING KIT SOLAR PANEL
510696	HOLDER, FUSE, IN-LINE
500883-05	FUSE, 12 VOLT-AGC, 5 AMP
385987	LABEL-5 AMP FUSE MAX
511846	KIT-CHARGE CONTROLLER DISPLAY
511851	CABLE- CAT 5E BLUE
511852	CONNECTOR- RJ45E

(Continued)

2005 INTERNATIONAL TRAVEL TRAILER

ELECTRICAL, 12 VOLT

Switches

502056	Mounting plate, 12 volt switch
511327	Switch body w/rocker, single, white
510868-03	Switch panel, 4 gang, white, by door
511567-02	Switch body w/Rocker switches two gang white
511566-02	Cover, switch, Printed, Two Gang, White
500913-03	SWITCH T & B WHITE
511665	SWITCH ASSY-CEILING WHITE
511669	SWITCH ASSY-SHOWER WHITE
511658	SWITCH BODY W/COVER 3-GANG
511763	SWITCH W/COVER & INDICATOR, LOUNGE/ /PATIO
511762	SWITCH W/COVER & INDICATOR, GALLEY/CEILING
511790	SWITCH BODY-4 GANG W/COVER BLACK
511672	SWITCH BODY W/COVER 3 GANG BLACK
511673	SWITCH COVER-TWO GANG BLACK
511674	SWITCH COVER-ONE GANG BLACK
510658	SWITCH W/WEATHER-PROOF BOOT #1
511784	SWITCH BODY W/COVER 4-GANG BLACK
511100	SWITCH BODY WITH SWITCHES
511785	COVER-SWITCH SPDT INDIRECT BLACK
511809	SWITCH BODY W/COVER 4-GANG
511781	SWITCH ASSY-LIGHTED 2GANG ROCK
511799	SWITCH-W/COVER VANITY/INDIRECT
511817	COUPLER ASSY-IN LINE PHONE JACK
510947-20	BREAKER, 12V DC, TYPE II, #12V 20APP
500933	SWITCH-WATER HEATER ELECTRONIC
511844	SWITCH BODY W/COVER 4-GANG
511901	Switch body, w/switch, rocker, 28' wardrobe

12 Volt Outlet/Breaker

452412-01	BRACKET FUSE BLOCK 12V
510807	Outlet, 12 volt
511121	Mounting plate, 12 volt receptacle

2005 INTERNATIONAL TRAVEL TRAILER

ELECTRICAL, 12 VOLT

EXTERIOR LIGHTS

500092	Patio light, round, Signal Stat
510160	Bulb, patio light #1156
510732-02	Utility light (by main door)
511751	Red teardrop lights.
511750	Amber teardrop lights.
500053	License plate light w/plate mounting bracket
994165	Entrance light assembly above main door
101323	CASTING, ALUM STEP LIGHT, POLISHED
201185	LENS STEP LIGHT
500492	LIGHT BULB SOCKET (riveted to casting)

Taillight Assembly

952696-01	Tail light assembly RS
952696-02	Tail light assembly CS
511664-01	CASTING-TAILLIGHT R.S.
511664-02	CASTING-TAILLIGHT C.S.
511661	TAILLIGHT-LED OVAL 6"
203386-01	POCKET-INNER TAILLIGHT LH
203386-02	POCKET-INNER TAILLIGHT RH
511662	TRIM RING-TAILLIGHT W/VISOR
500095	Red rectangular reflector
115073-01	BRACKET-R.S. TAILLIGHT
115073-02	BRACKET-C.S. TAILLIGHT
115074	BRACKET-CENTER TAILLIGHT

2005 INTERNATIONAL TRAVEL TRAILER

ENTERTAINMENT

Radio/Speakers/Antenna

511732 Radio AM/FM/CD, #CDX-CA400
511761 SPEAKER 120W 6.5" WHITE SONY
511807 ANTENNA, AM/FM RUBBER 13"
500913-03 SWITCH T&B WHITE

TV Antenna/Booster System

510788-01 Antenna, TV Wineguard, long boom
510788-05 ANTENNA-TV WINEGARD SHORT BOOM, 16 Ft.
500484-05 Antenna lead & extension, 72"
500484-04 ANTENNA LEAD & EXTENSION 48"
500484-07 ANTENNA LEAD & EXTENSION 144"
510788-03 Amplifier, TV antenna
510788-04 Hardware package, interior, Winegard
510612 Coax, 75 ohm, standard
510613 Coax, 75-ohm w/three conductors
510623 Connector, coax, male to male
510616 F CONNECTOR, COAX, 75 OHM
114396 Trough, TV antenna, roof

Satellite Radio Upgrade

511866-01 SATELLITE RADIO RECEIVER, SIRUS
511866-02 SATELLITE RADIO KIT-HOME ADAPTER
511862 SWITCH-SOURCE SELECTOR #XA-300
511870 KIT-INFRARED REPEATER
511866-03 BRACKET, DOCKING STA.RECEIVER MTG
511866-04 PLANE-ANTENNA GROUND
511863-02 A/B Selector Switch Kit
511926 Auxiliary audio switcher
512024 Jack, Audio Prep

External Speakers

511861 SPEAKER-OUTDOOR #OA-502B PAIR
511872 PIGTAIL-AUDIO OUTSIDE

2005 INTERNATIONAL TRAVEL TRAILER

ENTERTAINMENT

Audio/Video Upgrade Package

511839	RADIO AM/FM/CD/DVD KD-DV5000-2
511720	SPEAKER-6.5"BLK JVC #CSX-V620
511835	PATCH CORD 30' 3-WAY MALE TO MALE
511825	Subwoofer, Active, 120 watt, Sony
500913-03	SWITCH T&B WHITE
511732	Radio, AM/FM/CD, CDX-CA710X
511761	Speaker, Sony, 6.5"
511721	CHANGER-CD 12 DISC JVC #CH-X15
511863	SWITCH-A/B SPEAKER-RADIO
511856	WIRING KIT- 4 WAY FLAT EXT.SPEAKER
511703	CORD-PATCH MALE/MALE 2-WAY 20'
511834	PATCH CORD 30' DUAL MALE TO MALE
511863-01	MODULE-SPEAKER CONTROL #AT-RLM
690490	TELEVISION, 15" FLAT SCREEN
511863-02	A/B Selector Switch Kit
511926	Auxiliary audio switcher
966405	Shelf, CD changer
511863-02	A/B Selector Switch Kit
512024	Jack, Audio Prep

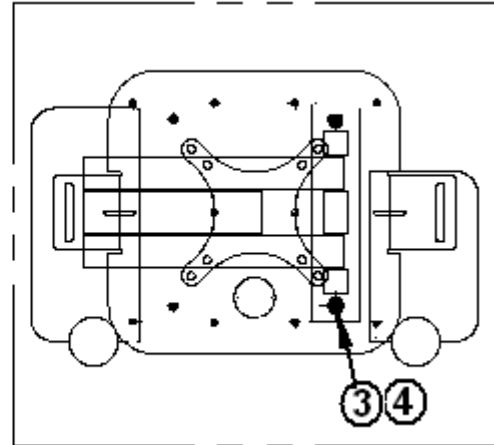
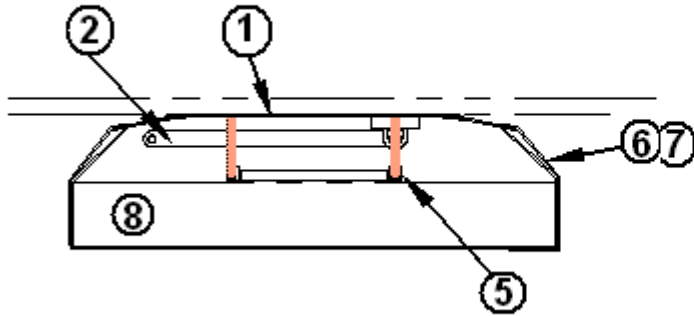
Audio Upgrade Package

511191	CD changer, 10 unit, Sony CDX-434RF
203465	Speaker spacer, plastic, Sony
511825	Subwoofer, Active, 120 watt, Sony
511863	SWITCH-A/B SPEAKER-RADIO
511856	WIRING KIT- 4 WAY FLAT EXT.SPEAKER
511863-01	MODULE-SPEAKER CONTROL #AT-RLM
511827	WALL PLATE FLUSH MOUNT COAX-WH
511646	PATCH CORD 3-WAY 20" RCA
511703	CORD-PATCH MALE/MALE 2-WAY 20'
511863-02	A/B Selector Switch Kit
966405	Shelf, CD changer
511863-02	A/B Selector Switch Kit
511863-02	A/B Selector Switch Kit

2005 INTERNATIONAL TRAVEL TRAILER

ENTERTAINMENT

Flat Screen TV Bracket Installation



- | | |
|--------------|------------------------------------|
| 1. 454230 | Bracket, TV mount Wall |
| 2. 511774 | Bracket, articulating arm, flat TV |
| 3. 350147-25 | Nut, nylon lack, 1/4" x 20 |
| 4. 300111-25 | Washer flat |
| 5. 385587 | Cap, hood, rubber |
| 6. 703455 | Strap, 15" TV |
| 7. 703455 | Strap, 20" TV |
| 8. 690490 | TV, flat screen, 15' |

- | | |
|-----------|----------------------------|
| 703455 | STRAP 20" FLAT SCREEN TV |
| 195345-01 | 1 1/2" BROWN NYLON WEBBING |
| 703456 | VELCRO, LOOP BLACK 1.5" |
| 703456-01 | VELCRO, HOOK BLACK 1.5" |

TV/Telephone Jacks/Wiring

- | | |
|-----------|--|
| 500996 | Jack, TV/phone, gray, Exterior |
| 510654-01 | TV jack/12 volt w/splitter, white |
| 510624-01 | Modular phone quick jack, white |
| 452981 | PHONE JACK PROTECTIVE PLATE |
| 104619 | Mounting plate, exterior telephone/TV jack |
| 510741 | BOX/ELECTRICAL, 1-1/2" X 2" X 3" |
| 510174 | TELEPHONE WIRE |

2005 INTERNATIONAL TRAVEL TRAILER

FASTENERS

Rivets



325043(hard)
325000 (soft)
Rivet, buck type
dia. 1/8"
length 1/4"



325000-01
Rivet, buck type
dia. 1/8"
length 1/4"
anodized clear



325000-03
Rivet, buck type
dia. 1/8"
length 1/4"
anodized white



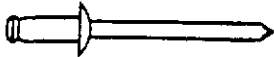
325001-01
Rivet, buck type
dia. 1/8"
length 5/16"
anodized clear



325002
Rivet, buck type
dia. 1/8"
length 3/8"
anodized clear



325004-01
Rivet, buck type
dia. 1/8"
length 1/2"
anodized clear



330129-08 Brown
dia. 1/8"
grip range .063-.125
aluminum body
aluminum mandrel



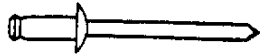
300101
1/8" I.D.
washer, aluminum

*Common bolts and screws readily available at local hardware outlets have not been listed.

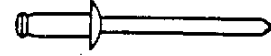
2005 INTERNATIONAL TRAVEL TRAILER

*FASTENERS

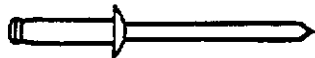
Rivets



330126-02
rivet, pop
dia. 1/8 "
grip range .126-.187
stainless steel
stainless steel mandrel



330126-03
rivet, pop
dia. 1/8 "
grip range .126-.250
body stainless steel
stainless steel mandrel



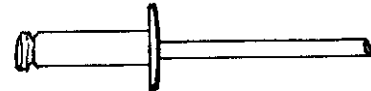
330127-05
rivet, pop
dia. 1/8 "
grip range .251-.312
aluminum body
aluminum mandrel



330128-050
rivet, pop
dia. 1/8 "
grip range .251-.312
aluminum body, white
aluminum mandrel



330127-08
rivet, pop
dia. 1/8 "
grip range .325-.565
aluminum body
aluminum mandrel



330038
rivet, pop
dia. .150 (#20 bit)
grip range .126-.250
aluminum body
aluminum mandrel
(used-screen door hinge)



325103
dia. 1/4 "
grip range .080-.325
SS body, steel mandrel

*Common bolts and screws not listed.

2005 INTERNATIONAL TRAVEL TRAILER

FURNITURE

Floor Covering

800639-02	ADHESIVE,OAK PLANK,#80 HARTCO
702665	Rug cushion, non-slip
703460	LINOLEUM- WOOD PLANK DISCOVER
702549	MATT ENTRANCE W/AIRSTREAM LOGO
701538	CARPET, ECONOLIER VELOUR BLACK 48"
703347	FABRIC-CHARCOAL TWEED, used on furniture

Drawer Slides

381192	SLIDE, DRAWER, 18" (EACH1 PAI
381833-01	DRAWER SLIDE-UNDER SHELF 18"PR
381773-15	DRAWER SLIDE-5.875"X 15.75"(PA

Drawer Boxes

965560-03	DRAWER BOX, 5.63" X 13.5" X 12"
-----------	---------------------------------

Mirrors

372203-24	MIRROR- POL EDGES, 9.50" X 20"
372203-05	MIRROR, POLISHED EDGES- 19.00" X 14"
372203-15	MIRROR- POL EDGES- 17.00" X 25.25"
372203-09	GLASS SAFETY MIRRORED 14" X 22"
454009	BACKER PLATE-MIRROR
381220-01	MIRROR CLIP,#309NP NICKEL PLATE
381220-02	MIRROR CLIP,#318NP NICKEL PLATE

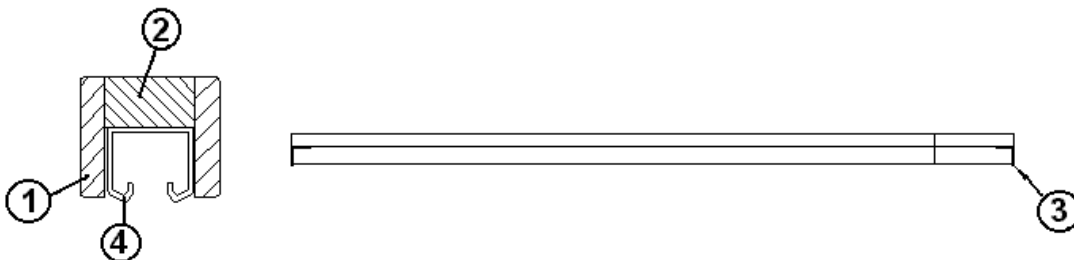
2005 INTERNATIONAL TRAVEL TRAILER

FURNITURE

Doors, Cabinet/Roof locker

801375-21	DOOR-DINETTE 11.5"X 18.00"
801375-22	DOOR-DINETTE 20.5"X 16.5"
801375-23	DOOR-DINETTE 17.5"X 16.5"
801375-24	DOOR-GALLEY 14.13"X 11.5"
801375-25	DOOR-GALLEY 14.13"X 7.13"
801375-26	DOOR-GALLEY 10.75"X 77.5"
801375-29	DOOR-GALLEY 14.13"X 11"
965563-01	DOOR, SLIDING, PLEXIGLASS 17.50" x 11.31"
965563-03	DOOR-SLIDNG PLEXIGLASS 15.00" x 11.31"
965563-04	DOOR SLIDING PLEXIGLASS 13.00 x 11.31"
965563-05	DOOR SLIDING PLEXIGLASS 11.75 x 11.31"
965563-06	DOOR SLIDING PLEXIGLASS 27.50 x 11.31"
965563-07	DOOR-SLIDING PLEXIGLASS 24.75" x 11.31"
965563-08	DOOR-SLIDING PLEXIGLASS 30" x 11.31"
965563-09	DOOR-SLIDING PLEXIGLASS 26" x 11.31"

Doors, Foldette, 16', 22', 28'

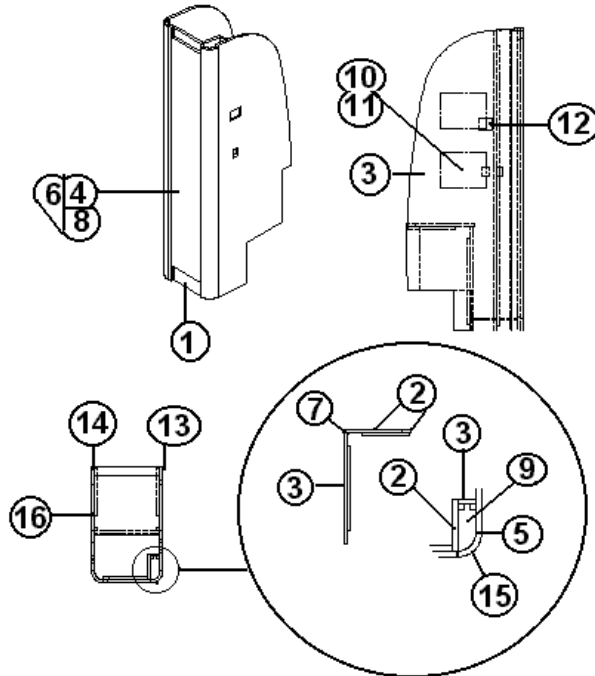


702681-07	DOOR-FOLDETTTE 60"X 73" GREY
1. 800727-01	CLOSE-OUT, FOLDETTTE DOOR, OAK
2. 800304	PINE-5/8X2-1/2"
3. 452258	BRACKET, MTG. FOLDETTTE DOOR
4. 381838	TRACK-FORMED FOLDETTTE
381769	TRACK-FOLDETTTE DOOR, 22'
701342-01	STRAP, VINYL, HOLD-BACK, 7.0"LONG
702681-07	DOOR-FOLDETTTE 60"X 73" GREY
452258	BRACKET, MTG. FOLDETTTE DOOR
701342-01	Vinyl strap, FOLDETTTE door hold back

2005 INTERNATIONAL TRAVEL TRAILER

FURNITURE, BEDROOM

WARDROBE/CLOSET ASSEMBLY, 16'



Part numbers are on the next page

2005 INTERNATIONAL TRAVEL TRAILER

FURNITURE, BEDROOM

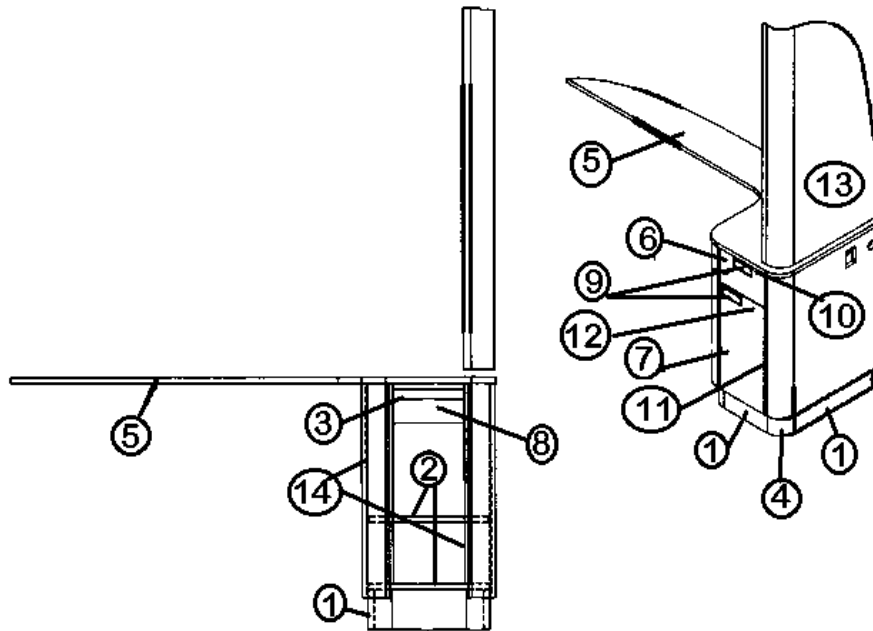
WARDROBE/CLOSET ASSEMBLY, 16'

965872	WARDROBE/CLOSET ASSEMBLY, 16'
1. 801436-01	PANEL, BLACK MAP/WHITE 18M
2. 801368	PANEL, WHITELINER/WHITELINER
3. 801392	PANEL, WHITELINER/WHITELINER
4. 801375-26	DOOR-GALLEY 10.75" X 77.5"
5. 380203-01	PIANO HINGE 1/8" PIN CLR ANODIZED
6. 381607	HINGE ASSEMBLY-GRASS EURO
7. 381228-01	CATCH GRABBER DOOR
8. 381775	DRAWER PULL-FLUSH SATIN #UT-10
9. 702681-07	DOOR-FOLDETTE 60"X 73" GREY
10. 386106-01	RACK-MAGAZINE WHITE
11. 386107	ROD-MAGAZINE RACK
12. 200773	CLOSEOUT, READING LIGHT ABS
13. 801466-08	PANEL-FWD WARDROBE
14. 965948	PANEL SUB ASSEMBLY-AFT WARDROBE
15. 801475	DOOR ASSEMBLY-W/R POCKET
16. 801466-07	PANEL-AFT WARDROBE
801378	PANEL, WHITE LINER/GATOR 18
801439-01	LAMINATE-BLACK MAPLE-4' X 8'
365278-01	EDGEBANDING-BLACK MAPLE 1.13"
380045	METALLIC TUBING
380046	FLANGE CHROME
200975-04	CONDUIT,FLEXIBLE BLACK PLASTIC
381838	TRACK-FORMED FOLDETTE 16'

2005 INTERNATIONAL TRAVEL TRAILER

FURNITURE, BEDROOM

Nightstand Assembly, 22'

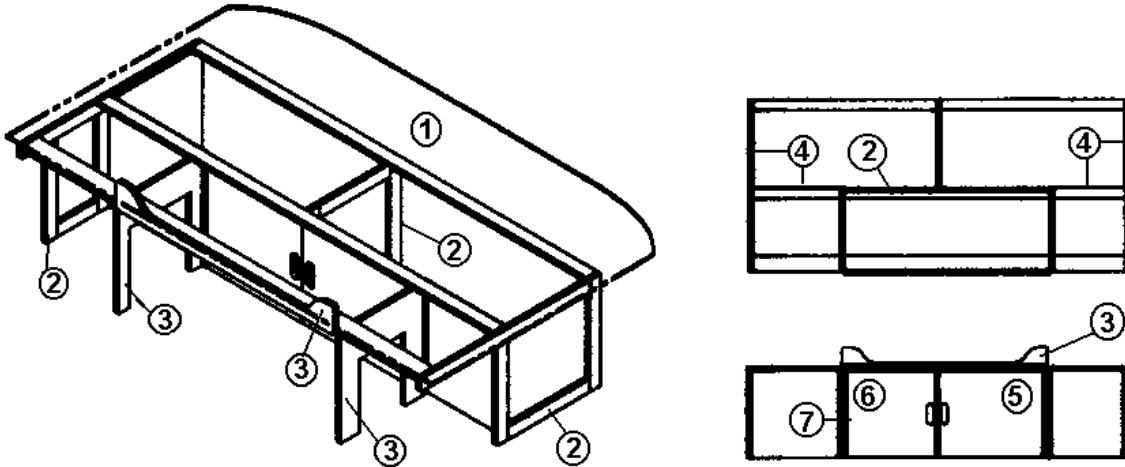


- | | |
|---------------|------------------------------------|
| 965532 | Nightstand Assembly, 16', 22' |
| 1. 801439-01 | LAMINATE-BLACK MAPLE-4' X 8' |
| 2. 801436-01 | PANEL, BLACK MAP/WHITE 18M |
| 3. 801351 | .75" lite plywood |
| 4. 801345 | Radius plywood, .75" x 3" x 8' |
| 5. 965533 | Nightstand top assembly |
| 6. 801375-09 | Door, Slatewood, 9.75" x 6.50" |
| 7. 801375-10 | Door, Slatewood, 9.75" x 10.25" |
| 8. 965553-03 | Drawer box, 4.38" x 7.88" x 17.63" |
| 9. 381775 | Drawer pull |
| 10. 381773-26 | Drawer locking clip |
| 11. 381607 | Hinge assembly, Grass-Euro |
| 12. 381228-01 | Door grabber catch |
| 13. 203329 | Wall, formed Plexiglas |
| 14. 381242-01 | Bracket, shelf |
| 381243 | Shelf bracket Clips |
| 381782 | PULL-GLASS DOOR CHROME PLATED |
| 381773-11 | DRAWER SLIDE-4.63" X 18.5" |
| 365278-01 | EDGE BANDING-BLACK MAPLE 1.13" |

2005 INTERNATIONAL TRAVEL TRAILER

FURNITURE, BEDROOM

BED FRAME ASSEMBLY, 16'

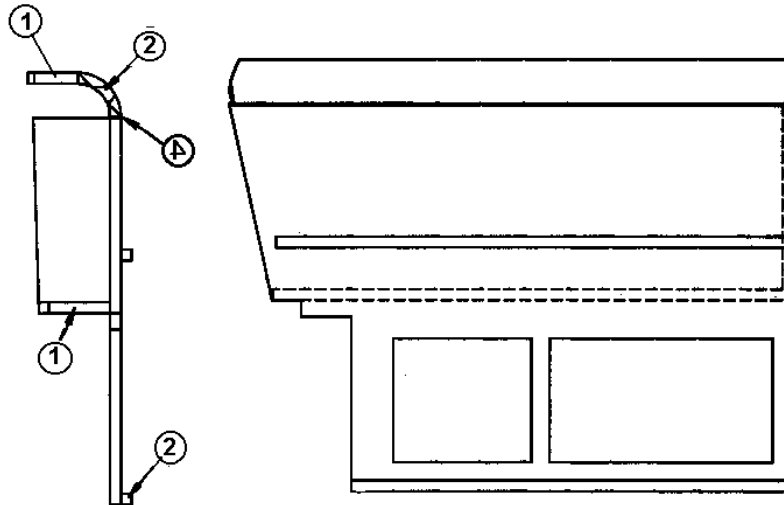


- | | |
|--------------|-------------------------------------|
| 965870 | FRAME ASSEMBLY-BED, 16' |
| 1. 800506-03 | PLYWOOD, 3/8" X 4' X 8' |
| 2. 850082 | POPLAR, .75" X 2.00" |
| 3. 801436-01 | PANEL, BLACK MAP/WHITE 18M V |
| 4. 801438 | PANEL-FROST WHITE VINYL/RAW 2.7MM |
| 5. 801375-22 | DOOR-DINETTE 20.5" X 16.5" |
| 6. 801375-23 | DOOR-DINETTE 17.5" X 16.5" |
| 7. 380458 | HINGE PIANO BROWN ANODIZED |
| 8. 203419 | Storage box, 23" x 16.75" x 11.88" |
| 9. 203447 | Storage box, 23" x 16.75" x 6.38" |
| 801369-01 | PANEL, FROST WHITE/WHITE LIN 18 |
| 365267 | EDGE BANDING-1.13" .024 PLY |
| 365278-01 | EDGE BANDING-BLACK MAPLE 1.13" |
| 703190 | MATTRESS-48" X 78" W/DLB RADIUS COR |
| 381853 | HINGE-CONTINUOUS, PIANO |
| 381228-01 | CATCH GRABBER DOOR |

2005 INTERNATIONAL TRAVEL TRAILER

FURNITURE, BEDROOM

Hamper-Headboard Assembly, 16', 965871

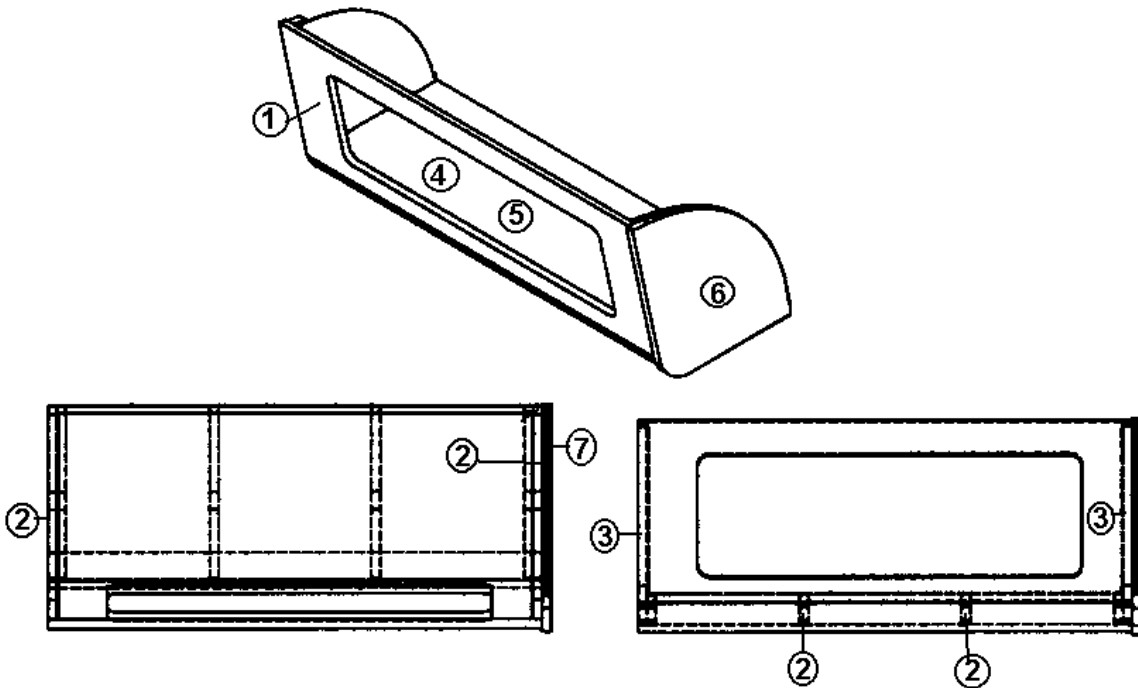


- | | |
|--------------|--|
| 965871 | Hamper-Headboard Assembly, 16 FT. |
| 1. 801378 | Panel, Whiteliner/Gator |
| 2. 801345 | Radius plywood, .75" x 3" x 8' |
| 3. 800025-01 | Pine. Stained, 3/4" x 3/4" |
| 4. 380458 | Hinge, piano, brown, anodized |
| 5. 700414 | Foam, 3/8" x 72; wide (specify length) |
| 6. 703198 | VINYL-ALANTE AL 810 WHITE |
| 7. 702482-03 | HEADLINER SPECTRA OPAL |

2005 INTERNATIONAL TRAVEL TRAILER

FURNITURE, BEDROOM

ROOF LOCKER ASSEMBLY, BEDROOM, 16', before 518384



965868	ROOF LOCKER ASSEMBLY, BEDROOM, 16'
1. 801464	PANEL LAY OUT-ROOFLOCKER
2. *801351	LITE PLY-18MM (.75") 4' X 8'
3. *801369-01	PANEL, FROST WHITE/WHITE LINER
4. 203388	TRACK-SLIDING DOOR
5. 965563-01	DOOR-SLIDING PLEXI GLASS 17.50"
6. 801460-11	END CAP-GAL/DIN R/L RH
7. 115148-02	ANGLE-OVERHEAD R/L 68.88"

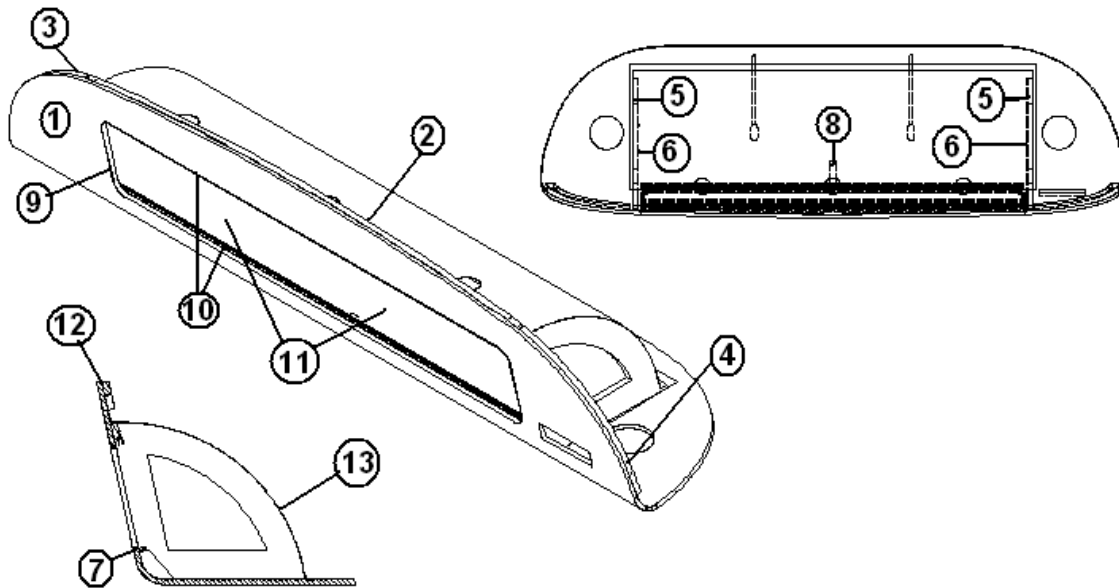
*Laminate glued on per color scheme.

801355-01	LAMINATE FROST WHITE 4'X8'VERTICAL
801369-01	PANEL, FROST WHITE/WHITE LINER
365267	EDGEBANDING-1.13" .024 PLY

2005 INTERNATIONAL TRAVEL TRAILER

FURNITURE, BEDROOM

Roof Locker, Rear End Liner, 16' start 518384

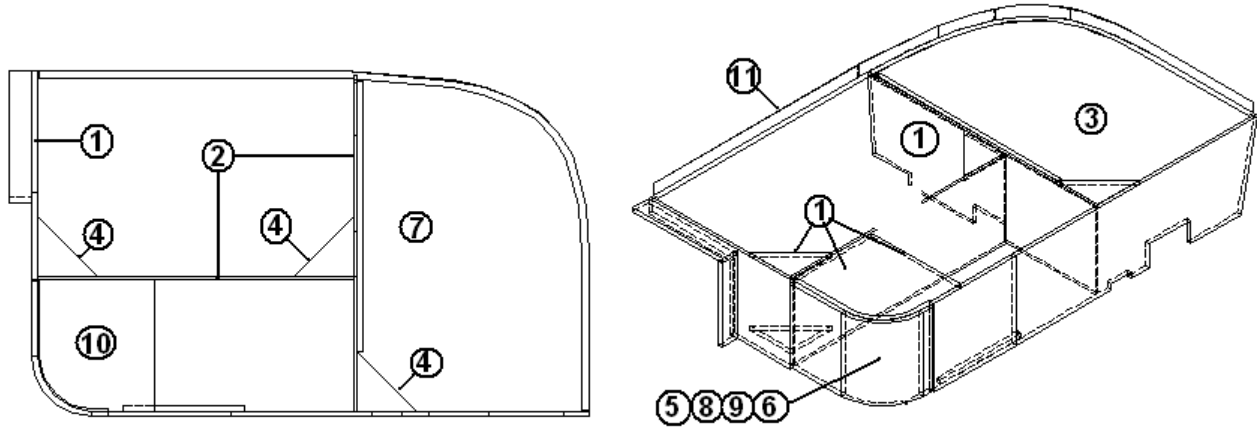


- | | |
|---------------|---|
| 966387-02 | Roof Locker, Rear End Liner |
| 1. 801593-03 | Locker face, rear liner roof locker |
| 2. 801596-01 | Backer, liner locker, center |
| 3. 801596-02 | Backer, liner locker, LH |
| 4. 801596-03 | Backer, liner locker, RH |
| 5. 801594 | Divider, liner locker |
| 6. 801595 | Divider, liner locker, w/o Audio Switch Holes |
| 6. 801595-01 | Divider, liner locker, w/o Audio Switch Holes |
| 7. 115261-01 | Angled, formed, 58.50" |
| 8. 115226-01 | Bracket, locker center support |
| 9. 203508-01 | T-trim, 9/16", wood grain |
| 10. 381245 | Sliding door track |
| 11. 965563-08 | Door, sliding Plexiglas, 11.31" x 30" |
| 12. 201673 | Cove molding, Ivory, plastic |
| 13. 115264-02 | Pan, liner, locker |

2005 INTERNATIONAL TRAVEL TRAILER

FURNITURE, BEDROOM

BED BASE ASSEMBLY, 19', 965753

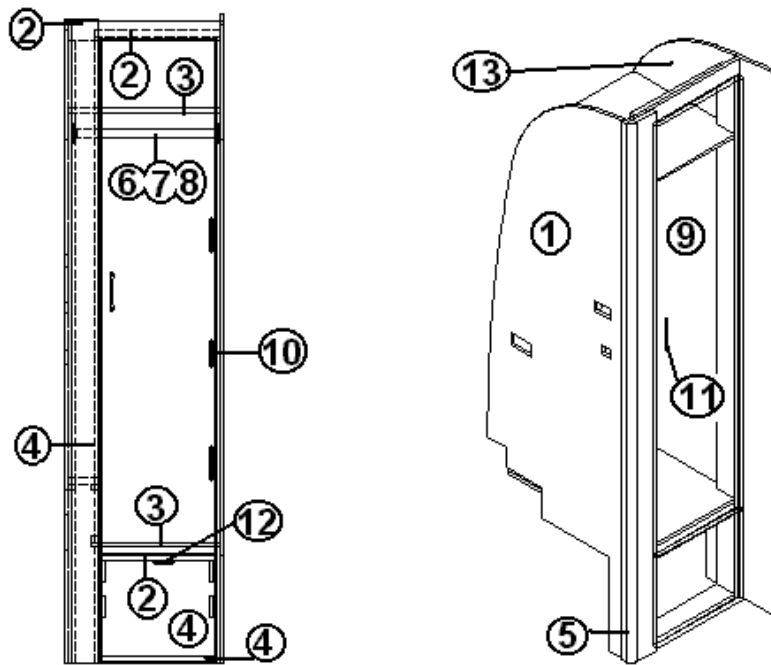


965753	BED BASE ASSEMBLY, 19'
1. 801436-01	PANEL, BLK MAP/WHITE 18MM
2. 801392	PANEL, WHITELINER/WHITELINER
3. 800507-03	LAUAN, 3/8"X 4' X 8'
4. 801351	LITE PLY-18MM (.75") 4' X 8'
5. 966058-01	DOOR ASSY - BED
6. 380458	HINGE PIANO BROWN ANODIZED
7. 703286-05	Mattress, corner double, 48" x 76"
8. 381607	HINGE ASSY-GRASS EURO
9. 381773-26	CLIP-LOCKING (DRAWER SLIDE/BOX)
10. 203419	BOX STORAGE 23"LX16.75"WX11.88"
10A. 203439	STORAGE BOX-17"LX11.13"WX6.38"
114813	ALUMINUM ANGLE 1.00" X 1.50"
701538-01	CARPET, ECONOLIER W/PSA BACK
701538	CARPET, ECONOLIER VELOUR BLACK
701538-02	PSA BACKING-ECONOLINE CARPET
115150	ANGLE-BED SUPPORT 80"

2005 INTERNATIONAL TRAVEL TRAILER

FURNITURE, BEDROOM

WARDROBE ASSEMBLY, RS, 19' 965840-01

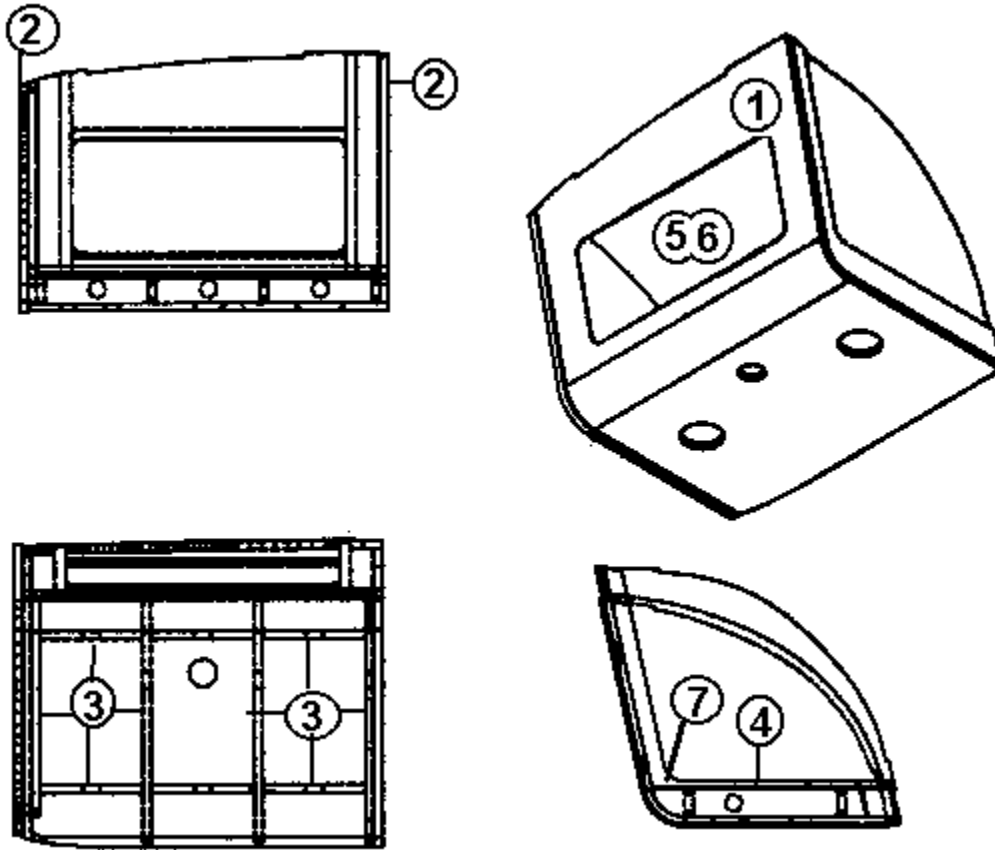


965840-01	WARDROBE ASSEMBLY, RS, 19'
1. 801460-02	PANEL-RS AFT WARDROBE, 25'SS
2. 801456-01	PANEL, BLACK MAPLE/WHITE LIN 12M
3. 801392	PANEL, WHITELINER/WHITELINER
4. 801436-01	PANEL, BLACK MAPLE/WHITE 18M
5. 801393-02	CORNER TRIM-90D 1"RADIUS, 84"
6. 380046	FLANGE CHROME
7. 380045	TUBING 3/4" METALLIC
8. 200975-04	CONDUIT, FLEXIBLE BLACK PLASTIC
9. 801341-60	DOOR-RS WARDROBE 14.25" X 62.38"
10. 381607	HINGE ASSY-GRASS EURO
11. 381775	DRAWER PULL, FLUSH
12. 381228-01	CATCH GRABBER DOOR
13. 801460-13	PANEL-FWD RS WARDROBE, 19'
365278-03	EDGEBANDING-BLACK MAPLE .625"
381832	SHELF-TV RECESSED, BLACK

2005 INTERNATIONAL TRAVEL TRAILER

FURNITURE, BEDROOM

ROOFLOCKER ASSEMBLY, REAR, 19', before unit 518363

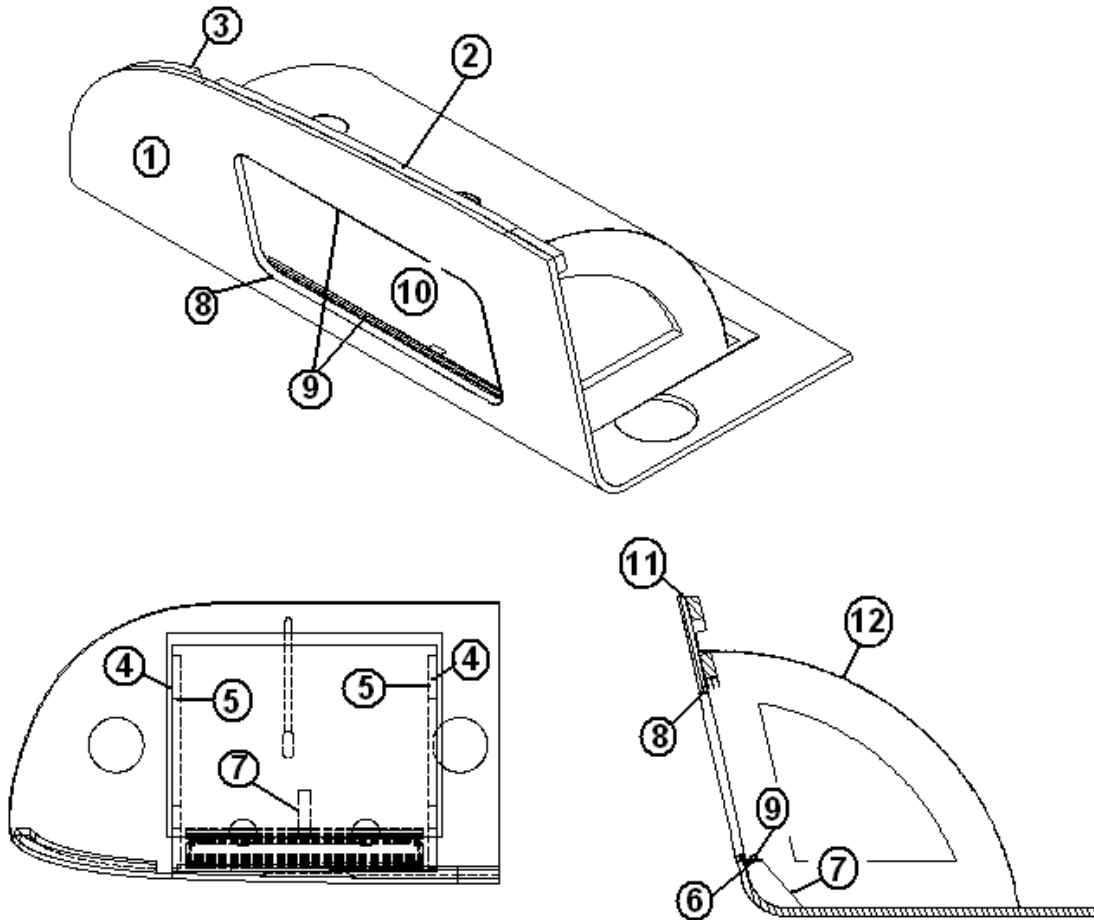


965918	ROOFLOCKER ASSEMBLY, REAR
1. 801461	PANEL, REAR OVERHEAD
2. 801351	LITE PLY-18MM (.75") 4'X 8
3. 850072	POPLAR, .75" X 2.50"
4. 801353	LITE PLY, 4'X 8'
5. 203388	TRACK-SLIDING DOOR
6. 965563-04	DOOR SLIDING PLEXIGLASS 13.00
7. 115148-01	ANGLE-OVERHEAD R/L 36.13"
800581-044	HARDWOOD-13/16 X 2.5"
801355-01	LAMINATE FROST WHITE 4'X 8'VERTICAL
365278-01	EDGE BANDING-BLACK MAPLE 1.13"
801436-01	PANEL-, BLACK MAPLE/WHITE

2005 INTERNATIONAL TRAVEL TRAILER

FURNITURE, BEDROOM

Roof Locker, Rear End Liner, 19' start - 518363

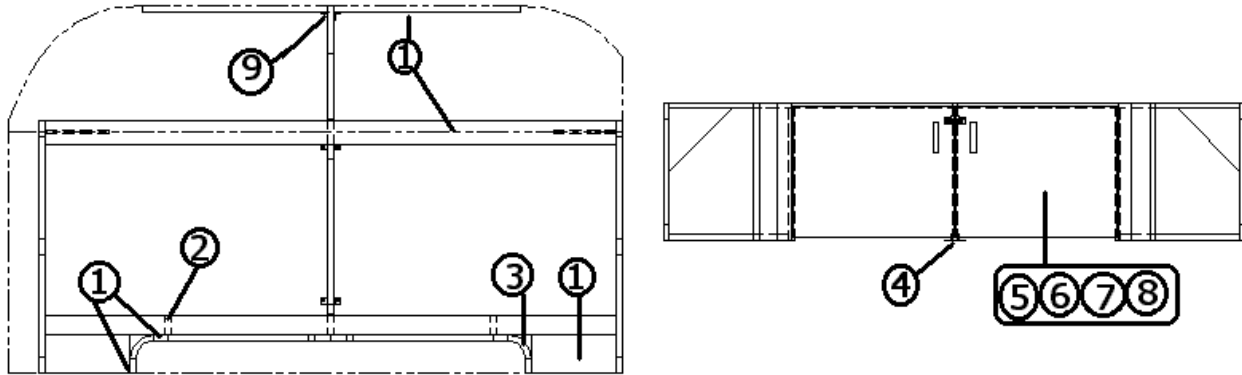


- | | |
|---------------|---|
| 966388 | Roof Locker, Rear End Liner |
| 1. 801593-06 | Locker face, Rear end roof locker |
| 2. 801596-01 | Backer, liner locker, center |
| 3. 801596-02 | Backer, liner locker, LH |
| 4. 801594 | Divider, liner locker |
| 5. 801595 | Divider, liner locker, w/o Audio Switch Holes |
| 5. 801595-01 | Divider, liner locker, w/o Audio Switch Holes |
| 6. 115261-04 | Angled, formed, 22" |
| 7. 115226-01 | Bracket, locker center support |
| 8. 203508-01 | T-trim, 9/16", wood grain |
| 9. 381245 | Sliding door track |
| 10. 965563-05 | Door, sliding Plexiglas, 11.31" x 11.75" |
| 11. 201673 | Cove molding, Ivory, plastic |
| 12. 115264-04 | Pan, liner, locker |

2005 INTERNATIONAL TRAVEL TRAILER

FURNITURE, BEDROOM

Bed Assembly, 22' Model

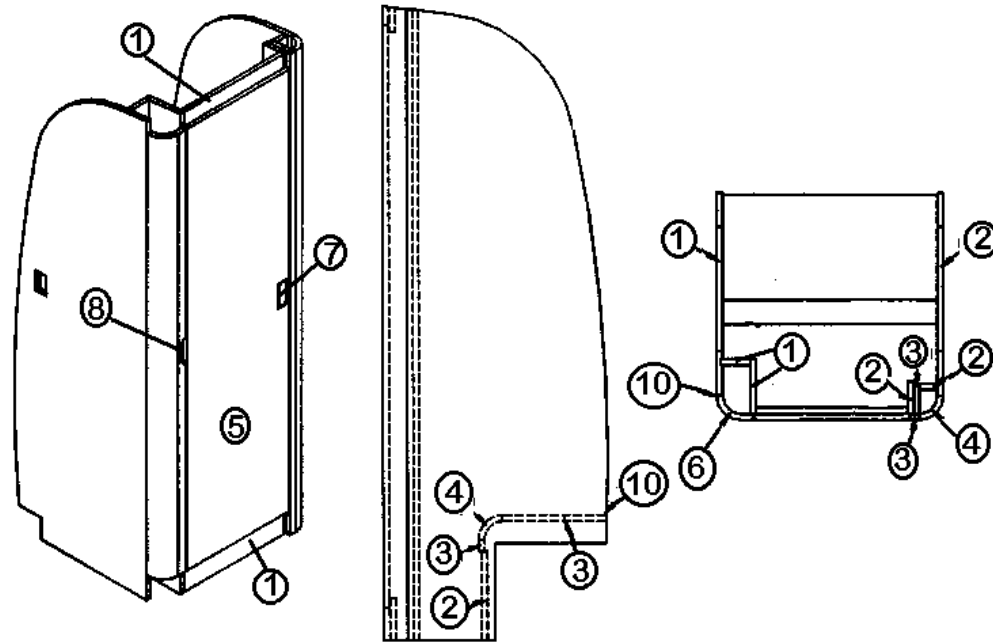


- | | |
|--------------|---|
| 965978 | Assembly, Bed base, 22' |
| 1. 801351 | Light plywood, $\frac{3}{4}$ " |
| 2. 801368 | Panel, white liner/White liner |
| 3. 801345 | Radius plywood, $\frac{3}{4}$ " x 3" x 8' |
| 4. 801268-01 | Edge tape, 1 $\frac{5}{16}$ ", white |
| 5. 801375-12 | Door, 20.56" x 16.50" |
| 6. 381607 | Hinge, assembly, grass euro |
| 7. 381228-01 | Grabber catch |
| 8. 381775 | Drawer/door handle |
| 9. 385693-01 | Bracket mounting bracket, lambrequin |
| 801355-01 | LAMINATE, FROST WHITE 4' X 8' |
| 365238-01 | EDGEBANDING TAPE PVC 15/16" |
| 203419 | BOX STORAGE 23"L X 16.75" W X 11.88" |
| 703190 | MATTRESS-48" X 78" W/DLB RADIUS CORNER |

2005 INTERNATIONAL TRAVEL TRAILER

FURNITURE, BEDROOM

Wardrobe Assembly, 22'

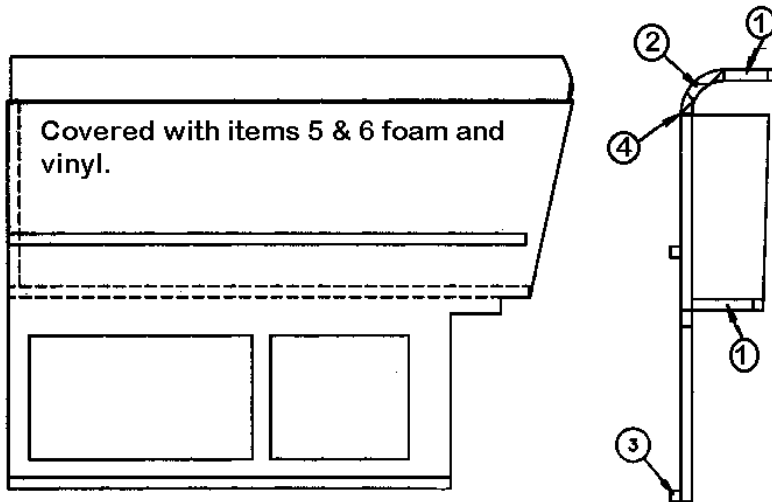


- 965527 Wardrobe Assembly, 22 FT.
1. 801436-01 PANEL, BLACK MAPLE/WHITE
2. 801378 PANEL, WHITE LINER/GATOR
3. 801351 Lite plywood, .75" x 4' x 8'
4. 801345 Radius plywood, .75" x 3" x 8'
5. 801375-08 Door, Slatewood, 19.50" x 72.00"
6. 965536 Foldette door cover
7. 381775 Drawer handle
8. 381607 Hinge, Grass-Euro
9. 381228-01 Door Grabber catch
10. 380203-01 Piano hinge 1/8" pin clear anodized
- 801439-01 LAMINATE-BLACK MAPLE, 4' X 8',
 VERTICAL
- 365278-01 EDGEBANDING-BLACK MAPLE 1.13"
- 801436-01 PANEL-PRELAM BLK MAPLE/WHITE

2005 INTERNATIONAL TRAVEL TRAILER

FURNITURE, BEDROOM

Hamper-Headboard/TV Shelf, 19', 22'

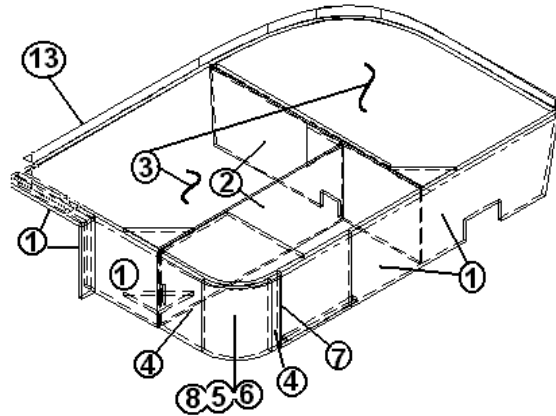
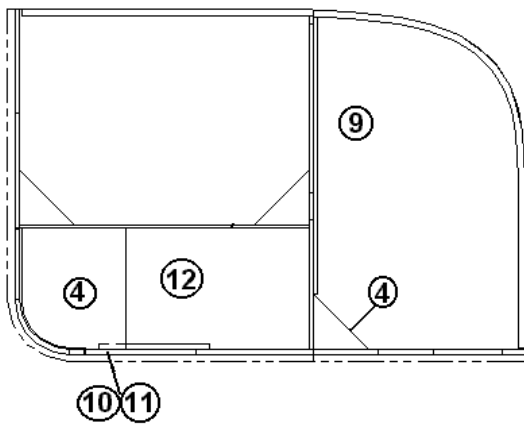


- | | |
|--------------|--|
| 965531 | Hamper-Headboard Assembly, 22 FT. |
| 1. 801378 | Panel, Rexel/raw |
| 2. 801345 | Radius plywood, .75" x 3" x 8' |
| 3. 800025-01 | Pine. Stained, 3/4" x 3/4" |
| 4. 380458 | Hinge, piano, brown, anodized |
| 5. 700414 | Foam, 3/8" x 72; wide (specify length) |
| 6. 702482-03 | HEADLINER SPECTRA OPAL X TEXTU |
| 381241-004 | TV SHELF W/ MIRROR |

2005 INTERNATIONAL TRAVEL TRAILER

FURNITURE, BEDROOM

BED BASE ASSEMBLY, 25'

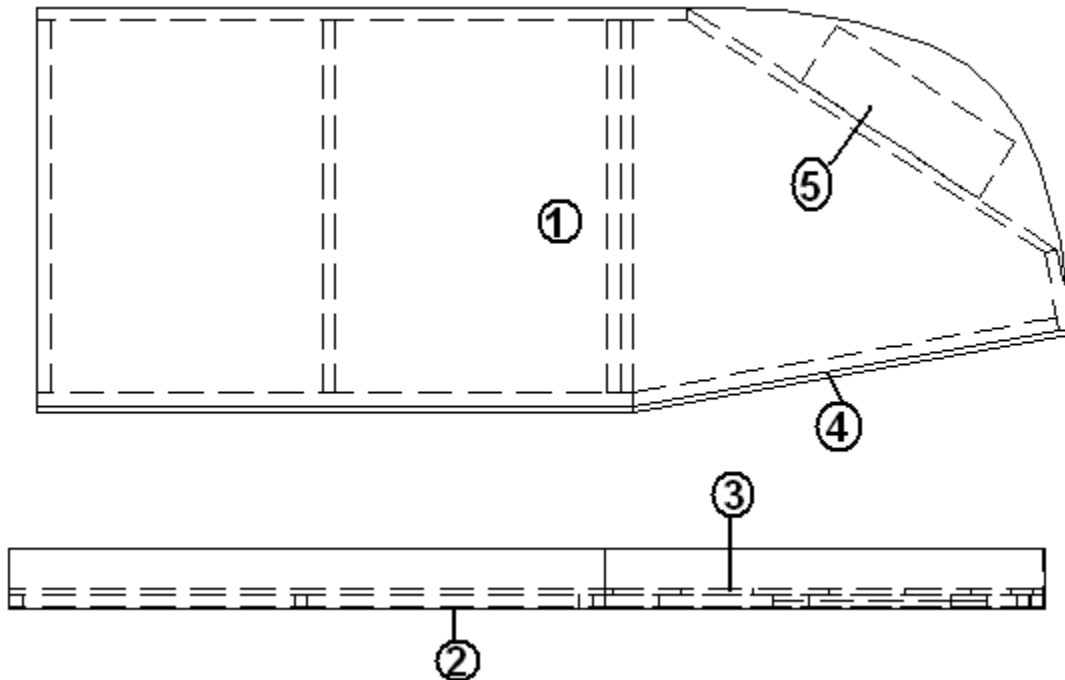


965843	BED BASE ASSEMBLY, 25
1. 801436-01	PANEL, BLACK MAPLE/WHITE 18MM
2. 801392	PANEL, WHITELINER/WHITELINER
3. 800507-03	LAUAN, 3/8" X 4' X 8'
4. 801351	LITE PLY-18MM (.75") 4' X 8'
5. 801348	RADIUS PLYWOOD-.75" X 8" X 6'
6. 966058-01	DOOR ASSEMBLY, BED
7. 381853	HINGE, ALUMINUM, PIANO
8. 701538-01	CARPET-ECONOLIER
9. 703286-05	Mattress, corner double, 48" x 76"
10. 381775	DRAWER PULL-FLUSH SATIN #UT-10
11. 381773-26	CLIP-LOCKING (DRAWER SLIDE/BOX)
12. 203419	BOX STORAGE 23"L X 1 6.75" W X 11.88"
12a. 203439	STORAGE BOX, 17"L X 11.13" W X 6.38"
13. 115150	ANGLE-BED SUPPORT 80"
114813	ALUMINUM ANGLE 1.00" X 1.50"

2005 INTERNATIONAL TRAVEL TRAILER

FURNITURE, BEDROOM

966109-01 BED, BUNK OPTION 25'



- | | |
|--------------|-------------------------------------|
| 966109-01 | BED, UPPER BUNK 25' |
| 1. 915742 | WELDMENT- UPPER BUNK BED |
| 2. 801438 | PANEL, FRONT, WHITE VINYL/RAW |
| 3. 800507-03 | LAUAN, 3/8" X 4' X 8' |
| 4. 801456 | PANEL, BLACK MAPLE/WHITE LINER 12MM |
| 5. 801392 | PANEL, WHITELINER/WHITELINER |
| 703451 | MATTRESS- 4" X 30" X 78" |
| 365209 | TAPE-FOAM, .045 X 1/2", BLACK |

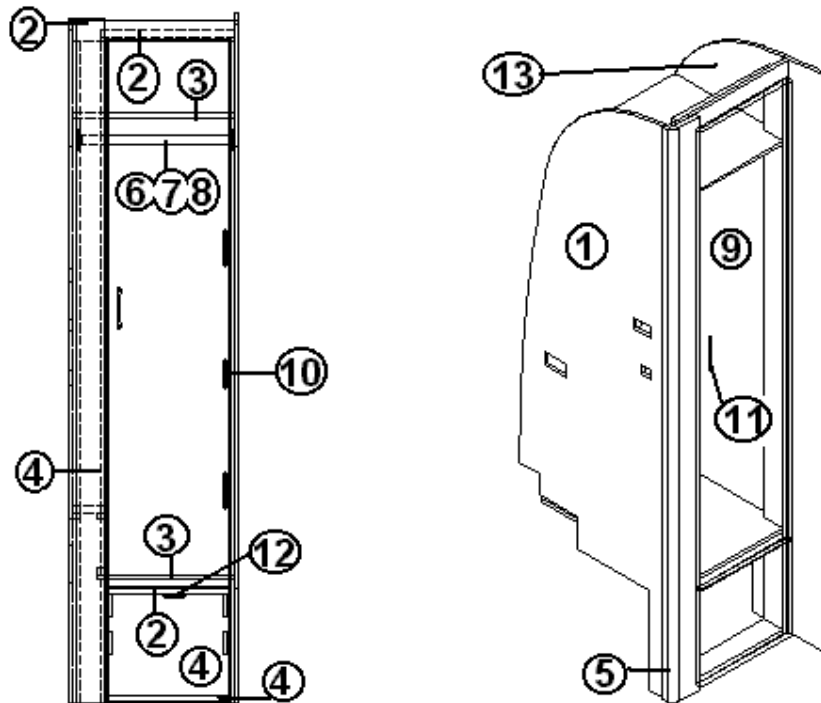
DOOR, FOLDETTE, 25'

- | | |
|-----------|---|
| 702681-04 | DOOR FOLDETTE IRVINE 56" X 73" |
| 101038 | EXTRUSION, HEADER, 110', BROWN |
| 801343-01 | LAMINATE, TROPICAL OAK 4' X 8' VERTICAL |
| 200003-01 | END CAP MOUNTING, BLACK |
| 701342-01 | STRAP, VINYL, HOLD BACK, 7.0" LONG |

2005 INTERNATIONAL TRAVEL TRAILER

FURNITURE, BEDROOM

RS WARDROBE ASSEMBLY, RS, 25', 965840

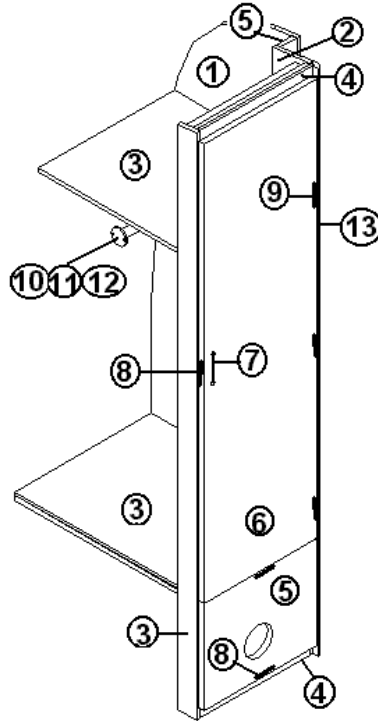


965840	RS WARDROBE ASSEMBLY, 25'
1. 801460-02	PANEL-RS AFT WARDROBE, 25'
2. 801456-01	PANEL, BLACK MAPLE/WHITE LIN 12M
3. 801392	PANEL, WHITELINER/WHITELINER
4. 801436-01	PANEL, BLACK MAPLE/WHITE 18M
5. 801393-02	CORNER TRIM-90D 1"RADIUS, 84"
6. 380046	FLANGE CHROME
7. 380045	TUBING 3/4" METALLIC
8. 200975-04	CONDUIT, FLEXIBLE BLACK PLASTIC
9. 801341-60	DOOR-RS WARDROBE 14.25" X 62.38"
10. 381607	HINGE ASSY-GRASS EURO
11. 381775	DRAWER PULL, FLUSH
12. 381228-01	CATCH GRABBER DOOR
13. 801460-03	PANEL-FWD RS WARDROBE
365278-01	EDGE BANDING-BLACK MAPLE 1.13"
365238-04	EDGE BANDING TAPE PVC 5/8" WHITE
365278-03	EDGE BANDING-BLACK MAPLE .625"
381832	SHELF-TV RECESSED, BLACK

2005 INTERNATIONAL TRAVEL TRAILER

FURNITURE, BEDROOM

WARDROBE, CS, 19', 25', 965841, 965841-01 w/ BUNK OPTION,
25'

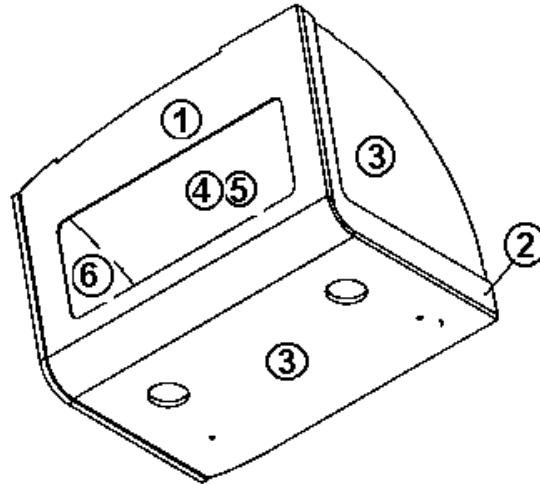


965841	WARDROBE ASSY, CS
1. 801460-06	PANEL-CS AFT WARDROBE
1a. 801460-15	PANEL-CS AFT WARDROBE, w/upper bunk
2. 801460-07	PANEL-FWD FOLDETTTE DOOR
3. 801392	PANEL, WHITELINER/WHITELINER
4. 801383	PANEL, TROPICAL OAK/WHITELINER
5. 801436-01	PANEL, BLACK MAPLE/WHITE 18M H
6. 801341-70	DOOR-RS W/R 17.5" X 61.25"
7. 381775	DRAWER PULL, FLUSH
8. 381228-01	CATCH GRABBER DOOR
9. 381607	HINGE ASSY-GRASS EURO
10. 380046	FLANGE CHROME
11. 380045	TUBING 3/4", METALLIC
12. 200975-04	CONDUIT, FLEXIBLE BLACK PLASTIC
13. 801393-02	CORNER TRIM-90D 1"RADIUS, 84"
801393-02	CORNER TRIM-90D 1" RADIUS 84"
381832	SHELF-TV RECESSED

2005 INTERNATIONAL TRAVEL TRAILER

FURNITURE, BEDROOM

ROOF LOCKER, REAR OVERHEAD 25', Before unit 518386

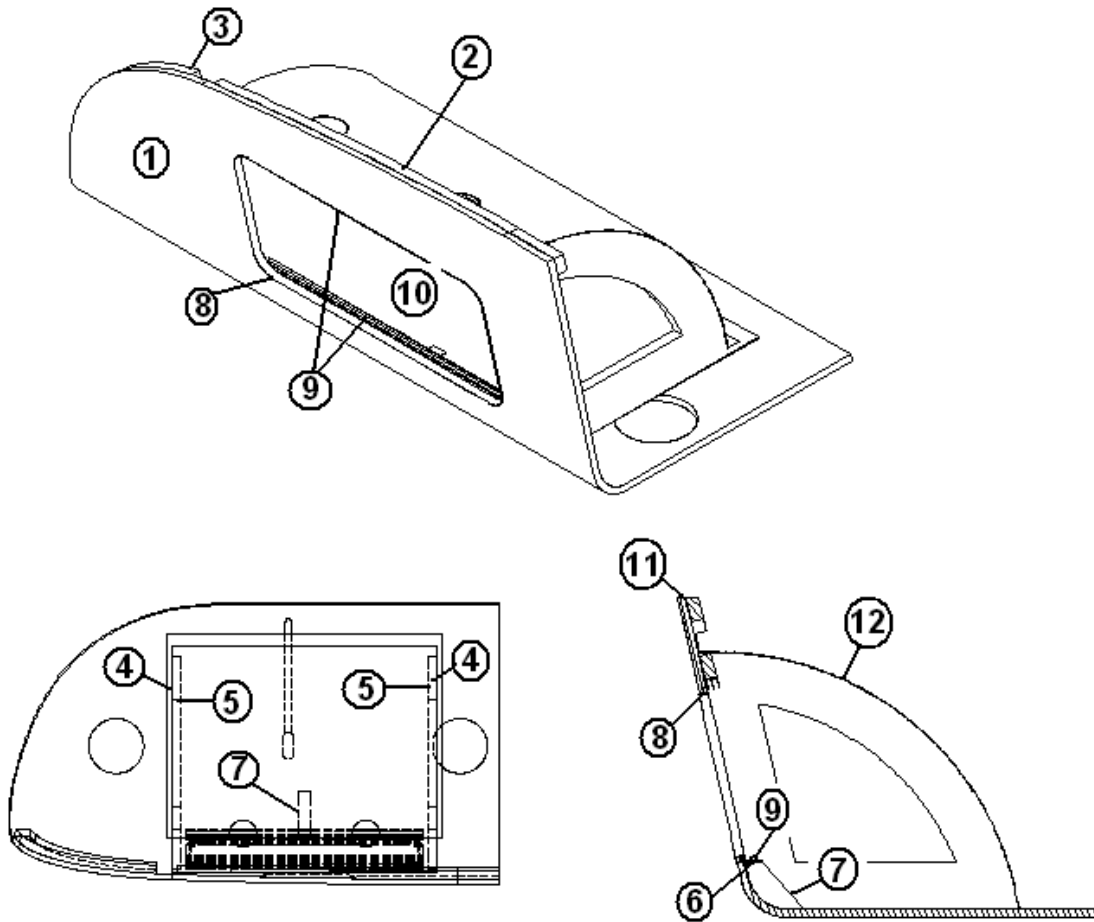


965855	LOCKER ASSY-REAR OVERHEAD 25'
1. 801461	PANEL INSTALL-REAR OVERHEAD
2. 801351-01	LITE PLY-18MM (.75") 4'X 8'
3. 801353	LITE PLY, 4' X 8'
4. 203388	TRACK-SLIDING DOOR
5. 965563-01	DOOR-SLIDING PLEXI GLASS 17.50"
6. 801436	PANEL, BLACK MAPLE/WHITE 18M
115148-01	ANGLE-OVERHEAD R/L 36.13"
365278-01	EDGE BANDING-BLACK MAPLE 1.13"

2005 INTERNATIONAL TRAVEL TRAILER

FURNITURE, BEDROOM

Roof Locker, Rear End Liner, 25' start-518386

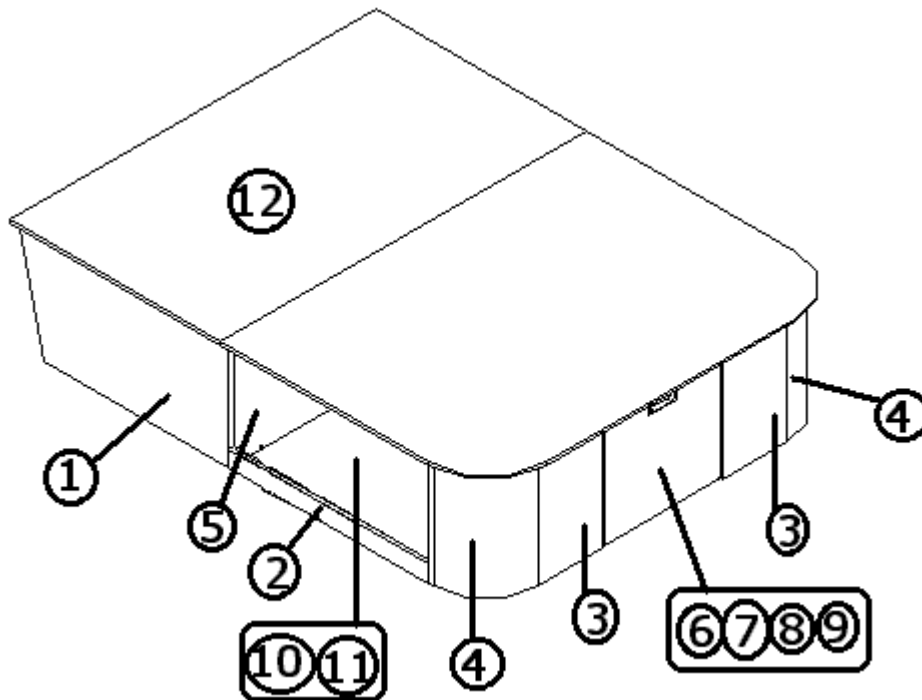


- | | |
|---------------|---|
| 966389 | Roof Locker, Rear End Liner |
| 1. 801593-05 | Locker face, Rear end roof locker |
| 2. 801596-01 | Backer, liner locker, center |
| 3. 801596-02 | Backer, liner locker, LH |
| 4. 801594 | Divider, liner locker |
| 5. 801595 | Divider, liner locker, w/o Audio Switch Holes |
| 5. 801595-01 | Divider, liner locker, w/o Audio Switch Holes |
| 6. 115261-03 | Angled, formed, 28.50" |
| 7. 115226-01 | Bracket, locker center support |
| 8. 203508-01 | T-trim, 9/16", wood grain |
| 9. 381245 | Sliding door track |
| 10. 965563-03 | Door, sliding Plexiglas, 11.31" x 15" |
| 11. 201673 | Cove molding, Ivory, plastic |
| 12. 115264-03 | Pan, liner, locker |

2005 INTERNATIONAL TRAVEL TRAILER

FURNITURE, BEDROOM

Bed Base, 28', 965988

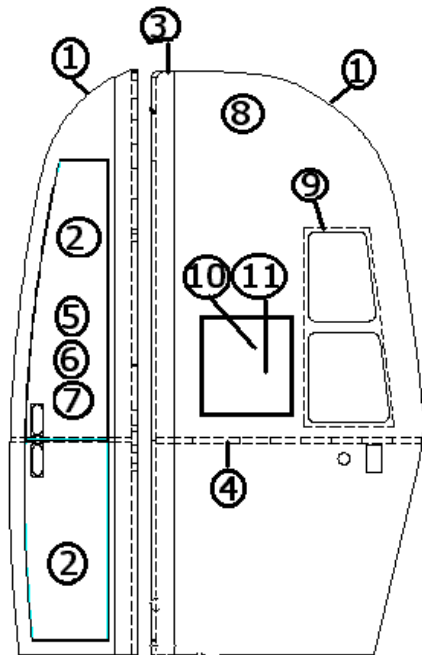


965988	Bed Base, 28'
1. 801436-01	Panel, black Maple/White liner, 18mm
2. 801368	Laminate, white liner/white liner
3. 801351	Lite ply, 3/4"
4. 801348	Radius plywood, .75" x 8" x 6'
5. 801392	Panel, white liner/white liner
6. 801375-13	DOOR-BED BASE 15.75"X 17.88"
7. 381775	Drawer pull
8. 381607	Hinge assembly, Grass-Euro
9. 381228-01	Door grabber catch
10. 203419	Storage box, 23"L x 16.75"W x 11.88"H
11. 203426	Storage box, 35"L x 16.75"W x 12.50"H
12. 703336	Mattress, 60" x 75", 11" radius
365278-01	EDGE BANDING-BLACK MAPLE 1.13"

2005 INTERNATIONAL TRAVEL TRAILER

FURNITURE, BEDROOM

Rear Closets, 28', CS-965994, RS-965995



965994

CS Rear Closet, 28' (shown)

965995

RS Rear Closet, 28' (opposite)

1. 01378-01

Panel, white liner/gator, 18mm

2. 801436-01

Panel, Black décor, Maple/White

3. 801345

Radius plywood, .75" x 3" x 8'

4. 801386

Panel, white liner/white liner, 18mm

5. 381607

Hinge assembly, Grass-Euro

6. 381228-01

Grabber catch

7. 381775

Drawer pull, satin

8. 801439-01

Laminate, black décor, maple

9. 965768-01

Book shelf, CS

9a. 965768-02

Book shelf, RS

10. 386106-01

Magazine rack

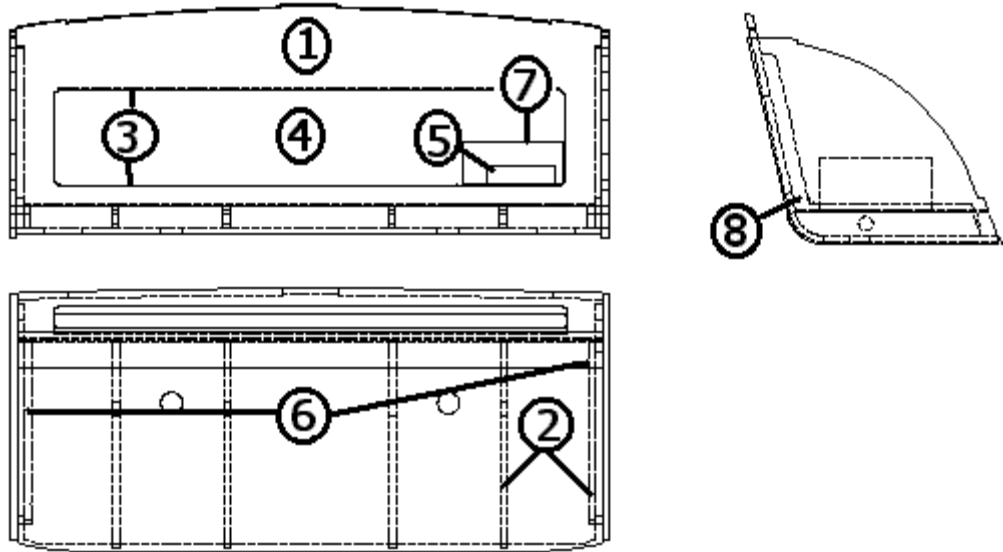
11. 386107

Magazine, rod

2005 INTERNATIONAL TRAVEL TRAILER

FURNITURE, BEDROOM

Roof Locker, Rear Overhead, 28', Before unit 518390

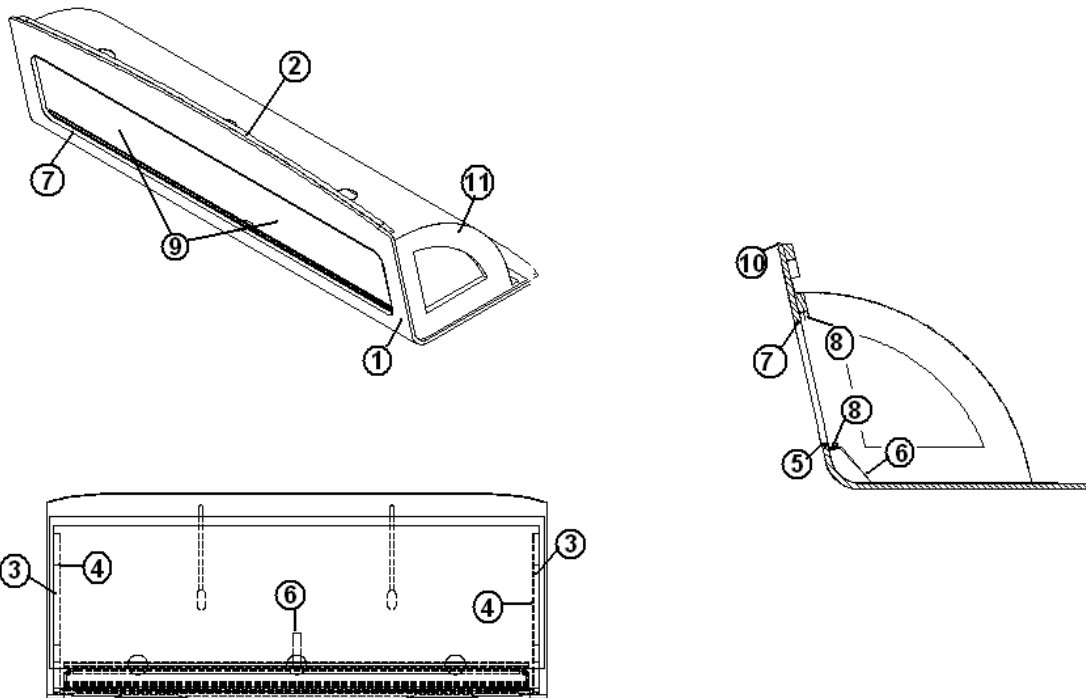


- 965990-02 Roof Locker Assembly, Rear Overhead, 28'
- 1. 801443 Panel, locker
 - 2. 801351 Lite ply, .75"
 - 3. 203388 Sliding door track, 54"
 - 4. 965563-06 DOOR-SLIDING PLEXI GLASS 27.50"
 - 4a. 965563-03 DOOR-SLIDING PLEXI GLASS 15.00"
 - 5. 965767 Radio box (front locker only)
 - 6. 801359-01 Laminate, Charade and Lemon Grass-
 - 6a. 801437 laminate, Hazard Orange
 - 7. 801369 PANEL FROST WHITE/WHITE LINER
 - 8. 115148 Aluminum angle
 - 801392 PANEL, WHITELINER/WHITELINER
 - 365267 EDGE BANDING-1.13" .024 PLY

2005 INTERNATIONAL TRAVEL TRAILER

FURNITURE, BEDROOM

Roof Locker, Rear End Liner, 28' Start-518390

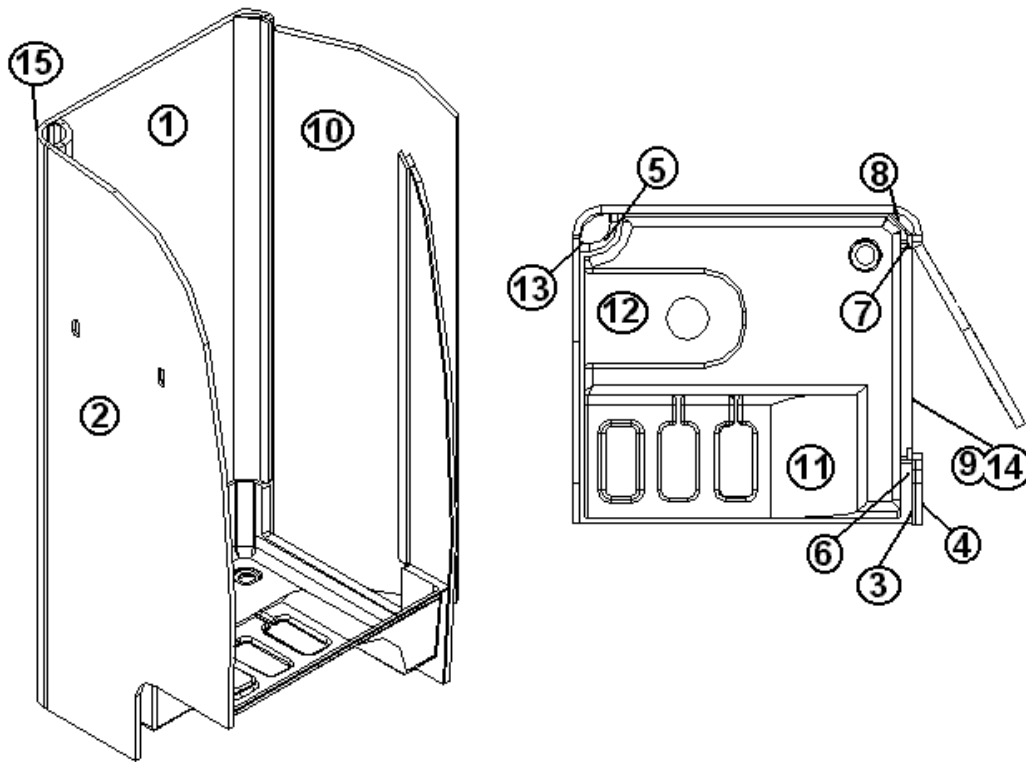


- | | |
|---------------|---|
| 966386 | Roof Locker, Rear End Liner |
| 1. 801593-02 | Locker face, front end roof locker |
| 2. 801596-01 | Backer, liner locker, center |
| 3. 801594 | Divider, liner locker |
| 4. 801595 | Divider, liner locker, w/o Audio Switch Holes |
| 4. 801595-01 | Divider, liner locker, w/o Audio Switch Holes |
| 5. 115261-01 | Angled, formed, 58.50" |
| 6. 115226-01 | Bracket, locker center support |
| 7. 203508-01 | T-trim, 9/16", wood grain |
| 8. 381245 | Sliding door track |
| 9. 965563-08 | Door, sliding Plexiglas, 11.31" x 30" |
| 10. 201673 | Cove molding, Ivory, plastic |
| 11. 115264-01 | Pan, liner, locker |

2005 INTERNATIONAL TRAVEL TRAILER

FURNITURE, BATH

BATH LAYOUT, 16'

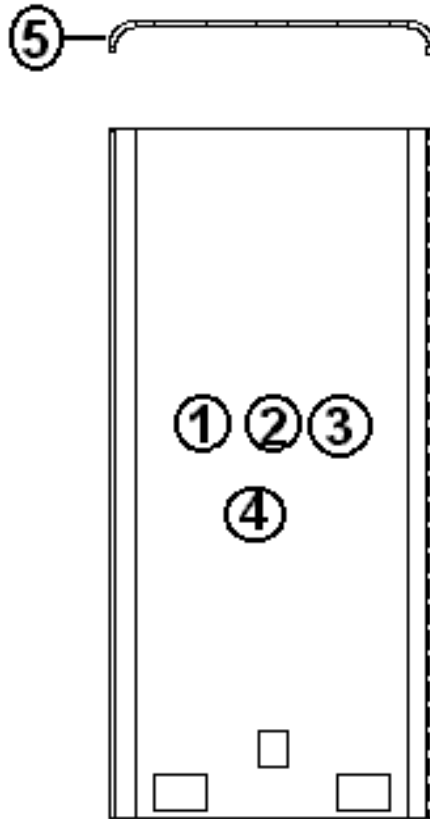


- | | |
|---------------|-----------------------------------|
| 1. 965889-01 | WALL ASSY-WET BATH |
| 2. 801466-01 | PANEL-AFT WET BATH |
| 3. 801466-02 | PANEL-FWD WET BATH |
| 4. 965889-02 | WALL SUB ASSY-FWD WET BATH |
| 5. 965889-03 | CLOSEOUT ASSY-WET BATH |
| 6. 801466-03 | JAMB-DOOR LEFT SIDE |
| 7. 801466-04 | JAMB-DOOR RIGHT SIDE |
| 8. 801466-05 | CLOSEOUT-FWD WET BATH |
| 9. 801466-06 | PANEL-WET BATH CLOSEOUT |
| 10. 965905 | DOOR ASSY-WET BATH 22.5" X 76.06" |
| 11. 203444-01 | BASE-SHOWER FIBERGLASS WHITE |
| 12. 690472 | TOILET-CHINA HI PROFILE WHITE |
| 13. 104913 | EXTRUSION, ANGLE, 1" X 1" X 1" |
| 14. 201666 | MOLDING, J-3/16 PLASTIC |
| 15. 801345 | RADIUS PLYWOOD .75" X 3" X 8" |
| 966022 | FRAME, TV SHELF |
| 601847 | CABINET-MED W/MIRROR 16"X 22" |

2005 INTERNATIONAL TRAVEL TRAILER

FURNITURE, BATH

WALL ASSEMBLY, WET BATH, 16', 965889-01

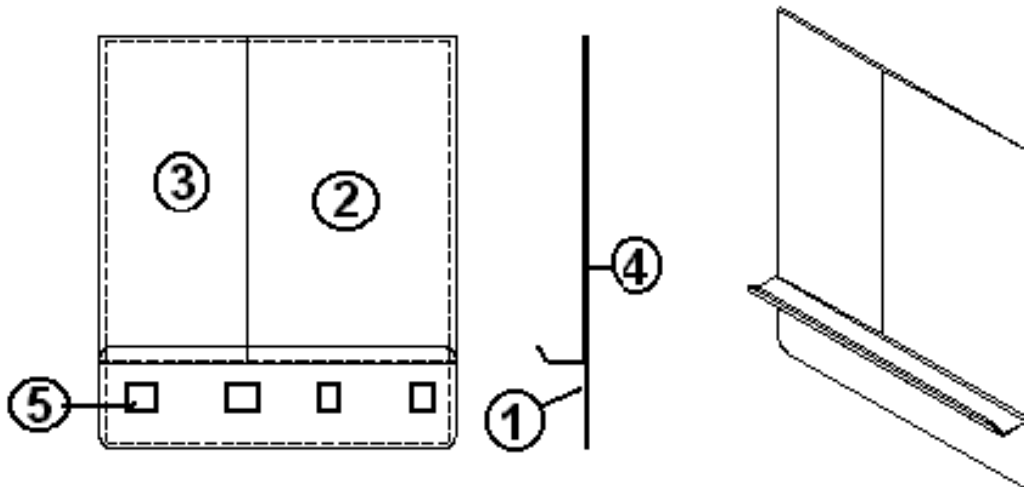


- | | |
|--------------|--|
| 1. 801355-01 | LAMINATE, FROST WHITE 4' X 8' VERTICAL |
| 2. 801437-01 | LAMINATE, EXTREME GREEN VERTICAL 4' |
| 3. 801369-01 | PANEL, FROST WHITE/WHITE LINER |
| 4. 801351 | LITE PLY-18MM (.75") 4' X 8' |
| 5. 801345 | RADIUS PLYWOOD .75" X 3" X 8' |

2005 INTERNATIONAL TRAVEL TRAILER

FURNITURE, BATH

MIRROR/COAT HANGER, 16'

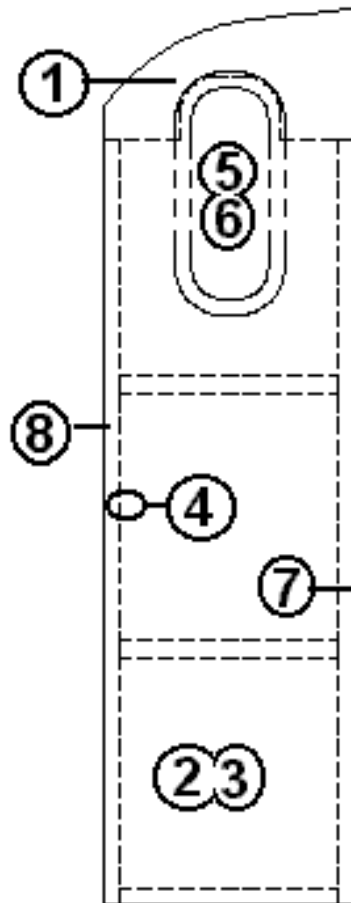


- | | |
|--------------|---------------------------------|
| 1. 203446 | SHELF-7.04" X 24" ORANGE |
| 2. 372203-09 | GLASS SAFETY MİRRORED 14" X 22" |
| 3. 801468 | CORK BOARD-.25" X 10" X 22" |
| 4. 101115 | SHEET, ALUM .060" X 48" X 120" |
| 5. 381384 | HOOK-ALUMINUM, COAT 1.68" |
| 203466 | SPEAKER SPACER-PLASTIC 6.50" J |

2005 INTERNATIONAL TRAVEL TRAILER

FURNITURE, BATH

DOOR, BATH, 16'



- | | |
|--------------|---------------------------------------|
| 965905 | DOOR ASSEMBLY-WET BATH 22.5" X 76.06" |
| 1. 800507-06 | LAUAN-.75" X 4' 8' |
| 2. 800507-01 | LAUAN, 1/8"X4'X8' |
| 3. 801437-01 | LAMINATE-EXTREME GREEN VERTICAL 4' |
| 4. 381771 | LATCH-LEVER LOCKSET PRIVACY |
| 5. 371384 | WINDOW-BATH DOOR |
| 6. 203475 | TRIM, 18" STACK WINDOW 16'/22' |
| 7. 380203-01 | PIANO HINGE 1/8" PIN CLR ANODIZED |
| 8. 365278-04 | EDGEBANDING-BLACK MAPLE 1.25" |

2005 INTERNATIONAL TRAVEL TRAILER

FURNITURE, BATH

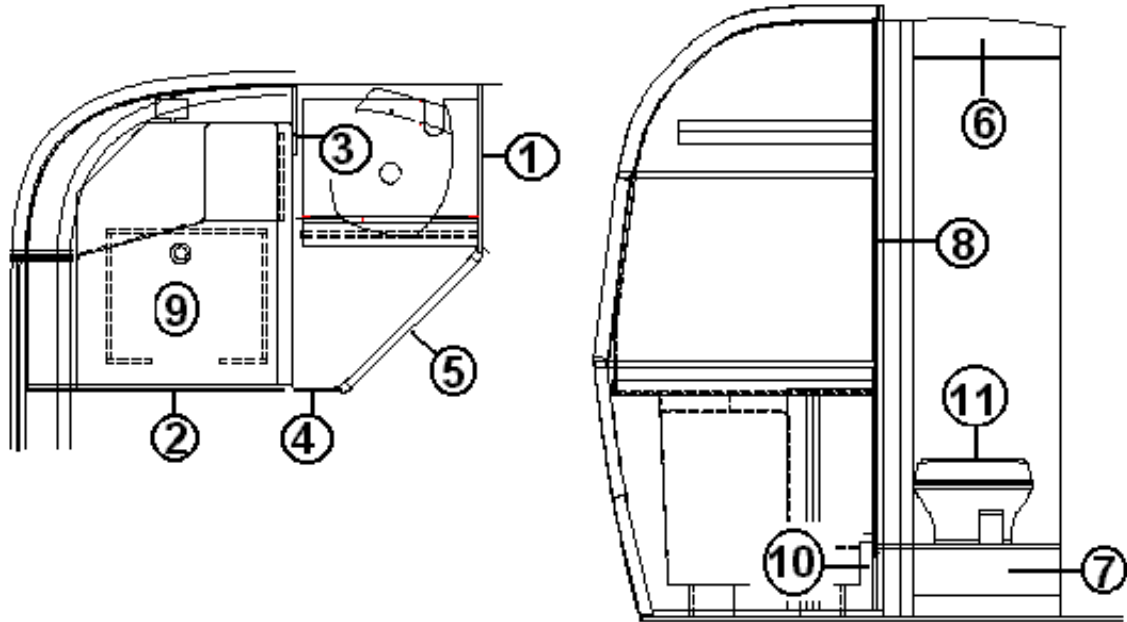
SHOWER CURTAIN, 16'

703467-01	SHOWER CURTAIN
703467-02	SHOWER CURTAIN
703236	FABRIC PENNE OFF WHITE SHOWER
700103	WEBBING 1/2IN FOR SHOWER CURTAIN
700045	GLIDES CURTAIN G3 W/ELASTIC
700021	HOOK, VELCRO, WHITE
700020	PILE VELCRO
703467-03	STRAP-SHOWER CURTAIN
381581	STRAP CLEAR PLASTIC .75" WIDE
700811	BUTTON CAP, HANDY
700812	BUTTON BOTTOM, HANDY
100097	EXTR. ALUM CURTAIN TRACK

2005 INTERNATIONAL TRAVEL TRAILER

FURNITURE, BATH

BATH LAYOUT, 25', 19'

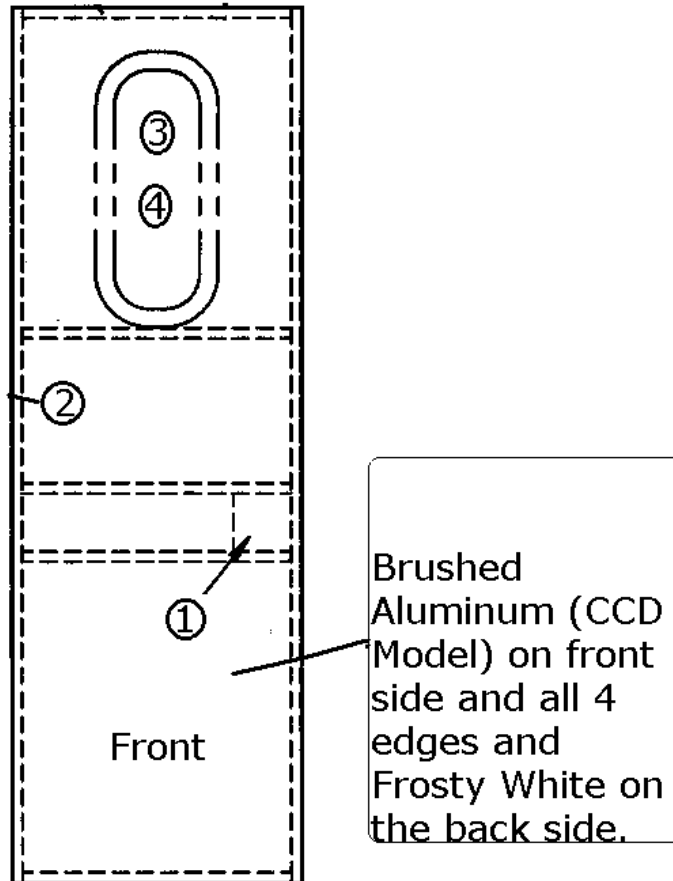


- | | |
|---------------|---------------------------------|
| 1. 801460-08 | PANEL-RS SHOWER, 25' |
| 1a. 801460-14 | PANEL-AFT SHOWER, 19' |
| 2. 801460-09 | PANEL-AFT SHOWER |
| 3. 801460-10 | PANEL-SHOWER DIVIDER |
| 4. 801394-02 | CORNER TRIM-45D 2" RADIUS 84" |
| 5. 966115 | DOOR ASSEMBLY-BATH |
| 6. 965839 | HEADER-BATH DOOR |
| 7. 965838 | STAND ASSY-TOILET |
| 8. 702937-03 | SHOWER DOOR-ROLL AWAY 62" X 36" |
| 9. 203114 | SHOWER 2 PC. FIBERGLASS |
| 10. 965565-01 | CLOSEOUT-SHOWER |
| 11. 690472-01 | TOILET-CHINA LOW PROFILE WHITE |
| 365278-02 | EDGE BANDING-BLACK MAPLE 1.625" |

2005 INTERNATIONAL TRAVEL TRAILER

FURNITURE, BATH

DOOR, BATH, 25', 966115

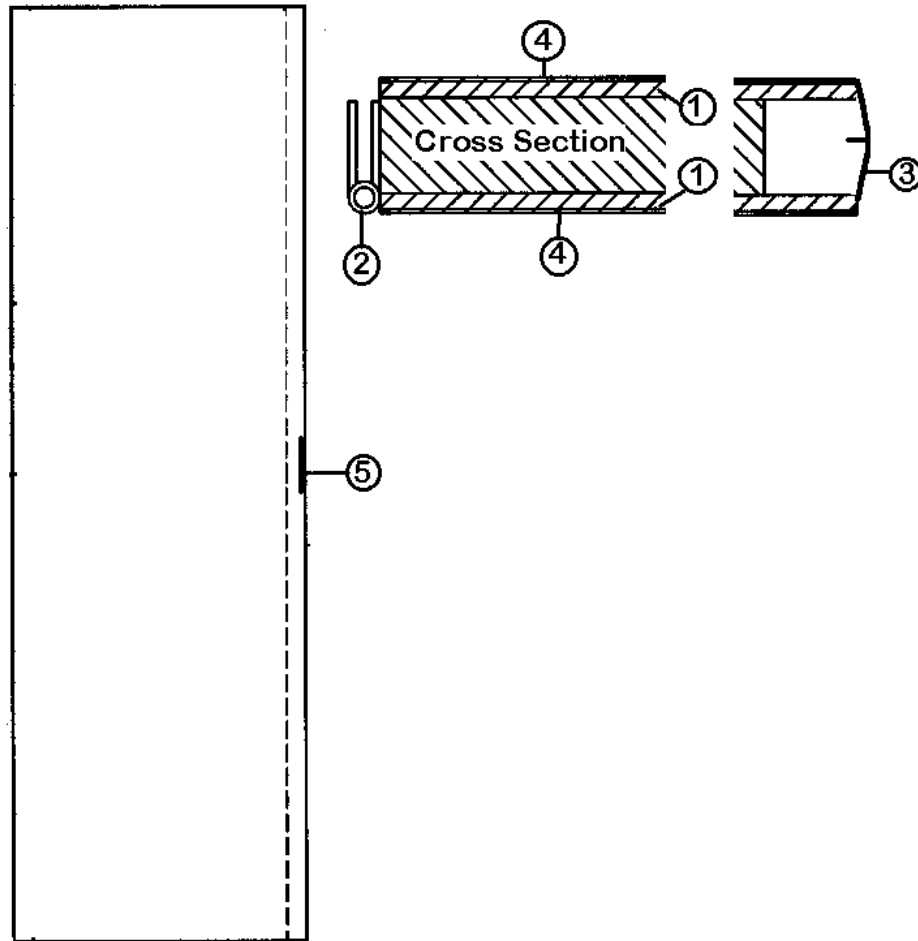


966116	Bath door, 22 Ft.
1. 381771	Latch, bath door
2. 380203-01	Hinge, Clear
3. 371384	Window, 18"
4. 203475	TRIM STACK WINDOW 18
801355-01	Frosty White Formica
801342-01	Brushed Aluminum, LAMINATE
380203-01	PIANO HINGE 1/8" PIN
365278-04	EDGEBANDING-.024"X 1.25" BLACK MAPLE

2005 INTERNATIONAL TRAVEL TRAILER

FURNITURE, BATH

DOOR, BATH, 25' 965567, 19', 965567-01

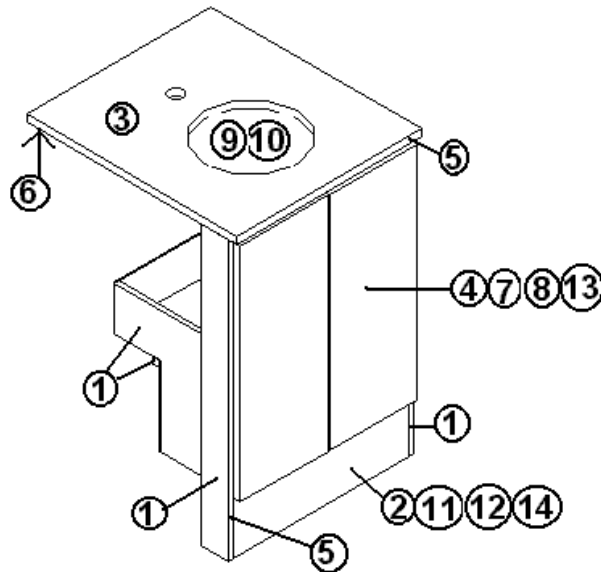


965567	Door Assembly, "C" bath, 25'
965567-01	Door Assembly, "C" bath, 19'
1. 800507-01	Luan
2. 380458	Hinge, piano, brown anodized
3. 365238-04	EDGE TAPE PVC 5/8" Colonial White
4. 801392	PANEL, WHITELINER/WHITELINER
5. 381771	Latch, privacy, lever lock set
801439-01	LAMINATE-BLACK MAPLE, 4' X 8'
801436-01	PANEL, BLACK MAPLE/WHITE 18MM
801392	PANEL, WHITELINER/WHITELINE
365278-04	EDGE BANDING-BLACK MAPLE 1.25"

2005 INTERNATIONAL TRAVEL TRAILER

FURNITURE, BATH

LAVATORY CABINET, 25', 19', 965844

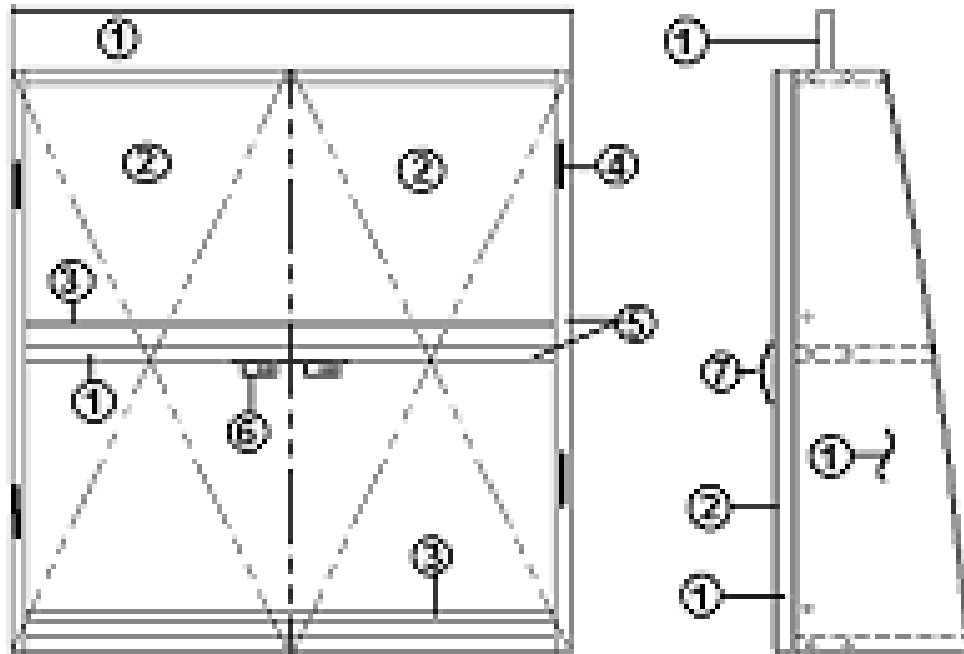


965844	CABINET ASSEMBLY, LAVY 25', 19'
1. 801392	PANEL, WHITELINER/WHITELINER
2. 801456-01	PANEL, BLACK MAPLE/WHITE LINER 12MM
3. 965845	CUTOUT ASSY-LAVY TOP
4. 801375-21	DOOR-DINETTE 11.5"X 18.00"
5. 365278-03	EDGE BANDING-BLACK MAPLE .625"
6. 386141	BRACKET MTG. ANGLE LAMBREQUIN
7. 381607	HINGE ASSY-GRASS EURO-SAFARI
8. 381775	DRAWER PULL, FLUSH
9. 601804-01	SINK-LAVY YUKON ROUND
10. 601813	TAIL PIECE-LIFT/TURN DRAIN
11. 381609-02	SCREW HAFELE EUROPEAN
11. 381610-04	TAP CAP #2 BLACK
12. 381228-01	CATCH GRABBER DOOR C3-803
13. 381074	CATCH BULL DOG #65S (COPPER)
385963	BRACKET, MOUNTING ANGLE, LAMBREQUIN
801369-01	PANEL, FROST WHITE/WHITE LINER
365267	EDGE BANDING-1.13" .024 PLY
801436-01	PANEL, BLACK MAPLE/WHITE 18M V
365278-01	EDGE BANDING-BLACK MAPLE 1.13"
365278-03	EDGE BANDING-BLK MAPLE .625"

2005 INTERNATIONAL TRAVEL TRAILER

FURNITURE, BATH

MEDICINE CABINET, LOWER, 19', 25', 965570

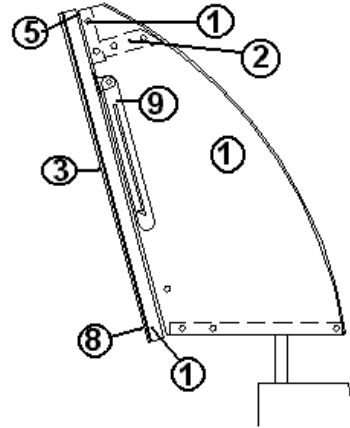
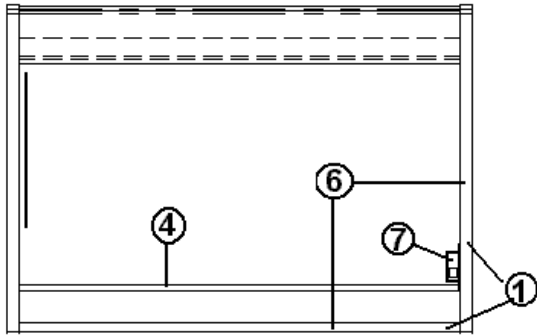


- | | |
|--------------|--|
| 965570 | Medicine Cabinet, Lower |
| 1. 801392 | PANEL, WHITELINER/WHITELINER |
| 2. 372203-24 | MIRROR- POL EDGES, 9.50" X 20" |
| 3. 115042 | ROD-.25" ALUMINUM |
| 4. 385935-01 | HINGE PIVOT ZINC PLATED |
| 5. 365238-04 | EDGEBANDING TAPE PVC 5/8" Colonial White |
| 6. 381228-01 | CATCH GRABBER DOOR C3-803 |
| 7. 381835 | HANDLE-CHROME/BRASS |

2005 INTERNATIONAL TRAVEL TRAILER

FURNITURE, BATH

Medicine cabinet, Upper, 19', 25', 965569

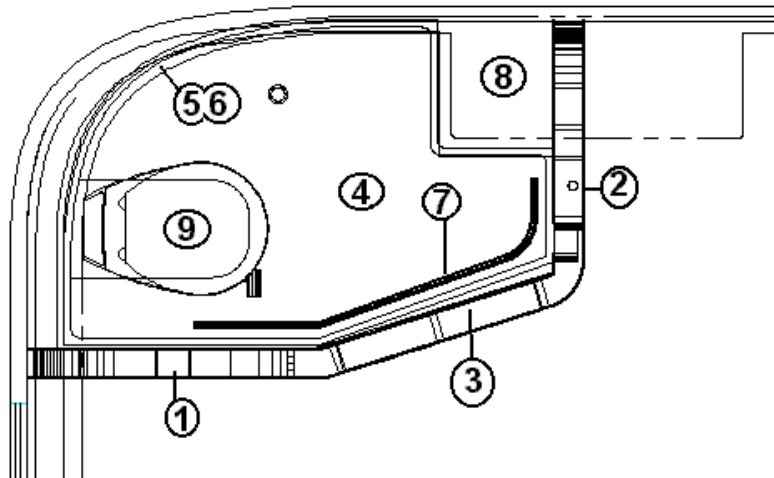


- | | |
|--------------|--|
| 965569 | Medicine cabinet, Upper, 19', 25' |
| 1. 801392 | PANEL, WHITELINER/WHITELINER |
| 2. 801368 | PANEL, WHITELINER/WHITELINER |
| 3. 372203-05 | MIRROR, POLISHED EDGES- 19.00" X 14" |
| 4. 115042 | ROD-.25" ALUMINUM |
| 5. 385935-01 | HINGE PIVOT ZINC PLATED |
| 6. 365238-04 | EDGEBANDING TAPE PVC 5/8" Colonial White |
| 7. 381228-01 | CATCH GRABBER DOOR C3-803 |
| 8. 381835 | HANDLE-CHROME/BRASS |

2005 INTERNATIONAL TRAVEL TRAILER

FURNITURE, BATH

BATH LAYOUT, 22'

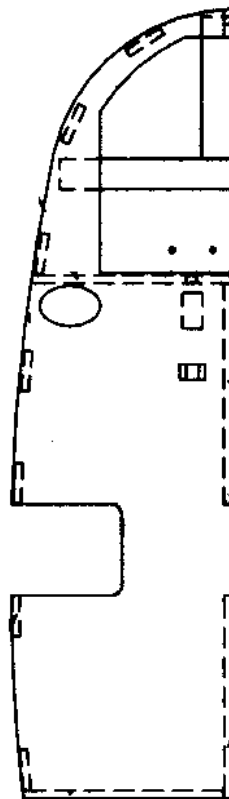
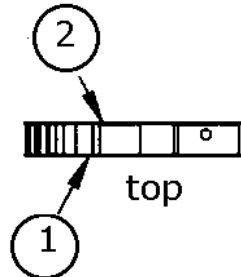


- | | |
|--------------|---------------------------|
| 1. 965505-01 | Bath Wall Left, |
| 2. 965506-01 | PANEL-BATH WALL RIGHT |
| 3. 965507-01 | BATH WALL, CENTER |
| 4. 203298 | SHOWER PAN |
| 5. 203328-01 | SHOWER SURROUND-UPPER |
| 6. 203328-02 | SHOWER SURROUND-LOWER |
| 7. 703132-01 | CURTAIN-SHOWER |
| 8. 601804-01 | SINK, YUKON, ROUND |
| 9. 690472-01 | TOILET, CHINA, HI-PROFILE |
| 203379 | ROOF MATERIAL FIBERGLASS |
| 203328-03 | MED CABINET SURROUND |
| 100097 | EXTR. ALUM CURTAIN TRACK |

2005 INTERNATIONAL TRAVEL TRAILER

FURNITURE, BATH

BATH WALL RIGHT, 22'



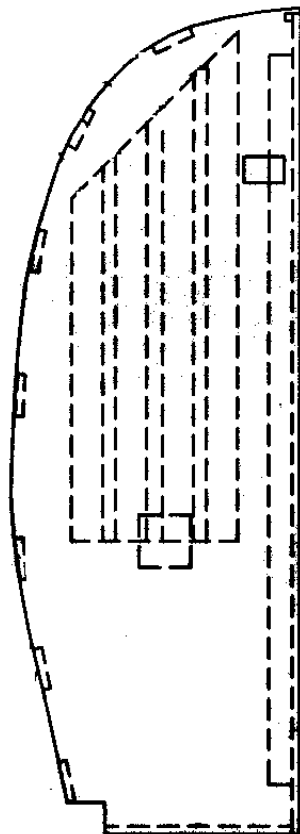
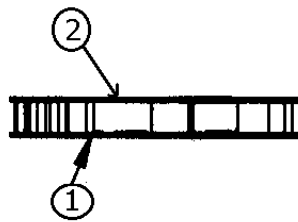
- | | |
|--------------|-------------------------------|
| 965506-01 | Bath Wall Right, 22 Ft. Model |
| 1. 801364-02 | Panel, right side, inner |
| 2. 801363 | Panel, right side, outside |
| 203335 | TRIM-H BLACK 1/8" DIVIDER |

Note: For replacement, Item 1 will be shipped loose and then glued to item 2 after item 2 is installed in trailer.

2005 INTERNATIONAL TRAVEL TRAILER

FURNITURE, BATH

BATH WALL LEFT, 22'



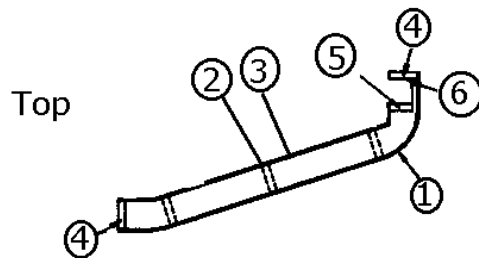
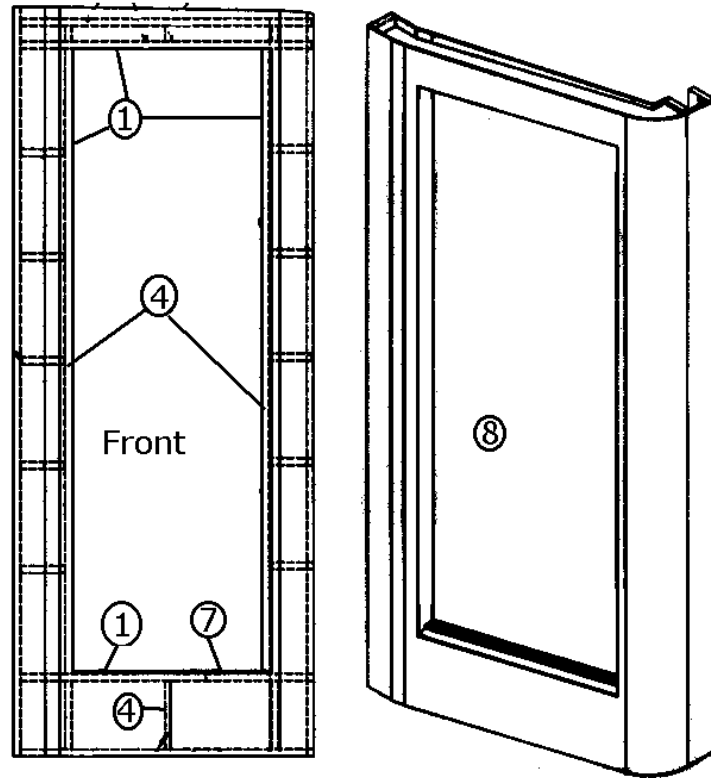
- | | |
|--------------|----------------------------------|
| 965505-01 | BATH WALL LEFT, 22', |
| 1. 801362-02 | Panel, left side, outside, model |
| 2. 801350 | Panel, left side, inside |
| 203379 | ROOF MATL.FIBERGLASS-SMOOTH 10 |
| 203335 | TRIM-H BLACK 1/8" DIVIDER |

Note: Item 1 will be loose from item 2 when shipped, Install item 1 and glue and staple item 2 in place.

2005 INTERNATIONAL TRAVEL TRAILER

FURNITURE, BATH

BATH WALL CENTER, 22', 965507-01

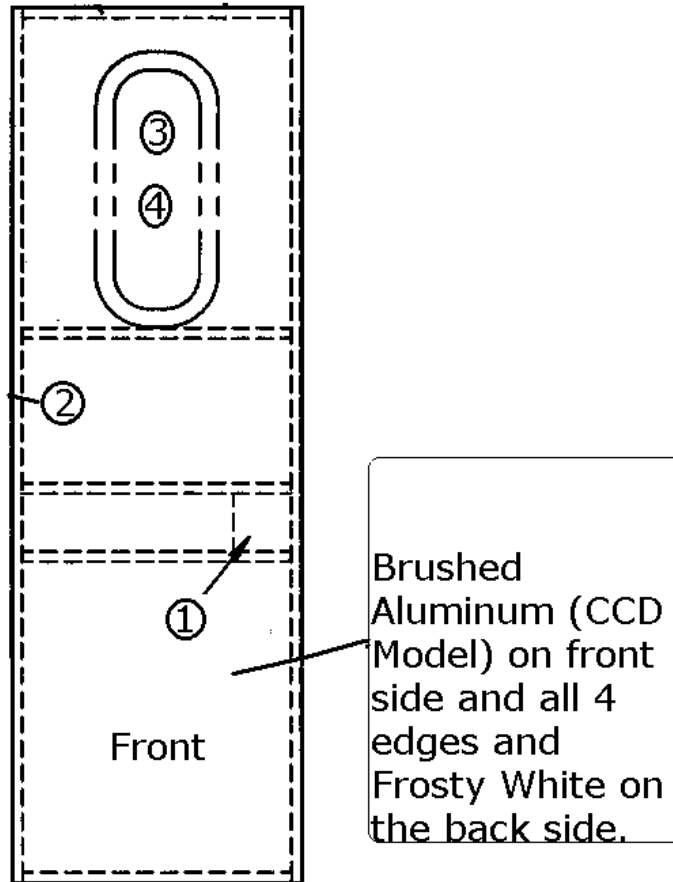


- | | |
|--------------|---------------------------|
| 965507-01 | BATHWALL CENTER, 22', |
| 1. 801342-01 | Brushed Aluminum, model |
| 2. 800507-01 | Lauan, 1/8" |
| 3. 203379 | Fiberglass roof material |
| 4. 800498 | Poplar, 1" common |
| 5. 850072 | Poplar, 3/4" X 2.5" |
| 6. 380041 | Brace, Stanley corner, 1" |
| 7. 201666 | Molding, J-3/16", plastic |
| 8. 966116 | Bath door assembly |
| 800581-046 | HARDWOOD-13/16 X 2.5" |

2005 INTERNATIONAL TRAVEL TRAILER

FURNITURE, BATH

DOOR, BATH, 22', 966116

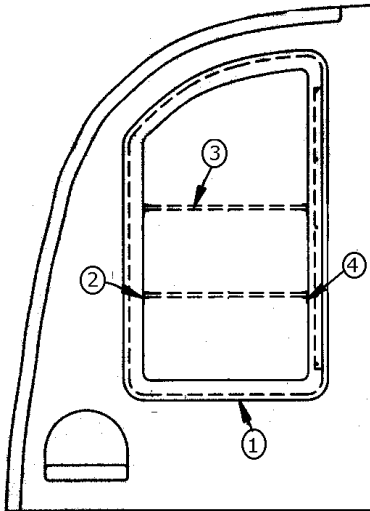


966116	Bath door, 22 Ft.
5. 381771	Latch, bath door
6. 380203-01	Hinge, Clear
7. 371384	Window, 18"
8. 203475	TRIM STACK WINDOW 18
801355-01	Frosty White Formica
801342-01	Brushed Aluminum, LAMINATE
380203-01	PIANO HINGE 1/8" PIN
365278-04	EDGE BANDING-.024"X 1.25" BLACK MAPLE

2005 INTERNATIONAL TRAVEL TRAILER

FURNITURE, BATH

MEDICINE CABINET, 22'

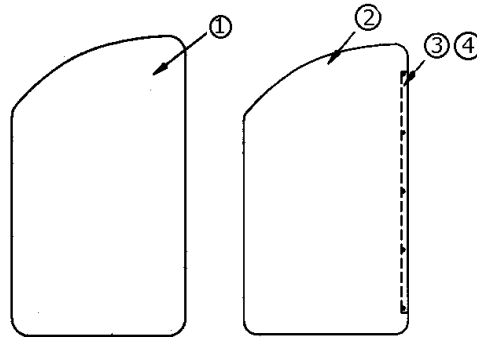


- | | |
|-----------|-----------------------------------|
| 965546 | Medicine Cabinet Assembly, 22' |
| 1. 965542 | Medicine cabinet mirror assembly |
| 2. 203285 | Self edging, "F" trim |
| 3. 203330 | Acrylic sheet, frosted .25" |
| 4. 381610 | Cover cap, plastic European white |
| 203416 | SHELF ACRYLIC .25" |
| 381610-01 | COVER CAP PLAS. EUROPEAN WHITE |

2005 INTERNATIONAL TRAVEL TRAILER

FURNITURE, BATH

MEDICINE CABINET MIRROR ASSEMBLY, 22'

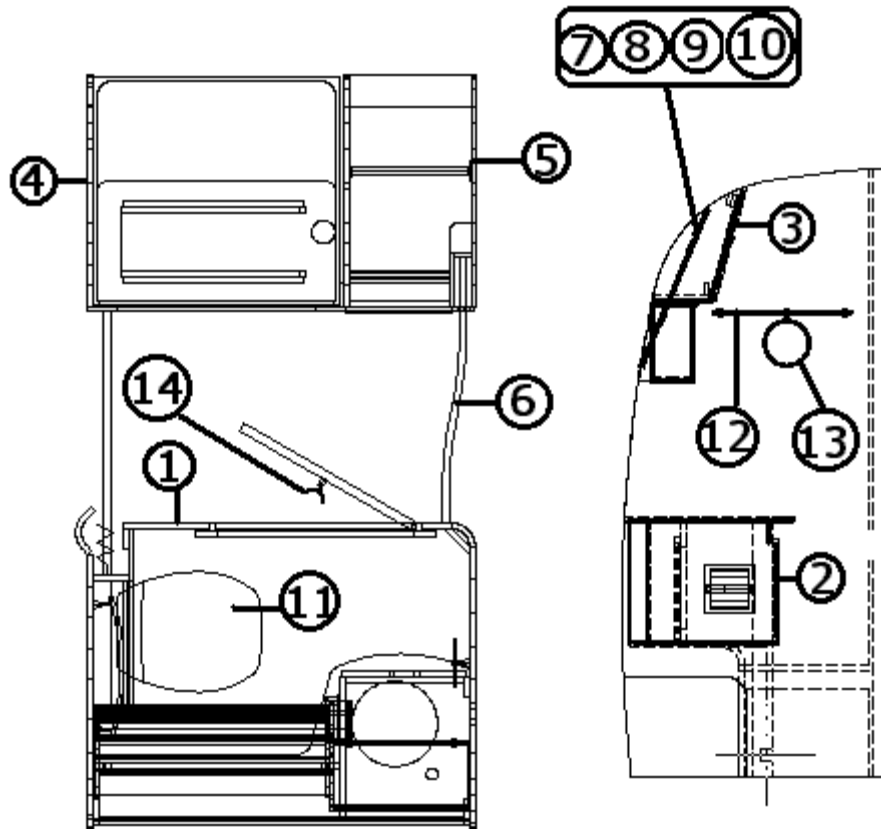


- | | |
|-----------|---------------------------------------|
| 965542 | Medicine Cabinet Mirror Assembly, 22' |
| 1. 371383 | Medicine cabinet radius mirror |
| 2. 454009 | Mirror backing plate |
| 3. 380988 | Hinge, continuous .5 in. leaf, 16 in. |
| 4. 325035 | Chicago rivets |
| 5. 365222 | Tape, double-coated, .08" x 3/4" |

2005 INTERNATIONAL TRAVEL TRAILER

FURNITURE, BATH

BATH LAYOUT, 28'

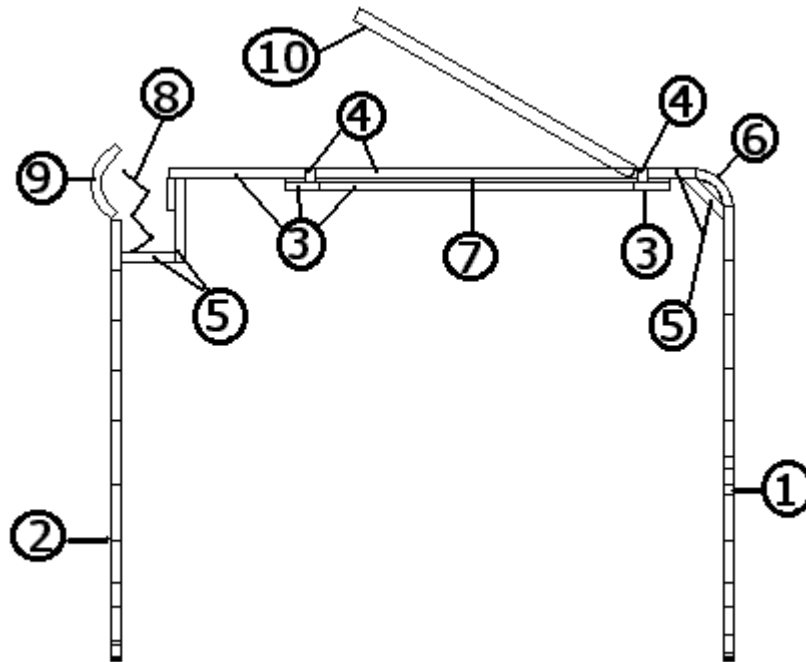


- | | |
|---------------|--------------------------------------|
| 1. *965744-01 | Front latrine wall assembly |
| 2. 965742 | Lavy cabinet assembly |
| 3. 965714 | Medicine cabinet assembly |
| 4. 965999 | Shower compartment assembly |
| 5. 965737 | Wardrobe cabinet assembly |
| 6. 381827 | Gray formed foldette track |
| 7. 372203-15 | Mirror, polished edges, 17" x 25.25" |
| 8. 800507-02 | Lauan, 1/4" |
| 9. 381220-01 | Mirror clip, nickel plated |
| 10. 381220-02 | Mirror clip, nickel plated |
| 11. 690472-01 | Toilet China, high profile, white |
| 12. 381776 | Towel bar, 18" chrome |
| 13. 381777 | Towel ring, chrome |
| 14. 381778 | Robe hook, double, chrome |
- * Revised to 966263 during model year, Jan, 2005.

2005 INTERNATIONAL TRAVEL TRAILER

FURNITURE, BATH

LATRINE FRONT WALL ASSEMBLY, 28', w/wire closeout, 965744-01

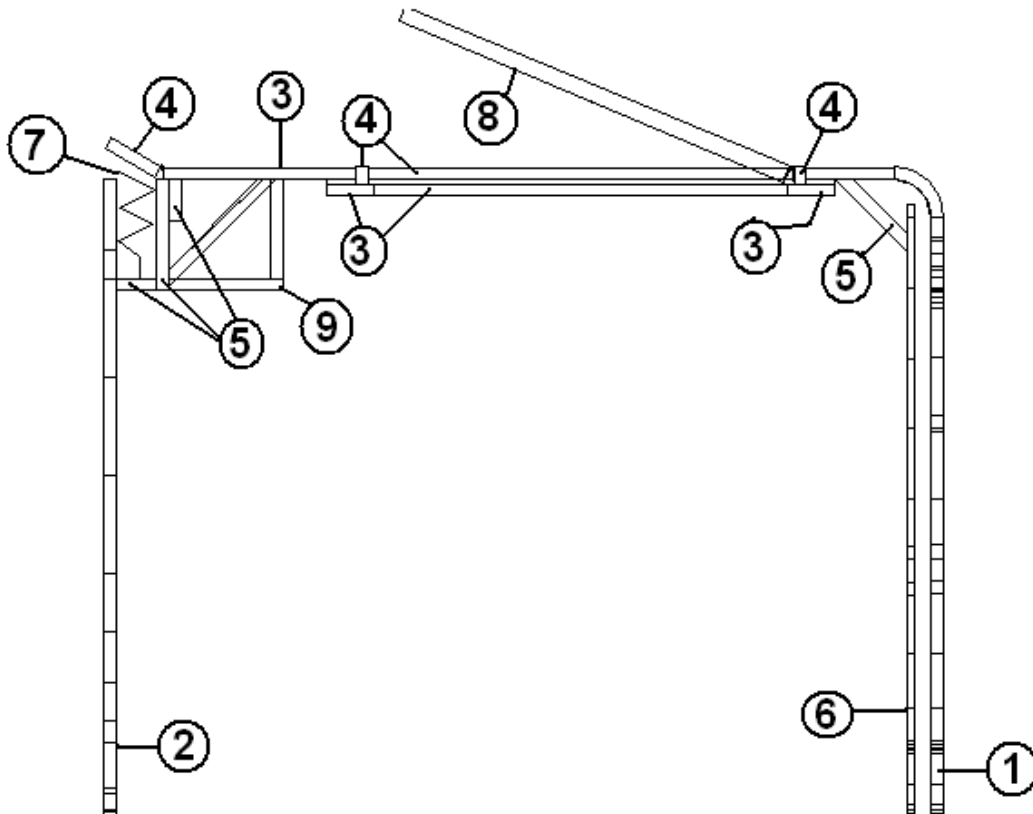


- | | |
|--------------|----------------------------------|
| 965744-01 | Latrine Front Wall Assembly, 28' |
| 1. 801429-05 | Forward latrine panel |
| 2. 801429-06 | Aft latrine panel |
| 3. 801441-01 | Panel, Black décor, Maple/Frosty |
| 4. 801436-01 | Panel, Black décor, Maple/White |
| 5. 801369 | Panel, White/White Rexel |
| 6. 801345 | Radius plywood, .75" x 3" x 8' |
| 7. 800507-02 | Luan, 1/4" |
| 8. 702681-07 | Door, foldette, 60" x 73", Gray |
| 9. 965986 | Door, foldette cover |
| 10. 966117 | Door assembly, bathroom |
| 365278-02 | EDGE BANDING-BLK MAPLE 1.625" |

2005 INTERNATIONAL TRAVEL TRAILER

FURNITURE, BATH

LATRINE FRONT WALL ASSEMBLY, 28', no wire closeout, 966263

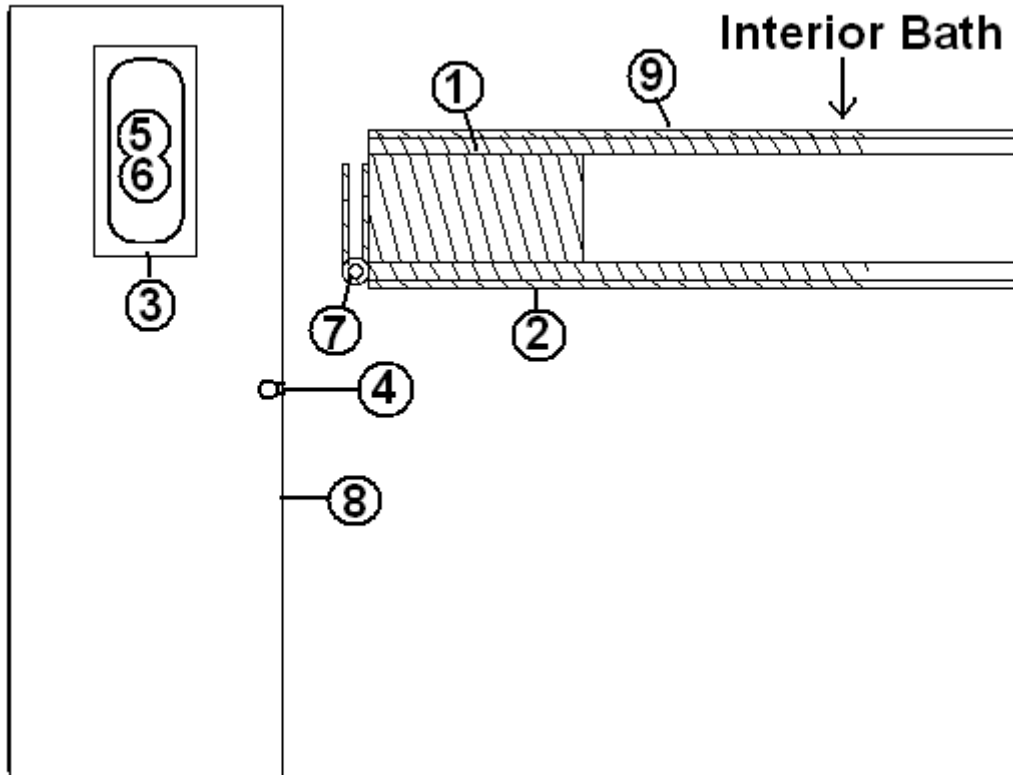


966263	Latrine Front Wall Assembly, 28'
1. 966264	Forward latrine panel
2. 801429-06	Aft latrine panel
3. 801441-01	Panel, Black décor, Maple/Frosty
4. 801436-01	Panel, Black décor, Maple/White
5. 801369-01	Panel, White/White Rexel
6. 801563	Bath divider wall
7. 702681-07	Door, foldette, 60" x 73", Gray
8. 965567-01	Door, Bathroom
9. . 966169	Black tank vent closeout
365278-02	EDGE BANDING-BLK MAPLE 1.625"

2005 INTERNATIONAL TRAVEL TRAILER

FURNITURE, BATH

DOOR, BATH W/WINDOW, 28', 966117

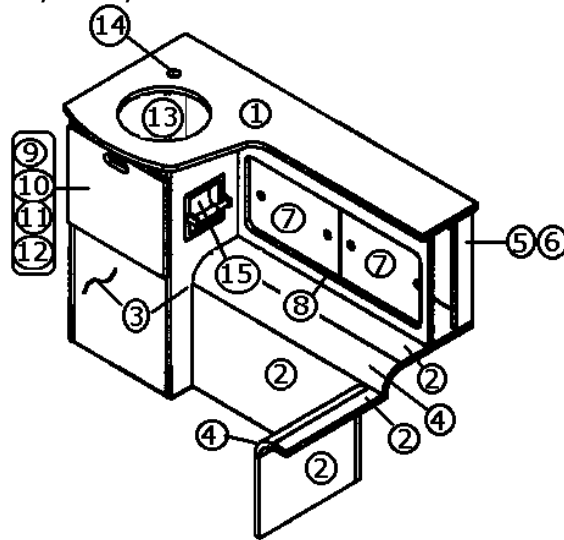


966117	BATH DOOR W/WINDOW, 28'CCD
1. 800507-01	LAUAN, 1/8" X 4' X 8'
2. 801439-01	LAMINATE, BLACK MAPLE, 4' X 8'
3. 800507-06	LAUAN-.75" X 4' x 8'
4. 381771	LATCH, LEVER LOCKSET PRIVACY
5. 371384	WINDOW, BATH DOOR
6. 203475	TRIM, 18" STACK WINDOW
7. 380203-01	PIANO HINGE 1/8" PIN
8. 365278-04	EDGE BANDING, .024" X 1.25" BLACK MAPLE
9. 801355-01	LAMINATE, FROST WHITE 4' X 8'
381802-01	TAP CAP #2 WHITE
365267	EDGE BANDING-1.13" .024 PLY

2005 INTERNATIONAL TRAVEL TRAILER

FURNITURE, BATH

LAVATORY CABINET, 28', 965742

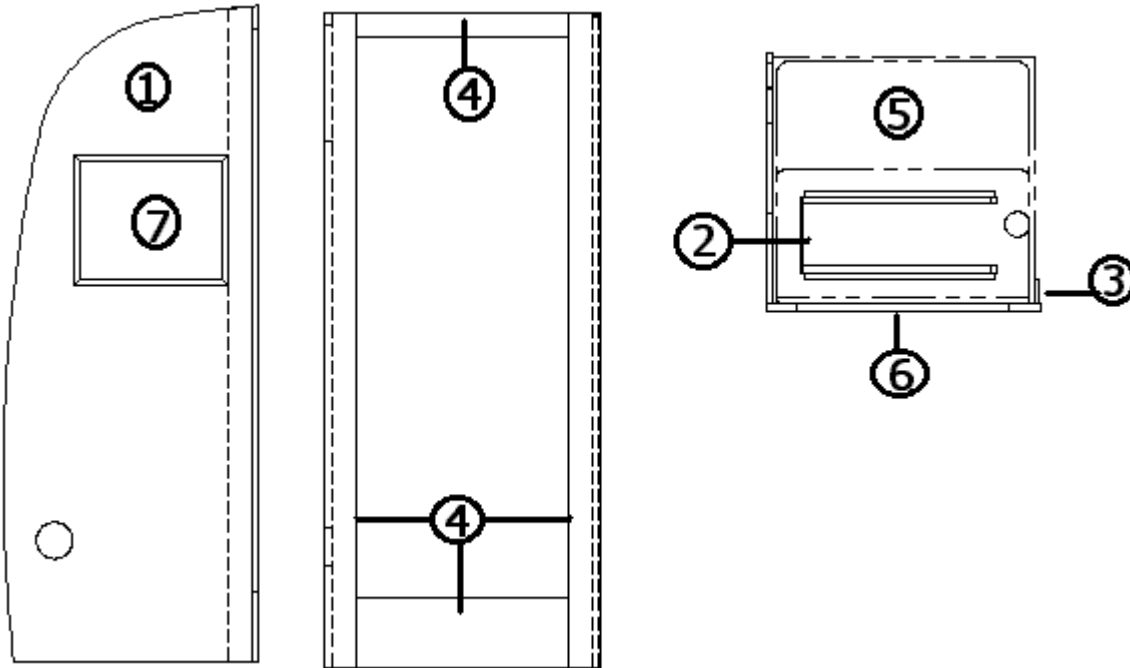


- | | |
|---------------|---|
| 965742 | Lavy Cabinet, 28' |
| 1. 965989 | Lavy top assembly |
| 2. 801351 | Lite ply, .75" |
| 3. 801369 | Panel, White/White Rexel |
| 4. 801345 | Radius plywood, .75" x 3" x 8' |
| 5. 801353 | Lite ply 3 MM |
| 6. 801359-01 | Laminate glued to lite ply |
| 7. 965563-05 | Door, sliding Plexi-glass, 11.38" X 13.5" |
| 8. 203388 | Sliding door track |
| 9. 801375-14 | Door, lavy, 15.88" x 13.63" |
| 10. 381775 | Drawer pull, satin |
| 11. 381607 | Hinge assembly, Grass-Euro |
| 12. 381228-01 | Grabber catch |
| 13. 601804-01 | Sink, Yukon round |
| 14. 601842 | Faucet, small lever handle |
| 15. 381229 | Toilet paper holder |
| 16. 801437-01 | LAMINATE-EXTREME GREEN VERTICAL 4' |
| 114812 | Aluminum angle, 1" x 1" |
| 965572 | CLOSEOUT-PAPER HOLDER |
| 801355-01 | laminate, Frost white vertical grain |
| 801392 | PNL-PRELAM WHTLINER/WHTLINER |
| 203508-01 | T-Trim, 9/16" wood grain |

2005 INTERNATIONAL TRAVEL TRAILER

FURNITURE, BATH

SHOWER LAYOUT, 28'



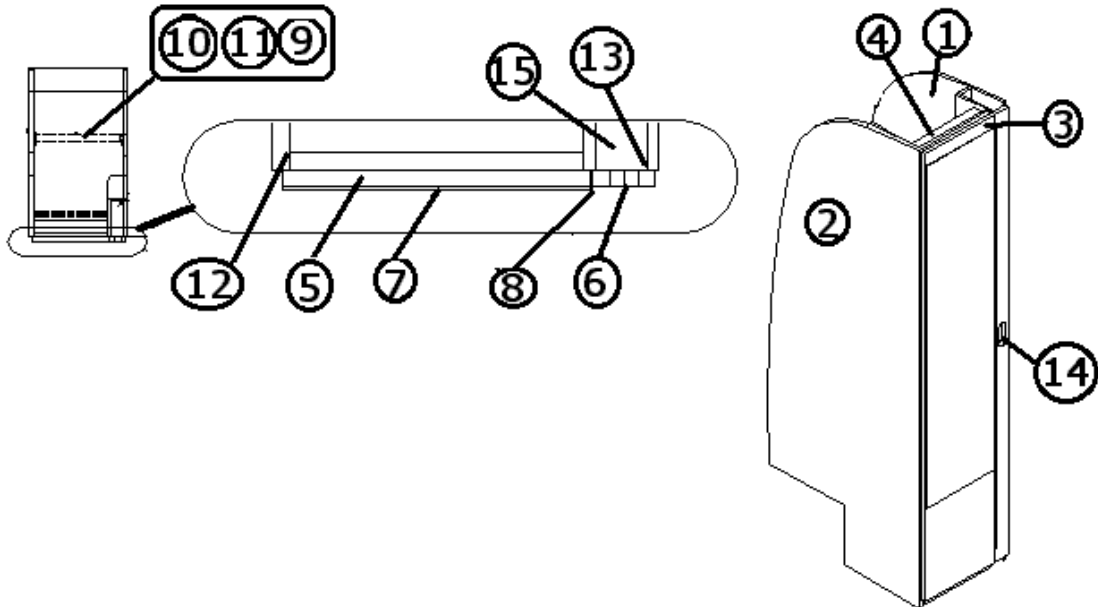
- | | |
|--------------|---------------------------------------|
| 1. 801429-20 | Panel, aft shower |
| 2. 961916-01 | Shower stand assembly |
| 3. 801392 | Panel, white liner/white liner, 12mm |
| 4. 801436-01 | Panel, black décor, Maple/White liner |
| 5. 203081-01 | Shower stall, 2 pc. |
| 6. 702306-03 | Shower door, silver |
| 7. 381832 | SHELF-TV RECESSED |
| 965987 | CLOSE OUT-MEDICINE CAB |
| 365278-01 | EDGE BANDING-BLACK MAPLE 1.13" |
| 365238-04 | EDGE BANDING TAPE PVC 5/8" COLONIAL |

WHITE

2005 INTERNATIONAL TRAVEL TRAILER

FURNITURE, BATH

WARDROBE CABINET, 28', 965737



965737	Wardrobe Cabinet Assembly, 28'
1. 801429-21	Panel, forward wardrobe
2. 801429-22	Panel, aft wardrobe
3. 801436-01	Panel, black décor, Maple/White liner
4. 801392	Panel, white liner/white liner
5. 801375-19	Door, wardrobe, 13.63" x 76.56"
6. 801375-20	Door, wardrobe, 2.75" x 76.56"
7. 372203-26	Mirror, 13.62" x 58.50"
8. 380203-01	Piano hinge, 1/8" pin, clear anodized
9. 380046	Chrome flange
10. 380045	Tubing, metal
11. 200975-04	Conduit, black plastic
12. 381607	Hinge assembly, Grass-Euro
13. 381228-01	Door grabber catch
14. 381775	Drawer pull, satin
15. 702681-07	Door, foldette, 60" x 73", gray
385940-02	MIRROR PULL CHROME #362PC
365278-01	EDGE BANDING-BLACK MAPLE 1.13"
365267	EDGE BANDING-1.13" .024 PLY

2005 INTERNATIONAL TRAVEL TRAILER

FURNITURE, BATH

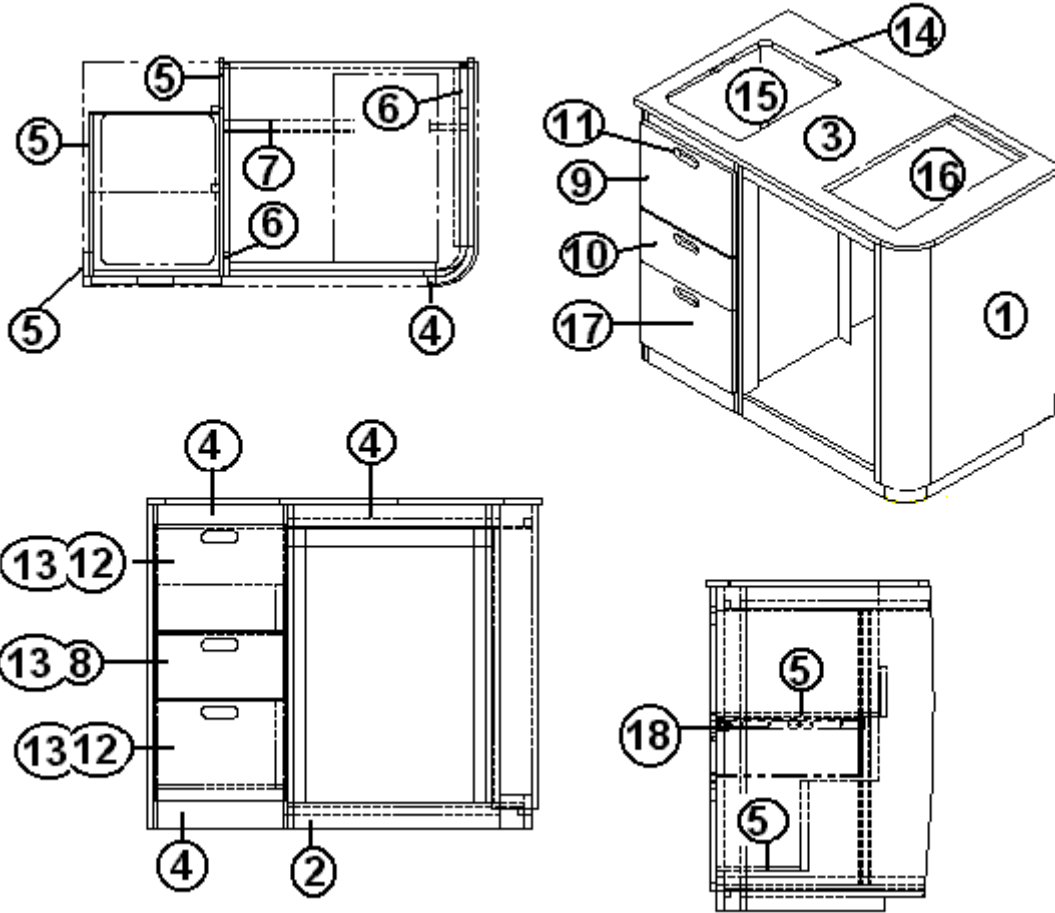
SHOWER/SHOWER CURTAIN, 22'

703132-01	CURTAIN-SHOWER
700044	GLIDES CURTAIN W/ELASTIC T-2
700020	PILE VELCRO
700021	HOOK, VELCRO, WHITE
203138-03	EXTRUSION PLASTIC WALL BEIGE
100097	EXTR. ALUM CURTAIN TRACK
701697	FABRIC SHOWER GUARD PEARL 72" WIDE
203328-01	SHOWER SURROUND-UPPER
203328-02	SHOWER SURROUND-LOWER
203328-03	MED CABINET SURROUND
203298	SHOWER PAN

2005 INTERNATIONAL TRAVEL TRAILER

FURNITURE, GALLEY

GALLEY BASE ASSEMBLY, 16', 965888



Part Numbers are on the next page.

2005 INTERNATIONAL TRAVEL TRAILER

FURNITURE, GALLEY

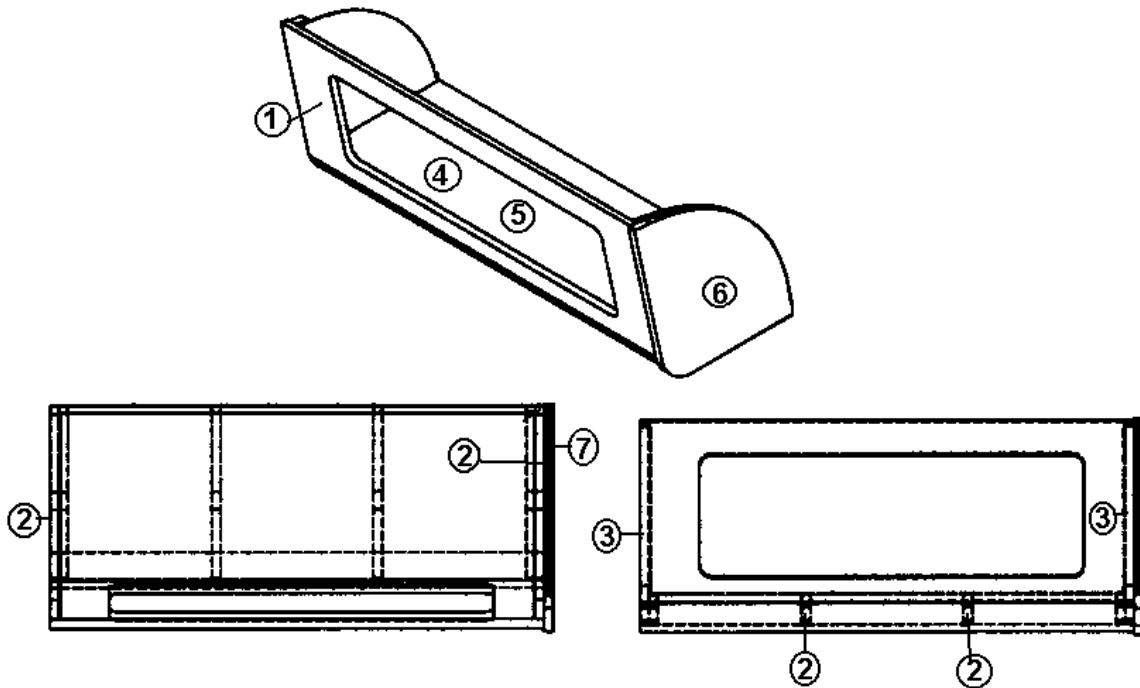
GALLEY BASE ASSEMBLY, 16', 965888

965888	GALLEY BASE ASSEMBLY, 16',
1. 965885	PANEL SUB ASSEMBLY-FWD GALLEY
2. 965886	PANEL SUB ASSEMBLY, TOE KICK
3. 965887	GALLEY TOP CUTOUT16'
4. 801436-01	PANEL, BLACK MAP/WHITE 18M V
5. 801392	PANEL, WHITELINER/WHITELINER 1
6. 801368	PANEL, WHITELINER/WHITELINER
7. 381830	WIPER-RUBBER 1.125" X 2" L
8. 965560-03	DRAWER BOX ASSEMBLY-5.63" X13.5" X 12"
9. 801375-24	DOOR-GALLEY 14.13" X 11.5"
10. 801375-25	DOOR-GALLEY 14.13" X 7.13"
11. 381775	DRAWER PULL-FLUSH SATIN
12. 381607	HINGE ASSEMBLY-GRASS EURO
13. 381228-01	CATCH GRABBER DOOR
14. 601894	FAUCET-MOEN CHATEAU W/SPRAY
15. 601938	SINK, S/S, SINGLE BOWL
16. 690471	COOKTOP-2 BURNER BLACK GLASS TOP
17. 801375-29	DOOR-GALLEY 14.13" X 11"
18. 381773-15	DRAWER SLIDE-5.875"X 15.75"
966147	TOP ASSY - GALLEY
115064	TRIM-ALUM COUNTER TOP
801368	PANEL, WHITELINER/WHITELINER 1
365267	EDGE BANDING-1.13" .024 PLY
365278-02	EDGE BANDING-BLACK MAPLE 1.625"
365278-03	EDGE BANDING-BLACK MAPLE .625"
801436-01	PANEL, BLACK MAPLE/WHITE 18M `
365278-01	EDGE BANDING, BLACK MAPLE 1.13"
200980-01	TRAY, SILVERWARE, ALMOND, 9" X 13"
203425	SINK COVER .5" NATURAL

2005 INTERNATIONAL TRAVEL TRAILER

FURNITURE, GALLEY

ROOF LOCKER, GALLEY 16', 965868, before unit 517413

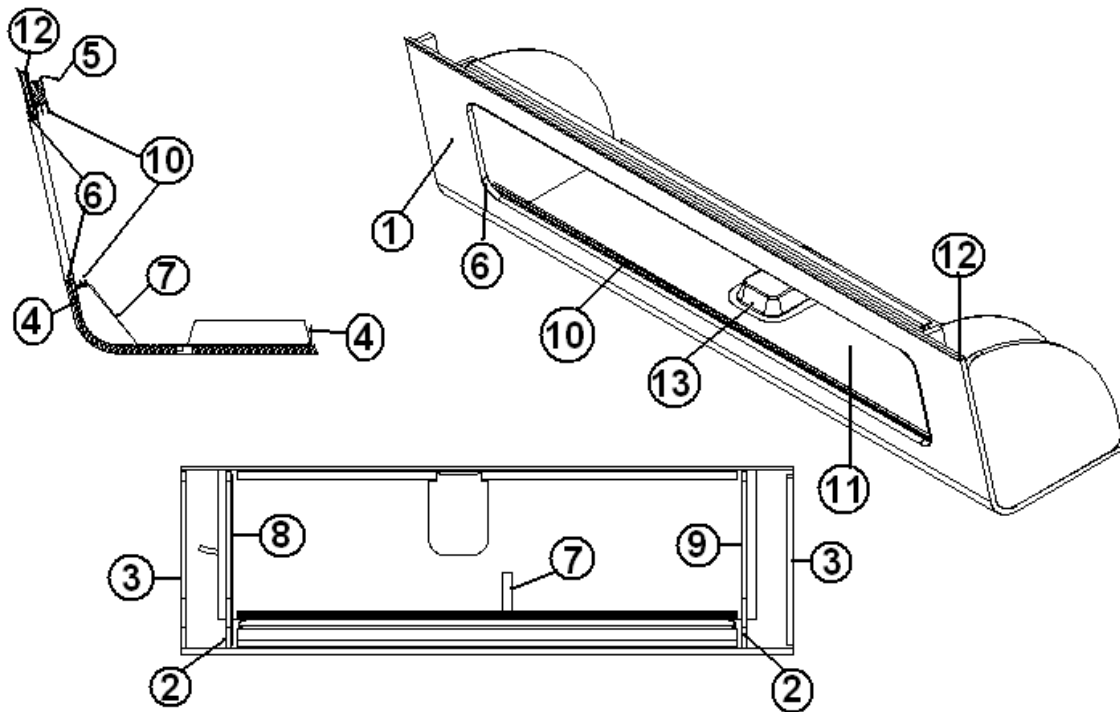


965868	ROOF LOCKER ASSEMBLY-GALLEY
1. 801464	PANEL LAY OUT-ROOFLOCKER
2. 801351	LITE PLY-18MM (.75") 4' X 8'
3. 801355-01	LAMINATE, FROST WHITE 4' X 8' VERTICLE
4. 203388	TRACK-SLIDING DOOR
5. 965563-01	DOOR-SLIDING PLEXI GLASS 17.50"
6. 801460-11	END CAP-GAL/DIN R/L RH
7. 115148-02	ANGLE-OVERHEAD R/L 68.88"
801369-01	PANEL, FROST WHITE/WHITE LINER
365267	EDGE BANDING-1.13" .024 PLY

2005 INTERNATIONAL TRAVEL TRAILER

FURNITURE, GALLEY

Roof Locker, Galley, 16', unit 517413 and after

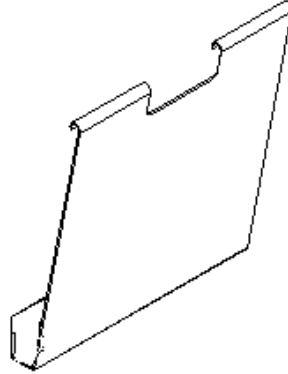


- | | |
|---------------|--------------------------------|
| 966199 | Galley Roof Locker, 16' |
| 1. 801542-05 | Locker face, galley |
| 2. 801545-02 | Divider, partial |
| 3. 801545-01 | Divider, full |
| 4. 115227-03 | Angled, formed, 33" |
| 5. 104821 | Roof locker support, 74" |
| 6. 203508-01 | T-trim, 9/16", wood grain |
| 7. 115226 | Bracket, locker center support |
| 8. 801539-01 | Divider, LH, galley |
| 9. 801539-02 | Divider, RH, galley |
| 10. 381245 | Sliding door track |
| 11. 965563-01 | Door, sliding Plexiglas |
| 12. 201673 | Cove molding, Ivory, plastic |
| 13. 200772 | Pan, dead bolt, plastic |

2005 INTERNATIONAL TRAVEL TRAILER

FURNITURE, GALLEY

RACK-MAGAZINE WHITE, 16'



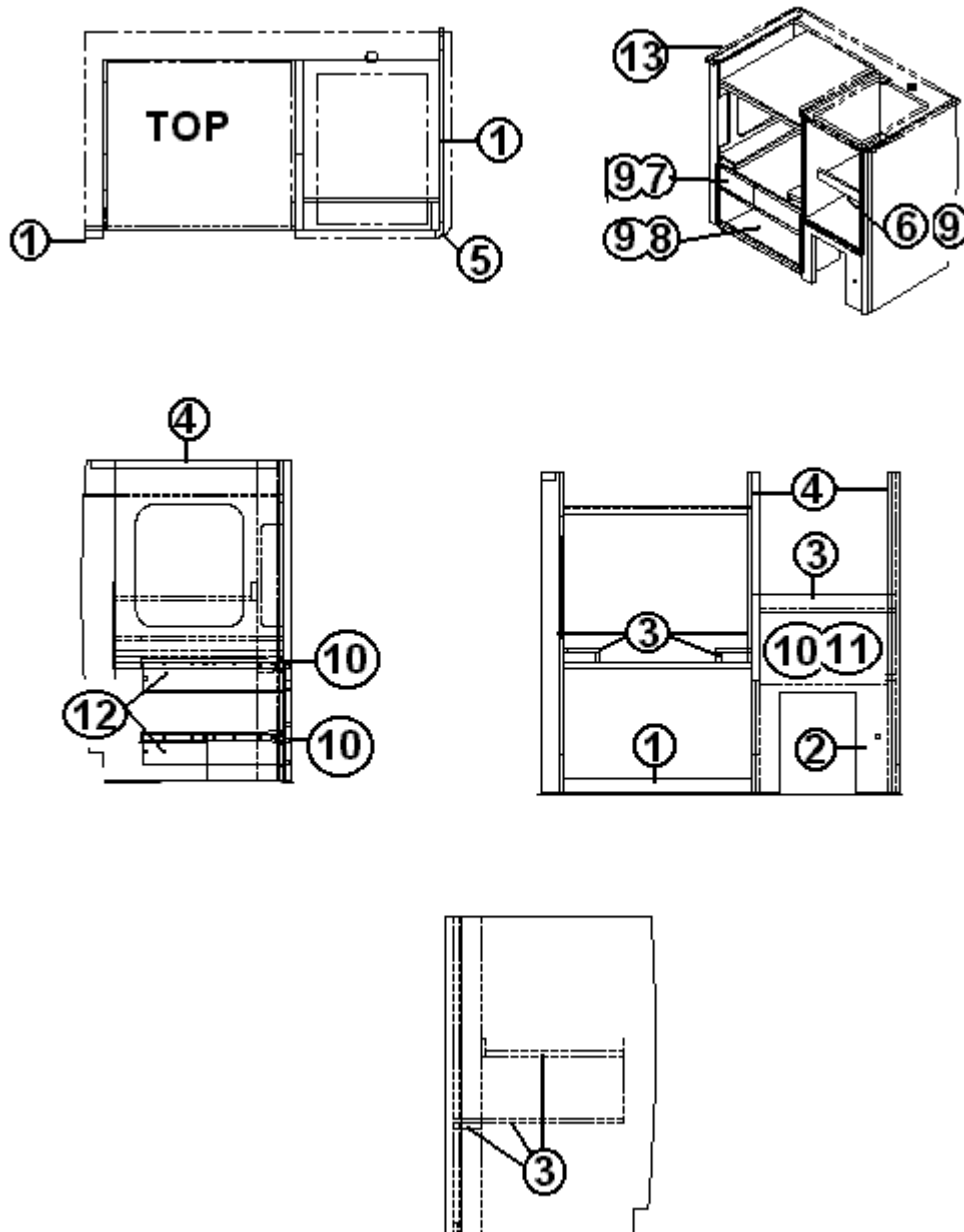
386106-01
386107
115064

RACK-MAGAZINE WHITE
ROD-MAGAZINE RACK
TRIM-ALUM COUNTER TOP

2005 INTERNATIONAL TRAVEL TRAILER

FURNITURE, GALLEY

GALLEY CABINET ASSEMBLY, 19', 965904-01



Parts numbers are on the next page

2005 INTERNATIONAL TRAVEL TRAILER

FURNITURE, GALLEY

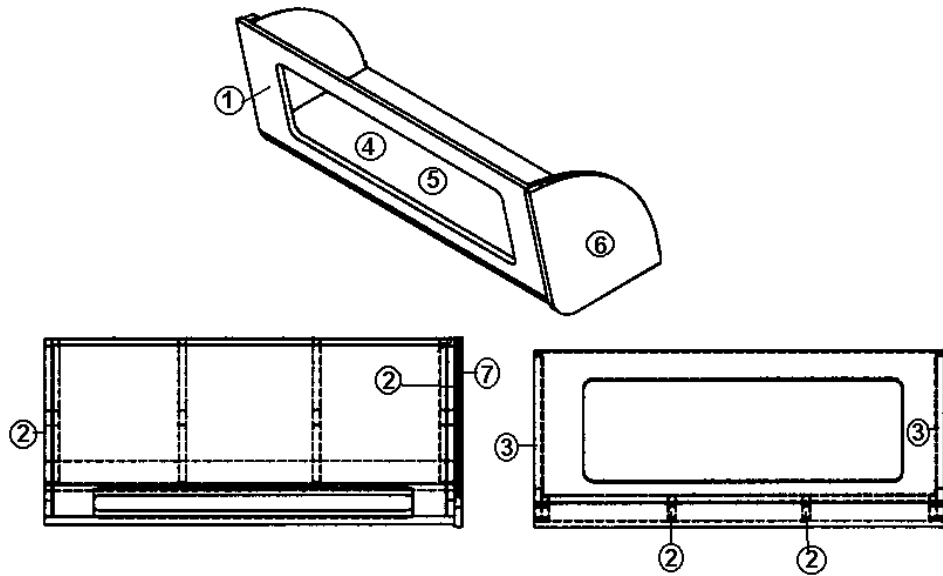
GALLEY CABINET ASSEMBLY, 19', 965904-01

965904	GALLEY CABINET ASSEMBLY, 19'
965904-01	GALLEY CABINET ASSEMBLY, MICROWAVE, 19'
1. 801456-01	PANEL, BLACK MAPLE/WHITE LINER
2. 801436-01	PANEL, BLACK MAPLE/WHITE 18M V
3. 801392	PANEL, WHITELINER/WHITELINER
4. 801368	PANEL WHITELINER/WHITELINER
5. 801393-02	CORNER TRIM-90D 1"RADIUS 84"
6. 801341-98	DOOR-GALLEY 14.25" X 23.38"
7. 801341-76	DOOR-GALLEY 21.63" X 8"
8. 801341-77	DOOR-GALLEY 21.63" X 4.81"
9. 381775	DRAWER PULL, FLUSH
10. 381228-01	CATCH GRABBER DOOR
11. 381607	HINGE ASSY-GRASS EURO
12. 965642-01	BOX ASSY. DRAWER 19.75"
13. 966146	TOP ASSY-GALLEY
601867	FAUCET-INTEGRA PULL OUT SPOUT
601938	SINK, S/S, SINGLE BOWL
195362-39	2" STRAINER ,MODEL
601714-01	TAIL PIECE 1-1/2" X 4"
601714-02	1-1/2" SLIP NUT W/WINGS
601714-03	1-1/2" BLACK RUBBER WASHER
115064	TRIM-ALUM COUNTER TOP
203425	SINK COVER .5" NATURAL
381773-03	DRAWER SLIDE 15.75"
801369-01	PANEL-, FROST WHITE/WHITE LINER
365267	EDGE BANDING-1.13" .024 PLY
365278-01	EDGE BANDING-BLK MAPLE 1.13"
365278-03	EDGE BANDING-BLK MAPLE .625"

2005 INTERNATIONAL TRAVEL TRAILER

FURNITURE, GALLEY

ROOF LOCKER, GALLEY 19', before unit 517413

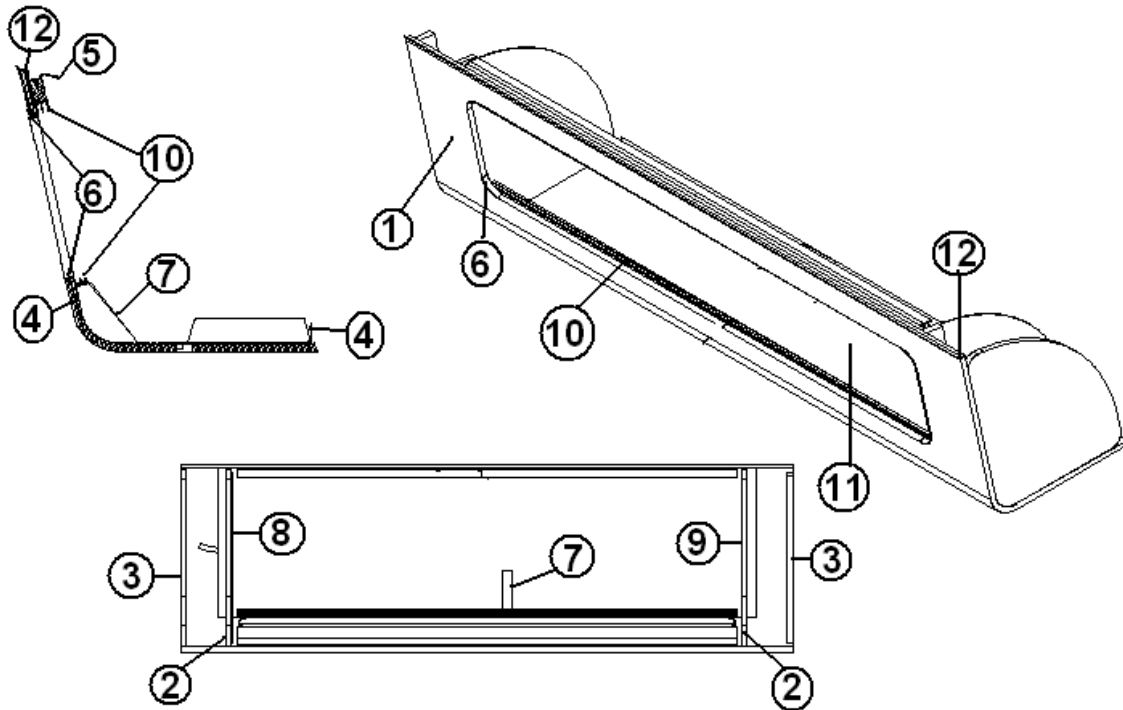


- | | |
|--------------|--|
| 965906 | ROOF LOCKER ASSEMBLY-GALLEY 19' |
| 1. 801470 | PANEL LAY OUT-ROOFLOCKER |
| 2. 801351-01 | LITE PLY-18MM (.75") 4' X 8' |
| 3. 801355-01 | LAMINATE, FROST WHITE 4' X 8' VERTICAL |
| 4. 203388 | TRACK-SLIDING DOOR |
| 5. 965563-03 | DOOR-SLIDING PLEXI GLASS 15.00" |
| 6. 801460-11 | END CAP-GAL/DIN R/L RH |
| 7. 115148-02 | ANGLE-OVERHEAD R/L 68.88" |
| 801369-01 | PANEL-, FROST WHITE/WHITE LINER |
| 365267 | EDGE BANDING-1.13" .024 PLY |

2005 INTERNATIONAL TRAVEL TRAILER

FURNITURE, GALLEY

Roof Locker, Galley, 19', unit 517413 and after

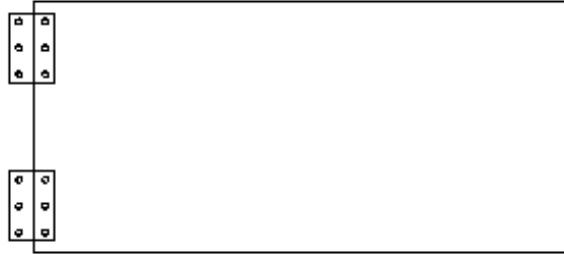


966266	Galley Roof Locker, 19'
1. 801542-07	Locker face, galley
2. 801545-02	Divider, partial
3. 801545-01	Divider, full
4. 115227-03	Angled, formed, 33"
5. 104821	Roof locker support, 74"
6. 203508-01	T-trim, 9/16", wood grain
7. 115226	Bracket, locker center support
8. 801539-01	Divider, LH, galley
9. 801539-02	Divider, RH, galley
10. 381245	Sliding door track
11. 965563-01	Door, sliding Plexiglas
12. 201673	Cove molding, Ivory, plastic
511695-01	Spot light

2005 INTERNATIONAL TRAVEL TRAILER

FURNITURE, GALLEY

GALLEY CABINET CLOSEOUT SHELF, 19', 965923

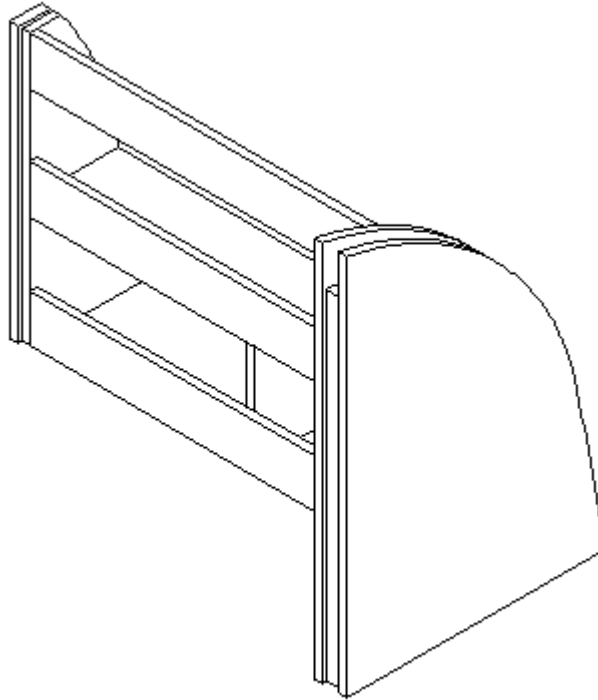


965923	GALLEY CABINET CLOSEOUT SHELF, 19'
801458-01	BLACK MAPLE/BLACK MAPLE
381479	HINGE, BRASS-CABINET, 2" X 1-3/8"
365278-03	EDGE BANDING-BLACK MAPLE .625"
381688	BUMP ON
381074	CATCH BULL DOG #65S (COPPER)

2005 INTERNATIONAL TRAVEL TRAILER

FURNITURE, GALLEY

SPICE RACK ASSY, 19', 965914



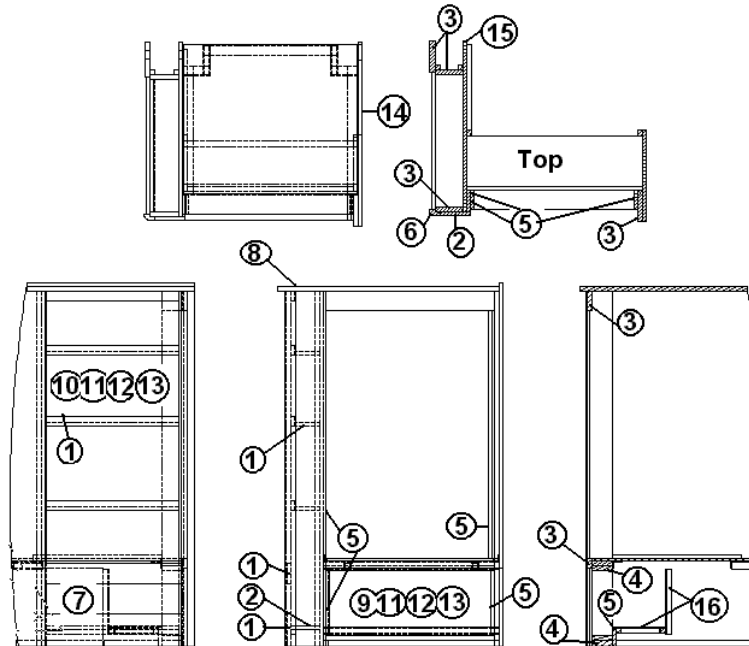
965914

SPICE RACK ASSY, 19'

2005 INTERNATIONAL TRAVEL TRAILER

FURNITURE, GALLEY

CABINET, REFRIGERATOR/PANTRY 19', 965913

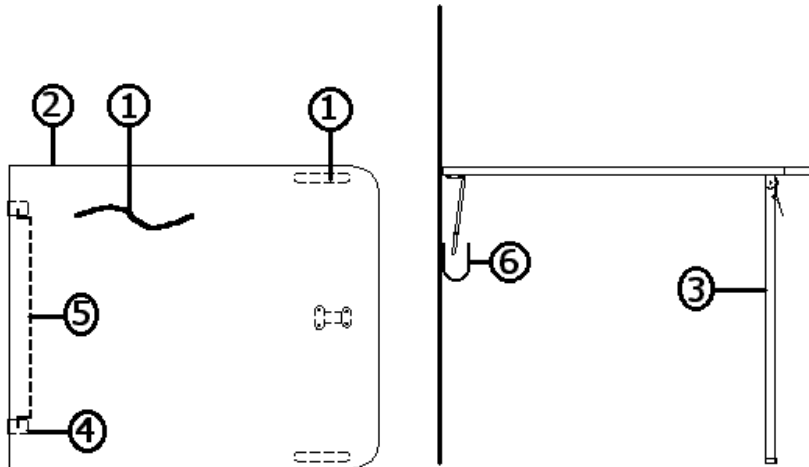


965913	CABINET ASSEMBLY-REFER/PANTRY 19'
1. 801458-01	PANEL-, BLACK MAPLE/BLACK MAPLE
2. 801456-01	PANEL-, BLACK MAPLE/WHITE LINER
3. 801436-01	PANEL-, BLACK MAPLE/WHITE
4. 801368	PANEL-, WHITELINER/WHITELINER
5. 801392	PANEL-, WHITELINER/WHITELINER
6. 801393-02	CORNER TRIM-90D 1"RADIUS, 84"
7. 965630	STAND ASSY. REFER
8. 965628-02	TOP ASSY-REFER
9. 801376-01	PANEL, TROPICAL OAK/WHITE LINER
10. 801341-78	DOOR-REFER 24.44" X 10.19"
11. 801341-79	DOOR-REFER 19.81" X 50.12"
12. 381775	DRAWER PULL, FLUSH
13. 381607	HINGE ASSY-GRASS EURO
14. 381228-01	CATCH GRABBER DOOR
15. 801471-01	PANEL-AFT REFER
16. 801471-02	PANEL-FWD REFER

2005 INTERNATIONAL TRAVEL TRAILER

FURNITURE, GALLEY

DINETTE TABLE, 22', 25', 28',

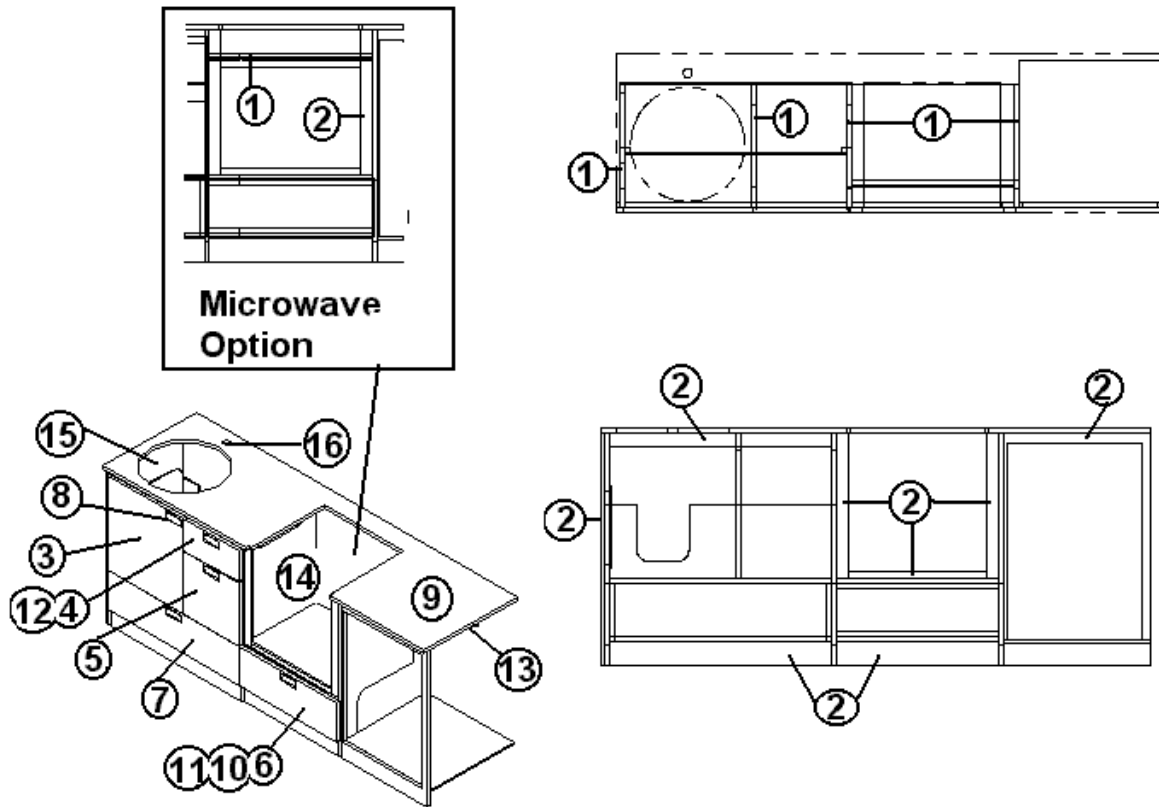


- | | |
|--------------|---------------------------------|
| 965774 | Dinette Table Assembly, 22' 25' |
| 1. 801369-01 | Panel, Frost white/white Liner |
| 2. 365267 | Edge tape, 1.19" |
| 3. 700065-01 | Table leg, folding |
| 4. 380284-02 | Table hinge bracket |
| 5. 380284-03 | Center hinge |
| 6. 340018 | Catch plate |
| 7. 381136 | RUBBER BUMPER |

2005 INTERNATIONAL TRAVEL TRAILER

FURNITURE, GALLEY

GALLEY, FULL OVEN & MICROWAVE, 22'



Part Numbers on the next page.

2005 INTERNATIONAL TRAVEL TRAILER

FURNITURE, GALLEY

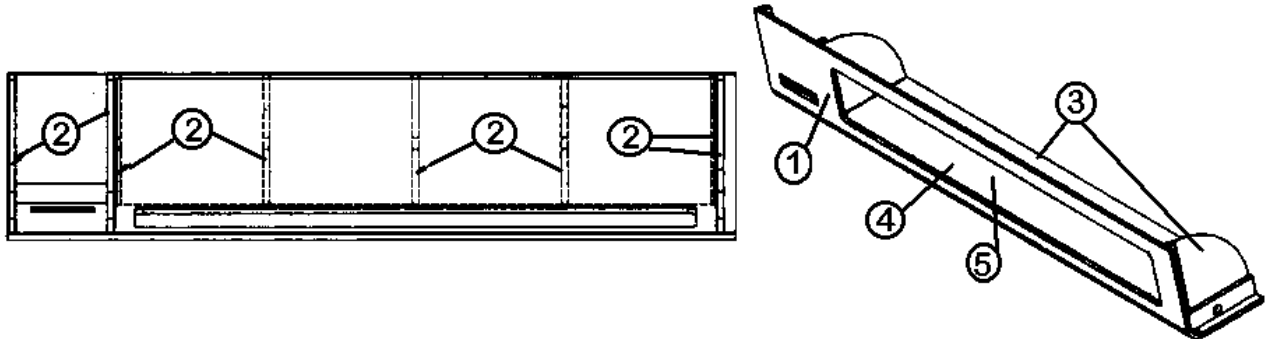
GALLEY, FULL OVEN & MICROWAVE, 22'

965811	Galley Base, 22', Full Oven
965811-01	Galley Base, 22', Microwave
1. 801368	PANEL, WHITELINER/WHITELINER
2. 801436-01	PANEL, BLACK MAP/WHITE
3. 801375-01	DOOR-GALLEY 19.63" X 21.25"
4. 801375-02	DOOR-GALLEY 14.38" X 7.00"
5. 801375-03	DOOR-GALLEY 14.38" X 14.13"
6. 801375-05	DOOR-GALLEY 25.13" X 8.69"
7. 801375-06	DOOR-GALLEY 34.13" X 8.69"
8. 381775	DRAWER PULL-FLUSH SATIN
9. 965526-01	TOP-GALLEY ASSY 3-BURN W/OVEN
10. 381607	HINGE ASSY-GRASS EURO
11. 381228-01	CATCH GRABBER DOOR
12. 965553-01	DRAWER BOX, 4.38" X 12.5" X 17"
13. 115064	TRIM, ALUM COUNTER TOP
14. 690396-09	RANGE-22" W/OVEN, S.S. TOP/DOOR
15. 601806	SINK, S. S. ROUND GALLEY
16. 601867	FAUCET, KITCHEN PULL OUT
203483	COVER-SINK ROUND 17.75"
200980-01	TRAY,SILVERWARE,ALMOND,9" X 13"
365267	EDGEBANDING-1.13" .024 PLY
801369	PANEL, FROST WHITE/WHITE LINER
365278-01	EDGEBANDING-BLACK MAPLE 1.13"
365278-02	EDGEBANDING-BLACK MAPLE 1.625"
801368	PANEL-PRELAM WHTLINER/WHTLINER
801438	PANEL-FRT WHT VINYL/RAW
380041	BRACE 1", STANLEY CORNER
386106	MAGAZINE RACK
386107	ROD-MAGAZINE RACK

2005 INTERNATIONAL TRAVEL TRAILER

FURNITURE, GALLEY

ROOF LOCKER, GALLEY, 22', 25', before unit 517413

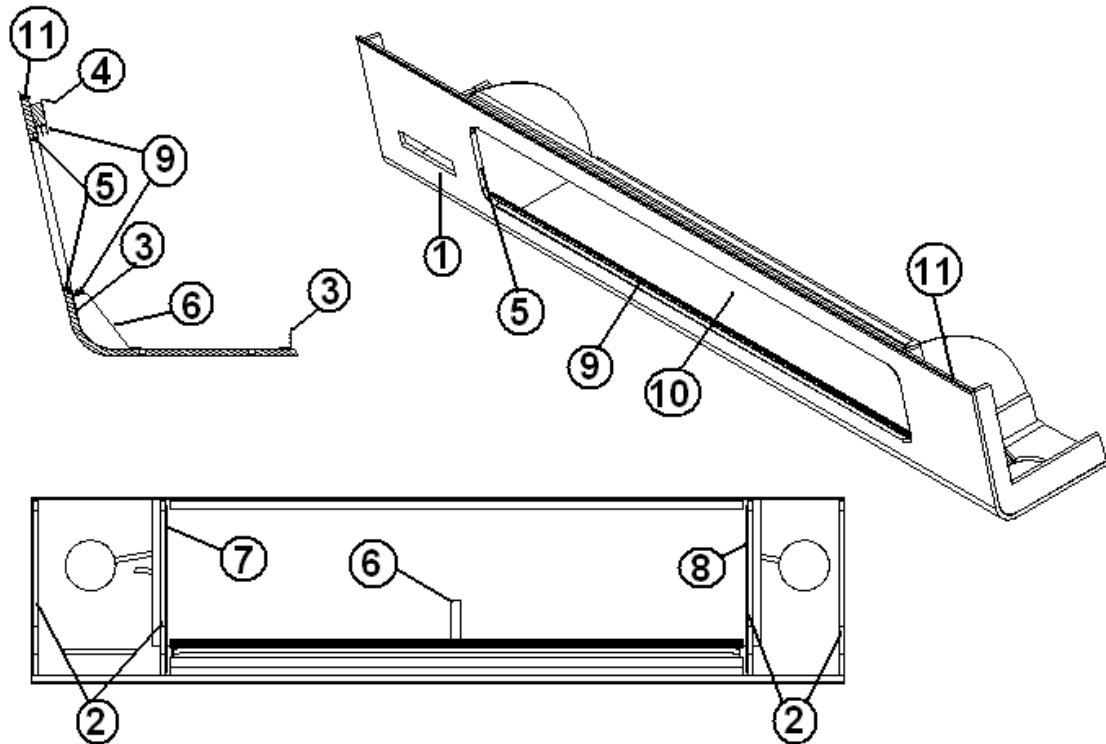


- | | |
|---------------|--|
| 965528 | Galley Roof Locker, 22 Ft |
| 1. 801379-01 | Panel, front lay out, locker |
| 2. 801351 | Lite plywood, $\frac{3}{4}$ " |
| 3. 801460-12 | END CAP-GALLEY/DINETTE R/L LH |
| 3A. 801373 | LAMINATE, Citrus Orange/Raw |
| 3B. 801355-01 | LAMINATE, FROST WHITE 4' X 8' VERTICAL |
| 4. 381245 | SLIDING DOOR TRACK, 56-1/5 |
| 5. 965563 | Door, sliding, Plexi Glass |
| 115148-02 | ANGLE-OVERHEAD R/L 68.88" |
| 104821 | SUPPORT, ROOFLOCKER, 74" |
| 201673 | COVE MOLDING, IVORY, PLASTIC |

2005 INTERNATIONAL TRAVEL TRAILER

FURNITURE, GALLEY

Roof Locker, Galley, 22', unit 517413 and after.

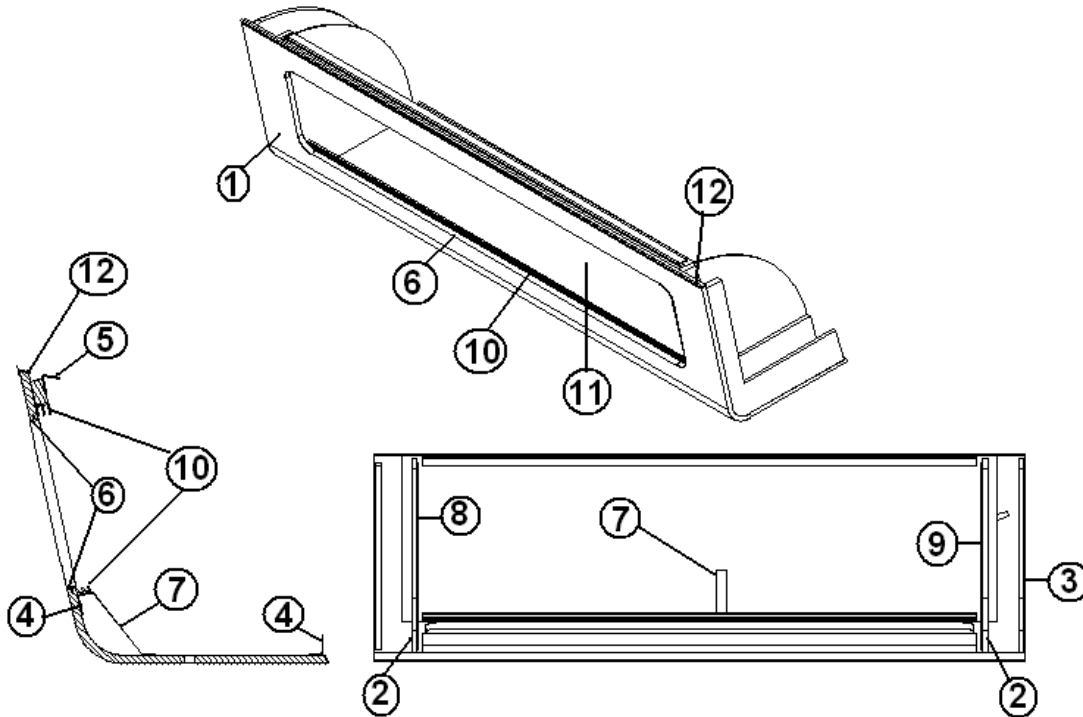


- | | |
|---------------|--------------------------------|
| 966190 | Galley Roof Locker, 22' |
| 1. 801542-01 | Locker face, galley |
| 2. 801545-02 | Divider, partial |
| 3. 115227-01 | Angled, formed, 58.50" |
| 4. 104821 | Roof locker support, 74" |
| 5. 203508-01 | T-trim, 9/16", wood grain |
| 6. 115226 | Bracket, locker center support |
| 7. 801539-01 | Divider, LH, galley |
| 8. 801539-02 | Divider, RH, galley |
| 9. . 381245 | Sliding door track |
| 10. 965563-08 | Door, sliding Plexiglas |
| 11. 201673 | Cove molding, Ivory, plastic |

2005 INTERNATIONAL TRAVEL TRAILER

FURNITURE, GALLEY

Roof Locker, Galley, 25', unit 517413 and after

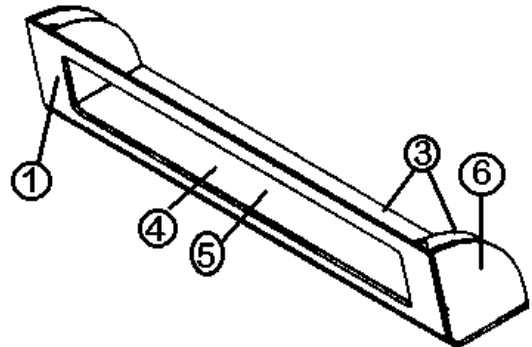
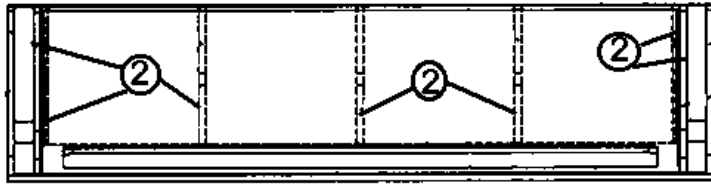


- | | |
|---------------|--------------------------------|
| 966197 | Galley Roof Locker, 25' |
| 1. 801542-06 | Locker face, galley |
| 2. 801545-02 | Divider, partial |
| 3. 801545-01 | Divider, full |
| 4. 115227-02 | Angled, formed, 50.50" |
| 5. 104821 | Roof locker support, 74" |
| 6. 203508-01 | T-trim, 9/16", wood grain |
| 7. 115226 | Bracket, locker center support |
| 8. 801539-01 | Divider, LH, galley |
| 9. 801539-02 | Divider, RH, galley |
| 10. 381245 | Sliding door track |
| 11. 965563-09 | Door, sliding Plexiglas |
| 12. 201673 | Cove molding, Ivory, plastic |

2005 INTERNATIONAL TRAVEL TRAILER

FURNITURE, GALLEY

ROOF LOCKER, DINETTE, 16', 22', 25', 28', before unit 517413

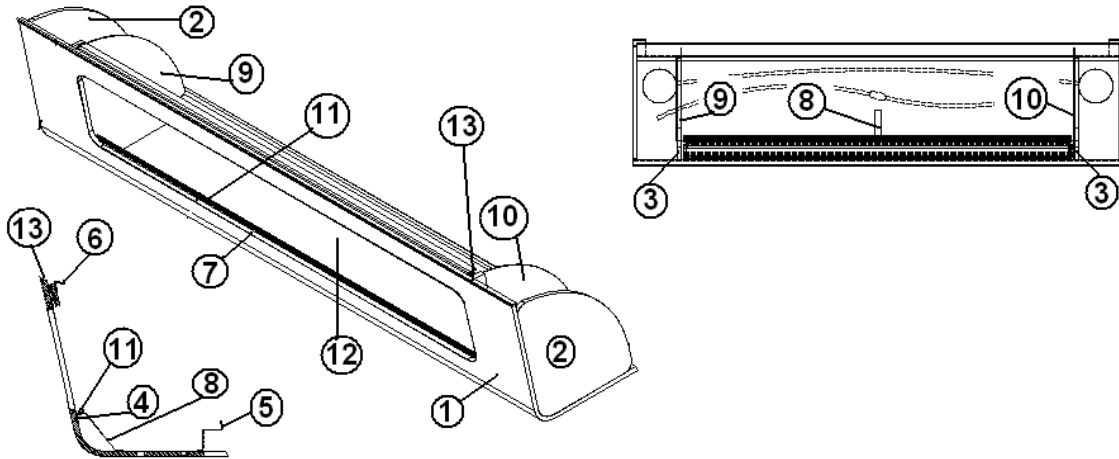


965529	Dinette Locker Roof locker,
1. 801379-01	Panel, front lay out, locker
2. 801351	Lite plywood, $\frac{3}{4}$ "
3. 801373	Panel, Citrus Orange/Raw
3A. 801355-01	LAMINATE, FROST WHITE 4' X 8' VERTICAL
4. 203388	Sliding door track
5. 965563	Door, sliding, Plexi Glass
6. 801369	Panel, Rexel, Frosty white/white
6A. 801436-01	PANEL, BLACK MAPLE/WHITE
115148-02	ANGLE-OVERHEAD R/L 68.88"
104821	SUPPORT, ROOFLOCKER, 74"
201673	COVE MOLDING, IVORY, PLASTIC
115064	TRIM-ALUM COUNTER TOP

2005 INTERNATIONAL TRAVEL TRAILER

FURNITURE, GALLEY

Roof Locker, Dinette, 22', unit 517413 and after.

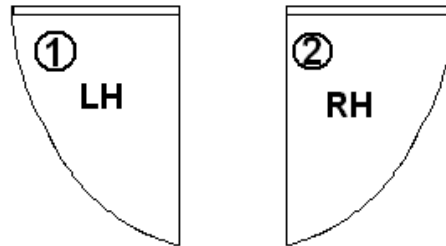


966195	Dinette Roof Locker, 22'
1. 801542-02	Locker face, dinette
2. 801545-01	Divider, full
3. 801545-03	Divider, partial, short
4. 115227-01	Angled, formed, 58.50"
5. 115228-01	Blind close out, formed
6. 104821	Roof locker support, 74"
7. 203508-01	T-trim, 9/16", wood grain
8. 115226	Bracket, locker center support
9. 801540-01	Divider, LH, dinette
10. 801540-02	Divider, RH, dinette
11. 381245	Sliding door track
12. 965563-08	Door, sliding Plexiglas
13. 201673	Cove molding, Ivory, plastic

2005 INTERNATIONAL TRAVEL TRAILER

FURNITURE, GALLEY

ROOF LOCKER SHELVES, RH, LH, 16', 19', 22', 28'

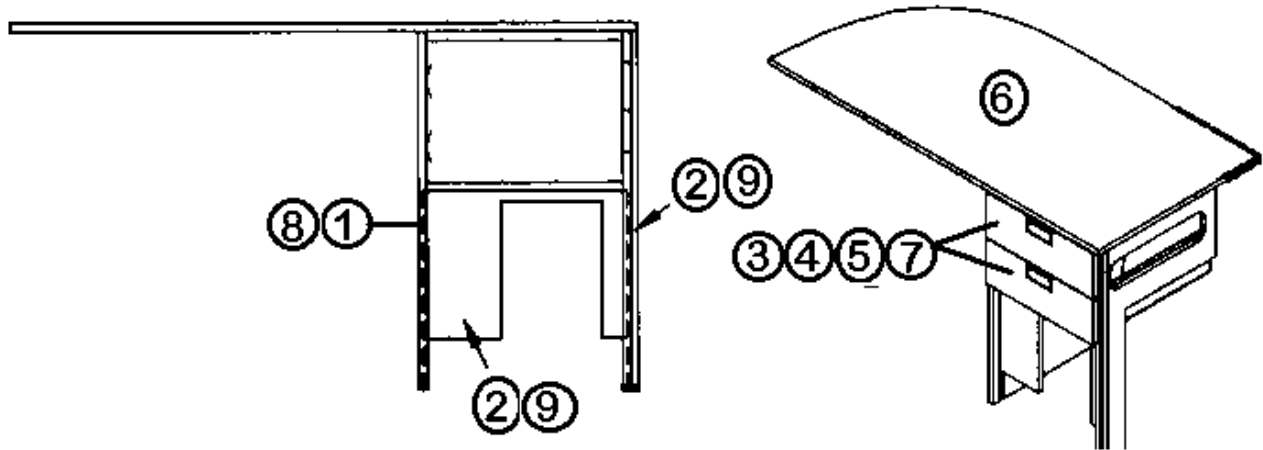


1. 965898-01 Roof Locker Shelf Assembly, LH
2. 965898 Roof locker Shelf Assembly, RH

2005 INTERNATIONAL TRAVEL TRAILER

FURNITURE, GALLEY

DESK ASSEMBLY 22'

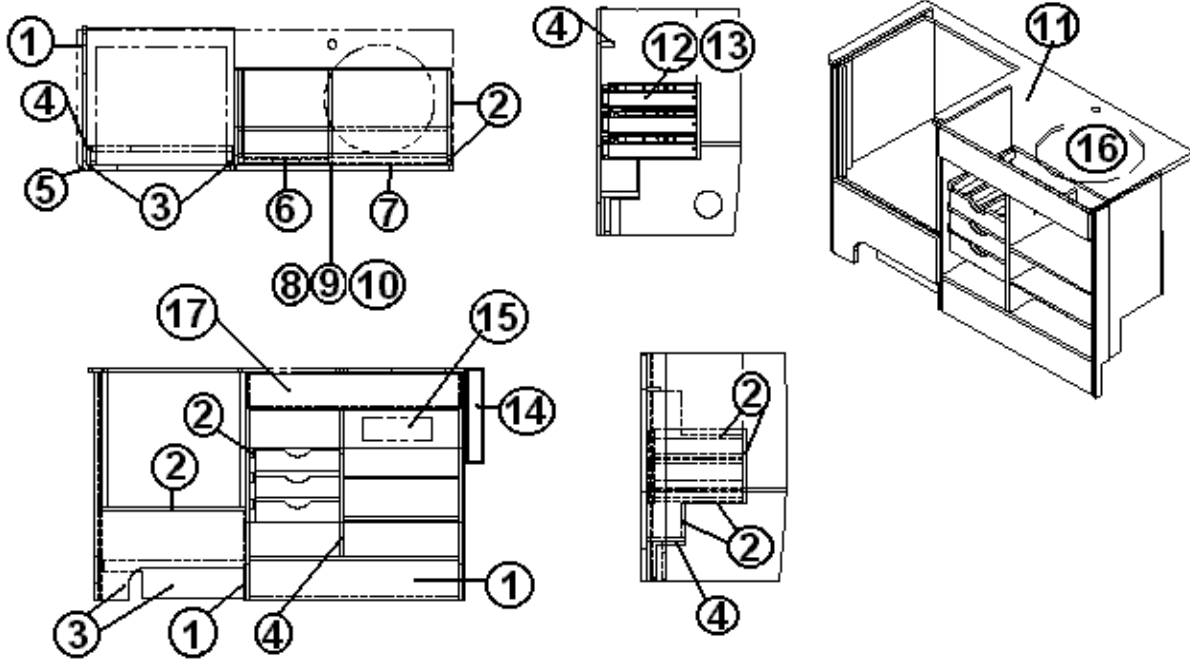


965535	Desk Assembly, 22' Model
1. 801369	Panel, Rexel, Frosty white/white
2. 801351	Lite plywood
3. 801375-07	Door, 6.25" x 17.13", Frosty white
4. 965553-04	Drawer box assembly, 4.38" x 15.25" x 17.63"
5. 381775	Drawer pull
6. 965540	Desk top assembly
7. 381773-26	Clip, locking drawer
8. 365269-02	Edge banding, .024" x 1.625, Raven
9. 365269-01	Edge banding, .24" x 1.125"
381209-01	GROMMET-W/CAP BLACK 1.5" HOLE
381773-11	DRAWER SLIDE-4.63" X 18.5" (PAIR)
365278-01	EDGE BANDING-BLK MAPLE 1.13"
365278-02	EDGE BANDING-BLK MAPLE 1.625"
365267	EDGE BANDING-1.13"
115064	TRIM-ALUM COUNTER TOP

2005 INTERNATIONAL TRAVEL TRAILER

FURNITURE, GALLEY

GALLEY, FULL OVEN, 25', 965849



2005 INTERNATIONAL TRAVEL TRAILER

FURNITURE, GALLEY

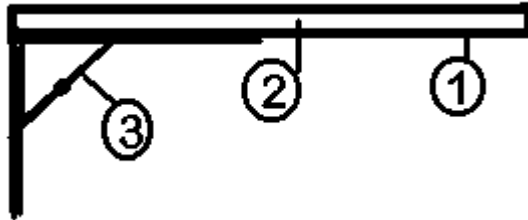
GALLEY, FULL OVEN, 25', 965849

965849	GALLEY ASSY-FULL OVEN, 25'
1. 801456-01	PANEL, BLACK MAPLE/WHITE LINER
2. 801392	PANEL, WHITELINER/WHITELINER
3. 801436-01	PANEL, BLACK MAPLE/WHITE 18M
4. 801368	PANEL, WHITELINER/WHITELINER
5. 801393-02	CORNER TRIM, 90D 1" RADIUS 84"
6. 801341-73	DOOR-GALLEY 14.63" X 23.63"
7. 801341-74	DOOR-GALLEY 18.63" X 23.63"
8. 381775	DRAWER PULL, FLUSH
9. 381228-01	CATCH GRABBER DOOR
10. 381607	HINGE ASSY-GRASS EURO
11. 965851	GALLEY TOP, 25'
12. 965584-01	DRW BOX ASSY 3.38" X 13.75" X 13"
12A. 381773-02	SLIDE DRAWER 3-3/8" H X 13-3/4" L
13. 801399-02	DRAWER-HIDDEN 13.00" W X 3.38" H
14. 965850	SHELF-GALLEY FLIP UP SHELF
15. 381615	TRAY 11" MOLDED PLASTIC
16. 601806	SINK-S.S. ROUND GALLEY
16a. 600968	BASKET STRAINER
17. 801369-01	PANEL, FROST WHITE/WHITE LINER
381614	FOLDING SHELF BRACKET
365267	EDGE BANDING-1.13"
365278-03	EDGE BANDING-BLK MAPLE .625"
203483	COVER-SINK ROUND 17.75", OAK

2005 INTERNATIONAL TRAVEL TRAILER

FURNITURE, GALLEY

GALLEY FLIP UP SHELF, 25', 965850



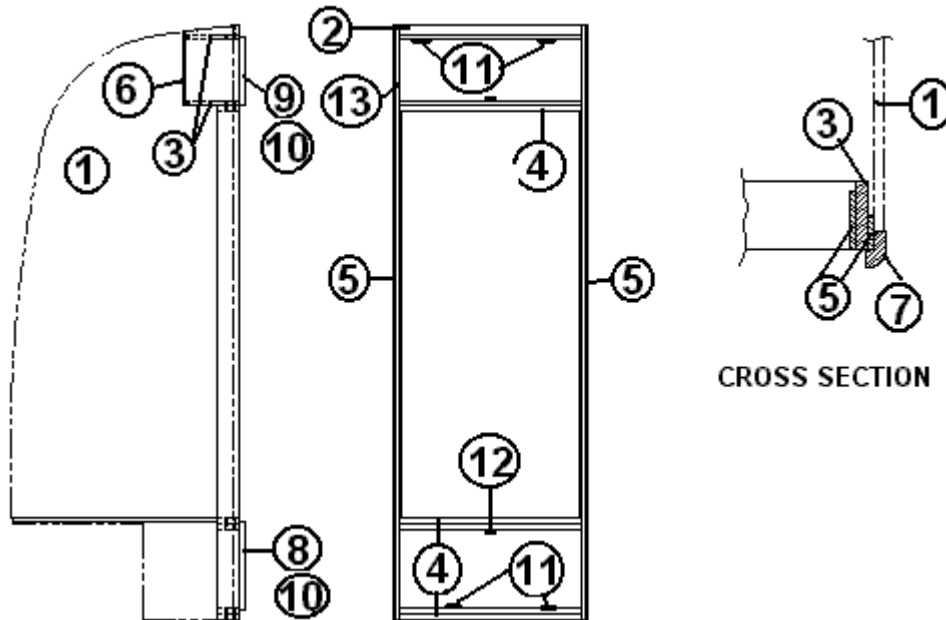
- 965850
1. 801369
2. 365267
3. 381614

Galley Flip up Shelf Assembly, 25'
PANEL, FROSTY WHITE/WHITE LINER
EDGEBANDING-1.13" .024 PLY
FOLDING SHELF BRACKET

2005 INTERNATIONAL TRAVEL TRAILER

FURNITURE, GALLEY

REFRIGERATOR CABINET, 25', 965836

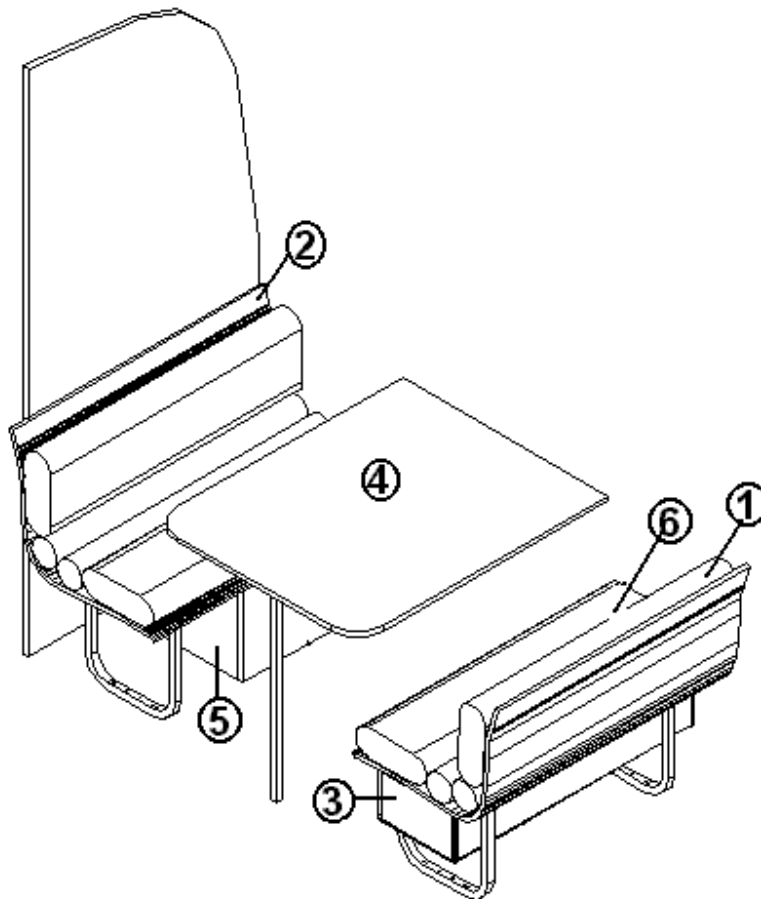


965836	Refrigerator Cabinet Assembly, 25'
1. 801460-01	PANEL-FWD REFER, 25'
2. 801456-01	PANEL, BLACK MAPLE/WHITE LINER 12MM
3. 801392	PANEL, WHITELINER/WHITELINER
4. 801368	PANEL, WHITELINER/WHITELINER
5. 800507-03	LAUAN, 3/8" X 4' X 8'
6. 801438	PANEL, WHITE VINYL/RAW
7. 801393-02	CORNER TRIM-90D 1"RADIUS, 84"
8. 801341-61	DOOR-REFER CABINET, 10.19" X 25.19"
9. 801341-62	DOOR-REFER CAB.8.38"X 25.19"
10. 381775	DRAWER PULL, FLUSH
11. 381607	HINGE ASSY-GRASS EURO
12. 381228-01	CATCH GRABBER DOOR C3-803
13. 381608-05	LID STAY-LEFT HAFELE
365278-01	EDGE BANDING-BLACK MAPLE 1.13"
965573	STAND-REFER, 25'
365278-03	EDGE BANDING-BLACK MAPLE .625"

2005 INTERNATIONAL TRAVEL TRAILER

FURNITURE, GALLEY

DINETTE LAYOUT, 25'

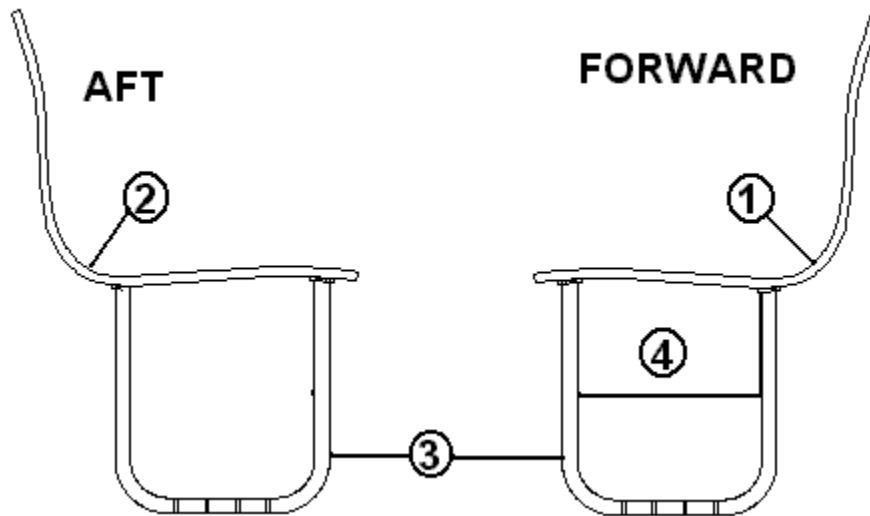


- | | |
|---------------|--|
| 1. 965788 | SEAT ASSY-FWD DINETTE |
| 2. 965853 | SEAT ASSY-AFT BOOTH, 25' |
| 3. 965854 | CLOSEOUT-DINETTE SEAT, 25' |
| 4. 965774 | DINETTE TABLE |
| 5. 203439 | STORAGE BOX-17"L X 11.13"W X 6.38" |
| 6. 703352-123 | Booth dinette seat cushions, Charade |
| 6. 703352-133 | Booth dinette seat cushions, Lemon Grass |
| 6. 703352-143 | Booth dinette seat cushions, Hazard Orange |
| 6. 703352-115 | Booth seat cushions, Midnight Sun |

2005 INTERNATIONAL TRAVEL TRAILER

FURNITURE, GALLEY

DINETTE SEAT ASSEMBLIES FORWARD, AFT, 25'

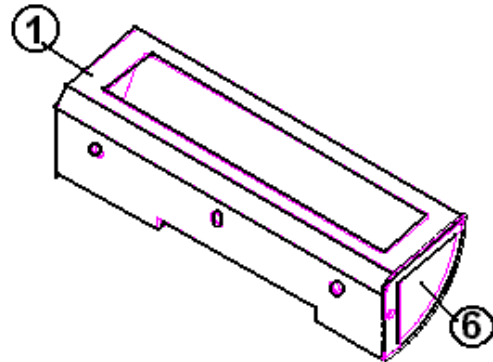
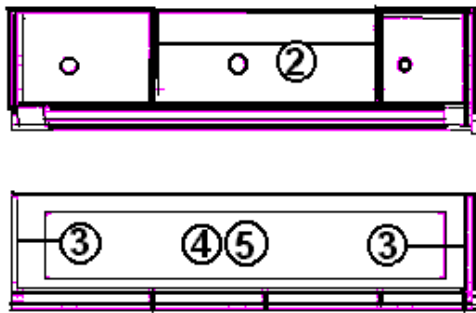


- 965788 DINETTE SEAT ASSEMBLY FORWARD, 25'
- 965853 DINETTE SEAT ASSEMBLY AFT, 25'
- 965788 DINETTE SEAT FORWARD, , 25'
- 965853 DINETTE SEAT AFT, , 25'
- 1. 801446 SEAT-DINETTE PLYMOLD CONTOURED
- 2. 801446 SEAT-DINETTE PLYMOLD CONTOURED
- 3. 115140 LEG-DINETTE BASE
- 4. 115141 CLOSEOUT-BOTTOM DINETTE SEAT
- 801498 DOOR-DINETTE STORAGE
- 381847 HINGE-PIANO ANGLE .88" X 72"
- 381228-01 CATCH GRABBER DOOR C3-803
- 801456-01 PANEL, BLACK MAPLE/WHITE LINER 12MM
- 365278-03 EDGE BANDING-BLACK MAPLE .625"
- 114070 EXTRUSION, J-TRIM

2005 INTERNATIONAL TRAVEL TRAILER

FURNITURE, GALLEY

ROOFLOCKER, DINETTE 25', 965863, before unit 517413

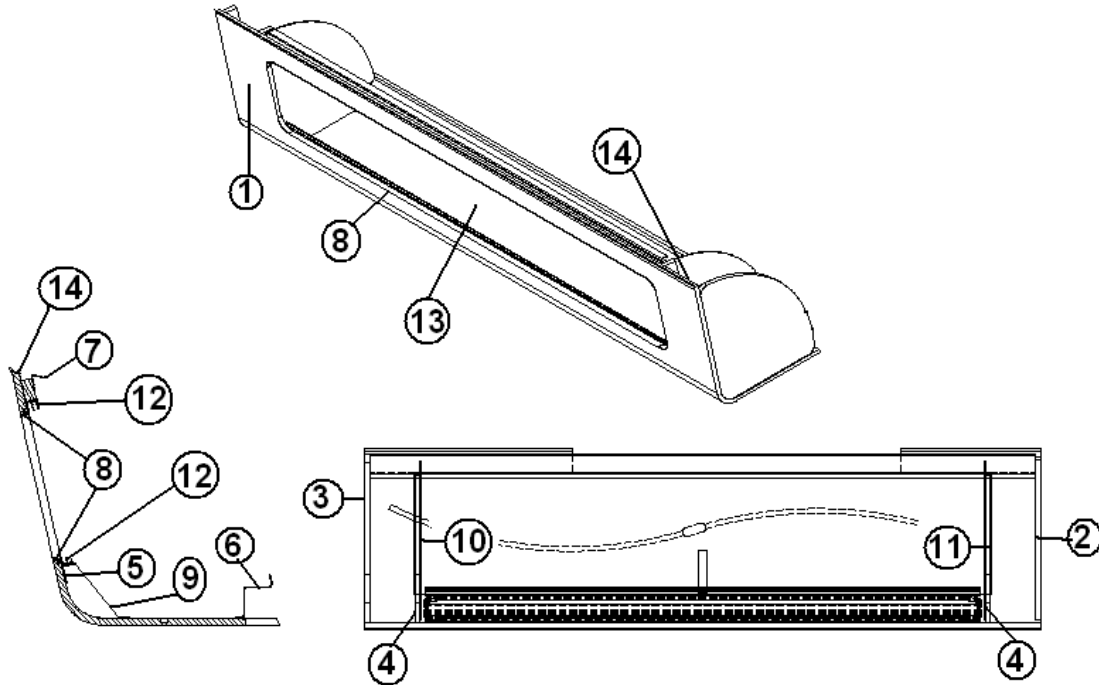


965863	ROOFLOCKER ASSEMBLY-DINETTE 25
1. 801463	Panel. Layout, roof locker
2. 801351	LITE PLY-18MM (.75") 4'X 8'
3. 801353	LITE PLY-3MM x 4' X 8'
4. 203388	TRACK-SLIDING DOOR
5. 965563	DOOR-SLIDING, PLEXI GLASS 22.29"
6. 801460-11	END CAP-GAL/DIN R/L RH 25'
365267	EDGEBANDING-1.13" .024 PLY
115148-02	ANGLE-OVERHEAD R/L 68.88"
801456-01	PANEL, BLACK MAPLE/WHITE LINER
801369-01	PANEL, FROST WHITE/WHITE LINER

2005 INTERNATIONAL TRAVEL TRAILER

FURNITURE, GALLEY

Roof locker, Dinette, 25', unit 517413 and after.



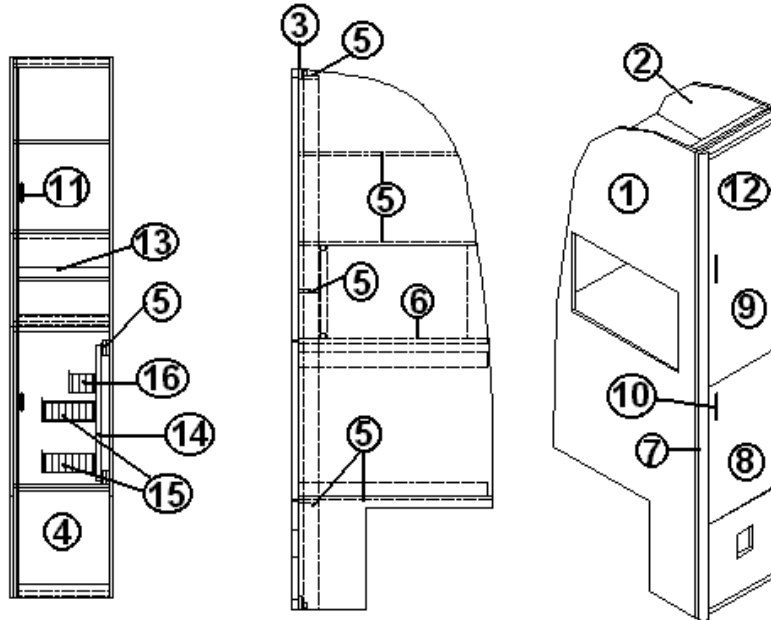
966196 Dinette roof locker, 25'

- | | |
|---------------|--------------------------------|
| 1. 801542-04 | Locker face, dinette |
| 2. 801545-01 | Divider, full |
| 3. 801545-02 | Divider, partial |
| 4. 801545-03 | Divider, partial, short |
| 5. 115227-01 | Angled, formed, 58.50" |
| 6. 115228-01 | Blind close out, formed |
| 7. 104821 | Roof locker support, 74" |
| 8. 203508-01 | T-trim, 9/16", wood grain |
| 9. 115226 | Bracket, locker center support |
| 10. 801540-01 | Divider, LH, dinette |
| 11. 801540-02 | Divider, RH, dinette |
| 12. 381245 | Sliding door track |
| 13. 965563-08 | Door, sliding Plexiglas |
| 14. 201673 | Cove molding, Ivory, plastic |

2005 INTERNATIONAL TRAVEL TRAILER

FURNITURE, GALLEY

PANTRY ASSEMBLY, 25', 965842

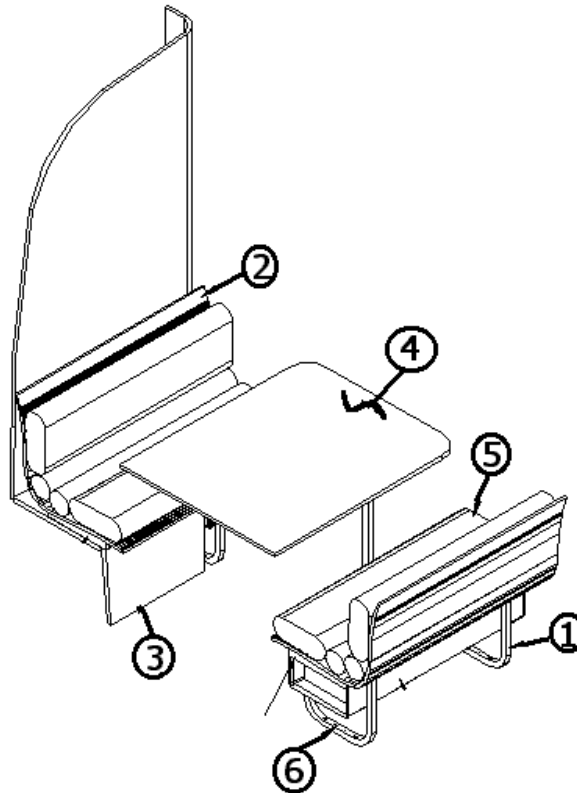


- | | |
|---------------|-----------------------------------|
| 965842 | PANTRY ASSEMBLY, 25' |
| 1. 801460-04 | PANEL-FWD PANTRY, 25' |
| 2. 801460-05 | PANEL-AFT PANTRY, 25' |
| 3. 801456-01 | PANEL, BLACK MAPLE/WHITE LIN 12M |
| 4. 801436-01 | PANEL, BLACK MAPLE/WHITE 18MM |
| 5. 801392 | PANEL, WHITELINER/WHITELINER |
| 6. 801368 | PANEL, WHITELINER/WHITELINER |
| 7. 801393-02 | CORNER TRIM-90D 1"RADIUS, 84" |
| 8. 801341-71 | DOOR-PANTRY 14"X 23" |
| 9. 801341-72 | DOOR-PANTRY 14"X 38.13" |
| 10. 381775 | DRAWER PULL, FLUSH |
| 11. 381228-01 | CATCH GRABBER DOOR |
| 12. 381607 | HINGE ASSY-GRASS EURO |
| 13. 115083 | SHELF EDGE, FORMED |
| 14. 381551-03 | ORGANIZER WHITE BASE CABINET |
| 15. 381551-04 | BASKET-WIRE WHITE 8" WIDE |
| 16. 381551-02 | WIRE BASKET 4" WIDE WHITE |
| 365267 | EDGE BANDING-1.13" .024 PLY |
| 365238-04 | EDGE BANDING TAPE PVC 5/8", WHITE |
| 365278-03 | EDGE BANDING-BLACK MAPLE .625" |
| 381805 | Bolt, slide, 3" aluminum |

2005 INTERNATIONAL TRAVEL TRAILER

FURNITURE, GALLEY

DINETTE LAYOUT, 28'



965788	SEAT ASSY-FWD DINETTE, 28'
965789	SEAT ASSY-AFT DINETTE, 28'
1. 801446	Booth seat, contoured
2. 801446	Booth seat, contoured
3. 965775	Closeout, dinette seat
4. 965774	Dinette table assembly
5. 703352-123	Booth seat cushions, Charade
5a. 703352-133	Booth seat cushions, Lemon Grass
5b. 703352-143	Booth seat cushions, Hazard Orange
5. 703352-115	Booth seat cushions, Midnight Sun
6. 115140	Leg, dinette seat
203439	STORAGE BOX-17"L X 11.13"W X 6.38"
801498	DOOR-DINETTE STORAGE
381847	HINGE-PIANO ANGLE .88" X 72"
381228-01	CATCH GRABBER DOOR C3-803

2005 INTERNATIONAL TRAVEL TRAILER

FURNITURE, GALLEY

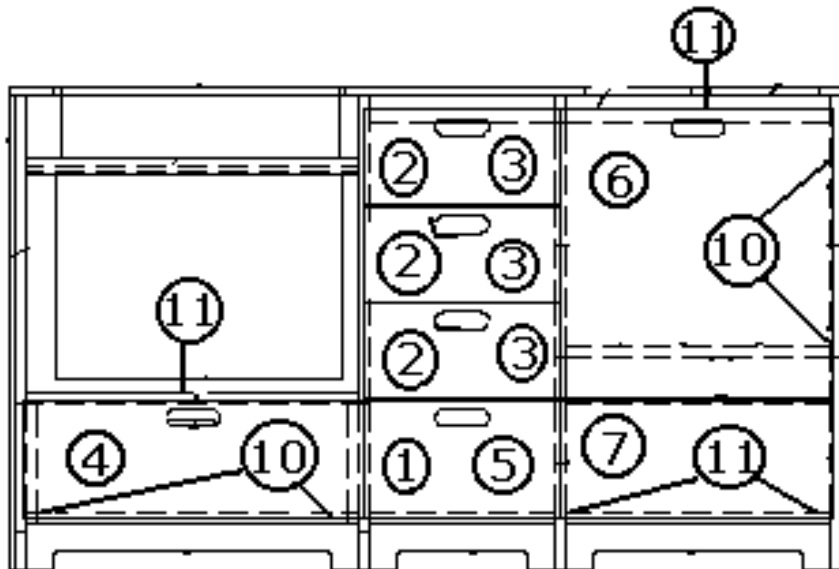
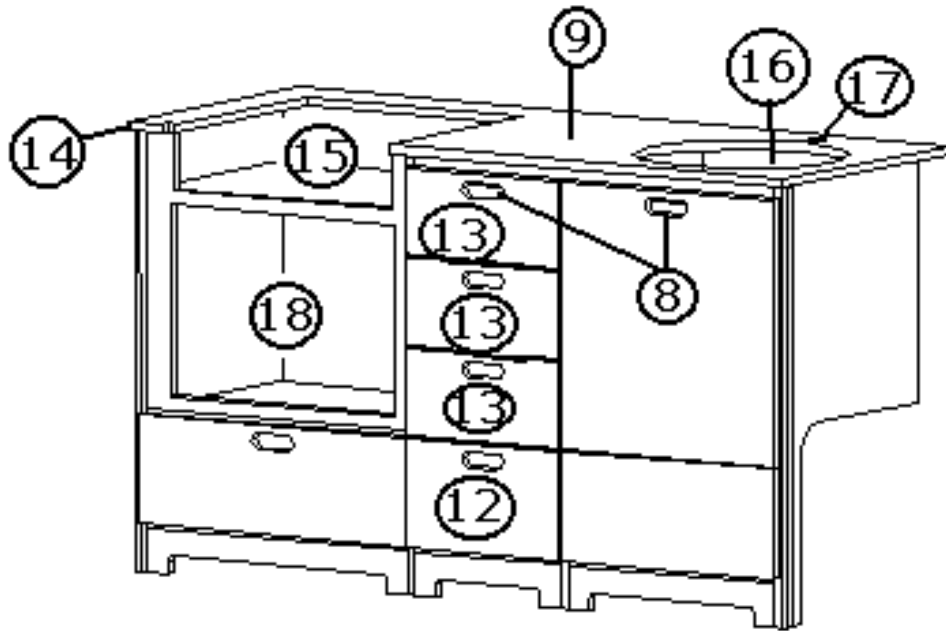
GALLEY CABINET, 28", 965992

965992	Galley Base Assembly, 28'
1. 801368	Panel, WHITELINER/WHITELINER, 18mm
2. 801436-01	Panel, Black Maple/White, 18mm
3. 381373-11	Drawer slide/box, 6136/470mm
4. 381373-17	Drawer slide/box, 6236/470mm
5. 801375-02	Drawer door, 14.38" x 7.00", Frosty
6. 801375-17	Drawer door, 25.13" x 8.69", Frosty
7. 801375-15	Drawer door, 14.38" x 8.69", Frosty
8. 801375-16	Drawer door, 20.13" x 21.25", Frosty
9. 801369-01	False panel, 21.13" x 8.69", Frosty
10. 381775	Drawer/door pull, flush
11. 965993-01	Galley top assembly
12. 381607	Hinge assembly, Euro-Grass
13. 381228-01	Door grabber catch
14. 965553-01	Drawer box assembly
15. 965554-04	Drawer box assembly
16. 115064	Counter top trim
17. 365267	Ply edge tape, 1 1/8"
18. 690396-09	Range, 22", Gas
19. 601806	Sink, galley, Round Stainless Steel
20. 601867	Faucet, Pull-Out, Moen
200980-01	TRAY, SILVERWARE, ALMOND, 9" X 13"
965715-02	BACKSPLASH ASSY. GALLEY
203483	COVER-SINK ROUND 17.75" NATURAL OAK
600968	BASKET STRAINER

2005 INTERNATIONAL TRAVEL TRAILER

FURNITURE, GALLEY

GALLEY CABINET, MICROWAVE, 28', 965802



Parts Numbers on the next page.

2005 INTERNATIONAL TRAVEL TRAILER

FURNITURE, GALLEY

GALLEY CABINET, MICROWAVE, 28', 965802

965802	Galley Base Assembly, 28', Microwave
1. 381773-11	Drawer slide/box
2. 381773-17	Drawer slide/box
3. 801375-02	Drawer door, 14.38" x 7.00"
4. 801375-17	Drawer door, 25.13" x 8.69"
5. 801375-15	Drawer door, 14.38" x 8.69
6. 801375-16	Drawer door, 20.13" x 21.25"
7. 801369-01	PANEL, FROST WHITE/WHITELINER
8. 381775	Drawer/door pull
9. 965993	Galley top assembly
10. 381607	Hinge assembly, grass-euro
11. 381228-01	Door grabber catch
12. 965553-01	Drawer box assembly
13. 965553-04	Drawer box assembly
14. 115064	Counter top trim
15. 690396-10	Cook top, 22"
16. 601806	Sink, round S.S.
17. 601867	Faucet
18. 690345-01	MICROWAVE-CONVECTION SHARP R-820BK

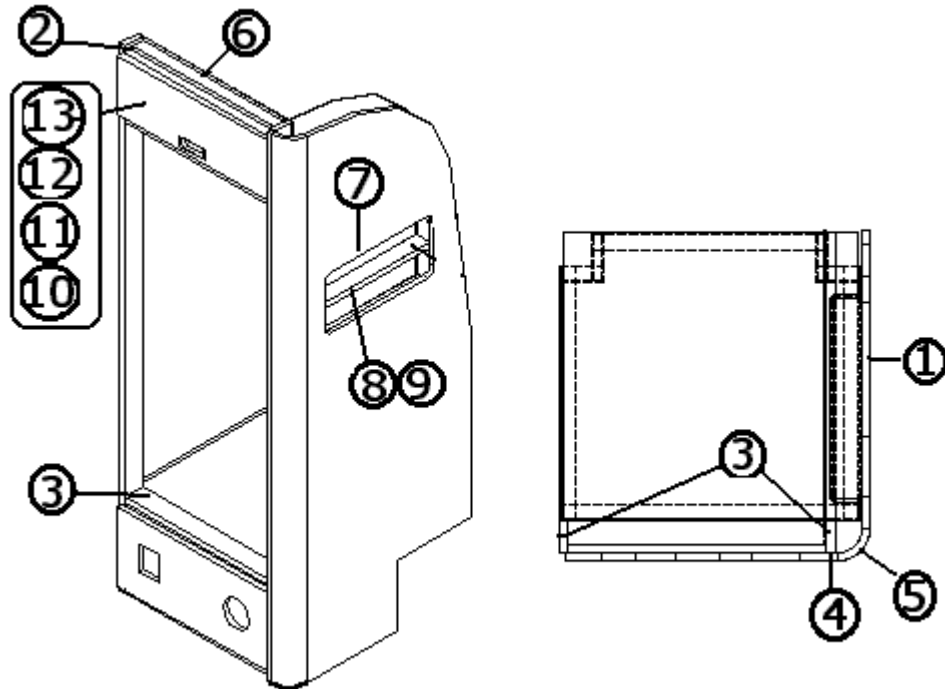
Not shown:

801368	WHITELINER/WHITELINER
801436-01	Panel, Black décor, Maple/White liner, 18MM
365267	Edge tape, 1 1/8", ply
365278-01	Edge tape, maple, 1 1/8"

2005 INTERNATIONAL TRAVEL TRAILER

FURNITURE, GALLEY

REFRIGERATOR CABINET, 28', 965997

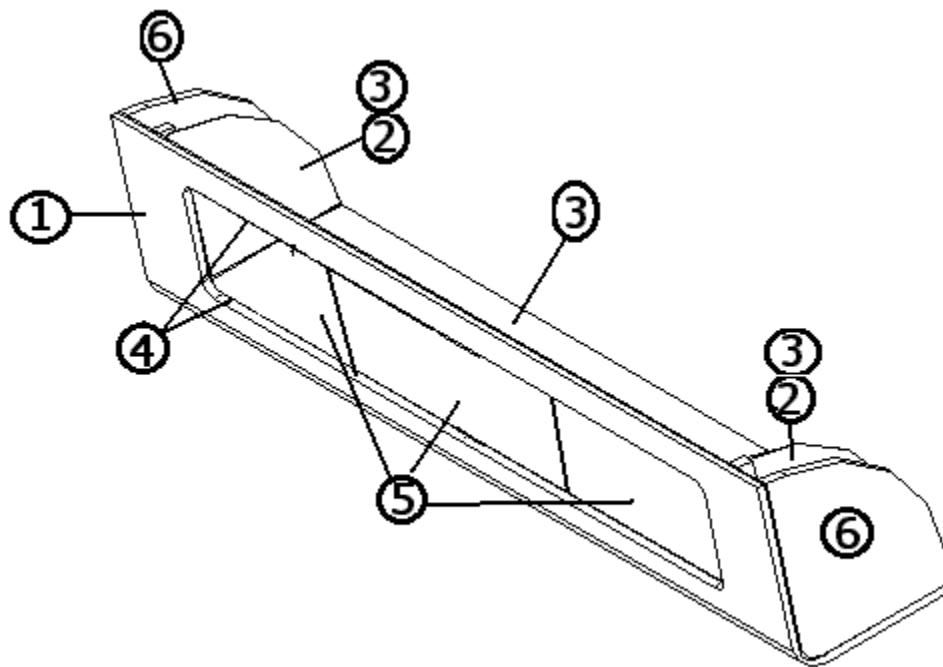


- 965997 Refrigerator Cabinet Assembly, 28'
- 1. 966056 Panel, forward refer
 - 2. 801436-01 Panel, black décor, maple/white liner
 - 3. 801368 Panel, white liner/white liner
 - 4. 801351 Lite ply, .75"
 - 5. 801345 Radius plywood, .75" x 3" x 8'
 - 6. 801438 Panel, 2.7mm x 48" x 84", white/raw
 - 7. 203384 Spice rack, ABS
 - 8. 203385 Trim, "F" self edging clear
 - 9. 20330 Plastic, Frosted white
 - 10. 801375-18 Door refer cabinet, 8.5" x 25.56"
 - 11. 381775 Drawer pull
 - 12. 381607 Hinge assembly, Grass-Euro
 - 13. 381228-01 Door grabber catch
 - 203476 SHELF-REFRIGERATOR
 - 203440 T MOLDING-BLACK EMBOSSED .8125
 - 115064 TRIM-ALUM COUNTER TOP

2005 INTERNATIONAL TRAVEL TRAILER

FURNITURE, GALLEY

ROOR LOCKER, GALLEY, 25', 28', 965766, before unit 517413

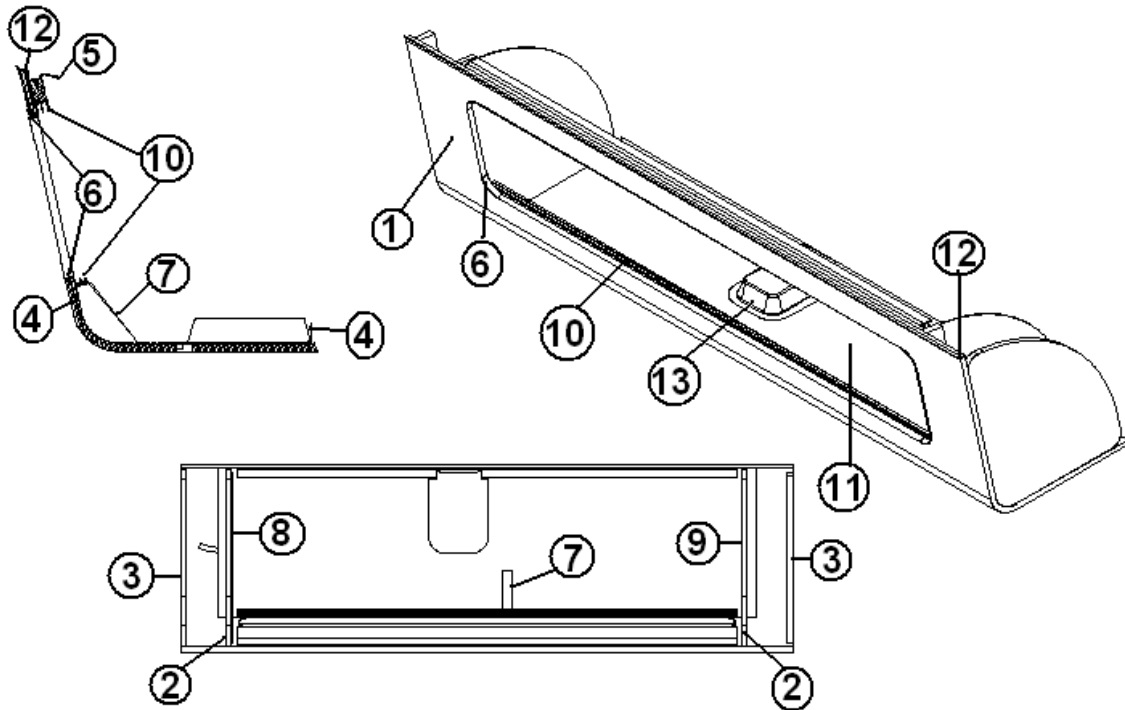


965766	Galley Roof Locker, 25', 28'
1. 801379	Panel layout, lockers
2. 801351	Lite ply, .75"
3. 801355-01	LAMINATE, FROST WHITE 4' X 8' VERTICAL
4. 203388	Sliding door track
5. 965563-01	Door, sliding, Plexi-glass
6. 801436-01	PANEL BLACK MAPLE/WHITE 18MM
104821	SUPPORT, ROOFLOCKER, 74"
115148-02	ANGLE-OVERHEAD R/L 68.88"
801460-11	END CAP-GAL/DIN R/L RH

2005 INTERNATIONAL TRAVEL TRAILER

FURNITURE, GALLEY

Roof Locker, Galley, 28', unit 517413 and after



966198 Galley Roof Locker, 28'

- | | |
|---------------|--------------------------------|
| 1. 801542-03 | Locker face, galley |
| 2. 801545-02 | Divider, partial |
| 3. 801545-01 | Divider, full |
| 4. 115227-02 | Angled, formed, 50.50" |
| 5. 104821 | Roof locker support, 74" |
| 6. 203508-01 | T-trim, 9/16", wood grain |
| 7. 115226 | Bracket, locker center support |
| 8. 801539-01 | Divider, LH, galley |
| 9. 801539-02 | Divider, RH, galley |
| 10. 381245 | Sliding door track |
| 11. 965563-09 | Door, sliding Plexiglas |
| 12. 201673 | Cove molding, Ivory, plastic |
| 13. 200772 | Pan, dead bolt, plastic |

2005 INTERNATIONAL TRAVEL TRAILER

FURNITURE, GALLEY

RANGEHOOD/SILVERWARE TRAY

511791-01	RANGE HOOD-VENTLINE SILVER
511791-02	RANGE HOOD-VENTLINE SILVER, CSA
511017-11	EXTERIOR VENT GRAY
114462	DUCT RANGE EXHAUST TRANSITION
114230-04	CLOSEOUT FORMED R. EXHAUST 4.40
365190	SEAL, RUBBER, ADHESIVE, 3/4" X 3/4"
200980-01	TRAY, SILVERWARE, ALMOND, 9" X 13"

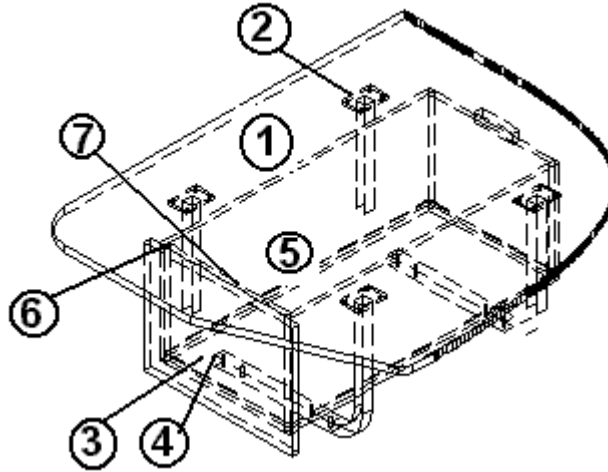
CHAIR.MAGAZINE RACKS

203382	Air chair, orange
386106	Magazine rack, Model, 16', 22'
386106-01	Magazine rack, Model, 28'
386107	Magazine rack rod

2005 INTERNATIONAL TRAVEL TRAILER

FURNITURE, LOUNGE

DINETTE SEAT ASSEMBLY, CS, 16', 19'

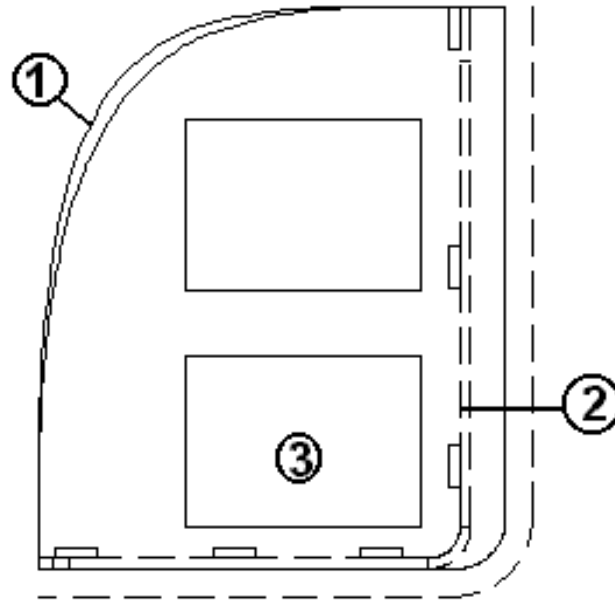


- 965865 SEAT ASSEMBLY-CS DINETTE, 16', 19'
- 1. 801368 PANEL, WHITELINER/WHITELINER, seat top
- 2. 454177 LEG-DINETTE ALUMINUM
- 3. 964909-11 DRAWER BOX ASSEMBLY-10" X 14.00" X 29"
- 4. 801375-21 DOOR-DINETTE 11.5"X 16.00"
- 5. 381833 DRAWER SLIDE-24" UNDER SHELF
- 6. 800581-01 LUMBER, OAK, 13/16" X 1.5"
- 7. 381074 CATCH BULL DOG #65S (COPPER)
- 203474 NIPPLE-MOLDED PLASTIC
- 801436-01 PANEL, BLACK MAPLE/WHITE 18MM VERTICLE
- 365267 EDGE BANDING-1.13" .024 PLY
- 365278-01 EDGE BANDING-BLACK MAPLE 1.13"

2005 INTERNATIONAL TRAVEL TRAILER

FURNITURE, LOUNGE

DINETTE SEAT ASSEMBLY, RS, 16', 19'

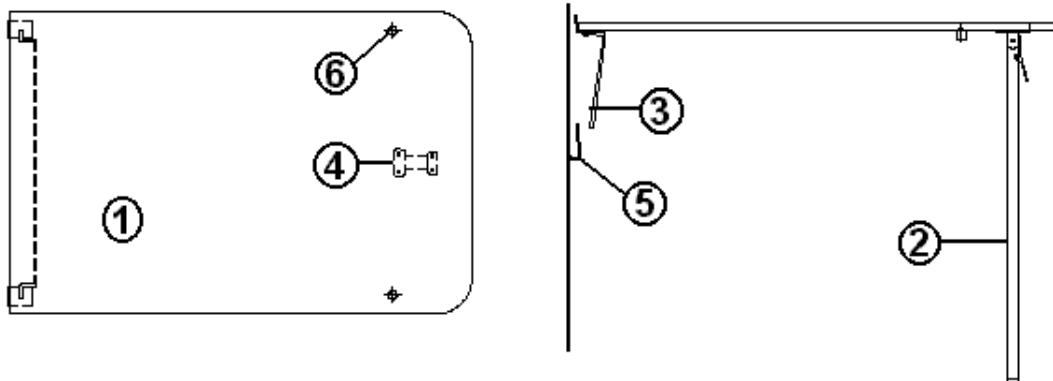


- 965866 SEAT ASSEMBLY-RS DINETTE, 16', 19'
- 1. 801368 PANEL, WHITELINER/WHITELINER, SEAT TOP
- 2. 965932 SUPPORT ASSEMBLY-RS DINETTE
- 3. 701538-01 CARPET-ECONOLIER
- 801345 RADIUS PLYWOOD .75"X 3"X 8'
- 801355-01 LAMINATE, FROST WHITE 4 'X 8'
- 365267 EDGE BANDING-1.13" .024 PLY
- 701538-01 CARPET-ECONOLIER W/PSA BACK
- 701538 CARPET, ECONOLIER VELOUR BLACK
- 701538-02 PSA BACKING-ECONOLINE CARPET

2005 INTERNATIONAL TRAVEL TRAILER

FURNITURE, LOUNGE

DINETTE TABLE ASSEMBLY, 16', 19'

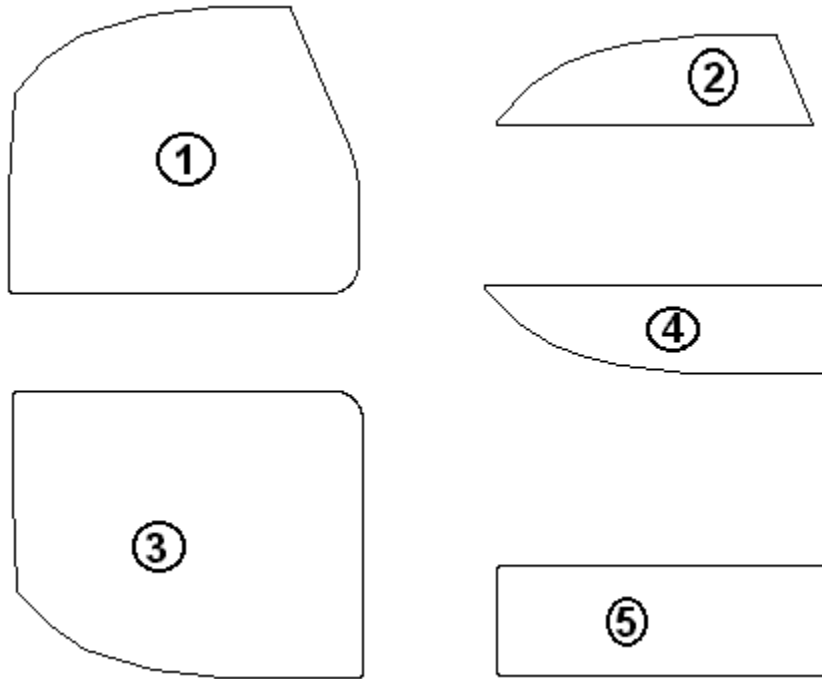


- | | |
|--------------|-----------------------------------|
| 965867 | TABLE ASSEMBLY-DINETTE, 16', 19' |
| 1. 801368 | PANEL, WHITELINER/WHITELINER, TOP |
| 2. 700065-01 | LEG-SNAPO FOLDING, 30.5" CHROME |
| 3. 380284-02 | TABLE HINGE BRACKET |
| 4. 380284-03 | CENTER HINGE J-4 |
| 5. 340018 | CATCH PLATE J-1 |
| 6. 381136 | RUBBER BUMPER |
| 365267 | EDGEBANDING-1.13" .024 PLY |

2005 INTERNATIONAL TRAVEL TRAILER

FURNITURE, LOUNGE

DINETTE SEAT ASSEMBLIES/CUSHIONS, 16', 19'



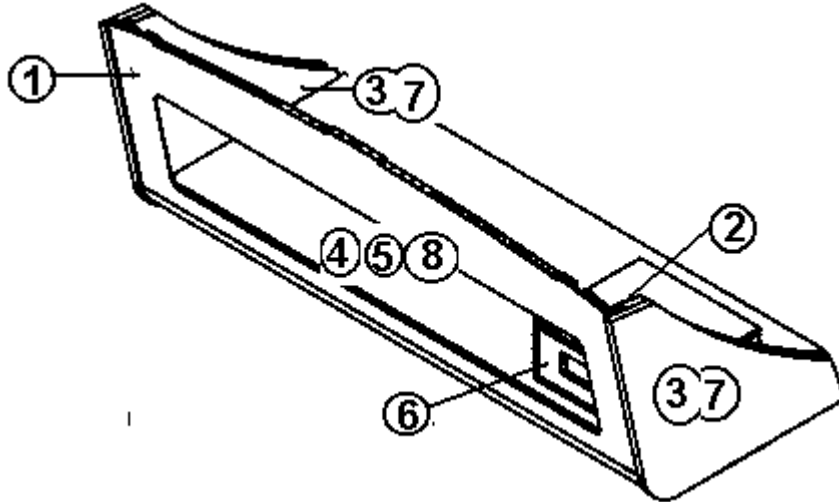
1. 998150-01 SEAT ASSEMBLY-CS DINETTE
- 1a. 703368-01 FOAM-SEAT CS DINETTE
2. 998150-02 FILLER ASSEMBLY-CS DINETTE BACK
- 2a. 703368-02 CS BACK FILLER
3. 998150-04 SEAT ASSEMBLY-RS DINETTE
- 3a. 703368-04 FOAM-RS DINETTE SEAT
4. 998150-05 FILLER ASSEMBLY-RS DINETTE SEAT
- 4a. 703368-05 FOAM-RS BACK FILLER
5. 998150-06 BACK REST ASSEMBLY-RS DINETTE
- 5a. 703368-06 FOAM-RS BACK REST

700022	ZIPPER
700020	PILE VELCRO
700021	HOOK, VELCRO, WHITE
703446	SILK FILM SHEETING #SFS 36 AIR

2005 INTERNATIONAL TRAVEL TRAILER

FURNITURE, LOUNGE

ROOF LOCKER, FRONT OVERHEAD, 16'/REAR 16' before unit
518384, 19' before unit 518363

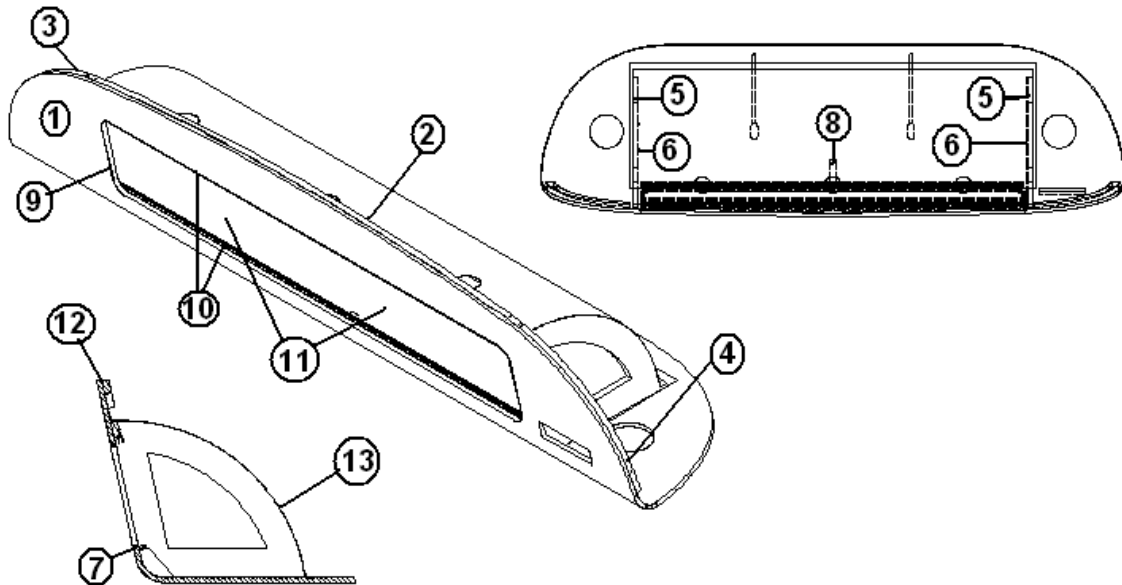


- 965869-01 R/L ASSEMBLY-FRONT OVERHEAD
- 965869-02 R/L ASSEMBLY-REAR OVERHEAD
- 1. 801465 PANEL LAY OUT-ROOFLOCKER
- 2. 801351 LITE PLY-18MM (.75") 4' X 8'
- 3. 801353 LITE PLY-3MM 4' X 8'
- 4. 203388 TRACK-SLIDING DOOR
- 5. 965563-07 DOOR-SLIDING PLEXIGLASS 24.75"
- 5a. 965563-03 DOOR-SLIDING PLEXIGLASS 15.00"
- 6. 965767 RADIO BOX
- 7. 801369 PANEL, FROSTWHITE/WHITE LINER 1
- 8. 965563-03 DOOR-SLIDING PLEXI GLASS
- 365238-04 EDGE BANDING TAPE PVC 5/8" WHITE
- 115148-01 ANGLE-OVERHEAD R/L, 36.13"
- 201991 HOUSING DOCKING LIGHT
- 365267 EDGE BANDING-1.13

2005 INTERNATIONAL TRAVEL TRAILER

FURNITURE, LOUNGE

Roof Locker, Front End Liner, 16' start-518384, 19' start-518363

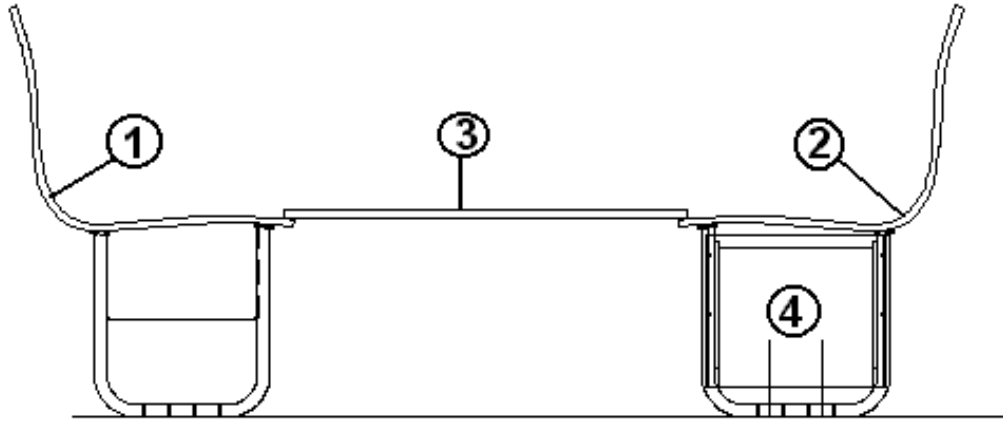


- | | |
|---------------|---|
| 966387-01 | Roof Locker, Front End Liner |
| 1. 801593-04 | Locker face, front end roof locker |
| 2. 801596-01 | Backer, liner locker, center |
| 3. 801596-02 | Backer, liner locker, LH |
| 4. 801596-03 | Backer, liner locker, RH |
| 5. 801594 | Divider, liner locker |
| 6. 801595 | Divider, liner locker, w/o Audio Switch Holes |
| 6. 801595-01 | Divider, liner locker, w/o Audio Switch Holes |
| 7. 115261-01 | Angled, formed, 58.50" |
| 8. 115226-01 | Bracket, locker center support |
| 9. 203508-01 | T-trim, 9/16", wood grain |
| 10. 381245 | Sliding door track |
| 11. 965563-08 | Door, sliding Plexiglas, 11.31" x 30" |
| 12. 201673 | Cove molding, Ivory, plastic |
| 13. 115264-02 | Pan, liner, locker |

2005 INTERNATIONAL TRAVEL TRAILER

FURNITURE, LOUNGE

DINETTE SEAT/TABLE, 22'

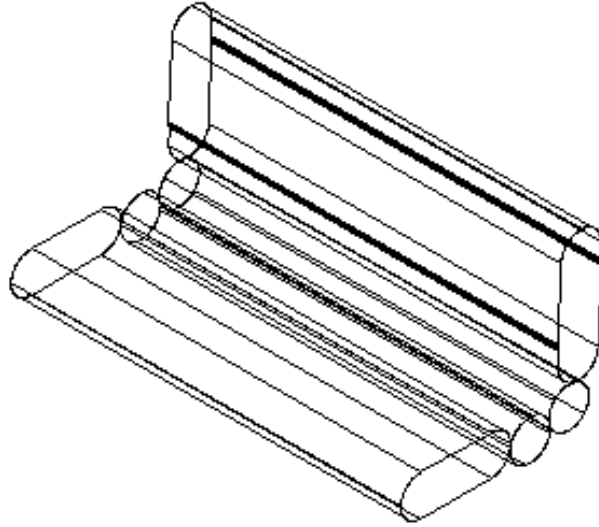


- | | |
|---------------|---------------------------------------|
| 1. 965819 | SEAT ASSY-LH DINETTE |
| 1a. 801446 | SEAT |
| 1b. 115140 | LEG |
| 1c. 115141-01 | CLOSEOUT UNDER SEAT |
| 2. 965820 | SEAT ASSY-RH DINETTE |
| 2a. 801446 | SEAT |
| 2b. 115145 | LEG |
| 2c. 454171 | DINETTE ELECTRICAL BOX |
| 3. 965774 | DINETTE TABLE |
| 4. 203439 | STORAGE BOX, 17" L X 11.13" W X 6.38" |
| 801498 | DOOR-DINETTE STORAGE |
| 801369-01 | PANEL-PRELAM FRST WHT/WHT LINER |
| 365267 | EDGEBANDING-1.13" |
| 381847 | HINGE-PIANO ANGLE .88" X 72" |
| 381228-01 | CATCH GRABBER DOOR |

2005 INTERNATIONAL TRAVEL TRAILER

FURNITURE, LOUNGE

DINETTE CUSHION KIT, 22'

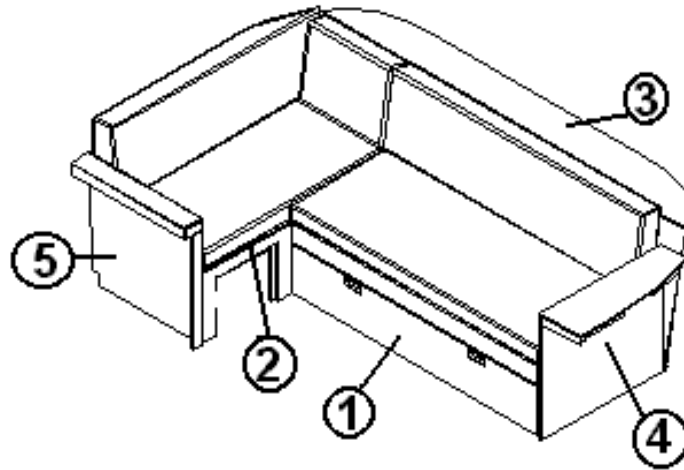


- | | |
|------------|---------------|
| 703352-123 | BLUE STREAK |
| 703352-133 | LEMONGRASS |
| 703352 143 | HAZARD ORANGE |
| 703352-115 | Midnight Sun |

2005 INTERNATIONAL TRAVEL TRAILER

FURNITURE, LOUNGE

SOFA, 25'

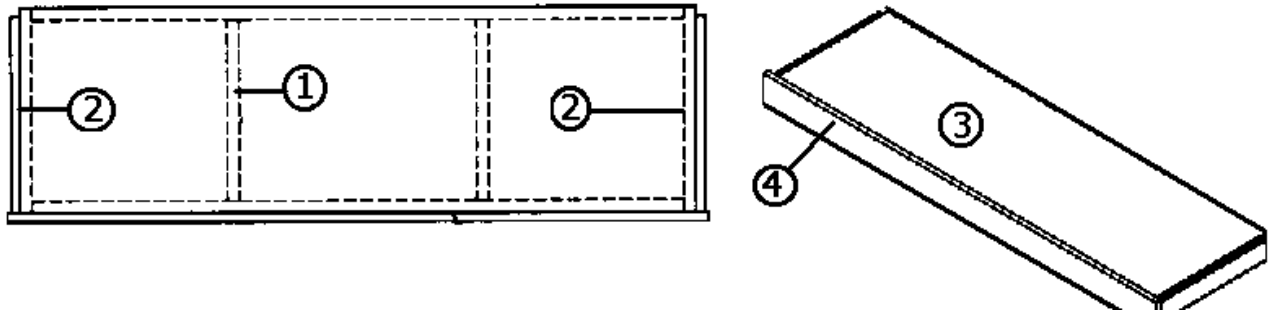


- | | |
|-----------|----------------------------|
| 1. 965982 | SOFA ASSY 25' |
| 2. 965983 | SOFA ASSY-L SECTION, 25' |
| 3. 966132 | SOFA ASSY-BACK |
| 4. 965985 | SOFA ASSY-ARMREST |
| 5. 965852 | ARMREST ASSEMBLY, L-LOUNGE |

2005 INTERNATIONAL TRAVEL TRAILER

FURNITURE, LOUNGE

SOFA BED ASSEMBLY, 25', 965981

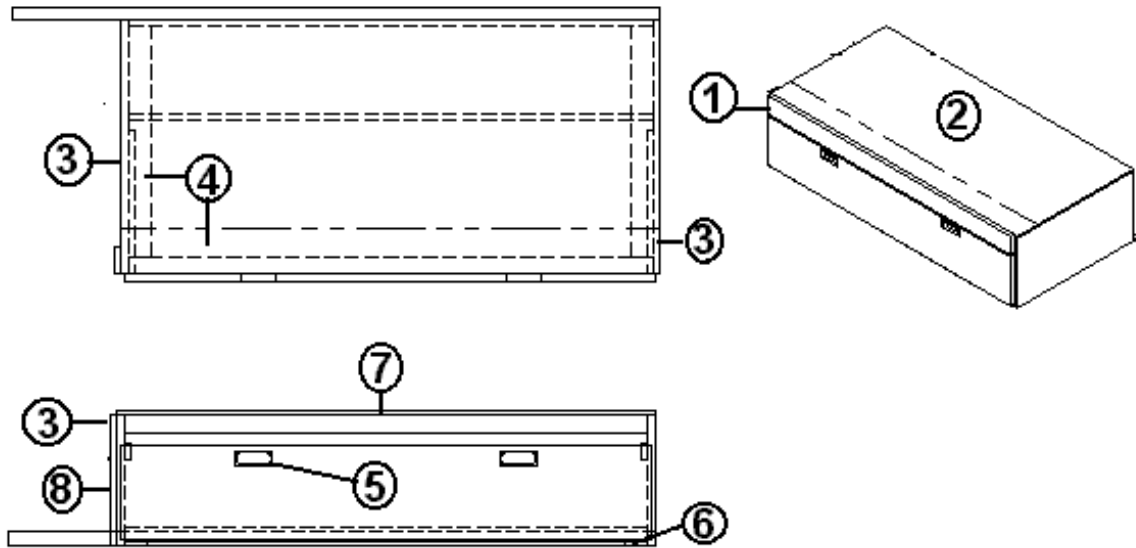


965981	Sofa Bed Assembly, 25'
1. 915708	Weldment, sofa bed
2. 381826	Slide, ball bearing, 16"
3. 800507-02	Lauan, 1/4" x 4' x 8'
4. 801351	Light ply, 18m
703347	Fabric, black tweed
330031-03	Rivet, dome head
320117-03	Screw, steel drywall, #6 x 1.625"
203447	STORAGE BOX, 23.5" X 16.25" X 6.38"

2005 INTERNATIONAL TRAVEL TRAILER

FURNITURE, LOUNGE

SOFA ASSEMBLY, 25', 28', 965982

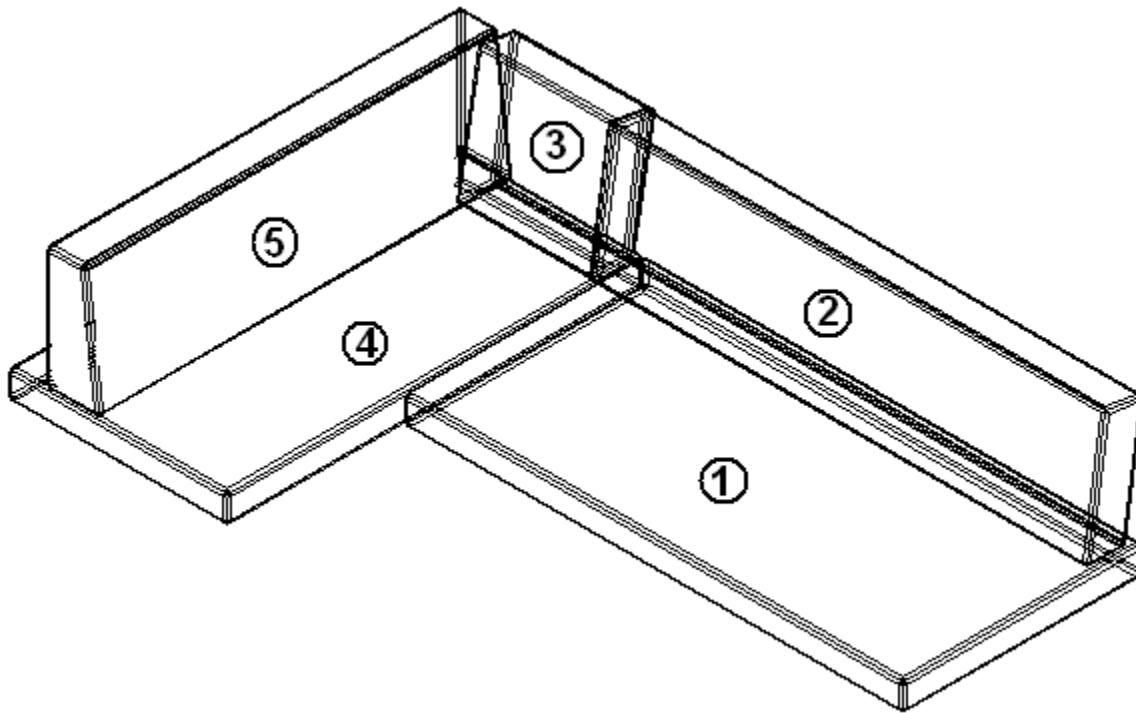


965982	Sofa Assembly, 25'
1. 965981	SOFA ASSY-BED SECTION
2. 800506-04	PLYWOOD, 1/2" X 4' X 8'
3. 801351	Light ply, 18mm
4. 850082	POPLAR, .75" X 2.00"
5. 381775	DRAWER PULL-FLUSH SATIN
6. 381072	HINGE 3" X 1 7/8" OPEN GOLD
7. 381228-01	CATCH GRABBER DOOR
8. 114809	ALUMINUM ANGLE 1.50" X 1.50"

2005 INTERNATIONAL TRAVEL TRAILER

FURNITURE, LOUNGE

SOFA CUSHIONS, 25', 28'

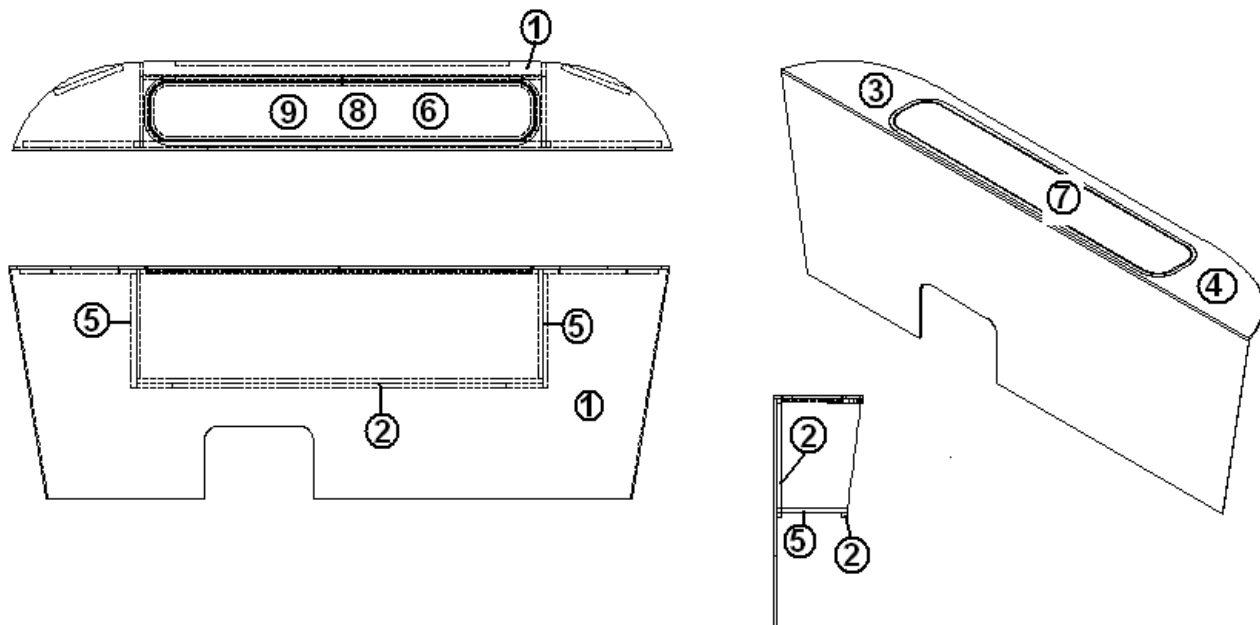


703340	Cushions, sofa
1. 703340-01	Foam cushion, bottom main
2. 703340-02	Foam cushion, back, main
3. 703340-03	Foam Cushion, Small Back Rest
4. 703340-04	Foam cushion, Base side
5. 703340-05	Foam Cushion, Back Rest Side
703340-06	FOAM-CUSHION WEDGE 78"
965812	CUSHION ASSY-FOAM WEDGE L LOUNGE

2005 INTERNATIONAL TRAVEL TRAILER

FURNITURE, LOUNGE

SOFA BACK ASSEMBLY, 25', 28', 966132



966132

1. 800507-03

2. 800025-01

3. 701764

4. 703347

5. 801392

6. 115203

7. 966134

8. 381847

9. 365013-01

381581

100627

BACK ASSY-SOFA CCD

LAUAN, 3/8" X 4' X 8'

PINE 3/4" X 3/4" STAINED

FOAM, 1/4"

FABRIC, COAL, 54"

PANEL, WHITELINER/WHITELINER

JAMB, SOFA BACK DOOR

DOOR ASSY, SOFA BACK

HINGE, PIANO ANGLE .88" X 72"

TAPE, FOAM, SCREEN DOOR-CHARCOAL

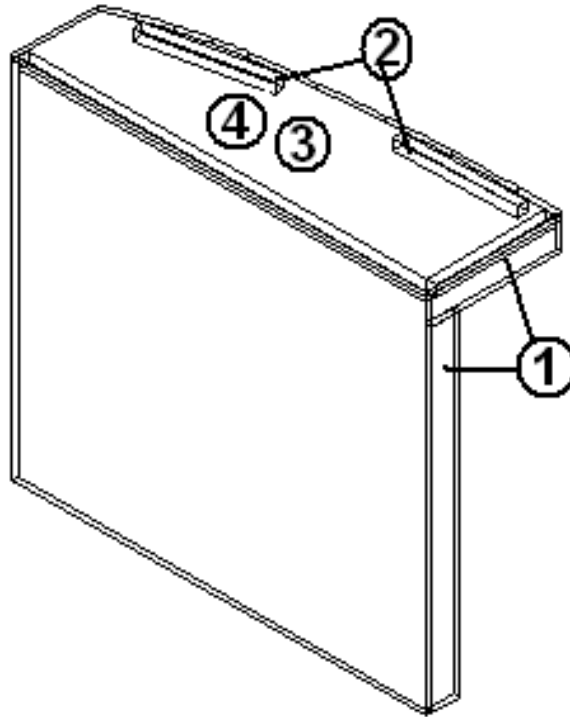
STRAP, CLEAR PLASTIC .75" W

ACCESS DOOR FRAME EXTRUSION

2005 INTERNATIONAL TRAVEL TRAILER

FURNITURE, LOUNGE

SOFA ARMREST ASSEMBLY, 25', 28', 965985



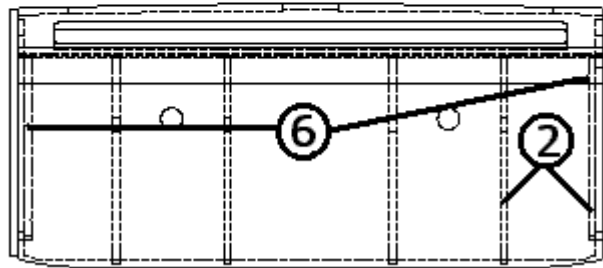
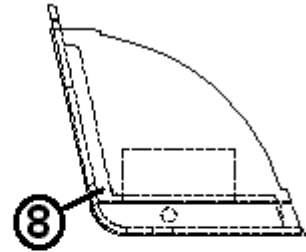
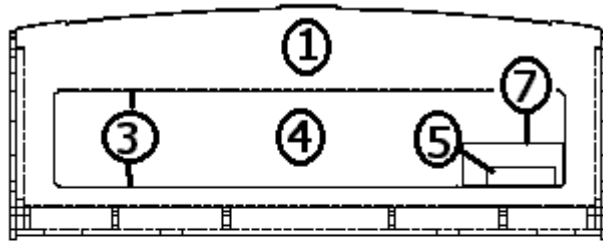
- 965985
1. 800507-03
2. 800025-01
3. 701764
4. 703347

SOFA ASSY-ARMREST
LAUAN, 3/8" X 4' X 8'
PINE 3/4" X 3/4", STAINED
FOAM, 1/4"
FABRIC, COAL, 54"

2005 INTERNATIONAL TRAVEL TRAILER

FURNITURE, LOUNGE

ROOF LOCKER, FRONT OVERHEAD, 25' before unit 518386, 28'
before unit 518390

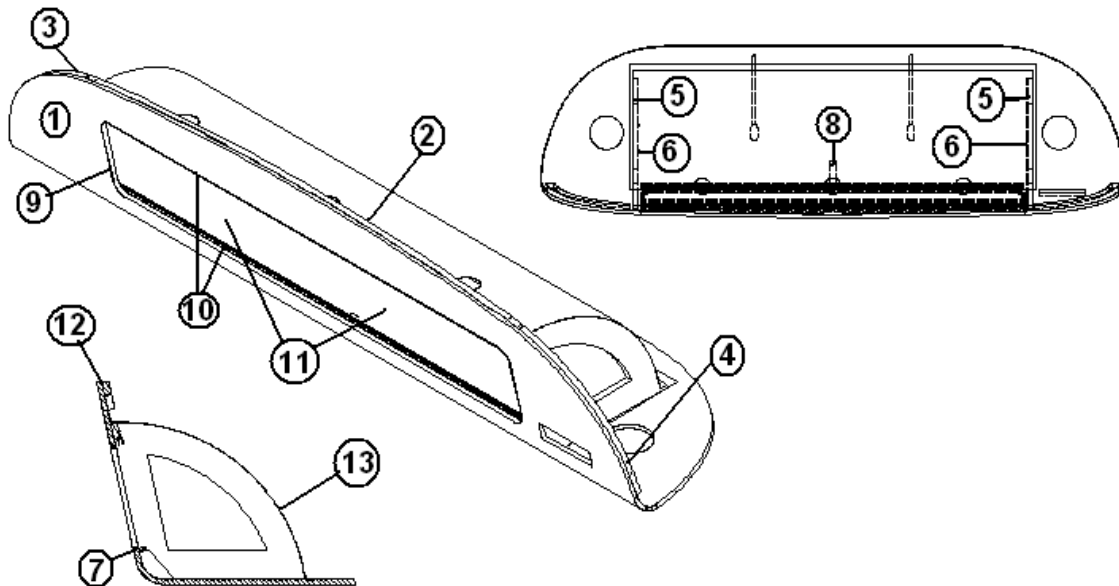


- | | |
|---------------|-----------------------------------|
| 965990-01 | R/L ASSY-FRONT OVERHEAD, 25', 28' |
| 1. 801443 | Panel, locker |
| 2. 801351 | Lite ply, .75" |
| 3. 203388 | Sliding door track, 54" |
| 4. 965563-06 | Door, sliding Plexi-glass, 27.50" |
| 4a. 965563-03 | DOOR-SLD PLEXGLASS 15.00" |
| 5. 965767 | Radio box (front locker only) |
| 6. 801359-01 | Laminate, Charade and Lemon Grass |
| 6a. 801437 | Laminate, Hazard Orange |
| 7. 801377 | Panel, black décor/white |
| 8. 115148 | Aluminum angle |

2005 INTERNATIONAL TRAVEL TRAILER

FURNITURE, LOUNGE

Roof Locker, Front End Liner, 25' Start- 518386, 28' Start-518390

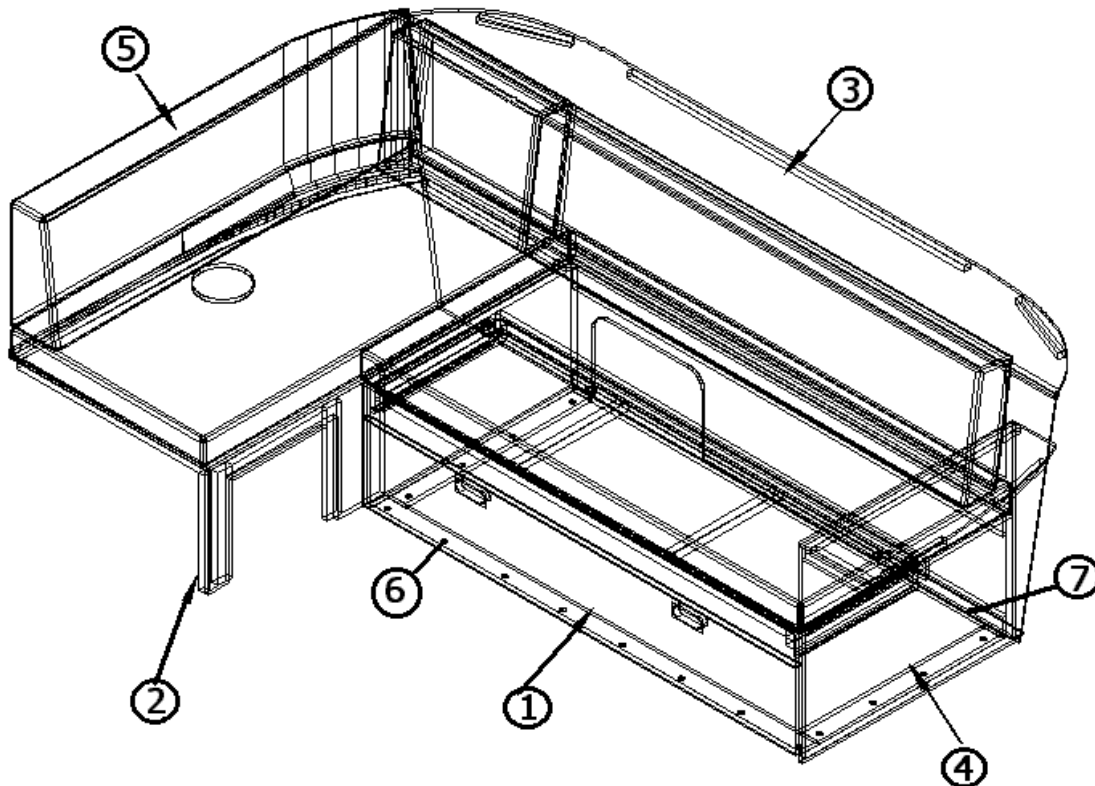


- 966371 Roof Locker, Front End Liner
- 1. 801593-01 Locker face, front end roof locker
 - 2. 801596-01 Backer, liner locker, center
 - 3. 801596-02 Backer, liner locker, LH
 - 4. 801596-03 Backer, liner locker, RH
 - 5. 801594 Divider, liner locker
 - 6. 801595 Divider, liner locker, w/o Audio Switch Holes
 - 6. 801595-01 Divider, liner locker, w/o Audio Switch Holes
 - 7. 115261-01 Angled, formed, 58.50"
 - 8. 115226-01 Bracket, locker center support
 - 9. 203508-01 T-trim, 9/16", wood grain
 - 10. 381245 Sliding door track
 - 11. 965563-08 Door, sliding Plexiglas, 11.31" x 30"
 - 12. 201673 Cove molding, Ivory, plastic
 - 13. 115264-01 Pan, liner, locker

2005 INTERNATIONAL TRAVEL TRAILER

FURNITURE, LOUNGE

SOFA, 28'

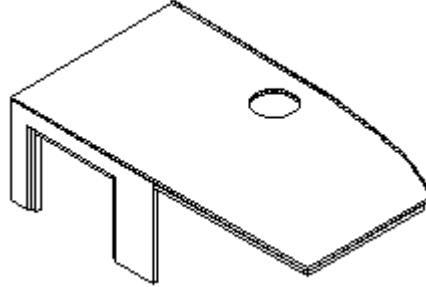


- | | |
|--------------|---------------------------------------|
| 1. 965982 | Sofa Assembly |
| 2. 965983 | Sofa L-Section Assembly |
| 3. 966132 | Sofa back assembly |
| 4. 965985 | Sofa armrest assembly |
| 5. 703340 | L-lounge cushion assembly |
| 6. 320059-01 | Screw, #8 x 1.25", white Philips |
| 7. 345004 | Screw, 1/4-14 washer hex/head cadmium |
| 8. 381609-02 | Screw Hafele, European, #9 x 1" |
| 9. 381610-04 | Tap cap, black, # 2 |
| 203447 | STORAGE BOX-23.5" X 16.25" X 6.38" |
| 965812 | CUSHION ASSY-FOAM WEDGE L LOUNGE |

2005 INTERNATIONAL TRAVEL TRAILER

FURNITURE, LOUNGE

SOFA, L-SECTION, 25', 28', 965983



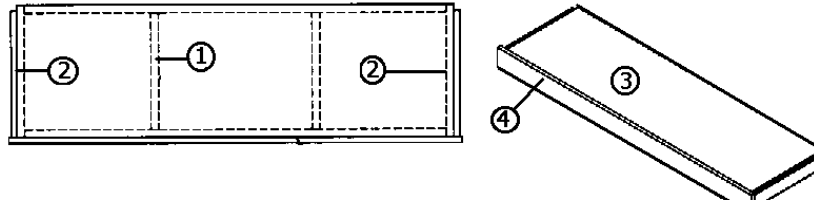
965983

Sofa L-Section Assembly, 25', 28'

2005 INTERNATIONAL TRAVEL TRAILER

FURNITURE, LOUNGE

SOFA BED, 28', 965981

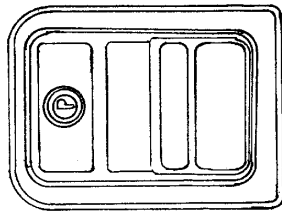


965981	Sofa Bed Assembly, 28'
1. 915708	Weldment, sofa bed
2. 381826	Slide, ball bearing, 16"
3. 800507-02	Lauan, 1/4" x 4' x 8'
4. 801351	Light ply, 18mm
703347	Fabric, black tweed
330031-03	Rivet, dome head
320117-03	Screw, steel drywall, #6 x 1.625"
381228-01	CATCH GRABBER DOOR
381072	HINGE 3" X 1 7/8" OPEN GOLD
381775	DRAWER PULL-FLUSH SATIN

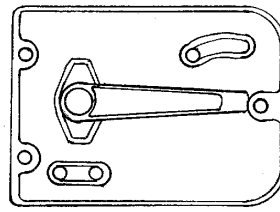
2005 INTERNATIONAL TRAVEL TRAILER

HARDWARE

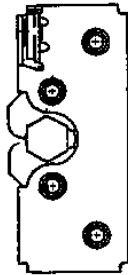
MAIN DOOR LOCK/LATCH



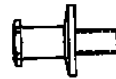
381547-01
Main door lock, outside
Housing



381547-07
Main door lock, inside
plate



381547-03
Double rotary latch,
main door lock



381547-04
Striker bolt w/washer
main door lock

- 381547-08 Screw package, main door lock
- 381550 PLATE STRIKER BOLT
- 385595 POCKET-STRIKE
- 453851 Dead bolt, main door, Tri-mark
- 101401 Extrusion door latch housing/stone guard

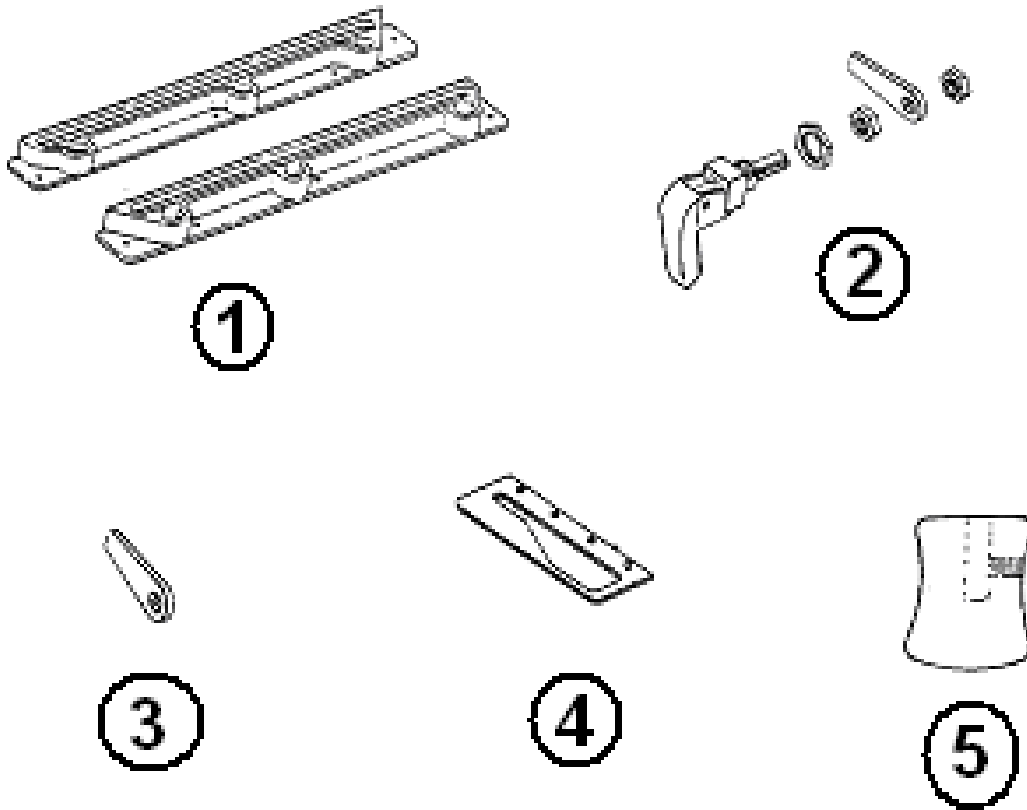
MAIN DOOR DEAD BOLT

- 381323-01 DEADBOLT COMPLETE ASSY. #11840-12
- 381326 STRIKER #10007 W/TRIMARK DEADBOLT
- 345321-12 SCREW, #8-32 FLAT HEAD, BLK, 1.625
- 453851 BOLT - TRI/MARK
- 203370 SPACER-TRI/MARK DOOR LATCH
- 203375 HIGH DENSITY POLYETHYLENE .187"TH

2005 INTERNATIONAL TRAVEL TRAILER

HARDWARE

WINDOW HARDWARE



- | | |
|--------------|----------------------------------|
| 1. 0802-0001 | Window guide, RH |
| 1. 0802-0002 | Window guide, LH |
| 2. 010020 | Lower window latch, chrome |
| 2. 195467-05 | Lower window latch, w/red handle |
| 3. 685123 | Pawl, window latch, straight |
| 4. 685124 | Striker plate, window latch |
| 5. 380230-03 | Knob window arm, silver |
| 5. 380230-04 | Knob, window arm, red |

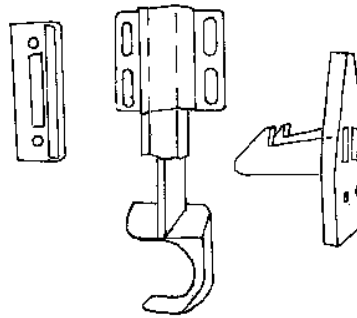
2005 INTERNATIONAL TRAVEL TRAILER

HARDWARE

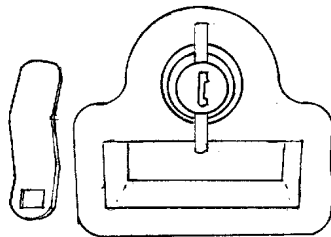
EXTERIOR LATCHES/LOCKS



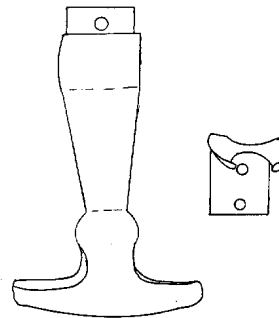
101171 Grab
Handle, main door



381454 Latch,
screen door, Bullet



380770-101 Twist lock, chrome
380770-102 Twist lock, black

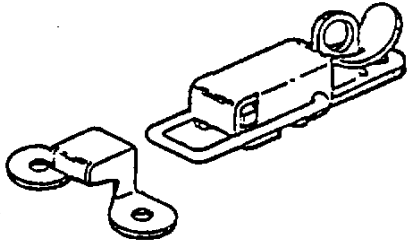


381021 Rubber T handle

2005 INTERNATIONAL TRAVEL TRAILER

HARDWARE

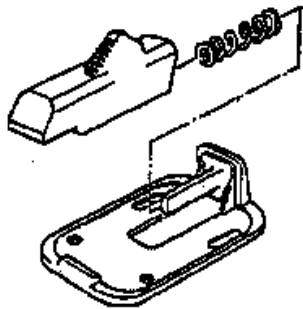
EXTERIOR LATCHES/LOCKS



340023 Corbin catch
w/strike, battery box



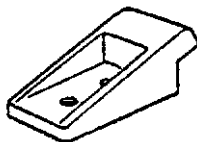
380067 Lock cam,
bumper lid



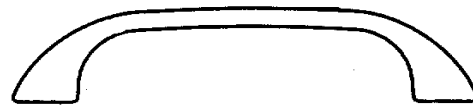
380291 Main door holdback,
(use w/housing #380290)



380290 Latch housing,
(use w/holdback #380291)



201056 Catch, main door
holdback

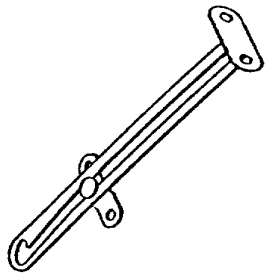


380004 Handle, screen door

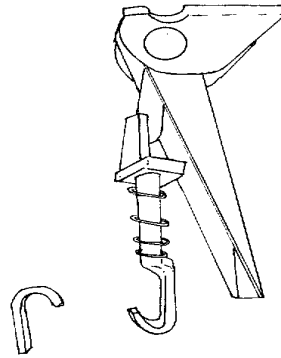
2005 INTERNATIONAL TRAVEL TRAILER

HARDWARE

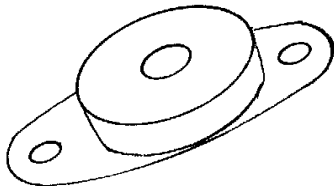
EXTERIOR LATCHES/LOCKS



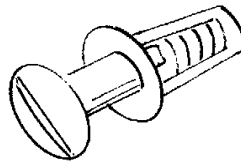
380024 Support arm,
bumper lid



380903 Latch w/strike,
chrome, gas bottle cover



685359
Rubber receptacle
1/4 latch, Southco



685342
Stud, 1/4 turn latch
Southco



685362
Retaining ring
1/4 turn stud

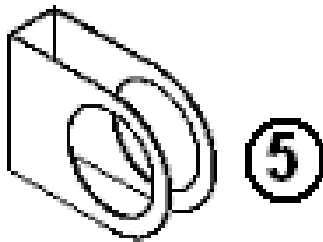
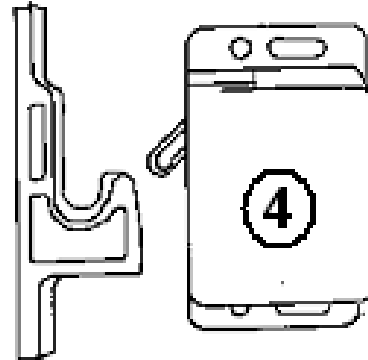
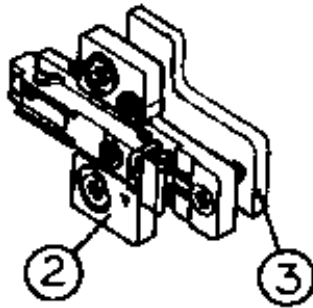
EXTERIOR HINGES

- 381552-03 Hinge assembly, main door, upper
- 381552-04 Hinge assembly, main door, lower
- 381531-01 Hinge, screen door, upper
- 381531-02 Hinge, screen door, lower
- 380773 Hinge, access door, 13¼, gas bottle cover
- 385395 Hinge, pivot, zinc plated, refer cabinet
- 380203-01 Piano hinge, 1/8" pin, hose carrier lid
- 381205-01 HINGE, CONTINUOUS 14", Battery box lid

2005 INTERNATIONAL TRAVEL TRAILER

HARDWARE

INTERIOR CABINET HINGE/CATCH



- | | |
|--------------|--------------------|
| 381607 | Hinge assembly |
| 1) 381607-01 | Hinge, cabinet |
| 2) 381607-02 | Base, metal |
| 3)*381607-03 | Base, plastic |
| 3) 381607-04 | Screw #6 x 5/8" |
| 4) 381228-01 | Grabber door latch |
| 5) 454320 | Door latch cover |
- *Not used in all applications

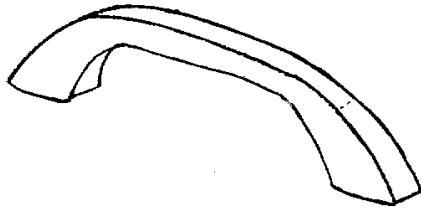
2005 INTERNATIONAL TRAVEL TRAILER

HARDWARE

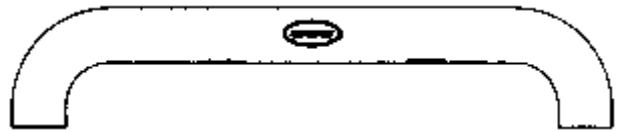
INTERIOR TRIM



360016 Bumper, rubber



381737 Grab bar, interior,
mounts on interior doorjamb



381772
Head knocker, white



203385
"F" Trim



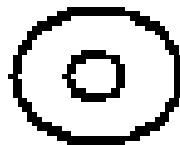
203335 H-trim
Black plastic



115064 Molding
Aluminum cove



203138-05
EXTRUSION-PLASTIC
WALL BLACK



381610-01
381610-04

SCREW CAP, WHITE
SCREW CAP, BLACK

2005 INTERNATIONAL TRAVEL TRAILER

HARDWARE

BATHROOM ACCESSORIES

381776	TOWEL BAR, CHROME 18", 25', 19', 22'
381777	TOWEL RING, CHROME, 25', 19', 22'
381778	ROBE HOOK, CHROME, 19', 22'
381299	Recessed toilet paper holder, 28'
381299	HOLDER RECESSED TOILET PAPER, 25', 19'
381823	SOAP DISH W/ACRYLIC BOWL, 25', 19'
380034	TOILET PAPER HOLDER, CHROME, 22'

MISCELLANEOUS INTERIOR HINGES

380458-01	Hinge, piano, Brown, bath door
380988	Hinge, medicine cabinet mirror assembly
380203-01	Hinge, Bath door, clear

DINETTE TABLE HARDWARE

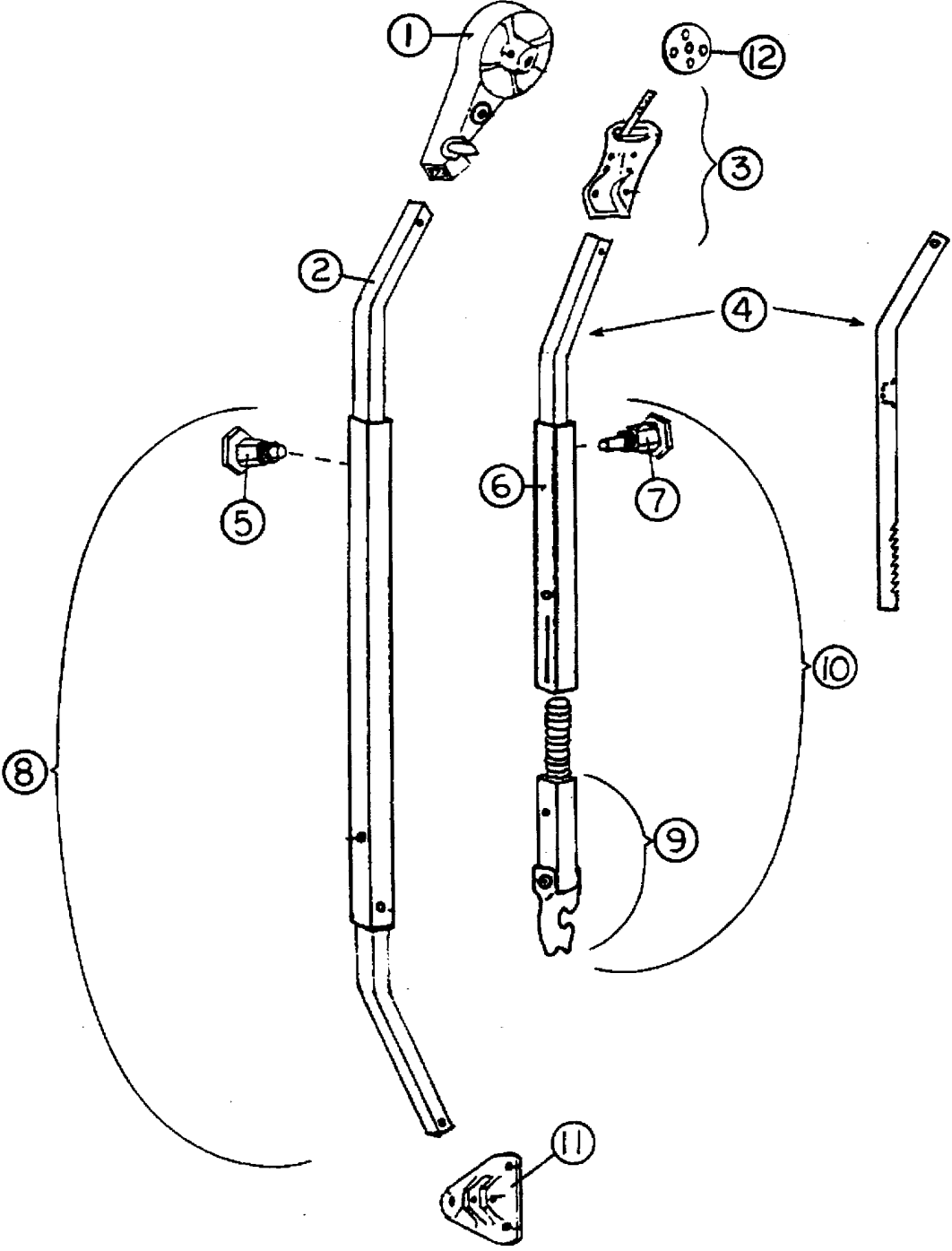
380284-02	TABLE HINGE BRACKET
380284	CENTER HINGE J-4
340018	CATCH PLATE J-1
700065-01	Snapo folding leg

2005 INTERNATIONAL TRAVEL TRAILER

HARDWARE

AWNING HARDWARE

See next page for P/N



2005 INTERNATIONAL TRAVEL TRAILER

HARDWARE

AWNING HARDWARE

702993	Awning Hardware, complete Assembly
1. 74043W-06	Front head assembly
1. 74043W-07	Rear head assembly
2. 74047W-11	Front main arm bar
2. 74047W-12	Rear main arm bar
3. 74056W	Clamp assembly, front, curved
3. 74056W-01	Clamp assembly, rear, curved
4. 74061WS-08	Rafter arm bar, satin
5. 74054W	Snap stud assembly
6. 74063W-04	Rafter arm tube, satin
7. 74072W	Ratchet stud
8. 74048WS-15	Front main arm tube assembly
8. 74048WS-16	Rear main arm tube assembly
9. 74068W-04	Claw bar assembly
10. 74048WS-17	Rafter arm assembly
11. 74055W	Base hinge, rib mount
12. 74060W	Clamp wheel

2005 INTERNATIONAL TRAVEL TRAILER

LABELS AND TAGS

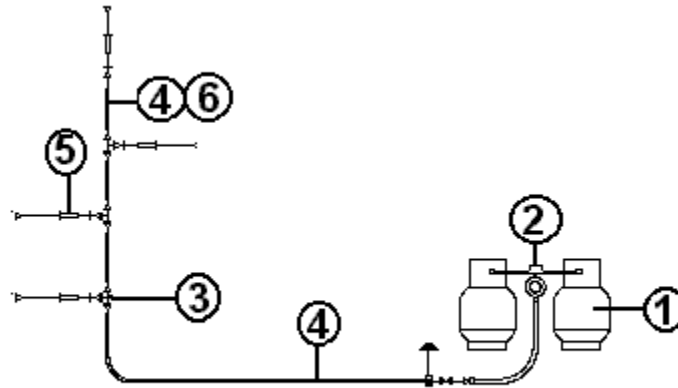
Labels and Tags

385193	Label, "12V distribution panel inside"
385048	Label, approval with shield
386119	Label, "DON'T USE AREA FOR STORAGE"
385068	Tag, cooking appliance warning
385067	Label, EXIT
386118	Label, LP gas warning/fill
385517	Label, kill switch warning
385521	Label, emergency egress window
386122	Warning label/cooking appliance
386121	Label, LP gas warning label (odor)
385465	Exit label, English
385560	Label, air conditioner rating
385812	Label, Calif. hazardous substance
386120	Label, smoke detector
385359	Label, microwave or air conditioner
385837	Label, refrigeration ignition
386142	CHECK WHEEL LUG LABEL
385062	Decal, 110-125 voltage AC
385565	Label, holding tank flushing
386012	Label warning, water heater
386082	LABEL THOR, 5.25" X .75'
385101	TAG AUX TANK DUMP VALVE HANDLE
385099	TAG MAIN TANK DUMP VALVE HANDLE
385072	LABEL SET 2 SETS PER CARD
386111	LABEL 30 AMP FUSE MAX
386114	LABEL-RVIA SILVER
386123	LABEL "POTABLE WATER ONLY"
386038	LABEL CSA HOLDING TANKS FRESH
385020	Sticker, Self adhering, "JACK"
385949	LABEL "POTABLE WATER" CSA
385950	LABEL "SMOKE DETECTOR CSA
385951	LABEL "RANGE FRESH AIR" CSA
385952	LABEL "LP WARNING" CSA
385953	LABEL "IF YOU SMELL GAS" CSA
385954	LABEL "RANGE WARNING" CSA
385466	LABEL, EXIT, FRENCH

2005 INTERNATIONAL TRAVEL TRAILER

PLUMBING, LPG

LPG SYSTEM, 16'

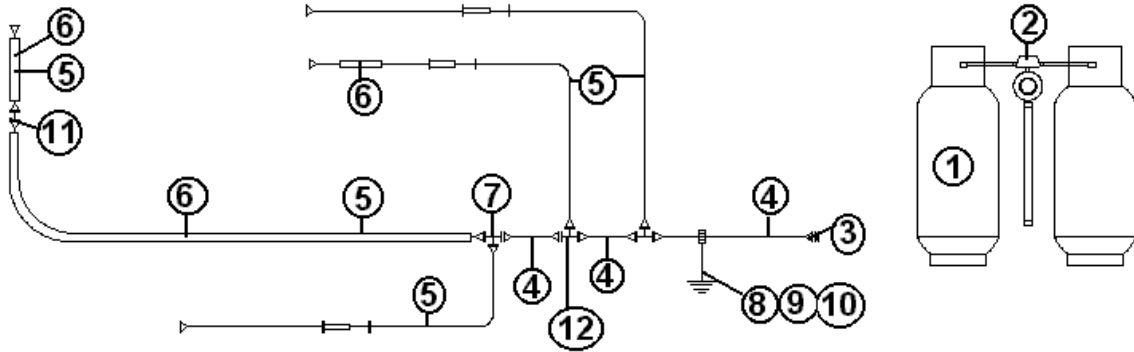


- | | | |
|-----|-----------|---------------------------------|
| 1. | 601781 | LP TANK-20LB STEEL |
| 1A. | 601781-01 | LP TANK-20LB STEEL, CSA |
| 2. | 601731 | LP REGULATOR W/MTG. BRACKET |
| 3. | 600000 | TEE BRASS 5/8 X 5/8 X 3/8 |
| 4. | 600004 | TUBING COPPER 5/8 OD |
| 5. | 600008 | TUBING COPPER 3/8OD |
| 6. | 601159-02 | TUBING, .50IN,POLY. CSA APPROVE |
| | 601686 | BASE PLATE - LP TANK |
| | 601687 | HOLD DOWN KIT - LP TANK SAFARI |
| | 601685-01 | LP HOSE-1/2"FPT X 3/8F-36" #19 |
| | 381613 | PLASTISOL COVER-LP WING HANDLE |
| | 600003 | TEE 5/8 X 3/8 X 3/8 |
| | 600436 | FORGED FLARE NUTS 5/8IN |
| | 600435 | FORGED FLARE NUTS 3/8IN |
| | 380887 | GROMMET, FLOOR |
| | 380886 | GROMMET, FLOOR |
| | 600661 | GROUNDING CLAMP 1/2 TO 1 SIZE |
| | 500839 | WIRE, BARE COPPER 8 GA. |
| | 500038 | LUG GROUND |
| | 340085-05 | CLAMP #COY 1109 5/8 IN. |
| | 601734 | FITTING-BRASS 5/8 OD FLARE X 1 |
| | 600000 | TEE BRASS 5/8 X 5/8 X 3/8 |
| | 201649 | ACCESS COVER LP REGULATOR |

2005 INTERNATIONAL TRAVEL TRAILER

PLUMBING, LPG

LPG SYSTEM, 19'

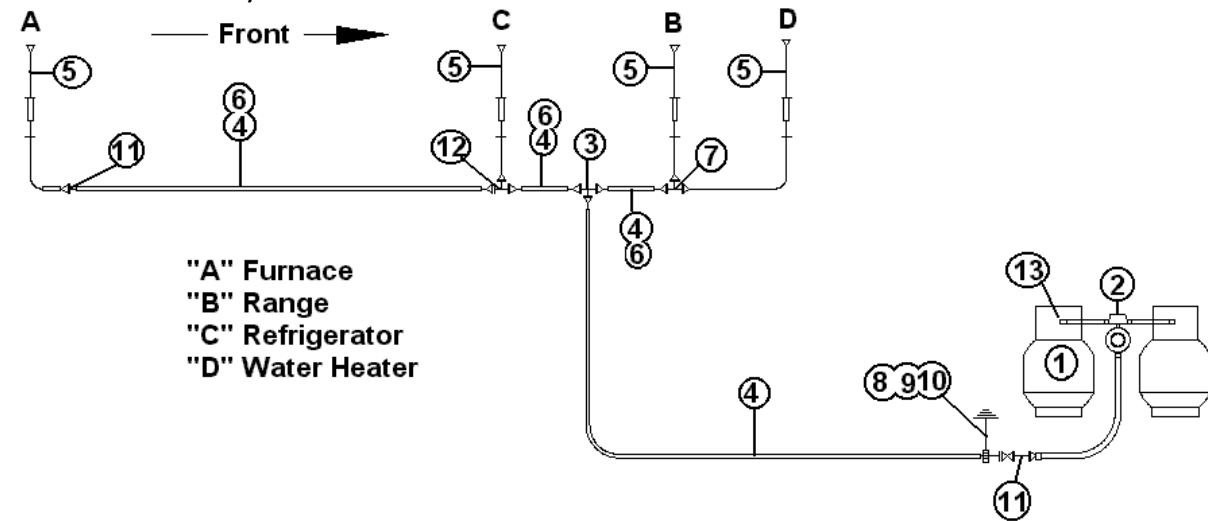


- | | |
|--------------|--------------------------------|
| 1. 601710-01 | CYLINDER 30# STEEL LP |
| 2. 601731 | LP REGULATOR W/MTG. BRACKET |
| 3. 600468 | UNION FLARE 5/8 X 5/8 |
| 4. 600004 | TUBING COPPER 5/8 OD |
| 5. 600008 | TUBING COPPER 3/8OD |
| 6. 601159-02 | TUBING, .50IN, POLY. |
| 7. 600003 | TEE 5/8 X 3/8 X 3/8 |
| 8. 600661 | GROUNDING CLAMP 1/2" TO 1 |
| 9. 500839 | WIRE, BARE COPPER 8 GA. |
| 10. 500038 | LUG GROUND |
| 11. 600238 | 3/8IN FLARE UNION |
| 12. 600000 | TEE BRASS 5/8 X 5/8 X 3/8 |
| 601686 | BASE PLATE - LP TANK |
| 601687 | HOLD DOWN KIT - LP TANK |
| 601685-01 | LP HOSE-1/2" FPT X 3/8F-36" |
| 381613 | PLASTISOL COVER-LP WING HANDLE |

2005 INTERNATIONAL TRAVEL TRAILER

PLUMBING, LPG

LPG SYSTEM, 22'



- | | |
|----------------|------------------------------------|
| 1. 601781 | LP TANK-20LB STEEL |
| 1a. 601781-01 | LP TANK-20LB STEEL, CSA |
| 2. 601731 | LP REGULATOR W/MTG. BRACKET |
| 3. 601281 | TEE BRASS UNION 5/8" X 5/8" X 5/8" |
| 4. 600004 | TUBING COPPER 5/8" OD |
| 5. 600008 | TUBING COPPER 3/8" OD |
| 6. 601159-02 | TUBING.50IN, POLY., CSA APPROVE |
| 7. 600003 | TEE 5/8" X 3/8" X 3/8" |
| 8. 600661 | GROUNDING CLAMP 1/2" TO 1 SIZE |
| 9. 500839 | WIRE, BARE COPPER 8 |
| 10. 500038 | LUG GROUND |
| 11. 601734 | FITTING-BRASS 5/8 OD FLARE X 1 |
| 12. 600000 | TEE BRASS 5/8" X 5/8" X 3/8" |
| 13. 601685-01 | LP HOSE, 1/2" FPT X 3/8" |
| 13a. 601685-02 | LP HOSE, 1/2" FPT X 3/8", CSA |
| 201649 | ACCESS COVER LP REGULATOR |
| 601687 | HOLD DOWN KIT - LP TANK SAFARI |
| 381613 | PLASTISOL COVER-LP WING HANDLE |
| 600436 | FORGED FLARE NUTS 5/8 IN. |
| 600435 | FORGED FLARE NUTS 3/8 IN. |
| 380887 | GROMMET, FLOOR |
| 380886 | GROMMET, FLOOR |
| 345004 | SCREW 1/4-14 WASHER HEX/HEAD C |
| 340085-05 | CLAMP #COY 1109 5/8 IN. DIA. |

2005 INTERNATIONAL TRAVEL TRAILER

PLUMBING, LPG

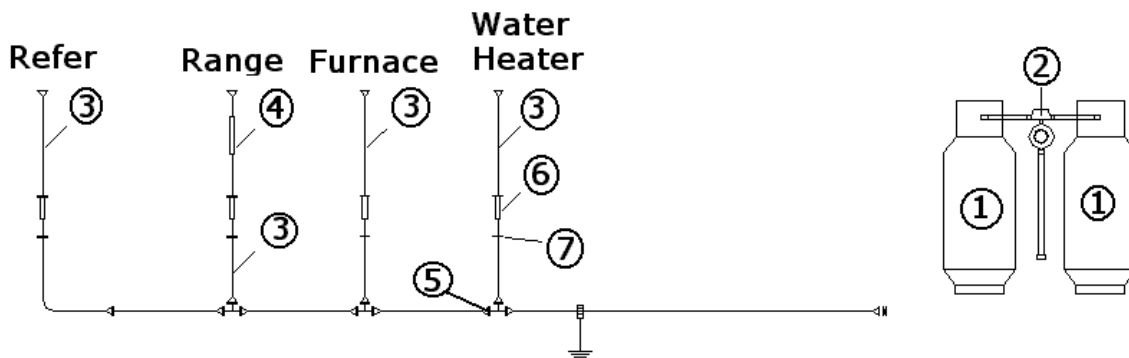
LPG SYSTEM, 25'

600436	FORGED FLARE NUTS 5/8"
600004	TUBING COPPER 5/8 OD
600000	TEE BRASS 5/8 X 5/8 X 3/8
600003	TEE 5/8 X 3/8 X 3/8
600008	TUBING COPPER 3/8OD
600435	FORGED FLARE NUTS 3/8IN
600661	GROUNDING CLAMP 1/2 TO 1 SIZE
345084	SCREW-1/4-14X1 THD.CUTTING
350005	NUT 3/8-16 UNC HEX HD PLATED
600468	UNION FLARE 5/8 X 5/8
601159-02	TUBING .50IN,POLY., WIRE BARE COPPER 8 GA.
500038	LUG GROUND
340085-05	CLAMP #COY 1109 5/8 IN. DIA.
600000	TEE BRASS 5/8 X 5/8 X 3/8
601710-01	CYLINDER 30# STEEL LP
601731	LP REGULATOR W/MTG. BRACKET
201649	ACCESS COVER LP REGULATOR
601687	HOLD DOWN KIT - LP TANK
601685-01	LP HOSE-1/2"FPT X 3/8F-36" #19
381613	PLASTISOL COVER-LP WING HANDLE

2005 INTERNATIONAL TRAVEL TRAILER

PLUMBING, LPG

LPG SYSTEM 28'



- | | |
|--------------|----------------------------------|
| 1. 601710-01 | Bottle, LP, 30 LBS. |
| 2. 601731 | LP REGULATOR W/MTG. BRACKET |
| 3. 600008 | TUBING COPPER 3/8 OD |
| 4. 601159-02 | TUBING .50IN, POLY, CSA APPROVED |
| 5. 600435 | FORGED FLARE NUTS 3/8IN |
| 6. 380887 | GROMMET, FLOOR |
| 7. 380886 | GROMMET, FLOOR |
| 600001 | Flare nut, 5/8" |
| 600661 | Ground Clamp |
| 500038 | Ground C\clamp |
| 500839 | Wire, copper, #8 |
| 600004 | Copper line, 5/8" |
| 600000 | 5/8" x 5/8" x 3/8" Tee |
| 600004 | Copper line, 5/8" |
| 601454 | Flare union, 3/8" MPT x 5/8" MPT |

2005 INTERNATIONAL TRAVEL TRAILER

PLUMBING, LPG

LP BOTTLES AND FITTINGS

601781	LP TANK-20LB STEEL
601781-01	LP TANK-20LB STEEL, CSA
601710-01	Bottle, LP, steel, 30#
601710-02	Bottle, LP, steel, CSA
601711	Bottle, LP, aluminum, 30#
601711-01	Bottle, LP, 30# alum. CSA
601731	Regulator and hose assembly, Marshall Brass
601685-01	18" LP Hose
601785-02	18" LP Hose, CSA
601687	HOLD DOWN KIT - LP TANK
381613	PLASTISOL COVER-LP WING HANDLE
601686	BASE PLATE - LP TANK
381613	PLASTISOL COVER-LP WING HANDLE

LP BOTTLE COVER 19', 25' & 28'

921232	Gas bottle cover w/o decal, 30lbs
380903	Latch and strike
200841	Lid, plastic, bottle cover
380773	Hinge, access door
114070	J-trim, extrusion, aluminum
386088	DECAL CTR BLACK REFLECTIVE

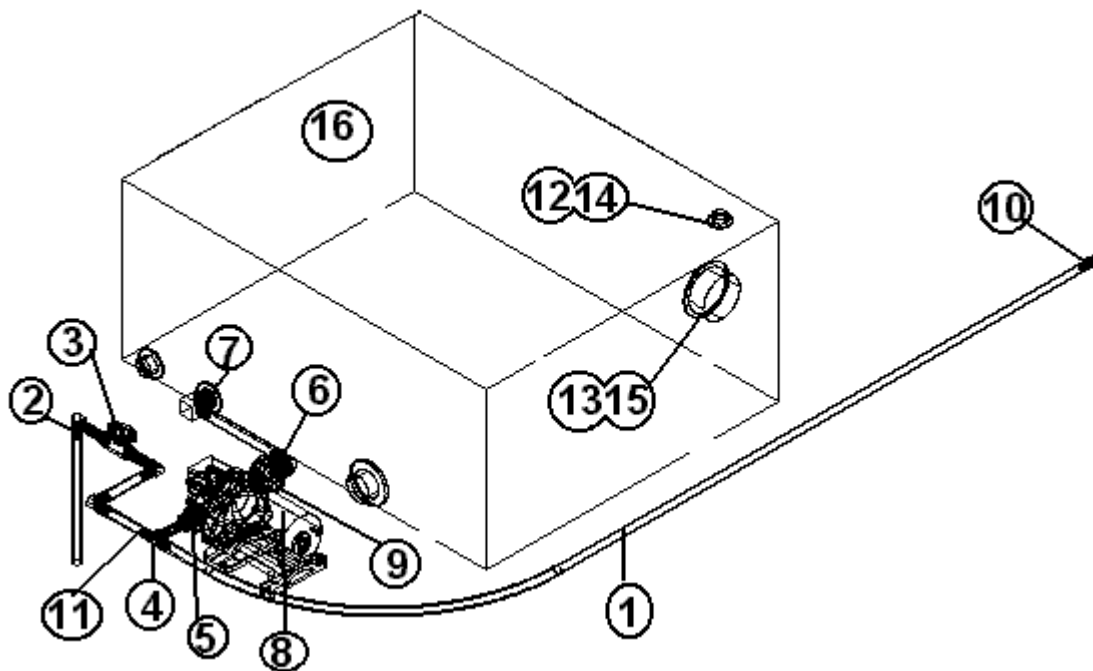
LP BOTTLE COVER 22' & 16'

915778	COVER ASSY-LP BOTTLE
--------	----------------------

2005 INTERNATIONAL TRAVEL TRAILER

PLUMBING, FRESHWATER

Fresh Water System, 16'



- | | |
|---------------|--------------------------------------|
| 1. 601698-01 | E-PEX 1/2" TUBING |
| 2. 601698-10 | QQE33X 1/2" BARB EL |
| 3. 601698-22 | BALL VALVE 1/4" TURN |
| 4. 601698-11 | QQT333X 1/2" BARB TEE |
| 5. 601698-03 | QQSFC33XPXP 1/2" B X 1/2" FPT SWIVEL |
| 6. 601698-05 | QQE33BSXP 1/2" B X 1/2" FPT SWIVEL |
| 7. 601698-04 | QQE33BTX 1/2" BX1/2" MPT BARB EL |
| 8. 601061-03 | PUMP WATER SHURFLO |
| 9. 601668-01 | WATER PUMP PRE-FILTER |
| 10. 601698-08 | QQC33X 1/2" BARB COUPLING |
| 11. 601698-15 | 1/2" CRIMP RING |
| 12. 601240-01 | TUBING 1/2" I.D. X 3/32 WALL |
| 13. 601239 | TUBING 1.375" I.D. RIBBED |
| 14. 340084-12 | CLAMP, HOSE |
| 15. 340084-20 | CLAMP, HOSE |
| 16. 601861-01 | Fresh water tank |
| 600139 | CHECK VALVE, BRASS |

2005 INTERNATIONAL TRAVEL TRAILER

PLUMBING, FRESHWATER

Water Fill/Tank System, 19'

600139	CHECK VALVE, BRASS
600309	REGULATOR, WATTS 1/2"
203085	PLUG WATER LINE 1/2" PLASTIC B
601861-01	Tank, fresh water
964478	SLOPE PAD-Fresh tank
454065	Strap fresh water tank
453712	SHIELD FRESH WATER TANK DRAIN
601588	DRAIN COCK RADIATOR BRASS
601469	VACUUM BREAKER, 3/4IN GARDEN HOSE
601061-03	PUMP WATER SHURFLO 2088-404-14
601668-01	WATER PUMP PRE-FILTER

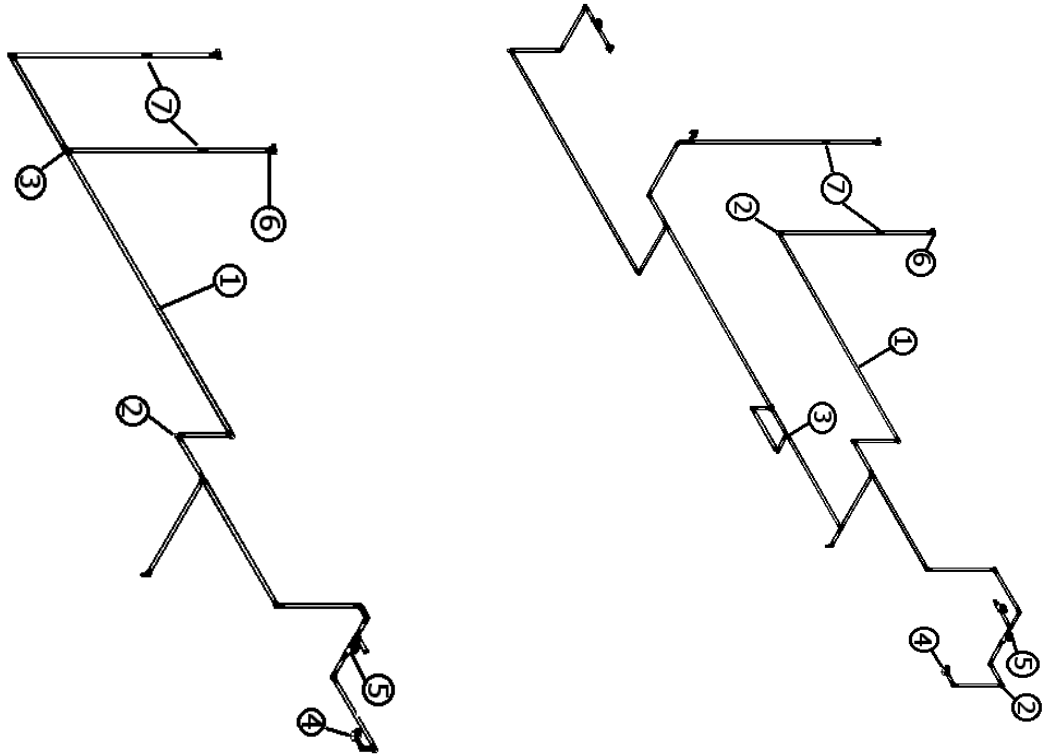
Tank Straps, Nylon, 19'

454065	Aluminum strap
381883	Nylon Strap
454290	Strap Brackets

2005 INTERNATIONAL TRAVEL TRAILER

PLUMBING, FRESHWATER

Fresh Water Line/Pump Lay out 22'

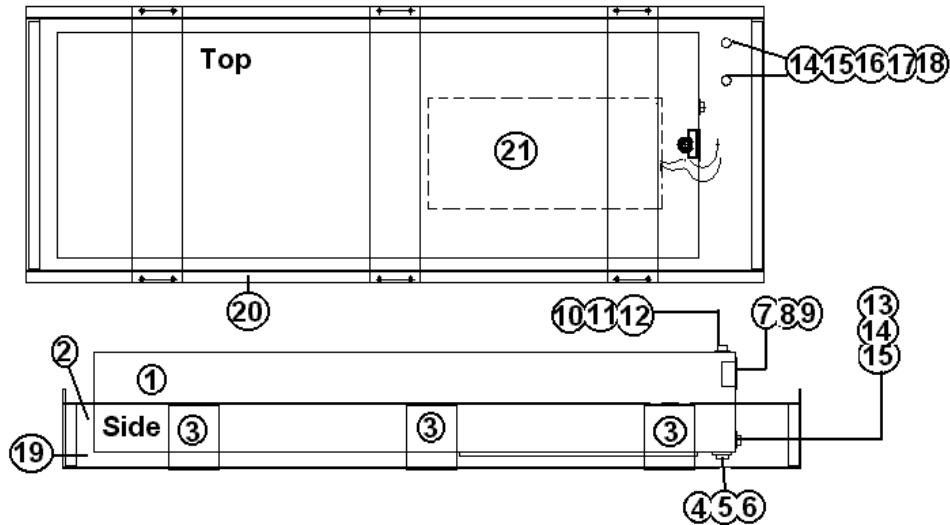


- | | |
|--------------|------------------------------|
| 1. 601698-01 | E-Pex tubing, 1/2" |
| 2. 601698-10 | QQE333X 1/2" Barb Tee |
| 3. 601698-11 | QQT333X 1/2" Barbed Tee |
| 4. 601698-04 | QQE33BTX 1/2" MPT Barbed EL |
| 5. 601698-22 | Ball Valve, 1/4" Turn |
| 6. 601698-03 | QQSFC33XPXP, 1/2" x 1/2" FPT |
| 7. 601698-08 | QQC33X 1/2" Barbed Coupling |
| 601698-15 | 1/2" Crimp Ring |
| 203085 | PLUG WATER LINE 1/2" PLASTIC |
| 601658 | VALVE 1/2" STOP CPVC |
| 601659 | RISER 1/2" FPT X 12" CPVC |

2005 INTERNATIONAL TRAVEL TRAILER

PLUMBING, FRESHWATER

Fresh Water Tank Layout, 22'



- | | |
|---------------|---------------------------------------|
| 1. 601862-01 | TANK-FRESH WATER, 30GAL |
| 2. 601807 | FRESH TANK PAN ASSY |
| 3. 601808 | STRAP-FRESH TANK PAN |
| 4. 601810 | VALVE, 1/2" FPT X 1/2" FPT |
| 5. 601811 | ELBOW, 1/2" MPT X 1/2" FPT STREET |
| 6. 601812 | NIPPLE-BRASS 1/2" X 2.0" |
| 7. 601237 | ELBOW 90 D 1.25 MPT X 1.25 BAR |
| 8. 601239-01 | TUBING-1.375" ID RIBBED W/FLATS |
| 9. 0260043-20 | WORM CLAMP #20 |
| 10. 601698-04 | QQE33BTX 1/2" B X 1/2" MPT BARB ELBOW |
| 11. 601240-01 | TUBING 1/2" I.D. X 3/32 WALL TH |
| 12. 340086 | MINIATURE SCREW TYPE HOSE CLAM |
| 13. 601698-04 | QQE33BTX 1/2" B X 1/2" MPT BARB ELBOW |
| 14. 601698-01 | E-PEX 1/2" TUBING |
| 15. 601698-15 | 1/2" CRIMP RING |
| 16. 601588 | DRAIN COCK RADIATOR BRASS |
| 17. 601589 | ADAPTOR BRASS 3/8" FPT X 1/2" MP |
| 18. 601698-03 | QQSFC33XPXP 1/2" B X 1/2" FPT SW ADP |
| 19. 200507 | STYROFOAM, 1" X 25" X 55" |
| 20. 200152 | STYROFOAM 1/2" X 6" X 42" |
| 21. 511780 | PAD-TANK HEATING 6.5"X 18" |

2005 INTERNATIONAL TRAVEL TRAILER

PLUMBING, FRESHWATER

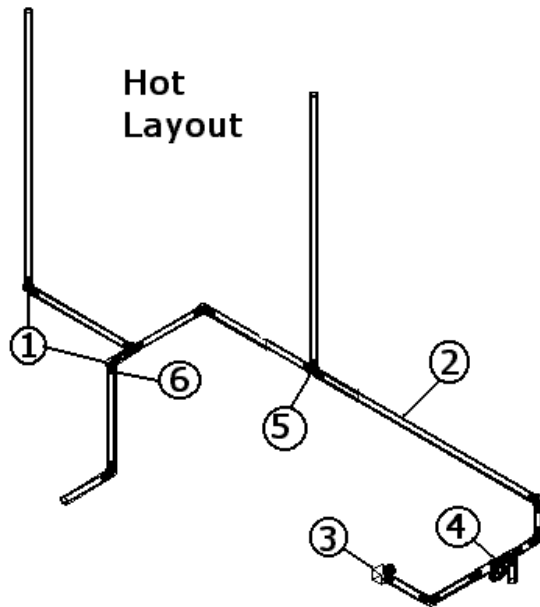
Fresh Water System, 25'

601863-01	TANK-FRESH WATER 39 GAL #W0199
601642	PAN-TANK ROTOCAST 25'SAFARI
453493	HANGER STRAP-TANK PAN SAFARI
601243	DRAIN COCK, FRESH WATER
600155	PLUG, CLEANOUT 1-1/2"
453712	SHIELD FRESH WATER TANK DRAIN
511252	PLUG PHONE 4 CONDUCTOR
511789	SENSOR-TANK MONITOR
511393	COUPLER-MODULAR EXTEN 4 CONDUCTOR
200152	STYROFOAM 1/2 X 6 X 42
453615	TANK SUPPORT STRIP-62" SAFARI
601723	FILTER SCREEN, WATER

2005 INTERNATIONAL TRAVEL TRAILER

PLUMBING, FRESHWATER

Fresh Water Plumbing, Hot 28'

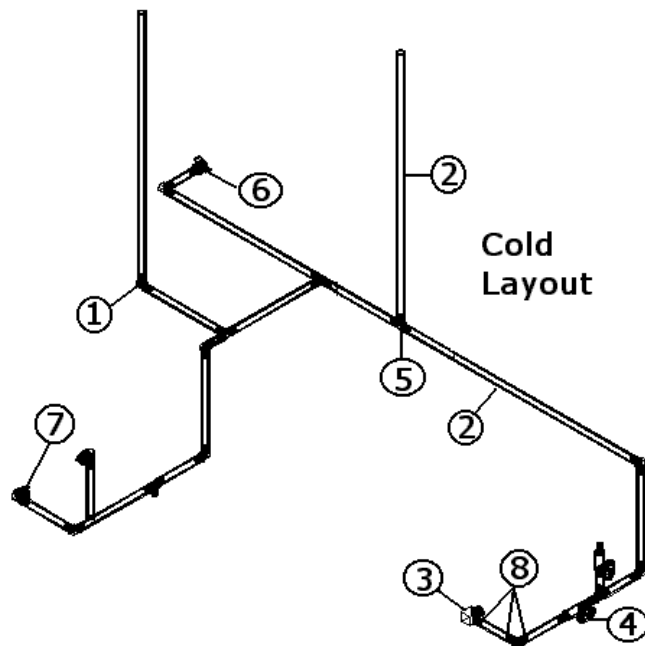


- | | |
|--------------|------------------------------|
| 1. 601698-10 | QQE33X 1/2 BARB EL |
| 2. 601698-21 | TUBING E-PEX 1/2' RED |
| 3. 601698-04 | QQE33BTX 1/2BX1/2MPT BARB EL |
| 4. 601698-22 | BALL VALVE 1/4 TURN |
| 5. 601698-11 | QQT333X 1/2 BARB TEE |
| 6. 601698-15 | 1/2 CRIMP RING |

2005 INTERNATIONAL TRAVEL TRAILER

PLUMBING, FRESHWATER

Fresh Water Plumbing Cold, 28'



- | | |
|--------------|--|
| 1. 601698-10 | QQE33X 1/2 BARB EL |
| 2. 601698-21 | TUBING E-PEX 1/2' RED |
| 3. 601698-04 | QQE33BTX 1/2BX1/2MPT BARB EL |
| 4. 601698-22 | BALL VALVE 1/4 TURN |
| 5. 601698-11 | QQT333X 1/2 BARB TEE |
| 6. 601698-03 | QQSFC33XPXP 1/2" "B X 1/2" FPT SWIVEL |
| 7. 601698-05 | QQE33BSXP 1/2"B X 1/2" FPT SWIVEL |
| 8. 601698-15 | 1/2" CRIMP RING |
| 601863-01 | TANK-FRESH WATER 39 GAL #W0199 |
| 601642 | PAN-TANK ROTOCAST |
| 453493 | HANGER STRAP-TANK PAN |
| 601243 | DRAIN COCK, FRESH WATER |
| 600155 | PLUG, CLEANOUT 1-1/2 |
| 601240-01 | TUBING 1/2" I.D. X 3/32 WALL THICKNESS |
| 453712 | SHIELD FRESH WATER TANK DRAIN |
| 601239-01 | TUBING-1.375"ID RIBBED W/FLATS |
| 453615 | TANK SUPPORT STRIP-62" |
| 601723 | FILTER SCREEN, WATER |

2005 INTERNATIONAL TRAVEL TRAILER

PLUMBING, FRESHWATER

Water Pump/Tank Fittings

601243	DRAIN COCK, FRESH WATER
600155	PLUG, CLEANOUT, 1 1/2"
453712	SHIELD, FRESH WATER TANK DRAIN
601061-03	Water pump, Shurflo 2088-404-144
601668-01	Water pump, pre-filter, Shurflo
601723	FILTER SCREEN, WATER
965771	BRACKET ASSY-WATER PUMP

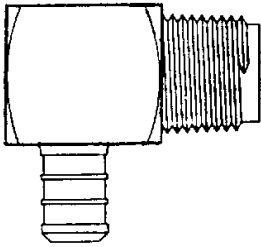
City Water Fill System

600336	PLUG WITH CHAIN
600315	PUMP GUARD FILTER
600362	CONNECTOR 3/4 X 1/2 HOSE
601689	DROP ELL 90 DEGREE FITTING
320098-02	SCREW, SMS, SS OVAL HD. PHIL
601661	NIPPLE 1/2" BRASS HEX
601690	NIPPLE-1/2" MPT X 2.50" BRASS
601237	ELBOW 90 D 1.25 MPT X 1.25 BAR
601237	ELBOW 90 D 1.25 MPT X 1.25 BAR
600227	PLASTIC COUPLINGS
601194	WATER FILL W/LOCK, GRAY, W/LABEL
601392-05	CITY WATER FILL W/REGULATOR

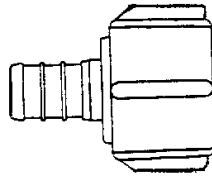
2005 INTERNATIONAL TRAVEL TRAILER

PLUMBING, FRESHWATER

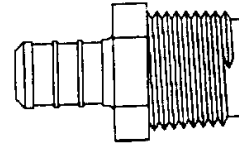
FRESH WATERLINE/FITTINGS



601698-04
Elbow, 1/2" barb
x 1/2" MPT

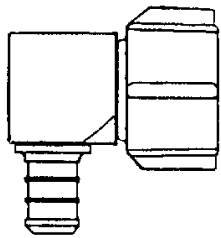


601698-03
Coupler, 1/2" barb
x 1/2" FPT

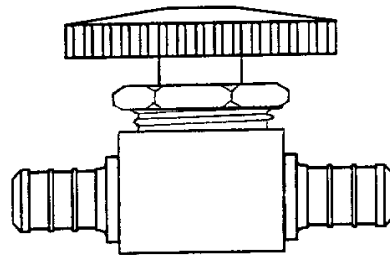


601698-02
Coupler, 1/2" barb
x 1/2" MPT

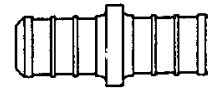
FRESH WATER-FITTINGS



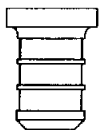
601698-05
Elbow 1/2" barb x
1/2" FPT



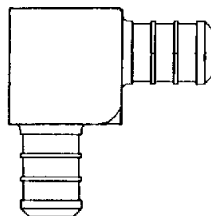
601698-22
Shut-off, 1/2" barb x
1/2" barb



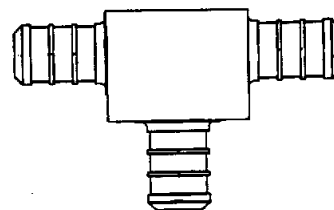
601698-08
Coupler
1/2" x 1/2" barb



601698-09
Plug, 1/2" barb



601698-10
Elbow 1/2" barb x
1/2" barb



601698-11
Tee, 1/2" x 1/2" x
1/2" barb

2005 INTERNATIONAL TRAVEL TRAILER

PLUMBING, FRESHWATER

FRESH WATERLINE/FITTINGS



601698-15
Crimp ring, 1/2
E-Pex, 1/2" (black)
-21 Red



601698-01
E-Pex tube, 1/2"

2005 INTERNATIONAL TRAVEL TRAILER

Notes

2005 INTERNATIONAL TRAVEL TRAILER

PLUMBING, FRESHWATER

GALLEY FAUCET, 601867, Moen, MODEL 67315C

MODEL 67315C

www.moen.com

PH. 1-800-BUY MOEN

United States

Moen Incorporated

25300 Al Moen Drive

North Olmstead, OH. 44070-8022

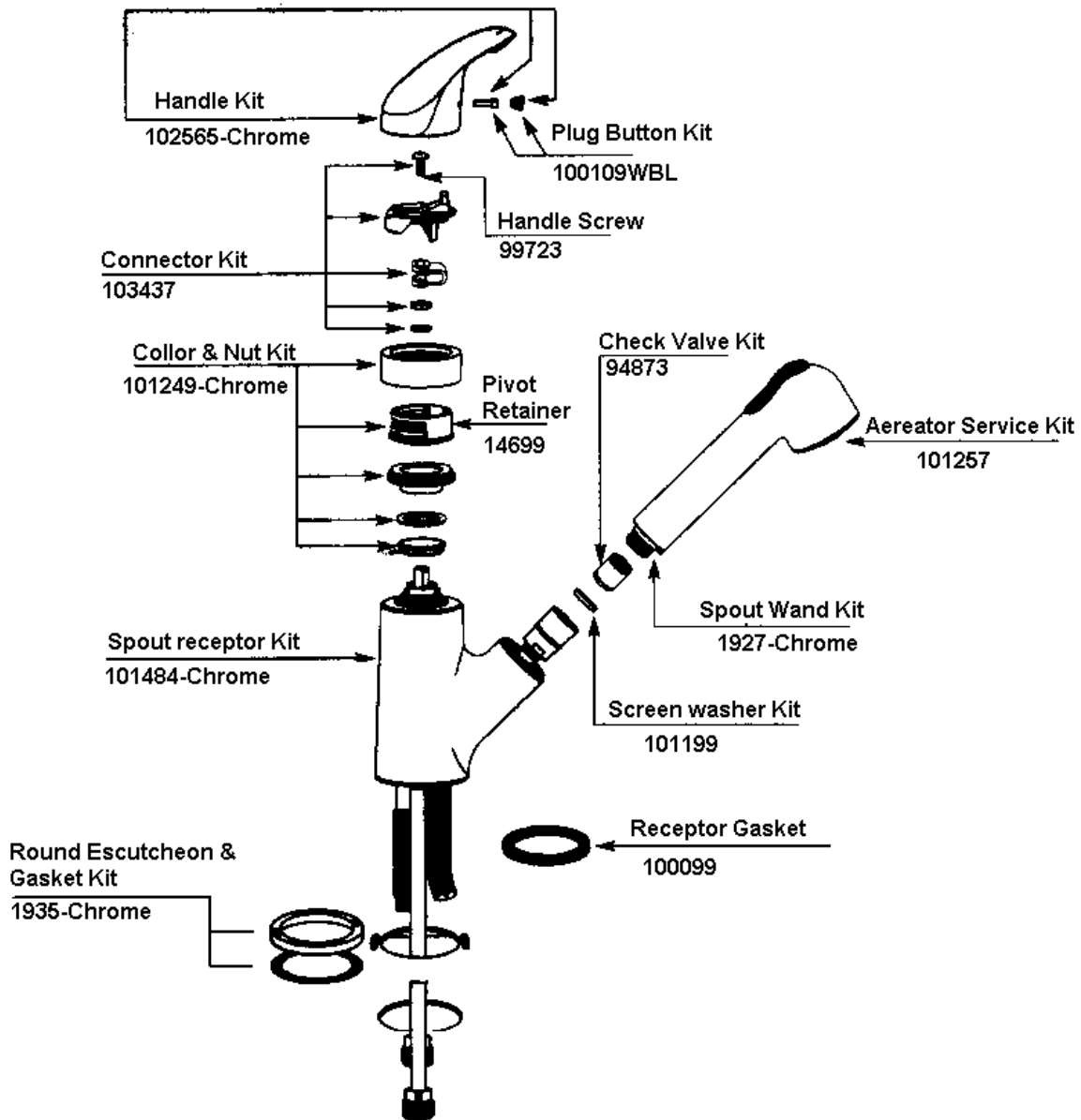
Contact local Moen dealer for all replacement parts.

Canada

Moen Inc.

2816 Bristol Circle

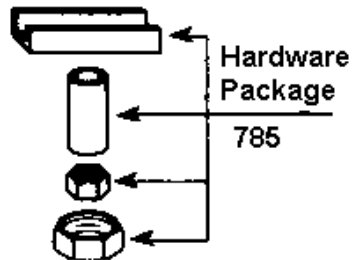
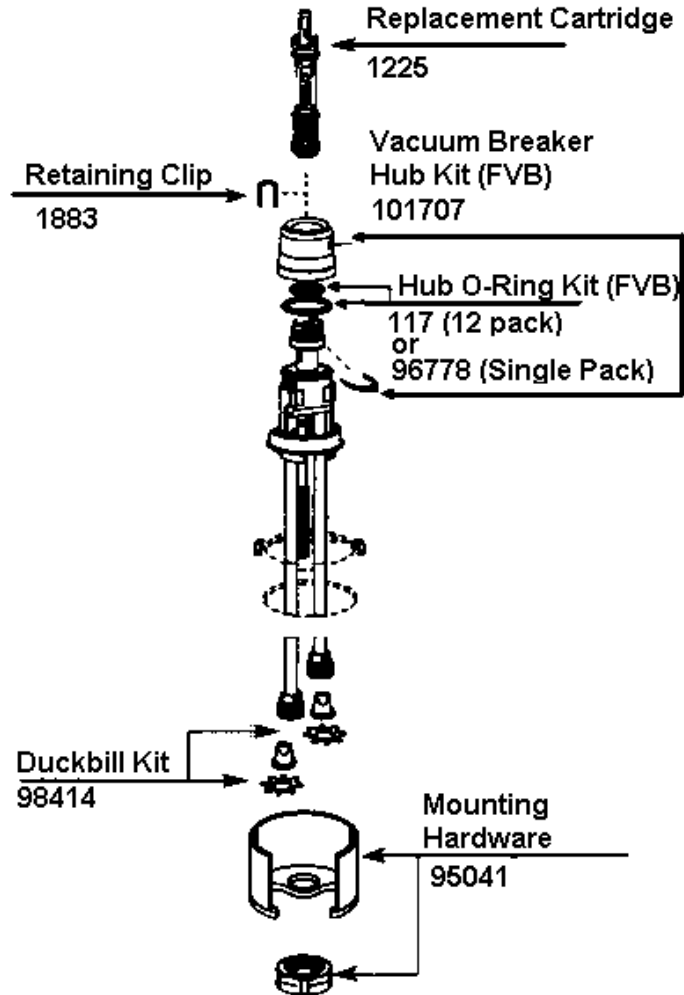
Oakville, Ontario L6H5s7



2005 INTERNATIONAL TRAVEL TRAILER

PLUMBING, FRESHWATER

GALLEY FAUCET, 601867, Moen, MODEL 67315C



601867

GALLEY FAUCET, Moen, MODEL 67315C

2005 INTERNATIONAL TRAVEL TRAILER

PLUMBING, FRESHWATER

FAUCET-SMALL LEVER HANDLE BATH, 601842

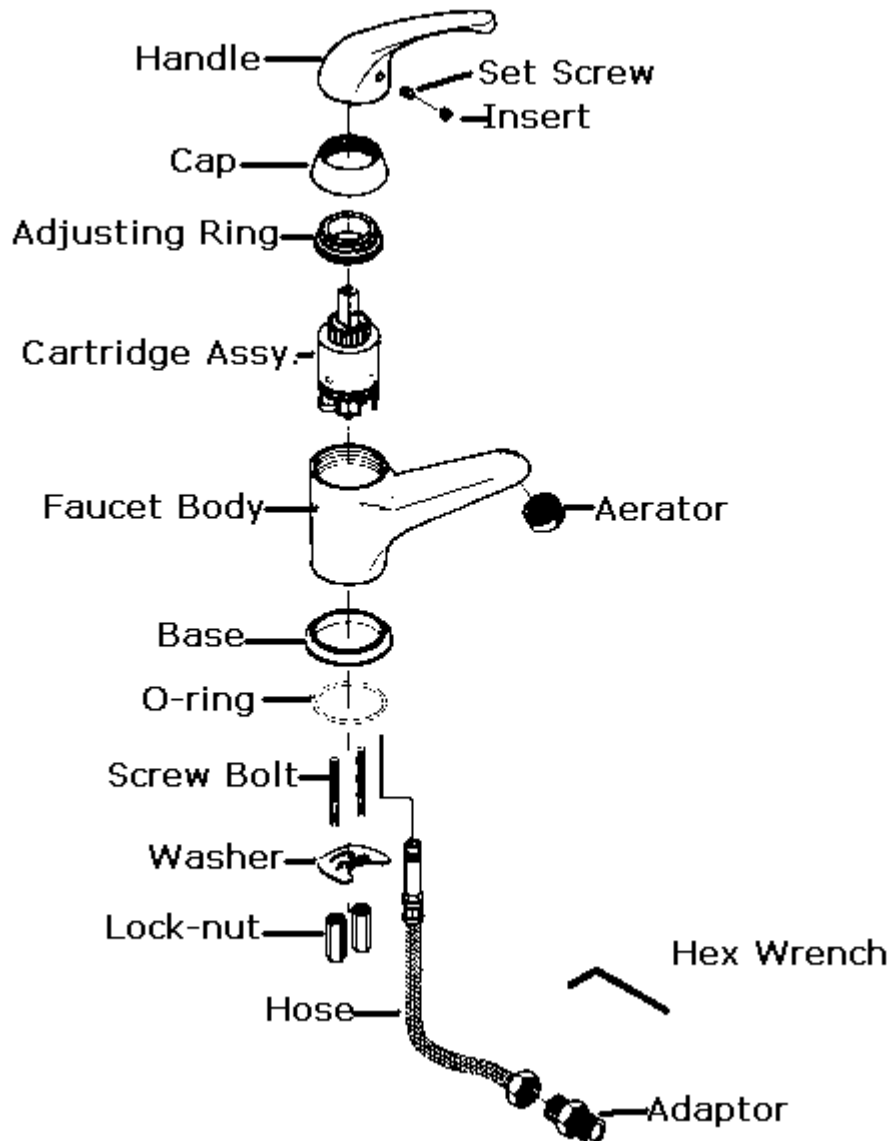
Model 97155BR

ITC Inc.

230 East Lakewood Blvd.

Holland, MI 49424

Tel. 616-396-1355



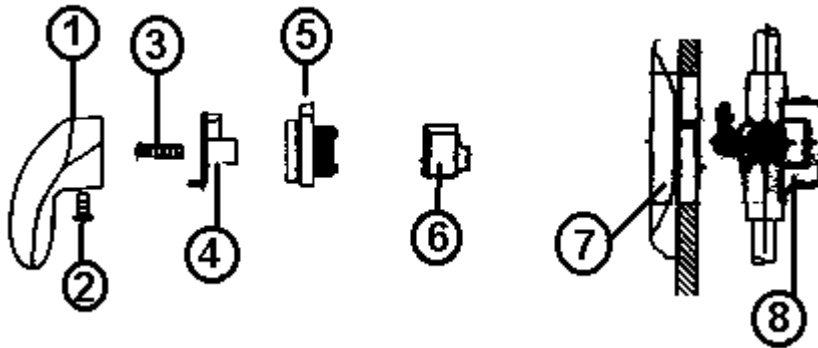
601842 FAUCET-SMALL LEVER HANDLE BATH

2005 INTERNATIONAL TRAVEL TRAILER

PLUMBING, FRESHWATER

Faucet, Shower, 19', 25', 28'

601829 Faucet, Shower, Chrome, Moen MDL TL2391



1. Lever handle
 2. Set screw
 3. Handle screw
 4. Handle adaptor
 5. Brake
 6. Key stop
 7. Escutcheon
 8. 601831 4-port posi-temp valve
- 600594 Strainer w/white rubber stopper
- 601358 Shower kit, includes:

Shower hose, shower head,
Vacuum breaker, wall mounts

2005 INTERNATIONAL TRAVEL TRAILER

PLUMBING, FRESHWATER

Faucet, Lavatory/Shower, 22'

690473 Faucet, Lavy-shower, 22'
601813 TAIL PIECE-LIFT/TURN DRAIN, 22'
601727 SHOWER DRAIN 2"W/GRID TOP, 22'

Faucet, Shower, 16'

604877-01 4 cp SHOWER VALVE W/FELT WASHER
604877-02 CP HANDSET HOSE W/WALL BRACKET
604877-03 ½' CHROME SUPPLY ELBOW
604877-04 CP BRASS VACUUM BREAKER
601884 CENTER SET NUT - PLASTIC

Faucet, Shower, 22', 25' CSA

601825 FAUCET, VELLETA LAVY CHROME
604877-01 SHOWER VALVE 4 CP W/FLT W/SHR
601358 SHOWER HARDWARE UNIT, CHROME

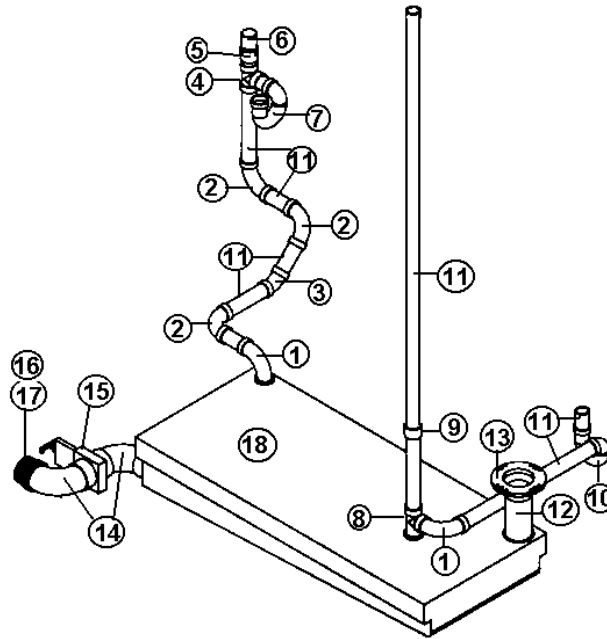
Faucet, Shower, 25', 28'

601829 TRIM KIT SHOWER VALVE VALLETTA
601358 SHOWER HDW UNIT, CHROME
601185-08 PLUG, PIPE ½" MALE NPT, STEEL
601661 NIPPLE 1/2" BRASS HEX
601831 VALVE 4 PORT POSI-TEMP
600594 STRAINR W/WHITE RUBBER STOPPER

2005 INTERNATIONAL TRAVEL TRAILER

PLUMBING, DRAIN

DRAIN SYSTEM, 16'

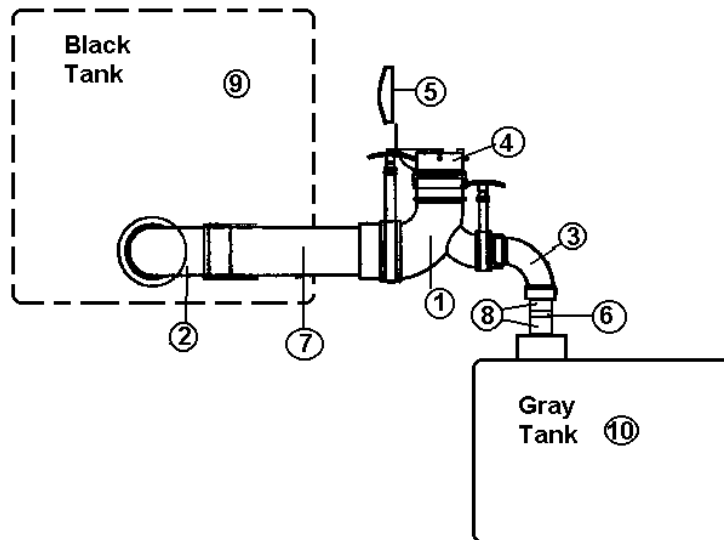


- | | |
|---------------|--------------------------------------|
| 1. 600431 | Elbow, 90, 1.5" |
| 2. 600035 | Ell, ABS, Long sweep, 1.5" |
| 3. 600030 | Ell. 45 degrees, long turn |
| 4. 600156 | Tee, sanitary |
| 5. 600308 | Adaptor, ABS, female, Sloan #2891 |
| 6. 600538 | Vent, V-200 automatic |
| 7. 600622 | P-trap, 1.5" w/slip nut & washer |
| 8. 601868 | Sanitary tee, spig x hub x hub |
| 9. 600227 | Plastic couplings |
| 10. 600144 | P-trap, ABS DVW, 1.5" |
| 11. 601160-02 | Pipe, ABS, DVW, 1.5" |
| 12. 601267-04 | Nipple, 3" Dia. THD one, 10" long |
| 13. 601266 | Flange, closet, 3' x4", slip fit |
| 14. 600820 | 3" single socket, 90 degree |
| 15601607-14 | Dump valve, 3" |
| 14.601607-06 | Termination adaptor, 3" hub x 3" bay |
| 15.601607-07 | Termination cap, 3" bay |
| 16.601844-05 | Tank, black/gray combination |
| 511789 | SENSOR-TANK MONITOR #500-10050 |
| 601588 | Drain cock, radiator, brass |
| 453945-07 | Close off, plumbing, black |
| 601869 | Tank pan |

2005 INTERNATIONAL TRAVEL TRAILER

PLUMBING, DRAIN

DRAIN SYSTEM, 19'

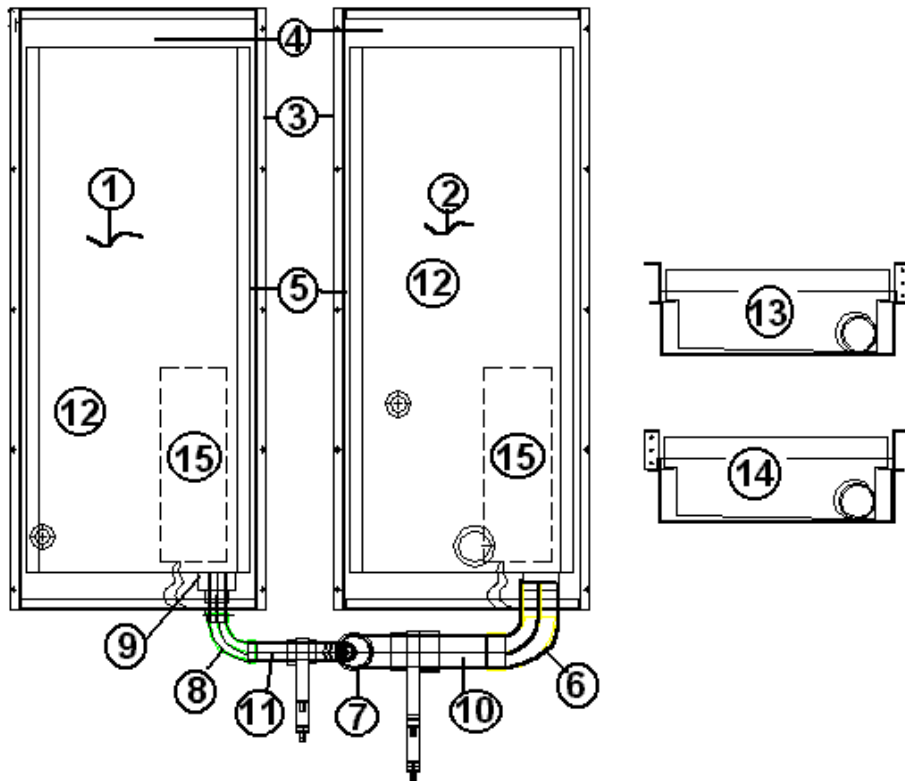


- | | |
|---------------|----------------------------------|
| 1. 601482 | DUMP VALVE ROTATING ASSEMBLY |
| 2. 600183 | ELL LONG SWEEP ABS 3" |
| 3. 600035 | ELL ABS LONG SWEEP 1-1/2" |
| 4. 600241-01 | HOSE ADAPTOR, STRAIGHT |
| 5. 001664 | CAP POSITIVE SEAL THETFORD 3" |
| 6. 601160-02 | PIPE, ABS DVW, 1-1/2" |
| 7. 601160-04 | PIPE, ABS DVW, 3" |
| 8. 601800 | STRAIGHT ELBOW, 22 DEGREE, 1.5" |
| 9. 601854-01 | TANK-BLACK HOLDING 17.3 GALLON |
| 10. 601844-01 | TANK-GRAY HOLDING 21 GAL #0910 |
| 114916 | BRACKET DUMP VALVE |
| 601717 | TANK PAN |
| 453622 | TANK PAN CLOSE-OUT |
| 601228 | CLOSEOUT, SEPTIC PAN |
| 453977 | STRAP-BLACK TANK FWD |
| 453978 | STRAP-BLACK TANK AFT |
| 964478 | SLOPE PAD-BLACK TANK |
| 453712 | SHIELD, FRESH WATER TANK DRAIN |
| 601846 | ADAPTOR-3"PIPE CATCON |
| 601266 | Flange, closet, 3' x4", slip fit |

2005 INTERNATIONAL TRAVEL TRAILER

PLUMBING, DRAIN

DRAIN SYSTEM, 22'

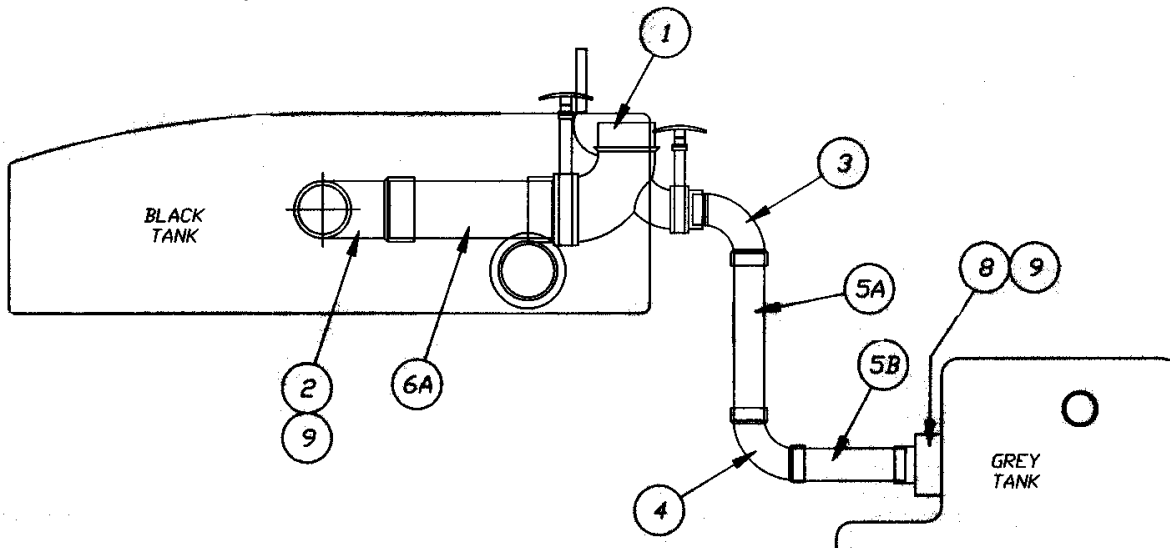


- | | |
|---------------|--------------------------------|
| 1. 601844-02 | TANK-GRAY HOLDING 21 GAL |
| 2. 601844-04 | TANK-BLACK HOLDING 21 GAL |
| 3. 601809 | PAN-WASTE TANK ASSY |
| 4. 200507 | STYROFOAM, 1" X 25" X 55" |
| 5. 200152 | STYROFOAM 1/2" X 6" X 42" |
| 6. 600820 | 3" SINGLE SOCKET 90DEGREE |
| 7. 601482 | DUMP VALVE ROTATING ASSY. |
| 8. 600035 | ELL ABS LONG SWEEP 1 1/2" |
| 9. 195329-229 | REDUCER ADAPTOR 3" TO 1.5" 407 |
| 10. 601160-04 | PIPE, ABS DVW, 3" |
| 11. 601160-02 | PIPE, ABS DVW, 1 1/2" |
| 12. 511789 | SENSOR-TANK MONITOR #500-10050 |
| 13. 453945-04 | CLOSE OFF PLUMBING GREY |
| 14. 453945-07 | CLOSE OFF PLUMBING BLACK |
| 15. 511780 | PAD-TANK HEATING 6.5" X 18" |

2005 INTERNATIONAL TRAVEL TRAILER

PLUMBING, DRAIN

DRAIN SYSTEM, 25'



- | | |
|---------------|---------------------------------|
| 1. 601482 | Dump Valve Rotating assembly |
| 2. 600820 | Ell long sweep ABS 3" |
| 3. 600431 | Elbow, 90, 1½" |
| 4. 600035 | Ell ABS street, 1½" |
| 5A. 601160-02 | Pipe, ABS DVW, 1½"-10.00" Long |
| 5B. 601160-02 | Pipe, 1½"-ABS DVW, 7.00" Long |
| 6A. 601160-04 | Pipe, 3"-ABS DVW, 4" Long |
| 7. 114916 | Bracket, dump valve |
| 8. 195329-229 | Reducer adaptor, 3" to 1.5" |
| 9. 340092 | Clamp, worm type T40C-75-388-SB |
| 10. 601848-02 | Holding tank, gray |
| 11. 601854-01 | Black tank |

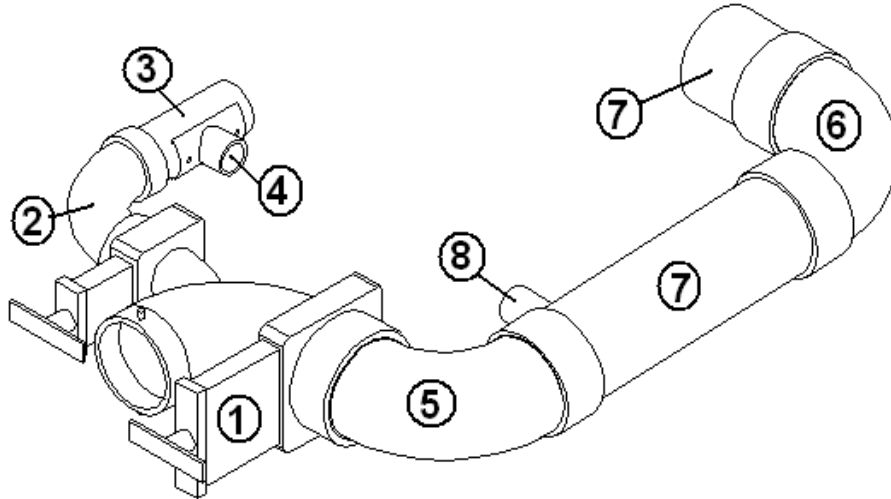
Not shown:

- | | |
|--------|-------------------------|
| 601642 | PAN-TANK ROTOCAST |
| 453615 | TANK SUPPORT STRIP-62" |
| 453616 | TANK SUPPORT STRIP-22" |
| 453493 | Strap, black tank FWD. |
| 453964 | Strap, black tank AFT. |
| 01664 | Bayonet Cap |
| 01639 | 3" Termination Ring |
| 453493 | HANGER STRAP-TANK PAN |
| 203149 | SLOPE PAD-HOLDING TANKS |
| 601228 | CLOSEOUT, SEPTIC PAN |

2005 INTERNATIONAL TRAVEL TRAILER

PLUMBING, DRAIN

DUMP VALVE ASSEMBLY, 28'

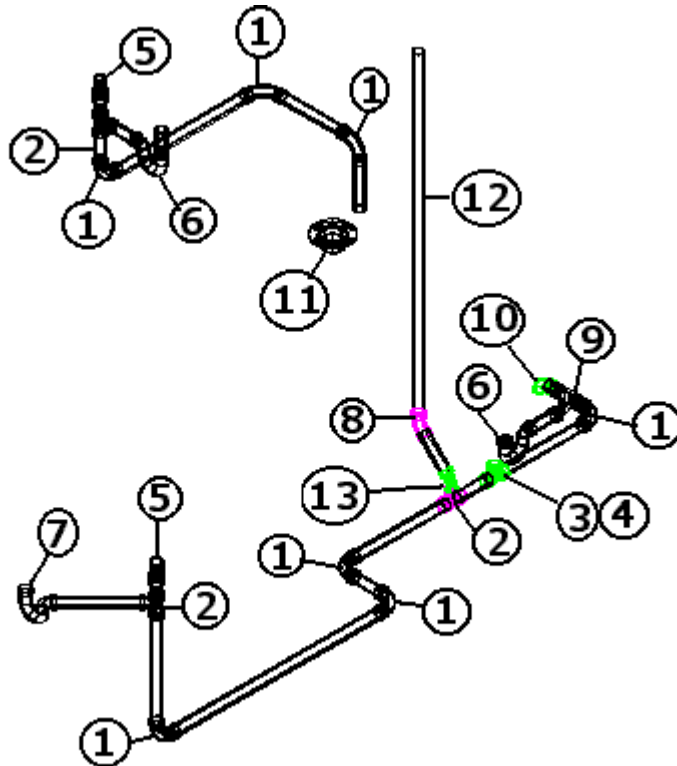


- | | |
|--------------|-------------------------------|
| 1. 601482 | DUMP VALVE ROTATING ASSEMBLY |
| 2. 600431 | ELBOW, 90, 1 1/2" |
| 3. 601160-02 | PIPE, ABS DVW, 1 1/2" |
| 4. 601845 | ADAPTOR-1.5", PIPE CATCON |
| 5. 600820 | 3" SINGLE SOCKET 90 DEGREE |
| 6. 600183 | ELL LONG SWEEP ABS 3" |
| 7. 601160-04 | PIPE, ABS DVW, 3" |
| 8. 601846 | ADAPTOR, 3" PIPE CATCON |
| 0360494 | BOOT RUBBER |
| 601889-01 | TANK-BLACK 35 GALLON |
| 601890-01 | TANK-GRAY 37 GALLON |
| 601895 | PAN-BLACK/GRAY TANK |
| 203149 | SLOPE PAD-HOLDING TANKS |
| 200152 | STYROFOAM 1/2 X 6 X 42" |
| 454178-01 | STRAP-BLACK/GRAY TANK 52.25" |
| 454178-02 | STRAP-BLACK/GRAY TANK 5.25" H |
| 454178-04 | STRAP-BLACK/GRAY TANK 4.75" H |
| 454178-05 | STRAP-BLACK/GRAY TANK 4.25" |
| 601806 | SINK, S. S. ROUND GALLEY |

2005 INTERNATIONAL TRAVEL TRAILER

PLUMBING, DRAIN

DRAIN SYSTEM, 28'



- | | |
|---------------|---|
| 1. 600035 | ELL ABS Extra long Sweep, 1.5" |
| 2. 600156 | Tee sanitary |
| 3. 601318 | Tee Bi-directional, clean out, 1.5" |
| 4. 600155 | Plug, clean out, 1.5" |
| 5. 600538 | Vent, V-200 automatic |
| 6. 600144 | P-trap, ABS, 1.5" |
| 7. 600622 | P-trap, 1.5" w/slip nut and washer |
| 8. 600030 | ELL ABS, 45 degrees, long turn |
| 9. 600182 | Wye, 1.5' x 1.5" x 1/8" bend, ABS |
| 10. 600431 | Elbow, 90, 1.5" turn |
| 11. 601424 | Flange, closet, 4" x 3" threaded |
| 12. 601160-02 | Pipe, ABS DVW, 1.5" (all straight pipe) |
| 22. 600027 | Elbow, ABS long street 45 degrees |

2005 INTERNATIONAL TRAVEL TRAILER

PLUMBING, DRAIN

Sinks/showers, 16'

601938	SINK, S/S, SINGLE BOWL
203425	SINK COVER .5" NATURAL
203444-01	BASE-SHOWER FIBERGLASS WHITE

Sinks/showers, 19'

601804-01	SINK, BATH, 12" SS ROUND
601938	SINK, S/S, SINGLE BOWL
203425	SINK COVER .5" NATURAL OAK
203114	SHOWER 2 PC FIBER GLASS

Sinks/showers, 22'

601804-01	SINK, BATH, 12" SS ROUND
601806	SINK-S.S. ROUND GALLEY
203483	COVER-SINK ROUND 17.75"
203298	SHOWER PAN-BAMBI
203328-01	SHOWER SURROUND-UPPER, WHITE
203328-02	SHOWER SURROUND-LOWER, WHITE
203328-02	SHOWER SURROUND-LOWER, WHITE

Sinks/showers, 25'

601804-01	SINK 12" SS ROUND WITH STUDS
601806	SINK-S.S. ROUND GALLEY
203483	COVER-SINK ROUND 17.75"
203114	SHOWER 2 PC FIBER GLASS

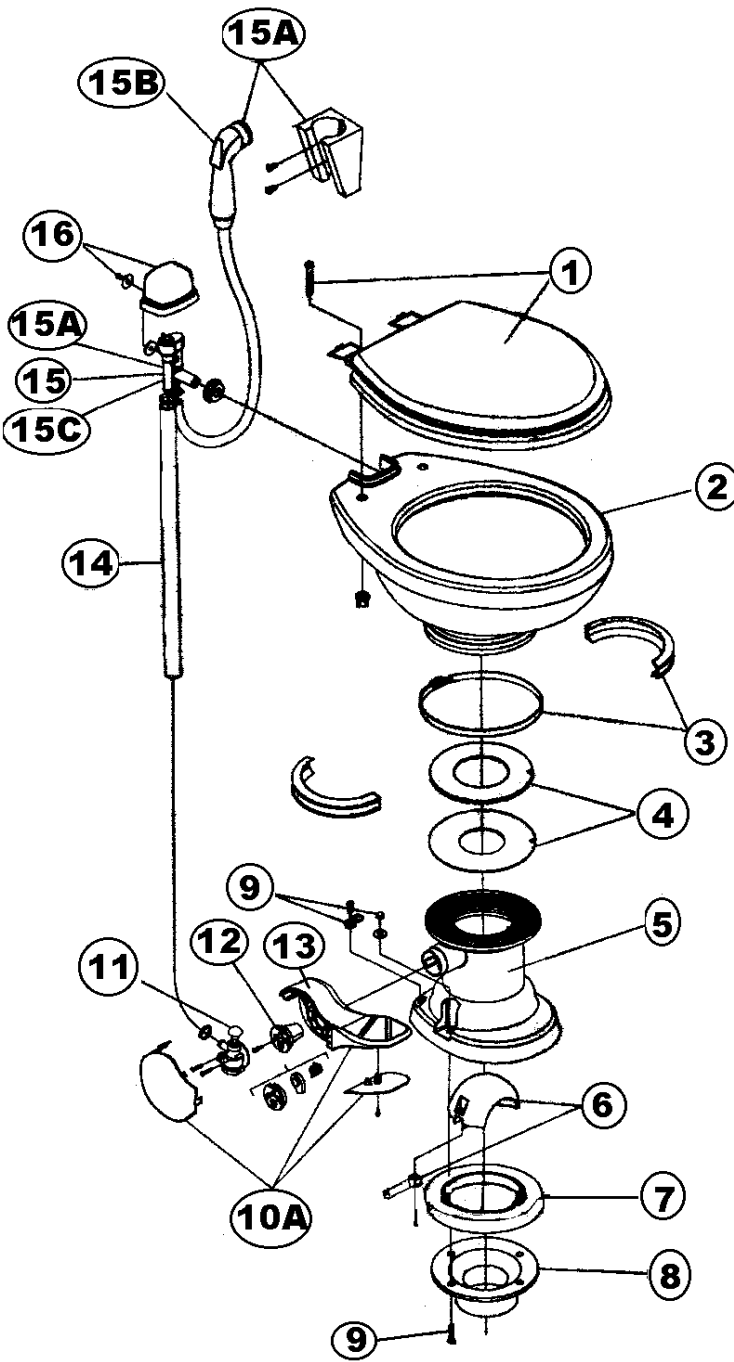
Sinks/showers, 28'

203081-01	SHOWER STALL-2 PC FIBER 28'CCD
601804-01	SINK 12" SS ROUND WITH STUDS, LAVATORY
601806	SINK-S.S. ROUND GALLEY
203483	COVER-SINK ROUND 17.75"

2005 INTERNATIONAL TRAVEL TRAILER

PLUMBING, DRAIN

Toilet, WHITE



P/N Next Page

2005 INTERNATIONAL TRAVEL TRAILER

PLUMBING, DRAIN

Sealand, Traveler Lite Parts List, WHITE

Sealand Technology, Inc.

13128 State Route 226

PO Box 38

Big Prairie, OH. 44611-0038

Customer Service 1-800-321-9886

330-496-3211 (8:00 A.M.-5:00 P.M. ET)

Fax: 330-496-3097

www.sealandtechnology.com

- 690472-01 Sealand, Traveler Lite, White
- 1. 344088 Seat Assembly
- 2. 310790 China bowl kit
- 3. 310025 Ring & half clamp kit
- 4. 316140 Teflon & rubber seal kit
- 5. 310792 Base kit, includes 3, 4, 6, 7, 9, 10A, 11 & 12
- 6. 310681 Ball, shaft, cartridge kit
- 7. 343938 Floor flange seal
- 8. 600065 Flange, floor, threaded, Airstream
- 8a. 601266 TOILET, FLANGE, CLOSET, 3" X 4", SLIP FIT
- 9. 310794 Floor bolt mounting kit
- 10. 310117 Pedal cover kit
- 10A. 310682 Flush pedal kit (includes 12)
- 11. 314349 Water valve kit
- 12. 310683 Spring cartridge kit
- 13. Pedal included w/Part 10A
- 14. 340177 Supply hose
- 15. 310687 Vacuum breaker kit
- 15A. 319054 Vacuum breaker kit w/spray
- 15B. 340683 Hand spray
- 15C. 230335 Vacuum breaker (used w/spray)
- 16. 310795 Vacuum breaker cover kit

2005 INTERNATIONAL TRAVEL TRAILER

PLUMBING, DRAIN

Black Tank Flush

601441 SYSTEM, TANK FLUSH

Plumbing Loose Parts

340084-52 CLAMP, HOSE SAE #52, for sewer hose

600241-01 SEWER HOSE ADAPTOR, STRAIGHT #02593

381647 KEY WATER FILL CH751

2005 INTERNATIONAL TRAVEL TRAILER

SAFETY EQUIPMENT

Detectors/Fire Extinguishers

510781	Smoke detector
510891	Smoke Detector CSA only
511309	LPG detector
511343	DETECTOR, CARBON MONOXIDE
600162-01	Fire extinguisher
600162-02	Fire extinguisher, CSA
203387	POCKET-RECESSED FIRE EXT. BRACKET

2005 INTERNATIONAL TRAVEL TRAILER

SEALER/GASKETS/PAINT

SEALER

360001 Sealant, #884058
360002 Sealant, Vulkem 11.5 oz. tube
360209 Sealant, seam
360176 Sealant, Almond, kitchen and bath
360180-04 Sealant, Sikaflex #221, black
360180 Sealant, Sika-flex, gray
360210 Sealant, Paralastic 4334-014
360283 Sealant, silicone, Corian Bone
360283-01 SEALANT SILICONE CORIAN G. WHITE
685510 SEAM TAPE, BLACK, RUBBER 1/32 X 7/8 X 2

GASKETS/TAPE



365035, Gasket
Access doorjamb



365013-01, Gasket
screen door



365232, Gasket
main door

381704 Seal, upper main door (goes over main seal around top of door)
365190 SEAL, RUBBER, ADHESIVE, 3/4" X 3/4", Refer

381665 Gasket, D seal, window frame to shell
0401-0002 Gasket, window frame to glass

365016 Tape, foam, double face, 1/2" wide
685510 Seam tape, exterior metal, black rubber
365013 TAPE CHARCOAL LOW DENSITY FOAM, bumper lid
365001 TAPE DOUBLE COATED FOAM
381830 Gasket wiper, L section, 1.12" x 2.00", seal around
refer baffle

2005 INTERNATIONAL TRAVEL TRAILER

SEALER/GASKETS/PAINT

PAINT

360213	Paint, aluminum metallic
360151	Paint, gray metallic, Centari
360151-01	Paint, gray metallic, Centari, 16 oz. can
360260	Paint, Pewter
360260-100	Paint, Pewter, 16 oz. can

2005 INTERNATIONAL TRAVEL TRAILER

UPHOLSTERY/FOAM/MATTRESS

Pillows

701611 PILLOW, 21 X 31
703353-143 Pillows, Hazard Orange
703353-133 Pillows, Lemon Grass
703353-123 Pillows, Blue Streak

Mattress, 19', 25'

703286-05 Mattress, corner double, 48" x 76"

Mattress, 25'

703182-05 Mattress, corner double, 52" x 76"

Mattress, 22', 16'

703190 Mattress, 48" x 78" w/double radius corner

Mattress, 28'

703336 Mattress, 60" x 75" w/11" Radius corner

Bedsread, 16'

703363-143 Bedsread, 16', Hazard Orange
703363-133 Bedsread, 16', Lemon Grass
703363-123 Bedsread, 16', Blue Streak

Bedsread, 19'

703287-143 Bedsread, 19' Model, Hazard Orange
703287-133 Bedsread, 19' Model, Lemon Grass
703287-123 Bedsread, 19' Model, Blue Streak

2005 INTERNATIONAL TRAVEL TRAILER

UPHOLSTERY/FOAM/MATTRESS

Bedsread, 22'

703197-143 Bedsread, 22' CCD Model, Hazard Orange
703197-133 Bedsread, 22' CCD Model, Lemon Grass
703197-123 Bedsread, 22' CCD Model, Blue Streak

Bedsread, 25'

703379-143 Bedsread, 25' model, Hazard Orange
703379-133 Bedsread, 25' model, Lemon Grass
703379-123 Bedsread, 25' model, Blue Streak

Bedsread, 28'

703356 Bedsread, 28' CCD
703356 Bedsread, 28' CCD
703356 Bedsread, 28' CCD

Net, Storage Bag

703364 NET, STORAGE BAG BLACK 10"X 14"

VINYL STRAP FOR FOLDETTE DOORS

381581 STRAP CLEAR PLASTIC .75"W
700811 BUTTON CAP, HANDY
700812 BUTTON BOTTOM, HANDY, OAK

2005 INTERNATIONAL TRAVEL TRAILER

VENTS/FANS/ SKY LIGHTS

Refer Vent, 22'

690470-01 VENT-REFER-PLASTIC RADIUS CORNER, 22 Ft
115038-01 DOOR JAMB, REFRIGERATOR, CLOSEOUT, 22 Ft.

Refer Vent, Roof, 19', 25', 28'

100341 Refrigerator, vent collar, roof, large
101394 Cover, refrigerator vent, roof, large
381042 MESH, galvanized for refer vent. .017 X 36"

Refer Side Vent/Power Fan, 16', 19', 22'

690394 Power ventilator, refrigerator
690470-01 VENT, SIDE WALL, REFER
511836 SWITCH- REFER/FAN WHITE
511837 SWITCH ASSY. LIGHTED ROCKER

Black Tank Roof Vent Pipe Cover

690264-03 Vent pipe cover
380114 Gasket, vent pipe
380228 Wire, hardware cloth

2005 INTERNATIONAL TRAVEL TRAILER

VENTS/FANS/ SKY LIGHTS

Vents, Non-Power

- 381606-01 Vent, roof, 14" x 14", non-power, white
- 381606-02 Trim ring, interior, roof vent, white

Vents, Power, Bath

- 690266-01 Ventilator, power, bath
- 690266-02 Ventilator, power, bath, CSA
- 690266-03 EXTENSION GARNISH 4", power vent

Vents, Power, Roof

- 381564-03 VENT W/WALL THERMOSTAT 2000TRS, Gray
- 381841 VENT, ROOF FANTASTIC EXHAUST ONLY
- 511657 FANTASTIC FAN W/410KIB CONTROL

Skylight, 19 ½" X 19 ½"

- 114485 MOUNTING FRAME SKYLIGHT
- 381318-05 SKYLIGHT 19 ½" X 19 ½"
- 201962 TRIM RING 19 X 19 SKYLIGHT WHI
- 702804-03 SHADE PLTD SKYLIGHT 19.25" X 20.00"

Skylight, 14 ½" X 22 ½"

- 114486 MOUNTING FRAME SKYLIGHT #1422
- 381318-06 SKYLIGHT 14-1/2 X 22-1/2 - TRL
- 201963 TRIM RING 14 X 22 SKYLIGHT WHI
- 702804-04 SHADE PLTD, SKYLIGHT, 14.50" X 22.75"

2005 INTERNATIONAL TRAVEL TRAILER

WOOD TRIM /FORMICA/PANELING

PLYWOOD

800506-03	PLYWOOD, 3/8" X 4' X 8'
800506-05	Plywood, 5/8" x 4' x 8'
800506-06	PLYWOOD, 3/4" X 4' X 8'
801351	LITE PLY-18MM (.75") 4' X 8'

Cabinet formed Radius Corners

801345	RADIUS PLYWOOD .75" X 3" X 8'
801346	RADIUS PLYWOOD .75" X 4" X 8'
801347	RADIUS PLYWOOD-.75"X 6"X 8'
801348	RADIUS PLYWOOD-.75" X 8" X 6'

PANELING, LUAN

800507-01	Panel, lauan, 1/8 x 4' x 8'
800507-02	Panel, Lauan, 1/4" x 4' x 8', raw/raw
800507-03	Panel, Lauan, 3/8" x 4' x 8', raw/raw
800507-04	Panel, Lauan, 1/2" x 4' x 8', raw/raw
800507-06	LAUAN, .75" X 4' 8'

MAIN DOOR THRESHOLD

801492-006	THRESHOLD MAIN DOOR
------------	---------------------

2005 INTERNATIONAL TRAVEL TRAILER

WOOD/LAMINATES/TRIM

Formica

801355	Frosty White Formica used for interior panels
801355-01	Frosty White Formica, vertical
801359-01	Citrus Orange Formica vertical
801437-	EXTREME GREEN HORIZONTAL 4'
801437-01	EXTREME GREEN VERTICAL 4'
801439-01	Black Maple, horizontal
801439-01	Black Maple, vertical, 4'x 8'

Edge banding

365268-01	Edge Banding, Tropical oak, .024" x 1.25"
365268-01	Edge Banding, Tropical oak, .024" x 1 1/8"
365268-02	Edge Banding, Tropical oak, .024" x 1 5/8"
365268-03	Edge Banding, Tropical oak, .024" x .63"
365268-04	EDGE BANDING-.024" X 1.25" TROPICAL OAK
365267	EDGE BANDING-1.13" .024 PLY
365240-01	EDGE BANDING-PVC 3M 1-5/16" WHITE
365238-04	EDGE BANDING TAPE PVC 5/8" C. WHITE
365278-01	EDGE BANDING-BLACK MAPLE 1.13"
365278-02	EDGE BANDING-BLACK MAPLE 1.625"
365278-03	EDGE BANDING-BLACK MAPLE .625"
365278-04	EDGE BANDING, .024" X 1.25" BLACK MAPLE

2005 INTERNATIONAL TRAVEL TRAILER WOOD TRIM /FORMICA/PANELING

Panels, Pre-laminated

801368	Panel, White/white
801369	Panel, Frosty white/white
801369-01	Panel, Frosty white/white, vertical
801373	Panel, Citrus orange/raw
801374	Panel, Frosty white/raw
801378	Panel, Rexel/raw
801441-01	Panel, BLACK MAPLE/FROSTY WHITE 18MM
801436-01	Panel, BLACK MAPLE/WHITE 18M VERTICAL
801392	Panel, WHITE LINER/WHITE LINER 12MM
801445-01	Panel, BLACK MAPLE/GATOR .25" VERTICAL
801369-01	PANEL, FROST WHITE/WHITE LINER
801438	PANEL, FROST WHITE VINYL/RAW 2.7MM
801505	PANEL, ASCOT SAND/RAW .125" X 4' X 8'

