

AIRSTREAM

CLASSIC TRAILER
Parts Book



2005 CLASSIC TRAILER
TABLE OF CONTENTS
SECTION I
A through C

APPLIANCE

Air Conditioner, Furnace	I-1
Microwave, Range, Refrigerator	I-2
Water Heater	I-3

EXTERIOR SHELL

End shell, aft	I-4
End shell, front	I-6
Roof	I-8
Slide-out Room	I-10
RS wall, 34ft.	I-12
CS wall, 34ft.	I-14
RS wall, 34ft S/O Dinette	I-16
CS wall, 34ft. S/O Dinette	I-18
RS Wall, 31 W/No Dinette	I-20
CS wall, 31' W/ No Dinette	I-22
RS wall, 31ft W/Dinette	I-24
RS Wall, 31ft W/Dinette	I-26
RS wall, 30ft.	I-28
CS wall, 30ft, 30ft S/O	I-30
RS wall, 30ft, S/O	I-32
RS wall, 28ft.	I-34
CS wall, 28ft.	I-36
RS wall, 25ft.	I-38
CS wall, 25ft.	I-40
Body interior	I-42

CHASSIS

A-frame	I-45
Power jack	I-47
Step	I-49
Outrigger/underbelly	I-52
Jacks/Below floor storage	I-53
Axles/shocks/wheels	I-55
Brakes, 12"	I-56
Disc Brakes	I-57

2005 CLASSIC TRAILER
TABLE OF CONTENTS
SECTION II
D through E

[DECALS/LOGOS/MEDALLIONS](#) II-1

[EXTERIOR TRIM](#) II-3

DOORS/WINDOWS/AWNING

[Doors](#) II-4

[Windows](#) II-9

[Awning](#) II-13

[Window Stone guard](#) II-14

DRAPES/VALANCES/SHADES

[Drapes](#) II-15

[Valances](#) II-18

[Shades](#) II-20

ELECTRICAL

[110 volt](#) II-21

[12 volt](#) II-24

[Exterior lights & reflectors](#) II-28

ENTERTAINMENT

[Radio/DVD/VCR/TV](#) II-29

[Audio Upgrade](#) II-30

2005 CLASSIC TRAILER
TABLE OF CONTENTS
SECTION III
F through H

FLOOR COVERING

[Carpet, Mats, Linoleum](#) III-1

FURNITURE

[Interior doors](#) III-2
[Mirrors](#) III-5
[Doors, Shower/Foldette/Sliding](#) III-6
[Drawer](#) III-7
[Bedroom](#) III-10
[Bath](#) III-39
[Galley](#) III-90
[Lounge](#) III-160

HARDWARE

[Exterior locks/hinges](#) III-180
[Window hardware](#) III-185
[Interior drawer slides/hinges latches](#) .. III-187
[Interior Doors](#) III-191
[Drawers/Bath](#) III-192
[Tables/Bed/Wardrobe/Galley](#) III-193
[Hinges](#) III-195
[Awning hardware](#) III-196
[Slide Room Mechanism](#) III-198
[Rivets](#) III-199
[Labels and Tags](#) III-201
[Slide Out Room](#) III-203
[Wrap Protectors](#) III-202

2005 CLASSIC TRAILER
TABLE OF CONTENTS
SECTION IV
L through Z

PLUMBING

[LPG](#) IV-1
[Fresh water](#) IV-3
[Fresh water Fittings](#) IV-4
[Faucets](#) IV-6
[Drain water](#) IV-9
[Sinks](#) IV-11
[Showers](#) IV-12
[Drain Line Fittings](#) IV-13
[Toilet](#) IV-16

[SAFETY EQUIPMENT](#) IV-19

[SEALER/GASKETS/PAINT](#) IV-20

UPHOLSTERY/FOAM/MATTRESS

[Bedspreads/Mattresses](#) IV-20
[Sofa/Sofa Armrests](#) IV-22
[Wall Border/Dinette Seats/Chairs](#) IV-24
[Pillow Kits](#) IV-25

[VENTS/FANS](#) IV-29

[WOOD/LAMINATES/TRIM](#) IV-31

AIRSTREAM INC.
419 West Pike Street
Jackson Center, Ohio 45334
937-596-6111

© 2004

2005 CLASSIC TRAILER

APPLIANCES

AIR CONDITIONER

690323-32	Air conditioner, 13,500 BTU, Duo Therm w/heat pump
690323-37	Air conditioner, 15,000 BTU, Duo Therm w/heat pump
690323-31	Thermostat, Comfort Control Center
690380-03	Air box, polar white
385582-01	Decal, Airstream w/bar
690323-100	Shroud, exterior, Penguin air conditioner
961270	Pan assembly, air conditioner drain
690380-08	SENSOR-PENGUIN DUAL AIR ONLY W/ELBOW
601240-01	TUBING 1/2ID X 5/8OD BLACK PLASTIC
510741	BOX/ELECTRICAL, 1 1/2" X 2" X 3
500967-01	COVER, BLANK, IVORY #86
385560	TABLE AIR CONDITIONER RATING

FURNACE

690274-04	Furnace, Hydro-flame, #8525-IV, 25,000, 25ft.
690274-01	Furnace, Hydro-flame, #8531-IV, 31,000, 28ft.
690274	Furnace, Hydro-flame, #8535IV, 34,000 BTU 30, 30' S/O, 31ft & 34ft.
690274-09	Door exterior, Hydroflame
601244-03	Register. Rotaire, black
601244-01	REGISTER-ROTAIRE 4" BROWN
600526	Flange, 4"
600247	4" duct hose, flexible
690274-102	Module board, furnace
511228	Thermostat, off white
600193	2" duct, flexible hose
601348	TEE, HEAT DUCT, 4 X 4 X 2

2005 CLASSIC TRAILER

APPLIANCES

MICROWAVE

690345-01	Microwave, convection, Sharp
690345-03	Trim ring, convection microwave
690407-01	Microwave oven, Dometic, DMW 10B
690407-02	Trim kit, Dometic microwave
690345-04	Microwave, convection, Sharp, CSA
690345-05	Trim ring, Microwave, convection, Sharp, CSA

RANGE

690396-09	RANGE-22"W/OVEN S.S. TOP/DOOR
690396-10	COOKTOP-3 BURNER S.S. TOP
690396-08	Cook top, 3 Burner drop in, 34' S/O
690396-07	Range w/oven, Magic Chef
690396-03	Range cover, bi-fold
601911	Range covers, Corian, set, 3-Burner, Midnight
601911-01	Range covers, Corian, set, 3-Burner Sandstone
601911-02	Range covers, Corian, set, 3-Burner, Everest
114876	Trim ring, range recess, black

DOMETIC REFRIGERATOR

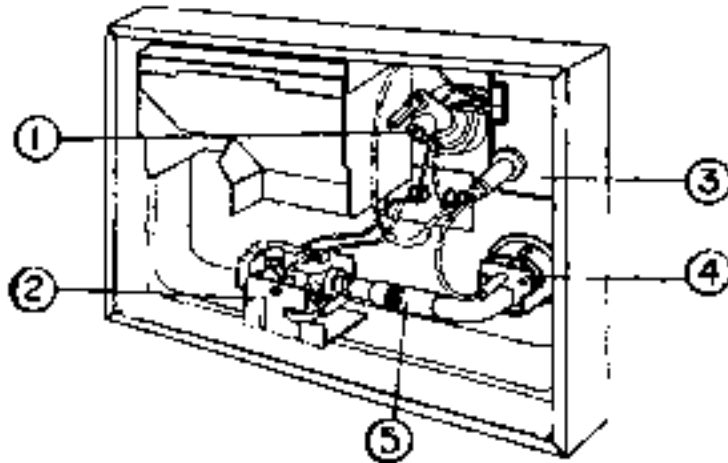
690492-02	REFER-6 CF RH DOOR AMERICANA, RM2662RB
690493-02	Refrigerator, 8 CF, RH DOOR, RM3862RSS, 2-way
690493-01	REFER 8CF 2WAY LH RM3862LSS
690494-01	REFER-10CF LH DR NDR1062LSS
690494-02	REFER-10CF RH DR NDR1062RSS
690425-05	Refer, 10 CF, RM1062RMIMH
381830	WIPER-RUBBER 1.125"X 2" L

2005 CLASSIC TRAILER

APPLIANCES

WATER HEATER

690489	Water heater, Atwood, elec. ignition, 110 volt/gas
690209	Access cover, brushed aluminum
381648	Cover, latch hole water heater
385998	Decal, water heater
510514	Switch, 110v, 3-way, priority (water heater/micro-wave) CSA only
690417-05	SWITCH-DUAL WATER HEATER #9123



Front of water heater

1. 091604	Relief valve, pressure/temperature
2. 093870	Solenoid valve
3. 093865	Circuit board
4. 093868	Spark probe
5. 092615	Main burner

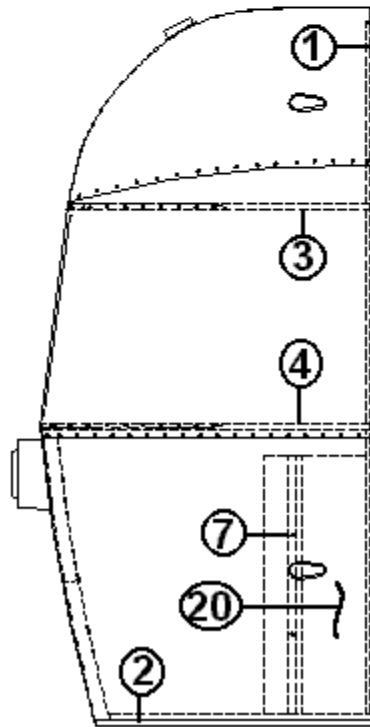
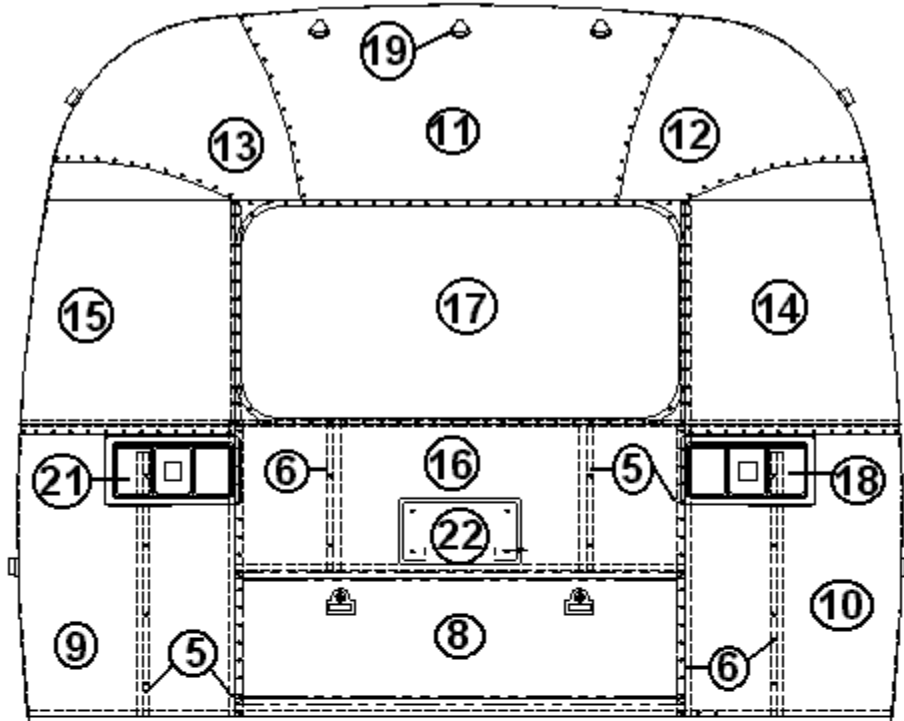
Back of water heater

091160	Heating element, 110 volt
091873	ECO thermostat
091092	On/off switch, 110 Volt

2005 CLASSIC TRAILER

EXTERIOR SHELL

Aft End



See next page for P/N

2005 CLASSIC TRAILER

EXTERIOR SHELL

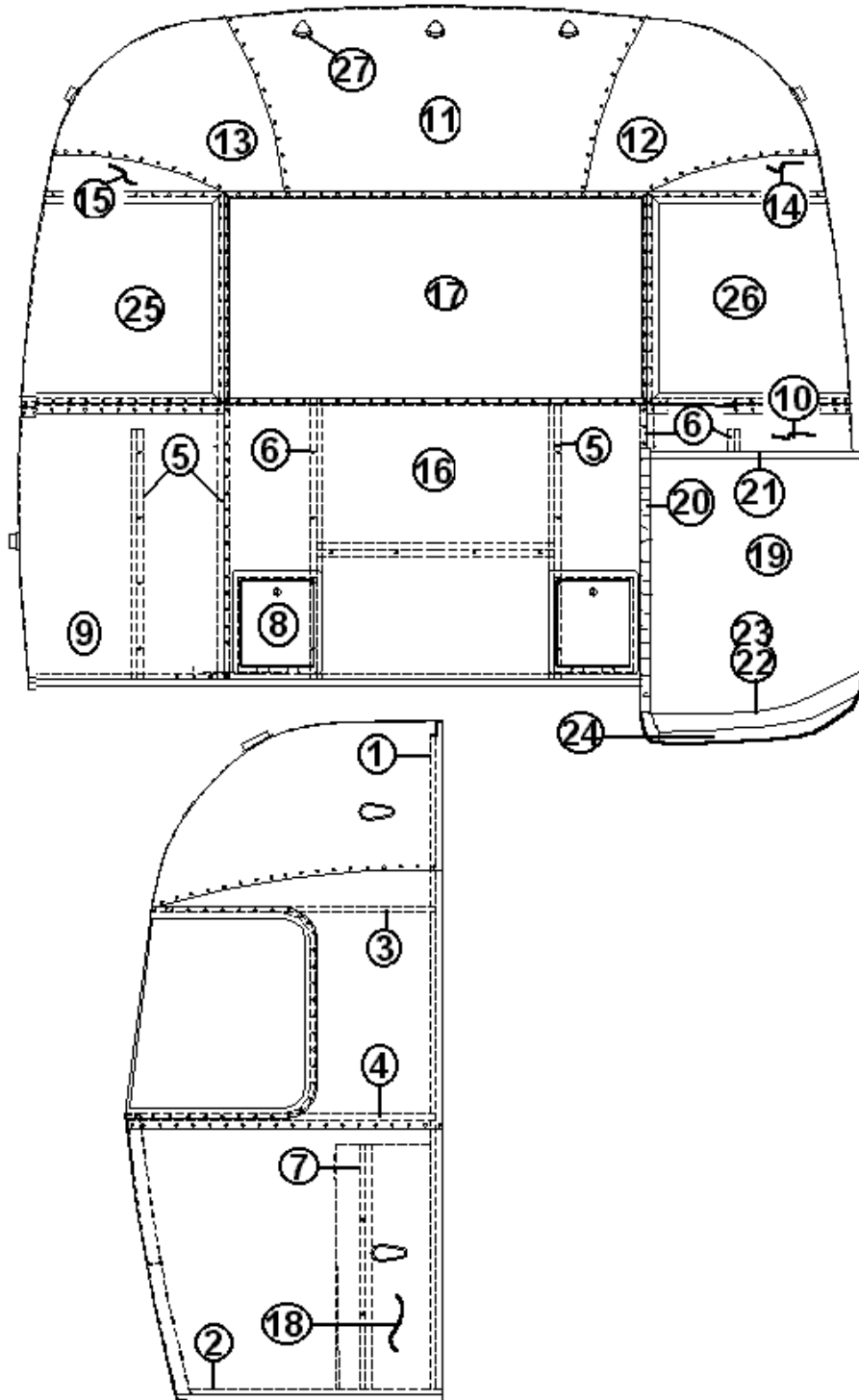
Aft End

921161-11	End shell complete, rear, w/trunk door
921161-09	End shell complete, rear, 25ft. only
1. 114993	End bow
2. 114676	Floor bow
3. 114678	Upper window bow
4. 114677	Lower window bow
5. 114505-01	Support, lower end, LH
6. 114505-02	Support, lower end, RH
7. 101315	Brace, vertical rear
8. 921159-01	Trunk door assembly (some models.
9. 114895	Segment #29
10. 114894	Segment #28
11. 114893	Segment #25
12. 114890	Segment #26
13. 114891	Segment #27
14. 114889	Segment, center right
15. 114888	Segment, center left
16. NPN Alum. Sheet, .060 x 19.0" x 51.0"	(cut from 114880.
17. 371348-02	Window, rear escape
18. 962169-02	Taillight complete, CS
19. 511751	Red teardrop lights
20. 114880	Aluminum Sheet, Cut to .040 x12.0"x 29.0"
21. 962169-01	Taillight complete, RS
22. 201954	License plate housing, black
22. 511294	LIGHT LICENSE PLATE

2005 CLASSIC TRAILER

EXTERIOR SHELL

Front End



See next page for P/N

2005 CLASSIC TRAILER

EXTERIOR SHELL

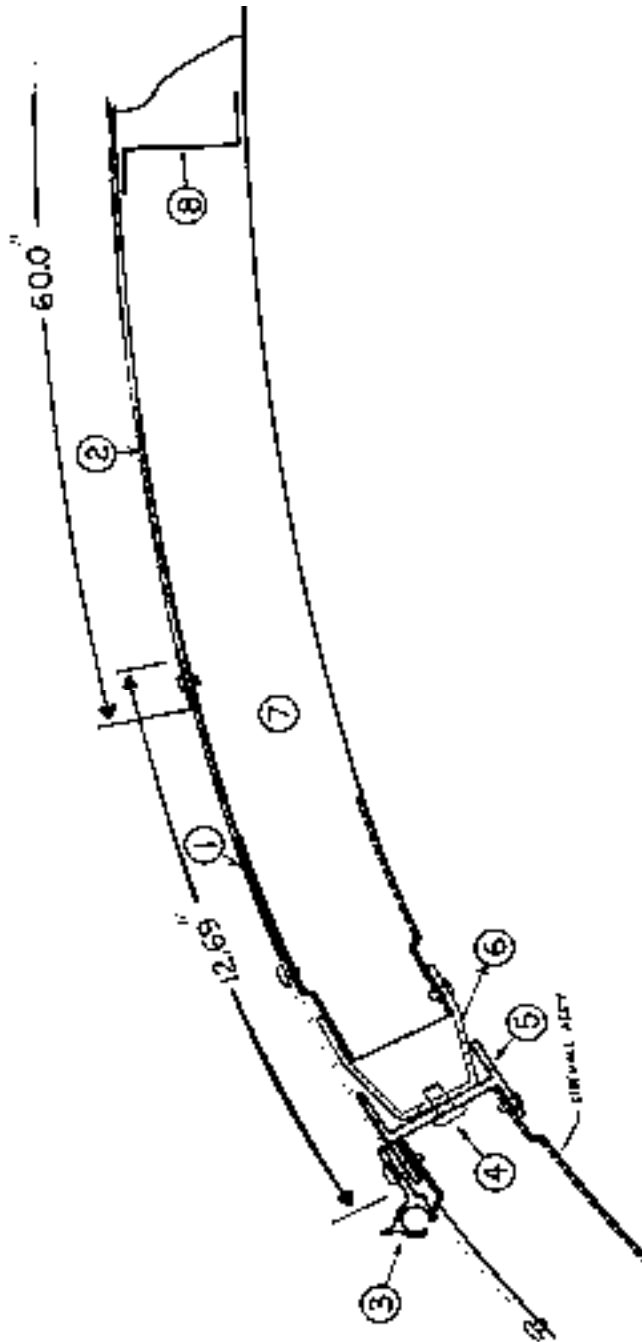
Front End

921162-14	End shell complete, 25'
921162-12	End shell complete, 34', 31', 30', 30' S/O, 28'
1. 114993	End bow
2. 114676	Floor bow
3. 114678	Upper window bow
4. 114677	Lower window bow
5. 114505-01	Support, lower end, LH
6. 114505-02	Support, lower end, RH
7. 101315	Brace, vertical rear
8. 109852-01	Battery box assembly
9. 114895	Segment #29
10. 114894	Segment #28
11. 114893	Segment #25
12. 114890	Segment #26
13. 114891	Segment #27
14. 114889	Segment, center right
15. 114888	Segment, center left
16. 114880	Aluminum sheet, cut to .060" x 34.75" x 51"
17. 371346-02	Window, front, dark glass
18. 114880	Aluminum sheet, cut to .040 x 12" x 29"
19. 966273-100	Wrap protectors, complete set
19. 966272	Wrap protector, SS, Curbside
19. 966273	Wrap protector, SS, Roadside
20. 381605-01	Hinge, stainless, wrap protector, 22" Tall
20. 381605-02	Hinge, stainless, wrap protector, 28" Tall
21. 100742-01	Extrusion, mirror/wrap protector trim
22. 114460	Extrusion, rub rail
23. 201763-01	Insert, rub rail
24. 200542-01	Underbelly wrap, RS wrap protector
24. 200543-01	Underbelly wrap, CS wrap protector
25. 372089	Panoramic window, CS front
26. 372088	Panoramic window, RS front
27. 511750	Amber teardrop lights

2005 CLASSIC TRAILER

EXTERIOR SHELL

Roof



See next page for P/N

2005 CLASSIC TRAILER

EXTERIOR SHELL

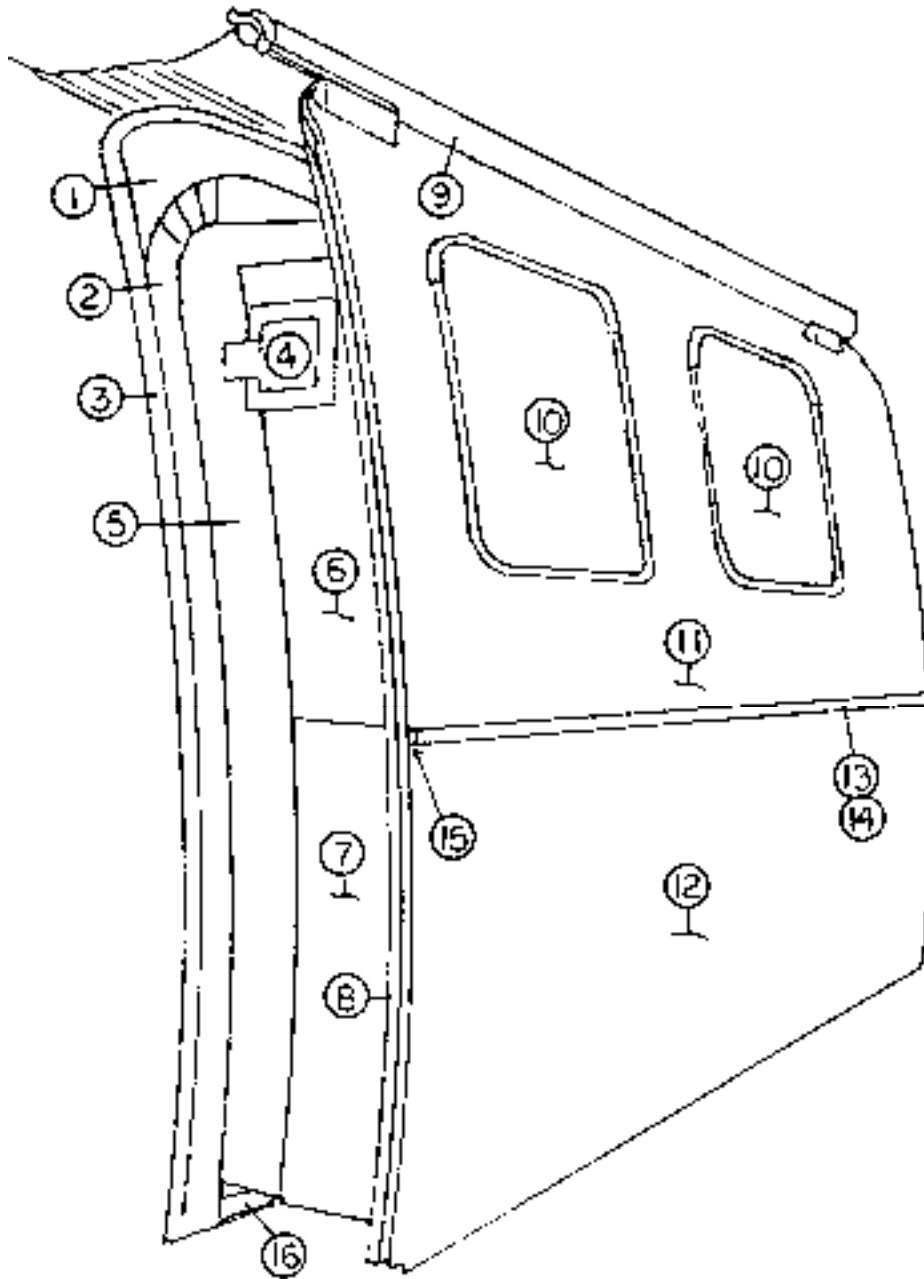
Roof

1. 114669-307	Aluminum, white, .032" x 12.69" x 307"
2. 114489-307	Aluminum, white, .032 x 60.0 x 307"
2. 114489-262	Aluminum, white, .032 x 60 x 262"
2. 114489-198	Alum. sheet, white, .032 x 60 x 198"
3. 114290-01	Extrusion, awning/drip rail, 197.25"
3. 114290-02	Extrusion, awning/drip rail, 261"
3. 114290-03	Extrusion, awning/drip rail, 306.5"
4. 330139-01	RIVET MAGNALOK SS ¼"
5. 104707-01	Extrusion, "I" beam, 303"
6. 114987-03	Extrusion, roof corner, 34ft.
6. 114987-02	Extrusion, roof corner, 28, 30, & 31ft.
6. 114987-01	Extrusion, roof corner, 25ft.
7. 114668	Roof bow
8. 104408	Extrusion, Z bar, horizontal
104948	Air deflector, A/C-Refer vent
325000-03	RIVET ANODIZED WHITE 1/8" X ¼"
101828	EXTRUSION, ALUM WINDOW STIFFEN
325002-03	RIVET 1/8" X 3/8" POLAR WHITE

2005 CLASSIC TRAILER

EXTERIOR SHELL

Slide Out Room, 34', 30', Dinette



2005 CLASSIC TRAILER

EXTERIOR SHELL

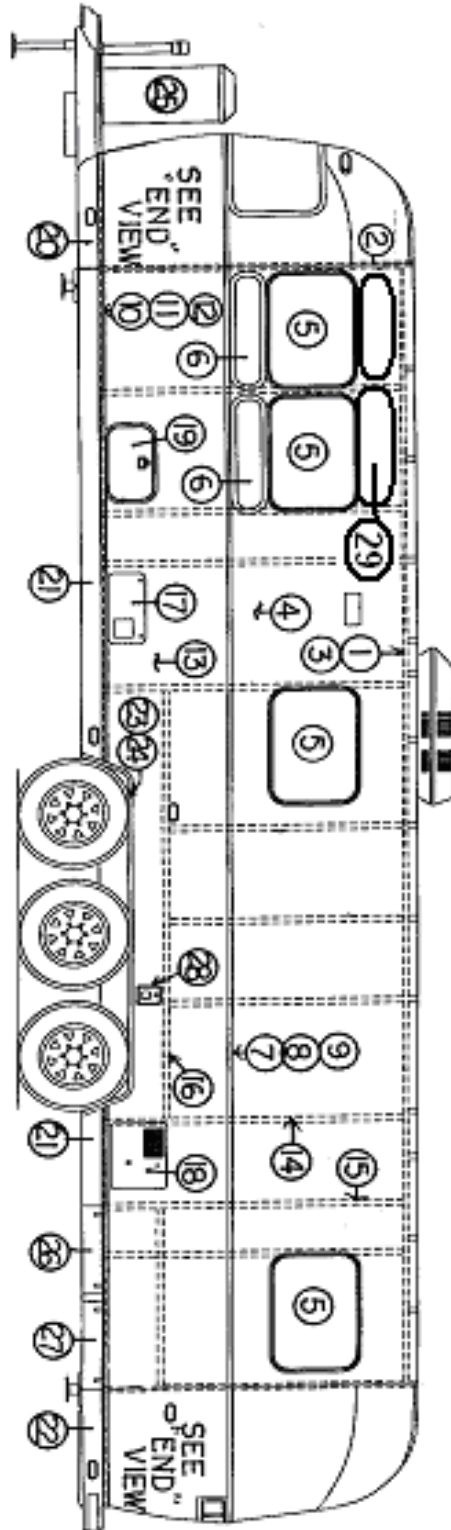
Slide Out Room, 34', 30', Dinette

1. 965248	S/O JAMB-FIBERGLASS
2. 381669-02	WIPER SEAL ASSY
3. 114974-01	RING-TRIM EXTERIOR S/O RH
3a. 114974-02	RING-TRIM EXTERIOR S/O LH
3b. 114930	EXTRUSION- "L" SECTION
4. 952648-01	Travel lock, forward
4. 952648-02	Travel lock, aft
5. 965247	ROOM SHELL-FIBERGLASS
6. 114990-07	END SKIN-FWD FORMED
7. 114990-08	END SKIN-AFT FORMED
8. 381663	Gasket, seal, room to exterior and room to
9. 703122-02	Cover, roll out awning
9. 702949-01	Mounting hardware, cover awning
10. 371380	Window, 30" tall, opening
11. 115025-02	OUTER S/O UPPER SKIN ASSY
12. 115024-02	OUTER S/O SKIN LOWER ASSY
13. 114328	Extrusion, belt line trim
14. 201912	Molding, chrome, belt line insert
15. 114417	Casting, closeout, belt line end
16. 381587	Gasket, floor wiper
381728	Rubber wiper seal, 2.5" wide
114939-01	Rib, slide out insert, R.H.
114939-02	Rib, slide out insert, L.H.

2005 CLASSIC TRAILER

EXTERIOR SHELL

Wall, Roadside 34'



See next page for P/N

2005 CLASSIC TRAILER

EXTERIOR SHELL

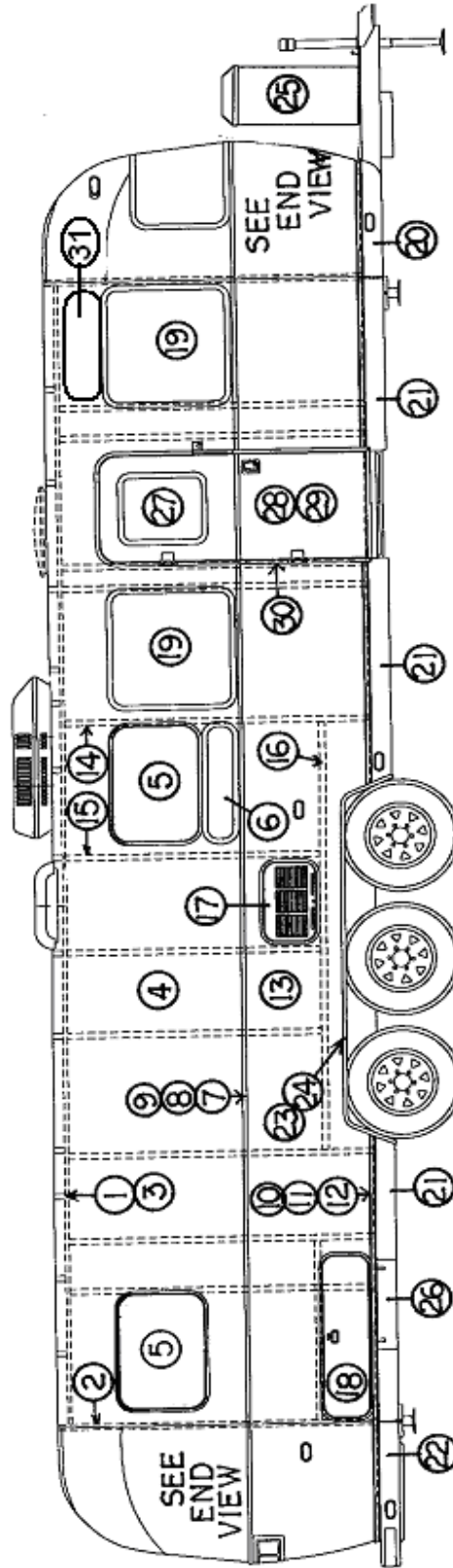
Wall, Roadside 34'

- | | |
|----------------|--|
| 1. 114290-03 | Extrusion, awning/drip rail |
| 2. 114993 | End bow |
| 3. 104707-01 | Extrusion, "I" beam |
| 4. 114880-307 | Alum. sheet, upper, .040" x 51" x307" |
| 5. 371324-02 | Window, 30in. opening |
| 6. 371270-01 | Window, 30in., stack, stationary |
| 7. 114328 | Extrusion, belt line |
| 8. 201912 | Molding, chrome, belt line |
| 9. 100034 | "Z" bar, 48" |
| 10. 114460 | Extrusion, rub rail |
| 11. 201763-01 | Insert, rub rail, chrome, 1" |
| 12. 100986 | Floor channel |
| 13. 114879-307 | Alum. sheet, lower, .040" x 33" x 307" |
| 14. 114387-01 | Bow, Z rib, RH |
| 15. 114387-02 | Bow, Z rib, LH |
| 16. 100986 | Wheel well stiffener (floor channel. |
| 17. 690274-09 | Cover, Hydro-flame furnace |
| 18. 690209 | Cover, brushed aluminum, Atwood |
| 19. 100679-01 | Access door w/jamb |
| 20. 200542-01 | Banana wrap, RS front |
| 21. 101131-01 | Underbelly wrap, .024" x 22.5", Pewter |
| 22. 201974-03 | Bumper, rear corner, RS |
| 23. 685257 | Wheel well trim, inner, tri-axle |
| 24. 685258 | Wheel well trim, outer, tri-axle |
| 25. 108393 | Bottle cover, LP, w/out decal |
| 26. 114496-02 | Door, utility compartment |
| 27. 114496-01 | Door, power cord compartment |
| 28. 601194 | Water fill w/lock |
| 29. 922770-02 | Vista View, 30" |

2005 CLASSIC TRAILER

EXTERIOR SHELL

Wall, Curbside, 34'



See next page for P/N

2005 CLASSIC TRAILER

EXTERIOR SHELL

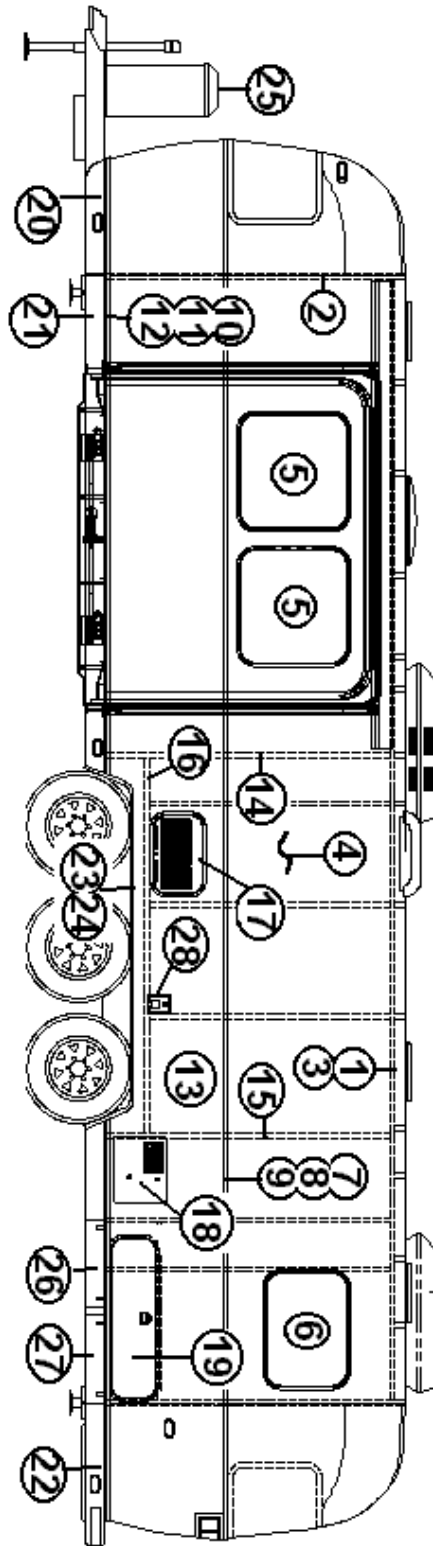
Wall, Curbside, 34'

1. 114290-03 Extrusion, awning/drip rail
2. 114993 End bow
3. 104707 Extrusion, "I" beam
4. 114880-307 Alum. sheet, upper, .040" x 51" x 307"
5. 371324-02 Window, 30in. opening
6. 371270-01 Window, 30in., stack, stationary
7. 114328 Extrusion, belt line
8. 201912 Molding, chrome, belt line
9. 100034 "Z" bar, 48"
10. 114460 Extrusion, rub rail
11. 201763-01 Insert, rub rail, chrome, 1"
12. 100986 Floor channel
13. 114879-307 Alum. sheet, lower, .040" x 33" x 307"
14. 114387-01 Bow, Z rib, RH
15. 114387-02 Bow, Z rib, LH
16. 100986 Wheel well stiffener (floor channel.
17. 922243 Louvered panel, refrigerator access door
18. 922288-01 Door, side access, long, twin only
19. 371285-01 Window, stationary, 30in.
20. 200543-01 Banana wrap, CS front
21. 101131-01 Underbelly wrap, .024" x 22.5", Pewter
22. 201974-04 Bumper, rear corner, CS
23. 685257 Wheel well trim, inner, tri-axle
24. 685258 Wheel well trim, outer, tri-axle
25. 108393 Bottle cover, LP, w/out decal
26. 114496-02 Door, utility compartment
27. 371400-01 Window, main door
28. 110067-04 Main door assembly, Limited
29. 114654 Screen door assembly
30. 114652 Main door jamb, formed
31. 922770-02 Vista View, 30"

2005 CLASSIC TRAILER

EXTERIOR SHELL

Wall, Roadside, 34' S/O



See next page for P/N

2005 CLASSIC TRAILER

EXTERIOR SHELL

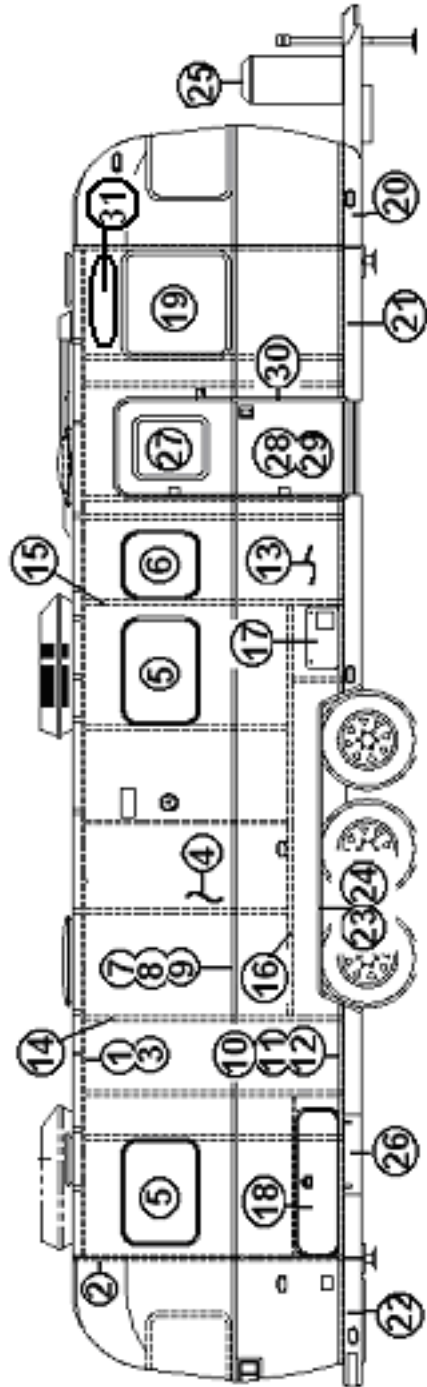
Wall, Roadside, 34' S/O

1. 114290-03 Extrusion, awning/drip rail
2. 114993 End bow
3. 104707-01 Extrusion, "I" beam
4. 114880-307 Alum. sheet, upper, .040" x 51" x307"
5. 371380 Window, 30" tall, opening
6. 371324-02 Window, 30in., opening
7. 114328 Extrusion, belt line
8. 201912 Molding, chrome, belt line
9. 100034 "Z" bar, 48"
10. 114460 Extrusion, rub rail
11. 201763-01 Insert, rub rail, chrome, 1"
12. 100986 Floor channel
13. 114879-307 Alum. sheet, lower, .040" x 33" x 307"
14. 114387-01 Bow, Z rib, RH
15. 114387-02 Bow, Z rib, LH
16. 100986 Wheel well stiffener (floor channel.
17. 922243 Louvered panel, refrigerator access door
18. 690209 Cover, brushed aluminum, Atwood
19. 922288-01 Door, side access, long, twin only
20. 200542-01 Banana wrap, RS front
21. 101131-01 Underbelly wrap, .024" x 22.5", Pewter
22. 201974-03 Bumper, rear corner, RS
23. 685257 Wheel well trim, inner, tri-axle
24. 685258 Wheel well trim, outer, tri-axle
25. 108393 Bottle cover, LP, w/out decal
26. 114496-02 Door, utility compartment
27. 114496-01 Power Cord Door
28. 601194 Water fill w/lock

2005 CLASSIC TRAILER

EXTERIOR SHELL

Wall, Curbside, 34; S/O



See next page for P/N

2005 CLASSIC TRAILER

EXTERIOR SHELL

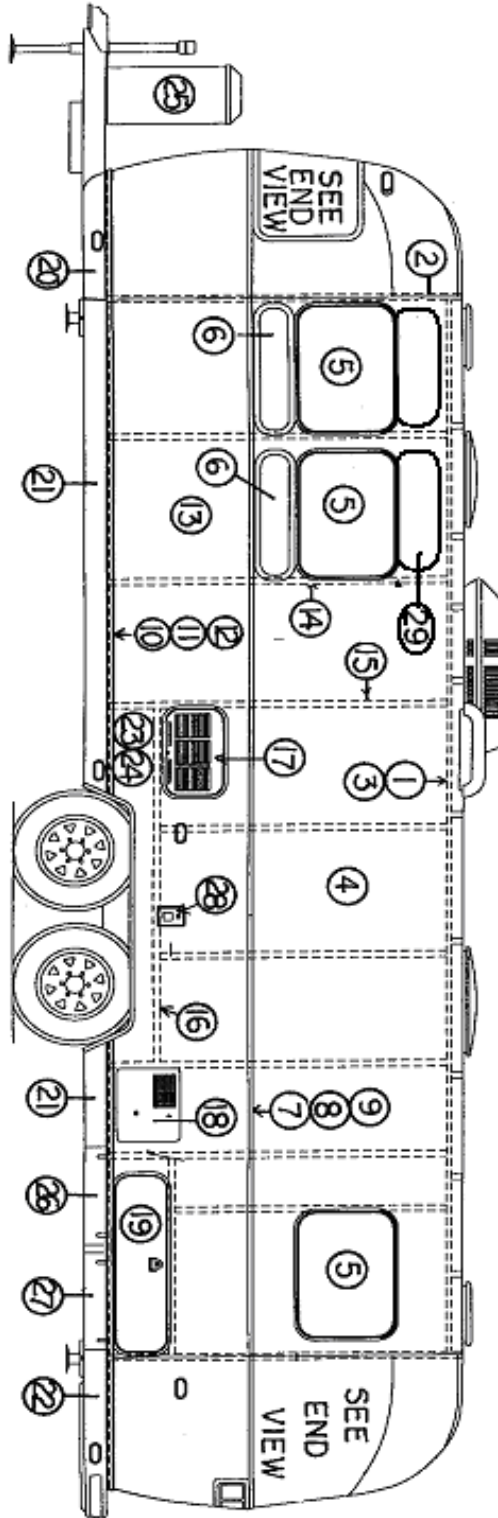
Wall, Curbside, 34; S/O

1. 114290-03 Extrusion, awning/drip rail
2. 114993 End bow
3. 104707 Extrusion, "I" beam
4. 114880-307 Alum. sheet, upper, .040" x 51" x 307"
5. 371324-02 Window, 30in. opening
6. 371323-02 Window, 18" non-opening
7. 114328 Extrusion, belt line
8. 201912 Molding, chrome, belt line
9. 100034 "Z" bar, 48"
10. 114460 Extrusion, rub rail
11. 201763-01 Insert, rub rail, chrome, 1"
12. 100986 Floor channel
13. 114879-307 Alum. sheet, lower, .040" x 33" x 307"
14. 114387-01 Bow, Z rib, RH
15. 114387-02 Bow, Z rib, LH
16. 100986 Wheel well stiffener (floor channel.
17. 690274-09 Cover, Hydro-flame furnace
18. 922288-01 Door, side access, long, twin only
19. 371285-01 Window, stationary, 30in.
20. 200543-01 Banana wrap, CS front
21. 101131-01 Underbelly wrap, .024" x 22.5", Pewter
22. 201974-04 Bumper, rear corner, CS
23. 685257 Wheel well trim, inner, tri-axle
24. 685258 Wheel well trim, outer, tri-axle
25. 108393 Bottle cover, LP, w/out decal
26. 114496-04 Door, TV/coax compartment
27. 371400-01 Window, main door
28. 110067-04 Main door assembly, Limited
29. 114654 Screen door assembly
30. 114652 Main door jamb, formed
31. 922770-02 Vista View, 30"

2005 CLASSIC TRAILER

EXTERIOR SHELL

Wall, Roadside, 31' W/No Dinette



See next page for P/N

2005 CLASSIC TRAILER

EXTERIOR SHELL

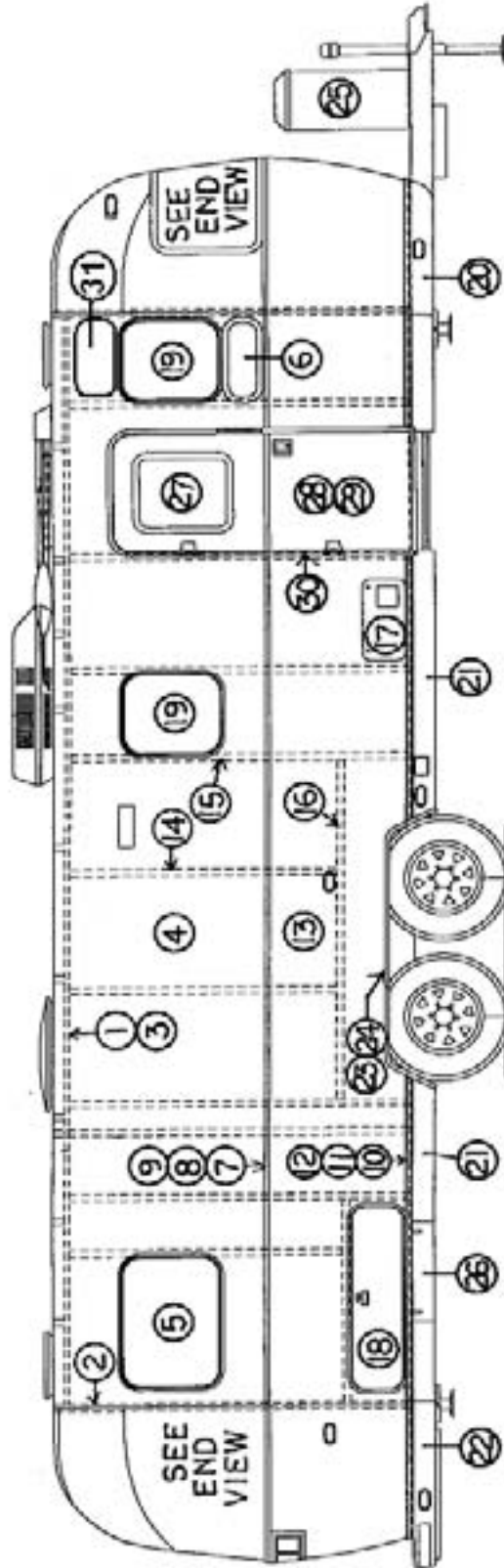
Wall, Roadside, 31' W/No Dinette

1. 114290-03 Extrusion, awning/drip rail
2. 114993 End bow
3. 104707 Extrusion, "I" beam
4. 114880-262 Alum. sheet, upper, .040" x 51" x 262"
5. 371324-02 Window, 30in. opening
6. 371270-01 Window, 30in., stack, stationary
7. 114328 Extrusion, belt line
8. 201912 Molding, chrome, belt line
9. 100034 "Z" bar, 48"
10. 114460 Extrusion, rub rail
11. 201763-01 Insert, rub rail, chrome, 1"
12. 100986 Floor channel
13. 114879-262 Alum. sheet, lower, .040" x 33" x 262"
14. 114387-01 Bow, Z rib, RH
15. 114387-02 Bow, Z rib, LH
16. 100986 Wheel well stiffener(floor channel.
17. 922243 Louvered panel, refrigerator access door
18. 690209 Cover, brushed aluminum, Atwood
19. 922288-01 Door, side access, long, twin only
20. 200542-01 Banana wrap, RS front
21. 101131-01 Underbelly wrap, .024 "x 22.5", Pewter
22. 201974-03 Bumper, rear corner, RS
23. 684936 Wheel well trim, outer, tandem axle
24. 684937 Wheel well trim, inner, tandem axle
25. 108393 Bottle cover, LP, w/o decals
26. 114496-02 Door, utility compartment
27. 114496-01 Door, power cord compartment
28. 601194 Water fill w/lock
29. 922770-02 Vista View, 30"

2005 CLASSIC TRAILER

EXTERIOR SHELL

Wall, Curbside, 31', W/No Dinette



See next page for P/N

2005 CLASSIC TRAILER

EXTERIOR SHELL

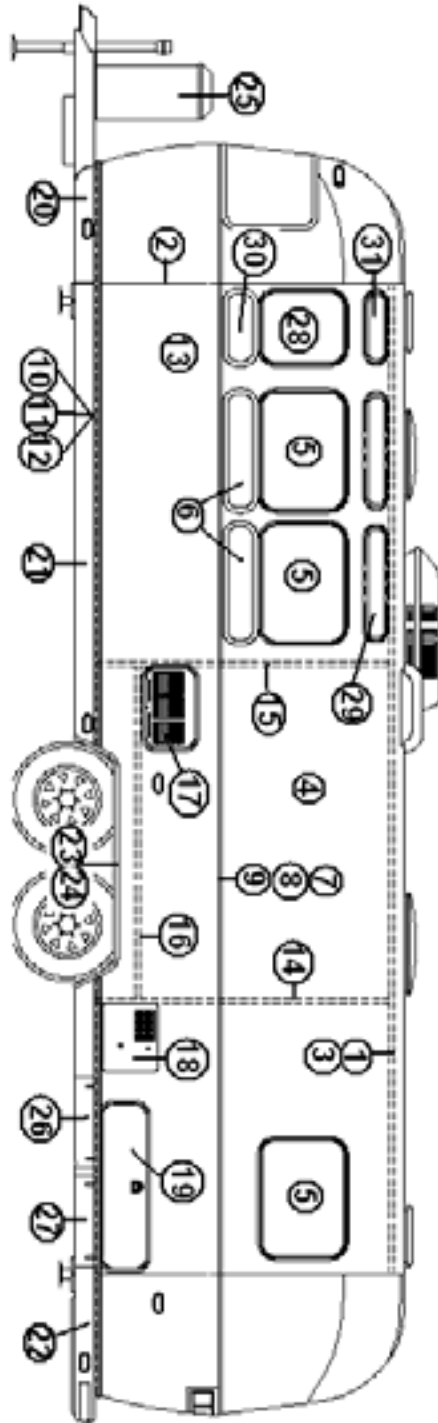
Wall, Curbside, 31', W/No Dinette

1. 114290-03 Extrusion, awning/drip rail
2. 114993 End bow
3. 104707 Extrusion, "I" beam
4. 114880-262 Alum. sheet, upper, .040" x 51" x 262"
5. 371324-02 Window, 30in. opening
6. 371269-01 Window, 18in., stack, stationary
7. 114328 Extrusion, belt line
8. 201912 Molding, chrome, belt line
9. 100034 "Z" bar, 48"
10. 114460 Extrusion, rub rail
11. 201763-01 Insert, rub rail, chrome, 1"
12. 100986 Floor channel
13. 114879-262 Alum. sheet, lower, .040" x 33" x 262"
14. 114387-01 Bow, Z rib, RH
15. 114387-02 Bow, Z rib, LH
16. 100986 Wheel well stiffener(floor channel.
17. 690274-09 Cover Hydroflame furnace
18. 922288-01 Door, side access, long, twin only
19. 371323-01 Window, 18in. opening
20. 200543-01 Banana wrap, CS front
21. 101131-01 Underbelly wrap, .024".x 22.5", Pewter
22. 201974-04 Bumper, rear corner, CS
23. 684936 Wheel well trim, inner, tandem
24. 684937 Wheel well trim, outer, tandem
25. 108393 Bottle cover, LP, w/o decal
26. 114496-02 Door, utility compartment
27. 371400-01 Window, main door
28. 110067-04 Main door assembly, Limited
29. 114654 Screen door assembly
30. 114652 Main door jamb, formed
31. 922770-01 Vista View, 18"

2005 CLASSIC TRAILER

EXTERIOR SHELL

Wall. Roadside, 31' W/Dinette



Part Number Are on The Next Page

2005 CLASSIC TRAILER

EXTERIOR SHELL

Wall, Roadside, 31' W/Dinette

1. 114290-02 Extrusion, awning/drip rail
2. 114993 End bow
3. 104707 Extrusion, "I" beam
4. 114880-262 Alum. sheet, upper, .040" x 51" x 262"
5. 371324-02 Window, 30in. opening
6. 371270-01 Window, 30in., stack, stationary
7. 114328 Extrusion, belt line
8. 201912 Molding, chrome, belt line
9. 100034 "Z" bar, 48"
10. 114460 Extrusion, rub rail
11. 201763-01 Insert, rub rail, chrome, 1"
12. 100986 Floor channel
13. 114879-262 Alum. sheet, lower, .040" x 33" x 262"
14. 114387-01 Bow, Z rib, RH
15. 114387-02 Bow, Z rib, LH
16. 100986 Wheel well stiffener(floor channel.
17. 922243 Louvered panel, refrigerator access door
18. 690209 Cover, brushed aluminum, Atwood
19. 922288-01 Door, side access, long, twin only
20. 200542-01 Banana wrap, RS front
21. 101131-01 Underbelly wrap, .024 "x 22.5", Pewter
22. 201974-03 Bumper, rear corner, RS
23. 684936 Wheel well trim, outer, tandem axle
24. 684937 Wheel well trim, inner, tandem axle
25. 108393 Bottle cover, LP, w/o decals
26. 114496-02 Door, utility compartment
27. 114496-01 Door, power cord compartment
28. 371323-01 Window, 18in. opening
29. 922770-02 Vista View, 30"
30. 371269-01 Window, 18in., stack, stationary
31. 922770-01 Vista View, 18"

2005 CLASSIC TRAILER

EXTERIOR SHELL

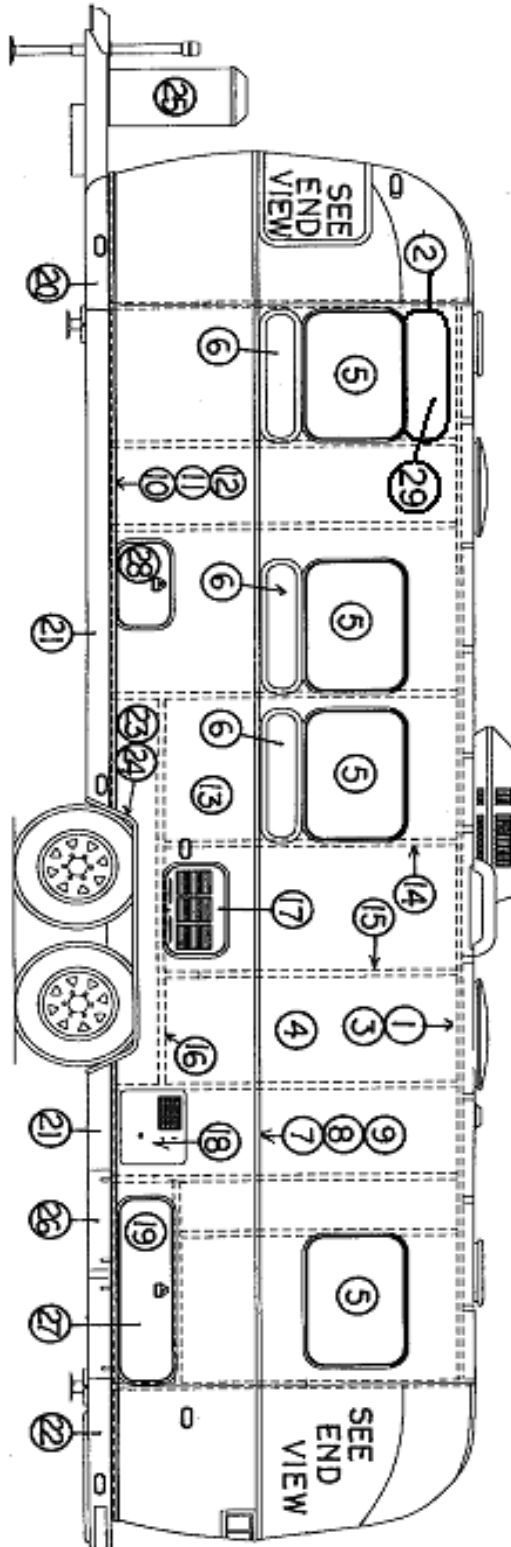
Wall, Curbside, 31' W/Dinette

- | | |
|----------------|--|
| 1. 114290-02 | Extrusion, awning/drip rail |
| 2. 114993 | End bow |
| 3. 104707 | Extrusion, "I" beam |
| 4. 114880-262 | Alum. sheet, upper, .040" x 51" x 262" |
| 5. 371324-02 | Window, 30in. opening |
| 6. 371269-01 | Window, 18in., stack, stationary |
| 7. 114328 | Extrusion, belt line |
| 8. 201912 | Molding, chrome, belt line |
| 9. 100034 | "Z" bar, 48" |
| 10. 114460 | Extrusion, rub rail |
| 11. 201763-01 | Insert, rub rail, chrome, 1" |
| 12. 100986 | Floor channel |
| 13. 114879-262 | Alum. sheet, lower, .040" x 33" x 262" |
| 14. 114387-01 | Bow, Z rib, RH |
| 15. 114387-02 | Bow, Z rib, LH |
| 16. 100986 | Wheel well stiffener(floor channel. |
| 17. 690274-09 | Cover Hydroflame furnace |
| 18. 922288-01 | Door, side access, long, twin only |
| 19. 371323-01 | Window, 18in. opening |
| 20. 200543-01 | Banana wrap, CS front |
| 21. 101131-01 | Underbelly wrap, .024".x 22.5", Pewter |
| 22. 201974-04 | Bumper, rear corner, CS |
| 23. 684936 | Wheel well trim, inner, tandem |
| 24. 684937 | Wheel well trim, outer, tandem |
| 25. 108393 | Bottle cover, LP, w/o decal |
| 26. 114496-02 | Door, utility compartment |
| 27. 371400-01 | Window, main door |
| 28. 110067-04 | Main door assembly, Limited |
| 29. 114654 | Screen door assembly |
| 30. 114652 | Main door jamb, formed |
| 31. 922770-01 | Vista View, 18" |
| 32. 510676-01 | Outlet, exterior 110-volt |
| 33. 511872 | Speaker Outlet |

2005 CLASSIC TRAILER

EXTERIOR SHELL

Wall, Roadside, 30'



See next page for P/N

2005 CLASSIC TRAILER

EXTERIOR SHELL

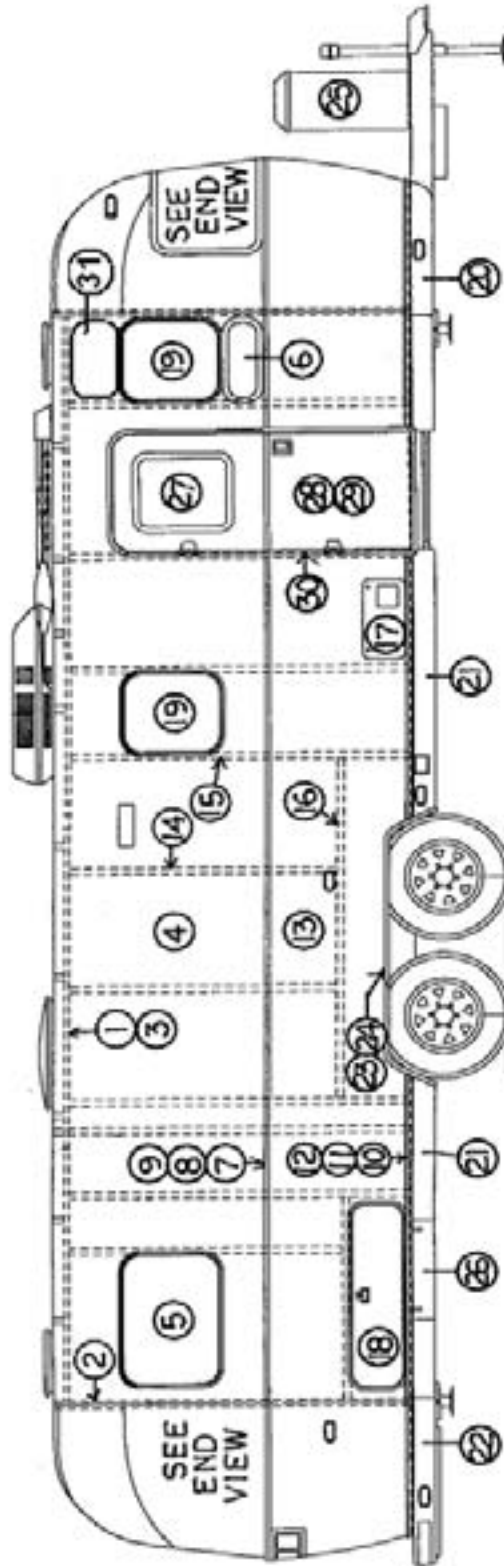
Wall, Roadside, 30'

1. 114290-02 Extrusion, awning/drip rail
2. 114993 End bow
3. 104707-06 Extrusion, "I" beam
4. 114880-262 Alum, sheet, upper, .040" x 51" x 262"
5. 371324-02 Window, 30in. opening
6. 371270-01 Window, 30in., stack, stationary
7. 114328 Extrusion, belt line
8. 201912 Molding, chrome, belt line
9. 100034 "Z" bar, 48"
10. 114460 Extrusion, rub rail
11. 201763-01 Insert, rub rail, chrome, 1"
12. 100986 Floor channel
13. 114879-262 Alum, sheet, lower, .040" x 33" x 262"
14. 114387-01 Bow, Z rib, RH
15. 114387-02 Bow, Z rib, LH
16. 100986 Wheel well stiffener(floor channel.
17. 922243 Louvered panel, refrigerator access door
18. 690209 Cover, brushed aluminum, Atwood
19. 922288-01 Door, side access, long, twin only
20. 200542-01 Banana wrap, RS front
21. 101131-01 Underbelly wrap, .024" x 22.5", Pewter
22. 201974-03 Bumper, rear corner, RS
23. 684936 Wheel well trim, outer, tandem axle
24. 684937 Wheel well trim, inner, tandem axle
25. 108393 Bottle cover, LP, w/o decals
26. 114496-02 Door, utility compartment
27. 114496-01 Door, power cord compartment
28. 100679-01 Access door w/jamb
29. 922770-02 Vista View, 30"

2005 CLASSIC TRAILER

EXTERIOR SHELL

Wall, Curbside, 30', 30' S/O



See next page for P/N

2005 CLASSIC TRAILER

EXTERIOR SHELL

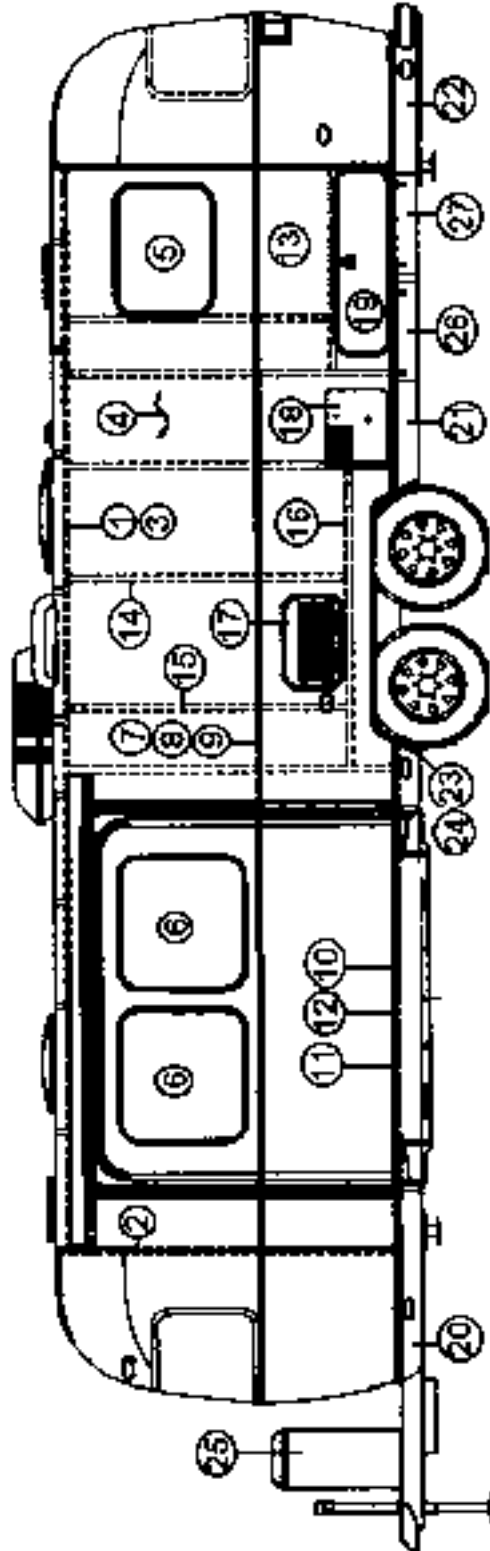
Wall, Curbside, 30', 30' S/O

1. 114290-02 Extrusion, awning/drip rail
2. 114993 End bow
3. 104707 Extrusion, "I" beam
4. 114880-262 Alum. sheet, upper, .040" x 51" x 262"
5. 371324-02 Window, 30in. opening
6. 371269-01 Window, 18in., stack, stationary
7. 114328 Extrusion, belt line
8. 201912 Molding, chrome, belt line
9. 100034 "Z" bar, 48"
10. 114460 Extrusion, rub rail
11. 201763-01 Insert, rub rail, chrome, 1"
12. 100986 Floor channel
13. 114879-262 Alum. sheet, lower, .040" x 33" x 262"
14. 114387-01 Bow, Z rib, RH
15. 114387-02 Bow, Z rib, LH
16. 100986 Wheel well stiffener (floor channel.
17. 690274-09 Cover Hydroflame furnace
18. 922288-01 Door, side access, long, twin only
19. 371323-01 Window, 18in. opening
20. 200543-01 Banana wrap, CS front
21. 101131-01 Underbelly wrap, .024" x 22.5", Pewter
22. 201974-04 Bumper, rear corner, CS
23. 684936 Wheel well trim, outer, tandem
24. 684937 Wheel well trim, inner, tandem
25. 108393 Bottle cover, LP, w/o decal
26. 114496-02 Door, utility compartment
27. 371400-01 Window, main door
28. 110067-04 Main door assembly, Limited
29. 114654 Screen door assembly
30. 114652 Main door jamb, formed
31. 922770-01 Vista View, 18"

2005 CLASSIC TRAILER

EXTERIOR SHELL

Wall, Roadside, 30' S/O



See next page for P/N

2005 CLASSIC TRAILER

EXTERIOR SHELL

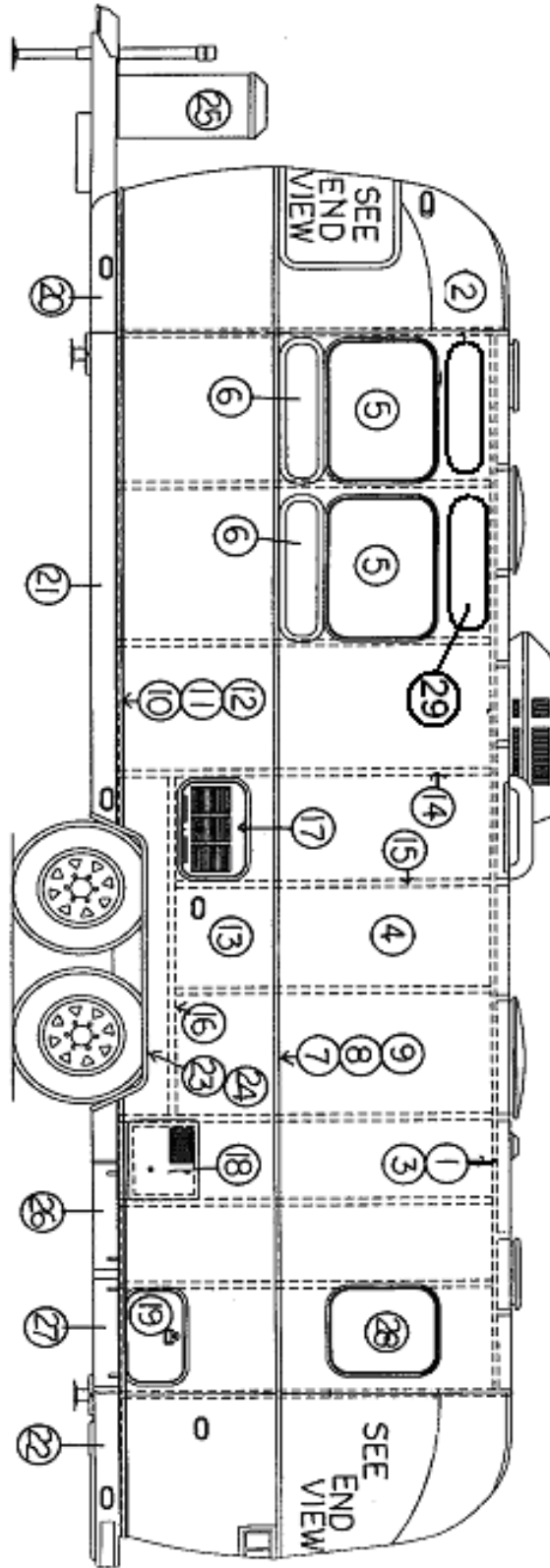
Wall, Roadside, 30' S/O

1. 114290-03 Extrusion, awning rail/drip rail
2. 114993 End bow
3. 104707 Extrusion, "I" beam
4. 114880-262 Aluminum sheet, .040 x 51" x 262"
5. 371324-02 Window, 30 inch opening
6. 371380 Window, 30 opening, tall
7. 114328 Extrusion beltline
8. 201912 Molding, chrome, beltline
9. 100034 "Z" bar 48", stiffener
10. 114460 Extrusion, rub rail
11. 201763-01 Insert, rub rail, chrome, 1"
12. 100986 Floor channel
13. 114879-262 Aluminum sheet, .040 x 33 x 262"
14. 114387-01 Bow, Z rib, RH
15. 114387-02 Bow, Z rib, LH
16. 100986 Wheel well stiffener
17. 922243 Louvered panel, refrigerator access door
18. 690209 Cover, brushed aluminum, Atwood
19. 922288-01 Door, side access, long
20. 200542-01 Banana wrap, RS front
21. 101131-01 Underbelly wrap, .024 x 22.5, pewter
22. 201974-03 Bumper, rear corner, RS
23. 684936 Wheel well trim, outer, tandem axle
24. 684937 Wheel well trim, inner, tandem axle
25. 108393 Bottle cover, LP, w/o decals
26. 114496-02 Door, utility compartment
27. 114496-01 Door, power cord compartment

2005 CLASSIC TRAILER

EXTERIOR SHELL

Wall, Roadside, 28'



See next page for P/N

2005 CLASSIC TRAILER

EXTERIOR SHELL

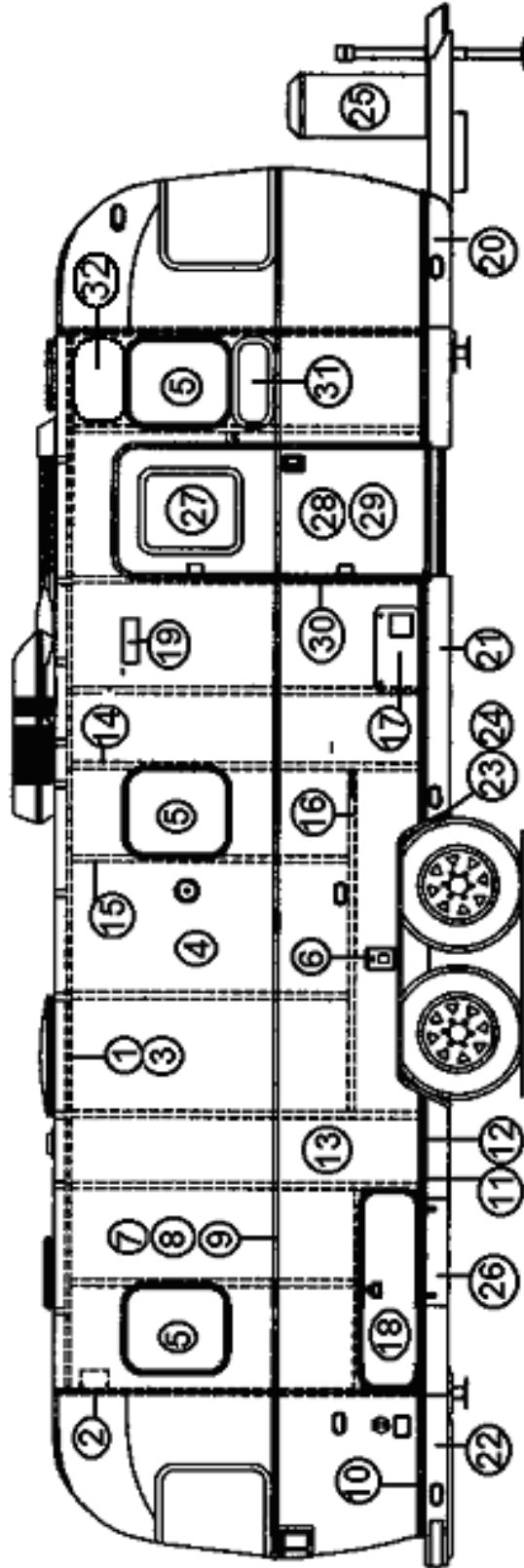
Wall, Roadside, 28'

1. 114290-02 Extrusion, awning/drip rail
2. 114993 Rib, end bow
3. 104707 Extrusion, "I" beam
4. 114880-262 Alum. sheet, upper, .040" x 51" x 262"
5. 371324-02 Window, 30in. opening
6. 371270-01 Window, 30in., stack, stationary
7. 114328 Extrusion, belt line
8. 201912 Molding, chrome, belt line
9. 100034 "Z" bar, 48"
10. 114460 Extrusion, rub rail
11. 201763-01 Insert, rub rail, chrome, 1"
12. 100986 Floor channel
13. 114879-262 Alum. sheet, lower, .040" x 33" x 262"
14. 114387-01 Bow, Z rib, RH
15. 114387-02 Bow, Z rib, LH
16. 100986 Wheel well stiffener (floor channel.
17. 922243 Louvered panel, refrigerator access door
18. 690209 Cover, brushed aluminum, Atwood
19. 100679-01 Door, side access with jamb
20. 200542-01 Banana wrap, RS front
21. 101131-01 Underbelly wrap, .024" x 22.5", Pewter
22. 201974-03 Bumper, rear corner, RS
23. 684936 Wheel well trim, outer, tandem axle
24. 684937 Wheel well trim, inner, tandem axle
25. 108393 Bottle cover, LP, w/o decals
26. 114496-02 Door, utility compartment
27. 114496-01 Door, power cord compartment
28. 371323-01 Window, 18" opening
29. 922770-02 Vista View, 30"

2005 CLASSIC TRAILER

EXTERIOR SHELL

Wall, Curbside, 28'



See next page for P/N

2005 CLASSIC TRAILER

EXTERIOR SHELL

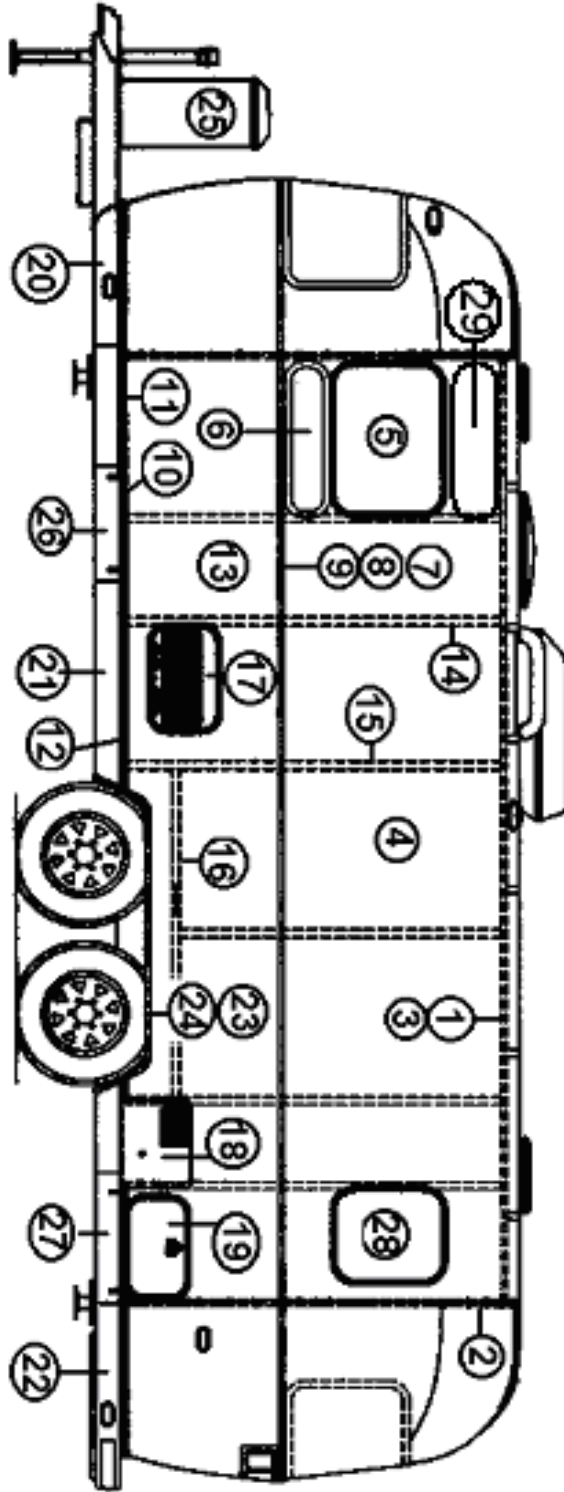
Wall, Curbside, 28'

1. 114290-02 Extrusion, awning/drip rail
2. 114993 Rib, end bow
3. 104707 Extrusion, "I" beam
4. 114880-262 Alum. sheet, upper, .040" x 51" x 262"
5. 371323-01 Window, 18in. opening
6. 601694 Water fill w/lock
7. 114328 Extrusion, belt line
8. 201912 Molding, chrome, belt line
9. 100034 "Z" bar, 48"
10. 114460 Extrusion, rub rail
11. 201763-01 Insert, rub rail,chrome,1"
12. 100986 Floor channel
13. 114879-262 Alum. sheet, lower, .040" x 33" x 262"
14. 114387-01 Bow, Z rib, RH
15. 114387-02 Bow, Z rib, LH
16. 100986 Wheel well stiffener (floor channel.
17. 690274-09 Cover Hydro-flame furnace
18. 922288-01 Door, side access, long, twin only
19. 511017-11 Vent cover, exterior, range exhaust
20. 200543-01 Banana wrap, CS front
21. 101131-01 Underbelly wrap, .024" x 22.5", Pewter
22. 201974-04 Bumper, rear corner, CS
23. 684936 Wheel well trim, outer, tandem
24. 684937 Wheel well trim, inner, tandem
25. 108393 Bottle cover, LP, w/o decal
26. 114496-02 Door, utility compartment
27. 371400-01 Window, main door
28. 110067-04 Main door assembly, Limited
29. 114654 Screen door assembly
30. 114652 Main door jamb, formed
31. 371269-01 Window, 18" stack
32. 922770-01 Vista View, 18"

2005 CLASSIC TRAILER

EXTERIOR SHELL

Wall, Roadside 25'



See next page for P/N

2005 CLASSIC TRAILER

EXTERIOR SHELL

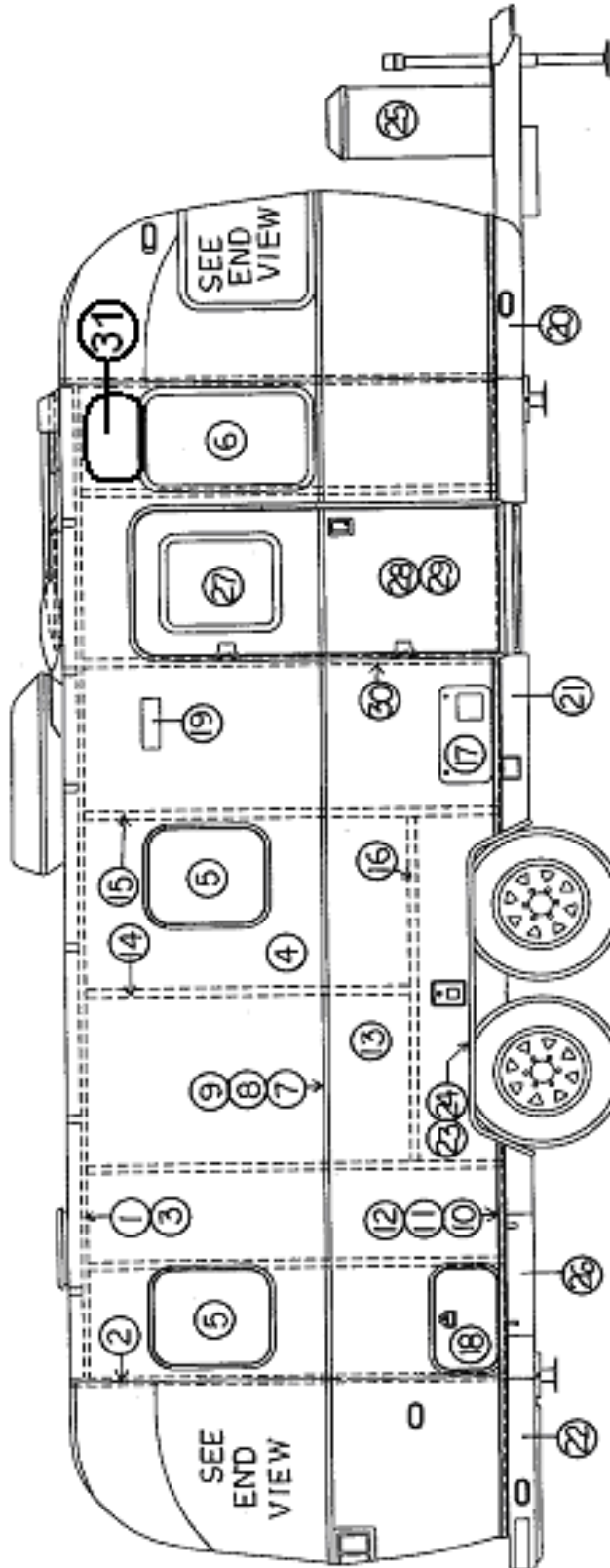
Wall, Roadside 25'

1. 114290-01 Extrusion, awning/drip rail
2. 114993 End bow
3. 104707-05 Extrusion, "I" beam
4. 114880-198 Alum. sheet, upper, .040" x 51" x 198"
5. 371324-02 Window, 30in. opening
6. 371270-01 Window, 30in., stack, stationary
7. 114328 Extrusion, belt line
8. 201912 Molding, chrome, belt line
9. 100034 "Z" bar, 48"
10. 114460 Extrusion, rub rail
11. 201763-01 Insert, rub rail, chrome, 1"
12. 100986 Floor channel
13. 114879-198 Alum. sheet, lower, .040" x 33" x 198"
14. 114387-01 Bow, Z rib, RH
15. 114387-02 Bow, Z rib, LH
16. 100986 Wheel well stiffener (floor channel.
17. 922243 Louvered panel, refrigerator access door
18. 690209 Cover, brushed aluminum, Atwood
19. 100679-01 Door, side access with jamb
20. 200542-01 Banana wrap, RS front
21. 101131-01 Underbelly wrap, .024" x 22.5", Pewter
22. 201974-03 Bumper, rear corner, RS
23. 684936 Wheel well trim, outer, tandem axle
24. 684937 Wheel well trim, inner, tandem axle
25. 108393 Bottle cover, LP, w/o decals
26. 114496-02 Door, utility compartment
27. 114496-01 Door, power cord compartment
28. 371323-01 Window, 18in. opening
29. 922770-02 Vista View, 30"

2005 CLASSIC TRAILER

EXTERIOR SHELL

Wall, Curbside, 25'



See next page for P/N

2005 CLASSIC TRAILER

EXTERIOR SHELL

Wall, Curbside, 25'

1. 114290-01 Extrusion, awning/drip rail
2. 114993 Rib, end bow
3. 104707-05 Extrusion, "I" beam
4. 114880-198 Alum, sheet, upper, .040" x 51" x 198"
5. 371323-01 Window, 18in. opening
6. 371286-01 Window, 18 x 30", fixed
7. 114328 Extrusion, belt line
8. 201912 Molding, chrome, belt line
9. 100034 "Z" bar, 48"
10. 114460 Extrusion, rub rail
11. 201763-01 Insert, rub rail, chrome, 1"
12. 100986 Floor channel
13. 114879-198 Alum. sheet, lower, .040" x 33" x 198"
14. 114387-01 Bow, Z rib, RH
15. 114387-02 Bow, Z rib, LH
16. 100986 Wheel well stiffener (floor channel.
17. 690274-09 Cover Hydro-flame furnace
18. 100679-01 Door, side access with jamb
19. 511017-11 Vent cover, exterior, range exhaust
20. 200543-01 Banana wrap, CS front
21. 101131-01 Underbelly wrap, .024" x 22.5", Pewter
22. 201974-04 Bumper, rear corner, CS
23. 684936 Wheel well trim, outer, tandem axle
24. 684937 Wheel well trim, inner, tandem axle
25. 108393 Bottle cover, LP, w/o decal
26. 114496-02 Door, utility compartment
27. 371400-01 Window, main door
28. 110067-05 Main door assembly
29. 114654 Screen door assembly
30. 114652 Main door jamb, formed
31. 922770-01 Vista View, 18"

2005 CLASSIC TRAILER

INTERIOR SHELL

Interior Skin/Trim

114445	Aluminum inside skin, .032" x 34" x coil
114853-01	Aluminum inside skin, .032" x 57" x coil
201728-01	Extrusion, plastic, ceiling trim retainer
201728-03	Extrusion, plastic, ceiling trim
203138-03	Extrusion, plastic, wall trim, beige
203138-04	Extrusion, plastic, interior wall, OAK

Wall fabric, Headliner, Before unit 517299

702482-03	Head liner, end liner, Spectra Opal
702481	Wall liner, Geometric Pearl

Wall fabric, Headliner, Beginning with unit 517299

703498	Wall liner, Hobnail, Ivory
--------	----------------------------

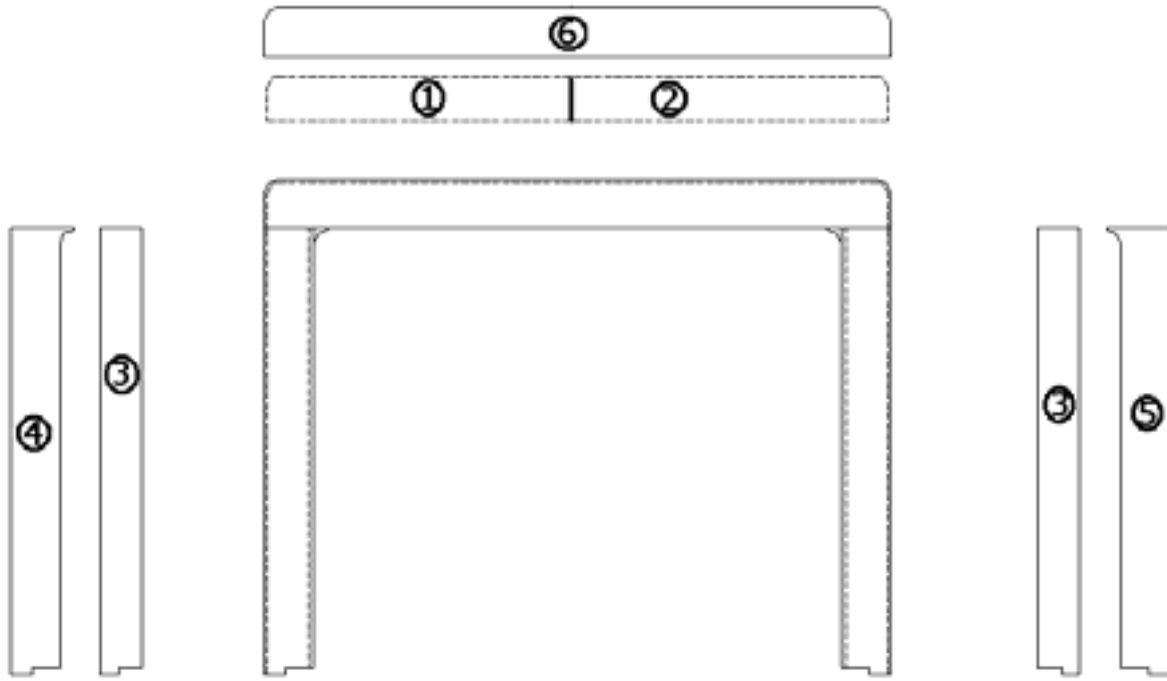
Wheel Well Cover/Close Out

200514	Wheel well cover, interior, tandem (splice two for tri-axle)
964943	CURBSIDE WHEEL WELL CLOSEOUT, 25'

2005 CLASSIC TRAILER

INTERIOR SHELL

S/O Room, Interior Trim/Roller, 34', 30' Dinette

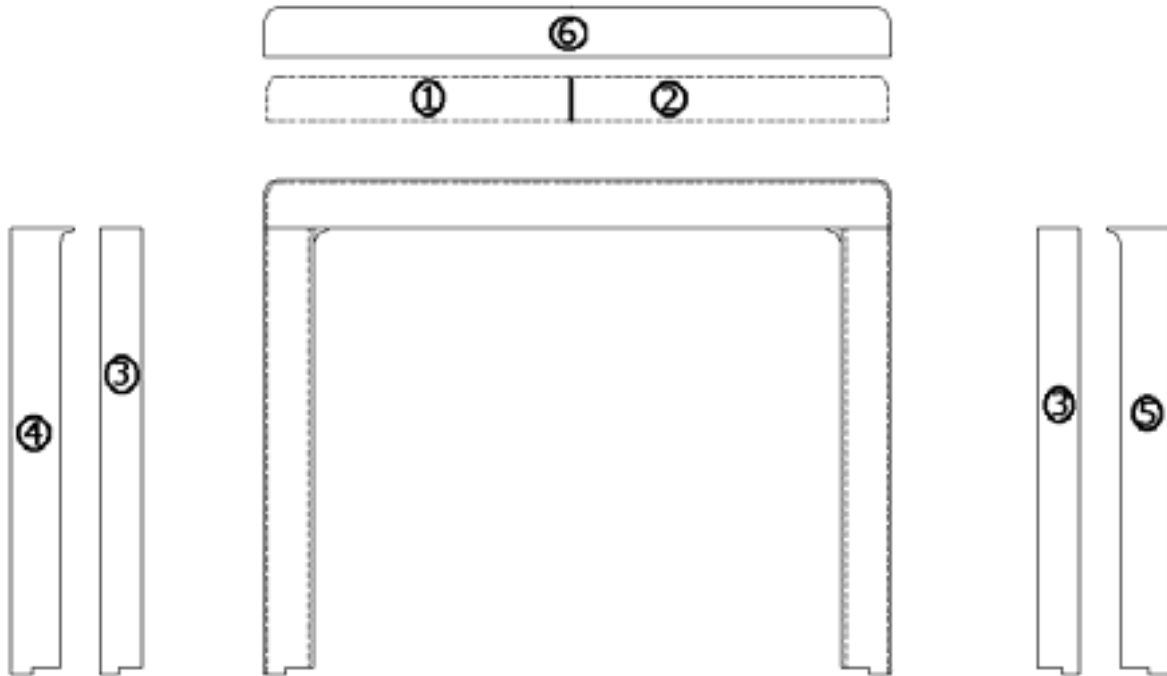


- 1. 454154-03 BACKER-UPPER FASCIA BOARD AFT, S\O dinette
- 2. 454154-04 BACKER-UPPER FASCIA BOARD FWD, S\O dinette
- 3. 453817-01 SIDE FASCIA BOARD
- 4. 801303-01 FASCIA BOARD-AFT
- 5. 801303-02 FASCIA BOARD-FWD
- 6. 801440 FASCIA BRD-UPPER 90.5"DIN.S/O)
- 114931-01 RING-TRIM INTERIOR RH
- 114931-02 RING-TRIM INTERIOR LH
- 114507-01 TRIM WHITE 16' PC. STRAIGHT UPPER
- 381802-01 TAP CAP, WHITE
- 801304 Shim, slide out roller
- 965155 Spacer block, travel lock assy.
- 381705 Roller block assembly

2005 CLASSIC TRAILER

INTERIOR SHELL

S/O Room, Interior Trim/Roller, 34, ' Lounge

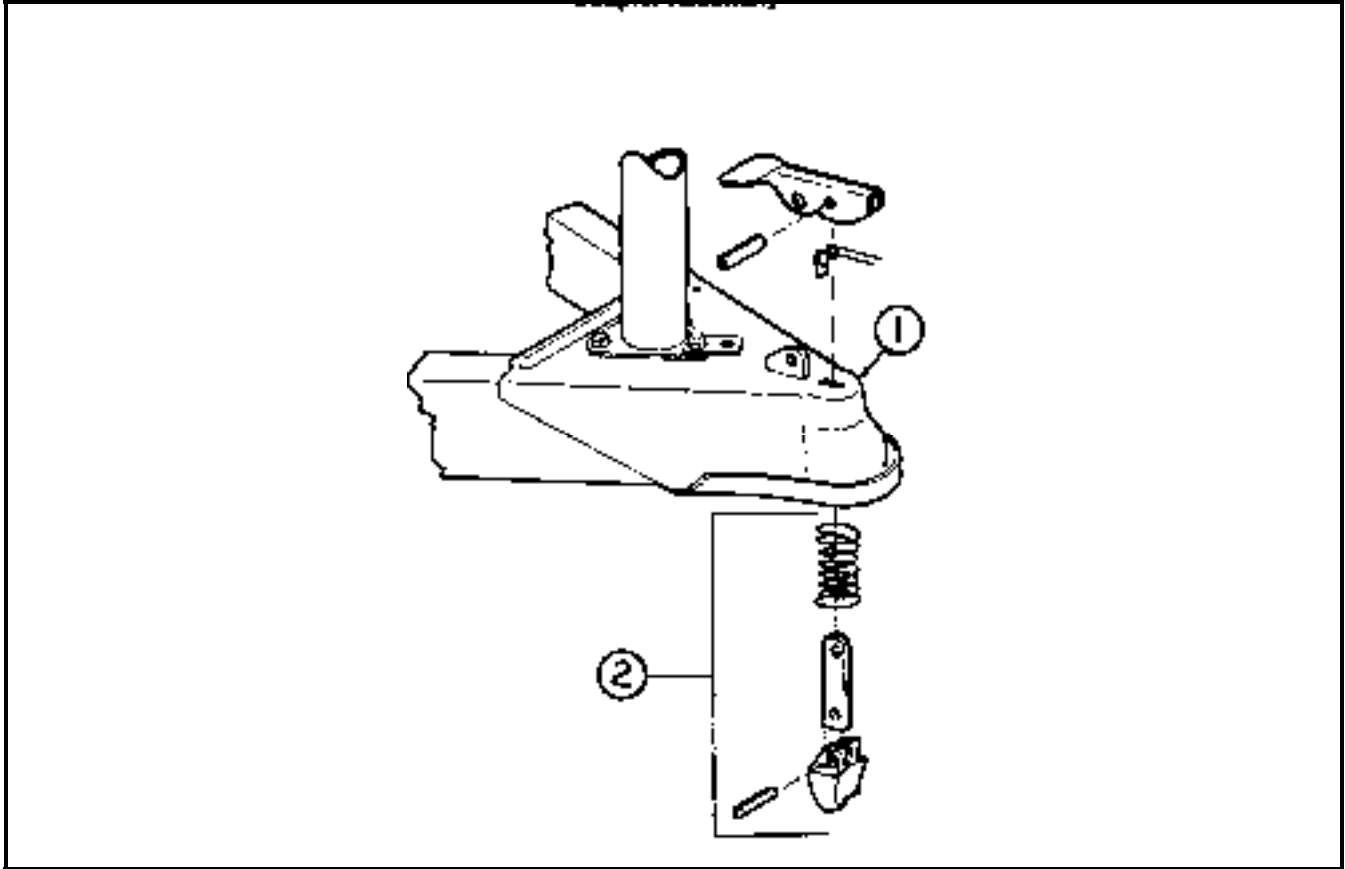


1. 454154-01 BACKER-UPPER FASCIA BOARD AFT, 34' S/O lounge
- 1a. 454154-03 BACKER-UPPER FASCIA BOARD AFT, S/O dinette
2. 454154-02 BACKER-UPPER FASCIA BOARD FWD, 34' S/O lounge
2. 454154-04 BACKER-UPPER FASCIA BOARD FWD, S/O dinette
3. 453817-01 SIDE FASCIA BOARD
4. 801303-01 FASCIA BOARD-AFT
5. 801303-02 FASCIA BOARD-FWD
6. 801442- 03 FASCIA BOARD UPPER 34' S/O LOUNGE
6. 801440 FASCIA BOARD UPPER 34' S/O & 30' S/O DINETTE
6. 801442-01 FASCIA BOARD UPPER 34' S/O Lounge
- 114931-01 RING-TRIM INTERIOR RH
- 114931-02 RING-TRIM INTERIOR LH
- 114507-01 TRIM WHITE 16' PC. STRAIGHT UPPER
- 381802-01 TAP CAP, WHITE
- 801304 Shim, slide out roller
- 965155 Spacer block, travel lock assy.
- 381705 Roller block assembly

2005 CLASSIC TRAILER

CHASSIS

A-Frame/Coupler



- | | |
|-----------|----------------------------------|
| 1. 680343 | Coupler assembly, 2 5/16" |
| 2. 680345 | Repair kit, 2 5/16" coupler |
| 915256 | A-frame complete |
| 453620 | Covers, A-frame, stainless steel |
| 400945 | 5/16 clevis, safety hook |

Breakaway Switch

- | | |
|---------|----------------------------|
| 0300027 | Break away switch, Bargman |
| 400407 | Bracket, breakaway switch |

(Continued)

2005 CLASSIC TRAILER

CHASSIS

LP Bottle rack

0360307	LP bottle ring, lower
601731-103	LP regulator mounting bracket
410410	Hold down rod, threaded, for 40lbs bottle
107456	GAS RACK
100949	Bracket, bottle hold, cast aluminum
410238	"T" handle, threaded, cast aluminum

Battery Box Lid

410551	Lid, battery box assy
381430	Lock, twist straight cam
381205-01	HINGE, ALUM. CONTINUOUS, 14"

Hose carrier

601544	E-Z Hose Carrier
--------	------------------

Tire Carrier

450414	"A" frame tire carrier
--------	------------------------

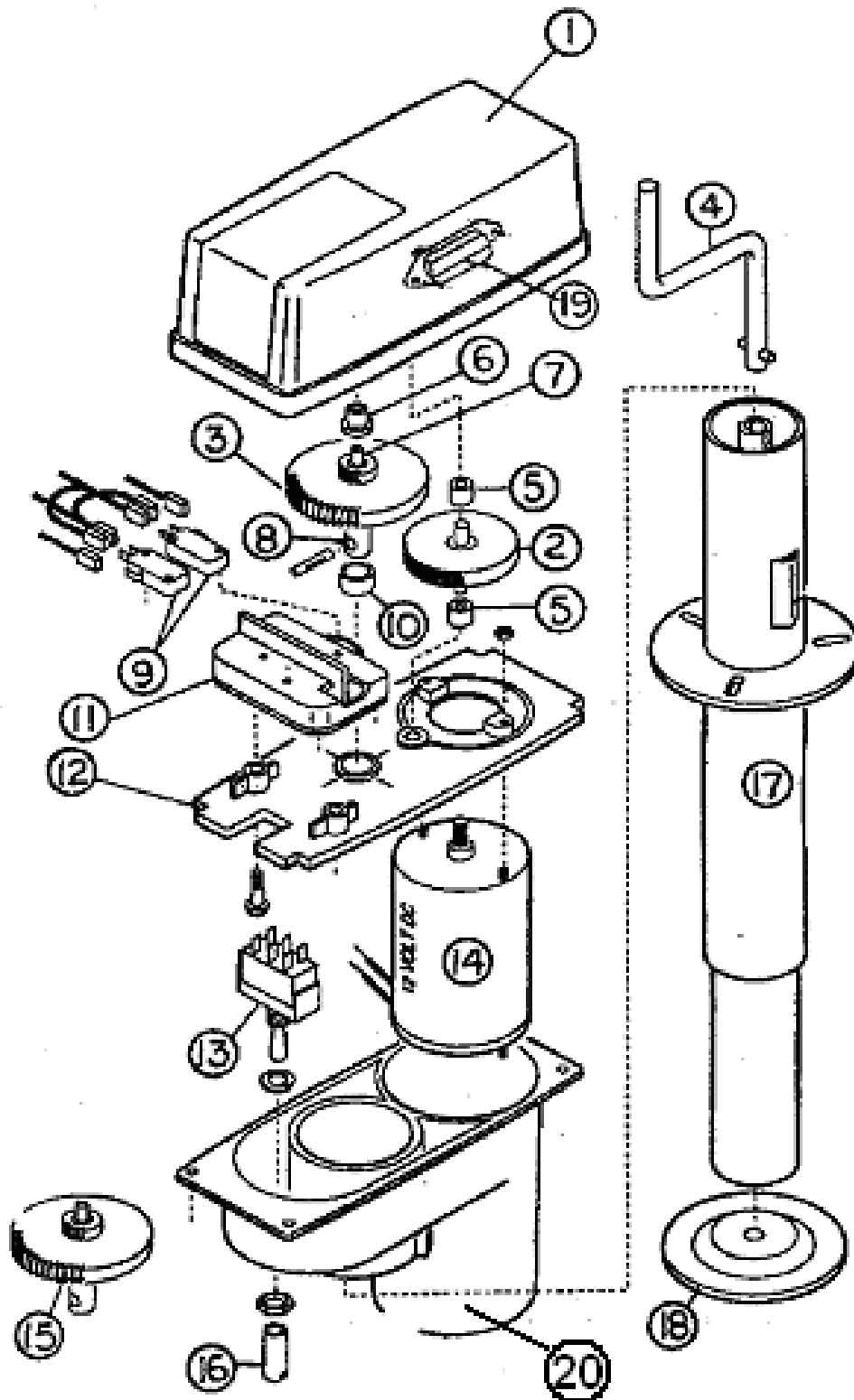
Floor Fasteners

345181	SCREW- 1/4-14 X 2" SELF TAPPING
345370-01	BOLT 3/8-16 HEX HEAD 3.50"
300023-02	WASHER, HOLD DOWN-HOLE OFFSET
100986	FLOOR EXTRUSION

2005 CLASSIC TRAILER

CHASSIS

Power Jack



Part Numbers are on the next page

2005 CLASSIC TRAILER

CHASSIS

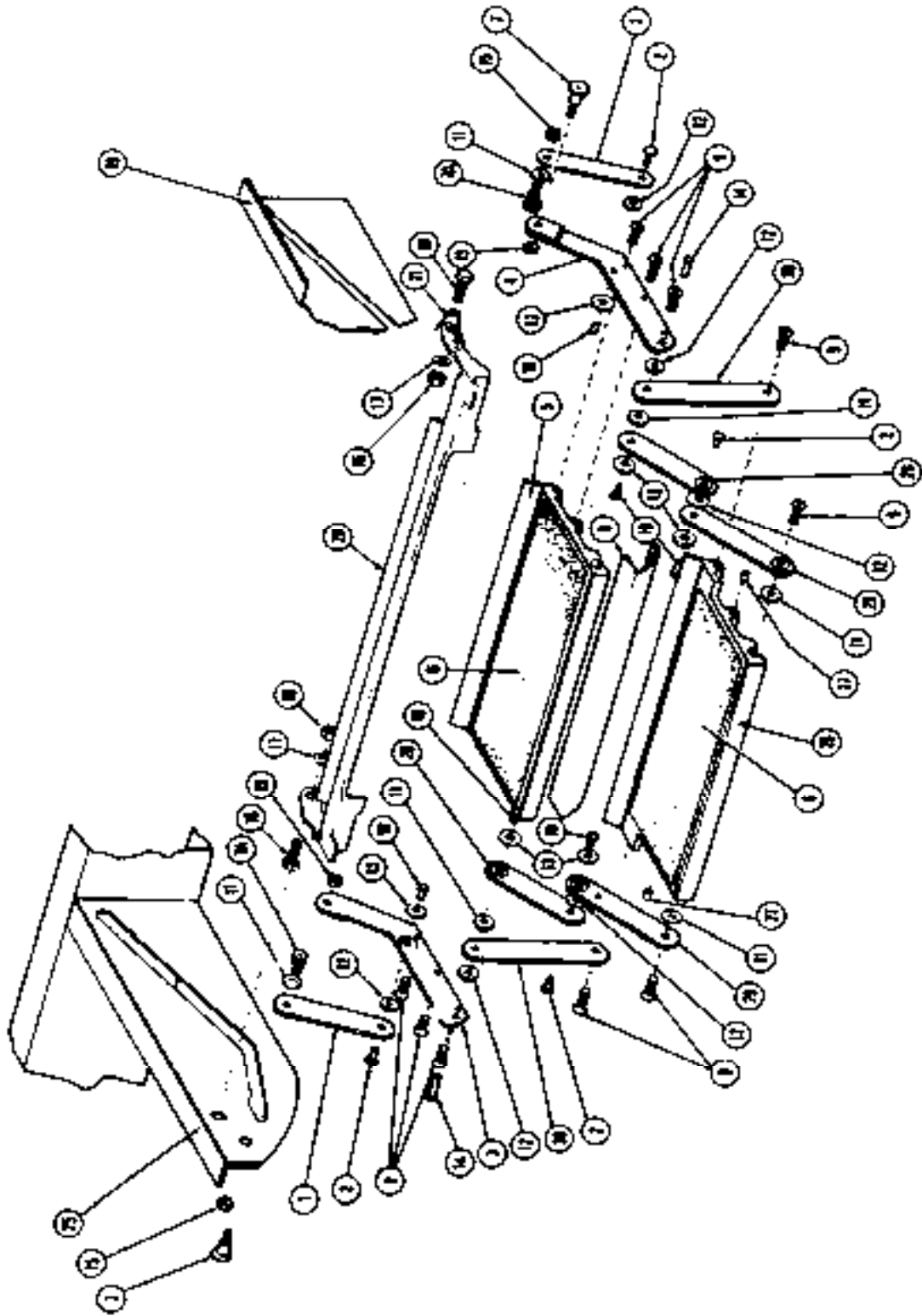
Power Hitch Jack

511544	Power jack w/flag holder & light
012251	Power head less post
1. 012198	Cover, Super Jack
2. 010051	Gear, fiber, Super Jack
3. 015551	Drive gear, Super Jack
4. 016199	Crank handle, manual, Super Jack
5. 080501	Bushing, bronze, Super Jack
6. 010055	Bushing, flange, Super Jack
7. 015552	Gear, pot/reed, Super Jack
8. 015553	Shaft, Super Jack
9. 081703	Micro switch, Super Jack
10. 080520	Bushing/bronze, 7/16, Super Jack
11. 012252	Limit switch assembly, Super Jack
12. 012200	Center plate, Super Jack
13. 081704	Switch, toggle, Super Jack
14. 016263	Motor, 12V, Super Jack
15. 011675	Drive gear assembly, Super Jack
16. 010069	Switch cover, Super Jack
17. 011631	Jack post, Super Jack
18. 410598	Foot pad #12231
19. 026503	Light, Jack
20. 012199	Housing for Motor and Switch

2005 CLASSIC TRAILER

CHASSIS

Step



See next page for P/N

2005 CLASSIC TRAILER

CHASSIS

Step

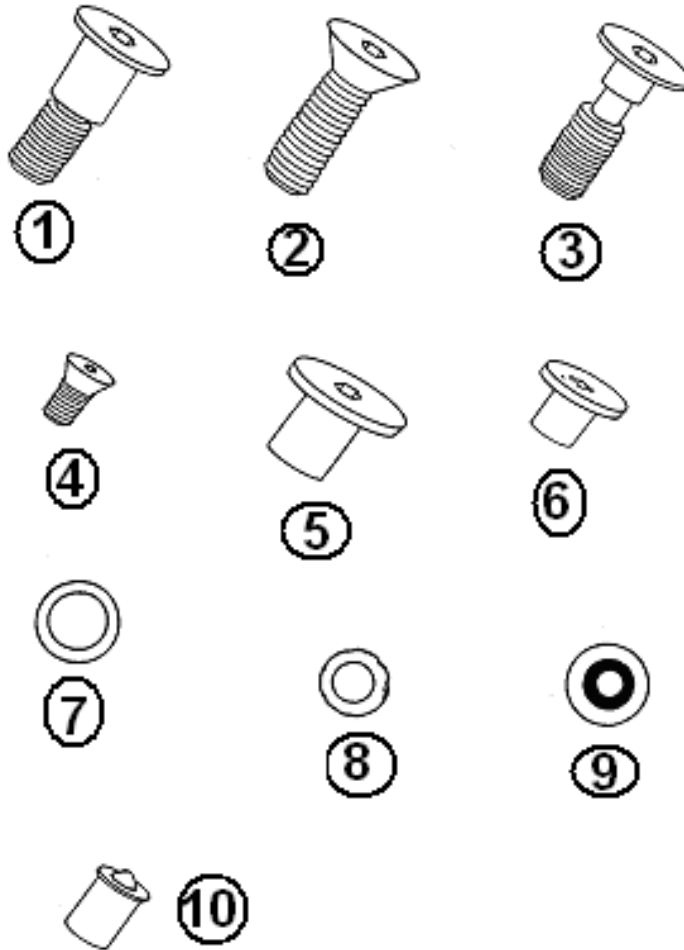
3440006	Double step assembly
1. 680213	Arm, upper support
2. 680214	*Pin, hinge
3. 680215	Step bracket, left
4. 680216	Step bracket, right
5. 680217	Extrusion, step 20.5"
6. 380069	Safety tread
7. 001152	Bolt, shoulder
7a. 001145	Bolt, shoulder, 3/8" thread
8. 680220	Panel
9. 680221	Screw, flat head
10. 680222	Bolt, socket head
11. 680223	Washer, bronze
12. 680224	Washer, wave
13. 680225	Washer, aluminum
14. 680226	Pin, pivot
15. 350005	Nut, hex
16. 350147-25	Nut, Nylock
17. 300005	Washer, flat
18. 345016	Screw, machine
19. 400454	Outrigger, RH (Not included with step assembly.)
20. 100298	Casting, step release
21. 0440032	Step spring
25. 400455	Outrigger, LH (Not included with step assembly.)
26. 410200	Extrusion, step, 20.0"
27. 380075	*Bullet catch
28. 400004	Hinge arm, upper
29. 400003	Hinge arm, lower
30. 400005	Arm, lower support

*Larger illustration on next page

2005 CLASSIC TRAILER

CHASSIS

Step Bolts/Washers/Screws/Catches Illustrated

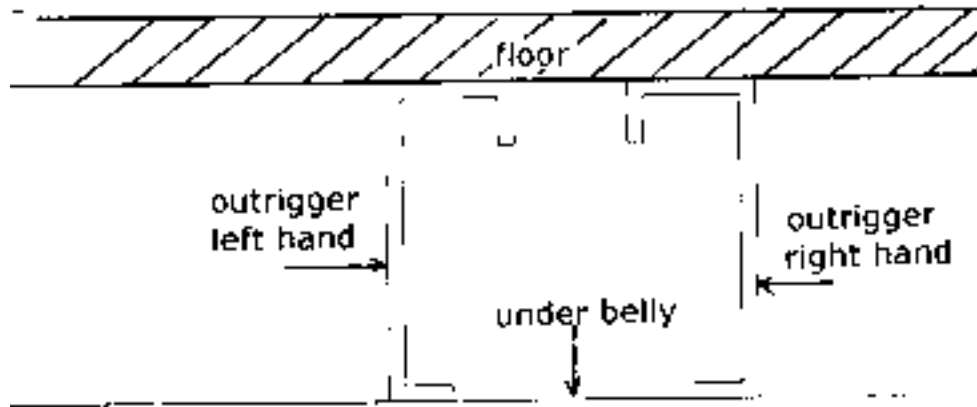


- | | |
|------------|------------------------------------|
| 1. 001152 | 1/2" Shoulder w/3/8" shoulder bolt |
| 2. 680221 | 3/8-16 x 1, flat head Allen, screw |
| 3. 001145 | 3/8-16 thread, shoulder bolt |
| 4. 680222 | Flat head Allen socket screw |
| 5. 680226 | Pivot pin |
| 6. 680214 | Hinge pin |
| 7. 680223 | Brass washer |
| 8. 680224 | Wave washer |
| 9. 680225 | Aluminum Washer |
| 10. 380075 | Bullet catch |

2005 CLASSIC TRAILER

CHASSIS

Outriggers



- 410524 Step outrigger assembly, forward
- 410523 Step outrigger assembly, aft
- 410497 Outrigger, pierced, RH
- 410498 Outrigger, pierced, LH
- 410500 Outrigger, standard, LH
- 410499 Outrigger, standard, RH
- 410501 Outrigger, solid, RH, notched
- 410502 Outrigger, solid, LH, notched
- 410706 Outrigger, power cord compartment, RH
- 410707 Outrigger, power cord compartment, LH

Chassis Covering/Rear Bumper

- 114679 Alum. under belly .019" x 65.75, coil
- 101131-01 Alum. under belly .024" x 22.5", coil, Pewter
(covers from under belly to floor line)
- 200543-01 Banana wrap, CS front
- 200542-01 Banana wrap, RS front
- 203142 Bumper, rear center
- 201974-03 Bumper, rear corner, RS
- 201974-04 Bumper, rear corner, CS

(Note: the rear roll out tray makes up part of the center section of the bumper)

2005 CLASSIC TRAILER

CHASSIS

Stabilizing Jacks, Electric

510628	Stabilizing jacks, electric, A&E systems
510731	Control, leveler, A&E
104933	HOUSING, CONTROL PANEL LEVELER

Stabilizing Jacks, Manual

400093	Stabilizing jacks, BAL w/handle, set of 4
400093-01	BAL jack, aluminum, each
400093-04	Foot pad, BAL jack
400093-02	CRANK, STABILIZER JACK (BAL)
400093-05	BAL jack, w/handle & footpad, black
385020	STICKER SELF ADHERING, "JACK" PLACEMENT

Roll Out Tray

962828-01	Roll out tray assembly, rear
453144	Roll out tray
381556	Overhead door track, 2"
453159	Enclosure assembly, rear rollout tray
453159-0	FORMED BASE, REAR ROLL OUT TRAY
453159-02	FORMED SIDE, PANEL, RH REAR ROLL TRAY
453159-03	FORMED SIDE PANEL, LH REAR ROLL TRAY
453159-04	FORMED ANGLE-REAR ROLL OUT TRAY
453156	"U" bar, roller support
381555	Ten ball roller w/stem
310028	Lynch pin, 1/4"
201909	Molding, black bumper trim
702979	FLOORING VINYL BANKER GREY 8' WIDE
381554-44	FASTENER INTERNAL TOOTH SPRING

2005 CLASSIC TRAILER

CHASSIS

Utility Underbelly Compartment, RH

915099-02	ASSY., UTILITY COMPARTMENT, RH
601467	SILLCOCK, ½", FEMALE W/WHEEL
601469	VACUUM BREAKER, ¾IN GARDEN HOSE
601392-04	WATER FILL, CITY W/REGULATOR
381435	HATCH-ACCESS COVER 4", WHITE
601565-01	Hose, water, 12" w/fittings

Underbelly Power Cord Plate Assembly

914022	Power Cord Plate Assembly
0360552	PLATE, CORD REEL

Underbelly Utility Compartment

915145-01	Utility compartment assembly, painted
-----------	---------------------------------------

Flag Storage

961251	Box, Flag Storage
114216	PAN, UPPER, FLAG STORAGE
114217	PAN, LOWER, FLAG STORAGE
114218	END, FLAG STORAGE
114219	DOOR, FLAG STORAGE
114220	DOOR, INSERT, FLAG STORAGE
114221	HINGE, FORMED, FLAG STORAGE DOOR
380203-01	PIANO HINGE
365190	SEAL RUBBER ADHESIVE, ¾" X 3
380903	LATCH & STRIKE
701538	CARPET, ECONOLIER VELOUR BLACK

2005 CLASSIC TRAILER

CHASSIS

Axles, Standard

- 410875-09 Axle, 3800#, 25', 34' S/O, 34'
- 410875-10 Axle, 5000#, 30', & 31', 30' S/O
- 410875-08 Axle, 4400#, 28'

Axles w/Disc Brakes

- 410884-01 Axle w/Disc Brakes, 4400 weight rating
- 410884-02 Axle w/Disc Brakes, 3800 weight rating
- 410884-03 Axle w/Disc Brakes, 5000 weight rating

Shocks

- 0220003 Shock absorber

Tire/Wheel Assembly

- 410841 Tire and wheel assembly
- 410842 Tire ST 225/75 R15, LR "D" BW
- 400935 Wheel, aluminum
- 400936 Cover, center hub, polished aluminum
- 400923 Lug nut, acorn type
- 410009 Valve stem

Spare Tire/Wheel assembly

- 410822-150 Wheel, steel, 15"
- 410843-01 Spare tire and steel wheel, BSW, LR "D", 15"
(Tri-axle wheel wells are made from two tandems)

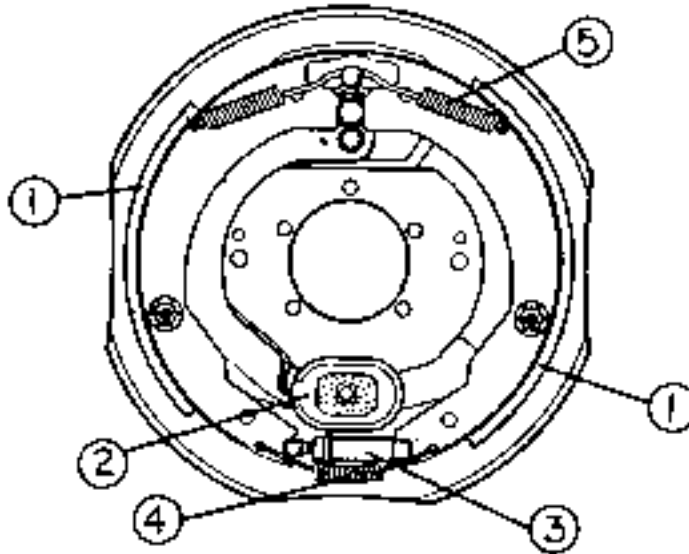
2005 CLASSIC TRAILER

CHASSIS

12" Brakes

3160347 Brake assembly, RH, 12" Dexter

3160348 Brake assembly, LH, 12" Dexter



1.3160348-62 Shoe and lining kit (includes hold down spring and pin.)

2.3160348-65 Magnet kit

3.3160348-63 Adjuster assembly

4.3160348-64 Adjusting screw spring

5.3160348-61 Retractor spring

3160121 Brake drum, 12", 6 lug

Grease Seals/Bearings

450659 Inner bearing, #25580

680364 Inner race, #25520

450658 Outer bearing, #LM67048

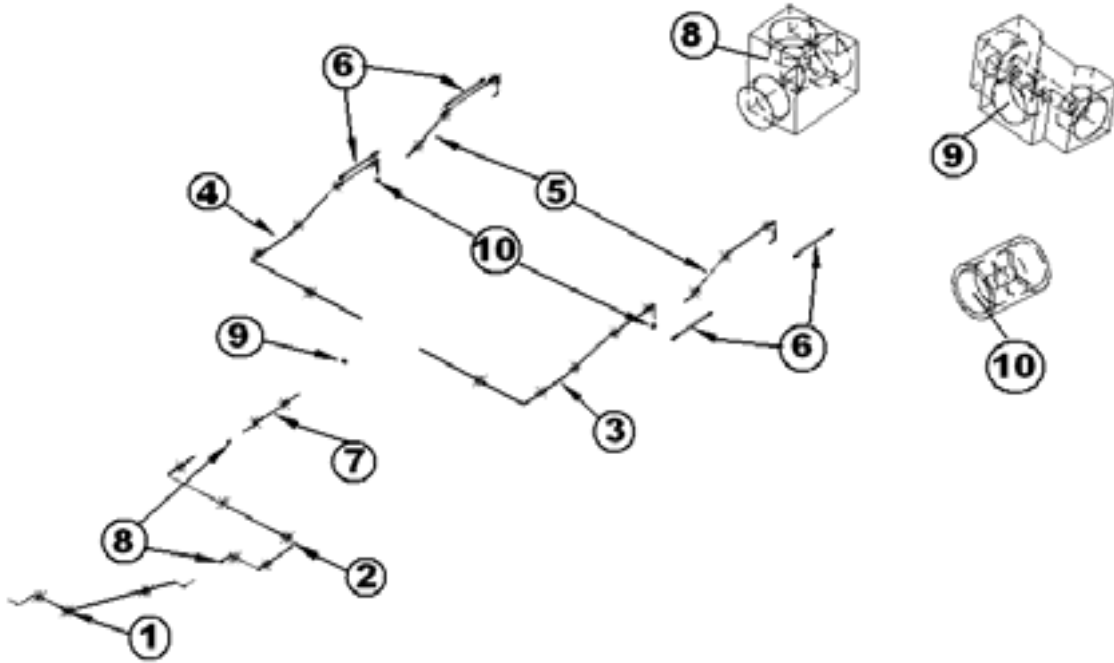
680365 Outer race, #LM67010

680370-100 Grease seal

2005 CLASSIC TRAILER

CHASSIS

Disc Brake line, 25'

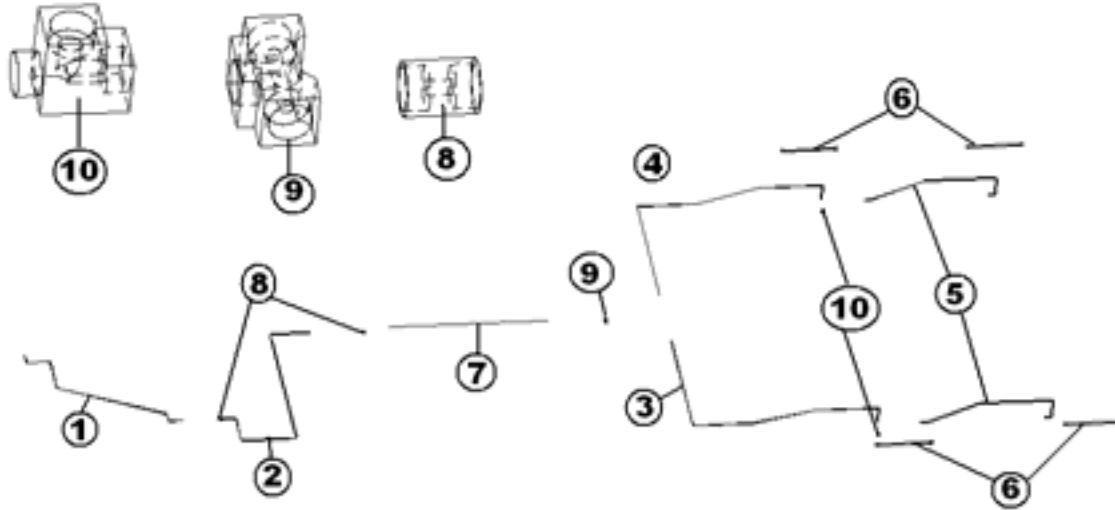


- | | |
|---------------|----------------------------|
| 1. 454300-01 | Front section brake line |
| 2. 454300-02 | Slide out by-pass |
| 3. 454300-03 | Roadside brake line |
| 4. 454300-04 | Curbside brake line |
| 5. 454300-08 | Tandem brake line |
| 6. 454300-09 | Brake hose |
| 7. 454300-11 | 25' mid chassis brake line |
| 8. 454300-07 | 302 x 3 union |
| 9. 454300-05 | 702 x 3 union tee |
| 10. 454300-06 | Inverted flare adaptor tee |
| 11. 345238 | 3/16" tube clamp, steel |

2005 CLASSIC TRAILER

CHASSIS

Disc Brake Line, 28'

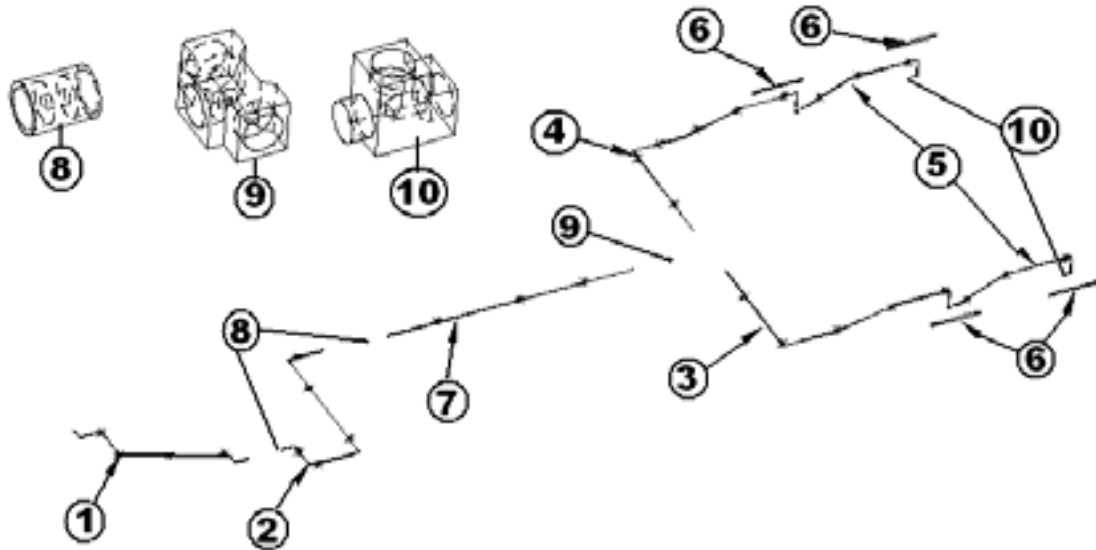


- | | |
|---------------|----------------------------|
| 1. 454300-01 | Front section brake line |
| 2. 454300-02 | Slide out by-pass |
| 3. 454300-03 | Roadside brake line |
| 4. 454300-04 | Curbside brake line |
| 5. 454300-08 | Tandem brake line |
| 6. 454300-09 | Brake hose |
| 7. 454300-12 | 28' mid chassis brake line |
| 8. 454300-07 | 302 x 3 union |
| 9. 454300-05 | 702 x 3 union tee |
| 10. 454300-06 | Inverted flare adaptor tee |
| 11. 345238 | 3/16" tube clamp, steel |

2005 CLASSIC TRAILER

CHASSIS

Disc brake Line, 30', 31'

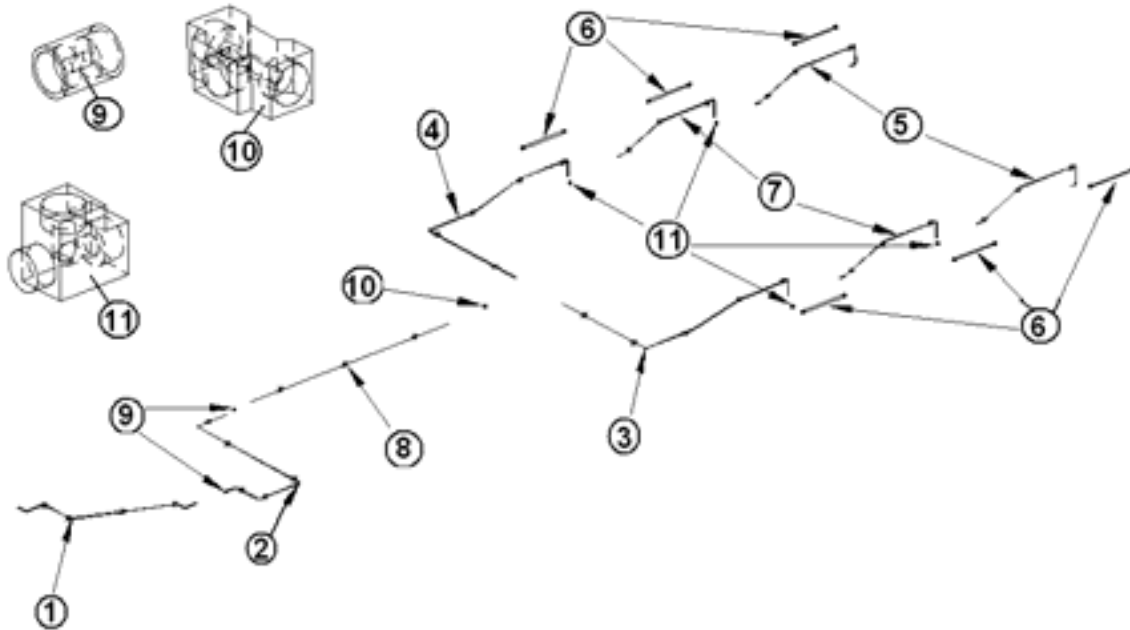


- | | |
|---------------|---------------------------------|
| 1. 454300-01 | Front section brake line |
| 2. 454300-02 | Slide out by-pass |
| 3. 454300-03 | Roadside brake line |
| 4. 454300-04 | Curbside brake line |
| 5. 454300-08 | Tandem brake line |
| 6. 454300-09 | Brake hose |
| 7. 454300-13 | 30', 31' mid chassis brake line |
| 8. 454300-07 | 302 x 3 union |
| 9. 454300-05 | 702 x 3 union tee |
| 10. 454300-06 | Inverted flare adaptor tee |
| 11. 345238 | 3/16" tube clamp, steel |

2005 CLASSIC TRAILER

CHASSIS

Disc Brake Line, 34'

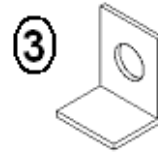
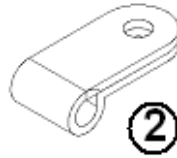
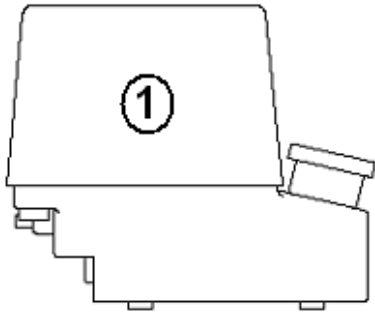


- | | |
|---------------|----------------------------|
| 1. 454300-01 | Front section brake line |
| 2. 454300-02 | Slide out by-pass |
| 3. 454300-03 | Roadside brake line |
| 4. 454300-04 | Curbside brake line |
| 5. 454300-08 | Tandem brake line |
| 6. 454300-09 | Brake hose |
| 7. 454300-14 | 34' mid chassis brake line |
| 8. 454300-07 | 302 x 3 union |
| 9. 454300-05 | 702 x 3 union tee |
| 10. 454300-06 | Inverted flare adaptor tee |
| 11. 345238 | 3/16" tube clamp, steel |

2005 CLASSIC TRAILER

CHASSIS

Disc Brake Hardware



1. 345238

2. 511908

3. 381903

3/16" Cable Clamps

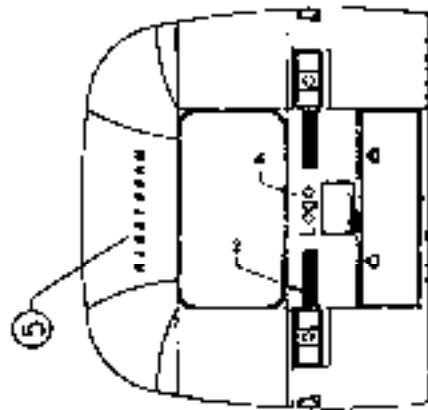
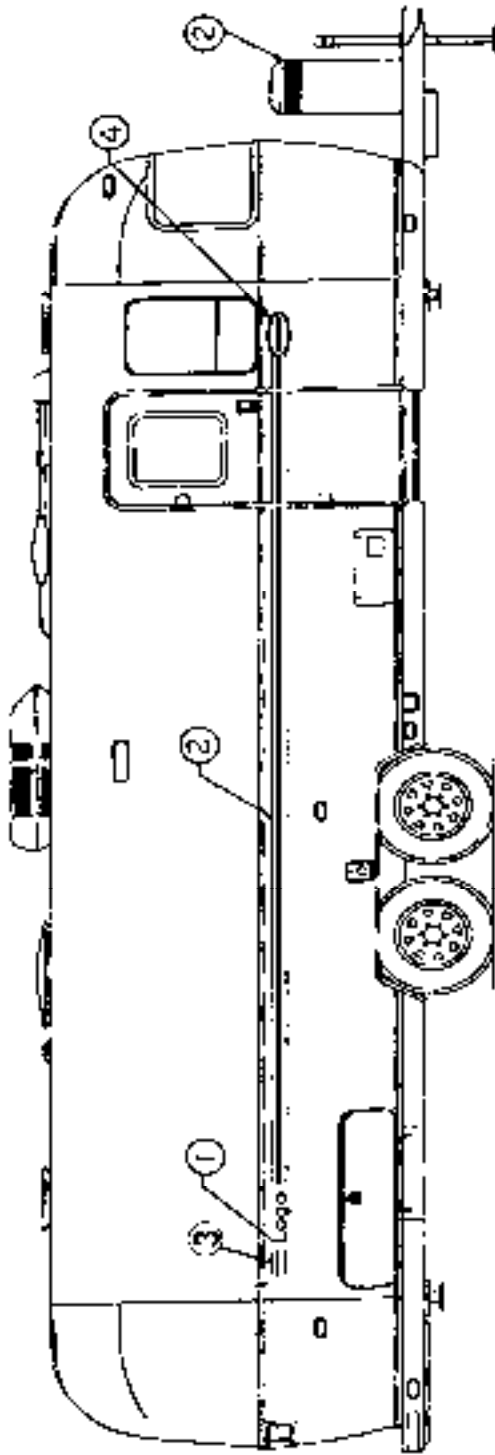
Disc brake ActiBrake Actuator

Brake hose bracket

CLASSIC TRAILER

DECALS/MEDALIONS

DECALS



Parts numbers are on next page

CLASSIC TRAILER

DECALS/MEDALIONS

DECALS

- 1. 386153 DECAL, AIRSTREAM 1.3" X 16", ALUMINUM
- 1. 386154 DECAL "AIRSTREAM", GOLD, 1.3" X 16"
- 2. 386086 DECAL PIN STRIPE, BLUE
- 2. 386084-01 DECAL PIN STRIPE BURGUNDY W/GOLD STRIPE, LTD
- 3. 386083-01 DECAL RS/CS 1 X 2.25, Stripe end cap, LTD
- 4. 386169 NAMEPLATE-CLASSIC BLUE/GRAY
- 4. 386129 NAMEPLATE-CLASSIC LIMITED BURGUNDY
- 4. 386138 DECAL, "LTD", GOLD
- 5. 386152 DECAL, AIRSTREAM, 2.4" X 28", ALUMINUM
- 5. 386155 Decal, AIRSTREAM, 2.4" X 28", Gold
- 385582-01 DECAL, AIRSTREAM W/BAR, ROOF A/C SHROUD
- 386068 Medallion, 3", screen door

CLASSIC TRAILER

EXTERIOR TRIM

Beltline

114328	Extrusion, belt line molding
201912	Molding, belt line insert, chrome
114417	Casting, belt line close out

Rub Rail

114460	Extrusion, rub rail
201763-01	Molding, rub rail insert, chrome
114466-01	Casting, close out, rub rail, angled, RH
114466-02	Casting, close out, rub rail, angled, LH
114465-01	Casting, close out, rub rail, RH
114465-02	Casting, close out, rub rail, LH

Wheel Well Trim, Tri-axle

685257	Inner wheel well trim, tri-axle
685258	Outer wheel well trim, tri-axle

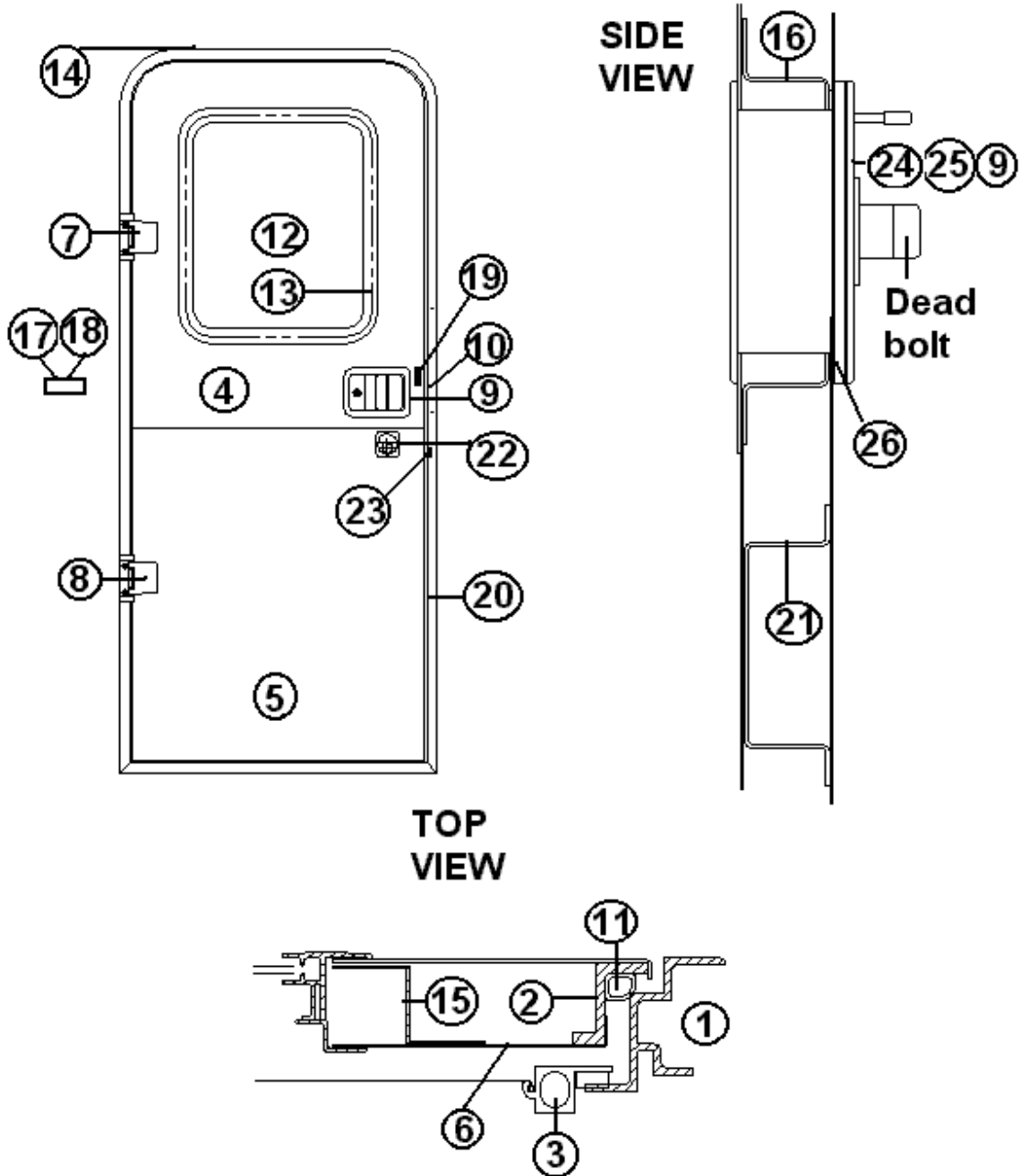
Wheel Well Trim, Tandem Axle

684936	Outer wheel well trim, tandem axle
684937	Inner wheel well trim, tandem axle

CLASSIC TRAILER

DOORS/WINDOWS/AWNING

Main Door



Part Number Are On The Next Page

CLASSIC TRAILER

DOORS/WINDOWS/AWNING

Main Door

- 115207-04 Main door assembly
- 1. 114653 Frame, main door, pre-formed
- 2. 114652 Jamb, main door, pre-formed
- 3. 114654 Screen door assembly
- 4. 114448-03 Skin, exterior, upper main door
- 5. 114449-03 Skin, exterior, lower main door
- 6. 114475 MAIN DOOR SKIN INNER
- 7. 381552-03 HINGE ASSY. MAIN DOOR UPPER
- 8. 381552-04 HINGE ASSY. MAIN DOOR LOWER
- 9. Trimark latch assembly parts shown in hardware section
- 10. 385595 Pocket strike, main door
- 11. 365232 Seal, main door
- 12. 371400-01 WINDOW, MAIN DOOR, ETCHED
- 13. 115208 TRIM RING- MAIN DR.WINDOW
- 14. 114363 Drip cap, main door
- 15. 114658 Inner door, "Z" bar, upper & lower
- 16. 114657 Hat section, formed, main door
- 17. 380290 Housing. Latch, mounted on side sheet
- 18. 380291 Latch assembly, mounted on side sheet
- 19. 201056 Striker, main door, black plastic
- 20. 114655 Trim ring formed, main door
- 21. 115004 Hat section assembly, dead bolt
- 22. 381323-01 Dead bolt, complete assembly
- 23. 381326 Striker w/ Trimark deadbolt
- 24. 345321-12 Screw, flat head, black
- 25. 453851 Bolt, Trimark, deadbolt
- 26. 203370 Spacer, deadbolt assembly
- 203495 SPACER-DOOR STAY MAIN
- 203494 BASE PLATE DOOR LATCH
- 101171 HANDLE, CAST ALUMINUM

CLASSIC TRAILER

DOORS/WINDOWS/AWNING

Screen Door

114654	SCREEN DOOR
114648-01	KICK PANEL, SCREEN DOOR 6.69" X 24.12"
114561-01	SLIDER PANEL, SCREEN DOOR. 13" X 14.50"
380079	SCREEN, GRAY
200518	SPLINE, GRAY-SCREEN DOOR
380004	HANDLE WITH 8/32 X 1" SCREW
365013	TAPE CHARCOAL LOW DENSITY FOAM
381454	LATCH, BULLETT (BLACK)
386068	MEDALLION, 3" LOGO, AIRSTREAM
701624	VELCRO LOOP 5/8" WIDE
701625	VELCRO HOOK, 5/8" WIDE
203287-02	CLOSE-OUT SCREEN DOOR TT W/NOTCH, Plastic
683946	BUG SEAL

Screen Door Guard

115171-01	SCREEN DOOR GUARD TOP
115171-02	SCREEN DOOR GUARD BOTTOM

CLASSIC TRAILER

DOORS/WINDOWS/AWNING

Refrigerator Access Door

922243	Door, refrigerator access, assembly
922156	Door, refer access
104417	Jamb, refrigerator access door
203225	Trim, flexible, white, inner doorjamb
380988	HINGE, CONTINUOUS .5IN LEAF 16IN
381812	LATCH TWIST CHROME

Trunk Door, Twin Bed

921159-01	Trunk door assembly, rear, twin only
114675	Jamb, rear trunk door
380770	LOCK & CASTING ASSEMBLY
360016	BUMP-ON RUBBER
365035	RUBBER SEAL ACCESS DOOR
380203-01	PIANO HINGE 1/8" PIN
381065-10	10" CABLE SUPPORT

Side Access Door, Long

922288-01	Door, side access, long
104833	Jamb, long side access door, twin only
381065-10	10" CABLE SUPPORT
104831	FRAME REAR ACCESS DOOR
380770	LOCK & CASTING ASSEMBLY
365035	RUBBER SEAL ACCESS DOOR
381605-01	HINGE PIANO STAINLESS STEEL

Side Access Door, Small

100679-01	DOOR ASSEMBLY SIDE & REAR ACCESS, SMALL
380773	HINGE, ACCESS DOOR
380770	LOCK & CASTING ASSEMBLY
100627	ACCESS DOOR FRAME EXTRUSION
365035	RUBBER SEAL ACCESS DOOR

CLASSIC TRAILER

DOORS/WINDOWS/AWNING

Utility/Power Cord Underbelly Doors

114496-02	DOOR UTILITY COMPARTMENT
114496-01	DOOR POWER CORD COMPARTMENT
114496-04	DOOR, TV/COAX COMPTMENT
340023	CATCH, CORBIN
340023-01	Pad lockable catch
380203-01	PIANO HINGE 1/8" PIN CLEAR ANODIZED
365013	TAPE CHARCOAL LOW DENSITY FOAM

Battery Box Door

114467-01	Door panel, outer, battery box door
114468	Door panel, inner, battery box door
114464	Casting, battery box door jamb
380238	Support cable, battery box door
200885	Plastic battery tray
381397	Key cylinder w/ cam, 501 key
381501	CAM LOCK OFF SET
380612	CORD GRIP 3/8
350047	NUT 3/8 LOCK FOR CORD GRIP
381500	HINGE PIANO REVERSED 8.50" LONG

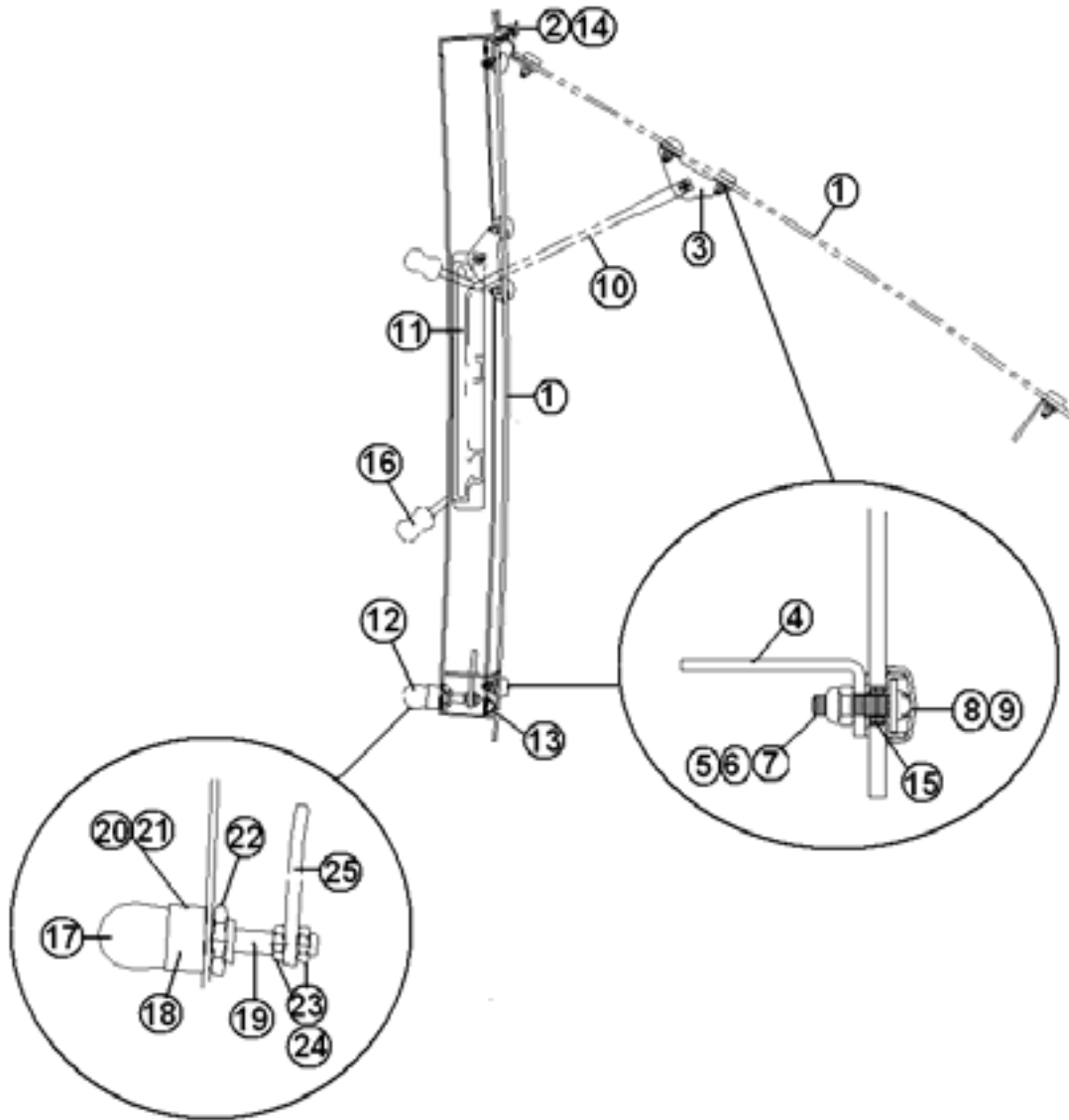
Water Heater/Water Fill/Furnace Doors

690209	Cover, brushed aluminum, Atwood water heater
690274-09	Cover, furnace
601194	Water fill door w/pocket & lock

CLASSIC TRAILER

DOORS/WINDOWS/AWNINGS

Window Parts Diagram



Part numbers on next page

CLASSIC TRAILER

DOORS/WINDOWS/AWNINGS

1. 371323-100	Glass w/hardware, 18" window
1. 371324-100	Glass w/hardware, 30" window
2. 371323-101	Hinge, 18" window
2. 371324-101	Hinge, 30" window
3. 1101-0010	Bracket, window prop
4. 685124	Striker plate, window latch
5. 0706-0004	Flat washer
6. 0703-0001	Screw, #8-32 x .625", black, SS
7. 0702-0010	Nut, Nylox, #8-32, black SS
8. 0802-0004	Screw cover, 12-12 #100, black
9. 0802-0005	Washer, 12-12 screw cover bottom
10. 100903	Operating arm, RH
10. 100903-01	Operating arm, LH
11. 0802-0001	Guide, operating arm, RH
11. 0802-0002	Guide, operating arm, LH
12. 010020	Latch assembly, chrome
13. 381665	Gasket seal
14. 0101-0017	Male hinge extrusion, 1/2" pc.
15. 0706-0003	Bushing, window, acrylic
16. 380230-03	Window arm knob, silver
16. 380230-04	Window arm knob, red
17. 1101-0005	Latch handle, chrome
17. 195467-05	Latch handle, red
18. 1101-0007	Latch body
19. 1101-0008	Latch shaft
20. 1101-0009	Latch spring
21. 0707-0002	Pin, drive lock, 5/32" x 5/8", zinc
22. 0702-0001	Nut, hex panel, 5/8"-24, zinc
23. 0702-0002	Nut, jam, hex, 5/16-24
24. 385123	Washer, flat, .53" OD x .328" ID
25. 685123	Latch paw

CLASSIC TRAILER

DOORS/WINDOWS/AWNINGS

Window Trim

200967-01	Trim ring, plastic, 18"x30", stationary window
200968-01	Trim ring, plastic 30" x 30" stationary window
201675-01	Trim ring, inside, 30" stack window
115208	Trim ring, window, main door
201676-01	TRIM STACK WINDOW 18"
203225	Trim lok, white, for fixed window close outs
114655	TRIM RING, FORMED, MAIN DOOR, WHITE
114157-01	EXTRUSION END LINER UPPER WHITE
203490-02	TRIM RING- 30" VISTA VIEW

Panoramic Window Trim

201578-01	End cap trim ring, panoramic window (goes next to end bow)
201579-01	Trim, panoramic window, bottom, RS
201580-01	Trim panoramic window, bottom, CS
201581-03	Trim, panoramic window, upper, RS
201581-04	Trim, panoramic window, upper, CS
110900-01	TRIM FORMED INTERIOR FRONT WRAP WHITE
110900-02	TRIM FORMED INTERIOR FRONT WRAP WHITE
203225	TRIM LOK WHITE

Vista View Windows, 30"

922770-02	VISTA VIEW- 30"
203490-02	TRIM RING- 30" VISTA VIEW
703462-02	SHADE-PULL 31.25"X9.5"VISTA VIEW
922772-02	BACKER-VISTA VIEW BLIND 30"
115222-01	Z BAR-FORMED 31.5"VISTA VIEW

CLASSIC TRAILER

DOORS/WINDOWS/AWNINGS

Vista View Windows, 18"

922770-01	Vista View Window, 18"
203490-01	Trim Ring, 18" Vista View Window
703462-01	Pull Shade, 19.25"X9.5" Vista View Window
922772-01	BACKER-VISTA VIEW BLIND 18"
115222-02	Z BAR-FORMED 19.5"VISTA VIEW

Windows

371346-02	Window, flat, front center
372088-101	Window, panoramic, front RS
372089-101	Window, panoramic, front, CS
371348-02	Window, flat, rear w/red handles
371285-01	Window, curved 30" x 30" fixed
371286-01	Window, 18" x 30", curved fixed
371324-02	Window, curved 30" opening
371270-01	Window, curved, 30" stacked
371323-01	Window, curved 18" opening
371323-02	WINDOW-18" NON OPENING S/O
371269-01	Window, curved 18" stacked
371380	WINDOW-OPENING 30" TALL
371400-01	Window, main door

Window Screens

371349-01	Screen, rear escape
371347-01	Screen, front window
372175-02	Screen, 30" opening window
372174-01	Screen, 18" opening window
372175-03	Screen, 30", alternate egress
371174-02	Screen, 18" non-opening
372215	Screen, 30" tall, slide out
372175-04	SCREEN, 30" OPENING, WINDOW

CLASSIC TRAILER

DOORS/WINDOWS/AWNINGS

Awnings, Patio

702662-03	Awning, patio, 16' 4½", blue, 25ft.
702662-02	Awning, patio, 19' 8½", blue, 28ft.
702662-22	Awning, patio, 21' 7" blue, 30', 30 S/O', 31', 34', 34' S/O
702663-10	Awning, patio, 21' 7" red, 30, 31 & 34ft., 34' S/O
381532-01	Hardware, patio, satin
702662-05	Center support
385577	Wear tape, clear, 3½" wide

Awnings, Windows, Blue

702662-09	Awning, RS windows, 13'4", blue, 30 & 31ft.
702662-11	Awning, window, 16' 4-1/2", blue, 25ft.
702662-10	Awning, window, 19' 8-1/4", blue, 28ft.
702662-06	Awning, 3', blue
702662-20	Awning, window, blue, 52 5/8"
702662-07	Awning, RS window, 14'10", blue, 34ft.
385577	Wear tape, clear, 3½" wide

Cover, Slide Out

703122-02	Cover, awning, 7' 6.5" blue, 30' & 34' S/O dinette
-----------	--

Awnings, Windows, Red

702663-07	Awning, CS rear window, 3' red
702663-08	Awning, rear window, red, 52 5/8"
702663-03	Awning, RS window, 14'10" red, 34ft.
702663-05	Awning, RS windows, 13'4" red, 30 & 31ft.
385577	Wear tape, clear, 3½" wide

CLASSIC TRAILER

DOORS/WINDOWS/AWNINGS

Window Stone Guard

110188-01	3 Piece Stone Guard
685275-101	CS wrap window solar protector, stone guard
685275-102	RS wrap window solar protector, stone guard
110102	Stone Guard, Center Piece
685358	Turn fast stud
685362	Retainer, split ring
685359	Rubber receptacle
685361	Bracket, rubber receptacle
685363	Slip joint hinge, SS, CS per pair
683960	Arm support
683959	Arm support bracket
114749	HINGE "Y" ASSY. (ROCKGUARD ASSY.)
114750	HINGE "J" (ROCKGUARD ASSY.)
685364	BRKT, UPPER HINGE-45.375-STONEGUARD
381021	Latch, draw flexible

Stone guard frame

114815-01	Extrusion, frame aluminum
685354	Front window key, 90-degree angle riveted to inside corner of metal frame
685378	¼" rubber spline
685351	Rubber frame, black
290812-01	Plexi-glass, 28" x 84 " sheet
101401	Extrusion, door latch housing
685355	SLIP JOINT S.S.HINGE

CLASSIC TRAILER

DRAPES/BLINDS/VALANCES

Drapes, 34' S/O

- 998056-02 Drape, back trailer, 34 S/O
- 998134-06 Drape, 30" BEDROOM (2-9 PLT), 34' S/O
- 998053-02 DRAPES, DINETTE, 34 S/O
- 998053-03 DRAPES GALLEY TRAILER (2-2PLT), 34 S/O
- 998050-02 Drape, front, 4-16 pleat, 34 S/O
- 998134-07 Drape, lounge, R.S. 30" 2-9 PLT, 34 S/O
- 998135-03 Drape, lounge, C.S. 30" 2-6PLT, 34 S/O

Drapes, 34'

- 998056-01 Drape, rear, 4-16 pleats
- 998134-01 Drape, rear bedroom, side, 2-9 pleats
- 998148-01 Drape, bedroom, 7 pleat panel, 27.50"
- 998053-01 Drape, dinette, 2-8 pleats & 1-5 pleat
- 998050-01 Drape, front, 4-16 pleat
- 998134-02 Drape, lounge, RS, 30", 2-9 pleats
- 998135-01 Drape, lounge, CS, 30", 2-6 pleats

Drapes 31'

- 998101-01 BED-END, C.B.TWIN
- 998101-01 BED-END, C.B.TWIN
- 998134-01 Drape, rear bedroom, side, 2-9 pleats
- 998148-01 Drape, bedroom, 7-pleat panel, 27.50"
- 998053-01 Drape, dinette, 2-8 pleats & 1-5 pleat
- 998050-01 Drape, front, 4-16 pleat
- 998134-05 Drape, lounge, RS, 30" 2-9 pleat
- 998135-01 Drape, lounge, CS, 30", 2-6 pleats
- 998056-01 Drape, rear, 4-16 pleats

CLASSIC TRAILER

DRAPES/BLINDS/VALANCES

Drapes 30' S/O

998056-01	Drape, rear, 4-16 pleats
998134-01	Drape, rear bedroom, side, 2-9 pleats
998148-01	Drape, bedroom, 7-pleat panel, 27.50"
998053-01	Drape, dinette, 2-8 pleats & 1-5 pleat
998050-01	Drape, front, 4-16 pleat
998134-05	Drape, lounge, RS, 30" 2-9 pleat
998135-01	Drape, lounge, CS, 30", 2-6 pleats

Drapes, 30'

998056-01	Drape, rear, 4-16 pleat, 30D
998134-01	Drape, rear bedroom, side, 2-9 pleat 30D
998148-01	Drape, bedroom, 7-pleat panel, 27.50", 25' & 28' 30'
998053	Drape, galley, 2-2pleat
998053-01	Drape, dinette, 2-8 pleats & 1-5 pleat,
998050-01	Drape, front, 4-16 pleat, 30' 28, 25ft.
998134-05	Drape, lounge, RS, 30" 2-9 pleat, 30'
998135-01	Drape, lounge, CS, 30", 2-6 pleat, 30', 28

Drapes, 28'

998050-01	DRAPE FRONT TRL. (4-16PL)
998134-02	DRAPERY, LOUNGE R.S. 30"(2-9 P
998135-01	DRAPERY, LOUNGE C.S. 30"(2-6 P
998148-01	DRAPERY PANEL 7 PLEATS
998148-02	DRAPERY PANEL 5 PLEATS
998053	Drape, galley

Drapes, 25'

998050-01	DRAPE FRONT TRL. (4-16PL)
998051-25	DRAPE LOUNGE RS (2-7P)
998052	DRAPE LOUNGE CS, (2-4P)
998148-01	DRAPERY PANEL 7 PLEATS
998148-02	DRAPERY PANEL 5 PLEATS

CLASSIC TRAILER

DRAPES/BLINDS/VALANCES

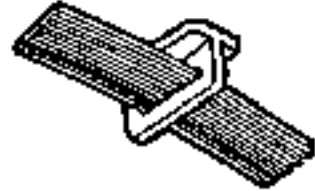
Drapery Track/Brackets



101220
Bracket, curtain
stand off



101217
Track, curtain



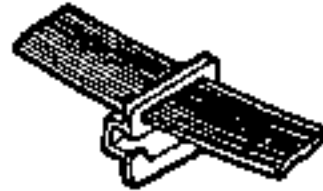
700044
Glides, w/elastic
"T" type



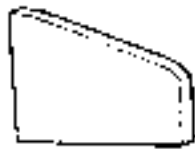
114021
Bracket, curtain
stand off



101225
Bracket, curtain
stand off



700045
Glides, w/elastic
"G" type



200785
End, curtain track, LH



200784
End, curtain track, RH



101005
Bracket, curtain standoff

100096

Extrusion aluminum curtain track

100097

Extrusion aluminum curtain track

100099

Extrusion aluminum curtain track, top track

CLASSIC TRAILER

DRAPES/BLINDS/VALANCES

Valances, 34' S/O

966138-03	VALANCE, 58" LOUNGE
966138-01	VALANCE, 42", LOUNGE
966127-06	VALANCE, 64"GALLEY
966129-04	VALANCE, 69" DINETTE
966130-01	VALANCE, 52"BEDROOM
966128-01	VALANCE, 66" BEDROOM

Valances, 34'

966138-03	VALANCE, 58" LOUNGE
966138-06	VALANCE, 97.63" LOUNGE
966127-03	VALANCE, 37" GALLEY
966129-01	VALANCE, 73" DINETTE
966130-01	VALANCE, 52"BEDROOM
966128-01	VALANCE, 66" BEDROOM
966130-03	VALANCE, 38.5"BEDROOM

Valances, 31'

966129-05	VALANCE ASSY-DIN. 73" 31'W/DINETTE
966138-05	VALANCE ASSY-91"LOUNGE TRL
966127-01	VALANCE ASSY-24" GALLEY TRL
966138-05	VALANCE ASSY-91"LOUNGE TRL
966130-03	VALANCE ASSY-38.5" BEDROOM
966138-01	VALANCE ASSY-LOUNGE 42"
966130-01	VALANCE ASSY-52"BEDROOM
966128-01	VALANCE ASSY-66" BEDROOM, 30'
965679-01	VALANCE ASSY. REAR BEDROOM 66"

CLASSIC TRAILER

DRAPES/BLINDS/VALANCES

Valances, 30' S/O

966138-01	VALANCE ASSY-LOUNGE 42"
966138-09	VALANCE ASSY- 30"LOUNGE
966129-04	VALANCE ASSY-69" DINETTE
966127-01	VALANCE ASSY-24" GALLEY
966128-01	VALANCE ASSY-66" BED
966128-01	VALANCE ASSY-66" BED
966130-01	VALANCE ASSY-52"BEDROOM
966130-03	VALANCE ASSY-38.5"BEDROOM

Valances, 30'

966138-01	VALANCE ASSY-LOUNGE 42"
966138-03	VALANCE ASSY-58" LOUNGE
966127-01	VALANCE ASSY-24" GALLEY
966129-01	VALANCE ASSY-73" DINETTE
966130-01	VALANCE ASSY-52"BEDROOM
966128-01	VALANCE ASSY-66" BEDROOM
966130-03	VALANCE ASSY-38.5"BEDROOM

Valances, 28'

966138-01	VALANCE ASSY-LOUNGE 42"
966138-05	VALANCE ASSY-91"LOUNGE
966127-07	VALANCE ASSY-24"GALLEY
966130-11	VALANCE ASSY-32.38"BEDROOM
966130-09	VALANCE ASSY-29.5"BEDROOM

Valances, 28'

966127-07	VALANCE ASSY-24"GALLEY
966138-01	VALANCE ASSY-LOUNGE 42"
966138-04	VALANCE ASSY-70" LOUNGE
966130-11	VALANCE ASSY-32.38"BEDROOM
966130-09	VALANCE ASSY-29.5"BEDROOM

CLASSIC TRAILER

DRAPES/BLINDS/VALANCES

Shades, Window

703272-02	SHADE PLTD DAY/NIGHT, 17.125" X 33"
703272-07	SHADE PLEATED DAY/ NIGHT 28.875" X 22.5"
703272-08	SHADE PLEATED DAY/NIGHT 28.875" X 33"
703272-10	SHADE PLEATED DAY NIGHT 31" X 33"
703272-16	SHADE PLEATED DAY/ NIGHT 47.5" X 25"
703273-07	SHADE SINGLE PLEATED NIGHT 28.875" X 22.5"
703273-16	SHADE SINGLE PLEATED NIGHT 47.5" X 25"
703273-01	SHADE SINGLE PLT NITE 17.125" X 2"
703191-08	MINI-BLIND, BRUSHED NICKEL, 17.50" X 22.00"
703191-09	MINI-BLIND, BRUSHED NICKEL, 29.00" X 22.00"
703462-02	SHADE, PULL 31.25" X 9.5", VISTA VIEW

CLASSIC TRAILER

ELECTRICAL, 110 VOLT

Power Cord, 30 Amp, Underbelly Storage

510634 POWER CORD 36 FT, 120 VOLT
510634-01 POWER CORD-36' CSA

Power Cord, 50 Amp

511149-02 POWER INLET W/STRAIN RELIEF 50
511149-03 POWER CORD 50 AMP 36 FT.

Breaker Box

511336 Breaker box, Square D, 30amp
510662 Breaker, 20 amp, double, Square D 2020
510663 Breaker, 30amp, Square D, 0130
510661 Breaker, 20 amp. Square D GFI
510666 Breaker, 15/20 amps double

Breaker Box, 30 Amp, CSA

511336 BREAKER BOX SQ.D Q03-5FM30TTS
510663 BREAKER, 30 AMP QO130
510664 BREAKER, SQUARE D #QO115GFI,15
510717 BREAKER, SQUARE "D", QOT1515
510666 BREAKER 15/20 AMP QOT1520

Breaker Box, 50 Amp

510723 BREAKER BOX, SQUARE "D", Q06-12L10
510662 Breaker, 20 amp, double, Square D 2020
510661 Breaker, 20 amp. Square D GFI
510666 Breaker, 15/20 amps double
510724 Breaker, double pole, 50 amps
510678 BREAKER, SQUARE D QO120

CLASSIC TRAILER

ELECTRICAL, 110 VOLT

Interior Receptacle/ Switches

500563-01	Receptacle, 15-amp, T & B type
500903	Duplex receptacle, ivory
511451-02	RECEPTACLE 20A SINGLE BROWN XL
500913-03	SWITCH, T & B WHITE
510514	Switch, priority, microwave to water heater (CSA)

Exterior 110 Volt Outlet

500169	Housing, weatherproof receptacle
510122	Cover plate, weatherproof receptacle
510315	SWITCH AND RECEPTACLE BOX
500945	ADAPTER, SWITCH BOX
500903	DUPLEX RECEPTACLE, IVORY UL
510676-01	Outlet, exterior, gray

Power Cord, Exterior Hook Up

511416-02	POWER INLET, 30A, 125V, MALE
511416-03	POWER CORD 30A, 30' W/CONN UL/C

CLASSIC TRAILER

ELECTRICAL, 110 VOLT

Converter

511426 Converter, electronic, 55 amp
511023 Tester, circuit analyzer (loose item)
511287 RECEPTACLE SINGLE 15 AMP

Generator Prep Components

510562 SWITCH, GENERATOR SWITCH OVER AUTO TS
511416-02 POWER INLET, 30A, 125V, MALE - GR
385062 DECAL 110-125 VOLTAGE AC

CSA Components

510634-01 POWER SUPPLY CORD-36' CSA
510888-02 RECEPTACLE W/COVER, GFI, BROWN
510888-04 SPACER, GFI RECEPTACLE, BROWN
511330 BOX, SWITCH 3"X2"X3.5" CSA
500563-01 RECEPTACLE, 15A 125V T&B TYPE
510888-07 RECEPTACLE COVER WHITE
500913-03 SWITCH, T & B WHITE

CLASSIC TRAILER

ELECTRICAL, 12 VOLT

Battery

511132 Battery, deep cycle, lead acid
500836 POSITIVE BATTERY CABLE
500837 NEGATIVE BATTERY CABLE

7-way Cable

500886 7-Way cable w/plug
511411 Junction box, 7-way cable

Break Away Switch

0300027 Break away switch, Bargman
400407 BREAK-AWAY SWITCH BRACKET

Converter/Breakers

511426 Converter, electronic, 55 amps
510655 Breaker panel, 12 volt
510947-20 BREAKER, 12V DC, TYPE II

Battery Disconnect Switch

510626 Switch, master disconnect
510627 Face plate, disconnect switch

Monitor Panel

511788-03 MONITOR PANEL-ALL CLASSIC'S
511252 PLUG PHONE 4 CONDUCTOR
511789 SENSOR-TANK MONITOR #500-10050
511393 COUPLER-MODULAR EXTENSION 4 CONDUCTOR
511286-01 TELEPHONE WIRE, BLACK
511286-02 TELEPHONE WIRE, IVORY

CLASSIC TRAILER

ELECTRICAL, 12 VOLT

12-Volt Outlet

- 510807 Outlet, 12 volt, INTERIOR
- 511121 Mounting plate, 12 volt receptacle

Solar Charging System

- 511845 BATTERY-12V DEEP CYC.GP.27 GLASS MATT
- 511142-01 PANEL-SOLAR 53 WATT
- 511142-02 BRACKET-MOUNTING KIT SOLAR PANEL
- 510696 HOLDER, FUSE, IN-LINE
- 510328 AGC 10 FUSE-FUSE PANEL
- 385947 LABEL 10 AMP FUSE MAX.
- 511846 KIT-CHARGE CONTROLLER DISPLAY
- 511851 CABLE- CAT 5E BLUE

Switches/Covers

- 502056 MOUNTING PLATE-SWITCH 12 VOLT
- 510868-03 Switch panel, 4-gang, white
- 381541-05 Switch, bath ceiling vent
- 511327 Switch body w/rocker, 1 gang, white
- 511328 Cover switch, one gang white
- 511566-01 Cover, switch, 2 gang
- 511567-01 Switch body w/switches, 2-gang, black
- 511771 Switch assembly, two-gang white
- 511474-02 Dimmer switch, black
- 500967-03 COVER-WHITE BLANK
- 511531 Switch, slide out, travel lock
- 510658 Switch w/weather proof boot

CLASSIC TRAILER

ELECTRICAL, 12 VOLT

Interior Lights/Bulbs

511248	Light, incandescent, single
511249	Light, incandescent, double
50085-02	Bulb, incandescent, #1141
511802	Light, sidewall, bedroom, combo, fabric shade
511802-01	Light, Bedroom Wall, Brass/Nickel
511802-02	Light shade, sidewall, bedroom
511800	Light, dinette 3-bulb, combo
500956	Light, wardrobe, w/switch
681924	Bulb, wardrobe light #581
511410	Light, shower, incandescent
50085-02	Bulb, incandescent, #1141
511297	Light, halogen, reading w/switch
511694-01	Light, halogen, reading w/switch, Nickel/Brass
511137-100	Bulb, wedge base, JC-10
511694-01	READING LIGHT-HALOGEN, NICKEL/BRASS
511849	LIGHT-FLUOR. SURFACE MT. #98 P
511850	Light fluorescent, surface mount
511848	Light fluorescent, 13" recessed
510644	Light, walkway, half shade
511857	LIGHT-WALL COMBO W/GLOBE

CLASSIC TRAILER

ELECTRICAL, 12 VOLT

Electrical center box, under sofa

965419	12 V ELECTRICAL BOX ASSY.
380988	HINGE, CONTINUOUS .5IN LEAF 16
381228-01	CATCH GRABBER DOOR

TV Jack

510654	Jack, TV w/12 volt outlet
510614-01	JACK TV 12V WHITE, interior
511534	Dual, coax, cable plate, white

Fuse Block, CSA

964082	FUSE BLOCK ASSY. 12V CSA
452412-01	BRACKET FUSE BLOCK 12V CSA
511016	BLOCK FUSE 12V 9 POSISTION ATC
511313	FLOCK FUSE ATC 12V 6 POSITION
511345	FUSE 30A AGU GLASS TUBE BUSS
510655-01	Panel Door, CSA

CLASSIC TRAILER

ELECTRICAL, 12 VOLT

Tail Lights

114346-01	Bezel, tail light casting, RS
114346-02	Bezel, tail light casting, CS
201929-01	Close out, tail light, RS
201929-02	Close out, tail light, CS
511003-02	Light, red stop, tail and turn
511003-03	Light, red w/clear center (back-up)

Exterior Lights

510732-02	Porch light, CSA
500092	Flood light
511751	Red teardrop lights
511750	Amber teardrop lights.
511294	Light, license plate

Reflectors

500095	Reflector, red, rectangular
500096	Reflector, amber, rectangular
510446	REFLECTOR,RED,STICK-ON -AIR TR

CLASSIC TRAILER

ENTERTAINMENT

Radio/Antenna

511732	AM/FM/CD CDX-CA710X
511761	SPEAKER 120W 6.5" WHITE SONY
511807	ANTENNA-AM/FM RUBBER 14" #RV71

Television Antenna

510788-01	Antenna, TV, Winegard
114396	Antenna, TV trough, roof
510788-03	Amplifier, antenna, Winegard
510788-04	Hardware, interior, Winegard
510788-107	Gear, elevating, plastic, Winegard
510788-118	Handle, directional, Winegard
510788-125	Handle, directional kit, Winegard
500484-04	ANTENNA LEAD & EXTENSION 48"
510616	Connector, "F", coax
510623	Connector, male-to-male, coax

Exterior TV/Phone Jack

511375	Telephone jack, exterior
104619	Mounting plate, exterior telephone/TV jack
511817	COUPLER ASSY-IN LINE PHONE JACK
452981	PHONE JACK PROTECTIVE PLATE

CLASSIC TRAILER

ENTERTAINMENT

Interior TV/Phone Jack

510614-01 Jack, TV, 12-volt, white
114975 Bracket, TV support, 34' S/O trailer
511375 Telephone jack, exterior

External Speakers

511861 Speakers, Outdoors, pair
511872 Pigtail, Audio, Outdoors

Satellite Radio

511866-01 Satellite, RADIO RECEIVER SYS.SIRUS
511866-02 Satellite. RADIO KIT, DOCKING SIGNAL
511870 KIT-INFRARED REPEATER
511866-03 BRKT-DOCKING STA.RECEIVER MTG
511866-04 PLANE-ANTENNA GROUND
511862 SWITCH, SOURCE SELECTOR
511926 Auxiliary audio switcher

Audio Upgrade Package

511191 CD CHANGER-10 DISK SONY CDX-75
511835 PATCH CORD 30' 3-WAY MALE TO MALE
203465 SPACER-SPEAKER PLASTIC 6.50" S
511863 SWITCH-A/B SPEAKER-RADIO #AP-S
511856 WIRING KIT- 4 WAY FLAT EXT.SPE
511863-01 MODULE-SPEAKER CONTROL #AT-RLM
511822 SUB WOOFER-POWERED 6.5" WEDGE
511863-02 A/B Selector Switch Kit
511926 Auxiliary audio switcher

CLASSIC TRAILER

ENTERTAINMENT

Audio/Video Upgrade

511839	RADIO AM/FM/CD/DVD KD-DV5000-2
690490	TV, 15" LCD, FLAT SCREEN, SHARP
511720	SPEAKER-6.5" BLACK, JVC #CSX-V620
511622	CD CHANGER RF 12 DISK JVC
511835	PATCH CORD 30' 3-WAY MALE TO M
454230	BRACKET - TV MOUNT - WALL
511774	BRACKET-ARTICULATING ARM FLAT
350147-25	NUT, NYLON LOCK, 1/4-20
300111-25	WASHER, FLAT 1/4 INCH
385587	CAP-HOOD BUMPER #4603
345425-03	SCREW-4MM PAN HD 10 BLACK
703455	STRAP 20" FLAT SCREEN TV
195345-01	1 1/2" BROWN NYLON WEBBING
703456	VELCRO, LOOP BLACK 1.5"
703456-01	VELCRO, HOOK BLACK 1.5"
381566	LOOP FOOTMAN STEEL 1.625"X .56
690490	TV-15"LCD FLAT LC15EIU SHARP
511834	PATCH CORD 30' DUAL MALE TO MALE
511856	WIRING KIT- 4 WAY FLAT EXT.SPE
511703	CORD-PATCH MALE/MALE 2-WAY 20'
511863	SWITCH-A/B SPEAKER-RADIO #AP-S
511863-01	MODULE-SPEAKER CONTROL #AT-RLM
511822	SUB WOOFER-POWERED 6.5" WEDGE
511863-02	A/B Selector Switch Kit
966336	TV mounting Spacer

CLASSIC TRAILER

FLOOR COVERING

Carpet, Flooring/Floor Mats/ Linoleum

703466-01	Carpet, TAPIOCA
700173-01	Pad, carpet, ½" thick
702549	Matt, entrance, w/Airstream logo
381183-01	EDGING, CARPET RIPPLE ALUM 12'
703362	LINOLEUM, OPTIMATIONS #91095
801291-03	WOOD TRIM CAPISTO SAND, Flooring
701538	Carpet, Velour-compartment liner
702979	Flooring, vinyl, Banker Gray, roll out tray

CLASSIC TRAILER

FURNITURE

Doors, Cabinet, Raised Panel, Hickory

Width x height (inches)

800597-013	Raised panel door	0.50 X 22.00
800597-023	Raised panel door	14.00 x 20.00
800597-053	Raised panel door	14.75 x 29.75
800597-073	Raised panel door	12.25 x 21.00
800597-083	Raised panel door	16.00 X 29.50
800597-093	Raised panel door	11.00 X 29.75
800597-103	Raised panel door	12.25 X 34.00
800597-123	Raised panel door	10.50 x 26.25
800597-153	Raised panel door	13.00 x 25.75
800597-193	Raised panel door	12.25 X 31.00
800597-273	Raised panel door	11.50 x 25.00
800597-413	Raised panel door	10.50 x 32.00
800597-443	Raised panel door	13.75 X 29.75
800597-473	Raised panel door	10.50 X 37.75
800597-493	Raised panel door	15.50 x 13.00
800597-503	Raised panel door	12.00 x 29.50
800597-513	Raised panel door	15.75 x 23.00
800597-563	Raised panel door	7.75 X 17.50
800597-743	Raised panel door	10.25 X 29.50

CLASSIC TRAILER

FURNITURE

Doors, Cabinet, Raised Panel, Natural Oak

		Width x height (inches)
800597-016	Raised panel door	10.50 x 22.00
800597-026	Raised panel door	14.00 x 20.00
800597-056	Raised panel door	14.75 x 29.75
800597-076	Raised panel door	12.25 x 21.00
800597-086	Raised panel door	16.00 x 29.50
800597-096	Raised panel door	11.00 x 29.75
800597-106	Raised panel door	12.25 x 34.00
800597-126	Raised panel door	10.50 x 26.25
800597-156	Raised panel door	13.00 x 25.75
800597-196	Raised panel door	12.25 X 31.00
800597-276	Raised panel door	11.50 x 25.00
800597-416	Raised panel door	10.50 x 32.00
800597-446	Raised panel door	13.75 x 29.75
800597-476	Raised panel door	10.50 X 37.75
800597-496	Raised panel door	15.50 x 13.00
800597-506	Raised panel door	12.00 x 29.50
800597-516	Raised panel door	15.75 x 23.00
800597-566	Raised panel door	07.75 x 17.50
800597-746	Raised panel door	10.25 x 29.50

CLASSIC TRAILER

FURNITURE

Doors, Cabinet, Mirror Frames, Natural Oak

width x height inches

800557-036	Door frame	14.50 x 25.00
800557-046	Door frame	15.00 x 14.50
800557-106	Door frame	22.00 x 60.00
800557-116	Door frame	16.00 x 60.00
800557-156	Door frame	19.00 x 60.00
800557-176	Door frame	12.25 x 34.00
800557-206	Door frame	9.88 X 33.62
800557-236	Door frame	10.50 x 32.50

Doors, Cabinet, Mirror Frames, Hickory

width x height inches

800557-033	Door frame	14.50 x 25.00
800557-043	Door frame	15.00 x 14.50
800557-103	Door frame	22.00 x 60.00
800557-113	Door frame	16.00 x 60.00
800557-153	Door frame	19.00 x 60.00
800557-173	Door frame	12.25 x 34.00
800557-203	Door frame	9.88 X 33.62
800557-233	Door frame	10.50 x 32.50

CLASSIC TRAILER

FURNITURE

Mirrors

		width x height	inches
371262-04	Mirror, safety glass	19.12 x 28.12	
371262-05	Mirror, safety glass	13.13 x 28.13	
371262-10	Mirror, safety glass	16.12 x 28.12	
371262-13	Mirror, safety glass	9.38 x 31.12	
371262-16	Mirror, safety glass	7.00 X 30.75	
371262-43	Mirror, safety glass	11.50 x 12.75	
371262-44	Mirror, safety glass	6.50 x 12.75	
371262-69	Mirror, safety glass	13.50 x 16.50	
372210-10	Mirror, beveled edges	11.00 x 29.00	
372210-11	Mirror, beveled edges	7.75 x 19.50	
372210-18	Mirror, beveled edges	9.00 x 28.50	
372210-19	Mirror, beveled edges	8.00 x 41.50	
372210-24	Mirror, beveled edges	11.62 X 22.12	
372210-25	Mirror, beveled edges	12.12 X 11.62	
372203-04	Mirror, polished edges	36.00 X 14.00	
372203-17	Mirror, safety, polished edges	14.0 x 33.13	
380024	SUPPORT FRICTION SLIDE, LEFT HAND		
372213	Trim, mirror, bright chrome		
365239	Foam pad, non-skid, 1/16" x 1/4" x 1" (Used between mirror and door frame)		

CLASSIC TRAILER

FURNITURE

Doors, Sliding

986265 Sliding bath door assembly, 34ft.
966121 Slider door assembly, 29" x 72", 34', 31'
966120 Door, slider, 27" x 73", 30', 30' S/O, 34 S/O
962066 Door, slider, aft, 28 &, 30' S/O
200009 SLIDING DOOR GUIDE
381443-01 SLIDING DOOR SET #71-222-5'
381443-03 ANGLE STOP #1018

Door, Shower, 34' S/O, 34', 31', 30' S/O, 28'

702306-02 Shower door gold, 26" opening
381403 Latch, travel, Shower Door
381100 SLIDING DOOR GUIDE

Doors, Shower, 25'

702937-03 Shower door roll away, 62" x 36", 25 ft trailer
381100 Sliding door guide, shower door
381403 Latch, travel, Shower Door

Door, Foldette, 34' S/O, 34', 31'

702681-01 Door, foldette, 36" x 73", beige
381563-01 Track, foldette door

Door, Foldette, 25'

452258 BRACKET, MTG. FOLDETTTE DOOR
702681-03 DOOR FOLDETTTE, 46" X 73" BEIGE
701342-01 STRAP, VINYL, HOLD-BACK, 7.0" LONG
381563-01 TRACK FORMED FOLDETTTE DOOR STR

CLASSIC TRAILER

FURNITURE

Drawer Face, Natural Oak

width x height inches

800599-016	Drawer face	7.00 x 10.50
800599-026	Drawer face	7.00 x 11.75
800599-076	Drawer face	4.50 x 14.00
800599-126	Drawer face	9.00 x 47.00
800599-216	Drawer face	7.00 x 23.00
800599-226	Drawer face	7.00 x 14.00
800599-236	Drawer face	8.00 x 21.50
800599-256	Drawer face	9.00 x 15.00
800599-386	Drawer face	7.00 x 21.50
800599-406	Drawer face	7.00 x 10.25
800599-446	Drawer face	10.25 x 13.50
800599-466	Drawer face	8.00 X 17.25
800599-566	Drawer face	7.00 x 16.00
800599-576	Drawer face	17.25 x 13.00
800599-586	Drawer face	4.75 x 21.50
800599-596	Drawer face	9.75 x 12.00
800599-656	Drawer face	8.00 x 10.50
800599-736	Drawer face	8.50 x 25.00
800599-746	Drawer face	12.00 x 13.50
800599-756	Drawer face	8.00 x 13.50

CLASSIC TRAILER

FURNITURE

Drawer Face, Hickory

width x height inches

800599-013	Drawer face	7.00 x 10.50
800599-023	Drawer face	7.00 x 11.75
800599-073	Drawer face	4.50 x 14.00
800599-123	Drawer face	9.00 x 47.00
800599-213	Drawer face	7.00 x 23.00
800599-223	Drawer face	7.00 x 14.00
800599-233	Drawer face	8.00 x 21.50
800599-253	Drawer face	9.00 x 15.00
800599-383	Drawer face	7.00 x 21.50
800599-403	Drawer face	7.00 x 10.25
800599-443	Drawer face	10.25 x 13.50
800599-463	Drawer face	8.00 X 17.25
800599-563	Drawer face	7.00 x 16.00
800599-573	Drawer face	17.25 x 13.00
800599-583	Drawer face	4.75 x 21.50
800599-593	Drawer face	9.75 x 12.00
800599-653	Drawer face	8.00 x 10.50
800599-733	Drawer face	8.50 x 25.00
800599-743	Drawer face	12.00 x 13.50
800599-753	Drawer face	8.00 x 13.50

CLASSIC TRAILER

FURNITURE

Drawer Boxes

Height x width x length (inches)

964906-02	Drawer box	2.75 x 19.50 x 18.00
964906-04	Drawer box	14.00 X 8.00 X 2.75
964906-06	Drawer box	2.75 x 12.00 x 18.00
964906-09	Drawer box	2.75 x 8.75 x 18.00
964906-10	Drawer box	2.75 x 12.25 x 14.00
964910-01	Drawer box	5.00 x 20.88 x 18.00
964910-02	Drawer box	5.00 x 10.00 x 18.00
964910-03	Drawer box	5.00 x 19.50 x 18.00
964910-05	Drawer box	8.50 X 18.00 X 5.00
964910-08	Drawer box	5.00 x 13.25 x 14.00
964910-13	Drawer box	5.00 x 14.00 x 19.69
964910-14	Drawer box	5.00 x 13.75 x 13.00
964910-18	Drawer box	17.00 X 14.00 X 5.00
964910-19	Drawer box	5.00 x 11.50 x 14.00
964910-22	Drawer Box	20 00 x 18.00
964907-02	Drawer box	8.50 x 18.00 x 6.00
964907-13	Drawer box	15.00 X 18.00 X 6.00
964908-01	Drawer box	8.00 x 17.50 x 26.00

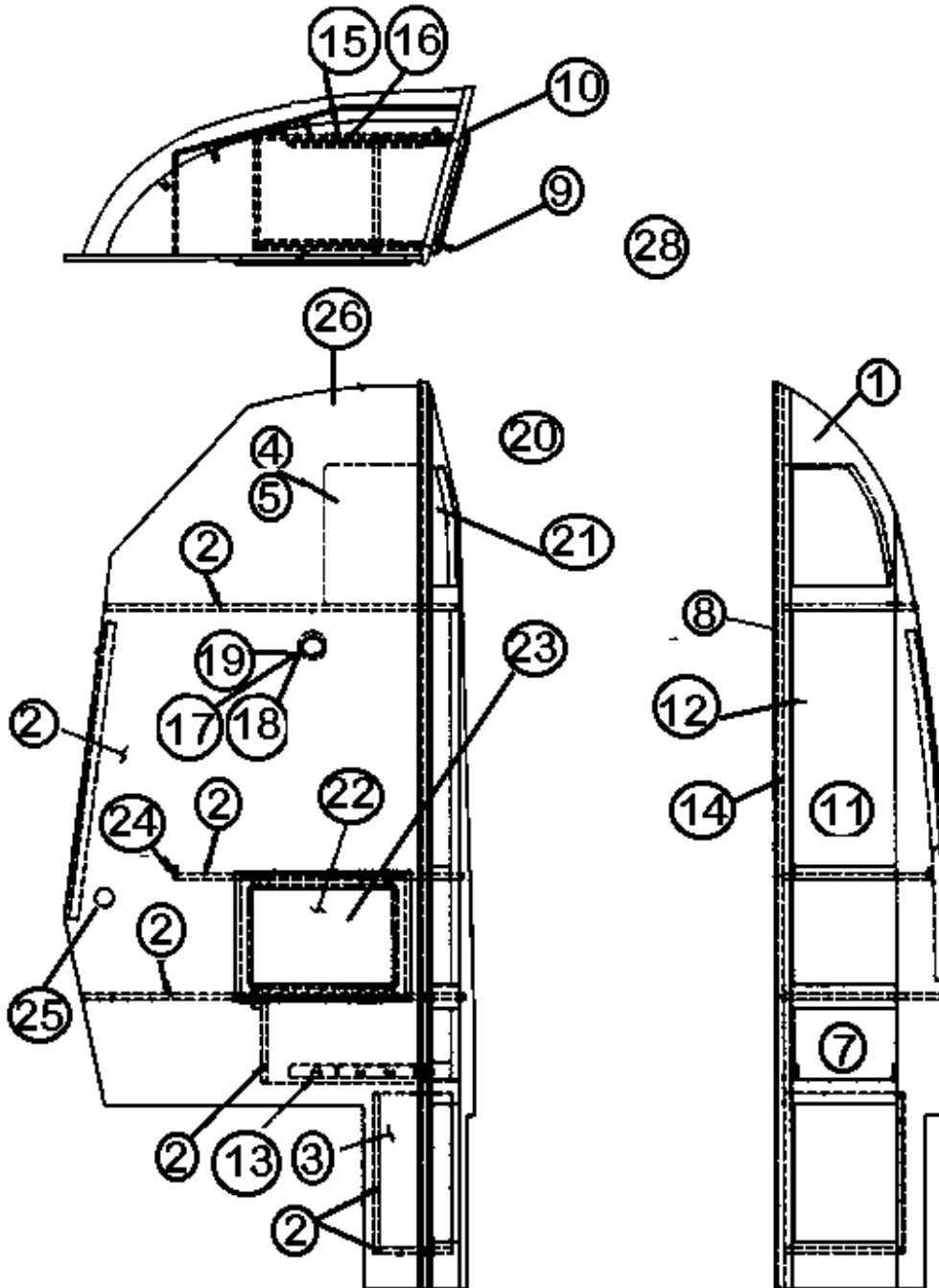
Drawer Boxes, Bed/Pantry

963338-01	Drawer box, angled, RS rear wardrobe, dbl. bed
963338-02	Drawer box, angled, CS rear wardrobe, dbl. bed
963749	Drawer box assembly, Bed
961759	DRAWER BOX ASSY. "J"
961763	Drawer box assembly, "B" rear bed, 28ft
986777-01	Drawer box, pantry, 25ft.
201016	Drawer, plastic, 16" x 22"

CLASSIC TRAILER

FURNITURE, BEDROOM

Wardrobe Assembly, RS, 34' S/O, 34', 31', 30'



P/N Next Page

CLASSIC TRAILER

FURNITURE, BEDROOM

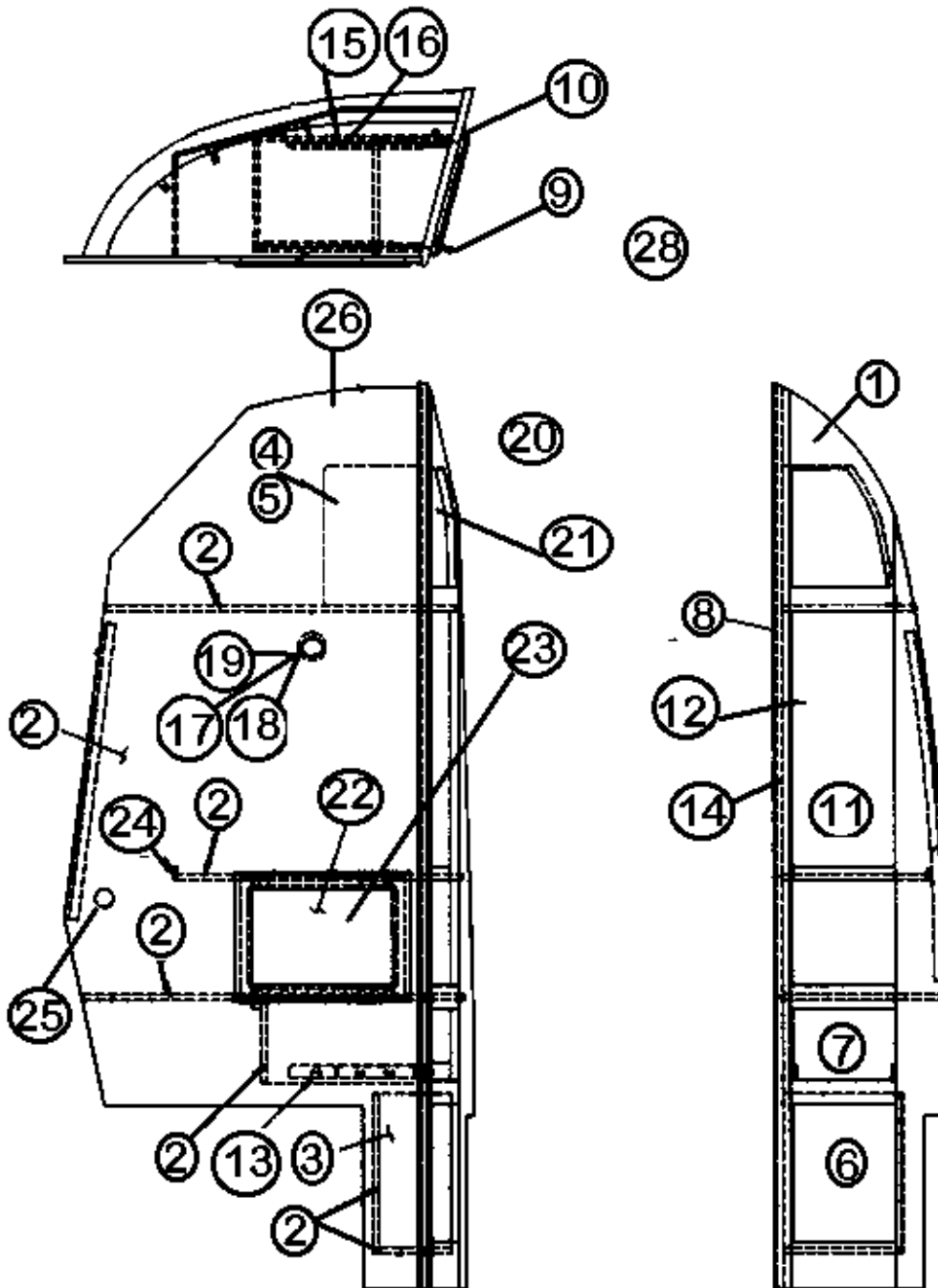
Wardrobe Assembly, RS, 34' S/O, 34', 31', 30'

963340-11	Wardrobe Assembly, RS
1. 962207-016	FACE FRAME AFT RS W/R, "W", Oak
1. 962207-013	FACE FRAME AFT RS W/R, "W", Hickory
2. 801180-006	PANEL 1/2" G2S, Oak
2. 801258-003	PANEL 1/2" G2S, Hickory
3. 801181-006	PANEL 5/32"G1S, Oak
3. 801260-003	PANEL 5/32"G1S, Hickory
4. 800599-016	DRAWER FACE- 7.00 X 10.50, Oak
4. 800599-013	DRAWER FACE- 7.00 X 10.50, Hickory
5. 201959-01	PAN TOP SHELF WRD RH BLACK ABS
6.	
7.	
8. 800557-236	DOOR FRAME 10.50 X 32.50, Oak
8. 800557-233	DOOR FRAME 10.50 X 32.50, Hickory
9. 381835	HANDLE-CHROME/BRASS
10. 381836	HINGE-BRITE BRASS
11. 372210-10	MIRROR- BEVELED- 7.62 X 29.62
12. 381754	MIRROR CLIP R2
13. 381526-01	DRW SLIDE-950-RV 14"
14. 381228-01	GRABBER DOOR CATCH
15. 963338-01	DRAWER BOX ASSY ANGLED RH
16. 963338-02	DRAWER BOX ASSY ANGLED LH
17. 380045	TUBING 3/4IN METALLIC
18. 380046	FLANGE CHROME
19. 200975-04	CONDUIT, FLEXIBLE BLACK PLASTIC
20. 500956	LIGHT, WARDROBE, W/SWITCH
21. 963187-016	FRAME-W/R SHELF W/NOTCH
21. 964869-013	FRAME CONTROL PANEL, HICKORY
22. 801181-006	PANEL 5/32" G1S, Oak
22. 801260-003	PANEL 5/32"G1S, Hickory
23. 381754	MIRROR CLIP R2
24. 800573-016	MOLDING DOOR 1-3/32" X 80", Oak
24. 800573-013	MOLDING DOOR 1-3/32" X 80", Hickory
25. 381209	GROMMET & CAP
26. 365239	FOAM, NON-SKID PAD 1/4 X 1 X 1/16"

CLASSIC TRAILER

FURNITURE

Wardrobe Assembly, CS, 34' S/O, 34', 31', 30' S/O



P/N Next Page

CLASSIC TRAILER

FURNITURE, BEDROOM

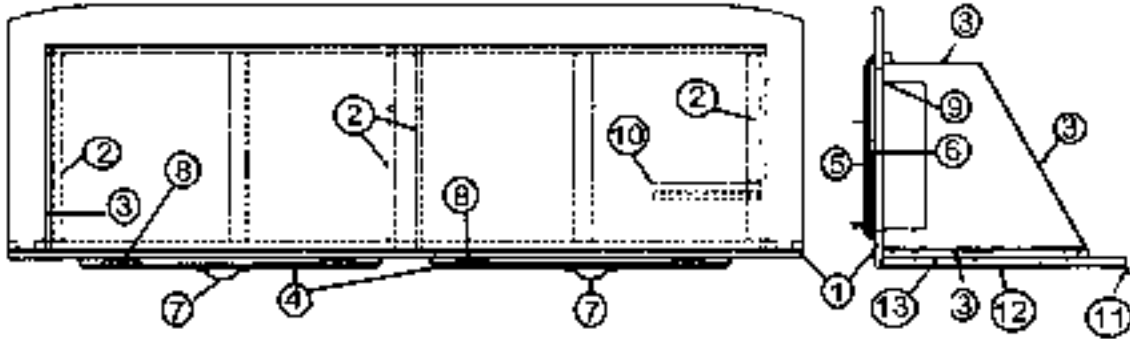
Wardrobe Assembly, CS, 34' S/O, 34', 31', 30' S/O

963340-12	Wardrobe Assembly, CS
1. 962208-016	FACE FRAME AFT CS W/R, "W", Oak
1. 962208-013	FACE FRAME AFT CS W/R, "W", Hickory
2. 801180-006	PANEL 1/2" G2S, Oak
2. 801258-003	PANEL 1/2" G2S, Hickory
3. 801181-006	PANEL 5/32"G12, Oak
3. 801260-003	PANEL 5/32"G1S, Hickory
4. 800599-016	DRAWER FACE- 7.00 X 10.50, Oak
4. 800599-016	DRAWER FACE- 7.00 X 10.50, Oak
5. 201959-02	PAN TOP SHELF WRD LH BLACK ABS
6.	
7.	
8. 800557-236	DOOR FRAME 10.50 X 32.50, Oak
8. 800557-233	DOOR FRAME 10.50 X 32.50, Hickory
9. 381835	HANDLE-CHROME/BRASS
10. 381836	HINGE-BRITE BRASS
11. 372210-10	MIRROR- BEVELED- 7.62 X 29.62
12. 381754	MIRROR CLIP R2
13. 381526-01	DRW SLIDE-950-RV 14"
14. 381228-01	GRABBER DOOR CATCH
15. 963338-01	DRAWER BOX ASSY ANGLED RH
16. 963338-02	DRAWER BOX ASSY ANGLED LH
17. 380045	TUBING 3/4IN METALLIC
18. 380046	FLANGE CHROME
19. 200975-04	CONDUIT, FLEXIBLE BLACK PLASTIC
20. 500956	LIGHT, WARDROBE, W/SWITCH
21. 964869-016	FRAME CONTROL PANEL, OAK
21. 964869-013	FRAME CONTROL PANEL, HICKORY
22. 801181-006	PANEL 5/32" G1S, Oak
22. 801260-003	PANEL 5/32"G1S, Hickory
23. 381754	MIRROR CLIP R2
24. 800573-016	MOLDING DOOR 1-3/32" X 80", Oak
24. 800573-013	MOLDING DOOR 1-3/32" X 80", Hickory
25. 381209	GROMMET & CAP (BELOW COUNTER PLUG)
26. 365239	FOAM, NON-SKID PAD 1/4 X 1 X 1/16"

CLASSIC TRAILER

FURNITURE, BEDROOM

Roof Locker, Double Bedroom, 34' S/O, 34', 31', 30', S/O, 30'



- | | |
|---------------|------------------------------------|
| 963337-07 | Rear Locker Assembly "W" |
| 1. 963336-016 | FACE FRAME REAR LINER, OAK |
| 1. 963336-013 | FACE FRAME REAR LINER, HICKORY |
| 2. 801180-006 | PANEL 1/2" G2S, OAK |
| 2. 801258-003 | PANEL 1/2" G2S, HICKORY |
| 3. 801181-006 | PANEL 5/32"G1S, OAK |
| 3. 801260-003 | PANEL 5/32"G1S, Hickory |
| 4. 800557-036 | DOOR FRAME 14.5 X 25", OAK |
| 4. 800557-033 | DOOR FRAME 14.5 X 25", HICKORY |
| 5. 372210-24 | GLASS BEVELED SAFETY 11.62 X 22.12 |
| 6. 381754 | MIRROR CLIP |
| 7. 381835 | HANDLE-CHROME/BRASS |
| 8. 381836 | HINGE-BRITE BRASS |
| 9. 381147 | DOOR SUPPORT - SPRING LOADED |
| 10. 962217 | FUSE PANEL CLOSE OUT "W" |
| 11. 104829 | SUPPORT ROOFLOCKER GALLEY |
| 12. 702482-03 | HEADLINER OPAL X TEXTURED |
| 13. 801505 | PANEL, SAND/RAW .125" X 4' X 8' |
| 962217 | FUSE PANEL CLOSE OUT "W" |

CLASSIC TRAILER

FURNITURE, BEDROOM

Bed, Double, "J", 34' S/O, 34', 31', 30' S/O, 30'

963747	Bed Assembly, "J"
1. 801180-006	PANEL ½" G2S, Oak
1. 801258-003	PANEL ½" G2S, Hickory
2. 800507-03	LAUAN, 3/8" X 4' X 8'
3. 850082	POPLAR .75" X 2.00"
4. 365265-01	EDGEBANDING-5/8", NORTHERN OAK
5. 963749	DRAWER BOX
6. 961759	DRAWER BOX
7. 381576	PULL HANDLE BRASS
8. 381228-01	CATCH GRABBER DOOR
9. 381400	SLIDE DRAWER 14" PAIR
10. 381400-01	SLIDE DRAWER 12" PAIR
11. 800573-016	MOLDING DOOR 1-3/32" X 80", Oak
11. 800573-013	MOLDING DOOR 1-3/32" X 80", Hickory
12. 80203-01	PIANO HINGE 1/8"
12. 381067-09	SPRING-GAS 90 LBS
13a. 381085	CLIP, RETAINING
13b. 381262	BRACKET, PROP, W/BALL, ANGLE
13c. 381310	GAS PROP BRACKET ASSY-UPPER
13d. 381084	BALL, STUD
14. 701538	CARPET, VELOUR BLACK 48"
15. 114690	ANGLE BED CORNER
965605-01	HEADBOARD ASSY. 2-TONE

CLASSIC TRAILER

FURNITURE, BEDROOM

Wardrobe, Close Out "W", 34' S/O



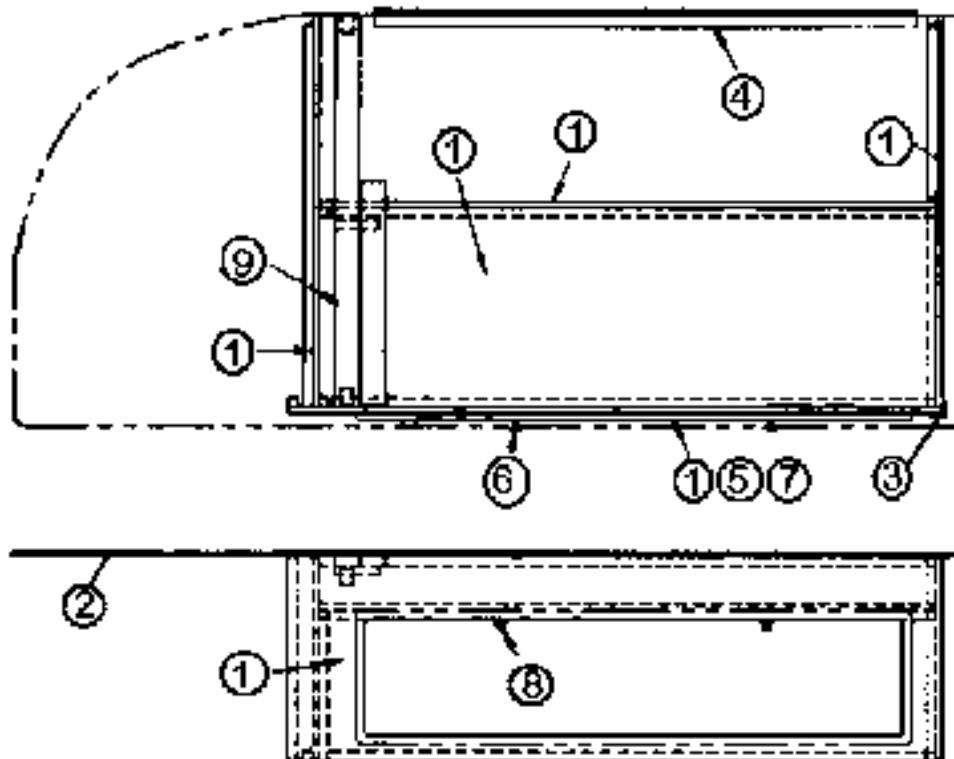
964259

Close Out "W" Wardrobe

CLASSIC TRAILER

FURNITURE, BEDROOM

Twin Bed, CS 34' S/O, 34', 31', 30' S/O, 30'

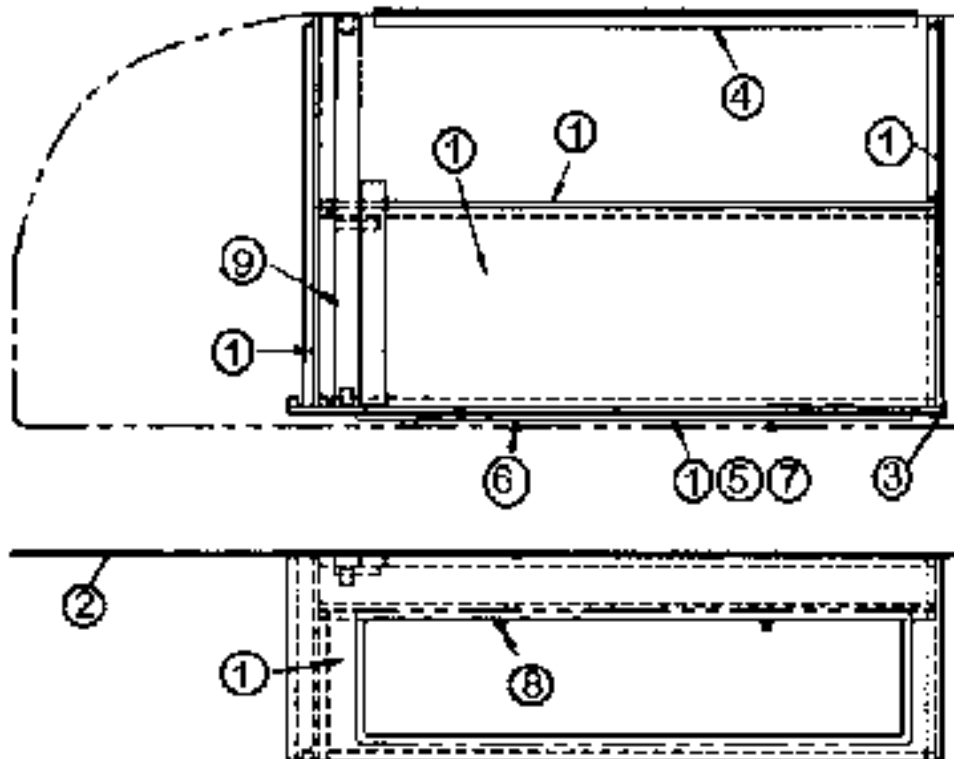


- | | |
|---------------|---------------------------------|
| 962227-09 | Twin Bed, CS |
| 1. 801180-006 | Panel, 1/2" G1S, Oak |
| 1. 801260-003 | Panel, 1/2" G1S, Hickory |
| 2. 800507-03 | Luan, 3/8" |
| 3. 800575-016 | Molding, corner, Oak |
| 3. 800575-013 | Molding, corner, Hickory |
| 4. 380203-01 | PIANO HINGE 1/8" PIN CLR |
| 5. 381836 | HINGE-BRITE BRASS |
| 6. 381835 | PULL HANDLE BRASS |
| 7. 365265-01 | EDGEBANDING-5/8", NORTHERN OAK |
| 7. 365250-003 | EDGEBANDING-5/8", Hickory |
| 8. 381228-01 | CATCH GRABBER DOOR |
| 9. 114813 | ALUM. ANGLE 1.00 X 1.50 |
| 998101-01 | BED-END,C.B.TWIN,FABRIC COVERED |

CLASSIC TRAILER

FURNITURE, BEDROOM

Twin Bed, RS 34' S/O, 34', 31', 30' S/O, 30'

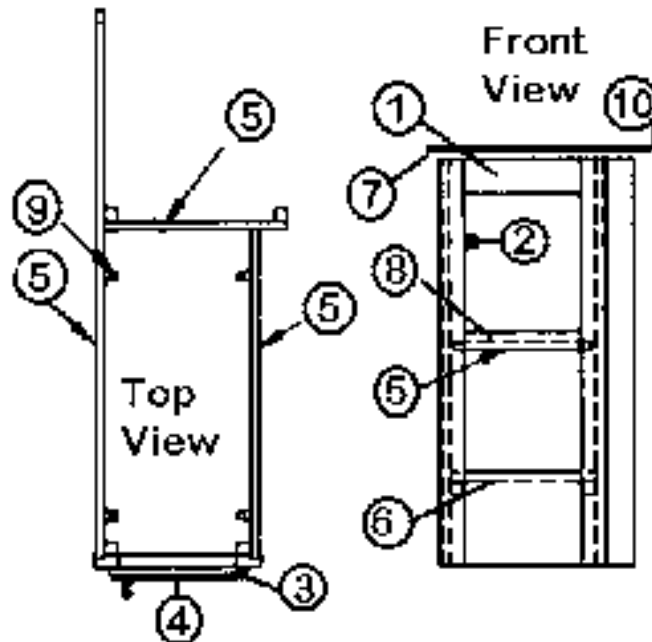


- | | |
|---------------|---------------------------------|
| 962227-10 | Twin Bed, RS |
| 1. 801180-006 | Panel, 1/2" G1S, Oak |
| 1. 801260-003 | Panel, 1/2" G1S, Hickory |
| 2. 800507-03 | Luan, 3/8" |
| 3. 800575-016 | Molding, corner, Oak |
| 3. 800575-013 | Molding, corner, Hickory |
| 4. 380203-01 | PIANO HINGE 1/8" PIN CLR |
| 5. 381836 | HINGE-BRITE BRASS |
| 6. 381835 | PULL HANDLE BRASS |
| 7. 365265-01 | EDGEBANDING-5/8", NORTHERN OAK |
| 7. 365250-003 | EDGEBANDING-5/8", Hickory |
| 8. 381228-01 | CATCH GRABBER DOOR |
| 9. 114813 | ALUM. ANGLE 1.00 X 1.50 |
| 998101-01 | BED-END,C.B.TWIN,FABRIC COVERED |

CLASSIC TRAILER

FURNITURE, BEDROOM

Nightstand RS, Twin Bedroom, 34' S/O, 34'

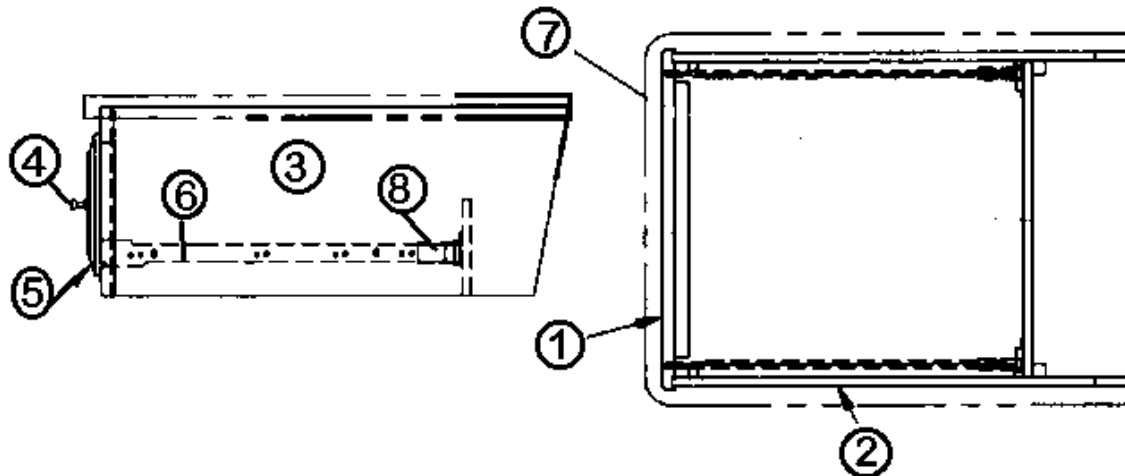


- | | |
|----------------|--|
| 963348-06 | RS Nightstand Assembly |
| 1. 963351-026 | FACE FRAME, OAK |
| 1. 963351-023 | FACE FRAME, HICKORY |
| 2. 381228-01 | CATCH GRABBER DOOR |
| 3. 381836 | HINGE-BRITE BRASS |
| 4. 800597-566 | DOOR, 7.75 X 17.50, OAK |
| 4. 800597-563 | DOOR, 7.75 X 17.50, HICKORY |
| 5. 801180-006 | PANEL 1/2" G2S, OAK |
| 5. 801258-003 | PANEL 1/2" G2S, HICKORY |
| 6. 801179-006 | PANEL 1/2" G1S, OAK |
| 6. 801259-003 | PANEL 1/2" G1S, HICKORY |
| 7. 964452 | TOP, RS NIGHTSTAND, OAK |
| 7. 601906 | TOP, RS NIGHTSTAND, Corian, Midnight |
| 7. 601906-01 | TOP, RS NIGHTSTAND, Corian, Sandstone |
| 7. 601906-02 | TOP, RS NIGHTSTAND, Corian, Limited, Everest |
| 8. 800573-016 | MOLDING DOOR EDGE, OAK |
| 8. 800573-013 | MOLDING DOOR EDGE, HICKORY |
| 9. 381527 | SPEEDY SHELF STRIPS |
| 10.964280-006 | COUNTERTOP EDGE MOLDING, OAK |
| 10. 964280-003 | COUNTERTOP EDGE MOLDING, Hickory |
| 381835 | HANDLE-CHROME/BRASS |

CLASSIC TRAILER

FURNITURE, BEDROOM

Nightstand, Center, All Units

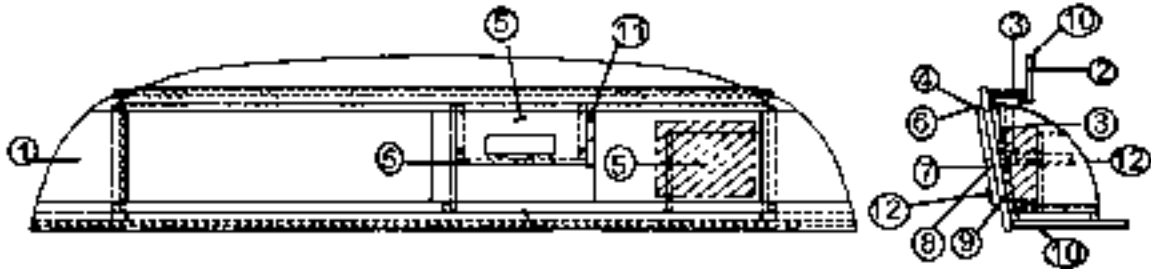


- | | |
|---------------|------------------------------------|
| 965209-03 | Center Nightstand Assembly |
| 1. 965210-006 | FACE FRAME, OAK |
| 1. 965210-003 | FACE FRAME, HICKORY |
| 2. 801180-006 | PANEL ½' G2S, OAK |
| 2. 801258-003 | PANEL ½' G2S, HICKORY |
| 3. 964907-13 | DRAWER BOX, 15.00 X 18.00 X 6.00 |
| 4. 381835 | HANDLE-CHROME/BRASS |
| 5. 800599-466 | DRAWER FACE 8.00 X 17.25", OAK |
| 5. 800599-463 | DRAWER FACE 8.00 X 17.25", HICKORY |
| 6. 381526-04 | DRW SLIDE-950 RV 18" |
| 6. 381526-06 | BRACKET ADJUSTABLE REAR 251 (PAIR) |
| 7. 965211 | TOP, NIGHTSTAND, OAK |
| 7. 601904 | TOP, NIGHTSTAND, MIDNIGHT |
| 7. 601904-01 | TOP, NIGHTSTAND, SANDSTONE |
| 7. 601904-02 | TOP, NIGHTSTAND, EVEREST |
| 7. 800858-01 | MOLDING, TOP |
| 8. 381526-06 | ADJUSTABLE REAR BRKT |
| 381415 | SLIDE, DRAWER, DELTA TRAVEL LOCK |

CLASSIC TRAILER

FURNITURE, BEDROOM

Roof Locker, Rear End, All Units



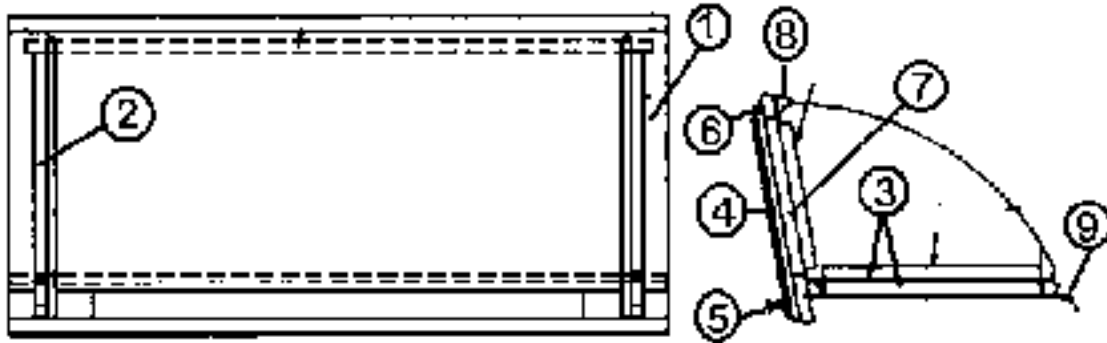
963506-08 Roof Locker, Rear end Liner

- | | | |
|-----|------------|-------------------------------------|
| 1. | 963498-006 | FACE FRAME FWD/AFT R/L, OAK |
| 1. | 963498-003 | FACE FRAME FWD/AFT R/L, Hickory |
| 2. | 801180-006 | PANEL 1/2" G2S Oak/Oak |
| 2. | 801258-003 | PANEL 1/2" G2S Hickory/Hickory |
| 3. | 801181-006 | PANEL 5/32"G1S Oak/ RAW |
| 3. | 801260-003 | PANEL 5/32"G1S Hickory/RAW |
| 4. | 800557-236 | DOOR FRAME 10.50" X 32.50", Oak |
| 4. | 800557-233 | DOOR FRAME 10.50" X 32.50", Hickory |
| 5. | 801179-006 | PANEL 1/2" G1S Oak/RAW |
| 5. | 801259-003 | PANEL 1/2", G1S Hickory/RAW |
| 6. | 381837 | HINGE, BRIGHT BRASS |
| 7. | 372210-10 | MIRROR- BEVELED, 7.62" X 29.62" |
| 8. | 381754 | MIRROR CLIP R2 |
| 9. | 381147 | DOOR SUPPORT, SPRING LOADED |
| 10. | 702482-03 | HEADLINER, TEXTURED |
| 11. | 965049 | SIDE PANEL-RADIO SHELF |
| 12. | 381835 | HANDLE-CHROME/BRASS |
| | 365239 | FOAM, NON-SKID PAD 1/4 X 1 X 1/16" |
| | 801505 | PANEL,SAND/RAW .125" X 4' X 8' |

CLASSIC TRAILER

FURNITURE, BEDROOM

Roof Locker, Bedroom 39" RS/CS, 34' S/O, 34', 31', 30' S/O, 30'

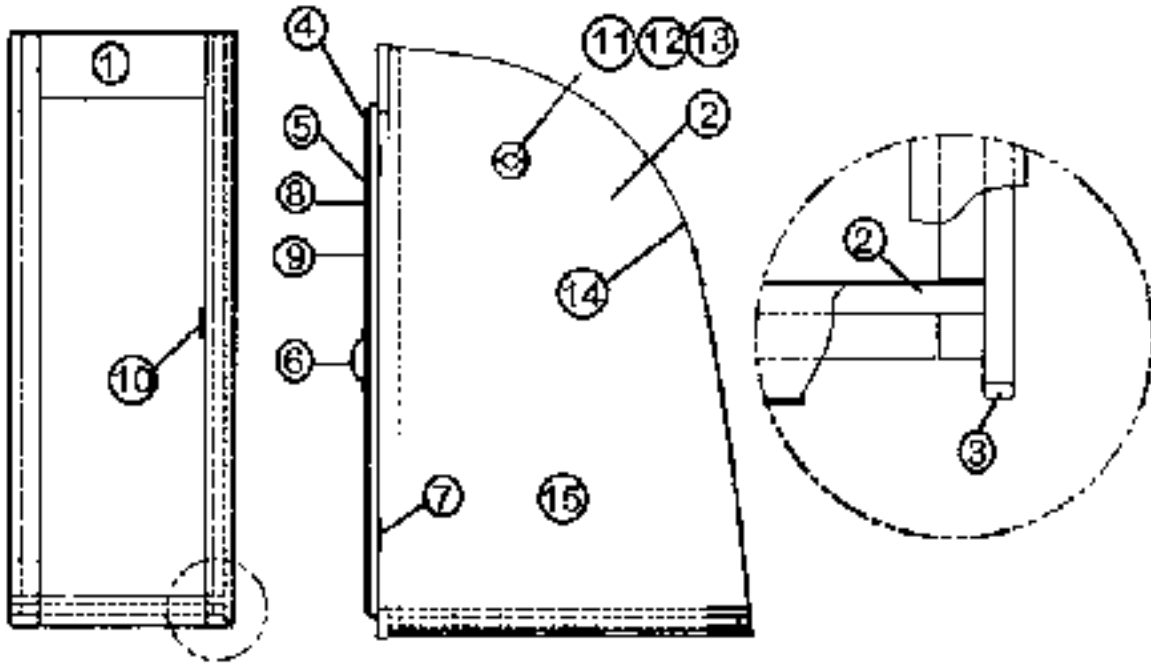


- 963671-04 Roof Locker Assembly, 39"
- 1. 963670-006 FACE FRAME Bed R/L, Oak
- 1. 963670-003 FACE FRAME Bed R/L, Hickory
- 2. 801180-006 PANEL 1/2" G2S, Oak
- 2. 801258-003 PANEL 1/2" G2S, Hickory
- 3. 801181-006 PANEL 5/32"G1S, Oak
- 3. 801260-003 PANEL 5/32"G1S, Hickory
- 4. 800597-106 DOOR, 12.25" X 34.00", Oak
- 4. 800597-103 DOOR, 12.25" X 34.00", Hickory
- 5. 381835 HANDLE-CHROME/BRASS
- 6. 381836 HINGE-BRITE BRASS
- 7. 381147 DOOR SUPPORT - SPRING LOADED
- 8. 104821 SUPPORT, ROOFLOCKER, 74"
- 9. 100013 ROOF LOCKER, WALL EXTRUSION
- 963827-016 LH End Cap, Oak
- 963829-026 RH End Cap, Oak
- 963827-013 LH End Cap, Hickory
- 963829-023 RH End Cap, Hickory

CLASSIC TRAILER

FURNITURE, BEDROOM

Wardrobe, RS/CS Hanging, All Units



Part Numbers Are On the Next Page

CLASSIC TRAILER

FURNITURE, BEDROOM

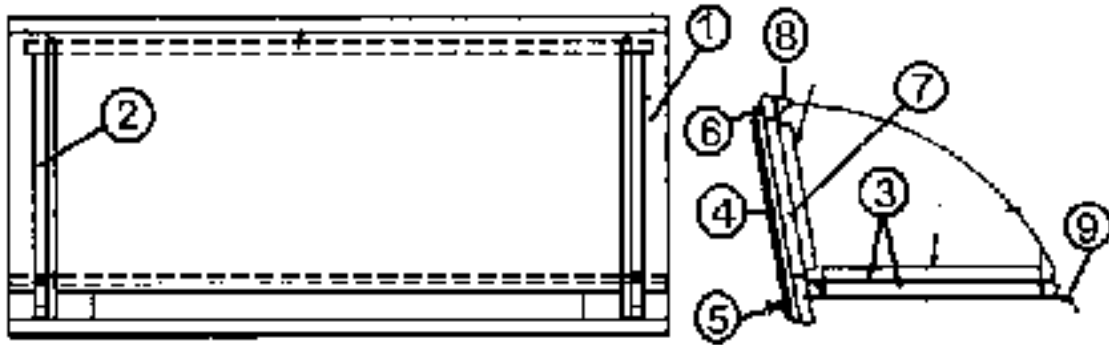
Wardrobe, RS/CS Hanging, All Units

962355-09	CS Hanging Wardrobe
962355-10	RS Hanging Wardrobe
1. 986180-016	FACE FRAME, Oak
1. 986180-013	FACE FRAME, Oak
2. 801180-006	PANEL 1/2" G2S, Oak
2. 801258-003	PANEL 1/2' G2S, Hickory
3. 365265-01	EDGE BANDING-5/8", OAK
3. 365250-003	EDGE BANDING-5/8", Hickory
4. 800557-176	DOOR FRAME 12.25 X 34.00", Oak
4. 800557-173	DOOR FRAME 12.25 X 34.00", Hickory
5. 371262-13	MIRROR- SAFETY, 9.38 X 31.12
6. 381835	HANDLE-CHROME/BRASS
7. 381836	HINGE-BRITE BRASS
8. 381754	MIRROR CLIP
9. 801181-006	PANEL 5/32"G1S, Oak
9. 801260-003	PANEL 5/32"G1S, Hickory
10. 381228-01	CATCH GRABBER DOOR
11. 380046	FLANGE CHROME
12. 380045	TUBING 3/4IN METALLIC
13. 200975-04	CONDUIT, FLEXIBLE BLACK PLASTIC
14. 800397-01	CEDAR PLANKED 5/32",
365239	FOAM, NON-SKID PAD 1/4 X 1 X 1/16"
104821	SUPPORT, ROOFLOCKER, 74"

CLASSIC TRAILER

FURNITURE, BEDROOM

Roof Locker Twin, Bedroom, Roadside, 25', 28'

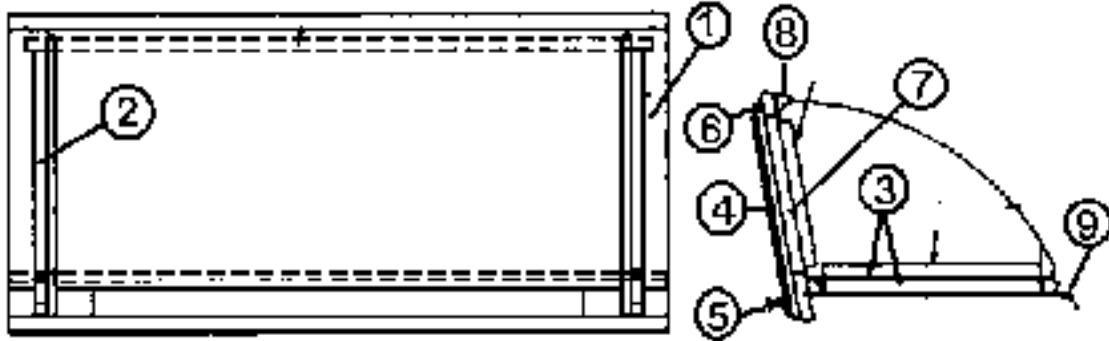


- | | |
|---------------|------------------------------|
| 963767-03 | RS Roof Locker Assembly |
| 1. 963768-016 | FACE FRAME |
| 2. 801180-006 | PANEL 1/2" G2S |
| 3. 801181-006 | PANEL 5/32"G1S |
| 4. 800597-076 | DOOR RSD PNL 12.25" X 21.00" |
| 5. 381835 | HANDLE-CHROME/BRASS |
| 6. 381836 | HINGE-BRITE BRASS |
| 7. 381147 | DOOR SUPPORT , SPRING LOADED |
| 8. 100013 | EXTR, ROOF LOCKER WALL |
| 9. 104821 | SUPPORT, ROOFLOCKER, 74" |
| 963827-01 | LH End cap |
| 800571-016 | MOLDING FLAT .52W X 80" |

CLASSIC TRAILER

FURNITURE, BEDROOM

Roof Locker Twin, Bedroom, Curbside, 25', 28'

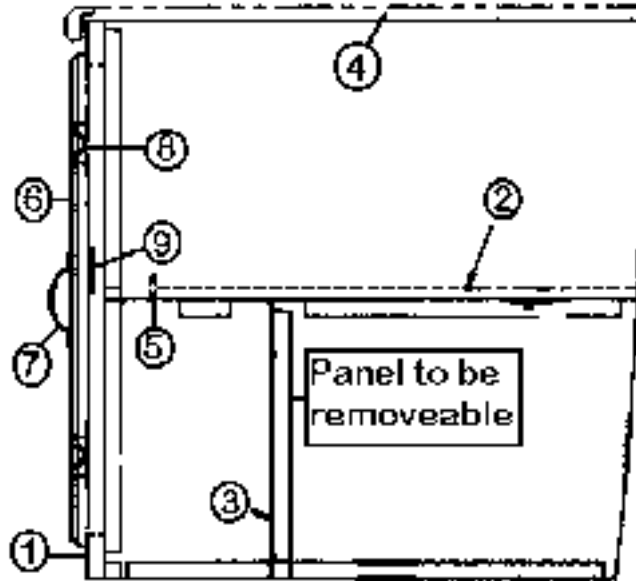


- | | |
|---------------|------------------------------|
| 963767-04 | CS Roof Locker Assembly |
| 1. 963768-016 | FACE FRAME |
| 2. 801180-006 | PANEL 1/2" G2S |
| 3. 801181-006 | PANEL 5/32"G1S |
| 4. 800597-076 | DOOR RSD PNL 12.25" X 21.00" |
| 5. 381835 | HANDLE-CHROME/BRASS |
| 6. 381836 | HINGE-BRITE BRASS |
| 7. 381147 | DOOR SUPPORT , SPRING LOADED |
| 8. 104821 | SUPPORT, ROOFLOCKER, 74" |
| 100013 | EXTR, ROOF LOCKER WALL |
| 963827-02 | RH End Cap |
| 800571-016 | MOLDING FLAT .52W X 80" |

CLASSIC TRAILER

FURNITURE, BEDROOM

Nightstand, Double Bed, 28', 25'

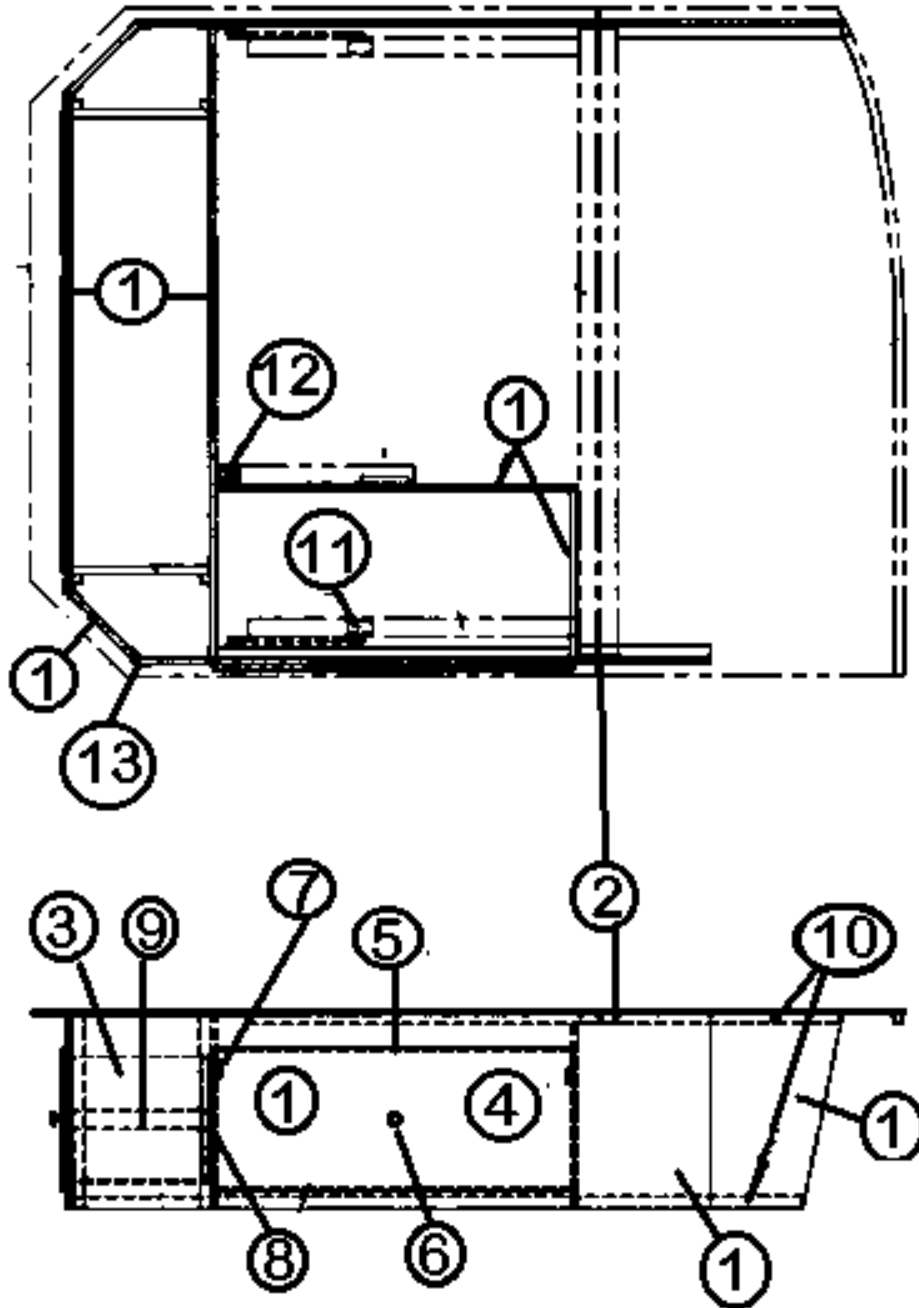


- | | |
|---------------|----------------------------------|
| 962530-01 | Nightstand Assembly, Forward "B" |
| 1. 962531-01 | FACE FRAME N/S FWD "B" 28'TRL |
| 2. 801180-006 | PANEL 1/2" G2S |
| 3. 801181-006 | PANEL 5/32" G1S |
| 4. 962538 | TOP ASSY - NIGHTSTAND FWD "B" |
| 5. 800573-016 | MOLDING FLAT RADIUS 1.13 |
| 6. 800597-019 | DOOR RSD PNL 10.50 X 22.00" |
| 7. 381835 | HANDLE-CHROME/BRASS |
| 8. 381836 | HINGE-BRITE BRASS |
| 9. 381228-01 | CATCH GRABBER DOOR |

CLASSIC TRAILER

FURNITURE, BEDROOM

Double Bed Assembly, 28', 25'



Part Numbers On The Next Page

CLASSIC TRAILER

FURNITURE, BEDROOM

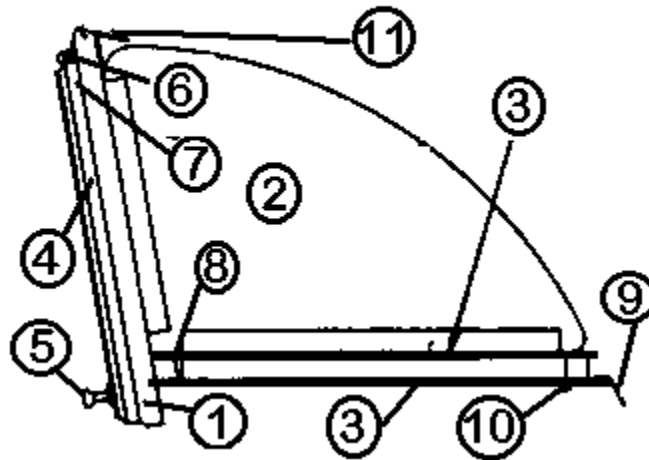
Double Bed Assembly, 28', 25'

963748	Double Bed Assembly
1. 801180-006	PANEL 1/2" G2S
2. 380203-01	PIANO HINGE 1/8"
3. 961763	DRAWER BOX ASSY. "B"
4. 963749	DRAWER BOX ASSY.
5. 365265-01	EDGEBANDING-5/8", NORTHERN OAK
6. 381576	PULL HANDLE BRASS
7. 381228-01	CATCH GRABBER DOOR
8. 381400	SLIDE DRAWER 14" PAIR
9. 381400-01	SLIDE DRAWER 12" PAIR
10. 101134	ANGLE, ALUM, 1/8" X 1" X 1-1/2"
11. 381067-09	SPRING-GAS 90 LBS
11a. 381085	CLIP, RETAINING
11b. 381262	BRACKET, PROP, W/BALL
11c. 381310	GAS PROP BRACKET. ASSY-UPPER
12. 380210	HINGE PLAIN STEEL
13. 800573-016	MOLDING FLAT RADIUS 1.13
14. 801181-006	PANEL 5/32"G1S, not shown
965605-01	HEADBOARD ASSY. 2-TONE

CLASSIC TRAILER

FURNITURE, BEDROOM

Roof Locker, Double Bed, Roadside, 28', 25'

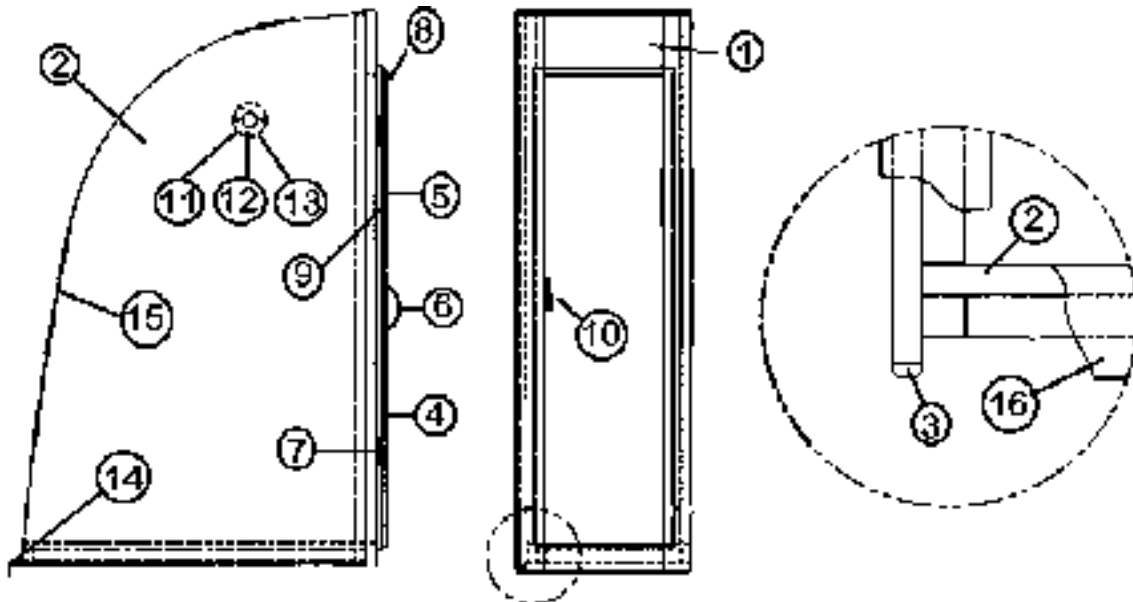


- | | |
|---------------|-------------------------------------|
| 965228-02 | Roof Locker Assembly "B" RS, 32.50" |
| 1. 965229-006 | FACE FRAME-ROOFLOCKER "B" RS |
| 2. 801180-006 | PANEL 1/2" G2S |
| 3. 801181-006 | PANEL 5/32"G1S |
| 4. 800597-196 | DOOR-RAISED PNL 12.25" X 31.00" |
| 5. 381835 | HANDLE-CHROME/BRASS |
| 6. 381836 | HINGE-BRITE BRASS |
| 7. 381147 | DOOR SUPPORT - SPRING LOADED |
| 8. 800572-016 | MOLDING, PANEL EDGE 2 3/32"X 80" |
| 9. 104821 | SUPPORT, ROOFLOCKER, 74" |
| 10. 100013 | EXTR, ROOFLOCKER WALL |
| 11. 100097 | EXTR. ALUM CURTAIN TRACK |

CLASSIC TRAILER

FURNITURE, BEDROOM

Shirt Closet, Roadside, 28', 25'



965226-02

Shirt Closet Assembly

1. 965227-006

FACE FRAME-SHIRT CLOSET RS

2. 801180-006

PANEL 1/2" G2S

3. 800571-016

MOLDING FLAT .52W X 80"

4. 800557-206

DOOR FRAME-9.88 X 33.62

5. 371262-16

MIRROR- SAFETY- 7.00 X 30.75

6. 381835

HANDLE-CHROME/BRASS

7. 381836

HINGE-BRITE BRASS

8. 801181-006

PANEL 5/32"G1S

9. 381754

MIRROR CLIP

10. 381228-01

GRABBER DOOR CATCH

11. 380046

FLANGE CHROME

12. 380045

TUBING 3/4IN METALLIC

13. 200975-04

CONDUIT, FLEXIBLE BLACK PLASTIC

14. 104821

SUPPORT, ROOFLOCKER, 74"

15. 800397-01

CEDAR PLANKED 5/32"

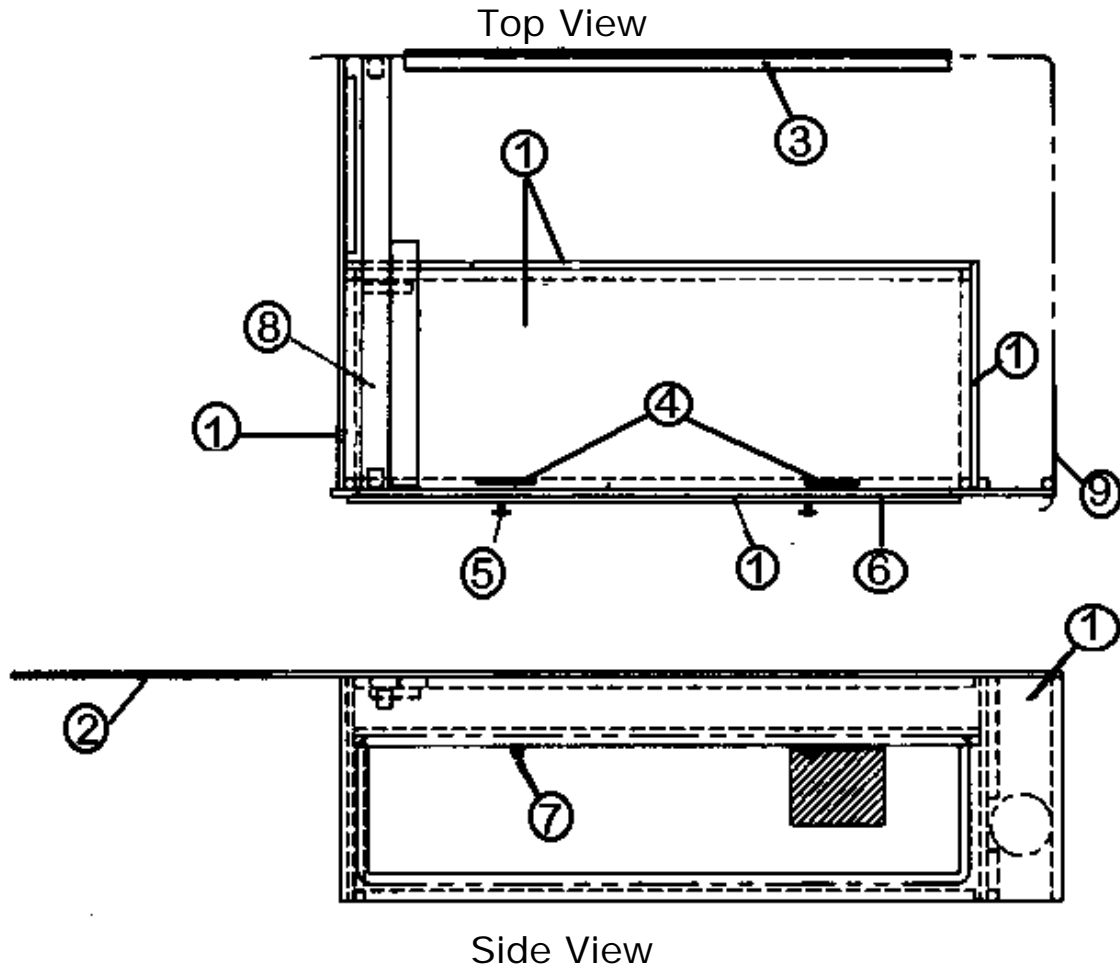
16. 365239

FOAM, NON-SKID PAD 1/4 X 1 X 1/16"

CLASSIC TRAILER

FURNITURE, BEDROOM

Twin Bed, Curbside, 25', 28'

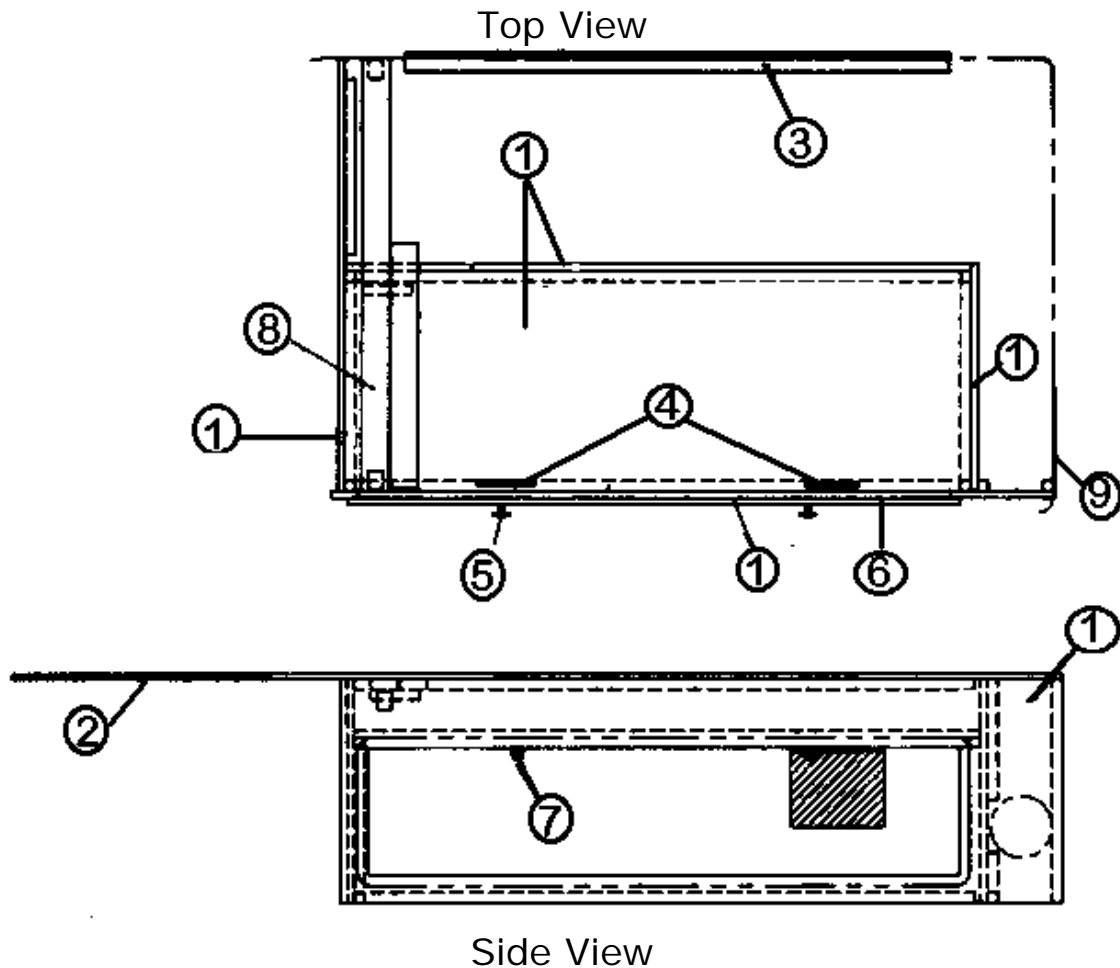


Side View	
962508-04	Twin Bed Assembly, Curbside
1. 801180-006	Panel, 1/2" G2S
2. 800507-03	Lauan, .38"
3. 380203-01	Hinge, piano 1/8 pin
4. 381836	HINGE-BRITE BRASS
5. 381576	PULL HANDLE BRASS
6. 365265-01	EDGEBANDING-5/8", NORTHERN OAK
7. 381228-01	CATCH GRABBER DOOR
8. 114813	ALUM. ANGLE 1.00 X 1.50
9. 801181-006	PANEL 5/32"G1S 4'X 8'
998101-01	BED-END, TWIN, FABRIC COVERED

CLASSIC TRAILER

FURNITURE, BEDROOM

Twin Bed, Roadside, 25', 28'

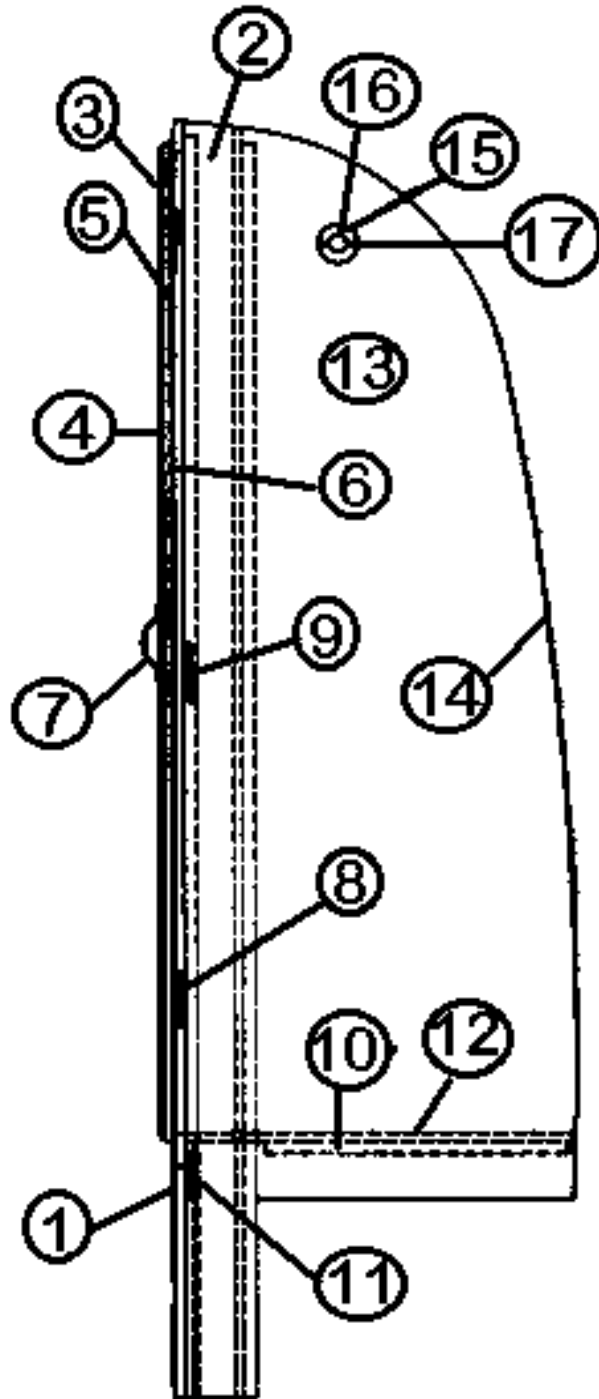


Side View	
962508-03	Twin Bed Assembly, Curbside
1. 801180-006	Panel, 1/2" G2S
2. 800507-03	Lauan, .38"
3. 380203-01	Hinge, piano 1/8 pin
4. 381836	HINGE-BRITE BRASS
5. 381576	PULL HANDLE BRASS
6. 365265-01	EDGEBANDING-5/8", NORTHERN OAK
7. 381228-01	CATCH GRABBER DOOR
8. 114813	ALUM. ANGLE 1.00 X 1.50
9. 801181-006	PANEL 5/32"G1S 4'X 8'
998101-01	BED-END, TWIN, FABRIC COVERED

CLASSIC TRAILER

FURNITURE, BEDROOM

Wardrobe, 25'



Part numbers are on the Next Page

CLASSIC TRAILER

FURNITURE, BEDROOM

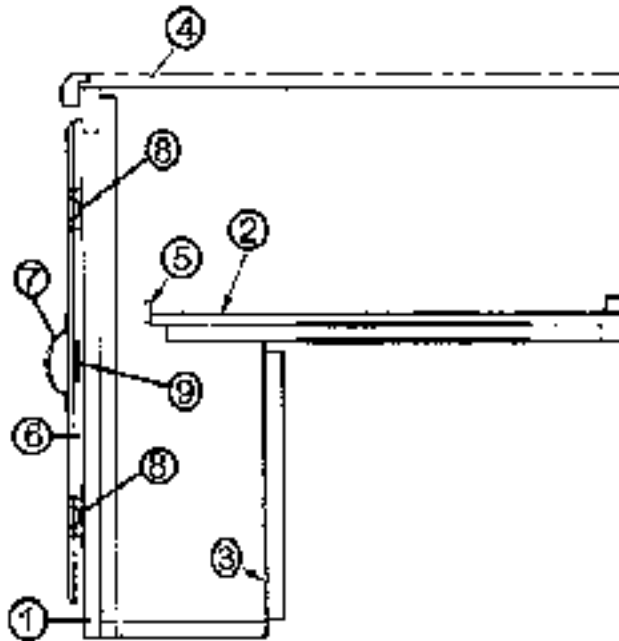
Wardrobe, 25'

963721-04	Wardrobe Assembly, Forward
1. 963722-016	FACE FRAME FWD WARDROBE
2. 800994-07	PANEL FWD WARDROBE "A" (-08 "B")
3. 800557-156	DOOR FRAME 19.00 X 60.00
4. 371262-10	MIRROR- SAFETY- 16.12 X 28.12
5. 801181-006	PANEL 5/32"G1S
6. 381754	MIRROR CLIP
7. 381835	HANDLE-CHROME/BRASS
8. 381836	HINGE-BRITE BRASS
9. 381228	GRABBER DOOR CATCH
10. 801180-006	PANEL 1/2" G2S
11. 380458	HINGE PIANO BROWN
12. 701538	CARPET, ECONOLIER VELOUR BLACK
13. 500956	LIGHT, BROWN, W/SWITCH
14. 800397-01	CEDAR PLANKED 5/32"
15. 380045	TUBING 3/4IN METALLIC
16. 380046	FLANGE CHROME
17. 200975-04	CONDUIT, FLEXIBLE BLACK PLASTIC
18. 104821	SUPPORT, ROOFLOCKER, 74"
19. 365239	FOAM, NON-SKID PAD 1/4 X 1 X 1/16"

CLASSIC TRAILER

FURNITURE, BEDROOM

Nightstand, Twin Bed, 25'



- | | |
|---------------|----------------------------------|
| 964942-01 | Nightstand Assembly, Forward "B" |
| 1. 962531-01 | FACE FRAME N/S FWD "B" 28'TRL |
| 2. 801180-006 | PANEL 1/2" G2S |
| 3. 801181-006 | PANEL 5/32" G1S |
| 4. 962538 | TOP ASSY, NIGHTSTAND FWD "B" |
| 5. 800573-016 | MOLDING FLAT RADIUS 1.13 |
| 6. 800597-016 | DOOR RSD PNL 10.50 X 22.00" |
| 7. 381835 | HANDLE-CHROME/BRASS |
| 8. 381836 | HINGE-BRITE BRASS |
| 9. 381228-01 | CATCH GRABBER DOOR |

CLASSIC TRAILER

FURNITURE, BEDROOM

TV Shelf w/Mirror

381241-006

TV SHELF W/ MIRROR, OAK

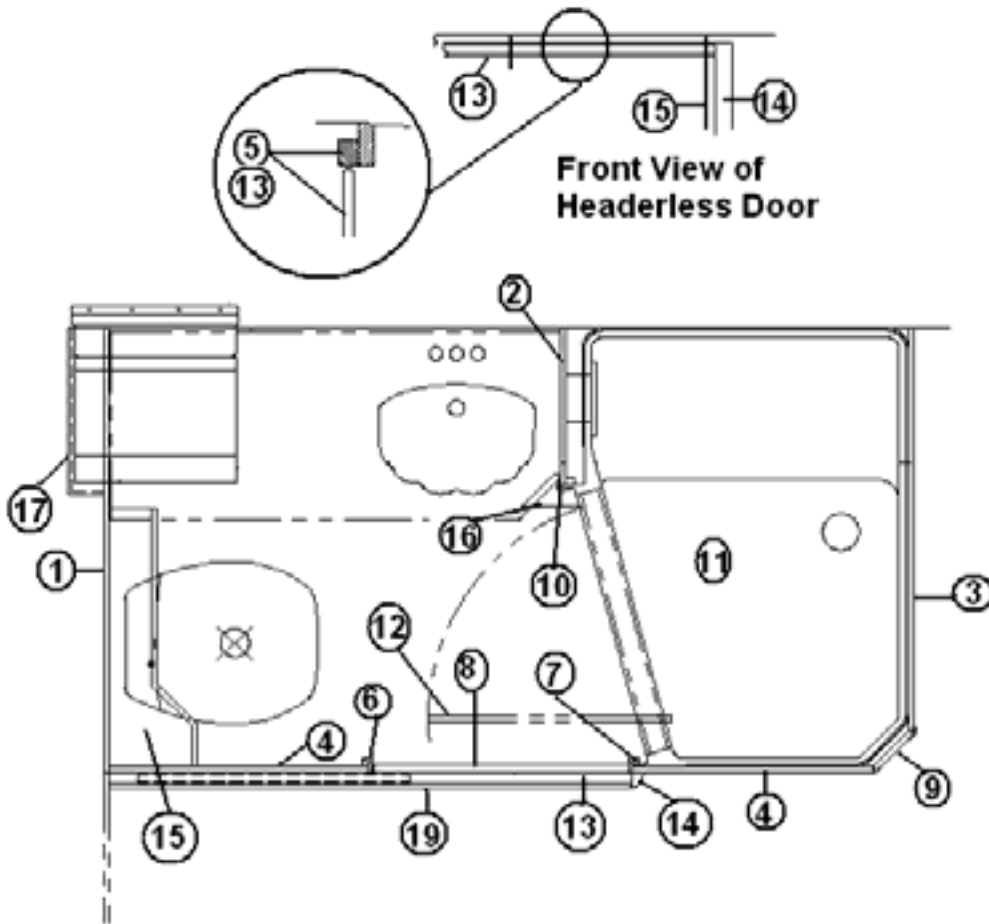
381241-003

TV SHELF W/ MIRROR, HICKORY

CLASSIC TRAILER

FURNITURE, BATH

Bath Module, 34' S/O, 31'



Party Numbers on the Next Page

CLASSIC TRAILER

FURNITURE, BATH

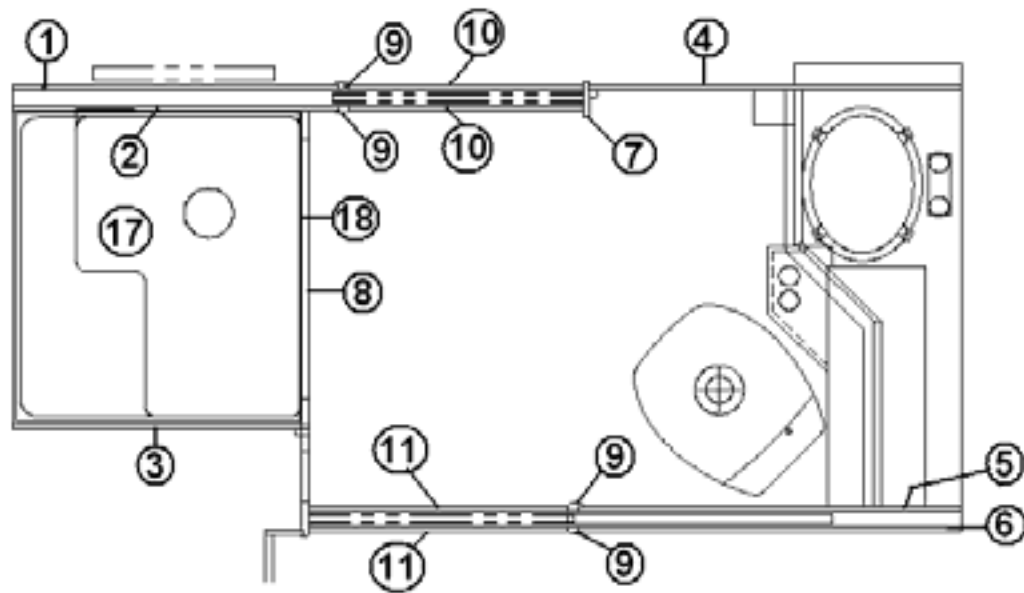
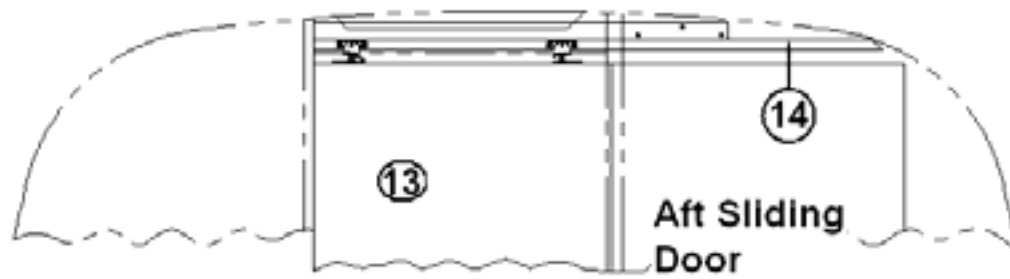
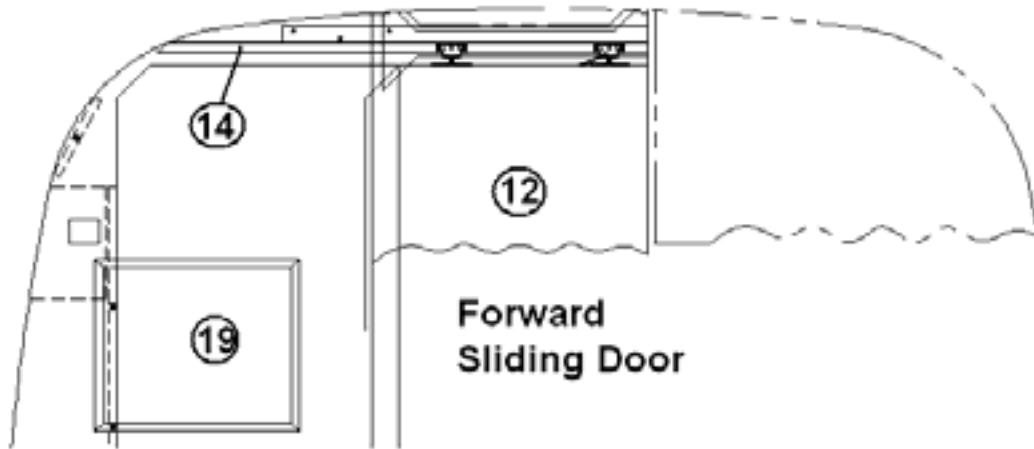
Bath Module, 34' S/O, 34', 31'

1. 801088-13	PANEL AFT BATH
2. 801088-19	PANEL-AFT SHOWER
3. 801088-03	PANEL FWD BATH
4. 801506	PANEL, ASCOT SAND/RAW, .5" X 4' X 8'
5. 966120	DOOR ASSY., SLIDING BATH, 34' S/O
5. 966121	DOOR ASSY., SLIDING BATH, 34'
6. 800576-016	MOLDING BATH DR JAMB 80", Oak
6. 800576-013	MOLDING BATH DR JAMB 80", Hickory
7. 800575-016	MOLDING CORNER 80", Oak
7. 800575-013	MOLDING CORNER 80", Hickory
8. 964303-016	HEADER BATH DOOR, Oak
8. 964303-013	HEADER BATH DOOR, Hickory
9. 801179-006	PANEL ½" G1S Oak /RAW 4' X 7'
9. 801259-003	PANEL ½" G1S Hickory/RAW 4' X 7'
10. 801172-016	MOLDING CORNER, Oak
10. 801172-013	MOLDING CORNER, Hickory
11. 203046-03	SHOWER STALL ANGLED
12. 702306-02	SHOWER DOOR GOLD, 26" OPENING
13. 381100	SLIDING DOOR GUIDE
14. 800576-016	MOLDING BATH DR JAMB 80", Oak
14. 800576-013	MOLDING BATH DR JAMB 80", Hickory
15. 964619	CLOSEOUT - TANK FLUSH
16. 964993	CLOSE-OUT LAVY/SHOWER
17. 961919-01	WATER HEATER CLOSE OUT
18. 801172-016	MOLDING CORNER WOODGRAIN
19. 966114-006	HEADER-SLIDING BATH DOOR
702482-03	HEADLINER SPECTRA OPAL X TEXTURE
966114-006	HEADER-SLIDING BATH DOOR, Oak
966114-003	HEADER-SLIDING BATH DOOR, Hickory
801337	HEADER SHOWER

CLASSIC TRAILER

FURNITURE, BATH

Bath Module 30' S/O, 30'



Part Numbers Are on The Next Page

CLASSIC TRAILER

FURNITURE, BATH

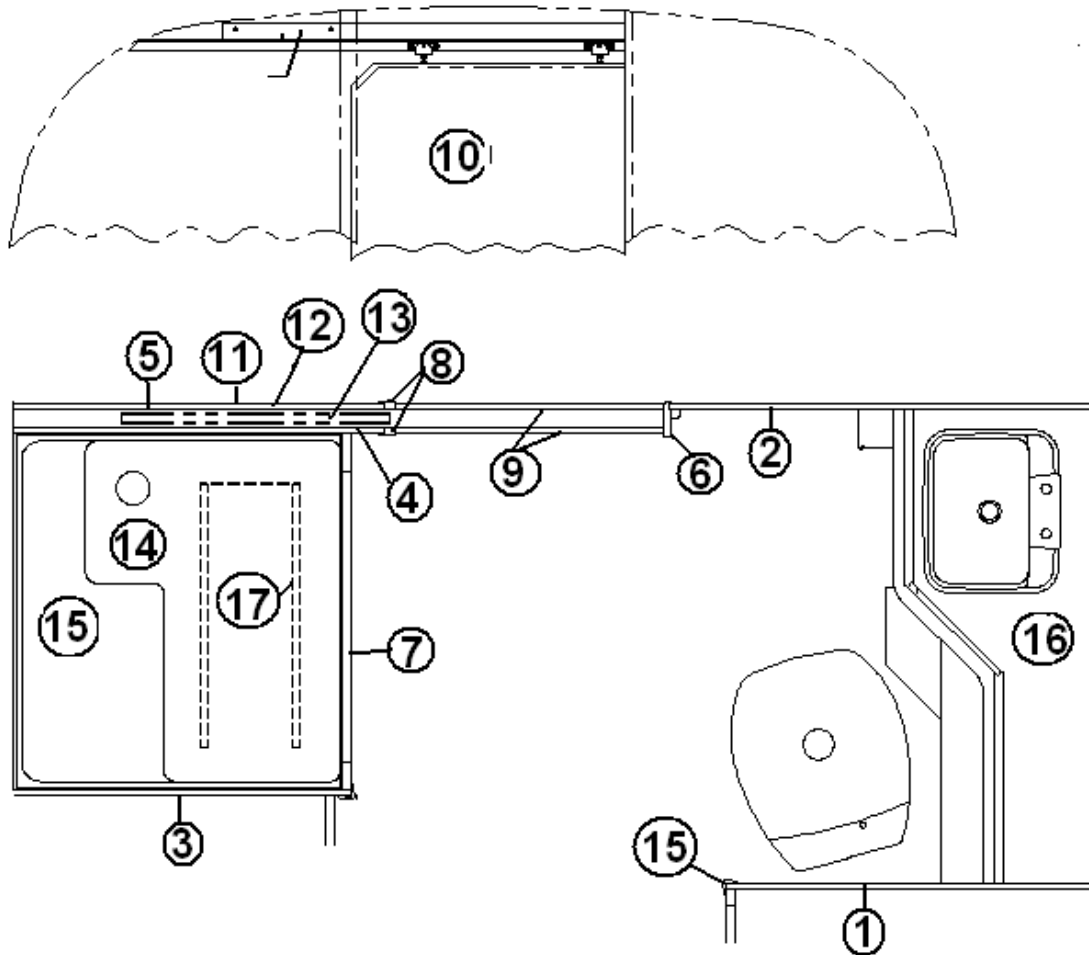
Bath Module 30' S/O, 30'

- | | |
|----------------|-----------------------------------|
| 1. 800984-01 | PANEL FWD BEDROOM |
| 2. 800984-02 | PANEL AFT SHOWER |
| 3. 800984-03 | PANEL FWD SHOWER |
| 4. 801127-01 | PANEL AFT LAVY |
| 5. 801127-09 | PANEL, FWD LAVY |
| 6. 801127-03 | PANEL AFT REFER |
| 7. 963664-006 | STILE AFT BATH, OAK |
| 7. 963664-003 | STILE AFT BATH, HICKORY |
| 8. 962161-016 | FACE FRAME SHOWER, OAK |
| 8. 962161-013 | FACE FRAME SHOWER, HICKORY |
| 9. 800815-026 | STILE-AFT BATH PANEL END, OAK |
| 9. 800815-023 | STILE-AFT BATH PANEL END, HICKORY |
| 10. 963656-006 | HEADER AFT SLIDE DOOR, OAK |
| 10. 963656-003 | HEADER AFT SLIDE DOOR, HICKORY |
| 11. 963657-006 | HEADER FWD SLIDE DOOR, OAK |
| 11. 963657-003 | HEADER FWD SLIDE DOOR, HICKORY |
| 12. 962066 | DOOR ASSEMBLY SLIDER AFT |
| 13. 966120 | DOOR ASSEMBLY, SLIDING BATH |
| 14. 381443-01 | SLIDING DOOR SET #71-222-5' |
| 15. 381443-02 | BUMPER STOP #7014 |
| 16. 381443-03 | ANGLE STOP #1018 |
| 17. 203081 | SHOWER STALL 2 PC. |
| 18. 702306-02 | SHOWER DOOR GOLD, 26" OPENING |

CLASSIC TRAILER

FURNITURE, BATH

Bath Module, 28'

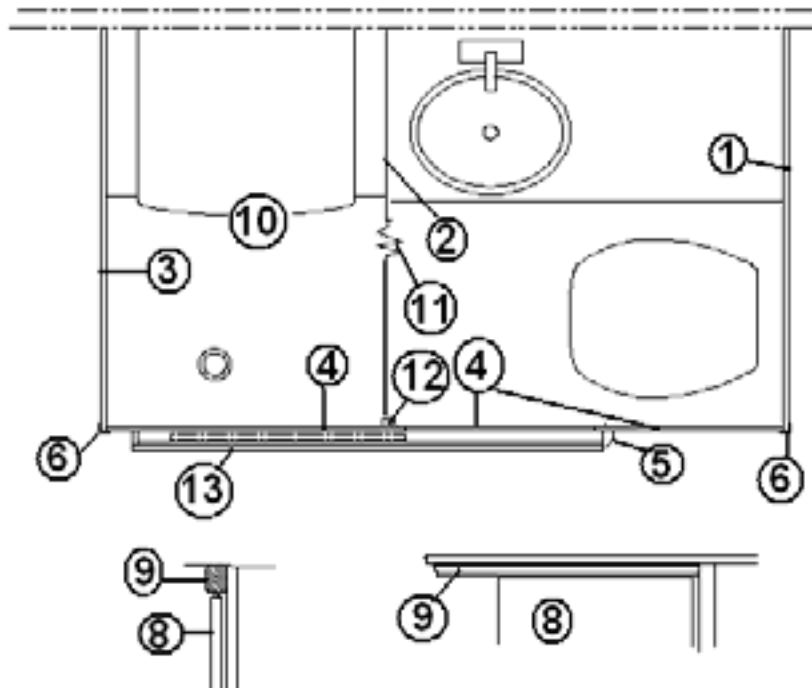


Part Numbers On the Next Page

CLASSIC TRAILER

FURNITURE, BATH

Bath Module, 25'



- | | | |
|-----|------------|-------------------------------------|
| 1. | 800994-11 | PANEL, FWD BATH |
| 2. | 800994-02 | PANEL FWD SHOWER |
| 3. | 800994-01 | PANEL AFT BATH |
| 4. | 801507 | PANEL, SAND/SAND G2S .5" X 4' X 8' |
| 5. | 800576-016 | MOLDING BATH DR JAMB 80" |
| 6. | 801172-07 | MOLDING, CORNER ASCOT SAND 8' |
| 7. | 964023-01 | CORNER CLOSEOUT BATH |
| 8. | 986265 | SLIDING BATH DOOR ASSY |
| 9. | 381100 | SLIDING DOOR GUIDE |
| 10. | 201980 | SHOWER STALL FIBERGLASS 2 PC |
| 11. | 702937-03 | SHOWER DOOR-ROLL AWAY 62" X 36" |
| 12. | 800575-016 | MOLDING CORNER 80" |
| 13. | 966111-006 | HEADER, SLIDING BATH DOOR |
| | 801506 | PANEL, ASCOT SAND/RAW .5" X 4' X 8' |
| | 114070 | EXTRUSION, J-TRIM, MILL FINISH |
| | 200009 | SLIDING DOOR GUIDE |

CLASSIC TRAILER

FURNITURE, BATH

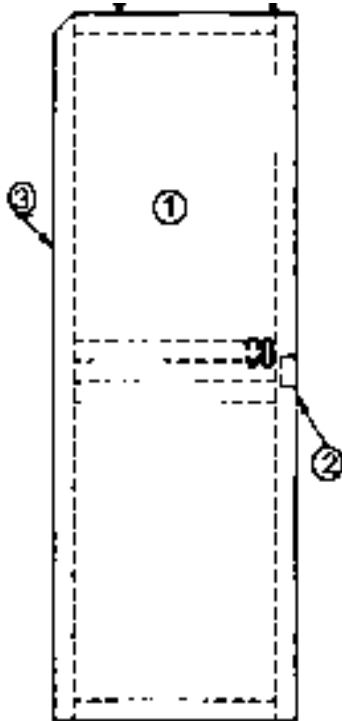
Bath Module, 28'

- | | |
|---------------|-------------------------------|
| 1. 801134-03 | PANEL-FWD BATH |
| 2. 801127-01 | PANEL AFT LAVY |
| 3. 800984-03 | PANEL FWD SHOWER |
| 4. 800984-02 | PANEL AFT SHOWER |
| 5. 800984-01 | PANEL FWD BEDROOM |
| 6. 963664 | STILE AFT BATH |
| 7. 962505-01 | FACE FRAME - SHOWER |
| 8. 800815-02 | STILE-AFT BATH PNL END |
| 9. 963656 | HEADER AFT SLIDE DOOR |
| 10. 962066 | DOOR ASSY. SLIDER AFT |
| 11. 381443-01 | SLIDING DOOR SET |
| 12. 381443-02 | BUMPER STOP #7014 |
| 13. 381443-03 | ANGLE STOP #1018 |
| 14. 203081 | SHOWER STALL 2 PC. |
| 15. 702306-02 | SHOWER DOOR GOLD, 26" OPENING |
| 16. 962174 | LAVY STAND ASSY. |
| 17. 961916 | SHOWER STAND ASSY. |

CLASSIC TRAILER

FURNITURE, BATH

Door, Slider, Aft, 30' S/O, 30', 28'

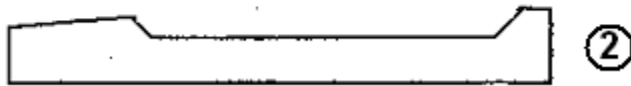
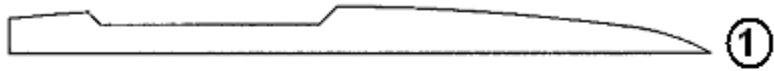


962066	Door Assembly, Slider, Aft
1. 801181-006	PANEL 5/32"G1S OAK/RAW
1. 801260-003	PANEL 5/32"G1S HICKORY/RAW
2. 201427	FINGER PULL, LIGHT BROWN
3. 365266-01	EDGEBANDING-1.25"X .055", OAK
381443-01	SLIDING DOOR SET #71-222-5'
381443-02	BUMPER STOP #7014
381443-03	ANGLE STOP #1018

CLASSIC TRAILER

FURNITURE, BATH

Sliding Door Header, 34' S/O Dinette, 34', 31'



1. 963296-016

Header, Slider Door, Long

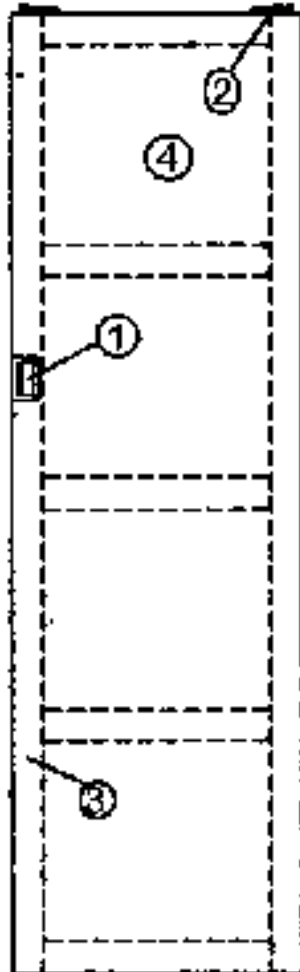
2. 963297-016

Header, Slider Door, Short

CLASSIC TRAILER

FURNITURE, BATH

Bath Sliding Door, 34' S/O



966121

1. 201427

2. 200009

3. 365266-01

4. 801181-006

963299-016

381443-01

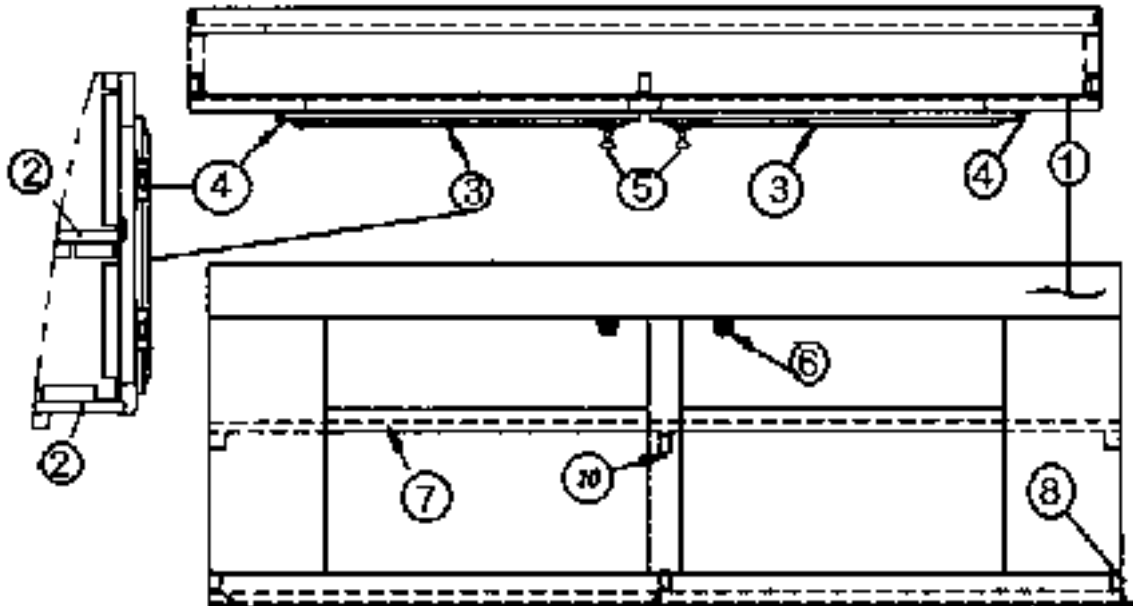
381443-03

Bath Sliding Door Assembly
FINGER PULL, LIGHT BROWN
SLIDING DOOR GUIDE
EDGE BANDING-1.25"X .055"
PANEL 5/32" G1S
DOOR GUIDE HARDWOOD
SLIDING DOOR SET
ANGLE STOP

CLASSIC TRAILER

FURNITURE, BATH

Medicine Cabinet, Lower, 34' S/O, 31'

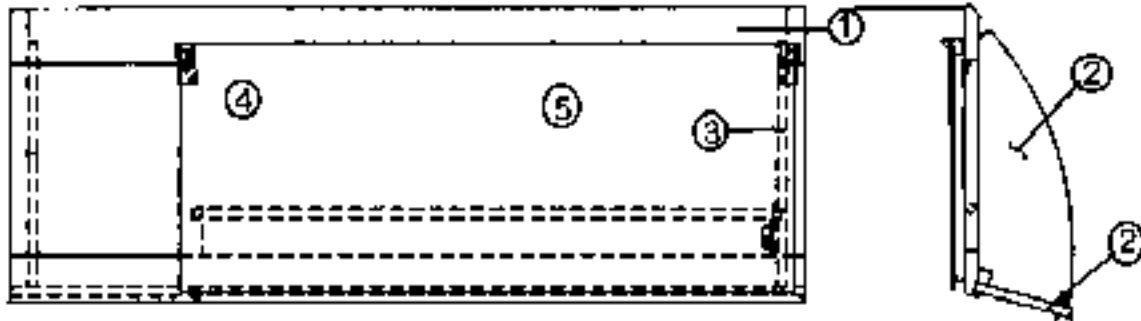


- | | |
|---------------|--|
| 964302-05 | Medicine Cabinet, Lower Assembly, 34' |
| 964302-04 | Medicine Cabinet, Lower Assembly, 31' |
| 1. 964300-016 | FACE FRAME, LOWER, OAK |
| 1. 964300-013 | FACE FRAME, LOWER, HICKORY |
| 2. 801180-006 | PANEL 1/2" G2S, OAK |
| 2. 801258-003 | PANEL 1/2" G2S, HICKORY |
| 3. 800599-576 | DRAWER FACE 17.25" X 13.00", OAK |
| 3. 800599-573 | DRAWER FACE 17.25" X 13.00", HICKORY |
| 4. 381836 | HINGE-BRITE BRASS |
| 5. 381835 | HANDLE-CHROME/BRASS |
| 6. 381228-01 | CATCH GRABBER DOOR |
| 7. 800573-016 | MOLDING DOOR EDGE 1-3/32" X 80", OAK |
| 7. 800573-013 | MOLDING DOOR EDGE 1-3/32" X 80", HICKORY |
| 8. 380041 | BRACE 1 IN. STANLEY CORNER |

CLASSIC TRAILER

FURNITURE, BATH

Medicine Cabinet Upper, 34' S/O D, 31'

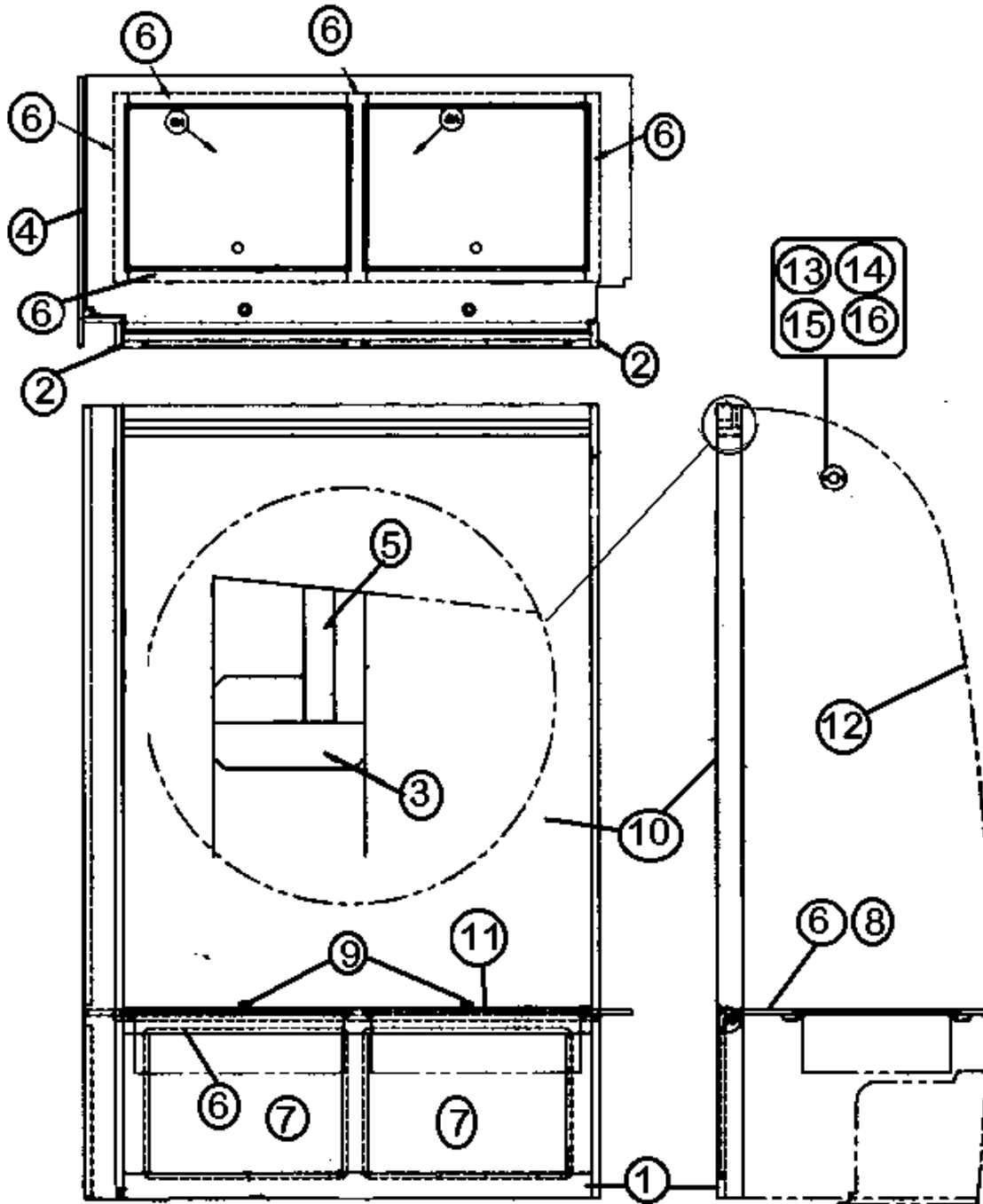


- | | |
|---------------|------------------------------------|
| 964301-03 | Upper Medicine Cabinet 34' S/O D |
| 964301-01 | Upper Medicine Cabinet, 31' |
| 1. 964299-016 | FACE FRAME, UPPER, OAK |
| 1. 964299-013 | FACE FRAME, UPPER, HICKORY |
| 2. 801180-006 | PANEL 1/2" G2S, OAK |
| 2. 801258-003 | PANEL 1/2" G2S, HICKORY |
| 3. 381228-01 | CATCH GRABBER DOOR |
| 4. 385935 | HINGE BRASS PIVOT |
| 5. 372203-17 | MIRROR- POL EDGES- 33.12" X 14.00" |
| 6. 380024 | SUPPORT FRICTION LEFT HAND |
| 7. 365265-01 | EDGE BANDING-5/8", NORTHERN OAK |

CLASSIC TRAILER

FURNITURE, BATH

Wardrobe, Forward 34', 34' SO, 31'



PN Next Page

CLASSIC TRAILER

FURNITURE, BATH

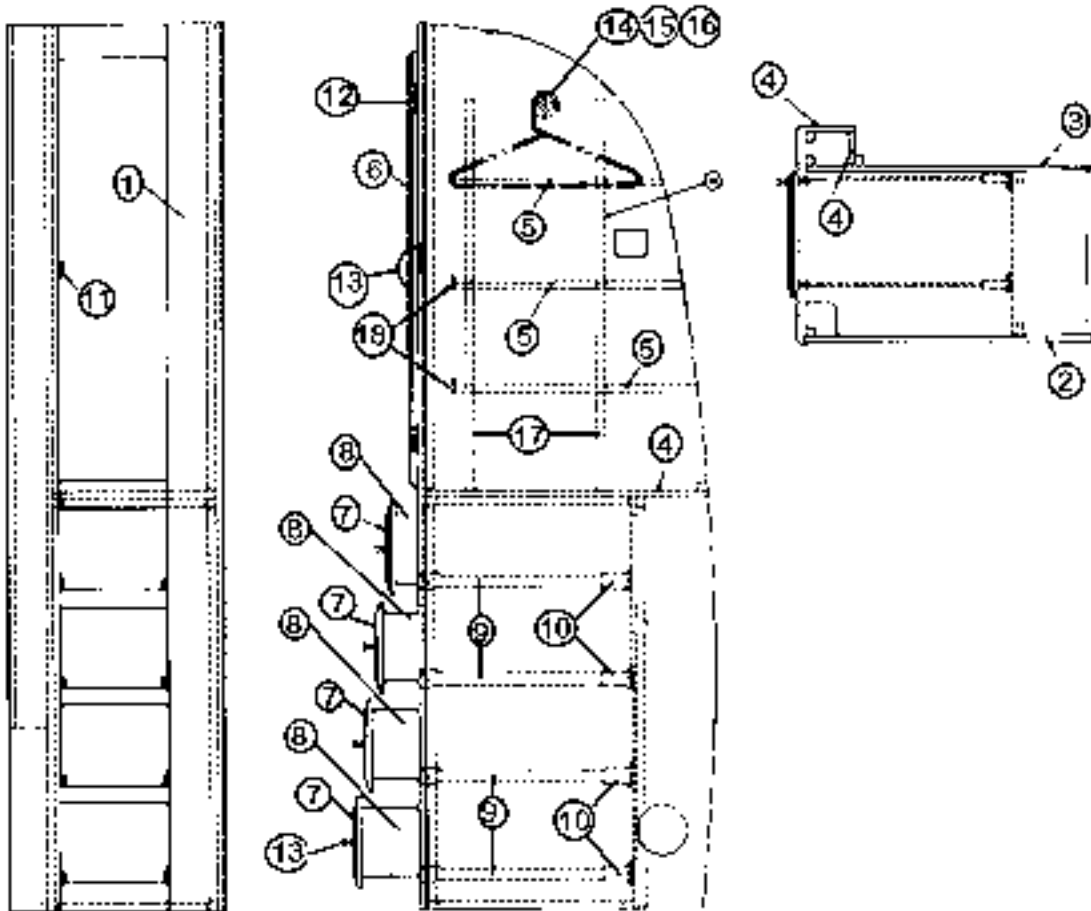
Wardrobe, Forward 34', 34' SO, 31'

965224-02	Wardrobe Assembly
1. 965219-006	FACE FRAME- WARDROBE. OAK
1. 965219-003	FACE FRAME- WARDROBE, HICKORY
2. 965220-006	STILE, WARDROBE SIDE LH/RH. OAK
2. 965220-003	STILE, WARDROBE SIDE LH/RH, HICKORY
3. 965221-006	HEADER WARDROBE. OAK
3. 965221-003	HEADER WARDROBE, HICKORY
4. 964306-02	PANEL - FWD WARDROBE
5. 801180-006	PANEL ½", G2S. OAK
5. 801258-003	PANEL ½", G2S, HICKORY
6. 801179-006	PANEL ½", OAK
6. 801259-003	PANEL ½", HICKORY
7. 201016	DRAWER 16 X 22
8. 701538	CARPET, ECONOLIER, BLACK 48"
9. 381835	HANDLE-CHROME/BRASS
10. 381727-01	DOOR-MIRRORED SLIDING 46" X 55.5"
11. 381228-01	GRABBER DOOR CATCH
12. 800397-01	CEDAR PLANKED 5/32"
13. 380045	TUBING 3/4IN METALLIC
14. 380046	FLANGE CHROME
15. 200975-04	CONDUIT, FLEXIBLE BLACK PLASTIC
16. 381298	SUPPORT, CLOTHES ROD LENGTH 5.25
201666-01	MOLDING-J 3/16" ALMOND PLASTIC
108433	Header foldette door

CLASSIC TRAILER

FURNITURE, BATH

Wardrobe, Aft 34' S/O, 34', 31'



PN Next Page

CLASSIC TRAILER

FURNITURE, BATH

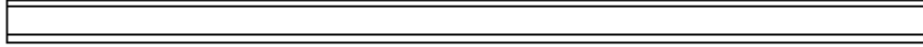
Wardrobe, Aft, 34' S/O, 34', 31'

965223-03	Aft Wardrobe Assembly
1. 965218-006	FACE FRAME-WARDROBE, OAK
1. 965218-003	FACE FRAME-WARDROBE, HICKORY
2. 964306-01	PANEL - AFT WARDROBE
3. 801088-12	PANEL WARDROBE VINYL
4. 801179-006	PANEL ½" G1S, OAK
4. 801259-003	PANEL ½" G1S, HICKORY
5. 801180-006	PANEL 1/2" G2S, OAK
5. 801258-003	PANEL ½" G1S, HICKORY
6. 800597-476	DOOR 10.50" X 37.75", OAK
6. 800597-473	DOOR 10.50" X 37.75", HICKORY
7. 800599-656	DRAWER FACE 8 X 10.50", OAK
7. 800599-653	DRAWER FACE 8 X 10.50", HICKORY
8. 964907-02	DRW BOX- 8.50 X 18.00 X 6.00
9. 381526-03	DRW SLIDE-950-RV 18" PER PR
10. 381526-06	ADJUSTABLE REAR BRACKET PR
11. 381228-01	GRABBER DOOR CATCH
12. 381836	HINGE-BRITE BRASS
13. 381835	HANDLE-CHROME/BRASS
14. 380045	TUBING 3/4IN METALLIC
15. 380046	FLANGE CHROME
16. 200975-04	CONDUIT, FLEXIBLE BLACK PLASTIC
17. 381527	SPEEDY SHELF STRIPS
18. 800573-016	MOLDING DOOR 1-3/32" X 80", OAK
18. 800573-013	MOLDING DOOR, HICKORY
19. 365265-01	EDGEBANDING-5/8", NORTHERN OAK
801508-006	PANEL, VINYL/ASCOT .5" X4 'X 8'

CLASSIC TRAILER

FURNITURE, BATH

Header, Foldette Door, 34' S/O



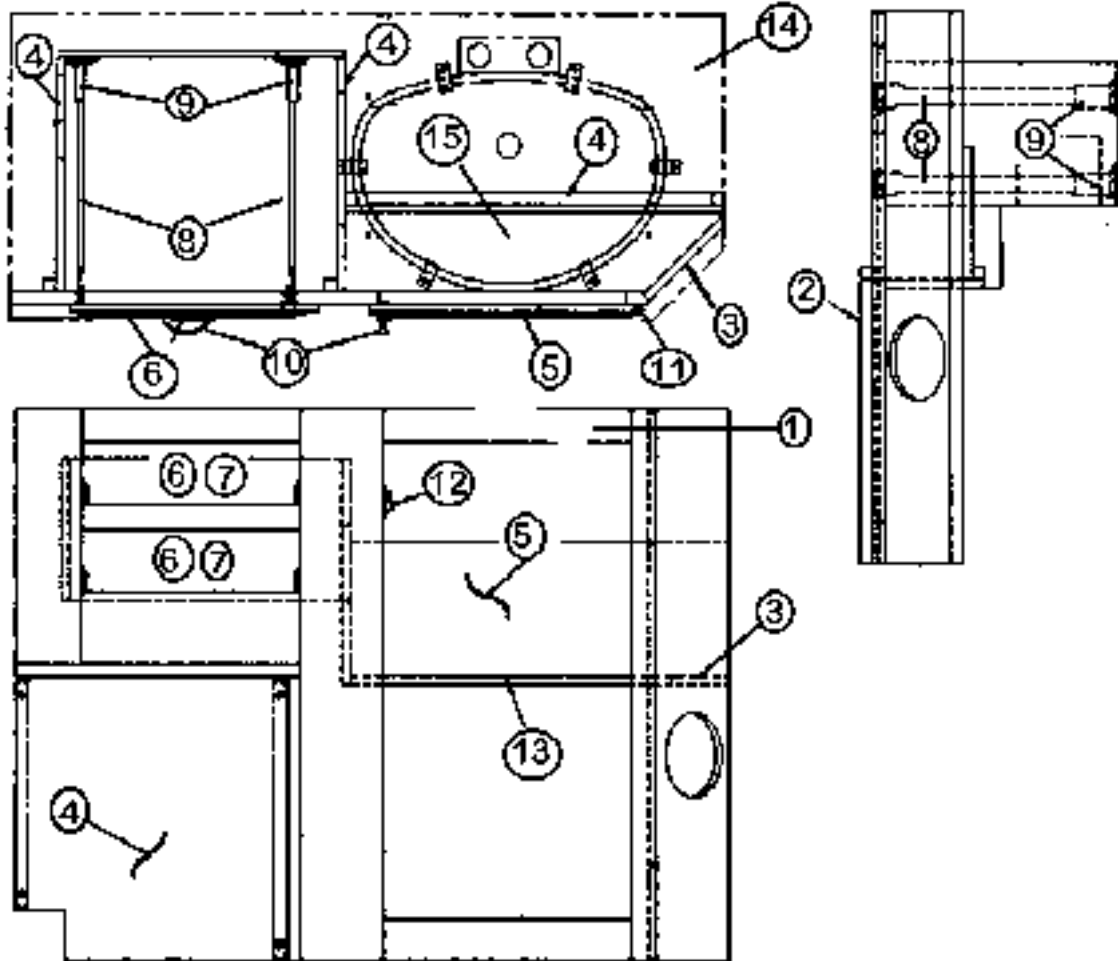
965951-006 HEADER-FOLDETTTE DOOR, OAK

965951-003 HEADER-FOLDETTTE DOOR, HICKORY

CLASSIC TRAILER

FURNITURE, BATH

Lavatory Cabinet, 34' S/O, 31'



PN Next Page

CLASSIC TRAILER

FURNITURE, BATH

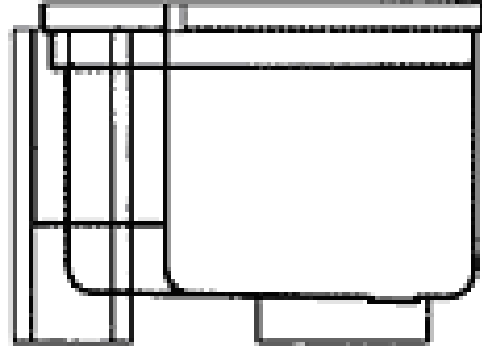
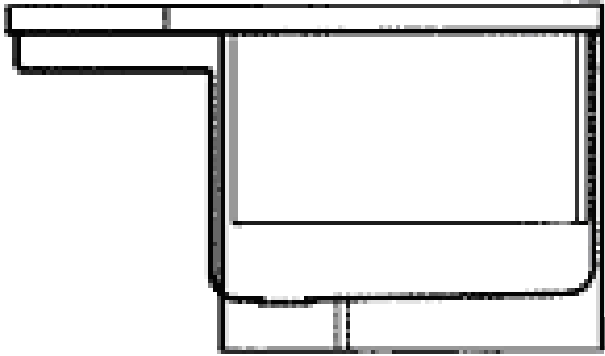
Lavatory Cabinet, 34' S/O, 31'

965214-05	Lavatory Cabinet
1. 965212-006	FACE FRAME LAVY, Oak
1. 965212-003	FACE FRAME LAVY
2. 965193-006	FRAME-LAVY CLOSE OUT, Oak
2. 965193-003	FRAME-LAVY CLOSE OUT,
3. 801180-006	PANEL, ½' G2S, Oak/Oak
3. 801258-003	Panel, ½", Hickory/Hickory
4. 801179-006	PANEL, ½' G1S, Oak/raw
4. 801259-003	PANEL, ½" G1S, Hickory/raw
5. 800597-086	DOOR, 16.00" X 29.50", Oak
5. 800597-083	DOOR, 16.00" X 29.50", Hickory
6. 800599-076	DRAWER FACE, 4.50" X 14.00", Oak
6. 800599-073	DRAWER FACE, 4.50" X 14.00", Hickory
7. 964906-10	DRAWER BOX, 12.25 X 14.00 X 2.75
8. 381526-01	DRW SLIDE-950-RV 14" PR
9. 381526-06	BRACKET ADJUSTABLE REAR (PAIR)
10. 381835	HANDLE-CHROME/BRASS
11. 381836	HINGE-BRITE BRASS
12. 381228-01	CATCH GRABBER DOOR
13. 800571-016	MOLDING FLAT .52" W X 80", Oak
13. 800571-013	MOLDING FLAT .52" W X 80", Hickory
14. 601927	LAVY TOP ASSY., CORIAN, MIDNIGHT
14. 601927-01	LAVY TOP ASSY., CORIAN, SANDSTONE
14. 601927-02	LAVY TOP ASSY., CORIAN, EVEREST
15. 203367-01	BOWL-LAVY KARRAN SURF. BONE
15a. 453833	CLIP, SINK MOUNT
15b. 320129	INSERT-THREADED 1/4"O.D. X 1/4"L
15c. 320130-09	SCREW #10-32 SLOTTED HEX HD 1.25L
15d. 320131	WINGNUT-#10-32 6INC

CLASSIC TRAILER

FURNITURE, BATH

Shower Stall, 2 Piece, 34' S/O, 34', 31'



203046-03 Shower Stall, 2 Piece

203046-04 Shower Stall, 2 Piece, CSA

CLASSIC TRAILER

FURNITURE, BATH

Bath Door Header, 34 S/O, 34', 31'

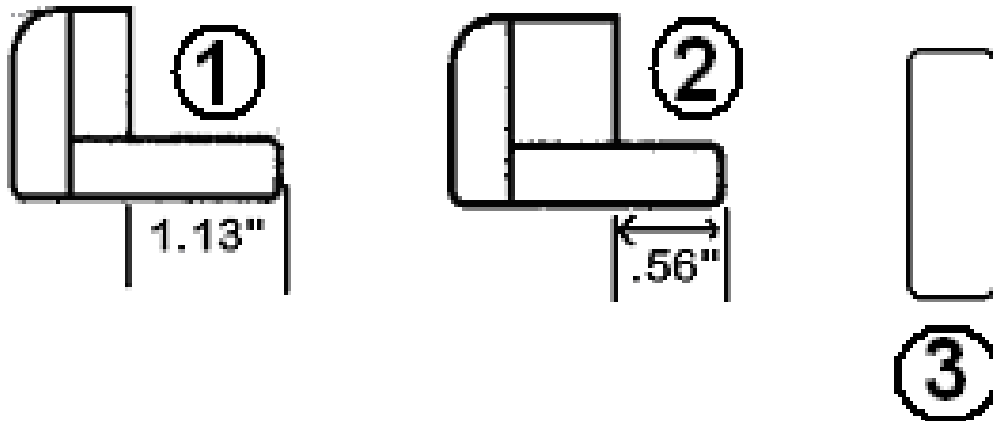


964303-01 Bath Door Header

CLASSIC TRAILER

FURNITURE, BATH

Bath Door Jamb/Header/Molding, 34', 31'

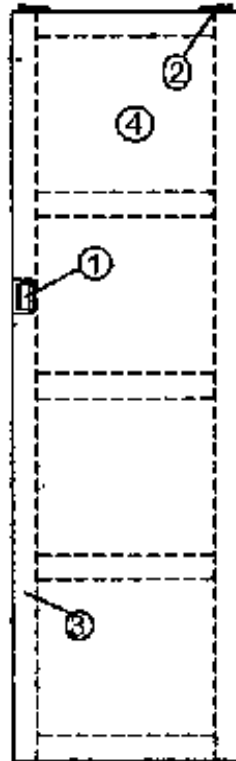


- 1. 963787-016 Bath Door Jamb, Oak
- 1. 963787-013 Bath Door Jamb, Hickory
- 2. 963786-016 Jamb, Bath Door, Oak
- 2. 963786-013 Jamb, Bath Door, Hickory
- 3. 963788-01 Header, Bath Door, Oak
- 3. 963788-03 Header, Bath Door
- 800576-016 MOLDING BATH DOOR JAMB 80", Oak
- 800576-013 MOLDING BATH DOOR JAMB 80", Hickory

CLASSIC TRAILER

FURNITURE, BATH

Bath Sliding Door, Forward, 34', 31'



966121

1. 201427

2. 200009

3. 365266-01

4. 801181-006

4. 800260-003

381443-01

381443-03

963296-016

963296-013

Bath Sliding Door Assembly

FINGER PULL, LIGHT BROWN

SLIDING DOOR GUIDE

EDGE BANDING-1.25"X .055"

PANEL 5/32" G1S, Oak

PANEL 5/32" G1S, Hickory

SLIDING DOOR SET #71-222-5'

ANGLE STOP #1018

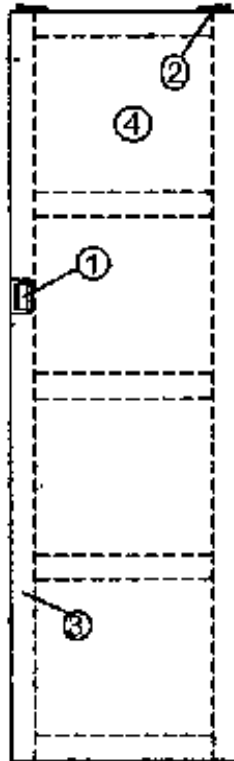
HEADER SLIDER DOOR LONG, OAK

HEADER SLIDER DOOR LONG, HICKORY

CLASSIC TRAILER

FURNITURE, BATH

Bath Sliding Door, Forward, 34' S/O, 31', 30', 30' S/O

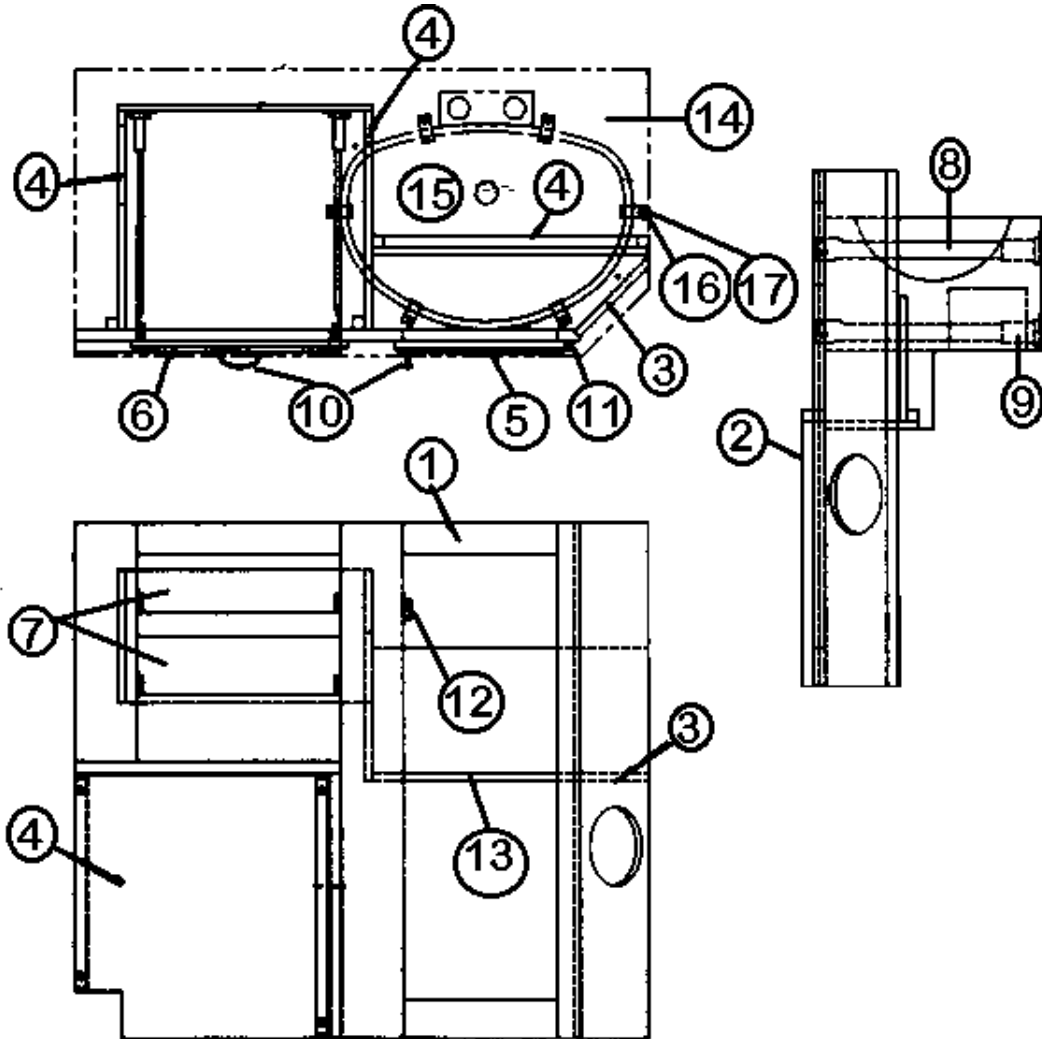


966120	Bath Sliding Door Assembly
1. 201427	FINGER PULL, LIGHT BROWN
2. 200009	SLIDING DOOR GUIDE
3. 365266-01	EDGE BANDING-1.25"X .055"
4. 801181-006	PANEL 5/32" G1S, Oak
4. 800260-003	PANEL 5/32" G1S, Hickory
381443-01	SLIDING DOOR SET #71-222-5'
381443-03	ANGLE STOP #1018
963296-016	HEADER SLIDER DOOR LONG, OAK
963296-013	HEADER SLIDER DOOR LONG, HICKORY
966114-016	HEADER-SLIDING BATH DOOR, OAK
966114-013	HEADER-SLIDING BATH DOOR, HICKORY

CLASSIC TRAILER

FURNITURE, BATH

Lavatory Cabinet, 34'



CLASSIC TRAILER

FURNITURE, BATH

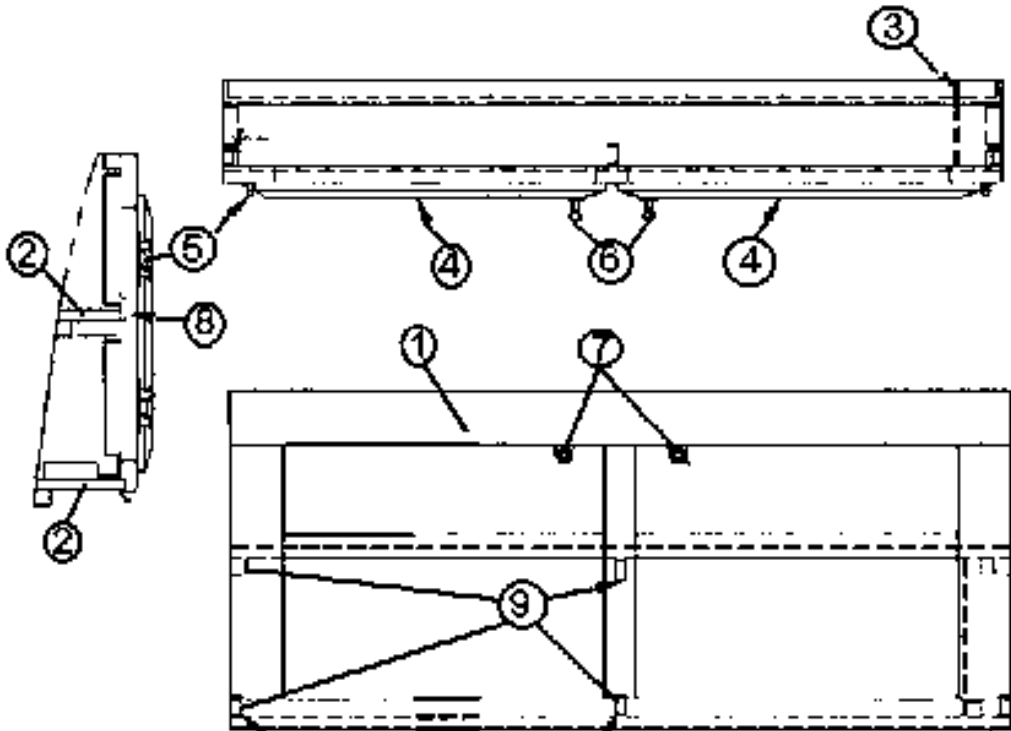
Lavatory Cabinet, 34'

965194-02	Lavatory Cabinet
1. 965192-006	FACE FRAME-LAVY, OAK
1. 965192-003	FACE FRAME-LAVY, HICKORY
2. 965193-006	FRAME-LAVY CLOSE OUT, OAK
2. 965193-003	FRAME-LAVY CLOSE OUT, HICKORY
3. 801180-006	PANEL ½" G2S, OAK
3. 801258-003	PANEL ½" G2S, HICKORY
4. 801179-006	PANEL ½" G1S, OAK
4. 801259-003	PANEL ½" G1S, HICKORY
5. 800597-096	DOOR, 11.00 X 29.75, OAK
5. 800597-093	DOOR, 11.00 X 29.75, HICKORY
6. 800599-076	DRAWER FACE 4.50 X 14.00", OAK
6.800599-073	DRAWER FACE 4.50 X 14.00" , HICKORY
7. 964906-10	DRW BOX- 12.25 X 14.00 X 2.75
8. 381526-01	DRW SLIDE-950-RV 14" PER PR
9. 381526-06	ADJUSTABLE REAR BRKT PER PR
10. 381835	HANDLE-CHROME/BRASS
11. 381836	HINGE-BRITE BRASS
12. 381228-01	CATCH GRABBER DOOR
13. 800571-016	MOLDING FLAT .52W X 80", OAK
13. 800571-013	MOLDING FLAT .52W X 80", HICKORY
14. 601926	LAVY TOP ASSY, CORIAN, MIDNIGHT
14. 601926-01	LAVY TOP ASSY, CORIAN, SANDSTONE
14. 601926-02	LAVY TOP ASSY, CORIAN, EVEREST
15. 203367-01	BOWL-LAVY KARRAN, SURF. BONE
16. 453833	CLIP, SINK MOUNT 16.
17. 320129	INSERT-THREADED 1/4"O.D. X 1/4"L

CLASSIC TRAILER

FURNITURE, BATH

Medicine Cabinet, Lower, 34'

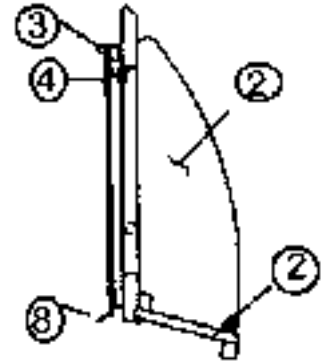
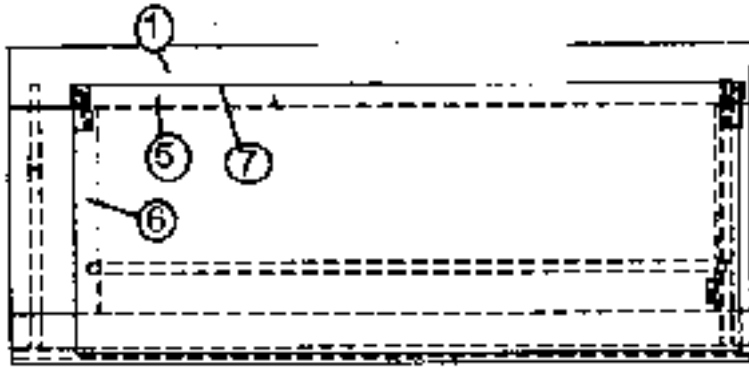


963302-04	Medicine cabinet, Lower, 37.13"
1. 963266-016	Face Frame, Oak
1. 963266-016	Face Frame, Hickory
2. 801180-006	PANEL 1/2" G2S, Oak
2. 801258-003	PANEL 1/2" G2S, Hickory
3. 801181-006	PANEL 5/32"G1S, Oak
3. 801260-003	PANEL 5/32"G1S, Hickory
4. 800599-576	DRAWER FACE 17.25 X 13.00, Oak
4. 800599-573	DRAWER FACE 17.25 X 13.00, Hickory
5. 381836	HINGE-BRITE BRASS
6. 381835	HANDLE-CHROME/BRASS
7. 381228-01	CATCH GRABBER DOOR
8. 800573-016	MOLDING, EDGE 1-3/32 X 80, Oak
8. 800573-013	MOLDING EDGE 1-3/32 X 80, Hickory
9. 380041	BRACE 1" STANLEY CORNER

CLASSIC TRAILER

FURNITURE, BATH

Medicine Cabinet Upper, 34'

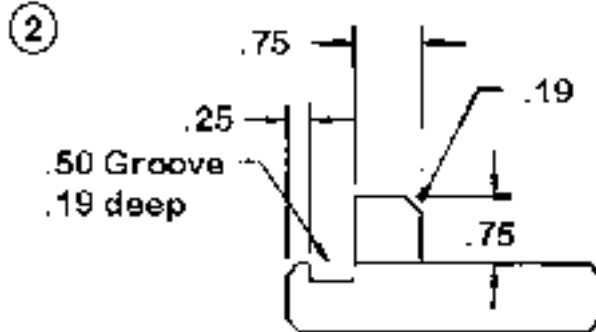
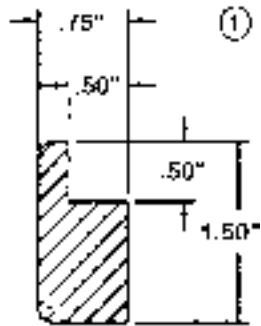


- | | |
|---------------|------------------------------------|
| 964026-01 | Medicine Cabinet Upper |
| 1. 964025-006 | Face Frame, Oak |
| 1. 964025-003 | Face Frame, Hickory |
| 2. 801180-006 | PANEL 1/2" G2S, Oak |
| 2. 801258-003 | PANEL 1/2" G2S, Hickory |
| 3. 385935-01 | HINGE PIVOT 6INC PLATED |
| 4. 372203-17 | MIRROR- POL EDGES- 33.12" X 14.00" |
| 5. 801180-006 | PANEL 1/2" G2S |
| 6. 380024 | SUPPORT FRICTION LEFT HAND |
| 7. 365265-01 | EDGE BANDING-5/8", OAK |
| 7. 365250-003 | EDGE BANDING-5/8", Hickory |
| 8. 385940-02 | MIRROR PULL CHROME |

CLASSIC TRAILER

FURNITURE, BATH

Bath Panel Stiles, 30', 30' S/O

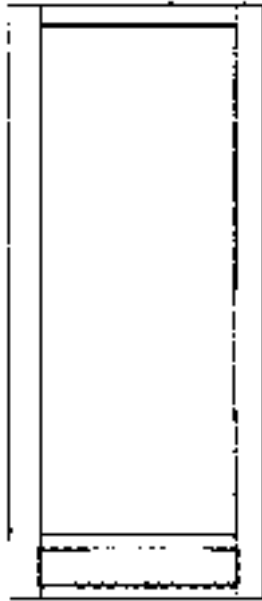


- | | |
|---------------|--------------------------------|
| 1. 800815-026 | Stile, Aft Bath Panel, Oak |
| 1. 800815-023 | Stile, Aft Bath Panel, Hickory |
| 2. 963664-006 | Stile Aft Bath, Oak |
| 2. 963664-003 | Stile Aft Bath, Hickory |

CLASSIC TRAILER

FURNITURE, BATH

Face Frame, Shower, 30', 30' S/O



- 962161-016 Face Frame, Shower, Oak
- 962161-013 Face Frame, Shower, Hickory
- 962505-01 Face Frame, Shower

CLASSIC TRAILER

FURNITURE, BATH

Sliding Door Headers, 30', 30' S/O

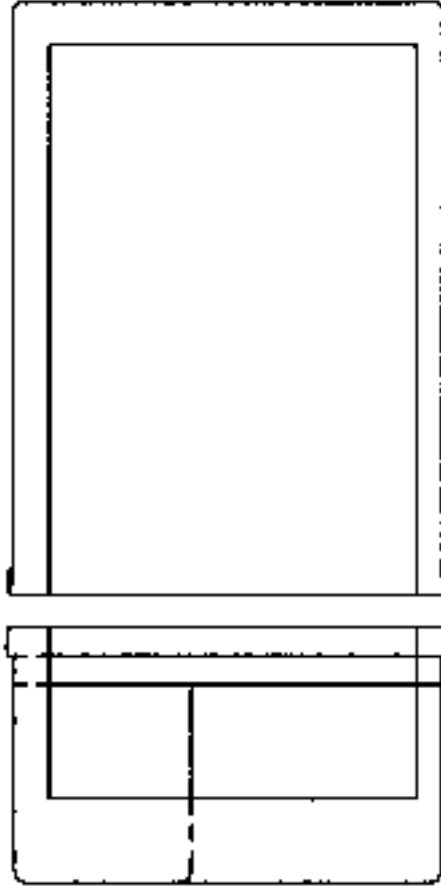


- 1. 963656-006 Header, Aft Slide Door, Oak
- 1. 963656-003 Header, Aft Slide Door, Hickory
- 2. 963657-006 Header, Forward Slide Door, Oak
- 2. 963657-003 Header, Forward Slide Door, Hickory

CLASSIC TRAILER

FURNITURE, BATH

Shower Stall/Door, 30', 30' S/O



203081

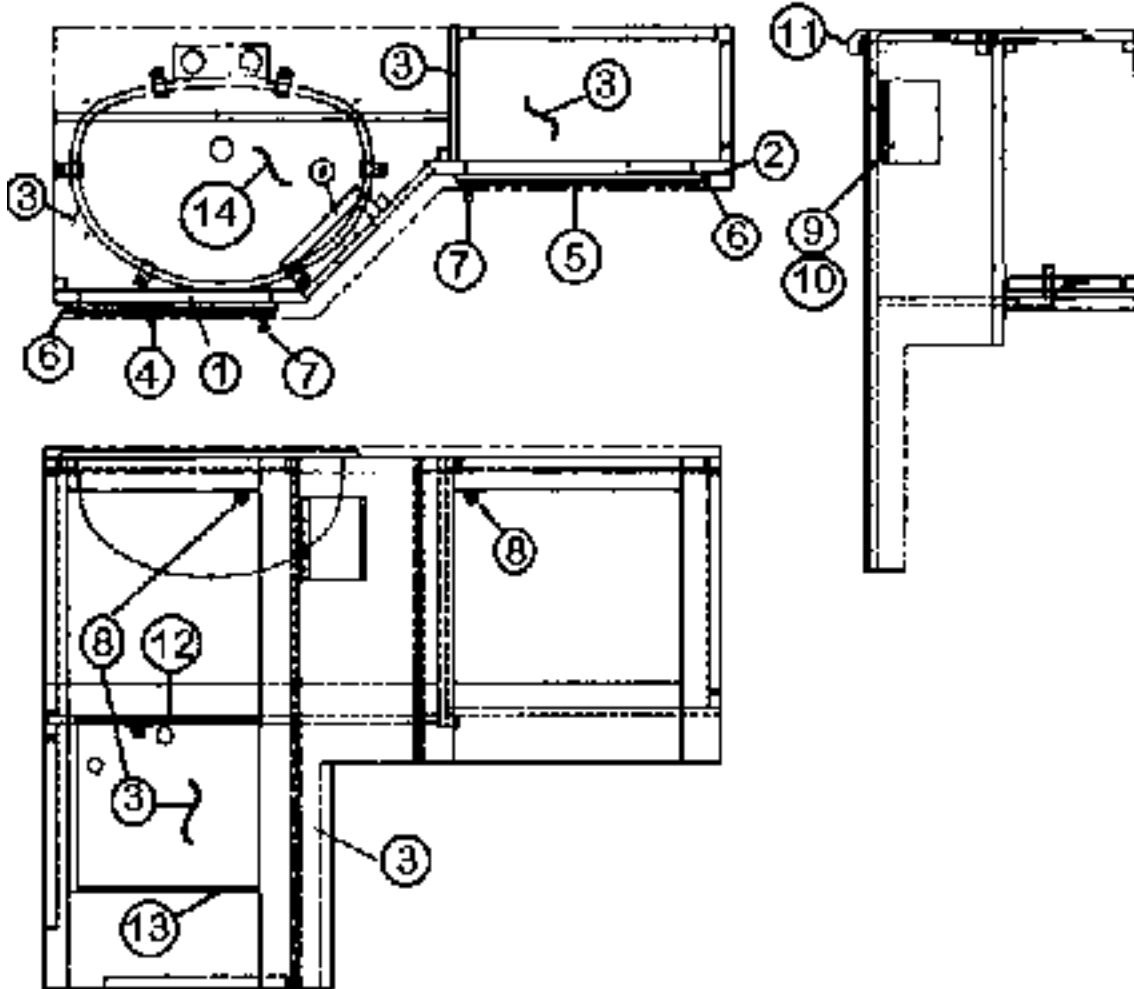
703206-02

Shower Stall-2 piece Fiberglass
Shower door, Gold 26" opening

CLASSIC TRAILER

FURNITURE, BATH

Lavatory Cabinet, 30', 30' S/O, 28'



PN Next Page

CLASSIC TRAILER

FURNITURE, BATH

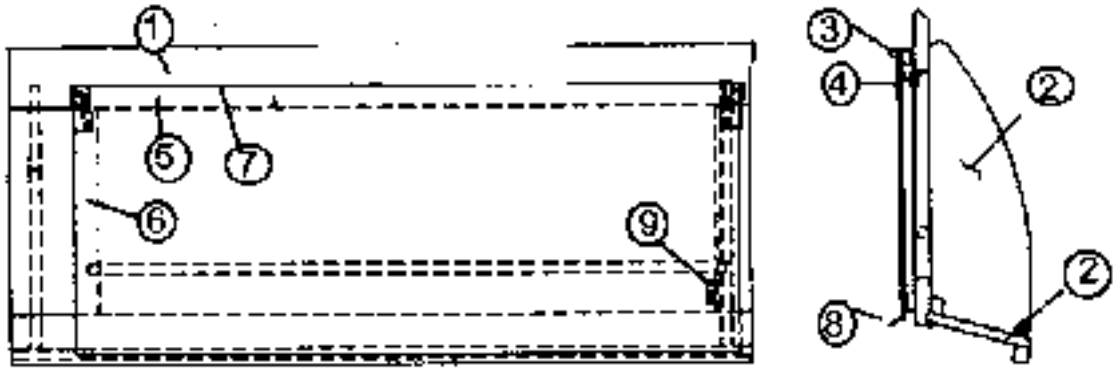
Lavatory Cabinet, 30', 30' S/O, 28'

961921-09	Lavatory Cabinet Assembly
1. 961890-016	FACE FRAME LAVY, OAK
1. 961890-013	FACE FRAME LAVY, HICKORY
2. 961891-016	FACE FRAME LAVY AFT, OAK
2. 961891-013	FACE FRAME LAVY AFT, HICKORY
3. 801180-006	PANEL ½" G2S OAK/OAK
3. 801258-003	PANEL ½" G2S HICKORY/HICKORY
4. 800597-156	DOOR 13.00" X 25.75", OAK
4. 800597-153	DOOR 13.00" X 25.75", HICKORY
5. 800597-496	DOOR 15.50" X 13.00", OAK
5. 800597-493	DOOR 15.50" X 13.00", HICKORY
6. 381836	HINGE-BRITE BRASS
7. 381835	HANDLE-CHROME/BRASS
8. 381228-01	CATCH GRABBER DOOR
9. 381299	TOILET PAPER HOLDER
10. 381275	PAPER HOLDER, BRASS W/HOOD, OPTION
11. 601929	TOP ASSY., CORIAN, MIDNIGHT
11. 601929-01	TOP ASSY., CORIAN, SANDSTONE
11. 601929-02	TOP ASSY., CORIAN, EVEREST
12. 800571-016	MOLDING FLAT .52W X 80", OAK
12. 800571-013	MOLDING FLAT .52W X 80", HICKORY
13. 380458	HINGE PIANO BROWN ANODI6ED
14. 203367-02	BOWL-LAVY KARRAN, SURF. BONE
14. 453833	CLIP, SINK MOUNT
14. 320129	INSERT-THREADED 1/4"O.D. X 1/4"L
14. 20130-09	SCREW #10-32 SLOTTED HEX HD 1.25L
14. 320131	WINGNUT-#10-32 6INC

CLASSIC TRAILER

FURNITURE, BATH

Medicine Cabinet, Upper, 30', 30' S/O, 28'

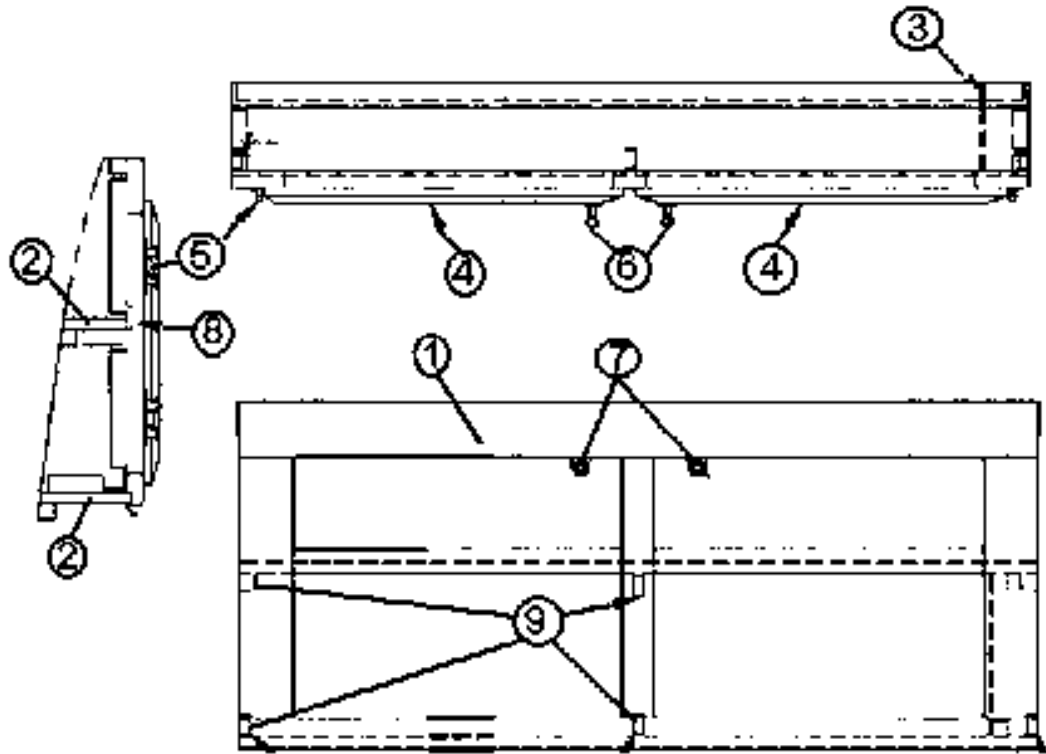


- | | |
|---------------|------------------------------------|
| 963753-01 | MEDICINE CABINET ASSEMBLY. UPPER |
| 1. 962170-016 | FACE FRAME MED CAB-UPPER, OAK |
| 1. 962170-013 | FACE FRAME MED CAB-UPPER, HICKORY |
| 2. 801180-006 | PANEL 1/2" G2S, OAK |
| 2. 801258-003 | PANEL 1/2" G2S, HICKORY |
| 3. 385935-01 | HINGE PIVOT 6INC PLATED |
| 4. 372203-04 | MIRROR- POL EDGES- 36.00" X 14.00" |
| 5. 801180-006 | PANEL 1/2", G2S, OAK |
| 5. 801258-003 | PANEL 1/2" G2S, HICKORY |
| 6. 380024 | SUPPORT FRICTION LEFT HAND |
| 7. 365265-01 | EDGEBANDING-5/8", NORTHERN OAK |
| 8. 385940-02 | MIRROR PULL CHROME |
| 9. 381228-01 | CATCH GRABBER DOOR |
| 380203-01 | PIANO HINGE |

CLASSIC TRAILER

FURNITURE, BATH

Medicine Cabinet, Lower, 30', 30' S/O, 28'



Part Numbers On The Next Page

CLASSIC TRAILER

FURNITURE, BATH

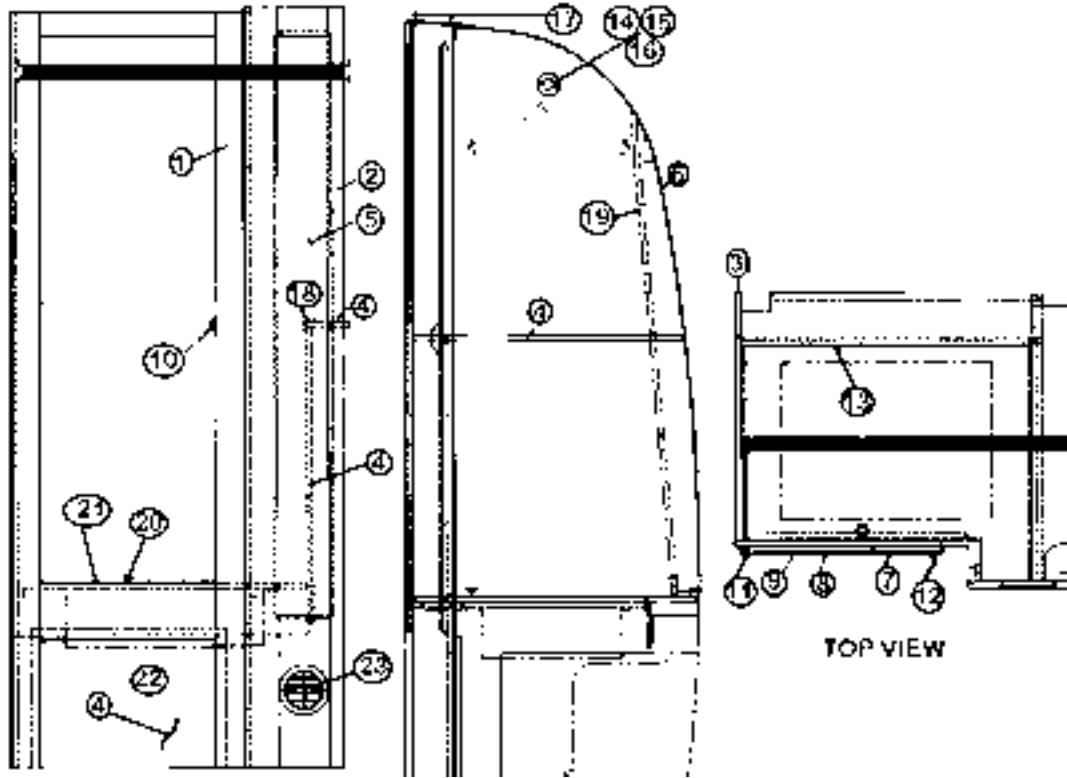
Medicine Cabinet, Lower, 30', 30' S/O, 28'

961899-04	Medicine Cabinet, Lower
1. 961897-016	FACE FRAME MED-LOWER, OAK
1. 961897-013	FACE FRAME MED-LOWER, HICKORY
2. 801180-006	PANEL ½" G2S, Oak
2. 801258-003	PANEL ½" G2S, Hickory
3. 801181-006	PANEL 5/32"G1S, Oak
3. 801260-003	PANEL 5/32"G1S, Hickory
4. 800599-576	DRAWER FACE 17.25 X 13.00, Oak
4. 800599-573	DRAWER FACE 17.25 X 13.00, Hickory
5. 381836	HINGE-BRITE BRASS
6. 381835	HANDLE-CHROME/BRASS
7. 381228-01	CATCH GRABBER DOOR
8. 800573-016	MOLDING, 1 X 3/32 X 80, OAK
8. 800573-013	MOLDING, 1 X 3/32 X 80, Hickory
9. 380041	BRACE 1IN STANLEY CORNER

CLASSIC TRAILER

FURNITURE, BATH

Wardrobe, 30', 30 S/O



PN Next Page

CLASSIC TRAILER

FURNITURE, BATH

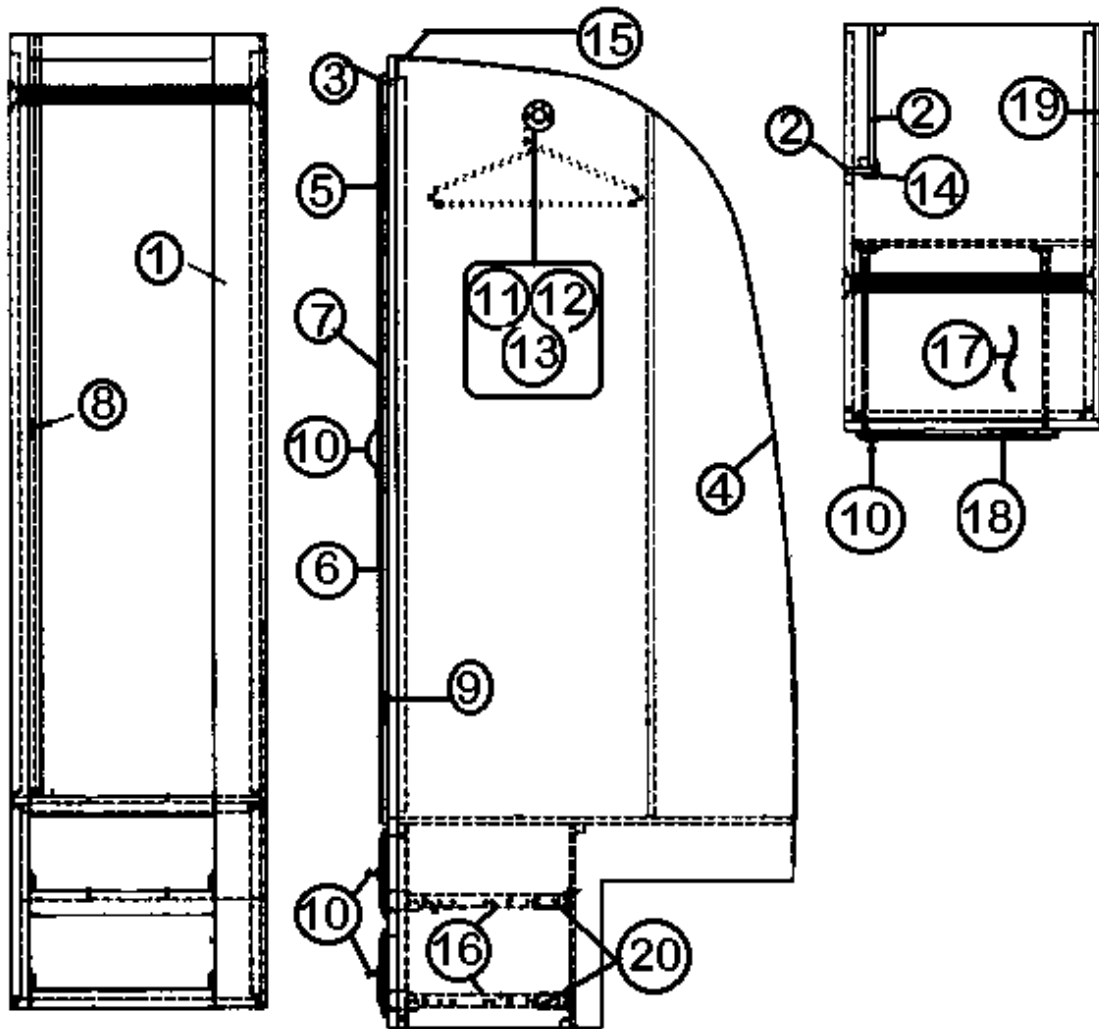
Wardrobe, 30', 30 S/O

962175-04	Wardrobe Assembly
1. 962162-016	FACE FRAME W/R AFT CS, OAK
1. 962162-013	FACE FRAME W/R AFT CS, HICKORY
2. 962163-016	FACE FRAME WARD FWD, OAK
2. 962163-013	FACE FRAME WARD FWD, HICKORY
3. 800984-05	PANEL FWD WARDROBE
4. 801179-006	PANEL 1/2" G1S OAK/RAW
4. 801259-003	PANEL 1/2" G1S HICKORY/RAW
5. 801181-006	PANEL 5/32"G1S WOOD/ RAW 4'X8'
5. 801260-003	PANEL 5/32"G1S HICKORY/ RAW 4'X8'
6. 800397-01	CEDAR PLANKED 5/32"
7. 800557-156	DOOR FRAME 19.00" X 60.00", OAK
7. 800557-153	DOOR FRAME, HICKORY
8. 371262-10	MIRROR- SAFETY- 16.12" X 28.12"
9. 381754	MIRROR CLIP R2
10. 381228-01	GRABBER DOOR CATCH
11. 381836	HINGE-BRITE BRASS
12. 381835	HANDLE-CHROME/BRASS
13. 380458	HINGE PIANO BROWN ANODI6ED
14. 380045	TUBING 3/4IN METALLIC
15. 380046	FLANGE CHROME
16. 200975-04	CONDUIT, FLEXIBLE BLACK PLASTIC
17. 104821	SUPPORT, ROOFLOCKER, 74"
18. 800575-016	MOLDING CORNER 80"L, Oak
18. 800575-013	MOLDING CORNER 80"L, Hickory
19. 964945	Lift Up Shelf Assembly
20. 104629	EXTRUSION, WALL ATTACHMENT
21. 381604	DOOR KNOB SATIN
22. 201016	DRAWER 16" X 22"
23. 601244-01	REGISTER-ROTAIRE 4"BROWN
201666-01	MOLDING-J 3/16" ALMOND PLASTIC
203138-03	EXTRUSION PLASTIC WALL BEIGE
500956	LIGHT, BROWN, W/SWITCH
962222	CLOSE OUT WARDROBE WIRES
701538	CARPET, VELOUR BLACK 48"

CLASSIC TRAILER

FURNITURE, BATH

Wardrobe, 28'



PN Next Page

CLASSIC TRAILER

FURNITURE, BATH

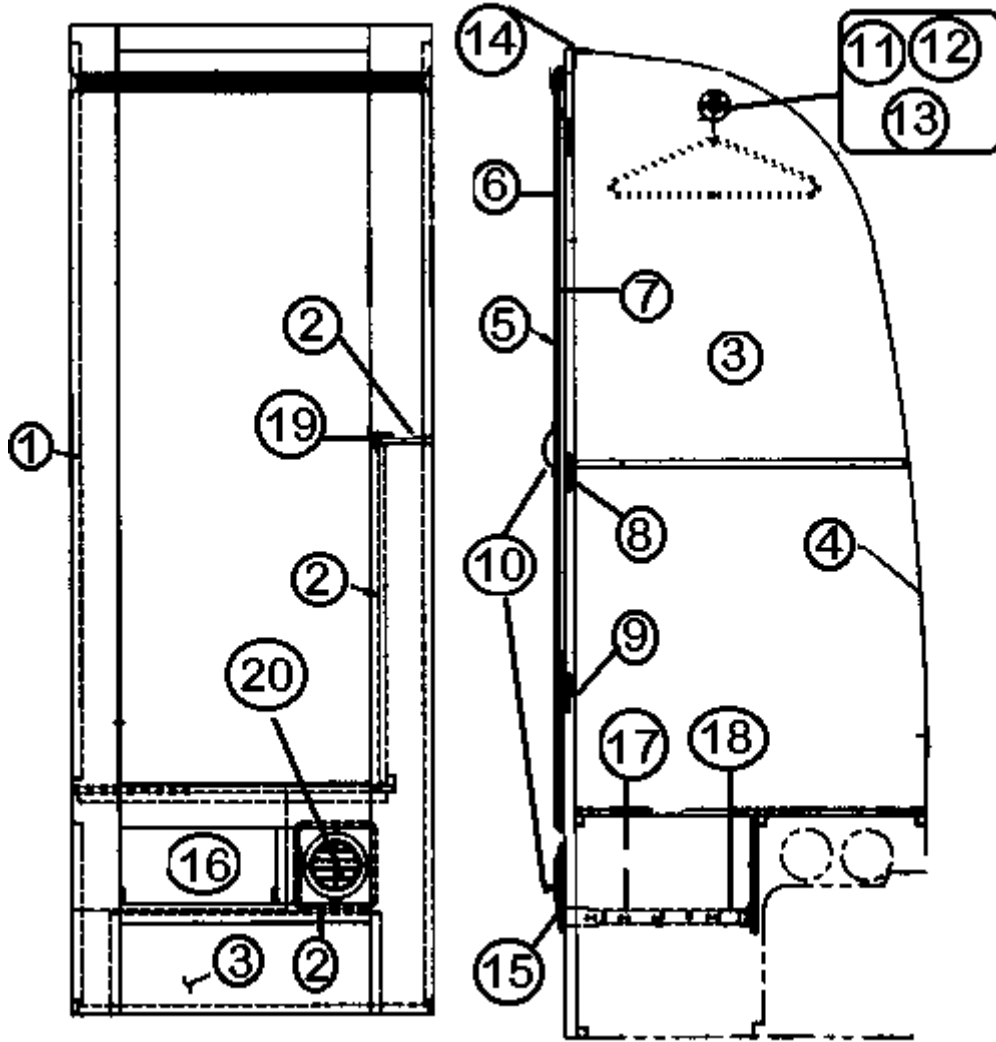
Wardrobe, 28'

963690-02	WARDROBE ASSEMBLY. RS
1. 962509-016	FACE FRAME RS WARDROBE
2. 801180-006	PANEL 1/2" G2S WOOD/WOOD
3. 801181-006	PANEL 5/32"G1S WOOD/ RAW
4. 800397-01	CEDAR PLANKED 5/32"
5. 800557-116	DOOR FRAME 16.00" X 60.00"
6. 371262-05	MIRROR- SAFETY- 13.12" X 28.12"
7. 381754	MIRROR CLIP
8. 381228-01	GRABBER DOOR CATCH
9. 381836	HINGE-BRITE BRASS
10. 381835	HANDLE-CHROME/BRASS
11. 380045	TUBING 3/4"METALLIC
12. 380046	FLANGE CHROME
13. 200975-04	CONDUIT BLACK PLASTIC
14. 800575-016	MOLDING CORNER 80"L
15. 104821	SUPPORT, ROOFLOCKER, 74"
16. 381526-01	DRW SLIDE-950-RV 14" PER PR
17. 964910-08	DRW BOX- 13.25" X 14.00" X 5.00"
18. 800599-566	DRAWER FACE 7.00" X 16.00"
19. 801179-006	PANEL 1/2" G1S WOOD/RAW
20. 381526-06	ADJUSTABLE REAR BRKT PER PR
365239	FOAM, NON-SKID PAD 1/4" X 1" X 1/16"
203138-03	EXTRUSION PLASTIC WALL BEIGE
500956	LIGHT, WDRB, BROWN, W/SWITCH

CLASSIC TRAILER

FURNITURE, BATH

Wardrobe, CS 28'



PN Next Page

CLASSIC TRAILER

FURNITURE, BATH

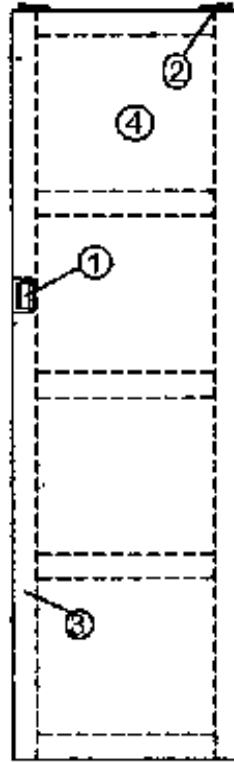
Wardrobe, CS 28'

964016	Wardrobe Assembly CS, 28'
1. 964015-006	FACE FRAME CS WARDROBE
2. 801180-006	PANEL 1/2" G2S WOOD/WOOD
3. 801181-006	PANEL 5/32"G1S WOOD / RAW
4. 800397-01	CEDAR PLANKED 5/32"
5. 800557-106	DOOR FRAME 22.00" X 60.00"
6. 371262-04	MIRROR- SAFETY- 19.12" X 28.12"
7. 381754	MIRROR CLIP R2
8. 381228-01	GRABBER DOOR CATCH
9. 381836	HINGE-BRITE BRASS
10. 381835	HANDLE-CHROME/BRASS
11. 380045	TUBING 3/4IN METALLIC
12. 380046	FLANGE CHROME
13. 200975-04	CONDUIT, BLACK PLASTIC
14. 104821	SUPPORT, ROOFLOCKER, 74"
15. 800599-226	DRAWER FACE 7.00" X 14.00"
16. 964910-19	DRW BOX- 11.50 X 14.00 X 5.00
17. 381526-01	DRW SLIDE-950-RV 14" PER PR
18. 381526-06	ADJUSTABLE REAR BRKT PER PR
19. 800575-016	MOLDING CORNER 80"L
20. 601244-01	REGISTER-ROTAIRE "BROWN
365239	FOAM, NON-SKID PAD 1/4 X 1 X 1/16"
500956	LIGHT, WDRB, BROWN, W/SWITCH

CLASSIC TRAILER

FURNITURE, BATH

Bath Sliding Door, Forward, 28'

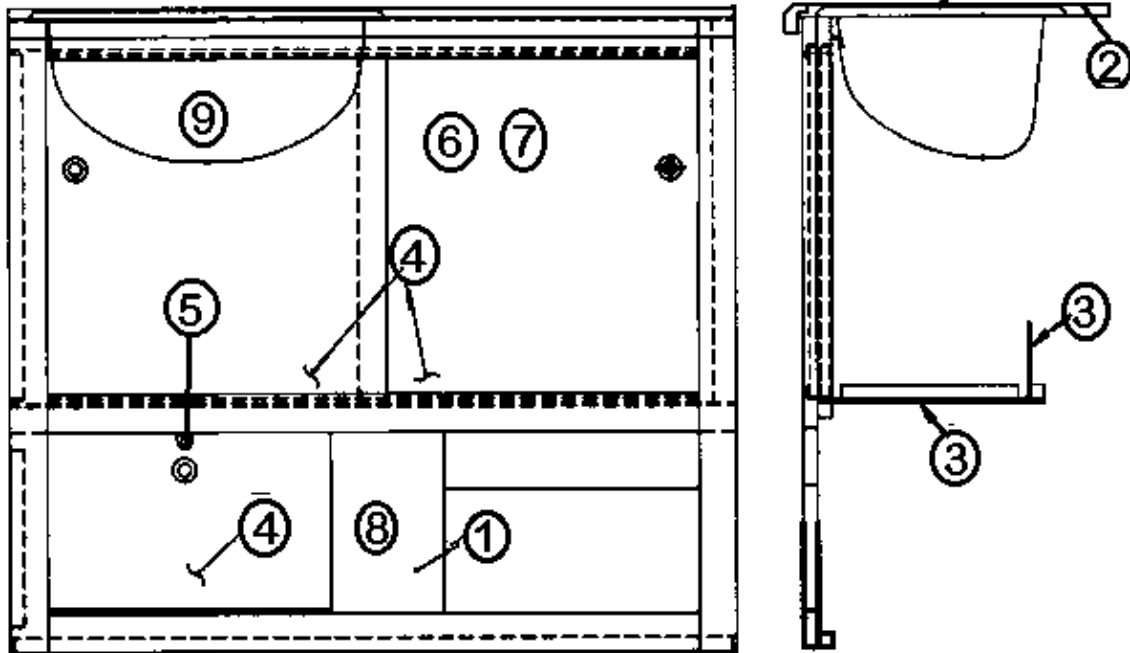


966119	Bath Sliding Door Assembly
1. 201427	FINGER PULL, LIGHT BROWN
2. 200009	SLIDING DOOR GUIDE
3. 365266-01	EDGE BANDING-1.25"X .055"
4. 801181-006	PANEL 5/32" G1S, Oak
4. 800260-003	PANEL 5/32" G1S, Hickory
381443-04	SLIDING DOOR SET #71-222-5'
381443-03	ANGLE STOP #1018
381443-02	BUMPER STOP #7014

CLASSIC TRAILER

FURNITURE, BATH

Lavatory Cabinet, 25'

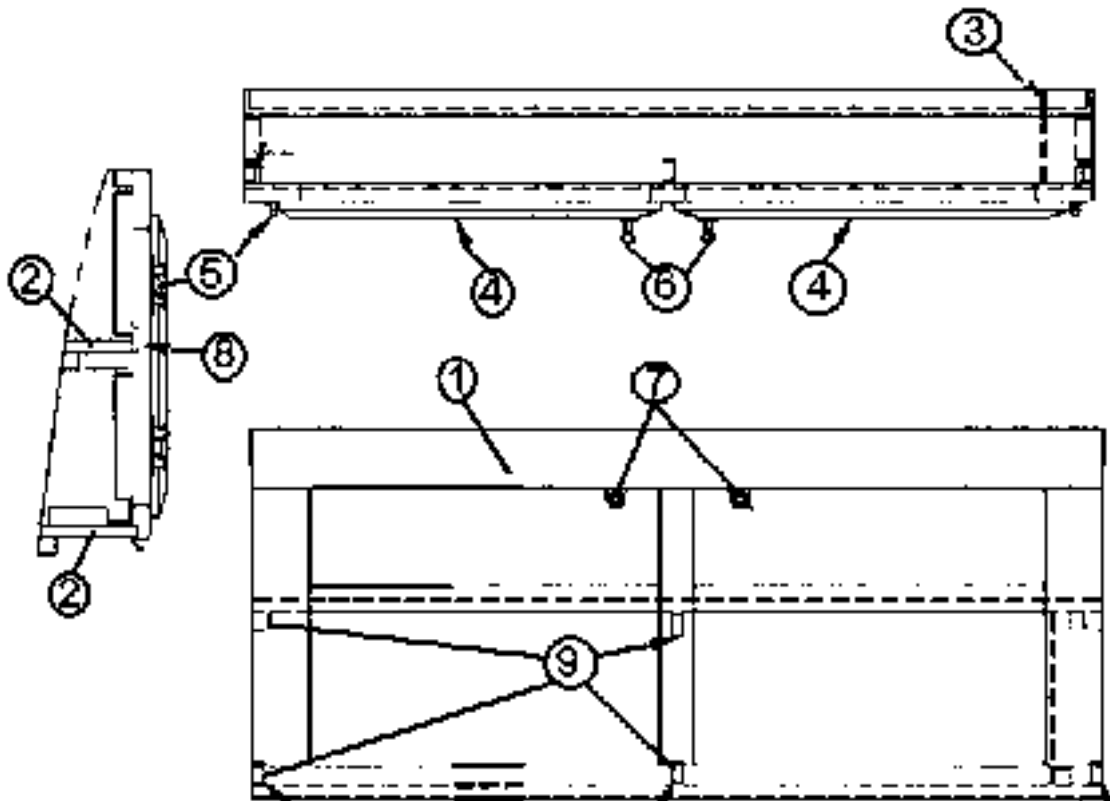


- | | |
|-----------------|------------------------------------|
| 962322-02 | Lavatory Cabinet Assembly |
| 1. 962324-016 | FACE FRAME LAVY CABINET |
| 2. 601928 | TOP ASSY, CORIAN, MIDNIGHT |
| 2. 601928-01 | TOP ASSY, CORIAN, SANDSTONE |
| 2. 601928-02 | TOP ASSY, CORIAN, EVEREST |
| 3. 801181-006 | PANEL, 5/32" G1S WOOD/RAW |
| 4. 801180-006 | PANEL, 1/2" G2S, WOOD/WOOD |
| 5. 381839 | KNOB-CHROME/BRASS 1.25" |
| 6. 381228-01 | CATCH GRABBER DOOR |
| 7. 200963-01 | TRACK, SLIDING DOOR, VANITY, UPPER |
| 8. 200963-02 | TRACK, SLIDING DOOR, VANITY, LOWER |
| 9. 9. 203367-01 | BOWL-LAVY KARRAN SURF. BONE |
| 453833 | CLIP, SINK MOUNT |
| 320129 | INSERT-THREADED 1/4"O.D. X 1/4"L |
| 320130-09 | SCREW #10-32 SLOTTED HEX HD 1.25L |
| 320131 | WINGNUT-#10-32 ZINC |
| 380458 | HINGE PIANO BROWN ANODIZED |

CLASSIC TRAILER

FURNITURE, BATH

Medicine Cabinet, Lower 38.50", 25'



962251-02

1. 962252-006

2. 801180-006

3. 801181-006

4. 800599-576

5. 381836

6. 381835

7. 381228-01

8. 800573-016

9. 380041

Medicine cabinet, Lower 38.50"

FACE FRAME MED-LOWER

PANEL 1/2" G2S

PANEL 5/32"G1S

DRAWER FACE 17.25 X 13.00

HINGE-BRITE BRASS

HANDLE-CHROME/BRASS

CATCH GRABBER DOOR

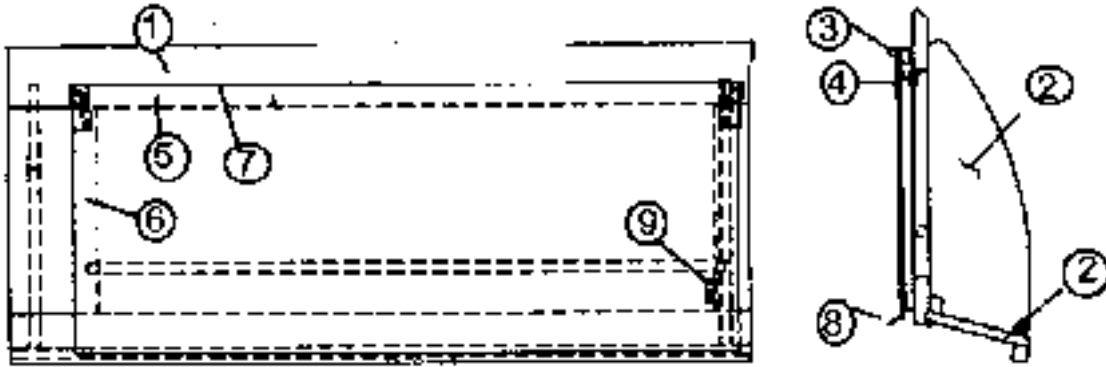
MOLDING DOOR EDGE 1-3/32X80

BRACE 1" STANLEY CORNER

CLASSIC TRAILER

FURNITURE, BATH

Medicine Cabinet, Upper, 25'



963752-01

1. 962250-006

2. 801180-006

3. 385935-01

4. 372203-17

5. 801180-006

6. 380024

7. 365265-01

8. 385940-02

9. 381228-01

800457-006

MEDICINE CABINET ASSEMBLY. UPPER

FACE FRAME MED CAB-UPPER

PANEL 1/2" G2S

HINGE PIVOT ZINC PLATED

MIRROR- POL EDGES- 36.00" X 14.00"

PANEL 1/2" G2S

SUPPORT FRICTION LEFT HAND

EDGE BANDING-5/8", NORTHERN OAK

MIRROR PULL CHROME

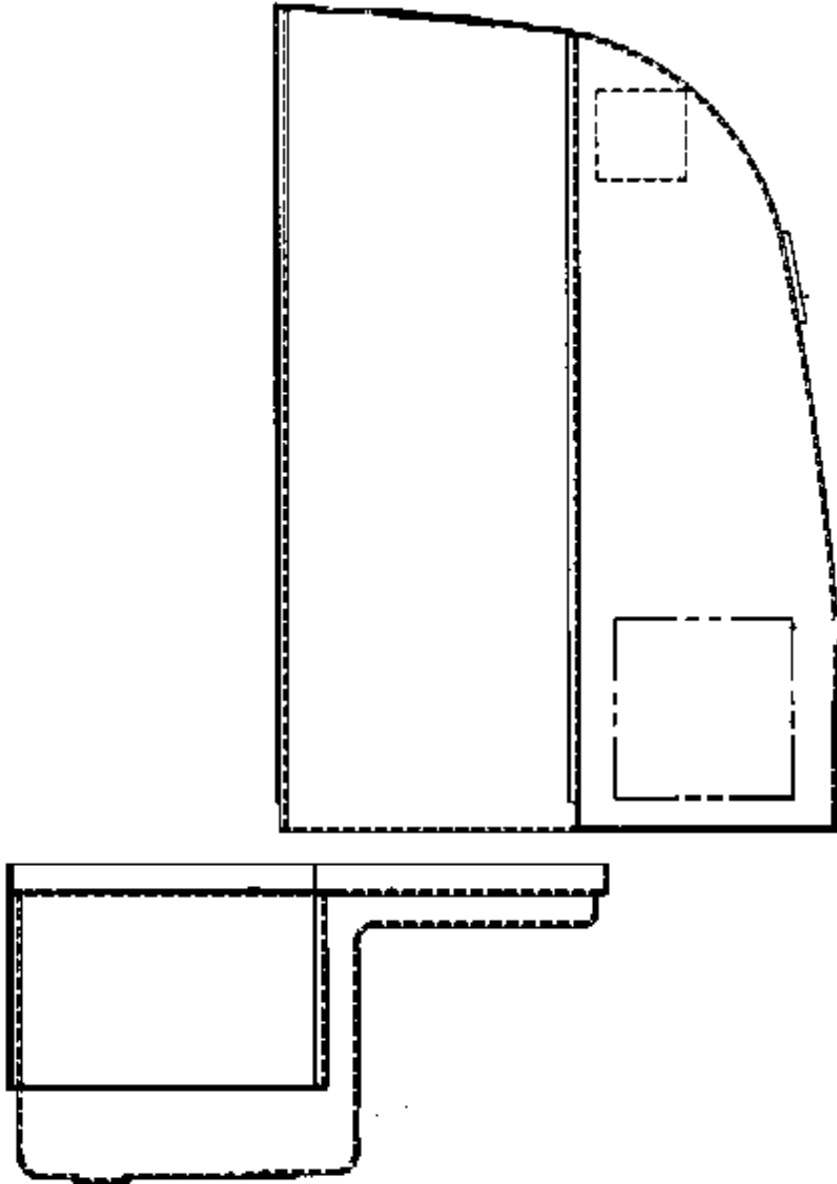
CATCH GRABBER DOOR

ROD-DOWEL 1/2" DIA. 36" LONG

CLASSIC TRAILER

FURNITURE, BATH

Shower Stall, 2 Piece, 25'

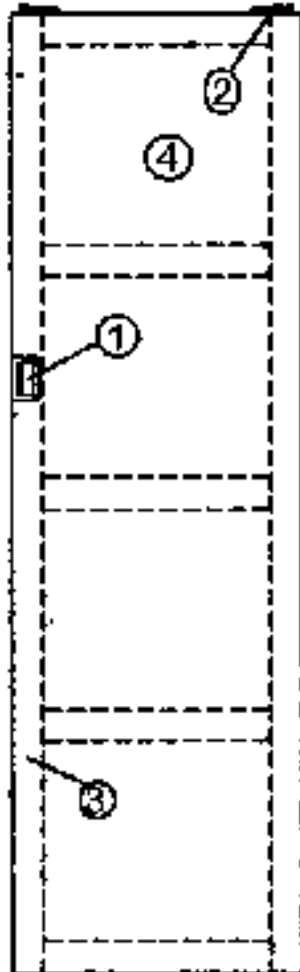


201980 Shower Stall, 2 Piece

CLASSIC TRAILER

FURNITURE, BATH

Bath Sliding Door, 25'



986265

1. 201427

2. 200009

3. 365266-01

4. 801181-006

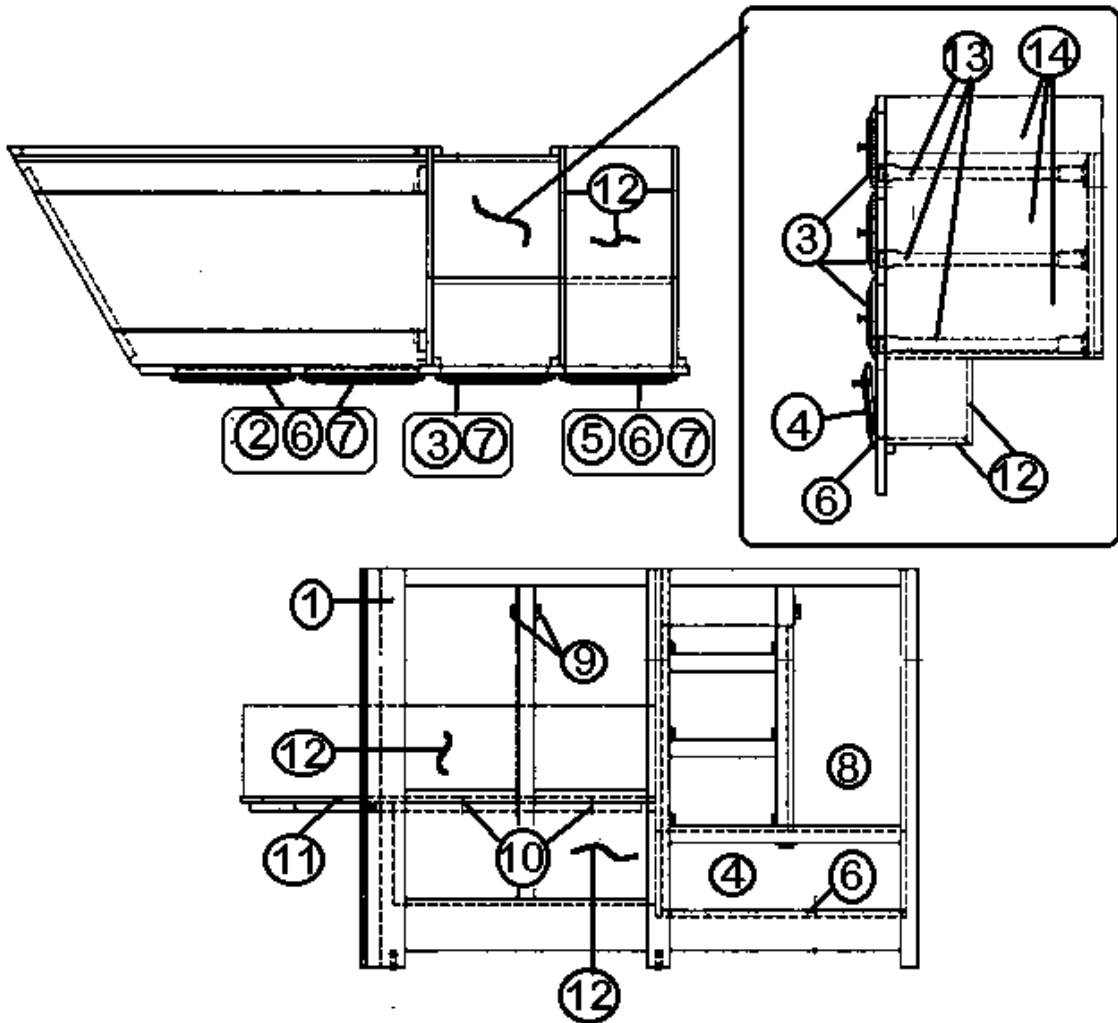
381100

Bath Sliding Door Assembly
FINGER PULL, LIGHT BROWN
SLIDING DOOR GUIDE
EDGE BANDING-1.25"X .055"
PANEL 5/32" G1S
SLIDING DOOR GUIDE

CLASSIC TRAILER

FURNITURE, GALLEY

Galley, Middle, 34' S/O Dinette



Part numbers are on the next page

CLASSIC TRAILER

FURNITURE, GALLEY

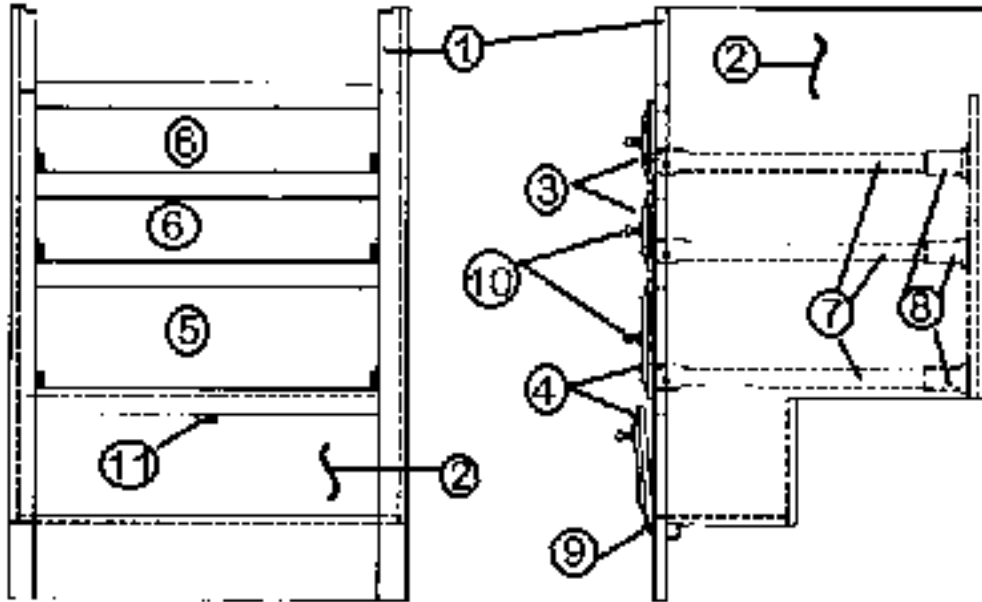
Galley, Middle, 34' S/O Dinette

965357	GALLEY ASSY-MIDDLE S/O DINETTE
1. 965360-006	FACE FRAME-GALLEY MID
2. 800597-096	DOOR RAISED PANEL 11.00" X 29.75"
3. 800599-016	DRAWER FACE-7.00" W X 10.50" L
4. 800599-386	DRAWER FACE 7.00" X 21.50"
5. 800597-016	DOOR RAISED PANEL 10.50" X 22.00"
6. 381836	HINGE-BRITE BRASS
7. 381835	HANDLE-CHROME/BRASS
8. 381491	TRASH CAN, ROLL OUT
9. 381228-01	CATCH GRABBER DOOR
10. 800573-016	MOLDING DOOR EDGE 1-3/32" X 80"
11. 801180-006	PANEL 1/2" G2S Wood/Wood 4' X 7'
12. 801179-006	PANEL 1/2" G1S Wood/RAW
13. 381526-03	DRAWER SLIDE 18" PER PR
14. 964910-05	DRAWER BOX, 8.50" X 18.00" X 5.00"
601897	SINK COVER-RH 15.56" X 17.13", Midnight
601897-01	SINK COVER-RH 15.56" X 17.13", Sandstone
601897-02	SINK COVER-RH 15.56" X 17.13", Everest
601902	SINK COVER-LH 15.56" X 17.13", Midnight
601902-01	SINK COVER-LH 15.56" X 17.13", Sandstone
601902-02	SINK COVER-LH 15.56" X 17.13", Everest
200980-01	TRAY, SILVERWARE, ALMOND, 9" X 13"
381708	WASTEBASKET-11.38 X 8.25 X 12.
601827-01	FAUCET-PURETOUCH CL.W/SPRAY CH

CLASSIC TRAILER

FURNITURE, GALLEY

Galley Cook top, 34' S/O Dinette, 30' S/O



- | | |
|---------------|-------------------------------------|
| 964998-09 | GALLEY ASSY-COOKTOP |
| 1. 965017-006 | FACE FRAME GALLEY COOKTOP, Oak |
| 1.965017-003 | FACE FRAME GALLEY COOKTOP, Hickory |
| 2. 801179-006 | PANEL 1/2" G1S WOOD/RAW, Oak |
| 2 801179-003 | PANEL 1/2" G1S WOOD/RAW, Hickory |
| 3. 800599-386 | DRAWER FACE 7.00" X 21.50", Oak |
| 3. 800599-383 | DRAWER FACE 7.00" X 21.50", Hickory |
| 4. 800599-586 | DRAWER FACE 4.75" X 21.50", Oak |
| 4. 800599-583 | DRAWER FACE 4.75" X 21.50", Hickory |
| 5. 964910-03 | DRAWER BOX- 19.50" X 18.00" X 5.00" |
| 6. 964906-02 | DRAWER BOX- 19.50" X 18.00" X 2.75" |
| 7. 381526-03 | DRAWER SLIDE-950-RV 18" PER PR |
| 8. 381526-06 | BRACKET ADJUSTABLE REAR (PAIR) |
| 9. 381836 | HINGE-BRITE BRASS |
| 10. 381835 | HANDLE-CHROME/BRASS |
| 11. 381228-01 | CATCH GRABBER DOOR |
| 114876 | Trim ring, range recess, black |
| 690396-08 | COOKTOP 3 BURNER AMANA, S. S. |
| 690396-03 | BI-FOLD COVER 22" |

CLASSIC TRAILER

FURNITURE, GALLEY

Range Covers, 34' S/O, 30'

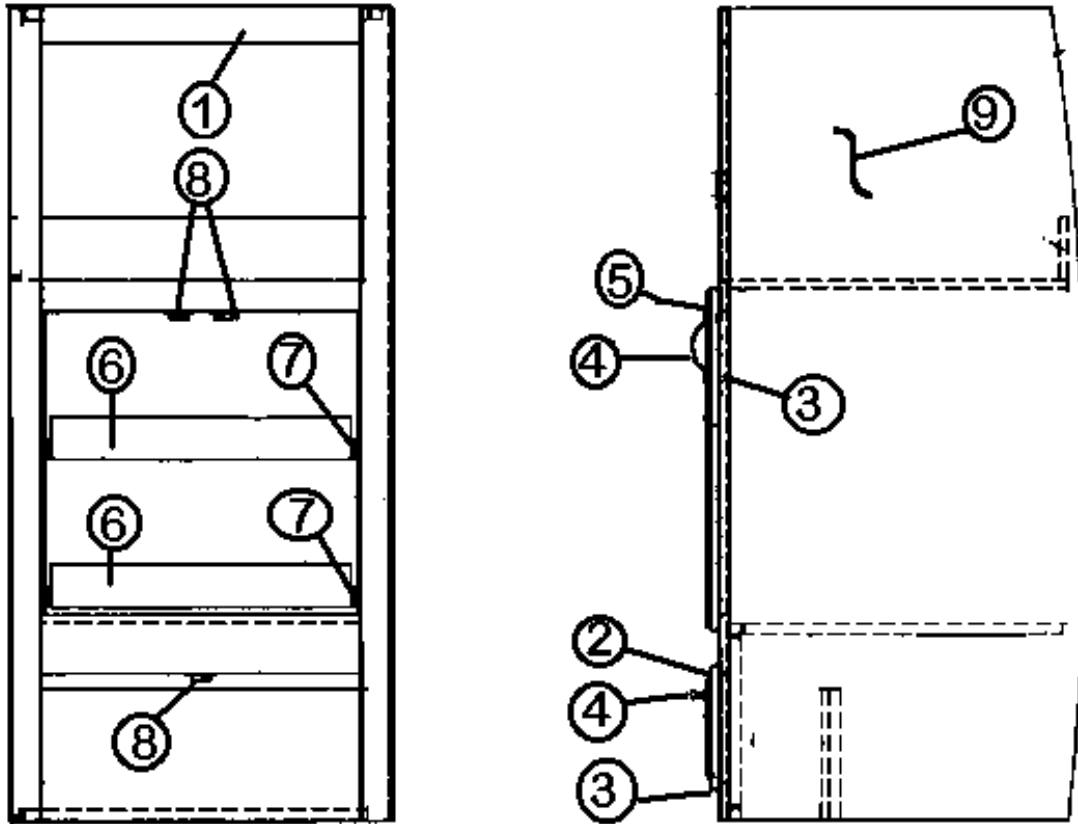


- | | |
|-----------|---|
| 601911 | Range covers, Corian, set, 3-Burner, Midnight |
| 601911-01 | Range covers, Corian, set, 3-Burner Sandstone |
| 601911-02 | Range covers, Corian, set, 3-Burner, Everest |

CLASSIC TRAILER

FURNITURE, GALLEY

Microwave Cabinet, 30/S/O, 34/S/O



Part Numbers On the Next Page

CLASSIC TRAILER

FURNITURE, GALLEY

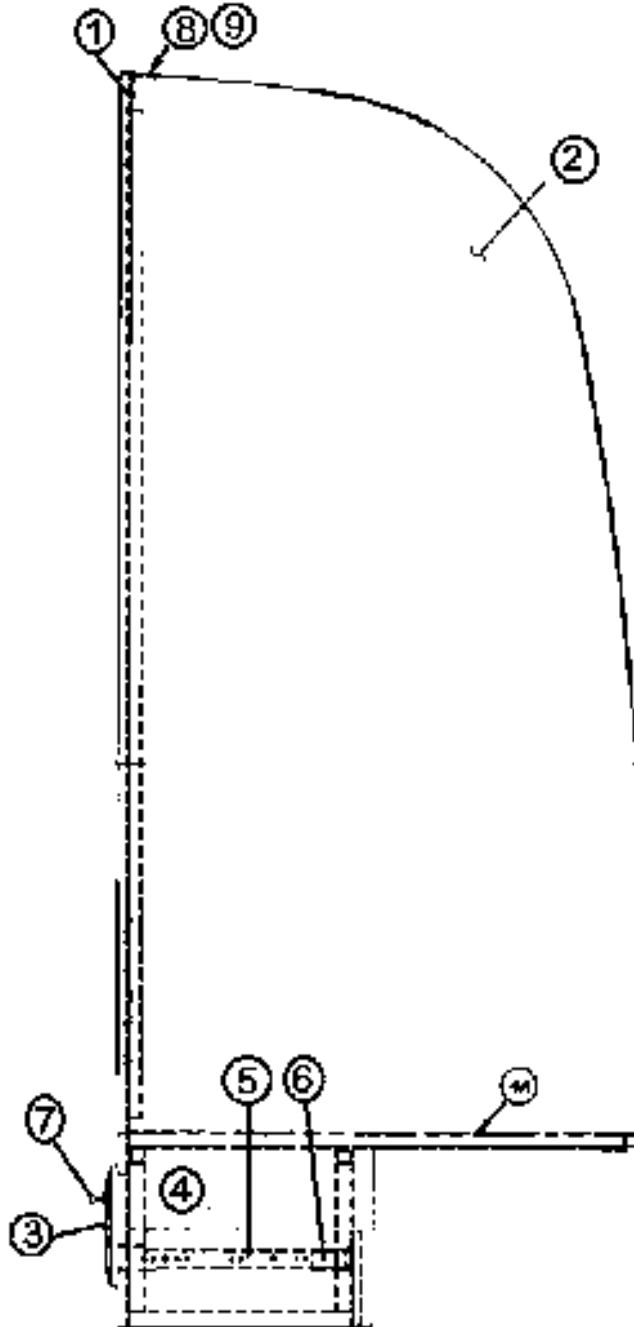
Microwave Cabinet, 30/S/O, 34/S/O

965030-05	MW. CABINET CONVECTION. 30/S/O
965030-06	MW. CABINET CONVECTION 34/S/O
965030-02	MW. CABINET REGULAR 30/S/O
965030-04	MW. CABINET REGULAR. 34/S/O
1. 965029-006	FACE FRAME-CONVECTION, OAK
1. 965029-003	FACE FRAME-CONVECTION, HICKORY
1. 965312-006	FACE FRAME-REGULAR, OAK
1. 965312-003	FACE FRAME-REGULAR, OAK, HICKORY
2. 800599-236	DRAWER FACE 8.00 X 21.50, OAK
2. 800599-233	DRAWER FACE 8.00 X 21.50, HICKORY
3. 381836	HINGE-BRITE BRASS
4. 381835	HANDLE-CHROME/BRASS
5. 800597-016	DOOR, 10.50" X 22.00", OAK
5. 800597-013	DOOR, 10.50" X 22.00", HICKORY
6. 964906-02	DRAWER BOX- 19.50" X 18.00" X 2.75"
7. 381192	SLIDE, DRAWER, 18" (EACH=1 PAIR)
8. 381228-01	CATCH GRABBER DOOR
9. 965319	TOP-MICRO CABINET ASSY, LAMINATE
9. 601923	TOP, MICRO CABINET, CORIAN, MIDNIGHT
9. 601923-01	TOP, MICRO CABINET, CORIAN, SANDSTONE
9. 601923-02	TOP, MICRO CABINET, CORIAN, EVEREST

CLASSIC TRAILER

FURNITURE, GALLEY

Refrigerator Cabinet, 34' S/O, 30' S/O, 30'



CLASSIC TRAILER

FURNITURE, GALLEY

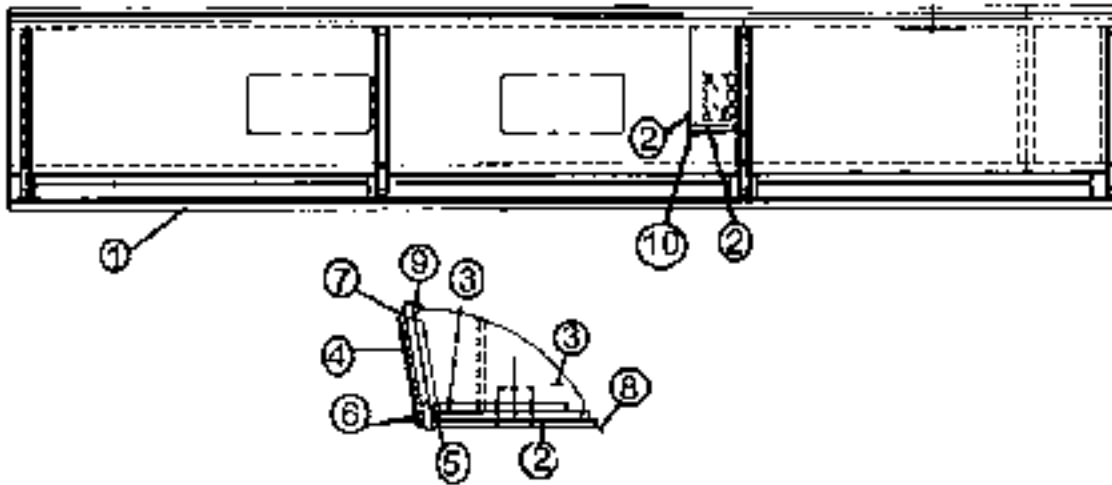
Refrigerator Cabinet, 34' S/O, 30' S/O, 30'

963680-02	REFER CABINET ASSEMBLY
1. 963724-016	FACE FRAME REFER, OAK
1. 963724-013	FACE FRAME REFER, HICKORY
2. 801127-08	PANEL FWD REFER
3. 800599-216	DRAWER FACE 7.00" X 23.00", OAK
3. 800599-213	DRAWER FACE 7.00" X 23.00", HICKORY
4. 964910-13	DRAWER BOX- 19.69" X 14.00" X 5.00"
5. 381526-01	DRAWER SLIDE 14" PER PR
6. 381526-06	BRACKET ADJUSTABLE REAR (PAIR)
7. 381835	HANDLE-CHROME/BRASS
8. 104821	SUPPORT, ROOFLOCKER, 74"
9. 330038	RIVET BLIND AD 54 ABS
203138-03	EXTRUSION PLASTIC WALL BEIGE
801506	Panel, ASCOT SAND/RAW .5" X 4' X 8'
963730-02	REFER STAND ASSY

CLASSIC TRAILER

FURNITURE, GALLEY

Roof Locker, Galley, 103.5" Long, 34 S/O D



965379-03

GALLEY ROOF LOCKER

1. 965380-006

FACE FRAME-GALLEY, OAK

1. 965380-003

FACE FRAME-GALLEY, HICKORY

2. 801180-006

PANEL 1/2" G2S, 4' X 7', OAK

2. 801258-003

PANEL 1/2" G2S, 4' X 7', OAK

3. 801181-006

PANEL 5/32", wood/ RAW 4' X 8', OAK

3. 801259-003

PANEL 5/32", .Wood/Raw, 4' x 8' Hickory

4. 800597-416

DOOR, 10.50" X 32.00", OAK

4. 800597-413

DOOR, 10.50" X 32.00", HICKORY

5. 381147

SUPPORT, SPRING LOADED DOOR

6. 381835

HANDLE-CHROME/BRASS

7. 381836

HINGE-BRITE BRASS

8. 104829

SUPPORT ROOFLOCKER GALLEY

9. 104821

SUPPORT, ROOFLOCKER, 74"

10. 800575-016

MOLDING CORNER, OAK, 80" Long

10. 800575-013

MOLDING CORNER, HICKORY, 80" Long

100097

EXTRUSION, CURTAIN TRACK

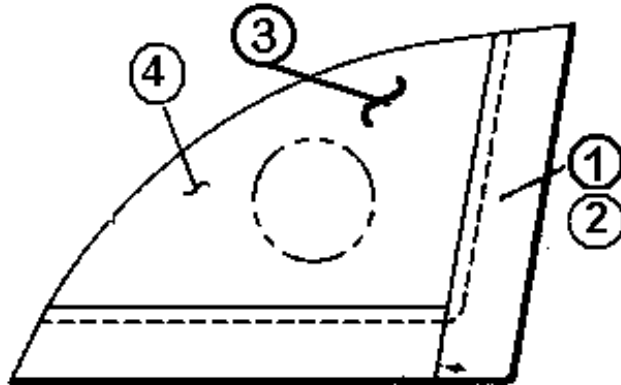
801505

PANEL, ASCOT SAND/RAW .125"X4'X8'

CLASSIC TRAILER

FURNITURE, GALLEY

Roof Locker End Cap, 34 S/O, 34', 30' S/O, 30'

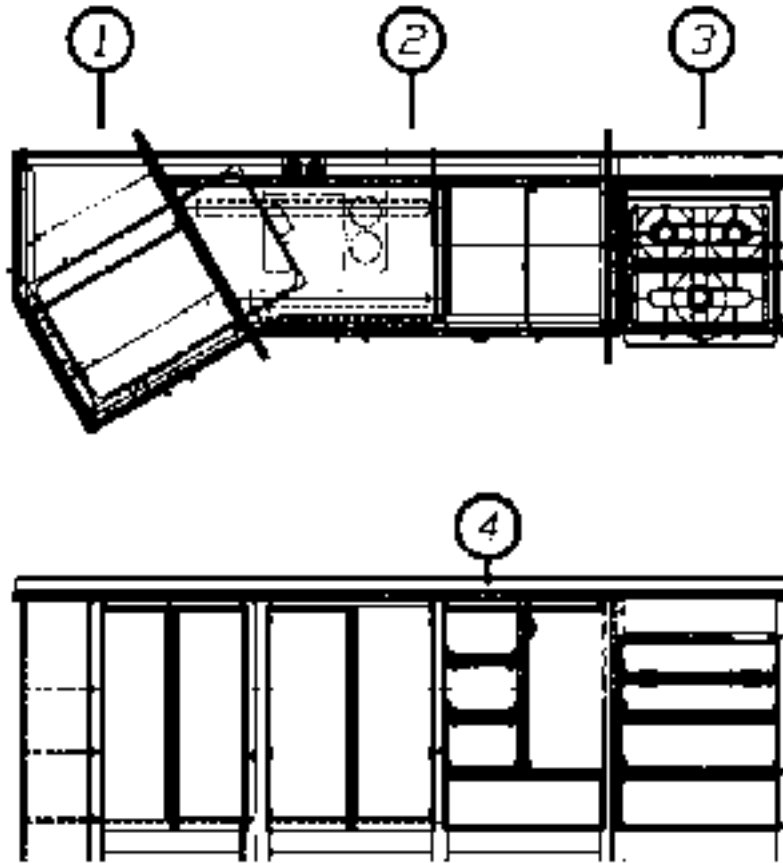


- | | |
|---------------|---------------------------------|
| 963828-01 | Roof Locker LH End cap Assembly |
| 963828-02 | Roof Locker RH End cap Assembly |
| 1. 963829-026 | LH Frame, Oak |
| 1. 963829-023 | LH Frame, Hickory |
| 2. 963829-016 | RH Frame, Oak |
| 2. 963829-023 | RH Frame, Hickory |
| 3. 801181-006 | PANEL 5/32"G1S Oak/RAW |
| 3. 801259-003 | PANEL 5/32"G1S Hickory/RAW |
| 4. 700414 | 3/8" foam |

CLASSIC TRAILER

FURNITURE, GALLEY

Galley Assembly, 34' S/O



965367-05 Galley Assembly, 76" Dinette, W/Cooktop

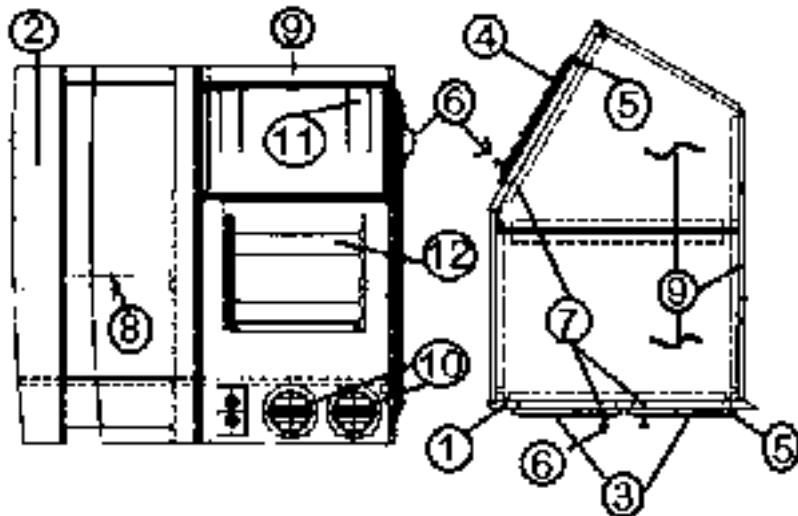
965367-02 Galley Assembly, 76" Dinette, W/Oven

- 1. 965356-006 GALLEY, FWD S/O DINETTE, OAK
- 1. 965356-003 GALLEY, FWD S/O DINETTE, HICKORY
- 2. 965357-006 GALLEY, MID S/O DINETTE, OAK
- 2. 965357-003 GALLEY, MID S/O DINETTE, HICKORY
- 3. 964998-006 GALLEY, AFT W/COOKTOP, OAK
- 3. 964998-003 GALLEY, AFT W/COOKTOP, HICKORY
- 4. 965302-006 GALLEY, AFT W/OVEN, OAK
- 4. 965302-003 GALLEY, AFT W/OVEN, HICKORY
- 5. 601931 TOP, GALLEY, CORIAN, MIDNIGHT
- 5. 601931-01 TOP, GALLEY, CORIAN, SANDSTONE
- 5. 601931-02 TOP, GALLEY, CORIAN, EVEREST

CLASSIC TRAILER

FURNITURE, GALLEY

Galley, Forward, 34' S/O

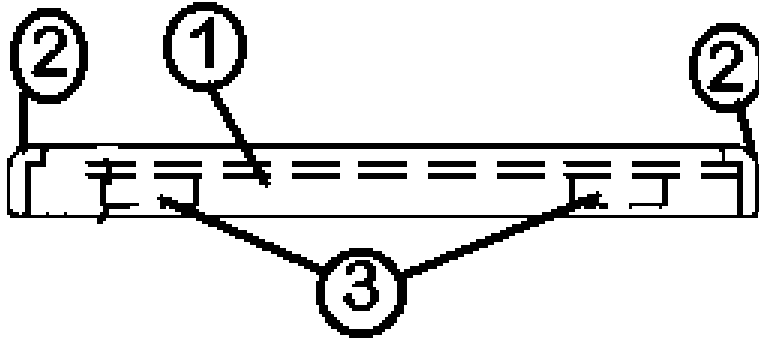


- | | |
|----------------|---|
| 965356-01 | GALLEY, FORWARD S/O DINETTE |
| 1. 965361-006 | FACE FRAME-GALLEY FWD OAK |
| 1. 965361-003 | FACE FRAME-GALLEY FWD, HICKORY |
| 2. 965359-006 | FACE FRAME-GALLEY FWD OAK |
| 2. 965359-003 | FACE FRAME-GALLEY FWD, HICKORY |
| 3. 800597-746 | DOOR 10.25" X 29.50", OAK |
| 3. 800597-743 | DOOR 10.25" X 29.50", HICKORY |
| 4. 800597-446 | DOOR 13.75" X 29.75", OAK |
| 4. 800597-443 | DOOR 13.75" X 29.75", HICKORY |
| 5. 381836 | HINGE-BRITE BRASS |
| 6. 381835 | HANDLE-CHROME/BRASS |
| 7. 381228-01 | CATCH GRABBER DOOR |
| 8. 800573-016 | MOLDING DOOR 1-3/32" X 80", OAK |
| 8 800573-013 | MOLDING 1-3/32" X 80", HICKORY |
| 9. 801180-006 | PANEL 1/2" G2S OAK/OAK 4' X 7' |
| 9. 801258-003 | PANEL 1/2" G2S Hickory/Hickory, 4' X 7' |
| 10. 601244-03 | REGISTER, ROTAIRE, BLACK |
| 11. 964335 | GALLEY FLIP-UP SHELF ASSY |
| 11. 601905 | GALLEY FLIP UP SHELF, CORIAN, MIDNIGHT |
| 11. 601905-01 | GALLEY FLIP UP SHELF, CORIAN, SANDSTONE |
| 11. 601905-02 | GALLEY FLIP UP SHELF, CORIAN, EVEREST |
| 12. 963990-006 | MAGAZINE RACK, OAK |
| 12. 963990-003 | MAGAZINE RACK, HICKORY |

CLASSIC TRAILER

FURNITURE, GALLEY

Galley Flip Up Shelf, All Units



- | | |
|---------------|---------------------------------|
| 964335-006 | Galley Flip Up Shelf, Oak |
| 964335-003 | Galley Flip Up Shelf, Hickory |
| 1. 801408 | PANELING, PRE-LAMINATED OAK/OAK |
| 2. 964280-006 | COUNTER TOP EDGE MOLDING, Oak |
| 3. 381614 | FOLDING SHELF BRACKET |

Galley Flip Up Shelf, Corian, Limited Units

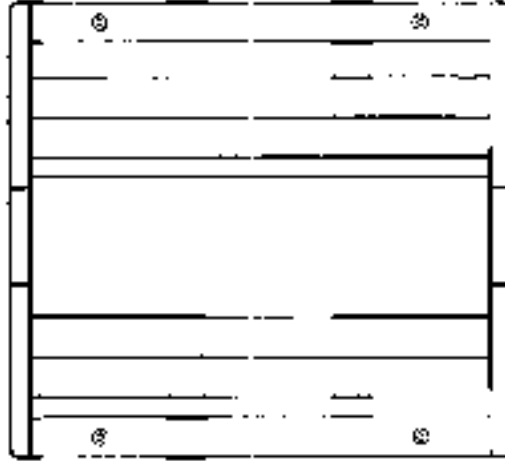


- | | |
|-----------|---|
| 601905 | GALLEY FLIP UP SHELF, CORIAN, MIDNIGHT |
| 601905-01 | GALLEY FLIP UP SHELF, CORIAN, SANDSTONE |
| 601905-02 | GALLEY FLIP UP SHELF, CORIAN, EVEREST |

CLASSIC TRAILER

FURNITURE, GALLEY

Spice Rack 34' S/O, 34', 31', 30' S/O, 30', 25'



963991-006

Spice rack, Oak

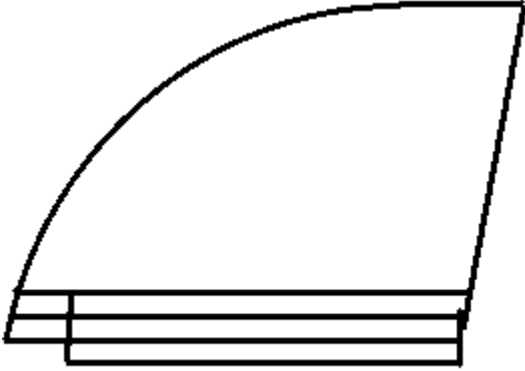
963991-003

Spice rack, Hickory

CLASSIC TRAILER

FURNITURE, GALLEY

End Cap Shelf Assembly, 34' S/O



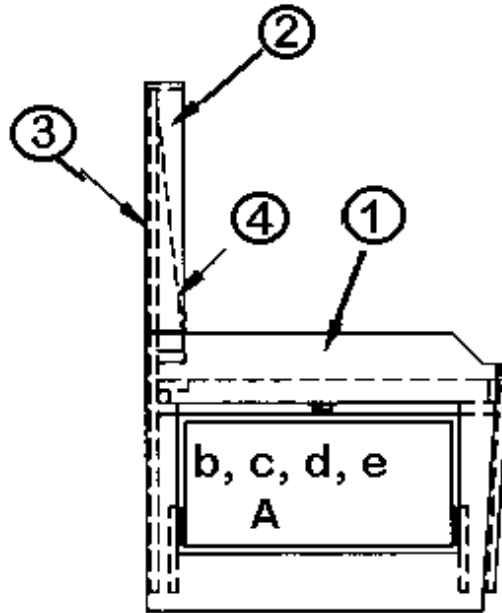
965036-006 End Cap, Shelf Assembly, Oak

965036-003 End Cap, Shelf Assembly, Hickory

CLASSIC TRAILER

FURNITURE, GALLEY

Dinette Seat, LH, 34' S/O, 30' S/O



965314-01

1. 965315-01

A. 801415-007

B. 964908-01

C. 381090

D. 381228-01

E. 701538

2. 965316-01

2.703125-03

3. 965317-01

4. 964499-01

964334-01

800470-006

800405-006

800470-003

800405-003

LH Dinette Seat

BASE ASSY-DINETTE LH, S/O 30'

CORNER TRIM 1" RADIUS, OAK

DRAWER BOX, 17.50" X 26.00" X 8.00"

SLIDE, DRAWER, 22" (EA=1 PAIR)

CATCH GRABBER DOOR C3-803

CARPET, ECONOLIER, BLACK 48"

BACK ASSY-DINETTE LH

TOP-DINETTE. SEAT, BUCKSKIN

UPHOLSTERED BACK, DINETTE LH S/O

CUSHION SUPPORT-DINETTE LH 41.63"

FLEX SPRING 21.63" X 42.00"

STOP-HARDWOOD, HICKORY

PLUG-BUTTON HARDWOOD OAK

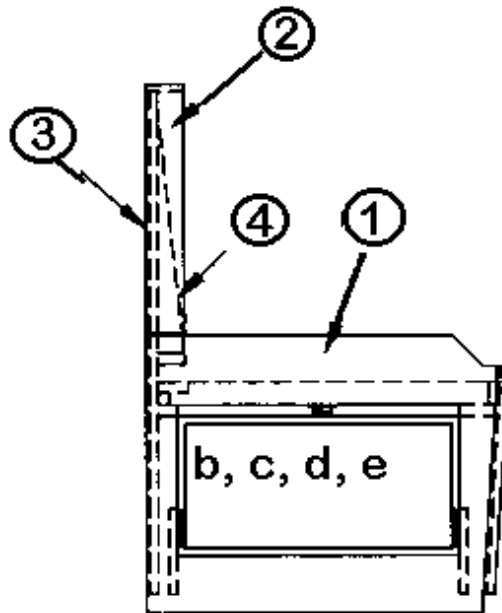
STOP-HARDWOOD, HICKORY

PLUG-BUTTON HARDWOOD OAK

CLASSIC TRAILER

FURNITURE, GALLEY

Dinette Seat RH, 34' S/O

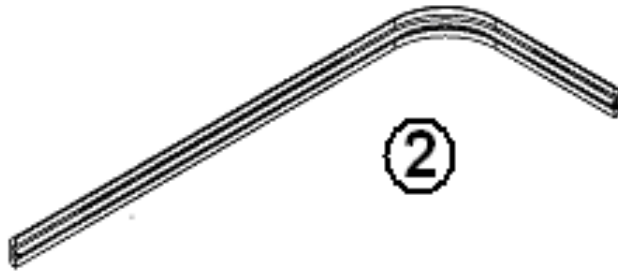
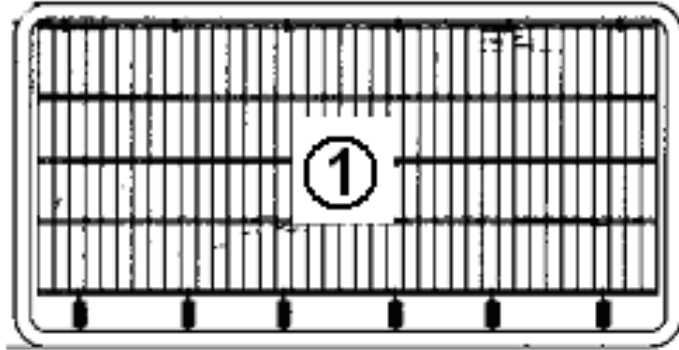


- 965314-02 RH Dinette Seat (Opposite)
- 1. 965315-02 BASE ASSY-DINETTE RH, S/O 30'
 - A. 801195-006 CORNER TRIM 1" RADIUS, OAK
 - A. 801195-003 CORNER TRIM 1" RADIU, HICKORY
 - B. 964908-01 DRAWER BOX, 17.50" X 26.00" X 8.00"
 - C. 381090 SLIDE, DRAWER, 22" (EA=1 PAIR)
 - D. 381228-01 CATCH GRABBER DOOR C3-803
 - E. 701538 CARPET, ECONOLIER, BLACK 48"
 - 2. 965316-02 BACK ASSY-DINETTE RH
 - 2. 703125-03 TOP-DINETTE. SEAT, BUCKSKIN
 - 3. 965317-02 UPHOLSTERED. BACK ASSY-DINETTE RH S/O
 - 4. 964498-01 CUSHION SUPPORT-DINETTE RH 41.63"
 - 800470-006 STOP-HARDWOOD, HICKORY
 - 800405-006 PLUG-BUTTON HARDWOOD OAK
 - 800470-003 STOP-HARDWOOD, HICKORY
 - 800405-003 PLUG-BUTTON HARDWOOD OAK

CLASSIC TRAILER

FURNITURE, GALLEY

Dinette Seat Top/Flex Spring, all Dinettes



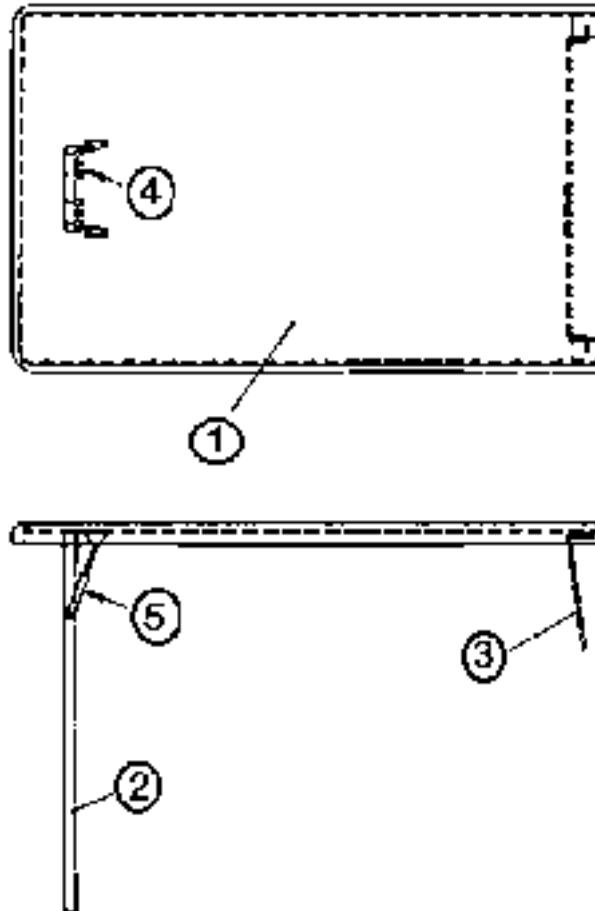
1. 703125-03
2. 964334-01

Top, Dinette seat, Urethane
Dinette Seat Spring, 21.36" x 42.00"

CLASSIC TRAILER

FURNITURE, GALLEY

Dinette table, 26", 34' S/O, 34', 31', 30' S/O, 30'



963793

1. 963674-006

1. 963673-006

1. 801408

1. 964280-006

1. 964280-003

2. 962177-036

2. 962177-033

3. 380284-02

4. 380210

5. 381147

DINETTE TABLE ASSY. LAMINATE 26"

Top, dinette, Resistovar, Limited Option

DINETTE TABLE LAMINATE ASSEMBLY

PANEL, PRELAMINATED OAK/OAK

COUNTER TOP EDGE MOLDING, Oak

COUNTER TOP EDGE MOLDING, Hickory

LEG HARDWOOD 30.50", OAK

LEG HARDWOOD 30.50", HICKORY

TABLE HINGE BRACKET

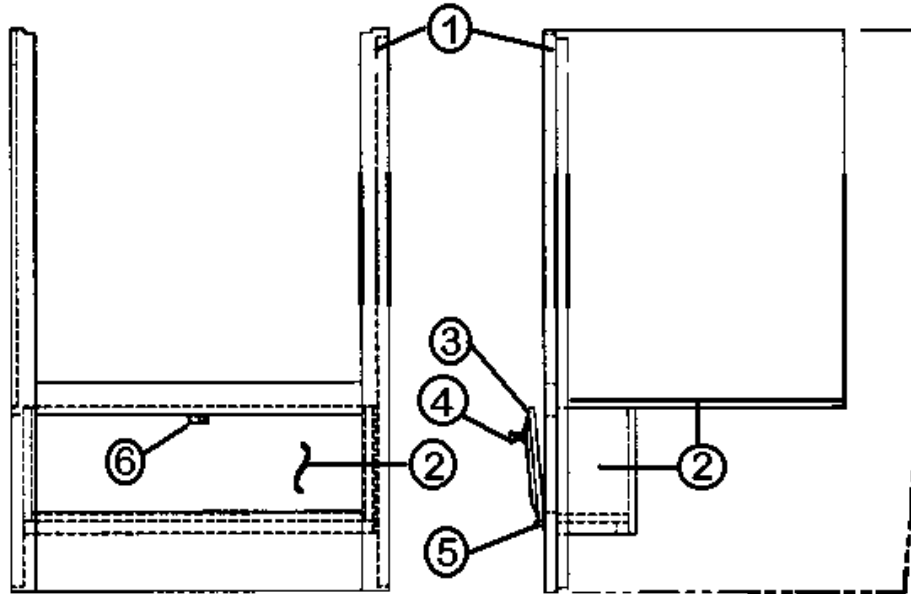
HINGE PLAIN STEEL

DOOR SUPPORT, SPRING LOADED

CLASSIC TRAILER

FURNITURE, GALLEY

Galley, Full oven, 34' S/O, 30' S/O

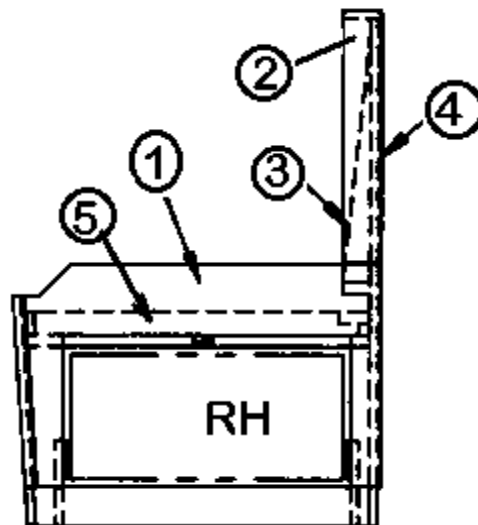


- | | |
|---------------|--|
| 965302-01 | Galley Assembly, Full oven option |
| 1. 965304-006 | Face frame, galley, full oven, Oak |
| 1. 965304-003 | Face frame, galley, full oven, Hickory |
| 2. 801179-006 | Panel, GS, Oak/raw |
| 2. 801259-003 | Panel, GS, Hickory/raw |
| 3. 800599-386 | DRAWER FACE 7.00" X 21.50", Oak |
| 3. 800599-383 | DRAWER FACE 7.00" X 21.50", Hickory |
| 4. 381835 | HANDLE-CHROME/BRASS |
| 5. 381836 | HINGE-BRITE BRASS |
| 6. 381228-01 | CATCH GRABBER DOOR |

CLASSIC TRAILER

FURNITURE, GALLEY

Dinette Seat Assembly, RH, 34', 31', 30'

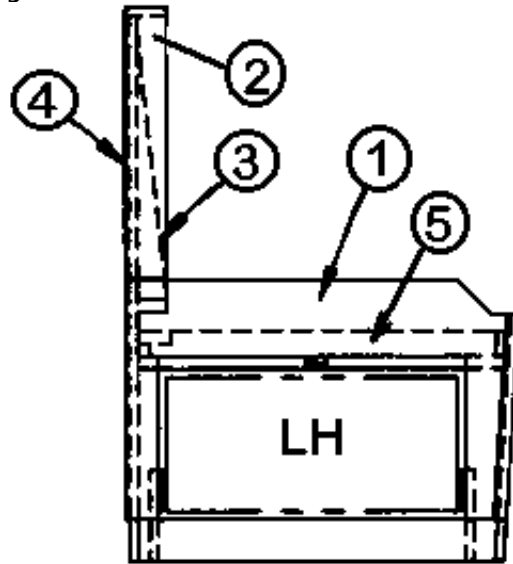


- 964954-02 Dinette Seat Assembly, RH
- 1. 964949-01 RH Dinette Seat Sub-Assembly
- 2. 964528-01 Back sub-assembly, RH , 34 FT.
- 2.964528-04 Back sub-assembly, RH , 30', 31'
- 3. 964498-01 Cushion Support, Dinette RH, 41.63"
- 4. 964529-02 Upholstered Back, RH 17", 34 Ft.
- 4.965076 Upholstered back, 42" wide, 30', 31'
- 5. 964334-01 Flex spring seat
- 381576 PULL HANDLE BRASS
- 381529 HINGE COMPT DOOR
- 381228-01 CATCH GRABBER DOOR
- 964952 DOOR ASSY-DINETTE DROP DOWN
- 964951-02 JAMB-DINETTE DROP DOOR TOP/BOTTOM
- 964951-01 JAMB-DINETTE DROP DOOR SIDE
- 964908-01 DRAWER BOX- 17.50 X 26.00 X 8.00
- 381090 SLIDE, DRAWER, 22" (EA=1 PAIR)
- 964950 UPHOLSTERED BACK ASSY-W/DOOR
- 701538 CARPET, ECONOLIER VELOUR BLACK
- 703446 SILK FILM SHEETING #SFS 36 AIR

CLASSIC TRAILER

FURNITURE, GALLEY

Dinette Seat Assembly, LH, 34', 31', 30'

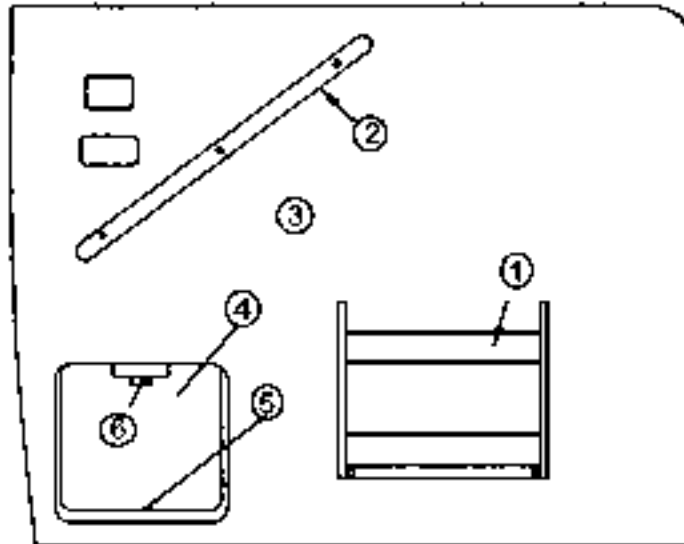


- 964953-04 Dinette Seat Assembly, LH
- 1. 964949-02 LH Dinette Seat Sub-Assembly
- 2. 964528-05 Back sub-assembly, LH
- 3. 964449-01 Cushion Support, Dinette LH, 41.63"
- 4. 964950 Upholstered Back, LH w/door, 34 Ft.
- 4a. 964529-01 Upholstered back, 17" wide, 30 Ft.
- 5. 964334-01 Flex spring seat
- 381576 PULL HANDLE BRASS
- 381529 HINGE COMPT DOOR
- 381228-01 CATCH GRABBER DOOR
- 964908-01 DRAWER BOX- 17.50 X 26.00 X 8.00
- 381090 SLIDE, DRAWER, 22" (EA=1 PAIR)
- 964950 UPHOLSTERED BACK ASSY-W/DOOR

CLASSIC TRAILER

FURNITURE, GALLEY

Dinette Seat Back w/ Door, 34'



964950

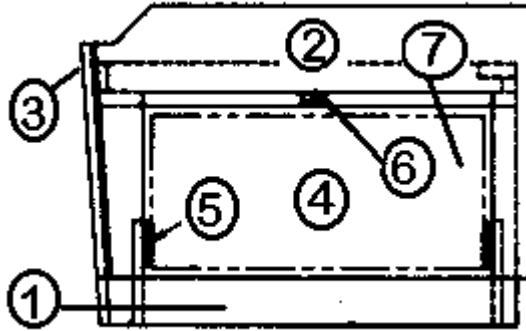
- 1. 963990-006
- 1. 963990-003
- 2. 800631-006
- 2. 800631-003
- 3. 964528-03
- 4a. 964951-01
- 4b. 964951-02
- 4c. 964952
- 4d. 381576
- 5. 381529
- 6. 381228-01

Upholstered Back Assembly w/ Door
MAGA6INE RACK, OAK
MAGA6INE RACK, HICKORY
HANDRAIL 23" LONG, OAK
HANDRAIL 23" LONG, HICKORY
Dinette Seat Back, Sub Assembly
JAMB, DROP DOOR SIDE
JAMB, DROP DOOR TOP/BOTTOM
DOOR ASSY-DINETTE DROP DOWN
PULL HANDLE BRASS
HINGE PIANO BROWN ANODI6ED
CATCH GRABBER DOOR

CLASSIC TRAILER

FURNITURE, GALLEY

Dinette Seat Sub Assembly, 34', 30'

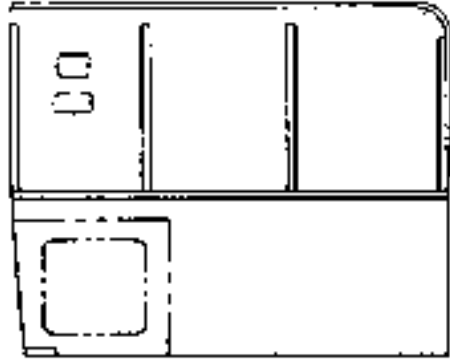


- 964949-01 Dinette Seat Sub Assembly, 30'
- 964949-02 Dinette Seat Sub Assembly, 34'
- 1. 801179-006 PANEL 1/2"G1S SARATOGA OAK/RAW
- 1. 801259-003 PANEL 1/2"G1S HICKORY
- 2. 700414 FOAM 3/8 X 72"X 52'
- 3. 801195-006 CORNER TRIM 1" RADIUS, OAK
- 3. 801195-003 CORNER TRIM 1" RADIUS, HICKORY
- 4. 964908-01 DRAWER BOX- 17.50 X 26.00 X 8.00"
- 5. 381090 SLIDE, DRAWER, 22" (EA=1 PAIR)
- 6. 381228-01 CATCH GRABBER DOOR
- 7. 701538 CARPET, ECONOLIER VELOUR BLACK 48"

CLASSIC TRAILER

FURNITURE, GALLEY

Dinette Seat Back, Upholstered, 31', 30'

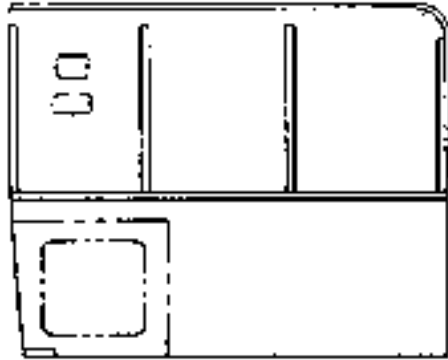


- 964528-02 Upholstered Dinette Seat Back, RH, 30'
- 964528-04 Upholstered Dinette Seat Back, LH, 31', 30'
- 964528-05 Upholstered Dinette Seat Back, LH, 31'

CLASSIC TRAILER

FURNITURE, GALLEY

Dinette Seat Back, Upholstered, 34'

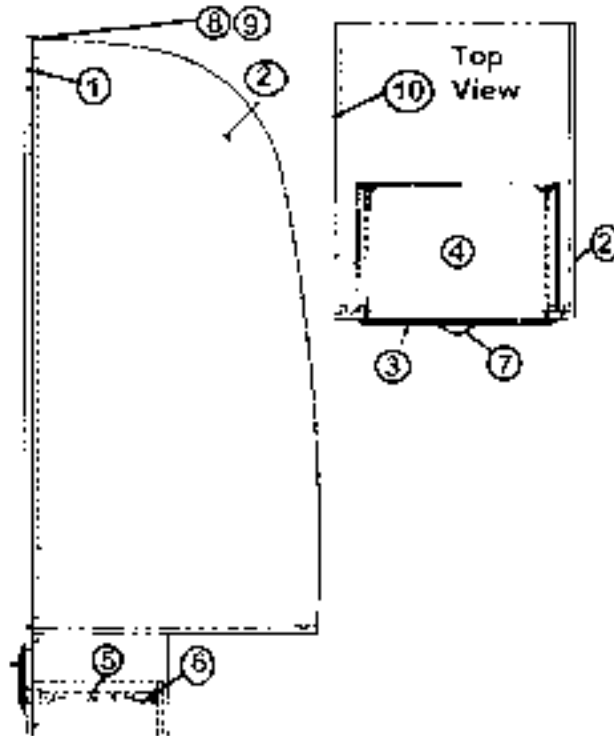


964528-01 Upholstered Dinette Seat Back, RH, 34'
964528-03 Upholstered Dinette Seat Back, LH, 34'

CLASSIC TRAILER

FURNITURE, GALLEY

Refrigerator Cabinet, 34'

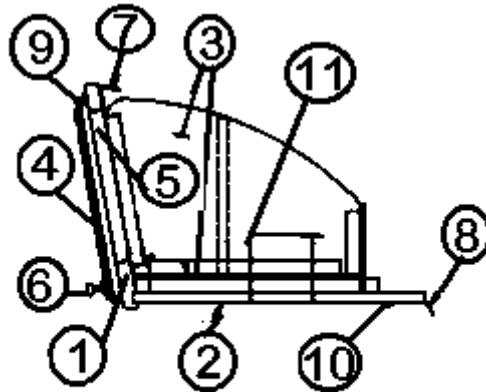


- | | |
|---------------|-------------------------------------|
| 963305-01 | Refrigerator Cabinet Assembly |
| 1. 963724-026 | FACE FRAME REFER, OAK |
| 1. 963724-023 | FACE FRAME REFER, HICKORY |
| 2. 801088-05 | PANEL AFT REFER |
| 3. 800599-216 | DRAWER FACE 7.00" X 23.00", OAK |
| 3. 800599-213 | DRAWER FACE 7.00" X 23.00", HICKORY |
| 4. 964910-13 | DRAWER BOX- 19.69" X 14.00" X 5.00" |
| 5. 381526-01 | DRAWER SLIDE- 14" PER PR |
| 6. 381526-06 | ADJUSTABLE REAR BRKT PER PR |
| 7. 381835 | HANDLE, CHROME/BRASS |
| 8. 104821 | SUPPORT, ROOFLOCKER, 74" |
| 9. 330038 | RIVET BLIND AD 54 ABS-LF |
| 10. 801088-06 | PANEL FWD REFER VENEER |
| 963730-02 | REFER STAND ASSY. |

CLASSIC TRAILER

FURNITURE, GALLEY

Roof Locker, Galley, 34'

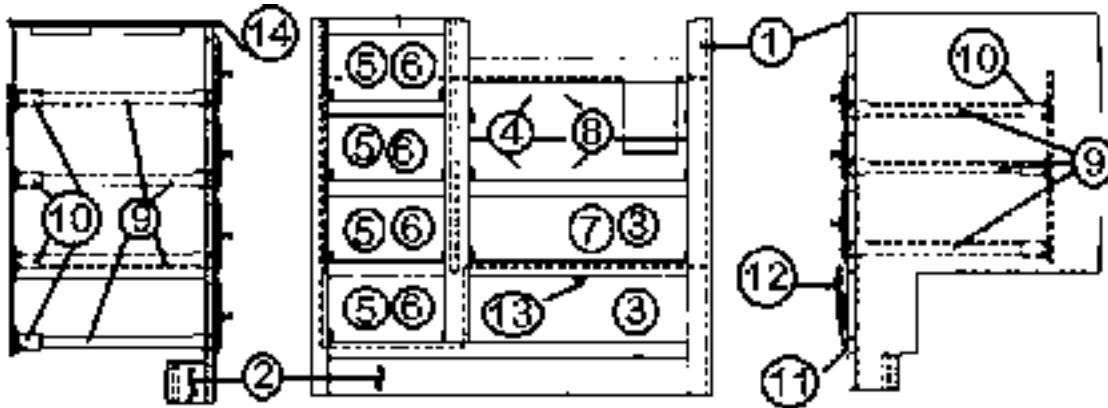


963757-02	Roof Locker Assembly, Galley
1. 963354-016	FACE FRAME GALLEY R/L, OAK
1. 963354-013	FACE FRAME GALLEY R/L, HICKORY
2. 801180-006	PANEL ½" OAK/OAK 4' X 7'
2. 801258-003	PANEL ½" HICKORY / HICKORY 4' X 7'
3. 801181-006	PANEL 5/32"G1S OAK/ RAW 4' X 8'
3. 801260-003	PANEL 5/32"G1S HICKORY/ RAW 4' X 8'
4. 800597-416	DOOR 10.50" X 32.00", OAK
4. 800597-413	DOOR 10.50" X 32.00", HICKORY
5. 381147	DOOR SUPPORT - SPRING LOADED
6. 381835	HANDLE-CHROME/BRASS
7. 104829	SUPPORT ROOFLOCKER GALLEY
8. 100013	EXTR, WALL ATTACHMENT
9. 381836	HINGE-BRITE BRASS
10. 100097	EXTR. ALUM CURTAIN TRACK
801505	PANEL, SAND/RAW .125" X 4' X 8'

CLASSIC TRAILER

FURNITURE, GALLEY

Galley Assembly, Cook top, 34'

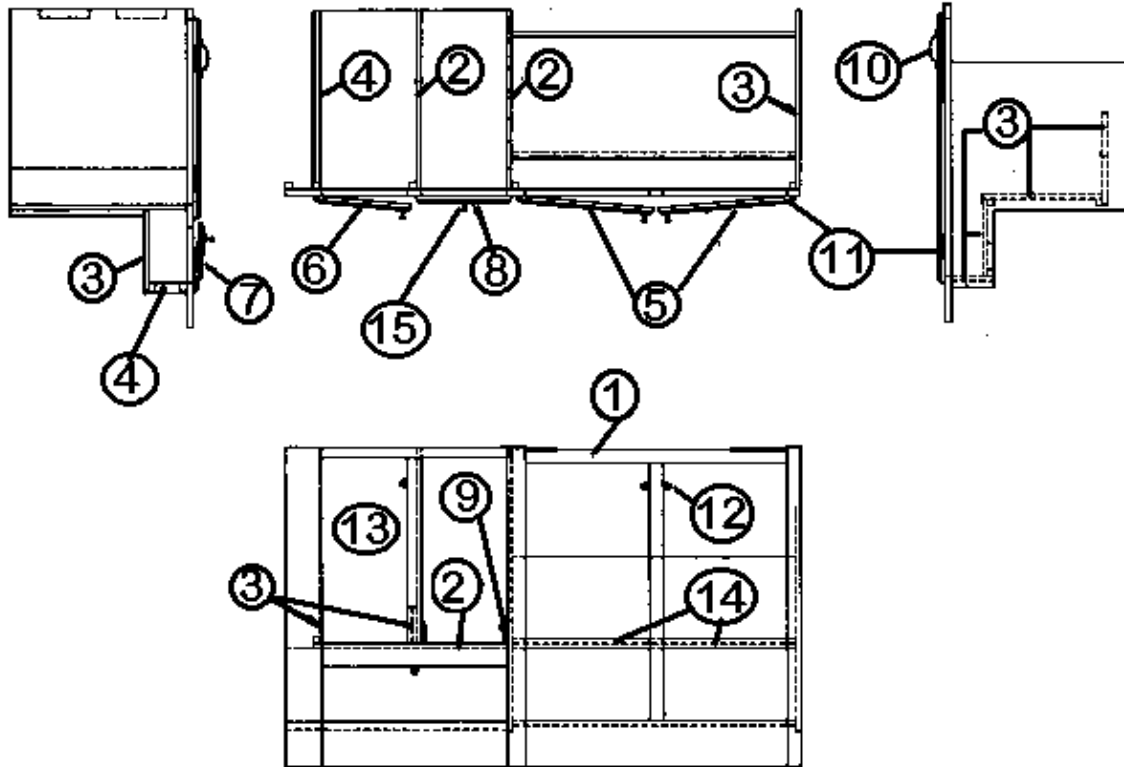


- | | |
|---------------|-------------------------------------|
| 964606-06 | Galley Assembly, Cook top Section |
| 1. 964605-006 | FACE FRAME, OAK |
| 1. 964605-003 | FACE FRAME, HICKORY |
| 2. 801179-006 | PANEL ½" G1S OAK/RAW |
| 2. 801259-003 | PANEL ½" G1S HICKORY/RAW |
| 3. 800599-386 | DRAWER FACE 7.00" X 21.50", OAK |
| 3. 800599-383 | DRAWER FACE 7.00" X 21.50" HICKORY |
| 4. 800599-586 | DRAWER FACE 4.75" X 21.50" , OAK |
| 4. 800599-583 | DRAWER FACE 4.75" X 21.50" HICKORY |
| 5. 800599-026 | DRAWER FACE 7.00' X 11.75", OAK |
| 5. 800599-023 | DRAWER FACE 7.00' X 11.75" HICKORY |
| 6. 964910-02 | DRAWER BOX- 10.00" X 18.00" X 5.00" |
| 7. 964910-03 | DRAWER BOX- 19.50" X 18.00" X 5.00" |
| 8. 964906-02 | DRAWER BOX- 19.50" X 18.00" X 2.75" |
| 9. 381526-03 | DRAWER SLIDE-18" PER PR |
| 10. 381526-06 | ADJUSTABLE REAR BRKT PER PR |
| 11. 381836 | HINGE-BRITE BRASS |
| 12. 381835 | HANDLE-CHROME/BRASS |
| 13. 381228-01 | CATCH GRABBER DOOR |
| 14. 601912 | GALLEY TOP, CORIAN, MIDNIGHT |
| 14. 601912-01 | GALLEY TOP, CORIAN, SANDSTONE |
| 14. 601912-02 | GALLEY TOP, CORIAN, EVEREST |

CLASSIC TRAILER

FURNITURE, GALLEY

Galley, Aft, 34'



Part number on the next page

CLASSIC TRAILER

FURNITURE, GALLEY

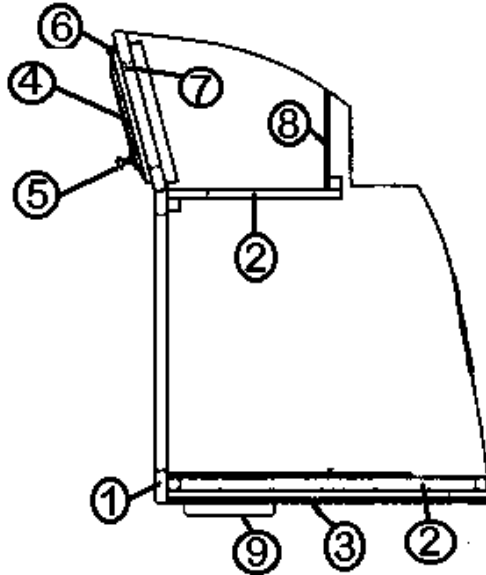
Galley, Aft, 34'

964610-02	Galley Assembly, Aft Section
1. 964328-016	Face frame, galley, Oak
1. 964328-013	Face frame, galley, Hickory
2. 801180-006	PANEL ½" G2S Oak/Oak 4' x 7'
2. 801258-003	PANEL ½" G2S, Hickory/Hickory, 4' x 7'
3. 801179-006	PANEL ½" G1S Oak/RAW
3. 801259-003	PANEL ½" G1S Oak/Hickory
4. 801181-006	PANEL 5/32"G1S Oak/RAW 4'X8'
4. 801260-003	PANEL 5/32"G1S, Hickory/RAW 4'X8'
5. 800597-056	DOOR, 14.75" X 29.75", Oak
5. 800597-053	DOOR, 14.75" X 29.75", Hickory
6. 800597-016	DOOR, 10.50" X 22.00", Oak
6. 800597-013	DOO, 10.50" X 22.00", Hickory
7. 800599-386	DRAWER FACE 7.00" X 21.50" , Oak
7. 800599-383	DRAWER FACE 7.00" X 21.50", Hickory
8. 961247-02	SECTION, PANTRY, AFT GALLEY
8. 961072-016	FRAME FACE PANTRY, BACK, Oak
8. 961072-013	FRAME FACE PANTRY, BACK, Hickory
9. 381192	SLIDE, DRAWER, 18"
10. 381835	HANDLE-CHROME/BRASS
11. 381836	HINGE-BRITE BRASS
12. 381228-01	CATCH GRABBER DOOR
13. 381491	TRASH CAN, ROLL OUT
14. 800573-016	MOLDING DOOR, Oak
14. 800573-013	MOLDING DOOR, Hickory
15. 381408	LOCK, PUSH, BUTTON STYLE, BLACK

CLASSIC TRAILER

FURNITURE, GALLEY

Microwave Cabinet, Convection, 34'

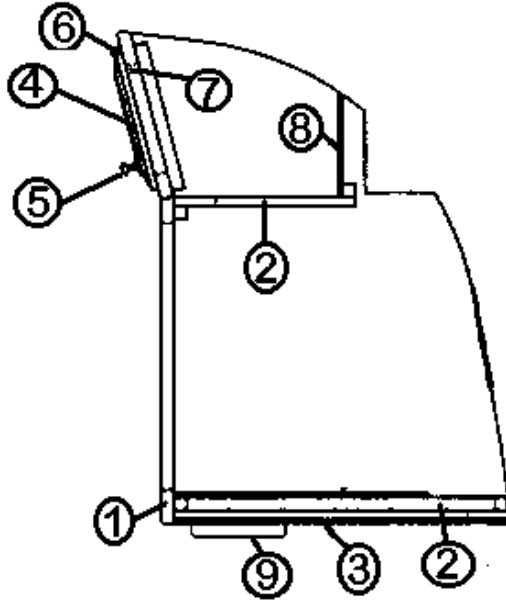


- | | |
|---------------|---|
| 963357-03 | CONVECTION MW CABINET ASSEMBLY |
| 1. 963355-016 | FACE FRAME, Oak |
| 1. 963355-013 | FACE FRAME, Hickory |
| 2. 801180-006 | PANEL 1/2" G2S, Oak/Oak 4" X 7" |
| 2.801258-003 | PANEL 1/2" G2S, Hickory/Hickory 4" X 7" |
| 3. 800572-016 | MOLDING, EDGE 23/32" X 80", Oak |
| 3. 800572-013 | MOLDING, EDGE 23/32" X 80", Hickory |
| 4. 800599-236 | DRAWER FACE 8.00" X 21.50", Oak |
| 4. 800599-233 | DRAWER FACE 8.00" X 21.50", Hickory |
| 5. 381835 | HANDLE-CHROME/BRASS |
| 6. 381836 | HINGE-BRITE BRASS |
| 7. 381147 | DOOR SUPPORT, SPRING LOADED |
| 8. 801181-006 | PANEL 5/32"G1S, Oak/RAW 4'X 8' |
| 8. 801181-003 | PANEL 5/32"G1S, Hickory/RAW 4'X 8' |
| 9. 511249 | LIGHT INCANDESCENT DOUBLE |

CLASSIC TRAILER

FURNITURE, GALLEY

Microwave Cabinet, w/Oven, 34'



963527-01

1. 964627-006

1. 964627-003

2. 801180-006

2. 801258-003

3. 800572-016

3. 800572-013

4. 800599-236

4. 800599-233

5. 381835

6. 381836

7. 381147

8. 801181-006

8. 801181-003

9. 511249

Microwave Cabinet, Oven Option

FACE FRAME CONVECTION MW, Oak

FACE FRAME CONVECTION MW, Hickory

PANEL 1/2" G2S, Oak/Oak 4" X 7"

PANEL 1/2" G2S, Hickory/Hickory 4" X 7"

MOLDING, EDGE 23/32" X 80", Oak

MOLDING, EDGE 23/32" X 80", Hickory

DRAWER FACE 8.00" X 21.50", Oak

DRAWER FACE 8.00" X 21.50", Hickory

HANDLE-CHROME/BRASS

HINGE-BRITE BRASS

DOOR SUPPORT, SPRING LOADED

PANEL 5/32" G1S, Oak/RAW 4'X 8'

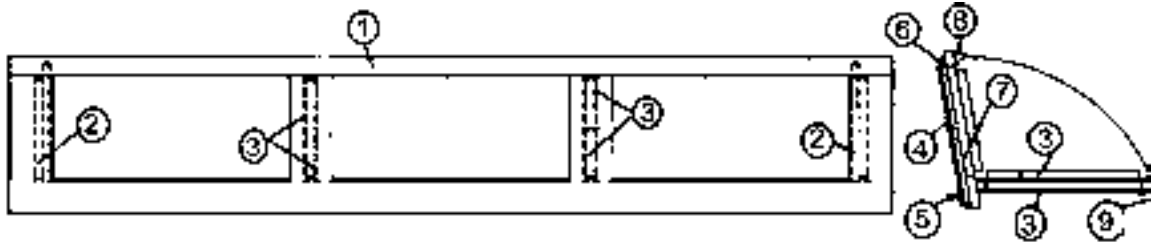
PANEL 5/32" G1S, Hickory/RAW 4'X 8'

LIGHT INCANDESCENT DOUBLE

CLASSIC TRAILER

FURNITURE, GALLEY

Roof Locker, Dinette, 34', 30'

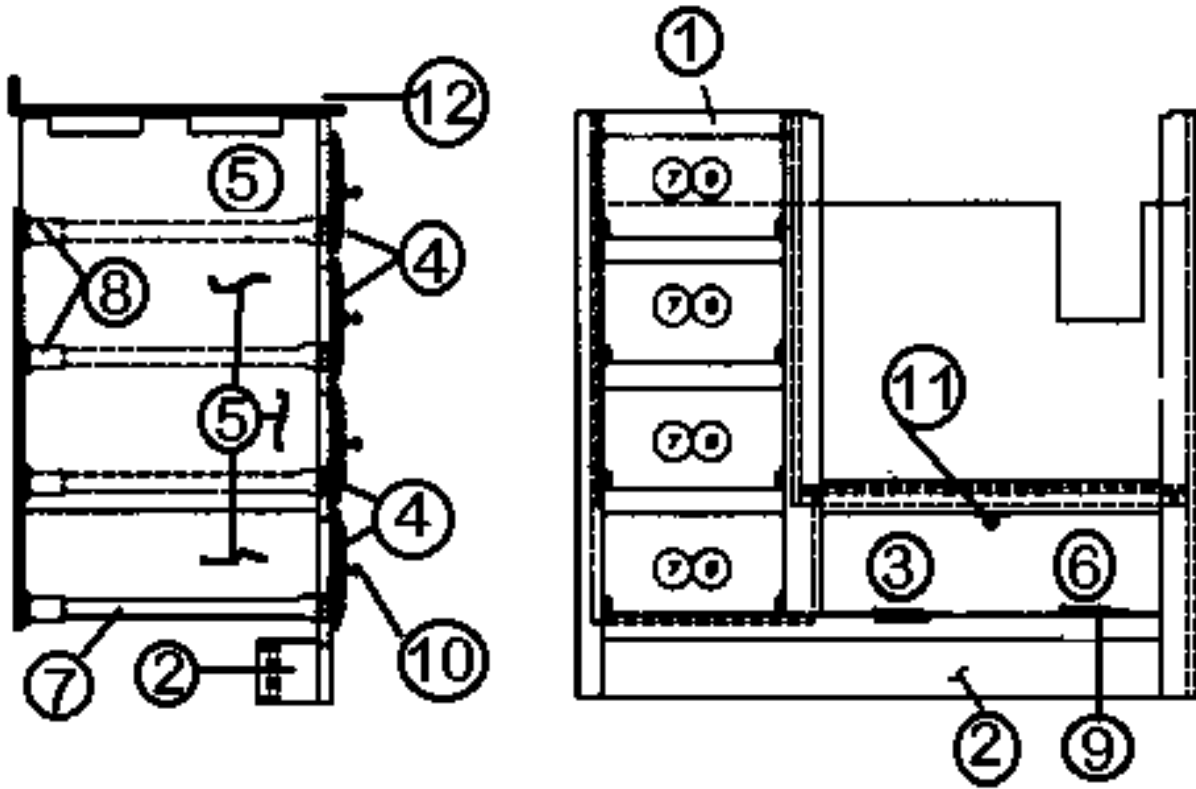


963763-03	Roof Locker Assembly, Dinette
1. 963764-016	FACE FRAME DINETTE R/L, Oak
1. 963764-013	FACE FRAME DINETTE R/L, Hickory
2. 801180-006	PANEL 1/2" G2S, Oak/Oak 4' X 7'
2. 801258-003	PANEL 1/2" G2S Hickory/Hickory 4' X 7'
3. 801191-006	PANEL 1/8" G1S, Oak/RAW 4' x 7'
4. 800597-076	DOOR RSD PNL 12.25 X 21.00", Oak
4. 800597-073	DOOR RSD PNL 12.25 X 21.00" Hickory
5. 381835	HANDLE-CHROME/BRASS
6. 381836	HINGE-BRITE BRASS
7. 381147	DOOR SUPPORT - SPRING LOADED
8. 104821	SUPPORT, ROOFLOCKER, 74"
9. 100013	EXTRUSION, WALL ATTACHMENT
100097	EXTR. ALUM CURTAIN TRACK
800571-016	MOLDING FLAT .52W X 80", Oak
800571-013	MOLDING FLAT .52W X 80" Hickory

CLASSIC TRAILER

FURNITURE, GALLEY

Galley, Full Oven Section, 34'



Part number on the next page

CLASSIC TRAILER

FURNITURE, GALLEY

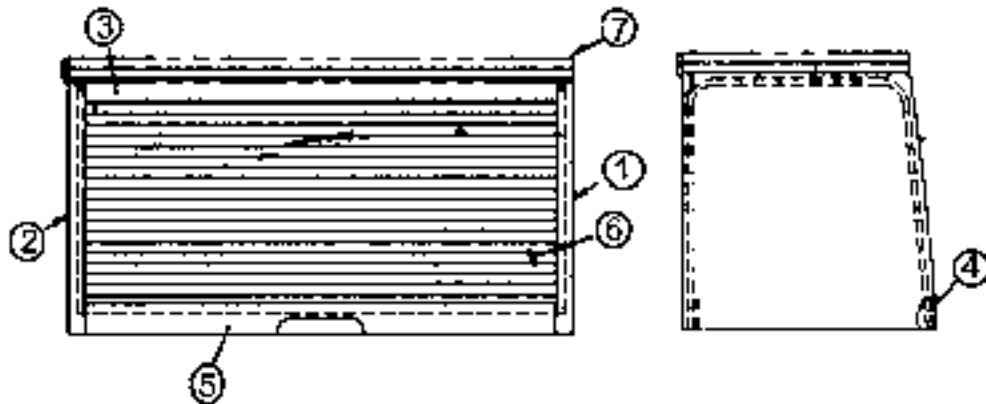
Galley, Full Oven Section, 34'

964608	Galley Assembly, Full Oven Section
1. 964607-006	Face frame, galley, Full Oven, OAK
1. 964607-003	Face frame, galley, Full Oven, Hickory
2. 801179-006	Panel, ½" G1S, OAK/raw
2. 801259-003	Panel, ½" G1S, Hickory/raw
3. 800599-006	Drawer face, 7" x 21 ½" OAK
3. 800599-003	Drawer face, 7" x 21 ½" Hickory
4. 800599-026	Drawer face, 7" x 11.75" OAK
4. 800599-023	Drawer face, 7" x 11.75" Hickory
5. 964910-02	Drawer box, 10.00" x 18.00" x 5.00"
6. 964910-03	Drawer box, 19.50" x 18" x 5.00"
7. 381526-03	Drawer slide, 18"
8. 381526-06	Adjustable, drawer slide rear bracket
9. 381836	HINGE-BRITE BRASS
10. 381835	HANDLE-CHROME/BRASS
11. 381228-01	Door grabber catch
12. 601912	Galley top assembly, Corian, Midnight
12. 601912-01	Galley top assembly, Corian, Sandstone
12. 601912-02	Galley top assembly, Corian, Everest

CLASSIC TRAILER

FURNITURE, GALLEY

Appliance Garage, 34'

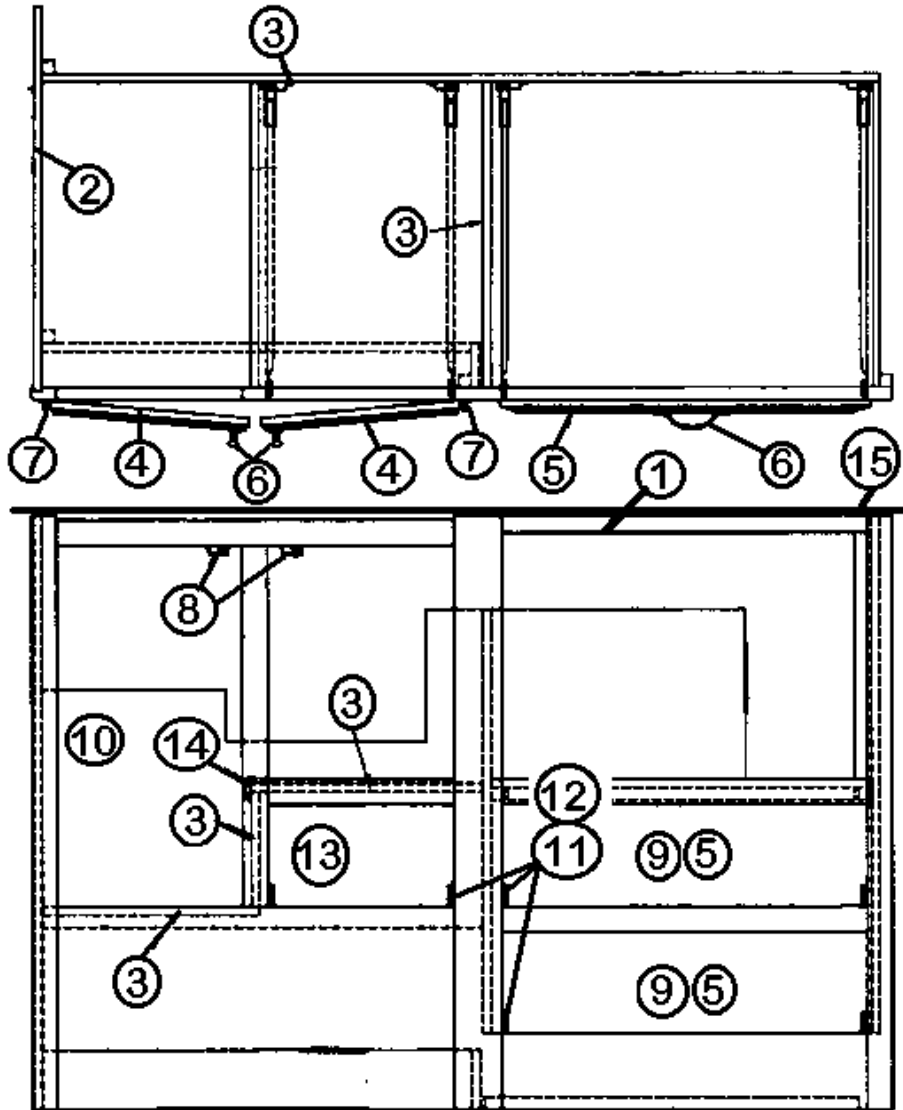


- 963358-01 APPLIANCE GARAGE Assembly
1. 800734-016 END, GARAGE, RH, OAK
1. 800734-013 END, GARAGE, RH, HICKORY
2. 800734-026 END, GARAGE, LH, OAK
2. 800734-023 END, GARAGE, LH, HICKORY
3. 801097-016 STILE-TOP GARAGE, OAK
3. 801097-013 STILE-TOP GARAGE, HICKORY
4. 801096-016 CROSS MEMBER GARAGE, OAK
4. 801096-013 CROSS MEMBER GARAGE, HICKORY
5. 800737-016 HANDLE, APPLIANCE GARAGE, OAK
5. 800737-013 HANDLE, APPLIANCE GARAGE, HICKORY
6. 800474-106 TAMBOUR 23" X 12", OAK
6. 800474-103 TAMBOUR 23" X 12", HICKORY
- 800573-016 MOLDING EDGE 1-3/32" X 80", OAK
- 800573-013 MOLDING EDGE 1-3/32" X 80", OAK
- 965952-006 CLOSEOUT GARAGE,, OAK
- 965952-003 CLOSEOUT GARAGE, HICKORY

CLASSIC TRAILER

FURNITURE, GALLEY

Galley, Forward, Microwave Section, 31' ND, 30'



Part number on the next page

CLASSIC TRAILER

FURNITURE, GALLEY

Galley, Forward, Microwave Section, 31' ND, 30'

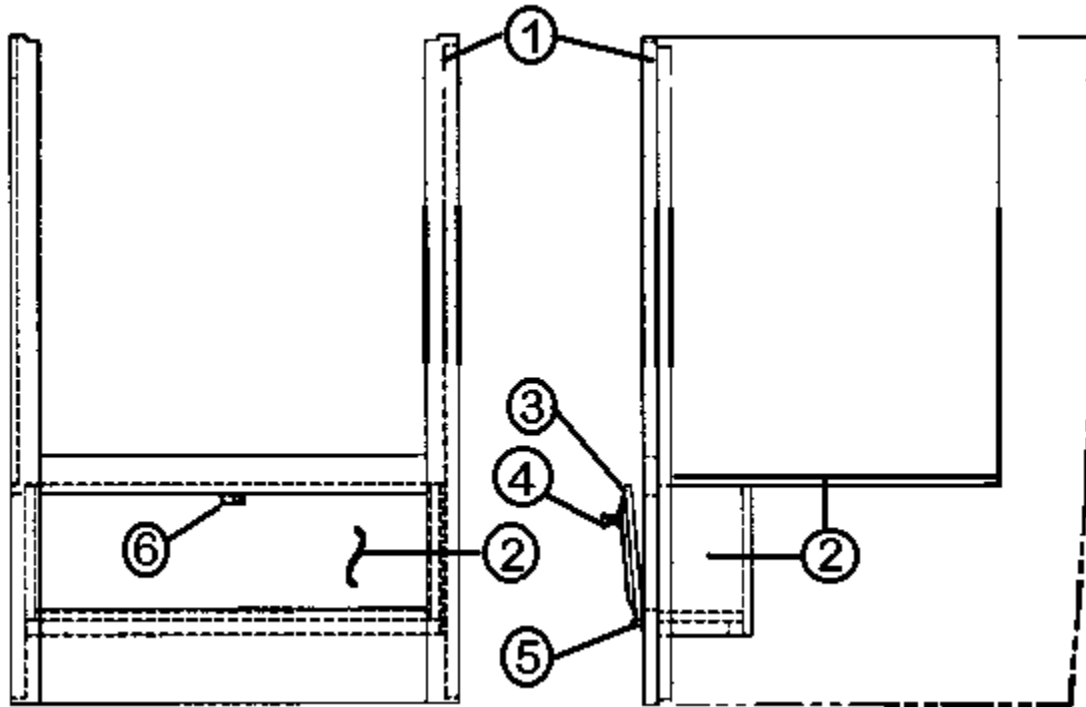
964966-08	GALLEY ASSY-FWD MW SECTION
1. 964629-006	FACE FRAME GALLEY, FWD MW, OAK
1. 964629-003	FACE FRAME GALLEY, HICKORY
2. 801180-006	PANEL ½" G2S OAK/OAK 4' X 7'
2. 801258-003	PANEL ½" G2S, HICKORY/HICKORY 4' X 7'
3. 801179-006	PANEL ½" G1S, OAK/RAW
3. 801259-003	PANEL ½' G1S, HICKORY/RAW
4. 800597-506	DOOR 12.00" X 29.50", OAK
4. 800597-503	DOOR 12.00" X 29.50", HICKORY
5. 800599-216	DRAWER FACE 7.00" X 23.00", OAK
5. 800599-213	DRAWER FACE 7.00" X 23.00" HICKORY
6. 381835	HANDLE-CHROME/BRASS
7. 381836	HINGE-BRITE BRASS
8. 381228-01	CATCH GRABBER DOOR
9. 964910-01	DRAWER BOX- 20.88" X 18.00" X 5.00"
10. 381133	RACK SACK, 6.5 LITRE, WHITE
11. 381526-03	DRAWER SLIDE-18"PER PR
12. 381526-06	ADJUSTABLE REAR BRKT PER PR
13. 964910-02	DRAWER BOX- 10.00" X 18.00" X 5.00"
14. 801172-016	MOLDING CORNER 8' LONG, OAK
14. 801172-013	MOLDING CORNER 8' LONG, HICKORY
15. 601918	TOP ASSY GALLEY CORIAN. MIDNIGHT
15. 601918-01	TOP ASSY GALLEY CORIAN. SANDSTONE
15. 601918-02	TOP ASSY GALLEY CORIAN. EVEREST
15. *601966	TOP ASSY GALLEY CORIAN. MIDNIGHT
15. *601966-01	TOP ASSY GALLEY CORIAN. SANDSTONE
15. *601966-02	TOP ASSY GALLEY CORIAN. EVEREST
800631-006	HANDRAIL 23" LONG, OAK
800631-003	HANDRAIL 23" LONG, HICKORY
200980-01	TRAY, SILVERWARE, ALMOND, 9 X 13

Used on and after unit 518304

CLASSIC TRAILER

FURNITURE, GALLEY

Galley, Full Oven, 31', 30'

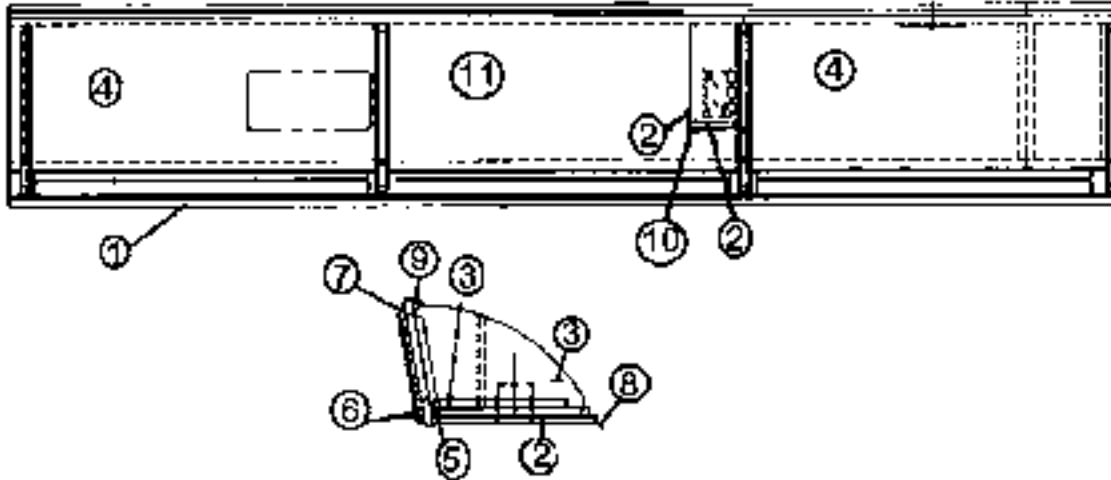


- | | |
|---------------|-------------------------------------|
| 964600-04 | Galley, Full oven |
| 1. 964599-006 | FACE FRAME-GALLEY. OVEN, Oak |
| 1. 964599-006 | FACE FRAME-GALLEY. OVEN, Hickory |
| 2. 801179-006 | Panel, GS, Oak vinyl/raw |
| 2. 801259-003 | Panel, GS, Hickory vinyl/raw |
| 3. 800599-386 | DRAWER FACE 7.00" X 21.50", Oak |
| 3. 800599-383 | DRAWER FACE 7.00" X 21.50", Hickory |
| 4. 381835 | HANDLE-CHROME/BRASS |
| 5. 381836 | HINGE-BRITE BRASS |
| 6. 381228-01 | CATCH GRABBER DOOR |

CLASSIC TRAILER

FURNITURE, GALLEY

Roof Locker, Galley, 31', 30' S/O, 30'

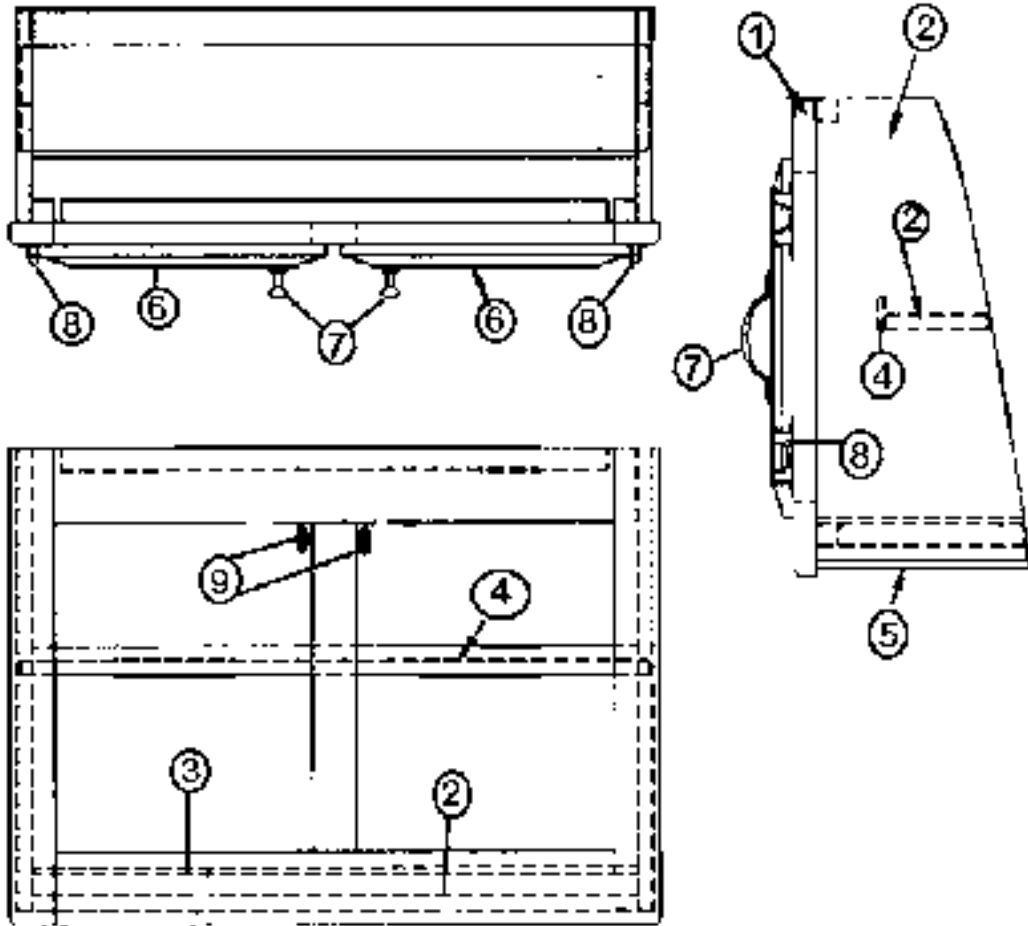


963761-04	GALLEY ROOF LOCKER ASSY.
1. 962167-016	FACE FRAME GALLEY R/L, OAK
1. 962167-013	FACE FRAME GALLEY R/L HICKORY
2. 801180-006	PANEL 1/2" G2S OAK/OAK 4' X 7'
2. 801258-003	PANEL 1/2" HICKORY/ HICKORY 4' X 7'
3. 801181-006	PANEL 5/32"G1S OAK/ RAW 4'X 8'
3. 801260-003	PANEL 5/32"G1S HICKORY/ RAW 4'X 8'
4. 800597-016	DOOR 10.50" X 22.00" OAK
4. 800597-013	DOOR 10.50" X 22.00" HICKORY
5. 381147	SUPPORT - SPRING LOADED DOOR
6. 381835	HANDLE-CHROME/BRASS
7. 381836	HINGE-BRITE BRASS
8. 104829	SUPPORT ROOFLOCKER GALLEY
9. 104821	SUPPORT, ROOFLOCKER, 74"
10. 800575-016	MOLDING CORNER, 80" Long, OAK
10. 800575-013	MOLDING CORNER, 80" Long HICKORY
11. 800597-126	DOOR 10.50" X 26.25", OAK
11. 800597-123	DOOR 10.50" X 26.25" HICKORY
100097	EXTR. ALUM CURTAIN TRACK
801505	PANEL, ASCOT SAND/RAW .125" X 4' X 8'

CLASSIC TRAILER

FURNITURE, GALLEY

Spice Cabinet, 31' All Models, 30' S/O



Part number on the next page

CLASSIC TRAILER

FURNITURE, GALLEY

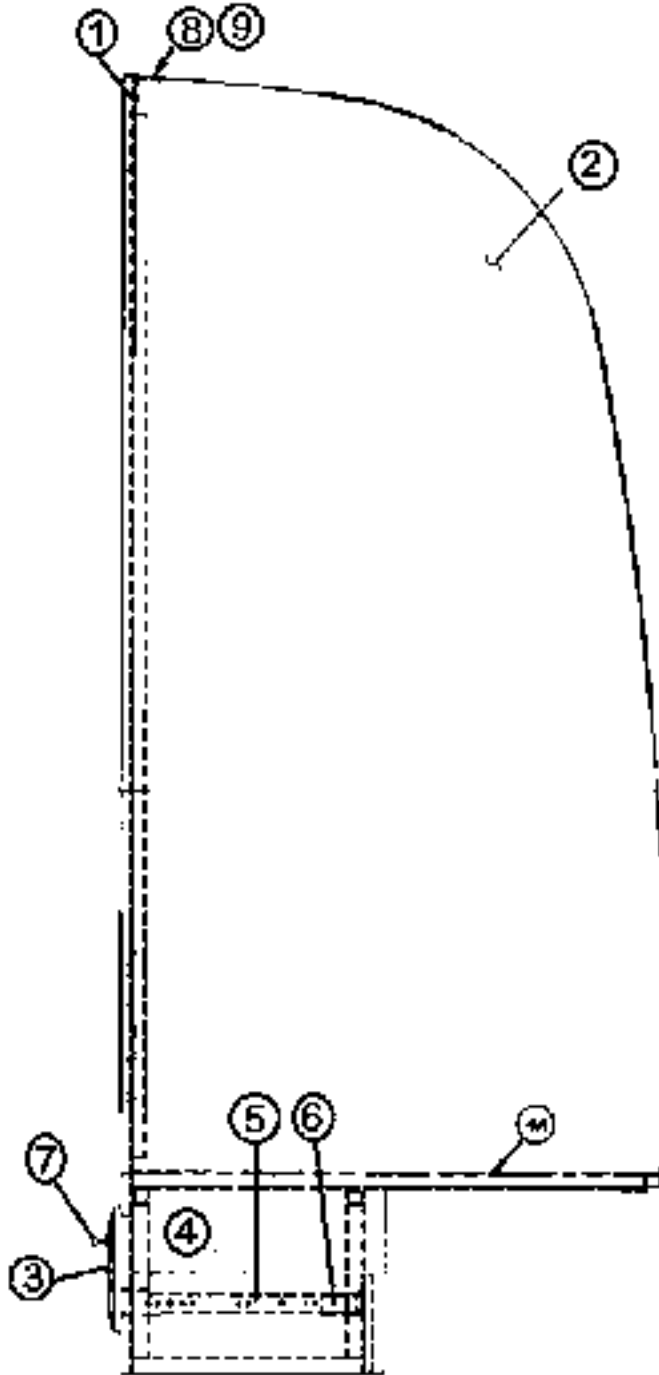
Spice Cabinet, 31' All Models, 30' S/O, 30'

962225-04	SPICE CABINET ASSY
1. 962224-016	FACE FRAME SPICE CABINET, OAK
1. 962224-013	FACE FRAME, SPICE CABINET
2. 801180-006	PANEL 1/2", OAK/OAK 4' X 7'
2. 801258-006	PANEL 1/2", HICKORY/HICKORY
3. 801181-006	PANEL 5/32", OAK/ RAW 4' X 8'
3. 801260-003	PANEL 5/32", HICKORY/ RAW 4' X 8'
4. 800573-016	MOLDING EDGE 1-3/32" X 80" OAK
4. 800573-013	MOLDING EDGE 1-3/32" X 80" HICKORY
5. 800572-016	MOLDING, EDGE 23/32" X 80" OAK
5. 800572-013	MOLDING, PANEL 23/32" X 80" HICKORY
6. 800599-596	DRAWER FACE, 9.75" X 12.00" OAK
6. 800599-5963	DRAWER FACE, 9.75" X 12.00" HICKORY
7. 381835	HANDLE-CHROME/BRASS
8. 381836	HINGE-BRITE BRASS
9. 381228-01	CATCH GRABBER DOOR

CLASSIC TRAILER

FURNITURE, GALLEY

Refrigerator Cabinet, 31', 30'



Part Numbers Are on The Next Page

CLASSIC TRAILER

FURNITURE, GALLEY

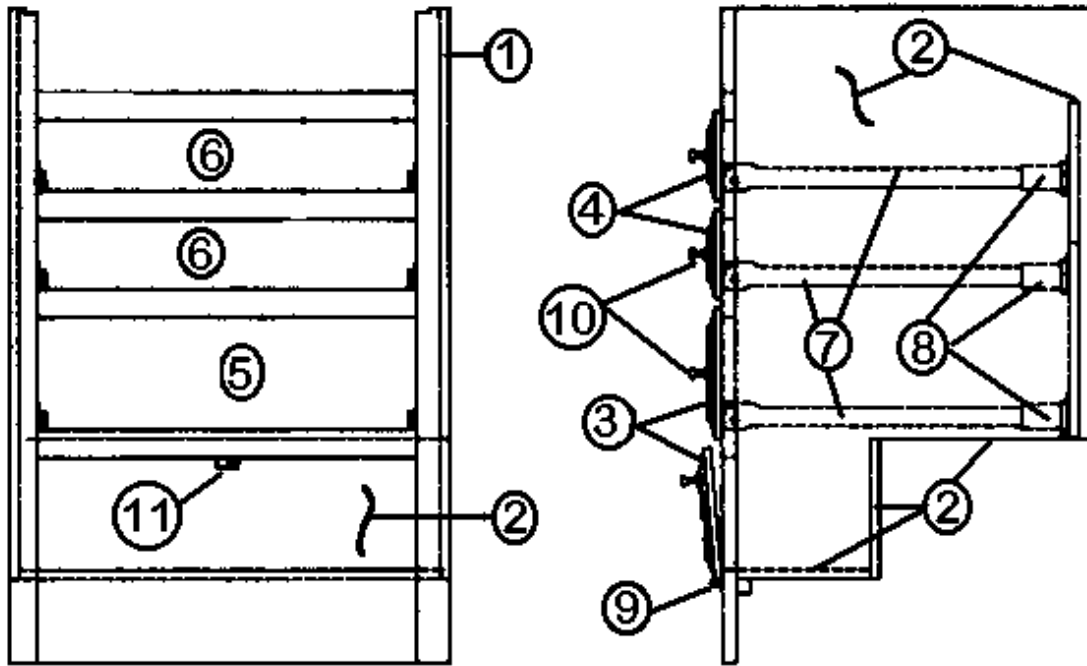
Refrigerator Cabinet, 31', 30'

964310-03	REFER CABINET ASSEMBLY
1. 963724-016	FACE FRAME REFER, OAK
1. 963724-013	FACE FRAME REFER, Hickory
2. 801127-10	PANEL FWD REFER
3. 800599-216	DRAWER FACE 7.00" X 23.00", Oak
3. 800599-213	DRAWER FACE 7.00" X 23.00", Hickory
4. 964910-13	DRAWER BOX- 19.69" X 14.00" X 5.00"
5. 381526-01	DRAWER SLIDE 14" PER PR
6. 381526-06	BRACKET ADJUSTABLE REAR (PAIR)
7. 381575	HANDLE DRAWER/DOOR GOLD
8. 104821	SUPPORT, ROOFLOCKER, 74"
330038	RIVET BLIND AD 54 ABS

CLASSIC TRAILER

FURNITURE, GALLEY

Galley, MW W/3-Burner, Cook top Section, 31'ND, 30'

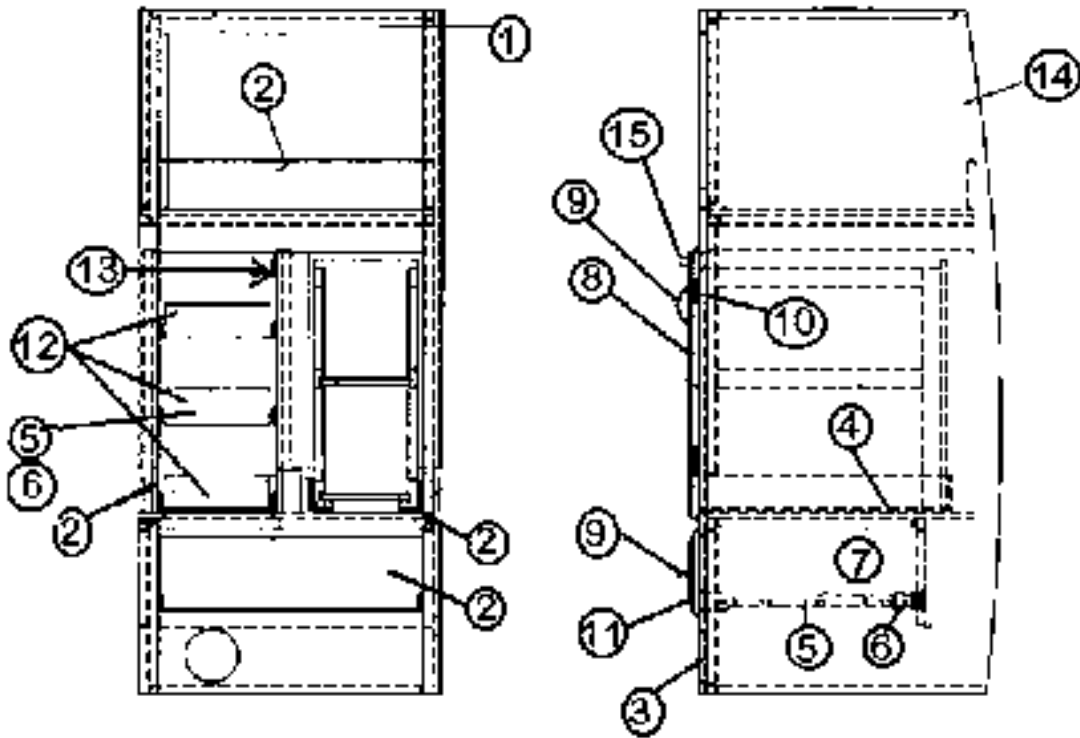


- | | |
|---------------|-------------------------------------|
| 964598 | GALLEY ASSEMBLY/COOKTOP, |
| 1. 964597-006 | FACE FRAME COOKTOP, Oak |
| 1. 964597-003 | FACE FRAME COOKTOP, Hickory |
| 2. 801179-006 | PANEL ½" G1S Oak/RAW |
| 2. 801259-003 | PANEL ½" G1S Hickory/RAW |
| 3. 800599-386 | DRAWER FACE 7.00" X 21.50" Oak |
| 3. 800599-383 | DRAWER FACE 7.00" X 21.50" Hickory |
| 4. 800599-586 | DRAWER FACE 4.75" X 21.50" Oak |
| 4. 800599-583 | DRAWER FACE 4.75" X 21.50" Hickory |
| 5. 964910-03 | DRAWER BOX- 19.50" X 18.00" X 5.00" |
| 6. 964906-02 | DRAWER BOX- 19.50" X 18.00" X 2.75" |
| 7. 381526-03 | DRAWER SLIDE 18" PER PR |
| 8. 381526-06 | BRACKET ADJUSTABLE REAR (PAIR) |
| 9. 381836 | HINGE-BRITE BRASS |
| 10. 381835 | HANDLE-CHROME/BRASS |
| 11. 381228-01 | CATCH GRABBER DOOR |

CLASSIC TRAILER

FURNITURE, GALLEY

Microwave Cabinet, Convection W/ 3-Burner, 31'ND, 28'



Part Numbers on the Next Page

CLASSIC TRAILER

FURNITURE, GALLEY

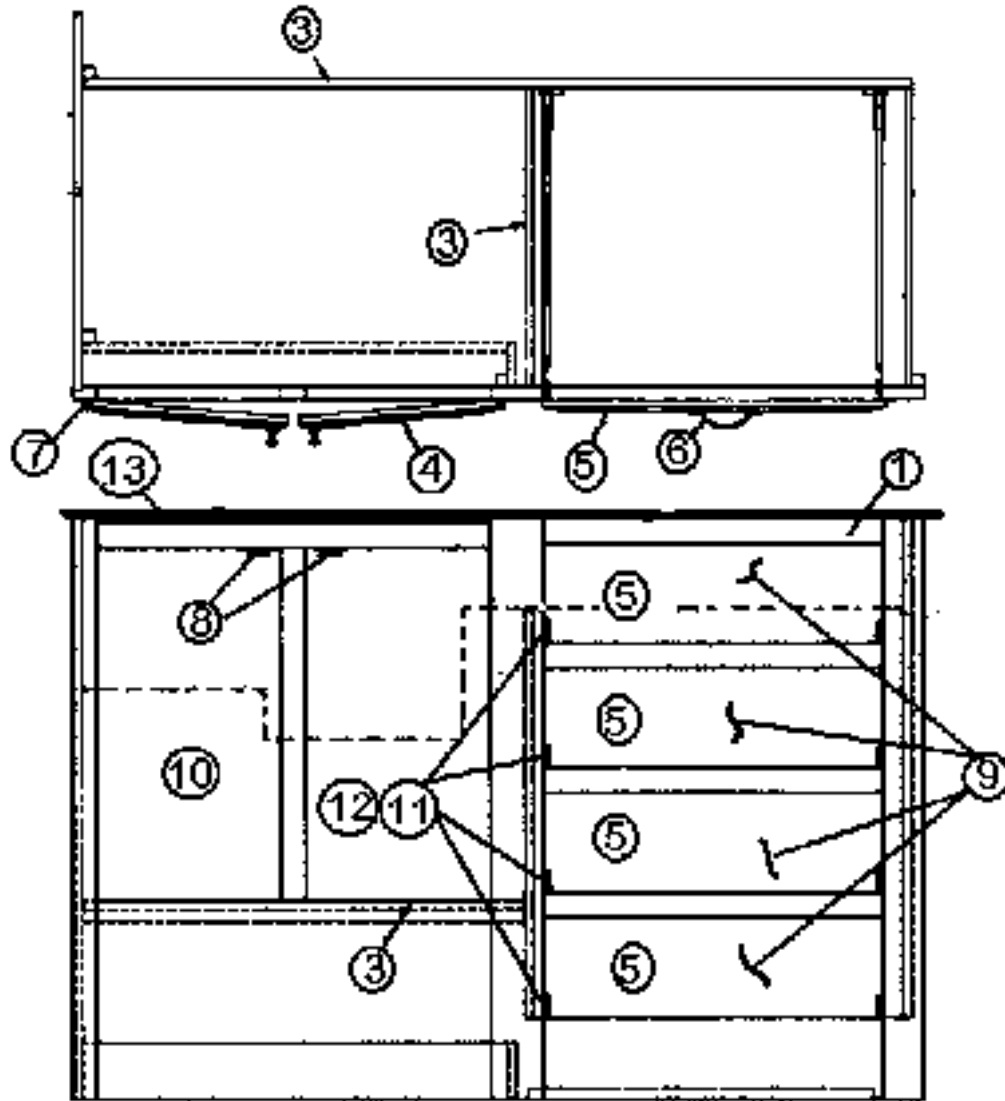
Microwave Cabinet, Convection W/ 3-Burner, 31'ND, 28'

962536-02	MICROWAVE CABINET, 31 ft.
962536-01	MICROWAVE CABINET, 28 ft.
1. 962527-016	FACE FRAME, MW CABINET, Oak
1. 962527-013	FACE FRAME, MW CABINET, Oak
2. 801180-006	PANEL ½" G2S, Oak/Oak 4' X 7'
2. 801258-003	PANEL ½" G2S, Hickory/Hickory 4' X 7'
3. 961072-016	FRAME FACE PANTRY, BACK, Oak
3. 961072-016	FRAME FACE PANTRY, BACK, Hickory
3. 381192	SLIDE, DRAWER, 18"
4. 381526-03	DRAWER SLIDE-18" PER PR
5. 381526-06	ADJUSTABLE REAR BRKT PER PR
6. 964910-01	DRAWER BOX- 20.88" X 18.00" X 5.00"
7. 964910-01	DRAWER BOX- 20.88" X 18.00" X 5.00"
8. 800597-016	DOOR 10.50" X 22.00", Oak
8. 800597-013	DOOR 10.50" X 22.00", Hickory
9. 381835	HANDLE-CHROME/BRASS
10. 381836	HINGE-BRITE BRASS
11. 800599-216	DRAWER FACE 7.00" X 23.00", Oak
11. 800599-213	DRAWER FACE 7.00" X 23.00", Hickory
12. 964906-09	DRAWER BOX, 8.75" X 18.00" X 2.75"
13. 381228-01	CATCH GRABBER DOOR
14. 965319	TOP-MICRO CABINET ASSEMBLY
15. 381408	LOCK, PUSH, BUTTON STYLE, BLACK

CLASSIC TRAILER

FURNITURE, GALLEY

Galley, Forward, 31' D



Part Numbers On the Next Page

CLASSIC TRAILER

FURNITURE, GALLEY

Galley, Forward, 31' D

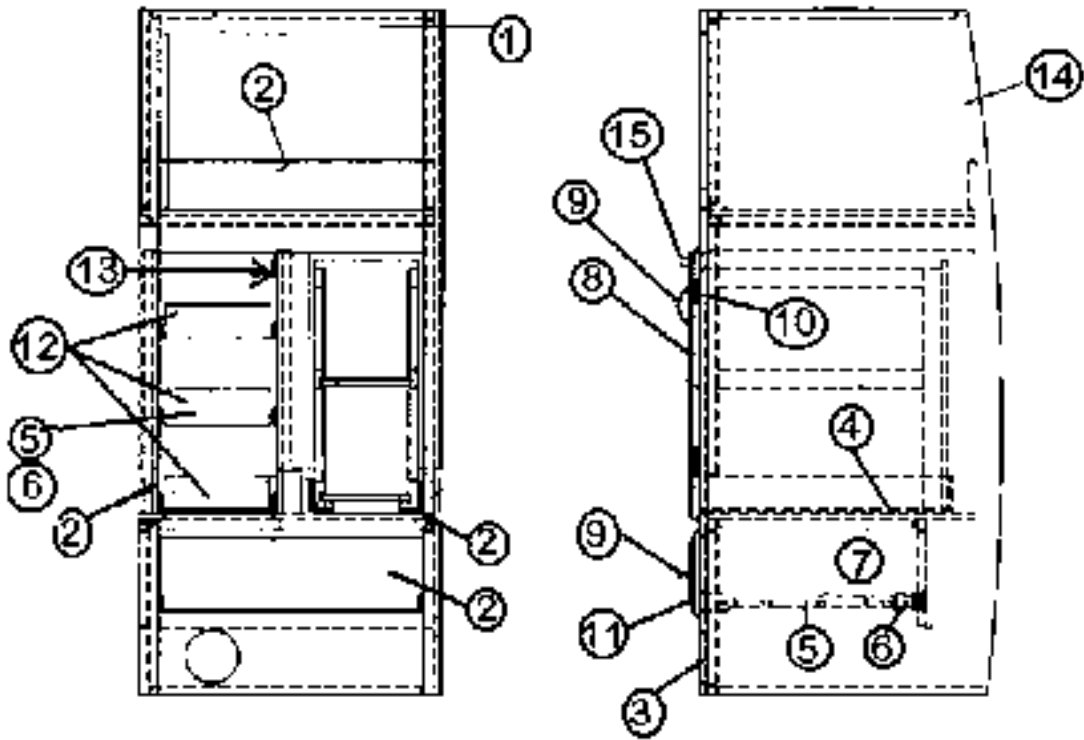
964965-07	GALLEY ASSY-FWD SECTION, 31'
1. 964344-016	FACE FRAME-GALLEY FWD, Oak
1. 964344-013	FACE FRAME-GALLEY FWD, Hickory
2. 801180-006	PANEL ½" G2S Oak/Oak 4' X 7'
2. 801258-003	PANEL ½" G2Shickory/Hickory 4' X 7'
3. 801179-006	PANEL ½' G1S Oak/RAW
3. 801259-003	PANEL ½' G1S Hickory/RAW
4. 800597-506	DOOR 12.00" X 29.50", Oak
4. 800597-503	DOOR 12.00" X 29.50", Hickory
5. 800599-386	DRAWER FACE 7.00" X 21.50", Oak
5. 800599-383	DRAWER FACE 7.00" X 21.50", Hickory
6. 381835	HANDLE-CHROME/BRASS
7. 381836	HINGE-BRITE BRASS
8. 381228-01	CATCH GRABBER DOOR
9. 964910-03	DRAWER BOX- 19.50" X 18.00" X 5.00"
10. 381133	RACK SACK, 6.5 LITRE, WHITE
11. 381526-03	DRAWER SLIDE-18" PER PR
12. 381526-06	ADJUSTABLE REAR BRKT PER PR
13. 601918	TOP ASSY GALLEY CORIAN. MIDNIGHT
13. 601918-01	TOP ASSY GALLEY CORIAN. SANDSTONE
13. 601918-02	TOP ASSY GALLEY CORIAN. EVEREST
13. *601966	TOP ASSY GALLEY CORIAN. MIDNIGHT
13. *601966-01	TOP ASSY GALLEY CORIAN. SANDSTONE
13. *601966-02	TOP ASSY GALLEY CORIAN. EVEREST

*Used on and after unit 518304

CLASSIC TRAILER

FURNITURE, GALLEY

Microwave Cabinet, Non Convection 31'D, 28'



CLASSIC TRAILER

FURNITURE, GALLEY

Microwave Cabinet, Non Convection 31'D, 28'

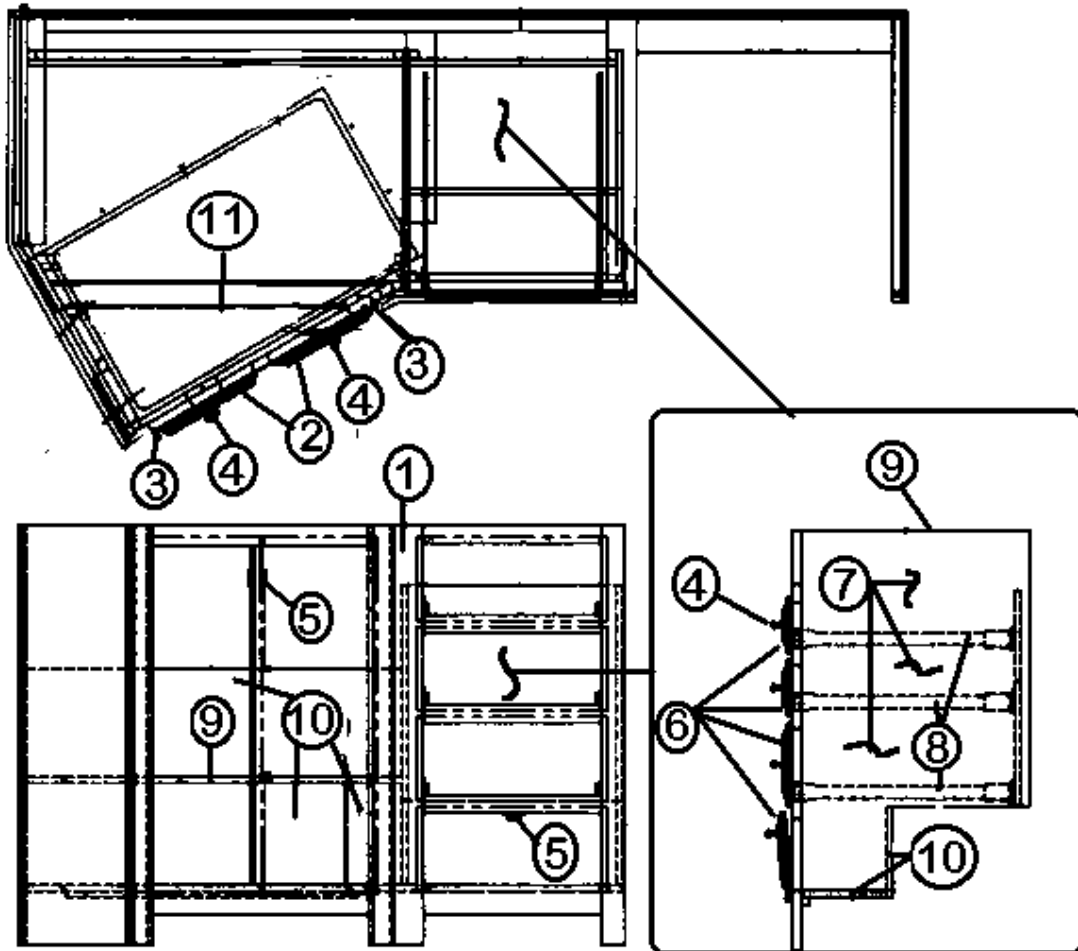
963688-04 (Standard) MICROWAVE CABINET

1. 964628-006 FACE FRAME, MW CABINET, Oak
1. 964628-006 FACE FRAME, MW CABINET, Hicory
2. 801180-006 PANEL 1/2" G2S Oak/Oak 4' X 7'
2. 801180-003 PANEL 1/2" G2S Hickory/Hickory 4' X 7'
3. 961072-016 FRAME FACE PANTRY, BACK, Oak
3. 961072-016 FRAME FACE PANTRY, BACK, Hickory
4. 381192 SLIDE, DRAWER, 18"
5. 381526-03 DRAWER SLIDE-18" PER PR
6. 381526-06 ADJUSTABLE REAR BRKT PER PR
7. 964910-22 DRAWER BOX- 20.88" X 18.00" X 5.00"
8. 800597-016 DOOR 10.50" X 22.00", Oak
8. 800597-013 DOOR 10.50" X 22.00", Hickory
9. 381835 HANDLE-CHROME/BRASS
10. 381836 HINGE-BRITE BRASS
11. 800599-216 DRAWER FACE 7.00" X 23.00", Oak
11. 800599-213 DRAWER FACE 7.00" X 23.00", Hickory
12. 964906-09 DRAWER BOX, 8.75" X 18.00" X 2.75"
13. 381228-01 CATCH GRABBER DOOR
14. 965319 TOP-MICRO CABINET ASSEMBLY
15. 381408 LOCK, PUSH, BUTTON STYLE, BLACK

CLASSIC TRAILER

FURNITURE, GALLEY

Galley, Forward, 30' S/O



Part numbers on the next page

CLASSIC TRAILER

FURNITURE, GALLEY

Galley, Forward, 30' S/O

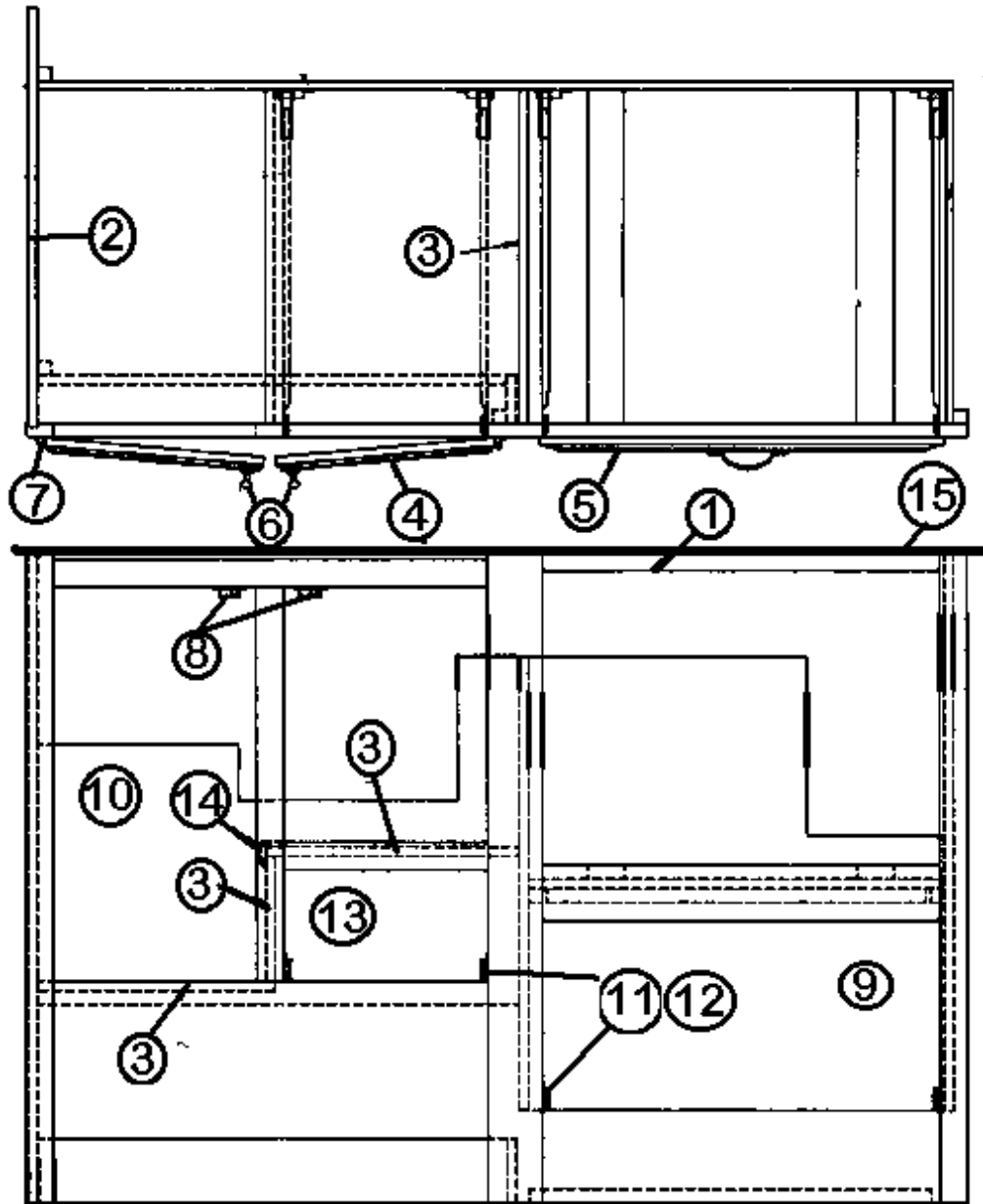
965303-03	GALLEY ASSY - FORWARD
1. 965305-006	FACE FRAME GALLEY FWD S/O, OAK
1. 965305-003	FACE FRAME GALLEY FWD S/O, HICKORY
2. 800597-096	DOOR 11.00" X 29.75", OAK
2. 800597-093	DOOR RAISED PANEL 11.00" X 29.75", Hickory
3. 381836	HINGE-BRITE BRASS
4. 381835	HANDLE-CHROME/BRASS
5. 381228-01	GRABBER DOOR CATCH
6. 800599-566	DRAWER FACE 7.00" X 16.00", OAK
6. 800599-563	DRAWER FACE 7.00" X 16.00", Hickory
7. 964910-18	DRAWER BOX- 17.00" X 14.00" X 5.00"
8. 381526-03	DRAWER SLIDE-18" PER PR
9. 801180-006	PANEL ½" G2S Oak/Oak, 4' X 7'
9. 801258-003	PANEL ½" G2S Hickory/Hickory, 4' X 7'
10. 801179-006	PANEL ½" G1S Oak/raw
10. 801259-003	PANEL ½" G1S Hickory/raw
11. 800573-016	MOLDING DOOR 1-3/32" X 80", OAK
11. 800573-013	MOLDING DOOR 1 X 3/32" X 80", HICKORY
12. 601930	TOP ASSY-GALLEY, MIDNIGHT
12. 601930-01	TOP ASSY-GALLEY, SANDSTONE
12. 601930-02	TOP ASSY-GALLEY, EVEREST
12. *601968	TOP ASSY-GALLEY, MIDNIGHT
12. *601968-01	TOP ASSY-GALLEY, SANDSTONE
12. *601968-02	TOP ASSY-GALLEY, EVEREST
200980-01	TRAY, SILVERWARE, ALMOND, 9" X 13"
381708	Waste basket

*Used on and after unit 518304

CLASSIC TRAILER

FURNITURE, GALLEY

Galley, MW W/3-Burner, 30'



Part Numbers Are On the Next Page

CLASSIC TRAILER

FURNITURE, GALLEY

Galley, MW W/3-Burner, 30'

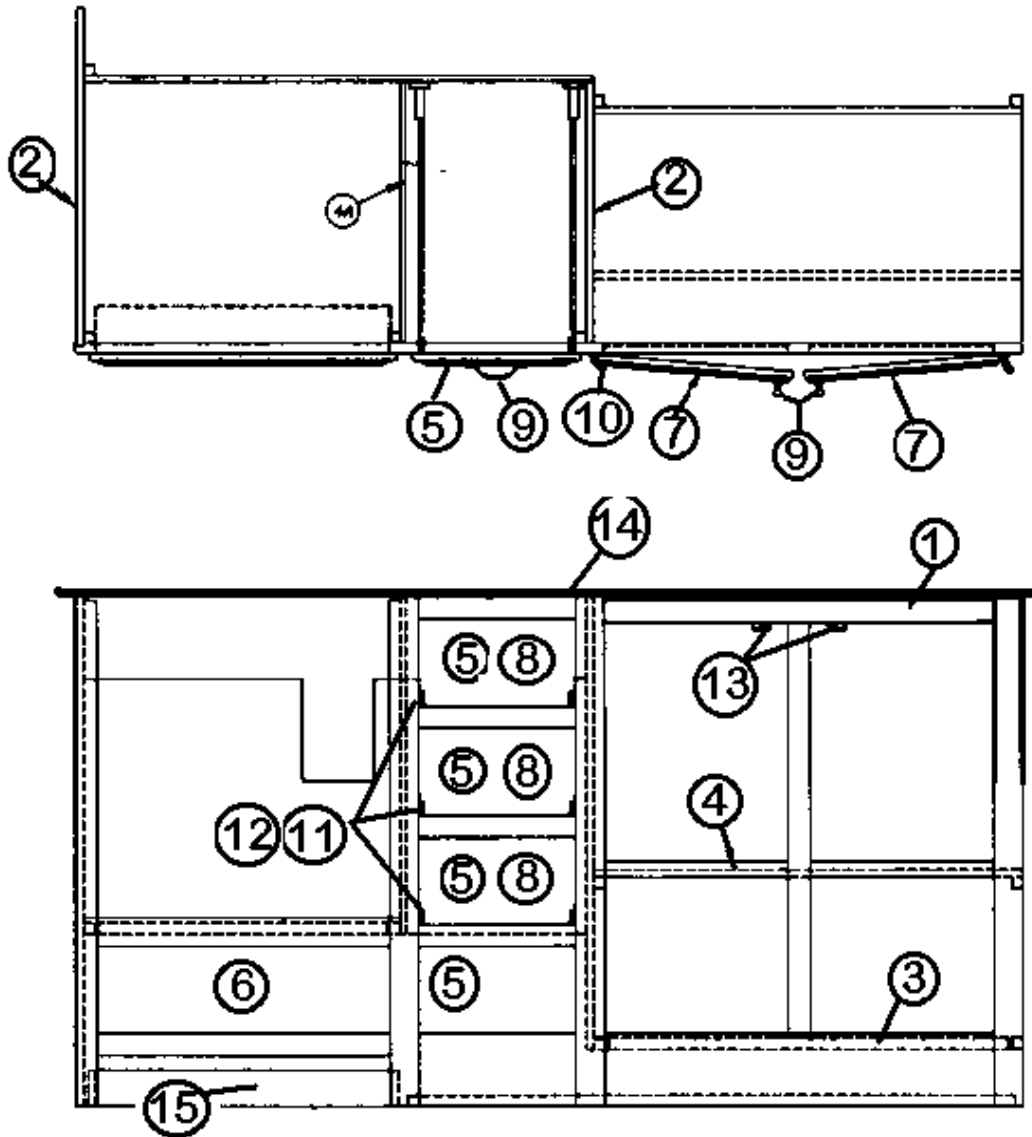
964964-01	Galley, Forward Convection MW Section
964964-02	Galley, Forward Convection MW Section Limited
1. 964629-006	FACE FRAME GALLEY, FWD MW, oak
1. 964629-003	FACE FRAME GALLEY, FWD MW, Hickory
2. 801180-006	PANEL ½" G2S Oak/Oak 4' X 7'
2. 801258-006	PANEL ½" G2S Hickory/Hickory 4' X 7'
3. 801179-006	PANEL ½" G1S Oak/RAW
3. 801259-003	PANEL ½" G1S Hickory/RAW
4. 800597-506	DOOR 12.00" X 29.50", Oak
4. 800597-503	DOOR 12.00" X 29.50", Hickory
5. 800599-266	DRAWER FACE 11.75" X 22.25", oak
5. 800599-2663	DRAWER FACE 11.75" X 22.25", Hickory
6. 381835	HANDLE-CHROME/BRASS
7. 381836	HINGE-BRITE BRASS
8. 381228-01	CATCH GRABBER DOOR
9. 964908-02	DRAWER BOX- 20.75" X 18.00" X 8.00"
10. 381133	RACK SACK, 6.5 LITRE, WHITE
11. 381526-03	DRAWER SLIDE-18"PER PR
12. 381526-06	ADJUSTABLE REAR BRKT PER PR
13. 964910-02	DRAWER BOX- 10.00" X 18.00" X 5.00"
14. 801172-016	MOLDING CORNER 8' L, oak
14. 801172-013	MOLDING CORNER 8' L, Hickory
15. 601918	TOP ASSY GALLEY CORIAN. MIDNIGHT
15. 601918-01	TOP ASSY GALLEY CORIAN. SANDSTONE
15. 601918-02	TOP ASSY GALLEY CORIAN. EVEREST
15. *601966	TOP ASSY GALLEY CORIAN. MIDNIGHT
15. *601966-01	TOP ASSY GALLEY CORIAN. SANDSTONE
15. *601966-02	TOP ASSY GALLEY CORIAN. EVEREST

*Used on and after unit 518304

CLASSIC TRAILER

FURNITURE, GALLEY

Galley, Full Oven, 28'



Part Number Are on the Next Page

CLASSIC TRAILER

FURNITURE, GALLEY

Galley, Full Oven, 28'

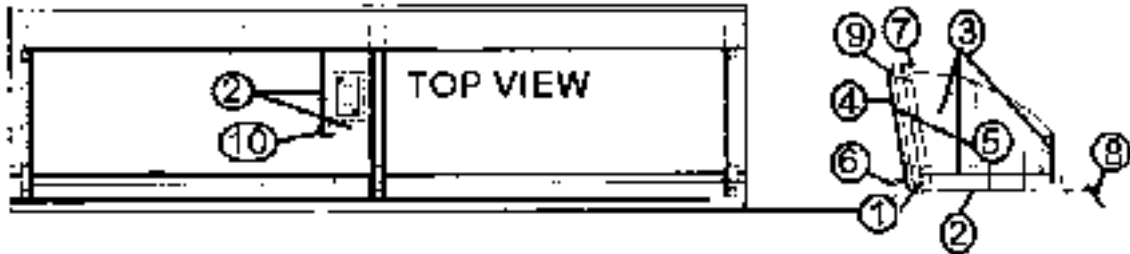
964602-06	GALLEY ASSY-FULL OVEN, 28'
1. 964601-006	FACE FRAME-GALLEY, FULL OVEN 28'
2. 801179-006	PANEL 1/2" G1S OAK/RAW
3. 801181-006	PANEL 5/32"G1S OAK/ RAW 4' X 8'
4. 800573-016	MOLDING DOOR EDGE 1-3/32" X 80"
5. 800599-026	DRAWER FACE 7.00" X 11.75"
6. 800599-386	DRAWER FACE 7.00" X 21.50"
7. 800597-446	DOOR RAISED PANEL 13.75" X 29.75"
8. 964910-02	DRAWER BOX- 10.00" X 18.00" X 5.00"
9. 381835	HANDLE-CHROME/BRASS
10. 381836	HINGE-BRITE BRASS
11. 381526-03	DRAWER SLIDE 18" PER PR
12. 381526-06	ADJUSTABLE REAR BRKT PER PR
13. 381228-01	CATCH GRABBER DOOR
14. 601920	GALLEY TOP ASSY CORIAN, Midnight
14.601920-01	GALLEY TOP ASSY CORIAN, SANDSTONE
14. 601920-02	GALLEY TOP ASSY CORIAN, EVEREST
14. *601965	GALLEY TOP ASSY CORIAN, Midnight
14. *601965-01	GALLEY TOP ASSY CORIAN, SANDSTONE
14. *601965-02	GALLEY TOP ASSY CORIAN, EVEREST
15. 114967	TOE KICK, GALLEY ASSY. 28'
381133	RACK SACK, 6.5 LITRE, WHITE
200980-01	TRAY, SILVERWARE, ALMOND, 9" X 13"
800631-006	HANDRAIL 23" LONG

**Used on and after unit 518304

CLASSIC TRAILER

FURNITURE, GALLEY

Roof Locker, Galley, 28'

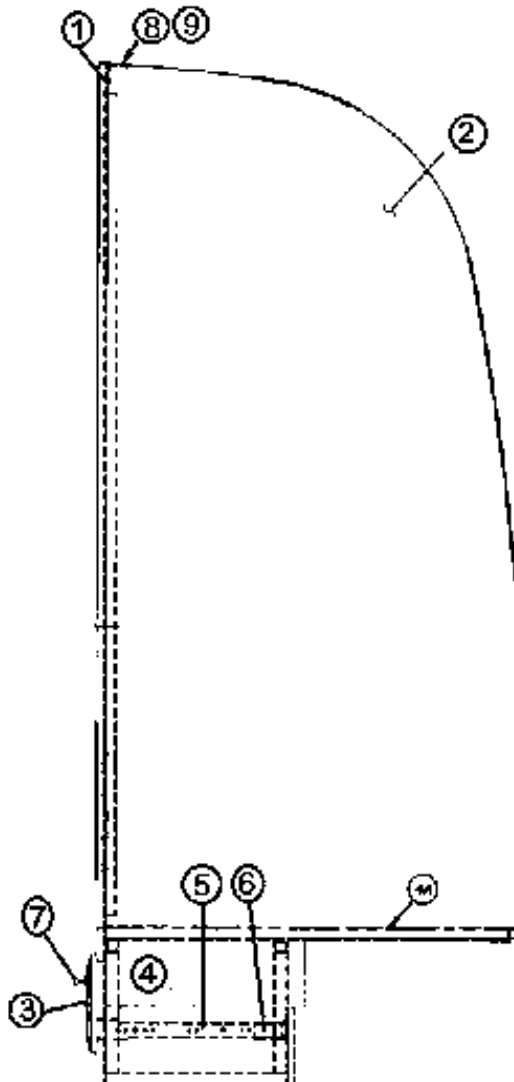


963765-01	LOCKER ASSY. GALLEY
1. 962517-01	FACE FRAME GALLEY, R/L, 28'
2. 801180-006	PANEL 1/2" G2S WOOD/WOOD, 4' X 7'
3. 801181-006	PANEL 5/32" G1S WOOD/ RAW 4'X 8'
4. 800597-416	DOOR RAISED PANEL 10.50" X 32.00"
5. 381147	DOOR SUPPORT - SPRING LOADED
6. 381835	HANDLE-CHROME/BRASS
7. 104829	SUPPORT ROOFLOCKER GALLEY
8. 100013	EXTRUSION, ROOFLOCKER
9. 381836	HINGE-BRITE BRASS
10. 800575-016	MOLDING CORNER 80"L
963828-01	Roof Locker end cap
801505	PANEL, SAND/RAW .125" X 4'X 8'
962245	BOX ASSY. PRIORITY SWITCH
800575-016	MOLDING CORNER 80"

CLASSIC TRAILER

FURNITURE, GALLEY

Refrigerator Cabinet, 28'

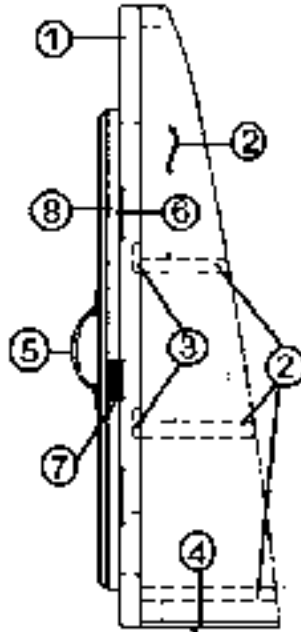


- | | |
|---------------|-------------------------------------|
| 963689 | REFER CABINET ASSEMBLY |
| 1. 963724-016 | FACE FRAME REFER |
| 2. 801127-08 | PANEL FWD REFER |
| 3. 800599-216 | DRAWER FACE 7.00" X 23.00" |
| 4. 964910-13 | DRAWER BOX- 19.69" X 14.00" X 5.00" |
| 5. 381526-01 | DRAWER SLIDE 14" PER PR |
| 6. 381526-06 | BRACKET ADJUSTABLE REAR (PAIR) |
| 7. 381835 | HANDLE-CHROME/BRASS |
| 8. 104821 | SUPPORT, ROOFLOCKER, 74" |
| 9. 330038 | RIVET BLIND AD 54 ABS |

CLASSIC TRAILER

FURNITURE, GALLEY

Spice Cabinet, 28'

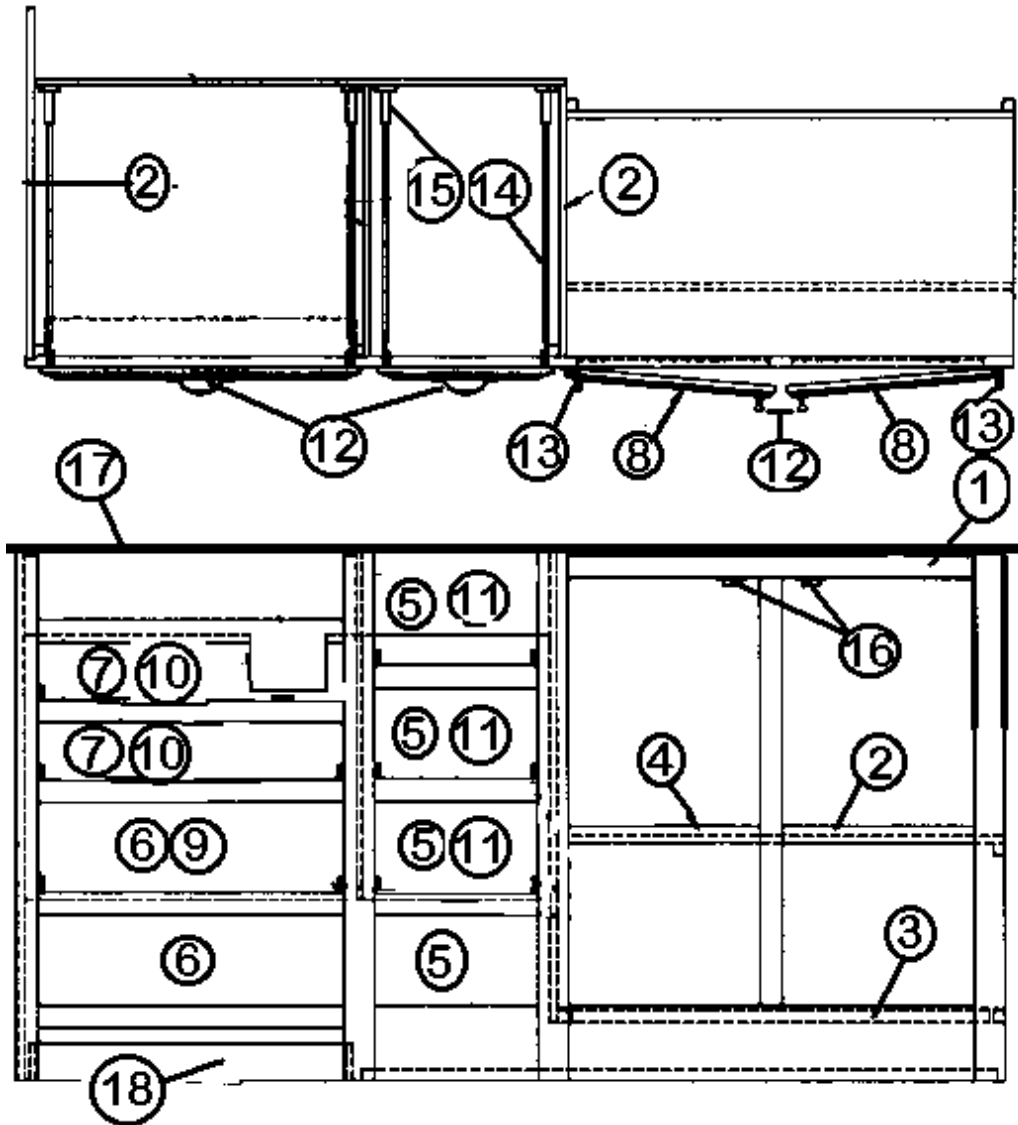


- | | |
|---------------|----------------------------------|
| 962511-02 | SPICE CABINET ASSY. |
| 1. 962512-01 | FACE FRAME SPICE CABINET, 28' |
| 2. 801180-006 | PANEL 1/2" G2S Wood/Wood 4' X 7' |
| 3. 800573-016 | MOLDING DOOR EDGE 1-3/32" X 80" |
| 4. 800571-016 | MOLDING FLAT .52W X 80" |
| 5. 381835 | HANDLE-CHROME/BRASS |
| 6. 381836 | HINGE-BRITE BRASS |
| 7. 381228-01 | CATCH GRABBER DOOR |
| 8. 800597-566 | DOOR RAISED PANEL 7.75" X 17.50" |

CLASSIC TRAILER

FURNITURE, GALLEY

Galley, 3-Burner w/Drawer, 28'



Part Numbers On The Next Page

CLASSIC TRAILER

FURNITURE, GALLEY

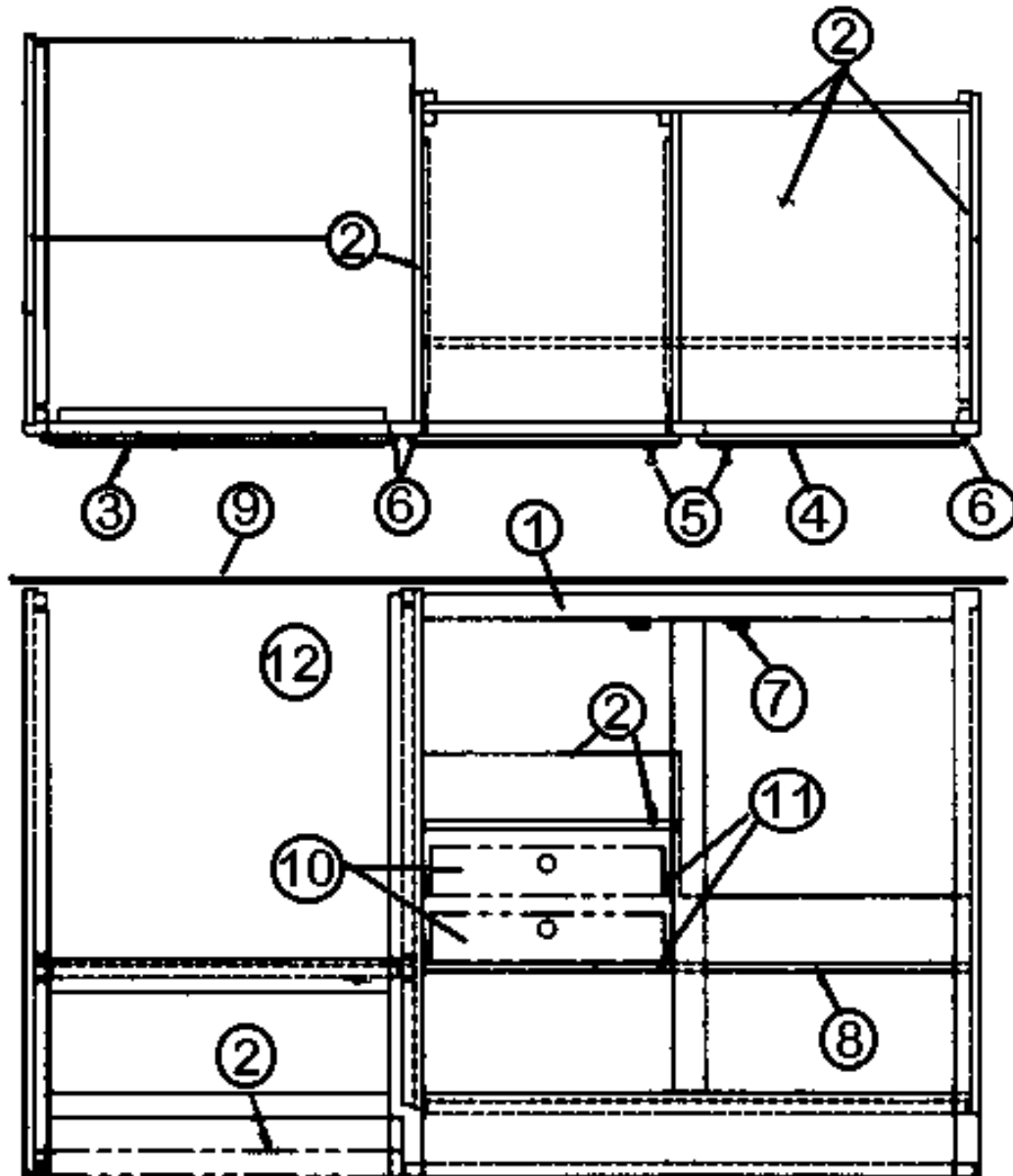
Galley, 3-Burner w/Drawer, 28'

964604	Galley Assembly, Cooktop, 28'
1. 964603-006	Face frame, galley, full oven option
2. 801179-006	PANEL 1/2" G1S WOOD/RAW
3. 801181-006	PANEL 5/32"G1S WOOD/ RAW 4' X 8'
4. 800573-016	MOLDING DOOR EDGE 1-3/32" X 80"
5. 800599-026	DRAWER FACE 7.00" X 11.75"
6. 800599-386	DRAWER FACE 7.00" X 21.50"
7. 800599-586	DRAWER FACE 4.75" X 21.50"
8. 800597-446	DOOR RAISED PANEL 13.75" X 29.75"9
9. 964910-03	DRAWER BOX- 19.50" X 18.00" X 5.00"
10. 964906-02	DRAWER BOX- 19.50" X 18.00" X 2.75"
11. 964910-02	DRAWER BOX- 10.00" X 18.00" X 5.00"
12. 381835	HANDLE-CHROME/BRASS
13. 381836	HINGE-BRITE BRASS
14. 381526-03	DRAWER SLIDE 18" PER PR
15. 381526-06	ADJUSTABLE REAR BRKT PER PR
16. 381228-01	CATCH GRABBER DOOR
17. 964963-01	Galley top assembly
114967	Toe kick, aluminum

CLASSIC TRAILER

FURNITURE, GALLEY

Galley, Full Oven, 25'



Part Numbers On The Next Page

CLASSIC TRAILER

FURNITURE, GALLEY

Galley, Full Oven, 25'

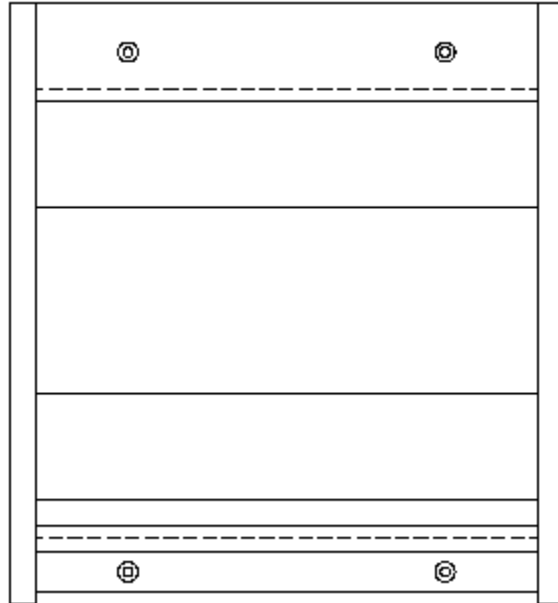
964589-06	GALLEY ASSY-FULL OVEN
1. 964588-006	FACE FRAME-GALLEY, Full Oven
2. 801179-006	PANEL 1/2" G1S Wood/RAW
3. 800599-386	DRAWER FACE 7.00" X 21.50"
4. 800597-086	DOOR RAISED PANEL 16.00" X 29.50"
5. 381835	HANDLE-CHROME/BRASS
6. 381836	HINGE-BRITE BRASS
7. 381228-01	CATCH GRABBER DOOR
8. 800571-016	MOLDING FLAT .52W X 80"
9. 601919	TOP ASSY GALLEY CORIAN, MIDNIGHT
9. 601919-01	TOP ASSY GALLEY CORIAN, SANDSTONE
9. 601919-02	TOP ASSY GALLEY CORIAN, EVEREST
9. *601964	TOP ASSY GALLEY CORIAN, MIDNIGHT
9. *601964-01	TOP ASSY GALLEY CORIAN, SANDSTONE
9. *6019964-02	TOP ASSY GALLEY CORIAN, EVEREST
10. 964906-04	DRAWER BOX, 14.00" X 8.00" X 2.75"
11. 381526-03	DRAWER SLIDE- 18" PER PR
11a. 381526-06	ADJUSTABLE REAR BRKT, Drawer slide
200980-01	TRAY, SILVERWARE, ALMOND
381133	RACK SACK, 6.5 LITRE, WHITE

*Used on and after unit 518304

CLASSIC TRAILER

FURNITURE, GALLEY

Magazine Rack, All Units

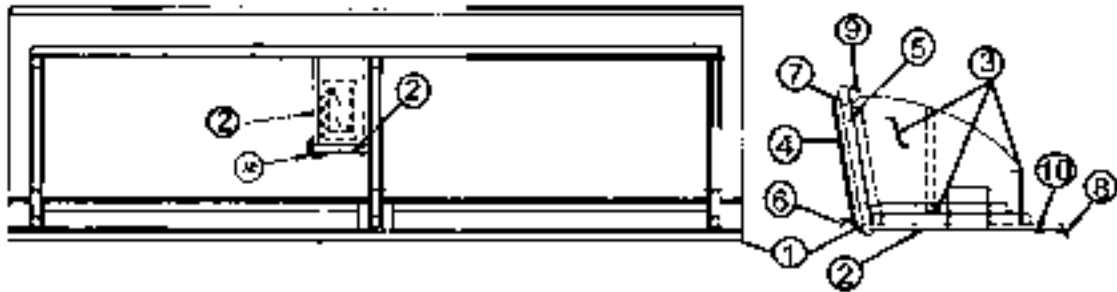


- 963990-006 MAGAZINE RACK, OAK
- 963990-003 MAGAZINE RACK, HICKORY

CLASSIC TRAILER

FURNITURE, GALLEY

Roof Locker, Galley, 25'

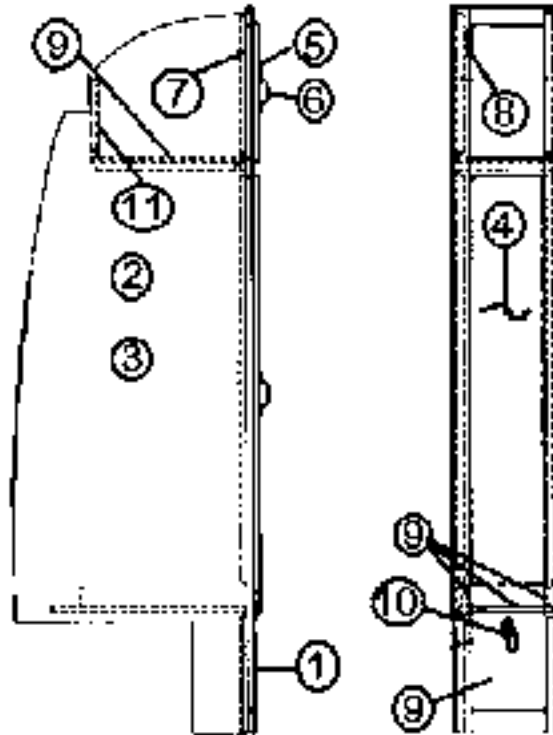


- | | |
|----------------|------------------------------------|
| 963773-01 | ROOFLOCKER GALLEY ASSEMBLY |
| 1. 962379-016 | FACE FRAME GALLEY R/L |
| 2. 801180-006 | PANEL 1/2" G2S WOOD/WOOD 4' X 7' |
| 3. 801181-006 | PANEL 5/32" G1S WOOD/RAW, 4'X 8' |
| 4. 800597-126 | DOOR RAISED PANEL 10.50" X 26.25" |
| 5. 381147 | SUPPORT, SPRING LOADED DOOR |
| 6. 381835 | HANDLE-CHROME/BRASS |
| 7. 381836 | HINGE-BRITE BRASS |
| 8. 104829 | SUPPORT ROOFLOCKER GALLEY |
| 9. 104821 | SUPPORT, ROOFLOCKER, 74" |
| 10. 800575-016 | MOLDING CORNER 80" L |
| 100097 | EXTR. ALUM CURTAIN TRACK |
| 962245 | BOX ASSY. PRIORITY SWITCH |
| 801386 | Paneling, .125" S. FOREST/RAW, G1S |
| 963828-01 | Roof locker end cap |

CLASSIC TRAILER

FURNITURE, GALLEY

Pantry Cabinet, 25'

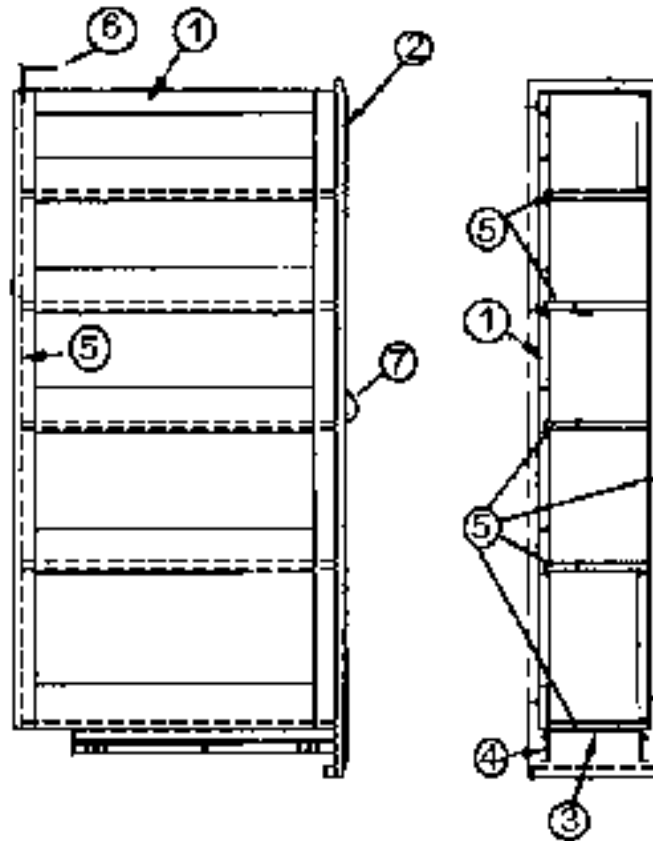


- | | |
|----------------|----------------------------------|
| 962261-01 | PANTRY CABINET ASSY. |
| 1. 962262-016 | FACE FRAME PANTRY CAB |
| 2. 800994-05 | PANEL FWD PANTRY |
| 3. 800994-06 | PANEL AFT PANTRY |
| 4. 986777-01 | ASSEMBLY. PANTRY DRAWER BOX |
| 5. 800599-256 | DRAWER FACE 9.00" X 15.00" |
| 6. 381835 | HANDLE-CHROME/BRASS |
| 7. 381836 | HINGE-BRITE BRASS |
| 8. 381228-01 | CATCH GRABBER DOOR |
| 9. 801180-006 | PANEL 1/2" G2S WOOD/WOOD 4' X 7' |
| 10. 381109 | LATCH BUNK (PULL-OUT PANTRY) |
| 11. 801181-006 | PANEL 5/32" G1S WOOD/RAW 4'X 8' |

CLASSIC TRAILER

FURNITURE, GALLEY

Pantry Cabinet Drawer Box Assembly, 25'

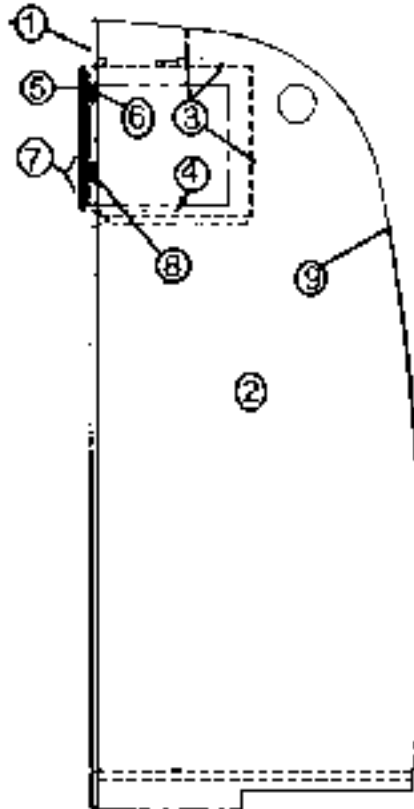


- | | |
|---------------|----------------------------------|
| 986777-01 | PANTRY DRAWER BOX |
| 1. 986150-016 | FACE FRAME, PULL OUT PANTRY |
| 2. 800599-126 | DRAWER FACE 9.00" X 47.00" |
| 3. 104886 | DRAWER SLIDE SUPPORT |
| 4. 381192 | SLIDE, DRAWER, 18" (EACH=1 PAIR) |
| 5. 801180-006 | PANEL 1/2" G2S WOOD/WOOD 4' X 7' |
| 6. 104887 | POSITIVE STOP, PANTRY |
| 7. 381835 | HANDLE-CHROME/BRASS |

CLASSIC TRAILER

FURNITURE, GALLEY

Refrigerator Cabinet w/Microwave, 25'

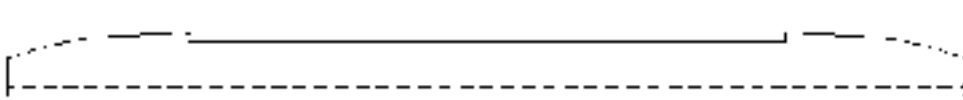


963707-03	REFER CABINET W/MICROWAVE
1. 964630-006	FACE FRAME, REFER CAB
2. 801135-04	PANEL FWD REFER
3. 801181-006	PANEL 5/32" G1S WOOD/RAW, 4'X 8'
4. 801180-006	PANEL 1/2" G2S WOOD/WOOD 4' X 7'
5. 800597-006	Door, Raised panel, 12.25" x 16.00"
6. 381836	HINGE-BRITE BRASS
7. 381835	HANDLE-CHROME/BRASS
8. 381228-01	CATCH GRABBER DOOR
9. 203138-03	EXTRUSION PLASTIC WALL BEIGE
801505	PANEL, SAND/RAW .125" X 4' X 8'
201991	HOUSING DOCKING LIGHT

CLASSIC TRAILER

FURNITURE, LOUNGE

CLOSEOUT ASSY LOUNGE REAR 34', S/O



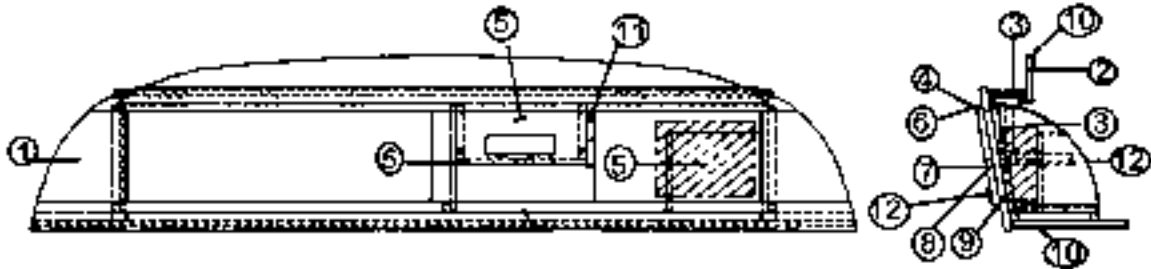
962563

CLOSEOUT ASSY LOUNGE REAR

CLASSIC TRAILER

FURNITURE, LOUNGE

Roof Locker, Front End, All Units

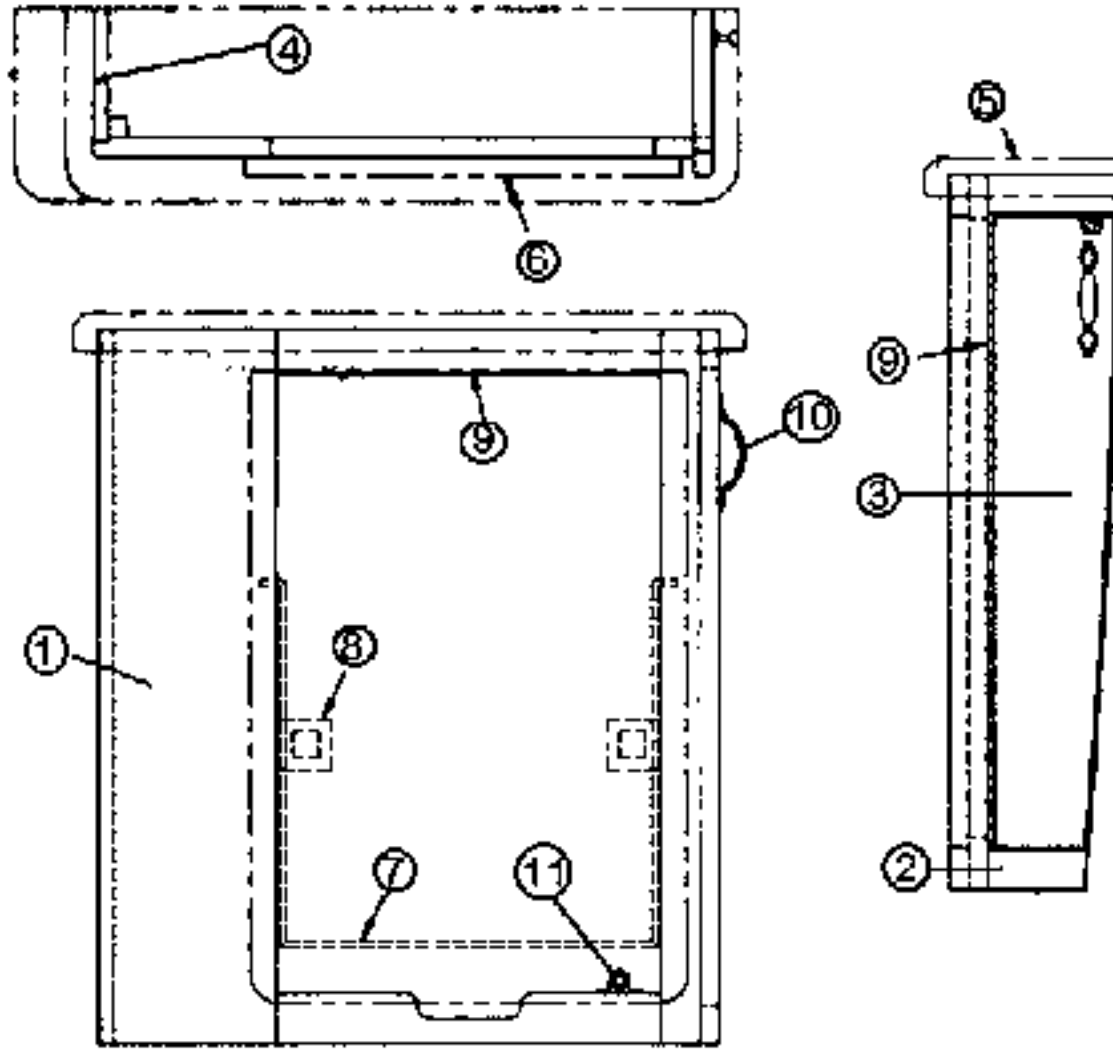


- | | |
|---------------|---------------------------------------|
| 963506-09 | Roof Locker, Front end Liner |
| 1. 963498-006 | FACE FRAME FWD/AFT R/L, OAK |
| 1. 963498-003 | FACE FRAME FWD/AFT R/L, Hickory |
| 2. 801180-006 | PANEL ½" G2S Oak/Oak |
| 2. 801258-003 | PANEL ½" G2S Hickory/Hickory |
| 3. 801181-006 | PANEL 5/32"G1S Oak/ RAW |
| 3. 801260-003 | PANEL 5/32"G1S Hickory/RAW |
| 4. 800557-236 | DOOR FRAME 10.50" X 32.50", Oak |
| 4. 800557-233 | DOOR FRAME 10.50" X 32.50", Hickory |
| 5. 801179-006 | PANEL ½" G1S Oak/RAW |
| 5. 801259-003 | PANEL ½", G1S Hickory/RAW |
| 6. 381837 | HINGE, BRIGHT BRASS |
| 7. 372210-10 | MIRROR- BEVELED, 7.62" X 29.62" |
| 8. 381754 | MIRROR CLIP R2 |
| 9. 381147 | DOOR SUPPORT, SPRING LOADED |
| 10. 702482-03 | HEADLINER, TEXTURED |
| 11. 965049 | SIDE PANEL-RADIO SHELF |
| 12. 381835 | HANDLE-CHROME/BRASS |
| 365239 | FOAM, NON-SKID PAD 1/4 X 1 X 1/16" |
| 801505 | PANEL, ASCOT SAND/RAW .125" X 4' X 8' |

CLASSIC TRAILER

FURNITURE, LOUNGE

Writing Table/Chair Storage, All Units



Part Numbers on the Next Page

CLASSIC TRAILER

FURNITURE, LOUNGE

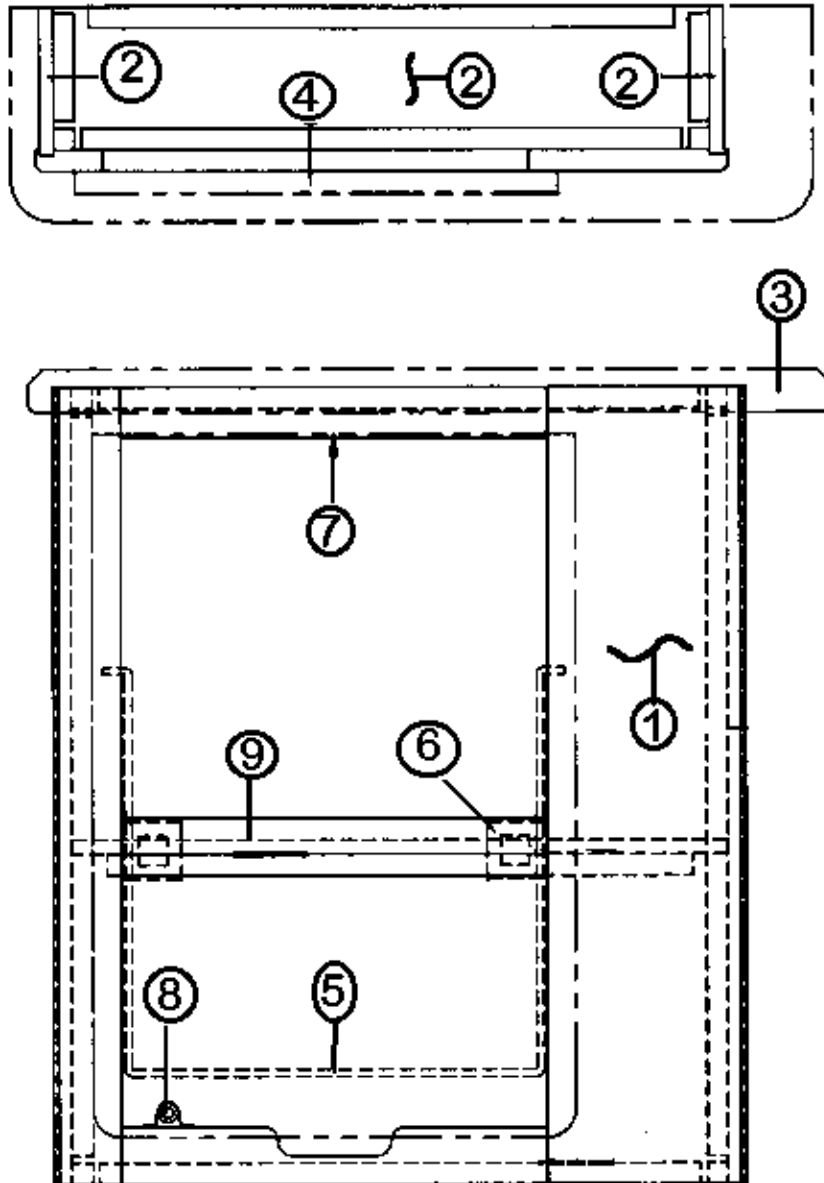
Writing Table/Chair Storage, All Units

961959-01	WRITING TABLE CHAIR STORAGE
1. 961955-016	FACE FRAME CHAIR STORAGE, Oak
1. 961955-013	FACE FRAME CHAIR STORAGE, Hickory
2. 961956-016	FRAME END OAK W. TABLE CHAIR
2. 961956-013	FRAME END W. TABLE CHAIR, Hickory
3. 961957-016	DOOR, Oak, CHAIR STORAGE
3. 961957-013	DOOR, Hickory, CHAIR STORAGE
4. 801180-006	PANEL ½' G2S, Oak/Oak 4' x 8'
4. 801258-003	PANEL ½' G2S, Hickory/Hickory 4' x 8'
5. 961958	TOP ASSY W. TABLE CHAIR STORAGE
5. 962875-006	Top Assembly, NOMAR, Limited, Oak
5. 962875-003	Top Assembly, NOMAR, Limited, Hickory
6. 962423	TABLE TOP ASSY. WRITING
6. 962880-006	Top Assembly, NOMAR, Limited, Oak
6. 962880-003	Top Assembly, NOMAR, Limited, Hickory
7. 380492	BRACKET, TABLE
8. 340018	CATCH PLATE J-1
9. 380458	HINGE PIANO BROWN ANODIZED
10. 381835	HANDLE-CHROME/BRASS
11. 381228-01	CATCH GRABBER DOOR
962177-036	LEG-HARDWOOD 30.50", Oak
962177-033	LEG-HARDWOOD 30.50", Hickory
801230-006	PANEL Laminated, Oak, 4' X 8' X 5/8"
964280-006	COUNTERTOP EDGE MOLDING, Oak
801408	PANEL, PRELAMINATED OAK/OAK 1
365266-01	EDGE BANDING-1.25"X .055", Oak

CLASSIC TRAILER

FURNITURE, LOUNGE

Computer Table, RS, 34' S/O



Part Numbers on the Next Page

CLASSIC TRAILER

FURNITURE, LOUNGE

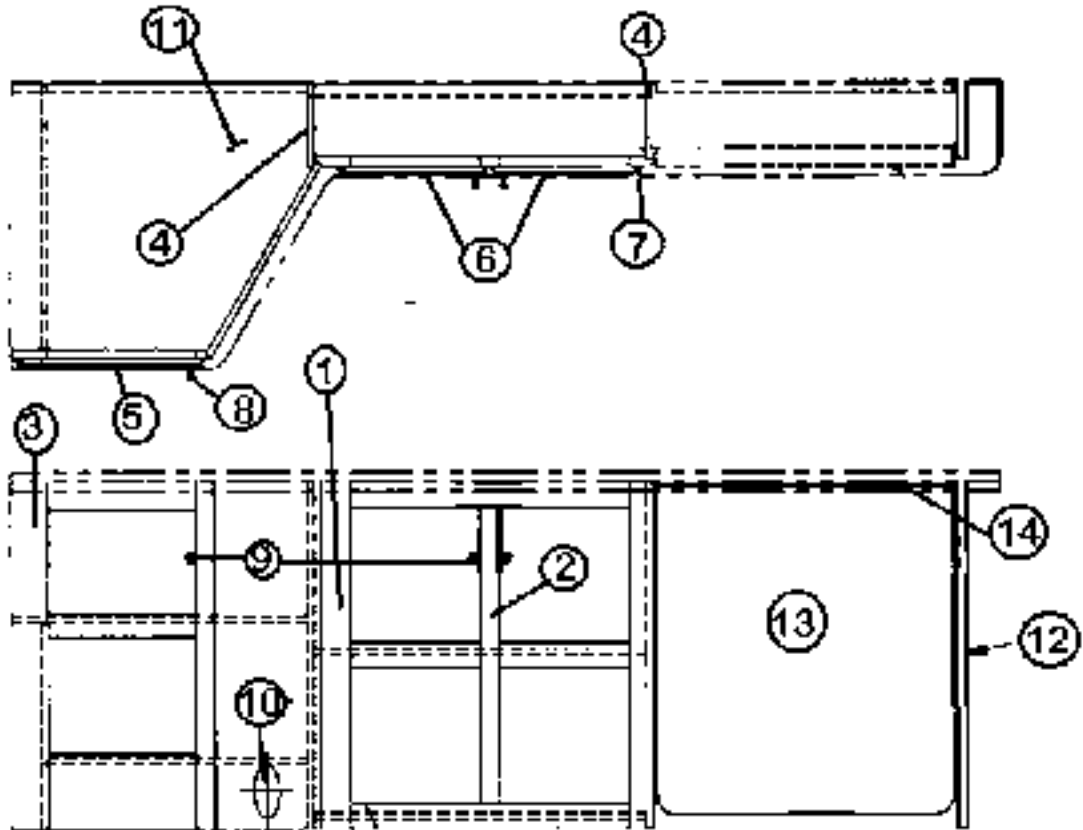
Computer Table, RS, 34' S/O

965411-016	Computer Table, RS, Oak
965411-013	Computer Table, RS, Hickory
965411-026	Computer Table, RS, Limited, Oak
965411-023	Computer Table, RS, Limited, Hickory
1. 965418-006	Face frame, computer table, RS, Oak
1. 965418-003	Face frame, computer table, RS, Hickory
2. 801180-006	PANEL ½" G2S Oak/oak, 4' x 7'
2. 801258-003	PANEL ½" G2S Hickory/Hickory, 4' x 7'
3. 961958-006	Top, writing table cabinet, classic, Oak
3. 961958-003	Top, writing table cabinet, classic, Oak
3. 962875-006	Top, writing table cabinet, Limited, Oak
3. 962875-003	Top, writing table cabinet, Limited, Hickory
4. 962423-006	Table top, writing, classic, Oak
4. 962423-003	Table top, writing, classic, Hickory
4. 962880-006	Table top, writing, Limited, Oak
4. 962880-006	Table top, writing, Limited, Hickory
5. 380492	Bracket table
6. 340018	Catch plate, J-1
7. 380458	Hinge, piano, brown anodized
8. 381074	Bull dog catch
9.800573-016	Molding, door edge, 1 3/32" x 80", Oak
9. 800573-013	Molding, door edge, 1 3/32" x 80", Hickory

CLASSIC TRAILER

FURNITURE, LOUNGE

CREDENZA ASSEMBLY, 34'



CLASSIC TRAILER

FURNITURE, LOUNGE

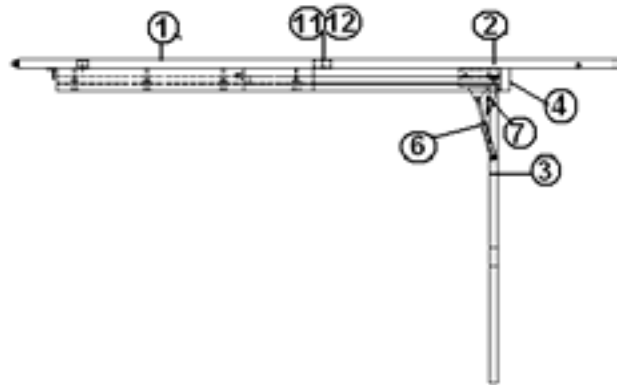
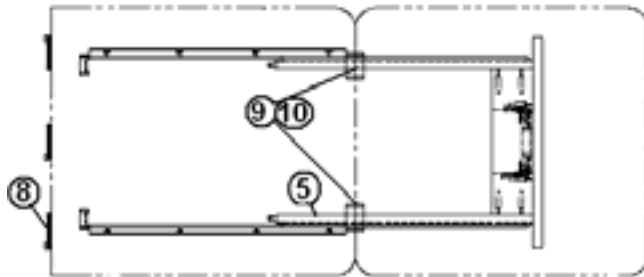
CREDENZA ASSEMBLY, 34'

963353-03	CREDENZA ASSEMBLY
1. 963326-03	SUB ASSY. CREDENZA AFT SECTION
2. 963289-016	FACE FRAME CREDENZA FWD, Oak
2. 963289-013	FACE FRAME CREDENZA FWD, Hickory
3. 963313-006	FACE FRAME CREDENZA AFT Oak
3. 963313-003	FACE FRAME CREDENZA AFT Hickory
4. 801180-006	PANEL ½" G2S Oak / Oak, 4' x 7'
4. 801180-003	PANEL ½" G2S Hickory / Hickory, 4' x 7'
5. 800597-026	DOOR, 14.00" X 20.00" Oak
5. 800597-023	DOOR, 14.00" X 20.00" Hickory
6. 800597-276	DOOR, 11.50" X 25.00" Oak
6. 800597-273	DOOR, 11.50" X 25.00" Hickory
7. 381836	HINGE-BRITE BRASS
8. 381835	HANDLE-CHROME/BRASS
9. 381228-01	CATCH GRABBER DOOR
10. 601244-03	REGISTER, ROTAIRE, BLACK
11. 963325-006	TOP CREDENZA, Oak
11. 963325-003	TOP CREDENZA, Hickory
12. 962381-016	FWD STILE RS CREDENZA Oak
12. 962381-013	FWD STILE RS CREDENZA Hickory
13. 966126-02	TABLE, LIFT-UP, ASSEMBLY, 24" OAK
14. 101253	EXTR. CREDENZA HINGE MOVABLE

CLASSIC TRAILER

FURNITURE, LOUNGE

Table, Lift Up, 34', 30', 28', 25'

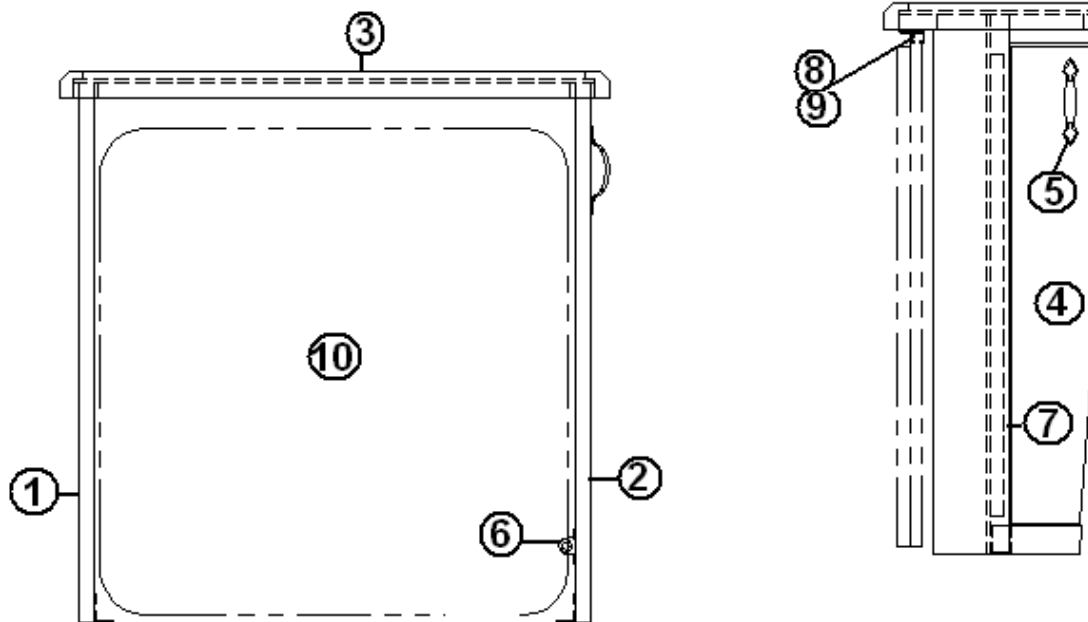


- | | |
|---------------|-------------------------------------|
| 966126-02 | TABLE, LIFT UP 24.00" |
| 1. 960416-02 | LEAF, TABLE, LOWER, OAK |
| 2. 960417-02 | LEAF, TABLE, UPPER, OAK |
| 3. 962177-036 | LEG HARDWOOD 30.50" |
| 4. 960419-016 | FACER BOARD, LIFT-UP TABLE, OAK |
| 5. 381306 | SLIDES, TABLE, LIFT-UP, RH & LH #20 |
| 6. 381147 | DOOR SUPPORT - SPRING LOADED |
| 7. 385935-01 | HINGE PIVOT ZINC PLATED |
| 8. 201155 | SLIDING GUIDE, PLASTIC -TABLE |
| 9. 380040 | HINGE SOSS INVISIBLE L & R HAND |
| 10. 345319-08 | SCREW, PARTICLE BOARD, #8 X 1.00" |
| 11. 380037 | RETAINER SPRING LOCK |
| 12. 380038 | EYELET LOCK GS 5 10 BRASS |
| 13. 381074 | CATCH BULL DOG #65S (COPPER) |
| 201155 | SLIDING GUIDE, PLASTIC -TABLE |
| 385935-01 | HINGE PIVOT ZINC PLATED |
| 380203-01 | PIANO HINGE 1/8" |
| 101253 | CREDENZA HINGE MOVABLE |

CLASSIC TRAILER

FURNITURE, LOUNGE

End table w/ Lift up Table, 34' L-Lounge

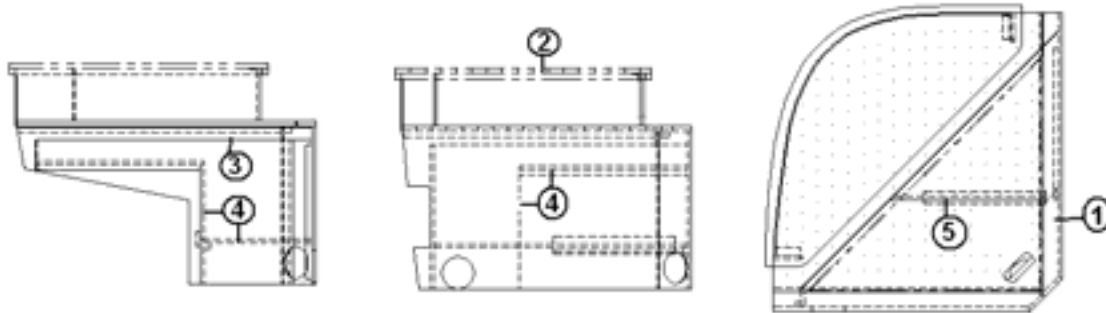


- | | |
|---------------|----------------------------|
| 963616-01 | END TABLE W/LIFT-UP TABLE |
| 1. 801120-006 | LEG-FWD CS END TABLE |
| 2. 801121-006 | FRAME-AFT LEG END TABLE |
| 3. 963614-006 | END TABLE TOP 11" X 28.25" |
| 4. 961957-016 | DOOR-TABLE CHAIR STORAGE |
| 5. 381835 | HANDLE-CHROME/BRASS |
| 6. 381228-01 | CATCH GRABBER DOOR C3-803 |
| 7. 380458 | HINGE PIANO BROWN ANODIZED |
| 8. 380203-01 | PIANO HINGE 1/8" PIN |
| 9. 101253 | CREDENZA HINGE MOVABLE |

CLASSIC TRAILER

FURNITURE, LOUNGE

Table, Corner, 34' L Lounge

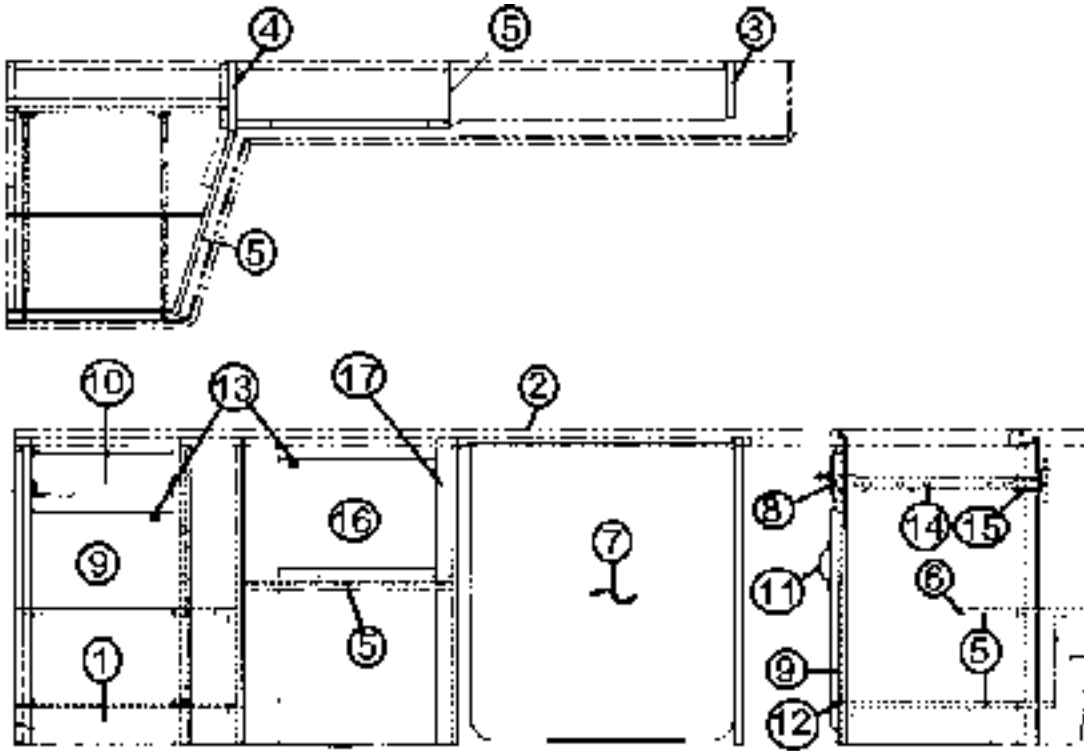


- | | |
|---------------|----------------------------|
| 963341 | CORNER TABLE ASSY. |
| 1. 963342 | FRAME CORNER TABLE |
| 2. 963343 | TOP/LID SUB-ASSY. |
| 3. 801092-006 | UPPER SHELF CORNER TABLE |
| 4. 801093-006 | LOWER TAP/LID CORNER TABLE |
| 5. 380458 | HINGE PIANO BROWN ANODIZED |
| 104527-01 | EXTR.J-TRIM-BRITE |
| 800571-016 | MOLDING FLAT .52W X 80" |
| 702481 | WALL LINER GEOMETRIC PEARL |

CLASSIC TRAILER

FURNITURE, LOUNGE

Credenza, Roadside, 31' ND, 28'



Part Numbers on the Next Page

CLASSIC TRAILER

FURNITURE, LOUNGE

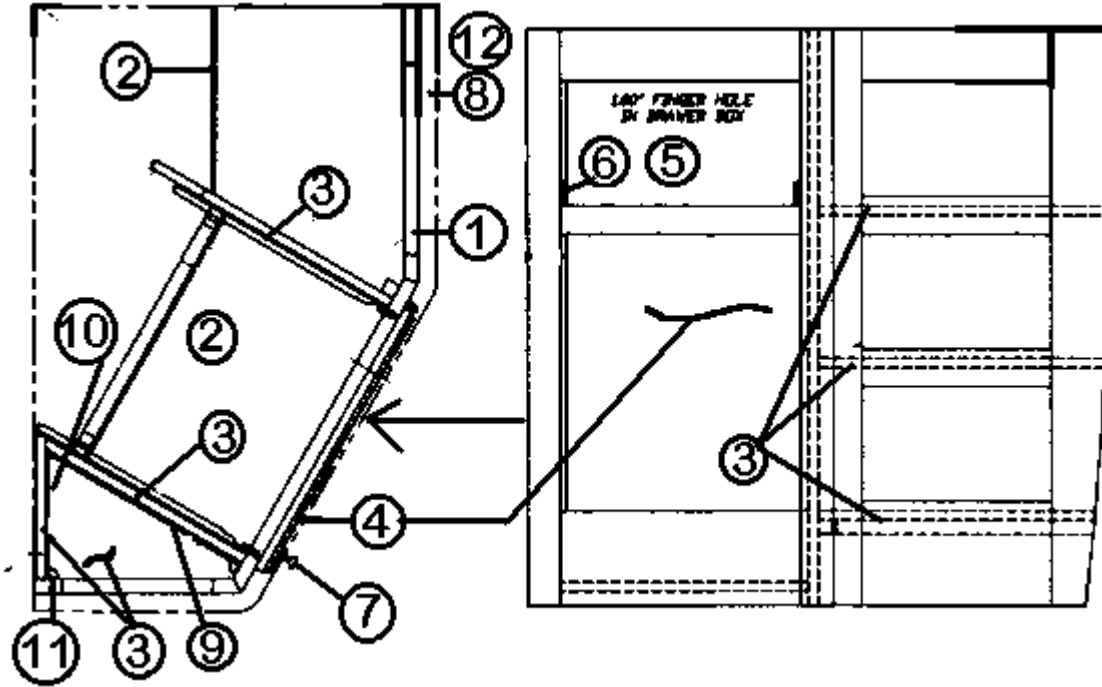
Credenza, Roadside, 31' ND, 28'

964408-05	RS CREDENZA ASSY.
1. 963729-016	FACE FRAME CREDENZA, Oak
1. 963729-013	FACE FRAME CREDENZA, Hickory
2. 964311	TOP ASSY. RS CREDENZA
2. 965510-03	Top, Hickory, Nomar (Limited)
3. 962381-016	FWD STILE RS CREDENZA, Oak
3. 962381-013	FWD STILE RS CREDENZA, Hickory
4. 962382-016	AFT STILE RS CREDENZA, Oak
4. 962382-016	AFT STILE RS CREDENZA, Hickory
5. 801180-006	PANEL 1/2" G2S, Oak/Oak, 4' x 7'
5. 801258-003	PANEL 1/2' Hickory/Hickory, 4' x 7'
6. 800571-016	MOLDING FLAT .52" W X 80", Oak
6. 800571-013	MOLDING FLAT .52" W X 80", Hickory
7. 966126-02	TABLE, LIFT-UP, ASSEMBLY, 24"
8. 800599-076	DRAWER FACE 4.50" X 14.00", Oak
8. 800599-073	DRAWER FACE 4.50" X 14.00", Hickory
9. 800597-026	DOOR 14.00" X 20.00", Oak
9. 800597-023	DOOR 14.00" X 20.00", Hickory
10. 964906-06	DRAWER BOX, 12.00" X 18.00" X 2.75z"
11. 381835	HANDLE-CHROME/BRASS
12. 381836	HINGE-BRITE BRASS
13. 381228-01	CATCH GRABBER DOOR
14. 381526-03	DRAWER SLIDE 18" PER PR
12. 381526-06	ADJUSTABLE REAR BRKT PER PR
16. 800597-516	DOOR 15.75" X 23.00", Oak
16. 800597-513	DOOR 15.75" X 23.00", Hickory
17. 964409-016	FACE FRAME, FWD SECTION, Oak
17. 964409-013	FACE FRAME, FWD SECTION, Hickory

CLASSIC TRAILER

FURNITURE, LOUNGE

End Table, 30'



Part Numbers are on the Next Page

CLASSIC TRAILER

FURNITURE, LOUNGE

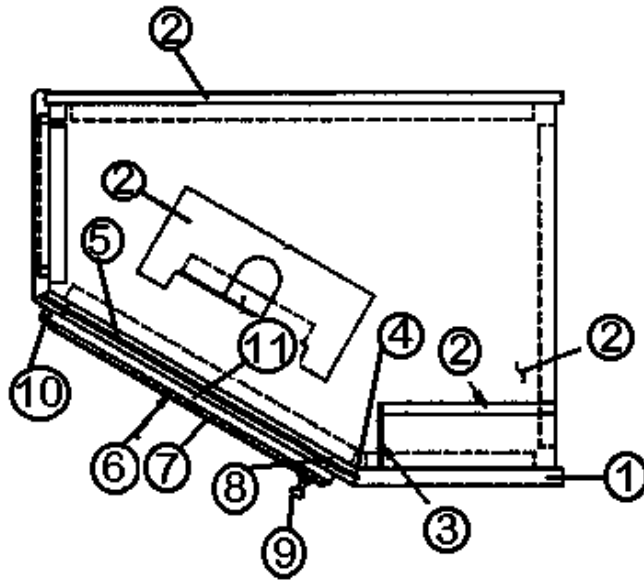
End Table, 30'

963219-01	END TABLE, Standard
963219-02	END TABLE, Limited option
1. 962291-016	FACE FRAME END TABLE, Oak
1. 962291-013	FACE FRAME END TABLE, Hickory
2. 801181-006	PANEL 5/32"G1S Oak/ RAW 4' X 8'
2. 801260-003	PANEL 5/32"G1S Hickory/RAW 4' X 8'
3. 801180-006	PANEL 1/2" G2S Oak/Oak 4' X 7'
3. 801258-003	PANEL 1/2" G2S Hickory/Hickory 4' X 7'
4. 800597-516	DOOR, 15.75" X 23.00", Oak
4. 800597-513	DOOR, 15.75" X 23.00", Hickory
5. 964910-14	DRAWER BOX- 13.75" X 13.00" X 5.00"
6. 381526-01	DRAWER SLIDE-14" PER PR
7. 381835	HANDLE-CHROME/BRASS
8. 961940	TOP END TABLE
9. 371262-43	MIRROR- SAFETY- 11.50" X 12.75"
10. 371262-44	MIRROR- SAFETY, 6.50" X 12.75
11. 800638-026	MOLDING, 1/4" ROUND .5", Oak
11. 800638-023	MOLDING, 1/4" ROUND .5", Hickory
12. 964280-006	COUNTER TOP EDGE MOLDING, Oak
12. 964280-003	COUNTER TOP EDGE MOLDING, Hickory

CLASSIC TRAILER

FURNITURE, LOUNGE

TV Cabinet, 30'



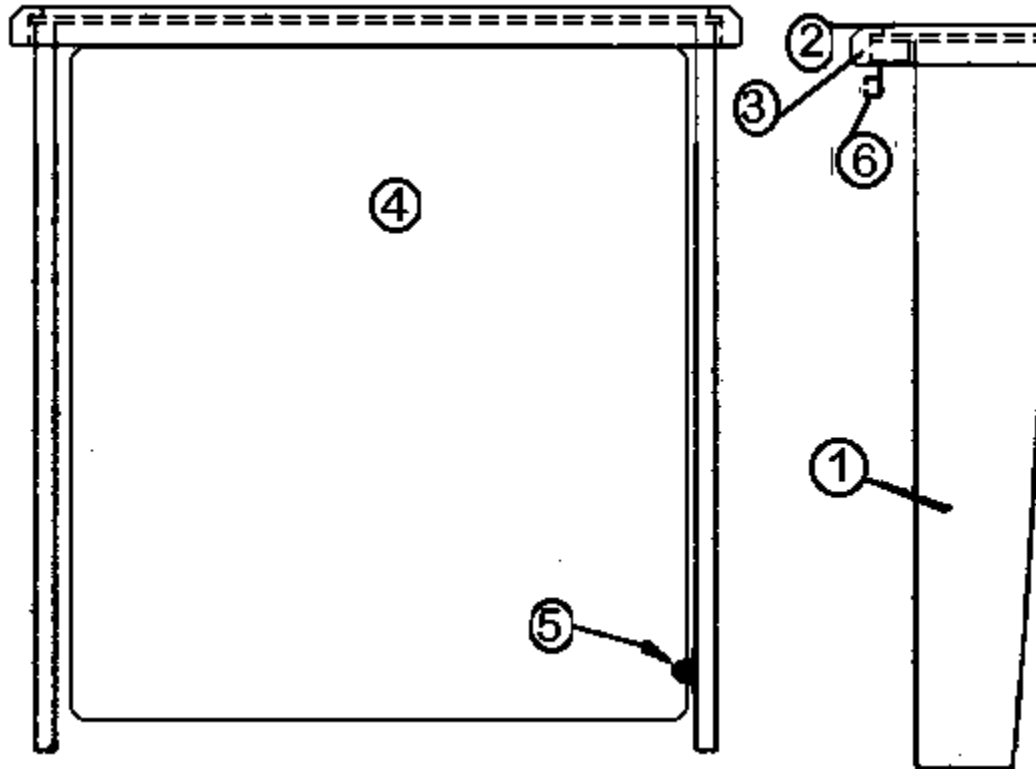
962202 TV CABINET ASSY. W/O TV VINYL

- 1. 962200-016 FACE FRAME TV CABINET, Oak
- 1. 962200-013 FACE FRAME TV CABINET, Hickory
- 2. 801180-006 PANEL 1/2" G2S, Oak/Oak 4' X 7'
- 2. 801258-003 PANEL 1/2" G2S, Hickory/Hickory 4' X 7'
- 3. 801181-006 PANEL 5/32"G1S Oak/ RAW 4' X 8'
- 3. 801260-003 PANEL 5/32"G1S Hickory/RAW 4' X 8'
- 4. 114811 ALUM. ANGLE .50 X .50
- 5. 203138-03 EXTRUSION PLASTIC WALL BEIGE
- 6. 800557-046 DOOR FRAME 15.00" X 14.50", Oak
- 6. 800557-043 DOOR FRAME 15.00" X 14.50", Hickory
- 7. 372210-25 GLASS, SAFETY, 12.12" X 11.62"
- 8. 381228-01 CATCH GRABBER DOOR
- 9. 381835 HANDLE-CHROME/BRASS
- 10. 381836 HINGE-BRITE BRASS
- 11. 381754 MIRROR CLIP
- 365265-01 EDGE BANDING-5/8", NORTHERN OAK
- 702482-03 HEADLINER SPECTRA OPAL
- 381081-04 SNAP CAP WHITE (SCREW SIZE #6, #8)
- 320020 BROWN PHIL HEAD SCREW #8; 1 1/4"

CLASSIC TRAILER

FURNITURE, LOUNGE

Lift Up Table Cabinet, 30'

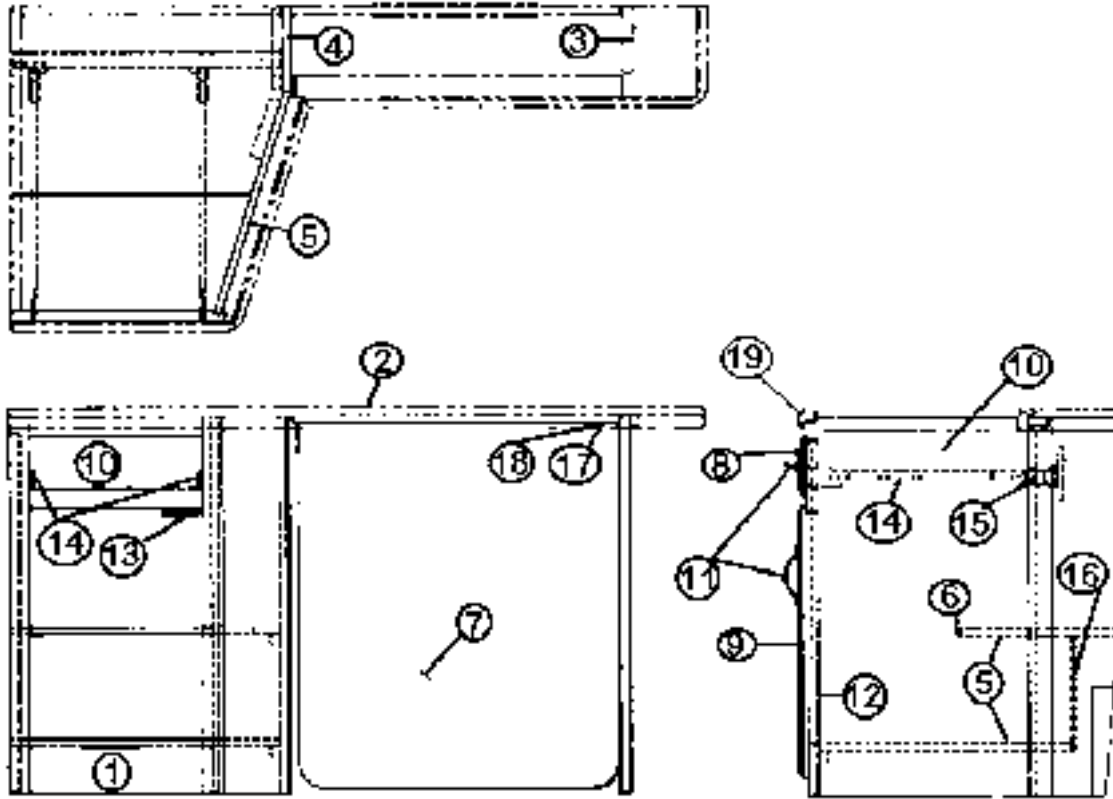


- | | |
|---------------|-------------------------------------|
| 962015-01 | LIFT UP TABLE CABINET ASSY. |
| 962015-02 | LIFT UP TABLE (Limited Option) |
| 1. 962381-016 | FWD STILE RS CREDENZA, Oak |
| 1. 962381-013 | FWD STILE RS CREDENZA, Hickory |
| 2. 962155 | Top Assembly, Corian, (LIMITED) |
| 2. 961958 | TOP, WRITING TABLE CHAIR STORAGE |
| 3. 964280-006 | COUNTER TOP EDGE MOLDING, Oak |
| 3. 964280-003 | COUNTER TOP EDGE MOLDING, Hickory |
| 4. 966126-02 | TABLE ASSY. - LIFT-UP 24.00"W, Oak |
| 4. 960420-06 | TABLE, LIFT-UP, ASSEMBLY, 24" Nomar |
| 5. 381074 | BULL DOG CATCH |
| 6. 101253 | EXTR. CREDENZA HINGE MOVABLE |

CLASSIC TRAILER

FURNITURE, LOUNGE

Credenza, Roadside, 25'



Part Numbers Are On The Next Page

CLASSIC TRAILER

FURNITURE, LOUNGE

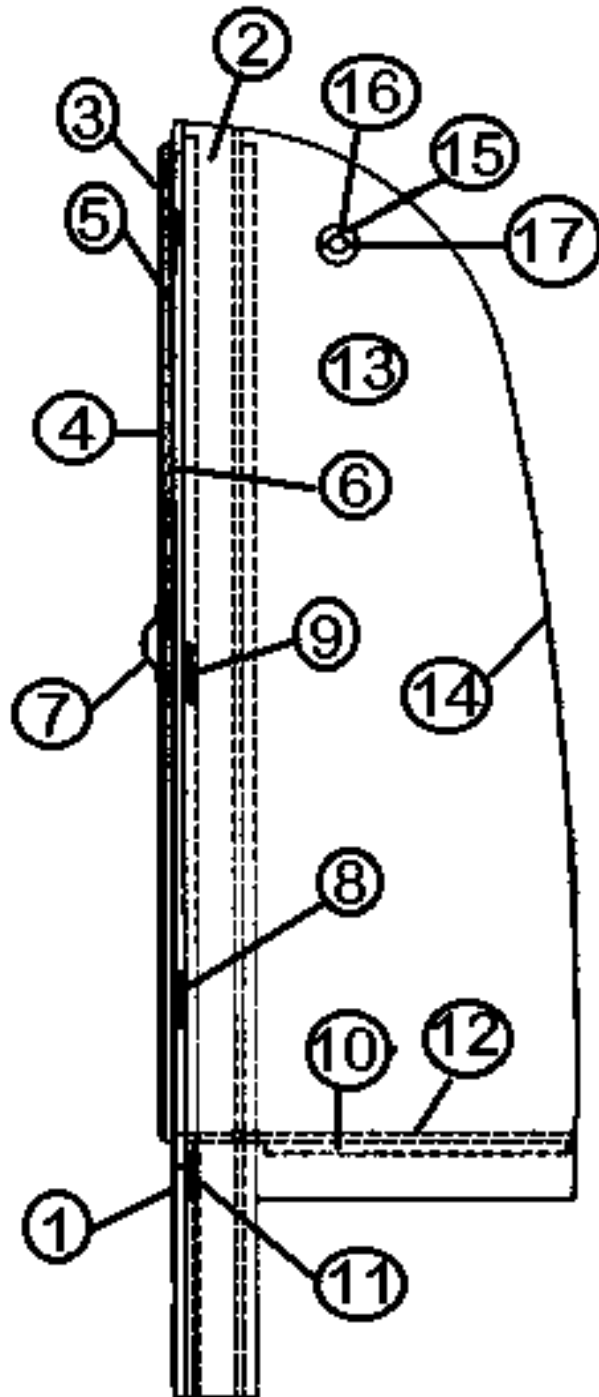
Credenza, Roadside, 25'

963728-03	CREDENZA ASSY. RS
1. 963729-016	FACE FRAME CREDENZA, 25'TRL
2. 963738	TOP CREDENZA RS
3. 962381-016	FWD STILE RS CREDENZA
4. 962382-016	AFT STILE RS CREDENZA
5. 801180-006	PANEL 1/2" G2S Wood/Wood, 4' x 7'
6. 800571-01z	MOLDING FLAT .52W X 80"
7. 960420-02	TABLE, LIFT-UP, ASSEMBLY, 24" OAK
8. 800599-076	DRAWER FACE 4.50" X 14.00"
9. 800597-026	DOOR RAISED PNL 14.00" X 20.00"
10. 964906-06	DRAWER BOX- 12.00" X 18.00" X 2.75"
11. 381835	HANDLE-CHROME/BRASS
12. 381836	HINGE-BRITE BRASS
13. 381228-01	CATCH GRABBER DOOR
14. 381526-03	DRAWER SLIDE-18" PER PR
15. 381526-06	BRACKET ADJUSTABLE REAR 251(PAIR)
16. 801181-006	PANEL 5/32" G1S Wood/RAW 4'X 8'
17. 380203-01	PIANO HINGE, 1/8" PIN ANODIZED
18. 101253	EXTR. CREDENZA HINGE MOVABLE
19. 964280-006	COUNTERTOP EDGE MOLDING

CLASSIC TRAILER

FURNITURE, LOUNGE

Wardrobe Assembly, Forward, 25'



Part numbers are on the Next Page

CLASSIC TRAILER

FURNITURE, LOUNGE

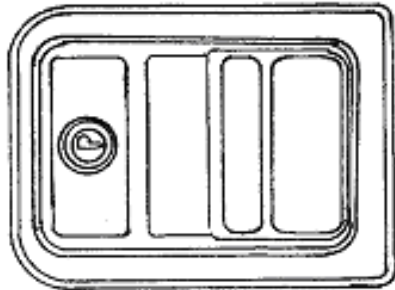
Wardrobe Assembly, Forward, 25'

963721-04	Wardrobe Assembly, Forward
1. 963722-016	FACE FRAME FWD WARDROBE
2. 800994-07	PANEL FWD WARDROBE "A" (-08 "B")
3. 800557-156	DOOR FRAME 19.00 X 60.00
4. 371262-10	MIRROR- SAFETY- 16.12 X 28.12
5. 801181-006	PANEL 5/32"G1S
6. 381754	MIRROR CLIP
7. 381835	HANDLE-CHROME/BRASS
8. 381836	HINGE-BRITE BRASS
9. 381228	GRABBER DOOR CATCH
10. 801180-006	PANEL 1/2" G2S
11. 380458	HINGE PIANO BROWN
12. 701538	CARPET, ECONOLIER VELOUR BLACK
13. 500956	LIGHT, BROWN, W/SWITCH
14. 800397-01	CEDAR PLANKED 5/32"
15. 380045	TUBING 3/4IN METALLIC
16. 380046	FLANGE CHROME
17. 200975-04	CONDUIT, FLEXIBLE BLACK PLASTIC
18. 104821	SUPPORT, ROOFLOCKER, 74"
19. 365239	FOAM, NON-SKID PAD 1/4 X 1 X 1/16"

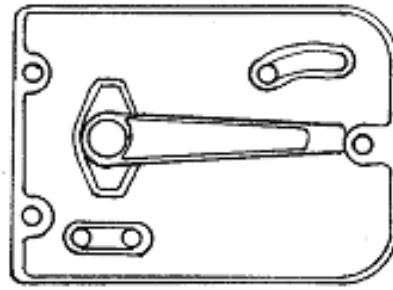
CLASSIC TRAILER

HARDWARE

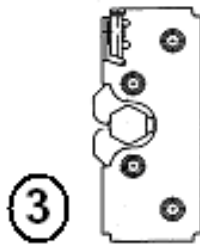
Main Door Latch/Lock



①



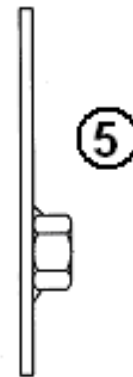
②



③



④



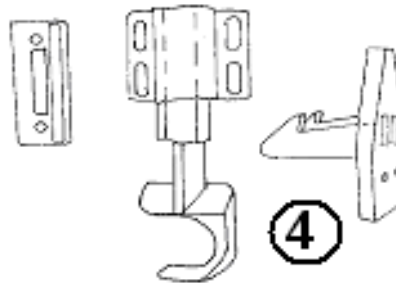
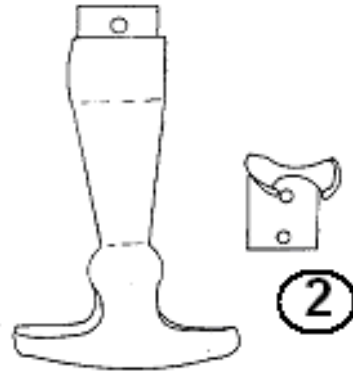
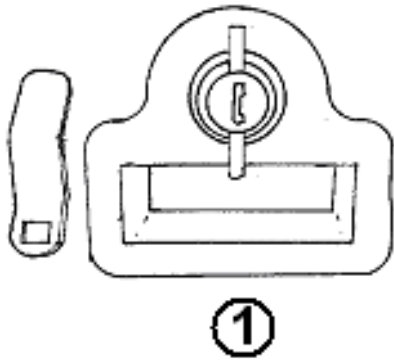
⑤

- | | |
|--------------|---------------------------------------|
| 1. 381547-01 | Main door lock, outside housing |
| 2. 381547-07 | Main door lock, inside plate |
| 3. 381547-03 | Double rotary latch, main door |
| 4. 381547-04 | Striker bolt w/washer, main door lock |
| 5. 381550 | Plate, striker bolt mounting |
| 381547-08 | Screw package, main door lock |
| 385595 | Pocket strike, #10-10-810 |

CLASSIC TRAILER

HARDWARE

Exterior Latches/Locks/Handles

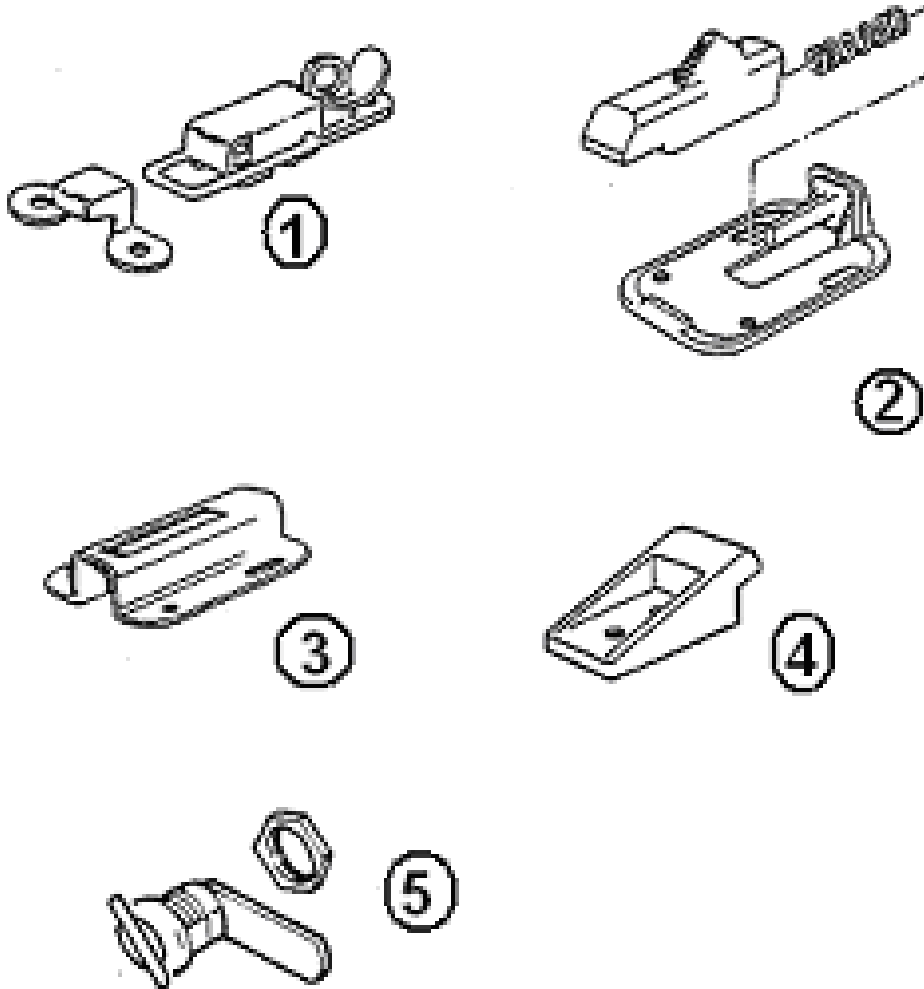


- | | |
|-----------|----------------------------|
| 1. 380770 | Twist lock, black |
| 2. 381021 | Rubber T handle |
| 3. 101171 | Grab handle, main door |
| 4. 381454 | Latch, screen door, Bullet |

CLASSIC TRAILER

HARDWARE

Exterior Latches/Locks/Handles

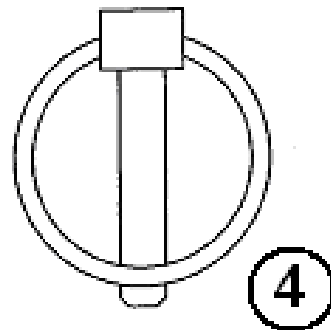
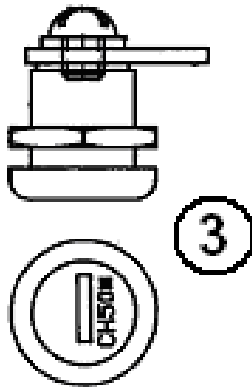
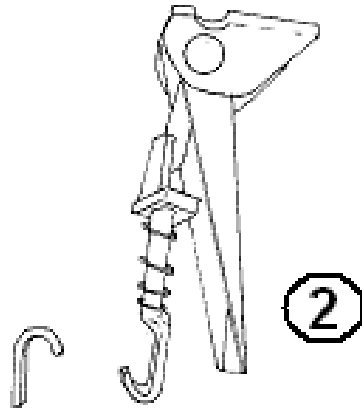


- | | |
|--------------|---|
| 1. 340023 | Corbin catch w/strike, battery box |
| 1. 340023-01 | Pad lockable catch |
| 2. 380291 | Main door holdback, (use w/housing #380290) |
| 3. 380290 | Latch housing, main door holdback |
| 4. 201056 | Catch, main door holdback |
| 5. 381430 | Twist lock, straight cam |

CLASSIC TRAILER

HARDWARE

Exterior Latches/Locks/Handles

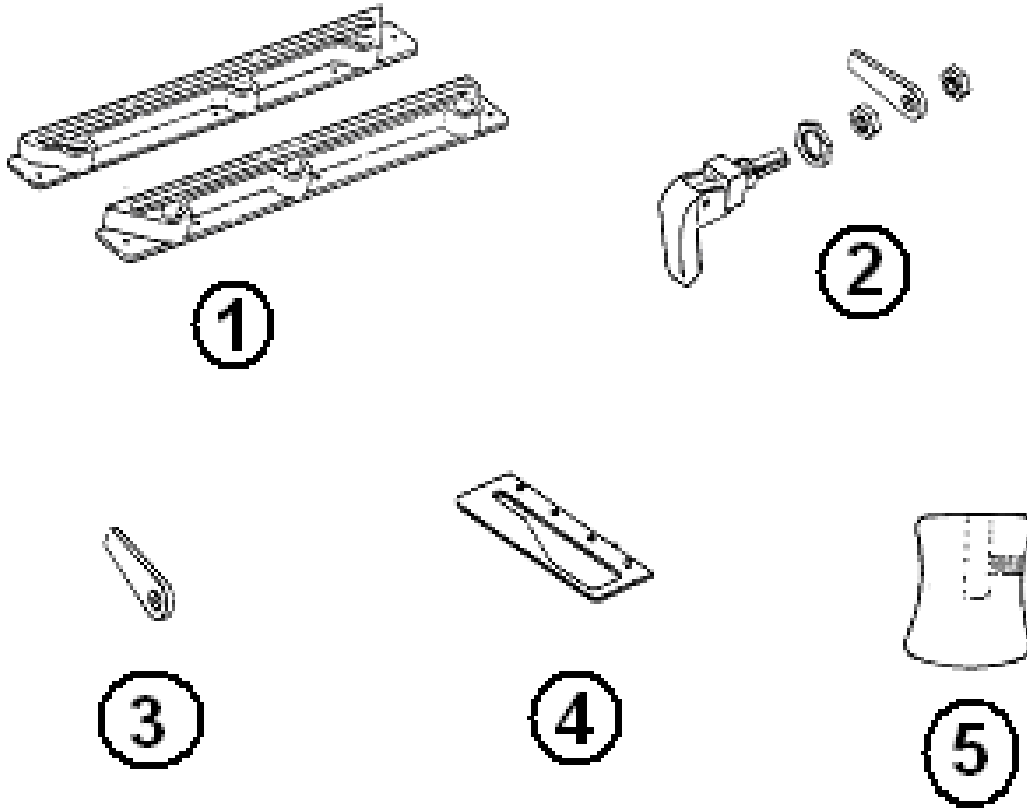


- | | |
|-----------|---|
| 1. 380004 | Handle, screen door |
| 2. 380903 | Latch w/strike chrome, gas bottle cover |
| 3. 381397 | Key cylinder w/cam |
| 4. 310028 | Lynch pin roll out storage tray |

CLASSIC TRAILER

HARDWARE

Window, Opening

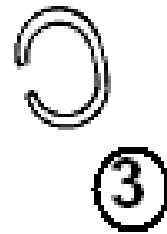
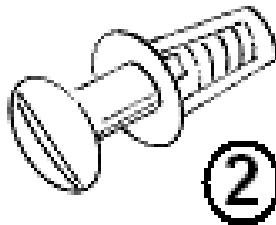
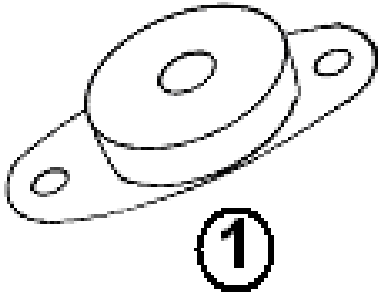


- | | |
|--------------|----------------------------------|
| 1. 0802-0001 | Window guide, RH |
| 1. 0802-0002 | Window guide, LH |
| 2. 010020 | Lower window latch, chrome |
| 2. 195467-05 | Lower window latch, w/red handle |
| 3. 685123 | Pawl, window latch, straight |
| 4. 685124 | Striker plate, window latch |
| 5. 380230-03 | Knob window arm, silver |
| 5. 380230-04 | Knob, window arm, red |

CLASSIC TRAILER

HARDWARE

Window Stone Guard

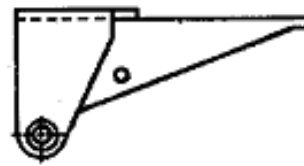
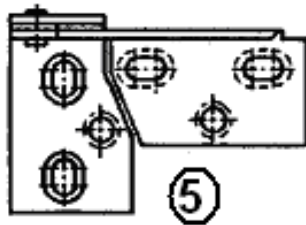
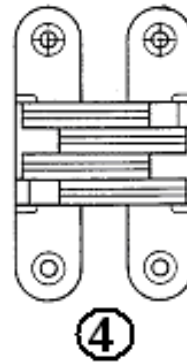
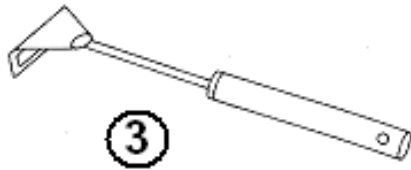
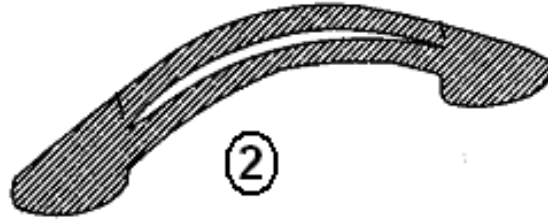
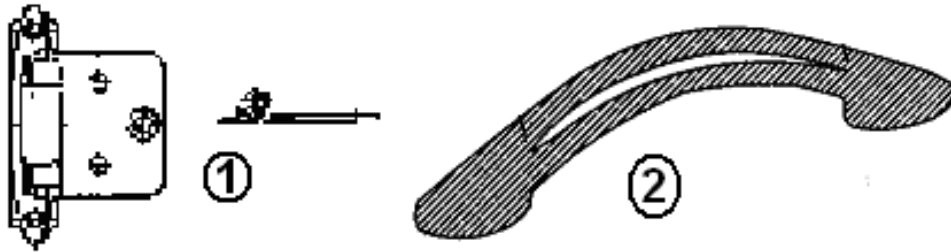


- | | |
|-----------|---|
| 1. 685359 | Rubber receptacle 1/4 latch, South-co |
| 2. 685342 | Stud, 1/4 turn latch South-co |
| 3. 685362 | Retaining ring 1/4 turn stud |
| 685363 | Slip joint hinge |
| 683960 | Support arm, rock guard |
| 683959 | Bracket, arm support |
| 114749 | Hinge "Y" assembly |
| 114750 | Hinge "J" rock guard |
| 381021 | Draw latch, black rubber |
| 114819 | Assembly, wrap protector hold back |
| 114819-03 | Assembly, wrap protector hold back |
| 101401 | Extrusion, door latch housing/Stone guard |
| 345417 | NUT ACORN, HEX LOCKING, SS 1/4-20 |
| 345376 | NUT HEX HD 1/4-20 SS |
| 345336-07 | CAP SCREW HEX HD 1/4-20 X .75" |

CLASSIC TRAILER

HARDWARE

Interior Latches/Hinges/Handles

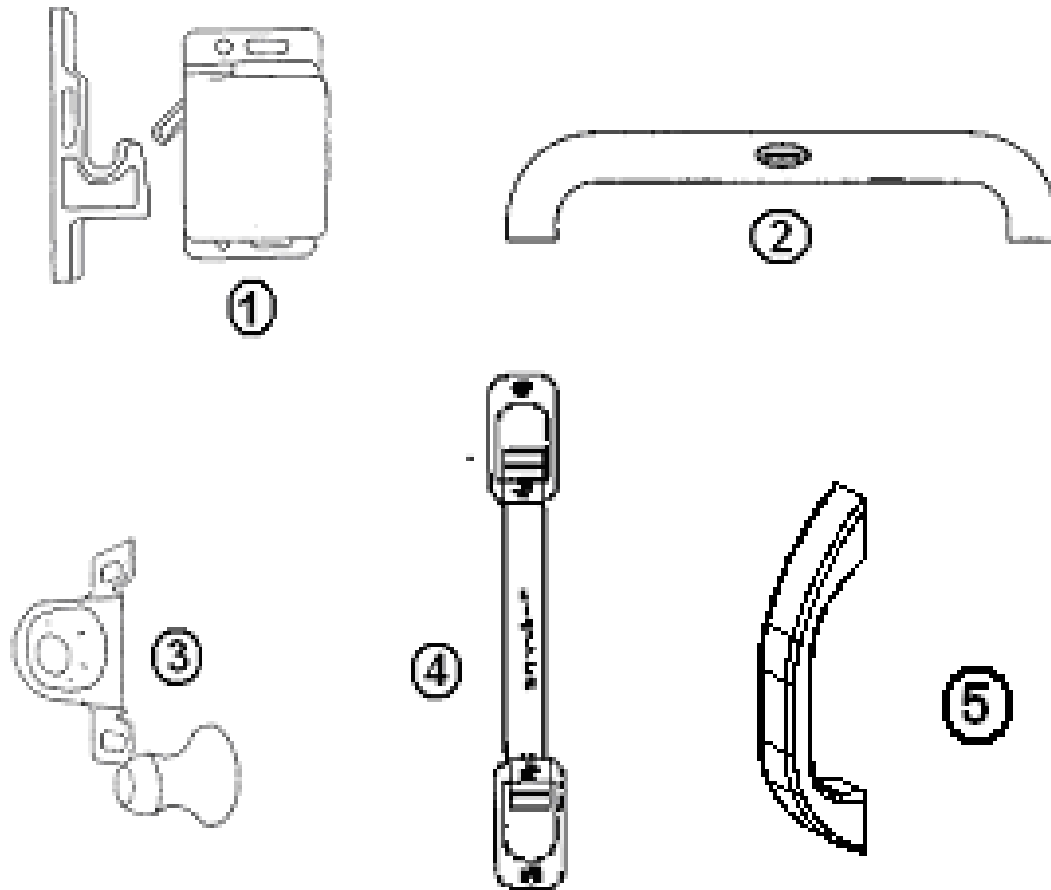


- | | |
|--------------|--------------------------------------|
| 1. 381836 | Hinge BRIGHT brass |
| 2. 381835 | Door handle, Brass/Chrome |
| 3. 381147 | Door support spring loaded |
| 4. 380040 | Soss hinge credenza table |
| 5. 385935-01 | Hinge, pivot, chrome for bath mirror |

CLASSIC TRAILER

HARDWARE

Interior Latches/Hinges/Handles



- | | |
|--------------|---|
| 1. 381228 | Grabber door latch w/catch, 10 lb. Rating |
| 1. 381228-01 | Grabber door latch w/catch, 3lb. Rating |
| 2. 381772 | Head knocker, white, interior door jamb |
| 3. 381074 | Bull dog door catch |
| 4. 511344-01 | Grab handle Limited Embossed |
| 5. 381737 | Handle assist, molded, interior |

CLASSIC TRAILER

HARDWARE

Interior Latches/Hinges/Handles



①



②



③

- | | |
|--------------|--------------------------|
| 1. 201427 | Finger pull, light brown |
| 2. 385940-02 | Mirror pull, chrome |
| 3. 381576 | Pull handle, brass |
| 381576 | PULL HANDLE, BRASS |

CLASSIC TRAILER

HARDWARE

Interior Rubber Bumpers/Door Knob/Mirror Clip/Clock



1



2



3



4



5

- | | |
|---------------|--|
| 1. 360012 | Bumper, rubber, white, stick-on, cylindrical |
| 2. 360016 | Bumper rubber gray, square 3/8x3/8 |
| 3. 195329-202 | Bumper, rubber, brown, stick on, oval |
| 4. 381754 | Clip, mirror, retainer, metal |
| 5. 381604 | Knob, door, Satin |
| 381828 | Clock, Quartz |

CLASSIC TRAILER

HARDWARE

Foldette Door Strap/ Pantry Button Latch

700811	BUTTON CAP, HANDY #36, clear vinyl strap
700812	BUTTON BOTTOM, HANDY #36, clear vinyl strap
700813	BUTTON, NAIL BOTTOM
381581	STRAP CLEAR PLASTIC .75"W
701342-01	Vinyl strap, sliding door hold back (female snap on both ends)
381408	Pantry latch, push

Deadbolt

381323-01	DEADBOLT COMPLETE ASSY. #11840-12
381326	STRIKER #10007 W/TRIMARK DEADBOLT
453851	BOLT - TRI/MARK
203370	SPACER-TRI/MARK DOOR LATCH
203375	HIGH DENSITY POLYETHYLENE .187"TH

Sliding Door

381443-01	Sliding door set (includes, carriers, top plate, track)
381443-02	BUMPER STOP
381443-03	Angle stop, #1080
963299-016	Door guide, hardwood, Oak
963299-013	Door guide, hardwood, Hickory
201427	Finger pull, sliding door assy.
200009	SLIDING DOOR GUIDE, BATH
381100	SLIDING DOOR GUIDE, SHOWER

TV Shelf

381872	Hardware package
--------	------------------

CLASSIC TRAILER

HARDWARE

Drawer Slides

381192	Drawer slide, pantry
381526-01	Drawer slide-950-RV, 14"
381526-03	Drawer slide-950-RV, 18"
381526-04	Drawer slide-950-RV, 20"
381526-06	Rear bracket, drawer, adjustable
381400	Slide, drawer, 14", 2900-14
381400-01	Slide, drawer, 12", 2900-12
381415	Slide, drawer, Delta Travel lock, Twin night stand
381090	Slide, 22", dinette drawer

Bath Accessories, Standard

380034	Toilet paper holder
381299	Toilet paper holder recessed, 30ft S/O
380017	Tooth brush/tumbler holder
381626-02	Towel bar, 18"
380248	Soap dish, chrome

Bath Accessories, Limited

381275	PAPER HOLDER, BRASS, W/HOOD, LTD Option
381626-01	TOWEL BAR 18" POLISHED SOLID BRASS, LTD Option
381254	TOOTHBRUSH/TUMBLER, BRASS, LTD Option
381255	HOLDER, SOAP, BRASS, LTD Option

CLASSIC TRAILER

HARDWARE

Credenza Table

381306	Lift up table slides, one right & one left
201155	Sliding guide, plastic, table
380037	Latch, nail & spring, table
380038	Eyelet, lock, brass
381147	Door support, spring loaded
380203-01	PIANO HINGE 1/8" PIN
380040	HINGE SOSS INVISIBLE L & R HAND

Writing Table

380492	Bracket, table, writing
340018	Plate, catch
380458	HINGE PIANO BROWN ANODIZED
381835	HANDLE-CHROME/BRASS
381228-01	CATCH GRABBER DOOR C3-803

Bed Lift

381067-09	Gas prop, bed 90lbs.
381262	Bracket w/ball stud, gas prop
381084	Ball stud
381085	Clip retaining
381310	Prop upper bracket assembly

CLASSIC TRAILER

HARDWARE

Wardrobe

380045	Clothes rod
200975-04	Conduit, flexible, black (covers clothes rod)
380046	Bracket, clothes rod end, chrome flange
381298	"J" bracket, center clothes rod support
381527	Speedy shelf strips

Galley

381133	Rack pack, 6.5 Litre, white
381614	Lift up shelf bracket, galley
381708	WASTEBASKET-11.38 X 8.25 X 12"
200980-01	TRAY, SILVERWARE,ALMOND, 9" X 13"

Sewer Hose Parts/Water Fill Key/ Trailer Level

600241-01	HOSE ADAPTOR, STRAIGHT #02593
381647	KEY WATER FILL CH 751
381269	Trailer level, Level Master

CLASSIC TRAILER

HARDWARE

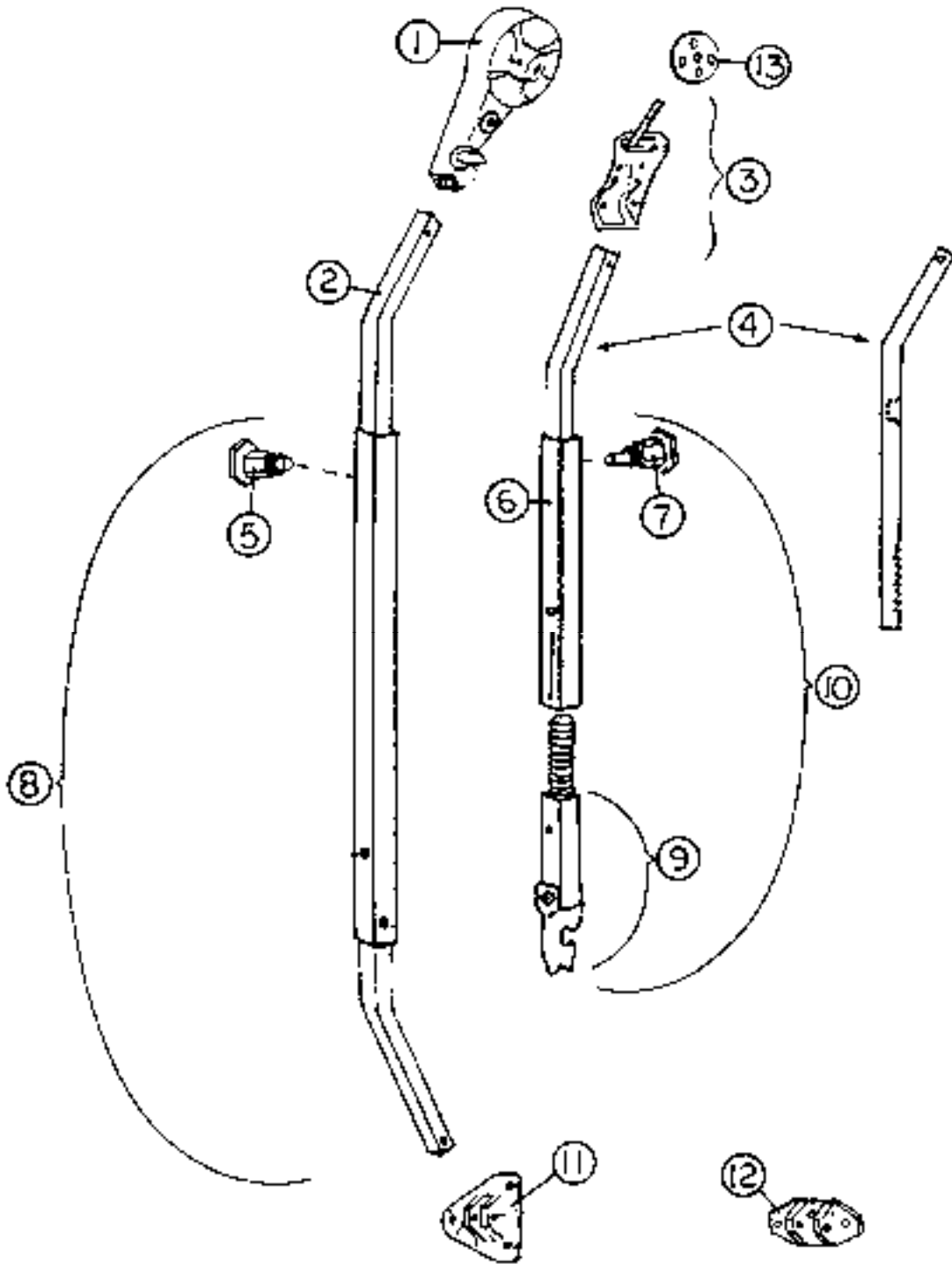
Interior/Exterior Hinges

381500	HINGE PIANO REVERSED, Battery Box
381552-03	HINGE ASSY. MAIN DOOR UPPER
381552-04	HINGE ASSY. MAIN DOOR LOWER
381531-01	HINGE SCREEN DOOR UPPER
381531-02	HINGE SCREEN DOOR LOWER
380988	HINGE, refer access door
380203-01	PIANO HINGE, utility comp, credenza, bed, Tool Box, trunk door, refer access,
380458	HINGE BROWN, Writing table, chair storage
380284-02	TABLE, DINETTE HINGE BRACKET
380210	HINGE PLAIN STEEL
381605-01	HINGE, STAINLESS STEEL, access door,
381836	HINGE-BRITE BRASS, CABINETS
380773	HINGE, ACCESS DOOR, GAS BOTTLE COVER
381529	Hinge, dinette upholstered back w/door
385935-01	HINGE PIVOT ZINC PLATED, Medicine Cabinet

CLASSIC TRAILER

Hardware

Awning



See next page for P/N

CLASSIC TRAILER

Hardware

Awning

- | | |
|----------------|-------------------------------|
| 1) 74043W-04 | Head assembly, front |
| 1A) 74043W-05 | Head assembly, Rear |
| 2) 74047W-09 | Main arm bar, front |
| 2A) 74047W-10 | Main arm bar, rear |
| 3) 74056W | Clamp assembly, front, curved |
| 3a) 74056W-01 | Clamp assembly, rear, curved |
| 4) 74061WS-07 | Rafter arm bar, satin |
| 5) 74054W | Snap stud assembly |
| 6) 74063W-04 | Rafter arm tube, satin |
| 7) 74072W | Ratchet stud |
| 8) 74048WS-12 | Main arm tube assembly, front |
| 8a) 74048WS-13 | Main arm tube assembly, rear |
| 9) 74068W-03 | Claw bar assembly |
| 10) 74048WS-14 | Rafter arm assembly |
| 11) 74055W | Base hinge, rib mount |
| 12) 74055W-01 | Base hinge, floor mount |
| 13) 74060W | Clamp wheel |

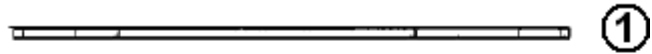
CLASSIC TRAILER

Hardware

Slide out Room Mechanism, 34'-30'

Power Gear 1-800-334-4712

400947-01 Side out room mechanism 34' Dinette, 30'

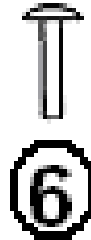
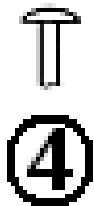


1. Drive, Shaft Power 34' Dinette
2. 115029 Cover motor bottom 34', 30'

CLASSIC TRAILER

Hardware

Rivets, Buck

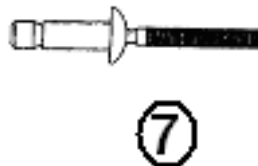
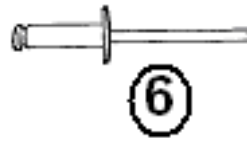
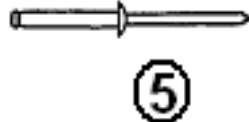
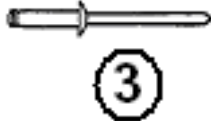
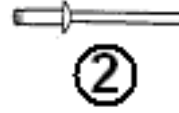
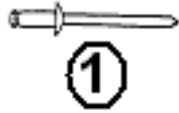


- | | |
|--------------|---|
| 1. 325043 | Rivet, 1/8", 1/4" length (hard) |
| 2. 325000-01 | Rivet, 1/8", 1/4" length anodized clear |
| 3. 325000-03 | Rivet, 1/8", length 1/4", long, anodized white |
| 4. 325001-01 | Rivet, 1/8", length 5/16", anodized clear |
| 5. 325002-01 | Rivet, 1/8", length 3/8", anodized clear |
| 6. 325004-01 | Rivet, 1/8", length 1/2", anodized clear |
| 7. 330127-03 | Rivet, grip range .063-.125, aluminum body,
aluminum mandrel |
| 8. 300101 | 1/8" I.D., Washer, aluminum |

CLASSIC TRAILER

Hardware

Rivets, Pop



1. 330126-02 Pop Rivet, dia. 1/8" grip range .126-.187, S.S.
2. 330126-03 Pop Rivet, dia., 1/8" grip range .126-.250, S.S.
3. 330127-050 Pop Rivet, grip range .251"-.312" aluminum
4. 330128-050 Pop Rivet, dia., 1/8" .251"-.312" white
5. 330127-080 Pop Rivet, dia., 1/8" grip range .325"-.565" aluminum
6. 330038 Pop Rivet, dia. .150". (#20 bit) grip range .126-.250, aluminum body & mandrel (used-screen door hinge)
7. 325103 Pop Rivet, dia. 1/4" grip range .080-.325, SS body, steel mandrel
8. 330016-04 Pop rivet, closed end, sealing
9. 330126-04 Pop rivet, dome head, SSD45
10. 330126-05 Pop rivet, dome head, SSD46
11. 330126-06 Pop rivet, dome head, SSD48

CLASSIC TRAILER

HARDWARE

Labels and Tags

385193	Label, "12V distribution panel inside"
385068	Tag, cooking appliance warning
385517	Label, kill switch warning
385521	Label, emergency egress window
385465	Exit label, English
385560	Label, air-conditioner rating
385359	Label, microwave or air-conditioner
385837	Label, refrigeration ignition
385418-01	Label, Federal registration
385062	Decal, 110-125 voltage AC
385565	Label, holding tank flushing
386012	Label, warning-water heater
385101	Tag, aux., dump valve
385099	Tag, Black tank dump
386019	Label, 1 amp. fuse max.
386038	Label, CSA, Holding tank fresh water
386060	Label, satellite, receiver
385917	DECAL- OAK TABLE W/NO MAR FINISH
386066	LABEL, WARNING-PLEASE READ STATIC
386080	LABEL "WARNING SLIDE OUT"
386082	Label, THOR, 5.25" x .75"
386114	LABEL-RVIA SILVER
386119	LABEL "DO NOT STORE COMBUSTIBLE
386118	LABEL LP GAS TRI-WARNING
386122	LABEL "COMFORT HEATING"
386121	LABEL "IF YOU SMELL GAS"
385812	LABEL CALIFORNIA HAZARDOUS SUBSTANCE
386120	LABEL SMOKE ALARM WARNING
386123	LABEL "POTABLE WATER ONLY"
386142	CHECK WHEEL LUG LABEL

CLASSIC TRAILER

HARDWARE

Labels and Tags CSA

386105	Label, TV/VCR Receptacle, CSA only
385949	LABEL "POTABLE WATER" CSA
385950	LABEL "SMOKE DETECTOR CSA
385951	LABEL "RANGE FRESH AIR" CSA
385952	LABEL "LP WARNING" CSA
385953	LABEL "IF YOU SMELL GAS" CSA
385954	LABEL "RANGE WARNING" CSA
386120	LABEL SMOKE ALARM WARNING
386118	LABEL LP GAS TRI-WARNING
386121	LABEL "IF YOU SMELL GAS"
386122	LABEL "COMFORT HEATING"
385466	LABEL, EXIT LABEL (FRENCH)

CLASSIC TRAILER

HARDWARE

Slide Out Room

203243	Guide blocks, nylon
965155	Spacer block w/ magnet
381728	Rubber wiper seal, 2.5" wide
381705	ROLLER BLOCK ASSY.
965155	Spacer block w/ magnet
801304	SHIM-SLIDE OUT ROLLER
381705	ROLLER BLOCK ASSY.
203226-01	DRAIN PLASTIC RH
203226-02	DRAIN PLASTIC LH
203243	GUIDE BLOCKS NYLON
365209	TAPE, FOAM, .045 X ½", Black
703498	WALL LINER, HOBNAIL, IVORY, 70"W
115000	EXTRUSION ROCKER PANEL ALUMINUM
115001	ANGLE-ROCKER MOUNTING
114977	ANGLE-GREY FORMED FLOOR EDGE
915621	MOUNTING PLATE, SLIDE-OUT ARM
114941	CLOSEOUT-UNDER FLOOR CENTER S/O

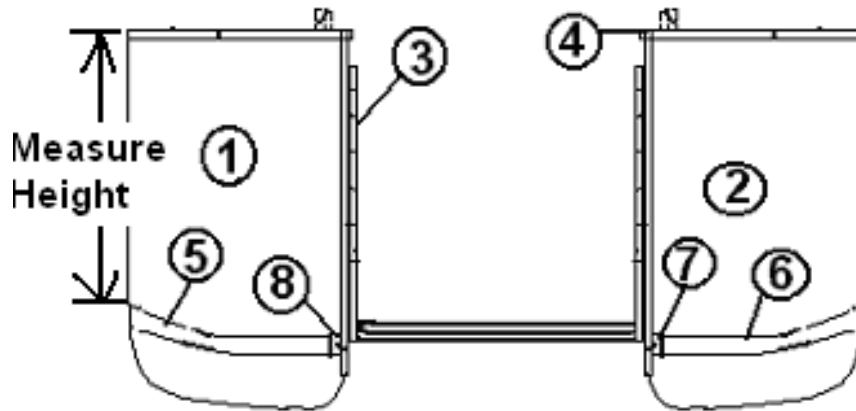
Travel Lock Spacer Block, Slide Out Room

965155	SPACER BLOCK ASSY
801305-006	Spacer block, slide out, Oak
801305-003	Spacer block, slide out, Hickory
381731	MAGNET-ROUND BASE
114980-01	COVER-TRAVEL LOCK RH
114980-02	COVER-TRAVEL LOCK LH

CLASSIC TRAILER

HARDWARE

Wrap Protector/Holdbacks



The height of the protector changed during the model year. Please measure height and order accordingly.

- | | |
|---------------|--|
| 966273-100 | Wrap Protectors, 28" tall, Complete Set |
| 685276-100 | Wrap Protectors, 22" tall, Complete Set |
| 1. 685276-102 | Wrap protector, CS, 22" Tall |
| 1. 966272 | Wrap Protector, CS, 28" Tall |
| 2. 685276-101 | Wrap protector, RS, 22" Tall |
| 2. 966273 | Wrap Protector, RS, 28" Tall |
| 3. 381605-01 | Hinge, stainless, wrap protector, 22" Tall |
| 3. 381605-02 | Hinge, stainless, wrap protector, 28" Tall |
| 4. 100742-01 | Extrusion, mirror/wrap trim protector |
| 5. 114460 | Extrusion, rub rail |
| 6. 201763-021 | Insert, rub rail, chrome |
| 7. 114465-01 | CASTING CLOSEOUT RUB RAIL RH |
| 8. 114465-02 | CASTING CLOSE-OUT RUB RAIL LH |
| 101401 | EXTRUSION, DOOR LATCH HOUSING/STONE |
| 345417 | NUT ACORN, HEX, LOCKING SS 1/4- |
| 345376 | NUT HEX HD 1/4-20 SS |
| 345336-07 | CAP SCREW HEX HD 1/4-20 HEX .75" |
| 114819-01 | Wrap protector hold back, 1.62" |
| 114819-02 | Wrap protector hold back, 2.50" |
| 114819-03 | Wrap protector hold back, 5.00" |

CLASSIC TRAILER

PLUMBING, LPG SYSTEM

LP Bottle Rack

0360307	GAS BOTTLE RING, 1977 TO PRESENT
601731	LP REGULATOR W/MTG. BRACKET
601731-103	BRACKET ONLY FOR LP REGULATOR
6000491	Hold down rod, threaded, ½"-13
100949	Bracket, bottle hold, cast aluminum
410238	"T" handle, threaded, cast aluminum

LP Bottles and Fittings

601710-01	Bottle, LP, steel, 30#
601710-02	Bottle, LP, steel, CSA
601711	Bottle, LP, aluminum, 30#
601711-01	Bottle, LP, 30# alum. CSA
601712	LP tank, 40# aluminum
601712-01	LP tank, 40# aluminum, CSA
601731	Regulator and hose assembly, Marshall Brass
601685-01	18" LP Hose
601685-02	18" LP Hose, CSA
601685-03	LP Hose 40"
601685-02	LP Hose 40", CSA

LP Bottle Cover, 30Lbs.

104264-01	Gas bottle cover w/o decal, 30lbs
380903	Latch and strike
200841	Lid, plastic, bottle cover
380773	Hinge, access door
114070	J-trim, extrusion, aluminum

CLASSIC TRAILER

PLUMBING, LPG SYSTEM

LP Bottle Cover, 40Lbs.

104265	40# GAS BOTTLE COVER W/O DECALS
104355-01	BRKT. 40# LPG BOTTLE COVER
380903	Latch and strike
200841	Lid, plastic, bottle cover
380773	Hinge, access door
114070	J-trim, extrusion, aluminum

CLASSIC TRAILER

PLUMBING, FRESH WATER

Fresh water Fill/Tank System

601194	Water fill w/lock, gray
601864-01	TANK-FRESH WATER 54.5 GALLON
601620	Pan, fresh water tank
601243	Drain cock, fresh water tank
601588	Drain cock, brass, water lines
601723	FILTER SCREEN, WATER
453712	SHIELD FRESH WATER TANK DRAIN
601239-01	Tubing, 1.375" I.D., flexible, water fill hose
601240	Tubing, clear, fresh water fill vent
381435	Hatch, white plastic, water hose exit
600155	1 ½" plug Clean out

Water Pump System

601791-03	Water pump, Aquatec
943576	HOSE-WATER PUMP
601791-02	FITTINGS-SLIP IN (AQUATEC PUMP)
601668-01	Filter, pre water pump
601531	FITTING-90 DEGREE 3" H X ST
600103	SPRING SS, 20"

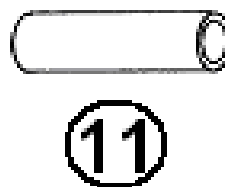
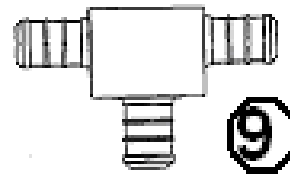
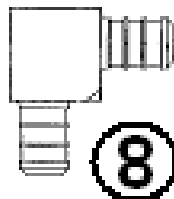
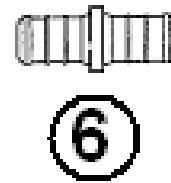
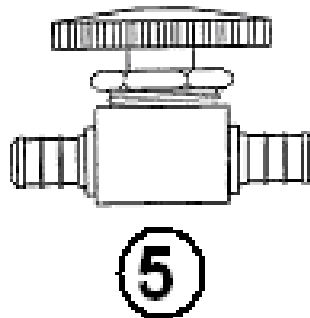
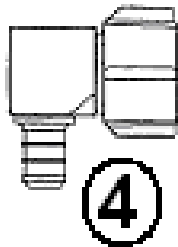
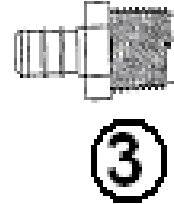
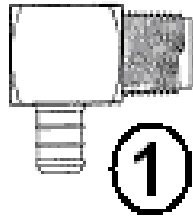
City water Hookup System

601467	Sill cock, ½" FP w/wheel handle
601469	Vacuum breaker, ¾" garden hose
601392-04	Water fill, chrome
600139	Check valve, brass
601658	VALVE ½" STOP CPVC
601659	RISER ½" FPT X 12" CPVC

CLASSIC TRAILER

PLUMBING, FRESH WATER

Fresh Water Fittings



Part Numbers Are On The Next page

CLASSIC TRAILER

Fresh Water Fittings

1. 601698-04 Elbow, 1/2" barb x 1/2" MPT
2. 601698-03 Coupler, 1/2" barb x 1/2" FPT
3. 601698-02 Coupler, 1/2" barb x 1/2" MPT
4. 601698-05 Elbow 1/2 barb x 1/2" FPT
5. 601698-22 Shut-off, 1/2" barb x 1/2" barb
6. 601698-08 Coupler, 1/2" x 1/2" barb
7. 601698-09 Plug, 1/2" barb
8. 601698-10 Elbow 1/2" barb x 1/2" barb
9. 601698-11 Tee, 1/2" x 1/2" x 1/2"
10. 601698-15 Crimp ring, 1/2E-Pex, 1/2" (black)
11. 601698-01 E-Pex tube, 1/2"
600836 ELBOW 3/8 MPT X 1/2", BARB-COPPER
601237 ELBOW 90 D 1.25 MPT X 1.25 BAR

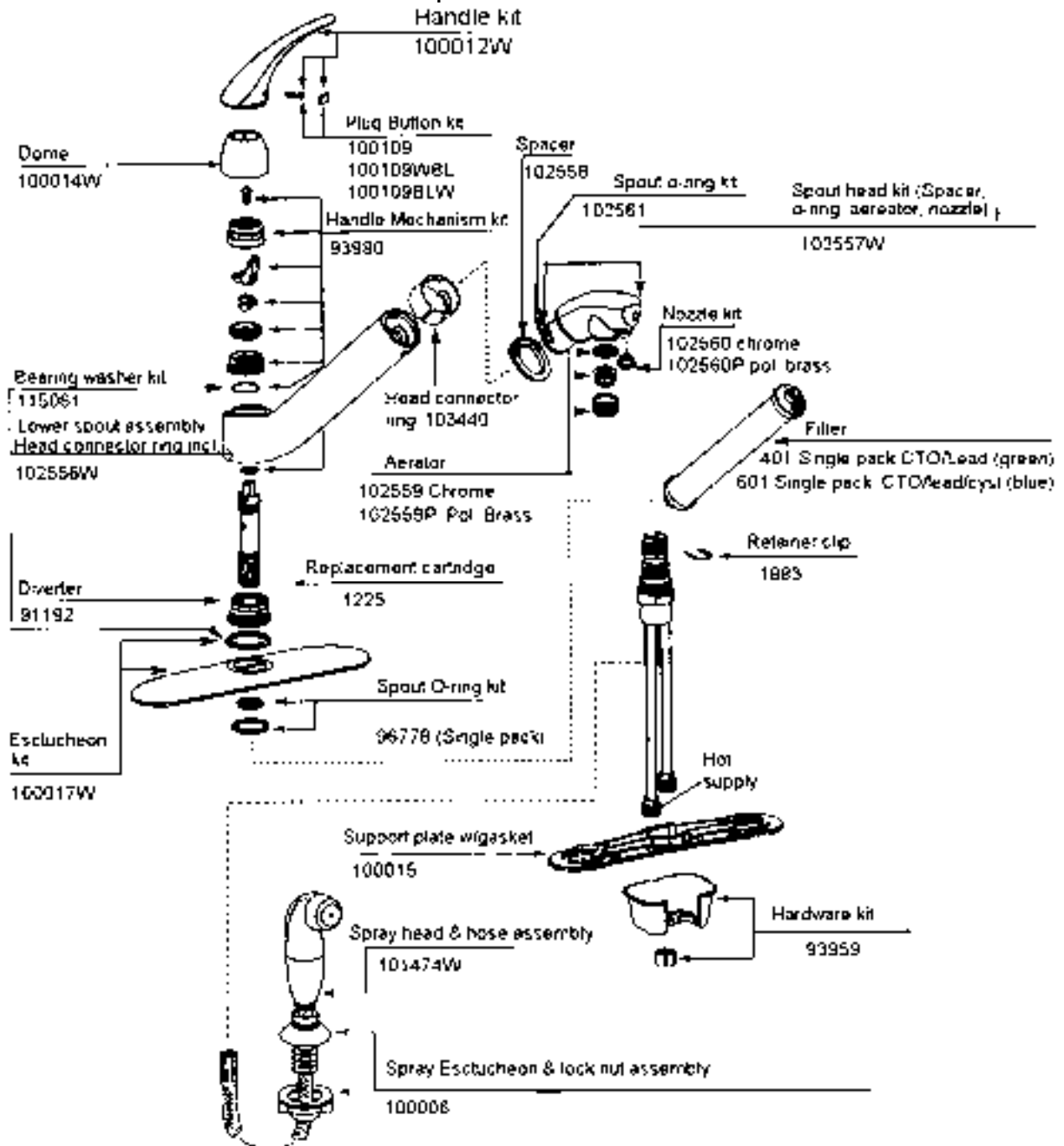
CLASSIC TRAILER

PLUMBING, FAUCETS

Faucet, Galley

601827-01 MDL 7030W, Moen Pure Touch Classic

Contact direct Moen at 1-800-BUY-MOEN for warranty and your local parts outlet.



CLASSIC TRAILER

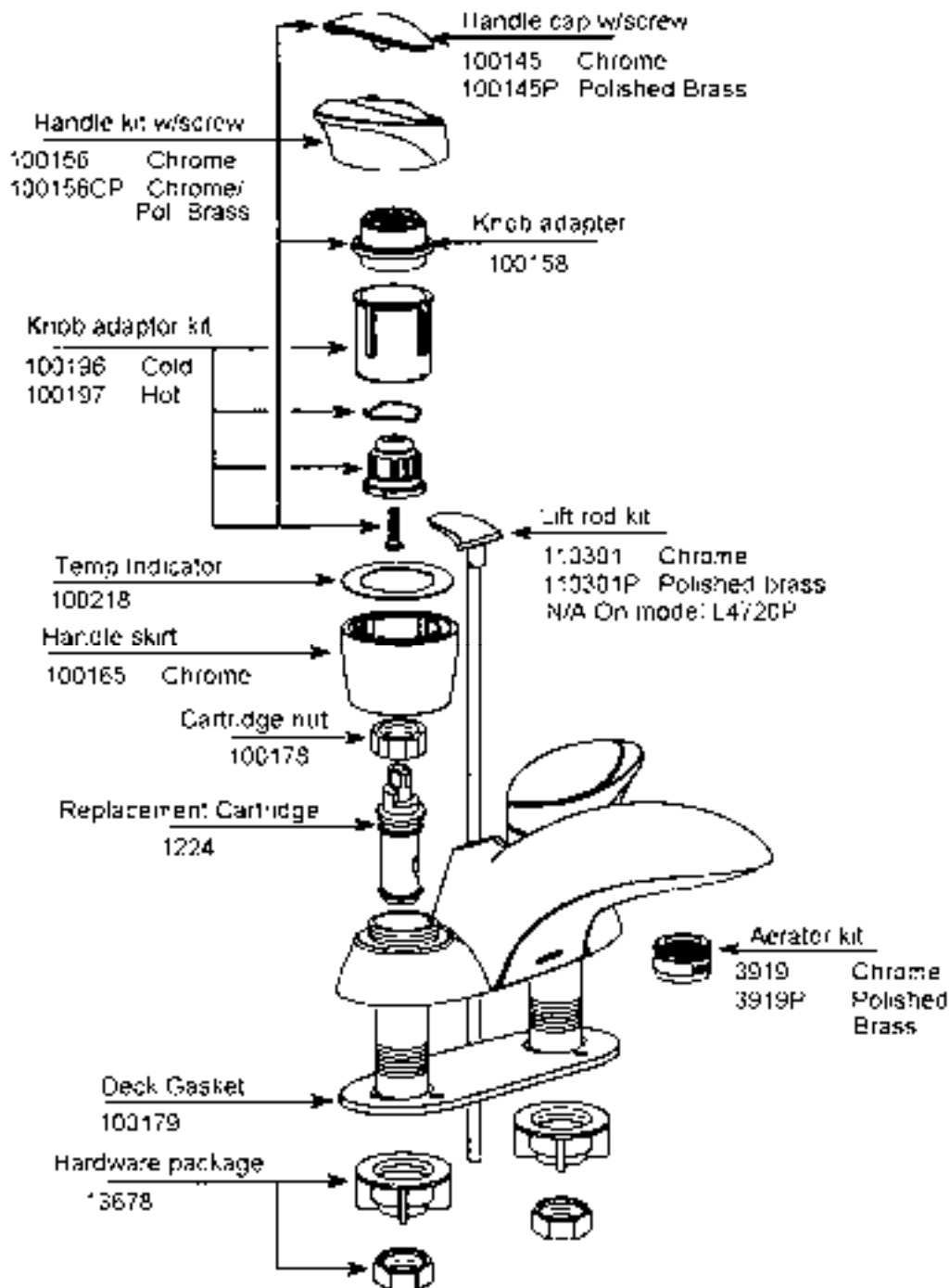
PLUMBING, FAUCETS

Faucet, Lavatory

601892 FAUCET MOEN, 4720CP, Standard

601893 FAUCET MOEN, 4938P, Limited Upgrade

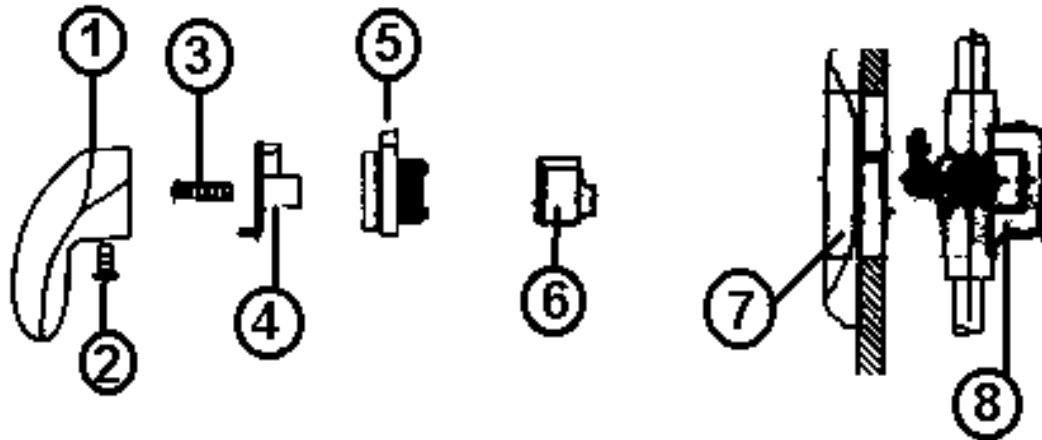
Contact direct Moen at 1-800-BUY-MOEN for warranty and your local parts outlet.



CLASSIC TRAILER

PLUMBING, FAUCETS

Faucet Shower/Shower Head



601831 4-port posi-temp valve

601830 Brass shower faucet trim kit, Moen Valetta MDL TL2391CP

1. Lever handle
2. Set screw
3. Handle screw
4. Handle adaptor
5. Brake
6. Key stop
7. Escutcheon
8. 601831 4-port posi-temp valve

Shower Stall fittings Standard

601358 Shower head hardware unit, chrome,

601767-02 Tail piece, chrome

CLASSIC TRAILER

PLUMBING, DRAIN SYSTEM

Drain Tanks/Pan, 31', 34', 34' S/O

601850-03	Tank, gray, holding
601848-07	Tank, black, holding
601619	Pan, waste tank
200954	SLOPE PAD-22.75" X 55"

Drain Tanks/Pan, 30', 30' S/O

601850-02	Tank, holding, gray, 30ft.
601848-06	Tank, holding, black, 30ft.
601619	Pan, waste tank, 30ft.
200954	SLOPE PAD-22.75" X 55"

Drain Tanks/Pan, 28'

601850-01	Tank, holding, gray, 28ft.
601848-05	Tank, holding, black, 28ft.
601619	Pan, waste tank, 28ft.
200954	SLOPE PAD-22.75" X 55"
601228	CLOSEOUT, SEPTIC PAN

Drain Tanks/Pan, 25'

601848-03	Tank, holding, gray, 25ft.
601856-01	Tank, holding, black 25ft.
601626	Pan, waste tank 25ft.

Holding Tank Pan Closeout

601228	CLOSEOUT, SEPTIC PAN
--------	----------------------

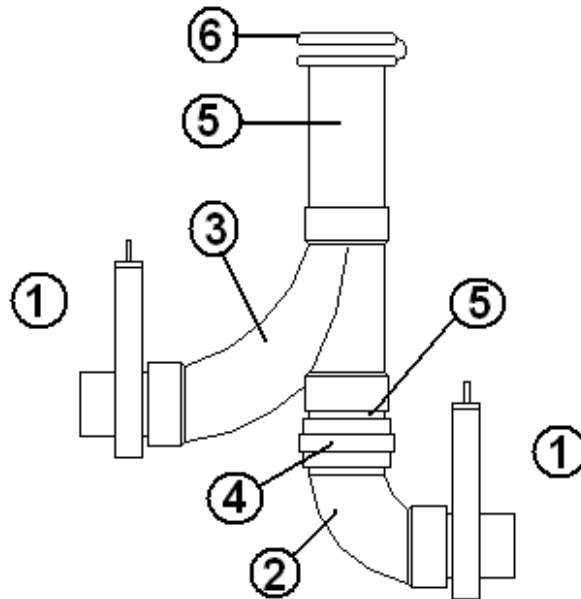
CLASSIC TRAILER

PLUMBING, DRAIN SYSTEM

Dump Valve System, before unit 518053

04190	Handle extension, dump valve
114086	Bracket, dump valve extension
600187	Wye, 3", comb. & 1/8" bend
601531	Fitting, 90 degree, 3" H x ST
600820	Single socket, 3", 90 degree
380481-A	Boot, rubber, 3.5" drain line
601200	Adaptor, Auto-vent, w/extension #A-201
001639	Bayonet ring, 3" Thetford
001664	Cap, 3" sewer outlet, Thetford
601431	Dump valve, w/o handle
0310107	Waste valve adapter

Dump Valve System, after unit 518053



1.	601607-01	Valve assembly, 3" spigot x 3" spigot
2.	600820	3" Single socket 90 degree
3.	600187	3" Wye. Combination & 1/8" bend
4.	600289	Calder coupler 3" rubber
5.	601160-04	Pipe, ABS, 3"
6.	601607-07	Termination Cap

CLASSIC TRAILER

PLUMBING, DRAIN SYSTEM

Sink, Galley, 34', 34' S/O

601633-05	Sink, galley, porcelain, WHITE
381635	Sink clip, under-mount, Corian sink
600968	Basket strainer, galley, 2"
601897	SINK COVER-RH 15.56" X 17.13", Midnight
601897-01	SINK COVER-RH 15.56" X 17.13", Sandstone
601897-02	SINK COVER-RH 15.56" X 17.13", Everest
601902	SINK COVER-LH 15.56" X 17.13", Midnight
601902-01	SINK COVER-LH 15.56" X 17.13", Sandstone
601902-02	SINK COVER-LH 15.56" X 17.13", Everest

Sink, Lavatory, 34', 34' S/O

203367-02	Bowl, lavatory, Karran
320131	Wing nut, Karran sink
453833	Clip, sink mount, Karran sink, Surf. Bone
320129	Insert, threaded ¼' O.D. X ¼' L

Sinks, Galley, 25', 28', 30', 31'

601799	Sink, galley, SS, 16" x 27"
*601963	Sink, Stainless Steel, 16" x 27"
600968	Basket strainer, galley, 2"
381635	CLIP SINK-UNDERMOUNT-CORIAN
601900	Sink Cover, Midnight
601900-01	Sink Cover, Sandstone
601900-02	Sink Cover, Everest
*601971	Sink cover, Midnight
*601971-01	Sink cover, Sandstone
*601971-02	Sink Cover, Everest
*Used on and after unit 518304	

Sink, Lavatory, 25', 28', 30', 31'

203367-02	Bowl, lavatory, Karran
601767-02	TAILPIECE-CHROME LAVY
320131	Wing nut, Karran sink
453833	Clip, sink mount, Karran sink, Surf. Bone
320129	Insert, threaded 1/4"O.D. X 1/4"L

CLASSIC TRAILER

PLUMBING, DRAIN SYSTEM

Shower stall, 28', 30'

203081 Shower stall, 2 piece
600594 Strainer with rubber stopper

Shower stall, 34' S/O, 34', 31'

203046-03 Shower stall, angled, 2 piece
600594 Strainer with rubber stopper

Shower stall, 25'

201980 Shower stall, two-piece, 25ft.
600594 Strainer with rubber stopper

Tanks Flush

601441 Tank flush, no-fuss (vacuum breaker & check
valve)
601441-02 Tank flush, no-fuss, CSA only (vacuum breaker &
check valve)

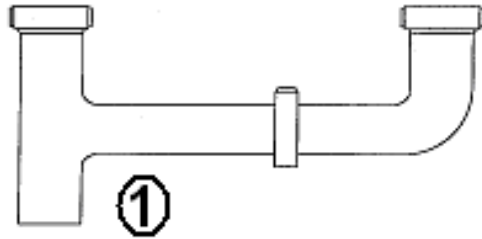
Drain Pipe

601160-04 Pipe, 3" ABS
601160-02 Pipe, 1.5" ABS
601589 Adaptor, brass, 3/8" FPT x 1/2" MPT
601165-02 Water line risers, 54"
601165-01 Water line risers, 12"

CLASSIC TRAILER

PLUMBING, DRAIN SYSTEM

Drain Line Fitting



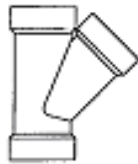
③



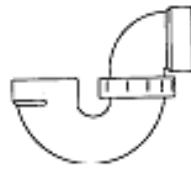
④



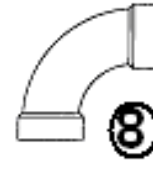
⑤



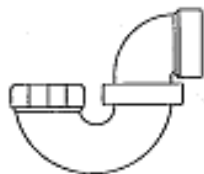
⑥



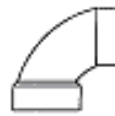
⑦



⑧



⑨



⑩



⑪



⑫



⑬



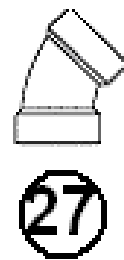
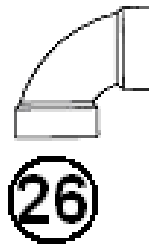
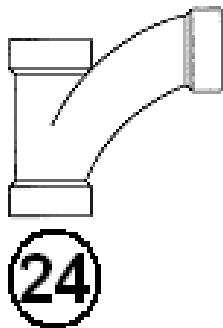
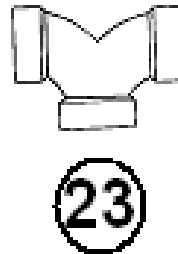
⑭

P/N after the following page.

CLASSIC TRAILER

PLUMBING, DRAIN SYSTEM

Drain Line Fittings



Part Numbers on the Next Page

CLASSIC TRAILER

PLUMBING, DRAIN SYSTEM

Drain Line Fittings

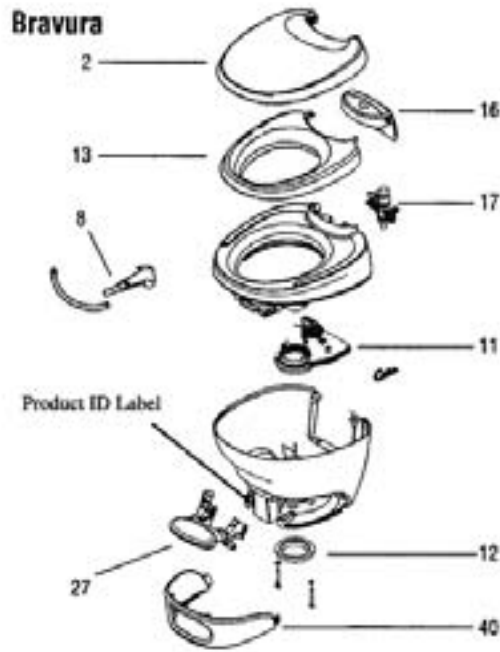
1. 600378	Continuous waste
2. 600431	Elbow, 90 degree, long street
3. 600625-01	Tray adaptor
4. 600625-02	Tray Adaptor
5. 600822	Swivel adaptor
6. 600094	Wye, #2301
7. 600144	P-trap, 1.5" w/o slip nut
8. 600035	Elbow, 90 degree, long turn
9. 600622	P-trap, 1.5" with slip nut
10. 600662	Elbow, 90 degree, short street
11. 600027	Elbow, 45 degree, long street
12. 600050	Elbow, 45 degree, long turn
13. 600033	Elbow vent, 90 degree
14. 601318	Tee, bi-directional clean out, 1.5"
15. 600155	Plug, 1.5"
16. 600538	Vent, 1.5"
17. 601677	Cap, 1.5"
18. 601263	Reducer, 1.5" to 1.25"
19. 601676	Adapter
20. 600308	Adapter, w/female threads
21. 600156	Tee, sanitary, 1.5"
22. 600166	Elbow, 22.5 degrees, short turn
23. 195329-486	Ell, double, 1.5"
24. 600182	Wye, 1.5", 1/8" bend
25. 600227	Coupling, 1.5"
26. 601636	Elbow, 90 degree, short sweep
27. 600030	Elbow, 45 degrees, long turn

CLASSIC TRAILER

PLUMBING, DRAIN SYSTEM

Toilet, 28', 31', 30', 30' S/O, 34' S/O

Illustration Only, Order all parts from Thetford
Before ordering parts, record the Product ID information.



<u>No. Description</u>	<u>No. Description</u>
1 Hinge Pins (2)	22 Bracket & 2 Screws [†]
2 Seat Cover	23 Float Assy.
3 Vacuum Breaker	24 Actuator Assy.
4 Flush Tube	25 Base to Bowl Screws (9)
5 Flush Nozzle Assy.	26 Closet Bolt Pkg.
6 Overflow Trap	27 Pedal Pkg. [†]
7 Water Supply Tube	28 Base
8 Hand Spray Kit (Water Saver Option Only)	29 Retainer & Screw [†]
9 Side Access Covers (2)	30 Sealant
10 Water Valve	31 Blade Spring
11 Lower Mechanism Assy.	32 Blade
12 Closet Flange Seal & Bolt Pkg.	33 Blade Seal
13 Seat	34 Blade Track
14 Hinge Post Kit	35 Flapper
15 Upper Mechanism Assy.	36 Overflow Tube
16 Pod	37 Nozzle Assy.
17 Water Module	38 Bowl
18 Water Valve Link	39 Reservoir Assy.
19 Lever Assy.*	40 Shroud
20 Wire Replacement Pkg. [†]	
21 Mechanism Cover	

Specify High or Low
 * Hand Flush only
[†] Foot-Pedal Flush only

690442-02
 600065

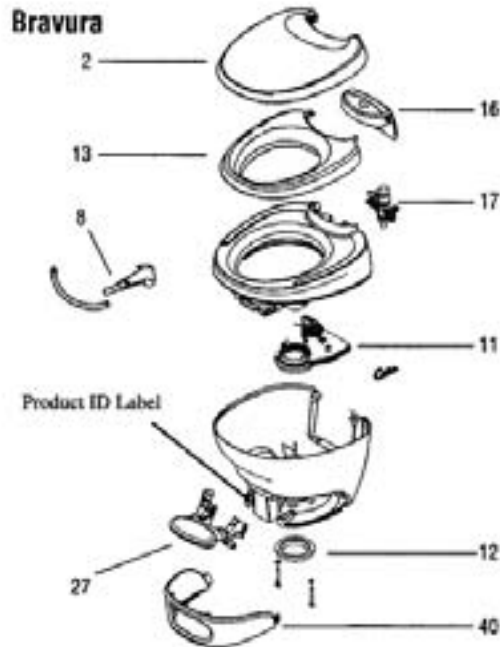
TOILET-HI PROFILE W/WATER SAVER, PARCHMENT
 Flange, floor, threaded, ALL EXCEPT 25'

CLASSIC TRAILER

PLUMBING, DRAIN SYSTEM

Toilet, 25'

Illustration Only. Order all parts from Thetford
Before ordering parts, record the Product ID information.



<u>No. Description</u>	<u>No. Description</u>
1 Hinge Pins (2)	22 Bracket & 2 Screws [†]
2 Seat Cover	23 Float Assy.
3 Vacuum Breaker	24 Actuator Assy.
4 Flush Tube	25 Base to Bowl Screws (9)
5 Flush Nozzle Assy.	26 Closet Bolt Pkg.
6 Overflow Trap	27 Pedal Pkg. [†]
7 Water Supply Tube	28 Base
8 Hand Spray Kit (Water Saver Option Only)	29 Retainer & Screw [†]
9 Side Access Covers (2)	30 Sealant
10 Water Valve	31 Blade Spring
11 Lower Mechanism Assy.	32 Blade
12 Closet Flange Seal & Bolt Pkg.	33 Blade Seal
13 Seat	34 Blade Track
14 Hinge Post Kit	35 Flapper
15 Upper Mechanism Assy.	36 Overflow Tube
16 Pod	37 Nozzle Assy.
17 Water Module	38 Bowl
18 Water Valve Link	39 Reservoir Assy.
19 Lever Assy.*	40 Shroud
20 Wire Replacement Pkg. [†]	
21 Mechanism Cover	

Specify High or Low
 * Hand Flush only
[†] Foot-Pedal Flush only

690442-01
 601266

TOILET-LOWPROFILE W/WATER SAVER, PARCHMENT
 FLANGE, CLOSET, 3' X 4", SLIP FIT, 25' ONLY

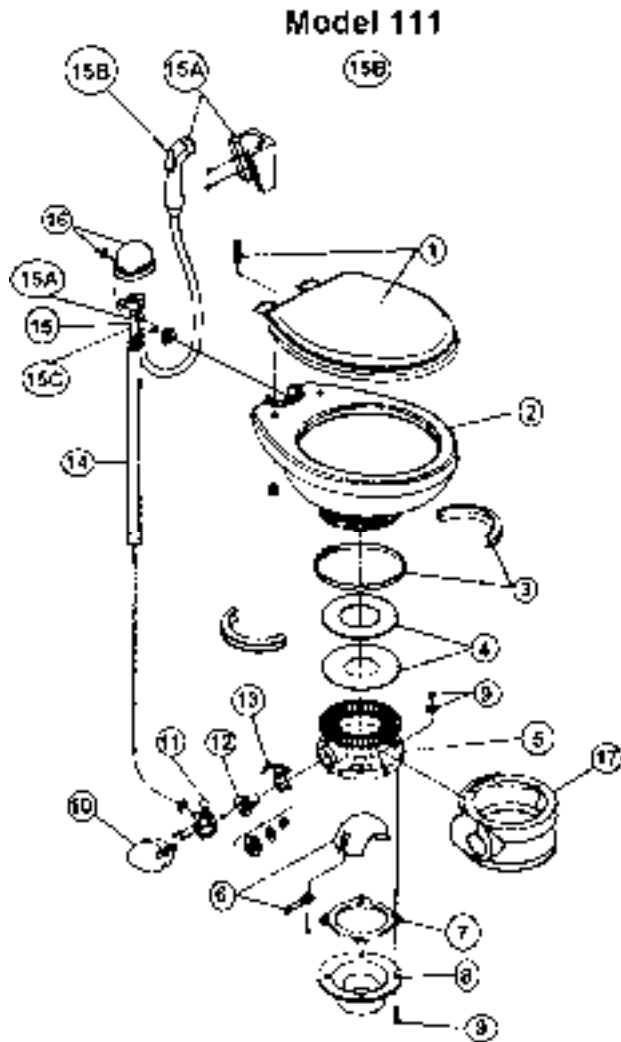
CLASSIC TRAILER

PLUMBING, DRAIN SYSTEM

Toilet, 34' Non-Slide

601792-02 Sealand Toilet Traveler Lite 110 Series, Bone

690472 Sealand Toilet Traveler Lite 110 Series, White



- 1) 344089 Seat assembly, Bone
- 1) 344088 Seat assembly, White
- 2) 310791 Chins bowl kit, Bone
- 2) 310790 Chins bowl kit, White
- 3) 310048 Ring and half clamp kit, Bone
- 3) 310025 Ring and half clamp kit, White
- 4) 316140 Teflon® & Rubber seal kit
- 5) 310802 Base kit, Bone (includes 3, 4, 6, 7, 9, 10, 11, 12, 13, and 17)
- 5) 310792 Base kit, White (includes 3, 4, 6, 7, 9, 10, 11, 12, 13, and 17)
- 6) 381162 Ball, shaft, and cartridge kit, Bone
- 6) 381161 Ball, shaft, and cartridge kit, White
- 7) 341549 Floor flange seal
- 8) Floor flange, see drain plumbing section of this book
- 9) 310064 Floor bolt mounting kit
- 10) 310118 Pedal cover kit, Bone
- 10) 310117 Pedal cover kit, White
- 11) 314349 Water valve kit
- 13) 340825 Flush lever
- 14) 340177 Supply hose, Bone, White

- 15) 310687 Vacuum breaker kit
- 15a) 319054 Vacuum breaker kit, w/spray
- 15b) 340683 Hand spray, white
- 15c) 230335 Vacuum breaker (used w/spray)
- 16) 310796 Vacuum breaker cover kit, Bone
- 17) 310109 Pedestal cover kit, Bone

CLASSIC TRAILER

SAFETY EQUIPMENT

Detectors

510781	Smoke detector
510891	Smoke detector, CSA
511309	LPG detector
511343	DETECTOR CARBON MONOXIDE 9 VOL

Fire Extinguisher

600162-01	Fire extinguisher
600162-02	FIRE EXTINGUISHER (UL, CSA)

CLASSIC TRAILER

SEALER/GASKETS/PAINT

Sealer

360001	Sealant, #884058
360002	Sealant, Vulkem 11.5 oz. tube
360209	Sealant, seam
360176	Sealant, Almond, kitchen and bath
360180	Sealant, Sikaflex #221
360210	Sealant, Paralastic 4334-014
360283-01	Sealant, silicone, Corian WHITE

Gaskets

365232	Gasket, main/baggage door
365013-01	Gasket, screen door, underbelly compartment doors
381665	Gasket, window frame to glass
365035	Gasket, access doorjamb
381830	Wiper gasket, refrigerator baffle, 1.12" x 2"

Tape/Microwave Insulation

685510	Seam Tape, black, for between end segments.
365221	Tape, double coated, 1/32 urethane
365222	Tape, double coated, .08" x 3/4"
365016	Tape, foam, double face, 1/2" wide
365001	Tape, double coated foam
365255	TAPE-MAGNETIC/ADHESIVE, 3" WIDE
381806	Insulation above convection microwave

Paint

360213	Paint, Metallic Aluminum, Centari #65751
360260	Paint, Pewter
360151	Paint, gray metallic, Centari #44146A

CLASSIC TRAILER

UPHOLSTERY/FOAM/MATTRESS

Bedsread, Twin bed

702485-364	Bed spread, twin, Crystal Creek
702485-404	Bed spread, twin, Willow
702485-414	Bed spread, twin, Chiffon Gold
702485-452	Bed spread, twin, Golden Touch

Bedsread, Double Bed

702676-364	Bed spread, double, Crystal Creek
702676-404	Bed spread, double, Willow
702676-141	Bed spread, double, Chiffon Gold
702676-452	Bed spread, double, Golden Touch

Pillow

701611	Pillow, 21" x 31"
--------	-------------------

Mattress, Twin Beds, All Models

701770	Mattress, 34" x 78", contoured, twin, all models
--------	--

Mattress, Double Bed, 30', 31', 34', 34' S/O, 30' S/O

702674	Mattress, 60 x 75, w/45 degree corner
--------	---------------------------------------

Mattress, Double Bed, 28', 25'

702705	Mattress, 60 x 75, w/45 degree corner
--------	---------------------------------------

CLASSIC TRAILER

UPHOLSTERY/FOAM/MATTRESS

Sofa Armrests, 34', 34 S/O

963400-03	Armrest support assembly, CS notched
963400-04	Armrest support assembly, RS Notched
965624-04	CUSHION ASSY. ARMREST RS NOTCH
965624-03	CUSHION ASSY. ARMREST CS NOTCH
703281-04	FOAM ARMREST LNGE RS NOTCHED
703281-03	FOAM ARMREST, LNGE CS NOTCHED

Sofa Armrests, 34' L-Lounge

963400-02	ARMREST SUPPORT ASSY. CS
963400-03	ARMREST SUPPORT ASSY. CS NOTCH
963399-03	Sub-ASSY FACE ARMREST SUPPORT CS

Sofa Armrests, 31'

963400-01	ARMREST SUPPORT ASSY. RS
963400-02	ARMREST SUPPORT ASSY. CS
965624-01	CUSHION ASSY ARMREST RS
703281-01	FOAM ARMREST LOUNGE RS
965624-03	CUSHION ASSY. ARMREST CS NOTCH
703281-03	FOAM ARMREST, LOUNGE CS NOTCHED

CLASSIC TRAILER

UPHOLSTERY/FOAM/MATTRESS

Sofa Armrests, 30' S/O, 30', 28', 25'

963400-01	ARMREST SUPPORT ASSEMBLY RS
963400-03	ARMREST SUPPORT ASSEMBLY CS NOTCHED
965624-01	CUSHION ASSY ARMREST RS
703281-01	FOAM, ARMREST LOUNGE RS
965624-03	CUSHION ASSEMBLY ARMREST CS NOTCHED
703281-03	FOAM, ARMREST, LOUNGE CS NOTCHED

Sofa, 34' L-lounge

703141-364	Sofa, Crystal Creek, 74", short drawer
703141-404	Sofa, Willow, 74", short drawer
703141-414	Sofa, Chiffon Gold, 74", short drawer
703141-452	Sofa, Golden Touch, 74", short drawer
703141-02	Sofa, 74", short drawer, Leather, Ultra-buff
703299-02	SOFA 48" NO DRAWER ULTRA LEATHER

Sofa, 25', 28', 30', 30 S/O, 31', 34', 34' S/O

703264-364	Sofa 74", Crystal Creek, Villa Cloth
703264-404	Sofa 74", Willow, Villa Cloth
703264-414	Sofa 74", Chiffon Gold, Villa Cloth
703264-452	Sofa 74", Golden Touch, Villa Cloth
703264-02	Sofa, 74", Villa Ultra Leather

CLASSIC TRAILER

UPHOLSTERY/FOAM/MATTRESS

Wall Paper Border, Lavatory

703399	Crystal Creek, 5.25" Wallpaper Border
703409	Willow, 5.25" Wallpaper Border
703426	Chiffon Gold, 5.25" Wallpaper Border
703337	Golden Touch, 5.25" Wallpaper Border

Dinette Seat Covers/Top, 34' S/O, 34', 31', 30' S/O

998070	Cover, seat, side dinette
998071	Cover, back, side dinette
703125-03	Top, dinette seat, urethane-buckskin

Dinette Seat Foam, 34' S/O, 34', 31', 30' S/O, 30'

702464-21	Foam, upper back, dinette
702464-13	Foam, lower back, dinette
702464-14	Foam, aft seat, dinette
702464-15	Foam, forward seat, dinette

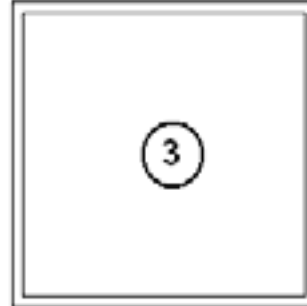
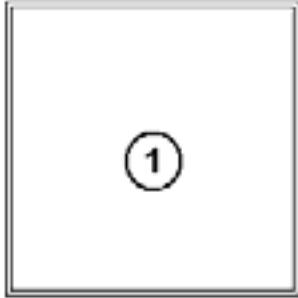
Chairs

703047-02	Recliner w/gliding footstool, Ultra leather
703045-02	Recliner glider, Ultra Leather
381553	Chair, folding, Zip Dee, w/logo, Blue
381616-01	Chair, folding, Zip Dee, w/logo, LTD, Burgundy

CLASSIC TRAILER

UPHOLSTERY/FOAM/MATTRESS

Pillow kit, Golden Touch

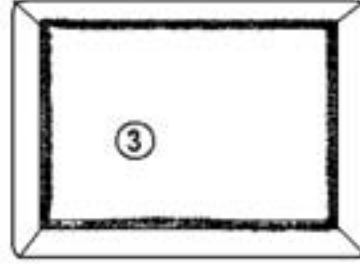


1. 703341-01 Lounge Bedroom Pillow, Corbin/Cinnabar
2. 703341-02 Lounge Pillow, Hearthstone
3. 703341-03 Bedroom Pillows, Satin stripe/Gold

CLASSIC TRAILER

UPHOLSTERY/FOAM/MATTRESS

Pillow Kit, Crystal Creek

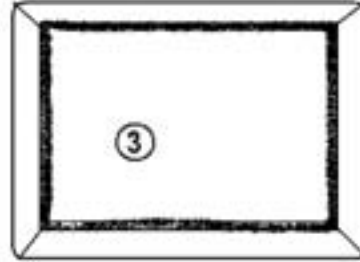


- | | |
|--------------|-----------------|
| 1. 703439-03 | Bedroom Pillows |
| 2. 703439-01 | Bedroom Pillows |
| 3. 703439-04 | Bedroom Pillows |

CLASSIC TRAILER

UPHOLSTERY/FOAM/MATTRESS

Pillow Kit, Chiffon Gold

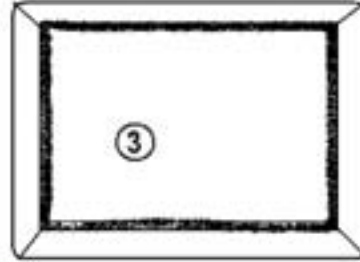
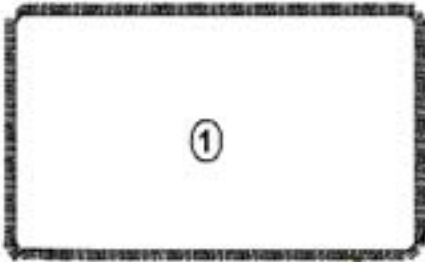


- | | |
|--------------|-----------------|
| 1. 703441-03 | Bedroom Pillows |
| 2. 703441-01 | Bedroom Pillows |
| 3. 703441-04 | Bedroom Pillows |

CLASSIC TRAILER

UPHOLSTERY/FOAM/MATTRESS

Pillow Kit, Willow



- | | |
|--------------|-----------------|
| 1. 703440-03 | Bedroom Pillows |
| 2. 703440-01 | Bedroom Pillows |
| 3. 703440-04 | Bedroom Pillows |

CLASSIC TRAILER

VENTS/FANS/SKYLIGHTS

Vent, Power, Bathroom

690266-01 Ventilator, power, bathroom
201666-01 MOLDING-J 3/16" ALMOND PLASTIC

Vent, Power, Bathroom, CSA

690266-02 Ventilator, power, bathroom, CSA only
372072-01 Screen, ceiling vent, 2-hole white, CSA only

Vent, w/Power Lift

381541-08 Roof vent w/power lift
381541-05 Switch, white, ceiling vent

Range exhaust

511792-01 RANGE HOOD W/FAN & LIGHT UL
511792-03 RANGE HOOD W/FAN & LIGHT CSA
453484-03 EXT.-RANGE HOOD END CAP LH SILVER
453484-04 EXT., RANGE HOOD END CAP RH SILVER
453158 EXTENSION RANGE VENT
511017-11 Vent cover, exterior, range hood, gray

Vent, Refrigerator

100341 Refrigerator, vent collar, large
101394 Cover, refrigerator vent, large
381042 MESH- GALVANIZED, .017" X 36"

CLASSIC TRAILER

VENTS/FANS/SKYLIGHTS

Vent, Holding Tanks

690264-03 PLUMBING FLASHING V-2049-1 WHITE
380114 Gasket, vent pipe

Vent, Power, Fantastic

381841 VENT-FANTASTIC EXHAUST ONLY
511657 FANTASTIC FAN W/410KIB CONTROL

Sky Light. Lounge

381318-05 Skylight, 19.5" x 19.5", galley/lounge
114485 Mounting frame, skylight
201962 Trim ring, skylight
702804-03 Shade, pleated, skylight, 19.25" x 20.00"
320138 Screw w/ #10 Bonded sealing washer

Sky Light. Bath

381318-06 Skylight, 14.5" x 22.5" bath
114486 Mounting frame, skylight, bath
201963 Trim ring, 14" x 22", skylight, white
702804-04 Shade, pleated, skylight, 14.5" x 22.75"
320139 Screw w/ #10 Bonded sealing washer

CLASSIC TRAILER

WOOD/LAMINATES/INTERIOR TRIM

Cedar/Lauan Panels

800507-01	Paneling, lauan, 1/8" x 4' x 8'
800507-02	Paneling, lauan 1/4" x 4' x 8'
800507-03	Paneling, lauan 3/8" x 4' x 8'
800507-06	Paneling, lauan .3/4" x 4' x 8'
800397-01	Cedar, planked, 5/32"x 4' x 8'

Edge banding

365265-01	EDGEBANDING-5/8" Natural Oak
365266-01	EDGEBANDING-1.25"X .055", Natural Oak
365250-03	EDGEBANDING-5/8" Hickory
365238-01	EDGEBANDING, .93"X .055", Natural Oak

Paneling

801180-006	Paneling 1/2" x 4' x 8', G2S, Oak/ Oak
801179-006	Paneling, 1/2" x 4' x 8', G1S, Oak /raw
801181-006	Paneling 5/32" x 4' x 8', G1S, Oak /raw
801191-006	Paneling .125" x 4' x 8', G1S, Oak /raw
801258-003	Paneling 1/2" x 4' x 8', G2S, Hickory / Hickory
801259-003	Paneling, 1/2" x 4' x 8', G1S, Hickory /raw
801260-003	Paneling 5/32" x 4' x 8', G1S, Hickory /raw
801408	PANEL, PRE-LAMINATED N. OAK/N. OAK, 18MM
801230-006	Laminate, wood grain, 4' x 8'
801505	Paneling, Ascot Sand/Raw .125"X4'X8'

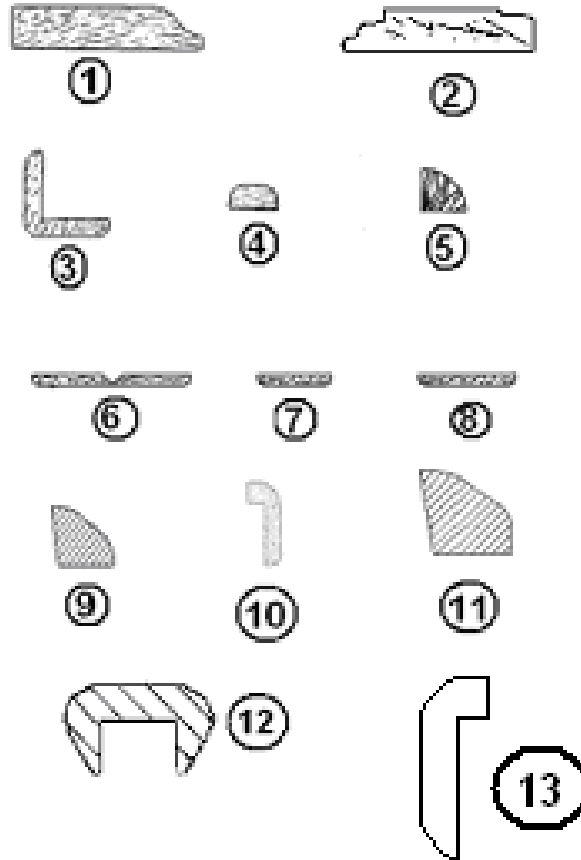
Wall Border

703399	Wall Border, Crystal Creek
703332	Wall Border, Golden Touch
703409	Wall Border, Willow
703426	Wall Border, Chiffon

CLASSIC TRAILER

WOOD/LAMINATES/INTERIOR TRIM

Molding, Wood, Oak

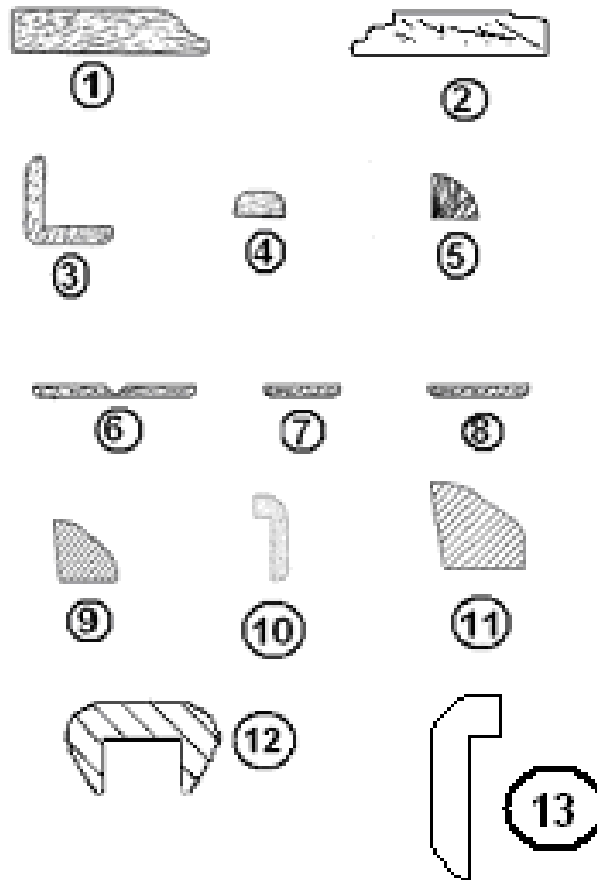


- | | |
|----------------|--|
| 1. 801206-016 | Molding, floor, 43", Oak |
| 2. 965265-016 | Molding, chair rail, Oak |
| 3. 800575-016 | Molding, corner, Oak |
| 4. 800571-016 | Molding, flat ¼"x33/64"x80" , Oak |
| 5. 800638-026 | Molding, quarter round, Oak |
| 6. 801172-016 | Molding, flexible corner, Oak |
| 6. 801172-07 | Molding, flexible corner, Ascot Sand |
| 7. 800572-016 | Molding, flat radius, .88", Oak |
| 8. 800573-016 | Molding, flat radius, 1.13", Oak |
| 9. 801242-006 | Molding, threshold, main door, carpet, Oak |
| 10. 964280-006 | Molding, counter top edge, Oak |
| 11. 801492-006 | Molding, threshold, main door, linoleum, Oak |
| 12. 800766-006 | Paneling Trim, Hickory, ½" Panel |
| 13. 800617-016 | Molding, Wainscot, 84" |
| 801533 | Molding Toilet Stand |

CLASSIC TRAILER

WOOD/LAMINATES/INTERIOR TRIM

Molding, Wood, Hickory



- | | |
|----------------|--|
| 1. 801206-013 | Molding, floor, 43", Hickory |
| 2. 965265-013 | Molding, chair rail, Hickory |
| 3. 800575-013 | Molding, corner, Hickory |
| 4. 800571-013 | Molding, flat ¼"x33/64"x80" Hickory |
| 5. 800638-023 | Molding, quarter round, Hickory |
| 6. 801172-013 | Molding, flexible corner, Hickory |
| 6a. 801172-07 | Molding, flexible corner, Ascot Sand |
| 7. 800572-013 | Molding, flat radius, .88", Hickory |
| 8. 800573-013 | Molding, flat radius, 1.13", Hickory |
| 9. 801242-003 | Molding, threshold, main door, carpet, Hickory |
| 10. 964280-003 | Molding, counter top edge, Hickory |
| 11. 801492-003 | Molding, threshold, main door, linoleum, Hickory |
| 12. 800766-003 | Paneling Trim, Hickory, ½" Panel |
| 13. 800617-016 | Molding, Wainscot, 84" |

