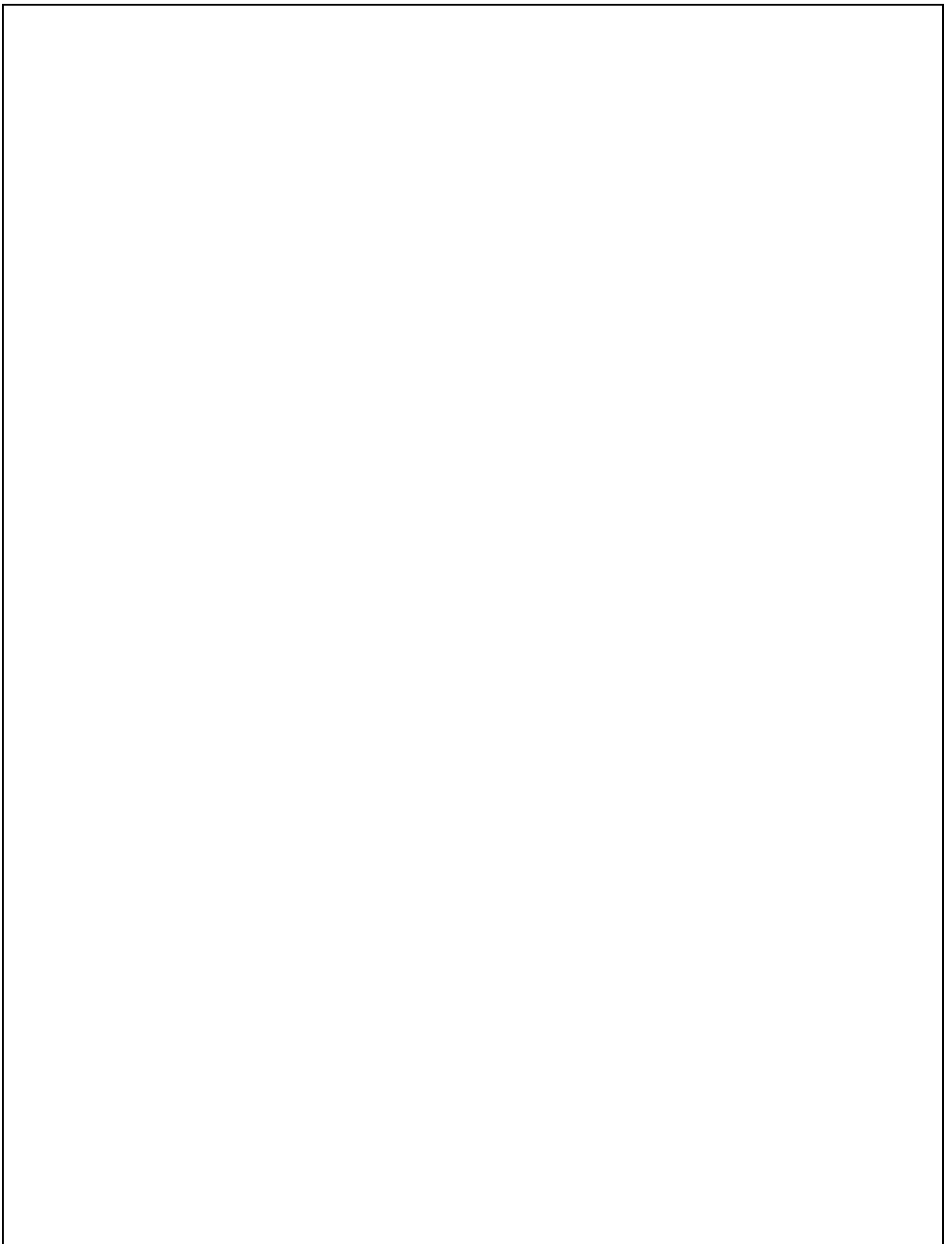


# ***AIRSTREAM***

## **CLASSIC TRAILER** Parts Book

**2004**



2004 CLASSIC TRAILER  
TABLE OF CONTENTS  
SECTION I  
A through C

APPLIANCE

<a href="#">Air Conditioner, Furnace, Microwave</a> .....	I-1
<a href="#">Range, Refrigerator</a> .....	I-2
<a href="#">Water Heater</a> .....	I-3

BODY

<a href="#">Slide Room Mechanism</a> .....	I-4
<a href="#">End shell, aft</a> .....	I-6
<a href="#">End shell, front</a> .....	I-8
<a href="#">Roof</a> .....	I-10
<a href="#">Slide-out Room</a> .....	I-12
<a href="#">RS wall, 34ft.</a> .....	I-16
<a href="#">CS wall, 34ft.</a> .....	I-18
<a href="#">RS wall, 34ft S/O Dinette &amp; Lounge</a> .....	I-20
<a href="#">CS wall, 34ft. S/O Dinette &amp; Lounge</a> .....	I-22
<a href="#">RS wall, 31 ND</a> .....	I-24
<a href="#">CS wall, 31 ND</a> .....	I-26
<a href="#">RS wall, 30ft.</a> .....	I-28
<a href="#">CS wall, 30ft, 30ft S/O</a> .....	I-30
<a href="#">RS wall, 30ft, S/O</a> .....	I-32
<a href="#">RS wall, 28ft.</a> .....	I-34
<a href="#">CS wall, 28ft.</a> .....	I-36
<a href="#">RS wall, 25ft.</a> .....	I-38
<a href="#">CS wall, 25ft.</a> .....	I-40
<a href="#">Body interior</a> .....	I-42

CHASSIS

<a href="#">A-frame</a> .....	I-43
<a href="#">Power jack</a> .....	I-45
<a href="#">Step</a> .....	I-47
<a href="#">Outrigger/underbelly</a> .....	I-50
<a href="#">Jacks/Below floor storage</a> .....	I-51
<a href="#">Axles/shocks/wheels</a> .....	I-52
<a href="#">Brakes, 12"</a> .....	I-53

2004 CLASSIC TRAILER  
TABLE OF CONTENTS  
SECTION II  
D through E

[DECALS](#) ..... II-1

[EXTERIOR TRIM](#) ..... II-3

DOORS/WINDOWS/AWNING

[Doors](#) ..... II-4

[Windows](#) ..... II-8

[Awning](#) ..... II-11

[3 Pcs. Stone guard](#)..... II-12

DRAPES/VALANCES/SHADES

[Drapes](#)..... II-13

[Valances](#) ..... II-15

[Shades](#) ..... II-16

ELECTRICAL

[110 volt](#) ..... II-17

[12 volt](#)..... II-20

[Exterior lights & reflectors](#)..... II-22

ENTERTAINMENT

[Radio/DVD/VCR/TV](#) ..... II-23

[Antenna](#) ..... II-23

2004 CLASSIC TRAILER  
TABLE OF CONTENTS  
SECTION III-  
F through H

FASTENERS (common fasteners available locally are not listed)

[Rivets](#) ..... III-1

FLOOR COVERING

[Carpet](#) ..... III-3

[Mats](#) ..... III-3

[FURNITURE Read Before ordering furniture](#).... III-4

[Interior doors](#)..... III-6

[Mirrors](#)..... III-7

[Miscellaneous interior doors](#) ..... III-8

[Drawer](#) ..... III-9

[Rear bedroom](#) ..... III-11

[Bath](#) ..... III-17

[Galley](#) ..... III-24

[Lounge](#) ..... III-38

[Limited package, Nomar, Corian](#) ..... III-48

HARDWARE

[Exterior locks/hinges](#)..... III-50

[Window hardware](#)..... III-54

[Interior drawer slides/hinges latches](#) ... III-56

[Bath accessories/table/drawer slide](#) .... III-60

[Awning hardware](#)..... III-64

2004 CLASSIC TRAILER  
TABLE OF CONTENTS  
SECTION IV  
L through Z

[LABELS and TAGS](#)..... IV-1

[OPTIONS](#)..... IV-2

PLUMBING

[LPG](#) ..... IV-3

[Fresh water](#) ..... IV-4

[Drain water](#) ..... IV-10

[Sinks, Showers](#) ..... IV-11

[Toilet](#)..... IV-15

[SAFETY EQUIPMENT](#)..... IV-17

[SEALER/GASKETS/PAINT](#) ..... IV-18

[UPHOLSTERY/FOAM/MATTRESS](#) ..... IV-19

[SOFA-CHAIRS, FOAM](#) ..... IV-22

[VENTS/FANS](#)..... IV-23

[WOOD/LAMINATES/TRIM](#) ..... IV-24

AIRSTREAM INC.  
419 West Pike Street  
Jackson Center, Ohio 45334  
937-596-6111

© 2002

## 2004 CLASSIC TRAILER

### APPLIANCES

#### AIR CONDITIONER, DUO THERM

690323-32	Air conditioner, 13,500 BTU, Duo Therm w/heat pump
690323-37	Air conditioner, 15,000 BTU, Duo Therm w/heat pump
690323-31	Thermostat, Comfort Control Center
690380-03	Air box, polar white
385582-01	Decal, Airstream w/bar
690323-100	Shroud, exterior, Penquin air conditioner
961270	Pan assembly, air conditioner drain
690380-08	SENSOR-PENGUIN DUAL AIR ONLY W/EL

#### FURNACE, HYDROFLAME

690274-04	Furnace, Hydro-flame, #8525-IV, 25,000, 25ft.
690274-01	Furnace, Hydro-flame, #8531-IV, 31,000, 28ft.
690274	Furnace, Hydro-flame, #8535IV, 34,000 BTU 30, 30' S/O, 31ft & 34ft.
690274-09	Door exterior, Hydroflame
601244-03	Register. Rotaire, black
601244-01	REGISTER-ROTAIRE 4" BROWN
600526	Flange, 4"
600247	4" duct hose, flexible
690274-102	Module board, furnace
511228	Thermostat, off white
600193	2" duct, flexible hose
690341	Adapter, 4-2 Furnace reducer
601244-01	REGISTER-ROTAIRE 4" BROWN

#### MICROWAVE

690345-01	Microwave, convection, Sharp
690345-03	Trim ring, convection microwave
690407-01	Microwave oven, Dometic, DMW 10B
690407-02	Trim kit, Dometic microwave
690345-04	Microwave, convection, Sharp, CSA
690345-05	Trim ring, Microwave, convection, Sharp, CSA

# CLASSIC TRAILER

## APPLIANCES RANGE

690396-09	RANGE-22"W/OVEN S.S. TOP/DOOR
690396-10	COOKTOP-3 BURNER S.S. TOP
690396-03	Range cover, bi-fold
964383-01	Range covers, Corian, set, 25'
964383-02	Range covers, Corian, set, 34' S/O cook top, 30 S/O
964383-01	RANGE COVERS-CORIAN FRT/BACK 28', 30', 31', 34', 34' S/O
114876-01	Trim ring, range recess, silver
114876	Trim ring, range recess, black

## DOMETIC REFRIGERATOR

690492-02	REFER-6 CF RH DOOR AMERICANA, RM2662RB
690493-02	Refrigerator, 8 CF, RH DOOR, RM3862RSS, 2-way
690493-01	REFER 8CF 2WAY LH RM3862LSS
690494-01	REFER-10CF LH DR NDR1062LSS
690494-02	REFER-10CF RH DR NDR1062RSS
965934-01	INSERT ASSEMBLY, REFER 20.62" X 15.75"
965934-02	INSERT ASSEMBLY, REFER 20.62" X 32.62"
922243	ASSEMBLY, REFER ACCESS DOOR
922156	Refer access door
381812	Latch for exterior refer door

## FIRE PLACE

690428-01	FIREPLACE ELECTRIC 120-VOLT S/O
690428-02	POLISHED BRASS TRIM-FIREPLACE

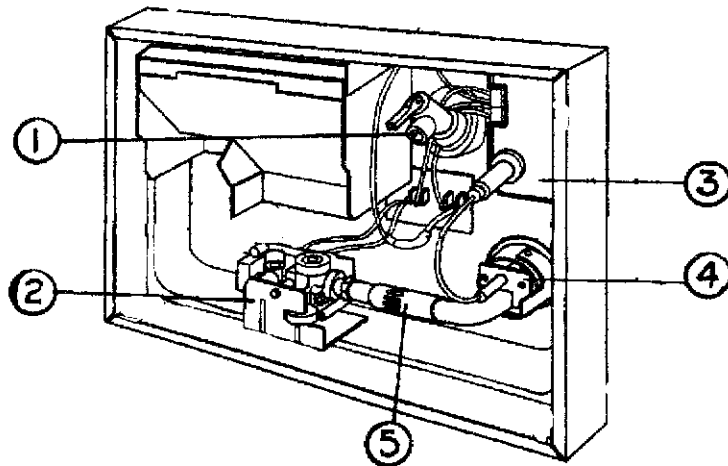


# 2004 CLASSIC TRAILER

## APPLIANCES

### ATWOOD WATER HEATER, GC6AA-9E

- 690489 Water heater, Atwood, elec. ignition, 110 volt/gas
- 690209 Access cover, brushed aluminum
- 381648 Cover, latch hole water heater
- 385998 Decal, water heater
- 510514 Switch, 110v, 3-way, priority (water heater/micro-wave) CSA only
- 690417-05 SWITCH-DUAL WATER HEATER #9123



Front of water heater

- 1) 091604 Relief valve, pressure/temperature
- 2) 093870 Solenoid valve
- 3) 093865 Circuit board
- 4) 093868 Spark probe
- 5) 092615 Main burner

#### Back of water heater

- 091160 Heating element, 110 volt
- 091873 ECO thermostat
- 091092 On/off switch, 110 Volt

# CLASSIC TRAILER

## SLIDE OUT ROOM MECHANISM 34'-30'

Airstream P/N 34' Lounge-400933      34' Dinette, 30'-400947-01

Power Gear 34', Lounge-520976      34' Dinette, 30'-511174

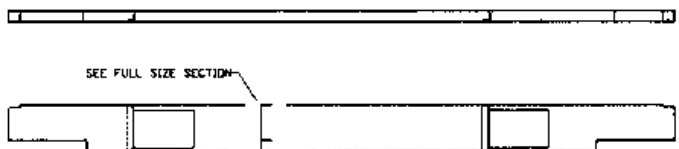
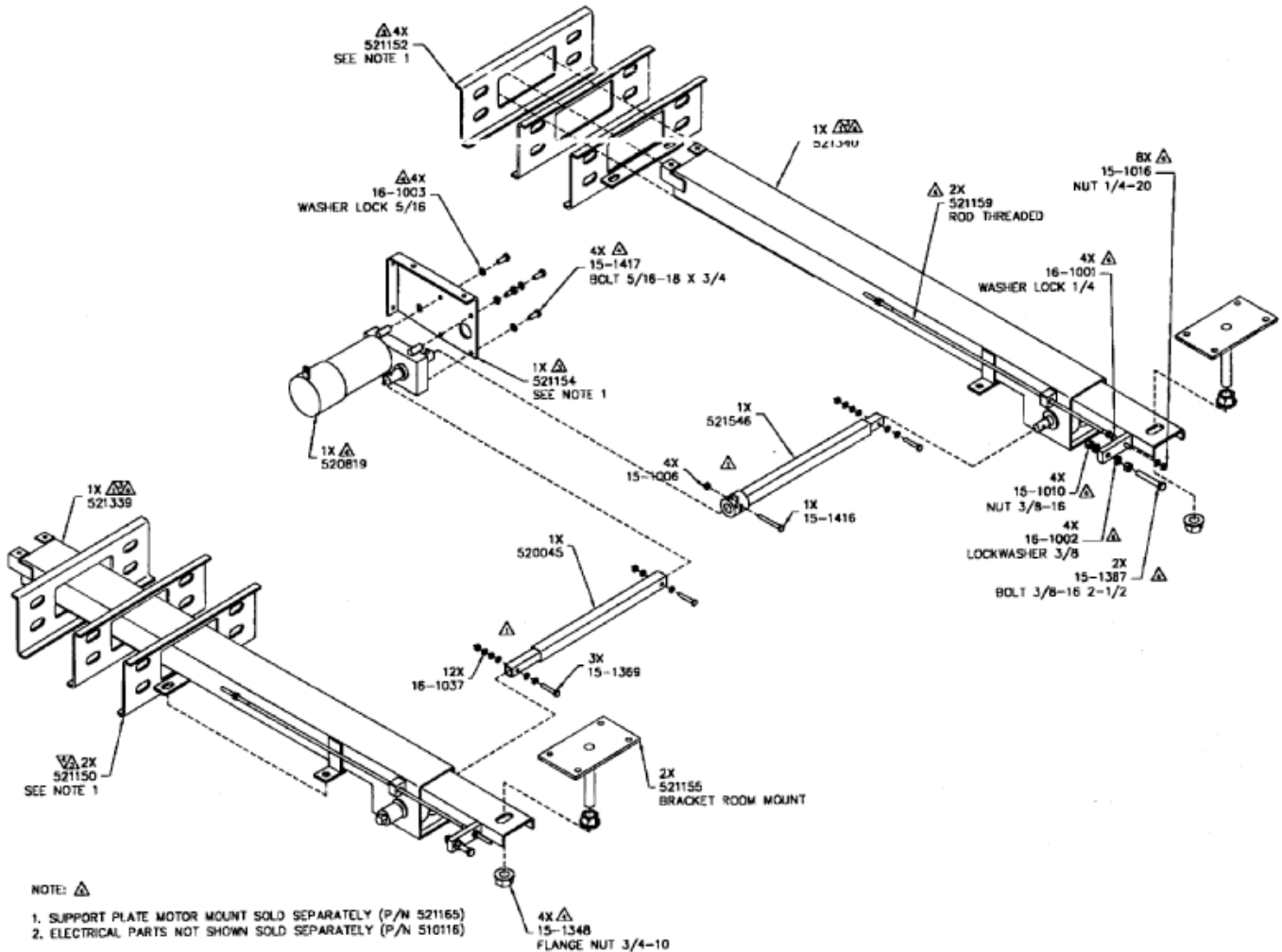
Drive shaft assembly lengths are only difference between systems.

Drive Shaft

400933-Power Gear P/N      521546      520045

400947-Power Gear P/N      521809      521815

Order all parts from Power Gear 1-800-334-4712



Cover motor bottom  
115029-34' Dinette  
400947 30' Dinette  
114978 34' S/O lounge



# 2004 CLASSIC TRAILER

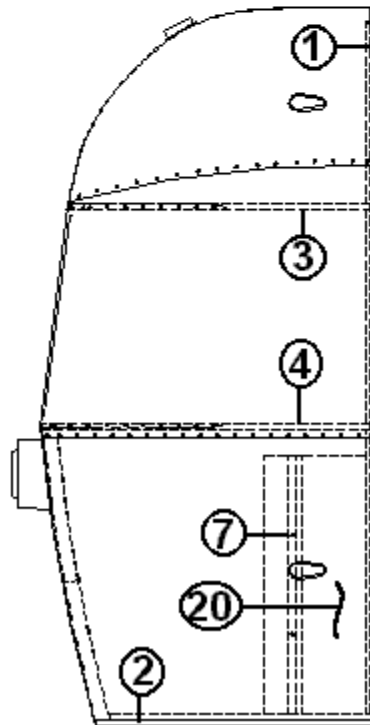
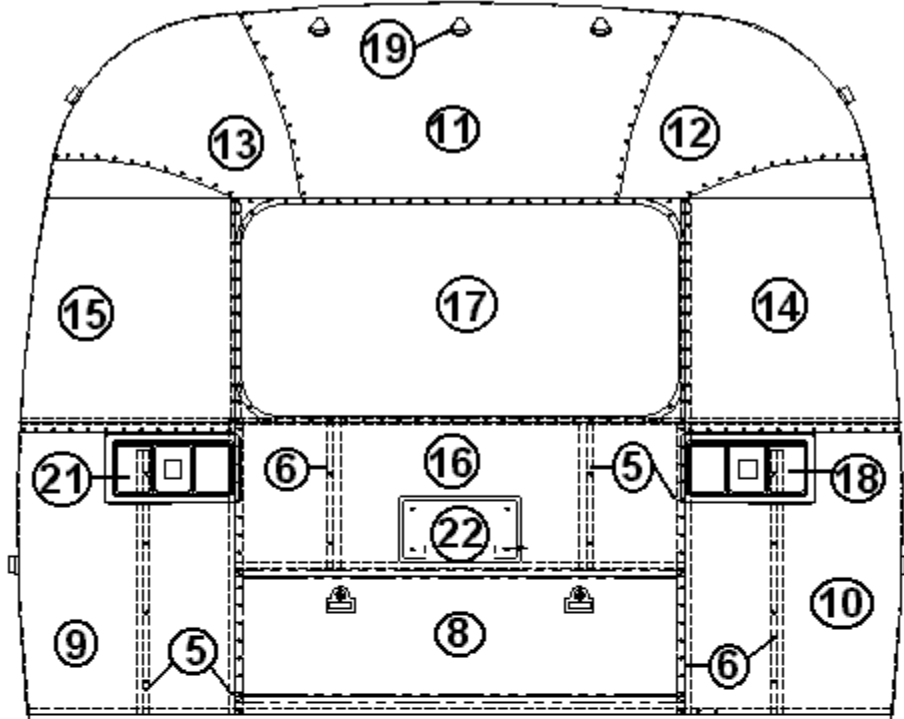
## BODY-AFT END

921161-11

End shell complete, rear, w/trunk door

921161-09

End shell complete, rear, 25ft. only



See next page for P/N

# CLASSIC TRAILER

## BODY-AFT END

921161-11	End shell complete, rear, w/trunk door
921161-09	End shell complete, rear, 25ft. only
1) 114993	End bow
2) 114676	Floor bow
3) 114678	Upper window bow
4) 114677	Lower window bow
5) 114505-01	Support, lower end, LH
6) 114505-02	Support, lower end, RH
7) 101315	Brace, vertical rear
8) 921159-01	Trunk door assembly (some models)
9) 114895	Segment #29
10) 114894	Segment #28
11) 114893	Segment #25
12) 114890	Segment #26
13) 114891	Segment #27
14) 114889	Segment, center right
15) 114888	Segment, center left
16) NPN Alum. Sheet, .060 x 19.0" x 51.0"	(cut from 114880)
17) 371348-02	Window, rear escape
18) 962169-02	Taillight complete, CS
19) 511751	Red teardrop lights
20) NPN Alum. Sheet, .040 x 12.0" x 29.0"	(cut from 114880)
21) 962169-01	Taillight complete, RS
22) 201954	License plate housing, black
511294	LIGHT LICENSE PLATE

# 2004 CLASSIC TRAILER

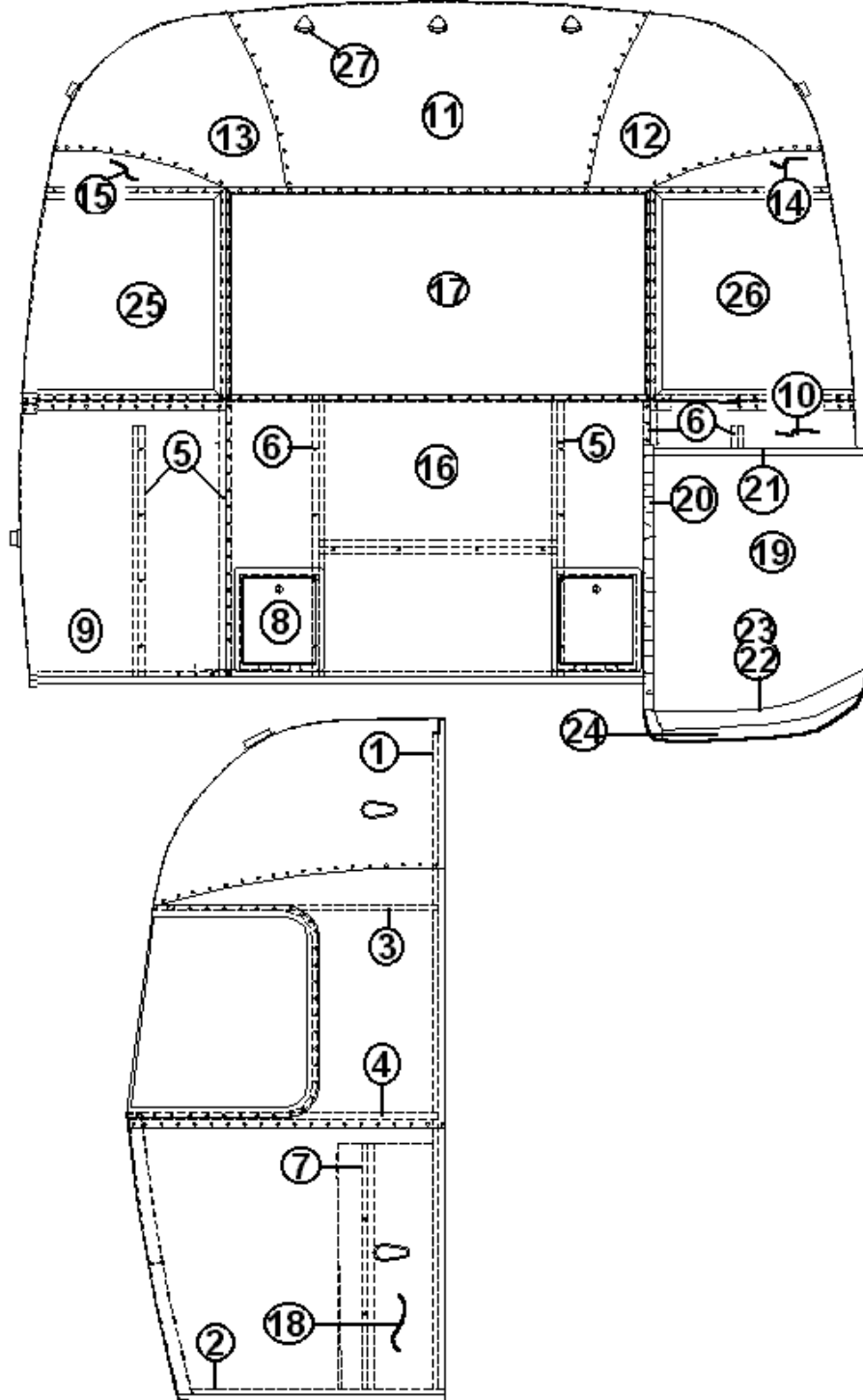
## BODY FRONT END

921162-14

End shell complete (Wrap Window)

921162-12

End shell complete, trailer w/slide out (not shown)



See next page for P/N

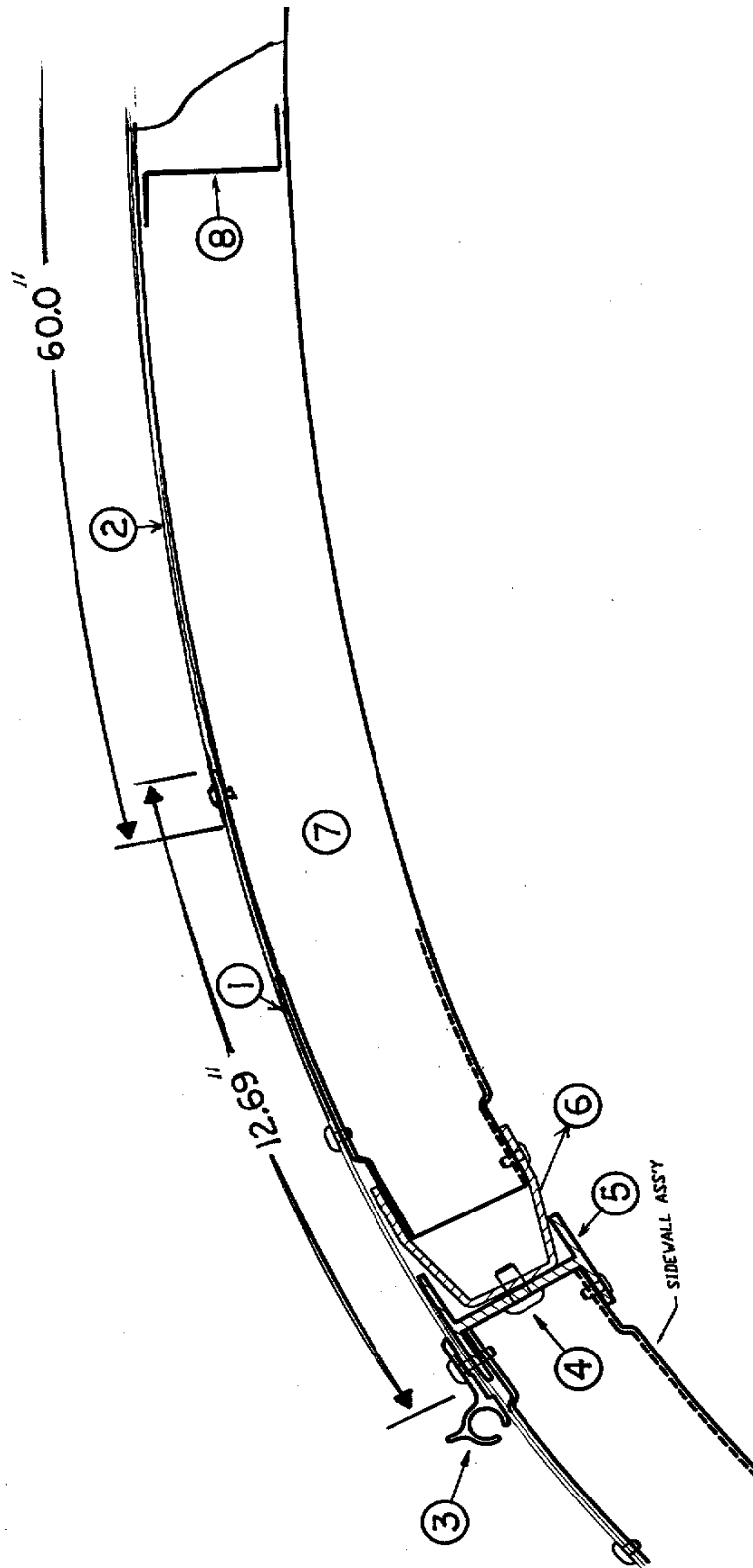
# CLASSIC TRAILER

## BODY

### FRONT END

921162-14	End shell complete (Wrap Window), 25'
921162-12	End shell complete, trailer w/slide out (not shown)
1) 114993	End bow
2) 114676	Floor bow
3) 114678	Upper window bow
4) 114677	Lower window bow
5) 114505-01	Support, lower end, LH
6) 114505-02	Support, lower end, RH
7) 101315	Brace, vertical rear
8) 109852-01	Battery box assembly
9) 114895	Segment #29
10) 114894	Segment #28
11) 114893	Segment #25
12) 114890	Segment #26
13) 114891	Segment #27
14) 114889	Segment, center right
15) 114888	Segment, center left
16) NPN Alum. sheet, .060" x 34.75" x 51" (cut from 114880)	
17) 371346-02	Window, front, dark glass
18) NPN Alum. sheet, .040 x 12" x 29" (cut from 114880)	
19) 685276-100	Wrap protector, SS, both sides
19) 685276-101	Wrap protector, SS, RS
19) 685276-102	Wrap protector, SS, CS
20) 381605-01	Hinge, stainless, wrap protector
21) 100742-01	Extrusion, mirror/wrap protector trim
22) 114460	Extrusion, rub rail
23) 201763-01	Insert, rub rail
24) 200542-01	Underbelly wrap, RS wrap protector
24a) 200543-01	Underbelly wrap, CS wrap protector
25) 372089	Panoramic window, CS front
26) 372088	Panoramic window, RS front
27) 511751	Red teardrop lights

# 2004 CLASSIC TRAILER



See next page for P/N

# CLASSIC TRAILER

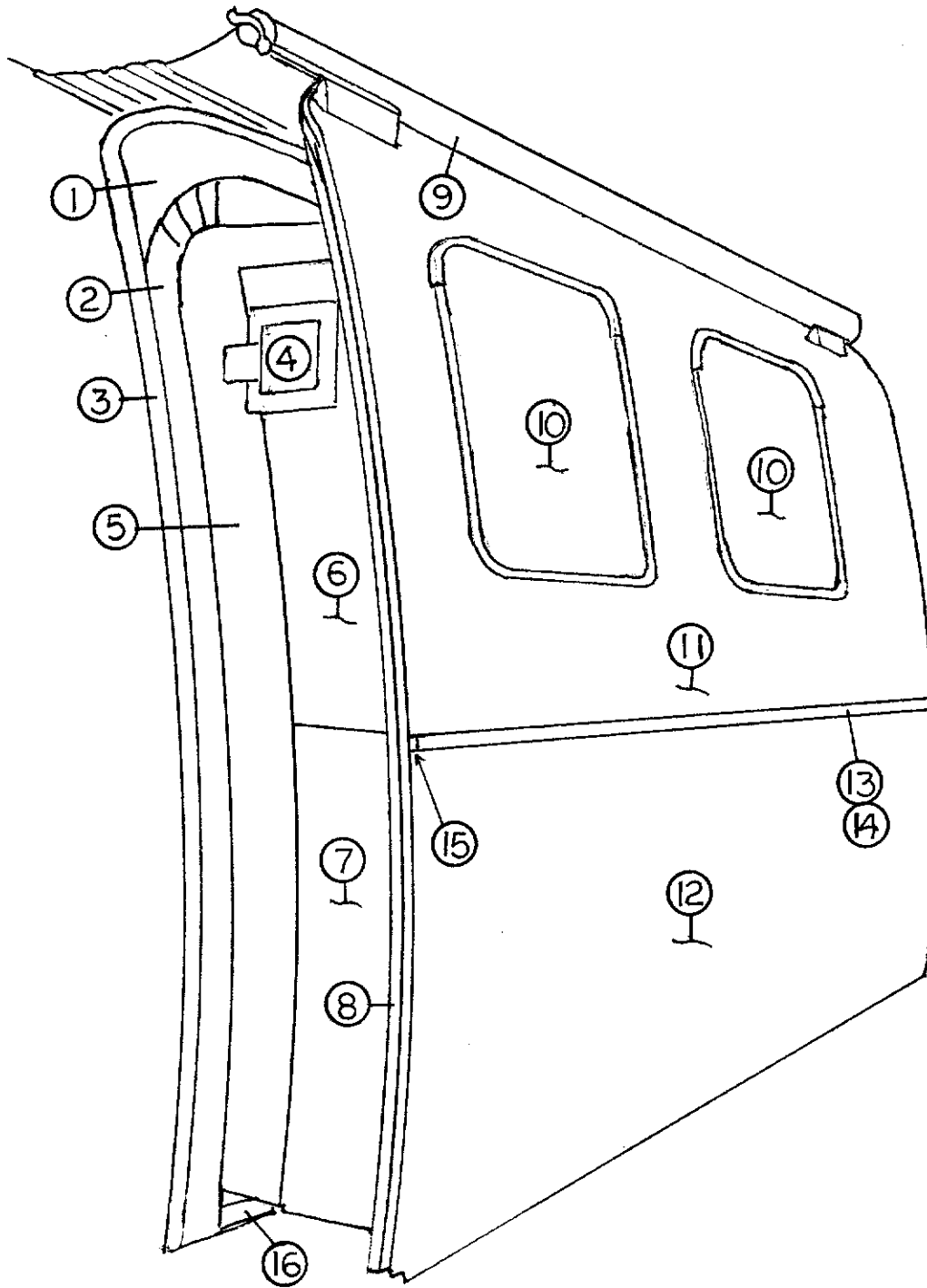
## BODY

### ROOF-END VIEW

- |                |                                                       |
|----------------|-------------------------------------------------------|
| 1) 114669-307  | Alum. Sheet, white, .032" x 12.69" x 307"             |
| 2) 114489-307  | Alum. sheet, white, .032 x 60.0 x 307", 34ft          |
| 2a) 114489-262 | Alum. sheet, white, .032 x 60 x 262", 28, 30, & 31ft. |
| 2b) 114489-198 | Alum. sheet, white, .032 x 60 x 198", 25ft.           |
| 3) 114290-01   | Extrusion, awning/drip rail, 197.25" long             |
| 114290-01      | Extrusion, awning/drip rail, 261" long                |
| 114290-01      | Extrusion, awning/drip rail, 306.5" long              |
| 4) 340123-02   | Rivet, Huck, 3/16 x 1/2"                              |
| 5) 104707-05   | Extrusion, "I" beam                                   |
| 6) 114987-03   | Extrusion, roof corner, 34ft.                         |
| 6a) 114987-02  | Extrusion, roof corner, 28, 30, & 31ft.               |
| 6b) 114987-01  | Extrusion, roof corner, 25ft.                         |
| 7) 114668      | Roof bow                                              |
| 8) 104408      | Extrusion, Z bar, horizontal                          |
| 104948         | Air deflector, A/C-Refer vent                         |



# 2004 CLASSIC TRAILER



P/N Next Page

# CLASSIC TRAILER

## SLIDE OUT ROOM 34' S/O LOUNGE

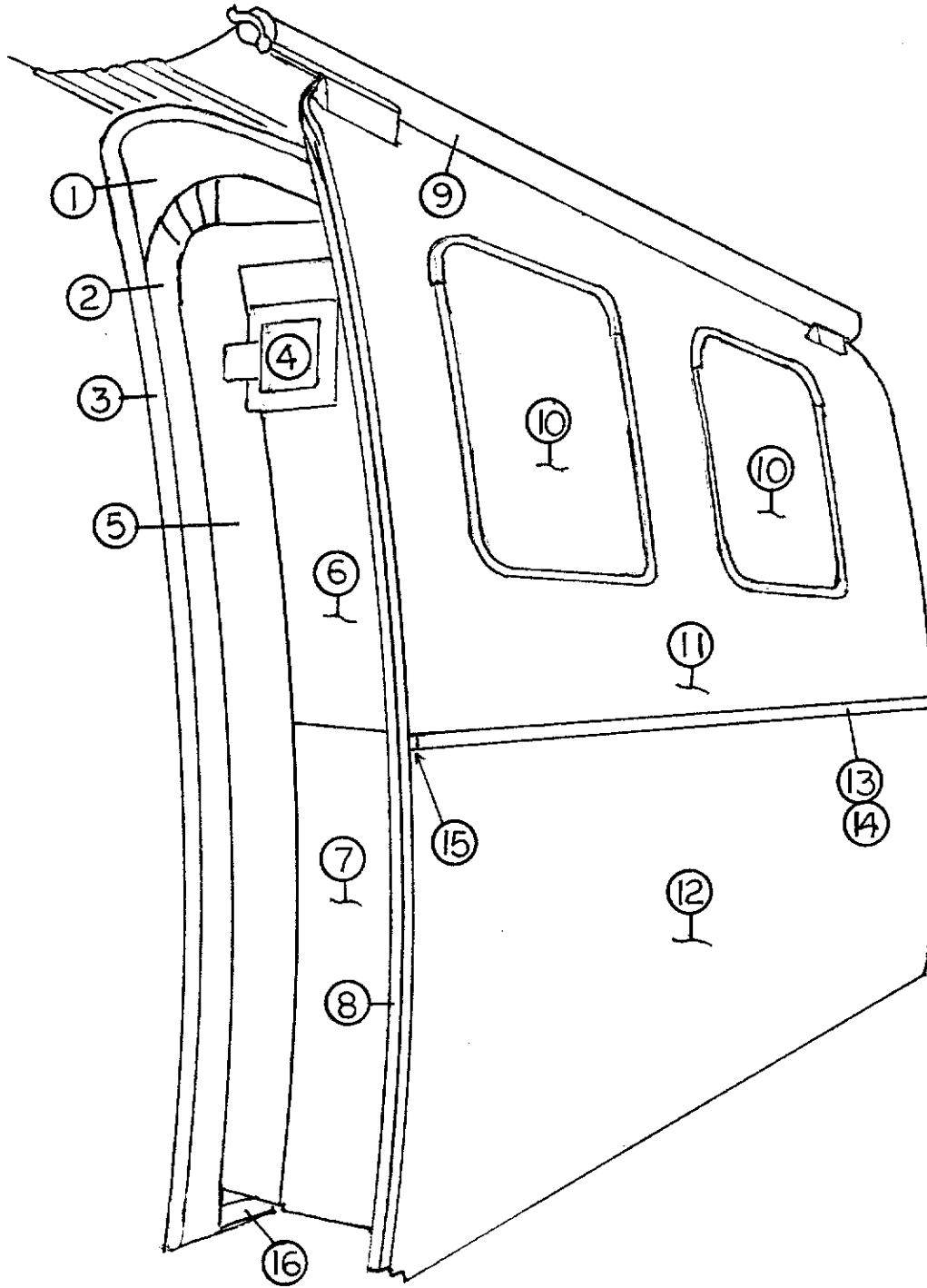
- |               |                                                     |
|---------------|-----------------------------------------------------|
| 1) 964751     | Jamb assembly, fiberglass                           |
| 2) 381669-01  | Gasket, wiper seal assembly (corner pre-formed)     |
| 3) 114974-01  | Trim, exterior jamb, slide out room, RH             |
| 3a) 114974-02 | Trim, exterior jamb, slide out room, LH             |
| 3b) 114930    | Trim, exterior jamb, S/R room, top center           |
| 4) 952648-01  | Travel lock, forward                                |
| 4a) 952648-02 | Travel lock, aft                                    |
| 5) 964752     | Room insert, fiberglass                             |
| 6) 114990-07  | End skin, forward, formed                           |
| 7) 114990-08  | End skin, aft, formed                               |
| 8) 381663     | Gasket, seal, room to exterior and room to interior |
| 9) 703052-02  | COVER/AWNING ZIP DEE, 9'4 1/2", BLUE                |
| 9a) 702949-01 | Mounting hardware, S/O room roll out cover          |
| 10) 371380    | Window, 30" opening                                 |
| 11) 114934-02 | Outer skin, formed, upper slide out                 |
| 12) 114933-02 | Outer skin, formed, lower slide out                 |
| 13) 114328    | Extrusion, belt line trim                           |
| 14) 201912    | Molding, chrome, belt line insert                   |
| 15) 114417    | Casting, closeout, belt line end                    |
| 16) 381587    | Gasket, floor wiper                                 |

### Not shown

- |            |                                             |
|------------|---------------------------------------------|
| 203379     | Roof material, fiberglass, white, 106" wide |
| 203243     | Guide blocks, nylon                         |
| 965155     | Spacer block w/ magnet                      |
| 381728     | Rubber wiper seal, 2.5" wide                |
| 801298     | Facia board, upper                          |
| 371380     | 30' opening window, tall glass only         |
| 372215     | Screen, 30" opening, tall                   |
| 114939-01  | Rib, slide out insert, R.H.                 |
| 114938-02  | Rib, slide out insert, L.H.                 |
| 801305-00Z | Spacer block, slide out                     |
| 381753     | Cove molding, 1.98" wide                    |
| 381705     | ROLLER BLOCK ASSY.                          |
| 114978     | COVER BOTTOM-S/O MOTOR                      |

# 2004 CLASSIC TRAILER

SLIDE-OUT ROOM 30 FT, 34 FT DINETTE



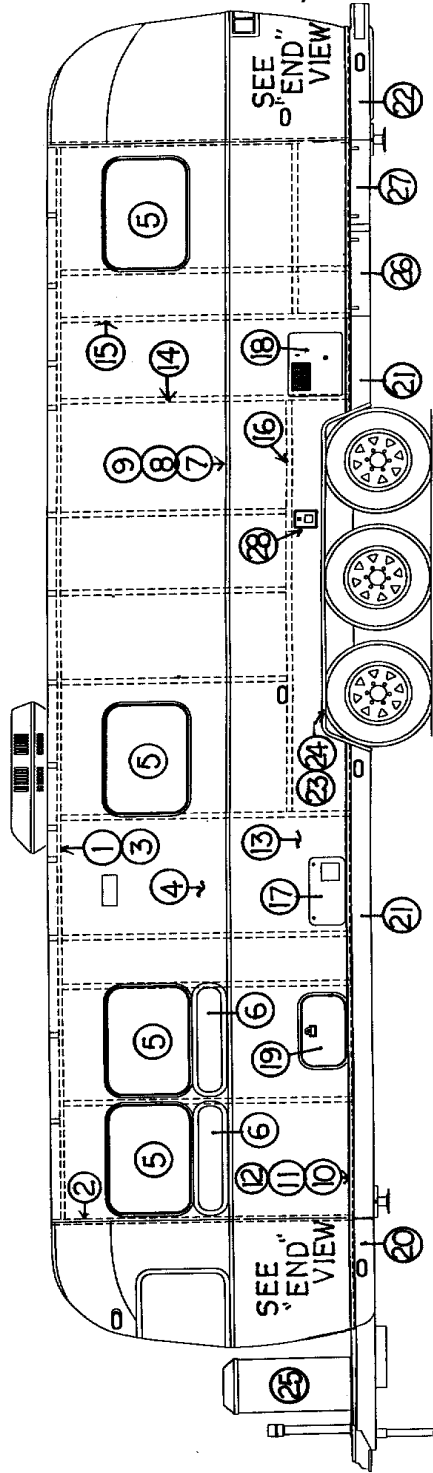
# CLASSIC TRAILER

## 965296 SLIDE-OUT ROOM 30 FT, 34 FT DINETTE

1) 965248	S/O JAMB-FIBERGLASS
2) 381669-02	WIPER SEAL ASSY
3) 114974-01	RING-TRIM EXTERIOR S/O RH
3a) 114974-02	RING-TRIM EXTERIOR S/O LH
3b) 114930	EXTRUSION- "L" SECTION
4) 952648-01	Travel lock, forward
4a) 952648-02	Travel lock, aft
5) 965247	ROOM SHELL-FIBERGLASS
6) 114990-07	END SKIN-FWD FORMED
7) 114990-08	END SKIN-AFT FORMED
8) 381663	Gasket, seal, room to exterior and room to
9) 703122-02	Cover, roll out awning
9A) 702949-01	Mounting hardware, cover awning
10) 371380	Window, 30" tall, opening
11) 115025-02	OUTER S/O UPPER SKIN ASSY
12) 115024-02	OUTER S/O SKIN LOWER ASSY
13) 114328	Extrusion, belt line trim
14) 201912	Molding, chrome, belt line insert
15) 114417	Casting, closeout, belt line end
16) 381587	Gasket, floor wiper
Not shown	
965155	Spacer block w/ magnet
381728	Rubber wiper seal, 2.5" wide
114939-01	Rib, slide out insert, R.H.
114939-02	Rib, slide out insert, L.H.
115000	EXTR. -ROCKER PANEL ALUM.
115001	ANGLE-ROCKER MOUNTING
114977	ANGLE-GREY FORMED FLOOR EDGE
915621	MOUNTING PLATE, SLIDE-OUT ARM
114941	CLOSEOUT-UNDER FLOOR CENTER S/O
801304	SHIM-SLIDE OUT ROLLER
381705	ROLLER BLOCK ASSY.
203226-01	DRAIN PLASTIC RH
203226-02	DRAIN PLASTIC LH
203243	GUIDE BLOCKS NYLON

# 2004 CLASSIC TRAILER

## BODY-34FT, RS



See next page for P/N

# CLASSIC TRAILER

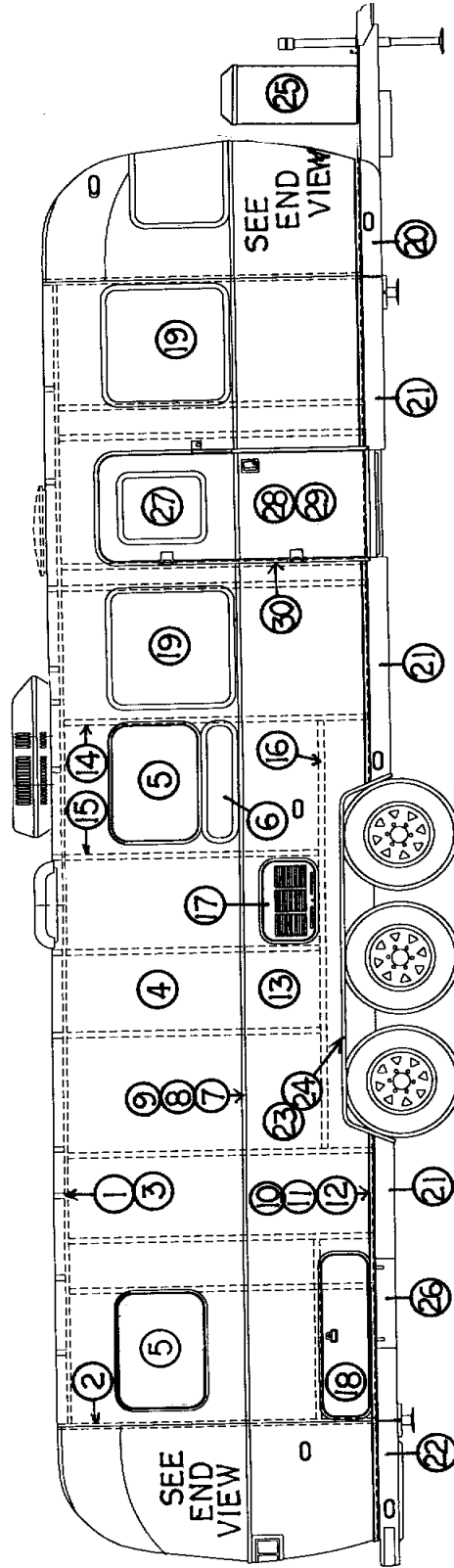
## BODY-34FT, RS

(Hardware such as hinges, locks and latches are located in the **hardware** section of this book)

- |                |                                        |
|----------------|----------------------------------------|
| 1) 114290-03   | Extrusion, awning/drip rail            |
| 2) 114993      | End bow                                |
| 3) 104707      | Extrusion, "I" beam                    |
| 4) 114880-307  | Alum. sheet, upper, .040" x 51" x307"  |
| 5) 371324-02   | Window, 30in. opening                  |
| 6) 371270-01   | Window, 30in., stack, stationary       |
| 7) 114328      | Extrusion, belt line                   |
| 8) 201912      | Molding, chrome, belt line             |
| 9) 100034      | "Z" bar, 48"                           |
| 10) 114460     | Extrusion, rub rail                    |
| 11) 201763-01  | Insert, rub rail, chrome, 1"           |
| 12) 100986     | Floor channel                          |
| 13) 114879-307 | Alum. sheet, lower, .040" x 33" x 307" |
| 14) 114387-01  | Bow, Z rib, RH                         |
| 15) 114387-02  | Bow, Z rib, LH                         |
| 16) 100986     | Wheel well stiffener (floor channel)   |
| 17) 690274-09  | Cover, Hydro-flame furnace             |
| 18) 690209     | Cover, brushed aluminum, Atwood        |
| 19) 100679-01  | Access door w/jamb                     |
| 20) 200542-01  | Banana wrap, RS front                  |
| 21) 101131-01  | Underbelly wrap, .024" x 22.5", Pewter |
| 22) 201974-03  | Bumper, rear corner, RS                |
| 23) 685257     | Wheel well trim, inner, tri-axle       |
| 24) 685258     | Wheel well trim, outer, tri-axle       |
| 25) 108393     | Bottle cover, LP, w/out decal          |
| 26) 114496-02  | Door, utility compartment              |
| 27) 114496-01  | Door, power cord compartment           |
| 28) 601194     | Water fill w/lock                      |

# 2004 CLASSIC TRAILER

## BODY-34FT CS



See next page for P/N

# CLASSIC TRAILER

## BODY-34FT CS

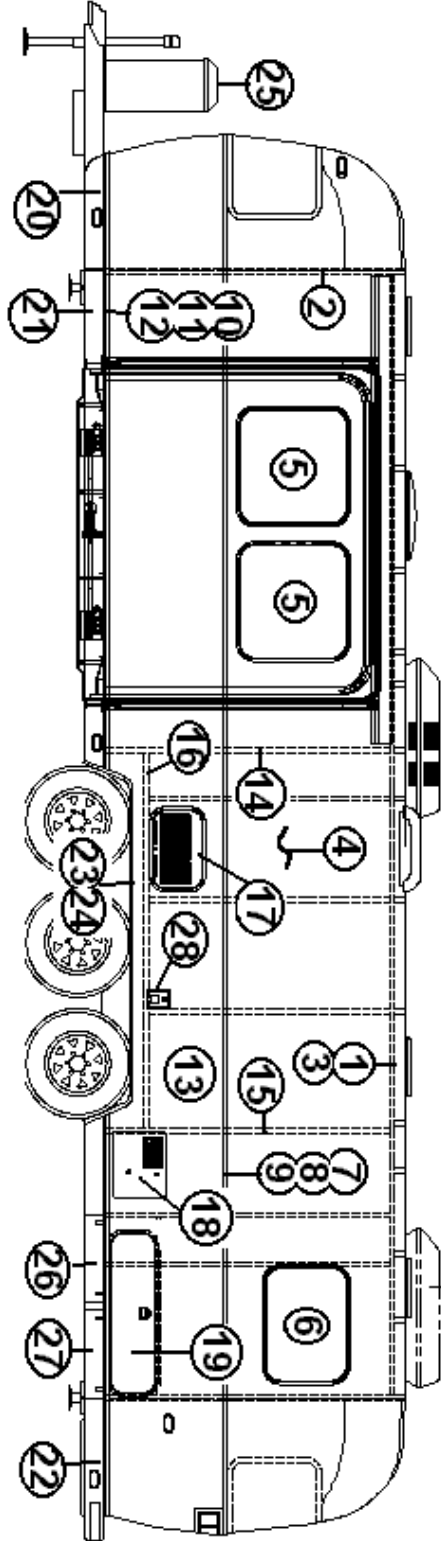
(Hardware such as hinges, locks and latches are located in the **hardware** section of this book)

- |                |                                          |
|----------------|------------------------------------------|
| 1) 114290-03   | Extrusion, awning/drip rail              |
| 2) 114993      | End bow                                  |
| 3) 104707      | Extrusion, "I" beam                      |
| 4) 114880-307  | Alum. sheet, upper, .040" x 51" x 307"   |
| 5) 371324-02   | Window, 30in. opening                    |
| 6) 371270-01   | Window, 30in., stack, stationary         |
| 7) 114328      | Extrusion, belt line                     |
| 8) 201912      | Molding, chrome, belt line               |
| 9) 100034      | "Z" bar, 48"                             |
| 10) 114460     | Extrusion, rub rail                      |
| 11) 201763-01  | Insert, rub rail, chrome, 1"             |
| 12) 100986     | Floor channel                            |
| 13) 114879-307 | Alum. sheet, lower, .040" x 33" x 307"   |
| 14) 114387-01  | Bow, Z rib, RH                           |
| 15) 114387-02  | Bow, Z rib, LH                           |
| 16) 100986     | Wheel well stiffener (floor channel)     |
| 17) 922243     | Louvered panel, refrigerator access door |
| 18) 922288-01  | Door, side access, long, twin only       |
| 19) 371285-01  | Window, stationary, 30in.                |
| 20) 200543-01  | Banana wrap, CS front                    |
| 21) 101131-01  | Underbelly wrap, .024" x 22.5", Pewter   |
| 22) 201974-04  | Bumper, rear corner, CS                  |
| 23) 685257     | Wheel well trim, inner, tri-axle         |
| 24) 685258     | Wheel well trim, outer, tri-axle         |
| 25) 108393     | Bottle cover, LP, w/out decal            |
| 26) 114496-02  | Door, utility compartment                |
| 27) 371319-05  | Window, main door                        |
| 28) 110067-04  | Main door assembly, Limited              |
| 29) 114654     | Screen door assembly                     |
| 30) 114652     | Main door jamb, formed                   |



# 2004 CLASSIC TRAILER

BODY-34FT S/O, RS



# CLASSIC TRAILER

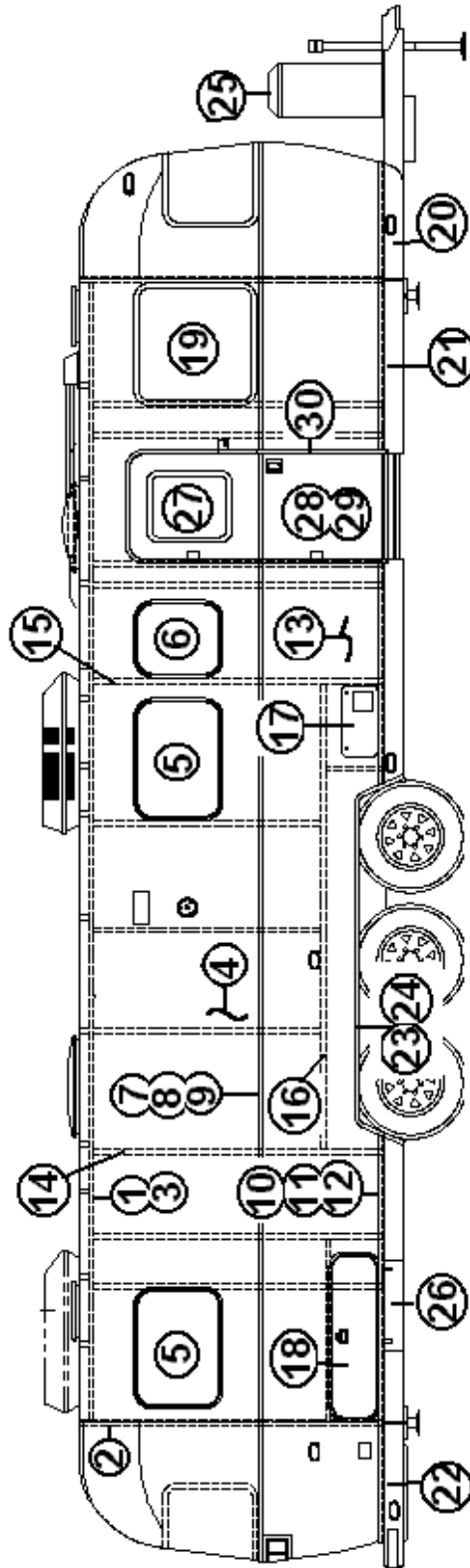
## BODY-34FT S/O, RS

(Hardware such as hinges, locks and latches are located in the **hardware** section of this book)

- |                |                                          |
|----------------|------------------------------------------|
| 1) 114290-03   | Extrusion, awning/drip rail              |
| 2) 114993      | End bow                                  |
| 3) 104707      | Extrusion, "I" beam                      |
| 4) 114880-307  | Alum. sheet, upper, .040" x 51" x307"    |
| 5) 371380      | Window, 30" tall, opening                |
| 6) 371324-02   | Window, 30in., opening                   |
| 7) 114328      | Extrusion, belt line                     |
| 8) 201912      | Molding, chrome, belt line               |
| 9) 100034      | "Z" bar, 48"                             |
| 10) 114460     | Extrusion, rub rail                      |
| 11) 201763-01  | Insert, rub rail, chrome, 1"             |
| 12) 100986     | Floor channel                            |
| 13) 114879-307 | Alum. sheet, lower, .040" x 33" x 307"   |
| 14) 114387-01  | Bow, Z rib, RH                           |
| 15) 114387-02  | Bow, Z rib, LH                           |
| 16) 100986     | Wheel well stiffener (floor channel)     |
| 17) 922243     | Louvered panel, refrigerator access door |
| 18) 690209     | Cover, brushed aluminum, Atwood          |
| 19) 922288-01  | Door, side access, long, twin only       |
| 20) 200542-01  | Banana wrap, RS front                    |
| 21) 101131-01  | Underbelly wrap, .024" x 22.5", Pewter   |
| 22) 201974-03  | Bumper, rear corner, RS                  |
| 23) 685257     | Wheel well trim, inner, tri-axle         |
| 24) 685258     | Wheel well trim, outer, tri-axle         |
| 25) 108393     | Bottle cover, LP, w/out decal            |
| 26) 114496-02  | Door, utility compartment                |
| 27) 114496-01  | Door, power cord compartment             |
| 28) 601194     | Water fill w/lock                        |

# 2004 CLASSIC TRAILER

BODY-34FT S/O CS



# CLASSIC TRAILER

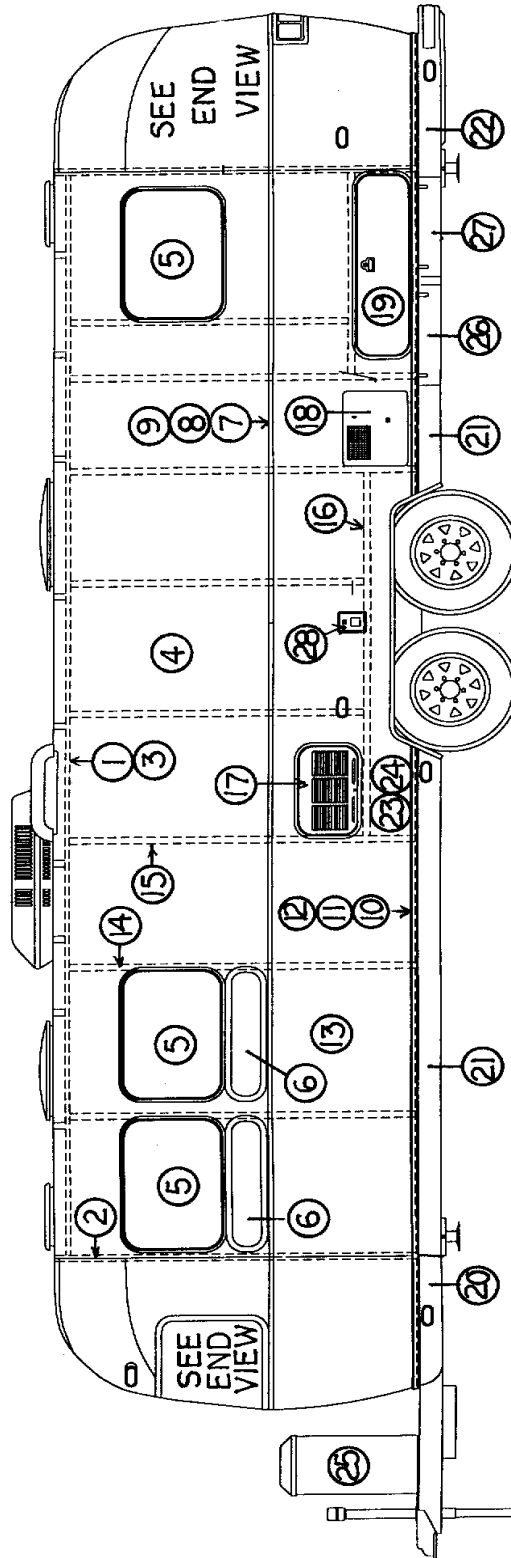
## BODY-34FT S/O CS

(Hardware such as hinges, locks and latches are located in the **hardware** section of this book)

- |                |                                        |
|----------------|----------------------------------------|
| 1) 114290-03   | Extrusion, awning/drip rail            |
| 2) 114993      | End bow                                |
| 3) 104707      | Extrusion, "I" beam                    |
| 4) 114880-307  | Alum. sheet, upper, .040" x 51" x 307" |
| 5) 371324-02   | Window, 30in. opening                  |
| 6) 371323-02   | Window, 18" non-opening                |
| 7) 114328      | Extrusion, belt line                   |
| 8) 201912      | Molding, chrome, belt line             |
| 9) 100034      | "Z" bar, 48"                           |
| 10) 114460     | Extrusion, rub rail                    |
| 11) 201763-01  | Insert, rub rail, chrome, 1"           |
| 12) 100986     | Floor channel                          |
| 13) 114879-307 | Alum. sheet, lower, .040" x 33" x 307" |
| 14) 114387-01  | Bow, Z rib, RH                         |
| 15) 114387-02  | Bow, Z rib, LH                         |
| 16) 100986     | Wheel well stiffener (floor channel)   |
| 17) 690274-09  | Cover, Hydro-flame furnace             |
| 18) 922288-01  | Door, side access, long, twin only     |
| 19) 371285-01  | Window, stationary, 30in.              |
| 20) 200543-01  | Banana wrap, CS front                  |
| 21) 101131-01  | Underbelly wrap, .024" x 22.5", Pewter |
| 22) 201974-04  | Bumper, rear corner, CS                |
| 23) 685257     | Wheel well trim, inner, tri-axle       |
| 24) 685258     | Wheel well trim, outer, tri-axle       |
| 25) 108393     | Bottle cover, LP, w/out decal          |
| 26) 114496-04  | Door, TV/coax compartment              |
| 27) 371319-05  | Window, main door                      |
| 28) 110067-04  | Main door assembly, Limited            |
| 29) 114654     | Screen door assembly                   |
| 30) 114652     | Main door jamb, formed                 |

# 2004 CLASSIC TRAILER

## BODY-31FT, RS



See next page for P/N

# CLASSIC TRAILER

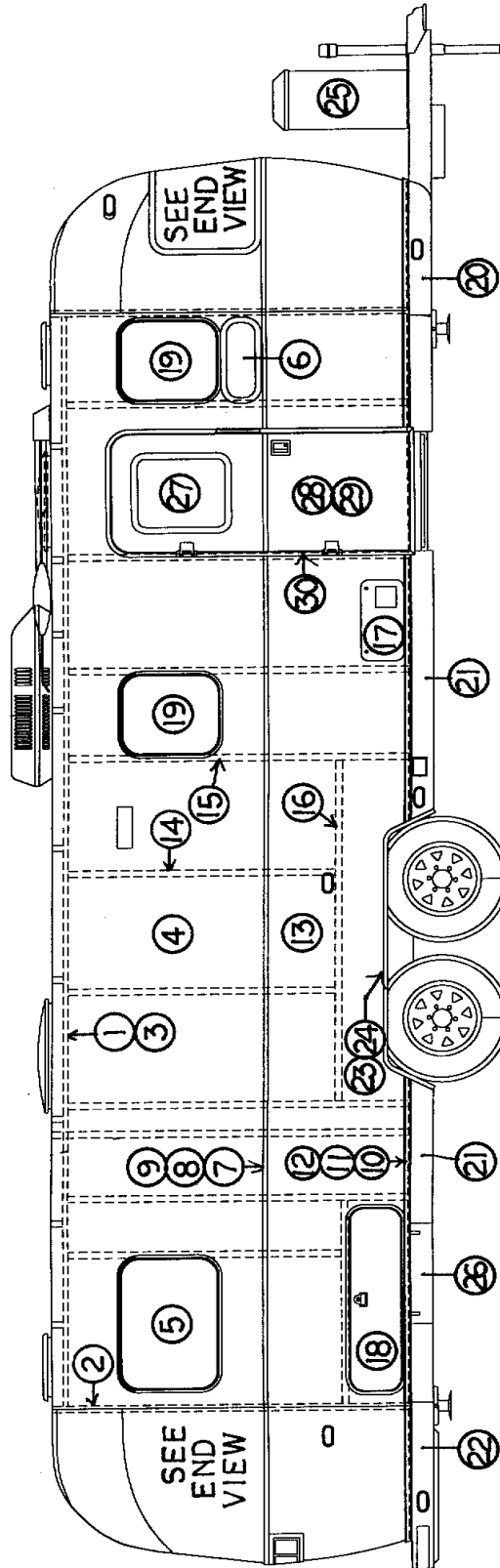
## BODY-31FT, RS

(Hardware such as hinges, locks and latches are located in the **hardware** section of this book)

- |                |                                          |
|----------------|------------------------------------------|
| 1) 114290-03   | Extrusion, awning/drip rail              |
| 2) 114993      | End bow                                  |
| 3) 104707      | Extrusion, "I" beam                      |
| 4) 114880-262  | Alum. sheet, upper, .040" x 51" x 262"   |
| 5) 371324-02   | Window, 30in. opening                    |
| 6) 371270-01   | Window, 30in., stack, stationary         |
| 7) 114328      | Extrusion, belt line                     |
| 8) 201912      | Molding, chrome, belt line               |
| 9) 100034      | "Z" bar, 48"                             |
| 10) 114460     | Extrusion, rub rail                      |
| 11) 201763-01  | Insert, rub rail, chrome, 1"             |
| 12) 100986     | Floor channel                            |
| 13) 114879-262 | Alum. sheet, lower, .040" x 33" x 262"   |
| 14) 114387-01  | Bow, Z rib, RH                           |
| 15) 114387-02  | Bow, Z rib, LH                           |
| 16) 100986     | Wheel well stiffener(floor channel)      |
| 17) 922243     | Louvered panel, refrigerator access door |
| 18) 690209     | Cover, brushed aluminum, Atwood          |
| 19) 922288-01  | Door, side access, long, twin only       |
| 20) 200542-01  | Banana wrap, RS front                    |
| 21) 101131-01  | Underbelly wrap, .024 "x 22.5", Pewter   |
| 22) 201974-03  | Bumper, rear corner, RS                  |
| 23) 684936     | Wheel well trim, outer, tandem axle      |
| 24) 684937     | Wheel well trim, inner, tandem axle      |
| 25) 108393     | Bottle cover, LP, w/o decals             |
| 26) 114496-02  | Door, utility compartment                |
| 27) 114496-01  | Door, power cord compartment             |
| 28) 601194     | Water fill w/lock                        |

# 2004 CLASSIC TRAILER

BODY-31FT, CS



See next page for P/N

# CLASSIC TRAILER

## BODY-31FT, CS

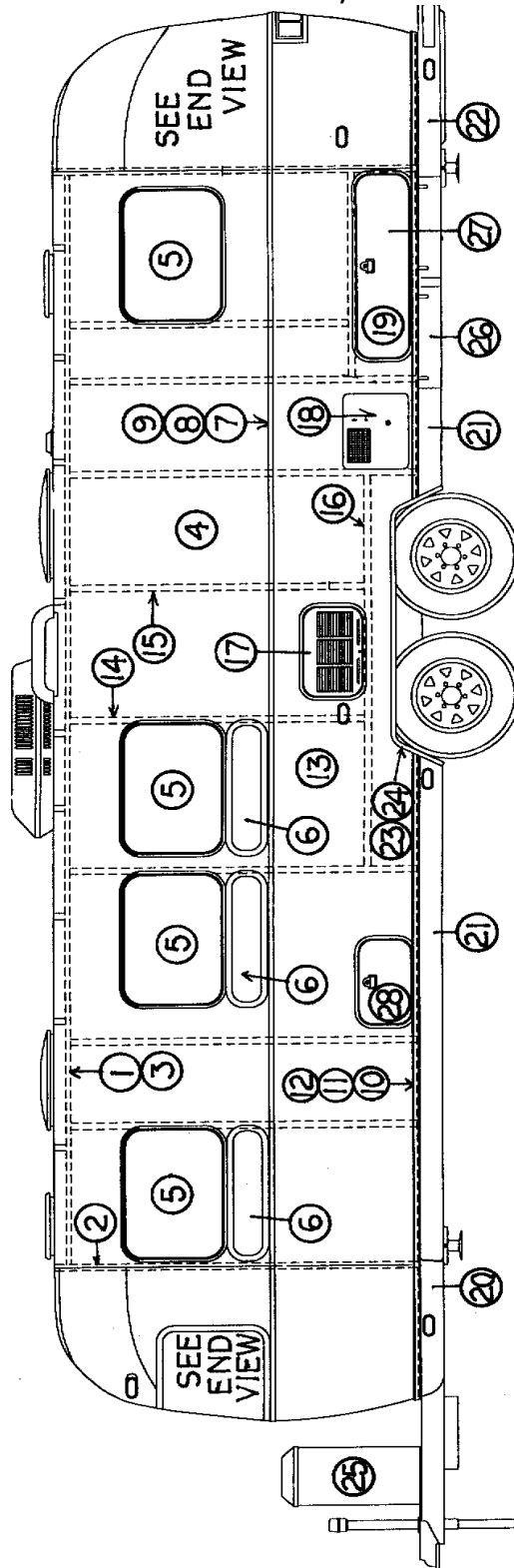
(Hardware such as hinges, locks and latches are located in the **hardware** section of this book)

- |                |                                        |
|----------------|----------------------------------------|
| 1) 114290-03   | Extrusion, awning/drip rail            |
| 2) 114993      | End bow                                |
| 3) 104707      | Extrusion, "I" beam                    |
| 4) 114880-262  | Alum. sheet, upper, .040" x 51" x 262" |
| 5) 371324-02   | Window, 30in. opening                  |
| 6) 371269-01   | Window, 18in., stack, stationary       |
| 7) 114328      | Extrusion, belt line                   |
| 8) 201912      | Molding, chrome, belt line             |
| 9) 100034      | "Z" bar, 48"                           |
| 10) 114460     | Extrusion, rub rail                    |
| 11) 201763-01  | Insert, rub rail, chrome, 1"           |
| 12) 100986     | Floor channel                          |
| 13) 114879-262 | Alum. sheet, lower, .040" x 33" x 262" |
| 14) 114387-01  | Bow, Z rib, RH                         |
| 15) 114387-02  | Bow, Z rib, LH                         |
| 16) 100986     | Wheel well stiffener(floor channel)    |
| 17) 690274-09  | Cover Hydroflame furnace               |
| 18) 922288-01  | Door, side access, long, twin only     |
| 19) 371323-01  | Window, 18in. opening                  |
| 20) 200543-01  | Banana wrap, CS front                  |
| 21) 101131-01  | Underbelly wrap, .024".x 22.5", Pewter |
| 22) 201974-04  | Bumper, rear corner, CS                |
| 23) 684936     | Wheel well trim, inner, tandem         |
| 24) 684937     | Wheel well trim, outer, tandem         |
| 25) 108393     | Bottle cover, LP, w/o decal            |
| 26) 114496-02  | Door, utility compartment              |
| 27) 371319-05  | Window, main door                      |
| 28) 110067-04  | Main door assembly, Limited            |
| 29) 114654     | Screen door assembly                   |
| 30) 114652     | Main door jamb, formed                 |



# 2004 CLASSIC TRAILER

BODY-30FT, RS



See next page for P/N

# CLASSIC TRAILER

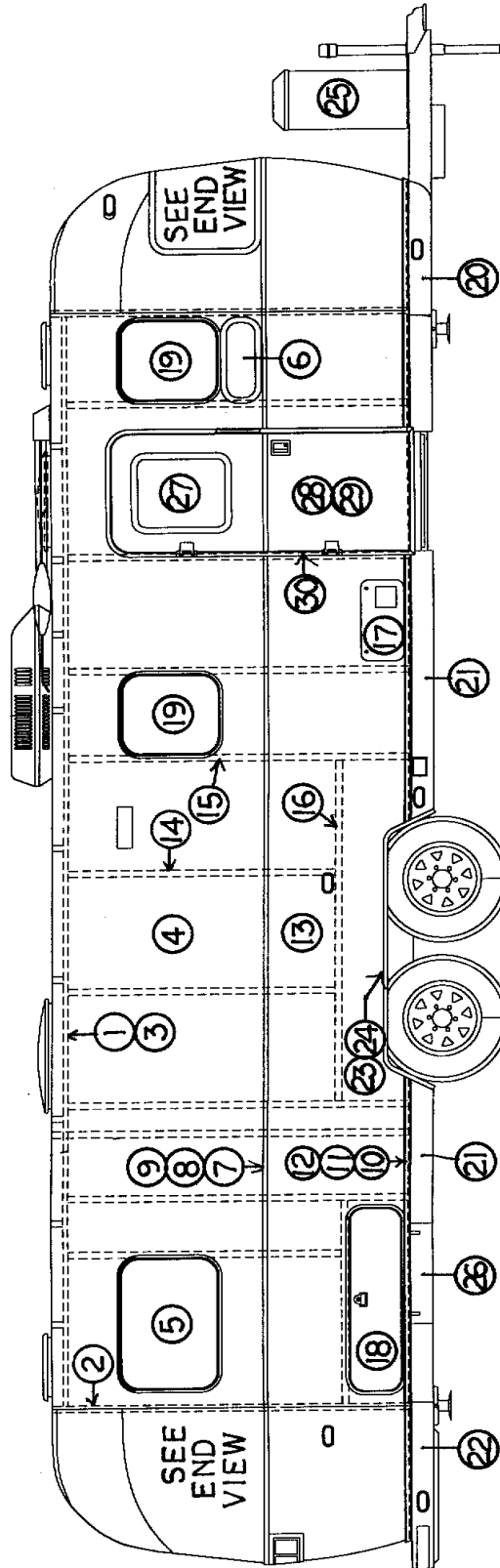
## BODY-30FT, RS

(Hardware such as hinges, locks and latches are located in the **hardware** section of this book)

- |                |                                          |
|----------------|------------------------------------------|
| 1) 114290-03   | Extrusion, awning/drip rail              |
| 2) 114993      | End bow                                  |
| 3) 104707-06   | Extrusion, "I" beam                      |
| 4) 114880-262  | Alum, sheet, upper, .040" x 51" x 262"   |
| 5) 371324-02   | Window, 30in. opening                    |
| 6) 371270-01   | Window, 30in., stack, stationary         |
| 7) 114328      | Extrusion, belt line                     |
| 8) 201912      | Molding, chrome, belt line               |
| 9) 100034      | "Z" bar, 48"                             |
| 10) 114460     | Extrusion, rub rail                      |
| 11) 201763-01  | Insert, rub rail, chrome, 1"             |
| 12) 100986     | Floor channel                            |
| 13) 114879-262 | Alum, sheet, lower, .040" x 33" x 262"   |
| 14) 114387-01  | Bow, Z rib, RH                           |
| 15) 114387-02  | Bow, Z rib, LH                           |
| 16) 100986     | Wheel well stiffener(floor channel)      |
| 17) 922243     | Louvered panel, refrigerator access door |
| 18) 690209     | Cover, brushed aluminum, Atwood          |
| 19) 922288-01  | Door, side access, long, twin only       |
| 20) 200542-01  | Banana wrap, RS front                    |
| 21) 101131-01  | Underbelly wrap, .024" x 22.5", Pewter   |
| 22) 201974-03  | Bumper, rear corner, RS                  |
| 23) 684936     | Wheel well trim, outer, tandem axle      |
| 24) 684937     | Wheel well trim, inner, tandem axle      |
| 25) 108393     | Bottle cover, LP, w/o decals             |
| 26) 114496-02  | Door, utility compartment                |
| 27) 114496-01  | Door, power cord compartment             |
| 28) 100679-01  | Access door w/jamb                       |

# 2004 CLASSIC TRAILER

BODY-30FT, 30FT S/O, CS



See next page for P/N

# CLASSIC TRAILER

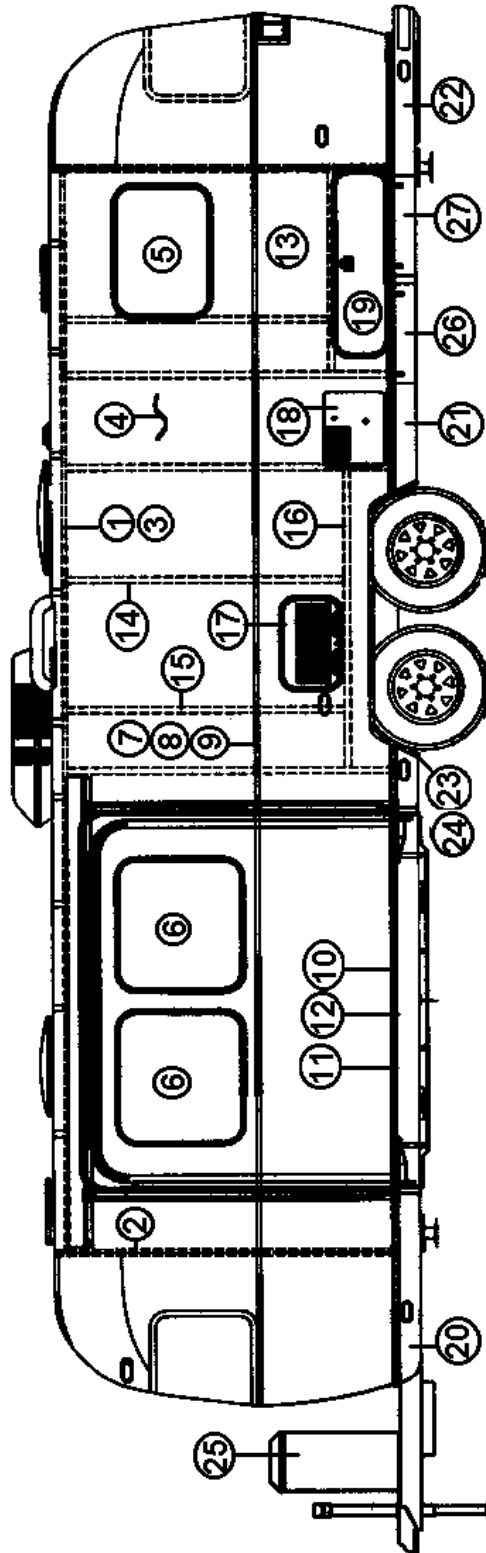
## BODY-30FT, 30FT S/O, CS

(Hardware such as hinges, locks and latches are located in the **hardware** section of this book)

- |                |                                        |
|----------------|----------------------------------------|
| 1) 114290-03   | Extrusion, awning/drip rail            |
| 2) 114993      | End bow                                |
| 3) 104707      | Extrusion, "I" beam                    |
| 4) 114880-262  | Alum. sheet, upper, .040" x 51" x 262" |
| 5) 371324-02   | Window, 30in. opening                  |
| 6) 371269-01   | Window, 18in., stack, stationary       |
| 7) 114328      | Extrusion, belt line                   |
| 8) 201912      | Molding, chrome, belt line             |
| 9) 100034      | "Z" bar, 48"                           |
| 10) 114460     | Extrusion, rub rail                    |
| 11) 201763-01  | Insert, rub rail, chrome, 1"           |
| 12) 100986     | Floor channel                          |
| 13) 114879-262 | Alum. sheet, lower, .040" x 33" x 262" |
| 14) 114387-01  | Bow, Z rib, RH                         |
| 15) 114387-02  | Bow, Z rib, LH                         |
| 16) 100986     | Wheel well stiffener (floor channel)   |
| 17) 690274-09  | Cover Hydroflame furnace               |
| 18) 922288-01  | Door, side access, long, twin only     |
| 19) 371323-01  | Window, 18in. opening                  |
| 20) 200543-01  | Banana wrap, CS front                  |
| 21) 101131-01  | Underbelly wrap, .024" x 22.5", Pewter |
| 22) 201974-04  | Bumper, rear corner, CS                |
| 23) 684936     | Wheel well trim, outer, tandem         |
| 24) 684937     | Wheel well trim, inner, tandem         |
| 25) 108393     | Bottle cover, LP, w/o decal            |
| 26) 114496-02  | Door, utility compartment              |
| 27) 371319-05  | Window, main door                      |
| 28) 110067-04  | Main door assembly, Limited            |
| 29) 114654     | Screen door assembly                   |
| 30) 114652     | Main door jamb, formed                 |

# 2004 CLASSIC TRAILER

30 FT S/O RS



See next page for P/N

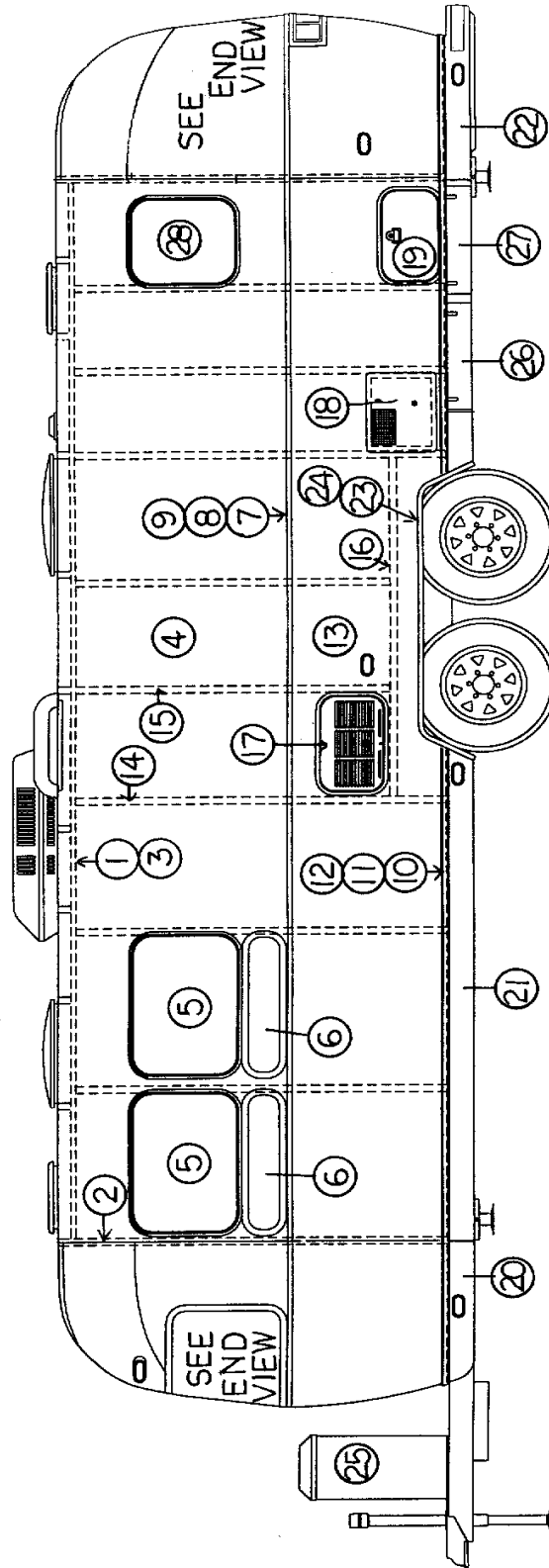
# CLASSIC TRAILER

30Ft. slide out  
RS wall

- |                |                                          |
|----------------|------------------------------------------|
| 1) 114290-03   | Extrusion, awning rail/drip rail         |
| 2) 114993      | End bow                                  |
| 3) 104707      | Extrusion, "I" beam                      |
| 4) 114880-262  | Aluminum sheet, .040 x 51" x 262"        |
| 5) 371324-02   | Window, 30 inch opening                  |
| 6) 371380      | Window, 30 opening, tall                 |
| 7) 114328      | Extrusion beltline                       |
| 8) 201912      | Molding, chrome, beltline                |
| 9) 100034      | "Z" bar 48", stiffener                   |
| 10) 114460     | Extrusion, rub rail                      |
| 11) 201763-01  | Insert, rub rail, chrome, 1"             |
| 12) 100986     | Floor channel                            |
| 13) 114879-262 | Aluminum sheet, .040 x 33 x 262"         |
| 14) 114387-01  | Bow, Z rib, RH                           |
| 15) 114387-02  | Bow, Z rib, LH                           |
| 16) 100986     | Wheel well stiffener                     |
| 17) 922243     | Louvered panel, refrigerator access door |
| 18) 690209     | Cover, brushed aluminum, Atwood          |
| 19) 922288-01  | Door, side access, long                  |
| 20) 200542-01  | Banana wrap, RS front                    |
| 21) 101131-01  | Underbelly wrap, .024 x 22.5, pewter     |
| 22) 201974-03  | Bumper, rear corner, RS                  |
| 23) 684936     | Wheel well trim, outer, tandem axle      |
| 24) 684937     | Wheel well trim, inner, tandem axle      |
| 25) 108393     | Bottle cover, LP, w/o decals             |
| 26) 114496-02  | Door, utility compartment                |
| 27) 114496-01  | Door, power cord compartment             |

# 2004 CLASSIC TRAILER

BODY-28FT, RS



See next page for P/N

# CLASSIC TRAILER

## BODY-28FT, RS

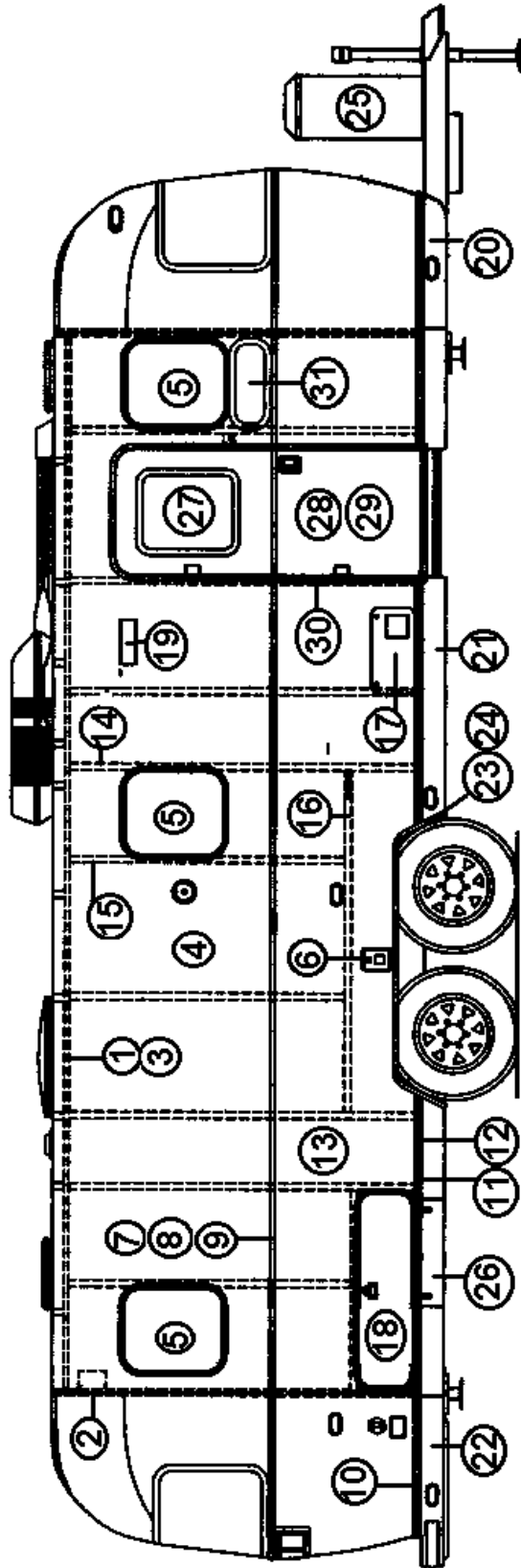
(Hardware such as hinges, locks and latches are located in the **hardware** section of this book)

- |                |                                          |
|----------------|------------------------------------------|
| 1) 114290-03   | Extrusion, awning/drip rail              |
| 2) 114993      | Rib, end bow                             |
| 3) 104707      | Extrusion, "I" beam                      |
| 4) 114880-262  | Alum. sheet, upper, .040" x 51" x 262"   |
| 5) 371324-02   | Window, 30in. opening                    |
| 6) 371270-01   | Window, 30in., stack, stationary         |
| 7) 114328      | Extrusion, belt line                     |
| 8) 201912      | Molding, chrome, belt line               |
| 9) 100034      | "Z" bar, 48"                             |
| 10) 114460     | Extrusion, rub rail                      |
| 11) 201763-01  | Insert, rub rail, chrome, 1"             |
| 12) 100986     | Floor channel                            |
| 13) 114879-262 | Alum. sheet, lower, .040" x 33" x 262"   |
| 14) 114387-01  | Bow, Z rib, RH                           |
| 15) 114387-02  | Bow, Z rib, LH                           |
| 16) 100986     | Wheel well stiffener (floor channel)     |
| 17) 922243     | Louvered panel, refrigerator access door |
| 18) 690209     | Cover, brushed aluminum, Atwood          |
| 19) 100679-01  | Door, side access with jamb              |
| 20) 200542-01  | Banana wrap, RS front                    |
| 21) 101131-01  | Underbelly wrap, .024" x 22.5", Pewter   |
| 22) 201974-03  | Bumper, rear corner, RS                  |
| 23) 684936     | Wheel well trim, outer, tandem axle      |
| 24) 684937     | Wheel well trim, inner, tandem axle      |
| 25) 108393     | Bottle cover, LP, w/o decals             |
| 26) 114496-02  | Door, utility compartment                |
| 27) 114496-01  | Door, power cord compartment             |
| 28) 371323-01  | Window, 18" opening                      |



# 2004 CLASSIC TRAILER

BODY-28FT, CS



See next page for P/N

# CLASSIC TRAILER

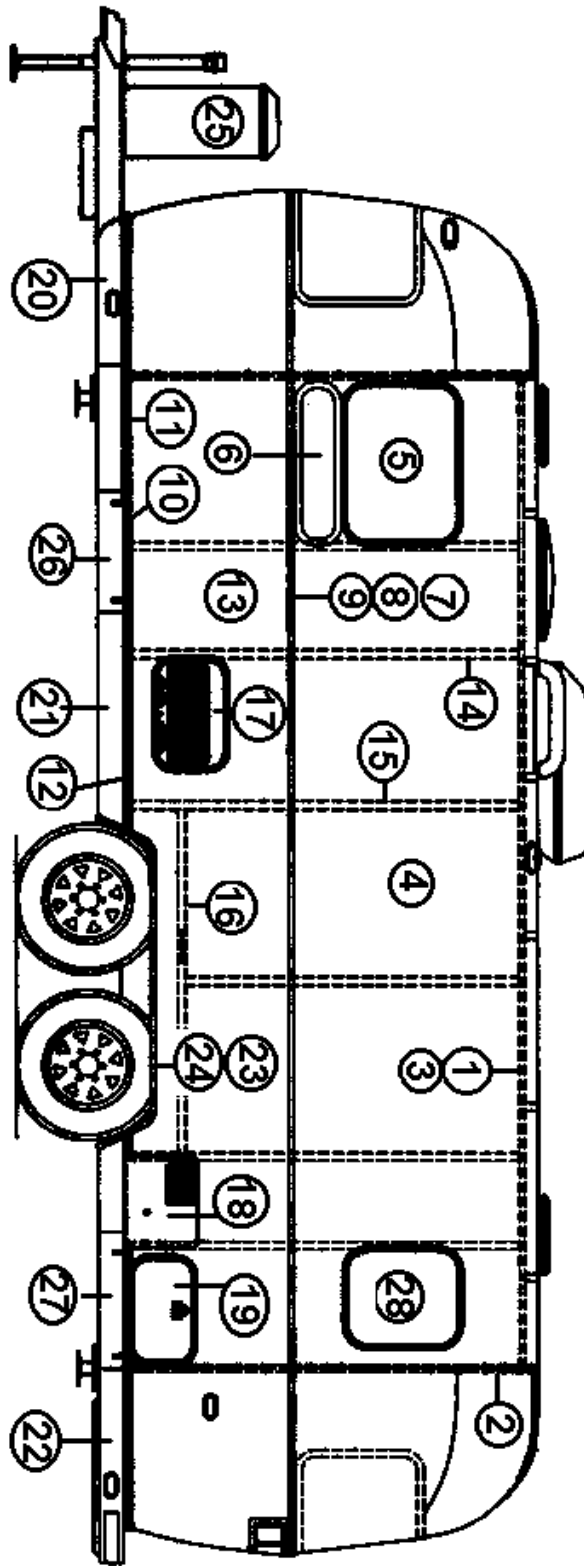
## BODY-28FT, CS

(Hardware such as hinges, locks and latches are located in the **hardware** section of this book)

- |                |                                        |
|----------------|----------------------------------------|
| 1) 114290-03   | Extrusion, awning/drip rail            |
| 2) 114993      | Rib, end bow                           |
| 3) 104707      | Extrusion, "I" beam                    |
| 4) 114880-262  | Alum. sheet, upper, .040" x 51" x 262" |
| 5) 371323-01   | Window, 18in. opening                  |
| 6) 601194      | Water fill w/lock                      |
| 7) 114328      | Extrusion, belt line                   |
| 8) 201912      | Molding, chrome, belt line             |
| 9) 100034      | "Z" bar, 48"                           |
| 10) 114460     | Extrusion, rub rail                    |
| 11) 201763-01  | Insert, rub rail,chrome,1"             |
| 12) 100986     | Floor channel                          |
| 13) 114879-262 | Alum. sheet, lower, .040" x 33" x 262" |
| 14) 114387-01  | Bow, Z rib, RH                         |
| 15) 114387-02  | Bow, Z rib, LH                         |
| 16) 100986     | Wheel well stiffener (floor channel)   |
| 17) 690274-09  | Cover Hydro-flame furnace              |
| 18) 922288-01  | Door, side access, long, twin only     |
| 19) 511017-11  | Vent cover, exterior, range exhaust    |
| 20) 200543-01  | Banana wrap, CS front                  |
| 21) 101131-01  | Underbelly wrap, .024" x 22.5", Pewter |
| 22) 201974-04  | Bumper, rear corner, CS                |
| 23) 684936     | Wheel well trim, outer, tandem         |
| 24) 684937     | Wheel well trim, inner, tandem         |
| 25) 108393     | Bottle cover, LP, w/o decal            |
| 26) 114496-02  | Door, utility compartment              |
| 27) 371319-05  | Window, main door                      |
| 28) 110067-04  | Main door assembly, Limited            |
| 29) 114654     | Screen door assembly                   |
| 30) 114652     | Main door jamb, formed                 |
| 31) 371269-01  | Window, 18" stack                      |

# 2004 CLASSIC TRAILER

BODY-25FT, RS



See next page for P/N

# CLASSIC TRAILER

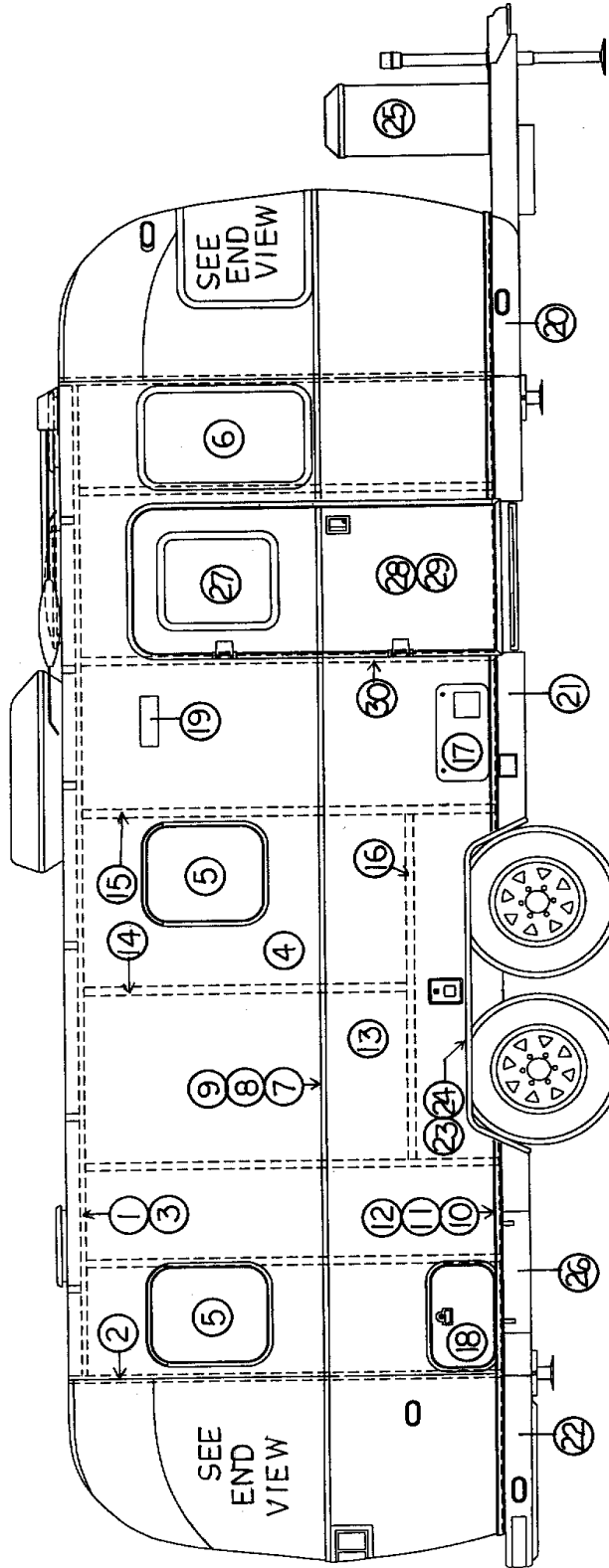
## BODY-25FT, RS

(Hardware such as hinges, locks and latches are located in the **hardware** section of this book)

- |                |                                          |
|----------------|------------------------------------------|
| 1) 114290-03   | Extrusion, awning/drip rail              |
| 2) 114993      | End bow                                  |
| 3) 104707-05   | Extrusion, "I" beam                      |
| 4) 114880-198  | Alum. sheet, upper, .040" x 51" x 198"   |
| 5) 371324-02   | Window, 30in. opening                    |
| 6) 371270-01   | Window, 30in., stack, stationary         |
| 7) 114328      | Extrusion, belt line                     |
| 8) 201912      | Molding, chrome, belt line               |
| 9) 100034      | "Z" bar, 48"                             |
| 10) 114460     | Extrusion, rub rail                      |
| 11) 201763-01  | Insert, rub rail, chrome, 1"             |
| 12) 100986     | Floor channel                            |
| 13) 114879-198 | Alum. sheet, lower, .040" x 33" x 198"   |
| 14) 114387-01  | Bow, Z rib, RH                           |
| 15) 114387-02  | Bow, Z rib, LH                           |
| 16) 100986     | Wheel well stiffener (floor channel)     |
| 17) 922243     | Louvered panel, refrigerator access door |
| 18) 690209     | Cover, brushed aluminum, Atwood          |
| 19) 100679-01  | Door, side access with jamb              |
| 20) 200542-01  | Banana wrap, RS front                    |
| 21) 101131-01  | Underbelly wrap, .024" x 22.5", Pewter   |
| 22) 201974-03  | Bumper, rear corner, RS                  |
| 23) 684936     | Wheel well trim, outer, tandem axle      |
| 24) 684937     | Wheel well trim, inner, tandem axle      |
| 25) 108393     | Bottle cover, LP, w/o decals             |
| 26) 114496-02  | Door, utility compartment                |
| 27) 114496-01  | Door, power cord compartment             |
| 28) 371323-01  | Window, 18in. opening                    |

# 2004 CLASSIC TRAILER

## BODY-25FT, CS



See next page for P/N

# CLASSIC TRAILER

## BODY-25FT, CS

(Hardware such as hinges, locks and latches are located in the **hardware** section of this book)

- |                |                                        |
|----------------|----------------------------------------|
| 1) 114290-03   | Extrusion, awning/drip rail            |
| 2) 114993      | Rib, end bow                           |
| 3) 104707-05   | Extrusion, "I" beam                    |
| 4) 114880-198  | Alum, sheet, upper, .040" x 51" x 198" |
| 5) 371323-01   | Window, 18in. opening                  |
| 6) 371286-01   | Window, 18 x 30", fixed                |
| 7) 114328      | Extrusion, belt line                   |
| 8) 201912      | Molding, chrome, belt line             |
| 9) 100034      | "Z" bar, 48"                           |
| 10) 114460     | Extrusion, rub rail                    |
| 11) 201763-01  | Insert, rub rail, chrome, 1"           |
| 12) 100986     | Floor channel                          |
| 13) 114879-198 | Alum. sheet, lower, .040" x 33" x 198" |
| 14) 114387-01  | Bow, Z rib, RH                         |
| 15) 114387-02  | Bow, Z rib, LH                         |
| 16) 100986     | Wheel well stiffener (floor channel)   |
| 17) 690274-09  | Cover Hydro-flame furnace              |
| 18) 100679-01  | Door, side access with jamb            |
| 19) 511017-11  | Vent cover, exterior, range exhaust    |
| 20) 200543-01  | Banana wrap, CS front                  |
| 21) 101131-01  | Underbelly wrap, .024" x 22.5", Pewter |
| 22) 201974-04  | Bumper, rear corner, CS                |
| 23) 684936     | Wheel well trim, outer, tandem axle    |
| 24) 684937     | Wheel well trim, inner, tandem axle    |
| 25) 108393     | Bottle cover, LP, w/o decal            |
| 26) 114496-02  | Door, utility compartment              |
| 27) 371319-05  | Window, main door                      |
| 28) 110067-05  | Main door assembly                     |
| 29) 114654     | Screen door assembly                   |
| 30) 114652     | Main door jamb, formed                 |

# 2004 CLASSIC TRAILER

## BODY-INTERIOR

(Hardware such as hinges, locks and latches are located in the **hardware** section of this book)

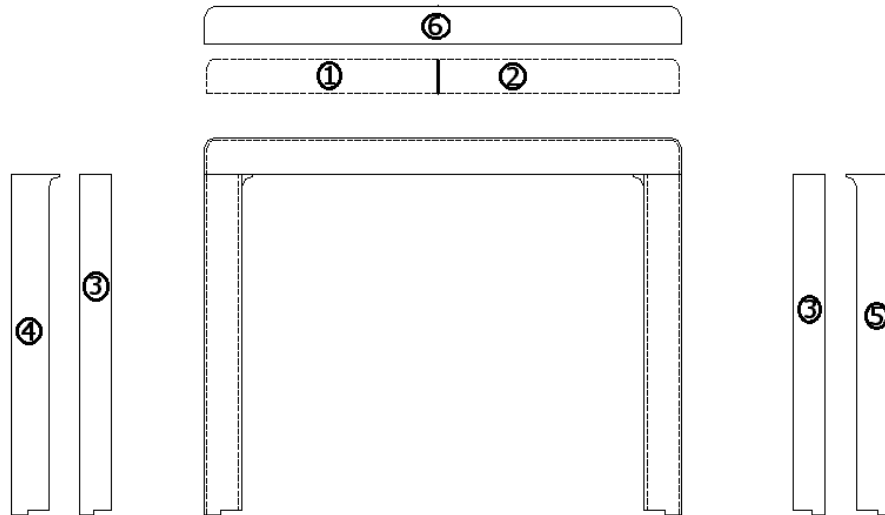
114445	Aluminum inside skin, .032" x 34" x coil
114853-01	Aluminum inside skin, .032" x 57" x coil
702481	Wall liner, Geometric Pearl *Adhesive, Fastbond 2000
702482-03	Headliner, Spectra Opal, textured
201728-01	Extrusion, plastic, ceiling trim retainer
201728-03	Extrusion, plastic, ceiling trim
203138-03	Extrusion, plastic, wall trim, beige
203138-02	Extrusion, plastic, interior wall, brown
203138-04	Extrusion, plastic, interior wall, OAK
200967-01	Trim ring, plastic, 18"x30" stationary window
200968-01	Trim ring, plastic 30" x 30" stationary window
201675-01	Trim ring, inside, 30" stack window
371319-03	Trim ring, window, main door
201578-01	End cap trim ring, panoramic window (goes next to end bow)
201579-01	Trim, panoramic window, bottom, RS
201580-01	Trim panoramic window, bottom, CS
201581-03	Trim, panoramic window, upper, RS
201581-04	Trim, panoramic window, upper, CS
201676-01	TRIM STACK WINDOW 18"
201391	"U" trim, flexible, panoramic window
203225	Trim lok, white, for fixed window close outs
201440	LOCK TRIM, 1/4" BROWN, arm rests
201399	LOCK TRIM, 1/4" white, arm rests
200514	Wheel well cover, interior, tandem (splice two for tri-axle)
114655	TRIM RING, FORMED, MAIN DOOR, WHITE
110900-01	TRIM FORMED INTERIOR FRT WRAP WHITE
110900-02	TRIM FORMED INTERIOR FRT WRAP WHITE
114157-01	EXTRUSION END LINER UPPER WHITE

\*For reference only: Please purchase adhesives locally.

# CLASSIC TRAILER

## BODY-INTERIOR SLIDE OUT ROOM

Interior Fascia, 30 FT/34 FT.



- 1. 454154-01 BACKER-UPPER FASCIA BOARD AFT, 34' S\O lounge
- 1a. 454154-03 BACKER-UPPER FASCIA BOARD AFT, S\O dinette
- 2. 454154-02 BACKER-UPPER FASCIA BOARD FWD, 34' S\O lounge
- 2a. 454154-04 BACKER-UPPER FASCIA BOARD FWD, S\O dinette
- 3. 453817-01 SIDE FASCIA BOARD
- 4. 801303-01 FASCIA BOARD-AFT
- 5. 801303-02 FASCIA BOARD-FWD
- 6. 801442- 03 FASCIA BOARD UPPER 34' S/O LOUNGE
- 6A. 801440 FASCIA BOARD UPPER 34' S/O & 30' S/O DINETTE
- 6B. 801442-01 FASCIA BOARD UPPER 34' S/O Lounge

- 114931-01 RING-TRIM INTERIOR RH
- 114931-02 RING-TRIM INTERIOR LH
- 114507-01 TRIM WHITE 16' PC. STRAIGHT UPPER
- 381802-01 TAP CAP, WHITE

- 801304 Shim, slide out roller
- 965155 Spacer block, travel lock assy.
- 381705 Roller block assembly

- 114931-01 RING-TRIM INTERIOR RH
- 114931-02 RING-TRIM INTERIOR LH
- 114507-01 TRIM WHITE 16' PC. STRAIGHT UPPER

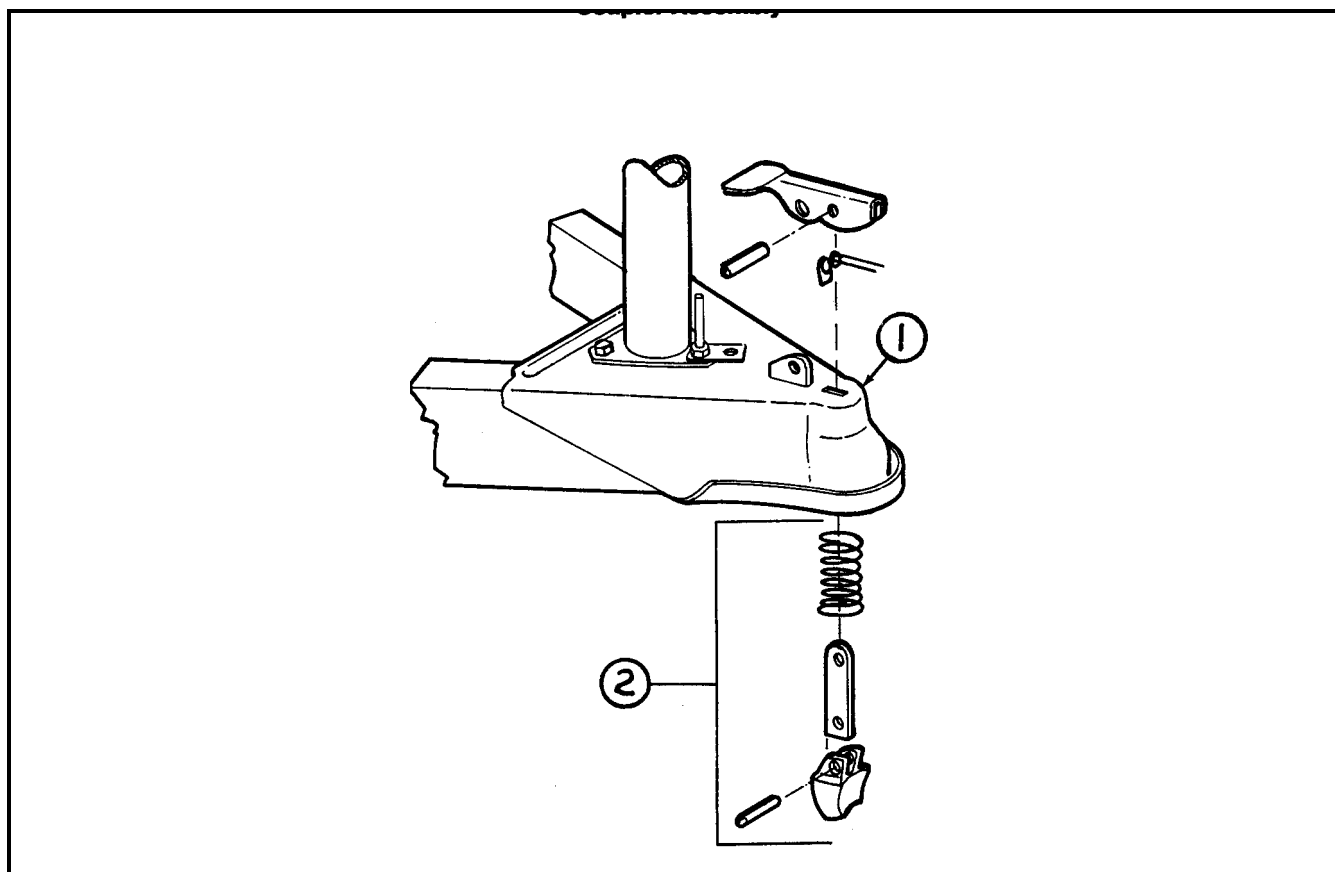


# 2004 CLASSIC TRAILER

## CHASSIS

### A-FRAME

915256 A-frame complete.



1) 680343 Coupler assembly, 2 5/16"

2) 680345 Repair kit, 2 5/16" coupler

0300027 Break away switch, Bargman

400407 Bracket, breakaway switch

(Continued)

# CLASSIC TRAILER

## CHASSIS

### LP BOTTLE RACK

0360307	LP bottle ring, lower
601731-103	LP regulator mounting bracket
410641	LP regulator mounting bracket
410410	Hold down rod, threaded, for 40lbs bottle

107456	GAS RACK
100949	Bracket, bottle hold, cast aluminum
410238	"T" handle, threaded, cast aluminum

### A-FRAME MISCELLANEOUS

450414	"A" frame tire carrier
453620	Covers, A-frame, stainless steel
410551	Lid, battery box assy
381430	Lock, twist straight cam
381205-01	HINGE, ALUM. CONTINUOUS, 14"
400945	5/16 clevis, safety hook
601544	E-Z Hose Carrier

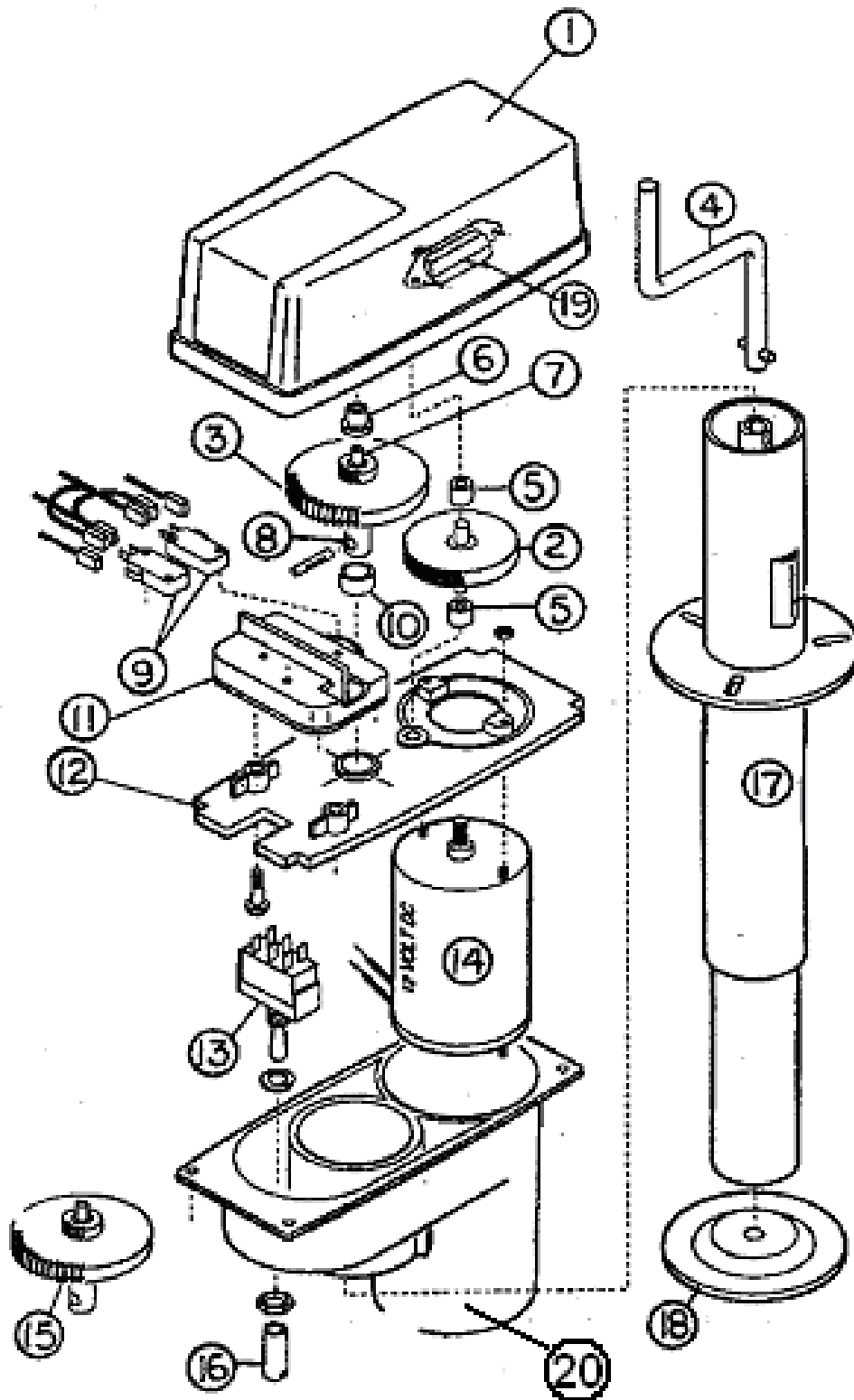
### FLOOR FASTENERS

345181	SCREW- 1/4-14 X 2" SELF TAPPING
345370-01	BOLT 3/8-16 HEX HEAD 3.50"
300023-02	WASHER, HOLD DOWN-HOLE OFFSET
100986	FLOOR EXTRUSION

# 2004 CLASSIC TRAILER

## CHASSIS

Power Jack



Part Numbers are on the next page

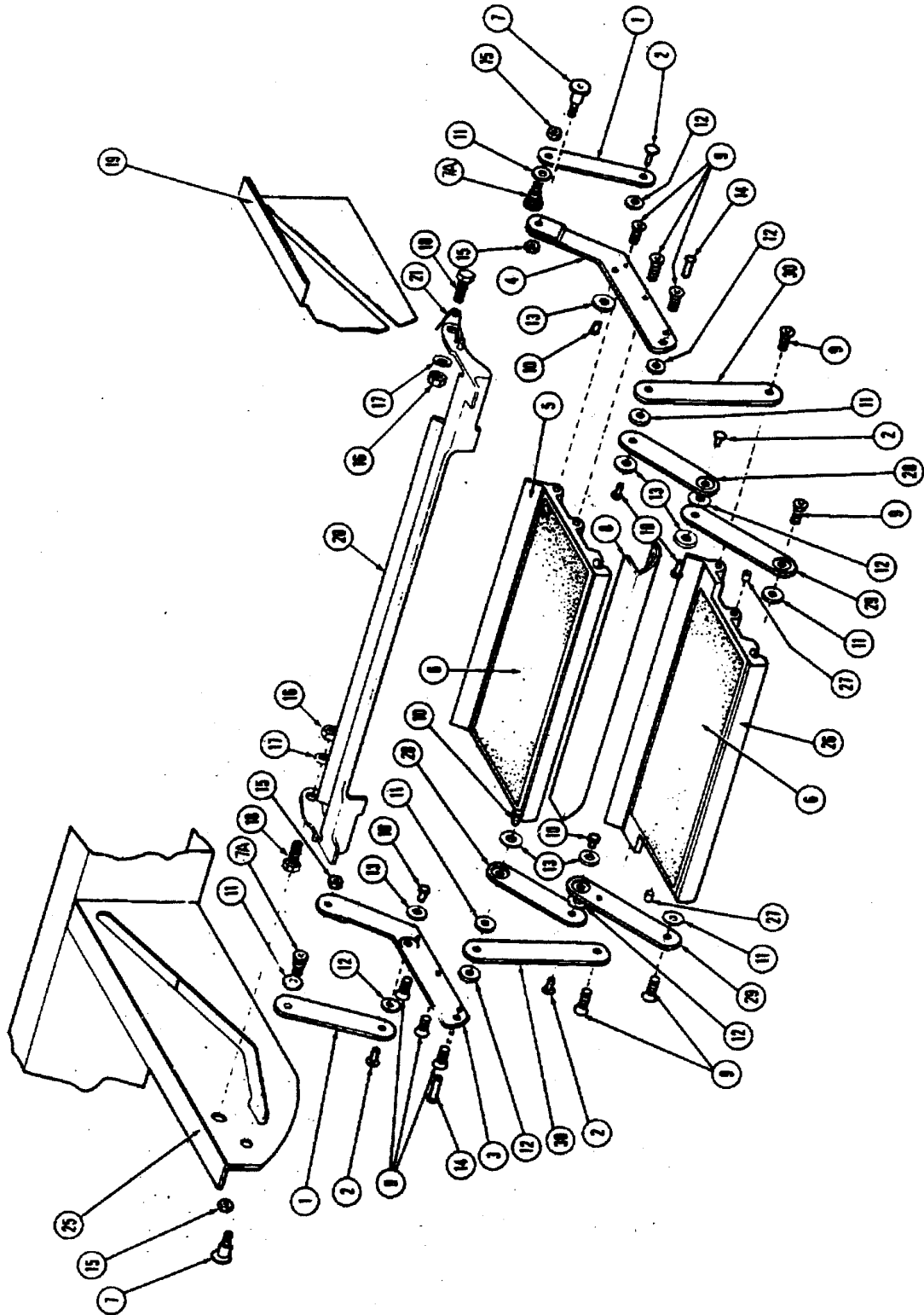
# CLASSIC TRAILER

## CHASSIS

### Power Hitch Jack

511544	Power jack w/flag holder & light
012251	Power head less post
1. 012198	Cover, Super Jack
2. 010051	Gear, fiber, Super Jack
3. 015551	Drive gear, Super Jack
4. 016199	Crank handle, manual, Super Jack
5. 080501	Bushing, bronze, Super Jack
6. 010055	Bushing, flange, Super Jack
7. 015552	Gear, pot/reed, Super Jack
8. 015553	Shaft, Super Jack
9. 081703	Micro switch, Super Jack
10. 080520	Bushing/bronze,7/16,Super Jack
11. 012252	Limit switch assembly, Super Jack
12. 012200	Center plate, Super Jack
13. 081704	Switch, toggle, Super Jack
14. 016263	Motor, 12V, Super Jack
15. 011675	Drive gear assembly, Super Jack
16. 010069	Switch cover, Super Jack
17. 011631	Jack post, Super Jack
18. 410598	Foot pad #12231
19. 026503	Light, Jack
20. 012199	Housing for Motor and Switch

# 2004 CLASSIC TRAILER



See next page for P/N

# CLASSIC TRAILER

## CHASSIS

### Step

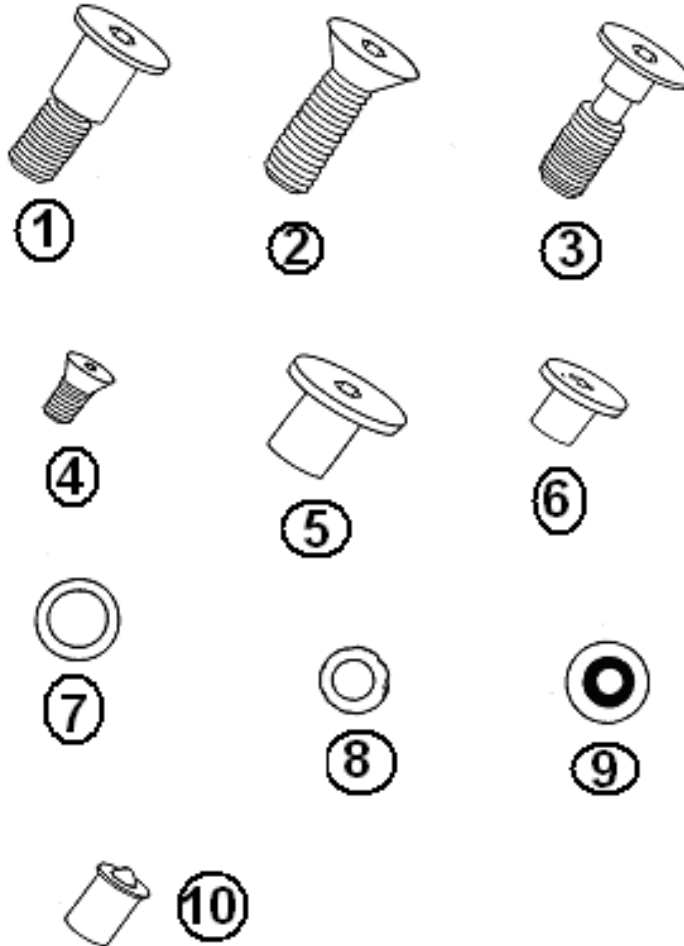
3440006	Double step assembly
1. 680213	Arm, upper support
2. 680214	*Pin, hinge
3. 680215	Step bracket, left
4. 680216	Step bracket, right
5. 680217	Extrusion, step 20.5"
6. 380069	Safety tread
7. 001152	Bolt, shoulder
7a. 001145	Bolt, shoulder, 3/8" thread
8. 680220	Panel
9. 680221	Screw, flat head
10. 680222	Bolt, socket head
11. 680223	Washer, bronze
12. 680224	Washer, wave
13. 680225	Washer, aluminum
14. 680226	Pin, pivot
15. 350005	Nut, hex
16. 350147-25	Nut, Nylock
17. 300005	Washer, flat
18. 345016	Screw, machine
19. 400454	Outrigger, RH (Not included with step assembly.
20. 100298	Casting, step release
21. 0440032	Step spring
25. 400455	Outrigger, LH (Not included with step assembly.
26. 410200	Extrusion, step, 20.0"
27. 380075	*Bullet catch
28. 400004	Hinge arm, upper
29. 400003	Hinge arm, lower
30. 400005	Arm, lower support

\*Larger illustration on next page

# 2004 CLASSIC TRAILER

## CHASSIS

### Step Bolts/Washers/Screws/Catches Illustrated

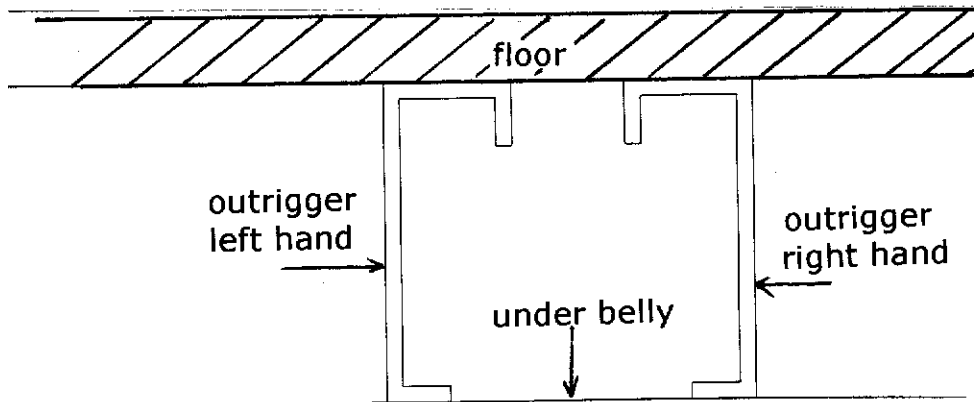


- |            |                                    |
|------------|------------------------------------|
| 1. 001152  | 1/2" Shoulder w/3/8" shoulder bolt |
| 2. 680221  | 3/8-16 x 1, flat head Allen, screw |
| 3. 001145  | 3/8-16 thread, shoulder bolt       |
| 4. 680222  | Flat head Allen socket screw       |
| 5. 680226  | Pivot pin                          |
| 6. 680214  | Hinge pin                          |
| 7. 680223  | Brass washer                       |
| 8. 680224  | Wave washer                        |
| 9. 680225  | Aluminum Washer                    |
| 10. 380075 | Bullet catch                       |

# CLASSIC TRAILER

## CHASSIS OUTRIGGERS

410524	Step outrigger assembly, forward
410523	Step outrigger assembly, aft
410497	Outrigger, pierced, RH
410498	Outrigger, pierced, LH
410500	Outrigger, standard, LH
410499	Outrigger, standard, RH
410501	Outrigger, solid, RH, notched
410502	Outrigger, solid, LH, notched
410706	Outrigger, power cord compartment, RH
410707	Outrigger, power cord compartment, LH



## CHASSIS COVERING

114679	Alum. under belly .019" x 65.75, coil
101131	Alum. under belly .024" x 22.50", coil
101131-01	Alum. under belly .024" x 22.5", coil, Pewter (covers from under belly to floor line)
200543-01	Banana wrap, CS front
200542-01	Banana wrap, RS front
203142	Bumper, rear center
201974-03	Bumper, rear corner, RS
201974-04	Bumper, rear corner, CS

(Note: the rear roll out tray makes up part of the center section of the bumper)



# 2004 CLASSIC TRAILER

## CHASSIS

### STABILIZING JACKS

510628	Stabilizing jacks, electric, A&E systems
510731	Control, leveler, A&E
400093	Stabilizing jacks, BAL w/handle, set of 4
400093-01	BAL jack , each
400093-04	Foot pad, BAL jack
400093-02	CRANK, STABILIZER JACK (BAL)
385020	STICKER SELF ADHERING, "JACK" PLACEMENT

### BELOW FLOOR STORAGE

962828-01	Roll out tray assembly, rear
453144	Roll out tray
381556	Overhead door track, 2"
453159	Enclosure assembly, rear rollout tray
453156	"U" bar, roller support
381555	Ten ball roller w/stem
310028	Lynch pin, 1/4"
201909	Molding, black bumper trim
702979	FLOORING VINYL BANKER GREY 8' WIDE
915145-01	Utility compartment assembly, painted
915099-02	ASSY., UTILITY COMPARTMENT, RH
913702	Power cord storage plate, painted
601544	E-Z hose carrier, 46"

# CLASSIC TRAILER

## CHASSIS RUNNING GEAR

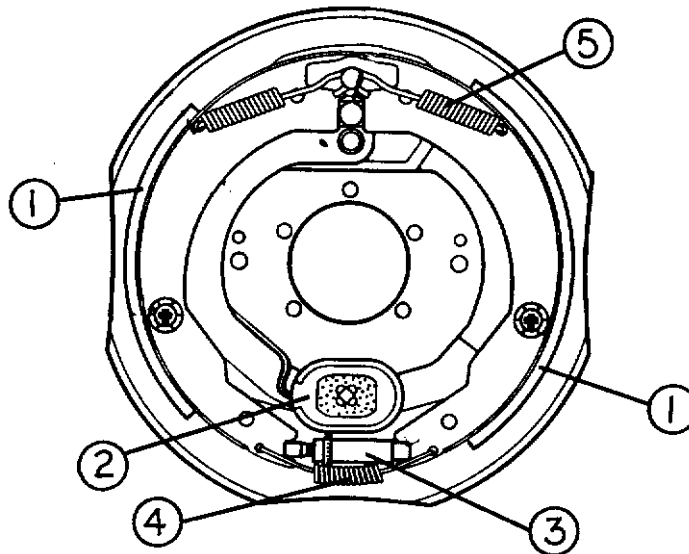
7320036H	Axle, 3200#, 34ft
7420005H	Axle, 4200#, 28, 30, & 31ft.
7380002H	Axle, 3800#, 34' S/O, CSA
7440003H	Axle, 4400#, 30' S/O
7350475H	Axle, 3500#, 25ft., 34 S/O
7500163H	Axle, 5000#, 30' S/O CSA
0220003	Shock absorber
410841	Tire and wheel assembly
410842	Tire ST 225/75 R15, LR "D" BW
400935	Wheel, aluminum
400936	Cover, center hub, polished aluminum
400923	Lug nut, acorn type
410009	Valve stem
410822-150	Wheel, steel, 15"
410843	STEEL WHEEL & 15" TIRE ASSEMBLY, LR "D"
200844	Wheel well, tandem

(Tri-axle wheel wells are made from two tandems)

# 2004 CLASSIC TRAILER

## 12" BRAKES

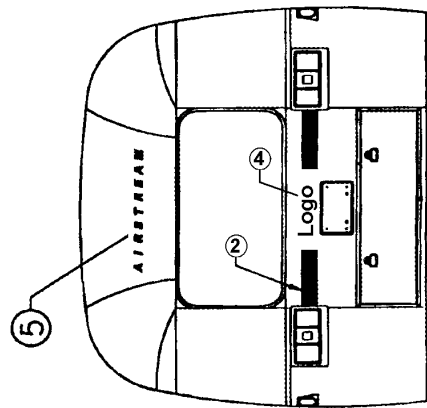
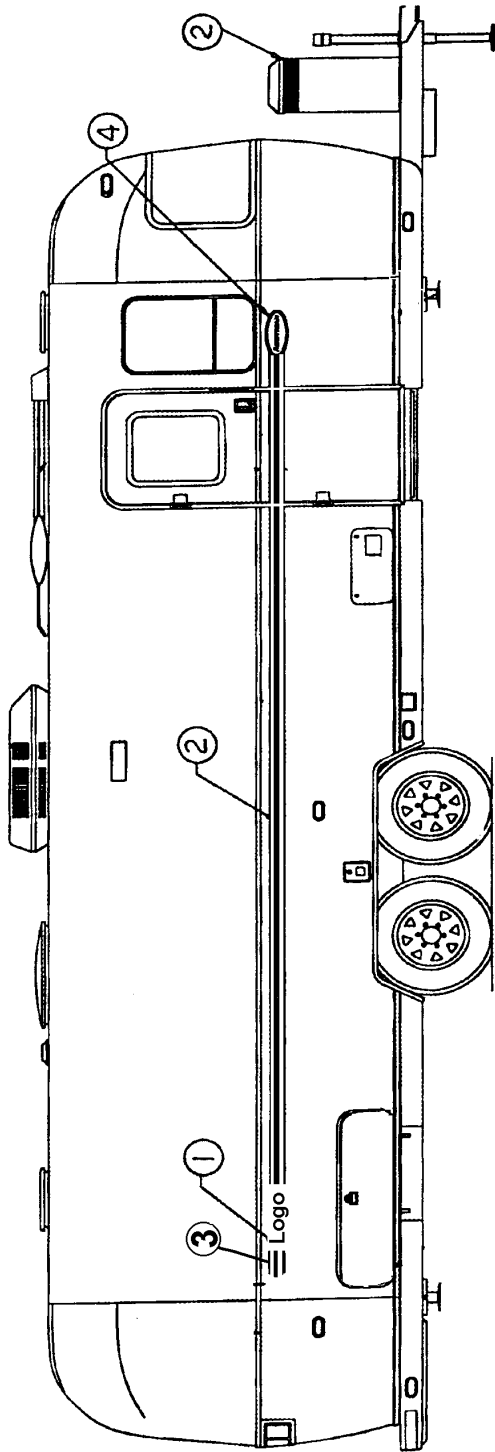
3160121	Brake drum,12",6 lug
450659	Inner bearing,#25580
680364	Inner race,#25520
450658	Outer bearing,#LM67048
680365	Outer race,#LM67010
680370-100	Grease seal
3160347	Brake assembly,RH,12" Dexter
3160348	Brake assembly,LH,12" Dexter



1)3160348-62	Shoe and lining kit (includes hold down spring and pin)
2)3160348-65	Magnet kit
3)3160348-63	Adjuster assembly
4)3160348-64	Adjusting screw spring
5)3160348-61	Retractor spring



# CLASSIC TRAILER



## DECALS

Parts numbers are on next page

# CLASSIC TRAILER

## DECALS/EXTERIOR TRIM DECALS

- 1) 386136 DECAL, AIRSTREAM, SMOKED CHROME, 1.5" X 15.25"
- 1a) 386137 DECAL "AIRSTREAM", GOLD, 1.5" X 15.25"
  
- 2) 386086 DECAL PIN STRIPE, BLUE
- 2a) 386084 DECAL PIN STRIPE BURGUNDY W/GOLD STRIPE, LTD
  
- 3) 386083 DECAL RS/CS 1 X 2.25, Stripe end cap, LTD
  
- 4) 386128 NAMEPLATE-CLASSIC BLUE/GRAY
- 4a) 386129 NAMEPLATE-CLASSIC LIMITED BURGUNDY
- 4b.) 386138 DECAL, "LTD", GOLD
  
- 5) 386051 Decal, "AIRSTREAM" 32", chrome
- 5a) 386070 Decal, "AIRSTREAM" 32", gold
  
- 385582-01 DECAL, AIRSTREAM W/BAR, ROOF A/C SHROUD
  
- 381848-01 Medallion decorative collar, silver
- 381848-02 Medallion decorative collar, silver

# CLASSIC TRAILER

## EXTERIOR TRIM

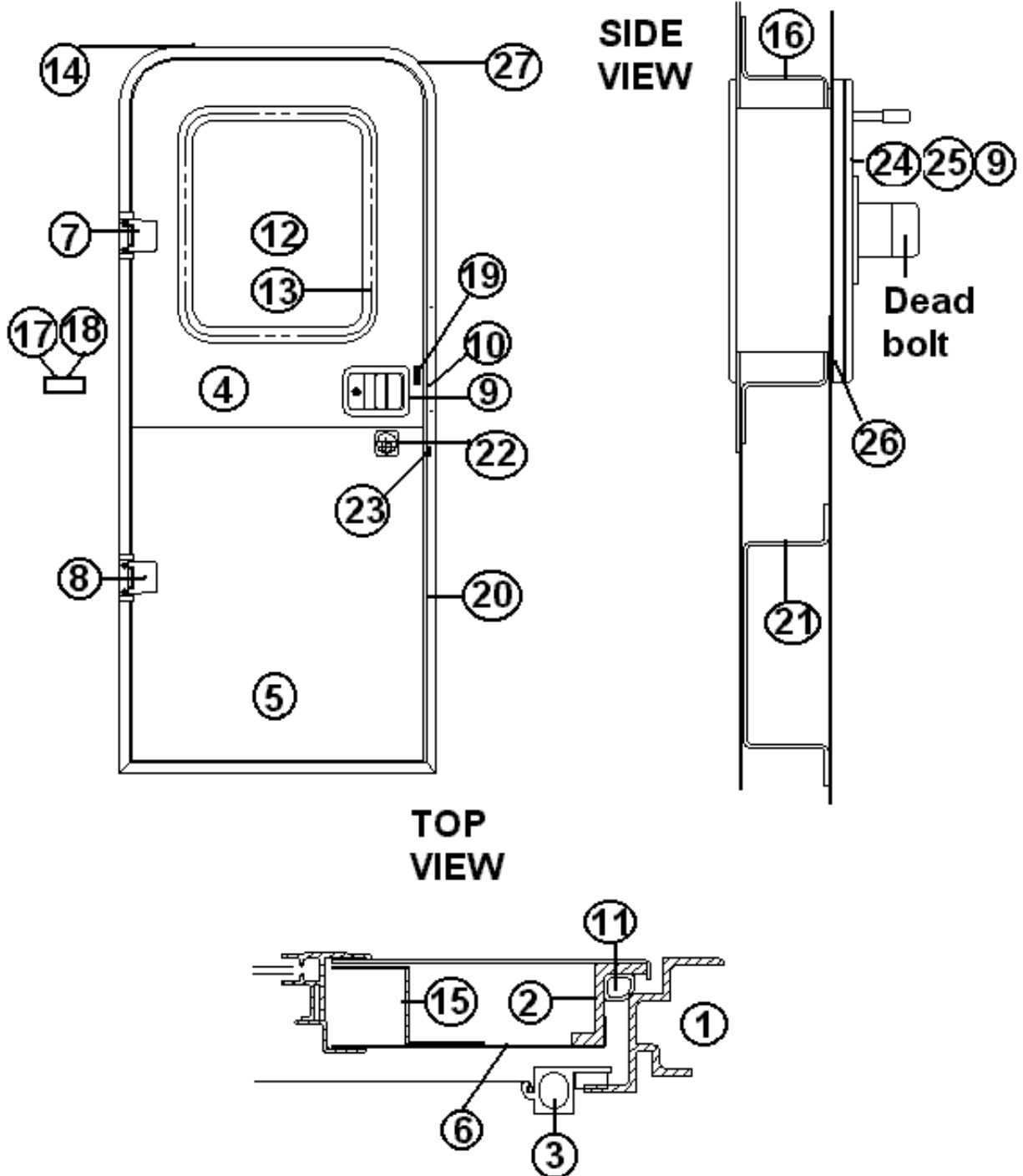
114328	Extrusion, belt line molding
201912	Molding, belt line insert, chrome
114417	Casting, belt line close out
114460	Extrusion, rub rail
201763-01	Molding, rub rail insert, chrome
114466-01	Casting, close out, rub rail, angled, RH
114466-02	Casting, close out, rub rail, angled, LH
114465-01	Casting, close out, rub rail, RH
114465-02	Casting, close out, rub rail, LH
685257	Inner wheel well trim, tri-axle
685258	Outer wheel well trim, tri-axle
684936	Outer wheel well trim, tandem axle
684937	Inner wheel well trim, tandem axle
386068	Medallion, 3", screen door

# CLASSIC TRAILER

## DOORS/WINDOWS/AWNING

(Hardware for Tri-Mark lock is located in the **hardware** section of this book.)

### Main Door





# CLASSIC TRAILER

## DOORS/WINDOWS/AWNING

### Main Door

- 115207-04 Main door LH hinge
1. 114653 Frame, main door, pre-formed
  2. 114652 Jamb, main door, pre-formed
  3. 114654 Screen door assembly
  - 114561-01 Panel, slider, screen door
  - 114648-01 Kick panel screen door
  - 203287-02 Close out, plastic, screen door w/dead
  - 683946 BUG SEAL, edge of screen door close out
  - 32226W Guard, screen door
  - 380079 Screen, gray
  - 200518 Spline, gray, screen insert
  - 701624 VELCRO LOOP 5/8" WIDE
  - 701625 VELCRO HOOK, 5/8" WIDE
  - 365013-01 Gasket, screen door, foam tape
  - 381454 Screen door hold back latch, Bullet
  4. 114448-03 Skin, exterior, upper main door
  5. 114449-03 Skin, exterior, lower main door
  6. 114475 Skin inner, main door
  7. 381552-03 HINGE ASSY. MAIN DOOR UPPER
  8. 381552-04 HINGE ASSY. MAIN DOOR LOWER
  9. Trimark latch assembly parts shown in hardware section
  10. 385595 Pocket strike, main door
  11. 365232 Seal, main door
  12. 371319-05 Window main door
  13. 371319-03 Window trim, main door
  14. 114363 Drip cap, main door
  15. 114658 Inner door, "Z" bar, upper & lower
  16. 114657 Hat section, formed, main door
  17. 380290 Housing. Latch, mounted on side sheet
  18. 380291 Latch assembly, mounted on side sheet
  19. 201056 Striker, main door, black plastic
  20. 114655 Trim ring formed, main door
  21. 115004 Hat section assembly, dead bolt
  22. 381323-01 Dead bolt, complete assembly
  23. 381326 Striker w/ Trimark deadbolt
  24. 345321-12 Screw, flat head, black
  25. 453851 Bolt, Trimark, deadbolt
  26. 203370 Spacer, deadbolt assembly
  27. 381704 Seal, upper main door, (above 365232)

# CLASSIC TRAILER

## DOORS/WINDOWS/AWNING EXTERIOR DOORS

922243	Door, refrigerator access, assembly
922156	Door, refer access
104417	Jamb, refrigerator access door
203225	Trim, flexible, white, inner doorjamb
380988	HINGE, CONTINUOUS .5IN LEAF 16IN
381812	LATCH TWIST CHROME
921159-01	Trunk door assembly, rear, twin only
114675	Jamb, rear trunk door
380770	LOCK & CASTING ASSEMBLY
360016	BUMP-ON RUBBER
365035	RUBBER SEAL ACCESS DOOR
380774-02	HINGE, COMPARTMENT DOOR 61.50"
922288-01	Door, side access, long
104833	Jamb, long side access door, twin only
381065-10	10" CABLE SUPPORT
104831	FRAME REAR ACCESS DOOR
380770	LOCK & CASTING ASSEMBLY
365035	RUBBER SEAL ACCESS DOOR
100679-01	DOOR ASSEMBLY SIDE & REAR ACCESS, SMALL
380773	HINGE, ACCESS DOOR
380770	LOCK & CASTING ASSEMBLY
100627	ACCESS DOOR FRAME EXTRUSION
365035	RUBBER SEAL ACCESS DOOR
114496-02	DOOR UTILITY COMPARTMENT
114496-01	DOOR POWER CORD COMPARTMENT
340023	CATCH, CORBIN
380203-01	PIANO HINGE 1/8" PIN CLEAR ANODIZED

# CLASSIC TRAILER

## DOORS/WINDOWS/AWNING

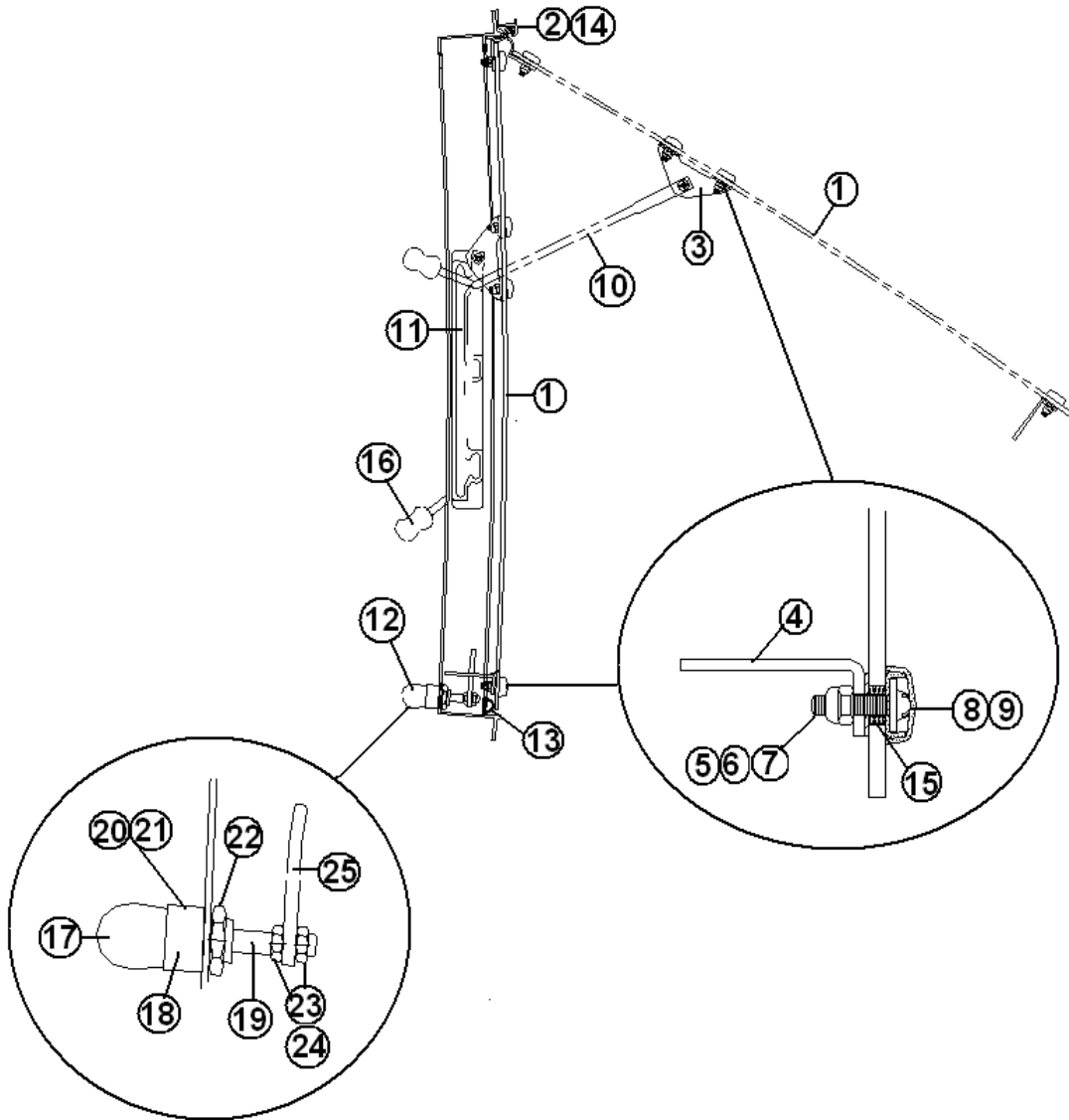
(Hardware such as hinges, locks and latches are located in the **hardware** section of this book.)

### EXTERIOR DOORS

114467-01	Door panel, outer, battery box door
114468	Door panel, inner, battery box door
114464	Casting, battery box door jamb
380238	Support cable, battery box door
200885	Plastic battery tray
381397	Key cylinder w/ cam, 501 key
381501	CAM LOCK OFF SET
380612	CORD GRIP 3/8
350047	NUT 3/8 LOCK FOR CORD GRIP
381500	HINGE PIANO REVERSED 8.50" LONG
114496-02	Door, utility compartment
114496-01	Door, power cord compartment
690209	Cover, brushed aluminum, Atwood water heater
690274-09	Cover, Hydroflame furnace
601194	Water fill door w/pocket & lock

# CLASSIC TRAILER

## DOORS/WINDOWS/AWNINGS



Part numbers on next page

# CLASSIC TRAILER

## DOORS/WINDOWS/AWNINGS

1. 371323-100	Glass w/hardware, 18" window
1. 371324-100	Glass w/hardware, 30" window
2. 371323-101	Hinge, 18" window
2. 371324-101	Hinge, 30" window
3. 1101-0010	Bracket, window prop
4. 685124	Striker plate, window latch
5. 0706-0004	Flat washer
6. 0703-0001	Screw, #8-32 x .625", black, SS
7. 0702-0010	Nut, Nylox, #8-32, black SS
8. 0802-0004	Screw cover, 12-12 #100, black
9. 0802-0005	Washer, 12-12 screw cover bottom
10. 100903	Operating arm, RH
10. 100903-01	Operating arm, LH
11. 0802-0001	Guide, operating arm, RH
11. 0802-0002	Guide, operating arm, LH
12. 010020	Latch assembly, chrome
13. 381665	Gasket seal
14. 0101-0017	Male hinge extrusion, 1/2" pc.
15. 0706-0003	Bushing, window, acrylic
16. 380230-03	Window arm knob, silver
16. 380230-04	Window arm knob, red
17. 1101-0005	Latch handle, chrome
17. 195467-05	Latch handle, red
18. 1101-0007	Latch body
19. 1101-0008	Latch shaft
20. 1101-0009	Latch spring
21. 0707-0002	Pin, drive lock, 5/32" x 5/8", zinc
22. 0702-0001	Nut, hex panel, 5/8"-24, zinc
23. 0702-0002	Nut, jam, hex, 5/16-24
24. 385123	Washer, flat, .53" OD x .328" ID
25. 685123	Latch paw

# CLASSIC TRAILER

## DOORS/WINDOWS/AWNINGS WINDOWS

371346-02	Window, flat, front center
372088-101	Window, panoramic, front RS
372089-101	Window, panoramic, front, CS
371348-02	Window, flat, rear w/red handles
371285-01	Window, curved 30" x 30" fixed
371286-01	Window, 18" x 30", curved fixed
371324-02	Window, curved 30" opening
371270-01	Window, curved, 30" stacked
371323-01	Window, curved 18" opening
371323-02	WINDOW-18" NON OPENING S/O
371269-01	Window, curved 18" stacked
371380	WINDOW-OPENING 30" TALL
371319-05	Window, main door
371319-03	Trim ring, inside, main door window

## WINDOW SCREENS

371349-01	Screen, rear escape
371347-01	Screen, front window
372175-02	Screen, 30" opening window
372174-01	Screen, 18" opening window
372175-03	Screen, 30", alternate egress
371174-02	Screen, 18" non-opening
372215	Screen, 30" tall, slide out

# CLASSIC TRAILER

## DOORS/WINDOWS/AWNINGS

(Hardware such as hinges, locks and latches are located in the **hardware** section of this book.)

### AWNINGS

- 702662-03 Awning, patio, 16' 4½", blue, 25ft.  
702662-02 Awning, patio, 19' 8½", blue, 28ft.  
702662-22 Awning, patio, 21' 7" blue, 30', 30 S/O', 31' & 34ft.,  
34' S/O
- 381532-01 Hardware, patio, satin  
702662-05 Center support  
385577 Wear tape, clear, 3½" wide
- 702662-09 Awning, RS windows, 13'4", blue, 30 & 31ft.  
702662-11 Awning, window, 16' 4-1/2", blue, 25ft.  
702662-10 Awning, window, 19' 8-1/4", blue, 28ft.  
702662-06 Awning, 3', blue  
702662-20 Awning, window, blue, 52 5/8"  
702662-07 Awning, RS window, 14'10", blue, 34ft.  
703122-02 Cover, awning, 7' 6.5" blue, 30' & 34' S/O dinette  
703052-02 Cover, awning, 9'4" blue, 34 S/O Lounge

### LIMITED OPTION

- 702663-10 Awning, patio, 21' 7" red, 30, 31 & 34ft., 34' S/O  
702663-07 Awning, CS rear window, 3' red  
702663-08 Awning, rear window, red, 52 5/8"  
702663-03 Awning, RS window, 14'10" red, 34ft.  
702663-05 Awning, RS windows, 13'4" red, 30 & 31ft.  
703052-01 Cover, awning, 9'4" red, 34 S/O Lounge  
703122-01 Cover, awning, 7' 6.5" red, 34 S/O Dinette, 30' S/O  
room, dinette

# CLASSIC TRAILER

## DOORS/WINDOWS/AWNINGS 3 PIECE STONE GUARD

685275-101	CS wrap window solar protector, stone guard
685275-102	RS wrap window solar protector, stone guard
685358	Turn fast stud
685362	Retainer, split ring
685359	Rubber receptacle
685361	Bracket, rubber receptacle
685363	Slip joint hinge, SS, CS per pair
110102	Stone guard, center piece only
683960	Arm support
683959	Arm support bracket
114749	HINGE "Y" ASSY. (ROCKGUARD ASSY.)
114750	HINGE "J" (ROCKGUARD ASSY.)
685364	BRKT, UPPER HINGE-45.375-STONEGUARD
381021	Latch, draw flexible

### Stone guard frame

114815-01	Extrusion, frame aluminum
685354	Front window key, 90-degree angle riveted to inside corner of metal frame
685378	¼" rubber spline
685351	Rubber frame, black
290812-01	Plexi-glass, 28" x 84 " sheet
101401	Extrusion, door latch housing



# CLASSIC TRAILER

## DRAPES/BLINDS/VALANCES

### DRAPES

998056-01	Drape, rear, 4-16 pleat, 34, 30D, 30' S/O, 31' W
998056-02	Drape, back trailer, 34 S/O
998134-01	Drape, rear bedroom, side, 2-9 pleat, 34, 31D, 30D, 30' S/O
998134-06	Drape, 30" BEDROOM (2-9 PLT), 34' S/O
998148-01	Drape, bedroom, 7 pleat panel, 27.50", 25' & 28' 30' 30' S/O, 31', 34', 34' S/O
998148-02	Drape, bedroom, 5 pleat panel, 27.50", 25' & 28' (4 ea)
998053	Drape, galley, 2-2pleat, 34', 31', 30', 30 S/O, 28', 25ft.
998053-01	Drape, dinette, 2-8 pleat & 1-5 pleat, 34', 31', 30' 30' S/O
998053-02	DRAPES, DINETTE, 34 S/O
998053-03	DRAPES GALLEY TRAILER (2-2PLT), 34 S/O
998050-01	Drape, front, 4-16 pleat, 34', 31', 30', 30 S/O, 28, 25ft.
998050-02	Drape, front, 4-16 pleat, 34 S/O
998134-02	Drape, lounge, RS, 30", 2-9 pleat, 34, 28 ft.
998134-05	Drape, lounge, RS, 30" 2-9 pleat, 31', 30', 30' S/O
998135-01	Drape, lounge, CS, 30", 2-6 pleat, 34, 31', 30', 30' S/O, 28
998051-25	Drape, lounge, RS, 2-7pleat, 25ft.
998052	Drape, lounge, CS, 2-4pleat, 25ft.
998134-07	Drape, lounge, R.S. 30" 2-9 PLT, 34 S/O
998135-03	Drape, lounge, C.S. 30" 2-6PLT, 34 S/O

# CLASSIC TRAILER

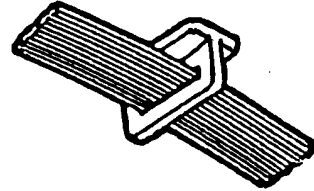
## DRAPERY TRACK AND BRACKETS



101220  
Bracket, curtain  
stand off



101217  
Track, curtain



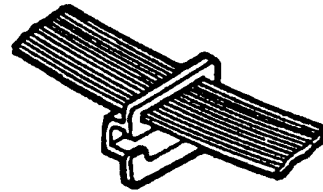
700044  
Glides, w/elastic  
"T" type



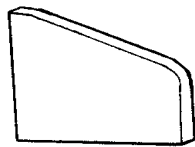
114021  
Bracket, curtain  
stand off



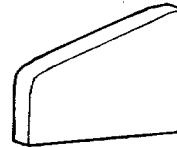
101225  
Bracket, curtain  
stand off



700045  
Glides, w/elastic  
"G" type



200785  
End, curtain track, LH



200784  
End, curtain track, RH



101005  
Bracket, curtain standoff

100096  
100097  
100099

Extrusion aluminum curtain track  
Extrusion aluminum curtain track  
Extrusion aluminum curtain track, top track

# CLASSIC TRAILER

## DRAPES/BLINDS/VALANCES

### BEDROOM

- 965679-01 Valance, 66", 30' W, 34' W
- 965681-01 Valance, 52", CS & RS, 34' W, 34 S/O lounge & dinette, 31, 30' W, 30' S/O double
- 965681-03 Valance, 38.5", 34' twin, 30' Dbl., 31' Twin, 34' S/O lounge, 34' S/O Dbl., 30' S/O
- 965681-09 Valance, 29.50", 25' A, 28'A
- 965681-11 Valance, 32.375", 28' B, 25' B

### GALLEY

- 965678-01 Valance, galley, 24", 30', 31'
- 965678-03 Valance, galley, 37", 34'
- 965678-06 Valance, galley, 64", 34' S/O
- 965602-07 Valance, galley, 24", 28', 25'

### DINETTE

- 965680-01 Valance, 73", 30', 34'
- 965680-04 Valance, 69", 30' S/O

### LOUNGE

- 965677-01 Valance, lounge, 42", 30 ft CS
- 965677-02 Valance, lounge, 56", 34' CS
- 965677-03 Valance, lounge, 58", 30 ft., RS
- 965677-04 Valance, lounge, 70", 25', RS
- 965677-05 Valance, lounge, 91", 34', RS
- 965677-06 Valance, lounge, 97.63" 34', RS
- 965677-08 Valance, lounge, 17", 34 S/O
- 965677-09 Valance, lounge, 30", 30' S/O, RS

# CLASSIC TRAILER

## DRAPES/BLINDS/VALANCES

### SHADES

703272-01	SHADE PLEATED DAY/NIGHT, 17.125" X 22.5"
703272-02	SHADE PLTD DAY/NIGHT, 17.125" X 33"
703272-07	SHADE PLEATED DAY/ NIGHT 28.875" X 22.5"
703272-08	SHADE PLEATED DAY/NIGHT 28.875" X 33"
703272-10	SHADE PLEATED DAY NIGHT 31" X 33"
703272-16	SHADE PLEATED DAY/ NIGHT 47.5" X 25"
703273-07	SHADE SINGLE PLEATED NIGHT 28.875" X 22.5"
703273-16	SHADE SINGLE PLEATED NIGHT 47.5" X 25"
703273-01	SHADE SINGLE PLT NITE 17.125" X 2"
703191-08	MINI-BLIND, BRUSHED NICKEL, 17.50" X 22.00"
703191-09	MINI-BLIND, BRUSHED NICKEL, 29.00" X 22.00"

# CLASSIC TRAILER

## ELECTRICAL 110 VOLT

510634	POWER CORD 36 FT, 120 VOLT
510634-01	POWER CORD-36' CSA
511336	Breaker box, Square D, 30amp
510662	Breaker, 20 amp, double, Square D 2020
510663	Breaker, 30amp, Square D, 0130
510661	Breaker, 20 amp. Square D GFI
510666	Breaker, 15/20 amps double
511020-01	Breaker, 20 amps
510724	Breaker, double pole, 50 amps
500563-01	Receptacle, 15-amp, T & B type
500903	Duplex receptacle, ivory
Exterior 110 Volt Outlet	
500169	Housing, weatherproof receptacle
510122	Cover plate, weatherproof receptacle
510676-01	Outlet, exterior, gray
510315	SWITCH AND RECEPTACLE BOX
201017-01	COVER OUTLET WHITE
500945	ADAPTER, SWITCH BOX
510514	Switch, priority, microwave to water heater (CSA)
510606	Receptacle box, priority switch
500385	Switch cover, ivory
511426	Converter, electronic, 55 amp
511023	Tester, circuit analyzer (loose item)
511287	RECEPTACLE SINGLE 15 AMP

# CLASSIC TRAILER

## ELECTRICAL 110 VOLT

### Generator Prep Components

510562	SWITCH, GENERATOR SWITCH OVER AUTO TS
511416-02	POWER INLET, 30A, 125V, MALE - GR
385062	DECAL 110-125 VOLTAGE AC

### CSA

511425	BREAKER 15 AMP TANDEM SINGLE P
510717	BREAKER, SQUARE "D", QOT1515
510662	BREAKER, 20 AMP QOT2020
510634-01	POWER SUPPLY CORD-36' CSA
510888-02	RECEPTACLE W/COVER, GFI, BROWN
510888-04	SPACER, GFI RECEPTACLE, BROWN
511330	BOX, SWITCH 3"X2"X3.5" CSA

# CLASSIC TRAILER

## ELECTRICAL 12 VOLT

511132	Battery, deep cycle, lead acid
500836	POSITIVE BATTERY CABLE
500837	NEGATIVE BATTERY CABLE
500886	7-Way cable w/plug
511411	Junction box, 7-way cable
0300027	Break away switch, Bargman
0360254H	BREAK-AWAY SWITCH BRACKET
511426	Converter, electronic, 55 amps
510626	Switch, master disconnect
510627	Face plate, disconnect switch
510655	Breaker panel, 12 volt
510947-20	BREAKER,12V DC, TYPE II
511788-03	MONITOR PANEL-ALL CLASSIC'S
511252	PLUG PHONE 4 CONDUCTOR
511789	SENSOR-TANK MONITOR #500-10050
511393	COUPLER-MODULAR EXTENSION 4 CONDUCTOR
510807	Outlet, 12 volt, INTERIOR
511121	Mounting plate, 12 volt receptacle
500842	Light, fluorescent, 16 Watt, 12 x 5.5"
680084	Bulb, fluorescent, #F15T8-CW
511248	Light, incandescent, single
500996	Dump valve light
510658	Switch w/weather proof boot
511249	Light, incandescent, double
50085-02	Bulb, incandescent, #1141

# CLASSIC TRAILER

## ELECTRICAL 12 VOLT

511801	Light, sidewall, lounge, combo, glass shade
511802-01	Light, sidewall, bedroom, combo, fabric shade
511802-02	Light shade, sidewall, bedroom
511800	Light, dinette 3-bulb, combo
500956	Light, wardrobe, w/switch
681924	Bulb, wardrobe light #581
511410	Light, shower, incandescent
50085-02	Bulb, incandescent, #1141
500842	Light, fluorescent, 16 Watt, 12 x 5.5"
680084	Bulb, fluorescent, #F15T8-CW
511297	Light, halogen, reading w/switch
511137-100	Bulb, wedge base, JC-10
510868-03	Switch panel, 4-gang, white
381541-05	Switch, bath ceiling vent
511327	Switch body w/rocker, 1 gang, white
511328	Cover switch, one gang white
511566-01	Cover, switch, 2 gang
511567-01	Switch body w/switches, 2-gang, black
500435	Switch, DPDT, Hi-Lo
500432	Switch, SPST, flood light
500431	Switch, SPST, step light



# CLASSIC TRAILER

## ELECTRICAL 12 VOLT

511534	Dual, coax, cable plate, white
952600	CHART 12-VOLT LOCATION
965419	12-V electrical center box, under sofa
510654-01	Jack, TV w/12 volt outlet
510614-01	JACK TV 12V WHITE, interior
452981	Phone jack, protective plate
511531	Switch, slide out, travel lock
511451-02	RECEPTACLE 20A SINGLE BROWN XL
511694-01	READING LIGHT-HALOGEN, NICKEL/BRASS
CSA	
964082	FUSE BLOCK ASSY. 12V CSA
452412-01	BRACKET FUSE BLOCK 12V CSA
511016	BLOCK FUSE 12V 9 POSISTION ATC
511313	FLOCK FUSE ATC 12V 6 POSITION
511345	FUSE 30A AGU GLASS TUBE BUSS
510732-02	Porch light, CSA
500913-03	SWITCH, T & B WHITE

# CLASSIC TRAILER

## ELECTRICAL EXTERIOR LIGHT AND REFLECTORS

500564	Step light, #8142 w /hail shade
510732	Utility light, by door and on front
510732-02	Porch light, CSA
500092	Flood light
511163	Light, compartment
114346-01	Bezel, tail light casting, RS
114346-02	Bezel, tail light casting, CS
201929-01	Close out, tail light, RS
201929-02	Close out, tail light, CS
511003-02	Light, red stop, tail and turn
511003-03	Light, red w/clear center (back-up)
511751	Red teardrop lights
511750	Amber teardrop lights.
511294	Light, license plate
500095	Reflector, red, rectangular
500096	Reflector, amber, rectangular
510446	Reflector, red, stick-on
511375	Telephone jack, exterior
104619	Mounting plate, exterior telephone/TV jack
511817	COUPLER ASSY-IN LINE PHONE JACK
511771	Switch assembly, two-gang white

# CLASSIC TRAILER

## ENTERTAINMENT

511732	AM/FM/CD CDX-CA710X
511617	SPEAKER, 4" BLACK (PR)
511623	Bracket, cube speaker
690413	VCR, Sony Hi-Fi, SLV- N51
114925	VCR mounting bracket
690479	Sony DAVS-450, DVD/CD, Dolby System
690479-01	Cube Speaker
690479-02	Main DVD-CD unit
690479-03	Base module
690479-04	Remote control (RM-SS450)
965733	TRIM RING-DVD RECEIVER, 34'S/O Lounge
690451	TV-20" SONY STEREO, 34' S/O Lounge only
511633	PATCH CORD M/M RCA 10'
511634	PATCH CORD 3-WAY M/M RCA 6'
511310	Video Control Center
114988	Bracket, mounting, Video Control Center
510788-01	Antenna, TV, Winegard
114396	Antenna, TV trough, roof
510788-03	Amplifier, antenna, Winegard
510788-04	Hardware, interior, Winegard
510788-107	Gear, elevating, plastic, Winegard
510788-118	Handle, directional, Winegard
510788-125	Handle, directional kit, Winegard
500484-04	ANTENNA LEAD & EXTENSION 48"
510616	Connector, "F", coax
510623	Connector, male-to-male, coax
511597	Antenna, rubber roof mount, 13" AM/FM
510614	Jack, TV, 12-volt, white
114975	Bracket, TV support, 34' S/O trailer



# CLASSIC TRAILER

## \*FASTENERS



325043  
Rivet, buck type  
dia. 1/8"  
length 1/4"  
(hard)



325000-01  
Rivet, buck type  
dia. 1/8"  
length 1/4"  
anodized clear



325000-03  
Rivet, buck type  
dia. 1/8"  
length 1/4"  
anodized white



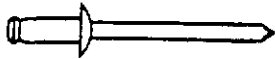
325001-01  
Rivet, buck type  
dia. 1/8"  
length 5/16"  
anodized clear



325002-01  
Rivet, buck type  
dia. 1/8"  
length 3/8"  
anodized clear



325004-01  
Rivet, buck type  
dia. 1/8"  
length 1/2"  
anodized clear



330127-03  
dia. 1/8"  
grip range .063-.125  
aluminum body  
aluminum mandrel

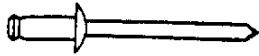


300101  
1/8" I.D.  
washer, aluminum

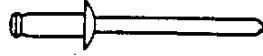
\*Common bolts and screws readily available at local hardware outlets have not been listed.

# CLASSIC TRAILER

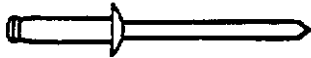
## \*FASTENERS



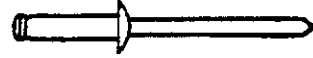
330126-02  
pop rivet, dia. 1/8"  
grip range .126-.187  
S.S. body and mandrel



330126-03  
pop rivet, dia., 1/8"  
grip range .126-.250  
S.S. body and mandrel



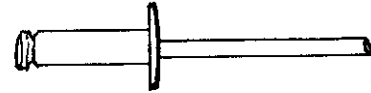
330127-050  
rivet, pop  
dia.1/8"  
grip range .251"-.312"  
aluminum body  
aluminum mandrel



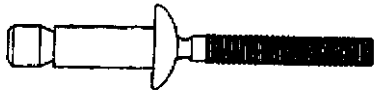
330128-05  
rivet, pop  
dia.1/8"  
grip range .251"-.312"  
aluminum body, white  
aluminum mandrel



330127-080  
rivet, pop  
dia.1/8"  
grip range .325"-.565"  
alum. body & mandrel



330038  
rivet, pop  
dia..150" (#20 bit)  
grip range .126-.250  
alum. Body &mandrel  
(used-screen door hinge)



325103  
dia. 1/4"  
grip range .080-.325  
SS body  
steel mandrel

\*Common bolts and  
screws not listed.

# CLASSIC TRAILER

## FLOOR COVERING

703292-01	Carpet, Sumatra, GREEN
703313-03	Carpet, TAPIOCA
703136-02	Carpet, Frost
701538	Carpet, Velour-compartment liner
702979	Flooring, vinyl, Banker Gray, roll out tray
700173-01	Pad, carpet, 1/2" thick
700173	Pad, carpet, 3/8" thick (slide out model only)
702549	Matt, entrance, w/Airstream logo
381183-01	EDGING-CARPET RIPPLE ALUM 12'
703362	LINOLEUM-OPTIMATIONS #91095

# CLASSIC TRAILER

## FURNITURE

Airstream has begun using "Z" numbers to denote wood type and color. You will begin to see numbers in the parts books that look like the following:

964764-00Z            Face frame, galley

A part number with a "Z" in the 10<sup>th</sup> position is a generic number. For different types and colors of wood the "Z" should be changed to the appropriate number by the dealer ordering parts as shown:

964764-002	Face frame, galley, <b>Walnut</b>
964764-003	Face frame, galley, <b>Hickory</b>
964764-004	Face frame, galley, <b>Saratoga Oak.</b>
964764-005	Face frame, galley, <b>Maple</b>
964764-006	Face frame, galley, <b>Natural Oak</b>

As the transition is made you will find wood parts listed with a "Z" in the 10<sup>th</sup> position or no 10<sup>th</sup> position listed. They may have a 6, 5, 4, 3, 2, or maybe not have a tenth position. Please be sure that the part you are ordering matches the wood type you need by making the 10<sup>th</sup> position the proper number. List the wood type and serial number of the trailer on your order to help prevent mistakes.

ALL 2004 MODELS USE NATURAL OAK FOR FURNITURE

Continued



# CLASSIC TRAILER

## FURNITURE

Example:

800597-01 will change to 800597-01Z and be ordered as 800597-014 for oak wood. If you want oak leave the 4 or change the Z to a 4. If you want Hickory then order 800597-013.

Always include the serial number and wood type with each order.

All Limited option packages have Hickory wood. Part numbers for furniture pieces, wood molding, paneling, and trim should end in -003 or -013.

All 2003 model year Classic trailers after unit 514828 (except unit 514829) has Natural Oak furniture finish designated by the -006 suffix. The Corian tops changed from Sierra Aurora to a color designated as Everest. The Antiquity Buff vinyl colors changed to Artic. Limited upgrades remained Hickory in color. Please refer to the 2002 parts book for these furniture parts on 2003 units prior to unit 514828 (and unit 514829).

Airstream Customer Service or Parts Department can provide you the wood type of the trailer if your customer or service center is unsure. Please have the last six digits of the Airstream serial number available to speed the process.

If you have any questions please contact our parts department before placing the order.

# CLASSIC TRAILER

## FURNITURE

### CABINET DOORS, RAISED PANEL

		Width x height (inches)
800597-01Z	Raised panel door	10.50 x 22.00
800597-02Z	Raised panel door	14.00 x 20.00
800597-05Z	Raised panel door	14.75 x 29.75
800597-07Z	Raised panel door	12.25 x 21.00
800597-08Z	Raised panel door	16.00 x 29.50
800597-09Z	Raised panel door	11.00 x 29.75
800597-10Z	Raised panel door	12.25 x 34.00
800597-12Z	Raised panel door	10.50 x 26.25
800597-15Z	Raised panel door	13.00 x 25.75
800597-19Z	Raised panel door	12.25 X 31.00
800597-27Z	Raised panel door	11.50 x 25.00
800597-41Z	Raised panel door	10.50 x 32.00
800597-44Z	Raised panel door	13.75 x 29.75
800597-47Z	Raised panel door	10.50 X 37.75
800597-49Z	Raised panel door	15.50 x 13.00
800597-50Z	Raised panel door	12.00 x 29.50
800597-51Z	Raised panel door	15.75 x 23.00
800597-56Z	Raised panel door	07.75 x 17.50
800597-57Z	Raised panel door	9.00 x 16.25
800597-74Z	Raised panel door	10.25 x 29.50

# CLASSIC TRAILER

## FURNITURE

### CABINET DOOR FRAMES FOR MIRRORS

		width x height inches
800557-03Z	Door frame	14.50 x 25.00
800557-04Z	Door frame	15.00 x 14.50
800557-10Z	Door frame	22.00 x 60.00
800557-11Z	Door frame	16.00 x 60.00
800557-15Z	Door frame	19.00 x 60.00
800557-17Z	Door frame	12.25 x 34.00
800557-20Z	Door frame	9.88 X 33.62
800557-23Z	Door frame	10.50 x 32.50

### MIRRORS

371262-04	Mirror, safety glass	19.12 x 28.12
371262-05	Mirror, safety glass	13.13 x 28.13
371262-10	Mirror, safety glass	16.12 x 28.12
371262-13	Mirror, safety glass	9.38 x 31.12
371262-16	Mirror, safety glass	7.00 X 30.75
371262-43	Mirror, safety glass	11.50 x 12.75
371262-44	Mirror, safety glass	6.50 x 12.75
372210-10	Mirror, beveled edges	11.00 x 29.00
372210-11	Mirror, beveled edges	7.75 x 19.50
372210-18	Mirror, beveled edges	9.00 x 28.50
372210-19	Mirror, beveled edges	8.00 x 41.50
372210-24	Mirror, beveled edges	11.62 X 22.12
372210-25	Mirror, beveled edges	12.12 X 11.62
372203-04	Mirror, polished edges	36.00 X 14.00
372203-17	Mirror, safety, polished edges	14.0 x 33.13
380024	SUPPORT FRICTION SLIDE, LEFT HAND	
372213	Trim, mirror, bright chrome	
365239	Foam pad, non-skid, 1/16" x 1/4" x 1" (Used between mirror and door frame)	

# CLASSIC TRAILER

## FURNITURE

### MISCELLANEOUS DOORS

986265	Sliding bath door assembly, 34ft.
963179-02	Slider door assembly, 29 x 72", 34 S/O
963179-03	Slider door assembly, 29" x 72", 31 & 34ft.
961413-03	Door, slider, 27" x 71.25", 30ft., 30' S/O
961413-10	Door, slider, fwd bath, 34' S/O, 31ft.
961413-14	Door, slider, fwd bath, 17" x 72.5", 28ft.
961413-15	Door, slider, 19" x 72.5", 28ft.
962066	Door, slider, aft, 28 & 30ft., 30' S/O
702306-02	Shower door gold, 26" opening
702306-107	Drip cap, shower door
702937-03	Shower door roll away, 62" x 36", 25 ft trailer
702681-03	Door, foldette, 36" x 73", beige
381581	Strap, clear plastic, foldette door
701342-01	STRAP, VINYL, HOLD BACK, 7.0" LONG
961957-01	Door, Oak (chair storage cabinet)
964952	Door, dinette drop-down
381100	Sliding door guide, shower door
800474-10Z	Door, tambour, appliance garage
381727-01	Door, Wardrobe, mirrored, sliding, 46"x 55.5"
963299-01	Sliding door guide, hardwood

# CLASSIC TRAILER

## FURNITURE

### DRAWER FACE

Width x length (inches)

800599-01Z	Drawer face	7.00 x 10.50
800599-02Z	Drawer face	7.00 x 11.75
800599-07Z	Drawer face	4.50 x 14.00
800599-12Z	Drawer face	9.00 x 47.00
800599-21Z	Drawer face	7.00 x 23.00
800599-22Z	Drawer face	7.00 x 14.00
800599-23Z	Drawer face	8.00 x 21.50
800599-25Z	Drawer face	9.00 x 15.00
800599-38Z	Drawer face	7.00 x 21.50
800599-40Z	Drawer face	7.00 x 10.25
800599-44Z	Drawer face	10.25 x 13.50
800599-46Z	Drawer face	8.00 X 17.25
800599-56Z	Drawer face	7.00 x 16.00
800599-57Z	Drawer face	17.25 x 13.00
800599-58Z	Drawer face	4.75 x 21.50
800599-59Z	Drawer face	9.75 x 12.00
800599-65Z	Drawer face	8.00 x 10.50
800599-73Z	Drawer face	8.50 x 25.00
800599-74Z	Drawer face	12.00 x 13.50
800599-75Z	Drawer face	8.00 x 13.50

# CLASSIC TRAILER

## FURNITURE DRAWER BOX

Height x width x length (inches)

964906-02	Drawer box	2.75 x 19.50 x 18.00
964906-04	Drawer box	14.00 X 8.00 X 2.75
964906-06	Drawer box	2.75 x 12.00 x 18.00
964906-09	Drawer box	2.75 x 8.75 x 18.00
964906-10	Drawer box	2.75 x 12.25 x 14.00
964910-01	Drawer box	5.00 x 20.88 x 18.00
964910-02	Drawer box	5.00 x 10.00 x 18.00
964910-03	Drawer box	5.00 x 19.50 x 18.00
964910-05	Drawer box	8.50 X 18.00 X 5.00
964910-08	Drawer box	5.00 x 13.25 x 14.00
964910-13	Drawer box	5.00 x 14.00 x 19.69
964910-14	Drawer box	5.00 x 13.75 x 13.00
964910-18	Drawer box	17.00 X 14.00 X 5.00
964910-19	Drawer box	5.00 x 11.50 x 14.00
964907-02	Drawer box	8.50 x 18.00 x 6.00
964907-08	Drawer box	11.50 X 14.00 X 6.00
964907-13	Drawer box	15.00 X 18.00 X 6.00
964908-01	Drawer box	8.00 x 17.50 x 26.00
963338-01	Drawer box, angled, RS rear wardrobe, dbl. bed	
963338-02	Drawer box, angled, CS rear wardrobe, dbl. bed	
963749	Drawer box assembly, "W" rear bed	
963749	Drawer box assembly, "J" rear bed	
961759	DRAWER BOX ASSY. "J"	
961763	Drawer box assembly, "B" rear bed, 28ft	
986777-01	Drawer box, pantry, 25ft.	
201016	Drawer, plastic, 16" x 22"	

# CLASSIC TRAILER

## FURNITURE REAR BEDROOM-TWIN

<a href="#">963506-08</a>	Roof locker, rear center
963498	Face frame, rear center roof locker
965049-00Z	SIDE PANEL RADIO SHELF
<a href="#">962227-09</a>	Twin bed assembly, RS, 30, 31 & 34ft.
<a href="#">962227-08</a>	Twin bed assembly, CS, 30, 31 & 34ft.
<a href="#">962508-03</a>	Twin bed assembly, RS, 25 & 28ft.
<a href="#">962508-04</a>	Twin bed assembly, CS, 25 & 28ft.
998101-01	BED-END, TWIN, FABRIC COVERED
<a href="#">963348-06</a>	Night stand assembly, RS
963351-01	Face frame, nightstand, RS
964452	Top, RS nightstand
<a href="#">965209-03</a>	Night stand assembly, center rear
965210	Face frame, rear center nightstand
965211	Top, rear center nightstand
<a href="#">963671-03</a>	Roof locker, rear, CS or RS, 30, 31 & 34ft.
963670	Face frame, rear side roof locker, 30, 31 & 34ft.
<a href="#">963767-03</a>	Roof locker, rear, RS, 25 & 28ft.
<a href="#">963767-04</a>	Roof locker, rear, CS, 25 & 28ft.
963768-01	Face frame, 25 & 28ft., rear roof locker
<a href="#">963827-01</a>	END CAP ASSY. BEDROOM LH
963829-02	FACE FRAME R/L END CAP LH
<a href="#">963827-02</a>	END CAP ASSY. BEDROOM RH
963829-01	FACE FRAME R/L END CAP RH

Continued

# CLASSIC TRAILER

## FURNITURE

### REAR BEDROOM-TWIN

<a href="#">962355-07</a>	Hanging wardrobe assembly, CS
<a href="#">962355-08</a>	Hanging wardrobe assembly, RS
986180-01Z	Face frame, hanging wardrobe, RS, CS
<a href="#">963297-01</a>	Header, slider door, short
962199-01	END CAP ASSY LOUNGE/BED LOCKER LH
963829-02	FACE FRAME R/L END CAP LH-
962199-02	END CAP ASSY. LOUNGE/BED LOCKER RH
963829-01	FACE FRAME R/L END CAP RH
998101-01	BED-END, TWIN, FABRIC COVERED
963721-04	WARDROBE FWD ASSY. -25'T
963722-01	FACE FRAME FWD WARDROBE
<a href="#">800727-01</a>	Close-out, foldette door, 25"



# CLASSIC TRAILER

## FURNITURE

### REAR BEDROOM-TWIN 34' S/O

<a href="#">962227-09</a>	ASSY., TWIN BED CS 34' S/O
<a href="#">962227-10</a>	ASSY., TWIN BED RS 34' S/O
<a href="#">963348-06</a>	ASSY., RS NIGHTSTAND 34'S/O
963351-01	FACE FRAME RS NIGHTSTAND
964452	TOP, RS NIGHTSTAND
<a href="#">965209-03</a>	NIGHTSTAND ASSY., CENTER TWIN 34'S/O
965210-00z	TOP ASSY-NIGHTSTAND TWIN
<a href="#">963506-10</a>	REAR LINER LOCKER 34' S/O
963498	FACE FRAME FWD/AFT R/L-TRAILER
963671-04	ROOFLOCKER ASSY. 34' S/O CLASSIC
963670	FACE FRAME "A" 38.25" R/L
<a href="#">963827-01</a>	END CAP ASSY. BEDROOM LH
963829-02	FACE FRAME R/L END CAP LH
<a href="#">963827-02</a>	END CAP ASSY. BEDROOM RH
963829-01	FACE FRAME R/L END CAP RH
<a href="#">962355-09</a>	ASSY., HANGING WDRB C/S 34'S/O
986180-01	FACE FRAME, HANGING W/R
<a href="#">962355-10</a>	ASSY. HANGING WDRB RS 34' S/O
986180-01	FACE FRAME, HANGING W/R
963297-01	HEADER SLIDER DOOR SHORT
998101-01	BED-END, TWIN, FABRIC COVERED

# CLASSIC TRAILER

## FURNITURE

### REAR BEDROOM-DOUBLE

[963340-11](#) Wardrobe assembly, RS rear, 30, 31, 34 FT.  
962207-01 Face frame, RS rear wardrobe

[963340-12](#) Wardrobe assembly, CS rear, 30, 31 & 34ft.  
962208-01 Face frame, CS, rear wardrobe  
201959-01 PAN TOP SHELF WRD RH BLACK ABS  
201959-02 PAN TOP SHELF WRD LH BLACK ABS  
964869 FRAME CONTROL PANEL BEDROOM, RS & CS

[963721-04](#) Wardrobe assembly, forward, 25ft.  
963722-01 Face frame, forward wardrobe, 25ft.

[963337-07](#) Rear roof locker, center, 30, 31 & 34ft.  
963336-01 Face frame, rear center roof locker  
962217 FUSE PANEL CLOSE OUT "W"

[965226-02](#) SHIRT CLOSET-RS, "B" MODELS  
965227-00Z FACE FRAME-SHIRT CLOSET RS

[965228-02](#) ROOFLOCKER ASSY-"B" RS 32.5", 25ft  
965229-00Z FACE FRAME-ROOFLOCKER "B" RS 32.5

[963827-01](#) END CAP ASSY. BEDROOM LH  
963829-02 FACE FRAME R/L END CAP L

[963827-02](#) END CAP ASSY. BEDROOM RH  
963829-01 FACE FRAME R/L END CAP RH

962199-01 END CAP ASSY LOUNGE/BED LOCKER LH, 28'  
963829-02 FACE FRAME R/L END CAP LH-

962199-02 END CAP ASSY. LOUNGE/BED LOCKER RH, 28'  
963829-01 FACE FRAME R/L END CAP RH

Continued

# CLASSIC TRAILER

## FURNITURE

### REAR BEDROOM-DOUBLE

<a href="#">963747</a> 965605-01	Bed assembly, double, 30, 31 & 34ft. HEADBOARD ASSY. 2-TONE
<a href="#">963748</a>	Bed assembly, double, 28ft., 25Ft.
<a href="#">962530</a> -01	Nightstand, forward, 28ft.
<a href="#">964942</a> -01	Nightstand, assembly, forward, 25ft
926531-01	Face frame, forward nightstand, 25 & 28ft.
962538	Top, forward nightstand
381241-00Z	TV shelf w/mirror
<a href="#">964259</a>	CLOSE OUT W-WARDROBE
<a href="#">963296</a> -01	Header, slider door long, 34', 31'
<a href="#">963297</a> -01	Header, slider door short, 34', 31'

Continued

# CLASSIC TRAILER

## FURNITURE

### REAR BEDROOM-DOUBLE 34' S/O

[963340-11](#) WDRB ASSY. "W", RS 34'S/O  
962207-01 FACE FRAME AFT RS  
201959-01 PAN TOP SHELF WRD RH BLACK ABS

964869 FRAME CONTROL PANEL BEDROOM

[963340-12](#) WDRB ASSY. "W", CS 34'S/O  
962208-01 FACE FRAME AFT CS  
201959-02 PAN TOP SHELF WRD LH BLACK ABS

962217 FUSE PANEL CLOSE OUT "W"

962605-01 ASSY, HEADBOARD, 2-tone, 34' S/O

[963747](#) BED ASSY. "J"

381241-00Z TV. SHELF W/MIRROR, 18.5 X 15.5

[963296-01](#) HEADER SLIDER DOOR LONG  
[963297-01](#) HEADER SLIDER DOOR SHORT

# CLASSIC TRAILER

## FURNITURE

### BATH 34 FT.

(See hardware section for fixtures. If connected to water, see plumbing)

<a href="#">986265</a>	Sliding bath door
<a href="#">963786-01</a>	Jamb, bath door
800576-01Z	MOLDING BATH DOOR JAMB 80"
<a href="#">963787-01</a>	Jamb, bath door/shower trim
<a href="#">963788-01</a>	Header, bath door
200009	Sliding door guide
<a href="#">203046-03</a>	Shower stall, angled, two piece
<a href="#">963179-03</a>	Slider door, 29 x 72 in. vinyl
<a href="#">963296-01</a>	Header, slider door, long
<a href="#">963297-01</a>	Header, slider door, short
801337	HEADER SHOWER, 34 Ft.
<a href="#">965194</a>	Lavatory assembly
965192-00Z	Face frame, lavatory
953193-00Z	Face frame closeout
965195-01	Top, lavatory, Corian
703241	Spice Trader, 5.25" Wallpaper Border
703240	Sumatra, 5.25" Wallpaper Border
703239	Cashmere, 5.25" Wallpaper Border
<a href="#">963302-04</a>	Medicine cabinet assembly, lower
963266-01	Face frame, lower medicine cabinet
<a href="#">964026-01</a>	Medicine cabinet assembly, upper
964025	Face frame, upper medicine cabinet
<a href="#">965224-02</a>	Wardrobe assembly, CS
964219-00Z	Face frame, wardrobe
965220-00Z	Stile, wardrobe side, LH/RH
965221-00Z	Header Wardrobe
108433	Header foldette door
<a href="#">965223-03</a>	WARDROBE ASSY. AFT
965218-00Z	FACE FRAME-WARDROBE

# CLASSIC TRAILER

## FURNITURE

### BATHROOM, 34 S/O

(See hardware section for fixtures. If connected to water, see plumbing)

<a href="#">961413-10</a>	Sliding bath door, FWD, 102 wide
<a href="#">963786-01</a>	Jamb, bath door
<a href="#">963787-01</a>	Jamb, bath door/shower trim
<a href="#">964303-01</a>	Header, bath door
<a href="#">203046-03</a>	Shower stall, angled, two piece
<a href="#">963179-02</a>	Slider door, 29 x 72in., vinyl
<a href="#">963296-01</a>	Header, slider door, long
<a href="#">963297-01</a>	Header, slider door, short
<a href="#">965214-04</a>	Lavatory assembly
965212-00Z	Face frame lavy,
965193-00Z	Frame, closeout, lavatory
965215-01	Top, lavatory, Corian
<a href="#">964302-05</a>	Medicine cabinet assembly, lower
963300-01	Face frame, lower medicine cabinet
<a href="#">964301-03</a>	Medicine cabinet assembly, upper
964299-01	Face frame, upper medicine cabinet
<a href="#">965224-04</a>	Wardrobe assembly
965219-00Z	Face frame, wardrobe
965221-00Z	Header, wardrobe
<a href="#">965223-04</a>	Wardrobe assy., aft
965218-00Z	Wardrobe Face frame, aft
108433	Header foldette door

# CLASSIC TRAILER

## FURNITURE

### BATHROOM, 31 FT

(See hardware section for fixtures. If connected to water, see plumbing)

<a href="#">965224-01</a>	Wardrobe assembly, CS
964219-00Z	Face frame, CS wardrobe, forward
965220-00Z	STILE, WARDROBE SIDE LH/RH
965221-00Z	HEADER WARDROBE
<a href="#">965223-03</a>	Wardrobe assembly, aft
965128-00Z	Face frame, wardrobe, aft
<a href="#">961413-10</a>	Slider door, forward
<a href="#">963786-01</a>	Jamb, bath door
<a href="#">963787-01</a>	Jamb, bath door/shower
<a href="#">964303-01</a>	Header, bath door
964993	Closeout, lavy shower
<a href="#">203046-03</a>	Shower stall, angled, two piece
<a href="#">965214-04</a>	Lavatory cabinet assembly
964212-00Z	Face frame, lavatory cabinet
965193-00Z	Frame, lavy, closeouts
965215-02	Top, lavatory cabinet
<a href="#">964302-05</a>	Medicine cabinet assembly, lower
964300-01	Face frame, lower medicine cabinet
<a href="#">964301-03</a>	Medicine cabinet assembly, upper
964299-01	Face frame, upper medicine cabinet
<a href="#">963296-01</a>	Header, foldette door, long
<a href="#">963297-01</a>	Header foldette door, short

# CLASSIC TRAILER

## FURNITURE

### BATHROOM, 30 FT

(See hardware section for fixtures. If connected to water, see plumbing)

<a href="#">962175-04</a>	Wardrobe assembly, CS
962162-01	Face frame, CS wardrobe, aft
962163-01	Face frame, CS wardrobe, forward
<a href="#">964945</a>	Lift up shelf assembly, wardrobe
<a href="#">203081</a>	Shower stall, two-piece
962161-01	Face frame, shower
<a href="#">800815-02</a>	Stile aft, bath panel end
<a href="#">962066</a>	Slider door, aft
<a href="#">963656</a>	Header, slider door, aft
<a href="#">961413-03</a>	Slider door assembly
<a href="#">963657</a>	Header, slider door, forward
<a href="#">961921-08</a>	Lavatory cabinet assembly
961890-01	Face frame, lavatory cabinet
961891-01	Face frame lavy, aft
965217-01	Top, lavatory cabinet, Corian
<a href="#">961899-04</a>	Medicine cabinet, lower
961897-01	Face frame, lower medicine cabinet
703241	Spice Trader, 5.25" Wallpaper Border
703240	Sumatra, 5.25" Wallpaper Border
703239	Cashmere, 5.25" Wallpaper Border
<a href="#">963753-01</a>	Medicine cabinet, upper
962170-01	Face frame, upper medicine cabinet



# CLASSIC TRAILER

## FURNITURE

Bathroom, 30ft. S/O trailer

(See hardware section for fixtures. If connected to water, see plumbing)

<a href="#">963664</a>	Stile, aft, bath
<a href="#">962161-01Z</a>	Face frame, shower
800815-02Z	Stile aft, bath panel end
<a href="#">963656-00Z</a>	Header aft, sliding door
<a href="#">963657-00Z</a>	Header, fwd, sliding door
<a href="#">962066-00Z</a>	Door assy., slider aft
<a href="#">961413-16Z</a>	Door, slider assy., 20.5" x 74"
<a href="#">203081</a>	Shower stall, 2 pcs.
703206-02	Shower door, Gold 26" opening
<a href="#">961921-08</a>	Lavy, cabinet assy.
961890-01Z	Face frame, lavy
961891-01Z	Face frame lavy, aft
965217-01	Top assy., Corian
<a href="#">963753-01</a>	Med. Cabinet assy., upper
962170-01Z	Face frame med., upper
<a href="#">961899-04</a>	Medicine cabinet, lower section
961897-01Z	Face frame, med., cabinet, lower
<a href="#">962175-04</a>	Wardrobe assy.
962162-01Z	Face frame W/R aft, CS
963163-01Z	Face frame, WRD fwd
<a href="#">964945</a>	Lift up assy, wardrobe

# CLASSIC TRAILER

## FURNITURE

### BATHROOM 28FT

(See hardware section for fixtures. If connected to water, see plumbing)

<a href="#">964016</a> -01	Wardrobe assembly, CS
964015	Face frame, CS wardrobe
<a href="#">963690</a> -02	Wardrobe assembly, RS
962509-01	Face frame, RS wardrobe
<a href="#">203081</a>	Shower stall, two-piece
<a href="#">962505</a> -01	Face frame, shower
<a href="#">963656</a>	HEADER AFT SLIDE DOOR
<a href="#">962066</a>	Slider door, aft
<a href="#">961413</a> -14	Slider door assembly, 17" x 72.50"
<a href="#">961413</a> -15	Slider door assembly, 19" x 72.50"
801132	Header, slider door, forward
<a href="#">961921</a> -08	Lavatory cabinet assembly
961890-01	Face frame, lavatory cabinet
965217-01	Top, lavatory cabinet
961891-01	Face frame, lavatory aft
703241	Spice Trader, 5.25" Wallpaper Border
703240	Sumatra, 5.25" Wallpaper Border
703239	Cashmere, 5.25" Wallpaper Border
<a href="#">961899</a> -04	Medicine cabinet, lower
961897-01	Face frame, lower medicine cabinet
<a href="#">963753</a> -01	Medicine cabinet, upper
962170-01	Face frame, upper medicine cabinet
381241-00Z	TV shelf w/ mirror
962199-02	End cap assy., lounge/bed, RH
962199-01	End cap assy., lounge/bed, LH

# CLASSIC TRAILER

## FURNITURE

### BATHROOM 25Ft

(See hardware section for fixtures. If connected to water, see plumbing)

<a href="#">201980</a>	Shower stall, two-piece
<a href="#">986265</a>	Sliding bath door
<a href="#">962322-02</a>	Lavatory cabinet assembly
962324-01	Face frame, lavatory cabinet
965216-01	Top, lavatory cabinet
703241	Spice Trader, 5.25" Wallpaper Border
703240	Sumatra, 5.25" Wallpaper Border
703239	Cashmere, 5.25" Wallpaper Border
<a href="#">962251</a> -02	Medicine cabinet, lower
962252	Face frame, lower medicine cabinet
<a href="#">963752-01</a>	Medicine cabinet, upper
962250	Face frame, upper
200963-01	Track sliding door, vanity upper
200963-02	Track, Sliding door, vanity lower

# CLASSIC TRAILER

## FURNITURE

### GALLEY, 34-FRONT LOUNGE MODEL

<a href="#">964953-01</a>	Seat assembly, dinette, LH
964499-01	Cushion support, LH
964950	Back, upholstered, LH, w/door
<a href="#">964334-01</a>	Flex spring seat
<a href="#">964954-01</a>	Seat assembly, dinette, RH
964498-01	Cushion support, RH
964529-02	Back, upholstered, RH
<a href="#">964334-01</a>	Flex spring seat
<a href="#">703125-03</a>	Top dinette seat, urethane buckskin
<a href="#">963793</a>	Dinette table assembly
963673	Top, dinette table
962177-03	Table leg, hardwood
<a href="#">963763</a>	Roof locker, dinette
963764-01	Face frame, dinette roof locker
<a href="#">963305-01</a>	Refrigerator cabinet assembly
963724-02	Face frame, refrigerator cabinet
<a href="#">963757-02</a>	Roof locker, galley
963354-01	Face frame, galley roof locker
<a href="#">963828-01</a>	END CAP ASSY. GALLEY LOCKER LH
<a href="#">963829-02</a>	FACE FRAME R/L END CAP LH
<a href="#">964608</a>	Galley assembly, oven option
964607	Face frame, galley
964586-01	Galley top assembly

(Continued)

# CLASSIC TRAILER

## FURNITURE

### GALLEY 34FT FRONT LOUNGE MODEL

<a href="#">964606-04</a>	Galley cabinet, cook top section
964605	Face frame, galley cabinet forward
964586-01	Top, galley cabinet, Corian
<a href="#">964383-01</a>	Range covers, Corian (pr.)
<a href="#">964411-01</a>	Sink cover, RH, Corian
<a href="#">964410-01</a>	Sink cover, LH, Corian
200980-01	Tray, silverware, Almond
<a href="#">964610-02</a>	Galley cabinet, aft section
964328-01	Face frame, galley cabinet, aft
<a href="#">961247-02</a>	Galley cabinet, pantry section
961072-01	Face frame, pantry
<a href="#">961066-01</a>	Appliance garage
800734-01	End, RH, appliance garage
800734-02	End, LH, appliance garage
800474-10Z	Tambour, 23.00" x 12.00"
<a href="#">963357-03</a>	Microwave cabinet
963355-01	Face frame, Microwave cabinet
<a href="#">963527-01</a>	Microwave cabinet assembly, oven option
964627	Face frame, microwave cabinet
<a href="#">963991-00Z</a>	Spice rack
<a href="#">963990-00Z</a>	Magazine rack
<a href="#">800631-00z</a>	Hand rail, 23"long
381491	Trash can, rollout
<a href="#">964951-01</a>	JAMB-DINETTE DROP DOOR SIDE
<a href="#">964951-02</a>	JAMB-DINETTE DROP DOOR TOP/BOTTOM

# CLASSIC TRAILER

## Furniture

### Galley, 34' Slide-out (Lounge)

[964997-02](#)

Galley assy., forward

965020-00Z

Face frame, galley forward

965018-00Z

Face frame, galley forward

965019-00Z

Face frame, galley forward

964999

Top assy, galley forward

[965030-06](#)

Microwave cabinet assy.

965029-00Z

Face frame, micro. Cabinet

965319

Top, micro. Cabinet

965031-01

Top microwave cabinet, full oven option

[965035-02](#)

Roof locker assy.

965034-00Z

Face frame, galley roof locker

[964998-05](#)

Galley assy., cook top

965017-00Z

Face frame, galley cook top

[963828-01](#)

End cap assy., Galley R/L, L.H.

[963829-02](#)

Face frame, R/L, end cap

[965274-02](#)

Sink cove, R.H, Corian

[965275-02](#)

Sink cover, L.H., Corian

[963680-02](#)

Refer cabinet assy.

963724-01

Face frame, refer cabinet

[963990-00Z](#)

Magazine rack

[963991-00Z](#)

Spice rack

703049-00Z

Bar stool, Ashley

381708

Waste basket

[965036-00Z](#)

End cap, shelf assy.

# CLASSIC TRAILER

Furniture  
Galley, 34' Slide-out (Dinette)

<a href="#">965367-03</a>	GALLEY ASSY-COOK TOP, S/O DINETTE
<a href="#">965356-01</a>	GALLEY ASSY-FWD S/O DINETTE
965361-00Z	FACE FRAME-GALLEY FWD @ SINK S/O
965359-00Z	FACE FRAME-GALLEY FWD, S/O
<a href="#">964335-00Z</a>	GALLEY FLIP-UP SHELF ASSY
<a href="#">965302</a>	Galley assembly, full oven option
965304-00Z	Face frame, galley assembly, full oven
<a href="#">965357</a>	GALLEY ASSY-MID S/O DINETTE
965360-00Z	FACE FRAME-GALLEY MID, S/O
<a href="#">964998-04</a>	GALLEY ASSY-COOK TOP, S/O
965017-00Z	FACE FRAME-GALLEY COOK TOP, S/O
<a href="#">963991-00Z</a>	SPICE RACK
<a href="#">965379-03</a>	GALLEY ROOFLOCKER ASSY 103.5"
965380	FACE FRAME-GALLEY R/L 103.5"
<a href="#">963828-01</a>	END CAP ASSY. GALLEY LOCKER LH
<a href="#">963829-02</a>	FACE FRAME R/L END CAP LH
<a href="#">965030-06</a>	Microwave cabinet assy.
965029-00Z	Face frame, micro. Cabinet
965319-00Z	Top, micro. Cabinet
<a href="#">963680-02</a>	Refer cabinet assy.
963724-01	Face frame, refer cabinet

# CLASSIC TRAILER

## FURNITURE GALLEY, 31 Ft.

<a href="#">964965-03</a>	GALLEY ASSY FWD SECTION
964344-01	FACE FRAME-GALLEY FWD SECTION
964961-01	TOP ASSY GALLEY CORIAN
<a href="#">964973-01</a>	Sink cover
<a href="#">800631-00Z</a>	HANDRAIL 23" LONG
<a href="#">963990-00z</a>	MAGAZINE RACK
<a href="#">964600-03</a>	GALLEY ASSY-OVEN SECT
964599	FACE FRAME-OVEN SECTION
<a href="#">963761-04</a>	LOCKER GALLEY ASSY.
962167-01	FACE FRAME GAL R/L
<a href="#">962225-04</a>	SPICE CABINET ASSY
962224-01	FACE FRAME SPICE CABINET
<a href="#">964310-01</a>	ASSY. REFER CABINET ASSY
963724-01	FACE FRAME REFER
<a href="#">963828-01</a>	END CAP ASSY. GALLEY LOCKER LH
<a href="#">963829-02</a>	FACE FRAME R/L END CAP LH
<a href="#">963688-01</a>	MICROWAVE CABINET STD
964628	FACE FRAME - DOMETIC MW CABINET
<a href="#">961247-01</a>	SECTION, PANTRY, AFT GALLEY
961072-01	FRAME FACE PANTRY -BACK
965319	TOP MICRO CABINET
<a href="#">963991-00Z</a>	SPICE RACK

Continued



# CLASSIC TRAILER

## FURNITURE GALLEY, 31 Ft.

[964335](#) GALLEY FLIP-UP SHELF ASSY  
381614 FOLDING SHELF BRACKET

Microwave-Convection W/ 3-Burner Cook-top (option)

[964598](#) Galley assembly, cook-top section  
964597 Face frame, galley cook-top section

[962536-02](#) Microwave cabinet assembly  
962527-01 Face frame, convection microwave cabinet  
962537 Microwave cabinet top

Uses same pantry section 961247-01 as standard microwave.

# CLASSIC TRAILER

## FURNITURE GALLEY, 30Ft.

<a href="#"><u>964966-07</u></a>	Galley cabinet assembly, forward
964629	Face frame, galley cabinet, forward
964961-01	Top, galley, Corian
964961-02	Top, galley, Corian, LTD option
<a href="#"><u>964973-01</u></a>	Sink cover
<a href="#"><u>964600-02</u></a>	Galley cabinet assembly, oven section
964599	Face frame, galley oven section
<a href="#"><u>964383-01</u></a>	Range covers, Corian
<a href="#"><u>963761</u></a>	Galley roof locker assembly
962167-01	Face frame, galley roof locker
963828-01	End cap, galley roof locker, LH
963829-02	Face frame, R/L end cap, LH
<a href="#"><u>963763-03</u></a>	Dinette roof locker
963764-01	Face frame, dinette roof locker
<a href="#"><u>962225-04</u></a>	Spice cabinet assembly
962224-01	Face frame, spice cabinet
<a href="#"><u>963680</u></a>	Refrigerator cabinet assembly
963724-01	Face frame, refrigerator cabinet
<a href="#"><u>964953-02</u></a>	Dinette seat assembly, LH
964499-01	Cushion support, dinette, LH
964529-01	Back, dinette, upholstered, LH
<a href="#"><u>964334-01</u></a>	Flex spring seat

(continued)

# CLASSIC TRAILER

## FURNITURE GALLEY, 30ft

<a href="#">964954-02</a>	Dinette seat assembly, RH
964498-01	Cushion support, dinette, RH
964529-02	Dinette back, upholstered, RH
<a href="#">964334-01</a>	Flex spring seat
<a href="#">703125-03</a>	Top dinette seat, urethane buff
<a href="#">963793</a>	Dinette table assembly
963673	Top, dinette table
962177-03	Table leg, hardwood
<a href="#">963990-00z</a>	Magazine rack
<a href="#">963991-00z</a>	Spice rack
964335	Galley lift-up shelf
<a href="#">800631-00Z</a>	Handrail, 23" long
<a href="#">963828-01</a>	End cap assembly, galley R/L, LH
<a href="#">963829-02</a>	Face frame R/L end cap LH
Microwave, Convection W/ 3-Burner cook-top (Option)	
<a href="#">964598</a>	Galley assembly, cook-top section
964597	Face frame, galley cook-top section
<a href="#">964964-01</a>	Galley assembly, FWD
964964-02	Galley assembly, FWD, LTD, Option
964693-01	Face frame, FWD galley assembly

# CLASSIC TRAILER

## FURNITURE GALLEY, 30ft

### Limited Package

[964598](#)  
964597

Galley assembly cook-top section  
Face frame, galley cooktop section

[964964-02](#)  
964363-01  
964961-02

Galley assembly, forward M/W section  
Face frame, forward M/W section  
Top assembly, galley, Corian

[964383-01](#)

Range top covers, Corian

# CLASSIC TRAILER

## FURNITURE GALLEY, 30 S\O

<a href="#">965303-02</a> 965305-00Z	Galley assy., fwd Face frame galley fwd
<a href="#">965301-01</a> 964973-01	Top assy., galley Sink cover, Corian
<a href="#">964998-03</a> 965017-00Z	Galley assy. cook top Face frame, cook top
200980-01	Tray, silverware, 9" x 13"
381708	Waste basket
<a href="#">963761-04</a> 962167-01Z	Locker, galley assy. Face frame, galley R/L
<a href="#">962225-04</a> 965224-01Z	Spice cabinet assy. Face frame, spice cabinet
<a href="#">963680</a> 963724-01Z	Refer cabinet assy. Face frame refer
<a href="#">963828-01</a> 963829-02Z	End cap assy., galley R/L Face frame, R/L end cap
<a href="#">965030-05</a> 965029-00Z 965031-01	Microwave cabinet assy. Face frame, microwave Std Top, microwave cabinet assy.

(Continued)

# CLASSIC TRAILER

## FURNITURE

### GALLEY,34 S/O Dinette, 30FT S/O

<a href="#">965314-01</a>	Dinette seat assembly, LH
965315-01	Base assy, dinette seat, LH
965316-01	Back assy., dinette, LH
965317-01	Upholstered back assy.
964449-01	Cushion support, dinette, LH
<a href="#">965314-02</a>	Dinette seat assy-RH
965315-02	Base assy, dinette, RH
965316-02	Back assy., dinette RH
965317-02	Upholstered back assy., RH
964498-01	Cushion support, dinette, RH
<a href="#">964334-01</a>	Flex spring seat
<a href="#">703125-03</a>	Top-dinette seat, urethane buckskin
<a href="#">963793</a>	Dinette table assy.
963673	Dinette table
962177-03Z	Table leg, hardwood
<a href="#">963990-00Z</a>	Magazine rack
<a href="#">963991-00Z</a>	Spice rack
<a href="#">964335</a>	Galley lift-up shelf
<a href="#">800631-00Z</a>	Handrail, 23" long

# CLASSIC TRAILER

## FURNITURE

### GALLEY, 28Ft

<a href="#">964602-04</a>	Galley cabinet assembly, full oven
964601	Face frame, galley, full oven
114967	TOE KICK, GALLEY ASSY.
964963-01	Galley top, Corian
<a href="#">964973-01</a>	Sink cover
<a href="#">964383-01</a>	Range covers, Corian
200980-01	Silverware tray, 9' x 13"
<a href="#">963765-01</a>	Galley roof locker assembly
962517-01	Face frame, galley roof locker
<a href="#">963828-01</a>	End cap, galley roof locker, LH
963829-02	FACE FRAME R/L END CAP LH-TRAILER
<a href="#">962511-02</a>	Spice cabinet assembly
962512-01	Face frame, spice cabinet
<a href="#">963689</a>	Refrigerator cabinet assembly
963724-01	Face frame, refrigerator cabinet
<a href="#">963688-04</a>	Microwave cabinet, assembly
964628	Face frame, microwave cabinet
<a href="#">961247-01</a>	Pantry section, aft
961072-01	Face frame, pantry
965319	Top, microwave cabinet
<a href="#">964335</a>	Galley lift-up shelf
381133	Rack sack, 6.5 Litre, white

Continued

# CLASSIC TRAILER

## FURNITURE GALLEY, 28Ft

963990-00Z Magazine rack

800631-00Z Hand rail, 23"long

Microwave Convection, W/ 3-Burner cook-top, option

[962536-01](#) Microwave cabinet assembly  
965527-01 Face frame M/W cabinet

[961247-01](#) Pantry section, aft galley  
961072-01 Face frame pantry  
962537 Top, microwave cabinet

Cook-top 3-Burner w/drawer, option

[964604](#) Galley assembly, cook-top  
964403 Face frame, galley assembly  
964963-01 Galley top assembly, Corian  
114967 Toe kick, galley



# CLASSIC TRAILER

## FURNITURE GALLEY 25

<a href="#">964589</a> -04	Galley cabinet assembly, full oven
964588	Face frame, galley, full oven
964962-01	Galley top, Corian
<a href="#">964383</a> -01	Range covers, Corian
964973-01	Sink cover
<a href="#">963773</a> -01	Galley roof locker assembly
962379-01	Face frame, galley roof locker
<a href="#">963828</a> -01	End cap, galley roof locker, LH
963829-02	face frame, R/L end cap LH
<a href="#">962261</a> -01	Pantry cabinet assembly
962262-01	Face frame, pantry cabinet
<a href="#">986777</a> -01	Drawer assembly, pantry
986150-01	Face frame, pullout pantry
381109	Bunk latch, pantry
<a href="#">963707</a> -02	Refrigerator cabinet w/microwave
964630	Face frame, refrigerator cabinet
<a href="#">963991</a> -00Z	Spice rack
<a href="#">964335</a>	Galley lift-up shelf
381133	Rack sack, 6.5 Litre, white
<a href="#">963990</a> -00Z	Magazine rack

# CLASSIC TRAILER

## FURNITURE

### LOUNGE, 34' Front Lounge

703264-*	Sofa 74", Villa Cloth
963400-01	Arm rest support assembly, RS
963400-03	Arm rest support assembly, CS
962563	CLOSEOUT ASSY LOUNGE
<a href="#"><u>961959-01</u></a>	Writing table/chair storage cabinet
961955-01	Face frame, chair storage
961958	Top assembly, lift-up/writing table
961956-01	Frame end w/table, chair storage
<a href="#"><u>963353-03</u></a>	Credenza assembly
963289-01	Face frame, forward credenza
963313	Face frame, aft credenza
963325	Top, credenza
<a href="#"><u>960420-02</u></a>	Credenza table assembly
960416-02Z	Table leaf, lower
960417-02Z	Table leaf, upper
962177-03	Leg, hardwood
960419-01	facer board, lift up table
<a href="#"><u>963506-09</u></a>	Front roof locker
963498	Face frame, front roof locker
381507	Clock, round
381828	Clock, Quartz

\*Changing the-(dash) number to: 442 =Spice Trader  
422 = Cashmere  
432 = Sumatra  
452 = Golden Touch

# CLASSIC TRAILER

## FURNITURE

34 ft. L-Lounge, option

963341	Corner table assembly
963342	Frame corner table
963343	Top/lid sub assembly
963399-02	Armrest assembly
963398-02	Armrest cushion assembly, CS
963398-04	Armrest cushion assembly, RS, notched
963398-03	Armrest cushion assembly, CS, NOTCHED
963398-01	Armrest cushion assembly, RS
963616-01	End table assembly, w/lift up table
801120	Leg
801121	Frame aft leg, end table
963614-00Z	End table top, 11" x 28.25"
961957-01Z	Door, chair storage
960420-06	Lift up table assembly
962878-01Z	Lower table leaf, Nomar, 24"
962879-01Z	Upper table leaf, Nomar, 24"
962177-03Z	Leg, hardwood
960419-01	Facer board lift up table
*703141-tab	Sofa, 74", short drawer
703141-02	Sofa, 74", short drawer, Leather, Ultra-buff

\*Changing the-(dash) number to: 442 =Spice Trader  
422 = Cashmere  
432 = Sumatra  
452 = Golden Touch

# CLASSIC TRAILER

## FURNITURE

### LOUNGE, 34FT SLIDE OUT

703265-*	Sofa, 84", cloth, rest assured camel back
703265-02	Sofa, 84", Ultra-leather
963598-02	Table, Hi-Lo
<a href="#">965181</a>	Locker. front-end liner, 965729 after unit 515075
965185-02Z	Face frame, front end, R/L, L.H.
965185-01Z	Face frame, front end, R/L, R.H
965186	TV cabinet, , 965730 after unit 515075
965298	TV trim ring
453900	Bracket, TV, overhead
965731	Satellite receiver cabinet
965732	Face frame satellite cabinet
371378-01	Glass, front liner locker L.H. door
371378-02	Glass, front liner locker R.H door
371706-01	Hinge, glass door
381706-02	Mounting plate, glass door
381706-03	TRIM CAP-H SERIES SM HINGE ARM
381706-04	TRIM CAP-H SERIES SM HINGE
381707	Strike w/pull, glass door
203273	Pans, ABS, front roof locker
<a href="#">965023-01</a>	End table. L.H.
965021-00Z	Face frame, end table, L.H.
965027-00Z	Face frame, side, end table, L.H.
965403	Top assy., end table, aft
965028-00Z	Magazine rack
<a href="#">965024-02</a>	End table assy. R.H
965022-00Z	Face frame, end table, R.H
965402	Top assy., end table, fwd

**CLASSIC TRAILER**  
**FURNITURE**  
**LOUNGE, 34FT SLIDE OUT**

<a href="#"><u>965048-01</u></a>	File cabinet assy.
965047-00Z	Face frame, file cabinet
<a href="#"><u>965016</u></a>	Shelf assy., pullout
965033	Frame assy., pull out shelf
965404	Top, fireplace cabinet assembly
<a href="#"><u>965009-02</u></a>	Credenza assy., L.H., front
965004-00Z	Face frame, front credenza, L.H.
965405-02	Top assy., front credenza, L.H.
<a href="#"><u>965010</u></a>	Credenza assy., R.H
965004-01Z	Face frame credenza, RH
965005-00Z	Leg, front credenza
965406	Top, corner cabinet, CS
381701	Tray, keyboard w/mouse pad
965036-00Z	End cap shelf assy.
<a href="#"><u>965055-03</u></a>	Upper, R.H, cabinet assy
965054-01Z	Face frame, R.H, upper cabinet assy.
<a href="#"><u>965055-04</u></a>	Upper cabinet assy., L.H.
965054-02Z	Face frame, upper cabinet assy., L.H.
Fire Place (Optional)	
<a href="#"><u>965008</u></a>	Cabinet assy., fireplace
965003-00Z	Face frame, fireplace cabinet
965032-01	Hearth assy.
965013-01	Top assy., fireplace

# CLASSIC TRAILER

## FURNITURE LOUNGE, 34FT SLIDE OUT

### Front CS Storage Cabinet (Option)

[965093](#) Credenza assembly, RH front  
965504-00Z Face frame, front credenza, RH  
965405-01 Top, Credenza CS

### Dinette S/O

[965411-01](#) Computer table assembly  
965418 Face frame computer table

[961959-01](#) Writing table, chair storage  
961955-01 Face frame writing table  
961956-01 Frame end table  
961957-01 Door, writing table, chair storage  
961958 Top, lift-up/writing table cabinet  
962423 Top assy., writing table

[963793](#) Dinette table assembly  
963673 Top, dinette table  
962177-03 Table leg, hardwood

[965314-01](#) DINETTE SEAT ASSY-LH  
965317-01 UPHOLSTERED BACK ASSY-DINETTE  
964499-01 CUSHION SUPPORT-DINETTE LH 41.63"

[965314-02](#) DINETTE SEAT ASSY-RH  
965317-02 UPHOLSTERED BACK ASSY-DINETTE RH  
[964334-01](#) FLEX SPRING SEAT 21.63 X 42.00

963400-03 Armrest support assembly, CS notched  
963400-04 Armrest support assembly,

# CLASSIC TRAILER

## FURNITURE

### LOUNGE, 31Ft

963400-01	Arm rest support assembly, RS
963400-03	Arm rest support assembly, CS
<a href="#">961959-01</a>	Writing table/chair storage cabinet
961955-01	Face frame, chair storage
961956-01	FRAME END OAK, TABLE CHAIR STORAGE
961957-01	DOOR OAK, TABLE CHAIR STORAGE
961958	Top, lift-up/writing table, cabinet
962243	Leaf, writing table
<a href="#">964408-05</a>	Credenza assembly
963729-01	Face frame, credenza
964311	TOP ASSY - RS CREDENZA
964510-03	Top, credenza, RS, Nomar, Hickory, LTD, 31'
962381-01	FWD STILE RS CREDENZA
962382-01	AFT STILE RS CREDENZA
<a href="#">960420-02</a>	Credenza table assembly
960416-02Z	Table leaf, lower
960417-03	Table leaf, upper
962177-03	Leg, hardwood
960419-01	FACER BOARD, LIFT-UP TABLE
964409-01	FACE FRAME-CREDENZA FWD SECTION
<a href="#">963506-01</a>	Front roof locker
963498	Face frame, front roof locker
963094-03	DOOR HEADER PANEL 31"
964510-03	Top, credenza, RS, Nomar, Hickory, LTD, 31'
962878-023	Table leaf, lower, Hickory
965397-01	Top assembly microwave cabinet, Corian

# CLASSIC TRAILER

## FURNITURE LOUNGE, 30 Ft

963400-01	Arm rest support assembly, RS
963400-03	Arm rest support assembly, CS
<a href="#">961959-01</a>	Writing table/chair storage cabinet
961955-01	Face frame, chair storage
961956-01	Frame end, writing table, chair storage, oak
961957-01	Door, oak, writing table, chair storage
961958	Top, lift-up/writing table cabinet
962423	Top assy., writing table
<a href="#">962015-01</a>	Lift-up table cabinet
961958	Top, table cabinet
<a href="#">960420-02</a>	Table, lift up assembly, 24"
960416-02Z	Table leaf, lower
960417-02Z	Table leaf, upper
962177-03	Leg, hardwood
<a href="#">963219-01</a>	End table assembly
962291-01	Face frame, end table cabinet
961940	Top, end table
962202-05	TV cabinet assembly
922200-01	Face frame, TV cabinet
<a href="#">963506-09</a>	Front roof locker
963498	Face frame, front roof locker
963094-03	Door, header panel



# CLASSIC TRAILER

## FURNITURE

### LOUNGE, 30 S/O

963400-01	Arm rest support assembly, RS
963400-03	Arm rest support assembly, CS
963398-03	Armrest cushion assy., CS notched
963398-01	Armrest cushion assy., RS
801027-01	Panel, kill switch
<a href="#">961959-01</a>	Writing table/chair storage cabinet
961955-01Z	Face frame, chair storage
961956-01Z	Frame end, maple w/table/C. storage
961957-01Z	Door, maple, W. table chair storage
961958	Top, lift-up/writing table cabinet
962423	Top assy., writing table
<a href="#">963506-09</a>	ASSY. FWD LINER LOCKER
963498	FACE FRAME FWD/AFT R/L

# CLASSIC TRAILER

## FURNITURE LOUNGE 28Ft.

963400-01	Arm rest support assembly, RS
963400-03	Arm rest support assembly, CS
963398-01	ARMREST CUSHION ASSY. RS
963398-03	ARMREST CUSHION ASSY. CS NOTCHED
962563	CLOSEOUT ASSY LOUNGE REAR
<a href="#">964408-01</a>	Credenza assembly, RS
963729-01	Face frame, RS credenza
964311	Top, RS credenza
962381-01	FWD STILE RS CREDENZA
962382-01	AFT STILE RS CREDENZA
960420-02	Credenza table assembly
960416-02Z	Table leaf, lower
960417-02Z	Table leaf, upper
962177-03	Leg, hardwood
<a href="#">961959-01</a>	Writing table/chair, storage cabinet
961955-01	Face frame, chair storage
961956-01	FRAME END OAK W. TABLE CHAIR STORAGE
961957-01	DOOR OAK W. TABLE CHAIR STORAGE
961958	Top, lift-up/writing table cabinet
962423	Leaf, writing table
960419-01	FACER BOARD, LIFT-UP TABLE
<a href="#">963506-09</a>	Front roof locker
963498	Face frame, front roof locker
963093-01	Header panel, door

# CLASSIC TRAILER

## LOUNGE 25Ft.

963400-01 Arm rest support assembly, RS  
963400-03 Arm rest support assembly, CS  
963398-01 Armrest cushion assembly, RS  
963398-03 Armrest cushion assembly, CS notched

[963728](#)-03 Credenza table cabinet  
963729-01 Face frame, lift-up table cabinet  
963738 Top, credenza cabinet  
962381-01 Forward stile, RS credenza  
962382-01 Aft, stile, RS credenza

[960420-02](#) Credenza table assembly  
960416-02Z Table leaf, lower  
960417-02Z Table leaf, upper  
962177-03 Leg, hardwood  
690419-01 Facer board, lift up table

[961959-01](#) Writing table/chair, storage cabinet  
961955-01 Face frame, chair storage  
961956-01 FRAME END W. TABLE CHAIR STORAGE  
961957-01 DOOR, W. TABLE CHAIR STORAGE  
961958 Top, lift-up/writing table cabinet  
962423 Leaf, writing table

[963506](#)-09 Front roof locker  
963498 Face frame, front roof locker

# CLASSIC TRAILER

## LIMITED PACKAGE OPTION

### 34 S/O lounge

965401-01	Top, RS nightstand, Corian
965025-01	Top assembly, end table, LH Corian
965026-01	Top assembly, end table, RH Corian
965013-01	Top, fireplace cabinet Corian
965014-02	Top assembly, front credenza, Corian
965015-01	Top assembly, front RH credenza
963598-023	Table, Hi-Lo, Hickory
965031-02	Top assembly, microwave cabinet
965400-01	Flip up shelf assembly, Corian

### 34 S/O Dinette

962880-003	ASSY TABLE/TOP/WRITING NOMAR HICKORY
962875-003	TOP LIFT-UP/WRITING TABLE CAB. HICKORY
963674-003	TOP DIN. RESISTOVAR 26X42 HICKORY
965031-02	Top assembly, microwave cabinet

<a href="#">965411-02</a>	Computer table assembly
965418	Face frame, computer, RS
965400-01	Flip up shelf assembly, Corian

### 34 Ft.

963324-003	TOP CREDENZA, HICKORY
962879-023	TABLE LEAF-UPPER 23" X 25", HICKORY
962878-023	TABLE LEAF-LOWER 23"X25.875", HICKORY
962880-003	ASSY TABLE/TOP/WRITING NOMAR HICKORY
962875-003	TOP LIFT-UP/WRITING TABLE CAB. HICKORY
963674-003	TOP DIN. RESISTOVAR 26X42 HICKORY
965401-01	TOP-RS NIGHTSTAND CORIAN S/O

(Continued)

# CLASSIC TRAILER

## LIMITED PACKAGE OPTION

Hickory is standard in the Limited Package.

Specify Hickory on all order with S/N of trailer and follow instructions at beginning of furniture section.

31Ft.

962880-003	ASSY TABLE/TOP/WRITING NOMAR HICKORY
962875-003	TOP LIFT-UP/WRITING TABLE CAB. HICKORY
964510-003	Top, credenza, Nomar, Hickory
962879-023	Table leaf upper
962878-023	Table leaf, lower
965031-02	Top assembly, microwave cabinet
965400-01	Flip up shelf assembly, Corian

30Ft.

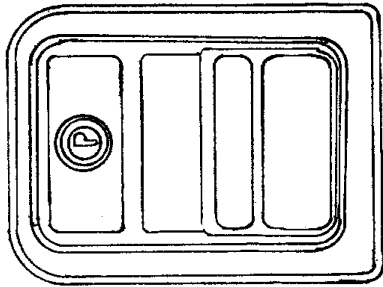
962880-003	ASSY TABLE/TOP/WRITING NOMAR HICKORY
962875-003	TOP LIFT-UP/WRITING TABLE CAB. HICKORY
962879-023	TABLE LEAF-UPPER 23" X 25", HICKORY
962878-023	TABLE LEAF-LOWER 23"X25.875", HICKORY
962876-003	Top end table
963674-003	Top, dinette, 26" x 42"

30Ft. S/O

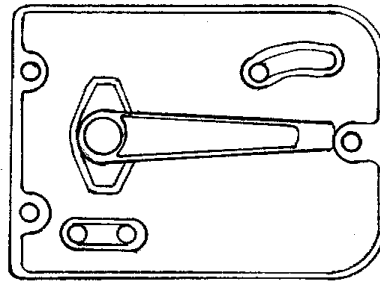
962880-003	ASSY TABLE/TOP/WRITING NOMAR HICKORY
962875-003	TOP LIFT-UP/WRITING TABLE CAB. HICKORY
963674-003	Top, dinette, 26" x 42"

# CLASSIC TRAILER

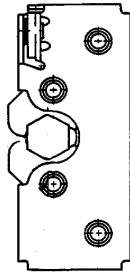
## MAIN DOOR LOCK



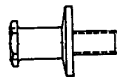
381547-01  
Main door lock, outside  
Housing



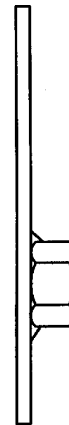
381547-07  
Main door lock, inside  
plate



381547-03  
Double rotary  
latch, main door



381547-04  
Striker bolt w/washer  
main door lock



381550  
Plate, striker bolt  
mounting

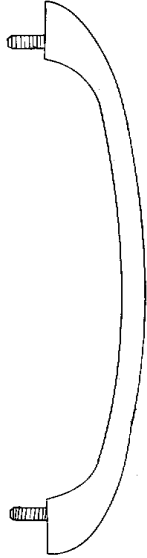
Not shown:

381547-08      Screw package, main door lock  
385595        Pocket strike, #10-10-810

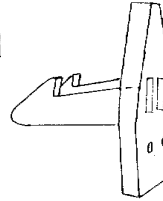
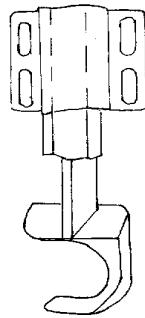
# CLASSIC TRAILER

## HARDWARE

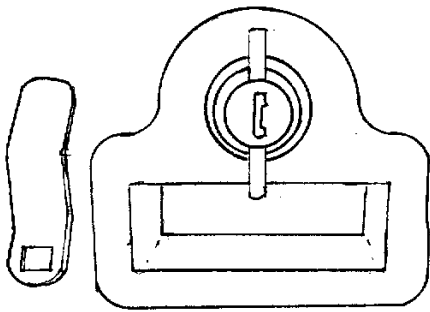
### EXTERIOR LATCHES/LOCKS



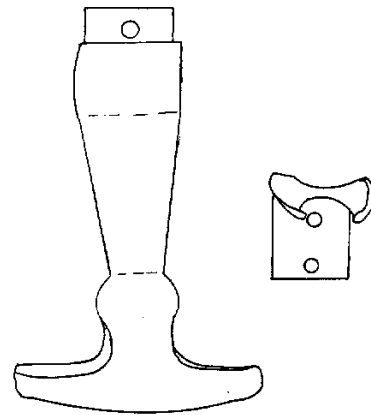
101171  
Grab handle, main door



381454  
Latch, screen door, Bullet



380770-101 Twist lock, chrome  
380770-102 Twist lock, black

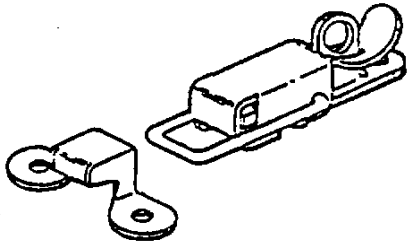


381021 Rubber T handle

# CLASSIC TRAILER

## HARDWARE

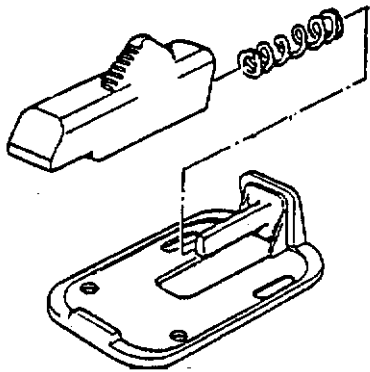
### EXTERIOR LATCHES/LOCKS



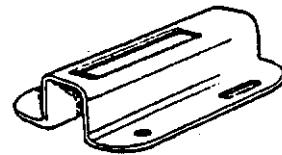
340023 Corbin catch  
w/strike, battery box



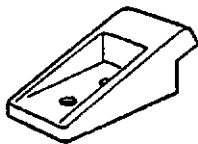
380067, Lock cam,  
bumper lid



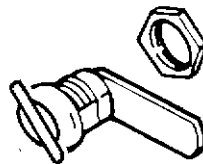
380291 Main door holdback,  
(use w/housing #380290)



380290 Latch housing,  
main door  
holdback



201056 Catch, main door  
holdback



381430 Twist lock,  
straight cam



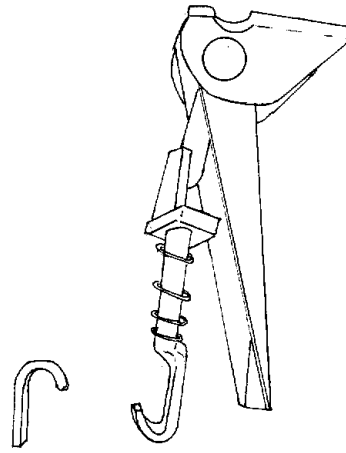
# CLASSIC TRAILER

## HARDWARE

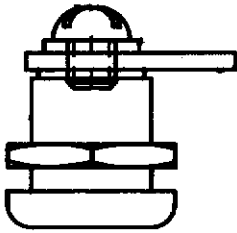
### EXTERIOR LATCHES/LOCKS



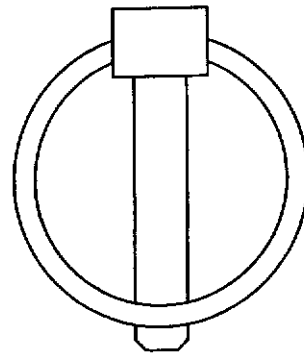
380004  
Handle, screen door



380903 Latch w/strike  
chrome, gas bottle cover



381397 Key cylinder  
w/cam

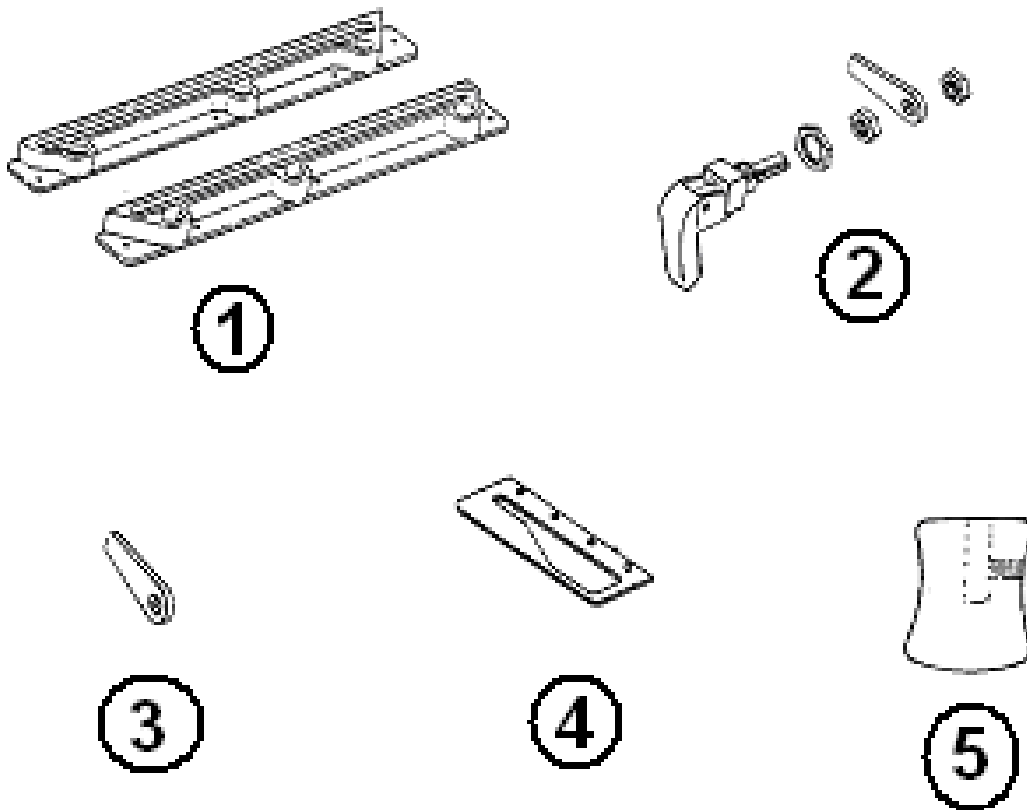


310028 Lynch pin  
roll out storage  
tray

# CLASSIC TRAILER

## HARDWARE

### WINDOW HARDWARE



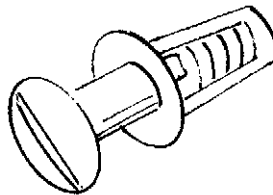
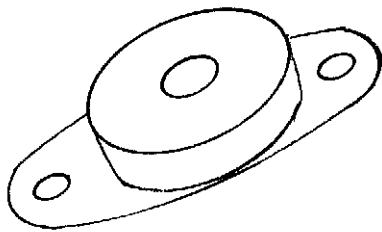
- |              |                                  |
|--------------|----------------------------------|
| 1. 0802-0001 | Window guide, RH                 |
| 1. 0802-0002 | Window guide, LH                 |
| 2. 010020    | Lower window latch, chrome       |
| 2. 195467-05 | Lower window latch, w/red handle |
| 3. 685123    | Pawl, window latch, straight     |
| 4. 685124    | Striker plate, window latch      |
| 5. 380230-03 | Knob window arm, silver          |
| 5. 380230-04 | Knob, window arm, red            |

# CLASSIC TRAILER

## HARDWARE

### WINDOW STONE GUARD

- 685363 Slip joint hinge
- 683960 Support arm, rock guard
- 683959 Bracket, arm support
- 114749 Hinge "Y" assembly
- 114750 Hinge "J" rock guard
- 381021 Draw latch, black rubber



- |                     |                      |                |
|---------------------|----------------------|----------------|
| 685359              | 685342               | 685362         |
| Rubber receptacle   | Stud, 1/4 turn latch | Retaining ring |
| 1/4 latch, South-co | South-co             | 1/4 turn stud  |
- Used on stone guard and wrap protector

- 114819 Assembly, wrap protector hold back

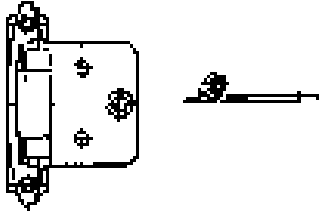
- 114819 -03 Assembly, wrap protector hold back

- 101401 EXTRUSION, DOOR LATCH HOUSING/STONE GUARD
- 345417 NUT ACORN, HEX LOCKING, SS 1/4-20
- 345376 NUT HEX HD 1/4-20 SS
- 345336-07 CAP SCREW HEX HD 1/4-20 X .75"

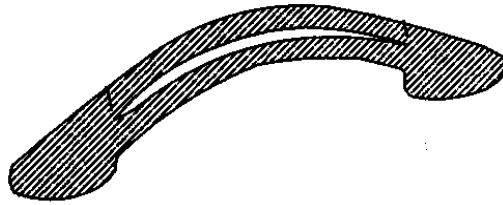
# CLASSIC TRAILER

## HARDWARE

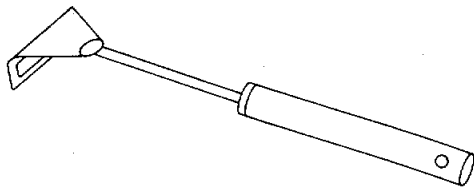
### INTERIOR LATCHES/HINGES



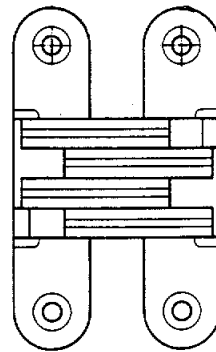
381836 Hinge  
BRIGHT brass



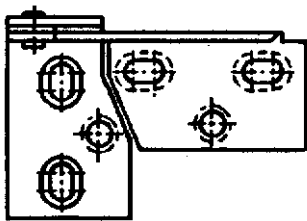
381835 Door handle,  
Brass/Chrome



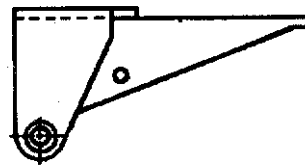
381147 Door support  
spring loaded



380040 Soss hinge  
credenza table



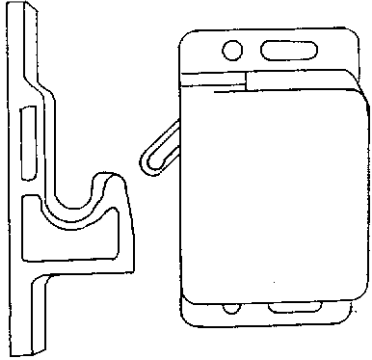
385935-01 Hinge, pivot, chrome  
for bath mirror



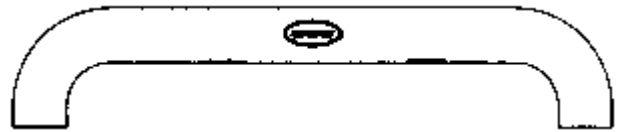
# CLASSIC TRAILER

## HARDWARE

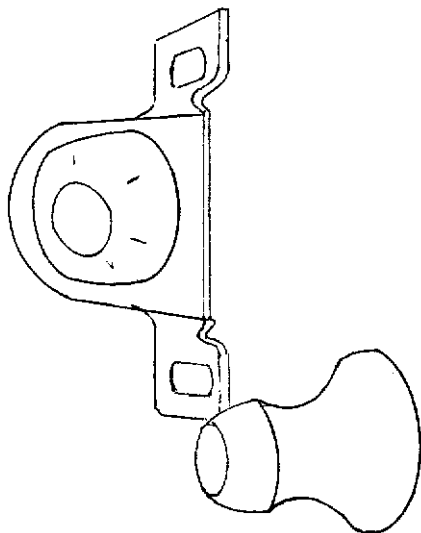
### INTERIOR LATCHES/HINGES



381228 Grabber door latch  
w/catch,10 lb. Rating  
381228-01 Grabber door latch  
w/catch,3lb. rating



381772 Head knocker, white  
mounts on interior doorjamb



381074 Bull dog door catch

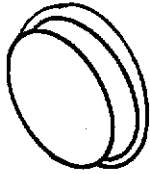


511344-01 Grab handle  
Limited Embossed

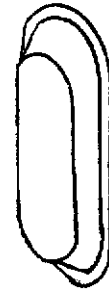
# CLASSIC TRAILER

## HARDWARE

### INTERIOR LATCHES/HINGES



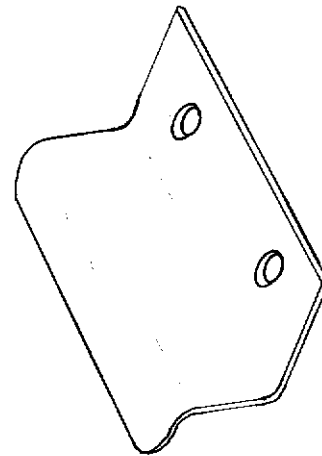
201427 Finger pull,  
light brown



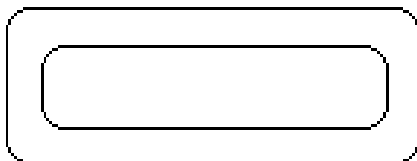
381603 Pull, three finger  
Antique brass



381444 Hatch pull



385940-02, Mirror pull, chrome



381576 Pull handle, brass

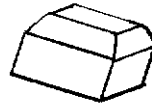
# CLASSIC TRAILER

## HARDWARE

### INTERIOR LATCHES/HINGES



360012 Bumper, rubber  
white, stick-on, cylindrical



360016 Bumper rubber  
gray, square 3/8x3/8

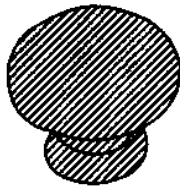
360012-01 Bumper, rubber  
brown, stick-on, cylindrical



195329-202 Bumper, rubber  
brown, stick on, oval



381754 Clip, mirror  
retainer, metal



381839 Knob, door,

# CLASSIC TRAILER

## HARDWARE

### INTERIOR LATCHES/HINGES

#### FOLDETTTE DOOR

381563-01	TRACK FORMED FOLDETTTE DOOR STRAIGHT
452258	BRACKET, MTG. FOLDETTTE DOOR
201666-01	MOLDING-J 3/16" ALMOND PLASTIC
101038	EXTR, HEADER, 110 IN, BROWN
200003	END CAP, MOUNTING, BROWN
700811	BUTTON CAP, HANDY #36, clear vinyl strap
700812	BUTTON BOTTOM, HANDY #36, clear vinyl strap
700813	BUTTON, NAIL BOTTOM
381408	Pantry latch, push
800405-00Z	Plug, button, hardwood

#### DRAWER SLIDES

381192	Drawer slide, pantry
381526-01	Drawer slide-950-RV, 14"
381526-03	Drawer slide-950-RV, 18"
381526-04	Drawer slide-950-RV, 20"
381526-06	Rear bracket, drawer, adjustable
381400	Slide, drawer, 14", 2900-14
381400-01	Slide, drawer, 12", 2900-12
381415	Slide, drawer, Delta Travel lock, Twin night stand
381090	Slide, 22", dinette drawer
381527	Speedy shelf strips

(Continued)



# CLASSIC TRAILER

## HARDWARE

### INTERIOR LATCHES/HINGES

### BATHROOM ACCESSORIES

380034	Toilet paper holder
381299	Toilet paper holder recessed, 30ft S/O
380017	Tooth brush/tumbler holder
381626-02	Towel bar, 18"
380248	Soap dish, chrome
381275	PAPER HOLDER, BRASS, W/HOOD, LTD Option
381626-01	TOWEL BAR 18" POLISHED SOLID BRASS, LTD Option
381254	TOOTHBRUSH/TUMBLER, BRASS, LTD Option
381255	HOLDER, SOAP, BRASS, LTD Option

### CREDENZA TABLE HARDWARE

381306	Lift up table slides, one right & one left
201155	Sliding guide, plastic, table
380037	Latch, nail & spring, table
380038	Eyelet, lock, brass
381147	Door support, spring loaded
380210	HINGE PLAIN STEEL
380040	HINGE SOSS INVISIBLE L & R HAND

### WRITING TABLE HARDWARE

380492	Bracket, table, writing
340018	Plate, catch

### BED LIFT

381067-09	Gas prop, bed 90lbs.
381262	Bracket w/ball stud, gas prop
381084	Ball stud
381085	Clip retaining
381310	Prop upper bracket assembly

# CLASSIC TRAILER

## HARDWARE

### MISCELLANEOUS

381581	STRAP CLEAR PLASTIC .75"W
700811	BUTTON CAP, HANDY #36
700812	BUTTON BOTTOM, HANDY #36 N. OAK
701342-01	Vinyl strap, sliding door hold back (female snap on both ends)
381443-01	Sliding door set (includes, carriers, top plate, track)
381443-02	BUMPER STOP
381443-03	Angle stop, #1080
963299-01	Door guide, hardwood
*381385	Dual lock #400-1" strips
*381386	Dual lock #170-1" strips
380045	Clothes rod
200975-04	Conduit, flexible, black (covers clothes rod)
380046	Bracket, clothes rod end, chrome flange
381298	"J" bracket, center clothes rod support
381570	3-finger pull, sliding door assy.
381133	Rack pack, 6.5 Litre, white
381614	Lift up shelf bracket, galley
381737	Handle assist, molded, interior

### Loose parts

600241-01	HOSE ADAPTOR, STRAIGHT #02593
381647	KEY WATER FILL CH751
380069	TREAD STEP 8 X 18-1/2

\*These two parts work similar to Velcro but have interlocking knobs rather than hooks and loops.

(Continued)

# CLASSIC TRAILER

## Hardware

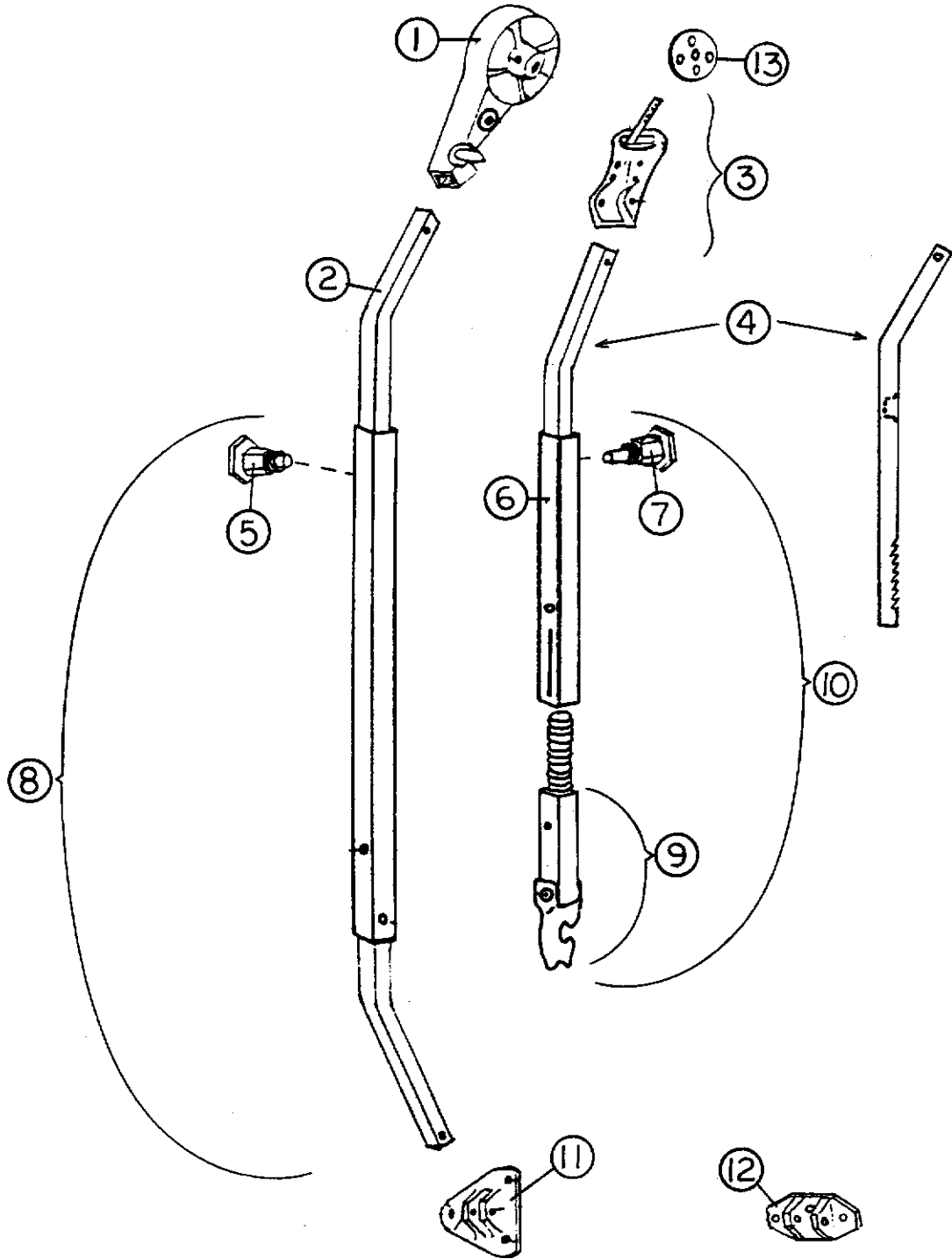
### Miscellaneous

381839 KNOB-CHROME/BRASS 1.25"  
381175 Door pull, Dinette, fireplace cabinet  
800737-01 Handle, appliance garage  
381269 Trailer level, Level Master  
381323-01 DEADBOLT COMPLETE ASSY. #11840-12  
381326 STRIKER #10007 W/TRIMARK DEADBOLT  
453851 BOLT - TRI/MARK  
203370 SPACER-TRI/MARK DOOR LATCH  
203375 HIGH DENSITY POLYETHYLENE .187"TH

### Hinges

380774-02 HINGE, TRUNK COMPARTMENT DOOR 61.50  
381500 HINGE PIANO REVERSED, Battery Box  
381552-03 HINGE ASSY. MAIN DOOR UPPER  
381552-04 HINGE ASSY. MAIN DOOR LOWER  
381531-01 HINGE SCREEN DOOR UPPER  
381531-02 HINGE SCREEN DOOR LOWER  
380988 HINGE, refer access door  
380203-01 PIANO HINGE, utility comp, credenza, dbl.-bed,  
medicine cabinet  
380458 HINGE BROWN, Writing table, chair storage  
380284-02 TABLE HINGE BRACKET  
380210 HINGE PLAIN STEEL  
381605-01 HINGE, STAINLESS STEEL, access door  
381836 HINGE-BRITE BRASS, CABINETS  
381837 HINGE-SEMI CONCEALED/BRIGHT BRASS, ROOF  
LOCKERS  
380773 HINGE, ACCESS DOOR, GAS BOTTLE COVER  
381529 Hinge, dinette upholstered back w/door

# CLASSIC TRAILER



See next page for P/N

# CLASSIC TRAILER

## AWNING HARDWARE

- 1) 74043W-04 Head assembly, front
  - 1A) 74043W-05 Head assembly, Rear
- 2) 74047W-09 Main arm bar, front
- 2A) 74047W-10 Main arm bar, rear
- 3) 74056W Clamp assembly, front, curved
- 3a) 74056W-01 Clamp assembly, rear, curved
- 4) 74061WS-07 Rafter arm bar, satin
- 5) 74054W Snap stud assembly
- 6) 74063W-04 Rafter arm tube, satin
- 7) 74072W Ratchet stud
- 8) 74048WS-12 Main arm tube assembly, front
- 8a) 74048WS-13 Main arm tube assembly, rear
- 9) 74068W-03 Claw bar assembly
- 10) 74048WS-14 Rafter arm assembly
- 11) 74055W Base hinge, rib mount
- 12) 74055W-01 Base hinge, floor mount
- 13) 74060W Clamp wheel



# CLASSIC TRAILER

## LABELS AND TAGS

385193	Label, "12V distribution panel inside"
385048	Label, approval with shield
385269	Label, "DON'T USE AREA FOR STORAGE"
385068	Tag, cooking appliance warning
385067	Label, EXIT
385547	Label, LP gas warning/fill
385517	Label, kill switch warning
385521	Label, emergency egress window
385463	Warning label/cooking appliance
385464	Label, LP gas warning label(odor)
385465	Exit label, English
385560	Label, air-conditioner rating
385512	Label, Calif. hazardous substance
385609	Label, smoke detector
385359	Label, microwave or air-conditioner
385837	Label, refrigeration ignition
385103	Plate, RVIA
385418-01	Label, Federal registration
385062	Decal, 110-125 voltage AC
385565	Label, holding tank flushing
386012	Label, warning-water heater
385101	Tag, aux., dump valve
385099	Tag, Black tank dump
386019	Label, 1 amp. fuse max.
386038	Label, CSA, Holding tank fresh water
386060	Label, satellite, receiver
6385917	DECAL- OAK TABLE W/NO MAR FINISH
386066	LABEL, WARNING-PLEASE READ STATIC
386080	LABEL "WARNING SLIDE OUT"
386082	Label, THOR, 5.25" x .75"
386105	Label, TV/VCR Receptacle, CSA only

# CLASSIC TRAILER

## OPTIONS

410843-01	Spare tire and steel wheel, BSW, LR "D", 15"
381318-05	Skylight, 19.5" x 19.5", galley/lounge
114485	Mounting frame, skylight
201962	Trim ring, skylight
702804-03	Shade, pleated, skylight, 19.25" x 20.00"
381318-06	Skylight, 14.5" x 22.5" bath
114486	Mounting frame, skylight, bath
201963	Trim ring, 14" x 22", skylight, white
702804-04	Shade, pleated, skylight, 14.5" x 22.75"
690494-01	REFER-10CF LH DR NDR1062LSS
690494-02	REFER-10CF RH DR NDR1062RSS
690396-07	Range w/oven, Magic Chef
114876	Trim ring, range recess
690407-01	Microwave, Dometic, black, DMW10B
690407-02	Trim kit, Dometic microwave
601712	LP tank, 40# alum
601712-01	LP tank, 40# alum, CSA
511191	CD changer, 10 unit, Sony CDX-646
*703141-tab	Sofa, 74", short drawer, 34 L-lounge
703141-02	Sofa, 74", short drawer, Leather, Ultra-buff
690413	VCR, Sony Hi-Fi, SLV- N51
114925	VCR mounting bracket



# CLASSIC TRAILER

## PLUMBING LPG SYSTEM LP BOTTLE RACK

0360307	GAS BOTTLE RING, 1977 TO PRESENT
601731	LP REGULATOR W/MTG. BRACKET
601731-103	BRACKET ONLY FOR LP REGULATOR
6000491	Hold down rod, threaded, 1/2"-13
100949	Bracket, bottle hold, cast aluminum
410238	"T" handle, threaded, cast aluminum

## LP BOTTLES AND FITTINGS

601710-01	Bottle, LP, steel, 30#
601710-02	Bottle, LP, steel, CSA
601711	Bottle, LP, aluminum, 30#
601711-01	Bottle, LP, 30# alum. CSA
601731	Regulator and hose assembly, Marshall Brass
601685-01	18" LP Hose
601785-02	18" LP Hose, CSA

## BOTTLE COVER

104264-01	Gas bottle cover w/o decal, 30lbs
380903	Latch and strike
200841	Lid, plastic, bottle cover
380773	Hinge, access door
114070	J-trim, extrusion, aluminum
104265	40# GAS BOTTLE COVER W/O DECALS
200845	ABS lid
104355-01	BRKT. 40# LPG BOTTLE COVER
601685-03	LP Hose 40" (-04 CSA)

# CLASSIC TRAILER

## PLUMBING FRESH WATER

601194	Water fill w/lock, gray
601864-01	TANK-FRESH WATER 54.5 GALLON
601620	Pan, fresh water tank
601243	Drain cock, fresh water tank
601588	Drain cock, brass, water lines
601723	FILTER SCREEN, WATER
453712	SHIELD FRESH WATER TANK DRAIN
601239-01	Tubing, 1.375" I.D., flexible, water fill hose

## WATER PUMP

601791-03	Water pump, Aquatec
943576	HOSE-WATER PUMP
601791-02	FITTINGS-SLIP IN (AQUATEC PUMP)
601668	Filter, pre water pump
601531	FITTING-90 DEGREE 3" H X ST
601565-01	Hose, water, 12" w/fittings
961759	DRAWER BOX ASSY. "J"
600103	SPRING SS, 20"

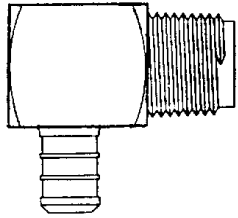
## CITY WATER

601467	Sill cock, 1/2" FP w/wheel handle
601469	Vacuum breaker, 3/4" garden hose
601786	Water hook-up, chrome
601392-04	Water fill, chrome
600139	Check valve, brass
601658	VALVE 1/2" STOP CPVC
601659	RISER 1/2" FPT X 12" CPVC
381435	Hatch, white plastic, water hose exit
601240	Tubing, clear, fresh water fill vent

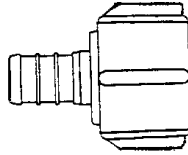
# CLASSIC TRAILER

## PLUMBING FRESH WATER

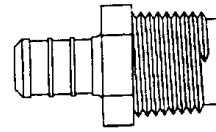
### FITTINGS



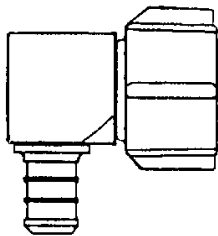
601698-04  
Elbow, 1/2" barb  
x 1/2" MPT



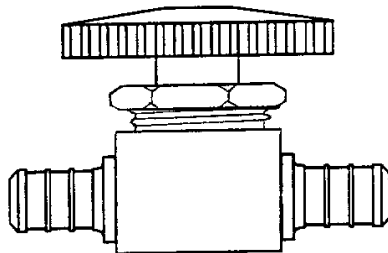
601698-03  
Coupler, 1/2" barb  
x 1/2" FPT



601698-02  
Coupler, 1/2" barb  
x 1/2" MPT



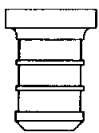
601698-05  
Elbow 1/2" barb x  
1/2" FPT



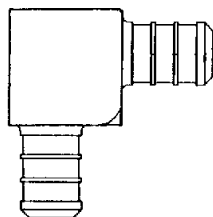
601698-22  
Shut-off, 1/2" barb x  
1/2" barb



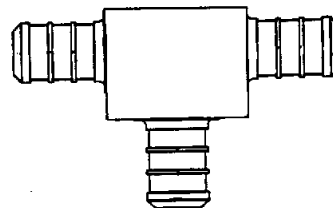
601698-08  
Coupler  
1/2" x 1/2" barb



601698-09  
Plug, 1/2" barb  
1/2" barb 1/2" barb



601698-10  
Elbow 1/2" barb x  
1/2" barb



601698-11  
Tee, 1/2" x 1/2" x  
1/2" barb

# CLASSIC TRAILER

## PLUMBING FRESH WATER



601698-15  
Crimp ring, 1/2"  
E-Pex, 1/2" (black)



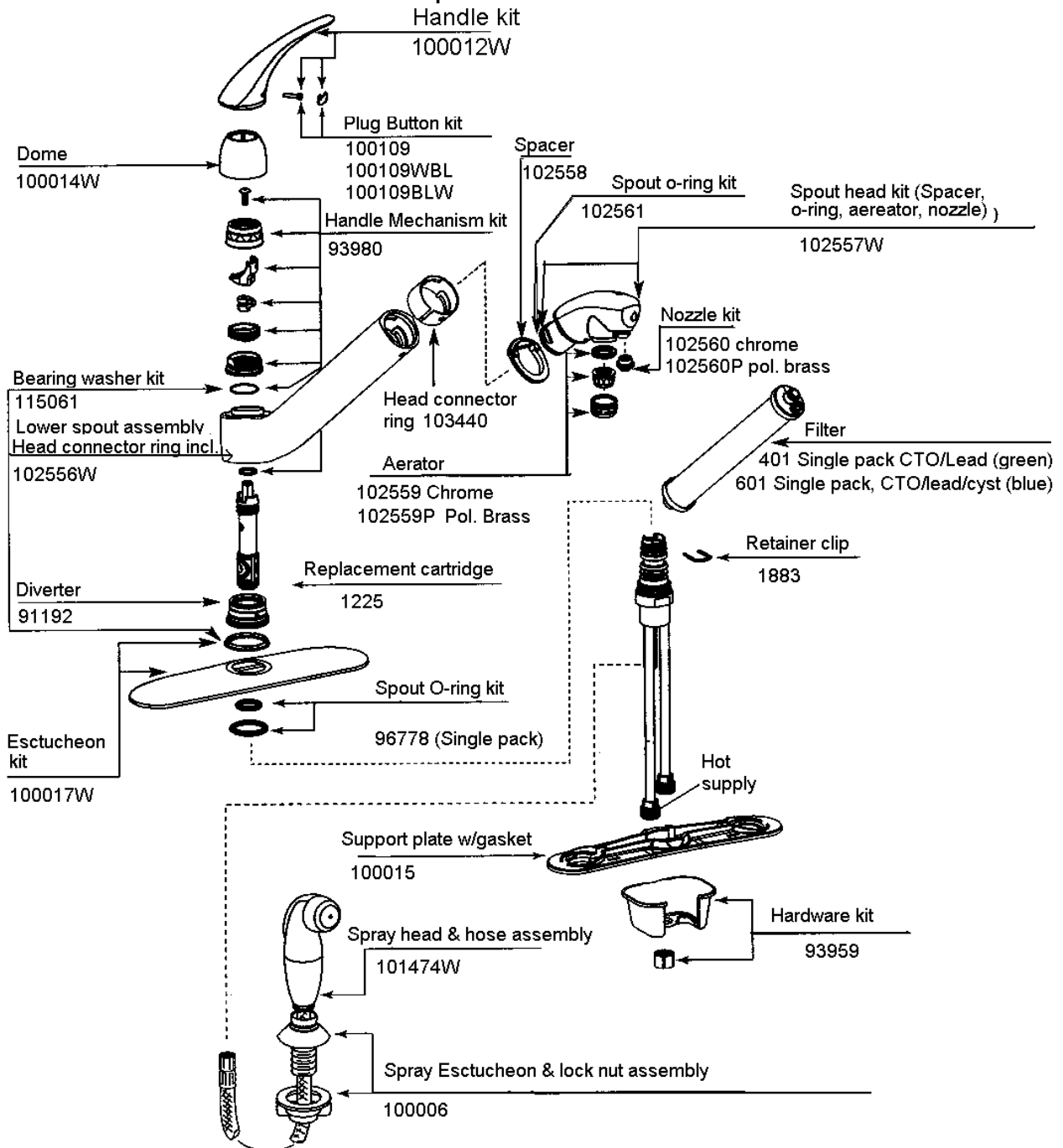
601698-01  
E-Pex tube, 1/2"

601165-01      Water line risers, 12"  
600836          ELBOW 3/8 MPT X 1/2", BARB-COPPER  
601237          ELBOW 90 D 1.25 MPT X 1.25 BAR

# CLASSIC TRAILER

## PLUMBING-FAUCETS

601827-01, MDL 7030W, Glacier, Moen Pure Touch Classic, Standard  
601828, MDL 7050W, Glacier, Moen Pure Touch, Limited Upgrade  
Contact direct Moen at 1-800-BUY-MOEN for warranty and your local parts outlet.



# CLASSIC TRAILER

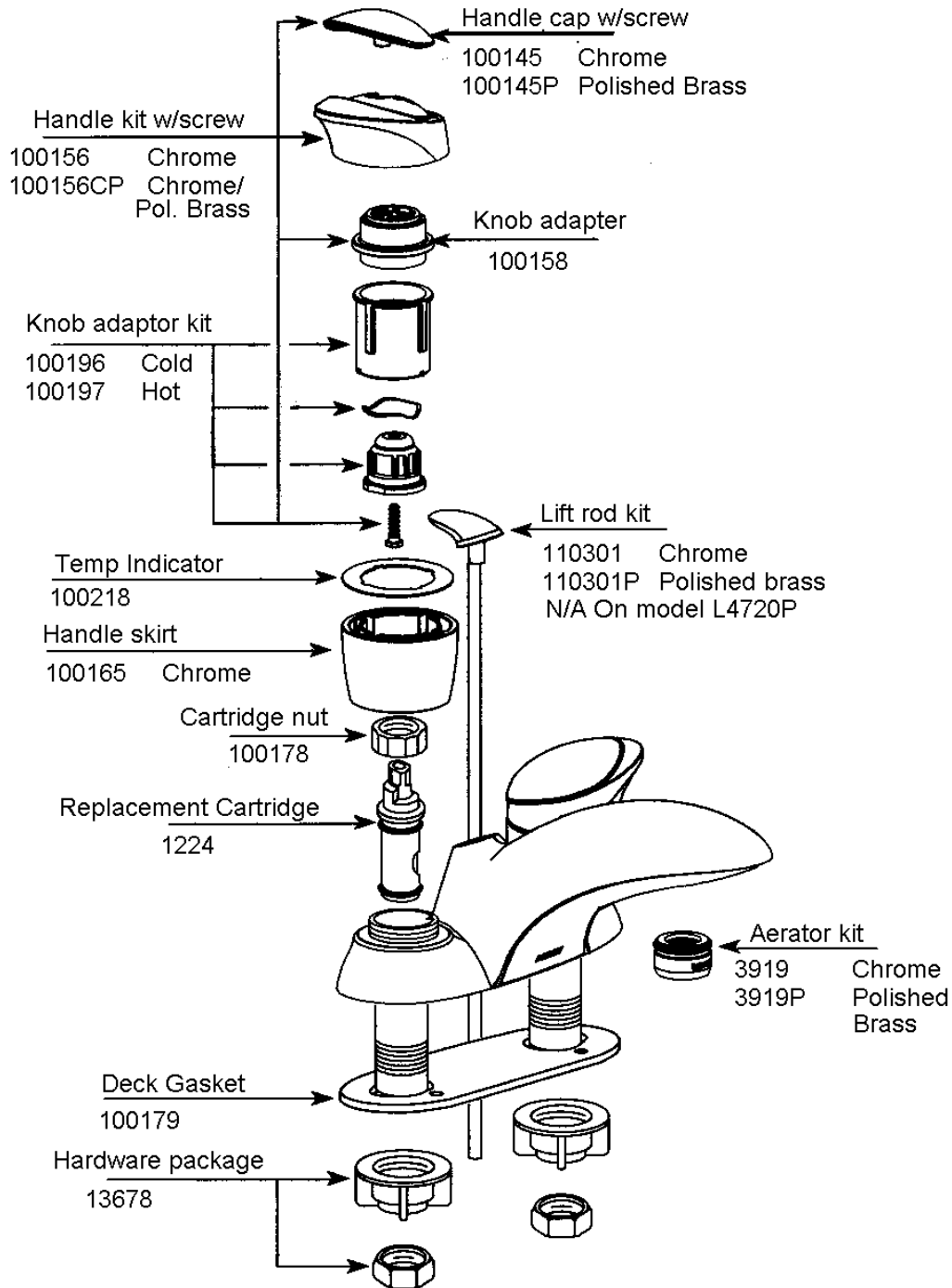
## PLUMBING

### FRESH WATER-FAUCETS

601823 FAUCET MOEN VILLETA, 4720CP, Standard

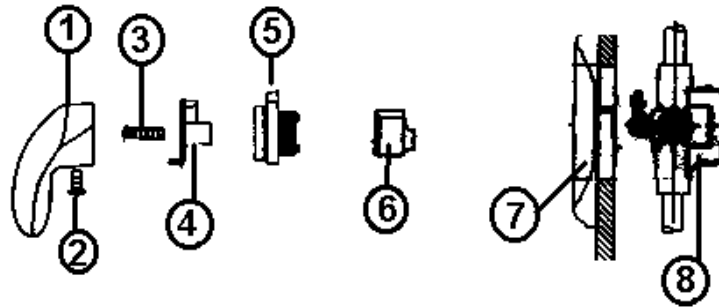
601824 FAUCET MOEN, VILLETA, L4720P, Limited Upgrade

Contact direct Moen at 1-800-BUY-MOEN for warranty and your local parts outlet.



# CLASSIC TRAILER

## PLUMBING FRESH WATER



601830 Brass shower faucet trim kit, Moen Valetta MDL TL2391CP  
Contact Moen at 1-800-BUY-MOEN for warranty and local parts distributor.

### Includes:

1. Lever handle
2. Set screw
3. Handle screw
4. Handle adaptor
5. Brake
6. Key stop
7. Escutcheon
8. 601831, sold separately, 4-port posi-temp valve

### Shower stall fittings

#### STANDARD

601358 Shower head hardware unit, chrome,

#### LIMITED UPGRADE

601359 Shower head hardware unit, BRASS, LTD

601359-101 Elbow with flange, brass

601173 Vacuum breaker, brass

601175-01 Shower hose, brass

601257 Shower head w/shut-off, brass

601359-100 Wall holder, showerhead, brass

601767-02 Tail piece, chrome

# CLASSIC TRAILER

## PLUMBING DRAIN SYSTEM

601850-03	Tank, gray, holding, 31 & 34 Ft.
601848-07	Tank, black, holding, 31 & 34 Ft.
601619	Pan, waste tank, 31 & 34Ft.
601850-02	Tank, holding, gray, 30ft.
601848-06	Tank, holding, black, 30ft.
601619	Pan, waste tank, 30ft.
601850-02	Tank, holding, gray, 28ft.
601848-06	Tank, holding, black, 28ft.
601619	Pan, waste tank, 28ft.
601848-03	Tank, holding, gray, 25ft.
601856-01	Tank, holding, black 25ft.
601626	Pan, waste tank 25ft.
200954	SLOPE PAD-22.75" X 55"
601228	CLOSEOUT, SEPTIC PAN
601431	Dump valve, w/o handle
04190	Handle extension, dump valve
114086	Bracket, dump valve extension
600187	Wye, 3", comb. & 1/8" bend
601531	Fitting, 90 degree, 3" H x ST
600820	Single socket, 3", 90 degree
601323	Female fit & "O" ring, dump valve
600289	Calder coupling, 3", rubber
380481	Boot, rubber, 3" drain line
0310107	Waste valve adapter
601200	Adaptor, Auto-vent, w/extension #A-201

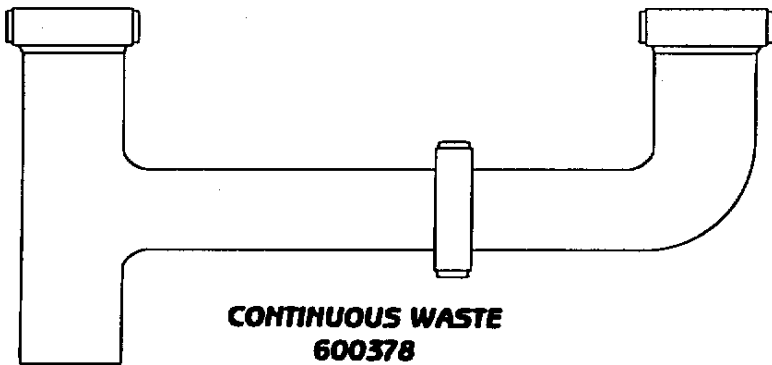


# CLASSIC TRAILER

## PLUMBING DRAIN SYSTEM

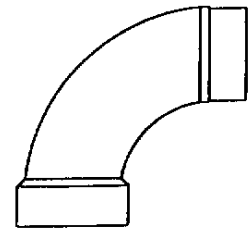
601633-05	Sink, galley, porcelain, 34 ft., 34' S/O, WHITE
381635	Sink clip, under-mount, Corian sink
601799	Sink, galley, SS, 16" x 27", 25', 28', 30' & 31'
600968	Basket strainer, galley, 2", 25', 28', 30', 31', 34'
601700-01	Hose drain, S/O sinks, 1 1/2", flex
203367-01	Bowl, lavatory, Karran
320131	Wing nut, Karran sink
453833	Clip, sink mount, Karran sink, Surf. Bone
320129	Insert, threaded 1/4"O.D. X 1/4"L
203081	Shower stall, 2 piece, 28 & 30ft.
203046-03	Shower stall, angled, 2 piece, 34ft. & 31
201980	Shower stall, two-piece, 25ft.
600594	Strainer with rubber stopper
01639	Bayonet ring, 3" Thetford
01664	Cap, 3"sewer outlet, Thetford
600065	Flange, floor, threaded
600883	Coupler, toilet, PB 820
601165-02	Water line risers, 54"
601165-01	RISER WATER LINE, 12"
601441	Tank flush, no-fuss (vacuum breaker & check valve)
601441-01	Nozzle, tank mounted, no-fuss flush
601441-02	Tank flush, no-fuss, CSA only (vacuum breaker & check valve)
601160-04	Pipe, 3" ABS
601160-02	Pipe, 1.5" ABS
601589	Adaptor, brass, 3/8" FPT x 1/2" MPT
600156	TEE SANITARY

CLASSIC TRAILER  
PLUMBING 1.5" FITTINGS



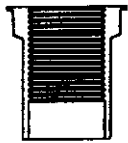
**CONTINUOUS WASTE  
600378**

600378



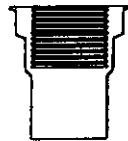
**ELBOW 90D  
LONG ST  
600431**

600431



**TRAY ADAPTOR  
600625-01**

600625-01



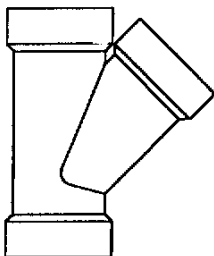
**TRAY ADAPTOR  
600625-02**

600625-02



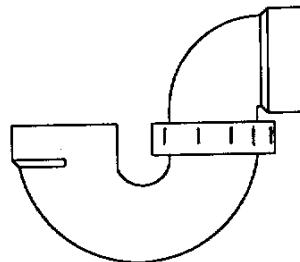
**SWIVEL  
ADAPTER  
600822**

600822



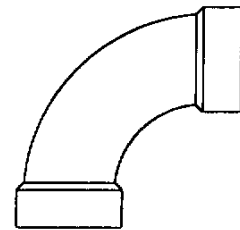
**WYE  
#2301  
600094**

600094



**P-TRAP  
1.5" W/O SLIP NUT  
600144**

600144



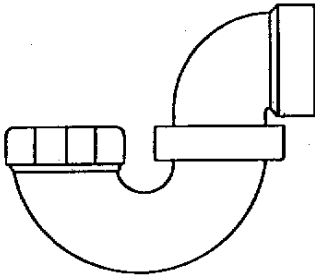
**ELBOW 90D  
LONG TURN  
600035**

600035

(continued)

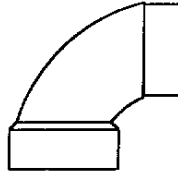
# CLASSIC TRAILER

## PLUMBING 1.5" FITTINGS



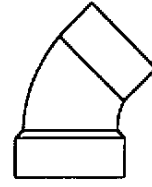
**P-TRAP  
1.5" WITH SLIP NUT  
600622**

600622



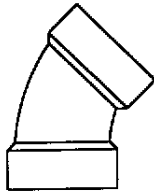
**ELBOW 90D  
SHORT ST  
600662**

600662



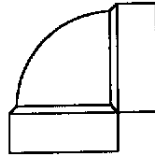
**ELBOW 45D  
LONG ST  
600027**

600027



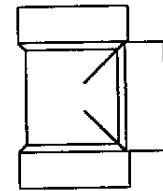
**ELBOW 45D  
LONG TURN  
600030**

600050



**ELBOW VENT  
90D  
600033**

600033



**TEE-BI DIRECTIONAL  
CLEAN-OUT 1.5"  
601318**

601318



**PLUG 1.5"  
600155**

600155



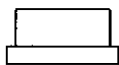
**VENT 1.5"  
600538**

600538



**CAP 1.5"  
601677**

601677



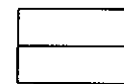
**REDUCER 1.5" TO 1.25"  
601263**

601263



**ADAPTER  
601676**

601676

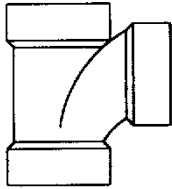


**ADAPTER  
W/FEMALE THREADS  
600308**

600308

# CLASSIC TRAILER

## PLUMBING 1.5" FITTINGS



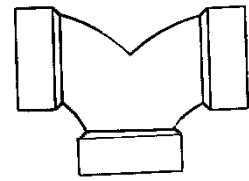
**TEE-SANITARY  
1.5"  
600156**

600156



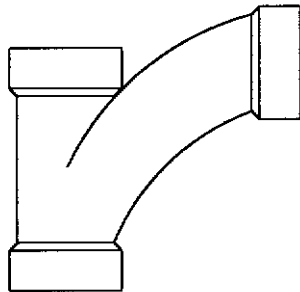
**ELBOW 22.5D  
SHORT TURN  
600116**

600116



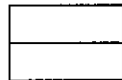
**ELL DOUBLE 1.5  
195329-486**

195329-486



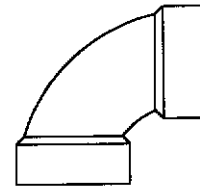
**WYE 1.5"  
1/8" BEND  
600182**

600182



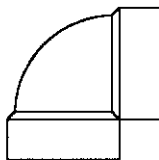
**COUPLING  
1.5"  
600227**

600227



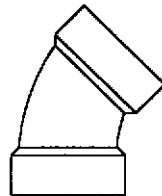
**ELBOW 90D  
SHORT SWEEP  
601636**

601636



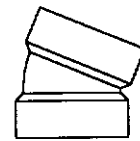
**ELBOW VENT  
90D  
600033**

600033



**ELBOW 45D  
LONG TURN  
600030**

600030



**ELBOW 22.5D  
SHORT TURN  
600116**

600116

# CLASSIC TRAILER

## PLUMBING

Toilet (All models except 34' non-slide)

Order all parts direct Thetford

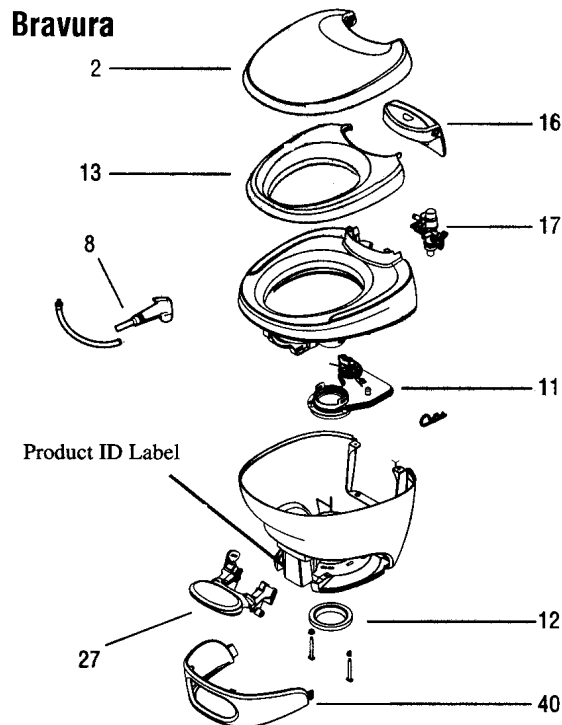
690442-02

Thetford Bravura, Parchment, High w/water saver

690442-01

Thetford Bravura, Parchment, low w/water saver, 25' only

### Bravura



Before ordering parts, record the Product ID information.

No. Description	No. Description
1 Hinge Pins (2)	22 Bracket & 2 Screws†
2 Seat Cover	23 Float Assy.
3 Vacuum Breaker	24 Actuator Assy.
4 Flush Tube	25 Base to Bowl Screws (9)
5 Flush Nozzle Assy.	26 Closet Bolt Pkg.
6 Overflow Trap	27 Pedal Pkg.†
7 Water Supply Tube	28 Base
8 Hand Spray Kit (Water Saver Option Only)	29 Retainer & Screw†
9 Side Access Covers (2)	30 Sealant
10 Water Valve	31 Blade Spring
11 Lower Mechanism Assy.	32 Blade
12 Closet Flange Seal & Bolt Pkg.	33 Blade Seal
13 Seat	34 Blade Track
14 Hinge Post Kit	35 Flapper
15 Upper Mechanism Assy.	36 Overflow Tube
16 Pod	37 Nozzle Assy.
17 Water Module	38 Bowl
18 Water Valve Link	39 Reservoir Assy.
19 Lever Assy.*	40 Shroud
20 Wire Replacement Pkg.†	
21 Mechanism Cover	

**Specify High or Low**

\* Hand Flush only

† Foot-Pedal Flush only

# CLASSIC TRAILER

## PLUMBING

### Toilet

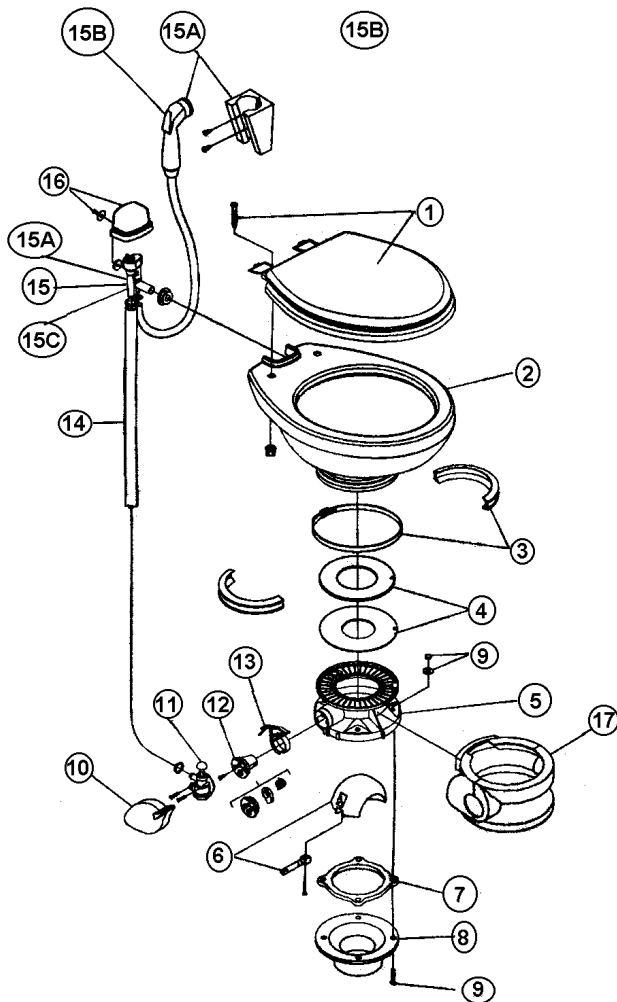
34 Ft. Classic (Non-slide only)

Order all parts direct from Sealand

Sealand Toilet Traveler Lite 110 Series

601792-02

**Model 111**



- |                                                          |                                                                 |
|----------------------------------------------------------|-----------------------------------------------------------------|
| 1) 344089                                                | Seat assembly, Bone                                             |
| 2) 310791                                                | Chins bowl kit, Bone                                            |
| 3) 310048                                                | Ring and half clamp kit, Bone                                   |
| 4) 316140                                                | Teflon® & Rubber seal kit                                       |
| 5) 310802                                                | Base kit, Bone (includes 3, 4, 6, 7, 9, 10, 11, 12, 13, and 17) |
| 6) 381162                                                | Ball, shaft, and cartridge kit                                  |
| 7) 341549                                                | Floor flange seal                                               |
| 8) Floor flange, see drain plumbing section of this book |                                                                 |
| 9) 310064                                                | Floor bolt mounting kit                                         |
| 10) 310118                                               | Pedal cover kit                                                 |
| 11) 314349                                               | Water valve kit                                                 |
| 13) 340825                                               | Flush lever                                                     |
| 14) 340177                                               | Supply hose, Bone                                               |
| 15) 310687                                               | Vacuum breaker kit                                              |
| 15a) 319054                                              | Vacuum breaker kit, w/spray                                     |
| 15b) 340683                                              | Hand spray, white                                               |
| 15c) 230335                                              | Vacuum breaker (used w/spray)                                   |
| 16) 310796                                               | Vacuum breaker cover kit, Bone                                  |
| 17) 310109                                               | Pedestal cover kit, Bone                                        |

# CLASSIC TRAILER

## SAFETY EQUIPMENT

510781	Smoke detector
510891	Smoke detector, CSA
511309	LPG detector
600162-01	Fire extinguisher
600162-02	FIRE EXTINGUISHER (UL, CSA)
0300027	Break-away switch
371348-02	Window, rear w/red handles
371349-01	Screen, rear escape
372175-03	Screen, 30", alternate escape
380230-04	Knob, window arm, red
381088	Handle, lower window latch, red

# CLASSIC TRAILER

## SEALER/GASKETS/PAINT SEALER

360001	Sealant, #884058
360002	Sealant, Vulkem 11.5 oz. tube
360209	Sealant, seam
360176	Sealant, Almond, kitchen and bath
360180	Sealant, Sikaflex #221
360210	Sealant, Paralastic 4334-014
360283-01	Sealant, silicone, Corian WHITE

## GASKETS

381704	Seal, upper main door
365232	Gasket, main/baggage door
365013-01	Gasket, screen door, underbelly compartment doors
381665	Gasket, window frame to glass
365035	Gasket, access doorjamb
380114	Gasket, vent pipe, roof
685510	Seam Tape, black, for between end segments.
365221	Tape, double coated, 1/32 urethane
365222	Tape, double coated, .08" x 3/4"
365016	Tape, foam, double face, 1/2" wide
365001	Tape, double coated foam
365255	TAPE-MAGNETIC/ADHESIVE, 3" WIDE
365239	Foam pad, non-skid, 1/16" x 1/4" x 1.0" (used between mirror and door frame)
381806	Insulation above convection microwave
381830	Wiper gasket, refrigerator baffle, 1.12" x 2"

## PAINT

360213	Paint, Metallic Aluminum, Centari #65751
360260	Paint, Pewter
360151	Paint, gray metallic, Centari #44146A



## CLASSIC TRAILER

### UPHOLSTERY/FOAM/MATTRESS REAR BEDROOM

*702485-	Bed spread, twin
*702676-	Bed spread, double
*703274	Lounge Throws
*703275	Bedroom Throws
*703260	Duvet/Duster kits
701770	Mattress, 34" x 78", contoured, twin, all models
702674	Mattress, 60 x 75, w/45 deg., 30', 31', 34', 34' S/O, 30 S/O
702705	Mattress, 60 x 75, w/45 degree corner, 28ft., 25 ft
701611	Pillow, 21" x 31"

#### Wall Paper Border

703241	Spice Trader, 5.25" Wallpaper Border
703240	Sumatra, 5.25" Wallpaper Border
703239	Cashmere, 5.25" Wallpaper Border

#### UPHOLSTERY COVERS

998070	Cover, seat, side dinette
998071	Cover, back, side dinette
964624-01	Arm rest cushion, front lounge, RS
964624-03	Arm rest cushion, front lounge, CS, notched
703125-03	Top, dinette seat, urethane-buckskin

\*Changing the-(dash) number to: 442 =Spice Trader  
422 = Cashmere  
432 = Sumatra  
452 = Golden Touch

# CLASSIC TRAILER

Upholstery/ Foam/Mattresses  
Pillow kit

Golden Touch



**Pillow 1**



**Pillow 2**

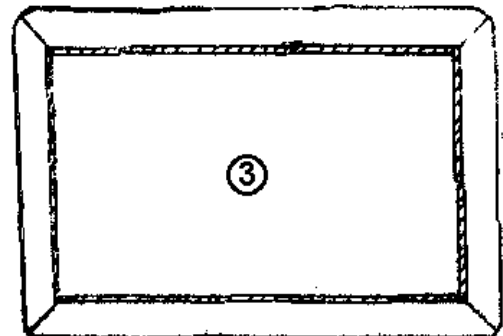
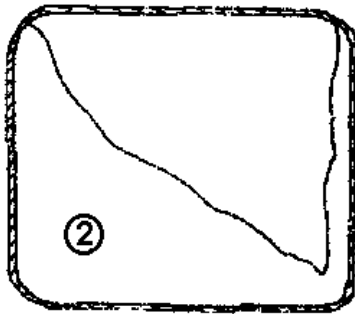
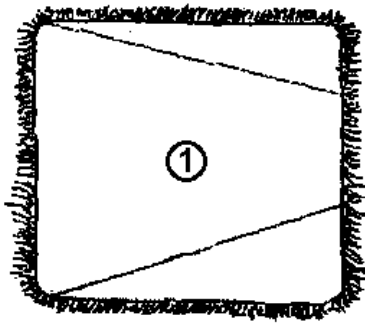


**Pillow 3**

703341-02  
Lounge & Bedroom  
2 each  
Corbin/Cinnibar

703341-02  
Lounge  
1 each  
Hearthstone/Antique

703341-04  
Bedroom  
2 each  
Satin Stripe/Gold



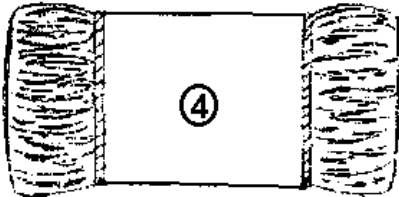
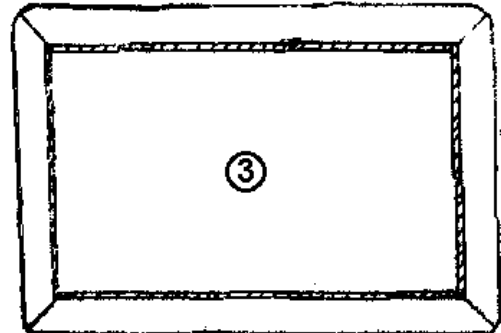
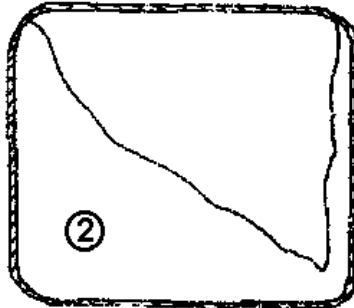
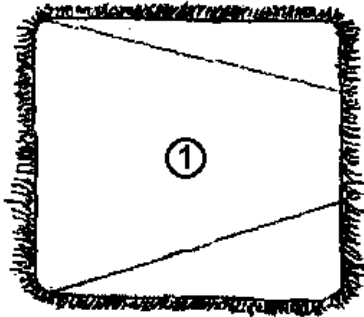
	1. Sofa	2. Pillow
Cashmere	703242-01	703242-02
Sumatra	703244-01	703244-02
Sp. Trader	703246-01	703246-02

3. Accent
703242-03
703244-03
703246-03

# CLASSIC TRAILER

## UPHOLSTERY/ FOAM/MATTRESSES

Pillow Kit, Limited Option



### Cashmere

- 1. Sofa 703243-01
- 2. Sofa 703243-02
- 3. Bed 703243-03
- 4. Accent 703243-04
- 5. Accent 703243-05

### Sumatra

- 703245-01
- 703245-02
- 703245-03
- 703245-04
- 703245-05

### Spice Trader

- 1. Sofa 703247-01
- 2. Sofa 703247-02
- 3. Bed 703247-03
- 4. Accent 703247-04
- 5. Accent 703247-05

Golden Touch pillow kits are the same for the Limited option.

# CLASSIC TRAILER

## UPHOLSTERY/ FOAM/MATTRESSES FOAM

702464-21 Foam, upper back, dinette  
702464-13 Foam, lower back, dinette  
702464-14 Foam, aft seat, dinette  
702464-15 Foam, forward seat, dinette

703281-01 Foam, lounge armrest, RS  
702281-03 Foam, lounge armrest, CS notched

## SOFA-CHAIRS

\*703264- Sofa 74", Villa Cloth 25', 28', 30', 30 SO dinette, 31', 34', 34 S/O Dinette

703264-02 Sofa, 74", Villa Ultra Leather, 25', 28', 30', 30 SO dinette, 31', 34', 34 S/O Dinette

703048- Sofa, 84" Villa, cloth, 34" S/O

703048-02 Sofa, 84" Villa, Sofa Sleeper, Ultra-leather, 34" S/O

703265-02 Sofa, 84" Villa, Ultra Leather, 34' S/O Lounge LTD

\*703141-tab Sofa, 74", short drawer, 34' L-lounge

703141-02 Sofa, 74", short drawer, Leather, Ultra-buff

703299-02 SOFA 48" NO DRAWER ULTRA LEATHER

703047-02 Recliner w/gliding footstool, Ultra leather, (28, 31, 34, 34ft)

703045-02 Recliner glider, Ultra Leather

381553 Chair, folding, Zip Dee, w/logo, Blue

381616-01 Chair, folding, Zip Dee, w/logo, LTD, Burgundy

\*Changing the-(dash) number to: 442 =Spice Trader  
422 = Cashmere  
432 = Sumatra  
452 = Golden Touch

# CLASSIC TRAILER

## VENTS/FANS

381450	VENT, ROOF FANTASTIC #6000 RBT DBL
381450-100	Screen, Fantastic roof vent
381450-101	Motor, elevator, Fantastic vent
690266-01	Ventilator, power, bathroom
690266-03	Extension, garnish, 4", roof, bath ventilator
201666-01	MOLDING-J 3/16" ALMOND PLASTIC
690266-02	Ventilator, power, bathroom, CSA only
372072-01	Screen, ceiling vent, 2-hole white, CSA only
381541-06	Roof vent w/power lift
381541-05	Switch, white, ceiling vent
381541-04	Trim ring, inside, Ventline
511792-01	RANGE HOOD W/FAN & LIGHT UL
453484-03	EXT.-RANGE HOOD END CAP LH SILVER
453484-04	EXT., RANGE HOOD END CAP RH SILVER
453158	EXTENSION RANGE VENT
511017-11	Vent cover, exterior, range hood, gray
100341	Refrigerator, vent collar, large
101394	Cover, refrigerator vent, large
381042	MESH- GALVANIZED, .017" X 36"
690264-03	PLUMBING FLASHING V-2049-1 WHITE
380114	Gasket, vent pipe

# CLASSIC TRAILER

## WOOD/LAMINATES/INTERIOR TRIM

See Page III-4 before ordering wood paneling or trim.

800397-01	Cedar, planked, 5/32" x 4' x 8'
800542-02	Structure wood 3/8" x 4' x 8'
800542-03	Structure wood 1/2" x 4' x 8'
800507-01	Paneling, luan, 1/8" x 4' x 8'
800507-02	Paneling, luan 1/4" x 4' x 8'
800507-03	Paneling, luan 3/8" x 4' x 8'
801386	Paneling, .125" S. FOREST/RAW, G1S
801389	Paneling, .5" SPRING FOREST/SPRING FOREST, G2S
801388	Paneling, .5" SPRING FOREST/RAW, G1S
801390-00Z	Paneling, .5" S. OAK/SPRING FOREST, G2S, 12MM
365265-01	EDGEBANDING-5/8" NORTHERN OAK
365266-01	EDGEBANDING-1.25"X .055", N. OAK
801180-00Z	Paneling 1/2" x 4' x 8', G2S, Finish/Finish
801179-00Z	Paneling, 1/2" x 4' x 8', G1S, Finish/raw
801181-00Z	Paneling 5/32" x 4' x 8', G1S, Finish/raw
801408	PANEL, PRE-LAMINATED N. OAK/N. OAK, 18MM
801230-00Z	Laminate, wood grain, 4' x 8'
801229	Laminate Oak, .045"-.050"
365270-01	Tape, seam, Spring Forest Stone, 1 1/8" wide
365270-02	Tape, seam, Spring Forest Stone, 8" wide
365270-03	Tape, seam, Spring Forest Stone, 12" wide
365270-04	Tape, seam, Spring Forest Stone, 48" wide

# CLASSIC TRAILER

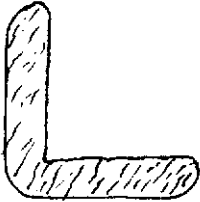
## WOOD/INTERIOR



1) 801206-01Z



2) 964152-01Z



3) 800575-01Z



4) 800571-01Z



5) 800638-02Z



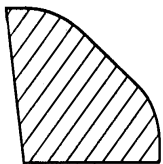
6) 801172-01Z  
6a) 801172-05



7) 800572-01Z



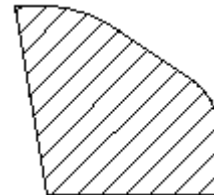
8) 800573-01Z



9) 801242-00Z



10) 964280-00Z

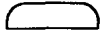


11) 801492-00Z

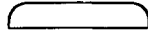
- |                |                                                      |
|----------------|------------------------------------------------------|
| 1) 801206-01Z  | Molding, floor, 43"                                  |
| 2) 964152-01Z  | Molding, chair rail                                  |
| 3) 800575-01Z  | Molding, corner                                      |
| 4) 800571-01Z  | Molding, flat $\frac{1}{4}$ "x $\frac{33}{64}$ "x80" |
| 5) 800638-02Z  | Molding, quarter round                               |
| 6) 801172-01Z  | Molding, flexible corner                             |
| 6a) 801172-05  | Molding, flexible corner, Spring Forest              |
| 7) 800572-01Z  | Molding, flat radius, .88"                           |
| 8) 800573-01Z  | Molding, flat radius, 1.13"                          |
| 9) 801242-00Z  | Molding, threshold, main door, carpet                |
| 10) 964280-00Z | Molding, counter top edge                            |
| 11) 801492-00Z | Molding, threshold, main door, linoleum              |

# CLASSIC TRAILER

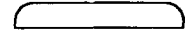
## WOOD/INTERIOR



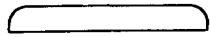
1) 801173-01Z



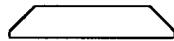
2) 801173-02Z



3) 801173-03Z



4) 801173-04Z



5) 801178-04

1) 801173-01Z

Flat molding, vinyl wrapped, .50" wide

2) 801173-02Z

Flat molding, vinyl wrapped, .75" wide

3) 801173-03Z

Flat molding, vinyl wrapped, .88" wide

4) 801173-04Z

Flat molding, vinyl wrapped, 1.13" wide

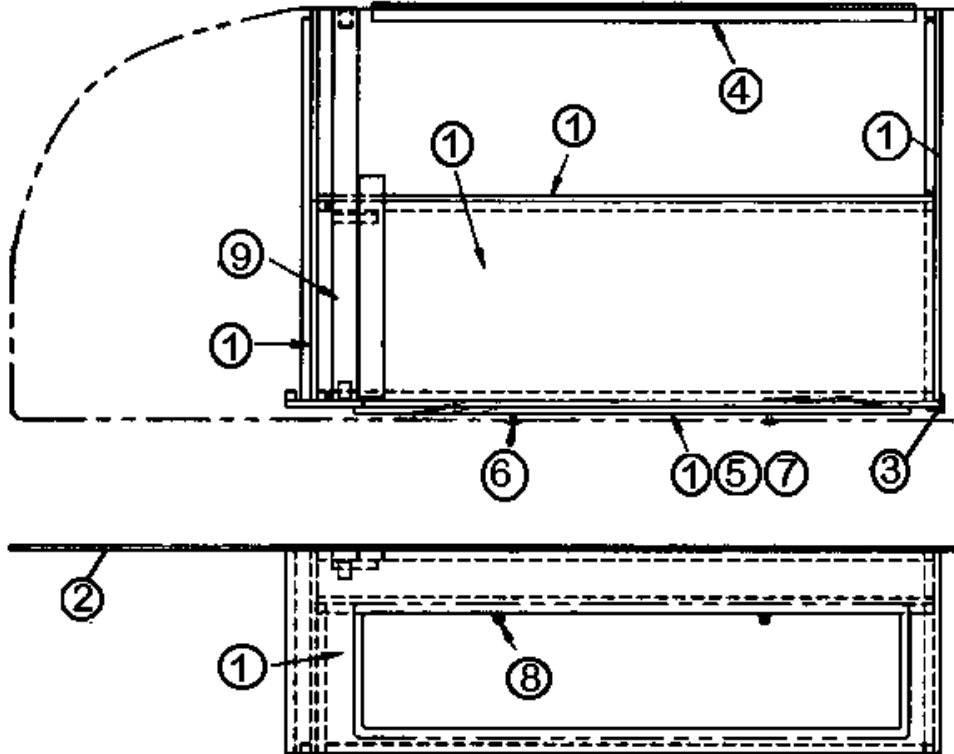
5) 801178-04

Flat molding, vinyl wrapped, Spring Forest



# Furniture

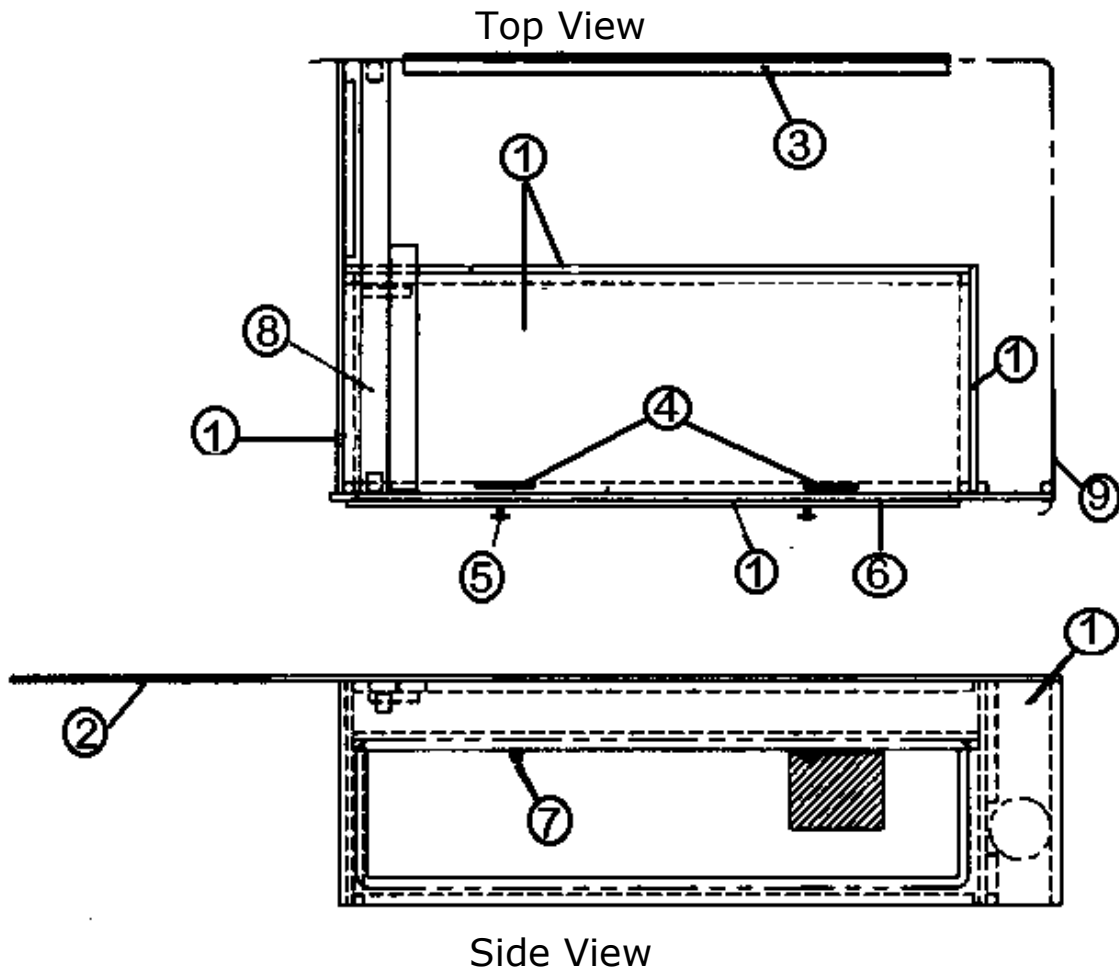
962227-tab Assembly, Twin Bed  
-08 CS -09 RS 30', 31', 34'  
-09 CS -10 RS 34' S/O



- |               |                                |
|---------------|--------------------------------|
| 1. 801180-00z | Panel, 1/2" G1S                |
| 2. 800507-03  | Luan, 3/8"                     |
| 3. 800575-01z | Molding, corner                |
| 4. 380203-01  | PIANO HINGE 1/8" PIN CLR       |
| 5. 381836     | HINGE-BRITE BRASS              |
| 6. 381835     | PULL HANDLE BRASS              |
| 7. 365265-01  | EDGEBANDING-5/8", NORTHERN OAK |
| 8. 381228-01  | CATCH GRABBER DOOR             |
| 9. 114813     | ALUM. ANGLE 1.00 X 1.50        |

# Furniture

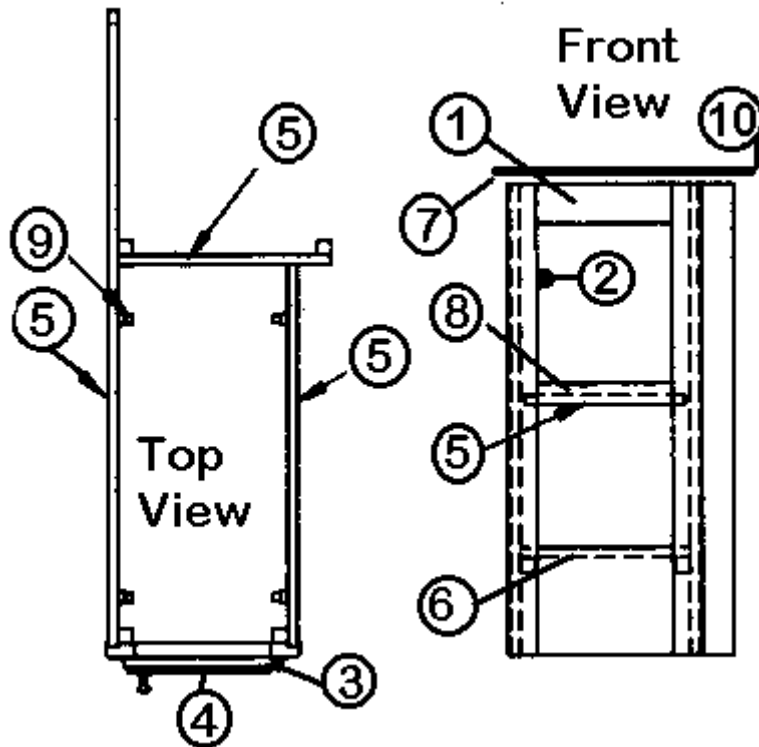
962508-03 RS (shown) Twin Bed Assembly 25' & 28'  
 -04 CS (opposite)



- |               |                                 |
|---------------|---------------------------------|
| 1. 801180-00z | Panel, 1/2" G2S                 |
| 2. 800507-03  | Luan, .38"                      |
| 3. 380203-01  | Hinge, piano 1/8 pin            |
| 4. 381836     | HINGE-BRITE BRASS               |
| 5. 381576     | PULL HANDLE BRASS               |
| 6. 365265-01  | EDGE BANDING-5/8", NORTHERN OAK |
| 7. 381228-01  | CATCH GRABBER DOOR              |
| 8. 114813     | ALUM. ANGLE 1.00 X 1.50         |
| 9. 801181-00z | PANEL 5/32"G1S 4'X 8'           |

# Furniture

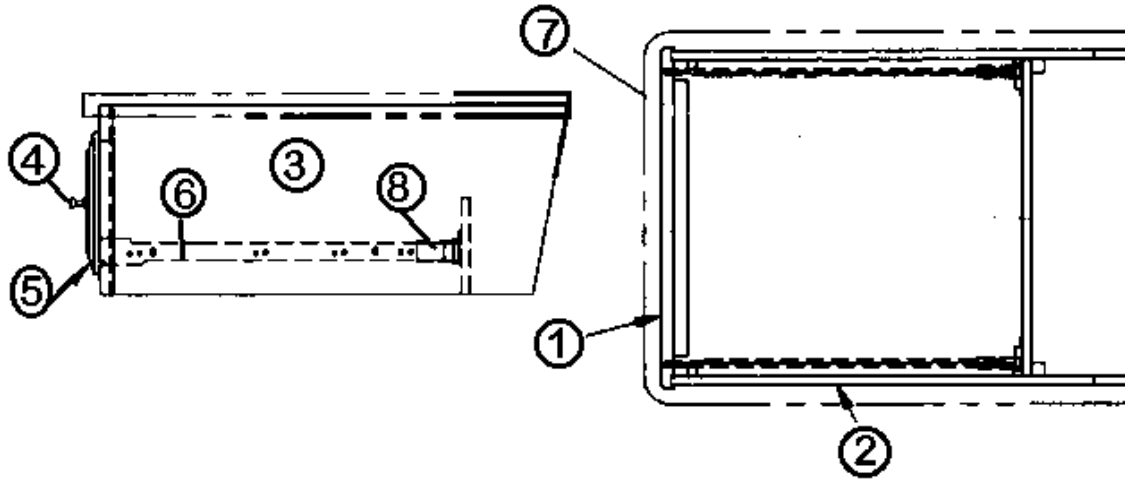
## 963348-06 RS Nightstand Assembly



- |                |                                           |
|----------------|-------------------------------------------|
| 1. 963351-01   | FACE FRAME RS NIGHTSTAND                  |
| 2. 381228-01   | CATCH GRABBER DOOR                        |
| 3. 381836      | HINGE-BRITE BRASS                         |
| 4. 800597-56z  | DOOR RSD PNL 7.75 X 17.50                 |
| 5. 801180-00z  | PANEL 1/2" G2S                            |
| 6. 801179-00z  | PANEL 1/2" G1S                            |
| 7. 964452      | TOP, RS NIGHTSTAND                        |
| 7a. 965401-01  | TOP, RS NIGHTSTAND, Corian-Limited Option |
| 8. 800573-01   | MOLDING DOOR EDGE                         |
| 9. 381527      | SPEEDY SHELF STRIPS                       |
| 10. 964280-00Z | COUNTERTOP EDGE MOLDING                   |

# Furniture

## 965209-03 Center Nightstand Assembly



- |               |                                      |
|---------------|--------------------------------------|
| 1. 965210-00z | FACE FRAME CENTER NIGHTSTAND         |
| 2. 801180-00z | PANEL 1/2" G2S                       |
| 3. 964907-13  | DRAWER BOX ASSY-15.00 X 18.00 X 6.00 |
| 4. 381835     | HANDLE-CHROME/BRASS                  |
| 5. 800599-46z | DRAWER FACE 8.00 X 17.25"            |
| 6. 381526-04  | DRW SLIDE-950 RV 18"                 |
| 7. 965211     | TOP ASSY-NIGHTSTAND                  |
| 7A. 800858-01 | MOLDING, TOP                         |
| 8. 381526-06  | ADJUSTABLE REAR BRKT                 |

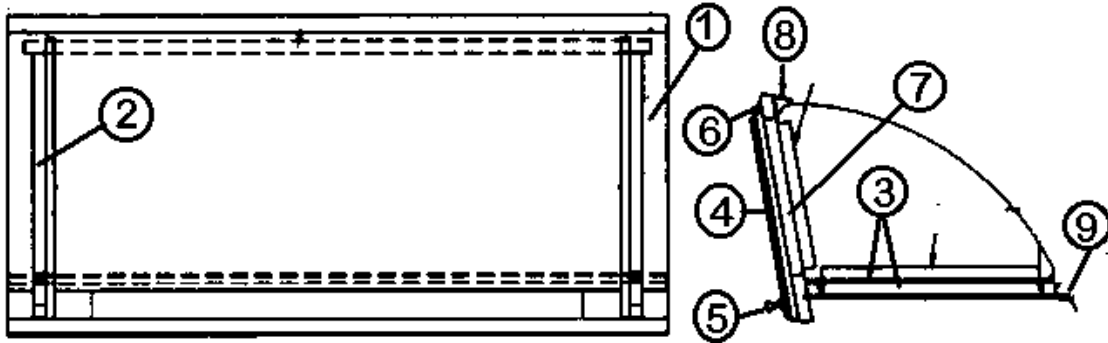
381415            SLIDE, DRAWER, DELTA TRAVEL LOCK

# Furniture

## 963671-03 Roof Locker Assembly, 39"

RS Requires LH End Cap 962199-01

CS Requires RH End Cap 962199-02



- |               |                                       |
|---------------|---------------------------------------|
| 1. 963670     | FACE FRAME Bed R/L                    |
| 2. 801180-00z | PANEL 1/2" G2S                        |
| 3. 801181-00z | PANEL 5/32"G1S                        |
| 4. 800597-10z | DOOR RSD PNL 12.25 X 34.00            |
| 5. 381835     | HANDLE-CHROME/BRASS                   |
| 6. 381836     | HINGE-BRITE BRASS                     |
| 7. 381147     | DOOR SUPPORT - SPRING LOADED          |
| 8. 104821     | SUPPORT, ROOFLOCKER, 74"              |
| 9. 100013     | ROOF LOCKER WALL ATTACHMENT EXTRUSION |

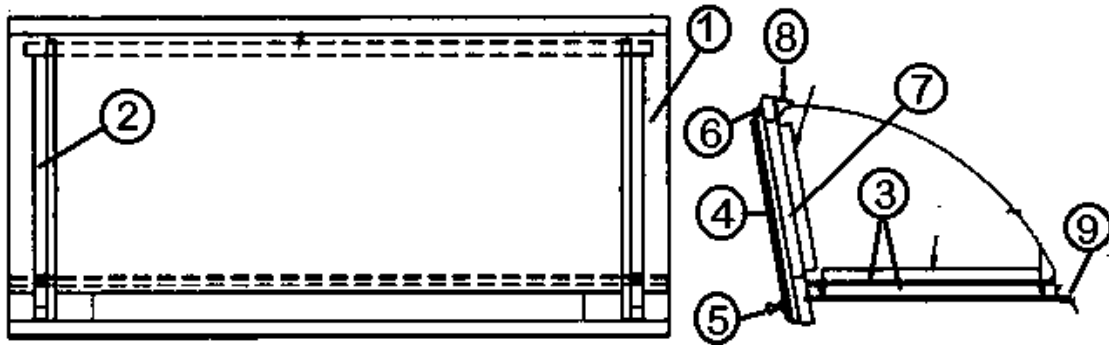
## Furniture

963767-03 RS Roof Locker Assembly

Requires LH end cap 963827-01

963767-04 CS Roof Locker Assembly

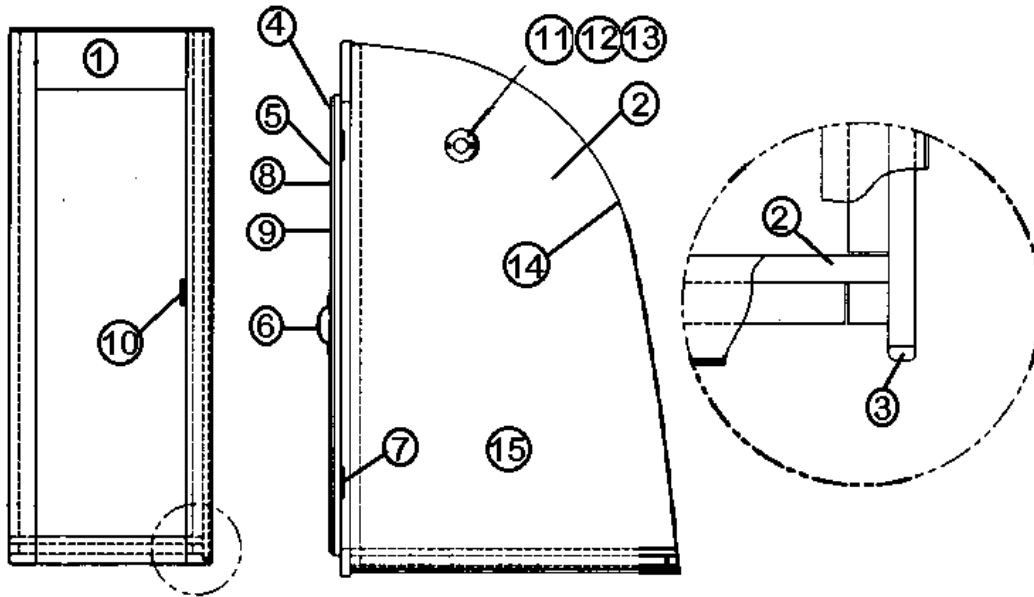
Requires RH end cap 963827-02



- |               |                              |
|---------------|------------------------------|
| 1. 963768-01  | FACE FRAME                   |
| 2. 801180-00z | PANEL 1/2" G2S               |
| 3. 801181-00z | PANEL 5/32"G1S               |
| 4. 800597-07z | DOOR RSD PNL 12.25" X 21.00" |
| 5. 381835     | HANDLE-CHROME/BRASS          |
| 6. 381836     | HINGE-BRITE BRASS            |
| 7. 381147     | DOOR SUPPORT , SPRING LOADED |
| 8. 104821     | SUPPORT, ROOFLOCKER, 74"     |
| 9. 100013     | EXTR, ROOF LOCKER WALL       |

## Furniture

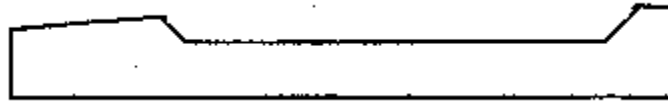
962355-07 CS Hanging Wardrobe (shown) -10 34 SO  
 962355-08 RS Hanging Wardrobe (Opposite) -09 34 SO



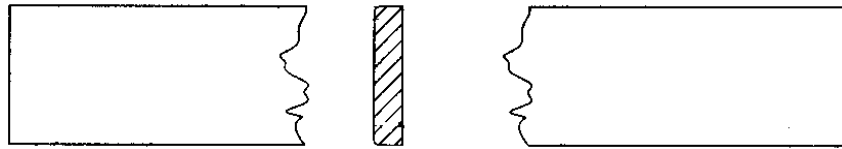
- |                                                                                                                                                                                                                                                                                                                                                                                               |                                                                                                                                                                                                                                                                                                                                                                                                                                                                                                                                                                                                          |
|-----------------------------------------------------------------------------------------------------------------------------------------------------------------------------------------------------------------------------------------------------------------------------------------------------------------------------------------------------------------------------------------------|----------------------------------------------------------------------------------------------------------------------------------------------------------------------------------------------------------------------------------------------------------------------------------------------------------------------------------------------------------------------------------------------------------------------------------------------------------------------------------------------------------------------------------------------------------------------------------------------------------|
| <ul style="list-style-type: none"> <li>1. 986180-01</li> <li>2. 801180-00z</li> <li>3. 365265-01</li> <li>4. 800557-17z</li> <li>5. 371262-13</li> <li>6. 381835</li> <li>   381836</li> <li>7. 801181-00z</li> <li>8. 381754</li> <li>10. 381228-01</li> <li>11. 380046</li> <li>12. 380045</li> <li>13. 200975-04</li> <li>14. 104821</li> <li>15. 800397-01</li> <li>16. 365239</li> </ul> | <ul style="list-style-type: none"> <li>FACE FRAME, HANGING WARDROBE</li> <li>PANEL 1/2" G2S</li> <li>EDGEBANDING-5/8", NORTHERN OAK</li> <li>DOOR FRAME 12.25 X 34.00</li> <li>MIRROR- SAFETY, 9.38 X 31.12</li> <li>HANDLE-CHROME/BRASS</li> <li>HINGE-BRITE BRASS</li> <li>PANEL 5/32"G1S</li> <li>MIRROR CLIP</li> <li>CATCH GRABBER DOOR</li> <li>FLANGE CHROME</li> <li>TUBING 3/4IN METALLIC</li> <li>CONDUIT, FLEXIBLE BLACK PLASTIC</li> <li>SUPPORT, ROOFLOCKER, 74", (not shown)</li> <li>CEDAR PLANKED 5/32", (not shown)</li> <li>FOAM, NON-SKID PAD 1/4 X 1 X 1/16", (not shown)</li> </ul> |
|-----------------------------------------------------------------------------------------------------------------------------------------------------------------------------------------------------------------------------------------------------------------------------------------------------------------------------------------------------------------------------------------------|----------------------------------------------------------------------------------------------------------------------------------------------------------------------------------------------------------------------------------------------------------------------------------------------------------------------------------------------------------------------------------------------------------------------------------------------------------------------------------------------------------------------------------------------------------------------------------------------------------|

# Furniture

963297-01 Header, Slider Door, Short



800727 Close Out, Foldette Door



964259 Close Out "W" Wardrobe



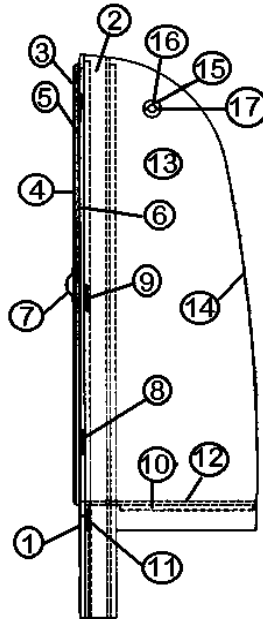
963296-01 Header, Slider Door, Long





# Furniture

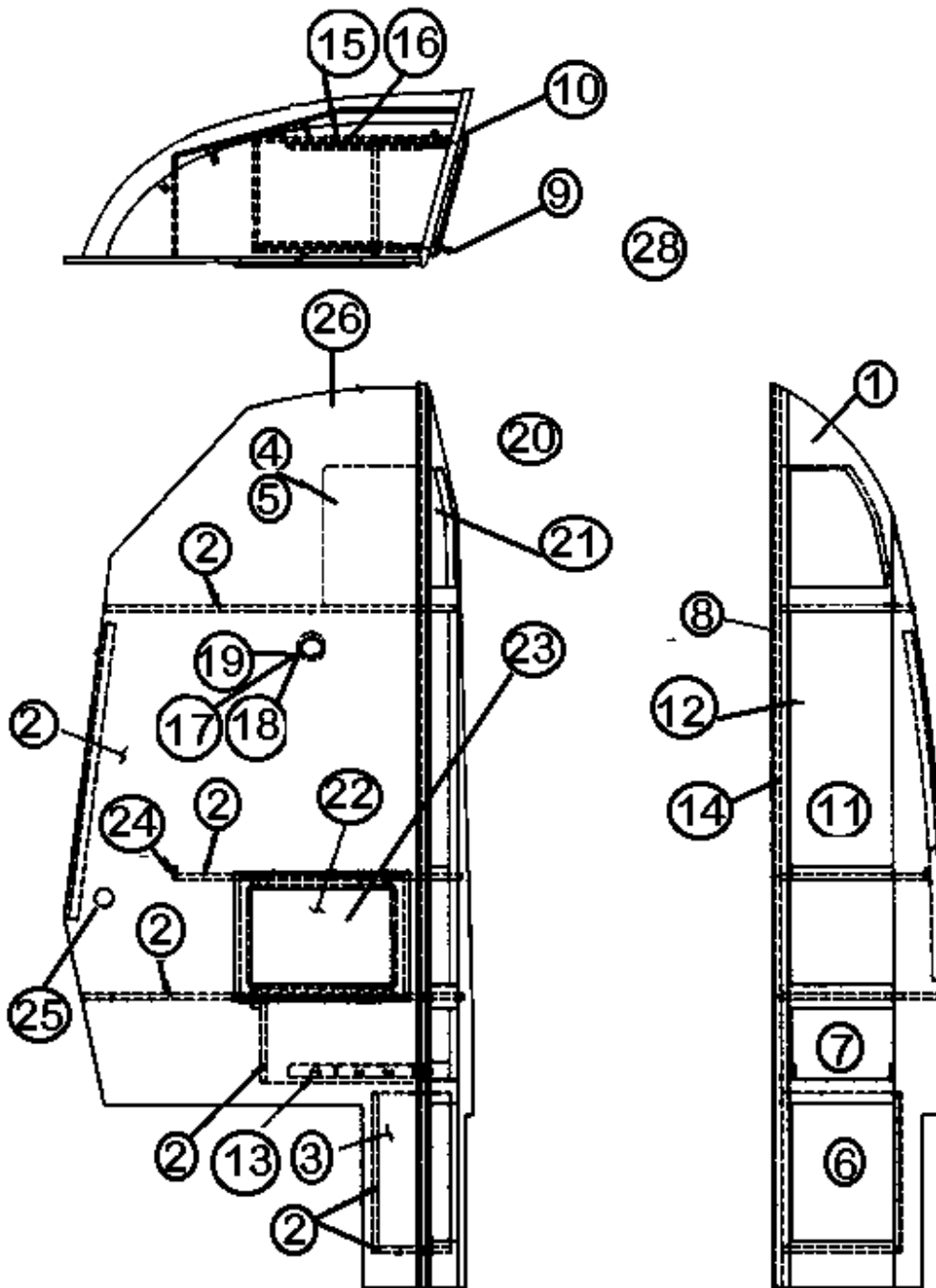
## 963721-04 Wardrobe Assembly, Forward



- |                |                                    |
|----------------|------------------------------------|
| 1. 963722-01   | FACE FRAME FWD WARDROBE            |
| 2. 800994-07   | PANEL FWD WARDROBE "A" (-08 "B")   |
| 3. 800557-154  | DOOR FRAME 19.00 X 60.00           |
| 4. 371262-10   | MIRROR- SAFETY- 16.12 X 28.12      |
| 5. 801181-00z  | PANEL 5/32"G1S                     |
| 6. 381754      | MIRROR CLIP                        |
| 7. 381835      | HANDLE-CHROME/BRASS                |
| 8. 381836      | HINGE-BRITE BRASS                  |
| 9. 381228      | GRABBER DOOR CATCH                 |
| 10. 801180-00z | PANEL 1/2" G2S                     |
| 11. 380458     | HINGE PIANO BROWN                  |
| 12. 701538     | CARPET, ECONOLIER VELOUR BLACK     |
| 13. 500956     | LIGHT, BROWN, W/SWITCH             |
| 14. 800397-01  | CEDAR PLANKED 5/32"                |
| 15. 380045     | TUBING 3/4IN METALLIC              |
| 16. 380046     | FLANGE CHROME                      |
| 17. 200975-04  | CONDUIT, FLEXIBLE BLACK PLASTIC    |
| 18. 104821     | SUPPORT, ROOFLOCKER, 74"           |
| 19. 365239     | FOAM, NON-SKID PAD 1/4 X 1 X 1/16" |

# Furniture

963340-11 Wardrobe Assembly, RS  
963340-12 Wardrobe Assembly, CS



P/N Next Page

## Furniture

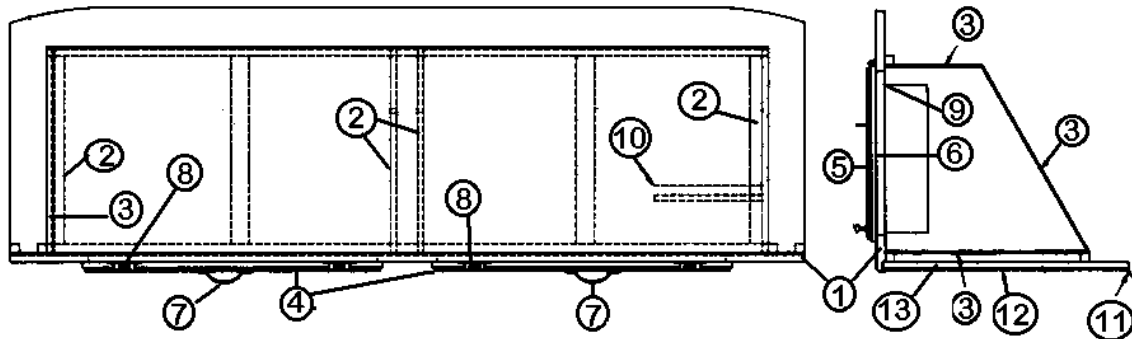
964340-11 Wardrobe Assembly, RS  
964340-12 Wardrobe Assembly, CS

1. 962207-01z FACE FRAME AFT RS W/R, "W"
- 962208-01z FACE FRAME AFT CS W/R, "W"
2. 801180-00z PANEL 1/2" G2S
3. 801181-00z PANEL 5/32"G1S
4. 201959-02 PAN TOP SHELF WRD LH BLACK ABS
5. 201959-01 PAN TOP SHELF WRD RH BLACK ABS
6. \*800599-44z DRAWER FACE 10.25 X 13.50
7. 800599-40z DRAWER FACE 7.00 X 10.25
8. 800557-23z DOOR FRAME 10.50 X 32.50
9. 381835 HANDLE-CHROME/BRASS
10. 381836 HINGE-BRITE BRASS
11. 372210-10 MIRROR- BEVELED- 7.62 X 29.62
12. 381754 MIRROR CLIP R2
13. 381526-01 DRW SLIDE-950-RV 14"
14. 381228-01 GRABBER DOOR CATCH
15. 963338-01 DRAWER BOX ASSY ANGLED RH
16. 963338-02 DRAWER BOX ASSY ANGLED LH
17. 380045 TUBING 3/4IN METALLIC
18. 380046 FLANGE CHROME
19. 200975-04 CONDUIT, FLEXIBLE BLACK PLASTIC
20. 500956 LIGHT, WARDROBE, W/SWITCH
21. 964869-00z FRAME CONTROL PANEL BEDROOM
22. 801181-00z PANEL 5/32" G1S
23. 381754 MIRROR CLIP R2
24. 800573-01z MOLDING DOOR EDGE 1-3/32" X80"
25. 381209 GROMMET & CAP (BELOW COUNTER PLUG)
26. 365239 FOAM, NON-SKID PAD 1/4 X 1 X 1/16"

\*Deleted during model year.

# Furniture

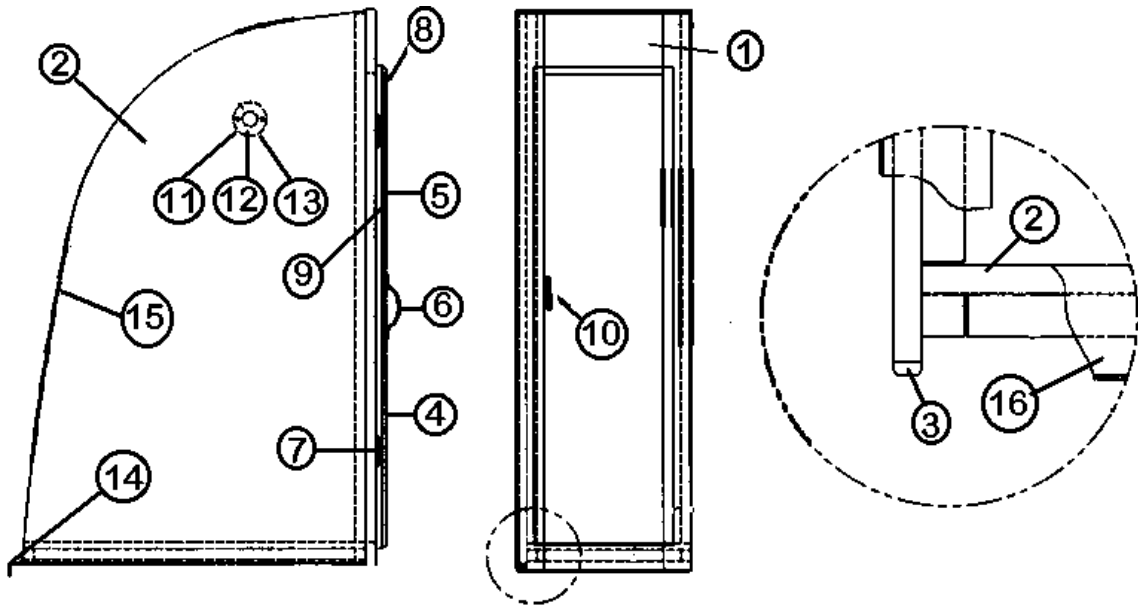
## 963337-07 Rear Locker Assembly "W"



- |               |                                    |
|---------------|------------------------------------|
| 1. 963336-01  | FACE FRAME REAR LINER LOCKER       |
| 2. 801180-00z | PANEL 1/2" G2S                     |
| 3. 801181-00z | PANEL 5/32"G1S                     |
| 4. 800557-03z | DOOR FRAME 14.5 X 25               |
| 5. 372210-24  | GLASS BEVELED SAFETY 11.62 X 22.12 |
| 6. 381754     | MIRROR CLIP                        |
| 7. 381835     | HANDLE-CHROME/BRASS                |
| 8. 381836     | HINGE-BRITE BRASS                  |
| 9. 381147     | DOOR SUPPORT - SPRING LOADED       |
| 10. 962217    | FUSE PANEL CLOSE OUT "W"           |
| 11. 104829    | SUPPORT ROOFLOCKER GALLEY          |
| 12. 702482-03 | HEADLINER SPECTRA OPAL X TEXTURED  |
| 13. 801386    | Paneling, .125" S. FOREST/RAW, G1S |

# Furniture

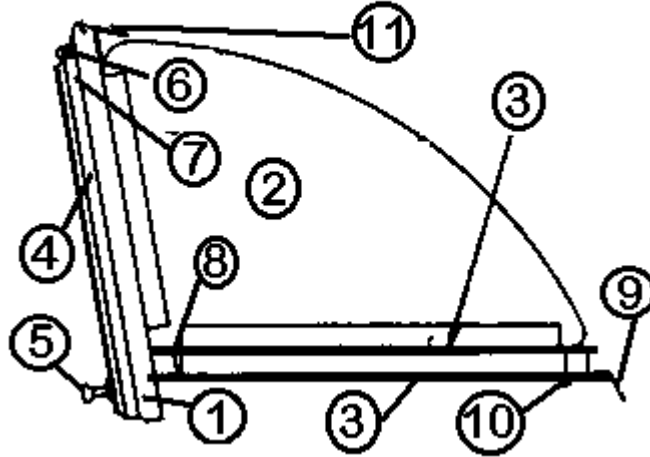
## 965226-02 Shirt Closet Assembly



- |               |                                    |
|---------------|------------------------------------|
| 1. 965227-00Z | FACE FRAME-SHIRT CLOSET RS         |
| 2. 801180-00z | PANEL 1/2" G2S                     |
| 3. 800571-01z | MOLDING FLAT .52W X 80"            |
| 4. 800557-20z | DOOR FRAME-9.88 X 33.62            |
| 5. 371262-16  | MIRROR- SAFETY- 7.00 X 30.75       |
| 6. 381835     | HANDLE-CHROME/BRASS                |
| 7. 381836     | HINGE-BRITE BRASS                  |
| 8. 801181-00z | PANEL 5/32"G1S                     |
| 9. 381754     | MIRROR CLIP                        |
| 10. 381228-01 | GRABBER DOOR CATCH                 |
| 11. 380046    | FLANGE CHROME                      |
| 12. 380045    | TUBING 3/4IN METALLIC              |
| 13. 200975-04 | CONDUIT, FLEXIBLE BLACK PLASTIC    |
| 14. 104821    | SUPPORT, ROOFLOCKER, 74"           |
| 15. 800397-01 | CEDAR PLANKED 5/32"                |
| 16. 365239    | FOAM, NON-SKID PAD 1/4 X 1 X 1/16" |

# Furniture

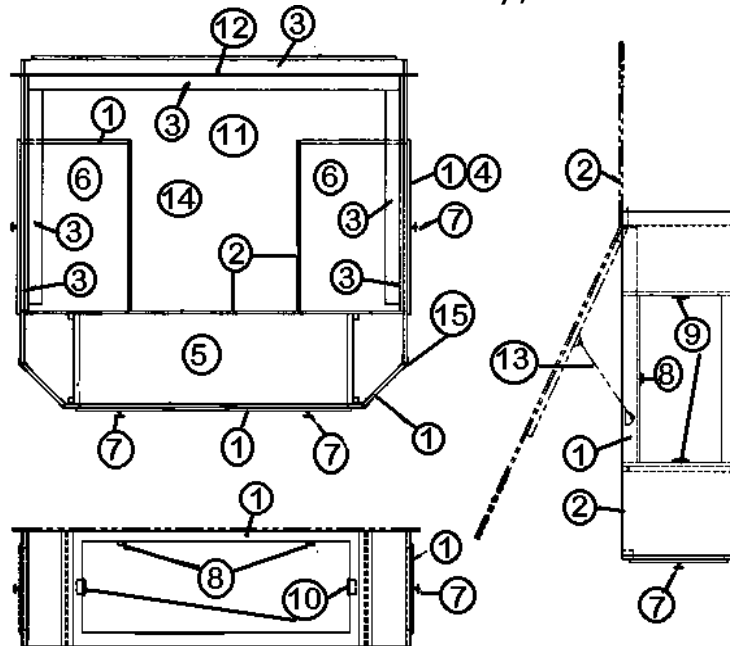
## 965228-02 Roof Locker Assembly "B" RS, 32.50"



- |               |                                  |
|---------------|----------------------------------|
| 1. 965229-00z | FACE FRAME-ROOFLOCKER "B" RS     |
| 2. 801180-00z | PANEL 1/2" G2S                   |
| 3. 801181-00z | PANEL 5/32"G1S                   |
| 4. 800597-19z | DOOR-RAISED PNL 12.25" X 31.00"  |
| 5. 381835     | HANDLE-CHROME/BRASS              |
| 6. 381836     | HINGE-BRITE BRASS                |
| 7. 381147     | DOOR SUPPORT - SPRING LOADED     |
| 8. 800572-01z | MOLDING, PANEL EDGE 2 3/32"X 80" |
| 9. 104821     | SUPPORT, ROOFLOCKER, 74"         |
| 10. 100013    | EXTR, ROOFLOCKER WALL            |
| 11. 100097    | EXTR. ALUM CURTAIN TRACK         |

# Furniture

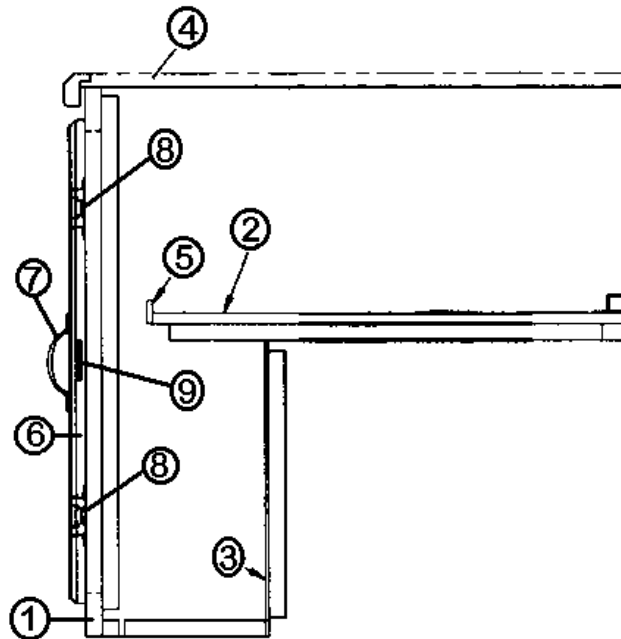
## 963747 Bed Assembly, "J"



- |                |                                            |
|----------------|--------------------------------------------|
| 1. 801180-00z  | PANEL 1/2" G2S                             |
| 2. 800507-03   | LAUAN, 3/8"X 4'X 8'                        |
| 3. 850082      | POPLAR .75" X 2.00"                        |
| 4. 365265-01   | EDGEBANDING-5/8", NORTHERN OAK             |
| 5. 963749      | DRAWER BOX ASSY.                           |
| 6. 961759      | DRAWER BOX ASSY. "J"                       |
| 7. 381576      | PULL HANDLE BRASS                          |
| 8. 381228-01   | CATCH GRABBER DOOR                         |
| 9. 381400      | SLIDE DRAWER 14" PAIR                      |
| 10. 381400-01  | SLIDE DRAWER 12" PAIR                      |
| 11. 800573-01z | MOLDING DOOR EDGE 1-3/32" X 80", not shown |
| 12. 380203-01  | PIANO HINGE 1/8"                           |
| 13. 381067-09  | SPRING-GAS 90 LBS                          |
| 13a. 381085    | CLIP, RETAINING                            |
| 13b. 381262    | BRACKET, PROP, W/BALL, ANGLE               |
| 13c. 381310    | GAS PROP BRACKET ASSY-UPPER                |
| 13d. 381084    | BALL, STUD                                 |
| 14. 701538     | CARPET, ECONOLIER VELOUR BLACK 48"         |
| 15. 114690     | ANGLE BED CORNER                           |
| 16. 801173-04z | MOLDING FLAT RADIUS 1.13, not shown        |
| 17. 965605-01  | HEADBOARD ASSY. 2-TONE, not shown          |

# Furniture

## 964942-01 Nightstand Assembly, Forward "B"

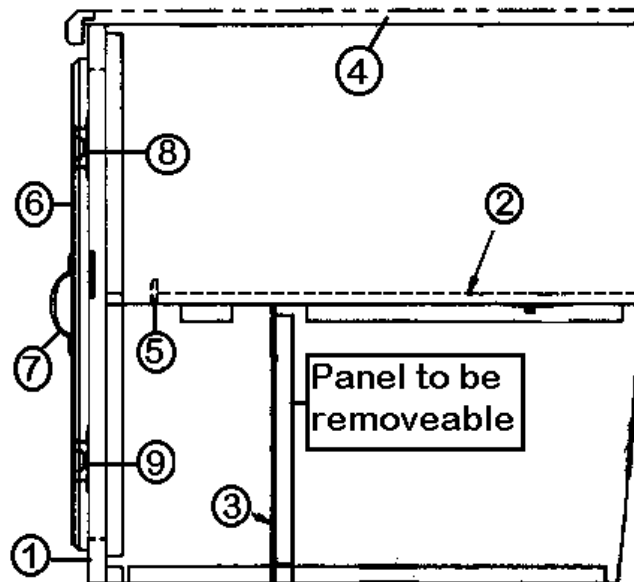


- |               |                               |
|---------------|-------------------------------|
| 1. 962531-01  | FACE FRAME N/S FWD "B" 28'TRL |
| 2. 801180-00z | PANEL 1/2" G2S                |
| 3. 801181-00z | PANEL 5/32" G1S               |
| 4. 962538     | TOP ASSY, NIGHTSTAND FWD "B"  |
| 5. 801173-04z | MOLDING FLAT RADIUS 1.13      |
| 6. 800597-01z | DOOR RSD PNL 10.50 X 22.00"   |
| 7. 381835     | HANDLE-CHROME/BRASS           |
| 8. 381836     | HINGE-BRITE BRASS             |
| 9. 381228-01  | CATCH GRABBER DOOR            |



# Furniture

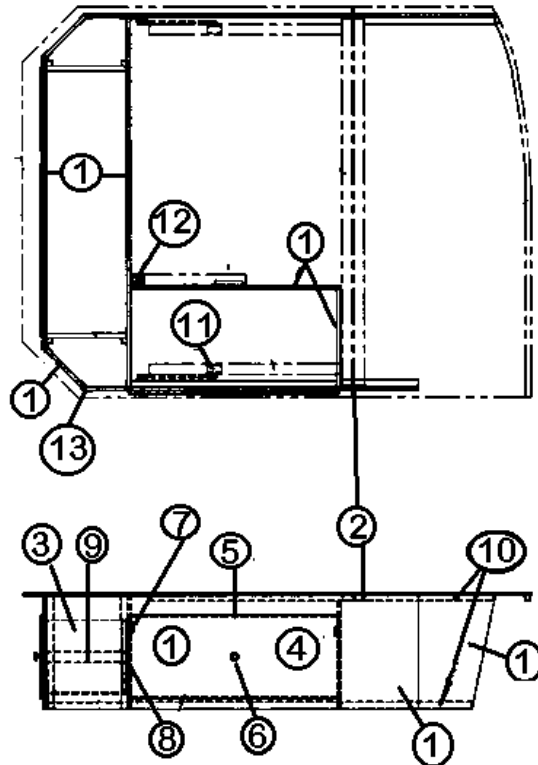
## 962530-01 Nightstand Assembly, Forward "B"



- |               |                               |
|---------------|-------------------------------|
| 1. 962531-01  | FACE FRAME N/S FWD "B" 28'TRL |
| 2. 801180-00z | PANEL 1/2" G2S                |
| 3. 801181-00z | PANEL 5/32" G1S               |
| 4. 962538     | TOP ASSY - NIGHTSTAND FWD "B" |
| 5. 801173-04z | MOLDING FLAT RADIUS 1.13      |
| 6. 800597-01z | DOOR RSD PNL 10.50 X 22.00"   |
| 7. 381835     | HANDLE-CHROME/BRASS           |
| 381836        | HINGE-BRITE BRASS             |
| 8. 381228-01  | CATCH GRABBER DOOR            |

# Furniture

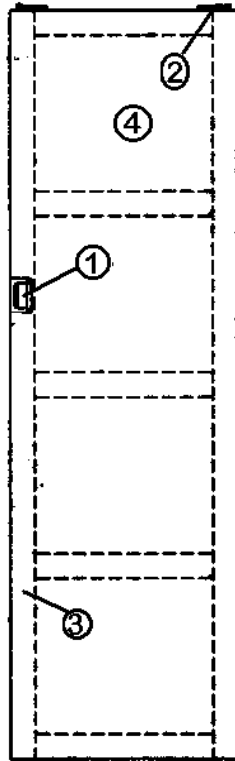
## 963748 Double Bed Assembly



- |                |                                 |
|----------------|---------------------------------|
| 1. 801180-00z  | PANEL 1/2" G2S                  |
| 2. 380203-01   | PIANO HINGE 1/8"                |
| 3. 961763      | DRAWER BOX ASSY. "B"            |
| 4. 963749      | DRAWER BOX ASSY.                |
| 5. 365265-01   | EDGEBANDING-5/8", NORTHERN OAK  |
| 6. 381576      | PULL HANDLE BRASS               |
| 7. 381228-01   | CATCH GRABBER DOOR              |
| 8. 381400      | SLIDE DRAWER 14" PAIR           |
| 9. 381400-01   | SLIDE DRAWER 12" PAIR           |
| 10. 101134     | ANGLE, ALUM, 1/8" X 1" X 1-1/2" |
| 11. 381067-09  | SPRING-GAS 90 LBS               |
| 11a. 381085    | CLIP, RETAINING                 |
| 11b. 381262    | BRACKET, PROP, W/BALL           |
| 11c. 381310    | GAS PROP BRACKET. ASSY-UPPER    |
| 12. 380210     | HINGE PLAIN STEEL               |
| 13. 801173-04z | MOLDING FLAT RADIUS 1.13        |
| 14. 801181-00z | PANEL 5/32"G1S, not shown       |

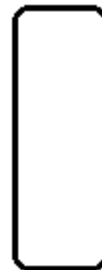
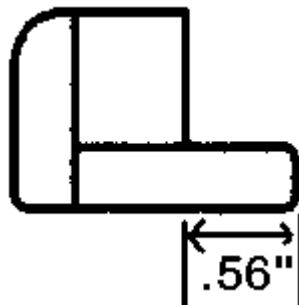
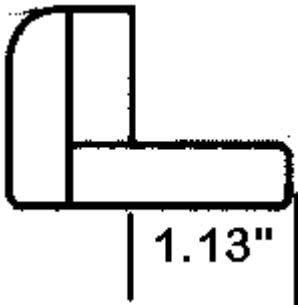
# Furniture

## 986265 Bath Sliding Door Assembly



- 1. 201427
- 2. 200009
- 3. 365266-01
- 4. 801181-00z
- 381100
- 963787-01
- Bath Door Jamb

- FINGER PULL, LIGHT BROWN
- SLIDING DOOR GUIDE
- EDGE BANDING-1.25"X .055"
- PANEL 5/32" G1S
- Sliding door guide, shower door
- 963786-01                      963788-01
- Jamb, Bath Door              Header, Bath Door



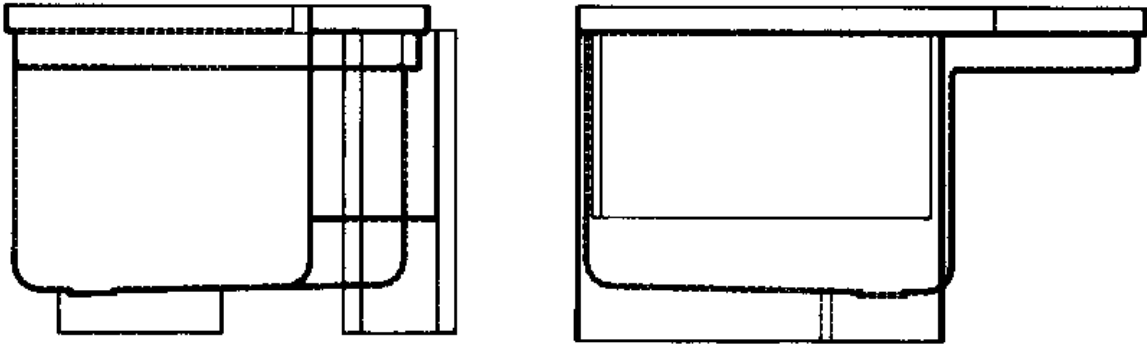
# Furniture

203046 Shower Stall, 2 Piece

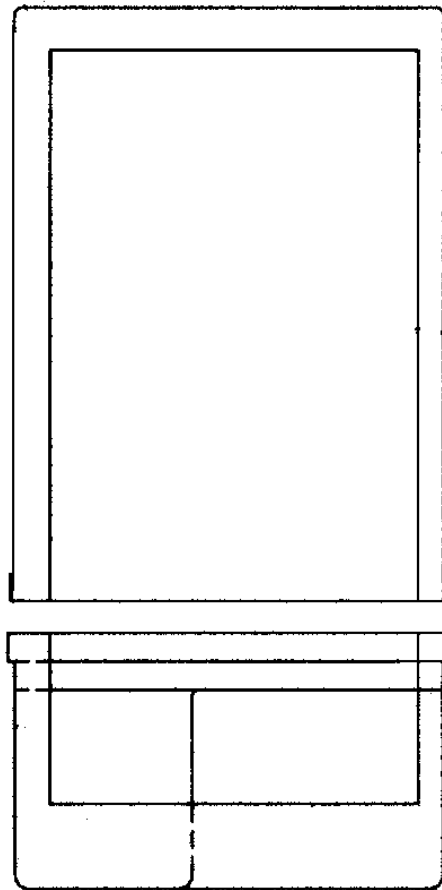
-01 CSA

-03 Opposite

-04 CSA Approved Opposite

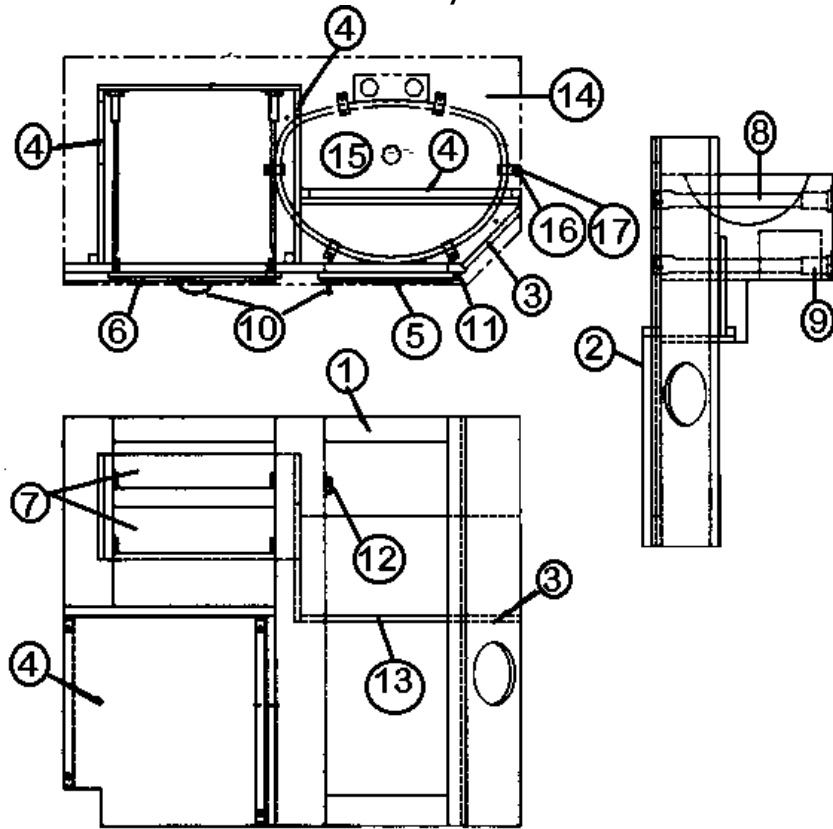


203081 Shower Stall-2 piece Fiberglass



# Furniture

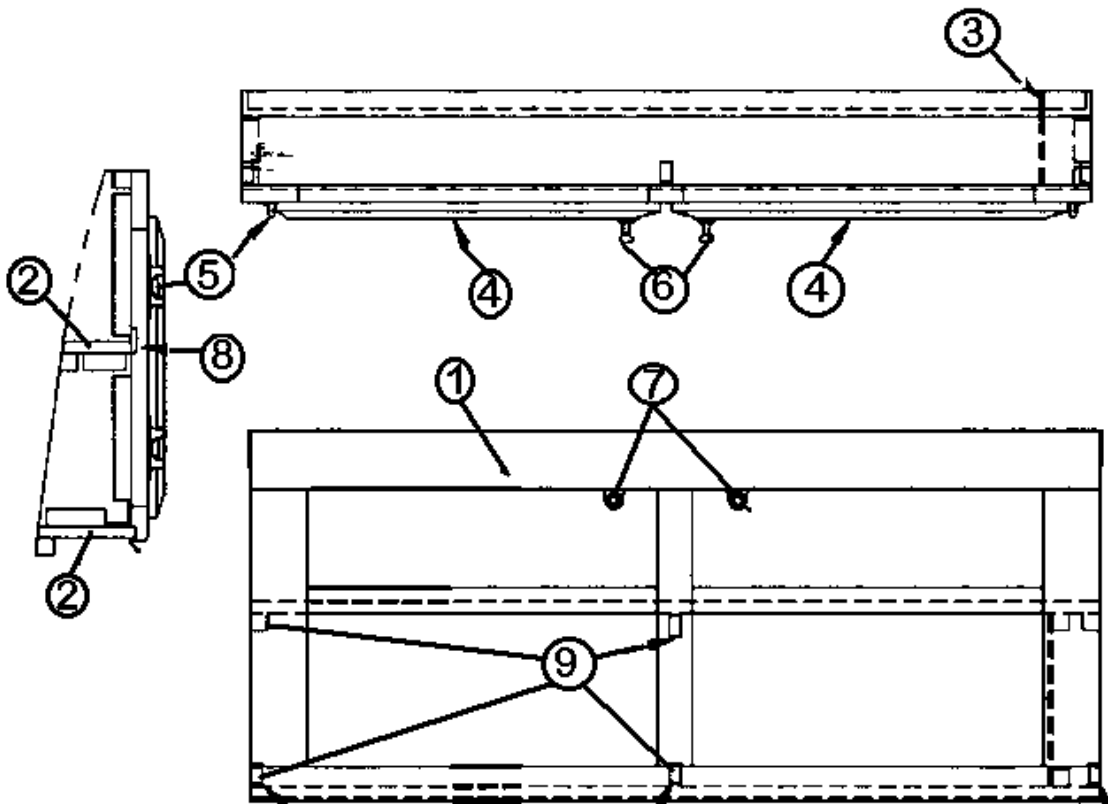
## 965194 Lavy Cabinet



- |                |                                  |
|----------------|----------------------------------|
| 1. 965192-00z  | FACE FRAME-LAVY                  |
| 2. 965193-00z  | FRAME-LAVY CLOSE OUT             |
| 3. 801180-00z  | PANEL 1/2" G2S                   |
| 4. 801179-00z  | PANEL 1/2" G1S                   |
| 5. 800597-09z  | DOOR RSD PNL 11.00 X 29.75       |
| 6. 800599-07z  | DRAWER FACE 4.50 X 14.00"        |
| 7. 964906-10   | DRW BOX- 12.25 X 14.00 X 2.75    |
| 8. 381526-01   | DRW SLIDE-950-RV 14" PER PR      |
| 9. 381526-06   | ADJUSTABLE REAR BRKT PER PR      |
| 10. 381835     | HANDLE-CHROME/BRASS              |
| 11. 381836     | HINGE-BRITE BRASS                |
| 12. 381228-01  | CATCH GRABBER DOOR               |
| 13. 800571-01z | MOLDING FLAT .52W X 80"          |
| 14. 965195-01  | LAVY TOP ASSY                    |
| 15. 203367-01  | BOWL-LAVY KARRAN, SURF. BONE     |
| 16. 453833     | CLIP, SINK MOUNT 16.             |
| 17. 320129     | INSERT-THREADED 1/4"O.D. X 1/4"L |

# Furniture

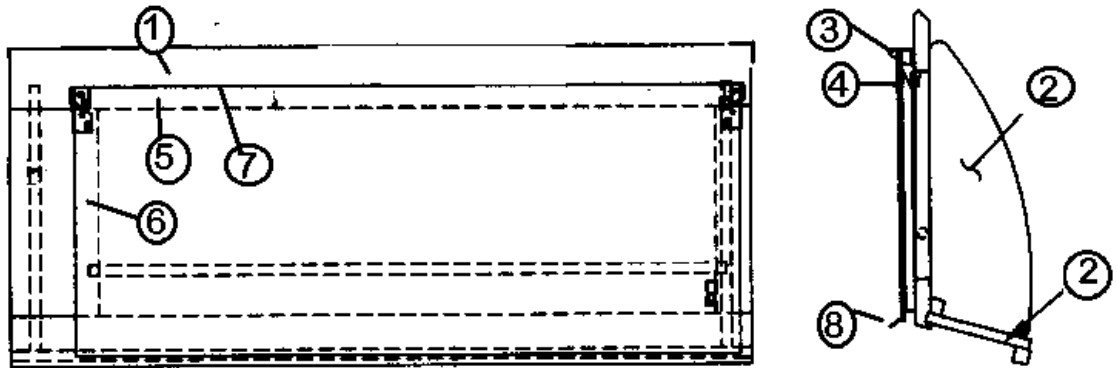
963302-04 Medicine cabinet, Lower, 37.13"



- |               |                             |
|---------------|-----------------------------|
| 1. 963266-01  | FACE FRAME MED-LOWER        |
| 2. 801180-00z | PANEL 1/2" G2S              |
| 3. 801181-00z | PANEL 5/32"G1S              |
| 4. 800599-57z | DRAWER FACE 17.25 X 13.00   |
| 5. 381836     | HINGE-BRITE BRASS           |
| 6. 381835     | HANDLE-CHROME/BRASS         |
| 7. 381228-01  | CATCH GRABBER DOOR          |
| 8. 800573-01z | MOLDING DOOR EDGE 1-3/32X80 |
| 9. 380041     | BRACE 1IN STANLEY CORNER    |

# Furniture

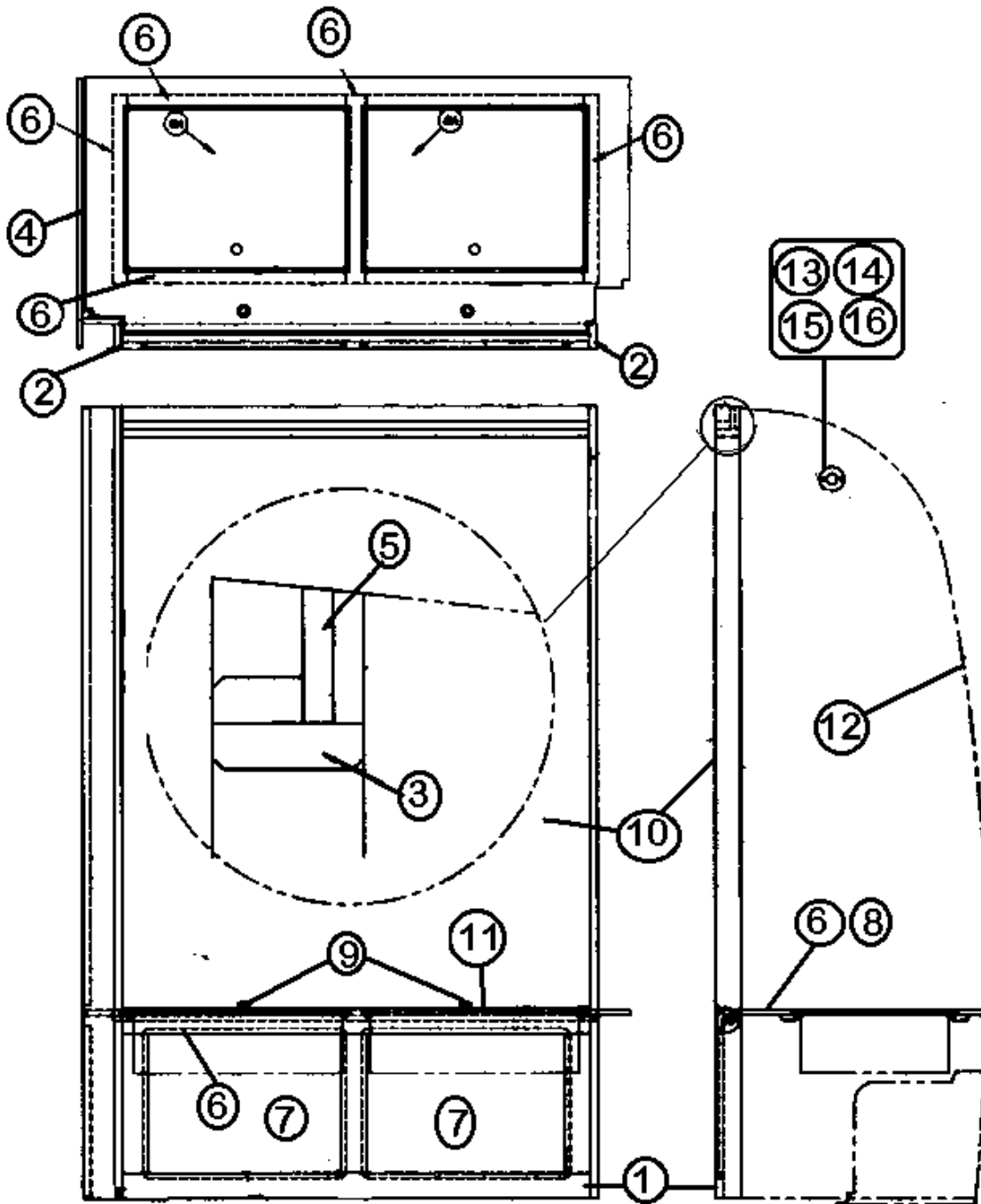
## 964026 Medicine Cabinet Upper



- |               |                                    |
|---------------|------------------------------------|
| 1. 964025     | FACE FRAME MED CAB-UPPER           |
| 2. 801180-00z | PANEL 1/2" G2S                     |
| 3. 385935-01  | HINGE PIVOT ZINC PLATED            |
| 4. 372203-17  | MIRROR- POL EDGES- 33.12" X 14.00" |
| 5. 801180-00z | PANEL 1/2" G2S                     |
| 6. 380024     | SUPPORT FRICTION LEFT HAND         |
| 7. 365265-01  | EDGEBANDING-5/8", NORTHERN OAK     |
| 8. 385940-02  | MIRROR PULL CHROME                 |

# Furniture

965224-02 Wardrobe Assembly 34 FT, 34 Ft SO  
-01 31 Ft.



PN Next Page



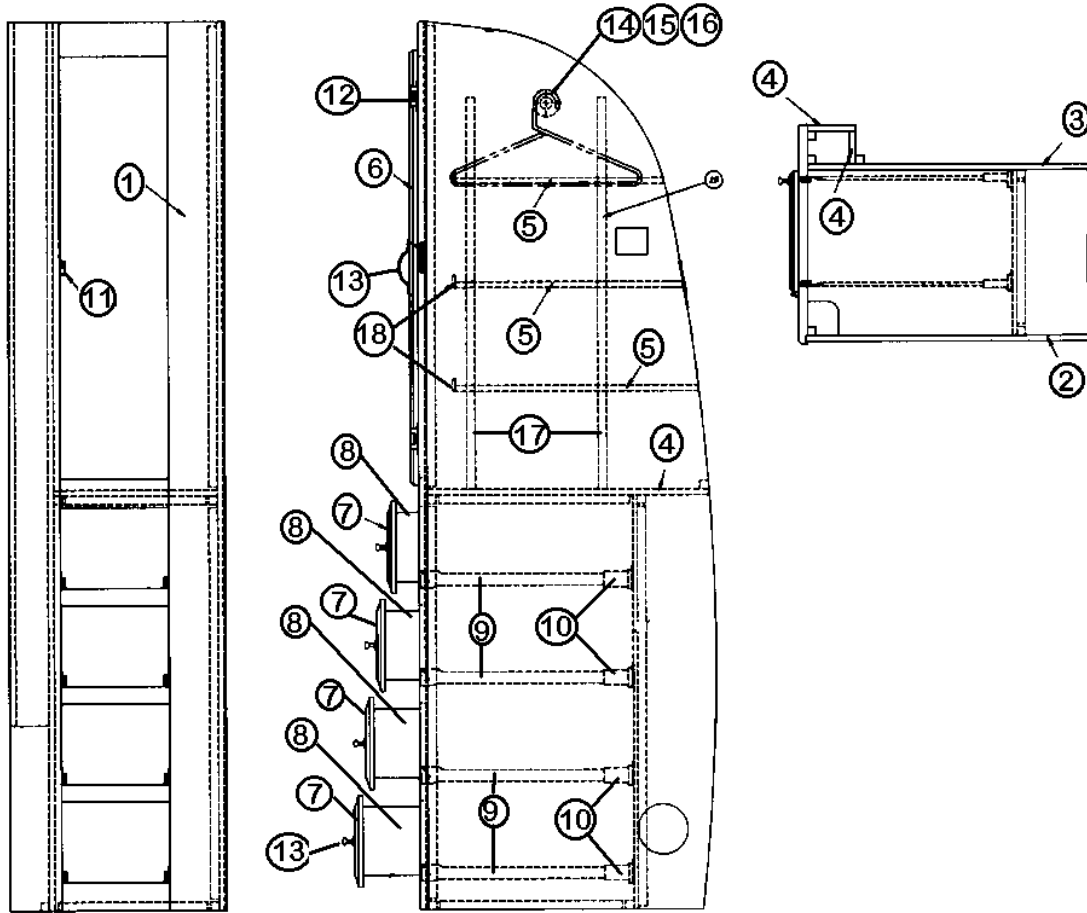
# Furniture

## 965224-02 Wardrobe Assembly

1. 965219-00z FACE FRAME- WARDROBE
2. 965220-00z STILE, WARDROBE SIDE LH/RH
3. 965221-00z HEADER WARDROBE
4. 964306-02 PANEL - FWD WARDROBE
- 201666-01 MOLDING-J 3/16" ALMOND PLASTIC
- 801390-00Z Paneling, .5" S. OAK/SPRING FOREST, G2S,  
12MM
5. 801180-00z PANEL 1/2" G2S
6. 801179-00z PANEL 1/2"
7. 201016 DRAWER 16 X 22
8. 701538 CARPET, ECONOLIER, BLACK 48"
9. 381839 KNOB-CHROME/BRASS 1.25"
10. 381727-01 DOOR-MIRRORED SLIDING 46" X 55.5"11.
11. 381228-01 GRABBER DOOR CATCH
12. 800397-01 CEDAR PLANKED 5/32"
13. 380045 TUBING 3/4IN METALLIC
14. 380046 FLANGE CHROME
15. 200975-04 CONDUIT, FLEXIBLE BLACK PLASTIC
16. 381298 SUPPORT, CLOTHES ROD LENGTH 5.25

# Furniture

965223-03 Aft Wardrobe Assembly, 34, 31Ft  
-04 34 Ft S/O



PN Next Page

# Furniture

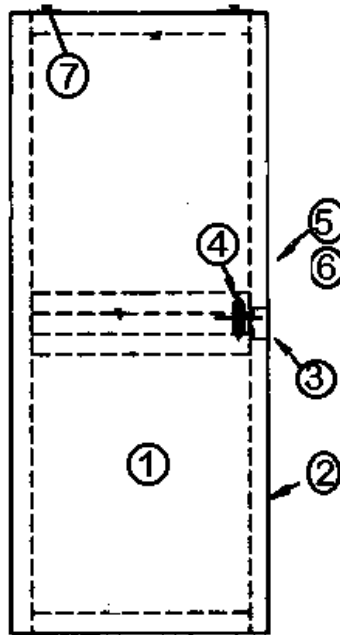
## 965223 Aft Wardrobe Assembly

1. 965218-00z FACE FRAME-WARDROBE
2. 964306-01 PANEL - AFT WARDROBE  
801390-00z PNL- .5" S. OAK/S. FOREST, G2S, 12MM
3. 801088-12 PANEL WARDROBE VINYL
4. 801179-00z PANEL 1/2" G1S
5. 801180-00z PANEL 1/2" G2S
6. 800597-47z DOOR RSD PNL 10.50" X 37.75"
7. 800599-65z DRAWER FACE 8 X 10.50"
8. 964907-02 DRW BOX- 8.50 X 18.00 X 6.00
9. 381526-03 DRW SLIDE-950-RV 18" PER PR
10. 381526-06 ADJUSTABLE REAR BRACKET PR
11. 381228-01 GRABBER DOOR CATCH
12. 381836 HINGE-BRITE BRASS
13. 381835 HANDLE-CHROME/BRASS
14. 380045 TUBING 3/4IN METALLIC
15. 380046 FLANGE CHROME
16. 200975-04 CONDUIT, FLEXIBLE BLACK PLASTIC
17. 381527 SPEEDY SHELF STRIPS
18. 800573-01z MOLDING DOOR EDGE 1-3/32" X 80"
19. 365265-01 EDGE BANDING-5/8", NORTHERN OAK

# Furniture

## 961413-Tab Assembly Slider Door

- 03 27" x 71.25
- 10 25.25" x 74.00"
- 16 21.00" x 74.00"
- 14 17.00" x 72.50"
- 15 19.00" x 72.50"



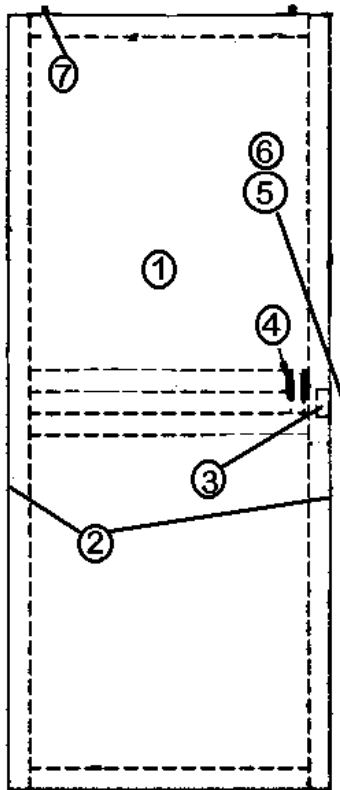
- 1. 801181-00z PANEL 5/32"G1S
- 2. 365266-01 EDGEBANDING-1.25"X .055", N. OAK
- 3. 381444 HATCH PULL, SATIN FINISH ST-80
- 4. 381603 PULL THREE FINGER ANT. BRASS
- 5. 381385 DUAL LOCK #400
- 6. 381386 DUAL LOCK #170
- 7. 381100 SLIDING DOOR GUIDE, track on header
- 8. 800576-01z MOLDING BATH DR. JAMB 80", not shown

## 964303-01 Bath Door Header



# Furniture

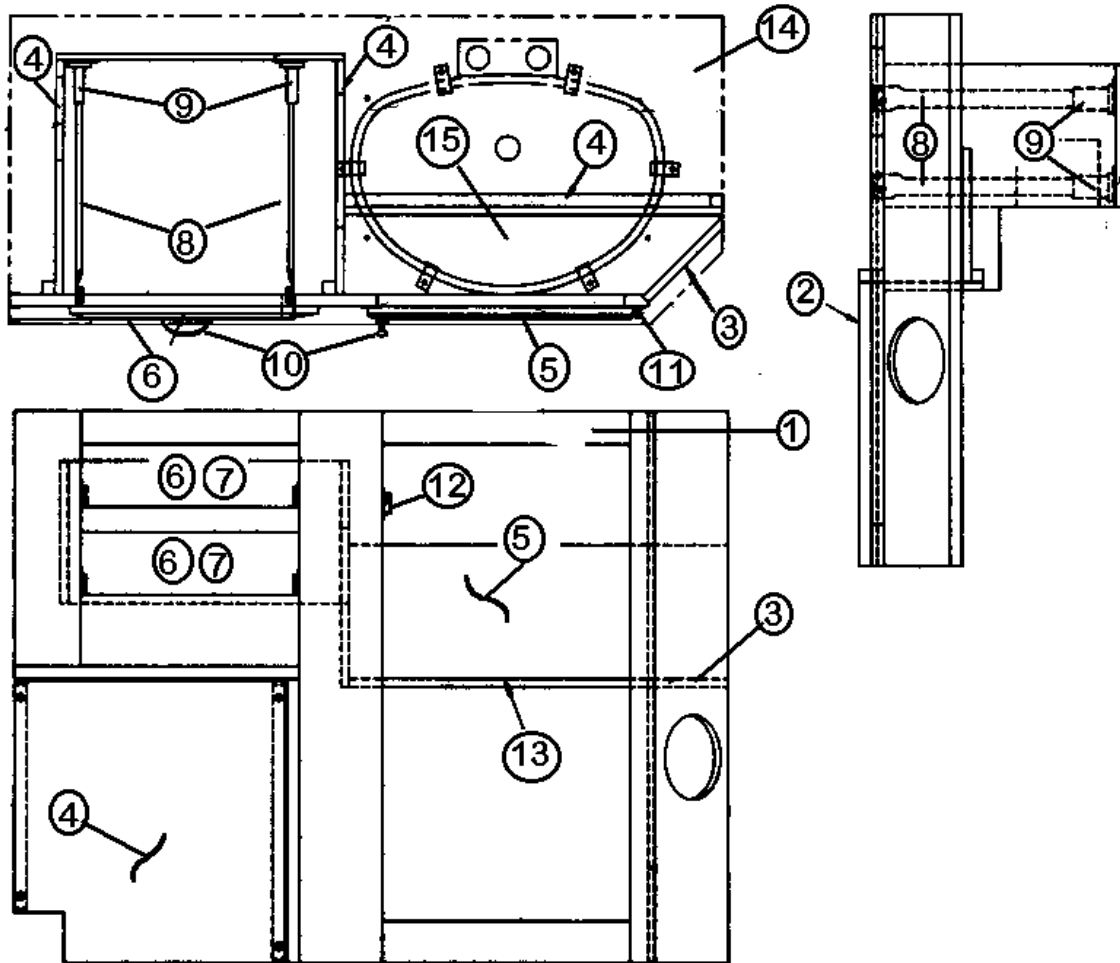
963179-tab Slider Door Assembly, Vinyl  
-03 29" x 72"



- |               |                                    |
|---------------|------------------------------------|
| 1. 801181-00z | PANEL 5/32"G1S                     |
| 2. 365266-01  | EDGE BANDING-1.25" X .055", N. OAK |
| 3. 381444     | HATCH PULL, SATIN FINISH ST-80     |
| 4. 381603     | PULL THREE FINGER ANTIQUE BRASS    |
| 5. 381385     | DUAL LOCK #400                     |
| 6. 381386     | DUAL LOCK #170                     |
| 7. 381443-01  | SLIDING DOOR SET, #71-222-5'       |
| 7A. 381443-03 | ANGLE STOP #1018                   |
| 8. 800573-01z | MOLDING DOOR EDGE 1-3/32" X 80"    |

# Furniture

## 965214-04 Lavy Cabinet Assembly



PN Next Page

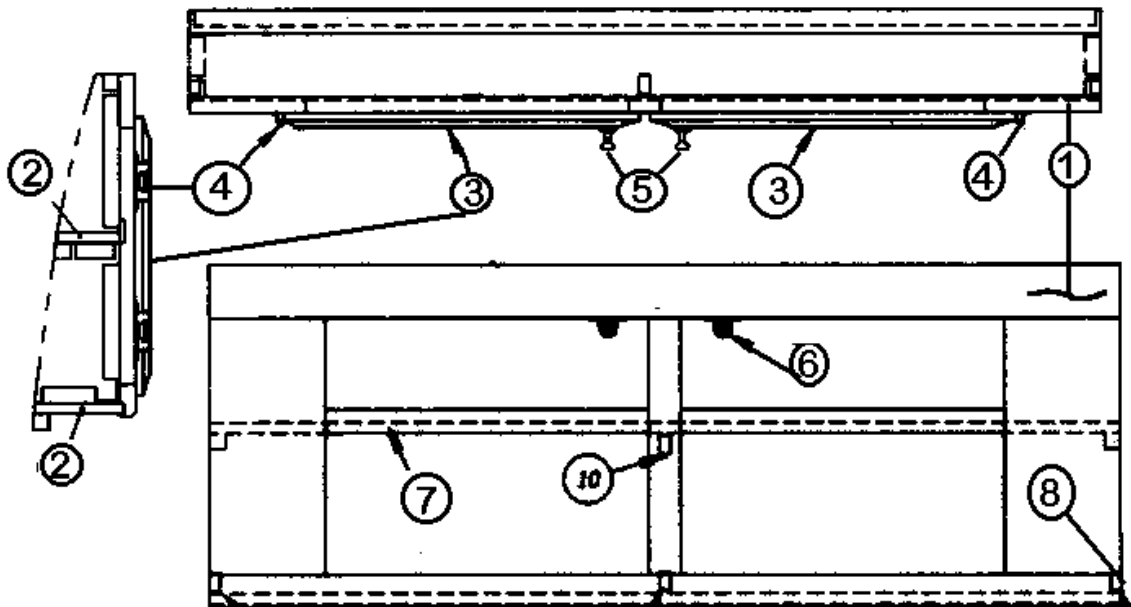
## Furniture

### 965214 Lavy Cabinet Assembly

1. 965212-00z FACE FRAME LAVY
2. 965193-00z FRAME-LAVY CLOSE OUT
3. 801180-00z PANEL 1/2" G2S
4. 801179-00z PANEL 1/2" G1S
5. 800597-08z DOOR RSD PNL 16.00" X 29.50"
6. 800599-07z DRAWER FACE 4.50" X 14.00"
7. 964906-10 DRW BOX- 12.25 X 14.00 X 2.75
8. 381526-01 DRW SLIDE-950-RV 14" PR
9. 381526-06 BRACKET ADJUSTABLE REAR (PAIR)
10. 381835 HANDLE-CHROME/BRASS
11. 381836 HINGE-BRITE BRASS
12. 381228-01 CATCH GRABBER DOOR
13. 800571-01z MOLDING FLAT .52" W X 80"
14. 965215-01 LAVY TOP ASSY., CORIAN
15. 203367-01 BOWL-LAVY KARRAN SURF. BONE
- 15a. 453833 CLIP, SINK MOUNT
- 15b. 320129 INSERT-THREADED 1/4"O.D. X 1/4"L
- 15c. 320130-09 SCREW #10-32 SLOTTED HEX HD 1.25L
- 15d. 320131 WINGNUT-#10-32 ZINC

# Furniture

964302-04 Medicine Cabinet, Lower Assembly, 31 FT.  
-05 34 Ft.

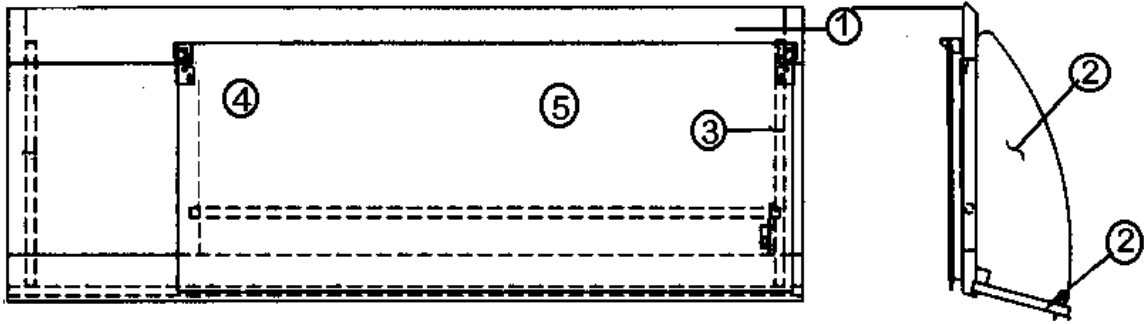


- |               |                                 |
|---------------|---------------------------------|
| 1. 964300-01  | FACE FRAME-MED CAB LOWER        |
| 2. 801180-00z | PANEL 1/2" G2S                  |
| 3. 800599-57z | DRAWER FACE 17.25" X 13.00"     |
| 4. 381836     | HINGE-BRITE BRASS               |
| 5. 381835     | HANDLE-CHROME/BRASS             |
| 6. 381228-01  | CATCH GRABBER DOOR              |
| 7. 800573-01z | MOLDING DOOR EDGE 1-3/32" X 80" |
| 8. 380041     | BRACE 1 IN. STANLEY CORNER      |



# Furniture

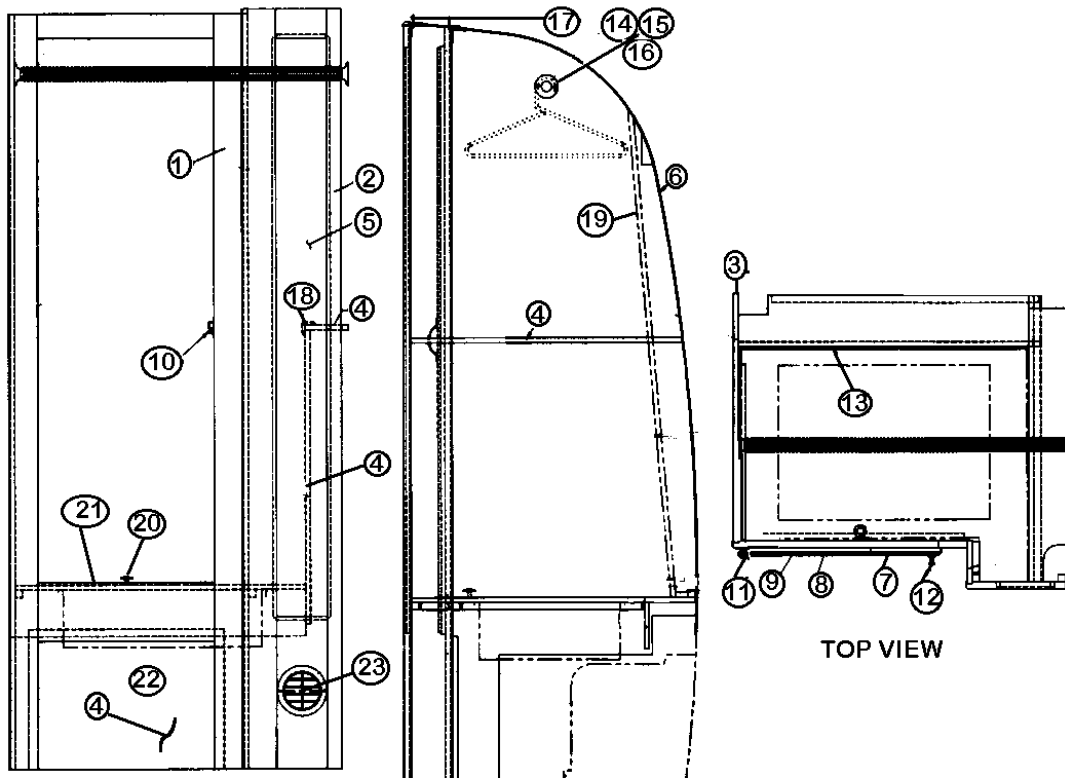
964301-03 Upper Medicine Cabinet Assembly 34 FT.  
-01 31 Ft.



- |               |                                    |
|---------------|------------------------------------|
| 1. 964299-01  | FACE FRAME-MED CAB-UPPER           |
| 2. 801180-00z | PANEL 1/2" G2S                     |
| 3. 381228-01  | CATCH GRABBER DOOR                 |
| 4. 385935     | HINGE BRASS PIVOT                  |
| 5. 372203-17  | MIRROR- POL EDGES- 33.12" X 14.00" |
| 6. 380024     | SUPPORT FRICTION LEFT HAND         |
| 7. 365265-01  | EDGE BANDING-5/8", NORTHERN OAK    |

# Furniture

## 962175-04 Wardrobe Assembly



PN Next Page

# Furniture

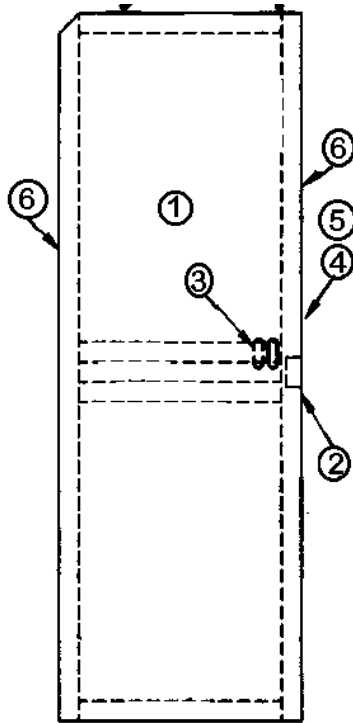
## 962175-01 Wardrobe Assembly

1. 962162-01 FACE FRAME W/R AFT CS
  2. 962163-01 FACE FRAME WARD FWD
  3. 800984-05 PANEL FWD WARDROBE
  4. 801179-00z PANEL 1/2" G1S WOOD/RAW
  5. 801181-00z PANEL 5/32"G1S WOOD/ RAW 4'X8'
  6. 800397-01 CEDAR PLANKED 5/32"
  7. 800557-15z DOOR FRAME 19.00" X 60.00"
  8. 371262-10 MIRROR- SAFETY- 16.12" X 28.12"
  9. 381754 MIRROR CLIP R2
  10. 381228-01 GRABBER DOOR CATCH
  11. 381836 HINGE-BRITE BRASS
  12. 381835 HANDLE-CHROME/BRASS
  13. 380458 HINGE PIANO BROWN ANODIZED
  14. 380045 TUBING 3/4IN METALLIC
  15. 380046 FLANGE CHROME
  16. 200975-04 CONDUIT, FLEXIBLE BLACK PLASTIC
  17. 104821 SUPPORT, ROOFLOCKER, 74"
  18. 800575-01z MOLDING CORNER 80"L
  19. 104629 EXTRUSION, WALL ATTACHMENT
  20. 962222 CLOSE OUT WARDROBE WIRES
- 964945 Lift Up Shelf Assembly
21. 381839 KNOB-CHROME/BRASS 1.25"
  22. 701538 CARPET, ECONOLIER VELOUR BLACK 48"
  23. 201016 DRAWER 16" X 22"
  24. 601244-01 REGISTER-ROTAIRE 4"BROWN

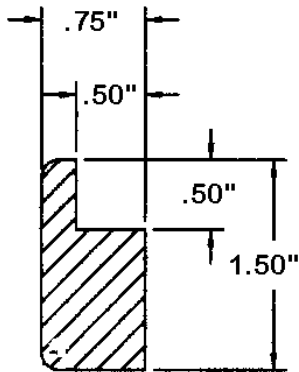
- 201666-01 MOLDING-J 3/16" ALMOND PLASTIC  
203138-03 EXTRUSION PLASTIC WALL BEIGE  
500956 LIGHT, WARDROBE, BROWN, W/SWITCH

# Furniture

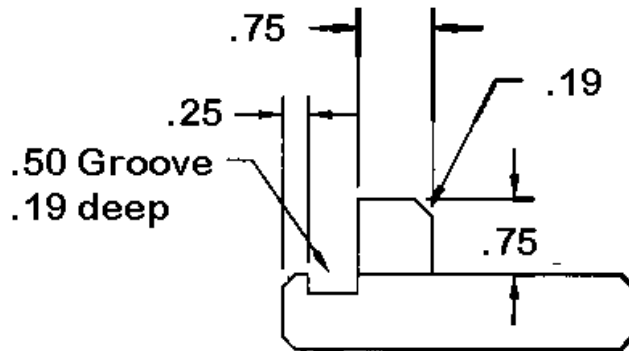
## 962066 Door Assembly, Slider, Aft



- |               |                                    |
|---------------|------------------------------------|
| 1. 801181-00z | PANEL 5/32"G1S WOOD RAW            |
| 2. 381444     | HATCH PULL, SST SATIN FINISH ST-80 |
| 3. 381570     | PULL 3-FINGER BRASS                |
| 4. 381385     | DUAL LOCK #400                     |
| 5. 381386     | DUAL LOCK #170 L/Y M/H             |
| 6. 365266-01  | EDGEBANDING-1.25"X .055", N. OAK   |



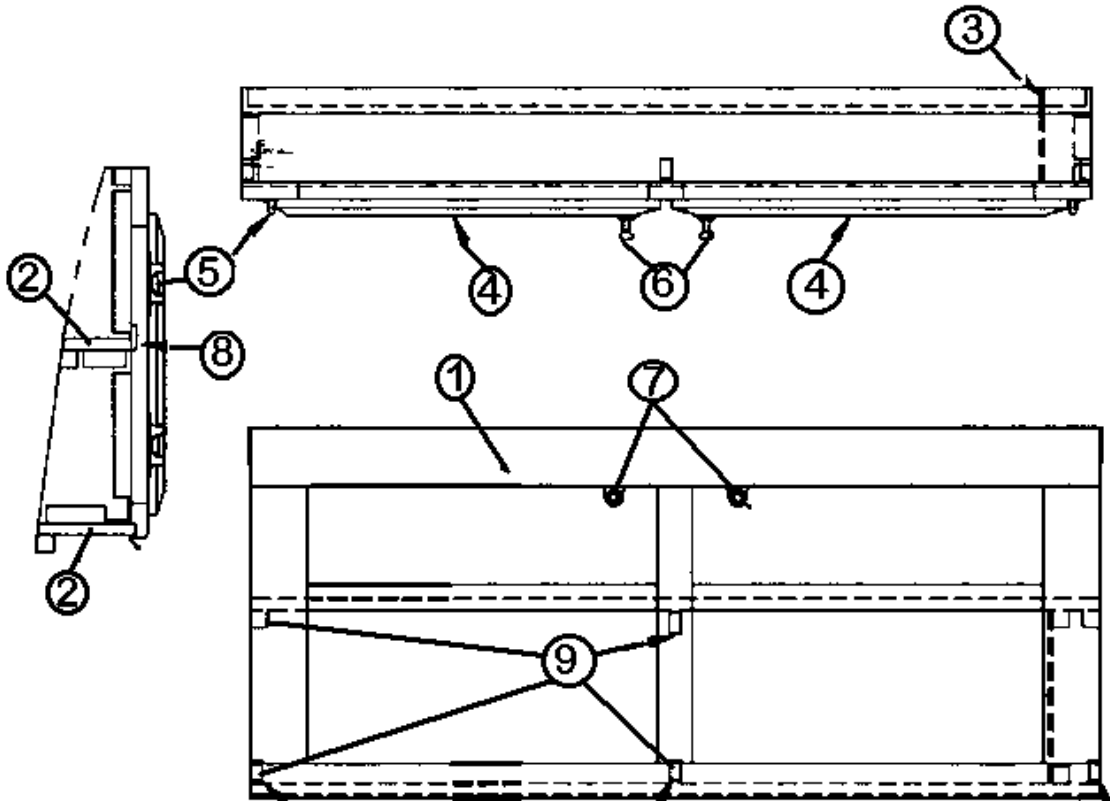
800815-02 Stile  
Aft Bath Panel



963664  
Stile Aft Bath

# Furniture

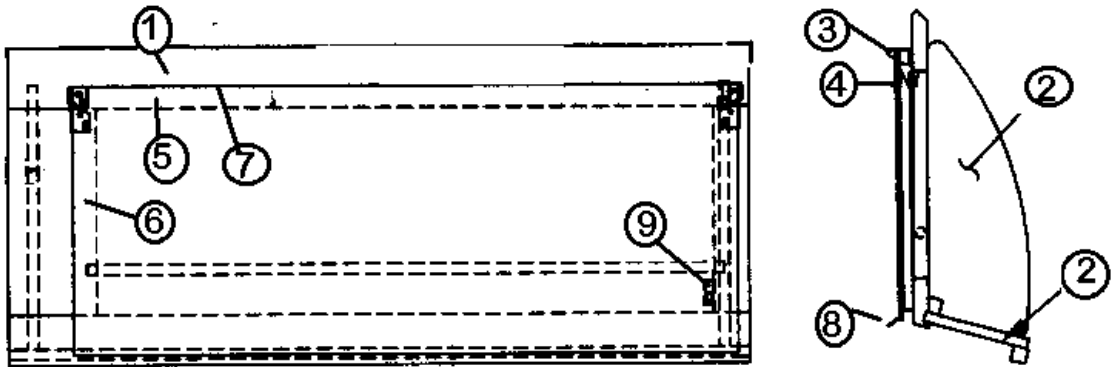
## 961899-04 Medicine Cabinet, Lower



- |               |                             |
|---------------|-----------------------------|
| 1. 961897-01  | FACE FRAME MED-LOWER        |
| 2. 801180-00z | PANEL 1/2" G2S              |
| 3. 801181-00z | PANEL 5/32"G1S              |
| 4. 800599-57z | DRAWER FACE 17.25 X 13.00   |
| 5. 381836     | HINGE-BRITE BRASS           |
| 6. 381835     | HANDLE-CHROME/BRASS         |
| 7. 381228-01  | CATCH GRABBER DOOR          |
| 8. 800573-01z | MOLDING DOOR EDGE 1-3/32X80 |
| 9. 380041     | BRACE 1IN STANLEY CORNER    |

# Furniture

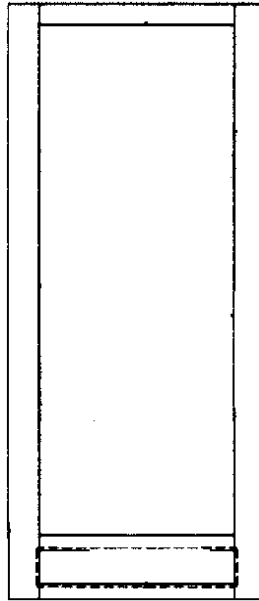
## 963753-01 MEDICINE CABINET ASSEMBLY. UPPER



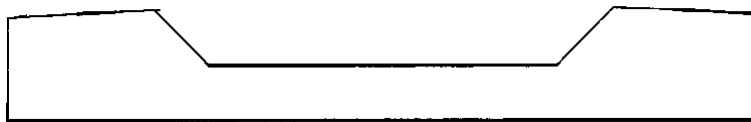
- |               |                                    |
|---------------|------------------------------------|
| 1. 962170-01  | FACE FRAME MED CAB-UPPER           |
| 2. 801180-00z | PANEL 1/2" G2S                     |
| 3. 385935-01  | HINGE PIVOT ZINC PLATED            |
| 4. 372203-04  | MIRROR- POL EDGES- 36.00" X 14.00" |
| 5. 801180-00z | PANEL 1/2" G2S                     |
| 6. 380024     | SUPPORT FRICTION LEFT HAND         |
| 7. 365265-01  | EDGE BANDING-5/8", NORTHERN OAK    |
| 8. 385940-02  | MIRROR PULL CHROME                 |
| 9. 381228-01  | CATCH GRABBER DOOR                 |

# Furniture

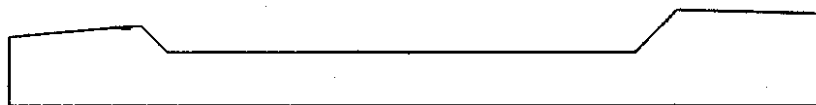
962161-01 Face Frame, Shower  
962505-01 Face Frame, Shower



963656 Header , Aft Slide Door



963657 Header, Forward Slide Door

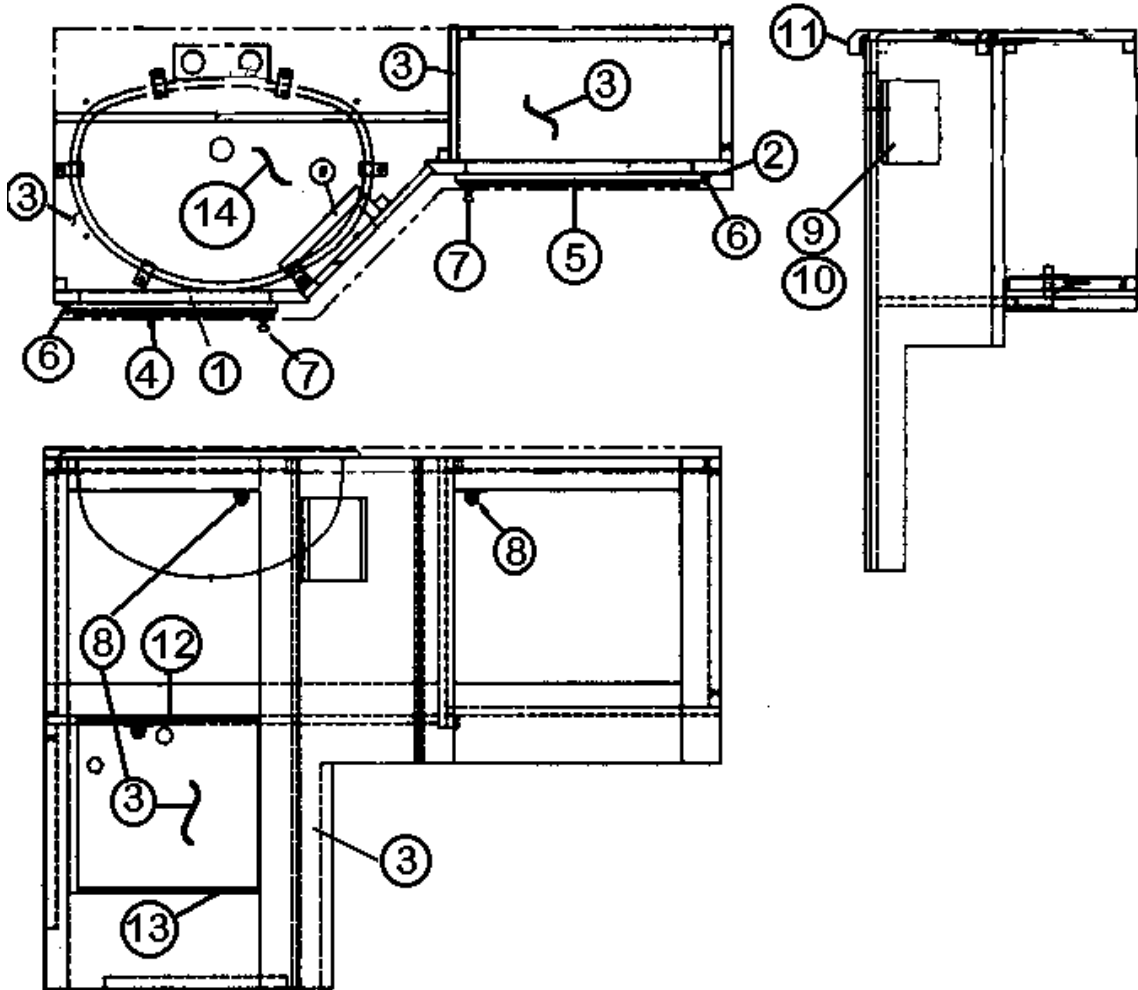


801132 Header, slider Door



# Furniture

## 961921-08 Lavy Cabinet Assembly



PN Next Page



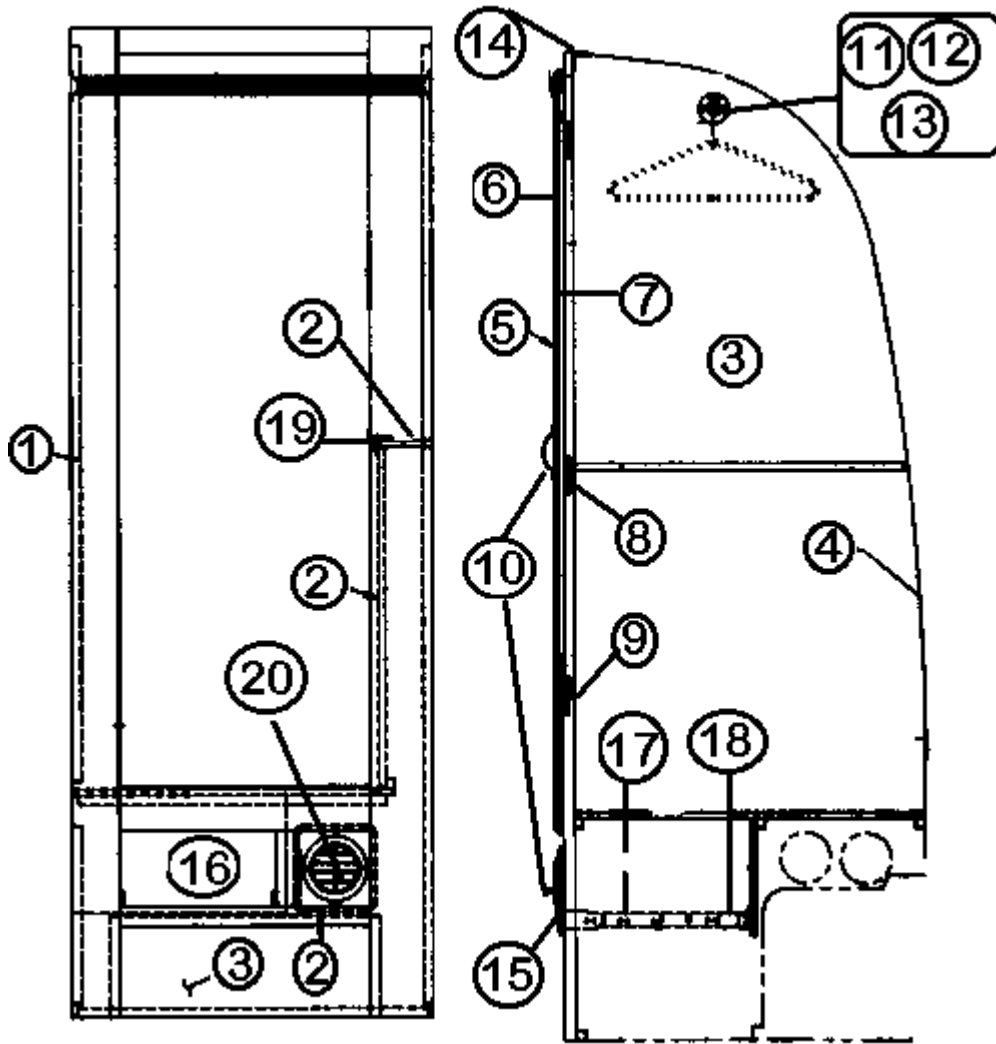
# Furniture

## 961921-08 Lavy Cabinet Assembly

1. 961890-01 FACE FRAME LAVY
2. 961891-01 FACE FRAME LAVY AFT
3. 801180-00z PANEL 1/2" G2S WOOD/WOOD
4. 800597-15z DOOR RSD PNL 13.00" X 25.75"
5. 800597-49z DOOR RSD PNL 15.50" X 13.00"
6. 381836 HINGE-BRITE BRASS
7. 381835 HANDLE-CHROME/BRASS
8. 381228-01 CATCH GRABBER DOOR
9. 381299 TOILET PAPER HOLDER
10. 381275 PAPER HOLDER, BRASS W/HOOD, OPTION
11. 965217-01 TOP ASSY., CORIAN
12. 800571-01z MOLDING FLAT .52W X 80"
13. 380458 HINGE PIANO BROWN ANODIZED
14. 203367-01 BOWL-LAVY KARRAN, SURF. BONE
- 14A. 453833 CLIP, SINK MOUNT
- 14B. 320129 INSERT-THREADED 1/4"O.D. X 1/4"L
- 14D. 20130-09 SCREW #10-32 SLOTTED HEX HD 1.25L
- 14D. 320131 WINGNUT-#10-32 ZINC

# Furniture

964016 Wardrobe Assembly, CS 28 FT



PN Next Page

## Furniture

964016 Wardrobe Assembly CS, 28 FT.

1. 964015 FACE FRAME CS WARDROBE
2. 801180-00z PANEL 1/2" G2S WOOD/WOOD
3. 801181-00z PANEL 5/32"G1S WOOD / RAW
4. 800397-01 CEDAR PLANKED 5/32"
5. 800557-10z DOOR FRAME 22.00" X 60.00"
6. 371262-04 MIRROR- SAFETY- 19.12" X 28.12"
7. 381754 MIRROR CLIP R2
8. 381228-01 GRABBER DOOR CATCH
9. 381836 HINGE-BRITE BRASS
10. 381835 HANDLE-CHROME/BRASS
11. 380045 TUBING 3/4IN METALLIC
12. 380046 FLANGE CHROME
13. 200975-04 CONDUIT, BLACK PLASTIC
14. 104821 SUPPORT, ROOFLOCKER, 74"
15. 800599-22z DRAWER FACE 7.00" X 14.00"
16. 964910-19 DRW BOX- 11.50 X 14.00 X 5.00
17. 381526-01 DRW SLIDE-950-RV 14" PER PR
18. 381526-06 ADJUSTABLE REAR BRKT PER PR
19. 800575-01z MOLDING CORNER 80"L
20. 601244-01 REGISTER-ROTAIRE "BROWN

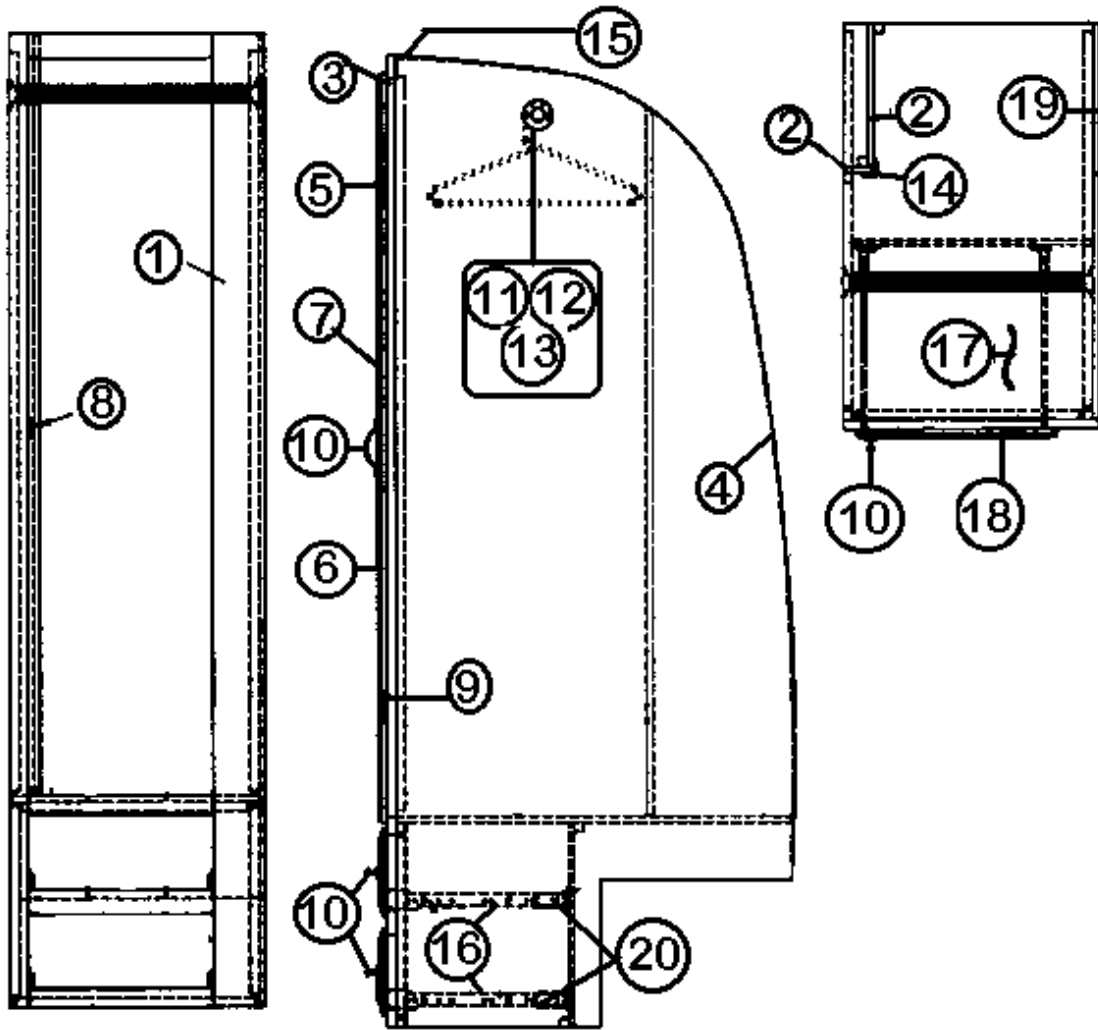
### Not Shown

- 365239 FOAM, NON-SKID PAD 1/4 X 1 X 1/16"  
500956 LIGHT, WDRB, BROWN, W/SWITCH

# Furniture

963690-02

WARDROBE ASSY. RS



PN Next Page

# Furniture

## 963690-01 WARDROBE ASSEMBLY. RS

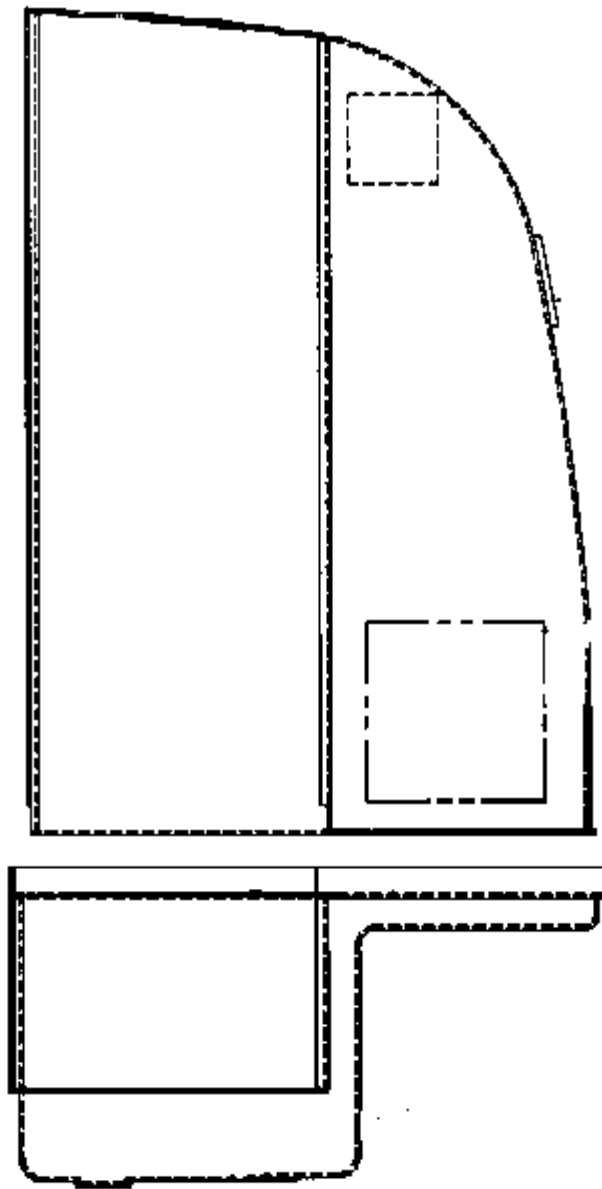
1. 962509-01 FACE FRAME RS WARDROBE
2. 801180-00z PANEL 1/2" G2S WOOD/WOOD
3. 801181-00z PANEL 5/32"G1S WOOD/ RAW
4. 800397-01 CEDAR PLANKED 5/32"
5. 800557-11z DOOR FRAME 16.00" X 60.00"
6. 371262-05 MIRROR- SAFETY- 13.12" X 28.12"
7. 381754 MIRROR CLIP
8. 381228-01 GRABBER DOOR CATCH
9. 381836 HINGE-BRITE BRASS
10. 381835 HANDLE-CHROME/BRASS
11. 380045 TUBING 3/4"METALLIC
12. 380046 FLANGE CHROME
13. 200975-04 CONDUIT BLACK PLASTIC
14. 800575-01z MOLDING CORNER 80"L
15. 104821 SUPPORT, ROOFLOCKER, 74"
16. 381526-01 DRW SLIDE-950-RV 14" PER PR
17. 964910-08 DRW BOX- 13.25" X 14.00" X 5.00"
18. 800599-56z DRAWER FACE 7.00" X 16.00"
19. 801179-00z PANEL 1/2" G1S WOOD/RAW
20. 381526-06 ADJUSTABLE REAR BRKT PER PR

### Not Shown

- 365239 FOAM, NON-SKID PAD 1/4" X 1" X 1/16"  
203138-03 EXTRUSION PLASTIC WALL BEIGE  
500956 LIGHT, WDRB, BROWN, W/SWITCH

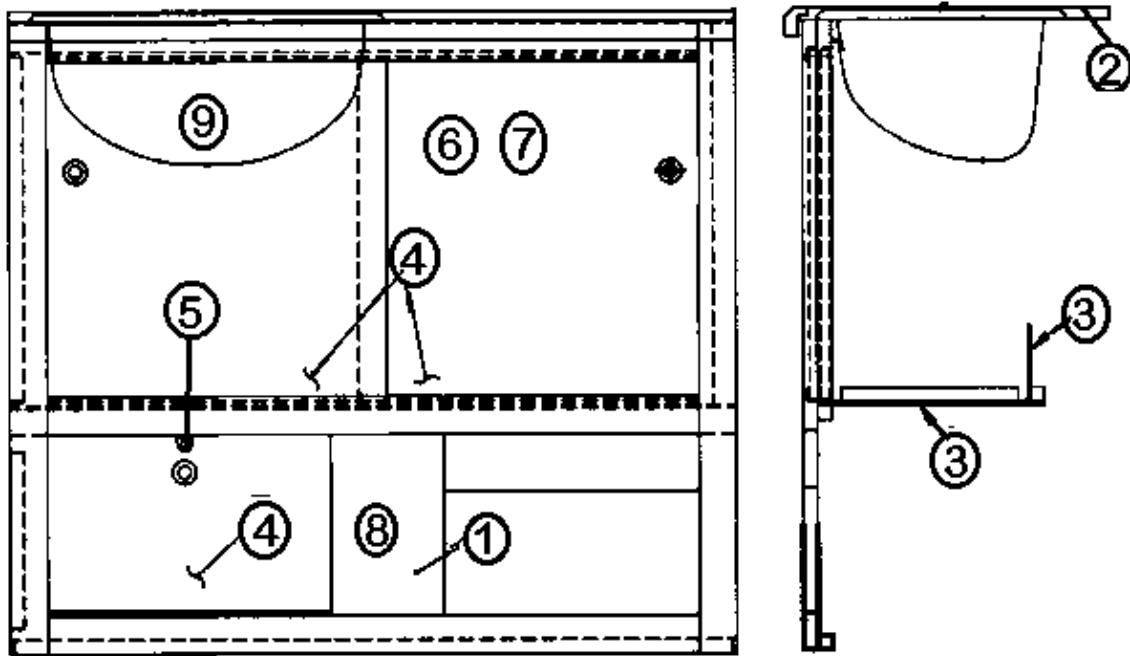
# Furniture

201980 Shower Stall, 2 Piece



# Furniture

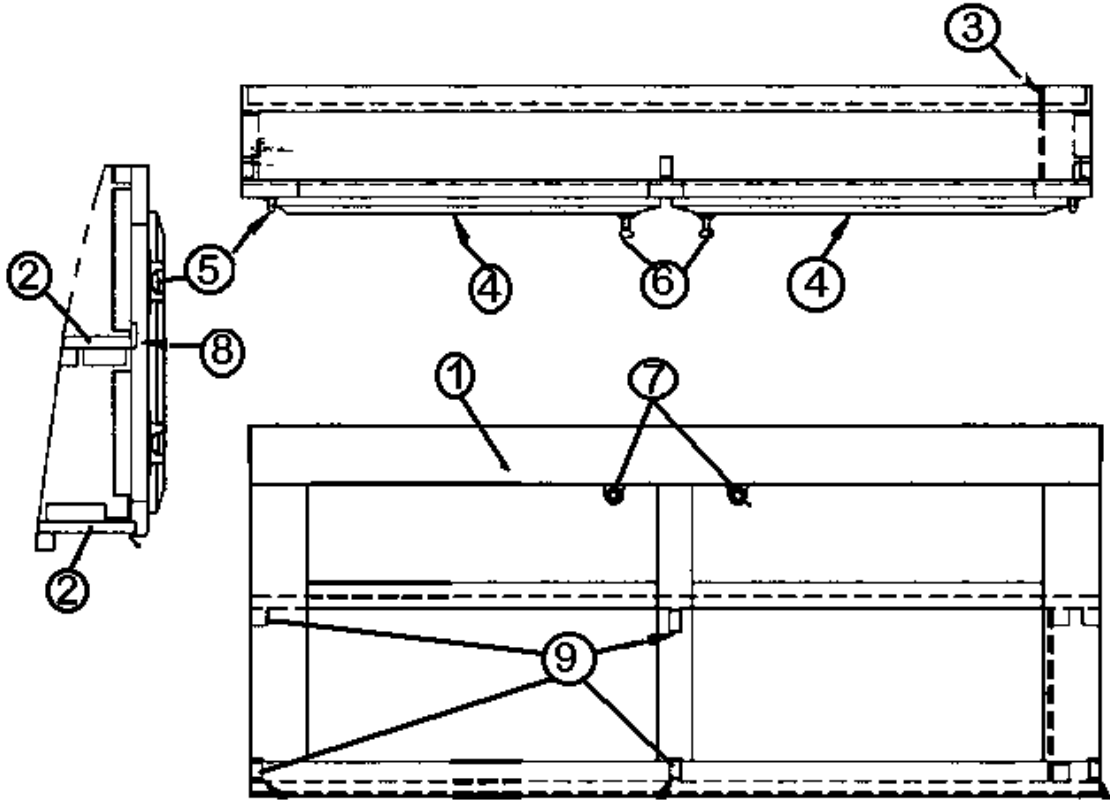
## 962322-02 Lavatory Cabinet Assembly



- |               |                                    |
|---------------|------------------------------------|
| 1. 962324-01  | FACE FRAME LAVY CABINET            |
| 2. 965216-01  | TOP ASSY, CORIAN                   |
| 3. 801181-00z | PANEL, 5/32" G1S WOOD/RAW          |
| 4. 801180-00z | PANEL, 1/2" G2S, WOOD/WOOD         |
| 5. 381839     | KNOB-CHROME/BRASS 1.25"            |
| 6. 381228-01  | CATCH GRABBER DOOR                 |
| 7. 200963-01  | TRACK, SLIDING DOOR, VANITY, UPPER |
| 8. 200963-02  | TRACK, SLIDING DOOR, VANITY, LOWER |
| 9. 203367-01  | BOWL-LAVY KARRAN SURF. BONE        |
| 453833        | CLIP, SINK MOUNT                   |
| 320129        | INSERT-THREADED 1/4"O.D. X 1/4"L   |
| 320130-09     | SCREW #10-32 SLOTTED HEX HD 1.25L  |
| 320131        | WINGNUT-#10-32 ZINC                |

# Furniture

962251-02 Medicine cabinet, Lower 38.50"

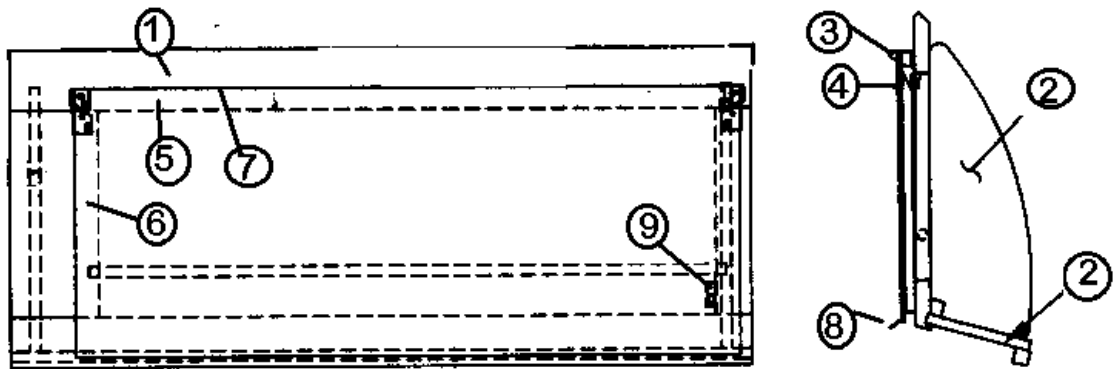


- |               |                             |
|---------------|-----------------------------|
| 1. 962252     | FACE FRAME MED-LOWER        |
| 2. 801180-00z | PANEL 1/2" G2S              |
| 3. 801181-00z | PANEL 5/32"G1S              |
| 4. 800599-57z | DRAWER FACE 17.25 X 13.00   |
| 5. 381836     | HINGE-BRITE BRASS           |
| 6. 381835     | HANDLE-CHROME/BRASS         |
| 7. 381228-01  | CATCH GRABBER DOOR          |
| 8. 800573-01z | MOLDING DOOR EDGE 1-3/32X80 |
| 9. 380041     | BRACE 1IN STANLEY CORNER    |



# Furniture

## 963752-01 MEDICINE CABINET ASSEMBLY. UPPER



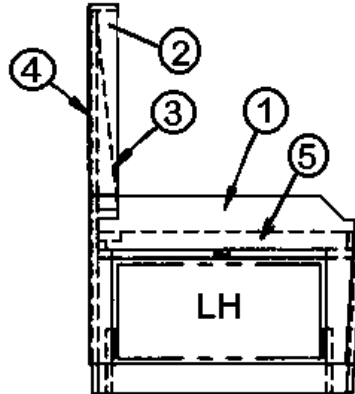
1. 962250 FACE FRAME MED CAB-UPPER
2. 801180-00z PANEL 1/2" G2S
3. 385935-01 HINGE PIVOT ZINC PLATED
4. 372203-17 MIRROR- POL EDGES- 36.00" X 14.00"
5. 801180-00z PANEL 1/2" G2S
6. 380024 SUPPORT FRICTION LEFT HAND
7. 365265-01 EDGE BANDING-5/8", NORTHERN OAK
8. 385940-02 MIRROR PULL CHROME
9. 381228-01 CATCH GRABBER DOOR

800457-00Z ROD-DOWEL 1/2" DIA. 36" LONG

## Furniture

964953-01 Dinette Seat Assembly, LH, 34 FT.

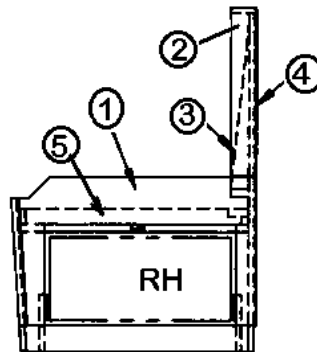
964953-02 Dinette Seat Assembly, LH, 30 FT.



1. 964949-02 LH Dinette Seat Sub-Assembly
2. 964528-02 Back sub-assembly, LH
3. 964449-01 Cushion Support, Dinette LH, 41.63"
4. 964950 Upholstered Back, LH w/door, 34 Ft.
- 4a.964529-01 Upholstered back, 17" wide, 30 Ft.
5. 964334-01 Flex spring seat

964954-01 Dinette Seat Assembly, RH, 34 FT.

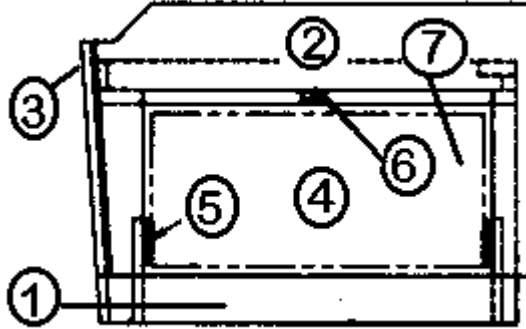
964954-02 Dinette Seat Assembly, RH, 30 FT.



1. 964949-01 RH Dinette Seat Sub-Assembly
2. 964528-01 Back sub-assembly, RH , 34 FT.
- 2a.964528-04 Back sub-assembly, RH , 30 FT.
3. 964498-01 Cushion Support, Dinette RH, 41.63"
4. 964529-02 Upholstered Back, RH 17", 34 Ft.
- 4a.965076 Upholstered back, 42" wide, 30 Ft.
5. 964334-01 Flex spring seat

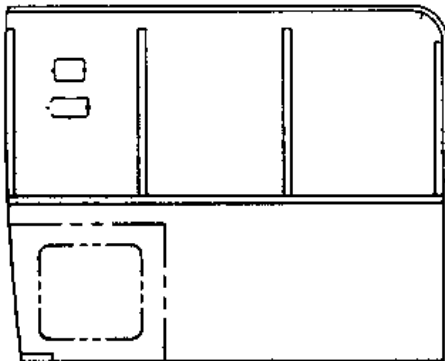
# Furniture

964949-tab Dinette Seat Sub Assembly  
-01 RH Seat Assembly-Shown, 30 FT.  
-02 LH Seat Assembly-Opposite, 34 FT



1. 801179-00z PANEL 1/2" G1S SARATOGA OAK/RAW
2. 700414 FOAM 3/8 X 72"X 52'
3. 801195-00z CORNER TRIM 1" RADIUS
4. 964908-01 DRAWER BOX- 17.50 X 26.00 X 8.00"
5. 381090 SLIDE, DRAWER, 22" (EA=1 PAIR)
6. 381228-01 CATCH GRABBER DOOR
7. 701538 CARPET, ECONOLIER VELOUR BLACK 48"

964528-tab Upholstered Dinette Seat Back

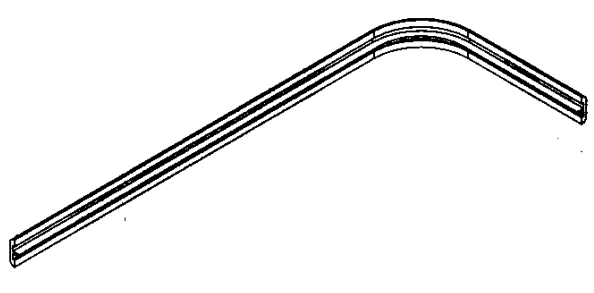


{-01 RH, 34 Ft} {-02 LH 30 FT.}

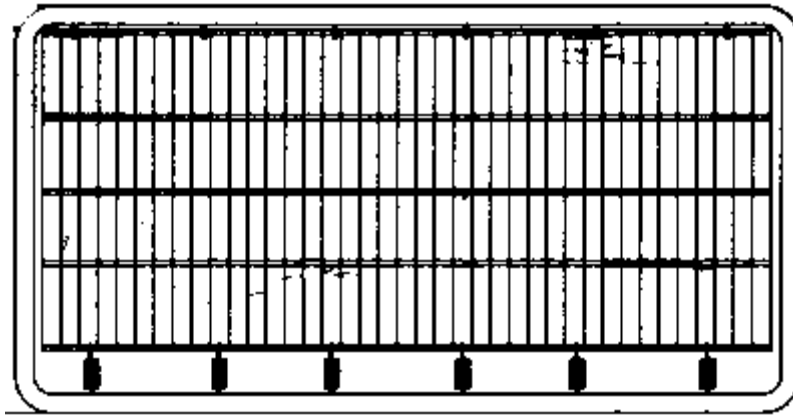
{-03 LH 34 Ft.} {-04 RH 30 Ft.}

# Furniture

703125-03 Top, Dinette seat, Urethane

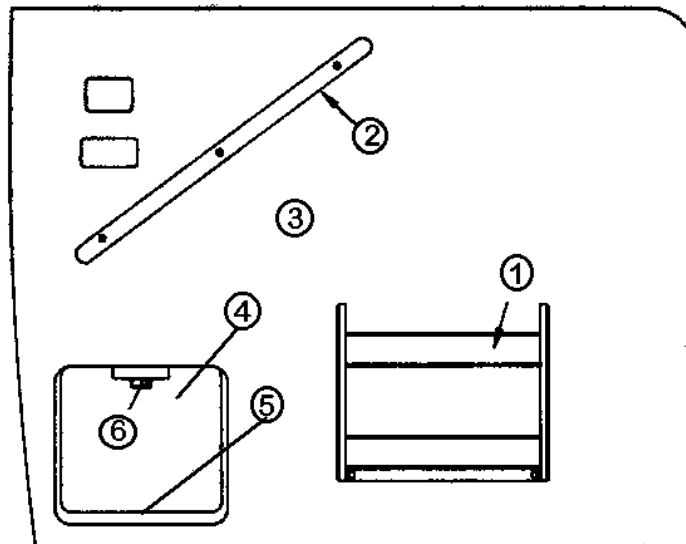


964334-01 Dinette Seat Spring, 21.36" x 42.00"



# Furniture

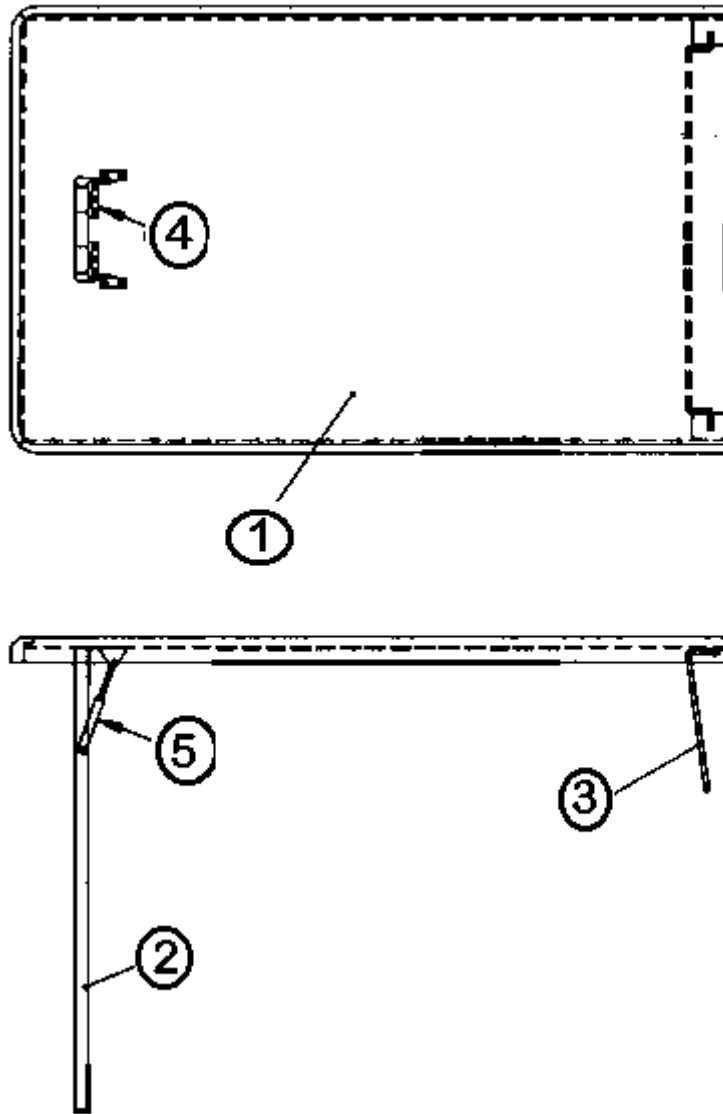
964950 Upholstered Back Assembly w/ Door



- |               |                                   |
|---------------|-----------------------------------|
| 1. 963990-00z | MAGAZINE RACK                     |
| 2. 800631-00z | HANDRAIL 23" LONG                 |
| 3. 964528-03  | Dinette Seat Back, Sub Assembly   |
| 4a. 964951-01 | JAMB-DINETTE DROP DOOR SIDE       |
| 4b. 964951-02 | JAMB-DINETTE DROP DOOR TOP/BOTTOM |
| 4c. 964952    | DOOR ASSY-DINETTE DROP DOWN       |
| 4d. 381175    | PULL, WOOD, OAK                   |
| 5. 381529     | HINGE PIANO BROWN ANODIZED        |
| 6. 381228-01  | CATCH GRABBER DOOR                |

# Furniture

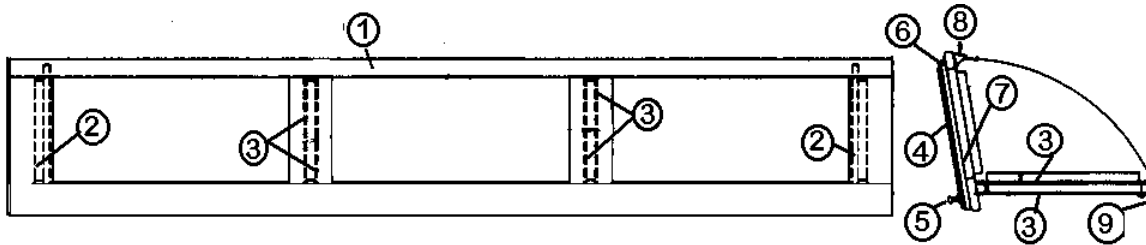
963793 DINETTE TABLE ASSY. LAMINATE 26"



- |                |                                          |
|----------------|------------------------------------------|
| 1. 963674      | Top, dinette, Resistovar, Limited Option |
| 1. 963673      | DINETTE TABLE LAMINATE ASSEMBLY          |
| 1a. 801212-01  | PANEL-BEIGE 5/8"X 4' X 8'                |
| 1b. 964280-00z | COUNTER TOP EDGE MOLDING                 |
| 2. 962177-03   | LEG HARDWOOD 30.50"                      |
| 3. 380284-02   | TABLE HINGE BRACKET                      |
| 4. 380210      | HINGE PLAIN STEEL                        |
| 5. 381147      | DOOR SUPPORT - SPRING LOADED             |

# Furniture

## 963763-03 Roof Locker Assembly, Dinette



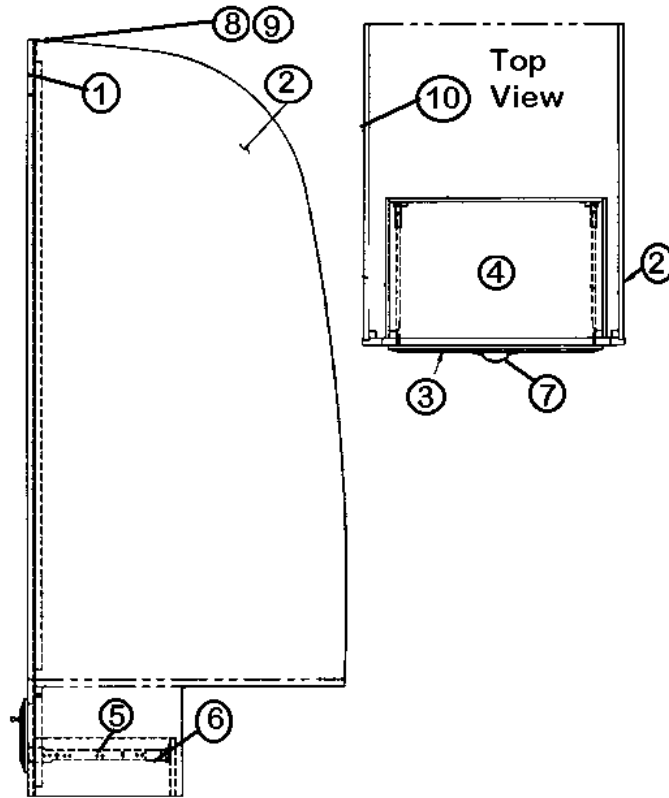
1. 963764-01 FACE FRAME DINETTE R/L
2. 801180-00z PANEL 1/2" G2S Wood/Wood 4' X 7'
3. 801191-00z PANEL 1/8" G1S Wood/RAW 4' x 7'
4. 800597-07z DOOR RSD PNL 12.25 X 21.00"
5. 381835 HANDLE-CHROME/BRASS
6. 381836 HINGE-BRITE BRASS
7. 381147 DOOR SUPPORT - SPRING LOADED
8. 104821 SUPPORT, ROOFLOCKER, 74"
9. 100013 EXTR, ROOFLOCKER WALL ATTACHMENT

### Not Shown

- 100097 EXTR. ALUM CURTAIN TRACK
- 800571-01z MOLDING FLAT .52W X 80"

# Furniture

## 963305-01 Refrigerator Cabinet Assembly

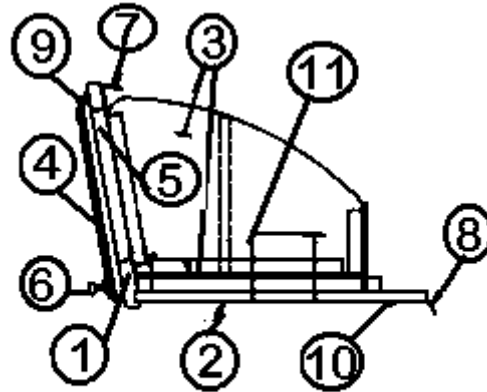


- |               |                                     |
|---------------|-------------------------------------|
| 1. 963724-02  | FACE FRAME REFER                    |
| 2. 801088-05  | PANEL AFT REFER                     |
| 3. 800599-21z | DRAWER FACE 7.00" X 23.00"          |
| 4. 964910-13  | DRAWER BOX- 19.69" X 14.00" X 5.00" |
| 5. 381526-01  | DRAWER SLIDE- 14" PER PR            |
| 6. 381526-06  | ADJUSTABLE REAR BRKT PER PR         |
| 7. 381575     | HANDLE DRAWER/DOOR GOLD             |
| 8. 104821     | SUPPORT, ROOFLOCKER, 74"            |
| 9. 330038     | RIVET BLIND AD 54 ABS-LF            |
| 10. 801088-06 | PANEL FWD REFER VENEER              |



# Furniture

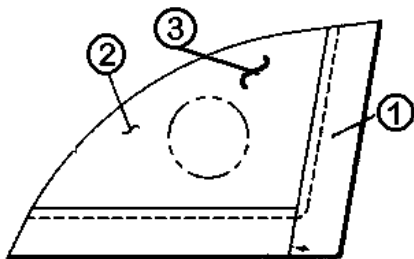
## 963757-02 Roof Locker Assembly, Galley



- |               |                                  |
|---------------|----------------------------------|
| 1. 963354-01  | FACE FRAME GALLEY R/L            |
| 2. 801180-00z | PANEL 1/2" G2S Wood/Wood 4' X 7' |
| 3. 801181-00z | PANEL 5/32"G1S Wood / RAW 4'X8'  |
| 4. 800597-41z | DOOR RSD PNL 10.50" X 32.00"     |
| 5. 381147     | DOOR SUPPORT - SPRING LOADED     |
| 6. 381835     | HANDLE-CHROME/BRASS              |
| 7. 104829     | SUPPORT ROOFLOCKER GALLEY        |
| 8. 100013     | EXTR, WALL ATTACHMENT            |
| 9. 381836     | HINGE-BRITE BRASS                |
| 10. 100097    | EXTR. ALUM CURTAIN TRACK         |

Not Shown

801386          Paneling, .125" S. FOREST/RAW, G1S

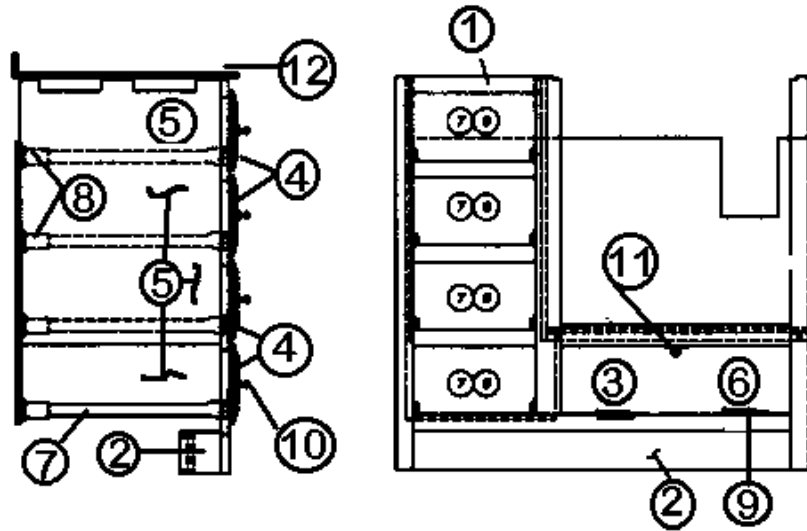


## 963828-01 Roof Locker LH End cap Assembly -02 RH

- |               |                           |
|---------------|---------------------------|
| 1. 963829-02  | LH Frame                  |
| 1a. 963829-01 | RH Frame                  |
| 2. 700414     | 3/8" foam                 |
| 3. 801181-00z | PANEL 5/32"G1S Wood / RAW |

# Furniture

## 964608 Galley Assembly, Full Oven Section



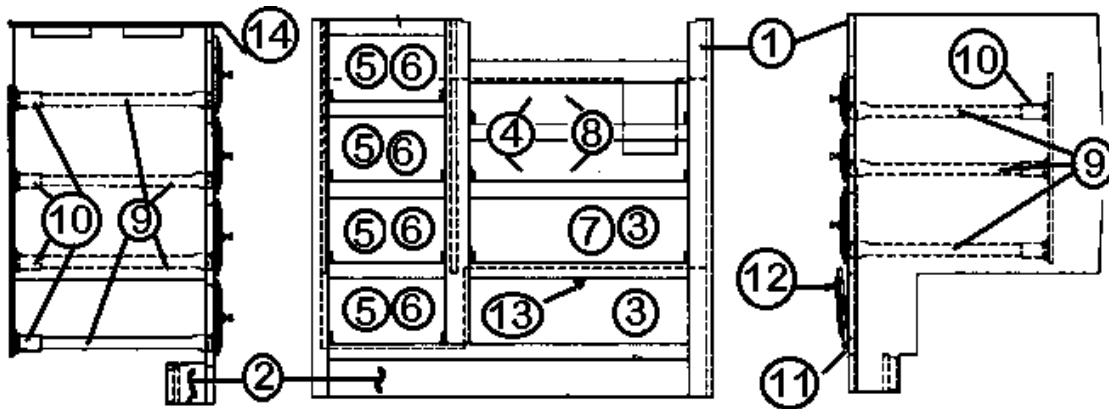
- |               |                                       |
|---------------|---------------------------------------|
| 1. 964607     | Face frame, galley, Full Oven         |
| 2. 801179-00z | Panel, 1/2" G1S, wood/raw             |
| 3. 800599-00z | Drawer face, 7" x 21 1/2"             |
| 4. 800599-02  | Drawer face, 7" x 11.75"              |
| 5. 964910-02  | Drawer box, 10.00" x 18.00" x 5.00"   |
| 6. 964910-03  | Drawer box, 19.50" x 18" x 5.00"      |
| 7. 381526-03  | Drawer slide, 18"                     |
| 8. 381526-06  | Adjustable, drawer slide rear bracket |
| 9. 381836     | HINGE-BRITE BRASS                     |
| 10. 381835    | HANDLE-CHROME/BRASS                   |
| 11. 381228-01 | Door grabber catch                    |
| 12. 964586-01 | Galley top assembly, Corian           |

### Not Shown:

- |            |                                |
|------------|--------------------------------|
| 601771     | Moен Pure Touch Classic Faucet |
| 6016333-06 | Sink                           |

# Furniture

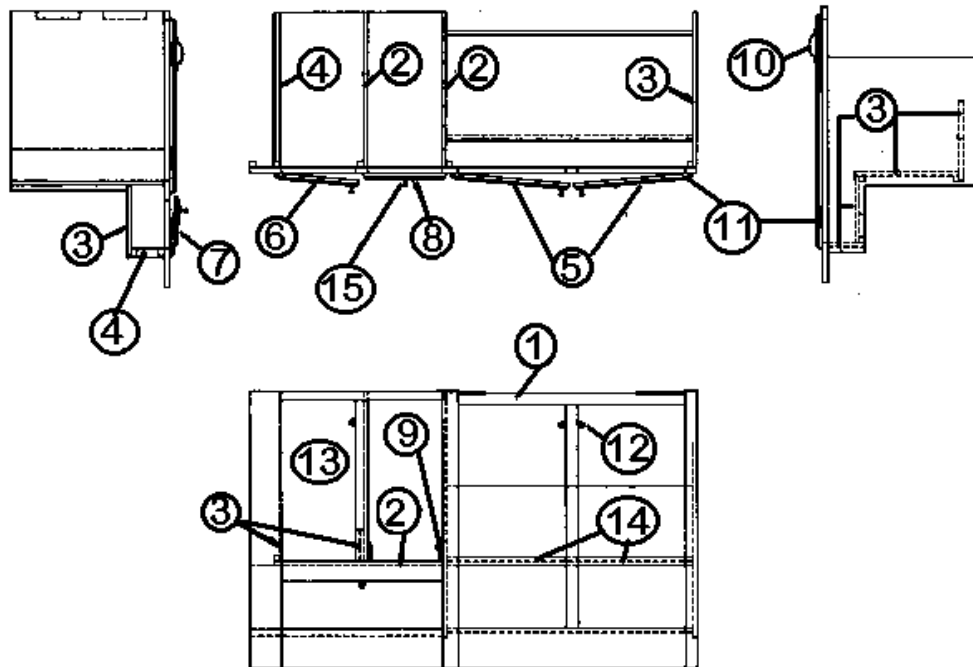
## 964606-04 Galley Assembly, Cooktop Section



- |               |                                     |
|---------------|-------------------------------------|
| 1. 964605     | FACE FRAME-COOKTOP SECTION          |
| 2. 801179-00z | PANEL 1/2" G1S WOOD/RAW             |
| 3. 800599-38z | DRAWER FACE 7.00" X 21.50"          |
| 4. 800599-58z | DRAWER FACE 4.75" X 21.50"          |
| 5. 800599-02z | DRAWER FACE 7.00' X 11.75"          |
| 6. 964910-02  | DRAWER BOX- 10.00" X 18.00" X 5.00" |
| 7. 964910-03  | DRAWER BOX- 19.50" X 18.00" X 5.00" |
| 8. 964906-02  | DRAWER BOX- 19.50" X 18.00" X 2.75" |
| 9. 381526-03  | DRAWER SLIDE-18" PER PR             |
| 10. 381526-06 | ADJUSTABLE REAR BRKT PER PR         |
| 11. 381836    | HINGE-BRITE BRASS                   |
| 12. 381835    | HANDLE-CHROME/BRASS                 |
| 13. 381228-01 | CATCH GRABBER DOOR                  |
| 14. 964586-01 | GALLEY TOP ASSY                     |

# Furniture

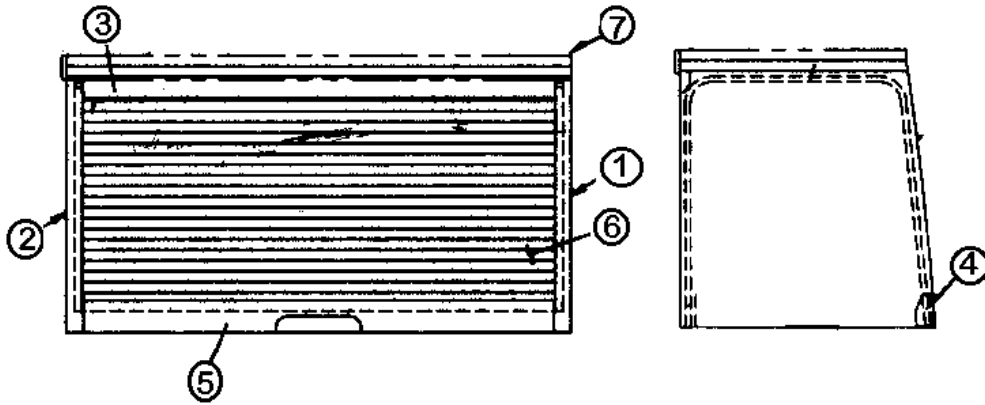
964610 Galley Assembly, Aft Section



- |                |                                  |
|----------------|----------------------------------|
| 1. 964328-01   | FACE FRAME-GALLEY, AFT SECTION   |
| 2. 801180-00z  | PANEL 1/2" G2S Wood/Wood 4' x 7' |
| 3. 801179-00z  | PANEL 1/2" G1S Wood/RAW          |
| 4. 801181-00z  | PANEL 5/32"G1S Wood / RAW 4'X8'  |
| 5. 800597-05z  | DOOR RSD PNL 14.75" X 29.75"     |
| 6. 800597-01z  | DOOR RSD PNL 10.50" X 22.00"     |
| 7. 800599-38z  | DRAWER FACE 7.00" X 21.50"       |
| 8. 961247-02   | SECTION, PANTRY, AFT GALLEY      |
| 8a. 961072-01  | FRAME FACE PANTRY -BACK          |
| 9. 381192      | SLIDE, DRAWER, 18"               |
| 10. 381835     | HANDLE-CHROME/BRASS              |
| 11. 381836     | HINGE-BRITE BRASS                |
| 12. 381228-01  | CATCH GRABBER DOOR               |
| 13. 381491     | TRASH CAN, ROLL OUT              |
| 14. 800573-01z | MOLDING DOOR EDGE 1-3/32" X 80"  |
| 15. 381408     | LOCK, PUSH, BUTTON STYLE, BLACK  |

# Furniture

961066-01 APPLIANCE GARAGE Assembly, (Wood)  
 -02 Corian Option



- 1. 800734-01 END, APPLIANCE, GARAGE, RH,
- 2. 800734-02 END, APPLIANCE GARAGE, LH
- 3. 801096-01 CROSS MEMBER APPLIANCE GARAGE
- 4. 800736-01 CROSS MEMBER, APPLIANCE GARAGE
- 5. 800737-01 HANDLE, APPLIANCE GARAGE
- 6. 800474-10z TAMBOUR 23" X 12"
- 7. 800573-01z MOLDING DOOR EDGE 1-3/32" X 80"

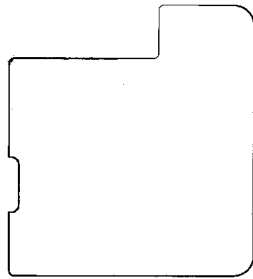


**Back  
Cover**

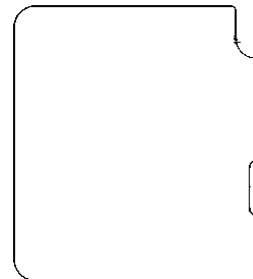


**Front  
Cover**

964383-01 Range covers, Corian, Bisque



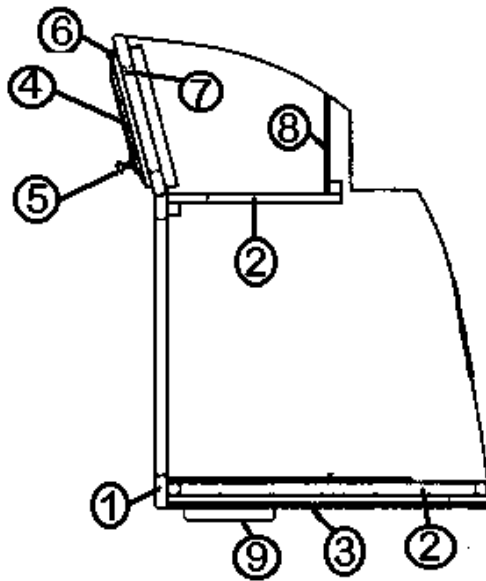
964411-01 Sink  
Cover RH, Corian



964410-01 Sink  
Cover LH, Corian  
965274-02 RH (Opposite)

# Furniture

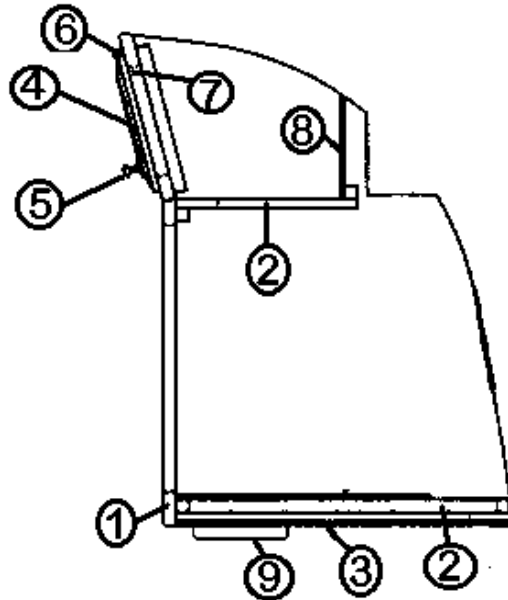
## 963357-03 CONVECTION MW CABINET ASSEMBLY



- |               |                                  |
|---------------|----------------------------------|
| 1. 963355-01  | FACE FRAME CONVECTION MW         |
| 2. 801180-00z | PANEL 1/2" G2S Wood/Wood 4" X 7" |
| 3. 800572-01z | MOLDING, PANEL EDGE 23/32" X 80" |
| 4. 800599-23z | DRAWER FACE 8.00" X 21.50"       |
| 5. 381835     | HANDLE-CHROME/BRASS              |
| 6. 381836     | HINGE-BRITE BRASS                |
| 7. 381147     | DOOR SUPPORT, SPRING LOADED      |
| 8. 801181-00z | PANEL 5/32"G1S WOOD/ RAW 4'X 8'  |
| 9. 511249     | LIGHT INCANDESCENT DOUBLE        |

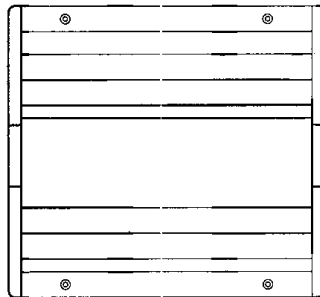
# Furniture

## 963527-01 Microwave Cabinet, Oven Option



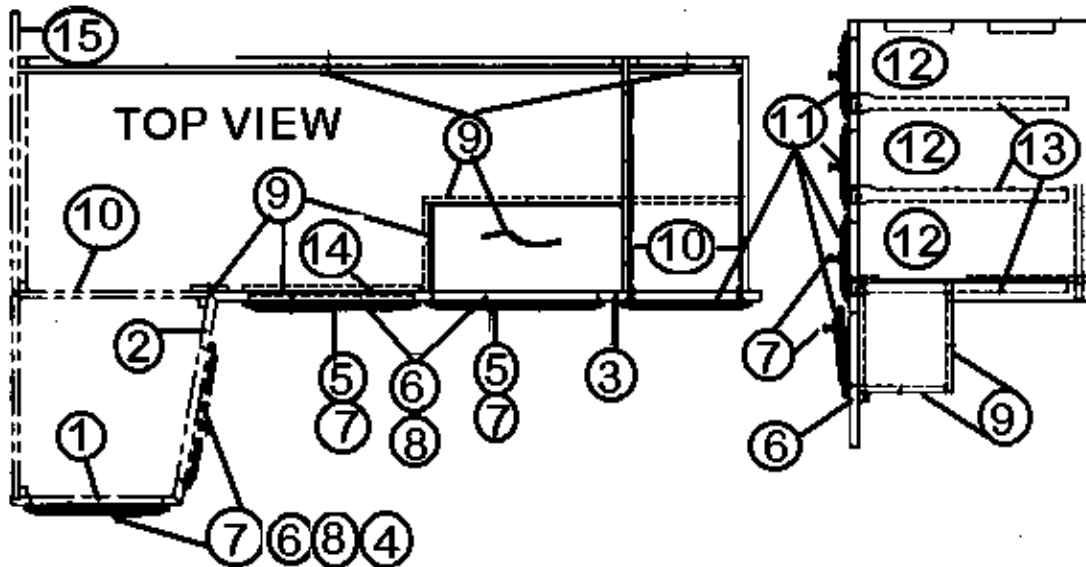
- |               |                                  |
|---------------|----------------------------------|
| 1. 964627     | FACE FRAME CONVECTION MW         |
| 2. 801180-00z | PANEL 1/2" G2S Wood/Wood 4" X 7" |
| 3. 800572-01z | MOLDING, PANEL EDGE 23/32" X 80" |
| 4. 800599-21z | DRAWER FACE 8.00" X 21.50"       |
| 5. 381835     | HANDLE-CHROME/BRASS              |
| 6. 381836     | HINGE-BRITE BRASS                |
| 7. 381147     | DOOR SUPPORT, SPRING LOADED      |
| 8. 801181-00z | PANEL 5/32"G1S WOOD/ RAW 4'X 8'  |
| 9. 511249     | LIGHT INCANDESCENT DOUBLE        |

## 963991 Spice rack



# Furniture

964997-02 GALLEY ASSY. FWD 34' S/O CLASSIC

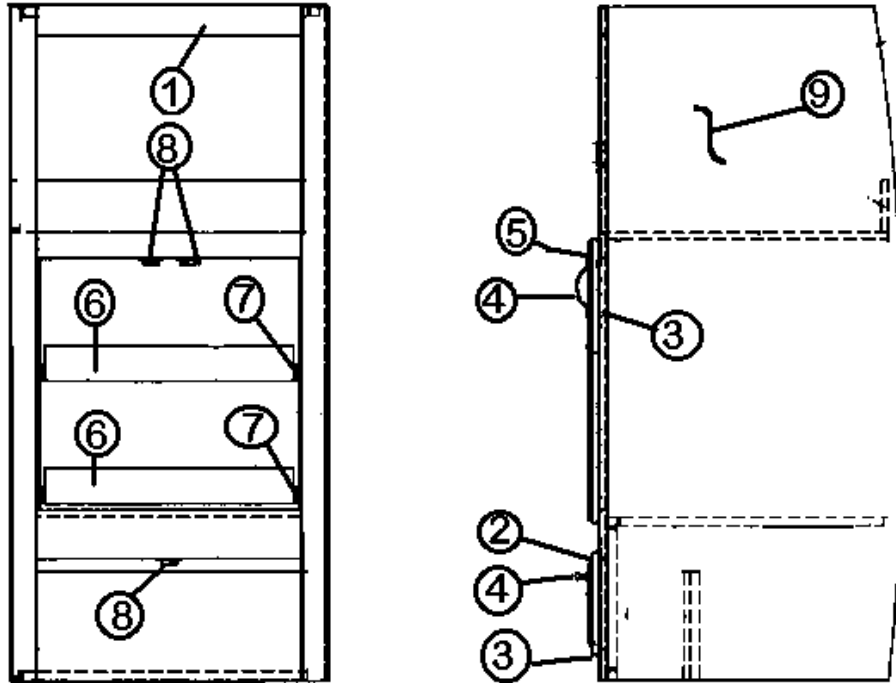


- |                |                                    |
|----------------|------------------------------------|
| 1. 965020-00z  | FACE FRAME-GALLEY FWD              |
| 2. 965019-00z  | FACE FRAME-GALLEY, FWD             |
| 3. 965018-00z  | FACE FRAME-GALLEY SINK             |
| 4. 800597-50z  | DOOR RSD PNL 12.00" X 29.50"       |
| 5. 800597-05z  | DOOR RSD PNL 14.75" X 29.75"       |
| 6. 381836      | HINGE-BRITE BRASS                  |
| 7. 381835      | HANDLE-CHROME/BRASS                |
| 8. 381228-01   | CATCH GRABBER DOOR                 |
| 9. 801179-00z  | PANEL 1/2" G1S WOOD/RAW            |
| 10. 801180-00z | PANEL 1/2" G2S Wood/Wood 4' X 7'   |
| 11. 800599-01z | DRAWER FACE-7.00" W X 10.50" L     |
| 12. 964910-05  | DRAWER BOX, 8.50" X 18.00" X 5.00" |
| 13. 381526-03  | DRAWER SLIDE-950-RV 18" PER PR     |
| 14. 800573-01z | MOLDING DOOR EDGE 1-3/32" X 80"    |
| 15. 964999     | TOP ASSY-GALLEY                    |



## Furniture

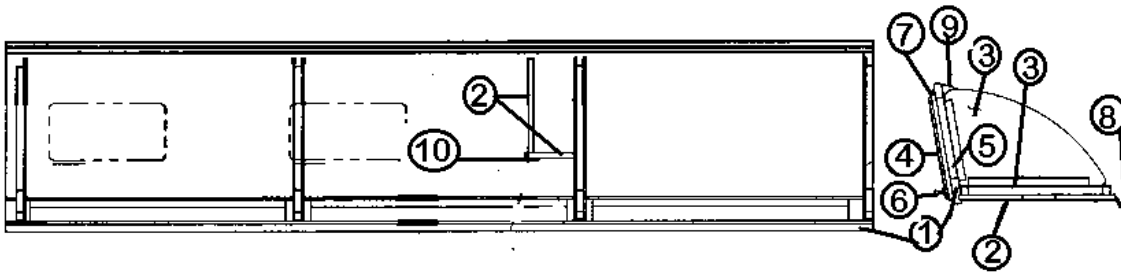
965030-05	MW. CABINET CONVECTION. 30/S/O
965030-06	MW. CABINET REGULAR. 34/S/O
965030-03	MW. CABINET REGULAR 30/S/O
965030-04	MW. CABINET CONVECTION. 34/S/O



- |                |                                     |
|----------------|-------------------------------------|
| 1. 965029-00z  | FACE FRAME-CONVECTION MICROWAVE     |
| 1a. 965312-00z | FACE FRAME-REGULAR MICROWAVE        |
| 2. 800599-23z  | DRAWER FACE 8.00 X 21.50            |
| 3. 381836      | HINGE-BRITE BRASS                   |
| 4. 381835      | HANDLE-CHROME/BRASS                 |
| 5. 800597-01z  | DOOR RSD PNL 10.50" X 22.00"        |
| 6. 964906-02   | DRAWER BOX- 19.50" X 18.00" X 2.75" |
| 7. 381192      | SLIDE, DRAWER, 18" (EACH=1 PAIR)    |
| 8. 381228-01   | CATCH GRABBER DOOR                  |
| 9. 965319      | TOP-MICRO CABINET ASSY, LAMINATE    |
| 9A. 965031-01  | TOP, MICROWAVE CABINET, CORIAN      |

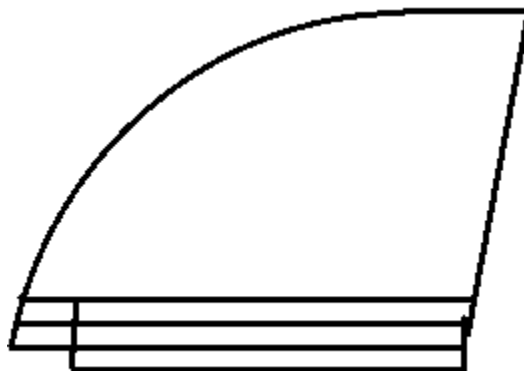
# Furniture

## 965035-02 GALLEY ROOF LOCKER ASSEMBLY



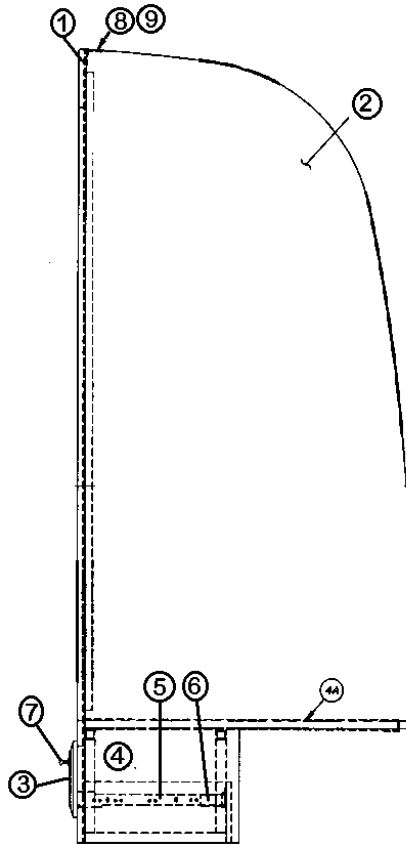
1. 965034-00z FACE FRAME-GALLEY R/L
2. 801180-00z PANEL 1/2" G2S WOOD/WOOD 4' x 7'
3. 801181-00z PANEL 5/32"G1S WOOD/ RAW 4'X8'
4. 800597-12z DOOR RSD PNL 10.50" X 26.25"
5. 381147 SUPPORT - SPRING LOADED DOOR
6. 381835 HANDLE-CHROME/BRASS
7. 381836 HINGE-BRITE BRASS
8. 104829 SUPPORT ROOFLOCKER GALLEY
9. 104821 SUPPORT, ROOFLOCKER, 74"
10. 800575-01z MOLDING CORNER, 80" LENGTH
11. 100097 EXTR. ALUM CURTAIN TRACK

## 965036-00z End Cap Shelf Assembly



# Furniture

## 963680-02 REFER CABINET ASSEMBLY



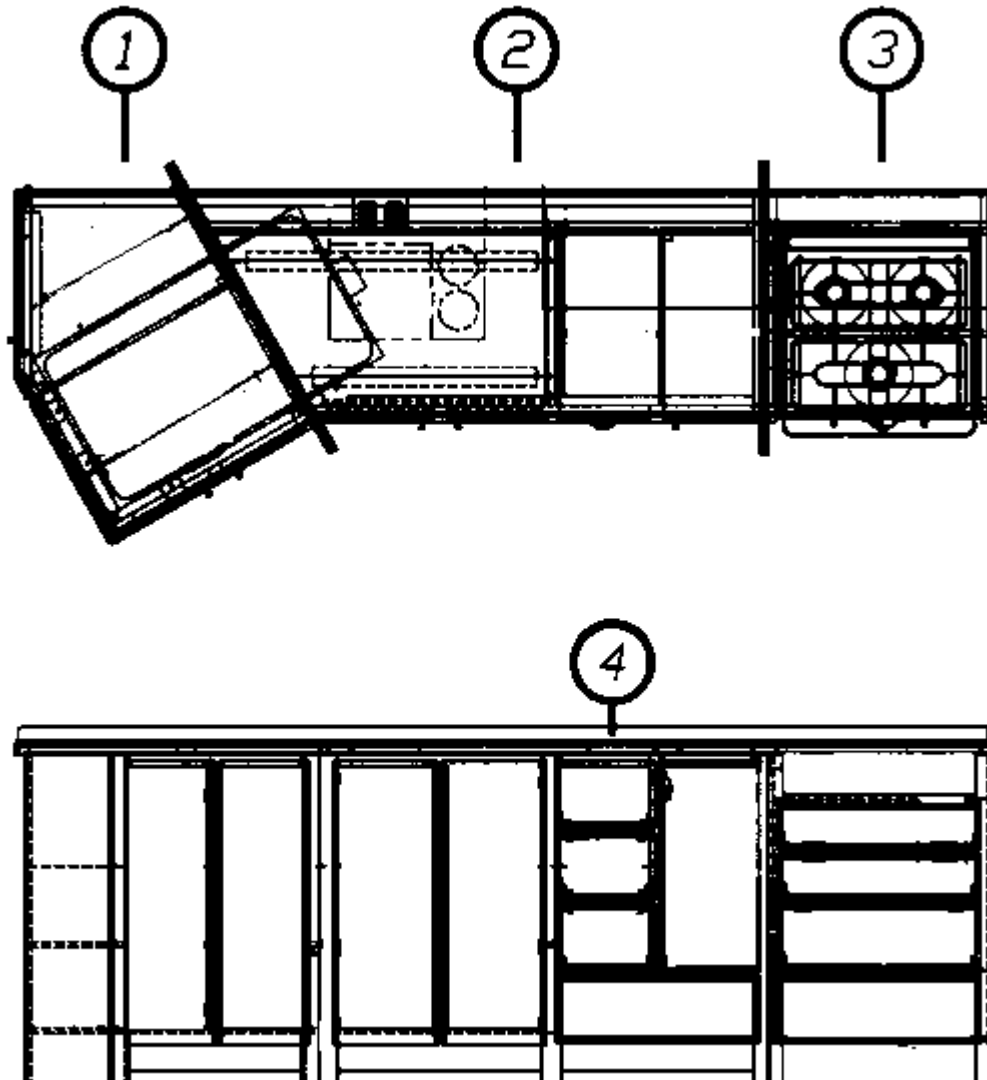
- |               |                                     |
|---------------|-------------------------------------|
| 1. 963724-01  | FACE FRAME REFER                    |
| 2. 801127-08  | PANEL FWD REFER                     |
| 3. 800599-21z | DRAWER FACE 7.00" X 23.00"          |
| 4. 964910-13  | DRAWER BOX- 19.69" X 14.00" X 5.00" |
| 5. 381526-01  | DRAWER SLIDE 14" PER PR             |
| 6. 381526-06  | BRACKET ADJUSTABLE REAR (PAIR)      |
| 7. 381835     | HANDLE-CHROME/BRASS                 |
| 8. 104821     | SUPPORT, ROOFLOCKER, 74"            |
| 9. 330038     | RIVET BLIND AD 54 ABS               |

Not Shown  
203138-03  
801388

EXTRUSION PLASTIC WALL BEIGE  
Paneling, .5" SPRING FOREST/RAW, G1S

## Furniture

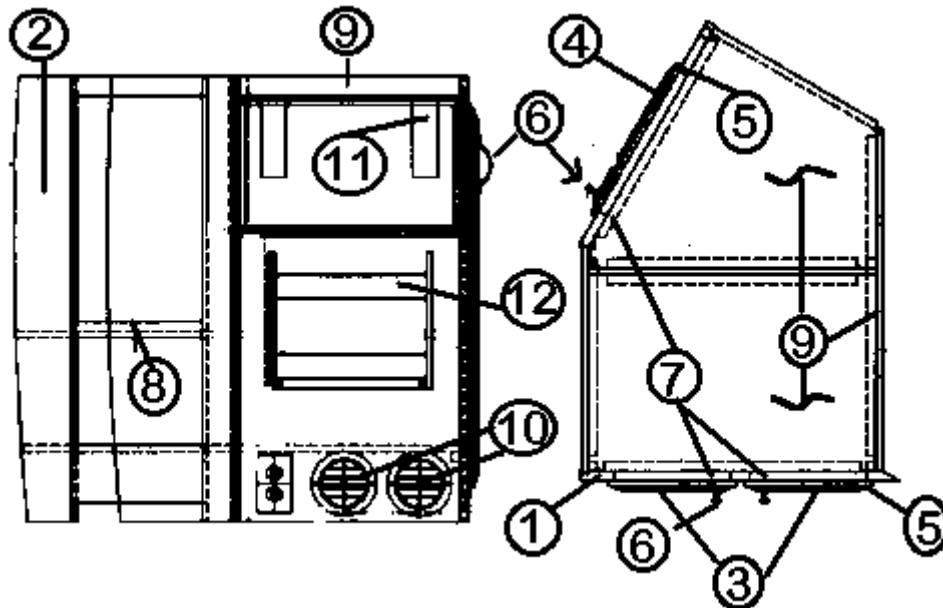
965367-01z Galley Assembly, 76" Dinette, W/Cooktop  
965367-02z Galley Assembly, 76" Dinette, W/Oven



1. 965356-00z GALLEY ASSY-FWD S/O DINETTE
2. 965357-00z GALLEY ASSY-MID S/O DINETTE
3. 964998-00z GALLEY ASSY-AFT W/COOKTOP
4. 3. 965302-00z GALLEY ASSY-AFT W/OVEN
5. 965358-01 TOP ASSY-GALLEY S/O DINETTE

## Furniture

### 965356-01 GALLEY ASSY-FWD S/O DINETTE



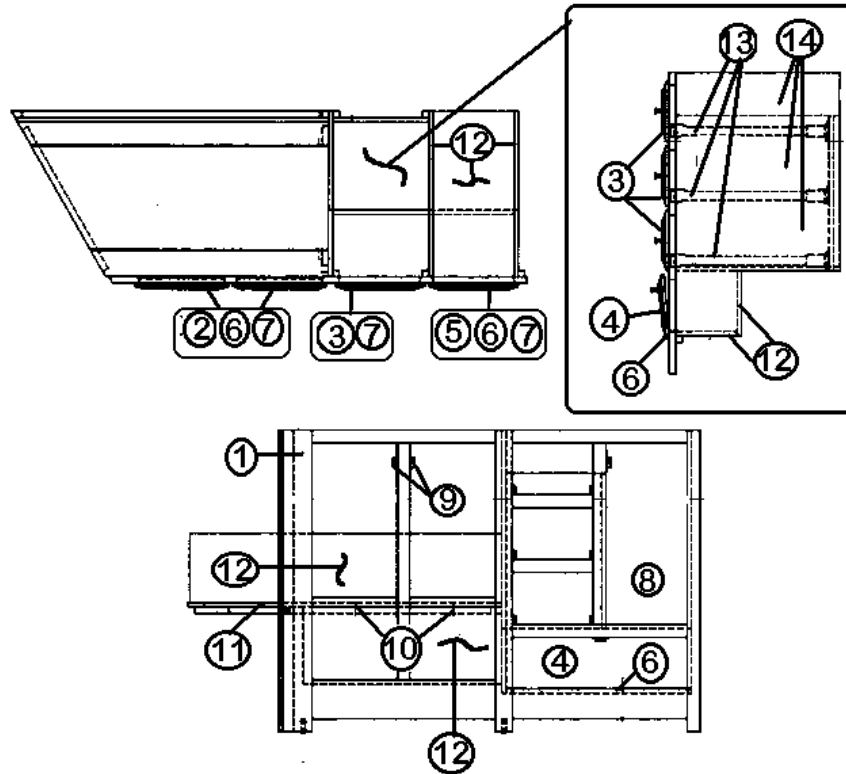
- |                |                                    |
|----------------|------------------------------------|
| 1. 965361-00z  | FACE FRAME-GALLEY FWD @ SINK S/O   |
| 2. 965359-00z  | FACE FRAME-GALLEY FWD              |
| 3. 800597-74z  | DOOR RSD PNL 10.25" X 29.50"       |
| 4. 800597-44z  | DOOR RSD PNL 13.75" X 29.75"       |
| 5. 381836      | HINGE-BRITE BRASS                  |
| 6. 381835      | HANDLE-CHROME/BRASS                |
| 7. 381228-01   | CATCH GRABBER DOOR                 |
| 8. 800573-01z  | MOLDING DOOR EDGE 1-3/32" X 80"    |
| 9. 801180-00z  | PANEL 1/2" G2S Wood/Wood 4' X 7'   |
| 10. 601244-03  | REGISTER, ROTAIRE, BLACK           |
| 11. 964335     | GALLEY FLIP-UP SHELF ASSY          |
| 11a. 965400-01 | GALLEY FLIP-UP SHELF ASSY, Limited |
| 12. 963990-00z | MAGAZINE RACK                      |

#### Not Shown

- |           |                                       |
|-----------|---------------------------------------|
| 965274-02 | SINK COVER RH CORIAN SIERRA AURORA    |
| 964410-01 | SINK COVER LH CORIAN SIERRA AURORA    |
| 200980-01 | TRAY, SILVERWARE, ALMOND, 9" X 13"    |
| 381708    | WASTEBASKET-11.38" X 8.25" X 12.13" H |

# Furniture

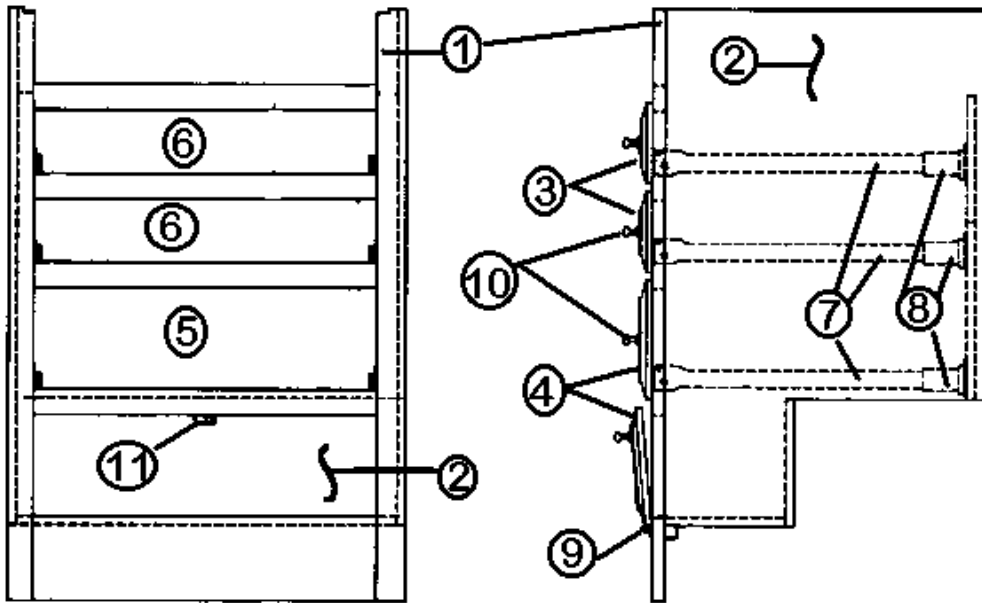
## 965357 GALLEY ASSY-MIDDLE S/O DINETTE



- |                |                                    |
|----------------|------------------------------------|
| 1. 965360-00z  | FACE FRAME-GALLEY MID              |
| 2. 800597-09z  | DOOR RAISED PANEL 11.00" X 29.75"  |
| 3. 800599-01z  | DRAWER FACE-7.00" W X 10.50" L     |
| 4. 800599-38z  | DRAWER FACE 7.00" X 21.50"         |
| 5. 800597-01z  | DOOR RAISED PANEL 10.50" X 22.00"  |
| 6. 381836      | HINGE-BRITE BRASS                  |
| 7. 381835      | HANDLE-CHROME/BRASS                |
| 8. 381491      | TRASH CAN, ROLL OUT                |
| 9. 381228-01   | CATCH GRABBER DOOR                 |
| 10. 800573-01z | MOLDING DOOR EDGE 1-3/32" X 80"    |
| 11. 801180-00z | PANEL 1/2" G2S Wood/Wood 4' X 7'   |
| 12. 801179-00z | PANEL 1/2" G1S Wood/RAW            |
| 13. 381526-03  | DRAWER SLIDE 18" PER PR            |
| 14. 964910-05  | DRAWER BOX, 8.50" X 18.00" X 5.00" |

# Furniture

## 964998-00z GALLEY ASSY-COOKTOP



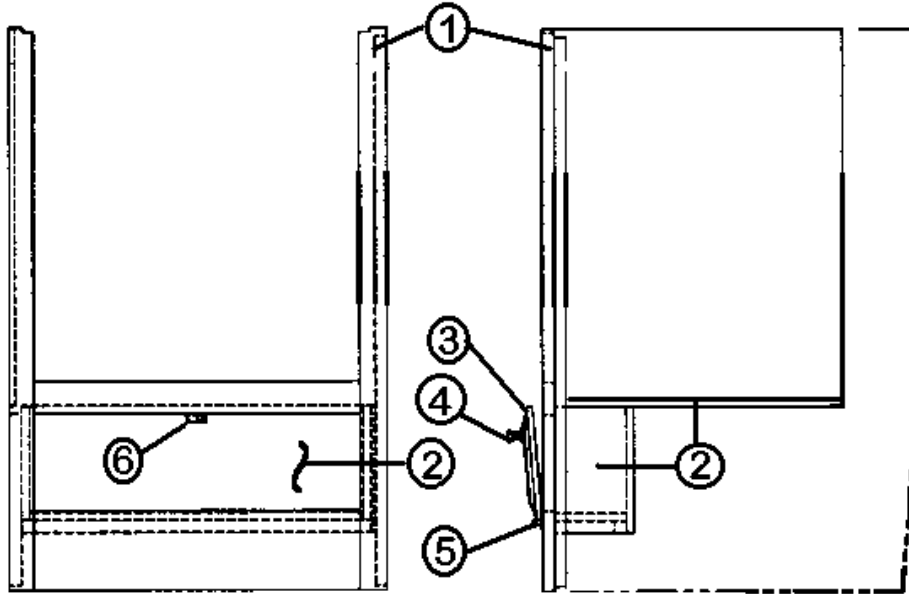
- |               |                                     |
|---------------|-------------------------------------|
| 1. 965017-00z | FACE FRAME GALLEY COOKTOP           |
| 2. 801179-00z | PANEL 1/2" G1S WOOD/RAW             |
| 3. 800599-38z | DRAWER FACE 7.00" X 21.50"          |
| 4. 800599-58z | DRAWER FACE 4.75" X 21.50"          |
| 5. 964910-03  | DRAWER BOX- 19.50" X 18.00" X 5.00" |
| 6. 964906-02  | DRAWER BOX- 19.50" X 18.00" X 2.75" |
| 7. 381526-03  | DRAWER SLIDE-950-RV 18" PER PR      |
| 8. 381526-06  | BRACKET ADJUSTABLE REAR (PAIR)      |
| 9. 381836     | HINGE-BRITE BRASS                   |
| 10. 381835    | HANDLE-CHROME/BRASS                 |
| 11. 381228-01 | CATCH GRABBER DOOR                  |

### Not Shown

- |           |                                |
|-----------|--------------------------------|
| 114876    | Trim ring, range recess, black |
| 690396-08 | COOKTOP 3 BURNER AMANA, S. S.  |
| 690396-03 | BI-FOLD COVER 22"              |
| 964383-02 | RANGE COVERS-CORIAN FRT/BACK   |

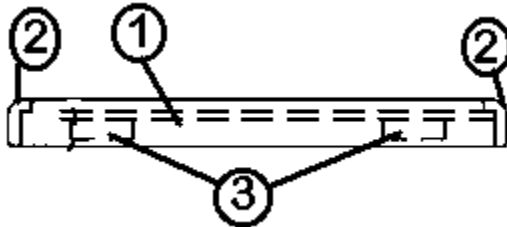
# Furniture

## 965302-00z Galley Assembly, Full oven option



1. 965304-00z Face frame, galley, full oven
2. 801179-00z Panel, GS, wood vinyl/raw
3. 800599-38z DRAWER FACE 7.00" X 21.50"
4. 381835 HANDLE-CHROME/BRASS
5. 381836 HINGE-BRITE BRASS
6. 381228-01 CATCH GRABBER DOOR

## 964335-00Z Galley Flip Up Shelf

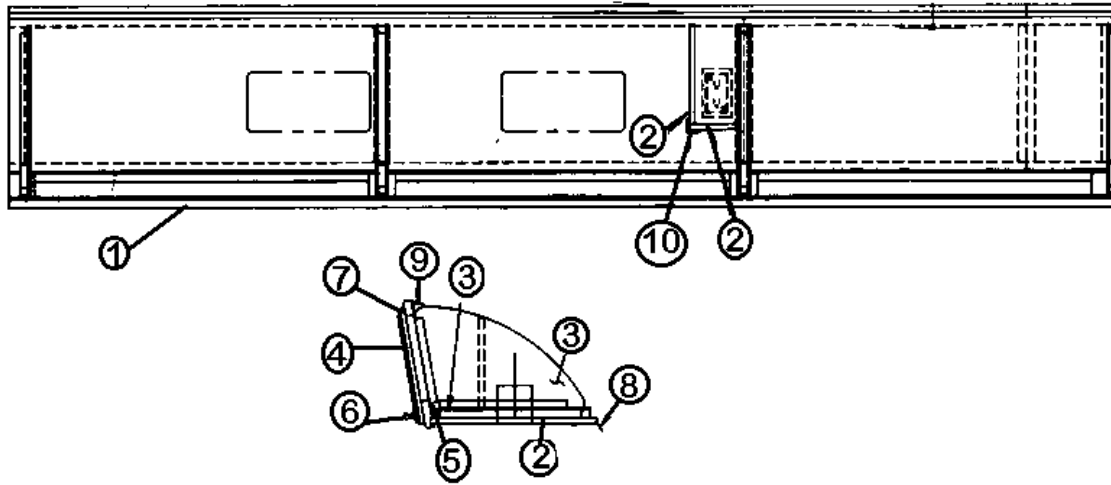


1. 801408 PANELING, PRE-LAMINATED N. OAK/N. OAK,  
18MM
2. 964280-00z COUNTER TOP EDGE MOLDING
3. 381614 FOLDING SHELF BRACKET



# Furniture

## 965379-03 GALLEY ROOF LOCKER ASSY 103.5" Long



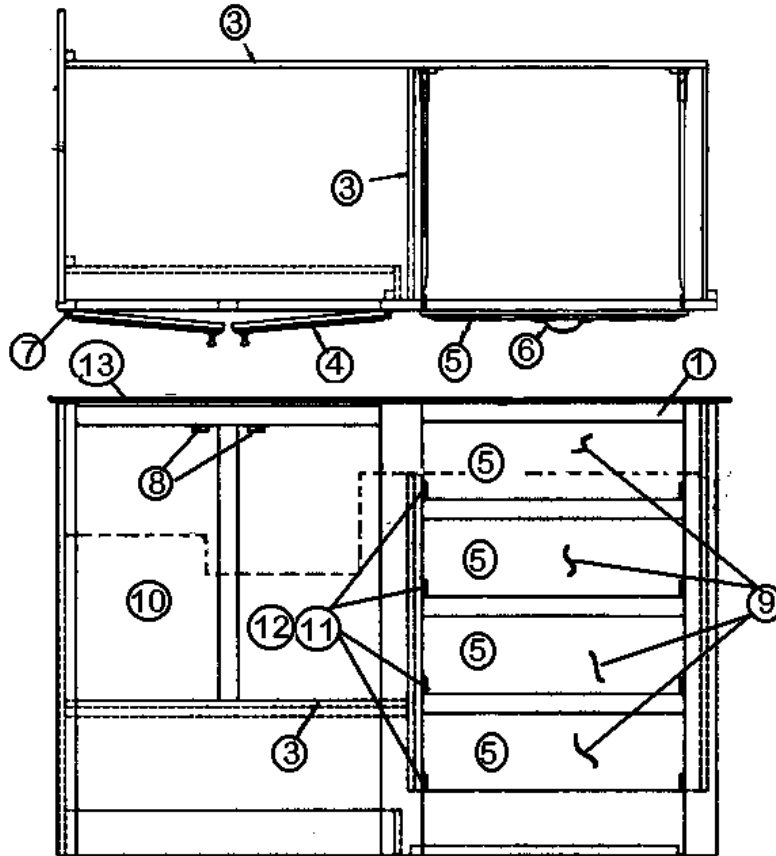
1. 965380-00z FACE FRAME-GALLEY R/L 103.5" Long
2. 801180-00z PANEL 1/2" G2S wood/wood 4' X 7'
3. 801181-00z PANEL 5/32"G1S wood/ RAW 4'X 8'
4. 800597-41z DOOR RAISED PANEL 10.50" X 32.00"
5. 381147 SUPPORT - SPRING LOADED DOOR
6. 381835 HANDLE-CHROME/BRASS
7. 381836 HINGE-BRITE BRASS
8. 104829 SUPPORT ROOFLOCKER GALLEY
9. 104821 SUPPORT, ROOFLOCKER, 74"
10. 800575-01z MOLDING CORNER, 80" Long

### Not Shown

- 100097 EXTR. ALUM CURTAIN TRACK  
801386 Paneling, .125" S. FOREST/RAW, G1S

# Furniture

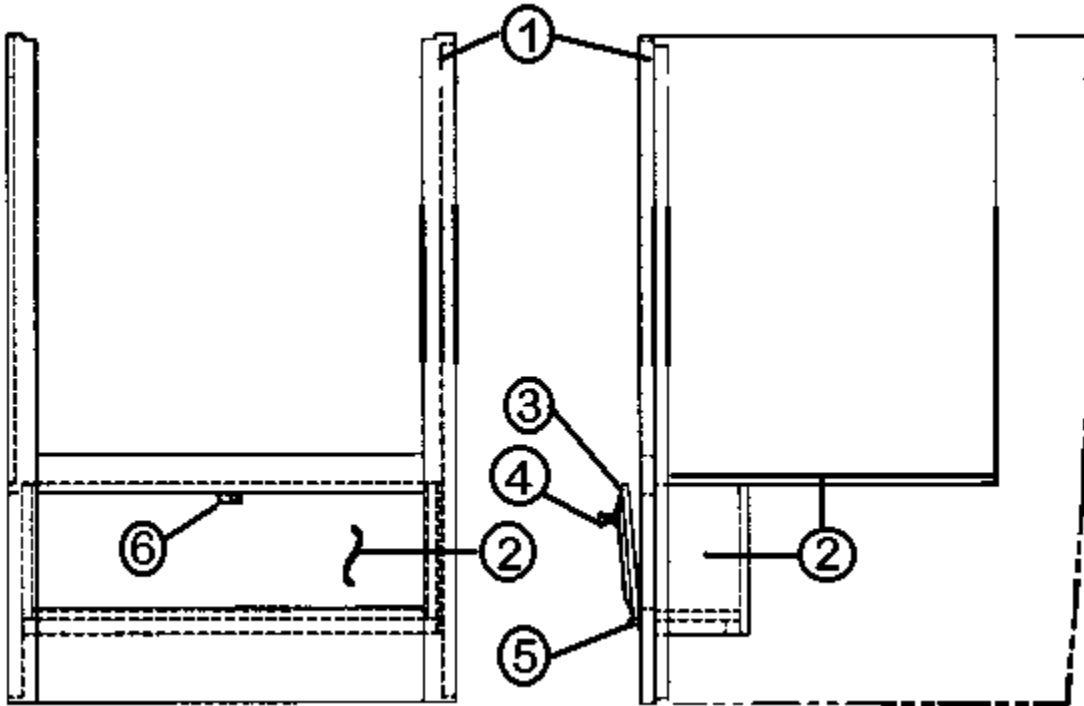
## 964965-05 GALLEY ASSY-FWD SECTION -06-31 FT.



- |               |                                     |
|---------------|-------------------------------------|
| 1. 964344-01  | FACE FRAME-GALLEY FWD SECTION       |
| 2. 801180-00z | PANEL 1/2" G2S wood/wood 4' X 7'    |
| 3. 801179-00z | PANEL 1/2" G1S wood/RAW             |
| 4. 800597-50z | DOOR RAISED PANEL 12.00" X 29.50"   |
| 5. 800599-38z | DRAWER FACE 7.00" X 21.50"          |
| 6. 381835     | HANDLE-CHROME/BRASS                 |
| 7. 381836     | HINGE-BRITE BRASS                   |
| 8. 381228-01  | CATCH GRABBER DOOR                  |
| 9. 964910-03  | DRAWER BOX- 19.50" X 18.00" X 5.00" |
| 10. 381133    | RACK SACK, 6.5 LITRE, WHITE         |
| 11. 381526-03 | DRAWER SLIDE-18" PER PR             |
| 12. 381526-06 | ADJUSTABLE REAR BRKT PER PR         |
| 13. 964961-01 | TOP ASSY GALLEY, CORIAN             |

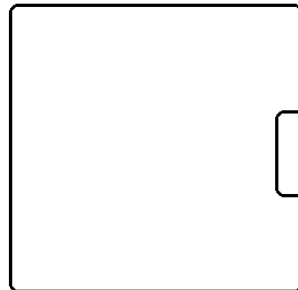
# Furniture

964600-04 Galley Assembly, Full oven option, 31 FT.



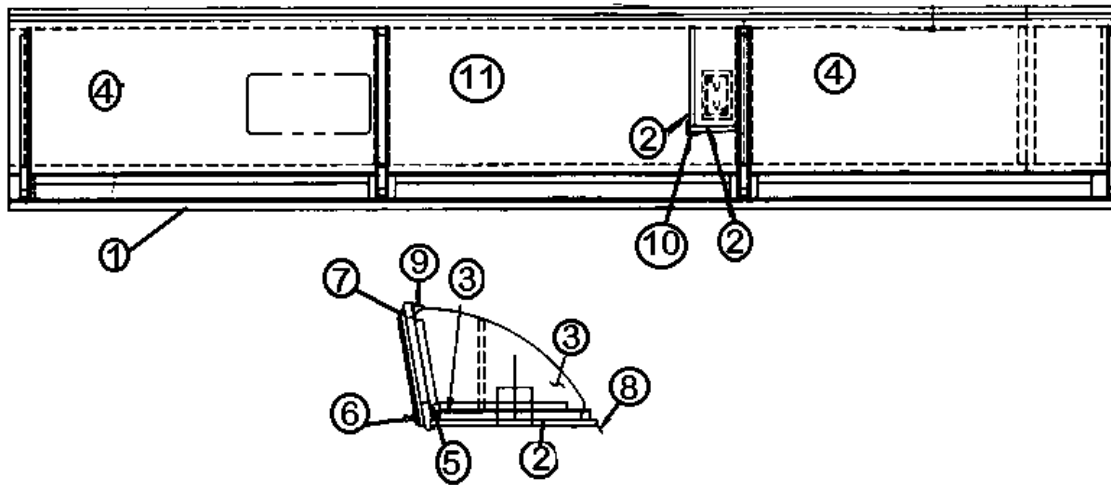
- 1. 964599 FACE FRAME-GALLEY. OVEN SECTION
- 2. 801179-00z Panel, GS, wood vinyl/raw
- 3. 800599-38z DRAWER FACE 7.00" X 21.50"
- 4. 381835 HANDLE-CHROME/BRASS
- 5. 381836 HINGE-BRITE BRASS
- 6. 381228-01 CATCH GRABBER DOOR

964973-01 Sink Cover



# Furniture

## 963761-04 GALLEY ROOF LOCKER ASSY.



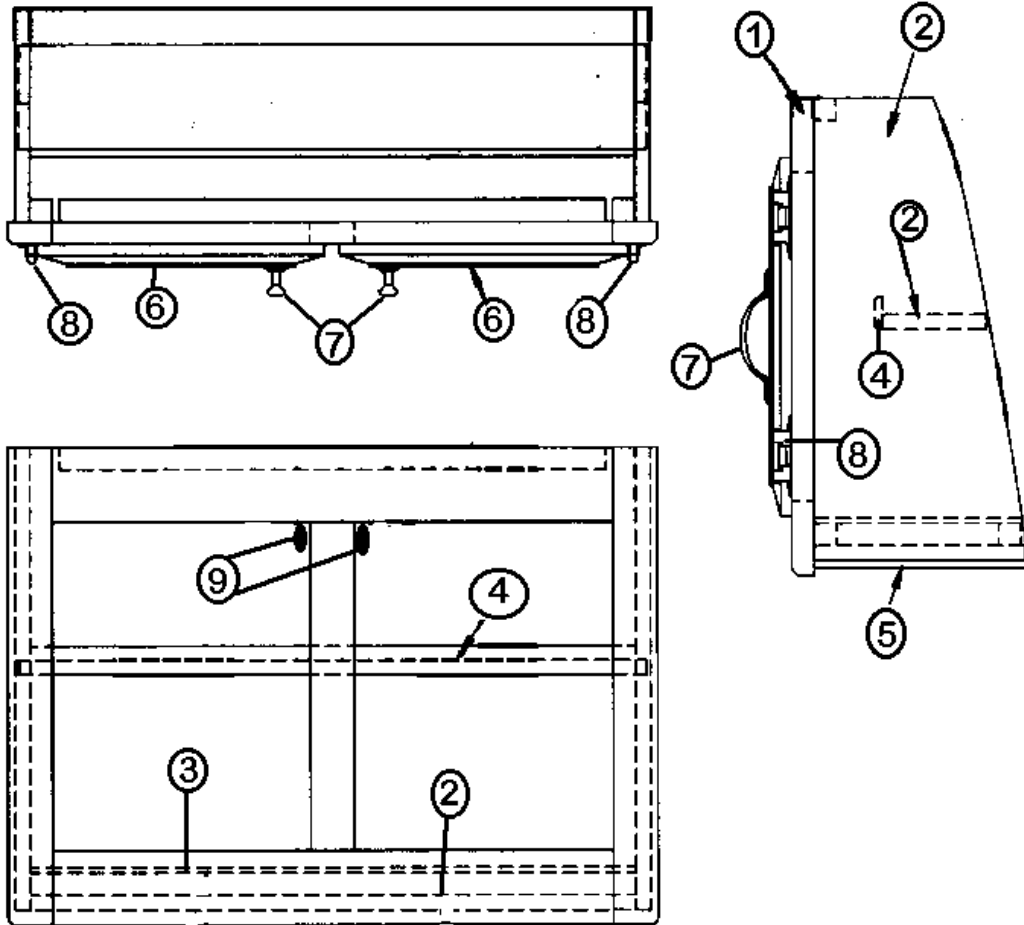
- |                |                                   |
|----------------|-----------------------------------|
| 1. 962167-01   | FACE FRAME GALLEY R/L             |
| 2. 801180-00z  | PANEL 1/2" G2S wood/wood 4' X 7'  |
| 3. 801181-00z  | PANEL 5/32"G1S wood/ RAW 4'X 8'   |
| 4. 800597-01z  | DOOR RAISED PANEL 10.50" X 22.00" |
| 5. 381147      | SUPPORT - SPRING LOADED DOOR      |
| 6. 381835      | HANDLE-CHROME/BRASS               |
| 7. 381836      | HINGE-BRITE BRASS                 |
| 8. 104829      | SUPPORT ROOFLOCKER GALLEY         |
| 9. 104821      | SUPPORT, ROOFLOCKER, 74"          |
| 10. 800575-01z | MOLDING CORNER, 80" Long          |
| 11. 800597-12z | DOOR RAISED PANEL 10.50" X 26.25" |

### Not Shown

- |        |                                    |
|--------|------------------------------------|
| 100097 | EXTR. ALUM CURTAIN TRACK           |
| 801386 | Paneling, .125" S. FOREST/RAW, G1S |

# Furniture

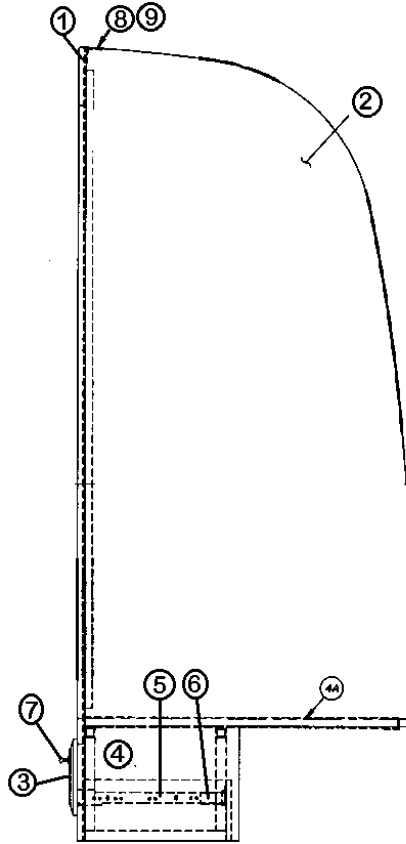
## 962225-04 SPICE CABINET ASSY



- |               |                                     |
|---------------|-------------------------------------|
| 1. 962224-01  | FACE FRAME SPICE CABINET            |
| 2. 801180-00z | PANEL 1/2", G2S, WOOD/WOOD 4' X 7'  |
| 3. 801181-00z | PANEL 5/32", G1S, WOOD/ RAW 4' X 8' |
| 4. 800573-01z | MOLDING DOOR EDGE 1-3/32" X 80"     |
| 5. 800572-01z | MOLDING, PANEL EDGE 23/32" X 80"    |
| 6. 800599-59z | DRAWER FACE, 9.75" X 12.00"         |
| 7. 381835     | HANDLE-CHROME/BRASS                 |
| 8. 381836     | HINGE-BRITE BRASS                   |
| 9. 381228-01  | CATCH GRABBER DOOR                  |

# Furniture

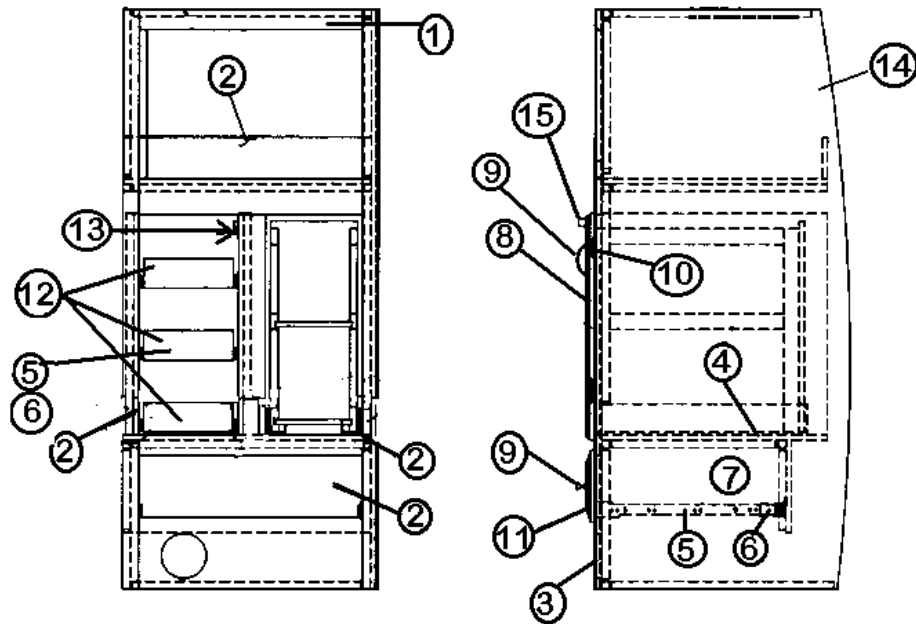
## 964310-01 REFER CABINET ASSEMBLY



- |               |                                                                |
|---------------|----------------------------------------------------------------|
| 1. 963724-01  | FACE FRAME REFER                                               |
| 2. 801127-08  | PANEL FWD REFER (801388, Paneling, .5" SPRING FOREST/RAW, G1S) |
| 3. 800599-21z | DRAWER FACE 7.00" X 23.00"                                     |
| 4. 964910-13  | DRAWER BOX- 19.69" X 14.00" X 5.00"                            |
| 5. 381526-01  | DRAWER SLIDE 14" PER PR                                        |
| 6. 381526-06  | BRACKET ADJUSTABLE REAR (PAIR)                                 |
| 7. 381575     | HANDLE DRAWER/DOOR GOLD                                        |
| 8. 104821     | SUPPORT, ROOFLOCKER, 74"                                       |
| 9. 330038     | RIVET BLIND AD 54 ABS                                          |

# Furniture

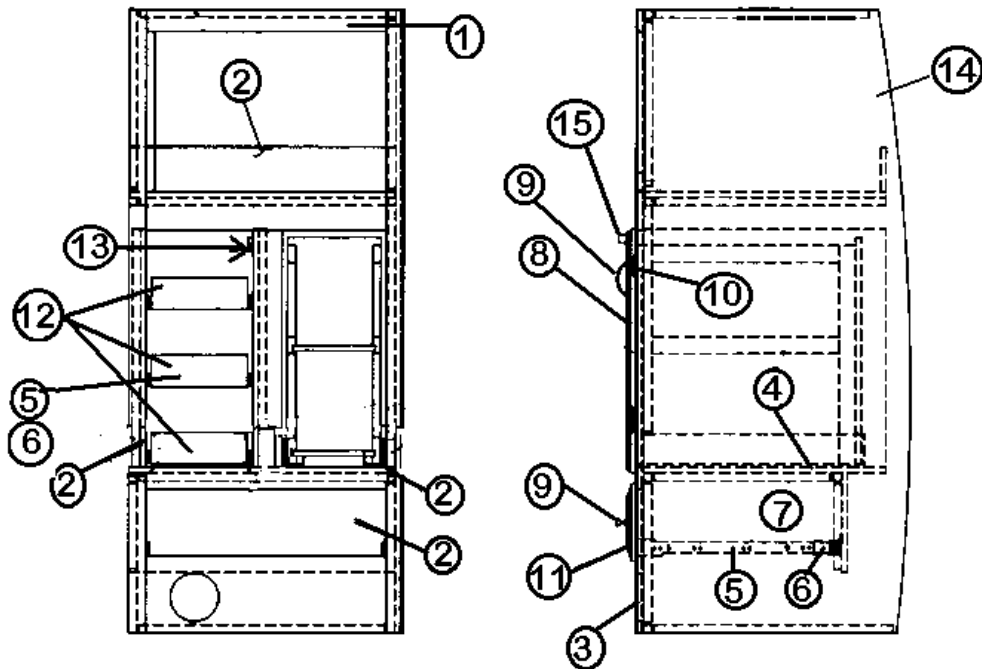
## 963688-04 (Standard) MICROWAVE CABINET



- |                |                                     |
|----------------|-------------------------------------|
| 1. 964628      | FACE FRAME, DOMETIC MW CABINET      |
| 2. 801180-00z  | PANEL 1/2" G2S Wood/Wood 4' X 7'    |
| 3. 961247-01   | SECTION, PANTRY, AFT GALLEY         |
| 3a. 961072-01  | FRAME FACE PANTRY, BACK             |
| 4. 381192      | SLIDE, DRAWER, 18"                  |
| 5. 381526-03   | DRAWER SLIDE-18" PER PR             |
| 6. 381526-06   | ADJUSTABLE REAR BRKT PER PR         |
| 7. 964910-01   | DRAWER BOX- 20.88" X 18.00" X 5.00" |
| 8. 800597-01z  | DOOR RAISED PANEL 10.50" X 22.00"   |
| 9. 381835      | HANDLE-CHROME/BRASS                 |
| 10. 381836     | HINGE-BRITE BRASS                   |
| 11. 800599-21z | DRAWER FACE 7.00" X 23.00"          |
| 12. 964906-09  | DRAWER BOX, 8.75" X 18.00" X 2.75"  |
| 13. 381228-01  | CATCH GRABBER DOOR                  |
| 14. 965319     | TOP-MICRO CABINET ASSEMBLY          |
| 14a. 963397-01 | Top Assembly, Corian, 31 Ft.        |
| 15. 381408     | LOCK, PUSH, BUTTON STYLE, BLACK     |

## Furniture

962536-02 (Convection) MICROWAVE CABINET, 31 ft.  
 962536-01 (Convection) MICROWAVE CABINET, 28 ft.

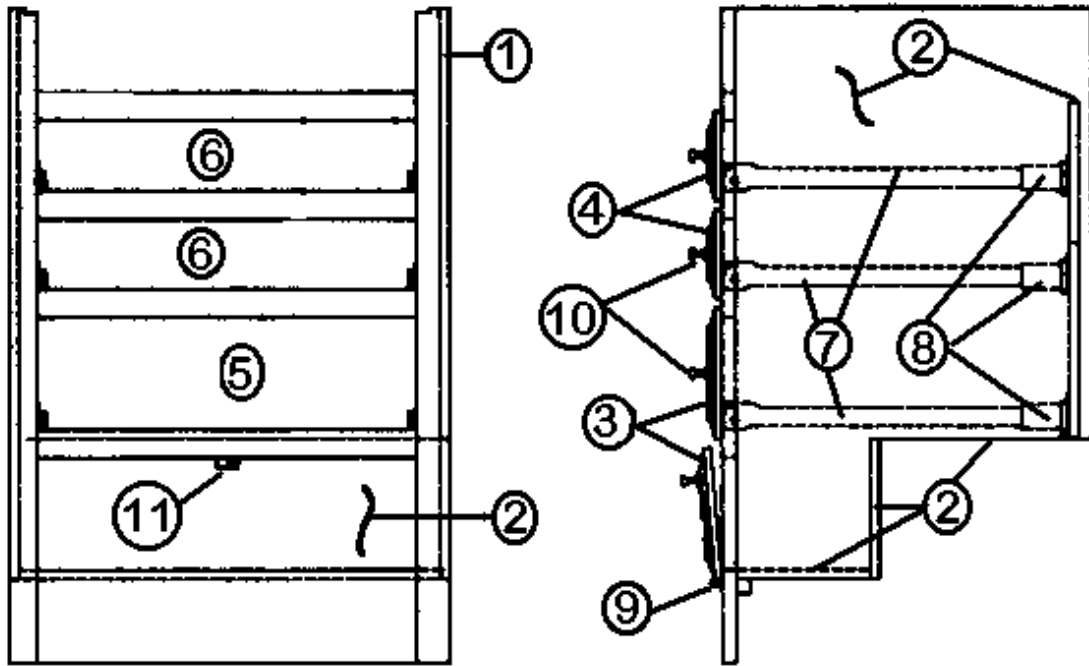


- |                |                                     |
|----------------|-------------------------------------|
| 1. 962527-01   | FACE FRAME, MW CABINET              |
| 2. 801180-00z  | PANEL 1/2" G2S Wood/Wood 4' X 7'    |
| 3. 961247-01   | SECTION, PANTRY, AFT GALLEY         |
| 3a. 961072-01  | FRAME FACE PANTRY, BACK             |
| 4. 381192      | SLIDE, DRAWER, 18"                  |
| 5. 381526-03   | DRAWER SLIDE-18" PER PR             |
| 6. 381526-06   | ADJUSTABLE REAR BRKT PER PR         |
| 7. 964910-01   | DRAWER BOX- 20.88" X 18.00" X 5.00" |
| 8. 800597-01z  | DOOR RAISED PANEL 10.50" X 22.00"   |
| 10. 381835     | HANDLE-CHROME/BRASS                 |
| 11. 381836     | HINGE-BRITE BRASS                   |
| 12. 800599-21z | DRAWER FACE 7.00" X 23.00"          |
| 13. 964906-09  | DRAWER BOX, 8.75" X 18.00" X 2.75"  |
| 14. 381228-01  | CATCH GRABBER DOOR                  |
| 15. 965319     | TOP-MICRO CABINET ASSEMBLY          |
| 15. 381408     | LOCK, PUSH, BUTTON STYLE, BLACK     |



# Furniture

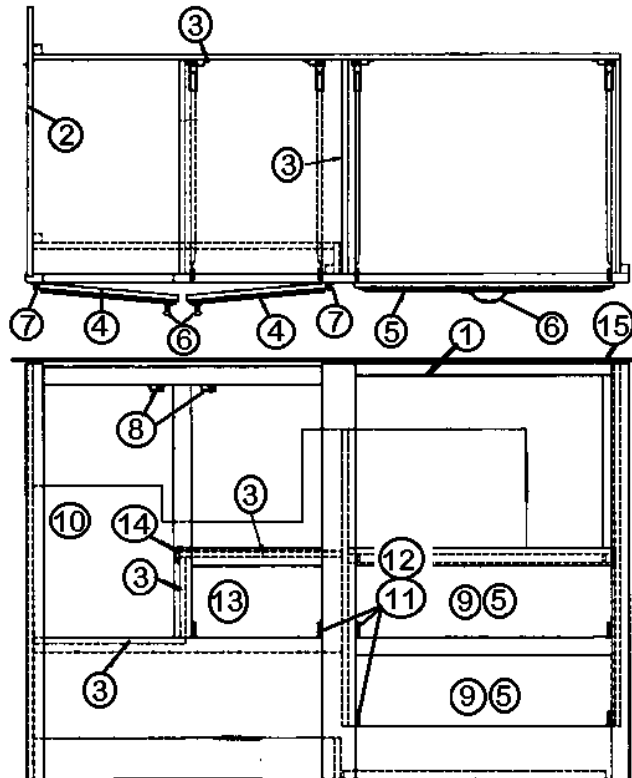
## 964598 GALLEY ASSEMBLY/COOKTOP



- |               |                                     |
|---------------|-------------------------------------|
| 1. 964597     | FACE FRAME GALLEY COOKTOP           |
| 2. 801179-00z | PANEL 1/2" G1S WOOD/RAW             |
| 3. 800599-38z | DRAWER FACE 7.00" X 21.50"          |
| 4. 800599-58z | DRAWER FACE 4.75" X 21.50"          |
| 5. 964910-03  | DRAWER BOX- 19.50" X 18.00" X 5.00" |
| 6. 964906-02  | DRAWER BOX- 19.50" X 18.00" X 2.75" |
| 7. 381526-03  | DRAWER SLIDE 18" PER PR             |
| 8. 381526-06  | BRACKET ADJUSTABLE REAR (PAIR)      |
| 9. 381836     | HINGE-BRITE BRASS                   |
| 10. 381835    | HANDLE-CHROME/BRASS                 |
| 11. 381228-01 | CATCH GRABBER DOOR                  |

# Furniture

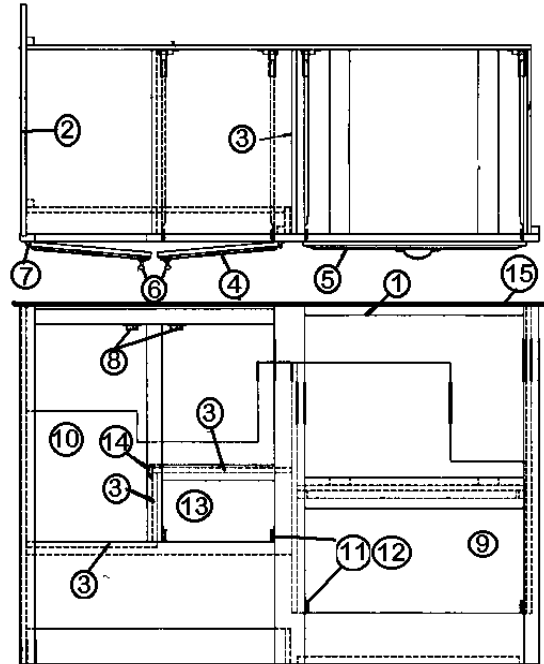
## 964966-07 GALLEY ASSY-FWD MW SECTION



- |                |                                     |
|----------------|-------------------------------------|
| 1. 964629      | FACE FRAME GALLEY, FWD MW           |
| 2. 801180-00z  | PANEL 1/2" G2S wood/wood 4' X 7'    |
| 3. 801179-00z  | PANEL 1/2" G1S wood/RAW             |
| 4. 800597-50z  | DOOR RAISED PANEL 12.00" X 29.50"   |
| 5. 800599-21z  | DRAWER FACE 7.00" X 23.00"          |
| 6. 381835      | HANDLE-CHROME/BRASS                 |
| 7. 381836      | HINGE-BRITE BRASS                   |
| 8. 381228-01   | CATCH GRABBER DOOR                  |
| 9. 964910-01   | DRAWER BOX- 20.88" X 18.00" X 5.00" |
| 10. 381133     | RACK SACK, 6.5 LITRE, WHITE         |
| 11. 381526-03  | DRAWER SLIDE-18"PER PR              |
| 12. 381526-06  | ADJUSTABLE REAR BRKT PER PR         |
| 13. 964910-02  | DRAWER BOX- 10.00" X 18.00" X 5.00" |
| 14. 801172-01z | MOLDING CORNER 8' L                 |
| 15. 964961-01  | TOP ASSY GALLEY CORIAN              |

# Furniture

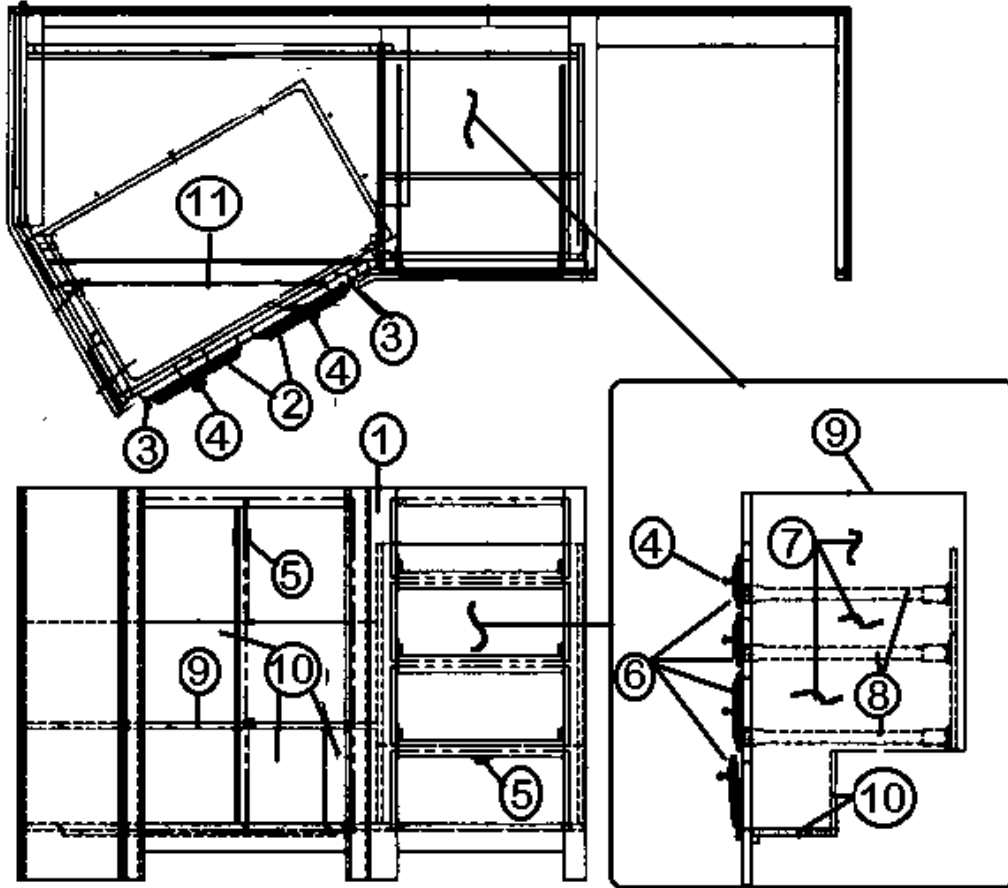
## 964964-01 Galley Assembly, Forward Convection MW Section (-02-Limited Option Assembly)



- |                |                                                 |
|----------------|-------------------------------------------------|
| 1. 964629      | FACE FRAME GALLEY, FWD MW                       |
| 2. 801180-00z  | PANEL 1/2" G2S wood/wood 4' X 7'                |
| 3. 801179-00z  | PANEL 1/2" G1S wood/RAW                         |
| 4. 800597-50z  | DOOR RAISED PANEL 12.00" X 29.50"               |
| 5. 800599-26z  | DRAWER FACE 11.75" X 22.25"                     |
| 6. 381835      | HANDLE-CHROME/BRASS                             |
| 7. 381836      | HINGE-BRITE BRASS                               |
| 8. 381228-01   | CATCH GRABBER DOOR                              |
| 9. 964908-02   | DRAWER BOX- 20.75" X 18.00" X 8.00"             |
| 10. 381133     | RACK SACK, 6.5 LITRE, WHITE                     |
| 11. 381526-03  | DRAWER SLIDE-18"PER PR                          |
| 12. 381526-06  | ADJUSTABLE REAR BRKT PER PR                     |
| 13. 964910-02  | DRAWER BOX- 10.00" X 18.00" X 5.00"             |
| 14. 801172-01z | MOLDING CORNER 8' L                             |
| 15. 964961-01  | TOP ASSY GALLEY CORIAN                          |
| 15a 964961-02  | TOP ASSY GALLEY CORIAN Inlayed (Limited Option) |

# Furniture

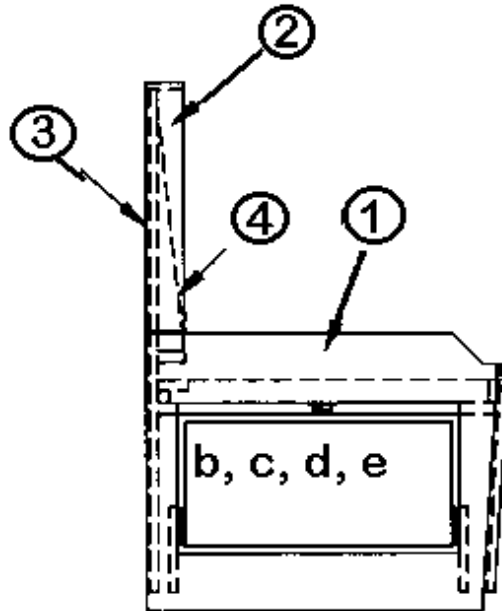
## 965303-01 GALLEY ASSY - FORWARD



- |                |                                     |
|----------------|-------------------------------------|
| 1. 965305      | FACE FRAME GALLEY FWD S/O           |
| 2. 800597-09z  | DOOR RAISED PANEL 11.00" X 29.75"   |
| 3. 381836      | HINGE-BRITE BRASS                   |
| 4. 381835      | HANDLE-CHROME/BRASS                 |
| 5. 381228-01   | GRABBER DOOR CATCH                  |
| 6. 800599-56z  | DRAWER FACE 7.00" X 16.00"          |
| 7. 964910-18   | DRAWER BOX- 17.00" X 14.00" X 5.00" |
| 8. 381526-03   | DRAWER SLIDE-18" PER PR             |
| 9. 801180-00z  | PANEL 1/2" G2S wood/wood, 4' X 7'   |
| 10. 801179-00z | PANEL 1/2" G1S Wood/raw             |
| 11. 800573-01z | MOLDING DOOR EDGE 1-3/32" X 80"     |
| 12. 965301-01  | TOP ASSY-GALLEY BISQUE S/O 30'      |

## Furniture

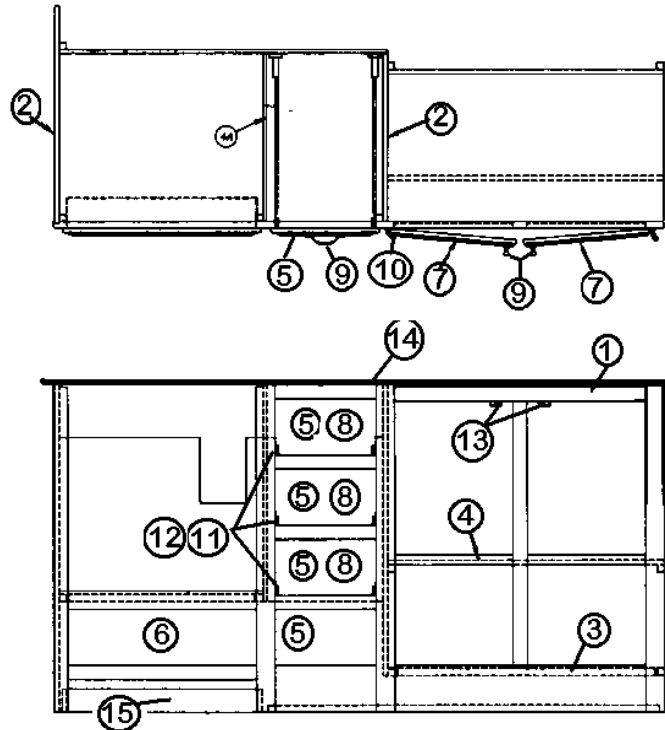
965314-01 LH Dinette Seat (Shown)  
965314-02 RH Dinette Seat (Opposite)



1. 965315-01 BASE ASSY-DINETTE LH, S/O 30'
1. 965315-02 BASE ASSY-DINETTE RH, S/O 30'
  - a. 801195-00z CORNER TRIM 1" RADIUS
  - b. 964908-01 DRAWER BOX, 17.50" X 26.00" X 8.00"
  - c. 381090 SLIDE, DRAWER, 22" (EA=1 PAIR)
  - d. 381228-01 CATCH GRABBER DOOR C3-803
  - e. 701538 CARPET, ECONOLIER, BLACK 48"
  - f. 964334-01 FLEX SPRING 21.63" X 42.00"
  - g. 800470-00z STOP-HARDWOOD
  - h. 800405-00z PLUG-BUTTON HARDWOOD OAK
2. 965316-01 BACK ASSY-DINETTE LH
2. 965316-02 BACK ASSY-DINETTE RH
  - a. 703125-02 TOP-DINETTE. SEAT, BUCKSKIN
3. 965317-01 UPHOLSTERED BACK ASSY-DINETTE LH S/O
3. 965317-02 UPHOLSTERED. BACK ASSY-DINETTE RH S/O
4. 964499-01 CUSHION SUPPORT-DINETTE LH 41.63"
4. 964498-01 CUSHION SUPPORT-DINETTE RH 41.63"

# Furniture

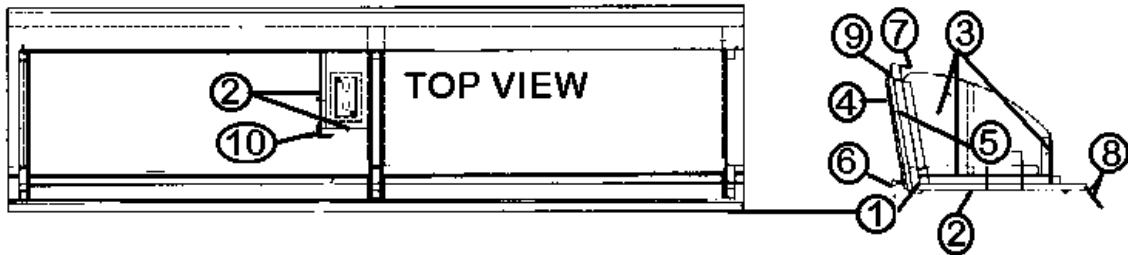
## 964602-03 GALLEY ASSY-FULL OVEN, 28'



- |               |                                     |
|---------------|-------------------------------------|
| 1. 964601     | FACE FRAME-GALLEY, FULL OVEN 28'    |
| 2. 801179-00z | PANEL 1/2" G1S WOOD/RAW             |
| 3. 801181-00z | PANEL 5/32"G1S WOOD/ RAW 4' X 8'    |
| 4. 800573-01z | MOLDING DOOR EDGE 1-3/32" X 80"     |
| 5. 800599-02z | DRAWER FACE 7.00" X 11.75"          |
| 6. 800599-38z | DRAWER FACE 7.00" X 21.50"          |
| 7. 800597-44z | DOOR RAISED PANEL 13.75" X 29.75"   |
| 8. 964910-02  | DRAWER BOX- 10.00" X 18.00" X 5.00" |
| 9. 381835     | HANDLE-CHROME/BRASS                 |
| 10. 381836    | HINGE-BRITE BRASS                   |
| 11. 381526-03 | DRAWER SLIDE 18" PER PR             |
| 12. 381526-06 | ADJUSTABLE REAR BRKT PER PR         |
| 13. 381228-01 | CATCH GRABBER DOOR                  |
| 14. 964963-01 | GALLEY TOP ASSY CORIAN              |
| 15. 114967    | TOE KICK, GALLEY ASSY. 28'          |

# Furniture

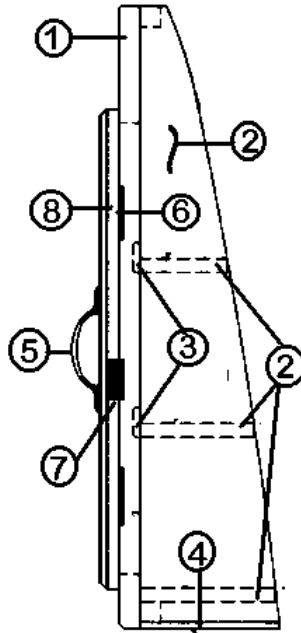
## 963765-01 LOCKER ASSY. GALLEY



- |                |                                   |
|----------------|-----------------------------------|
| 1. 962517-01   | FACE FRAME GALLEY, R/L, 28'       |
| 2. 801180-00z  | PANEL 1/2" G2S WOOD/WOOD, 4' X 7' |
| 3. 801181-00z  | PANEL 5/32" G1S WOOD/ RAW 4'X 8'  |
| 4. 800597-41z  | DOOR RAISED PANEL 10.50" X 32.00" |
| 5. 381147      | DOOR SUPPORT - SPRING LOADED      |
| 6. 381835      | HANDLE-CHROME/BRASS               |
| 7. 104829      | SUPPORT ROOFLOCKER GALLEY         |
| 8. 100013      | EXTRUSION, ROOFLOCKER ATTACHMENT  |
| 9. 381836      | HINGE-BRITE BRASS                 |
| 10. 800575-01z | MOLDING CORNER 80"L               |

# Furniture

## 962511-02 SPICE CABINET ASSY.

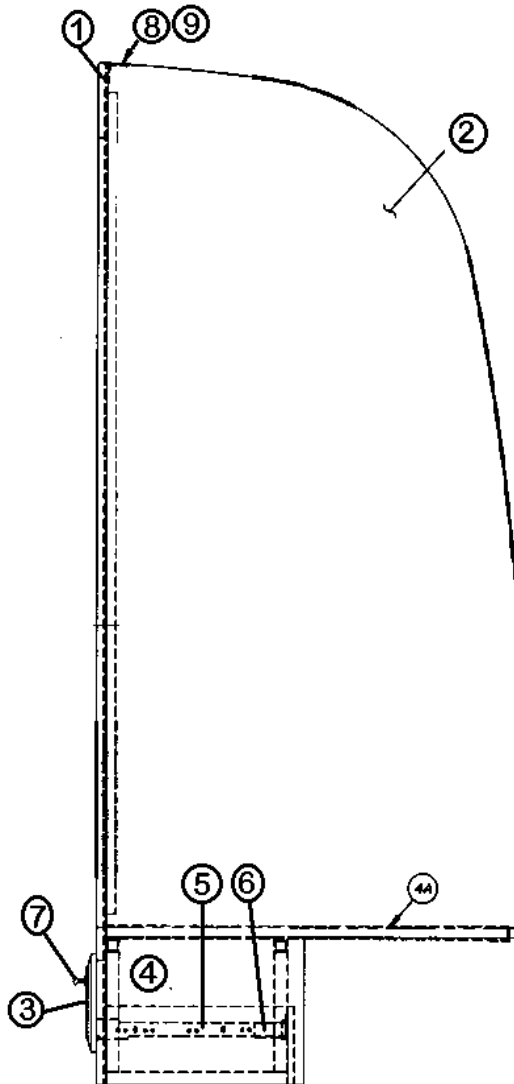


- |               |                                  |
|---------------|----------------------------------|
| 1. 962512-01  | FACE FRAME SPICE CABINET, 28'    |
| 2. 801180-00z | PANEL 1/2" G2S Wood/Wood 4' X 7' |
| 3. 800573-01z | MOLDING DOOR EDGE 1-3/32" X 80"  |
| 4. 800571-01z | MOLDING FLAT .52W X 80"          |
| 5. 381835     | HANDLE-CHROME/BRASS              |
| 6. 381836     | HINGE-BRITE BRASS                |
| 7. 381228-01  | CATCH GRABBER DOOR               |
| 8. 800597-56z | DOOR RAISED PANEL 7.75" X 17.50" |



# Furniture

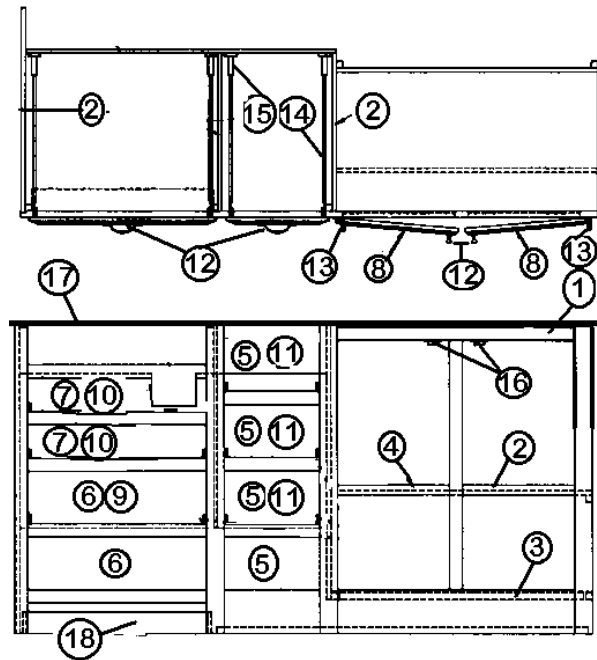
## 963689 REFER CABINET ASSEMBLY



- |               |                                                                |
|---------------|----------------------------------------------------------------|
| 1. 963724-01  | FACE FRAME REFER                                               |
| 2. 801127-08  | PANEL FWD REFER (801388, Paneling, .5" SPRING FOREST/RAW, G1S) |
| 3. 800599-21z | DRAWER FACE 7.00" X 23.00"                                     |
| 4. 964910-13  | DRAWER BOX- 19.69" X 14.00" X 5.00"                            |
| 5. 381526-01  | DRAWER SLIDE 14" PER PR                                        |
| 6. 381526-06  | BRACKET ADJUSTABLE REAR (PAIR)                                 |
| 7. 381575     | HANDLE DRAWER/DOOR GOLD                                        |
| 8. 104821     | SUPPORT, ROOFLOCKER, 74"                                       |
| 9. 330038     | RIVET BLIND AD 54 ABS                                          |

# Furniture

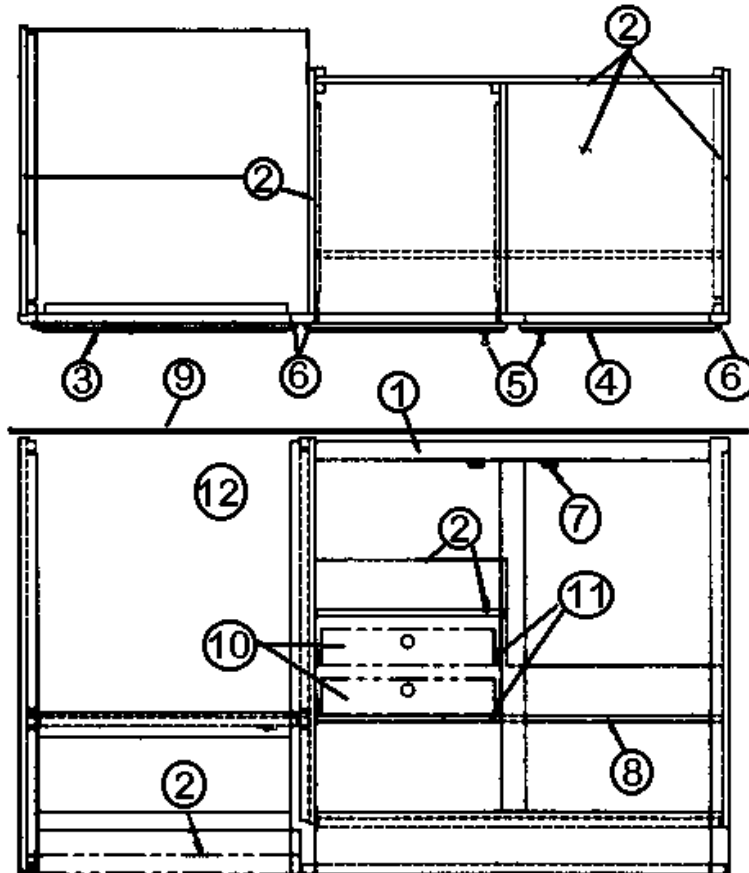
## 964604 Galley Assembly, Cooktop, 28'



1. 964603 Face frame, galley, full oven option
2. 801179-00z PANEL 1/2" G1S WOOD/RAW
3. 801181-00z PANEL 5/32"G1S WOOD/ RAW 4' X 8'
4. 800573-01z MOLDING DOOR EDGE 1-3/32" X 80"
5. 800599-02z DRAWER FACE 7.00" X 11.75"
6. 800599-38z DRAWER FACE 7.00" X 21.50"
7. 800599-58z DRAWER FACE 4.75" X 21.50"
8. 800597-44z DOOR RAISED PANEL 13.75" X 29.75"9
9. 964910-03 DRAWER BOX- 19.50" X 18.00" X 5.00"
10. 964906-02 DRAWER BOX- 19.50" X 18.00" X 2.75"
11. 964910-02 DRAWER BOX- 10.00" X 18.00" X 5.00"
12. 381835 HANDLE-CHROME/BRASS
13. 381836 HINGE-BRITE BRASS
14. 381526-03 DRAWER SLIDE 18" PER PR
15. 381526-06 ADJUSTABLE REAR BRKT PER PR
16. 381228-01 CATCH GRABBER DOOR
17. 964963-01 Galley top assembly
18. 114967 Toe kick, aluminum

# Furniture

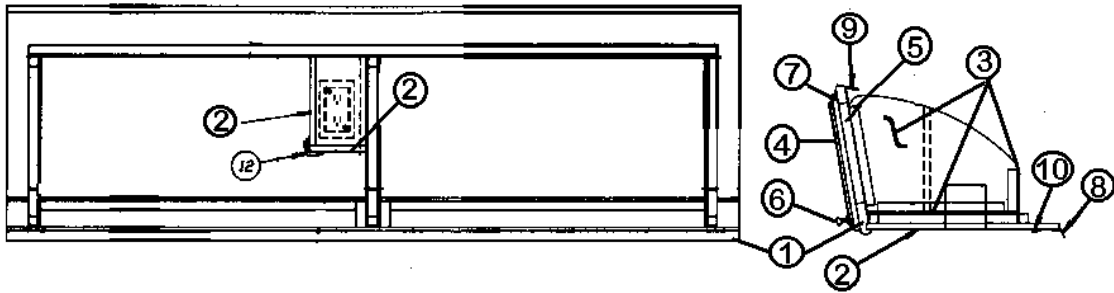
## 964589-04 GALLEY ASSY-FULL OVEN



- |                |                                    |
|----------------|------------------------------------|
| 1. 964588      | FACE FRAME-GALLEY, Full Oven       |
| 2. 801179-00z  | PANEL 1/2" G1S Wood/RAW            |
| 3. 800599-38z  | DRAWER FACE 7.00" X 21.50"         |
| 4. 800597-08z  | DOOR RAISED PANEL 16.00" X 29.50"  |
| 5. 381835      | HANDLE-CHROME/BRASS                |
| 6. 381836      | HINGE-BRITE BRASS                  |
| 7. 381228-01   | CATCH GRABBER DOOR                 |
| 8. 800571-01z  | MOLDING FLAT .52W X 80"            |
| 9. 964962-01   | TOP ASSY GALLEY CORIAN             |
| 10. 964906-04  | DRAWER BOX, 14.00" X 8.00" X 2.75" |
| 11. 381526-03  | DRAWER SLIDE- 18" PER PR           |
| 11a. 381526-06 | ADJUSTABLE REAR BRKT, Drawer slide |
| 200980-01      | TRAY, SILVERWARE, ALMOND           |
| 381133         | RACK SACK, 6.5 LITRE, WHITE        |

# Furniture

## 963773-01 ROOFLOCKER GALLEY ASSEMBLY

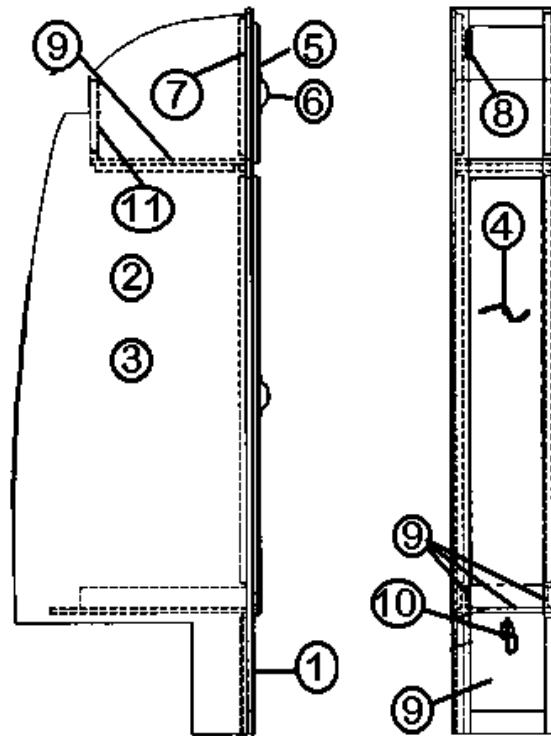


1. 962379-01 FACE FRAME GALLEY R/L
2. 801180-00z PANEL 1/2" G2S WOOD/WOOD 4' X 7'
3. 801181-00z PANEL 5/32" G1S WOOD/RAW, 4'X 8'
4. 800597-12z DOOR RAISED PANEL 10.50" X 26.25"
5. 381147 SUPPORT, SPRING LOADED DOOR
6. 381835 HANDLE-CHROME/BRASS
7. 381836 HINGE-BRITE BRASS
8. 104829 SUPPORT ROOFLOCKER GALLEY
9. 104821 SUPPORT, ROOFLOCKER, 74"
10. 800575-01z MOLDING CORNER 80" L

- 100097 EXTR. ALUM CURTAIN TRACK  
962245 BOX ASSY. PRIORITY SWITCH  
801386 Paneling, .125" S. FOREST/RAW, G1S

# Furniture

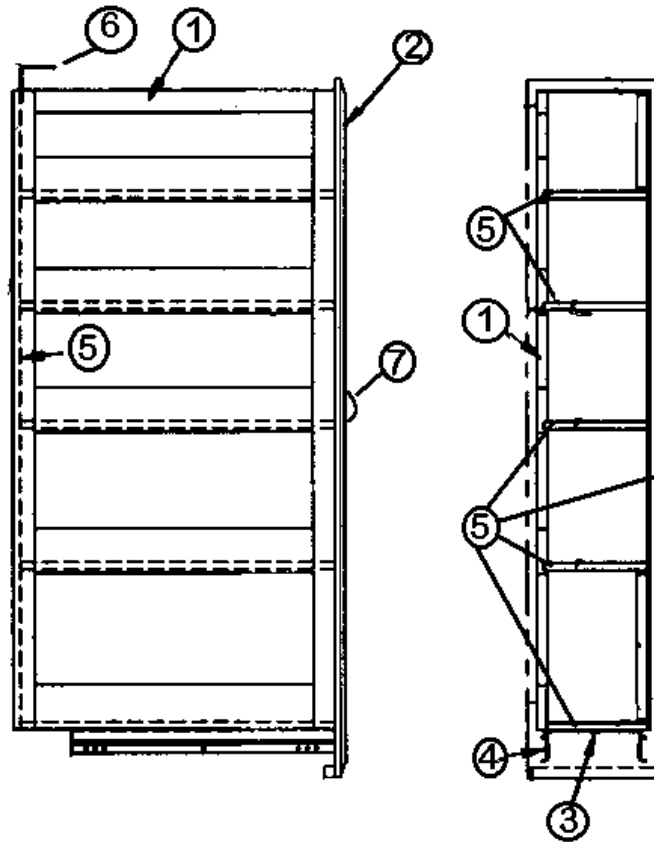
## 962261-01 PANTRY CABINET ASSY.



1. 962262-01 FACE FRAME PANTRY CAB
2. 800994-05 PANEL FWD PANTRY
3. 800994-06 PANEL AFT PANTRY
4. 986777-01 ASSEMBLY. PANTRY DRAWER BOX  
See Next Page for Drawing
5. 800599-25z DRAWER FACE 9.00" X 15.00"
6. 381835 HANDLE-CHROME/BRASS
7. 381836 HINGE-BRITE BRASS
8. 381228-01 CATCH GRABBER DOOR
9. 801180-00z PANEL 1/2" G2S WOOD/WOOD 4' X 7'
10. 381109 LATCH BUNK (PULL-OUT PANTRY)
11. 801181-00z PANEL 5/32" G1S WOOD/RAW 4' X 8'

# Furniture

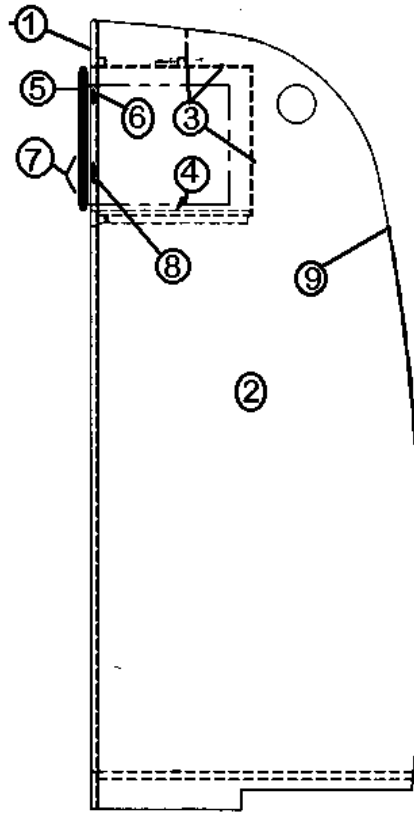
## 986777-01 ASSEMBLY. PANTRY DRAWER BOX



- |               |                                  |
|---------------|----------------------------------|
| 1. 986150-01  | FACE FRAME, PULL OUT PANTRY      |
| 2. 800599-12z | DRAWER FACE 9.00" X 47.00"       |
| 3. 104886     | DRAWER SLIDE SUPPORT             |
| 4. 381192     | SLIDE, DRAWER, 18" (EACH=1 PAIR) |
| 5. 801180-00z | PANEL 1/2" G2S WOOD/WOOD 4' X 7' |
| 6. 104887     | POSITIVE STOP, PANTRY            |
| 7. 381835     | HANDLE-CHROME/BRASS              |

# Furniture

## 963707-03 REFER CABINET W/MICROWAVE



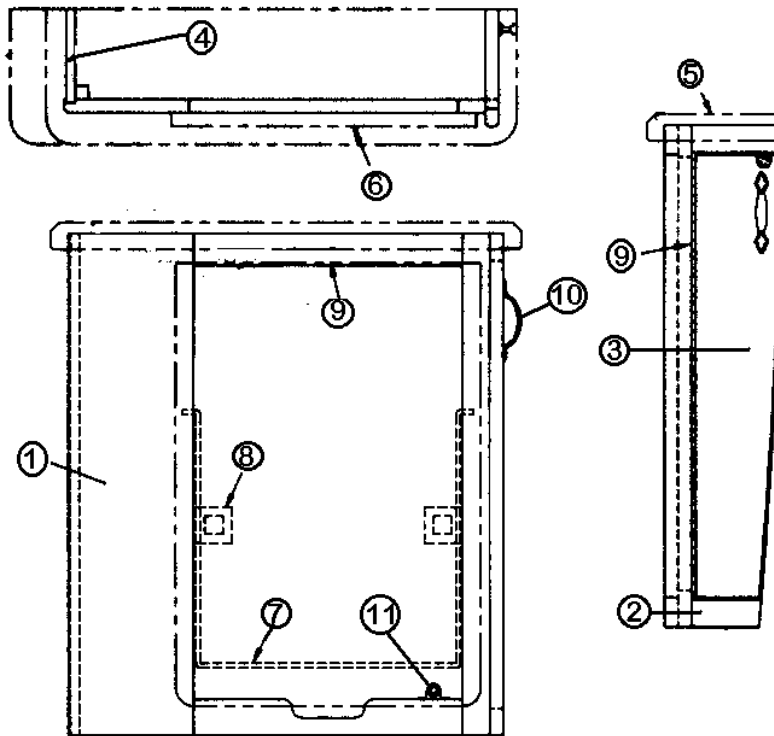
- |               |                                     |
|---------------|-------------------------------------|
| 1. 964630     | FACE FRAME, REFER CAB               |
| 2. 801135-04  | PANEL FWD REFER                     |
| 3. 801181-00z | PANEL 5/32" G1S WOOD/RAW, 4'X 8'    |
| 4. 801180-00z | PANEL 1/2" G2S WOOD/WOOD 4' X 7'    |
| 5. 800597-00z | Door, Raised panel, 12.25" x 16.00" |
| 6. 381836     | HINGE-BRITE BRASS                   |
| 7. 381835     | HANDLE-CHROME/BRASS                 |
| 8. 381228-01  | CATCH GRABBER DOOR                  |
| 9. 203138-03  | EXTRUSION PLASTIC WALL BEIGE        |

### Not Shown

- |        |                                      |
|--------|--------------------------------------|
| 801388 | Paneling, .5" SPRING FOREST/RAW, G1S |
| 801386 | Paneling, .125" S. FOREST/RAW, G1S   |

# Furniture

## 961959-01 WRITING TABLE CHAIR STORAGE ASSEMBLY



- |                |                                     |
|----------------|-------------------------------------|
| 1. 961955-01   | FACE FRAME W. TABLE CHAIR STORAGE   |
| 2. 961956-01   | FRAME END OAK W. TABLE CHAIR        |
| 3. 961957-01   | DOOR OAK W. TABLE CHAIR STORAGE     |
| 4. 801180-00z  | PANEL 1/2" G2S WOOD/WOOD 4' x 8'    |
| 5. 961958      | TOP ASSY W. TABLE CHAIR STORAGE     |
| 5a. 962875-00Z | Top Assembly, NOMAR, Limited option |
| 6. 962423      | TABLE TOP ASSY. WRITING             |
| 6a. 962880-00Z | Top Assembly, NOMAR, Limited Option |
| 7. 380492      | BRACKET, TABLE                      |
| 8. 340018      | CATCH PLATE J-1                     |
| 9. 380458      | HINGE PIANO BROWN ANODIZED          |
| 10. 381835     | HANDLE-CHROME/BRASS                 |
| 11. 381228-01  | CATCH GRABBER DOOR                  |

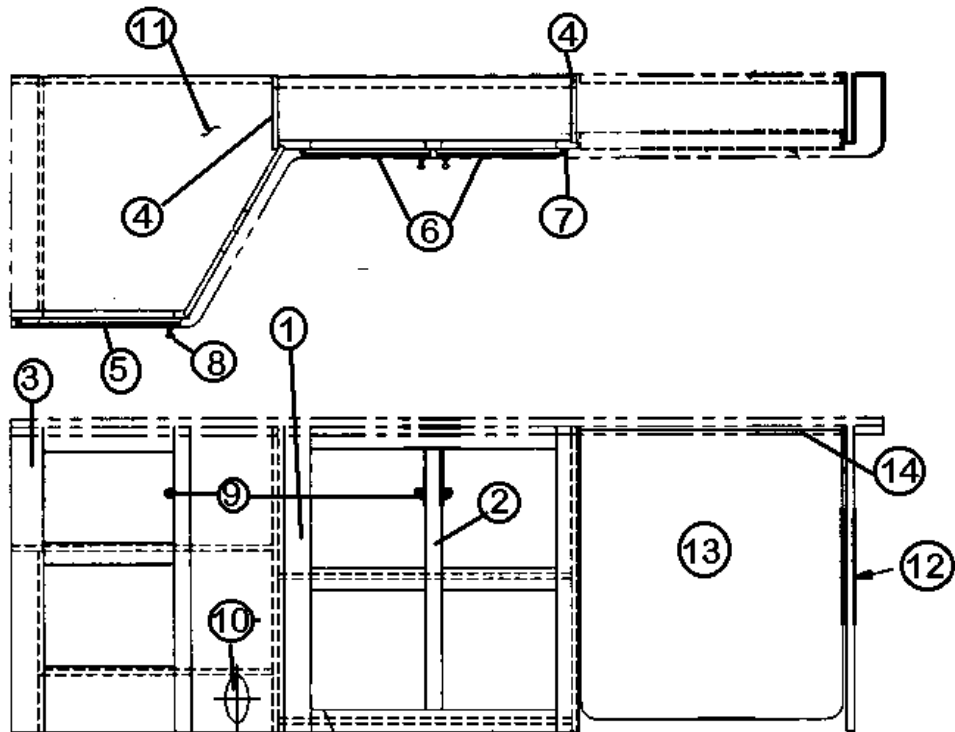
### Not Shown:

- |           |                                             |
|-----------|---------------------------------------------|
| 801408    | PANELING, PRE-LAMINATED N. OAK/N. OAK, 18MM |
| 801231-01 | EDGE BANDING TAPE 3/4"                      |
| 801408    | PANELING, PRE-LAMINATED N. OAK/N. OAK, 18MM |



# Furniture

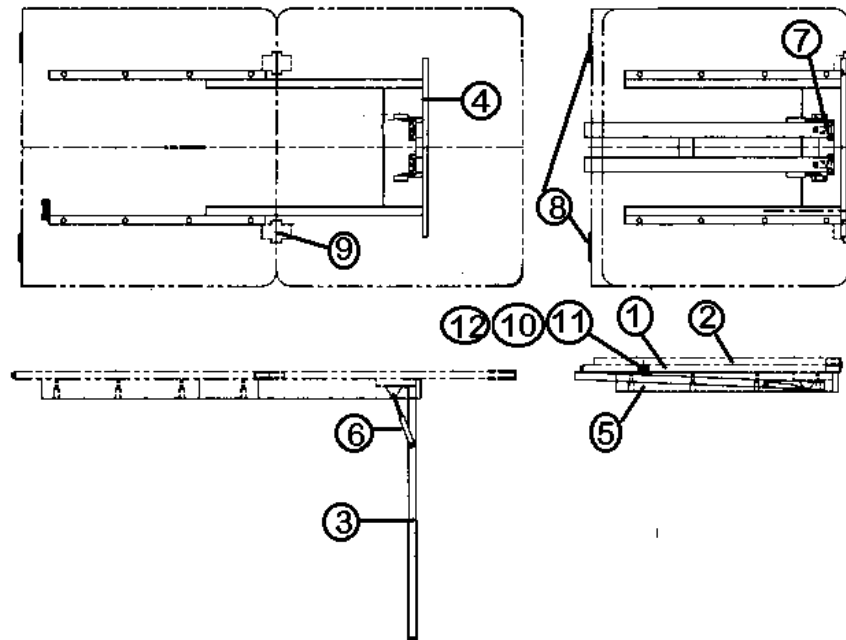
## 963353-03 CREDENZA ASSEMBLY



- |               |                                   |
|---------------|-----------------------------------|
| 1. 963326-01  | SUB ASSY. CREDENZA AFT SECTION    |
| 2. 963289-01  | FACE FRAME CREDENZA FWD-34'TRL    |
| 3. 963313     | FACE FRAME CREDENZA AFT SECTION   |
| 4. 801180-00z | PANEL 1/2" G2S Wood/Wood, 4' x 7' |
| 5. 800597-02z | DOOR RAISED PANEL 14.00" X 20.00" |
| 6. 800597-27z | DOOR RAISED PANEL 11.50" X 25.00" |
| 7. 381836     | HINGE-BRITE BRASS                 |
| 8. 381304     | DOOR HANDLE, BRASS, AIR LOGO      |
| 9. 381228-01  | CATCH GRABBER DOOR                |
| 10. 601244-03 | REGISTER, ROTAIRE, BLACK          |
| 11. 963325    | TOP CREDENZA                      |
| 12. 962381-01 | FWD STILE RS CREDENZA             |
| 13. 960420-02 | TABLE, LIFT-UP, ASSEMBLY, 24" OAK |
| 14. 101253    | EXTR. CREDENZA HINGE MOVABLE      |

# Furniture

960420-02 TABLE, LIFT-UP, ASSEMBLY, 24" OAK

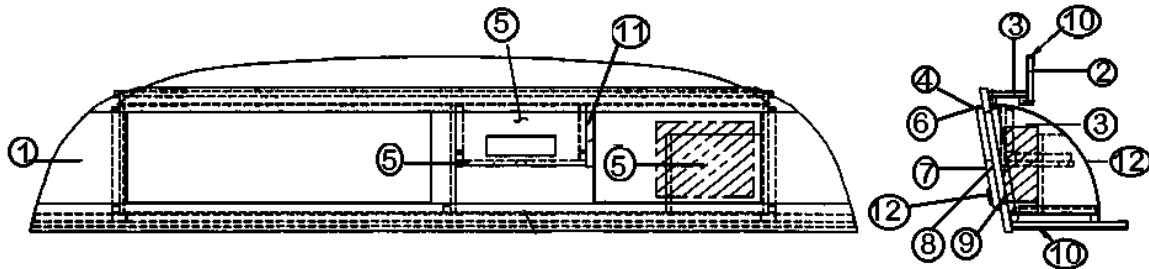


- |                |                                     |
|----------------|-------------------------------------|
| 1. 960416-02   | LEAF, TABLE, LOWER, OAK, 24 X 25.88 |
| 2. 960417-02   | LEAF, TABLE, UPPER, OAK, 24" X 25"  |
| 3. 962177-03   | LEG HARDWOOD 30.50"                 |
| 4. 960419-01   | FACER BOARD, LIFT-UP TABLE, OAK     |
| 5. 381306      | SLIDES, TABLE, LIFT-UP, RH & LH #20 |
| 6. 381147      | DOOR SUPPORT - SPRING LOADED        |
| 7. 380210      | HINGE PLAIN STEEL                   |
| 8. 201155      | SLIDING GUIDE, PLASTIC -TABLE       |
| 9. 380040      | HINGE SOSS INVISIBLE L & R HAND     |
| 10. 380037     | RETAINER SPRING LOCK                |
| 11. 380038     | EYELET LOCK GS 5 10 BRASS           |
| 12. 381228-01  | CATCH GRABBER DOOR                  |
| 13. 800405-00z | PLUG-BUTTON HARDWOOD                |
| 14. 101288     | EXTR HORIZON FURNITURE FRAME        |

- |           |                                             |
|-----------|---------------------------------------------|
| 80203-01  | PIANO HINGE 1/8" PIN CLEAR ANODIZED         |
| 801231-01 | EDGE BANDING TAPE 3/4" WOOD GRAIN           |
| 801408    | PANELING, PRE-LAMINATED N. OAK/N. OAK, 18MM |

# Furniture

963506-tab ASSEMBLY. FORWARD LINER LOCKER  
 -08 Rear Liner Locker, all  
 -09 34 SO, 30 S/O, 28, 25" Front Liner Locker



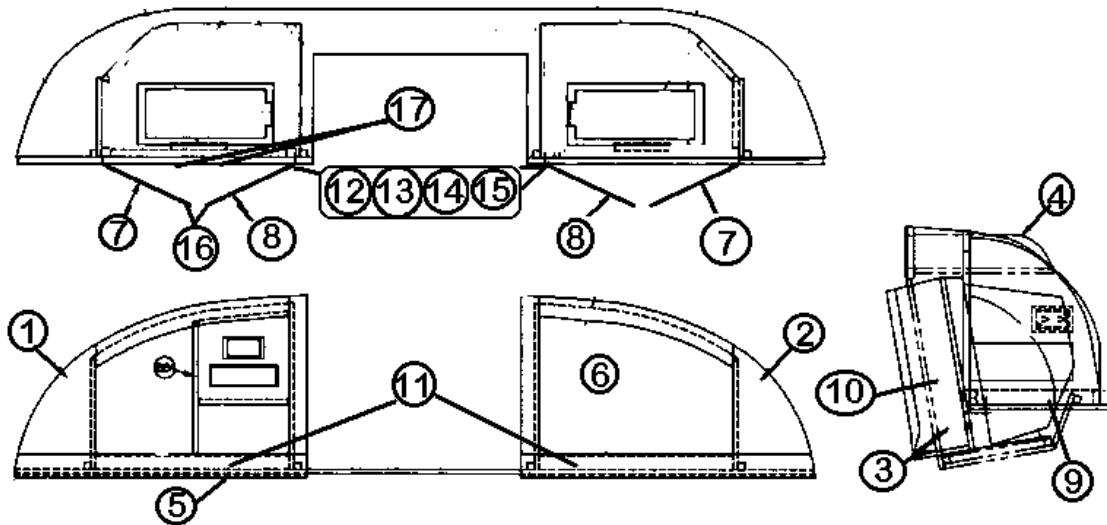
- |               |                                   |
|---------------|-----------------------------------|
| 1. 963498     | FACE FRAME FWD/AFT R/L-TRAILER    |
| 2. 801180-00z | PANEL 1/2" G2S Wood/wood          |
| 3. 801181-00z | PANEL 5/32"G1S wood/ RAW          |
| 4. 800557-23z | DOOR FRAME 10.50" X 32.50"        |
| 5. 801179-00z | PANEL 1/2" G1S Wood/RAW           |
| 6. 381837     | HINGE SEMI CONCEALED BRIGHT BRASS |
| 7. 372210-10  | MIRROR- BEVELED, 7.62" X 29.62"   |
| 8. 381754     | MIRROR CLIP R2                    |
| 9. 381147     | DOOR SUPPORT - SPRING LOADED      |
| 10. 702482-03 | HEADLINER SPECTRA OPAL X TEXTURED |
| 11. 965049    | SIDE PANEL-RADIO SHELF            |
| 12. 381835    | HANDLE-CHROME/BRASS               |

## Not Shown

- |        |                                    |
|--------|------------------------------------|
| 365239 | FOAM, NON-SKID PAD 1/4 X 1 X 1/16" |
| 801386 | Paneling, .125" S. FOREST/RAW, G1S |

# Furniture

## 965181 Locker Assembly, Front Liner, 34' SO \*965181

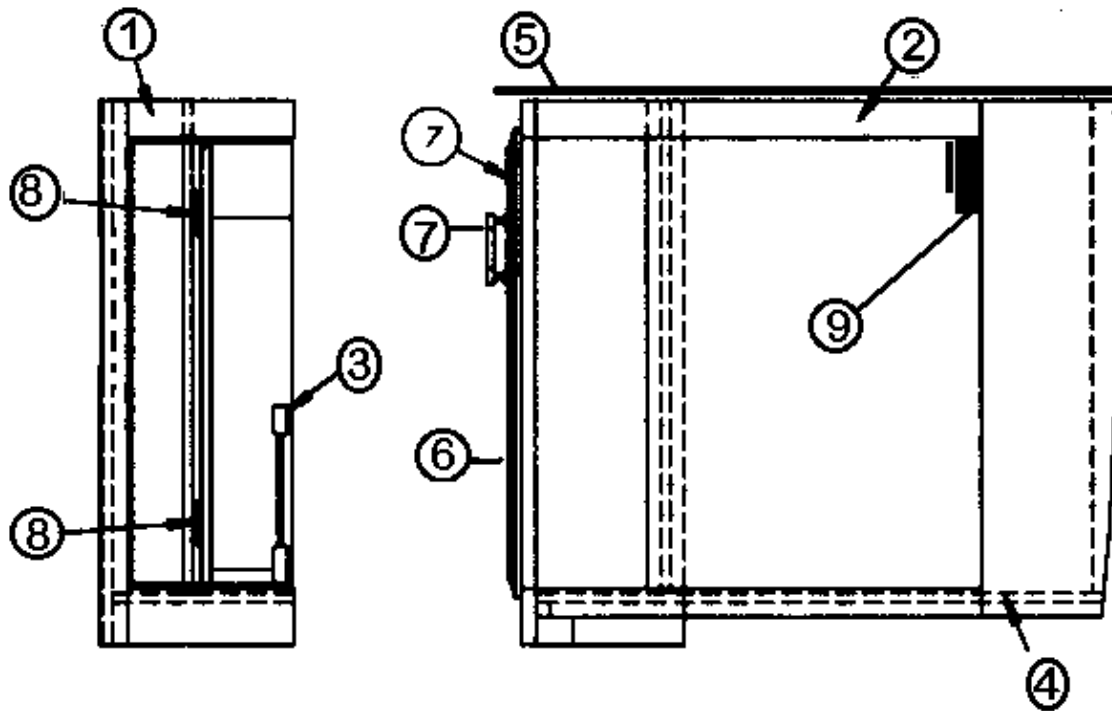


- |                |                                           |
|----------------|-------------------------------------------|
| 1. 965185-02z  | FACE FRAME-FRT. LINER LCKR. LH            |
| 2. 965185-01z  | FACE FRAME-FRT. LINER LCKR. RH            |
| 3. 965186      | TV CABINET ASSY, *965730                  |
| 4. 965051      | SATELLITE RECEIVER CABINET, *965731       |
| 4a. 965050-00z | Face Frame, Satellite Receiver, *965732   |
| 4b. 965052-00z | Cover, satellite receiver, * not required |
| 4c. 700617     | Velcro hook                               |
| 4d. 700618     | Velcro loop                               |
| 5. 801179-00z  | PANEL 1/2" G1S WOOD/RAW                   |
| 6. 701538      | CARPET, ECONOLIER VELOUR BLACK            |
| 7. 371378-01   | GLASS, FRONT LINER LOCKER LH DOOR         |
| 8. 371378-04   | GLASS FRONT LINER LOCKER RH DOOR          |
| 9. 453900      | BRACKET, TV, OVERHEAD                     |
| 10. 702610     | VINYL SPECTRA OYSTER BAY                  |
| 11. 203273     | PAN-SET RH & LH FRT. LINER LOCKER         |
| 12. 381706-01  | HINGE-GLASS DOOR SPEED MOUNT              |
| 13. 381706-02  | MOUNTING PLATE-H SERIES SM HINGE          |
| 14. 381706-03  | TRIM CAP-H SERIES SM HINGE ARM            |
| 15. 381706-04  | TRIM CAP-H SERIES SM HINGE                |
| 16. 381707     | STRIKE W/PULL-GLASS DOOR BLACK            |

\*Running line change due to DVD model change beginning S/N 515075

# Furniture

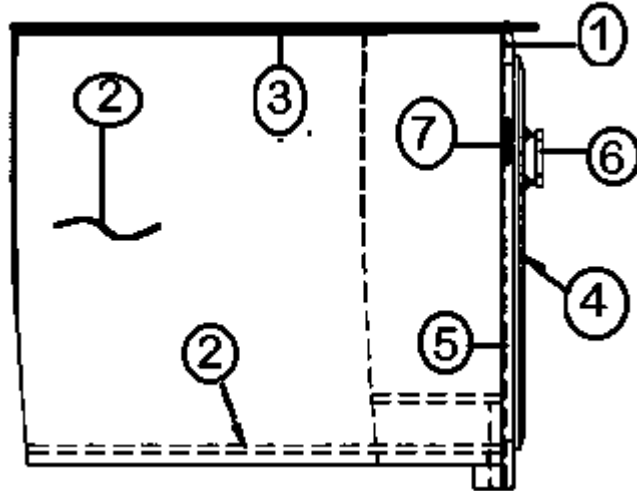
965023-01 END TABLE ASSY. LH 34'S/O CLASSIC



- |                |                                  |
|----------------|----------------------------------|
| 1. 965021-00z  | FACE FRAME-END TABLE LH S/O      |
| 2. 965027-00z  | FACE FRAME-LH END TABLE SIDE     |
| 3. 965028-00z  | MAGAZINE RACK-LOUNGE             |
| 4. 801180-00z  | PANEL 1/2" G2S Wood/Wood 4' X 7' |
| 5. 965403      | TOP-END TABLE AFT LAMINATE       |
| 5a. 964280-00z | COUNTER TOP EDGE MOLDING         |
| 6. 800599-73z  | DRAWER FACE, 8.50" X 25.00"      |
| 7. 381835      | HANDLE-CHROME/BRASS              |
| 8. 381090      | SLIDE, DRAWER, 22" (PAIR)        |
| 9. 381228-01   | CATCH GRABBER DOOR               |

# Furniture

## 965024-02 END TABLE ASSY. RH 34'S/O CLASSIC



- |                |                                   |
|----------------|-----------------------------------|
| 1. 965022-00z  | FACE FRAME-END TABLE RH S/O       |
| 2. 801180-00z  | PANEL 1/2" G2S Wood/Wood 4' X 7'  |
| 3. 965402      | TOP-END TABLE FWD LAMINATE        |
| 3a. 964280-00z | COUNTER TOP EDGE MOLDING          |
| 4. 800599-73z  | DRAWER FACE, 8.50" X 25.00"       |
| 5. 381837      | HINGE SEMI CONCEALED BRIGHT BRASS |
| 6. 381835      | HANDLE-CHROME/BRASS               |
| 7. 381228-01   | CATCH GRABBER DOOR                |

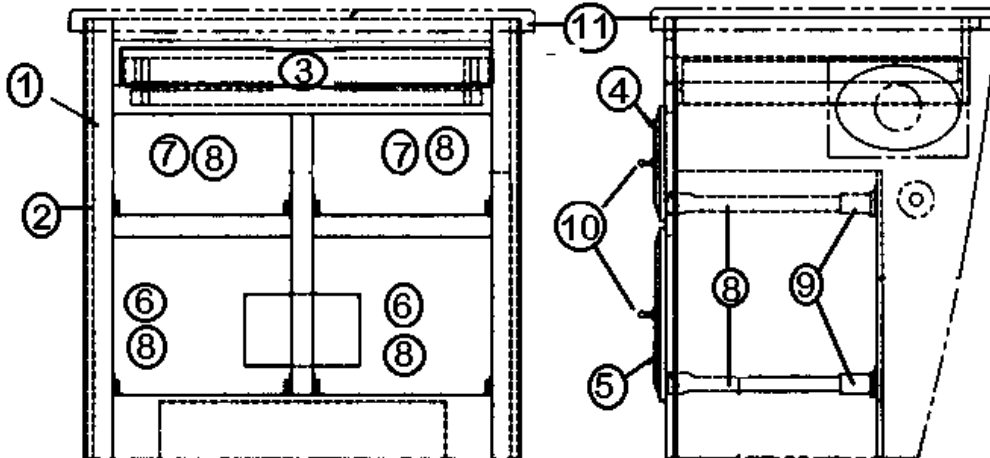
### 963094 Door Header Panel



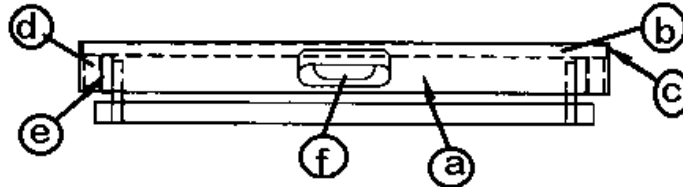
- |          |             |
|----------|-------------|
| 28" long | 28' Trailer |
| 30" long | 28' Trailer |
| 31" long | 30' Trailer |
| 40" long | 34' Trailer |

# Furniture

## 965048-01 FILE CAB. ASSY. 34' S/O CLASSIC



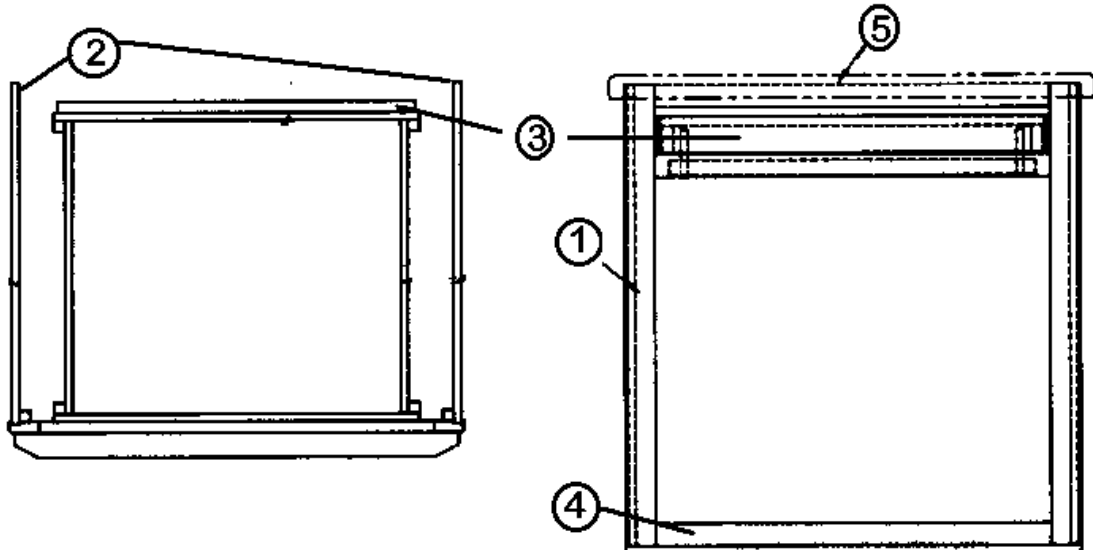
## 965016 Shelf Assembly Pull out



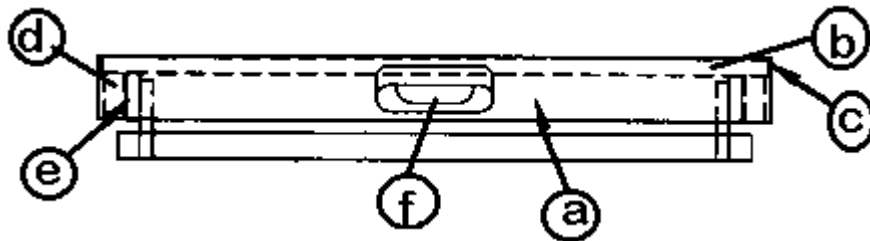
- |     |               |                                       |
|-----|---------------|---------------------------------------|
| 1.  | 965047-00z    | FACE FRAME-FILE CABINET               |
| 2.  | 801180-00z    | PANEL 1/2" G2S Wood/wood 4" X 7"      |
| 3.  | 965016        | SHELF ASSY-PULL OUT ASSEMBLY          |
|     | a. 965033     | FRAME ASSY-PULL OUT SHELF             |
|     | b. 801408     | PANELING, PRE-LAMINATED N. OAK/N. OAK |
|     | c. 365238-01  | EDGE BANDING TAPE PVC 15/16"          |
|     | d. 801180-00z | PANEL 1/2" G2S wood/wood 4" X 7"      |
|     | e. 381192     | SLIDE, DRAWER, 18"                    |
|     | f. 381175     | PULL, WOOD, OAK                       |
| 4.  | 800599-74z    | DRAWER FACE - 12.00" X 13.50"         |
| 5.  | 800599-75z    | DRAWER FACE - 8.00" X 13.50"          |
| 6.  | 964909-08     | DRAWER BOX- 11.50" X 14.00" X 10.00"  |
| 7.  | 964907-08     | DRAWER BOX- 11.50" X 14.00 X 6.00"    |
| 8.  | 381526-01     | DRAWER SLIDE-950-RV 14"               |
| 9.  | 381526-06     | BRACKET ADJUSTABLE REAR 251(PAIR)     |
| 10. | 381835        | HANDLE-CHROME/BRASS                   |
| 11. | 965404        | TOP-FIREPLACE CABINET                 |

# Furniture

## 965008 Fireplace Cabinet Assembly



## 965016 Shelf Assembly Pull out

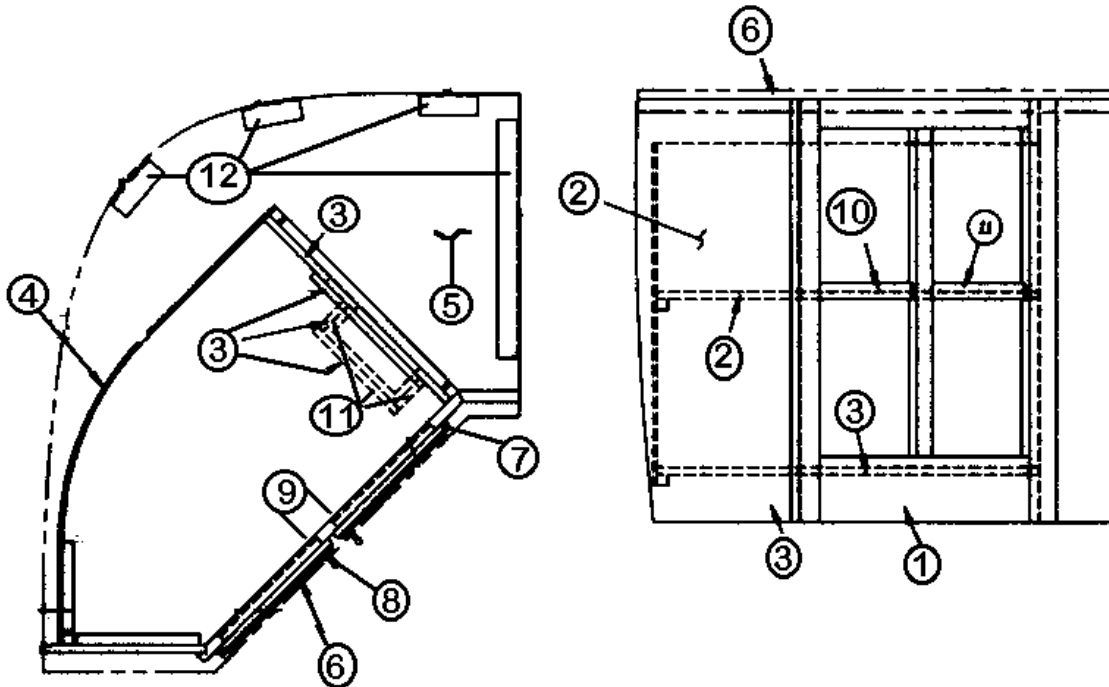


- |               |                                                |
|---------------|------------------------------------------------|
| 1. 965003-00z | Face frame, fireplace cabinet                  |
| 2. 801180-00z | PANEL 1/2" G2S Wood/wood 4" X 7"               |
| 3. 965016     | SHELF ASSY-PULL OUT ASSEMBLY                   |
| a. 965033     | FRAME ASSY-PULL OUT SHELF                      |
| b. 801408     | PANELING, PRE-LAMINATED N. OAK/N. OAK,<br>18MM |
| c. 365238-01  | EDGE BANDING TAPE PVC 15/16"                   |
| d. 801180-00z | PANEL 1/2" G2S wood/wood 4" X 7"               |
| e. 381192     | SLIDE, DRAWER, 18"                             |
| f. 381175     | PULL, WOOD, OAK                                |
| 4. 965032     | Hearth assembly                                |
| 5. 965013     | Top assembly, Corian                           |



# Furniture

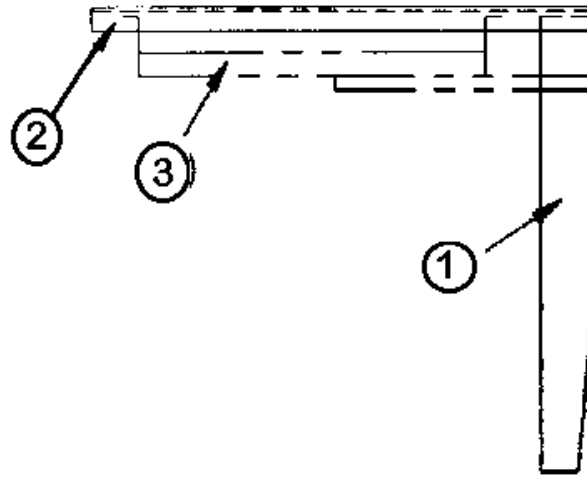
965009-02 CREDENZA ASSY/LH/FRONT 34'S/O



- |                |                                             |
|----------------|---------------------------------------------|
| 1. 965004-00z  | FACE FRAME-FRONT CREDENZA LH S/O            |
| 2. 801180-00z  | PANEL 1/2" G2S wood/wood, 4' x 7'           |
| 3. 801179-00z  | PANEL 1/2" G1S wood/RAW                     |
| 4. 801386      | Paneling, .125" S. FOREST/RAW, G1S          |
| 5. 965405-02   | TOP-CREDENZA RS LAMINATE                    |
| 5a. 801408     | PANELING, PRE-LAMINATED N. OAK/N. OAK, 18MM |
| 5b. 964280-00z | COUNTER TOP EDGE MOLDING                    |
| 5c. 965014-01  | Top assembly, front LH Credenza, Corian     |
| 6. 800597-12z  | DOOR RAISED PNL 10.50" X 26.25"             |
| 7. 381837      | HINGE SEMI CONCEALED BRIGHT BRASS           |
| 8. 381835      | HANDLE-CHROME/BRASS                         |
| 9. 381228-01   | CATCH GRABBER DOOR                          |
| 10. 800573-01z | MOLDING DOOR EDGE 1-3/32X 80"               |
| 11. 365265-01  | EDGEBANDING-5/8", NORTHERN OAK              |
| 12. 114809     | ALUM. ANGLE 1.50" X 1.50"                   |

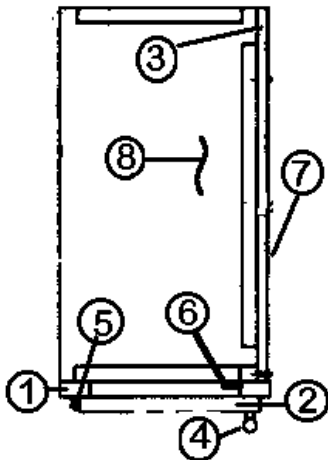
# Furniture

## 965010 CREDENZA ASSY-RH S/O



- 1. 965005-00z LEG-FRONT CREDENZA, S/O
- 2. 965015 TOP ASSEMBLY, FRONT CREDENZA, RH, CORIAN
- 3. 381701 TRAY KEYBOARD W/MOUSE PAD

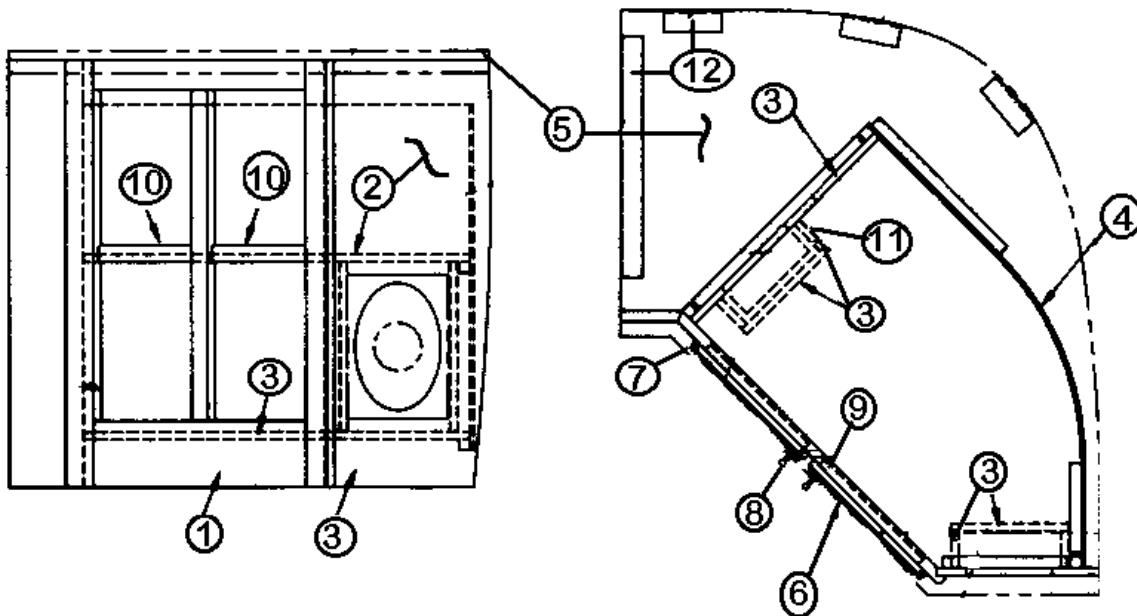
## 965055-04 LH Upper Cabinet, shown (-03 RH Opposite)



- 1. 965054-01z FACE FRAME-RH S/O UPPER CAB.
- 1. 965054-02z FACE FRAME-LH S/O UPPER CAB
- 2. 801180-00z PANEL 1/2" G2S wood/wood, 4' x 7'
- 3. 800597-57z DOOR RAISED PNL 9.00" X 16.25"
- 4. 381837 HINGE BRIGHT BRASS
- 5. 381835 HANDLE-CHROME/BRASS
- 6. 381228-01 CATCH GRABBER DOOR
- 7. 800571-01z MOLDING FLAT .52W X 80"
- 8. 80118-00z Panel, 2/32", GS, wood/raw, 4' x 8'

# Furniture

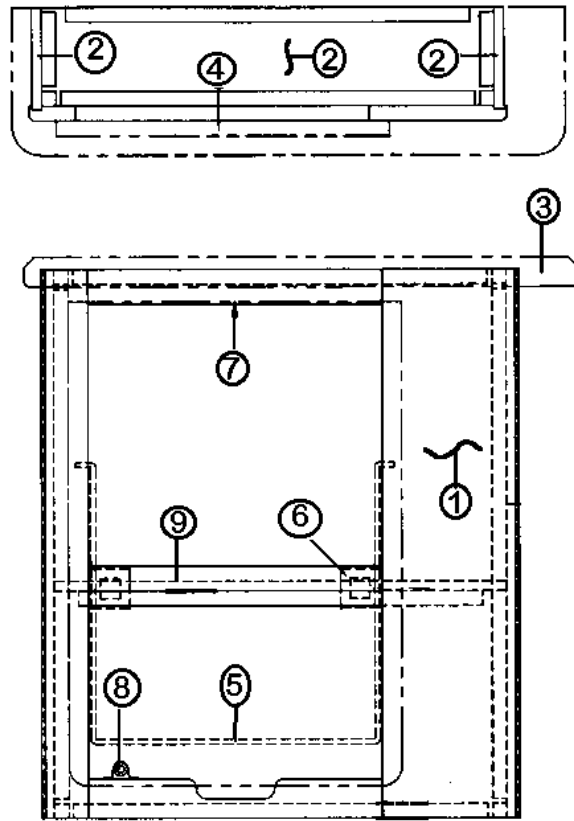
## 965093 Credenza, Assembly, RH Front



- |     |            |                                      |
|-----|------------|--------------------------------------|
| 1.  | 965004-01z | Face frame, front credenza, RH       |
| 2.  | 801180-00z | PANEL 1/2" G2S wood/wood, 4' x 7'    |
| 3.  | 801179-00z | PANEL 1/2" G1S wood/RAW              |
| 4.  | 801386     | Paneling, .125" S. FOREST/RAW, G1S   |
| 5.  | 965014-02  | Top assembly, Front Credenza, Corian |
| 6.  | 800597-12z | DOOR RAISED PNL 10.50" X 26.25"      |
| 7.  | 381836     | HINGE-BRITE BRASS                    |
| 8.  | 381835     | HANDLE-CHROME/BRASS                  |
| 9.  | 381228-01  | CATCH GRABBER DOOR                   |
| 10. | 800573-01z | MOLDING DOOR EDGE 1-3/32" X 80"      |
| 11. | 365265-01  | EDGE BANDING-5/8", NORTHERN OAK      |
| 12. | 114809     | Aluminum angle, 1.50" x 1.50"        |

# Furniture

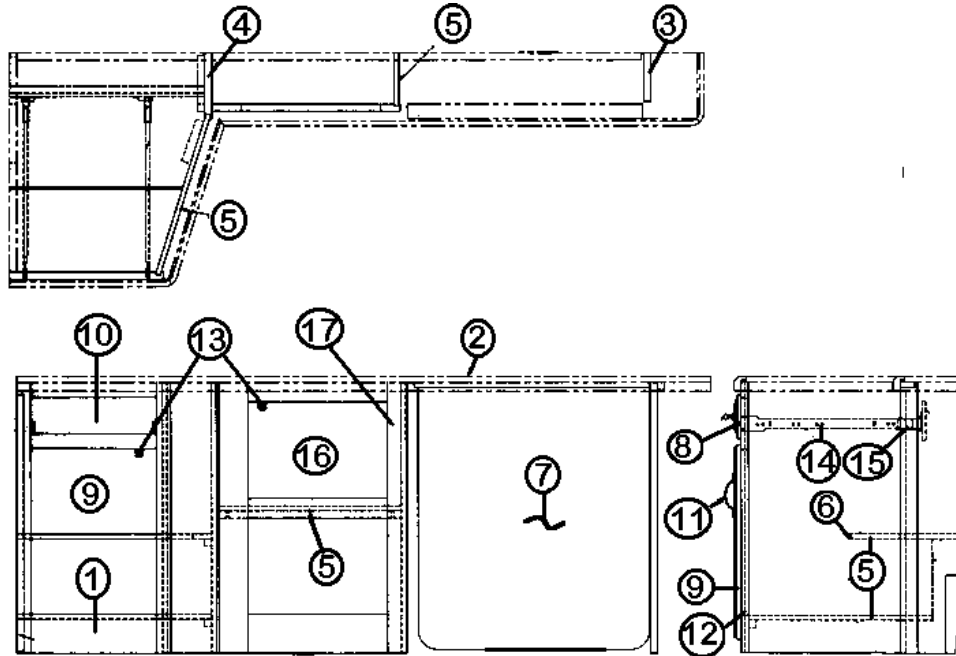
965411-01z Computer Table, RS  
965411-02z Computer Table, RS, Limited Option



1. 965418-00z Face frame, computer table, RS
2. 801180-00z PANEL 1/2" G2S wood/wood, 4' x 7'
3. 961958 Top assembly, writing table cabinet, classic
- 3a. 962875 Top assembly, writing table cabinet, Limited
4. 962423 Table top, assembly, writing, classic
- 4a. 962880 Table top, assembly, writing, Limited
5. 380492 Bracket table
6. 340018 Catch plate, J-1
7. 380458 Hinge, piano, brown anodized
8. 381074 Bull dog catch
9. 800573-01 Molding, door edge, 1 3/32" x 80"

# Furniture

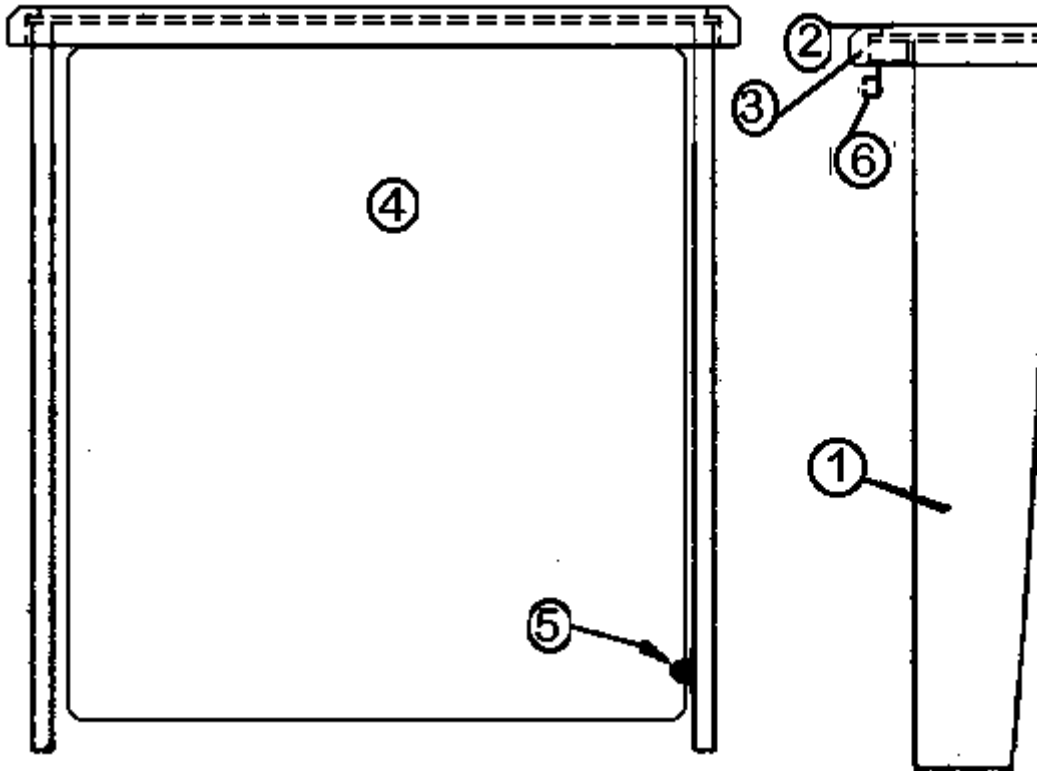
964408-05 RS CREDENZA ASSY. 31 Ft.



- |                |                                      |
|----------------|--------------------------------------|
| 1. 963729-01   | FACE FRAME CREDENZA                  |
| 2. 964311      | TOP ASSY. RS CREDENZA                |
| 2a. 965510-03  | Top, Hickory, Nomar (Limited)        |
| 3. 962381-01   | FWD STILE RS CREDENZA                |
| 4. 962382-01   | AFT STILE RS CREDENZA                |
| 5. 801180-00z  | PANEL 1/2" G2S wood/wood, 4' x 7'    |
| 6. 800571-01z  | MOLDING FLAT .52" W X 80"            |
| 7. 960420-02   | TABLE, LIFT-UP, ASSEMBLY, 24"        |
| 8. 800599-07z  | DRAWER FACE 4.50" X 14.00"           |
| 9. 800597-02z  | DOOR RAISED PANEL 14.00" X 20.00"    |
| 10. 964906-06  | DRAWER BOX- 12.00" X 18.00" X 2.75z" |
| 11. 381835     | HANDLE-CHROME/BRASS                  |
| 12. 381836     | HINGE-BRITE BRASS                    |
| 13. 381228-01  | CATCH GRABBER DOOR                   |
| 14. 381526-03  | DRAWER SLIDE 18" PER PR              |
| 15. 381526-06  | ADJUSTABLE REAR BRKT PER PR          |
| 16. 800597-51z | DOOR RAISED PANEL 15.75" X 23.00"    |
| 17. 964409-01  | FACE FRAME-CREDENZA FWD SECTION      |

# Furniture

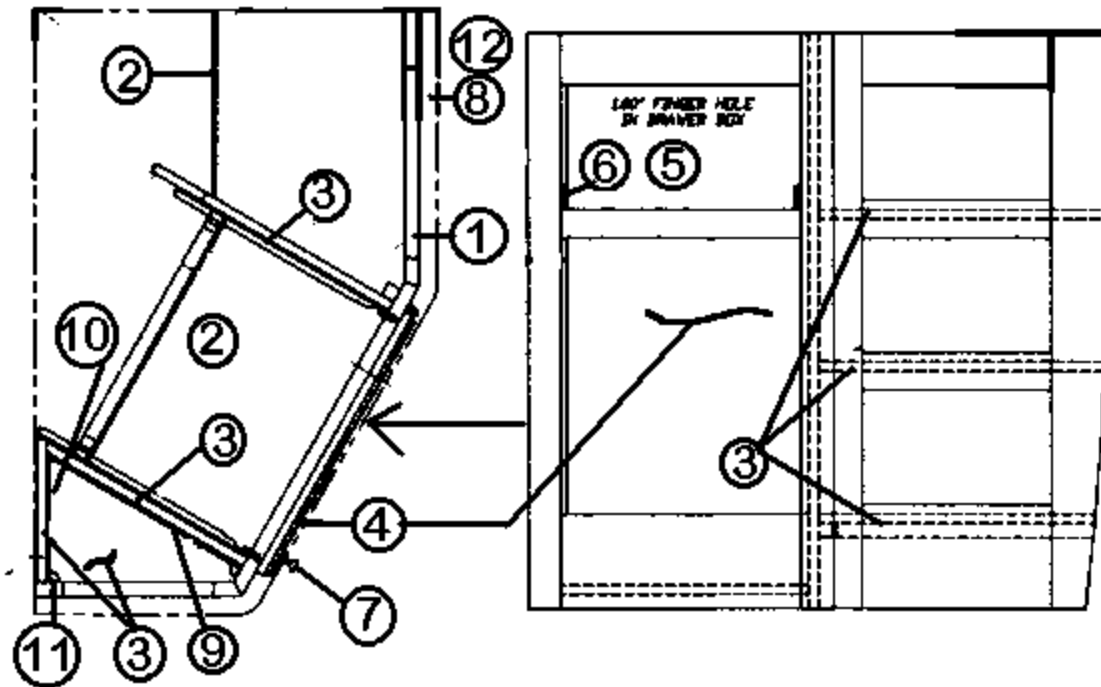
962015-01 LIFT UP TABLE CABINET ASSY.  
962015-02 LIFT UP TABLE (Limited Option)



- 1. 962381-01 FWD STILE RS CREDENZA
- 2. 962155 Top Assembly, Corian, (LIMITED)
- 2a. 961958 TOP ASSY WRITING TABLE CHAIR STORAGE
- 3. 964280-00z COUNTER TOP EDGE MOLDING
- 4. 960420-02 TABLE, LIFT-UP, ASSEMBLY, 24" OAK
- 4a. 960420-06 TABLE, LIFT-UP, ASSEMBLY, 24" Nomar
- 5. 381074 BULL DOG CATCH
- 6. 101253 EXTR. CREDENZA HINGE MOVABLE

# Furniture

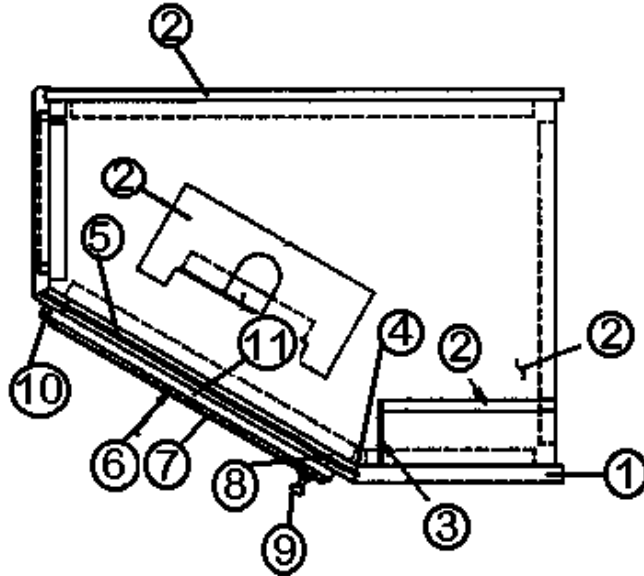
963219-01 END TABLE ASSY.  
-02 Limited option



- |                |                                     |
|----------------|-------------------------------------|
| 1. 962291-01   | FACE FRAME END TABLE                |
| 2. 801181-00z  | PANEL 5/32"G1S Wood / RAW 4'X8'     |
| 3. 801180-00z  | PANEL 1/2" G2S wood/wood 4' X 7'    |
| 4. 800597-51z  | DOOR RAISED PANEL 15.75" X 23.00"   |
| 5. 964910-14   | DRAWER BOX- 13.75" X 13.00" X 5.00" |
| 6. 381526-01   | DRAWER SLIDE-14" PER PR             |
| 7. 381835      | HANDLE-CHROME/BRASS                 |
| 8. 961940      | TOP END TABLE                       |
| 9. 371262-43   | MIRROR- SAFETY- 11.50" X 12.75"     |
| 10. 371262-44  | MIRROR- SAFETY, 6.50" X 12.75       |
| 11. 800638-02z | MOLDING, 1/4" ROUND .5"             |
| 12. 964280-00z | COUNTER TOP EDGE MOLDING            |

# Furniture

## 962202 TV CABINET ASSY. W/O TV VINYL



\* Items deleted w/TV addition

- |               |                                    |
|---------------|------------------------------------|
| 1. 962200-01  | FACE FRAME TV CABINET, 30'TRL      |
| 2. 801180-00z | PANEL 1/2" G2S wood/wood 4' X 7'   |
| 3. 801181-00z | PANEL 5/32"G1S Wood/ RAW 4'X8'     |
| 4. 114811     | ALUM. ANGLE .50 X .50              |
| 5. 203138-03  | EXTRUSION PLASTIC WALL BEIGE       |
| 6. 800557-04* | DOOR FRAME 15.00" X 14.50"         |
| 7. 372210-25* | GLASS-BEVELED SAFETY 12.12"X11.62" |
| 8. 381228-01* | CATCH GRABBER DOOR                 |
| 9. 381835     | HANDLE-CHROME/BRASS                |
| 10. 381836    | HINGE-BRITE BRASS                  |
| 11. 381754*   | MIRROR CLIP                        |

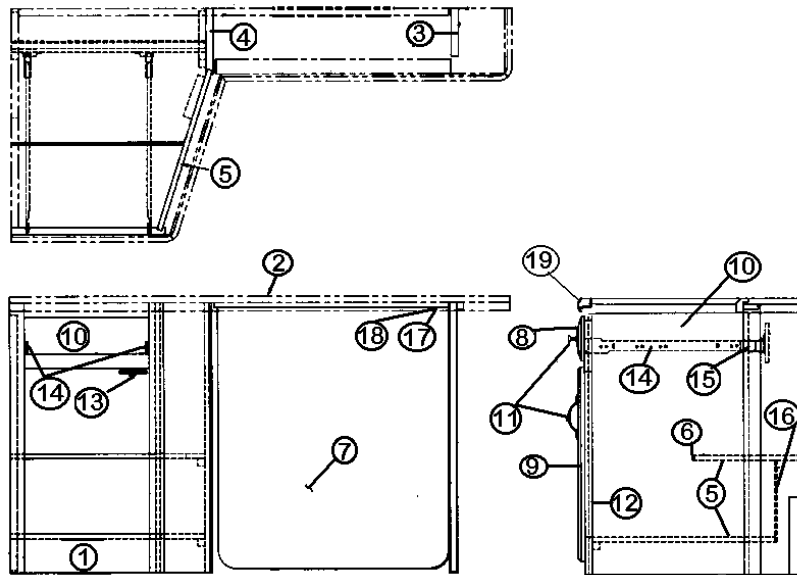
### Not Shown:

- |           |                                    |
|-----------|------------------------------------|
| 365265-01 | EDGE BANDING-5/8", NORTHERN OAK    |
| 702482-03 | HEADLINER SPECTRA OPAL X TEXTURED  |
| 381081-04 | SNAP CAP WHITE (SCREW SIZE #6, #8) |
| 320020    | BROWN PHIL HEAD SCREW #8; 1 1/4"   |



# Furniture

963728-03 CREDENZA ASSY. RS



- |                |                                     |
|----------------|-------------------------------------|
| 1. 963729-01   | FACE FRAME CREDENZA, 25'TRL         |
| 2. 963738      | TOP CREDENZA RS                     |
| 3. 962381-01   | FWD STILE RS CREDENZA               |
| 4. 962382-01   | AFT STILE RS CREDENZA               |
| 5. 801180-00z  | PANEL 1/2" G2S Wood/Wood, 4' x 7'   |
| 6. 800571-01z  | MOLDING FLAT .52W X 80"             |
| 7. 960420-02   | TABLE, LIFT-UP, ASSEMBLY, 24" OAK   |
| 8. 800599-07z  | DRAWER FACE 4.50" X 14.00"          |
| 9. 800597-02z  | DOOR RAISED PNL 14.00" X 20.00"     |
| 10. 964906-06  | DRAWER BOX- 12.00" X 18.00" X 2.75" |
| 11. 381835     | HANDLE-CHROME/BRASS                 |
| 12. 381836     | HINGE-BRITE BRASS                   |
| 13. 381228-01  | CATCH GRABBER DOOR                  |
| 14. 381526-03  | DRAWER SLIDE-18" PER PR             |
| 15. 381526-06  | BRACKET ADJUSTABLE REAR 251(PAIR)   |
| 16. 801181-00z | PANEL 5/32" G1S Wood/RAW 4'X 8'     |
| 17. 380203-01  | PIANO HINGE, 1/8" PIN ANODIZED      |
| 18. 101253     | EXTR. CREDENZA HINGE MOVABLE        |
| 19. 964280-00z | COUNTERTOP EDGE MOLDING             |

# Furniture

## NOTES



