

INTERSTATE MOTORHOME

***PARTS
BOOK***

2004



2004 INTERSTATE MOTORHOME TABLE OF CONTENTS

SECTION I A through C

APPLIANCES

Air Conditioner	I-1
Furnace	I-1
Microwave	I-1
Cooktop	I-1
Refrigerator	I-1
Water Heater	I-1
Generator	I-1

EXTERIOR BODY

CS Wall	I-2
RS Wall	I-3

INTERIOR BODY

Trim Rings	I-4
Interior Trim	I-4
Console	I-4

CHASSIS

Wheels	I-5
Mud Flaps	I-5
Spare Tire Cover	I-5
Exhaust System	I-5

2004 INTERSTATE MOTORHOME TABLE OF CONTENTS

SECTION II D through E

DECAL/EXTERIOR TRIM	II-1
---	------

DOORS/WINDOWS/AWNING

Exterior Doors	II-2
Interior Doors	II-2
Windows	II-3
Awning	II-3

DRAPES/BLINDS	II-4
-------------------------------------	------

ELECTRICAL

110 volt	II-5
12 volt	II-6

ENTERTAINMENT

Radio	II-7
Antenna	II-7
Television	II-7

2004 INTERSTATE MOTORHOME TABLE OF CONTENTS

SECTION III F through H

FASTENERS (common fasteners available locally are not listed)

[Rivets](#)..... III-1

[FLOOR COVERING](#) III-2

FURNITURE

[Lavatory](#) III-3

[Galley](#)..... III-6

[Lounge](#)III-11

HARDWARE

[Seats](#)III-17

[Handles/Latches](#).....III-17

[Hinges](#).....III-17

[Miscellaneous Hardware](#)III-17

2004 INTERSTATE MOTORHOME TABLE OF CONTENTS

SECTION IV L through Z

[LABELS and TAGS](#) IV-1

PLUMBING

[LPG](#) IV-2

[Fresh water](#) IV-3

[Freshwater Fittings](#) IV-4

[Faucets](#) IV-7

[Drain water](#) IV-9

[Toilet](#) IV-11

[SAFETY EQUIPMENT](#) IV-13

[SEALER](#) IV-13

[GASKETS](#) IV-13

[UPHOLSTERY/FOAM/MATTRESS](#) IV-14

[VENTS/FANS](#) IV-17

[WOOD/LAMINATES/TRIM](#) IV-18

2004 INTERSTATE MOTORHOME

Notes

2004 INTERSTATE MOTORHOME

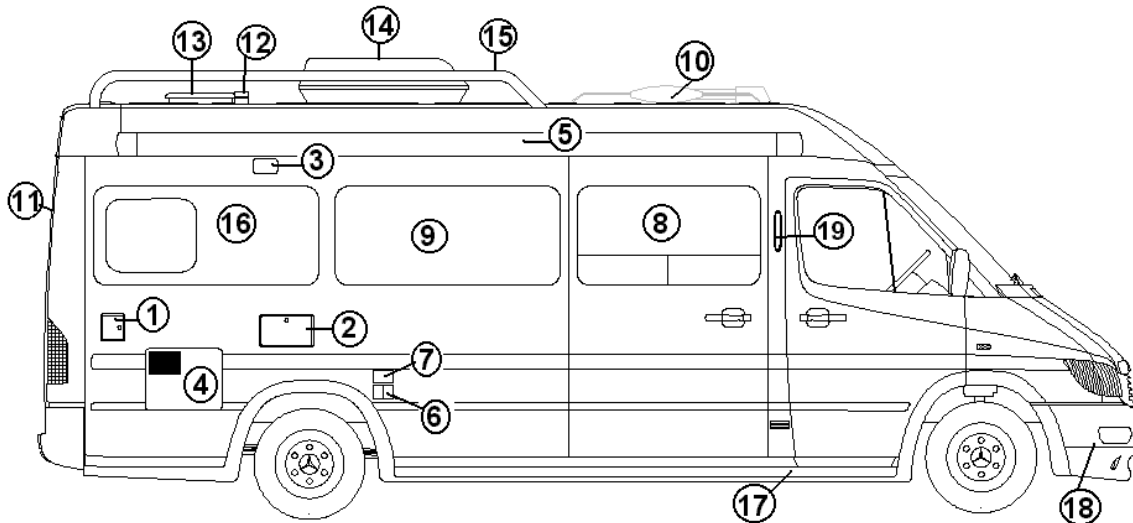
APPLIANCES

Air Conditioner

195329-143	AIR CONDITIONER 11,000 BTU
511252	PLUG PHONE 4 CONDUCTOR
690323-05	AIR BOX/RETURN GRILL MANUAL
690323-03	AIR CONDITIONER, DOMETIC HEAT STRIP
454204	ROOF AIR FLOW DIFFUSER A/C-REFER
350047	3/8", LOCK FOR CORD GRIP
690439	FURNACE, 12,000 BTU, DIRECT PUMP
690498	MICROWAVE, 0.7 CF, 17.94" W X 11.0"
454206	BRACKET, FORMED ANGLE MICROWAVE
690471	Cook-top, 2-burner, black glass top
690470-02	REFER-3CF 2-WAY RH DR RM2352RB
965934-01	INSERT ASSEMBLY, REFER 20.62" X 15.75"
965934-02	INSERT ASSEMBLY, REFER 20.62" X 32.62"
690394	Power ventilator, refrigerator
690199	ELECTRONIC IGNITION WATER HEATER
320006	SCREW, SHEET METAL, 8 X 3/4" BH PHIL
690209	BRUSHED ALUM ACCESS COVER
601671	ELBOW STREET 90DEG 1/2"
381648	COVER LATCH HOLE WATER HEATER
511811-01	GENERATOR, 2.5KV-FA LP VAPOR
511811-02	SWITCH-REMOTE W/HR METER ONAN
511811-04	MOUNTING, KIT-UNDER FLOOR ONAN 2.5KV
511811-05	PIPE, GENERATOR EXHAUST
510562	SWITCH, GENERATOR SWITCH OVER AUTO TS
454216	BRACKET, AFT GENERATOR MOUNTING
454217	BRACKET, FWD-AFT GEN MOUNTING
601874	HOSE-LP REGULATOR TO GENERATOR
966067-01	CONTROL PANEL ASSEMBLY W/GENERATOR

2004 INTERSTATE MOTORHOME

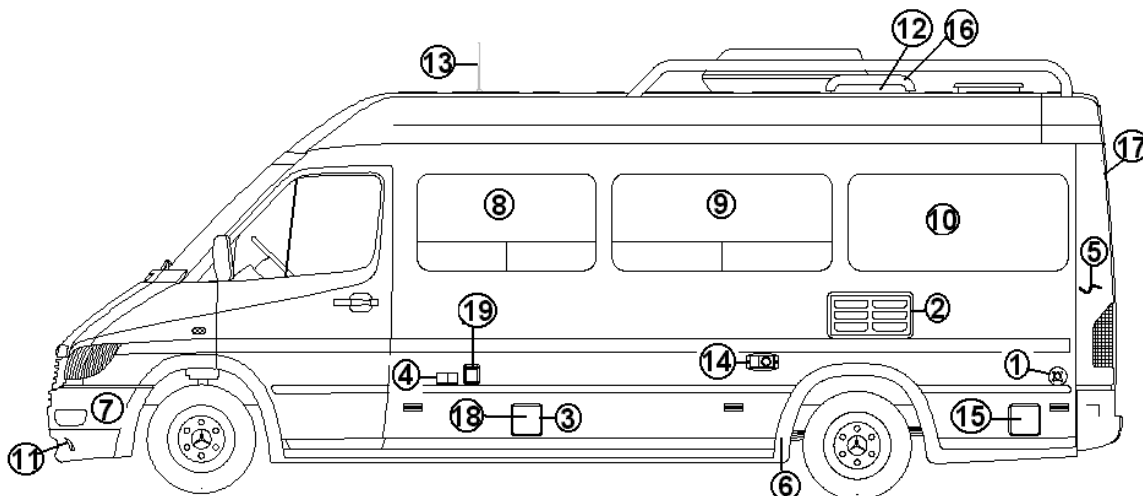
Body
CS



- | | |
|----------------|--|
| 1. 601194 | Water fill w/lock, gray, w/ label |
| 2. 601876 | Exterior shower door and frame |
| 3. 510672-02 | Porch light, white |
| 4. 690199 | Water heater, electronic ignition |
| 5. 690497 | Patio awning, 13 foot |
| 6. 511796 | Exterior cable TV/12-volt power |
| 7. 510676-01 | Outlet, exterior, 110-volt, gray |
| 8. 381392-03 | Window, double vent, 39.50" x 23.38" |
| 9. 371392-05 | Window, solid, 51.13" x 23.38" |
| 10. 510788-01 | Antenna, TV, Wineguard |
| 11. 371392-02 | Window, CS solid rear, 23.31" x 23.31" |
| 12. 690264-03 | Plumbing cover, white |
| 13. 381841 | Fantastic roof vent |
| 14. 195329-143 | Air conditioner, 11,000 BTU |
| 15. 922722 | Roof rack |
| 16. 371396 | Window, solid, 52.63" x 24.88" |
| 17. 203456-01 | CS running boards |
| 18. 203456-02 | BUMPER, FRONT |
| 19. 381158 | Assist handle |

2004 INTERSTATE MOTORHOME

Body
RS



- | | |
|---------------|--|
| 1. 601392-05 | City water fill w/regulator |
| 2. 690470-01 | Vent, refer |
| 3. 601873 | LP Remote fill W/48" hoses |
| 4. 500996 | Jack TV/phone, gray |
| 5. 511813-01 | Valve, electric waste |
| 6. 203456-00 | RS running board |
| 7. 203456-02 | Front bumper |
| 8. 371392-04 | Window, 41.13" X 23.38" |
| 9. 371392-06 | Window, double lower vent, 51.13" x 23.38" |
| 10. 371395 | Window, solid panel, 53.63" x 24.88" |
| 11. 203456-03 | Driving lights |
| 12. 100341 | Refer vent collar, large |
| 13. 511807 | Radio antenna |
| 14. 690439 | Furnace, 12,000 BTU, direct pump |
| 15. 601229 | Sewer hose storage |
| 16. 101394 | Cover, refer vent, large |
| 17. 371392-01 | Window, solid rear, RS, 23.31" x 23.31" |
| 18. 203463 | Access door, LP remote fill |
| 19. 511416-02 | Power inlet, 30Amp, 125-volt, male, gray |

2004 INTERSTATE MOTORHOME

BODY INTERIOR SHELL

454200 TRIM RING, REFRIGERATOR VENT

203451 TRIM RING, WINDOW, CS 23.38" X 32.33"
203450 TRIM RING, WINDOW, RS 23.38" X 32.38"
203453 TRIM RING, WINDOW, CS 54.13" X 26.25"
203454 TRIM RING, WINDOW, RS 44" X 26.25"
203455 TRIM RING, WINDOW, RS 47.5" X 26.25"
203452 TRIM RING, SLIDING DOOR WINDOW
372231 TRIM RING, MILL 22.25" X 18"

454201 TRIM RING ASSEMBLY-REFER VENT SUPPORT
454200 TRIM RING-REFER VENT

Interior Trim

114853-01 ALUMINUM SHEET .032" X 57", INTERIOR SKIN
114880-198 ALUMINUM SHEET .040" X 51" INTERIOR SKIN
800507-01 LAUAN, 1/8" X 4' X 8'
922753-03 HEADER, SLIDING DOOR, INTERIOR SKIN
203468 PILLAR, CS FORMED ABS
203469 PILLAR, RS FORMED ABS
203470 HEADER, CAB ABS
203467 HEADER, FORMED ABS
203471 POCKET, ABS REAR DOOR STORAGE

203462 CAP COVER-SCREW CHERRY PVC
381842 TRIM-LOK, 1/16" BLACK W/PEBBLE FINISH

Console

203459-01 APPLIQUE, DASH CONSOLE CHERRY
203459-02 APPLIQUE, CENTER CONSOLE CHERRY
203459-03 APPLIQUE, ASH TRAY CHERRY

2004 INTERSTATE MOTORHOME

CHASSIS

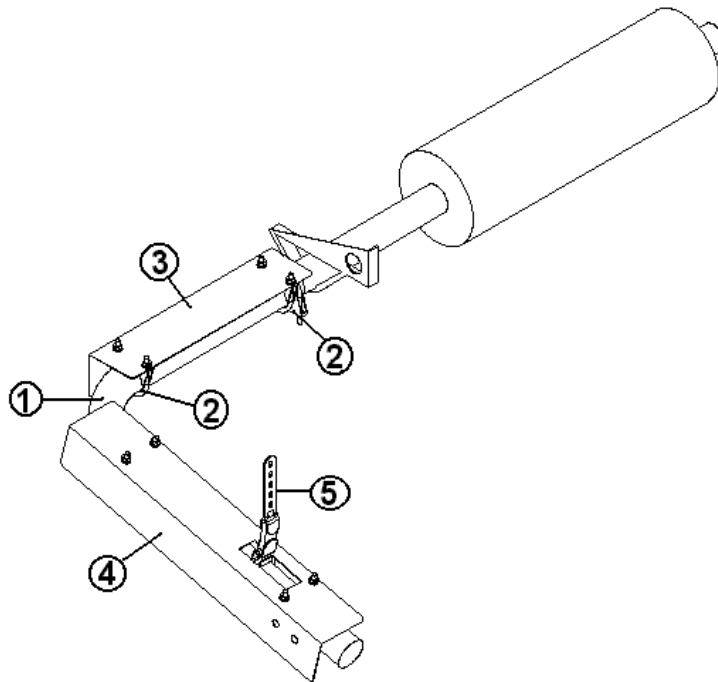
WHEELS

- 400977 WHEEL COVERS-16" SIMULATOR STAINLESS STEEL
- 400982 EXTENSION-VALVE STEM 3.5"

- 400571 MUD FLAP, PAIR

- 703389 COVER-SPARE TIRE

EXHAUST SYSTEM



- 1. 454222 PIPE, EXHAUST
- 2. 340073-10 CLAMP- MUFFLER 2.5"
- 3. 454218 SHIELD-FWD EXHAUST
- 4. 454219 SHIELD-AFT EXHAUST
- 5. 381509 Hanger, Tailpipe

- 454199 WELDMENT, REFRIGERATOR, SUPPORT
- 454202 MOUNTING PLATE WATER HEATER
- 454203 WELDMENT, SKID RAIL

2004 INTERSTATE MOTORHOME

DECAL/EXTERIOR TRIM

386139	DECAL, AIRSTREAM BLK REFLECTOR 22"
386140	DECAL, "INTERSTATE" BLACK
386051	DECAL LOGO 32" "AIRSTREAM"
386146	NAMEPLATE-INTERSTATE 3" X 10"

2004 INTERSTATE MOTORHOME

DOORS/WINDOWS/AWNING EXTERIOR DOORS

203463 DOOR-ACCESS LP REMOTE FILL
601194 Water fill w/lock, gray, w/ label
601876 Exterior shower door and frame
690209 BRUSHED ALUMINUM ACCESS COVER
601229 Sewer hose storage
690470-01 VENT-REFER-PLASTIC RADIUS CORNER

INTERIOR DOORS

998161 INTERIOR DOOR PANEL, RS REAR DOOR
998163 INTERIOR DOOR PANEL, CS REAR DOOR
922753-01 SLIDING DOOR, INTERIOR SKIN, LOWER
922753-02 SLIDING DOOR, INTERIOR SKIN, UPPER

801341-90 DOOR, WARDROBE, 12.38" X 22.13"
801341-91 DOOR, WARDROBE, 11.22" X 53.69"
801341-86 DOOR, GALLEY 7.65" X 20.25"
801341-88 DOOR, GALLEY 14.13" X 32.56"
801341-89 DOOR, GALLEY 11.56" X 20.25"
966028 DOOR, ROOF LOCKER, PLEXI-GLASS, 9.75"X 13.88"
965563-05 DOOR, REFER CABINET, PLEXI-GLASS 11.38" X
13.5"
371394 DOOR, ENTERTAINMENT CENTER, SMOKE PLEXI-
GLASS 9.06" X 13"
801493-01 DOOR, RS ROOF LOCKER, RADIUS 12.38"X 31.5"
801493-02 DOOR, CS ROOF LOCKER, RADIUS 12.38" X 28.13

2004 INTERSTATE MOTORHOME

DOORS/WINDOWS/AWNING

WINDOWS

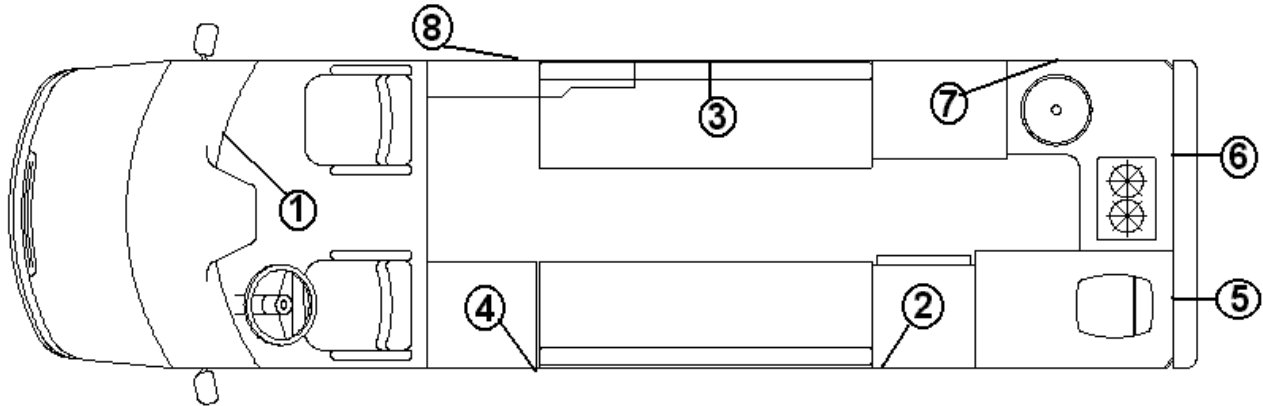
371392-01	WINDOW-23.31"X23.31"RH CREATION
371392-02	WINDOW-23.31"X23.31"LH CREATION
371392-03	WINDOW-39.5"X23.38"CREATION
371392-04	WINDOW-41.13"X23.38"CREATION
371392-05	WINDOW-51.13"X23.38"SOLID CREATION
371392-06	WINDOW-51.13"X23.38"DLB VENT C
371395	GLASS-RS 52.63" X 24.88"FULL TINT
371396	GLASS-CS 52.63" X 24.88"HALF TINT

AWNINGS

690497	Patio awning, 13 foot
--------	-----------------------

2004 INTERSTATE MOTORHOME

DRAPES/BLINDS/VALANCES BLINDS



- | | |
|--------------|--------------------------------------|
| 1. 998153 | DRAPES CLOSEOUT ASSEMBLY, WINDSHIELD |
| 2. 703381-01 | SHADE, NIGHT ONLY 39" W X 21.00" L |
| 3. 703381-02 | SHADE NIGHT ONLY 45" W X 21.0" L |
| 4. 703381-03 | SHADE NIGHT ONLY 35.50"W X 21.0"L |
| 5. 703382-01 | SHADE ANGLED-R/S AFT DOOR |
| 6. 703382-02 | SHADE ANGLED-C/S AFT DOOR |
| 7. 703191-06 | BLIND-MINI 26" X 23" ALUMINUM |
| 8. 998162 | CURTAIN ASSEMBLY-SLIDING DOOR |

Curtain/Drape Material

- | | |
|--------|---------------------------------|
| 702954 | FABRIC DRAPERY GALAXY/BONE |
| 700273 | LINING, THERMA-FOAM 25006 WHITE |
| 700005 | FASTENER, CAP |
| 700006 | FASTENER SOCKET |
| 381519 | SCREW STUD |
| 700044 | Glides, w/elastic "T" type |

2004 INTERSTATE MOTORHOME

ELECTRICAL 110 VOLT

511416-02	30-amp, male power inlet for power cord
511416-03	POWER CORD 30A, 30' W/CONN UL/C
510676-01	Outlet, exterior, gray
511654-01	POWER CENTER-110V/12V MAGNATEK
511637	SWITCH-SELECTOR AUTO ENERGY
510562	SWITCH, GENERATOR SWITCH OVER AUTO TS

2004 INTERSTATE MOTORHOME

ELECTRICAL

12 VOLT

511828	Battery, 12-VOLT, DEEP CYCLE, AGM
511595	Battery box
511805	SWITCH-ROTARY ON/OFF LP VALVE
511694	Reading light, halogen, Nickel
500842	LIGHT, FLUORESCENT, 16 WATT, 12" X 5.5" X 1"
511695	SPOTLIGHT-BRUSHED NICKEL
511410	LIGHT-SHOWER INCANDESCENT SINGLE
511788-02	Monitor panel, CATCON Micropulse
511252	PLUG PHONE 4 CONDUCTOR
511789	SENSOR-TANK MONITOR #500-10050
511393	COUPLER-MODULAR EXTENSION 4 CONDUCTOR
511812	PAD-HEATING HOLD TANK #TH-718
511813-01	VALVE-ELECTRIC, WASTE
511813-02	SWITCH-ELECTRIC WASTE VALVE
510672-02	PORCH LIGHT, #30-78-515, WHITE
511796	CABLE-EXT. TV/12V POWER PORT
511260	COVER WEATHER PROOF SINGLE GANG
511655-01	BATTERY DISCONNECT BEZEL ASSEMBLY, BLACK/SILVER
511655-02	BATTERY DISCONNECT RELAY 100 AMP 12-VOLT
511655-03	BATTERY DISCONNECT CABLE, BDO/1, 20 FT
203456-03	DRIVING LIGHTS
454207-01	BRACKET, RS DRIVING LIGHT
454207-02	BRACKET, CS DRIVING LIGHT

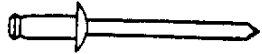
2004 INTERSTATE MOTORHOME

ENTERTAINMENT

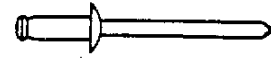
511718	RADIO, AM/FM/CD JVC #KD-SX8350P
511773	PLAYER, DVD SINGLE DISC 12V
511822	SUB WOOFER-POWERED 6.5" WEDGE
511618	SPEAKERS, 4" 2-WAY BLACK JVC
511617-01	SPEAKER GRILL, BLACK
510788-05	ANTENNA-TV WINEGARD SHORT BOOM
500484-05	Antenna lead & extension, 72"
510788-03	Amplifier, TV antenna
510788-04	Hardware package, interior, Winegard
510612	Coax, 75 ohm, standard
510613	Coax, 75-ohm w/three conductors
510623	Connector, coax, male to male
510616	F CONNECTOR, COAX, 75 OHM
511807	ANTENNA, AM/FM RUBBER RADIO
690490	TV, 15"LCD FLAT LC15EIU, SHARP
500996	Jack, TV/phone, gray, Exterior
510654-01	TV jack/12 volt w/splitter, white
510624-01	Modular phone quick jack, white
452981	PHONE JACK PROTECTIVE PLATE
104619	Mounting plate, exterior telephone/TV jack
510741	BOX/ELECTRICAL, 1-1/2" X 2" X 3"
510174	TELEPHONE WIRE
511534	DUAL COAX PLATE WHITE
114396	Trough, TV antenna, roof

2004 INTERSTATE MOTORHOME

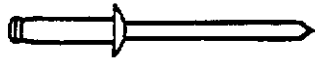
*FASTENERS



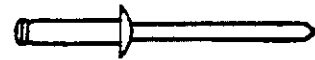
330126-02
rivet, pop
dia. 1/8 "
grip range .126-.187
stainless steel
stainless steel mandrel



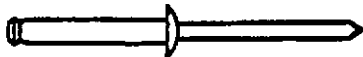
330126-03
rivet, pop
dia. 1/8 "
grip range .126-.250
body stainless steel body
stainless steel mandrel



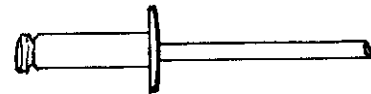
330127-05
rivet, pop
dia. 1/8 "
grip range .251-.312
aluminum body
aluminum mandrel



330128-05
rivet, pop
dia. 1/8 "
grip range .251-.312
aluminum body, white
aluminum mandrel



330127-08
rivet, pop
dia. 1/8 "
grip range .325-.565
aluminum body
aluminum mandrel



330038
rivet, pop
dia. .150 (#20 bit)
grip range .126-.250
aluminum body
aluminum mandrel
(used-screen door hinge)



325103
dia. 1/4 "
grip range .080-.325
SS body, steel mandrel

*Common bolts and screws not listed.

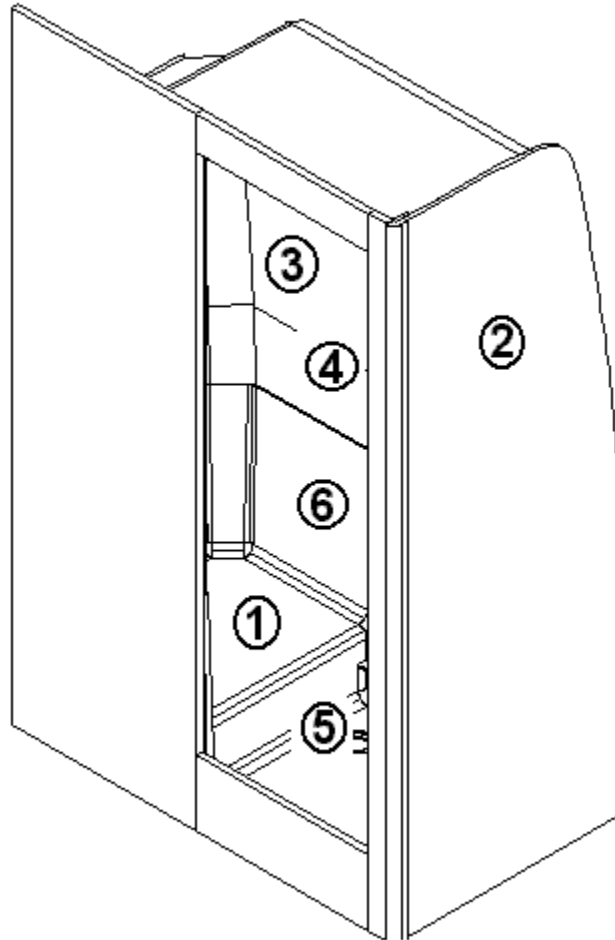
2004 INTERSTATE MOTORHOME

FURNITURE FLOOR COVERING

703204	FLOORING-VINYL OAK RIVER #6286
115179	ANGLE-ALUM .06"X.75"X.75"
800639-02	ADHESIVE, OAK PLANK
998156-01	FLOOR MAT, CAB UPPER
998156-02	FLOOR MAT, CAB LOWER
703384	CARPET, CHARCOAL

2004 INTERSTATE MOTORHOME

FURNITURE Lavatory



1. 203448

2. 966002

3. 998154

4. 601592-01

5. 690495

6. 380034

BASE/ CAP-SHOWER STALL FIBERGLASS

PANEL INSTALL-SHOWER

SHOWER CURTAIN-28" X 67"

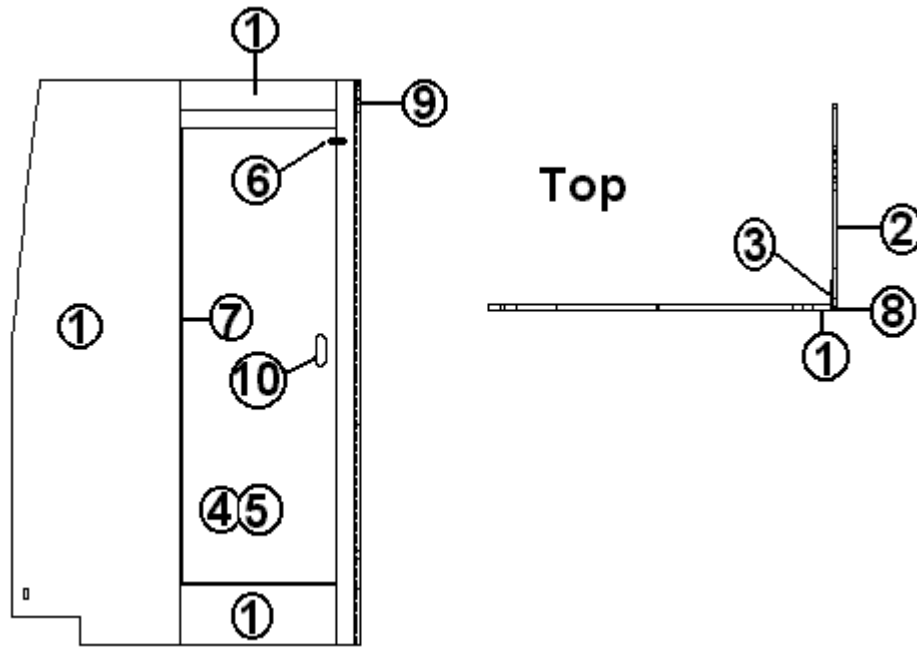
SHOWER HEAD WHITE

TOILET THETFORD AQUA-MAGIC V-LO

TOILET PAPER HOLDER, CHROME

2004 INTERSTATE MOTORHOME

FURNITURE Lavatory Shower Panels



- | | |
|--------------|------------------------------------|
| 1. 801477-01 | PANEL, CHERRY/WHITE 18MM |
| 2. 801478-01 | PANEL, CHERRY/WHITE 12MM |
| 3. 800507-02 | LAUAN, 1/4" X 4' X 8' |
| 4. 801378 | PANEL, WHITE LINER/GATOR, 18MM |
| 5. 801342 | LAMINATE, ALUMINUM BRUSHED 4' X 8' |
| 6. 380772-01 | SLIDE BOLT, SCREEN DOOR #40-B2 |
| 7. 380458 | HINGE PIANO BROWN ANODIZED |
| 8. 801393-03 | CORNER TRIM, 90D RADIUS CHERRY |
| 9. 365282 | EDGEBANDING- .94" CHERRY |
| 10. 381775 | DRAWER PULL-FLUSH SATIN #UT-10 |

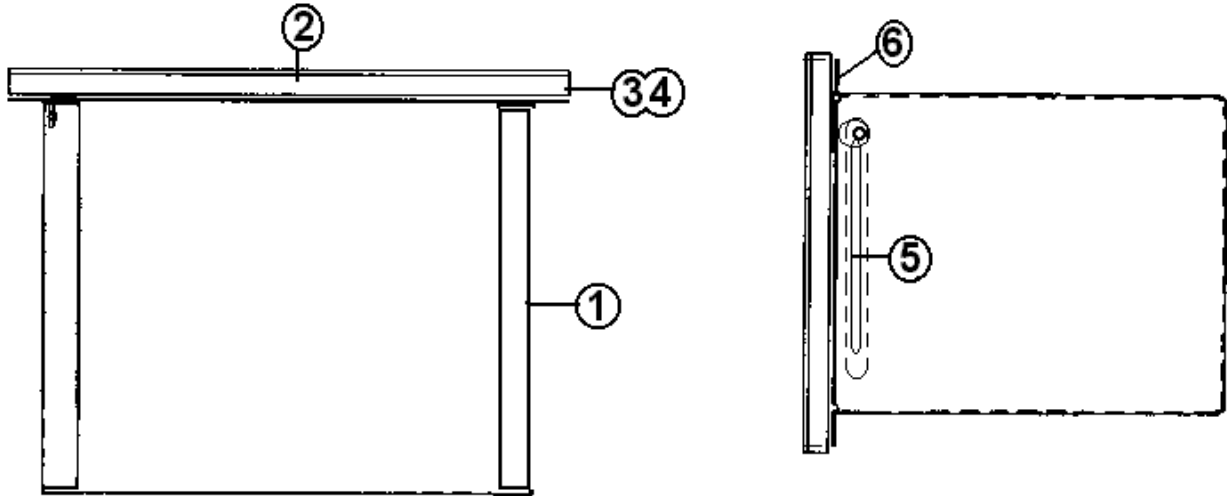
- | | |
|--------|-------------------------------|
| 998154 | SHOWER CURTAIN, 28" X 67" |
| 703236 | FABRIC PENNE OFF WHITE SHOWER |
| 700021 | HOOK, VELCRO, WHITE |
| 700020 | PILE VELCRO |
| 700044 | GLIDES CURTAIN W/ELASTIC T-2 |

2004 INTERSTATE MOTORHOME

FURNITURE

Lavatory

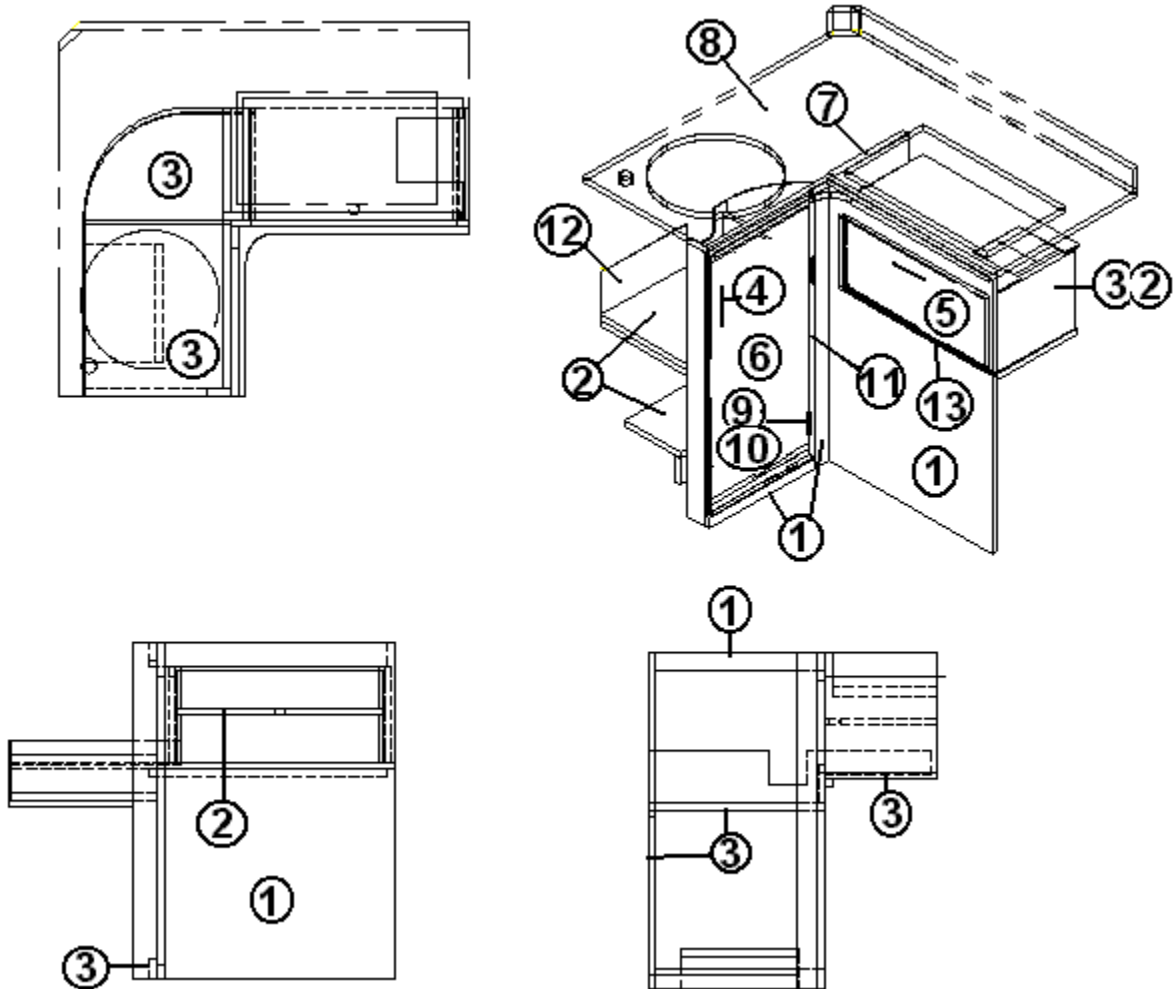
966052 Medicine Cabinet



- | | |
|--------------|---------------------------------|
| 1. 454198 | BOX ASSEMBLY, MEDICINE CABINET |
| 2. 372203-31 | MIRROR-SAFETY GLASS 14" X 10" |
| 3. 801392 | PANEL, WHITELINER/WHITELINER |
| 4. 365238-04 | EDGEBANDING TAPE PVC 5/8" WHITE |
| 5. 380024 | ARMS SUPPORT RIGHT HAND |
| 6. 385935-01 | HINGE PIVOT ZINC PLATED |
| 7. 381228-01 | CATCH GRABBER DOOR C3-803 |

2004 INTERSTATE MOTORHOME

Furniture Galley 966000 Galley Assembly



Parts numbers are on the next page

2004 INTERSTATE MOTORHOME

Furniture

Galley

966000 Galley Assembly

1. 801477-01 PANEL, CHERRY/WHITE, 18MM
2. 801392 PANEL, WHITELINER/WHITELINER
3. 801368 PANEL, WHITELINER/WHITELINER
4. 381774 HANDLE-DRAWER/DOOR
5. 801341-86 DOOR, GALLEY 7.65" X 20.25"
6. 801341-88 DOOR, GALLEY 14.13" X 32.56"
7. 454189 HEAT SHIELD, COOK TOP, 12.13"
8. 966001 TOP ASSEMBLY, GALLEY
9. 381607-01 HINGE-GRASS EURO
10. 381607-06 BASEPLATE-1.3/5.2/37 G3/RZ
11. 381607-07 BRACKET-BLIND CORNER 90D #2222
12. 381806 INSULATION #4 DBL SIDED W/PSA
13. 380458 HINGE PIANO BROWN ANODIZED

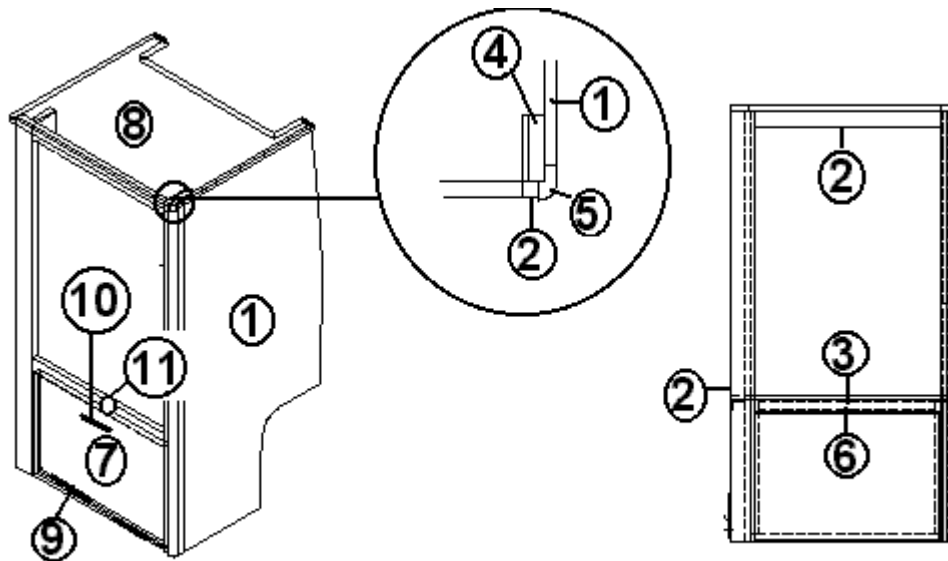
Not Shown

- 365238-04 EDGEBANDING TAPE PVC 5/8" WHITE
801374 PANEL- FROSTY WHITE/GATOR
365282 EDGEBANDING, 94" CHERRY
801377 PANEL, GRAPHITE/REXAL 4 X 8, 18MM
365273 EDGEBANDING GALAXY GRAPHITE

2004 INTERSTATE MOTORHOME

Furniture Galley

966003 Refrigerator Cabinet Assembly



- | | |
|---------------|--------------------------------|
| 1. 801478-01 | PANEL, CHERRY/WHITE 12MM |
| 2. 801477-01 | PANEL, CHERRY/WHITE 18MM |
| 3. 801392 | PANEL, WHITELINER/WHITELINER |
| 4. 801368 | PANEL, WHITELINER/WHITELINER |
| 5. 801393-03 | CORNER TRIM, 90D RADIUS CHERRY |
| 6. 114813 | ALUMINUM ANGLE 1.00" X 1.50" |
| 7. 801341-89 | DOOR, GALLEY 11.56"X 20.25" |
| 8. 966024 | TOP ASSEMBLY-REFRIGERATOR |
| 9. 381607-01 | HINGE-GRASS EURO |
| 10. 381228-01 | CATCH GRABBER DOOR C3-803 |
| 11. 381774 | HANDLE-DRAWER/DOOR |

Not Shown:

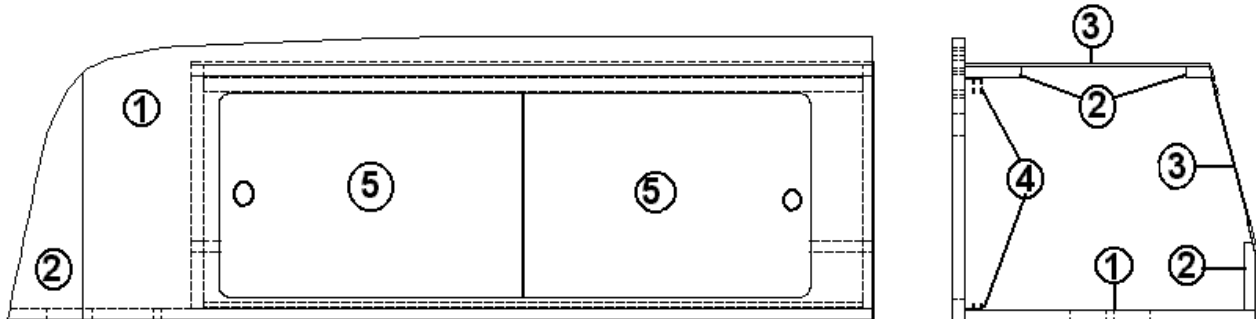
- | | |
|--------|------------------------------------|
| 365282 | EDGEBANDING, .94" CHERRY |
| 801377 | PANEL, GRAPHITE/REXAL 4' X 8' 18MM |
| 365273 | EDGEBANDING GALAXY GRAPHITE |
| 966054 | STAND-REFER |

2004 INTERSTATE MOTORHOME

Furniture

Galley

966005 Galley roof Locker Assembly



- | | |
|--------------|----------------------------------|
| 1. 801478-01 | PANEL, CHERRY/WHITE 12MM |
| 2. 801392 | PANEL, WHITELINER/WHITELINER |
| 3. 801374 | PANEL, FROSTY WHITE/GATOR |
| 4. 203388 | TRACK-SLIDING DOOR |
| 5. 966028-01 | DOOR, PLEXI-GLASS 9.75" X 13.88" |

Not Shown

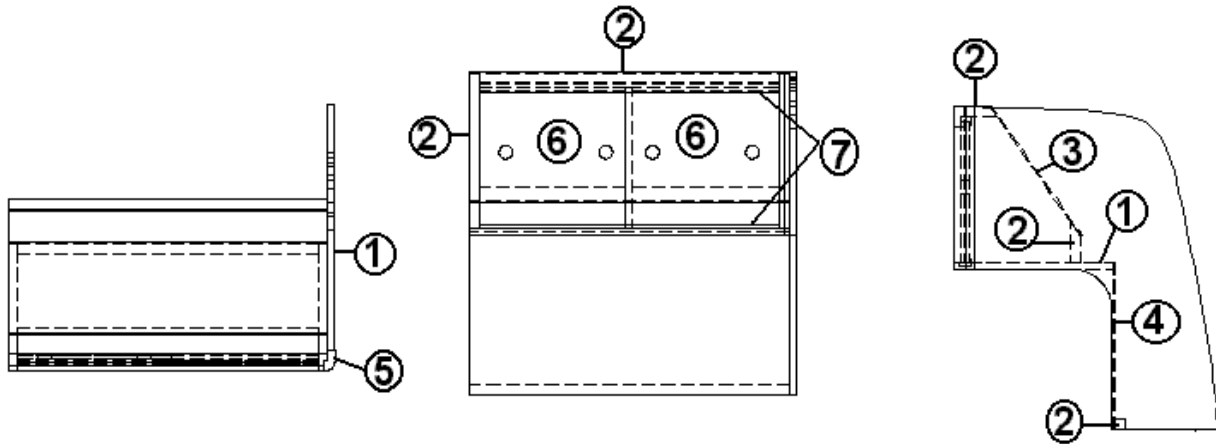
- | | |
|-----------|----------------------------------|
| 365282 | EDGE BANDING-94" CHERRY |
| 365238-04 | EDGE BANDING TAPE PVC 5/8" WHITE |

2004 INTERSTATE MOTORHOME

Furniture

Galley

966010 Cabinet Assembly, Refrigerator



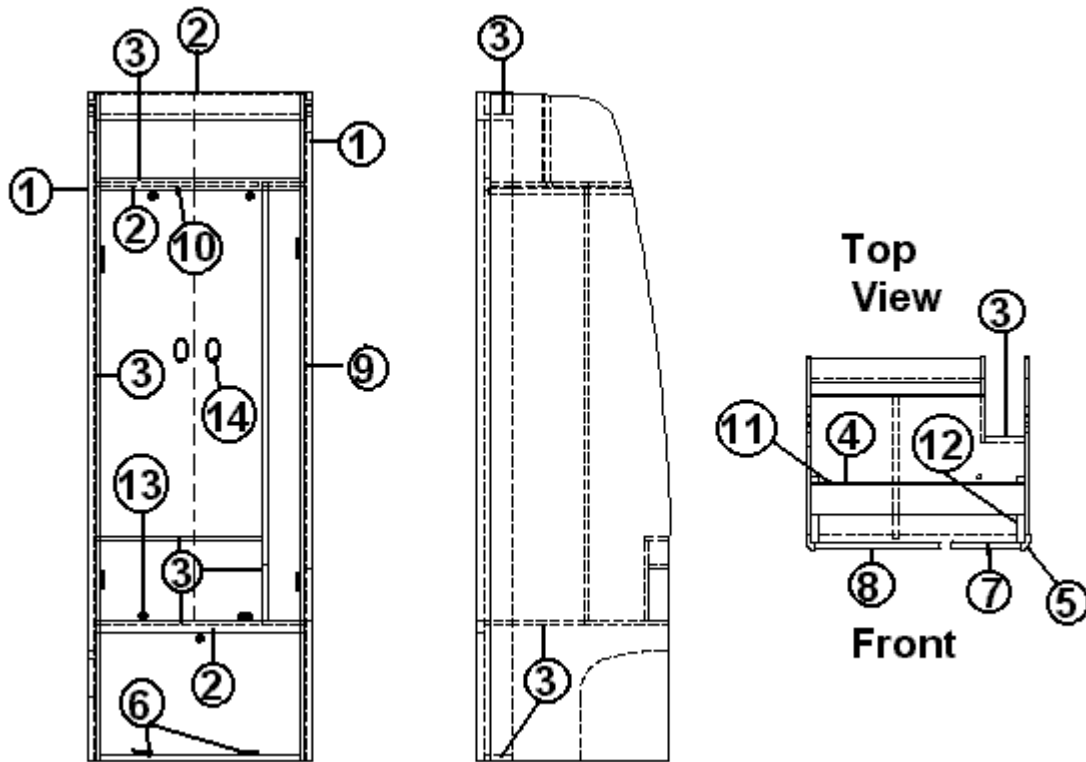
- | | |
|--------------|--------------------------------|
| 1. 801480-01 | PANEL, CHERRY/CHERRY 12MM |
| 2. 801477-01 | PANEL, CHERRY/WHITE 18MM |
| 3. 801374 | PANEL, FROSTY WHITE/GATOR |
| 4. 801479-01 | PANEL, CHERRY/RAW .125" |
| 5. 801393-03 | CORNER TRIM, 90D RADIUS CHERRY |
| 6. 966028-01 | SLIDING DOORS, 11.50" X 10.50" |
| 7. 203338 | TRACK, SLIDING DOOR |

Not Shown

- | | |
|--------|----------------------------------|
| 365282 | EDGE BANDING- .94" CHERRY |
| 454190 | BRACKET-ALUM ANGLE 1" X 1" X 23" |
| 703386 | VINYL, ASTRO, MAGNUM STEEL |

2004 INTERSTATE MOTORHOME

Furniture Lounge 966004 Wardrobe Assembly



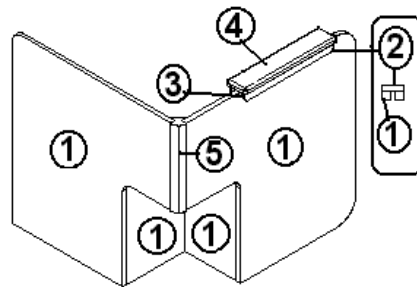
- | | |
|---------------|---|
| 1. 801478-01 | PANEL, LAMINATED, CHERRY/WHITE 12MM |
| 2. 801477-01 | PANEL, LAMINATED, CHERRY/WHITE 18MM |
| 3. 801392 | PANEL, LAMINATED, WHITELINER/WHITELINER |
| 4. 801374 | PANEL, LAMINATED, FROSTY WHITE/GATOR |
| 5. 801393-03 | CORNER TRIM, 90D RADIUS CHERRY |
| 6. 381607-01 | HINGE-GRASS EURO |
| 7. 801341-90 | DOOR, 12.38" X 22.13" |
| 8. 801341-91 | DOOR, 11.22" X 53.69" |
| 9. 365282 | EDGEBANDING- .94" CHERRY |
| 10. 381845 | TELESCOPING CLOTHES HANGER 15.5" |
| 11. 365238-04 | EDGEBANDING TAPE PVC 5/8" WHITE |
| 12. 801368 | PANEL, LAMINATED, WHITELINER/WHITELINER |
| 13. 381228-01 | CATCH GRABBER DOOR C3-803 |
| 14. 381774 | HANDLE-DRAWER/DOOR |

2004 INTERSTATE MOTORHOME

Furniture

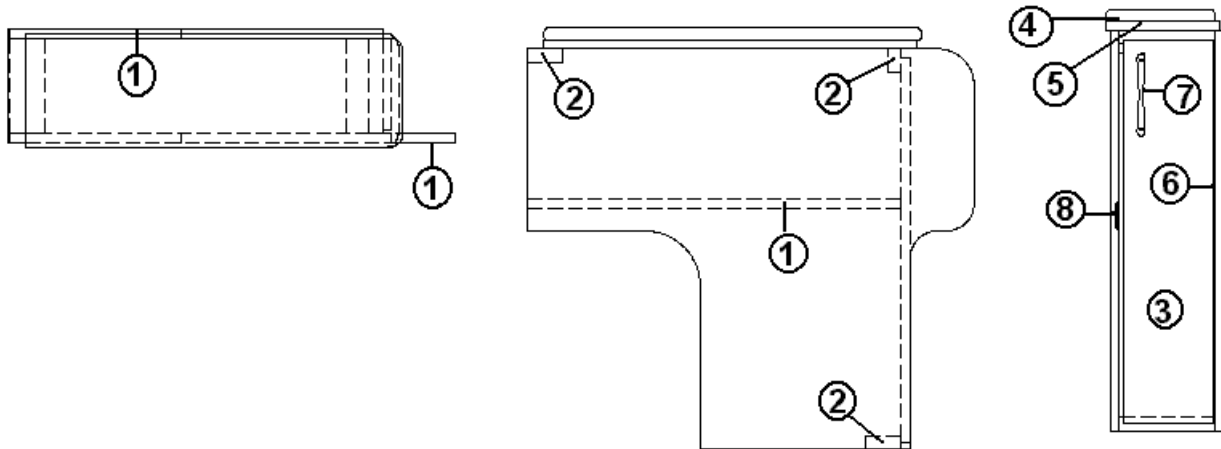
Lounge

966008 Armrest Assembly



- | | |
|--------------|------------------------------|
| 1. 801480-01 | PANEL, CHERRY/CHERRY 12MM |
| 2. 801477-01 | PANEL, CHERRY/WHITE 18MM |
| 3. 365282 | EDGE BANDING-94" CHERRY |
| 4. 998151 | CUSHION ASSEMBLY, CS ARMREST |
| 5. 801476 | CORNER TRIM-1" RADIUS CHERRY |

966083 Armrest, Forward Wardrobe



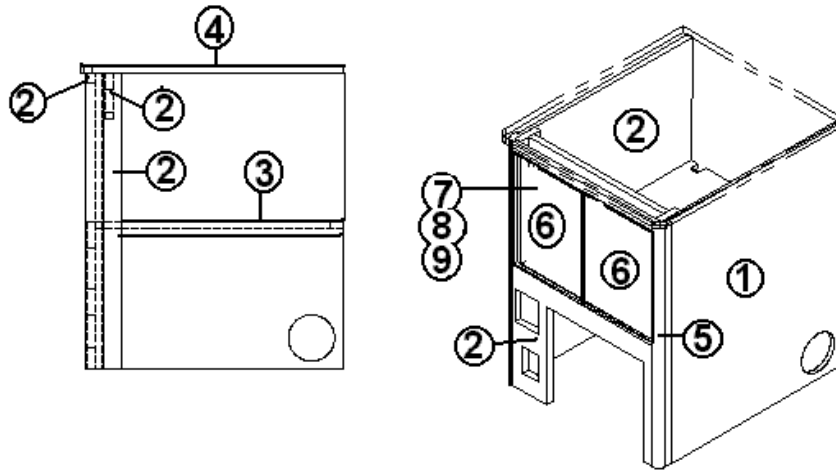
- | | |
|---------------|----------------------------|
| 1. 801840-01 | PANEL, CHERRY/CHERRY 12MM |
| 2. 801477-01 | PANEL, CHERRY/WHITE 18MM |
| 3. 801341-101 | DOOR, ARMREST, 5" X 21.13" |
| 4. 966084 | DOOR TOP ASSEMBLY, PADDED |
| 5. 381607-01 | HINGE-GRASS EURO |
| 6. 380458 | HINGE, PIANO, BROWN |
| 7. 381774 | HANDLE, DRAWER/DOOR |
| 8. 381228-01 | GRABBER CATCH, DOOR |

2004 INTERSTATE MOTORHOME

Furniture

Lounge

966006 Entertainment Center



- | | |
|--------------|------------------------------------|
| 1. 801480-01 | PANEL, CHERRY/CHERRY 12MM |
| 2. 801477-01 | PANEL, CHERRY/WHITE 18MM |
| 3. 801478-01 | PANEL, CHERRY/WHITE 12MM |
| 4. 966027 | TOP ASSEMBLY, ENTERTAINMENT CENTER |
| 5. 801393-03 | CORNER TRIM, 90D RADIUS CHERRY |
| 6. 371398 | DOOR, SMOKE PLEXI-GLASS |
| 7. 381654 | HINGE-NON BORE GLASS DOOR BLACK |
| 8. 381655 | STRIKE-GLASS DOOR BLACK |
| 9. 381653 | LATCH-SINGLE TOUCH BLACK |

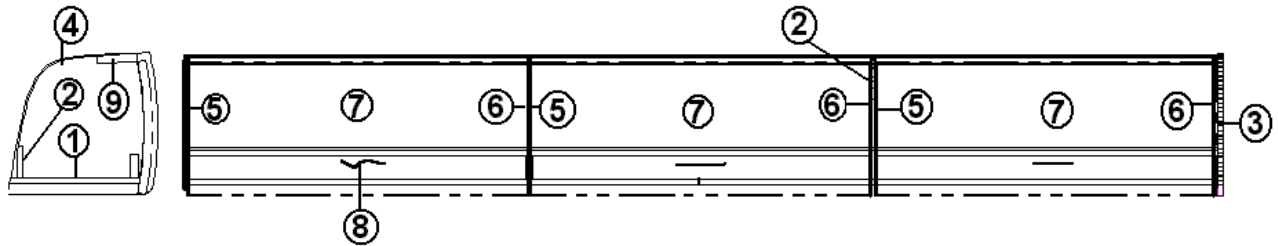
801377	PANEL, GRAPHITE/REXAL 4' X 8' 18MM
365273	EDGEBANDING GALAXY GRAPHITE

2004 INTERSTATE MOTORHOME

Furniture

Lounge

966007 ROOFLOCKER ASSEMBLY, R.S.



- | | |
|--------------|--------------------------------|
| 1. 801478-01 | PANEL, CHERRY/WHITE 12MM |
| 2. 801392 | PANEL, WHITELINER/WHITELINER |
| 3. 801480-01 | PANEL, CHERRY/CHERRY 12MM |
| 4. 801374 | PANEL, FROSTY WHITE./GATOR |
| 5. 381840-01 | HINGE, OVERHEAD SPRING LH #372 |
| 6. 381840-02 | HINGE, OVERHEAD SPRING RH #372 |
| 7. 801493-01 | DOOR-RADIUS 12.38"X 31.5" |
| 8. 801477-01 | PANEL, CHERRY/WHITE 18MM |
| 9. 801368 | PANEL, WHITELINER/WHITELINER |

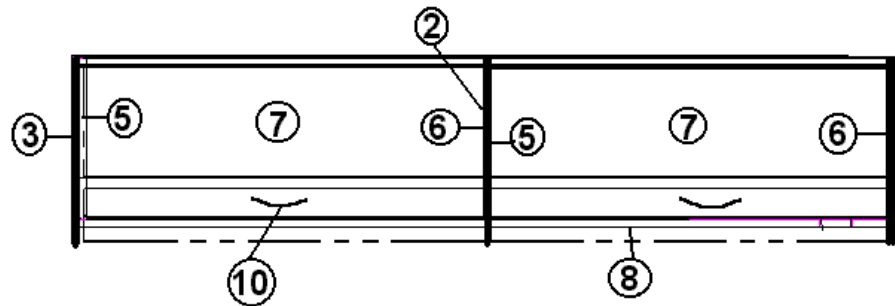
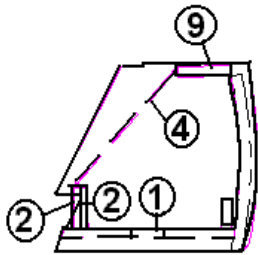
- | | |
|-----------|----------------------------------|
| 365282 | EDGE BANDING- .94" CHERRY |
| 365238-04 | EDGE BANDING TAPE PVC 5/8" WHITE |

2004 INTERSTATE MOTORHOME

Furniture

Lounge

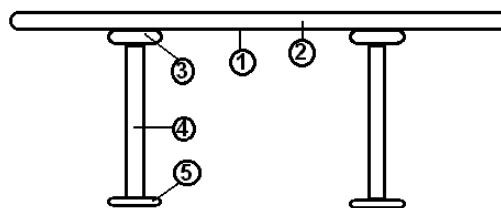
966009 ROOFLOCKER ASSEMBLY, C.S.



- | | |
|--------------|--------------------------------|
| 1. 801478-01 | PANEL, CHERRY/WHITE 12MM |
| 2. 801392 | PANEL, WHITELINER/WHITELINER |
| 3. 801480-01 | PANEL, CHERRY/CHERRY 12MM |
| 4. 801438 | PANEL, FROSTY WHITE./GATOR |
| 5. 381840-01 | HINGE, OVERHEAD SPRING LH #372 |
| 6. 381840-02 | HINGE, OVERHEAD SPRING RH #372 |
| 7. 801493-02 | DOOR-RADIUS 12.38" X 28.13" |
| 8. 801477-01 | PANEL, CHERRY/WHITE 18MM |
| 9. 801368 | PANEL, WHITELINER/WHITELINER |
| 10. 381774 | HANDLE, DRAWER/DOOR |

- | | |
|-----------|---------------------------------|
| 365282 | EDGEBANDING- .94" CHERRY |
| 365238-04 | EDGEBANDING TAPE PVC 5/8" WHITE |

966094 Pedestal Table



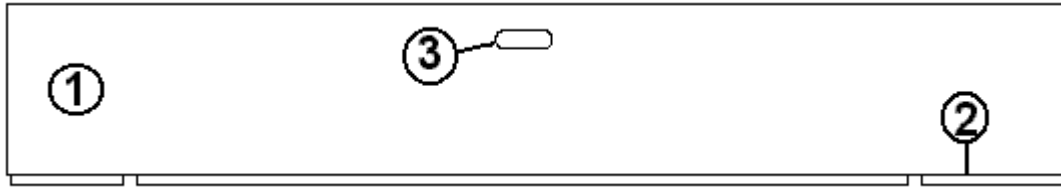
- | | |
|-----------|-----------------------------|
| 1. 966099 | PEDESTAL TABLE TOP |
| 2. 365273 | EDGEBANDING GALAXY GRAPHITE |
| 3. 380338 | SOCKET, PEDESTAL, TABLE |
| 4. 380337 | POST, PEDESTAL |
| 5. 380339 | SOCKET, PEDESTAL, FLOOR |

2004 INTERSTATE MOTORHOME

Furniture

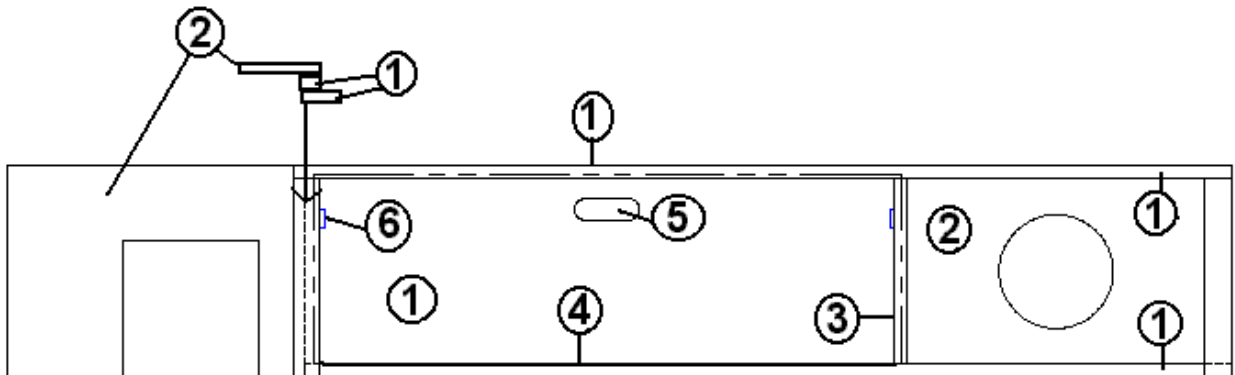
Lounge

966046 KICK PANEL ASSEMBLY, CS LOUNGE



- 1. 801477-01 PANEL, CHERRY/WHITE 18MM
- 2. 380458 HINGE PIANO BROWN ANODIZED
- 3. 381775 DRAWER PULL-FLUSH SATIN #UT-10

966048 KICK PANEL ASSEMBLY, RS LOUNGE



- 1. 801477-01 PANEL, CHERRY/WHITE 18MM
- 2. 801478-01 PANEL, CHERRY/WHITE 12MM
- 3. 801368 PANEL, WHITELINER/WHITELINER
- 4. 380458 HINGE PIANO BROWN ANODIZED
- 5. 381775 DRAWER PULL-FLUSH SATIN #UT-10
- 6. 381228 CATCH GRABBER DOOR C3-810

- 365282 EDGE BANDING- .94" CHERRY
- 203439 STORAGE BOX, 17"L X 11.13"W X 6.38"

2004 INTERSTATE MOTORHOME

HARDWARE

SEATS

700349 SEATBELT, LOUNGE, MINI BUCKLE, BLACK WEB
400979 ADAPTOR, SEAT SWIVEL

HANDLES, LATCHES

381775 DRAWER PULL-FLUSH SATIN #UT-10
381774 HANDLE-DRAWER/DOOR
381228-01 Grabber door latch
380772-01 SLIDE BOLT, SHOWER DOOR
381861 Latch, push/pull, bath door

HINGES

380458 HINGE PIANO BROWN ANODIZED, GALLEY, KICK
PANEL
381051 ALUMINUM, HINGE, CONTINUOUS, FORMED
380458 HINGE PIANO BROWN ANODIZED, SHOWER DOOR
381607-01 HINGE-GRASS EURO W/80307 PLASTIC, CABINETS
385935-01 HINGE PIVOT ZINC PLATED, MEDICINE CABINET
381840-01 HINGE, ROOFLOCKER, SPRING LH #372.
381840-02 HINGE, ROOFLOCKER, SPRING RH #372.

ENTERTAINMENT CENTER

381654 HINGE-NON BORE GLASS DOOR BLACK,
381655 STRIKE-GLASS DOOR BLACK
381653 LATCH-SINGLE TOUCH BLACK

Miscellaneous Hardware

115198 "Z" extrusion, 13.5" x .5" x .5"
325123 Rivet, dome peel

2004 INTERSTATE MOTORHOME

LABELS AND TAGS

385068	Tag, cooking appliance warning
385067	Label, EXIT
386118	Label, LP gas warning/fill
385517	Label, kill switch warning
385521	Label, emergency egress window
386122	Warning label/cooking appliance
386121	Label, LP gas warning label (odor)
385465	Exit label, English
385560	Label, air conditioner rating
386120	Label, smoke detector
385837	Label, refrigeration ignition
385103	Plate, RVIA
385418-01	Label, Federal registration
385062	Decal, 110-125 voltage AC
385565	Label, holding tank flushing
386097	Label, fuse 12volt
386019	1 Amp Fuse Max
386012	Label warning, water heater
386082	LABEL THOR, 5.25" X .75'
386111	LABEL 30 AMP FUSE MAX
386114	LABEL-RVIA SILVER
386123	LABEL "POTABLE WATER ONLY"
386038	LABEL CSA HOLDING TANKS FRESH
385949	LABEL "POTABLE WATER" CSA
385950	LABEL "SMOKE DETECTOR CSA
385951	LABEL "RANGE FRESH AIR" CSA
385952	LABEL "LP WARNING" CSA
385953	LABEL "IF YOU SMELL GAS" CSA
385954	LABEL "RANGE WARNING" CSA

2004 INTERSTATE MOTORHOME

PLUMBING

LPG

601875	TANK-LP 38 LB
381852	KNOB LP REMOTE SWITCH
601873	LP Remote fill W/48" hoses
511805	SWITCH-ROTARY ON/OFF LP VALVE
601874	HOSE, LP REGULATOR TO GENERATOR
601671	ELBOW STREET, 90DEG 1/2", Water heater, gas line

2004 INTERSTATE MOTORHOME

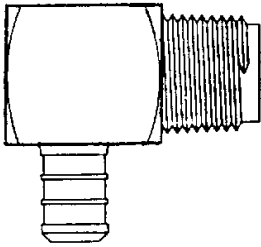
PLUMBING FRESHWATER

601871	TANK-FRESH WATER 30GALLON
601876	SHOWER-EXTERIOR, WHITE #742009
601592-01	SHOWER HEAD WHITE
601592-02	SHOWER HOSE 59.00" WHITE
601592-03	SHOWER VALVE 4.00" WHITE
601879	SINK, S. S. ROUND GALLEY
601194	WATER FILL W/LOCK, GRAY, W/LABEL
381647	KEY WATER FILL CH751
601392-05	City water fill w/regulator
601061-03	Water pump, Shurflo 2088-404-144
601668	Water pump, pre-filter, Shurflo

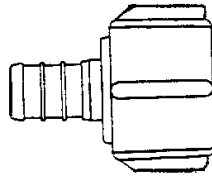
2004 INTERSTATE MOTORHOME

PLUMBING

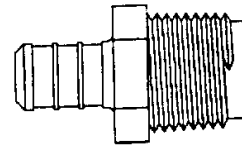
FRESH WATER-FITTINGS



601698-04
Elbow, 1/2" barb
x 1/2" MPT

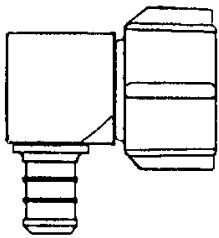


601698-03
Coupler, 1/2" barb
x 1/2" FPT

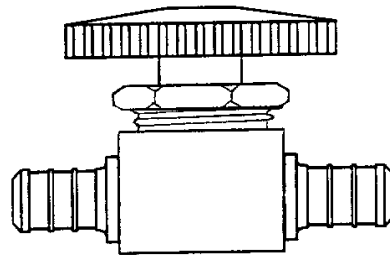


601698-02
Coupler, 1/2" barb
x 1/2" MPT

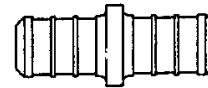
FRESH WATER-FITTINGS



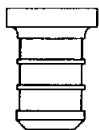
601698-05
Elbow 1/2" barb x
1/2" FPT



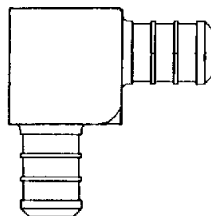
601698-22
Shut-off, 1/2" barb x
1/2" barb



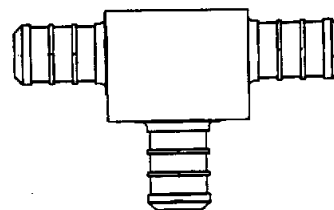
601698-08
Coupler
1/2" x 1/2" barb



601698-09
Plug, 1/2" barb



601698-10
Elbow 1/2" barb x
1/2" barb



601698-11
Tee, 1/2" x 1/2" x
1/2" barb

2004 INTERSTATE MOTORHOME

PLUMBING FRESH WATER-FITTINGS



601698-15
Crimp ring, 1/2
E-Pex, 1/2" (black)
-21 Red



601698-01
E-Pex tube, 1/2"

2004 INTERSTATE MOTORHOME

Notes

2004 INTERSTATE MOTORHOME

PLUMBING

Fresh Water

GALLEY FAUCET P/N 601867

MODEL 67315C

www.moen.com

PH. 1-800-BUY MOEN

United States

Moen Incorporated

25300 Al Moen Drive

North Olmstead, OH. 44070-8022

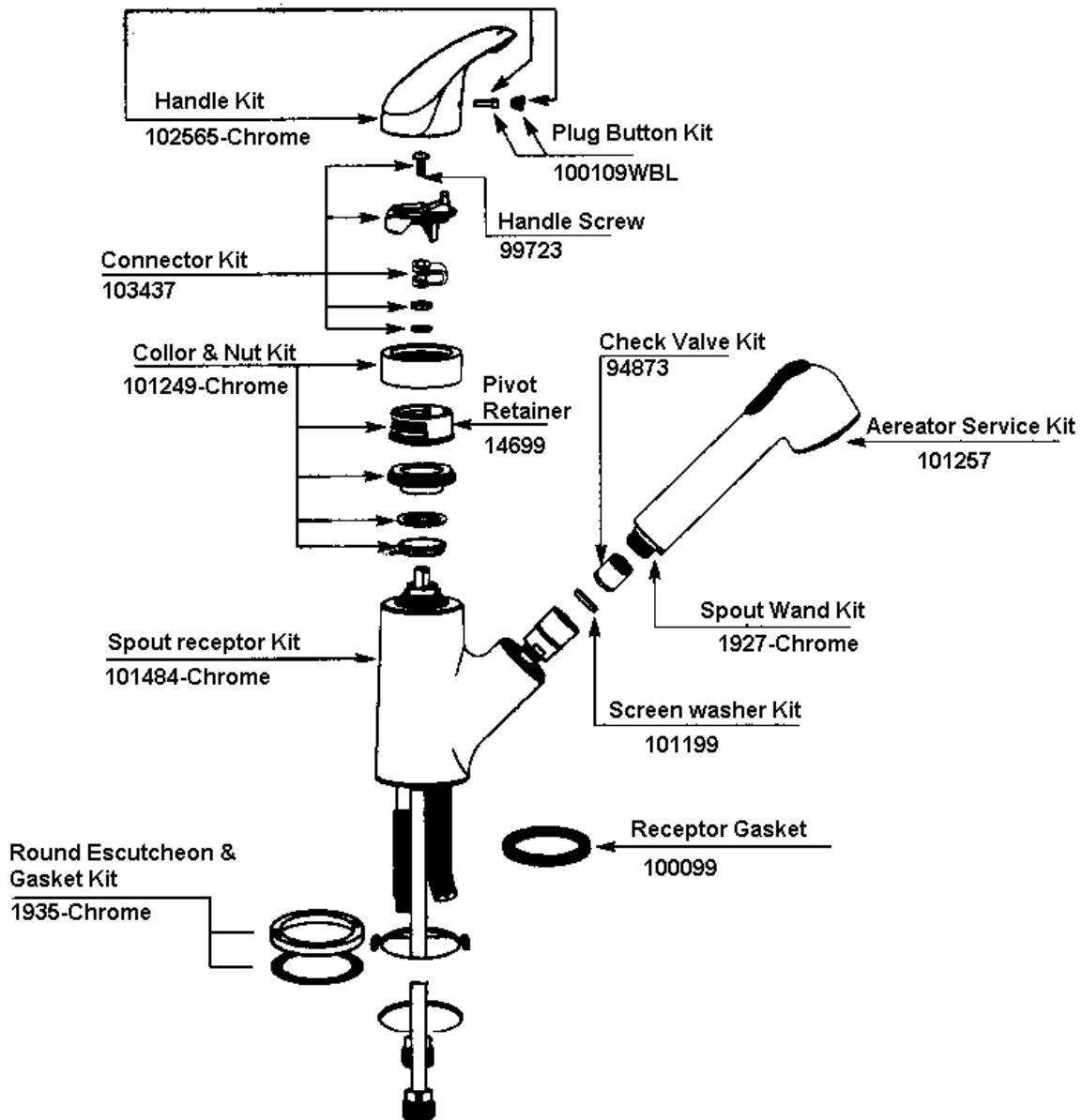
Canada

Moen Inc.

2816 Bristol Circle

Oakville, Ontario L6H5s7

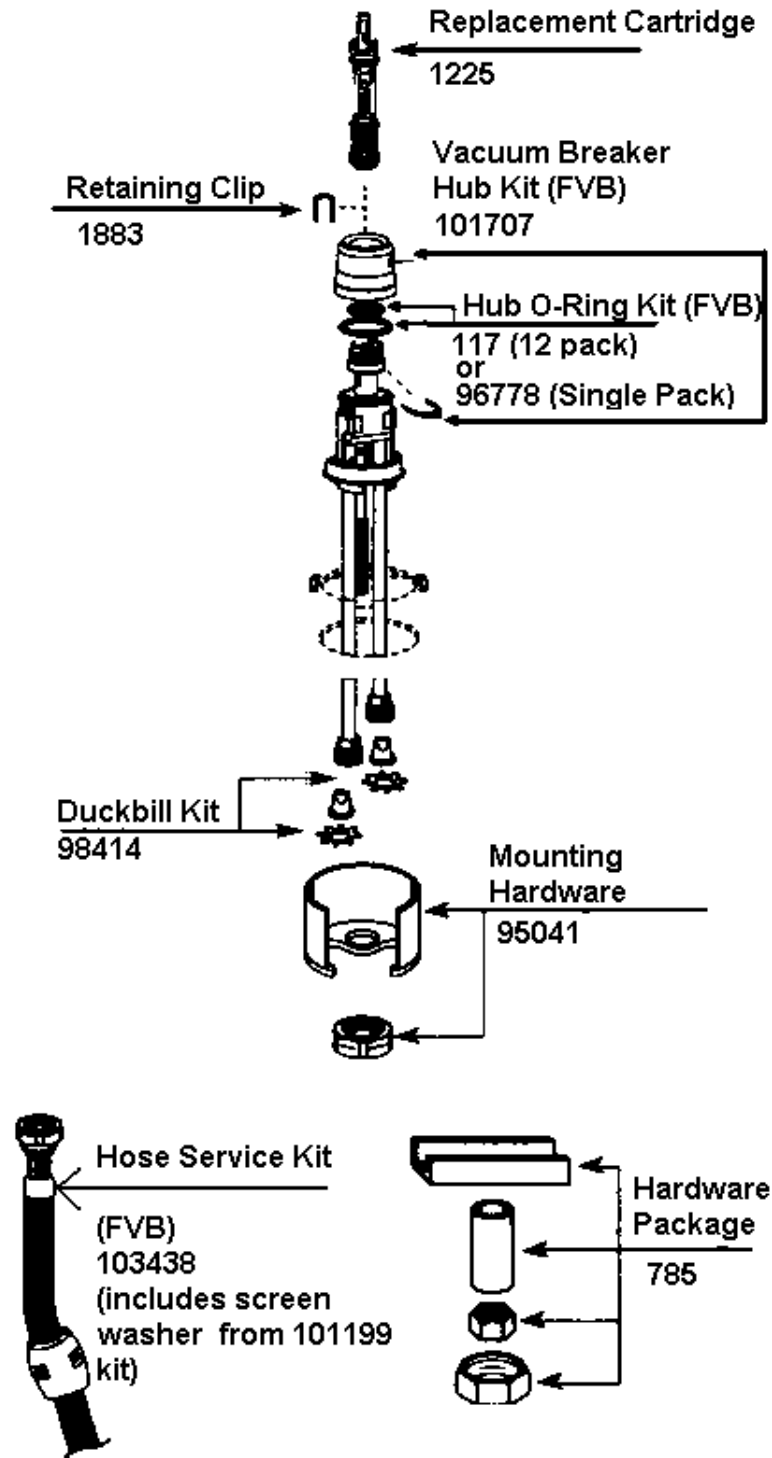
Contact local Moen dealer for all replacement parts.



2004 INTERSTATE MOTORHOME

PLUMBING Fresh Water

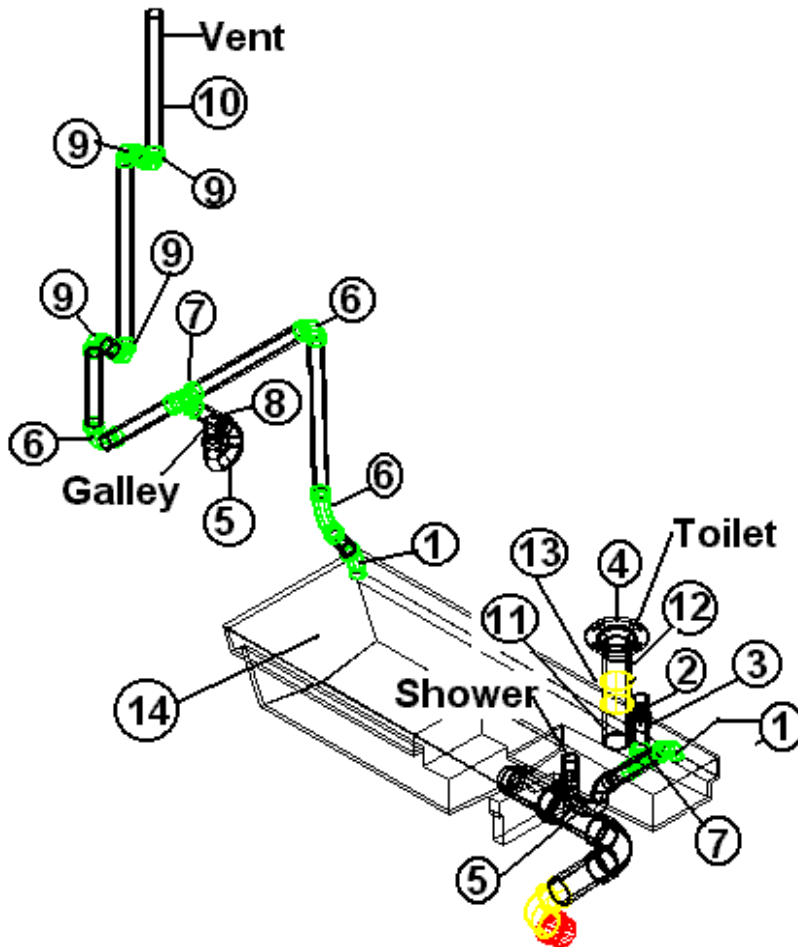
GALLEY FAUCET P/N 601867
Moen, MODEL 67315C



2004 INTERSTATE MOTORHOME

PLUMBING

DRAIN LINES, ABOVE/BELOW FLOOR



- | | |
|---------------|---|
| 1. 600662 | 1.5" Elbow, short radius |
| 2. 600538 | Vent, V-200 automatic |
| 3. 600308 | Adaptor ABS female, sloan |
| 4. 601266 | Flange, closet, 3" x 4", slip fit |
| 5. 600622 | P-trap, 1.5", w/slip nut and washer |
| 6. 600035 | Ell ABS, long sweep, 1.5" |
| 7. 600156 | Tee sanitary |
| 8. 600822 | Adaptor, P-trap |
| 9. 600033 | Elbow, vent, 1.5", 90 degree |
| 10. 601160-02 | Pipe, ABS, DVW, 1.5" |
| 11. 601267-04 | Nipple, 3" diameter, Thread one, 10' long |
| 12. 601160-04 | Pipe, ABS DVW, 3" |
| 13. 600253 | Coupling, 3" |
| 14. 601872 | Black/Gray combination tank |

2004 INTERSTATE MOTORHOME

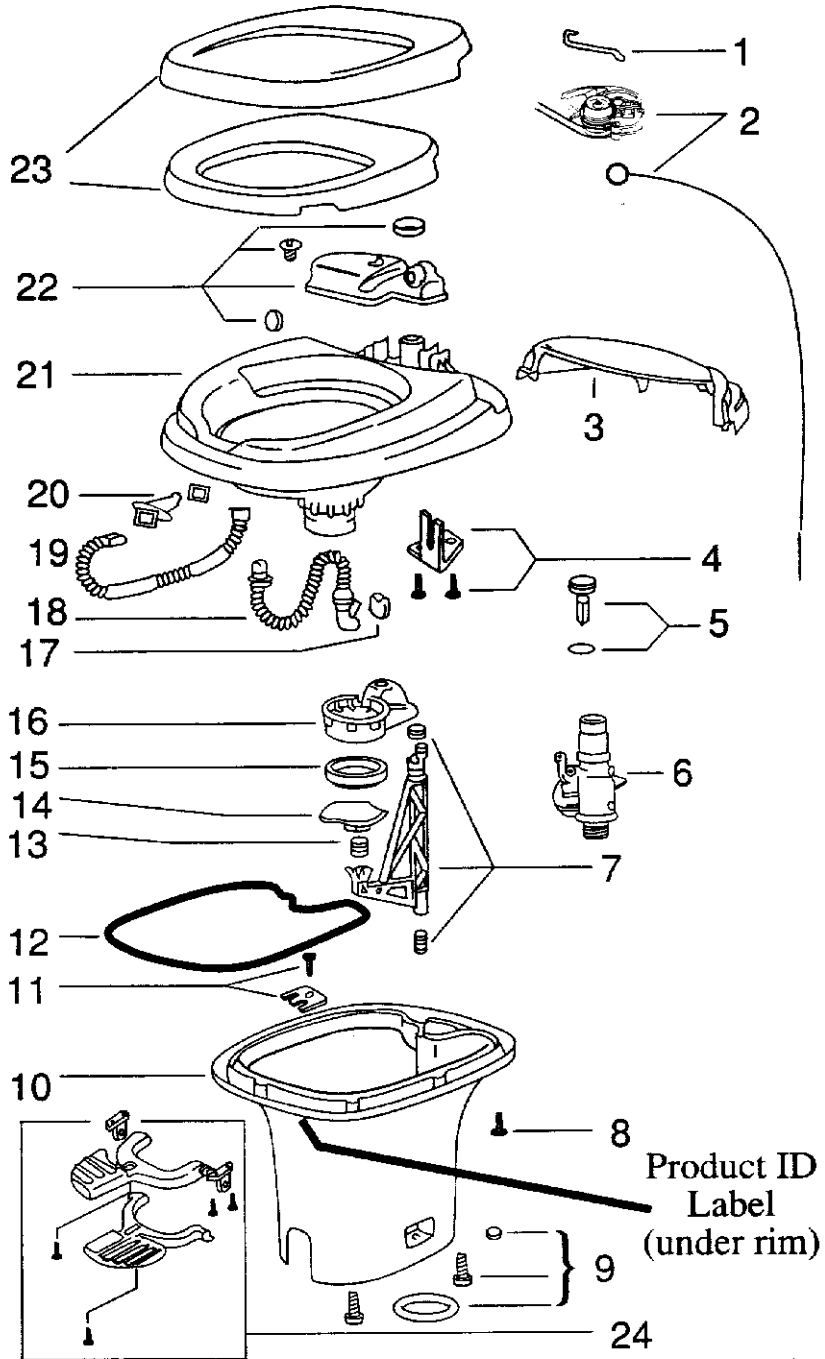
PLUMBING

Drain

601441	SYSTEM, TANK FLUSH
511812	PAD-HEATING HOLD TANK #TH-718
511813-01	VALVE-ELECTRIC, WASTE
511813-02	SWITCH-ELECTRIC WASTE VALVE
340084-52	CLAMP, HOSE SAE #52, for sewer hose
600241-01	SEWER HOSE ADAPTOR, STRAIGHT #02593
601607-15	SEWER HOSE W/ADAPTOR
454195	AFT MOUNTING BRACKET, BLACK/GRAY TANK
454196	MOUNTING BRACKETS, BLACK/GRAY TANK
454197	TANK PAN, BLACK/GRAY TANK

2004 INTERSTATE MOTORHOME

PLUMBING THETFORD, AQUA MAGIC IV, FOOT FLUSH, WHITE P/N 690495



P/N Next Page

2004 INTERSTATE MOTORHOME

PLUMBING

THETFORD, AQUA MAGIC IV, FOOT FLUSH, WHITE

690495	Toilet complete, Aqua Magic IV
1) 690387-513	Water valve link
2) 690387-571	Wire replacement package
3) 690387-562	Mechanism cover, white
4) 690387-634	Bracket assembly
5) 690387-631	Float assembly
6) 690387-168	Water valve replacement package
7) 690387-632	Actuator assembly
8) 690387-659	Screw base to bowl
9) 690387-524	Closet bolt package
10) 690387-356	Base, white, low
10a) 690387-062	Base, white, high
11) 690387-636	Retainer assembly
12) 690387-387	Sealant, base to bowl
13) 690387-519	Blade spring
14) 690387-262	Blade
15) 690387-481	Blade seal
16) 690387-520	Blade track
17) 690387-512	Flapper
18) 690387-511	Overflow tube
19) 690387-509	Flush tube
20) 690387-637	Nozzle assembly
21) 690387-726	Bowl
22) 690387-630	Reservoir tank assembly
23) 690387-162	Seat and cover assembly
24) 690387-821	Pedal package
600065	FLANGE, FLOOR, THREADED
601266	TOILET, FLANGE, CLOSET, 3" X 4", SLIP FIT

2004 INTERSTATE MOTORHOME

SAFETY EQUIPMENT

510781	Smoke detector
511343	DETECTOR CARBON MONOXIDE 9 VOLT
511309	LPG detector
600162-01	Fire extinguisher

SEALER/GASKETS/PAINT

SEALER

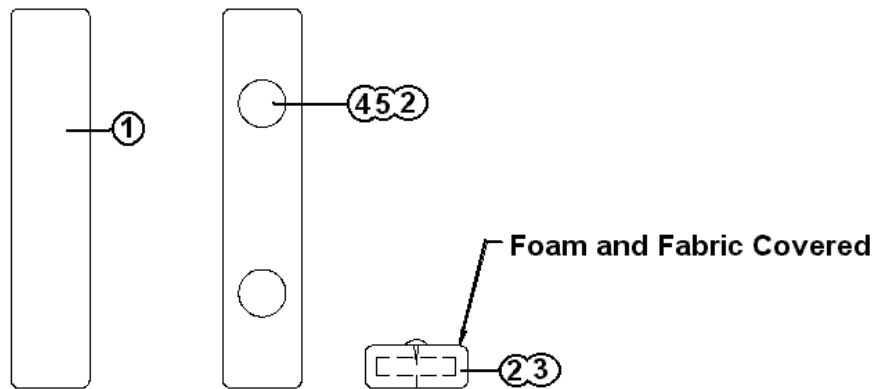
360001	Sealant, #884058
360002	Sealant, Vulkem 11.5 oz. tube
360209	Sealant, seam
360176	Sealant, Almond, kitchen and bath
360180-04	Sealant, Sikaflex #221, black
360180	Sealant, Sika-flex, gray
360210	Sealant, Paralastic 4334-014
360283	Sealant, silicone, Corian Bone
360283-01	SEALANT SILICONE CORIAN G. WHITE

GASKETS

365190	SEAL, RUBBER, ADHESIVE, 3/4" X 3/4", Refer
380114	Gasket, vent pipe
365016	Tape, foam, double face, 1/2" wide
365001	TAPE DOUBLE COATED FOAM

2004 INTERSTATE MOTORHOME

UPHOLSTERY/FOAM/MATTRESS 998151 Arm Rest Cushion



- 1. 800506-05
- 2. 700414
- 3. 703374
- 3A. 703330
- 4. 700813
- 5. 700811

- 5/8" PLYWOOD
- FOAM 3/8 X 86" X 52'
- FABRIC, LEATHER OPTION
- FABRIC, STRATUS CLOTH
- BUTTON, NAIL BOTTOM
- BUTTON CAP, HANDY

UPHOLSTERY/FOAM/MATTRESS

998158 SKIRT ASSEMBLY, PASS SEAT



998159 SKIRT ASSEMBLY, DRIVER SEAT



- 703385
- 703373
- 703383

- SOFA-74", ULTRA LEATHER
- SOFA-74", CLOTH
- SEAT-DRIVER/PASS ULTRA LEATHER

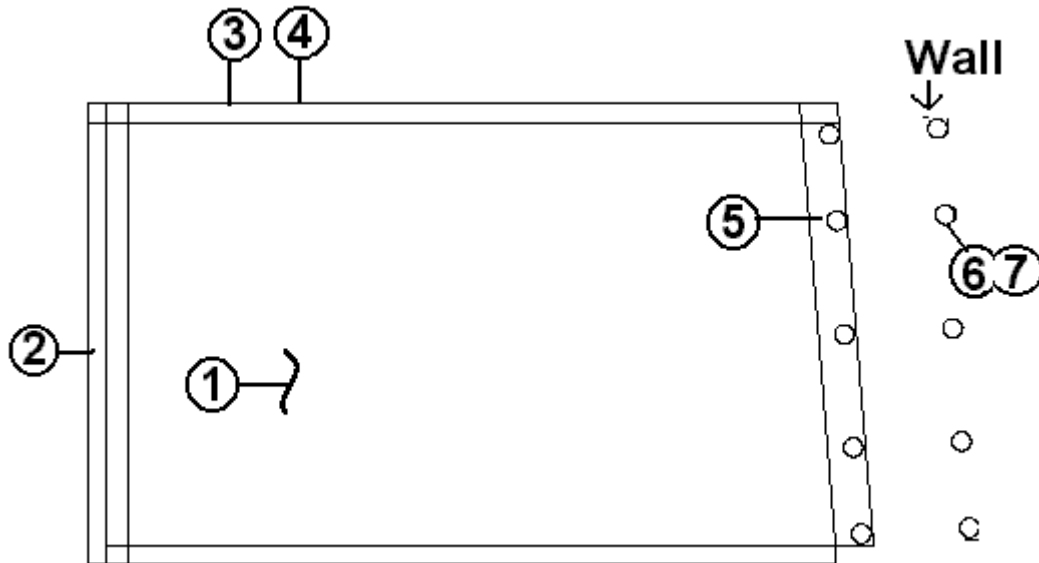
- 998162
- 703380

- CURTAIN ASSEMBLY-SLIDING DOOR
- NET STORAGE COMPARTMENT STORAGE

2004 INTERSTATE MOTORHOME

UPHOLSTERY/FOAM/MATTRESS

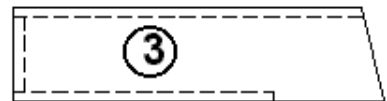
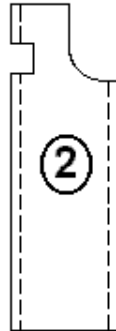
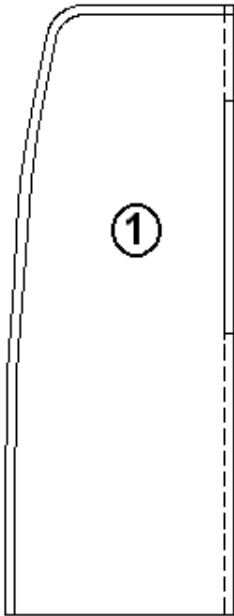
998155 CLOSEOUT ASSEMBLY, GALLEY, SCREEN SPRING



- | | |
|-----------|-----------------------------|
| 1. 380079 | SCREEN, GRAY |
| 2. 703386 | VINYL-ASTRO SS MAGNUM STEEL |
| 3. 700021 | HOOK, VELCRO, WHITE |
| 4. 700020 | PILE VELCRO |
| 5. 700005 | EACH FASTENER, CAP |
| 6. 700006 | FASTENER SOCKET |
| 7. 381519 | SCREW STUD |

2004 INTERSTATE MOTORHOME

UPHOLSTERY/FOAM/MATTRESS Vinyl Close-out Assemblies



1. 998157-01
2. 998157-02
3. 998157-03

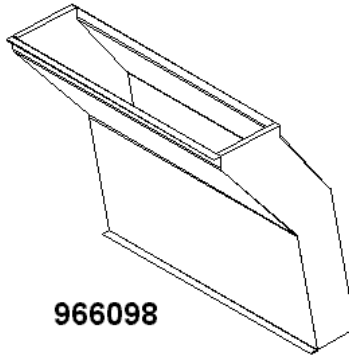
CLOSEOUT ASSEMBLY, VINYL SHOWER
CLOSEOUT ASSEMBLY, VINYL PLUMBING
CLOSEOUT ASSEMBLY, VINYL AFT UPPER

703386 FABRIC, ASTRO, SS, MAGNUM STEEL
703387 FABRIC, FOX GLOVE
381081-05 SNAP CAP, GRAY
703388 VELCRO HOOK WASHER

2004 INTERSTATE MOTORHOME

VENTS/FANS

- 100341 Refrigerator, vent collar, roof, large
- 101394 Cover, refrigerator vent, roof, large
- 381042 MESH, galvanized for refer vent. .017 X 36"
- 966098 Refrigerator duct assembly



- 690264-03 Vent pipe cover
- 380114 Gasket, vent pipe
- 380228 Wire, hardware cloth

- 690394 Power ventilator, refrigerator
- 381841 VENT, ROOF FANTASTIC EXHAUST ONLY

- 690470-01 VENT, REFRIGERATOR, PLASTIC RADIUS CORNER

2004 INTERSTATE MOTORHOME

WOOD/LAMINATES/TRIM

801393-03	CORNER TRIM, 90D RADIUS CHERRY
801476	CORNER TRIM-1" RADIUS CHERRY
365238-04	EDGE BANDING TAPE PVC 5/8" C. WHITE
365282	EDGE BANDING- .94" CHERRY
365273	EDGE BANDING GALAXY GRAPHITE

Pre-laminated Panel, 4' x 8' sheet

801477-01	PANEL, LAMINATED, CHERRY/WHITE 18MM
801478-01	PANEL, LAMINATED, CHERRY/WHITE 12MM
801378	PANEL, LAMINATED WHITE LINER/GATOR18MM
801342	LAMINATE, ALUMINUM BRUSHED 4' X 8'
801392	PANEL, LAMINATED, WHITELINER/WHITELINER
801374	PANEL, LAMINATED, FROSTY WHITE/GATOR
801386	PANEL-.125" SPRING FOREST/RAW G1S
801377	PANEL, GRAPHITE/REX 4' X 8' 18MM
801480-01	PANEL, CHERRY/CHERRY 12MM
801479-01	PANEL, CHERRY/RAW .125"
801368	PANEL, WHITELINER/WHITELINER

