

AIRSTREAM

**Land Yacht
Workhorse
26' / 30' / 33'**

2003
Parts Book



2003 LAND YACHT GAS TABLE OF CONTENTS

SECTION I A through C

APPLIANCES

Air conditioner	I-1
Furnace	I-1
Micro-wave	I-1
Range	I-2
Refrigerator	I-2
Water heater	I-3

BODY

26ft. CS wall	I-5
26ft. RS wall	I-7
30ft.CS wall	I-8
30ft.RS wall	I-10
33ft.CS wall	I-12
33ft.RS wall	I-14
Roof	I-16
Front end	I-18
Aft end	I-20

CHASSIS

Hitch	I-21
Wheel cover	I-22
Step	I-22
Auxiliary heater	I-22
Spare tire	I-22
Automotive air conditioner	I-23
Engine cover	I-26
Tool Kit	I-26

2003 LAND YACHT GAS TABLE OF CONTENTS

SECTION II D through E

DASH

Dash parts	II-1
Glove box	II-1
Trims	II-1
Defroster	II-1

DECALS	II-2
------------------------------	------

DOORS/WINDOWS/AWNINGS

33ft.RS	II-4
33ft.CS	II-6
30ft.RS	II-8
30ft.CS	II-10
26ft. RS	II-12
26ft. CS	II-14
Main/screen door	II-16

DRAPES/BLINDS/VALANCES	II-17
--	-------

ELECTRICAL

110 volt	II-19
12 volt	II-21
Dash switches/lens	II-23
Exterior Heated Mirrors	II-24
Windshield wipers	II-28

ENTERTAINMENT

Television	II-29
Back-up Monitor	II-29
Radio	II-29

2003 LAND YACHT GAS TABLE OF CONTENTS

SECTION III F through H

FASTENERS (common fasteners available locally are not listed)

Rivets	III-1
Screws	III-3

FLOOR COVERING

Carpet	III-5
Hardwood flooring	III-5
Mats	III-5

FURNITURE

Interior doors	III-6
Mirrors	III-7
Miscellaneous doors	III-7
Drawer face	III-8
Drawer box	III-8
Bedroom furniture	III-9
Bath, 26ft	III-12
Bath, 30ft	III-13
Bath, 33ft	III-14
Galley 26ft.	III-15
Galley, 30ft.	III-17
Galley, 33ft	III-19
Lounge/cab 26ft.	III-21
Lounge/cab, 30ft.	III-23
Lounge/cab, 33ft	III-25

HARDWARE

Props	III-27
Exterior locks/hinges	III-29
Drivers door	III-31
Interior drawers	III-32
Bath accessories	III-37
Awning hardware	III-38

2003 LAND YACHT GAS TABLE OF CONTENTS

SECTION IV L through Z

[LABELS and TAGS](#) IV-1

[OPTIONS](#) IV-3

PLUMBING

[LPG](#)..... IV-6

[Fresh water](#)..... IV-7

[Drain water](#)..... IV-12

[Toilet](#) IV-20

[SAFETY EQUIPMENT](#) IV-24

SEALS/SEALER/PAINT

[Gaskets](#)..... IV-25

[Sealer](#) IV-28

[Adhesive](#)..... IV-29

[Paint](#) IV-29

UPHOLSTERY/FOAM/MATTRESS

[Mattresses](#) IV-30

[Sofas](#) IV-30

[Seats](#) IV-31

[Pillow kits](#) IV-32

[Dinette foam/upholstery, 26ft](#) IV-33

[Dinette foam/upholstery, 30ft](#) IV-33

[Dinette foam/upholstery, 33ft](#) IV-33

[VENTS, FANS, SKYLIGHTS](#) IV-34

[WOOD PANELING/LAMINATES/TRIM](#) IV-35

2002 LAND YACHT GAS TABLE OF CONTENTS

SECTION I A through C

APPLIANCES

Air conditioner	I-1
Furnace	I-1
Micro-wave	I-1
Range	I-2
Refrigerator	I-2
Water heater	I-3

BODY

26ft. CS wall	I-5
26ft. RS wall	I-7
30ft.CS wall	I-8
30ft.RS wall	I-10
33ft.CS wall	I-12
33ft.RS wall	I-14
Roof.....	I-16
Front end.....	I-18
Aft end	I-20

CHASSIS

Hitch	I-21
Wheel cover	I-22
Step.....	I-22
Auxiliary heater	I-22
Spare tire bracket	I-22
Automotive air conditioner.....	I-23
Engine cover	I-26
Tool Kit	I-26

2003 LAND YACHT GAS

DUO THERM AIR CONDITIONER (800-366-3842)

690323-02	Air conditioner, Dometic, 13,500, manual
690323-03	Air conditioner, Dometic, 11,000, manual
690323-05	Air box/return grill, manual
690323-100	Shroud, air conditioner, Penquin
385582-01	Decal, Airstream w/bar

FURNACE, HYDROFLAME (800-825-4328) Dealer only

690274	Furnace, Hyroflame, #8535-IV, 34,000BTU, 30' & 33'
690274-01	Furnace, Hyroflame, #8531-IV, 30,000BTU, 26'
690274-12	Mounting flange
690274-11	Door exterior, Hydroflame
601244-03	Register, rotaire, black
601244-02	Register, rotaire, white
600678	Adapter, grill, heat duct 10" x 2"
601398	Grill face plate, 10" x 2¼", brown
600247	4" duct hose, flexible
600526	FLANGE, 4 IN.
511228	Thermostat, room
601402-01	4" Rotaire floor vent, gold/sand

SHARP MICROWAVE/CONVECTION

690345-01	Microwave/convection oven, Sharp
690345-03	Trim kit, Sharp microwave
690345-04	Microwave, convection, CSA
690345-05	Trim ring, microwave, white, CSA

2003 LAND YACHT GAS

APPLIANCES

AMANA RANGE

690396-08	Range top, 3-burner
690396-07	Range, 3-burner w/oven, option
690396-03	Range cover, bi-fold
114876	trim ring, range recess
964383-01	Range covers, Corian, set

DOMETIC REFRIGERATOR, RM3862R (800-366-3842)

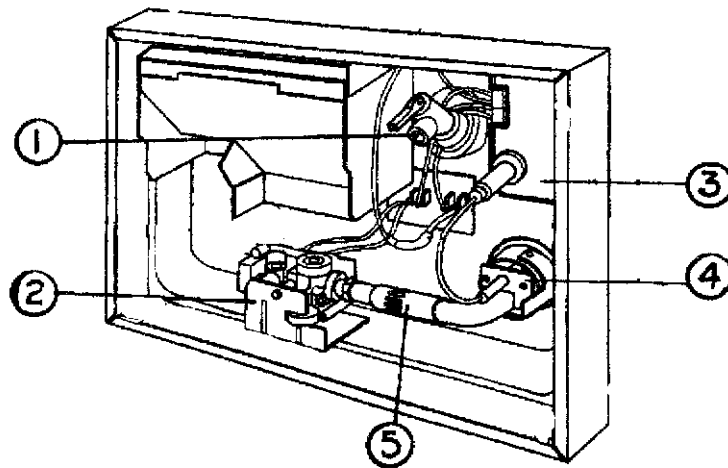
690370-11	Refrigerator, 2-way, 8 cu. ft. LH, RM3862RB, Black
690340-01	Door, exterior, refrigerator, flush mount, gray
690425-05	Refrigerator, 10 CF, 2-way, RH1062RB, Black
690415	Kit, dairy, meat and ice cube trays
801225-014	Door panel, upper, Oak, 15.5" x 20.38"
801225-034	Door panel, lower, Oak, 38.38" x 20.38"
690370-100	Cooling unit, RM3862

2003 LAND YACHT GAS

APPLIANCES

ATWOOD WATER HEATER, GC6AA-9E

690406	Water heater, Atwood, elec. ignition, 110 volt/gas
690259-05	WATER HEATER ACCESS DOOR-WHITE
690259-06	WATER HEATER MOUNTING FLANGE-WHITE
381648	COVER LATCH HOLE WATER HEATER
500913-03	Switch, water heater, electronic



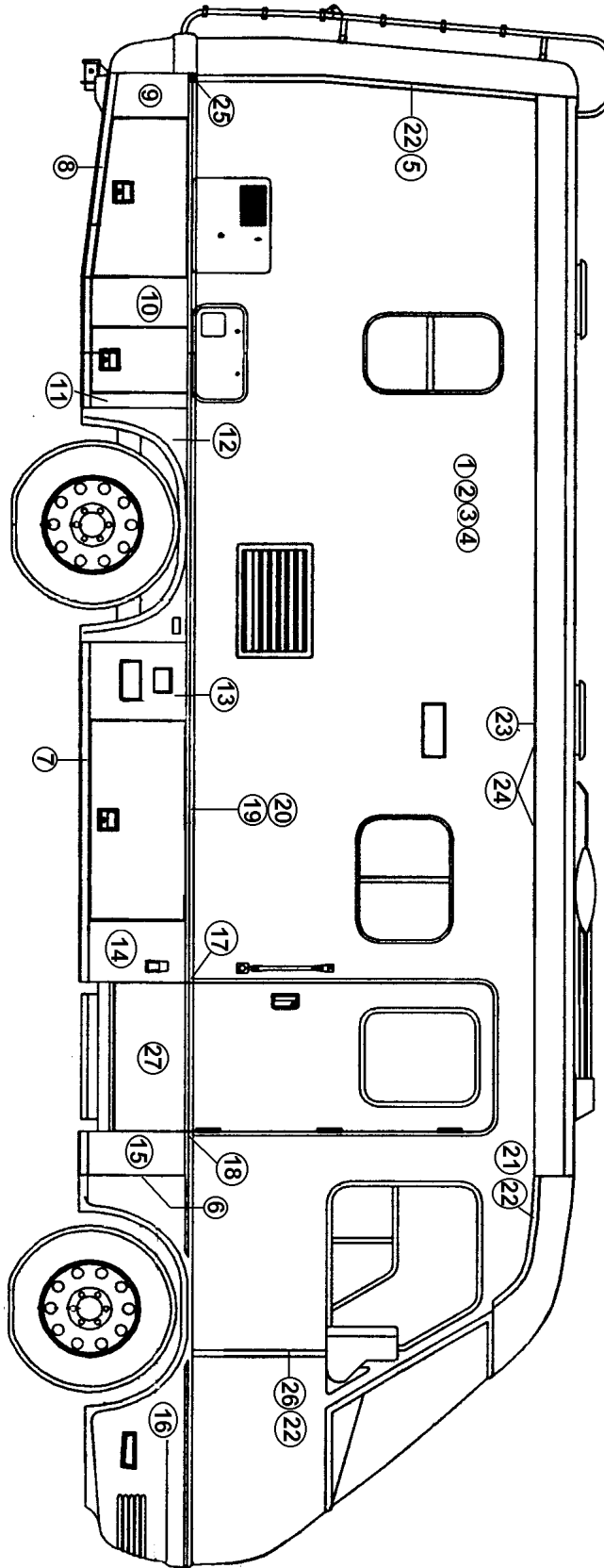
Front of water heater

1) 091604	Relief valve, pressure/temperature
2) 093870	Solenoid valve
3) 093865	Circuit board
4) 093868	Spark probe
5) 092615	Main burner

Back of water heater

091160	Heating element, 110volt
091873	ECO thermostat
091092	On/off switch, 110Volt

2003 LAND YACHT GAS



26' CS Body

2003 LAND YACHT GAS

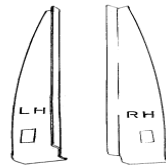
*BODY, CURB SIDE WALL **26' ONLY**

- | | |
|---------------|---|
| 1) 801002-01 | Fiberglass sheet, frost white, 72" x 332" |
| 2) 915657 | Weldment, CS wall |
| 3) 203075 | Styrofoam sheet, 1½" thick |
| 4) 801386 | Paneling, inside, .125", G1S, Spring Forest/Raw |
| 5) 114076-03 | Trim molding, rear end to sidewall, CS |
| 6) 114070-02 | Extrusion, J-trim, Pewter Gray |
| 7) 114583-01 | Extrusion, rocker panel, Pewter Gray |
| 8) 115055-02 | Extrusion, angled, rear rocker panel, CS |
| 9) 115054-01 | Skirt, angled, 9" |
| 10) 114587-14 | Skirt, Double flange 9.06" |
| 11) 114586-19 | Skirt, L/H flange, 2" |
| 12) 201805 | Fender skirt |
| 13) 114585-20 | Skirt, R/H flange, 15.62" |
| 14) 114587-22 | Skirt, double flange, 12.50" |
| 15) 114586-20 | Skirt, L/H flange, 10.00" |
| 16) 201971-01 | Fender, CS, w/o docking light hole |
| 16A) 2201971 | Fender, CS, w/docking light hole |
| 17) 385955-02 | End cap, rub rail, casting, LH |
| 18) 385955-01 | End cap, rub rail, casting, RH |
| 19) 114584 | Extrusion, rub rail installation |
| 20) 201709-02 | Rub rail molding, black |
| 21) 114077-04 | Trim extrusion, top cap-sidewall, CS |
| 22) 320115-06 | Screw, #6x1", flat head, stainless |
| 23) 114570 | Extrusion, awning rail |
| 24) 386093 | End cap, awning rail, LH |
| 386094 | End cap, awning rail, RH |
| 25) 114754-01 | End cap, rub rail, rear end shell |
| 26) 114005-02 | Trim extrusion, white |
| 27) 114062 | Skirt panel, main door |

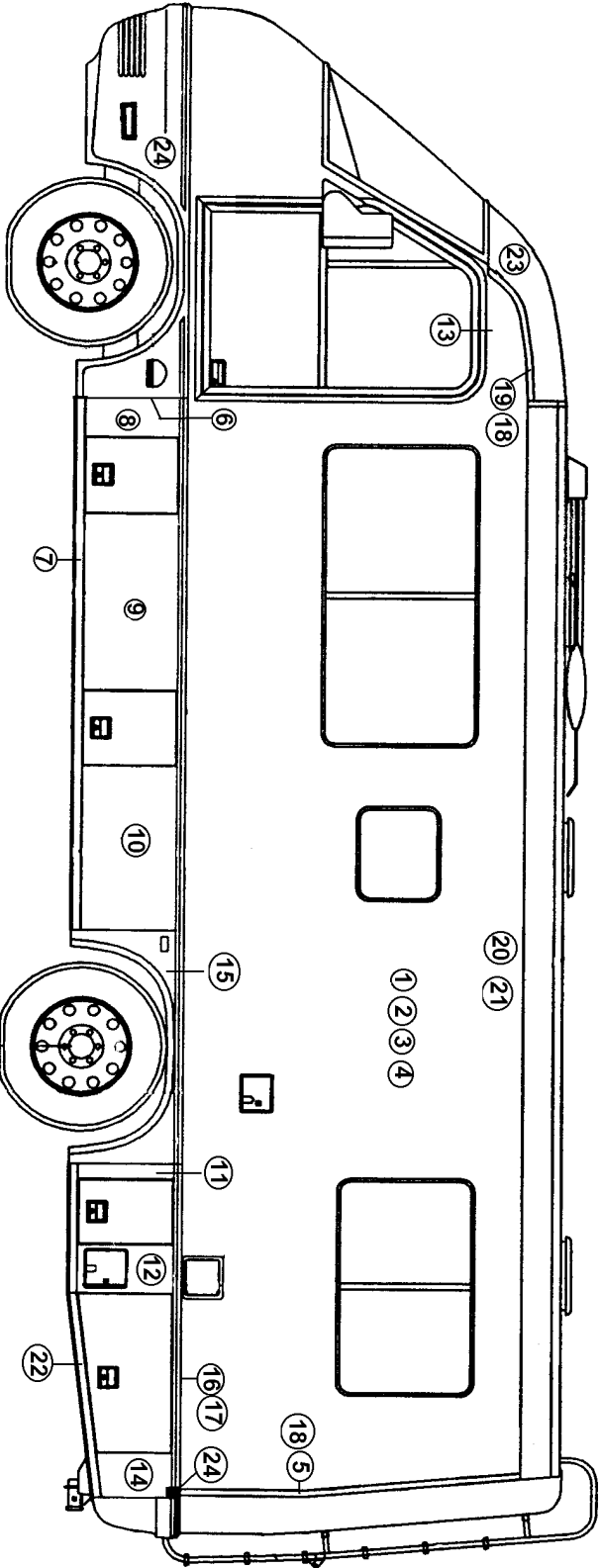
*Note: Each filler panel has a flange riveted on one or both sides. These

are: 114594-01
 114594-02

Seal, flange, LH
Seal, flange, RH



2003 LAND YACHT GAS



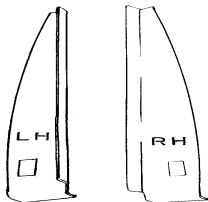
26' RS Body

2003 LAND YACHT GAS

*BODY, ROAD SIDE WALL **26' ONLY**

- | | |
|---------------|---|
| 1) 801002-01 | Fiberglass sheet, frost white, 72" x 332" |
| 2) 915656 | Weldment, roadside wall, 26' |
| 3) 203075 | Styrofoam sheet, 1½" thick |
| 4) 801386 | Paneling, inside, .125", G1S, Spring Forest/Raw |
| 5) 114076-04 | Trim molding, rear shell-sidewall, RS |
| 6) 114070-02 | Extrusion, J-trim, Pewter Gray |
| 7) 114583-01 | Extrusion, rocker panel, Pewter Gray |
| 8) 114585-19 | Skirt, R/H flange 8.00" |
| 9) 114587-23 | Skirt, R/H flange 35.625" |
| 10) 114586-18 | Skirt, R/H flange 33.104" |
| 11) 114585-18 | Skirt, R/H flange 2.0" |
| 12) 114587-14 | Skirt, Double flange 9.06 |
| 13) 114814 | Drip cap drivers door |
| 14) 115054-02 | Skirt, angled 9" |
| 15) 201805 | Fender skirt |
| 16) 114584 | Extrusion, rub rail installation |
| 17) 201709-02 | Rub rail molding, black |
| 18) 320115-06 | Screw, #6x1" flat head, stainless |
| 19) 114077-03 | Trim, extrusion, front cap to sidewall, RS |
| 20) 114570 | Extrusion, awning rail |
| 21) 386093 | End cap, awning rail, LH |
| 386094 | End cap, awning rail, RH |
| 22) 115055-01 | Extrusion, angled, rear rocker panel, RS |
| 23) 201869-01 | Front cap, Nu White |
| 24) 114754-01 | End cap, rub rail, rear end shell |

*Note: Each filler panel has a flange riveted on one or both sides. These are:



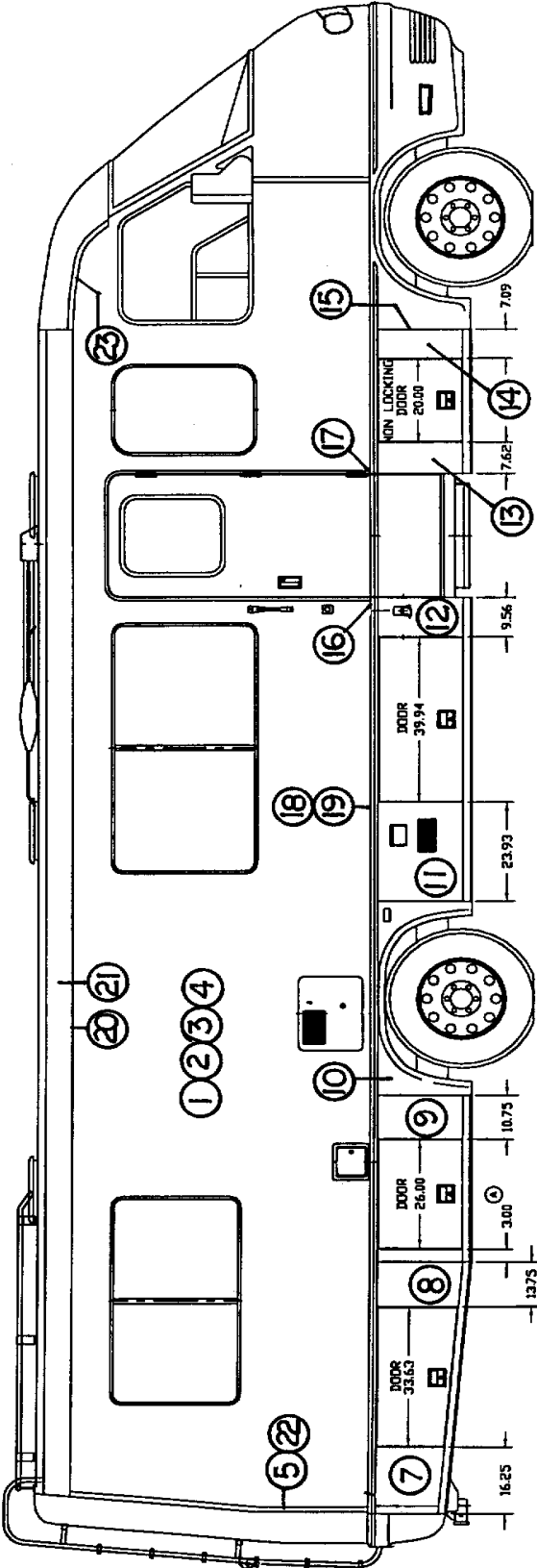
114594-01

Seal, flange, LH

114594-02

Seal, flange, RH

2003 LAND YACHT GAS



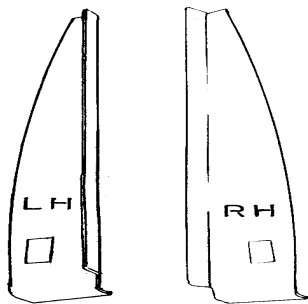
See next page for P\N

2003 LAND YACHT GAS

BODY, CURBSIDE WALL-30' ONLY

- | | |
|---------------|---|
| 1) 801002-01 | Fiberglass sheet, frost white 72" x 332" |
| 2) 915361 | Weldment, CS wall, 30' |
| 3) 203075 | Styrofoam sheet 1 1/2" thick |
| 4) 801386 | Paneling, inside, .125", G1S, Spring Forest/Raw |
| 5) 114076-03 | Trim molding, ends to sidewall, CS |
| 7) 114585-15 | Filler panel, 16.25" |
| 8) 114587-18 | Filler panel, 13.75" |
| 114615-01 | Rocker panel Weldment, 30' RS |
| 9) 114586-04 | Filler panel, 10.75" |
| 10) 201805 | Fender skirt |
| 11) 114585-09 | Filler panel, 23.93" |
| 12) 114586-15 | Filler panel, 9.56" |
| 13) 114587-10 | Filler panel, 7.62" |
| 14) 114587-16 | Filler panel, 8.0"(over size, cut to fit) |
| 15) 114070-02 | Extrusion, J-trim, Pewter Gray |
| 16) 385955-02 | End cap, rub rail casting, LH (cut to fit) |
| 17) 385955-01 | End cap, rub rail, casting, RH |
| 18) 114584 | Extrusion, rub rail |
| 19) 201709-02 | Rub rail molding, black |
| 20) 114570 | Extrusion, awning rail |
| 21) 386093 | End cap, awning rail, LH |
| 386094 | End cap, awning rail, RH |
| 22) 320115-06 | Screw, #6 x 1", flat head, stainless |
| 23) 114077-04 | Trim extrusion, front cap to sidewall |
| 114754-02 | End cap, rub rail, rear end shell |

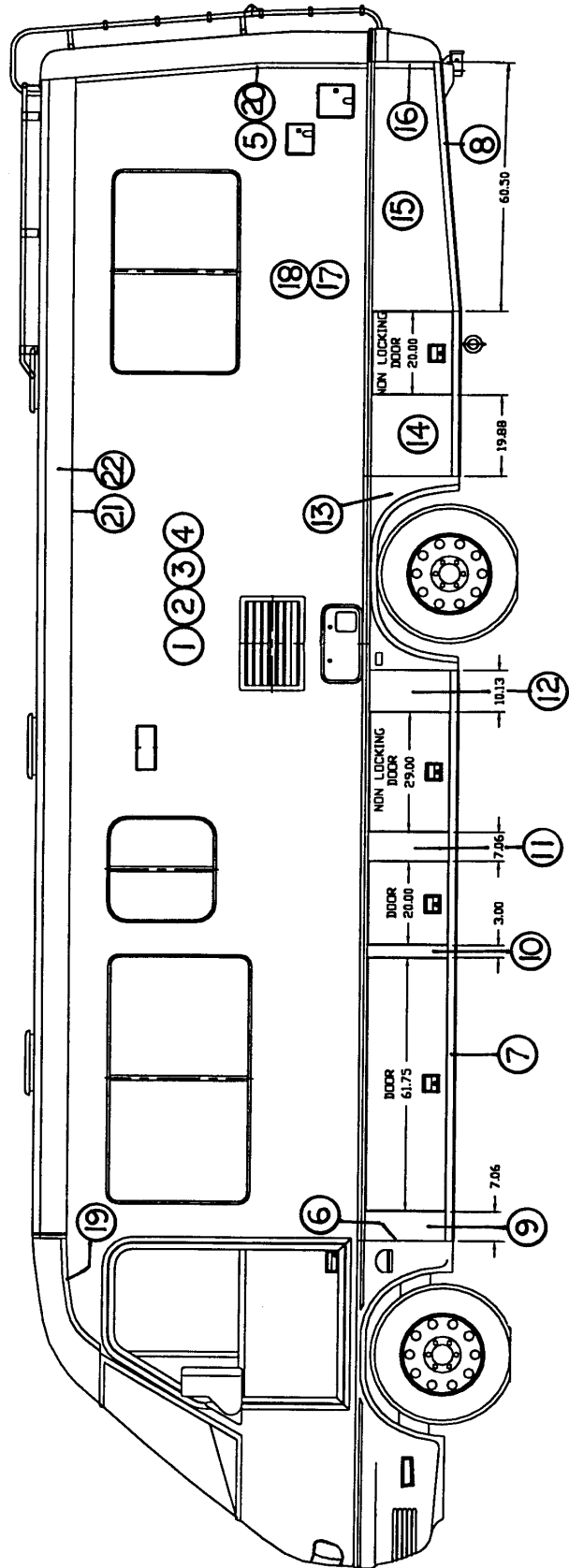
*Note: Each filler panel has a flange riveted on one or both sides. These are:



- 114594-01
114594-02

- Seal, flange, LH
Seal, flange, RH

2003 LAND YACHT GAS



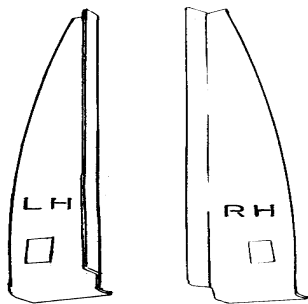
See next page for P/N
I-10

2003 LAND YACHT GAS

*BODY, ROADSIDE WALL, **30' ONLY**

- | | |
|---------------|---|
| 1) 801002-01 | Fiberglass sheet, frost white, 72"x332" |
| 2) 915360 | Weldment, roadside wall, 30' |
| 3) 203075 | Styrofoam sheet, 1½" thick |
| 4) 801386 | Paneling, inside, .125", G1S, Spring Forest/Raw |
| 5) 114076-04 | Trim molding, ends to sidewall, RS |
| 6) 114070-02 | Extrusion, J-trim, Pewter Gray |
| 7) 114583-01 | Extrusion, rocker panel, Pewter Gray |
| 8) 114615-02 | Weldment, rear rocker panel, RS |
| 9) 114587-16 | Filler panel, 8.00" (oversize, cut to fit) |
| 10) 115124-03 | Filler panel, 3.00" |
| 11) 114587-16 | Filler panel, 7.06" |
| 12) 114586-10 | Filler panel, 10.13" |
| 13) 201805 | Fender skirt |
| 14) 114585-10 | Filler panel, 19.88 |
| 15) 114588 | Filler panel, angled, 60.50" |
| 16) 114005-02 | Trim molding, ends to sidewall |
| 17) 114584 | Extrusion, rub rail installation |
| 18) 201709-02 | Rub rail molding, black |
| 19) 114077-03 | Trim, extrusion, front cap to sidewall |
| 20) 320115-06 | Screw, #6x1" flat head, stainless steel |
| 21) 114570 | Extrusion, awning rail |
| 22) 386093 | End cap, awning rail, LH |
| 386094 | End cap, awning rail, RH |
| 114754-01 | End cap, rub rail, rear end shell |

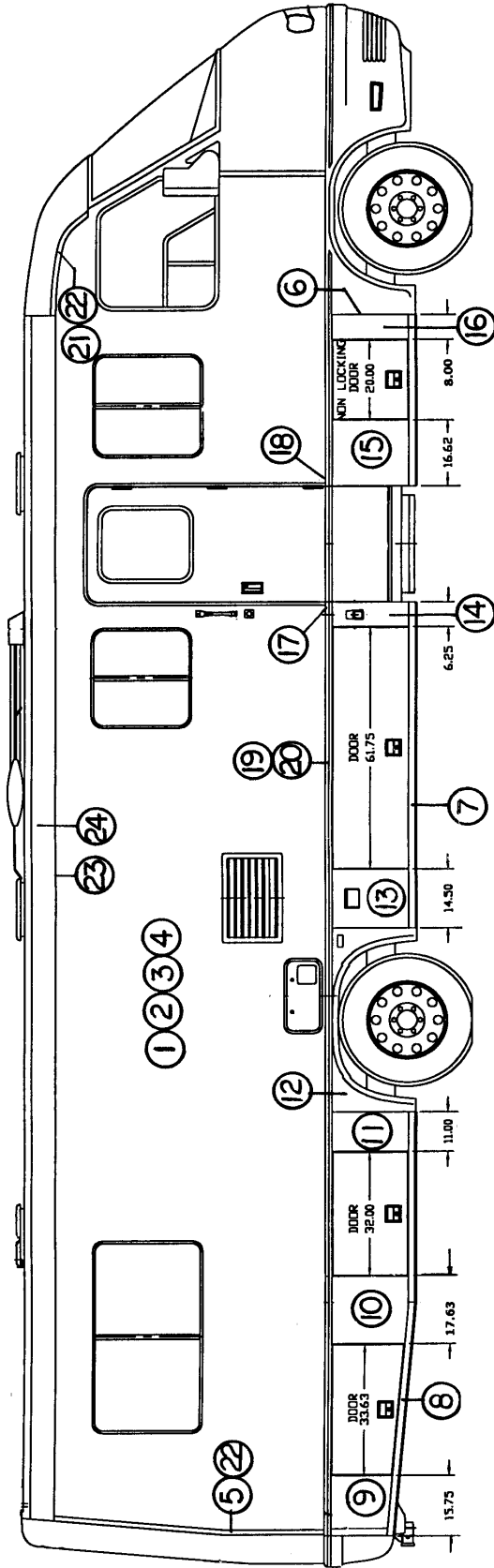
*Note: Each filler panel has a flange riveted on one or both sides. These are:



- 114594-01
114594-02

- Seal, flange, LH
Seal, flange, RH

2003 LAND YACHT GAS



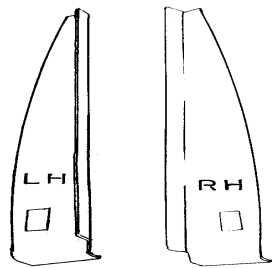
See next page for P/N
I-12

2003 LAND YACHT GAS

BODY, CURBSIDE WALL-**33' ONLY**

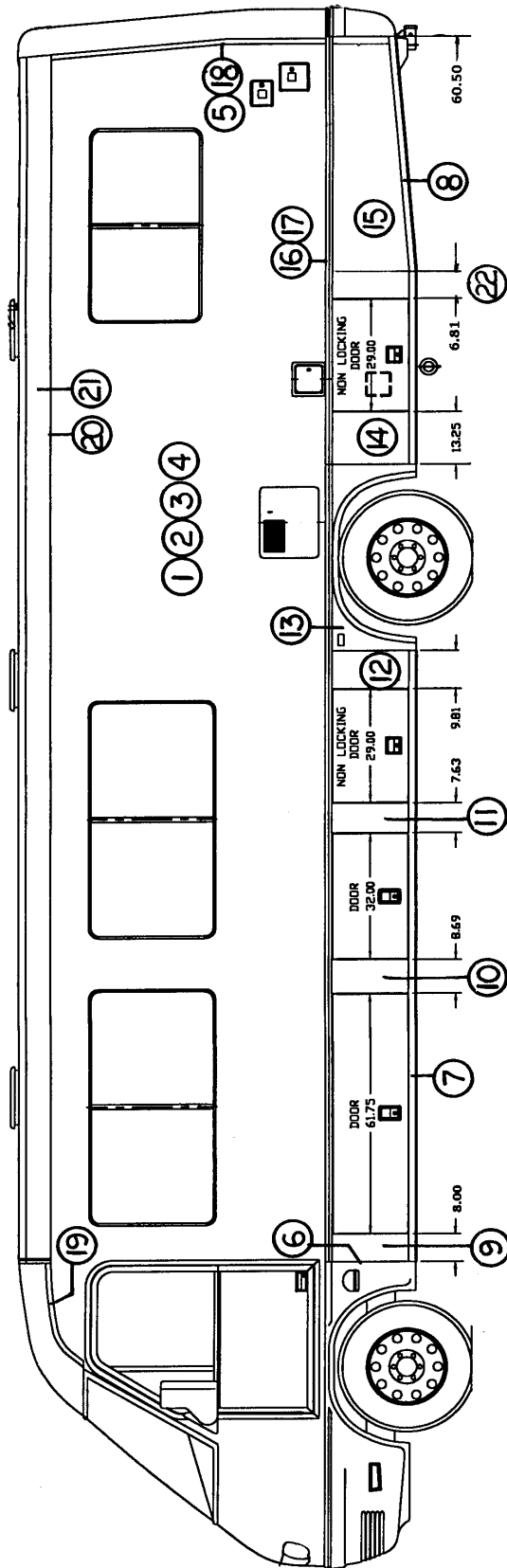
- | | |
|---------------|---|
| 1) 801002-10 | Fiberglass sheet, frost white 72"x360" |
| 2) 963884 | Assembly, CS wall, 33' |
| 3) 203075 | Styrofoam sheet 1 1/2" thick |
| 4) 801386 | Paneling, inside, .125", G1S, Spring Forest/Raw |
| 5) 114076-03 | Trim molding, ends to sidewall, CS |
| 6) 114070-02 | Extrusion, J-trim, Pewter Gray |
| 7) 114583-01 | Extrusion, rocker panel, Pewter Gray |
| 8) 114591-02 | Extrusion, angled, rear rocker panel, CS |
| 9) 114589-01 | Filler panel, angled, CS, 15.75" |
| 10) 114587-13 | Filler panel, 17.63 |
| 11) 114586-04 | Filler panel, 10.75 |
| 12) 201805 | Fender skirt |
| 13) 114585-01 | Filler panel, 14.50 |
| 14) 114586-17 | Filler panel, 6.25 |
| 15) 114585-17 | Filler panel, 16.63 |
| 16) 114585-16 | Filler panel, 8.0 (oversize, cut to fit) |
| 17) 385955-02 | End cap, rub rail, casting, LH |
| 18) 385955-01 | End cap, rub rail, casting, RH |
| 19) 114584 | Extrusion, rub rail installation |
| 20) 201709-02 | Rub rail molding, black |
| 21) 114077-04 | Trim extrusion, front cap to sidewall, CS |
| 22) 320115-06 | Screw, #6x1", flat head, stainless |
| 23) 114570 | Extrusion, awning rail |
| 24) 386093 | End cap, awning rail, LH |
| 386094 | End cap, awning rail, RH |
| 114754-02 | End cap, rub rail, rear end shell |

*Note: Each filler panel has a flange riveted on one or both sides. These are:



- | | |
|-----------|------------------|
| 114594-01 | Seal, flange, LH |
| 114594-02 | Seal, flange, RH |

2003 LAND YACHT GAS



See next page for P/N

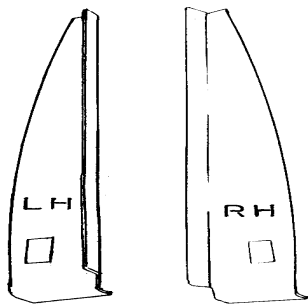
2003 LAND YACHT GAS

*BODY, ROAD SIDE WALL **33' ONLY**

- | | |
|---------------|---|
| 1) 801002-10 | Fiberglass sheet, frost white, 72" x 360" |
| 2) 963885 | Assembly, roadside wall, 33" |
| 3) 203075 | Styrofoam sheet, 1½" thick |
| 4) 801386 | Paneling, inside, .125", G1S, Spring Forest/Raw |
| 5) 114076-04 | Trim molding, ends to sidewall, RS |
| 6) 114070-02 | Extrusion, J-trim, Pewter Gray |
| 7) 114583-01 | Extrusion, rocker panel, Pewter Gray |
| 8) 114591-01 | Extrusion, angled, rear rocker panel, RS |
| 9) 114586-08 | Filler panel, 8.0" (over size, cut to width) |
| 10) 114587-09 | Filler panel, 8.69" wide |
| 11) 114587-10 | Filler panel, 7.63" wide |
| 12) 114586-01 | Filler panel, 9.81" wide |
| 13) 201805 | Fender skirt |
| 14) 114585-04 | Filler panel, 13.25" wide |
| 15) 114588 | Filler panel, angled, 60.50" wide |
| 16) 114584 | Extrusion, rub rail installation |
| 17) 201709-02 | Rub rail molding, black |
| 18) 320115-06 | Screw, #6x1" flat head, stainless |
| 19) 114077-03 | Trim, extrusion, front cap to sidewall, RS |
| 20) 114570 | Extrusion, awning rail |
| 21) 386093 | End cap, awning rail, LH |
| 386094 | End cap, awning rail, RH |
| 22) 114586-16 | Filler panel, 6.81" wide |

114754-01 End cap, rub rail, rear end shell

*Note: Each filler panel has a flange riveted on one or both sides. These are:



114594-01

Seal, flange, LH

114594-02

Seal, flange, RH

2003 LAND YACHT GAS

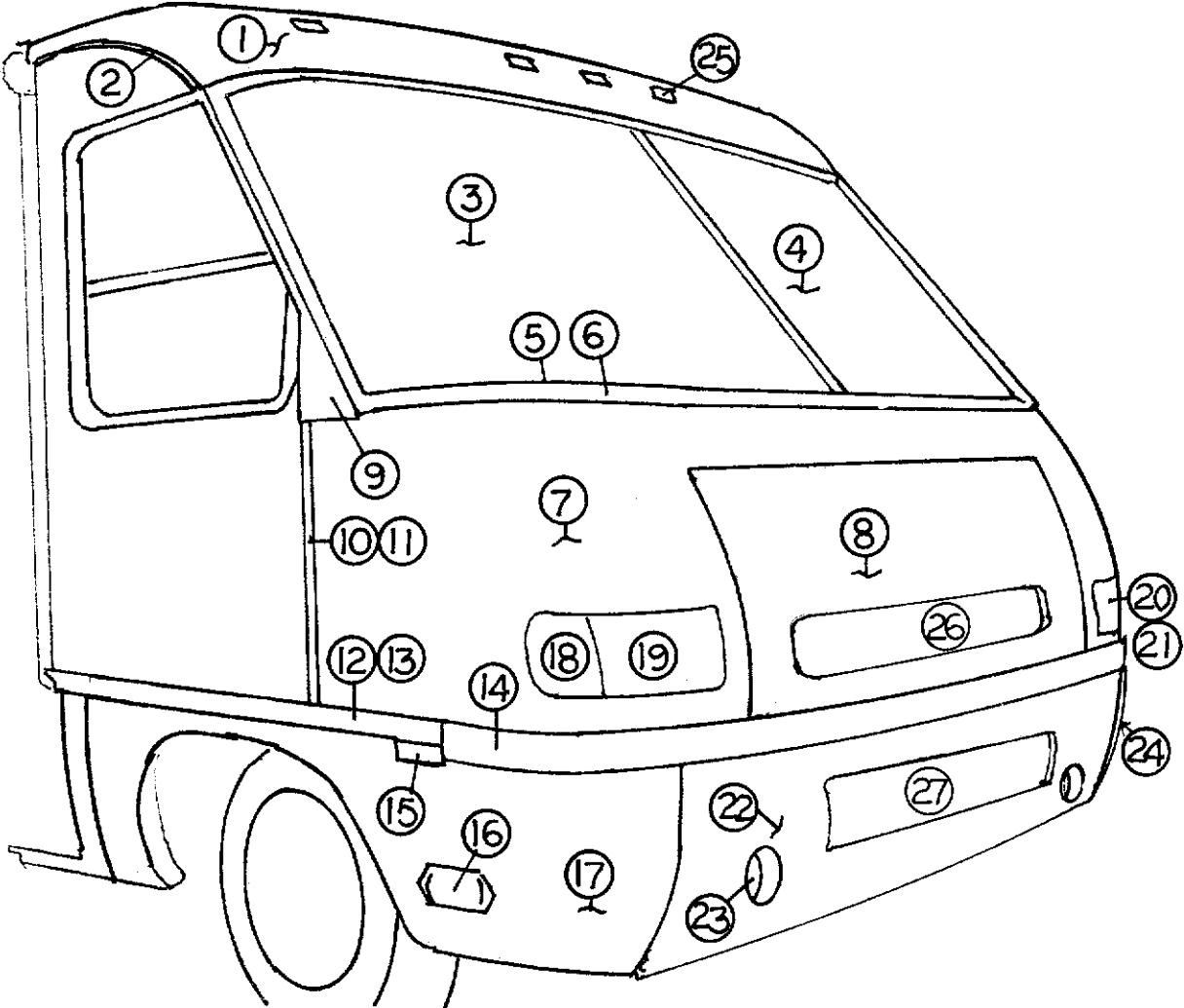
BODY ROOF

203379	Fiberglass roof material, white, 106"W x 320"L, 33ft. 30 ft.
915226	Weldment, roof, 33ft.
915237	Weldment, roof, 30ft.
915654	Weldment, roof, 26ft.
114601-03	ROOF BOW W/1 HOLE
114601-07	BOW ROOF W/2 HOLE
114601-08	ROOF BOW W/4 HOLE
203075	Styrofoam sheet 1 1/2 thick
702482	Headliner, spectra, Opal X
800507-01	Luan, 1/8"x4'x8'(inside)
201728-04	Extrusion, ceiling trim, white
201728-01	Extrusion, ceiling trim, retainer
702126-01	Headliner, Tetra-4578, off-white, Front locker assembly
702482-03	Headliner, Spectra Opal, textured, R/L

2003 LAND YACHT GAS

NOTES:

2003 LAND YACHT GAS



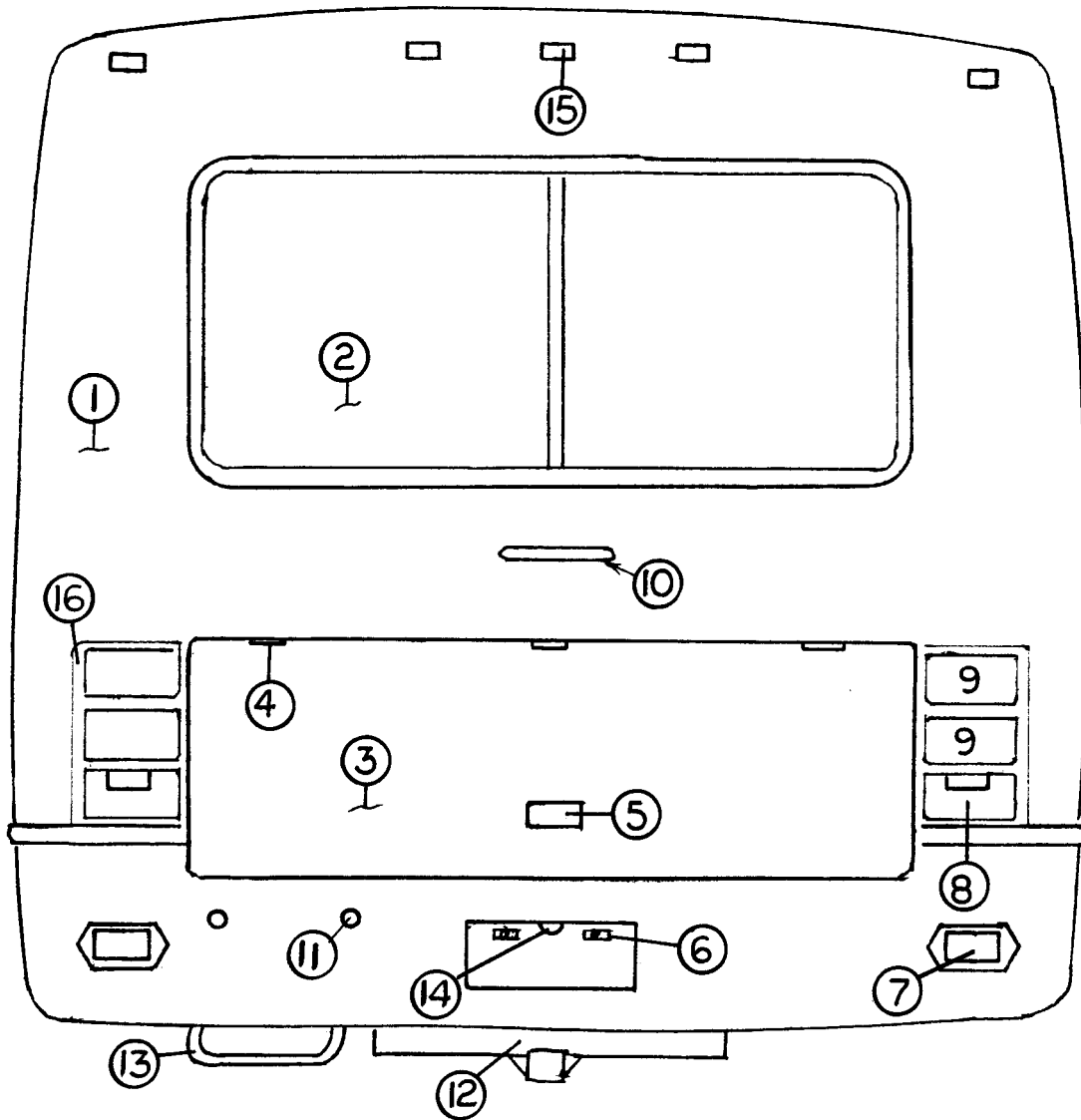
See next page for P/N

2003 LAND YACHT GAS

BODY, FRONT

- 1) 201869-01 Front cap, Nu White
 - 2) 114077-04 Trim, extrusion, cap to sidewall, CS
 - 114077-03 Trim, extrusion, cap to sidewall, RS
 - 3) 371291 Windshield, CS
 - 4) 371290 Windshield, RS
 - 5) 381319 Gasket, windshield (surrounds both windshields)
 - 6) 201260 Insert, windshield gasket
 - 7) 203236 Nose, front, fiberglass
 - 8) 203237 Hood, fiberglass
 - 9) 114838-01 Cover, A pillar, CS
 - 114838-02 Cover, A pillar, RS
 - 10) 114005-02 Trim molding, nose to sidewall
 - 11) 320115-06 Screw, #6x1" flathead, stainless
 - 12) 114584 Extrusion, rub rail installation
 - 13) 201709-02 Rub rail molding, black
 - 14) 201909 Molding, black bumper trim
 - 15) 500892 Light, clearance/turn signal, amber
 - 16) 511101-01 Light, docking, halogen, S.S. bezel
 - 17) 201971 Fender, CS
 - 17A) 201971-01 Fender CS, w/o docking light hole, 26 ft. only
 - 18) 511527 Light, turn signal, amber, CS
 - 19) 511525 Headlight, CS
 - 20) 511526 Headlight, RS
 - 511529 Bulb, headlight
 - 21) 511528 Light, turn signal, amber, RS
 - 22) 203238 Bumper, front
 - 23) 511514 Driving light kit, halogen
 - 24) 201970 Fender, RS
 - 25) *510984-02 Light, clearance, amber
 - 26) 381714 GRILL, HOOD
 - 27) 381715 GRILL, BUMPER
 - 510784-01 LAMP SOCKET W/BULB#1156 Frt. Fender
 - 453816-01 BRACKET-HEADLIGHT-OUTSIDE RH
 - 453816-02 BRACKET-HEADLIGHT-OUTSIDE LH
 - 453814-01 BRACKET-HEADLIGHT-UPPER RH
 - 453814-02 BRACKET-HEADLIGHT UPPER LH
- *Replace by 511750 amber teardrop light beginning with unit 641118.

2003 LAND YACHT GAS



See next page for P/N

2003 LAND YACHT GAS

BODY-AFT

- | | |
|---------------|---|
| 1) 203088-02 | Cap, rear end |
| 1A) 203088-01 | Cap, rear end, 26' w/o window |
| 2) 371373-02 | Window, stationary, rear, 29.25 x 62.25 |
| 3) 203018-01 | Trunk door, Land Yacht, Nu-white |
| 4) 381434 | Hinge, stainless, 3"x3" |
| 5) 195373 | Paddle latch, black, w/lock |
| 6) 381077 | Well nut, license plate |
| 7) 511101-01 | Light, docking, halogen |
| 8) 511240 | Light, stop/tail/turn/back-up |
| 9) 511239 | Light, stop/tail/turn |
| 10) 511154-02 | Light-strip, 3rd brake light, 1x10" |
| 11) 381148-01 | Socket, bottom support, ladder |
| 114224 | Plunger, bottom support, ladder |
| 12) 400868 | Hitch, Reese #38563 |
| 12a) 400957 | Hitch, Reese, 26' only |
| 13) 961601 | Step assembly, bottom, roof ladder |
| 14) 511294 | Light, license plate |
| 15) 510984-01 | Light, clearance, red |
| 16) 386011 | Trim, taillight, stainless steel |

NOT SHOWN:

381578 Ladder

2003 LAND YACHT GAS

CHASSIS

410796-01	Leveling jack system, complete, manual, Power Gear
453917	Bracket, jack pump
110407-02	POWER GEAR JACK
961601	Step assembly, roof ladder
511483	Step, single, Kwikiee
511483-01	Pigtail. Kwikiee step
511486	Switch, magnetic, round
685031-01	Control box, main, Kwikiee
410700-100	Motor, assy., w/actuator arm
410818	Wheel simulator
400571	Mud flaps, pair
453976	Emergency brake bracket, 26'
453979	Emergency brake support, 26'
690311	Heater, rear, auxiliary
510929-04	Switch, dash, rear heat
510930-04	Lens, rear heat switch
600969	Register, 4 x 6", Sand
452575-01	DUCT AUX HEATER (LH)
452575-02	DUCT AUX HEATER (RH)
914055	ASSEMBLY, PAN AUX HEATER
600526	Flange, 4"
452722-01	Front hose kit, diverts antifreeze to auxiliary heater
452087	Hanger, spare tire, N/A 26'
410631	Winch, spare tire
452140	SPACER SPARE TIRE
451811	Extender, tire valve, pr.
703147	Spare tire cover, 26ft.
453461-05	Spacer, coil spring, 1"
201872	Wheel well liner, 30' & 33'
203321	Wheel well liner, 26'
410850	Fuel fill, pipe, 26'

2003 LAND YACHT GAS

CHASSIS

*690455-00 Kit heater/Dash AC Large Control

Specific Climate Systems Inc.
1200 West Risinger Road
Fort Worth, Texas
Technical Assistance: 1-800-275-7524

SERVICE /PARTS

SCS has requested you to call them on the 800 number listed above should you experience any service problems. If your dealership is not able to repair this system, they are usually able to help get any repairs needed at an air conditioner repair facility close to your location.

Warranty or retail parts may be obtained by using the toll free phone number above.

The following pages include wiring diagrams and vacuum line diagrams. The parts on the bottom of this page are ordered from Airstream parts.

Dash Heater A/C

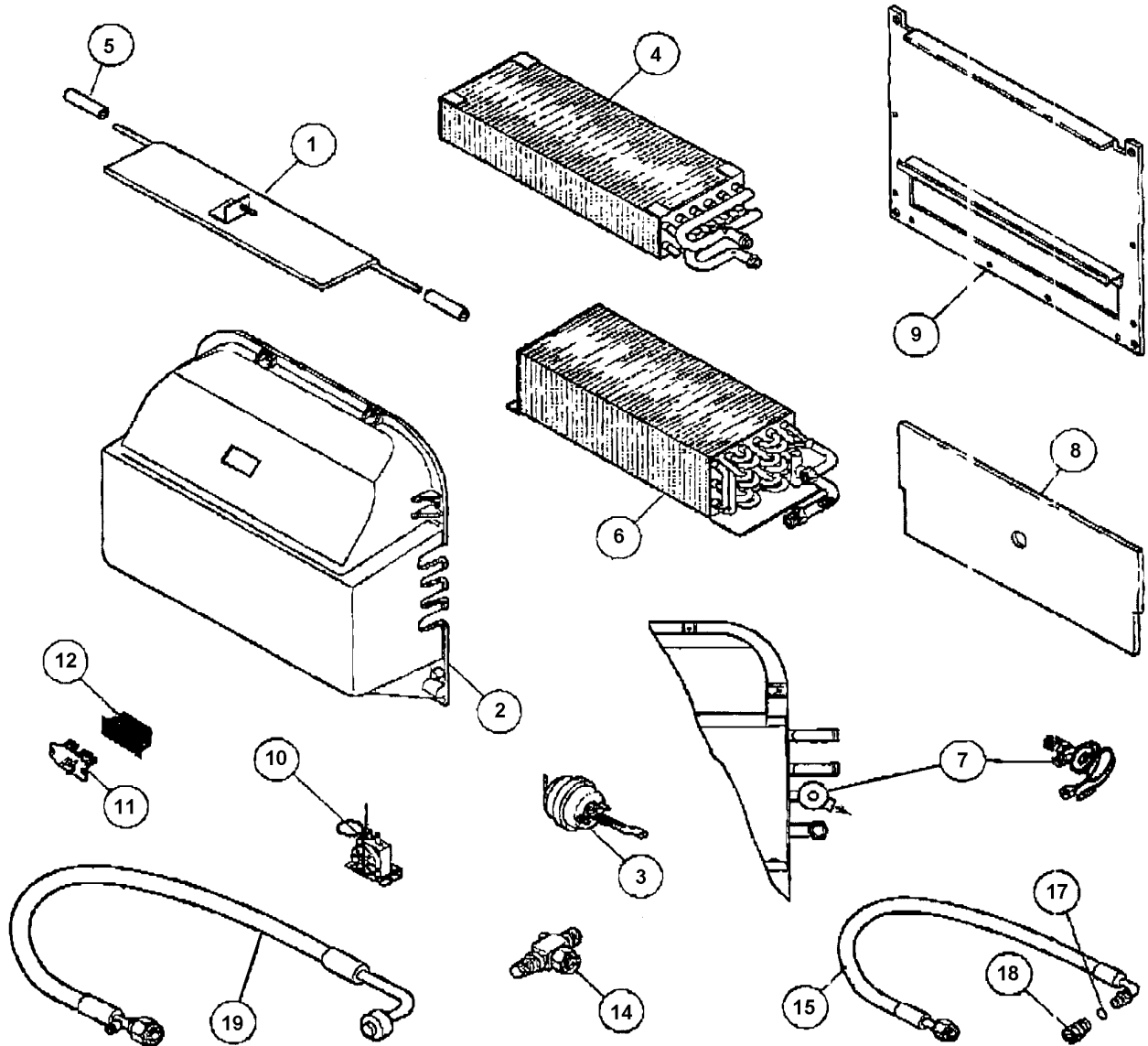
690456	Grille, louvered, 1.5" x 6" defroster duct
690457	Grille, return air
690458	Louver, 2" round
601599	Hose, duct 2", black
600465	Hose, air duct 2 1/2" dia.
203110	Duct, defroster trans
690382-05	Suction hose kit, Chevy L29
600214-03	Heater hose, 5/8"

*Workhorse, the chassis manufacturer, installs the compressor, condenser and associated parts on their RV chassis.

2003 LAND YACHT GAS

SCS/Frigette

MOTORHOME HVAC SYSTEMS



- 1. 087-00219 DOOR ASSEMBLY
- 2. 062-00605 CASE
- 3. 030-00046 VACUUM MOTOR
- 4. 042-00044 HEATER COIL
- 5. 062-00623 BUSHING
- 6. 041-00157 EVAPORATOR COIL

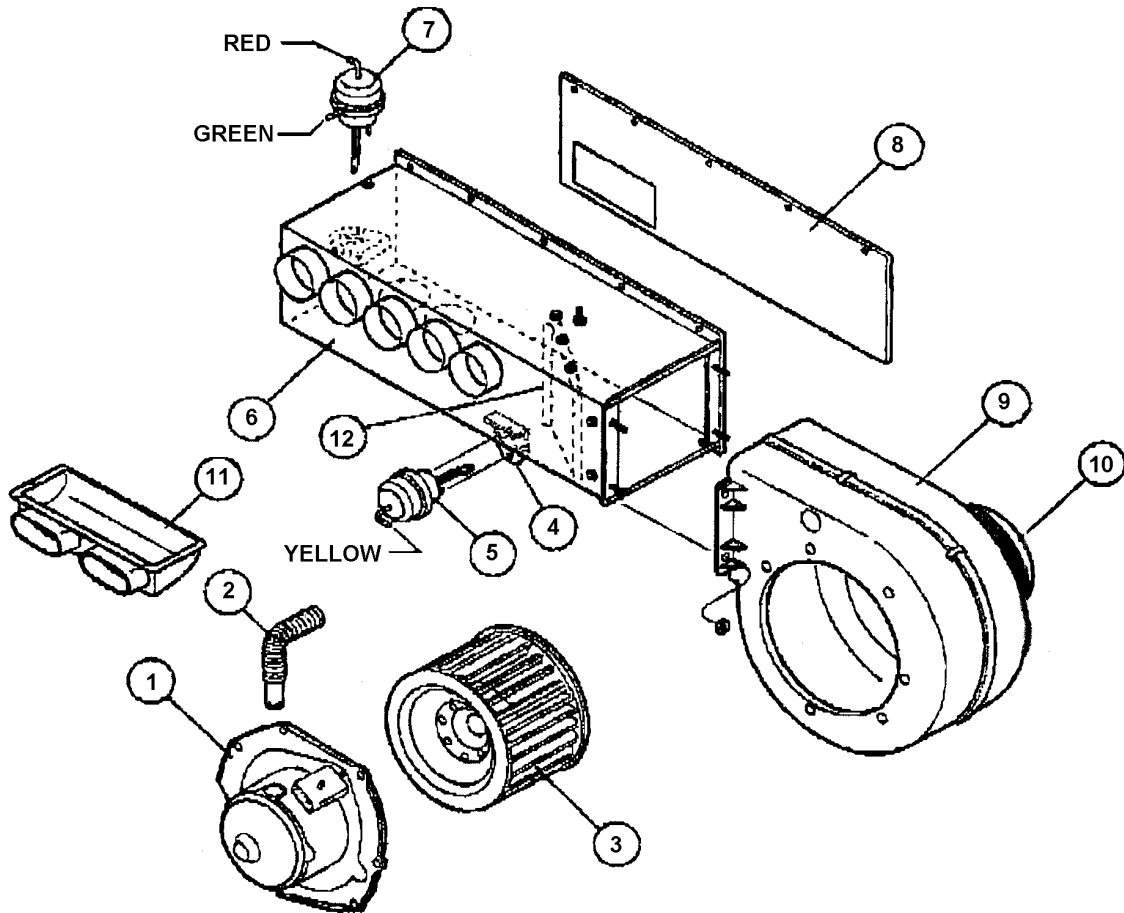
- 7. 034-00029 EXPANSION VALVE
- 8. 045-00521 INSULATION
- 9. 071-00680 BACK PANEL
- 10. 033-00003 THERMOSTAT
- 11. 035-00006 RESISTOR
- 12. 071-00143 SHIELD

- 13. 05100362 #10 HOSE ASSY. L29
- 14. 03400049 SERVICE VALVE
- 15. 085-0466 #6 HOSE ASSY.
- 16. 05000120 Q. C. COUPLING FM
- 17. 04500125 O-RING, SAE 012

2003 LAND YACHT GAS

SCS/Frigette

MOTORHOME HVAC SYSTEMS



- 1. 030-00109 BLOWER MOTOR
- 2. 051-00034 VENT HOSE
- 3. 062-00010 BLOWER WHEEL
- 4. 070-00234 VAC. MOTOR BRACKET

- 5. 030-00025 VACUUM MOTOR
- 6. 071-00763 HOUSING ASSEMBLY
- 7. 030-00048 VACUUM MOTOR
- 8. 071-00762 BACK PANEL

- 9. 062-00113 BLOWER HOUSING
- 10. 060-00135 INLET GUIDE
- 11. 060-00497 HEATER BOX
- 12. 071-00645 DIVIDER

2003 LAND YACHT GAS

CHASSIS

ENGINE COVER

203296	COVER-ENGINE FIBERGLASS LYMH 8.1L
203297	BASE-ENGINE COVER FIBERGLASS 8.1L
381568	SEAL EXTRUDED 1.25 X .625 EPDM
381077	WELLNUT #G-1032
*201565	TUFCOTE NOISE BARRIER, 104-E
365194	2" TAPE - ALUM. FOIL

*Replaced by 203276 ½" Insulation beginning w/unit 641101.

TOOL KIT

380188	TRIANGLE EMERGENCY WARNING SET 3
104315	BRACKET, FRONT LICENSE PLATE
381006	LUG WRENCH #14064610(STEEL WHEEL)
510863-01	72", 6-WAY CONNECT
451811	EXTENDER, TIRE VALVE, (1) PAIR
381666	SOCKET DEEP WELL 3/8" DRIVE X 3/4"
381667	RATCHET, 10" 3/8" DRIVE
410821	VALVE TUBELESS CLAMP IN TR416

2003 LAND YACHT GAS

SECTION II D through E

DASH

Dash parts	II-1
Glove box	II-1
Trims	II-1
Defrost.....	II-1

DECALS.....	II-2
-------------	------

DOORS/WINDOWS/AWNINGS

33ft.RS.....	II-4
33ft.CS.....	II-6
30ft.RS.....	II-8
30ft.CS.....	II-10
26ft. RS.....	II-12
26t. CS.....	II-14
Main/screen door	II-16

DRAPES/BLINDS/VALANCES	II-17
------------------------------	-------

ELECTRICAL

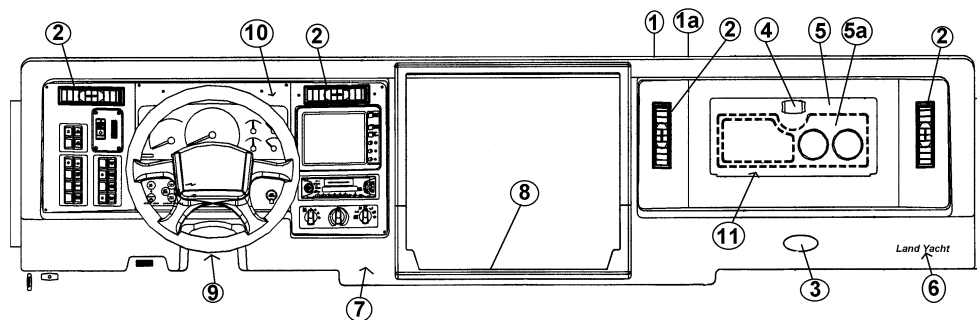
110 volt.....	II-19
12 volt	II-21
Dash switches/lens.....	II-23
Exterior Heated Mirrors.....	II-24
Windshield wipers	II-28

ENTERTAINMENT

Television	II-29
Back-up Monitor	II-29
Radio	II-29

2003 LAND YACHT GAS

DASH



- | | |
|----------------|--|
| 1) 201754-02 | Dash top, plastic |
| 1a) 703140-01 | Cover, vinyl, dash w/pad |
| 2) 690456 | Dash louver, A/C-heater, Acme |
| 3) 386064-03 | Medallion, 3", black |
| 4) 381438 | Latch, glove box, non-locking, squeeze |
| 5) 203313-01 | Panel, glove box |
| 452358 | CATCH, GLOVE BOX LATCH, FORMED |
| 381442 | RETAINER CLIP, GLOVE BOX LATCH |
| 381437 | HINGE, GLOVE BOX HINGE |
| 320122 | SCREW, BLACK, #4 PFH |
| 6) 385641 | Decal, Land Yacht |
| 7) 203307-01 | Dash face, front |
| 8) 203315-01 | Trim ring, TV |
| 9) 203312 | ABS Closeout, steering column |
| 10) 203309-01 | Instrument panel, w/monitor & Jacks |
| 10A) 203309-03 | Instrument panel, w/monitor, w/o jacks |
| 10B) 203309-04 | Instrument panel, w/o monitor, w/o jacks |
| 10C) 203309-02 | Instrument panel, w/o monitor, w/ jacks |
| 11) 201934 | Tray, glove box door |
| 11a) 201958 | Glove box, black |
| 203308 | Defroster box |
| 114090 | Deflector, plenum, defrost |
| 381764 | TRIM-RUBBER EDGE DASH TV |
| 690457 | GRILL RETURN AIR |
| 690315-05 | Grille, defroster |

2003 LAND YACHT GAS

DECALS

For reference only

There are **no** exterior decals except for the two Gold ones listed below on the 2003 Land Yacht Motorhome.

Many places, especially the logos, will appear to be decals but are actually painted.

Each vehicle has been provided with a sheet that lists the color codes on that particular motorhome.

Also, each motorhome is shipped from Carrera Designs with touch-up paint for each color.

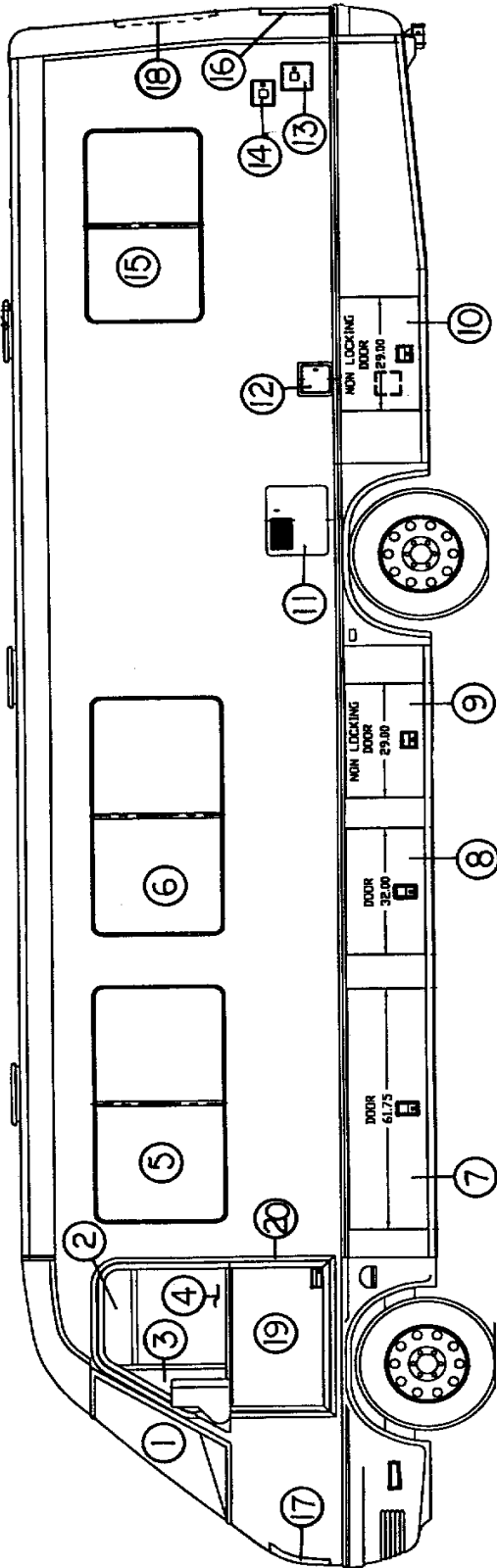
A back-up color chart for each motorhome is kept in Airstream's files. If calling Airstream for this information ask for "Sales" and have the serial number available for them.

386076	DECAL LAND YACHT GOLD 6"
386070	LOGO-AIRSTREAM 32" GOLD
385641	DECAL, LAND YACHT GLOVE BOX

MEDALLIONS

386043-03	MEDALLION-BLACK AIRSTREAM 12"
386063-03	MEDALLION, 8" BLACK
386091	Logo, AIRSTREAM, black raised letters

2003 LAND YACHT GAS



See next page for P/N

2003 LAND YACHT GAS

DOORS/WINDOWS/AWNINGS

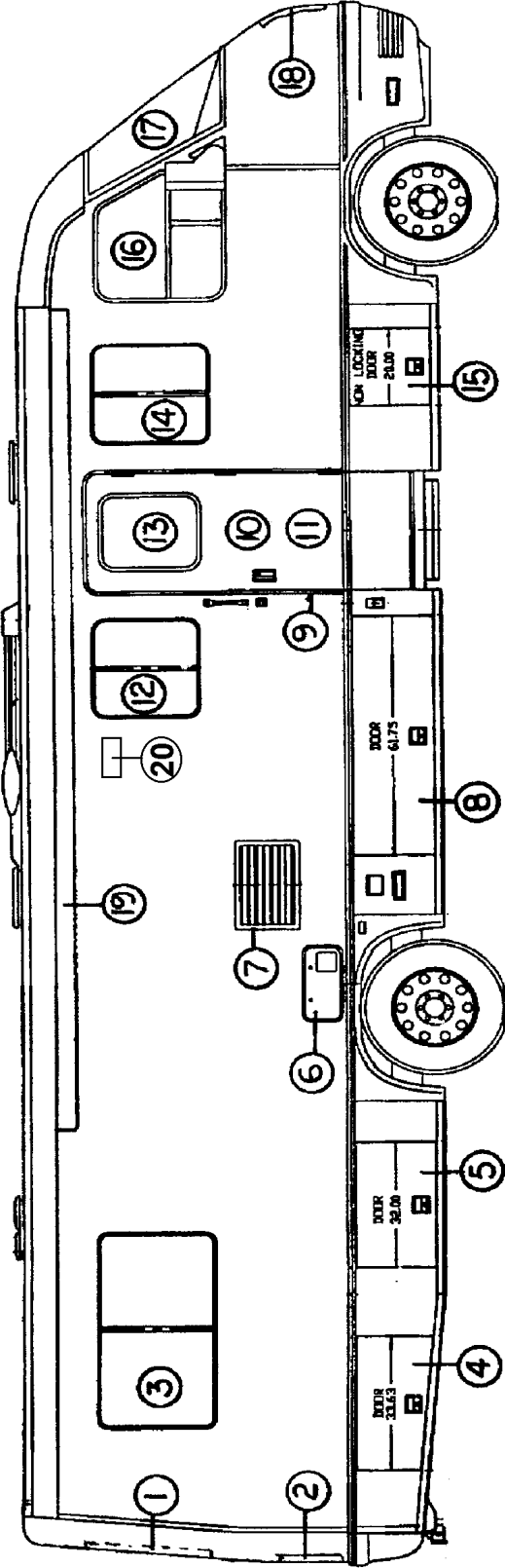
(Hardware such as hinges, locks and latches are located in the **hardware** section of this book)

ROADSIDE-**33ft. only**

- | | |
|-------------------------------|---|
| 1) 371290 | Windshield, RS |
| 2) 372196 | Glass, drivers door, upper fixed |
| 3) 372194 | Glass, drivers door, fixed |
| 4) 372195 | Glass, drivers door, movable |
| 114808-02 | Drip cap, cab window |
| 5) 371373-05 | Window, horizontal slide, 29.75" x 60.25", RS |
| 6) 371373-05 | Window, horizontal slide, 29.75" x 60.25", RS |
| 7) 921166-01 | Compartment door, 61.75" |
| 8) 921166-02 | Compartment door, 32.00" |
| 9) 921169-03 | Compartment door, non-locking, 29.00" |
| 10) 921169-03 | Compartment door, non-locking, 29.00" |
| 11) 690259-02 | Door, water heater access |
| 11a) 690259-03 | Mounting flange, water heater access |
| 12) 201865-02 | Fuel fill housing, polar white |
| 13) 511045-02 | Cord door hatch, 110volt |
| 14) 201866-02 | Water fill, potable water tank |
| 15) 371373-22 | Window, horizontal slide, egress, 30.25" x 48.88" |
| 16) 203018-01 | Trunk door, LY, Nu white |
| 17) 203237 | Hood, fiberglass |
| 18) 371373-02 | Window, stationary, rear, 29.25" x 62.25" |
| 19) 922328-04 | Drivers door assembly |
| 114814 | Drip cap, drivers door |
| 20) 195279-02 | Jamb, drivers door |

See option section for double pane window parts numbers.

2003 LAND YACHT GAS



See next page for P/N

2003 LAND YACHT GAS

DOORS/WINDOWS/AWNINGS

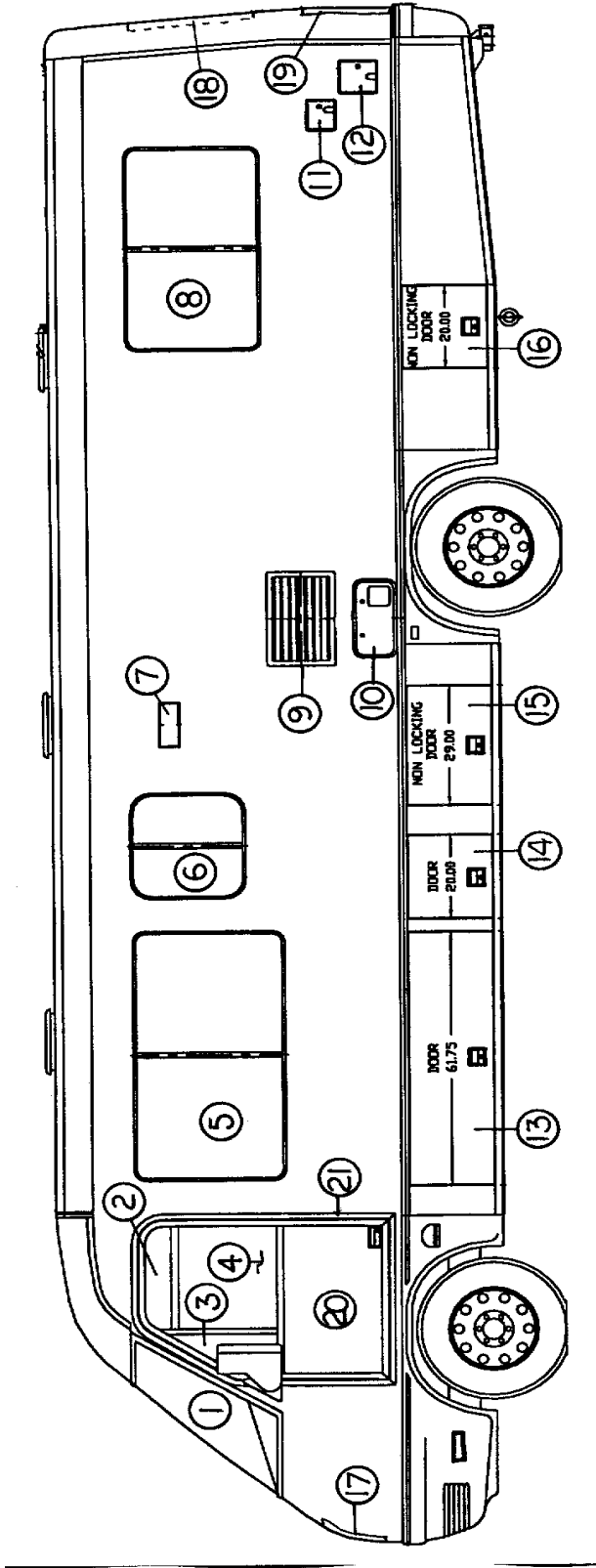
(Hardware such as hinges, locks and latches are located in the **hardware** section of this book)

CURBSIDE-33' ONLY

- | | |
|-------------------------------|---|
| 1) 371373-02 | Window, stationary, rear, 29.25" x 62.25" |
| 2) 203018-01 | Trunk door, LY, Nu white |
| 3) 371373-21 | Window, horizontal slide, 30.25" x 48.88", CS |
| 4) 921167-01 | Compartment door, angled, CS, 33.63 |
| 5) 921166-02 | Compartment door, 32.00" |
| 6) 690274-11 | Door, Hydroflame, exterior |
| 7) 690340-01 | Door, refrigerator, flush mount |
| 8) 921166-01 | Compartment door, 61.75" |
| 9) 922375-02 | Doorjamb assembly |
| 10) 109988-05 | Main door |
| 114059 | Drip cap, main door |
| 11) 922372 | Screen door assembly |
| 12) 371373-09 | Window, horizontal slide, 25.25" x 25.75", CS |
| 13) 371373-01 | Window, main door, 19.25" x 23.25" |
| 14) 371373-10 | Window, horizontal slide, 29.75" x 26.25", CS |
| 15) 921169-04 | Compartment door, non-locking, 20.00 |
| 16) 371371-01 | Window, cab, CS, angled |
| 114808-02 | Drip cap, cab window |
| 17) 371291 | Windshield, CS |
| 18) 203237 | Hood, fiberglass |
| 19) 702679-07 | Awning, patio, 17', Black Shadows |
| 702679-17 | Hardware patio awning Satin |
| 20) 511152-01 | Vent cover, exterior range, white |

See option section for double pane window parts numbers.

2003 LAND YACHT GAS



See next page for P/N

2003 LAND YACHT GAS

DOORS/WINDOW/AWNINGS

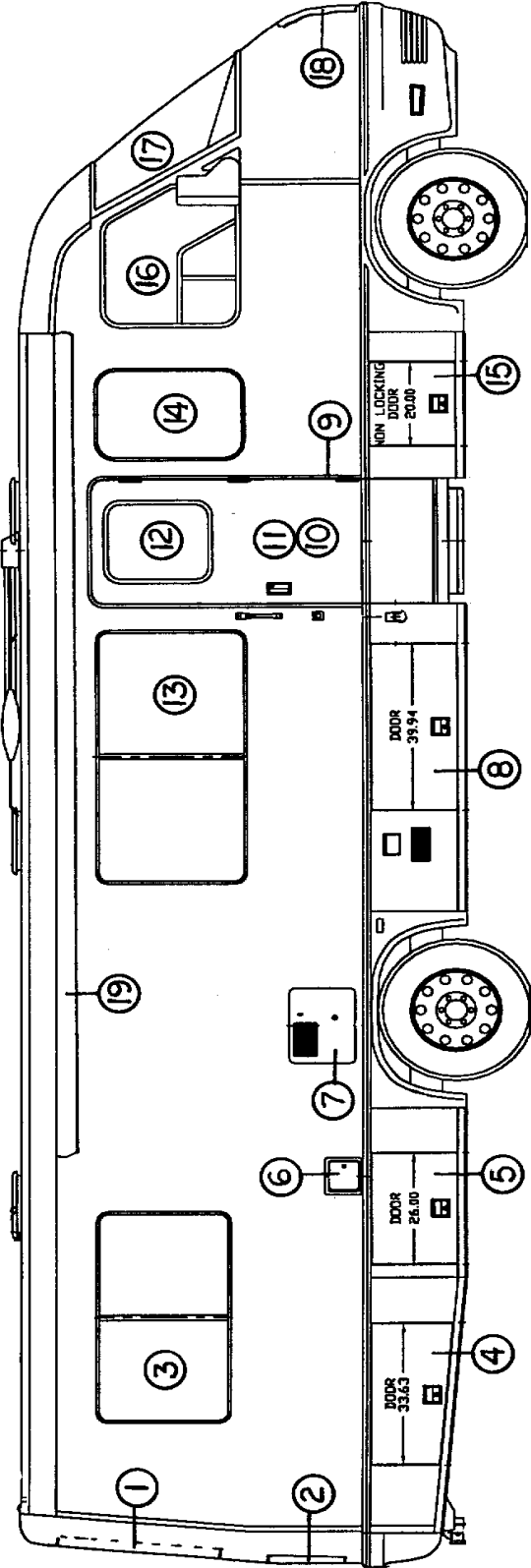
(Hardware such as hinges, locks and latches are located in the **hardware** section of this book)

ROADSIDE-**30'ONLY**

- | | |
|-------------------------------|---|
| 1) 371290 | Windshield, RS |
| 2) 372196 | Glass, drivers door, upper, fixed |
| 3) 372194 | Glass, drivers door, fixed |
| 4) 372195 | Glass, drivers door, movable |
| 5) 371373-05 | Window, horizontal slide, RS, 29.75" x 60.25" |
| 6) 371373-04 | Window, horizontal slide, RS, 25.25" x 25.75" |
| 7) 511152-01 | Vent cover, range exhaust |
| 8) 371373-22 | Window, horiz, slide, RS, egress, 30.25" x 48.88" |
| 9) 690340-03 | Door, refrigerator, flush mount |
| 10) 690274-11 | Door, Hydroflame furnace, exterior |
| 11) 201866-02 | Water fill, potable water |
| 12) 511045-02 | Cord door hatch, 110 volt |
| 13) 921166-01 | Compartment door, 61.75" |
| 14) 921166-04 | Compartment door, 20.00" |
| 15) 921169-03 | Compartment door, non-locking, 29.00" |
| 16) 921169-04 | Compartment door, non-locking, 20.00" |
| 17) 203237 | Hood, fiberglass |
| 18) 371373-02 | Window, stationary, rear, 29.25x62.25" |
| 19) 203018-01 | Trunk door, LY, Nu white |
| 20) 922328-04 | Drivers door assembly |
| 114814 | Drip cap, drivers door |
| 21) 195279-02 | Jamb, drivers door |

See option section for double pane window parts numbers.

2003 LAND YACHT GAS



See next page for P/N

2003 LAND YACHT GAS

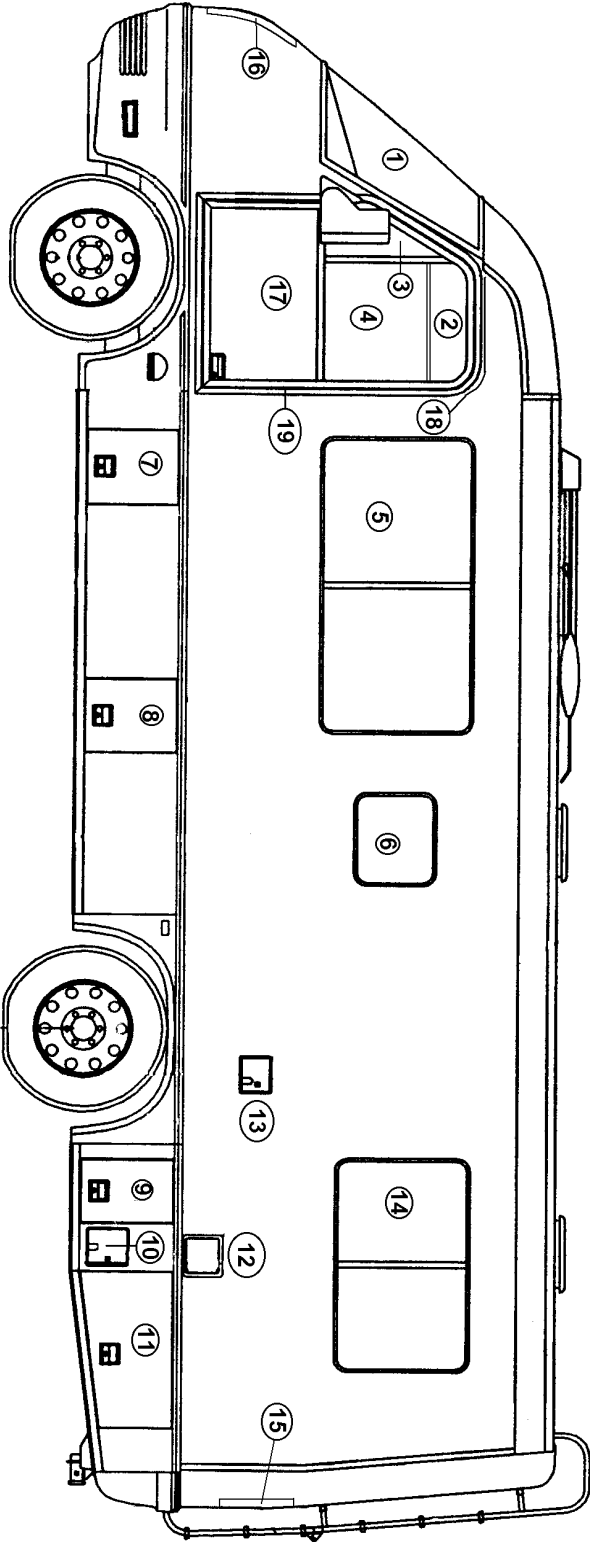
DOORS/WINDOWS/AWNINGS

(Hardware such as hinges, locks, and latches are located in the **hardware** section of this book)

CURBSIDE-30' ONLY

- | | |
|-------------------------------|---|
| 1) 371373-02 | Window, stationary, rear, 29.25" x 62.25" |
| 2) 203018-01 | Trunk door, Nu-white |
| 3) 371373-21 | Window, horiz. slide, CS, 30.25" x 48.88" |
| 4) 921167-01 | Compartment door, CS, angled, 33.63" |
| 5) 921166-08 | Compartment door, 26.00" |
| 6) 201865-02 | Fuel fill housing, polar white |
| 7) 690259-05 | Water heater access door white |
| 7a) 690259-06 | Cover/mounting flange, water heater |
| 8) 921166-05 | Compartment door, 39.94" |
| 9) 922375-02 | Doorjamb assembly |
| 10) 109988-05 | Main door |
| 114059 | Cap, drip, main door, white |
| 11) 922372 | Screen door assembly |
| 12) 371373-01 | Window, main door, 19.25" x 23.25" |
| 13) 371373-06 | Window, horiz. slide, CS, 29.75" x 60.25" |
| 14) 371373-08 | Window, stationary, CS, 29.75" x 21.50" |
| 15) 921169-04 | Compartment door, non-locking, 20.00" |
| 16) 371371-01 | Window cab, CS, angled |
| 114808-02 | Drip cap, cab window, CS, white |
| 17) 371291 | Windshield, CS |
| 18) 203237 | Hood, fiberglass |
| 19) 702679-09 | Awning, patio, 16', Black Shadows |
| 702679-17 | Awning, hardware, Satin |

2003 LAND YACHT GAS



2003 LAND YACHT GAS

DOORS/WINDOWS/AWNINGS

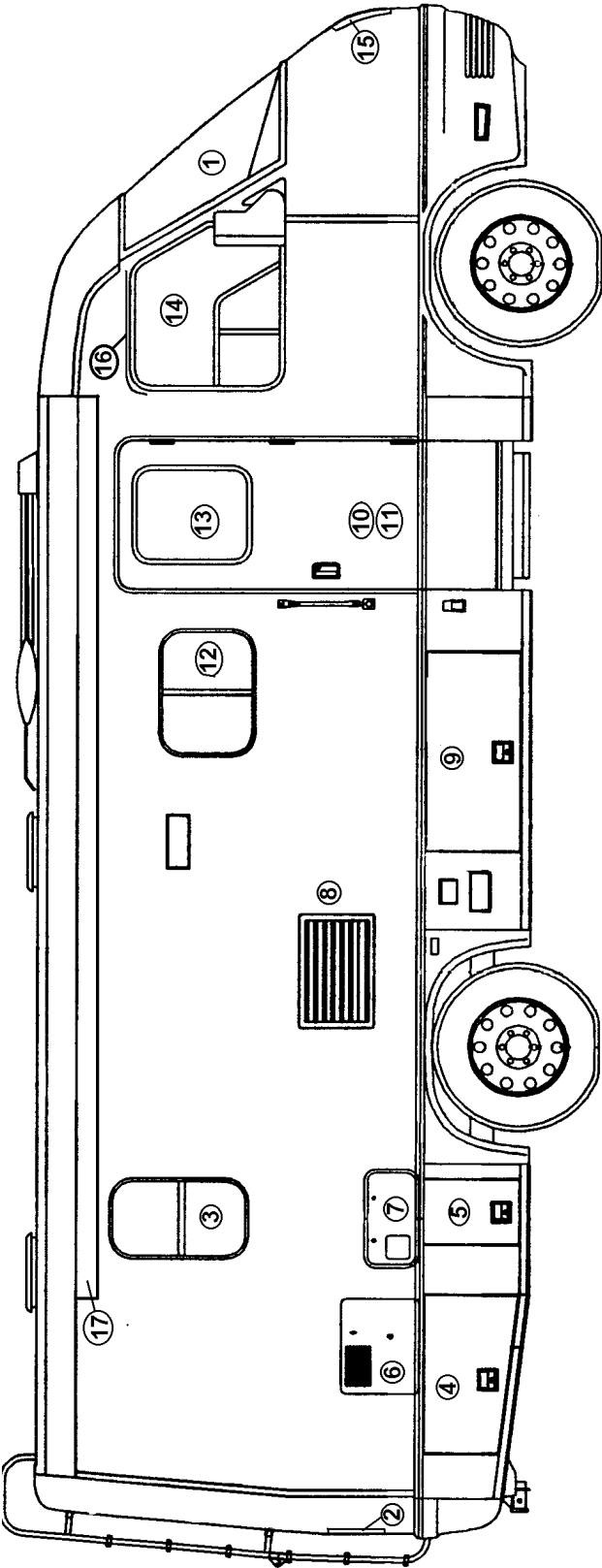
(Hardware such as hinges, locks and latches are located in the **hardware** section of this book)

ROADSIDE-**26 ft. only**

- | | |
|-------------------------------|---|
| 1) 371290 | Windshield, RS |
| 2) 372196 | Glass, drivers door, upper fixed |
| 3) 372194 | Glass, drivers door, fixed |
| 4) 372195 | Glass, drivers door, movable |
| 5) 371373-05 | Window, horizontal slide, 29.75" x 60.25", RS |
| 6) 371373-25 | Window, RS, Horizontal slider, 15.25" x 18.00" |
| 7) 921166-11 | Compartment door, 15.00" |
| 8) 921166-11 | Compartment door, 15.00" |
| 9) 921166-11 | Compartment door, 15.00" |
| 10) 511045-02 | Cord door hatch, 110volt |
| 11) 921207-02 | Compartment door, angled |
| 12) 201865-02 | Fuel fill housing, polar white |
| 13) 201866-02 | Water fill, potable water tank |
| 14) 371373-24 | Window, horizontal slide, egress, 26.00" x 43.00" |
| 15) 203018-01 | Trunk door, LY, Nu white |
| 16) 203237 | Hood, fiberglass |
| 17) 922328-04 | Drivers door assembly |
| 18) 114818 | Drip cap, drivers door |
| 19) 195279-02 | Jamb, drivers door |

See option section for double pane window parts numbers.

2003 LAND YACHT GAS



2003 LAND YACHT GAS

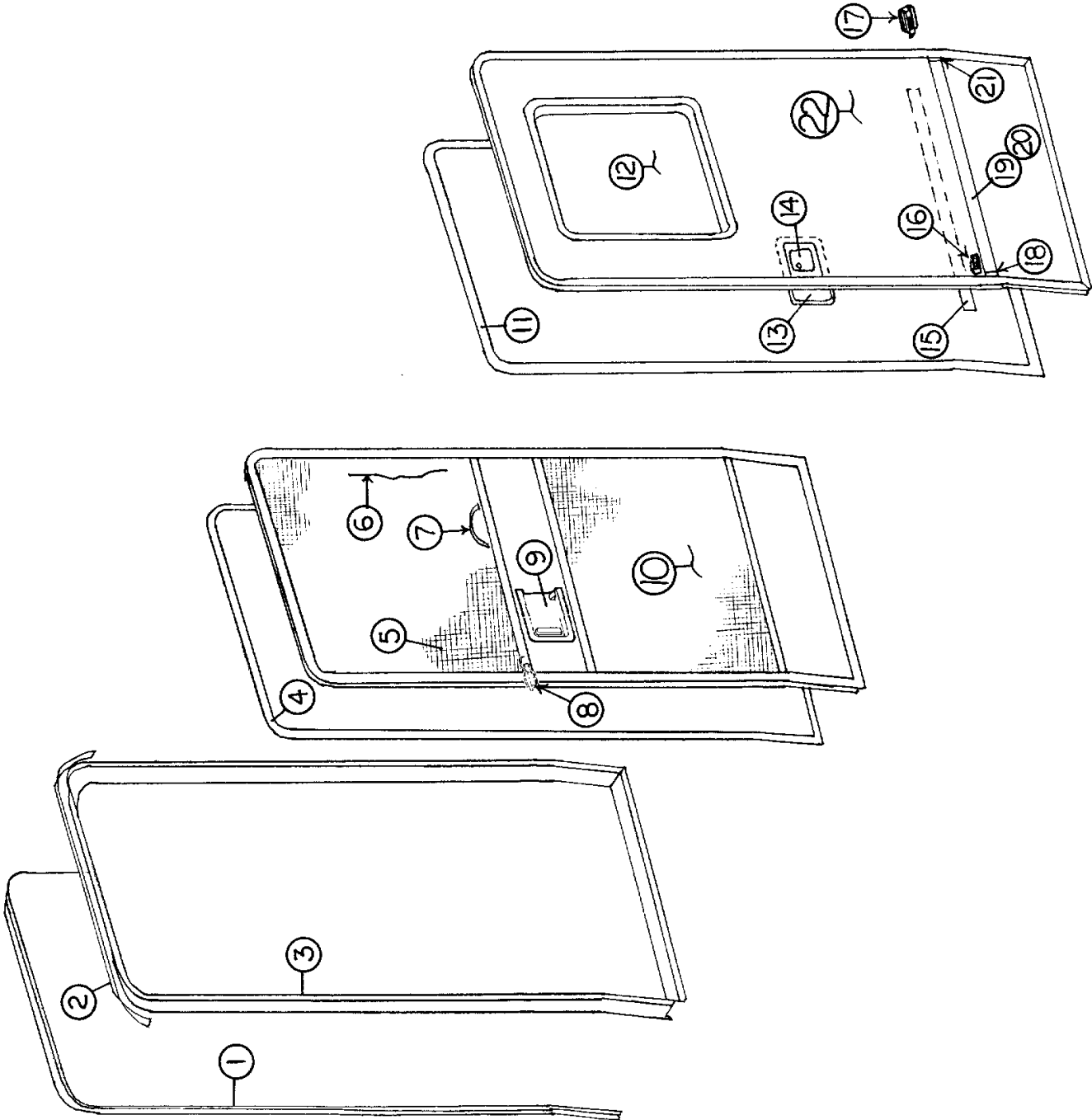
DOORS/WINDOWS/AWNINGS

(Hardware such as hinges, locks and latches are located in the **hardware** section of this book)

CURBSIDE **26' ONLY**

- | | |
|------------------------------|---|
| 1) 371291 | Windshield, CS |
| 2) 203018-01 | Trunk door, LY, Nu white |
| 3) 371373-23 | Window, CS Vertical slider, 26.50" x 15.00" |
| 4) 921207-01 | Compartment door, angled C/S |
| 5) 921166-11 | Compartment door, 15.00" |
| 6) 690259-05 | Door, water heater access |
| 690259-06 | Mounting flange, water heater access |
| 7) 690274-11 | Door, Hydroflame, exterior |
| 8) 690340-01 | Door, refrigerator, flush mount |
| 9) 921166-12 | Compartment door, 40.00" |
| 10) 109988 | Main door assembly |
| 922375-02 | Doorjamb assembly |
| 11) 923086 | Screen door assembly |
| 12) 371373-26 | Window, CS Horizontal slider, 15.40" x 23.00" |
| 13) 371373-01 | Window, main door, 19.25" x 23.25" |
| 14) 371371-01 | Window, cab, CS, angled |
| 15) 203237 | Hood, fiberglass |
| 16) 114808-02 | Drip cap, cab window |
| 17) 702679-07 | Awning, patio, 17', Black Shadows |
| 17a) 702679-17 | Awning hardware, patio, Satin finish |

2003 LAND YACHT GAS



See next page for P/N

2003 LAND YACHT GAS

MAIN and SCREEN DOOR

- 1) 114566 Trim, inside doorjamb
- 2) 114059 Drip cap, main door
- 3) 922375-02 Jamb, main door
- 4) 365013 Gasket, screen door, low-density foam
- 5) 380079 Screen, plastic mesh
- 6) 200518 Spline, Gray, round, screen installation
- 7) 380004 Pull handle, screen door w/screws
- 8) 381454 Latch, screen door, double action, Bullet
- 9) 203000 Closeout , plastic, sliding, screen door, (Gizzy)
- 10) 922372 Screen door assembly, 30' & 33'
- 10A) 923086 Screen door assembly, notched, 26'
- 11) 365045 Seal, main door
- 12) 371373-01 Window, single pane, stationary, 19.25" x 23.25"
- 13) 203002 Cover, inner door lock pocket, plastic
- 14) Door lock
The main door lock is made up of five separate parts. See hardware in Section III for listing
- 15) 114005-02 Trim, inside door face (also used as roof trim)
- 16) 201056 Catch, main door hold back
- 17a) 380291 Main door hold back, used w/housing 380290
- 17b) 380290 Latch housing, main door hold back
- 18) 385955-02 End cap, rub rail, LH
- 19) 114584 Extrusion, rub rail
- 20) 201709-02 Insert, black, rub rail trim
- 21) 385955-01 End cap, rub rail, RH
- 22) 109988-05 Main door assembly
- 114050 Panel, kick, screen door, 30' & 33'
- 115059 panel, kick, screen door, notched 26'
- 114561 Panel, slider, screen door

2003 LAND YACHT GAS

DRAPES/BLINDS/VALANCES



114021
Bracket, curtain
stand off



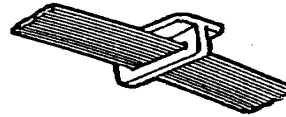
101225
Bracket, curtain
stand off



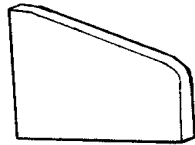
101220
track, standoff



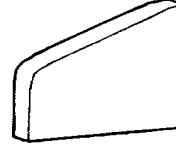
101217
track, curtain



700044
glides, w/elastic T



200785
End, curtain track, LH



200784
End, curtain track, RH

702878-02 Drapes, front windshield
109463-14 Tie-back, drapes

702355-06 Shade, pull, main door

703273-20 Shade, single pleated, night, 63" x 31.5"
703273-34 Shade, single pleated, night, 49.5" x 32.5"
703273-29 SHADE SINGLE PLTD NIGHT 45" X 29"
703273-36 SHADE-PLEATED NIGHT ONLY 20" X 17.25"
703273-37 SHADE-PLEATED NIGHT ONLY 17" X 28.50"
703272-03 Shade, pleated, day/night, 22.5" X 33.5"
703272-04 Shade, pleated, day/night, 27" x 27"
703272-38 SHADE-DAY/. NIGHT 25.00" X 18.00"
703272-33 Shade, pleated, day/night 60.25" x 27"

Continued

2003 LAND YACHT GAS

DRAPES/BLINDS/VALANCES

SHADOW BOXES

Wide x High

26', 30' & 33"

965637-01	Lounge	62.00" x 30.00"
965637-08	DBL bedroom RS & CS	52.00" x 36.00"
965637-09	DBL bedroom rear, topper w/legs	62.50" x 28.50"
965637-15	Twin bedroom, RS & CS	52.00" x 31.00"
965637-10	Twin bedroom, rear	66.00" x 27.50"

26 Ft. Only

*965637-02	ASSEMBLY SHADOW BOX	27.25 x 18.00
965637-04	ASSEMBLY SHADOW BOX	20.00 X 28.75
965637-01	ASSEMBLY SHADOW BOX	62.00 X 30.00
965637-03	VALANCE STOOL ROOM	
965637-05	ASSEMBLY SHADOW BOX	47.00 X 28.75

33 Ft Only

***965637-12	Dinette	29.00" x 27.50"
965637-11	Swivel chair window	29.00" x 30.00"

30 FT Only

**965637-06	Galley	
965637-07	Lounge	24.50" X 30.00"

385963 Bracket, valance mounting, side

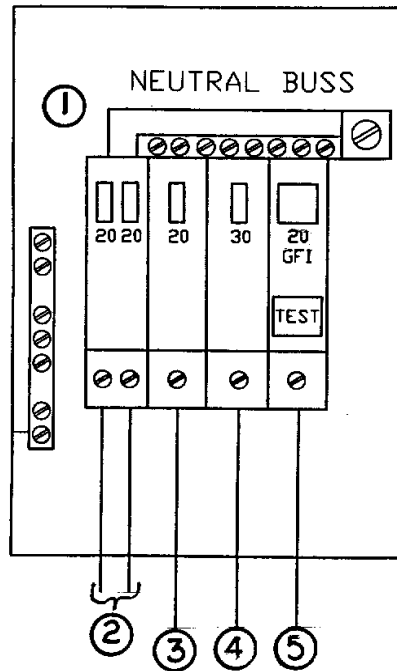
*Shadow box replaced by 965637-22 Topper valance.

** Shadow box replaced by 965637-23 Topper valance.

***Shadow box replaced by 965637-24 Topper valance.

2003 LAND YACHT GAS

ELECTRICAL
110 VOLT



- 1) 511336 Breaker box, Square D, 30-amp, 30ft. & 33ft.
511647 Breaker box, 30-amp, flush mount, Square "D", 26ft.
- 2) 510662 Breaker, 20 amp, double, Square D 2020
- 3) 510678 Breaker, 20amp, Square D 0120
- 4) 510663 Breaker, 30 amp, Square D 0130
- 5) 510661 Breaker, 20 amp, Square D GFI

CSA Breakers

- 510717 BREAKER, SQUARE "D"
510666 BREAKER 15/20 AMP QOT1520
510678 BREAKER, SQUARE D QO120
510664 BREAKER, SQUARE D #QO115GFI, 15 AMP
- 961534 COVER-PANEL, 110V, CIRCUIT BREAKER
- 510634 Power cord, 120volt, 36 ft.
511426 Converter, electronic, 55 amp.
510562 Switch over relay, automatic, shore to gen.

Continued

2003 LAND YACHT GAS

ELECTRICAL

110 VOLT

510676-01	Receptacle, weatherproof, w/cover
511650	Generator, Onan, 5.0 Platinum Fuel Injected, 30' & 33'
345416	Clamp, 5/8" Step less ear
453983	Bracket, fuel pump
690463	Fuel pump kit
690469	Return Tube Fitting Kit
453990	Hanger, generator, RH
453989	Hanger, generator, LH
914350	Generator tailpipe
0451204	HANGER EXHAUST ONAN GENERATOR, 33'
500785	OUTLET, DUPLEX BROWN T & B
500913-03	SWITCH, T & B BROWN, water switch
500385	Switch cover, white, 110-volt light switch
500913-02	Switch, T & B brown #HDS 151 BR
511451-02	Receptacle, 20A, Single Brown, 26 Ft.

2003 LAND YACHT GAS

*ELECTRICAL 12-VOLT

511132	Battery, deep cycle
511273	Tray, battery hold-down
511426	Converter, electronic, 55 amp.
511632-01	Battery control center, Intellitec
511632-02	Cable assembly, battery control center
511632-04	Switch bezel, battery control center, black/silver
511637	Selector switch, automatic, rear AC-microwave
511452	Fuse holder, ATC, single, weather proof
500475-05	Circuit breaker, 12 volt, 5amp, w/ears
500475-25	Circuit breaker, 12 volt, 25amp, w/ears
511090	Stud type junction block
511233-02	Harness w/module, wiper delay
511419-04	Harness, wiper Chevy/Trico
510914	Terminal, relay block
510844-01	Relay, Bosch #86-117
510844-02	Socket, Bosch relay
510843	Flasher, heavy duty
511607-10	Breaker, plug-in, 10 amp, for wiper system
913938	ASSY., BRACKET, 7 WAY PLUG
201890	Cover, exterior 110V, below floor
511534	Dual coax plate for satellite pre-wire

*See **ENTERTAINMENT SECTION** for radio, television, antennas, etc.
See **Option section** for VCR, Satellite System, DVD, CD Changer

2003 LAND YACHT GAS

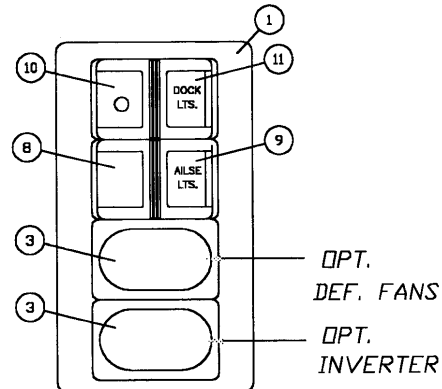
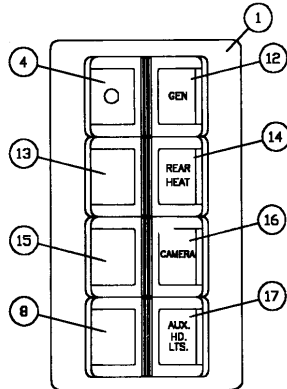
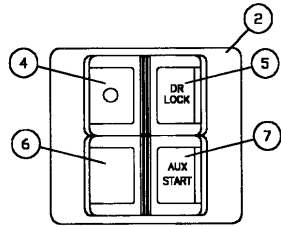
ELECTRICAL

12-VOLT

511525	Headlight, CS
511526	Headlight, RS
511529	Bulb, headlight
380644	Screw, directional adj. Headlight
381376	Spring, headlight tension
511528	Turn signal, front, amber, RS
511527	Turn signal, front. Amber, CS
511514	Driving light kit, Halogen
114861	DRIVING LIGHT MOUNTING BRACKET
500892	Light, clearance/reflector, amber
*510984-02	Light clearance/side marker, amber
*Replace by 511750 amber teardrop light beginning with unit 641118.	
510984-01	Light, clearance, red
511240	Light, tail/turn/stop/back-up
511239	Light, tail/turn/stop
511154-02	Light strip, 3 rd brake light 1"x10"
511294	Light, license plate
511101-01	Light, docking, halogen, stainless steel
201991	Housing docking light
510732	Light, utility #1327 (by door)
510672-02	Light, porch (high on side of unit)
511163	Light, compartment
510734	Alarm, back-up
510976	Buzzer, headlight warning GM#999373
500972-03	GRILLE, COURTESY LIGHT, LIGHT. GRAY
510606	Switch for wall lamps

2003 LAND YACHT GAS

ELECTRICAL 12 VOLT*DASH SWITCHES



- | | |
|---------------|--------------------------------------|
| 1) 510931-01 | Bezel, dash switch, #822537-4, 4-SW |
| 2) 510931-02 | Bezel, dash switch, #822535-4, 2-SW |
| 3) 510929-01 | Switch, dash, blank, #4864 |
| 4) 510929-03 | Switch, dash, #4775-12-GR |
| 5) 510930-02 | Lens, switch, DOOR LOCK, #4139-638 |
| 6) 510929-02 | Switch, dash, #4770-12 |
| 7) 510930-33 | Lens, dash switch, AUX. START |
| 8) 510929-05 | Switch, dash, #4967-12 |
| 9) 510930-06 | Lens, switch, AISLE LIGHT, #4139-642 |
| 10) 510929-07 | Switch, dash #4771-12-RD |
| 11) 510930-07 | Lens, switch, DOCK LIGHTS, #4139-638 |
| 12) 510930-03 | Lens, switch, GENERATOR, #4139-633 |
| 13) 510929-04 | Switch, dash, #4773-12 |
| 14) 510930-04 | Lens, switch, REAR HEATER, #4139-639 |
| 15) 510929-08 | Switch, DASH CAMERA |
| 16) 510930-25 | Lens, dash switch, REAR CAMERA |
| 17) 510930-37 | Lens, Dash switch, AUX. HD LIGHTS |

*Note: the chassis manufacturer provides Engine check and headlight switches.

2003 LAND YACHT GAS

ELECTRICAL 12-VOLT

510929-06	Switch, TV audio through sound system
500976	Outlet, TV Coax
453146	BRACKET TV/CABLE RECEPTACLE
511206-01	BOX WEATHER PROOF 2 GANG 1/2"HOLES
511305-10	Control switch, heated mirror
511305-05	Mirrors, exterior, Velvac, heated/remote
511305-09	Cable extension, exterior mirror, 5.5'
511305-08	Cable extension, exterior mirror, 11.0'
510814	Switch, pushpin type-drivers door jamb
510802-01	Actuator, door lock, 5-wire
511352	Module, locking, keyless entry
511612-02	CONNECTOR W/PIGTAIL 2 PIN NATURAL
511612-03	CONNECTOR W/PIGTAIL, SIX-PIN GRAY
511612-04	CONNECTOR W/PIGTAIL, SIX-PIN BLACK
195285-05	Power window regulator, Rockwell
195386	Switch, momentary, on-off, window, cab door
195388	SWITCH PLATE BEZEL FOR P/N# 195386
510614-01	TV Jack, 12-Volt white
511643	SWITCH BODY W/COVER-3 GANG BLACK
511644	Circuit breaker, Mini, Type 1, 10A., 12V
511002	SWITCH/SAFETY BATTERY. DISCONNECT, T-M8
511771	Switch assembly, 2-gang white

2003 LAND YACHT GAS

ELECTRICAL 12-VOLT

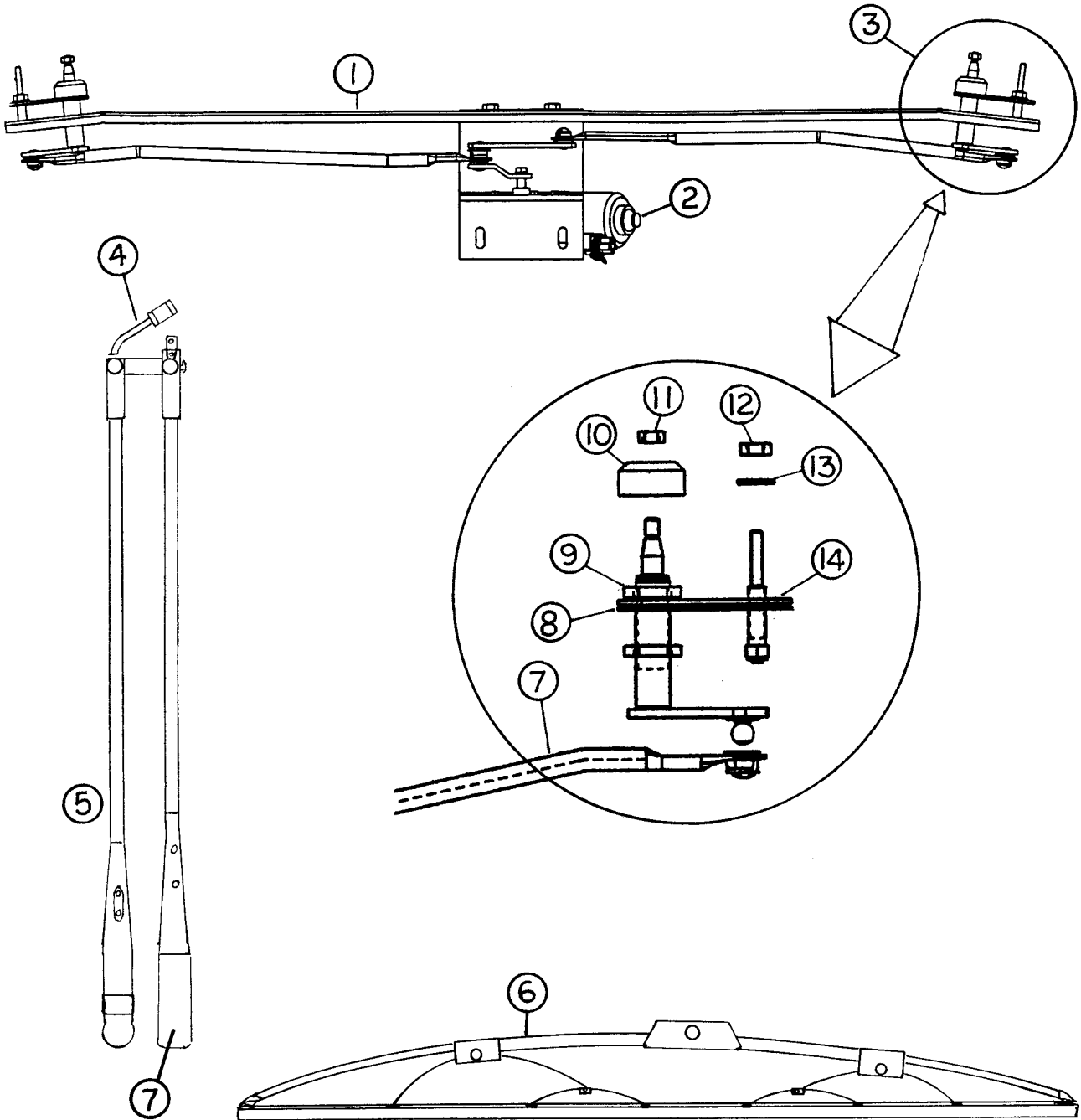
511141	Solar panel, 5watt
511413	Light, indicator, solar panel
510807	Outlet, 12-volt
511276	Cover, 12-volt outlet, black
510596	Cigarette lighter, chrome
511486	Switch, magnetic, round, step
511913-02	Switch, T & B Brown #WDS151 BR
511078	Switch, 4-gang, at entrance door
511083-02	Cover, 4-gang switch at entrance door
511513	Light, green LED, monitors battery disconnect
511152-14	Range hood w/monitor, & generator hour meter, black
500996	Jack, TV/phone, Gray
510624-01	Modular, telephone jack-bedroom
500960-01	Light, fluorescent, recessed, 14.75
680084	Bulb, fluorescent, F8T5-CW
500960-02	Light, fluorescent, recessed, 20.63
680085	Bulb, fluorescent, F15T8-CW
511297	Light, reading, halogen w/switch
511137-100	Bulb, halogen, reading light
511609-01	FIXTURE-BRASS W/DECORATIVE FINIAL
511609-02	GLOBE-DINETTE 8.5"PRISMATIC
511474-02	Switch, dimmer, black

2003 LAND YACHT GAS

ELECTRICAL 12-VOLT

511298	Wall lamp, 12 volt
510689	Bulb, incandescent, 1076
511298-02	Shade, wall lamp, round
511298-01	Shade, wall lamp, rectangular
500956	Light, wardrobe, brown, w/switch
681924	Bulb, wardrobe light, 581
511361	Light, courtesy, flush-mount, dash, black Separate bulb not available
510973	Light dome, triple, black
511031	Bulb, dome light, 168
511410	Light, shower, incandescent
50085-02	Bulb, incandescent, #1141
500842	Light, fluorescent 16 WATT, 12 X 5.5 X 1
511327	SWITCH BODY W/ROCKER 1 GANG, defrost fans
511328	SW. COVER 1 GANG PRINTED WHITE
511023	TESTER CIRCUIT ANALYZER 3WIRE
511040	SWITCH DOOR MOMENTARY NORM "ON"
962203-01	ASSY. SWITCH CLUSTER MAIN DOOR
510868-03	SWITCH PANEL 4 GANG WHITE
511421	Light, courtesy, black
511248	Light incandescent
511052	Light, wall, 3-bulb, brass
511638	Flush mount fuse block, single input, Intellitec

2003 LAND YACHT GAS WIPER ASSEMBLY



See next page for P/N

2003 LAND YACHT GAS

WINDSHIELD WIPER

- 1) 511419-03 Windshield wiper assy, Trico
- 2) 511419-101 Wiper motor, Trico
- *3) 511419-102 Pivot and link assembly, Trico
- 4) 511419-103 Washer jet and tubing, Trico
- 5) 511419-104 Pantograph arm assembly, Trico
- 6) 511419-105 Blade assembly, 28", Trico (does not inter change with 1998 and prior)

*The following parts make up the pivot and link assembly for reference only

- 7) Link
- 8) Oval rubber gasket
- 9) Nut, 1 1/8"
- 10) Rain shield
- 11) Nut, arm retainer -8mm
- 12) Nut, swivel retainer -10mm
- 13) Washer
- 14) Oval faceplate

- 511607-10 Breaker, plug-in, 10 amps, For wiper system
- 511419-04 Harness, wiper Trico

2003 LAND YACHT GAS

ENTERTAINMENT

690441	TV, JVC, 20" color stereo
690446	TV, color, 13", JVC, mono
511464-04	Speaker-Headphone system
511464-01	Headphone-speaker control
511464-02	Speaker, 4', 5watt
511464-03	Grill, speaker, black
511423	Plug-earphone
500975	Headphones, lightweight
510788-01	Antenna, TV, Winegard
510788-03	Amplifier, antenna, Winegard
510788-04	Hardware package, Winegard Antenna
510788-107	Gear, elevating, plastic, Winegard
510788-118	Handle, directional kit, Winegard
**511642	BACKUP MONITOR SYSTEM-WELDEX, Kit# WDRV-3007
**511642-100	Monitor only, WDRV-3007M, Black & white, 7"
**511642-101	Camera only, WDRV-3057
511642-102	Cable only. 60', WDRV-2225
453966	BRACKET-CAMERA
453968	BRKT. CAMERA MOUNTING
**453967	BRACKET-BACKUP MONITOR
511044-05	HOLE INSERT W-22349824
511044-03	ACTUATOR PUSH/PULL
511044-04	PIGTAIL FOR ACTUATOR
203029	MOUNTING INNER REAR MONITOR
203030	COVER OUTER REAR MONITOR
381542	THREADED STUD - MONITOR SUPPORT
453031	BRASS BRACKET SPRING
345414	SPRING-CAMERA BRACKET
*511620	Radio, AM/FM Cassette, JVC KS-FX 270
*Replace by 511718, KD-SX780PAC , AM/FM/CD during model year.	
511618	Speaker set, 4" 2-way, black JVC
****500994	Antenna, radio
510818	Noise suppressor, stereo, installed as needed.
** After unit 641097 switched to 5.5" monitor system 511709-01-Camera, -02 monitor, -03 Cable, 454067 monitor bracket.	
**** Replaced by 511597-rubber radio antenna during model year.	

2003 LAND YACHT GAS

SECTION III

F through H

FASTENERS (common fasteners available locally are not listed)

RivetsIII-1

ScrewsIII-3

FLOOR COVERING

Carpet.....III-5

Hardwood flooring.....III-5

MatsIII-5

FURNITURE

Interior doorsIII-6

MirrorsIII-7

Miscellaneous doors.....III-7

Drawer faceIII-8

Drawer boxIII-8

Bedroom furniture.....III-9

Bath, 26ft.III-12

Bath, 30ftIII-13

Bath, 33ftIII-14

Galley, 26ft.III-15

Galley, 30ft.III-17

Galley, 33ft.III-19

Lounge/cab, 26ft.....III-21

Lounge/cab, 30ft.....III-23

Lounge/cab, 33ftIII-25

HARDWARE

PropsIII-27

Exterior locks/hingesIII-29

Drivers door.....III-31

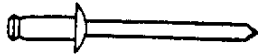
Interior drawers.....III-32

Bath accessoriesIII-37

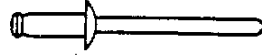
Awning hardwareIII-38

2003 LAND YACHT GAS

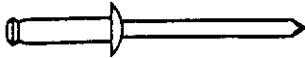
*FASTENERS



330126-02
rivet, pop
dia. 1/8 "
grip range .126-.187
stainless steel body
stainless steel mandrel



330126-03
rivet, pop
dia. 1/8 "
grip range .126-.250
stainless steel body
stainless steel mandrel



330031-01
rivet, pop
dia. 3/16"
grip range .375-.725
stainless steel body
stainless steel mandrel



330031
rivet, pop
dia. 3/16"
grip range .5/8"
stainless steel body
stainless steel mandrel



330031-03
rivet, pop
dia. 3/16"
grip range .126-.250
stainless steel body
steel mandrel

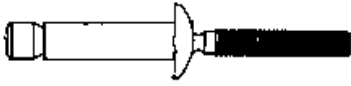


320108-01
rivet, bulb tite, w/washer
dia. 3/16"
grip range .050-.187
aluminum body
aluminum mandrel

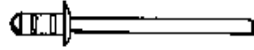
*Common bolts and screws readily available at local hardware outlets have not been listed.

2003 LAND YACHT GAS

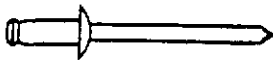
*FASTENERS



330139-01
dia. 1/4"
grip range .080-.375
stainless steel body
stainless steel mandrel



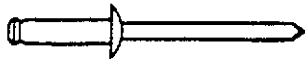
330137
dia. 1/8"
grip range .039-.189
aluminum body
steel mandrel



330127-03
dia. 1/8"
grip range .063-.125
aluminum body
aluminum mandrel



300101
1/8" I.D.
washer, aluminum



330127-05
dia. 1/8"
grip range .251-.312
aluminum body
aluminum mandrel

*Common bolts and screws available at local hardware outlets have not been listed

2003 LAND YACHT GAS

*FASTENERS

*Common bolts and screws on this page are readily available at local hardware.



320122
screw, pan head, Phillips
black
#4 x 1/8" (glove box tray)



320114-04
screw wood oval head, Phillips
Burnished brass
#5 x 1/2"



320114-05
Screw wood, oval head, Phillips
Burnished brass
#5x5/8" #6x1.00"



320115-06
screw wood, flat head, Phillips
stainless steel



320124-06
screw, flathead, Phillips
stainless w/white head

320006	SCREW SHEET METAL 8 X 3/4 BH PHIL
320007	SCREW SHEET METAL 8 X 1 PH
320009	SCREW #8 X 2 IN MILL FINISH
320015	SCREW PHILLIPS HEAD TYPE A
320016	SCREW PHILLIPS HEAD 8 X 1/2 PH
320019	BROWN PHIL HEAD SCREW #8; 1"
320024	SCREW PHIL HEAD TYPE A 8 X 3/4
320029	SCREW #8 X 3/4 PAN HEAD PHIL DR A
320034	SCREW STAINLESS STEEL #8 X 5/8
320078	SCREW, 8 X 3-8
320079	SCREW, BROWN. -#8 X 2-1/2 IN
320094-04	SCREW, OVAL HEAD, BLACK, PHIL, 75" L
320118-10	SCREW, SHT MET, #8 X 1-1/2, CSK, PFH, SS
320116-02	BLACK PHIL HEAD SCREW #8; 1/2"

2003 LAND YACHT GAS

*Common bolts and screws on this page are readily available at local hardware.

320120-500	SCREW, 10-32 FLAT HEAD CAD. PLATED
320123-06	SCREW, #6 X 1.00 CSK PFH SST GRAY
320127-04	SCREW SHEET METAL #8 QDPH BLK .75
320128	SCREW #8 X 1.25 SM PN HD PHILLIPS
320129	INSERT-THREADED 1/4"O.D. X 1/4"L
320130-05	SCREW-#10-32 X .75" SLOT HEX HD
320130-09	SCREW #10-32 SLOTTED HEX HD 1.25L
320130-11	SCREW #10-32 SLOTTED HEX HD 1.50L
320037-00	SCREW #6 FH PHIL/HD 3/8" ZINC SMS
345025	SCREW THREAD FORMING 8-32 X 1/2
345084	SCREW-1/4-14 X 1 THREADED. CUTTING
345272-04	3/8-16 X 1.0 HEX HD. CAP SCREW
345275-03	SCREW FLAT HD. MACH.1/4-20 X 3/4
345276-02	SCREW, CAP, HEX HD, 1/4-20X1/2", GR 5
345276-04	SCREWS, HEX HD. CAP, 1/4-20 X 1 IN.
345276-05	SCREW, HEX HD. CAP, 1/4-20 X 1 1/4
345283-03	CAP SCREW, 1/4-20 X 1 1/2, CAD PLATED
345287-03	MACHINE SCREW ROUND HEAD PLTD .50
345287-07	MACH.SCREW,10-24X1 IN GRADE 5
345321-12	SCREW, #8-32 FLAT HEAD, BLK, 1.625
345323-06	SCREW, MACHINE 10-24 X 3/4" PFH SS
345326-07	SCREW TAPPING, #10 SST, PPH, 1.50
345355	SCREW #8 X 3/4 FH PH SS
345356	SCREW MACHINE #8-32 X 1.00 FH PH SS
345383	SCREW 1/4-20 X 2.25 PH, FH SS
345413	SCREW HEX HD CAP ZINC 6MM X 45MM
345363-01	SCREW WOOD 1-1/2 COARSE THD
345385	SCREW- #8 X 1 BLK TRUSS HD PHIL
381630-01	SCREW-SS PAN PHILLIPS HEAD
195296-01	3/8-#8 PK. SCREW S.S.
195296-08	SCREW 8" X 5/8" PH PAN SMS TYP B
250041	SCREW 1/4 X 3/4 SELF-TAPPING
250174-02	SCREW HHCS GR5 1/4-20 X 1/2 PLATED

2003 LAND YACHT GAS

FLOOR COVERING

703292-04 *Carpet, Mercado Grey, Spice Trader
-03 **Carpet, Mercado, Linen, Cashmere, Golden oak
-01 Carpet, Foliage, Sumatra

*Replaced by 703136-02, Frost beginning with unit 641122.

** Replaced by 703313-01, Sand beginning with unit 641122.

700173-01 Carpet padding, 1/2in.

702893 Flooring, smooth rubber, .13" X 31" W

702812-02 Flooring, step-tread, round black knobs

701538 Carpet, Velour, for storage compartment

701538-01 CARPET-ECONO-LINER W/PSA BACK

701538-02 PSA BACKING-ECONO-LINER CARPET

201785-01 TRIM-OUT, FLOOR, 3-1/2" ROUND

201785-02 TRIM-OUT, FLOOR, 5" ROUND

201709-02 Extruded trim molding, black, baggage
compartment

381346 Floor mats, cab, drivers or passenger

702549 Mat, entrance, w/Airstream logo

702550 Mat, entrance, step well

801335 Flooring, hardwood, Oak

800639-02 Adhesive, hardwood floor

360216 Caulk, brown, acrylic latex

114724 Trim, carpet, aluminum

2003 LAND YACHT GAS

FURNITURE DOORS, INTERIOR

Side to side x top to bottom
(Inches)

800597-02z	door, raised panel	14.00 x 20.00
800597-03z	door, raised panel	16.50 x 20.00
800597-06z	door, raised panel	12.25 x 16.00
800597-09z	door, raised panel	11.00 x 29.75
800597-17z	door, raised panel	11.50 x 15.75
800597-35z	door, raised panel	13.57 x 15.50
800597-40z	door, raised panel	09.75 x 33.00
800597-54z	door, raised panel	10.75 x 14.50
800597-55z	door, raised panel	11.50 x 22.00
800597-56z	door, raised panel	07.75 x 17.50
800597-59z	door, raised panel	11.50 x 18.50
800597-60z	door, raised panel	17.00 x 10.00
800597-74z	door, raised panel	10.25 x 29.50
800597-76z	door, raised panel	11.50 x 19.00
800597-77z	door, raised panel	11.50 x 18.00
800597-80z	door, raised panel	10.50 x 36.75
801333-01Z	door, raised panel, bi-fold	12.25 X 48.75

Width x height

800557-09z	door frame, for mirror	11.12 x 28.12
800557-10z	door frame for mirror	22.00 x 60.00
800557-15z	door frame for mirror	19.00 x 60.00
800557-23z	door frame, for mirror	10.50 x 32.50
800557-32z	door frame for mirror	11.50 x 17.50
800557-33z	door frame for mirror	11.50 x 19.50
800557-37z	door frame, for mirror	10.50 x 42.00

2003 LAND YACHT GAS

MISCELLANEOUS DOORS

962782-01	Door bath swing, 30ft.
961413-02	Door, bath slider, 30ft.
702681-03	Door, foldette, beige, 30ft.
702681-05	Door, foldette, 31' x 73", 26 Ft.
381765	foldette formed track for 702681-05
703146	Shower door, 26ft.
702306-02	Shower door, 30ft.
702306-04	Shower door, 33ft.
702306-107	Drip cap, shower door
961413-04	Door, bath slider, 25.5" x 72.0", 33ft.
961413-05	Door, bath slider, 34.5" x 72.0", 33ft.
381581	STRAP CLEAR PLASTIC .75"W
700811	BUTTON CAP, HANDY #36
700812	BUTTON BOTTOM, HANDY #36
800881-054	Door, louvered Oak, 19.0" x 12.5"
801158-164	Door frame, smooth, 11.5" x 17.5"
801333-01Z	Door raised panel, bi-fold

MIRRORS

(Inches)

371262-04	mirror, safety	19.12 x 28.12
371262-10	mirror, safety	16.13 x 28.13
371262-15	mirror, safety	10.56 x 17.12
371262-32	mirror, safety	11.12 X 28.12
371262-34	mirror, safety	7.62 x 29.62
371262-66	mirror, safety	31.00 X 66.88
372210-02	mirror, beveled	8.62 x 16.62
372210-06	mirror, safety	8.62 x 14.62
372210-10	Mirror, beveled	7.62 x 29.62
372210-11	mirror, beveled	7.75 x 19.50
372210-22	mirror, beveled	7.62 x 39.12
372203-14	mirror, safety	21.0 x 22.0
372203-15	mirror, safety	17.00 x 25.25
372203-18	mirror, polished	11.12 x 28.12
372203-19	mirror, safety	11.13 x 22.5
372213	Trim Burnished, mirror	
371243	Mirror rear view, GM #911722	

2003 LAND YACHT GAS

FURNITURE-DRAWER FACE/DRAWER BOX

(Inches)

800599-01z	Drawer face	7.00 x 10.50
800599-02z	Drawer face	7.00 x 11.75
800599-18z	Drawer face	7.00 x 16.75
800599-21z	Drawer face	7.00 x 23.00
800599-38z	Drawer face	7.00 x 21.50
800599-40z	Drawer face	7.00 x 10.25
800599-52z	Drawer face	7.00 x 12.75
800599-58z	Drawer face	4.75 x 21.50
800599-65z	Drawer face	8.00 x 10.50
800599-69z	Drawer face	4.75 x 19.00
800599-71z	Drawer face	16.75 x 16.75

DRAWER BOXES

(Inches)

964906-11	Drawer box	2.75 x 8.25 x 18.0
964906-02	Drawer box	2.75 x 18.0 x 19.5
964906-19	Drawer box	2.75, Lavy cabinet, 26'
964910-02	Drawer box	5.00 x 10.0 x 18.0
964910-03	Drawer box	5.00 x 19.5 x 18.0
964910-06	Drawer box	5.00 x 19.5 x 14.0
964910-07	Drawer box	5.00 x 10.0 x 14.0
964910-15	Drawer box	5.00 x 15.0 x 20.0
964910-16	Drawer box	5.00 x 10.81 x 20.0
964910-20	Drawer box	8.50 X 14.00 X 5.00
964907-14	Drawer box	6.00 X 8.75 X 20.00
964908-03	Drawer box	8.00 x 13.25 x 20.00
963790	Drawer box	(goes under "J" bed)
964008	Drawer box	(goes under sofa)
200980-01	Tray,	silverware

2003 LAND YACHT GAS

FURNITURE-TWIN BEDROOM

963831-01	Roof locker assy. RS 30' & 33'
963832-01	Face frame, RS rear roof locker
963005	Bed, twin, RS, 30' & 33'
961519	Headboard, twin
963004-01	Bed, twin CS, 30' & 33'
961519	Headboard, twin
963835-03	Roof locker, rear, over window, 30' & 33'
963837-01	Face frame, rear roof locker
963893-01	Nightstand, center, rear, 30' & 33'
961779-01	Face frame, rear nightstand
961780	Top, rear nightstand
963894-04	Wardrobe assy. RS, 33', 30'
963611-01	Face frame, RS rear wardrobe
964018-01	Wardrobe assembly, CS, 30'
964017	Face frame, CS wardrobe
965090-01	Roof locker assembly, CS, 30' & 33'
965089-00Z	FACE FRAME- R/L

2003 LAND YACHT GAS
FURNITURE-DOUBLE BEDROOM

963836-05 964430-01	Roof locker, rear, over window, 30' & 33' Face frame, rear roof locker
963895-05 962816-01	Wardrobe assy. rear, RS, 30' & 33' Face frame, rear RS wardrobe
963895-06 962817-01	Wardrobe assy., rear, CS, 30' & 33' Face frame, rear CS wardrobe
961761	Panel, padded, hanging wardrobe
964868 964869 386017	Control panel assembly (furniture only) 30' & 33' Frame, control panel Decal, control panel backer, black
963789 965091	Bed, rear double, 30' & 33' Headboard "J" double
964071	Mirror assy. corner, 30' & 33'
965417-02	TV cabinet, bedroom, rear double, 30' & 33'
964072 964070-02 962666 964280-004 115045	Shelf/facer assy., corner, make-up cabinet. Facer make-up shelf, TV Top, make-up cabinet Counter top edge molding BRACKET-BEDROOM TV JVC
964868 964869	CONTROL PANEL ASSY. BEDROOM FRAME CONTROL PANEL BEDROOM
964068	Mirror assembly, corner

2003 LAND YACHT GAS
FURNITURE BEDROOM 26' **Only**

<u>965461</u>	Wardrobe assembly, RS
965477	Face frame wardrobe, RS
965473	Trim, TV support
801336-07	Panel, aft, RS wardrobe
<u>965453</u>	Nightstand assembly
965452	Face frame nightstand
965465	Nightstand top
<u>965451-01</u>	Locker assembly, rear liner
965450	Face frame, rear liner locker
<u>965467</u>	Bed assembly, corner double
965463	Head board assembly, 54"
<u>965462-01</u>	Wardrobe assembly, CS rear, 26'

2003 LAND YACHT GAS

FURNITURE-*BATH-26'only

<u>965463-01</u>	Lavy base assembly
965474	Face frame, lavy base
965454-02	Lavy top, Corian
<u>963426-02</u>	Header, bath door
961410-01	Jamb, bath door
965455	Toilet stand assembly
203318-01	Shower stall fiberglass, Almond, -02-CSA
703146	Shower door
<u>962782-02</u>	Door assembly, bath swinging
<u>964822-004</u>	Molding, shower stall trim
<u>965459-01</u>	Water closet overhead assembly, over toilet
965458	Face frame, W/C overhead
<u>965479</u>	Medicine cabinet assembly, over Lavy
965478	Face frame, medicine cabinet

2003 LAND YACHT GAS

FURNITURE-*BATH-30'only

962947-04	Lavy assembly
962956-01	Face frame, lavy assy.
964375-01	Lavy top-Corian
962747-01	Face frame, shower
800880-01	Stile, aft bath panel
203001	Shower stall, fiberglass
203004	Shower stall ceiling liner
702306-02	Shower door, gold
963931-01	Medicine cabinet assy.
962750-01	Face frame, medicine cabinet
961410-01	Jamb, bath door
963426-01	Header, bath door
381563	Track, formed curve, foldette door
962782-01	Bath swinging door

*Note: Bath fixtures can be found in hardware-water connected parts in plumbing.

2003 LAND YACHT GAS

FURNITURE-*BATH-**33'**only

963888-02	Lavy assy.
961699-01	Face frame, lavy assy.
964376-01	Lavy top-Corian
200406-06	Lavy bowl, oval
962216-01	Face frame, shower
800880-01	Stile, aft bath panel
201957	Shower stall, fiberglass
702306-04	Shower door, gold
963932-01	Medicine cabinet assy.
961927-01	Face frame, medicine cabinet
800894	Header, sliding door, forward, Cut out of 801180-00z
961410-01	Jamb, bath door
963876	Wardrobe assy., CS
963875-01	Face frame, CS bath wardrobe
801144	Panel, forward, CS wardrobe
963890	Wardrobe assy. RS
961710-01	Face frame, RS bath wardrobe
800815-02	Stile aft, bath panel end
800886	Panel, aft, RS wardrobe
800887	Panel, forward, RS wardrobe

*Note: Bath fixtures can be found in hardware-water connected parts in plumbing.

2003 LAND YACHT GAS

FURNITURE-GALLEY-26'only

<u>965481</u>	Refrigerator cabinet assembly
965437	Face frame refrigerator cabinet
965482	Hardwood trim, aft refer
961739	REFER STAND ASSY.
<u>965472-02</u>	Galley assembly, 60"
964577	Face frame, galley
800631-004	Hand rail, 23" long
964969-01	Galley top assembly, Corian
964383-01	RANGE COVERS-CORIAN FRT/BACK
690396-03	BI-FOLD COVER 22"
<u>965456-03</u>	Dinette seat assembly, RH
965457-01	Dinette seat sub-assembly, RH
964496	Dinette back sub-assembly, RH
964500-02	Upholstered back, RH
964498	DINETTE CUSHION SUPPORT RH 37.63"
964334-02	FLEX SPRING-SEAT 21.63" X 38.00" MH
<u>965456-04</u>	Dinette seat assembly, LH
965457-02	Dinette seat subassembly, LH
964497	Dinette back sub-assembly, LH
964499	DINETTE CUSHION SUPPORT LH 37.63"
964501	Upholstered back, LH
964334-02	FLEX SPRING-SEAT 21.63X38.00 MH
700349	SEATBELT, MINI BUCKLE BLACK WEB
<u>703125-03</u>	TOP DINETTE SEAT, URETHANE BUFF
<u>965475-01</u>	Galley overhead locker
965476	Face frame, galley
965484	ASSY END CAP 13.25"
965483	FRAME END CAP 18.75"

2003 LAND YACHT GAS

FURNITURE-GALLEY-26'only (continued)

965468	DINETTE TABLE ASSY
380284-04	HINGE, TABLE BRKT, 15 X 7.38
963654-01	BACK SPLASH DINETTE TABLE 21"
962177-034	LEG HARDWOOD 30.50"
453982	BRACKET-DINETTE SEAT BELT LYMH
964280-004	COUNTERTOP EDGE MOLDING
381147	SUPPORT - SPRING LOADED DOOR
380210	HINGE PLAIN STEEL
965447-01	DINETTE LOCKER ASSY
965089	FACE FRAME-DINETTE R/L
963991-004	SPICE RACK, OAK
961040-02	ASSY, MICROWAVE CABINET
961039-01	FACE FRAME, M/W CABINET
963990-004	MAGAZINE RACK
200980-01	TRAY, SILVERWARE, ALMOND, 9" X 13"
Optional full oven	
964495-01	Galley assy.,
964596	Face frame galley, full oven option
964968-01	Galley top assy., Corian

2003 LAND YACHT GAS

FURNITURE-GALLEY-30'only

963925	Refrigerator cabinet assy.
963924-01	Face frame, refrigerator cabinet
965090-01	Roof locker, dinette
965089-00Z	Face frame, dinette roof locker
961040-02	Microwave cabinet assy.
961039-01	Face frame, microwave cabinet
964578-06	Galley cabinet assy.
964579	Face frame, galley cabinet
964968-01	Galley top assy.-Corian
964973-01	Sink cover-Corian
964383-01	Bi-fold range covers
962720-03	Table assy. dinette
801070-004	Table top, Oak, w/Resistovar finish
963654-01	Back splash, dinette table
962177-03	Leg, hardwood, 30.50"
964536	Dinette seat assy., LH
964538	Back, upholstered, LH dinette seat
964334-03	Flex spring seat, 21.63" x 38.0"
964535	Dinette seat assy., RH
964537	Back, upholstered, RH dinette seat
964334-03	Flex spring seat, 21.63" x 32.0"
703125-03	Top dinette seat, urethane Buff

(Continued)

2003 LAND YACHT GAS

FURNITURE-GALLEY-**30'ONLY**

[963991-004](#) Spice rack

[963990-004](#) Magazine rack

381491 Trash container, roll out

800631-004 Handrail, Oak

Optional Range w/full oven

[964595-01](#) Galley assembly

964596 Face frame, galley, full oven

964968-01 Galley top assembly, Corian

964383-01 Range cover, front & back

2003 LAND YACHT GAS

FURNITURE-GALLEY-**33'**only

963879	Refrigerator cabinet assy.
963880-01	Face frame, refrigerator cabinet
963896	Roof locker, galley
962843-01	Face frame, galley roof locker
962846-01	End cap, galley roof locker
962845-01	FRAME END CAP GALLEY OVERHEAD
961040-01	ASSY, MICROWAVE CABINET
961038-01	FACE FRAME, M/W CABINET
964576-02	Galley cabinet assy.
964577	Face frame, galley cabinet
964973-01	Sink cover-Corian
964383-01	Range covers-Corian
200980-01	Tray, silverware
964593-01	Galley assembly, full oven option
964147	Roof locker assy., dinette/lounge
964145	Face frame, dinette roof locker
962720-03	Table assy. dinette
801054-004	Table top, Oak, w/no mar finish
963654-02	Back splash, dinette table
962177-03	Leg, dinette table, hardwood
964493-01	Dinette seat assy., LH
964495	Back, sub assembly, LH seat
964334-02	Flex spring seat, 21.63" x 38.0"
964492-01	Dinette seat assy., RH
964494	Back, upholstered, RH sub assembly
964334-02	Flex spring seat, 21.63" x 38.0"
703125-03	Top dinette seat, urethane buff

(Continued)

2003 LAND YACHT GAS
FURNITURE-GALLEY-**33ft. only**

963899-01	Pantry assy.
961708-01	Face frame, pantry
963891-01	Pantry section assembly
961593-01	Face frame, pantry face
963991-004	Spice rack
963990-004	Magazine rack
381491	Trash container, roll out
800631-004	Hand rail, Oak

2003 LAND YACHT GAS

FURNITURE-LOUNGE and CAB-**26 ft. only**

965449	Door header, cabinet assembly
965448	Face frame door header
453982	Seat belt bracket
703278-03	Drivers seat, power w/padded skirt
703279-02	Passenger seat, non-power w/padded skirt
964045-02	Beverage tray assy.
963992-024	Beverage tray
203011-01	Cup holder, LH
203011-02	Cup holder, RH
965557	Pedestal table assembly, option
965456-03	Dinette seat assembly, RH
965456-04	Dinette seat assembly, LH
Roof Locker End Caps	
963816-01	FRAME END CAP 16.00" RH
963816-02	FRAME END CAP 16.00" LH
963840-01	ASSY. END CAP 14.75" RH
963840-02	ASSY. END CAP 14.75" LH
963817-01	ASSY. END CAP 10.12" RH
963817-02	ASSY. END CAP 10.12" LH
964032	KICK PANEL ASSY.
690431	VENT-2"INLET CLOSE ANGLE
702235-02	Sofa, optional
381515	Sun visor

(Continued)

2003 LAND YACHT GAS

FURNITURE-LOUNGE and CAB-**26 ft. only (Continued)**

203040-01	COVERS CENTER POST BUFF
201997-03	A-POST COVER ROADSIDE ABS BUFF
20323-01	A-POST COVER CURBSIDE ABS BUFF
201808	COVER, DEADBOLT POCKET
203321	COVER, WHEEL BOX, INTERIOR
201787-01	POCKET DEADBOLT INTERIOR
964032	Kick panel assembly, in front of Pass, seat
963928-01	LOCKER LINER FRONT ASSY.
960482-01	FACE FRAME, FRT END LINER
381363	ASSIST STRAP-DRIVERS DOOR
201767-03	PANEL INTERIOR DRIVER DOOR BUFF
201747-03	PANEL, SWITCH DRIVERS DOOR W/O CUTOUT
104527-01	EXTR. J-TRIM-BRITE ANODIZED SILVER
201768-03	PANEL PASSENGER DOOR, INTERIOR BUFF
201756-01	PANEL, SWITCH DOOR CS
702192-09	POCKET MAP
381045	ASH TRAY, SIDE MOUNT

2003 LAND YACHT GAS

FURNITURE-LOUNGE and CAB-**30ft. only**

<u>963928-01</u>	Roof locker, front overhead
960482-01	Face frame, front roof locker
<u>964744-01</u>	Door header cabinet (over main door)
963809-01	Face frame, door header cabinet
800577-13	Trim, decorative, 25 1/4
<u>963806-01</u>	Roof locker, over swivel chair
963807-01	Face frame, roof locker, CS lounge area
<u>963810-01</u>	Roof locker, over lounge/dinette, RS
964146	Face frame, roof locker over lounge
<u>964045-02</u>	Beverage tray assy.
963992-024	Beverage tray
203011-01	Cup holder, LH
203011-02	Cup holder, RH
<u>960667</u>	End closeout assy., lounge
*702800-Tab	Sofa, jack knife, 68", w/drawer face
702800-02	Sofa, jack knife, 68", leather, w/drawer face
964008	Drawer box, lounge (drawer face comes w/lounge)
960668	Armrest assy., lounge
381576	Pull handle, brass
453626	Leg, sofa
203040-01	COVERS CENTER POST BUFF
201997-03	A-POST COVER ROADSIDE ABS BUFF
20323-01	A-POST COVER CURBSIDE ABS BUFF
201808	COVER, DEADBOLT POCKET

*Upholstery numbers ending in: -442=Spice Trader, 320 = Golden Oak, -422= Cashmere, -432=Sumatra

2003 LAND YACHT GAS

FURNITURE-LOUNGE and CAB-**30 FT. ONLY**

963840-01	ASSY. END CAP 14.75" RH
963840-02	ASSY. END CAP 14.75" LH
963816-01	FRAME END CAP 16.00" RH
963816-02	FRAME END CAP 16.00" LH
963817-01	ASSY. END CAP 10.12" RH
963817-02	ASSY. END CAP 10.12" LH
703278-03	Drivers seat, power w/padded skirt
703279-02	Passenger seat, non-power w/padded skirt
*703022-02	Chair Swivel, Flexsteel, leather
453903	Pedestal, swivel chair
700349	Seat belt, mini-buckle, swivel chair
381069	Seat belt assembly, chair
381515	Sun visor
381363	ASSIST STRAP-DRIVERS DOOR
702192-09	POCKET MAP
201767-03	PANEL INTERIOR DRIVER DOOR BEIGE
201747-03	PANEL, SWITCH DR. DOOR W/O CUTOUT
201756-01	PANEL, SWITCH DOOR CS
201768-02	PANEL PASSENGER INTERIOR BEIGE
381045	ASH TRAY, SIDE MOUNT
104527-01	EXTR. J-TRIM-BRITE ANODIZED SILVER
201787-01	POCKET DEADBOLT INTERIOR
964032	Kick panel assembly, in front of Pass, seat
961611	COVER, WHEEL BOX, INTERIOR

2003 LAND YACHT GAS

FURNITURE-LOUNGE and CAB-**33** only

963900

961715-01 End table assy.
963123-004 Face frame, end table
986832-01 Top, end table
986832-01 Framed recess fire extinguisher

963928

960482-01 Roof locker, front overhead
114025 Face frame, front roof locker
114025 Pan, front locker

963797

963798-01 Door header cabinet (over main door)
800577-13 Face frame, door header cabinet
800577-13 Trim, decorative, 25 1/4

963801-01

963802-01 Roof locker, over swivel chair
963802-01 Face frame, roof locker, CS lounge area

964045-02

963992-024 Beverage tray assy.
203011-01 Beverage tray only
203011-01 Cup holder, LH
203011-02 Cup holder, RH

960667

End closeout assy., lounge

964008 Drawer box, lounge (drawer face comes w/lounge)
960668 Armrest assy., lounge
453626 Sofa leg
703278-03 Drivers seat, w/power pedestal & padded skirt
703279-02 Passenger seat, w/manual pedestal & padded skirt
381576 Pull handle, brass, lounge
703022-02 Chair, swivel, leather
453903 Pedestal, swivel chair
381069 Seat belt kit
700349 Seat belt, mini-buckle, black web
381515 Sun visor
381363 ASSIST STRAP-DRIVERS DOOR

2003 LAND YACHT GAS

FURNITURE-LOUNGE and CAB-**33** only

960669-02	Close-out, CS, above passenger shoulder
960669-01	Close-out, RS, above drivers shoulder
702192-09	POCKET MAP
201767-03	PANEL INTERIOR DRIVER DOOR BUFF
201747-03	PANEL, SWITCH DR. DOOR W/O CUTOUT
201756-01	PANEL, SWITCH DOOR CS
201768-02	PANEL PASSENGER INTERIOR BEIGE
381045	ASH TRAY, SIDE MOUNT
104527-01	EXTR. J-TRIM-BRITE ANODIZED SILVER
203040-01	COVERS CENTER POST BUFF
201997-03	A-POST COVER ROADSIDE ABS BUFF
203323-01	A-POST COVER CURBSIDE ABS BUFF
201787-01	POCKET DEADBOLT INTERIOR
964032	Kick panel assembly, in front of Pass, seat

R/L End cap assemblies

963816-01	FRAME END CAP 16.00" RH
963816-02	FRAME END CAP 16.00" LH
963817-01	ASSY. END CAP 10.12" RH
963817-02	ASSY. END CAP 10.12" LH
963840-01	ASSY. END CAP 14.75" RH
962846-01	END CAP ASSY GALLEY OVERHEAD
962845-01	FRAME END CAP GALLEY OVERHEAD

2003 LAND YACHT GAS

HARDWARE HINGES, CATCHES, LOCKS, PROPS

HOOD

381569-02 Prop, spring, 17.20 60#, front hood
381262 Bracket, prop, w/ball, hood & trunk
381633 bracket, prop, 2"
381310 Gas rod bracket assembly upper, hood
381109 Bunk latch (slide bolt), front hood
385587 Cap, rubber, hood bumper, black

HOOD LATCH ASSEMBLY

381565-04 Plunger, bolt, assembly, w/o rod collar
452736 Bracket, hood latch pocket
452737 Bracket, pull cable
381484 Strike, compartment door
381327 Cable, hood release
380238 Cable support
381434 Hinge, stainless steel 3 x 3"
381456 Cable, coated, handle to plunger

COMPARTMENT DOOR

381565-01 Handle assembly, keyed alike, lower comp.
381565-05 Key TM 904
381565-02 Handle assy., non-locking, lower compartment
381565-04 Plunger, bolt assy., w/o rod collar, lower compartment
381456 Cable, coated, handle to plunger
381529 Hinge, lower compartment
381370 HINGE EXTERIOR BAG DOOR
381503 TWIST LOCK 1/4 TURN, non-locking
114758 Plate, compartment latch cover
381484 Strike, compartment door
453396 Bracket, latch mounting

2003 LAND YACHT GAS

HARDWARE HINGES, CATCHES, LOCKS, PROPS

TRUNK

381569-01	Spring, gas prop, 50#, trunk door
381262	BRACKET, PROP, W/BALL, ANGLE
381455	LOOP SLEEVE, STAINLESS STEEL, TRUNK
201871	TUBING, CLEAR ACRYLIC, 1/8 ID, 1/4OD TRUNK
381457	CLAMP, ONE HOLE JIFFY, 1/4", TRUNK
195373	Paddle handle w/lock, black, trunk
381373	Rod connecting
381533	Striker, trunk door lock
381310	Bracket, gas prop, upper, trunk door

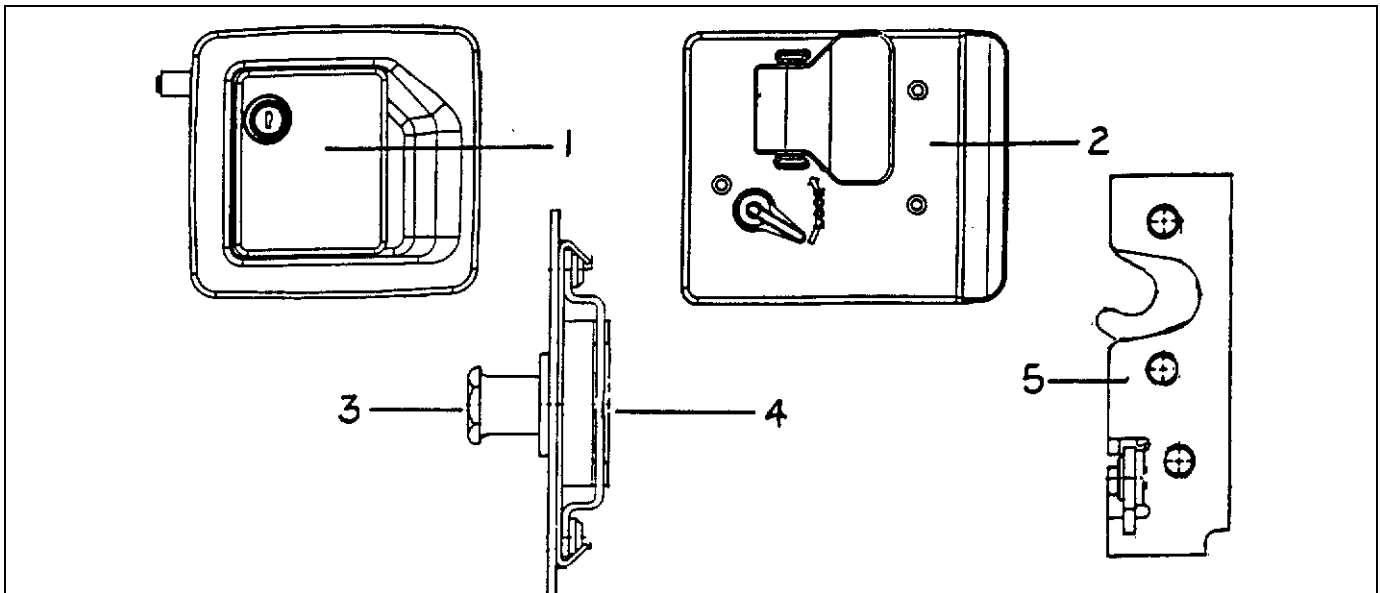
WINDOWS

371366-101	Sweep latch, SE-GI window
371366-100	Weep hole cover, SE-GI window

2003 LAND YACHT GAS

HARDWARE MAIN DOOR

TRI-MARK main door lock



- | | |
|--------------|---------------------------|
| 1) 381521-01 | Outside lock housing |
| 2) 381521-02 | Inside lock plate |
| 3) 381284 | Striker bolt |
| 4) 381521-04 | Caged nut |
| 5) 381521-03 | Rotary latch |
| 381521-05 | Screws, inside lock plate |
| 381285 | Housing and black paddle |

Dead bolt-Tri-mark

- | | |
|-----------|---|
| 510802-01 | Actuator, door lock, 5-wire |
| 381323-01 | Dead bolt assembly |
| 452030 | Bolt, Tri-mark dead bolt |
| 381326 | Striker, 10007 w/Tri-mark dead bolt |
| 345321-12 | Screw, #8-32, flat head, black |
| 201787-01 | Pan, plastic, dead bolt, interior, main door only |
| 200772 | PAN, DEADBOLT, TRI-MARK |

2003 LAND YACHT GAS

HARDWARE

MAIN DOOR/SCREEN DOOR

960699	ASSY., HINGE, DOOR, ENTRANCE
381334	Hinge leaf, jamb, main door
381336	Hinge leaf, door
381377	Hinge leaf, screen door
385599-075	Bearing, sleeve, hinge
310024	Pin, hinge .250" x 6"
300118-01	Washer, nylon, main door hinge
380079	Screen, plastic mesh
200518	Spline, Gray, round, screen installation
380004	Pull handle, screen door w/screws
381454	Latch, screen door, double action, Bullet
203000	Closeout, plastic, sliding, screen door, (Gizzy)
201056	Catch, main door hold back
380291	Main door hold back, used w/housing 380290
380290	Latch housing, main door hold back

26 Ft. Model Only

381632	PROP-GAS SPRING 30# STEEL FITTING
381634	BRKT-PROP-LH CURVED, RH STUD
381633	BRACKET PROP 2" 10MM
381632-01	SAFETY CLIP 10MM STL END FITTING
203156	COVER - DOOR PROP

2003 LAND YACHT GAS

HARDWARE

DRIVERS DOOR

TRIMARK Drivers door lock

381285	Housing and black paddle, exterior
195293-08	Bezel and lever assy., inside
195293-01	Latch and linkage w/override and unlock
381381	Rod, inside release lock
381382	Rod, inside release latch
381391	Rod, outside release latch
381284	Striker bolt-Tri-mark
195293-12	Rod end clip, LH
195293-11	Rod end clip, RH
195293-04	ROD END CLIP RH. 80801-00 7R
195297-03	INNER DOOR TRIM, NU-WHITE
510802-01	Actuator, door lock, 5-wire Acme
381395	ASSY., HINGE, DRIVER DOOR
381394	Hinge leaf, jamb, driver door
381393	Hinge leaf, driver door
310024-01	Hinge pin 8"
453962	Spacer, driver door
381158	Assist handle, drivers door
381045	Ash tray, drivers door
195285-05	Power window operator, Rockwell
195386	Switch, momentary, power window
195282-02	Extrusion, drivers window guide
195314	Window lift bracket, drivers door
195345	Webbing, brown nylon strap, drivers door

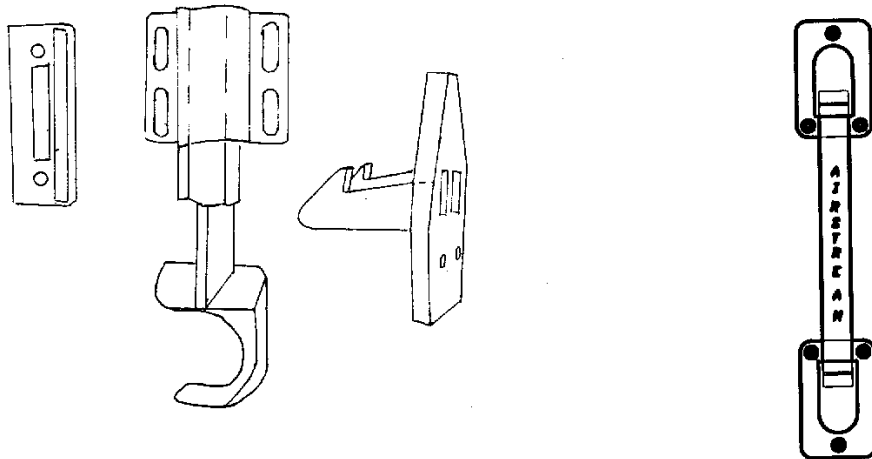
Note: See seals for seals and gaskets on doors and windows.

2003 LAND YACHT GAS

HARDWARE

HINGES, CATCHES, LOCKS, PROPS

381526-06	Rear bracket, adjustable, drawer slides
381526-01	Drawer slide, 14" roller type
381526-03	Drawer slide 18" roller type
381526-04	Drawer slide, 20" roller type
381526-05	Drawer slide, 22" roller type
381400-01	Drawer slide, 12" ball bearing type
381400	Drawer slide, 14" ball bearing type
381090	Drawer slide, 22" ball bearing type
381576	Pull handle, brass, sofa & dinette drawer
380210	Hinge, plain steel, dinette
380284-02	Hinge bracket, dinette table, 33'
380284-04	HINGE, TABLE BRKT, 15 X 7.38, 30'
380203-01	Hinge, piano, clear anodized, 1/8" pin, "J" bed top
381072	Hinge, 3" x 17/8", open Gold, Bath slider door, 30'
381799	Hinge, Burnished Brass, dinette locker



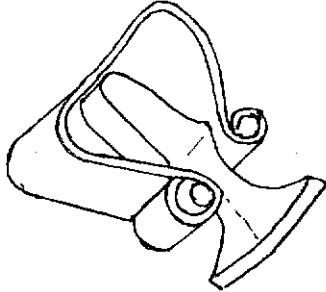
381454 Latch, screen door,
Bullet

381696 Grab handle,
embossed, "AIRSTREAM"

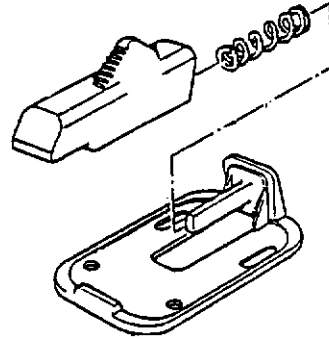
2003 LAND YACHT GAS

HARDWARE

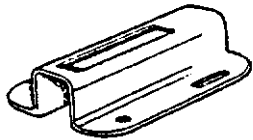
HINGES, CATCHES, LOCKS, PROPS



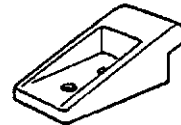
381427 Friction catch,
lower comp, door to side back.



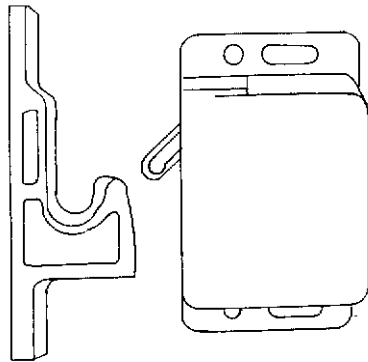
380291 Main door hold
Used w/ housing
#380290



380290 Latch housing,
main door holdback



201056 Catch, main door
holdback



381228 Grabber door latch
w/catch, 10 lb. rating only

381228-01 Gabber door latch
w/catch, 3 lb. rating
rear wardrobe, only

2003 LAND YACHT GAS

HARDWARE

HINGES, CATCHES, LOCKS, LATCHES, PROPS



360012 Bumper, rubber
white, stick-on, cylindrical

360012-01 Bumper, rubber
brown, stick-on, cylindrical



195329-220 Bumper rubber
clear, stick-on, oval



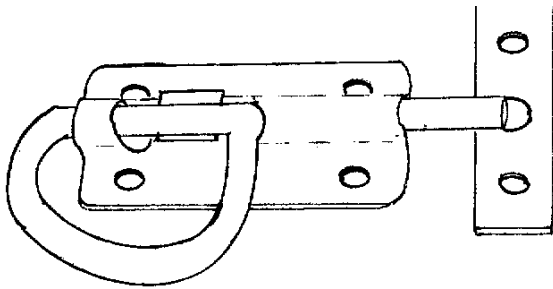
381754 Clip, mirror
retainer, metal



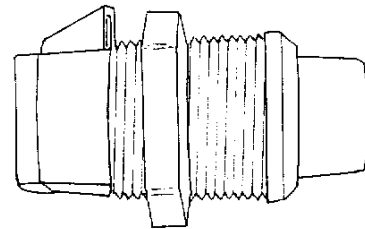
380016 Bumper,
rubber, square,
Gray 3/8" x 3/8"



385587 Cap, rubber
hood bumper,
black



381109 Slide bolt latch



381408 Latch, push button,
black, pantry

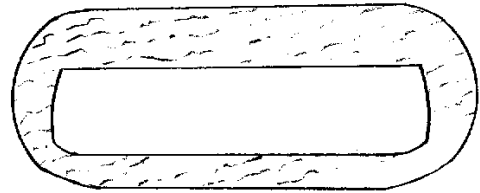
2003 LAND YACHT GAS

HARDWARE

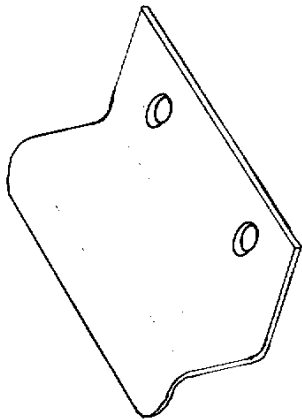
HINGES, CATCHES, LOCKS, PROPS



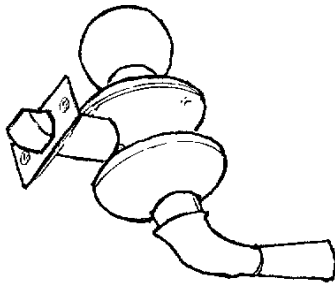
381599 Pull handle,
drawer/door, Burnished brass



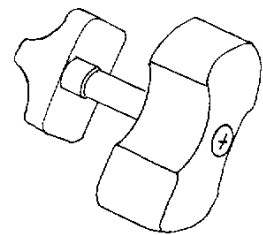
381175 Pull handle, wood



385940 Mirror pull,
brass



381022 Latch, swinging
bath door



702306-06
Travel latch shower
door

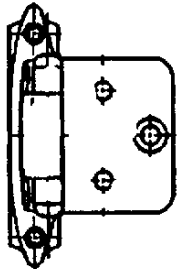


381603 Pull, three
finger, brass

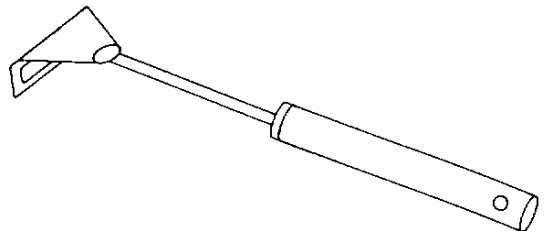
2003 LAND YACHT GAS

HARDWARE

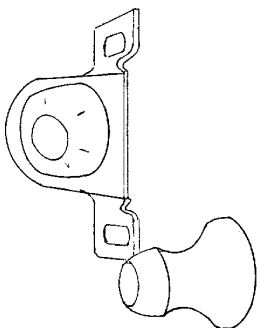
HINGES, CATCHES, LOCKS, PROPS



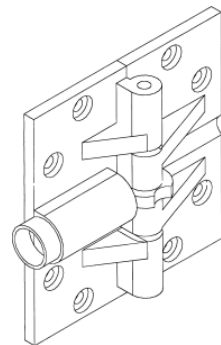
381799 Hinge, Burnished Brass



381147 Door support R/L
spring loaded



381074 Bull dog door catch



381763 Hinge, bi-fold locking

381575 Handle, drawer, gold, Locker

381242-01 Bracket, shelf, vertical, 30", rear wardrobe

381243 Clip, shelf support, rear wardrobe

381527 Speedy shelf strip

WARDROBE

380046 Flange, chrome, clothes rod support

380045 Tubing 3/4" metal, clothes rod

200975-04 Conduit, flexible, -black, covers clothes rod

381298 "J" bracket, center clothes rod support

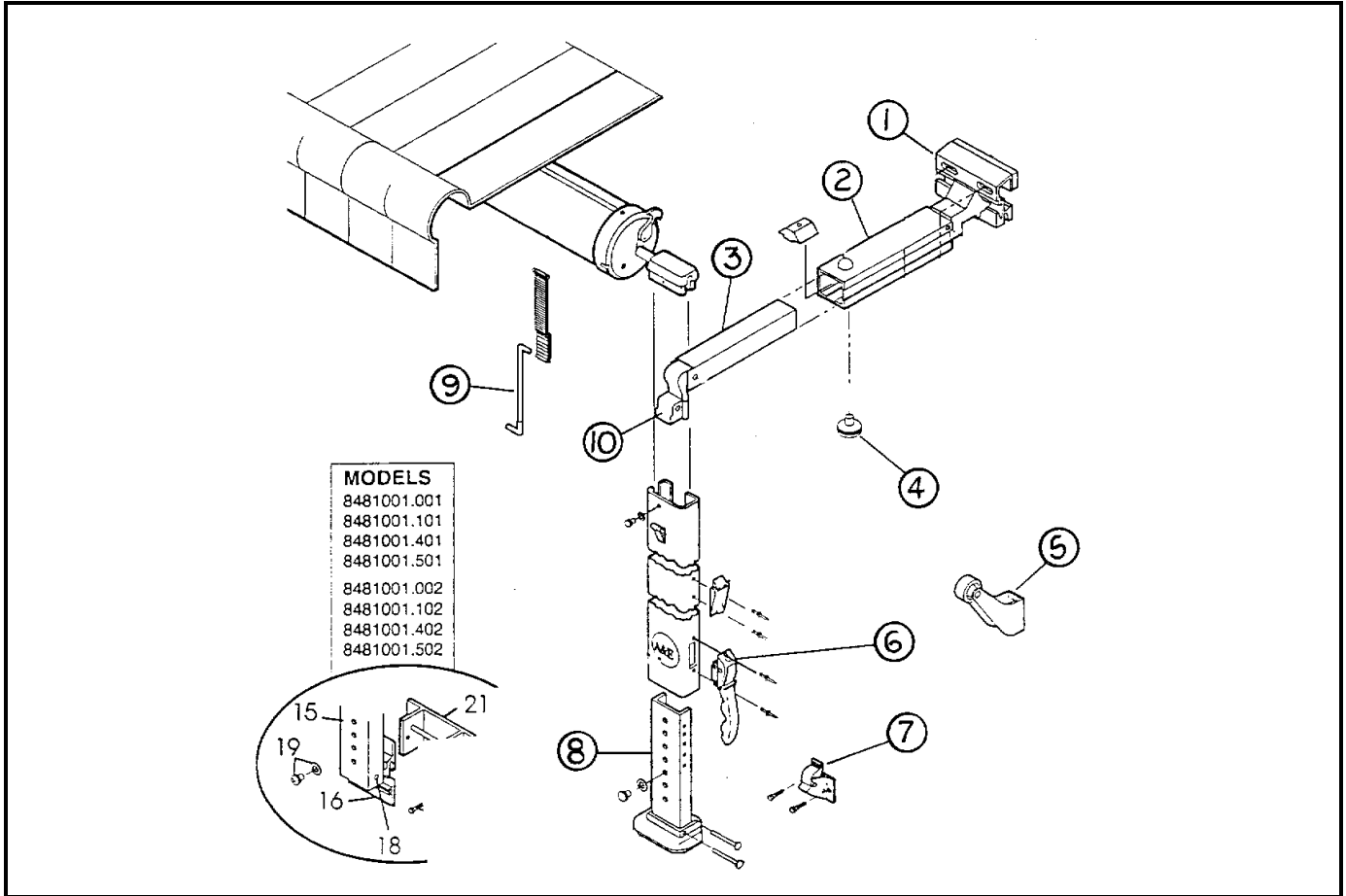
2003 LAND YACHT GAS

HARDWARE

381626-02	Towel bar, 18", chrome and brass
380017	Tooth brush/tumbler holder
380248	Soap dish
381299	Toilet paper holder, recessed
381220-02	Mirror clip, nickel-plated #309, bed room corner mirror assembly
381449-04	Rail, decorative rod, 30"
381449-05	Post, decorative rail, polished brass
381067-09	Prop, gas, 90#-twin bed
381262	Bracket, prop, w/ball-angle
381085	Clip, retaining, gas prop bracket
*381385	Dual lock #400-1" strips
*381386	Dual lock #170-1" strips
381443-04	Sliding door set, includes carriers, top door plates, and track
381443-01	SLIDING DOOR SET, #71-222-5', bath sliding door
381443-02	BUMPER STOP, #7014
381443-03	ANGLE STOP #1018
453147	BRACKET LIGHT UTILITY COMPARTMENT
203016	TRIM RING POWER CORD ACCESS, compartment
381089	GOLD DECORATIVE METAL GRILLWORK

*These two parts work similar to Velcro but have interlocking knobs rather than hooks and loops.

2003 LAND YACHT GAS AWNING HARDWARE



*702679-17W Patio Awning Hardware

- | | |
|----------------|--------------------------------------|
| 1) 702679-104 | Bracket top, A&E awning |
| 2) 702679-111 | Rafter, main, A&E awning |
| 3) 702679-105 | Secondary rafter, A&E awning |
| 4) 702679-106 | Knob, adjustment, 1 7/8" A&E awning |
| 5) 702679-109 | Door roller, A&E awning |
| 6) 702679-103 | Lift handle, A&E awning |
| 7) 702679-108 | Bracket, bottom mounting, A&E awning |
| 8) 702679-107 | Arm, adjustable, A&E awning |
| 9) 702679-102 | E-Z pull rod, A&E awning |
| 10) 702679-110 | Slider assembly, A&E awning |

*Designate Satin Finish on all parts.

2003 LAND YACHT GAS

SECTION IV L through Z

LABELS and TAGS IV-1

OPTIONS IV-3

PLUMBING

LPG..... IV-6

Fresh water..... IV-7

Drain water..... IV-12

Toilet IV-20

SAFETY EQUIPMENT IV-24

SEALS/SEALER/PAINT

Gaskets IV-25

Sealer IV-28

Adhesive..... IV-29

Paint IV-29

UPHOLSTERY/FOAM/MATTRESS

Mattresses IV-30

Sofas IV-30

Seats IV-31

Pillow kits IV-32

Dinette foam/upholstery, 26ft. IV-32

Dinette foam/upholstery, 30ft. IV-33

Dinette foam/upholstery, 33ft. IV-33

VENTS and FANS IV-34

WOOD PANELING/LAMINATES/TRIM IV-35

2003 LAND YACHT GAS

LABELS AND TAGS

385103	Plate, RVIA
385531	FMVSS certification label
385815	Name plate, motorhome hitch rating
385095	Tag registry #11999
385465	Label, exit warning (English)
386122	Label, warning label/cooking appliance
386121	Label, LP gas warning label (odor)
385788	Warning label, pilot light/refuel
385101	Tag, auxiliary tank dump valve handle
385099	Tag, black tank dump valve handle
385063	Label, drain cap
385062	Decal, 110-125 voltage AC
385309	Decal, fuel fill
386118	LP gas warning/fill label
385141	Tag, seat, clear w/black letters
385518	Label, dimension and clearance
385193	Label, 12Volt distribution inside
385560	Air conditioner rating label
385561	Generator rating label
385565	Label, holding tank flushing
385805-01	A/C priority switch label-front
385805-02	A/C priority switch label-rear
385812	Label, Calif. hazardous substance
386120	Label, smoke detector
385612	Label, parking brake warning
385829	Decal, fuse and relay
385828	Decal, fuse panel warning
385851	Label, cellular phone
385924	Label, galley light
400868-03	"Label only" Reese hitch
385987	Label, 5-amp fuse, max.
385800	LABEL, CAUTION, HOT WATER DISPEN.
386095	Label, Towing warning
385933	Label, name set relay
385941	Label, waste water holding

2003 LAND YACHT GAS

LABELS AND TAGS

385942	Label, sewage holding tank
385943	Label, "cap must be in place"
385947	Label, 10-amp fuse maximum
385608	Label, sewer hose L/Y M/H
385620	Label, unleaded fuel only
385835	Label, carburetor warning
385098	Label, seat occupancy
385989	Decal, mirror, heat
385988	Decal, water heater
386012	Label, warning, water heater
386038	LABEL CSA HOLDING TANKS FRESH WATER
386082	LABEL THOR, 5.25" X .75'
386039	LABEL AIRSTREAM ALIGNMENT
385615	Label, fuse block L/Y M/H
385917	Decal, Oak table w/no mar finish
195328	TAG, SERIAL # - MH CAB DOOR
386019	LABEL 1 AMP FUSE MAX. BS-93
386017	DECAL-CONTROL PANEL BACKER-BLACK
386119	Label, DON'T USE AREA FOR STORAGE
386100	Label, Fuse, 12-Volt
386102	Label, Disc Changer
386103	Label, DVD, Front TV
386104	Label, DVD, Rear TV

CSA Labels

385098-CSA	Label, seat occupancy (FRENCH)
386123	Label, "potable water" CSA
385950	Label, "smoke detector" CSA
385951	Label, "range fresh air" CSA
385952	Label, "LP warning" CSA
385953	Label, "If you smell gas" CSA
385954	Label, "range warning" CSA
385466	Label, exit label (French)

2003 LAND YACHT GAS

OPTIONS

410796-09	Jack kit complete, Power Gear 26' (800-334-4712)
511376	Fan, defrost, oscillating
511327	Switch body w/rocker switch, 1 gang white
510929-05	Switch only, dash
510930-35	Lens, dash switch-defrost fan

50 Amp service

511149-04	Power cord, 50 amp, 36ft.
511289	Breaker kit, 30 amp, Onan
510562-03	Switch, auto transfer, 50 amp
510723	Breaker box
510724	Breaker, double pole, 50 amp
500913-02	Switch, T & B brown #HDS 151 BR
10496H	30H-50F-adaptor plugH/18 inch cord

Dual Pane Windows

		High x Wide
371368-01	Cab window CS	
371366-01	Window DP, Stationary	19.25 x 23.25
371366-02	Window DP, Stationary,	29.25 x 62.25
371366-04	Window DP, RS, horizontal slider	25.25 x 25.75
371366-05	Window DP, RS, horizontal slider	29.75 x 60.25
371366-06	Window DP, CS, horizontal slider	29.75 x 60.25
371366-08	Window DP, Stationary	29.75 x 21.50
371366-09	Window DP, CS, horizontal slider	25.25 x 29.75
371366-10	Window DP, CS, horizontal slider	29.75 x 26.25
371366-21	Window DP, CS, horizontal slider	30.30 x 48.88
371366-22	Window DP, RS, horizontal slider	30.30 x 48.88
371366-24	Window, horizontal slide, egress	26.00" x 43.00"
371366-29	Window, RS, Horizontal slider	15.25" x 18.00"
371366-30	Window, CS Vertical slider	26.50" x 15.00"
371366-31	Window, CS Horizontal slider	15.40" x 23.00"

2003 LAND YACHT GAS

OPTIONS

511622	CD Changer, RF 12 disc, JVC
381564	Vent w/wall thermostat, Fantastic 2000TRS, CSA & bedroom option
511340	Inverter, 130 watt, (operates front TV only)
511278	Lock-out, 110 volt disconnect, TV
690425-04	Refrigerator, 2-way, 1062 w/ice maker, LH
690415	Kit, dairy, meat and ice cube trays
703278-04	Cab seat, passenger, power w/padded skirt
Video upgrade	
690447	DVD player, single disc, JVC
511645	"y" adaptor, male to 2-female, RCA
511703	Patch cord, 2-way, male to male, 20'
690445	VCR, JVC
114925	Bracket, mounting, VCR
511310	Video control center
801335	Flooring, hardwood, Oak
800639-02	Adhesive, hardwood floor
360216	Caulk, brown, Acrylic latex
114724	Trim, carpet, Z-bar aluminum
690396-07	Range, 3-burner w/oven, Amana
511162-01	Keyless entry w/remote
511162-02	Transmitter 4 channel
381741	Key fob instruction plaque
451486	Flat linkage
451485	Wire linkage
511352	Module locking, centralized S-35-H

2003 LAND YACHT GAS

OPTIONS

Power Awning, One Step Satin Finish

703300-04	Awning, Power 16', 30 ft. model
703300-05	Awning, Power, 17', 26ft. & 33 ft. model
703300-01	Hardware, standard one step, Satin
703300-03	Control box, one-step awning
511651	Generator, Onan Platinum, 7.0 KW Fuel Injected
345416	Clamp, 5/8" Step less ear
453983	Bracket, fuel pump
690463	Fuel pump kit
690469	Return Tube Fitting Kit
CSA	
511293	CSA daytime running lights
511293-01	Module, daytime running lights
511152-12	Range hood w/monitor
690381-02	Fire extinguisher, CSA
381636	Sofa lock kit
601441-02	Tank flush system, CSA
510732-02	Porch light, CSA
511613	Cluster, Instrument
510634-01	Power cord, 36ft.
511101-01	Light, docking, halogen, stainless steel, 26 Ft.
201991	Housing docking light

2003 LAND YACHT GAS

PLUMBING

LPG

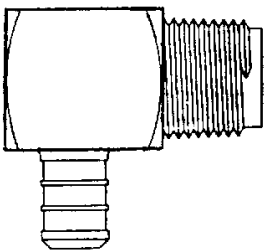
601500	LP tank, 105# w/90 ohm sender-33' only
601447	LP tank, 90# w/90 ohm sender-30' only
601797	LP tank, 81# w/90 ohm sender-26' only
453980	Propane tank mounting bracket, 26'
453882	Shield, exhaust-LPG tank
511229	Sending unit, 90 ohm, Snap On
453197-02	EXHAUST SHIELD LP TANK LH
453197-01	EXHAUST SHIELD LP TANK RH
454175	Heat shield LPG line
601674	LP Regulator, 2-stage 30ft. & 33ft.
203135	Cover, regulator, 30ft. & 33ft.
943433	Vapor line
601673-01	Hose 3/8" x 48", low pressure
601661	Close nipple, 1/2" NPT, brass
601408	Elbow, 90 degree, 1/2" NPT
601409	"T", 1/2" NPT
601412-08	CONNECTOR-M, .50 PIPE TO .38 TUBE
601675	Union, 3/8" M FL x 3/8" m NPT
600000	"T", 5/8 x 5/8" x 3/8", brass
600003	"T", 5/8" x 3/8" x 3/8", brass
600436	Flare nut, forged 5/8"
600435	Flare nut, forged 3/8"

2003 LAND YACHT GAS

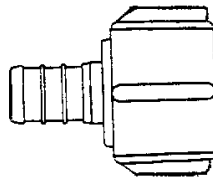
PLUMBING-FRESH WATER

601552	Tank, fresh water, 60gal. 30ft. & 33ft.
601796	Tank, fresh water, 50gal. 26ft
201866-02	City water fill, polar white
601786	Water hook-up, chrome
601239	Tubing, ribbed, 1.375 I.D., water fill
452166	PAN FRESH WATER TANK
600309	Regulator, Watts
600139	Check valve, brass
601791-03	Water pump, Aquatec
601791-02	Fitting, slip in, Aquatec pump
601723	Filter, screen water
601668	WATER PUMP PRE-FILTER
943576	HOSE-WATER PUMP
601565	HOSE WATER W/FITTINGS 12" LONG
114517	STRAP FRESH WATER TANK
203085	PLUG WATER LINE 1/2" PLASTIC BLK
601238	ADAPTOR 1.25 MPT X 1.25 BARB
601467	SILLCOCK, 1/2" FEMALE W/WHEEL HAND.
601469	VACUUM BREAKER, 3/4IN GARDEN HOSE
600241-01	HOSE ADAPTOR, STRAIGHT #02593
340084-52	CLAMP, HOSE SAE #52
453092	BRACKET EXT. WATER SERVICE
381041-07	PLUG, HEYCO, BLACK, 1 IN., HOLE SIZE
381041-11	PLUG, HEYCO BLACK 1.5, HOLE SIZE

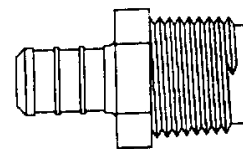
FITTINGS



601698-04
Elbow, 1/2" barb
x 1/2" MPT



601698-03
Coupler, 1/2" barb
x 1/2" FPT



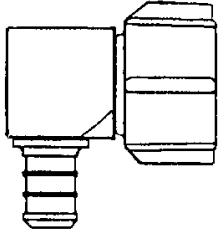
601698-02
Coupler, 1/2" barb
x 1/2" MPT

(Continued)

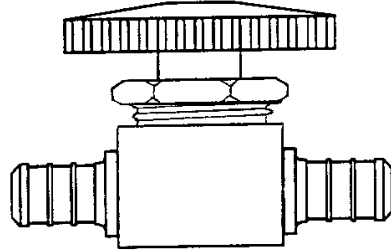
2003 LAND YACHT GAS

PLUMBING

FRESH WATER



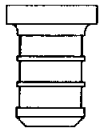
601698-05
Elbow 1/2" barb x
1/2" FPT 1/2" barb



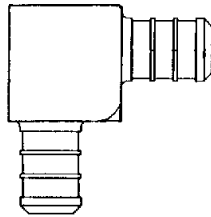
601698-22
Shut-off, 1/2" barb x
1/2" x 1/2" barb



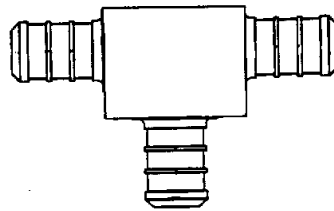
601698-08
Coupler



601698-09
Plug, 1/2" barb



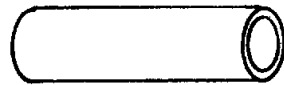
601698-10
Elbow 1/2" x 1/2" barb



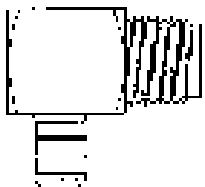
601698-11
Tee, 1/2" x 1/2" x 1/2" barb



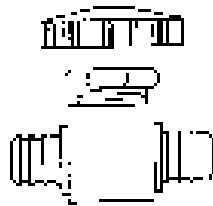
601698-15
Crimp ring, 1/2"
E-Pex, 1/2" (black)



601698-01
E-Pex tube, 1/2"
601698-12, 3/4" tube



601698-14
3/4" barb x 3/4" MPT EL



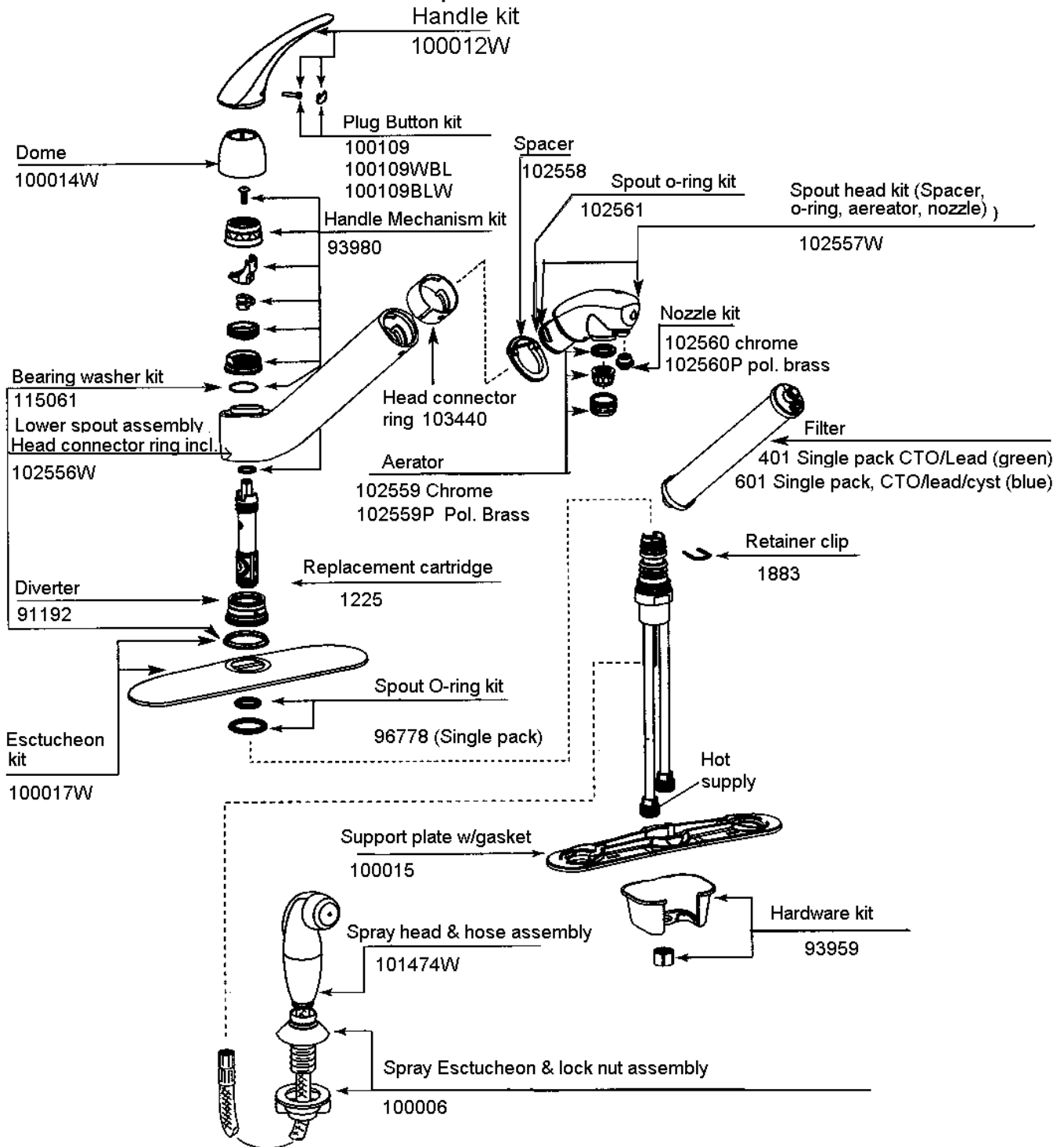
601658 valve 1/2"
Stop, CPVC

2003 LAND YACHT GAS

PLUMBING-FAUCETS

601827, MDL 7030W, Glacier, Moen Pure Touch Classic

Contact direct Moen at 1-800-BUY-MOEN for warranty and your local parts outlet.

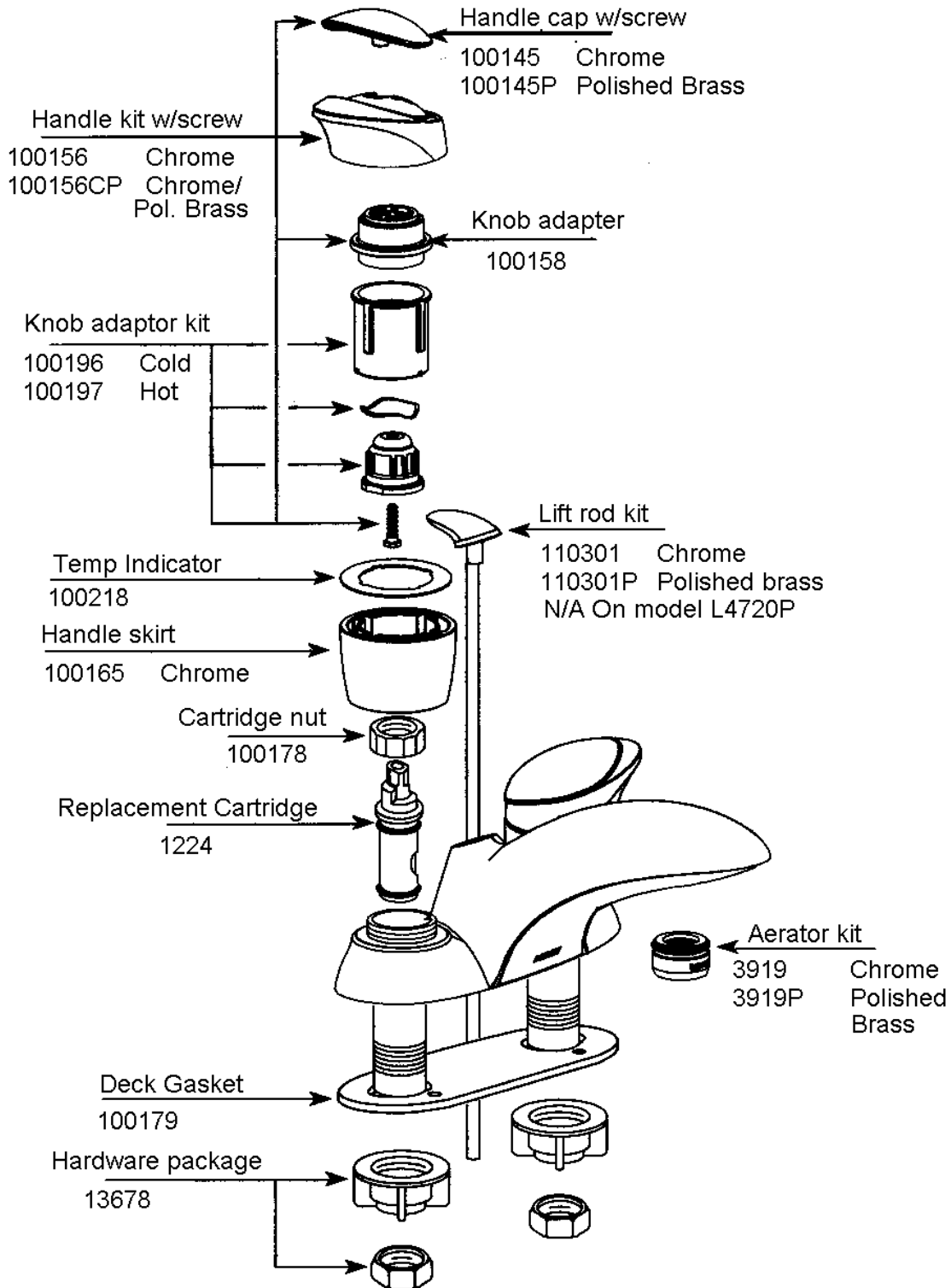


2003 LAND YACHT GAS

PLUMBING-FAUCETS

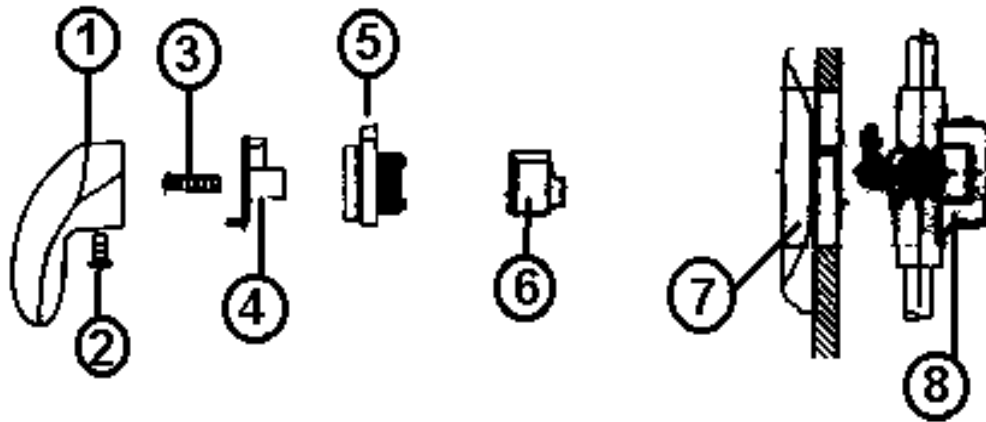
601823 FAUCET MOEN VILLETA, 4720CP

Contact direct Moen at 1-800-BUY-MOEN for warranty and your local parts outlet.



2003 LAND YACHT GAS

PLUMBING-FAUCETS



601830 Brass shower faucet trim kit, Moen Valetta MDL TL2391CP
Contact Moen at 1-800-BUY-MOEN for warranty and local parts distributor.

Includes:

1. Lever handle
2. Set screw
3. Handle screw
4. Handle adaptor
5. Brake
6. Key stop
7. Escutcheon

Item 8, 601831, sold separately, 4-port posi-temp valve

601358 Shower hardware unit, chrome

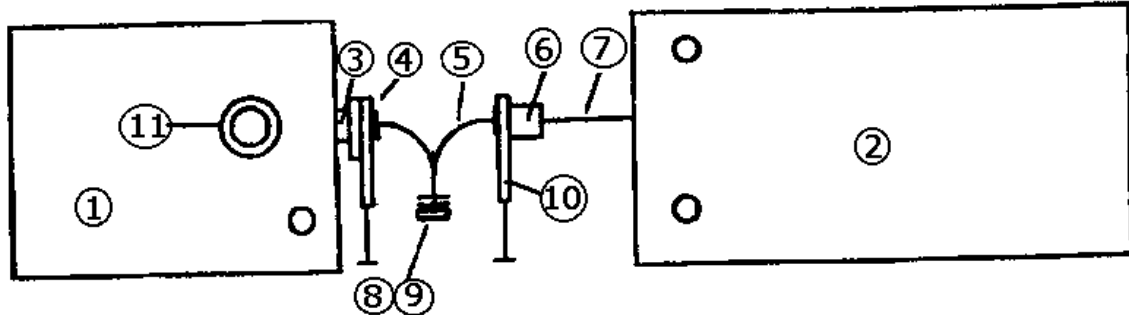
601358-100 Shower head , chrome

600330 Shower hose, chrome

600332 Vacuum breaker, chrome

2003 LAND YACHT GAS

PLUMBING
DRAIN WATER
33 FT



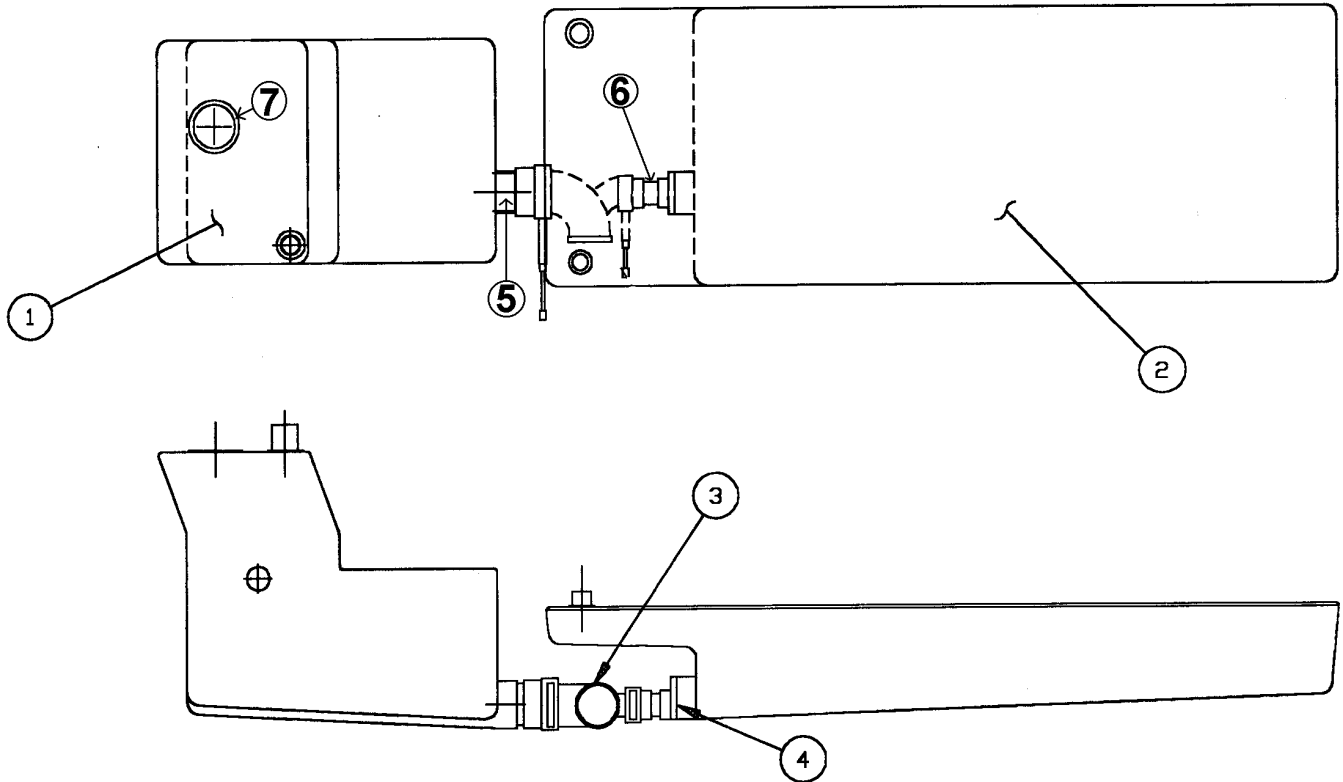
- 1) 601493 Holding tank, black, 33ft.
- 2) 601492 Holding tank, gray
- 3) 601432 Adaptor, valve to tank
- 4) 601607-14 Dump valve, 3" Sp x 3" SP w/handle
- 5) 600866 3-way elbow, ABS
- 6) 600289 Coupler, Calder, 3 inch
- 7) 601160-04 Pipe, drain, 3" plastic
- 8) 601251 Bayonet ring, glue on
- 9) 601250 Bayonet cap
- 10) 601607-14 Dump valve, 3" Sp x 3" SP w/handle
- 11) 601424 Closet flange, 4" x 3"

914190 PAN ASSY. BLACK TANK
914191 PAN ASSY. GRAY TANK

601229 COMPARTMENT, STORAGE SEWER HOSE

2003 LAND YACHT GAS

PLUMBING DRAIN WATER 30 FT



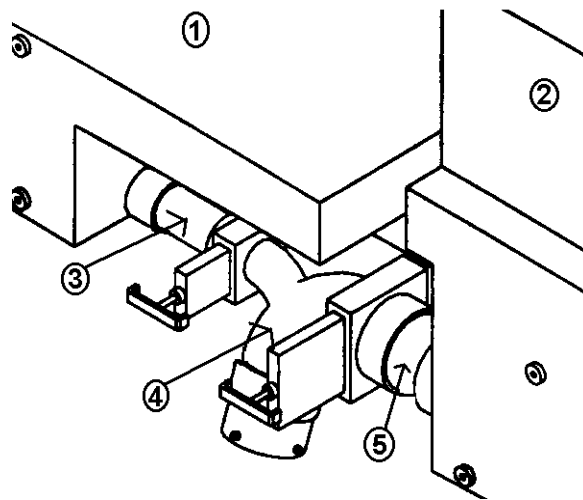
- | | |
|---------------|-------------------------------------|
| 1) 601567 | Tank, black holding |
| 2) 601492 | Tank, gray holding |
| 3) 601482 | Dump valve, rotating assembly w/cap |
| 4) 195329-229 | Reducer adaptor, 3' to 1 1/2" |
| 5) 601160-04 | Pipe, ABS, 3" |
| 6) 601160-02 | Pipe, ABS, 1 1/2" |
| 7) 601424 | Closet flange, 4" x 3" |

600289 CALDER COUPLING 3IN (RUBBER)
601441 Tank flush system, NO-FUSS

914189 Pan. Black tank, 30Ft
914196 Pan, gray tank 30Ft

2003 LAND YACHT GAS

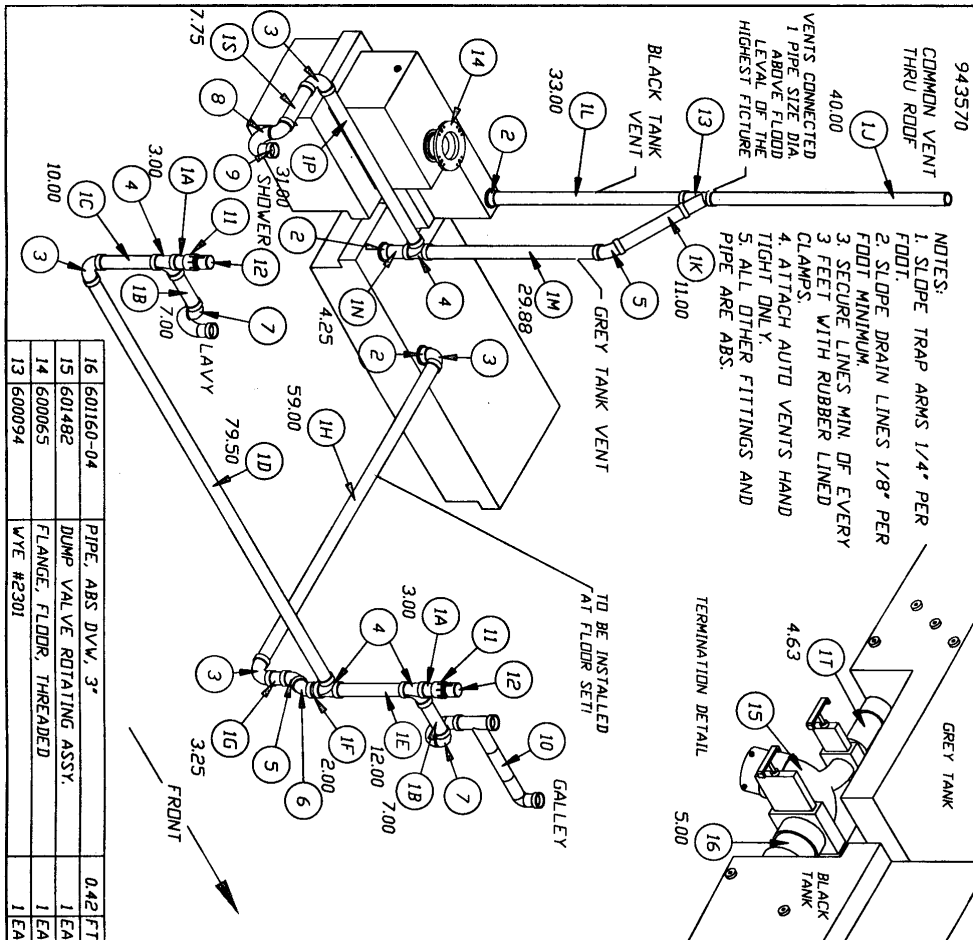
PLUMBING DRAIN WATER 26 FT



- | | |
|--------------|--------------------------------------|
| 1) 601794 | Gray water tank |
| 2) 601795 | Black water tank |
| 3) 601160-02 | Pipe, 1½", ABS DVW, 4.63" long |
| 4) 601482 | Dump valve, rotating assembly |
| 5) 601160-04 | Pipe, 3", ABS DVW, 4.63" long |
| 453810 | Bracket, holding tank |
| 453981 | Support, holding tank |
| 601441 | System, tank flush |
| 601786 | Water fill, tank flush |
| 914189 | PAN ASSY BLACK TANK |
| 914196 | PAN ASSY. GRAY TANK |
| 601610-04 | CAP WITH STOP 4" |
| 601229-01 | COMPT. SEWER, HOSE DELETE/METAL HOSE |

2003 LAND YACHT GAS

PLUMBING DRAIN WATER 26 FT



- 943570
- COMMON VENT THRU ROOF
- 40.00
- VENTS CONNECTED 1 PIPE SIZE DIA. ABOVE FLOOD LEVEL OF THE HIGHEST FITTURE
- BLACK TANK VENT
- 33.00
- GREY TANK VENT
- 11.00
- NOTES:
1. SLOPE TRAP ARMS 1/4" PER FOOT.
 2. SLOPE DRAIN LINES 1/8" PER FOOT MINIMUM.
 3. SECURE LINES MIN. OF EVERY 3 FEET WITH RUBBER LINED CLAMPS.
 4. ATTACH AUTO VENTS HAND TIGHT ONLY.
 5. ALL OTHER FITTINGS AND PIPE ARE ABS.

16	601160-04	PIPE, ABS DVW, 3"	0.42 FT
15	601482	DUMP VALVE ROTATING ASSY.	1 EA
14	600065	FLANGE, FLOOR, THREADED	1 EA
13	600094	WYE #2301	1 EA

LET DATE	ECN	REVISION RECORD	BY
6/01	4855A	PRODUCTION RELEASE	DW

ITEM	PART NUMBER	DESCRIPTION	QTY	UM
1	601160-02	PIPE, ABS DVW, 1-1/2"	29.00	FT
2	601676	ADAPTER THREADED 1 1/2" MALE/CSA	3	EA
3	600035	ELL ABS LONG SWEEP 1-1/2"	4	EA
4	600156	TEE SANITARY	4	EA
5	600030	ELL ABS 45 DEGREES LG TURN	2	EA
6	600027	ELBOW ABS LONG ST 45 DEGREES	1	EA
7	600144	P TRAP ABS 1-1/2 IN	2	EA
8	600622	P-TRAP 1-1/2 W/S LIP NUT & WASHER	1	EA
9	600822	ADAPTER P-TRAP #60262	1	EA
10	600378	CONTINUOUS WASTE 1-1/2	1	EA
11	600538	VENT V-200 AUTOMATIC	2	EA
12	600308	ADAPTER ABS FEMALE SLOAN #2891	2	EA

TOLERANCES	DRAWN BY
F	DW
E	APPROVED BY

TITLE	SCALE	DATE	DRAWING NUMBER	REV.
ABOVE/BELOW FLOOR DRAIN	N.T.S.	06/22/01	943570	B

FIRST USAGE	26' LY
Airstream	

2003 LAND YACHT GAS

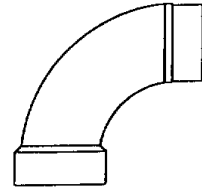
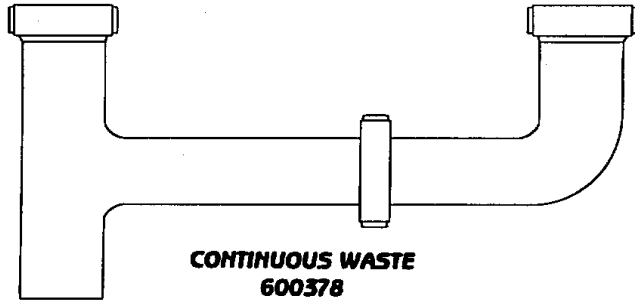
PLUMBING-DRAINAGE

203318-02	Shower stall, 26ft
203001	Shower stall, almond, 30 ft.
201957	Shower stall, fiberglass, 33 ft.
601362-02	Shower drain, chrome
200406-06	Lavy bowl 33' & 30' only, oval-includes tail, basket and stopper
203367-01	BOWL-LAVY KARRAN SOLID, 26 ft. only
453833	CLIP, SINK MOUNT
601767-02	TAILPIECE-CHROME LAVY
320129	INSERT-THREADED 1/4"O.D. X 1/4"L
320131	WINGNUT-#10-32 ZINC
601799	SINK-STAINLESS STEEL 1GALLEY, 16" X 27"
600968	BASKET STRAINER
381635	SINK CLIP-UNDER MOUNT-CORIAN
320130-05	SCREW-#10-32 X .75" SLOT HEX HD
964973-01	SINK COVER CORIAN BISQUE

2003 LAND YACHT GAS

PLUMBING-DRAINAGE

1.5" DRAIN FITTINGS



**TRAY ADAPTOR
600625-01**

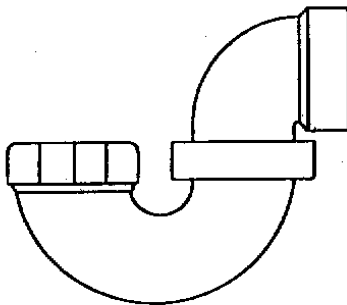


**TRAY ADAPTOR
600625-02**

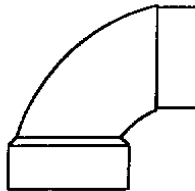


**SWIVEL
ADAPTER
600822**

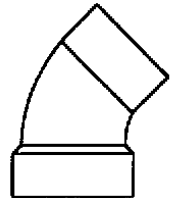
(Continued)



**P-TRAP
1.5" WITH SLIP NUT
600622**



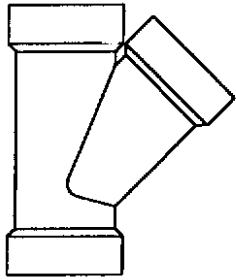
**ELBOW 90D
SHORT ST
600662**



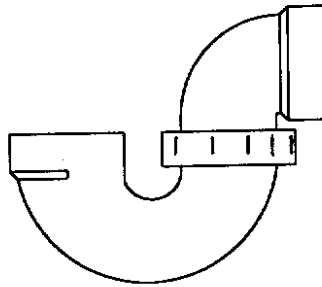
**ELBOW 45D
LONG ST
600027**

2003 LAND YACHT GAS

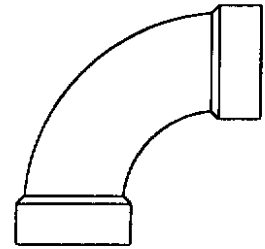
1.5" DRAIN FITTINGS



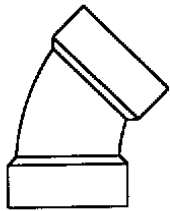
**WYE
#2301
600094**



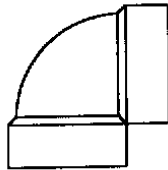
**P-TRAP
1.5" W/O SLIP NUT
600144**



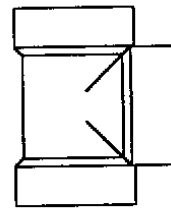
**ELBOW 90D
LONG TURN
600035**



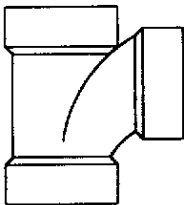
**ELBOW 45D
LONG TURN
600030**



**ELBOW VENT
90D
600033**



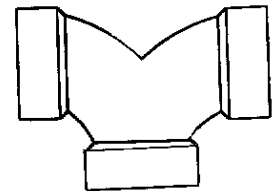
**TEE-BI DIRECTIONAL
CLEAN-OUT 1.5"
601318**



**TEE-SANITARY
1.5"
600156**



**ELBOW 22.5D
SHORT TURN
600116**



**ELL DOUBLE 1.5
195329-486**

(Continued)

2003 LAND YACHT GAS

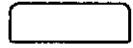
1.5" DRAIN FITTINGS



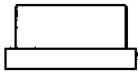
PLUG 1.5"
600155



VENT 1.5"
600538



CAP 1.5"
601677



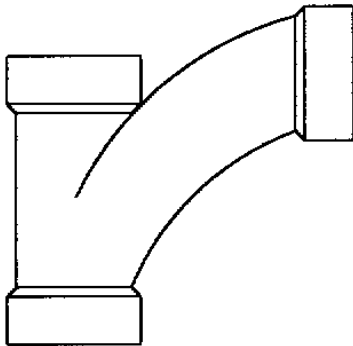
REDUCER 1.5" TO 1.25"
601263



ADAPTER
601676



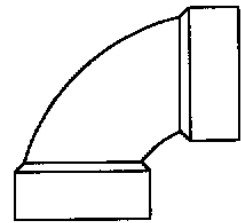
ADAPTER
W/FEMALE THREADS
600308



WYE 1.5"
1/8" BEND
600182



COUPLING
1.5"
600227



ELBOW 90D
SHORT SWEEP
601636

601200

600625-01

600094

ADAPT,, AUTO VENT W/EXT. #A-201

PLUG, TRAP, 1-1/2" ADAPTER, FEMALE

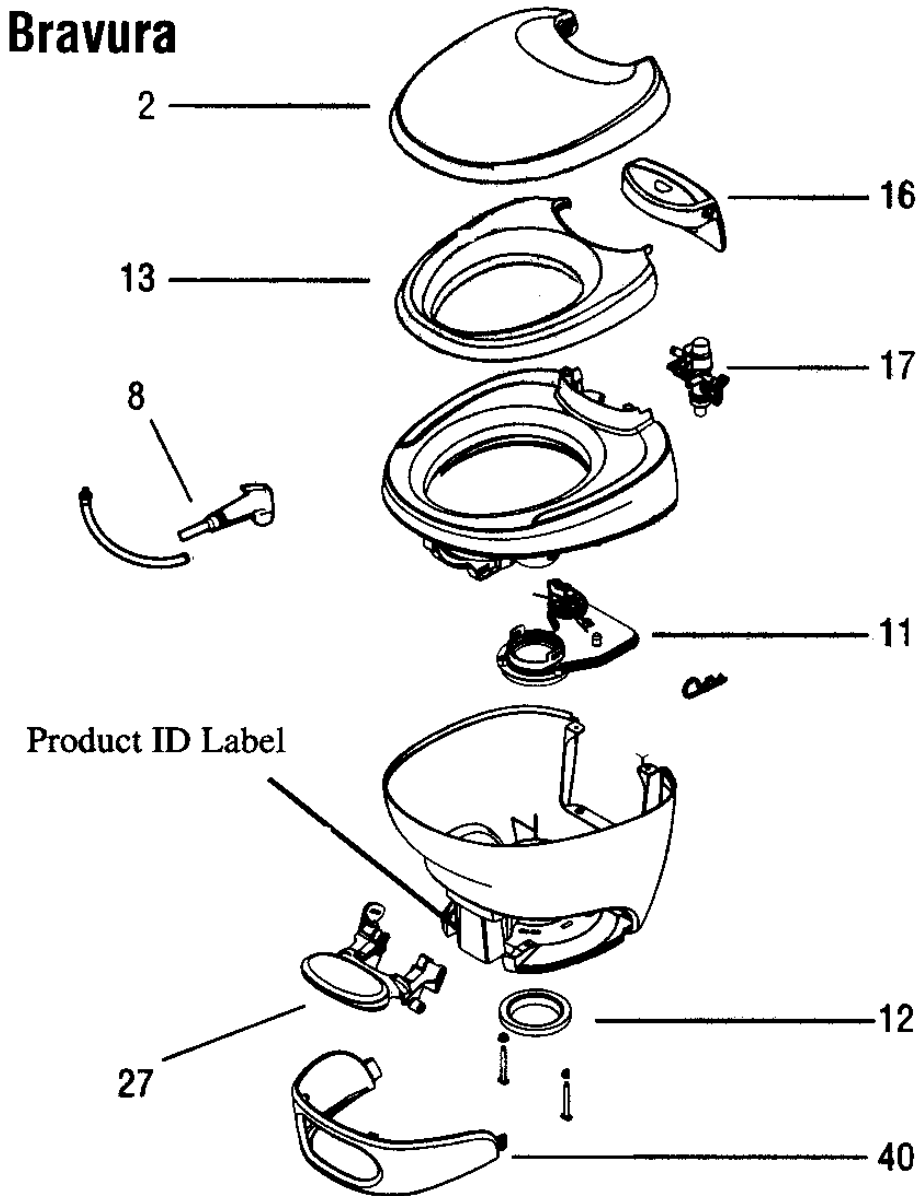
WYE #2301

2003 LAND YACHT GAS
PLUMBING

Thetford Bravura Toilet
Low profile PN is 690442-01

Parts available from Thetford

Bravura



2003 LAND YACHT GAS

Thetford Bravura Toilet

Low profile PN is 690442-01, 33', 30'

Before ordering parts, record the Product ID information.

No. Description

- 1 Hinge Pins (2)
- 2 Seat Cover
- 3 Vacuum Breaker
- 4 Flush Tube
- 5 Flush Nozzle Assy.
- 6 Overflow Trap
- 7 Water Supply Tube
- 8 Hand Spray Kit (Water Saver Option Only)
- 9 Side Access Covers (2)
- 10 Water Valve
- 11 Lower Mechanism Assy.
- 12 Closet Flange Seal & Bolt Pkg.
- 13 Seat
- 14 Hinge Post Kit
- 15 Upper Mechanism Assy.
- 16 Pod
- 17 Water Module
- 18 Water Valve Link
- 19 Lever Assy.*
- 20 Wire Replacement Pkg.†
- 21 Mechanism Cover

No. Description

- 22 Bracket & 2 Screws†
- 23 Float Assy.
- 24 Actuator Assy.
- 25 Base to Bowl Screws (9)
- 26 Closet Bolt Pkg.
- 27 Pedal Pkg.†
- 28 Base
- 29 Retainer & Screw†
- 30 Sealant
- 31 Blade Spring
- 32 Blade
- 33 Blade Seal
- 34 Blade Track
- 35 Flapper
- 36 Overflow Tube
- 37 Nozzle Assy.
- 38 Bowl
- 39 Reservoir Assy.
- 40 Shroud

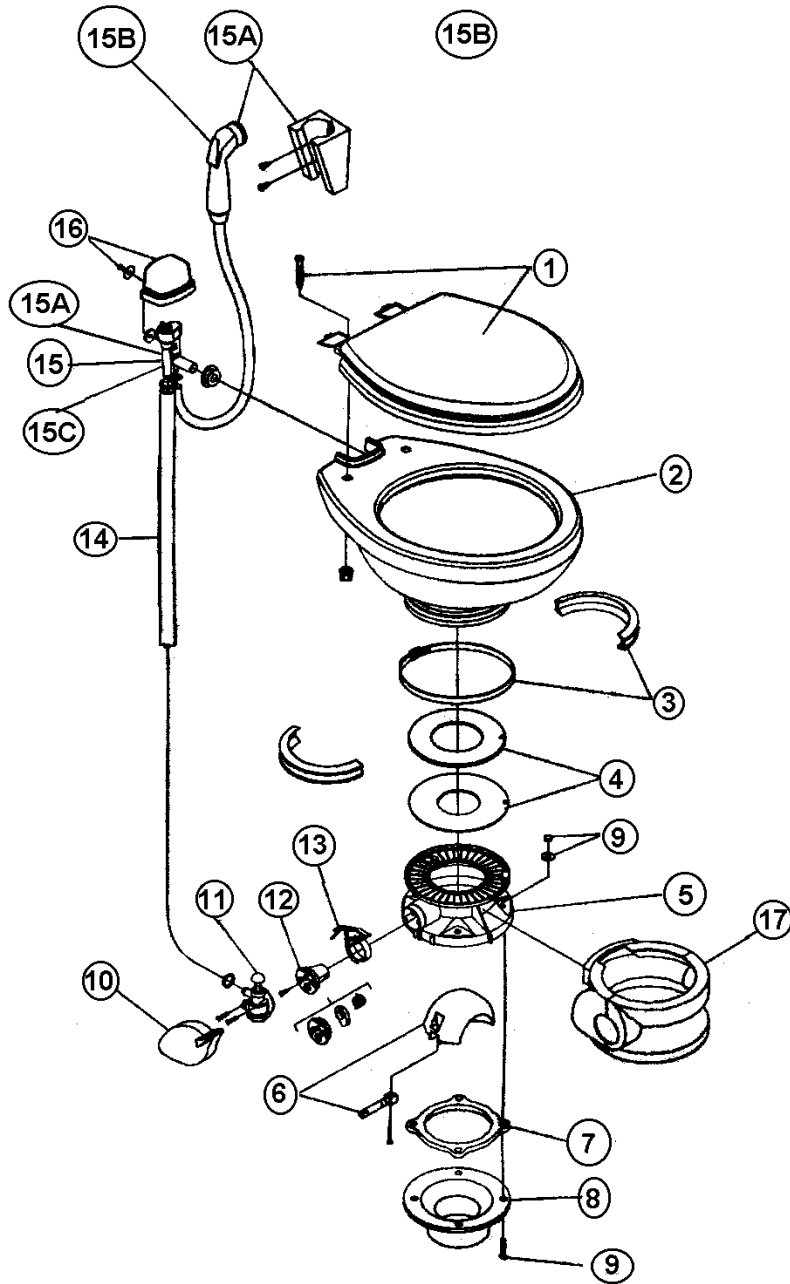
Specify High or Low

* Hand Flush only

† Foot-Pedal Flush only

2003 LAND YACHT GAS
Sealand Toilet Traveler Lite Series, 26'
P/N 601792-01

Model 111



2003 LAND YACHT GAS

Sealand Toilet Traveler Lite Series MODEL 111

For the name of the nearest authorized service center, please call 1-800-321-9886 between the hours of 8:00 AM and 5:00 PM, Eastern Time.

- 1) 344089 Seat assembly, Bone
- 2) 310791 Chins bowl kit, Bone
- 3) 310048 Ring and half clamp kit, Bone
- 4) 316140 Teflon® & Rubber seal kit
- 5) 310802 Base kit, Bone (includes 3, 4, 6, 7, 9, 10, 11, 12, 13, and 17)
- 6) 381162 Ball, shaft, and cartridge kit
- 7) 341549 Floor flange seal
- 8) Floor flange, see drain plumbing section of this book
- 9) 310064 Floor bolt-mounting kit
- 10) 310118 Pedal cover kit
- 11) 314349 Water valve kit
- 13) 340825 Flush lever
- 14) 340177 Supply hose, Bone
- 15) 310687 Vacuum breaker kit
- 15a) 319054 Vacuum breaker kit, w/spray
- 15b) 340683 Hand spray, white
- 15c) 230335 Vacuum breaker (used w/spray)
- 16) 310796 Vacuum breaker cover kit, Bone
- 17) 310109 Pedestal cover kit, Bone

Sealand Technology is ready to assist you in the event service is required. Before calling, please have the following information available.

1. Toilet Model Number
2. Serial Number
3. Part Number, Description, and Quantity.

2003 LAND YACHT GAS

SAFETY EQUIPMENT

510781	Detector, smoke #1056 w/silencer
511343	Detector, carbon monoxide-9 volt
511309	Detector, LPG
510734	Alarm, back-up
381069	Seat belt kit, lounge/swivel chair
690381-01	Fire extinguisher 10 B: CUL
690381-02	Fire extinguisher 10 B: CULC (Canadian)
380188	Emergency warning triangle (set of 3)
371243	MIRROR, REAR VIEW, GM #911722
380990	BRKT, MIRROR SUPPORT, GM #9831062
700349	Seat belt, mini-buckle, swivel chair

2003 LAND YACHT GAS

SEALS-GASKETS



1) 365205



2) 365237-01



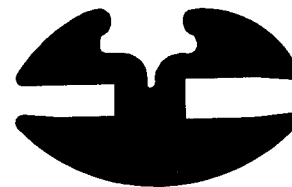
3) 365232



4) 365208



5) 201260



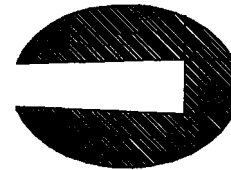
6) 381319



7) 365013



8) 365045



9) 381764

- 1) 365005 Gasket, weather strip, rear trunk door
- 2) 365237-01 Seal, dust, compartment door edge
- 3) 365232 Seal, compartment doorjamb
- 4) 365208 Gasket, seal-compartment door hinge and window to body
- 5) 201260 Insert, windshield gasket, rubber
- 6) 381319 Gasket, windshield, includes center strip
- 7) 365013 Gasket, screen door, low-density foam
- 8) 365045 Seal, main door
- 9) 381764 Trim edge, rubber

2003 LAND YACHT GAS

SEALS AND GASKETS

DRIVERS DOOR



1) 365232



2) 381364



3) 684910



4) 195287



5) 381665
Seal "D"

- | | |
|-----------|--|
| 1) 365232 | Seal, bulb type, door to jamb |
| 2) 381364 | Seal, bulb type (wind barrier at top of door) |
| 3) 684910 | Channel, Schlagle, window track |
| 4) 195287 | Gasket, window lip seal |
| 5) 381665 | Gasket, d seal, .50"W x .36"H, black, window to body |

2003 LAND YACHT GAS

SEALS

Sealer, gaskets, paint, adhesives

GASKETS-SE-GI WINDOWS



1) 371366-103



2) 371366-102



3) 371366-104



4) 371366-105

- | | |
|---------------|--------------------------------|
| 1) 371366-103 | Track, window screen, Se-Gi |
| 2) 371366-102 | Track, sliding pane, Se-Gi |
| 3) 371366-104 | Wiper seal, vertical, Se-Gi |
| 4) 371366-105 | Screw cover, clamp ring, Se-Gi |

381830 Wiper gasket, refer baffle and panels, 1.12" x 2.00"

2003 LAND YACHT GAS

SEALS-SEALER

SEALER

360209-01	Sealer, black, #5507
360281	Sealant, thermoplastic, clear
360268-01	Liqua Seal, roof, white
685510	Seam tape, black
360216	Caulk, latex, brown
365001	Tape, double coated foam
360074	Sealant, GE RTV, white
360001	Butyl sealent#884058
360002	Vulkem sealant, Gray
360176	Sealant, almond, bathroom
360210	Sealant, Paralastic #4334-04 (refrigerator Compartment sealer)
360180	Sikaflex, 221 adhesive/sealant
360052	Vulkem seal, black
360283-01	Silicone sealer, Corian white
360286	Sealant, Gray, SU-6000
360209-02	Sealant, seam, Acryl-R, white
360190	SEALANT - WHITE
360255-03	SEALER ANTI-WICK SIA-458B
365261	ADHESIVE, THERMOSET, JET WELD
360259	SILICONE GLAZING SEALANT, galley to wall
365190	SEAL, RUBBER, ADHESIVE, 3/4" X 3/4", refer comp.

2003 LAND YACHT GAS

SEALS-ADHESIVES/PAINT/MISCELLANEOUS

ADHESIVES

601704-03	Adhesive, Corian, Cameo White
360284	PANEL ADHESIVE - CORIAN
365256	ADHESIVE, INDUSTRIAL #4799, windshield
365266-01	EDGE BANDING-1.25" X .055", Northern Oak
365265-01	EDGE BANDING-5/8", Northern Oak
601704-03	Corian glue, Cameo White, Corian
800639-02	Adhesive, Oak plank flooring
360282-04	Adhesive spray, Sta-put, ceiling panels (reference only, not available for shipment)

PAINT

Each vehicle has been provided with a sheet listing the paint color codes on that particular motorhome. Also, each motorhome is shipped with touch-up paint for each color.

A back up color chart for each motorhome is kept in Airstream's files. If calling Airstream for this information ask for "Sales" and have the serial number available for them.

203319	PAINT, PROTECTIVE FILM
360292	Stain, Saratoga Oak (new for 2000)
365244	Lacquer, clear, used on wood

MISCELLANEOUS

360179	Undercoat, Pennzoil II
365194	Tape, silver, 2" wide
365194-01	Tape, silver, 3" wide

2003 LAND YACHT GAS

*UPHOLSTERY/FOAM/MATTRESS

701768	Mattress, inner spring, 34" x 79.5", twin
702674	Mattress, 60" x 75", w/45° degree corner, double
703148	Mattress, 54" x 74" w/45° corner, 26ft
*702676-Tab	Bedsread, double
*702489-Tab	Bed spread, twin
*703149-Tab	Bedsread, 75", corner double, 26ft.
701611	Pillow, 21" x 31"
*702801-Tab	Sofa, jack knife, 74", 33'
702801-02	Sofa, jack knife, 74", leather Buff, w/drawer face, 33'
*702800-Tab	Sofa, jack knife, 68", 30'
702800-02	Sofa, jack knife, 68", leather Buff, w/drawer face, 30'
*703235-Tab	Sofa w/armrest, 26' model
703235-02	Sofa, leather, Buff
400963	Sofa leg
380337	Pedestal leg
380338	Socket, pedestal table
380339	Socket, pedestal, floor

Each dealership is provided with a set of "color scheme boards" every model year. These "boards" have samples of upholstery for each color scheme and part numbers are included.

*Upholstery numbers ending in:

- 442=Spice Trader
- 320 = Golden Oak
- 422= Cashmere
- 432=Sumatra

2003 LAND YACHT GAS
UPHOLSTERY/FOAM/MATTRESS

703278-031 Drivers seat, power
703279-021 Passenger seat, manual
703278-041 Cab seat, passenger, power w/padded skirt, option

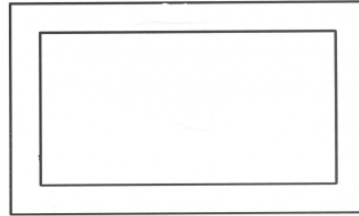
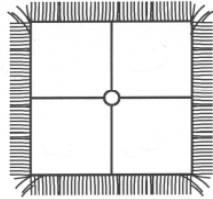
703022-01 Swivel chair, Leather
453903 Pedestal, swivel chair

Wall Paper Border

703241 Spice Trader, 5.25" Wallpaper Border
703240 Sumatra, 5.25" Wallpaper Border
703239 Cashmere, 5.25" Wallpaper Border

2003 LAND YACHT GAS
 UPHOLSTERY/FOAM/MATTRESS
 PILLOW KIT

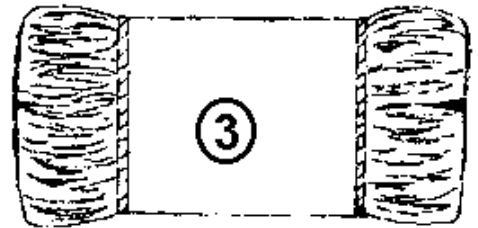
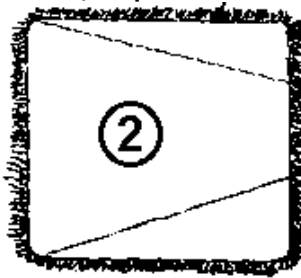
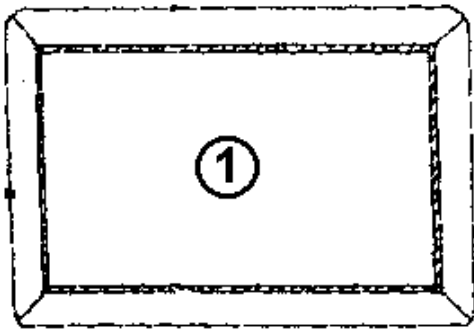
Golden Oak pillow kit



703089-01 Sofa Pillow

703089-02 Bedroom Sham

Cashmere, Sumatra, Spice trader, Pillow Kits



Cashmere

Sumatra

Spice Trader

1. Sofa Pillow 703242-01
 2. Shams 703242-02
 3. B/R Accent 703242-03

703244-01
 703244-02
 702244-03

703246-01
 703246-02
 703246-03

2003 LAND YACHT GAS

UPHOLSTERY/FOAM/MATTRESS

Dinette Upholstery, 26 FT. MDL.

702464-19	FOAM DINETTE UPPER BACK 38.25 RH
702464-20	FOAM DINETTE UPPER BACK 38.25 LH
702464-07	FOAM DINETTE LOWER BACK 38.25
702464-09	FOAM DINETTE AFT SEAT 38.25
702464-11	FOAM DINETTE FWD SEAT 38.25
964334-02	Flex spring-seat 21.63" x 38.00"
998070	COVER, SEAT, SIDE DINETTE
998071	COVER, BACK, SIDE DINETTE

Dinette Upholstery, 30 FT. MDL.

702464-17	Foam, dinette, upper back, RH
702464-18	Foam, dinette, upper back, LH
702464-06	Foam, dinette, lower both sides
702464-08	Foam, dinette seat aft
702464-10	Foam, dinette seat forward
964334-03	Flex spring seat, dinette, 21.63" x 32.00 "
998070	Seat cover, side dinette
998071,	Back cover, dinette
964538	Back, upholstered dinette seat, LH
964537	Back, upholstered dinette seat, RH

Dinette Upholstery 33FT. MDL.

702464-19	Foam, dinette, upper back, RH
702464-20	Foam, dinette, upper back, LH
702464-07	Foam, dinette, lower back, both sides
702464-09	Foam, dinette seat aft
702464-11	Foam, dinette seat, forward
964334-02	Flex spring seat, dinette, 21.63" x 38.00"
998070	Seat cover, side dinette
998071	Seat cover, dinette
964497	Back, sub assembly, dinette seat, LH
964496	Back, upholstered dinette seat, RH

2003 LAND YACHT GAS

VENTS/FANS

Skylights

203153-01	Skylight, 22" x 22" clear, galley
203152-02	Trim, skylight 22" x 22"
702804-02	Pleated shade, skylight, 20.25" x 21.0"
203148-01	Skylight, heavy duty, shower, 14.5" x 22.5"
203148-02	Trim inner, skylight, 14.0" x 22.0"
203153-02	Skylight, bath, 14" x 22", clear, bath
203152-01	Trim inner, skylight, 14" x 22"
702804-01	Pleated shade, skylight, 12.75" x 21.25"

Roof vents

381450	Vent, roof, Fantastic 6000RBT
381153-01	Vent, Jensen #757
381153-100	Screen, Jensen #757 vent
381207-03	Vent, refrigerator, roof w/screen
511376	Fan, defrost, oscillating
511152-14	Range hood w/monitor & hour meter, black
511152-01	Vent, range hood, exterior, white
511017-20	Vent, exterior white, range hood, CSA
690266-01	Ventilator, power, bath

2003 LAND YACHT GAS

WOOD/LAMINATES/INTERIOR TRIM

800397-01	Cedar, planked, 5/32" x 4' x 8'
800542-02	Structure wood, 3/8" x 4' x 8'
800507-01	Paneling, luan 1/8" x 4' x 8'
800507-02	Paneling, luan 1/4 x 4' x 8'
800507-03	Paneling, luan 3/8" x 4' x 8'
801386	Paneling, inside, .125", G1S, Spring Forest/Raw
801389	Paneling, 1/2" x 4' x 8', G2S, Spring Forest
801388	Paneling, 1/2" x 4' x 8', G1S, Spring Forest/Raw
801390-004	Paneling, .5", S. Oak/Spring Forest
801408	Paneling, 18MM, G2S, N. oak/N. Oak
*801180-00z	Paneling, 1/2" x 4' x 7', G2S, vinyl/vinyl
*801179-00z	Paneling, 1/2" x 4' x 7', G1S, vinyl/raw
*801181-00z	Paneling, 5/32" x 4' x 7, G1S, vinyl, raw
365270-01	Tape, seam, Spring Forest, 1.12 wide
365270-02	Tape, seam, Spring Forest , 8" wide
365270-03	Tape, seam, Spring Forest, 12" wide

* Vinyl wood cover needs to be specified.

2003 LAND YACHT GAS

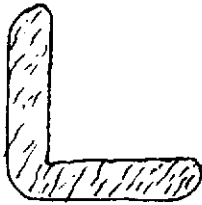
WOOD/INTERIOR



1) 801206-01z



2) 964152-01z



3) 800575 -01z



4) 800571-01z



5) 800617-01z



6) 801172-014z
6a) 801172-05



7) 801173-03z



8) 801173-04z

- | | |
|----------------|---|
| 1) 801206-01z | Molding, floor, wood, 43" |
| 2) 964152-01z | Molding, chair rail, wood |
| 3) 801575-014 | Molding, corner, Antiquity Buff |
| 4) 800571-01z | Molding, wood, flat 1/4" x .052W x 80" |
| 5) 800617-01z | Molding, Wainscoat, wood |
| 6) 801172-01z | Molding, flexible corner, wood |
| 6a) 801172-04z | Molding, flexible corner, Spring Forest |
| 7) 801173-03z | Molding, flat radius, .88" wood |
| 8) 801173-04z | Molding, flat radius, 1.13" wood |

(continued)

2003 LAND YACHT GAS

WOOD/INTERIOR TRIM



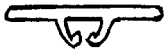
1) 800573-01z



2) 800572-01z



3) 201728-04



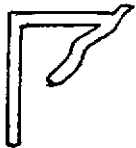
4) 201728-01



5) 203159-03



6) 201666-01



7) 201790-01



8) 203138-02
8a) 203138-03



9) 801266-00Z
Baseboard molding

1) 800573-014

Molding, wood, door edge 1 3/32 x 80"

2) 800572-014

Molding, wood, panel edge, 23/32 x 80"

3) 201728-04

Extrusion, ceiling trim

4) 201728-01

Extrusion, ceiling trim retainer

5) 203159-02

Trim, divider bar, interior panels, Spring Forest

6) 201666-01

Molding, J 3/16, plastic, almond

7) 201790-01

Molding, cove, white, ceiling to wall

8) 203138-02

Extrusion, wall, plastic, brown (panel edging)

8a) 203138-03

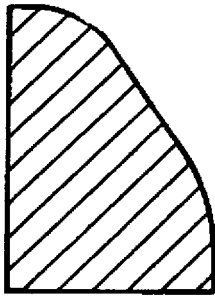
Extrusion, wall, plastic, beige (panel edging)

9) 801266-00Z

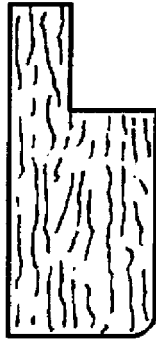
Baseboard, molding, 26 ft.

2003 LAND YACHT GAS

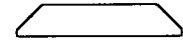
WOOD/INTERIOR TRIM



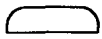
1) 800576-014



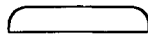
2) 801189



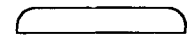
3) 801178-04



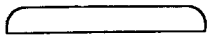
4) 801173-014



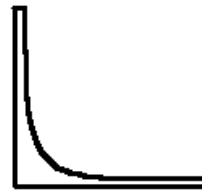
5) 801173-024



6) 801173-034



7) 801173-044



8) 800195-004

- 1) 800576-014
- 2) 801189
- 3) 801178-04
- 4) 801173-014
- 5) 801173-024
- 6) 801173-034
- 7) 801173-044
- 8) 801195-004

- Molding, bath doorstep, Oak
- Trim, bath doorjamb, Oak
- Flat molding, vinyl, .81" wide, Spring Forest
- Flat molding, vinyl wrapped, Oak, .50 wide
- Flat molding, vinyl wrapped, Oak, .75 wide
- Flat molding, vinyl wrapped, Oak, .88 wide
- Flat molding, vinyl wrapped, Oak, 1.13 wide
- Corner trim, 1' radius, Oak

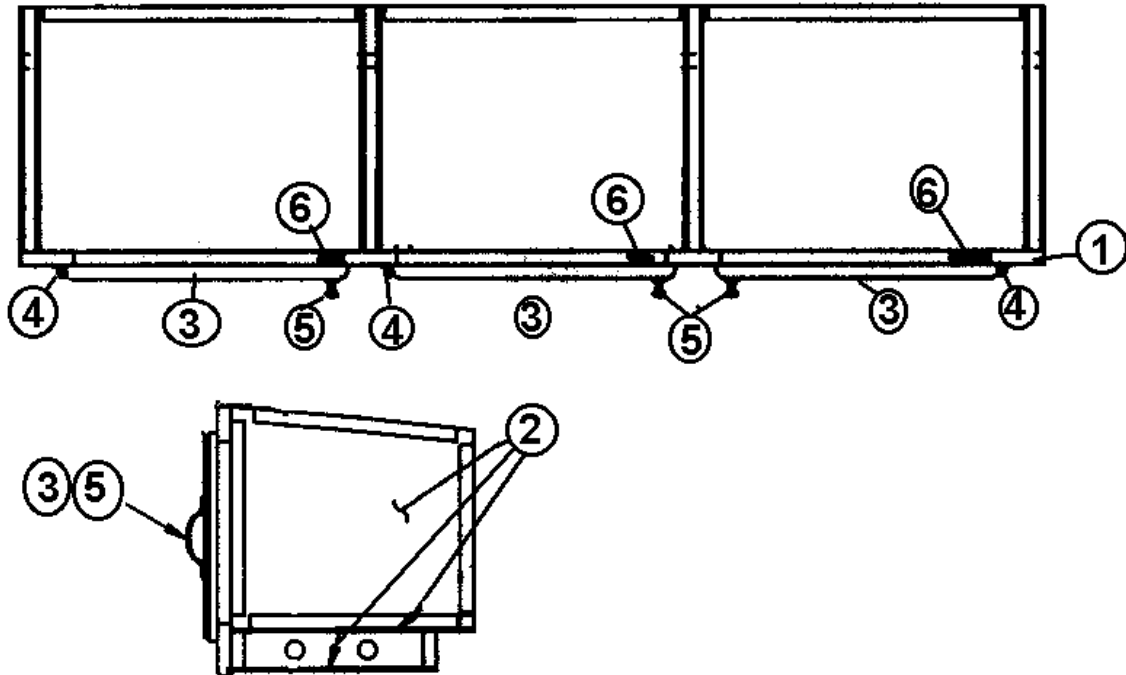
Not Shown:

- 800766-004
- 800405-004
- 964280-00z

- Trim panel, hardwood, .50"
- Plug, hardwood
- Edge molding, countertop, nightstand, 26 ft.

2003 LAND YACHT GAS

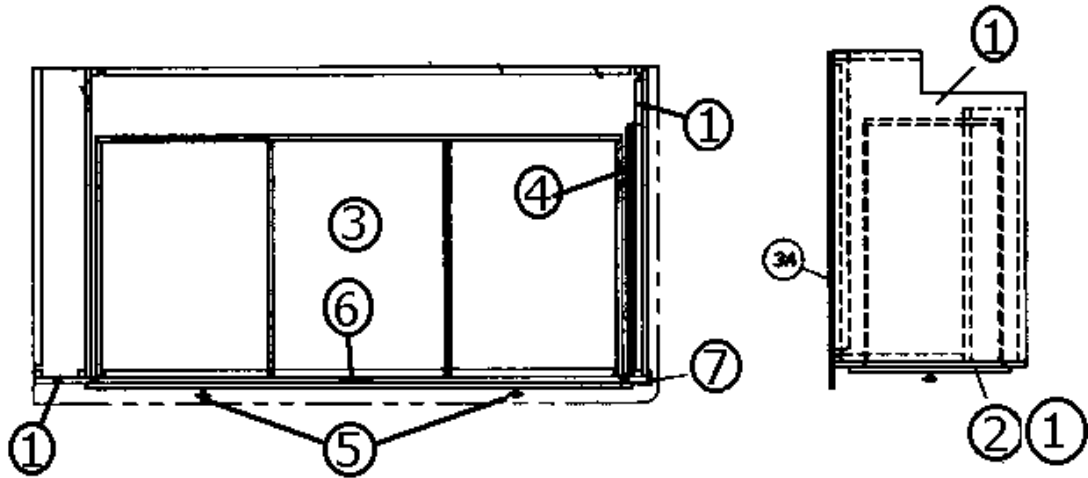
963831-01 RS Twin Bedroom Roof Locker Assembly, 33' &
30' LYMH



- | | |
|---------------|-------------------------------------|
| 1. 963832-01 | Face frame, rooflocker |
| 2. 801181-00Z | 5/32" G1S paneling, oak |
| 3. 800597-17Z | Door, raised panel, 11.50" x 15.75" |
| 4. 381799 | Hinge, Burnished Brass |
| 5. 381599 | Drawer/door pull |
| 6. 381228-01 | Door, grabber catch |
| 800575-01Z | Molding, corner, 80" long |

2003 LAND YACHT GAS

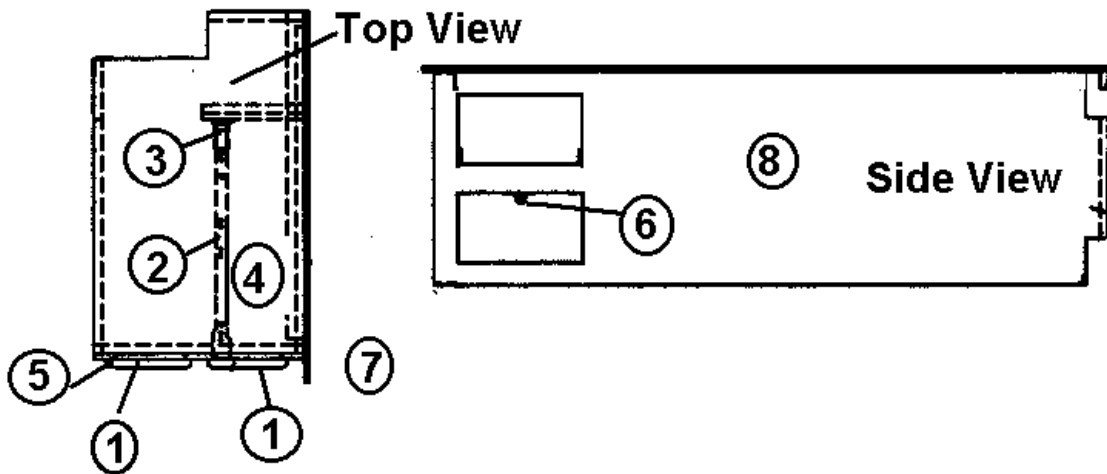
963005 Bed, RS twin



- | | |
|---------------|-------------------------|
| 1. 801180-00z | 1/2" paneling, G1S, oak |
| 2. 365265-01 | Edge tape, 5/8" |
| 3. 961789 | Bed box, RS twin bed |
| 4. 381090 | Drawer slide, 22" |
| 5. 38576 | Door knob |
| 6. 381228-01 | Grabber catch |
| 7. 800575-01Z | Corner molding |

2003 LAND YACHT GAS

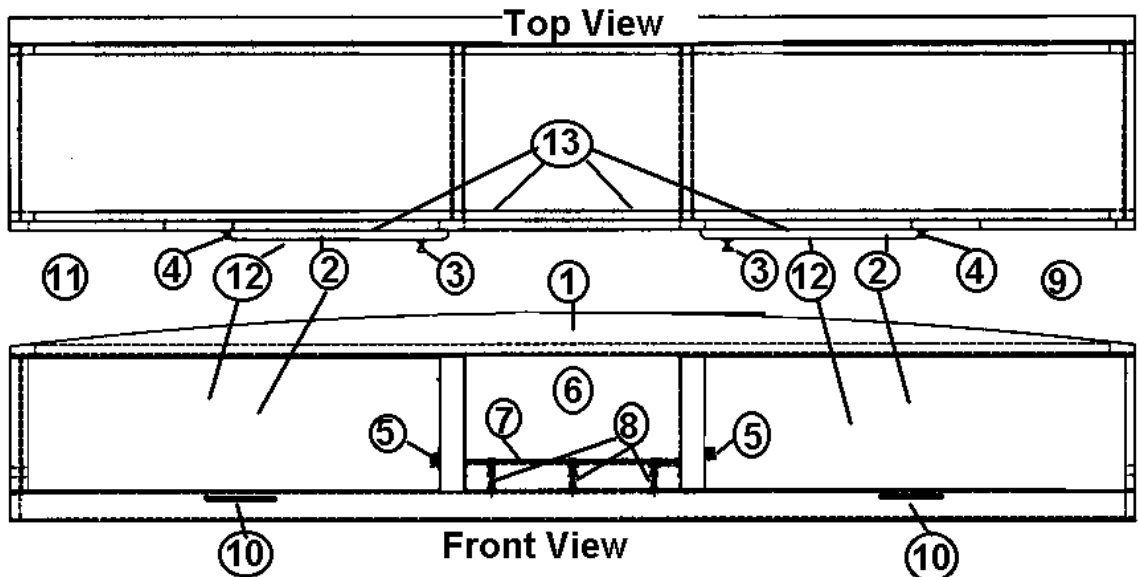
963004-01 Bed, CS twin



- | | |
|---------------|-------------------------------------|
| 1. 800599-02Z | Drawer face, smooth, 7.00" x 11.75" |
| 2. 381526-04 | Drawer slide, 20.00" |
| 3. 381526-06 | Adjustable drawer slide socket |
| 4. 964910-02 | Drawer box, 10" x 18" x 5" |
| 5. 381799 | Hinge, Burnished Brass |
| 6. 381228-01 | Door grabber, catch |
| 7. 800575-01 | Corner molding, (not shown) |
| 8. 801180-00z | 1/2" GS, Paneling |

2003 LAND YACHT GAS

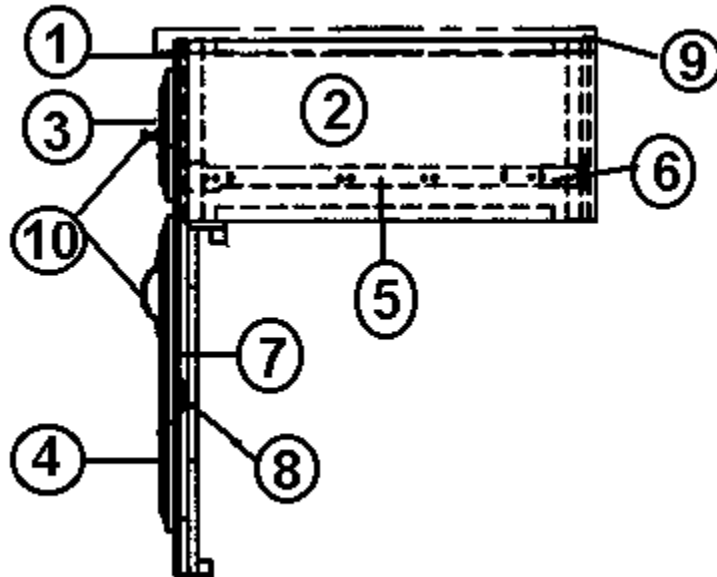
963835-03 Rear Twin, Center Roof locker



- | | |
|---------------|--------------------------------------|
| 1. 963837-01 | Face frame, roof locker |
| 2. 800557-324 | Door frame, 11.50" x 17.50" |
| 3. 381599 | Drawer/door handle |
| 4. 381799 | Hinge, Burnished Brass |
| 5. 381228-01 | Grabber catch |
| 6. 371262-15 | Mirror, 10.56" x 17.12" |
| 7. 381449-04 | Galley rail decorative rod |
| 8. 381449-05 | Post decorative rail, Polished Brass |
| 9. 800571-01Z | Flat wood molding, .52 wide |
| 10. 511297 | Light, Halogen, reading |
| 11. 702482-03 | Textured vinyl headliner |
| 12. 372210-06 | Mirror, 8.62" x 14.62" |
| 13. 381754 | Mirror/panel retainer clip |

2003 LAND YACHT GAS

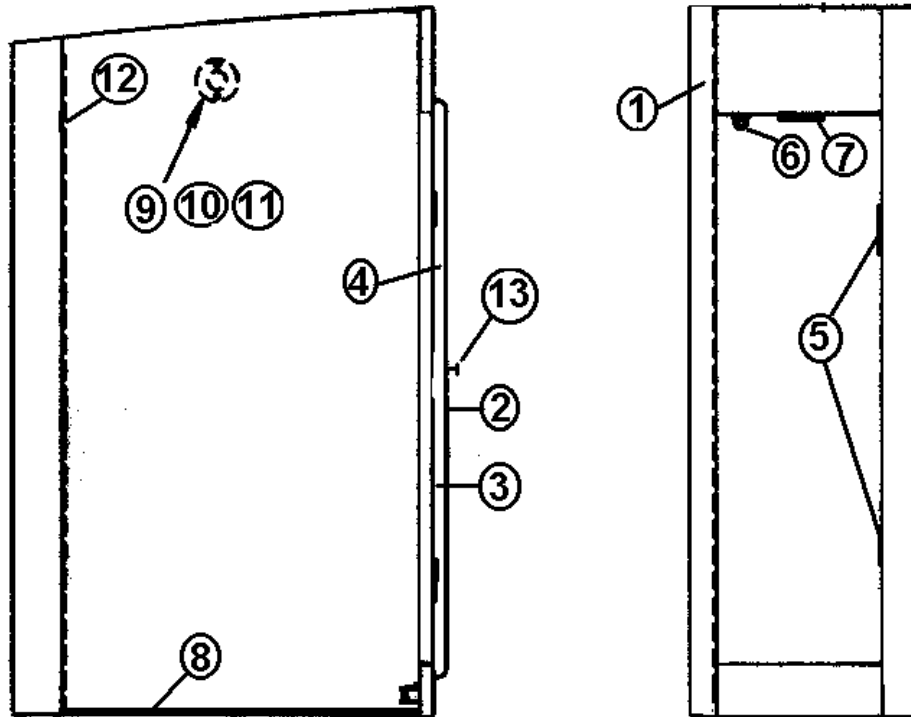
963893-01 Center Nightstand Assembly, Twin Bedroom



- | | |
|---------------|-------------------------------------|
| 1. 961779-01 | Face frame, twin bedroom nightstand |
| 2. 964910-15 | Drawer box, 15" x 20" x 5" |
| 3. 800599-18z | Drawer face, 7.00" x 16.75" |
| 4. 800599-71z | Drawer face, 16.75" x 16.75" |
| 5. 381526-05 | Drawer slide, 22.00" |
| 6. 381526-06 | Drawer slide adjustable back socket |
| 7. 381799 | Hinge, Burnished Brass |
| 8. 381074 | Bulldog catch, copper color |
| 9. 961780 | Top, twin bed nightstand |
| 10. 381599 | Handle, drawer/door Gold |

2003 LAND YACHT GAS

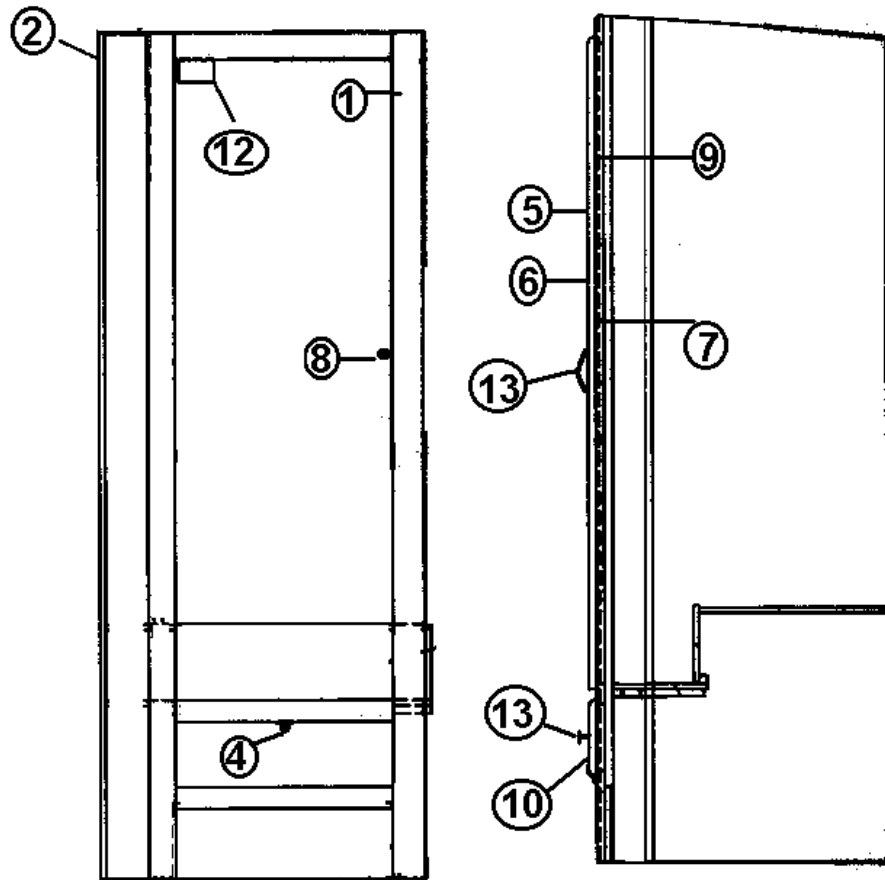
963894-04 RS Wardrobe Assembly, Twin Bedroom



1. 963611-01 Face frame, RS hanging wardrobe
2. 800557-23Z Door frame, 10.50" x 32.50"
3. 372210-10 Mirror, bronze, beveled, 7.62" x 29.62"
4. 381754 Mirror/panel retainer clip
5. 381799 Hinge, Burnished Brass
6. 381228-01 Grabber catch
7. 500956 Light, 111 brown w/switch
8. 800571-01Z Flat wood molding, .52" wide x 80" Long
9. 380045 $\frac{3}{4}$ " metal tubing
10. 380046 Flange, chrome
11. 200975-04 Black plastic conduit
12. 800397-01 Cedar planked paneling, $\frac{5}{32}$ "
13. 381599 Handle, drawer/door

2003 LAND YACHT GAS

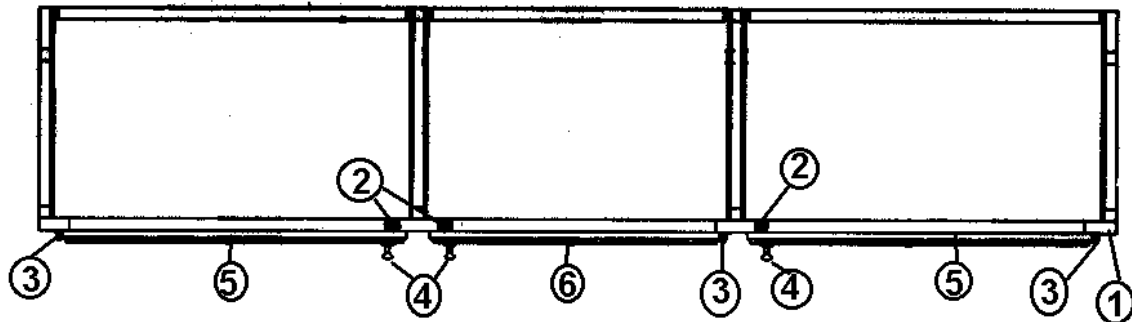
964018-01 CS Wardrobe Assembly, Twin Bedroom



- | | |
|----------------|--|
| 1. 964017 | Face frame, wardrobe |
| 2. 801057-14 | Panel, forward wardrobe |
| 3. 801180-00z | 1/2" Panel, G2S, Used several places |
| 4. 381228-01 | Grabber catch, 3 lb. pull |
| 5. 800557-10Z | Door frame, 22.00" x 60.00" |
| 6. 371262-04 | Mirror, 19.13" x 28.13" |
| 7. 381754 | Mirror clip |
| 8. 381228 | Grabber door catch, 10 lb. pull |
| 9. 381799 | Hinge, Burnished Brass (5 total) |
| 10. 800599-384 | Drawer face, 7.00" x 21.50" |
| 11. 800571-01z | 1/4" x 33/64, flat wood molding
(Used several places) |
| 12. 500956 | wardrobe light |
| 13. 381599 | Drawer/door pull |

2003 LAND YACHT GAS

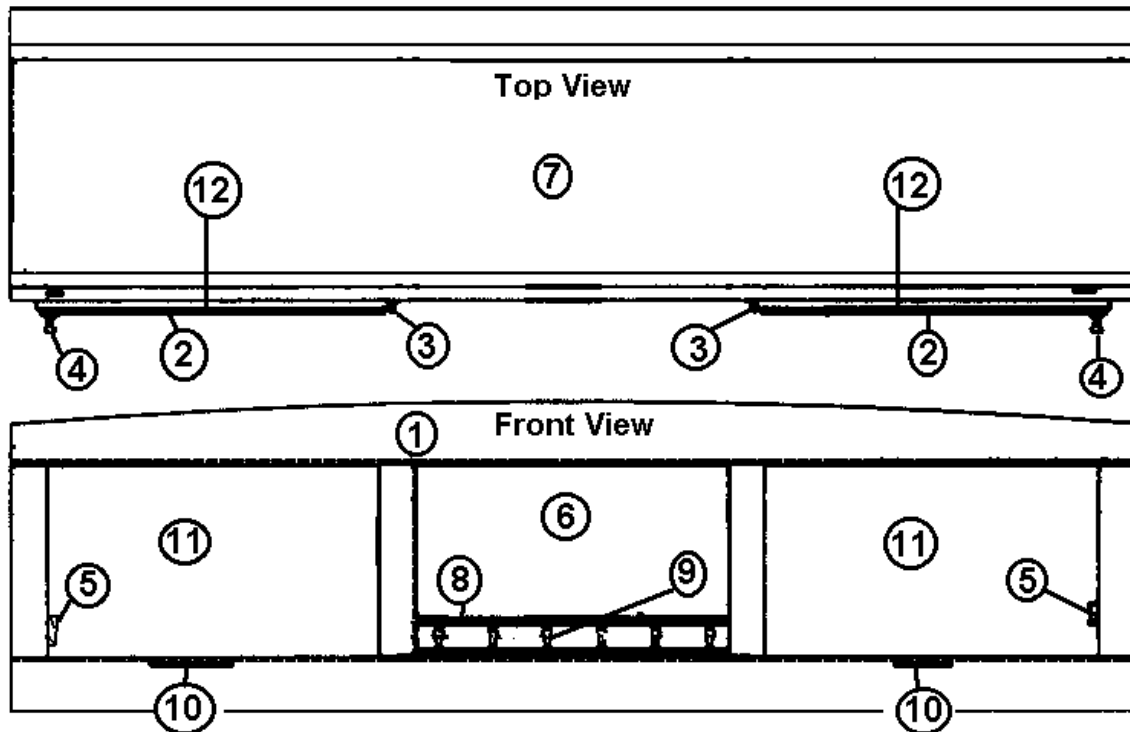
965090-01 CS (Dinette) Roof Locker Assembly
965447-01 Locker Assembly, Dinette, 26 Ft.



- | | |
|---------------|-------------------------------------|
| 1. 965089-00z | Face frame, dinette locker |
| 2. 381228-01 | Grabber catch |
| 3. 381799 | Hinge, Burnished Brass |
| 4. 381599 | Handle, drawer/door gold |
| 5. 800597-55z | Door, raised panel, 11.50" x 22.00" |
| 6. 800597-59z | Door, raised panel, 11.50" x 18.50" |

2003 LAND YACHT GAS

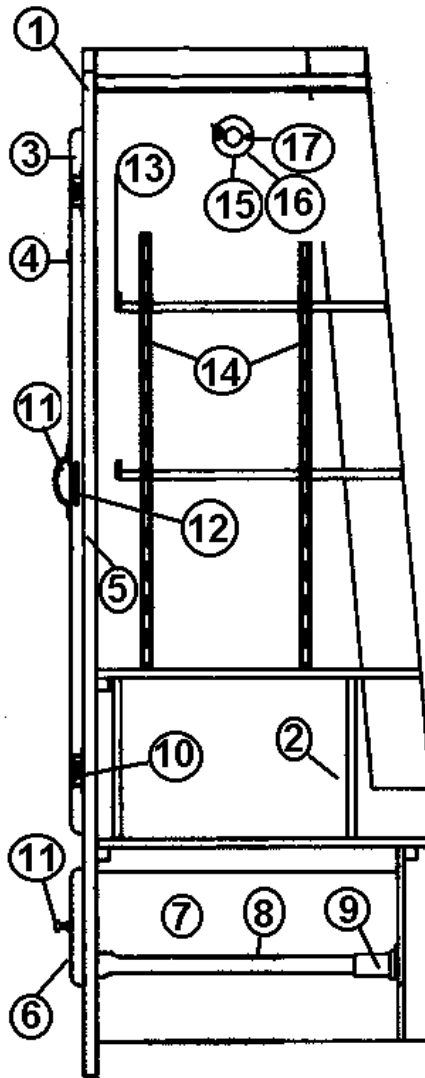
963836-05 Roof locker, Center rear, Double bed



- | | |
|---------------|---|
| 1. 964430-01 | Face frame assembly |
| 2. 800557-334 | Door frame, 11.50" x 19.50" |
| 3. 381799 | Hinge, Burnished brass |
| 4. 381599 | Handle, drawer/door |
| 5. 381228-01 | Grabber door catch |
| 6. 371262-15 | Mirror, 10.56" x 17.12" |
| 7. 800571-01z | Wood flat molding, .52" wide x 80" long |
| 8. 381449-04 | Decorative rail |
| 9. 381449-05 | Post, decorative rail, polished brass |
| 10. 511297 | Halogen reading light |
| 11. 372210-02 | Mirror, beveled, 8.62" x 16.62" |
| 12. 381754 | Mirror clip |

2003 LAND YACHT GAS

963895-05 Wardrobe Assembly, RS Rear
963895-06 Wardrobe Assembly, CS Rear



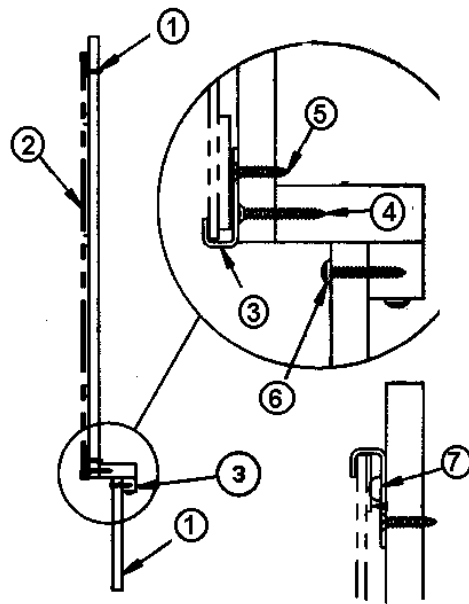
Parts Numbers Next Page

2003 LAND YACHT GAS

1. 962816-01	Face frame, RS wardrobe
1A. 962817-01	Face frame, CS wardrobe
2. 964869	Frame, wardrobe access
3. 800557-37z	Door frame, 10.50" x 42.00"
4. 372210-22	Mirror w/design, 7.62" x 39.12"
5. 381754	Mirror clip
6. 800599-40z	Drawer face, 7.00" x 10.50"
7. 964906-11	Drawer box, 8.25" x 18" x 2.75"
8. 381526-03	Drawer slide, 18"
9. 381526-06	Drawer slide back socket, adjustable
10. 381799	Hinges
11. 381599	Handle, pull drawer/door
12. 381228	Grabber door catch
13. 800573-01z	Molding, door edge, 1 3/32" wide
14. 381527	Speedy shelf strips
15. 380045	3/4" metal tubing
16. 380046	Chrome flange
17. 200975-04	Plastic conduit, black

2003 LAND YACHT GAS

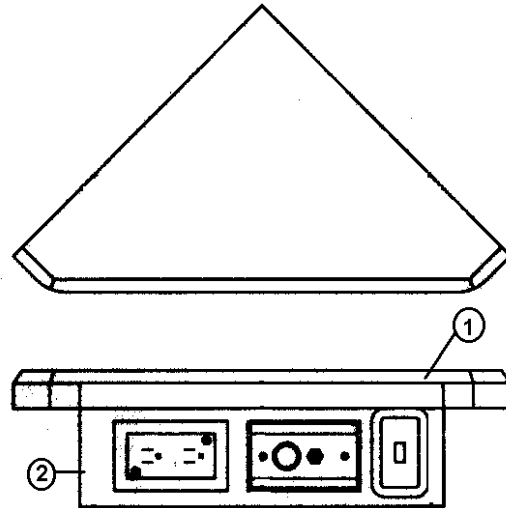
964071 Mirror Assembly, 23.50"



1. 801388 1/2" paneling, G1S, Spring Forest Raw
2. 372203-19 Mirror, polished edges, 11.13" x 22.50"
3. 381220-02 Mirror clip
4. 320117-03 Screw #6 x 1.62, drywall
5. 320118-04 Sheet metal screw, #8 x 3/4"
6. 320124-06 Sheet metal screw, #6 x 1.00"
7. 360012-01 Bumper door, brown
8. 360016 Rubber bump on

2003 LAND YACHT GAS

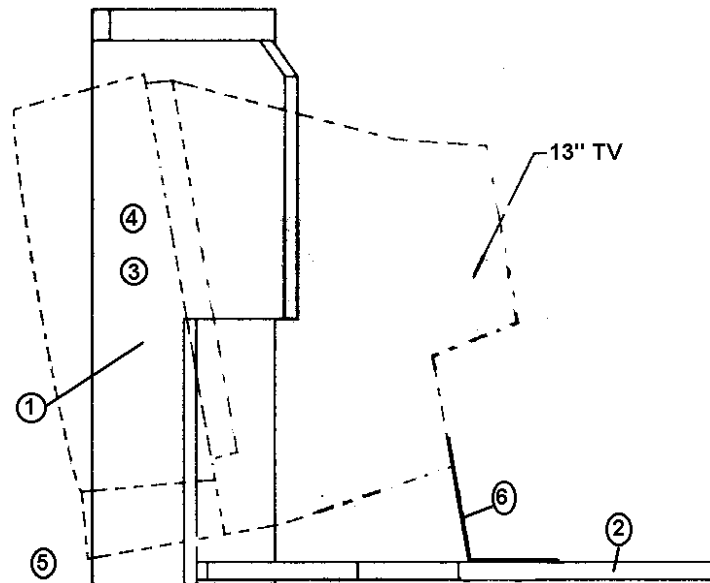
964072 Shelf/facer Assembly, Rear Double Bedroom



- 1. 962666 Top make-up cabinet, laminate
- 2. 964070-01 Facer board, no TV
- 2A. 964070-02 Facer board, w/opt. TV no cut-outs

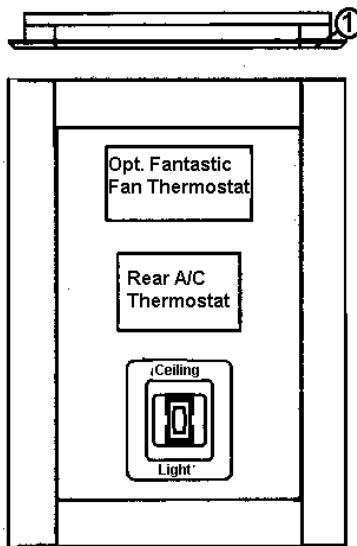
2003 LAND YACHT GAS

965417-02 TV Cabinet, Double Bedroom



1. 800506-04 1/2" plywood
2. 801180-00z 1/2" Oak paneling, G2S
3. 700414 Foam, 3/8" x 72"
4. 090137-C Vinyl upholstery
5. 800572-01 23/32" wood molding, used
several places
6. 115045 TV bracket

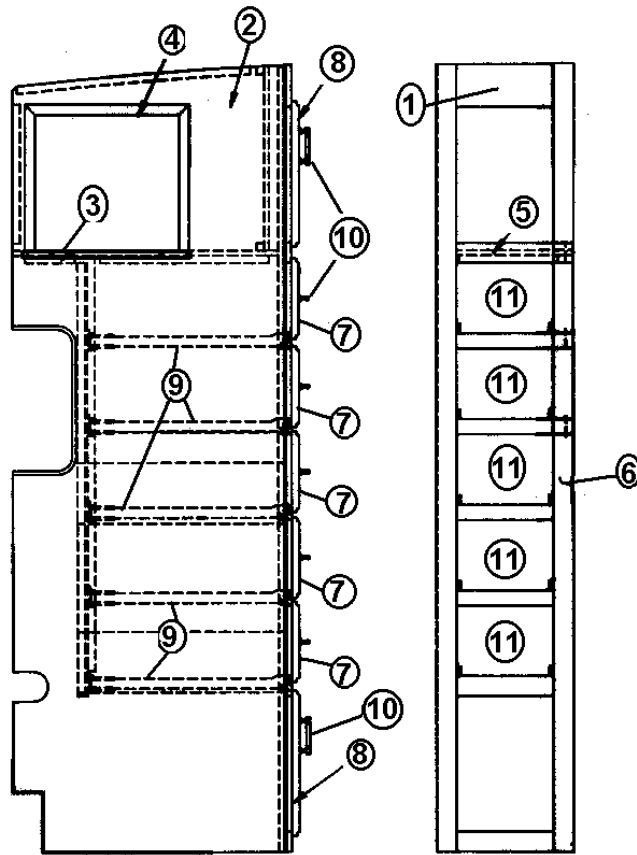
964868 Control panel Assembly, Bedroom



1. 964869 Frame, control panel
2. 386017 Decal, control panel backer

2003 LAND YACHT GAS

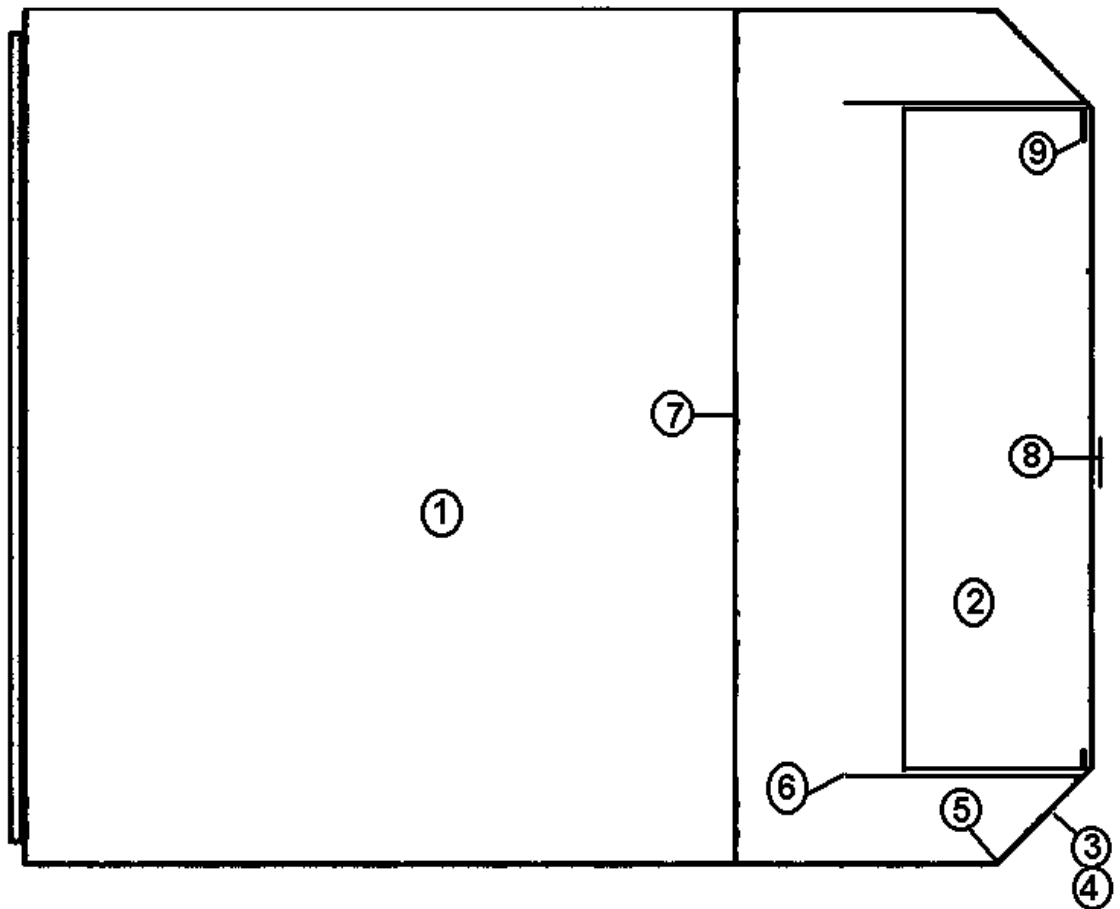
965461 RS Wardrobe Assembly



- | | |
|---------------|-------------------------------------|
| 1. 965477 | Face frame, RS wardrobe |
| 2. 801336-07 | Panel, aft, RS Wardrobe |
| 3. 965473 | Trim, TV support |
| 4. 800573-01z | Molding door edge, 1 3/32" |
| 5. 801179-00z | 1/2" paneling, G1S, Vinyl/Raw |
| 6. 800507-02 | 1/4" luan |
| 7. 800599-65z | Drawer face, 8.00" x 10.50" |
| 8. 800597-54z | Door, raised panel, 10.75" x 14.50" |
| 9. 381526-04 | drawer slide, 20" |
| 10. 381599 | Handle, drawer/door |
| 11. 965907-14 | Drawer box, 6" x 8.75" x 20" |

2003 LAND YACHT GAS

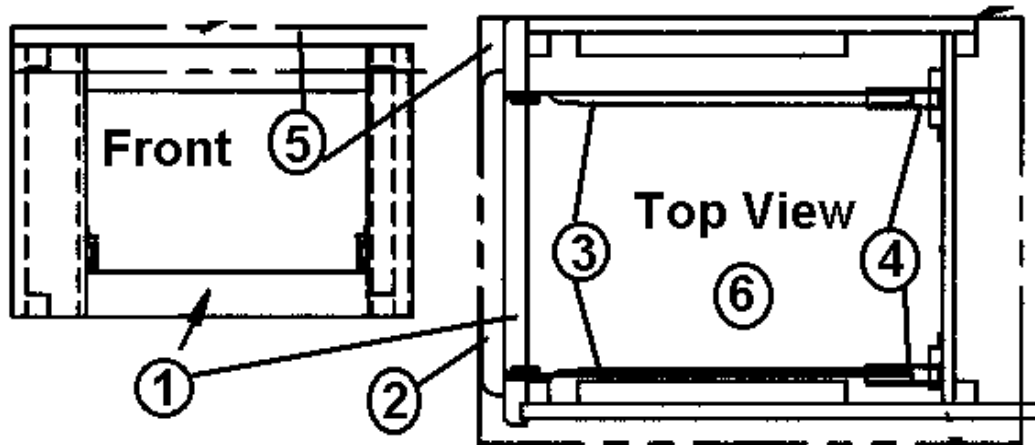
963789 Double bed Assembly, J-Model, 30, 33 LY



800507-01	LAUAN, 1/8" X4' X 8'
963790	DRAWER BOX ASSY. J BED
801180-00Z	PANEL 1/2", G2S S.OAK/S.OAK, 4' X 7'
365265-01	EDGE BANDING-5/8", OAK
114690	ANGLE BED CORNER
381400-01	SLIDE DRAWER, 12" PAIR
380203-01	PIANO HINGE 1/8" PIN
381175	PULL, WOOD, OAK
381228-01	CATCH GRABBER DOOR C3-803
801173-04Z	MOLDING FLAT RADIUS 1.13", OAK
800573-01Z	MOLDING DOOR EDGE 1-3/32" X 80", OAK

2003 LAND YACHT GAS

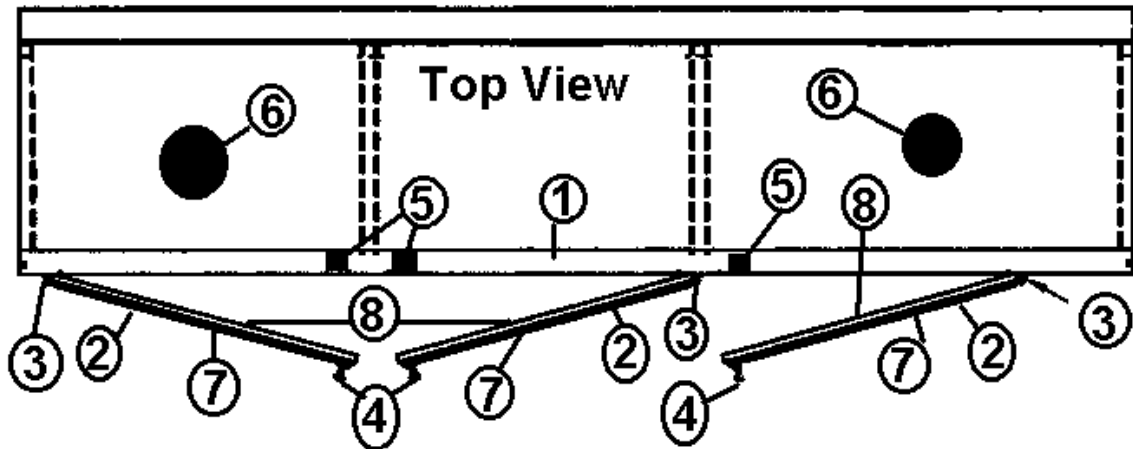
965453 Nightstand Assembly, 26 FT.



- | | |
|---------------|------------------------------------|
| 1. 965452 | Face frame, nightstand assembly |
| 2. 800599-01Z | Oak drawer face, 7" x 10.50" |
| 3. 381526-01 | Drawer Slide, 14" |
| 4. 381526-06 | Adjustable rear slide back socket |
| 5. 965465 | Nightstand assembly top |
| 6. 964910-20 | Drawer box, 8.50" x 14.00' x 5.00" |

2003 LAND YACHT GAS

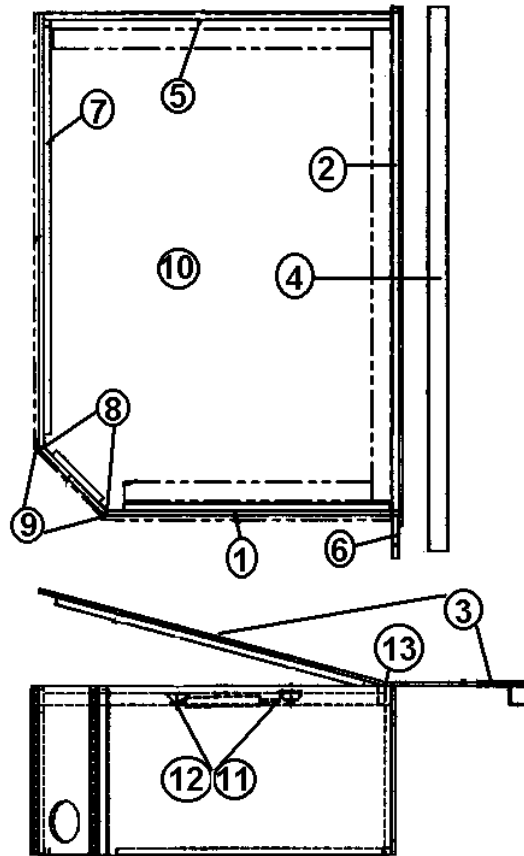
965451-01 Rear Liner Locker, 26 Ft.



- | | |
|---------------|--------------------------------------|
| 1. 965450 | Face frame, rear rooflocker, 26 FT |
| 2. 800557-33z | Door, frame only, 11.50" x 19.50" |
| 3. 381799 | Hinge, Burnished Brass |
| 4. 381599 | Handle, drawer/door |
| 5. 381228-01 | Grabber catch |
| 6. 511297 | Halogen reading light |
| 7. 372210-02 | Mirror, beveled, 8.62" x 16.62" |
| 8. 381754 | Mirror clip |
| 9. 702482-03 | Vinyl headliner, not shown |
| 10. 365239 | Non-skid foam, 1/4" thick, not shown |

2003 LAND YACHT GAS

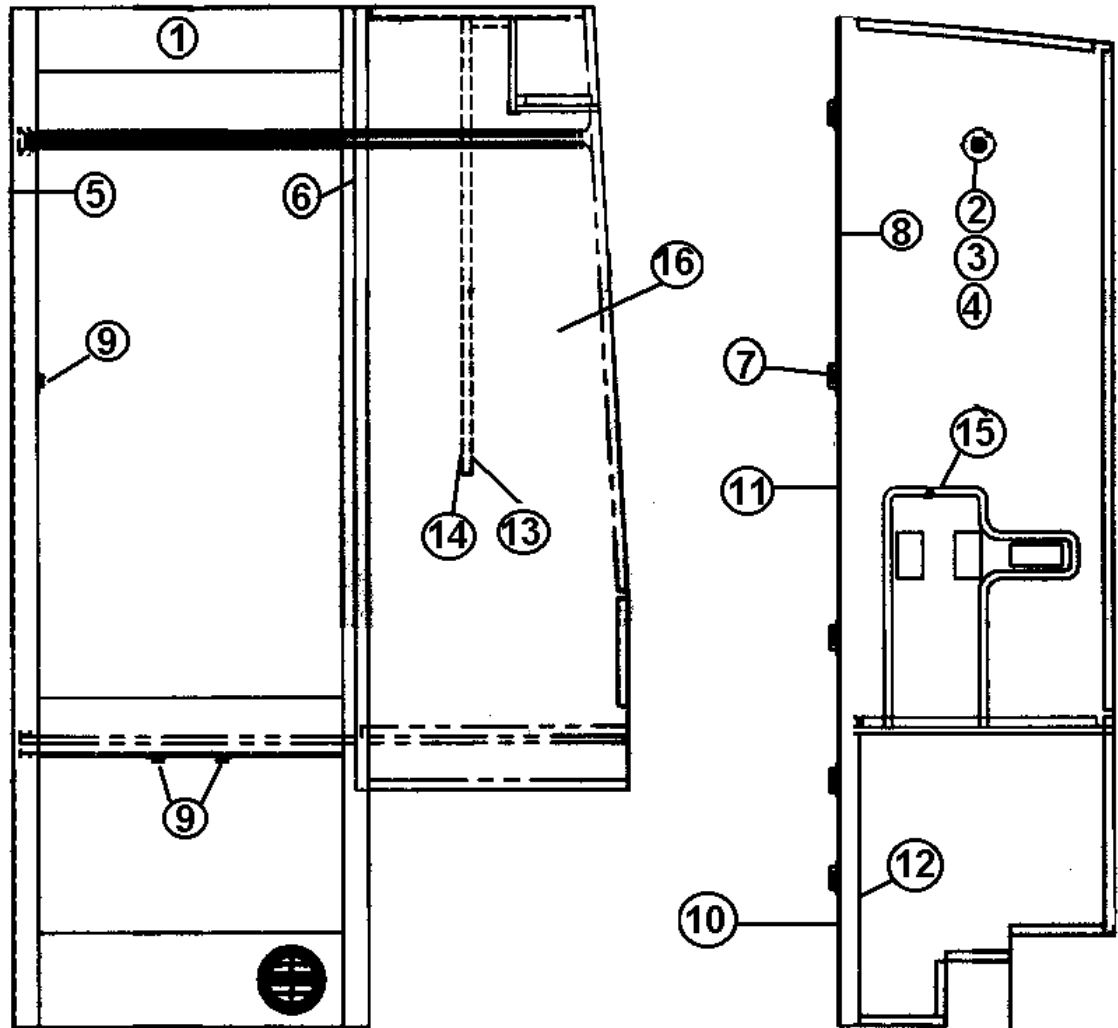
965467 Double Bed Assembly, 26 Ft.



- | | |
|---------------|--|
| 1. 801179-00z | 1/2" Paneling, G1S, Vinyl/Raw, 4' x 7' |
| 2. 800506-04 | 1/2" plywood |
| 3. 965488 | Bed top assembly |
| 4. 800500 | Fir, 1 1/2" x 3 1/2" |
| 5. 850082 | Poplar, .75" x 2.00 |
| 6. 801181-00z | Panel, 5/32" G1S, oak/raw, 4' x 8' |
| 7. 800025-01 | Pine, 3/4" x 3/4", stained |
| 8. 114690 | Angled bed corner |
| 9. 801172-01z | Molding corner oak |
| 10. 365265-01 | 5/8" edge banding, used several places |
| 11. 381262 | Bracket, prop, w/ball, angled |
| 12. 381263 | Bracket, prop, w/ball, straight |
| 13. 381544 | Hinge, leaf |

2003 LAND YACHT GAS

965462-01 CS Wardrobe Assembly, 26 FT.



PN Next Page

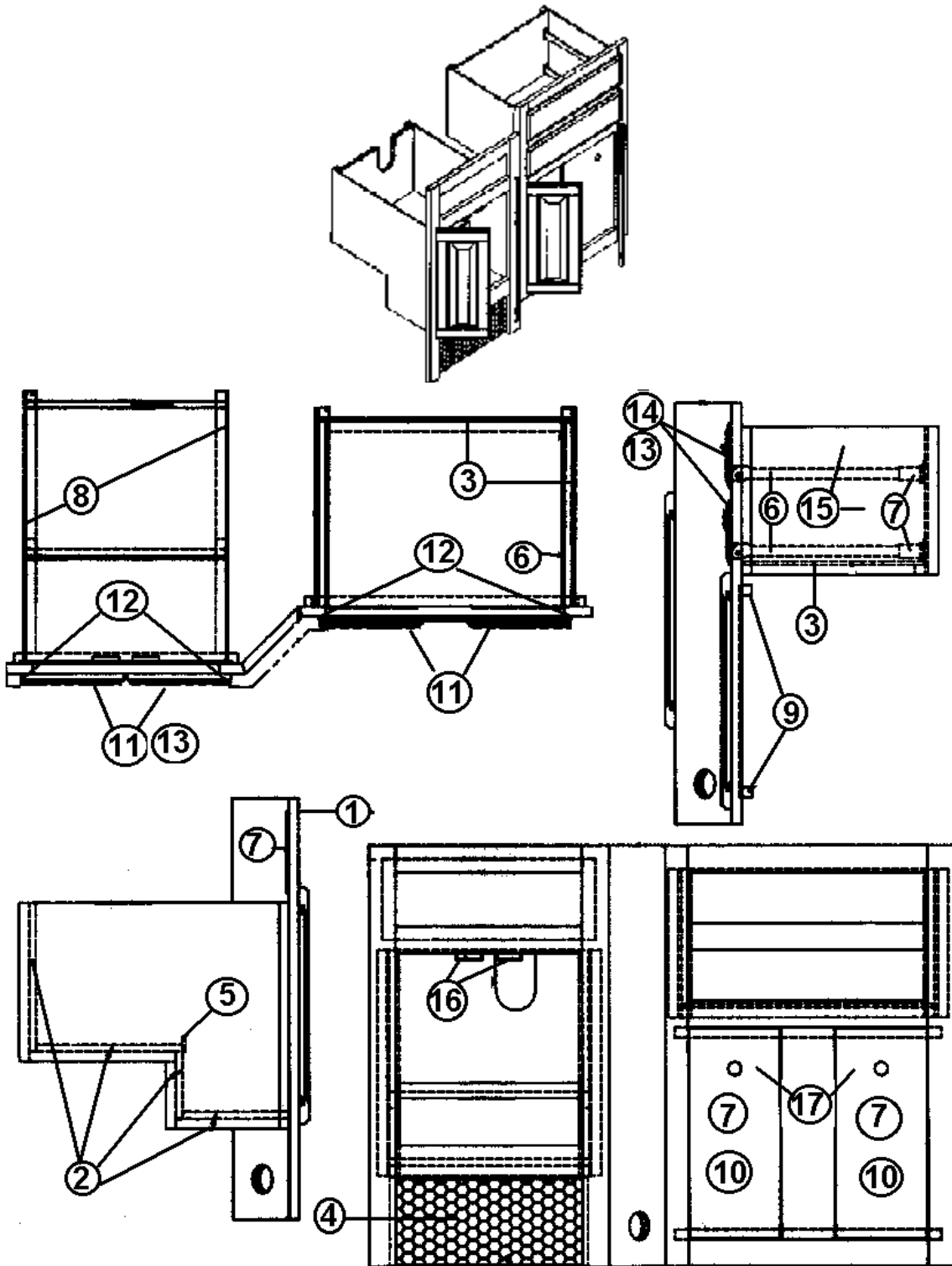
2003 LAND YACHT GAS

965462-01 CS Wardrobe Assembly, 26 FT., P/N

1. 965480 Face frame, CS wardrobe
2. 380045 $\frac{3}{4}$ " metal tubing
3. 380046 Chrome flange
4. 200975 Plastic conduit, black
5. 801388 $\frac{1}{2}$ " Paneling, Spring Forest/Raw
6. 801172-05 Corner molding, Spring Forest
7. 381599 Handle, drawer/door
8. 381799 Hinge, Burnished Brass
9. 381228 Grabber door catch
10. 800597-06z Raised panel door, 12.25" x 16.00"
11. 801333-01z Raised panel door, 12.25" x 48.75"
12. 381763 Hinge, bi-fold door
13. 511227-02 End cap fitting, brown
14. 511227-01 Raceway type L, brown
15. 201873 Cover shower, plumbing ABS
16. 801336-10 CS wardrobe panel, rear
17. 801336-11 CS wardrobe panel, front, not shown

2003 LAND YACHT GAS

965463-01 Lavatory Base Assembly 26 FT.



P/N next page

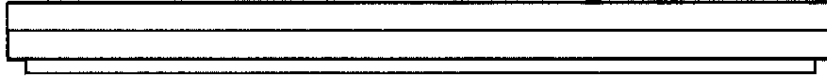
2003 LAND YACHT GAS

965463-01 Lavatory Base Assembly 26 FT.

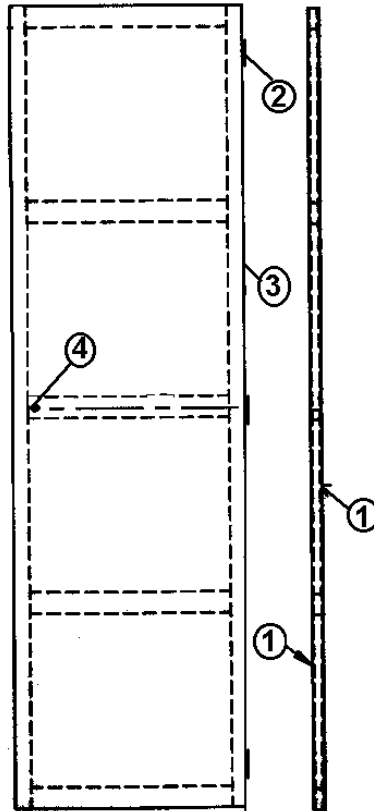
1. 965474 Lavatory face frame base
2. 801179-00z Panel, 1/2" G1S, vinyl/raw, 4' x 7'
3. 800507-02 Lauan, 1/4" x 4' x 8'
4. 453783-02 Grill screen
5. 800573-01z Hardwood, flat molding
6. 381526-01 Drawer slide, 14"
7. 801181-00z Panel, 5/32", G1S, Oak/Raw, 4' x 8'
8. 381526-06 Adjustable rear bracket, pair
9. 800025-01 3/4" x 3/4' stained pine batt
10. 381386 Dual lock #170
11. 800597-56z Door, raised panel, 7.75" x 17.50"
12. 381799 Hinge, Burnished Brass
13. 381599 Handle, drawer/door
14. 800599-69z Drawer face, 4.75" x 19.00"
15. 964906-19 Drawer box, 2.75" x 17.00" x 19.00"
16. 381228-01 Door grabber catch
17. 385269 Label, DON'T USE AREA FOR STORAGE
18. 965454-03 Lavatory top, Corian, Everest

2003 LAND YACHT GAS

963426-02 Bath Door Header



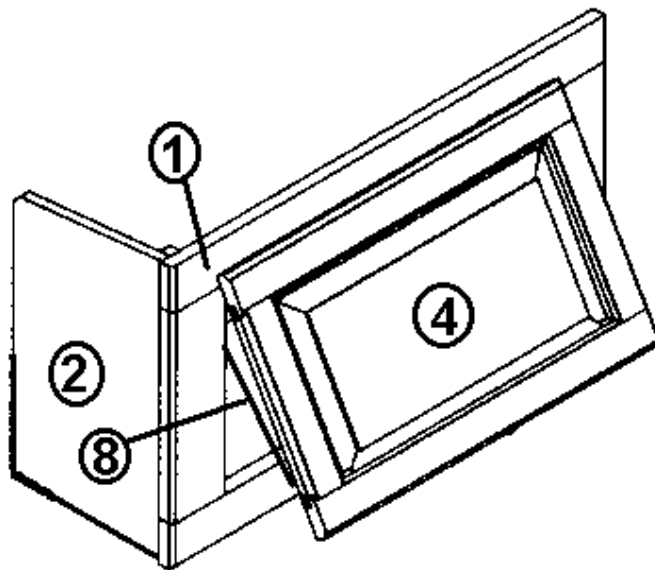
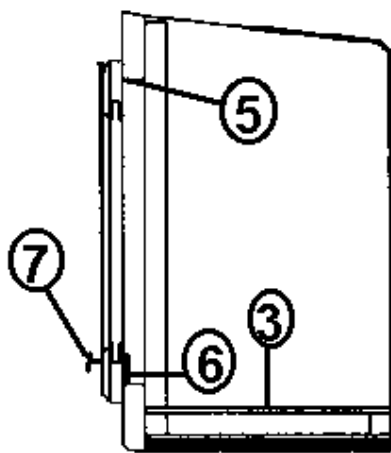
962782-02 Swinging Bath Door Assembly



- | | |
|---------------|-----------------------------------|
| 1. 801181-00z | Panel, 5/32", G1S, Oak/Raw |
| 2. 381072 | Hinge, 3" x 1 7/8", open gold |
| 3. 365366-01 | Edge banding tape, 1 1/4" Natural |
| Oak | |
| 4. 381022 | Latch, bathroom, lockable |

2003 LAND YACHT GAS

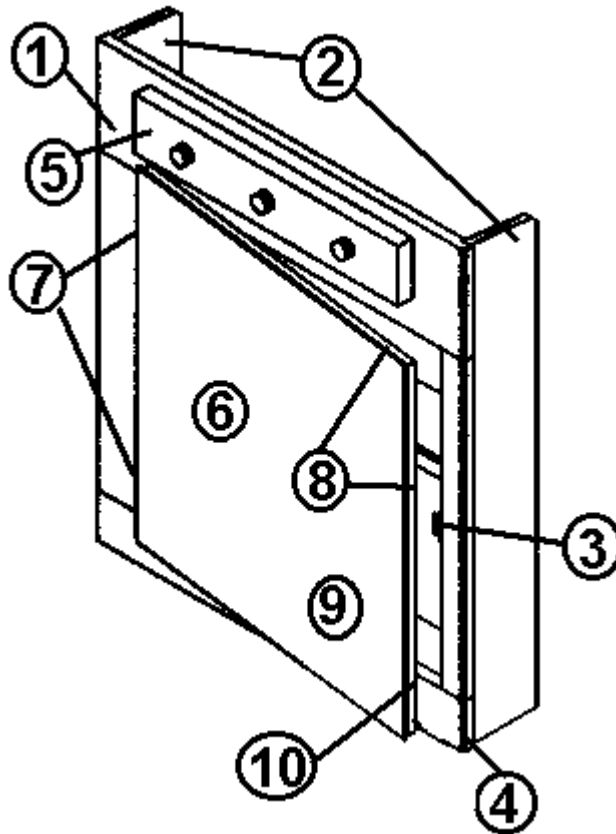
965459-01 Medicine Cabinet Assembly, Over Lavatory
26 Ft



- | | |
|---------------|-------------------------------------|
| 1. 965458 | Face frame, W/C Overhead |
| 2. 801180-00z | Panel, 1/2" wood vinyl G2S |
| 3. 801181-00z | Panel, 5/32" G1S, Oak/Raw 4' x 7' |
| 4. 800597-76z | Door, raised panel, 11.50" x 19.00" |
| 5. 381799 | Hinge, Burnished Brass |
| 6. 381228-01 | Door grabber catch |
| 7. 381575 | Handle, drawer/door |
| 8. 381147 | Door support, spring loaded |

2003 LAND YACHT GAS

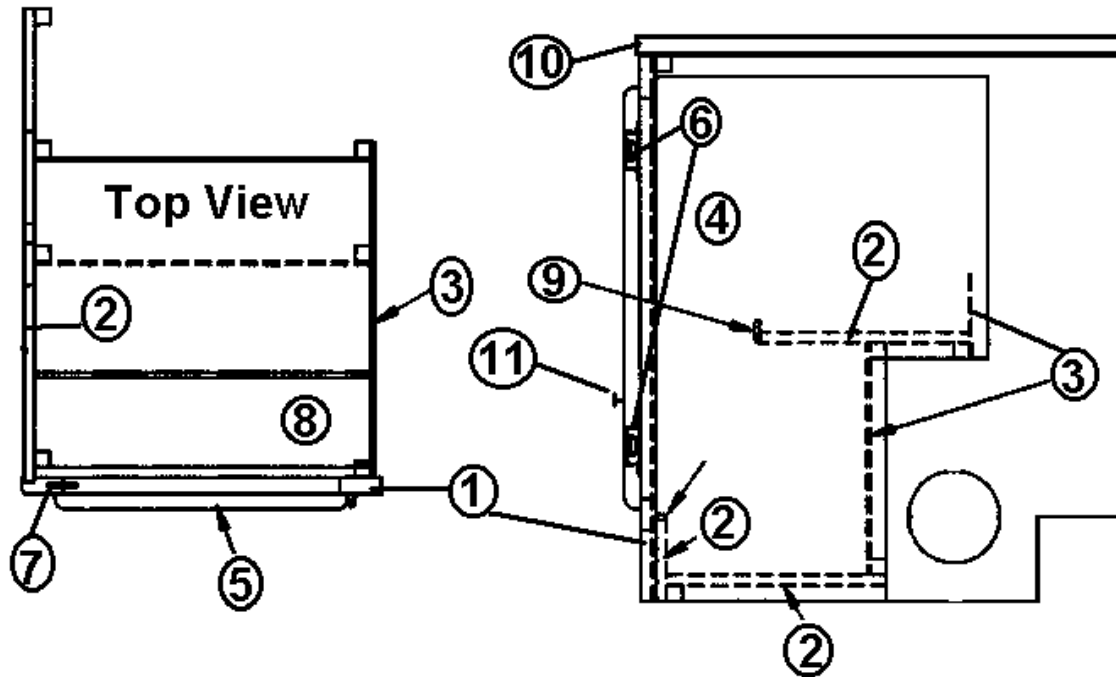
965479 Medicine Cabinet Assembly, 26 Ft.



- | | |
|----------------|---|
| 1. 965478 | Face frame, medicine Cabinet |
| 2. 801180-00z | Panel, 1/2" Wood/vinyl, G2S |
| 3. 381228 | Grabber door catch |
| 4. 800573-01z | Molding door edge, 1 3/32" x 80" |
| 5. 511052 | Wall light 3 bulb #526 Brass |
| 6. 372203-14 | Mirror, polished edges, 21.00" x 22.00" |
| 7. 381799 | Burnished Brass hinge |
| 8. 365265-01 | Edge banding tape, 5/8" |
| 9. 385940 | Mirror pull, brass |
| 10. 801179-00z | Panel, 1/2" G1S, vinyl/raw, 4' x 7' |

2003 LAND YACHT GAS

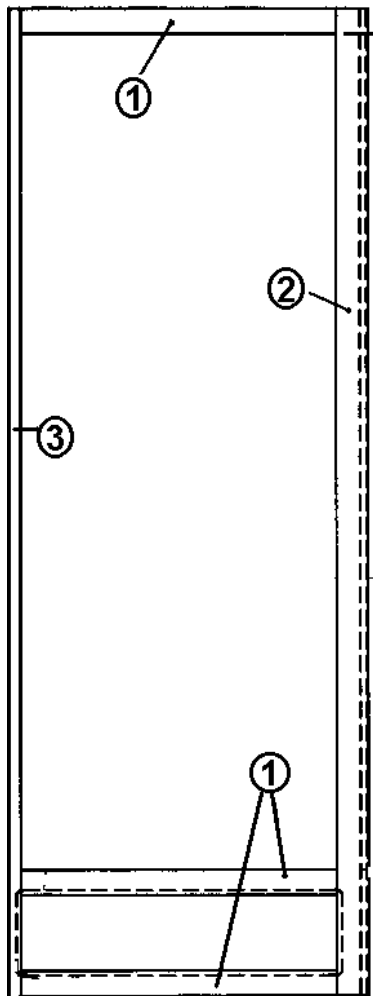
962947-04 Lavatory Cabinet Assembly



- | | |
|---------------|---|
| 1. 962956-01 | Face frame, Lavy cabinet |
| 2. 801180-004 | Panel, 1/2" oak/oak, G2S |
| 3. 801181-004 | Panel, 5/32", G1S, oak/raw |
| 4. 380034 | Toilet paper holder, chrome |
| 5. 800597-024 | Raised panel door, 14" x 20" |
| 6. 381799 | Hinge, Burnished Brass |
| 7. 381228-01 | Door grabber catch |
| 8. 800571-01z | Wood molding, flat, 1/4" x 33/64" x 80" |
| 9. 800573-014 | Molding, door edge, 1 3/32 x 80" |
| 10. 964375-01 | Lavatory top, Corian |
| 11. 381599 | handle, drawer/door |

2003 LAND YACHT GAS

962747-01 Face Frame, Shower



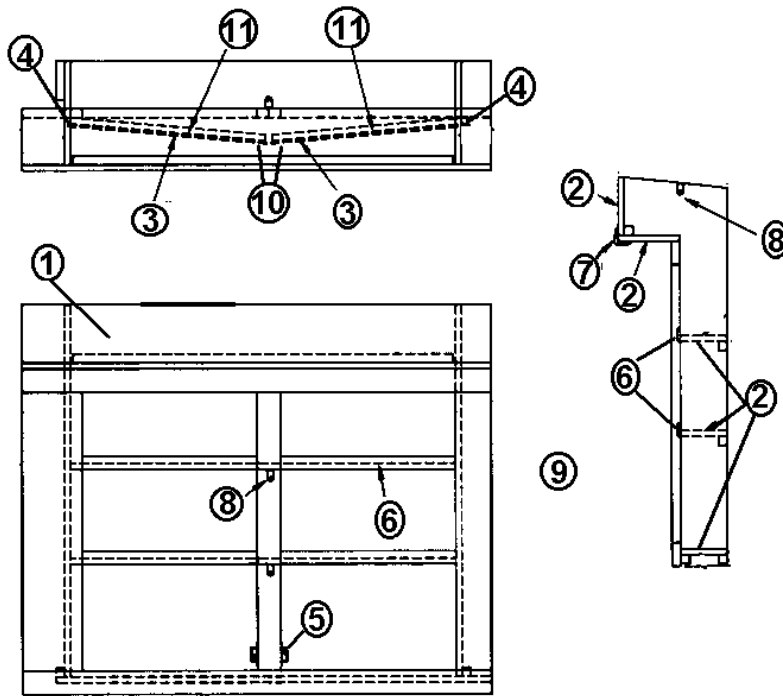
1. 800581-02 Oak lumbar, 13/16" x 2.0"
2. 800581-04 Oak lumbar, 13/16" x 2.5"
3. 800428 Oak lumbar, hardwood, 13/16"

800880-01, Stile, Aft Bathroom

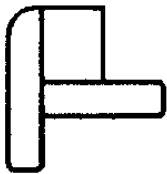


2003 LAND YACHT GAS

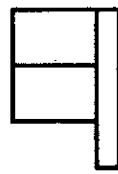
963931-01 Medicine Cabinet Assembly



- | | |
|---------------|-----------------------------------|
| 1. 962750-01 | Face frame, medicine cabinet |
| 2. 801180-004 | Panel, 1/2" G2S, Oak |
| 3. 372203-15 | Mirror, beveled, 17.00" x 25.25" |
| 4. 381799 | Burnished brass pivot hinge |
| 5. 381228-01 | Grabber door catch |
| 6. 800573-01 | Door edge molding, 1 3/32" x 80" |
| 7. 800575-01 | Corner molding, 80" length |
| 8. 380041 | Stanley corner brace |
| 9. 365265-01 | 5/8" edge banding tape, not shown |
| 10. 385940 | Mirror pull, door |
| 11. 801179 | Panel, oak/raw |



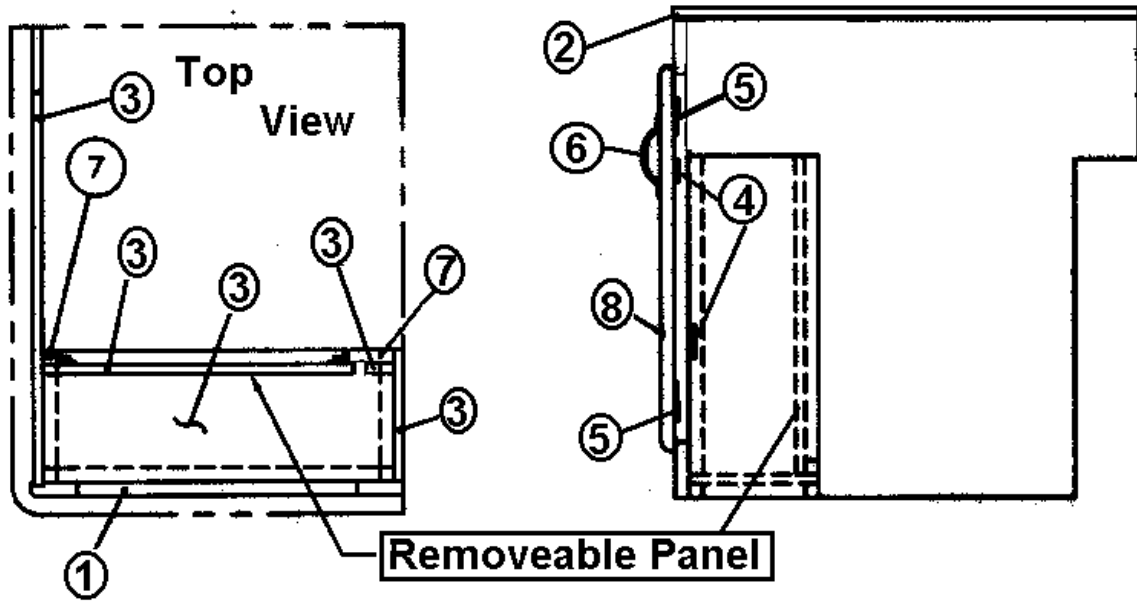
961410-01
Bath doorjamb



963426-01
Bath door header

2003 LAND YACHT GAS

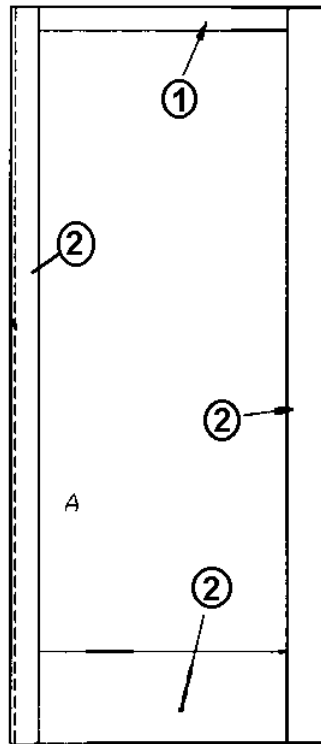
963888-02 Lavatory Assembly, 33 Ft.



- | | |
|---------------|--|
| 1. 961699-01 | Face frame, Lavatory cabinet |
| 2. 965376-01 | Lavy top, Corian |
| 3. 801180-004 | Panel, 1/2" G2S, oak/oak |
| 4. 381228-01 | Door grabber catch |
| 5. 381799 | Hinge, Burnished Brass |
| 6. 381599 | Handle, drawer/door |
| 7. 800031 | Pine, 3/4" x 2 1/2" |
| 8. 800597-03Z | Drawer face, smooth oak, 16.50" x 20.00" |

2003 LAND YACHT GAS

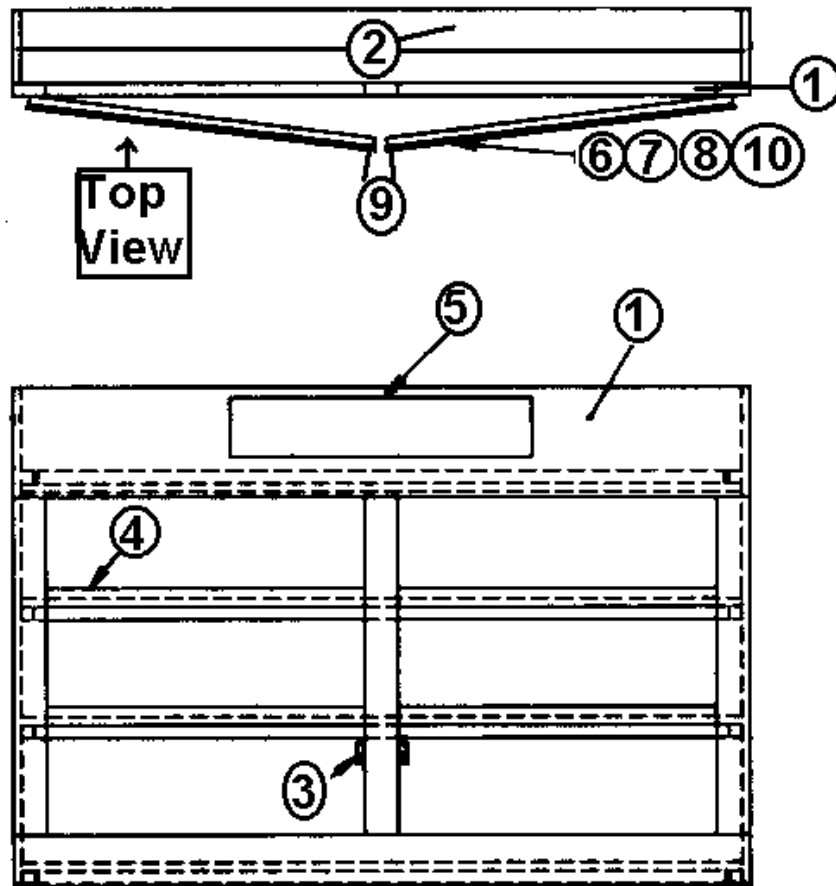
962216-01 Face Frame, Shower



- | | |
|--------------|-------------------------|
| 1. 800581-04 | Oak lumbar, 13/16" 2.5" |
| 2. 800248 | Oak lumbar, 13/16" |

2003 LAND YACHT GAS

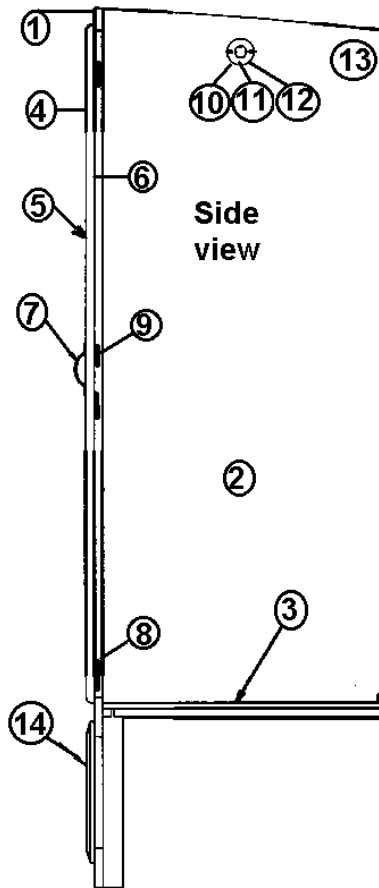
963932-01 Medicine Cabinet Assembly, 33FT.



- | | |
|----------------|------------------------------|
| 1. 961927-01 | Face frame, medicine cabinet |
| 2. 801180-004 | Panel, 1/2" G2S, Oak |
| 3. 381228 | Door grabber catch |
| 4. 800573-01Z | 1 3/32" door edge molding |
| 5. 511052 | Light wall, 3-bulb, brass |
| 6. 372203-14 | Beveled mirror, 21" x 22" |
| 7. 381799 | Hinge, Burnished Brass |
| 8. 365365-01 | 5/8" edge banding tape |
| 9. 385940 | Pull/mirror door |
| 10. 801179-00Z | Panel, 1/2' oak/raw, 4' x 8' |

2003 LAND YACHT GAS

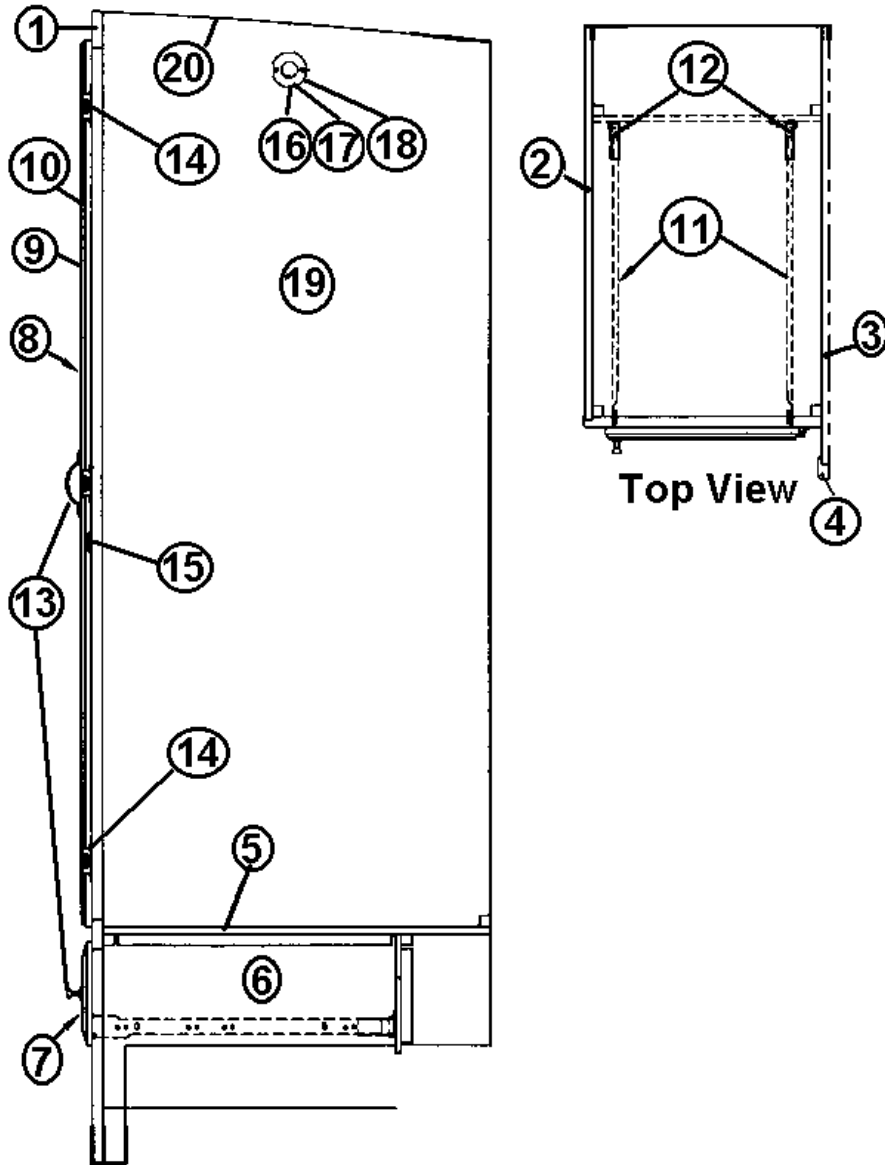
963876 CS Wardrobe Assembly



- | | |
|----------------|--|
| 1. 963875 -01 | Face frame, CS wardrobe |
| 2. 801144 | Panel, FWD CS Wardrobe |
| 3. 801179-00Z | Panel, 1/2" G1S Oak/raw |
| 4. 800557-15Z | Door frame, oak, smooth, 19" x 60.12" |
| 5. 371262-10 | Mirror, safety, 1/8" x 16.13" x 28.13" |
| 6. 381574 | Mirror clip |
| 7. 381599 | Handle, drawer/door gold |
| 8. 381799 | Hinge, Burnished Brass |
| 9. 381228 | Door gabber catch |
| 10. 380045 | 3/4" tubing, metal |
| 11. 380046 | Chrome flange |
| 12. 200975-04 | Black flexible conduit |
| 13. 500956 | Wardrobe light, brown w/ switch |
| 14. 800881-05Z | Louvered door, oak, 19" x 12.50" |

2003 LAND YACHT GAS

963890 RS Wardrobe Assembly, 33Ft.



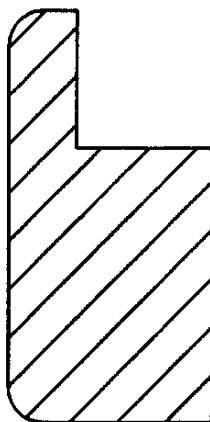
P/N Next page

2003 LAND YACHT GAS

963890 RS Wardrobe Assembly, 33Ft.

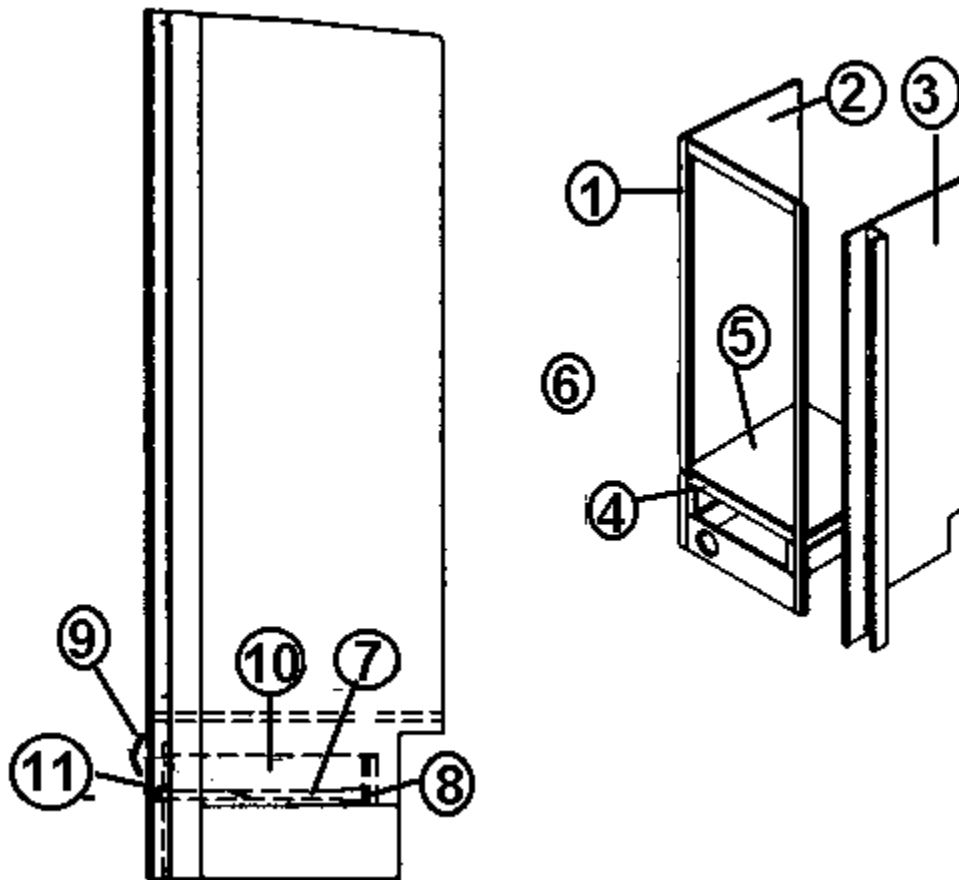
1. 961710-01 Face frame, RS Wardrobe
2. 800886 Panel, Aft RS Wardrobe
3. 800887 Panel, FWD RS Wardrobe
4. 800815-02 Stile-aft bath panel end
5. 801179-00Z Panel, 1/2", G1S, oak/raw
6. 964910-16 Drawer box, 10.81" x 20" x 5"
7. 800599-52z Drawer face, 7" x 12.75"
8. 800557-09z Door frame, 12.75" x 60.00"
9. 371262-32 Mirrored safety glass, 11.12" x 28.12"
10. 381574 Mirror clip
11. 381526-04 Drawer slide, 20.00"
12. 381526-06 Adjustable back socket, drawer slide
13. 381599 Drawer/door handle
14. 381799 Hinge, Burnished Brass
15. 381228 Door grabber catches
16. 380045 3/4" tubing, metal
17. 380046 Chrome flange
18. 200975-04 Black flexible conduit
19. 500956 Wardrobe light w Brown. switch
20. 203138-01 Extrusion plastic wall, white

800815-02 Aft Bath Panel End Stile
Hardwood .75" x 1.50" x 81.00"



2003 LAND YACHT GAS

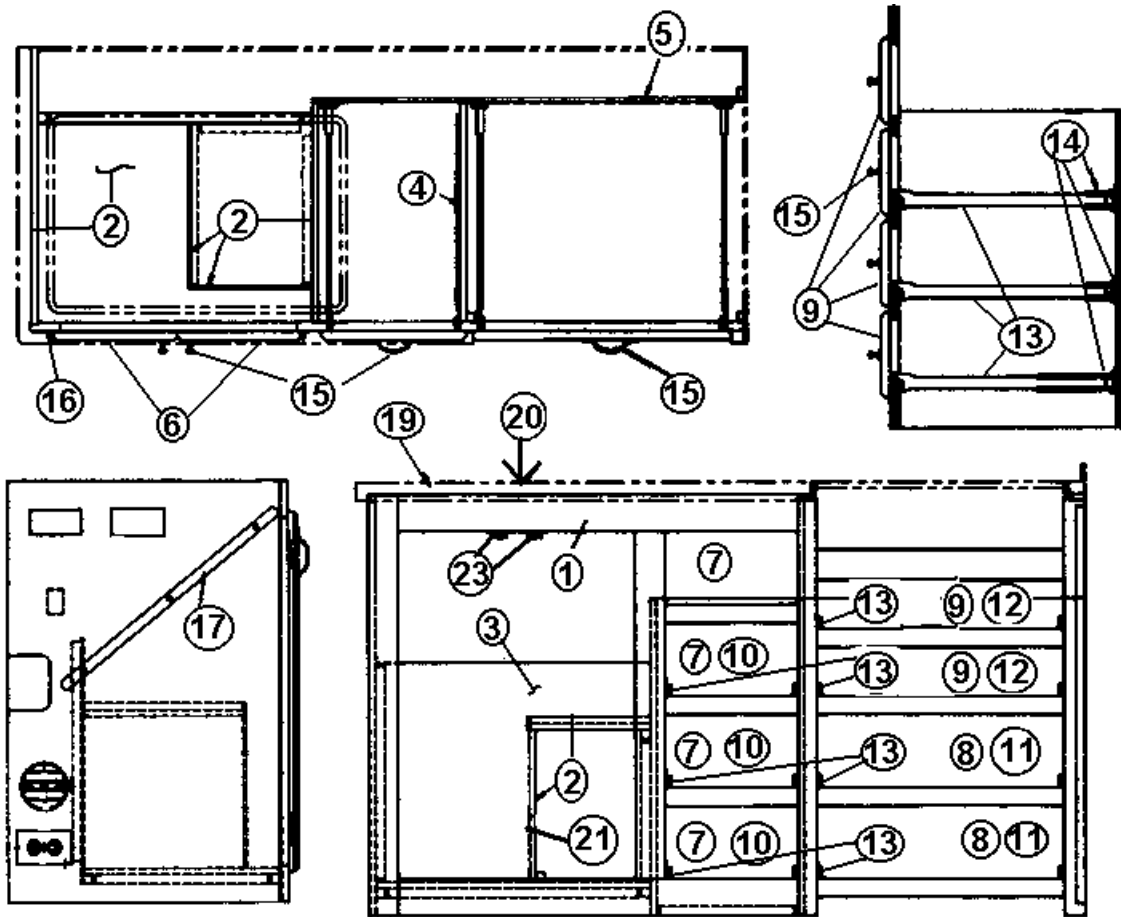
965481 Refrigerator Cabinet Assembly



- | | |
|----------------|--|
| 1. 965437 | Face frame, refer cabinet |
| 2. 801336-08 | Panel, forward refer |
| 3. 801336-09 | Panel, aft refer |
| 4. 965482 | Hardwood, aft refer |
| 5. 801390-00z | Panel, 1/2" G2S, Spring Forest/Spring Forest |
| 6. 800766-00Z | Hardwood trim, .50", not shown |
| 7. 381526-03 | Drawer slide, 18", pair |
| 8. 381526-06 | Drawer slide rear adjustable bracket |
| 9. 381599 | Drawer/door handle |
| 10. 964910-03 | Drawer box, 19.50" x 18.00" x 5.00" |
| 11. 800599-21z | Drawer face, 7.00" x 23.00" |

2003 LAND YACHT GAS

965472-02 Galley Assembly, 60", 26 Ft.



P/N Next Page

2003 LAND YACHT GAS

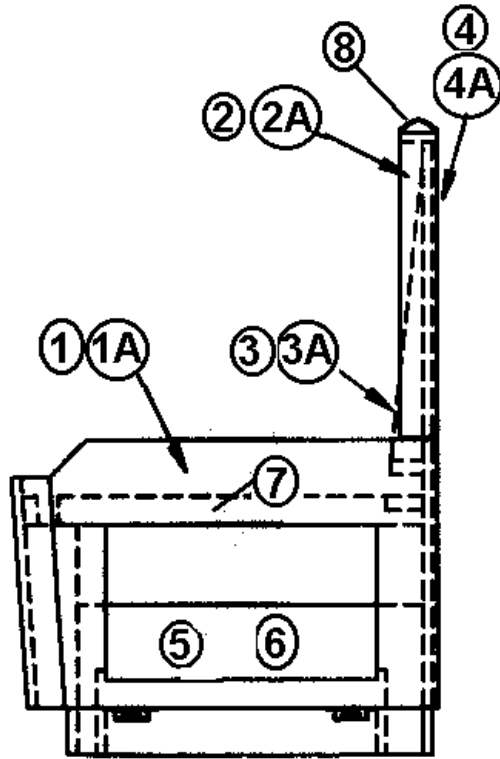
965472-02 Galley Assembly, 60", 26 Ft.

1. 964577 Face frame, galley
2. 801180-00z Panel, 1/2" G1S Oak/Oak
3. 801181-00z Panel, 5/32", G1S Oak/Oak
4. 800506-04 1/2" plywood
5. 800507-03 3/8" lauan
6. 800597-74z Door, raised panel, 10.25" x 29.50"
7. 800599-02z Drawer face, 7.00" x 11.75"
8. 800599-38z Drawer face, 7.00" x 21.50"
9. 800599-58Z Drawer face, 4.75" x 21.50"
10. 964910-02 Drawer box, 10" x 18" x 5"
11. 964910-03 Drawer box, 19.50" x 18.00" x 5.00"
12. 964906-02 Drawer box, 19.50" x 18.00" x 2.75"
13. 381526-03 Drawer slide, 18.00"
14. 381526-06 Drawer slide back socket
15. 381599 Drawer. door handle
16. 381799 Hinge, Burnished Brass
17. 800631 Oak handrail, 23" long
18. 511361 Courtesy light, black, flush mount
19. 964969-01 Galley top assembly
- 20a. 601799 Sink, Stainless steel, 16" x 27"
- 20b. 964973-01 Sink cover, Bisque, 13.06" x 15.13
- 20c. 600968 Sink basket strainer
- 20d. 381635 Sink clip, under mount, Corian
21. 800571-01z Flat Oak molding, 1/4" x 33/64" x 80"
22. 800573-01z Door edge molding, Oak, 1 3/32" x 80"
23. 381228-01 Door grabber catch

2003 LAND YACHT GAS

965456-01 R/H Dinette Seat Assembly (Shown)
-03, 26'

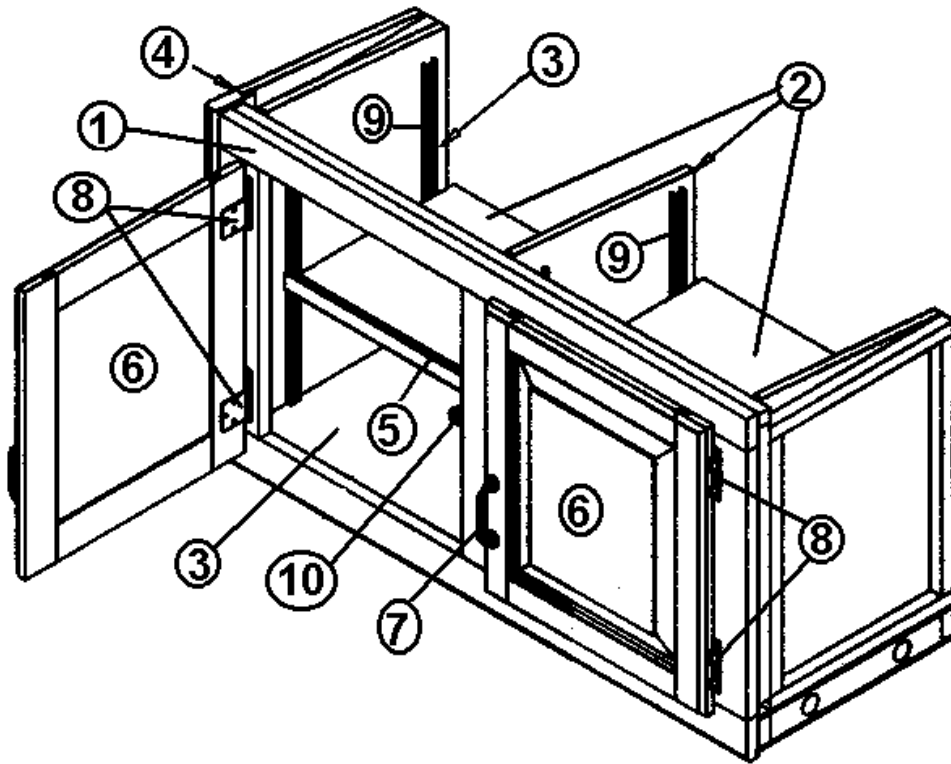
965456-02 L/H Dinette Seat Assembly (Mirror Image)
-04, 26'



- | | |
|---------------|--------------------------------------|
| 1. 965457-01 | Dinette seat sub assembly-RH |
| 1A. 965457-02 | Dinette seat sub assembly-LH |
| 2. 964496 | Dinette back assembly-RH |
| 2A. 964497 | Dinette back assembly-LH |
| 3. 964498 | Dinette cushion support-RH |
| 3A. 964499 | Dinette cushion support-LH |
| 4. 964500-02 | Upholstered back-RH |
| 4A. 964501 | Upholstered back-LH |
| 5. 381799 | Hinge, Burnished Brass |
| 6. 381175 | Pull, wood |
| 7. 964334-02 | Flex-spring seat, 21.63" x 38.00" |
| 8. 703125-03 | Dinette seat back top, urethane buff |
| 9. 700349 | Seat belt, not shown |

2003 LAND YACHT GAS

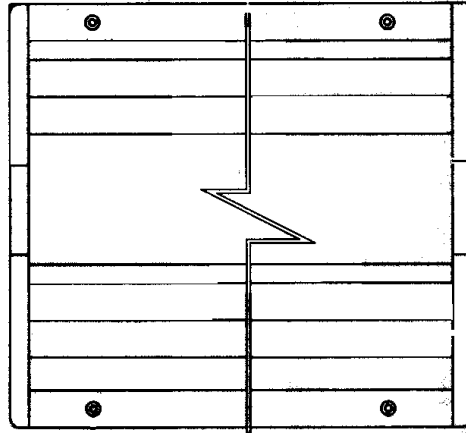
965475-01 Overhead Galley Assembly



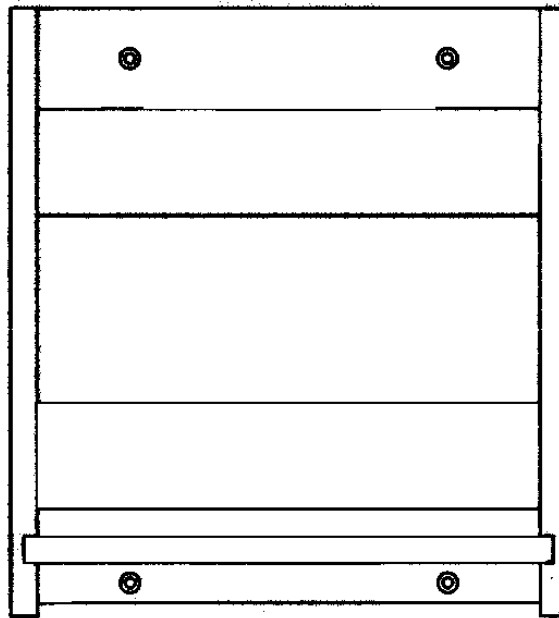
- | | |
|---------------|------------------------------------|
| 1. 965476 | Face frame, galley |
| 2. 801180-00z | Panel, 1/2" G2S Oak/Oak |
| 3. 801181-00z | Panel 5/32", G1S Oak/Oak |
| 4. 965484 | End cap assembly |
| 4A. 965483 | Frame, end cap |
| 5. 800573-01z | Door edge molding, 1 3/32" x 80" |
| 6. 800597-35z | Raised panel door, 13.57" x 15.50" |
| 7. 381599 | Door/drawer handle, gold |
| 8. 381799 | Hinge, Burnished Brass |
| 9. 381527 | Speedy shelf strips |
| 10. 381074 | Bull dog catch |

2003 LAND YACHT GAS

963991-004 Spice Rack, Oak

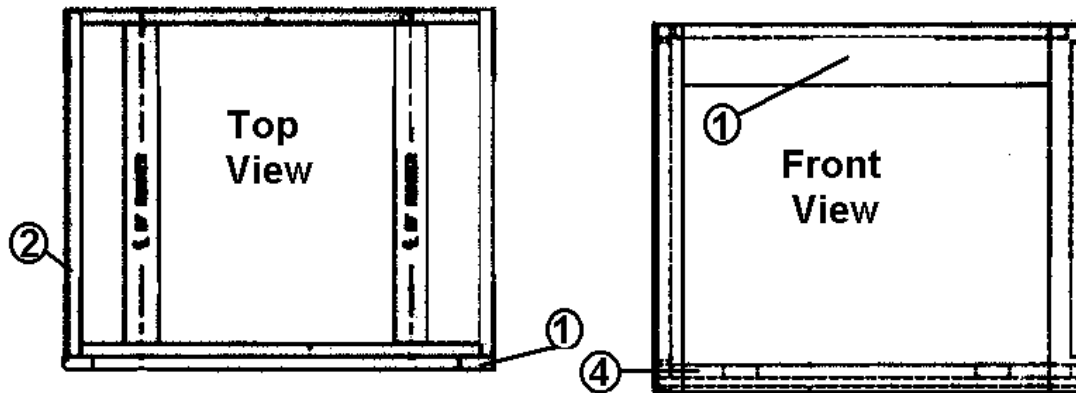


963990-004 Magazine Rack



2003 LAND YACHT GAS

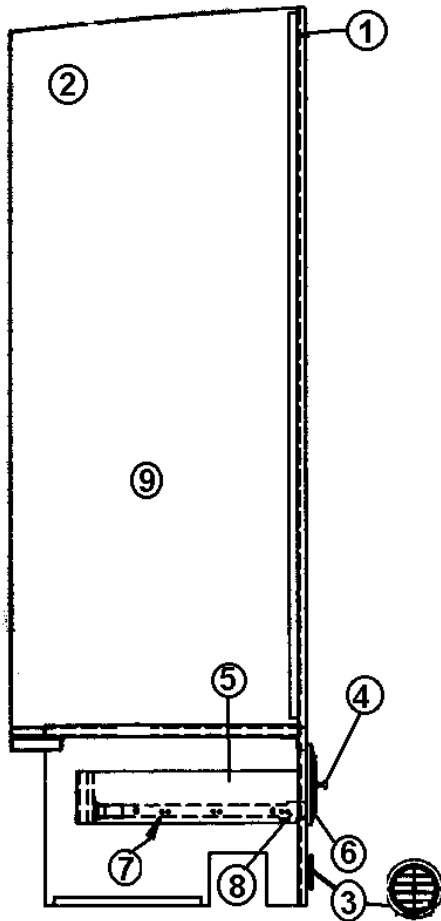
961041-02 Microwave Cabinet Assembly



1. 961039-01 Microwave cabinet assembly
2. 801181-00z Panel 5/32", G1S Oak/Oak
3. 801180-00z Panel, 1/2" G2S Oak/Oak
4. 800572-01z Flat Oak trim, .75" x 20.25"

2003 LAND YACHT GAS

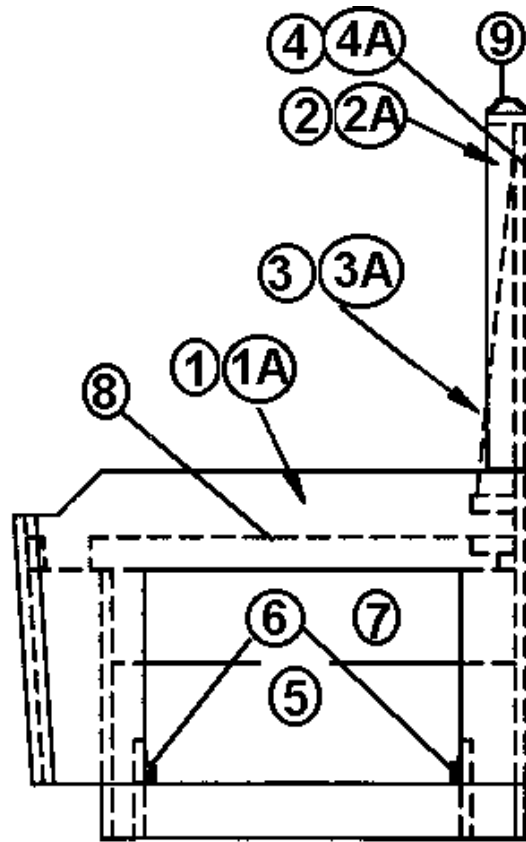
963925 Refer Cabinet Assembly



- | | |
|---------------|-------------------------------|
| 1. 963924-01 | Face frame, refer cabinet |
| 2. 801057-12 | Panel, FWD refer cabinet |
| 3. 601244-03 | Register, Rotaire, Black |
| 4. 381599 | Drawer/door handle |
| 5. 964910-03 | Drawer box, 19.50" x 18" x 5" |
| 6. 800599-214 | Drawer face, 7. " x 23.00" |
| 7. 381526-03 | Drawer slide, 18" |
| 8. 381526-06 | Drawer slide rear bracket |

2003 LAND YACHT GAS

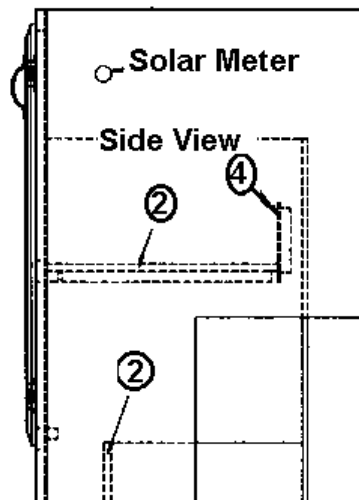
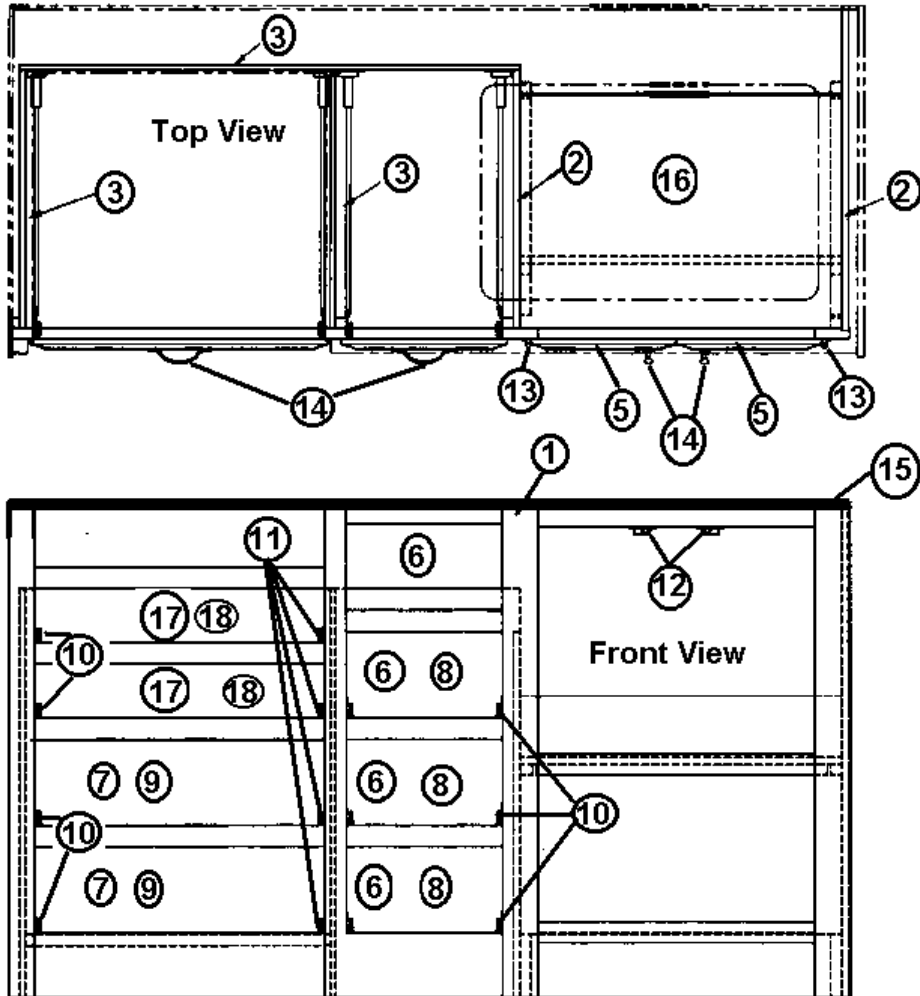
964535 R/H Dinette Seat (Shown)
964536 L/H Dinette Seat (Mirror Image)



- | | |
|---------------|-----------------------------------|
| 1. 964531-01 | Dinette seat sub assembly-RH |
| 1A. 964531-02 | Dinette seat sub assembly-LH |
| 2. 964533 | Dinette back sub assembly-RH |
| 2A. 964534 | Dinette back sub assembly-LH |
| 3. 964498-02 | Dinette cushion support-RH |
| 3A. 964499-02 | Dinette cushion support-LH |
| 4. 964537 | Upholstered back, RH |
| 4A. 964538 | Upholstered back, LH |
| 5. 962821 | Drawer box, 13.25" x 20" x 8" |
| 6. 381526-05 | Drawer slide, 22.00" |
| 7. 381175 | Wood pull handle, not shown |
| 8. 964334-03 | Flex spring-seat, 21.63" x 32.00" |

2003 LAND YACHT GAS

964578-06 Galley assembly, 60"



PN Next Page

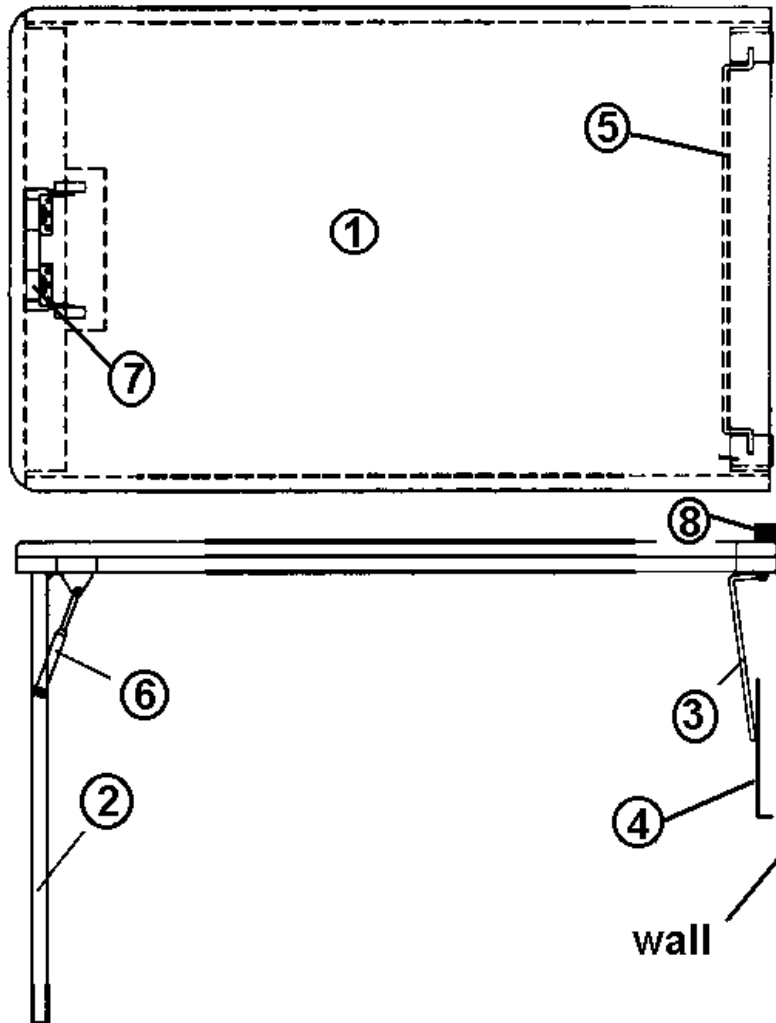
2003 LAND YACHT GAS

964578-06 Galley assembly, 60"

1. 964579 Face frame, galley
2. 801180-00z Panel, 1/2" G2S Oak
3. 800507-03 Lauan, 3/8"
4. 801181-00z Panel 5/32" G1S, Oak/Oak
5. 800597-74z Door, raised panel, 10.25" x 29.50"
6. 800599-02z Drawer face, 7.00" x 11.75"
7. 800599-38z Drawer face, 7" x 21.50"
8. 964910-02 Drawer box, 10" x 18" x 5"
9. 964910-03 Drawer box, 19.50" x 18" x 5"
10. 381526-03 Drawer slide, 18"
11. 381526-06 Drawer slide back socket
12. 381228-01 Door grabber catch
13. 381799 Hinge, Burnished Brass
14. 381599 Handle, drawer/door
15. 964968-01 Galley top, Corian
- 16a. 601799 16" x 27" sink, Stainless steel
- 16b. 964973-01 Sink cover, Bisque, 13.06" x 15.13
- 16c. 600968 Sink basket strainer
- 16d. 381635 Sink clip, under mount, Corian
17. 800599-58z Drawer face, smooth, 4.75" x 21"
18. 964906-02 Drawer box, 19.50" x 18" x 2.75"

2003 LAND YACHT GAS

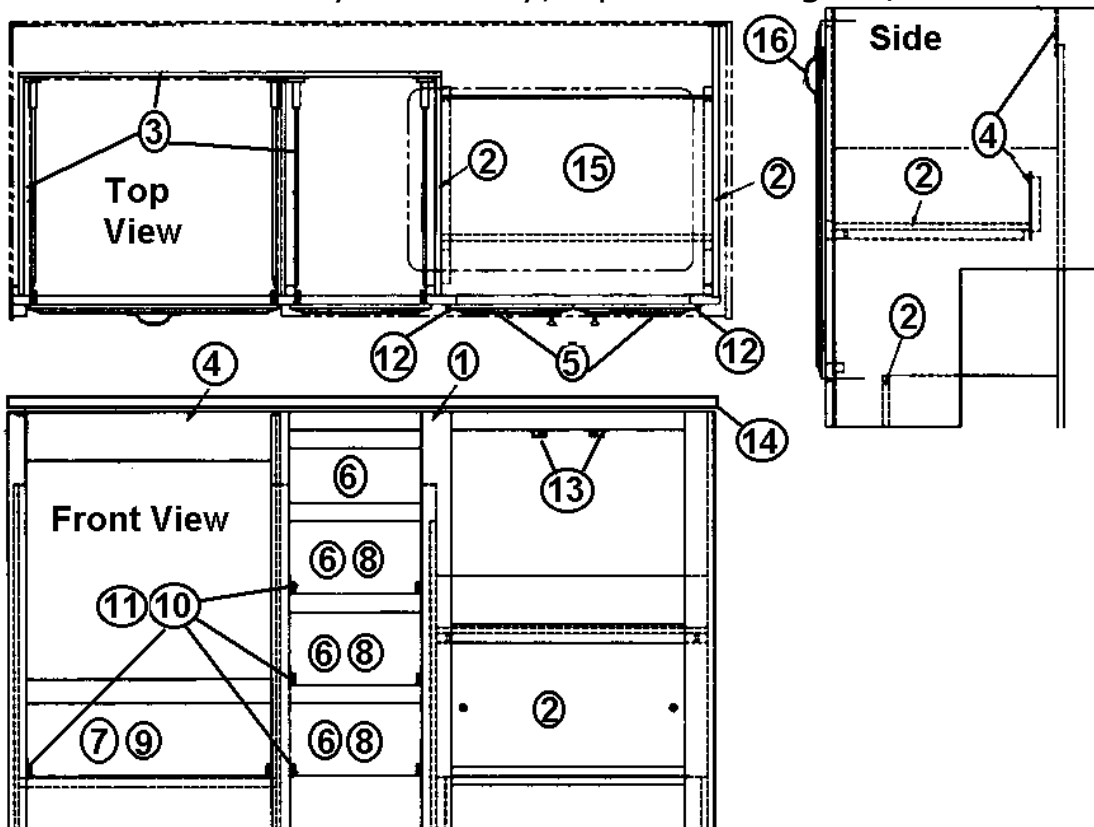
962720-03 Dinette Table Assembly



- | | |
|---------------|-----------------------------|
| 1. 801070-004 | Oak top, 21" x 32" |
| 2. 962177-03 | Hard wood leg, 27.50" |
| 3. 380284-01 | Table hinge-bracket |
| 4. 340018 | Catch plate, J-1 |
| 5. 340015 | Center hinge, J-4 |
| 6. 381147 | Door support, spring loaded |
| 7. 380210 | Hinge, plain steel |
| 8. 963654-01 | Backsplash, dinette table |

2003 LAND YACHT GAS

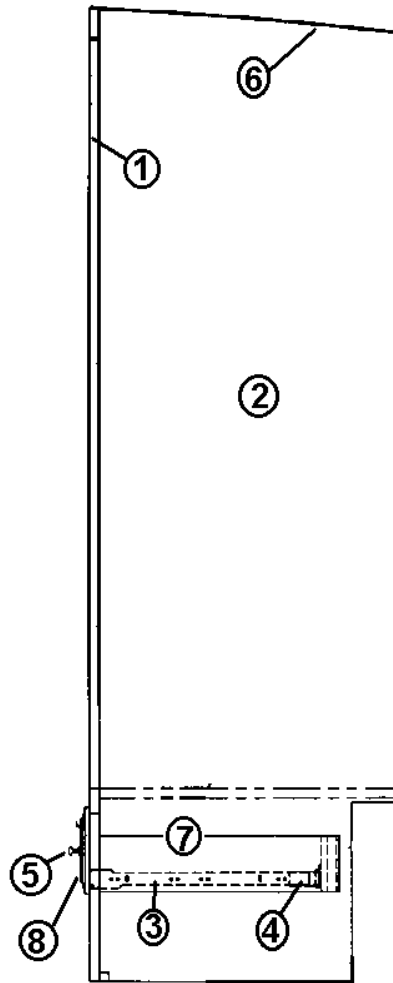
964595-01 Galley assembly, Optional range w/ Full Oven



- | | |
|----------------|--------------------------------------|
| 1. 964596 | Face frame, full oven galley |
| 2. 801180-00z | Panel, 1/2" G2S Oak/Oak |
| 3. 800507-03 | Lauan, 3/8" x 4' x 8' |
| 4. 801181-00z | Panel, 3/32" G1S oak/Oak |
| 5. 800597-74z | Door, raised panel, 10.25" x 29.50" |
| 6. 800599-02z | Drawer face, 7.00" x 11.75" |
| 7. 800599-38z | Drawer face, 7.00" x 21.50" |
| 8. 964910-02 | Drawer box, 10.00" x 18.00" x 5.00" |
| 9. 964910-03 | Drawer box, 19.50" x 18.00" x 5.00" |
| 10. 381526-03 | Drawer slide, 18.00" |
| 11. 381526-06 | Drawer slide back socket, Adjustable |
| 12. 381799 | Hinge, Burnished Brass |
| 13. 381228-01 | Door grabber catch |
| 14. 964968-01 | Galley top assembly |
| 15a. 601799 | 16" x 27" sink, stainless steel |
| 15b. 964973-01 | Sink cover, Bisque, 13.06" x 15.13 |
| 15c. 381635 | Sink clip, under mount, Corian |
| 16. 381599 | Handle drawer/door |

2003 LAND YACHT GAS

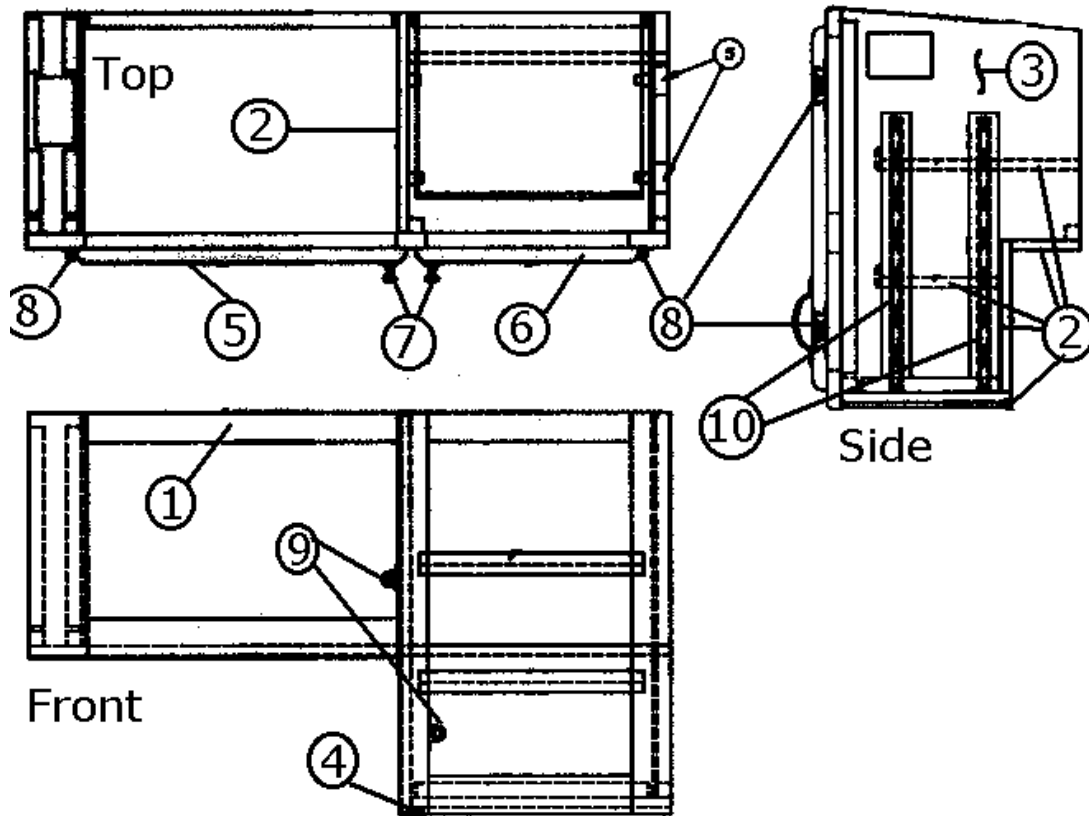
963879 Refrigerator Cabinet, 33 Ft



1. 963880-01 Face frame, refer cabinet
2. 801143 Panel, forward refer
3. 381526-03 Drawer slide, 18"
4. 381526-06 Adjustable rear bracket
5. 381599 Drawer/door handle
6. 203138-03 Extrusion plastic, wall beige
7. 964910-03 Drawer box, 19.50" x 18.00" x 5.00"
8. 800599-21z Drawer face, 7.00" x 23.00"

2003 LAND YACHT GAS

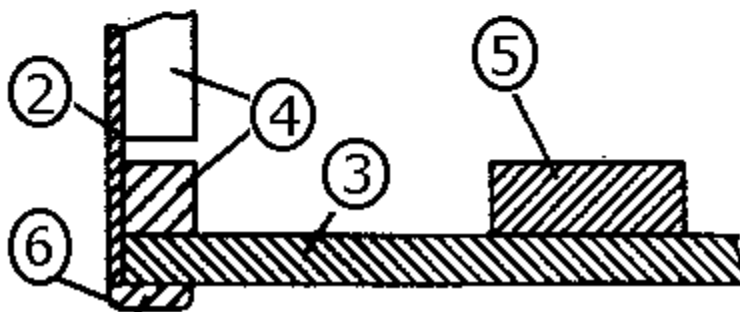
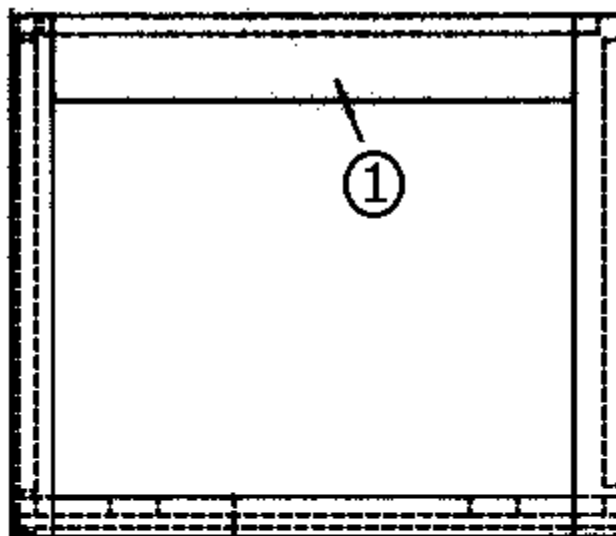
963896 Galley Overhead Cabinet Assembly, 33'



- | | |
|---------------|---|
| 1. 962843-01 | Face frame, galley overhead |
| 2. 801180-00Z | Panel, 1/2", G2S, Oak/Oak |
| 3. 801181-00Z | Panel, 5/32" G1S, Oak/Oak |
| 4. 800573-01Z | Molding, door edge, Oak 1 3/32" x 80" |
| 5. 800597-77Z | Door, raised panel, smooth 11.50" x 18.00" |
| 6. 800597-60Z | Door, raised panel, smooth, 17.00' x 10.00" |
| 7. 381599 | Handle, drawer/door, Gold |
| 8. 381799 | Hinge, Burnished Brass |
| 9. 381228-01 | Door, grabber catch |
| 10. 381527 | Speedy shelf strips, 18" |

2003 LAND YACHT GAS

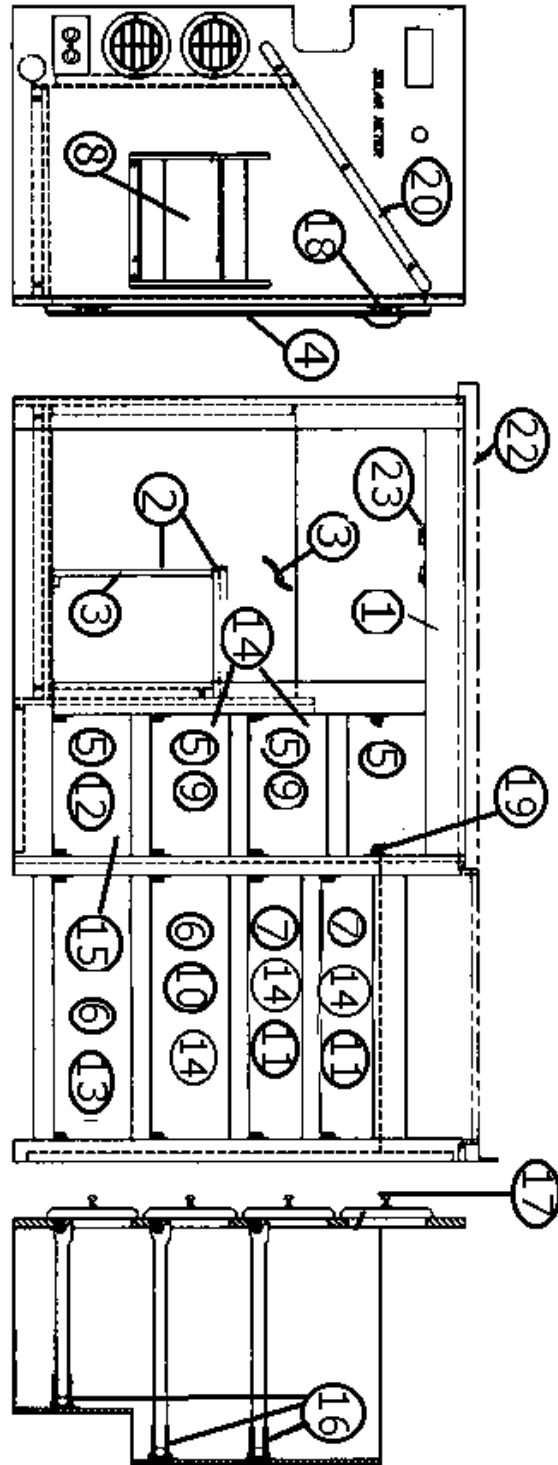
961040-01 Microwave Cabinet Assembly, CS, (Shown)
961040-02 Microwave Cabinet Assembly, RS (Opposite)



- | | |
|---------------|----------------------------------|
| 1. 961038-01 | Face frame microwave cabinet, RS |
| 1a. 961039-01 | Face frame microwave cabinet, CS |
| 2. 801181-00z | 5/32", oak G1S, paneling |
| 3. 801180-00z | 1/2" Oak G1S, paneling |
| 4. 800025-01 | Pine, .75" x .75" |
| 5. 800028 | Pine, .75" x 1.50" |
| 6. 800572-01z | Trim, flat, oak, .75" x 20.25" |

2003 LAND YACHT GAS

964576-02 Galley Assembly, 60", 33 Ft



Part Numbers Next Page

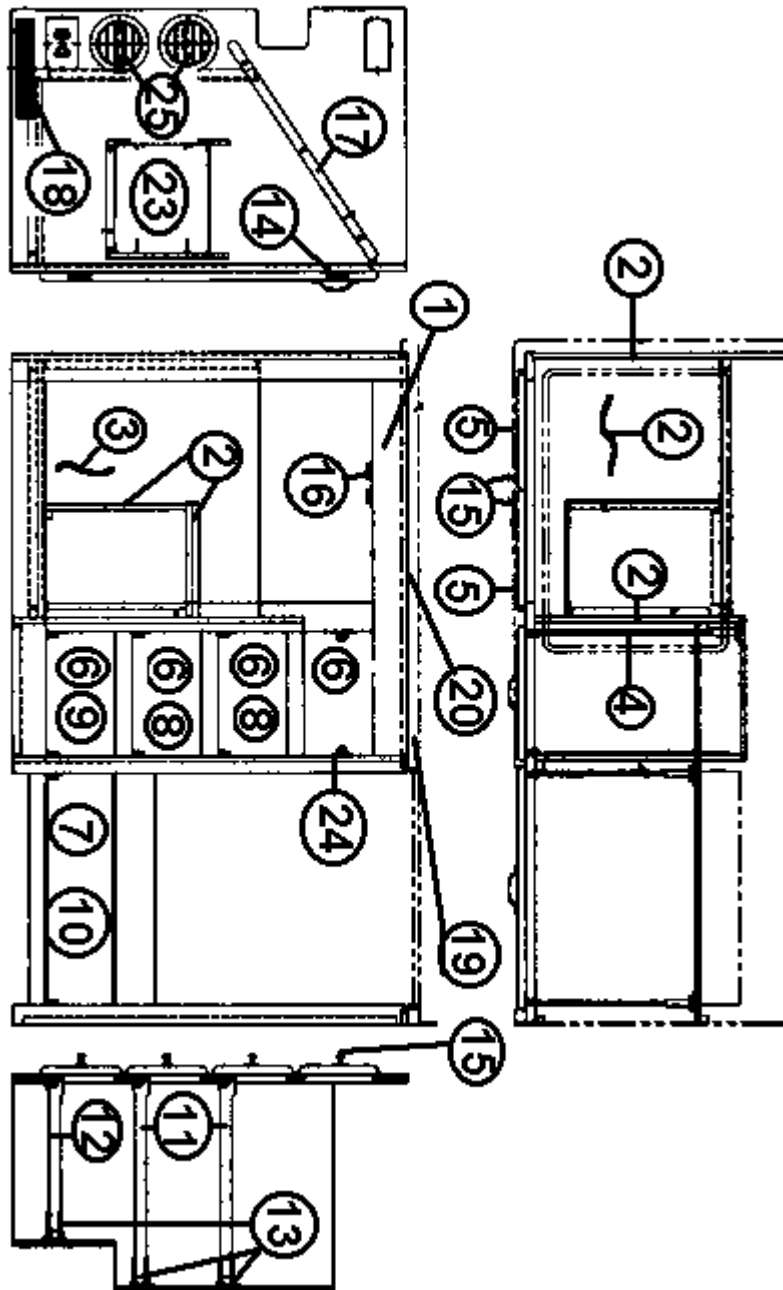
2003 LAND YACHT GAS

964576-02 Galley Assembly, 60", 33 Ft

1. 964577 Face frame, galley
2. 801181-00z 5/32" oak G1S, paneling
3. 801180-00z 1/2" Oak G1S, paneling
4. 800597-74z Door, raised panel, 10.25" x 29.50"
5. 800599-02z Drawer face, 7.00" x 11.75"
6. 800599-38z Drawer face, 7.00 x 21.00"
7. 800599-58z Drawer face, 4.75" x 21.50"
8. 963990-00Z Magazine rack
9. 964910-02 Drawer box, 10" x 18" x 5"
10. 964910-03 Drawer box, 19.50" x 18" 5"
11. 964906-02 Drawer box, 19.50" x 18.00" 2.75"
12. 964910-07 Drawer box, 10" x 14" x 5"
13. 964910-06 Drawer box, 19.50" x 14." x 5."
14. 381526-03 Drawer slide, 18"
15. 381526-01 Drawer slide, 14"
16. 381526-06 Drawer slide back socket
17. 381599 Drawer/door handle
18. 381799 Hinge, Burnished Brass
19. 381074 Bull dog catch
20. 800631 Handrail, 23"
21. 511361-00Z Light, courtesy, black flush
22. 964969-01 Galley top assembly
23. 381228-01 Door grabber catch
24. 800571-01z Molding, flat, 1/4" x 33/64" x 80"
25. 800573-01z Molding, door edge, oak, 1 3/32" x 80"
26. 601244-03 Register, rotaire, black

2003 LAND YACHT GAS

964593-01 Galley Assembly, Full Oven Option, 33'



See part numbers on the next page.

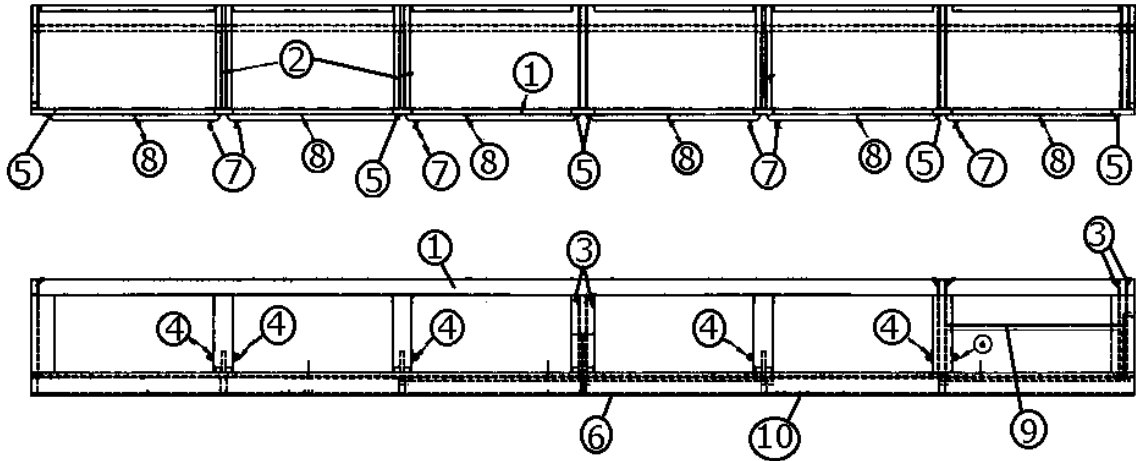
2003 LAND YACHT GAS

964593-01 Galley Assembly, Full Oven Option, 33'

1. 964594 Face frame, galley full oven
2. 801180-00Z Panel, 1/2", G2S, Oak/Oak
3. 801181-00z 5/32" oak G1S, paneling
4. 800506-04 Plywood, 1/2" x 4' x 8'
5. 800597-74z Door, raised panel, 10.25" x 29.50"
6. 800599-02z Drawer face, 7.00" x 11.75"
7. 800599-38z Drawer face, 7.00 x 21.00"
8. 964910-02 Drawer box, 10" x 18" x 5"
9. 964910-07 Drawer box, 10" x 14" x 5"
10. 964910-06 Drawer box, 19.50" x 14." x 5."
11. 381526-03 Drawer slide, 18"
12. 381526-01 Drawer slide, 14"
13. 381526-06 Drawer slide back socket
14. 381799 Hinge, Burnished Brass
15. 381599 Drawer/door handle
16. 381228-01 Door grabber catch
17. 800631 Handrail, 23"
18. 511361-00Z Light, courtesy, black flush
19. 964969-01 Galley top assembly
20. 601799 Galley sink, stainless steel
21. 800571-01z Molding, flat, 1/4" x 33/64" x 80"
22. 800573-01z Molding, door edge, oak, 1 3/32" x 80"
23. 963990 Magazine rack
24. 381074 Bull dog catch
25. 601244-03 Register, rotaire, black

2003 LAND YACHT GAS

964147 RS & Dinette Roof Locker Assembly, 33'



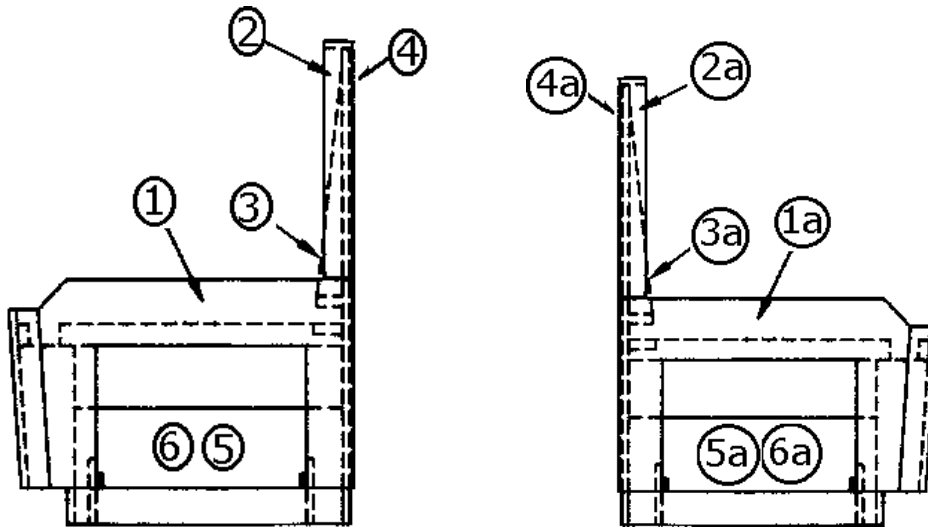
- | | |
|---------------|--------------------------------------|
| 1. 964145 | Face frame, dinette & RS roof locker |
| 2. 801180-00z | Panel, 1/2" G2S |
| 3. 801181-00z | Panel, 5/32", G1S |
| 4. 381228-01 | Door grabber catch |
| 5. 381799 | Hinge, Burnished Brass |
| 6. 511248 | Light, single, incandescent |
| 7. 381599 | Drawer, door handle |
| 8. 800597-55 | Door, raised panel, 11.50" x 22.00" |
| 9. 800573-01 | Molding, door edge, 1-3/32" x 80" |
| 10. 511297 | Reading light |

2003 LAND YACHT GAS

Dinette Seat Assembly, 33'

964492-01, RH

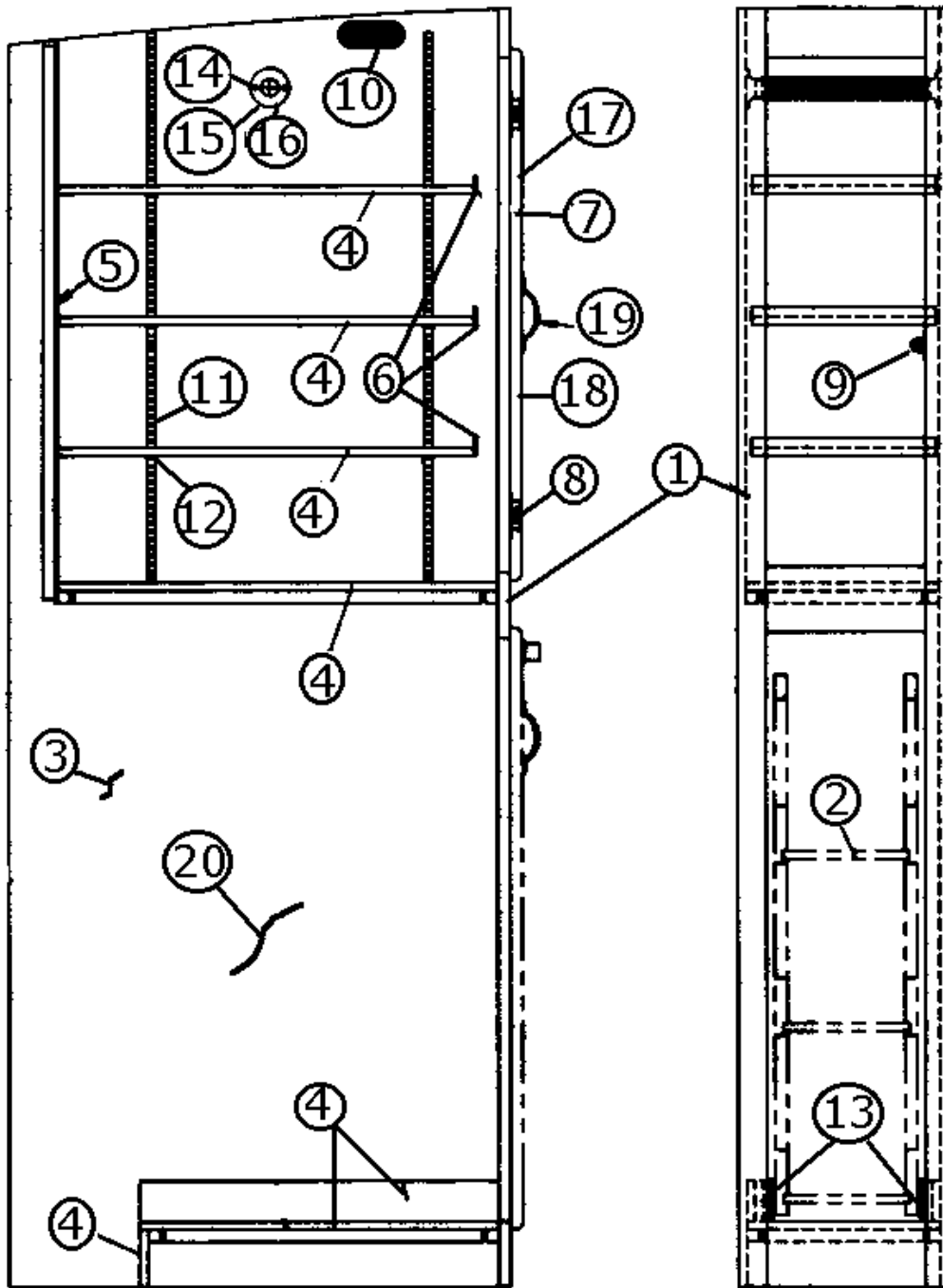
964493-01, RH



- | | |
|---------------|--|
| 1. 964494 | Dinette seat assembly, RH |
| 1a. 964495 | Dinette seat assembly, LH |
| 2. 964496 | Dinette back sub assembly, RH |
| 2a. 964497 | Dinette back sub assembly, LH |
| 3. 964498 | Dinette cushion support, RH |
| 3a. 964499 | Dinette cushion support, LH |
| 4. 964500-02 | Upholstered back, RH |
| 4a. 964501 | Upholstered back, LH |
| 5. 964908-03 | Drawer box, 13.25" x 20.00" x 8.00" |
| 5a. 964908-03 | Drawer box, 13.25" x 20.00" x 8.00" |
| 6. 381526-05 | Drawer slide, 22.00" |
| 6a. 381526-05 | Drawer slide, 22.00" |
| 7. 381175 | Wood, pull Oak, not shown |
| 8. 964334-02 | Flex spring-seat, 20.25" x 38.00", RH |
| 8a. 964334-02 | Flex spring-seat, 20.25" x 38.00", LH |
| 9. 703125-03 | Top dinette seat, urethane buff, not shown |

2003 LAND YACHT GAS

963899-01 Pantry Assembly, 33'



See P/N next page

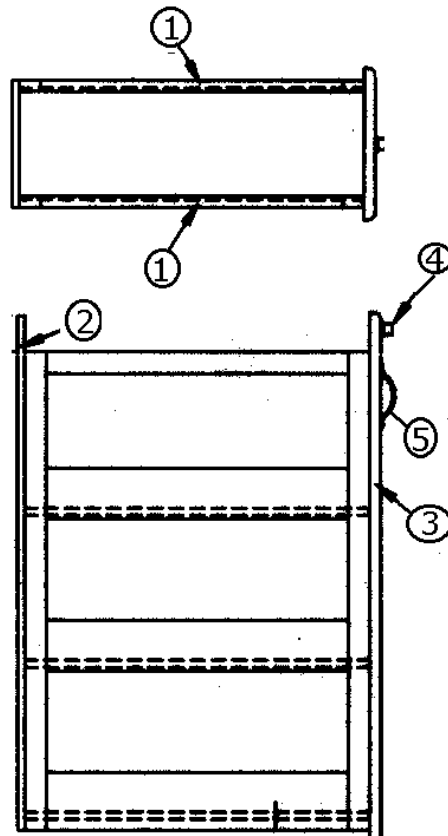
2003 LAND YACHT GAS

963899-01 Pantry Assembly, 33'

1. 961708-01 Face frame, pantry
2. 963891-01 Pantry section assembly, shown next page.
3. 800889 Panel, aft. Pantry
4. 801180-00z Panel, G2S, 1/2"
5. 800397-01 Cedar, 1/8" x 4' x 8' paneling
6. 800573-01 Molding, door edge, 1 3/32" x 80"
7. 800557-23Z Frame, door, oak, smooth, 10.5" x 32.5"
8. 381799 Hinge, Burnished brass
9. 381228-01 Door, grabber catch
10. 500956 Wardrobe light, brown, w/switch
11. 381242-01 Shelf bracket, 32" vertical
12. 381243 Clip, Shelf support
13. 381090 Drawer slide, 22"
14. 380045 3/4" metal tubing
15. 380046 Chrome flange
16. 200975-04 Conduit, black plastic
17. 371262-34 Mirrored, safety glass, 7.62" x 29.62"
18. 381754 Retainer clip, mirror
19. 381599 Handle, drawer
20. 801145 Panel, forward pantry

2003 LAND YACHT GAS

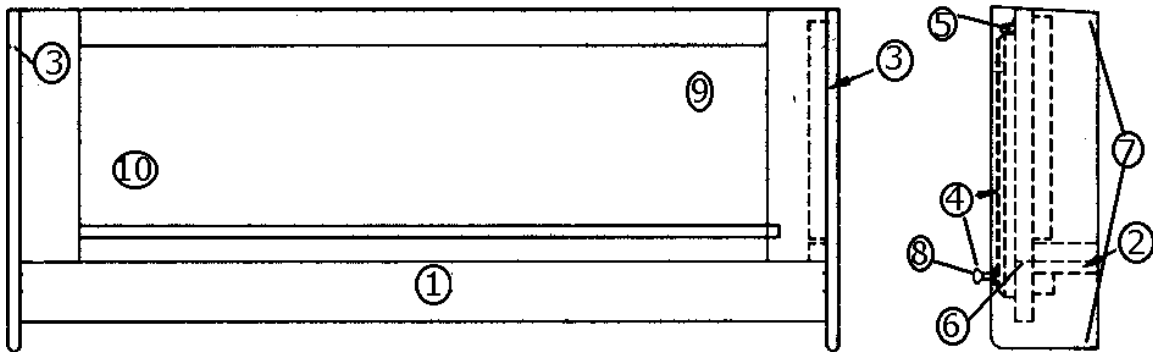
963891-01 Pantry Section Assembly, 33'



- | | |
|---------------|-------------------------------------|
| 1. 961593-01 | Face frame, pantry |
| 2. 801180-00z | 1/2" G2S paneling |
| 3. 800597-80Z | Door, raised panel, 10.50" x 36.75" |
| 4. 381408 | Lock, push button, black |
| 5. 381599 | Handle, drawer/door |

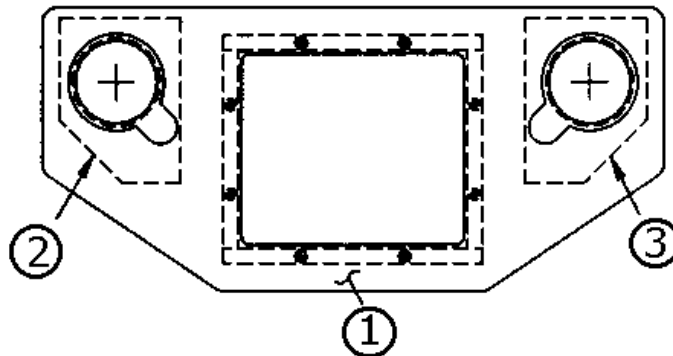
2003 LAND YACHT GAS

965449 Header Cabinet Above Main Door, 26 Ft.



- | | |
|---------------|-------------------------------------|
| 1. 965448 | Face frame, door header, 34.00" |
| 2. 801180-00z | 1/2" G2S paneling |
| 3. 965847 | End cap, door header |
| 4. 800597-09z | Door, raised panel, 11.00" x 29.75" |
| 5. 381799 | Hinge, Burnished brass |
| 6. 381147 | Door support, spring loaded |
| 7. 385963 | Mounting bracket |
| 8. 381599 | Handle, drawer/door |

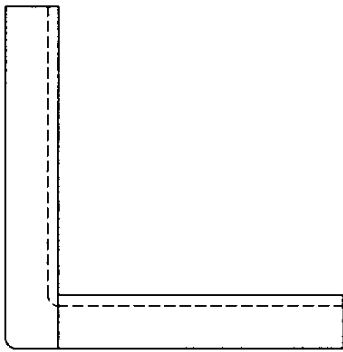
964045-02 Beverage Tray Assembly



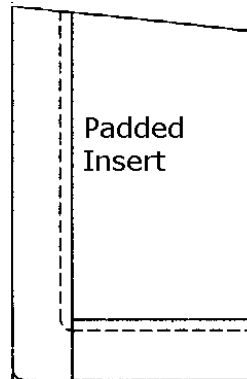
- | | |
|--------------|------------------------------|
| 1. 963992-02 | Beverage tray, L-29 |
| 2. 203011-01 | Beverage tray cup holder, LH |
| 3. 203011-02 | Beverage tray cup holder, RH |

2003 LAND YACHT GAS

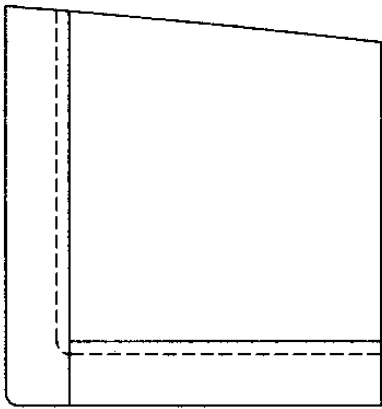
Roof Locker End Caps



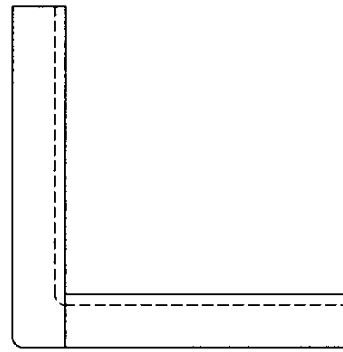
963816-01 16" RH
963816-02 16" LH



963817-01 10.12", RH
963817-02 10.12", LH



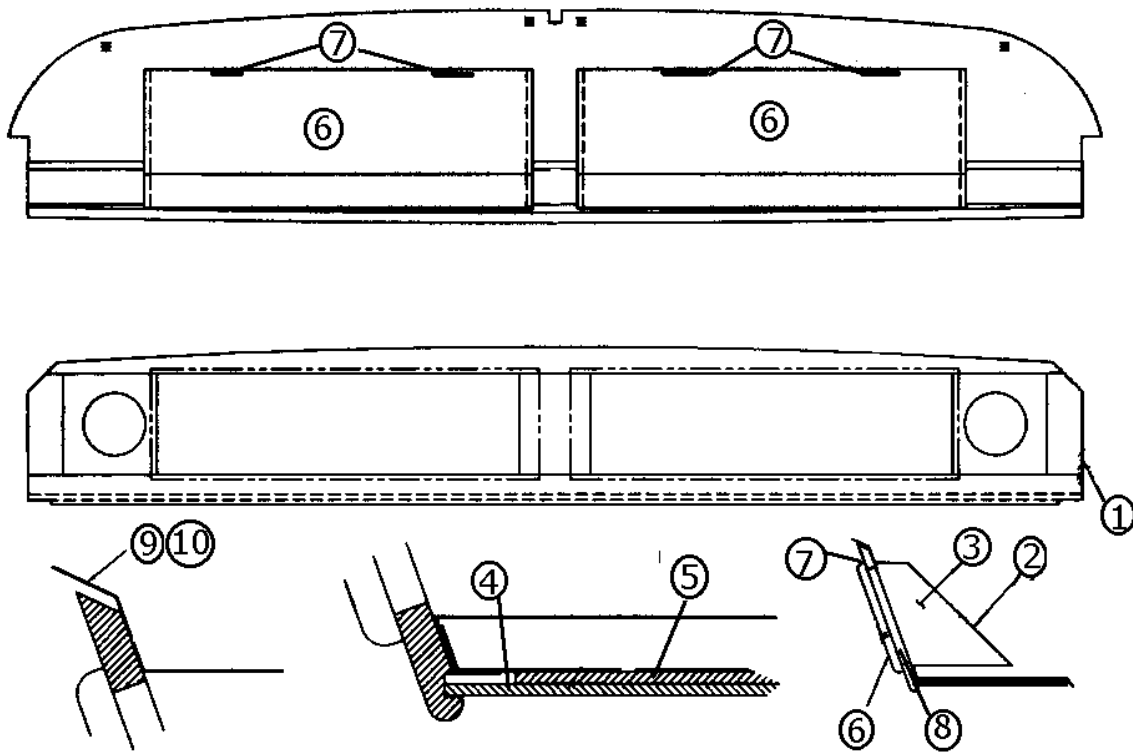
963840-01 14.75", RH
963840-02 14.75", LH
962846-01 12.38"



962845-01 Frame End Cap,
Galley roof Locker, 12.38"

2003 LAND YACHT GAS

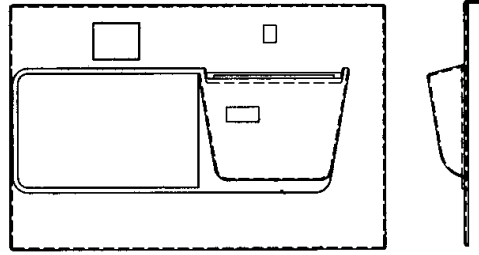
963928-01 Front Roof Locker Assembly, 30 & 33Ft.



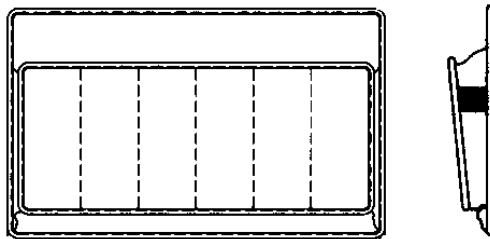
- | | |
|---------------|--|
| 1. 960482-01 | Face frame, front end liner |
| 2. 114025 | Pan, front roof locker |
| 3. 801180-00z | 1/2" G2S paneling |
| 4. 960527 | Bottom, front locker |
| 5. 800695 | Spacer, front locker bottom |
| 6. 800587-40Z | Door, raised panel, 9.75" x 33.00" |
| 7. 381799 | Hinge, Burnished brass |
| 8. 381147 | Door support, spring loaded |
| 9. 114026-01 | Mounting angle, front locker, 33.5" |
| 10. 114026-02 | Mounting angle, front locker, 6.81" |
| 11. 701538 | Carpet, econolier, velour black, not shown |
| 12. 381599 | Handle, drawer/door |
| 510793 | Light, Dome, triple, Black |

2003 LAND YACHT GAS

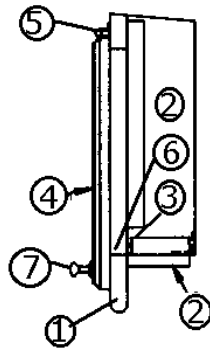
201767—03 Panel, Interior Drivers Door (shown)
201768—04 Panel, Passenger side (mirror image)



702192-09 Pocket, Map, Buff



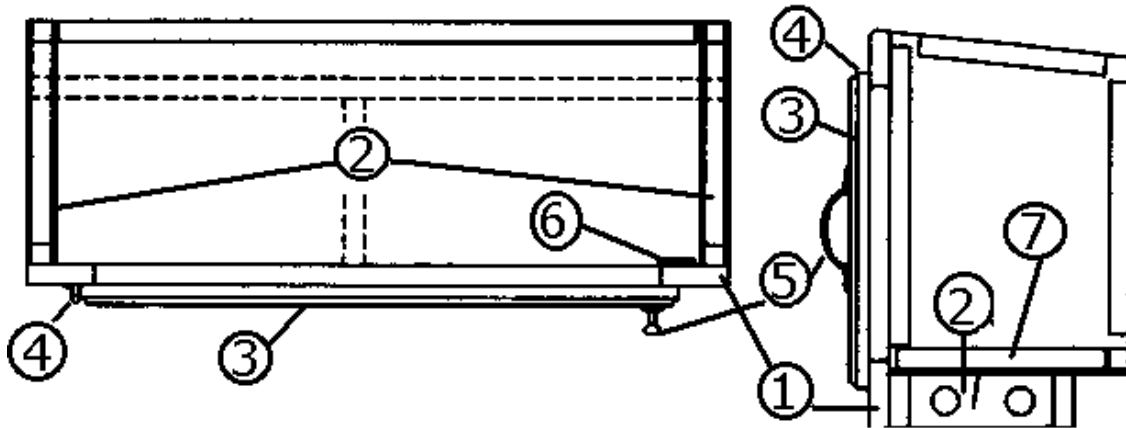
964744-01 Door Header, Cabinet Assembly, 30 Ft. Model



- | | |
|---------------|-------------------------------------|
| 1. 963809-01 | Face frame door header, 32.75" |
| 2. 801180-00z | 1/2" G2S paneling |
| 3. 800577-13 | Decorative trim, 25.25" |
| 4. 800597-09z | Door, raised panel, 11.00" x 29.75" |
| 5. 381799 | Hinge, Burnished brass |
| 6. 381147 | Door support, spring loaded |
| 7. 381599 | Handle, drawer/door |

2003 LAND YACHT GAS

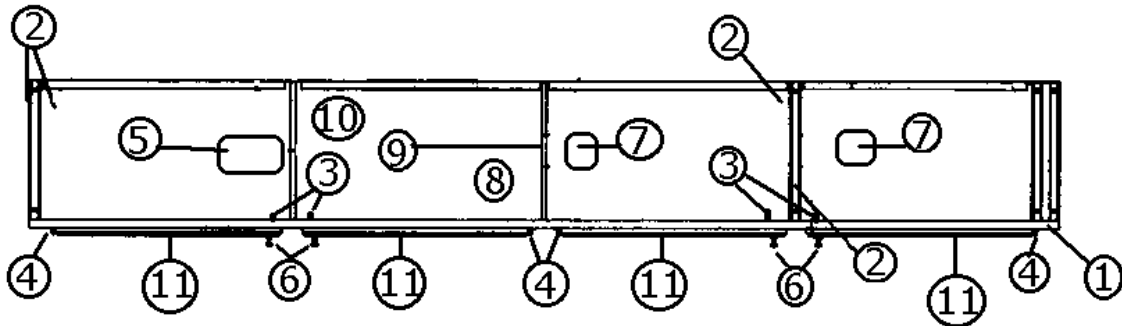
963806-01 Roof Locker CS Lounge



- | | |
|---------------|-------------------------------------|
| 1. 963807-01 | Face frame, CS lounge roof locker |
| 2. 801181-00z | 1/2" G1S paneling |
| 3. 800597-55z | Door, raised panel, 11.50" x 22.00" |
| 4. 381799 | Hinge, Burnished brass |
| 5. 381599 | Pull, drawer/door |
| 6. 381228-01 | Grabber catch |
| 7. 511248 | Light, incandescent |

2003 LAND YACHT GAS

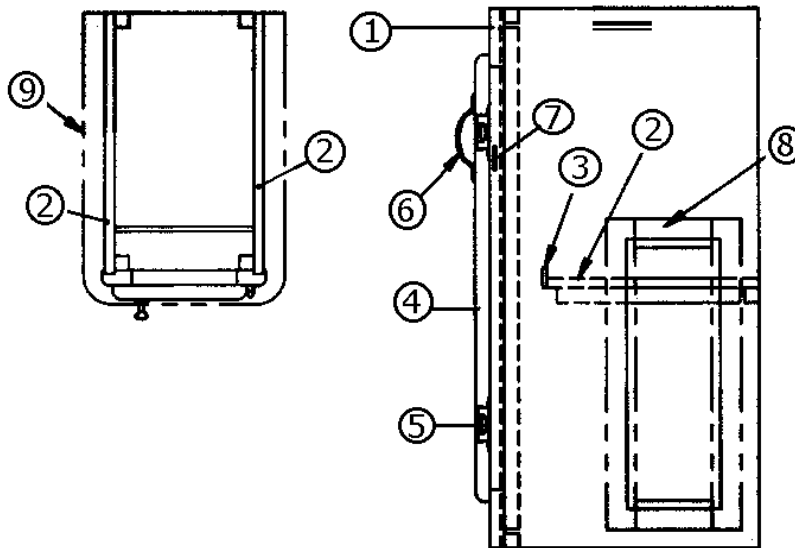
963810-01 Roof Locker, RS Lounge, 30Ft. Model



- | | |
|----------------|--------------------------------------|
| 1. 964146 | Face frame, RS Locker |
| 2. 801181-00z | 5/32" G1S paneling, 4'x8' sheet |
| 3. 381228-01 | Door grabber catch |
| 4. 381799 | Hinge, Burnished brass |
| 5. 500960-01 | Light, recessed, fluorescent, 14.75" |
| 6. 381599 | Handle, drawer/door |
| 7. 511248 | Light, incandescent, single |
| 8. 800571-01z | Molding, flat, 1/4z' x 33/64" x 80" |
| 9. 801180-00z | Panel, 1/2" G2S |
| 10. 800573-01z | Molding, door edge, 1 3/32" x 80" |
| 11. 800597-55 | Door, raised panel, 11.50" x 22.00" |

2003 LAND YACHT GAS

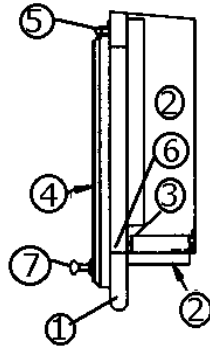
963900 End Table Assembly, 33Ft.



- | | |
|---------------|----------------------------------|
| 1. 961715-01 | Face frame, end table |
| 2. 801180-00z | 1/2" paneling G2S |
| 3. 800573-01Z | Molding door edge, 1 3/32" x 80" |
| 4. 800599-21Z | Drawer face, smooth, 7" x 23" |
| 5. 381799 | Hinge, Burnished brass |
| 6. 381599 | Handle drawer, gold |
| 7. 381228-01 | Door, grabber catch |
| 8. 986832-01 | Framed recess, extinguisher |
| 9. 963123-00Z | Top end table |

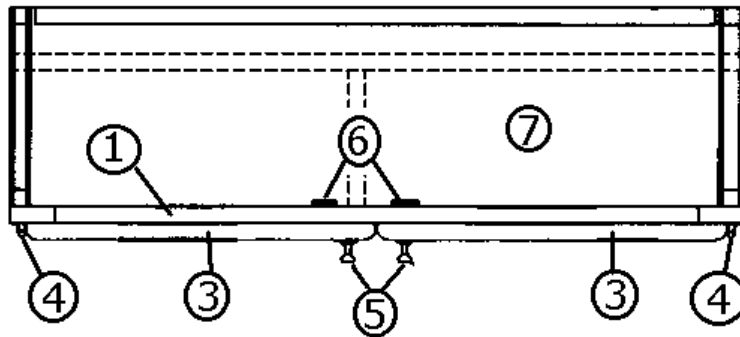
2003 LAND YACHT GAS

963797 Door Header, Cabinet Assembly, 33 Ft. Model



- | | |
|---------------|-------------------------------------|
| 1. 963798-01 | Face frame door header |
| 2. 801180-00z | 1/2" G2S paneling |
| 3. 800577-13 | Decorative trim, 25.25" |
| 4. 800597-09z | Door, raised panel, 11.00" x 29.75" |
| 5. 381799 | Hinge, Burnished brass |
| 6. 381147 | Door support, spring loaded |
| 7. 381599 | Handle, drawer/door |

963801-01 Roof Locker, RS Lounge/galley, 33 Ft.

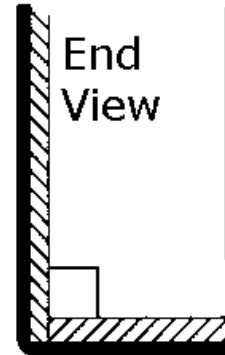


- | | |
|---------------|-------------------------------------|
| 1. 963802-01 | Face frame, CS lounge/galley |
| 2. 801181-00z | Paneling, 5/32", G1S |
| 3. 800597-17z | Door, raised panel, 11.50" x 15.25" |
| 4. 381799 | Hinge, Burnished brass |
| 5. 381599 | Handle, door/drawer |
| 6. 381228-01 | Door grabber catch |
| 7. 511248 | Light, incandescent, not shown |

2003 LAND YACHT GAS

960669-01 RS Cab Area Closeout, Shown (above drivers door)

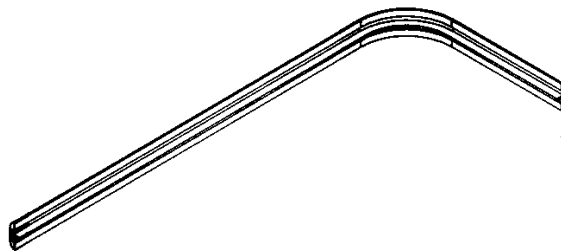
960669-02 CS Cab Area Closeout, Opposite (above passenger window)



964822-004 Shower trim Molding, Oak
1/2" x 1.13" angled

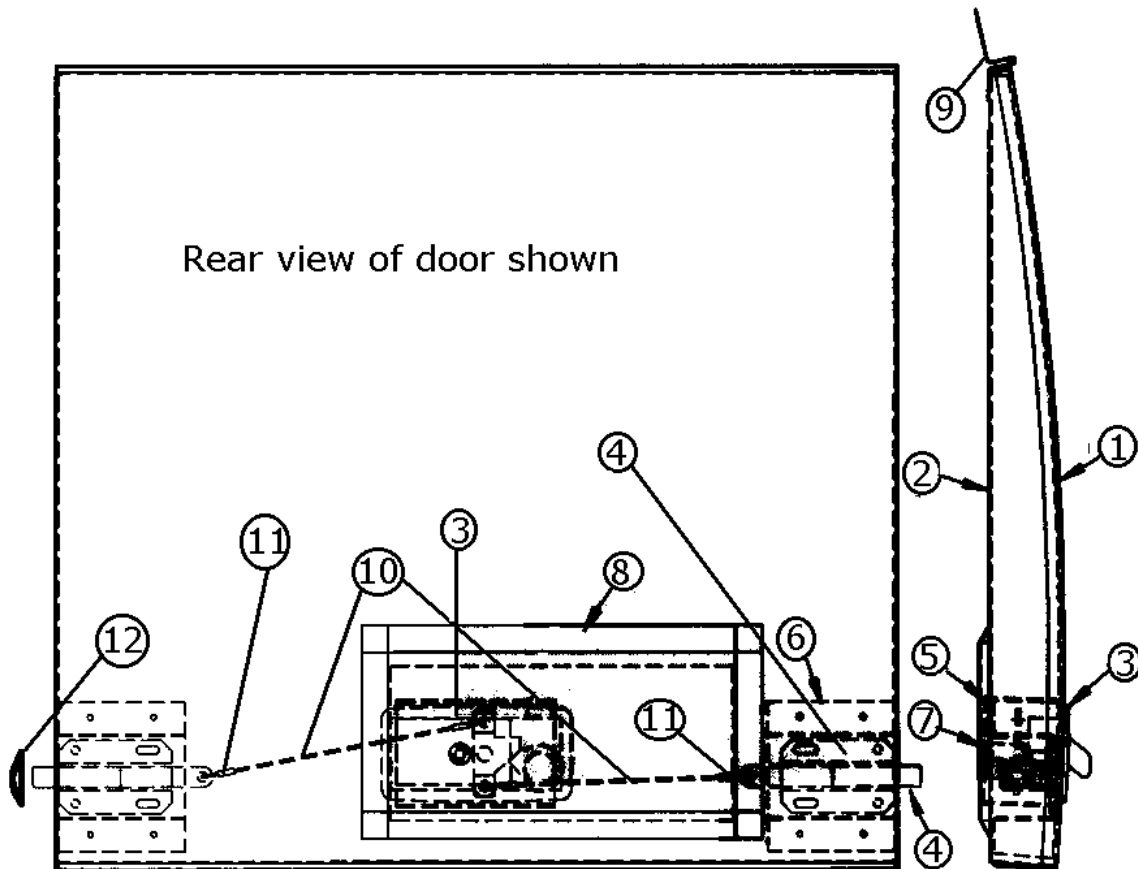


703125-03 Top, dinette seat, urethane Buff



2003 LAND YACHT GAS

921166-Tab Compartment Door Assembly, Locking



- | | |
|---------------|--|
| 1. 114733-tab | Outer panel, see chart next page |
| 2. 114732-tab | Inner panel, see chart next page |
| 3. 381565-01 | Handle assembly, keyed alike, w/collar |
| 4. 381565-04 | Plunger, bolt assembly, w/o rod collar |
| 5. 453396 | Bracket, latch mounting |
| 6. 114756 | Hat section, compartment latch |
| 7. 345287-03 | Machine screw, #10-24 x 1/2" long |
| 8. 114758 | Plate, compartment latch cover |
| 9. 381529 | Hinge, compartment door |
| 10. 381456 | Cable, galvanized, uncoated |
| 11. 381455 | Loop sleeve, stainless steel |
| 12. 381454 | Strike, compartment door |
| 13. 381427 | Hold back, main door, not shown |
| 14. 365232 | Seal, baggage door |

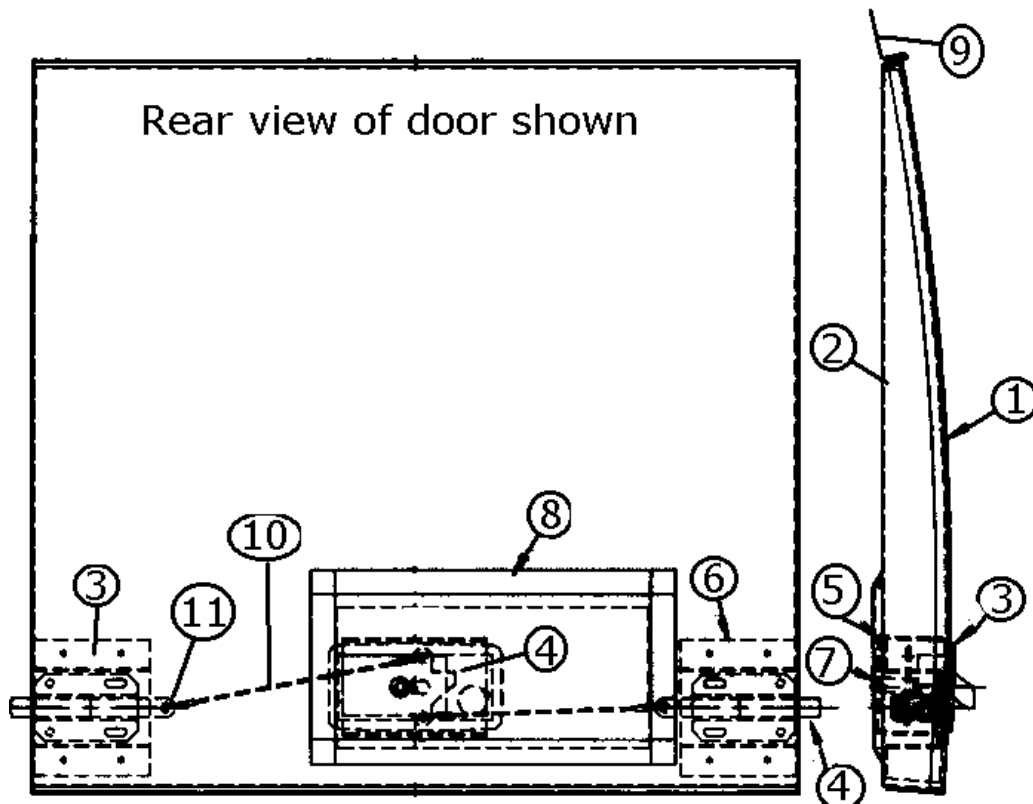
2003 LAND YACHT GAS

921166- Tab, Inner & Outer Door Panels

Dash P/N	Door Size Inches	Outer Panel	Inner Panel
921166-01	61.75	114733-01	114732-01
-02	32.00	-02	-02
-03	29.00	-03	-03
-04	20.00	-04	-04
-05	39.94	-05	-05
-06	36.00	-06	-06
-07	50.00	-07	-07
-08	26.00	-08	-08
-09	18.00	-09	-09
-11	15.00	-11	-11
-12	40.00	-12	-12

2003 LAND YACHT GAS

921169-Tab



- | | |
|---------------|--|
| 1. 114733-tab | Outer panel, see chart next page |
| 2. 114732-tab | Inner panel, see chart next page |
| 3. 381565-02 | Handle assembly, keyed alike, w/collar |
| 4. 381565-04 | Plunger, bolt assembly, w/o rod collar |
| 5. 453396 | Bracket, latch mounting |
| 6. 114756 | Hat section, compartment latch |
| 7. 345287-03 | Machine screw, #10-24 x 1/2" long |
| 8. 114758 | Plate, compartment latch cover |
| 9. 381529 | Hinge, compartment door |
| 10. 381456 | Cable, galvanized, uncoated |
| 11. 381455 | Loop sleeve, stainless steel |
| 12. 381454 | Strike, compartment door, not shown |
| 13. 381427 | Hold back, main door, not shown |
| 14. 365232 | Seal, baggage door, not shown |

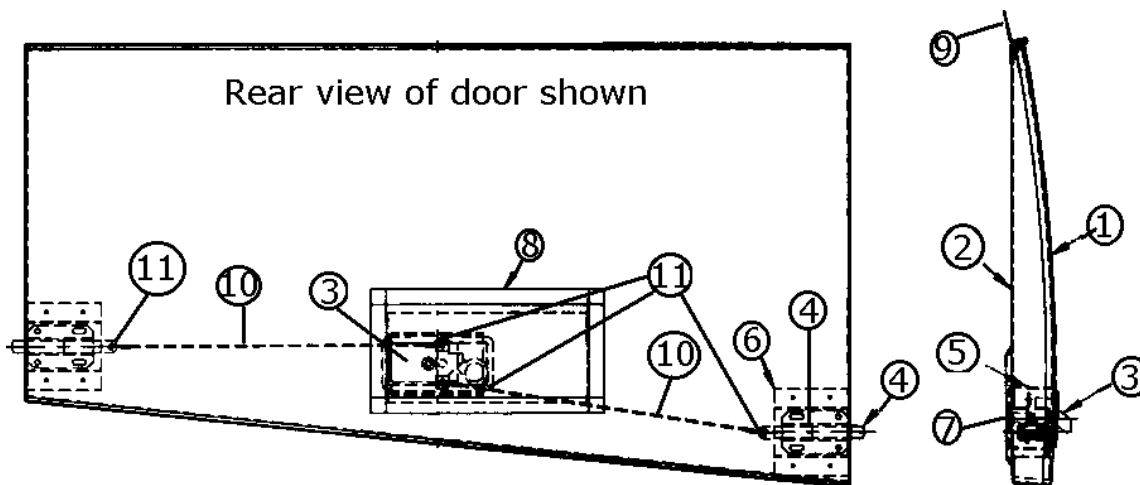
2003 LAND YACHT GAS

921169- Tab, Inner & Outer Door Panels

Dash P/N	Door Size Inches	Outer Panel	Inner Panel
921169-01	61.75	114733-01	114732-01
-02	32.00	-02	-02
-03	29.00	-03	-03
-04	20.00	-04	-04
-05	39.94	-05	-05
-06	36.00	-06	-06
-07	50.00	-07	-07
-08	26.00	-08	-08
-09	18.00	-09	-09

2003 LAND YACHT GAS

921167-Tab, Angled Compartment Door Assembly
921207-Tab, Angled Compartment Door Assembly



- | | |
|---------------|--|
| 1. | Outer panel, see chart next page |
| 2. | Inner panel, see chart next page |
| 3. 381565-01* | Handle assembly, keyed alike, w/collar |
| 4. 381565-04 | Plunger, bolt assembly, w/o rod collar |
| 5. 453396 | Bracket, latch mounting |
| 6. 114756 | Hat section, compartment latch |
| 7. 345287-03 | Machine screw, #10-24 x 1/2" long |
| 8. 114758 | Plate, compartment latch cover |
| 9. 381529 | Hinge, compartment door |
| 10. 381456 | Cable, galvanized, uncoated |
| 11. 381455 | Loop sleeve, stainless steel |
| 12. 381454 | Strike, compartment door, not shown |
| 13. 381427 | Hold back, main door, not shown |
| 14. 365232 | Seal, baggage door, not shown |

*Replace Item 3 w/381565-02 for non-locking doors.

RS & CS are mirror images of each other.

2003 LAND YACHT GAS

921167-Tab, Inner & Outer Panels

Dash P/N	Door Size Inches	Outer Panel	Inner Panel
921167-01	33.63 CS angled door	114734-01	114735-01
921167-02	33.63 RS angled door	114734-02	114735-02
921167-03	40.00 CS angled door	114762-01	114763-01
921167-04	40.00 RS angled door	114762-02	114763-02
921207-01	32.00 CS angled door	115057-01	115058-01
921207-02	23.00 RS angled door	115057-02	115058-02

