

***INTERNATIONAL
TRAVEL TRAILER***

***PARTS
BOOK***

2003



2003 INTERNATIONAL TRAVEL TRAILER TABLE OF CONTENTS

SECTION I A through C

APPLIANCES

Air Conditioner, Furnace	I-1
Cooktop, Range	I-2
Refrigerator, Water Heater	I-2

BODY

End shell, aft	I-4
End shell, front	I-8
22 Ft. AS RS Wall	I-12
22 Ft. AS CS Wall	I-14
22 Ft. CCD RS Wall	I-16
22 Ft. CCD CS Wall	I-18
28 Ft CCD CS Wall	I-20
28 Ft CCD RS Wall	I-22
Roof	I-23
Body interior	I-25
Interior shell trims	I-26

CHASSIS

Axles, Shocks, Tires, Wheels	I-26
Step	I-26
Rear bumper/hose carrier	I-26
Stabilizing jacks	I-27
Under belly metal	I-27
Hitch, Safety chains, Breakaway switch	I-28
Water Tank pans	I-28
Brakes	I-29
Power jacks	I-31

2003 INTERNATIONAL TRAVEL TRAILER TABLE OF CONTENTS

SECTION II D through E

DECAL/EXTERIOR TRIM	II-1
-------------------------------------------	------

DOORS/WINDOWS/AWNING

Doors	II-2
Windows, Window Trim & Screens	II-4
Awning/rock guard	II-9

DRAPES/BLINDS/VALANCES

22 Ft. AS Model	II-10
22 Ft. CCD Model	II-11
28 Ft. CCD Model	II-12
Pull shade assembly, Drape trim and track	II-13

ELECTRICAL

110 volt	II-14
12 volt	II-15
Exterior light/reflectors	II-17

ENTERTAINMENT

Radio/antenna	II-18
-------------------------------------	-------

2003 INTERNATIONAL TRAVEL TRAILER TABLE OF CONTENTS

SECTION III F through H

FASTENERS (common fasteners available locally are not listed)

Rivets	III-1
------------------------------	-------

FLOOR COVERING	III-3
--------------------------------------	-------

FURNITURE DRAWINGS & CHARTS

Drawer Box	III-3
----------------------------------	-------

Mirrors	III-3
-------------------------------	-------

Interior Doors	III-4
--------------------------------------	-------

Bedroom	III-6
-------------------------------	-------

Lavatory	III-18
--------------------------------	--------

Galley	III-30
------------------------------	--------

Lounge	III-53
------------------------------	--------

HARDWARE

Exterior locks/hinges	III-56
---------------------------------------------	--------

Window Hardware	III-57
---------------------------------------	--------

Interior hinges and latches	III-61
---------------------------------------------------	--------

Interior Trim	III-61
-------------------------------------	--------

Lavatory accessories and hinges	III-62
-------------------------------------------------------	--------

Dinette table hardware	III-62
----------------------------------------------	--------

Awning hardware	III-63
---------------------------------------	--------

2003 INTERNATIONAL TRAVEL TRAILER TABLE OF CONTENTS

SECTION IV L through Z

LABELS and TAGS	IV-1
OPTIONS	IV-2
PLUMBING	
LPG	IV-3
Fresh water	IV-7
Drain water	IV-21
Toilet	IV-25
SAFETY EQUIPMENT	IV-26
SEALER/GASKETS	IV-27
PAINT	IV-28
UPHOLSTERY/FOAM/MATTRESS	IV-29
VENTS/FANS	IV-30
WOOD/LAMINATES/TRIM	IV-31

2003 INTERNATIONAL TRAVEL TRAILER

Notes

2003 INTERNATIONAL TRAVEL TRAILER

APPLIANCES

690323-02	AIR CONDITIONER, 13,500 BTU MANUAL
511252	PLUG PHONE 4 CONDUCTOR
690323-05	AIR BOX/RETURN GRILL MANUAL
961270	Pan Assembly, drain, air conditioner
690323-03	AIR CONDITIONER, DOMETIC HEAT STRIP
600118	TUBING 1/2ID X 5/8OD BLACK PLASTIC
690467-02	FURNACE-18000 BTU, 7920-11, 22 Ft. Models
690274-01	FURNACE, 30,000BTU, #8531, 28 Ft. Models
690467-01	DIVERTER-FURNACE DISCHARGE
511228	THERMOSTAT ROOM #36684 OFF WHITE
965328	ASSEMBLY - FURNACE STAND
600193	2"DUCT THERMAFLEX FLEXIBLE, DUCT
600247	4"HOSE, HEAT DUCT FLEX
601244-01	REGISTER-ROTAIRE #3840-96 4" BROWN
690341	ADAPTER, 4-2 FURNACE REDUCER
600526	FLANGE, 4 IN

2003 INTERNATIONAL TRAVEL TRAILER

APPLIANCES

690468 COOKTOP-2 BURNER DROP IN S.S. AS model
690468-01 COVER-S. S. 2 BURNER DROP IN

690471 Cook-top, 2-burner, black glass top, CCD

Full oven option

690396-05 Range, 22", Magic Chef, Black door
690396-03 Range bi-fold cover
114876 Trim ring, range recess

690396-09 RANGE-22" W/OVEN S.S. TOP/DOOR

690393-02 REFER, 4CF 2 WAY, LH HINGE, RM2452, 22 Ft AS
801448-02 Refer door insert, 22 ft AS, 20.62" x 32.62"

690470 Refrigerator, 3CF, RH hinge, RM2352, 22 ft. CCD
801448-06 Refer door insert, 22 ft CCD, 19.50" x 26.00"

690388-02 REFRIGERATOR 6 CU FT 2-WAY LH, 28 Ft.
801448-05 Refer door insert, lower, 28 ft CCD, 20.62" x 32.62"
801448-04 Refer door insert, upper, 28 ft CCD, 20.62" x 15.75"

690199 ELECTRONIC IGNITION WATER HEATER
320006 SCREW, SHEET METAL, 8 X 3/4" BH PHIL
690209 BRUSHED ALUM ACCESS COVER
601671 ELBOW STREET 90DEG 1/2"
381648 COVER LATCH HOLE WATER HEATER

2003 INTERNATIONAL TRAVEL TRAILER

BODY

922627 22' AS Rear End Assembly

922627-01 22' CCD Unit (Delete Furnace)

1. 114994 Weldment, end bow, NB
2. 104463 Floor bow, captive extrusion
3. 104351 Upper, window bow
4. 104343 Lower, window bow
5. 114505-01 Support, lower end shell, left-hand
6. 114505-02 Support, lower end, right-hand
7. 101315 Brace, vertical rear
8. 104408 Rib bow
9. 114888 Segment, center left, bright
10. 114889 Segment, center right, bright
11. 114892 Segment, #25, NB, bright
12. 114890 Segment, #26, bright
13. 114891 Segment, #27, bright
14. 114894 Segment, #28, bright
15. 114895 Segment, #29, bright
16. 114880-307 Aluminum sheet, .040 x 41" x 45.25"
17. 101177 Base, lamp, polished #1
18. 101178 Base, lamp, polished #2
19. **510111 Red clearance light, double bulb
20. 114849-03 Aluminum sheet, 060 x 12.00" x 29.00"
21. 500095 Reflector, red
22. 500053 License plate light/holder
23. *952696-02 Taillight assembly, CS
24. *952696-01 Taillight assembly, RS
25. 372218-0 1 Window, rear egress, 987172-78 glass only

*Taillight Assembly

- 511664-01 CASTING-TAILLIGHT R.S.
- 511664-02 CASTING-TAILLIGHT C.S.
- 511661 TAILLIGHT-LED OVAL 6"
- 511662 TRIM RING-TAILLIGHT W/VISOR
- 500095 Red rectangular reflector

*Not Included:

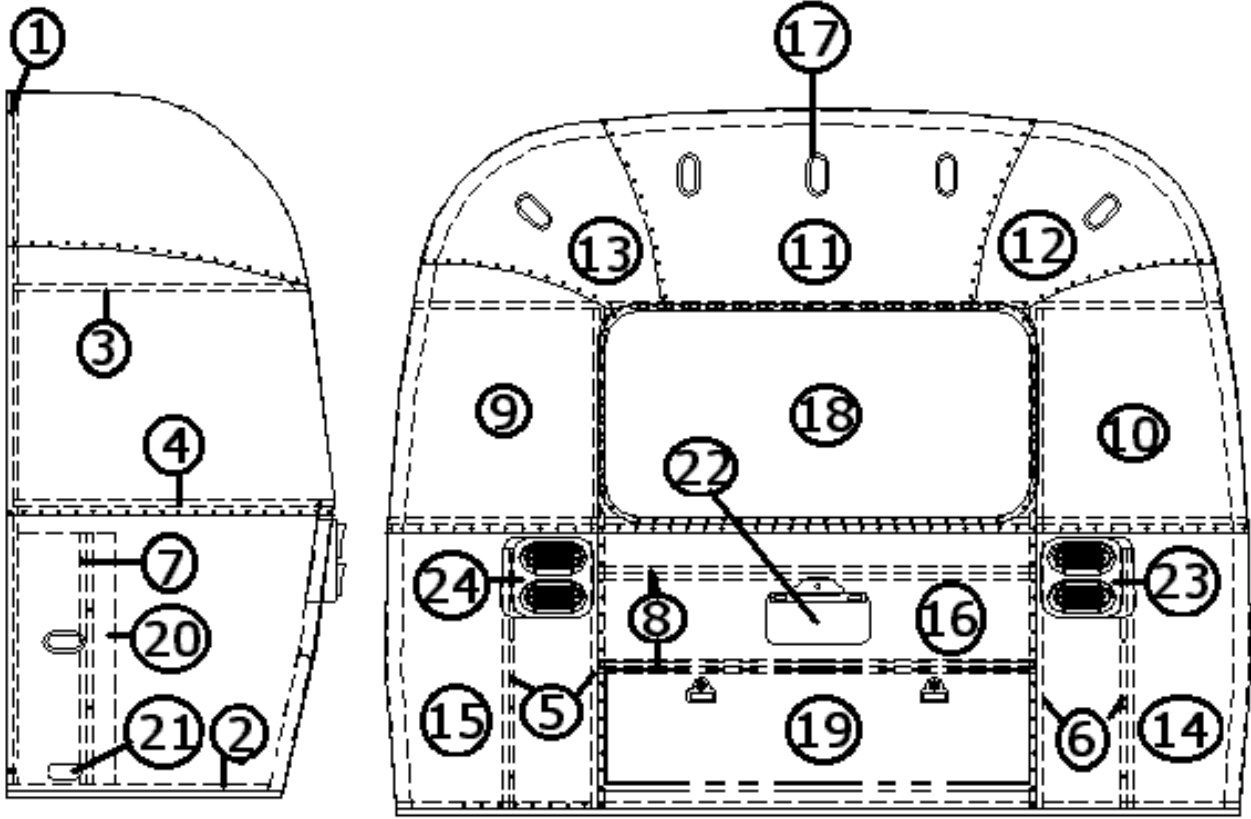
- 115073-01 BRACKET-R.S. TAILLIGHT
- 115073-02 BRACKET-C.S. TAILLIGHT
- 115074 BRACKET-CENTER TAILLIGHT
- 201462 POCKET, ABS TAILLIGHT

***Running line change during model year to 511751-Red & 511750 amber teardrop lights. Deletes item 17 & 18.

2003 INTERNATIONAL TRAVEL TRAILER

BODY

922677 Rear End Shell 28' CCD



2003 INTERNATIONAL TRAVEL TRAILER

BODY

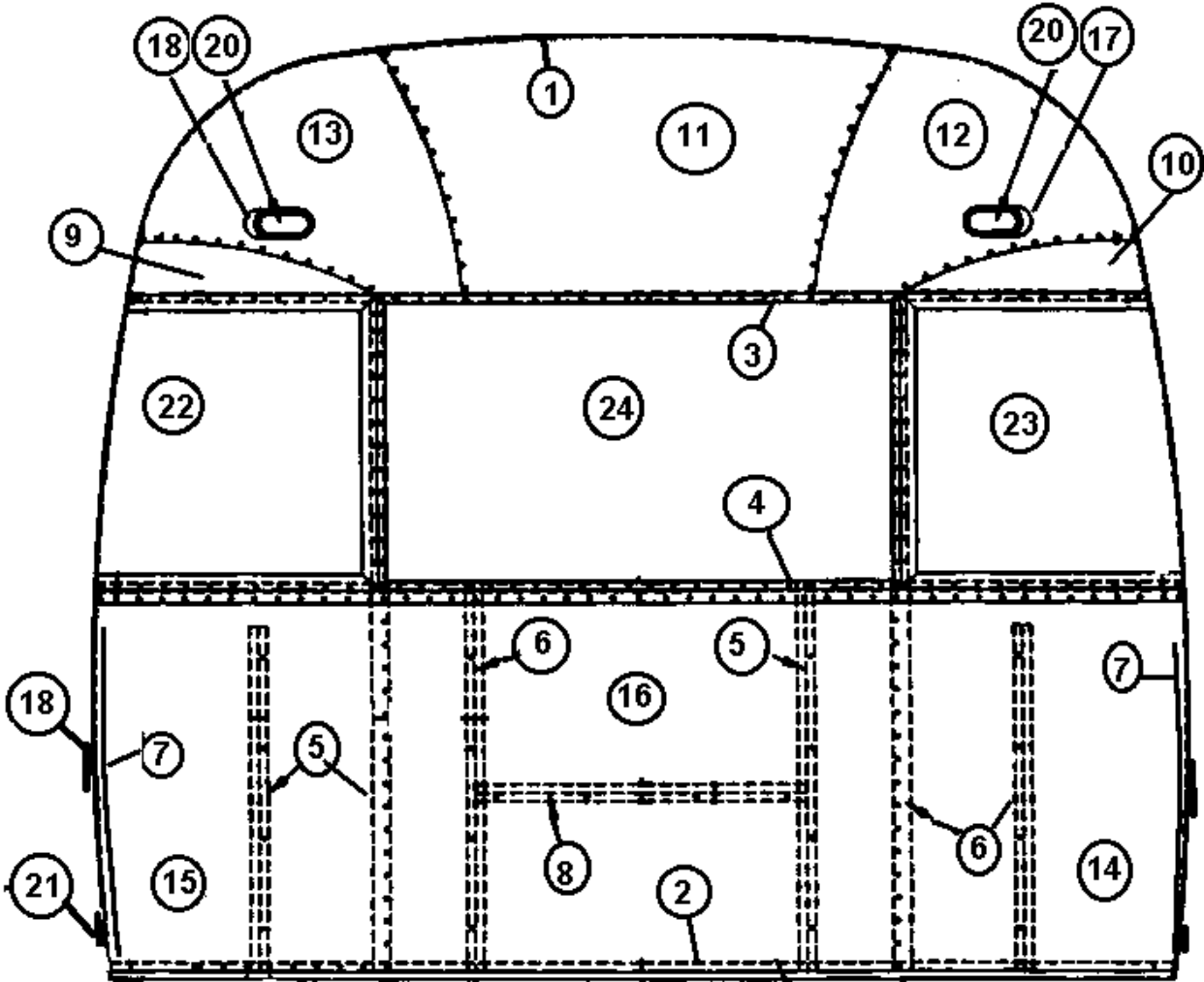
922677 Rear End Shell 28' CCD

- 1) 114993 End bow
- 2) 114676 Floor bow
- 3) 114678 Upper window bow
- 4) 114677 Lower window bow
- 5) 114505-01 Support, lower end, LH
- 6) 114505-02 Support, lower end, RH
- 7) 101315 Brace, vertical rear
- 8) 104408 Z-rib
- 9) 114888 Segment, center left
- 10) 114889 Segment, center right
- 11) 114893 Segment #25
- 12) 114890 Segment #26
- 13) 114891 Segment #27
- 14) 114894 Segment #28
- 15) 114895 Segment #29
- 16) NPN Alum. Sheet, .060 x 19.0" x 51.0"
- 17) 511751 Marker light, tear drop
- 18) 371348-02 Window, rear escape
- 19) 921159-01 Trunk door assembly
- 20) NPN Alum. Sheet, .060 x28.0"x 8.0", Pewter
- 21) 500095 Red reflector, rectangular
- 22) 500053 LIGHT LICENSE PLATE
- 23) 952696-02 CS tail light assembly
- 24) 952696-01 RS tail light assembly

2003 INTERNATIONAL TRAVEL TRAILER

BODY

922626 Front End Shell Assembly, 22' AS



2003 INTERNATIONAL TRAVEL TRAILER

BODY

922626 Front End Shell Assembly, 22' AS

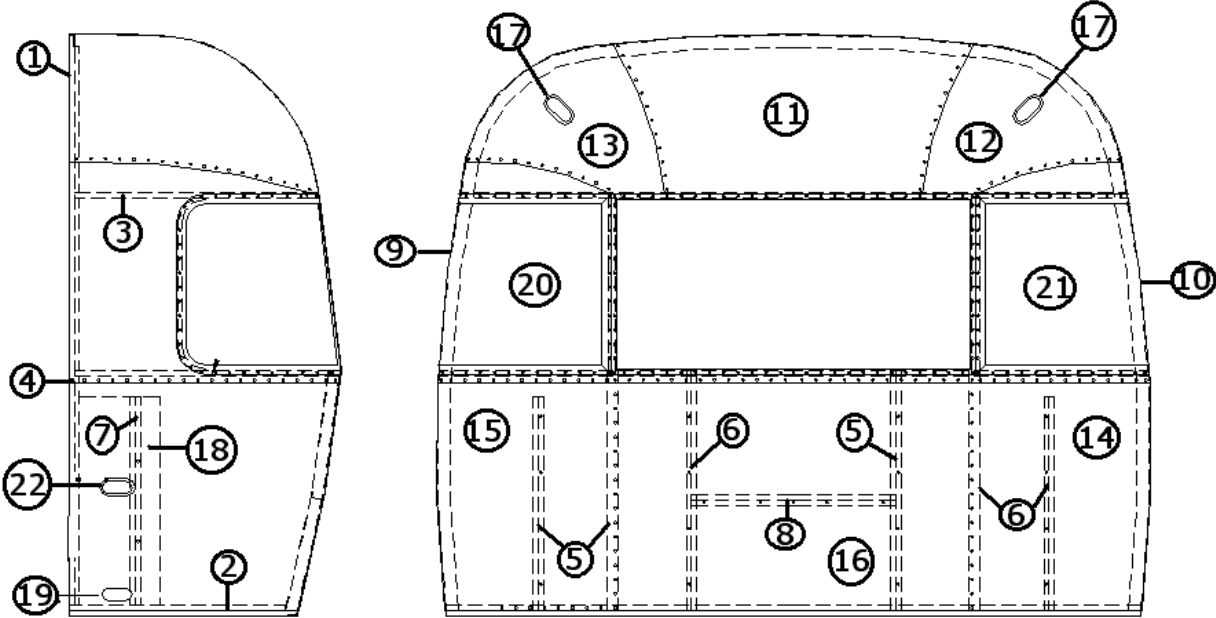
1. 114994 Weldment, end bow, NB
2. 104463 Floor bow, captive extrusion
3. 104351 Upper, window bow
4. 104343 Lower, window bow
5. 114505-01 Support, lower end shell, left-hand
6. 114505-02 Support, lower end, right-hand
7. 101315 Brace, vertical rear
8. 104408 Rib bow
9. 114888 Segment, center left, bright
10. 114889 Segment, center right, bright
11. 114892 Segment, #25, NB, bright
12. 114890 Segment, #26, bright
13. 114891 Segment, #27, bright
14. 114894 Segment, #28, bright
15. 114895 Segment, #29, bright
16. 114880-307 Aluminum sheet, .040 x 41" x 45.25"
17. 101177 Base, lamp, polished #1
18. 101178 Base, lamp, polished #2
19. *510112 Amber clearance light, double bulb
20. 114849-03 Aluminum sheet, 060 x 12.00" x 29.00"
21. 500096 Reflector, amber
22. 372088-101 RS front panoramic window
23. 372089-101 CS front panoramic window
24. 371328 Front window, 371327-Glass only

*Running line change during model year to 511751-Red & 511750 amber teardrop lights. Deletes item 17 & 18.

2003 INTERNATIONAL TRAVEL TRAILER

BODY

922676 Front End Shell 28' CCD



2003 INTERNATIONAL TRAVEL TRAILER

BODY

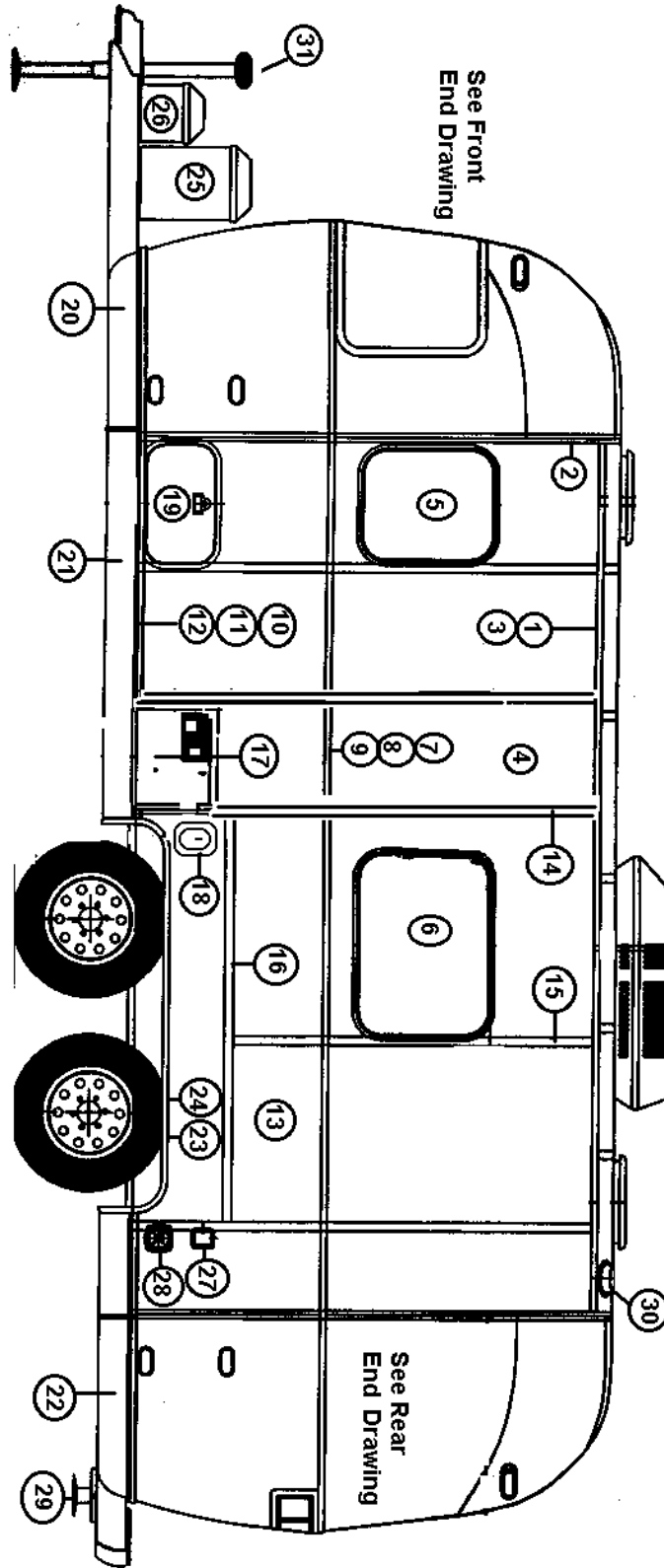
922676 Front End Shell 28' CCD

- | | |
|-------------------------------------------|-----------------------------------|
| 1) 114993 | End bow |
| 2) 114676 | Floor bow |
| 3) 114678 | Upper window bow |
| 4) 114677 | Lower window bow |
| 5) 114505-01 | Support, lower end, LH |
| 6) 114505-02 | Support, lower end, RH |
| 7) 101315 | Brace, vertical rear |
| 8) 104408 | Z-rib |
| 9) 114888 | Segment, center left |
| 10) 114889 | Segment, center right |
| 11) 114893 | Segment #25 |
| 12) 114890 | Segment #26 |
| 13) 114891 | Segment #27 |
| 14) 114894 | Segment #28 |
| 15) 114895 | Segment #29 |
| 16) NPN Alum. sheet, .060" x 41.00" x 51" | |
| 17) 511750 | Marker light teardrop, red/chrome |
| 18) 114829-03 | Aluminum sheet, Pewter 26" x 8" |
| 19) 500096 | Reflector, amber |
| 20) 372089 | Panoramic window, CS front |
| 21) 372088 | Panoramic window, RS front |
| 22) *510112 | Clearance light, amber |

*Running line change during model year to 511751-Red & 511750
amber teardrop lights.

2003 INTERNATIONAL TRAVEL TRAILER

Body
22 Ft. AS-RS Wall



P/N Next Page
I-11

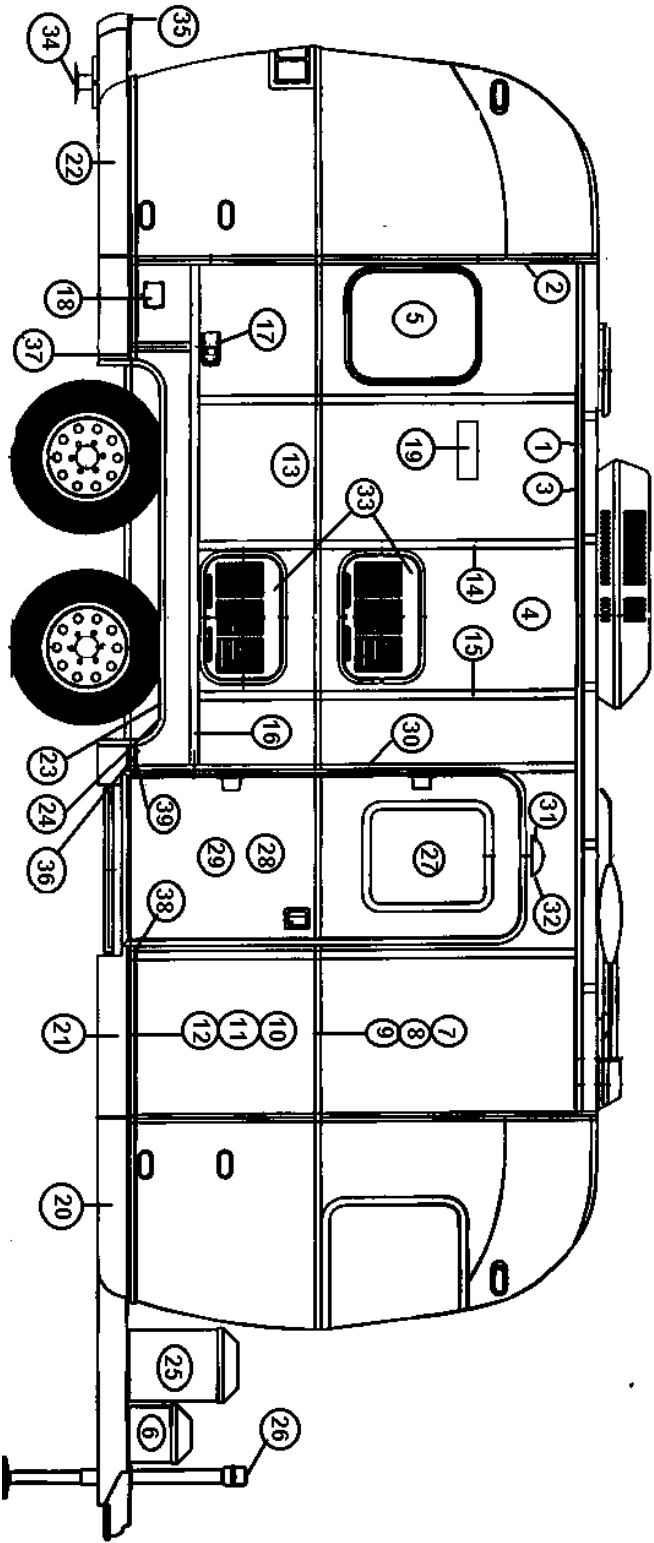
2003 INTERNATIONAL TRAVEL TRAILER

Body
22 Ft. AS, Airstream
RS Wall

- | | |
|----------------|----------------------------------------|
| 1) 114290-03 | Extrusion, awning/drip rail |
| 2) 114994 | Rib, end bow |
| 3) 104707-01 | Extrusion, "I" beam |
| 4) 114880-198 | Alum, sheet, upper, .040" x 51" x 198" |
| 5) 371323-01 | Window, 18" opening window |
| 6) 371324-02 | Window, 30", opening window |
| 7) 114328 | Extrusion, belt line |
| 8) 201912 | Molding, chrome, belt line |
| 9) 100034 | "Z" bar, 48" |
| 10) 114460 | Extrusion, rub rail |
| 11) 201763-01 | Insert, rub rail, chrome, 1" |
| 12) 100986 | Floor channel |
| 13) 114879-198 | Alum. Sheet, lower, .040" x 33" x 198" |
| 14) 114387-01 | Bow, Z rib, RH |
| 15) 114387-02 | Bow, Z rib, LH |
| 16) 100986 | Wheel well stiffener (floor channel) |
| 17) 690209 | Access door, Atwood water heater |
| 18) 601194 | WATER FILL W/LOCK, GRAY, W/LABEL |
| 19) 100679-01 | Door, side access with jamb |
| 20) 203303-01 | Banana wrap, RS front |
| 21) 101131-01 | Underbelly wrap, .024" x 22.5", Pewter |
| 22) 203303-02 | Banana, rear corner, RS |
| 23) 684936 | Wheel well trim, outer, tandem axle |
| 24) 684937 | Wheel well trim, inner, tandem axle |
| 25) 703127 | Bottle cover, LP, vinyl, optional |
| 26) 511595 | Battery box |
| 27) 601392-05 | City water hook-up |
| 28) 511416-02 | 30-amp, male power inlet |
| 29) 400914-03 | Stabilizer jack, 20" |
| 400914-02 | Handle, stabilizer jack |
| 30) 690266-01 | Bath power ventilator |
| 31) 511544 | Jack, Super w/light |

2003 INTERNATIONAL TRAVEL TRAILER

Body
22 Ft. AS, CS Wall



P/N Next Page

2003 INTERNATIONAL TRAVEL TRAILER

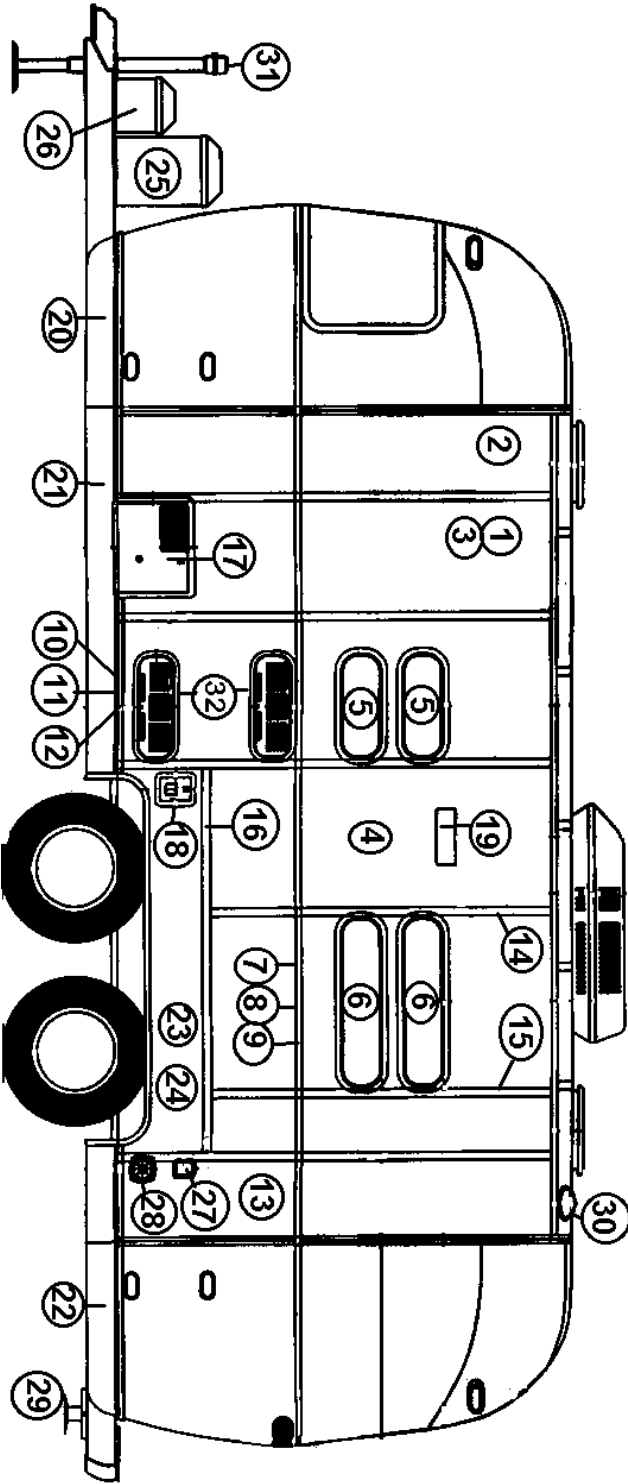
Body

22 Ft. AS, CS Wall

- 1) 114290 Extrusion, awning/drip rail
 - 2) 114994 Rib, end bow
 - 3) 104707-05 Extrusion, "I" beam
 - 4) 114880-198 Window sheet, .040" x 51" x 198"
 - 5) 371323-01 Window, 18" opening
 - 6) 511595 Battery box
 - 7) 114328 Extrusion, belt line
 - 8) 201912 Molding, chrome, belt line
 - 9) 100034 "Z" bar 48"
 - 10) 114460 Extrusion, rub rail
 - 11) 201763-01 Insert, rub rail, chrome, 1"
 - 12) 100986 Floor channel
 - 13) 114879-198 Side sheet, .040" x 33" x 198"
 - 14) 114387-01 Bow, Z rib, RH
 - 15) 114387-02 Bow, Z rib, LH
 - 16) 100986 Wheel well stiffener (floor channel)
 - 17) Furnace exhaust vent
 - 18) 510676-01 Outlet, exterior 110 volt, gray
 - 19) 511017-11 Vent cover, exterior range exhaust
 - 20) 203303-02 Banana wrap, CS front
 - 21) 101131-01 Underbelly wrap, .024 x 22.5, Pewter
 - 22) 203303-01 Banana wrap, CS rear
 - 23) 684936 Wheel well trim, outer, tandem axle
 - 24) 684937 Wheel well trim, inner, tandem axle
 - 25) 703127 Bottle cover, LP, vinyl, optional
 - 26) 511544 Jack, Super w/light
 - 27) 371319-05 Window, main door
 - 28) 110067-05 Main door assembly
 - 29) 114654 Screen door assembly
 - 30) 114652 Main door jamb, formed
 - 31) 101323 Casting, main door light
 - 32) 201185 Lens, main door light
 - 33) *203305 Door, refrigerator access, 115038 Door Jamb
 - 34) 400914-03 Stabilizer jack, 20"
400914-02 Handle, stabilizer jack
 - 35) 410847 Bumper, polished
 - 36) 114466-01 Casting, rub rail end, wheel well, RH
 - 37) 114466-02 Casting, rub rail end, wheel well, LH
 - 38) 114465-01 Close out rub rail, RH
 - 39) 114465-02 Close out rub rail, LH
- * RLC 690470-01 replaces 203305, 115038-01 replaces 115038

2003 INTERNATIONAL TRAVEL TRAILER

Body
22 Ft. CCD RS Wall



PN Next Page

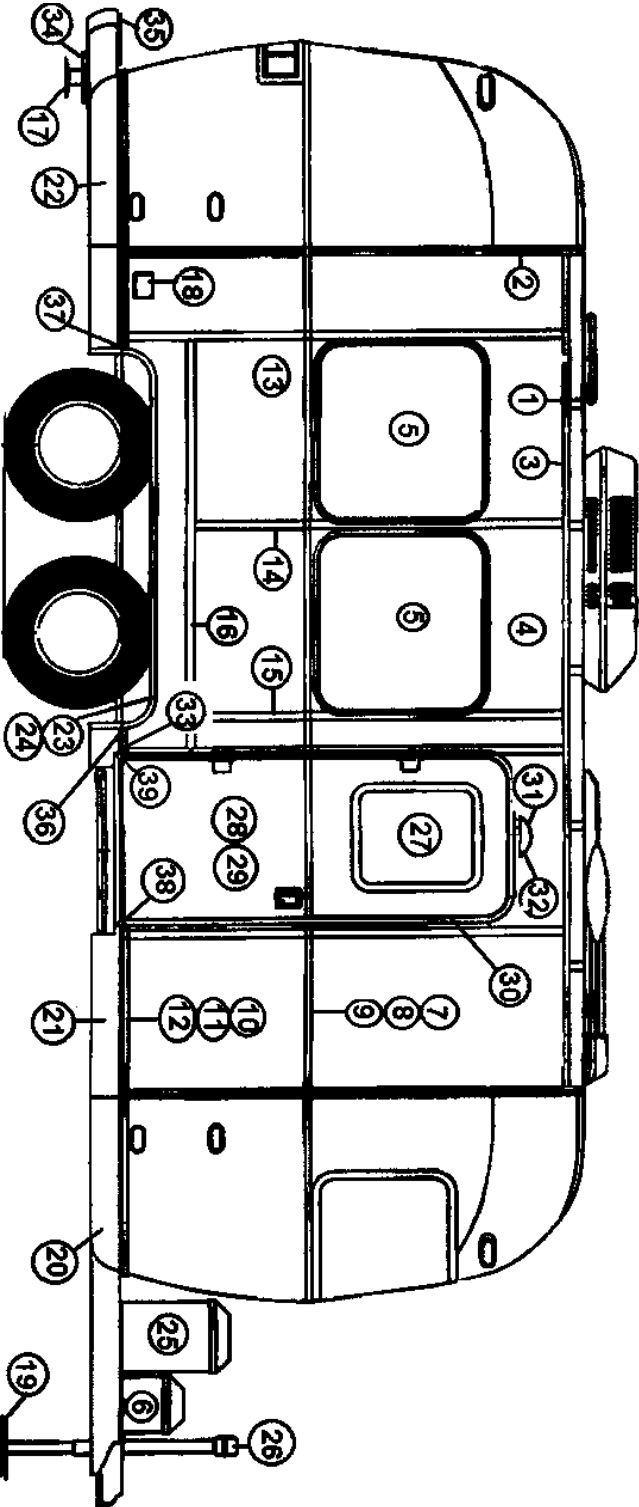
2003 INTERNATIONAL TRAVEL TRAILER

Body 22 Ft. CCD RS Wall

- | | |
|----------------|---------------------------------------------|
| 1) 114290-03 | Extrusion, awning/drip rail |
| 2) 114994 | Rib, end bow |
| 3) 104707-01 | Extrusion, "I" beam |
| 4) 114880-198 | Alum, sheet, upper, .040" x 51" x 198" |
| 5) 371269-01 | Window, 18" fixed window |
| 6) 371270-01 | Window, 30", fixed window |
| 7) 114328 | Extrusion, belt line |
| 8) 201912 | Molding, chrome, belt line |
| 9) 100034 | "Z" bar, 48" |
| 10) 114460 | Extrusion, rub rail |
| 11) 201763-01 | Insert, rub rail, chrome, 1" |
| 12) 100986 | Floor channel |
| 13) 114879-198 | Alum. sheet, lower, .040" x 33" x 198" |
| 14) 114387-01 | Bow, Z rib, RH |
| 15) 114387-02 | Bow, Z rib, LH |
| 16) 100986 | Wheel well stiffener (floor channel) |
| 17) 690209 | Access door, Atwood water heater |
| 18) 601194 | water heater exterior door, Atwood |
| 19) 511017-11 | Vent cover, exterior range exhaust |
| 20) 203303-01 | Banana wrap, RS front |
| 21) 101131-01 | Underbelly wrap, .024" x 22.5", Pewter |
| 22) 203303-02 | Banana, rear corner, RS |
| 23) 684936 | Wheel well trim, outer, tandem axle |
| 24) 684937 | Wheel well trim, inner, tandem axle |
| 25) 703127 | Bottle cover, LP, vinyl, optional |
| 26) 511595 | Battery box |
| 27) 511416-02 | 30-amp, male power inlet |
| 28) 601392-05 | City water hook-up, chrome w/regulator |
| 29) 400914-03 | Stabilizer jack, 20" |
| 400914-02 | Handle, stabilizer jack |
| 30) 690266-01 | Bath power ventilator |
| 31) 511544 | Jack, Super w/light |
| 32) *203305 | Door, refrigerator access, 115038 Door Jamb |
- * RLC 690470-01 replaces 203305, 115038-01 replaces 115038

2003 INTERNATIONAL TRAVEL TRAILER

Body
22 Ft. CCD CS Wall



PN Next Page

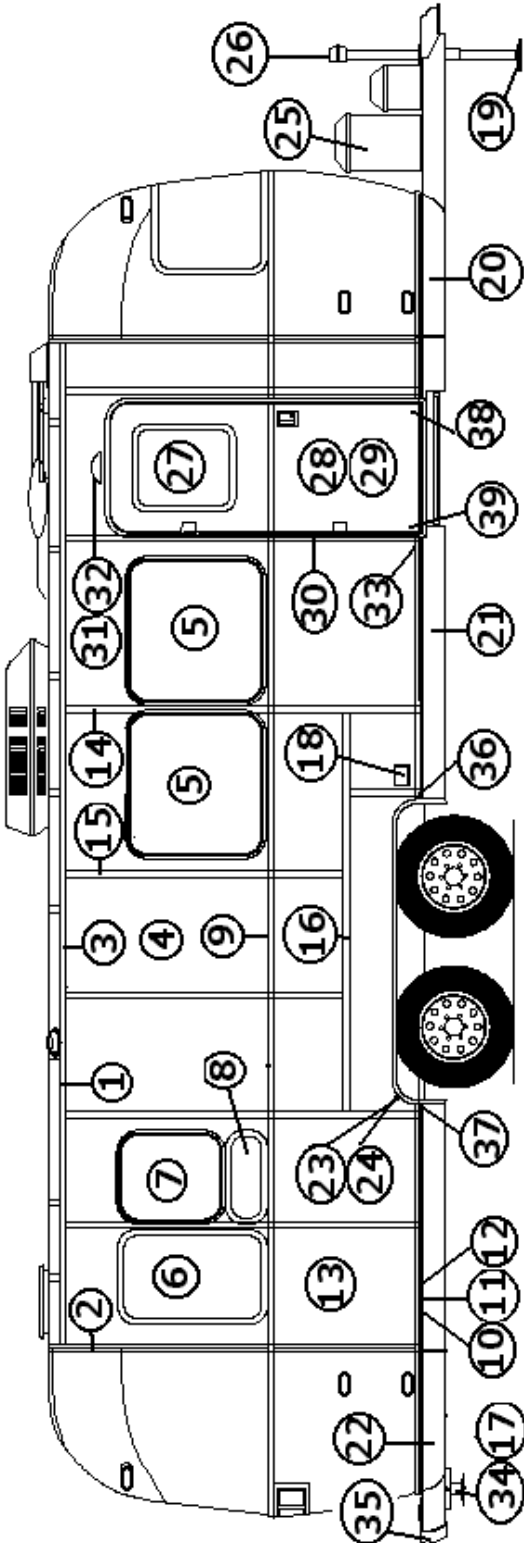
2003 INTERNATIONAL TRAVEL TRAILER

Body 22 Ft. CCD CS Wall

- 1) 114290 Extrusion, awning/drip rail
- 2) 114994 Rib, end bow
- 3) 104707-05 Extrusion, "I" beam
- 4) 114880-198 Window sheet, .040" x 51" x 198"
- 5) 371380 Window, Tall, 30"opening
- 6) 511595 Battery box
- 7) 114328 Extrusion, belt line
- 8) 201912 Molding, chrome, belt line
- 9) 100034 "Z" bar 48"
- 10) 114460 Extrusion, rub rail
- 11) 201763-01 Insert, rub rail, chrome, 1"
- 12) 100986 Floor channel
- 13) 114879-198 Side sheet, .040" x 33" x 198"
- 14) 114387-01 Bow, Z rib, RH
- 15) 114387-02 Bow, Z rib, LH
- 16) 100986 Wheel well stiffener (floor channel)
- 17) 400914-02 Handle, stabilizer jack
- 18) 510676-01 Outlet, exterior 110 volt, gray
- 19) 410598 Super Jack footpad
- 20) 203303-02 Banana wrap, CS front
- 21) 101131-01 Underbelly wrap, .024 x 22.5, Pewter
- 22) 203303-01 Banana wrap, CS rear
- 23) 684936 Wheel well trim, outer, tandem axle
- 24) 684937 Wheel well trim, inner, tandem axle
- 25) 703127 Bottle cover, LP, vinyl, optional
- 26) 511544 Jack, Super w/light
- 27) 371319-05 Window, main door
- 28) 110067-05 Main door assembly
- 29) 114654 Screen door assembly
- 30) 114652 Main door jamb, formed
- 31) 101323 Casting, main door light
- 32) 201185 Lens, main door light
- 33) 114465-02 Close out rub rail, LH
- 34) 400914-03 Stabilizer jack, 20"
- 35) 410847 Bumper, polished
- 36) 114466-01 Casting, rub rail end, wheel well, RH
- 37) 114466-02 Casting, rub rail end, wheel well, LH
- 38) 114465-01 Close out rub rail, RH
- 39) 114465-02 Close out rub rail, LH

2003 INTERNATIONAL TRAVEL TRAILER

BODY
28' CCD CS Wall



Part Numbers on the next page

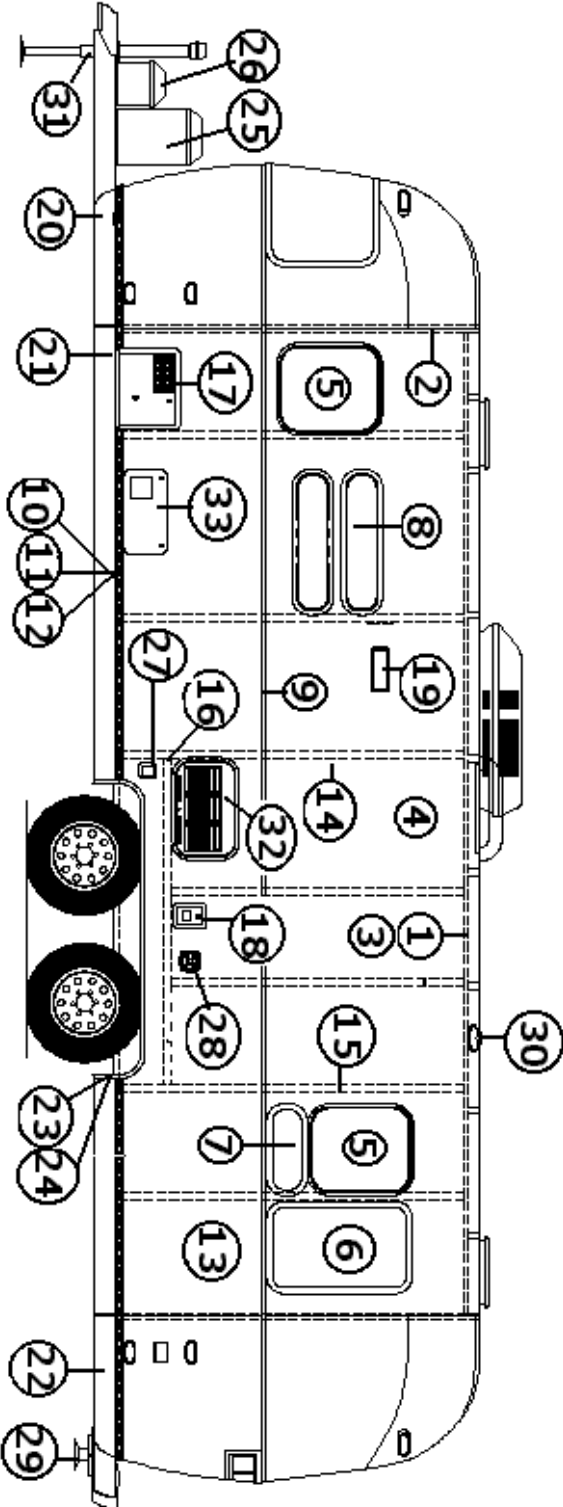
2003 INTERNATIONAL TRAVEL TRAILER

BODY 28' CCD CS Wall

- 1) 114290 Extrusion, awning/drip rail
- 2) 114993 End bow
- 3) 104707-01 Extrusion, "I" beam
- 4) 114880-262 Window sheet, .040" x 51" x 262"
- 5) 371380 Window, Tall, 30" opening
- 6) 371286-01 Window, 18" X 30" curved fixed
- 7) 371323-01 Window, 18" opening
- 8) 371269-01 Window, 18" stacked
- 9) 100034 "Z" bar 48"
- 10) 114460 Extrusion, rub rail
- 11) 201763-01 Insert, rub rail, chrome, 1"
- 12) 100986 Floor channel
- 13) 114879-262 Side sheet, .040" x 33" x 262"
- 14) 114387-01 Bow, Z rib, RH
- 15) 114387-02 Bow, Z rib, LH
- 16) 100986 Wheel well stiffener (floor channel)
- 17) 400914-02 Handle, stabilizer jack
- 18) 510676-01 Outlet, exterior 110 volt, gray
- 19) 410598 Super Jack footpad
- 20) 200543-01 Banana wrap, CS front
- 21) 101131-01 Underbelly wrap, .024 x 22.5, Pewter
- 22) 200542-01 Banana wrap, CS rear
- 23) 684936 Wheel well trim, outer, tandem axle
- 24) 684937 Wheel well trim, inner, tandem axle
- 25) 921232 Bottle cover, LP
- 26) 511544 Jack, Super w/light
- 27) 371319-05 Window, main door
- 28) 110067-05 Main door assembly
- 29) 114654 Screen door assembly
- 30) 114652 Main door jamb, formed
- 31) 101323 Casting, main door light
- 32) 201185 Lens, main door light
- 33) 114465-02 Close out rub rail, LH
- 34) 400914-03 Stabilizer jack, 20"
- 35) 410847 Bumper, polished
- 36) 114466-01 Casting, rub rail end, wheel well, RH
- 37) 114466-02 Casting, rub rail end, wheel well, LH
- 38) 114465-01 Close out rub rail, RH
- 39) 114465-02 Close out rub rail, LH
- 40) 511595 Battery box

2003 INTERNATIONAL TRAVEL TRAILER

BODY
28' CCD RS Wall



P/N on the next page.

2003 INTERNATIONAL TRAVEL TRAILER

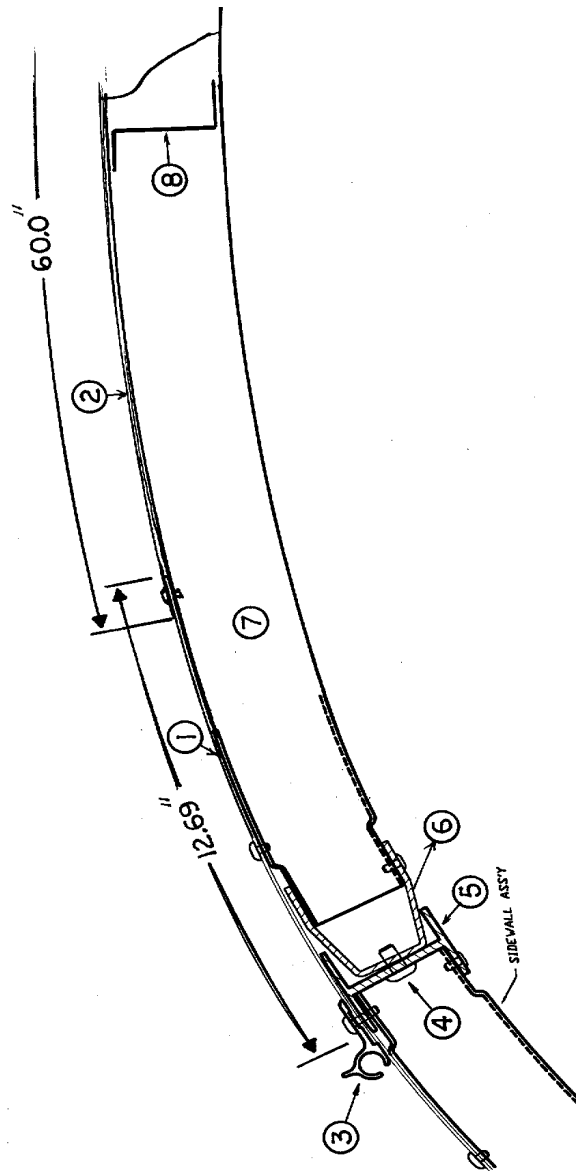
BODY

28' CCD RS Wall

- 1) 114290 Extrusion, awning/drip rail
- 2) 114993 Rib, end bow
- 3) 104707-01 Extrusion, "I" beam
- 4) 114880-262 Alum, sheet, upper, .040" x 51" x 262"
- 5) 371323-01 Window, 18", opening window
- 6) 371286-01 Window, 18", curved fixed window
- 7) 371269-01 Window, 18" stacked
- 8) 371270-01 Window, 30" stacked
- 9) 100034 "Z" bar, 48"
- 10) 114460 Extrusion, rub rail
- 11) 201763-01 Insert, rub rail, chrome, 1"
- 12) 100986 Floor channel
- 13) 114879-262 Alum. sheet, lower, .040" x 33" x 262"
- 14) 114387-01 Bow, Z rib, RH
- 15) 114387-02 Bow, Z rib, LH
- 16) 100986 Wheel well stiffener (floor channel)
- 17) 690209 Access door, Atwood water heater
- 18) 601194 Water fill, w/lock
- 19) 511017-11 Vent cover, exterior range exhaust
- 20) 200542-01 Banana wrap, RS front
- 21) 101131-01 Underbelly wrap, .024" x 22.5", Pewter
- 22) 200543-01 Banana, rear corner, RS
- 23) 684936 Wheel well trim, outer, tandem axle
- 24) 684937 Wheel well trim, inner, tandem axle
- 25) 921232 Bottle cover, LP
- 26) 511595 Battery box
- 27) 511416-02 30-amp, male power inlet
- 28) 601392-05 City water hook-up, chrome w/regulator
- 29) 400914-03 Stabilizer jack, 20"
- 400914-02 Handle, stabilizer jack
- 30) 690266-01 Bath power ventilator
- 31) 511544 Jack, Super w/light
- 32) 922243 Refer access door, 104417 Jamb
- 33) 690274-09 Door exterior, Hydroflame

2003 INTERNATIONAL TRAVEL TRAILER

BODY Roof End



- | | |
|---------------|-------------------------------------------|
| 1) 114669-307 | Alum. Sheet, white, .032" x 12.69" x 307" |
| 2) 114489-198 | Alum. Sheet, white, .032" x 60" x 198" |
| 3) 114290 | Extrusion, awning/drip rail |
| 4) 340123-02 | Rivet, Huck, 3/16" x 1/2" |
| 5) 104707-05 | Extrusion, "I" beam |
| 6) 114987-01 | Extrusion, roof corner, 194" |
| 7) 114668 | Roof bow |
| 8) 104408 | Extrusion, Z-bar, horizontal |

2003 INTERNATIONAL TRAVEL TRAILER

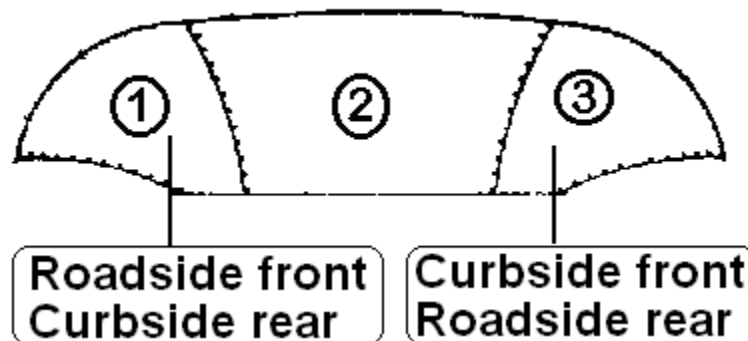
BODY INTERIOR SHELL

AS Model

114445	Aluminum sheet, .032" x 34" x coil
114853-01	Aluminum sheet, .032" x 57" x coil
702481 *	Wall liner, Geometric Pearl
702481-01*	Wall liner, Geometric Pearl, 96"
114157-01	Extrusion, end liner, upper, white
201728-01	Extrusion, ceiling trim retainer
201728-03	Extrusion, ceiling trim
114655	TRIM RING FORMED MAIN DOOR
381772	HEAD KNOCKER-ENTRANCE DOOR
201666-01	MOLDING-J 3/16" ALMOND PLASTIC, bath wall
203138-01	Extrusion, plastic, wall, white, bath panels

22 Ft. Models

Inside View



1. 114891-01 Interior segment
2. 114892-01 Interior segment
3. 114890-01 Interior segment

- For repairs purchase vinyl glues locally.

(Continued)

2003 INTERNATIONAL TRAVEL TRAILER

BODY INTERIOR SHELL TRIM

CCD Model

110900-03	TRIM FORMED INT. FRT WRAP ALUM.
110900-04	TRIM FORMED INTERIOR FRT WRAP ALUM
114157-01	EXTRUSION END LINER UPPER WHITE
371319-06	TRIM RING-MAIN DOOR
201578-02	END CAP-TRIM RING GRAY #92422-556
381772	HEAD KNOCKER-ENTRANCE DOOR
201579-02	TRIM RING-LOWER R.S. GRAY
201580-02	TRIM RING-LOWER C.S. GRAY
201581-05	TRIM RING-UPPER R.S. GRAY
201581-06	TRIM RING-UPPER C.S. GRAY
372222	TRIM RING-30" STACK WINDOW CLEAR
372223	TRIM RING-18" STACK WINDOW CLEAR
203225	TRIM, white flexible, goes around window rings
203225-01	TRIM, gray flexible, goes around window rings
28 Ft. CCD front and rear end interior segments are the same as the corresponding exterior segments.	
200514	WHEEL WELL INSULATOR, PLASTIC, TANDEM

2003 INTERNATIONAL TRAVEL TRAILER

CHASSIS

410851	AXLE-2500# NB DEXTER, 10" Brakes, 22 FT.
410858	AXLE-2800# 10" Brakes, 22 FT CSA
7350475H	AXLE 3500# WB, 12" Brakes, 28 FT.
0220003	Shock absorber
0250173-15	Bolt, grade 5, 5/8"-18 x 1.5", shock mount
0130068-818	Nut, hex head flanged, 5/8"-18, shock mount
400923	Acorn lug nut
400949-01	Tire/wheel assy., 14" w/alum. Wheel, 22 FT
400948-01	Cap, wheel center, SS, 3.3 in., 22 FT
410840	TIRE/WHEEL ASSY-"D" RANGE, 28 FT. CCD
400844	COVER, DUST, 4", STAINLESS STEEL, 28 FT. CCD
200844	Wheel well, tandem
400962	STEP-MAIN DOOR STEEL 24", 22 Ft.
381416	STEP, SINGLE, 28' CCD
	22 Ft.
410847	BUMPER, REAR
453946	CLOSEOUT-STORAGE COMPARTMENT
453948	LID REAR BUMPER COMPARTMENT
380203	HINGE PIANO 1/8 PIN
380024	ARMS SUPPORT RIGHT HAND
380067	LOCK CAM BUMPER LID LATCH
114812	ALUM. ANGLE 1.00 X 1.00
203303-01	BANANA WRAP BLACK RS FRONT/CS REAR
203303-02	BANANA WRAP, BLACK CS FRONT RS REAR
203304	ROLL, UNDERBELLY, BLACK PLASTIC

2003 INTERNATIONAL TRAVEL TRAILER

CHASSIS

28' CCD

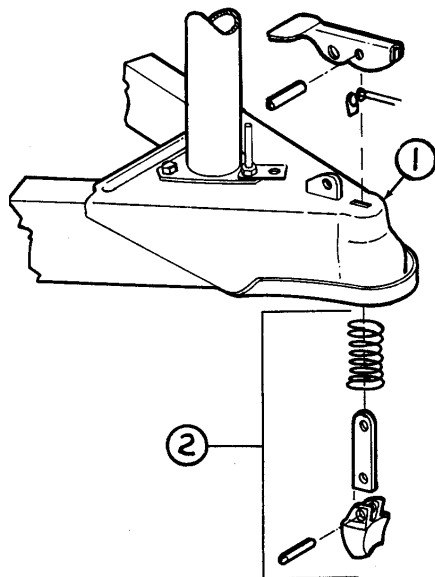
410831	REAR BUMPER
453538	BOTTOM-SEWER HOSE COMPARTMENT
453497	LID-REAR HOSE CARRIER
380203-01	PIANO HINGE 1/8" PIN CLR ANODIZED
380024	ARMS SUPPORT RIGHT HAND
380067	LOCK CAM
381435	HATCH-ACCESS COVER, 4" WHITE
400914-03	STABILIZER JACK 20" LIGHTWEIGHT
400914-02	HANDLE-15"(STABILIZER JACK)
400914-04	Stabilizer jack footpad, set of 4
385020	STICKER SELF ADHERING, JACK
200542-01	WRAP UNDERBELLY RS FRONT/CS REAR
200543-01	WRAP UNDERBELLY CS FRONT RS REAR
101131-01	Aluminum, underbelly wrap, .024" x 22.5, gray

2003 INTERNATIONAL TRAVEL TRAILER

CHASSIS

0300027 Break away switch, Bargman
0360254H Bracket, breakaway switch

400953 Safety Chain, 1/4" x 30"
400945 5/16" clevis, safety slip hook



1) 680343 Coupler assembly, 2 5/16"
2) 680345 Repair kit, 2 5/16" coupler

601807 FRESH TANK PAN ASSY, 22' AS
601808 STRAP-FRESH TANK PAN, 22'
601809 PAN-WASTE TANK ASSY, 22'INT AS

601643 TANK-FRESH WATER 39 GAL, 28' CCD
601642 PAN-TANK ROTOCAST 28' CCD
453493 HANGER STRAP-TANK PAN 28' CCD

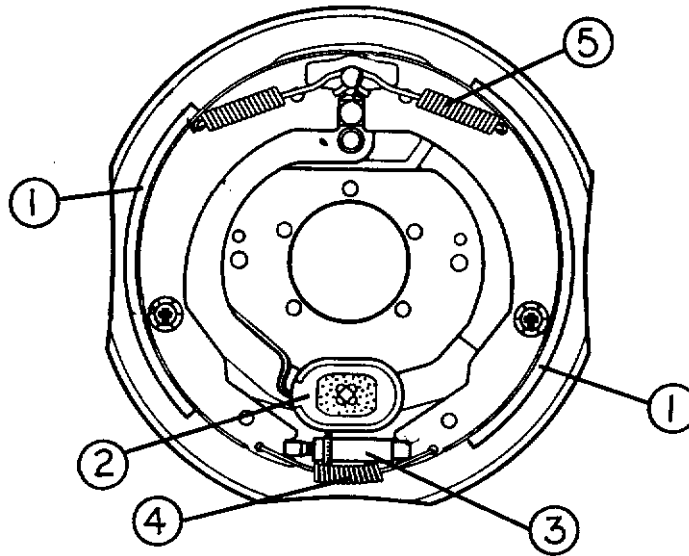
2003 INTERNATIONAL TRAVEL TRAILER

CHASSIS

10" BRAKES, 22 Ft.

3160255	Brake drum 10", 5 lug
685016	Inner bearing, #L68149
685017	Inner race, # L68111
680380	Outer bearing, #L44649
680387	Outer race, #L44610
680377	Grease seal

3160096	Brake assembly, RH, 10" Dexter
3160097	Brake assembly. LH, 10" Dexter

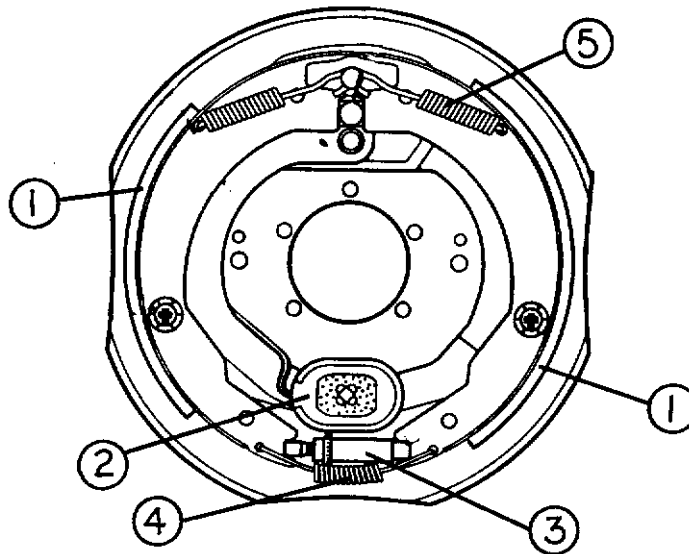


1) 3160097-62	Shoe and lining kit (includes hold down spring and pin)
2) 3160097-65	Magnet kit
3) 3160097-63	Adjuster assembly
4) 3160097-64	Adjusting screw spring
5) 3160097-61	Retractor spring

2003 INTERNATIONAL TRAVEL TRAILER

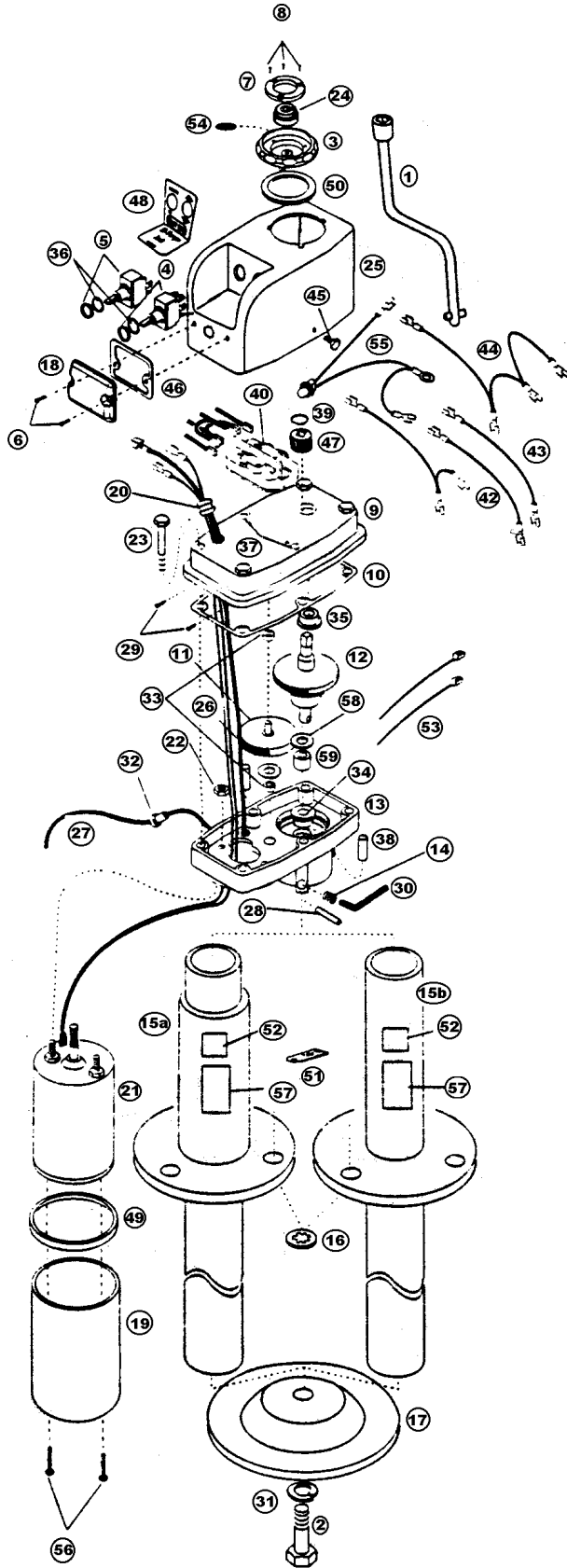
CHASSIS 12" BRAKES, 28' CCD

3160121	Brake drum, 12", 6 lug
450659	Inner bearing, #25580
680364	Inner race, #25520
450658	Outer bearing, #LM67048
680365	Outer race, #LM67010
680370-100	Grease seal
3160347	Brake assembly, RH, 12" Dexter
3160348	Brake assembly, LH, 12" Dexter



- | | |
|---------------|---------------------------------------------------------|
| 1) 3160348-62 | Shoe and lining kit (includes hold down spring and pin) |
| 2) 3160348-65 | Magnet kit |
| 3) 3160348-63 | Adjuster assembly |
| 4) 3160348-64 | Adjusting screw spring |
| 5) 3160348-61 | Retractor spring |

2003 INTERNATIONAL TRAVEL TRAILER



CHASSIS

POWER JACK P/N 400961

Barker Hi-Power 3,000

MANUFACTURER:

Barker Manufacturing Co.
730 east Michigan Ave.
Battle Creek, MI. 49014

Customer Service Phone
& Parts Ordering
616-965-2371

P/N	Description
1. 21047	CRANK
2. 600-0011	HEX BOLT 1/2-20X 3/4
3. 27268	CAP, MACHINED-BLACK
27341	CAP, MACHINED (WHITE)
4. 736-0005	ACTUATOR TOGGLE SWITCH AND NUT
5. 736-0004	LAMP TOGGLE SWITCH AND NUT
6. 606-5001	#10 X 1/2 PHILLIPS HEAD SCREW
7. 27343	LEVEL RETAINER-WHITE
27269	(black)
8. 606-0011	#6-32 X 5/8 TYPE 'F' SCREW
9. 27247	UPPER HOUSING
10. 17422	GASKET
11. 22012	DRIVE GEAR ASSEMBLY
12. 27248	OUTPUT GEAR ASSEMBLY
13. 23674	LOWER HOUSING BLACK
25697	(WHITE)
14. 608-0006	5/16-18 X 1/2" SET SCREW
15A. 27313	POST ASSY. (BLACK-2 1/4" OD)
15A. 27527	POST ASSY. (WHITE-2 1/4")
15B. 27335	POST ASSY. (BLACK-2- OD)
16. 619-0003	INTERNAL TOOTH LOCK WASHER
17. 21349	FOOT PLATE (BLACK)
17. 12752	FOOT PLATE (SILVER, WHITE)
18. 27262	LENS
19. 27276	MOTOR SLEEVE (BLACK)
19. 27344	MOTOR SLEEVE (WHITE)
20. 26236	RUBBER GROMMET
21. 17414	ELECTRIC MOTOR
22. 611-2100	HEX LOCK NUT
23. 605-0012	SCREW
24. 27272	CIRCULAR LEVEL COVER (WHITE)
25. 27338	

Continued on next page

2003 INTERNATIONAL TRAVEL TRAILER

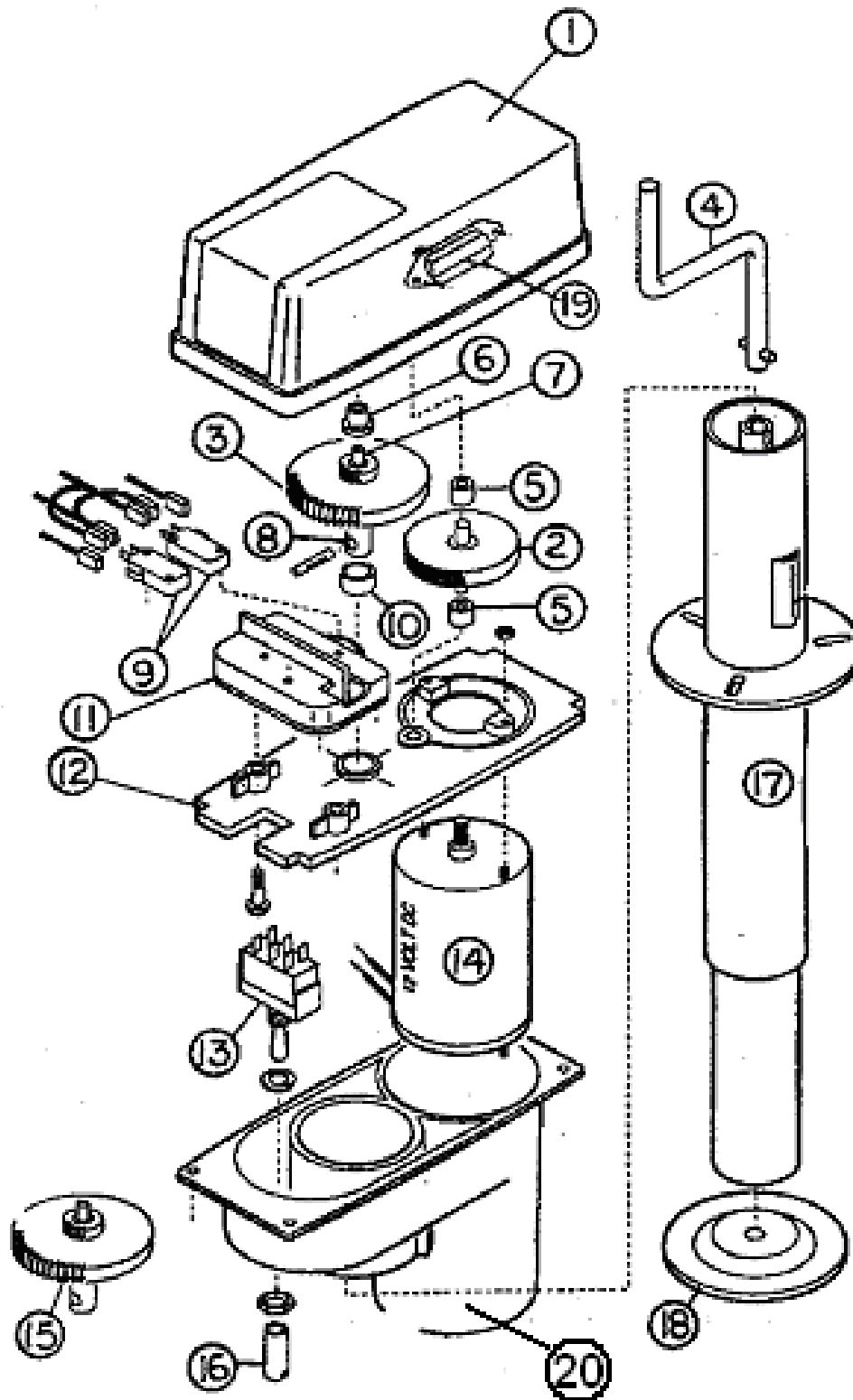
Power Jack Parts Diagram (Cont.)

25.	27259	COVER (BLACK)
26.	80208	WASHER, SPACER
27.	27251	GREY WIRE ASSEMBLY
28.	623-1216	GROOVE PIN
29.	606-0009	#10 X 3/8 SCREW (LIMIT SWITCH)
30.	636-0000	HEX KEY
31.	618-1002	LOCK WASHER 1/2"
32.	80504	SNAP BUSHING
33.	80501	BUSHING
34.	645-0024	FLANGE BUSHING
35.	641-0009	BUSHING
36.	635-0015	"0"-RING TOGGLE SWITCH SEAL
37.	16434	HOLE PLUG
38.	621-0004	1/8" DIA X 3/4 DOWEL
39.	634-0023	RETAINER RING
40.	27512	LIMIT SWITCH ASSY.
41.	27257	1BLACK WIRE ASSEMBLY
42.	27256	WHITE WIRE ASSEMBLY
43.	27254	BLUE WIRE ASSEMBLY
44.	27252	GREEN WIRE ASSEMBLY
45.	606-0008	#10-16 X 3/4" TEK SCREW (BLACK)
45.	606-0010	#10-16 X 3/4" TEK SCREW ZINC PLATED
46.	27263	LENS GASKET
47.	27277	POT/REED DRIVE GEAR
48.	27264	COVER LABEL
49.	27274	MOTOR SEAL
50.	27273	CAP GASKET
51.	26351	I.D. TAG (55:1)
52.	24047	WARNING LABEL
53.	17892	CABLE TIE GRAY
53.	16392	CABLE TIE BLACK
54.	620-0000	WAVE SPRING
55.	27253	LAMP WIRE ASSY
56.	603-5017	#10-32 x 5/8" PHILLIPS SCREW (BLACK)
56.	603-5011	#10-32 x 5/8" PHILLIPS SCREW (SILVER)
57.	12393	SYNCHRONIZE LABEL
58.	14459	THRUST WASHER
59.	14489	1/2" X 5/8" X 3/4" BEARING

2003 INTERNATIONAL TRAVEL TRAILER

CHASSIS

Power Jack



Part Numbers are on the next page

2003 INTERNATIONAL TRAVEL TRAILER

CHASSIS

Power Hitch Jack

511544	Power jack w/flag holder & light
012251	Power head less post
1. 012198	Cover, Super Jack
2. 010051	Gear, fiber, Super Jack
3. 015551	Drive gear, Super Jack
4. 016199	Crank handle, manual, Super Jack
5. 080501	Bushing, bronze, Super Jack
6. 010055	Bushing, flange, Super Jack
7. 015552	Gear, pot/reed, Super Jack
8. 015553	Shaft, Super Jack
9. 081703	Micro switch, Super Jack
10. 080520	Bushing/bronze,7/16,Super Jack
11. 012252	Limit switch assembly, Super Jack
12. 012200	Center plate, Super Jack
13. 081704	Switch, toggle, Super Jack
14. 016263	Motor, 12V, Super Jack
15. 011675	Drive gear assembly, Super Jack
16. 010069	Switch cover, Super Jack
17. 011631	Jack post, Super Jack
18. 410598	Foot pad #12231
19. 026503	Light, Jack
20. 012199	Housing for Motor and Switch

2003 INTERNATIONAL TRAVEL TRAILER

DECAL/EXTERIOR TRIM

386051	DECAL LOGO 32" "AIRSTREAM"
386068	MEDALLION 3" LOGO, AIRSTREAM, Main door
114460	Extrusion, rub rail
201763-01	Insert, rub rail, chrome, 1"
114466-01	Close out, casting, rub rail, angled RH
114466-02	Close out, casting, rub rail, angled LH
114465-01	Close out, casting, rub rail RH
114465-02	Close out, casting, rub rail LH
500095	REFLECTOR RED RECTANGULAR
500096	REFLECTOR, AMBER
510446	REFLECTOR, RED, STICK-ON
*114328	Extrusion, beltline
*201912	Molding, chrome, beltline insert
*114417	Casting close out, belt line
386108	NAMEPLATE-INTERNATIONAL

* Deleted during model year.

2003 INTERNATIONAL TRAVEL TRAILER

DOORS/WINDOWS/AWNING

EXTERIOR DOORS

115207-04	Main door assembly
114652	Jamb, main door, preformed
114653	Frame, main door, preformed
114448-03	Skin, exterior, upper main door
114449-03	Skin, exterior, lower main door
114475	Skin, inner, vinyl clad
114363	Drip cap, main door
365232	Seal, main door
381704	Seal, upper main door (goes over 365232)
114655	Extrusion, inside door, formed trim ring
386068	Medallion, 3" LOGO, AIRSTREAM
701624	VELCRO LOOP 5/8" WIDE
701625	VELCRO HOOK, 5/8" WIDE
114654	Screen door assembly
114561-01	Panel, slider, screen door, Revised for deadbolt
114648-01	Kick-panel, screen door, 6.69 x 24.13"
203287-02	Close out, plastic, screen door w/ dead bolt
380079	Screen, gray
200518	Spline, gray, screen insert
365013-01	Gasket, screen door, foam tape
32226W	SCREEN DOOR GUARD
683946	BUG SEAL

2003 INTERNATIONAL TRAVEL TRAILER

DOORS/WINDOWS/AWNING

EXTERIOR DOORS

*203305 VENT-REFER-PLASTIC RADIUS CORNER, 22 Ft
*115038 DOOR JAMB, REFRIGERATOR, CLOSEOUT, 22 Ft.

922243 ASSEMBLY, REFER ACCESS DOOR, 28 Ft.
104417 JAMB, REFRIGERATOR ACCESS
104439 LOUVERED PANEL, REFER ACCESS DOOR
380988 HINGE, CONTINUOUS .5IN LEAF 16IN
203225 TRIM LOCK WHITE #1375 1/8 W-3

100679-01 Side access door assembly
365035 Seal, side access door
380773 HINGE, ACCESS DOOR
380770 LOCK & CASTING ASSEMBLY

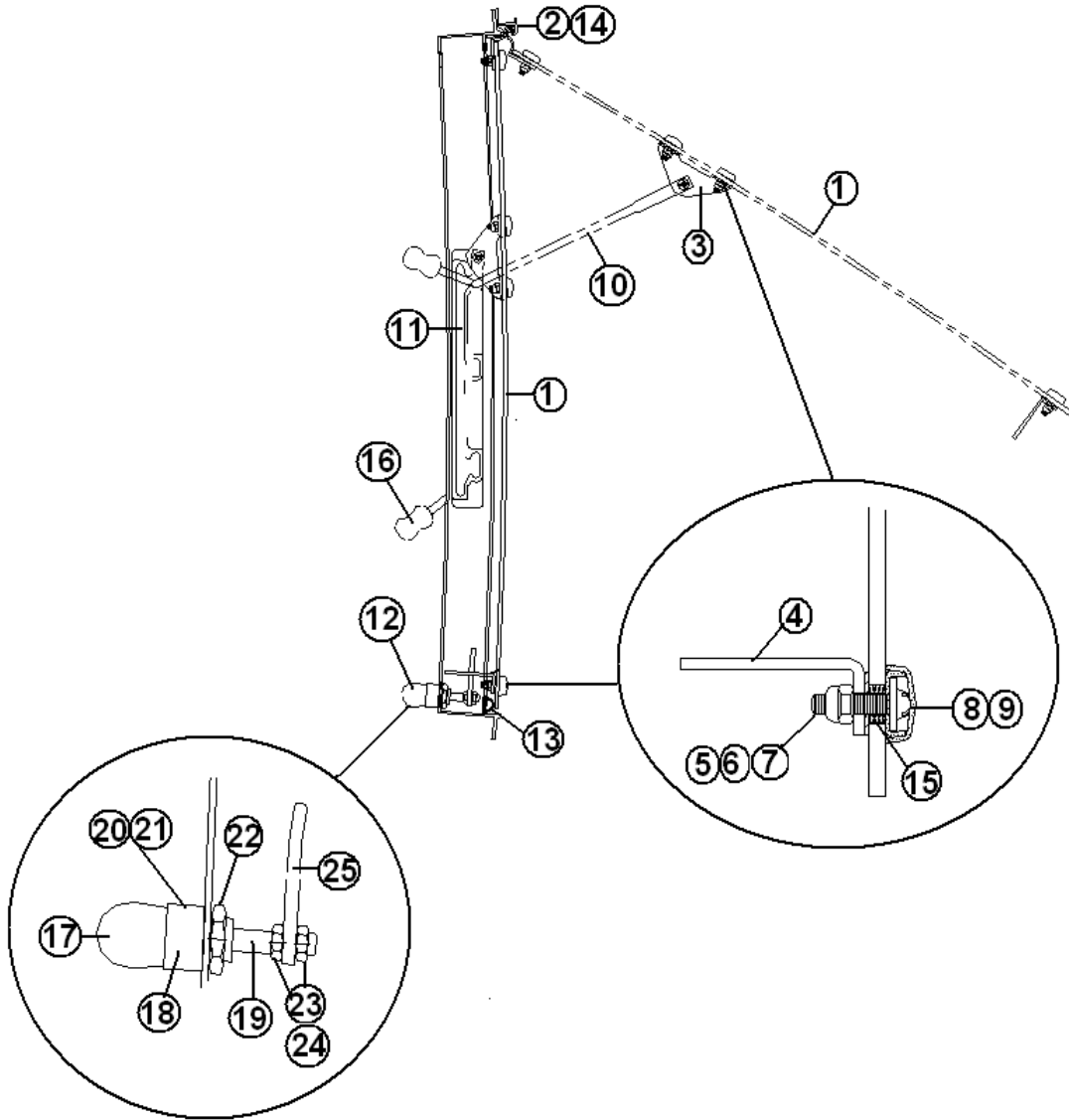
921159 DOOR ASSY TRUNK
114675 JAMB TRUNK DOOR
380774-02 HINGE, COMPT DOOR 61.50
380770 LOCK & CASTING ASSEMBLY
360016 BUMP-ON RUBBER
365035 RUBBER SEAL ACCESS DOOR

* RLC 690470-01 replaces 203305, 115038-01 replaces 115038

2003 INTERNATIONAL TRAVEL TRAILER

DOORS/WINDOWS/AWNING

WINDOWS



Part numbers on next page

2003 INTERNATIONAL TRAVEL TRAILER

DOORS/WINDOWS/AWNINGS

WINDOWS

- | | |
|---------------|-------------------------------------|
| 1. 371323-100 | Glass w/hardware, 18" window |
| 1. 371324-100 | Glass w/hardware, 30" window |
| 2. 371323-101 | Hinge, 18" window |
| 2. 371324-101 | Hinge, 30" window |
| 3. 1101-0010 | Bracket, window prop |
| 4. 685124 | Striker plate, window latch |
| 5. 0706-0004 | Flat washer |
| 6. 0703-0001 | Screw, #8-32 x .625", black, SS |
| 7. 0702-0010 | Nut, Nylox, #8-32, black SS |
| 8. 0802-0004 | Screw cover, 12-12 #100, black |
| 9. 0802-0005 | Washer, 12-12 screw cover bottom |
| 10. 100903 | Operating arm, RH |
| 10. 100903-01 | Operating arm, LH |
| 11. 0802-0001 | Guide, operating arm, RH |
| 11. 0802-0002 | Guide, operating arm, LH |
| 12. 010020 | Latch assembly, chrome |
| 13. 381665 | Gasket seal |
| 14. 0101-0017 | Male hinge extrusion, 1/2" pc. |
| 15. 0706-0003 | Bushing, window, acrylic |
| 16. 380230-03 | Window arm knob, silver |
| 16. 380230-04 | Window arm knob, red |
| 17. 1101-0005 | Latch handle, chrome |
| 17. 195467-05 | Latch handle, red |
| 18. 1101-0007 | Latch body |
| 19. 1101-0008 | Latch shaft |
| 20. 1101-0009 | Latch spring |
| 21. 0707-0002 | Pin, drive lock, 5/32" x 5/8", zinc |
| 22. 0702-0001 | Nut, hex panel, 5/8"-24, zinc |
| 23. 0702-0002 | Nut, jam, hex, 5/16-24 |
| 24. 385123 | Washer, flat, .53" OD x .328" ID |
| 25. 685123 | Latch paw |

2003 INTERNATIONAL TRAVEL TRAILER

DOORS/WINDOWS/AWNING

WINDOWS, SCREENS & WINDOW TRIM

381665 GASKET, window, "D" SEAL .50W X .36H BLACK
385642 COVER PLATE, APPLIQUÉ, 1.38X3

203225 TRIM-LOCK, WHITE, flexible, goes around trim ring
203225-01 TRIM-LOCK, GRAY, flexible, goes around trim ring

22 FT. AS Model

372174-03 SCREEN-18"OPENING WINDOW, white
372175-04 SCREEN-30" OPENING WINDOW, white
372176-03 SCREEN-REAR ESCAPE
372220 SCREEN-21"X 28" EGRESS WHITE
372173-01 SCREEN FRONT WINDOW WHITE

371319-05 WINDOW-MAIN DOOR
371323-01 WINDOW-18" OPENING
371324-03 WINDOW-30"OPEN EGRESS
371328 WINDOW FRONT DARK GLASS
*372218 WINDOW-21"X 28" OPENING
*987172-78 GLASS ONLY FOR 372218
372088 CURBSIDE WINDOW WRAP
372089 WINDOW, REAR CORNER WRAP RS SOLAR

2003 INTERNATIONAL TRAVEL TRAILER

DOORS/WINDOWS/AWNING

WINDOWS, SCREENS & WINDOW TRIM

22 FT. CCD Model

371319-05	WINDOW-MAIN DOOR
371269-01	WINDOW 18" STACK
371270-01	WINDOW 30" STACK
371280	WING WINDOW, R.S. SINGLE PANE, S. G.
372218-01	WINDOW-21" X 28" EGRESS
372088	CURBSIDE WINDOW WRAP
372089	WINDOW, REAR CORNER WRAP RS SOLAR
371328	WINDOW FRONT DARK GLASS
201579-02	TRIM RING-LOWER R.S. GRAY
201580-02	TRIM RING-LOWER C.S. GRAY
201581-05	TRIM RING-UPPER R.S. GRAY
201581-06	TRIM RING-UPPER C.S. GRAY
372222	TRIM RING-30" STACK WINDOW CLEAR
372215-01	SCREEN-30"OPENING WINDOW TALL
372173-02	SCREEN-FRONT WINDOW CLEAR FRAME
372220-01	SCREEN-21" X 28" ALT EGRESS

2003 INTERNATIONAL TRAVEL TRAILER

DOORS/WINDOWS/AWNING WINDOWS, SCREENS & WINDOW TRIM 28 FT. CCD Model

371269-01	WINDOW 18" STACK
371270-01	WINDOW 30" STACK
371286-01	WINDOW 18 X 30 CURVED FIXED
371319-05	WINDOW-MAIN DOOR
371323-01	WINDOW-18" OPENING
371328	WINDOW FRONT DARK GLASS
371348-02	WINDOW-REAR W/RED HANDLES
371380	WINDOW-OPENING 30" TALL
195510-19	GLASS AND HARDWARE FOR 371380 WINDOW
372088-101	WINDOW, PANORAMIC, RS FRONT
372089-101	WINDOW, PANORAMIC, CS FRONT
380230-03	KNOB, WINDOW ARM, PLASTIC/SILVER
381088	HANDLE, LATCH WINDOW (RED)
201578-02	END CAP-TRIM RING GRAY #92422-556
201579-02	TRIM RING-LOWER R.S. GRAY
201580-02	TRIM RING-LOWER C.S. GRAY
201581-05	TRIM RING-UPPER R.S. GRAY
201581-06	TRIM RING-UPPER C.S. GRAY
372222	TRIM RING-30" STACK WINDOW CLEAR
372223	TRIM RING-18" STACK WINDOW CLEAR
110900-03	TRIM FORMED INTERIOR FRONT WRAP
110900-04	TRIM FORMED INTERIOR FRONT WARP
372225	TRIM RING INNER SUPPORT 30"
372226	TRIM RING INNER SUPPORT 18"
372227	TRIM RING-INNER SPACER 18" X 30"
372228	TRIM RING-18"X 30" WINDOW
372174-03	SCREEN-18"OPENING WINDOW
371347-03	SCREEN-SQUARE FRT WINDOW
371349-03	SCREEN-REAR ESCAPE
372215-01	SCREEN-30"OPENING WINDOW TALL
203225-01	TRIM LOCK-GRAY .75" #1375-1/8 G-7
381665	GASKET D-SEAL .50W X 36H BLACK

2003 INTERNATIONAL TRAVEL TRAILER

DOORS/WINDOWS/AWNING

685275-100 3-Piece Solar Stone Guard Assembly

685275-101	CS wrap window solar protector, stone guard
685275-102	RS wrap window solar protector, stone guard
685358	Turn fast stud
685362	Retainer, split ring
685359	Rubber receptacle
685361	Bracket, rubber receptacle
685363	Slip joint hinge, SS, CS per pair
685275-103	Stone guard, center piece only
683960	Arm support
683959	Arm support bracket
114749	HINGE "Y" ASSY. (ROCKGUARD ASSY.)
114750	HINGE "J" (ROCKGUARD ASSY.)
685364	BRKT, UPPER HINGE-45.375-STONEGUARD
381021	Latch, draw flexible

Stone guard frame

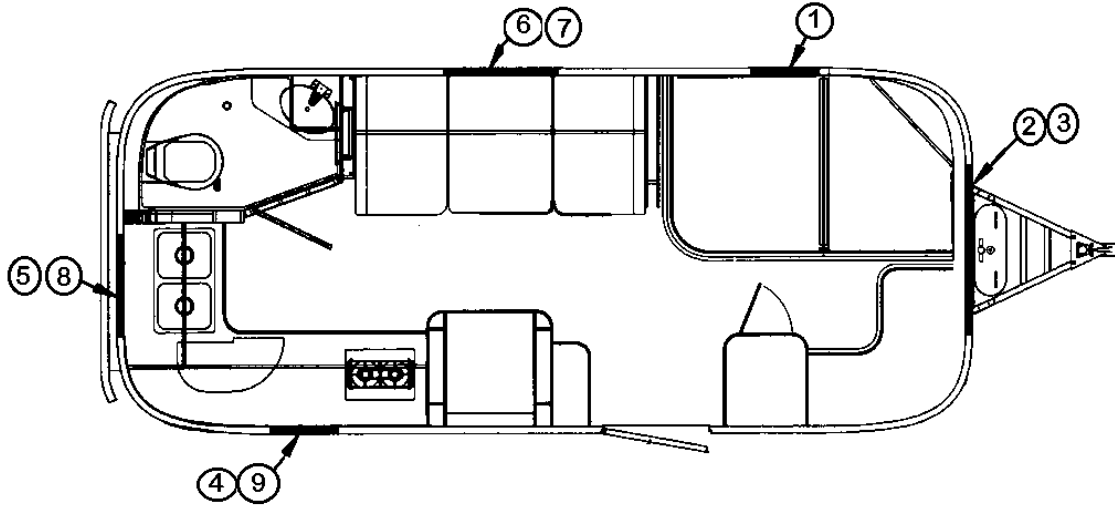
114815-01	Extrusion, frame aluminum
685354	Front window key, 90-degree angle riveted to inside corner of metal frame
685378	¼" rubber spline
685351	Rubber frame, black
290812-01	Plexi-glass, 28" x 84 " sheet
101401	Extrusion, door latch housing

AWNINGS

702993-10	AWNING-PATIO 12' 4.5"
702993	HARDWARE MTG ZIP DEE #HE-AS7
703181-02	Awning, 47" window, Royal blue
703181-09	Awning, 12' 4" window, Royal blue

2003 INTERNATIONAL TRAVEL TRAILER

DRAPES/BLINDS/VALANCES 22 Ft. AS Model



- | | |
|--------------|-----------------------------------|
| 1. 998146-01 | PANEL-DRAPE R.S. BEDROOM |
| 2. 998146-02 | PANEL-DRAPE R.S. PANORAMIC |
| 3. 998146-03 | PANEL-DRAPE C.S. PANORAMIC |
| 4. 964545-01 | Valance assembly, CS, galley |
| 5. 964545-02 | Valance assembly, galley, rear |
| 6. 964545-03 | Valance assembly, RS, dinette |
| 7. 703191-03 | BLIND-MINI TAUPE 30.00"X 24.38" |
| 8. 703191-01 | BLIND-MINI B. ALUM 25.38"X 21.63" |
| 9. 703191-02 | BLIND-MINI B. ALUM 18.25"X 24.38" |

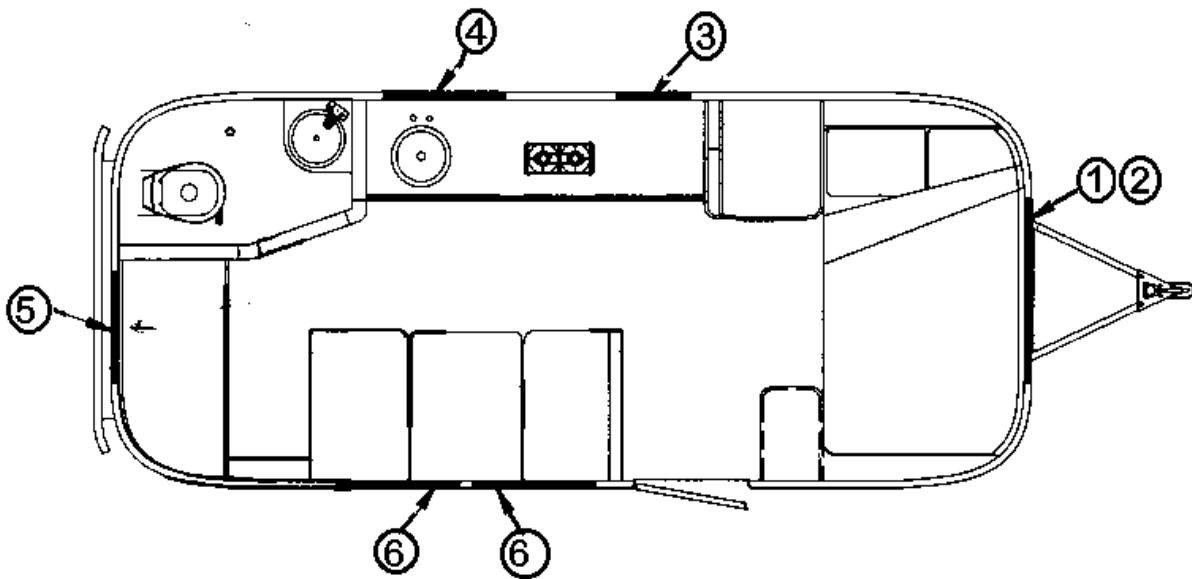
Drape Parts

- | | |
|-----------|------------------------------------|
| 700473 | DRAPERY LINING, MARLINE WHITE 48"W |
| 700005 | FASTENER, CAP |
| 700006 | FASTENER SOCKET |
| 340030 | FASTENER STUD NICKEL PLATED |
| 700020 | PILE VELCRO |
| 100099 | EXTR, ALUM. CURTAIN TRACK TOP |
| 114157-01 | EXTRUSION END LINER UPPER WHITE |

2003 INTERNATIONAL TRAVEL TRAILER

DRAPES/BLINDS/VALANCES

22 Ft. CCD Model Drapes, Pull Shades w/ finger pull

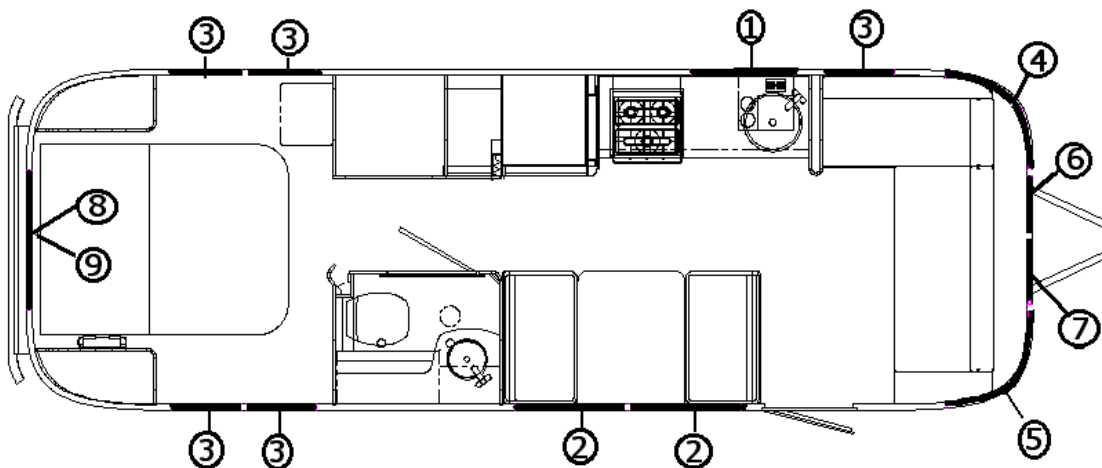


- | | |
|---------------|----------------------------------|
| 1. 998144-01 | Drape, CS, center panel |
| 998144-02 | Drape, CS side panel |
| 2. 998144-03 | Drape, RS center panel |
| 998144-04 | Drape, RS side panel |
| 3. 703194-01 | Pull shade only, 20" x 24" |
| 3a. 998145-01 | Pull shade assembly |
| 4. 703194-02 | Pull shade only, 32.50" x 24" |
| 4a. 998145-02 | Pull shade assembly |
| 5. 703194-03 | Pull shade only, 24.25" x 24.00" |
| 5a. 998145-03 | Pull shade assembly |
| 6. 703194-04 | Pull shade only, 29.75" x 34.00" |
| 6a. 998145-04 | Pull shade assembly |

2003 INTERNATIONAL TRAVEL TRAILER

DRAPES/BLINDS/VALANCES

28' CCD Curtains-Pull Shades



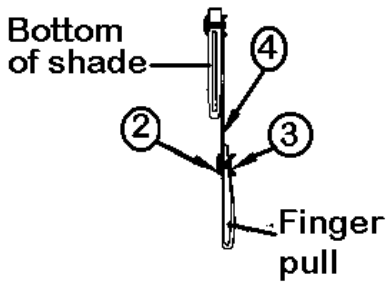
1. 703194-02 Shade-pull white, 32.50" x 24"
2. 703194-04 Shade-pull white, 29.75" x 34"
3. 703194-05 Shade-pull white, 21.00" x 34"
4. 998144-04 Drape-RS side panel, 29" x 40"
5. 998144-02 Drape-CS side panel, 29" x 40"
6. 998144-07 Drape-RS front panel, 29" x 27"
7. 998144-05 Drape-CS front panel, 29" x 27"
8. 998144-06 Drape-RS rear B/R panel, 29" x 30"
9. 998144-08 Drape-CS rear B/R panel, 29" x 30"

Drape Material

- 702761 FABRIC WHITE
- 700473 DRAPERY LINING, MARLINE WHITE 48"W
- 700013 PERMA TAPE #4813-3IN 100 YD ROLL
- 700045 GLIDES CURTAIN G3 W/ELASTIC
- 700020 PILE VELCRO
- 700021 HOOK, VELCRO, WHITE

2003 INTERNATIONAL TRAVEL TRAILER

DRAPES/BLINDS/VALANCES Pull Shade Assembly Includes:



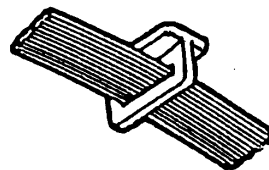
- | | |
|---------------|-----------------------------------|
| 1. 703194-tab | Pull shade, white |
| 2. 700005 | Fastener cap |
| 3. 700006 | Fastener socket |
| 4. 381581 | Strap, clear plastic, finger pull |
| 5. 381519 | Screw stud, not shown |



101220
Bracket, curtain
stand off



101217
Track, curtain



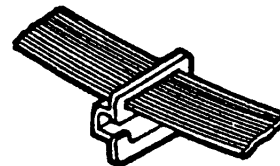
700044
Glides, w/elastic
"T" type



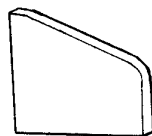
114021
Bracket, curtain
stand off



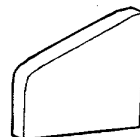
101225
Bracket, curtain
stand off



700045
Glides, w/elastic
"G" type



200785
End, curtain track, LH



200784
End, curtain track, RH

2003 INTERNATIONAL TRAVEL TRAILER

ELECTRICAL 110 VOLT

511416-01	25', power cord w/weather proof connector, 22 Ft.
511416-02	30' power cord, w/weather proof connector, 28 Ft.
511416-02	30-amp, male power inlet
510564-05	Breaker 30-20, Bryant
510564-04	Breaker 20-20, Bryant
510564-03	Breaker, Bryant, 15-15
510564-20	Breaker, 20 GFI
510564-07	Breaker 15 GFI, Bryant
500563-01	Receptacle, 15 amp, white
511287	Receptacle, 15 amp, single
510676-01	Outlet, exterior, gray
511023	Circuit tester (loose item)
511654-01	POWER CENTER-110V/12V MAGNATEK
510014	BOX JUNCTION OCTAGON #54151-C
510015	BOX COVER #54C-1
510475	CLIP, GROUND
510223	BLANK METAL COVER
	Battery Disconnect
511655-01	BEZEL ASSY-BLACK/SILVER
511655-02	RELAY 100 AMP 12VOLT
511655-03	CABLE, 20 Ft.

2003 INTERNATIONAL TRAVEL TRAILER

ELECTRICAL 12 VOLT

511596	Battery, deep cycle, lead acid
511595	Battery box
453603	Battery box strap
500836	Positive battery cable
500837	Negative Battery cable
500886	7-Way cable w/plug
300027	Break away switch, Bargman
510743	Ground bar, 3 ½" long
511411	Junction box, 7 terminals
511648	Reading light, halogen, Black Platinum
511694	Reading light, halogen, Nickel
511477	Reading light, halogen, Brass
200773	CLOSEOUT, READING LIGHT ABS
511249	Light, 12 volt, incandescent, double, interior
510781	Detector, smoke
511309	Detector, LPG
*511656	MONITORING SYSTEM, PROBELESS
511656-01	Flush mount monitor panel only
511656-02	Short sensor board only
*Used after unit 515009	
511705	MONITORING SYSTEM-PROBELESS
511705-01	Flush model panel only
511705-02	universal sensor board

(Continued)

2003 INTERNATIONAL TRAVEL TRAILER

ELECTRICAL

12 VOLT

502056	Mounting plate, 12 volt switch
511327	Switch body w/rocker, single, white
510868-03	Switch panel, 4 gang, white, by door
511567-02	Switch body w/Rocker switches two gang white
511566-02	Cover, switch, Printed, Two Gang, White
452412-01	BRACKET FUSE BLOCK 12V
510655-01	DOOR/FRAME ONLY W/LATCH 12V PANEL
510807	Outlet, 12 volt
511121	Mounting plate, 12 volt receptacle
500996	Jack, TV/phone, gray
510654-01	TV jack/12 volt w/splitter, white
510624-01	Modular phone quick jack, white
452981	PHONE JACK PROTECTIVE PLATE
104619	Mounting plate, exterior telephone/TV jack
510741	BOX/ELECTRICAL, 1-1/2" X 2" X 3"
510174	TELEPHONE WIRE
500913-03	SWITCH T & B WHITE
511665	SWITCH ASSY-CEILING WHITE
511669	SWITCH ASSY-SHOWER WHITE
511658	SWITCH BODY W/COVER 3-GANG
511763	SWITCH BODY W/COVER- PATIO
510947-20	BREAKER, 12V DC, TYPE II, #12V 20APP
511672	SWITCH BODY W/COVER 3 GANG BLACK
511673	SWITCH COVER-TWO GANG BLACK
511674	SWITCH COVER-ONE GANG BLACK
511695	SPOTLIGHT-BRUSHED NICKEL

(Continued)

2003 INTERNATIONAL TRAVEL TRAILER

ELECTRICAL 12 VOLT

EXTERIOR LIGHTS/REFLECTORS

500092	Patio light, round, Signal Stat
510160	Bulb, patio light #1156
510732	Utility light (by main door)
*510111	Clearance light, red, Signal Stat
*510112	Clearance light, amber, Signal Stat
500095	Reflector, red, rectangular
500096	Reflector, amber, rectangular
510446	Reflector, red, stick-on w/chrome edge
500053	License plate light w/plate mounting bracket
101323	CASTING, ALUM STEP LIGHT, POLISHED
201185	LENS STEP LIGHT
500093	LIGHT BULB SOCKET (riveted to casting)
TAIL LIGHT	
952696-01	Tail light assembly RS
952696-02	Tail light assembly CS
511664-01	CASTING-TAILLIGHT R.S.
511664-02	CASTING-TAILLIGHT C.S.
511661	TAILLIGHT-LED OVAL 6"
201462	POCKET, ABS TAILLIGHT
511662	TRIM RING-TAILLIGHT W/VISOR
500095	Red rectangular reflector
115073-01	BRACKET-R.S. TAILLIGHT
115073-02	BRACKET-C.S. TAILLIGHT
115074	BRACKET-CENTER TAILLIGHT
*Running line change during model year to 511751-Red & 511750 amber teardrop lights.	

2003 INTERNATIONAL TRAVEL TRAILER

ENTERTAINMENT

511498 RADIO 140W.AM/FM/CASS.XRCA300MR04, See
511732 below

511732 Radio AM/FM/CD, #CDX-CA400 replaces 511498 as
a running line model change. Check model # of radio before
ordering.

511617 SPEAKER-2 WAY 4.5"BLACK 60W (PR)

510610 Antenna, radio, side mount

511597 ANTENNA, AM/FM RUBBER 13"

*510788-05 Antenna, TV Wineguard, short boom

500484-05 Antenna lead & extension, 72"

510788-03 Amplifier, TV antenna

510788-04 Hardware package, interior, Winegard

510612 Coax, 75 ohm, standard

510613 Coax, 75-ohm w/three conductors

510623 Connector, coax, male to male

510616 F CONNECTOR, COAX, 75 OHM

114396 Trough, TV antenna, roof

*Beginning with unit 515059 there is a running line change to
510788-01 antenna with long boom.

2003 INTERNATIONAL TRAVEL TRAILER

NOTES

2003 INTERNATIONAL TRAVEL TRAILER

*FASTENERS



325043(hard)
325000 (soft)
Rivet, buck type
dia. 1/8"
length 1/4"



325000-01
Rivet, buck type
dia. 1/8"
length 1/4"
anodized clear



325000-03
Rivet, buck type
dia. 1/8"
length 1/4"
anodized white



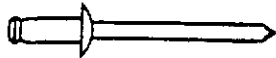
325001-01
Rivet, buck type
dia. 1/8"
length 5/16"
anodized clear



325002
Rivet, buck type
dia. 1/8"
length 3/8"
anodized clear



325004-01
Rivet, buck type
dia. 1/8"
length 1/2"
anodized clear



330129-08 Brown
dia. 1/8"
grip range .063-.125
aluminum body
aluminum mandrel

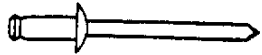


300101
1/8" I.D.
washer, aluminum

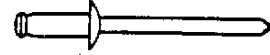
*Common bolts and screws readily available at local hardware outlets have not been listed.

2003 INTERNATIONAL TRAVEL TRAILER

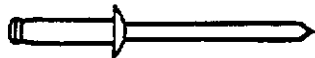
*FASTENERS



330126-02
rivet, pop
dia. 1/8 "
grip range .126-.187
stainless steel
stainless steel mandrel



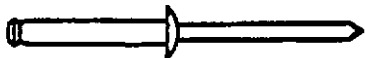
330126-03
rivet, pop
dia. 1/8 "
grip range .126-.250
body stainless steel body
stainless steel mandrel



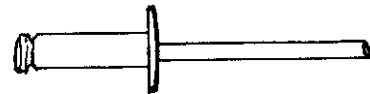
330127-05
rivet, pop
dia. 1/8 "
grip range .251-.312
aluminum body
aluminum mandrel



330128-05
rivet, pop
dia. 1/8 "
grip range .251-.312
aluminum body, white
aluminum mandrel



330127-08
rivet, pop
dia. 1/8 "
grip range .325-.565
aluminum body
aluminum mandrel



330038
rivet, pop
dia. .150 (#20 bit)
grip range .126-.250
aluminum body
aluminum mandrel
(used-screen door hinge)



325103
dia. 1/4 "
grip range .080-.325
SS body, steel mandrel

*Common bolts and screws not listed.

2003 INTERNATIONAL TRAVEL TRAILER

FLOOR COVERING

702793-09 Carpet, Regal, 32950 Sandstone AS model
 700173 Pad, carpet, 3/8" thick
 702665 Rug cushion, non-slip
 703204 Vinyl flooring, Oak River, CCD model

DRAWER BOX

Assembly P/N	Drawer Width	Drawer Slide P/N	Drawer Back Size	Drawer Bottom Size	Location
965560-01	12.00"	381773-15	5.625 x 10.75"	10.75' x 14.88"	AS & CCD Dresser
965554-01	24.50"	381773-17	5.625" x 23.25"	23.25" x 17.625"	AS Galley
965554-02	10.50"	381773-17	5.625" x 9.25"	9.325" x 17.625"	AS Galley
965554-03	18.50"	381773-17	5.625" x 17.25"	17.25' x 17.625"	Nightstand
965554-04	13.75"	381773-17	5.625" x 12.50"	12.50" x 17.625"	Galley
965559-01	24.00"	381773-20	8.00" x 22.75"	22.75" x 12.93"	AS Bed Base
965555-01	18.50"	381773-25	8.00" x 17.25"	17.25" x 20.68"	CCD Bed Base
965553-01	13.75"	381773-11	4.38" x 12.50"	12.50" x 17.625"	CCD Galley
965553-02	25.50"	381773-02	4.38" x 23.25"	23.25" x 17.625"	CCD Galley
965553-03	9.13"	381773-11	4.38" x 7.88"	7.88" x 17.625"	CCD Nightstand
965553-04	16.50"	381773-11	4.38" x 15.25"	15.25" x 17.625"	CCD Desk

MIRRORS

371383 MIRROR-MED CAB 13.62"X 16.84"
 372203-30 MIRROR-SAFETY 14"H X 30"W
 372203-26 MIRROR- POL EDGES- 13.62" X 58.50"
 372203-15 MIRROR- POL EDGES- 17.00" X 25.25"
 454009 BACKER PLATE-MIRROR

2003 INTERNATIONAL TRAVEL TRAILER

FURNITURE

Interior Doors, AS model		
PN	Width x Length (inches)	Location
801341-01	23.63 x 3.00	Galley Base
801341-02	11.75 x 28.63	Galley Base
801341-03	11.13 x 8.75	Galley Base
801341-04	10.16 x 19.00	Galley Base
801341-05	20.44 x 12.63	Galley Base
801341-06	9.88 x 25.44	Refer Cabinet
801341-07	15.25 x 29.50	Phone Stand
801341-08	17.00 x 11.38	Wardrobe
801341-09	8.50 x 65.13	Wardrobe
801341-10	17.56 x 26.13	Dresser
801341-11	8.63 x 12.63	Dresser
801341-12	24.63 x 13.50	Bed Base
801341-13	24.63 x 11.38	Dinette Roof Locker
801341-14	25.63 x 11.38	Dinette Roof Locker
801341-15	11.75 x 10.38	Galley Base, Oven

2003 INTERNATIONAL TRAVEL TRAILER

FURNITURE

Interior Doors CCD		
Part #	Width x Length (inches)	Location
801375-01	19.63 x 21.25	22 ft Galley
801375-02	14.38 x 7.00	22 ft Galley
801375-03	14.38 x 14.13	22 ft Galley
801375-04	25.13 x 7.00	22 ft Galley
801375-05	25.13 x 8.69	22 ft Galley
801375-06	34.13 x 8.69	22 ft Galley
801375-07	6.25 x 17.13	22 ft Desk
801375-08	19.50 x 72.00	22 ft Wardrobe
801375-09	9.75 x 6.50	22 ft Nightstand
801375-10	9.75 x 20.25	22 ft Nightstand
801375-11	19.13 x 13.38	22 ft Bed base
801375-12	20.56 x 16.50	22 ft Bed base
801375-13	15.75 x 17.88	28 ft. Bed base
801375-14	15.88 x 13.63	28 ft. Lavy
801375-15	14.38 x 8.69	28 ft. Galley
801375-16	20.13 x 21.25	28 ft. Galley
801375-17	25.13 x 8.69	28 ft. Galley
801375-18	8.50 x 24.56	28 ft. Galley
801375-19	13.63 x 76.56	28 ft. Wardrobe
801375-20	2.75 x 76.56	28 ft. Wardrobe

Foldette door

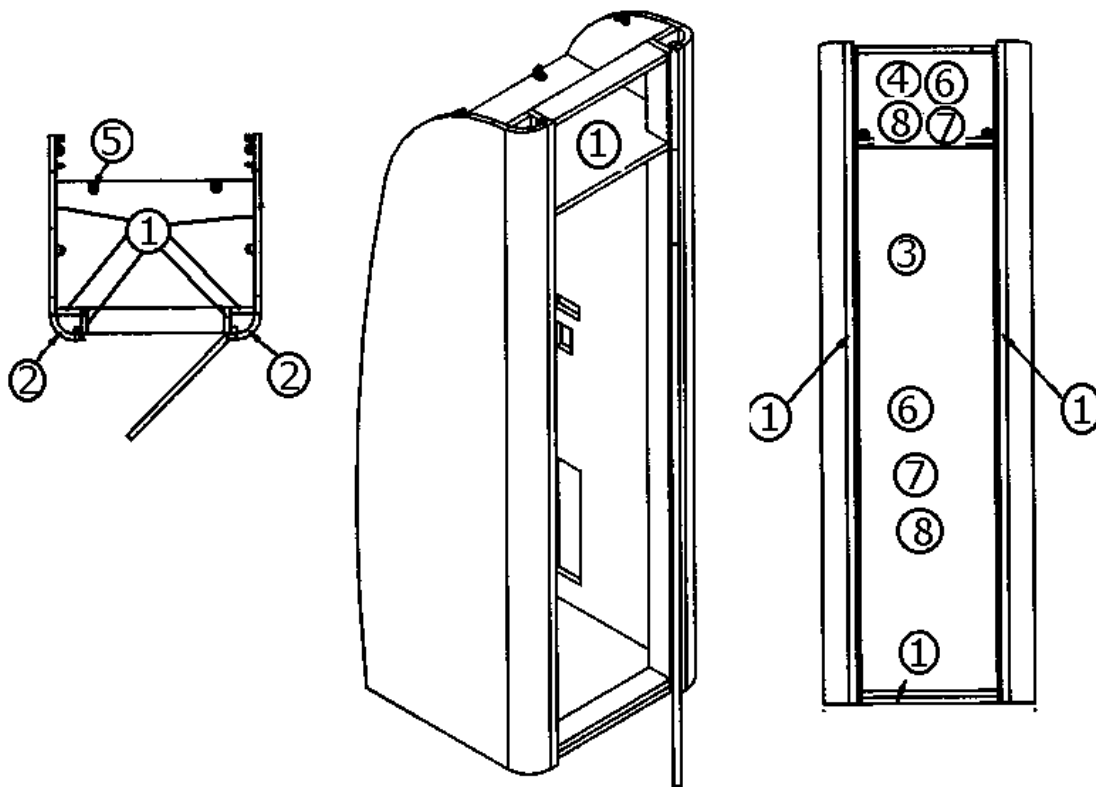
702681-06	DOOR-FOLDETTE 60"X 73" IVORY
702681-07	DOOR-FOLDETTE 60"X 73" Gray, CCD model
381768	TRACK-FOLDETTE DOOR
701342-01	STRAP, VINYL, HOLD-BACK, 7.0"LONG
452258	BRACKET, MTG. FOLDETTE DOOR
800727-01	CLOSE-OUT, FOLDETTE DOOR, OAK, A/S
701342-01	Vinyl strap, FOLDETTE door hold back (Female snap on both ends)

2003 INTERNATIONAL TRAVEL TRAILER

FURNITURE

Bedroom

965515 Wardrobe Assembly, 22' AS model



Designate plywood laminate, white or wood, top-bottom inside outside.

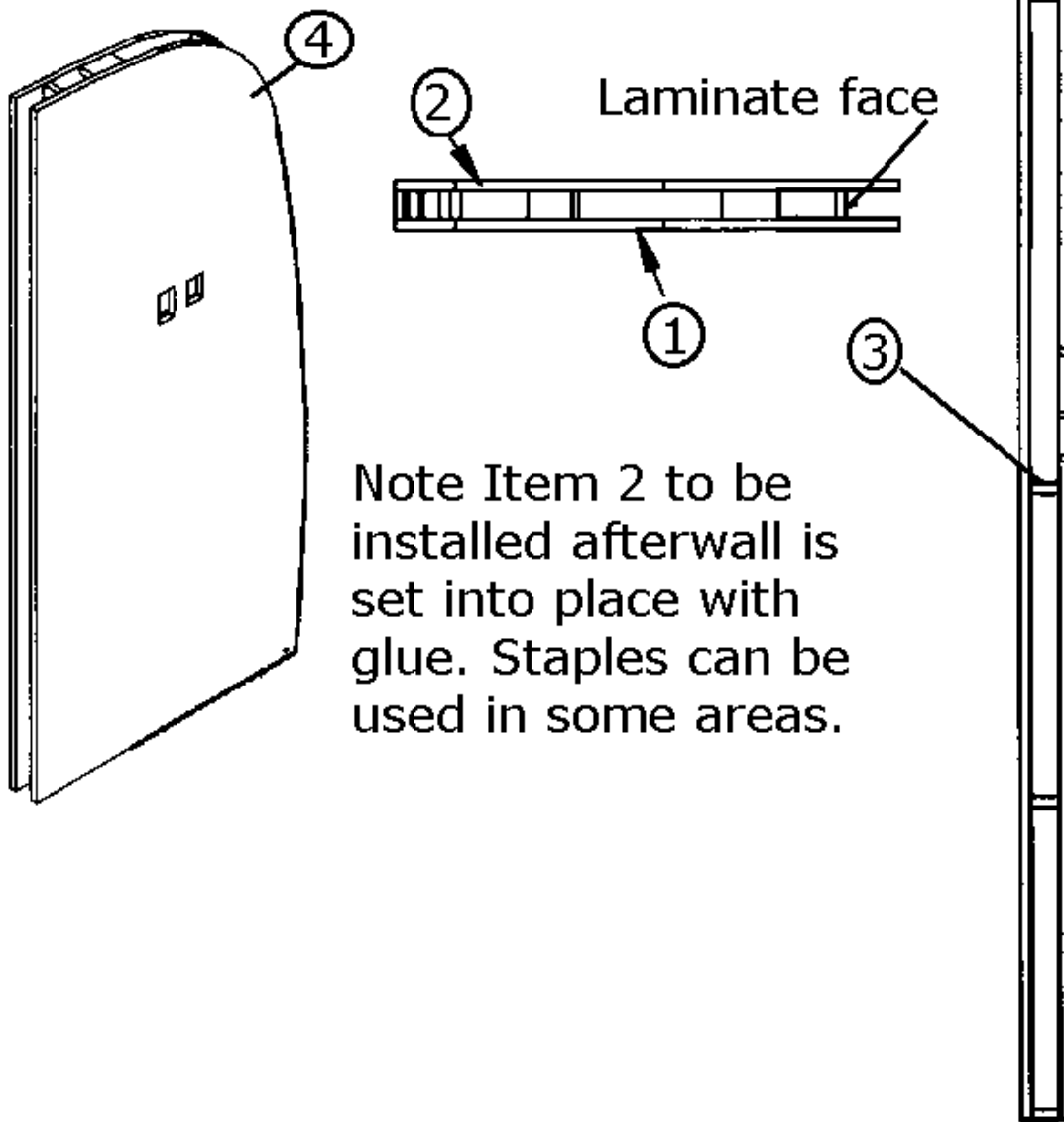
- | | |
|--------------|-------------------------------------------------------|
| 1. 801351 | Light plywood, $\frac{3}{4}$ " Side white, front wood |
| 2. 801345 | Radius plywood, $\frac{3}{4}$ " |
| 3. 801341-08 | Door, 17.00" x 11.38" |
| 4. 801341-09 | Door, 17.00" x 65.13" |
| 5. 385693 | Bracket mounting bracket, lambrequin |
| 6. 381607 | Hinge, assembly, grass euro |
| 7. 381774 | Drawer/door handle |
| 8. 381228-01 | Grabber catch |
| 9. 801355 | Laminate, Frosty White |
| 10. 801343 | Laminate, Tropical Oak |

2003 INTERNATIONAL TRAVEL TRAILER

FURNITURE

Bedroom

965520 Aft Bed Wall Assembly, 22' AS



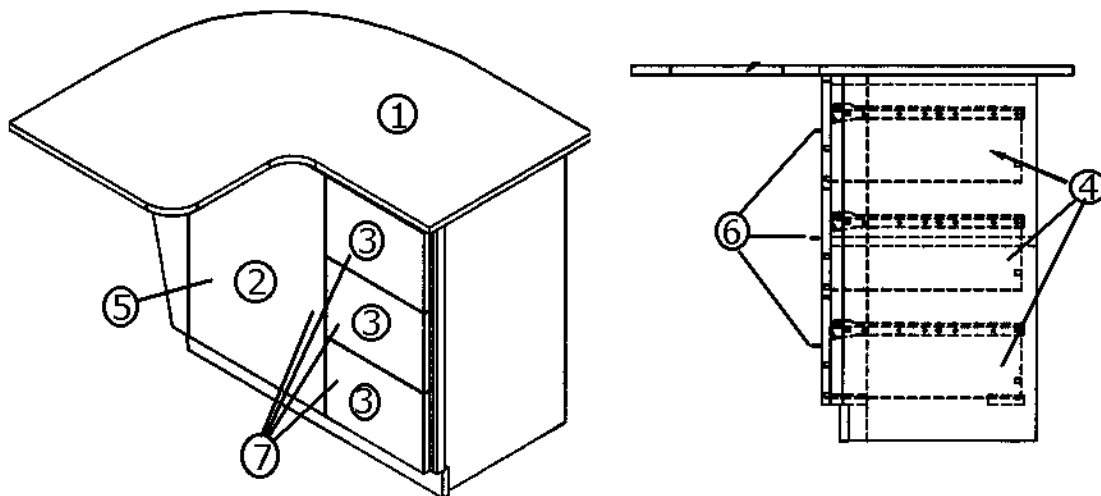
- | | |
|-----------|-------------------------------|
| 1. 801365 | Panel, forward dinette/lounge |
| 2. 801366 | Panel, aft bed |
| 3. 800030 | Pine, $\frac{3}{4}$ " x 2.00" |
| 4. 801343 | Tropical Oak laminate |

2003 INTERNATIONAL TRAVEL TRAILER

FURNITURE

Bedroom

965516 Dresser Assembly, 22' AS model



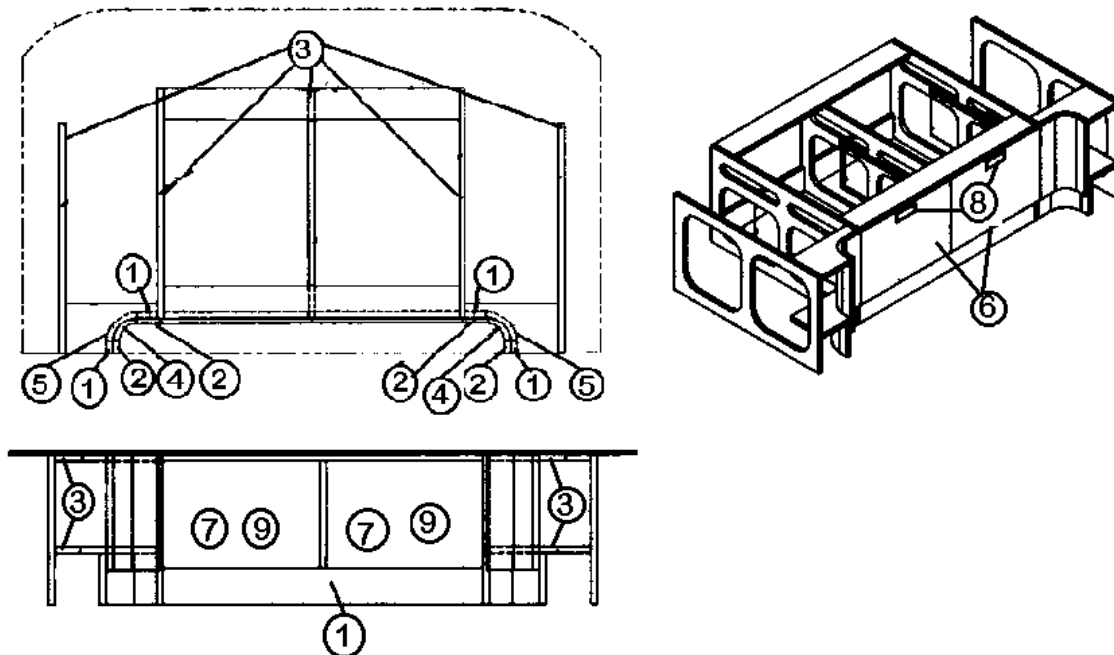
- | | |
|--------------|-------------------------------|
| 1. 965517 | Dresser top assembly |
| 2. 801341-10 | Drawer front, 17.50" x 26.50" |
| 3. 801341-11 | Drawer front, 8.75" x 12.63" |
| 4. 965560-01 | Drawer box assembly |
| 5. 381607 | Hinge assembly, Grass Euro |
| 6. 381774 | Drawer handle |
| 7. 381228-01 | Grabber catch |
| 8. 801355 | Frosty White Formica |
| 9. 801343 | Tropical Oak Formica |
| 10. 801344 | Galaxy Graphite Formica |

2003 INTERNATIONAL TRAVEL TRAILER

FURNITURE

Bedroom

**965930 Bed Assembly, 22 Ft. CCD Model



- 801732 Panel, Rexel, Raven/white
- 801369 Panel, Rexel, Frost white/white
- 801351 Lite plywood, .75" x 4' x 8'
- 801345 Radius plywood, .75" x 3" x 8'
- 801346 Radius plywood, .75" x 4" x 8'
- 801375-11 Door, 19.13" x 13.38", frosty white
- 965555-01 Drawer box assembly, 18.50" wide
- 381775 Drawer handle
- 381773-26 Drawer box locking clip

*See next page. Replaced by assembly 965978 during model year.

Laminates:

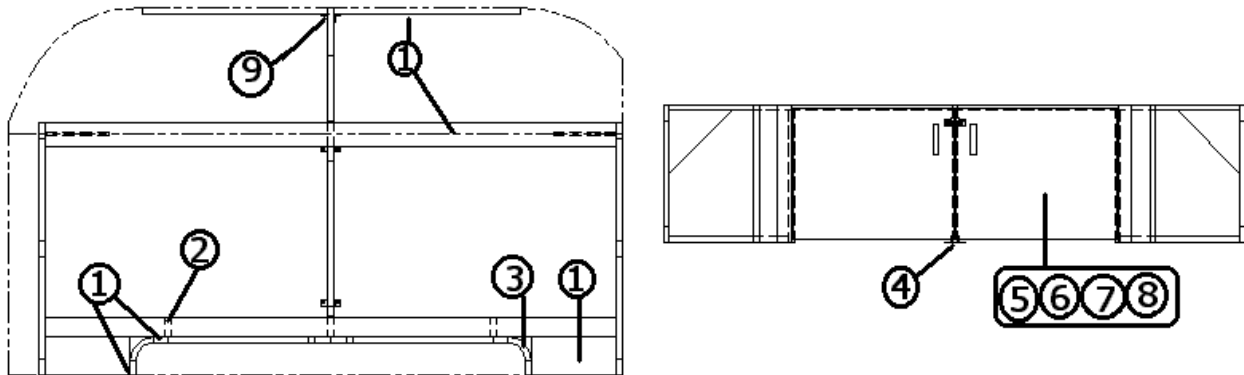
- 801355 Frosty white horizon, 4' x 8' sheet
- **801358 Raven 4' x 8'
- **Replaced by 801439, Black Maple unit 515468
- 365269-01 Edge banding, .024" x 1.125", Raven

2003 INTERNATIONAL TRAVEL TRAILER

FURNITURE

Bedroom

965978 Assembly, Bed base, 22' AS Model



- | | |
|--------------|-------------------------------------------|
| 1. 801351 | Light plywood, $\frac{3}{4}$ " |
| 2. 801368 | Panel, white liner/White liner |
| 3. 801345 | Radius plywood, $\frac{3}{4}$ " x 3" x 8' |
| 4. 801268-01 | Edge tape, 1 $\frac{5}{16}$ ", white |
| 5. 801375-12 | Door, 20.56" x 16.50" |
| 6. 381607 | Hinge, assembly, grass euro |
| 7. 381228-01 | Grabber catch |
| 8. 381775 | Drawer/door handle |
| 9. 385693 | Bracket mounting bracket, lambrequin |

Not shown:

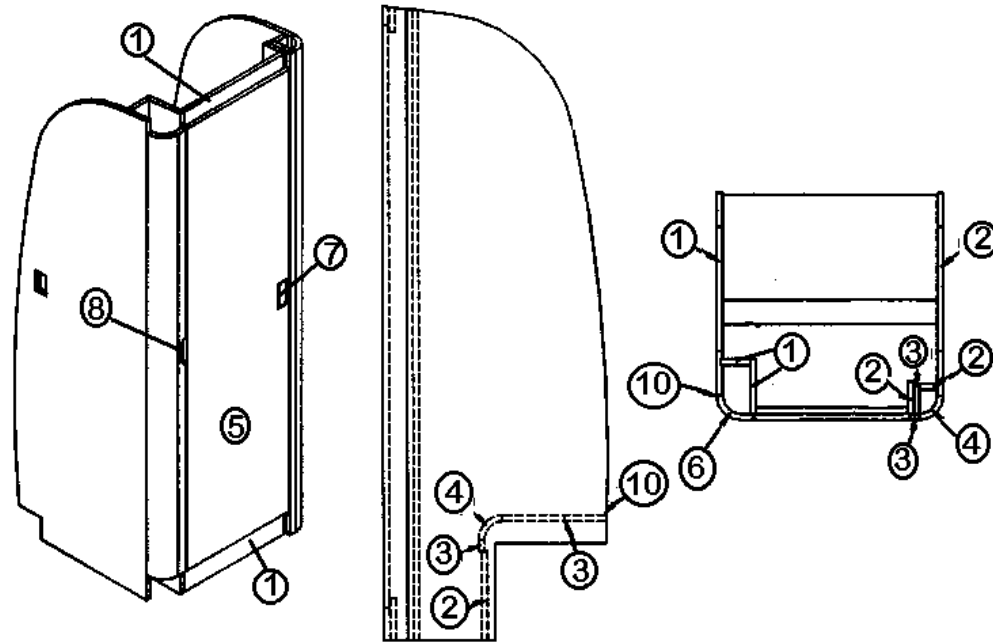
- | | |
|--------|----------------------|
| 203426 | 96 quart storage pan |
| 203419 | 54 quart storage pan |

2003 INTERNATIONAL TRAVEL TRAILER

FURNITURE

Bedroom

965527 Wardrobe Assembly, 22 FT. CCD



- | | |
|---------------|-------------------------------------|
| 1. 801371 | Panel, Slatewood/white Rexel |
| 2. 801378 | Panel, Rexel/raw |
| 3. 801351 | Lite plywood, .75" x 4' x 8' |
| 4. 801345 | Radius plywood, .75" x 3" x 8' |
| 5. 801375-08 | Door, Slatewood, 19.50" x 72.00" |
| 6. 965536 | Foldette door cover |
| 7. 381775 | Drawer handle |
| 8. 381607 | Hinge, Grass-Euro |
| 9. 381228-01 | Door Grabber catch |
| 10. 380203-01 | Piano hinge 1/8" pin clear anodized |

Laminates

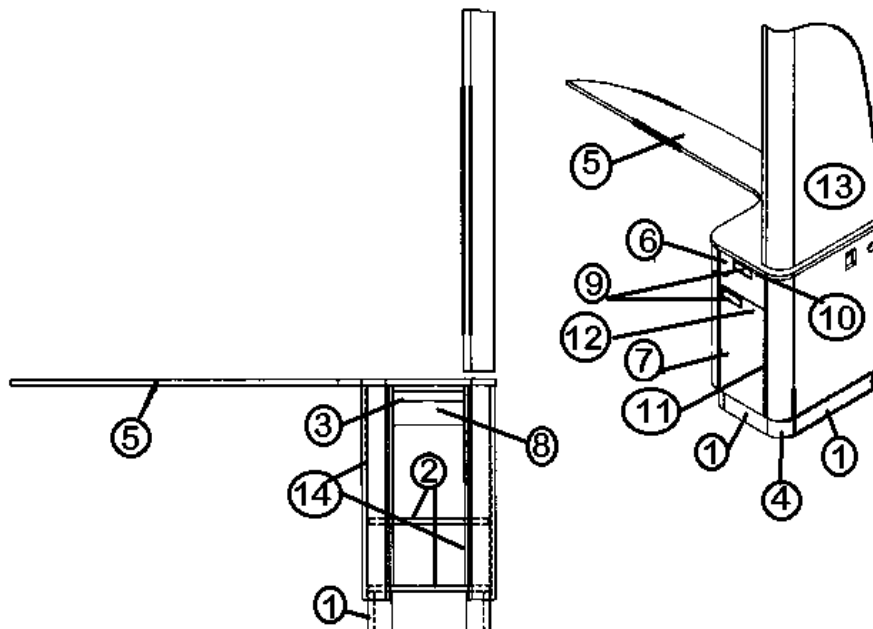
- | | |
|---------------------|-------------------------------------|
| *801356 | Slatewood, 4' x 8' sheet |
| *Replaced by 801439 | unit s/n 515468 |
| 801355 | Frosty white horizon, 4' x 8' sheet |
| 365269-01 | Edge banding, .024" x 1.125", Raven |

2003 INTERNATIONAL TRAVEL TRAILER

FURNITURE

Bedroom

965532 Nightstand Assembly, 22 FT. CCD



- | | |
|---------------|------------------------------------|
| 1. **801372 | Panel, Rexel, Raven/white |
| 2. 801378 | Panel, Rexel/raw |
| 3. 801351 | .75" lite plywood |
| 4. 801345 | Radius plywood, .75" x 3" x 8' |
| 5. 965533 | Nightstand top assembly |
| 6. 801375-09 | Door, Slatewood, 9.75" x 6.50" |
| 7. 801375-10 | Door, Slatewood, 9.75" x 10.25" |
| 8. 965553-03 | Drawer box, 4.38" x 7.88" x 17.63" |
| 9. 381775 | Drawer pull |
| 10. 381773-26 | Drawer locking clip |
| 11. 381607 | Hinge assembly, Grass-Euro |
| 12. 381228-01 | Door grabber catch |
| 13. 203329 | Wall, formed Plexiglas |
| 14. 381527 | Speedy shelf strips |

** Replaced by 801436 beginning with unit s/n 515468

Laminates:

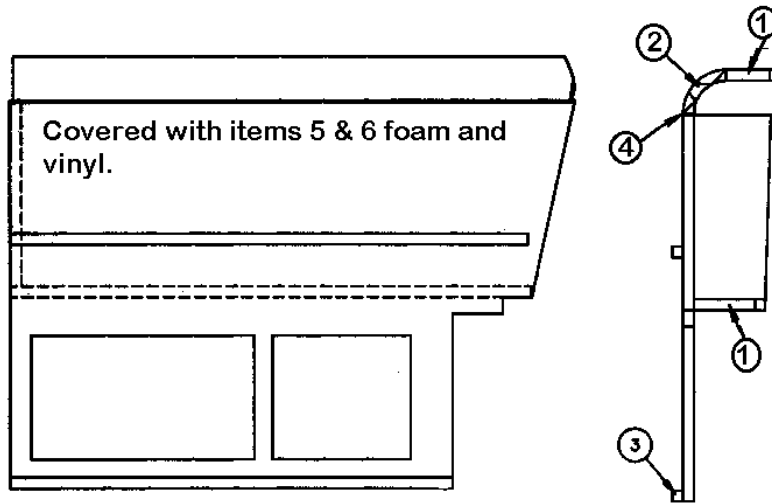
- | | |
|-------------------------------------|-------------------------------------|
| *801356 | Slatewood, 4' x 8' sheet |
| *Replaced by 801439 unit s/n 515468 | |
| 365269-01 | Edge banding, .024" x 1.125", Raven |

2003 INTERNATIONAL TRAVEL TRAILER

FURNITURE

Bedroom

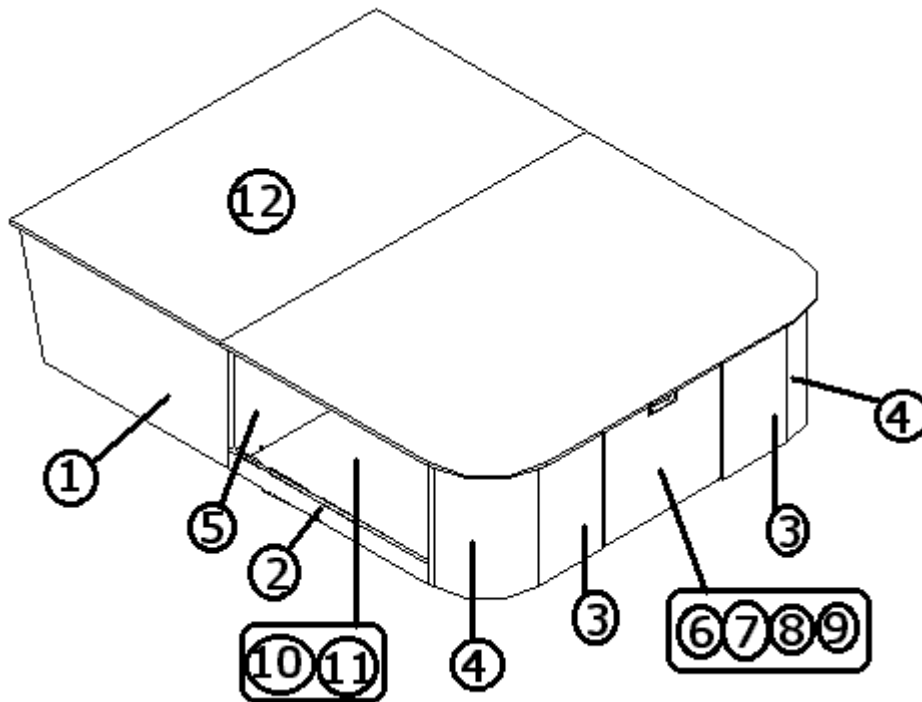
965531 Hamper-Headboard Assembly, 22 FT. CCD



- | | |
|--------------|----------------------------------------|
| 1. 801378 | Panel, Rexel/raw |
| 2. 801345 | Radius plywood, .75" x 3" x 8' |
| 3. 800025-01 | Pine. Stained, 3/4" x 3/4" |
| 4. 380458 | Hinge, piano, brown, anodized |
| 5. 700414 | Foam, 3/8" x 72; wide (specify length) |
| 6. 703198 | Vinyl, white |

2003 INTERNATIONAL TRAVEL TRAILER

Furniture
Bedroom
965988 Bed Base



- | | |
|--------------|---------------------------------------|
| 1. 801436 | Panel, black Maple/White liner, 18mm |
| 2. 801368 | Laminate, white liner/white liner |
| 3. 801351 | Lite ply, $\frac{3}{4}$ " |
| 4. 801348 | Radius plywood, .75" x 8" x 6' |
| 5. 801392 | Panel, white liner/white liner |
| 6. 801375-02 | Door, bed base, 15.75" x 17.88" |
| 7. 381775 | Drawer pull |
| 8. 381607 | Hinge assembly, Grass-Euro |
| 9. 381228-01 | Door grabber catch |
| 10. 203419 | Storage box, 23"L x 16.75"W x 11.88"H |
| 11. 203426 | Storage box, 35"L x 16.75"W x 12.50"H |
| 12. 703336 | Mattress, 60" x 75", 11" radius |

Not shown:

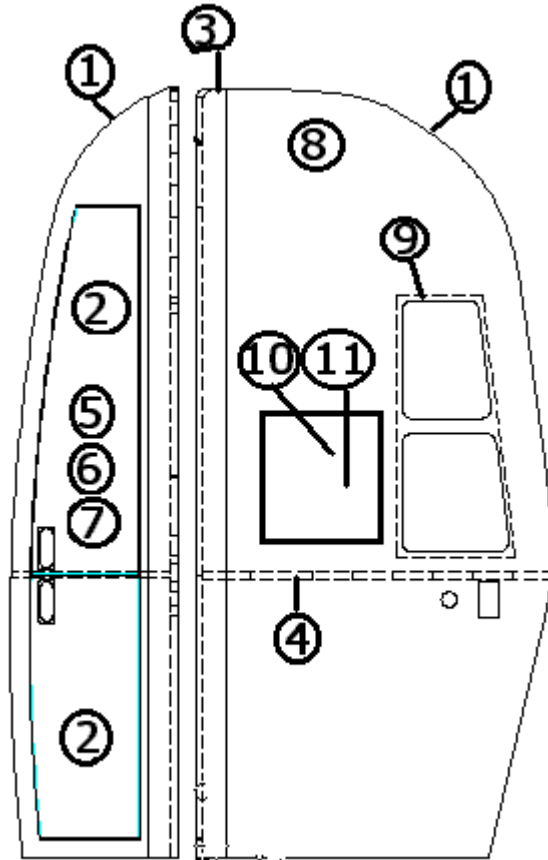
365269-01 Edge tape, .024" x 1.125", raven

2003 INTERNATIONAL TRAVEL TRAILER

Furniture

Bedroom

965994 CS Rear Closet, 28' CCD (shown)
965995 RS Rear Closet, 28' CCD (opposite)



- | | |
|---------------|--------------------------------------|
| 1. 801378-01 | Panel, white liner/gator, 18mm |
| 2. 801436-01 | Panel, Black décor, Maple/White |
| 3. 801345 | Radius plywood, .75" x 3" x 8' |
| 4. 801386 | Panel, white liner/white liner, 18mm |
| 5. 381607 | Hinge assembly, Grass-Euro |
| 6. 381228-01 | Grabber catch |
| 7. 381775 | Drawer pull, satin |
| 8. 801439-01 | Laminate, black décor, maple |
| 9. 965768-01 | Book shelf, CS |
| 9a. 965768-02 | Book shelf, RS |
| 10. 386106-01 | Magazine rack |
| 11. 386107 | Magazine, rod |

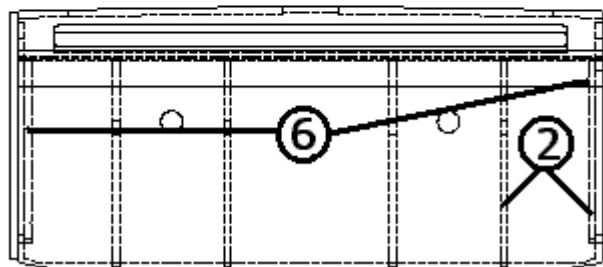
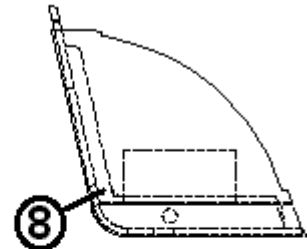
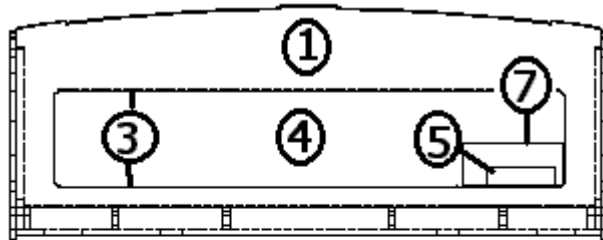
2003 INTERNATIONAL TRAVEL TRAILER

Furniture

Bedroom

965990-01 Roof Locker Assembly, Front Overhead

965990-02 Roof Locker Assembly, Rear Overhead



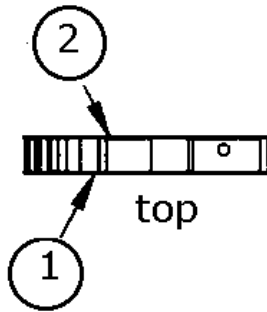
1. 801443 Panel, locker
2. 801351 Lite ply, .75"
3. 203388 Sliding door track, 54"
4. 965563-02 Door, sliding Plexi-glass
5. 965767 Radio box (front locker only)
6. *Laminate per color scheme:
Charade and Lemon Grass - 801359-01
Hazard Orange - 801437
7. 801377 Panel, black décor/white
8. 115148 Aluminum angle

2003 INTERNATIONAL TRAVEL TRAILER

FURNITURE

Lavatory

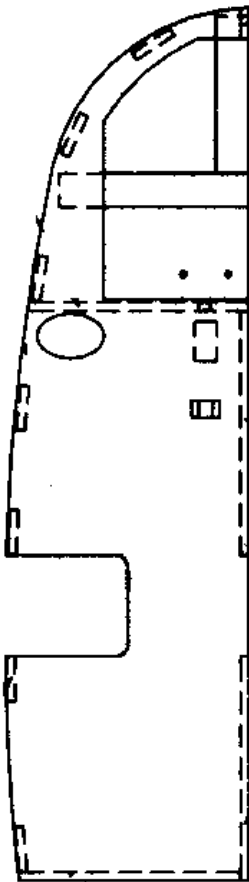
965506 Bath Wall Right, 22 Ft. AS Model (-01 CCD Model)



1. 801364-01 Panel, right side, outside,
AS Model (-02 CCD Model)

2. 965363 Panel, right side, outside

Note: For replacement, Item 1 will be shipped loose and then glued to item 2 after item 2 is installed in trailer.

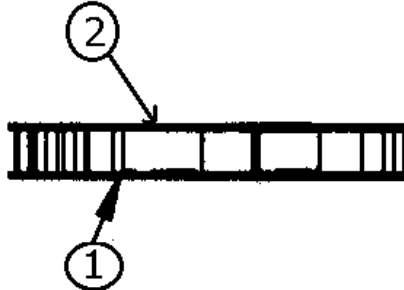


2003 INTERNATIONAL TRAVEL TRAILER

FURNITURE

Lavatory

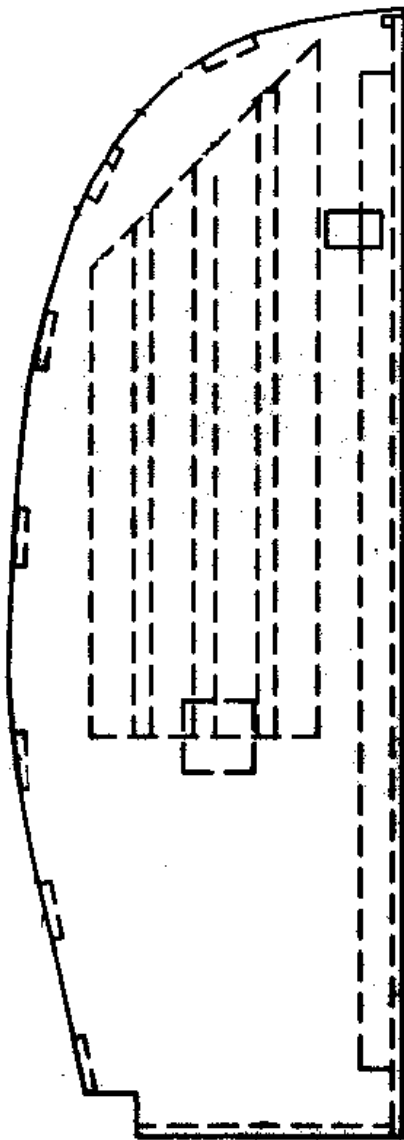
965505 Bath Wall Left, 22 Ft. AS Model (-01 CCD Model)



1. 801362 Panel, left side, outside, AS model (-02 CCD model)

2. 801350 Panel, left side, inside

Note: Item 1 will be loose from item 2 when shipped, Install item 1 and glue and staple item 2 in place.

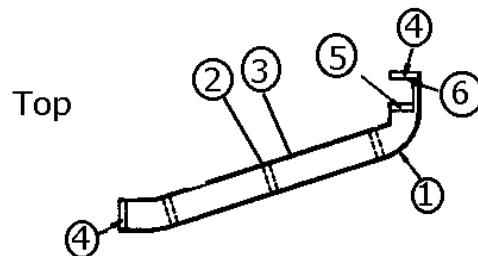
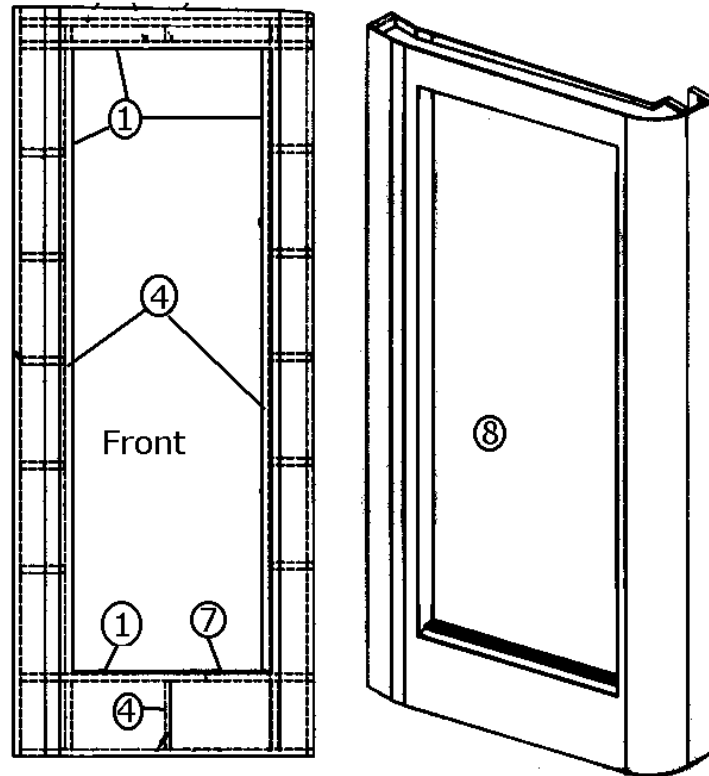


2003 INTERNATIONAL TRAVEL TRAILER

FURNITURE

Lavatory

965507 Bath Wall Center, 22 Ft. AS Model (-01 CCD Model)



- | | |
|--------------|----------------------------------|
| 1. 801343 | Laminate, Tropical Oak, AS model |
| 801342 | Brushed Aluminum, CCD model |
| 2. 800507-01 | Lauan, 1/8" |
| 3. 203379 | Fiberglass roof material |
| 4. 800498 | Poplar, 1" common |
| 5. 850072 | Poplar, 3/4" X 2.5" |
| 6. 380041 | Brace, Stanley corner, 1" |
| 7. 20166 | Molding, J-3/16", plastic |
| 8. 965512 | Bath door assembly |

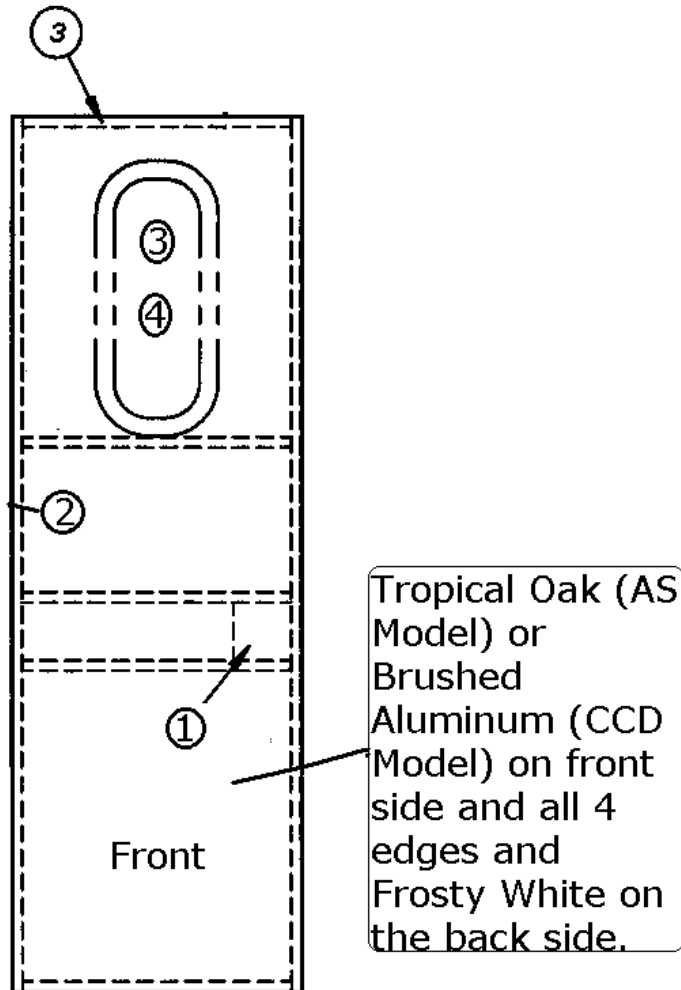
2003 INTERNATIONAL TRAVEL TRAILER

FURNITURE

Lavatory

965512-01 Bath door, 22 Ft. AS model

-02 22' CCD model



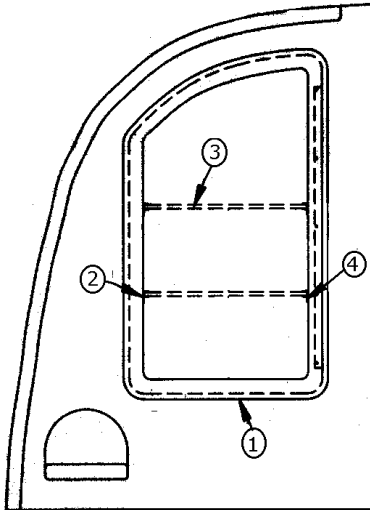
- | | |
|---------------|-----------------------------|
| 1. 381771 | Latch, bath door |
| 2. 380458-01 | Hinge, brown, AS model only |
| 2A. 380203-01 | Hinge, Clear, CCD only |
| 3. 371269-01 | Window, 18" |
| 5. 801343 | Tropical Oak Formica |
| 6. 801355 | Frosty White Formica |
| 7. 801342 | Brushed Aluminum |

2003 INTERNATIONAL TRAVEL TRAILER

FURNITURE

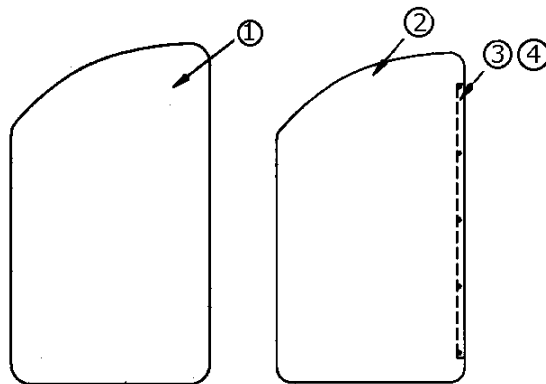
Lavatory

965546 Medicine Cabinet Assembly, 22 Ft. AS & CCD



- 1. 965542 Medicine cabinet mirror assembly
- 2. 203285 Self edging, "F" trim
- 3. 203330 Acrylic sheet, frosted .25"
- 4. 381610 Cover cap, plastic European white

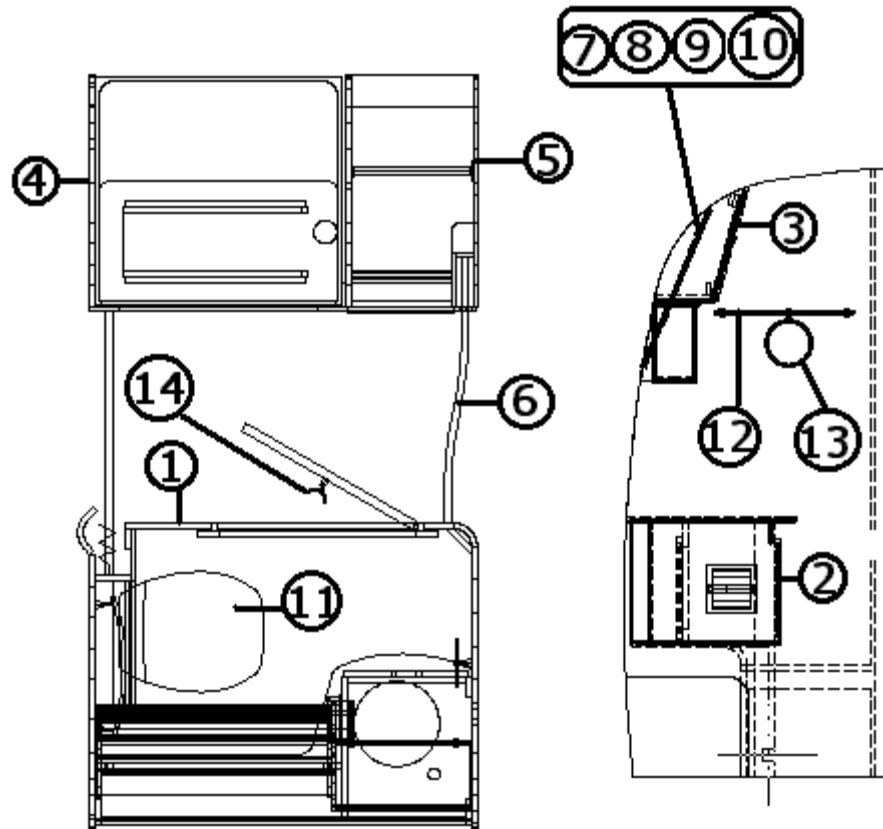
965542 Medicine Cabinet Mirror Assembly, 22' AS & CCD



- 1. 371383 Medicine cabinet radius mirror
- 2. 454009 Mirror backing plate
- 3. 380988 Hinge, continuous .5 in. leaf, 16 in.
- 4. 325035 Chicago rivets
- 5. 365222 Tape, double-coated, .08" x 3/4"

2003 INTERNATIONAL TRAVEL TRAILER

Furniture
Lavatory
Bath Module, 28 CCD



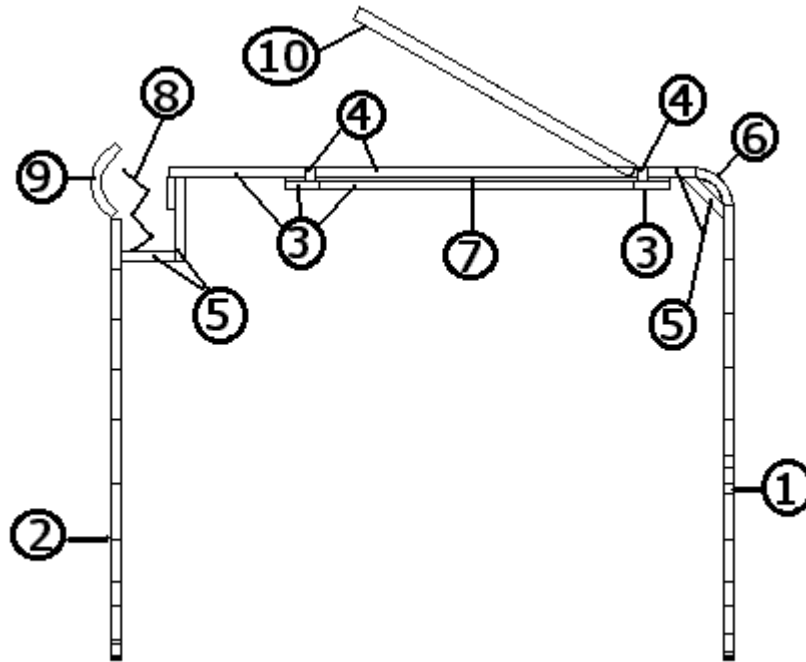
1. 965744 Front latrine wall assembly
2. 965742 Lavy cabinet assembly
3. 965714 Medicine cabinet assembly
4. 965999 Shower compartment assembly
5. 965737 Wardrobe cabinet assembly
6. 381827 Gray formed foldette track
7. 372203-15 Mirror, polished edges, 17" x 25.25"
8. 800507-02 Lauan, 1/4"
9. 381220-01 Mirror clip, nickel plated
10. 381220-02 Mirror clip, nickel plated
11. 690472 Toilet China, high profile, white
12. 381776 Towel bar, 18" chrome
13. 381777 Towel ring, chrome
14. 381778 Robe hook, double, chrome

2003 INTERNATIONAL TRAVEL TRAILER

Furniture

Lavatory

965744 Latrine Front Wall Assembly, 28 CCD



- | | |
|---------------|----------------------------------|
| 1. 801429-05 | Forward latrine panel |
| 2. 801429-06 | Aft latrine panel |
| 3. 801441 | Panel, Black décor, Maple/Frosty |
| 4. 801436 | Panel, Black décor, Maple/White |
| 5. 801369 | Panel, White/White Rexel |
| 6. 801345 | Radius plywood, .75" x 3" x 8' |
| 7. 800507-02 | Luan, 1/4" |
| 8. 702681-07 | Door, foldette, 60" x 73", Gray |
| 9. 965986 | Door, foldette cover |
| 10. 965567-01 | Door assembly, bathroom |

Not shown:

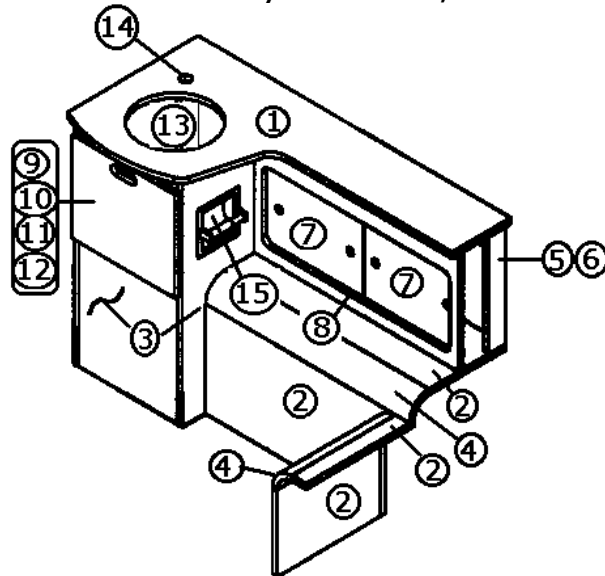
- | | |
|-----------|---------------------------------|
| 365238-04 | Edge tape, 5/8" PVC, white |
| 365269-01 | Edge tape, 024" x 1.125", Raven |

2003 INTERNATIONAL TRAVEL TRAILER

Furniture

Lavatory

965742 Lavy Cabinet, 28 CCD



- 1. 965989 Lavy top assembly
- 2. 801351 Lite ply, .75"
- 3. 801369 Panel, White/White Rexel
- 4. 801345 Radius plywood, .75" x 3" x 8'
- 5. 801353 Lite ply 3 MM
- 6. *Laminate glued to lite ply
- 7. 965563-05 Door, sliding Plexi-glass
- 8. 203388 Sliding door track
- 9. 801375-14 Door, lavy, 15.88" x 13.63"
- 10. 381775 Drawer pull, satin
- 11. 381607 Hinge assembly, Grass-Euro
- 12. 381228-01 Grabber catch
- 13. 601804 Sink, Yukon round
- 14. 601842 Faucet, small lever handle
- 15. 381229 Toilet paper holder

*Laminate per color scheme:

Charade and Lemon Grass - 801359-01

Hazard Orange - 801437

Not shown:

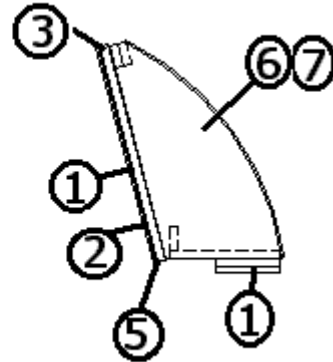
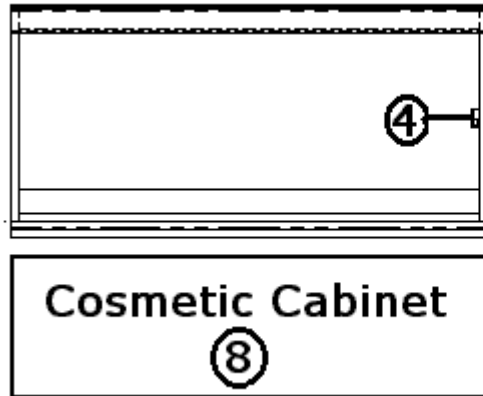
- 114812 Aluminum angle, 1" x 1"
- 365240-01 Edge tape, 1 5/16" white
- 801355-01 laminate, Frost white vertical grain

2003 INTERNATIONAL TRAVEL TRAILER

Furniture

Lavatory

965714 Medicine Cabinet, 28 CCD



- | | |
|--------------|----------------------------------|
| 1. 801392 | Panel, white liner/white liner |
| 2. 372203-30 | Mirrored safety glass, 30" x 14" |
| 3. 385935-01 | Hinge, pivot, zinc plated |
| 4. 381228-01 | Door grabber catch |
| 5. 381599-01 | Drawer/door handle |
| 6. 801353 | Lite ply, 3mm |
| 7. 801355-01 | Laminate Frosty white, vertical |
| 8. 381611-01 | Cosmetic cabinet |

Not shown:

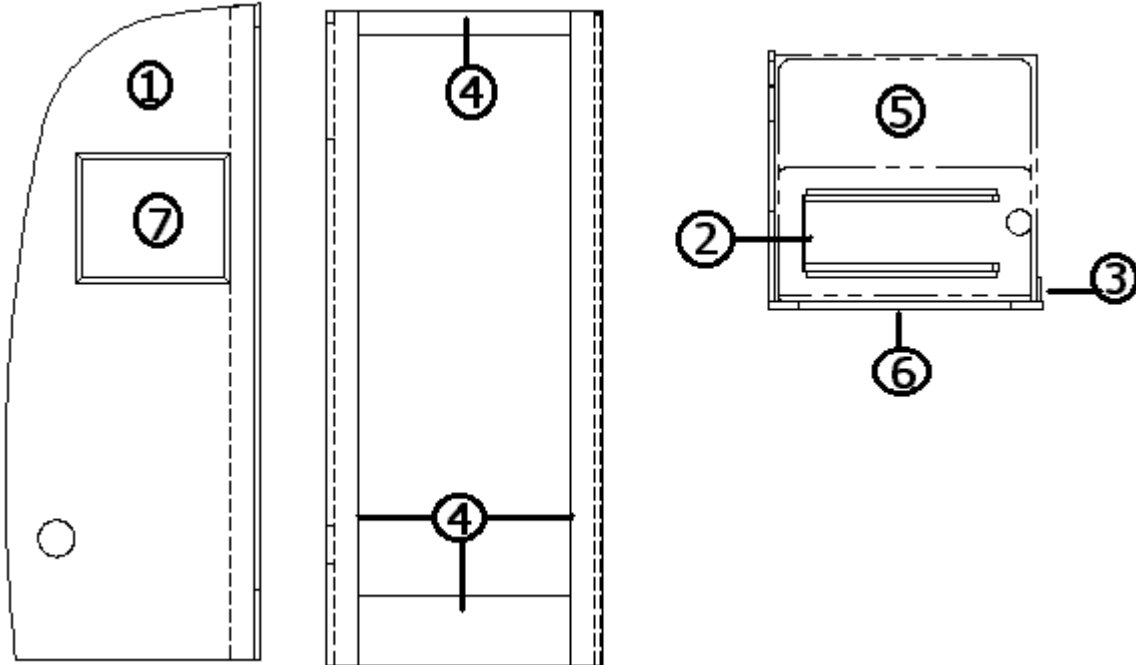
- | | |
|-----------|---------------------------|
| 365238-04 | Edge tape, 5/8" PVC white |
|-----------|---------------------------|

2003 INTERNATIONAL TRAVEL TRAILER

Furniture

Lavatory

965999 Shower Compartment Assembly, 28' CCD



- | | |
|---------------|---------------------------------------|
| 1. 801429-20 | Panel, aft shower |
| 2. 961916-01 | Shower stand assembly |
| 3. 801392 | Panel, white liner/white liner, 12mm |
| 4. 801436-01 | Panel, black décor, Maple/White liner |
| 5. 203081-01 | Shower stall, 2 pc. |
| 6. 702306-03 | Shower door, silver |
| 7. 381241-004 | TV shelf, Oak w/mirror, 18.5" x 15.5" |

Not shown:

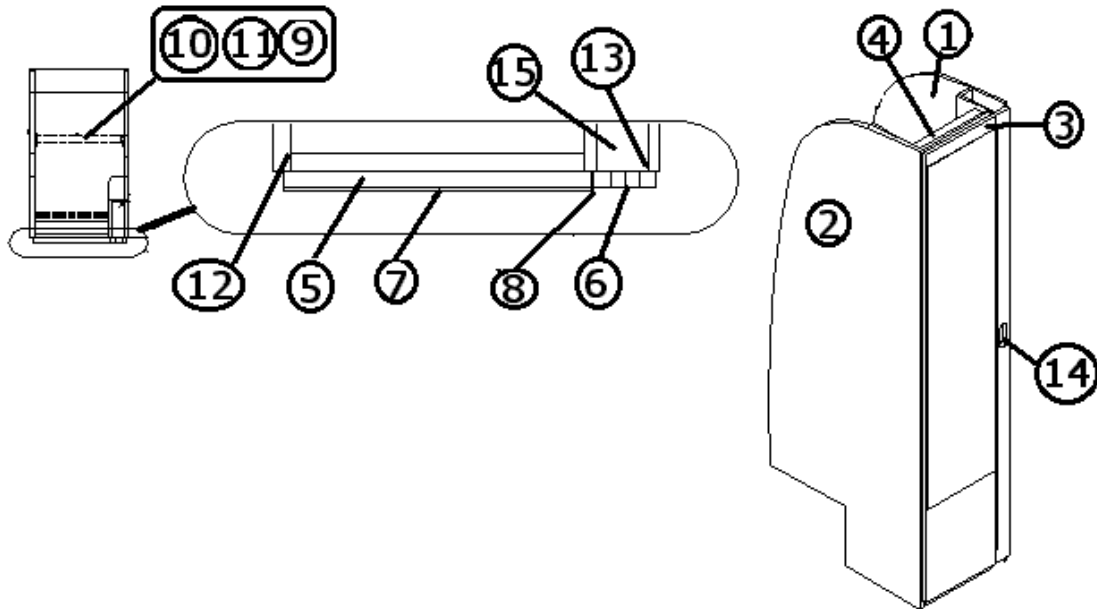
- | | |
|-----------|----------------------------------|
| 365269-01 | Edge tape, .024" x 1.125", Raven |
|-----------|----------------------------------|

2003 INTERNATIONAL TRAVEL TRAILER

Furniture

Lavatory

965737 Wardrobe Cabinet Assembly, 28' CCD



- | | |
|---------------|---------------------------------------|
| 1. 801429-21 | Panel, forward wardrobe |
| 2. 801429-22 | Panel, aft wardrobe |
| 3. 801436-01 | Panel, black décor, Maple/White liner |
| 4. 801392 | Panel, white liner/white liner |
| 5. 801375-19 | Door, wardrobe, 13.63" x 76.56" |
| 6. 801375-20 | Door, wardrobe, 2.75" x 76.56" |
| 7. 372203-26 | Mirror, 13.62" x 58.50" |
| 8. 380203-01 | Piano hinge, 1/8" pin, clear anodized |
| 9. 380046 | Chrome flange |
| 10. 380045 | Tubing, metal |
| 11. 200975-04 | Conduit, black plastic |
| 12. 381607 | Hinge assembly, Grass-Euro |
| 13. 381228-01 | Door grabber catch |
| 14. 381775 | Drawer pull, satin |
| 15. 702681-07 | Door, foldette, 60" x 73", gray |
| 365269-01 | EDGEBANDING-.024" X 1.125" RAVEN |
| 365267 | EDGEBANDING-1.13" .024 PLY |

2003 INTERNATIONAL TRAVEL TRAILER

FURNITURE

Lavatory

22 Ft.

703132-01 CURTAIN-SHOWER, 22'INT
700044 GLIDES CURTAIN W/ELASTIC T-2
700020 PILE VELCRO
700021 HOOK, VELCRO, WHITE
203138-03 EXTRUSION PLASTIC WALL BEIGE
114514 TUBE ALUM .062 X 1.50 SQ 21'1"

203328-01 SHOWER SURROUND-UPPER
203328-02 SHOWER SURROUND-LOWER
203328-03 MED CABINET SURROUND
203298 SHOWER PAN

203328-04 DIVIDER WALL-INNER

801178-03 MOLDING FLAT-ANTIQUITY BUFF

381779 Recessed toilet paper holder

28 Ft. CCD

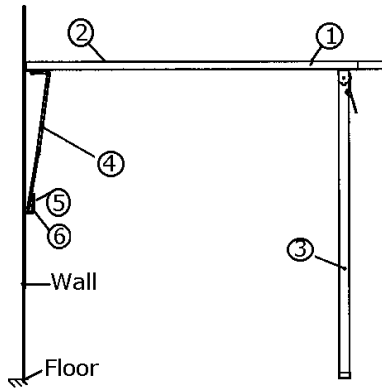
203081-01 SHOWER STALL-2 PC
702306-03 SHOWER DOOR SILVER 27" PIVOT TYPE
965987 CLOSE OUT-MEDICINE CAB

2003 INTERNATIONAL TRAVEL TRAILER

FURNITURE GALLEY

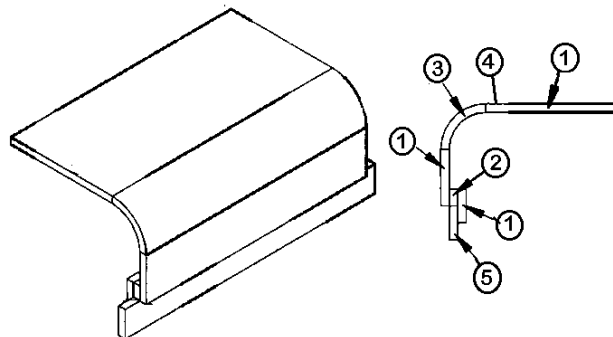
965549 22 Ft. AS Model Dinette Table

965534 22 Ft. CCD Model Dinette Table



- | | |
|--------------|-----------------------------------|
| 1. 801351 | Light plywood, AS Model |
| 2. 801344 | Galaxy Graphite Formica, AS model |
| 1a. 801369 | Panel, Frosty white, CCD model |
| 3. 700065-01 | Snapo folding leg |
| 4. 380284-02 | Table hinge bracket |
| 5. 340015 | Center Hinge |
| 6. 340018 | Catch Plate |

965550 Close-out Wheel Well 22' CCD



- | | |
|---------------------------------------|--------------------------------|
| 1. 801351 | Lite Plywood |
| 2. 801346 | Radius plywood, .75" x 4" x 8' |
| 3. 700414 | Foam, 3/8" x 72" x 52' |
| 4. 703198 | White vinyl |
| 5. *801372 | Panel, Rexel, Raven |
| ** Replaced by 801436 unit s/n 515468 | |

2003 INTERNATIONAL TRAVEL TRAILER

FURNITURE

Galley

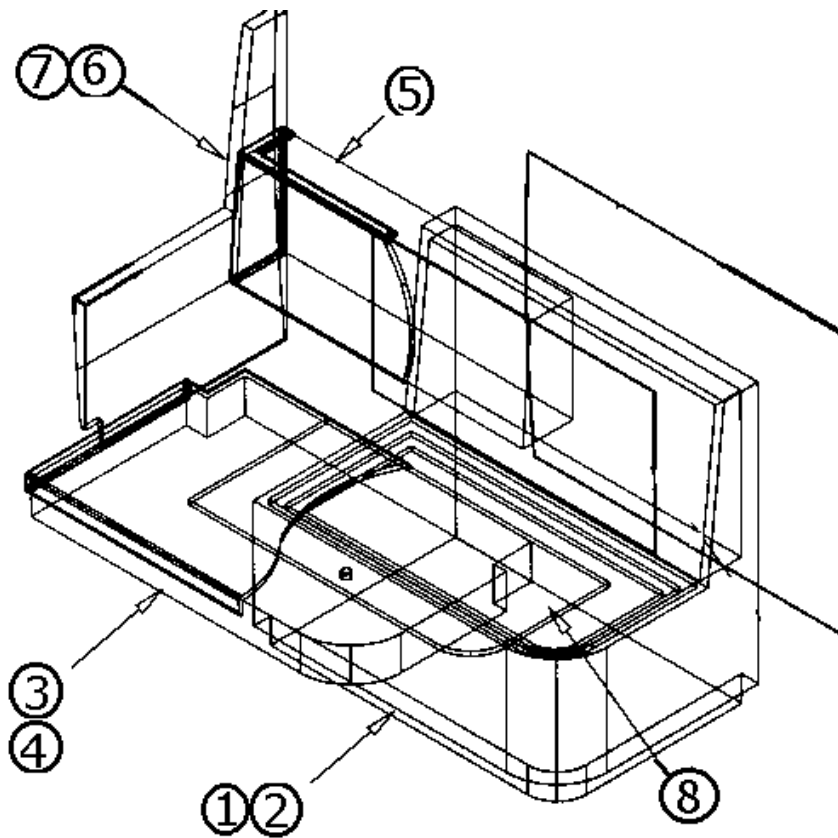
22 Ft. AS, CCD Model

965538 AS Dinette Seat Assembly, RH Shown

965539 AS Dinette Seat Assembly, LH mirror image

965548-03 CCD Dinette Seat Assembly, RH Shown

965538-04 CCD Dinette Seat Assembly, LH mirror image



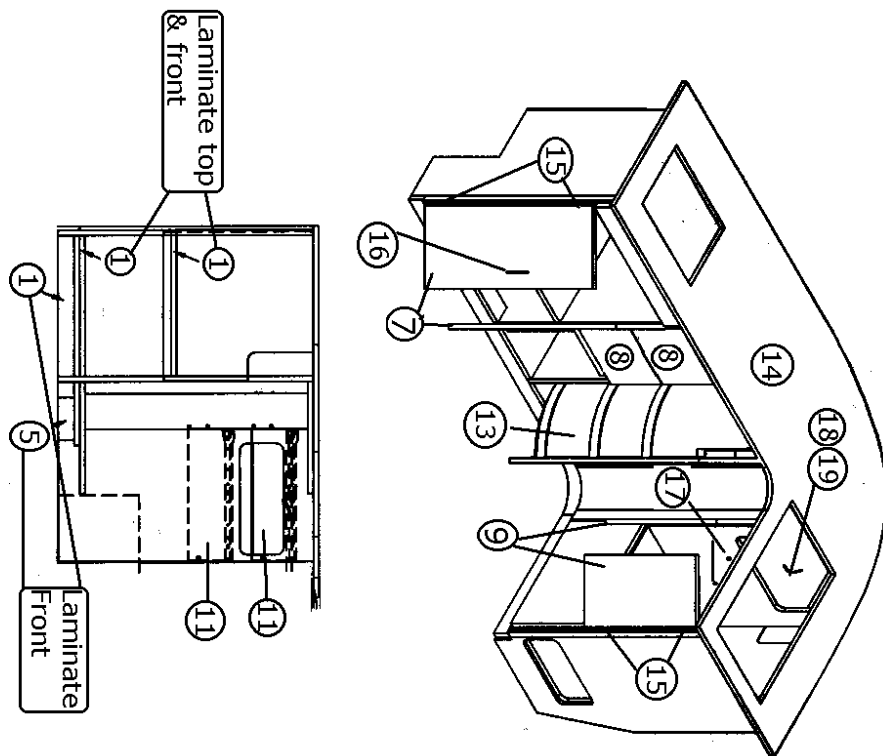
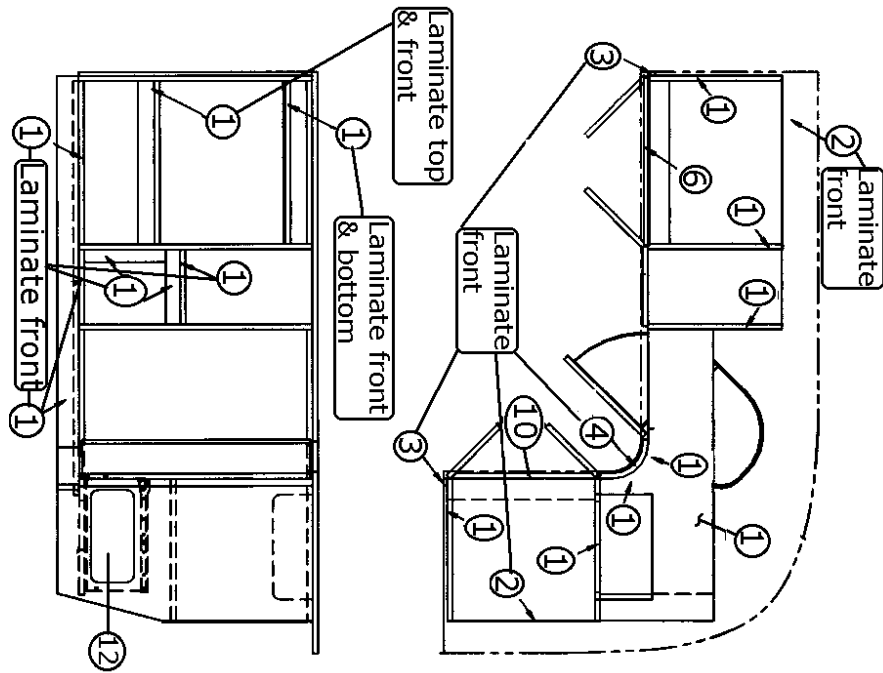
- | | |
|--------------|----------------------------|
| 1. 203381 | Dinette seat RH |
| 2. 203380 | Dinette seat base, LH |
| 3. 703192-01 | Cushion dinette bottom RH |
| 4. 703192-02 | Cushion, dinette bottom LH |
| 5. 703192-03 | Cushion, dinette back |
| 6. 203331-01 | Shim, dinette base RH |
| 7. 203331-02 | Shim, dinette base LH |

2003 INTERNATIONAL TRAVEL TRAILER

FURNITURE

Galley

965498 Galley Base, Cooktop, Assembly, 22' AS



Parts Numbers on Next Page

2003 INTERNATIONAL TRAVEL TRAILER

FURNITURE

Galley

965498 Galley Base, Cooktop, Assembly, **22'** AS

- 801355 Frosty White Formica used for interior panels.
- 801343 Tropical Oak Formica used for fronts of panels.
- 801344 Galaxy Graphite Formica used for toe kick faces.

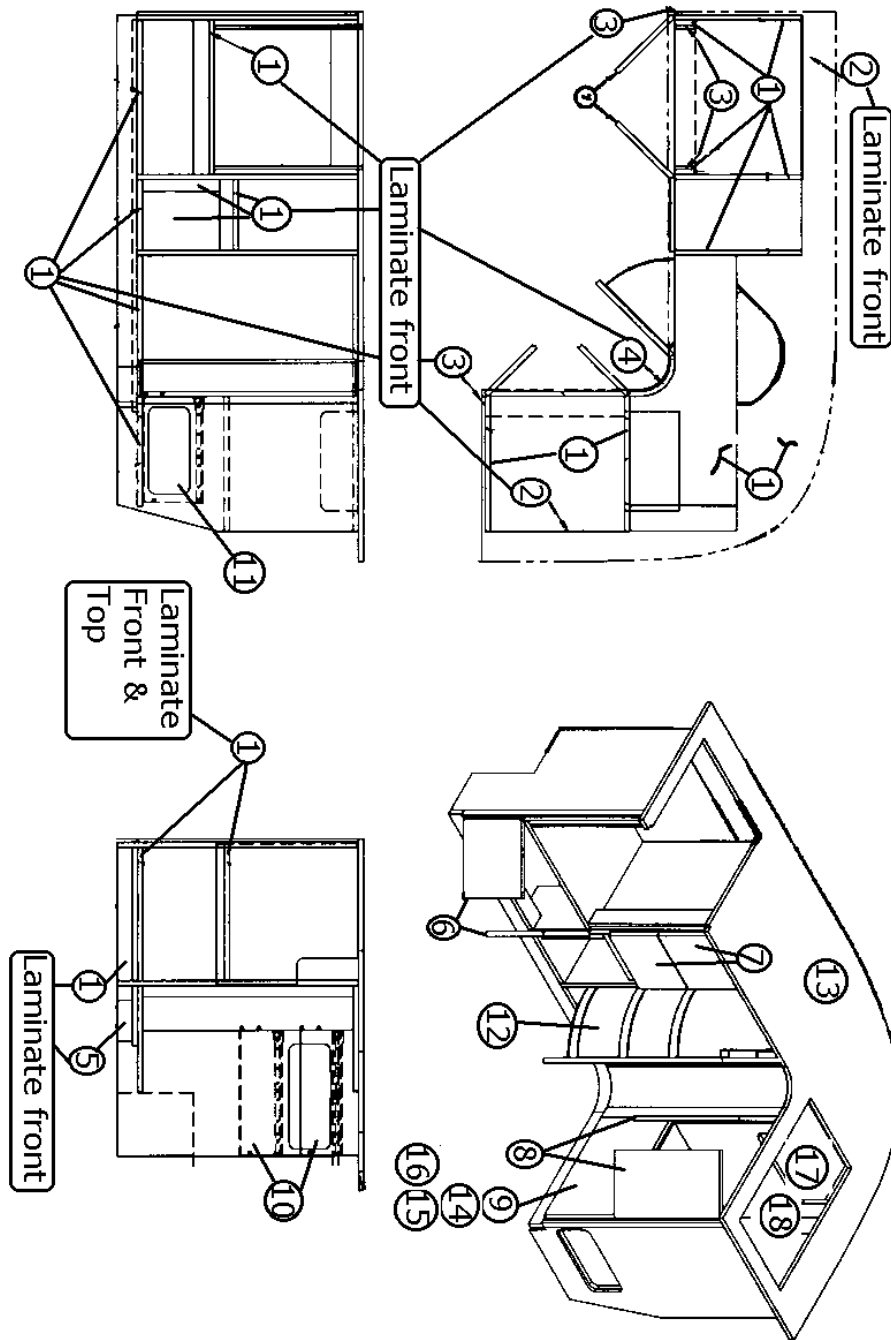
- 1. 801351 $\frac{3}{4}$ " light plywood, designate laminate
 - 2. 800507-01 $\frac{1}{8}$ " Lauan
 - 3. 800506-04 $\frac{1}{2}$ " plywood, designate laminate
 - 4. 801349 Radius plywood, $\frac{3}{4}$ " x 6", designate laminate
 - 5. 801347 Radius plywood, $\frac{3}{4}$ " x 5", designate laminate
 - 6. 801341-01 Door 23.63" x 3.00"
 - 7. 801341-02 Door, 11.75" x 28.63"
 - 8. 801341-03 Door, 11.13" x 8.75"
 - 9. 801341-04 Door 10.41" x 19.00"
 - 10. 801341-05 Door, 20.94" x 12.63"
 - 11. 965558-01 Drawer box
 - 12. 965554-02 Drawer box
 - 13. 964499 Lazy Susan
 - 14. 965500 Galley top
 - 15. 381607 Hinge assembly, Euro-Grass
 - 16. 381774 Drawer/door handle
 - 17. 381228-01 Door grabber catch
 - 18. 601799 Sink, S.S., 16" x 27"
 - 19. 600968 Basket strainer
-
- 203424 Sink cover

2003 INTERNATIONAL TRAVEL TRAILER

FURNITURE

Galley

965543 Galley Base, Oven, Assembly, **22'** AS



P/N Next Page

2003 INTERNATIONAL TRAVEL TRAILER

FURNITURE

Galley

965543 Galley Base, Oven, Assembly, **22'** AS Model

- 801355 Frosty White Formica used for interior panels.
- 801343 Tropical Oak Formica used for fronts of panels.
- 801344 Galaxy Graphite Formica used for toe kick faces.

- 1. 801351 $\frac{3}{4}$ " light plywood, designate laminate
- 2. 800507-01 $\frac{1}{8}$ " Lauan
- 3. 800506-04 $\frac{1}{2}$ " plywood, designate laminate
- 4. 801349 Radius plywood, $\frac{3}{4}$ " x 6", designate laminate
- 5. 801347 Radius plywood, $\frac{3}{4}$ " x 5", designate laminate
- 6. 801341-15 Door 11.75" x 10.38"
- 7. 801341-03 Door, 11.13" x 8.75"
- 8. 801341-04 Door 10.41" x 19.00"
- 9. 801341-05 Door, 20.94" x 12.63"
- 10. 965558-01 Drawer box
- 11. 965554-02 Drawer box
- 12. 964499 Lazy Susan
- 13. 965544 Galley top
- 14. 381607 Hinge assembly, Euro-Grass
- 15. 381774 Drawer/door handle
- 16. 381228-01 Door grabber catch
- 17. 601799 Sink, S.S., 16" x 27"
- 18. 600968 Basket strainer

2003 INTERNATIONAL TRAVEL TRAILER

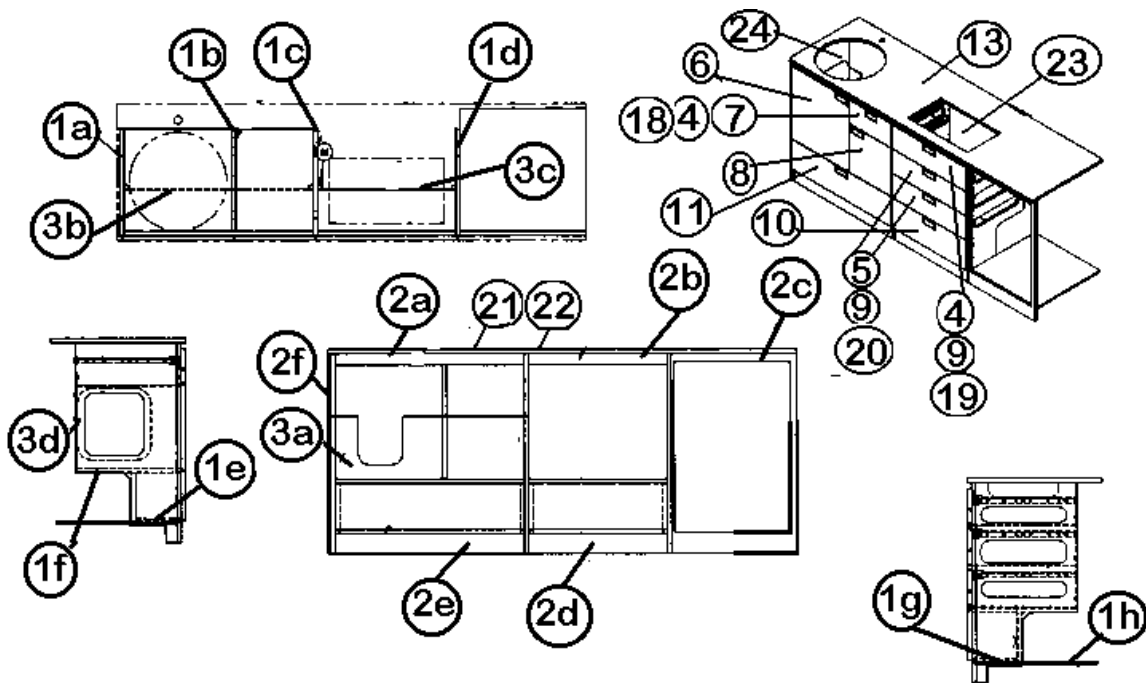
FURNITURE

Galley

22 Ft CCD Model

965525 Assembly Galley Base, 2-Burner Cook Top

965525-01 Assembly Galley Base, Full Oven -Option



2003 INTERNATIONAL TRAVEL TRAILER

FURNITURE

Galley 22 Ft CCD Model

965525 Assembly Galley Base, 2-Burner Cook Top

965525-01 Assembly Galley Base, Full Oven -Option

- | | |
|----------------|-----------------------------------------|
| 1. 801368 | Panel, Rexel |
| 2. *801372 | Panel, Rexel, Raven |
| 3. 801374 | Panel, Rexel, Frosty White/Raw |
| 4. 381773-11 | Drawer slide/box side |
| 5. 381773-17 | Drawer slide/box side |
| 6. 801375-01 | Door, 19.63" x 21.25", Frosty White |
| 7. 801375-02 | Door, 14.38" x 7.00", Frosty White |
| 8. 801375-03 | Door, 14.38" x 4.13", Frosty White |
| 9. 801375-04 | Door, 25.13" x 7.00", Frosty White |
| 10. 801375-05 | Door, 25.13" x 8.69", Bluebell |
| 11. 801375-06 | Door, 34.13" x 8.69", Bluebell |
| 12. 381775 | Drawer pull |
| 13. 965526-02 | Assembly, galley top, cooktop |
| 13a. 965526-01 | Assembly galley top, full oven |
| 14. 381607 | Hinge assembly, Grass Euro |
| 15. 381228-01 | Grabber door catch |
| 16. 800025-01 | Pine, 3/4" x 3/4", stained, not shown |
| 17. 360296 | Glue, not shown |
| 18. 965553-01 | Drawer box |
| 19. 965553-02 | Drawer box |
| 20. 965554-01 | Drawer box |
| 21. 115064 | Counter top trim |
| 22. 365267 | Plywood edge banding, 1 1/8 inch |
| 23. 690471 | Cook-top, 2-burner, black glass top |
| 23a. 690396-05 | Range, 22", Gas, Magic Chef, black door |
| 24. 601806 | Round sink |
| 25. 381773-26 | Drawer locking clip |
| 26. 601803 | Faucet, kitchen, Moen |

Full Oven option

Deletes items: 4, 5, 9, 12, 13, 19, & 20.

Adds items: 1g, 13a, & 23a.

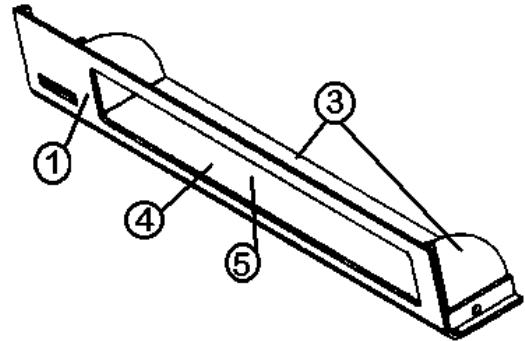
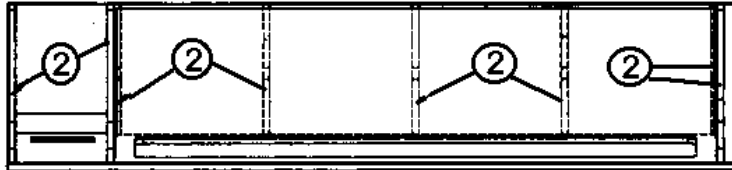
** Replaced by 801436 beginning with unit s/n 515468

2003 INTERNATIONAL TRAVEL TRAILER

FURNITURE

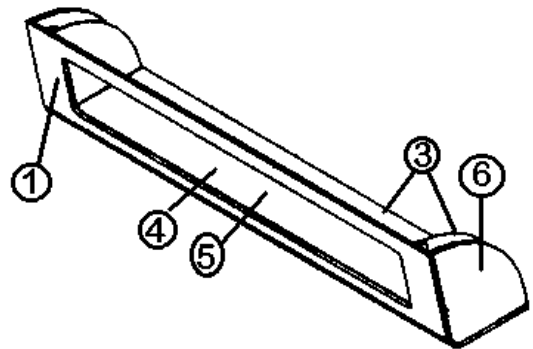
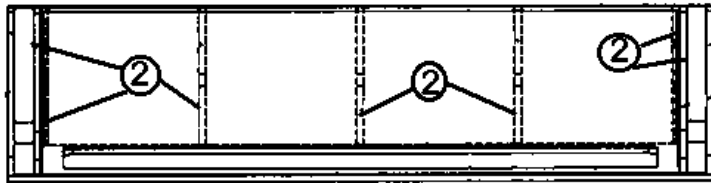
Galley

965528 Galley Roof Locker Assembly, 22 Ft CCD



- 1. 801379-01 Panel, front lay out, locker
- 2. 801351 Lite plywood, $\frac{3}{4}$ "
- 3. 801373 Panel, Citrus Orange/Raw
- 4. 203388 Sliding door track
- 5. 965563 Door, sliding, Plexi Glass

Dinette Locker Assembly 965529



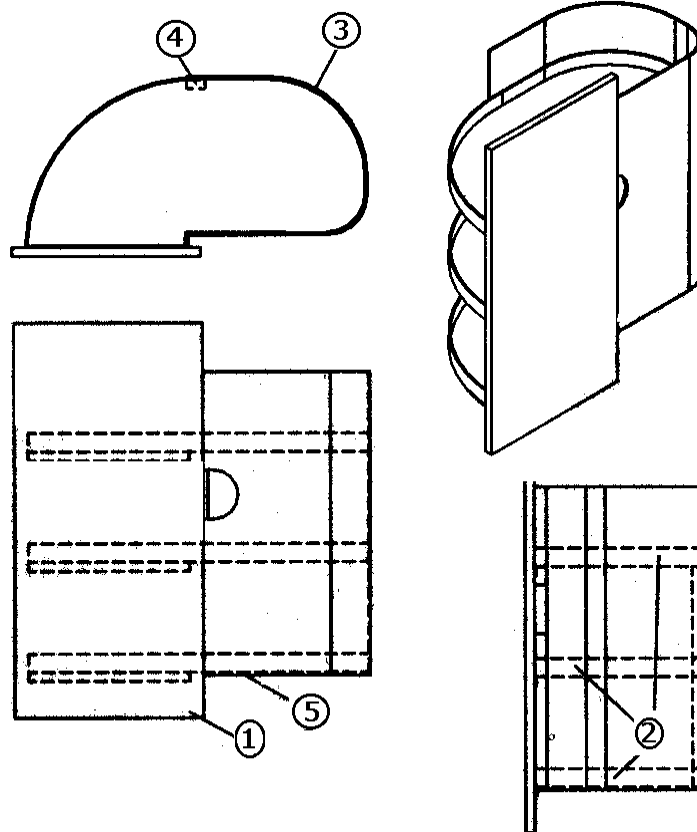
- 1. 801379 Panel, front lay out, locker
- 2. 801351 Lite plywood, $\frac{3}{4}$ "
- 3. 801373 Panel, Citrus Orange/Raw
- 4. 203388 Sliding door track
- 5. 965563 Door, sliding, Plexi Glass
- 6. 801369 Panel, Rexel, Frosty white/white

2003 INTERNATIONAL TRAVEL TRAILER

FURNITURE

Galley

965499 Lazy Susan Assembly, 22 Ft. AS Model



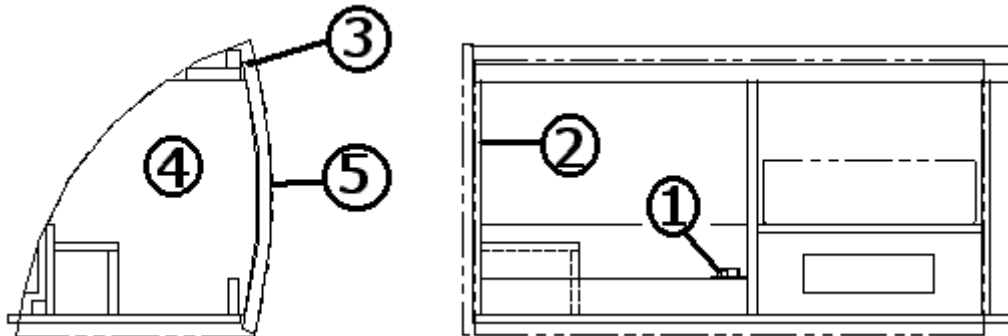
- | | |
|--------------|-----------------------|
| 1. 801341-02 | Door, 15.50" x 31.75" |
| 2. 203306 | Shelf, Lazy Susan |
| 3. 115037-02 | Close-out Lazy Susan |
| 4. 800028 | 3/4" Pine |
| 5. 800507-02 | Lauan, 1/4" x 4' x 8' |

2003 INTERNATIONAL TRAVEL TRAILER

FURNITURE

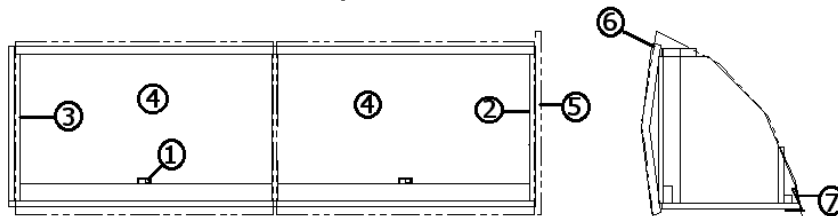
Galley

965971 Galley, Rear galley Locker, 22' AS Model



1. 381228-01 Door grabber catch
2. 381608-05 Left lid stay
3. 381607-08 Hinge assembly
4. 965587 End cap assembly
5. 965551-03 Door, radius, 15.25"

965645 Galley Roof Locker 22 Ft AS



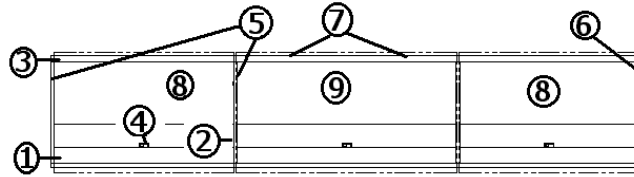
1. 381228-01 Door grabber catch
2. 381608-04 Right lid stay
3. 381608-05 Left lid stay
4. 965551-04 Door, radius, 15.25" x 23.12"
5. 965587 End cap assembly
6. 381607-08 Hinge assembly
7. 115085 Mounting angle

2003 INTERNATIONAL TRAVEL TRAILER

FURNITURE

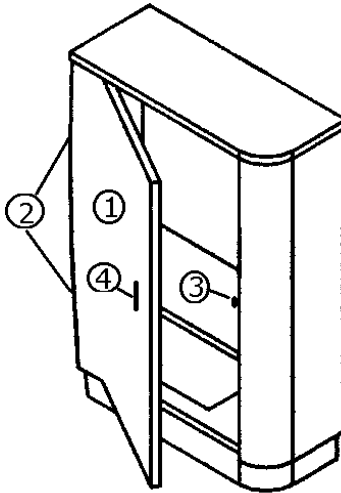
Galley

965969 Dinette Locker Assembly, 22' AS Model



- | | |
|--------------|--------------------------------------|
| 1. 801383 | Panel, Tropical Oak/White liner |
| 2. 801392 | Panel, white liner/white liner, 12MM |
| 3. 801368 | Panel, white liner/white liner, 18MM |
| 4. 381228-01 | Grabber catch |
| 5. 381608-05 | Left lid stay |
| 6. 381608-04 | Right lid stay |
| 7. 381607-08 | Hinge assembly |
| 8. 965551-04 | Door, radius, 15.25" |
| 9. 965551-03 | Door, radius, 15.25" |

965503 Phone Stand Assembly, 22' AS Model



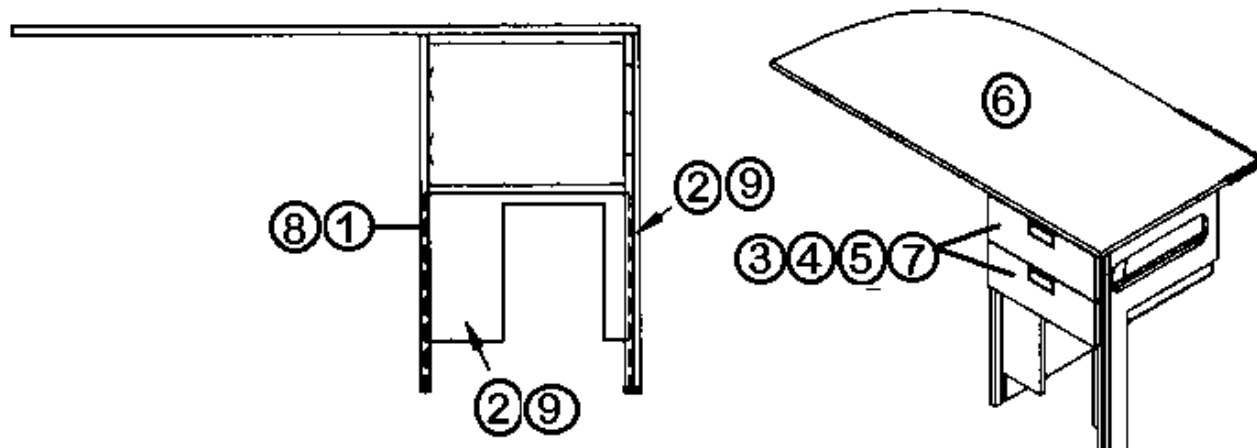
- | | |
|--------------|----------------------------|
| 1. 801341-07 | Door, 15.25" x 29.50" |
| 2. 380607 | Hinge assembly, Grass Euro |
| 3. 381774 | Door handle |
| 4. 381228-01 | Grabber catch |

2003 INTERNATIONAL TRAVEL TRAILER

FURNITURE

Galley

965535 Desk Assembly, 22' CCD Model



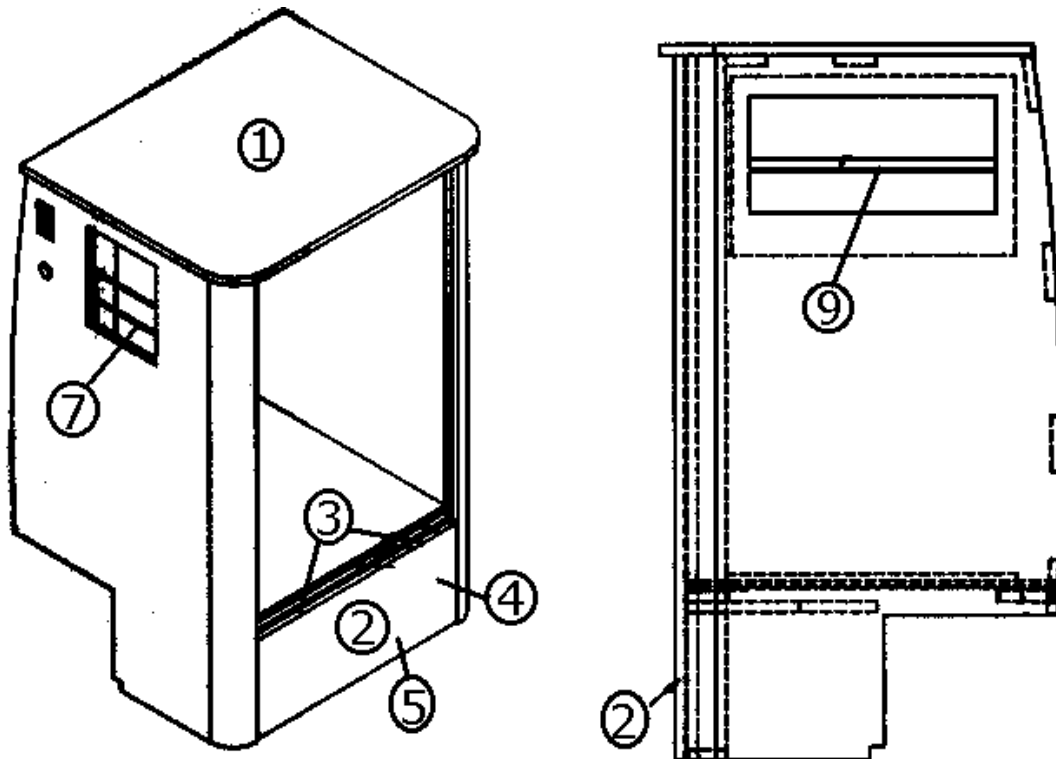
- | | |
|--------------|----------------------------------------------|
| 1. 801369 | Panel, Rexel, Frosty white/white |
| 2. 801351 | Lite plywood |
| 3. 801375-07 | Door, 6.25" x 17.13", Frosty white |
| 4. 965553-04 | Drawer box assembly, 4.38" x 15.25" x 17.63" |
| 5. 381775 | Drawer pull |
| 6. 965540 | Desk top assembly |
| 7. 381773-26 | Clip, locking drawer |
| 8. 365269-02 | Edge banding, .024" x 1.625, Raven |
| 9. 365269-01 | Edge banding, .24" x 1.125" |

2003 INTERNATIONAL TRAVEL TRAILER

FURNITURE

Galley

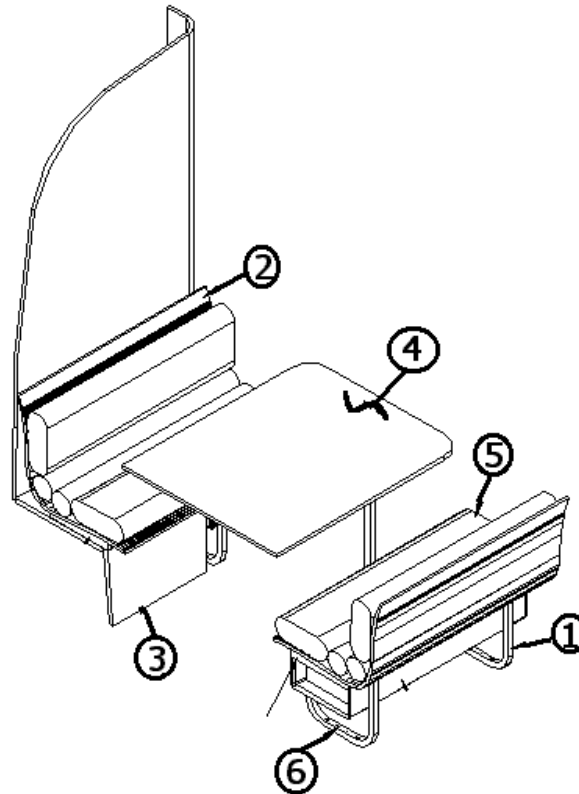
965501 Refrigerator Cabinet, 22' AS Model



- | | |
|--------------|----------------------------|
| 1. 965502 | Refer top assembly |
| 2. 801341-06 | Door, 9.88" x 25.19" |
| 3. 381607 | Hinge assembly, Grass-Euro |
| 4. 381228-01 | Grabber catch |
| 5. 381774 | Door handle |
| 6. 203383 | Magazine rack |
| 7. 115042 | .25" aluminum rod |
| 8. 203384 | Spice rack |
| 9. 203385 | Clear trim. Spice cabinet |

2003 INTERNATIONAL TRAVEL TRAILER

Furniture Galley Booth Dinette, 28' CCD



- | | |
|-----------------|-----------------------------|
| 1. 801446 | Booth seat, contoured |
| 2. 801446 | Booth seat, contoured |
| 3. 965775 | Closeout, dinette seat |
| 4. 965774 | Dinette table assembly |
| 5. *703352- Tab | Booth dinette seat cushions |
| 6. 115140 | Leg, dinette seat |

- | | |
|----------------|------|
| *Charade | -123 |
| *Lemon Grass | -133 |
| *Hazard Orange | -143 |

Not shown:

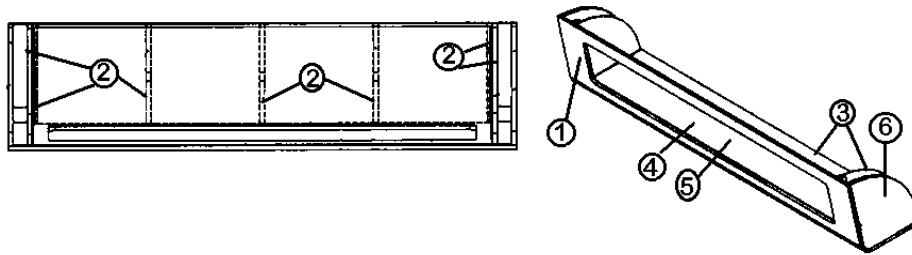
- | | |
|-----------|----------------------------------|
| 345326-04 | Screw tapping, #10 SST |
| 320059 | Screw, #8 x 1" white Philips |
| 320059-01 | Screw, #8 x 1.125" white Philips |

2003 INTERNATIONAL TRAVEL TRAILER

Furniture

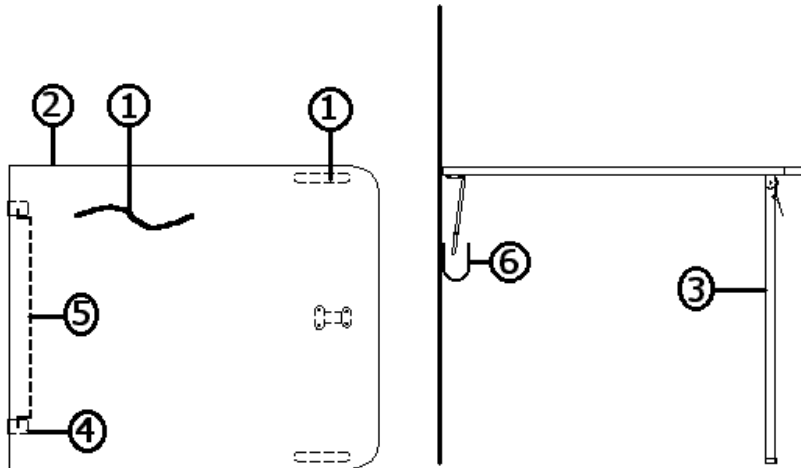
Galley

965529 Dinette Locker Assembly, 28' CCD



1. 801379-01 Panel, front lay out, locker
2. 801351 Lite plywood, $\frac{3}{4}$ "
3. 801373 Panel, Citrus Orange/Raw
4. 203388 Sliding door track
5. 965563 Door, sliding, Plexi Glass
6. 801369 Panel, Rexel, Frosty white/white

965774 Dinette Table Assembly, 28' CCD



1. 801369 Panel, laminated, Frost white/white Rexel
2. 365267 Edge tape, 1.19"
3. 700065-01 Table leg, folding
4. 380284-02 Table hinge bracket
5. 340015 Center hinge
6. 340018 Catch plate

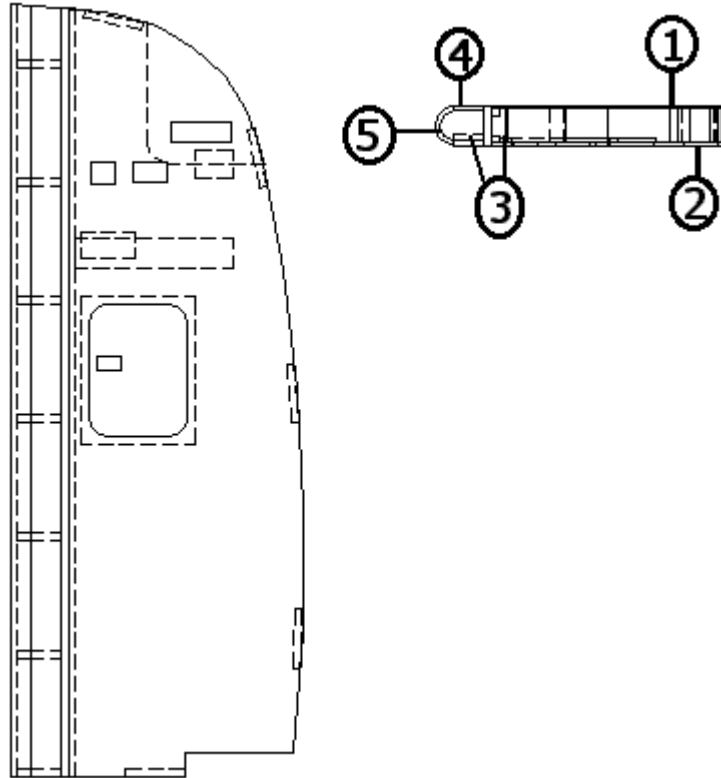
2003 INTERNATIONAL TRAVEL TRAILER

Furniture

Galley

965770 Bull Nose Wall, 28' CCD

Wall between L-Sofa & Galley



- | | |
|--------------|-----------------------|
| 1. 801429-03 | Panel. Forward galley |
| 2. 801429-04 | Panel, aft, L-Sofa |
| 3. 801351 | Lite ply, 18mm |
| 4. 800507-04 | Luan. Raw/Raw, 1/2" |
| 5. 801367 | Kerfcore, .75" |

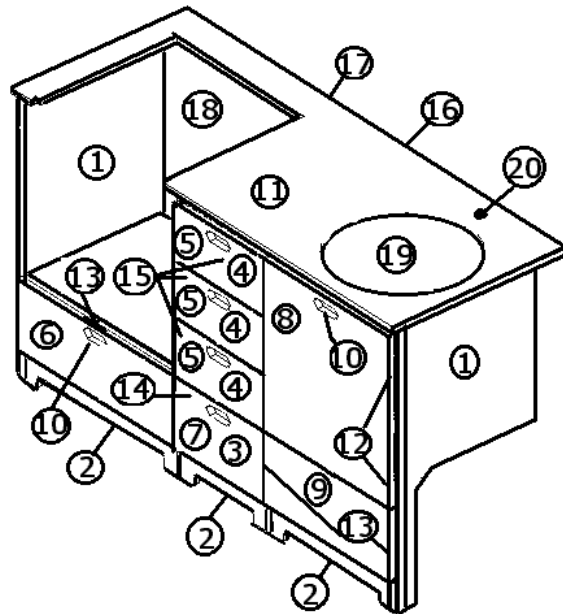
Not shown:

- | | |
|-----------|--------------------------------------|
| 801439-01 | Laminate, black décor, maple |
| 365278-01 | Edge tape, black décor, maple, 1.13" |
| 320117-03 | Drywall screw, #6 x 1.125" |
| 381802-02 | Screw cap, black |
| 203383 | RACK-MAGAZINE ABS |
| 115042 | ROD-.25" ALUMINUM |

2003 INTERNATIONAL TRAVEL TRAILER

Furniture Galley

965992 Galley Base Assembly, 28' CCD



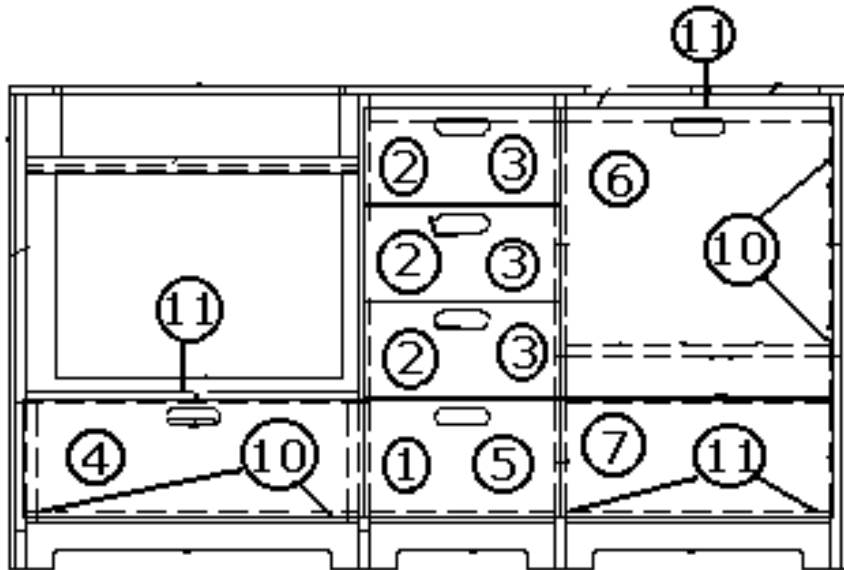
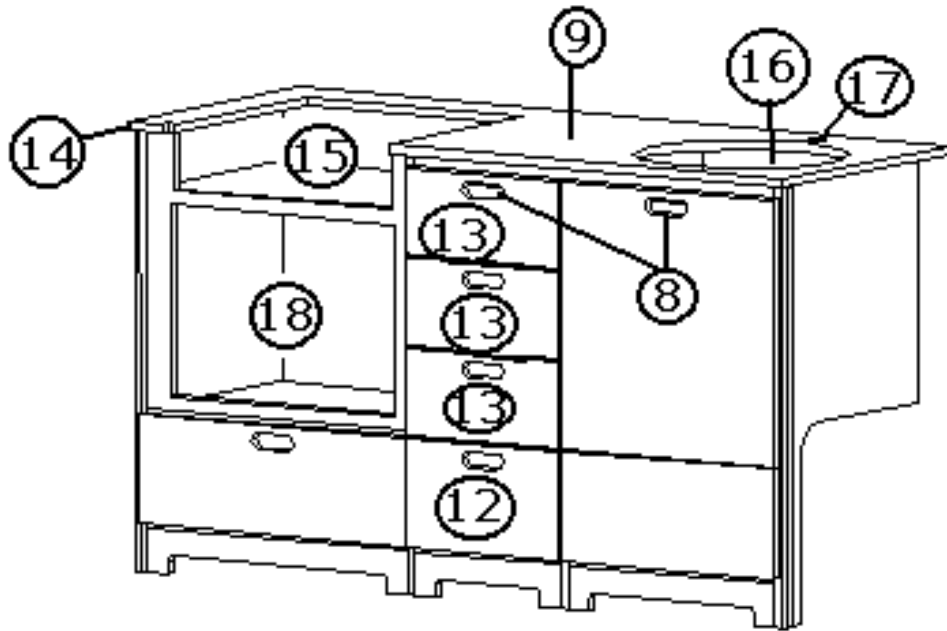
- | | |
|---------------|--------------------------------------|
| 1. 801368 | Panel, Rexel/Rexel, 18mm |
| 2. 801436-01 | Panel, Black Maple/White, 18mm |
| 3. 381373-11 | Drawer slide/box, 6136/470mm |
| 4. 381373-17 | Drawer slide/box, 6236/470mm |
| 5. 801375-02 | Drawer door, 14.38" x 7.00", Frosty |
| 6. 801375-17 | Drawer door, 25.13" x 8.69", Frosty |
| 7. 801375-15 | Drawer door, 14.38" x 8.69", Frosty |
| 8. 801375-16 | Drawer door, 20.13" x 21.25", Frosty |
| 9. 801369 | False panel, 21.13" x 8.69", Frosty |
| 10. 381775 | Drawer/door pull, flush |
| 11. 965993-01 | Galley top assembly |
| 12. 381607 | Hinge assembly, Euro-Grass |
| 13. 381228-01 | Door grabber catch |
| 14. 965553-01 | Drawer box assembly |
| 15. 965554-04 | Drawer box assembly |
| 16. 115064 | Counter top trim |
| 17. 365267 | Ply edge tape, 1 1/8" |
| 18. 690396-09 | Range, 22", Gas |
| 19. 601806 | Sink, galley, Round Stainless Steel |
| 20. 601803 | Faucet, Pull-Out, Moen |

2003 INTERNATIONAL TRAVEL TRAILER

Furniture

Galley

965802 Galley Base Assembly, 28' CCD, Microwave option



Parts Numbers on the next page.

2003 INTERNATIONAL TRAVEL TRAILER

Furniture

Galley

965802 Galley Base Assembly, 28' CCD, Microwave option

1. 381773-11 Drawer slide/box
2. 381773-17 Drawer slide/box
3. 801375-02 Drawer door, 14.38" x 7.00"
4. 801375-17 Drawer door, 25.13" x 8.69"
5. 801375-15 Drawer door, 14.38" x 8.69"
6. 801375-16 Drawer door, 20.13" x 21.25"
7. 801369 False Panel
8. 381775 Drawer/door pull
9. 965993 Galley top assembly
10. 381607 Hinge assembly, grass-euro
11. 381228-01 Door grabber catch
12. 965553-01 Drawer box assembly
13. 965553-04 Drawer box assembly
14. 115064 Counter top trim
15. 690396-10 Cook top, 22"
16. 601806 Sink, round S.S.
17. 601841 Faucet
18. 690345-01 MICROWAVE-CONVECTION SHARP R-820BK

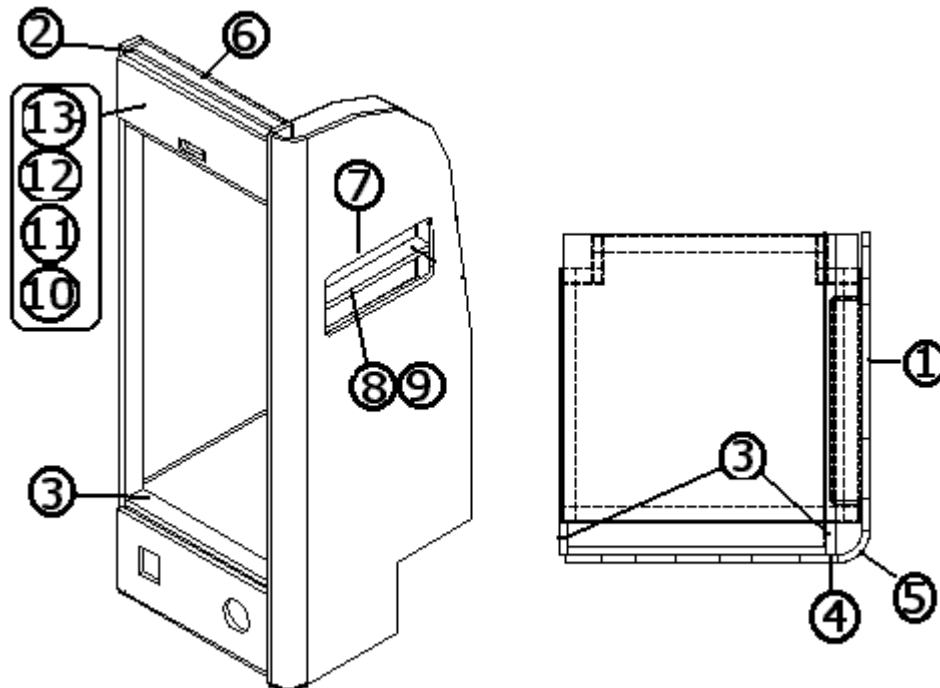
Not shown:

- 801368 Panel, Rexal/Rexel, 18MM
- 801436-01 Panel, Black décor, Maple/White liner, 18MM
- 365267 Edge tape, 1 1/8", ply
- 365278-01 Edge tape, maple, 1 1/8"

2003 INTERNATIONAL TRAVEL TRAILER

Furniture Galley

965997 Refrigerator Cabinet Assembly, 28' CCD



1. 801429-19 Panel, forward refer
2. 801436 Panel, black décor, maple/white liner
3. 801368 Panel, white liner/white liner
4. 801351 Lite ply, .75"
5. 801345 Radius plywood, .75" x 3" x 8'
6. 801438 Panel, 2.7mm x 48" x 84", white/raw
7. 203384 Spice rack, ABS
8. 203385 Trim, "F" self edging clear
9. 20330 Plastic, Frosted white
10. 801375-18 Door refer cabinet, 8.5" x 25.56"
11. 381775 Drawer pull
12. 381607 Hinge assembly, Grass-Euro
13. 381228-01 Door grabber catch

Not shown:

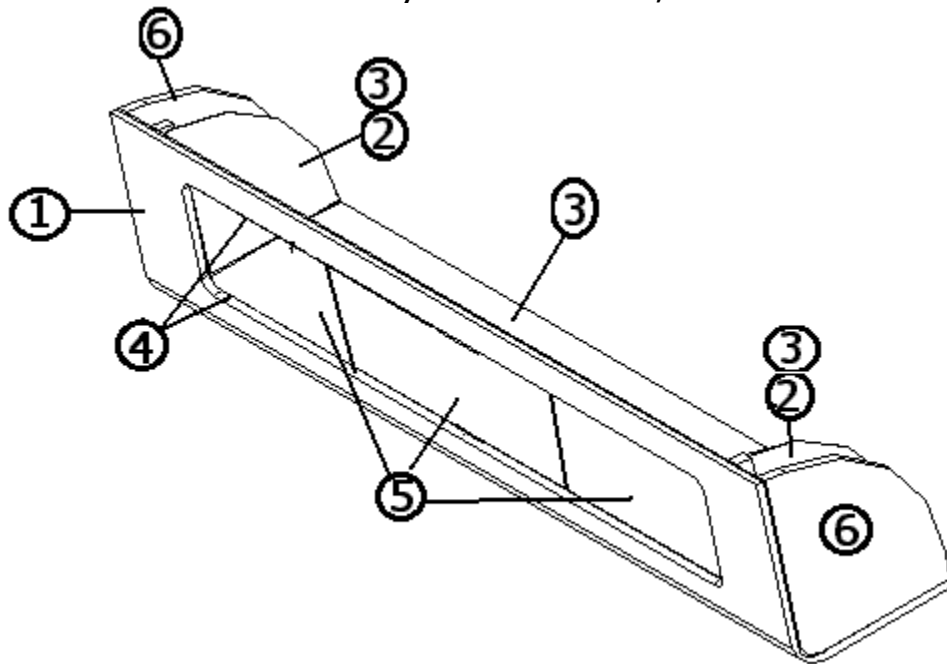
- 801439-01 Laminate, Maple
- 365269-01 Edge tape, .024" x 1.125", Raven
- 365267 Edge tape, 1.13" .24 ply

2003 INTERNATIONAL TRAVEL TRAILER

Furniture

Galley

965766 Galley Roof Locker, 28' CCD



- | | |
|--------------|--------------------------------|
| 1. 801379 | Panel layout, lockers |
| 2. 801351 | Lite ply, .75" |
| 3. 801373 | Panel, Citrus Orange/raw, 3mm |
| 4. 203388 | Sliding door track |
| 5. 965563-01 | Door, sliding, Plexi-glass |
| 6. 801369 | Panel, Frost white/white Rexel |

2003 INTERNATIONAL TRAVEL TRAILER

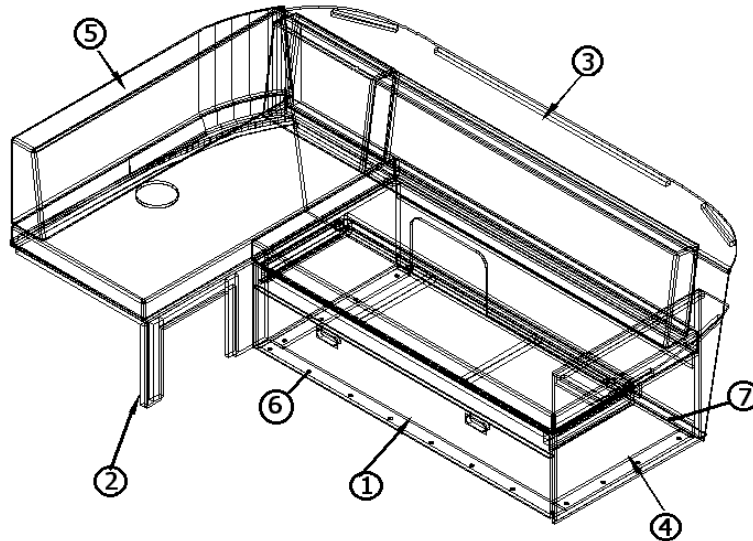
FURNITURE

Galley

511341-06	RANGE HOOD PH-5-20B BLACK
511341-05	RANGE HOOD PH-5-20B BLACK, CSA
511017-11	EXTERIOR VENT GRAY
114462	DUCT RANGE EXHAUST TRANSITION
114230-04	CLOSEOUT FORMED R. EXHAUST 4.40
114462	DUCT RANGE EXHAUST TRANSITION
114230-04	CLOSEOUT FORMED R. EXHAUST 4.40
365190	SEAL, RUBBER, ADHESIVE, 3/4" X 3/4"
114913	ANGLE RANGE HOOD, INSTALL
200980-01	TRAY, SILVERWARE, ALMOND, 9" X 13"
963094-05	DOOR HEADER PANEL, 31", AS Model
702481-01	WALL LINER GEOMETRIC PEARL CRM 96"
381081-04	SNAP CAP WHITE (SCREW SIZE #6, #8)
203382	Air chair, orange, CCD model
386106	Magazine rack, CCD Model, 22'
386106-01	Magazine rack, CCD Model, 28'
386107	Magazine rack rod

2003 INTERNATIONAL TRAVEL TRAILER

Furniture Lounge L-Sofa Assembly, 28 CCD



- | | |
|--------------|---------------------------------------|
| 1. 965982 | Sofa Assembly |
| 2. 965983 | Sofa L-Section Assembly |
| 3. 965984 | Sofa back assembly |
| 4. 965985 | Sofa armrest assembly |
| 5. 703340 | L-lounge cushion assembly |
| 6. 320059-01 | Screw, #8 x 1.25", white Philips |
| 7. 345004 | Screw, 1/4-14 washer hex/head cadmium |
| 8. 381609-02 | Screw Hafele, European, #9 x 1" |
| 9. 381802-02 | Tap cap, black, # 2 |

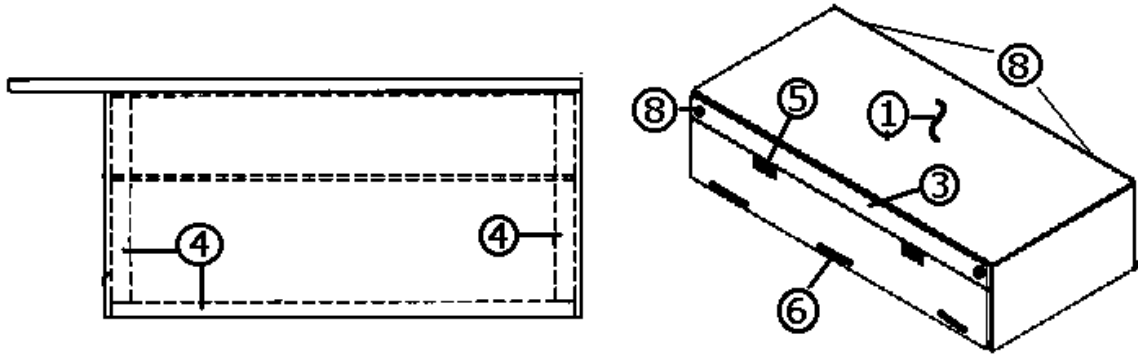
Items 8 & 9 used to secure Items 3 & 4 to wall

2003 INTERNATIONAL TRAVEL TRAILER

Furniture

Lounge

965982 Sofa Assembly, 28 CCD

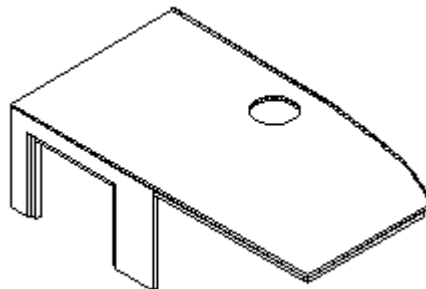


- | | |
|--------------|-------------------------------|
| 1. 965951 | Sofa bed assembly |
| 2. 800507-04 | Luan, 1/2" raw/raw |
| 3. 801351 | Lite ply, 18mm |
| 4. 850082 | Poplar, .75" x 2.00" |
| 5. 381775 | Drawer pull, Satin finish |
| 6. 703347 | Fabric, black tweed |
| 7. 381072 | Hinge, 3" x 1 7/8", open gold |
| 8. 381228-01 | Door catch, grabber |

Not shown:

- | | |
|-----------|----------------------------------|
| 365269-01 | Edge tape, .024" x 1.125", Raven |
| 114809 | Aluminum angle, 1.50" x 1.50" |
| 965984 | Sofa Back Assembly |
| 965985 | Sofa Arm Rest Assembly |

965983 Sofa L-Section Assembly



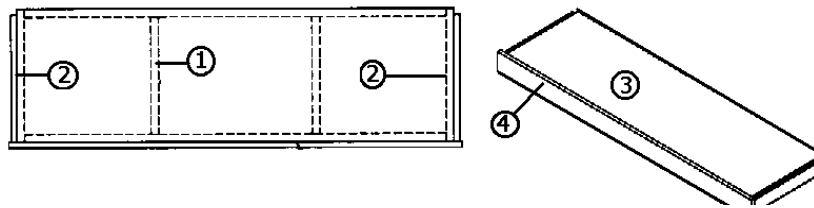
III-54

2003 INTERNATIONAL TRAVEL TRAILER

Furniture

Lounge

965981 Sofa Bed Assembly, 28 CCD

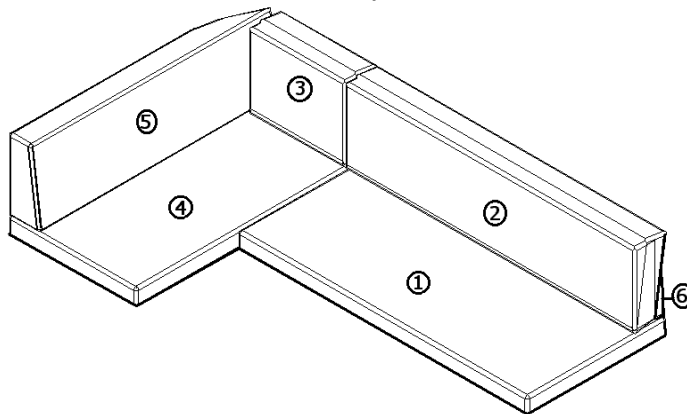


- | | |
|--------------|--------------------------|
| 1. 915708 | Weldment, sofa bed |
| 2. 381826 | Slide, ball bearing, 16" |
| 3. 800507-02 | Luan, 1/4" x 4' x 8' |
| 4. 801351 | Light ply, 18mm |

Not shown

- | | |
|-----------|-----------------------------------|
| 703347 | Fabric, black tweed |
| 330031-03 | Rivet, dome head |
| 320117-03 | Screw, steel drywall, #6 x 1.625" |
| 381228-01 | CATCH GRABBER DOOR |
| 381072 | HINGE 3" X 1 7/8" OPEN GOLD |
| 381775 | DRAWER PULL-FLUSH SATIN |

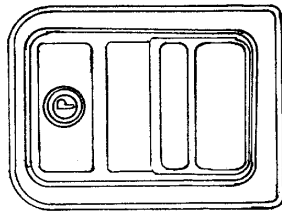
Cushion Assemblies, L-Sofa. 28' CCD



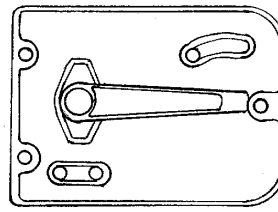
- | | |
|--------------|-------------------------------|
| 1. 703340-01 | Foam cushion, bottom main |
| 2. 703340-02 | Foam cushion, back, main |
| 3. 703340-03 | Foam cushion, Small back |
| 4. 703340-04 | Foam cushion, Base side |
| 5. 703340-05 | Foam cushion, back-side front |
| 6. 703340-06 | Foam cushion, wedge |

2003 INTERNATIONAL TRAVEL TRAILER

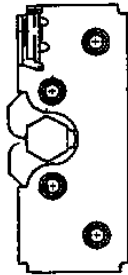
HARDWARE MAIN DOOR LOCK



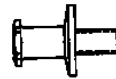
381547-01
Main door lock, outside
Housing



381547-07
Main door lock, inside
plate



381547-03
Double rotary latch,
main door lock



381547-04
Striker bolt w/washer
main door lock

- 381547-08 Screw package, main door lock
381550 PLATE STRIKER BOLT
385595 POCKET-STRIKE
453851 Dead bolt, main door, Tri-mark
101401 Extrusion door latch housing/stone guard

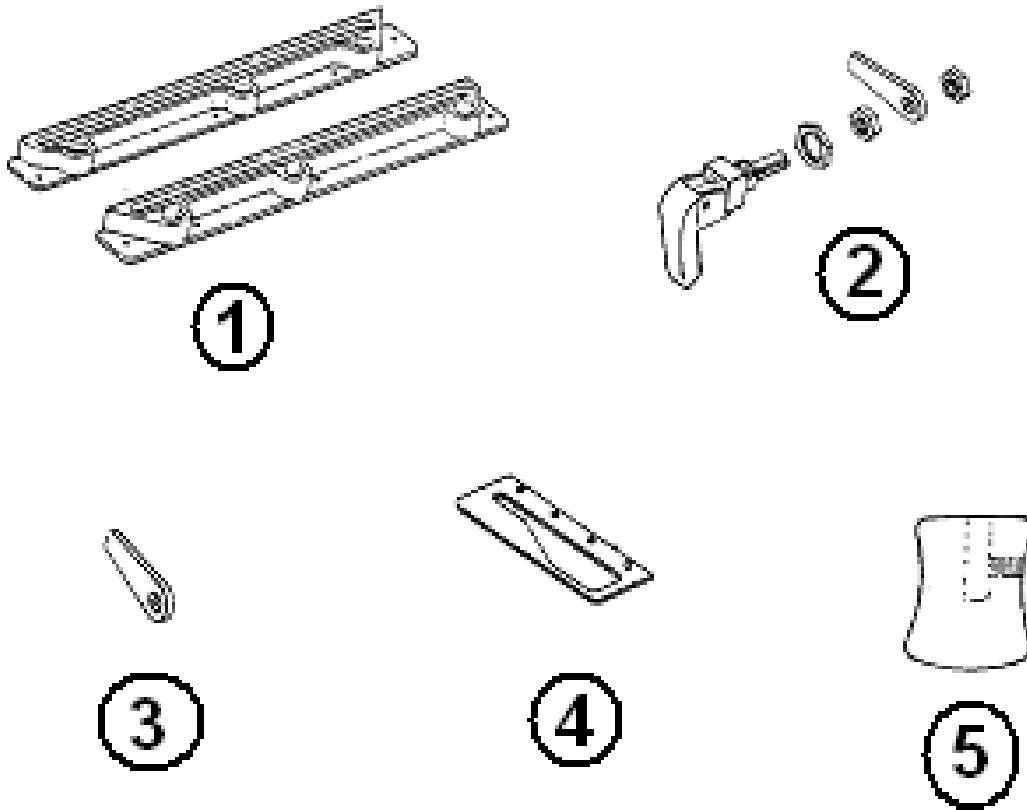
DEAD BOLT

- 381323-01 DEADBOLT COMPLETE ASSY. #11840-12
381326 STRIKER #10007 W/TRIMARK DEADBOLT
345321-12 SCREW, #8-32 FLAT HEAD, BLK, 1.625
453851 BOLT - TRI/MARK
203370 SPACER-TRI/MARK DOOR LATCH
203375 HIGH DENSITY POLYETHYLENE .187"TH

2003 INTERNATIONAL TRAVEL TRAILER

HARDWARE

WINDOW HARDWARE



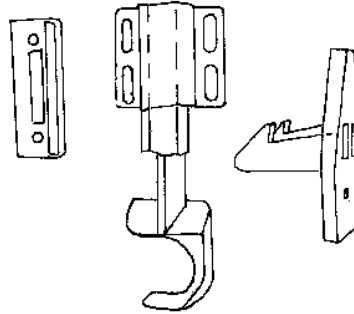
- | | |
|--------------|----------------------------------|
| 1. 0802-0001 | Window guide, RH |
| 1. 0802-0002 | Window guide, LH |
| 2. 010020 | Lower window latch, chrome |
| 2. 195467-05 | Lower window latch, w/red handle |
| 3. 685123 | Pawl, window latch, straight |
| 4. 685124 | Striker plate, window latch |
| 5. 380230-03 | Knob window arm, silver |
| 5. 380230-04 | Knob, window arm, red |

2003 INTERNATIONAL TRAVEL TRAILER

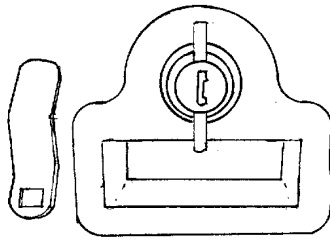
HARDWARE EXTERIOR LATCHES/LOCKS



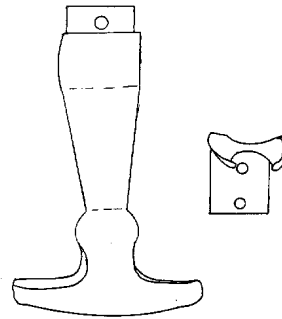
381770 Engraved Grab
Handle, main door



381454 Latch,
screen door, Bullet



380770-101 Twist lock, chrome
380770-102 Twist lock, black

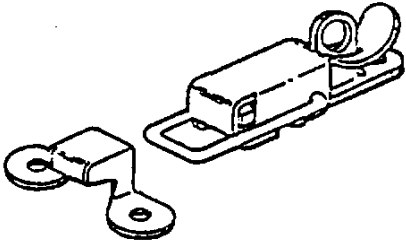


381021 Rubber T handle

2003 INTERNATIONAL TRAVEL TRAILER

HARDWARE

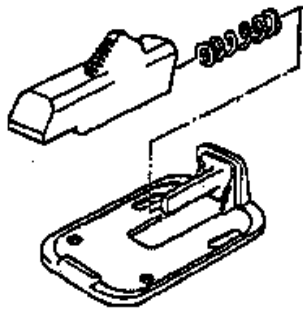
EXTERIOR LATCHES/LOCKS



340023 Corbin catch
w/strike, battery box



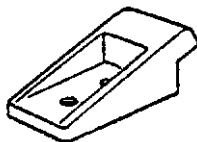
380067 Lock cam,
bumper lid



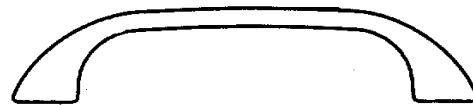
380291 Main door holdback,
(use w/housing #380290)



380290 Latch housing,



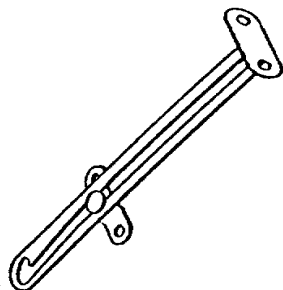
201056 Catch, main door
holdback



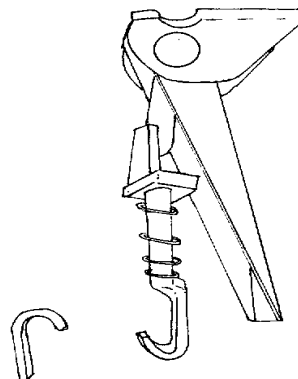
380004 Handle, screen door

2003 INTERNATIONAL TRAVEL TRAILER

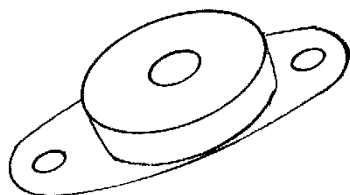
HARDWARE EXTERIOR LATCHES/LOCKS



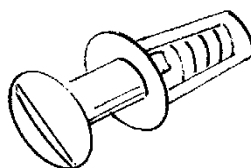
380024 Support arm,
bumper lid



380903 Latch w/strike,
chrome, gas bottle cover



685359
Rubber receptacle
1/4 latch, Southco



685342
Stud, 1/4 turn latch
Southco



685362
Retaining ring
1/4 turn stud

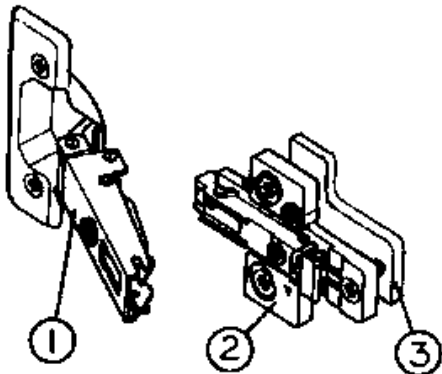
- 114819-01 Wrap protector hold back, 1.62"
- 114819-02 Wrap protector hold back, 2.50"
- 114819-03 Wrap protector hold back, 5.00"

EXTERIOR HINGES

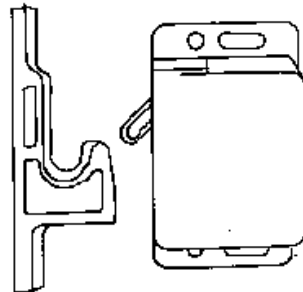
- 381552-03 Hinge assembly, main door, upper
- 381552-04 Hinge assembly, main door, lower
- 381531-01 Hinge, screen door, upper
- 381531-02 Hinge, screen door, lower
- 380773 Hinge, access door, 13/4
- 385395 Hinge, pivot, zinc plated, refer cabinet
- 380203-01 Piano hinge, 1/8" pin, hose carrier lid

2003 INTERNATIONAL TRAVEL TRAILER

HARDWARE INTERIOR



- 381607 Hinge assembly
1) 381607-01 Hinge, cabinet
2) 381607-02 Base, metal
3)*381607-03 Base, plastic
4) 381608-04 Screw #6 x 5/8"
*Not used in all applications

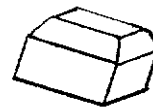


- 381228-01 Grabber door
door latch

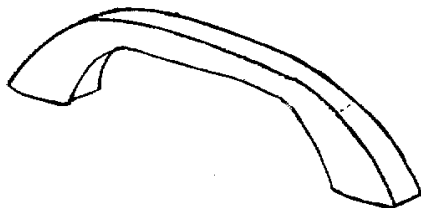
INTERIOR TRIM



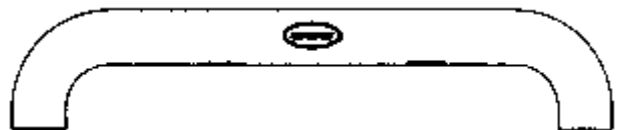
- 360012 Bumper, rubber
white, stick-on, cylindrical
360012-01 Bumper, rubber
brown, stick-on, cylindrical



- 360016 Bumper, rubber
gray, square 3/8" x 3/8"



- 381737 Grab bar, interior,
mounts on interior doorjamb



- 381772
Head knocker, white

2003 INTERNATIONAL TRAVEL TRAILER

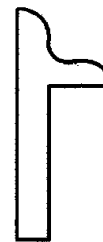
HARDWARE INTERIOR TRIM



203385
"F" Trim



203335 H-trim
Black plastic



115064 Molding
Aluminum cove

BATHROOM ACCESSORIES

- 381776 TOWEL BAR - CHROME 18"
- 381777 TOWEL RING - CHROME
- 381778 ROBE HOOK - DBL - CHROME
- 381779 Recessed toilet paper holder

MISCELLANEOUS INTERIOR HINGES

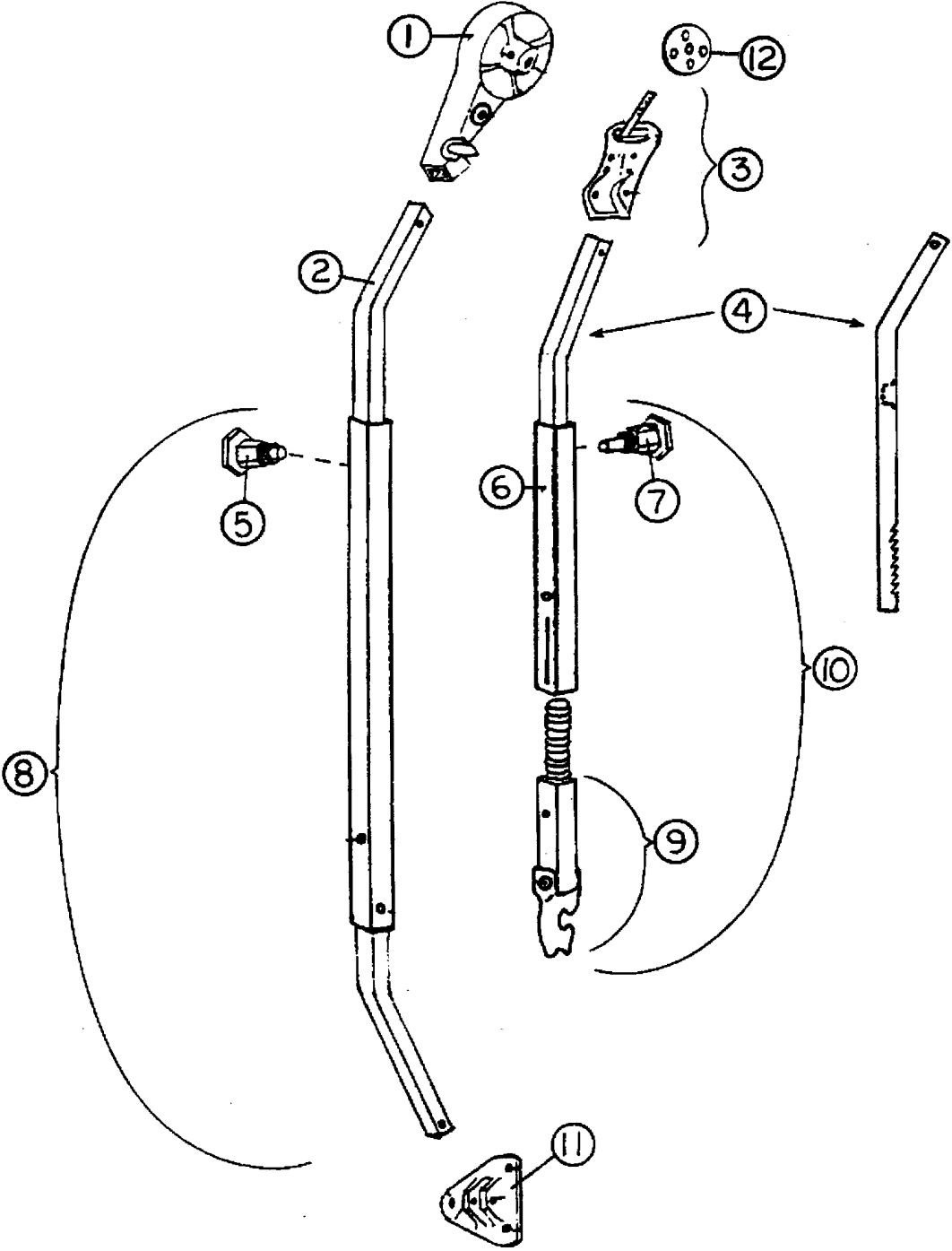
- 380458-01 Hinge, piano, Brown, bath door
- 380988 Hinge, medicine cabinet mirror assembly
- 380203-01 Hinge, Bath door, clear

DINETTE TABLE HARDWARE

- 380284-02 TABLE HINGE BRACKET
- 340015 CENTER HINGE J-4
- 340018 CATCH PLATE J-1
- 700065-01 Snapo folding leg

2003 INTERNATIONAL TRAVEL TRAILER

HARDWARE AWNING HARDWARE See next page for P/N



2003 INTERNATIONAL TRAVEL TRAILER

HARDWARE AWNING HARDWARE

- | | |
|----------------|---------------------------------------|
| 1) 702662-100 | Head assembly, front or rear |
| 2) 702662-101 | Main arm bar, front or rear |
| 3) 702622-103 | Clamp assembly, front, curved |
| 3a) 702662-104 | Clamp assembly, rear, curved |
| 4) 702662-105 | Rafter arm bar, satin |
| 5) 702662-106 | Snap stud assembly |
| 6) 702662-107 | Rafter arm tube, satin |
| 7) 74072W | Ratchet stud |
| 8) 74048W | Main arm tube assembly, front or rear |
| 9) 702662-110 | Claw bar assembly |
| 10) 702662-111 | Rafter arm assembly |
| 11) 702662-112 | Base hinge, rib mount |
| 12) 702662-114 | Clamp wheel |

2003 INTERNATIONAL TRAVEL TRAILER

LABELS AND TAGS

385193	Label, "12V distribution panel inside"
385048	Label, approval with shield
386119	Label, "DON'T USE AREA FOR STORAGE"
385068	Tag, cooking appliance warning
385067	Label, EXIT
386118	Label, LP gas warning/fill
385517	Label, kill switch warning
385521	Label, emergency egress window
386122	Warning label/cooking appliance
386121	Label, LP gas warning label (odor)
385465	Exit label, English
385560	Label, air conditioner rating
385812	Label, Calif. hazardous substance
386120	Label, smoke detector
385359	Label, microwave or air conditioner
385837	Label, refrigeration ignition
385103	Plate, RVIA
385418-01	Label, Federal registration
385062	Decal, 110-125 voltage AC
385565	Label, holding tank flushing
386097	Label, fuse 12volt
386019	1 Amp Fuse Max
386012	Label warning, water heater
386082	LABEL THOR, 5.25" X .75'
385101	TAG AUX TANK DUMP VALVE HANDLE
385099	TAG MAIN TANK DUMP VALVE HANDLE
385072	LABEL SET 2 SETS PER CARD
386111	LABEL 30 AMP FUSE MAX
386114	LABEL-RVIA SILVER

2003 INTERNATIONAL TRAVEL TRAILER

Options

410848-01 Spare tire, steel rim 14"
410843-01 SPARE TIRE/WHEEL ASSEMBLY 15" "D"
450414 "A" frame spare tire carrier

703127 Bottle cover, LP

22 Ft. Option

690396-01 Range, 22" gas, Maytag
690396-03 Bi-fold cover, 22"
114876 Trim ring, range recess
511191 CD changer, 10 unit, Sony CDX-646

28 FT. CCD Option

690486 Monitor, color, LCD, 17"
511773 DVD player, single disc
690345-01 MICROWAVE-CONVECTION SHARP R-820BK
690345-03 TRIM RING, CONVECTION MICROWAVE 7A82

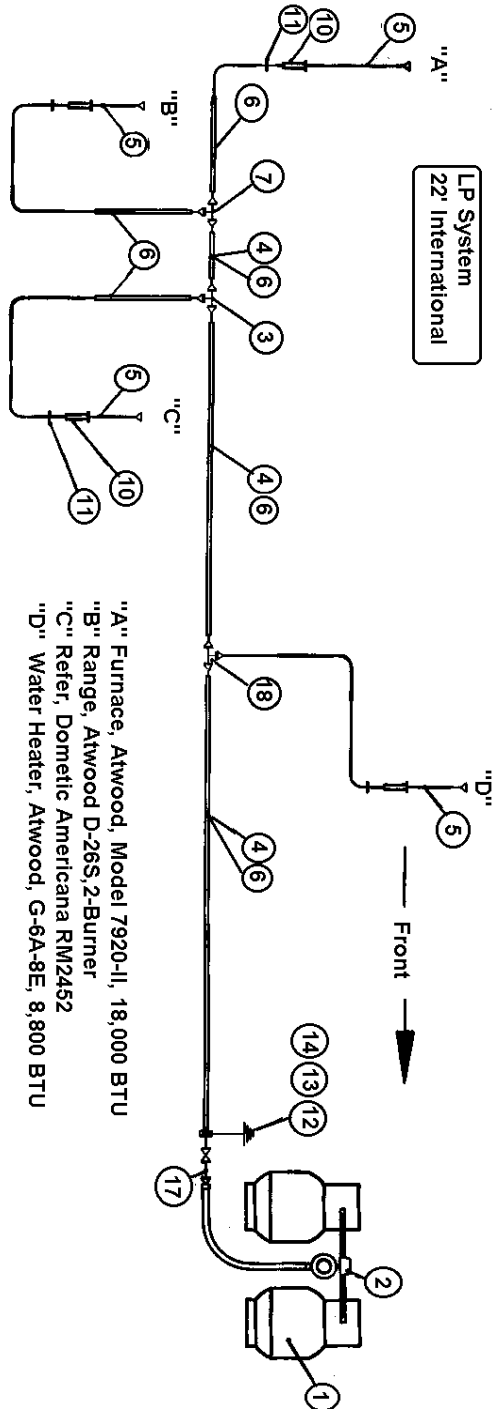
511668 Fantastic fan w/gray garnish

703204 Flooring, Vinyl Oak River
800639 Adhesive, vinyl flooring

685366-100 Wrap protector, RS, Safari/Bambi
685365-100 Wrap protector, CS, Safari/Bambi
381605-01 Hinge, stainless, wrap protector
114819-01 Wrap protector hold back, 1.62"
114819-02 Wrap protector hold back, 2.50"
114819-03 Wrap protector hold back, 5.00"

2003 INTERNATIONAL TRAVEL TRAILER

PLUMBING 22 Ft. AS, CCD LPG System



"A" Furnace, Atwood, Model 7920-1I, 18,000 BTU
"B" Range, Atwood D-26S, 2-Burner
"C" Refer, Dometic Americana RM2452
"D" Water Heater, Atwood, G-6A-8E, 8,800 BTU

PN next page

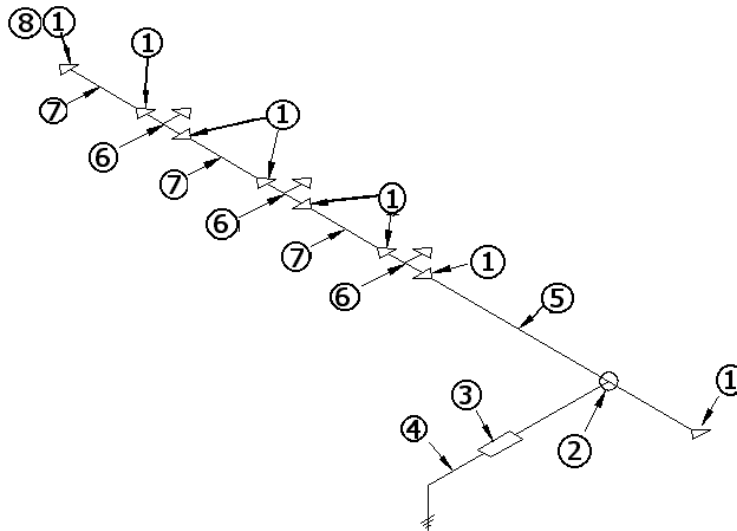
2003 INTERNATIONAL TRAVEL TRAILER

Plumbing LPG System 22 Ft. International AS, CCD

- | | |
|----------------|--------------------------------------------|
| 1. 601781 | 20# steel cylinder w/outlet valve |
| 2A. 601731 | LP regulator, Marshall Brass |
| 2B. 601686 | Base Plate |
| 2C. 601687 | Hold down kit |
| 2D. 601412-012 | Connector-M, .50" pipe to .62" tube |
| 2E. 601685-01 | LP hose, 1/2" FPT x 3/8" FL x 36 USA |
| 2F. 381613 | Cover, LP wing handle |
| 2G. 601159-02 | Tubing, poly, .50 in. |
| 3. 601281 | 5/8" x 5/8" x 5/8" Brass Union Tee |
| 4. 600004 | Copper tubing, 5/8" ID |
| 5. 600008 | Copper tubing, 3/8" ID |
| 6. 601159-02 | Tubing cover, .50" Poly, CSA approved |
| 7. 600003 | Tee, 5/8" x 3/8" x 3/8" |
| 8. 600436 | Forged flare nuts, 5/8" |
| 9. 600435 | Forged flare nuts, 3/8" |
| 10. 380887 | Floor grommet |
| 11. 380886 | Floor grommet |
| 12. 600661 | Grounding clamp, 1/2 to 1 |
| 13. 500839 | Copper wire, bare, 8 ga, |
| 14. 500038 | Lug, ground |
| 15. 345004 | Screw, 1/4-14 Washer Hex-head, (not shown) |
| 16. 340085-05 | Clamp, #Coy, 5/8" diameter (not shown) |
| 17. 601734 | Fitting, brass 5/8" OD flare x 1/2" |
| 18. 600000 | Tee, brass 5/8" x 5/8" x 3/8" |

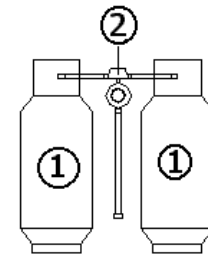
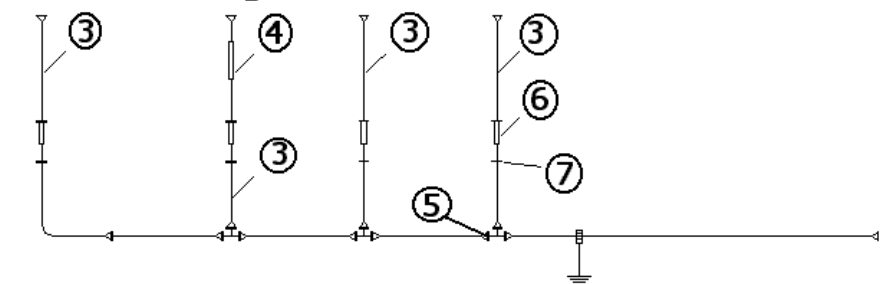
2003 INTERNATIONAL TRAVEL TRAILER

28' CCD LPG Plumbing



- | | |
|-----------|----------------------------------|
| 1. 600001 | Flare nut, 5/8" |
| 2. 600661 | Ground Clamp |
| 3. 500038 | Ground C\clamp |
| 4. 500839 | Wire, copper, #8 |
| 5. 600004 | Copper line, 5/8" |
| 6. 600000 | 5/8" x 5/8" x 3/8" Tee |
| 7. 600004 | Copper line, 5/8" |
| 8. 601454 | Flare union, 3/8" MPT x 5/8" MPT |

Refer Range Furnace Water
Heater



- | | |
|--------------|----------------------------------|
| 1. 601710 | Bottle, LP, 30 LB. |
| 2. 601731 | LP REGULATOR W/MTG. BRACKET |
| 3. 600008 | TUBING COPPER 3/8 OD |
| 4. 601159-02 | TUBING .50IN, POLY, CSA APPROVED |
| 5. 600435 | FORGED FLARE NUTS 3/8IN |
| 6. 380887 | GROMMET, FLOOR |
| 7. 380886 | GROMMET, FLOOR |

2003 INTERNATIONAL TRAVEL TRAILER

28' CCD LPG Plumbing

201649 ACCESS COVER LP REGULATOR
601441 SYSTEM, TANK FLUSH

LP BOTTLE RACK

410504 LP bottle ring, lower
410566 LP bottle support plate w/rod holder
410641 LP regulator mounting bracket
6000491 Hold down rod, threaded, 1/2"-13
100949 Bracket, bottle hold, cast aluminum
410238 "T" handle, threaded, cast aluminum

LP BOTTLES AND FITTINGS

601710-01 Bottle, LP, steel, 30#
601710-02 Bottle, LP, steel, CSA
601711 Bottle, LP, aluminum, 30#
601711-01 Bottle, LP, 30# alum. CSA
601731 Regulator and hose assembly, Marshall Brass
601685-01 18" LP Hose
601785-02 18" LP Hose, CSA

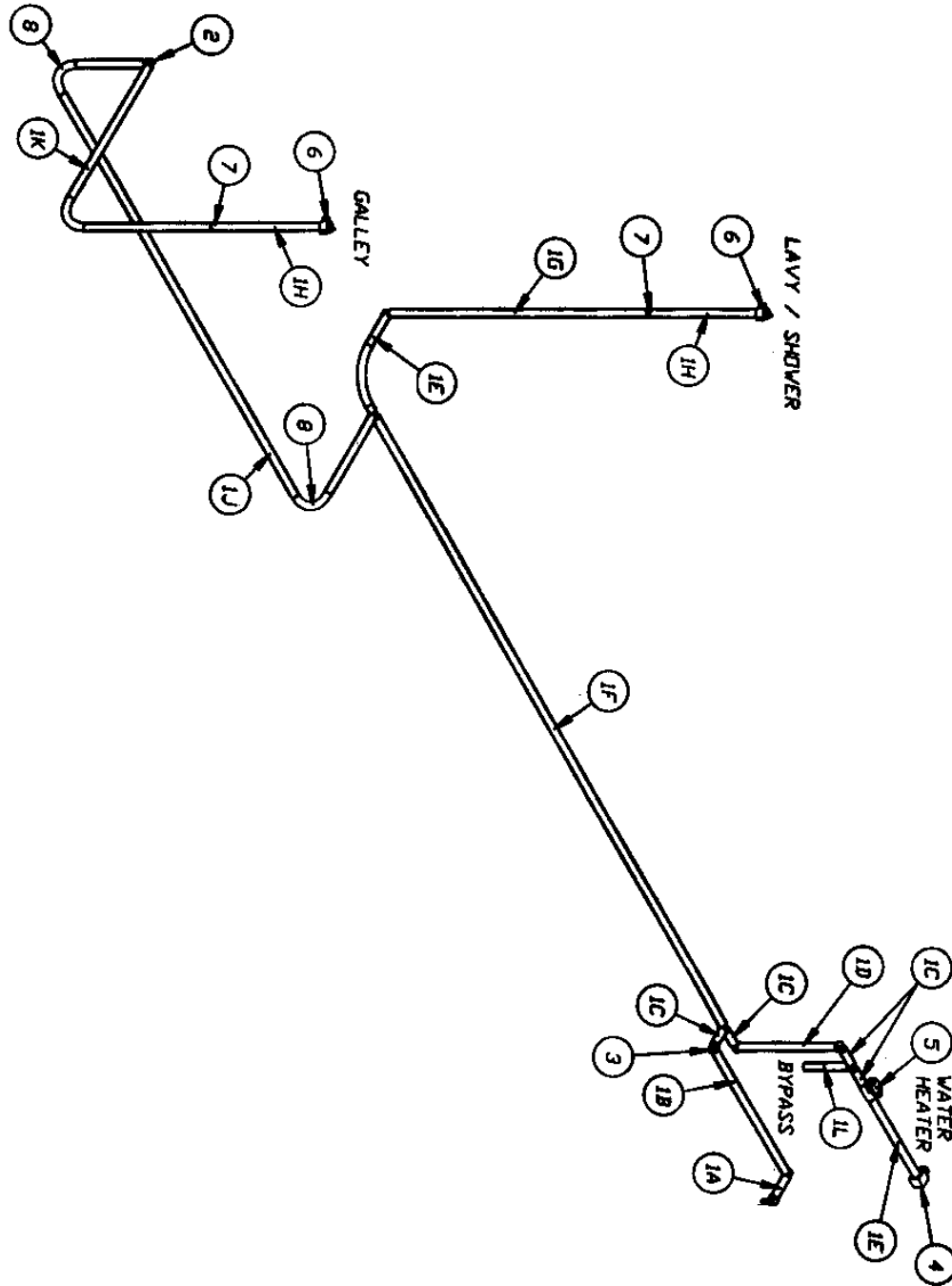
BOTTLE COVER

104264-01 Gas bottle cover w/o decal, 30lbs
380903 Latch and strike
200841 Lid, plastic, bottle cover
380773 Hinge, access door
114070 J-trim, extrusion, aluminum

2003 INTERNATIONAL TRAVEL TRAILER

PLUMBING FRESH WATER

22 Ft. International AS
943578-02 Layout-Hot Water



P/N Next Page

2003 INTERNATIONAL TRAVEL TRAILER

Plumbing

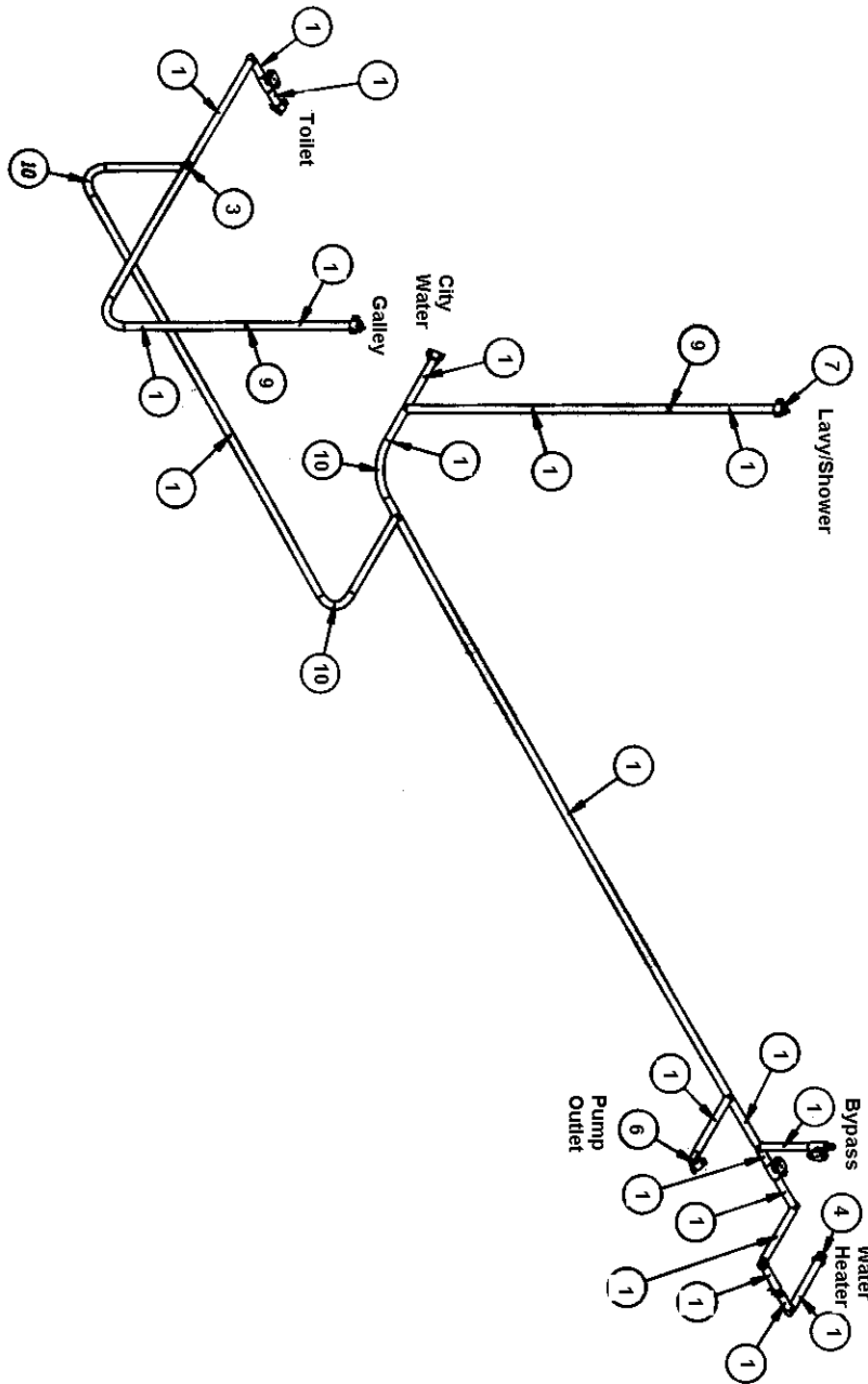
22 Ft. International AS

943578-02 Layout-Hot Water

1. 601698-01 E-Pex tubing, 1/2"
2. 601698-10 QQE333X 1/2" Barb Tee
3. 601698-11 QQT333X 1/2" Barbed Tee
4. 601698-04 QQE33BTX 1/2" MPT Barbed EL
5. 601698-22 Ball Valve, 1/4" Turn
6. 601698-05 QQE33BSXP 1/2"B x 1/2"FPT Swivel EL
7. 601698-03 QQSFC33XPXP, 1/2" x 1/2"FPT
7. 601698-08 QQC33X 1/2" Barbed Coupling
8. 601774 Elbow support-90D 1/2"
8. 601698-15 1/2" Crimp Ring

2003 INTERNATIONAL TRAVEL TRAILER

Plumbing
22 Ft. International AS
934578-01 Cold water Layout



See next page for part numbers.

2003 INTERNATIONAL TRAVEL TRAILER

Plumbing 22 Ft. International AS

934578-01 Cold water Layout 22" International

1. 601698-01 E-Pex tubing, 1/2"
2. 601698-10 QQE333X 1/2" Barb Tee
3. 601698-11 QQT333X 1/2" Barbed Tee
4. 601698-22 QQMC33X, 1/2"B x 1/2"MPT
5. 601698-22 Ball Valve, 1/4" Turn
6. 601698-05 QQE33BSXP 1/2"B x 1/2"FPT Swivel EL
7. 601698-03 QQSFC33XPXP, 1/2" x 1/2"FPT
8. 601698-15 1/2" Crimp Ring
9. 601698-08 QQC33X 1/2" Barbed Coupling
10. 601774 Elbow support-90D 1/2"

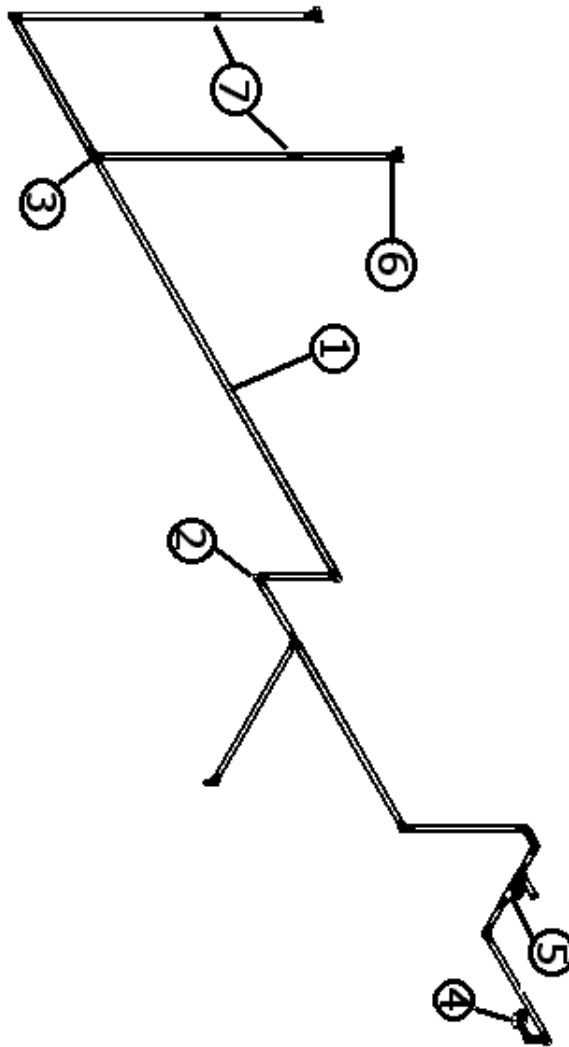
Not Shown

- 601194 Water fill w/lock, gray
601801 Tank, fresh water, 30 Gallon
601808 Strap, tank support
601807 FRESH TANK PAN ASSY
601810 Fresh water tank drain valve
601811 Elbow, fresh water drain
601812 Nipple, brass fresh water tank drain
- 601061-03 Water pump, Shurflo 2088-404-144
601668 Water pump, pre-filter, Shurflo
- 203085 PLUG WATER LINE 1/2" PLASTIC BLACK
- 200507 STYROFOAM, 1" X 25" X 55"-TANK INSULATION
200152 STYROFOAM 1/2" X 6" X 42"-TANK INSULATION

2003 INTERNATIONAL TRAVEL TRAILER

PLUMBING

22 Ft. CCD Hot Water Lay out



- 1. 601698-01
- 2. 601698-10
- 3. 601698-11
- 4. 601698-04
- 5. 601698-22
- 6. 601698-03
- 7. 601698-08

- E-Pex tubing, 1/2"
- QQE333X 1/2" Barb Tee
- QQT333X 1/2" Barbed Tee
- QQE33BTX 1/2" MPT Barbed EL
- Ball Valve, 1/4" Turn
- QQSFC33XPXP, 1/2" x 1/2" FPT
- QQC33X 1/2" Barbed Coupling

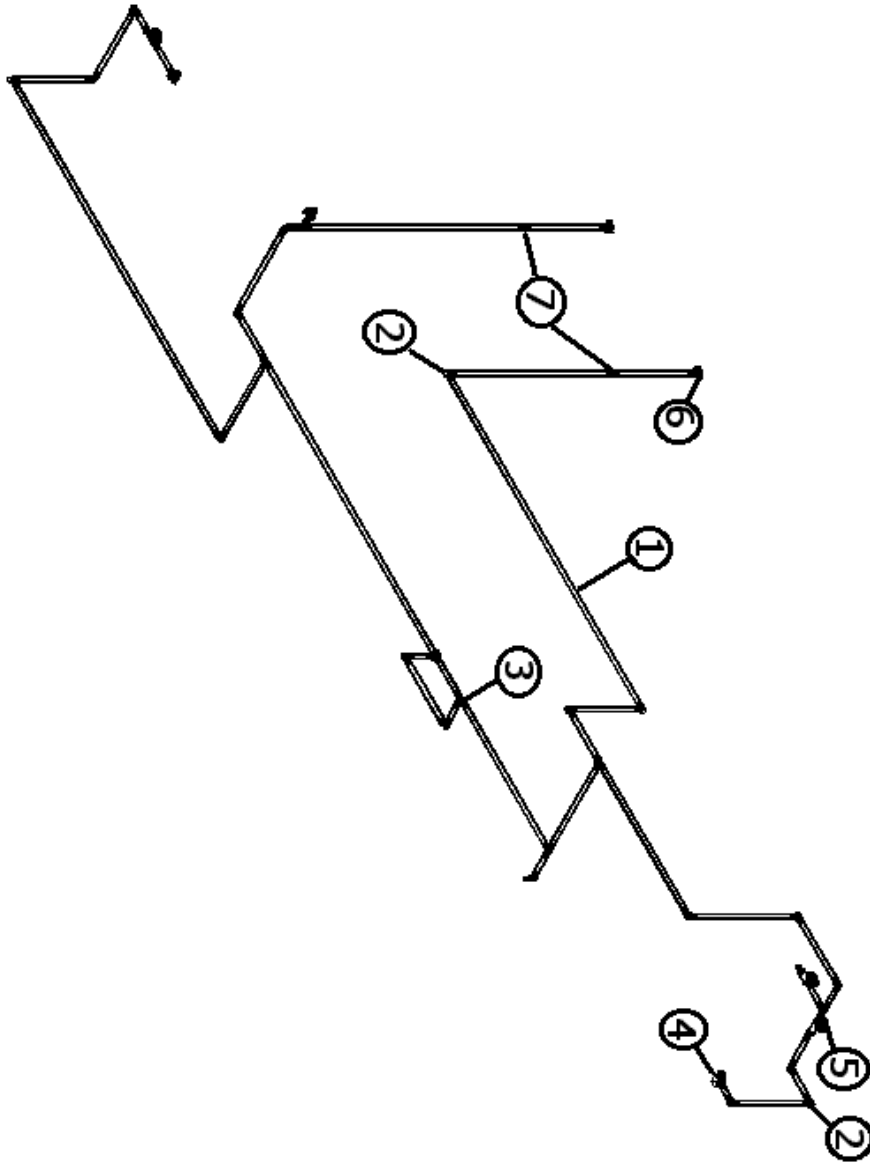
601698-15

1/2" Crimp Ring

2003 INTERNATIONAL TRAVEL TRAILER

PLUMBING

22 Ft. CCD Cold Water Lay out

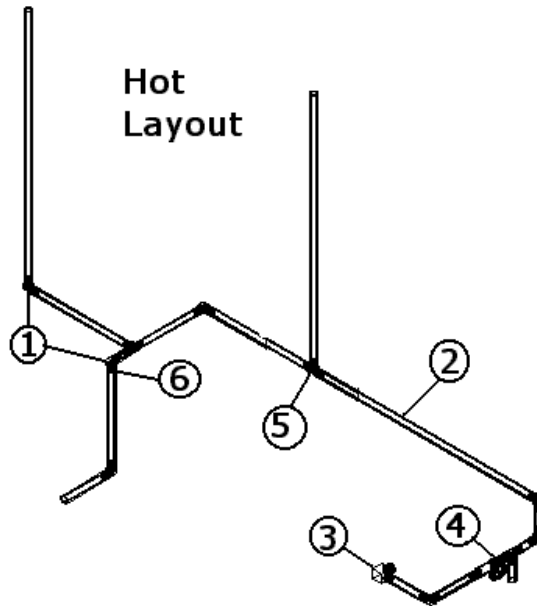


- | | |
|--------------|------------------------------|
| 1. 601698-01 | E-Pex tubing, 1/2" |
| 2. 601698-10 | QQE333X 1/2" Barb Tee |
| 3. 601698-11 | QQT333X 1/2" Barbed Tee |
| 4. 601698-04 | QQE33BTX 1/2" MPT Barbed EL |
| 5. 601698-22 | Ball Valve, 1/4" Turn |
| 6. 601698-03 | QQSFC33XPXP, 1/2" x 1/2" FPT |
| 7. 601698-08 | QQC33X 1/2" Barbed Coupling |
| 601698-15 | 1/2" Crimp Ring |

2003 INTERNATIONAL TRAVEL TRAILER

PLUMBING

28' CCD Fresh Water Plumbing

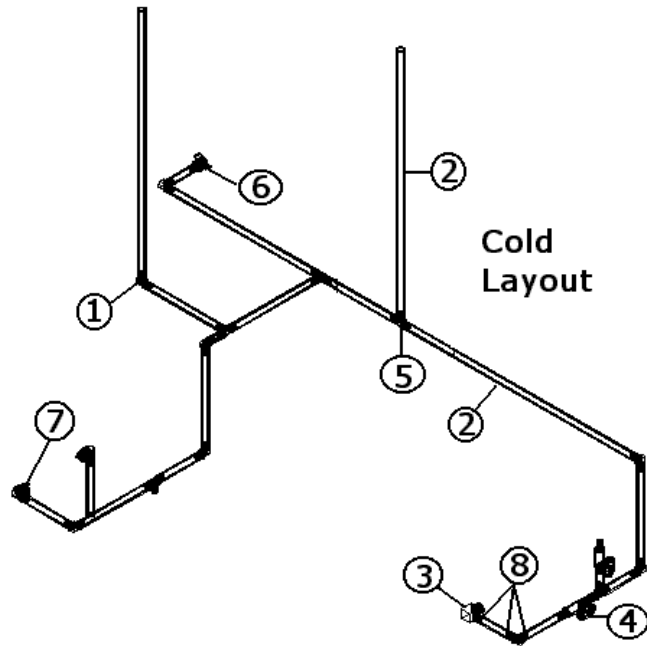


- | | |
|--------------|------------------------------|
| 1. 601698-10 | QQE33X 1/2 BARB EL |
| 2. 601698-21 | TUBING E-PEX 1/2' RED |
| 3. 601698-04 | QQE33BTX 1/2BX1/2MPT BARB EL |
| 4. 601698-22 | BALL VALVE 1/4 TURN |
| 5. 601698-11 | QQT333X 1/2 BARB TEE |
| 6. 601698-15 | 1/2 CRIMP RING |

2003 INTERNATIONAL TRAVEL TRAILER

PLUMBING

28' CCD Fresh Water Plumbing



- | | |
|--------------|--------------------------------------------------|
| 1. 601698-10 | QQE33X 1/2 BARB EL |
| 2. 601698-21 | TUBING E-PEX 1/2' RED |
| 3. 601698-04 | QQE33BTX 1/2BX1/2MPT BARB EL |
| 4. 601698-22 | BALL VALVE 1/4 TURN |
| 5. 601698-11 | QQT333X 1/2 BARB TEE |
| 6. 601698-03 | QQSFC33XPXP 1/2" "B X 1/2" FPT SWIVEL
ADAPTOR |
| 7. 601698-05 | QQE33BSXP 1/2"B X 1/2" FPT SWIVEL |
| 8. 601698-15 | 1/2" CRIMP RING |

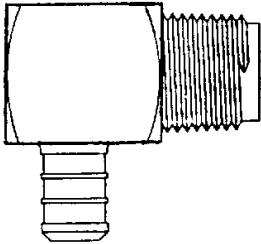
Not Shown

- | | |
|-----------|----------------------------------|
| 601243 | DRAIN COCK, FRESH WATER |
| 600155 | PLUG, CLEANOUT, 1 1/2" |
| 453712 | SHIELD, FRESH WATER TANK DRAIN |
| 601061-03 | Water pump, Shurflo 2088-404-144 |
| 601668 | Water pump, pre-filter, Shurflo |
| 600336 | PLUG WITH CHAIN |
| 600315 | PUMP GUARD FILTER |

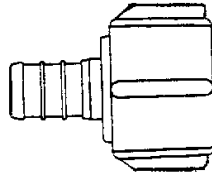
2003 INTERNATIONAL TRAVEL TRAILER

PLUMBING

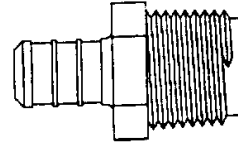
FRESH WATER-FITTINGS



601698-04
Elbow, 1/2" barb
x 1/2" MPT

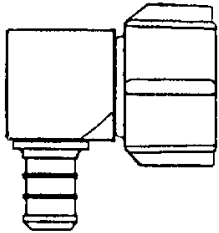


601698-03
Coupler, 1/2" barb
x 1/2" FPT

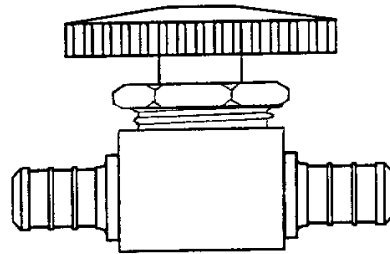


601698-02
Coupler, 1/2" barb
x 1/2" MPT

FRESH WATER-FITTINGS



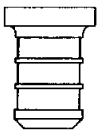
601698-05
Elbow 1/2" barb x
1/2" FPT



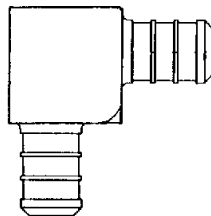
601698-22
Shut-off, 1/2" barb x
1/2" barb



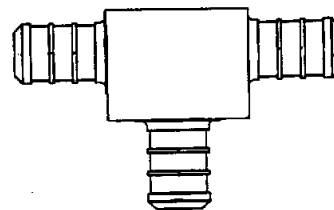
601698-08
Coupler
1/2" x 1/2" barb



601698-09
Plug, 1/2" barb



601698-10
Elbow 1/2" barb x
1/2" barb



601698-11
Tee, 1/2" x 1/2" x
1/2" barb

2003 INTERNATIONAL TRAVEL TRAILER

PLUMBING FRESH WATER-FITTINGS



601698-15
Crimp ring, 1/2
E-Pex, 1/2" (black)
-21 Red



601698-01
E-Pex tube, 1/2"

Loose Parts

340084-52	CLAMP, HOSE SAE #52, for sewer hose
600241-01	SEWER HOSE ADAPTOR, STRAIGHT #02593
381647	KEY WATER FILL CH751
690473	Faucet, Lavy-shower, 22' AS & CCD
601813	TAIL PIECE-LIFT/TURN DRAIN, 22' AS & CCD

2003 INTERNATIONAL TRAVEL TRAILER

Notes

2003 INTERNATIONAL TRAVEL TRAILER

**GALLEY FAUCET P/N 601803

MODEL 7570SL www.moen.com

PH. 1-800-BUY MOEN

United States

Canada

Moen Incorporated

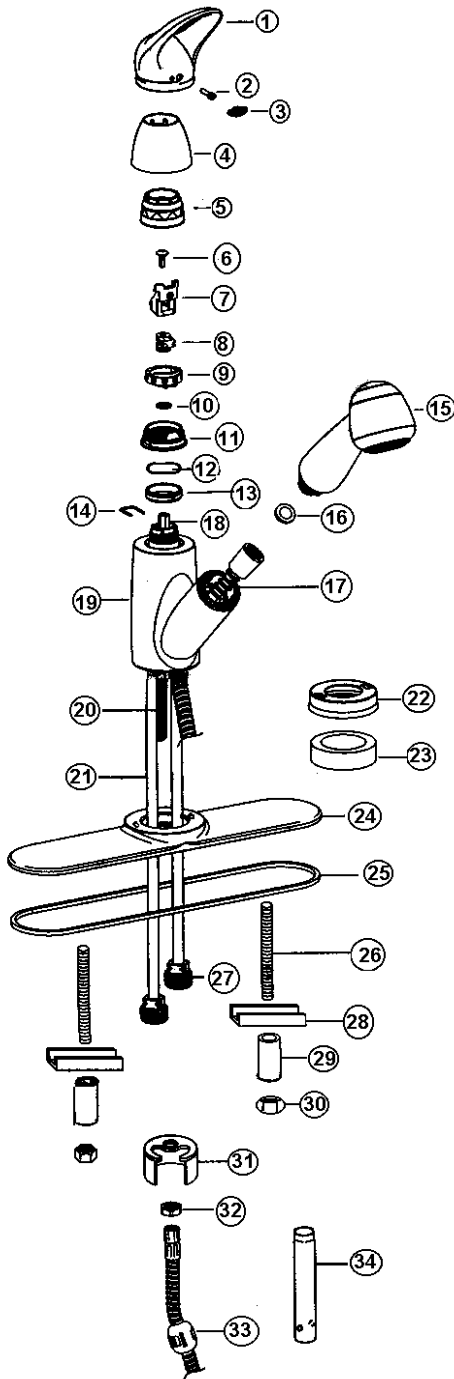
Moen Inc.

25300 Al Moen Drive

2816 Bristol Circle

North Olmstead, OH. 44070-8022

Oakville, Ontario L6H5s7



1. Loop Handle
2. Screw
3. Plug Button
4. Dome
5. Pivot Retainer
6. Cartridge Screw
7. Handle Adapter
8. Handle Connector
9. Pivot Stop
10. Double D Washer
11. Retainer Nut
12. Wave Spring Washer
13. Bearing Washer
14. Retainer Clip
15. Pull-out Spout
16. Screen Washer
17. Hose
18. Cartridge
19. Spout Receptor
20. Threaded Discharge Tube
21. Supply Tubes (2)
22. Deck Ring
23. Deck Ring Gasket
24. Deck Plate
25. Gasket
26. Deck Plate Studs (2)
27. 1/2" Threaded Fitting (2)
28. Clamp Bar (2)
29. Spacer (2)
30. Small Mounting Nut (2)
31. Mounting Bracket
32. Mounting Nut
33. Counter Weight
34. Mounting Tool

**Replaced by 601841 during model year. See next page.

2003 INTERNATIONAL TRAVEL TRAILER

PLUMBING

Fresh Water

FAUCET-KITCHEN PULL OUT

Replacement Parts

601841

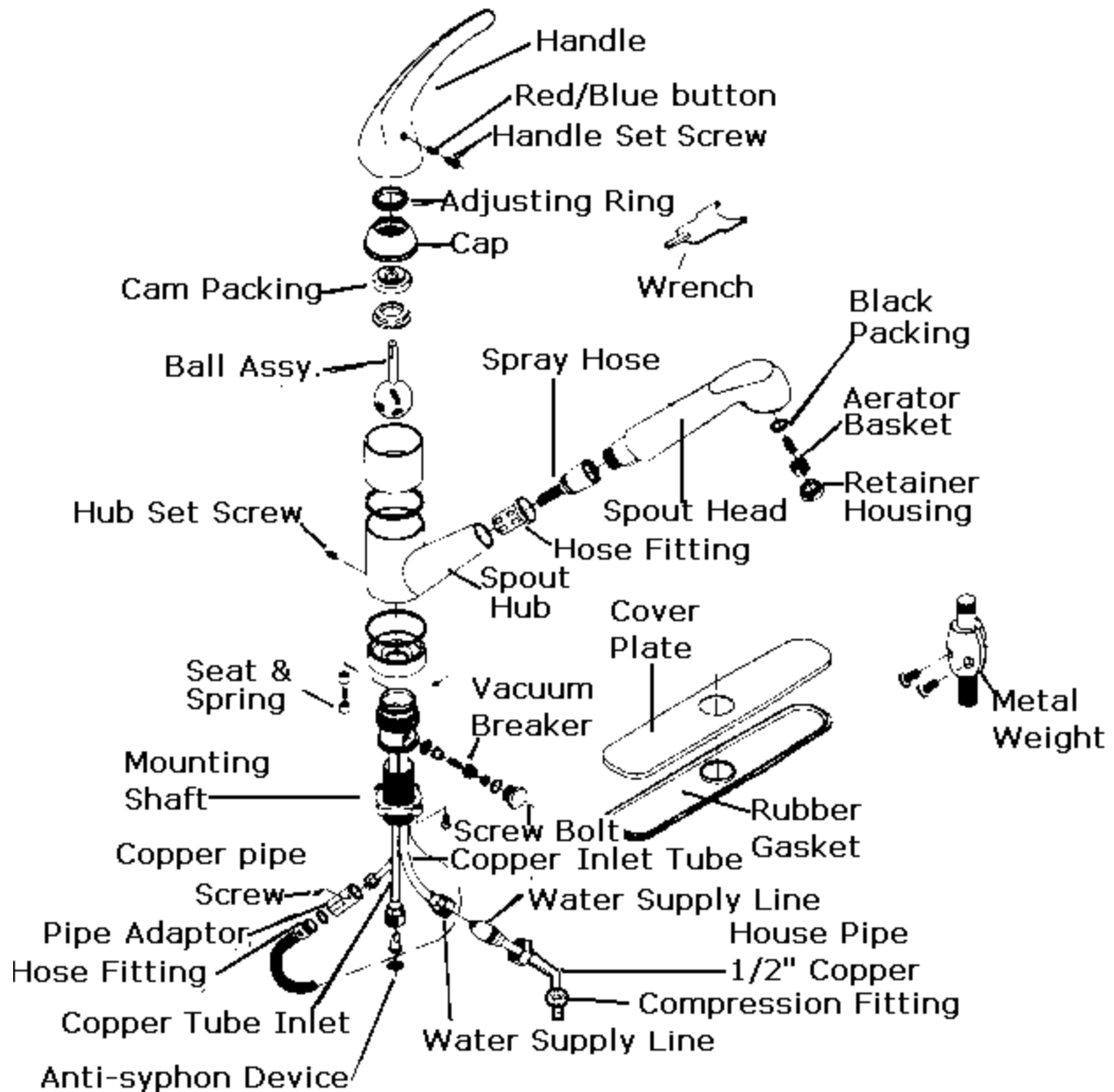
Model 97984

ITC Inc.

230 East Lakewood Blvd.

Holland, MI 49424

Tel. 616-396-1355



2003 INTERNATIONAL TRAVEL TRAILER

PLUMBING

Fresh Water

601842

FAUCET-SMALL LEVER HANDLE BATH

Replacement Parts

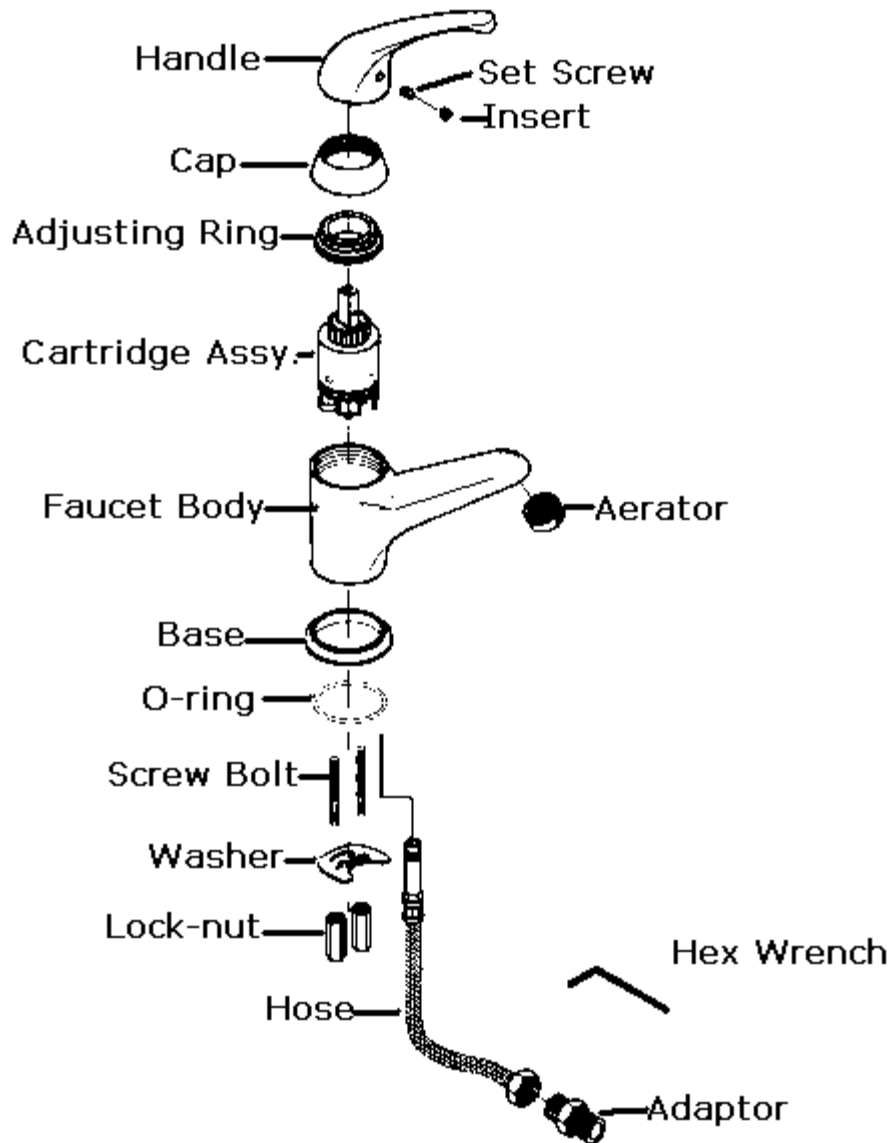
Model 97155BR

ITC Inc.

230 East Lakewood Blvd.

Holland, MI 49424

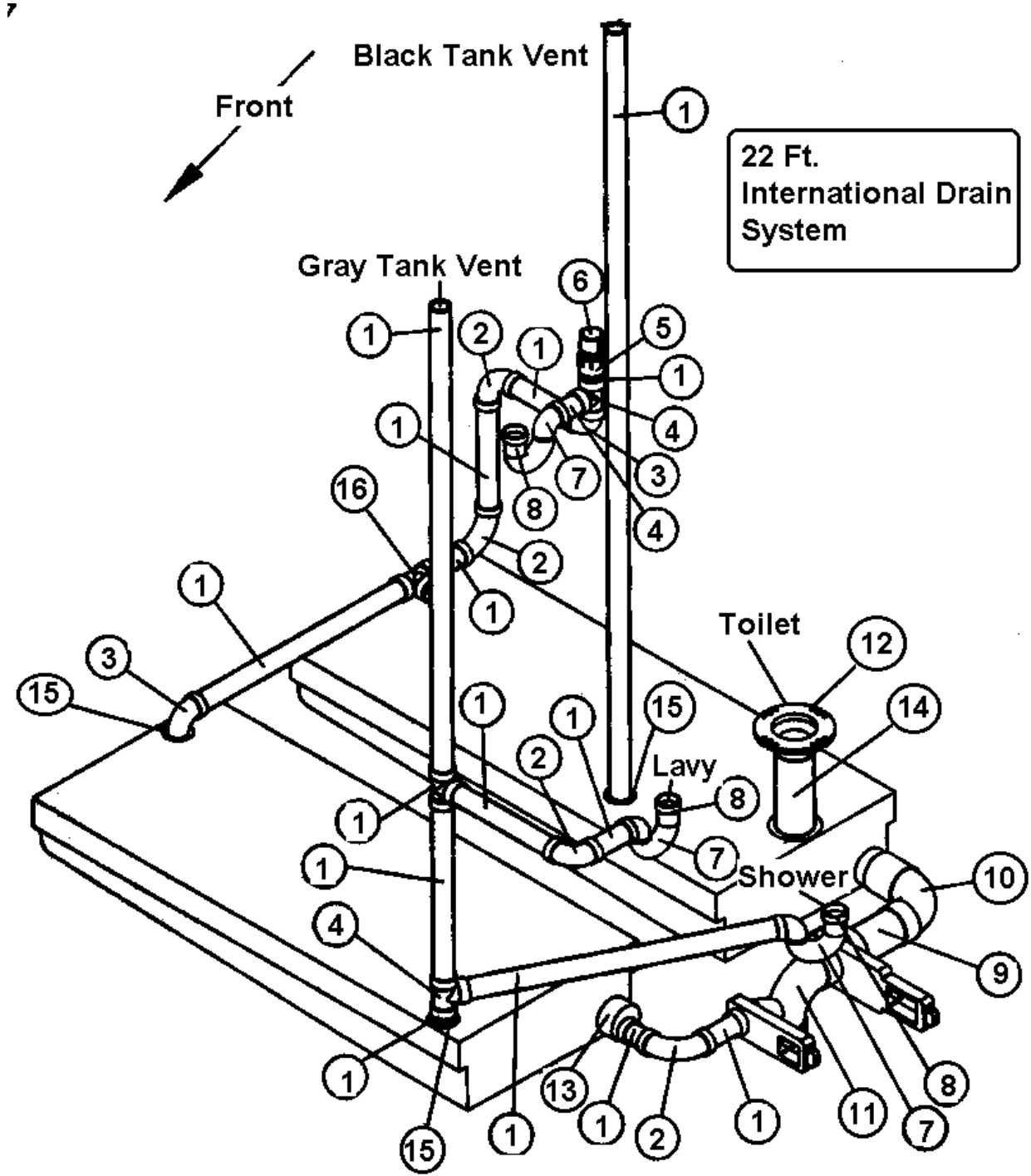
Tel. 616-396-1355



2003 INTERNATIONAL TRAVEL TRAILER

PLUMBING

22 Ft. International, AS, CCD
943577 Above/Below Floor Drain



P/N Next Page

2003 INTERNATIONAL TRAVEL TRAILER

Plumbing

22 Ft. AS, CCD

943577 Above/Below Floor Drain

1. 601160-02	Pipe, ABS DVW, 1 1/2"
2. 600035	Ell, ABS long sweep, 1 1/2"
3. 600431	Elbow, 90 degree, 1 1/2"
4. 600156	Tee Sanitary
5. 600308	Adapter, ABS female Sloan
6. 600538	Vent, V-200 automatic
7. 600144	P-trap, ABS 1 1/2"
8. 600822	Adapter P-trap
9. 600160-04	Pipe, ABS DVW, 3"
10. 600820	3" single socket, 90 degree
11. 601482	Dump valve, rotating assembly
12. 601266	Flange, closet, 3 x 4, slip fit
13. 195329-229	Reducer adapter, 3" to 1 1/2"
14. 601267-04	Nipple, 3" diameter, threaded one end
15. 340084-20	Clamp, hose, .81"-1.75"
16. 601318	Tee, bi-directional cleanout, 1 1/2"
601707-04	TANK-GREY HOLDING 21 GAL.22' AS
601707-06	TANK-BLACK HOLDING 21 GAL 22' AS & CCD
601707-05	TANK-GRAY HOLDING 21 GAL 22' CCD
601809	PAN-WASTE TANK ASSY, 22'AS & CCD
200507	STYROFOAM, 1 X 25 X 55-WATER TANK
200152	STYROFOAM 1/2" X 6 X 42
601804	SINK-LAVY YUKON ROUND
601799	SINK-GALLEY, S. S. 16" X 27"
600968	BASKET STRAINER
690264-03	VENT PIPE COVER, WHITE
380114	GASKET VENT PIPE
380228	WIRE HARDWARE, CLOTH (SCREEN UNDER COVER)

2003 INTERNATIONAL TRAVEL TRAILER

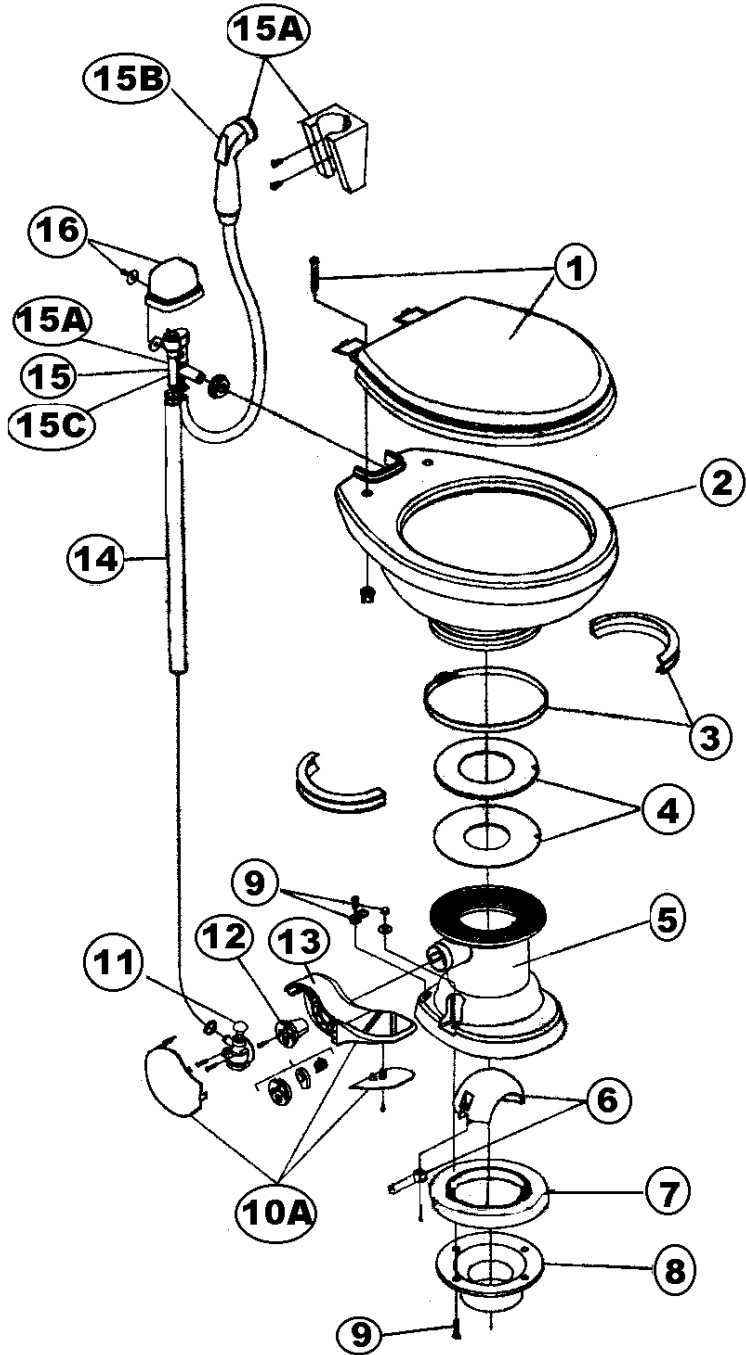
Plumbing
28 Ft. AS, CCD
Drainage

601840-01	TANK-BLACK/GRAY COMBO, 70 GAL
601619	PAN WASTE TANK
453615	TANK SUPPORT STRIP-62"
454155-01	STRAP-BLK/GRAY TANK 5.75" X 49.75"
454155-02	STRAP-BLK/GRAY TANK 5.13" X 49.75"
454155-03	STRAP-BLK/GRAY TANK 4.5" X 49.75"
454155-04	STRAP-BLK/GRAY TANK 3.75" X 49.75"
601806	SINK, S. S. ROUND GALLEY

2003 INTERNATIONAL TRAVEL TRAILER

PLUMBING

Sealand, Traveler Lite Parts List, WHITE
P/N 690472



P/N Next Page

2003 INTERNATIONAL TRAVEL TRAILER

PLUMBING

Sealand, Traveler Lite Parts List, WHITE

Sealand Technology, Inc.

13128 State Route 226

PO Box 38

Big Prairie, OH. 44611-0038

Customer Service 1-800-321-9886

330-496-3211 (8:00 A.M.-5:00 P.M. ET)

Fax: 330-496-3097

www.sealandtechnology.com

- | | |
|-------------------------------|------------------------------------------------|
| 1. 344088 | Seat Assembly |
| 2. 310790 | China bowl kit |
| 3. 310025 | Ring & half clamp kit |
| 4. 316140 | Teflon & rubber seal kit |
| 5. 310792 | Base kit, includes 3, 4, 6, 7, 9, 10A, 11 & 12 |
| 6. 310681 | Ball, shaft, cartridge kit |
| 7. 343938 | Floor flange seal |
| 8. 600065 | Flange, floor, threaded, Airstream P/N |
| 9. 310794 | Floor bolt mounting kit |
| 10. 310117 | Pedal cover kit |
| 10A. 310682 | Flush pedal kit (includes 12) |
| 11. 314349 | Water valve kit |
| 12. 310683 | Spring cartridge kit |
| 13. Pedal included w/Part 10A | |
| 14. 340177 | Supply hose |
| 15. 310687 | Vacuum breaker kit |
| 15A. 319054 | Vacuum breaker kit w/spray |
| 15B. 340683 | Hand spray |
| 15C. 230335 | Vacuum breaker (used w/spray) |
| 16. 310795 | Vacuum breaker cover kit |
| 601164 | NIPPLE 3/8" MPT X 1/2" MPT |
| 600883 | COUPLER PB-820 |
| 601165-02 | RISER WATER LINE - 54IN |

2003 INTERNATIONAL TRAVEL TRAILER

SAFETY EQUIPMENT

510781 Smoke detector

511309 LPG detector

600162-01 Fire extinguisher
203387 POCKET-RECESSED FIRE EXT. BRACKET

CSA Option

510891 Smoke Detector CSA only

600162-02 Fire extinguisher, CSA

2003 INTERNATIONAL TRAVEL TRAILER

SEALER/GASKETS/PAINT

SEALER

360001	Sealant, #884058
360002	Sealant, Vulkem 11.5 oz. tube
360209	Sealant, seam
360176	Sealant, Almond, kitchen and bath
360180-04	Sealant, Sikaflex #221, black
360180	Sealant, Sika-flex, gray
360210	Sealant, Paralastic 4334-014
360283	Sealant, silicone, Corian Bone
360283-01	SEALANT SILICONE CORIAN G. WHITE

GASKETS



365035, Gasket
Access doorjamb



365013-01, Gasket
screen door



365232, Gasket
main door

381704	Seal, upper main door (goes over main seal around top of door)
365190	SEAL, RUBBER, ADHESIVE, 3/4" X 3/4", Refer
381665	Gasket, D seal, window frame to shell
380114	Gasket, vent pipe
0401-0002	Gasket, window frame to glass
365016	Tape, foam, double face, 1/2" wide
685510	Seam tape, exterior metal, black rubber
365013	TAPE CHARCOAL LOW DENSITY FOAM, bumper lid
365001	TAPE DOUBLE COATED FOAM
365232	SEAL BAGGAGE DOOR #2180 H2-400
381830	Gasket wiper, L section, 1.12" x 2.00", seal around refer baffle

2003 INTERNATIONAL TRAVEL TRAILER SEALER/GASKETS/PAINT

Paint

360213*	Paint, aluminum metallic
360151*	Paint, gray metallic, Centari
360260*	Paint, Pewter
360200-01	Hardener, Centari

- Add (-100) to paint PN to order 16 oz. Spray can.

-

360292	Stain, Saratoga Oak
--------	---------------------

2003 INTERNATIONAL TRAVEL TRAILER

UPHOLSTERY/FOAM/MATTRESS

BEDROOM

701611 Pillow, 21" x 31", 22' AS & CCD

702882-17 Pillow, sofa accent

**703352-tab Dinette cushions, CCD

703182 Mattress-52" X 76" W/10", radius corner, AS Model

*703196-Tab Bedspread, AS model

703190 Mattress, 48" x 78" w/double radius corner, 22' CCD

*703197-Tab Bedspread, 22' CCD Model

703336 Mattress, 60" x 75" w/11" Radius corner

*703356 Bedspread, 28' CCD

DINETTE

965537 SEAT ASSY-LH DINETTE

203380 DINETTE BASE-LH ROTOCAST

965538 SEAT ASSY-RH DINETTE

203381 DINETTE BASE-RH ROTOCAST

702347-091 Dinette cushion, Kaleidoscope

702347-101 Dinette cushion, Amarillo

702549 MATT ENTRANCE W/AIRSTREAM LOGO

701538 CARPET, ECONOLIER VELOUR BLACK 48"

703347 FABRIC-CHARCOAL TWEED, used on furniture

*Color schemes

-091 Amarillo

-014 Hazard Orange

-013 Lemon Grass

**Color schemes

-123 Charade

-143 Hazard Orange

-133 Lemon Grass

2003 INTERNATIONAL TRAVEL TRAILER

VENTS/FANS

100341	Refrigerator, vent collar, roof, large
101394	Cover, refrigerator vent, roof, large
381042	MESH, galvanized for refer vent. .017 X 36"
690264-03	Vent pipe cover
380114	Gasket, vent pipe
380228	Wire, hardware cloth
381606-01	Vent, roof, 14" x 14", non-power, white
381606-02	Trim ring, interior, roof vent, white
381564	VENT W/WALL THERMOSTAT 2000TRS, AS, White
381564-03	VENT W/WALL THERMOSTAT 2000TRS, CCD, Gray
511017-11	Vent cover, exterior, range hood, gray
690266-01	Ventilator, power, bath
690266-02	Ventilator, power, bath, CSA
690266-03	EXTENSION GARNISH 4", power vent
690394	Power ventilator, refrigerator

2003 INTERNATIONAL TRAVEL TRAILER

WOOD/LAMINATES/TRIM

PLYWOOD

800506-04	Plywood, 1/2" x 4' x 8'
800506-05	Plywood, 5/8" x 4' x 8'
800506-06	PLYWOOD, 3/4" X 4' X 8'
800976-01	PLYWOOD TONGUE & GROOVE 19/32" X 97.77"

Cabinet formed RADIUS corners

801345	RADIUS PLYWOOD .75" X 3" X 8'
801346	RADIUS PLYWOOD .75" X 4" X 8'
801347	RADIUS PLYWOOD-.75"X 6"X 8'
801348	RADIUS PLYWOOD-.75" X 8" X 6'
801349	RADIUS PLYWOOD-.75"X 5"X 32"

PANELING

800507-01	Panel, lauan, 1/8 x 4' x 8'
800507-02	Panel, Lauan, 1/4" x 4' x 8', raw/raw
800507-03	Panel, Lauan, 3/8" x 4' x 8', raw/raw
800507-04	Panel, Lauan, 1/2" x 4' x 8', raw/raw
801242-004	THRESHOLD MAIN DOOR
801283	PANEL 1/2" G2S, ANTIQ. BUFF/ANTIQUITY BUFF
801261	PANEL-.125" G1S ANTIQUITY BUFF

2003 INTERNATIONAL TRAVEL TRAILER

WOOD/LAMINATES/TRIM

Formica

801355	Frosty White Formica used for interior panels
801355-01	Frosty White Formica, vertical
801343	Tropical Oak Formica used for fronts of panels.
801344	Galaxy Graphite Formica used for toe kick faces
801357	Bluebell Formica used for interior panels.
*801358	Raven Formica used for interior panels.
801359-01	Citrus Orange Formica vertical.
365251-01	Tape, seam, Antiquity Buff, 1 1/8" wide
365251-02	Tape, seam, Antiquity Buff, 8" wide
365251-03	Tape, seam, Antiquity Buff, 12" wide
365268-01	Edge Banding, Tropical oak, .024" x 1 1/8"
365268-02	Edge Banding, Tropical oak, .024" x 1 5/8"
365268-03	Edge Banding, Tropical oak, .024" x .63"
365273	Edge Banding, Galaxy Graphite, .024" x 1 1/8"
365267	EDGE BANDING-1.13" .024 PLY
365240-01	EDGE BANDING-PVC 3M 1-5/16" WHITE
365269-01	EDGE BANDING-.024"X 1.125" RAVEN
365269-02	EDGE BANDING-.024"X 1.625" RAVEN
365238-04	EDGE BANDING TAPE PVC 5/8" C. WHITE
365278-01	EDGE BANDING-BLK MAPLE 1.13"

*Replaced by 801439, Black Maple unit 515468

2003 INTERNATIONAL TRAVEL TRAILER

WOOD/LAMINATES/TRIM

Pre-laminated Panel, 4' x 8' sheet

Rexel is a smooth thin finish Formica used for interior of cabinets. It is a dull white not to be mistaken for Formica designated as White or Frosty white

801368	Panel, White/white
801369	Panel, Frosty white/white
801369-01	Panel, Frosty white/white, vertical
801370	Panel, Bluebell/white
*801371	Panel, Slatewood/white
**801372	Panel, Raven/white
801373	Panel, Citrus orange/raw
801374	Panel, Frosty white/raw
801376	Panel, Tropical Oak/Rexel
801377	Panel, Graphite/Rexel
801378	Panel, Rexel/raw
801441-01	Panel, BLACK MAPLE/FROSTY WHITE 18MM
801436-01	Panel, BLACK MAPLE/WHITE 18M VERTICAL
801392	Panel, WHITE LINER/WHITE LINER 12MM
801445-01	Panel, BLACK MAPLE/GATOR .25" VERTICAL

*Replaced by 801436 beginning with unit s/n 515468

**Replaced by 801436 beginning with unit s/n 515468

