

AIRSTREAM

2002

Safari/Bambi

Parts Book



2002 SAFARI- BAMBI
TABLE OF CONTENTS
SECTION I SAFARI
A through C

APPLIANCES

Air Conditioner	I-1
Furnace	I-1
Microwave	I-1
Range	I-1
Refrigerator	I-2
Water Heater	I-2

BODY

End shell, aft	I-3
End shell, front	I-5
Roof	I-13
CS wall, 27ft	I-15
RS wall, 27ft	I-17
RS wall, 25 sleep six "C"	I-19
CS wall, 25 sleep six "C"	I-21
CS wall, 25 "A&B"	I-23
RS wall, 25 "A&B"	I-25
RS wall, 23 "C"	I-27
CS wall, 23 "C"	I-29
RS Wall, 19ft	I-31
CS Wall, 19ft	I-33
RS Wall, 16ft	I-35
CS Wall, 16ft	I-37
Body interior	I-39

CHASSIS

Axles, Shocks, Tires, Wheels	I-41
Stabilizing jacks	I-42
Step	I-42
Rear bumper/hose carrier	I-42
Under belly metal	I-43
Coupler, hitch	I-43
Brakes	I-44
Front jacks	I-48

2002 SAFARI- BAMBI TABLE OF CONTENTS

SECTION II

D through E

[DECALS/EXTERIOR TRIM](#)II-1

DOORS/WINDOWS/AWNING

[Doors](#)II-2

[Windows](#)II-3

[Awning/rock guard](#)II-3

[DRAPES](#)II-5

[BLINDS/VALANCES](#)II-9

ELECTRICAL

[110 volt](#)II-11

[12 volt](#)II-12

[Exterior light/reflectors](#)II-14

ENTERTAINMENT

[Radio/antenna](#)II-15

2002 SAFARI- BAMBI
TABLE OF CONTENTS
SECTION III

F through H

FASTENERS (common fasteners available locally are not listed)

[Rivets](#)..... III-1

FLOOR COVERING

[Carpet](#)..... III-3

[Mats](#)..... III-3

FURNITURE

[Interior doors](#) III-4

[Mirrors](#) III-6

[Drawer](#) III-7

[Rear bedroom](#)..... III-8

[Bath](#)..... III-10

[Galley](#)..... III-15

[Lounge](#) III-21

HARDWARE

[Exterior locks/hinges](#) III-26

[Interior drawer slides/hinges latches](#) III-30

[Bath, Table, Hinges](#) III-34

[Wardrobe, Drapes, Misc.](#) III-35

[Awning hardware](#) III-36

[Bunk](#) III-37

2002 SAFARI- BAMBI TABLE OF CONTENTS

SECTION IV

L through Z

LABELS and TAGS	IV-1
Options	IV-2
PLUMBING	
LPG	IV-4
Fresh water	IV-5
Drain water	IV-15
Toilet	IV-24
SAFETY EQUIPMENT	IV-26
SEALER/GASKETS/PAINT	IV-27
UPHOLSTERY/FOAM/MATTRESS	IV-28
VENTS/FANS	IV-30
WOOD	IV-31
LAMINATES/TRIM	IV-32

2002 SAFARI- BAMBI

APPLIANCES

195329-143	Air conditioner, 11, 000 Dometic
690323-02	Air conditioner, 13, 500 Dometic
961270	Pan Assembly, drain, air conditioner
690323-03	Heat strip, Dometic air conditioner
511252	PLUG PHONE 4 CONDUCTOR
690323-100	Shroud, exterior, Penquin
690323-05	Air box/return grill
690323-35	Roof A/C, Brisk-air, 7100TRU, 16 Ft Bambi option
690323-03	Heat strip, 7100 Brisk-air A/C
203302	A/C drain pan
690323-36	Air distribution box, Polar white
690274-01	Furnace, Hydroflame, 8531-IV, 27ft. Safari
690274-04	Furnace, Hydroflame, 8525-IV, 23 & 25 ft
690395	Furnace, Hydroflame, 7916-II, 19 Ft Safari
690439	Furnace 12,000 BTU, Atwood, 16 Ft Bambi
600247	Hose, 4", flex heat duct
600193	Hose, 2", flex heat duct
690341	Adapter, 4-2 furnace reducer
601224-03	Register, rotaire, black
6601244-01	REGISTER-ROTAIRE #3840-96 4"BROWN
511228	Thermostat, furnace, off white
690407-01	Microwave, Dometic, black
690407-02	Trim kit, Dometic microwave, black
690345-01	Micro wave, convection, Sharp-opt.
690345-03	Trim ring, Sharp convection
690396-07	RANGE 22" AMANA 3-BURNER DROP IN
690396-03	Bi-fold cover
690396-06	Cook top, 3-burner, Magic Chef, 16 Ft Bambi
114876	Trim ring-Range access

2002 SAFARI- BAMBI

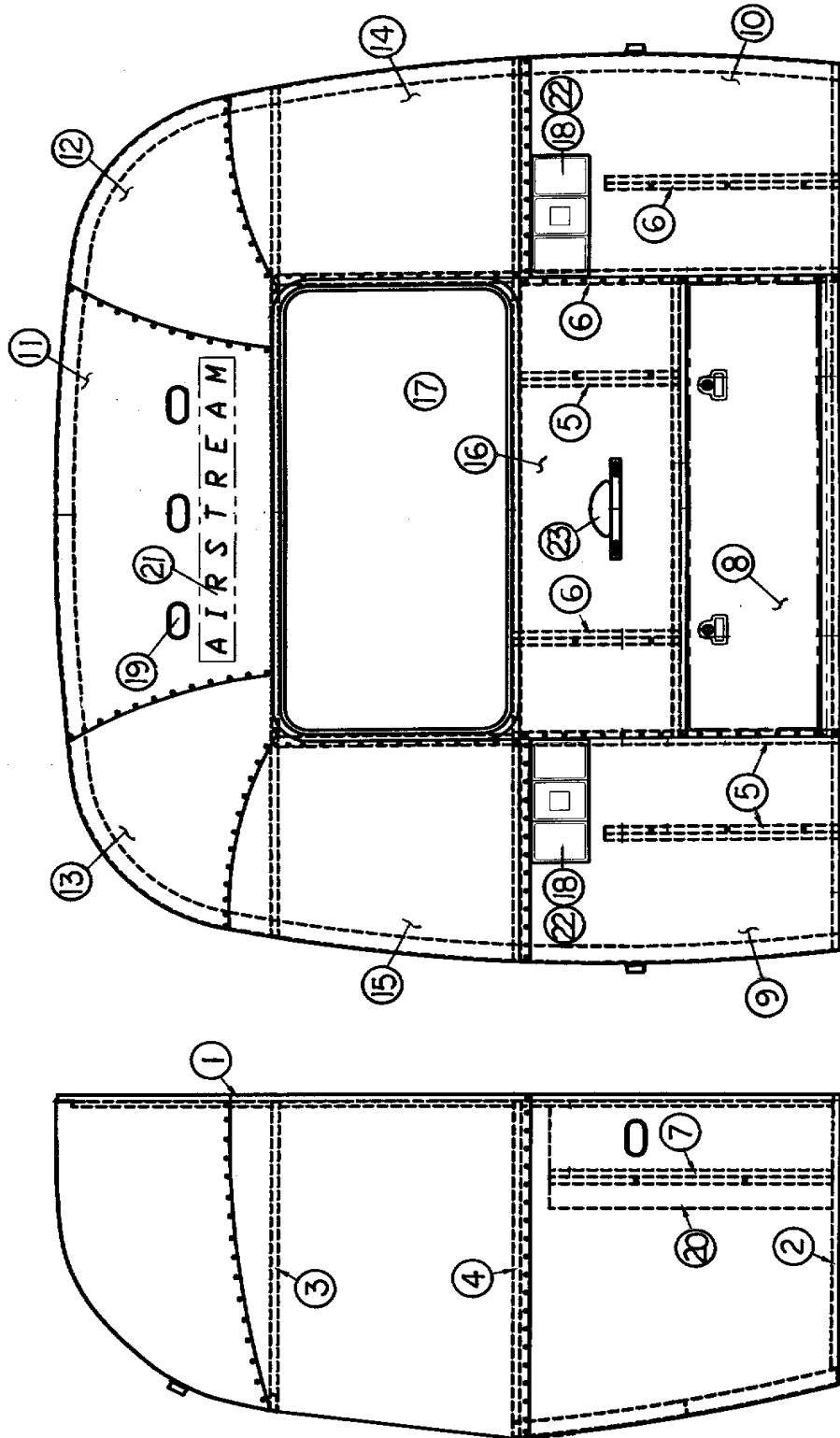
APPLIANCES

690388-01	Refrigerator, Dometic Americana, RM2852RH 27ft. Safari
964385-24	Door panel, refrigerator, 25.13" x 15.25"
690393-01	Refrigerator, Dometic, RM2452RH, 19 Ft Safari
964385-28	Door panel, refrigerator, 19.62 x 30.50
690394	Power ventilator, refrigerator
690440-03	Refrigerator, 3 CU/FT, 2-Way, RH hinge, 16 ft Bambi
690388	Refrigerator, Dometic, RM2652RH, 23 & 25ft. Safari
964385-13	Door panel, refrigerator, 25.13" x 17.50"
690199	Water heater, electronic ignition
500933	SWITCH WATER HEATER #91959
690209	Access cover, brushed aluminum
381648	COVER LATCH HOLE, WATER HEATER

2002 SAFARI- BAMBI

BODY-AFT END

*27 & 25 FT A&B MODELS SHOWN



See next page for P/N

2002 SAFARI- BAMBI

BODY-AFT END

*27 & 25 FT A & B MODELS SHOWN

921180-04	End shell complete, 25 & 27ft."B"
921180-01	End shell complete, 25 & 27ft."A"
1) 114993	End bow
2) 114676	Floor bow
3) 114678	Upper window bow
4) 114677	Lower window bow
5) 114505-01	Support, lower end, LH
6) 114505-02	Support, lower end, RH
7) 101315	Brace, vertical rear
8) 921159-01	Trunk door assembly, twin bed only
9) 114895	Segment, #29
10) 114894	Segment, #28
11) 114893	Segment #25
12) 114890	Segment #26
13) 114891	Segment #27
14) 114889	Segment, center right
15) 114888	Segment, center left
16) NPN	Alum. sheet, .050" x 19" x 51"(cut from 114880-307)
17) *371381-12	Window, rear egress, 49.63" x 24.19"
18) 500500	Taillight complete
19) 510111	Clearance light, red
20) NPN	Alum. sheet, .040"x 12.0" x29.0" (cut from 114880)
21) 385964-02	Decal, "AIRSTREAM", 32"
22) 201462	Pocket, ABS taillight
23) 500053	Light and license plate holder

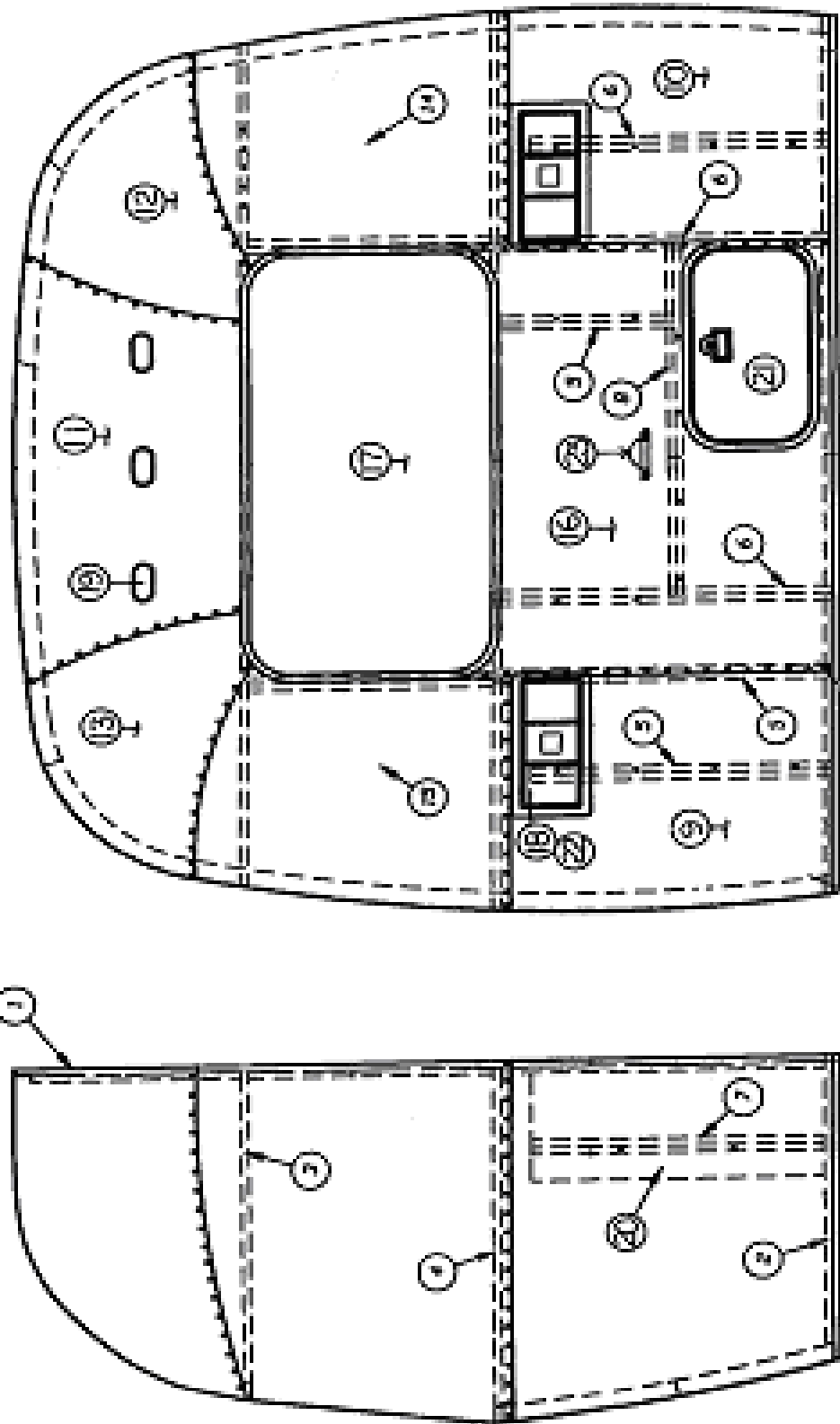
*The 25 & 23 ft. corner bed models have a different rear window and a smaller rear access door.

371362-15	Window, rear egress, Safari "C"
100679-01	Access door assembly, rear, Safari "C"

**Use base # 371381 for Hehr windows used after May 2001.

2002 SAFARI- BAMBI

964513 End shell complete, Aft, Bambi



19FT

2002 SAFARI- BAMBI

BODY-AFT END

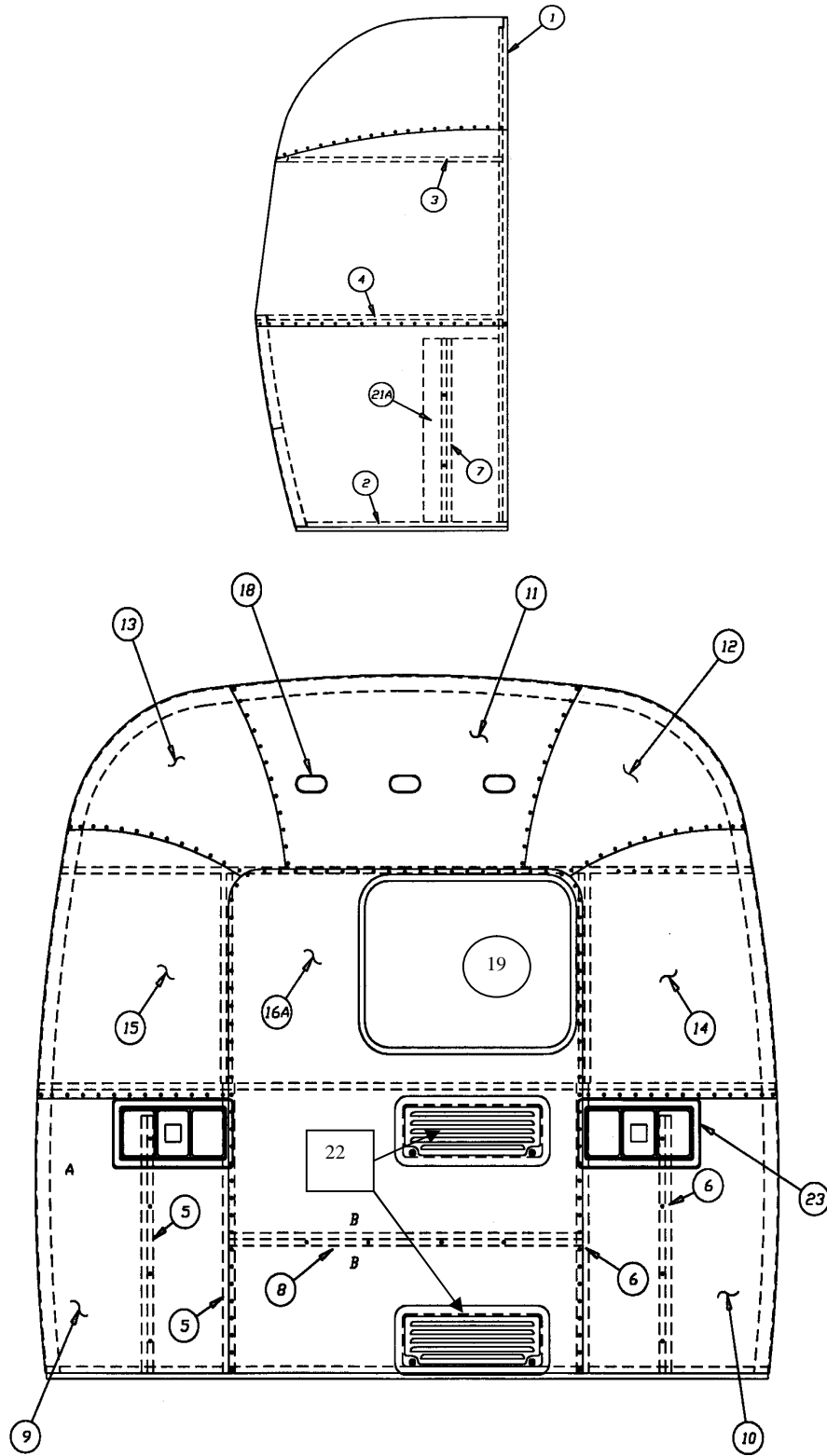
964513 End shell complete, Aft, Bambi 19 FT

- 1) 114371 End bow
- 2) 104463 Floor bow
- 3) 104351 Upper window bow
- 4) 104343 Lower window bow
- 5) 114505-01 Support, lower end, LH
- 6) 114505-02 Support, lower end, RH
- 7) 101315 Brace, vertical rear
- 8) 104408 Extrusion rib
- 9) 114895 Segment #29
- 10) 114894 Segment #28
- 11) 114892 Segment #25(narrow)
- 12) 114890 Segment #26
- 13) 114891 Segment #27
- 14) 114889 Segment, center right
- 15) 114888 Segment, center left
- 16) NPN Alum. sheet, 050x41x45.25x51.0(cut from 114880)
- 17) *371362 Window, rear egress, 43.94 x 24.19
- 18) 500500 Taillight complete
 - 380226 Gasket, taillight lens
 - 510163 3 in. Red reflector
 - 510162 Taillight lens
 - 510161 Lamp, assy., Single filament bulb
 - 510160 Lamp assy., DBL. Filament bulb
 - 201455 Chrome, taillight bezel
- 19) 510111 Clearance light, red
- 20) NPN Alum. Sheet,. 040x12.0x29.0(cut from 114880)
- 21) 100679-01 Door assembly, access
- 22) 201462 Pocket, ABS taillight
- 23) 500053 Light and license plate holder

*Use base # 371381 for Hehr windows used after May 2001.

2002 SAFARI- BAMBI

AFT END BAMBI 16 ft.



2002 SAFARI- BAMBI

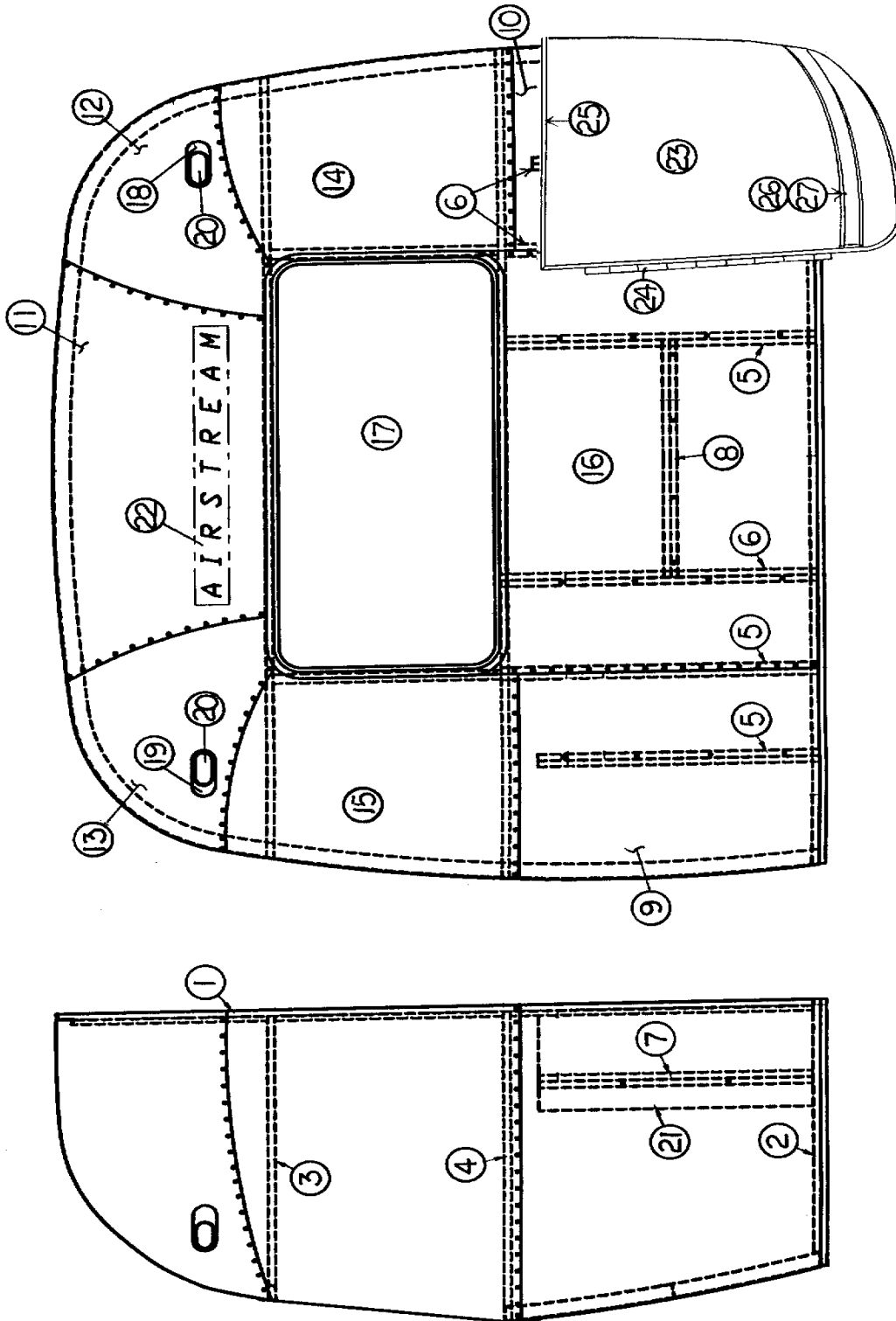
AFT END BAMBI 16 ft

964924 Front end assembly, Bambi 16 FT.

- 1) 114371 Bow, station "0"
 - 2) 104463 Floor bow
 - 3) 104351 Upper window bow
 - 4) 104343 Lower window bow
 - 5) 114505-01 Support lower end shell, LH
 - 6) 114505-02 Support lower end RH
 - 7) 101315 Brace, vertical, rear
 - 8) 104408 Z-rib
 - 9) 114895 Segment, center left
 - 10) 114894 Segment, center right
 - 11) 114892 # 25 segment (narrow)
 - 12) 114890 Segment, #26
 - 13) 114891 Segment, #27
 - 14) 114889 Segment, #28
 - 15) 114888 Segment, #29
 - 16) NPN Aluminum sheet, cut from 114360-307
 - 17) 365016 Tape, foam, 1/2"
 - 18) 510111 Red clearance light, Dbl. Bulb
 - 19) *371362-15 Rear egress window, 26.25 x 19.25"
 - 20) 500053 License plate holder & light (not shown)
 - 21a) NPN 12" x 29", alum. Sheet for strength, cut from 114488
 - 22) 203305 Refer vent, plastic, Radius corner
 - 23) 500500 Complete taillight assy.
 - 201462 Pocket, ABS taillight
 - 380226 Gasket, taillight lens
 - 510163 3 in. Red reflector
 - 510162 Taillight lens
 - 510161 Lamp, assy., Single filament bulb
 - 510160 Lamp assy., DBL. Filament bulb
 - 201455 Chrome, taillight bezel
- Not shown:
- 101178 Base, lamp, cast polished RS rear
 - 101177 Base, lamp, cast polished CS rear
 - 511407 License plate light and holder

*Use base # 371381 for Hehr windows used after May 2001.

2002 SAFARI- BAMBI



See next page for P/N

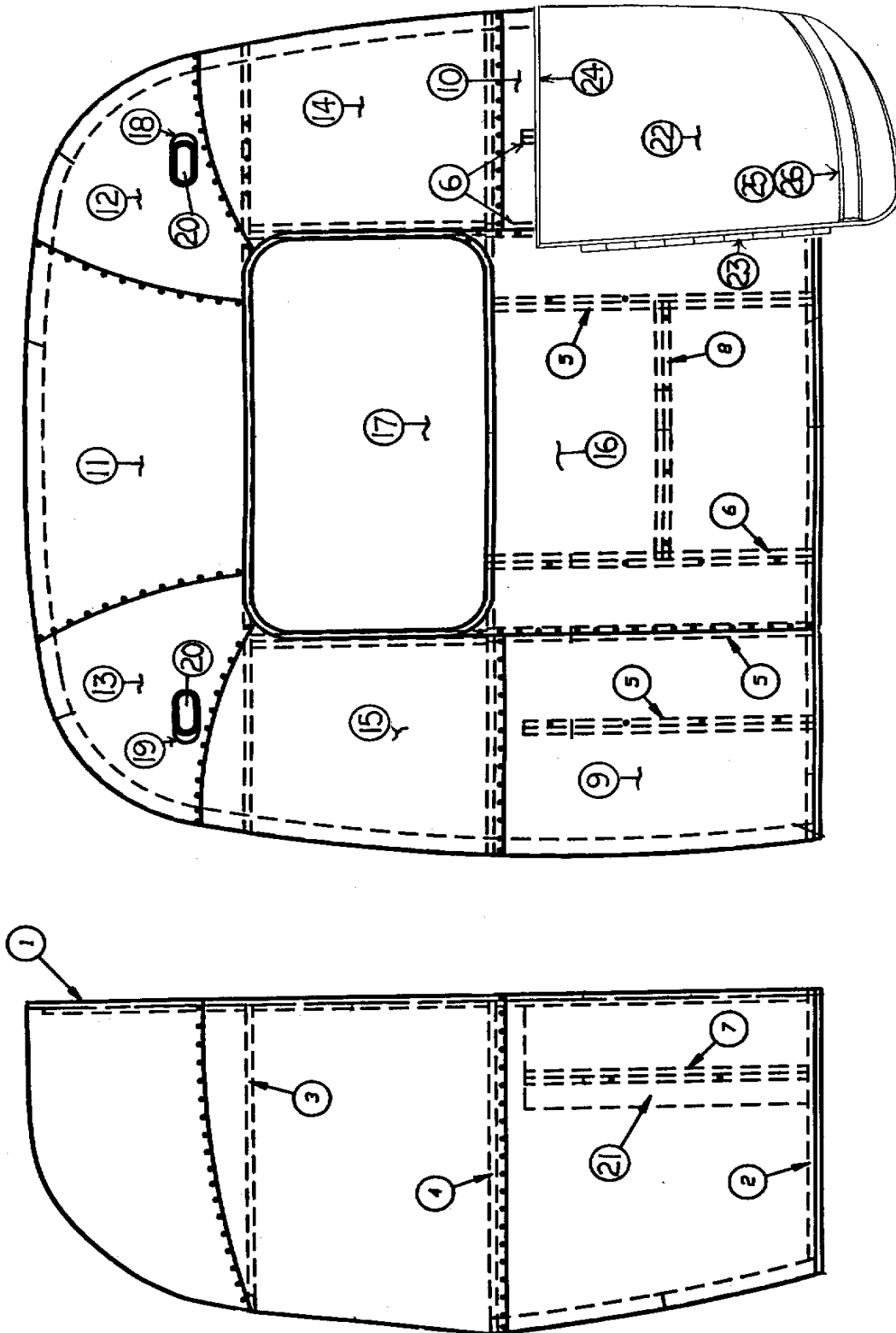
2002 SAFARI- BAMBI
BODY-FRONT END, 23'-27'

1921179 End shell complete

- | | |
|-----------------|---|
| 1) 114993 | End bow |
| 2) 114676 | Floor bow |
| 3) 114678 | Upper window bow |
| 4) 114677 | Lower window bow |
| 5) 114505-01 | Support, lower end, LH |
| 6) 114505-02 | Support, lower end, RH |
| 7) 101315 | Brace, vertical rear |
| 8) 104408 | Extrusion rib |
| 9) 114895 | Segment #29 |
| 10) 114894 | Segment #28 |
| 11) 114893 | Segment #25 |
| 12) 114890 | Segment #26 |
| 13) 114891 | Segment #27 |
| 14) 114889 | Segment, center right |
| 15) 114888 | Segment, center left |
| 16) NPN | Alum. sheet, .050x19.0x51.0 (cut from 114880-307) |
| 17) *371362-05 | Window, 49.63 x 24.19", Safari |
| 18) 101177 | Base , lamp, cast polished, RS |
| 19) 101178 | Base, lamp, cast polished, CS |
| 20) 510112 | Clearance light, amber |
| 21)) NPN | Alum. sheet, .040x12.0x29.0 (cut from 114880) |
| 22) 385964-02 | Decal "AIRSTREAM" 32" |
| 23) 685366-100 | Wrap protector, RS, Safari/Bambi |
| 23a) 685365-100 | Wrap protector, CS, Safari/Bambi |
| 24) 381605-01 | Hinge, stainless, wrap protector |
| 25) 100742-01 | Extrusion, mirror/wrap protector trim |
| 26) 114460 | Extrusion, rub rail |
| 27) 201763-02 | Insert, rub rail, black |

*Use base # 371381 for Hehr windows used after May 2001.

2002 SAFARI- BAMBI



See next page for P/N.

2002 SAFARI- BAMBI

BODY-FRONT END 16 FT & 19 FT

964512 End shell complete, front, Bambi

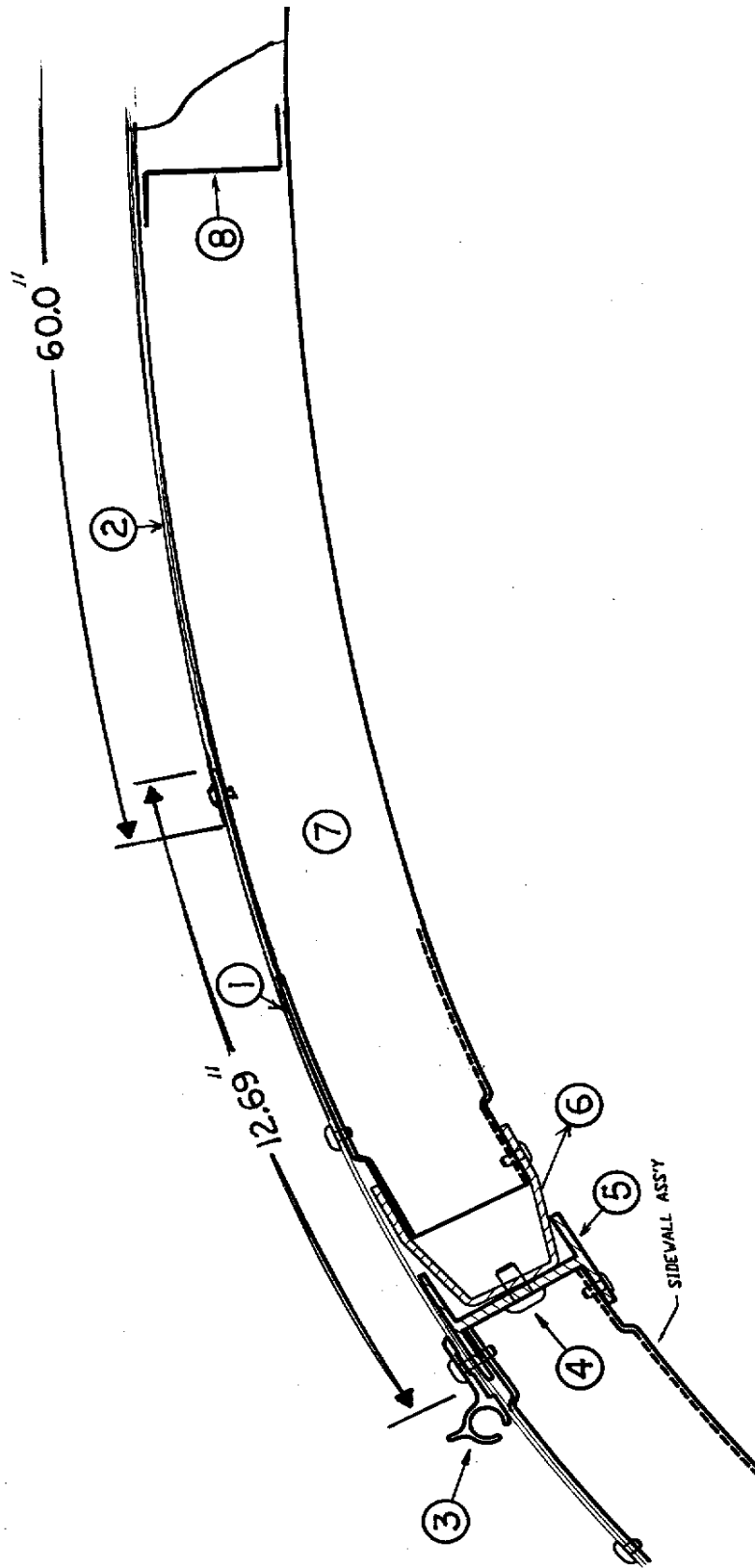
- 1) 114371 End bow
- 2) 104463 Floor bow
- 3) 104351 Upper window bow
- 4) 104343 Lower window bow
- 5) 114505-01 Support, lower end, LH
- 6) 114505-02 Support, lower end, RH
- 7) 101315 Brace, vertical rear
- 8) 104408 Extrusion, Z rib
- 9) 114895 Segment #29
- 10) 114894 Segment #28
- 11) 114892 Segment #25(narrow)
- 12) 114890 Segment #26
- 13) 114891 Segment #27
- 14) 114889 Segment, center right
- 15) 114888 Segment, center left
- 16) NPN Alum.sheet,.060x41.0x45.25(cut from 114849-03)
- 17) *371362-10 Window,43.94 x 24.19,Bambi
- 18) 101177 Base , lamp, cast polished, RS
- 19) 101178 Base, lamp, cast polished, CS
- 20) 510112 Clearance light, amber
- 21) NPN Alum. sheet,.040x12.0x29.0(cut from 114880)
- 22) 685366-100 Wrap protector, RS, Safari/Bambi
- 22a) 685365-100 Wrap protector, CS, Safari/Bambi
- 23) 381605-01 Hinge, stainless, wrap protector
- 24) 100742-01 Extrusion, mirror/wrap protector trim
- 25) 114460 Extrusion, rub rail
- 26) 201763-02 Insert, rub rail, black

Not shown

453629 Hat section-dinette table support, 16 ft Bambi only

*Use base # 371381 for Hehr windows used after May 2001.

2002 SAFARI- BAMBI



See next page for P/N

2002 SAFARI- BAMBI

BODY

ROOF-END VIEW

23 ft-27 ft. Safari

- | | |
|----------------|---|
| 1) 114669-307 | Alum. sheet, white, .032" x 12.69" x 307" |
| 2) 114489-262 | Alum. sheet, white, .032" x 60.0" x 262", 27ft. |
| 2a) 114489-201 | Alum. sheet, white, .032" x 60" x 201", 23, 25ft. |
| 3) 114290 | Extrusion, awning/drip rail |
| 4) 340123-02 | Rivet, Huck, 3/16" x 1/2" |
| 5) 104707-05 | Extrusion, "I" beam |
| 6) 114987-01 | Extrusion, roof corner, 194" |
| 6a) 114987-02 | Extrusion, roof corner, 258" |
| 7) 114668 | Roof bow |
| 8) 104408 | Extrusion, Z-bar, horizontal |

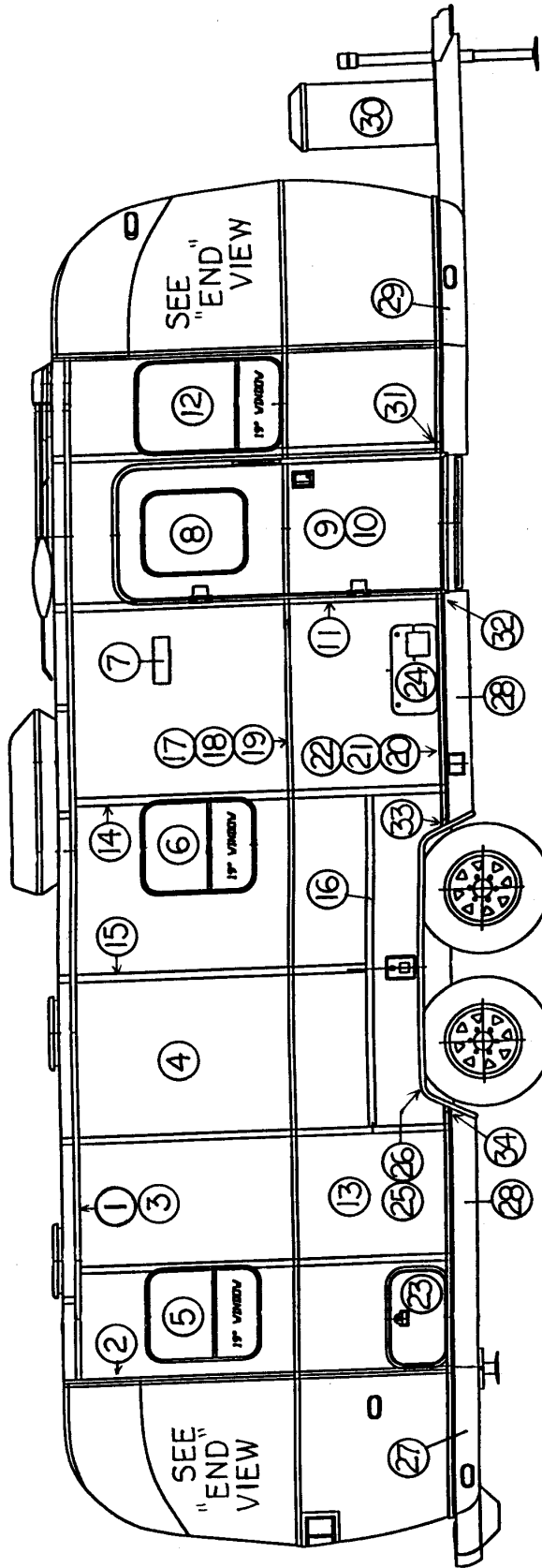
Not shown:

104948 Air deflector, between roof A/C. and refrigerator

19 Ft Safari & 16 Ft. Bambi

- | | |
|---------------|---------------------------------------|
| 1) 114362-318 | Alum. sheet, white, .050 x 7.0 x 318" |
| 2) 114489-259 | Alum. sheet, white, .032x60x259" |
| 3) 114290-01 | Extrusion, awning/drip rail |
| 4) 340123-02 | Rivet, Huck, 3/16 x 1/2" |
| 5) 104707-05 | Extrusion, "I" beam |
| 6) 114987-02 | Extrusion, roof corner |
| 7) 114387-03 | Roof bow |
| 8) 104408 | Extrusion, Z bar, horizontal |

2002 SAFARI- BAMBI



See next page for P/N 27CS

2002 SAFARI- BAMBI

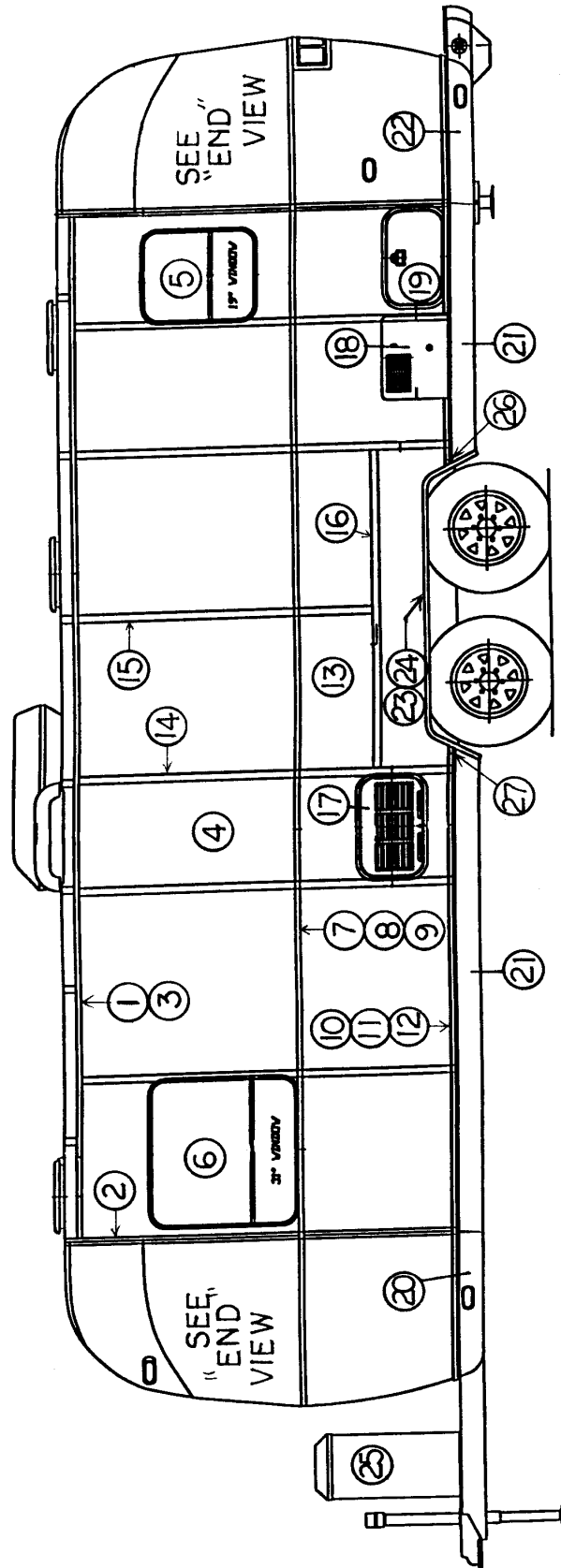
BODY-27FT SAFARI, CS

(Hardware such as hinges, locks and latches are located in the **hardware** section of this book)

- 1) 114290 Extrusion, awning/drip rail
- 2) 114993 Rib, end bow
- 3) 104707-05 Extrusion, "I" beam
- 4) 114880-262 Aluminum sheet, upper, .040" x 51" x 262"
- 5) *371362-02 Window, 19.25" x 22.75"
- 6) *371362-02 Window, 19.25" x 22.75"
- 7) 511017-11 Vent cover, range exhaust
- 8) *371362-01 Window, main door, 17.75" x 21.25"
- 9) 110067-07 Main door assembly
- 10) 114654 Screen door assembly
- 11) 114652 Jamb, main door
- 12) *371362-07 Window, 19.25" x 29.75"
- 13) 114879-262 Aluminum sheet, lower, .040" x 33" x 262"
- 14) 114387-01 Bow, Z rib, RH
- 15) 114387-02 Bow, Z rib, LH
- 16) 100986 Wheel well stiffener(floor channel)
- 17) 114328 Extrusion, belt line
- 18) 201912 Molding, chrome, belt line
- 19) 100034 "Z" bar, 48"
- 20) 114460 Extrusion, rub rail
- 21) 201763-01 Insert, rub rail, chrome, 1"
- 22) 100986 Floor channel
- 23) 100679-01 Access door w/jamb
- 24) 690274-09 Cover, Hydroflame furnace
- 25) 684936 Wheel well trim, inner, tandem axle
- 26) 684937 Wheel well trim, outer, tandem axle
- 27) 200545 Banana wrap, CS rear
- 28) 101131-01 Underbelly wrap, .024" x 22.5", Pewter
- 29) 200543 Banana wrap, CS front
- 30) 104264 Cover, 30# LPG bottles w/o decal
- 31) 114465-01 Casting, rub rail end, door, RH
- 32) 114465-02 Casting, rub rail end, door, LH
- 33) 114466-01 Casting, rub rail end, wheel well, RH
- 34) 114466-02 Casting, rub rail end, wheel well, LH

*Use base # 371381 for Hehr windows used after May 2001.

2002 SAFARI- BAMBI



See next page for P/N 27 RS

2002 SAFARI- BAMBI

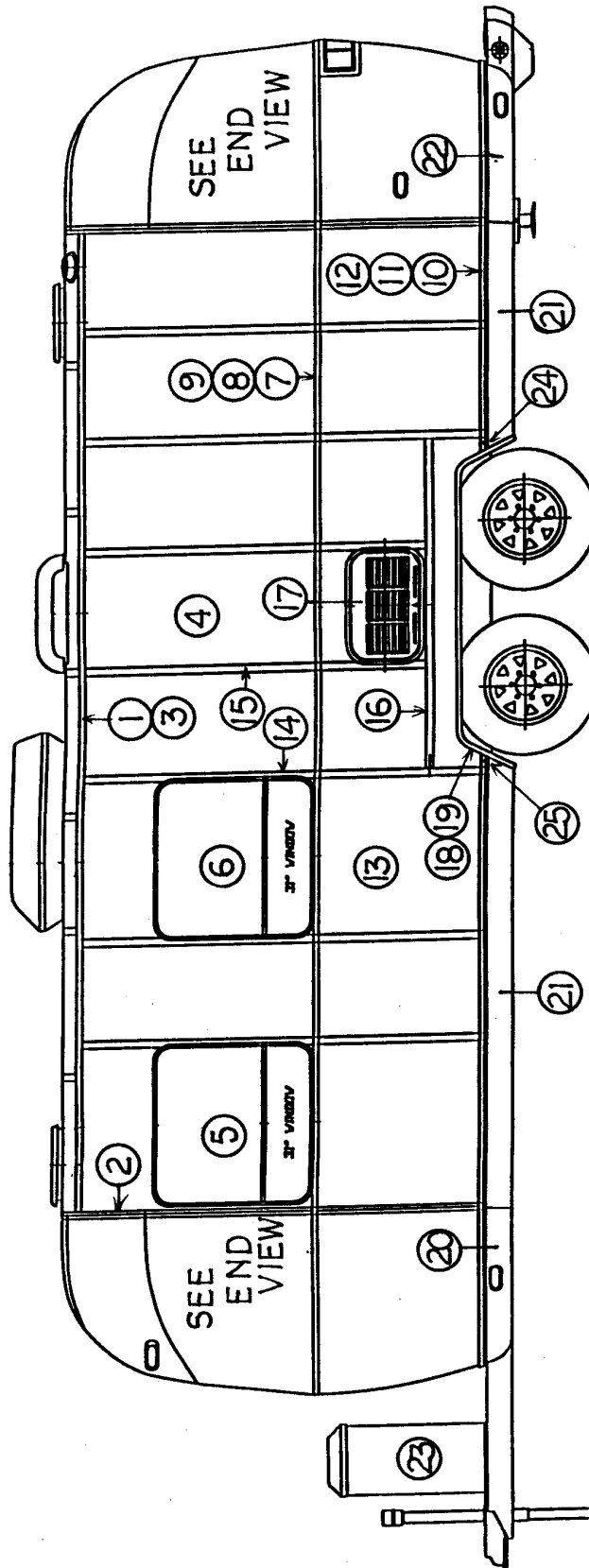
BODY-27FT SAFARI, RS

(Hardware such as hinges, locks and latches are located in the **hardware** section of this book)

- | | |
|----------------|---|
| 1) 114290 | Extrusion, awning/drip rail |
| 2) 114993 | Rib, end bow |
| 3) 104707-05 | Extrusion, "I" beam |
| 4) 114880-262 | Aluminum sheet, upper, .040" x 51" x 262" |
| 5) *371362-02 | Window, 19.25" x 22.75" |
| 6) *371362-08 | Window, 31.25" X 29.75" |
| 7) 114328 | Extrusion, belt line |
| 8) 201912 | Molding, chrome, belt line |
| 9) 100034 | "Z" bar, 48" |
| 10) 114460 | Extrusion, rub rail |
| 11) 201763-01 | Insert, rub rail, chrome, 1" |
| 12) 100986 | Floor channel |
| 13) 114879-262 | Aluminum sheet, lower, .040" x 33" x 262" |
| 14) 114387-01 | Bow, Z rib, RH |
| 15) 114387-02 | Bow, Z rib, LH |
| 16) 100986 | Wheel well stiffener(floor channel) |
| 17) 922243 | Door, refrigerator access |
| 18) 690209 | Access cover, Atwood |
| 19) 100679-01 | Access door w/jamb |
| 20) 200542 | Banana wrap, RS front |
| 21) 101131-01 | Underbelly wrap, .024" x 22.5", Pewter |
| 22) 200544 | Banana wrap, RS rear |
| 23) 684936 | Wheel well trim, inner, tandem axle |
| 24) 684937 | Wheel well trim, outer, tandem axle |
| 25) 104264 | Cover, 30# LPG bottles w/o decal |
| 26) 114466-01 | Casting, rub rail end, wheel well, RH |
| 27) 114466-02 | Casting, rub rail end, wheel well, LH |

*Use base # 371381 for Hehr windows used after May 2001.

2002 SAFARI- BAMBI



See next page for P/N 25S RS

2002 SAFARI- BAMBI

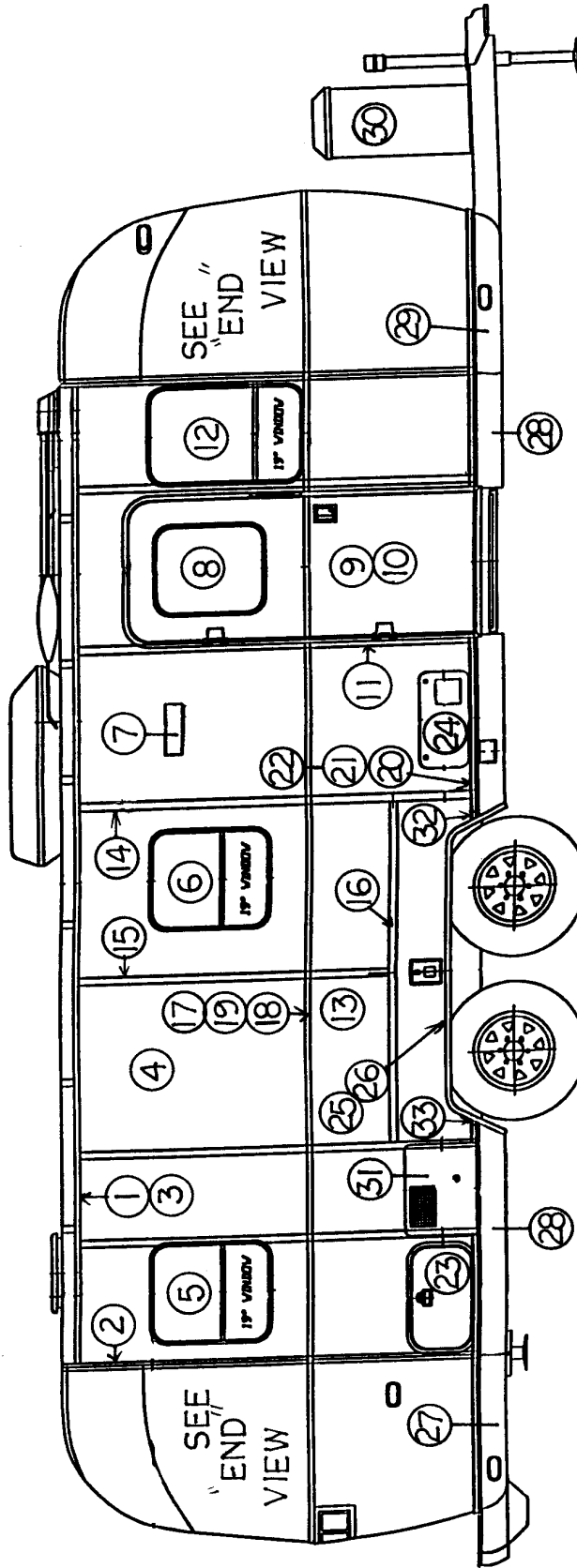
BODY-25FT, SLEEP 6 SAFARI, RS

(Hardware such as hinges, locks and latches are located in the **hardware** section of this book)

- | | |
|----------------|---|
| 1) 114290 | Extrusion, awning/drip rail |
| 2) 114993 | Rib, end bow |
| 3) 104707-05 | Extrusion, "I" beam |
| 4) 114880-201 | Aluminum sheet, upper, .040" x 51" x 201" |
| 5) *371362-08 | Window, 31.25" x 29.75" |
| 6) *371362-08 | Window, 31.25" X 29.75" |
| 7) 114328 | Extrusion, belt line |
| 8) 201912 | Molding, chrome, belt line |
| 9) 100034 | "Z" bar, 48" |
| 10) 114460 | Extrusion, rub rail |
| 11) 201763-01 | Insert, rub rail, chrome, 1" |
| 12) 100986 | Floor channel |
| 13) 114879-201 | Aluminum sheet, lower, .040" x 33" x 201" |
| 14) 114387-01 | Bow, Z rib, RH |
| 15) 114387-02 | Bow, Z rib, LH |
| 16) 100986 | Wheel well stiffener(floor channel) |
| 17) 922243 | Door, refrigerator access |
| 18) 684936 | Wheel well trim, inner, tandem axle |
| 19) 684937 | Wheel well trim, outer, tandem axle |
| 20) 200542 | Banana wrap, RS front |
| 21) 101131-01 | Underbelly wrap, .024" x 22.5", Pewter |
| 22) 200544 | Banana wrap, RS rear |
| 23) 104264 | Cover, 30# LPG bottles w/o decal |
| 24) 114466-01 | Casting, rub rail end, wheel well, RH |
| 25) 114466-02 | Casting, rub rail end, wheel well, LH |

*Use base # 371381 for Hehr windows used after May 2001.

2002 SAFARI- BAMBI



See next page for P/N 25S CS

2002 SAFARI- BAMBI

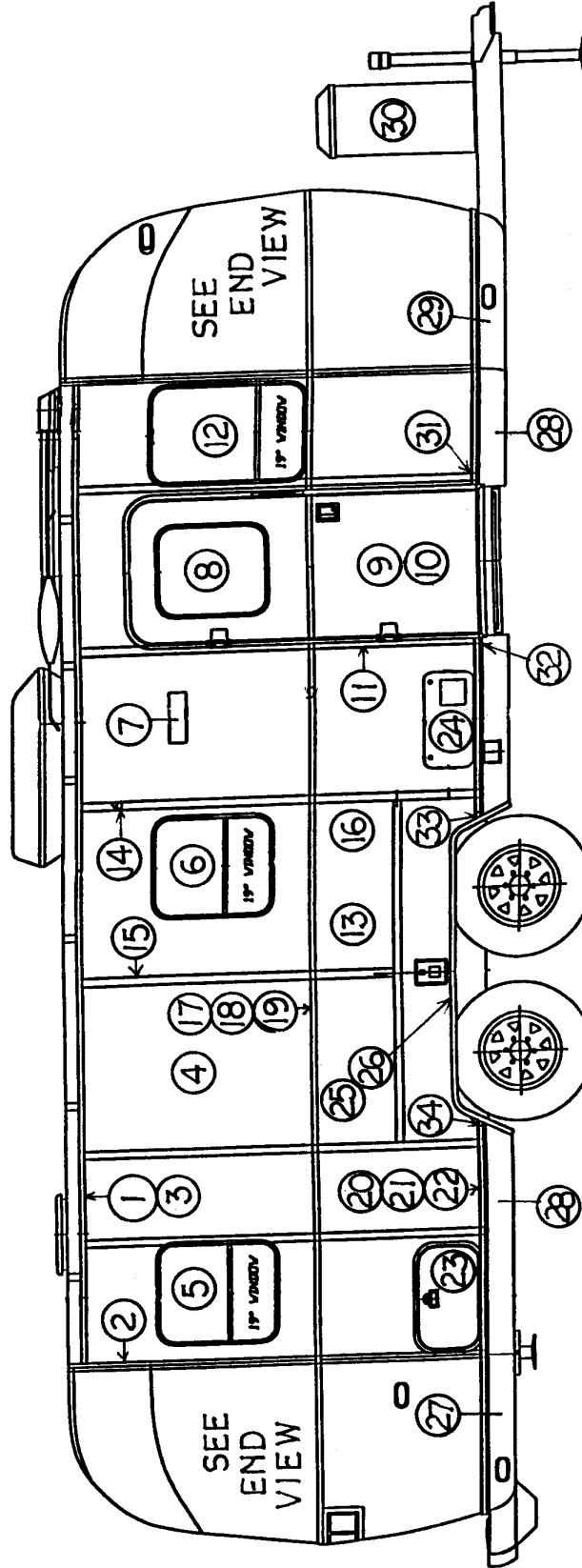
BODY-25FT, SLEEP 6 SAFARI, CS

(Hardware such as hinges, locks and latches are located in the **hardware** section of this book)

- 1) 114290 Extrusion, awning/drip rail
- 2) 114993 Rib, end bow
- 3) 104707-05 Extrusion, "I" beam
- 4) 114880-201 Aluminum sheet, upper, .040" x 51" x 201"
- 5) *371362-02 Window, 19.25" x 22.75"
- 6) *371362-02 Window, 19.25" x 22.75"
- 7) 511017-11 Vent cover, range exhaust
- 8) *371362-01 Window, main door, 17.75" x 21.25"
- 9) 110067-07 Main door assembly
- 10) 114654 Screen door assembly
- 11) 114652 Jamb, main door
- 12) *371362-07 Window, 19.25" x 29.75"
- 13) 114879-201 Aluminum sheet, lower, .040" x 33 x 201"
- 14) 114387-01 Bow, Z rib, RH
- 15) 114387-02 Bow, Z rib, LH
- 16) 100986 Wheel well stiffener(floor channel)
- 17) 114328 Extrusion, belt line
- 18) 201912 Molding, chrome, belt line
- 19) 100034 "Z" bar, 48"
- 20) 114460 Extrusion, rub rail
- 21) 201763-01 Insert, rub rail, chrome, 1"
- 22) 100986 Floor channel
- 23) 100679-01 Access door w/jamb
- 24) 690274-09 Cover, Hydroflame furnace
- 25) 684936 Wheel well trim, inner, tandem axle
- 26) 684937 Wheel well trim, outer, tandem axle
- 27) 200545 Banana wrap, CS rear
- 28) 101131-01 Underbelly wrap, .024" x 22.5, Pewter
- 29) 200543 Banana wrap, CS front
- 30) 104264 Cover, 30# LPG bottles w/o decal
- 31) 690209 Access cover, Atwood
- 32) 114466-01 Casting, rub rail end, wheel well, RH
- 33) 114466-02 Casting, rub rail end, wheel well, LH

*Use base # 371381 for Hehr windows used after May 2001.

2002 SAFARI- BAMBI



See next page for P/N 25' CS

2002 SAFARI- BAMBI

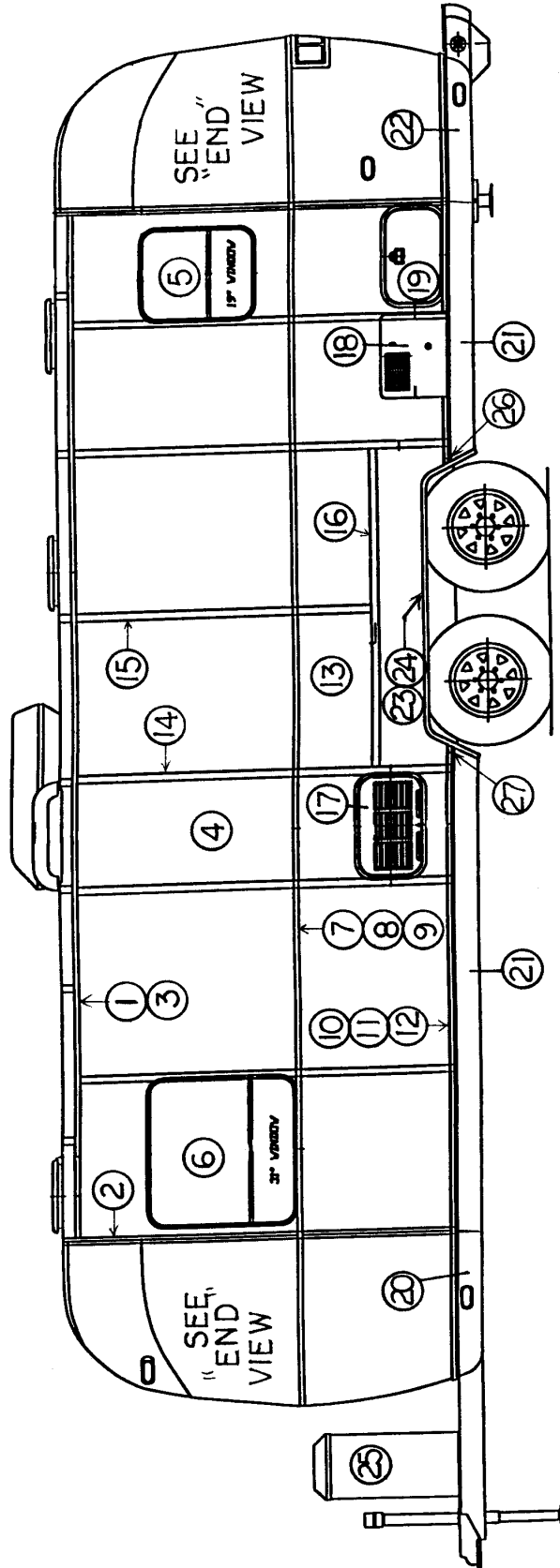
BODY-25FT, SAFARI, CS

(Hardware such as hinges, locks and latches are located in the **hardware** section of this book)

- 1) 114290 Extrusion, awning/drip rail
- 2) 114993 Rib, end bow
- 3) 104707-05 Extrusion, "I" beam
- 4) 114880-201 Aluminum sheet, upper, .040" x 51" x 201"
- 5) *371362-02 Window, 19.25" x 22.75"
- 6) *371362-02 Window, 19.25" x 22.75"
- 7) 511017-11 Vent cover, range exhaust
- 8) *371362-01 Window, main door, 17.75" x 21.25"
- 9) 110067-07 Main door assembly
- 10) 114654 Screen door assembly
- 11) 114652 Jamb, main door
- 12) *371362-07 Window, 19.25" x 29.75"
- 13) 114879-201 Aluminum sheet, lower, .040" x 33" x 201"
- 14) 114387-01 Bow, Z rib, RH
- 15) 114387-02 Bow, Z rib, LH
- 16) 100986 Wheel well stiffener(floor channel)
- 17) 114328 Extrusion, belt line
- 18) 201912 Molding, chrome, belt line
- 19) 100034 "Z" bar, 48"
- 20) 114460 Extrusion, rub rail
- 21) 201763-01 Insert, rub rail, chrome, 1"
- 22) 100986 Floor channel
- 23) 100679-01 Access door w/jamb
- 24) 690274-09 Cover, Hydroflame furnace
- 25) 684936 Wheel well trim, inner, tandem axle
- 26) 684937 Wheel well trim, outer, tandem axle
- 27) 200545 Banana wrap, CS rear
- 28) 101131-01 Underbelly wrap, .024" x 22.5", Pewter
- 29) 200543 Banana wrap, CS front
- 30) 104264 Cover, 30# LPG bottles w/o decal
- 31) 114465-01 Casting, rub rail end, door, RH
- 32) 114465-02 Casting, rub rail end, door, LH
- 33) 114466-01 Casting, rub rail end, wheel well, RH
- 34) 114466-02 Casting rub rail end, wheel well, LH

*Use base # 371381 for Hehr windows used after May 2001.

2002 SAFARI- BAMBI



See next page for P/N 25' RS

2002 SAFARI- BAMBI

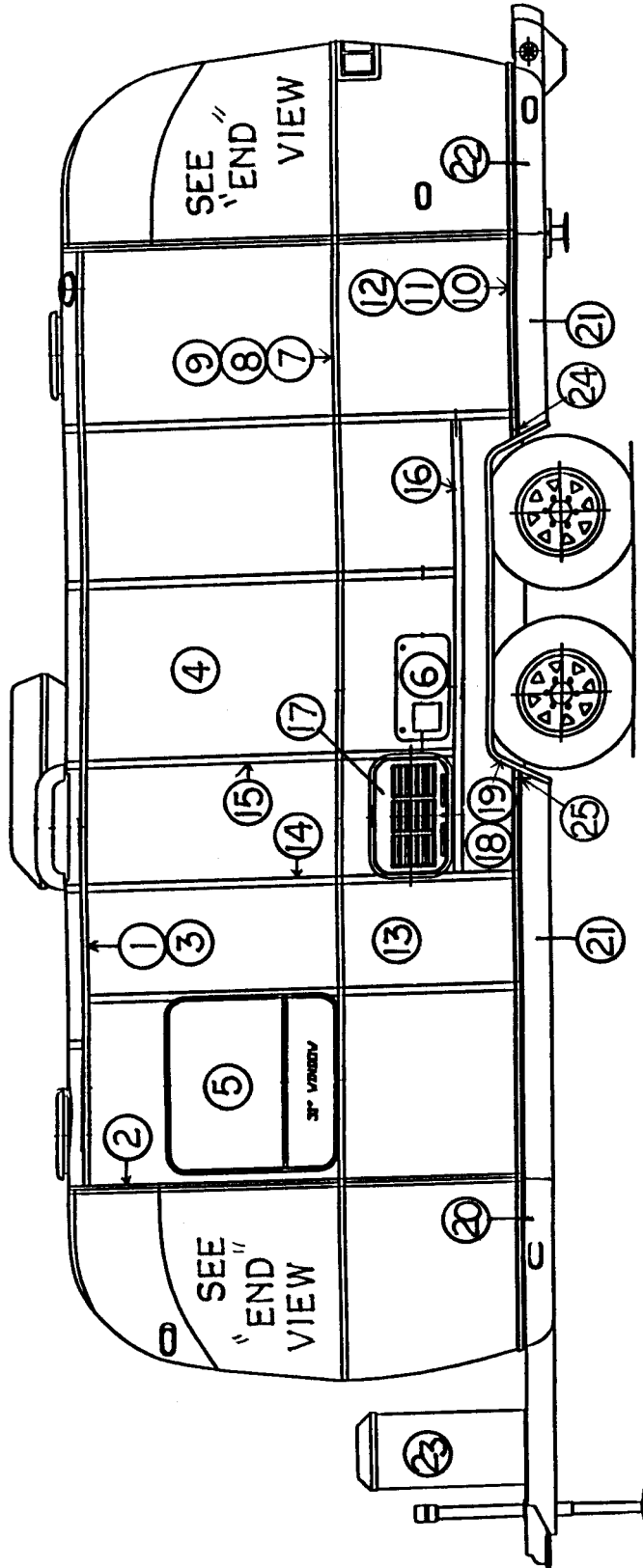
BODY-25FT SAFARI, RS

(Hardware such as hinges, locks and latches are located in the **hardware** section of this book)

- | | |
|----------------|---|
| 1) 114290 | Extrusion, awning/drip rail |
| 2) 114993 | Rib, end bow |
| 3) 104707-05 | Extrusion, "I" beam |
| 4) 114880-201 | Aluminum sheet, upper, .040" x 51" x 201" |
| 5) *371362-02 | Window, 19.25" x 22.75" |
| 6) *371362-08 | Window, 31.25" X 29.75" |
| 7) 114328 | Extrusion, belt line |
| 8) 201912 | Molding, chrome, belt line |
| 9) 100034 | "Z" bar, 48" |
| 10) 114460 | Extrusion, rub rail |
| 11) 201763-01 | Insert, rub rail, chrome, 1" |
| 12) 100986 | Floor channel |
| 13) 114879-201 | Aluminum sheet, lower, .040" x 33" x 201" |
| 14) 114387-01 | Bow, Z rib, RH |
| 15) 114387-02 | Bow, Z rib, LH |
| 16) 100986 | Wheel well stiffener(floor channel) |
| 17) 922243 | Door, refrigerator access |
| 18) 690209 | Access door, Atwood |
| 19) 100679 | Access door w/jamb |
| 20) 200542 | Banana wrap, RS front |
| 21) 101131-01 | Underbelly wrap, .024 x 22.5, Pewter |
| 22) 200544 | Banana wrap, RS rear |
| 23) 684936 | Wheel well trim, inner, tandem axle |
| 24) 684937 | Wheel well trim, outer, tandem axle |
| 25) 104264 | Cover, 30# LPG bottles w/o decal |
| 26) 114466-01 | Casting, rub rail end, wheel well, RH |
| 27) 114466-02 | Casting, rub rail end, wheel well, LH |

*Use base # 371381 for Hehr windows used after May 2001.

2002 SAFARI- BAMBI



See next page for P/N 23C RS

2002 SAFARI- BAMBI

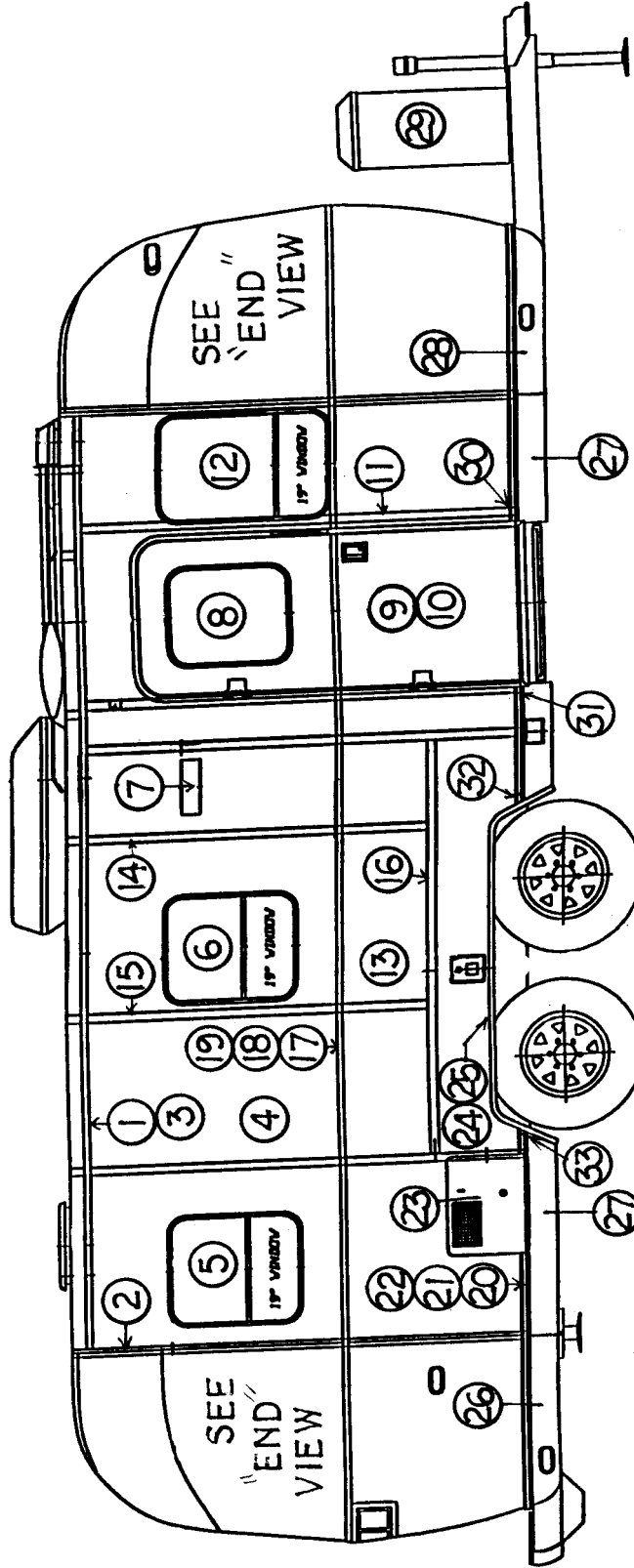
BODY-23FT, SAFARI, RS

(Hardware such as hinges, locks and latches are located in the **hardware** section of this book)

- | | |
|----------------|---|
| 1) 114290 | Extrusion, awning/drip rail |
| 2) 114993 | Rib, end bow |
| 3) 104707-05 | Extrusion, "I" beam |
| 4) 114880-201 | Aluminum sheet, upper, .040" x 51" x 201" |
| 5) *371362-08 | Window, 31.25" x 29.75" |
| 6) 690274-09 | Cover, Hydroflame furnace |
| 7) 114328 | Extrusion, belt line |
| 8) 201912 | Molding, chrome, belt line |
| 9) 100034 | "Z" bar, 48" |
| 10) 114460 | Extrusion, rub rail |
| 11) 201763-01 | Insert, rub rail, chrome, 1" |
| 12) 100986 | Floor channel |
| 13) 114879-201 | Aluminum sheet, lower, .040" x 33" x 201" |
| 14) 114387-01 | Bow, Z rib, RH |
| 15) 114387-02 | Bow, Z rib, LH |
| 16) 100986 | Wheel well stiffener(floor channel) |
| 17) 922243 | Door, refrigerator access |
| 18) 684936 | Wheel well trim, inner, tandem axle |
| 19) 684937 | Wheel well trim, outer, tandem axle |
| 20) 200542 | Banana wrap, RS front |
| 21) 101131-01 | Underbelly wrap, .024" x 22.5", Pewter |
| 22) 200544 | Banana wrap, RS rear |
| 23) 104264 | Cover, 30# LPG bottles w/o decal |
| 24) 114466-01 | Casting, rub rail end, wheel well, RH |
| 25) 114466-02 | Casting, rub rail end, wheel well, LH |

*Use base # 371381 for Hehr windows used after May 2001.

2002 SAFARI- BAMBI



See next page for P/N 23C-CS

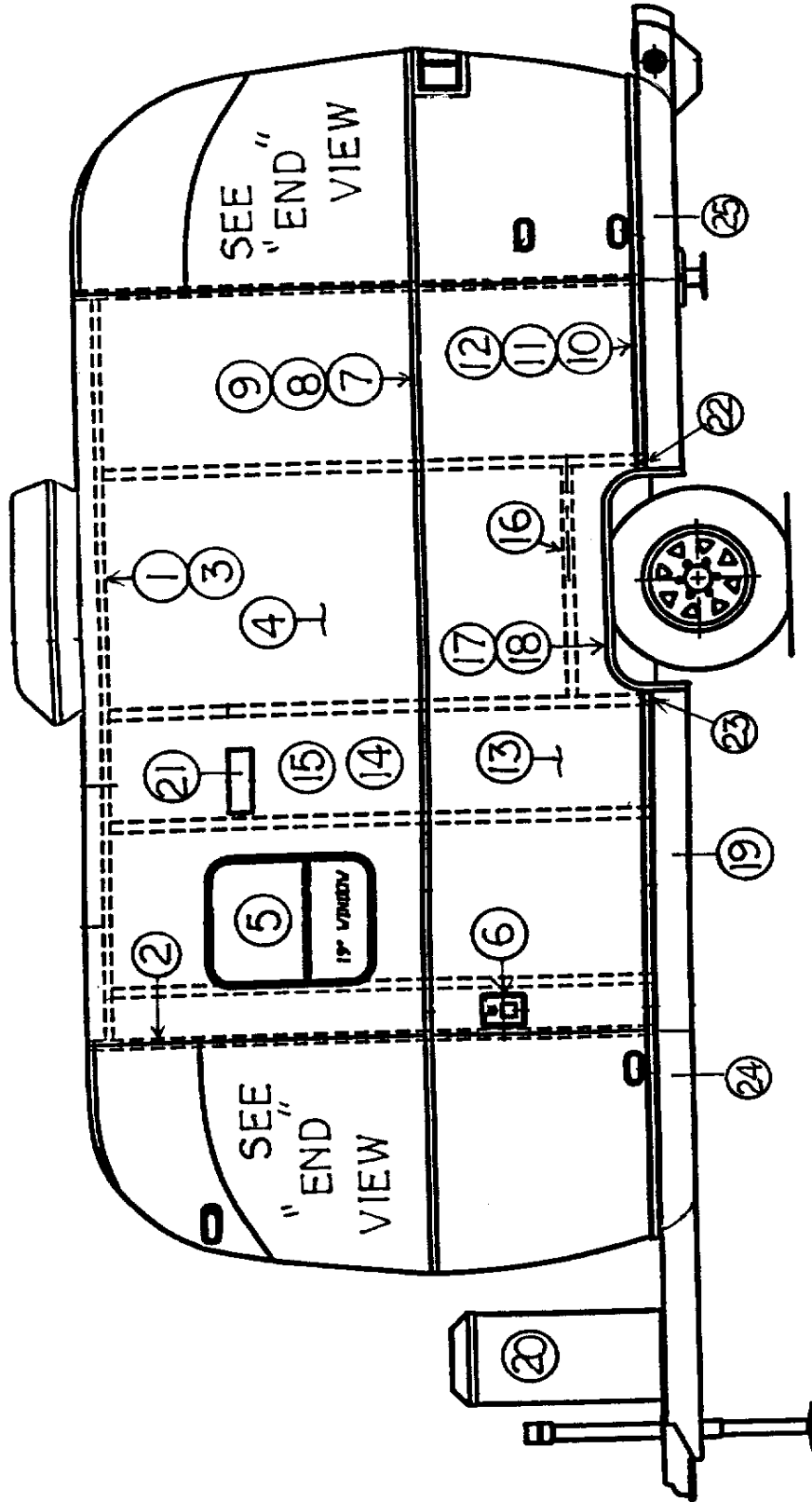
2002 SAFARI- BAMBI

BODY-23FT, SAFARI, CS

(Hardware such as hinges, locks and latches are located in the **hardware** section of this book)

- 1) 114290 Extrusion, awning/drip rail
 - 2) 114993 Rib, end bow
 - 3) 104707-05 Extrusion, "I" beam
 - 4) 114880-201 Aluminum sheet, upper, .040" x 51" x 201"
 - 5) *371362-02 Window, 19.25" x 22.75"
 - 6) *371362-02 Window, 19.25" x 22.75"
 - 7) 511017-11 Vent cover, range exhaust
 - 8) *371362-01 Window, main door, 17.75" x 21.25"
 - 9) 110067-01 Main door assembly
 - 10) 114654 Screen door assembly
 - 11) 114652 Jamb, main door
 - 12) *371362-07 Window, 19.25" x 29.75"
 - 13) 114879-201 Aluminum sheet, lower, .040" x 33 x 201"
 - 14) 114387-01 Bow, Z rib, RH
 - 15) 114387-02 Bow, Z rib, LH
 - 16) 100986 Wheel well stiffener(floor channel)
 - 17) 114328 Extrusion, belt line
 - 18) 201912 Molding, chrome, belt line
 - 19) 100034 "Z" bar, 48"
 - 20) 114460 Extrusion, rub rail
 - 21) 201763-01 Insert, rub rail, chrome, 1"
 - 22) 100986 Floor channel
 - 23) 690209 Access cover, Atwood
 - 24) 684936 Wheel well trim, inner, tandem axle
 - 25) 684937 Wheel well trim, outer, tandem axle
 - 26) 200545 Banana wrap, CS rear
 - 27) 101131-01 Underbelly wrap, .024" x 22.5", Pewter
 - 28) 200543 Banana wrap, CS front
 - 29) 104264 Cover, 30# LPG bottles w/o decal
 - 30) 114465-01 Casting, rib rail end, door, RH
 - 31) 114465-02 Casting, rub rail end, door, LH
 - 32) 114466-01 Casting, rub rail end, wheel well, RH
 - 33) 114466-02 Casting, rub rail end, wheel well, LH
- *Use base # 371381 for Hehr windows used after May 2001.

2002 SAFARI- BAMBI



2002 SAFARI- BAMBI

BODY, RS, 19FT. SAFARI

(Hardware such as hinges, locks and latches are located in the **hardware** section of this book)

- | | |
|----------------|---|
| 1) 114290 | Extrusion, awning/drip rail |
| 2) 114371 | Rib, end bow |
| 3) 104707-05 | Extrusion, "I" beam |
| 4) 114880-201 | Aluminum sheet, upper, .040 x 51 x 201" |
| 5) *371362-02 | Window, 19.25" x 22.75" |
| 6) 601194 | Water fill w/lock, gray |
| 381647 | CH751 Key only |
| 7) 114328 | Extrusion, belt line |
| 8) 201912 | Molding, chrome, belt line |
| 9) 100034 | "Z" bar, 48" |
| 10) 114460 | Extrusion, rub rail |
| 11) 201763-01 | Insert, rub rail, chrome, 1" |
| 12) 100986 | Floor channel |
| 13) 114880-201 | Aluminum sheet, lower, .040 x 33 x 201" |
| 14) 114387-02 | Bow, Z rib, LH |
| 15) 114387-02 | Bow, Z rib, LH |
| 16) 100986 | Wheel well stiffener (floor channel) |
| 17) 114003-04 | Wheel well trim, inner, single axle |
| 18) 114004-04 | Wheel well trim, outer, single axle |
| 19) 101131-01 | Underbelly wrap, .024 x 22.5, pewter |
| 20) 104264 | Cover, 30# LPG bottles w/o decal |
| 21) 511017-11 | Vent cover, range exhaust |
| 22) 114466-01 | Casting, rub rail end, wheel well, RH |
| 23) 114466-02 | Casting, rub rail end, wheel well, LH |
| 24) 203251-01 | Banana wrap, RS front |
| 25) 203251-03 | Banana wrap, RS rear |

*Use base # 371381 for Hehr windows used after May 2001.

2002 SAFARI- BAMBI

BODY, CS 19FT SAFARI

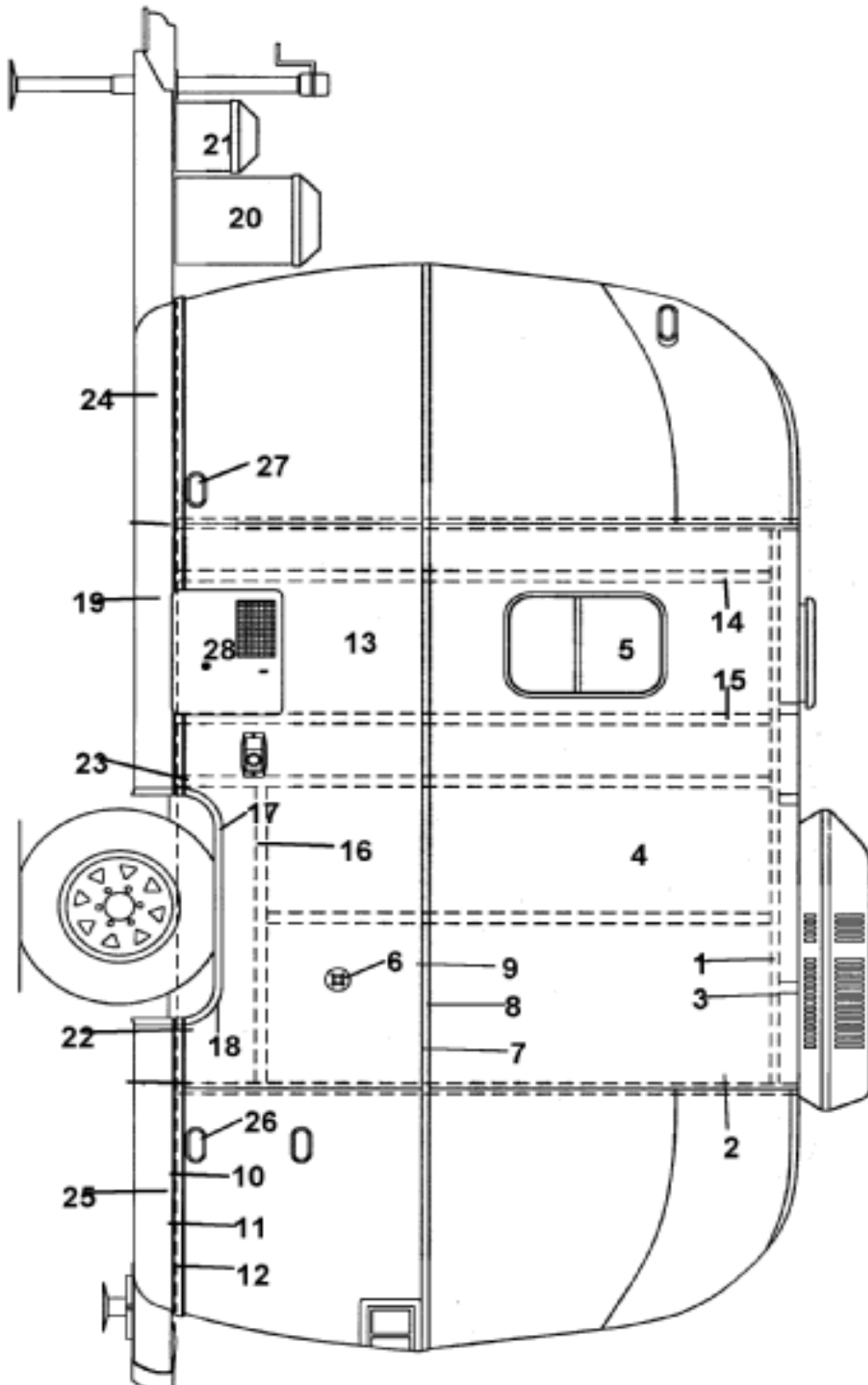
(Hardware such as hinges, locks and latches are located in the **hardware** section of this book)

- 1) 114290 Extrusion, awning/drip rail
- 2) 114371 Rib, end bow
- 3) 104707-05 Extrusion, "I" beam
- 4) 114880-201 Aluminum sheet, upper, .040 x 51 x 201"
- 5) *371362-02 Window, 19.25 x 22.75"
- 6) 690259-03 Cover and mounting flange, Atwood
- 7) 114328 Extrusion, belt line
- 8) 201912 Molding, chrome, belt line
- 9) 100034 "Z" bar, 48"
- 10) 114460 Extrusion, rub rail
- 11) 201763-01 Insert, rub rail, chrome, 1"
- 12) 100986 Floor channel
- 13) 114879-201 Aluminum sheet, lower, .040 x 33 x 201"
- 14) 114387-02 Bow, Z rib, LH
- 15) 114387-02 Bow, Z rib, LH
- 16) 100986 Wheel well stiffener (floor channel)
- 17) 114003-04 Wheel well trim, inner, single axle
- 18) 114004-04 Wheel well trim, outer, single axle
- 19) 101131-01 Underbelly wrap, .024 x 22.5, pewter
- 20) 104264 Cover, 30# LPG bottles w/o decal
- 21) 922243 Door assembly, refrigerator assess
- 22) *371362-01 Window, main door
- 23) 110067-01 Main door assembly
- 24) 114654 Screen door assembly
- 25) 114652 Jamb, main door, pre-formed
- 26) 114465-01 Casting, rub rail end, door, RH
- 27) 114465-02 Casting, rub rail end, door, LH
- 28) 114466-01 Casting, rub rail end, wheel well, RH
- 29) 114466-02 Casting, rub rail end, wheel well, LH
- 30) 203251-04 Banana wrap, CS rear
- 31) 203251-02 Banana wrap, CS front

*Use base # 371381 for Hehr windows used after May 2001.

2002 SAFARI- BAMBI

RS WALL



2002 SAFARI- BAMBI

BODY, RS, 16 FT. BAMBI

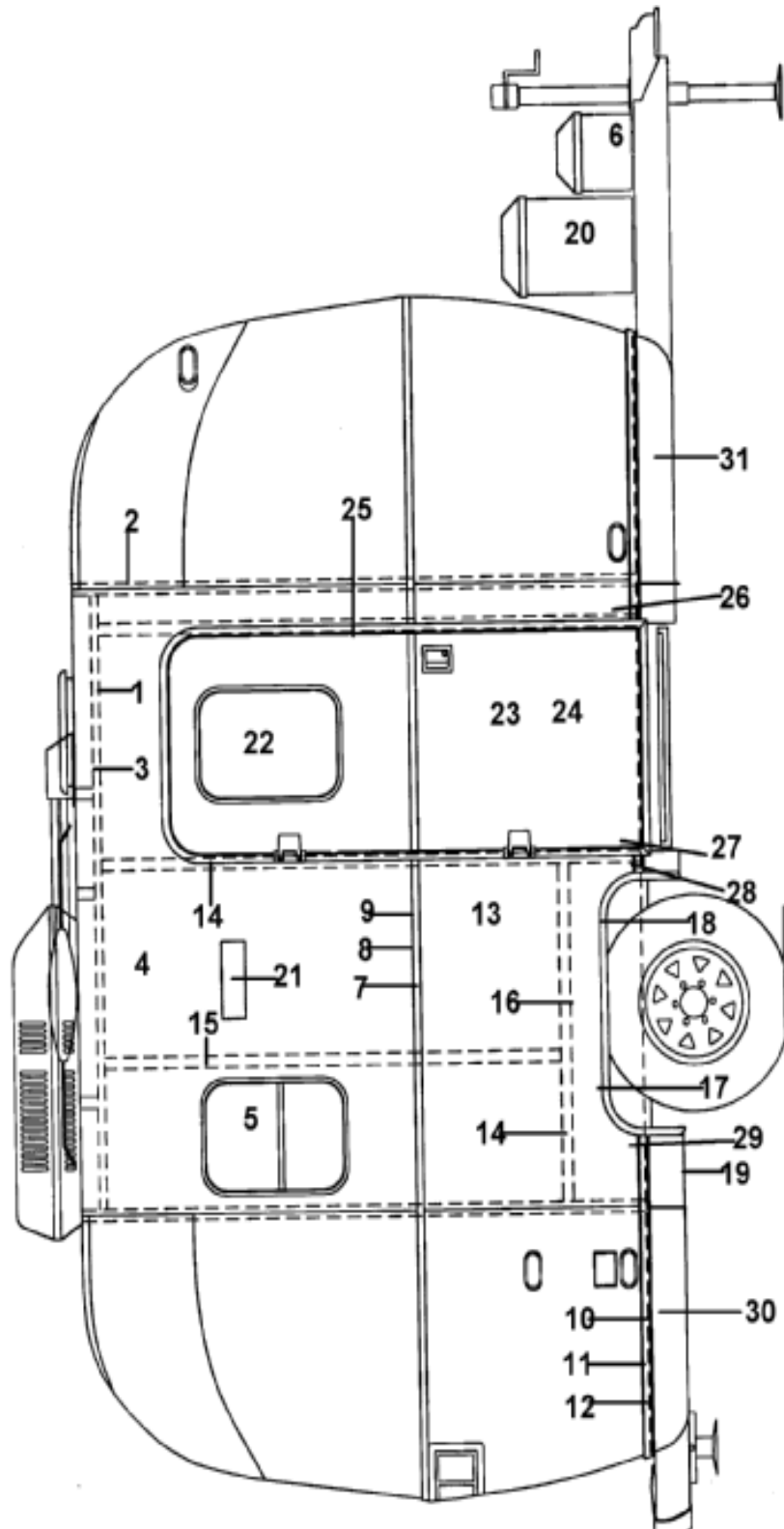
(Hardware such as hinges, locks and latches are located in the **hardware** section of this book)

- | | |
|----------------|---|
| 1) 114290 | Extrusion, awning/drip rail |
| 2) 114371 | Rib, end bow |
| 3) 104707-05 | Extrusion, "I" beam |
| 4) 114880-201 | Aluminum sheet, upper, .040 x 51 x 201" |
| 5) *371362-02 | Window, 19.25 x 22.75" |
| 6) 601392-05 | City water hook up, w/regulator, chrome |
| 7) 114328 | Extrusion, belt line |
| 8) 201912 | Molding, chrome, belt line |
| 9) 100034 | "Z" bar, 48" |
| 10) 114460 | Extrusion, rub rail |
| 11) 201763-01 | Insert, rub rail, chrome, 1" |
| 12) 100986 | Floor channel |
| 13) 114879-201 | Aluminum sheet, lower, .040 x 33 x 201" |
| 14) 114387-02 | Bow, Z rib, LH |
| 15) 114387-01 | Bow, Z rib, RH |
| 16) 100986 | Wheel well stiffener (floor channel) |
| 17) 114003-03 | Wheel well trim, inner, single axle |
| 18) 114004-03 | Wheel well trim, outer, single axle |
| 19) 101131-01 | Underbelly wrap, .024 x 22.5, pewter |
| 20) 703127 | Cover, 20# LPG bottles |
| 21) 511595 | Battery box |
| 22) 114466-01 | Casting, rub rail end, wheel well, RH |
| 23) 114466-02 | Casting, rub rail end, wheel well, LH |
| 24) 203303-01 | Banana wrap, RS front* |
| 25) 203303-02 | Banana wrap, RS rear* |
| 26) 500095 | Reflector, red, rectangular |
| 27) 500096 | Reflector, amber |
| 28) 690259-03 | Cover and mounting flange, Atwood |
- *Use base # 371381 for Hehr windows used after May 2001.

First units will have painted style 19 Ft Bambi bananas

2002 SAFARI- BAMBI

CS Wall, 16 ft Bambi



2002 SAFARI- BAMBI

BODY, CS, 16 FT. BAMBI

(Hardware such as hinges, locks and latches are located in the **hardware** section of this book)

- 1) 114290 Extrusion, awning/drip rail
- 2) 114371 Rib, end bow
- 3) 104707-05 Extrusion, "I" beam
- 4) 114880-201 Aluminum sheet, upper, .040 x 51 x 201"
- 5) *371362-02 Window, 19.25 x 22.75"
- 6) 511595 Battery box
- 7) 114328 Extrusion, belt line
- 8) 201912 Molding, chrome, belt line
- 9) 100034 "Z" bar, 48"
- 10) 114460 Extrusion, rub rail
- 11) 201763-01 Insert, rub rail, chrome, 1"
- 12) 100986 Floor channel
- 13) 114879-201 Aluminum sheet, lower, .040 x 33 x 201"
- 14) 114387-02 Bow, Z rib, LH
- 15) 114387-02 Bow, Z rib, LH
- 16) 100986 Wheel well stiffener (floor channel)
- 17) 114003-03 Wheel well trim, inner, single axle
- 18) 114004-03 Wheel well trim, outer, single axle
- 19) 101131-01 Underbelly wrap, .024 x 22.5, pewter
- 20) 703127 Cover, 20# LPG bottles, optional
- 21) 511017-11 Vent cover, range exhaust
- 22) *371362-01 Window, main door
- 23) 110067-01 Main door assembly
- 24) 114654 Screen door assembly
- 25) 114652 Jamb, main door, pre-formed
- 26) 114465-01 Casting, rub rail end, door, RH
- 27) 114465-02 Casting, rub rail end, door, LH
- 28) 114466-01 Casting, rub rail end, wheel well, RH
- 29) 114466-02 Casting, rub rail end, wheel well, LH
- 30) 203303-01 Banana wrap, CS rear*
- 31) 203303-02 Banana wrap, CS front*

*Use base # 371381 for Hehr windows used after May 2001.

First units will have painted style 19 Ft Bambi bananas

2002 SAFARI- BAMBI

BODY

INTERIOR

964137-02	Roof locker & aft end liner, 25 & 27ft.-A&B
964253	Roof locker & aft end liner, 23 & 25ft.-"C"
964137-01	Roof locker & forward end liner, all Safari
964480-01	Roof locker & aft end liner, 19 FT.
965440	Roof locker & forward end liner,19Ft.
114445	Aluminum sheet, .032" x 34" x coil
114853-01	Aluminum sheet, .032" x 57" x coil
702482-02*	Head liner, Dundee Chalk
702482-03*	Head liner, Spectra Opal
702481 *	Wall liner, Geometric Pearl
702481-01	* Wall liner, Geometric Pearl, 96"
114157-01	Extrusion, end liner, upper, white
201728-01	Extrusion, ceiling trim retainer
201728-03	Extrusion, ceiling trim
203225	Trim, flexible, "U", white
203138-01	Extrusion, plastic, wall, white
203138-02	Extrusion, plastic, wall, brown
101077	Extrusion, main doorjamb trim, interior

- For repairs purchase vinyl glues locally.

(Continued)

2002 SAFARI- BAMBI

BODY

INTERIOR

110460-01	Trim ring, window, 17.75" X 21.25"
110460-02	Trim ring, window, 19.25" x 22.75"
110460-06	Trim ring, window, 19.25" x 29.75"
110460-07	Trim ring, window, 31.25" x 29.75"
110460-05	Trim ring, window, 49.63" x 24.19"
110460-09	Trim ring, window, 12.25" x 18.50"
110460-10	Trim ring, window, 26.25" X 19.25"
110460-08	Trim ring, window, 44.0" x 24.19"
110460-10-01	Trim ring, window, rear egress, 16 ft. Bambi

200514 Wheel well insulator, tandem

Vinyl Clad 16 Ft Bambi

114892-V	SEGMENT #25, INTERIOR VC, Bambi
114890-V	SEGMENT #26, INTERIOR VC, Bambi
114891-V	SEGMENT #27, INTERIOR VC, Bambi
115036	INTERIOR VINYL CLAD .032 X 47.5
200019	EXTR, PLASTIC J CHANNEL CAP - 12'

201666-01 MOLDING-J 3/16" ALMOND PLASTIC

115036	Interior vinyl clad, .032 x 47.5, 16 ft Bambi
115035-02	Aluminum vinyl clad, .040 x 155", 16 ft Bambi
115035-01	Aluminum, .040 x 55'

2002 SAFARI- BAMBI

- CHASSIS

410846 FRAME-NORCO, 16 Ft. Bambi

410849 AXLE 3500# DEXTER #44614, 16 FT. Bambi
7430001H Axle, 4,000#-19 FT
7350475H Axle, 3500#-27ft.
7300253H Axle, 3000#-23 & 25ft.

0220003 Shock absorber, all Safari & Bambi
0250173-15 Bolt, grade 5, 5/8"-18 x 1.5", shock mount
0130068-818 Nut, hex head flanged, 5/8"-18, shock mount

All Safari & 19 Ft. Bambi

410840 Tire and wheel assembly, 15", BSW
*410840-01 Tire and wheel assembly, 15", BSW
400844 Dust cover, center hub
*400844-01 Dust cover, center hub
410843 Spare Tire/wheel assembly, steel 15"
*410843-01 Spare Tire/wheel assembly, steel 15"

410834-100 Wheel, aluminum, 15 x 6, Safari

16 Ft Bambi

400949 Tire/wheel assy., 14" w/alum. Wheel, 16Ft
*400949-01 Tire/wheel assy., 14" w/alum. Wheel, 16Ft
400948 Cap, wheel center, SS, 3.3 in.
*400948-01 Cap, wheel center, SS, 3.3 in.
410848 Spare tire, steel rim 14"
*410848-01 Spare tire, steel rim 14"

400949-101 Wheel, Alum., Hi-Spec, 14" x 5½", 16 Ft. Bambi
400923 Acorn lug nut

*Running Line Change-Used in place of base number due to vendor change after unit 514177. Wheel N/A from original vendor.

2002 SAFARI- BAMBI

CHASSIS

200844	Wheel well, tandem
203289	Liner, wheel well, ABS, 16 Ft Bambi
201565	Tufcote noise barrier, for wheel well
381416	Step, single, Elkhart #124
410831	Rear bumper, Polished, 23', 25' ,27'
453538	Bottom, rear hose carrier
453497	Lid, rear hose carrier
453627	Bottom, rear hose carrier
410847	Rear bumper, Bambi, 16'
453948	LID REAR BUMPER CARRIER, Bambi
380024	Support arm, hose carrier lid
380067	Hose carrier lid latch (Cam-o-lock)
381435	Hatch, access cover, 4", white (power cord)
410932	BUMPER, 19'
453627	BOTTOM-STORAGE COMPARTMENT, 19'
454214	LID REAR BUMPER COMPARTMENT, 19'
380203-01	HINGE PIANO 1/8 PIN
380024	ARMS SUPPORT RIGHT HAND
380067	LOCK CAM BUMPER LID LATCH
601544	E-Z Hose carrier, 46in.
400093	Stabilizing jacks, BAL w/handle, set of 4
400093-01	BAL jack, each
400093-04	Foot pad, BAL jack
601789	Brkt., LP bottle base
450414	"A" frame spare tire carrier
300023-02	Washer, offset, shell attachment

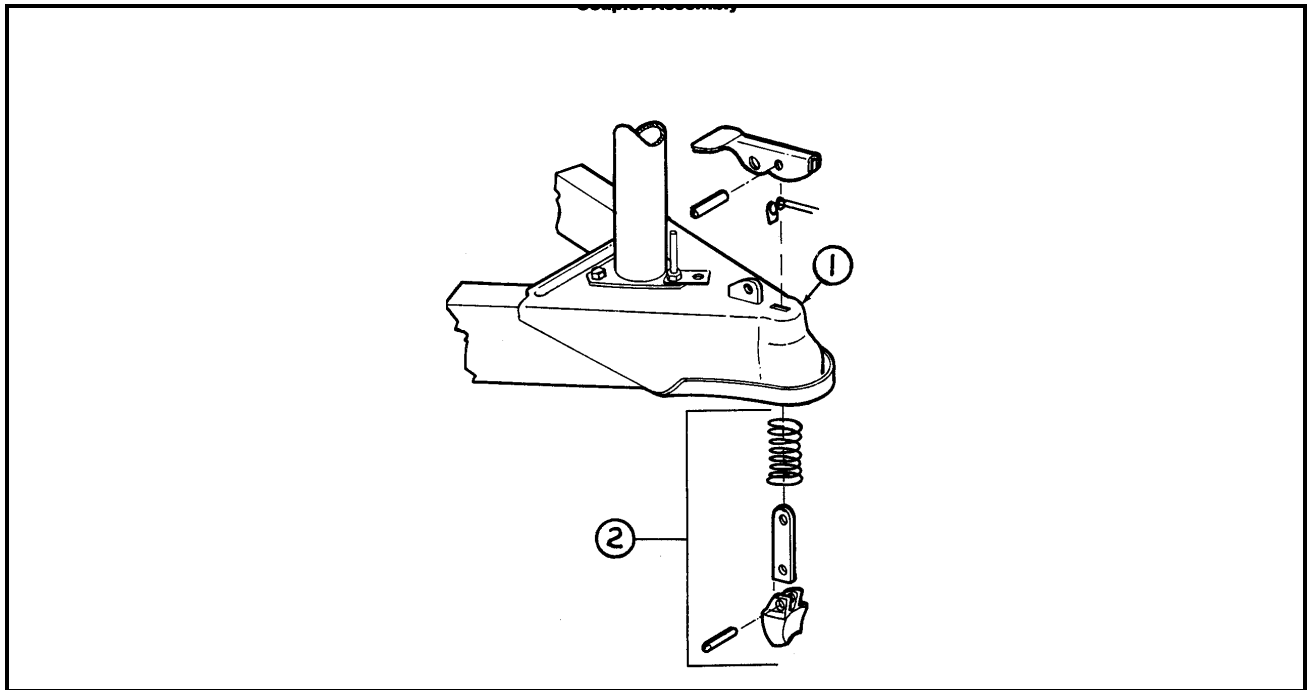
(continued)

2002 SAFARI- BAMBI CHASSIS

300027 Break away switch, Bargman
360254H Bracket, breakaway switch

601642 Pan, tank support, Roto cast
453493 Hanger strap, tank pan
453615 TANK SUPPORT STRIP-62"
453616 TANK SUPPORT STRIP-22"

114679 Aluminum underbelly, .019" x 65.75 x coil
101131-01 Aluminum, underbelly wrap, .024" x 22.5, gray
203304 ROLL, UNDERBELLY, BLACK PLASTIC, Bambi
400953 Safety Chain, 1/4" x 30"
400945 5/16" clevis, safety slip hook



1) 680343 Coupler assembly, 2 5/16"
2) 680345 Repair kit, 2 5/16" coupler

(continued)

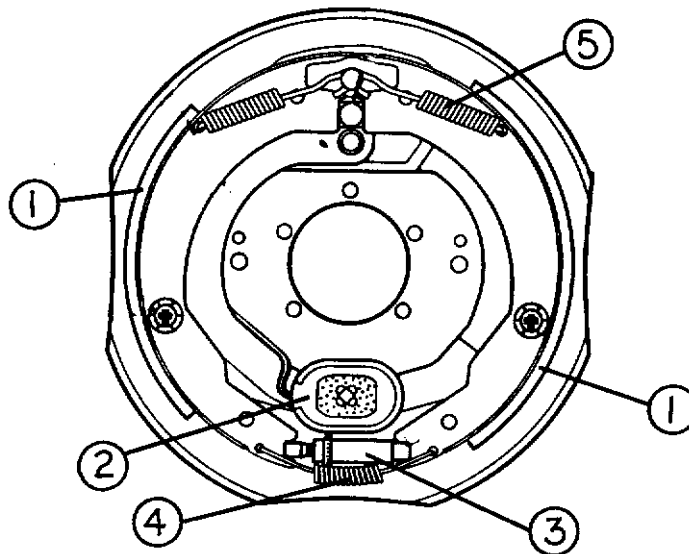
2002 SAFARI- BAMBI

CHASSIS

12" BRAKES

3160121 Brake drum, 12", 6 lug
450659 Inner bearing, #25580
680364 Inner race, #25520
450658 Outer bearing, #LM67048
680365 Outer race, #LM67010
680370-100 Grease seal

3160347 Brake assembly, RH, 12" Dexter
3160348 Brake assembly, LH, 12" Dexter



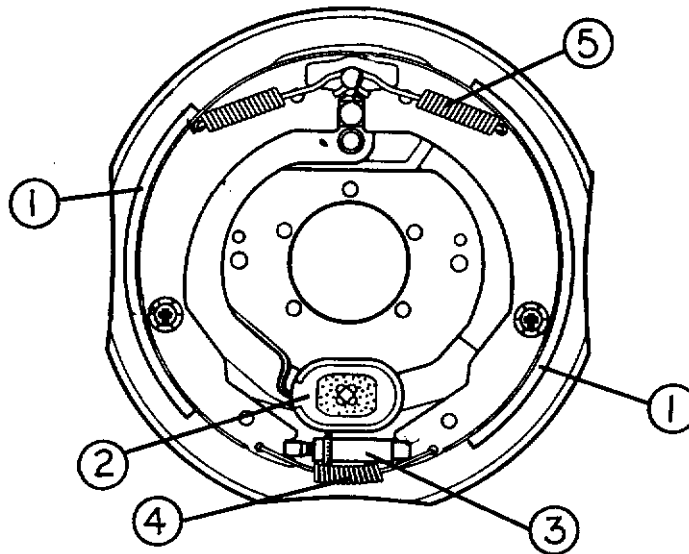
1) 3160348-62 Shoe and lining kit (includes hold down spring and pin)
2) 3160348-65 Magnet kit
3) 3160348-63 Adjuster assembly
4) 3160348-64 Adjusting screw spring
5) 3160348-61 Retractor spring

2002 SAFARI- BAMBI CHASSIS

10" BRAKES, 16 Ft Bambi

3160255 Brake drum 10", 5 lug
685016 Inner bearing, #L68149
685017 Inner race, # L68111
680380 Outer bearing, #L44649
680387 Outer race, #L44610
680377 Grease seal

3160096 Brake assembly, RH, 10" Dexter
3160097 Brake assembly, LH, 10" Dexter

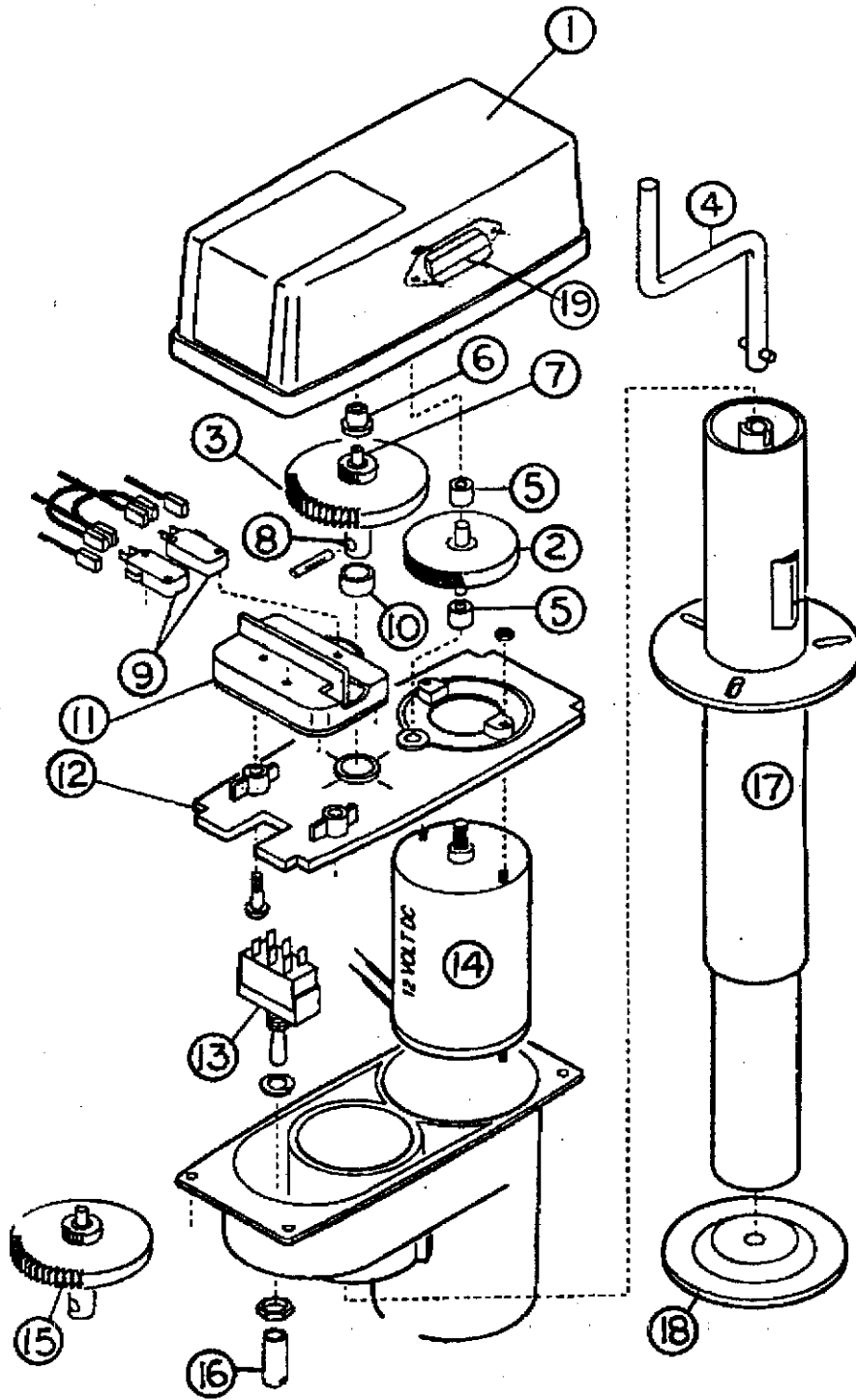


1) 3160097-62 Shoe and lining kit (includes hold down spring and pin)
2) 3160097-65 Magnet kit
3) 3160097-63 Adjuster assembly
4) 3160097-64 Adjusting screw spring
5) 3160097-61 Retractor spring

2002 SAFARI- BAMBI

Notes

2002 SAFARI- BAMBI



2002 SAFARI- BAMBI

CHASSIS

POWER JACK (Option)

511544	Power jack w/light
012251	Power head less post
1) 012198	Cover, Super Jack
2) 010051	Gear, fiber, Super Jack
3) 015551	Drive gear, Super Jack
4) 016199	Crank handle, manual, Super Jack
5) 080501	Bushing, bronze, Super Jack
6) 010055	Bushing, flange, Super Jack
7) 015552	Gear, pot/reed, Super Jack
8) 015553	Shaft, Super Jack
9) 081703	Micro switch, Super Jack
10) 080520	Bushing/bronze,7/16,Super Jack
11) 012252	Limit switch assembly, Super Jack
12) 012200	Center plate, Super Jack
13) 081704	Switch, toggle, Super Jack
14) 016263	Motor, 12V, Super Jack
15) 011675	Drive gear assembly, Super Jack
16) 010069	Switch cover, Super Jack
17) 011631	Jack post, Super Jack
18) 410598	Foot pad #12231
19) 026503	Light, Jack

Standard

3320028	Jack, front, Atwood
453570	Stabilizer plate, front jack
410598	Foot pad

SECTION II

D through E

DECALS/EXTERIOR TRIM II-1

DOORS/WINDOWS/AWNING

Doors II-2

Windows II-3

Awning/rock guard II-3

DRAPES II-5

BLINDS/VALANCES II-9

ELECTRICAL

110 volt II-11

12 volt II-12

Exterior light/reflectors II-14

ENTERTAINMENT

Radio/antenna II-15

2002 SAFARI- BAMBI

DECALS/EXTERIOR TRIM

385964-02	Decal, "AIRSTREAM" 32", front and rear
386088	DECAL CENTER BLACK REFLECTIVE 5/16"
386089	LOGO SAFARI BLK REFLECTIVE D. LENZ
386091	LOGO AIRSTREAM BLK RAISED LETTERS
386063-03	Medallion, oval, black, "AIRSTREAM", 8in.
386067-03	Medallion, 70 th anniversary, 4 3/8in., Black
386068	Medallion, screen door, 3", black
114460	Extrusion, rub rail
201763-01	Insert, rub rail, chrome, 1"
114466-01	Close out, casting, rub rail, angled RH
114466-02	Close out, casting, rub rail, angled LH
114465-01	Close out, casting, rub rail RH
114465-02	Close out, casting, rub rail LH
500095	REFLECTOR RED RECTANGULAR
500096	REFLECTOR, AMBER
510446	REFLECTOR, RED, STICK-ON
114328	Extrusion, beltline
201912	Molding, chrome, beltline insert
114417	Casting close out, belt line
386092	LOGO Bambi BLACK REFLECTIVE

2002 SAFARI- BAMBI

DOORS/WINDOWS/AWNING

(Hardware such as hinges, locks and latches are located in the **hardware** section of this book.)

DOORS

115207-01	Main door assembly
114652	Jamb, main door, preformed
114653	Frame, main door, preformed
114448-03	Skin, exterior, upper main door
114449-03	Skin, exterior, lower main door
114475	Skin, inner, vinyl clad
114363	Drip cap, main door
365232	Seal, main door
381704	Seal, upper main door (goes over 365232)
114655	Extrusion, inside door -jamb trim
114654	Screen door assembly
114561-01	Panel, slider, screen door, Revised for deadbolt
114648-01	Kick-panel, screen door, 6.69 x 24.13"
203287-02	Close out, plastic, screen door w/ dead bolt
380079	Screen, gray
200518	Spline, gray, screen insert
365013-01	Gasket, screen door, foam tape
115171-01	SCREEN DOOR GUARD TOP
115171-02	SCREEN DOOR GUARD BOTTOM
922243	Door, refrigerator access, assembly
922156	Refer access door only
104417	Jamb, refrigerator access door
104439	Louvered panel, refrigerator access door
7380988	HINGE, CONTINUOUS .5IN LEAF 16IN
203225	Trim, flexible
100679-01	Side access door assembly
100679	Side access door assembly
365035	Seal, side access door

(Continued)

2002 SAFARI- BAMBI

DOORS/WINDOWS/AWNING

(Hardware such as hinges, locks and latches are located in the **hardware** section of this book.)

DOORS

921159-01 Trunk door assembly, rear, 27 twin
365035 Seal, access door
114675 Jamb, rear trunk door

WINDOWS

Creation

*371362-01 Window, 17.75" x 21.25"
*371362-02 Window, 19.25" x 22.75"
*371362-07 Window, 19.25" x 29.75"
*371362-08 Window, 31.25" x 29.75"
*371362-12 Window, 49.63" x 24.19", egress rear
*371362-05 Window, 49.63 "x 24.19", front
*371362-10 Window, 43.94" x 24.19"
*371362-13 Window, 14 x 20", obscure entry, 16 Ft Bambi
*371362-14 Window-side, 14" x 20" w/vent
*371362-15 Window-rear, 26.25" x 19.25"

*Use base # 371381 for Hehr windows used after May 2001.

381665 GASKET "D" SEAL .50W X .36H BLACK
385642 COVER PLATE, APPLIQUÉ, 1.38X3

110460-08 Trim ring, window, 44.0" x 24.19"
110460-01 Trim ring, window, 17.75" X 21.25"
110460-02 Trim ring, window, 19.25' x 22.75"
110460-06 Trim ring, window, 19.25" x 29.75"
110460-07 Trim ring, window, 31.25" x 29.75"
110460-05 Trim ring, window, 49.63" x 24.19"
110460-10 Trim ring, window, 26.25 "X 19.25"

2002 SAFARI- BAMBI

DOORS/WINDOWS/AWNING

(Hardware such as hinges, locks and latches are located in the **hardware** section of this book.)

110102-01	Rock guard
110102-02	Rock guard, 16 FT., 19 FT.
685351	Rubber frame, black
683960	Arm support
683959	Arm support bracket
685354	Front window key
381021	Latch, draw flexible
685378	¼" rubber spline
114749	HINGE "Y" ASSY. (ROCKGUARD ASSY.)
114750	HINGE "J" (ROCKGUARD ASSY.)
685364	BRKT, UPPER HINGE-45.375-STONEGUAR

AWNINGS

702993-04	Awning, patio, 9' 8", Zip Dee, 19 FT
702993-05	Awning, CS, Patio, 6' 8.5", Zip-Dee, 16Ft
702993-02	Awning, patio, 14' 4½", 23ft.
702993-01	Awning, patio, 16' 4½", 25ft.
702993-03	Awning, patio, 18' 4½", 27ft.
702993	Hardware package, Zip Dee

2002 SAFARI- BAMBI

DRAPES/BLINDS/VALANCES

110552	Drapery set, 27ft.
702868-01	Drape, galley, CS, aft 2 plt, 12" x 20.5"
702868-02	Drape, galley, CS, fwd 2 plt, 12 x 20.5"
702868-03	Drape, lounge, CS, aft, 6 plt, 25" x 33.5"
702868-04	Drape, lounge, CS, fwd, 6 plt, 25" x 33.5"
702868-05	Drape, lounge, RS, fwd 9 plt, 35" x 33.5"
702868-06	Drape, lounge, RS, aft, 9 plt, 35" x 33.5"
702868-07	Drape, bedroom, CS, aft, 6plt, 25" x 33.5"
702868-08	Drape, bedroom, CS, fwd 6plt, 25" x 33.5"
702868-09	Drape, bedroom, RS, aft, 6 plt, 25" x 33.5"
702868-10	Drape, bedroom, RS, fwd 6 plt, 25" x 33.5"
702868-11	Drape, bedroom RS and lounge CS 16 plt 60" x 25.5"
702868-12	Drape, bedroom CS and lounge RS, 16plt 60" x 25.5"

2002 SAFARI- BAMBI
DRAPES/BLINDS/VALANCES

110485	Drapery set, 25ft.
702868-01	Drape, galley, CS, aft, 2 plt, 12" x 20.5in.
702868-02	Drape, galley, CS, fwd, 2 plt, 12" x 20.5in.
702868-03	Drape, lounge, CS, aft, 6 plt, 25" x 33.5in.
702868-04	Drape, lounge, CS, fwd 6 plt, 25" x 33.5in.
702868-05	Drape, lounge, RS, fwd 9 plt, 35" x 33.5in.
702868-06	Drape, lounge, RS, aft 9plt, 35" x 33.5in.
702868-07	Drape, bedroom, CS, aft 6 plt, 25" x 33.5in.
702868-08	Drape, bedroom, CS, fwd 6plt 25" x 33.5in.
702868-09	Drape, bedroom, RS, aft 6plt, 25" x 33.5in.
702868-10	Drape, bedroom, RS, fwd 6plt, 25" x 33.5in.
702868-11	Drape, bedroom RS and lounge CS, 16 plt, 60" x 25.5in.
702868-12	Drape, bedroom CS and lounge RS, 16 plt, 60" x 25.5in

2002 SAFARI- BAMBI
DRAPES/BLINDS/VALANCES

110505	Drapery set, 25f, "C"
702868-01	Drape, galley, CS, aft 2 plt 12" x 20.5in.
702868-02	Drape, galley, CS, fwd 2 plt 12" x 20.5in.
702868-03	Drape, lounge, CS, aft, 6 plt, 25" x 33.5in.
702868-05	Drape, lounge, RS, fwd 9 plt, 35" x 33.5in.
702868-07	Drape, bedroom, CS , aft 6 plt, 25" x 33.5in.
702868-08	Drape, bedroom, CS , fwd 6 plt, 25" x 33.5in.
702868-11	Drape, bedroom RS and lounge CS, 16 plt 60" x 25.5in.
702868-12	Drape, bedroom CS and lounge RS 16 plt, 60" x 25.5in.
702868-13	Drape, lounge, RS, aft, 25" x 33.5in.
702868-14	Drape, dinette, RS , fwd 10 plt, 37" x 28.5in.
702868-15	Drape, dinette, RS , aft 10 plt, 37" x 28.5in.
702868-16	Drape, bedroom, CS 16 plt, 72" x 25.5in,

2002 SAFARI- BAMBI DRAPES/BLINDS/VALANCES

110525	Drapery set, 23ft.	
702868-01	Drape, galley, CS, aft 2 plt, 12" x 20.5in.	
702868-02	Drape, galley, CS, fwd 2 plt, 12" x 20.5in.	
702868-03	Drape, lounge, CS, aft 6 plt, 25" x 33.5in.	
702868-04	Drape, lounge, CS, fwd 6 plt, 25" x 33.5in.	
702868-05	Drape, lounge, RS, fwd 9 plt, 35" x 33.5in.	
702868-06	Drape, lounge, RS, aft 9 plt, 35" x 33.5in.	
702868-07	Drape, bedroom, CS, aft 6 plt, 25" x 33.5in.	
702868-08	Drape, bedroom, CS, fwd 6 plt, 25" x 33.5in.	
702868-11	Drape, bedroom RS and lounge CS, 16 plt, 60" x 25.5in.	
702868-12	Drape, bedroom CS and lounge RS ,16 plt, 60" x 25.5in.	
702868-16	Drape, bedroom, CS 16 plt, 72" x 25.5in.	
110554	Curtain set, 19 Ft Safari	
702868-01	Drape, galley, CS, aft, 2-plt	12 x 20.5
702868-02	Drape, galley, CS, fwd, 2-plt	12 x 20.5
702868-17	Drape, front, CS, 19plt	72 x 25.5
702868-18	Drape, front, RS, 19plt	72 x 25.5
702868-21	Drape, bedroom, CS, 19plt	72 x 25.5
702868-19	Drape, bedroom, aft, CS	
702868-20	Drape, bedroom, fwd, CS	

2002 SAFARI- BAMBI
DRAPES/BLINDS/VALANCES

16 Ft Bambi

703131-01	CURTAINS FRONT WINDOW
703131-02	CURTAIN RS/CS
703131-03	CURTAIN BACK WINDOW
703131-04	TIE BACK W/SNAPS -FRONT
703131-05	TIE BACK W/SNAPS CS/RS
703131-06	TIE BACK W/SNAPS REAR
702355-01	Shade, roller type, 20 1/8 x 36" galley
964515-02	Valance assembly, RS, front
964515-01	Valance assembly, CS, front
964518	Valance assembly, CS bedroom
964104-25S	Valance, lounge, RS 64"
964105-25S	Valance, lounge, CS 35"
964106-25S	Valance, rear twin 43" (both sides)
964515-01	Valance, CS front, 16ft.
964515-02	Valance, RS front, 16ft.

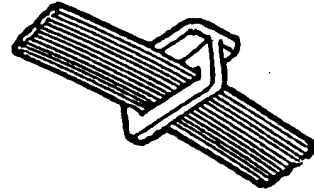
2002 SAFARI- BAMBI
DRAPES/BLINDS/VALANCES



101220
Bracket, curtain
stand off



101217
Track, curtain



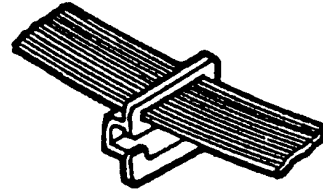
700044
Glides, w/elastic
"T" type



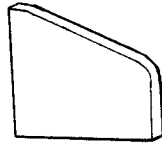
114021
Bracket, curtain
stand off



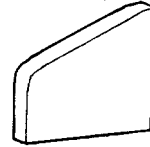
101225
Bracket, curtain
stand off



700045
Glides, w/elastic
"G" type



200785
End, curtain track, LH



200784
End, curtain track, RH

2002 SAFARI- BAMBI

ELECTRICAL

110 VOLT

510634	Power cord, 36ft.
511416-01	25', power cord w/weather proof connector, 16 FT
511416-02	30-amp, male power inlet, 16 Ft.
511041	Breaker box, Westinghouse
510564-05	Breaker 30-20, Bryant
510564-04	Breaker 20-20, Bryant
510564-20	Breaker, 20 GFI
510564-07	Breaker 15 GFI, Bryant
500563-01	Receptacle, 15 amp, white
511287	Receptacle, 15 amp, single
510676-01	Outlet, exterior, gray
511023	Circuit tester (loose item)
511426	Converter, 55 amp
500933	Switch, water Heater
500967-01	Cover, blank, Ivory
510014	BOX JUNCTION OCTAGON #54151-C
510015	BOX COVER #54C-1
510475	CLIP, GROUND

2002 SAFARI- BAMBI

ELECTRICAL

12 VOLT

511132	Battery, deep cycle, lead acid
511386	Battery box
511596	Battery, deep cycle, 16 Ft
511595	Battery box, 16 Ft
340023	Latch, Corbin, battery box
453603	Strap, battery box
500836	Positive battery cable
500837	Negative Battery cable
500886	7-Way cable w/plug
300027	Break away switch, Bargman
511426	Converter, 55 amp
510626	Switch, master disconnect
510627	Face plate, disconnect switch
511337	Fuse block, 12 volt, 6 position-ATC type
*511422-01	Light, map, black
*Replaced by 511648, Black Platinum, RLC August 2001.	
511248	Light, 12 volt, incandescent, single, interior
511249	Light, 12 volt, incandescent, double, interior
510781	Detector, smoke
511309	Detector, LPG
511341-02	Monitor panel, wall mount

2002 SAFARI- BAMBI

ELECTRICAL

12 VOLT

502056	Mounting plate, 12 volt switch
511327	Switch body w/rocker, single, white
510868-03	Switch panel, 4 gang, white, by door
511567-02	Switch body w/Rocker switches two gang white
511566-02	Cover, switch, Printed, Two Gang, White
964082-01	FUSE BLOCK ASSY-12V
452412-01	BRACKET FUSE BLOCK 12V
511337	BLOCK FUSE 12V 6 POS. ATC
510655-01	DOOR/FRAME ONLY W/LATCH 12V PANEL
510807	Outlet, 12 volt
511121	Mounting plate, 12 volt receptacle
500996	Jack, TV/phone, gray
510654-01	TV jack/12 volt w/splitter, white
510624-01	Modular phone quick jack, white
452981	PHONE JACK PROTECTIVE PLATE
104619	Mounting plate, exterior telephone/TV jack
511593	Load center, 110V-12V, mdl. LC 30-BB9-P12, 16 FT
511077-03	Cover, switch white w/gold print
510743	Ground bar, 3 1/2" long
511411	Junction box, 7 terminals
511100-01	SWITCH BODY W/ROCKER (WHITE)

(continued)

2002 SAFARI- BAMBI

ELECTRICAL

12 VOLT

EXTERIOR LIGHTS/REFLECTORS

500092	Patio light, round, Signal Stat
510160	Bulb, patio light #1156
510732	Utility light (by main door)
510651	Light, front access compartment
500500	Tail light assembly
510161	Can, #1156 bulb and socket
510160	Can, #1157 bulb and socket
510162	Tail light lens
510163	Back-up light lens
380226	Gasket, tail light lens
201462	Pocket , plastic, taillight
109172	Bezel, chrome, tail light
510111	Clearance light, red, Signal Stat
510112	Clearance light, amber, Signal Stat
500095	Reflector, red, rectangular
500096	Reflector, amber, rectangular
510446	Reflector, red, stick-on w/chrome edge
510163	Reflector, red, 3"
500053	License plate light w/plate mounting bracket
511294	Light, license plate
510658	Switch w/weather proof boot

2002 SAFARI- BAMBI

ENTERTAINMENT

511498	Radio, AM/FM/Cassette, Sony XR-1100MR04
511048	Speaker, 40 Watt, Coustic HS-402
511048	SPEAKER 4" BLACK (PR), Bambi
511499	CD changer, 10 unit, Sony CDX-434RF (opt.)
510610	Antenna, radio, side mount
511597	Antenna, AM-FM Rubber 13"
510788-05	Antenna, TV Wineguard, short boom, 16 Ft
500484-05	Antenna lead & extension, 72"
510788-01	TV antenna, Winegard #RV-7004
510788-03	Amplifier, TV antenna
510788-04	Hardware package, interior, Winegard
510612	Coax, 75 ohm, standard
510613	Coax, 75-ohm w/three conductors
510623	Connector, coax, male to male
114396	Trough, TV antenna

2002 SAFARI- BAMBI

SECTION III

F through H

FASTENERS (common fasteners available locally are not listed)

Rivets	III-1
------------------------------	-------

FLOOR COVERING

Carpet	III-3
Mats	III-3

FURNITURE

Interior doors	III-4
Mirrors	III-6
Drawer	III-7
Rear bedroom	III-8
Bath	III-10
Galley	III-15
Lounge	III-21

HARDWARE

Exterior locks/hinges	III-26
Interior drawer slides/hinges latches	III-30
Bath, Table, Hinges	III-34
Wardrobe, Drapes, Misc.	III-35
Awning hardware	III-36
Bunk	III-37

2002 SAFARI- BAMBI

*FASTENERS



325043
Rivet, buck type
dia. 1/8"
length 1/4"
(hard)



325000-01
Rivet, buck type
dia. 1/8"
length 1/4"
anodized clear



325000-03
Rivet, buck type
dia. 1/8"
length 1/4"
anodized white



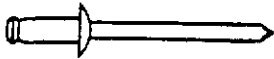
325001-01
Rivet, buck type
dia. 1/8"
length 5/16"
anodized clear



325002-01
Rivet, buck type
dia. 1/8"
length 3/8"
anodized clear



325004-01
Rivet, buck type
dia. 1/8"
length 1/2"
anodized clear



330127-03
dia. 1/8"
grip range .063-.125
aluminum body
aluminum mandrel

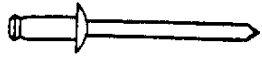


300101
1/8" I.D.
washer, aluminum

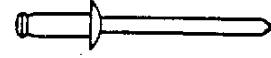
*Common bolts and screws readily available at local hardware outlets have not been listed.

2002 SAFARI- BAMBI

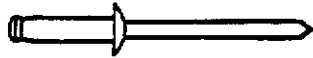
*FASTENERS



330126-02
rivet, pop
dia. 1/8 "
grip range .126-.187
stainless steel
stainless steel mandrel



330126-03
rivet, pop
dia. 1/8 "
grip range .126-.250
body stainless steel body
stainless steel mandrel



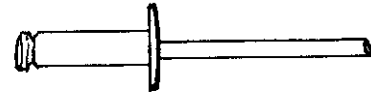
330127-050
rivet, pop
dia. 1/8 "
grip range .251-.312
aluminum body
aluminum mandrel



330128-05
rivet, pop
dia. 1/8 "
grip range .251-.312
aluminum body, white
aluminum mandrel



330127-080
rivet, pop
dia. 1/8 "
grip range .325-.565
aluminum body
aluminum mandrel



330038
rivet, pop
dia. .150 (#20 bit)
grip range .126-.250
aluminum body
aluminum mandrel
(used-screen door hinge)



325103
dia. 1/4 "
grip range .080-.325
SS body, steel mandrel

*Common bolts and screws not listed.

2002 SAFARI- BAMBI

FLOOR COVERING

702794-05	Carpet, Spectrum, Saturn Blue
701538	Carpet, Velour-compartment liner
700173	Pad, carpet, 3/8" thick
381346-01	Floor mats
703037	Flooring, laminate, bath, Capisto Sand, 15.5" x 15.5"
801291	Trim, laminate floor
801291-02	Wood trim, stair nose
801291-03	Trim, laminate flooring, Capisto Sand, wood quarter round
365252-01	FLOOR ADHESIVE URETHANE TUBE
365252-02	FLOOR ADHESIVE 16OZ TUBE
700136	TACKLESS CARPET STRIP
7365257	ADHESIVE, AHB MULTI PURPOSE FLOOR
703119	Floor vinyl, 3' x 14', pattern color, 16 ft Bambi
800639-02	Adhesive, Oak plank

2002 SAFARI- BAMBI
FURNITURE
WARDROBE/CABINET DOORS

width x height(inches)

964385-25	Door	8.75 x 38.0"
964385-14	Door	8.75 x 62.0"
964385-17	Door	9.13 x 24.0"
964385-11	Door	11.5" x 23"
964385-26	Door	12.0x 38.0"
964385-27	Door	13.19 x 31.25"
964385-18	Door	13.25 x 62.0"
964385-12	Door	13.63 x 38.0"
964385-10	Door	14.00 x 21.0"
964385-02	Door	14.25 x 31.25"
964385-21	Door	15.63 x 11.88"
964385-20	Door	15.75 x 13.75"
964385-23	Door	17.38 x 22.0"
964385-06	Door	17.75 x 13.75"
964385-01	Door	18.63 x 31.25"
964385-09	Door	18.75 x 8.5"
964385-28	Door	19.62" x 30.50"
964385-22	Door	21.00 x 62.0"
964385-15	Door	22.25 x 62.0"
964385-04	Door	23.00 x 8.00"
964385-03	Door	23.50" x 4.5"
964385-19	Door	24.88 x 10.5"
964385-24	Door	25.13 x 15.25"
964385-13	Door	25.13 x 17.50"
964385-07	Door	32.50 x 13.75
964385-08	Door	45.00 x 13.75
964385-16	Door, breaker box cover	7.5 x 13.75"

**2002 SAFARI- BAMBI
FURNITURE
WARDROBE/CABINET DOORS**

16 ft Bambi

801312-05Z	Door-w/insert	27.75 x 8.00
801312-01Z	Door w/insert	13.25 x 52.50
801312-08Z	Door w/insert	21.50 x 12.25
801312-04Z	Door w/insert	10.50 x 33.00
801312-02Z	Door w/insert	15.00 x 33.00
801312-10Z	Door w/insert LH	10.75 x 29.13
801312-09Z	Door w/insert RH	10.75 x 29.13
801312-07Z	Door w/insert	25.50 x 11.75
801312-06Z	Door w/insert	23.75 x 11.75
801312-03Z	Door w/insert	17.00 x 16.00

ROOF LOCKER DOORS

964386-01	Door, roof locker, front and rear-RH LH, 31.25
964386-02	Face panel, locker end filler, spec. RH or LH
964386-06	Door, roof locker, 32.5"
964386-04	Face panel, 6.19", rear locker, "C" model
964386-03	Door, galley roof locker, 28.38"
964386-05	Door, galley roof locker, 35.5"
964386-08	Face panel, locker end filler, spec. RH or LH, 12.5"
964386-07	Door, galley roof locker, 15.5" x 24.88"
964386-10	Door, galley locker, 19Ft.

MISCELLANEOUS DOORS

702937-03	Shower door, roll away, 36" x 62"
961413-16	Door slider assembly, 20.5" x 74"
964539	Bath door assembly, 25.5" x 72"
986265	Sliding door assembly, 25ft., "A & B" model

2002 SAFARI- BAMBI

FURNITURE

MIRRORS

372203-04	Mirror, safety glass, medicine cabinet, 36" x 14"
372203-05	Mirror, safety glass, medicine cabinet, 19" x 14"
372203-24	Mirror, safety glass, 9.5" x 20.0"
702681-04	Door, foldette, 56" x 73"
452258	BRACKET, MTG. FOLDETTE DOOR
702681-03	Door, foldette, 46" x 73"
381563-01	Track, formed, foldette door
701342-01	Strap, foldette door, retainer

2002 SAFARI- BAMBI

FURNITURE

DRAWERS/DRAWER BOX

201016	Drawer, plastic, 16" x 22"
201051	Drawer, plastic, 10" x 22"
964906-03	Drawer box, 2.75" x 14.0" x 11.50"
964906-06	Drawer box, 2.75" x 12.0" x 18.00"
964910-09	Drawer box, 5.00" x 18.0" x 17.50"
964906-07	Drawer box, 2.75 x 16.0 x 20.0"
962821-27	Drawer box, 5.00 x 18.0 x 17.50"
965327-02	Drawer box, 5.00 x 8.44 x 12.5
965326-01	Drawer box, 2.75 x 8.44 x 12.50"
965327-01	Drawer box, 5.00 x 8.44 x 18.00"
964906-17	Drawer box, 2.75 x 15.00 x 14.00

Drawer face

801313-015	Drawer face	5.00" x 17.00"
------------	-------------	----------------

2002 SAFARI- BAMBI
FURNITURE

REAR BEDROOM, 25 & 27FT.

964113	Night stand assembly
964337	Top, twin nightstand
964115-01	Hanging wardrobe assembly, RS
964112	REAR STORAGE BOX ASSY 25'A
964155	Hanging linen closet, CS
964173	Twin bed assembly, CS
964114-01	Twin bed assembly, RS
964188	Double bed assembly, "B" model
964184	Nightstand
963336	Top, rear nightstand, rear double
381241	TV shelf

REAR BEDROOM, CORNER DOUBLE-23 & 25S

108433	Header, foldette door
200003	End cap mounting, brown
381563-01	Track, formed, foldette door
800727-01	CLOSE-OUT, FOLDETTE DOOR, OAK
964252	Bed assembly, corner double, Safari
964397	Wardrobe assembly, RS 23ft.
801192-08	PANEL-FWD W-R/AFT REFER
801192-13	RS WARDROBE AFT PANEL
801192-14	CENTER PANEL-R.S. BATHROOM 23'C
964250	Wardrobe assembly, RS 25ft.
381241	TV shelf, Oak w/mirror

2002 SAFARI- BAMBI

FURNITURE

REAR BEDROOM 16 & 19Ft.

108433	Header, foldette door
200003	End cap, header mounting, brown
702681-04	Door, foldette, 56" x 73"
452258	Bracket, mounting, foldette door
701342-01	Strap, vinyl, foldette door
800727-01	CLOSE-OUT, FOLDETTE DOOR, OAK
381563-01	TRACK FORMED FOLDETTE DOOR STRAIGHT
964481	Bed assembly
964250-01	Wardrobe assembly, RS, Bambi
965439	Radio shelf assembly
964505	Roof locker, bedroom
964637-01	R/L END CAP ASSY-RH
964635-01	FRAME-R/L END CAP RH
381241	TV shelf

2002 SAFARI- BAMBI

FURNITURE

BATHROOM, CORNER DOUBLE-23 & 25S

See hardware section for fixtures.

If connected to water, see plumbing.

203114	Shower, two piece fiberglass
203138-03	Plastic wall extrusion, beige
964325	Toilet stand assembly
964249	Lavatory cabinet
964315	Lavatory top
964319	Medicine cabinet, lower
964318	Medicine cabinet, upper
964312	Header, bath door
801209-004	Jamb, bath door
801192-09	PANEL-FWD BATH
801192-10	PANEL-AFT BATH
801192-12	BATH DIVIDER PANEL
104606	Close-out, vent pipe
964415	Close out, paper holder
703106	Border trim, self-adhesive, bathroom

2002 SAFARI- BAMBI FURNITURE

BATHROOM 25FT. A & B MODELS
See hardware section for fixtures.
If connected to water, see plumbing.

201980 Shower stall, two-piece, fiberglass
964226 Shower stand assembly

964132 Toilet stand assembly
801195 Corner, trim-1" radius

964618 Jamb, shower door

964130-01 Lavatory cabinet assembly
964340 Lavatory top
200963-01 Track, sliding door, vanity, upper
200963-02 Track, sliding door, vanity, lower

104606 Close out, alabaster, vent pipe
114040-01 Close out, toilet line

381611 Cosmetic cabinet 36" x 9"
964129 Medicine cabinet

702791 Border, adhesive back, above lavy

965395-01 Lavy top, Corian, option
965409-01 Sink cover, Corian

2002 SAFARI- BAMBI FURNITURE

BATHROOM, 27FT. A & B MODELS
(see hardware section for fixtures-if connected
to water, see plumbing)

203046-03 964993	Shower stall, angled, two-piece Close out, lavy/shower
964473 964491 801209-004	Lavatory cabinet assembly Lavatory top assembly DOOR JAMB BATH SS
200963-01 200963-02	Track, sliding door, vanity, upper Track, sliding door, vanity, lower
381611 964129	Cosmetic cabinet 36 x 9" Medicine cabinet assembly
702791	Border trim, self adhesive, above bath cabinet
104606 114040-01 800727-01	Close out, vent pipe, alabaster Close out, toilet line Close out, foldette door, Oak
964466	Wardrobe assembly CS-27ft.

2002 SAFARI- BAMBI

FURNITURE

BATHROOM 19 Ft

(See hardware section for fixtures.)
(If connected to water, see plumbing)

203114	Shower, two piece fiberglass
203138-03	Extrusion, wall, plastic, beige
801192-12	Divider panel, bath
801209-004	Doorjamb, bath
964312	Header, bath door
964249-02	Lavatory cabinet assembly
964315	Top, lavatory cabinet
964318	Medicine cabinet, upper
964319	Medicine cabinet, lower
703106	Border Trim
381581	Strap, clear plastic
700811	BUTTON CAP, HANDY #36
700812	BUTTON BOTTOM, HANDY #36
964994	CLOSE-OUT SHOWER

2002 SAFARI- BAMBI

FURNITURE

BATHROOM 16 Ft

(See hardware section for fixtures.)
(If connected to water, see plumbing)

801209-005	Door Jamb, Bath
965335	Door assembly, 25.5" x 72"
964312	Header, bath door
203372	Trim, doorjamb, ELM plastic
203299	Lavy top
381749	Med. Cabinet
965283	Wardrobe assembly, RS,
965282	Face frame, wardrobe
203298	Shower pan
601788	Tail piece assy.
381581	Strap, clear plastic
700811	BUTTON CAP, HANDY #36
700812	BUTTON BOTTOM, HANDY #36
703132	SHOWER CURTAIN
701697	FABRIC SHOWER GUARD PEARL 72"
700044	GLIDES CURTAIN W/ELASTIC T-2
700020	PILE VELCRO
700822	HOOK, VELCRO, CIRCLE, ADHESIVE

2002 SAFARI- BAMBI

FURNITURE

GALLEY

16 Ft Bambi

965277-01	Galley base assembly, cook top
965276-03	Face frame, galley base
965276-02	Face frame, galley base
965276-01	FACE FRAME-GALLEY BASE
965292	Top-Galley
965332	Lazy Susan assembly
203306	Shelf, lazy Susan, ABS
381755	BRASS PLTD SWIVEL CASTER 2390 T2
115037	CLOSEOUT-LAZY SUSAN
965279	Side, galley R/L assembly
965278	Face frame galley roof locker
965345	END CAP GALLEY ROOFLOCKER
965281-00Z	Rear galley roof locker
965280	Face frame rear roof locker
203373	Panel Radio
964460-01	Refrigerator cabinet assembly
964385-19	Door-"c" refer, 24.88" x 10.5"
964461	Refer cabinet top assembly
964280-005	Counter top edge molding
964385-28	Refer door, 19.62" x 30.5"
964519	Block, pocket door latch
511341-06	Range hood
114462	DUCT RANGE EXHAUST TRANSITION
114230-04	CLOSEOUT FORMED R. EXHAUST
203374	PANEL ELECTRICAL
963990-00Z	Magazine Rack

(Continued)

2002 SAFARI- BAMBI FURNITURE

GALLEY

16 Ft Bambi Oven Option

965277	Galley, base assy., oven
965276-01	Face frame, galley base
965276-02	Face frame, galley base

GALLEY

19 Ft Bambi

964482-01	Galley assembly
964483	Top, galley assembly
381615	Tray, plastic, 11"
963990	Magazine rack
961982-01	Sink cover
964514	Spice cabinet assembly
964490	Galley roof locker assembly
511227-02	END CAP FITTING FO BROWN
964636-01	R/L END CAP ASSY
964634-01	FRAME-R/L END CAP
964460	Refrigerator cabinet assembly
964461	Top, refrigerator cabinet assembly
964519	Block, pocket door latch
964385-19	Door-"c" refer, 24.88" x 10.5"
511341-06	Range hood
114462	DUCT RANGE EXHAUST TRANSITION
114230-04	CLOSEOUT FORMED R. EXHAUST 4.40
104965-01	RETAINER CLIP-GALLEY SINK-.88"

2002 SAFARI- BAMBI FURNITURE

GALLEY AREA, 23FT.

964523-01	Galley assembly
964524-01	Galley top assembly
964335	Galley flip-up shelf
963990	Magazine rack
964980-01	Sink cover
381615	Tray, plastic, 11"
964151	Galley roof locker assembly
964636-02	R/L END CAP ASSY-LH
964251	Refrigerator cabinet assembly
964385-19	DOOR-"C" REFER 24.88" X 10.5"
964532-00Z	Spice rack
372203-05	Mirror, safety glass 19" x 14"
964396	Pantry cabinet assembly
964162	Pantry assembly
690345-01	Microwave, convection, Sharp R-820BK
690345-02	Microwave, convection oven CSA R-7A92CBK
690345-03	Trim ring Convection Microwave, 7A82
964620	Galley assembly, optional convection microwave
964524	Galley top assembly

2002 SAFARI- BAMBI FURNITURE

GALLEY AREA, 25FT. "C"

964523-01	Galley assembly
964524-01	Galley top assembly
964335	Galley flip-up shelf
963990	Magazine rack
964980-01	Sink cover
964151	Galley roof locker assembly
964636-02	R/L END CAP ASSY-LH
964634-02	FRAME-R/L END CAP LH
964251-01	Refrigerator cabinet assembly
964532	Spice rack
372203-05	Mirror, safety glass 19 x 14"
964359	Dinette seat assembly, aft.
964256	Dinette seat assembly, forward
801224-01	CAP-DINETTE SEAT BACK FWD.
801224-02	CAP-DINETTE SEAT BACK REAR
964255	Dinette table assembly, Safari
962177-02	Leg, dinette table, hardwood, 28.5"
964254	Dinette roof locker assembly
964636-01	R/L END CAP ASSY-RH
964634-01	FRAME-R/L END CAP RH
964116	Pantry/wardrobe assembly
801192-05	PANEL-FWD PANTRY
801192-06	PANEL-PANTRY/WARDROBE
801192-07	PANEL-AFT WARDROBE
964162	Pantry assembly

2002 SAFARI- BAMBI FURNITURE

GALLEY AREA, 25FT. A&B

964523-01	Galley assembly
964524-01	Galley top assembly
964335	Galley flip-up shelf
963990	Magazine rack
964980-01	Sink cover
964151	Galley roof locker assembly
964636-02	R/L END CAP ASSY-LH
964634-02	FRAME-R/L END CAP LH
964116	Pantry/wardrobe assembly
964162	Pantry assembly
964149-01	Refrigerator cabinet assembly
964172	Close out, refrigerator cabinet
964532-00Z	Spice rack
372203-05	Mirror, safety glass 19 x 14"
965392-01	Galley top, Corian, option

2002 SAFARI- BAMBI FURNITURE

GALLEY AREA, 27FT. A&B

964467-01	Galley assembly
964468	Galley top assembly
964335	Galley flip-up shelf
963990	Magazine rack
964980-01	Sink cover
381615	Tray, plastic, 11"
964469	Galley roof locker assembly
964636-02	R/L END CAP ASSY-LH
964634-02	FRAME-R/L END CAP LH
964623	Pantry/microwave cabinet assy.
964507	Pantry assembly
964508	Top, pantry cabinet
964472	Refrigerator cabinet assembly
964532-00Z	Spice rack
372203-05	Mirror, safety glass 19 x 14"
Option	
964621	Pantry/microwave cabinet assy., convection
964507	Pantry assembly
964508	Top, pantry cabinet

2002 SAFARI- BAMBI

FURNITURE

Lounge Area 16 Ft Bambi

965285	End table assembly
965284	Face frame end table
965293	Top, end table RS
965289	Front roof locker assembly
965288	Face frame, roof locker assembly
965344-02	Dinette seat assembly, LH
965344-01	Dinette seat assembly, RH
800470-005	Stop hardwood 3/4" Dinette cleat
964385-04Z	Door, dinette seat, 15.63" x 11.88"
453599	Corner bracket
965294	Dinette top assembly
964280-004	COUNTER TOP EDGE MOLDING, S. OAK
962177-025	TABLE LEG MAPLE
380284-02	TABLE HINGE BRACKET
340015	CENTER HINGE J-4
340018	CATCH PLATE J-1
380210	HINGE PLAIN STEEL
381147	DOOR SUPPORT - SPRING LOADED
998143	WALL PAD-DINETTE

L-Gaucha Option

703130	Sofa, cloth
965291	Assemble, lounge base FWD.
965290	Face frame, lounge base, fwd.
965336	Assemble top lounge base, FWD
381751	Drawer slides, Accuride
381752	Folding leg, L-lounge
965287	Lounge base side assemble
965286	Face frame, lounge base side
965334	Gaucha table, assy.
965333	Table top, Gaucha
381750	Legs, Gaucha table

2002 SAFARI- BAMBI
FURNITURE

LOUNGE AREA 19 Ft Bambi

964484	Dinette seat assembly, RS
964485	Dinette seat assembly, CS
801224-01	CAP-DINETTE SEAT BACK FWD.
964486	Dinette table assembly
962177-02	Leg, hardwood, 28.50"
964280-004	COUNTER TOP EDGE MOLDING, S. OAK
380284-02	TABLE HINGE BRACKET
380210	HINGE PLAIN STEEL
381147	DOOR SUPPORT, SPRING LOADED

2002 SAFARI- BAMBI FURNITURE

LOUNGE AREA, 23 & 25FT. "C" MODEL

964150	Credenza assembly (23ft. only)
964338-01	Top, credenza assembly
960420-07	Table, lift up assembly
960416-06Z	Leaf, table, lower 24 x 25.88"
960417-07Z	Leaf, table, upper 24 x 25"
962177-03	Table leg, hardwood, 30.50"
960419-01	Facer board, lift up table
963400-05	Arm rest support, RS
963400-02	Arm rest support, CS
962563	Close out, lounge, rear
964174	Close out lounge

LOUNGE AREA, 23FT., DINETTE OPT.

965037	Dinette table assembly
965038	Dinette seat assembly, RH
965039	Dinette seat assembly, LH
965044	End table assembly
965045	Top, end table

*Changing the -(dash)number to:

169= Rain Forest
070= Woodland

2002 SAFARI- BAMBI

FURNITURE

LOUNGE AREA, 25FT. A & B MODELS

964150	Credenza assembly
964338-01	Top, credenza assembly
960420-07	Table, lift up assembly
960416-06Z	Leaf, table, lower 24 x 25.88"
960417-07Z	Leaf, table, upper 24 x 25"
962117-03	Table leg, hardwood, 30.50"
960419-01	Facer board, lift up table
381306	Slides, pair, lift-up table
702798-159	*Sofa, Flexsteel w/logo, 74", Kodiak
963400-05	Arm rest support, RS
963400-02	Arm rest support, CS
964174	Close out, lounge

*Changing the -(dash)number to:

169= Rain Forest
070= Woodland

2002 SAFARI- BAMBI

FURNITURE

LOUNGE AREA, 27FT. A & B MODELS

964622 Credenza assembly
964509-01 Top, credenza assembly
960420-02 Table, lift up assembly
960416-02Z Leaf, table, lower 24 x 25.88"
960417-02Z Leaf, table, upper 24 x 25"
962117-03 Table leg, hardwood, 30.50"
960419-01 Facer board, lift up table

702798-159* Sofa, jack knife, 74", Kodiak
963400-05 Arm rest support, RS
963400-02 Arm rest support, CS
962563 Close out, lounge, rear
964174 Close out lounge

Optional, Front Dinette

965037 Dinette table assembly
965038 Dinette seat assembly, RH
965039 Dinette seat assembly, LH
965044 End table assembly
965045 Top, end table

965342 27 FT Front Dinette credenza assembly
964509 Credenza top

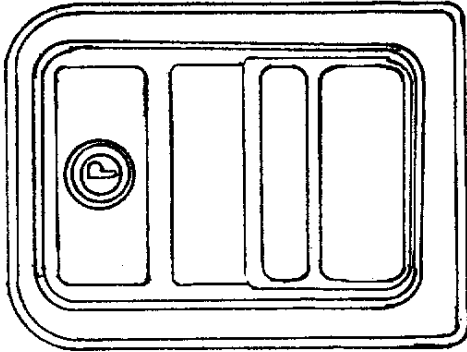
*Changing the -(dash)number to:

169= Rain Forest
070= Woodland

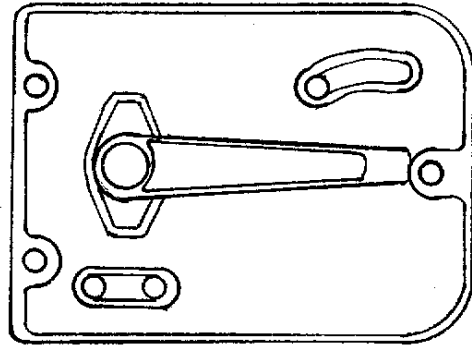
2002 SAFARI- BAMBI

HARDWARE

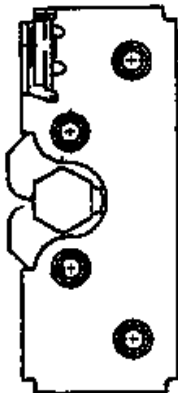
MAIN DOOR LOCK



381547-01
Main door lock, outside
Housing



*381547-02
Main door lock, inside
plate



381547-03
Double rotary latch,
main door lock



381547-04
Striker bolt w/washer
main door lock

Not shown:

381547-05 Screw package, main door lock

453851 Dead bolt, main door, Tri-mark

381550 PLATE STRIKER BOLT

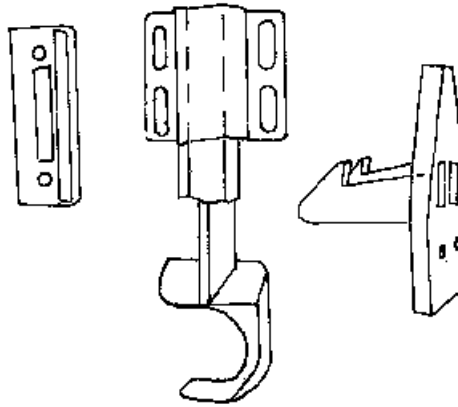
385595 POCKET-STRIKE

*Replaced by 381547-07, running line change on units built after August 31, 2001. Deleted built-in deadbolt assembly.

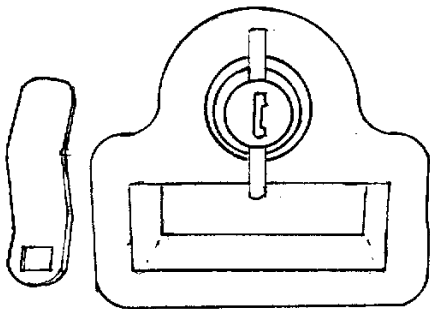
2002 SAFARI- BAMBI
HARDWARE
EXTERIOR LATCHES/LOCKS



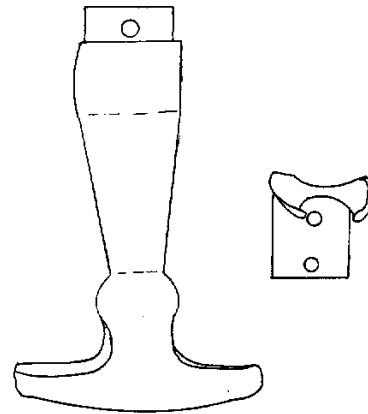
101171
Grab handle, main door



381454
Latch, screen door, Bullet



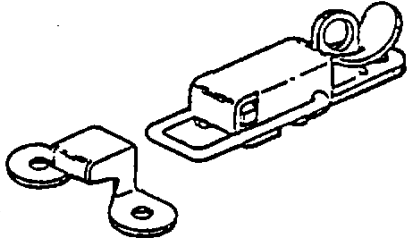
380770-101 Twist lock, chrome
380770-102 Twist lock, black



381021 Rubber T handle

2002 SAFARI- BAMBI
HARDWARE

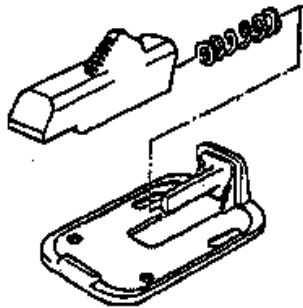
EXTERIOR LATCHES/LOCKS



340023 Corbin catch
w/strike, battery box



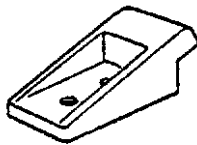
380067 Lock cam,
bumper lid



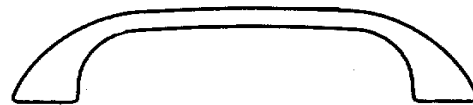
380291 Main door holdback,
(use w/housing #380290)



380290 Latch housing,



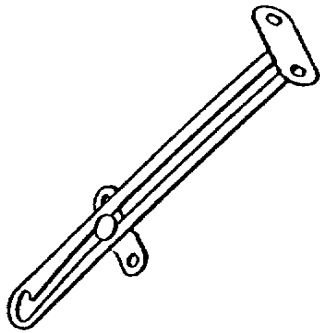
201056 Catch, main door
holdback



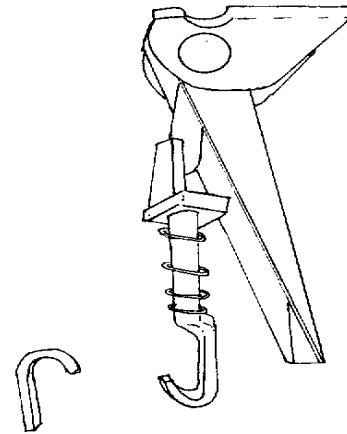
380004 Handle, screen door

- 381323-01 DEADBOLT COMPLETE ASSY. #11840-12
- 381326 STRIKER #10007 W/TRIMARK DEADBOLT
- 453851 BOLT, TRI/MARK
- 203370 SPACER-TRI/MARK DOOR LATCH
- 203375 HIGH DENSITY POLYETHYLENE .187"TH

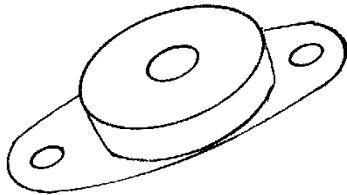
2002 SAFARI- BAMBI
 HARDWARE
 EXTERIOR LATCHES/LOCKS



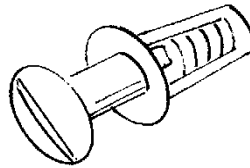
380024 Support arm,
 bumper lid



380903 Latch w/strike,
 chrome, gas bottle cover



685359
 Rubber receptacle
 1/4 latch, Southco



685342
 Stud, 1/4 turn latch
 Southco



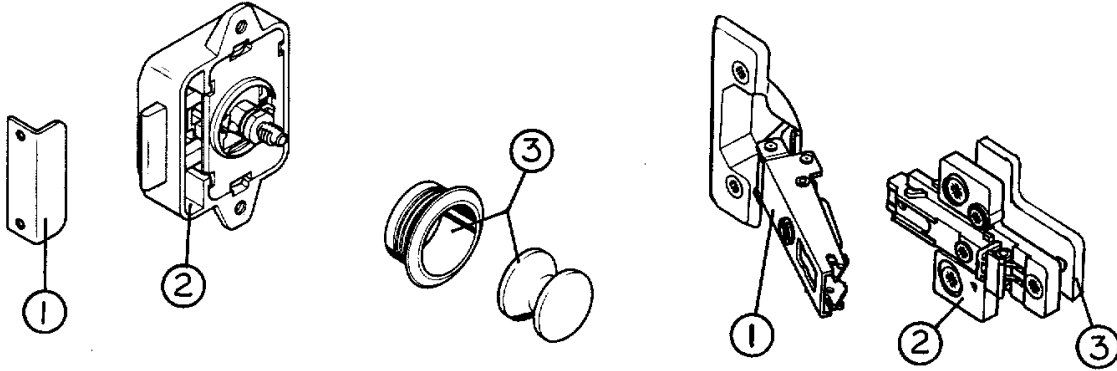
685362
 Retaining ring
 1/4 turn stud

EXTERIOR HINGES

- 381552-03 Hinge assembly, main door, upper
- 381552-04 Hinge assembly, main door, lower
- 381531-01 Hinge, screen door, upper
- 381531-02 Hinge, screen door, lower
- 380773 Hinge, access door, 13/4
- 380203-01 Piano hinge, 1/8" pin, clear anodized, hose carrier lid
- 385395 Hinge, pivot, zinc plated, refer cabinet
- 380203-01 Piano hinge, 1/8" pin, hose carrier lid
- 381513 Twist lock, refer access door

2002 SAFARI- BAMBI HARDWARE

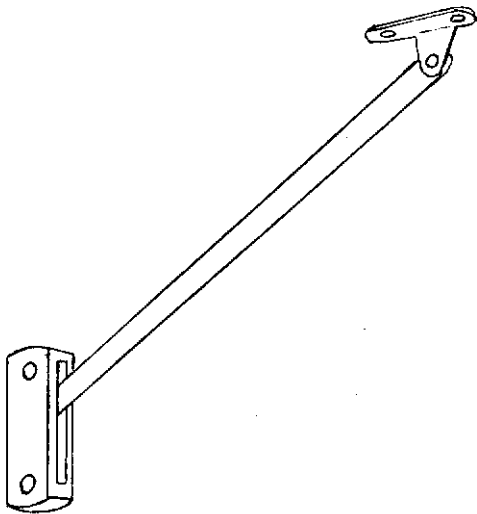
INTERIOR LATCHES/HINGES



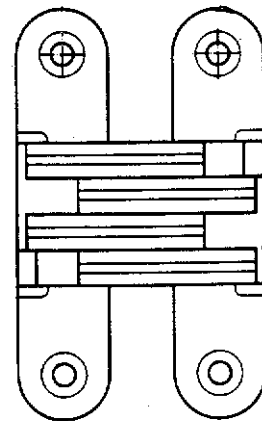
- 1)381608-07 Strike plate, rim lock
- 2)381608-02 Latch, cabinet, rim lock
- 3)381608-03 Push button w/rosette
- 381608-08 Push button latch
- 381608-07 Striker plate, push button

- 1)381607-01 Hinge, cabinet
- 2)381607-02 Base, metal
- 3)*381607-03 Base, plastic
- 381608-09 Rosette Hafele

*Not used in all applications



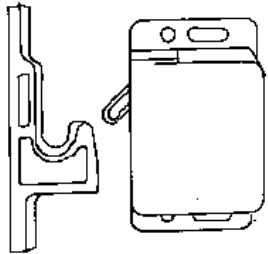
- 381608-04 Support arm, roof locker, RH
- 381608-05 Support arm, roof locker, LH



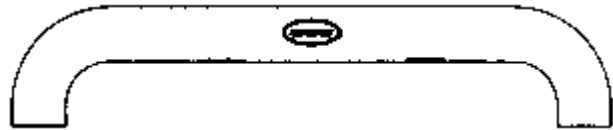
- 380040 Soss hinge, lift up table

2002 SAFARI- BAMBI
HARDWARE

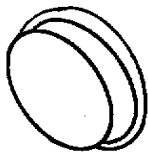
INTERIOR LATCHES/HINGES



381228 Grabber door
latch w/catch, 10lb.rating
381228-01 Grabber door
latch w/catch, 3lb. rating



381772 Head knocker, white
mounts on interior doorjamb



201427 Finger pull,
light brown



381603 Pull, three finger
Antique brass



360012 Bumper, rubber
white, stick-on, cylindrical
360012-01 Bumper, rubber
brown, stick-on, cylindrical



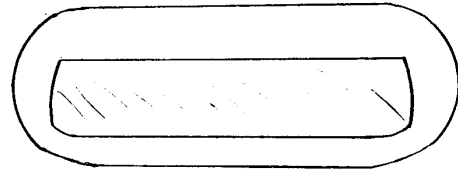
360016 Bumper, rubber
gray, square 3/8" x 3/8"

2002 SAFARI- BAMBI
HARDWARE

INTERIOR LATCHES/HINGES



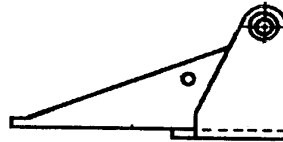
381599 Handle drawer/door, brass
381599-01 Handle, drawer, chrome



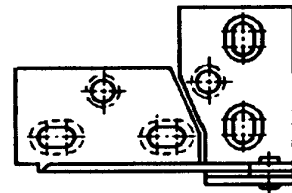
381576 Pull handle, brass



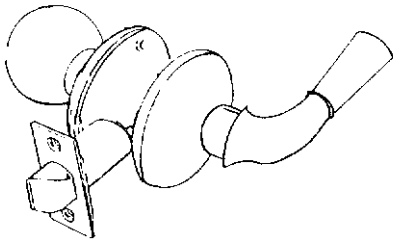
381444 Hatch pull, SST
satin finish



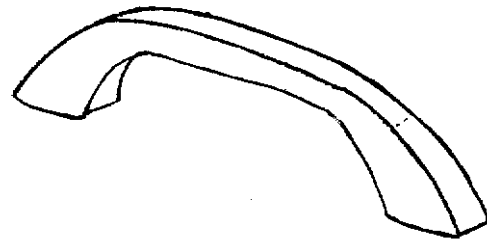
385935-01



Hinge pivot,
zinc plated



381022 Latch Swinging
bath door

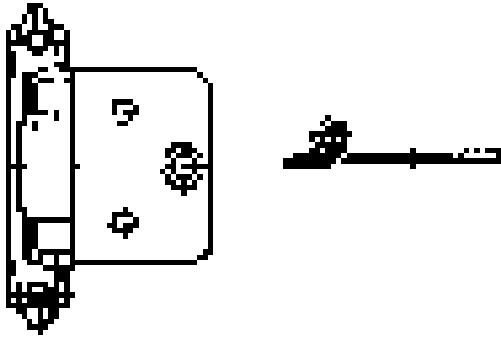


381737 Grab bar, interior,
mounts on interior doorjamb

2002 SAFARI- BAMBI

HARDWARE

INTERIOR LATCHES/HINGES



381601 Hinge, antique brass

DRAWER SLIDES

- | | |
|------------|---|
| 381526-01 | Drawer slide-950-RV, 14" |
| 381526-03 | Drawer slide-950-RV, 18" |
| 381414-144 | Slide, drawer-Delta, 14.5" |
| 381400 | Slide, drawer, 14", 2900-14(pantry) |
| 381526-06 | Rear bracket, drawer slides |
| 381386 | Dual lock strips for shelf installation |

2002 SAFARI- BAMBI

HARDWARE

BATHROOM ACCESSORIES

380034	Toilet paper holder, chrome
381259-01	Towel bar, 18", chrome
380259-03	Brackets, chrome towel bar
380248	Soap dish
380017	Holder, tumbler and toothbrush
381299	RECESSED TOILET PAPER HOLDER

HINGES

380458	Hinge, piano, 3/32 pin, 5/8" leaf, brown
380210	Hinge, 2" metal, bed top
380040	Soss hinge, #204, lift up table
381614	Folding shelf bracket, galley
381607	Hinge assembly, Euro style, Grass
385935-01	Hinge, pivot, plated, medicine chest
381747	Hinge pivot, bronze, dinette

TABLE HARDWARE

381306	Lift up table slides, one right & one left
201155	Table sliding guide, plastic
380037	Latch, nail & spring, table
380038	Eyelet, lock, brass
380040	Hinge, flush mount, Soss
381147	Support, spring loaded

2002 SAFARI- BAMBI

HARDWARE

WARDROBE

380045	Clothes rod
200975-04	Conduit, flexible, black(covers clothes rod)
380046	Bracket, clothes rod
101042	Spiral support

HARDWARE

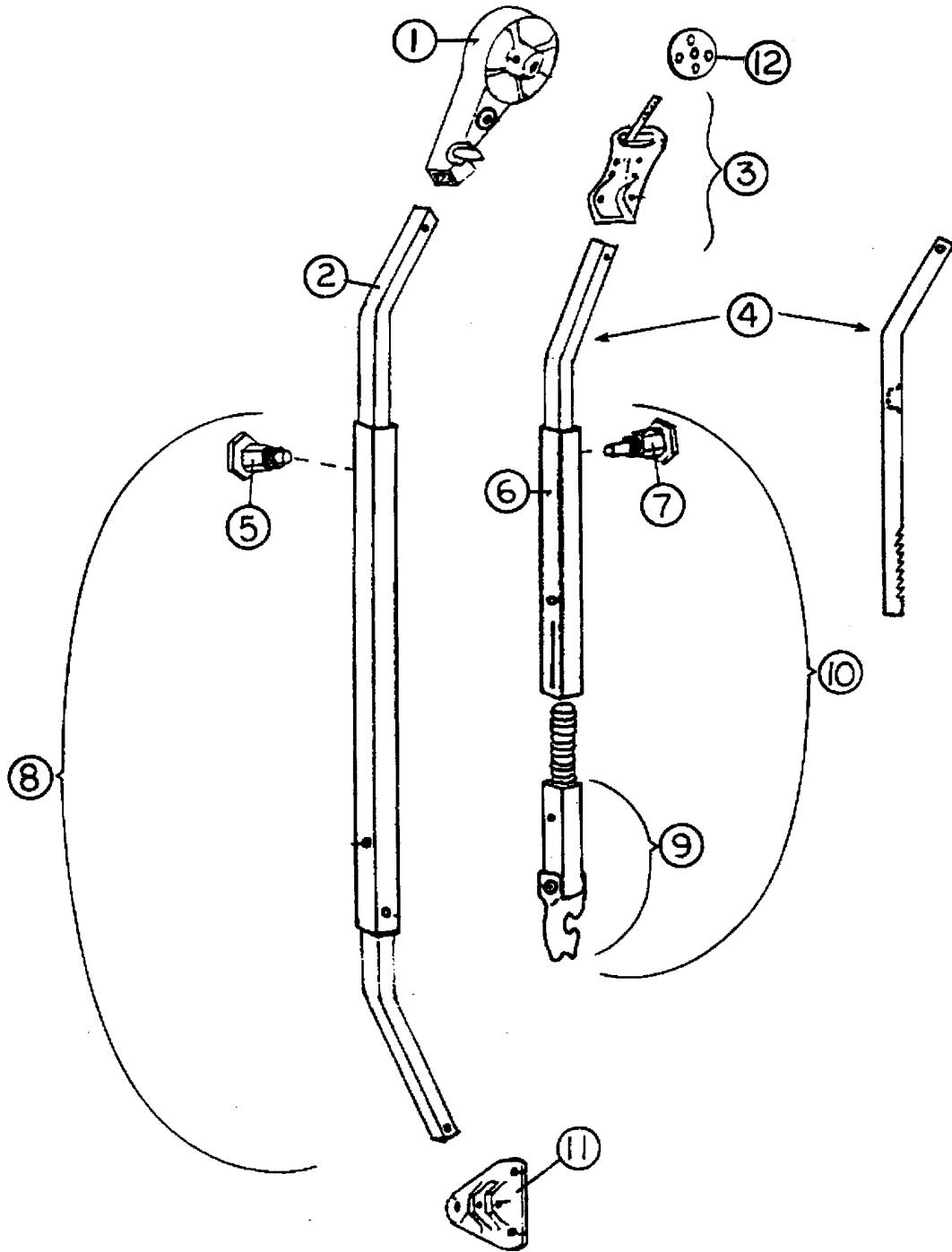
Drapes

703128-01	Brackets, stand, café rod, 16 ft Bambi
703128-02	Bracket, snap fit, 16 ft Bambi
703128-03	Extendable rod, brass 7/16", 16 ft Bambi
703128-04	Extendable rod, brass 7/16" 16 ft Bambi
700005	FASTENER, CAP
700006	FASTENER SOCKET

MISCELLANEOUS

701342-01	Vinyl strap, sliding door hold back (female snap on both ends)
381100	Sliding door guide
701624	Velcro loop, 5/8" wide
701625	Velcro hook, 5/8" wide
*381385	Dual lock #400-1" strips
*381386	Dual lock #170-1" strips
*These two parts work similar to Velcro but have interlocking knobs rather than hooks and loops.	
381747	Hinge, pivot, twin bed top, dinette

2002 SAFARI- BAMBI



See next page for P/N

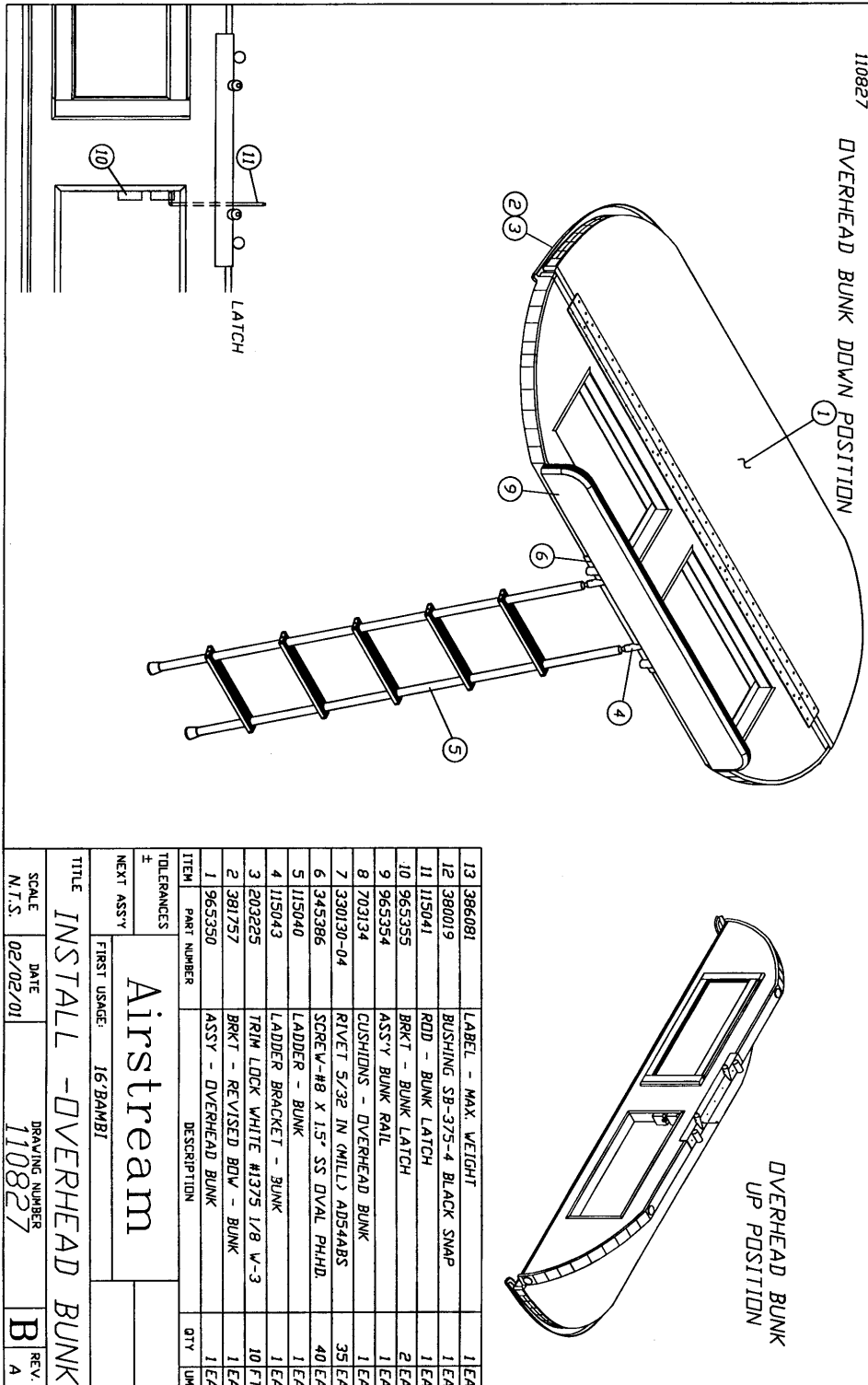
2002 SAFARI- BAMBI

HARDWARE

AWNING HARDWARE

- | | |
|----------------|---------------------------------------|
| 1) 702662-100 | Head assembly, front or rear |
| 2) 702662-101 | Main arm bar, front or rear |
| 3) 702622-103 | Clamp assembly, front, curved |
| 3a) 702662-104 | Clamp assembly, rear, curved |
| 4) 702662-105 | Rafter arm bar, satin |
| 5) 702662-106 | Snap stud assembly |
| 6) 702662-107 | Rafter arm tube, satin |
| 7) 74072W | Ratchet stud |
| 8) 74048W | Main arm tube assembly, front or rear |
| 9) 702662-110 | Claw bar assembly |
| 10) 702662-111 | Rafter arm assembly |
| 11) 702662-112 | Base hinge, rib mount |
| 12) 702662-114 | Clamp wheel |

2002 SAFARI- BAMBI



ITEM	PART NUMBER	DESCRIPTION	QTY	UM
1	965350	ASSY - OVERHEAD BUNK	1EA	
2	381757	BRKT - REVISED BDU - BUNK	1EA	
3	203225	TRIM LOCK WHITE #1375 1/8 W-3	10/FT	
4	115043	LADDER BRACKET - BUNK	1EA	
5	115040	LADDER - BUNK	1EA	
6	345386	SCREW-#8 X 1.5" SS DVAL PHHD.	40/EA	
7	330130-04	RIVET 5/32 IN (MILL) A0544BS	35/EA	
8	703134	CUSHIONS - OVERHEAD BUNK	1EA	
9	965354	ASSY BUNK RAIL	1EA	
10	965355	BRKT - BUNK LATCH	2EA	
11	115041	RDD - BUNK LATCH	1EA	
12	380019	BUSHING SB-3/5-4 BLACK SNAP	1EA	
13	386081	LABEL - MAX. WEIGHT	1EA	

TOLERANCES	
±	
NEXT ASSY	
FIRST USAGE:	16/BAMBI
TITLE	
INSTALL - OVERHEAD BUNK	
SCALE	DATE
N.T.S.	02/02/01
DRAWING NUMBER	
110827	
REV	
A	
B	

Not Shown:
 203378 U-channel vinyl
 381758 Hinge, Aluminum 72.00"

2002 SAFARI- BAMBI

NOTES:

2002 SAFARI- BAMBI

SECTION IV

LABELS and TAGS IV-1

Options..... IV-2

PLUMBING

LPG..... IV-4

Fresh water..... IV-5

Drain water..... IV-15

Toilet IV-24

SAFETY EQUIPMENT IV-26

SEALER/GASKETS/PAINT..... IV-27

UPHOLSTERY/FOAM/MATTRESS..... IV-29

VENTS/FANS IV-30

WOOD..... IV-31

LAMINATES/TRIM..... IV-32

2002 SAFARI- BAMBI

LABELS AND TAGS

385193	Label, "12V distribution panel inside"
385048	Label, approval with shield
385269	Label, "DON'T USE AREA FOR STORAGE"
385068	Tag, cooking appliance warning
385067	Label, EXIT
385547	Label, LP gas warning/fill
385517	Label, kill switch warning
385521	Label, emergency egress window
385463	Warning label/cooking appliance
385464	Label, LP gas warning label (odor)
385465	Exit label, English
385560	Label, air conditioner rating
385812	Label, Calif. hazardous substance
385609	Label, smoke detector
385359	Label, microwave or air conditioner
385837	Label, refrigeration ignition
385103	Plate, RVIA
385418-01	Label, Federal registration
385062	Decal, 110-125 voltage AC
385565	Label, holding tank flushing
386097	Label, fuse 12volt
386098	Label, fuse 12volt, (Bambi only)
386019	1 Amp Fuse Max
952613	Chart 12V Location
386012	Label warning, water heater
386077	Label, 120-volt circuit breaker panel
386078	Label, 12V fuse panel
386082	LABEL THOR, 5.25" X .75'
385101	TAG AUX TANK DUMP VALVE HANDLE
385099	TAG MAIN TANK DUMP VALVE HANDLE

2002 SAFARI- BAMBI

Options

Safari Upgrade Package (Partial Listing)

601791-01	Aquatec, water pump 19 FT.
601791-02	Fittings, slip in (Aquatec pump)
962169-01	Tail light assembly RS
114346-01	Bezel taillight assembly RS
201929-01	Close-out tail light RS
511003-02	Light red stop, tail, & turn
511003-03	Light red, "A" reflex
962169-02	Tail light assembly CS
114346-02	Bezel taillight assembly RS
201929-02	Close-out tail light RS
511003-02	Light red stop, tail, & turn
511003-03	Light red, CLASS "A" reflex
511544	Super power jack w/light
410598	Foot pad
690323-32	AC roof, 13,500 BTU w/Heat pump ducted
961270	Drip pan assembly
690380-03	Air box-Penguin heat pump, polar white
690323-31	Comfort control center
601771	Faucet Pure Touch Classic (See page IV-10)
32226W	Screen door guard
965391-01	Galley top Corian, 19Ft., 23C, 25'

(Continued)

2002 SAFARI- BAMBI

Options

965410-01	Sink cover Corian, 19FT
965409-01	Sink cover, Corian 23C
386089	LOGO, Safari, black reflective D. Lentz
386090	LOGO Safari LS Black reflective
702798-70	Sofa jackknife 74" Leather-w/70 TH Anniversary logo
702798-01	Sofa jackknife 74" Leather
965251-01	Armrest support assembly, RS
965251-03	Armrest support assembly, CS
965249-01	Armrest cushion assembly. Leather sofa option, RS
965249-03	Armrest cushion assembly. Leather sofa option, CS
965394-01	Lavy top, Corian 19', 23', & 25'SS
601420-02	Shower valve single handle, brass
601767-02	Tailpiece, chrome lavy
690390-02	Lavy faucet, Moen, Chrome & Brass
381626-02	towel bar 18" Chrome
601441	Tank flush system
601197-02	Water hook-up for blank tank flush

2002 SAFARI- BAMBI

PLUMBING

LPG SYSTEM

601710-01	LP gas bottle, 30lb. steel
601710-02	LP gas bottle, 30lb. steel, CSA
601781	LP bottle, 20 lb., 16 ft Bambi
601686	Base plate, LP tank mounting, Bambi, 19 FT.
601687	Hold down kit, LP tank
601731	LP regulator, Marshall Brass w/pigtails, mounting Bracket & cover
601731-100	LP pigtails, 15in.
601684-101	Bracket, mounting, LP regulator
601684-102	Cover, Marshall Brass regulator
381613	Plastisol cover-LP wing handle, 16 ft Bambi, 19 FT.
601412-12	Connector, 1/2" P x 5/8" copper
601685-01	LP hose, 1/2" FPT x 3/8" flare
600468	Union flare, 5/8" x 5/8"
600238	Union flare, 3/8" x 3/8"
600004	Copper tubing, 5/8"
600008	Copper tubing, 3/8"
600436	Flare nut, forged, 5"/8
600435	Flare nut, forged, 3/8"
600000	Tee, brass, 5/8" x 5/8" x 3/8"
600003	Tee, brass, 5/8" x 3/8" x 3/8"
601159-02	Tubing, .50 inch, Poly CSA approved
104264	Gas bottle cover with decal, Safari
380903	Latch and strike
200841	Lid, plastic, bottle cover
380773	Hinge, access door
200841	ABS LID, 30# GAS BOTTLE COVER
114070	EXTRUDE., J-TRIM, ALUMINUM GRAY
386088	TAPE DECAL-SIDE CENTER
703127	LP bottle cover, 20# tanks, vinyl, 16'

2002 SAFARI- BAMBI

PLUMBING FRESH WATER

601194	Water fill w/lock, gray
601643	Tank, fresh water, 23'-27'
601642	Pan, tank support
453493	Hanger strap, tank pan
601243	Drain cock, fresh water tank
453493	Hanger strap, tank pan
601723	FILTER SCREEN, WATER
601708-01	Tank, fresh water, 19 ft Bambi
601785	Tank fresh water, 16 ft Bambi
453619	Strap fresh water tank, 16 ft Bambi, 19 FT.
600836	Elbow, 1/2" barb x 3/8" MPT
601237	Plastic elbow, 90 degree, 1.25" MPT x 1.25" barb
601239	Tubing, 1.375" I.D., flexible, water fill hose
601061-03	Water pump, Shurflo
601668	Filter, pre water pump
601588	Drain cock, brass, water line drain
600139	CHECK VALVE, BRASS
601531	FITTING-90 DEGREE 3" H X ST
203085	PLUG WATER LINE 1/2" PLASTIC BLK
601658	VALVE 1/2" STOP CPVC

2002 SAFARI- BAMBI

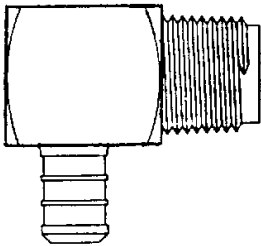
PLUMBING FRESH WATER

CITY WATER

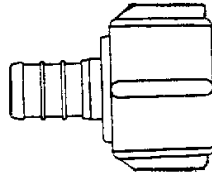
600362	Connector, 1/2" FPT x water hose, swivel
600336	Plug with chain
601690	Nipple, 1/2" MPT x 2.50"
601689	Drop ell, 90 degree, 1/2" FPT
600309	Regulator, Watts, 1/2" FPT
600139	Check valve, brass
601469	Vacuum breaker, 3/4". garden hose
601467	Sill cock, 1/2", female
601768	TEE-Brass, 1/2 x 1/2 x 1/2"
601763	Valve, hot water bypass, Bambi
600315	PUMP GUARD FILTER

2002 SAFARI- BAMBI

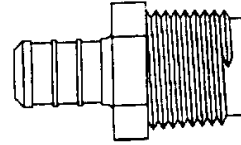
PLUMBING FRESH WATER-FITTINGS



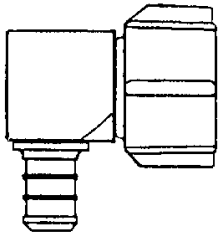
601698-04
Elbow, 1/2" barb
x 1/2" MPT



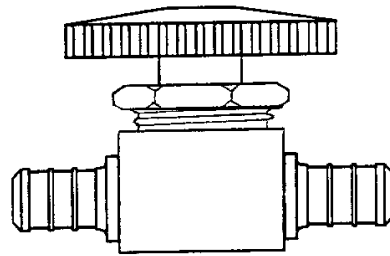
601698-03
Coupler, 1/2" barb
x 1/2" FPT



601698-02
Coupler, 1/2" barb
x 1/2" MPT



601698-05
Elbow 1/2" barb x
1/2" FPT



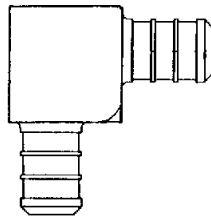
601698-22
Shut-off, 1/2" barb x
1/2" barb



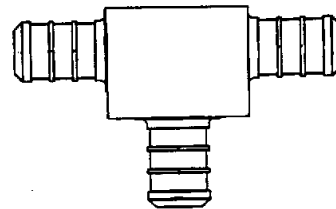
601698-08
Coupler
1/2" x 1/2" barb



601698-09
Plug, 1/2" barb



601698-10
Elbow 1/2" barb x
1/2" barb



601698-11
Tee, 1/2" x 1/2" x
1/2" barb

2002 SAFARI- BAMBI

PLUMBING FRESH WATER-FITTINGS



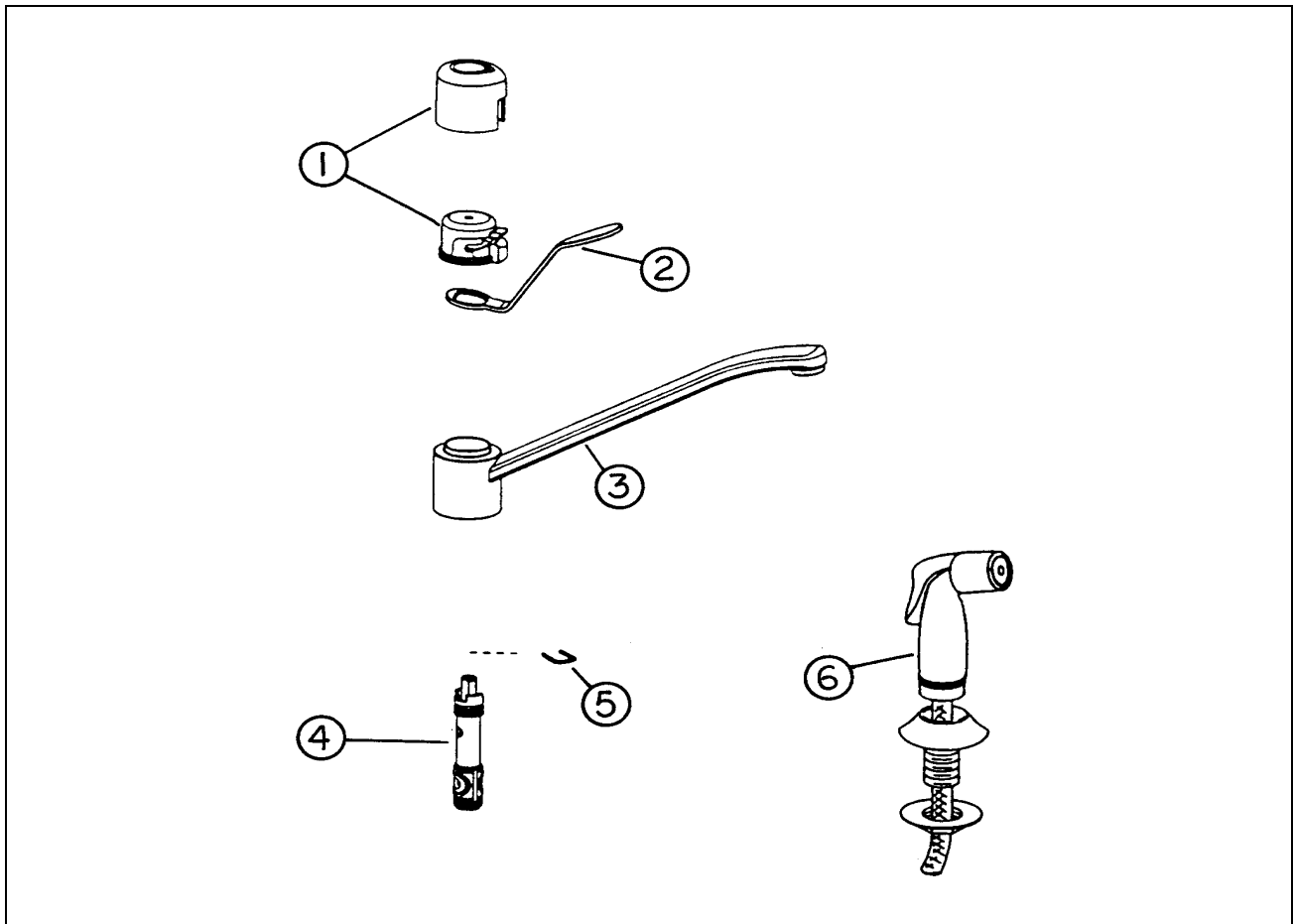
601698-15
Crimp ring, 1/2
E-Pex, 1/2" (black)
-21 Red



601698-01
E-Pex tube, 1/2"

2002 SAFARI- BAMBI

PLUMBING FRESH WATER FAUCETS



601746 Galley faucet, Moen Manor

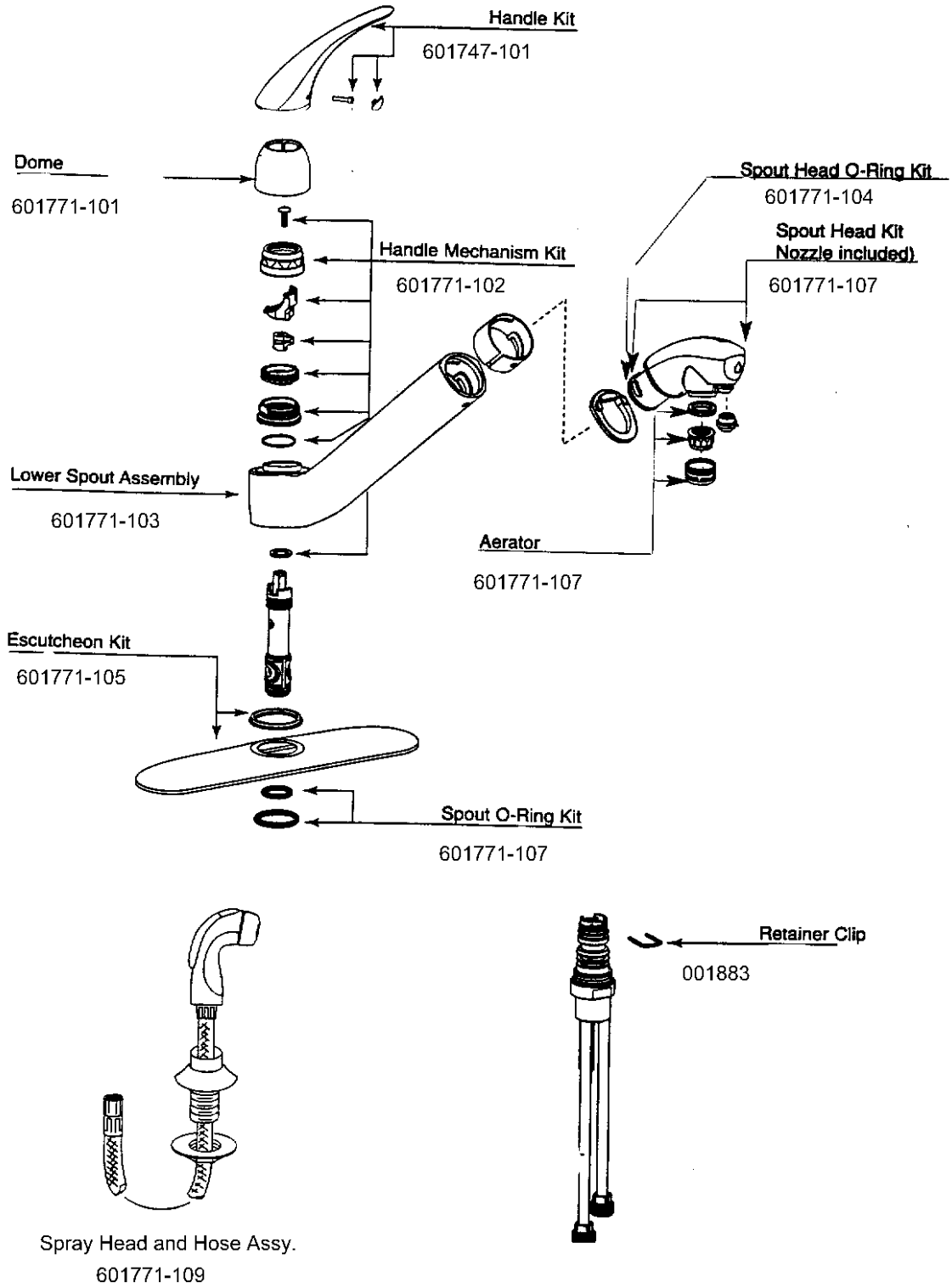
- | | |
|---------------|------------------------------------|
| 1) 013098 | Galley lever handle set, Moen |
| 2) 601746-100 | Lever handle, Moen |
| 3) 601746-101 | Spout assembly, 9" Moen |
| 4) 601579-106 | Cartridge, Moen #1225 |
| 5) 601579-105 | Horseshoe clip, cartridge retainer |
| 6) 601418-100 | Spray head and hose, Moen |

600698 Basket strainer

2002 SAFARI- BAMBI

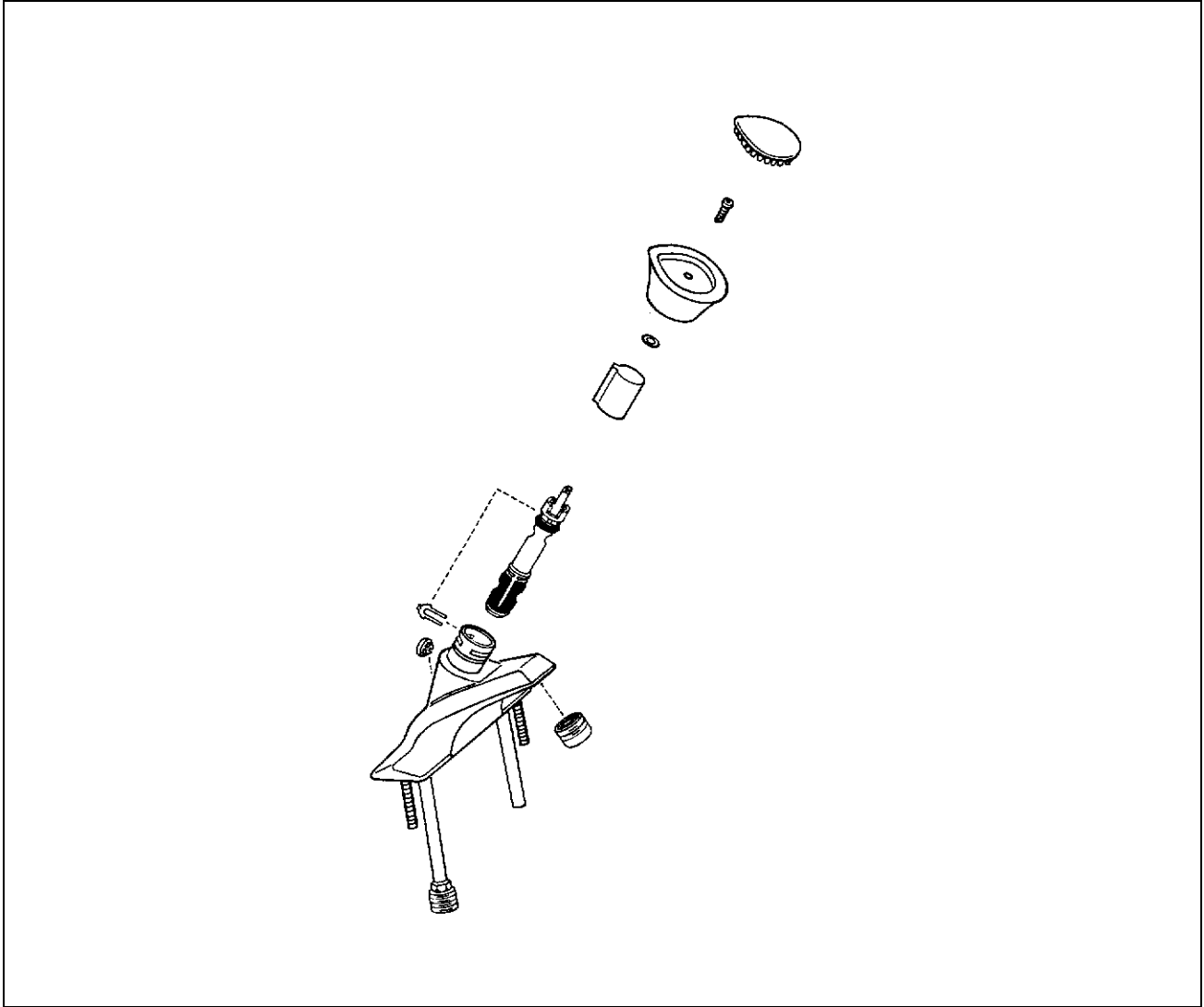
PLUMBING-FAUCETS

601771 Moen Pure Touch Classic (Option)



2002 SAFARI- BAMBI PLUMBING

FRESH WATER FAUCETS

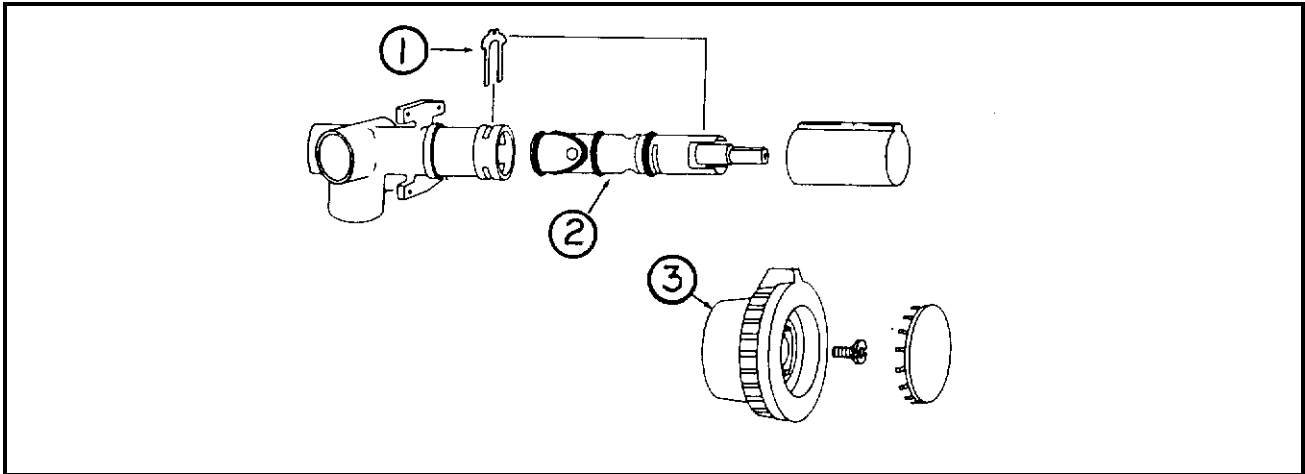


601419-01 Faucet, lavatory, Moen, chrome

- 1) 001245 Knob
- 2) 601579-105 Cartridge
- 3) 601579-104 Retainer clip

2002 SAFARI- BAMBI

PLUMBING FRESH WATER-FAUCETS



601420-01 Faucet, shower

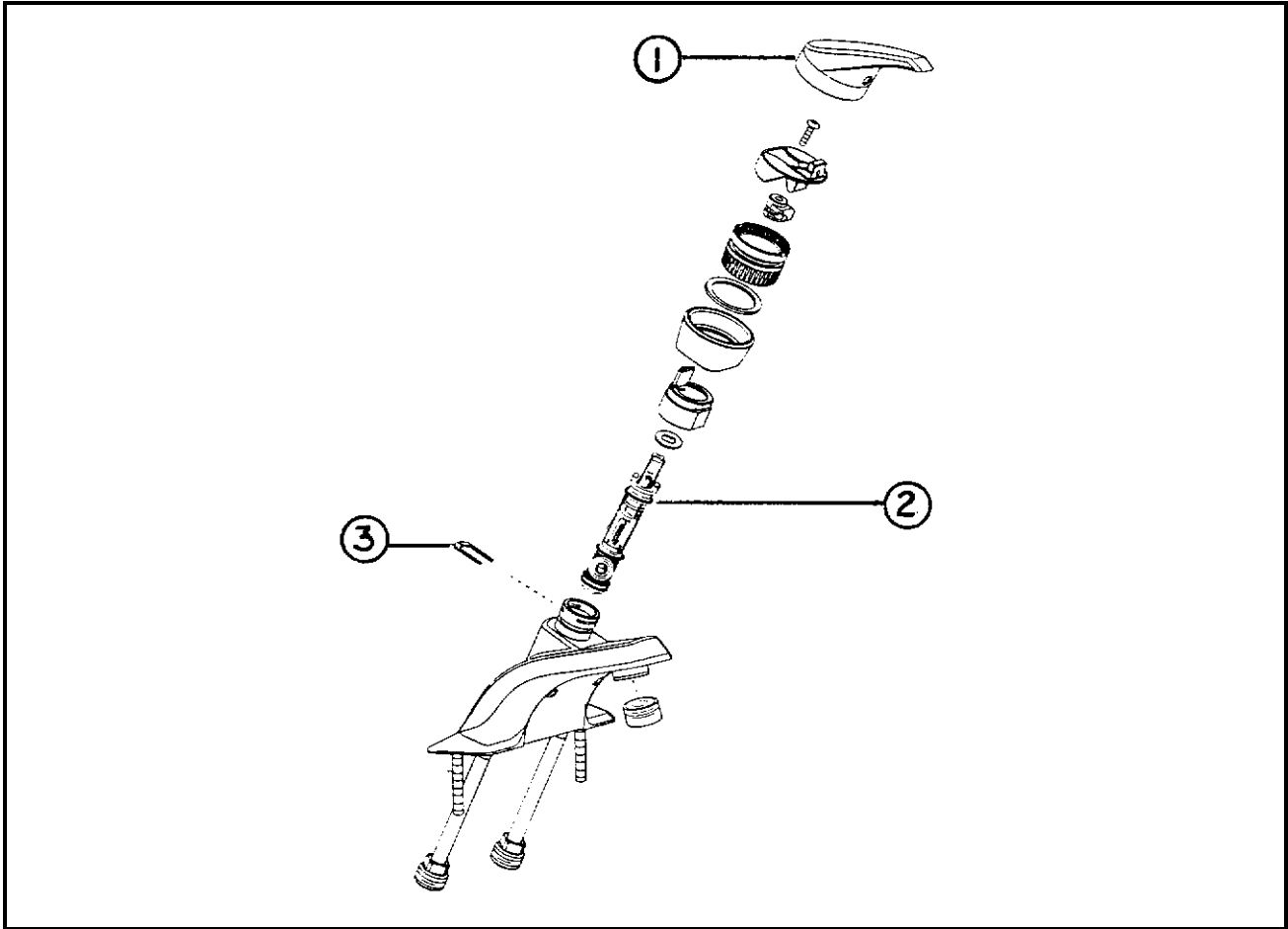
- 1) 000883 Retainer clip
- 2) 601420-100 Cartridge
- 3) 001041 Handle

Not shown:

601358 Shower kit, includes:

Shower hose, shower head,
Vacuum breaker, wall mounts

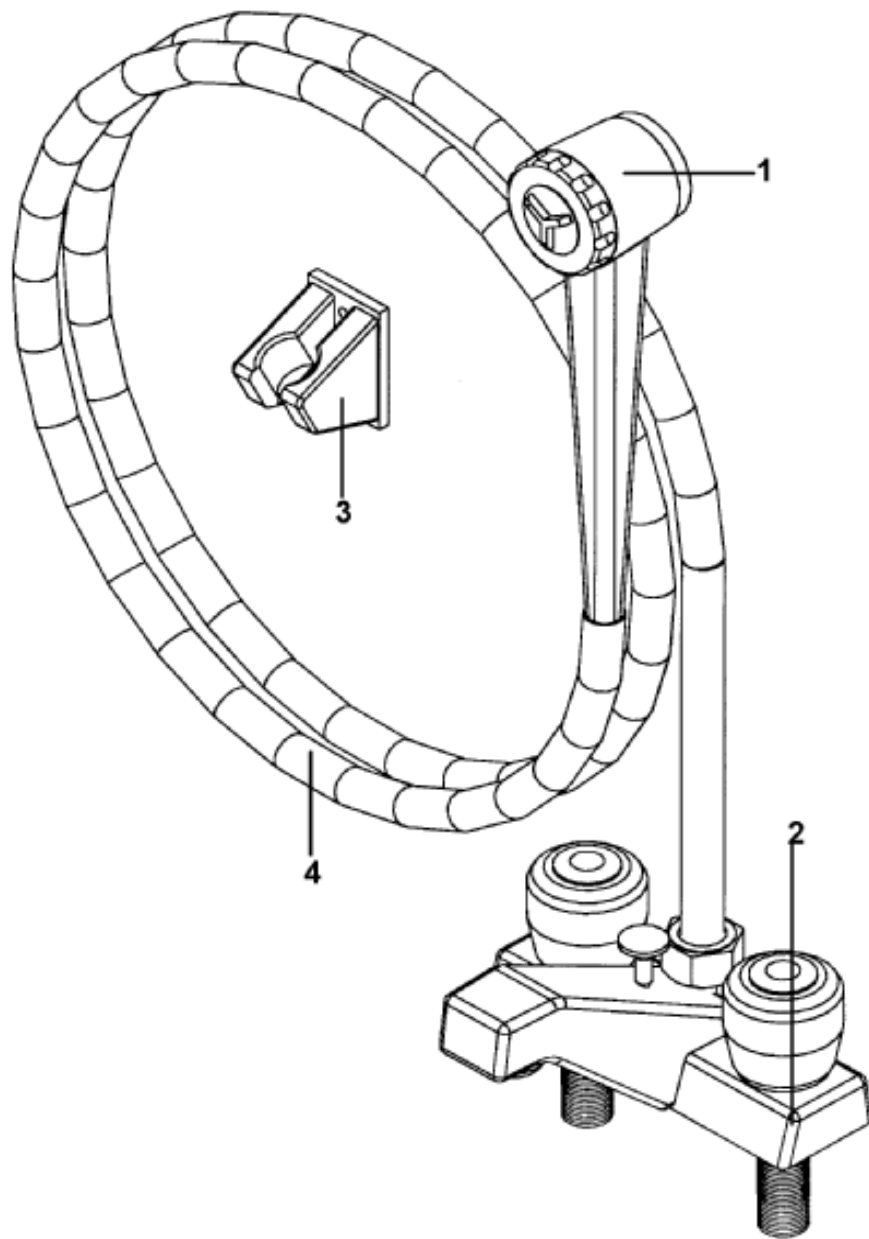
2002 SAFARI- BAMBI
PLUMBING
FRESH WATER-FAUCETS



690390-02 Faucet, lavatory, Moen, brass/chrome, (OPTION)

- 1) 690390-100 Lever handle
- 2) 601579-105 Cartridge
- 3) 601579-104 Retainer clip

2002 SAFARI- BAMBI



601782 Faucet wet bath, 16 Ft Bambi

- 1) 601782-03 Chrome showerhead
- 2) 601782-01 4" lavatory diverter
- 3) 601782-04 Chrome wall bracket
- 4) 601782-02 Chrome hose

2002 SAFARI- BAMBI

PLUMBING

*DRAIN SYSTEM

Auxiliary (Gray) tanks

601622-04	Holding tank, gray-27ft.
601623-08	Holding tank, gray-23 & 25ft."C"
601623-07	Holding tank, gray-25ft."A&B"
601707-01	Holding tank, gray, 19 Ft.
601717	Pan, gray tank, 19 Ft.
453622	Gray tank pan closeout, 19 ft.
601707-02	Holding tank, gray, 16 Ft Bambi
914347	ASSY TANK PAN GRAY, 16Ft Bambi

Main (Black) Tanks

601623-09	Holding tank, black-27ft.
601458	Holding tank, black-23 & 25ft."C"
601542	Holding tank, black-25ft. "A&B"
601706-01	Holding tank, black, 19 ft Bambi
601707-03	Holding tank, black, 16 ft Bambi
914348	ASSY TANK PAN BLACK
964478	Slope pad-Black tank
601228	Close-out septic pan

203149	Slope pad, holding tanks, all
601642	Pan, tank support, all

Sink/showers

203046-03	Shower stall, two-piece, angled-27ft.
201980	Shower stall, two-piece, 25ft. "A&B"
203114	Shower stall, two-piece, 23, 25ft. "C", 19 FT., 16 FT.
600594	Tub strainer w/rubber stopper
381259-03	ENDS, TOWEL BAR, CHROME

* A running line change to communize parts took place on the 19, 23, and 25C models beginning with units:

514492	19 FT.
514520	23 FT.
514467	25C FT.

See Page IV-18 and IV-19

2002 SAFARI- BAMBI

PLUMBING

*DRAIN SYSTEM

601715-01	Sink, porcelain, galley, single bowl, 16 Ft
104965-01	RETAINER CLIP-GALLEY SINK-.88"
195362-39	Strainer, 2"
601714-01	TAIL PIECE 1-1/2X4"(GALLEY DRAIN)
601714-02	1½" SLIP NUT W/WINGS
601714-03	1½" BLACK RUBBER WASHER
961982-01	SINK COVER LAMINATED RH
601744-02	Sink, porcelain, galley, Almond, 16" x 27", dbl.
600968	Basket strainer
601744-01	MOUNTING CLIPS FOR PORCELAIN SINK
601498	Sink, lavatory, rectangular, 27ft.
200406-06	Lavatory bowl, oval (includes stopper, basket and tail) 19, 23, 25 & 27ft., option
601721	ROD-DUMP VALVE W/2 BENDS, 23Ft
04190	DUMP VALVE HANDLE 19 EXT, 23Ft
453896	SUPPORT-HOLDING TANK, 16 Ft Bambi
511018	Harness, Tank, Ventline L745, all
601642	Pan, tank support
601266	FLANGE, CLOSET, 3 X 4, SLIP FIT
453712	SHIELD FRESH WATER TANK DRAIN

* A running line change to communize parts took place on the 19, 23, and 25C models beginning with units:

514492 19 FT.

514520 23 FT.

514467 25C FT.

See Page IV-18 and IV-19

2002 SAFARI- BAMBI

PLUMBING DRAIN SYSTEM

*Drain Tank Valves

601607-11	Valve assembly, 3"spigot x 3"spigot, 25 "C"
601607-13	Valve assembly, 3" hub x 3" spigot, 27ft.
601607-02	Valve assembly, 3" hub x 3" spigot, 25ft.A&B
601607-12	VALVE ASSY-1.5" SPIGOT. X 1.5" HUB, 27'
601470	Dump valve, Valterra, T-68, heel in., 23'. 25'
114235	Brkt., dump valve, 23ft.
601482	Dump valve assembly, 19 ft & 16 ft Bambi
600187	Wye, 3" comb & 1/8" bend
600820	3" single socket, 90 degree
600289	Calder coupling, 3" rubber
601607-06	Adapter, 3"hub x 3"bayonet
601607-07	Cap, termination, 3"bayonet
600183	3" Ell, long sweep
601607-10	Extension rod, 19"
601607-03	Extension rod, 12" threaded
114086	Bracket, dump valve handle
114916	BRACKET DUMP VALVE BAMBI

* A running line change to communize parts took place on the 19, 23, and 25C models beginning with units:

514492 19 FT.
514520 23 FT.
514467 25C FT.

See Page IV-18 and IV-19

2002 SAFARI- BAMBI

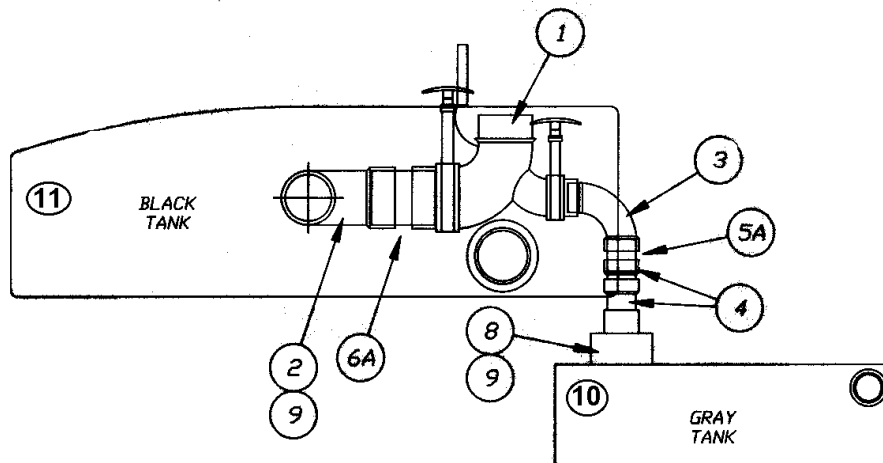
PLUMBING DRAIN SYSTEM

A running line change to communize parts took place on the 19, 23, and 25C models beginning with units:

514492 19 FT.

514520 23 FT. (NEXT PAGE)

514467 25C FT. (NEXT PAGE)



- | | |
|---------------|---------------------------------|
| 1. 601482 | Dump Valve Rotating assembly |
| 2. 600183 | Ell long sweep ABS 3" |
| 3. 600431 | Elbow, 90, 1½" |
| 4. 601800 | Ell ABS street, 1½"-22.5" |
| 5A. 601160-02 | Pipe, ABS DVW, 1½"-2.00" Long |
| 6A. 601160-04 | Pipe, ABS DVW, 3"- 4" Long |
| 7. 114916 | Bracket, dump valve |
| 8. 195329-229 | Reducer adaptor, 3" to 1.5" |
| 9. 340092 | Clamp, worm type T40C-75-388-SB |
| 10. 601707-01 | Holding tank, gray, 19 Ft. |
| 11. 601798 | Black tank 19' Bambi |
| Not shown: | |
| 453977 | Strap, black tank FWD. |
| 453978 | Strap, black tank AFT. |
| 01664 | Bayonet Cap |
| 01639 | 3" Termination Ring |

Continued next page

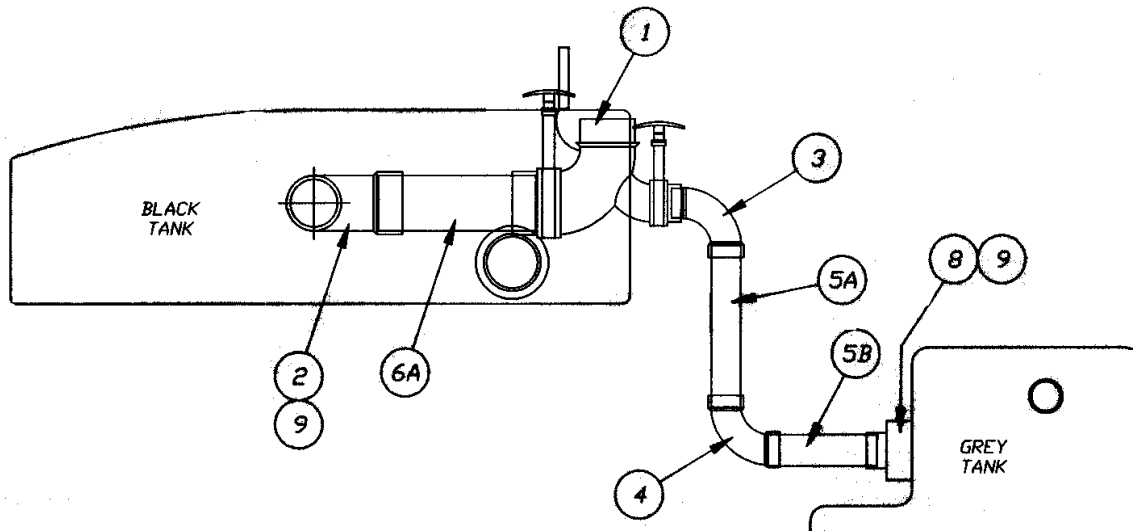
2002 SAFARI- BAMBI

PLUMBING DRAIN SYSTEM

A running line change to comunize parts took place beginning with units:

514520 23 FT.

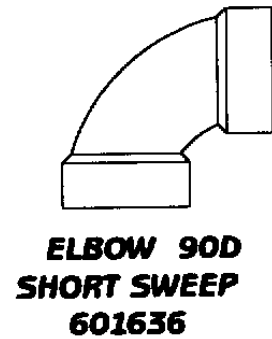
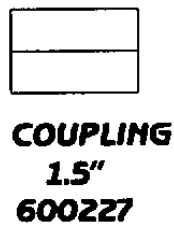
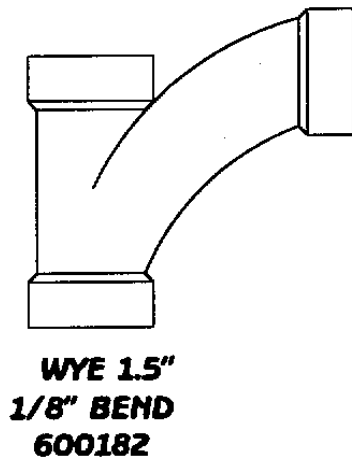
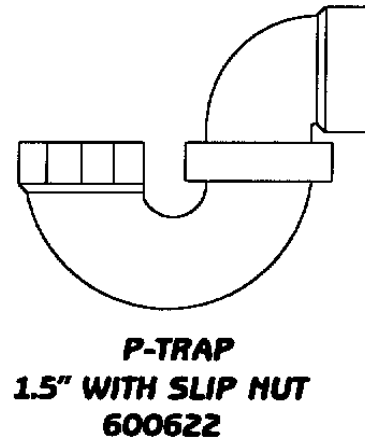
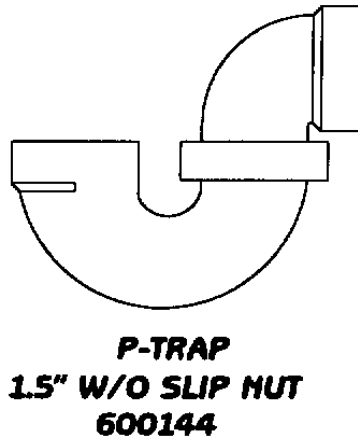
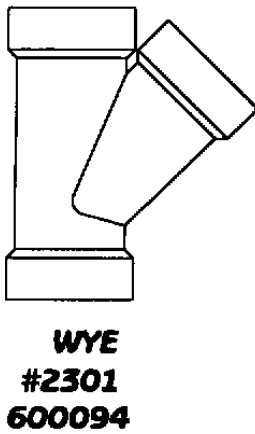
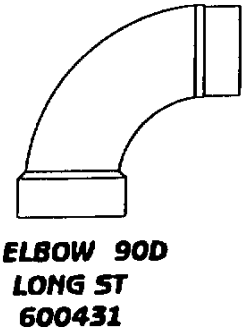
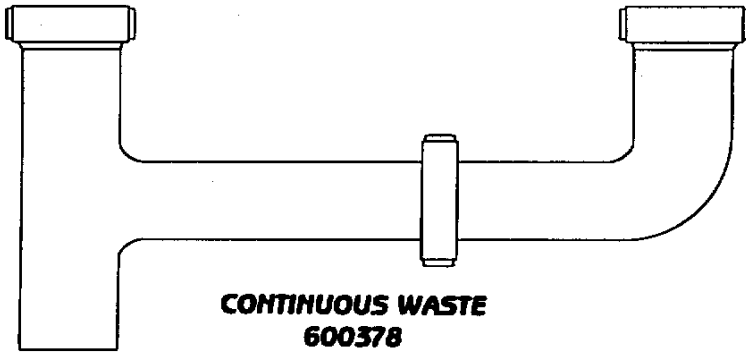
514467 25C FT



- | | |
|---------------|-----------------------------------|
| 1. 601482 | Dump Valve Rotating assembly |
| 2. 600183 | Ell long sweep ABS 3" |
| 3. 600431 | Elbow, 90, 1 1/2" |
| 4. 601800 | Ell ABS street, 1 1/2"-22.5" |
| 5A. 601160-02 | Pipe, ABS DVW, 1 1/2"-10.00" Long |
| 5B. 601160-02 | Pipe, 1 1/2"-ABS DVW, 7.00" Long |
| 6A. 601160-04 | Pipe, 3"-ABS DVW, 4" Long |
| 7. 114916 | Bracket, dump valve |
| 8. 195329-229 | Reducer adaptor, 3" to 1.5" |
| 9. 340092 | Clamp, worm type T40C-75-388-SB |
| 10. 601623-08 | Holding tank, gray, 19 Ft. |
| 11. 601798 | Black tank, 19' Bambi |
| Not shown: | |
| 453963 | Strap, black tank FWD. |
| 453964 | Strap, black tank AFT. |
| 01664 | Bayonet Cap |
| 01639 | 3" Termination Ring |

2002 SAFARI- BAMBI

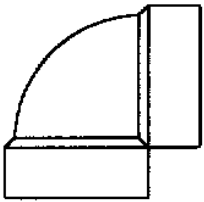
PLUMBING DRAIN FITTINGS, 1.5"



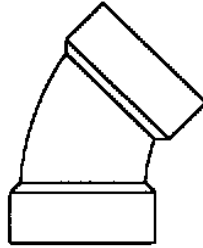
(continued)

2002 SAFARI- BAMBI

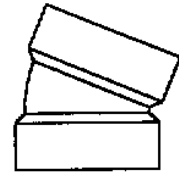
PLUMBING FITTINGS, 1.5" PLASTIC



**ELBOW VENT
90D
600033**



**ELBOW 45D
LONG TURN
600030**



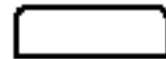
**ELBOW 22.5D
SHORT TURN
600116**



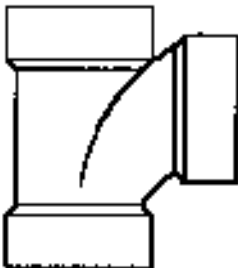
**VENT 1.5"
600538**



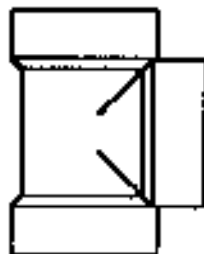
**PLUG 1.5"
600155**



**CAP 1.5"
601877**



**TEE-SANITARY
1.5"
600156**



**TEE-BI DIRECTIONAL
CLEAN-OUT 1.5"
601318**

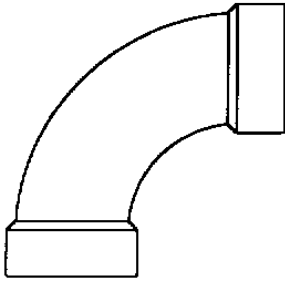


**ELBOW 45D
LONG ST
600027**

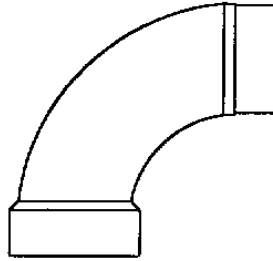
(continued)

2002 SAFARI- BAMBI

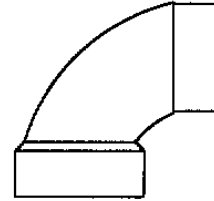
PLUMBING DRAIN FITTINGS, 1.5"



**ELBOW 90D
LONG TURN
600035**



**ELBOW 90D
LONG ST
600431**



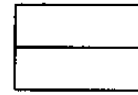
**ELBOW 90D
SHORT ST
600662**



**REDUCER 1.5" TO 1.25"
601263**



**ADAPTER
601676**



**ADAPTER
W/FEMALE THREADS
600308**

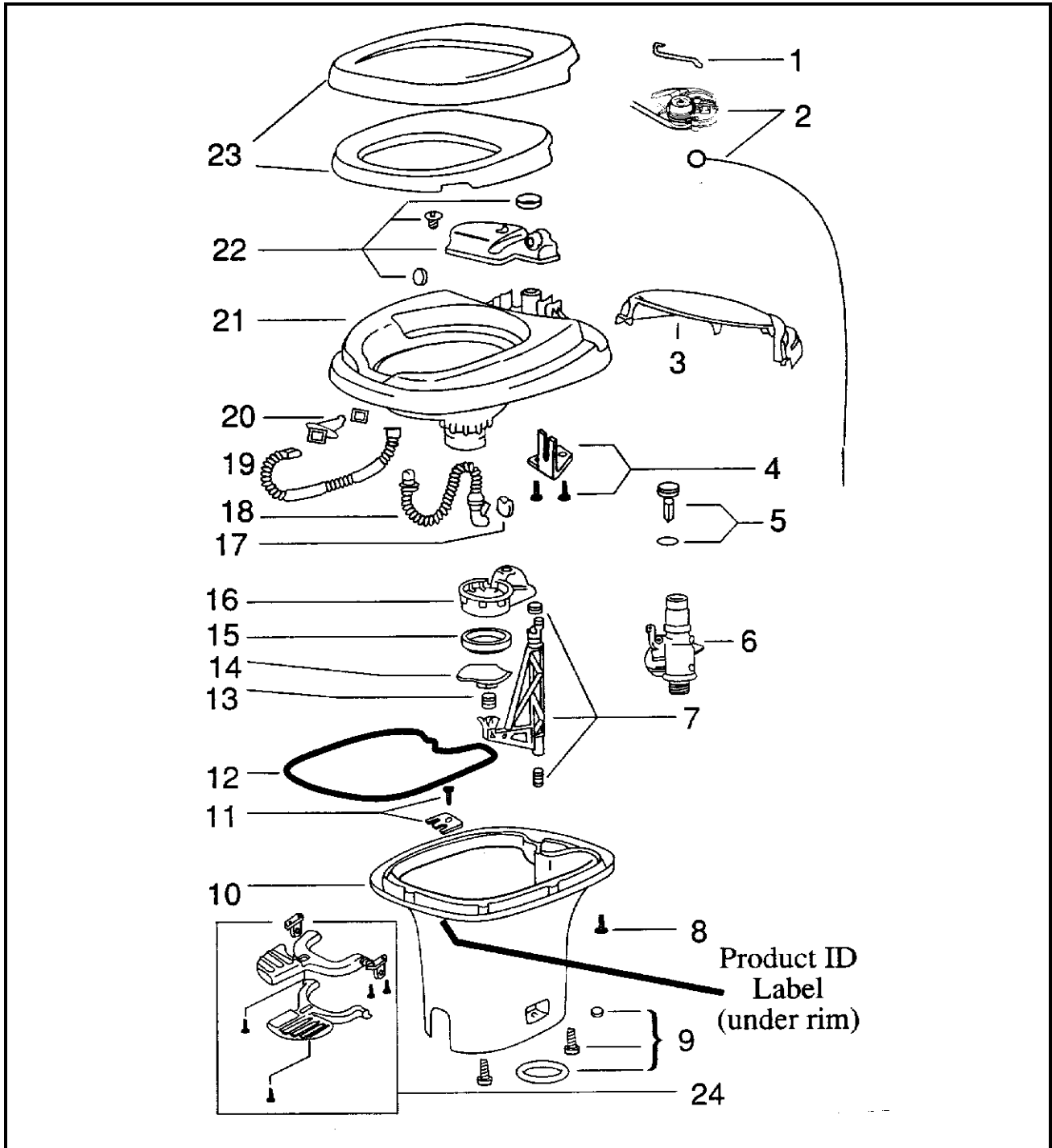
2002 SAFARI- BAMBI

NOTES

2002 SAFARI- BAMBI

PLUMBING

THETFORD, AQUA MAGIC IV, FOOT FLUSH, WHITE



2002 SAFARI- BAMBI PLUMBING

THETFORD, AQUA MAGIC IV, FOOT FLUSH, WHITE

690387	Toilet complete, Aqua Magic IV, low, 19, 23 & 25ft.
690387-01	Toilet complete, Aqua Magic IV, high, 27ft., 16ft
1) 690387-513	Water valve link
2) 690387-571	Wire replacement package
3) 690387-562	Mechanism cover, white
4) 690387-634	Bracket assembly
5) 690387-631	Float assembly
6) 690387-168	Water valve replacement package
7) 690387-632	Actuator assembly
8) 690387-659	Screw base to bowl
9) 690387-524	Closet bolt package
10) 690387-356	Base, white, low
10a) 690387-062	Base, white, high
11) 690387-636	Retainer assembly
12) 690387-387	Sealant, base to bowl
13) 690387-519	Blade spring
14) 690387-262	Blade
15) 690387-481	Blade seal
16) 690387-520	Blade track
17) 690387-512	Flapper
18) 690387-511	Overflow tube
19) 690387-509	Flush tube
20) 690387-637	Nozzle assembly
21) 690387-726	Bowl
22) 690387-630	Reservoir tank assembly
23) 690387-162	Seat and cover assembly
24) 690387-821	Pedal package

2002 SAFARI- BAMBI

SAFETY EQUIPMENT

510781	Smoke detector
511309	LPG detector
600162-01	Fire extinguisher

CSA Option

510891	Smoke Detector CSA only
600162-02	Fire extinguisher, CSA

2002 SAFARI- BAMBI

SEALER/GASKETS/PAINT

SEALER

6000360	Sealant, Butyl #884058
360001	Sealant, #884058
360002	Sealant, Vulkem 11.5 oz. tube
360209	Sealant, seam
360176	Sealant, Almond, kitchen and bath
360180-04	Sealant, Sikaflex #221, black
360180	Sealant, Sika-flex, gray
360210	Sealant, Paralastic 4334-014
360283	Sealant, silicone, Corian Bone

GASKETS



365035, Gasket
Access doorjamb



365013-01, Gasket
screen door



365232, Gasket
main door



371593-711, Glazing
Rubber, Creation
Window



371593-713, Seal
plastic, sash
Creation window



371593-712
Foam seal, sash
Creation window

381704	Seal, upper main door (goes over main seal around top of door)
381665	Gasket, D seal, window frame to shell
380226	Gasket, taillight lens
380114	Gasket, vent pip
365016	Tape, foam, double face, 1/2" wide
365001-02	Tape, vinyl foam, double face, 3/4" wide
	Paint
360213	Paint, aluminum metallic
360151	Paint, gray metallic, Centari
360260	Paint, Pewter
360200-01	Hardener, Centari
360292	Stain, Saratoga Oak

2002 SAFARI- BAMBI
UPHOLSTERY/FOAM/MATTRESS

REAR BEDROOM

701770	Mattress, twin, 34" x 78", 25 & 27ft."A"
702705	Mattress, double, 60" x 75", 25 & 27ft."B"
702704	Mattress, double, 52" x 75", 23 & 25ft."C"
702905	Mattress, double, 48" x 76", Bambi
*702904-159	Bedsread, Bambi, Kodiak
*702820-159	Bedsread, twin, Kodiak, 25 & 27ft."A"
*702676-159	Bedsread, double, 75", Kodiak 25 & 27ft."B"
*702541-159	Bedsread, corner double, Kodiak 23 & 25ft. "C"
702882-10	Pillow accent, sofa
701611	Pillow, 21" x 31", all models

FRONT LOUNGE

*702798-337	Sofa, jack knife, 74", Cabin Creek, all models
453368-03	Sofa legs, Flex steel
963400-01	Arm rest support, RS
963398-01	Arm rest cushion, RS
963400-02	Arm rest support, CS
963398-02	Arm rest cushion, CS
703130	Cushions, Gaucho Lounge, 16 Ft. Bambi

*Changing the -(dash) number to:

169= Rain Forest
070= Woodland
060= Blue Galaxy

2002 SAFARI- BAMBI

SIDE DINETTE, 25ft."C"(only)

998070-03 Cover, seat, side dinette
998071-03 Cover, backside dinette

702464-16 Foam, dinette upper back
702464-13 Foam, dinette lower back
702464-14 Foam, dinette aft seat
702464-15 Foam, dinette forward seat

FRONT DINETTE, 19 Ft., 16 FT. BAMBI

998070-03 Cover, seat, side dinette
998071-03 Cover, backside dinette
702464-16 Foam, dinette, upper back
702464-13 Foam, dinette lower back
702933-01 Foam, dinette seat, LH
702933-02 Foam, dinette seat, RH

702549 MATT ENTRANCE W/AIRSTREAM LOGO

*Changing the -(dash) number to:

169= Rain Forest
070= Woodland
060= Blue Galaxy

2002 SAFARI- BAMBI

VENTS/FANS

100341	Refrigerator, vent collar, roof, large
101394	Cover, refrigerator vent, roof, large
690264-03	Vent pipe cover
380114	Gasket, vent pipe
380228	Wire, hardware cloth
381606-01	Vent, roof, 14" x 14", non-power, white
381606-02	Trim ring, interior, roof vent, white
381153-01	Vent, Jensen #757, square
511341-06	Range hood
511341-05	Range hood, CSA
511017-11	Vent cover, exterior, range hood, gray
690266-01	Ventilator, power, bath, 19ft., 25ft.
690266-02	Ventilator, power, bath, 19ft., 25ft., CSA
381606-01	Vent, roof, 14" x 14", non-power, white
381606-02	Trim ring, interior, roof vent, white
381153-01	Vent, Jensen#757, square
690394	Power ventilator, refrigerator, Bambi
203305	Refer vent, 16 ft Bambi
381450	Vent, Fantastic roof, #6000RBT DL, (Option 16 ft Bambi)
203305	VENT-REFER-PLASTIC RADIUS CORNER, Bambi

2002 SAFARI- BAMBI WOOD/LAMINATES/TRIM

PLYWOOD

800506-04	Plywood, 1/2" x 4' x 8'
800976-01	Plywood, tongue and groove, 19/32'(floor)
800506-05	Plywood, 5/8" x 4' x 8'
800583	Plywood, Birch Baltes(cutting boards) 5/8x5x5
801068-06	Plywood, G2S, 3/4" x 4' x 8'

PANELING

00Z=	002-walnut, 003-hickory, 004-oak, 005-maple
800507-01	Panel, lauan, 1/8 x 4' x 8'
800507-02	Panel, Lauan, 1/4" x 4' x 8', raw/raw
800507-03	Panel, Lauan, 3/8" x 4' x 8', raw/raw
800507-04	Panel, Lauan, 1/2" x 4' x 8', raw/raw
801191-00Z	Panel, G1S, 1/8" x 4' x 8', Oak vinyl
801261	Panel, G1S, 1/8" x 4' x 8', Antiquity Buff
801181-00Z	Panel, G1S, 5/32" x 4' x 8', Oak/raw
801182-00Z	Panel, G2S, 5/32" x 4' x 8', Oak/Oak
801283	Panel, G2S, 1/2" x 4' x 8', Antiquity Buff/Ant. Buff
801179-00Z	Panel, G1S, 1/2" x 4' x 8', Oak/raw
801274	Panel, G1S, 1/2" x 4' x 8', Antiquity Buff
801180-00Z	Panel, G2S, 1/2" x 4' x 8', Oak/Oak
801203-00Z	Panel, G2S, 1/2" x 4' x 8', Oak 6mil
801284-00Z	Panel, G2S, 1/2" x 4' x 8', Oak/Antiquity Buff
365251-01	Tape, seam, Antiquity Buff, 1 1/8" wide
365251-02	Tape, seam, Antiquity Buff, 8" wide
365251-03	Tape, seam, Antiquity Buff, 12" wide

2002 SAFARI- BAMBI

WOOD/LAMINATES/TRIM

LAMINATES

Z= 2-walnut, 3-hickory, 4-oak, 5-maple

801229 Laminate, Oak, high pressure,.045-.050
801169 Laminate, Beige Pampas,.042 (galley top color)
801310-01 PANEL-LAMINATE ONLY CALDERA GREY
801310-02 PANEL IND. GRADE PARTICLE BOARD
801310-03 PANEL-BACKER LAMINATE ONLY
801319 LAMINATE-HP 1.75"X144" CAL GREY
801310-00Z Pre-laminated panel, 5' x 10' counter top
801230 Pre-laminated panel, Oak, 5/8" x 4' x 8', luan core
801212-01 Pre-laminated panel, Beige Pampas, 5/8" x 4' x 8'
801319 Laminate-HP1.75" x 144" CAL GRAY, table top
801184-01Z Laminated lumber core, .75" x 1.5" x 8'
801184-03Z Laminated lumber core, .75" x 2.0" x 8'
801184-07Z Laminated lumber core, .75" x 3" square
801184-04Z Laminated lumber core, .75" x 2" radius

801184-01 Laminated lumber core, .75" x 1.5" square
801184-03 Laminated lumber core, .75" x 2.0" square
801184-02 Laminated lumber core, .75" x 1.5" Radius
801184-05 Laminated lumber core, .75" x 2.5" square
801184-07 Laminated lumber core, .75" x 3" square
801184-09 Laminated lumber core, .75" x 4", square
801184-10 Laminated lumber core, .75" x 6", square
801184-04 Laminated lumber core, .75 x 2", radius
801184-11 Laminated lumber core, .75 x 8", square
801184-15 Laminated lumber core, .75 x 1", square

TRIM

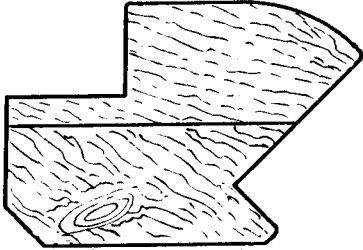
801195 Corner trim, 1" radius
800766-00Z Trim, hardwood, .50 groove x 8', panel edging
365238-03 Edge-banding tape, PVC 5/8", horizon
365238-01 Edge-banding tape, PVC 15/16", horizon
800405 Plug, hardwood button, screw cover
201673 Cove molding, Ivory, plastic, galley

2002 SAFARI- BAMBI

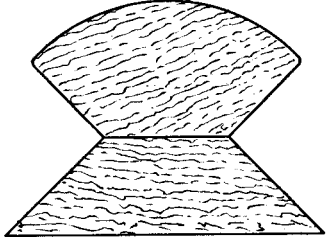
WOOD/LAMINATES/TRIM

TRIM

Z= 2-walnut, 3-hickory, 4-oak, 5-maple



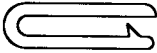
801209-00Z Jamb,
Bathroom door



801282-00Z Corner trim
1" radius



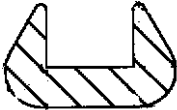
801617-01Z Molding
Wainscoat, Oak



203225 Trim
lock, white



201728-03 Extrusion
plastic, ceiling trim,
White



800766 Edge trim
hardwood, oak

2002 SAFARI- BAMBI

WOOD/LAMINATES/TRIM

Z= 2-walnut, 3-hickory, 4-oak, 5-maple



801172-01Z
801172-04



800572-01Z



800573-01Z

801172-01Z

Molding, flexible corner, Oak

801172-04

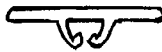
Molding, flexible corner, Antiquity Buff

800572-01Z

Molding, flat radius, .88" Oak

800573-01Z

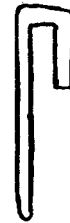
Molding, flat radius, 1.13" Oak



201728-01 Extrusion
Ceiling trim retainer
plastic



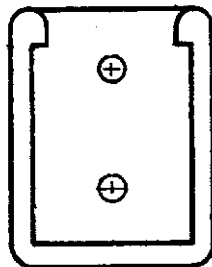
203159-02 Trim, 201666
divider bar



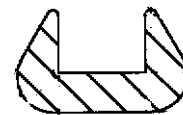
Molding, "J"
trim,



203138-02
Extrusion, plastic
Panel edging, brown



200003
End cap, header
support, brown



800766
Edge trim
Hardwood, Oak

2002 SAFARI- BAMBI

NOTES

