

AIRSTREAM
2002

Land Yacht
Workhorse
26'/30'/33'

Parts Book



2002 LAND YACHT GAS
TABLE OF CONTENTS
SECTION I
A through C

APPLIANCES

Air conditioner	I-1
Furnace	I-1
Micro-wave	I-1
Range	I-2
Refrigerator	I-2
Water heater	I-3

BODY

26ft. CS wall	I-5
26ft. RS wall	I-7
30ft.CS wall	I-8
30ft.RS wall	I-10
33ft.CS wall	I-12
33ft.RS wall	I-14
Roof	I-16
Front end	I-18
Aft end	I-20

CHASSIS

Hitch	I-22
Wheel cover	I-22
Step	I-22
Auxiliary heater	I-22
Spare tire bracket	I-22
Automotive air conditioner	I-23
Engine cover	I-26
Tool Kit	I-26

2002 LAND YACHT GAS TABLE OF CONTENTS

SECTION II D through E

DASH

Dash parts	II-1
Glove box	II-1
Trims	II-1
Defroster	II-1

DECALS	II-2
------------------------------	------

DOORS/WINDOWS/AWNINGS

33ft.RS	II-4
33ft.CS	II-6
30ft.RS	II-8
30ft.CS	II-10
26ft. RS	II-12
26ft. CS	II-14
Main/screen door	II-16

DRAPES/BLINDS/VALANCES	II-17
--	-------

ELECTRICAL

110 volt	II-19
12 volt	II-21
Dash switches/lens	II-23
Exterior Heated Mirrors	II-24
Windshield wipers	II-28

ENTERTAINMENT

Television	II-29
Back-up Monitor	II-29
Radio	II-29

2002 LAND YACHT GAS
TABLE OF CONTENTS
SECTION III

F through H

FASTENERS (common fasteners available locally are not listed)

Rivets	III-1
Screws	III-3

FLOOR COVERING

Carpet	III-5
Hardwood flooring	III-5
Mats	III-5

FURNITURE

Interior doors	III-6
Mirrors	III-7
Miscellaneous doors	III-7
Drawer face	III-8
Drawer box	III-8
Bedroom furniture	III-9
Bath, 26ft	III-12
Bath, 30ft	III-13
Bath, 33ft	III-14
Galley 26ft.	III-15
Galley, 30ft.	III-17
Galley, 33ft	III-19
Lounge/cab 26ft.	III-21
Lounge/cab, 30ft.	III-23
Lounge/cab, 33ft	III-25

HARDWARE

Props	III-27
Exterior locks/hinges	III-29
Drivers door	III-31
Interior drawers	III-32
Bath accessories	III-37
Awning hardware	III-38

2002 LAND YACHT GAS TABLE OF CONTENTS

SECTION IV L through Z

[LABELS and TAGS](#) IV-1

[OPTIONS](#) IV-3

PLUMBING

[LPG](#)..... IV-6

[Fresh water](#)..... IV-7

[Drain water](#)..... IV-12

[Toilet](#) IV-20

[SAFETY EQUIPMENT](#) IV-24

SEALS/SEALER/PAINT

[Gaskets](#)..... IV-25

[Sealer](#) IV-28

[Adhesive](#)..... IV-29

[Paint](#) IV-29

UPHOLSTERY/FOAM/MATTRESS

[Mattresses](#) IV-30

[Seats](#) IV-30

[Pillow kits](#) IV-31

[Dinette foam/upholstery, 26ft](#) IV-33

[Dinette foam/upholstery, 30ft](#) IV-33

[Dinette foam/upholstery, 33ft](#) IV-33

[VENTS and FANS](#) IV-34

[WOOD PANELING/LAMINATES/TRIM](#) IV-35

2002 LAND YACHT GAS TABLE OF CONTENTS

SECTION I A through C

APPLIANCES

Air conditioner	I-1
Furnace	I-1
Micro-wave	I-1
Range	I-2
Refrigerator	I-2
Water heater	I-3

BODY

26ft. CS wall	I-5
26ft. RS wall	I-7
30ft.CS wall	I-8
30ft.RS wall	I-10
33ft.CS wall	I-12
33ft.RS wall	I-14
Roof.....	I-16
Front end.....	I-18
Aft end	I-20

CHASSIS

Hitch	I-22
Wheel cover	I-22
Step.....	I-22
Auxiliary heater	I-22
Spare tire bracket	I-22
Automotive air conditioner.....	I-23
Engine cover	I-26
Tool Kit	I-26

2002 LAND YACHT GAS

DUO THERM AIR CONDITIONER (800-366-3842)

690323-02	Air conditioner, Dometic, 13,500, manual
690323-03	Air conditioner, Dometic, 11,000, manual
690323-05	Air box/return grill, manual
690323-100	Shroud, air conditioner, Penquin
385582-01	Decal, Airstream w/bar

FURNACE, HYDROFLAME (800-825-4328) Dealer only

690274	Furnace, Hyroflame, #8535-IV, 34,000BTU, 30' & 33'
690274-01	Furnace, Hyroflame, #8531-IV, 30,000BTU, 26'
690274-12	Mounting flange
690274-11	Door exterior, Hydroflame
601244-03	Register, rotaire, black
601244-02	Register, rotaire, white
600678	Adapter, grill, heat duct 10" x 2"
601398	Grill face plate, 10" x 2¼", brown
600247	4" duct hose, flexible
600526	FLANGE, 4 IN.
511228	Thermostat, room
601402-01	4" Rotaire floor vent, gold/sand

SHARP MICROWAVE/CONVECTION

690345-01	Microwave/convection oven, Sharp
690345-03	Trim kit, Sharp microwave
690345-04	Microwave, convection, CSA
690345-05	Trim ring, microwave, white, CSA

2002 LAND YACHT GAS

APPLIANCES

MAGIC CHEF RANGE

690396-06	Range top, 3-burner
690396-05	Range, 3-burner w/oven, option
690396-03	Range cover, bi-fold
114876	trim ring, range recess
964383-01	Range covers, Corian, set

DOMETIC REFRIGERATOR, RM3862R (800-366-3842)

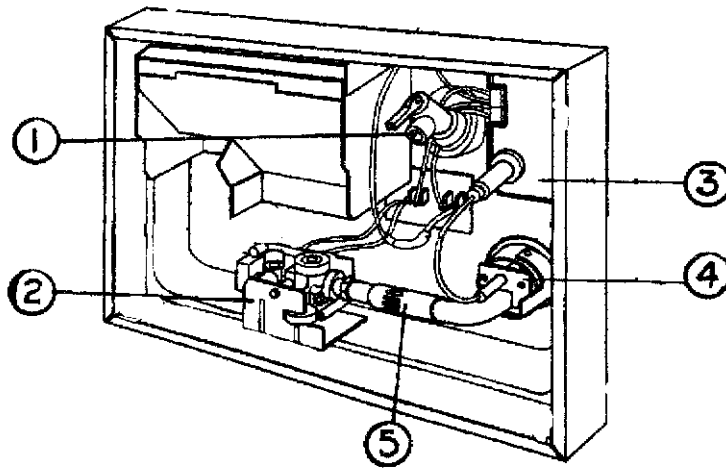
690370-02	Refrigerator, 2-way, 8 cu. ft. LH, RM3862
690340-03	Door, exterior, refrigerator, flush mount
690415	Kit, dairy, meat and ice cube trays
801225-014	Door panel, upper, Oak, 15.5" x 20.38"
801225-034	Door panel, lower, Oak, 38.38" x 20.38"
690370-100	Cooling unit, RM3862

2002 LAND YACHT GAS

APPLIANCES

ATWOOD WATER HEATER, GC6AA-9E

690406	Water heater, Atwood, elec. ignition, 110 volt/gas
690259-05	WATER HEATER ACCESS DOOR-WHITE
690259-06	WATER HEATER MOUNTING FLANGE-WHITE
381648	COVER LATCH HOLE WATER HEATER
500933	Switch, water heater, electronic



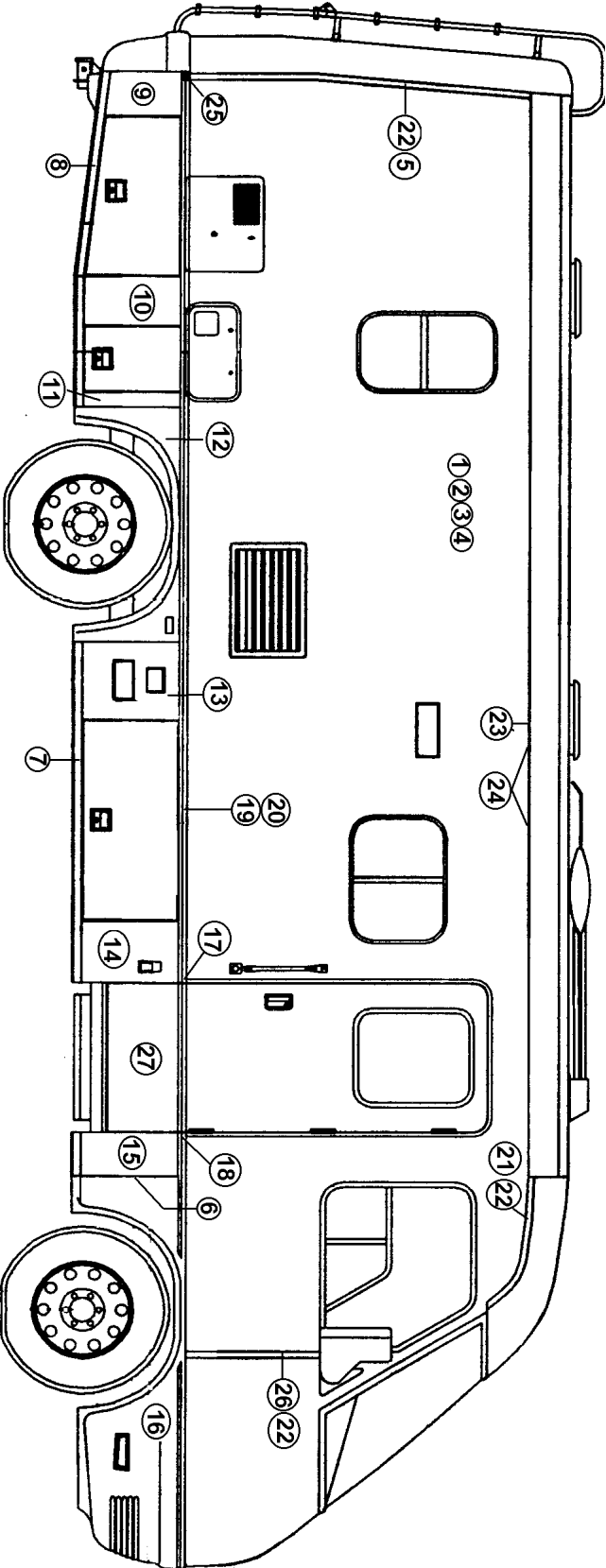
Front of water heater

1) 091604	Relief valve, pressure/temperature
2) 093870	Solenoid valve
3) 093865	Circuit board
4) 093868	Spark probe
5) 092615	Main burner

Back of water heater

091160	Heating element, 110volt
091873	ECO thermostat
091092	On/off switch, 110Volt

2002 LAND YACHT GAS



26' CS Body

2002 LAND YACHT GAS

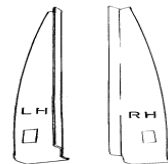
*BODY, CURB SIDE WALL **26' ONLY**

- 1) 801002-10 Fiberglass sheet, frost white, 72" x 360"
- 2) 915657 Weldment, CS wall
- 3) 203075 Styrofoam sheet, 1½" thick
- 4) 801261 Paneling, inside 1/8", Antiquity Buff
- 5) 114076-03 Trim molding, rear end to sidewall, CS
- 6) 114070-02 Extrusion, J-trim, Pewter Gray
- 7) 114583-01 Extrusion, rocker panel, Pewter Gray
- 8) 115055-02 Extrusion, angled, rear rocker panel, CS
- 9) 115054-01 Skirt, angled, 9"
- 10) 114587-21 Skirt, Double flange 10.00"
 Changed to 114587-14, 9.06", Oct. 2001
- 11) 114586-19 Skirt, L/H flange, 2"
- 12) 201805 Fender skirt
- 13) 114585-20 Skirt, R/H flange, 15.62"
- 14) 114587-22 Skirt, double flange, 12.50"
- 15) 114586-20 Skirt, L/H flange, 8.908"
 Changed to 1144586-20, 10.00", Oct. 2001
- 16) 201971 Fender, CS
- 17) 385955-02 End cap, rub rail, casting, LH
- 18) 385955-01 End cap, rub rail, casting, RH
- 19) 114584 Extrusion, rub rail installation
- 20) 201709-02 Rub rail molding, black
- 21) 114077-04 Trim extrusion, top cap-sidewall, CS
- 22) 320115-06 Screw, #6x1", flat head, stainless
- 23) 114570 Extrusion, awning rail
- 24) 386093 End cap, awning rail, LH
 386094 End cap, awning rail, RH
- 25) 114754-01 End cap, rub rail, rear end shell
- 26) 114005-02 Trim extrusion, white
- 27) 114062 Skirt panel, main door

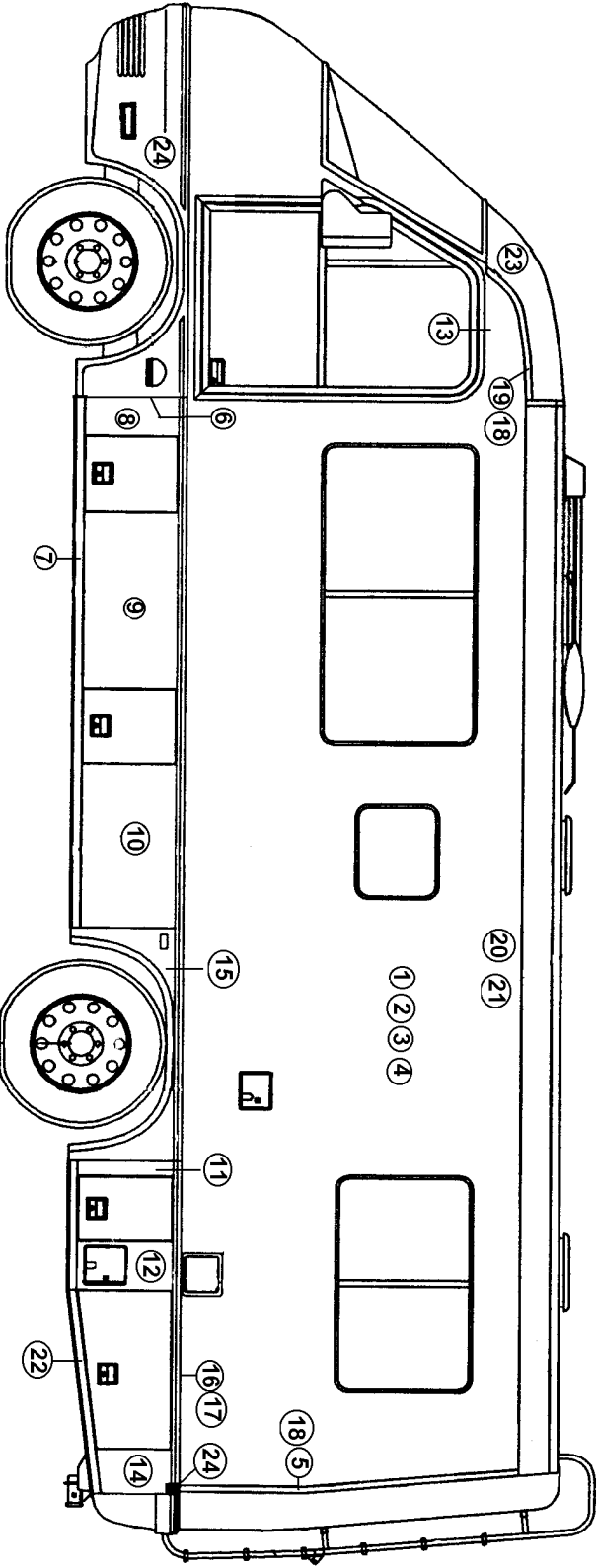
*Note: Each filler panel has a flange riveted on one or both sides. These

are: 114594-01
 114594-02

Seal, flange, LH
Seal, flange, RH



2002 LAND YACHT GAS



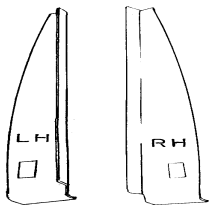
26' RS Body

2002 LAND YACHT GAS

*BODY, ROAD SIDE WALL **26' ONLY**

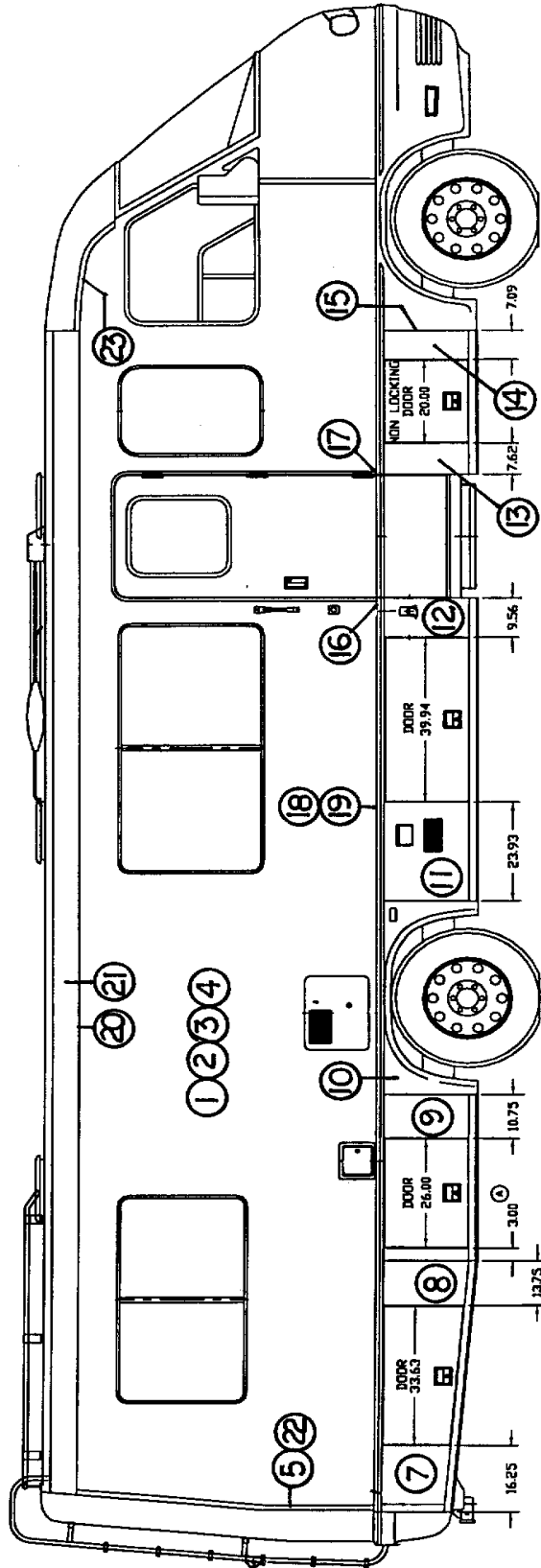
- 1) 801002-10 Fiberglass sheet, frost white, 72" x 360"
- 2) 915656 Weldment, roadside wall, 26'
- 3) 203075 Styrofoam sheet, 1½" thick
- 4) 801261 Paneling, inside 1/8", Antiquity Buff
- 5) 114076-04 Trim molding, rear shell-sidewall, RS
- 6) 114070-02 Extrusion, J-trim, Pewter Gray
- 7) 114583-01 Extrusion, rocker panel, Pewter Gray
- 8) 114585-19 Skirt, R/H flange 8.00"
- 9) 114587-23 Skirt, R/H flange 35.625"
- 10) 114586-18 Skirt, R/H flange 33.104"
- 11) 114585-18 Skirt, R/H flange 2.0"
- 12) 114587-21 Skirt, Double flange 10.0"
- Changed to 1144587-14, 9.06", Oct. 2001
- 13) 114814 Drip cap drivers door
- 14) 115054-02 Skirt, angled 9"
- 15) 201805 Fender skirt
- 16) 114584 Extrusion, rub rail installation
- 17) 201709-02 Rub rail molding, black
- 18) 320115-06 Screw, #6x1" flat head, stainless
- 19) 114077-03 Trim, extrusion, front cap to sidewall, RS
- 20) 114570 Extrusion, awning rail
- 21) 386093 End cap, awning rail, LH
- 386094 End cap, awning rail, RH
- 22) 115055-01 Extrusion, angled, rear rocker panel, RS
- 23) 201869-01 Front cap, Nu White
- 24) 114754-01 End cap, rub rail, rear end shell

*Note: Each filler panel has a flange riveted on one or both sides. These are:



- 114594-01 Seal, flange, LH
- 114594-02 Seal, flange, RH

2002 LAND YACHT GAS



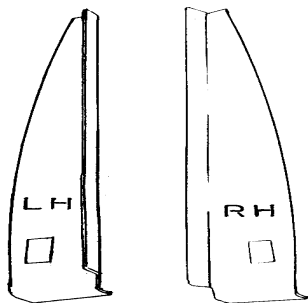
See next page for P\N

2002 LAND YACHT GAS

BODY, CURBSIDE WALL-**30' ONLY**

- | | |
|---------------|--|
| 1) 801002-01 | Fiberglass sheet, frost white 72" x 332" |
| 2) 915361 | Weldment, CS wall, 30' |
| 3) 203075 | Styrofoam sheet 1 1/2" thick |
| 4) 801261 | Paneling, inside, 1/8" x 4' x 7' G1S, Antiquity Buff |
| 5) 114076-03 | Trim molding, ends to sidewall, CS |
| 7) 114585-15 | Filler panel, 16.25" |
| 8) 114587-18 | Filler panel, 13.75" |
| 114615-01 | Rocker panel Weldment, 30' RS |
| 9) 114586-04 | Filler panel, 10.75" |
| 10) 201805 | Fender skirt |
| 11) 114585-09 | Filler panel, 23.93" |
| 12) 114586-15 | Filler panel, 9.56" |
| 13) 114587-10 | Filler panel, 7.62" |
| 14) 114587-16 | Filler panel, 8.0"(over size, cut to fit) |
| 15) 114070-02 | Extrusion, J-trim, Pewter Gray |
| 16) 385955-02 | End cap, rub rail casting, LH (cut to fit) |
| 17) 385955-01 | End cap, rub rail, casting, RH |
| 18) 114584 | Extrusion, rub rail |
| 19) 201709-02 | Rub rail molding, black |
| 20) 114570 | Extrusion, awning rail |
| 21) 386093 | End cap, awning rail, LH |
| 386094 | End cap, awning rail, RH |
| 22) 320115-06 | Screw, #6 x 1", flat head, stainless |
| 23) 114077-04 | Trim extrusion, front cap to sidewall |
| 114754-02 | End cap, rub rail, rear end shell |

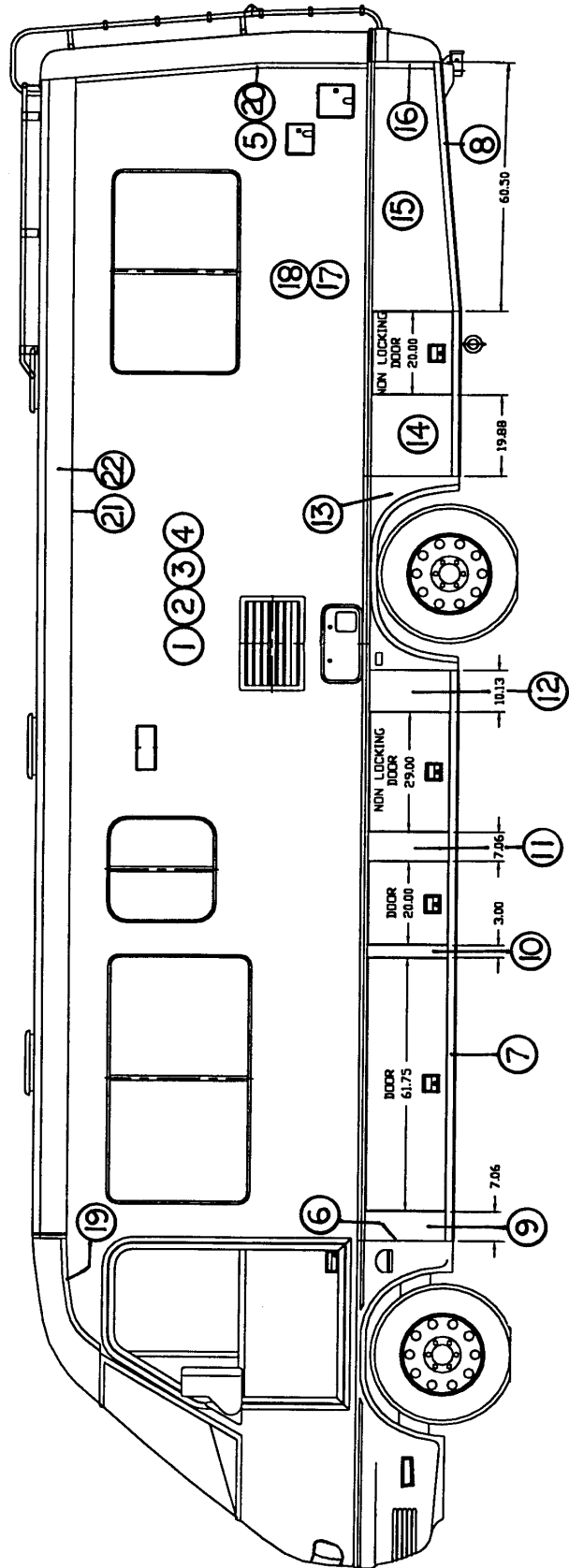
*Note: Each filler panel has a flange riveted on one or both sides. These are:



- 114594-01
114594-02

- Seal, flange, LH
Seal, flange, RH

2002 LAND YACHT GAS



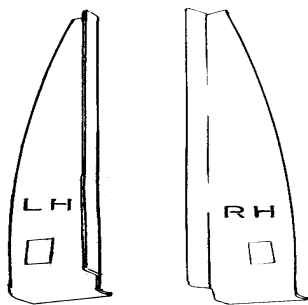
See next page for P/N
I-10

2002 LAND YACHT GAS

*BODY, ROADSIDE WALL, **30' ONLY**

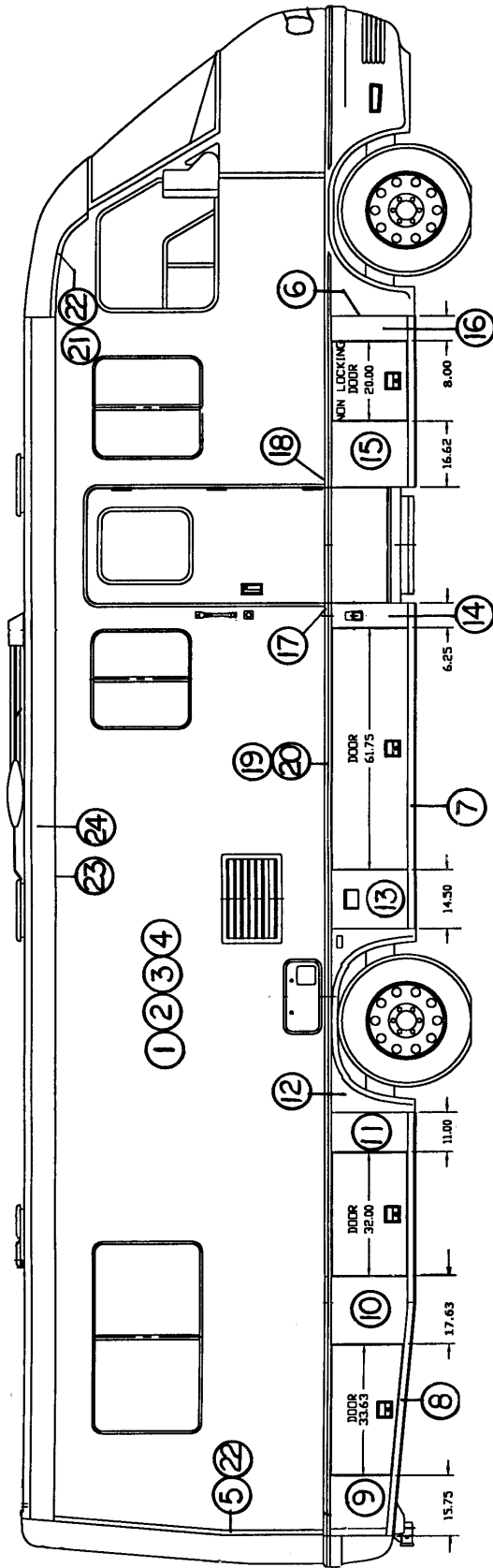
- | | |
|---------------|---|
| 1) 801002-01 | Fiberglass sheet, frost white, 72"x332" |
| 2) 915360 | Weldment, roadside wall, 30' |
| 3) 203075 | Styrofoam sheet, 1½" thick |
| 4) 801261 | Paneling, inside, 1/8"x4'x7', G1S, Solitude |
| 5) 114076-04 | Trim molding, ends to sidewall, RS |
| 6) 114070-02 | Extrusion, J-trim, Pewter Gray |
| 7) 114583-01 | Extrusion, rocker panel, Pewter Gray |
| 8) 114615-02 | Weldment, rear rocker panel, RS |
| 9) 114587-16 | Filler panel, 8.00" (oversize, cut to fit) |
| 10) 114587-19 | Filler panel, 3.00" |
| 11) 114587-16 | Filler panel, 7.06" |
| 12) 114586-10 | Filler panel, 10.13" |
| 13) 201805 | Fender skirt |
| 14) 114585-10 | Filler panel, 19.88 |
| 15) 114588 | Filler panel, angled, 60.50" |
| 16) 114005-02 | Trim molding, ends to sidewall |
| 17) 114584 | Extrusion, rub rail installation |
| 18) 201709-02 | Rub rail molding, black |
| 19) 114077-03 | Trim, extrusion, front cap to sidewall |
| 20) 320115-06 | Screw, #6x1" flat head, stainless steel |
| 21) 114570 | Extrusion, awning rail |
| 22) 386093 | End cap, awning rail, LH |
| 386094 | End cap, awning rail, RH |
| 114754-01 | End cap, rub rail, rear end shell |

*Note: Each filler panel has a flange riveted on one or both sides. These are:



- | | |
|-----------|------------------|
| 114594-01 | Seal, flange, LH |
| 114594-02 | Seal, flange, RH |

2002 LAND YACHT GAS



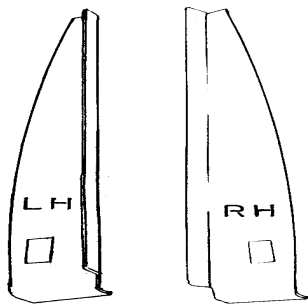
See next page for P/N

2002 LAND YACHT GAS

BODY, CURBSIDE WALL-**33' ONLY**

- 1) 801002-10 Fiberglass sheet, frost white 72"x360"
- 2) 963884 Assembly, CS wall, 33'
- 3) 203075 Styrofoam sheet 1 1/2" thick
- 4) 801261 Paneling, inside, 1/8", Antiquity Buff
- 5) 114076-03 Trim molding, ends to sidewall, CS
- 6) 114070-02 Extrusion, J-trim, Pewter Gray
- 7) 114583-01 Extrusion, rocker panel, Pewter Gray
- 8) 114591-02 Extrusion, angled, rear rocker panel, CS
- 9) 114589-01 Filler panel, angled, CS, 15.75"
- 10) 114587-13 Filler panel, 17.63
- 11) 114586-04 Filler panel, 10.75
- 12) 201805 Fender skirt
- 13) 114585-01 Filler panel, 14.50
- 14) 114586-17 Filler panel, 6.25
- 15) 114585-17 Filler panel, 16.63
- 16) 114585-16 Filler panel, 8.0 (oversize, cut to fit)
- 17) 385955-02 End cap, rub rail, casting, LH
- 18) 385955-01 End cap, rub rail, casting, RH
- 19) 114584 Extrusion, rub rail installation
- 20) 201709-02 Rub rail molding, black
- 21) 114077-04 Trim extrusion, front cap to sidewall, CS
- 22) 320115-06 Screw, #6x1", flat head, stainless
- 23) 114570 Extrusion, awning rail
- 24) 386093 End cap, awning rail, LH
- 386094 End cap, awning rail, RH
- 114754-02 End cap, rub rail, rear end shell

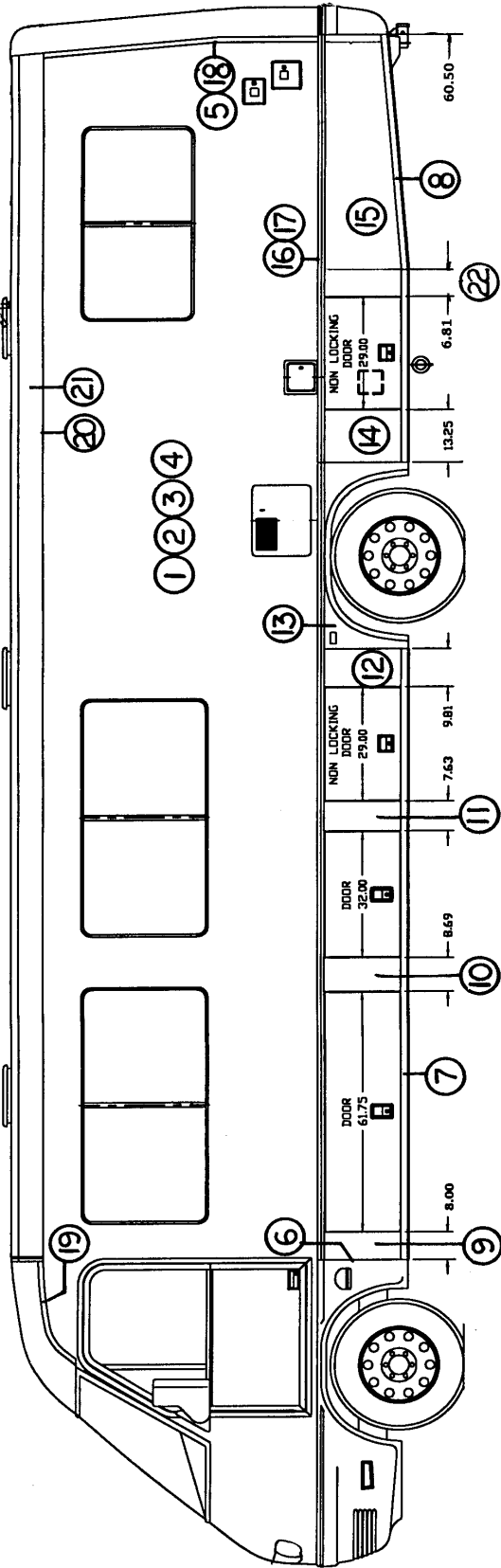
*Note: Each filler panel has a flange riveted on one or both sides. These are:



114594-01 Seal, flange, LH

114594-02 Seal, flange, RH

2002 LAND YACHT GAS



See next page for P/N

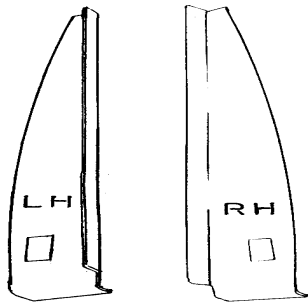
2002 LAND YACHT GAS

*BODY, ROAD SIDE WALL **33' ONLY**

- | | |
|---------------|--|
| 1) 801002-10 | Fiberglass sheet, frost white, 72" x 360" |
| 2) 963885 | Assembly, roadside wall, 33" |
| 3) 203075 | Styrofoam sheet, 1½" thick |
| 4) 801261 | Paneling, inside 1/8", Antiquity Buff |
| 5) 114076-04 | Trim molding, ends to sidewall, RS |
| 6) 114070-02 | Extrusion, J-trim, Pewter Gray |
| 7) 114583-01 | Extrusion, rocker panel, Pewter Gray |
| 8) 114591-01 | Extrusion, angled, rear rocker panel, RS |
| 9) 114586-08 | Filler panel, 8.0" (over size, cut to width) |
| 10) 114587-09 | Filler panel, 8.69" wide |
| 11) 114587-10 | Filler panel, 7.63" wide |
| 12) 114586-01 | Filler panel, 9.81" wide |
| 13) 201805 | Fender skirt |
| 14) 114585-04 | Filler panel, 13.25" wide |
| 15) 114588 | Filler panel, angled, 60.50" wide |
| 16) 114584 | Extrusion, rub rail installation |
| 17) 201709-02 | Rub rail molding, black |
| 18) 320115-06 | Screw, #6x1" flat head, stainless |
| 19) 114077-03 | Trim, extrusion, front cap to sidewall, RS |
| 20) 114570 | Extrusion, awning rail |
| 21) 386093 | End cap, awning rail, LH |
| 386094 | End cap, awning rail, RH |
| 22) 114586-16 | Filler panel, 6.81" wide |

114754-01 End cap, rub rail, rear end shell

*Note: Each filler panel has a flange riveted on one or both sides. These are:



114594-01

Seal, flange, LH

114594-02

Seal, flange, RH

2002 LAND YACHT GAS

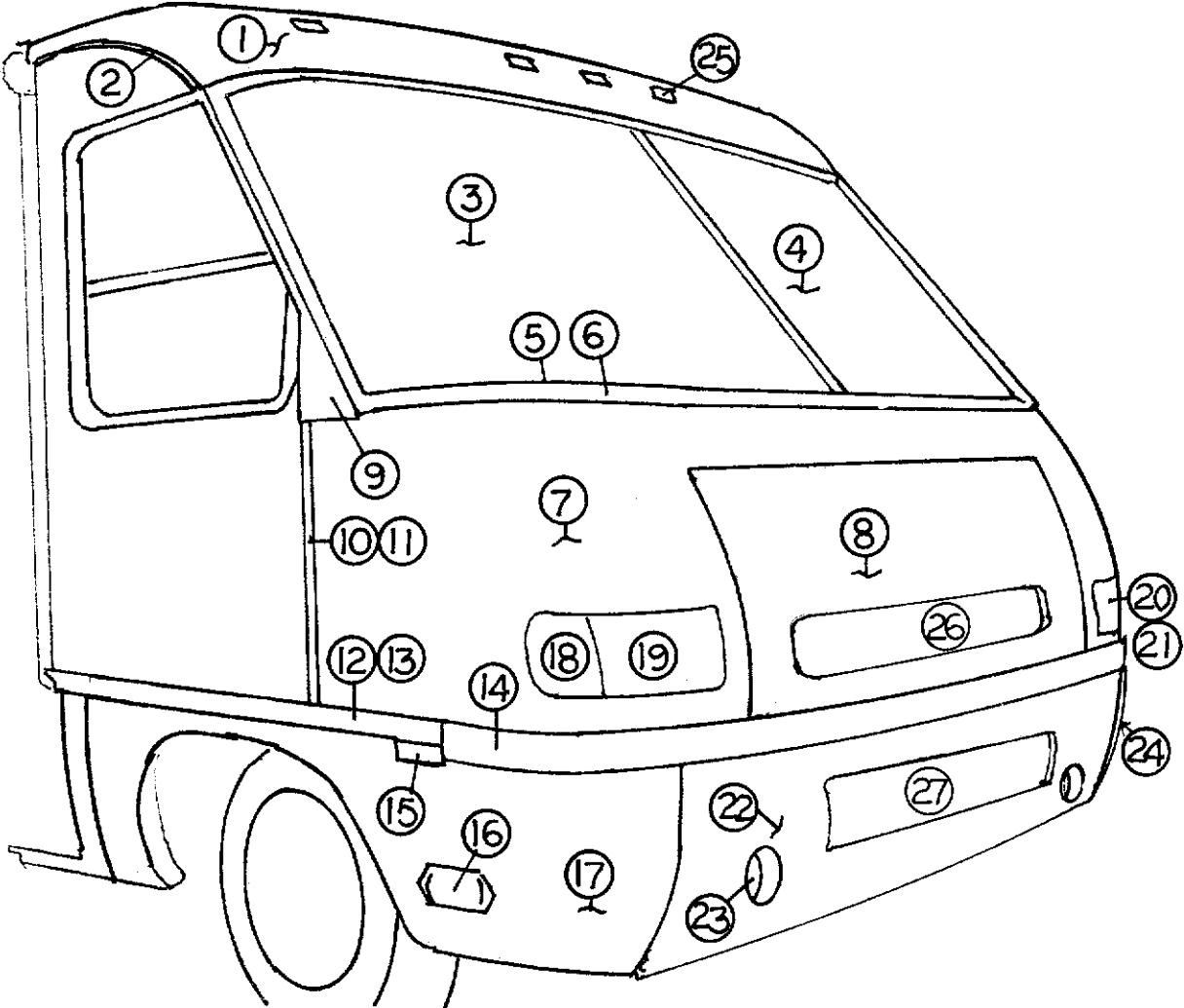
BODY ROOF

203024-02	Fiberglass roof material, white, 106"W x 288"L, 30ft.
203024-04	Fiberglass roof material, white, 106"W x 320"L, 33ft.
915226	Weldment, roof, 33ft.
915237	Weldment, roof, 30ft.
915654	Weldment, roof, 36ft.
203075	Styrofoam sheet 1 1/2 thick
800507-01	Luan, 1/8"x4'x8'(inside)
702126-01	Headliner, Tetra-4578, off-white, Front locker assembly
201728-04	Extrusion, ceiling trim, white
201728-01	Extrusion, ceiling trim, retainer
702482	Headliner, spectra, Opal X
702482-03	Headliner, Spectra Opal, textured, R/L

2002 LAND YACHT GAS

NOTES:

2002 LAND YACHT GAS



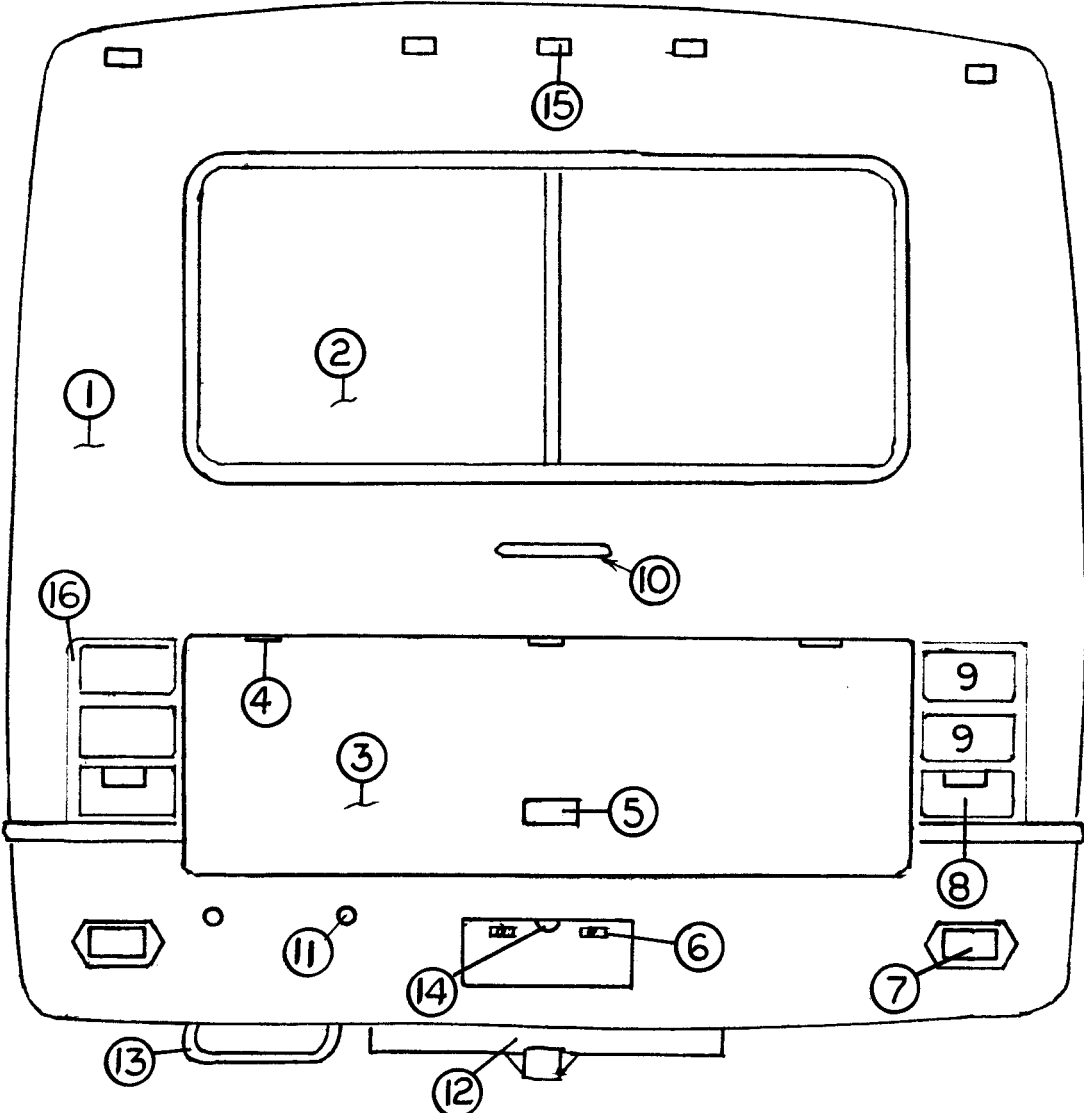
See next page for P/N

2002 LAND YACHT GAS

BODY, FRONT

- 1) 201869-01 Front cap, Nu White
- 2) 114077-04 Trim, extrusion, cap to sidewall, CS
- 114077-03 Trim, extrusion, cap to sidewall, RS
- 3) 371291 Windshield, CS
- 4) 371290 Windshield, RS
- 5) 381319 Gasket, windshield (surrounds both windshields)
- 6) 201260 Insert, windshield gasket
- 7) 203236 Nose, front, fiberglass
- 8) 203237 Hood, fiberglass
- 9) 114838-01 Cover, A pillar, CS
- 114838-02 Cover, A pillar, RS
- 10) 114005-02 Trim molding, nose to sidewall
- 11) 320115-06 Screw, #6x1" flathead, stainless
- 12) 114584 Extrusion, rub rail installation
- 13) 201709-02 Rub rail molding, black
- 14) 201909 Molding, black bumper trim
- 15) 500892 Light, clearance/turn signal, amber
- 16) 511101-01 Light, docking, halogen, S.S. bezel
- 17) 201971 Fender, CS
- 18) 511527 Light, turn signal, amber, CS
- 19) 511525 Headlight, CS
- 20) 511526 Headlight, RS
- 511529 Bulb, headlight
- 21) 511528 Light, turn signal, amber, RS
- 22) 203238 Bumper, front
- 23) 511514 Driving light kit, halogen
- 24) 201970 Fender, RS
- 25) 510984-02 Light, clearance, amber
- 26) 381714 GRILL, HOOD
- 27) 381715 GRILL, BUMPER
- 510784-01 LAMP SOCKET W/BULB#1156 Frt. Fender
- 453816-01 BRACKET-HEADLIGHT-OUTSIDE RH
- 453816-02 BRACKET-HEADLIGHT-OUTSIDE LH
- 453814-01 BRACKET-HEADLIGHT-UPPER RH
- 453814-02 BRACKET-HEADLIGHT UPPER LH

2002 LAND YACHT GAS



See next page for P/N

2002 LAND YACHT GAS

BODY-AFT

- | | |
|---------------|---|
| 1) 203088-02 | Cap, rear end |
| 1A) 203088-01 | Cap, rear end, 26' w/o window |
| 2) 371373-02 | Window, stationary, rear, 29.25 x 62.25 |
| 3) 203018-01 | Trunk door, Land Yacht, Nu-white |
| 4) 381434 | Hinge, stainless, 3"x3" |
| 5) 195373 | Paddle latch, black, w/lock |
| 6) 381077 | Well nut, license plate |
| 7) 511101-01 | Light, docking, halogen |
| 8) 511240 | Light, stop/tail/turn/back-up |
| 9) 511239 | Light, stop/tail/turn |
| 10) 511154-02 | Light-strip, 3rd brake light, 1x10" |
| 11) 381148-01 | Socket, bottom support, ladder |
| 114224 | Plunger, bottom support, ladder |
| 12) 400868-02 | Hitch, Reese #38563 |
| 12a) 400957 | Hitch, Reese, 26' only |
| 13) 961601 | Step assembly, bottom, roof ladder |
| 14) 511294 | Light, license plate |
| 15) 510984-01 | Light, clearance, red |
| 16) 386011 | Trim, taillight, stainless steel |

NOT SHOWN:

- | | |
|--------|---------|
| 381578 | Ladder |
| 114224 | PLUNGER |

2002 LAND YACHT GAS

CHASSIS

410796-01	Leveling jack system, complete, manual, Power Gear
453917	Bracket, jack pump
110407-02	POWER GEAR JACK
961601	Step assembly, roof ladder
511483	Step, single, Kwikiee
511486	Switch, magnetic, round
685031-01	Control box, main, Kwikiee
410700-100	Motor, assy., w/actuator arm
410818	Wheel simulator
400571	Mud flaps, pair
453976	Emergency brake bracket, 26'
453979	Emergency brake support, 26'
690311	Heater, rear, auxiliary
510929-04	Switch, dash, rear heat
600969	Register, 4 x 6", Sand
452575-01	DUCT AUX HEATER (LH)
452575-02	DUCT AUX HEATER (RH)
914055	ASSEMBLY, PAN AUX HEATER
600526	Flange, 4"
452722-01	Front hose kit, diverts antifreeze to auxiliary heater
452087	Hanger, spare tire, N/A 26'
410631	Winch, spare tire
451811	Extender, tire valve, pr.
703147	Spare tire cover, 26ft.
453461-05	Spacer, coil spring, 1"
201872	Wheel well liner, 30' & 33'
203321	Wheel well liner, 26'
410850	Fuel fill, pipe, 26'
230321	Cover, wheel well

2002 LAND YACHT GAS

CHASSIS

*690455-00 Kit heater/Dash AC Large Control

Specific Climate Systems Inc.
1200 West Risinger Road
Fort Worth, Texas
Technical Assistance: 1-800-275-7524

SERVICE /PARTS

SCS has requested you to call them on the 800 number listed above should you experience any service problems. If your dealership is not able to repair this system they are usually able to help get any repairs needed at an air conditioner repair facility close to your location.

Warranty or retail parts may be obtained by using the toll free phone number above.

The following pages include wiring diagrams and vacuum line diagrams. The parts on the bottom of this page are ordered from Airstream parts.

Dash Heater A/C

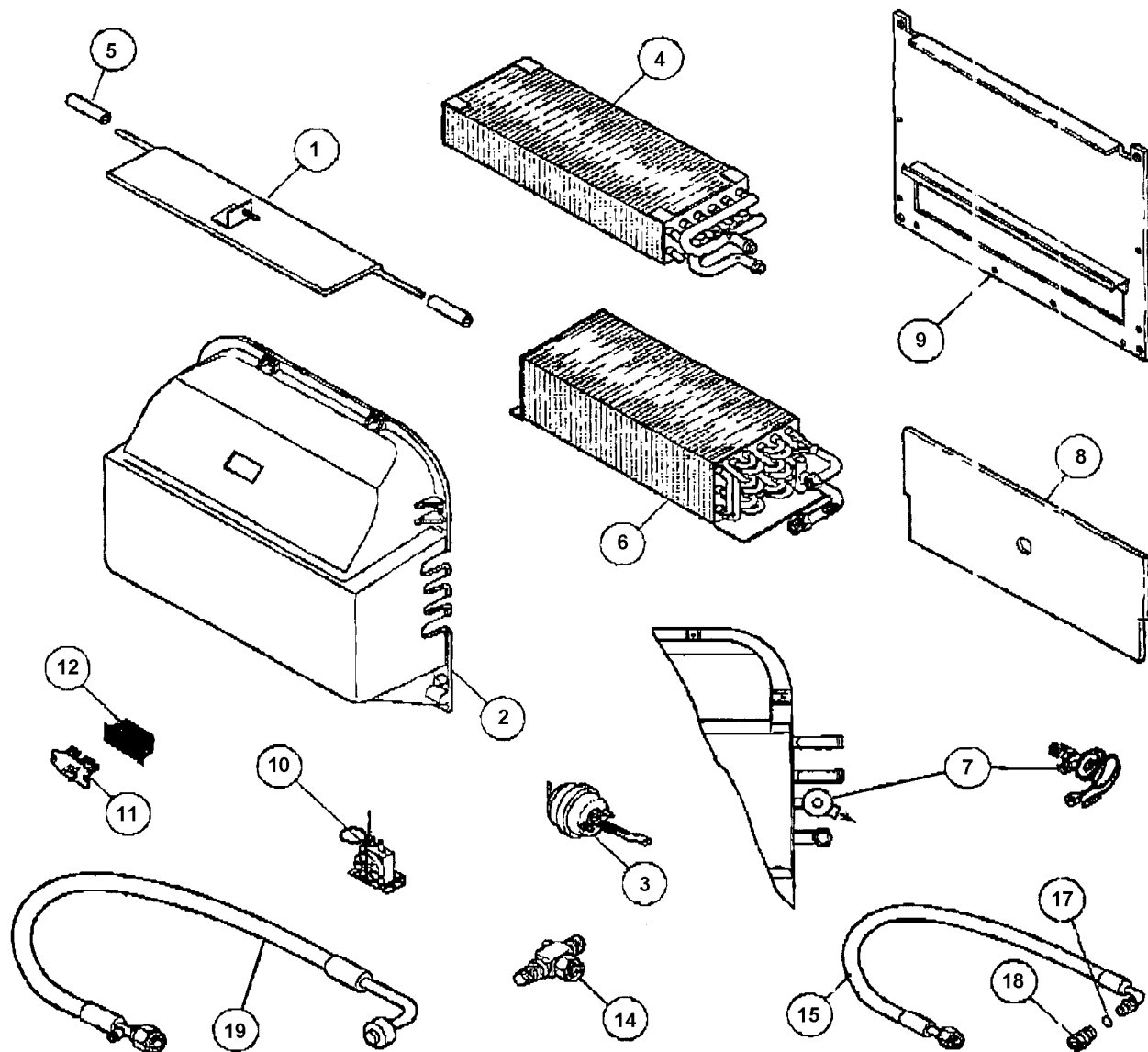
690456	Grille, louvered, 1.5" x 6" defroster duct
690457	Grille, return air
690458	Louver, 2" round
690459	Rotaire, 2.5" round, closeable, black
601599	Hose, duct 2", black
600465	Hose, air duct 2 1/2" dia.
203110	Duct, defroster trans
690382-05	Suction hose kit, Chevy L29
600214-03	Heater hose, 5/8"

*Workhorse, the chassis manufacturer, installs the compressor, condenser and associated parts on their RV chassis.

2002 LAND YACHT GAS

SCS/Frigette

MOTORHOME HVAC SYSTEMS



- 1. 087-00219 DOOR ASSEMBLY
- 2. 062-00605 CASE
- 3. 030-00046 VACUUM MOTOR
- 4. 042-00044 HEATER COIL
- 5. 062-00623 BUSHING
- 6. 041-00157 EVAPORATOR COIL

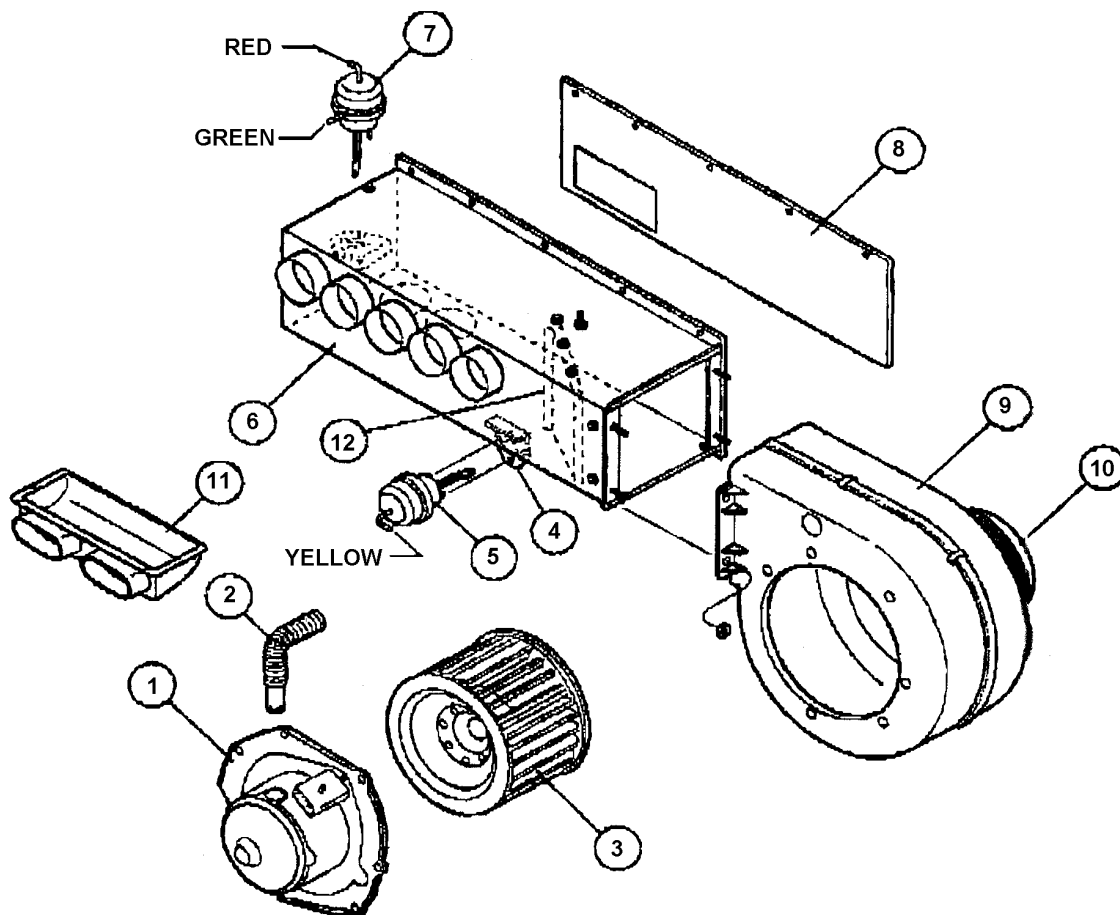
- 7. 034-00029 EXPANSION VALVE
- 8. 045-00521 INSULATION
- 9. 071-00680 BACK PANEL
- 10. 033-00003 THERMOSTAT
- 11. 035-00006 RESISTOR
- 12. 071-00143 SHIELD

- 13. 05100362 #10 HOSE ASSY. L29
- 14. 03400049 SERVICE VALVE
- 15. 085-0466 #6 HOSE ASSY.
- 16. 05000120 Q. C. COUPLING FM
- 17. 04500125 O-RING, SAE 012

2002 LAND YACHT GAS

SCS/Frigette

MOTORHOME HVAC SYSTEMS



- 1. 030-00109 BLOWER MOTOR
- 2. 051-00034 VENT HOSE
- 3. 062-00010 BLOWER WHEEL
- 4. 070-00234 VAC. MOTOR BRACKET

- 5. 030-00025 VACUUM MOTOR
- 6. 071-00763 HOUSING ASSEMBLY
- 7. 030-00048 VACUUM MOTOR
- 8. 071-00762 BACK PANEL

- 9. 062-00113 BLOWER HOUSING
- 10. 060-00135 INLET GUIDE
- 11. 060-00497 HEATER BOX
- 12. 071-00645 DIVIDER

2002 LAND YACHT GAS

CHASSIS

ENGINE COVER

203296	COVER-ENGINE FIBERGLASS LYMH 8.1L
203297	BASE-ENGINE COVER FIBERGLASS 8.1L
381568	SEAL EXTRUDED 1.25 X .625 EPDM
381077	WELLNUT #G-1032
201565	TUFCOTE NOISE BARRIER, 104-E
365194	2" TAPE - ALUM. FOIL

TOOL KIT

380188	TRIANGLE EMERGENCY WARNING SET 3
104315	BRACKET, FRONT LICENSE PLATE
381006	LUG WRENCH #14064610(STEEL WHEEL)
510863-01	72", 6-WAY CONNECT
451811	EXTENDER, TIRE VALVE, (1) PAIR
381666	SOCKET DEEP WELL 3/8" DRIVE X 3/4"
381667	RATCHET, 10" 3/8" DRIVE
410821	VALVE TUBELESS CLAMP IN TR416

2002 LAND YACHT GAS

SECTION II

D through E

DASH

Dash parts	II-1
Glove box	II-1
Trims	II-1
Defrost.....	II-1

DECALS.....	II-2
-------------	------

DOORS/WINDOWS/AWNINGS

33ft.RS.....	II-4
33ft.CS.....	II-6
30ft.RS.....	II-8
30ft.CS.....	II-10
26ft. RS.....	II-12
26t. CS.....	II-14
Main/screen door	II-16

DRAPES/BLINDS/VALANCES	II-17
------------------------------	-------

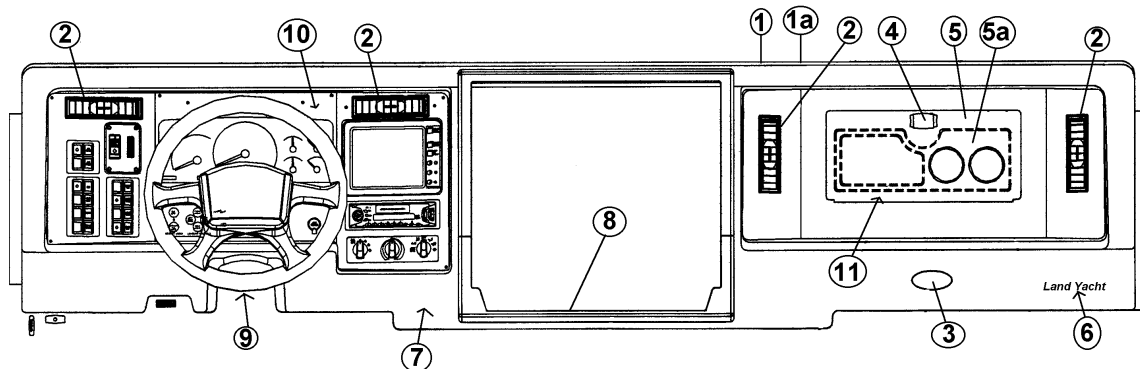
ELECTRICAL

110 volt.....	II-19
12 volt	II-22
Dash switches/lens.....	II-24
Exterior Heated Mirrors.....	II-25
Windshield wipers	II-29

ENTERTAINMENT

Television	II-30
Back-up Monitor	II-30
Radio	II-30

2002 LAND YACHT GAS DASH



- | | |
|---------------|--|
| 1) 201754-02 | Dash top, plastic |
| 1a) 703140 | Cover, vinyl, dash w/pad |
| 2) 690456 | Dash louver, A/C-heater, Acme |
| 3) 386064-03 | Medallion, 3", black |
| 4) 381438 | Latch, glove box, non-locking, squeeze |
| 5) 203313-01 | Panel, glove box |
| 452358 | CATCH, GLOVE BOX LATCH, FORMED |
| 381442 | RETAINER CLIP, GLOVE BOX LATCH |
| 381437 | HINGE, GLOVE BOX HINGE |
| 320122 | SCREW, BLACK, #4 PFH |
| 6) 385641 | Decal, Land Yacht |
| 7) 203307 | Dash face, front |
| 8) 203315 | Trim ring, TV |
| 9) 203312 | ABS Closeout, steering column |
| 10) 203309-01 | Instrument panel, w/monitor cutout |
| 10A) 203309 | Instrument panel, w/o monitor cutout |
| 11) 201934 | Tray, glove box door |
| Not shown: | |
| 203308 | Defroster box |
| 114090 | Deflector, plenum, defrost |
| 381764 | TRIM-RUBBER EDGE DASH TV |
| 690457 | GRILL RETURN AIR |
| 203316 | Defroster transition |
| 690315-05 | Grille, defroster |
- See page electrical section for dash switch assembly.

2002 LAND YACHT GAS

DECALS

For reference only

There are **no** exterior decals except for the two Gold ones listed below on the 2002 Land Yacht Motorhome.

Many places, especially the logos, will appear to be decals but are actually painted.

Each vehicle has been provided with a sheet that lists the color codes on that particular motorhome.

Also, each motorhome is shipped from Carrera Designs with touch-up paint for each color.

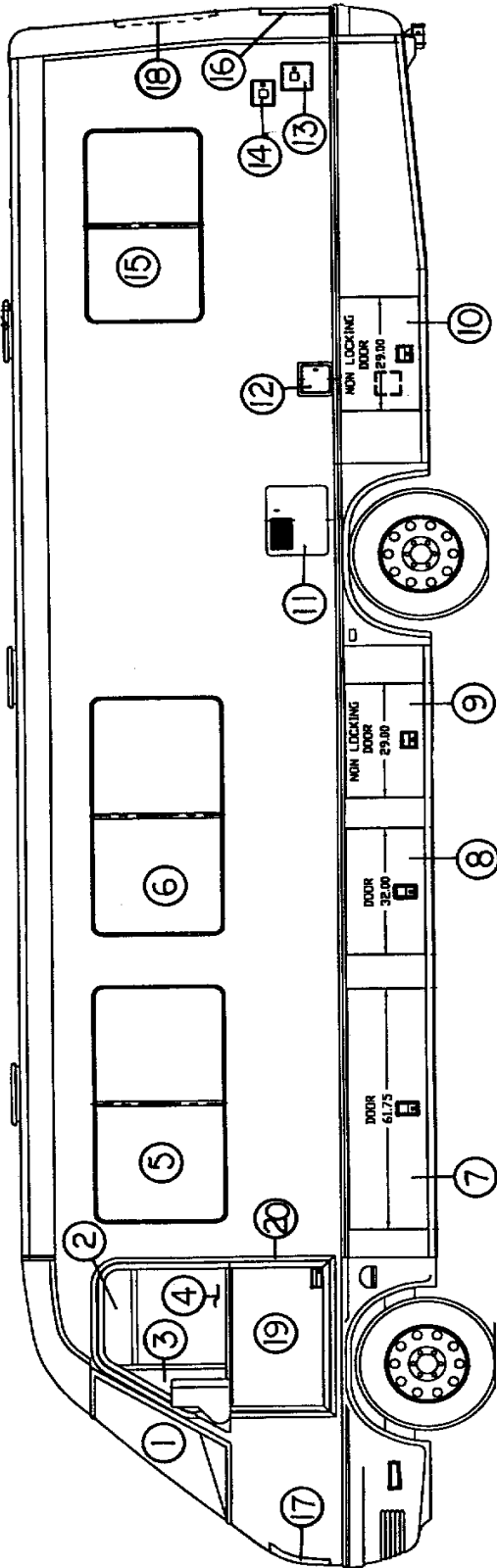
A back-up color chart for each motorhome is kept in Airstream's files. If calling Airstream for this information ask for "Sales" and have the serial number available for them.

386076	DECAL LAND YACHT GOLD 6"
386070	LOGO-AIRSTREAM 32" GOLD
385641	DECAL, LAND YACHT GLOVE BOX

MEDALLIONS

386043-03	MEDALLION-BLACK AIRSTREAM 12"
386067-03	MEDALLION 70TH Anniversary, 4 3/8" BLACK
386063-03	MEDALLION, 8" BLACK
386064-03	Medallion, 3' black, dash

2002 LAND YACHT GAS



See next page for P/N

2002 LAND YACHT GAS

DOORS/WINDOWS/AWNINGS

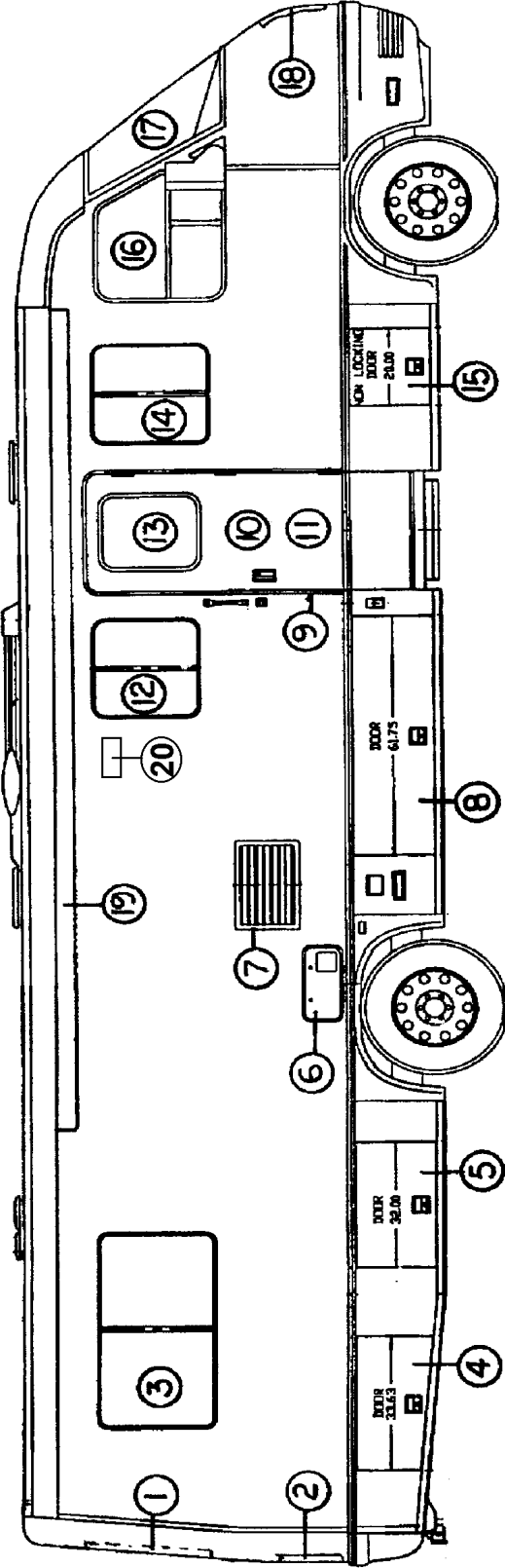
(Hardware such as hinges, locks and latches are located in the **hardware** section of this book)

ROADSIDE-**33ft. only**

- | | |
|-------------------------------|---|
| 1) 371290 | Windshield, RS |
| 2) 372196 | Glass, drivers door, upper fixed |
| 3) 372194 | Glass, drivers door, fixed |
| 4) 372195 | Glass, drivers door, movable |
| 114808-02 | Drip cap, cab window |
| 5) 371373-05 | Window, horizontal slide, 29.75" x 60.25", RS |
| 6) 371373-05 | Window, horizontal slide, 29.75" x 60.25", RS |
| 7) 921166-01 | Compartment door, 61.75" |
| 8) 921166-02 | Compartment door, 32.00" |
| 9) 921169-03 | Compartment door, non-locking, 29.00" |
| 10) 921169-03 | Compartment door, non-locking, 29.00" |
| 11) 690259-05 | Door, water heater access |
| 11a) 690259-06 | Mounting flange, water heater access |
| 12) 201865-02 | Fuel fill housing, polar white |
| 13) 511045-02 | Cord door hatch, 110volt |
| 14) 201866-02 | Water fill, potable water tank |
| 15) 371373-22 | Window, horizontal slide, egress, 30.25" x 48.88" |
| 16) 203018-01 | Trunk door, LY, Nu white |
| 17) 203237 | Hood, fiberglass |
| 18) 371373-02 | Window, stationary, rear, 29.25" x 62.25" |
| 19) 922328-04 | Drivers door assembly |
| 114814 | Drip cap, drivers door |
| 20) 195279-02 | Jamb, drivers door |

See option section for double pane window parts numbers.

2002 LAND YACHT GAS



See next page for P/N

2002 LAND YACHT GAS

DOORS/WINDOWS/AWNINGS

(Hardware such as hinges, locks and latches are located in the **hardware** section of this book)

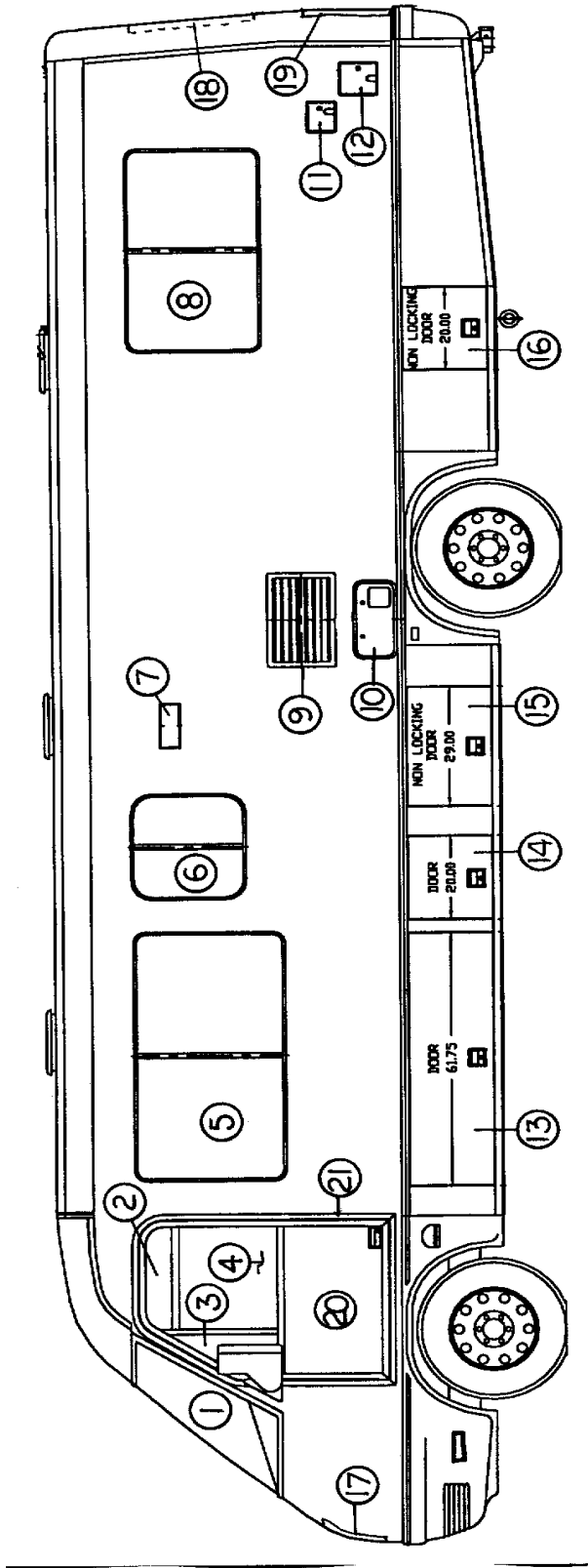
CURBSIDE-33' ONLY

- | | |
|-------------------------------|---|
| 1) 371373-02 | Window, stationary, rear, 29.25" x 62.25" |
| 2) 203018-01 | Trunk door, LY, Nu white |
| 3) 371373-21 | Window, horizontal slide, 30.25" x 48.88", CS |
| 4) 921167-01 | Compartment door, angled, CS, 33.63 |
| 5) 921166-02 | Compartment door, 32.00" |
| 6) 690274-11 | Door, Hydroflame, exterior |
| 7) 690340-01 | Door, refrigerator, flush mount |
| 8) 921166-01 | Compartment door, 61.75" |
| 9) 922375-02 | Doorjamb assembly |
| 10) 109988 | Main door |
| 114059 | Drip cap, main door |
| 11) 922372 | Screen door assembly |
| 12) 371373-09 | Window, horizontal slide, 25.25" x 25.75", CS |
| 13) 371373-01 | Window, main door, 19.25" x 23.25" |
| 14) 371373-10 | Window, horizontal slide, 29.75" x 26.25", CS |
| 15) 921169-04 | Compartment door, non-locking, 20.00 |
| 16) 371371-01 | Window, cab, CS, angled |
| 114808-02 | Drip cap, cab window |
| 17) 371291 | Windshield, CS |
| 18) 203237 | Hood, fiberglass |
| 19) *702679-31W | Awning, patio, 17', Burgundy Shadows |
| 20) 511152-01 | Vent cover, exterior range, white |

See option section for double pane window parts numbers.

* Awning hardware and covers were changed from white (W) to Satin (S) finish during the 2002 Model year. Use appropriate letter to designate finish needed when ordering.

2002 LAND YACHT GAS



See next page for P/N

2002 LAND YACHT GAS

DOORS/WINDOW/AWNINGS

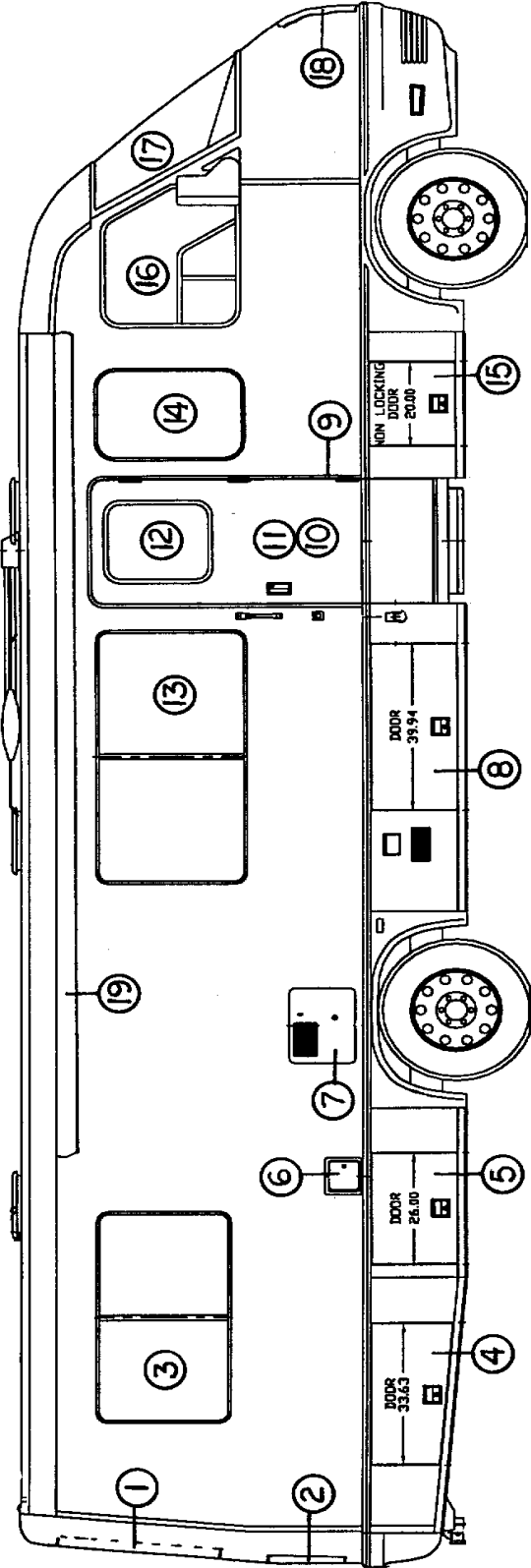
(Hardware such as hinges, locks and latches are located in the **hardware** section of this book)

ROADSIDE-**30'ONLY**

- | | |
|-------------------------------|---|
| 1) 371290 | Windshield, RS |
| 2) 372196 | Glass, drivers door, upper, fixed |
| 3) 372194 | Glass, drivers door, fixed |
| 4) 372195 | Glass, drivers door, movable |
| 5) 371373-05 | Window, horizontal slide, RS, 29.75" x 60.25" |
| 6) 371373-04 | Window, horizontal slide, RS, 25.25" x 25.75" |
| 7) 511152-01 | Vent cover, range exhaust |
| 8) 371373-22 | Window, horiz, slide, RS, egress, 30.25" x 48.88" |
| 9) 690340-03 | Door, refrigerator, flush mount |
| 10) 690274-11 | Door, Hydroflame furnace, exterior |
| 11) 201866-02 | Water fill, potable water |
| 12) 511045-02 | Cord door hatch, 110 volt |
| 13) 921166-01 | Compartment door, 61.75" |
| 14) 921166-04 | Compartment door, 20.00" |
| 15) 921169-03 | Compartment door, non-locking, 29.00" |
| 16) 921169-04 | Compartment door, non-locking, 20.00" |
| 17) 203237 | Hood, fiberglass |
| 18) 371373-02 | Window, stationary, rear, 29.25x62.25" |
| 19) 203018-01 | Trunk door, LY, Nu white |
| 20) 922328-04 | Drivers door assembly |
| 114814 | Drip cap, drivers door |
| 21) 195279-02 | Jamb, drivers door |

See option section for double pane window parts numbers.

2002 LAND YACHT GAS



See next page for P/N

2002 LAND YACHT GAS

DOORS/WINDOWS/AWNINGS

(Hardware such as hinges, locks, and latches are located in the **hardware** section of this book)

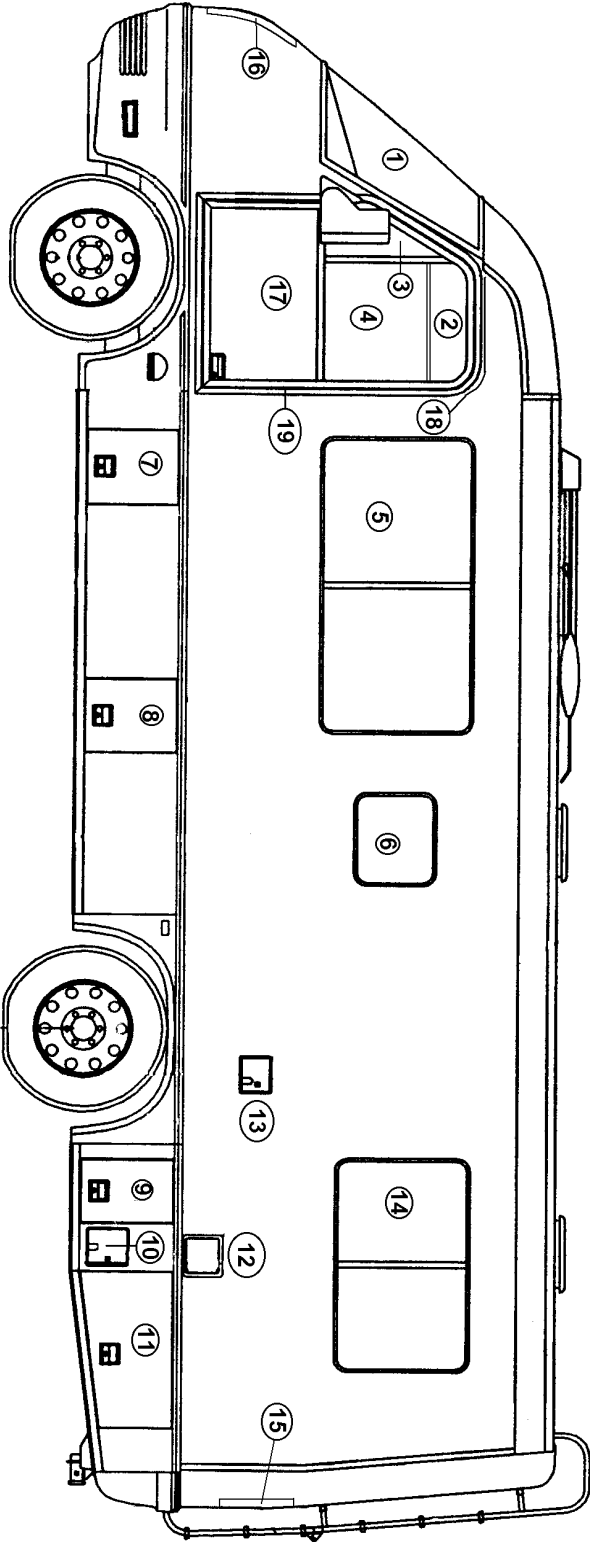
CURBSIDE-30' ONLY

- | | |
|-------------------------------|---|
| 1) 371373-02 | Window, stationary, rear, 29.25" x 62.25" |
| 2) 203018-01 | Trunk door, Nu-white |
| 3) 371373-21 | Window, horiz. slide, CS, 30.25" x 48.88" |
| 4) 921167-01 | Compartment door, CS, angled, 33.63" |
| 5) 921166-08 | Compartment door, 26.00" |
| 6) 201865-02 | Fuel fill housing, polar white |
| 7) 690259-05 | Water heater access door white |
| 7a) 690259-06 | Cover/mounting flange, water heater |
| 8) 921166-05 | Compartment door, 39.94" |
| 9) 922375-02 | Doorjamb assembly |
| 10) 109988-05 | Main door |
| 114059 | Cap, drip, main door, white |
| 11) 922372 | Screen door assembly |
| 12) 371373-01 | Window, main door, 19.25" x 23.25" |
| 13) 371373-06 | Window, horiz. slide, CS, 29.75" x 60.25" |
| 14) 371373-08 | Window, stationary, CS, 29.75" x 21.50" |
| 15) 921169-04 | Compartment door, non-locking, 20.00" |
| 16) 371371-01 | Window cab, CS, angled |
| 114808-02 | Drip cap, cab window, CS, white |
| 17) 371291 | Windshield, CS |
| 18) 203237 | Hood, fiberglass |
| 19) *702679-30W | Awning, patio, 16', Burgundy Shadows |
| *702679-09W | AWNING PATIO 16' BLK SHADOWS 9000 |

See option section for double pane window parts numbers.

* Awning hardware and covers were changed from white (W) to Satin (S) finish during the 2002 Model year. Use appropriate letter to designate finish needed when ordering.

2002 LAND YACHT GAS



2002 LAND YACHT GAS

DOORS/WINDOWS/AWNINGS

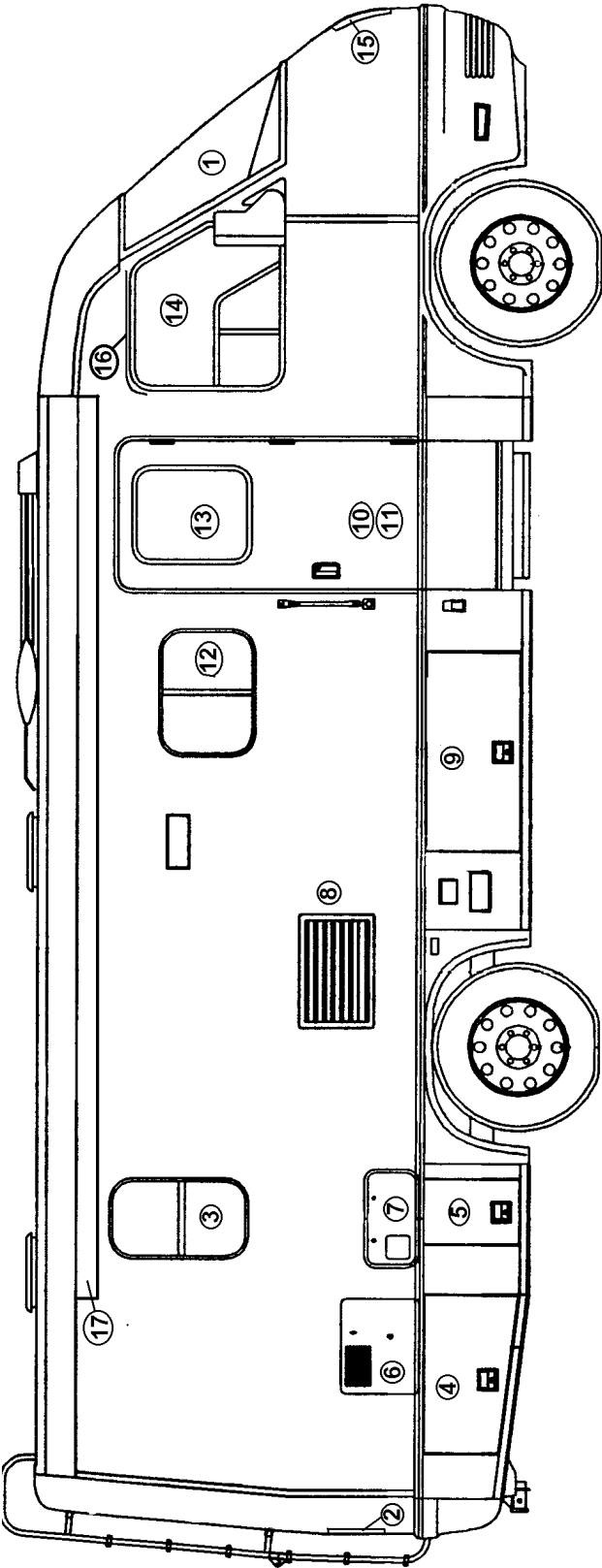
(Hardware such as hinges, locks and latches are located in the **hardware** section of this book)

ROADSIDE-**26 ft. only**

- | | |
|-------------------------------|---|
| 1) 371290 | Windshield, RS |
| 2) 372196 | Glass, drivers door, upper fixed |
| 3) 372194 | Glass, drivers door, fixed |
| 4) 372195 | Glass, drivers door, movable |
| 5) 371373-05 | Window, horizontal slide, 29.75" x 60.25", RS |
| 6) 371373-25 | Window, RS, Horizontal slider, 15.25" x 18.00" |
| 7) 921166-11 | Compartment door, 15.00" |
| 8) 921166-11 | Compartment door, 15.00" |
| 9) 921166-10 | Compartment door, 13.00" |
| | Changed to 921166-11, 15" door, Oct. 200 |
| 10) 511045-02 | Cord door hatch, 110volt |
| 11) 921207-02 | Compartment door, angled |
| 12) 201865-02 | Fuel fill housing, polar white |
| 13) 201866-02 | Water fill, potable water tank |
| 14) 371373-24 | Window, horizontal slide, egress, 26.00" x 43.00" |
| 15) 203018-01 | Trunk door, LY, Nu white |
| 16) 203237 | Hood, fiberglass |
| 17) 922328-04 | Drivers door assembly |
| 18) 114818 | Drip cap, drivers door |
| 19) 195279-02 | Jamb, drivers door |

See option section for double pane window parts numbers.

2002 LAND YACHT GAS



2002 LAND YACHT GAS

DOORS/WINDOWS/AWNINGS

(Hardware such as hinges, locks and latches are located in the **hardware** section of this book)

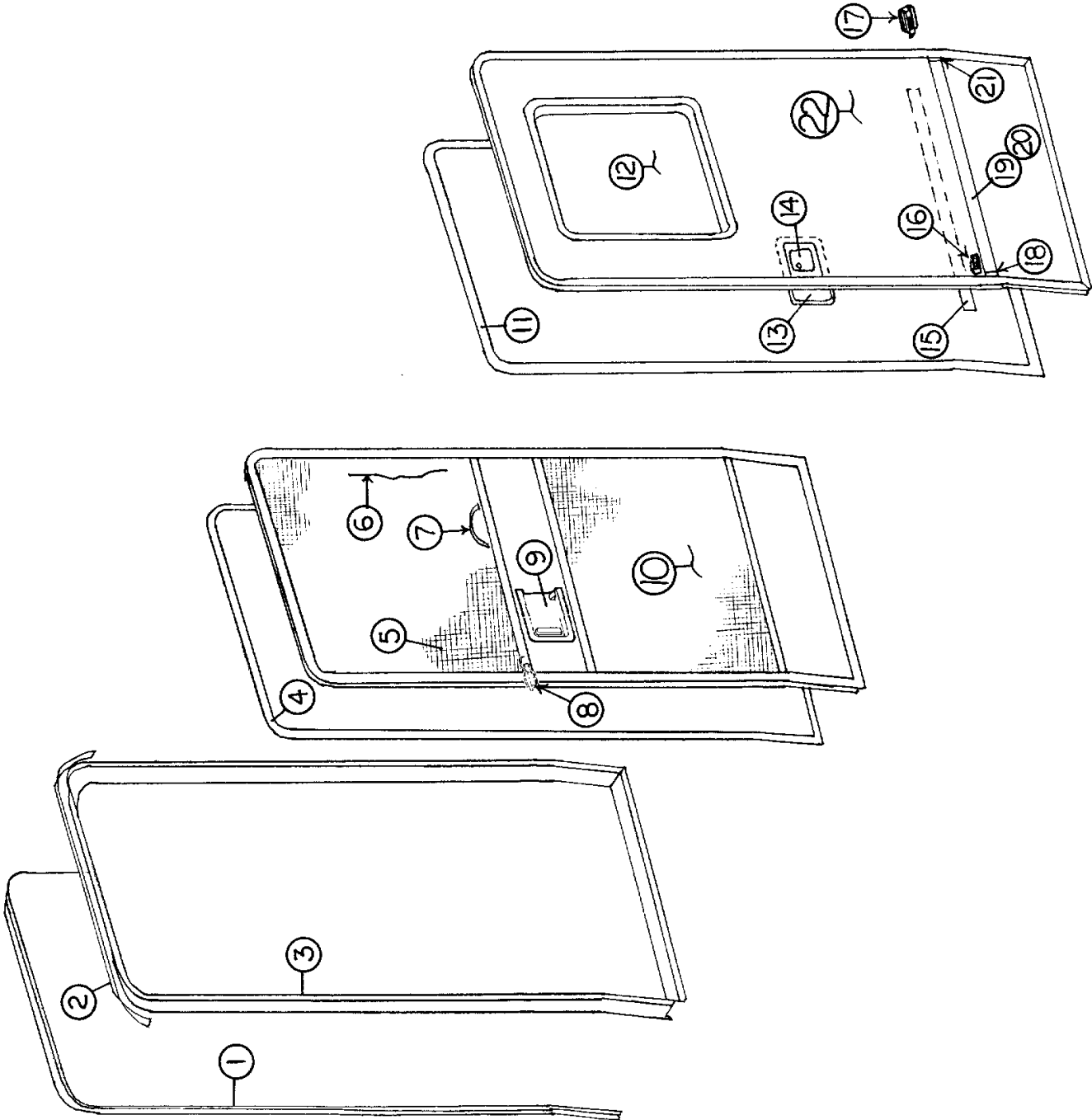
CURBSIDE **26' ONLY**

- 1) 371291 Windshield, CS
- 2) 203018-01 Trunk door, LY, Nu white
- 3) 371373-23 Window, CS Vertical slider, 26.50" x 15.00"
- 4) [921207-01](#) Compartment door, angled C/S
- 5) [921166-10](#) Compartment door, 13.00"
Changed to 921166-11, 15" door, Oct. 2001
- 6) 690259-05 Door, water heater access
- 690259-06 Mounting flange, water heater access
- 7) 690274-11 Door, Hydroflame, exterior
- 8) 690340-01 Door, refrigerator, flush mount
- 9) [921166-12](#) Compartment door, 40.00"
- 10) 109988 Main door assembly
- 922375-02 Doorjamb assembly
- 11) 923086 Screen door assembly
- 12) 371373-26 Window, CS Horizontal slider, 15.40" x 23.00"
- 13) 371373-01 Window, main door, 19.25" x 23.25"
- 14) 371371-01 Window, cab, CS, angled
- 15) 203237 Hood, fiberglass
- 16) 114808-02 Drip cap, cab window
- 17) *702679-31W Awning, patio, 17', Burgundy Shadows

See option section for double pane window parts numbers.

* Awning hardware and covers were changed from white (W) to Satin (S) finish during the 2002 Model year. Use appropriate letter to designate finish needed when ordering.

2002 LAND YACHT GAS



See next page for P/N

2002 LAND YACHT GAS

MAIN and SCREEN DOOR

1) 114566	Trim, inside doorjamb
2) 114059	Drip cap, main door
3) 922375-02	Jamb, main door
4) 365013-01	Gasket, screen door, low-density foam
5) 380079	Screen, plastic mesh
6) 200518	Spline, Gray, round, screen installation
7) 380004	Pull handle, screen door w/screws
8) 381454	Latch, screen door, double action, Bullet
9) 203000	Closeout , plastic, sliding, screen door, (Gizzy)
10) 922372	Screen door assembly, 30' & 33'
10A) 923086	Screen door assembly, notched, 26'
11) 365045	Seal, main door
12) 371373-01	Window, single pane, stationary, 19.25" x 23.25"
13) 203002	Cover, inner door lock pocket, plastic
14) Door lock	The main door lock is made up of five separate parts. See hardware in Section III for listing
15) 114005-02	Trim, inside door face (also used as roof trim)
16) 201056	Catch, main door hold back
17a) 380291	Main door hold back, used w/housing 380290
17b) 380290	Latch housing, main door hold back
18) 385955-02	End cap, rub rail, LH
19) 114584	Extrusion, rub rail
20) 201709-02	Insert, black, rub rail trim
21) 385955-01	End cap, rub rail, RH
22) 109988	Main door assembly
114050	Panel, kick, screen door, 30' & 33'
115089	panel, kick, screen door, notched 26'
114561	Panel, slider, screen door
381632	PROP-GAS SPRING 30# STEEL FITTING
381634	BRKT-PROP-LH CURVED, RH STUD
381633	BRACKET PROP 2" 10MM
381632-01	SAFETY CLIP 10MM STL END FITTING
203156	COVER - DOOR PROP

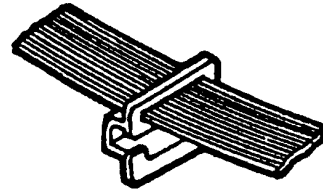
2002 LAND YACHT GAS
 DRAPES/BLINDS/VALANCES



114021
 Bracket, curtain
 stand off



101225
 Bracket, curtain
 stand off



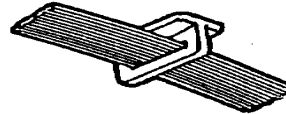
700045
 Glides, w/elastic
 "G" type



101220
 track, standoff



101217
 track, curtain



700044
 glides, w/elastic T

- 200784 End, curtain track, CS
- 200785 End, curtain track, RS
- 702878-02 Drapes, front windshield
- 109463-14 Tie-back, drapes
- 702355-06 Shade, pull, main door

- 702969-20 Shade, single pleated, night, 63" x 31.5"
- 702969-34 Shade, single pleated, night, 49.5" x 32.5"
- 702969-29 SHADE SINGLE PLTD NIGHT 45" X 29"
- 702969-36 SHADE-PLEATED NIGHT ONLY 20" X 17.25"
- 702969-37 SHADE-PLEATED NIGHT ONLY 17" X 28.50"
- 702968-38 SHADE-DAY/. NIGHT 25.00" X 18.00"
- 702968-33 Shade, pleated, day/night 60.25" x 27"
- 702968-04 Shade, pleated, day/night, 27" x 27"
- 702968-03 Shade, pleated, day/night, 22.5" X 33.5"

Continued

2002 LAND YACHT GAS

DRAPES/BLINDS/VALANCES

SHADOW BOXES

Wide x High

26', 30' & 33"

965233-01	Lounge	62.00" x 30.00"
965233-05	DBL bedroom RS & CS	52.00" x 36.00"
965233-06	DBL bedroom rear	62.50" x 28.50"
962333-09	Twin bedroom, RS & CS	52.00" x 31.00"
965233-07	Twin bedroom, rear	66.00" x 27.50"

26 Ft. Only

965233-10	Galley	27.25 x 17.62
964121-01	VALANCE DINETTE/RS LOUNGE	64.25"
965233-01	SHADOW BOX ASSY. LOUNGE/DINETTE	
965232-06	SHADOW BOX-STOOL ROOM	
965232-04	SHADOW BOX ASSY-BEDROOM	
965232-05	SHADOW BOX ASSY-BEDROOM 19"	

33 Ft Only

965233-08	Galley	39.00" x 27.50"
965233-04	Swivel chair window	29.00" x 30.00"

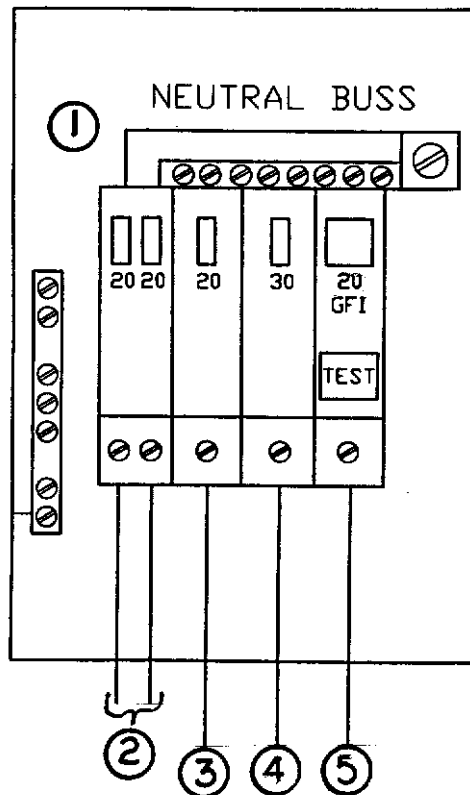
30 FT Only

965233-02	Galley	39.00" x 25.00"
965233-03	Swivel chair window	24.50" x 30.00"

385963	Bracket, valance mounting, side	
--------	---------------------------------	--

2002 LAND YACHT GAS ELECTRICAL

110 VOLT



- | | |
|-----------|---|
| 1) 511336 | Breaker box, Square D, 30-amp, 30ft. & 33ft. |
| 511647 | Breaker box, 30-amp, flush mount, Square "D", 26ft. |
| 2) 510662 | Breaker, 20 amp, double, Square D 2020 |
| 3) 510678 | Breaker, 20amp, Square D 0120 |
| 4) 510663 | Breaker, 30 amp, Square D 0130 |
| 5) 510661 | Breaker, 20 amp, Square D GFI |

961534 COVER-PANEL, 110V, CIRCUIT BREAKER

- | | |
|--------|---|
| 510634 | Power cord, 120volt, 36 ft. |
| 511426 | Converter, electronic, 55 amp. |
| 510562 | Switch over relay, automatic, shore to gen. |

Continued

2002 LAND YACHT GAS

ELECTRICAL

110 VOLT

511637	Switch, selector, automatic, battery control center
510676-01	Receptacle, weatherproof, w/cover
*511038	Generator, Onan, 5.0 Marquis, 30' & 33' Replaced after unit 640999, Sept. 01, by P/N 511649
452376-01	HANGER, GENERATOR
452376-02	HANGER, GENERATOR R.H.
*511649	Generator, Marquis "Gold", 5.5 KW, Onan, all units After unit 640999
453990	Hanger, generator, RH
453989	Hanger, generator, LH
914349	Generator tailpipe
450735	Hour meter
450736	Hour meter bracket
500785	OUTLET, DUPLEX BROWN T & B
500913-02	SWITCH, T & B BROWN #WDS151 BROWN
500385	Switch cover, white, 110-volt light switch
511451-02	Receptacle, 20A, Single Brown, for converter

2002 LAND YACHT GAS

*ELECTRICAL

12-VOLT

511132	Battery, deep cycle
511273	Tray, battery hold-down
511426	Converter, electronic, 55 amp.
511632-01	Battery control center, Intellitec
511632-02	Cable assembly, battery control center
511632-04	Switch bezel, battery control center, black/silver
511637	Selector switch, automatic, rear AC-microwave
511452	Fuse holder, ATC, single, weather proof
500475-05	Circuit breaker, 12 volt, 5amp, w/ears
500475-25	Circuit breaker, 12 volt, 25amp, w/ears
511090	Stud type junction block
511233-02	Harness w/module, wiper delay
511419-03	Harness, wiper Chevy/Trico
510914	Terminal, relay block
510844-01	Relay, Bosch #86-117
510844-02	Socket, Bosch relay
510843	Flasher, heavy duty
511607-10	Breaker, plug-in, 10 amp, for wiper system
913938	ASSY., BRACKET, 7 WAY PLUG
511278	Lock-out, 110 volt disconnect, TV
201890	Cover, exterior 110V, below floor

*See **ENTERTAINMENT SECTION** for radio, television, antennas, etc.
See **Option section** for VCR, Satellite System, DVD, CD Changer

2002 LAND YACHT GAS

ELECTRICAL

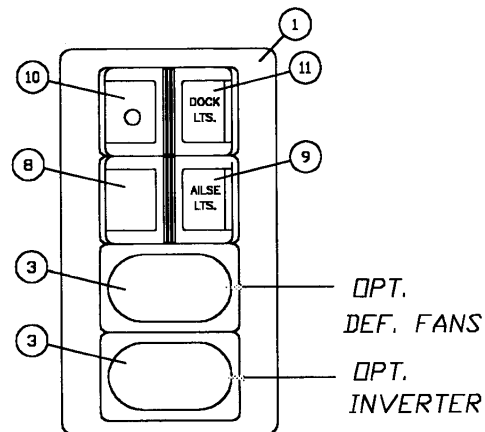
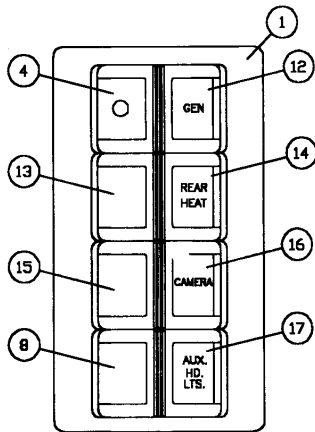
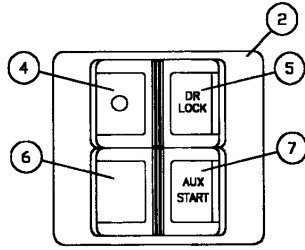
12-VOLT

511525	Headlight, CS
511526	Headlight, RS
511529	Bulb, headlight
380644	Screw, directional adj. Headlight
381376	Spring, headlight tension
511528	Turn signal, front, amber, RS
511527	Turn signal, front. Amber, CS
511094	Driving light kit, Halogen
114861	DRIVING LIGHT MOUNTING BRACKET
500892	Light, clearance/reflector, amber
510984-02	Light clearance/side marker, amber
510984-01	Light, clearance, red
511240	Light, tail/turn/stop/back-up
511239	Light, tail/turn/stop
511154-02	Light strip, 3 rd brake light 1"x10"
511294	Light, license plate
511101-01	Light, docking, halogen, stainless steel
201991	Housing docking light
510732	Light, utility #1327 (by door)
510672-02	Light, porch (high on side of unit)
511163	Light, compartment
510734	Alarm, back-up
510976	Buzzer, headlight warning GM#999373

2002 LAND YACHT GAS

ELECTRICAL

12 VOLT*DASH SWITCHES



- | | |
|---------------|--------------------------------------|
| 1) 510931-01 | Bezel, dash switch, #822537-4, 4-SW |
| 2) 510931-02 | Bezel, dash switch, #822535-4, 2-SW |
| 3) 510929-01 | Switch, dash, blank, #4864 |
| 4) 510929-03 | Switch, dash, #4775-12-GR |
| 5) 510930-02 | Lens, switch, DOOR LOCK, #4139-638 |
| 6) 510929-02 | Switch, dash, #4770-12 |
| 7) 510930-33 | Lens, dash switch, AUX. START |
| 8) 510929-05 | Switch, dash, #4967-12 |
| 9) 510930-06 | Lens, switch, AISLE LIGHT, #4139-642 |
| 10) 510929-07 | Switch, dash #4771-12-RD |
| 11) 510930-07 | Lens, switch, DOCK LIGHTS, #4139-638 |
| 12) 510930-03 | Lens, switch, GENERATOR, #4139-633 |
| 13) 510929-04 | Switch, dash, #4773-12 |
| 14) 510930-04 | Lens, switch, REAR HEATER, #4139-639 |
| 15) 510929-08 | Switch, DASH CAMERA |
| 16) 510930-25 | Lens, dash switch, REAR CAMERA |
| 17) 510930-37 | Lens, Dash switch, AUX. HD LIGHTS |

2002 LAND YACHT GAS

ELECTRICAL

12-VOLT

510929-06 Switch, TV audio through sound system
195388 SWITCH PLATE BEZEL FOR P/N# 195386

*Note: the chassis manufacturer provides Engine check and headlight switches.

500976 Outlet, TV Coax
453146 BRACKET TV/CABLE RECEPTACLE
511206-01 BOX WEATHER PROOF 2 GANG 1/2"HOLES

511305-10 Control switch, heated mirror
511305-05 Mirrors, exterior, Velvac, heated/remote
511305-09 Cable extension, exterior mirror, 5.5'
511305-08 Cable extension, exterior mirror, 11.0'
381321-03 Switch, exterior mirror

510814 Switch, pushpin type-drivers door jamb
510802-01 Actuator, door lock, 5-wire
511352 Module, locking, keyless entry
511612-02 CONNECTOR W/PIGTAIL 2 PIN NATURAL
511612-03 CONNECTOR W/PIGTAIL, SIX-PIN GRAY
511612-04 CONNECTOR W/PIGTAIL, SIX-PIN BLACK

195285-05 Power window regulator, Rockwell
195386 Switch, momentary, on-off, window, cab door

510614-01 TV Jack, 12-Volt white
511643 SWITCH BODY W/COVER-3 GANG BLACK
511644 Circuit breaker, Mini, Type 1, 10A., 12V
511002 SWITCH/SAFETY.BATT. DISCONNECT, T-M8

2002 LAND YACHT GAS

ELECTRICAL 12-VOLT

511141	Solar panel, 5watt
511413	Light, indicator, solar panel
510807	Outlet, 12-volt
511276	Cover, 12-volt outlet, black
510596	Cigarette lighter, chrome
511486	Switch, magnetic, round, step
511913-02	Switch, T & B Brown #WDS151 BR
510688	Switch, 4-gang, bathroom
500933	Switch, water heater
511078	Switch, 4-gang, at entrance door
511083-02	Cover, 4-gang switch at entrance door
511513	Light, green LED, monitors battery disconnect
511152-11	Range hood w/monitor, black
500996	Jack, TV/phone, Gray
510624-01	Modular, telephone jack-bedroom
500960-01	Light, fluorescent, recessed, 14.75
680084	Bulb, fluorescent, F8T5-CW
500960-02	Light, fluorescent, recessed, 20.63
680085	Bulb, fluorescent, F15T8-CW
511297	Light, reading, halogen w/switch
511137-100	Bulb, halogen, reading light
511609-01	FIXTURE-BRASS W/DECORATIVE FINIAL
511609-02	GLOBE-DINETTE 8.5"PRISMATIC
511474-02	Switch, dimmer, black

2002 LAND YACHT GAS

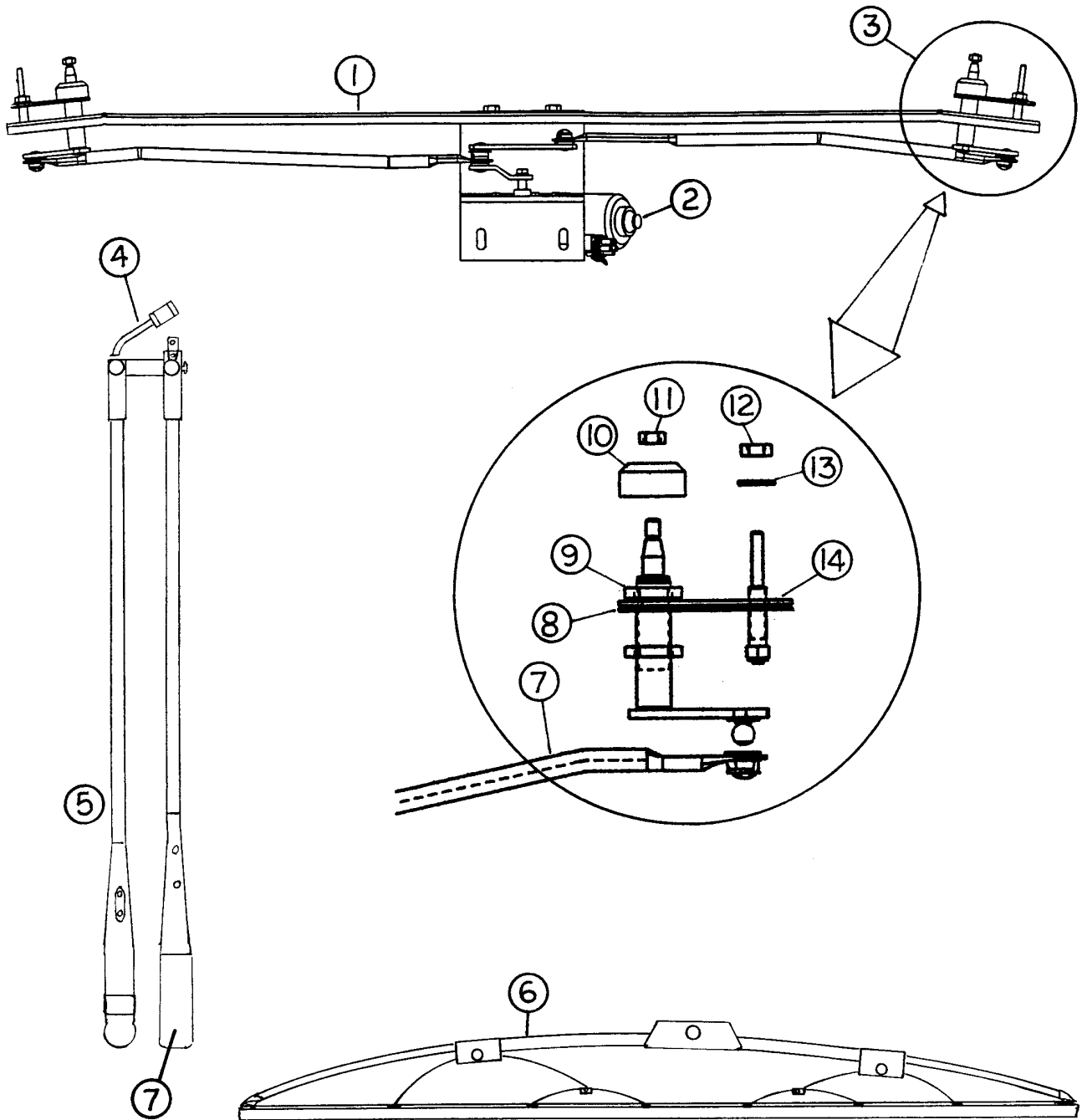
ELECTRICAL

12-VOLT

511298	Wall lamp, 12 volt
510689	Bulb, incandescent, 1076
511298-02	Shade, wall lamp, round
511298-01	Shade, wall lamp, rectangular
500956	Light, wardrobe, w/switch
681924	Bulb, wardrobe light, 581
511361	Light, courtesy, flush-mount, dash, black Separate bulb not available
510973	Light dome, triple, black
511031	Bulb, dome light, 168
511410	Light, shower, incandescent
50085-02	Bulb, incandescent, #1141
500842	Light, fluorescent 16 WATT, 12 X 5.5 X 1
511327	SWITCH BODY W/ROCKER SW.1GANG WHT
511328	SW. COVER 1 GANG PRINTED WHITE
511023	TESTER CIRCUIT ANALYZER 3WIRE
511040	SWITCH DOOR MOMENTARY NORM "ON"
962203-01	ASSY. SWITCH CLUSTER MAIN DOOR
510868-03	SWITCH PANEL 4 GANG WHITE
511078	SWITCH BODY W/ILLUMINATED SWITCH CSA
511513	LIGHT, INDICATOR LED GREEN 12V
511421	Light, courtesy, black
511248	Light incandescent
511052	Light, wall, 3-bulb, brass
511638	Flush mount fuse block, single input, Intellitec

2002 LAND YACHT GAS

WIPER ASSEMBLY



See next page for P/N

2002 LAND YACHT GAS

WINDSHIELD WIPER

- 1) 511419-03 Windshield wiper assy, Trico
- 2) 511419-101 Wiper motor, Trico
- *3) 511419-102 Pivot and link assembly, Trico
- 4) 511419-103 Washer jet and tubing, Trico
- 5) 511419-104 Pantograph arm assembly, Trico
- 6) 511419-105 Blade assembly, 28", Trico (does not inter change with 1998 and prior)

*The following parts make up the pivot and link assembly for reference only

- 7) Link
- 8) Oval rubber gasket
- 9) Nut, 1 1/8"
- 10) Rain shield
- 11) Nut, arm retainer -8mm
- 12) Nut, swivel retainer -10mm
- 13) Washer
- 14) Oval faceplate

- 511607-10 Breaker, plug-in, 10 amps, For wiper system
- 511419-04 Harness, wiper Trico

2002 LAND YACHT GAS

ENTERTAINMENT

690441	TV, JVC, 20" color stereo
690446	TV, color, 13", JVC, mono
511464-04	Speaker-Headphone system
511464-01	Headphone-speaker control
511464-02	Speaker, 4', 5watt
511464-03	Grill, speaker, black
511423	Plug-earphone
500975	Headphones, lightweight
510788-01	Antenna, TV, Winegard
510788-03	Amplifier, antenna, Winegard
510788-107	Gear, elevating, plastic, Winegard
510788-118	Handle, directional kit, Winegard
511642	BACKUP MONITOR SYSTEM-WELDEX, Kit# WDRV-3007
511642-100	Monitor only, WDRV-3007M, Black & white, 7"
511642-101	Camera only, WDRV-3057
511642-102	Cable only. 60', WDRV-2225
453966	BRACKET-CAMERA
453968	BRKT.-CAMERA MOUNTING
453967	BRACKET-BACKUP MONITOR
510930-25	LENS DASH SWITCH REAR CAMERA
511044-05	HOLE INSERT W-22349824
511044-03	ACTUATOR PUSH/PULL
511044-04	PIGTAIL FOR ACTUATOR
203029	MOUNTING INNER REAR MONITOR
203030	COVER OUTER REAR MONITOR
381542	THREADED STUD - MONITOR SUPPORT
453031	BRASS BRACKET SPRING
345414	SPRING-CAMERA BRACKET
510818	Noise suppressor, stereo, installed as needed.
511620	Radio, AM Cassette, JVC KS-FX 270
511618	Speaker set, 4" 2-way, black JVC
500994	Antenna, radio

*See option section for VCR

2002 LAND YACHT GAS

SECTION III

F through H

FASTENERS (common fasteners available locally are not listed)

Rivets	III-1
Screws	III-3

FLOOR COVERING

Carpet.....	III-5
Hardwood flooring.....	III-5
Mats	III-5

FURNITURE

Interior doors	III-6
Mirrors	III-7
Miscellaneous doors.....	III-7
Drawer face	III-8
Drawer box	III-8
Bedroom furniture.....	III-9
Bath, 26ft.	III-12
Bath, 30ft	III-13
Bath, 33ft	III-14
Galley, 26ft.	III-15
Galley, 30ft.	III-17
Galley, 33ft.	III-19
Lounge/cab, 26ft.....	III-21
Lounge/cab, 30ft.....	III-23
Lounge/cab, 33ft	III-25

HARDWARE

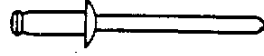
Props	III-27
Exterior locks/hinges	III-29
Drivers door	III-31
Interior drawers.....	III-32
Bath accessories	III-37
Awning hardware	III-38

2002 LAND YACHT GAS

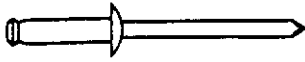
*FASTENERS



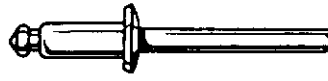
330126-02
rivet, pop
dia. 1/8 "
grip range .126-.187
stainless steel body
stainless steel mandrel



330126-03
rivet, pop
dia. 1/8 "
grip range .126-.250
stainless steel body
stainless steel mandrel



330031-01
rivet, pop
dia. 3/16 "
grip range .375-.725
stainless steel body
stainless steel mandrel



330031
rivet, pop
dia. 3/16 "
grip range .5/8 "
stainless steel body
stainless steel mandrel



330031-03
rivet, pop
dia. 3/16 "
grip range .126-.250
stainless steel body
steel mandrel

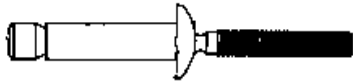


320108-01
rivet, bulb tite, w/washer
dia. 3/16 "
grip range .050-.187
aluminum body
aluminum mandrel

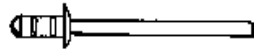
*Common bolts and screws readily available at local hardware outlets have not been listed.

2002 LAND YACHT GAS

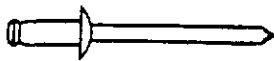
*FASTENERS



330139-01
dia. 1/4"
grip range .080-.375
stainless steel body
stainless steel mandrel



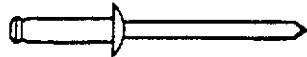
330137
dia. 1/8"
grip range .039-.189
aluminum body
steel mandrel



330127-03
dia. 1/8"
grip range .063-.125
aluminum body
aluminum mandrel



300101
1/8" I.D.
washer, aluminum



330127-05
dia. 1/8"
grip range .251-.312
aluminum body
aluminum mandrel

*Common bolts and screws available at local hardware outlets have not been listed

2002 LAND YACHT GAS

*FASTENERS

*Common bolts and screws on this page are readily available at local hardware.



320122
screw, pan head, Phillips
black
#4 x 1/8" (glove box tray)



320114-04
screw wood oval head, Phillips
antique brass
#5 x 1/2"



320114-05
Screw wood, oval head, Phillips
Antique brass
#5x5/8" #6x1.00"



320115-06
screw wood, flat head, Phillips
stainless steel



320124-06
screw, flathead, Phillips
stainless w/white head

320006	SCREW SHEET METAL 8 X 3/4 BH PHIL
320007	SCREW SHEET METAL 8 X 1 PH
320009	SCREW #8 X 2 IN MILL FINISH
320015	SCREW PHILLIPS HEAD TYPE A
320016	SCREW PHILLIPS HEAD 8 X 1/2 PH
320019	BROWN PHIL HEAD SCREW #8; 1"
320024	SCREW PHIL HEAD TYPE A 8 X 3/4
320029	SCREW #8 X 3/4 PAN HEAD PHIL DR A
320034	SCREW STAINLESS STEEL #8 X 5/8
320078	SCREW, 8 X 3-8
320079	SCREW, BROWN. -#8 X 2-1/2 IN
320094-04	SCREW, OVAL HEAD, BLACK, PHIL, 75" L
320118-10	SCREW, SHT MET, #8 X 1-1/2, CSK, PFH, SS
320116-02	BLACK PHIL HEAD SCREW #8; 1/2"

2002 LAND YACHT GAS

*Common bolts and screws on this page are readily available at local hardware.

320120-500	SCREW, 10-32 FLAT HEAD CAD. PLATED
320123-06	SCREW, #6 X 1.00 CSK PFH SST GRAY
320127-04	SCREW SHEET METAL #8 QDPH BLK .75
320128	SCREW #8 X 1.25 SM PN HD PHILLIPS
320129	INSERT-THREADED 1/4"O.D. X 1/4"L
320130-05	SCREW-#10-32 X .75" SLOT HEX HD
320130-09	SCREW #10-32 SLOTTED HEX HD 1.25L
320130-11	SCREW #10-32 SLOTTED HEX HD 1.50L
320037-00	SCREW #6 FH PHIL/HD 3/8" ZINC SMS
345025	SCREW THREAD FORMING 8-32 X 1/2
345084	SCREW-1/4-14 X 1 THREADED. CUTTING
345272-04	3/8-16 X 1.0 HEX HD. CAP SCREW
345275-03	SCREW FLAT HD. MACH.1/4-20 X 3/4
345276-02	SCREW, CAP, HX HD, 1/4-20X1/2", GR 5
345276-04	SCREWS, HEX HD. CAP, 1/4-20 X 1 IN.
345276-05	SCREW, HEX HD. CAP, 1/4-20 X 1 1/4
345283-03	CAP SCREW, 1/4-20 X 1 1/2, CAD PLATED
345287-03	MACHINE SCREW ROUND HEAD PLTD .50
345287-07	MACH.SCREW,10-24X1 IN GRADE 5
345321-12	SCREW, #8-32 FLAT HEAD, BLK, 1.625
345323-06	SCREW, MACHINE 10-24 X 3/4" PFH SS
345326-07	SCREW TAPPING, #10 SST, PPH, 1.50
345355	SCREW #8 X 3/4 FH PH SS
345356	SCREW MACHINE #8-32 X 1.00 FH PH SS
345383	SCREW 1/4-20 X 2.25 PH, FH SS
345413	SCREW HEX HD CAP ZINC 6MM X 45MM
345363	SCREW WOOD 1-1/2 COARSE THD
345385	SCREW- #8 X 1 BLK TRUSS HD PHIL
381630-01	SCREW-SS PAN PHILLIPS HEAD
195296-01	3/8-#8 PK. SCREW S.S.
195296-08	SCREW 8" X 5/8" PH PAN SMS TYP B
250041	SCREW 1/4 X 3/4 SELF-TAPPING
250174-02	SCREW HHCS GR5 1/4-20 X 1/2 PLATED

2002 LAND YACHT GAS FLOOR COVERING

*702793-07	Carpet, Regal Shadows, Roman Sands
700173-01	Carpet padding, 1/2in.
702893	Flooring, smooth rubber, .13" X 31" W
702812-02	Flooring, step-tread, round black knobs
701538	Carpet, Velour, for storage compartment
701538-01	CARPET-ECONO-LINER W/PSA BACK
701538-02	PSA BACKING-ECONO-LINER CARPET
201785-01	TRIM-OUT, FLOOR, 3-1/2" ROUND
201785-02	TRIM-OUT, FLOOR, 5" ROUND
201709-02	Extruded trim molding, black, baggage compartment
381346	Floor mats, cab, drivers or passenger
702549	Mat, entrance, w/Airstream logo
702550	Mat, entrance, step well
801335	Flooring, hardwood, Oak
800639-02	Adhesive, hardwood floor
360216	Caulk, brown, acrylic latex

*See sample chart provided to your sales department for more carpet and upholstery part numbers.

2002 LAND YACHT GAS

FURNITURE DOORS, INTERIOR

Side to side x top to bottom
(Inches)

800597-56z	door, raised panel	07.75 x 17.50
800597-40z	door, raised panel	09.75 x 33.00
800597-74z	door, raised panel	10.25 x 29.50
800597-80z	door, raised panel	10.50 x 36.75
800597-54z	door, raised panel	10.75 x 14.50
800597-09z	door, raised panel	11.00 x 29.75
800597-17z	door, raised panel	11.50 x 15.75
800597-77z	door, raised panel	11.50 x 18.00
800597-59z	door, raised panel	11.50 x 18.50
800597-76z	door, raised panel	11.50 x 19.00
800597-55z	door, raised panel	11.50 x 22.00
800597-35z	door, raised panel	13.57 x 15.50
800597-02z	door, raised panel	14.00 x 20.00
800597-03z	door, raised panel	16.50 x 20.00
800597-60z	door, raised panel	17.00 x 10.00

Width x height

800557-23z	door frame, for mirror	10.50 x 32.50
800557-37z	door frame, for mirror	10.50 x 42.00
800557-32z	door frame for mirror	11.50 x 17.50
800557-33z	door frame for mirror	11.50 x 19.50
800557-09z	door frame, for mirror	11.12 x 28.12
800557-33z	door frame, for mirror	11.50 x 19.5
800557-15z	door frame for mirror	19.00 x 60.00
800557-10z	door frame for mirror	22.00 x 60.00

2002 LAND YACHT GAS

MISCELLANEOUS DOORS

962782-01	Door bath swing, 30ft.
961413-02	Door, bath slider, 30ft.
702681-03	Door, foldette, beige, 30ft.
702681-05	Door, foldette, 31' x 73", 26 Ft.
381765	foldette formed track for 702681-05
703146	Shower door, 26ft.
702306-02	Shower door, 30ft.
702306-04	Shower door, 33ft.
702306-107	Drip cap, shower door
961413-04	Door, bath slider, 25.5" x 72.0", 33ft.
961413-05	Door, bath slider, 34.5" x 72.0", 33ft.
381581	STRAP CLEAR PLASTIC .75"W
700811	BUTTON CAP, HANDY #36
700812	BUTTON BOTTOM, HANDY #36
800881-054	Door, louvered Oak, 19.0" x 12.5"
801158-164	Door frame, smooth, 11.5" x 17.5"
801333	Door raised panel, bi-fold

MIRRORS

		(Inches)
371262-34	mirror, safety	7.62 x 29.62
372210-22	mirror, beveled	7.62 x 39.12
372210-10	Mirror, beveled	7.62 x 29.62
372210-11	mirror, beveled	7.75 x 19.50
372210-06	mirror, safety	8.62 x 14.62
372210-02	mirror, beveled	8.62 x 16.62
371262-15	mirror, safety	10.56 x 17.12
372207-01	mirror, safety	10.63 x 17.13
372203-18	mirror, polished	11.12 x 28.12
372203-19	mirror, safety	11.13 x 22.5
371262-32	mirror, safety	11.12 X 28.12
371262-10	mirror, safety	16.13 x 28.13
372203-15	mirror, safety	17.00 x 25.25
371262-04	mirror, safety	19.12 x 28.12
372203-14	mirror, safety	21.0 x 22.0
372213	Trim bright, mirror	
371243	Mirror rear view, GM #911722	

2002 LAND YACHT GAS

FURNITURE-DRAWER FACE/DRAWER BOX

(Inches)		
800599-58z	Drawer face	4.75 x 21.50
800599-69z	Drawer face	4.75 x 19.00
800599-40z	Drawer face	7.00 x 10.25
800599-01z	Drawer face	7.00 x 10.50
800599-02z	Drawer face	7.00 x 11.75
800599-52z	Drawer face	7.00 x 12.75
801156-87z	Drawer face	7.00 x 16.75
800599-18z	Drawer face	7.00 x 16.75
800599-38z	Drawer face	7.00 x 21.50
800599-21z	Drawer face	7.00 x 23.00
800599-65z	Drawer face	8.00 x 10.50
800599-68z	Drawer face	10.50 x 24.75
800599-71z	Drawer face	16.75 x 16.75

DRAWER BOXES

(Inches)		
964906-11	Drawer box	2.75 x 8.25 x 18.0
964906-02	Drawer box	2.75 x 18.0 x 19.5
964906-02	Drawer box	2.75 x 19.5 x 18.0
964910-07	Drawer box	5.00 x 10.0 x 14.0
964910-02	Drawer box	5.00 x 10.0 x 18.0
964910-16	Drawer box	5.00 x 10.81 x 20.0
964910-15	Drawer box	5.00 x 15.0 x 20.0
964910-06	Drawer box	5.00 x 19.5 x 14.0
964910-03	Drawer box	5.00 x 19.5 x 18.0
964910-01	Drawer box	5.00 x 20.88 x 18.0
964908-03	Drawer box	8.00 x 13.25 x 20.00
963790	Drawer box (goes under "J" bed)	
964008	Drawer box (goes under sofa)	
200980-01	Tray, silverware	

2002 LAND YACHT GAS FURNITURE-TWIN BEDROOM

963831 963832-01	Roof locker assy. RS 30' & 33' Face frame, RS rear roof locker
963005 961519	Bed, twin, RS, 30' & 33' Headboard, twin, RS
963004 961793	Bed, twin CS, 30' & 33' Headboard, twin, CS
963835-02 963837-01	Roof locker, rear, over window, 30' & 33' Face frame, rear roof locker
963893 961779-01 961780	Nightstand, center, rear, 30' & 33' Face frame, rear nightstand Top, rear nightstand
963894-03 963611-01	Wardrobe assy. RS, 33' Face frame, RS rear wardrobe
964018 964017	Wardrobe assembly, CS, 30' Face frame, CS wardrobe
701342-01	Strap, vinyl hold back
965090 965089-00Z	Roof locker assembly, CS, 30' & 33' FACE FRAME- R/L

2002 LAND YACHT GAS
FURNITURE-DOUBLE BEDROOM

963836-04 964430-01	Roof locker, rear, over window, 30' & 33' Face frame, rear roof locker
963895-03 962816-01	Wardrobe assy. rear, RS, 30' & 33' Face frame, rear RS wardrobe
963895-04 962817-01	Wardrobe assy., rear, CS, 30' & 33' Face frame, rear CS wardrobe
964868 964869 386017	Control panel assembly (furniture only), 30' & 33' Frame, control panel Decal, control panel backer, black
963789 965091	Bed, rear double, 30' & 33' Headboard "J" double
964071	Mirror assy. corner, 30' & 33'
965417-02	TV cabinet, bedroom, rear double, 30' & 33'
964072 964070-02 962666 964280-004 115045	Shelf/facer assy., corner, make-up cabinet. Facer make-up shelf, TV Top, make-up cabinet Counter top edge molding BRACKET-BEDROOM TV JVC
964868 964869	CONTROL PANEL ASSY. BEDROOM FRAME CONTROL PANEL BEDROOM

2002 LAND YACHT GAS
FURNITURE BEDROOM 26' **Only**

965461	Wardrobe assembly, RS
965477	Face frame wardrobe, RS
965473	Trim, TV support
801336-07	Panel, aft, RS wardrobe
965453	Nightstand assembly
965452	Face frame nightstand
965465	Nightstand top
965451	Locker assembly, rear liner
965450	Face frame, rear liner locker

2002 LAND YACHT GAS
FURNITURE-*BATH-**26'only**

965463	Lavy base assembly
965474	Face frame, lavy base
965454-01	Lavy top, Corian
963426-02	Header, bath door
961410-01	Jamb, bath door
965455	Toilet stand assembly
203318-01	Shower stall fiberglass, Almond, -02-CSA
703146	Shower door
962782-01	Door assembly, bath swinging
964822-004	Molding, shower stall trim
965459	Water closet overhead assembly, over toilet
965458	Face frame, W/C overhead
965479	Medicine cabinet assembly, over Lavy
965478	Face frame, medicine cabinet

2002 LAND YACHT GAS
FURNITURE-*BATH-30'only

962947-02	Lavy assembly
962956-01	Face frame, lavy assy.
964375-01	Lavy top-Corian
962747-01	Face frame, shower
800880-01	Stile, aft bath panel
203001	Shower stall, fiberglass
203004	Shower stall ceiling liner
702306-02	Shower door, gold
963931-01	Medicine cabinet assy.
962750-01	Face frame, medicine cabinet
961410-01	Jamb, bath door
963426-01	Header, bath door
381563	Track, formed curve, foldette door

*Note: Bath fixtures can be found in hardware-water
connected parts in plumbing.

2002 LAND YACHT GAS
FURNITURE-*BATH-**33'**only

963888-02	Lavy assy.
961699-01	Face frame, lavy assy.
964376-01	Lavy top-Corian
962216-01	Face frame, shower
800880-01	Stile, aft bath panel
201957	Shower stall, fiberglass
702306-04	Shower door, gold
963932-01	Medicine cabinet assy.
961927-01	Face frame, medicine cabinet
800894	Header, sliding door, forward, Cut out of 801180-00z
961410-01	Jamb, bath door
963876	Wardrobe assy., CS
963875-01	Face frame, CS bath wardrobe
801144	Panel, forward, CS wardrobe
963890	Wardrobe assy. RS
961710-01	Face frame, RS bath wardrobe
800815-02	Stile aft, bath panel end
800886	Panel, aft, RS wardrobe
800887	Panel, forward, RS wardrobe

*Note: Bath fixtures can be found in hardware-water
connected parts in plumbing.

2002 LAND YACHT GAS
FURNITURE-GALLEY-26'only

<u>965481</u>	Refrigerator cabinet assembly
965437	Face frame refrigerator cabinet
965482	Hardwood trim, aft refer
961739	REFER STAND ASSY.
<u>965472</u>	Galley assembly, 60"
964577	Face frame, galley
800631-004	Hand rail, 23" long
964969-01	Galley top assembly, Corian
964383-01	RANGE COVERS-CORIAN FRT/BACK
690396-03	BI-FOLD COVER 22"
<u>965456-01</u>	Dinette seat assembly, RH
965457-01	Dinette seat sub-assembly, RH
964496	Dinette back sub-assembly, RH
964500	Upholstered back, RH
964498	DINETTE CUSHION SUPPORT RH 37.63"
964334-02	FLEX SPRING-SEAT 21.63" X 38.00" MH
<u>965456-02</u>	Dinette seat assembly, LH
965457-02	Dinette seat subassembly, LH
964497	Dinette back sub-assembly, LH
964499	DINETTE CUSHION SUPPORT LH 37.63"
964501	Upholstered back, LH
964334-02	FLEX SPRING-SEAT 21.63X38.00 MH
700349	SEATBELT, MINI BUCKLE BLACK WEB
<u>703125-02</u>	TOP DINETTE SEAT, URETHANE BUCKSKIN
<u>965475</u>	Galley overhead locker
965476	Face frame, galley
965484	ASSY END CAP 13.25"
965483	FRAME END CAP 18.75"

2002 LAND YACHT GAS
FURNITURE-GALLEY-**26'only (continued)**

453982	BRACKET-DINETTE SEAT BELT LYMH
965468	DINETTE TABLE ASSY
380284-04	HINGE, TABLE BRKT, 15 X 7.38
963654-01	BACK SPLASH DINETTE TABLE 21"
962177-034	LEG HARDWOOD 30.50"
965090	DINETTE LOCKER ASSY
965089	FACE FRAME-DINETTE R/L
963991-004	SPICE RACK, OAK
961040-02	ASSY, MICROWAVE CABINET
961039-01	FACE FRAME, M/W CABINET
963990-004	MAGAZINE RACK
200980-01	TRAY, SILVERWARE, ALMOND, 9" X 13"
Optional full oven	
964495-01	Galley assy.,
964596	Face frame galley, full oven option
964968-01	Galley top assy., Corian

2002 LAND YACHT GAS
FURNITURE-GALLEY-**30'only**

963925	Refrigerator cabinet assy.
963924-01	Face frame, refrigerator cabinet
965090	Roof locker, dinette
965089-00Z	Face frame, dinette roof locker
961040-02	Microwave cabinet assy.
961039-01	Face frame, microwave cabinet
964578-02	Galley cabinet assy.
964579	Face frame, galley cabinet
964968-01	Galley top assy.-Corian
964973-01	Sink cover-Corian
964383-01	Bi-fold range covers
962720-03	Table assy. dinette
801070-004	Table top, Oak, w/Resistovar finish
963654-01	Back splash, dinette table
962177-03	Leg, hardwood, 30.50"
964536	Dinette seat assy., LH
964538	Back, upholstered, LH dinette seat
964334-03	Flex spring seat, 21.63" x 38.0"
964535	Dinette seat assy., RH
964537	Back, upholstered, RH dinette seat
964334-03	Flex spring seat, 21.63" x 32.0"
703125-02	Top dinette seat, urethane buckskin

(Continued)

2002 LAND YACHT GAS
FURNITURE-GALLEY-**30'ONLY**

[963991-004](#) Spice rack

[963990-004](#) Magazine rack

381491 Trash container, roll out

800631-004 Handrail, Oak

Optional Range w/full oven

[964595-01](#) Galley assembly

964596 Face frame, galley, full oven

964968-01 Galley top assembly, Corian

964383-01 Range cover, front & back

2002 LAND YACHT GAS
FURNITURE-GALLEY-**33'**only

963879	Refrigerator cabinet assy.
963880-01	Face frame, refrigerator cabinet
963896	Roof locker, galley
962843-01	Face frame, galley roof locker
962846-01	End cap, galley roof locker
962845-01	FRAME END CAP GALLEY OVERHEAD
961040-01	ASSY, MICROWAVE CABINET
961038-01	FACE FRAME, M/W CABINET
964576-02	Galley cabinet assy.
964577	Face frame, galley cabinet
964969-01	Galley top assy.-Corian
964973-01	Sink cover-Corian
964383-01	Range covers-Corian
200980-01	Tray, silverware
964147	Roof locker assy., dinette/lounge
964145	Face frame, dinette roof locker
962720-01	Table assy. dinette
801054-004	Table top, Oak, w/no mar finish
963654-02	Back splash, dinette table
962177-03	Leg, dinette table, hardwood
964493-01	Dinette seat assy., LH
964495	Back, sub assembly, LH seat
964334-02	Flex spring seat, 21.63" x 38.0"
964492-01	Dinette seat assy., RH
964494	Back, upholstered, RH sub assembly
964334-02	Flex spring seat, 21.63" x 38.0"
703125-02	Top dinette seat, urethane buckskin

(Continued)

2002 LAND YACHT GAS
FURNITURE-GALLEY-**33ft. only**

<u>963899-01</u>	Pantry assy.
961708-01	Face frame, pantry
<u>963891-01</u>	Pantry section assembly
961593-01	Face frame, pantry face
<u>963991-004</u>	Spice rack
<u>963990-004</u>	Magazine rack
381491	Trash container, roll out
800631-004	Hand rail, Oak

2002 LAND YACHT GAS
FURNITURE-LOUNGE and CAB-26 ft. only

965448	Face frame door header
965449	Door header, cabinet assembly
453982	Seat belt bracket
702897-03	Drivers seat, power w/padded skirt
702898-02	Passenger seat, non-power w/padded skirt
964045-02	Beverage tray assy.
963992-024	Beverage tray
203011-01	Cup holder, LH
203011-02	Cup holder, RH

Roof Locker End Caps

963816-01	FRAME END CAP 16.00" RH
963816-02	FRAME END CAP 16.00" LH
963840-01	ASSY. END CAP 14.75" RH
963840-02	ASSY. END CAP 14.75" LH
963817-01	ASSY. END CAP 10.12" RH
963817-02	ASSY. END CAP 10.12" LH
964032	KICK PANEL ASSY.
690431	VENT-2"INLET CLOSE ANGLE
960667	End closeout assy., lounge
702235	Sofa, optional
381515	Sun visor

(Continued)

2002 LAND YACHT GAS

FURNITURE-LOUNGE and CAB-**26 ft. only (Continued)**

203040	COVERS CENTER POST BEIGE
201997-01	A-POST COVER ROADSIDE ABS BEIGE
203323	A-POST COVER CURBSIDE ABS BEIGE
201808	COVER, DEADBOLT POCKET
961611	COVER, WHEEL BOX, INTERIOR
201787-01	POCKET DEADBOLT INTERIOR
964032	Kick panel assembly, in front of Pass, seat
963928	LOCKER LINER FRONT ASSY.
960482-01	FACE FRAME, FRT END LINER
381363	ASSIST STRAP-DRIVERS DOOR
201767-02	PANEL INTERIOR DRIVER DOOR BEIGE
201747-03	PANEL, SWITCH DRIVERS DOOR W/O CUTOUT
104527-01	EXTR. J-TRIM-BRITE ANODIZED SILVER
201768-02	PANEL PASSENGER DOOR, INTERIOR BEIGE
201756-01	PANEL, SWITCH DOOR CS
702192-08	POCKET MAP
381045	ASH TRAY, SIDE MOUNT

2002 LAND YACHT GAS

FURNITURE-LOUNGE and CAB-**30ft. only**

<u>963928</u>	Roof locker, front overhead
960482-01	Face frame, front roof locker
<u>964744</u>	Door header cabinet (over main door)
963809-01	Face frame, door header cabinet
800577-13	Trim, decorative, 25 1/4
<u>963806</u>	Roof locker, over swivel chair
963807-01	Face frame, roof locker, CS lounge area
<u>963810</u>	Roof locker, over lounge/dinette, RS
964146	Face frame, roof locker over lounge
<u>964045-02</u>	Beverage tray assy.
963992-024	Beverage tray
203011-01	Cup holder, LH
203011-02	Cup holder, RH
<u>960667</u>	End closeout assy., lounge
*702800-320	Sofa, jack knife, 68", Golden Oak, w/drawer face
702800-01	Sofa, jack knife, 68", leather, w/drawer face
702800-70	Sofa, jack knife, 68", leather w 70 th ann. logo
964008	Drawer box, lounge (drawer face comes w/lounge)
960668	Armrest assy., lounge
381576	Pull handle, brass
453626	Leg, sofa
203040	COVERS CENTER POST BEIGE
201997-01	A-POST COVER ROADSIDE ABS BEIGE
201997-02	A-POST COVER CURBSIDE ABS BEIGE
201808	COVER, DEADBOLT POCKET

*Upholstery numbers ending in:

- 350 = Georgia Peach
- 320 = Golden Oak
- 460 = Mystic Mint
- 470 = Mandalay Blue

2002 LAND YACHT GAS

FURNITURE-LOUNGE and CAB-**30 FT. ONLY**

963840-01	ASSY. END CAP 14.75" RH
963840-02	ASSY. END CAP 14.75" LH
963816-01	FRAME END CAP 16.00" RH
963816-02	FRAME END CAP 16.00" LH
963817-01	ASSY. END CAP 10.12" RH
963817-02	ASSY. END CAP 10.12" LH
702897-03	Drivers seat, power w/padded skirt
702898-02	Passenger seat, non-power w/padded skirt
*703022-01	Chair Swivel, Flexsteel, leather
453903	Pedestal, swivel chair
700349	Seat belt, mini-buckle, swivel chair
381515	Sun visor
381363	ASSIST STRAP-DRIVERS DOOR
702192-08	POCKET MAP
201767-02	PANEL INTERIOR DRIVER DOOR BEIGE
201747-03	PANEL, SWITCH DR. DOOR W/O CUTOUT
201756-01	PANEL, SWITCH DOOR CS
201768-02	PANEL PASSENGER INTERIOR BEIGE
381045	ASH TRAY, SIDE MOUNT
104527-01	EXTR. J-TRIM-BRITE ANODIZED SILVER
203040	COVERS CENTER POST BEIGE
201997-01	A-POST COVER ROADSIDE ABS BEIGE
201997-02	A-POST COVER CURBSIDE ABS BEIGE
201787-01	POCKET DEADBOLT INTERIOR
964032	Kick panel assembly, in front of Pass, seat
961611	COVER, WHEEL BOX, INTERIOR

2002 LAND YACHT GAS

FURNITURE-LOUNGE and CAB-**33** only

963900	End table assy.
961715-01	Face frame, end table
963123-004	Top, end table
986832-01	Framed recess fire extinguisher
963928	Roof locker, front overhead
960482-01	Face frame, front roof locker
114025	Pan, front locker
963797	Door header cabinet (over main door)
963798-01	Face frame, door header cabinet
800577-13	Trim, decorative, 25 1/4
963801-01	Roof locker, over swivel chair
963802-01	Face frame, roof locker, CS lounge area
964045-02	Beverage tray assy.
963992-024	Beverage tray only
203011-01	Cup holder, LH
203011-02	Cup holder, RH
960667	End closeout assy., lounge
964008	Drawer box, lounge (drawer face comes w/lounge)
960668	Armrest assy., lounge
453626	Sofa leg
702897-03	Drivers seat, power, w/padded skirt
702898-02	Passenger seat, non-power w/padded skirt
381576	Pull handle, brass
703022-01	Chair, swivel, leather
453903	Pedestal, swivel chair
381515	Sun visor
381363	ASSIST STRAP-DRIVERS DOOR

2002 LAND YACHT GAS

FURNITURE-LOUNGE and CAB-**33** only

960669-02	Close-out, CS, above passenger shoulder
960669-01	Close-out, RS, above drivers shoulder
702192-08	POCKET MAP
201767-02	PANEL INTERIOR DRIVER DOOR BEIGE
201747-03	PANEL, SWITCH DR. DOOR W/O CUTOUT
201756-01	PANEL, SWITCH DOOR CS
201768-02	PANEL PASSENGER INTERIOR BEIGE
381045	ASH TRAY, SIDE MOUNT
104527-01	EXTR. J-TRIM-BRITE ANODIZED SILVER
203040	COVERS CENTER POST BEIGE
201997-01	A-POST COVER ROADSIDE ABS BEIGE
201997-02	A-POST COVER CURBSIDE ABS BEIGE
201787-01	POCKET DEADBOLT INTERIOR
964032	Kick panel assembly, in front of Pass, seat
961611	COVER, WHEEL BOX, INTERIOR
R/L End cap assemblies	
963816-01	FRAME END CAP 16.00" RH
963816-02	FRAME END CAP 16.00" LH
963817-01	ASSY. END CAP 10.12" RH
963817-02	ASSY. END CAP 10.12" LH
963840-01	ASSY. END CAP 14.75" RH
962846-01	END CAP ASSY GALLEY OVERHEAD
962845-01	FRAME END CAP GALLEY OVERHEAD

2002 LAND YACHT GAS

HARDWARE

HINGES, CATCHES, LOCKS, PROPS

HOOD

381569-02	Prop, spring, 17.20 60#, front hood
381262	Bracket, prop, w/ball, hood & trunk
381633	bracket, prop, 2"
381310	Gas rod bracket assembly upper, hood
381109	Bunk latch (slide bolt), front hood
385587	Cap, rubber, hood bumper, black

HOOD LATCH ASSEMBLY

381565-04	Plunger, bolt, assembly, w/o rod collar
452736	Bracket, hood latch pocket
452737	Bracket, pull cable
381484	Strike, compartment door
381327	Cable, hood release
380238	Cable support
381434	Hinge, stainless steel 3 x 3"
381456	Cable, coated, handle to plunger

COMPARTMENT DOOR

381565-01	Handle assembly, keyed alike, lower comp.
381565-05	Key TM 904
381565-02	Handle assy., non-locking, lower compartment
381565-04	Plunger, bolt assy., w/o rod collar, lower compartment
381456	Cable, coated, handle to plunger
381529	Hinge, lower compartment
381370	HINGE EXTERIOR BAG DOOR
381503	TWIST LOCK 1/4 TURN, non-locking
114758	Plate, compartment latch cover
381484	Strike, compartment door
453396	Bracket, latch mounting

2002 LAND YACHT GAS

HARDWARE HINGES, CATCHES, LOCKS, PROPS

TRUNK

381569-01	Spring, gas prop, 50#, trunk door
381455	LOOP SLEEVE, STAINLESS STEEL, TRUNK
201871	TUBING, CLEAR ACRYLIC, 1/8 ID,1/4OD TRUNK
381457	CLAMP, ONE HOLE JIFFY, 1/4", TRUNK
195373	Paddle handle w/lock, black, trunk
381533	Striker, trunk door lock
381310	Bracket, gas prop, upper, trunk door

WINDOWS

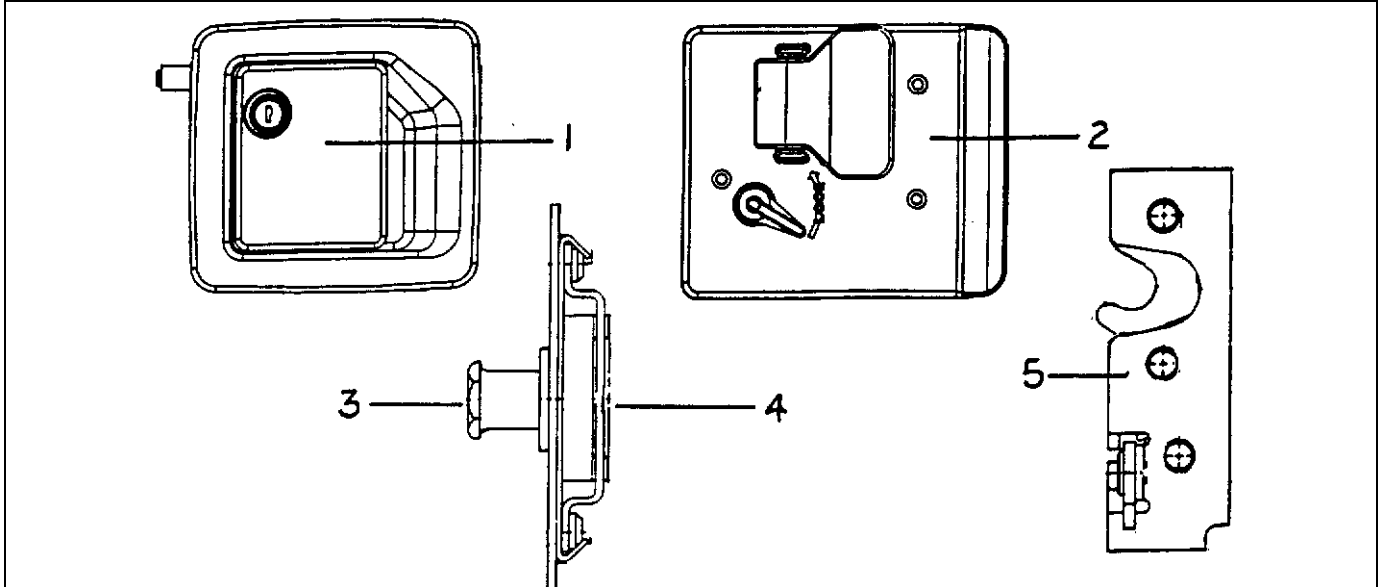
371366-101	Sweep latch, SE-GI window
371366-100	Weep hole cover, SE-GI window

2002 LAND YACHT GAS

HARDWARE

MAIN DOOR

TRI-MARK main door lock



- | | |
|--------------|---------------------------|
| 1) 381521-01 | Outside lock housing |
| 2) 381521-02 | Inside lock plate |
| 3) 381284 | Striker bolt |
| 4) 381521-04 | Caged nut |
| 5) 381521-03 | Rotary latch |
| 381521-05 | Screws, inside lock plate |
| 381285 | Housing and black paddle |

Dead bolt-Tri-mark

- | | |
|-----------|---|
| 510802-01 | Actuator, door lock, 5-wire |
| 381323-01 | Dead bolt assembly |
| 452030 | Bolt, Tri-mark dead bolt |
| 381326 | Striker, 10007 w/Tri-mark dead bolt |
| 345321-12 | Screw, #8-32, flat head, black |
| 201787-01 | Pan, plastic, dead bolt, interior, main door only |
| 200772 | PAN, DEADBOLT, TRI-MARK |

2002 LAND YACHT GAS HARDWARE

MAIN DOOR/SCREEN DOOR

960699	ASSY., HINGE, DOOR, ENTRANCE
381334	Hinge leaf, jamb, main door
381336	Hinge leaf, door
381377	Hinge leaf, screen door
385599-075	Bearing, sleeve, hinge
310024	Pin, hinge .250" x 6"
300118-01	Washer, nylon, main door hinge
380079	Screen, plastic mesh
200518	Spline, Gray, round, screen installation
380004	Pull handle, screen door w/screws
381454	Latch, screen door, double action, Bullet
203000	Closeout, plastic, sliding, screen door, (Gizzy)
201056	Catch, main door hold back
380291	Main door hold back, used w/housing 380290
380290	Latch housing, main door hold back

2002 LAND YACHT GAS HARDWARE

DRIVERS DOOR

TRIMARK Drivers door lock

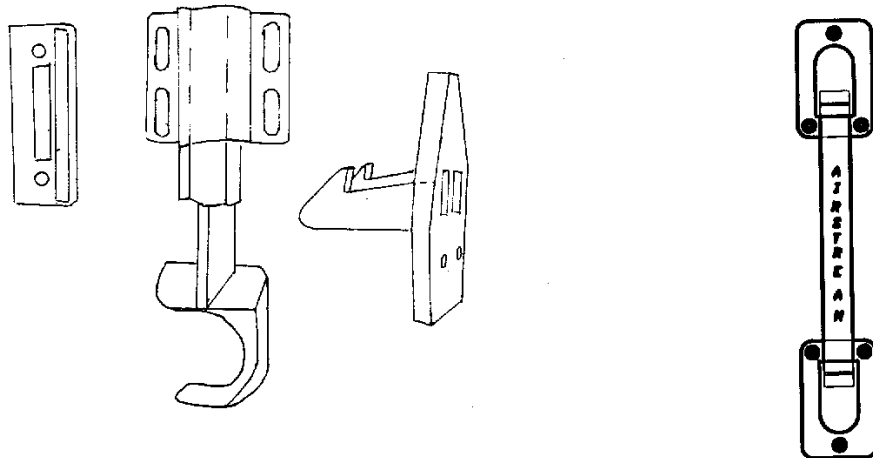
381285	Housing and black paddle, exterior
195293-08	Bezel and lever assy., inside
195293-01	Latch and linkage w/override and unlock
381381	Rod, inside release lock
381382	Rod, inside release latch
381391	Rod, outside release latch
381284	Striker bolt-Tri-mark
195293-12	Rod end clip, LH
195293-11	Rod end clip, RH
195293-04	ROD END CLIP RH. 80801-00 7R
195297-03	INNER DOOR TRIM, NU-WHITE
510802-01	Actuator, door lock, 5-wire Acme
381395	ASSY., HINGE, DRIVER DOOR
381394	Hinge leaf, jamb, driver door
381393	Hinge leaf, driver door
310024-01	Hinge pin 8"
453962	Spacer, driver door
381158	Assist handle, drivers door
381045	Ash tray, drivers door
195285-05	Power window operator, Rockwell
195386	Switch, momentary, power window
195282-02	Extrusion, drivers window guide
195314	Window lift bracket, drivers door
195345	Webbing, brown nylon strap, drivers door

Note: See seals for seals and gaskets on doors and windows.

2002 LAND YACHT GAS HARDWARE

HINGES, CATCHES, LOCKS, PROPS

- 381526-06 Rear bracket, adjustable, drawer slides
- 381526-01 Drawer slide, 14" roller type
- 381526-03 Drawer slide 18" roller type
- 381526-04 Drawer slide, 20" roller type
- 381526-05 Drawer slide, 22" roller type
- 381400-01 Drawer slide, 12" ball bearing type
- 381400 Drawer slide, 14" ball bearing type
- 381090 Drawer slide, 22" ball bearing type
- 381576 Pull handle, brass, sofa & dinette drawer
- 380210 Hinge, plain steel, dinette
- 380284-02 Hinge bracket, dinette table, 33'
- 380284-04 HINGE, TABLE BRKT, 15 X 7.38, 30'
- 380458 Hinge, piano, brown, 5/8" leaf
- 380203-01 Hinge, piano, clear anodized, 1/8" pin, "J" bed top
- 381072 Hinge, 3" x 17/8", open Gold, Bath slider door, 30'
- 381161 Hinge, bright brass, dinette locker
- 385935 BRASS PIVOT HINGE, medicine cabinet



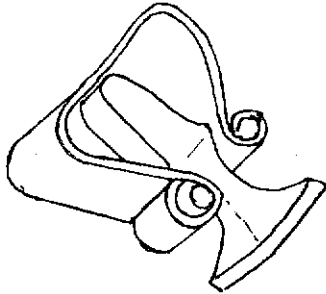
381454 Latch, screen door,
Bullet

381696 Grab handle,
embossed, "AIRSTREAM"

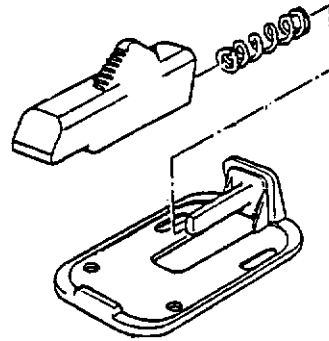
2002 LAND YACHT GAS

HARDWARE

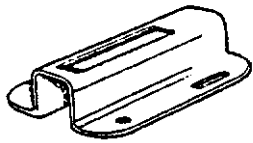
HINGES, CATCHES, LOCKS, PROPS



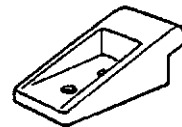
381427 Friction catch,
lower comp, door to side back.



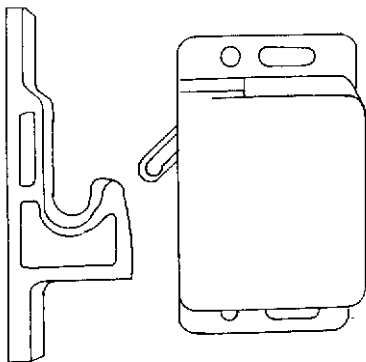
380291 Main door hold
Used w/ housing
#380290



380290 Latch housing,
main door holdback



201056 Catch, main door
holdback



381228 Grabber door latch
w/catch, 10 lb. rating only

381228-01 Gabber door latch
w/catch, 3 lb. rating
rear wardrobe, only

2002 LAND YACHT GAS

HARDWARE

HINGES, CATCHES, LOCKS, LATCHES, PROPS



360012 Bumper, rubber
white, stick-on, cylindrical

360012-01 Bumper, rubber
brown, stick-on, cylindrical



195329-202 Bumper rubber
clear, stick-on, oval



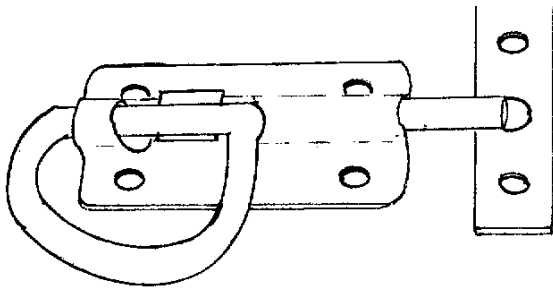
381754 Clip, mirror
retainer, metal



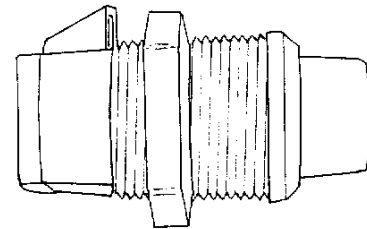
380016 Bumper,
rubber, square,
Gray 3/8" x 3/8"



385587 Cap, rubber
hood bumper,
black



381109 Slide bolt latch



381408 Latch, push button,
black, pantry

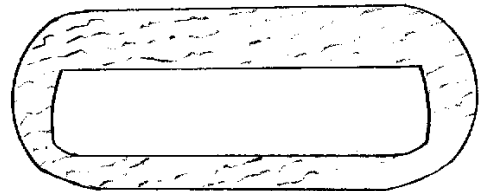
2002 LAND YACHT GAS

HARDWARE

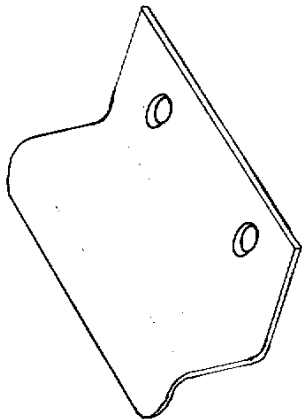
HINGES, CATCHES, LOCKS, PROPS



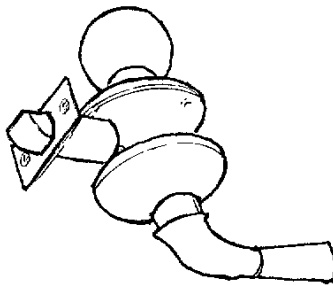
381599 Pull handle,
drawer/door, Antique brass



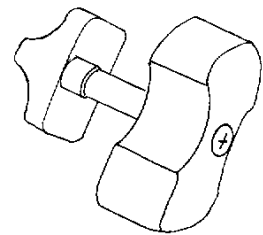
381175 Pull handle, wood



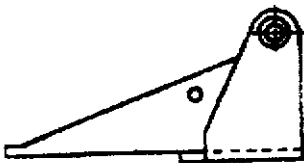
385940 Mirror pull,
brass



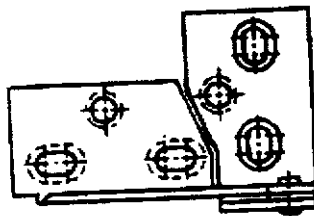
381022 Latch, swinging
bath door



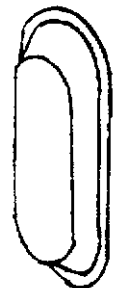
702306-06
Travel latch shower
door



385935 Hinge, pivot, brass
for bath mirror



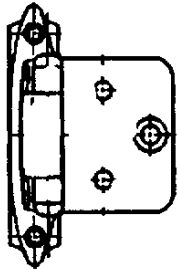
381603 Pull, three
finger, brass



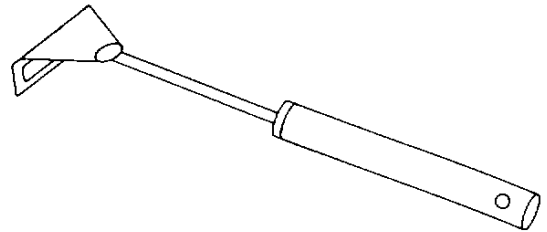
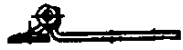
2002 LAND YACHT GAS

HARDWARE

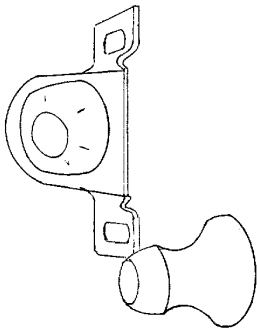
HINGES, CATCHES, LOCKS, PROPS



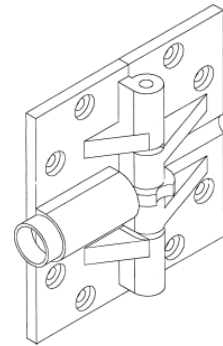
381601 Hinge, Antique brass



381147 Door support R/L
spring loaded



381074 Bull dog door catch



381763 Hinge, bi-fold locking

381575 Handle, drawer, gold, Locker

381242-01 Bracket, shelf, vertical, 30", rear wardrobe

381243 Clip, shelf support, rear wardrobe

381527 Speedy shelf strip

WARDROBE

380046 Flange, chrome, clothes rod support

380045 Tubing 3/4" metal, clothes rod

200975-04 Conduit, flexible, -black, covers clothes rod

381298 "J" bracket, center clothes rod support

2002 LAND YACHT GAS

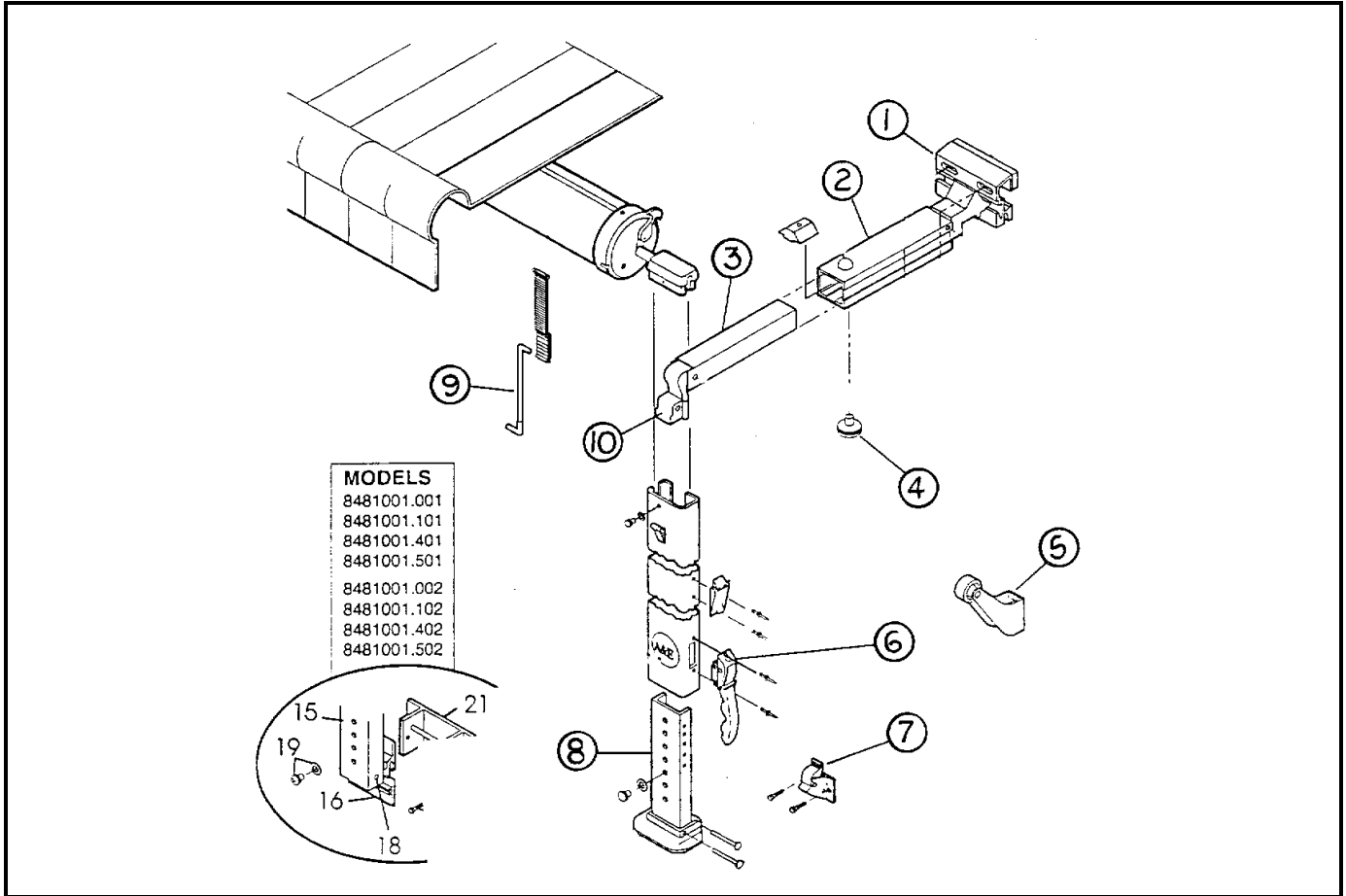
HARDWARE

381626-02	Towel bar, 18", chrome and brass
380017	Tooth brush/tumbler holder
380248	Soap dish
381299	Toilet paper holder, recessed
453453	Bracket, bedroom TV shelf
381220-02	Mirror clip, nickel-plated #309
381449-04	Rail, decorative rod, 30"
381449-05	Post, decorative rail, polished brass
381067-09	Prop, gas, 90#-twin bed
381262	Bracket, prop, w/ball-angle
381085	Clip, retaining, gas prop bracket
*381385	Dual lock #400-1" strips
*381386	Dual lock #170-1" strips
381443-04	Sliding door set, includes carriers, top door plates, and track
381443-01	SLIDING DOOR SET, #71-222-5', bath sliding door
381443-02	BUMPER STOP, #7014
453147	BRACKET LIGHT UTILITY COMPARTMENT
203016	TRIM RING POWER CORD ACCESS, compartment
381089	GOLD DECORATIVE METAL GRILLWORK

*These two parts work similar to Velcro but have interlocking knobs rather than hooks and loops.

2002 LAND YACHT GAS

AWNING HARDWARE



*702679-17W Patio Awning Hardware

- 1) 702679-104 Bracket top, A&E awning
- 2) 702679-111 Rafter, main, A&E awning
- 3) 702679-105 Secondary rafter, A&E awning
- 4) 702679-106 Knob, adjustment, 1 7/8" A&E awning
- 5) 702679-109 Door roller, A&E awning
- 6) 702679-103 Lift handle, A&E awning
- 7) 702679-108 Bracket, bottom mounting, A&E awning
- 8) 702679-107 Arm, adjustable, A&E awning
- 9) 702679-102 E-Z pull rod, A&E awning
- 10) 702679-110 Slider assembly, A&E awning

* Awning hardware and covers were changed from white (W) to Satin (S) finish during the 2002 Model year. Use appropriate letter to designate finish needed when ordering.

2002 LAND YACHT GAS

SECTION IV L through Z

LABELS and TAGS IV-1

OPTIONS IV-3

PLUMBING

LPG..... IV-6

Fresh water..... IV-7

Drain water..... IV-12

Toilet IV-20

SAFETY EQUIPMENT IV-14

SEALS/SEALER/PAINT

Gaskets..... IV-25

Sealer IV-28

Adhesive..... IV-29

Paint IV-29

UPHOLSTERY/FOAM/MATTRESS

Mattresses IV-30

Seats IV-30

Pillow kits IV-31

Dinette foam/upholstery, 26ft. IV-33

Dinette foam/upholstery, 30ft. IV-33

Dinette foam/upholstery, 33ft. IV-33

VENTS and FANS IV-34

WOOD PANELING/LAMINATES/TRIM IV-35

2002 LAND YACHT GAS

LABELS AND TAGS

385103	Plate, RVIA
385531	FMVSS certification label
385815	Name plate, motorhome hitch rating
385095	Tag registry #11999
385465	Label, exit warning (English)
385463	Label, warning label/cooking appliance
385464	Label, LP gas warning label (odor)
385788	Warning label, pilot light/refuel
385101	Tag, auxiliary tank dump valve handle
385099	Tag, black tank dump valve handle
385063	Label, drain cap
385062	Decal, 110-125 voltage AC
385309	Decal, fuel fill
385547	LP gas warning/fill label
385141	Tag, seat, clear w/black letters
385518	Label, dimension and clearance
385193	Label, 12Volt distribution inside
385560	Air conditioner rating label
385561	Generator rating label
385565	Label, holding tank flushing
385805-01	A/C priority switch label-front
385805-02	A/C priority switch label-rear
385812	Label, Calif. hazardous substance
385609	Label, smoke detector
385612	Label, parking brake warning
385829	Decal, fuse and relay
385828	Decal, fuse panel warning
385851	Label, cellular phone
385924	Label, galley light
400868-03	"Label only" Reese hitch
385987	Label, 5-amp fuse, max.
385800	LABEL, CAUTION, HOT WATER DISPEN.
386095	Label, Towing warning
385933	Label, name set relay
385941	Label, waste water holding

2002 LAND YACHT GAS

LABELS AND TAGS

385942	Label, sewage holding tank
385943	Label, "cap must be in place"
385947	Label, 10-amp fuse maximum
385608	Label, sewer hose L/Y M/H
385620	Label, unleaded fuel only
385835	Label, carburetor warning
385098	Label, seat occupancy
385989	Decal, mirror, heat
385988	Decal, water heater
386012	Label, warning, water heater
386038	LABEL CSA HOLDING TANKS FRESH WATER
386082	LABEL THOR, 5.25" X .75'
386039	LABEL AIRSTREAM ALIGNMENT
385615	Label, fuse block L/Y M/H
385917	Decal, Oak table w/no mar finish
195328	TAG, SERIAL # - MH CAB DOOR
386019	LABEL 1 AMP FUSE MAX. BS-93
386017	DECAL-CONTROL PANEL BACKER-BLACK
385269	Label, DON'T USE AREA FOR STORAGE
386100	Label, Fuse, 12-Volt
386102	Label, Disc Changer
386103	Label, DVD, Front TV
386104	Label, DVD, Rear TV

CSA Labels

385098-CSA	Label, seat occupancy (FRENCH)
385949	Label, "potable water" CSA
385950	Label, "smoke detector" CSA
385951	Label, "range fresh air" CSA
385952	Label, "LP warning" CSA
385953	Label, "If you smell gas" CSA
385954	Label, "range warning" CSA
385466	Label, exit label (French)

2002 LAND YACHT GAS

OPTIONS

410796-01 Jack kit complete, Power Gear 30' & 33'
410796-09 Jack kit complete, Power Gear 26' (800-334-4712)

511376 Fan, defrost, oscillating
510929-05 Switch only, dash
510930-35 Lens, dash switch-defrost fan

50 Amp service

511149-04 Power cord, 50 amp, 36ft.
511289 Breaker kit, 30 amp, Onan
510562-03 Switch, auto transfer, 50 amp
510723 Breaker box
510724 Breaker, double pole, 50 amp
500913-02 Switch, T & B brown #HDS 151 BR
10496H 30H-50F-adaptor plugH/18 inch cord

Dual Pane Windows

		High x Wide
371368-01	Cab window CS	
371366-29	Window, RS, Horizontal slider	15.25" x 18.00"
371366-01	Window DP, Stationary	19.25 x 23.25
371366-31	Window, CS Horizontal slider	15.40" x 23.00"
371366-24	Window, horizontal slide, egress	26.00" x 43.00"
371366-30	Window, CS Vertical slider	26.50" x 15.00"
371366-04	Window DP, RS, horizontal slider	25.25 x 25.75
371366-09	Window DP, CS, horizontal slider	25.25 x 29.75
371366-02	Window DP, Stationary,	29.25 x 62.25
371366-05	Window DP, RS, horizontal slider	29.75 x 60.25
371366-06	Window DP, CS, horizontal slider	29.75 x 60.25
371366-08	Window DP, Stationary	29.75 x 21.50
371366-10	Window DP, CS, horizontal slider	29.75 x 26.25
371366-21	Window DP, CS, horizontal slider	30.30 x 48.88
371366-22	Window DP, RS, horizontal slider	30.30 x 48.88

2002 LAND YACHT GAS

OPTIONS

511622 CD Changer, RF 12 disc, JVC
381564 Vent w/wall thermostat, Fantastic 2000TRS
511340 Inverter, 130 watt, (operates front TV only)
690425-04 Refrigerator, 2-way, 1062 w/ice maker, LH
690415 Kit, dairy, meat and ice cube trays
702897-04 Cab seat, passenger, power w/padded skirt

Video upgrade

690447 DVD player, single disc, JVC
511645 "y" adaptor, male to 2-female, RCA
511703 Patch cord, 2-way, male to male, 20'
690445 VCR, JVC
114925 Bracket, mounting, VCR
511310 Video control center
801335 Flooring, hardwood, Oak
800639-02 Adhesive, hardwood floor
360216 Caulk, brown, Acrylic latex
114724 Trim, carpet, Z-bar aluminum
690396-05 Range, 3-burner w/oven, Magic Chef
511162-01 Keyless entry w/remote
511162-02 Transmitter 4 channel
381741 Key fob instruction plaque
451486 Flat linkage
451485 Wire linkage
511352 Module locking, centralized S-35-H

2002 LAND YACHT GAS

OPTIONS

Power Awning, One Step Satin Finish

- 703129-10 Awning, Power 16', 30 ft. model
- 703129-11 Awning, Power, 17', 26ft. & 33 ft. model
- 703129-12 Hardware, standard one step, Satin
- 703129-04 Control box, one-step awning

Power Awning, One Step Polar White Finish

- 703129-01 Awning, Power 16', 30 ft. model
- 703129-02 Awning, Power, 17', 26ft. & 33 ft. model
- 703129-03 Hardware, standard one step, Satin
- 703129-04 Control box, one-step awning

*511005 Generator, Onan Marquis 7000, 7KW Replaced after unit 640999 by P/N 511651

*511651 Generator, Onan Platinum, 7.0 KW Fuel Injected

511650 Generator, Onan, 5.5 KW, Platinum, 33' & 30' Only

Fuel injected model only:

- 345416 Clamp, 5/8" Step less ear
- 453983 Bracket, fuel pump
- 690463 Fuel pump kit
- 690469 Return Tube Fitting Kit

CSA

- 511293 CSA daytime running lights
- 511293-01 Module, daytime running lights
- 511152-12 Range hood w/monitor
- 690381-02 Fire extinguisher, CSA
- 381636 Sofa lock kit
- 601441-02 Tank flush system, CSA
- 510732-02 Porch light, CSA
- 511613 Cluster, Instrument
- 510634-01 Power cord, 36ft.

2002 LAND YACHT GAS

PLUMBING

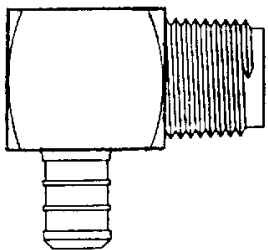
LPG

601500	LP tank, 105# w/90 ohm sender-33' only
601447	LP tank, 90# w/90 ohm sender-30' only
601797	LP tank, 81# w/90 ohm sender-26' only
453980	Propane tank mounting bracket, 26'
453882	Shield, exhaust-LPG tank
511229	Sending unit, 90 ohm, Snap On
601674	LP Regulator, 2-stage 30ft. & 33ft.
203135	Cover, regulator, 30ft. & 33ft.
943433	Vapor line
601732	LP hose, tank to regulator, 35"
601673-01	Hose 3/8" x 48", low pressure
601661	Close nipple, 1/2" NPT, brass
601408	Elbow, 90 degree, 1/2" NPT
601409	"T", 1/2" NPT
601412-08	CONNECTOR-M, .50 PIPE TO .38 TUBE
601675	Union, 3/8" M FL x 3/8" m NPT
600000	"T", 5/8 x 5/8" x 3/8", brass
600003	"T", 5/8" x 3/8" x 3/8", brass
600436	Flare nut, forged 5/8"
600435	Flare nut, forged 3/8"

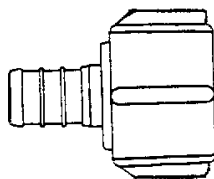
2002 LAND YACHT GAS PLUMBING-FRESH WATER

601552	Tank, fresh water, 60gal. 30ft. & 33ft.
601796	Tank, fresh water, 50gal. 26ft
201866-02	City water fill, polar white
601786	Water hook-up, chrome
601239	Tubing, ribbed, 1.375 I.D., water fill
452166	PAN FRESH WATER TANK
600309	Regulator, Watts
600139	Check valve, brass
601791-01	Water pump, Aquatec
601791-02	Fitting, slip in, Aquatec pump
601723	Filter, pre water pump
601668	WATER PUMP PRE-FILTER
601565	HOSE WATER W/FITTINGS 12" LONG
114517	STRAP FRESH WATER TANK
203085	PLUG WATER LINE 1/2" PLASTIC BLK
601238	ADAPTOR 1.25 MPT X 1.25 BARB
601467	SILLCOCK, 1/2" FEMALE W/WHEEL HAND.
601469	VACUUM BREAKER, 3/4IN GARDEN HOSE
600241-01	HOSE ADAPTOR, STRAIGHT #02593
340084-52	CLAMP, HOSE SAE #52
453092	BRACKET EXT. WATER SERVICE
381041-07	PLUG,,HEYCO,BLACK,1 IN., HOLE SIZE
381041-11	PLUG, HEYCO BLACK 1.5, HOLE SIZE

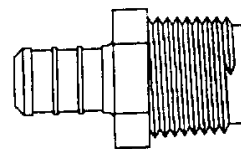
FITTINGS



601698-04
Elbow, 1/2" barb
x 1/2" MPT



601698-03
Coupler, 1/2" barb
x 1/2" FPT



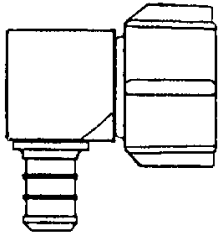
601698-02
Coupler, 1/2" barb
x 1/2" MPT

(Continued)

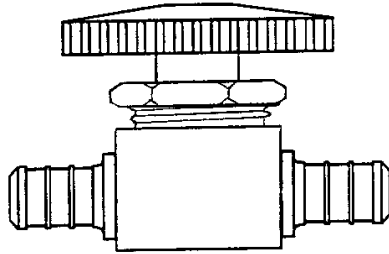
2002 LAND YACHT GAS

PLUMBING

FRESH WATER



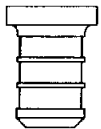
601698-05
Elbow 1/2" barb x
1/2" FPT 1/2" barb



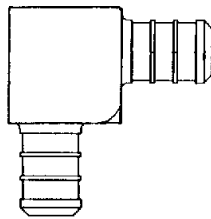
601698-22
Shut-off, 1/2" barb x
1/2" x 1/2" barb



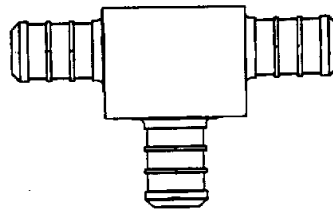
601698-08
Coupler



601698-09
Plug, 1/2" barb



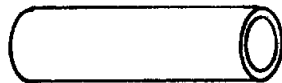
601698-10
Elbow 1/2" x 1/2" barb



601698-11
Tee, 1/2" x 1/2" x 1/2" barb

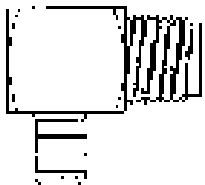


601698-15
Crimp ring, 1/2"
E-Pex, 1/2" (black)

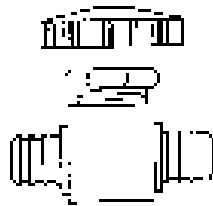


601698-01
E-Pex tube, 1/2"
601698-12, 3/4" tube

601698-14
3/4" barb x
3/4" MPT EL



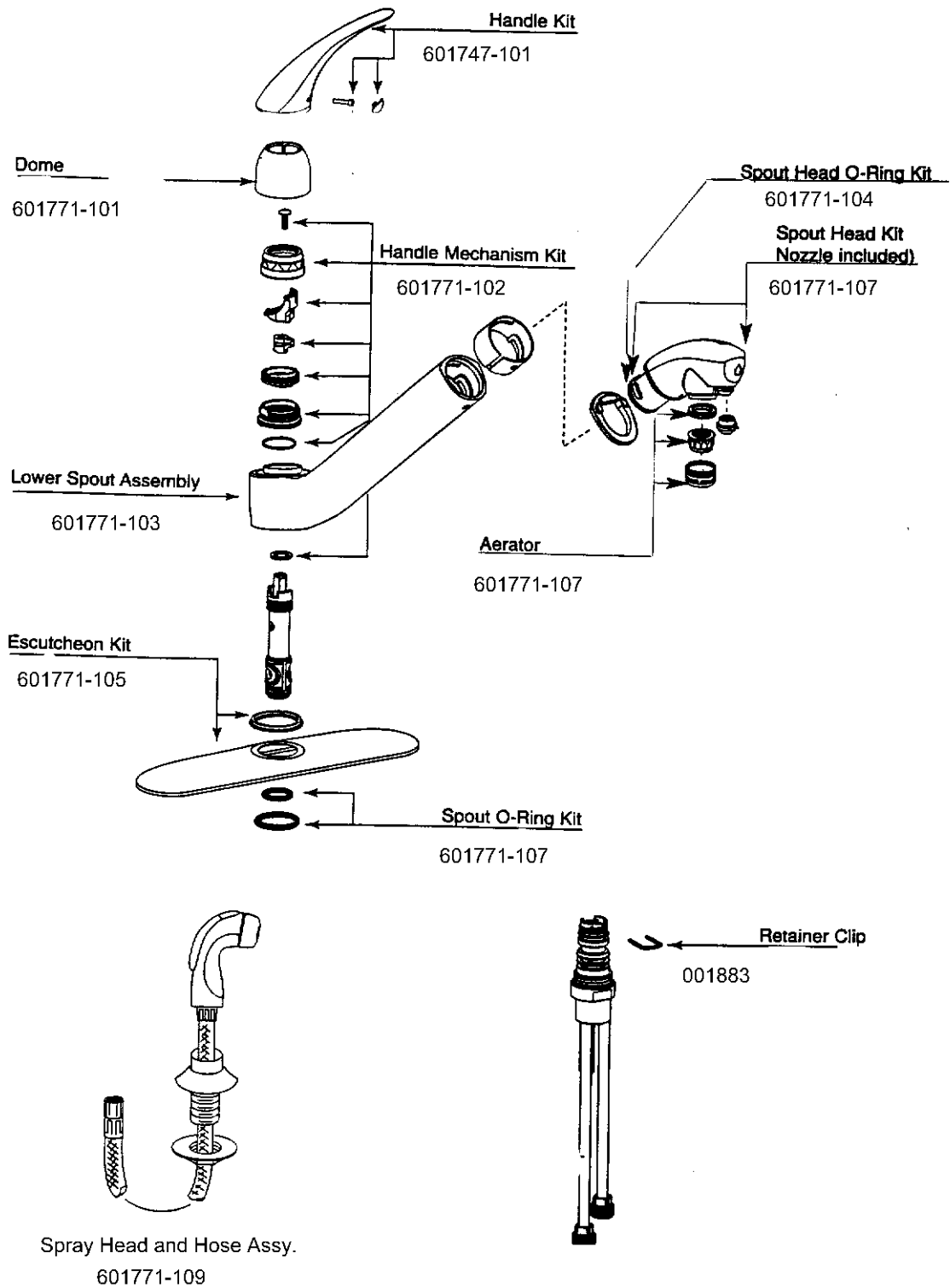
601698-14
3/4" barb x 3/4" MPT EL



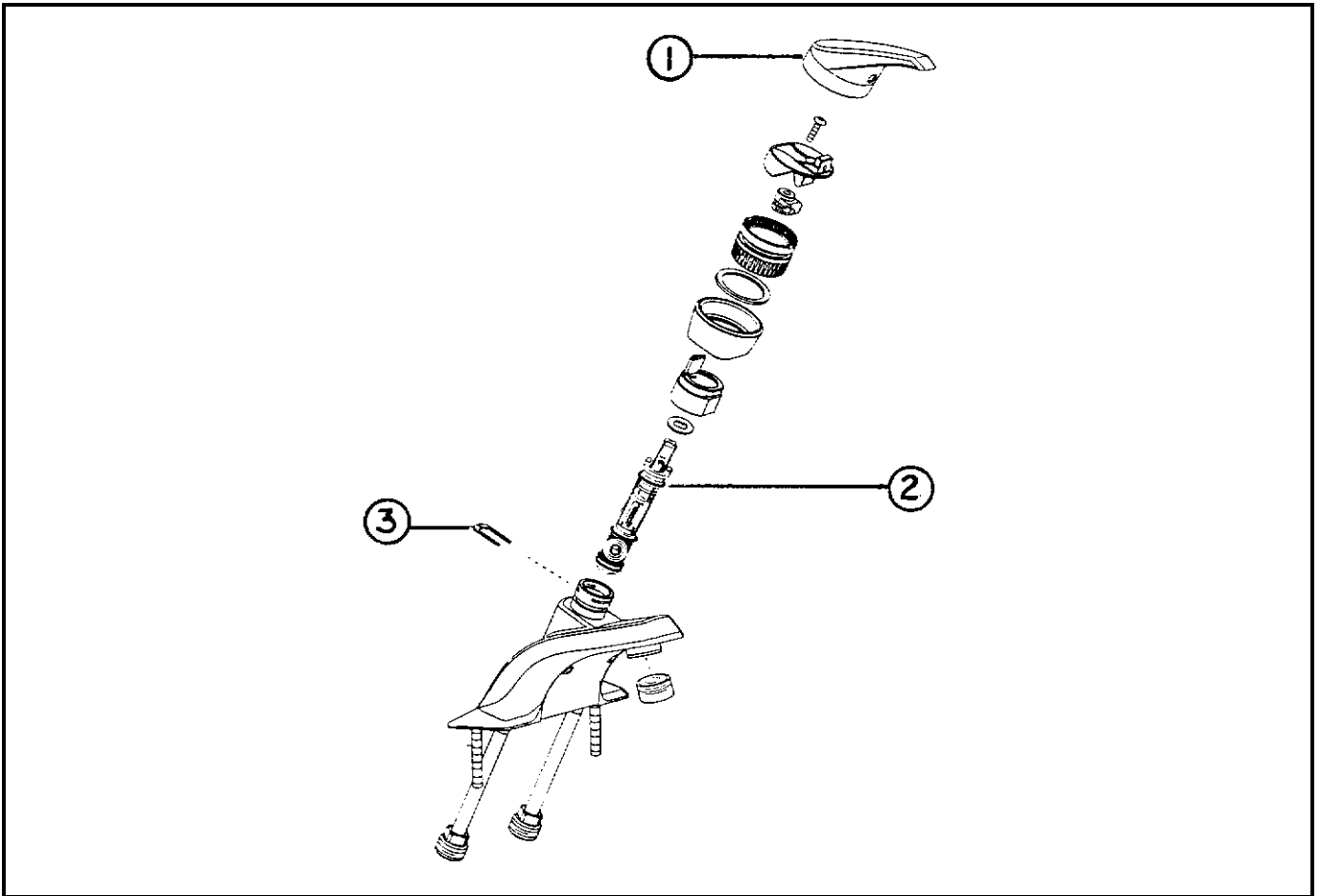
601658 valve 1/2"
Stop, CPVC

2002 LAND YACHT GAS

PLUMBING-FAUCETS 601771 Moen Pure Touch Classic



2002 LAND YACHT GAS PLUMBING-FAUCETS

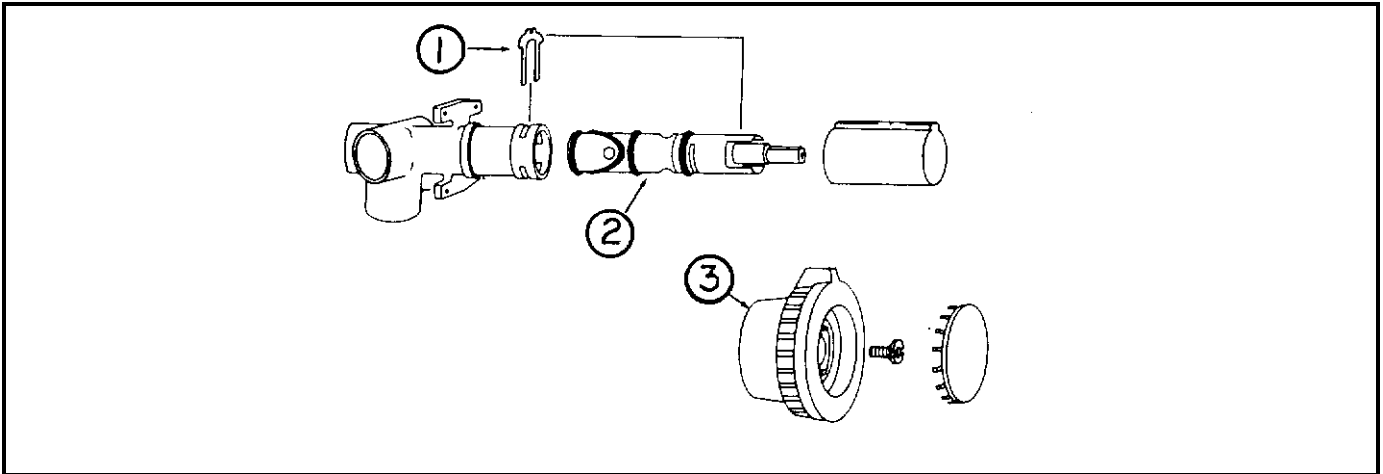


690390-02 Faucet, lavatory, Moen, brass/chrome

- 1) 690390-100 Lever handle
- 2) 601579-105 Cartridge
- 3) 601579-104 Retainer clip

2002 LAND YACHT GAS

PLUMBING-FAUCETS



601420-02 Faucet, shower

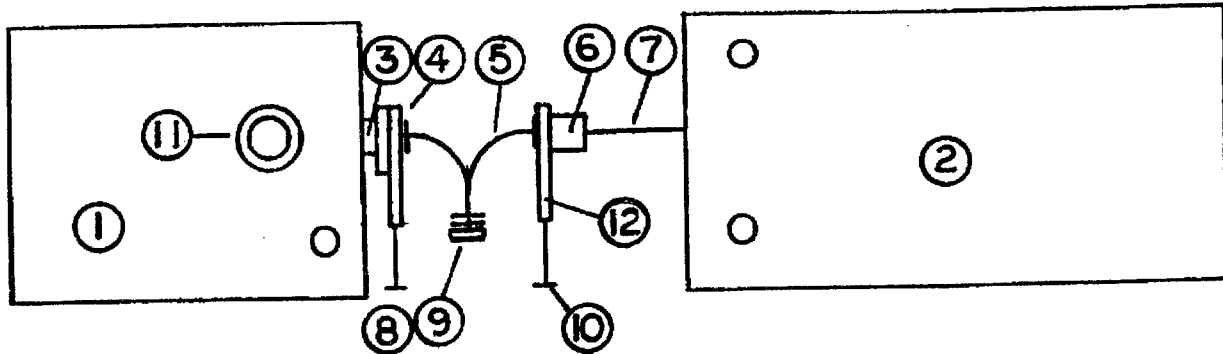
- 1) 000883 Retainer clip
- 2) 601420-100 Cartridge
- 3) 001041 Handle

601358 Shower hardware unit, chrome

- 601358-100 Shower head , chrome
- 600330 Shower hose, chrome
- 600332 Vacuum breaker, chrome

2002 LAND YACHT GAS

PLUMBING DRAIN WATER 33 FT

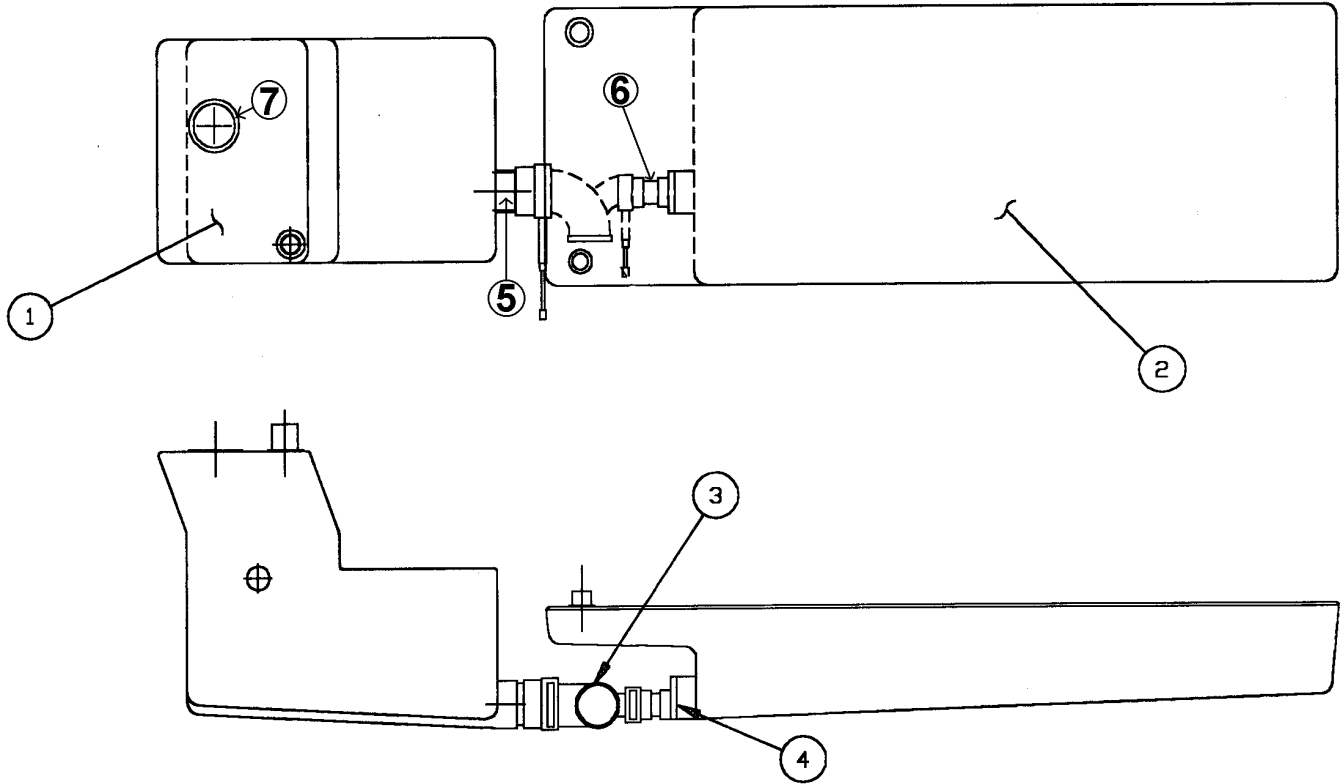


- 1) 601493 Holding tank, black, 33ft.
- 2) 601492 Holding tank, gray
- 3) 601432 Adaptor, valve to tank
- 4) 690245 Gate valve, 3inch
- 5) 600866 3-way elbow, ABS
- 6) 600289 Coupler, Calder, 3 inch
- 7) 601160-04 Pipe, drain, 3" plastic
- 8) 601251 Bayonet ring, glue on
- 9) 601250 Bayonet cap
- 10) 601519 ""T" handles
- 11) 601424 Closet flange, 4" x 3"
- 12) 601431 Dump valve, gray tank

- 914190 PAN ASSY. BLACK TANK
- 914191 PAN ASSY. GRAY TANK

2002 LAND YACHT GAS

PLUMBING DRAIN WATER 30 FT



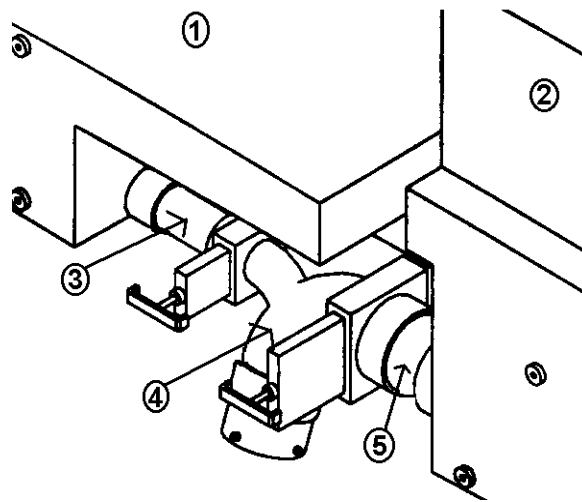
- | | |
|---------------|-------------------------------------|
| 1) 601567 | Tank, black holding |
| 2) 601492 | Tank, gray holding |
| 3) 601482 | Dump valve, rotating assembly w/cap |
| 4) 195329-229 | Reducer adaptor, 3' to 1 1/2" |
| 5) 601160-04 | Pipe, ABS, 3" |
| 6) 601160-02 | Pipe, ABS, 1 1/2" |
| 7) 601424 | Closet flange, 4" x 3" |

- | | |
|--------|------------------------------|
| 600289 | CALDER COUPLING 3IN (RUBBER) |
| 601441 | Tank flush system, NO-FUSS |

- | | |
|--------|-----------------------|
| 914189 | Pan. Black tank, 30Ft |
| 914196 | Pan, gray tank 30Ft |

2002 LAND YACHT GAS

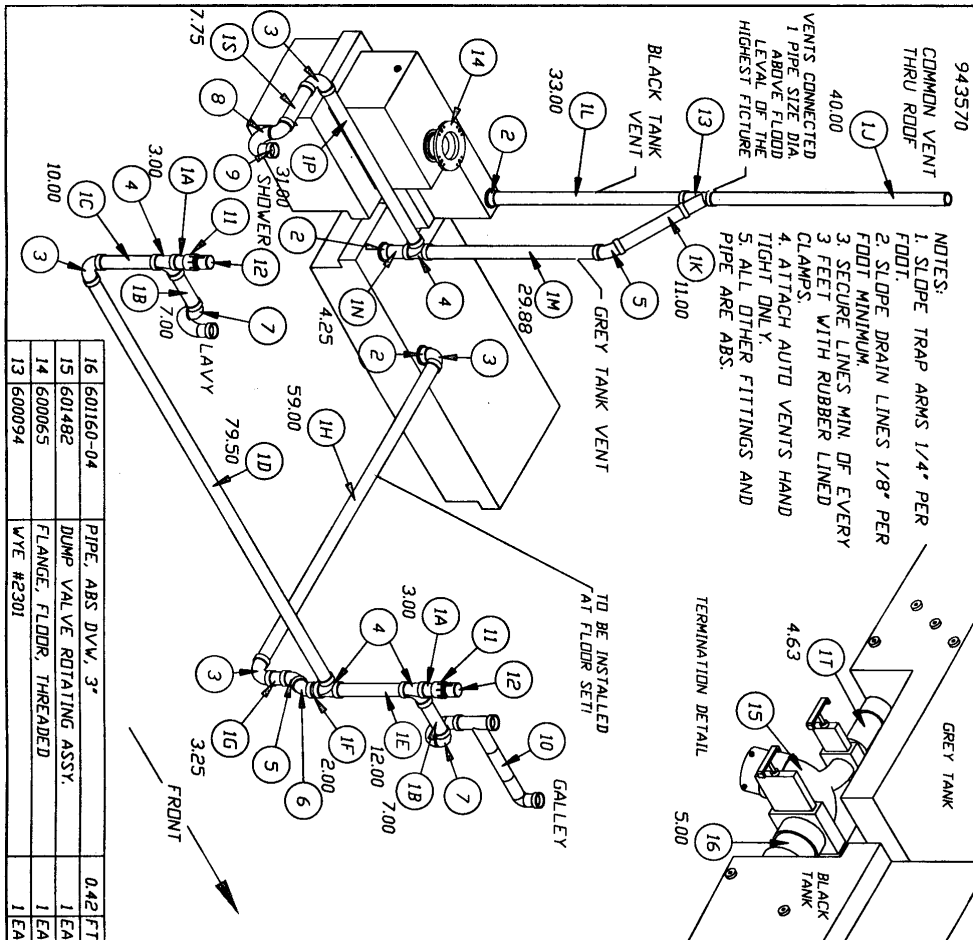
PLUMBING DRAIN WATER 26 FT



- | | |
|--------------|--------------------------------------|
| 1) 601794 | Gray water tank |
| 2) 601795 | Black water tank |
| 3) 601160-02 | Pipe, 1½", ABS DVW, 4.63" long |
| 4) 601482 | Dump valve, rotating assembly |
| 5) 601160-04 | Pipe, 3", ABS DVW, 4.63" long |
| 453810 | Bracket, holding tank |
| 453981 | Support, holding tank |
| 601441 | System, tank flush |
| 601786 | Water fill, tank flush |
| 914189 | PAN ASSY BLACK TANK |
| 914196 | PAN ASSY. GRAY TANK |
| 601610-04 | CAP WITH STOP 4" |
| 601229-01 | COMPT. SEWER, HOSE DELETE/METAL HOSE |
| 453135 | SPLASH GUARD BLACK TANK |
| 601229 | STORAGE COMPARTMENT, SEWER HOSE |

2002 LAND YACHT GAS

PLUMBING DRAIN WATER 26 FT



- 943570
- COMMON VENT THRU ROOF
- BLACK TANK VENT
- GREY TANK VENT
- VENTS CONNECTED 1 PIPE SIZE DIA. ABOVE FLOOD LEVEL OF THE HIGHEST FITTURE
- NOTES:
1. SLOPE TRAP ARMS 1/4" PER FOOT.
 2. SLOPE DRAIN LINES 1/8" PER FOOT MINIMUM.
 3. SECURE LINES MIN. OF EVERY 3 FEET WITH RUBBER LINED CLAMPS.
 4. ATTACH AUTO VENTS HAND TIGHT ONLY.
 5. ALL OTHER FITTINGS AND PIPE ARE ABS.

16	601160-04	PIPE, ABS DVW, 3"	0.42 FT
15	601482	DUMP VALVE ROTATING ASSY.	1 EA
14	600065	FLANGE, FLOOR, THREADED	1 EA
13	600094	WYE #2301	1 EA

LET DATE	ECN	REVISION RECORD	BY
6/01	4855A	PRODUCTION RELEASE	DW
12	600308	ADAPTER ABS FEMALE SLOAN #2891	2 EA
11	600538	VENT V-200 AUTOMATIC	2 EA
10	600378	CONTINUOUS WASTE 1-1/2	1 EA
9	600822	ADAPTER P-TRAP #60262	1 EA
8	600622	P-TRAP 1-1/2 W/SLIP NUT & WASHER	1 EA
7	600144	P TRAP ABS 1-1/2 IN	2 EA
6	600027	ELBOW ABS LONG ST 45 DEGREES	1 EA
5	600030	ELL ABS 45 DEGREES LG TURN	2 EA
4	600156	TEE SANITARY	4 EA
3	600035	ELL ABS LONG SWEEP 1-1/2	4 EA
2	601676	ADAPTER THREADED 1 1/2" MALE/GSAX	3 EA
1	601160-02	PIPE, ABS DVW, 1-1/2"	29.00 FT
17	IS	4.63	1 EA
16	IP	7.75	1 EA
15	IN	31.00	1 EA
14	IM	4.25	1 EA
13	IL	29.88	1 EA
12	IK	33.00	1 EA
11	IJ	11.00	1 EA
10	IH	40.00	1 EA
9	IG	59.00	1 EA
8	IF	3.25	1 EA
7	IE	2.00	1 EA
6	ID	12.00	1 EA
5	IC	79.50	1 EA
4	IB	10.00	1 EA
3	IA	7.00	2 EA
2	I	3.00	2 EA

FRONT

TO BE INSTALLED AT FLOOR SET

TERMINATION DETAIL

GREY TANK

BLACK TANK

GALLEY

SHOWER

LAVVY

943570

REV. B

DRAWN BY DW

APPROVED BY

Airstream

FIRST USAGE: 26' LY

SCALE: N.T.S.

DATE: 06/22/01

TITLE: ABOVE/BELOW FLOOR DRAIN

2002 LAND YACHT GAS

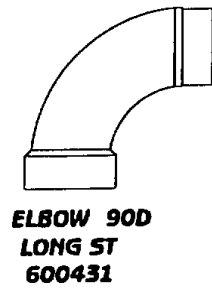
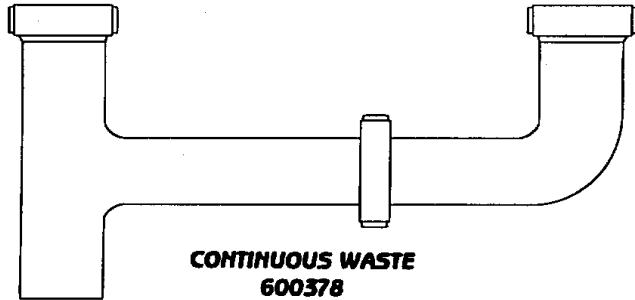
PLUMBING-DRAINAGE

203318-01	Shower stall, 26ft
203001	Shower stall, almond, 30 ft.
201957	Shower stall, fiberglass, 33 ft.
601362-02	Shower drain, chrome
200406-06	Lavy bowl 33' & 30' only, oval-includes tail, basket and stopper
203367-01	BOWL-LAVY KARRAN SOLID, 26 ft. only
453833	CLIP, SINK MOUNT
601767-02	TAILPIECE-CHROME LAVY
320129	INSERT-THREADED 1/4"O.D. X 1/4"L
320131	WINGNUT-#10-32 ZINC
*601744-02	Sink, galley, painted almond
600968	Basket, galley sink, 2 inch
381635	Sink, clip, under mount
601160-02	Pipe, drain, plastic 1.5"
601160-04	Pipe, drain, plastic, 3.0"
600065	FLANGE, FLOOR, THREADED
**601799	SINK-STAINLESS STEEL 16" X 27"
600968	BASKET STRAINER
381635	SINK CLIP-UNDER MOUNT-CORIAN
320130-05	SCREW-#10-32 X .75" SLOT HEX HD
964973-01	SINK COVER CORIAN BISQUE

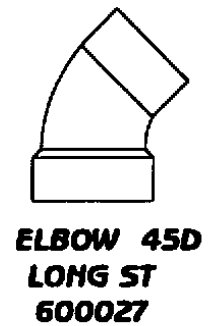
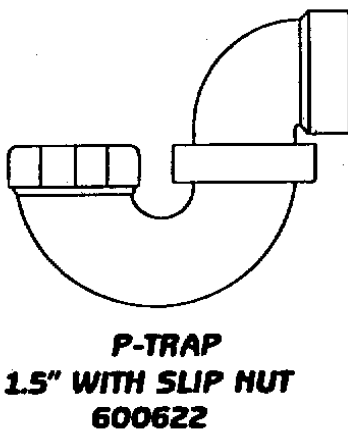
*Airstream switched to a **stainless steel galley sink in all units built after August 2001. Please specify type of sink on order.

2002 LAND YACHT GAS
PLUMBING-DRAINAGE

1.5" DRAIN FITTINGS

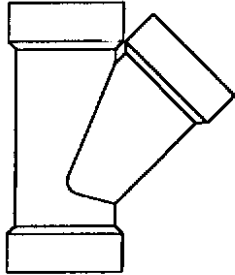


(Continued)

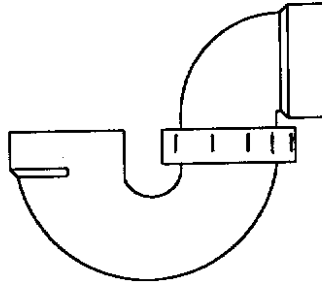


2002 LAND YACHT GAS

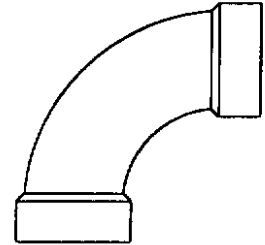
1.5" DRAIN FITTINGS



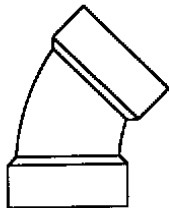
**WYE
#2301
600094**



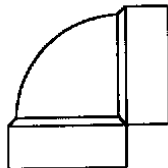
**P-TRAP
1.5" W/O SLIP NUT
600144**



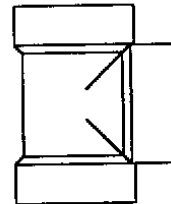
**ELBOW 90D
LONG TURN
600035**



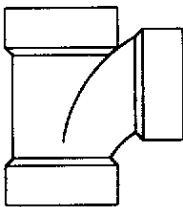
**ELBOW 45D
LONG TURN
600030**



**ELBOW VENT
90D
600033**



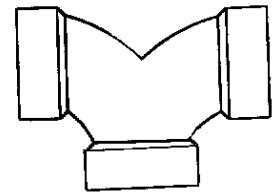
**TEE-BI DIRECTIONAL
CLEAN-OUT 1.5"
601318**



**TEE-SANITARY
1.5"
600156**



**ELBOW 22.5D
SHORT TURN
600116**



**ELL DOUBLE 1.5
195329-486**

(Continued)

2002 LAND YACHT GAS

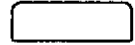
1.5" DRAIN FITTINGS



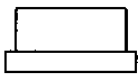
PLUG 1.5"
600155



VENT 1.5"
600538



CAP 1.5"
601677



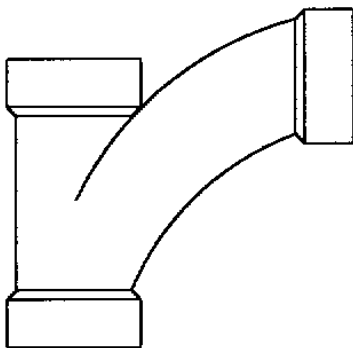
REDUCER 1.5" TO 1.25"
601263



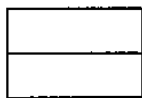
ADAPTER
601676



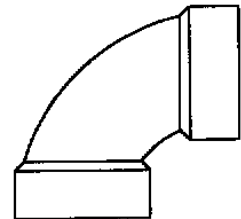
ADAPTER
W/FEMALE THREADS
600308



WYE 1.5"
1/8" BEND
600182



COUPLING
1.5"
600227



ELBOW 90D
SHORT SWEEP
601636

601200

600625-01

600094

ADAPT,, AUTO VENT W/EXT. #A-201

PLUG, TRAP, 1-1/2" ADAPTER, FEMALE

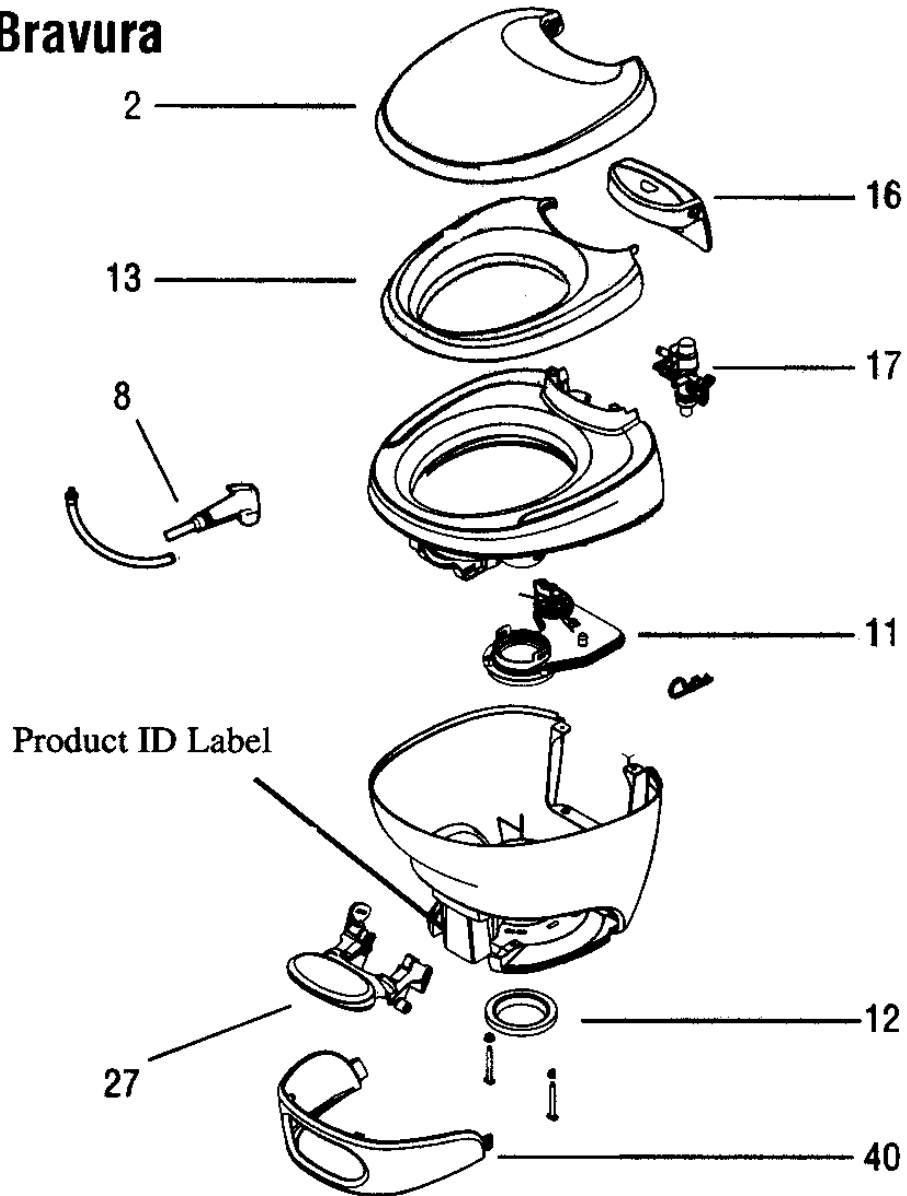
WYE #2301

2002 LAND YACHT GAS PLUMBING

Thetford Bravura Toilet Low profile PN is 690442-01

Parts available from Thetford

Bravura



2002 LAND YACHT GAS

Thetford Bravura Toilet **Low profile PN is 690442-01**

Before ordering parts, record the Product ID information.

No. Description	No. Description
1 Hinge Pins (2)	22 Bracket & 2 Screws [†]
2 Seat Cover	23 Float Assy.
3 Vacuum Breaker	24 Actuator Assy.
4 Flush Tube	25 Base to Bowl Screws (9)
5 Flush Nozzle Assy.	26 Closet Bolt Pkg.
6 Overflow Trap	27 Pedal Pkg. [†]
7 Water Supply Tube	28 Base
8 Hand Spray Kit (Water Saver Option Only)	29 Retainer & Screw [†]
9 Side Access Covers (2)	30 Sealant
10 Water Valve	31 Blade Spring
11 Lower Mechanism Assy.	32 Blade
12 Closet Flange Seal & Bolt Pkg.	33 Blade Seal
13 Seat	34 Blade Track
14 Hinge Post Kit	35 Flapper
15 Upper Mechanism Assy.	36 Overflow Tube
16 Pod	37 Nozzle Assy.
17 Water Module	38 Bowl
18 Water Valve Link	39 Reservoir Assy.
19 Lever Assy.*	40 Shroud
20 Wire Replacement Pkg. [†]	
21 Mechanism Cover	

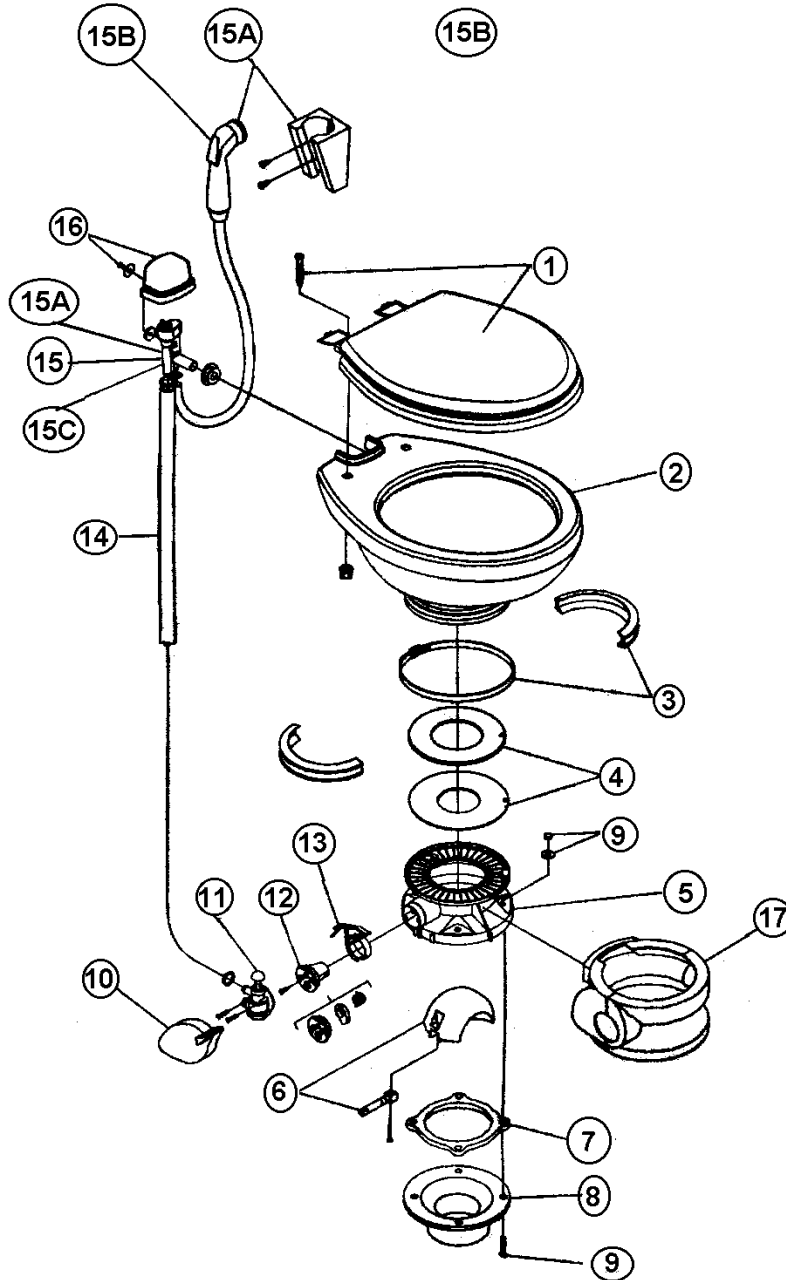
Specify High or Low

* Hand Flush only

[†] Foot-Pedal Flush only

2002 LAND YACHT GAS
Sealand Toilet Traveler Lite Series
P/N 601792-01

Model 111



2002 LAND YACHT GAS

Sealand Toilet Traveler Lite Series MODEL 111

For the name of the nearest authorized service center, please call 1-800-321-9886 between the hours of 8:00 AM and 5:00 PM, Eastern Time.

- 1) 344089 Seat assembly, Bone
- 2) 310791 Chins bowl kit, Bone
- 3) 310048 Ring and half clamp kit, Bone
- 4) 316140 Teflon® & Rubber seal kit
- 5) 310802 Base kit, Bone (includes 3, 4, 6, 7, 9, 10, 11, 12, 13, and 17)
- 6) 381162 Ball, shaft, and cartridge kit
- 7) 341549 Floor flange seal
- 8) Floor flange, see drain plumbing section of this book
- 9) 310064 Floor bolt-mounting kit
- 10) 310118 Pedal cover kit
- 11) 314349 Water valve kit
- 13) 340825 Flush lever
- 14) 340177 Supply hose, Bone
- 15) 310687 Vacuum breaker kit
- 15a) 319054 Vacuum breaker kit, w/spray
- 15b) 340683 Hand spray, white
- 15c) 230335 Vacuum breaker (used w/spray)
- 16) 310796 Vacuum breaker cover kit, Bone
- 17) 310109 Pedestal cover kit, Bone

Sealand Technology is ready to assist you in the event service is required. Before calling, please have the following information available.

1. Toilet Model Number
2. Serial Number
3. Part Number, Description, and Quantity.

2002 LAND YACHT GAS

SAFETY EQUIPMENT

510781	Detector, smoke #1056 w/silencer
511343	Detector, carbon monoxide-9 volt
511309	Detector, LPG
510734	Alarm, back-up
381069	Seat belt kit, lounge/swivel chair
690381-01	Fire extinguisher 10 B: CUL
690381-02	Fire extinguisher 10 B: CULC (Canadian)
380188	Emergency warning triangle (set of 3)
371243	MIRROR, REAR VIEW, GM #911722
380990	BRKT, MIRROR SUPPORT, GM #9831062
700349	Seat belt, mini-buckle, swivel chair

2002 LAND YACHT GAS SEALS-GASKETS



1) 365205



2) 365237-01



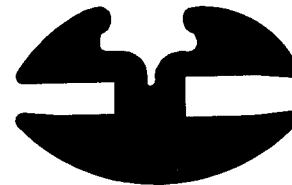
3) 365232



4) 365208



5) 201260



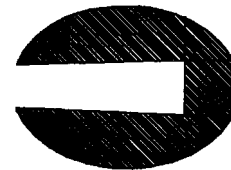
6) 381319



7) 365013-01



8) 365045



9) 381764

- | | |
|---|---|
| <p>1) 365005</p> <p>2) 365237-01</p> <p>3) 365232</p> <p>4) 365208</p> <p>5) 201260</p> <p>6) 381319</p> <p>7) 365013</p> <p>8) 365045</p> <p>9) 381764</p> | <p>Gasket, weather strip, rear trunk door</p> <p>Seal, dust, compartment door edge</p> <p>Seal, compartment doorjamb</p> <p>Gasket, seal-compartment door hinge and window to body</p> <p>Insert, windshield gasket, rubber</p> <p>Gasket, windshield, includes center strip</p> <p>Gasket, screen door, low-density foam</p> <p>Seal, main door</p> <p>Trim edge, rubber</p> |
|---|---|

2002 LAND YACHT GAS

SEALS AND GASKETS

DRIVERS DOOR



1) 365232



2) 381364



3) 684910



4) 195287



5) 381665 Seal "D"

- | | |
|-----------|--|
| 1) 365232 | Seal, bulb type, door to jamb |
| 2) 381364 | Seal, bulb type (wind barrier at top of door) |
| 3) 684910 | Channel, Schlegel, window track |
| 4) 195287 | Gasket, window lip seal |
| 5) 381665 | Gasket, d seal, .50"W x .36"H, black, window to body |

2002 LAND YACHT GAS

SEALS

Sealer, gaskets, paint, adhesives

GASKETS-SE-GI WINDOWS



1) 371366-103



2) 371366-102



3) 371366-104



4) 371366-105

- | | |
|---------------|--------------------------------|
| 1) 371366-103 | Track, window screen, Se-Gi |
| 2) 371366-102 | Track, sliding pane, Se-Gi |
| 3) 371366-104 | Wiper seal, vertical, Se-Gi |
| 4) 371366-105 | Screw cover, clamp ring, Se-Gi |

2002 LAND YACHT GAS

SEALS-SEALER

SEALER

360209-01	Sealer, black, #5507
360281	Sealant, thermoplastic, clear
360268-01	Liqua Seal, roof, white
685510	Seam tape, black
360216	Caulk, latex, brown
365001	Tape, double coated foam
360074	Sealant, GE RTV, white
360001	Butyl sealent#884058
360002	Vulkem sealant, Gray
360176	Sealant, almond, bathroom
360210	Sealant, Paralastic #4334-04 (refrigerator Compartment sealer)
360180	Sikaflex, 221 adhesive/sealant
360052	Vulkem seal, black
360283	Silicone sealer, Corian bone
360286	Sealant, Gray, SU-6000
360209-02	Sealant, seam, Acryl-R, white
360190	SEALANT - WHITE
360255-03	SEALER ANTI-WICK SIA-458B
365261	ADHESIVE, THERMOSET, JET WELD
360259	SILICONE GLAZING SEALANT, galley to wall
365190	SEAL, RUBBER, ADHESIVE, 3/4" X 3/4", refer comp.

2002 LAND YACHT GAS

SEALS-ADHESIVES/PAINT/MISCELLANEOUS

ADHESIVES

601704-02	CORIAN GLUE-SIERRA AURORA
360284	PANEL ADHESIVE - CORIAN
365256	ADHESIVE, INDUSTRIAL #4799, windshield
365243-01	EDGE BANDING TAPE PVC 1 1/4" HORIZ
365238-03	EDGE BANDING TAPE PVC 5/8" HORIZON
601704-02	Corian glue, Sierra Aurora
800639-02	Adhesive, Oak plank flooring
360282-04	Adhesive spray, Sta-put, ceiling panels (reference only, not available for shipment)

PAINT

Each vehicle has been provided with a sheet listing the paint color codes on that particular motorhome. Also, each motorhome is shipped with touch-up paint for each color.

A back up color chart for each motorhome is kept in Airstream's files. If calling Airstream for this information ask for "Sales" and have the serial number available for them.

203319	PAINT, PROTECTIVE FILM
360292	Stain, Saratoga Oak (new for 2000)
365244	Lacquer, clear, used on wood

MISCELLANEOUS

360179	Undercoat, Pennzoil II
365194	Tape, silver, 2" wide

2002 LAND YACHT GAS

*UPHOLSTERY/FOAM/MATTRESS

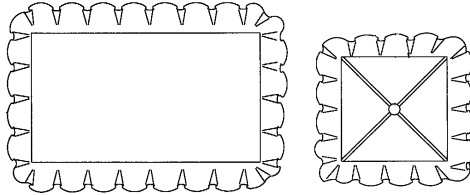
701768	Mattress, inner spring, 34" x 79.5", twin
702674	Mattress, 60" x 75", w/45° degree corner, double
703148	Mattress, 54" x 74" w/45° corner, 26ft
*702676-320	Bedsread, double, Golden Oak
*702489-320	Bed spread, twin, Golden Oak
*703149-320	Bedsread, 75", corner double, 26ft., Golden Oak
701611	Pillow, 21" x 31"
*702801-320	Sofa, jack knife, 74", Golden Oak, spec. color, 33'
702801-70	Sofa, leather option, 74", 33'
702801-01	Sofa, jack knife, 74", leather, w/drawer face, 33'
*702800-320	Sofa, jack knife, 68", Golden Oak, spec. color, 30'
702800-70	Sofa w/ 70 Th Ann. Logo, 68" leather option, 30'
702800-01	Sofa, jack knife, 68", leather, w/drawer face, 30'
*703235-350	Sofa w/armrest, option, 26' model
400963	Sofa leg
380337	Pedestal leg
380338	Socket, pedestal table
380339	Socket, pedestal, floor
702897-03	Drivers seat, power
702898-02	Passenger seat, non-power
703022-01	Swivel chair, Leather
453903	Pedestal, swivel chair
703053	Border, wallpaper, VSI #TR7184

*Each dealership is provided with a set of "color scheme boards" every model year. These "boards" have samples of upholstery for each color scheme and part numbers are included.

Upholstery numbers ending in: 350 = Georgia Peach, 320 = Golden Oak, 460 = Mystic Mint, 470 = Mandalay Blue

2002 LAND YACHT GAS
UPHOLSTERY/FOAM/MATTRESS
PILLOW KIT

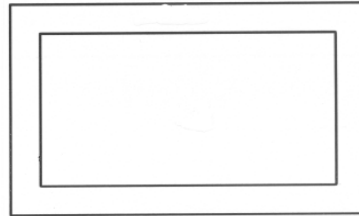
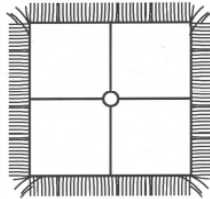
GEORGIA PEACH



703062-02
Pillow sham, bedroom

703062-01
Sofa pillow

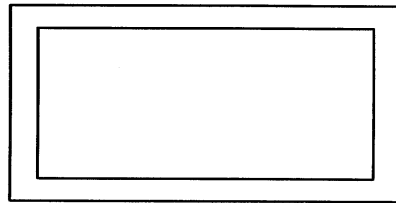
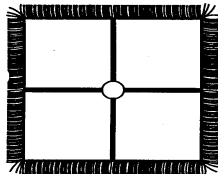
Golden Oak pillow kit



703089-01 Sofa Pillow

703089-02 Bedroom Sham

Mandalay Blue



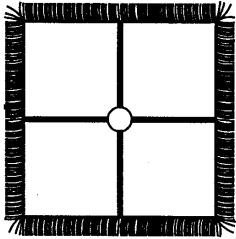
703107-01
Sofa Pillow

702107-02
Bed Pillow Shams

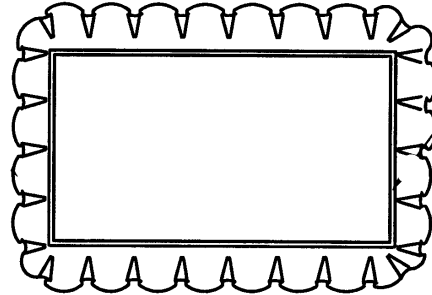
2002 LAND YACHT GAS

UPHOLSTERY/FOAM/MATTRESS Pillow Kits

Mystic Mint

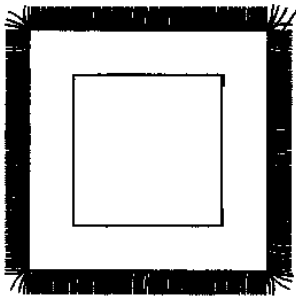


703109-01
Sofa Pillow

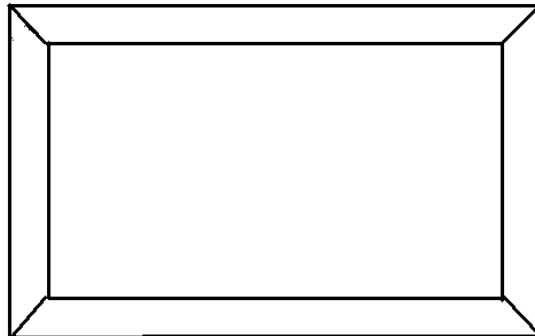


703109-02
Bedroom pillow shams

Autumn Blush--Porifina--Blue Dimensions



Sofa Pillow
Autumn Blush 703178-01
Portifina 703176-01
Blue Dimension 703168-01



Bed Shams
703178-02
703176-02
703168-02

2002 LAND YACHT GAS
UPHOLSTERY/FOAM/MATTRESS
Dinette Upholstery, 26 FT. MDL.

702464-19	FOAM DINETTE UPPER BACK 38.25 RH
702464-20	FOAM DINETTE UPPER BACK 38.25 LH
702464-07	FOAM DINETTE LOWER BACK 38.25
702464-09	FOAM DINETTE AFT SEAT 38.25
702464-11	FOAM DINETTE FWD SEAT 38.25
964334-02	Flex spring-seat 21.63" x 38.00"
998070	COVER, SEAT, SIDE DINETTE
998071	COVER, BACK, SIDE DINETTE

Dinette Upholstery, 30 FT. MDL.

702464-17	Foam, dinette, upper back, RH
702464-18	Foam, dinette, upper back, LH
702464-06	Foam, dinette, lower both sides
702464-08	Foam, dinette seat aft
702464-10	Foam, dinette seat forward
964334-03	Flex spring seat, dinette, 21.63" x 32.00 "
998070	Seat cover, side dinette
998071,	Back cover, dinette
964538	Back, upholstered dinette seat, LH
964537	Back, upholstered dinette seat, RH

Dinette Upholstery 33FT. MDL.

702464-19	Foam, dinette, upper back, RH
702464-20	Foam, dinette, upper back, LH
702464-07	Foam, dinette, lower back, both sides
702464-09	Foam, dinette seat aft
702464-11	Foam, dinette seat, forward
964334-02	Flex spring seat, dinette, 21.63" x 38.00"
998070	Seat cover, side dinette
998071	Seat cover, dinette
964497	Back, sub assembly, dinette seat, LH
964496	Back, upholstered dinette seat, RH

2002 LAND YACHT GAS

VENTS/FANS

Skylights

203153-01	Skylight, 22" x 22" clear, galley
203152-02	Trim, skylight 22" x 22"
702804-02	Pleated shade, skylight, 20.25" x 21.0"
203148-01	Skylight, heavy duty, shower, 14.5" x 22.5"
203148-02	Trim inner, skylight, 14.0" x 22.0"
203153-02	Skylight, bath, 14" x 22", clear, bath
203152-01	Trim inner, skylight, 14" x 22"
702804-01	Pleated shade, skylight, 12.75" x 21.25"

Roof vents

381450	Vent, roof, Fantastic 6000RBT
381153-01	Vent, Jensen #757
381153-100	Screen, Jensen #757 vent
381207-03	Vent, refrigerator, roof w/screen
511376	Fan, defrost, oscillating
511152-11	Range hood w/monitor, black
511152-01	Vent, range hood, exterior, white
690266-01	Ventilator, power, bath
511152-01	Vent, range, exterior, white

2002 LAND YACHT GAS
WOOD/LAMINATES/INTERIOR TRIM

800397-01	Cedar, planked, 5/32" x 4' x 8'
800542-02	Structure wood, 3/8" x 4' x 8'
800542-03	Structure wood, 1/2" x 4' x 8'
800544-02	Structure wood, 5/8" x 4' x 8'
800507-01	Paneling, luan 1/8" x 4' x 8'
800507-02	Paneling, luan 1/4 x 4' x 8'
800507-03	Paneling, luan 3/8" x 4' x 8'
801261	Paneling, 1/8" x 4' x 8', Antiquity Buff
801283	Paneling, 1/2" x 4' x 8', G2S, Antiquity Buff
801274	Paneling, 1/2" x 4' x 8', G1S, Antiquity Buff
801275	Paneling, 5/32" x 4' x 8', Antiquity Buff/raw
801284-004	Paneling, 1/2" x 4' x 7'G2S, Oak, /Antiquity Buff
*801180-00z	Paneling, 1/2" x 4' x 7', G2S, vinyl/vinyl
*801179-00z	Paneling, 1/2" x 4' x 7', G1S, vinyl/raw
*801182-00z	Paneling, 5/32" x 4' x 7', G2S, vinyl/vinyl
*801181-00z	Paneling, 5/32" x 4' x 7', G1S, vinyl, raw
365251-01	Tape, seam, Antiquity Buff, 1.12 wide
365251-02	Tape, seam, Antiquity Buff, 8" wide
365251-03	Tape, seam, Antiquity Buff, 12" wide
365206	SEAM TAPE 1" WIDE MARRAKECH TAUPE

* Vinyl wood cover needs to be specified.

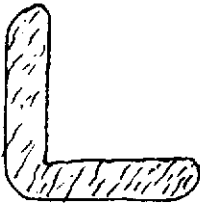
2002 LAND YACHT GAS
WOOD/INTERIOR



1) 801206-01z



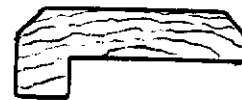
2) 964152-01z



3) 800575 -01z



4) 800571-01z



5) 800617-01z



6) 801172-014z
6a) 801172-04z



7) 801173-03z



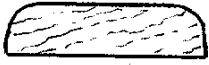
8) 801173-04z

- | | |
|----------------|--|
| 1) 801206-01z | Molding, floor, wood, 43" |
| 2) 964152-01z | Molding, chair rail, wood |
| 3) 801575-014 | Molding, corner, Antiquity Buff |
| 4) 800571-01z | Molding, wood, flat 1/4" x .052W x 80" |
| 5) 800617-01z | Molding, Wainscoat, wood |
| 6) 801172-01z | Molding, flexible corner, wood |
| 6a) 801172-04z | Molding, flexible corner, Antiquity Buff |
| 7) 801173-03z | Molding, flat radius, .88" wood |
| 8) 801173-04z | Molding, flat radius, 1.13" wood |

(continued)

2002 LAND YACHT GAS

WOOD/INTERIOR TRIM



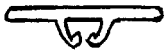
1) 800573-01z



2) 800572-01z



3) 201728-04



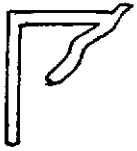
4) 201728-01



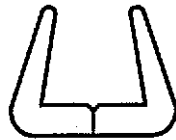
5) 203159-02



6) 201666-01



7) 201790-01



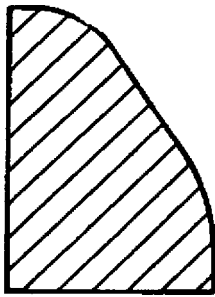
8) 203138-02
8a) 203138-03

- 1) 800573-014
- 2) 800572-014
- 3) 201728-04
- 4) 201728-01
- 5) 203159-02
- 6) 201666-01
- 7) 201790-01
- 8) 203138-02
- 8a) 203138-03

- Molding, wood, door edge 1 3/32 x 80"
- Molding, wood, panel edge, 23/32 x 80"
- Extrusion, ceiling trim
- Extrusion, ceiling trim retainer
- Trim, divider bar, interior panels, Antiquity Buff
- Molding, J 3/16, plastic, almond
- Molding, cove, white, ceiling to wall
- Extrusion, wall, plastic, brown (panel edging)
- Extrusion, wall, plastic, beige (panel edging)

2002 LAND YACHT GAS

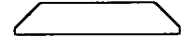
WOOD/INTERIOR TRIM



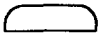
1) 800576-014



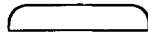
2) 801189



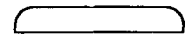
3) 801178-03



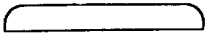
4) 801173-014



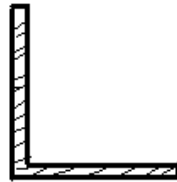
5) 801173-024



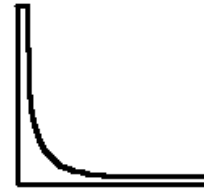
6) 801173-034



7) 801173-044



8) 800575-014



9) 800195-004

- 1) 800576-014
- 2) 801189
- 3) 801178-03
- 4) 801173-014
- 5) 801173-024
- 6) 801173-034
- 7) 801173-044
- 8) 800575-014
- 9) 801195-004

Not Shown:

800766-004

800405-004

Molding, bath doorstep, Oak

Trim, bath doorjamb, Oak

Flat molding, vinyl wrapped, Antiquity Buff

Flat molding, vinyl wrapped, Oak, .50 wide

Flat molding, vinyl wrapped, Oak, .75 wide

Flat molding, vinyl wrapped, Oak, .88 wide

Flat molding, vinyl wrapped, Oak, 1.13 wide

Molding corner, 80" L

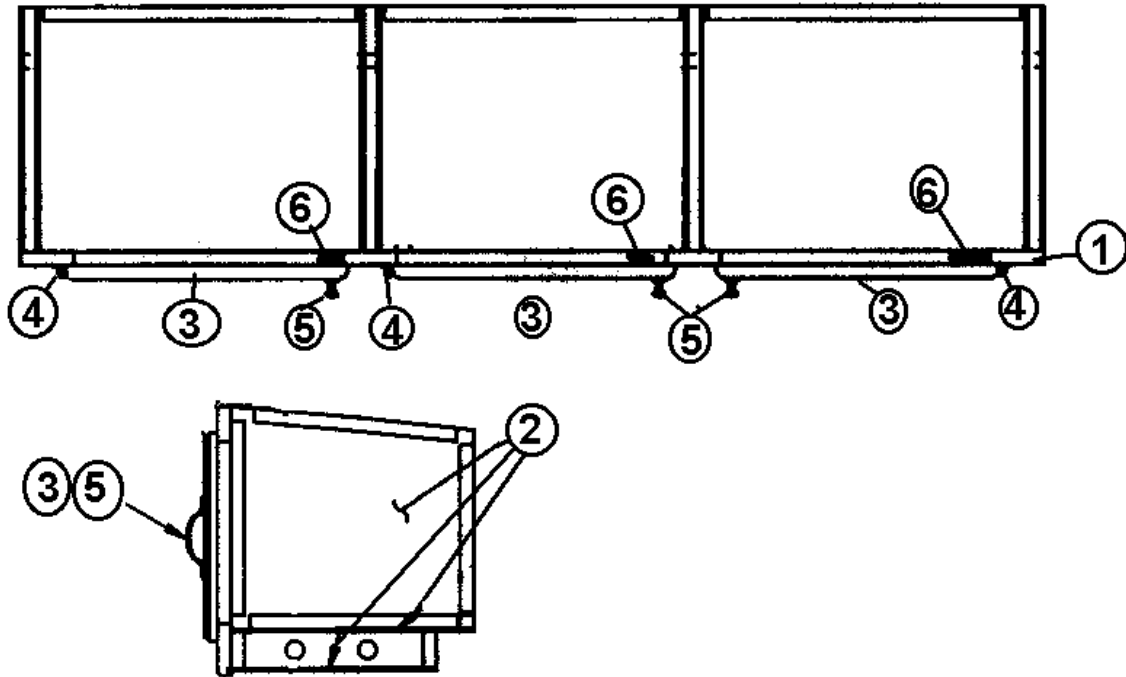
Corner trim, 1' radius, Oak

Trim panel, hardwood, .50"

Plug, hardwood

2002 LAND YACHT GAS

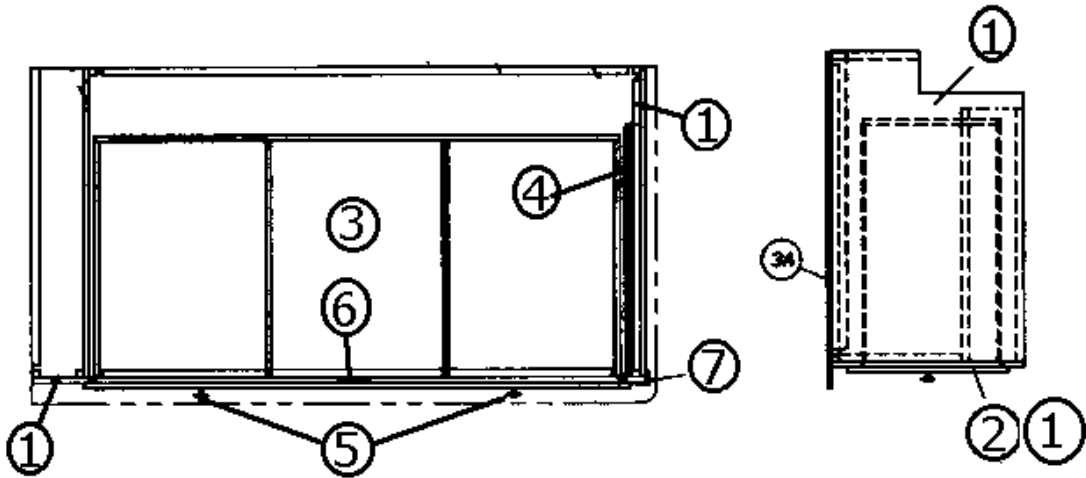
963831 RS Twin Bedroom Roof Locker Assembly, 33' & 30'
LYMH



- | | |
|---------------|--|
| 1. 963832-01 | Face frame, rooflocker |
| 2. 801181-00z | 5/32" G1S paneling, oak |
| 3. 800852-09 | Door, raised panel, 11.50" x 15.75", oak |
| 4. 381161 | Hinge, bright brass |
| 5. 381575 | Drawer/door pull |
| 6. 381059 | Bulldog catch |

2002 LAND YACHT GAS

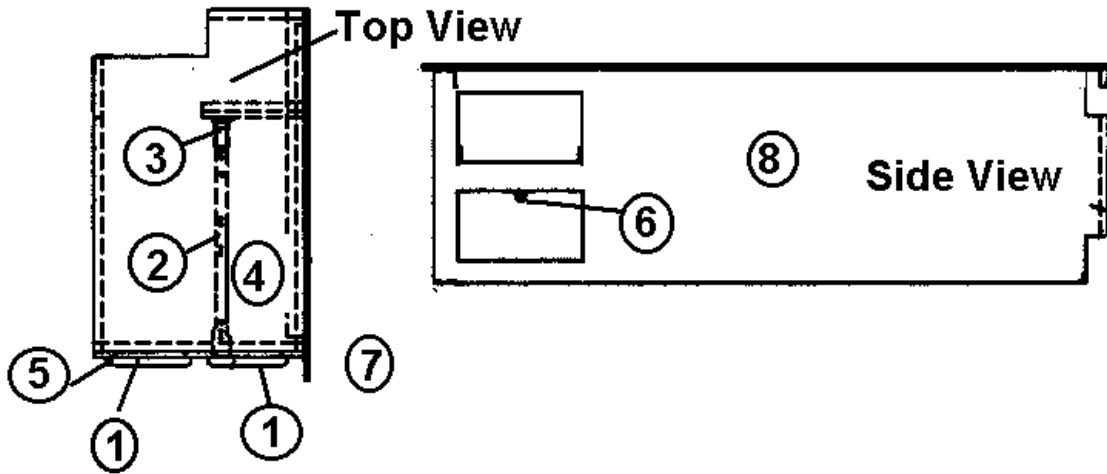
963005 Bed, RS twin



- 1. 801180-00z 1/2" paneling, G1S, oak
- 2. 201632 T-Trim, 5/8" wide
- 3. 961789 Bed box, RS twin bed
- 4. 381090 Drawer slide, 22"
- 5. 381163 Door knob
- 6. 381228-01 Grabber catch
- 7. 800575-01 Corner molding

2002 LAND YACHT GAS

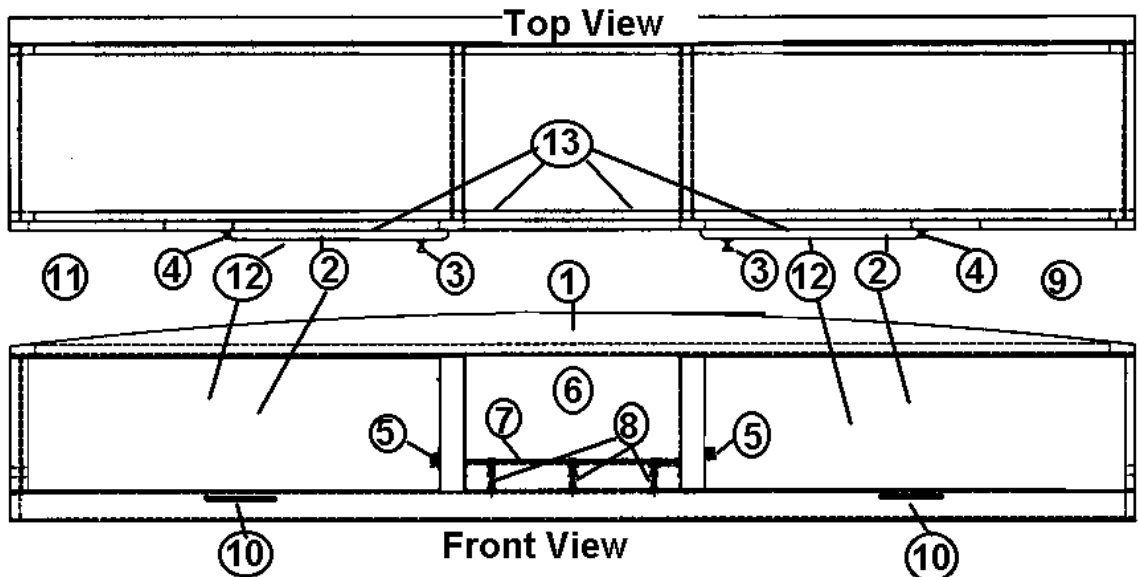
963004 Bed, CS twin



- | | |
|---------------|-------------------------------------|
| 1. 800782-13 | Drawer face, smooth, 7.00" x 11.75" |
| 2. 381526-04 | Drawer slide, 20.00" |
| 3. 381526-06 | Adjustable drawer slide socket |
| 4. 962821-05 | Drawer box, 10" x 18" x 5" |
| 5. 381161 | Hinge, bright brass |
| 6. 381074 | Bulldog, catch |
| 7. 800575-01 | Corner molding, (not shown) |
| 8. 801180-00z | 1/2" GS, Paneling |

2002 LAND YACHT GAS

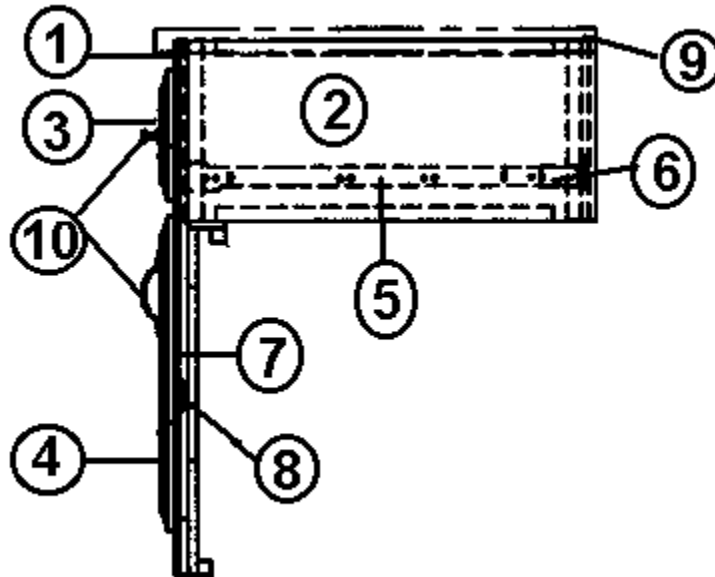
963835-02 Rear Twin, Center Roof locker



- | | |
|---------------|--------------------------------------|
| 1. 963837-01 | Face frame, roof locker |
| 2. 800557-324 | Door frame, 11.50" x 17.50" |
| 3. 381599 | Drawer/door handle |
| 4. 381601 | Hinge, antique brass |
| 5. 381228-01 | Grabber catch |
| 6. 371262-15 | Mirror, 10.56" x 17.12" |
| 7. 381449-04 | Galley rail decorative rod |
| 8. 381449-05 | Post decorative rail, Polished Brass |
| 9. 800571-01 | Flat wood molding, 1/4" x 33/64" |
| 10. 511297 | Light, Halogen, reading |
| 11. 702482-03 | Textured vinyl headliner |
| 12. 372210-06 | Mirror, 8.62" x 14.62" |
| 13. 381754 | Mirror/panel retainer clip |

2002 LAND YACHT GAS

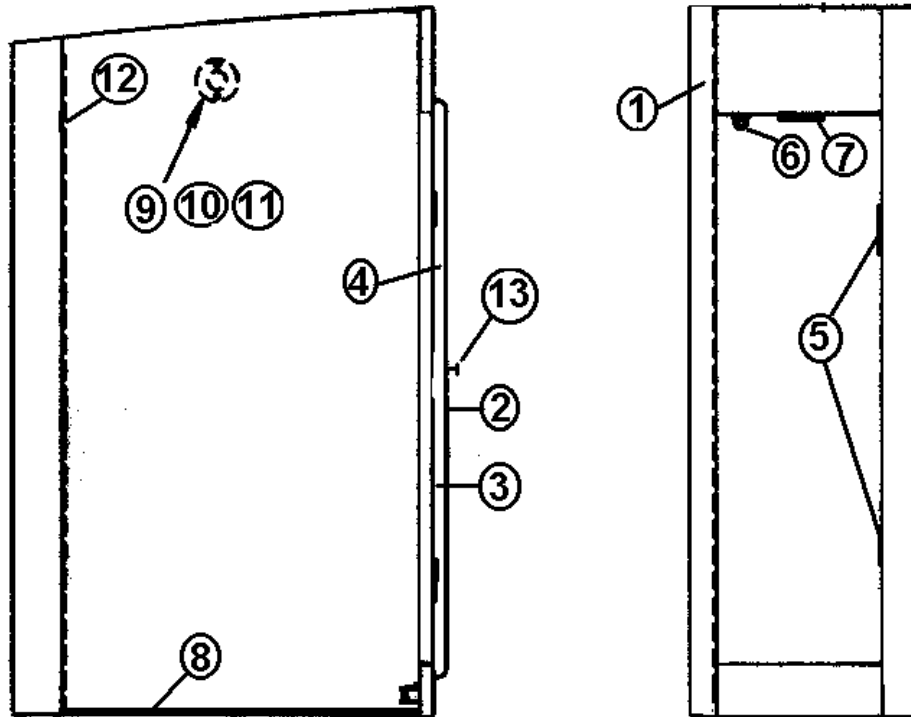
963893 Center Nightstand Assembly, Twin Bedroom



- | | |
|---------------|-------------------------------------|
| 1. 961779-01 | Face frame, twin bedroom nightstand |
| 2. 962821-31 | Drawer box, 15" x 20" x 5" |
| 3. 800599-18z | Drawer face, 7.00" x 16.75" |
| 4. 800599-71z | Drawer face, 16.75" x 16.75" |
| 5. 381526-05 | Drawer slide, 22.00" |
| 6. 381526-06 | Drawer slide adjustable back socket |
| 7. 381161 | Hinge, bright brass |
| 8. 381074 | Bulldog catch, copper color |
| 9. 961780 | Top, twin bed nightstand |
| 10. 381575 | handle, drawer/door Gold |

2002 LAND YACHT GAS

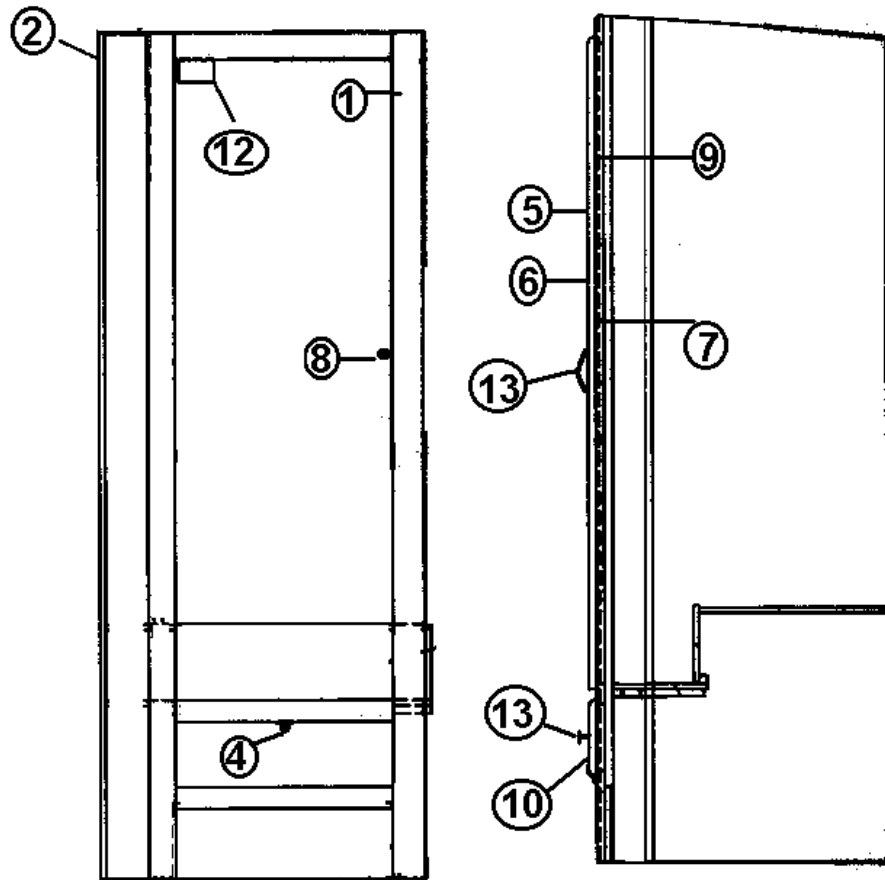
963894-03 RS Wardrobe Assembly, Twin Bedroom



1. 963611 Face frame, RS hanging wardrobe
2. 801158-08 Door frame, 10.50" x 32.50"
3. 372206-01 Mirror, bronze, beveled, 7.62" x 29.62"
4. 381754 Mirror/panel retainer clip
5. 381601 Hinge, antique brass
6. 381228-01 Grabber catch
7. 500956 Light, 111 brown w/switch
8. 800571-01 Flat wood molding, .25" x .55" x 23.25"
9. 380045 $\frac{3}{4}$ " metal tubing
10. 380046 Flange, chrome
11. 200975-04 Black plastic conduit
12. 800397-01 Cedar planked paneling, 5/32"
13. 381599 Handle, drawer/door

2002 LAND YACHT GAS

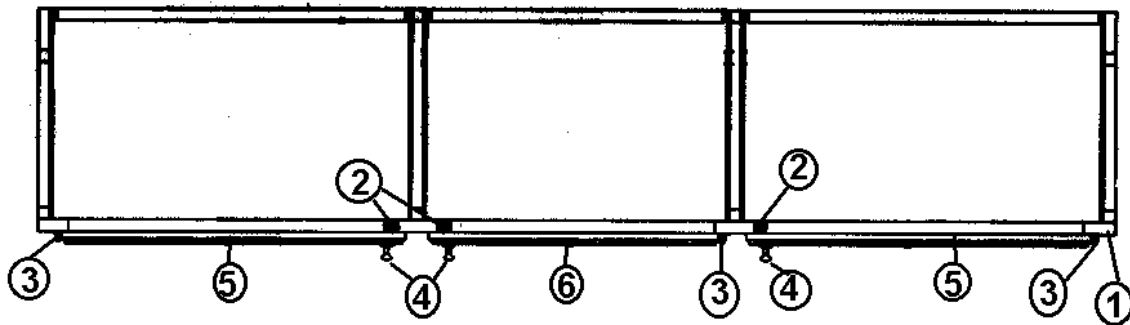
964018 CS Wardrobe Assembly, Twin Bedroom



- | | |
|----------------|--|
| 1. 964017 | Face frame, wardrobe |
| 2. 801057-14 | Panel, forward wardrobe |
| 3. 801180-00z | 1/2" Panel, G2S, Used several places |
| 4. 381228-01 | Grabber catch, 3 lb. pull |
| 5. 800557-104 | Door frame, 22.00" x 60.00" |
| 6. 371262-04 | Mirror, 19.13" x 28.13" |
| 7. 381754 | Mirror clip |
| 8. 381228 | Grabber door catch, 10 lb. pull |
| 9. 381601 | Hinge, antique brass (5 total) |
| 10. 800599-384 | Drawer face, 7.00" x 21.50" |
| 11. 800571-01z | 1/4" x 33/64, flat wood molding
(Used several places) |
| 12. 500956 | wardrobe light |
| 13. 381599 | Drawer/door pull |

2002 LAND YACHT GAS

965090 CS (Dinette) Roof Locker Assembly

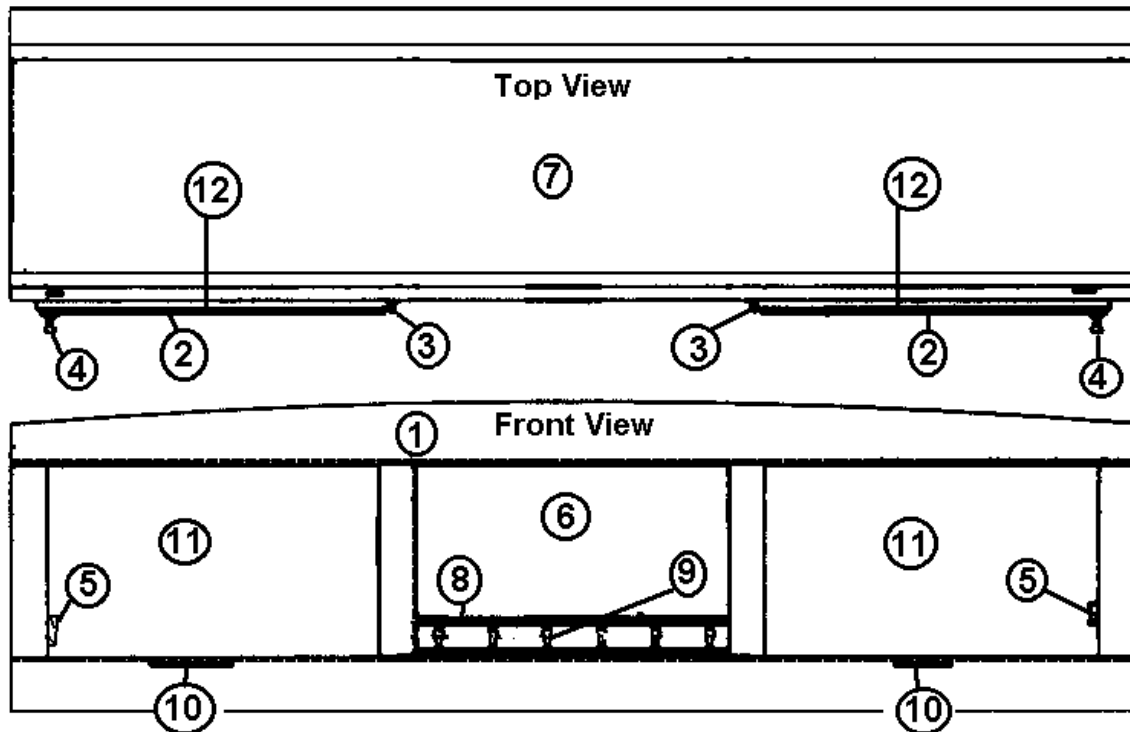


1. 965089-00z Face frame, dinette locker
2. 381228-01 Grabber catch
3. 381161 Hinge, bright brass
4. 381575 Handle, drawer/door gold
5. 800597-55z Door, raised panel, 11.50" x 22.00"
6. 800597-59z Door, raised panel, 11.50" x 18.50"

963836-04 Roof locker, Center rear, Double bed

2002 LAND YACHT GAS

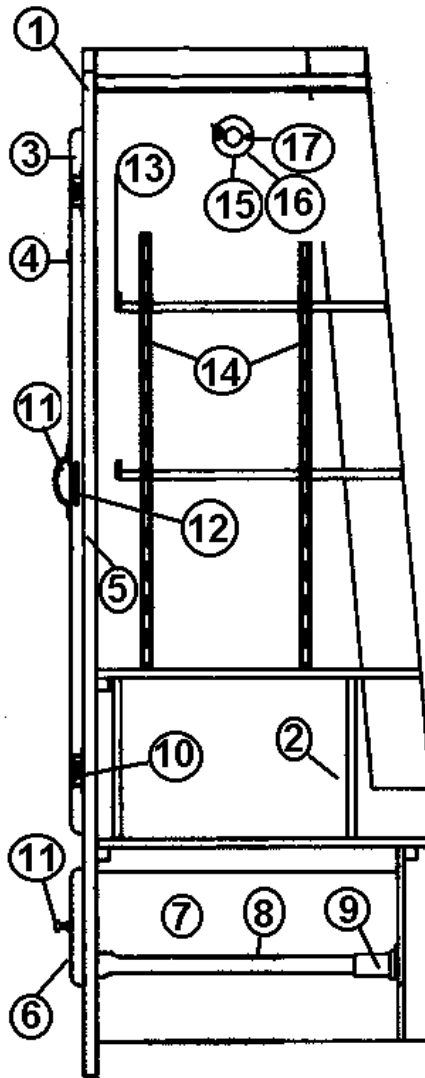
963836-04 Roof locker, Center rear, Double bed



- | | |
|---------------|---|
| 1. 964430-01 | Face frame assembly |
| 2. 800557-334 | Door frame, 11.50" x 19.50" |
| 3. 381601 | Hinge, antique brass |
| 4. 381599 | Handle, drawer/door |
| 5. 381228-01 | Grabber door catch |
| 6. 371262-15 | Mirror, 10.56" x 17.12" |
| 7. 800571-01z | Wood flat molding, 1/4" x 33/64" (several places) |
| 8. 381449-04 | Decorative rail |
| 9. 381449-05 | Post, decorative rail, polished brass |
| 10. 511297 | Halogen reading light |
| 11. 372210-02 | Mirror, beveled, 8.62" x 16.62" |
| 12. 381754 | Mirror clip |

2002 LAND YACHT GAS

963895-03 Wardrobe Assembly, RS Rear
963895-04 Wardrobe Assembly, CS Rear



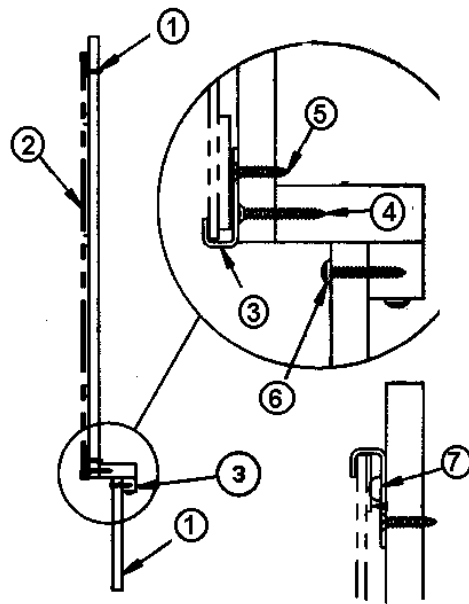
Parts Numbers Next Page

2002 LAND YACHT GAS

1. 962816-01	Face frame, RS wardrobe
1A. 962817-01	Face frame, CS wardrobe
2. 964869	Frame, wardrobe access
3. 800557-37z	Door frame, 10.50" x 42.00"
4. 372206-02	Mirror w/design, 7.62" x 39.12"
5. 381754	Mirror clip
6. 800599-01z	Drawer face, 7.00" x 10.50"
7. 964910-05	Drawer box, 8.5" x 18" x 5"
8. 381526-03	Drawer slide, 18"
9. 381526-06	Drawer slide back socket, adjustable
10. 381601	Hinges
11. 381599	Handle, pull drawer/door
12. 381228	Grabber door catch
13. 800573-01z	Molding, door edge, 1 3/32" wide
14. 381527	Speedy shelf strips
15. 380045	3/4" metal tubing
16. 380046	Chrome flange
17. 200975	Plastic conduit, black

2002 LAND YACHT GAS

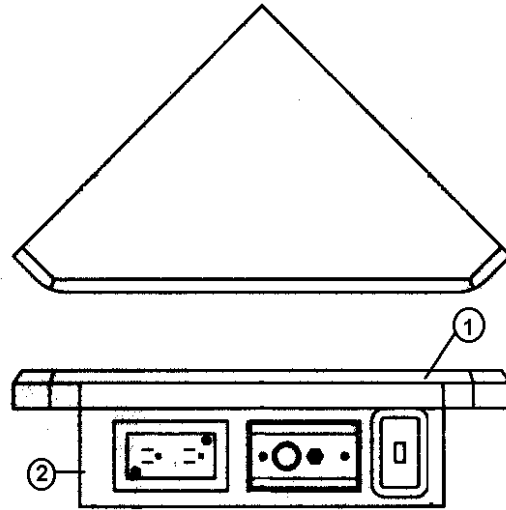
964071 Mirror Assembly, 23.50"



1. 801185 1/2" paneling, G1S
2. 372203-18 Mirror, polished edges, 11.13" x 22.50"
3. 381220-02 Mirror clip
4. 320117-03 Screw #6 x 1.62, drywall
5. 320118-04 Sheet metal screw, #8 x 3/4"
6. 320124-06 Sheet metal screw, #6 x 1.00"
7. 360012-01 Bumper door, brown
8. 360016 Rubber bump on

2002 LAND YACHT GAS

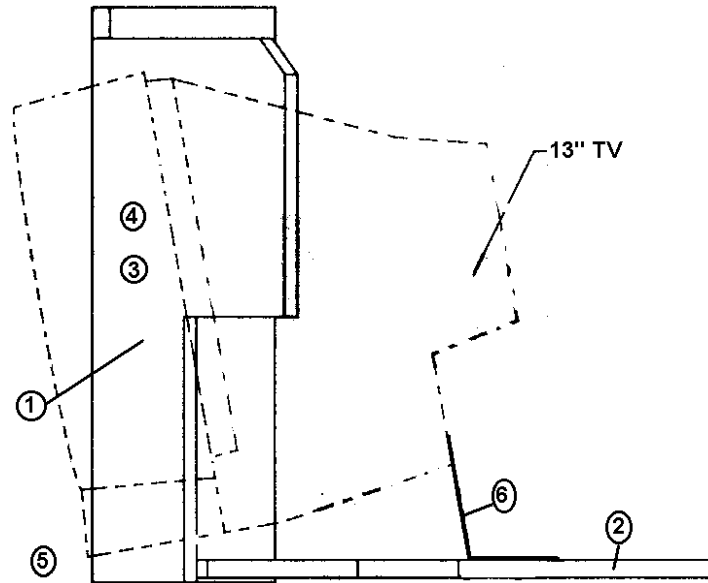
964072 Shelf/facer Assembly, Rear Double Bedroom



- 1. 962666 Top make-up cabinet, laminate
- 2. 964070-01 Facer board, no TV
- 2A. 964070-02 Facer board, w/opt. TV no cut-outs

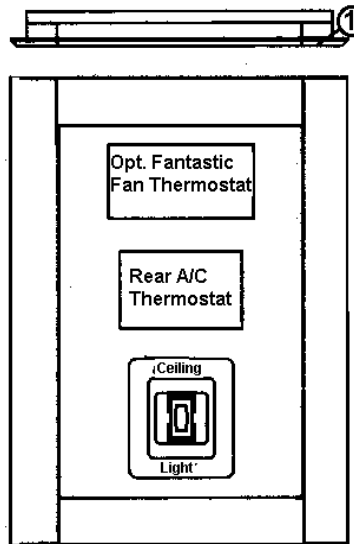
2002 LAND YACHT GAS

965417-02 TV Cabinet, Double Bedroom



- | | |
|---------------|---|
| 1. 800506-04 | 1/2" plywood |
| 2. 801180-00z | 1/2" Oak paneling, G2S |
| 3. 700414 | Foam, 3/8" x 72" |
| 4. 090137-C | Vinyl upholstery |
| 5. 800572-01 | 23/32" wood molding, used
several places |
| 6. 115045 | TV bracket |

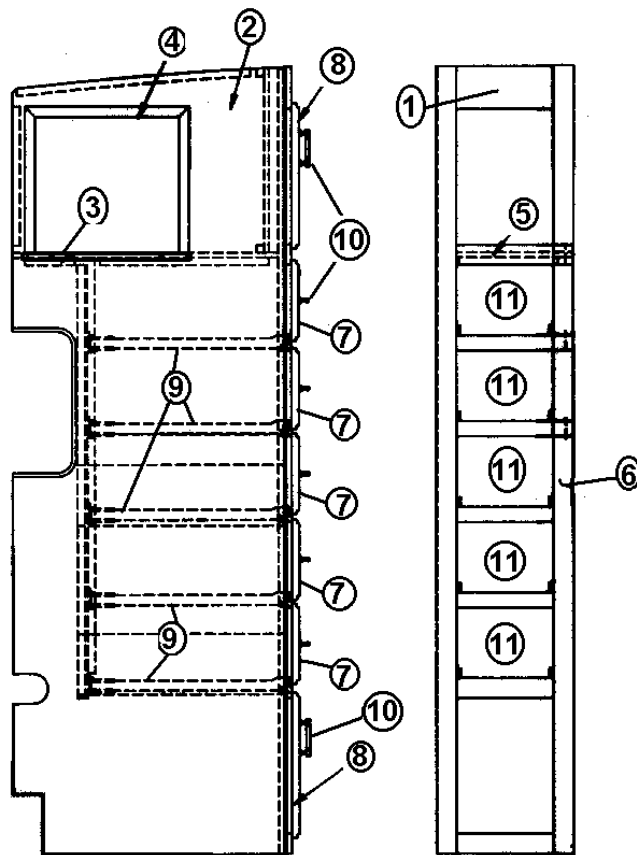
964868 Control panel Assembly, Bedroom



- | | |
|-----------|-----------------------------|
| 1. 964869 | Frame, control panel |
| 2. 386017 | Decal, control panel backer |

2002 LAND YACHT GAS

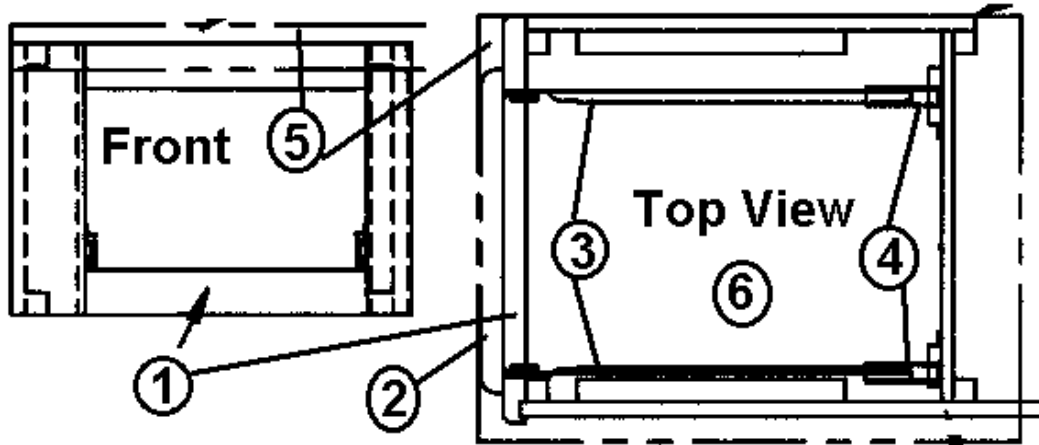
965461 RS Wardrobe Assembly



- | | |
|---------------|-------------------------------------|
| 1. 965477 | Face frame, RS wardrobe |
| 2. 801336-07 | Panel, aft, RS Wardrobe |
| 3. 965473 | Trim, TV support |
| 4. 800573-01z | Molding door edge, 1 3/32" |
| 5. 801179-00z | 1/2" paneling, G1S, Vinyl/Raw |
| 6. 800507-02 | 1/4" luan |
| 7. 800599-65z | Drawer face, 8.00" x 10.50" |
| 8. 800597-54z | Door, raised panel, 10.75" x 14.50" |
| 9. 381526-04 | drawer slide, 20" |
| 10. 381599 | Handle, drawer/door |
| 11. 965907-14 | Drawer box, 6" x 8.75" x 20" |

2002 LAND YACHT GAS

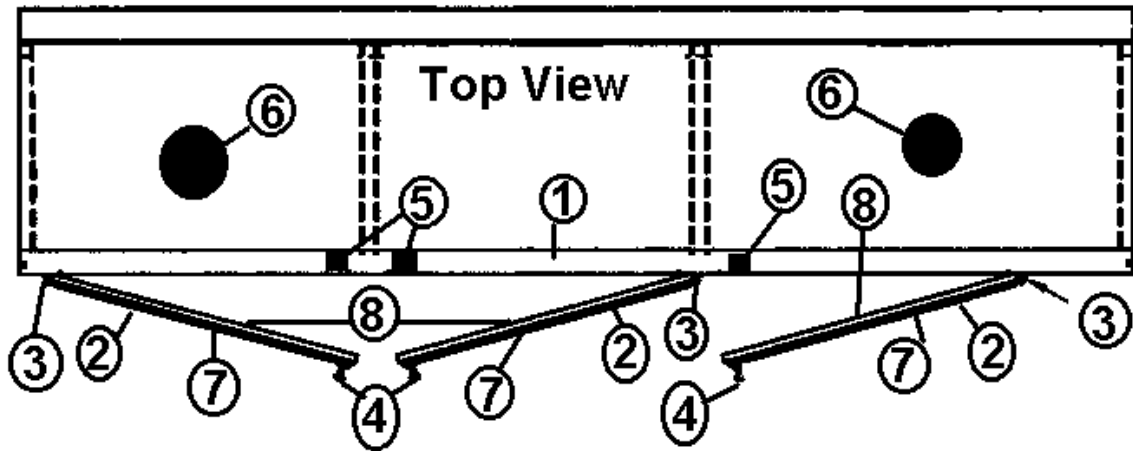
965453 Nightstand Assembly, 26 FT.



- | | |
|--------------|------------------------------------|
| 1. 965452 | Face frame, nightstand assembly |
| 2. 800599-01 | Oak drawer face, 7" x 10.50" |
| 3. 381526-01 | Drawer Slide, 14" |
| 4. 381526-06 | Adjustable rear slide back socket |
| 5. 965465 | Nightstand assembly top |
| 6. 964910-20 | Drawer box, 8.50" x 14.00' x 5.00" |

2002 LAND YACHT GAS

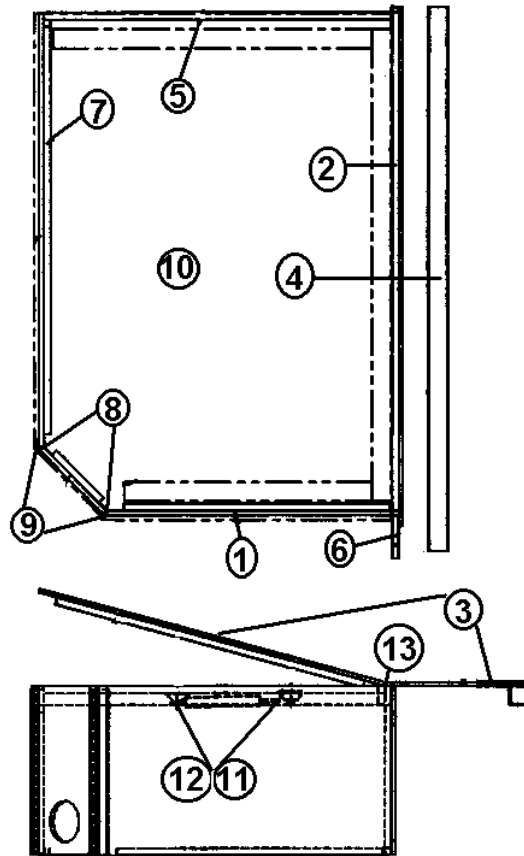
965451 Rear Liner Locker, 26 Ft.



- | | |
|---------------|--------------------------------------|
| 1. 965450 | Face frame, rear rooflocker, 26 FT |
| 2. 800557-33z | Door, frame only, 11.50" x 19.50" |
| 3. 381601 | Hinge, antique brass |
| 4. 381599 | Handle, drawer/door |
| 5. 381228-01 | Grabber catch |
| 6. 511297 | Halogen reading light |
| 7. 372210-02 | Mirror, beveled, 8.62" x 16.62" |
| 8. 381754 | Mirror clip |
| 9. 702482-03 | Vinyl headliner, not shown |
| 10. 365239 | Non-skid foam, 1/4" thick, not shown |

2002 LAND YACHT GAS

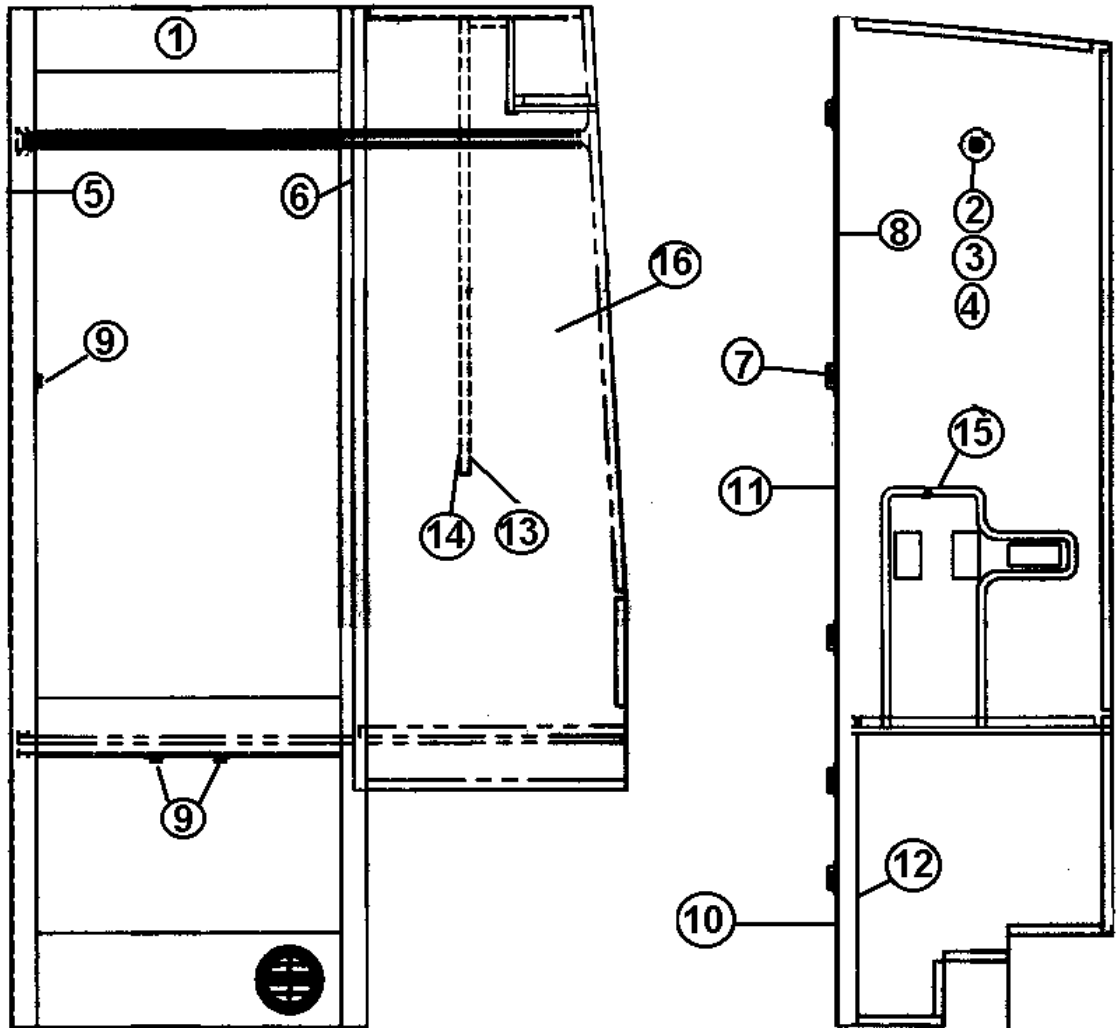
965467 Double Bed Assembly, 26 Ft.



1. 801179-00z 1/2" Paneling, G1S, Vinyl/Raw, 4' x 7'
2. 800506-04 1/2" plywood
3. 965488 Bed top assembly
4. 800500 Fir, 1 1/2" x 3 1/2"
5. 850082 Poplar, .75" x 2.00
6. 801181-00z Panel, 5/32" G1S, oak/raw, 4' x 8'
7. 800025-01 Pine, 3/4" x 3/4", stained
8. 114690 Angled bed corner
9. 801172-01z Molding corner oak
10. 365250-00z 5/8" edge banding, used several places
11. 381262 Bracket, prop, w/ball, angled
12. 381263 Bracket, prop, w/ball, straight
13. 381544 Hinge, leaf

2002 LAND YACHT GAS

965462 CS Wardrobe Assembly, 26 FT.



PN Next Page

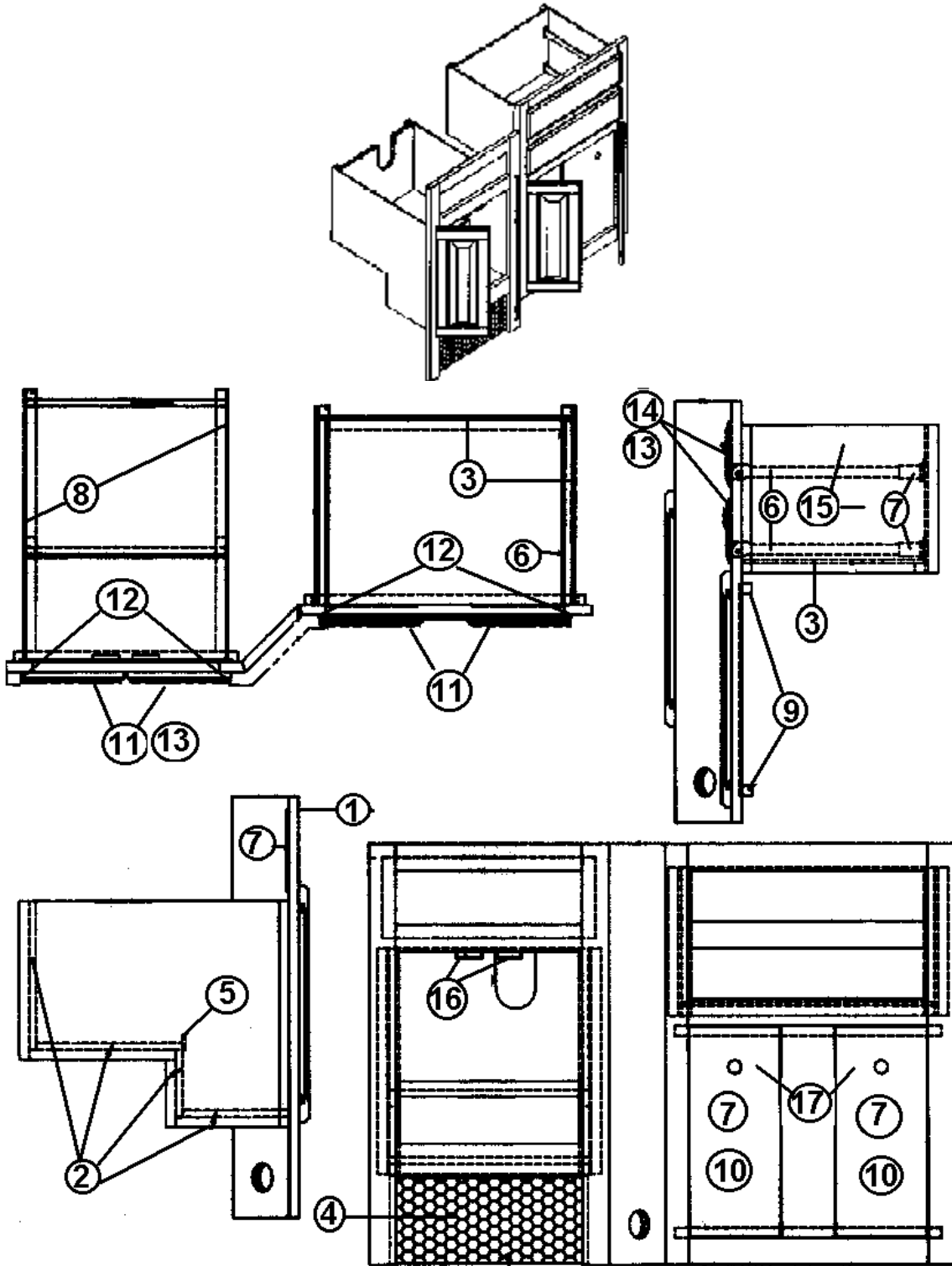
2002 LAND YACHT GAS

965462 CS Wardrobe Assembly, 26 FT., P/N

1. 965480 Face frame, CS wardrobe
2. 380045 $\frac{3}{4}$ " metal tubing
3. 380046 Chrome flange
4. 200975 Plastic conduit, black
5. 801274 $\frac{1}{2}$ " Paneling, Antiquity/buff
6. 801172-004 Corner molding, antiquity Buff
7. 381599 Handle, drawer/door
8. 381601 Hinge, Antique Brass
9. 381228 Grabber door catch
10. 800597-06z Raised panel door, 12.25" x 16.00"
11. 80133-01z Raised panel door, 12.25" x 48.75"
12. 381763 Hinge, bi-fold door
13. 511227-02 End cap fitting, brown
14. 511227-01 Raceway type L, brown
15. 201873 Cover shower, plumbing ABS
16. 801336-10 CS wardrobe panel, rear
17. 801336-11 CS wardrobe panel, front, not shown

2002 LAND YACHT GAS

965463 Lavatory Base Assembly 26 FT.



P/N next page

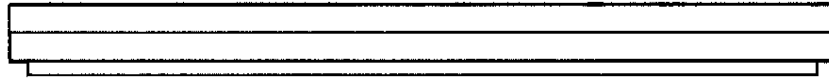
2002 LAND YACHT GAS

965463 Lavatory Base Assembly 26 FT.

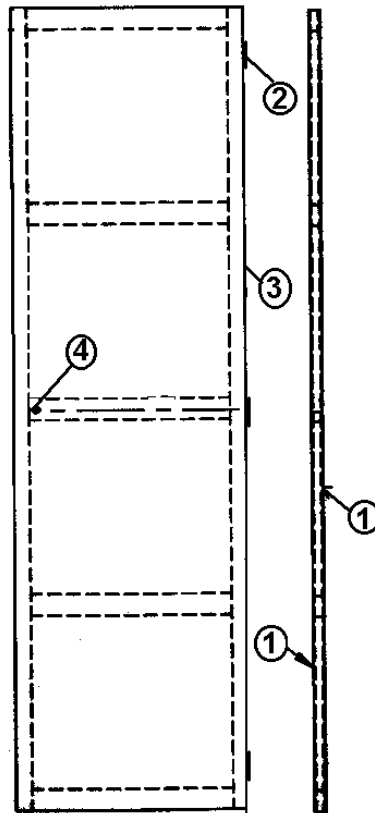
1. 965474 Lavatory face frame base
2. 801179-00z Panel, 1/2" G1S, vinyl/raw, 4' x 7'
3. 800507-02 Lauan, 1/4" x 4' x 8'
4. 453783-02 Grill screen
5. 800573-00z Hardwood, flat molding
6. 381526-01 Drawer slide, 14"
7. 801181-00z Panel, 5/32", G1S, Oak/Raw, 4' x 8'
8. 381526-06 Adjustable rear bracket, pair
9. 800025-01 3/4" x 3/4' stained pine batt
10. 381386 Dual lock #170
11. 800597-56z Door, raised panel, 7.75" x 17.50"
12. 381601 Hinge, antique brass
13. 381599 Handle, drawer/door
14. 800599-69z Drawer face, 4.75" x 19.00"
15. 964906-19 Drawer box, 2.75" x 17.00" x 19.00"
16. 381228-01 Door grabber catch
17. 385269 Label, DON'T USE AREA FOR STORAGE
18. 965454-01 Lavatory top, Corian

2002 LAND YACHT GAS

963426-02 Bath Door Header



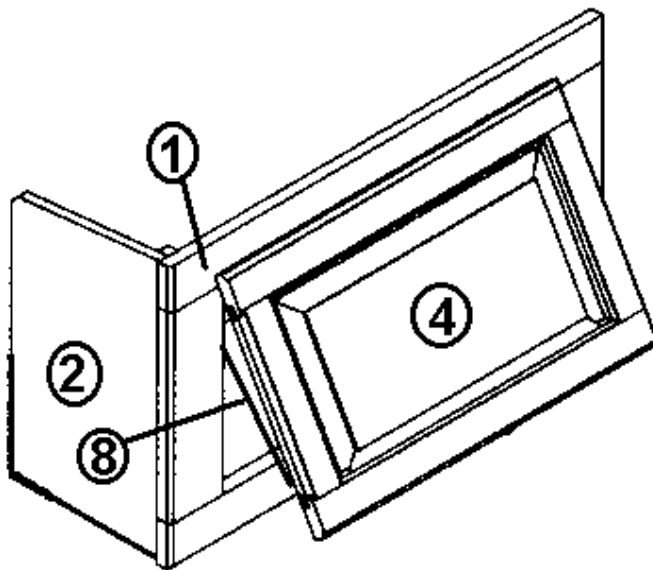
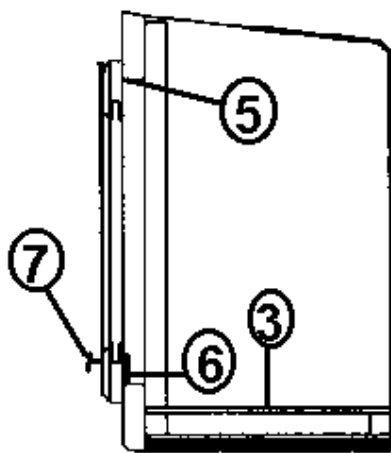
962782-01 Swinging Bath Door Assembly



- | | |
|--------------|----------------------------------|
| 1. 801181 | Panel, 5/32", G1S, Oak/Raw |
| 2. 381072 | Hinge, 3" x 1 7/8", open gold |
| 3. 365238-02 | Edge banding tape, 1 1/4" Horiz. |
| 4. 381022 | latch, bathroom, lockable |

2002 LAND YACHT GAS

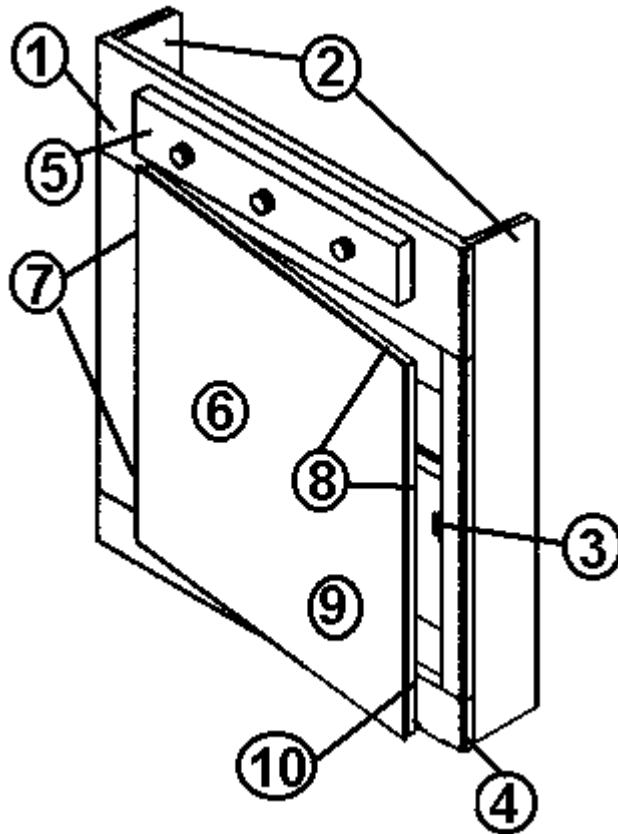
965459 Medicine Cabinet Assembly, Over Lavatory
26 Ft



- | | |
|---------------|-------------------------------------|
| 1. 965458 | Face frame, W/C Overhead |
| 2. 801180-00z | Panel, 1/2" wood vinyl G2S |
| 3. 801181-00z | Panel, 5/32" G1S, Oak/Raw 4' x 7' |
| 4. 800597-76z | Door, raised panel, 11.50" x 19.00" |
| 5. 381601 | Hinge, Antique brass |
| 6. 381228-01 | Door grabber catch |
| 7. 381575 | Handle, drawer/door |
| 8. 381147 | Door support, spring loaded |

2002 LAND YACHT GAS

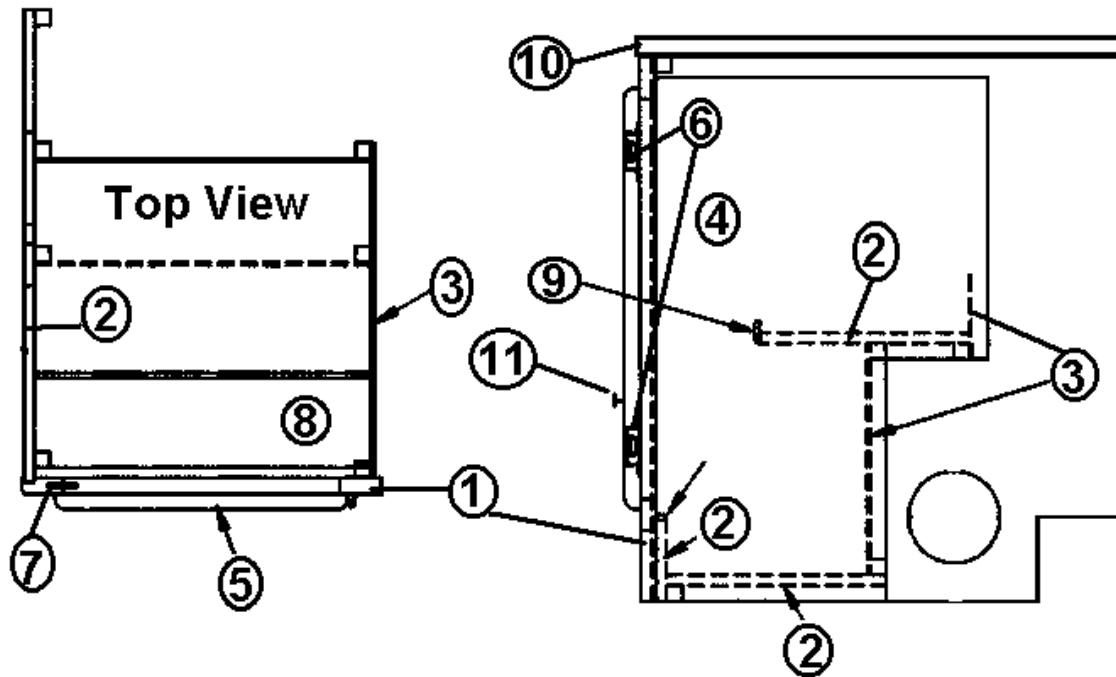
965479 Medicine Cabinet Assembly, 26 Ft.



- | | |
|----------------|---|
| 1. 965478 | Face frame, medicine Cabinet |
| 2. 801180-00z | Panel, 1/2" Wood/vinyl, G2S |
| 3. 381228 | Grabber door catch |
| 4. 800573-01z | Molding door edge, 1 3/32" x 80" |
| 5. 511052 | Wall light 3 bulb #526 Brass |
| 6. 372203-14 | Mirror, polished edges, 21.00" x 22.00" |
| 7. 385935 | Brass, pivot hinge |
| 8. 365238-03z | Edge banding tape, 5/8" |
| 9. 385940 | Mirror pull, brass |
| 10. 801179-00z | Panel, 1/2" G1S, vinyl/raw, 4' x 7' |

2002 LAND YACHT GAS

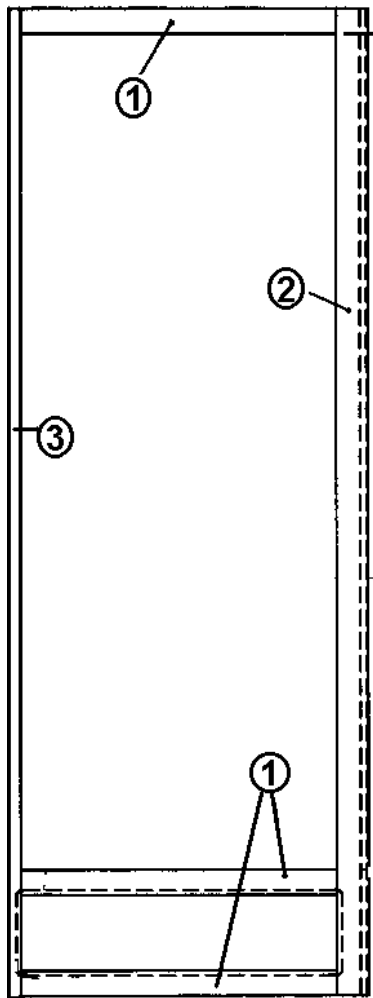
962947-02 Lavatory Cabinet Assembly



- | | |
|---------------|---|
| 1. 962956-01 | Face frame, Lavy cabinet |
| 2. 801180-004 | Panel, 1/2" oak/oak, G2S |
| 3. 801181-004 | Panel, 5/32", G1S, oak/raw |
| 4. 380034 | Toilet paper holder, chrome |
| 5. 800597-024 | Raised panel door, 14" x 20" |
| 6. 381601 | Hinge, antique brass |
| 7. 381228-01 | Door grabber catch |
| 8. 800571-01z | Wood molding, flat, 1/4" x 33/64" x 80" |
| 9. 800573-014 | Molding, door edge, 1 3/32 x 80" |
| 10. 964375-01 | Lavatory top, Corian |
| 11. 381599 | handle, drawer/door |

2002 LAND YACHT GAS

962747-01 Face Frame, Shower



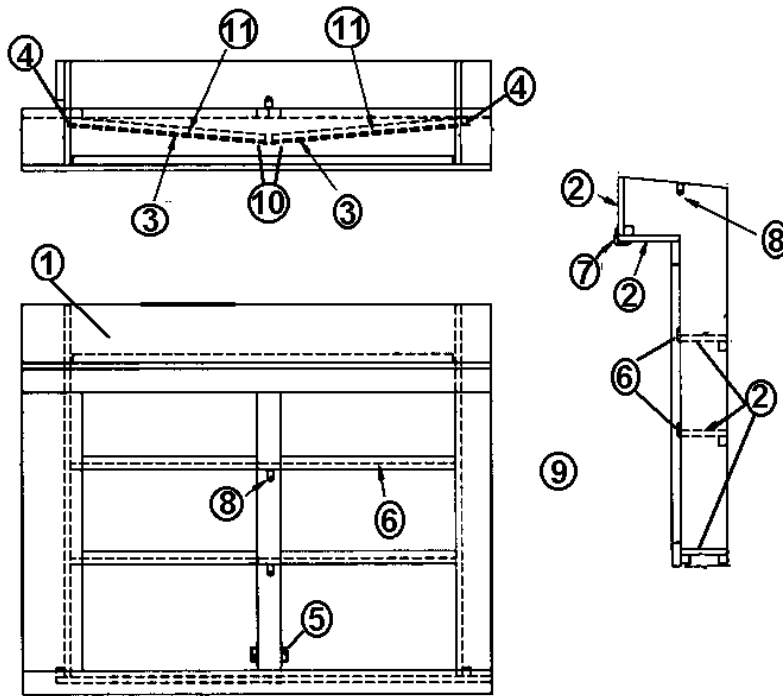
- 1. 800581-02 Oak lumbar, 13/16" x 2.0"
- 2. 800581-04 Oak lumbar, 13/16" x 2.5"
- 3. 800428 Oak lumbar, hardwood, 13/16"

800880-01, Stile, Aft Bathroom

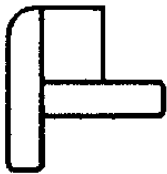


2002 LAND YACHT GAS

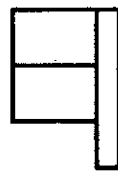
963931-01 Medicine Cabinet Assembly



- | | |
|---------------|-----------------------------------|
| 1. 962750-01 | Face frame, medicine cabinet |
| 2. 801180-004 | Panel, 1/2" G2S, Oak |
| 3. 372203-15 | Mirror, beveled, 17.00" x 25.25" |
| 4. 385935 | Brass pivot hinge |
| 5. 381228 | Grabber door catch |
| 6. 800573-01 | Door edge molding, 1 3/32" x 80" |
| 7. 800575-01 | Corner molding, 80" length |
| 8. 380041 | Stanley corner brace |
| 9. 365238-03 | 5/8" edge banding tape, not shown |
| 10. 385940 | Mirror pull, door |
| 11. 801179 | Panel, oak/raw |



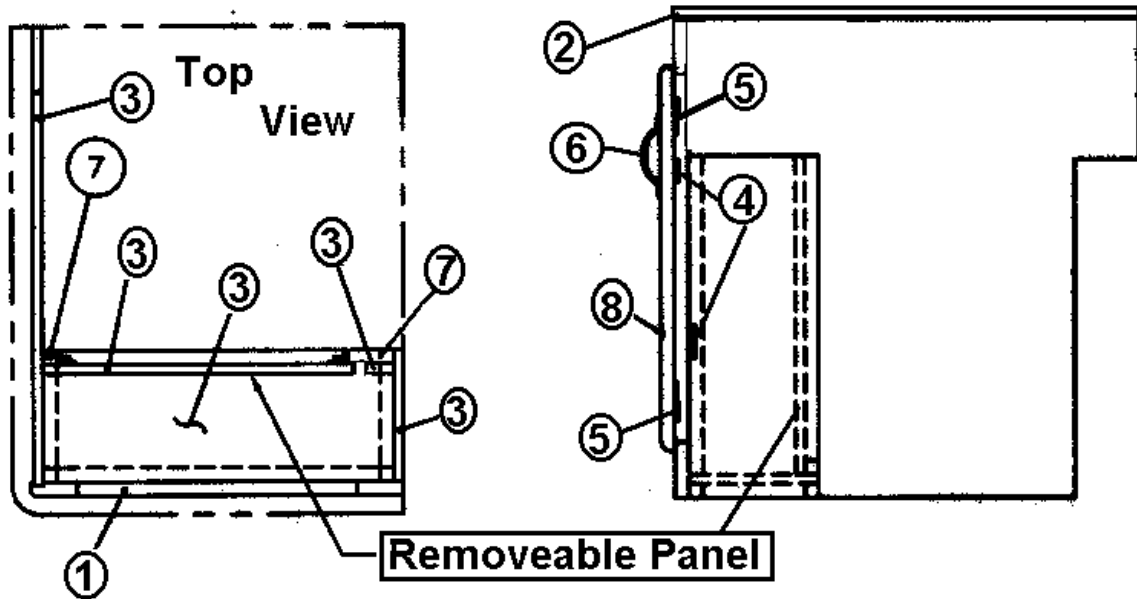
961410-01
Bath doorjamb



963426-01
Bath door header

2002 LAND YACHT GAS

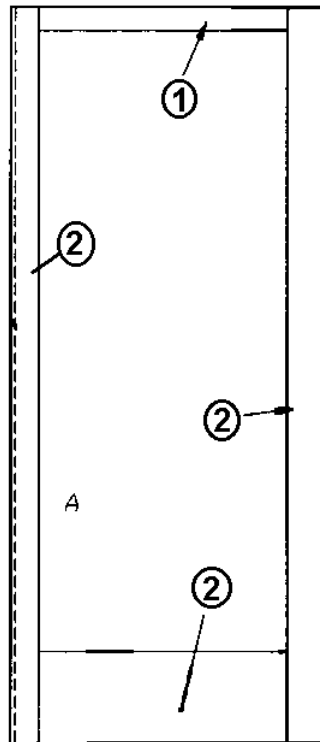
963888-02 Lavatory Assembly, 33 Ft.



- | | |
|---------------|--|
| 1. 961699-01 | Face frame, Lavatory cabinet |
| 2. 965376-01 | Lavy top, Corian |
| 3. 801180-004 | Panel, 1/2" G2S, oak/oak |
| 4. 381074 | Bull dog catch |
| 5. 381601 | Hinge, antique brass |
| 6. 381599 | Handle, drawer/door |
| 7. 800031 | Pine, 3/4" x 2 1/2" |
| 8. 801156-06 | Drawer face, smooth oak, 16.50" x 20.00" |

2002 LAND YACHT GAS

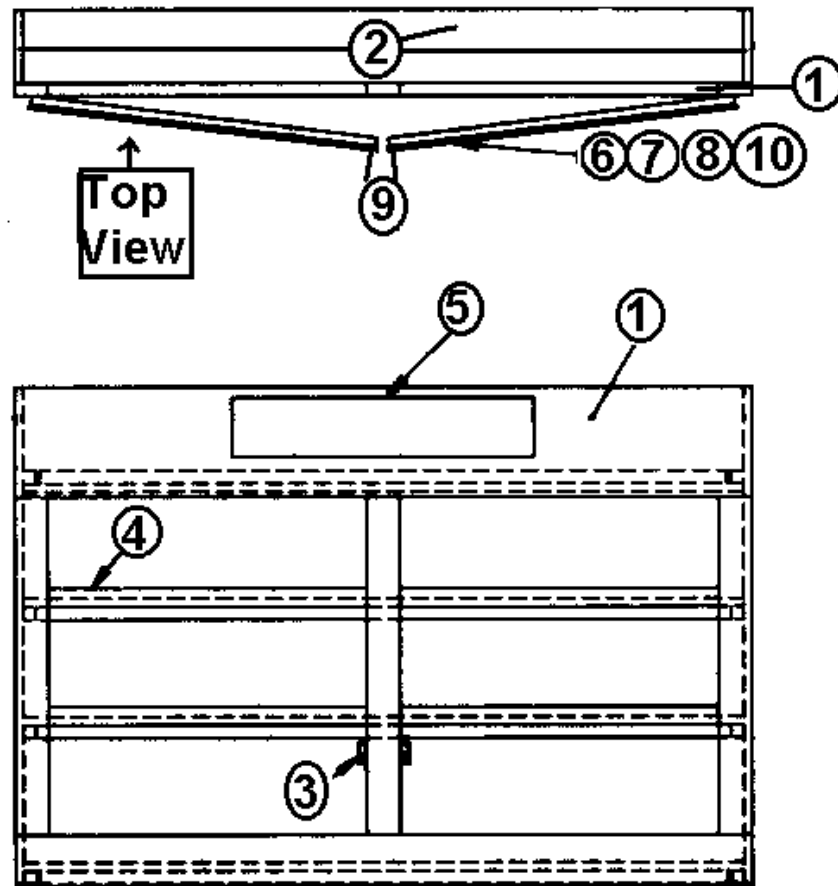
962216-01 Face Frame, Shower



- | | |
|--------------|-------------------------|
| 1. 800581-04 | Oak lumbar, 13/16" 2.5" |
| 2. 800248 | Oak lumbar, 13/16" |

2002 LAND YACHT GAS

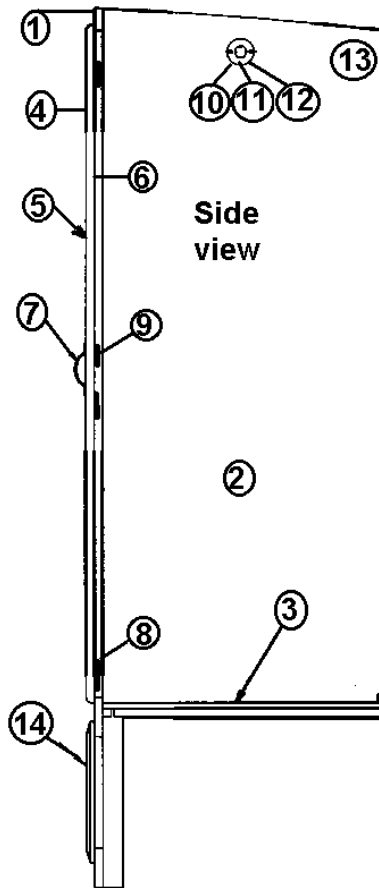
963932-01 Medicine Cabinet Assembly, 33FT.



- | | |
|---------------|------------------------------|
| 1. 961927-01 | Face frame, medicine cabinet |
| 2. 801180-004 | Panel, 1/2" G2S, Oak |
| 3. 381228 | Door grabber catch |
| 4. 800573-01 | 1 3/32" door edge molding |
| 5. 511052 | Light wall, 3-bulb, brass |
| 6. 372203-14 | Beveled mirror, 21" x 22" |
| 7. 385935 | Brass pivot hinge |
| 8. 365238-03 | 5/8" edge banding tape |
| 9. 385940 | Pull/mirror door |
| 10. 801179 | Panel, 1/2' oak/raw, 4' x 8' |

2002 LAND YACHT GAS

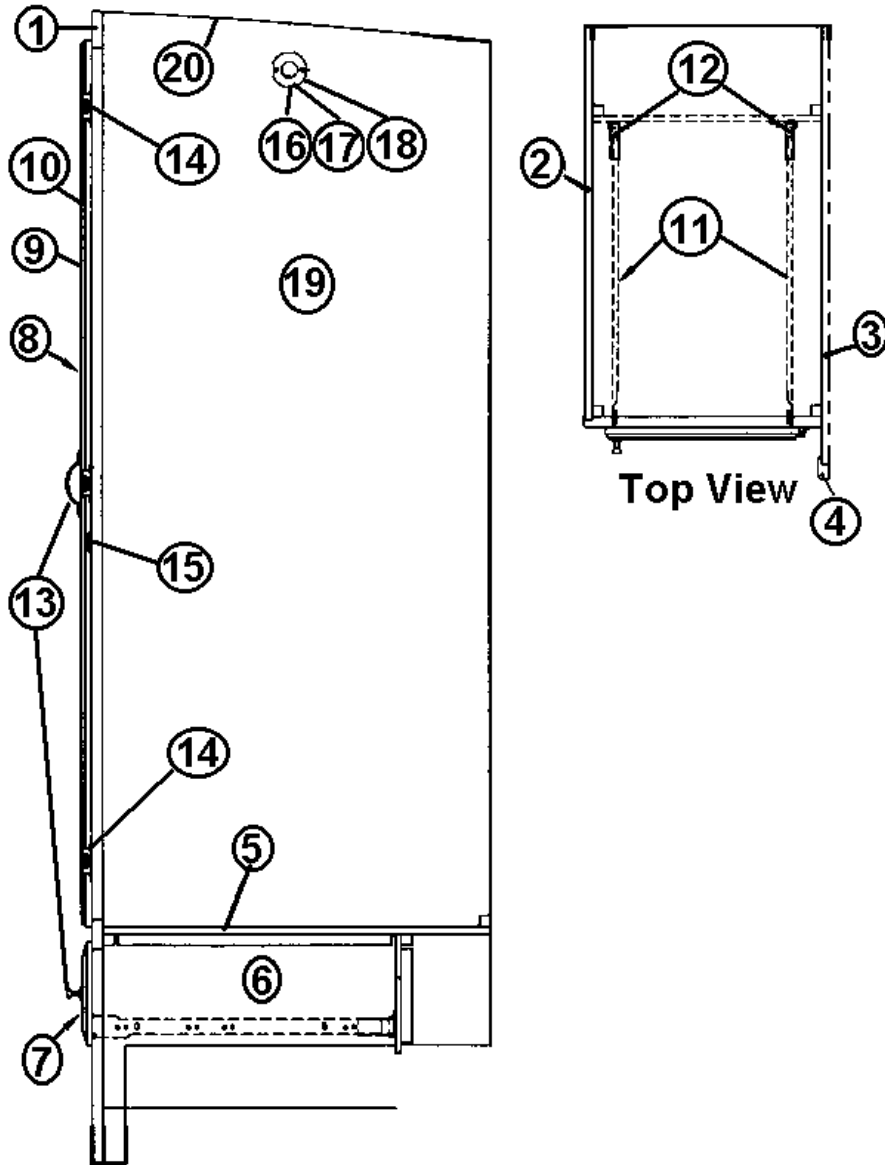
963876 CS Wardrobe Assembly



- | | |
|---------------|--|
| 1. 963875 | Face frame, CS wardrobe |
| 2. 801144 | Panel, FWD CS Wardrobe |
| 3. 801179 | Panel, 1/2" G1S Oak/raw |
| 4. 800939-01 | Door frame, oak, smooth, 19" x 60.12" |
| 5. 371262-10 | Mirror, safety, 1/8" x 16.13" x 28.13" |
| 6. 381574 | Mirror clip |
| 7. 381575 | Handle, drawer/door gold |
| 8. 381161 | Bright brass hinge |
| 9. 381228 | Door gabber catch |
| 10. 380045 | 3/4" tubing, metal |
| 11. 380046 | Chrome flange |
| 12. 200975-04 | Black flexible conduit |
| 13. 500956 | Wardrobe light, brown w/ switch |
| 14. 800881-05 | Louvered door, oak, 19" x 12.50" |

2002 LAND YACHT GAS

963890 RS Wardrobe Assembly, 33Ft.



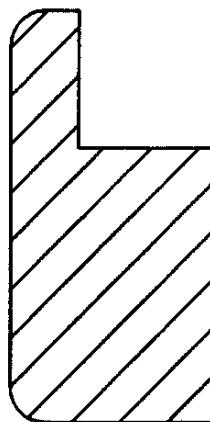
P/N Next page

2002 LAND YACHT GAS

963890 RS Wardrobe Assembly, 33Ft.

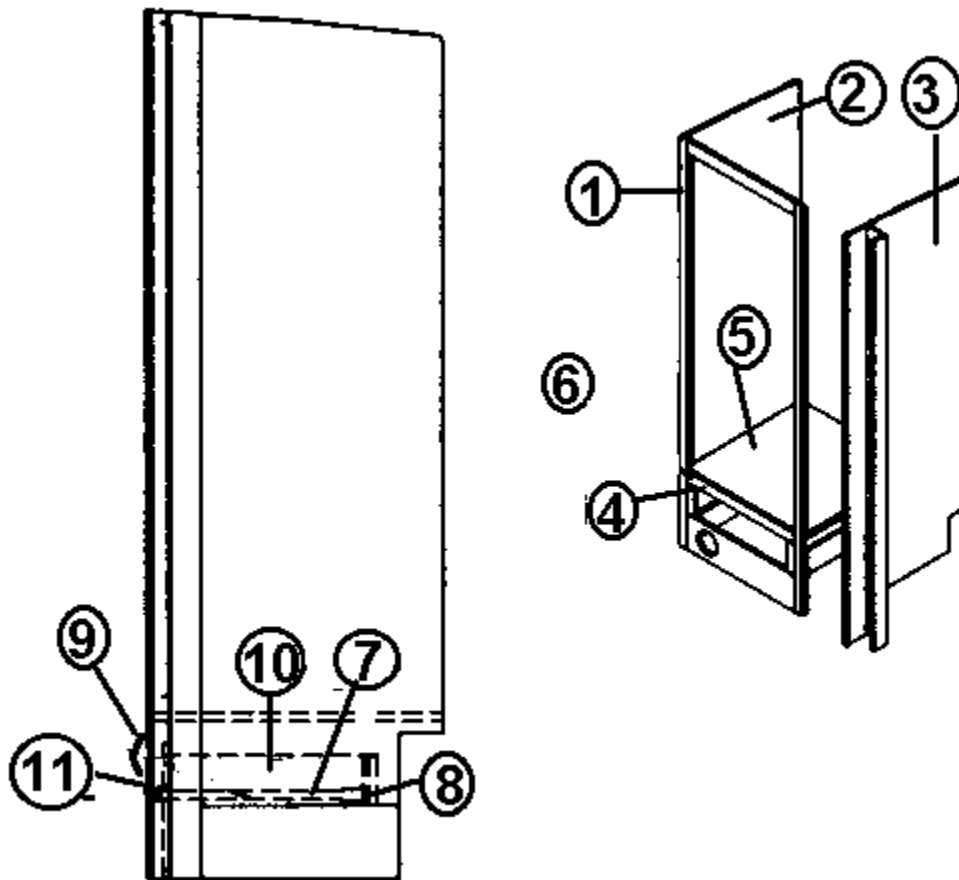
1. 961710-01 Face frame, RS Wardrobe
2. 800886 Panel, Aft RS Wardrobe
3. 800887 Panel, FWD RS Wardrobe
4. 800815-02 Stile-aft bath panel end
5. 801179 Panel, 1/2", G1S, oak/raw
6. 964910-16 Drawer box, 10.81" x 20" x 5"
7. 800599-52z Drawer face, 7" x 12.75"
8. 800557-09z Door frame, 12.75" x 60.00"
9. 371262-32 Mirrored safety glass, 11.12" x 28.12"
10. 381574 Mirror clip
11. 381526-04 Drawer slide, 20.00"
12. 381526-06 Adjustable back socket, drawer slide
13. 381599 Drawer/door handle
14. 381601 Hinge, antique bass
15. 381228 Door grabber catches
16. 380045 3/4" tubing, metal
17. 380046 Chrome flange
18. 200975-04 Black flexible conduit
19. 500956 Wardrobe light w Brown. switch
20. 203138-01 Extrusion plastic wall, white

800815-02 Aft Bath Panel End Stile
Hardwood .75" x 1.50" x 81.00"



2002 LAND YACHT GAS

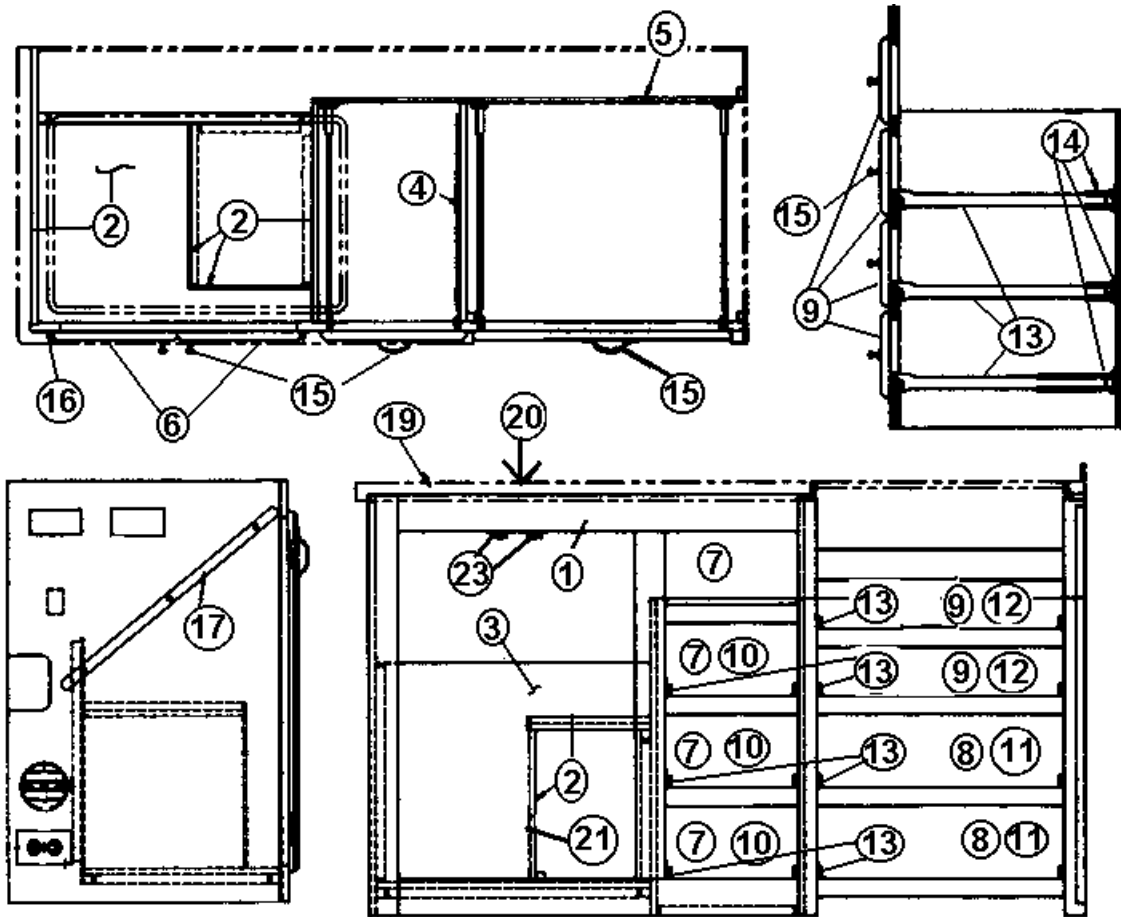
965481 Refrigerator Cabinet Assembly



- | | |
|----------------|--|
| 1. 965437 | Face frame, refer cabinet |
| 2. 801336-08 | Panel, forward refer |
| 3. 801336-09 | Panel, aft refer |
| 4. 965482 | Hardwood, aft refer |
| 5. 801284-00z | Panel, 1/2" G2S, wood vinyl/Antiquity Buff |
| 6. 800766 | Hardwood trim, .50", not shown |
| 7. 381526-03 | Drawer slide, 18", pair |
| 8. 381526-06 | Drawer slide rear adjustable bracket |
| 9. 381599 | Drawer/door handle |
| 10. 964910-03 | Drawer box, 19.50" x 18.00" x 5.00" |
| 11. 800599-21z | Drawer face, 7.00" x 23.00" |

2002 LAND YACHT GAS

965472 Galley Assembly, 60", 26 Ft.



P/N Next Page

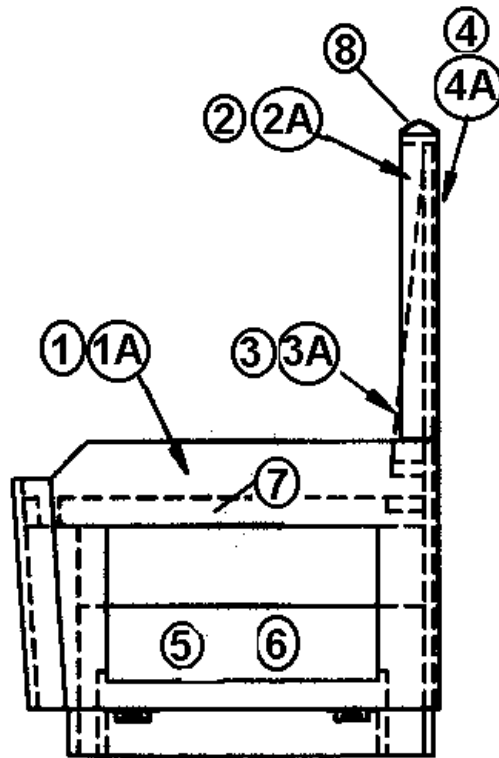
2002 LAND YACHT GAS

965472 Galley Assembly, 60", 26 Ft.

1. 964577 Face frame, galley
2. 801180-00z Panel, 1/2" G1S Oak/Oak
3. 801181-00z Panel, 5/32", G1S Oak/Oak
4. 800506-04 1/2" plywood
5. 800507-03 3/8" lauan
6. 800597-74z Door, raised panel, 10.25" x 29.50"
7. 800599-02z Drawer face, 7.00" x 11.75"
8. 800599-38z Drawer face, 7.00" x 21.50"
9. 800599-58Z Drawer face, 4.75" x 21.50"
10. 964910-02 Drawer box, 10" x 18" x 5"
11. 964910-03 Drawer box, 19.50" x 18.00" x 5.00"
12. 964906-02 Drawer box, 19.50" x 18.00" x 2.75"
13. 381526-03 Drawer slide, 18.00"
14. 381526-06 Drawer slide back socket
15. 381599 Drawer. door handle
16. 381601 Hinge, Antique Brass
17. 800631 Oak handrail, 23" long
18. 511361 Courtesy light, black, flush mount
19. 964969-01 Galley top assembly
- 20a. 601744-02 16" x 27" sink, almond
- 20b. 964973-01 Sink cover, Bisque, 13.06" x 15.13
- 20c. 600968 Sink basket strainer
- 20d. 381635 Sink clip, under mount, Corian
21. 800571-01z Flat Oak molding, 1/4" x 33/64" x 80"
22. 800573-01z Door edge molding, Oak, 1 3/32" x 80"
23. 381228-01 Door grabber catch

2002 LAND YACHT GAS

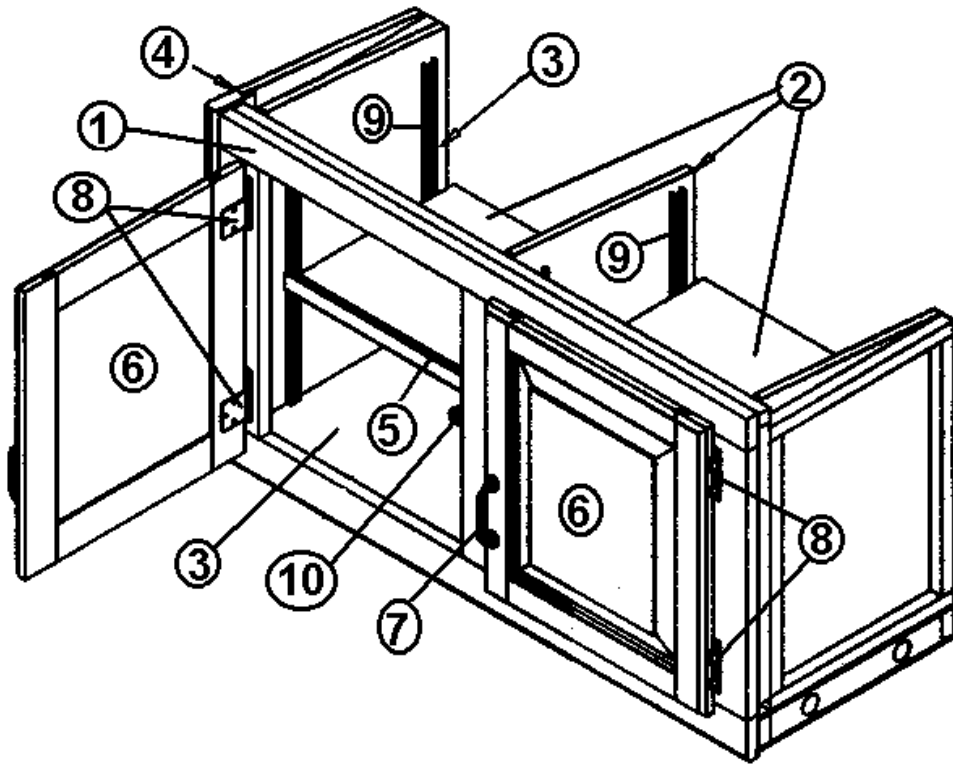
965456-01 R/H Dinette Seat Assembly (Shown)
 965456-02 L/H Dinette Seat Assembly (Mirror Image)



- | | |
|---------------|---|
| 1. 965457-01 | Dinette seat sub assembly-RH |
| 1A. 965457-02 | Dinette seat sub assembly-LH |
| 2. 964496 | Dinette back assembly-RH |
| 2A. 964497 | Dinette back assembly-LH |
| 3. 964498 | Dinette cushion support-RH |
| 3A. 964499 | Dinette cushion support-LH |
| 4. 964500 | Upholstered back-RH |
| 4A. 964501 | Upholstered back-LH |
| 5. 381601 | Antique brass hinge |
| 6. 381175 | Pull, wood |
| 7. 964334-02 | Flex-spring seat, 21.63" x 38.00" |
| 8. 703125-02 | Dinette seat back top, urethane
buckskin |
| 9. 700349 | Seat belt, not shown |

2002 LAND YACHT GAS

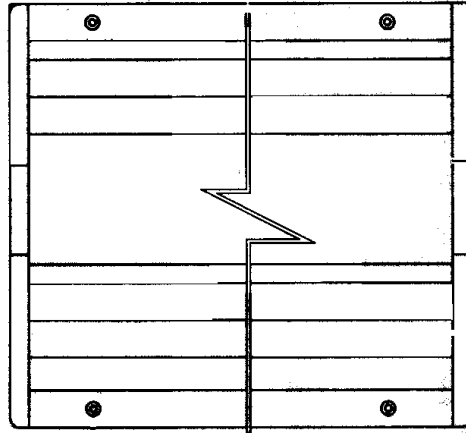
965475 Overhead Galley Assembly



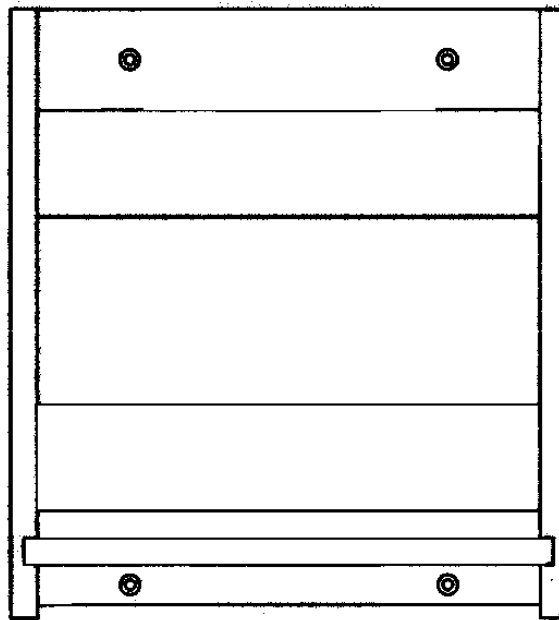
- | | |
|---------------|------------------------------------|
| 1. 965476 | Face frame, galley |
| 2. 801180-00z | Panel, 1/2" G2S Oak/Oak |
| 3. 801181-00z | Panel 5/32", G1S Oak/Oak |
| 4. 965484 | End cap assembly |
| 4A. 965483 | Frame, end cap |
| 5. 800573-01z | Door edge molding, 1 3/32" x 80" |
| 6. 800597-35z | Raised panel door, 13.57" x 15.50" |
| 7. 381599 | Door/drawer handle, gold |
| 8. 381601 | Bright brass hinge |
| 9. 381527 | Speedy shelf strips |
| 10. 381509 | Bull dog catch |

2002 LAND YACHT GAS

963991-004 Spice Rack, Oak

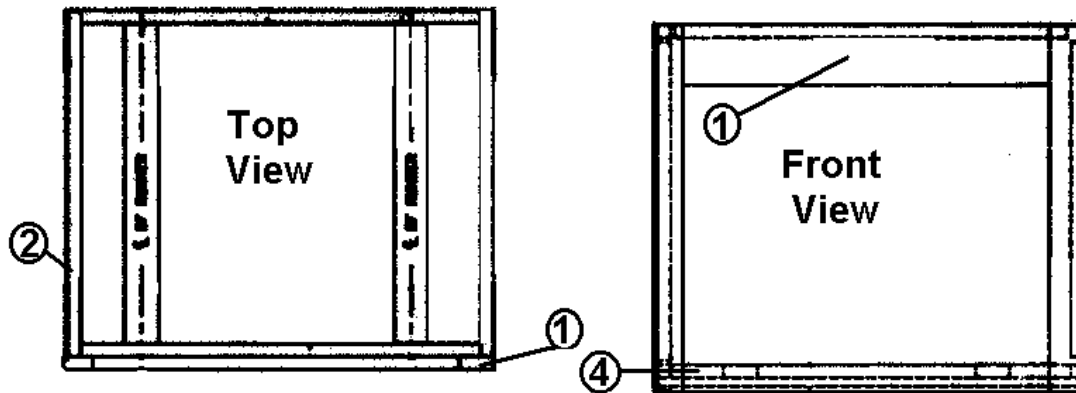


963990-004 Magazine Rack



2002 LAND YACHT GAS

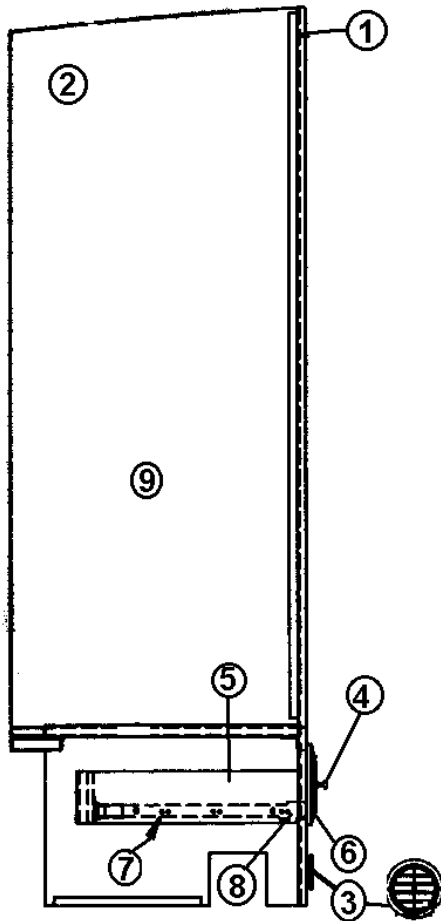
961041-02 Microwave Cabinet Assembly



- | | |
|---------------|------------------------------|
| 1. 961039-01 | Microwave cabinet assembly |
| 2. 801181-00z | Panel 5/32", G1S Oak/Oak |
| 3. 801180-00z | Panel, 1/2" G2S Oak/Oak |
| 4. 800572-01z | Flat Oak trim, .75" x 20.25" |

2002 LAND YACHT GAS

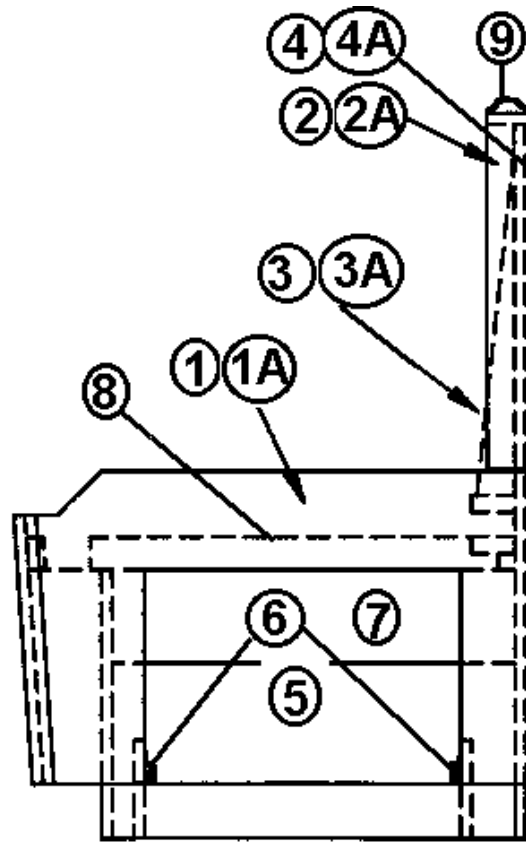
963925 Refer Cabinet Assembly



- | | |
|---------------|-------------------------------|
| 1. 963924-01 | Face frame, refer cabinet |
| 2. 801057-12 | Panel, FWD refer cabinet |
| 3. 601244-03 | Register, Rotaire, Black |
| 4. 381599 | Drawer/door handle |
| 5. 964910-03 | Drawer box, 19.50" x 18" x 5" |
| 6. 800599-214 | Drawer face, 7. " x 23.00" |
| 7. 381526-03 | Drawer slide, 18" |
| 8. 381526-06 | Drawer slide rear bracket |

2002 LAND YACHT GAS

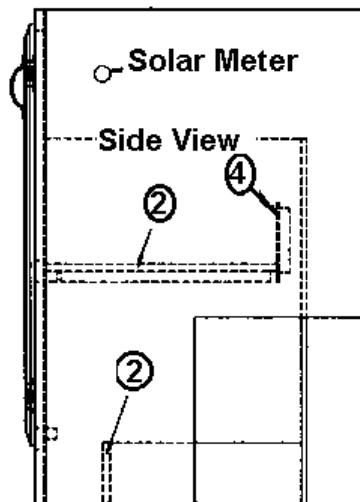
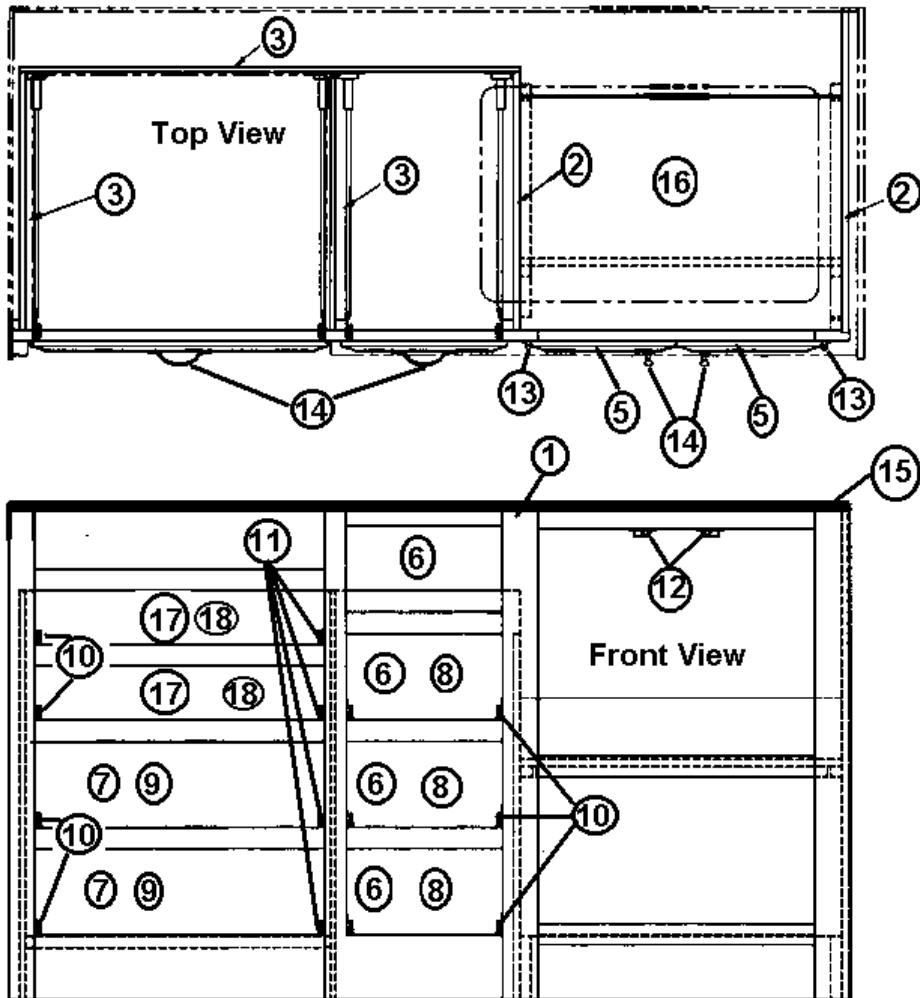
964535 R/H Dinette Seat (Shown)
964536 L/H Dinette Seat (Mirror Image)



- | | |
|---------------|-----------------------------------|
| 1. 964531-01 | Dinette seat sub assembly-RH |
| 1A. 964531-02 | Dinette seat sub assembly-LH |
| 2. 964533 | Dinette back sub assembly-RH |
| 2A. 964534 | Dinette back sub assembly-LH |
| 3. 964498-02 | Dinette cushion support-RH |
| 3A. 964499-02 | Dinette cushion support-LH |
| 4. 964537 | Upholstered back, RH |
| 4A. 964538 | Upholstered back, LH |
| 5. 962821 | Drawer box, 13.25" x 20" x 8" |
| 6. 381526-05 | Drawer slide, 22.00" |
| 7. 381175 | Wood pull handle, not shown |
| 8. 964334-03 | Flex spring-seat, 21.63" x 32.00" |

2002 LAND YACHT GAS

964578-02 Galley assembly, 60"



PN Next Page

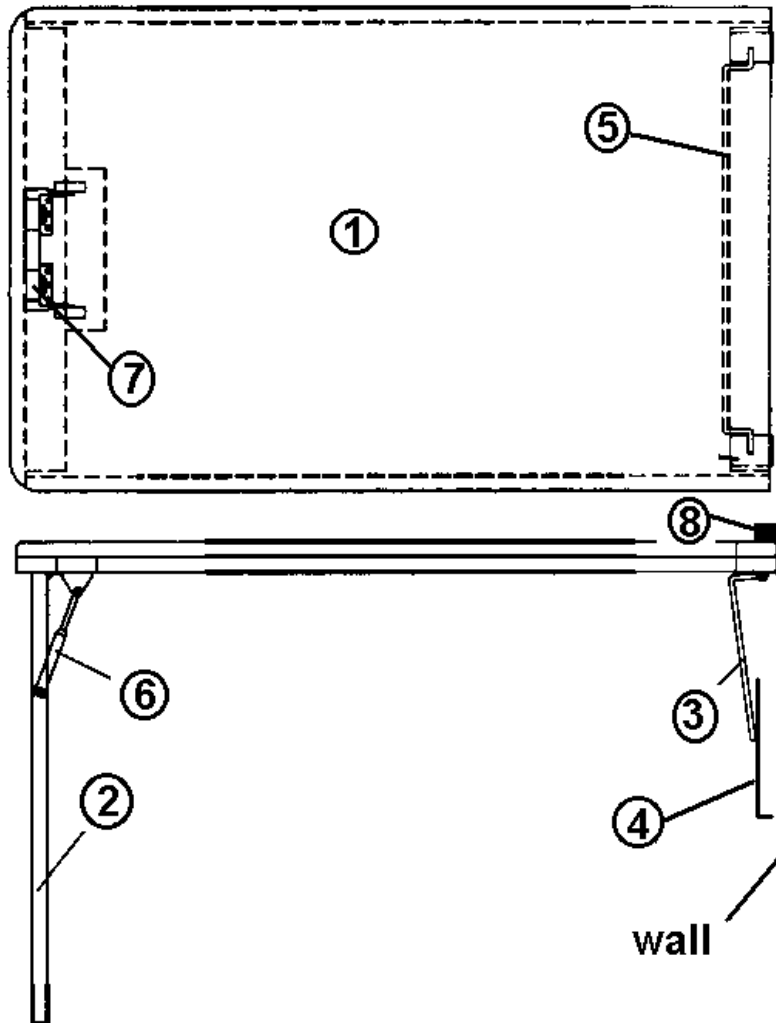
2002 LAND YACHT GAS

964578-02 Galley assembly, 60"

1. 964579 Face frame, galley
2. 801180-00z Panel, 1/2" G2S Oak
3. 800507-03 Lauan, 3/8"
4. 801181-00z Panel 5/32" G1S, Oak/Oak
5. 800597-74z Door, raised panel, 10.25" x 29.50"
6. 800599-02z Drawer face, 7.00" x 11.75"
7. 800599-38z Drawer face, 7" x 21.50"
8. 964910-02 Drawer box, 10" x 18" x 5"
9. 964910-03 Drawer box, 19.50" x 18" x 5"
10. 381526-03 Drawer slide, 18"
11. 381526-06 Drawer slide back socket
12. 381228-01 Door grabber catch
13. 381601 Hinge, antique brass
14. 381599 Handle, drawer/door
15. 964960-01 Galley top, Corian
- 16a. 601744-02 16" x 27" sink, almond
- 16b. 964973-01 Sink cover, Bisque, 13.06" x 15.13
- 16c. 600968 Sink basket strainer
- 16d. 381635 Sink clip, under mount, Corian
17. 800599-58z Drawer face, smooth, 4.75" x 21"
18. 964906-02 19.50" x 18" x 2.75"

2002 LAND YACHT GAS

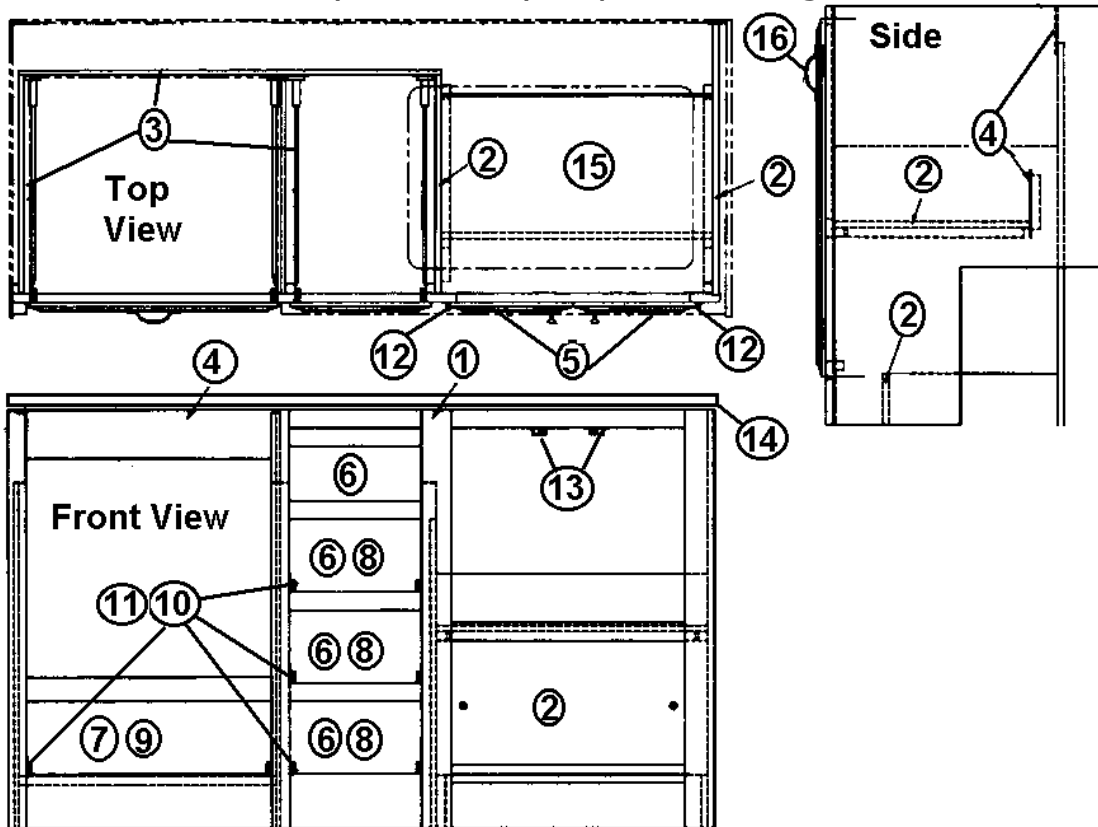
962720-03 Dinette Table Assembly



- | | |
|---------------|-----------------------------|
| 1. 801070-004 | Oak top, 21" x 32" |
| 2. 962177-03 | Hard wood leg, 27.50" |
| 3. 380284-01 | Table hinge-bracket |
| 4. 340018 | Catch plate, J-1 |
| 5. 340015 | Center hinge, J-4 |
| 6. 381147 | Door support, spring loaded |
| 7. 380210 | Hinge, plain steel |
| 8. 963654-01 | Backsplash, dinette table |

2002 LAND YACHT GAS

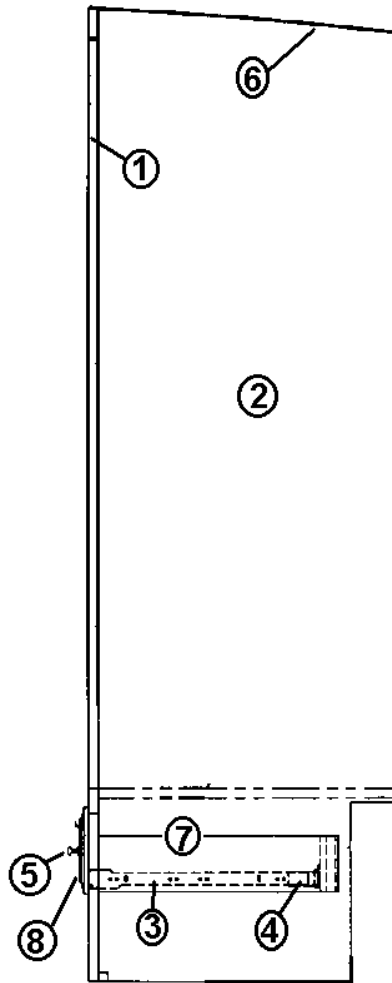
964595-01 Galley assembly, Optional range w/ Full Oven



- | | |
|----------------|--------------------------------------|
| 1. 964596 | Face frame, full oven galley |
| 2. 801180-00z | Panel, 1/2" G2S Oak/Oak |
| 3. 800507-03 | Lauan, 3/8" x 4' x 8' |
| 4. 801181-00z | Panel, 3/32" G1S oak/Oak |
| 5. 800597-74z | Door, raised panel, 10.25" x 29.50" |
| 6. 800599-02z | Drawer face, 7.00" x 11.75" |
| 7. 800599-38z | Drawer face, 7.00" x 21.50" |
| 8. 964910-02 | Drawer box, 10.00" x 18.00" x 5.00" |
| 9. 964910-03 | Drawer box, 19.50" x 18.00" x 5.00" |
| 10. 381526 | Drawer slide, 18.00" |
| 11. 381526-06 | Drawer slide back socket, Adjustable |
| 12. 381601 | Hinge, antique brass |
| 13. 381228-01 | Door grabber catch |
| 14. 964968-01 | Galley top assembly |
| 15a. 601744-02 | 16" x 27" sink, almond |
| 15b. 964973-01 | Sink cover, Bisque, 13.06" x 15.13 |
| 15c. 381635 | Sink clip, under mount, Corian |
| 16. 381599 | Handle drawer/door |

2002 LAND YACHT GAS

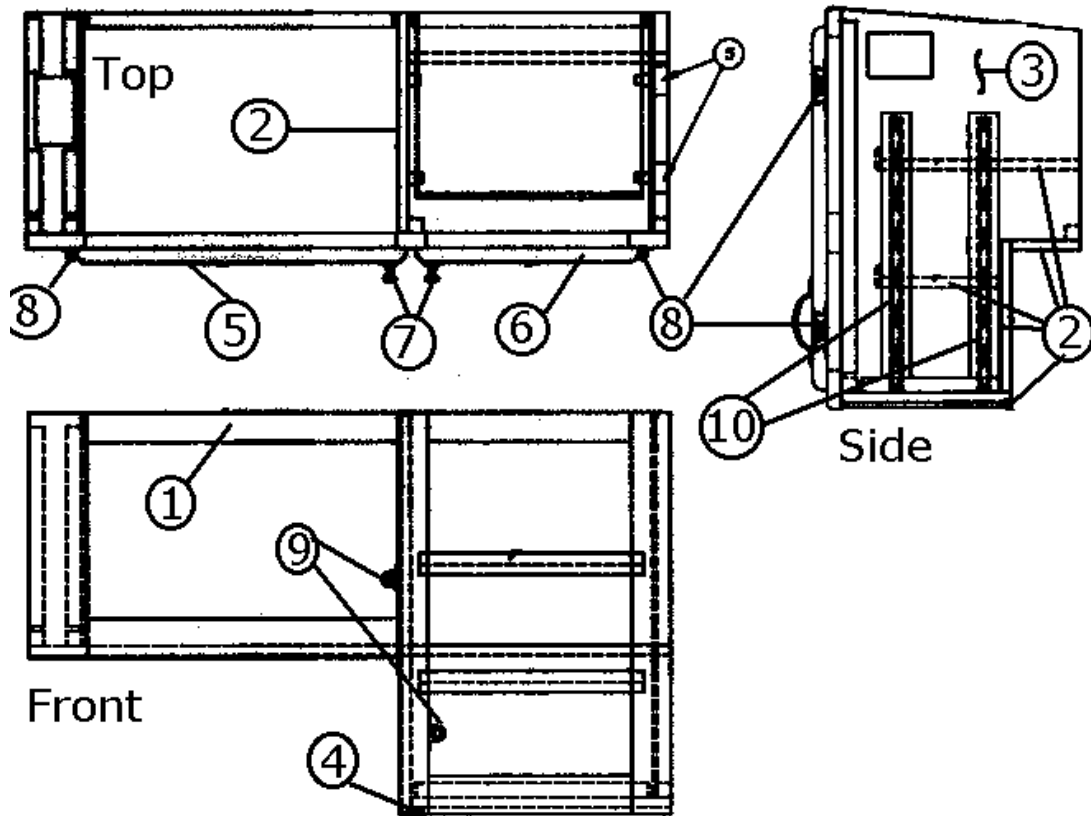
963879 Refrigerator Cabinet, 33 Ft



1. 963880-01 Face frame, refer cabinet
2. 801143 Panel, forward refer
3. 381526-03 Drawer slide, 18"
4. 381526-06 Adjustable rear bracket
5. 381599 Drawer/door handle
6. 203138-03 Extrusion plastic, wall beige
7. 964910-03 Drawer box, 19.50" x 18.00" x 5.00"
8. 800599-21z Drawer face, 7.00" x 23.00"

2002 LAND YACHT GAS

963896 Galley Overhead Cabinet Assembly, 33'

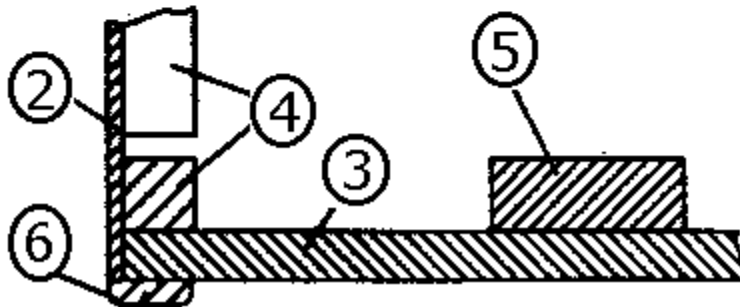
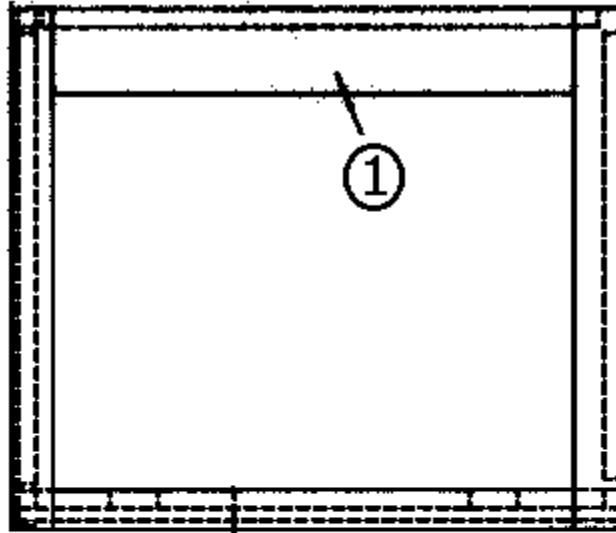


- | | |
|--------------|---|
| 1. 962843-01 | Face frame, galley overhead |
| 2. 801180 | Panel, 1/2", G2S, Oak/Oak |
| 3. 801181 | Panel, 5/32" G1S, Oak/Oak |
| 4. 800573-01 | Molding, door edge, Oak 1 3/32" x 80" |
| 5. 801157-19 | Door, raised panel, smooth 11.50" x 18.00" |
| 6. 801157-18 | Door, raised panel, smooth, 17.00' x 10.00" |
| 7. 381575 | Handle, drawer/door, Gold |
| 8. 381161 | Hinge, bright brass |
| 9. 381074 | Bull dog catch |
| 10. 381527 | Speedy shelf strips, 18" |

2002 LAND YACHT GAS

961040-01 Microwave Cabinet Assembly, CS 26' & 33'
(Shown)

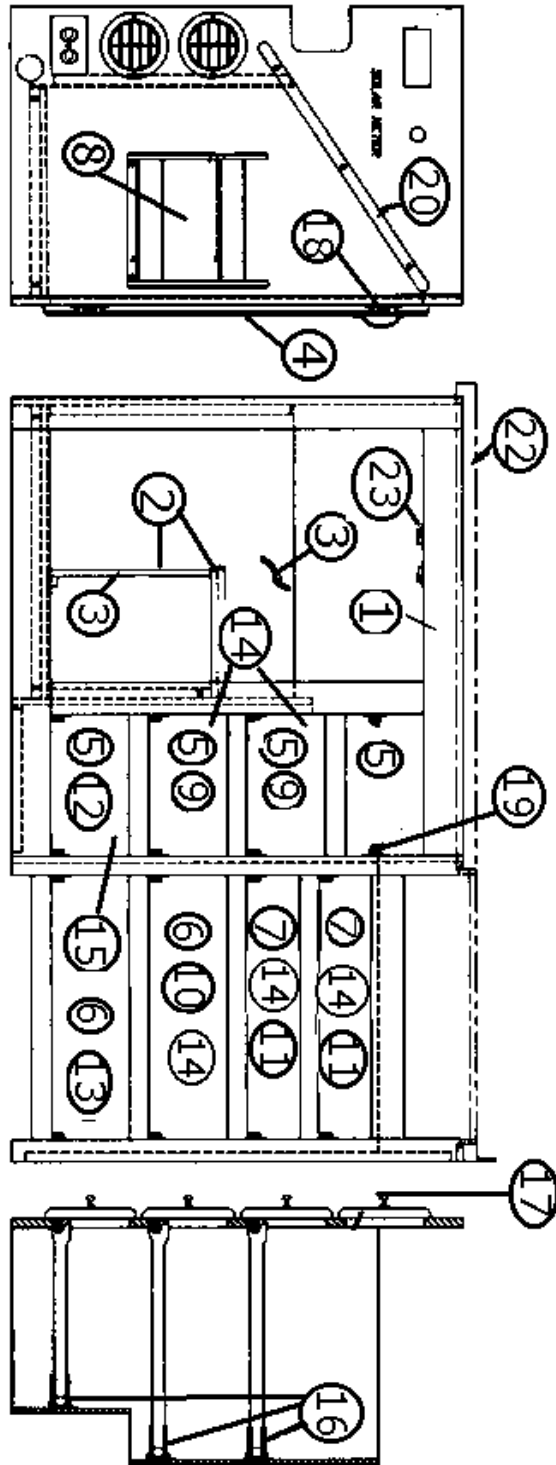
961040-02 Microwave Cabinet Assembly, 30' (Opposite)



- 1. 961038-01 Face frame microwave cabinet, RS
- 1a. 961039-01 Face frame microwave cabinet, CS
- 2. 801181-00z 5/32", oak G1S, paneling
- 3. 801180-00z 1/2" Oak G1S, paneling
- 4. 800025-01 Pine, .75" x .75"
- 5. 800028 Pine, .75" x 1.50"
- 6. 800572-01z Trim, flat, oak, .75" x 20.25"

2002 LAND YACHT GAS

964576-02 Galley Assembly, 60", 33 Ft



Part Numbers Next Page

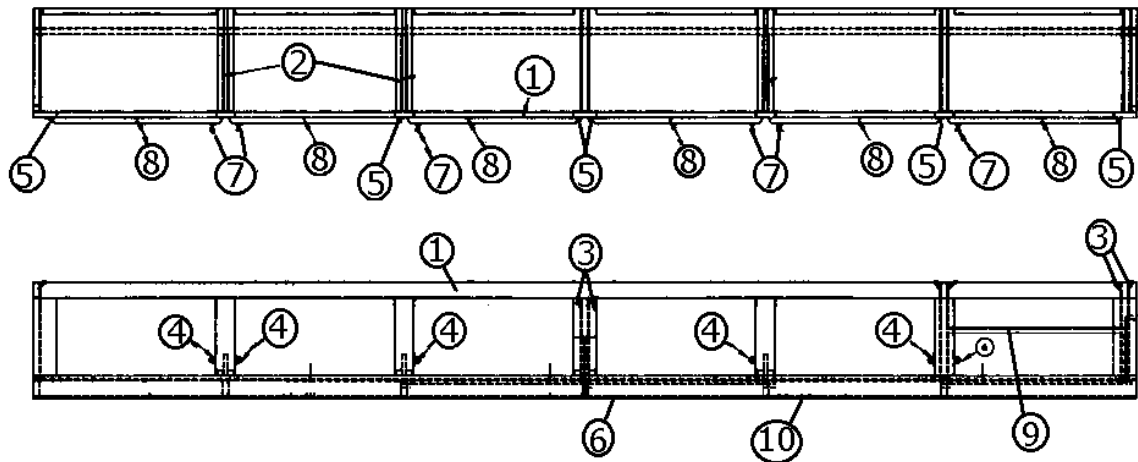
2002 LAND YACHT GAS

964576-02 Galley Assembly, 60", 33 Ft

1. 964577 Face frame, galley
2. 801181-00z 5/32" oak G1S, paneling
3. 801180-00z 1/2" Oak G1S, paneling
4. 800597-74z Door, raised panel, 10.25" x 29.50"
5. 800599-02z Drawer face, 7.00" x 11.75"
6. 800599-38z Drawer face, 7.00 x 21.00"
7. 800599-58z Drawer face, 4.75" x 21.50"
8. 963990 Magazine rack
9. 964910-02 Drawer box, 10" x 18" x 5"
10. 964910-03 Drawer box, 19.50" x 18" 5"
11. 964906-02 Drawer box, 19.50" x 18.00" 2.75"
12. 964910-07 Drawer box, 10" x 14" x 5"
13. 964910-06 Drawer box, 19.50" x 14." x 5."
14. 381526-03 Drawer slide, 18"
15. 381526-01 Drawer slide, 14"
16. 381526-06 Drawer slide back socket
17. 381599 Drawer/door handle
18. 381601 Hinge, antique brass
19. 381074 Bull dog catch
20. 800631 Handrail, 23"
21. 511361 Light, courtesy, black flush
22. 964969-01 Galley top assembly
23. 381228-01 Door grabber catch
24. 800571-01z Molding, flat, 1/4" x 33/64" x 80"
25. 800573-01z Molding, door edge, oak, 1 3/32" x 80"
26. 601244-03 Register, rotaire, black

2002 LAND YACHT GAS

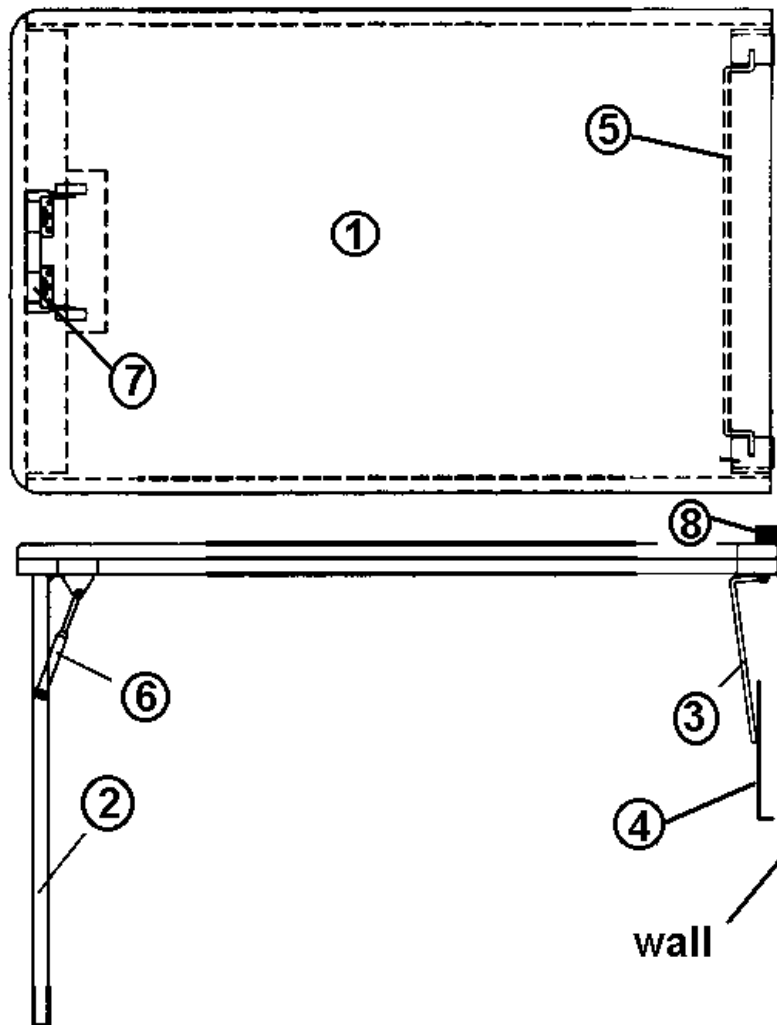
964147 RS & Dinette Roof Locker Assembly, 33'



- | | |
|---------------|--------------------------------------|
| 1. 964145 | Face frame, dinette & RS roof locker |
| 2. 801180-00z | Panel, 1/2" G2S |
| 3. 801181-00z | Panel, 5/32", G1S |
| 4. 381228-01 | Door grabber catch |
| 5. 381601 | Hinge, antique brass |
| 6. 511248 | Light, single, incandescent |
| 7. 381599 | Drawer, door handle |
| 8. 800597-55 | Door, raised panel, 11.50" x 22.00" |
| 9. 800573-01 | Molding, door edge, 1-3/32" x 80" |
| 10. 511098 | Decorative light, not shown |

2002 LAND YACHT GAS

962720-01 Table Assembly, 33'



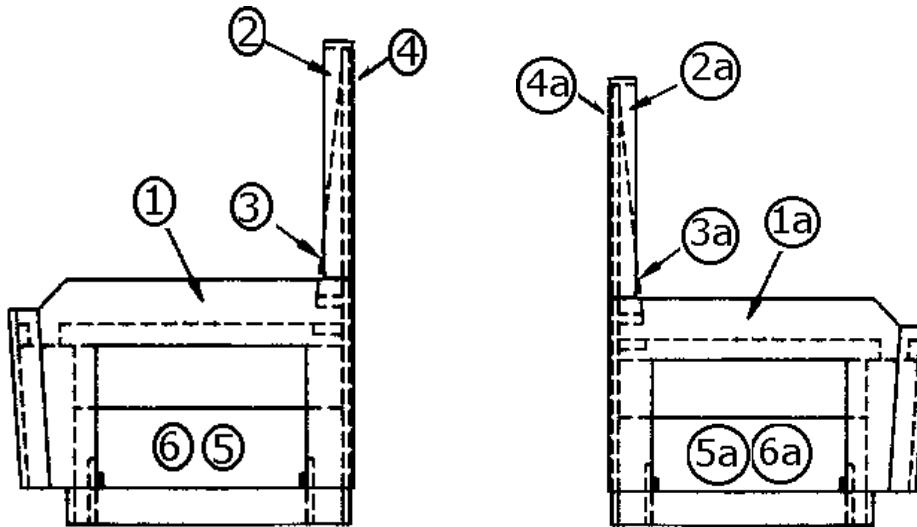
- | | |
|---------------|-----------------------------|
| 1. 801054-004 | Oak top, 24" x 38" |
| 2. 962177-03 | Hard wood leg, 27.50" |
| 3. 380284-01 | Table hinge-bracket |
| 4. 340018 | Catch plate, J-1 |
| 5. 340015 | Center hinge, J-4 |
| 6. 381147 | Door support, spring loaded |
| 7. 380210 | Hinge, plain steel |
| 8. 963654-01 | Backsplash, dinette table |

2002 LAND YACHT GAS

Dinette Seat Assembly, 33'

964492-01, RH

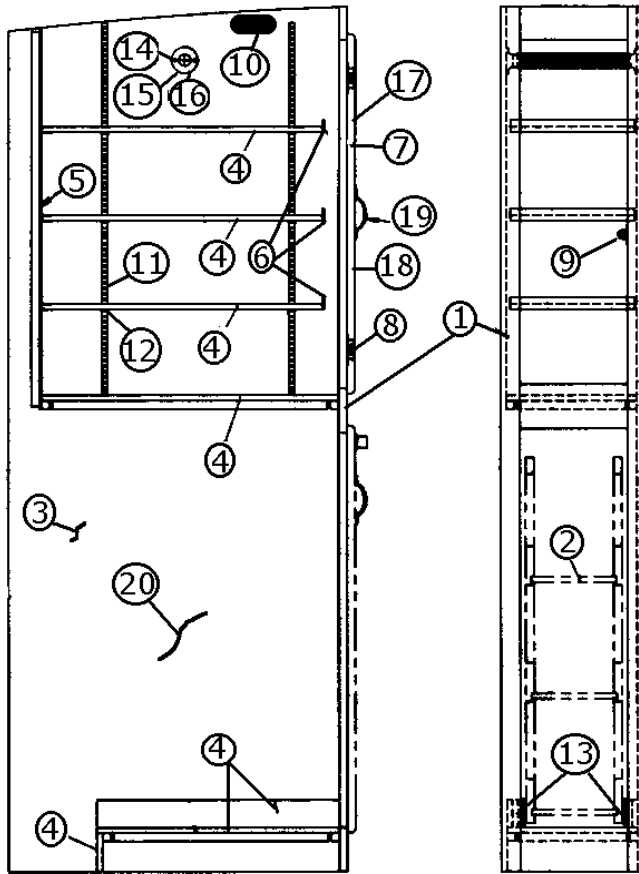
964493-01, RH



- | | |
|---------------|--|
| 1. 964494 | Dinette seat assembly, RH |
| 1a. 964495 | Dinette seat assembly, LH |
| 2. 964496 | Dinette back sub assembly, RH |
| 2a. 964497 | Dinette back sub assembly, LH |
| 3. 964498 | Dinette cushion support, RH |
| 3a. 964499 | Dinette cushion support, LH |
| 4. 964500 | Upholstered back, RH |
| 4a. 964501 | Upholstered back, LH |
| 5. 962821-13 | Drawer box, 13.25" x 20.00" x 8.00" |
| 5a. 962821-13 | Drawer box, 13.25" x 20.00" x 8.00" |
| 6. 381526-05 | Drawer slide, 22.00" |
| 6a. 381526-05 | Drawer slide, 22.00" |
| 7. 381175 | Wood, pull Oak, not shown |
| 8. 964334-02 | Flex spring-seat, 20.25" x 38.00", RH |
| 8a. 964334-04 | Flex spring-seat, 20.25" x 38.00", LH |
| 9. 703125-02 | Top dinette seat, urethane buckskin, not shown |

2002 LAND YACHT GAS

963899-01 Pantry Assembly, 33'

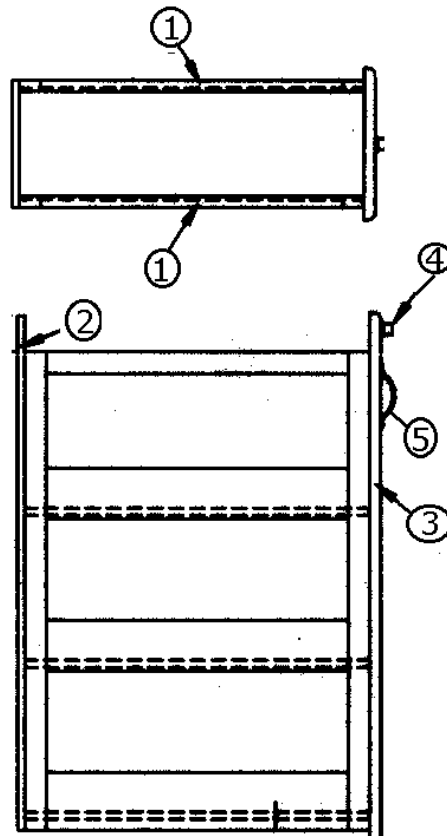


1. 961708-01 Face frame, pantry
2. 963891-01 Pantry section assembly, shown next page.
3. 800889 Panel, aft. Pantry
4. 801180-00z Panel, G2S, 1/2"
5. 800397-01 Cedar, 1/8" x 4' x 8' paneling
6. 800573-01 Molding, door edge, 1 3/32" x 80"
7. 800939-08 Frame, door, oak, smooth, 10.5" x 32.5"

- | | |
|---------------|--|
| 8. 381161 | Hinge, bright brass |
| 9. 381074 | Bull dog catch |
| 10. 500956 | Wardrobe light, brown, w/switch |
| 11. 381242-01 | Shelf bracket, 32" vertical |
| 12. 381243 | Clip, Shelf support |
| 13. 381090 | Drawer slide, 22" |
| 14. 380045 | 3/4" metal tubing |
| 15. 380046 | Chrome flange |
| 16. 200975-04 | Conduit, black plastic |
| 17. 371262-34 | Mirrored, safety glass, 7.62" x 29.62" |
| 18. 340088 | Retainer clip, mirror |
| 19. 381575 | Handle, drawer |
| 20. 801145 | Panel, forward pantry |

2002 LAND YACHT GAS

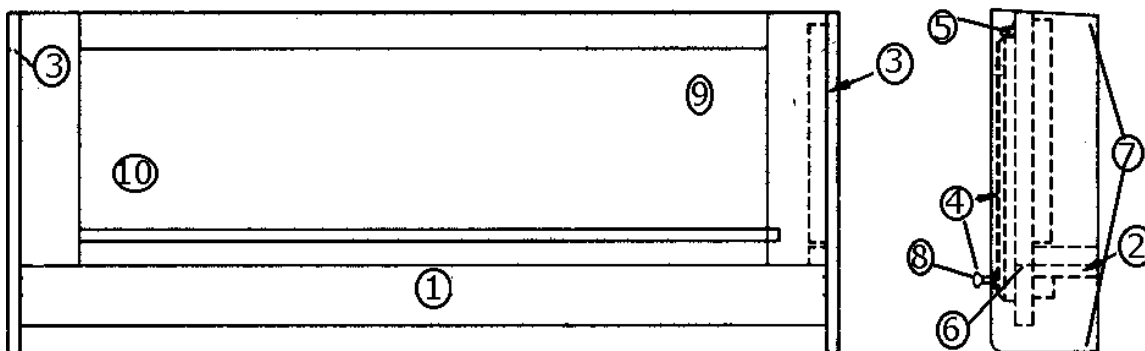
963891-01 Pantry Section Assembly, 33'



1. 961593-01 Face frame, pantry
2. 801180-00z 1/2" G2S paneling
3. 800597-80 Door, raised panel, 10.50" x 36.75"
4. 381408 Lock, push button, black
5. 381599 Handle, drawer/door

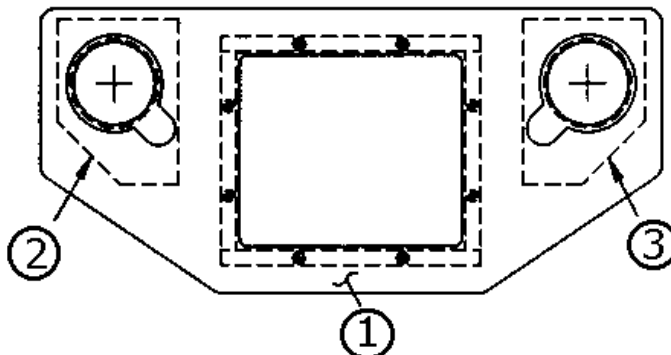
2002 LAND YACHT GAS

965449 Header Cabinet Above Main Door, 26 Ft.



1. 965448 Face frame, door header, 34.00"
2. 801180-00z 1/2" G2S paneling
3. 965847 End cap, door header
4. 800597-09z Door, raised panel, 11.00" x 29.75"
5. 381161 Hinge, bright brass
6. 381147 Door support, spring loaded
7. 385963 Mounting bracket
8. 381599 Handle, drawer/door

964045-02 Beverage Tray Assembly



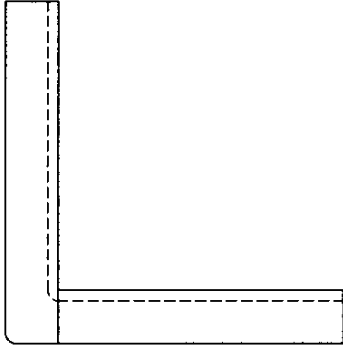
1. 963992-02 Beverage tray, L-29
2. 203011-01 Beverage tray cup holder, LH
3. 203011-02 Beverage tray cup holder, RH

2002 LAND YACHT GAS

Roof Locker End Caps

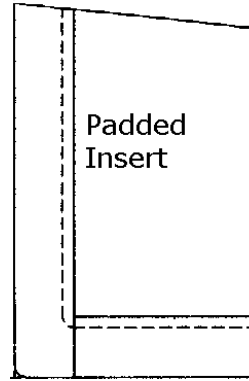
963816-01 16" RH

963816-02 16" LH



963817-01 10.12", RH

963817-02 10.12", LH

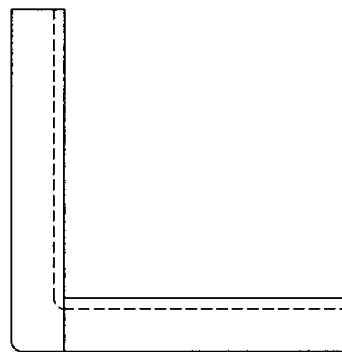
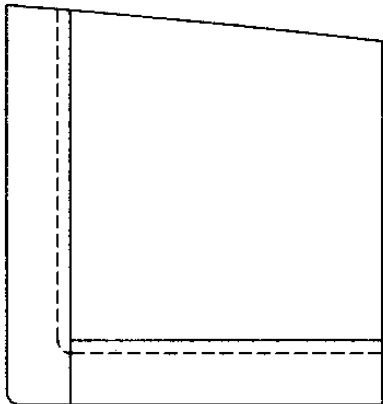


963840-01 14.75", RH

963840-02 14.75", LH

962846-01 12.38"

962845-01 Frame End Cap,
Galley roof Locker, 12.38"



2002 LAND YACHT GAS

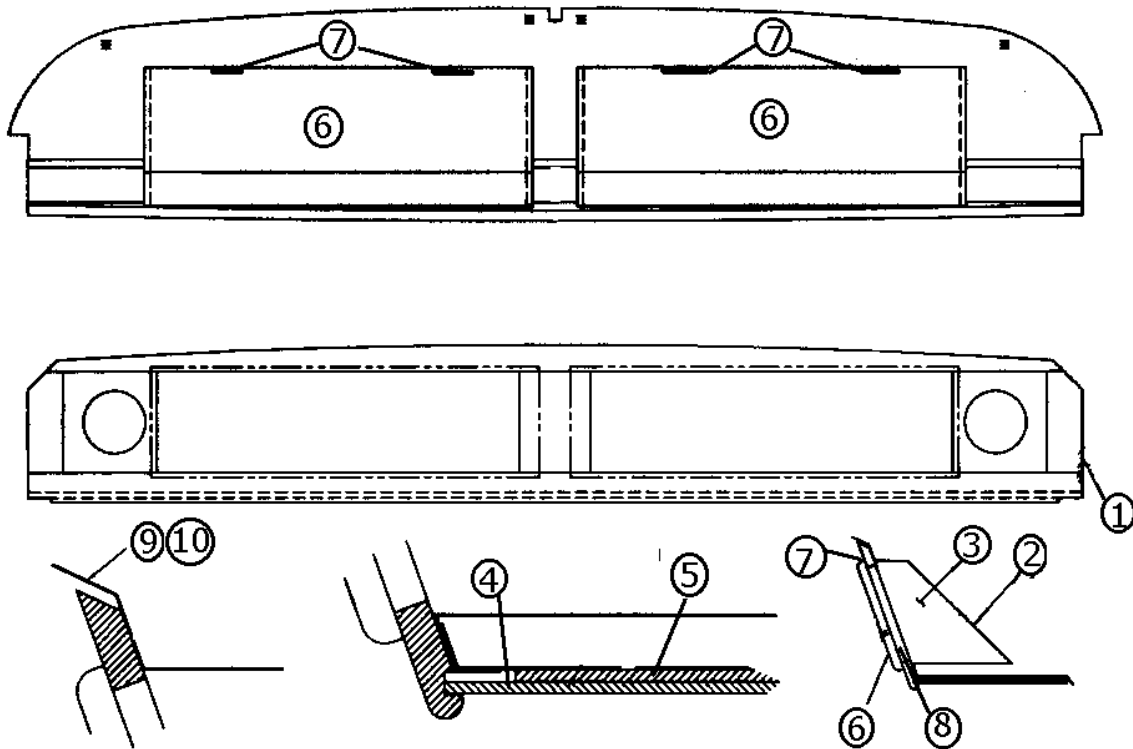
960667 Lounge End Closeout Assembly, 32" long



End View

2002 LAND YACHT GAS

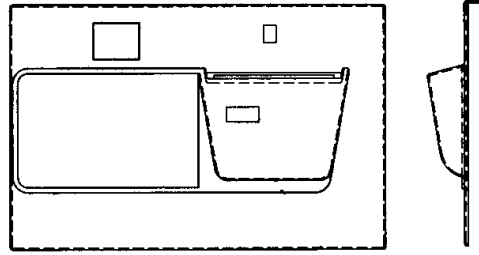
963928 Front Roof Locker Assembly, 30 & 33Ft.



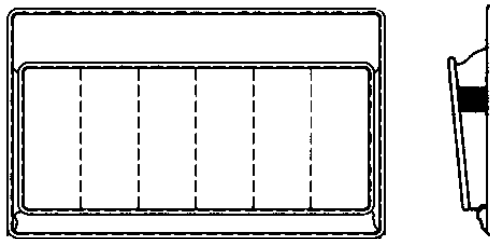
- | | |
|---------------|--|
| 1. 960482-01 | Face frame, front end liner |
| 2. 114025 | Pan, front roof locker |
| 3. 801180-00z | 1/2" G2S paneling |
| 4. 960527 | Bottom, front locker |
| 5. 800695 | Spacer, front locker bottom |
| 6. 800852-11 | Door, raised panel, 9.75" x 33.00" |
| 7. 381602 | Hinge, antique brass |
| 8. 381147 | Door support, spring loaded |
| 9. 114026-01 | Mounting angle, front locker, 33.5" |
| 10. 114026-02 | Mounting angle, front locker, 6.81" |
| 11. 701530 | Carpet, econolier, velour black, not shown |
| 12. 381599 | Handle, drawer/door |

2002 LAND YACHT GAS

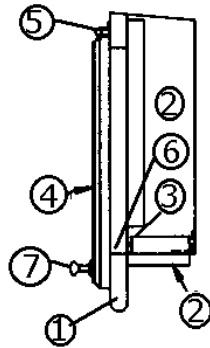
201767—02 Panel, Interior Drivers Door (shown)
201768—02 Panel, Passenger side (mirror image)



702192-08 Pocket, Map



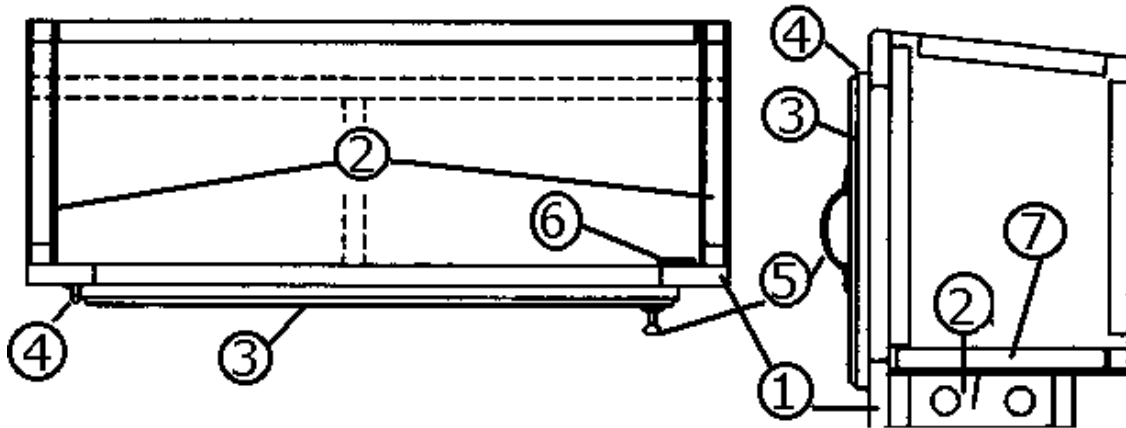
964744 Door Header, Cabinet Assembly, 30 Ft. Model



- | | |
|---------------|-------------------------------------|
| 1. 963809-01 | Face frame door header, 32.75" |
| 2. 801180-00z | 1/2" G2S paneling |
| 3. 800577-13 | Decorative trim, 25.25" |
| 4. 800597-09z | Door, raised panel, 11.00" x 29.75" |
| 5. 381161 | Hinge, bright brass |
| 6. 381147 | Door support, spring loaded |
| 7. 381599 | Handle, drawer/door |

2002 LAND YACHT GAS

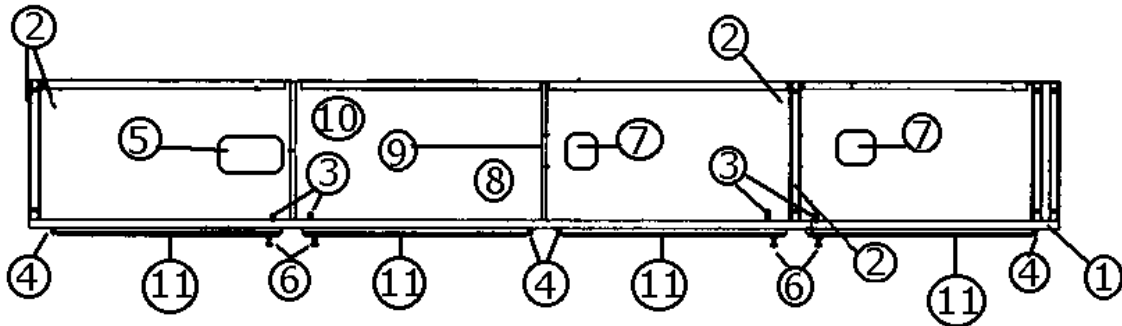
963806 Roof Locker CS Lounge



- | | |
|---------------|-------------------------------------|
| 1. 963807-01 | Face frame, CS lounge roof locker |
| 2. 801181-00z | 1/2" G1S paneling |
| 3. 800597-55z | Door, raised panel, 11.50" x 22.00" |
| 4. 381601 | Hinge, antique brass |
| 5. 381599 | Pull, drawer/door |
| 6. 381228-01 | Grabber catch |
| 7. 511248 | Light, incandescent |

2002 LAND YACHT GAS

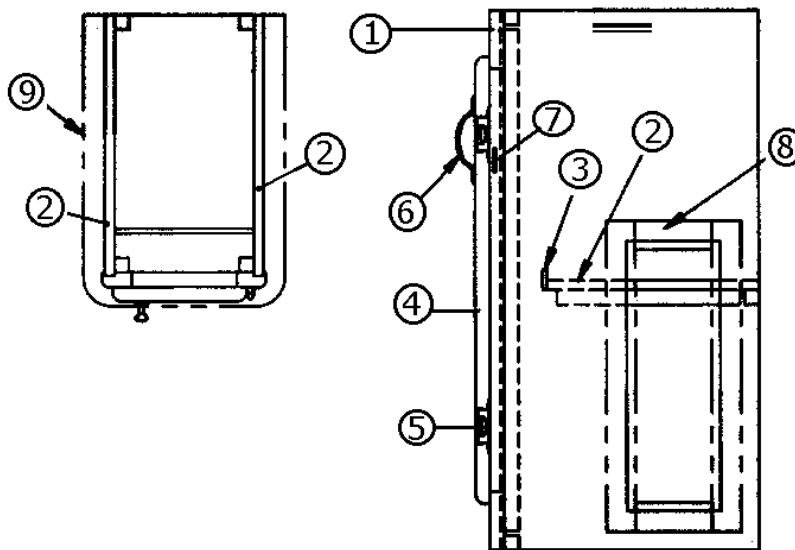
963810 Roof Locker, RS Lounge, 30Ft. Model



- | | |
|----------------|--------------------------------------|
| 1. 964146 | Face frame, RS Locker |
| 2. 801181-00z | 5/32" G1S paneling, 4'x8' sheet |
| 3. 381228-01 | Door grabber catch |
| 4. 381601 | Hinge, antique brass |
| 5. 500960-01 | Light, recessed, fluorescent, 14.75" |
| 6. 381599 | Handle, drawer/door |
| 7. 511248 | Light, incandescent, single |
| 8. 800571-01z | Molding, flat, 1/4z' x 33/64" x 80" |
| 9. 801180-00z | Panel, 1/2" G2S |
| 10. 800573-01z | Molding, door edge, 1 3/32" x 80" |
| 11. 800597-55 | Door, raised panel, 11.50" x 22.00" |

2002 LAND YACHT GAS

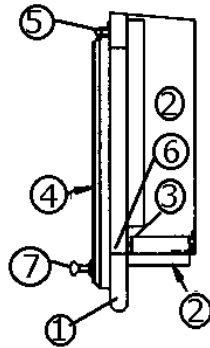
963900 End Table Assembly, 33Ft.



- | | |
|---------------|----------------------------------|
| 1. 961715-01 | Face frame, end table |
| 2. 801180-00z | 1/2" paneling G2S |
| 3. 800573-01 | Molding door edge, 1 3/32" x 80" |
| 4. 800782-84 | Drawer face, smooth, 7" x 23" |
| 5. 381161 | Hinge, bright brass |
| 6. 381575 | Handle drawer, gold |
| 7. 381074 | Bull dog catch |
| 8. 986832-01 | Framed recess, extinguisher |
| 9. 963907 | End table assembly |

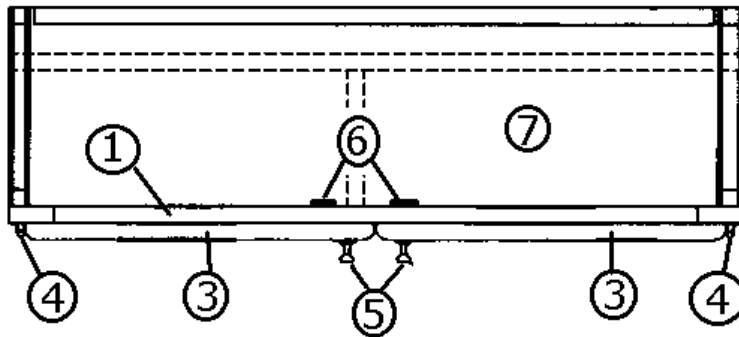
2002 LAND YACHT GAS

963797 Door Header, Cabinet Assembly, 33 Ft. Model



- | | |
|---------------|-------------------------------------|
| 1. 963798-01 | Face frame door header |
| 2. 801180-00z | 1/2" G2S paneling |
| 3. 800577-13 | Decorative trim, 25.25" |
| 4. 800597-09z | Door, raised panel, 11.00" x 29.75" |
| 5. 381161 | Hinge, bright brass |
| 6. 381147 | Door support, spring loaded |
| 7. 381599 | Handle, drawer/door |

963801-01 Roof Locker, RS Lounge/galley, 33 Ft.

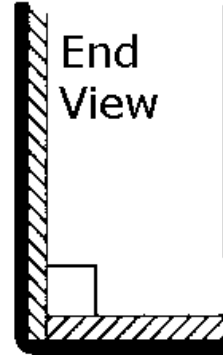


- | | |
|---------------|-------------------------------------|
| 1. 963802-01 | Face frame, CS lounge/galley |
| 2. 801181-00z | Paneling, 5/32", G1S |
| 3. 800597-62z | Door, raised panel, 11.50" x 15.25" |
| 4. 381601 | Hinge, antique brass |
| 5. 381599 | Handle, door/drawer |
| 6. 381228-01 | Door grabber catch |
| 7. 511248 | Light, incandescent, not shown |

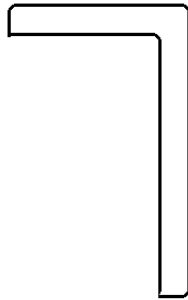
2002 LAND YACHT GAS

960669-01 RS Cab Area Closeout, Shown (above drivers door)

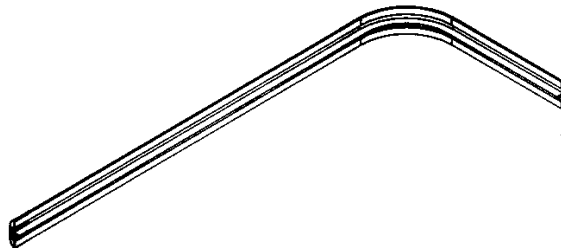
960669-02 CS Cab Area Closeout, Opposite (above passenger window)



964822-004 Shower trim Molding, Oak
1/2" x 1.13" angled

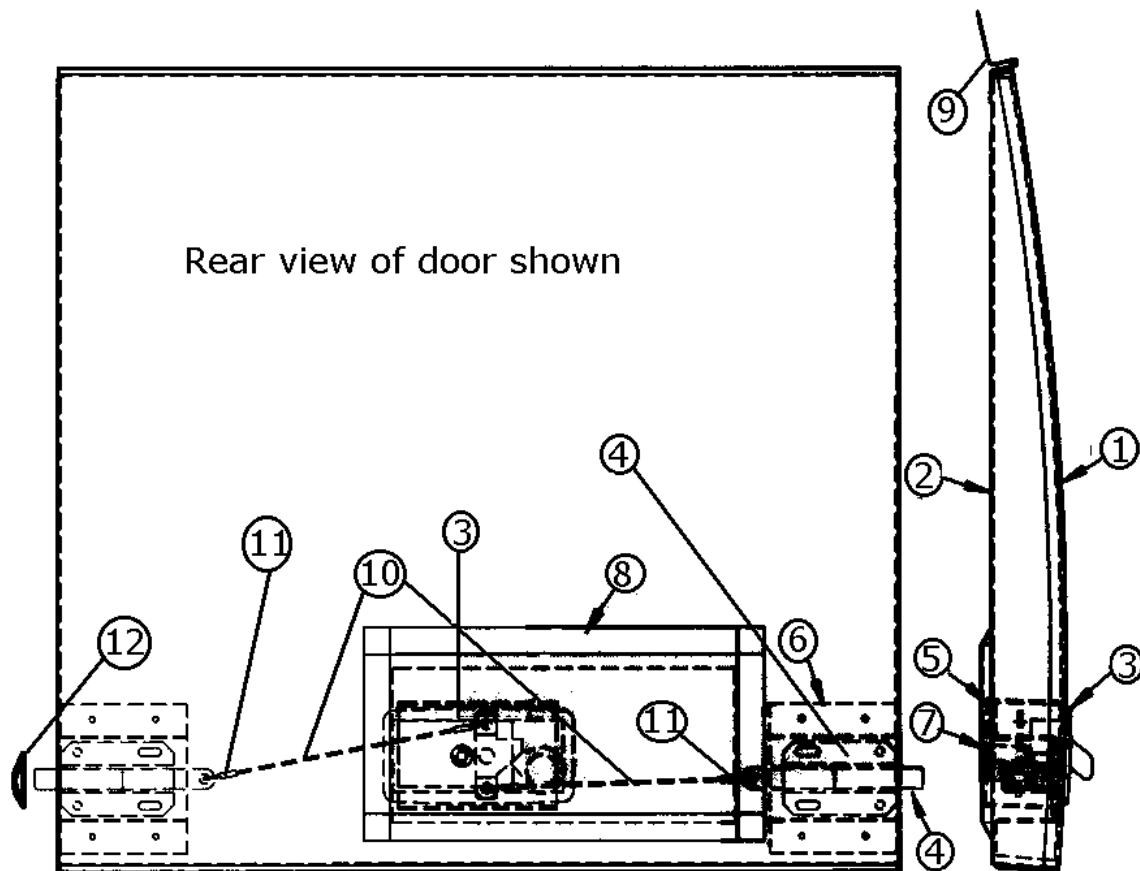


703125-02 Top, dinette seat, urethane



2002 LAND YACHT GAS

921166-Tab Compartment Door Assembly, Locking



- | | |
|---------------|--|
| 1. 114733-tab | Outer panel, see chart next page |
| 2. 114732-tab | Inner panel, see chart next page |
| 3. 381565-01 | Handle assembly, keyed alike, w/collar |
| 4. 381565-04 | Plunger, bolt assembly, w/o rod collar |
| 5. 453396 | Bracket, latch mounting |
| 6. 114756 | Hat section, compartment latch |
| 7. 345287-03 | Machine screw, #10-24 x 1/2" long |
| 8. 114758 | Plate, compartment latch cover |
| 9. 381529 | Hinge, compartment door |
| 10. 381456 | Cable, galvanized, uncoated |
| 11. 381455 | Loop sleeve, stainless steel |
| 12. 381454 | Strike, compartment door |
| 13. 381427 | Hold back, main door, not shown |
| 14. 365232 | Seal, baggage door |

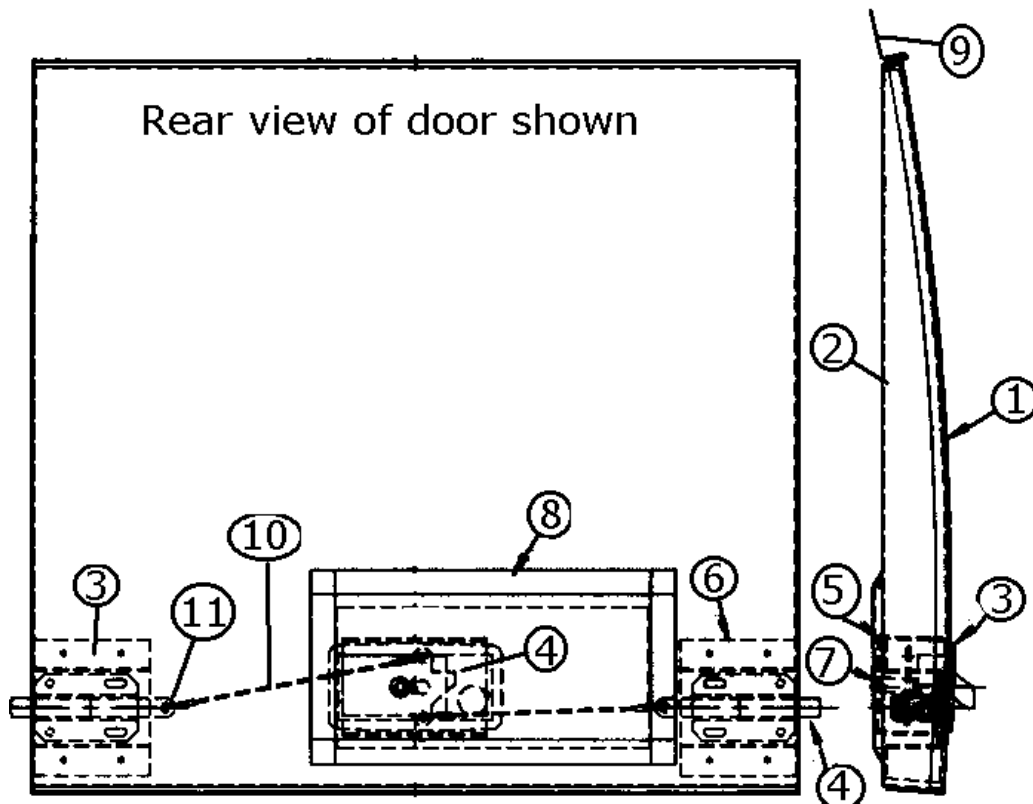
2002 LAND YACHT GAS

921166- Tab, Inner & Outer Door Panels

Dash P/N	Door Size Inches	Outer Panel	Inner Panel
921166-01	61.75	114733-01	114732-01
-02	32.00	-02	-02
-03	29.00	-03	-03
-04	20.00	-04	-04
-05	39.94	-05	-05
-06	36.00	-06	-06
-07	50.00	-07	-07
-08	26.00	-08	-08
-09	18.00	-09	-09
-11	15.00	-11	-11
-12	40.00	-12	-12

2002 LAND YACHT GAS

921169-Tab



- | | |
|---------------|--|
| 1. 114733-tab | Outer panel, see chart next page |
| 2. 114732-tab | Inner panel, see chart next page |
| 3. 381565-02 | Handle assembly, keyed alike, w/collar |
| 4. 381565-04 | Plunger, bolt assembly, w/o rod collar |
| 5. 453396 | Bracket, latch mounting |
| 6. 114756 | Hat section, compartment latch |
| 7. 345287-03 | Machine screw, #10-24 x 1/2" long |
| 8. 114758 | Plate, compartment latch cover |
| 9. 381529 | Hinge, compartment door |
| 10. 381456 | Cable, galvanized, uncoated |
| 11. 381455 | Loop sleeve, stainless steel |
| 12. 381454 | Strike, compartment door, not shown |
| 13. 381427 | Hold back, main door, not shown |
| 14. 365232 | Seal, baggage door, not shown |

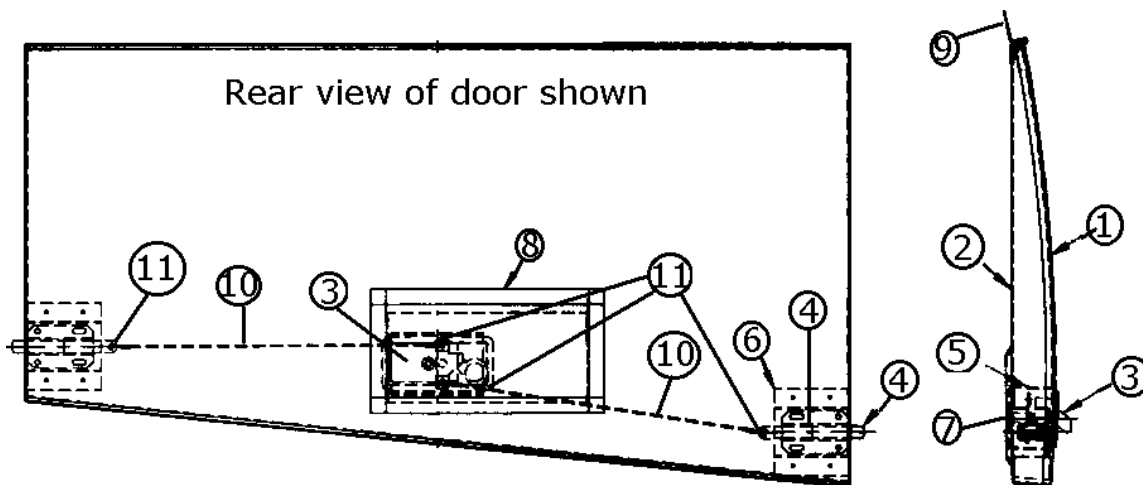
2002 LAND YACHT GAS

921169- Tab, Inner & Outer Door Panels

Dash P/N	Door Size Inches	Outer Panel	Inner Panel
921169-01	61.75	114733-01	114732-01
-02	32.00	-02	-02
-03	29.00	-03	-03
-04	20.00	-04	-04
-05	39.94	-05	-05
-06	36.00	-06	-06
-07	50.00	-07	-07
-08	26.00	-08	-08
-09	18.00	-09	-09

2002 LAND YACHT GAS

921167-Tab, Angled Compartment Door Assembly
 921207-Tab, Angled Compartment Door Assembly



- | | |
|---------------|--|
| 1. | Outer panel, see chart next page |
| 2. | Inner panel, see chart next page |
| 3. 381565-01* | Handle assembly, keyed alike, w/collar |
| 4. 381565-04 | Plunger, bolt assembly, w/o rod collar |
| 5. 453396 | Bracket, latch mounting |
| 6. 114756 | Hat section, compartment latch |
| 7. 345287-03 | Machine screw, #10-24 x 1/2" long |
| 8. 114758 | Plate, compartment latch cover |
| 9. 381529 | Hinge, compartment door |
| 10. 381456 | Cable, galvanized, uncoated |
| 11. 381455 | Loop sleeve, stainless steel |
| 12. 381454 | Strike, compartment door, not shown |
| 13. 381427 | Hold back, main door, not shown |
| 14. 365232 | Seal, baggage door, not shown |

*Replace Item 3 w/381565-02 for non-locking doors.

RS & CS are mirror images of each other.

2002 LAND YACHT GAS

921167-Tab, Inner & Outer Panels

Dash P/N	Door Size Inches	Outer Panel	Inner Panel
921167-01	33.63 CS angled door	114734-01	114735-01
921167-02	33.63 RS angled door	114734-02	114735-02
921167-03	40.00 CS angled door	114762-01	114763-01
921167-04	40.00 RS angled door	114762-02	114763-02
921207-01	32.00 CS angled door	115057-01	115058-01
921207-02	23.00 RS angled door	115057-02	115058-02

