

***INTERNATIONAL  
TRAVEL TRAILER***

***PARTS  
BOOK***

**2002**



# 2002 INTERNATIONAL TRAVEL TRAILER TABLE OF CONTENTS

## SECTION I SAFARI A through C

### APPLIANCES

<a href="#">Air Conditioner</a> .....	I-1
<a href="#">Furnace</a> .....	I-1
<a href="#">Cook Top</a> .....	I-1
<a href="#">Range</a> .....	I-1
<a href="#">Refrigerator</a> .....	I-1
<a href="#">Water Heater</a> .....	I-1

### BODY

<a href="#">End shell, aft</a> .....	I-2
<a href="#">End shell, front</a> .....	I-4
<a href="#">Roof</a> .....	I-6
<a href="#">22 Ft. AS RS Wall</a> .....	I-8
<a href="#">22 Ft. AS CS Wall</a> .....	I-10
<a href="#">22 Ft. CCD RS Wall</a> .....	I-12
<a href="#">22 Ft. CCD CS Wall</a> .....	I-14
<a href="#">Body interior</a> .....	I-16
<a href="#">Interior shell trims</a> .....	I-17

### CHASSIS

<a href="#">Axles, Shocks, Tires, Wheels</a> .....	I-18
<a href="#">Stabilizing jacks</a> .....	I-18
<a href="#">Step</a> .....	I-18
<a href="#">Rear bumper/hose carrier</a> .....	I-18
<a href="#">Under belly metal</a> .....	I-28
<a href="#">Hitch, Safety chains, Breakaway switch</a> .....	I-19
<a href="#">Water Tank pans</a> .....	I-19
<a href="#">Brakes</a> .....	I-20
<a href="#">Power jacks</a> .....	I-22

# 2002 INTERNATIONAL TRAVEL TRAILER TABLE OF CONTENTS

## SECTION II D through E

<a href="#">DECAL/EXTERIOR TRIM</a> .....	II-1
---	------

### DOORS/WINDOWS/AWNING

<a href="#">Doors</a> .....	II-2
<a href="#">Windows, Window Trim &amp; Screens</a> .....	II-3
<a href="#">Awning/rock guard</a> .....	II-7

### DRAPES/BLINDS/VALANCES

<a href="#">22 Ft. AS Model</a> .....	II-8
<a href="#">22 Ft. CCD Model</a> .....	II-9
<a href="#">Pull shade assembly, Drape trim and track</a> .....	II-10

### ELECTRICAL

<a href="#">110 volt</a> .....	II-11
<a href="#">12 volt</a> .....	II-12
<a href="#">Exterior light/reflectors</a> .....	II-14

### ENTERTAINMENT

<a href="#">Radio/antenna</a> .....	II-15
-------------------------------------	-------

# 2002 INTERNATIONAL TRAVEL TRAILER TABLE OF CONTENTS

## SECTION III F through H

FASTENERS (common fasteners available locally are not listed)

[Rivets](#)..... III-1

[FLOOR COVERING](#) ..... III-3

FURNITURE DRAWINGS & CHARTS

[Drawer Box](#) ..... III-3

[Mirrors](#) ..... III-3

[Interior Doors](#) ..... III-4

[Bedroom](#) ..... III-5

[Lavatory](#) ..... III-13

[Galley](#)..... III-19

HARDWARE

[Exterior locks/hinges](#) ..... III-34

[Window Hardware](#) ..... III-35

[Interior hinges and latches](#) ..... III-39

[Interior Trim](#)..... III-40

[Lavatory accessories and hinges](#) ..... III-40

[Dinette table hardware](#)..... III-40

[Awning hardware](#) ..... III-42

# 2002 INTERNATIONAL TRAVEL TRAILER TABLE OF CONTENTS

## SECTION IV L through Z

<a href="#">LABELS and TAGS</a> .....	IV-1
<a href="#">OPTIONS</a> .....	IV-2
PLUMBING	
<a href="#">LPG</a> .....	IV-3
<a href="#">Fresh water</a> .....	IV-5
<a href="#">Drain water</a> .....	IV-13
<a href="#">Toilet</a> .....	IV-16
<a href="#">SAFETY EQUIPMENT</a> .....	IV-17
<a href="#">SEALER/GASKETS</a> .....	IV-18
<a href="#">PAINT</a> .....	IV-19
<a href="#">UPHOLSTERY/FOAM/MATTRESS</a> .....	IV-20
<a href="#">VENTS/FANS</a> .....	IV-21
<a href="#">WOOD/LAMINATES/TRIM</a> .....	IV-22

# 2002 INTERNATIONAL TRAVEL TRAILER

## APPLIANCES

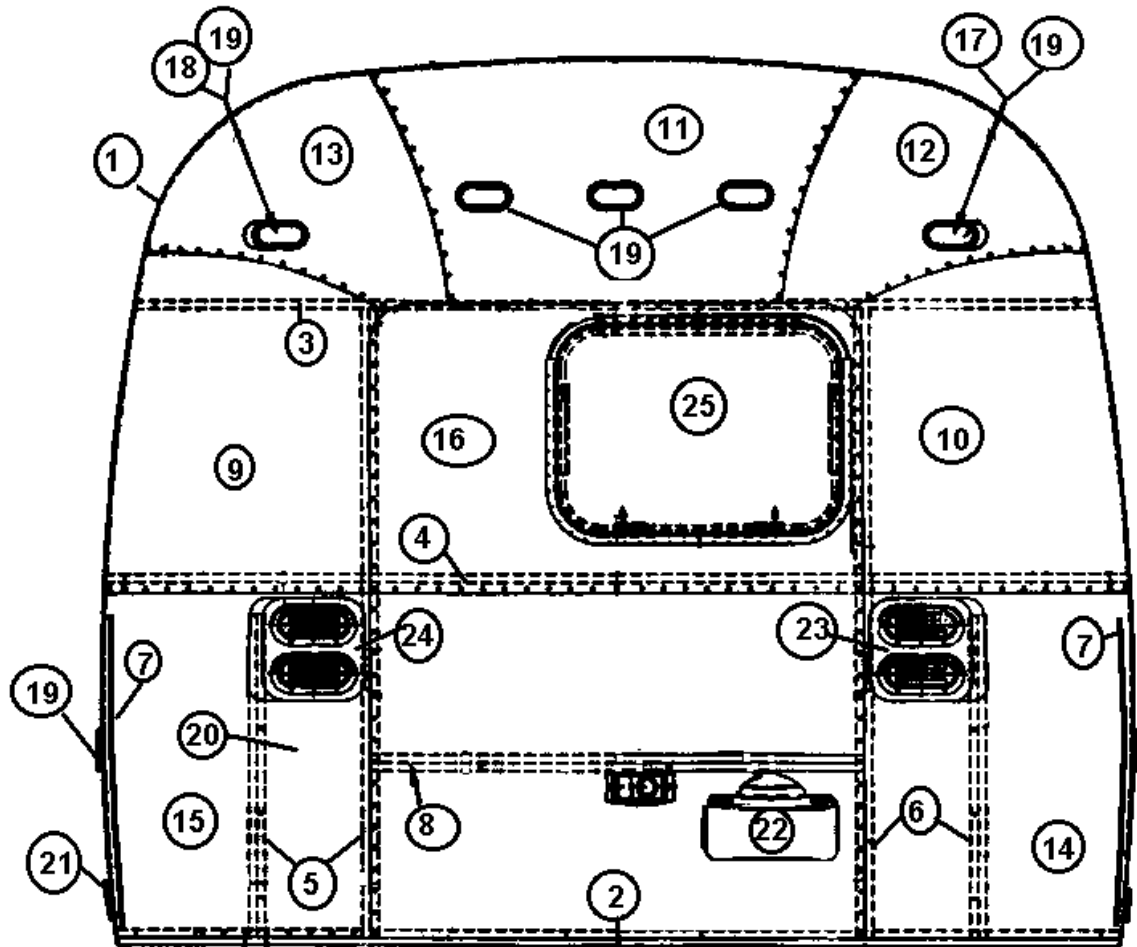
690323-02	AIR CONDITIONER, 13,500 BTU MANUAL
511252	PLUG PHONE 4 CONDUCTOR
690323-05	AIR BOX/RETURN GRILL MANUAL
961270	Pan Assembly, drain, air conditioner
690323-03	AIR CONDITIONER, DOMETIC HEAT STRIP
600118	TUBING 1/2ID X 5/8OD BLACK PLASTIC
690467-02	FURNACE-18000 BTU, 7920-11
690467-01	DIVERTER-FURNACE DISCHARGE
511228	THERMOSTAT ROOM #36684 OFF WHITE
965328	ASSEMBLY - FURNACE STAND
690468	COOKTOP-2 BURNER DROP IN S.S. AS model
690468-01	COVER-S. S. 2 BURNER DROP IN
690471	Cook-top, 2-burner, black glass top, CCD
Full oven option	
690396-07	RANGE 22", AMANA 3-BURNER DROP IN
690396-03	Range bi-fold cover
114876	Trim ring, range recess
690393-02	REFER, 4CF 2 WAY, LH HINGE, RM2452
690199	ELECTRONIC IGNITION WATER HEATER
320006	SCREW, SHEET METAL, 8 X 3/4" BH PHIL
690209	BRUSHED ALUM ACCESS COVER
601671	ELBOW STREET 90DEG 1/2"
381648	COVER LATCH HOLE WATER HEATER

# 2002 INTERNATIONAL TRAVEL TRAILER

## BODY

922627 Airstream Rear End Assembly

922627-01 CCD Unit (Delete Furnace)



Parts numbers on next Page



# 2002 INTERNATIONAL TRAVEL TRAILER

## BODY

922627 Airstream Rear End Assembly

922627-01 CCD Unit (Delete Furnace)

1. 114994 Weldment, end bow, NB
2. 104463 Floor bow, captive extrusion
3. 104351 Upper, window bow
4. 104343 Lower, window bow
5. 114505-01 Support, lower end shell, left-hand
6. 114505-02 Support, lower end, right-hand
7. 101315 Brace, vertical rear
8. 104408 Rib bow
9. 114888 Segment, center left, bright
10. 114889 Segment, center right, bright
11. 114892 Segment, #25, NB, bright
12. 114890 Segment, #26, bright
13. 114891 Segment, #27, bright
14. 114894 Segment, #28, bright
15. 114895 Segment, #29, bright
16. 114880-307 Aluminum sheet, .040 x 41" x 45.25"
17. 101177 Base, lamp, polished #1
18. 101178 Base, lamp, polished #2
19. 510111 Red clearance light, double bulb
20. 114849-03 Aluminum sheet, 060 x 12.00" x 29.00"
21. 500095 Reflector, red
22. 500053 License plate light/holder
23. \* Taillight assembly, CS
24. \* Taillight assembly, RS
25. 372218-01 Window, rear egress, 987172-78 glass only

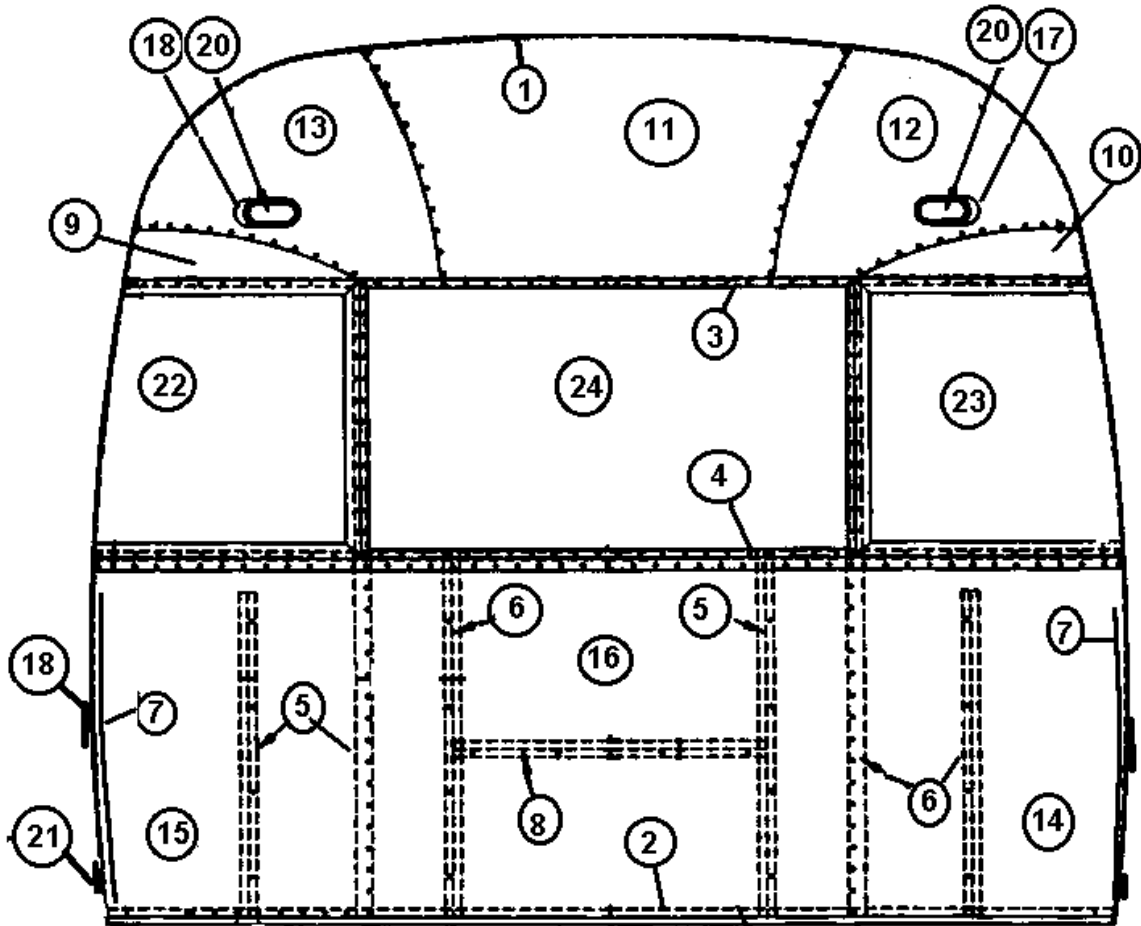
\*Taillight Assembly

- 201462 POCKET, ABS TAILLIGHT
- 511664-01 CASTING-TAILLIGHT R.S.
- 511664-02 CASTING-TAILLIGHT C.S.
- 511661 TAILLIGHT-LED OVAL 6"
- 511662 TRIM RING-TAILLIGHT W/VISOR
- 500095 Red rectangular reflector
- 115073-01 BRACKET-R.S. TAILLIGHT
- 115073-02 BRACKET-C.S. TAILLIGHT
- 115074 BRACKET-CENTER TAILLIGHT

# 2002 INTERNATIONAL TRAVEL TRAILER

## BODY

### 922626 Front End Shell Assembly



See next page for P/N

# 2002 INTERNATIONAL TRAVEL TRAILER

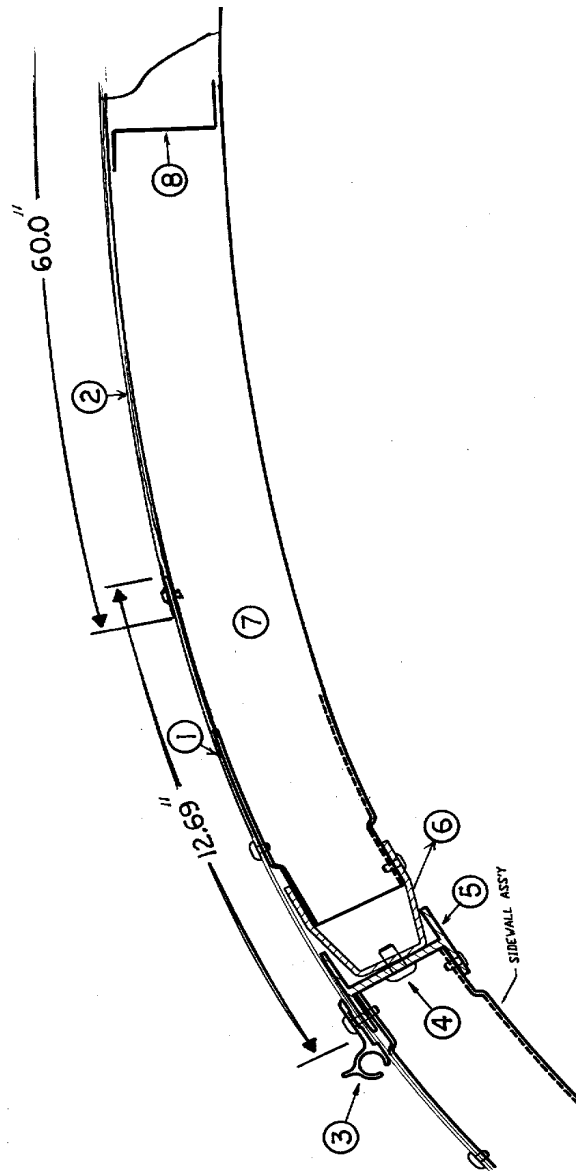
## BODY

### 922626 Front End Shell Assembly

1. 114994 Weldment, end bow, NB
2. 104463 Floor bow, captive extrusion
3. 104351 Upper, window bow
4. 104343 Lower, window bow
5. 114505-01 Support, lower end shell, left-hand
6. 114505-02 Support, lower end, right-hand
7. 101315 Brace, vertical rear
8. 104408 Rib bow
9. 114888 Segment, center left, bright
10. 114889 Segment, center right, bright
11. 114892 Segment, #25, NB, bright
12. 114890 Segment, #26, bright
13. 114891 Segment, #27, bright
14. 114894 Segment, #28, bright
15. 114895 Segment, #29, bright
16. 114880-307 Aluminum sheet, .040 x 41" x 45.25"
17. 101177 Base, lamp, polished #1
18. 101178 Base, lamp, polished #2
19. 510112 Amber clearance light, double bulb
20. 114849-03 Aluminum sheet, 060 x 12.00" x 29.00"
21. 500096 Reflector, amber
22. 372088-101 RS front panoramic window
23. 372089-101 CS front panoramic window
24. 371328 Front window,
24. 371328-100 Front window,-Glass only

# 2002 INTERNATIONAL TRAVEL TRAILER

## BODY Roof End

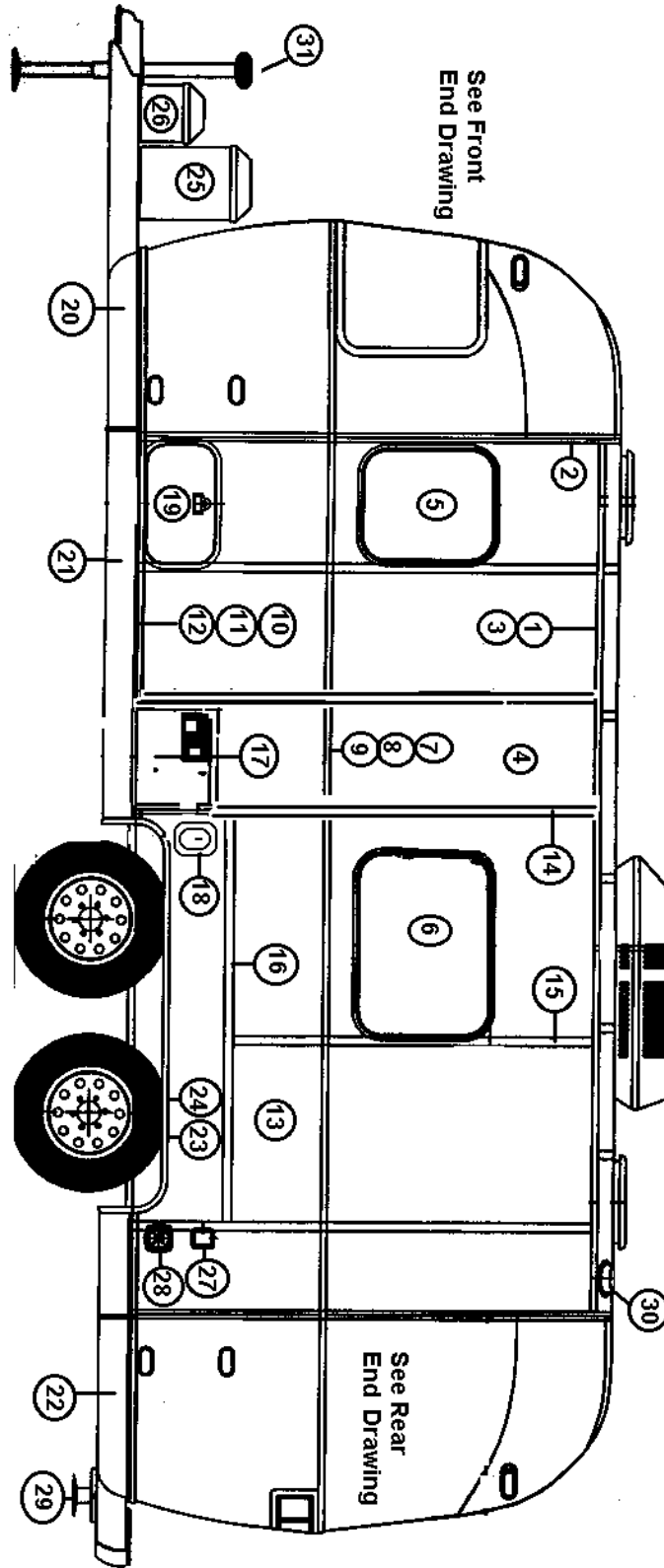


- |               |   |
|---------------|---|
| 1) 114669-307 | Alum. Sheet, white, .032" x 12.69" x 307" |
| 2) 114489-198 | Alum. Sheet, white, .032" x 60" x 198"    |
| 3) 114290     | Extrusion, awning/drip rail               |
| 4) 340123-02  | Rivet, Huck, 3/16" x 1/2"                 |
| 5) 104707-05  | Extrusion, "I" beam                       |
| 6) 114987-01  | Extrusion, roof corner, 194"              |
| 7) 114668     | Roof bow                                  |
| 8) 104408     | Extrusion, Z-bar, horizontal              |

2002 INTERNATIONAL TRAVEL TRAILER  
NOTES

# 2002 INTERNATIONAL TRAVEL TRAILER

Body  
22 Ft. AS-RS Wall



P/N Next Page  
I-8

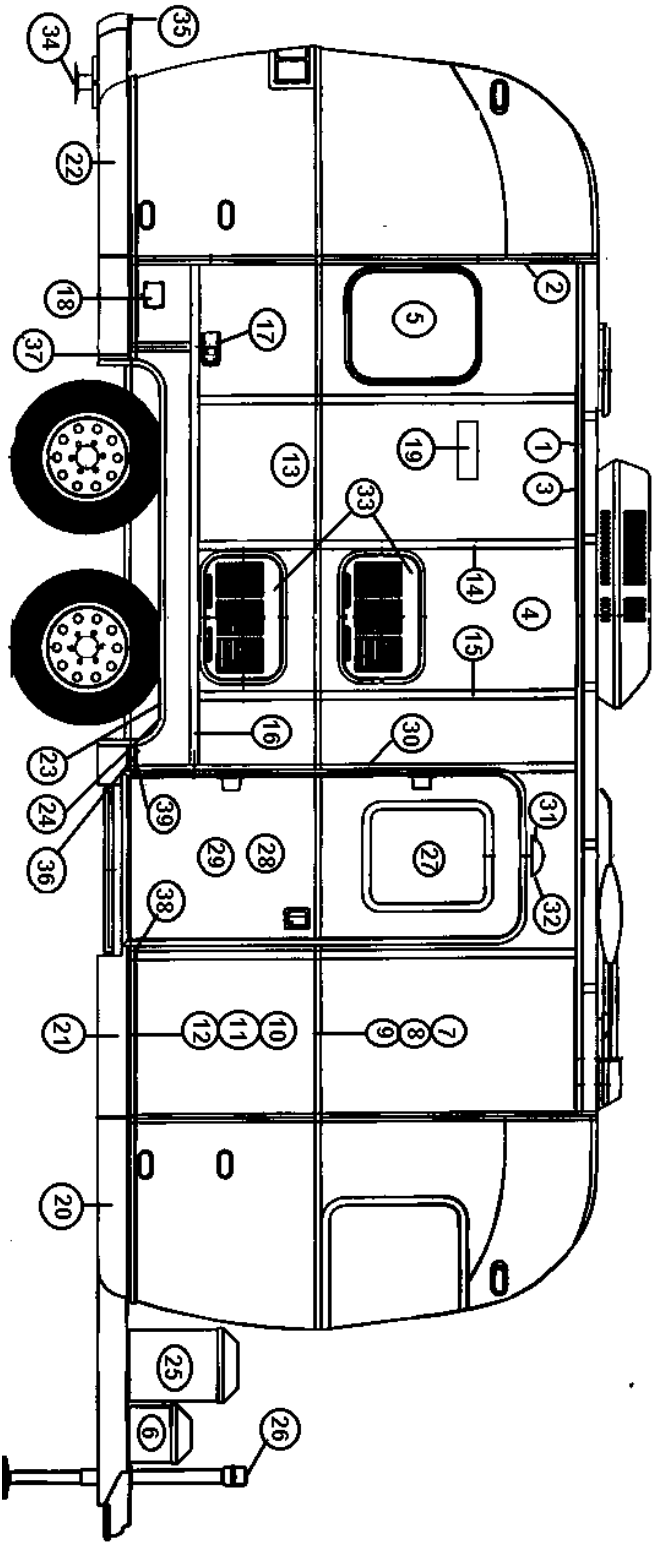
## 2002 INTERNATIONAL TRAVEL TRAILER

Body  
22 Ft. AS, Airstream  
RS Wall

- |                |  |
|----------------|--|
| 1) 114290-03   | Extrusion, awning/drip rail            |
| 2) 114994      | Rib, end bow                           |
| 3) 104707-01   | Extrusion, "I" beam                    |
| 4) 114880-198  | Alum, sheet, upper, .040" x 51" x 198" |
| 5) 371323-01   | Window, 18" opening window             |
| 6) 371324-02   | Window, 30", opening window            |
| 7) 114328      | Extrusion, belt line                   |
| 8) 201912      | Molding, chrome, belt line             |
| 9) 100034      | "Z" bar, 48"                           |
| 10) 114460     | Extrusion, rub rail                    |
| 11) 201763-01  | Insert, rub rail, chrome, 1"           |
| 12) 100986     | Floor channel                          |
| 13) 114879-198 | Alum. Sheet, lower, .040" x 33" x 198" |
| 14) 114387-01  | Bow, Z rib, RH                         |
| 15) 114387-02  | Bow, Z rib, LH                         |
| 16) 100986     | Wheel well stiffener (floor channel)   |
| 17) 690209     | Access door, Atwood water heater       |
| 18) 601194     | WATER FILL W/LOCK, GRAY, W/LABEL       |
| 19) 100679-01  | Door, side access with jamb            |
| 20) 203303-01  | Banana wrap, RS front                  |
| 21) 101131-01  | Underbelly wrap, .024" x 22.5", Pewter |
| 22) 203303-02  | Banana, rear corner, RS                |
| 23) 684936     | Wheel well trim, outer, tandem axle    |
| 24) 684937     | Wheel well trim, inner, tandem axle    |
| 25) 703127     | Bottle cover, LP, vinyl, optional      |
| 26) 511595     | Battery box                            |
| 27) 601392-05  | City water hook-up                     |
| 28) 511416-02  | 30-amp, male power inlet               |
| 29) 400914-03  | Stabilizer jack, 20"                   |
| 400914-02      | Handle, stabilizer jack                |
| 30) 690266-01  | Bath power ventilator                  |
| 31) 511544     | Jack, Super w/light                    |

# 2002 INTERNATIONAL TRAVEL TRAILER

Body  
22 Ft. AS, CS Wall



P/N Next Page



# 2002 INTERNATIONAL TRAVEL TRAILER

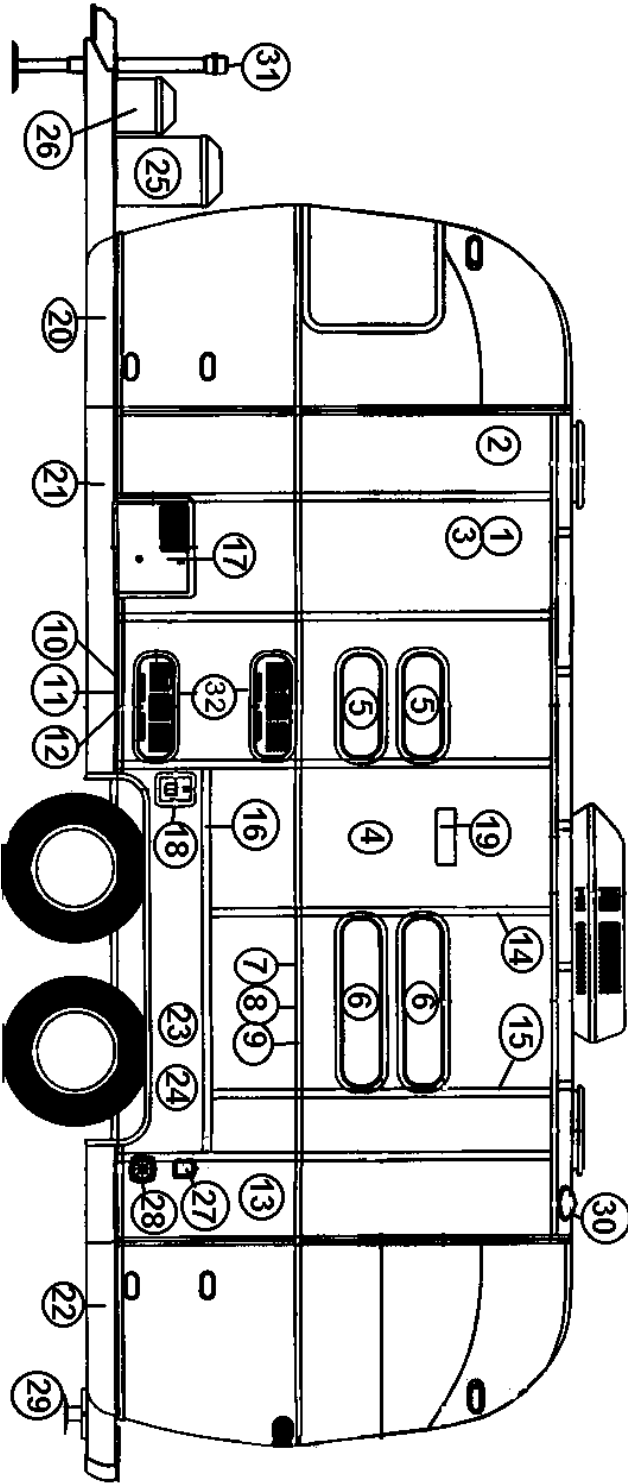
## Body

### 22 Ft. AS, CS Wall

- 1) 114290 Extrusion, awning/drip rail
- 2) 114994 Rib, end bow
- 3) 104707-05 Extrusion, "I" beam
- 4) 114880-198 Window sheet, .040" x 51" x 198"
- 5) 371323-01 Window, 18" opening
- 6) 511595 Battery box
- 7) 114328 Extrusion, belt line
- 8) 201912 Molding, chrome, belt line
- 9) 100034 "Z" bar 48"
- 10) 114460 Extrusion, rub rail
- 11) 201763-01 Insert, rub rail, chrome, 1"
- 12) 100986 Floor channel
- 13) 114879-198 Side sheet, .040" x 33" x 198"
- 14) 114387-01 Bow, Z rib, RH
- 15) 114387-02 Bow, Z rib, LH
- 16) 100986 Wheel well stiffener (floor channel)
- 17) Furnace exhaust vent
- 18) 510676-01 Outlet, exterior 110 volt, gray
- 19) 511017-11 Vent cover, exterior range exhaust
- 20) 203303-02 Banana wrap, CS front
- 21) 101131-01 Underbelly wrap, .024 x 22.5, Pewter
- 22) 203303-01 Banana wrap, CS rear
- 23) 684936 Wheel well trim, outer, tandem axle
- 24) 684937 Wheel well trim, inner, tandem axle
- 25) 703127 Bottle cover, LP, vinyl, optional
- 26) 511544 Jack, Super w/light
- 27) 371319-05 Window, main door
- 28) 110067-05 Main door assembly
- 29) 114654 Screen door assembly
- 30) 114652 Main door jamb, formed
- 31) 101323 Casting, main door light
- 32) 201185 Lens, main door light
- 33) 203305 Door, refrigerator access, 115038 Door Jamb
- 34) 400914-03 Stabilizer jack, 20"
- 400914-02 Handle, stabilizer jack
- 35) 410847 Bumper, polished
- 36) 114466-01 Casting, rub rail end, wheel well, RH
- 37) 114466-02 Casting, rub rail end, wheel well, LH
- 38) 114465-01 Close out rub rail, RH
- 39) 114465-02 Close out rub rail, LH

# 2002 INTERNATIONAL TRAVEL TRAILER

Body  
22 Ft. CCD RS Wall



PN Next Page

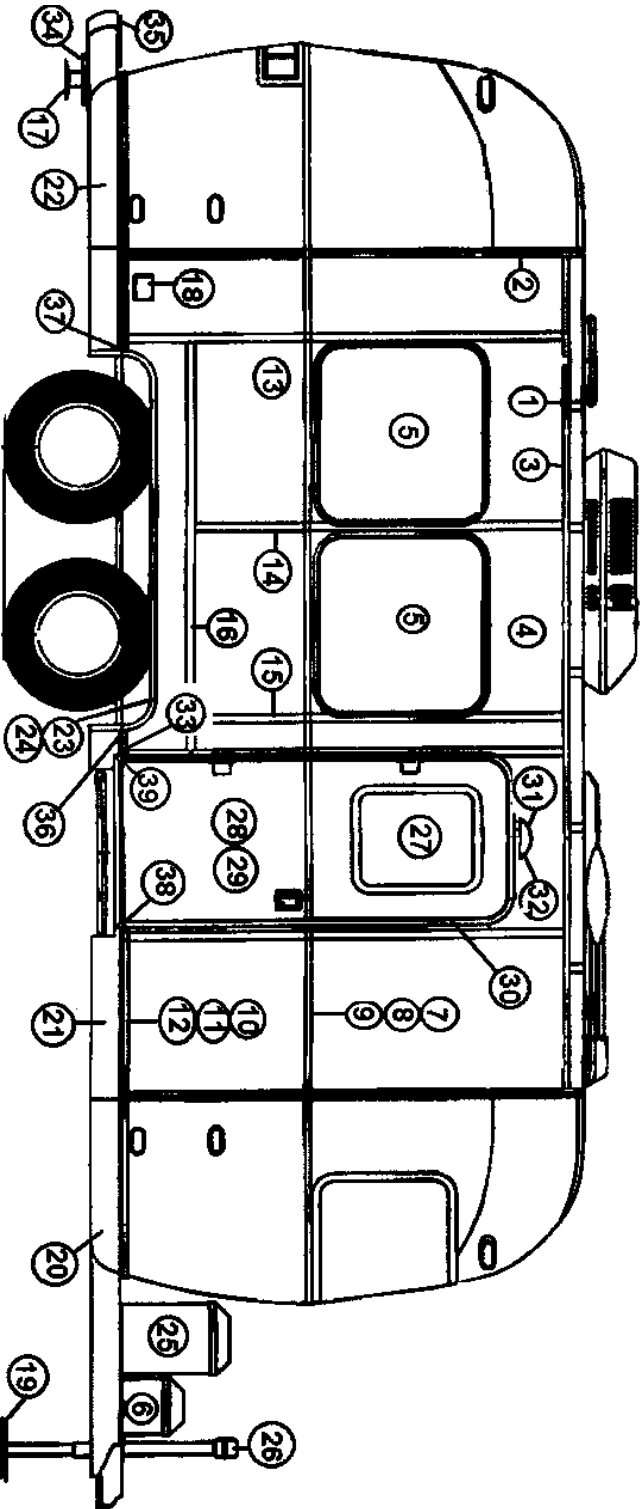
## 2002 INTERNATIONAL TRAVEL TRAILER

### Body 22 Ft. CCD RS Wall

- |                |  |
|----------------|--|
| 1) 114290-03   | Extrusion, awning/drip rail            |
| 2) 114994      | Rib, end bow                           |
| 3) 104707-01   | Extrusion, "I" beam                    |
| 4) 114880-198  | Alum, sheet, upper, .040" x 51" x 198" |
| 5) 371269-01   | Window, 18" fixed window               |
| 6) 371270-01   | Window, 30", fixed window              |
| 7) 114328      | Extrusion, belt line                   |
| 8) 201912      | Molding, chrome, belt line             |
| 9) 100034      | "Z" bar, 48"                           |
| 10) 114460     | Extrusion, rub rail                    |
| 11) 201763-01  | Insert, rub rail, chrome, 1"           |
| 12) 100986     | Floor channel                          |
| 13) 114879-198 | Alum. sheet, lower, .040" x 33" x 198" |
| 14) 114387-01  | Bow, Z rib, RH                         |
| 15) 114387-02  | Bow, Z rib, LH                         |
| 16) 100986     | Wheel well stiffener (floor channel)   |
| 17) 690209     | Access door, Atwood water heater       |
| 18) 601194     | water heater exterior door, Atwood     |
| 19) 511017-11  | Vent cover, exterior range exhaust     |
| 20) 203303-01  | Banana wrap, RS front                  |
| 21) 101131-01  | Underbelly wrap, .024" x 22.5", Pewter |
| 22) 203303-02  | Banana, rear corner, RS                |
| 23) 684936     | Wheel well trim, outer, tandem axle    |
| 24) 684937     | Wheel well trim, inner, tandem axle    |
| 25) 703127     | Bottle cover, LP, vinyl, optional      |
| 26) 511595     | Battery box                            |
| 27) 511416-02  | 30-amp, male power inlet               |
| 28) 601392-05  | City water hook-up, chrome w/regulator |
| 29) 400914-03  | Stabilizer jack, 20"                   |
| 400914-02      | Handle, stabilizer jack                |
| 30) 690266-01  | Bath power ventilator                  |
| 31) 511544     | Jack, Super w/light                    |
| 32) 203305     | Refer access door, 115038 Jamb         |

# 2002 INTERNATIONAL TRAVEL TRAILER

Body  
22 Ft. CCD CS Wall



PN Next Page

# 2002 INTERNATIONAL TRAVEL TRAILER

## Body 22 Ft. CCD CS Wall

- 1) 114290 Extrusion, awning/drip rail
- 2) 114994 Rib, end bow
- 3) 104707-05 Extrusion, "I" beam
- 4) 114880-198 Window sheet, .040" x 51" x 198"
- 5) 371380 Window, Tall 30" opening
- 6) 511595 Battery box
- 7) 114328 Extrusion, belt line
- 8) 201912 Molding, chrome, belt line
- 9) 100034 "Z" bar 48"
- 10) 114460 Extrusion, rub rail
- 11) 201763-01 Insert, rub rail, chrome, 1"
- 12) 100986 Floor channel
- 13) 114879-198 Side sheet, .040" x 33" x 198"
- 14) 114387-01 Bow, Z rib, RH
- 15) 114387-02 Bow, Z rib, LH
- 16) 100986 Wheel well stiffener (floor channel)
- 17) 400914-02 Handle, stabilizer jack
- 18) 510676-01 Outlet, exterior 110 volt, gray
- 19) 410598 Super Jack footpad
- 20) 203303-02 Banana wrap, CS front
- 21) 101131-01 Underbelly wrap, .024 x 22.5, Pewter
- 22) 203303-01 Banana wrap, CS rear
- 23) 684936 Wheel well trim, outer, tandem axle
- 24) 684937 Wheel well trim, inner, tandem axle
- 25) 703127 Bottle cover, LP, vinyl, optional
- 26) 511544 Jack, Super w/light
- 27) 371319-05 Window, main door
- 28) 110067-05 Main door assembly
- 29) 114654 Screen door assembly
- 30) 114652 Main door jamb, formed
- 31) 101323 Casting, main door light
- 32) 201185 Lens, main door light
- 33) 114465-02 Close out rub rail, LH
- 34) 400914-03 Stabilizer jack, 20"
- 35) 410847 Bumper, polished
- 36) 114466-01 Casting, rub rail end, wheel well, RH
- 37) 114466-02 Casting, rub rail end, wheel well, LH
- 38) 114465-01 Close out rub rail, RH
- 39) 114465-02 Close out rub rail, LH

# 2002 INTERNATIONAL TRAVEL TRAILER

## BODY INTERIOR SHELL

114445	Aluminum sheet, .032" x 34" x coil
114853-01	Aluminum sheet, .032" x 57" x coil
702481 *	Wall liner, Geometric Pearl
702481-01*	Wall liner, Geometric Pearl, 96"
114157-01	Extrusion, end liner, upper, white
201728-01	Extrusion, ceiling trim retainer
201728-03	Extrusion, ceiling trim
114655	TRIM RING FORMED MAIN DOOR
381772	HEAD KNOCKER-ENTRANCE DOOR
201666-01	MOLDING-J 3/16" ALMOND PLASTIC, bath wall
203138-01	Extrusion, plastic, wall, white, bath panels

All models



- |    |           |                  |
|----|-----------|------------------|
| 1. | 114891-01 | Interior segment |
| 2. | 114892-01 | Interior segment |
| 3. | 114890-01 | Interior segment |

- For repairs purchase vinyl glues locally.

(Continued)

# 2002 INTERNATIONAL TRAVEL TRAILER

## BODY INTERIOR SHELL TRIM

22 ft. CCD Model

110900-03	TRIM FORMED INT. FRT WRAP ALUM.
110900-04	TRIM FORMED INTERIOR FRT WRAP ALUM
114157-01	EXTRUSION END LINER UPPER WHITE
371319-06	TRIM RING-MAIN DOOR
201578-02	END CAP-TRIM RING GRAY #92422-556
381772	HEAD KNOCKER-ENTRANCE DOOR
201579-02	TRIM RING-LOWER R.S. GRAY
201580-02	TRIM RING-LOWER C.S. GRAY
201581-05	TRIM RING-UPPER R.S. GRAY
201581-06	TRIM RING-UPPER C.S. GRAY
372222	TRIM RING-30" STACK WINDOW CLEAR
372223	TRIM RING-18" STACK WINDOW CLEAR
203225	TRIM, white flexible, goes around window rings
203225-01	TRIM, gray flexible, goes around window rings

# 2002 INTERNATIONAL TRAVEL TRAILER

## CHASSIS

22 FT. International

915662	WELDMENT-CHASSIS
410851	AXLE-2500# NB DEXTER, 10" Brakes
0220003	Shock absorber
0250173-15	Bolt, grade 5, 5/8"-18 x 1.5", shock mount
0130068-818	Nut, hex head flanged, 5/8"-18, shock mount
400949-01	Tire/wheel assy., 14" w/alum. Wheel
400948-01	Cap, wheel center, SS, 3.3 in.
400923	Acorn lug nut
200844	Wheel well, tandem
400962	STEP-MAIN DOOR STEEL 24"
410847	BUMPER, REAR
453946	CLOSEOUT-STORAGE COMPARTMENT
453948	LID REAR BUMPER COMPARTMENT
380203	HINGE PIANO 1/8 PIN
380024	ARMS SUPPORT RIGHT HAND
380067	LOCK CAM BUMPER LID LATCH
114812	ALUM. ANGLE 1.00 X 1.00
400914-03	STABILIZER JACK 20" LIGHTWEIGHT
400914-02	HANDLE-15"(STABILIZER JACK)
400914-04	Stabilizer jack footpad, set of 4
203303-01	BANANA WRAP BLACK RS FRONT/CS REAR
203303-02	BANANA WRAP, BLACK CS FRT RS REAR
101131-01	Aluminum, underbelly wrap, .024" x 22.5, gray
203304	ROLL, UNDERBELLY, BLACK PLASTIC

(continued)

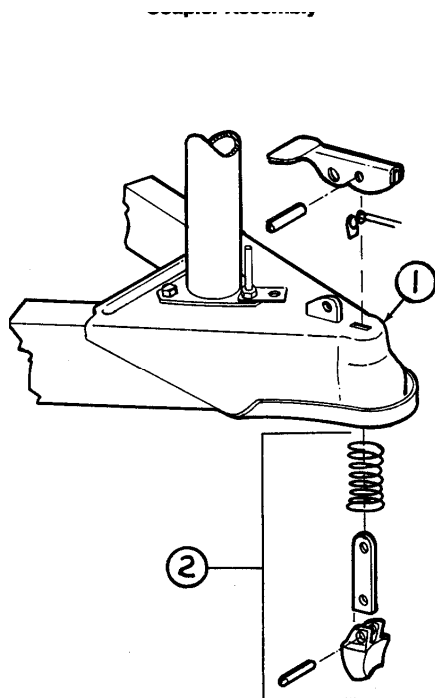


# 2002 INTERNATIONAL TRAVEL TRAILER

## CHASSIS

0300027 Break away switch, Bargman  
0360254H Bracket, breakaway switch

400953 Safety Chain, 1/4" x 30"  
400945 5/16" clevis, safety slip hook



1) 680343 Coupler assembly, 2 5/16"  
2) 680345 Repair kit, 2 5/16" coupler

601807 FRESH TANK PAN ASSY, 22' AS  
601808 STRAP-FRESH TANK PAN, 22'  
601809 PAN-WASTE TANK ASSY, 22'INT AS

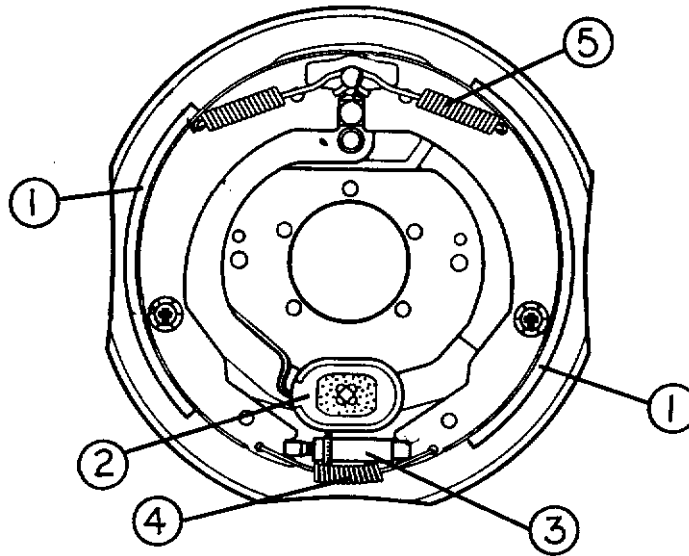
# 2002 INTERNATIONAL TRAVEL TRAILER

## CHASSIS

### 10" BRAKES

3160255 Brake drum 10", 5 lug  
685016 Inner bearing, #L68149  
685017 Inner race, # L68111  
680380 Outer bearing, #L44649  
680387 Outer race, #L44610  
680377 Grease seal

3160096 Brake assembly, RH, 10" Dexter  
3160097 Brake assembly, LH, 10" Dexter

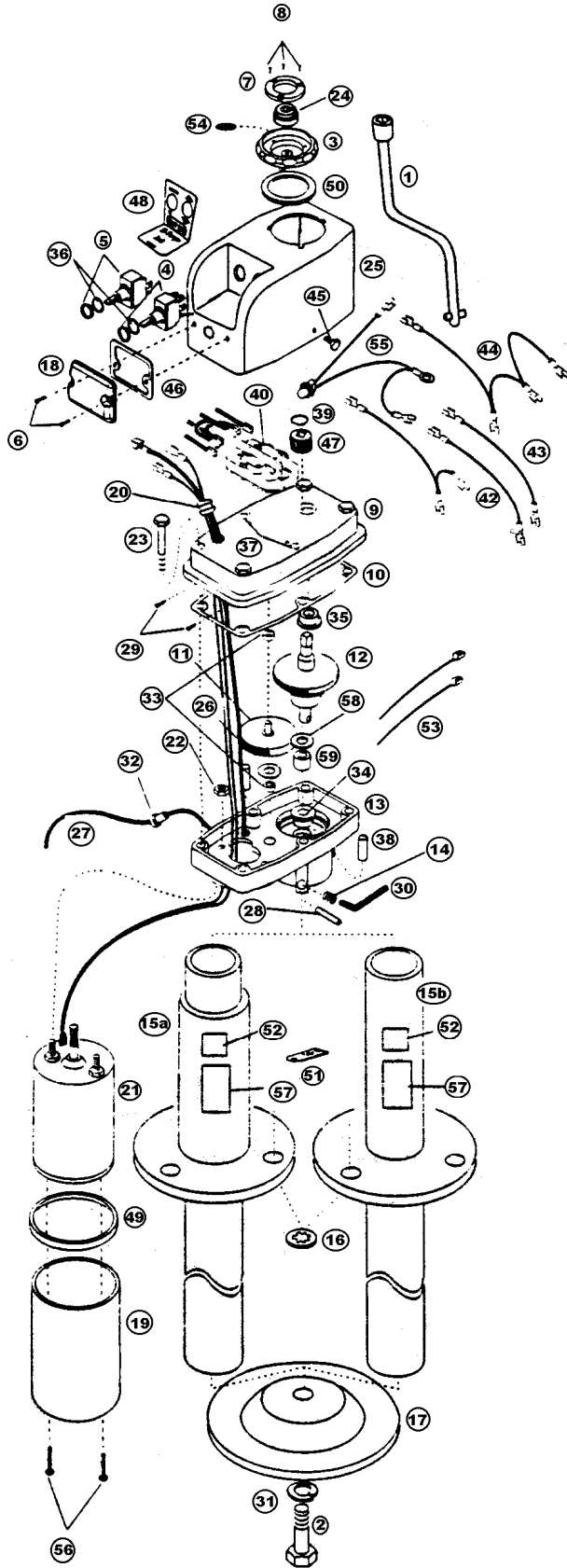


1) 3160097-62 Shoe and lining kit (includes hold down spring and pin)  
2) 3160097-65 Magnet kit  
3) 3160097-63 Adjuster assembly  
4) 3160097-64 Adjusting screw spring  
5) 3160097-61 Retractor spring

# 2002 INTERNATIONAL TRAVEL TRAILER

Notes

# 2002 INTERNATIONAL TRAVEL TRAILER



## CHASSIS

POWER JACK P/N 400961

Barker Hi-Power 3,000

## MANUFACTURER:

Barker Manufacturing Co.  
730 east Michigan Ave.  
Battle Creek, MI. 49014

Customer Service Phone  
& Parts Ordering  
616-965-2371

P/N	Description
1. 21047	CRANK
2. 600-0011	HEX BOLT 1/2-20X 3/4
3. 27268	CAP, MACHINED-BLACK
27341	CAP, MACHINED (WHITE)
4. 736-0005	ACTUATOR TOGGLE
	SWITCH AND NUT
5. 736-0004	LAMP TOGGLE SWITCH
	AND NUT
6. 606-5001	#10 X 1/2 PHILLIPS HEAD
	SCREW
7. 27343	LEVEL RETAINER-WHITE
27269	(black)
8. 606-0011	#6-32 X 5/8 TYPE 'F' SCREW
9. 27247	UPPER HOUSING
10. 17422	GASKET
11. 22012	DRIVE GEAR ASSEMBLY
12. 27248	OUTPUT GEAR ASSEMBLY
13. 23674	LOWER HOUSING BLACK
25697	(WHITE)
14. 608-0006	5/16-18 X 1/2" SET SCREW
15A. 27313	POST ASSY. (BLACK-2 1/4"
OD)	
15A. 27527	POST ASSY. (WHITE-2 1/4"
15B. 27335	POST ASSY. (BLACK-2- OD)
16. 619-0003	INTERNAL TOOTH LOCK
	WASHER
17. 21349	FOOT PLATE (BLACK)
17. 12752	FOOT PLATE (SILVER,
	WHITE)
18. 27262	LENS
19. 27276	MOTOR SLEEVE (BLACK)
19. 27344	MOTOR SLEEVE (WHITE)
20. 26236	RUBBER GROMMET
21. 17414	ELECTRIC MOTOR
22. 611-2100	HEX LOCK NUT
23. 605-0012	SCREW
24. 27272	CIRCULAR LEVEL
25. 27338	COVER (WHITE)

# 2002 INTERNATIONAL TRAVEL TRAILER

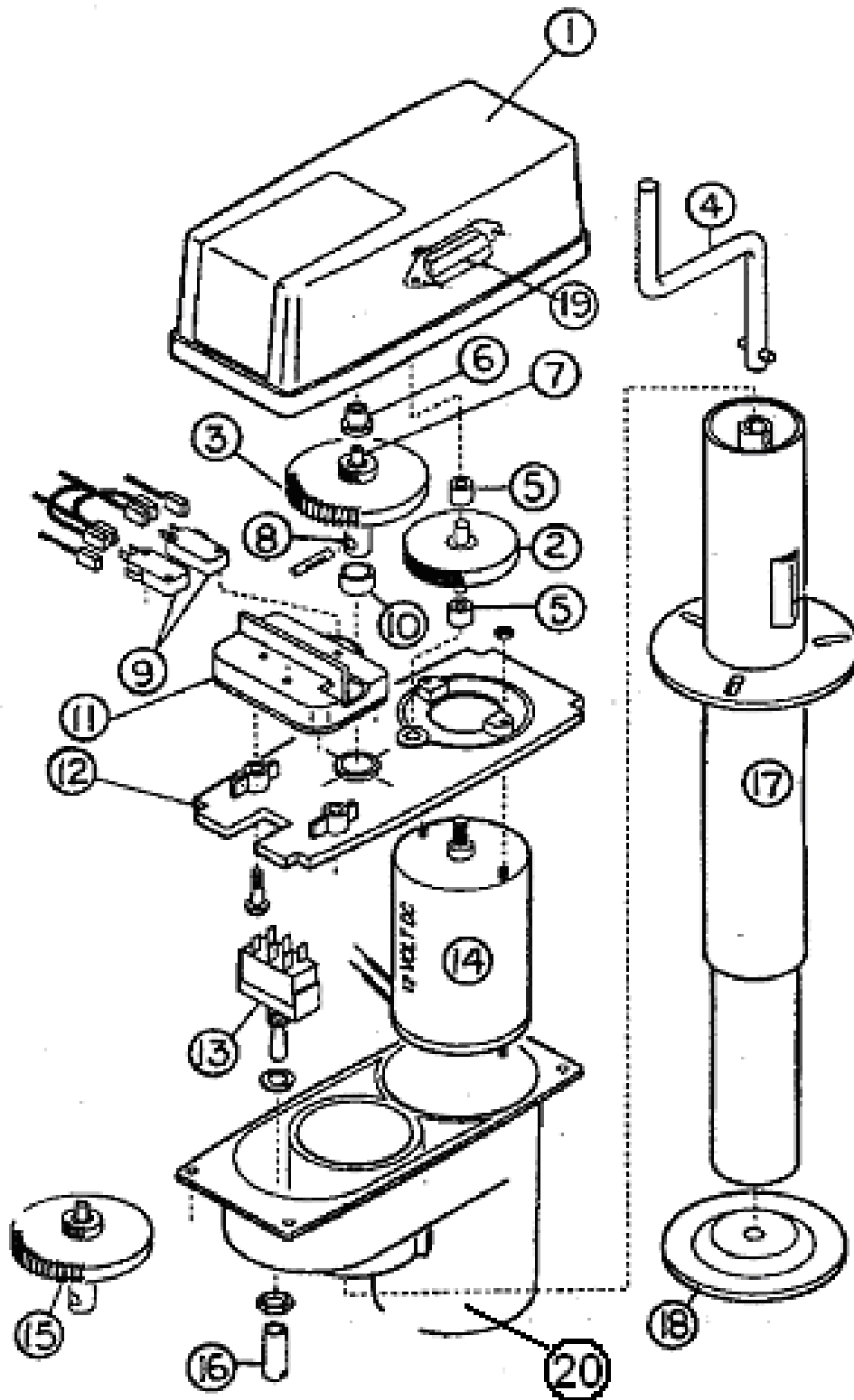
## Power Jack Parts Diagram (Cont.)

25.	27259	COVER (BLACK)
26.	80208	WASHER, SPACER
27.	27251	GREY WIRE ASSEMBLY
28.	623-1216	GROOVE PIN
29.	606-0009	#10 X 3/8 SCREW (LIMIT SWITCH)
30.	636-0000	HEX KEY
31.	618-1002	LOCK WASHER 1/2"
32.	80504	SNAP BUSHING
33.	80501	BUSHING
34.	645-0024	FLANGE BUSHING
35.	641-0009	BUSHING
36.	635-0015	"0"-RING TOGGLE SWITCH SEAL
37.	16434	HOLE PLUG
38.	621-0004	1/8" DIA X 3/4 DOWEL
39.	634-0023	RETAINER RING
40.	27512	LIMIT SWITCH ASSY.
41.	27257	1BLACK WIRE ASSEMBLY
42.	27256	WHITE WIRE ASSEMBLY
43.	27254	BLUE WIRE ASSEMBLY
44.	27252	GREEN WIRE ASSEMBLY
45.	606-0008	#10-16 X 3/4" TEK SCREW (BLACK)
45.	606-0010	#10-16 X 3/4" TEK SCREW ZINC PLATED
46.	27263	LENS GASKET
47.	27277	POT/REED DRIVE GEAR
48.	27264	COVER LABEL
49.	27274	MOTOR SEAL
50.	27273	CAP GASKET
51.	26351	I.D. TAG (55:1)
52.	24047	WARNING LABEL
53.	17892	CABLE TIE GRAY
53.	16392	CABLE TIE BLACK
54.	620-0000	WAVE SPRING
55.	27253	LAMP WIRE ASSY
56.	603-5017	#10-32 x 5/8" PHILLIPS SCREW (BLACK)
56.	603-5011	#10-32 x 5/8" PHILLIPS SCREW (SILVER)
57.	12393	SYNCHRONIZE LABEL
58.	14459	THRUST WASHER
59.	14489	1/2" X 5/8" X 3/4" BEARING

# 2002 INTERNATIONAL TRAVEL TRAILER

## CHASSIS

### Power Jack



Part Numbers are on the next page

# 2002 INTERNATIONAL TRAVEL TRAILER

## CHASSIS

### Power Hitch Jack

511544	Power jack w/flag holder & light
012251	Power head less post
1. 012198	Cover, Super Jack
2. 010051	Gear, fiber, Super Jack
3. 015551	Drive gear, Super Jack
4. 016199	Crank handle, manual, Super Jack
5. 080501	Bushing, bronze, Super Jack
6. 010055	Bushing, flange, Super Jack
7. 015552	Gear, pot/reed, Super Jack
8. 015553	Shaft, Super Jack
9. 081703	Micro switch, Super Jack
10. 080520	Bushing/bronze,7/16,Super Jack
11. 012252	Limit switch assembly, Super Jack
12. 012200	Center plate, Super Jack
13. 081704	Switch, toggle, Super Jack
14. 016263	Motor, 12V, Super Jack
15. 011675	Drive gear assembly, Super Jack
16. 010069	Switch cover, Super Jack
17. 011631	Jack post, Super Jack
18. 410598	Foot pad #12231
19. 026503	Light, Jack
20. 012199	Housing for Motor and Switch





## 2002 INTERNATIONAL TRAVEL TRAILER

### DECAL/EXTERIOR TRIM

386051	DECAL LOGO 32" "AIRSTREAM"
386068	MEDALLION 3" LOGO, AIRSTREAM, Main door
114460	Extrusion, rub rail
201763-01	Insert, rub rail, chrome, 1"
114466-01	Close out, casting, rub rail, angled RH
114466-02	Close out, casting, rub rail, angled LH
114465-01	Close out, casting, rub rail RH
114465-02	Close out, casting, rub rail LH
500095	REFLECTOR RED RECTANGULAR
500096	REFLECTOR, AMBER
510446	REFLECTOR, RED, STICK-ON
114328	Extrusion, beltline
201912	Molding, chrome, beltline insert
114417	Casting close out, belt line
386108	NAMEPLATE-INTERNATIONAL

# 2002 INTERNATIONAL TRAVEL TRAILER

## DOORS/WINDOWS/AWNING

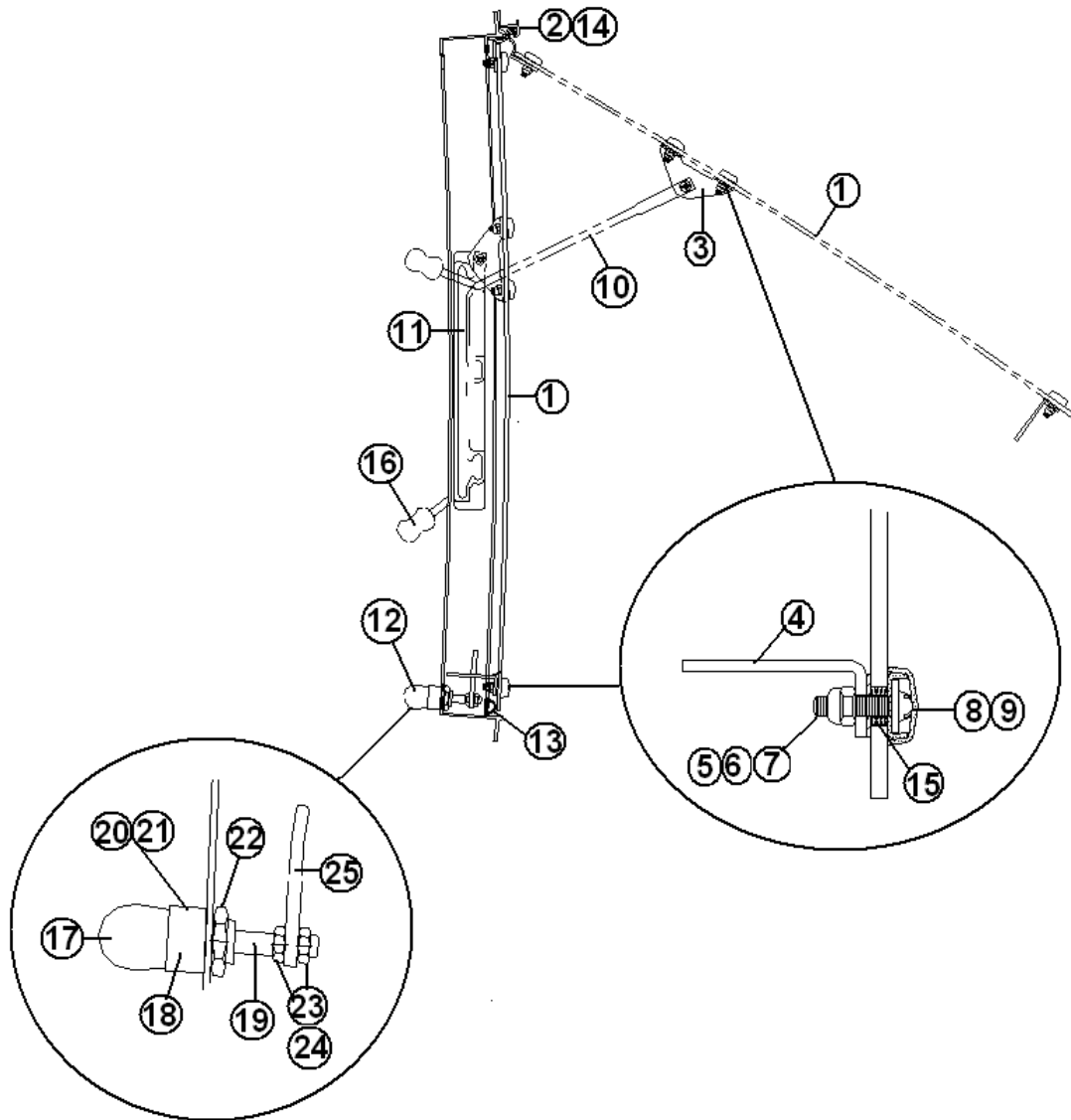
### EXTERIOR DOORS

115207-04	Main door assembly
114652	Jamb, main door, preformed
114653	Frame, main door, preformed
114448-03	Skin, exterior, upper main door
114449-03	Skin, exterior, lower main door
114475	Skin, inner, vinyl clad
114363	Drip cap, main door
365232	Seal, main door
381704	Seal, upper main door (goes over 365232)
114655	Extrusion, inside door, formed trim ring
386068	Medallion, 3" LOGO, AIRSTREAM
701624	VELCRO LOOP 5/8" WIDE
701625	VELCRO HOOK, 5/8" WIDE
114654	Screen door assembly
114561-01	Panel, slider, screen door, Revised for deadbolt
114648-01	Kick-panel, screen door, 6.69 x 24.13"
203287-02	Close out, plastic, screen door w/ dead bolt
380079	Screen, gray
200518	Spline, gray, screen insert
365013-01	Gasket, screen door, foam tape
32226W	SCREEN DOOR GUARD
203305	VENT-REFER-PLASTIC RADIUS CORNER
115038	DOOR JAMB, REFRIGERATOR, CLOSEOUT
100679-01	Side access door assembly
365035	Seal, side access door
380773	HINGE, ACCESS DOOR
380770	LOCK & CASTING ASSEMBLY

# 2002 INTERNATIONAL TRAVEL TRAILER

## DOORS/WINDOWS/AWNING

### WINDOWS



Part numbers on next page

# 2002 INTERNATIONAL TRAVEL TRAILER

## DOORS/WINDOWS/AWNINGS

### WINDOWS

- |               |                                     |
|---------------|-------------------------------------|
| 1. 371323-100 | Glass w/hardware, 18" window        |
| 1. 371324-100 | Glass w/hardware, 30" window        |
| 2. 371323-101 | Hinge, 18" window                   |
| 2. 371324-101 | Hinge, 30" window                   |
| 3. 1101-0010  | Bracket, window prop                |
| 4. 685124     | Striker plate, window latch         |
| 5. 0706-0004  | Flat washer                         |
| 6. 0703-0001  | Screw, #8-32 x .625", black, SS     |
| 7. 0702-0010  | Nut, Nylox, #8-32, black SS         |
| 8. 0802-0004  | Screw cover, 12-12 #100, black      |
| 9. 0802-0005  | Washer, 12-12 screw cover bottom    |
| 10. 100903    | Operating arm, RH                   |
| 10. 100903-01 | Operating arm, LH                   |
| 11. 0802-0001 | Guide, operating arm, RH            |
| 11. 0802-0002 | Guide, operating arm, LH            |
| 12. 010020    | Latch assembly, chrome              |
| 13. 381665    | Gasket seal                         |
| 14. 0101-0017 | Male hinge extrusion, 1/2" pc.      |
| 15. 0706-0003 | Bushing, window, acrylic            |
| 16. 380230-03 | Window arm knob, silver             |
| 16. 380230-04 | Window arm knob, red                |
| 17. 1101-0005 | Latch handle, chrome                |
| 17. 195467-05 | Latch handle, red                   |
| 18. 1101-0007 | Latch body                          |
| 19. 1101-0008 | Latch shaft                         |
| 20. 1101-0009 | Latch spring                        |
| 21. 0707-0002 | Pin, drive lock, 5/32" x 5/8", zinc |
| 22. 0702-0001 | Nut, hex panel, 5/8"-24, zinc       |
| 23. 0702-0002 | Nut, jam, hex, 5/16-24              |
| 24. 385123    | Washer, flat, .53" OD x .328" ID    |
| 25. 685123    | Latch paw                           |

# 2002 INTERNATIONAL TRAVEL TRAILER

## DOORS/WINDOWS/AWNING

### WINDOWS, SCREENS & WINDOW TRIM

381665 GASKET, window, "D" SEAL .50W X .36H BLACK  
385642 COVER PLATE, APPLIQUÉ, 1.38X3

203225 TRIM-LOCK, WHITE, flexible, goes around trim ring  
203225-01 TRIM-LOCK, GRAY, flexible, goes around trim ring

### 22 FT. AS Model

372174-03 SCREEN-18" OPENING WINDOW, white  
372175-04 SCREEN-30" OPENING WINDOW, white  
372176-03 SCREEN-REAR ESCAPE  
372220 SCREEN-21"X 28" EGRESS WHITE  
372173-01 SCREEN FRONT WINDOW WHITE

371319-05 WINDOW-MAIN DOOR  
371323-01 WINDOW-18" OPENING  
371324-03 WINDOW-30" OPEN EGRESS  
371328 WINDOW FRONT DARK GLASS  
\*372218 WINDOW-21"X 28" OPENING  
\*987172-78 GLASS ONLY FOR 372218  
372088 CURBSIDE WINDOW WRAP  
372089 WINDOW, REAR CORNER WRAP RS SOLAR

# 2002 INTERNATIONAL TRAVEL TRAILER

## DOORS/WINDOWS/AWNING

### WINDOWS, SCREENS & WINDOW TRIM

22 FT. CCD Model

371319-05	WINDOW-MAIN DOOR
371269-01	WINDOW 18" STACK
371270-01	WINDOW 30" STACK
371280	WING WINDOW, R.S. SINGLE PANE, S. G.
372218-01	WINDOW-21" X 28" EGRESS
372088	CURBSIDE WINDOW WRAP
372089	WINDOW, REAR CORNER WRAP RS SOLAR
371328	WINDOW FRONT DARK GLASS
201579-02	TRIM RING-LOWER R.S. GRAY
201580-02	TRIM RING-LOWER C.S. GRAY
201581-05	TRIM RING-UPPER R.S. GRAY
201581-06	TRIM RING-UPPER C.S. GRAY
372222	TRIM RING-30" STACK WINDOW CLEAR
372215-01	SCREEN-30"OPENING WINDOW TALL MIL
372173-02	SCREEN-FRONT WINDOW CLEAR FRAME
372220-01	SCREEN-21"X 28" ALT EGRESS-MILL

## 2002 INTERNATIONAL TRAVEL TRAILER

### DOORS/WINDOWS/AWNING

#### 110188-01 3-Piece Solar Stone Guard Assembly

685275-101	CS wrap window solar protector, stone guard
685275-102	RS wrap window solar protector, stone guard
685358	Turn fast stud
685362	Retainer, split ring
685359	Rubber receptacle
685361	Bracket, rubber receptacle
685363	Slip joint hinge, SS, CS per pair
110102	Stone guard, center piece only
683960	Arm support
683959	Arm support bracket
114749	HINGE "Y" ASSY. (ROCKGUARD ASSY.)
114750	HINGE "J" (ROCKGUARD ASSY.)
685364	BRKT, UPPER HINGE-45.375-STONEGUARD
381021	Latch, draw flexible

#### Stone guard frame

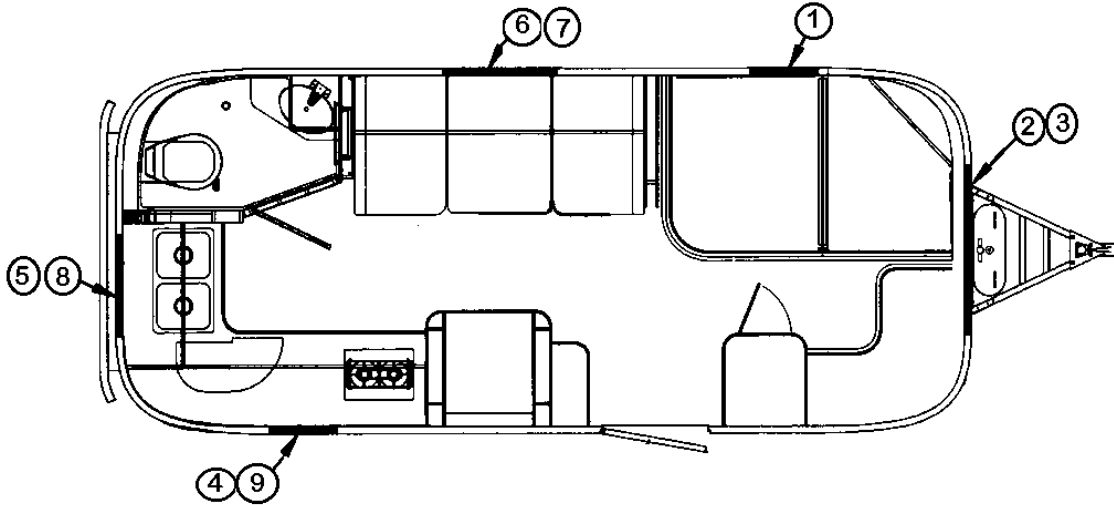
114815-01	Extrusion, frame aluminum
685354	Front window key, 90-degree angle riveted to inside corner of metal frame
685378	¼" rubber spline
685351	Rubber frame, black
290812-01	Plexi-glass, 28" x 84 " sheet
101401	Extrusion, door latch housing

#### AWNINGS

702993-10	AWNING-PATIO 12' 4.5"
702993	HARDWARE MTG ZIP DEE #HE-AS7
703181-02	Awning, 47" window, Royal blue
703181-09	Awning, 12' 4" window, Royal blue

# 2002 INTERNATIONAL TRAVEL TRAILER

## DRAPES/BLINDS/VALANCES 22 Ft. AS Model



- |              |                                   |
|--------------|-----------------------------------|
| 1. 998146-01 | PANEL-DRAPE R.S. BEDROOM          |
| 2. 998146-02 | PANEL-DRAPE R.S. PANORAMIC        |
| 3. 998146-03 | PANEL-DRAPE C.S. PANORAMIC        |
| 4. 964545-01 | Valance assembly, CS, galley      |
| 5. 964545-02 | Valance assembly, galley, rear    |
| 6. 964545-03 | Valance assembly, RS, dinette     |
| 7. 703191-03 | BLIND-MINI TAUPE 30.00"X 24.38"   |
| 8. 703191-01 | BLIND-MINI B. ALUM 25.38"X 21.63" |
| 9. 703191-02 | BLIND-MINI B. ALUM 18.25"X 24.38" |

### Drape Parts

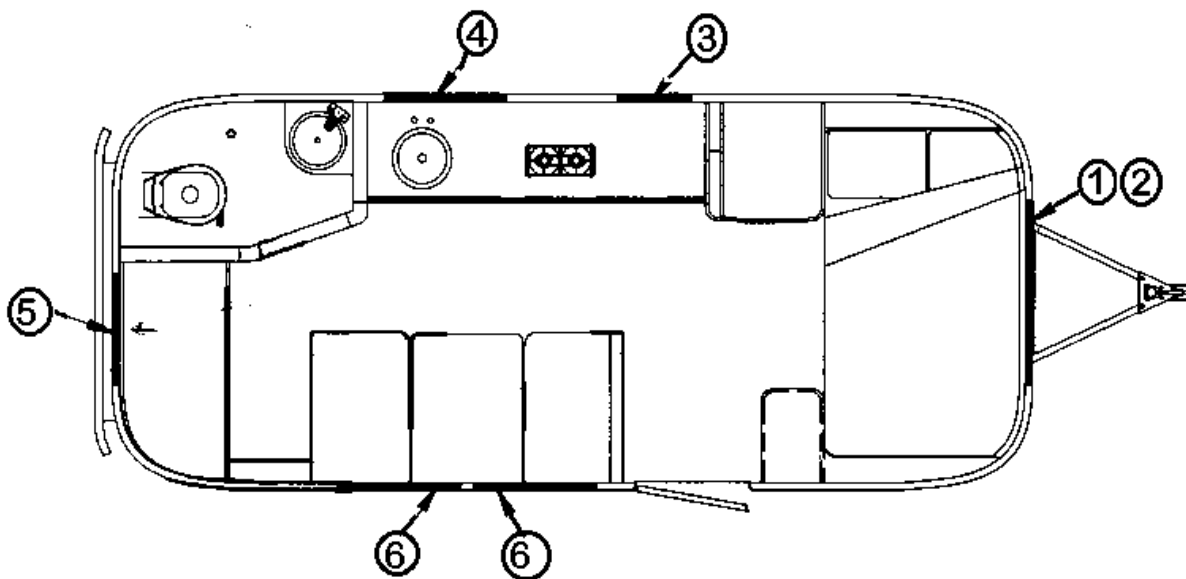
- |           |                                    |
|-----------|------------------------------------|
| 700473    | DRAPERY LINING, MARLINE WHITE 48"W |
| 700005    | FASTENER, CAP                      |
| 700006    | FASTENER SOCKET                    |
| 340030    | FASTENER STUD NICKEL PLATED        |
| 700020    | PILE VELCRO                        |
| 100099    | EXTR, ALUM. CURTAIN TRACK TOP      |
| 114157-01 | EXTRUSION END LINER UPPER WHITE    |



# 2002 INTERNATIONAL TRAVEL TRAILER

## DRAPES/BLINDS/VALANCES

22 Ft. CCD Model Drapes, Pull Shades w/ finger pull

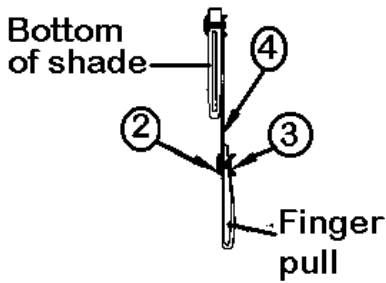


- |               |                                  |
|---------------|----------------------------------|
| 1. 998144-01  | Drape, CS, rear panel            |
| 998144-02     | Drape, CS side panel             |
| 2. 998144-03  | Drape, RS Rear panel             |
| 998144-04     | Drape, RS side panel             |
| 3. 703194-01  | Pull shade only, 20" x 24"       |
| 3a. 998145-01 | Pull shade assembly              |
| 4. 703194-02  | Pull shade only, 32.50" x 24"    |
| 4a. 998145-02 | Pull shade assembly              |
| 5. 703194-03  | Pull shade only, 24.25" x 24.00" |
| 5a. 998145-03 | Pull shade assembly              |
| 6. 703194-04  | Pull shade only, 29.75" x 34.00" |
| 6a. 998145-04 | Pull shade assembly              |

See pull shade assembly on next page.

# 2002 INTERNATIONAL TRAVEL TRAILER

## DRAPES/BLINDS/VALANCES Pull Shade Assembly Includes:



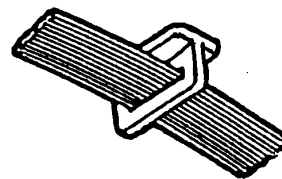
- |               |  |
|---------------|--|
| 1. 703194-tab | Pull shade, white, see locations above |
| 2. 700005     | Fastener cap                           |
| 3. 700006     | Fastener socket                        |
| 4. 381581     | Strap, clear plastic, finger pull      |
| 5. 381519     | Screw stud, not shown                  |



101220  
Bracket, curtain  
stand off



101217  
Track, curtain



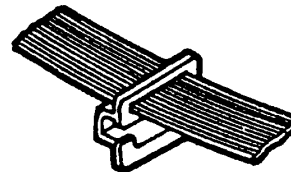
700044  
Glides, w/elastic  
"T" type



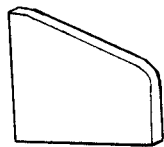
114021  
Bracket, curtain  
stand off



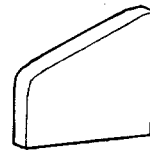
101225  
Bracket, curtain  
stand off



700045  
Glides, w/elastic  
"G" type



200785  
End, curtain track, LH



200784  
End, curtain track, RH

# 2002 INTERNATIONAL TRAVEL TRAILER

## ELECTRICAL 110 VOLT

511416-01 25', power cord w/weather proof connector  
511416-02 30-amp, male power inlet

510564-05 Breaker 30-20, Bryant  
510564-04 Breaker 20-20, Bryant  
510564-20 Breaker, 20 GFI  
510564-07 Breaker 15 GFI, Bryant

500563-01 Receptacle, 15 amp, white

511287 Receptacle, 15 amp, single

510676-01 Outlet, exterior, gray

511023 Circuit tester (loose item)

511654 POWER CENTER-110V/12V MAGNATEK

510014 BOX JUNCTION OCTAGON #54151-C  
510015 BOX COVER #54C-1  
510475 CLIP, GROUND

510223 BLANK METAL COVER

### Battery Disconnect

511655-01 BEZEL ASSY-BLACK/SILVER  
511655-02 RELAY 100 AMP 12VOLT  
511655-03 CABLE, 20 Ft.

## 2002 INTERNATIONAL TRAVEL TRAILER

### ELECTRICAL 12 VOLT

511596	Battery, deep cycle, lead acid
511595	Battery box
453603	Battery box strap
500836	Positive battery cable
500837	Negative Battery cable
500886	7-Way cable w/plug
300027	Break away switch, Bargman
511654	POWER CENTER-110V/12V MAGNATEK
510743	Ground bar, 3 1/2" long
511411	Junction box, 7 terminals
511648	Reading light, halogen, Black Platinum
511694	Reading light, halogen, Nickel
511477	Reading light, halogen, Brass
200773	CLOSEOUT, READING LIGHT ABS
511249	Light, 12 volt, incandescent, double, interior
510781	Detector, smoke
511309	Detector, LPG
511656	MONITORING SYSTEM, PROBELESS
511656-01	Monitor panel only
511656-02	Sensor board, monitor panel, short, 710SS
500913-03	SWITCH T & B WHITE
511665	SWITCH ASSY-CEILING WHITE
511669	SWITCH ASSY-SHOWER WHITE
511658	SWITCH BODY W/COVER 3-GANG

(Continued)

# 2002 INTERNATIONAL TRAVEL TRAILER

## ELECTRICAL

### 12 VOLT

502056	Mounting plate, 12 volt switch
511327	Switch body w/rocker, single, white
510868-03	Switch panel, 4 gang, white, by door
511567-02	Switch body w/Rocker switches two gang white
511566-02	Cover, switch, Printed, Two Gang, White
452412-01	BRACKET FUSE BLOCK 12V
510655-01	DOOR/FRAME ONLY W/LATCH 12V PANEL
510807	Outlet, 12 volt
511121	Mounting plate, 12 volt receptacle
500996	Jack, TV/phone, gray
510654-01	TV jack/12 volt w/splitter, white
510624-01	Modular phone quick jack, white
452981	PHONE JACK PROTECTIVE PLATE
104619	Mounting plate, exterior telephone/TV jack
510741	BOX/ELECTRICAL, 1-1/2" X 2" X 3"
510174	TELEPHONE WIRE

(Continued)

# 2002 INTERNATIONAL TRAVEL TRAILER

## ELECTRICAL 12 VOLT

### EXTERIOR LIGHTS/REFLECTORS

500092	Patio light, round, Signal Stat
510160	Bulb, patio light #1156
510732	Utility light (by main door)
510111	Clearance light, red, Signal Stat
510112	Clearance light, amber, Signal Stat
500095	Reflector, red, rectangular
500096	Reflector, amber, rectangular
510446	Reflector, red, stick-on w/chrome edge
500053	License plate light w/plate mounting bracket
101323	CASTING, ALUM STEP LIGHT, POLISHED
201185	LENS STEP LIGHT
500093	LIGHT BULB SOCKET (riveted to casting)

### TAIL LIGHT

511661	TAILLIGHT-LED OVAL 6"
201462	POCKET, ABS TAILLIGHT
511664-01	CASTING-TAILLIGHT R.S.
511664-02	CASTING-TAILLIGHT C.S.
511662	TRIM RING-TAILLIGHT W/VISOR
500095	Red rectangular reflector
115073-01	BRACKET-R.S. TAILLIGHT
115073-02	BRACKET-C.S. TAILLIGHT
115074	BRACKET-CENTER TAILLIGHT

## 2002 INTERNATIONAL TRAVEL TRAILER

### ENTERTAINMENT

511498	RADIO 140W.AM/FM/CASS.XRCA300MR04
511617	SPEAKER-2 WAY 4.5"BLACK 60W (PR)
510610	Antenna, radio, side mount
510788-05	Antenna, TV Wineguard, short boom
500484-05	Antenna lead & extension, 72"
510788-03	Amplifier, TV antenna
510788-04	Hardware package, interior, Winegard
510612	Coax, 75 ohm, standard
510613	Coax, 75-ohm w/three conductors
510623	Connector, coax, male to male
510616	F CONNECTOR, COAX, 75 OHM
114396	Trough, TV antenna, roof

# 2002 INTERNATIONAL TRAVEL TRAILER

## NOTES



# 2002 INTERNATIONAL TRAVEL TRAILER

## \*FASTENERS



325043(hard)  
325000 (soft)  
Rivet, buck type  
dia. 1/8"  
length 1/4"



325000-01  
Rivet, buck type  
dia. 1/8"  
length 1/4"  
anodized clear



325000-03  
Rivet, buck type  
dia. 1/8"  
length 1/4"  
anodized white



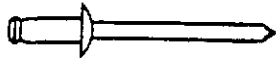
325001-01  
Rivet, buck type  
dia. 1/8"  
length 5/16"  
anodized clear



325002  
Rivet, buck type  
dia. 1/8"  
length 3/8"  
anodized clear



325004-01  
Rivet, buck type  
dia. 1/8"  
length 1/2"  
anodized clear



330129-08 Brown  
dia. 1/8"  
grip range .063-.125  
aluminum body  
aluminum mandrel

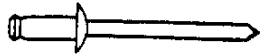


300101  
1/8" I.D.  
washer, aluminum

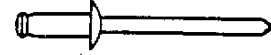
\*Common bolts and screws readily available at local hardware outlets have not been listed.

# 2002 INTERNATIONAL TRAVEL TRAILER

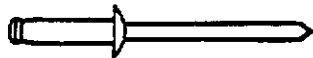
## \*FASTENERS



330126-02  
rivet, pop  
dia. 1/8 "  
grip range .126-.187  
stainless steel  
stainless steel mandrel



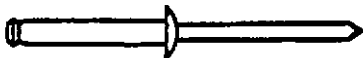
330126-03  
rivet, pop  
dia. 1/8 "  
grip range .126-.250  
body stainless steel body  
stainless steel mandrel



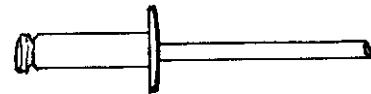
330127-05  
rivet, pop  
dia. 1/8 "  
grip range .251-.312  
aluminum body  
aluminum mandrel



330128-05  
rivet, pop  
dia. 1/8 "  
grip range .251-.312  
aluminum body, white  
aluminum mandrel



330127-08  
rivet, pop  
dia. 1/8 "  
grip range .325-.565  
aluminum body  
aluminum mandrel



330038  
rivet, pop  
dia. .150 (#20 bit)  
grip range .126-.250  
aluminum body  
aluminum mandrel  
(used-screen door hinge)



325103  
dia. 1/4 "  
grip range .080-.325  
SS body, steel mandrel

\*Common bolts and screws not listed.

# 2002 INTERNATIONAL TRAVEL TRAILER

## FLOOR COVERING

702793-09 Carpet, Regal, 32950 Sandstone AS model  
 700173 Pad, carpet, 3/8" thick  
 702665 Rug cushion, non-slip  
  
 703204 Vinyl flooring, Oak River, CCD model

## DRAWER BOX

Assembly P/N	Drawer Width	Drawer Slide P/N	Drawer Back Size	Drawer Bottom Size	Location
965560-01	12.00"	381773-15	5.625 x 10.75"	10.75' x 14.88"	AS & CCD Dresser
965554-01	24.50"	381773-17	5.625" x 23.25"	23.25" x 17.625"	AS Galley
965554-02	10.50"	381773-17	5.625" x 9.25"	9.325" x 17.625"	AS Galley
965559-01	24.00"	381773-20	8.00" x 22.75"	22.75" x 12.93"	AS Bed Base
965555-01	18.50"	381773-25	8.00" x 17.25"	17.25" x 20.68"	CCD Bed Base
965553-01	13.75"	381773-11	4.38" x 12.50"	12.50" x 17.625"	CCD Galley
965553-02	25.50"	381773-02	4.38" x 23.25"	23.25" x 17.625"	CCD Galley
965553-03	9.13"	381773-11	4.38" x 7.88"	7.88" x 17.625"	CCD Nightstand
965553-04	16.50"	381773-11	4.38" x 15.25"	15.25" x 17.625"	CCD Desk

## MIRRORS

371383 MIRROR-MED CAB 13.62"X 16.84"  
 454009 BACKER PLATE-MIRROR

# 2002 INTERNATIONAL TRAVEL TRAILER

## FURNITURE Interior Doors

PN	Width x Length (inches)	Location
801341-01	23.63 x 3.00	Galley Base
801341-02	11.75 x 28.63	Galley Base
801341-03	11.13 x 8.75	Galley Base
801341-04	10.16 x 19.00	Galley Base
801341-05	20.44 x 12.63	Galley Base
801341-06	9.88 x 25.44	Refer Cabinet
801341-07	15.25 x 29.50	Phone Stand
801341-08	17.00 x 11.38	Wardrobe
801341-09	8.50 x 65.13	Wardrobe
801341-10	17.56 x 26.13	Dresser
801341-11	8.63 x 12.63	Dresser
801341-12	24.63 x 13.50	Bed Base
801341-13	24.63 x 11.38	Dinette Roof Locker
801341-14	25.63 x 11.38	Dinette Roof Locker
801341-15	11.75 x 10.38	Galley Base, Oven

### AS Foldette door

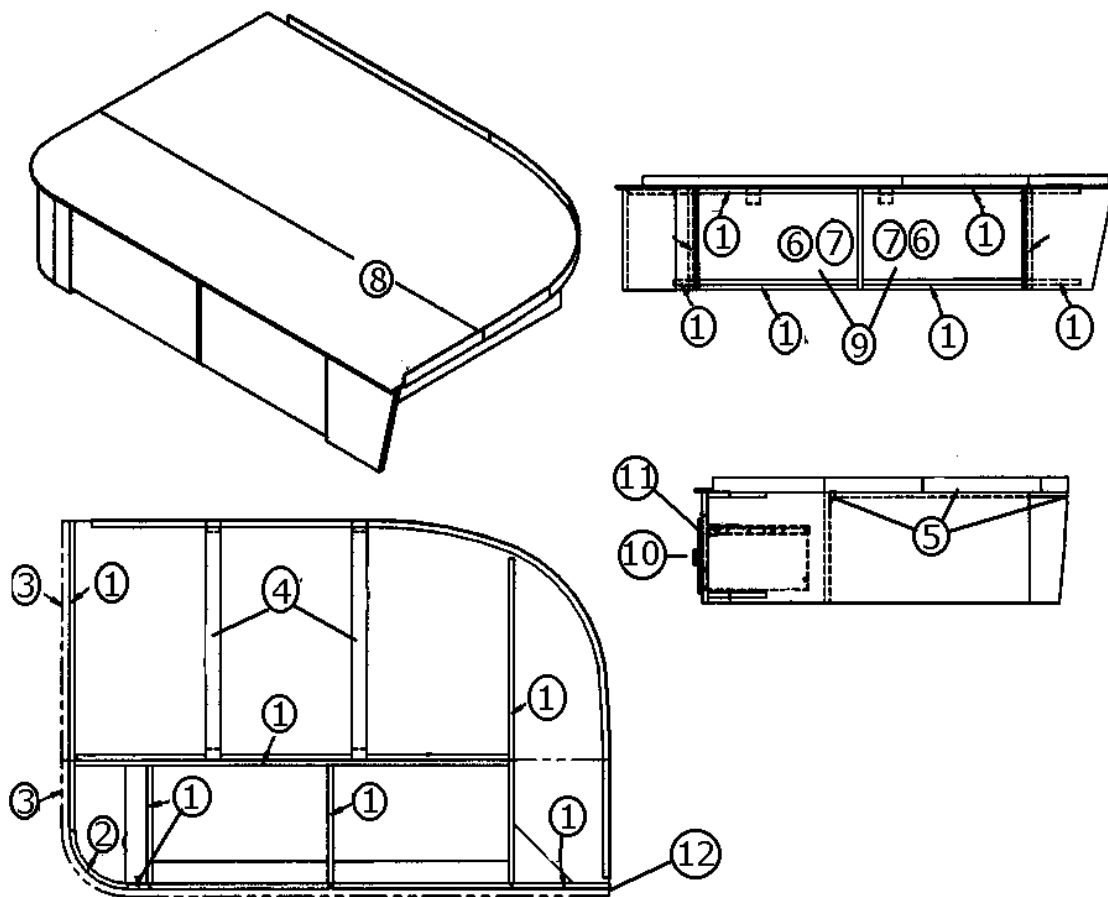
702681-06 DOOR-FOLDETTE 60"X 73" IVORY  
 702681-07 DOOR-FOLDETTE 60"X 73" Gray, CCD model  
 381768 TRACK-FOLDETTE DOOR  
 701342-01 STRAP, VINYL, HOLD-BACK, 7.0"LONG  
 452258 BRACKET, MTG. FOLDETTE DOOR  
 800727-01 CLOSE-OUT, FOLDETTE DOOR, OAK, A/S  
 800581-014 HARDWOOD-13/16" X 1.5" #1 COM OAK  
 701342-01 Vinyl strap, FOLDETTE door hold back  
 (Female snap on both ends)

# 2002 INTERNATIONAL TRAVEL TRAILER

## FURNITURE

### Bedroom

#### 965514 Assembly, bed base, AS Model



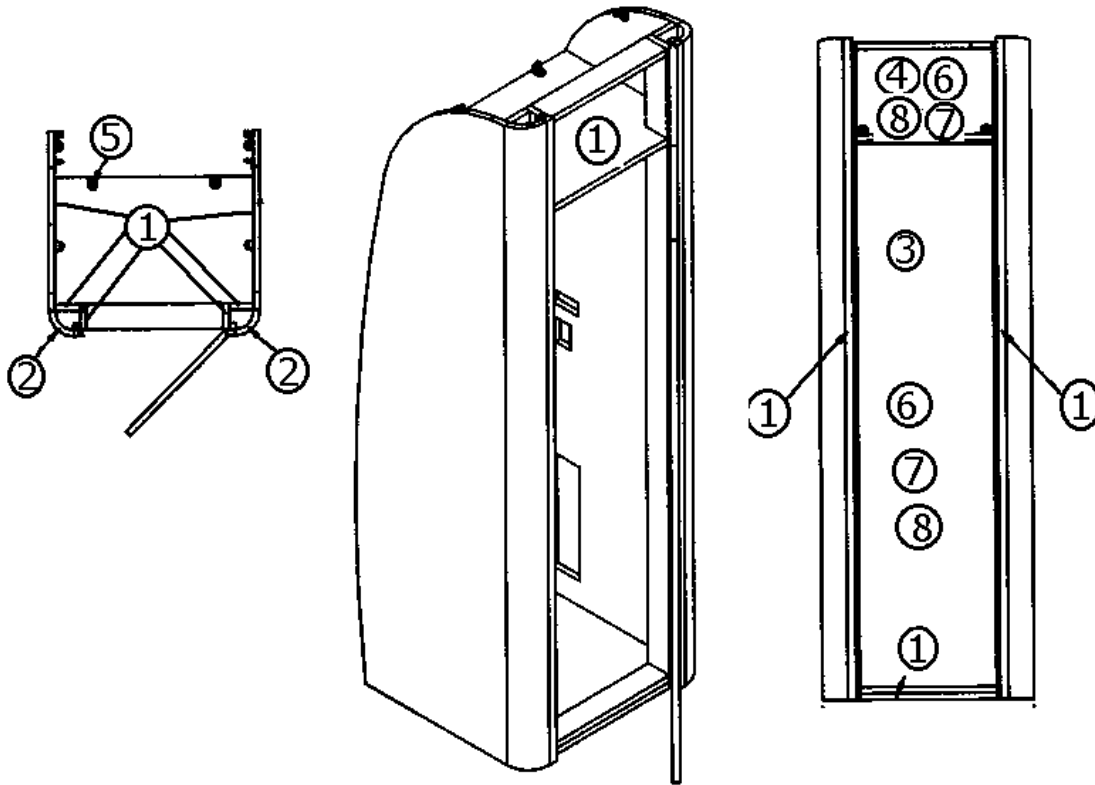
- |               |                                      |
|---------------|--------------------------------------|
| 1. 801351     | Light plywood, $\frac{3}{4}$ "       |
| 2. 801348     | Radius plywood, .75"                 |
| 3. 800507-03  | Lauan, $\frac{3}{8}$ "               |
| 4. 850082     | Poplar, .75" x 2.00"                 |
| 5. 114813     | Aluminum angle, 1" x 1.5"            |
| 6. 801341-12  | Drawer face, 24.63" x 13.50"         |
| 7. 965559-01  | Drawer box                           |
| 8. 703182     | Mattress, 52" x 76", w/radius corner |
| 9. 701538     | Velour black carpet                  |
| 10. 381774    | Drawer/door handle                   |
| 11. 381228-01 | Grabber catch                        |
| 12. 801343    | Tropical oak Formica laminate        |

# 2002 INTERNATIONAL TRAVEL TRAILER

## FURNITURE

### Bedroom

#### 965515 Wardrobe Assembly, AS model



Designate plywood laminate, white or wood, top-bottom inside outside.

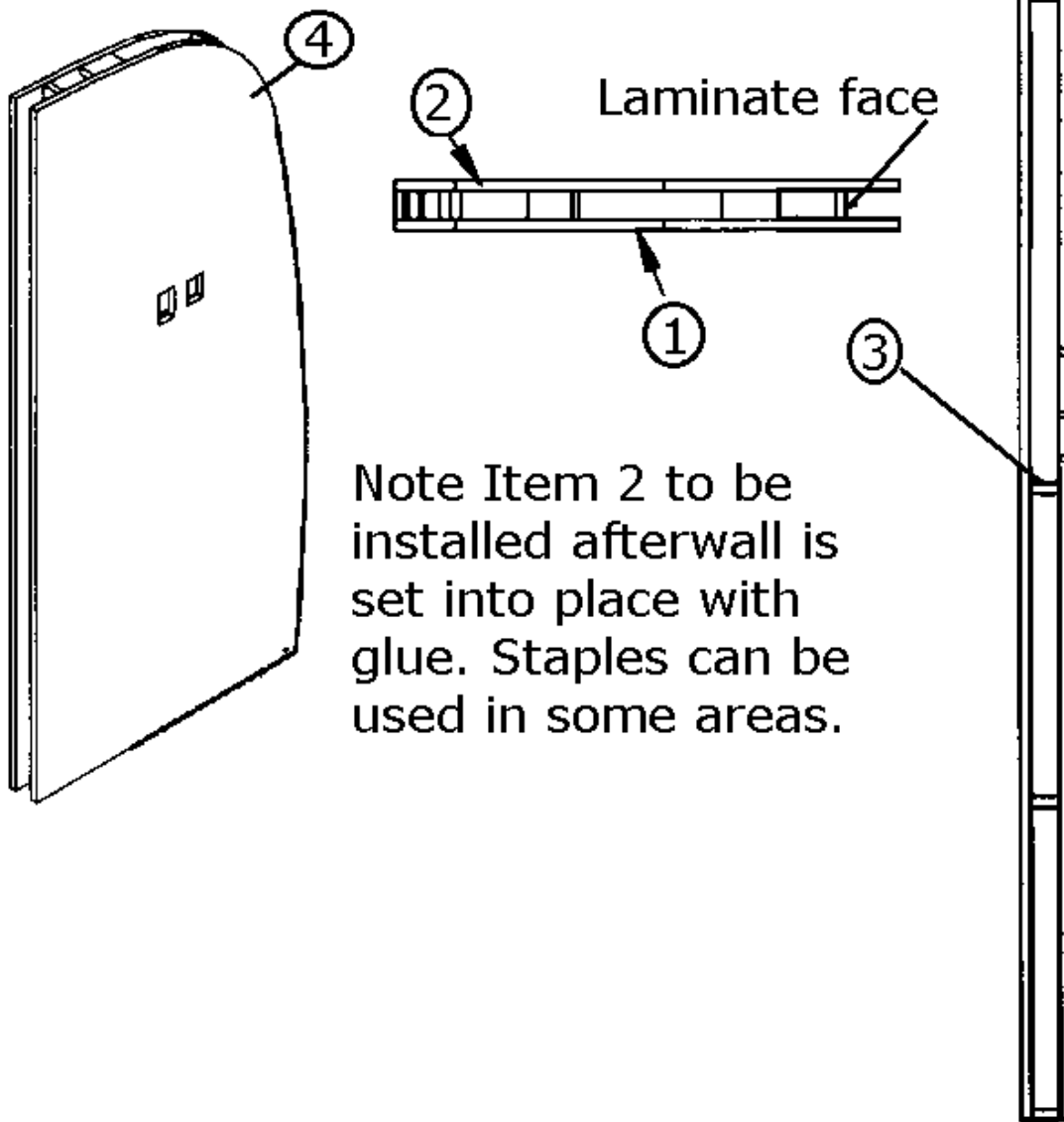
- |              |   |
|--------------|---|
| 1. 801351    | Light plywood, $\frac{3}{4}$ " Side white, front wood |
| 2. 801345    | Radius plywood, $\frac{3}{4}$ "                       |
| 3. 801341-08 | Door, 17.00" x 11.38"                                 |
| 4. 801341-09 | Door, 17.00" x 65.13"                                 |
| 5. 385693    | Bracket mounting bracket, lambrequin                  |
| 6. 381607    | Hinge, assembly, grass euro                           |
| 7. 381774    | Drawer/door handle                                    |
| 8. 381228-01 | Grabber catch   |
| 9. 801355    | Laminate, Frosty White                                |
| 10. 801343   | Laminate, Tropical Oak                                |

# 2002 INTERNATIONAL TRAVEL TRAILER

## FURNITURE

### Bedroom

#### 965520 Aft Bed Wall Assembly



Note Item 2 to be installed after wall is set into place with glue. Staples can be used in some areas.

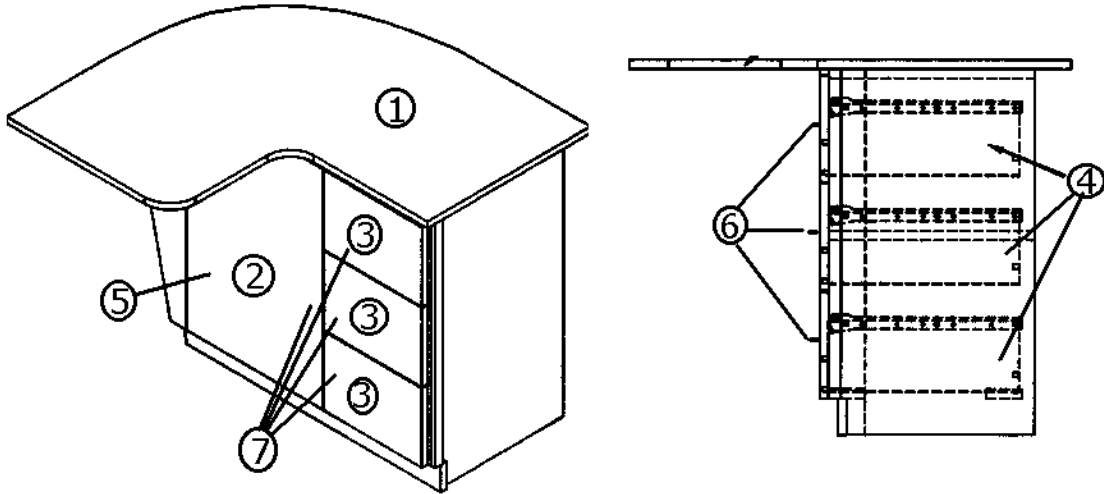
- |           |                               |
|-----------|-------------------------------|
| 1. 801365 | Panel, forward dinette/lounge |
| 2. 801366 | Panel, aft bed                |
| 3. 800030 | Pine, $\frac{3}{4}$ " x 2.00" |
| 4. 801343 | Tropical Oak laminate         |

# 2002 INTERNATIONAL TRAVEL TRAILER

## FURNITURE

### Bedroom

#### 965516 Dresser Assembly, AS model



- |              |                               |
|--------------|-------------------------------|
| 1. 965517    | Dresser top assembly          |
| 2. 801341-10 | Drawer front, 17.50" x 26.50" |
| 3. 801341-11 | Drawer front, 8.75" x 12.63"  |
| 4. 965560-01 | Drawer box assembly           |
| 5. 381607    | Hinge assembly, Grass Euro    |
| 6. 381774    | Drawer handle                 |
| 7. 381228-01 | Grabber catch                 |
| 8. 801355    | Frosty White Formica          |
| 9. 801343    | Tropical Oak Formica          |
| 10. 801344   | Galaxy Graphite Formica       |

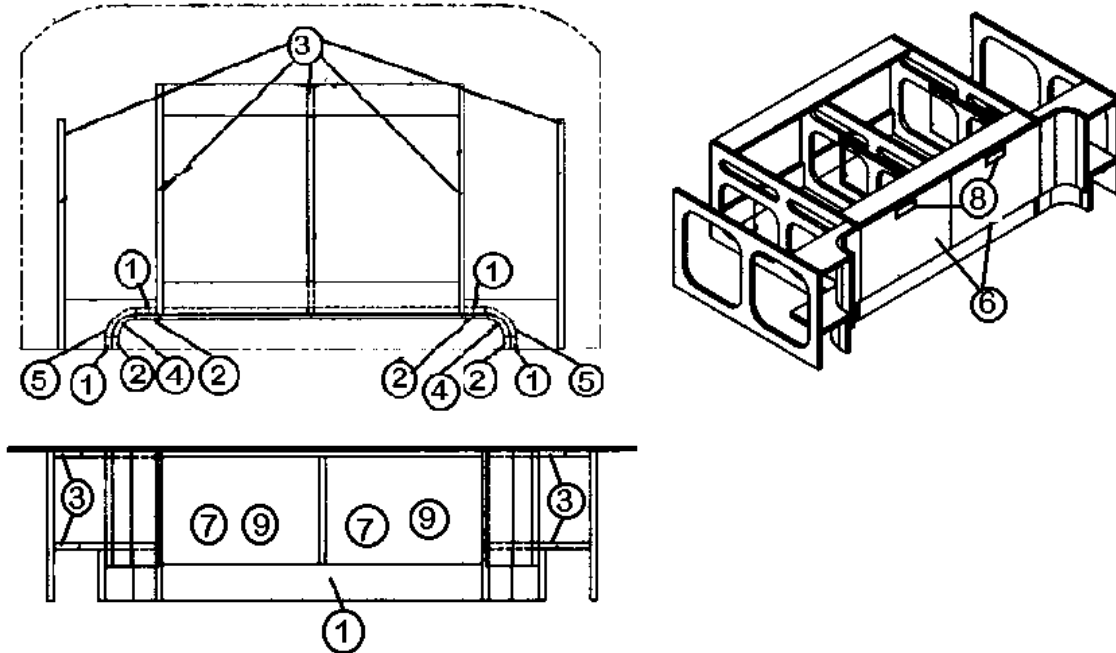


# 2002 INTERNATIONAL TRAVEL TRAILER

## FURNITURE

### Bedroom

#### Bed Assembly, 22 Ft. CCD Model



801732	Panel, Rexel, Raven/white
801369	Panel, Rexel, Frost white/white
801351	Lite plywood, .75" x 4' x 8'
801345	Radius plywood, .75" x 3" x 8'
801346	Radius plywood, .75" x 4" x 8'
801375-11	Door, 19.13" x 13.38", frosty white
965555-01	Drawer box assembly, 18.50" wide
381775	Drawer handle
381773-26	Drawer box locking clip

#### Laminates:

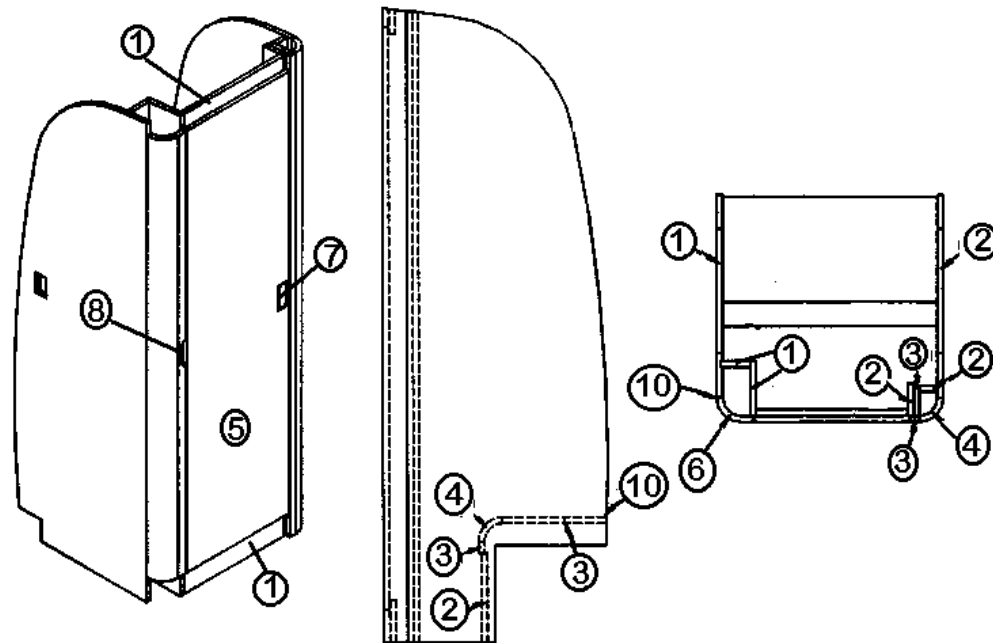
801355	Frosty white horizon, 4' x 8' sheet
801358	Raven 4' x 8'
365269-01	Edge banding, .024" x 1.125", Raven

# 2002 INTERNATIONAL TRAVEL TRAILER

## FURNITURE

### Bedroom

#### 965527 Wardrobe Assembly, 22 FT. CCD



- |               |                                     |
|---------------|-------------------------------------|
| 1. 801371     | Panel, Slatewood/white Rexel        |
| 2. 801378     | Panel, Rexel/raw                    |
| 3. 801351     | Lite plywood, .75" x 4' x 8'        |
| 4. 801345     | Radius plywood, .75" x 3" x 8'      |
| 5. 801375-08  | Door, Slatewood, 19.50" x 72.00"    |
| 6. 965536     | Foldette door cover                 |
| 7. 381775     | Drawer handle                       |
| 8. 381607     | Hinge, Grass-Euro                   |
| 9. 381228-01  | Door Grabber catch                  |
| 10. 380203-01 | Piano hinge 1/8" pin clear anodized |

#### Laminates

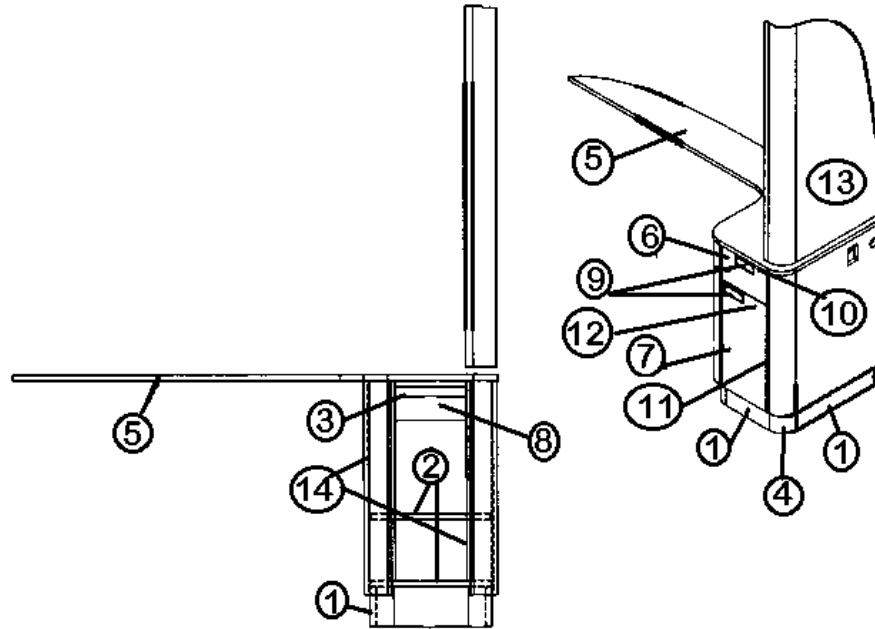
- |           |                                     |
|-----------|-------------------------------------|
| 801356    | Slatewood, 4' x 8' sheet            |
| 801355    | Frosty white horizon, 4' x 8' sheet |
| 365269-01 | Edge banding, .024" x 1.125", Raven |

# 2002 INTERNATIONAL TRAVEL TRAILER

## FURNITURE

### Bedroom

#### 965532 Nightstand Assembly, 22 FT. CCD



- |               |                                    |
|---------------|------------------------------------|
| 1. 801372     | Panel, Rexel, Raven/white          |
| 2. 801378     | Panel, Rexel/raw                   |
| 3. 801351     | .75" lite plywood                  |
| 4. 801345     | Radius plywood, .75" x 3" x 8'     |
| 5. 965533     | Nightstand top assembly            |
| 6. 801375-09  | Door, Slatewood, 9.75" x 6.50"     |
| 7. 801375-10  | Door, Slatewood, 9.75" x 10.25"    |
| 8. 965553-03  | Drawer box, 4.38" x 7.88" x 17.63" |
| 9. 381775     | Drawer pull                        |
| 10. 381773-26 | Drawer locking clip                |
| 11. 381607    | Hinge assembly, Grass-Euro         |
| 12. 381228-01 | Door grabber catch                 |
| 13. 203329    | Wall, formed Plexiglas             |
| 14. 381527    | Speedy shelf strips                |

#### Laminates:

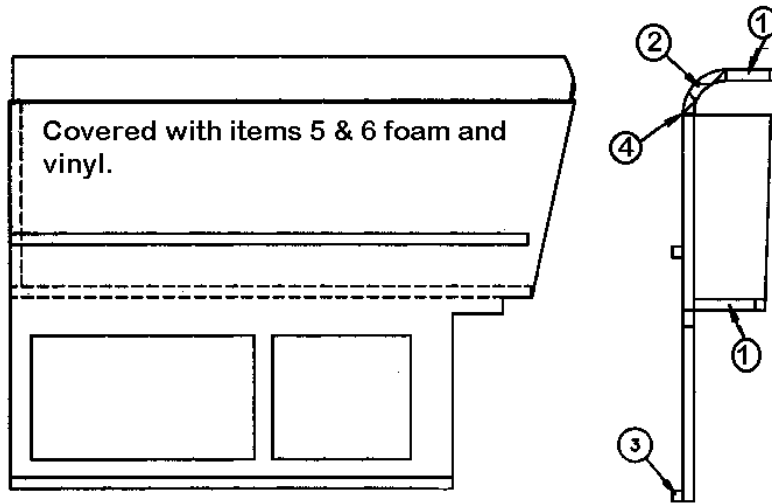
- |           |                                     |
|-----------|-------------------------------------|
| 801356    | Slatewood, 4' x 8' sheet            |
| 365269-01 | Edge banding, .024" x 1.125", Raven |

# 2002 INTERNATIONAL TRAVEL TRAILER

## FURNITURE

### Bedroom

#### 965531 Hamper-Headboard Assembly, 22 FT. CCD



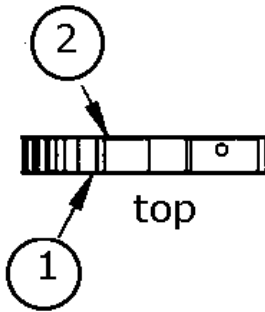
- |              |  |
|--------------|--|
| 1. 801378    | Panel, Rexel/raw                       |
| 2. 801345    | Radius plywood, .75" x 3" x 8'         |
| 3. 800025-01 | Pine. Stained, 3/4" x 3/4"             |
| 4. 380458    | Hinge, piano, brown, anodized          |
| 5. 700414    | Foam, 3/8" x 72; wide (specify length) |
| 6. 703198    | Vinyl, white                           |

# 2002 INTERNATIONAL TRAVEL TRAILER

## FURNITURE

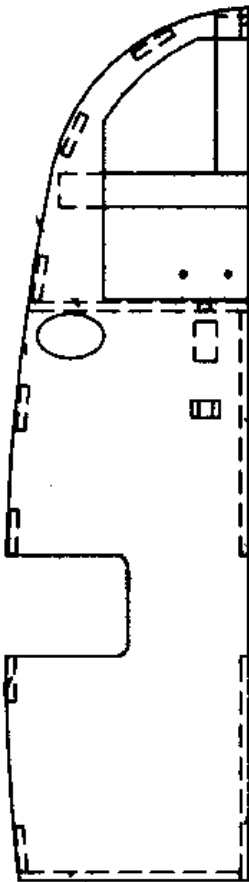
### Lavatory

965506 Bath Wall Right, 22 Ft. AS Model (-01 CCD Model)



1. 801364-01 Panel, right side, outside,  
AS Model (-02 CCD Model)

2. 965363 Panel, right side, outside



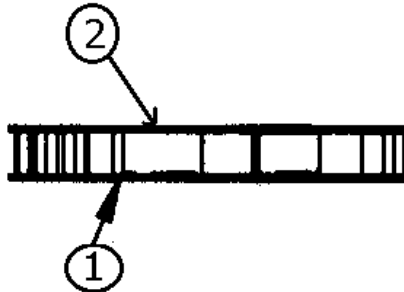
Note: For replacement, Item 1 will be shipped loose and then glued to item 2 after item 2 is installed in trailer.

# 2002 INTERNATIONAL TRAVEL TRAILER

## FURNITURE

### Lavatory

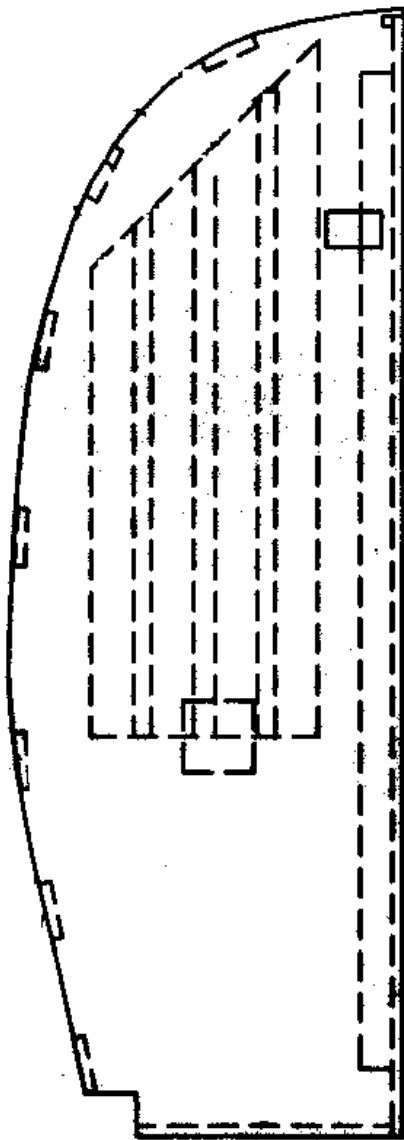
965505 Bath Wall Left, 22 Ft. AS Model (-01 CCD Model)



1. 801362 Panel, left side, outside, AS model (-02 CCD model)

2. 801350 Panel, left side, inside

Note: Item 1 will be loose from item 2 when shipped, Install item 1 and glue and staple item 2 in place.

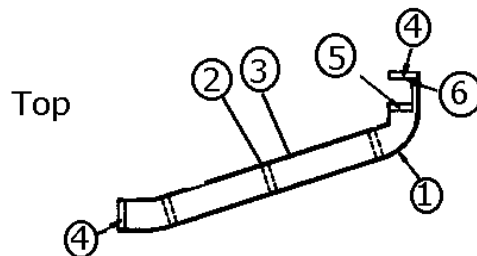
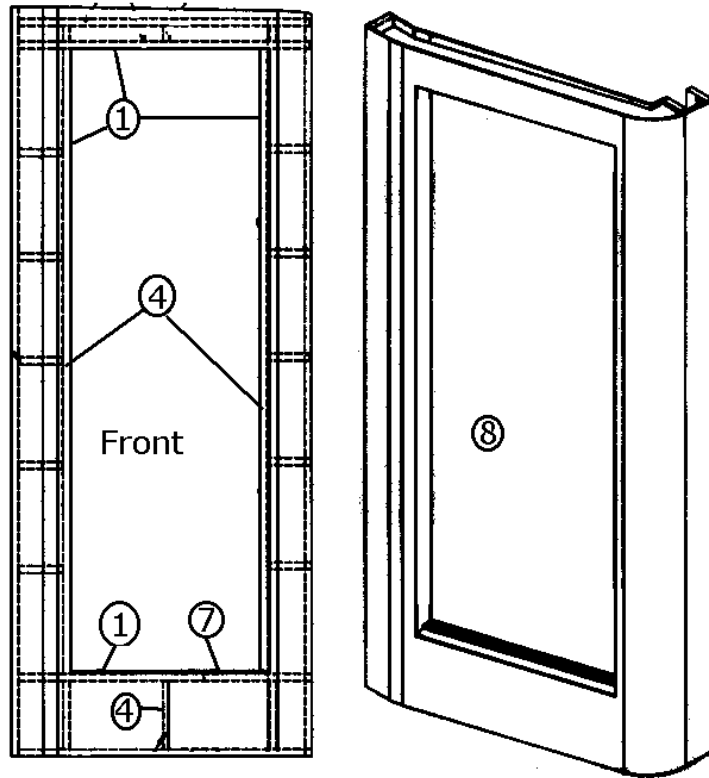


# 2002 INTERNATIONAL TRAVEL TRAILER

## FURNITURE

### Lavatory

965507 Bath Wall Center, 22 Ft. AS Model (-01 CCD Model)



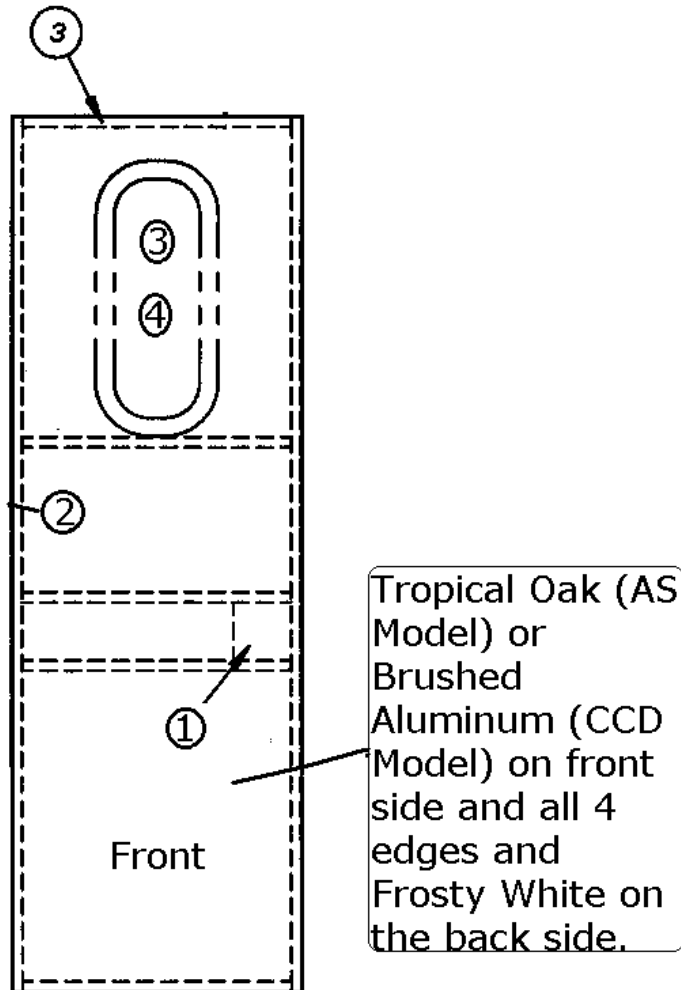
- |              |                                  |
|--------------|----------------------------------|
| 1. 801343    | Laminate, Tropical Oak, AS model |
| 801342       | Brushed Aluminum, CCD model      |
| 2. 800507-01 | Lauan, 1/8"                      |
| 3. 203379    | Fiberglass roof material         |
| 4. 800498    | Poplar, 1" common                |
| 5. 850072    | Poplar, 3/4" X 2.5"              |
| 6. 380041    | Brace, Stanley corner, 1"        |
| 7. 20166     | Molding, J-3/16", plastic        |
| 8. 965512    | Bath door assembly               |

# 2002 INTERNATIONAL TRAVEL TRAILER

## FURNITURE

### Lavatory

965512-01 Bath door, 22 Ft. AS model  
-02 CCD model



- |               |                             |
|---------------|-----------------------------|
| 1. 381771     | Latch, bath door            |
| 2. 380458-01  | Hinge, brown, AS model only |
| 2A. 380203-01 | Hinge, Clear, CCD only      |
| 3. 371269-01  | Window, 18"                 |
| 5. 801343     | Tropical Oak Formica        |
| 6. 801355     | Frosty White Formica        |
| 7. 801342     | Brushed Aluminum            |

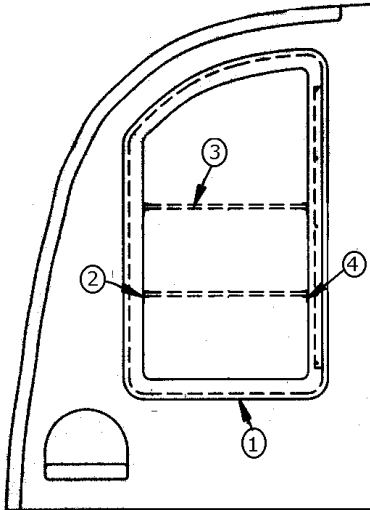


# 2002 INTERNATIONAL TRAVEL TRAILER

## FURNITURE

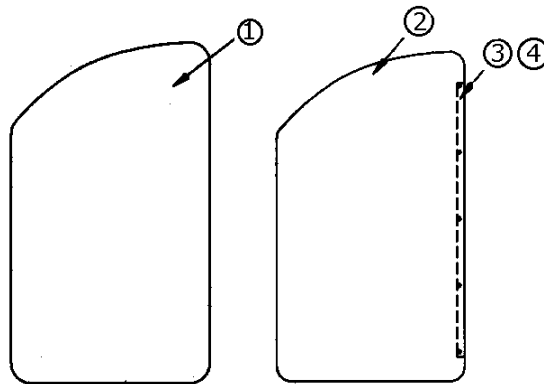
### Lavatory

965546 Medicine Cabinet Assembly, 22 Ft. AS & CCD



- 1. 965542 Medicine cabinet mirror assembly
- 2. 203285 Self edging, "F" trim
- 3. 203330 Acrylic sheet, frosted .25"
- 4. 381610 Cover cap, plastic European white

965542 Medicine Cabinet Mirror Assembly, AS & CCD



- 1. 371383 Medicine cabinet radius mirror
- 2. 454009 Mirror backing plate
- 3. 380988 Hinge, continuous .5 in. leaf, 16 in.
- 4. 325035 Chicago rivets
- 5. 365222 Tape, double-coated, .08" x 3/4"

# 2002 INTERNATIONAL TRAVEL TRAILER

## FURNITURE

### Lavatory

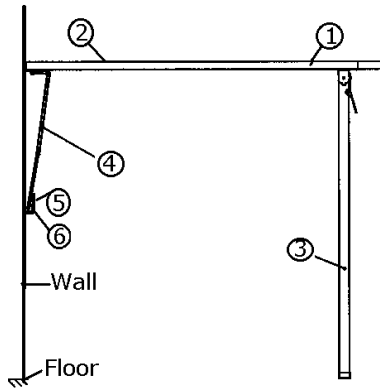
703132-01	CURTAIN-SHOWER, 22'INT
700044	GLIDES CURTAIN W/ELASTIC T-2
700020	PILE VELCRO
700021	HOOK, VELCRO, WHITE
203138-03	EXTRUSION PLASTIC WALL BEIGE
114514	TUBE ALUM .062 X 1.50 SQ 21'1"
203328-01	SHOWER SURROUND-UPPER
203328-02	SHOWER SURROUND-LOWER
203328-03	MED CABINET SURROUND
203298	SHOWER PAN
203328-04	DIVIDER WALL-INNER
801178-03	MOLDING FLAT-ANTIQUITY BUFF
381779	Recessed toilet paper holder

# 2002 INTERNATIONAL TRAVEL TRAILER

## FURNITURE GALLEY

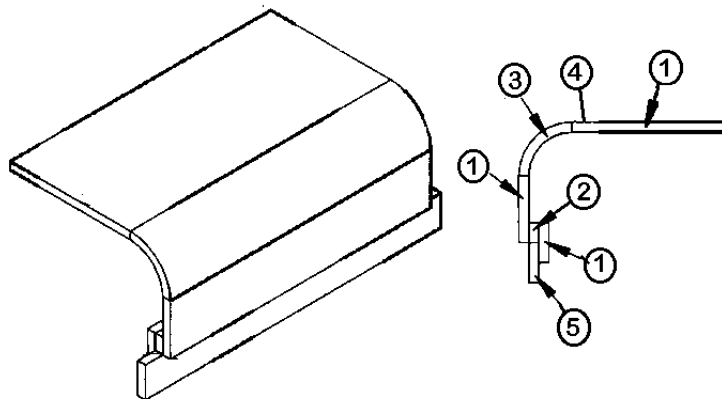
965549 22 Ft. AS Model Dinette Table

965534 22 Ft. CCD Model Dinette Table



- |              |                                   |
|--------------|-----------------------------------|
| 1. 801351    | Light plywood, AS Model           |
| 2. 801344    | Galaxy Graphite Formica, AS model |
| 1a. 801369   | Panel, Frosty white, CCD model    |
| 3. 700065-01 | Snapo folding leg                 |
| 4. 380284-02 | Table hinge bracket               |
| 5. 340015    | Center Hinge                      |
| 6. 340018    | Catch Plate                       |

965550 Close-out Wheel Well 22' CCD



- |           |                                |
|-----------|--------------------------------|
| 1. 801351 | Lite Plywood                   |
| 2. 801346 | Radius plywood, .75" x 4" x 8' |
| 3. 700414 | Foam, 3/8" x 72" x 52'         |
| 4. 703198 | White vinyl                    |
| 5. 801372 | Panel, Rexel, Raven            |

# 2002 INTERNATIONAL TRAVEL TRAILER

## FURNITURE

### Galley

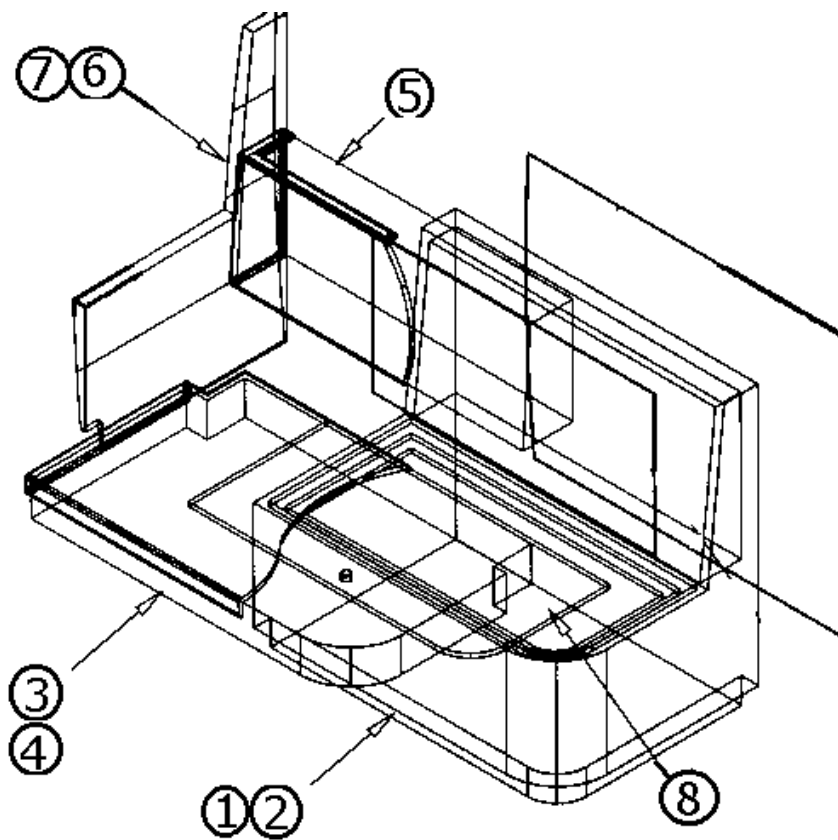
22 Ft. AS, CCD Model

965538 AS Dinette Seat Assembly, RH Shown

965539 AS Dinette Seat Assembly, LH mirror image

965548-03 CCD Dinette Seat Assembly, RH Shown

965538-04 CCD Dinette Seat Assembly, LH mirror image



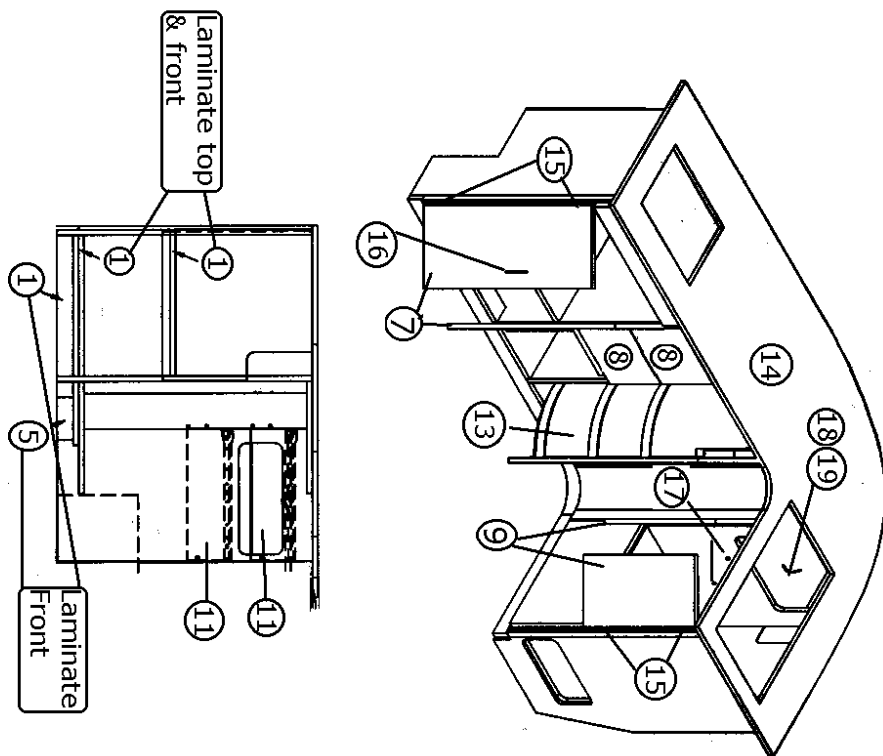
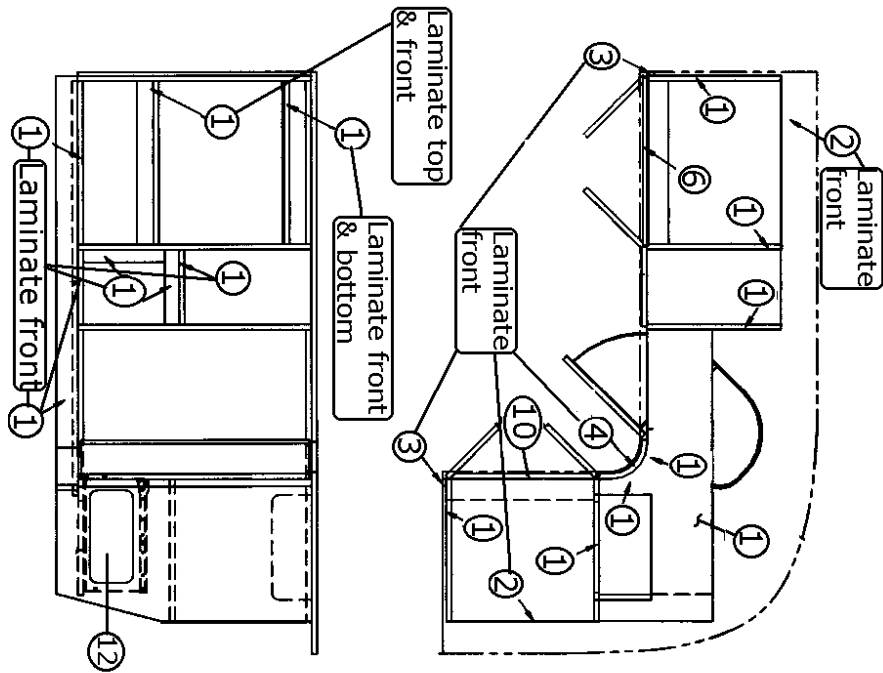
- |              |                            |
|--------------|----------------------------|
| 1. 203381    | Dinette seat RH            |
| 2. 203380    | Dinette seat base, LH      |
| 3. 703192-01 | Cushion dinette bottom RH  |
| 4. 703192-02 | Cushion, dinette bottom LH |
| 5. 703192-03 | Cushion, dinette back      |
| 6. 203331-01 | Shim, dinette base RH      |
| 7. 203331-02 | Shim, dinette base LH      |

# 2002 INTERNATIONAL TRAVEL TRAILER

## FURNITURE

### Galley

965498 Galley Base, Cooktop, Assembly, AS



Parts Numbers on Next Page

# 2002 INTERNATIONAL TRAVEL TRAILER

## FURNITURE

### Galley

965498 Galley Base, Cooktop, Assembly, AS

- 801355 Frosty White Formica used for interior panels.
- 801343 Tropical Oak Formica used for fronts of panels.
- 801344 Galaxy Graphite Formica used for toe kick faces.

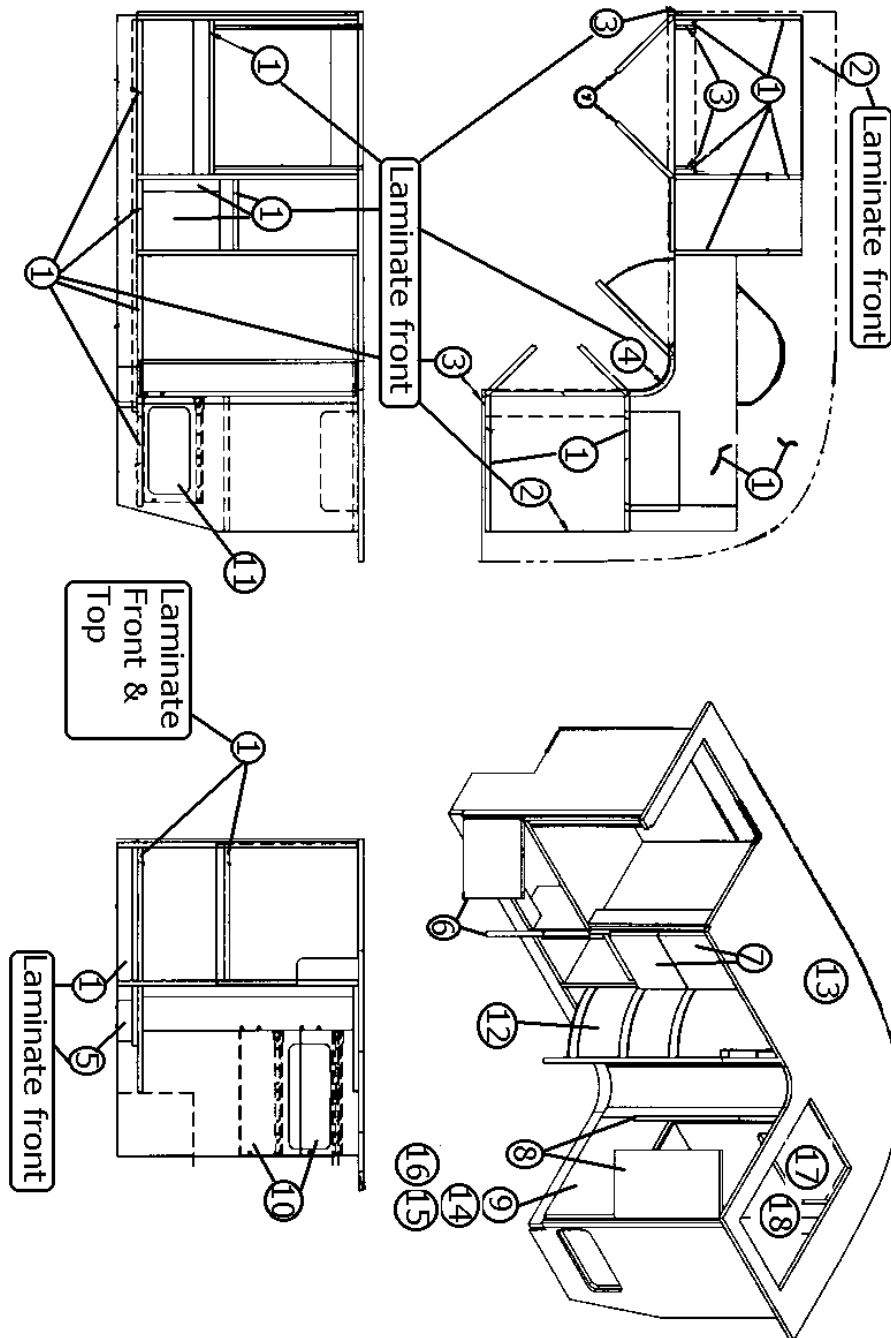
- 1. 801351  $\frac{3}{4}$ " light plywood, designate laminate
- 2. 800507-01  $\frac{1}{8}$ " Lauan
- 3. 800506-04  $\frac{1}{2}$ " plywood, designate laminate
- 4. 801349 Radius plywood,  $\frac{3}{4}$ " x 6", designate laminate
- 5. 801347 Radius plywood,  $\frac{3}{4}$ " x 5", designate laminate
- 6. 801341-01 Door 23.63" x 3.00"
- 7. 801341-02 Door, 11.75" x 28.63"
- 8. 801341-03 Door, 11.13" x 8.75"
- 9. 801341-04 Door 10.41" x 19.00"
- 10. 801341-05 Door, 20.94" x 12.63"
- 11. 965558-01 Drawer box
- 12. 965554-02 Drawer box
- 13. 965499 Lazy Susan
- 14. 965500 Galley top
- 15. 381607 Hinge assembly, Euro-Grass
- 16. 381774 Drawer/door handle
- 17. 381228-01 Door grabber catch
- 18. 601799 Sink, S.S., 16" x 27"
- 19. 600968 Basket strainer

# 2002 INTERNATIONAL TRAVEL TRAILER

## FURNITURE

### Galley

965543 Galley Base, Oven, Assembly, AS



P/N Next Page

# 2002 INTERNATIONAL TRAVEL TRAILER

## FURNITURE

### Galley

965543 Galley Base, Oven, Assembly, AS Model

- 801355 Frosty White Formica used for interior panels.
- 801343 Tropical Oak Formica used for fronts of panels.
- 801344 Galaxy Graphite Formica used for toe kick faces.

- 1. 801351  $\frac{3}{4}$ " light plywood, designate laminate
- 2. 800507-01  $\frac{1}{8}$ " Lauan
- 3. 800506-04  $\frac{1}{2}$ " plywood, designate laminate
- 4. 801349 Radius plywood,  $\frac{3}{4}$ " x 6", designate laminate
- 5. 801347 Radius plywood,  $\frac{3}{4}$ " x 5", designate laminate
- 6. 801341-15 Door 11.75" x 10.38"
- 7. 801341-03 Door, 11.13" x 8.75"
- 8. 801341-04 Door 10.41" x 19.00"
- 9. 801341-05 Door, 20.94" x 12.63"
- 10. 965558-01 Drawer box
- 11. 965554-02 Drawer box
- 12. 965499 Lazy Susan
- 13. 965544 Galley top
- 14. 381607 Hinge assembly, Euro-Grass
- 15. 381774 Drawer/door handle
- 16. 381228-01 Door grabber catch
- 17. 601799 Sink, S.S., 16" x 27"
- 18. 600968 Basket strainer



# 2002 INTERNATIONAL TRAVEL TRAILER

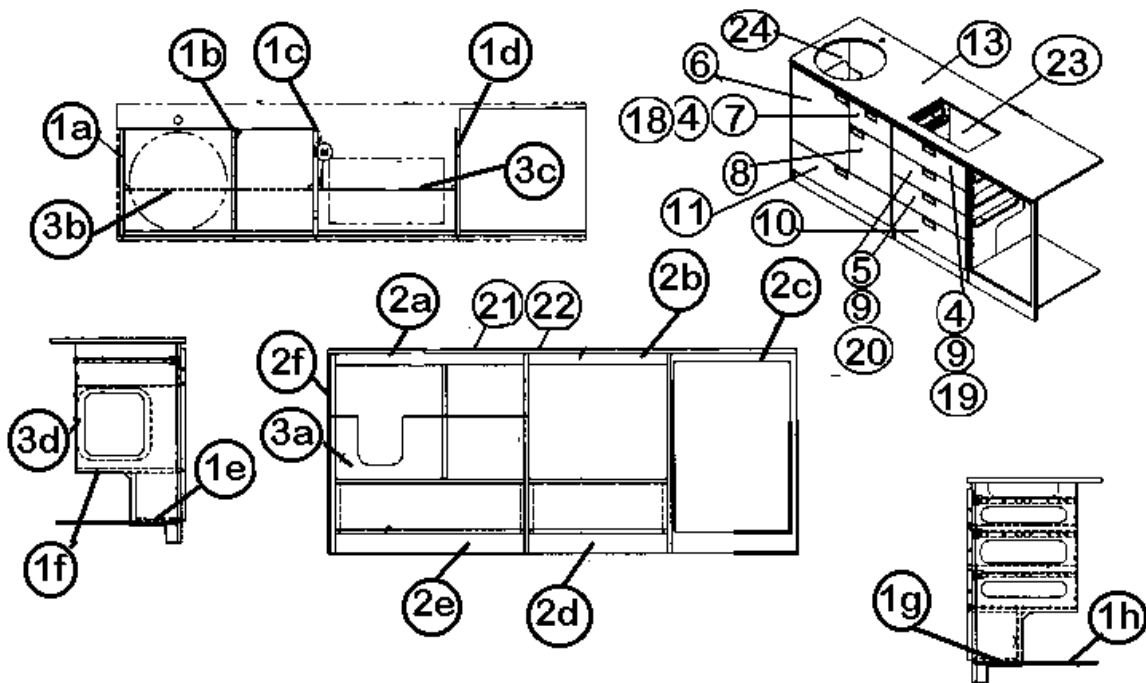
## FURNITURE

### Galley

22 Ft CCD Model

965525 Assembly Galley Base, 2-Burner Cook Top

965525-01 Assembly Galley Base, Full Oven -Option



# 2002 INTERNATIONAL TRAVEL TRAILER

## FURNITURE

### Galley 22 Ft CCD Model

965525 Assembly Galley Base, 2-Burner Cook Top

965525-01 Assembly Galley Base, Full Oven -Option

- |                |   |
|----------------|---|
| 1. 801368      | Panel, Rexel                            |
| 2. 801372      | Panel, Rexel, Raven                     |
| 3. 801374      | Panel, Rexel, Frosty White/Raw          |
| 4. 381773-11   | Drawer slide/box side                   |
| 5. 381773-17   | Drawer slide/box side                   |
| 6. 801375-01   | Door, 19.63" x 21.25", Frosty White     |
| 7. 801375-02   | Door, 14.38" x 7.00", Frosty White      |
| 8. 801375-03   | Door, 14.38" x 4.13", Frosty White      |
| 9. 801375-04   | Door, 25.13" x 7.00", Frosty White      |
| 10. 801375-05  | Door, 25.13" x 8.69", Bluebell          |
| 11. 801375-06  | Door, 34.13" x 8.69", Bluebell          |
| 12. 381775     | Drawer pull                             |
| 13. 965526-02  | Assembly, galley top, cooktop           |
| 13a. 965526-01 | Assembly galley top, full oven          |
| 14. 381607     | Hinge assembly, Grass Euro              |
| 15. 381228-01  | Grabber door catch                      |
| 16. 800025-01  | Pine, 3/4" x 3/4", stained, not shown   |
| 17. 360296     | Glue, not shown                         |
| 18. 965553-01  | Drawer box                              |
| 19. 965553-02  | Drawer box                              |
| 20. 965554-01  | Drawer box                              |
| 21. 115064     | Counter top trim                        |
| 22. 365267     | Plywood edge banding, 1 1/8 inch        |
| 23. 690471     | Cook-top, 2-burner, black glass top     |
| 23a. 690396-05 | Range, 22", Gas, Magic Chef, black door |
| 24. 601806     | Round sink                              |
| 25. 381773-26  | Drawer locking clip                     |
| 26. 601803     | Faucet, kitchen, Moen                   |

Full Oven option

Deletes items: 4, 5, 9, 12, 13, 19, & 20.

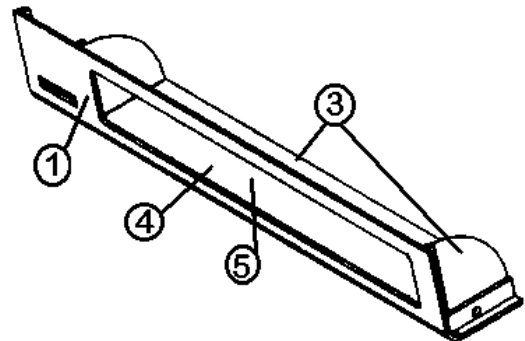
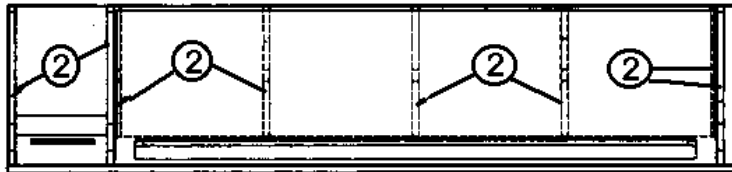
Adds items: 1g, 13a, & 23a.

# 2002 INTERNATIONAL TRAVEL TRAILER

## FURNITURE

Galley 22 Ft CCD Model

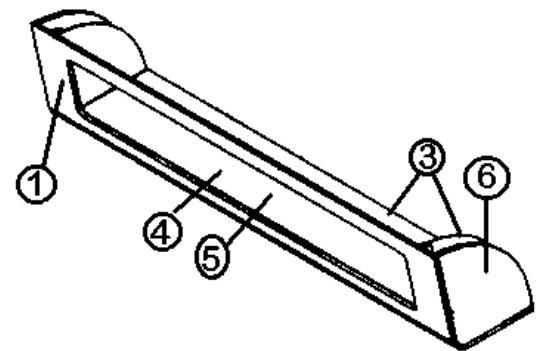
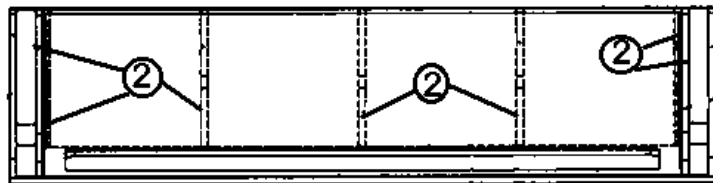
96528 Galley Roof Locker Assembly



- |           |                               |
|-----------|-------------------------------|
| 1. 801379 | Panel, front lay out, locker  |
| 2. 801351 | Lite plywood, $\frac{3}{4}$ " |
| 3. 801373 | Panel, Citrus Orange/Raw      |
| 4. 381245 | Sliding door track            |
| 5. 965563 | Door, sliding, Plexi Glass    |

## Dinette Locker Assembly

96529



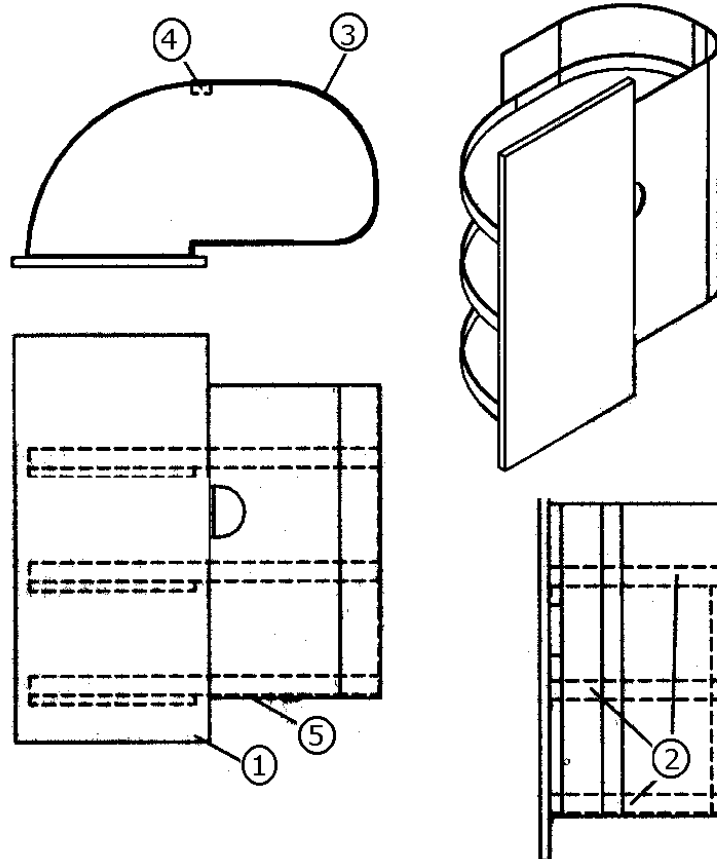
- |           |                                  |
|-----------|----------------------------------|
| 1. 801379 | Panel, front lay out, locker     |
| 2. 801351 | Lite plywood, $\frac{3}{4}$ "    |
| 3. 801373 | Panel, Citrus Orange/Raw         |
| 4. 381245 | Sliding door track               |
| 5. 965563 | Door, sliding, Plexi Glass       |
| 6. 801369 | Panel, Rexel, Frosty white/white |

# 2002 INTERNATIONAL TRAVEL TRAILER

## FURNITURE

### Galley

965499 Lazy Susan Assembly, 22 Ft. AS Model



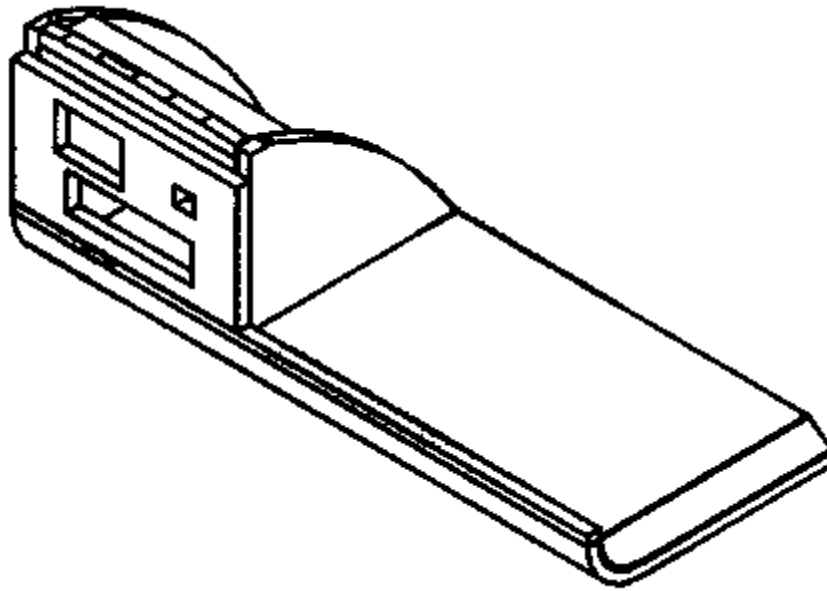
- |              |                       |
|--------------|-----------------------|
| 1. 801341-02 | Door, 15.50" x 31.75" |
| 2. 203306    | Shelf, Lazy Susan     |
| 3. 115037-02 | Close-out Lazy Susan  |
| 4. 800028    | 3/4" Pine             |
| 5. 800507-02 | Lauan, 1/4" x 4' x 8' |

# 2002 INTERNATIONAL TRAVEL TRAILER

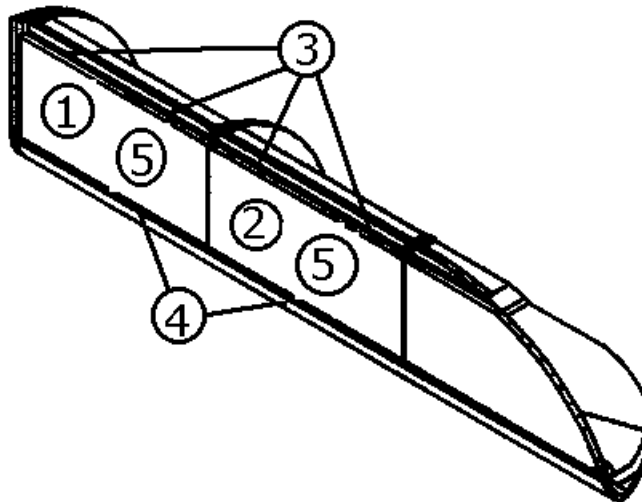
## FURNITURE

### Galley

965521 Galley, Rear Overhead Assembly, AS Model



965522 Galley Overhead Assembly, AS Model



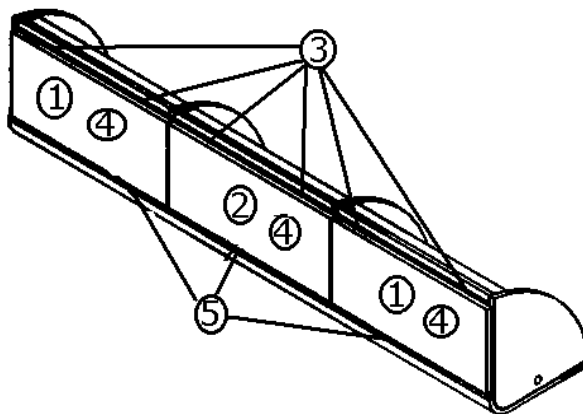
- |              |                            |
|--------------|----------------------------|
| 1. 801341-13 | Door, 24.63" x 11.30"      |
| 2. 801341-14 | Door, 25.63" x 11.30"      |
| 3. 381607    | Hinge Assembly, Grass-Euro |
| 4. 381228-01 | Grabber catch              |
| 5. 381774    | Door handle                |

# 2002 INTERNATIONAL TRAVEL TRAILER

## FURNITURE

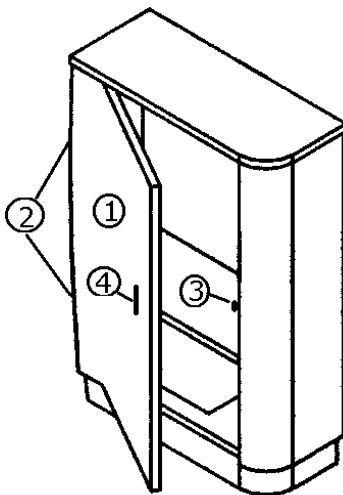
### Galley

#### 965524 Dinette Locker Assembly, AS Model



- |              |                            |
|--------------|----------------------------|
| 1. 801341-13 | Door, 24.63" x 11.38"      |
| 2. 801341-14 | Door 25.63" x 11.38"       |
| 3. 381607    | Hinge Assembly, Grass-Euro |
| 4. 381228-01 | Grabber catch              |
| 5. 381774    | Door handle                |

#### 965503 Phone Stand Assembly, AS Model



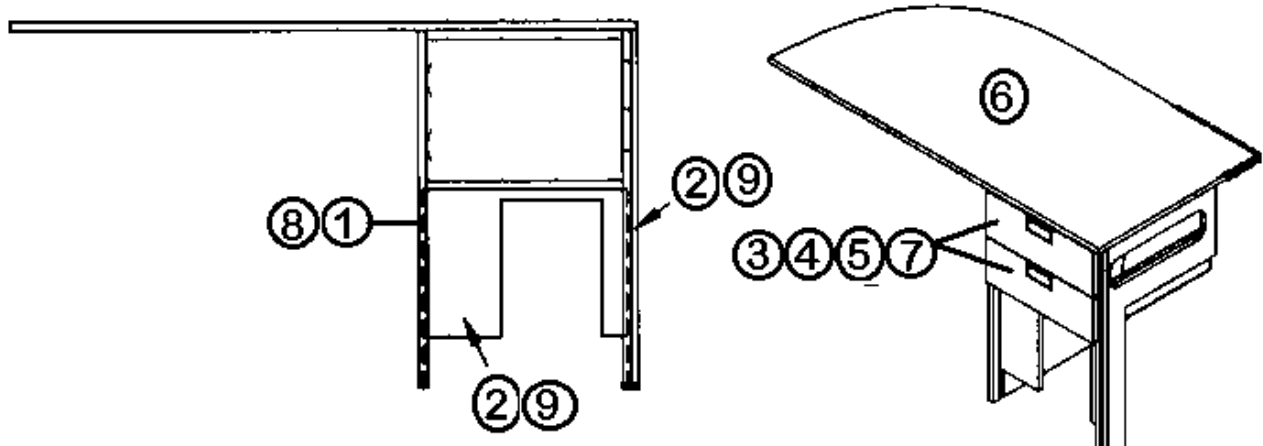
- |              |                            |
|--------------|----------------------------|
| 1. 801341-07 | Door, 15.25" x 29.50"      |
| 2. 380607    | Hinge assembly, Grass Euro |
| 3. 381774    | Door handle                |
| 4. 381228-01 | Grabber catch              |

# 2002 INTERNATIONAL TRAVEL TRAILER

## FURNITURE

### Galley

#### 965535 Desk Assembly, CCD Model



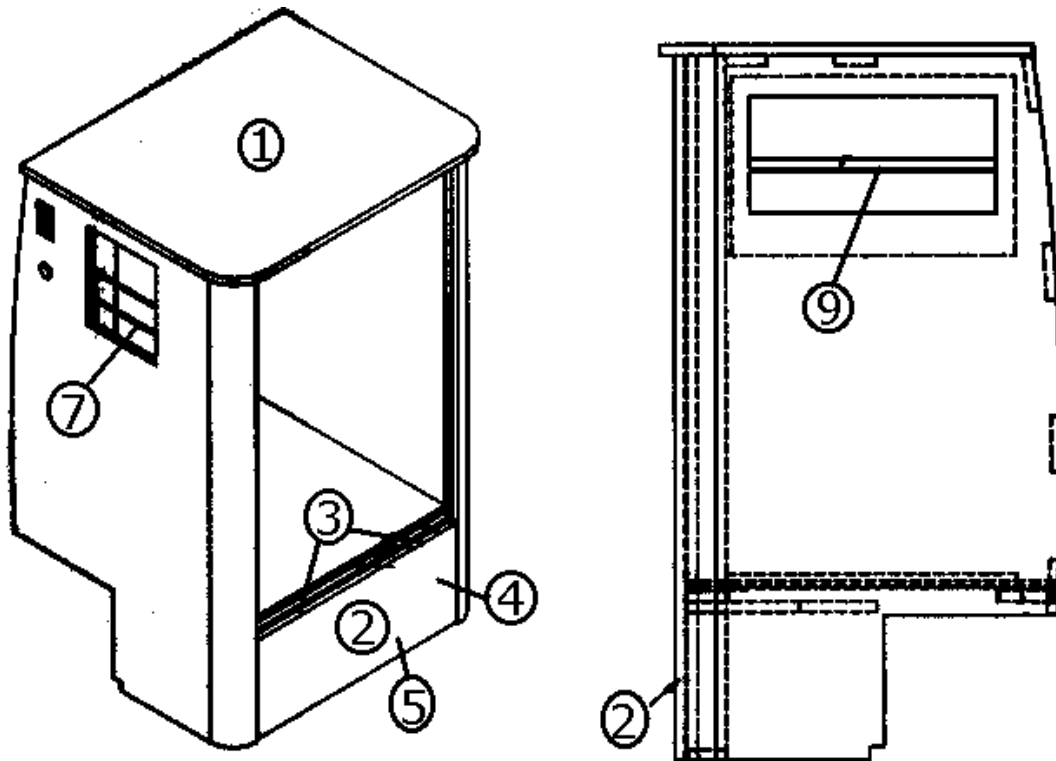
- |              |  |
|--------------|--|
| 1. 801369    | Panel, Rexel, Frosty white/white             |
| 2. 801351    | Lite plywood                                 |
| 3. 801375-07 | Door, 6.25" x 17.13", Frosty white           |
| 4. 965553-04 | Drawer box assembly, 4.38" x 15.25" x 17.63" |
| 5. 381775    | Drawer pull                                  |
| 6. 965540    | Desk top assembly                            |
| 7. 381773-26 | Clip, locking drawer                         |
| 8. 365269-02 | Edge banding, .024" x 1.625, Raven           |
| 9. 365269-01 | Edge banding, .24" x 1.125"                  |

# 2002 INTERNATIONAL TRAVEL TRAILER

## FURNITURE

### Galley

#### 965501 Refrigerator Cabinet, AS Model



- |              |                            |
|--------------|----------------------------|
| 1. 965502    | Refer top assembly         |
| 2. 801341-06 | Door, 9.88" x 25.19"       |
| 3. 381607    | Hinge assembly, Grass-Euro |
| 4. 381228-01 | Grabber catch              |
| 5. 381774    | Door handle                |
| 6. 203383    | Magazine rack              |
| 7. 115042    | .25" aluminum rod          |
| 8. 203384    | Spice rack                 |
| 9. 203385    | Clear trim. Spice cabinet  |



# 2002 INTERNATIONAL TRAVEL TRAILER

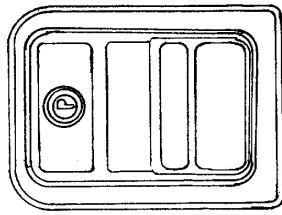
## FURNITURE

### Galley

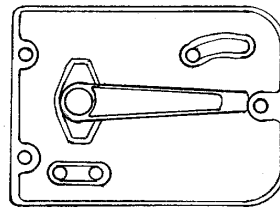
511341-06	RANGE HOOD PH-5-20B BLACK
511341-05	RANGE HOOD PH-5-20B BLACK, CSA
511017-11	EXTERIOR VENT GRAY
114462	DUCT RANGE EXHAUST TRANSITION
114230-04	CLOSEOUT FORMED R. EXHAUST 4.40
114462	DUCT RANGE EXHAUST TRANSITION
114230-04	CLOSEOUT FORMED R. EXHAUST 4.40
365190	SEAL, RUBBER, ADHESIVE, 3/4" X 3/4"
114913	ANGLE RANGE HOOD, INSTALL
200980-01	TRAY, SILVERWARE, ALMOND, 9" X 13"
963094-05	DOOR HEADER PANEL, 31", AS Model
702481-01	WALL LINER GEOMETRIC PEARL CRM 96"
381081-04	SNAP CAP WHITE (SCREW SIZE #6, #8)
203382	Air chair, orange, CCD model
386106	Magazine rack, 22' CCD Model
386107	Magazine rack rod

# 2002 INTERNATIONAL TRAVEL TRAILER

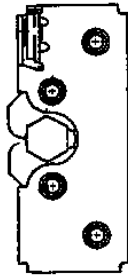
## HARDWARE MAIN DOOR LOCK



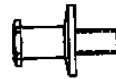
381547-01  
Main door lock, outside  
Housing



381547-07  
Main door lock, inside  
plate



381547-03  
Double rotary latch,  
main door lock



381547-04  
Striker bolt w/washer  
main door lock

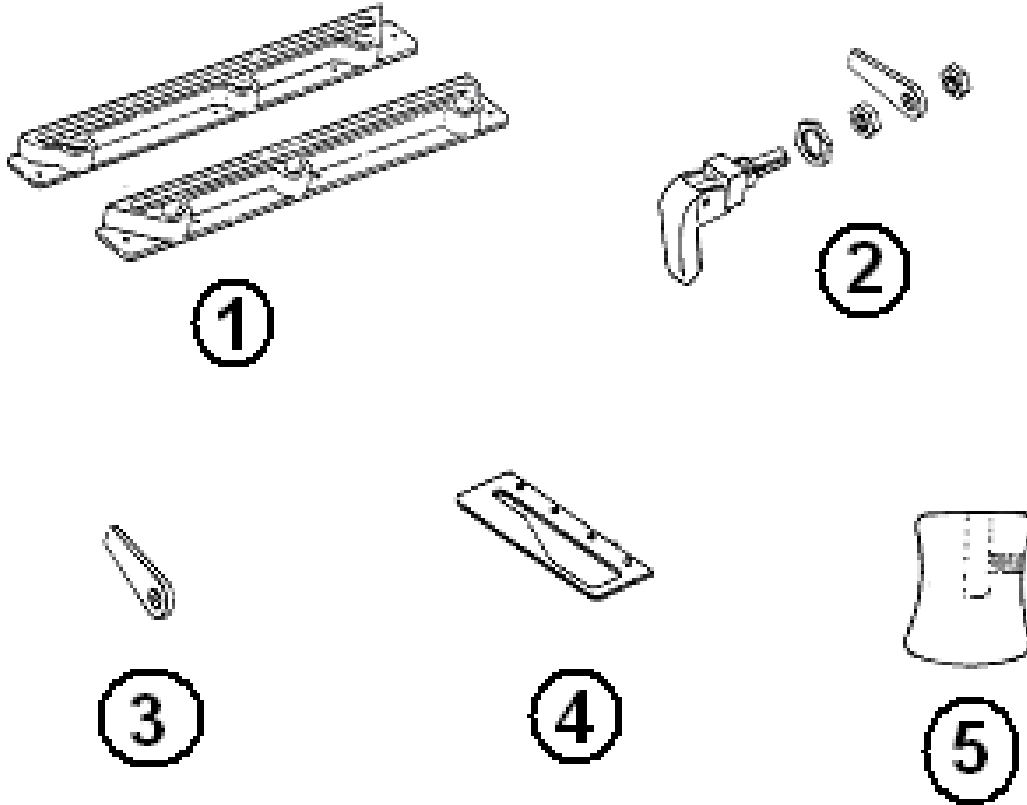
- 381547-08 Screw package, main door lock
- 381550 PLATE STRIKER BOLT
- 385595 POCKET-STRIKE
- 453851 Dead bolt, main door, Tri-mark
- 101401 Extrusion door latch housing/stone guard

## DEAD BOLT

- 381323-01 DEADBOLT COMPLETE ASSY. #11840-12
- 381326 STRIKER #10007 W/TRIMARK DEADBOLT
- 345321-12 SCREW, #8-32 FLAT HEAD, BLK, 1.625
- 453851 BOLT - TRI/MARK
- 203370 SPACER-TRI/MARK DOOR LATCH
- 203375 HIGH DENSITY POLYETHYLENE .187"TH

# 2002 INTERNATIONAL TRAVEL TRAILER

## HARDWARE WINDOW HARDWARE



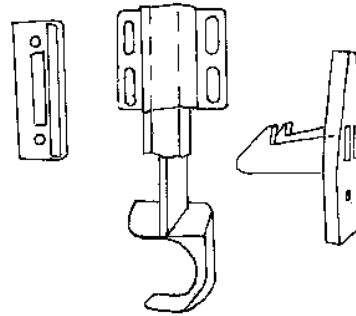
- |              |                                  |
|--------------|----------------------------------|
| 1. 0802-0001 | Window guide, RH                 |
| 1. 0802-0002 | Window guide, LH                 |
| 2. 010020    | Lower window latch, chrome       |
| 2. 195467-05 | Lower window latch, w/red handle |
| 3. 685123    | Pawl, window latch, straight     |
| 4. 685124    | Striker plate, window latch      |
| 5. 380230-03 | Knob window arm, silver          |
| 5. 380230-04 | Knob, window arm, red            |

# 2002 INTERNATIONAL TRAVEL TRAILER

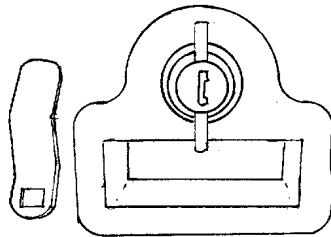
## HARDWARE EXTERIOR LATCHES/LOCKS



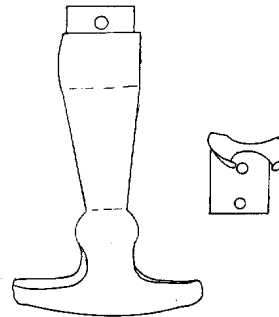
381770 Engraved Grab  
Handle, main door



381454 Latch,  
screen door, Bullet



380770-101 Twist lock, chrome  
380770-102 Twist lock, black

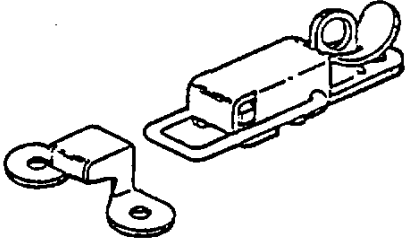


381021 Rubber T handle

# 2002 INTERNATIONAL TRAVEL TRAILER

## HARDWARE

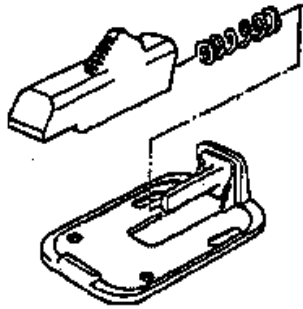
### EXTERIOR LATCHES/LOCKS



340023 Corbin catch  
w/strike, battery box



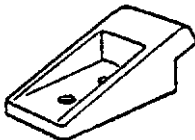
380067 Lock cam,  
bumper lid



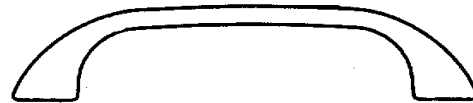
380291 Main door holdback,  
(use w/housing #380290)



380290 Latch housing,



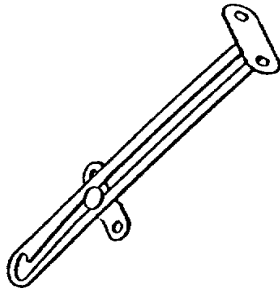
201056 Catch, main door  
holdback



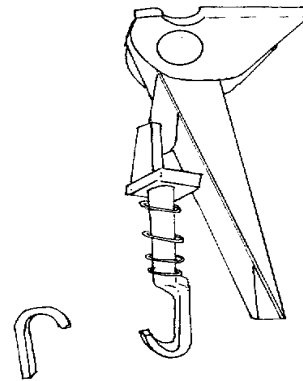
380004 Handle, screen door

# 2002 INTERNATIONAL TRAVEL TRAILER

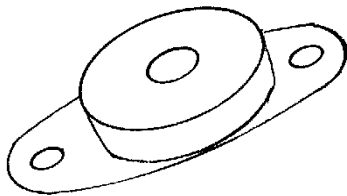
## HARDWARE EXTERIOR LATCHES/LOCKS



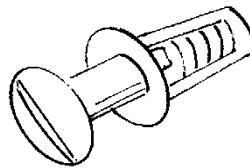
380024 Support arm,  
bumper lid



380903 Latch w/strike,  
chrome, gas bottle cover



685359  
Rubber receptacle  
1/4 latch, Southco



685342  
Stud, 1/4 turn latch  
Southco



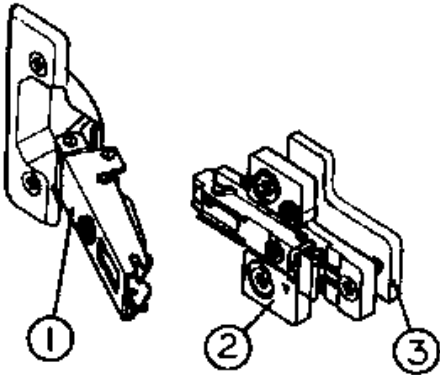
685362  
Retaining ring  
1/4 turn stud

## EXTERIOR HINGES

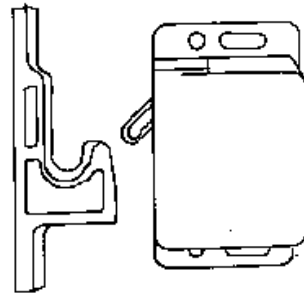
- 381552-03 Hinge assembly, main door, upper
- 381552-04 Hinge assembly, main door, lower
- 381531-01 Hinge, screen door, upper
- 381531-02 Hinge, screen door, lower
- 380773 Hinge, access door, 13 $\frac{1}{4}$
- 380203-01 Piano hinge, 1/8" pin, clear anodized, hose carrier lid
- 385395 Hinge, pivot, zinc plated, refer cabinet
- 380203-01 Piano hinge, 1/8" pin, hose carrier lid

# 2002 INTERNATIONAL TRAVEL TRAILER

## HARDWARE INTERIOR



- 381607 Hinge assembly  
1) 381607-01 Hinge, cabinet  
2) 381607-02 Base, metal  
3)\*381607-03 Base, plastic  
4) 381608-04 Screw #6 x 5/8"  
\*Not used in all applications

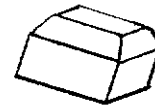


- 381228-01 Grabber door  
door latch

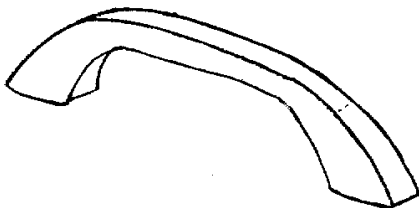
## INTERIOR TRIM



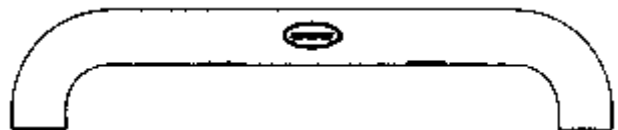
- 360012 Bumper, rubber  
white, stick-on, cylindrical  
360012-01 Bumper, rubber  
brown, stick-on, cylindrical



- 360016 Bumper, rubber  
gray, square 3/8" x 3/8"



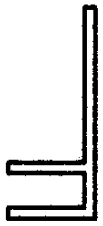
- 381737 Grab bar, interior,  
mounts on interior doorjamb



- 381772  
Head knocker, white

# 2002 INTERNATIONAL TRAVEL TRAILER

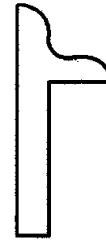
## HARDWARE INTERIOR TRIM



203385  
"F" Trim



203335 H-trim  
Black plastic



115064 Molding  
Aluminum cove

## BATHROOM ACCESSORIES

- 381776 TOWEL BAR - CHROME 18"
- 381777 TOWEL RING - CHROME
- 381778 ROBE HOOK - DBL - CHROME
- 381779 Recessed toilet paper holder

## MISCELLANEOUS INTERIOR HINGES

- 380458-01 Hinge, piano, 2" WIDE, bath door, AS model
- 380988 Hinge, medicine cabinet mirror assembly
- 380203-01 Hinge, Bath door, clear, CCD only

## DINETTE TABLE HARDWARE

- 380284-02 TABLE HINGE BRACKET
- 340015 CENTER HINGE J-4
- 340018 CATCH PLATE J-1
- 700065-01 Snapo folding leg

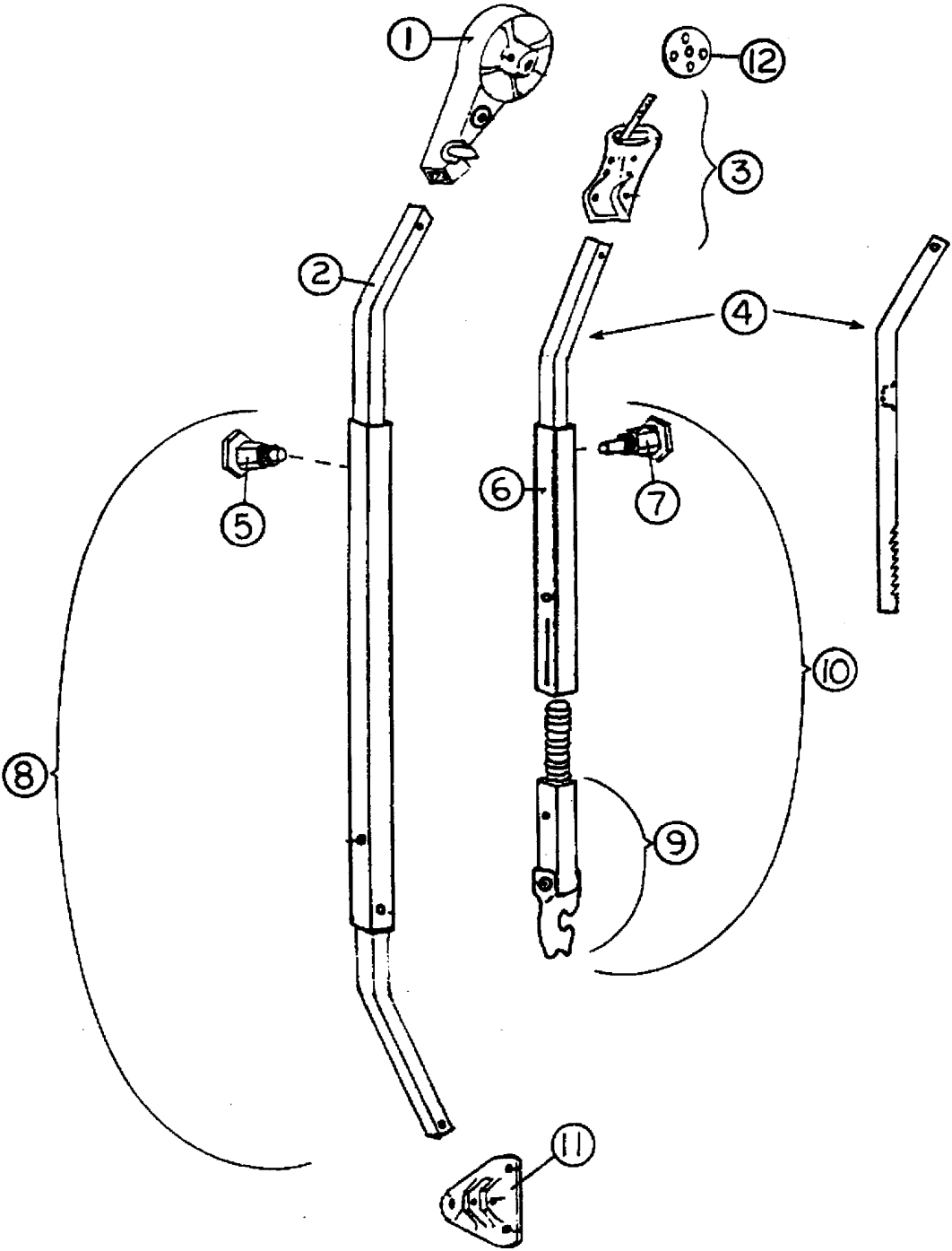


# 2002 INTERNATIONAL TRAVEL TRAILER

## NOTES

# 2002 INTERNATIONAL TRAVEL TRAILER

## HARDWARE AWNING HARDWARE See next page for P/N



# 2002 INTERNATIONAL TRAVEL TRAILER

## HARDWARE AWNING HARDWARE

- |                |                                       |
|----------------|---------------------------------------|
| 1) 702662-100  | Head assembly, front or rear          |
| 2) 702662-101  | Main arm bar, front or rear           |
| 3) 702622-103  | Clamp assembly, front, curved         |
| 3a) 702662-104 | Clamp assembly, rear, curved          |
| 4) 702662-105  | Rafter arm bar, satin                 |
| 5) 702662-106  | Snap stud assembly                    |
| 6) 702662-107  | Rafter arm tube, satin                |
| 7) 74072W      | Ratchet stud                          |
| 8) 74048W      | Main arm tube assembly, front or rear |
| 9) 702662-110  | Claw bar assembly                     |
| 10) 702662-111 | Rafter arm assembly                   |
| 11) 702662-112 | Base hinge, rib mount                 |
| 12) 702662-114 | Clamp wheel                           |



# 2002 INTERNATIONAL TRAVEL TRAILER

## LABELS AND TAGS

385193	Label, "12V distribution panel inside"
385048	Label, approval with shield
385269	Label, "DON'T USE AREA FOR STORAGE"
385068	Tag, cooking appliance warning
385067	Label, EXIT
385547	Label, LP gas warning/fill
385517	Label, kill switch warning
385521	Label, emergency egress window
385463	Warning label/cooking appliance
385464	Label, LP gas warning label (odor)
385465	Exit label, English
385560	Label, air conditioner rating
385812	Label, Calif. hazardous substance
385609	Label, smoke detector
385359	Label, microwave or air conditioner
385837	Label, refrigeration ignition
385103	Plate, RVIA
385418-01	Label, Federal registration
385062	Decal, 110-125 voltage AC
385565	Label, holding tank flushing
386097	Label, fuse 12volt
386019	1 Amp Fuse Max
386012	Label warning, water heater
386082	LABEL THOR, 5.25" X .75'
385101	TAG AUX TANK DUMP VALVE HANDLE
385099	TAG MAIN TANK DUMP VALVE HANDLE
385072	LABEL SET 2 SETS PER CARD

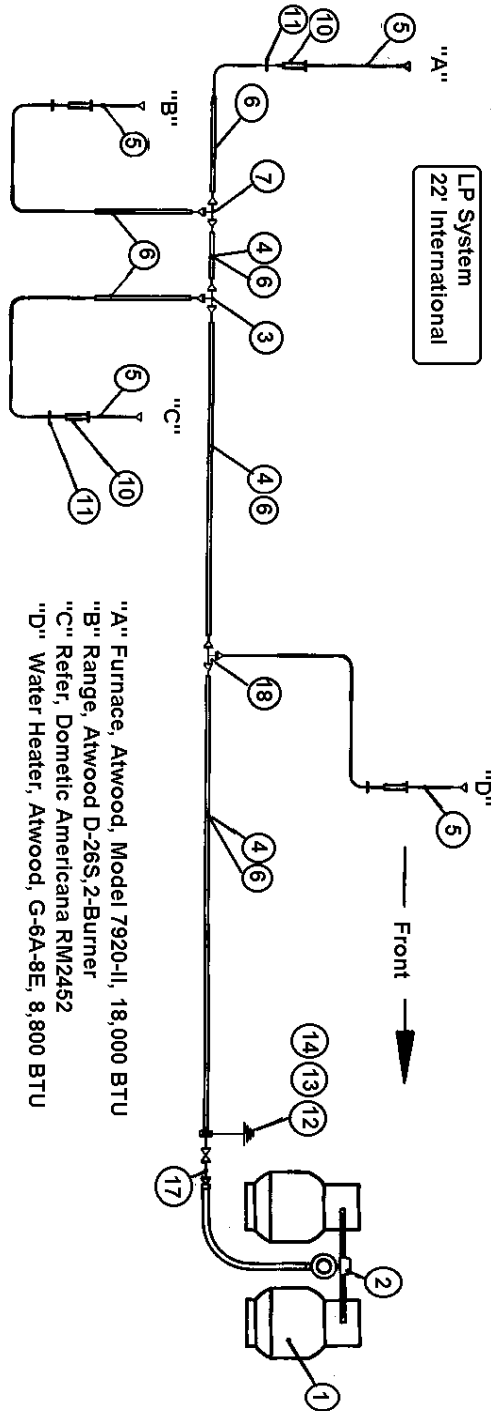
## 2002 INTERNATIONAL TRAVEL TRAILER

### Options

410848-01	Spare tire, steel rim 14"
450414	"A" frame spare tire carrier
511191	CD changer, 10 unit, Sony CDX-646 (opt.)
703127	Bottle cover, LP
690396-01	Range, 22" gas, Maytag
690396-03	Bi-fold cover, 22"
114876	Trim ring, range recess
511668	Fantastic fan w/gray garnish
703204	Flooring, Vinyl Oak River
800639	Adhesive, vinyl flooring

# 2002 INTERNATIONAL TRAVEL TRAILER

## PLUMBING 22 Ft. AS, CCD LPG System



- "A" Furnace, Atwood, Model 7920-1I, 18,000 BTU
- "B" Range, Atwood D-26S, 2-Burner
- "C" Refer, Dometic Americana RM2452
- "D" Water Heater, Atwood, G-6A-8E, 8,800 BTU

PN next page

## 2002 INTERNATIONAL TRAVEL TRAILER

### Plumbing LPG System 22 Ft. International AS, CCD

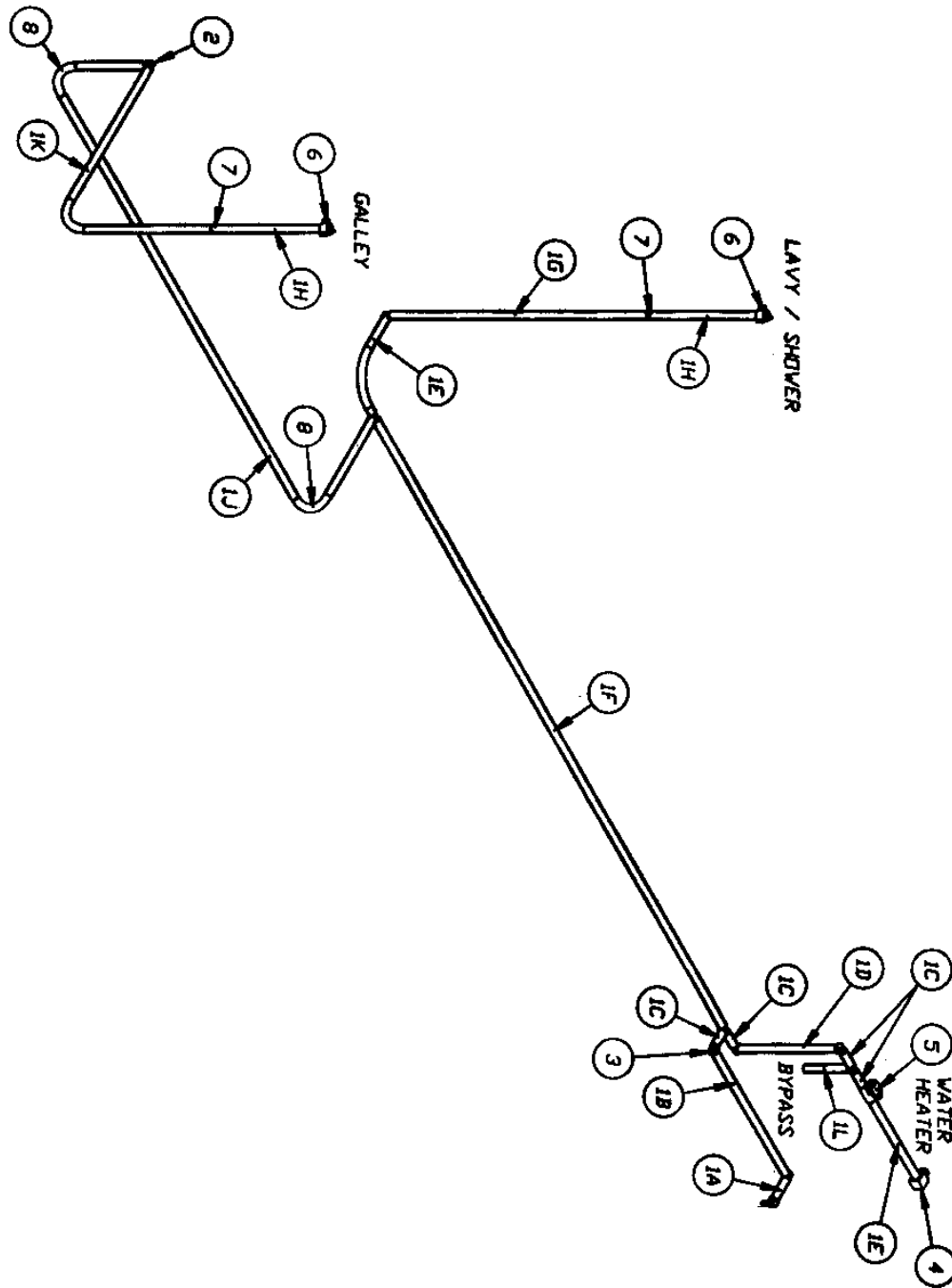
- |                |  |
|----------------|--|
| 1. 601781      | 20# steel cylinder w/outlet valve          |
| 2A. 601731     | LP regulator, Marshall Brass               |
| 2B. 601686     | Base Plate                                 |
| 2C. 601687     | Hold down kit                              |
| 2D. 601412-012 | Connector-M, .50" pipe to .62" tube        |
| 2E. 601685-01  | LP hose, 1/2" FPT x 3/8" FL x 36 USA       |
| 2F. 381613     | Cover, LP wing handle                      |
| 2G. 601159-02  | Tubing, poly, .50 in.                      |
| 3. 601281      | 5/8" x 5/8" x 5/8" Brass Union Tee         |
| 4. 600004      | Copper tubing, 5/8" ID                     |
| 5. 600008      | Copper tubing, 3/8" ID                     |
| 6. 601159-02   | Tubing cover, .50" Poly, CSA approved      |
| 7. 600003      | Tee, 5/8" x 3/8" x 3/8"                    |
| 8. 600436      | Forged flare nuts, 5/8"                    |
| 9. 600435      | Forged flare nuts, 3/8"                    |
| 10. 380887     | Floor grommet                              |
| 11. 380886     | Floor grommet                              |
| 12. 600661     | Grounding clamp, 1/2 to 1                  |
| 13. 500839     | Copper wire, bare, 8 ga,                   |
| 14. 500038     | Lug, ground                                |
| 15. 345004     | Screw, 1/4-14 Washer Hex-head, (not shown) |
| 16. 340085-05  | Clamp, #Coy, 5/8" diameter (not shown)     |
| 17. 601734     | Fitting, brass 5/8" OD flare x 1/2"        |
| 18. 600000     | Tee, brass 5/8" x 5/8" x 3/8"              |



# 2002 INTERNATIONAL TRAVEL TRAILER

## PLUMBING FRESH WATER

22 Ft. International AS, CCD  
943578-02 Layout-Hot Water



P/N Next Page

# 2002 INTERNATIONAL TRAVEL TRAILER

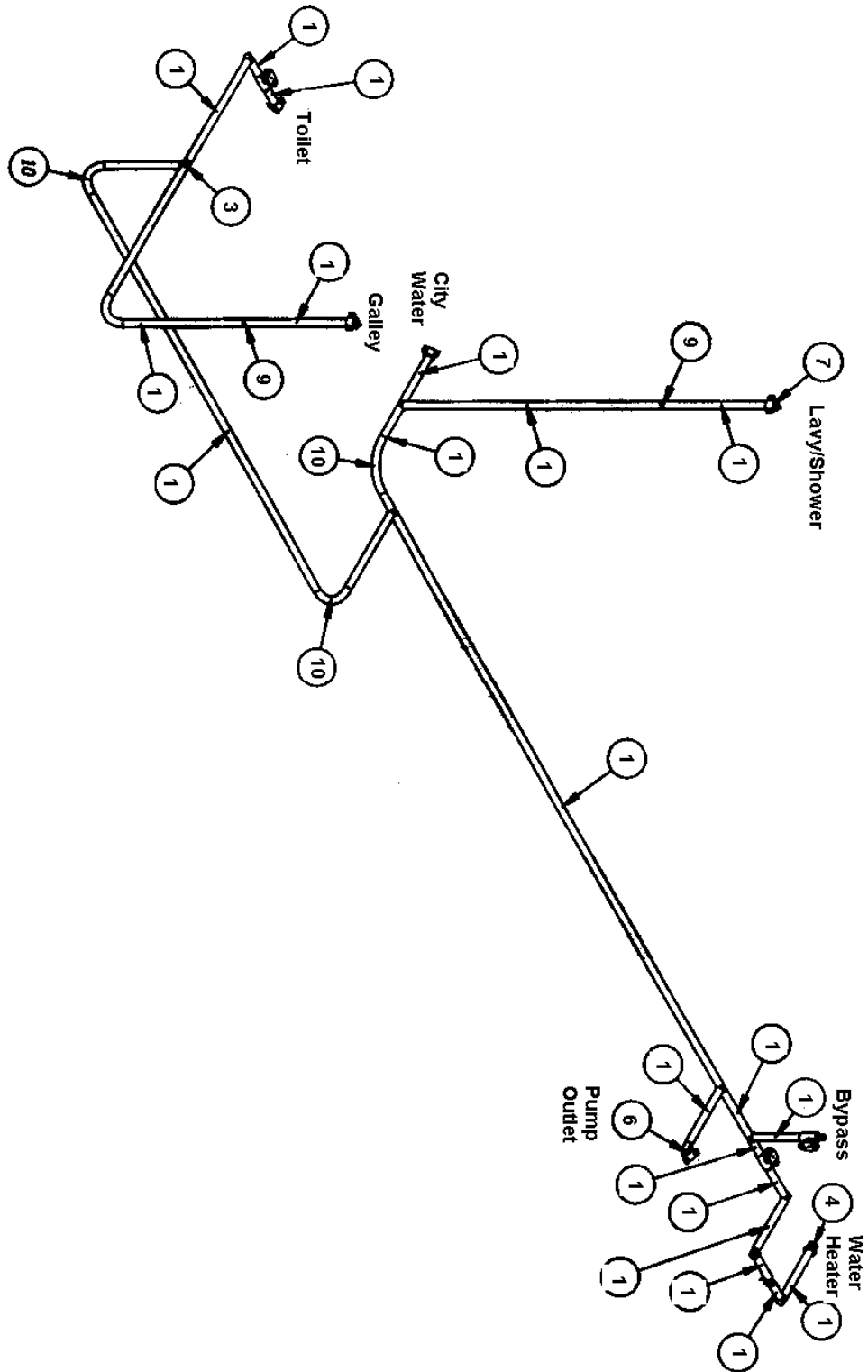
## Plumbing

22 Ft. International AS, CCD  
943578-02 Layout-Hot Water

1. 601698-01 E-Pex tubing, 1/2"
2. 601698-10 QQE333X 1/2" Barb Tee
3. 601698-11 QQT333X 1/2" Barbed Tee
4. 601698-04 QQE33BTX 1/2" MPT Barbed EL
5. 601698-22 Ball Valve, 1/4" Turn
6. 601698-05 QQE33BSXP 1/2"B x 1/2"FPT Swivel EL
7. 601698-03 QQSFC33XPXP, 1/2" x 1/2"FPT
7. 601698-08 QQC33X 1/2" Barbed Coupling
8. 601774 Elbow support-90D 1/2"
8. 601698-15 1/2" Crimp Ring

# 2002 INTERNATIONAL TRAVEL TRAILER

Plumbing  
22 Ft. International AS, CCD  
934578-01 Cold water Layout



# 2002 INTERNATIONAL TRAVEL TRAILER

## Plumbing 22 Ft. International AS, CCD

### 934578-01 Cold water Layout 22" International

1. 601698-01 E-Pex tubing, 1/2"
2. 601698-10 QQE333X 1/2" Barb Tee
3. 601698-11 QQT333X 1/2" Barbed Tee
4. 601698-22 QQMC33X, 1/2"B x 1/2"MPT
5. 601698-22 Ball Valve, 1/4" Turn
6. 601698-05 QQE33BSXP 1/2"B x 1/2"FPT Swivel EL
7. 601698-03 QQSFC33XPXP, 1/2" x 1/2"FPT
8. 601698-15 1/2" Crimp Ring
9. 601698-08 QQC33X 1/2" Barbed Coupling
10. 601774 Elbow support-90D 1/2"

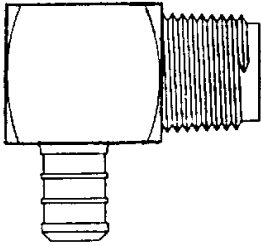
#### Not Shown

- 601194 Water fill w/lock, gray
- 601801 Tank, fresh water, 30 Gallon
- 601808 Strap, tank support
- 601807 FRESH TANK PAN ASSY
- 601810 Fresh water tank drain valve
- 601811 Elbow, fresh water drain
- 601812 Nipple, brass fresh water tank drain
  
- 601061-03 Water pump, Shurflo 2088-404-144
- 601668 Water pump, pre-filter, Shurflo
  
- 203085 PLUG WATER LINE 1/2" PLASTIC BLACK
  
- 200507 STYROFOAM, 1" X 25" X 55"-TANK INSULATION
- 200152 STYROFOAM 1/2" X 6" X 42"-TANK INSULATION

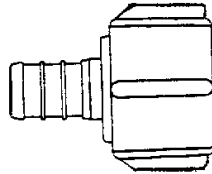
# 2002 INTERNATIONAL TRAVEL TRAILER

## PLUMBING

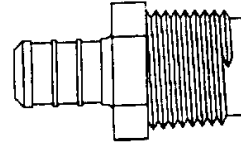
### FRESH WATER-FITTINGS



601698-04  
Elbow, 1/2" barb  
x 1/2" MPT

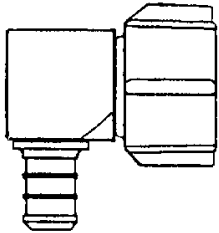


601698-03  
Coupler, 1/2" barb  
x 1/2" FPT

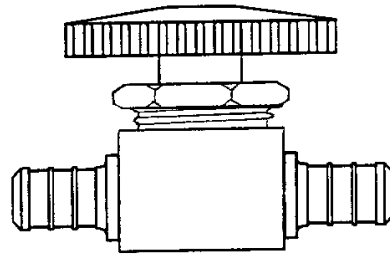


601698-02  
Coupler, 1/2" barb  
x 1/2" MPT

### FRESH WATER-FITTINGS



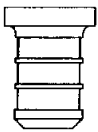
601698-05  
Elbow 1/2" barb x  
1/2" FPT



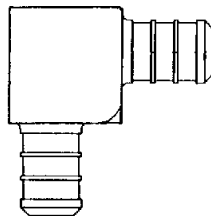
601698-22  
Shut-off, 1/2" barb x  
1/2" barb



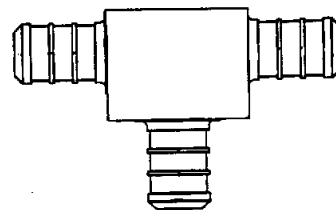
601698-08  
Coupler  
1/2" x 1/2" barb



601698-09  
Plug, 1/2" barb



601698-10  
Elbow 1/2" barb x  
1/2" barb



601698-11  
Tee, 1/2" x 1/2" x  
1/2" barb

# 2002 INTERNATIONAL TRAVEL TRAILER

## PLUMBING FRESH WATER-FITTINGS



601698-15  
Crimp ring, 1/2  
E-Pex, 1/2" (black)  
-21 Red



601698-01  
E-Pex tube, 1/2"

### Loose Parts

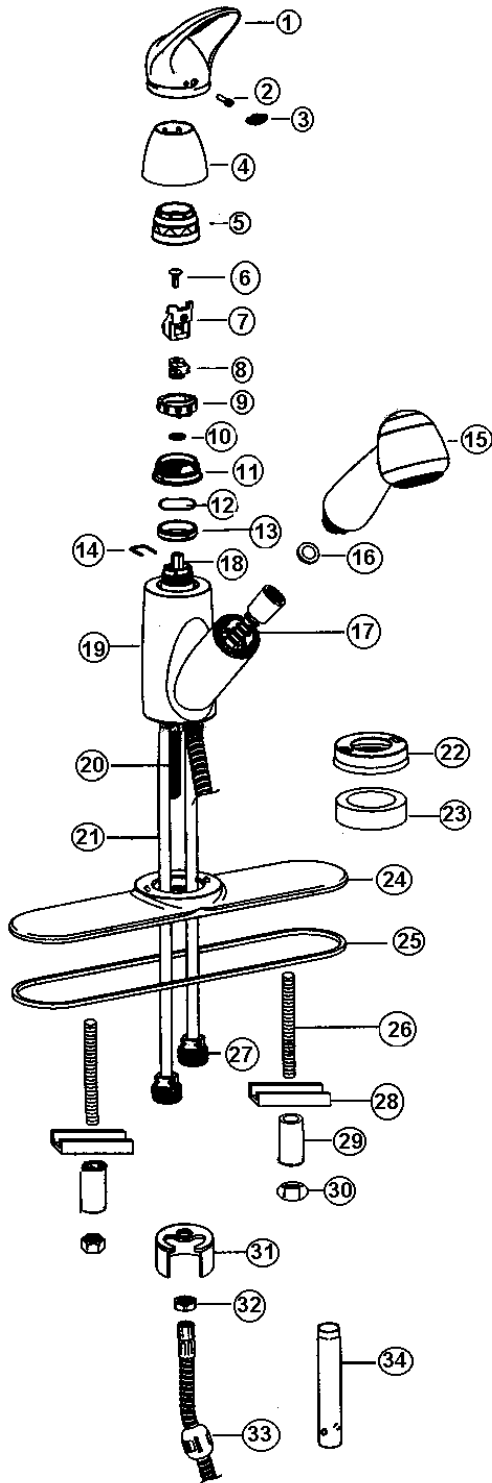
340084-52	CLAMP, HOSE SAE #52, for sewer hose
600241-01	SEWER HOSE ADAPTOR, STRAIGHT #02593
381647	KEY WATER FILL CH751

# 2002 INTERNATIONAL TRAVEL TRAILER

## GALLEY FAUCET P/N 601803

MODEL 7570SL [www.moen.com](http://www.moen.com)  
 United States  
 Moen Incorporated  
 25300 Al Moen Drive  
 North Olmstead, OH. 44070-8022

PH. 1-800-BUY MOEN  
 Canada  
 Moen Inc.  
 2816 Bristol Circle  
 Oakville, Ontario L6H5s7



1. Loop Handle
2. Screw
3. Plug Button
4. Dome
5. Pivot Retainer
6. Cartridge Screw
7. Handle Adapter
8. Handle Connector
9. Pivot Stop
10. Double D Washer
11. Retainer Nut
12. Wave Spring Washer
13. Bearing Washer
14. Retainer Clip
15. Pull-out Spout
16. Screen Washer
17. Hose
18. Cartridge
19. Spout Receptor
20. Threaded Discharge Tube
21. Supply Tubes (2)
22. Deck Ring
23. Deck Ring Gasket
24. Deck Plate
25. Gasket
26. Deck Plate Studs (2)
27. 1/2" Threaded Fitting (2)
28. Clamp Bar (2)
29. Spacer (2)
30. Small Mounting Nut (2)
31. Mounting Bracket
32. Mounting Nut
33. Counter Weight
34. Mounting Tool

# 2002 INTERNATIONAL TRAVEL TRAILER

## PLUMBING Fresh Water

690473

Faucet, Lavy-shower

601813

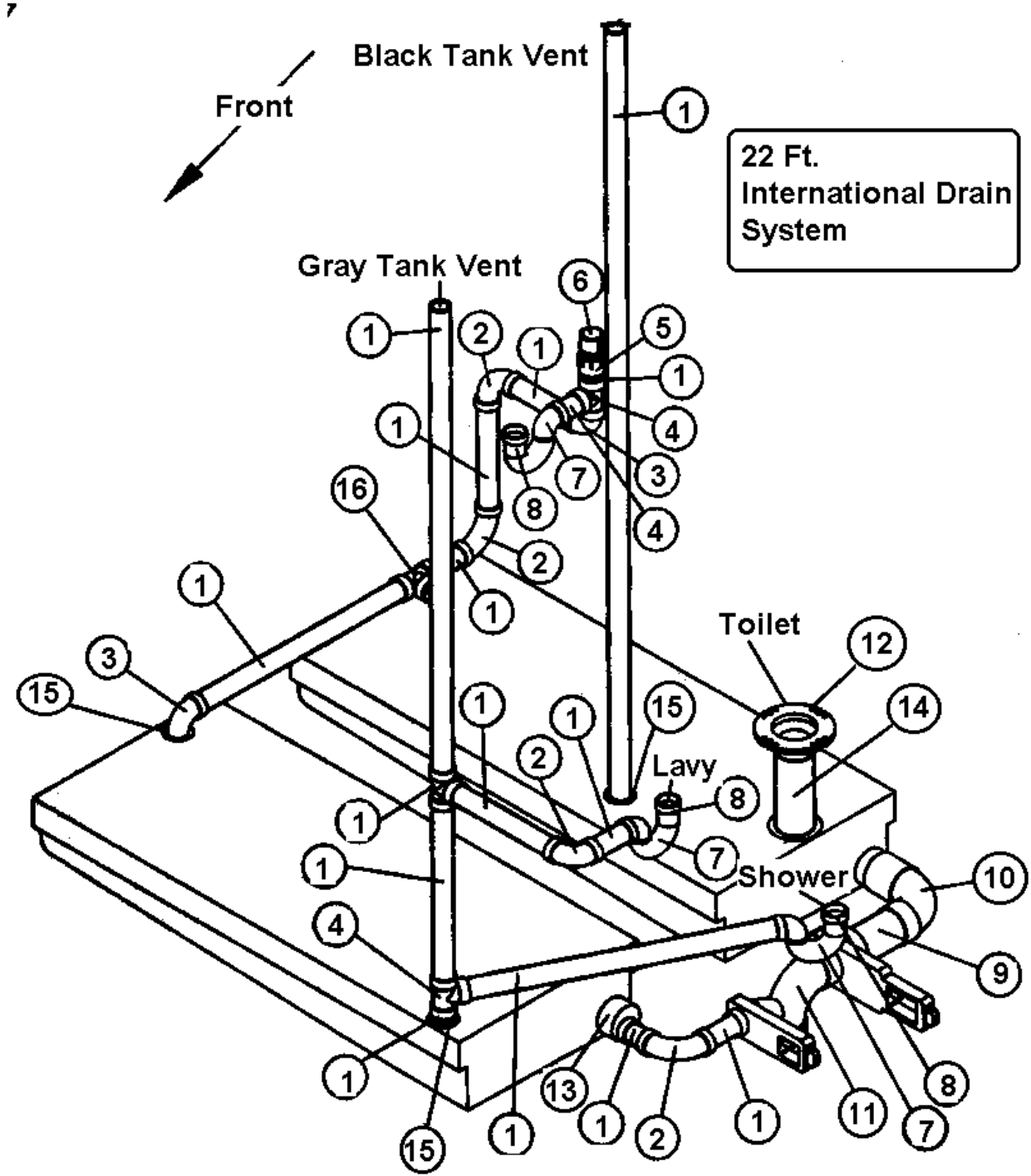
TAIL PIECE-LIFT/TURN DRAIN



# 2002 INTERNATIONAL TRAVEL TRAILER

## PLUMBING

22 Ft. International, AS, CCD  
943577 Above/Below Floor Drain



P/N Next Page

## 2002 INTERNATIONAL TRAVEL TRAILER

### Plumbing

22 Ft. AS, CCD

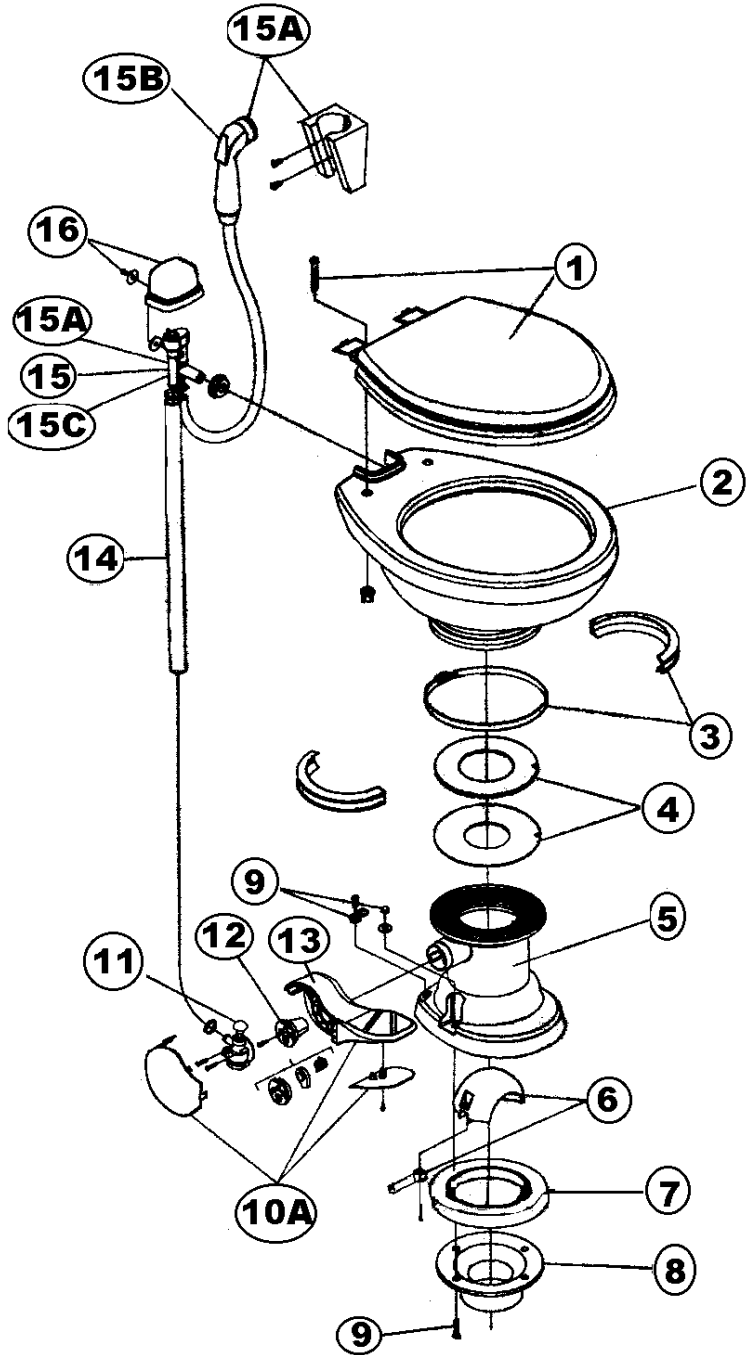
943577 Above/Below Floor Drain

1. 601160-02	Pipe, ABS DVW, 1 1/2"
2. 600035	Ell, ABS long sweep, 1 1/2"
3. 600431	Elbow, 90 degree, 1 1/2"
4. 600156	Tee Sanitary
5. 600308	Adapter, ABS female Sloan
6. 600538	Vent, V-200 automatic
7. 600144	P-trap, ABS 1 1/2"
8. 600822	Adapter P-trap
9. 600160-04	Pipe, ABS DVW, 3"
10. 600820	3" single socket, 90 degree
11. 601482	Dump valve, rotating assembly
12. 601266	Flange, closet, 3 x 4, slip fit
13. 195329-229	Reducer adapter, 3" to 1 1/2"
14. 601267-04	Nipple, 3" diameter, threaded one end
15. 340084-20	Clamp, hose, .81"-1.75"
16. 601318	Tee, bi-directional cleanout, 1 1/2"
601707-04	TANK-GREY HOLDING 21 GAL.22' AS
601707-06	TANK-BLACK HOLDING 21 GAL 22' AS & CCD
601707-05	TANK-GRAY HOLDING 21 GAL 22' CCD
601809	PAN-WASTE TANK ASSY, 22'AS & CCD
200507	STYROFOAM, 1 X 25 X 55-WATER TANK
200152	STYROFOAM 1/2" X 6 X 42
601804	SINK-LAVY YUKON ROUND
601799	SINK-GALLEY, S. S. 16" X 27"
600968	BASKET STRAINER
690264-03	VENT PIPE COVER, WHITE
380114	GASKET VENT PIPE
380228	WIRE HARDWARE, CLOTH (SCREEN UNDER COVER)

# 2002 INTERNATIONAL TRAVEL TRAILER

## PLUMBING

Sealand, Traveler Lite Parts List, WHITE  
P/N 690472



P/N Next Page

IV-15

# 2002 INTERNATIONAL TRAVEL TRAILER

## PLUMBING

### Sealand, Traveler Lite Parts List, WHITE

Sealand Technology, Inc.

13128 State Route 226

PO Box 38

Big Prairie, OH. 44611-0038

Customer Service 1-800-321-9886

330-496-3211 (8:00 A.M.-5:00 P.M. ET)

Fax: 330-496-3097

[www.sealandtechnology.com](http://www.sealandtechnology.com)

- |                               |  |
|-------------------------------|--|
| 1. 344088                     | Seat Assembly                                  |
| 2. 310790                     | China bowl kit                                 |
| 3. 310025                     | Ring & half clamp kit                          |
| 4. 316140                     | Teflon & rubber seal kit                       |
| 5. 310792                     | Base kit, includes 3, 4, 6, 7, 9, 10A, 11 & 12 |
| 6. 310681                     | Ball, shaft, cartridge kit                     |
| 7. 343938                     | Floor flange seal                              |
| 8. 600065                     | Flange, floor, threaded, Airstream P/N         |
| 9. 310794                     | Floor bolt mounting kit                        |
| 10. 310117                    | Pedal cover kit                                |
| 10A. 310682                   | Flush pedal kit (includes 12)                  |
| 11. 314349                    | Water valve kit                                |
| 12. 310683                    | Spring cartridge kit                           |
| 13. Pedal included w/Part 10A |  |
| 14. 340177                    | Supply hose                                    |
| 15. 310687                    | Vacuum breaker kit                             |
| 15A. 319054                   | Vacuum breaker kit w/spray                     |
| 15B. 340683                   | Hand spray                                     |
| 15C. 230335                   | Vacuum breaker (used w/spray)                  |
| 16. 310795                    | Vacuum breaker cover kit                       |
| 601164                        | NIPPLE 3/8" MPT X 1/2" MPT                     |
| 600883                        | COUPLER PB-820                                 |

# 2002 INTERNATIONAL TRAVEL TRAILER

## SAFETY EQUIPMENT

510781 Smoke detector

511309 LPG detector

600162-01 Fire extinguisher  
203387 POCKET-RECESSED FIRE EXT. BRACKET

### CSA Option

510891 Smoke Detector CSA only

600162-02 Fire extinguisher, CSA

# 2002 INTERNATIONAL TRAVEL TRAILER

## SEALER/GASKETS/PAINT

### SEALER

360001	Sealant, #884058
360002	Sealant, Vulkem 11.5 oz. tube
360209	Sealant, seam
360176	Sealant, Almond, kitchen and bath
360180-04	Sealant, Sikaflex #221, black
360180	Sealant, Sika-flex, gray
360210	Sealant, Paralastic 4334-014
360283	Sealant, silicone, Corian Bone

### GASKETS



365035, Gasket  
Access doorjamb



365013-01, Gasket  
screen door



365232, Gasket  
main door

381704	Seal, upper main door (goes over main seal around top of door)
365190	SEAL, RUBBER, ADHESIVE, 3/4" X 3/4", Refer
381665	Gasket, D seal, window frame to shell
380114	Gasket, vent pipe
0401-0002	Gasket, window frame to glass
365016	Tape, foam, double face, 1/2" wide
685510	Seam tape, exterior metal, black rubber
365013	TAPE CHARCOAL LOW DENSITY FOAM, bumper lid
365001	TAPE DOUBLE COATED FOAM
365232	SEAL BAGGAGE DOOR #2180 H2-400

# 2002 INTERNATIONAL TRAVEL TRAILER SEALER/GASKETS/PAINT

## Paint

360213*	Paint, aluminum metallic
360151*	Paint, gray metallic, Centari
360260*	Paint, Pewter
360200-01	Hardener, Centari

- Add (-100) to paint PN to order 16 oz. Spray can.

- 

360292	Stain, Saratoga Oak
--------	---------------------

## 2002 INTERNATIONAL TRAVEL TRAILER

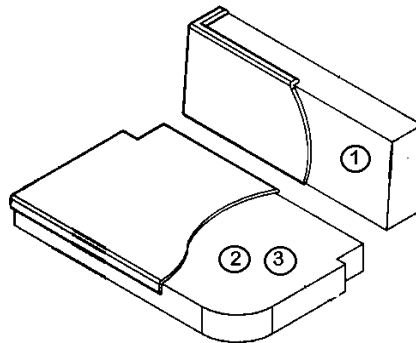
### UPHOLSTERY/FOAM/MATTRESS BEDROOM

701611	Pillow, 21" x 31", all models
702882-17	Pillow, sofa accent
703182	Mattress-52" X 76" W/10", radius corner, AS Model
703196	Bedsread, AS model
703190	Mattress, 48" x 78" w/double radius corner, CCD
703197	Bedsread, CCD Model

### DINETTE

965537	SEAT ASSY-LH DINETTE
203380	DINETTE BASE-LH ROTOCAST
965538	SEAT ASSY-RH DINETTE
203381	DINETTE BASE-RH ROTOCAST
702347-091	Dinette cushion, Kaleidoscope
702347-101	Dinette cushion, Amarillo
702549	MATT ENTRANCE W/AIRSTREAM LOGO

### Dinette Cushions



1. 703192-01	Cushion, dinette bottom, RH
2. 703192-02	Cushion, dinette bottom, LH
3. 703192-03	Cushion, dinette back, RH & LH



## 2002 INTERNATIONAL TRAVEL TRAILER

### VENTS/FANS

100341	Refrigerator, vent collar, roof, large
101394	Cover, refrigerator vent, roof, large
381042	MESH, galvanized for refer vent. .017 X 36"
690264-03	Vent pipe cover
380114	Gasket, vent pipe
380228	Wire, hardware cloth
381606-01	Vent, roof, 14" x 14", non-power, white
381606-02	Trim ring, interior, roof vent, white
381564	VENT W/WALL THERMOSTAT 2000TRS, AS, White
381564-03	VENT W/WALL THERMOSTAT 2000TRS, CCD, Gray
511017-11	Vent cover, exterior, range hood, gray
690266-01	Ventilator, power, bath
690266-02	Ventilator, power, bath, CSA
690266-03	EXTENSION GARNISH 4", power vent
690394	Power ventilator, refrigerator

## 2002 INTERNATIONAL TRAVEL TRAILER

### WOOD/LAMINATES/TRIM

#### PLYWOOD

800506-04	Plywood, 1/2" x 4' x 8'
800506-05	Plywood, 5/8" x 4' x 8'
800506-06	PLYWOOD, 3/4" X 4' X 8'

#### Cabinet formed RADIUS corners

801345	RADIUS PLYWOOD .75" X 3" X 8'
801346	RADIUS PLYWOOD .75" X 4" X 8'
801347	RADIUS PLYWOOD-.75"X 6"X 8'
801348	RADIUS PLYWOOD-.75" X 8" X 6'
801349	RADIUS PLYWOOD-.75"X 5"X 32"

#### PANELING

800507-01	Panel, lauan, 1/8 x 4' x 8'
800507-02	Panel, Lauan, 1/4" x 4' x 8', raw/raw
800507-03	Panel, Lauan, 3/8" x 4' x 8', raw/raw
800507-04	Panel, Lauan, 1/2" x 4' x 8', raw/raw
801283	PANEL 1/2" G2S, ANTIQ. BUFF/ANTIQ BUFF
801261	PANEL-.125" G1S ANTIQUITY BUFF

## 2002 INTERNATIONAL TRAVEL TRAILER

### WOOD/LAMINATES/TRIM

#### Formica

801355	Frosty White Formica used for interior panels.
801343	Tropical Oak Formica used for fronts of panels.
801344	Galaxy Graphite Formica used for toe kick faces
801357	Bluebell Formica used for interior panels.
801358	Raven Formica used for interior panels.
801359	Citrus Orange Formica used for interior panels.
365251-01	Tape, seam, Antiquity Buff, 1 1/8" wide
365251-02	Tape, seam, Antiquity Buff, 8" wide
365251-03	Tape, seam, Antiquity Buff, 12" wide
365268-01	Edge Banding, Tropical oak, .024" x 1 1/8"
365268-02	Edge Banding, Tropical oak, .024" x 1 5/8"
365273	Edge Banding, Galaxy Graphite, galley & table tops, .024" x 1 1/8"

#### Pre-laminated Panel, 4' x 8' sheet

Rexel is a smooth thin finish Formica used for interior of cabinets. It is a dull white not to be mistaken for Formica designated as White or Frosty white

801368	Panel, White/white
801369	Panel, Frosty white/white
801370	Panel, Bluebell/white
801371	Panel, Slatewood/white
801372	Panel, Raven/white
801373	Panel, Citrus orange/raw
801374	Panel, Frosty white/raw
801376	Panel, Tropical Oak/Rexel
801377	Panel, Graphite/Rexel
801378	Panel, Rexel/raw





