

***AIRSTREAM***

**2002**

**CLASSIC TRAILER**

Parts Book



# 2002 CLASSIC TRAILER TABLE OF CONTENTS

## SECTION I A through C

### APPLIANCE

<a href="#">Air Conditioner, Furnace, Microwave</a> .....	I-1
<a href="#">Range, Refrigerator</a> .....	I-2
<a href="#">Water Heater</a> .....	I-3

### BODY

<a href="#">Slide Room Mechanism</a> .....	I-4
<a href="#">End shell, aft</a> .....	I-6
<a href="#">End shell, front</a> .....	I-8
<a href="#">Roof</a> .....	I-10
<a href="#">Slide-out Room</a> .....	I-12
<a href="#">RS wall, 34ft</a> .....	I-16
<a href="#">CS wall, 34ft</a> .....	I-18
<a href="#">RS wall, 31 ND</a> .....	I-20
<a href="#">CS wall, 31 ND</a> .....	I-22
<a href="#">RS wall, 30ft</a> .....	I-24
<a href="#">CS wall, 30ft, 30ft S/O</a> .....	I-26
<a href="#">RS wall, 30ft, S/O</a> .....	I-28
<a href="#">RS wall, 28ft</a> .....	I-30
<a href="#">CS wall, 28ft</a> .....	I-32
<a href="#">RS wall, 25ft</a> .....	I-34
<a href="#">CS wall, 25ft</a> .....	I-36
<a href="#">Body interior</a> .....	I-38

### CHASSIS

<a href="#">A-frame</a> .....	I-40
<a href="#">Power jack</a> .....	I-42
<a href="#">Step</a> .....	I-45
<a href="#">Outrigger/underbelly</a> .....	I-47
<a href="#">Jacks/Below floor storage</a> .....	I-48
<a href="#">Axles/shocks/wheels</a> .....	I-49
<a href="#">Brakes, 12"</a> .....	I-50

2002 CLASSIC TRAILER  
TABLE OF CONTENTS  
SECTION II  
D through E

<a href="#">DECALS</a> .....	II-1
<a href="#">EXTERIOR TRIM</a> .....	II-3
DOORS/WINDOWS/AWNING	
<a href="#">Doors</a> .....	II-4
<a href="#">Windows</a> .....	II-6
<a href="#">Awning</a> .....	II-9
<a href="#">DRAPES/BLINDS/VALANCES</a> .....	II-10
ELECTRICAL	
<a href="#">110 volt</a> .....	II-14
<a href="#">12 volt</a> .....	II-15
<a href="#">Exterior lights &amp; reflectors</a> .....	II-17
ENTERTAINMENT	
<a href="#">Radio</a> .....	II-18
<a href="#">Antenna</a> .....	II-18

# 2002 CLASSIC TRAILER TABLE OF CONTENTS

## SECTION III- F through H

FASTENERS (common fasteners available locally are not listed)

[Rivets](#) ..... III-1

### FLOOR COVERING

[Carpet/Hardwood](#) ..... III-3

[Mats](#) ..... III-3

[FURNITURE Read Before ordering furniture](#).... III-4

[Interior doors](#)..... III-6

[Mirrors](#)..... III-7

[Miscellaneous interior doors](#) ..... III-8

[Drawer](#) ..... III-9

[Rear bedroom](#) ..... III-11

[Bath](#) ..... III-17

[Galley](#)..... III-24

[Lounge](#) ..... III-38

[Limited package, Nomar, Corian](#) ..... III-47

### HARDWARE

[Exterior locks/hinges](#)..... III-49

[Window hardware](#)..... III-53

[Interior drawer slides/hinges latches](#) ... III-55

[Bath accessories/table/drawer slide](#) .... III-60

[Awning hardware](#)..... III-64

2002 CLASSIC TRAILER  
TABLE OF CONTENTS  
SECTION IV  
L through Z

<a href="#">LABELS and TAGS</a> .....	IV-1
<a href="#">OPTIONS</a> .....	IV-2
PLUMBING	
<a href="#">LPG</a> .....	IV-3
<a href="#">Fresh water</a> .....	IV-4
<a href="#">Drain water</a> .....	IV-9
<a href="#">Toilet</a> .....	IV-14
<a href="#">SAFETY EQUIPMENT</a> .....	IV-16
<a href="#">SEALER/GASKETS/PAINT</a> .....	IV-17
<a href="#">UPHOLSTERY/FOAM/MATTRESS</a> .....	IV-18
<a href="#">SOFA-CHAIRS, FOAM</a> .....	IV-21
<a href="#">VENTS/FANS</a> .....	IV-22
<a href="#">WOOD/LAMINATES/TRIM</a> .....	IV-23

## 2002 CLASSIC TRAILER

### APPLIANCES

#### AIR CONDITIONER, DUO THERM

690323-32	Air conditioner, 13,500 BTU, Duo Therm w/heat pump
690323-37	Air conditioner, 15,000 BTU, Duo Therm w/heat pump
690323-31	Thermostat, Comfort Control Center
690380-03	Air box, polar white
385582-01	Decal, Airstream w/bar
690323-100	Shroud, exterior, Penquin air conditioner
961270	Pan assembly, air conditioner drain

#### FURNACE, HYDROFLAME

690274-04	Furnace, Hydro-flame, #8525-IV, 25,000, 25ft.
690274-01	Furnace, Hydro-flame, #8531-IV, 31,000, 28ft.
690274	Furnace, Hydro-flame, #8535IV, 34,000 BTU 30, 31ft & 34ft.
690274-09	Door exterior, Hydroflame
601244-03	Register. Rotaire, black
600526	Flange, 4"
600247	4" duct hose, flexible
690274-102	Module board, furnace
511228	Thermostat, off white
600193	2" duct, flexible hose
690341	Adapter, 4-2 Furnace reducer

#### MICROWAVE

690345-01	Microwave, convection, Sharp
690345-03	Trim ring, convection microwave
690407-01	Microwave oven, Dometic, DMW 10B
690407-02	Trim kit, Dometic microwave
690345-04	Microwave, convection, Sharp, CSA
690345-05	Trim ring, Microwave, convection, Sharp, CSA

## 2002 CLASSIC TRAILER

### APPLIANCES

#### RANGE

690396-06	Range top, 3 burner
690396-05	Range, 3-burner w/oven, option
690396-03	Range cover, bi-fold
964383-01	Range covers, Corian, set
964383-02	Range covers, Corian, set, 34' S/O, 31 S/O
114876	Trim ring, range recess

#### DOMETIC REFRIGERATOR

690369	Refrigerator, RM3662, 2-way, 25ft.
690370-02	Refrigerator, RM3862L, 2-way, 34 SO, 31, 30, 28ft
690370-01	Refrigerator, RM3862R, 2-way, 34ft.
801225-014	Oak refrigerator door insert 15.5"x20.38"
801225-024	Oak refrigerator door insert 32.25" x 20.38"
801225-034	Oak refrigerator door insert 38.38" x 20.38"
104439	Louvered panel, exterior access door
101394	Cover, refrigerator roof vent, large
100341	Vent collar w/screen, refrigerator, large
690415	Kit, meat/dairy/w/ice trays

#### FIRE PLACE

690428-01	FIREPLACE ELECTRIC 120-VOLT S/O
690428-02	POLISHED BRASS TRIM-FIREPLACE

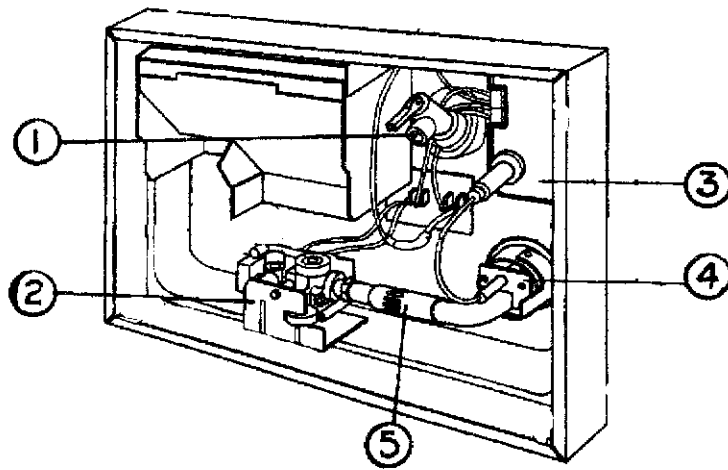


# 2002 CLASSIC TRAILER

## APPLIANCES

### ATWOOD WATER HEATER, GC6AA-9E

- 690405 Water heater, Atwood, elec. ignition, 110 volt/gas
- 500933 Switch, water heater, electronic
- 690209 Access cover, brushed aluminum
- 381648 Cover, latch hole water heater
- 385998 Decal, water heater
- 510514 Switch, 110v, 3-way, priority (water heater/micro-wave) CSA only



Front of water heater

- 1) 091604 Relief valve, pressure/temperature
- 2) 093870 Solenoid valve
- 3) 093865 Circuit board
- 4) 093868 Spark probe
- 5) 092615 Main burner

#### Back of water heater

- 091160 Heating element, 110 volt
- 091873 ECO thermostat
- 091092 On/off switch, 110 Volt

# 2002 CLASSIC TRAILER

## SLIDE OUT ROOM MECHANISM 34'-30'

Airstream P/N            34'-400933                            30'-400947

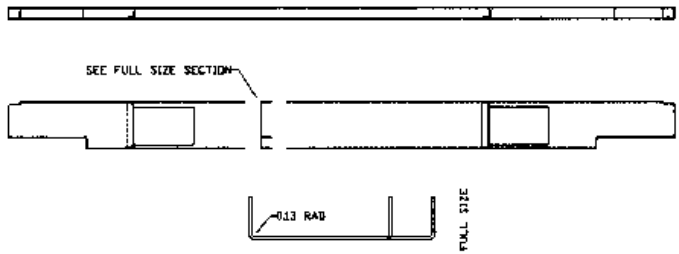
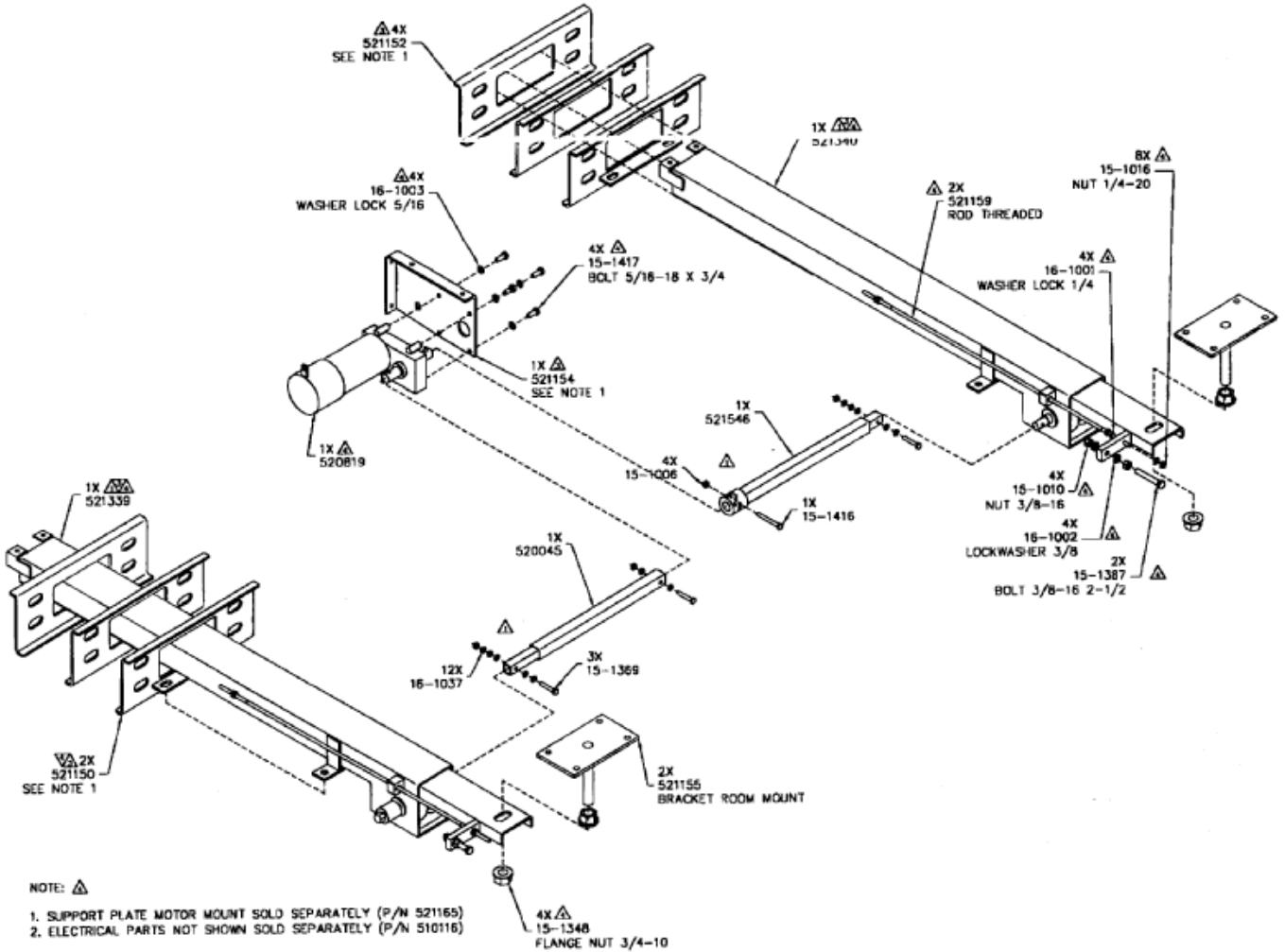
Power Gear            34'-520976                            30'-511174

Drive shaft assembly lengths are only difference between systems.

34' Power Gear P/N                    521546    520045

30' Power Gear P/N                    521809    521815

Order all parts from Power Gear 1-800-334-4712

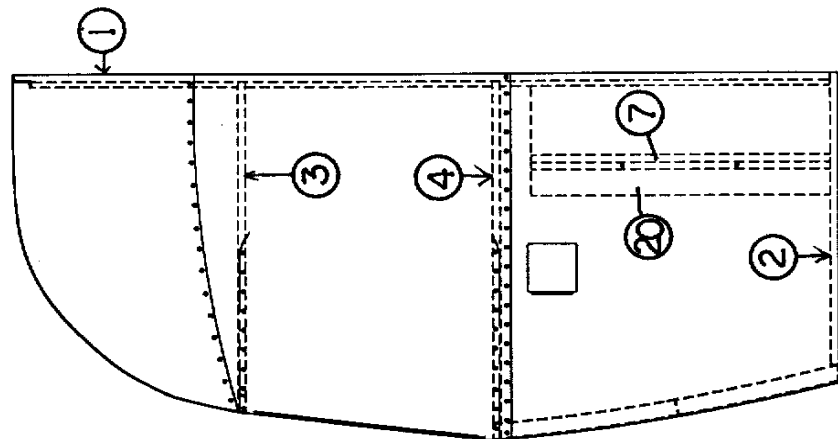
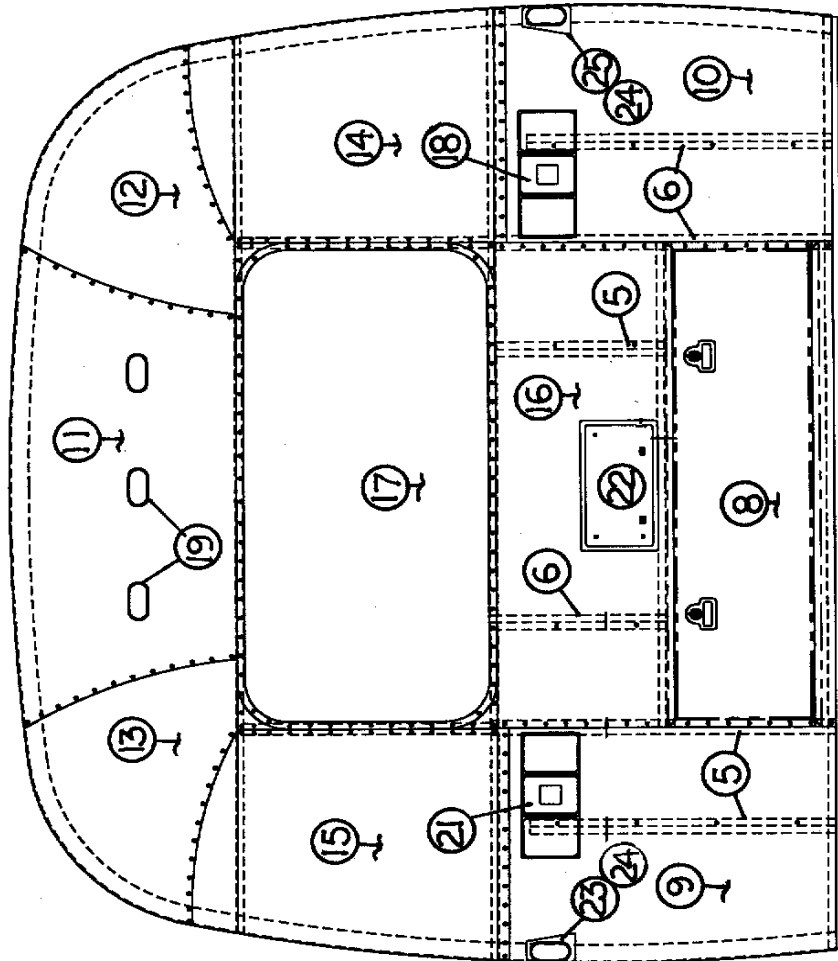


Close out Slide out Mechanism  
 915547-34' Slide out Trailer  
 915610 30' Slide out trailer

# 2002 CLASSIC TRAILER

## NOTES

# 2002 CLASSIC TRAILER



See next page for P/N

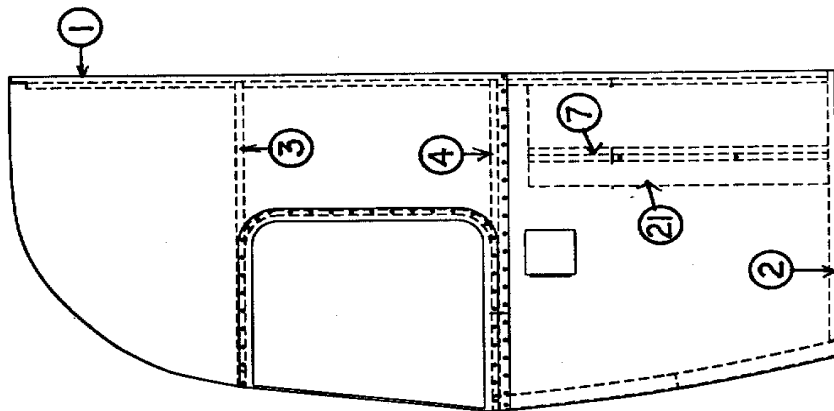
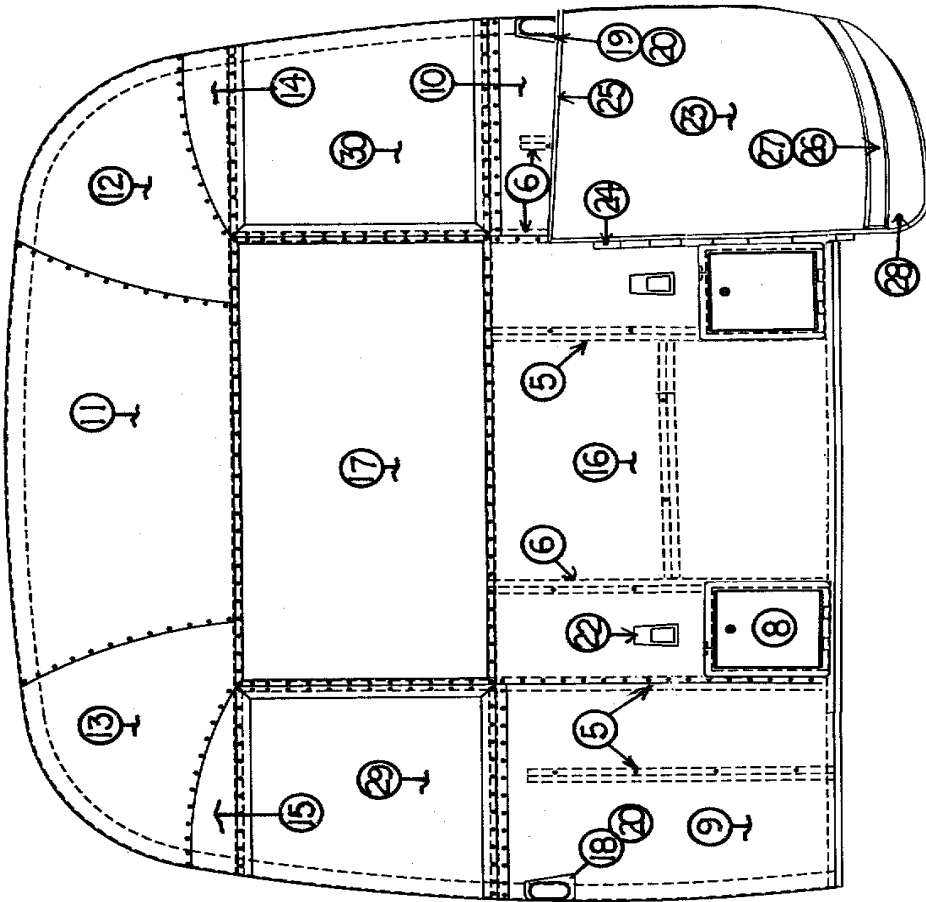
## 2002 CLASSIC TRAILER

### BODY-AFT END

921161-10	End shell complete, rear, w/trunk door
921161-09	End shell complete, rear, 25ft.
1) 114993	End bow
2) 114676	Floor bow
3) 114678	Upper window bow
4) 114677	Lower window bow
5) 114505-01	Support, lower end, LH
6) 114505-02	Support, lower end, RH
7) 101315	Brace, vertical rear
8) 921159-01	Trunk door assembly (some models)
9) 114895	Segment #29
10) 114894	Segment #28
11) 114893	Segment #25
12) 114890	Segment #26
13) 114891	Segment #27
14) 114889	Segment, center right
15) 114888	Segment, center left
16) NPN Alum. Sheet, .060 x 19.0" x 51.0"	(cut from 114880)
17) 371348-02	Window, rear escape
18) 962169-02	Taillight complete, CS
19) 510511	Clearance light, red
20) NPN Alum. Sheet, .040 x 12.0" x 29.0"	(cut from 114880)
21) 962169-01	Taillight complete, RS
22) 201954	License plate housing, black
23) 101178	Base, clearance light, casting, RS rear
24) 510111	Clearance light, red
25) 101177	Base, clearance light casting, CS rear

# 2002 CLASSIC TRAILER

VIEWED FACING FROM EXTERIOR



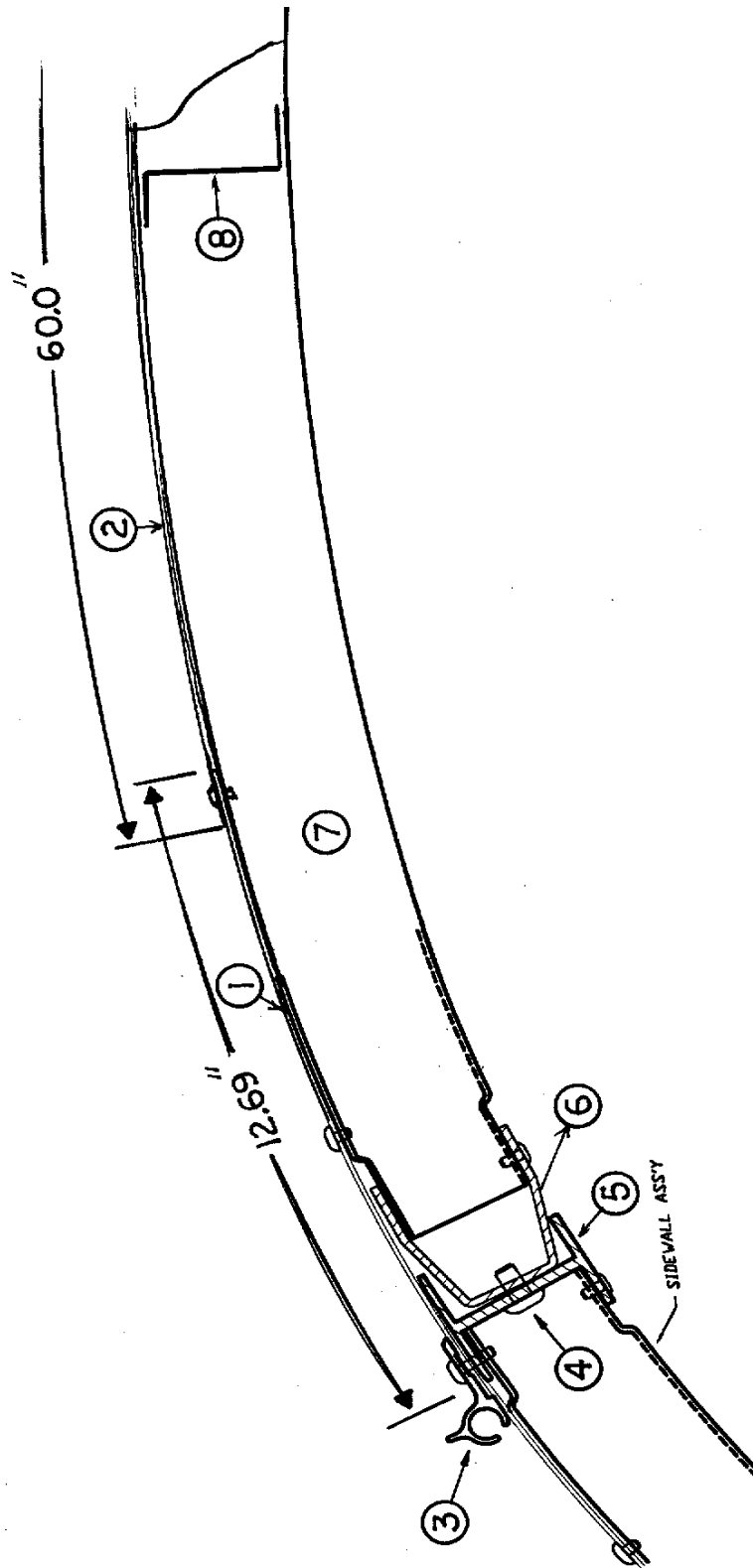
See next page for P/N

## 2002 CLASSIC TRAILER

### BODY-FRONT END

- 921162-12 End shell complete(Wrap Window)
- 921162-11 End shell complete, trailer w/slide out (not shown)
- 1) 114993 End bow
- 2) 114676 Floor bow
- 3) 114678 Upper window bow
- 4) 114677 Lower window bow
- 5) 114505-01 Support, lower end, LH
- 6) 114505-02 Support, lower end, RH
- 7) 101315 Brace, vertical rear
- 8) 109852-01 Battery box assembly
- 9) 114895 Segment #29
- 10) 114894 Segment #28
- 11) 114893 Segment #25
- 12) 114890 Segment #26
- 13) 114891 Segment #27
- 14) 114889 Segment, center right
- 15) 114888 Segment, center left
- 16) NPN Alum. sheet, .060" x 34.75" x 51" (cut from 114880)
- 17) 371346-02 Window, front, dark glass
- 17a) 371348-01 Window, front, dark glass, Front Kitchen
- 18) 101178 Base, lamp, cast polished, RS
- 19) 101177 Base, lamp, cast polished, CS
- 20) 510112 Clearance light, amber
- 21) NPN Alum. sheet, .040 x 12" x 29" (cut from 114880)
- 22) 510732 Utility light #1327
- 23) 685276-100 Wrap protector, SS, specify side
- 24) 381605-01 Hinge, stainless, wrap protector
- 25) 100742-01 Extrusion, mirror/wrap protector trim
- 26) 114460 Extrusion, rub rail
- 27) 201763-01 Insert, rub rail
- 28) 200542 Underbelly wrap, RS wrap protector
- 28a) 200543 Underbelly wrap, CS wrap protector
- 29) 372089-101 Panoramic window, CS front
- 30) 372088-101 Panoramic window, RS front

# 2002 CLASSIC TRAILER



See next page for P/N



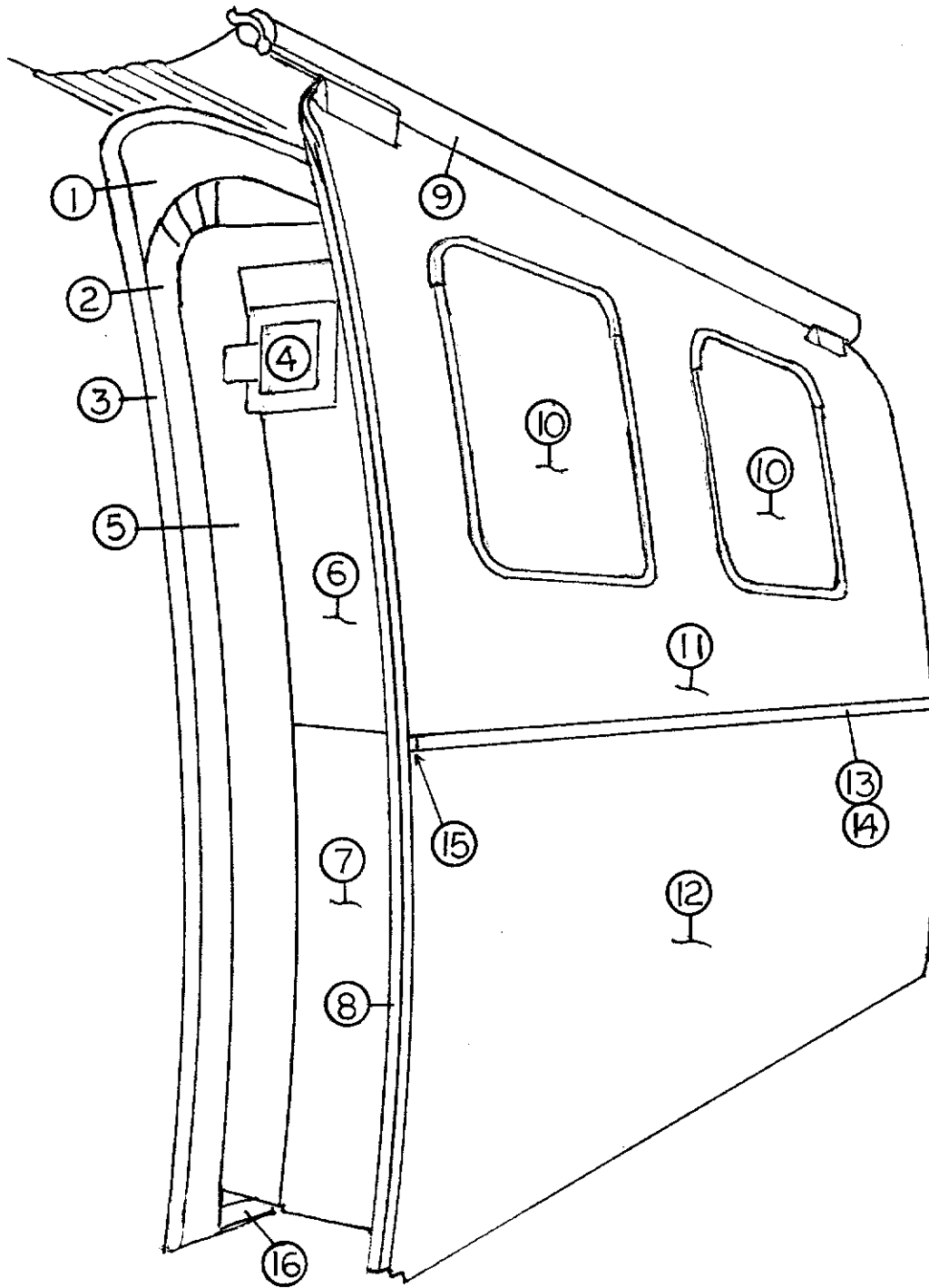
## 2002 CLASSIC TRAILER

### BODY

#### ROOF-END VIEW

- |                |  |
|----------------|--|
| 1) 114669-307  | Alum. Sheet, white, .032" x 12.69" x 307"            |
| 2) 114489-307  | Alum. sheet, white, .032 x 60.0 x 307", 34ft         |
| 2a) 114489-262 | Alum. sheet, white, .032 x 60 x 262", 28, 30 & 31ft. |
| 2b) 114489-198 | Alum. sheet, white, .032 x 60 x 198", 25ft.          |
| 3) 114290-03   | Extrusion, awning/drip rail                          |
| 4) 340123-02   | Rivet, Huck, 3/16 x 1/2"                             |
| 5) 104707-05   | Extrusion, "I" beam                                  |
| 6) 114987-03   | Extrusion, roof corner, 34ft.                        |
| 6a) 114987-02  | Extrusion, roof corner, 28, 30, & 31ft.              |
| 6b) 114987-01  | Extrusion, roof corner, 25ft.                        |
| 7) 114668      | Roof bow   |
| 8) 104408      | Extrusion, Z bar, horizontal                         |

# 2002 CLASSIC TRAILER



## 2002 CLASSIC TRAILER

### SLIDE OUT ROOM 34' S/O

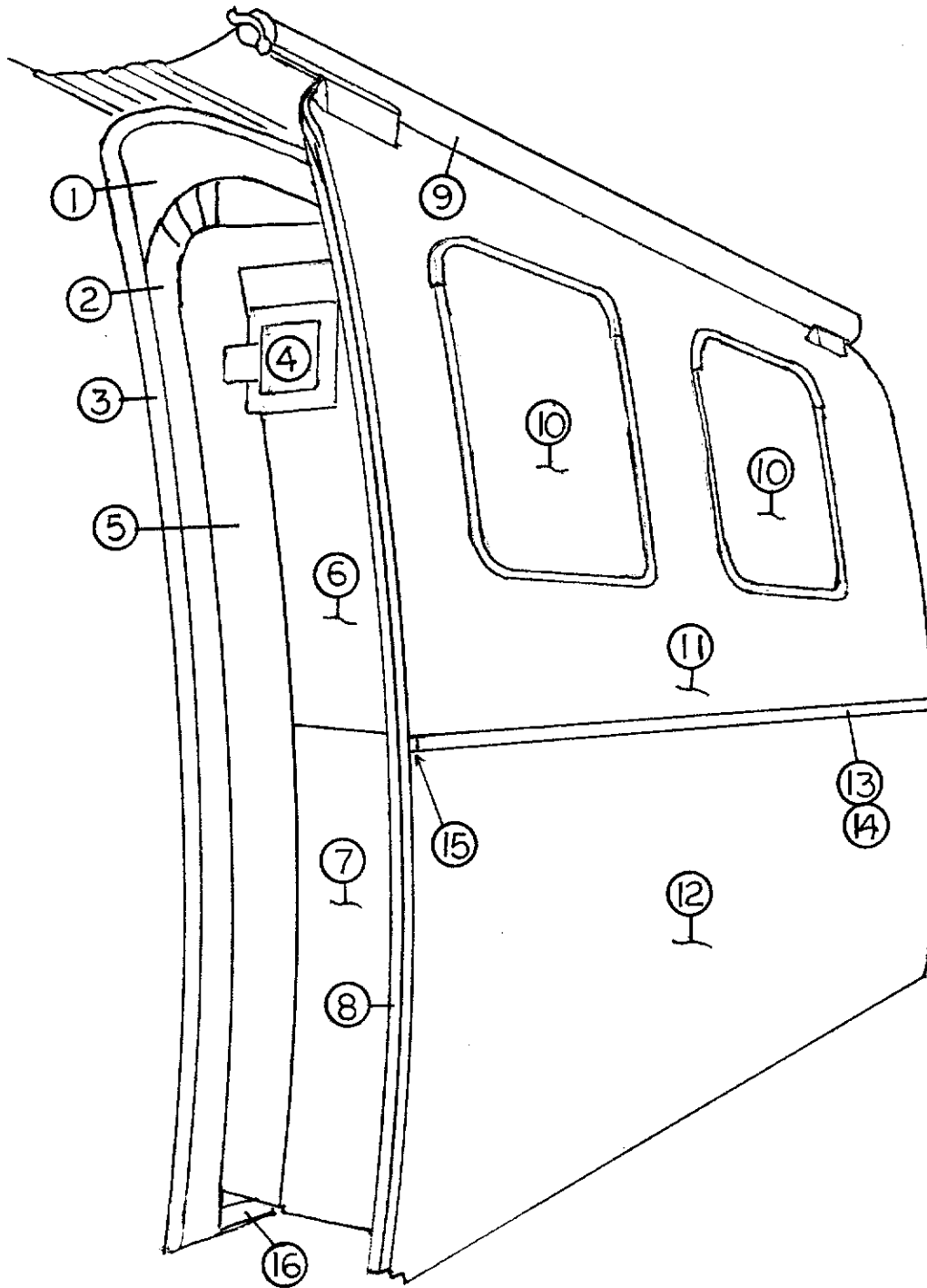
- |               |   |
|---------------|---|
| 1) 964751     | Jamb assembly, fiberglass                           |
| 2) 381669-01  | Gasket, wiper seal assembly (corner pre-formed)     |
| 3) 114974-01  | Trim, exterior jamb, slide out room, RH             |
| 3a) 114974-02 | Trim, exterior jamb, slide out room, LH             |
| 3b) 114930    | Trim, exterior jamb, S/R room, top center           |
| 4) 952648-01  | Travel lock, forward                                |
| 4a) 952648-02 | Travel lock, aft                                    |
| 5) 964752     | Room insert, fiberglass                             |
| 6) 114990-01  | End skin, forward                                   |
| 7) 114990-02  | End skin, aft                                       |
| 8) 381663     | Gasket, seal, room to exterior and room to interior |
| 9) 702949-05  | Cover, roll out awning                              |
| 9a) 702949-01 | Mounting hardware, S/O room roll out cover          |
| 10) 371380    | Window, 30" opening                                 |
| 11) 114934-02 | Outer skin, formed, upper slide out                 |
| 12) 114933-02 | Outer skin, formed, lower slide out                 |
| 13) 114328    | Extrusion, belt line trim                           |
| 14) 201912    | Molding, chrome, belt line insert                   |
| 15) 114417    | Casting, closeout, belt line end                    |
| 16) 381587    | Gasket, floor wiper                                 |

#### Not shown

- |            |   |
|------------|---|
| 203024     | Roof material, fiberglass, white, 106" wide |
| 203243     | Guide blocks, nylon                         |
| 965155     | Spacer block w/ magnet                      |
| 381728     | Rubber wiper seal, 2.5" wide                |
| 801298     | Facia board, upper                          |
| 371379     | 30' opening window, tall glass only         |
| 372215     | Screen, 30" opening, tall                   |
| 114939-01  | Rib, slide out insert, R.H.                 |
| 114938-02  | Rib, slide out insert, L.H.                 |
| 801305-00Z | Spacer block, slide out                     |
| 381753     | Cove molding, 1.98" wide                    |
| 381705     | ROLLER BLOCK ASSY.                          |
| 115029     | COVER BOTTOM-S/O MOTOR                      |

# 2002 CLASSIC TRAILER

SLIDE-OUT ROOM 30 FT

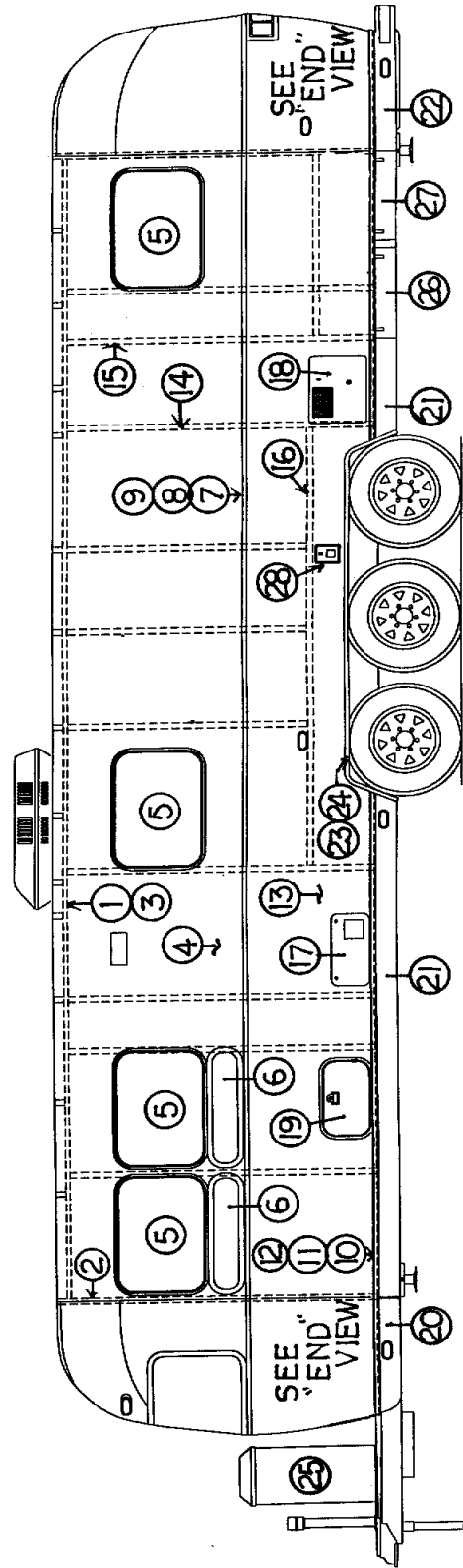


## 2002 CLASSIC TRAILER

### SLIDE OUT ROOM 30' S/O

1) 965248	S/O JAMB-FIBERGLASS
2) 381669-02	WIPER SEAL ASSY
3) 114974-01	RING-TRIM EXTERIOR S/O RH
3a) 114974-02	RING-TRIM EXTERIOR S/O LH
3b) 114930	EXTRUSION- "L" SECTION
4a) 381748	TRAVEL LOCK, MANUAL, (NOT SHOWN)
4b) 915638	BRACKET-TRAVEL LOCK, (NOT SHOWN)
5) 965247	ROOM SHELL-FIBERGLASS
6) 114990-09	END SKIN-FWD FORMED
7) 114990-10	END SKIN-AFT FORMED
8) 381663	Gasket, seal, room to exterior and room to
9) 703122-02	Cover, roll out awning
9A) 702949-01	Mounting hardware, cover awning
10) 371379	Window, 30" opening
11) 115025-02	OUTER S/O UPPER SKIN ASSY
12) 115024-02	OUTER S/O SKIN LOWER ASSY
12) 114933-02	Outer skin, formed, lower slide out
13) 114328	Extrusion, belt line trim
14) 201912	Molding, chrome, belt line insert
15) 114417	Casting, closeout, belt line end
16) 381587	Gasket, floor wiper
Not shown	
965155	Spacer block w/ magnet
381728	Rubber wiper seal, 2.5" wide
114939-01	Rib, slide out insert, R.H.
114938-02	Rib, slide out insert, L.H.
115000	EXTR. -ROCKER PANEL ALUM.
115001	ANGLE-ROCKER MOUNTING
114977	ANGLE-GREY FORMED FLOOR EDGE
915621	MOUNTING PLATE, SLIDE-OUT ARM
114941	CLOSEOUT-UNDER FLOOR CENTER S/O
801304	SHIM-SLIDE OUT ROLLER
381705	ROLLER BLOCK ASSY.
203226-01	DRAIN PLASTIC RH
203226-02	DRAIN PLASTIC LH
203243	GUIDE BLOCKS NYLON

# 2002 CLASSIC TRAILER



See next page for P/N

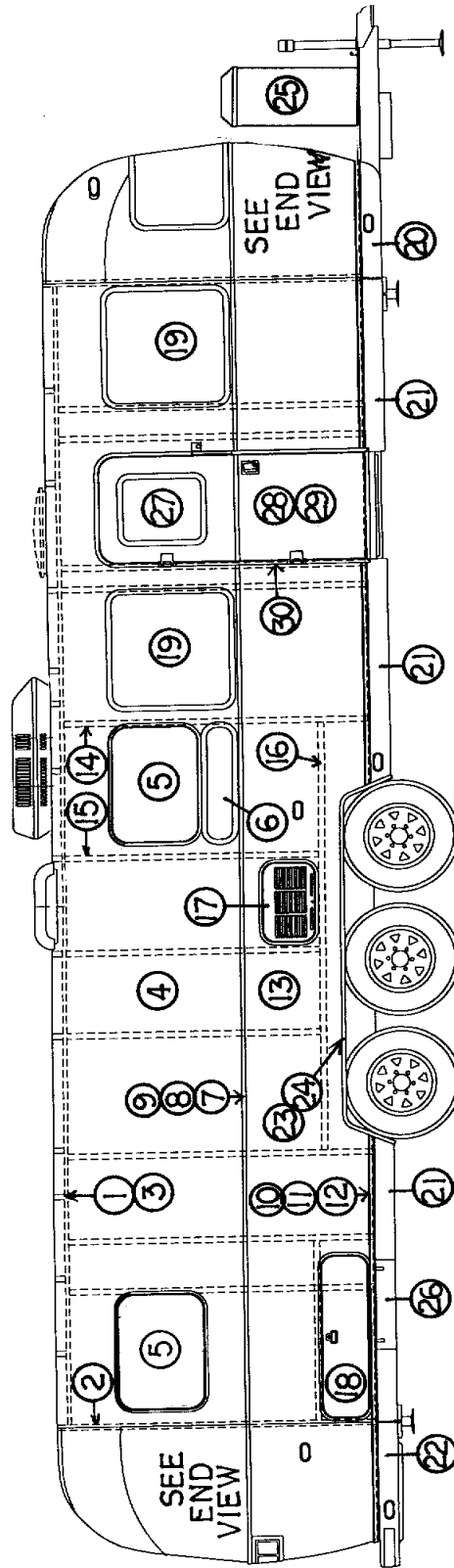
## 2002 CLASSIC TRAILER

### BODY-34FT, RS

(Hardware such as hinges, locks and latches are located in the **hardware** section of this book)

- |                |  |
|----------------|--|
| 1) 114290-03   | Extrusion, awning/drip rail            |
| 2) 114993      | Rib, end bow                           |
| 3) 104707      | Extrusion, "I" beam                    |
| 4) 114880-307  | Alum. sheet, upper, .040" x 51" x307"  |
| 5) 371324-02   | Window,30in. opening                   |
| 6) 371270-01   | Window,30in.,stack,stationary          |
| 7) 114328      | Extrusion, belt line                   |
| 8) 201912      | Molding, chrome, belt line             |
| 9) 100034      | "Z" bar, 48"                           |
| 10) 114460     | Extrusion, rub rail                    |
| 11) 201763-01  | Insert, rub rail,chrome,1"             |
| 12) 100986     | Floor channel                          |
| 13) 114879-307 | Alum. sheet, lower, .040" x 33" x 307" |
| 14) 114387-01  | Bow, Z rib, RH                         |
| 15) 114387-02  | Bow, Z rib, LH                         |
| 16) 100986     | Wheel well stiffener (floor channel)   |
| 17) 690274-09  | Cover, Hydro-flame furnace             |
| 18) 690209     | Cover, brushed aluminum, Atwood        |
| 19) 100679     | Access door w/jamb                     |
| 20) 200542     | Banana wrap, RS front                  |
| 21) 101131-01  | Underbelly wrap,.024" x 22.5", Pewter  |
| 22) 201974-01  | Bumper, rear corner, RS                |
| 23) 685257     | Wheel well trim, inner, tri-axle       |
| 24) 685258     | Wheel well trim, outer, tri-axle       |
| 25) 108393     | Bottle cover, LP, w/out decal          |
| 26) 114496-02  | Door, utility compartment              |
| 27) 114496-01  | Door, power cord compartment           |
| 28) 601194     | Water fill w/lock                      |

# 2002 CLASSIC TRAILER



See next page for P/N



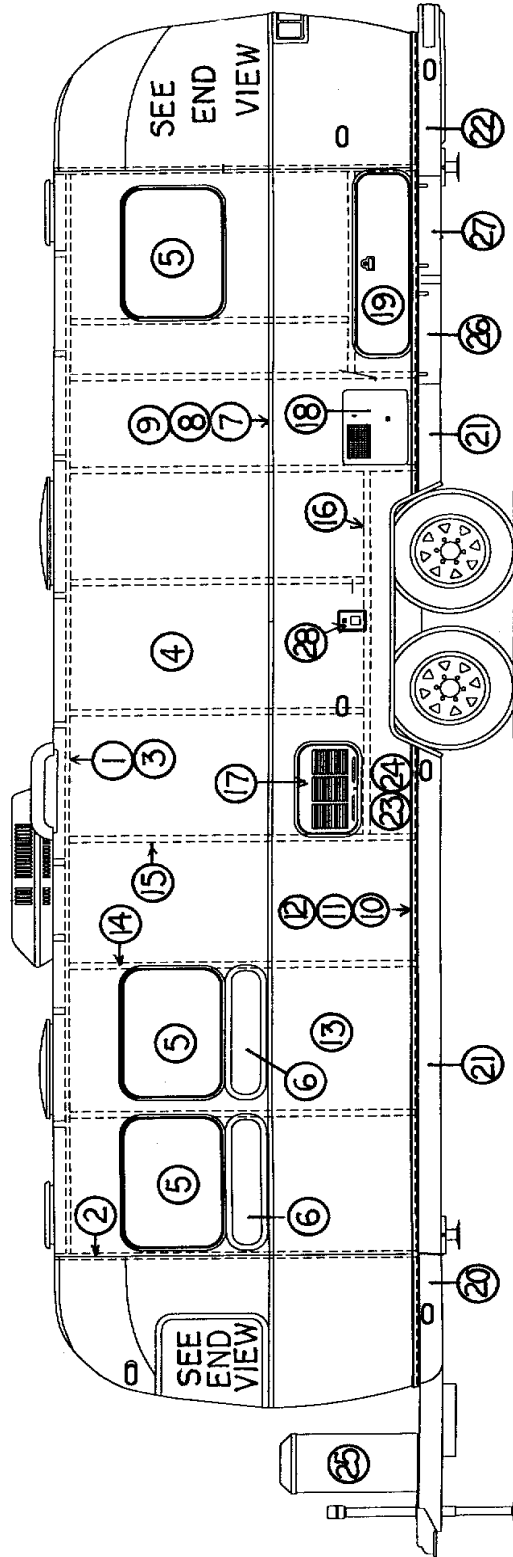
# 2002 CLASSIC TRAILER

## BODY-34FT CS

(Hardware such as hinges, locks and latches are located in the **hardware** section of this book)

1)114290-03	Extrusion, awning/drip rail
2)114993	Rib, end bow
3)104707	Extrusion, "I" beam
4)114880-307	Alum. sheet, upper, .040" x 51" x 307"
5)371324-02	Window, 30in. opening
6)371270-01	Window, 30in., stack, stationary
7)114328	Extrusion, belt line
8)201912	Molding, chrome, belt line
9)100034	"Z" bar, 48"
10)114460	Extrusion, rub rail
11)201763-01	Insert, rub rail, chrome, 1"
12)100986	Floor channel
13)114879-307	Alum. sheet, lower, .040" x 33" x 307"
14)114387-01	Bow, Z rib, RH
15)114387-02	Bow, Z rib, LH
16)100986	Wheel well stiffener (floor channel)
17)104439	Louvered panel, refrigerator access door
18)922288-01	Door, side access, long, twin only
19)371285-01	Window, stationary, 30in.
20)200543	Banana wrap, CS front
21)101131-01	Underbelly wrap, .024" x 22.5", Pewter
22)201974-02	Bumper, rear corner, CS
23)685257	Wheel well trim, inner, tri-axle
24)685258	Wheel well trim, outer, tri-axle
25)108393	Bottle cover, LP, w/out decal
26)114496-02	Door, utility compartment
27)371319-05	Window, main door
28)110067-04	Main door assembly, Limited
29)114654	Screen door assembly
30)114652	Main door jamb, formed

# 2002 CLASSIC TRAILER



See next page for P/N

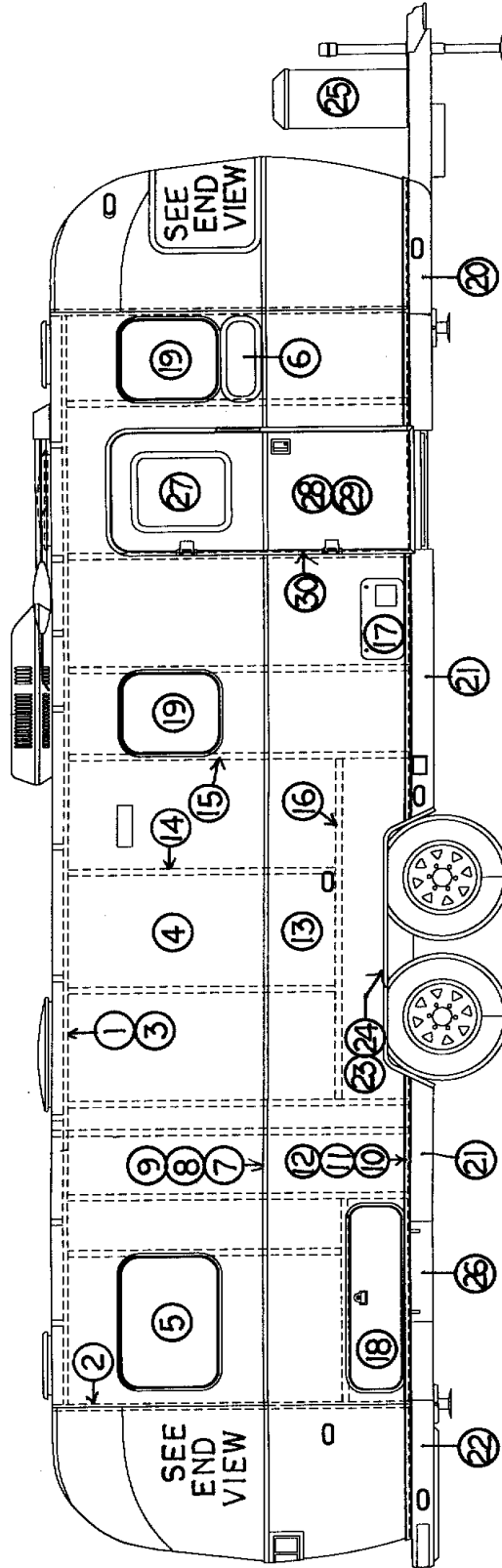
# 2002 CLASSIC TRAILER

## BODY-31FT, RS

(Hardware such as hinges, locks and latches are located in the **hardware** section of this book)

- |                |  |
|----------------|--|
| 1) 114290-03   | Extrusion, awning/drip rail              |
| 2) 114993      | Rib, end bow                             |
| 3) 104707      | Extrusion, "I" beam                      |
| 4) 114880-262  | Alum. sheet, upper, .040" x 51" x 262"   |
| 5) 371324-02   | Window, 30in. opening                    |
| 6) 371270-01   | Window, 30in., stack, stationary         |
| 7) 114328      | Extrusion, belt line                     |
| 8) 201912      | Molding, chrome, belt line               |
| 9) 100034      | "Z" bar, 48"                             |
| 10) 114460     | Extrusion, rub rail                      |
| 11) 201763-01  | Insert, rub rail, chrome, 1"             |
| 12) 100986     | Floor channel                            |
| 13) 114879-262 | Alum. sheet, lower, .040" x 33" x 262"   |
| 14) 114387-01  | Bow, Z rib, RH                           |
| 15) 114387-02  | Bow, Z rib, LH                           |
| 16) 100986     | Wheel well stiffener(floor channel)      |
| 17) 104439     | Louvered panel, refrigerator access door |
| 18) 690209     | Cover, brushed aluminum, Atwood          |
| 19) 922288-01  | Door, side access, long, twin only       |
| 20) 200542     | Banana wrap, RS front                    |
| 21) 101131-01  | Underbelly wrap, .024 "x 22.5", Pewter   |
| 22) 201974-01  | Bumper, rear corner, RS                  |
| 23) 684936     | Wheel well trim, outer, tandem axle      |
| 24) 684937     | Wheel well trim, inner, tandem axle      |
| 25) 108393     | Bottle cover, LP, w/o decals             |
| 26) 114496-02  | Door, utility compartment                |
| 27) 114496-01  | Door, power cord compartment             |
| 28) 601194     | Water fill w/lock                        |

# 2002 CLASSIC TRAILER



See next page for P/N

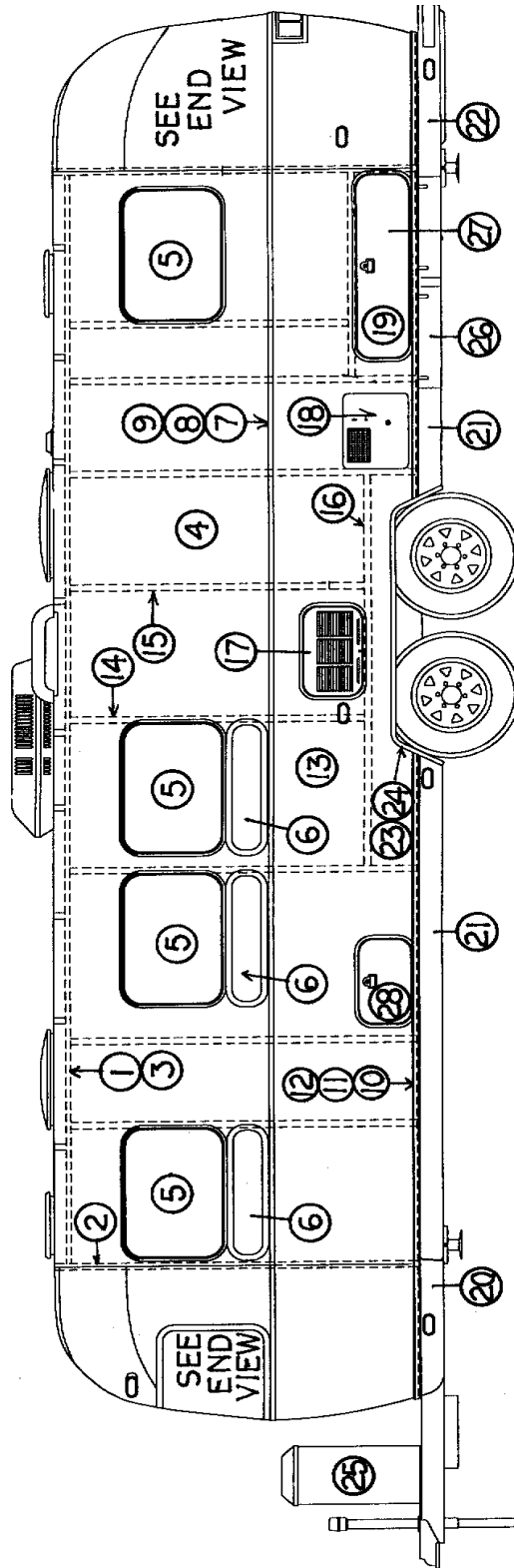
## 2002 CLASSIC TRAILER

### BODY-31FT, CS

(Hardware such as hinges, locks and latches are located in the **hardware** section of this book)

- |                |  |
|----------------|--|
| 1) 114290-03   | Extrusion, awning/drip rail            |
| 2) 114993      | Rib, end bow                           |
| 3) 104707      | Extrusion, "I" beam                    |
| 4) 114880-262  | Alum. sheet, upper, .040" x 51" x 262" |
| 5) 371324-02   | Window, 30in. opening                  |
| 6) 371269-01   | Window, 18in., stack, stationary       |
| 7) 114328      | Extrusion, belt line                   |
| 8) 201912      | Molding, chrome, belt line             |
| 9) 100034      | "Z" bar, 48"                           |
| 10) 114460     | Extrusion, rub rail                    |
| 11) 201763-01  | Insert, rub rail, chrome, 1"           |
| 12) 100986     | Floor channel                          |
| 13) 114879-262 | Alum. sheet, lower, .040" x 33" x 262" |
| 14) 114387-01  | Bow, Z rib, RH                         |
| 15) 114387-02  | Bow, Z rib, LH                         |
| 16) 100986     | Wheel well stiffener(floor channel)    |
| 17) 690274-09  | Cover Hydroflame furnace               |
| 18) 922288-01  | Door, side access, long, twin only     |
| 19) 371323     | Window, 18in. opening                  |
| 20) 200543     | Banana wrap, CS front                  |
| 21) 101131-01  | Underbelly wrap, .024".x 22.5", Pewter |
| 22) 201974-02  | Bumper, rear corner, CS                |
| 23) 684936     | Wheel well trim, inner, tandem         |
| 24) 684937     | Wheel well trim, outer, tandem         |
| 25) 108393     | Bottle cover, LP, w/o decal            |
| 26) 114496-02  | Door, utility compartment              |
| 27) 371319-05  | Window, main door                      |
| 28) 110067-04  | Main door assembly, Limited            |
| 29) 114654     | Screen door assembly                   |
| 30) 114652     | Main door jamb, formed                 |

# 2002 CLASSIC TRAILER



See next page for P/N

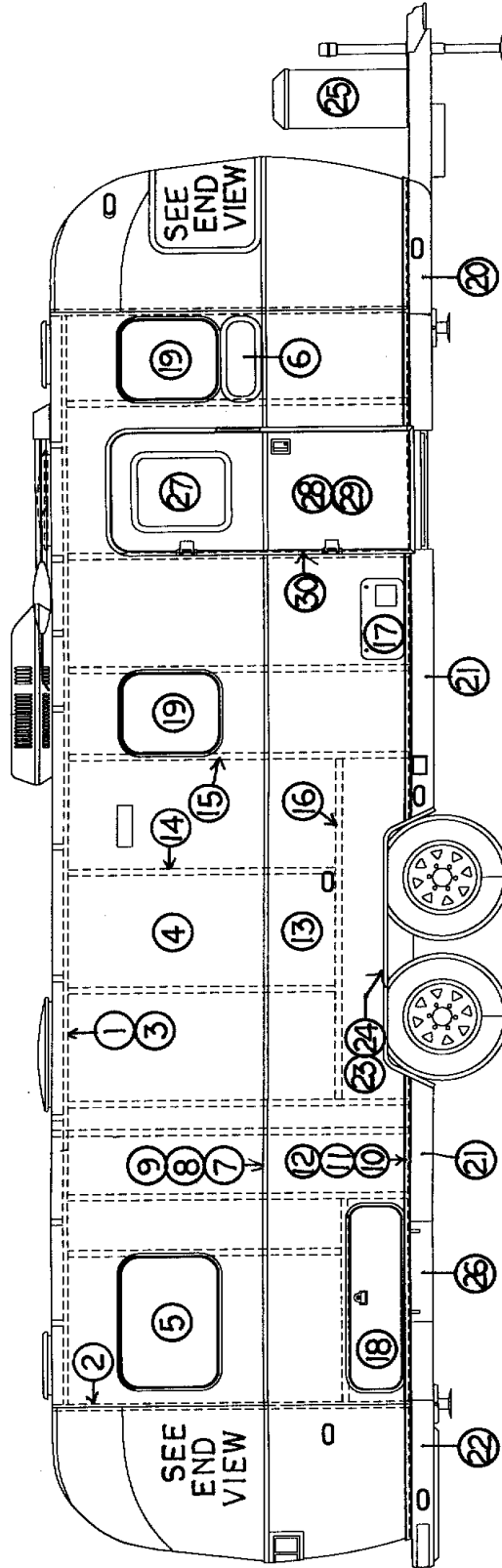
# 2002 CLASSIC TRAILER

## BODY-30FT, RS

(Hardware such as hinges, locks and latches are located in the **hardware** section of this book)

- |                |  |
|----------------|--|
| 1) 114290-03   | Extrusion, awning/drip rail              |
| 2) 114993      | Rib, end bow                             |
| 3) 104707      | Extrusion, "I" beam                      |
| 4) 114880-262  | Alum, sheet, upper, .040" x 51" x 262"   |
| 5) 371324-02   | Window, 30in. opening                    |
| 6) 371270-01   | Window, 30in., stack, stationary         |
| 7) 114328      | Extrusion, belt line                     |
| 8) 201912      | Molding, chrome, belt line               |
| 9) 100034      | "Z" bar, 48"                             |
| 10) 114460     | Extrusion, rub rail                      |
| 11) 201763-01  | Insert, rub rail, chrome, 1"             |
| 12) 100986     | Floor channel                            |
| 13) 114879-262 | Alum, sheet, lower, .040" x 33" x 262"   |
| 14) 114387-01  | Bow, Z rib, RH                           |
| 15) 114387-02  | Bow, Z rib, LH                           |
| 16) 100986     | Wheel well stiffener(floor channel)      |
| 17) 104439     | Louvered panel, refrigerator access door |
| 18) 690209     | Cover, brushed aluminum, Atwood          |
| 19) 922288-01  | Door, side access, long, twin only       |
| 20) 200542     | Banana wrap, RS front                    |
| 21) 101131-01  | Underbelly wrap, .024" x 22.5", Pewter   |
| 22) 201974-01  | Bumper, rear corner, RS                  |
| 23) 684936     | Wheel well trim, outer, tandem axle      |
| 24) 684937     | Wheel well trim, inner, tandem axle      |
| 25) 108393     | Bottle cover, LP, w/o decals             |
| 26) 114496-02  | Door, utility compartment                |
| 27) 114496-01  | Door, power cord compartment             |
| 28) 100679-01  | Access door w/jamb                       |

# 2002 CLASSIC TRAILER



See next page for P/N



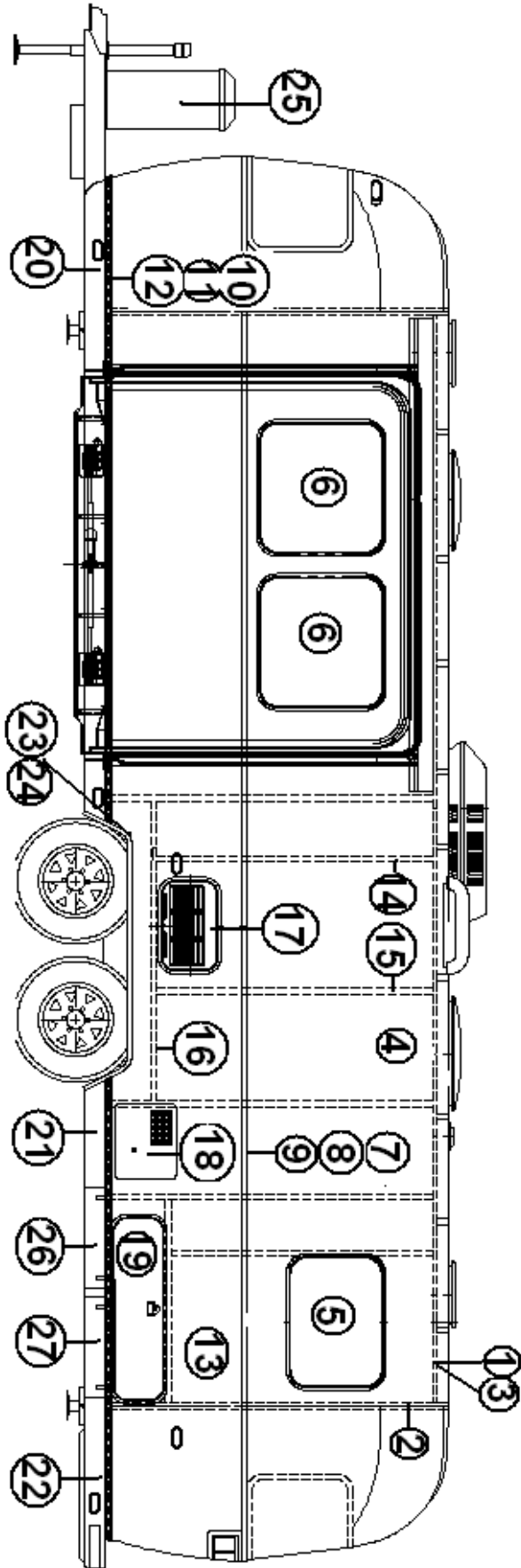
## 2002 CLASSIC TRAILER

### BODY-30FT, 30FT S/O, CS

(Hardware such as hinges, locks and latches are located in the **hardware** section of this book)

1)114290-03	Extrusion, awning/drip rail
2)114993	Rib, end bow
3)104707	Extrusion, "I" beam
4)114880-262	Alum. sheet, upper, .040" x 51" x 262"
5)371324-02	Window, 30in. opening
6)371269-01	Window, 18in., stack, stationary
7)114328	Extrusion, belt line
8)201912	Molding, chrome, belt line
9)100034	"Z" bar, 48"
10)114460	Extrusion, rub rail
11)201763-01	Insert, rub rail, chrome, 1"
12)100986	Floor channel
13)114879-262	Alum. sheet, lower, .040" x 33" x 262"
14)114387-01	Bow, Z rib, RH
15)114387-02	Bow, Z rib, LH
16)100986	Wheel well stiffener (floor channel)
17)690274-09	Cover Hydroflame furnace
18)922288-01	Door, side access, long, twin only
19)371323	Window, 18in. opening
20)200543	Banana wrap, CS front
21)101131-01	Underbelly wrap, .024" x 22.5", Pewter
22)201974-02	Bumper, rear corner, CS
23)684936	Wheel well trim, outer, tandem
24)684937	Wheel well trim, inner, tandem
25)108393	Bottle cover, LP, w/o decal
26)114496-02	Door, utility compartment
27)371319-05	Window, main door
28)110067-04	Main door assembly, Limited
29)114654	Screen door assembly
30)114652	Main door jamb, formed

# 2002 CLASSIC TRAILER



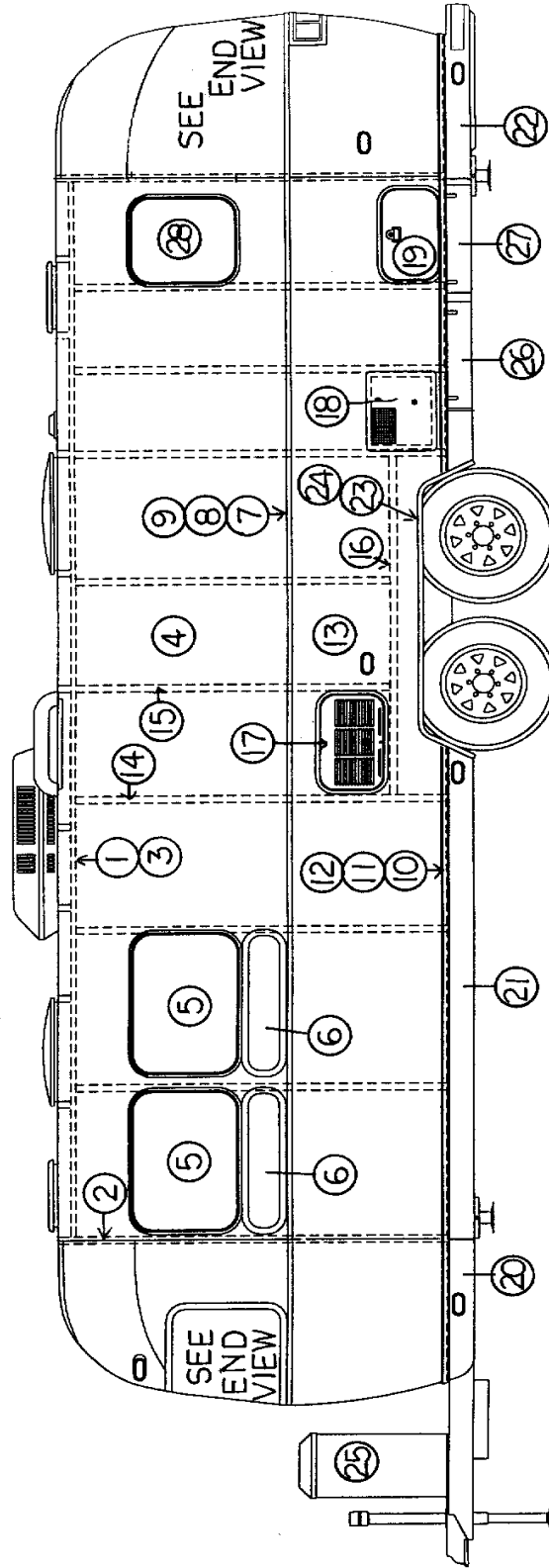
## 2002 CLASSIC TRAILER

### BODY-30 FT, S/O RS

(Hardware such as hinges, locks and latches are located in the **hardware** section of this book)

- |                |  |
|----------------|--|
| 1) 114290-03   | Extrusion, awning/drip rail              |
| 2) 114993      | Rib, end bow                             |
| 3) 104707      | Extrusion, "I" beam                      |
| 4) 114880-262  | Alum, sheet, upper, .040" x 51" x 262"   |
| 5) 371324-02   | Window, 30in. opening                    |
| 6) 371379      | Window, 30 opening, tall                 |
| 7) 114328      | Extrusion, belt line                     |
| 8) 201912      | Molding, chrome, belt line               |
| 9) 100034      | "Z" bar, 48"                             |
| 10) 114460     | Extrusion, rub rail                      |
| 11) 201763-01  | Insert, rub rail, chrome, 1"             |
| 12) 100986     | Floor channel                            |
| 13) 114879-262 | Alum, sheet, lower, .040" x 33" x 262"   |
| 14) 114387-01  | Bow, Z rib, RH                           |
| 15) 114387-02  | Bow, Z rib, LH                           |
| 16) 100986     | Wheel well stiffener(floor channel)      |
| 17) 104439     | Louvered panel, refrigerator access door |
| 18) 690209     | Cover, brushed aluminum, Atwood          |
| 19) 922288-01  | Door, side access, long, twin only       |
| 20) 200542     | Banana wrap, RS front                    |
| 21) 101131-01  | Underbelly wrap, .024" x 22.5", Pewter   |
| 22) 201974-01  | Bumper, rear corner, RS                  |
| 23) 684936     | Wheel well trim, outer, tandem axle      |
| 24) 684937     | Wheel well trim, inner, tandem axle      |
| 25) 108393     | Bottle cover, LP, w/o decals             |
| 26) 114496-02  | Door, utility compartment                |
| 27) 114496-01  | Door, power cord compartment             |

# 2002 CLASSIC TRAILER



See next page for P/N

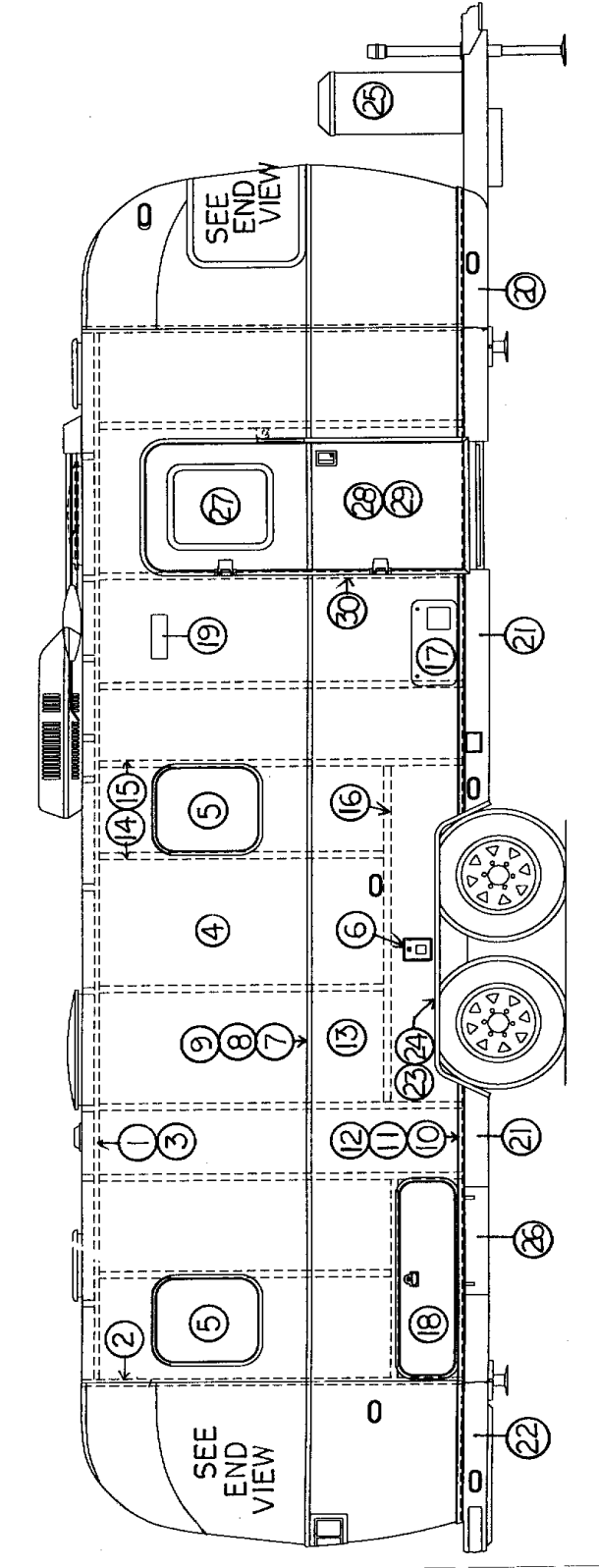
## 2002 CLASSIC TRAILER

### BODY-28FT, RS

(Hardware such as hinges, locks and latches are located in the **hardware** section of this book)

1)114290-03	Extrusion, awning/drip rail
2)114993	Rib, end bow
3)104707	Extrusion, "I" beam
4)114880-262	Alum. sheet, upper, .040" x 51" x 262"
5)371324-02	Window, 30in. opening
6)371270-01	Window, 30in., stack, stationary
7)114328	Extrusion, belt line
8)201912	Molding, chrome, belt line
9)100034	"Z" bar, 48"
10)114460	Extrusion, rub rail
11)201763-01	Insert, rub rail, chrome, 1"
12)100986	Floor channel
13)114879-262	Alum. sheet, lower, .040" x 33" x 262"
14)114387-01	Bow, Z rib, RH
15)114387-02	Bow, Z rib, LH
16)100986	Wheel well stiffener (floor channel)
17)104439	Louvered panel, refrigerator access door
18)690209	Cover, brushed aluminum, Atwood
19)100679-01	Door, side access with jamb
20)200542	Banana wrap, RS front
21)101131-01	Underbelly wrap, .024" x 22.5", Pewter
22)201974-01	Bumper, rear corner, RS
23)684936	Wheel well trim, outer, tandem axle
24)684937	Wheel well trim, inner, tandem axle
25)108393	Bottle cover, LP, w/o decals
26)114496-02	Door, utility compartment
27)114496-01	Door, power cord compartment
28)371323-01	Window, 18" opening

# 2002 CLASSIC TRAILER



See next page for P/N

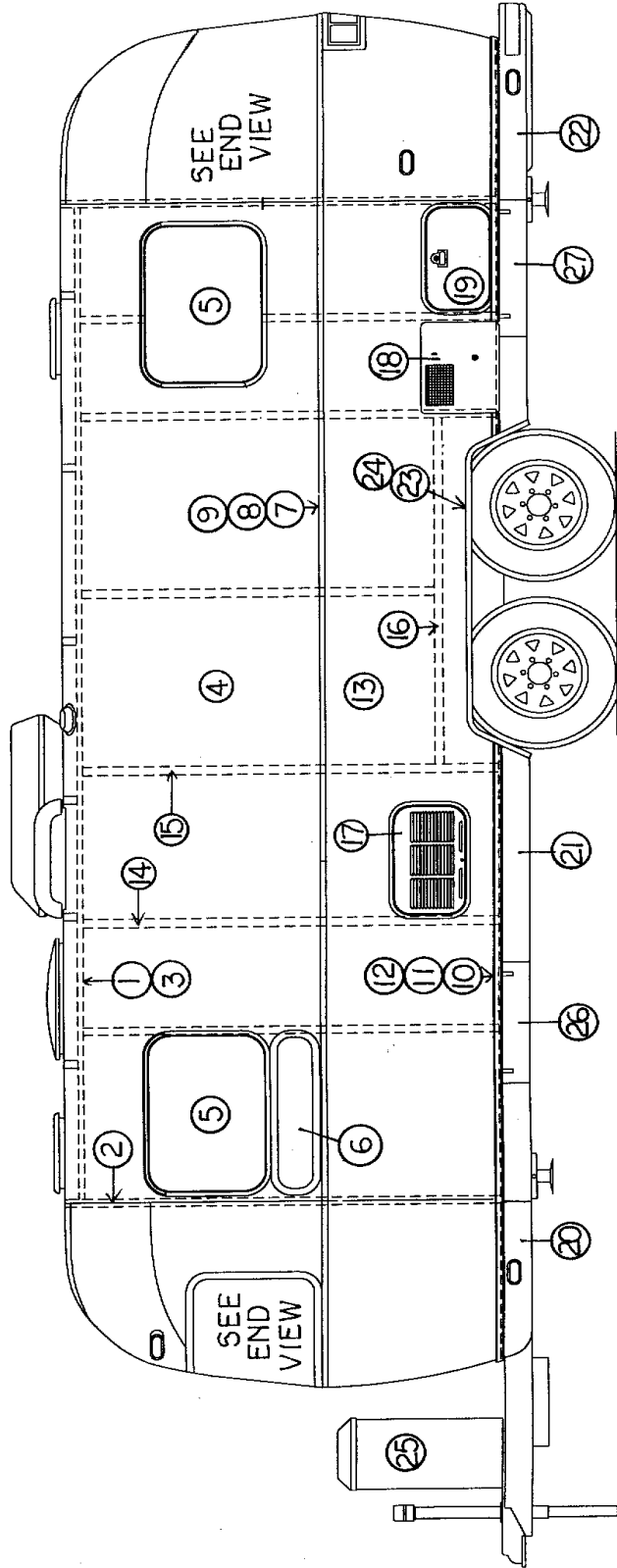
# 2002 CLASSIC TRAILER

## BODY-28FT, CS

(Hardware such as hinges, locks and latches are located in the **hardware** section of this book)

- |                |  |
|----------------|--|
| 1) 114290-03   | Extrusion, awning/drip rail            |
| 2) 114993      | Rib, end bow                           |
| 3) 104707      | Extrusion, "I" beam                    |
| 4) 114880-262  | Alum. sheet, upper, .040" x 51" x 262" |
| 5) 371323      | Window, 18in. opening                  |
| 6) 601194      | Water fill w/lock                      |
| 7) 114328      | Extrusion, belt line                   |
| 8) 201912      | Molding, chrome, belt line             |
| 9) 100034      | "Z" bar, 48"                           |
| 10) 114460     | Extrusion, rub rail                    |
| 11) 201763-01  | Insert, rub rail,chrome,1"             |
| 12) 100986     | Floor channel                          |
| 13) 114879-262 | Alum. sheet, lower, .040" x 33" x 262" |
| 14) 114387-01  | Bow, Z rib, RH                         |
| 15) 114387-02  | Bow, Z rib, LH                         |
| 16) 100986     | Wheel well stiffener (floor channel)   |
| 17) 690274-09  | Cover Hydro-flame furnace              |
| 18) 922288-01  | Door, side access, long, twin only     |
| 19) 511017-11  | Vent cover, exterior, range exhaust    |
| 20) 200543     | Banana wrap, CS front                  |
| 21) 101131-01  | Underbelly wrap, .024" x 22.5", Pewter |
| 22) 201974-02  | Bumper, rear corner, CS                |
| 23) 684936     | Wheel well trim, outer, tandem         |
| 24) 684937     | Wheel well trim, inner, tandem         |
| 25) 108393     | Bottle cover, LP, w/o decal            |
| 26) 114496-02  | Door, utility compartment              |
| 27) 371319-05  | Window, main door                      |
| 28) 110067-04  | Main door assembly, Limited            |
| 29) 114654     | Screen door assembly                   |
| 30) 114652     | Main door jamb, formed                 |

# 2002 CLASSIC TRAILER



See next page for P/N



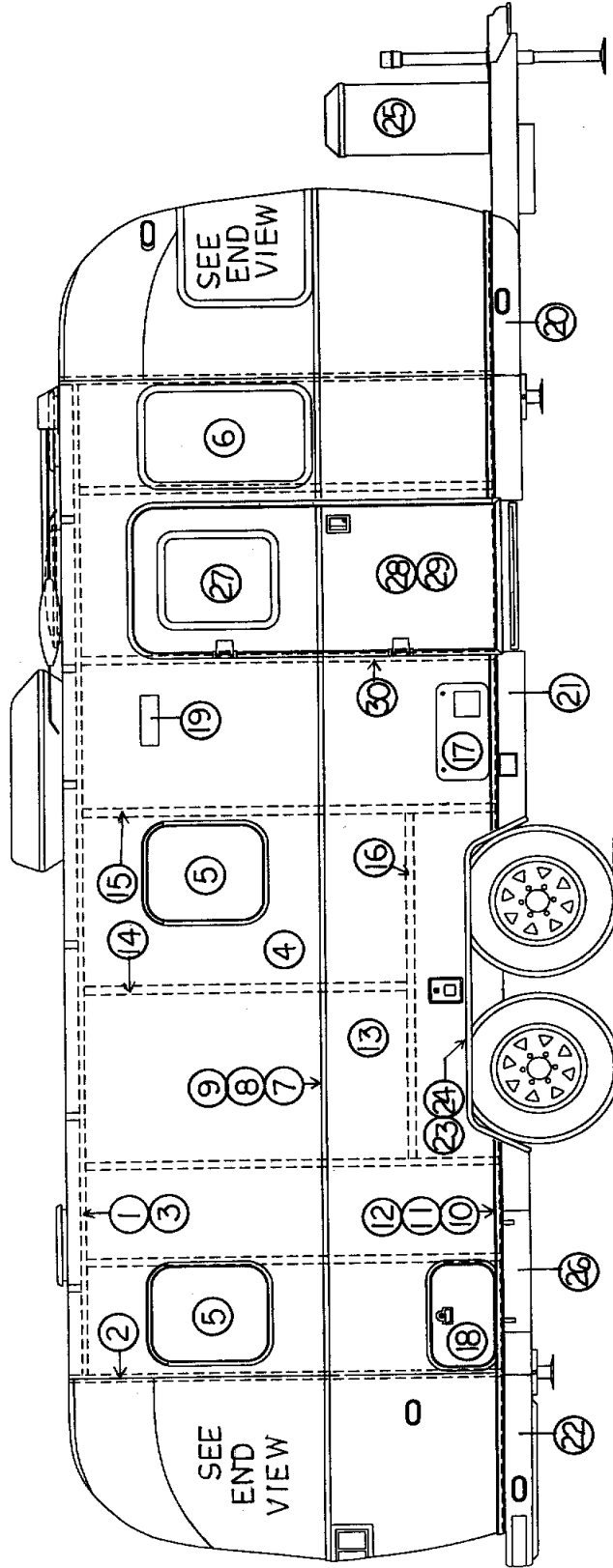
## 2002 CLASSIC TRAILER

### BODY-25FT, RS

(Hardware such as hinges, locks and latches are located in the **hardware** section of this book)

- |                |  |
|----------------|--|
| 1) 114290-03   | Extrusion, awning/drip rail              |
| 2) 114993      | Rib, end bow                             |
| 3) 104707      | Extrusion, "I" beam                      |
| 4) 114880-198  | Alum. sheet, upper, .040" x 51" x 198"   |
| 5) 371324-02   | Window, 30in. opening                    |
| 6) 371270-01   | Window, 30in., stack, stationary         |
| 7) 114328      | Extrusion, belt line                     |
| 8) 201912      | Molding, chrome, belt line               |
| 9) 100034      | "Z" bar, 48"                             |
| 10) 114460     | Extrusion, rub rail                      |
| 11) 201763-01  | Insert, rub rail, chrome, 1"             |
| 12) 100986     | Floor channel                            |
| 13) 114879-198 | Alum. sheet, lower, .040" x 33" x 198"   |
| 14) 114387-01  | Bow, Z rib, RH                           |
| 15) 114387-02  | Bow, Z rib, LH                           |
| 16) 100986     | Wheel well stiffener(floor channel)      |
| 17) 104439     | Louvered panel, refrigerator access door |
| 18) 690209     | Cover, brushed aluminum, Atwood          |
| 19) 100679     | Door, side access with jamb              |
| 20) 200542     | Banana wrap, RS front                    |
| 21) 101131-01  | Underbelly wrap, .024" x 22.5", Pewter   |
| 22) 201974-01  | Bumper, rear corner, RS                  |
| 23) 684936     | Wheel well trim, outer, tandem axle      |
| 24) 684937     | Wheel well trim, inner, tandem axle      |
| 25) 108393     | Bottle cover, LP, w/o decals             |
| 26) 114496-02  | Door, utility compartment                |
| 27) 114496-01  | Door, power cord compartment             |

# 2002 CLASSIC TRAILER



See next page for P/N

# 2002 CLASSIC TRAILER

## BODY-25FT, CS

(Hardware such as hinges, locks and latches are located in the **hardware** section of this book)

- |                |  |
|----------------|--|
| 1) 114290-03   | Extrusion, awning/drip rail            |
| 2) 114993      | Rib, end bow                           |
| 3) 104707      | Extrusion, "I" beam                    |
| 4) 114880-198  | Alum, sheet, upper, .040" x 51" x 198" |
| 5) 371323      | Window, 18in. opening                  |
| 6) 371286-01   | Window, 18 x 30", fixed                |
| 7) 114328      | Extrusion, belt line                   |
| 8) 201912      | Molding, chrome, belt line             |
| 9) 100034      | "Z" bar, 48"                           |
| 10) 114460     | Extrusion, rub rail                    |
| 11) 201763-01  | Insert, rub rail, chrome, 1"           |
| 12) 100986     | Floor channel                          |
| 13) 114879-198 | Alum. sheet, lower, .040" x 33" x 198" |
| 14) 114387-01  | Bow, Z rib, RH                         |
| 15) 114387-02  | Bow, Z rib, LH                         |
| 16) 100986     | Wheel well stiffener (floor channel)   |
| 17) 690274-09  | Cover Hydro-flame furnace              |
| 18) 100679-01  | Door, side access with jamb            |
| 19) 511017-11  | Vent cover, exterior, range exhaust    |
| 20) 200543     | Banana wrap, CS front                  |
| 21) 101131-01  | Underbelly wrap, .024" x 22.5", Pewter |
| 22) 201974-02  | Bumper, rear corner, CS                |
| 23) 684936     | Wheel well trim, outer, tandem axle    |
| 24) 684937     | Wheel well trim, inner, tandem axle    |
| 25) 108393     | Bottle cover, LP, w/o decal            |
| 26) 114496-02  | Door, utility compartment              |
| 27) 371319-05  | Window, main door                      |
| 28) 110067-05  | Main door assembly                     |
| 29) 114654     | Screen door assembly                   |
| 30) 114652     | Main door jamb, formed                 |

## 2002 CLASSIC TRAILER

### BODY-INTERIOR

(Hardware such as hinges, locks and latches are located in the **hardware** section of this book)

114445	Aluminum inside skin, .032" x 34" x coil
114853-01	Aluminum inside skin, .032" x 57" x coil
702481	Wall liner, Geometric Pearl *Adhesive, Fastbond 2000
702482-03	Headliner, Spectra Opal, textured
201728-01	Extrusion, plastic, ceiling trim retainer
201728-03	Extrusion, plastic, ceiling trim
203138-01	Extrusion, plastic, wall trim, beige
203138-02	Extrusion, plastic, interior wall, brown
101077	Extrusion, inside main door trim
200967-01	Trim ring, plastic, 18"x30" stationary window
200968-01	Trim ring, plastic 30"x30" stationary window
201675-01	Trim ring, inside, 30" stack window
371319-03	Trim ring, window, main door
201578-01	End cap trim ring, panoramic window (goes next to end bow)
201579-01	Trim, panoramic window, bottom, RS
201580-01	Trim panoramic window, bottom, CS
201581-03	Trim, panoramic window, upper, RS
201581-04	Trim, panoramic window, upper, CS
201676-01	TRIM STACK WINDOW 18"
201391	"U" trim, flexible, panoramic window
203225	Trim lok, white, for fixed window close outs
200514	Wheel well cover, interior, tandem (splice two for tri-axle)

\*For reference only: Please purchase adhesives locally.

# 2002 CLASSIC TRAILER

## BODY-INTERIOR

(Hardware such as hinges, locks and latches are located in the **hardware** section of this book)

### SLIDE OUT ROOM

#### 30 FT

453794-01	BACKER-UPPER S/O FASCIA BOARD AFT
453794-02	BACKER-UPPER S/O FASCIA BOARD FWD
453817-01	BACKER-FWD/AFT FASCIA BOARD
801303-03	FASCIA BOARD-AFT
801303-04	FASCIA BOARD-FWD
801298	FASCIA BOARD-UPPER

114931-01	RING-TRIM INTERIOR RH
114931-02	RING-TRIM INTERIOR LH
114507-01	TRIM WHITE 16' PC. STRAIGHT UPPER

#### 34 FT

801304	Shim, slide out roller
965155	Spacer block, travel lock assy.
801303-01	Facia board aft
801303-02	Facia board, fwd.
381705	Roller block assembly

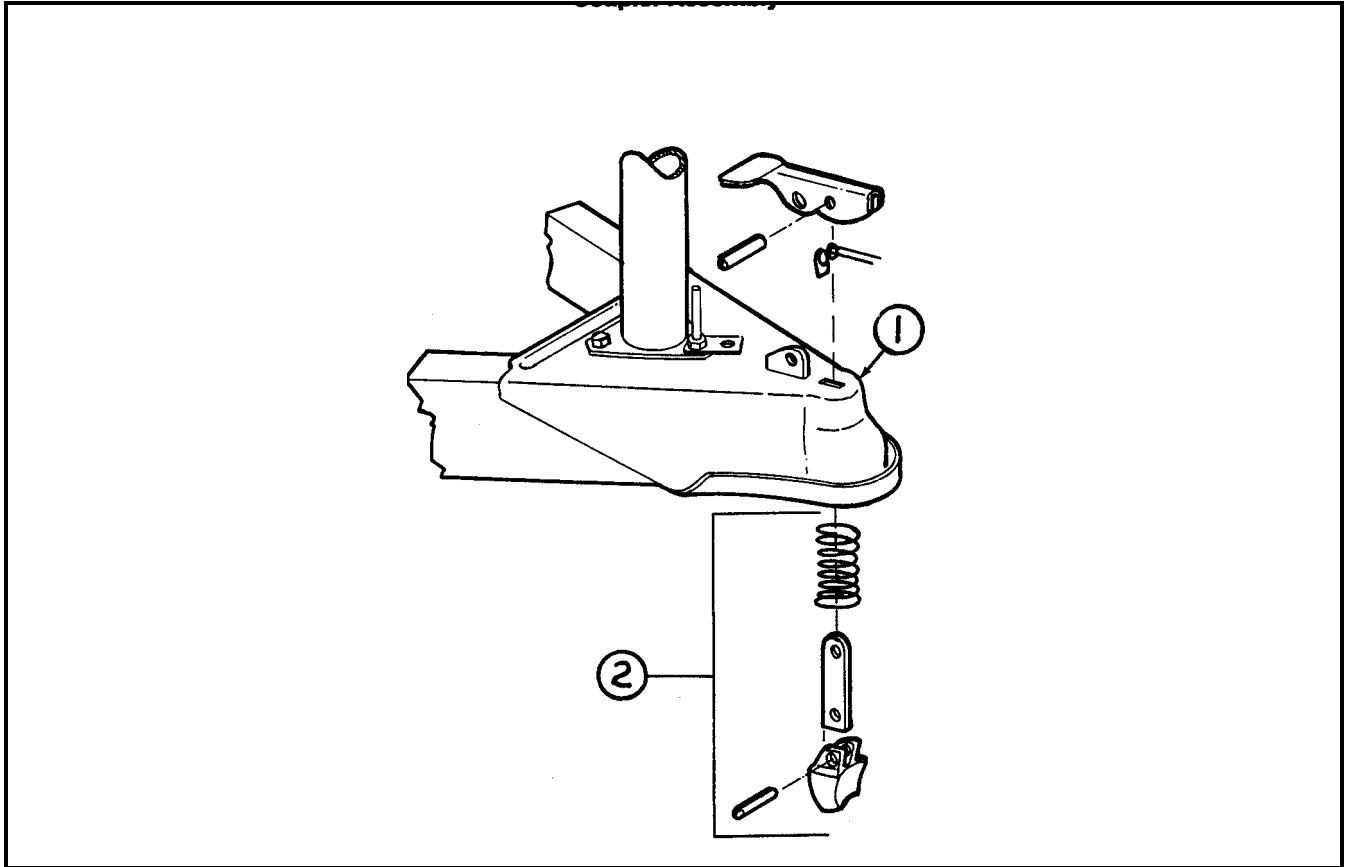
114931-01	RING-TRIM INTERIOR RH
114931-02	RING-TRIM INTERIOR LH
114507-01	TRIM WHITE 16' PC. STRAIGHT UPPER

# 2002 CLASSIC TRAILER

## CHASSIS

### A-FRAME

915256 A-frame complete.  
400042 Coupler



1) 680343 Coupler assembly, 2 5/16"  
2) 680345 Repair kit, 2 5/16" coupler

0300026 Break away switch, Bargman  
400407 Bracket, breakaway switch

915642 Coupler, 13,000#, Under mount  
serviceable. All S/O, Parts are not

(Continued)

## 2002 CLASSIC TRAILER

### CHASSIS

#### LP BOTTLE RACK

0360307	LP bottle ring, lower
601731-103	LP regulator mounting bracket
410410	Hold down rod, threaded, for 40lbs bottle
107456	GAS RACK, W/AUTOMATIC REGULATOR
100949	Bracket, bottle hold, cast aluminum
410238	"T" handle, threaded, cast aluminum

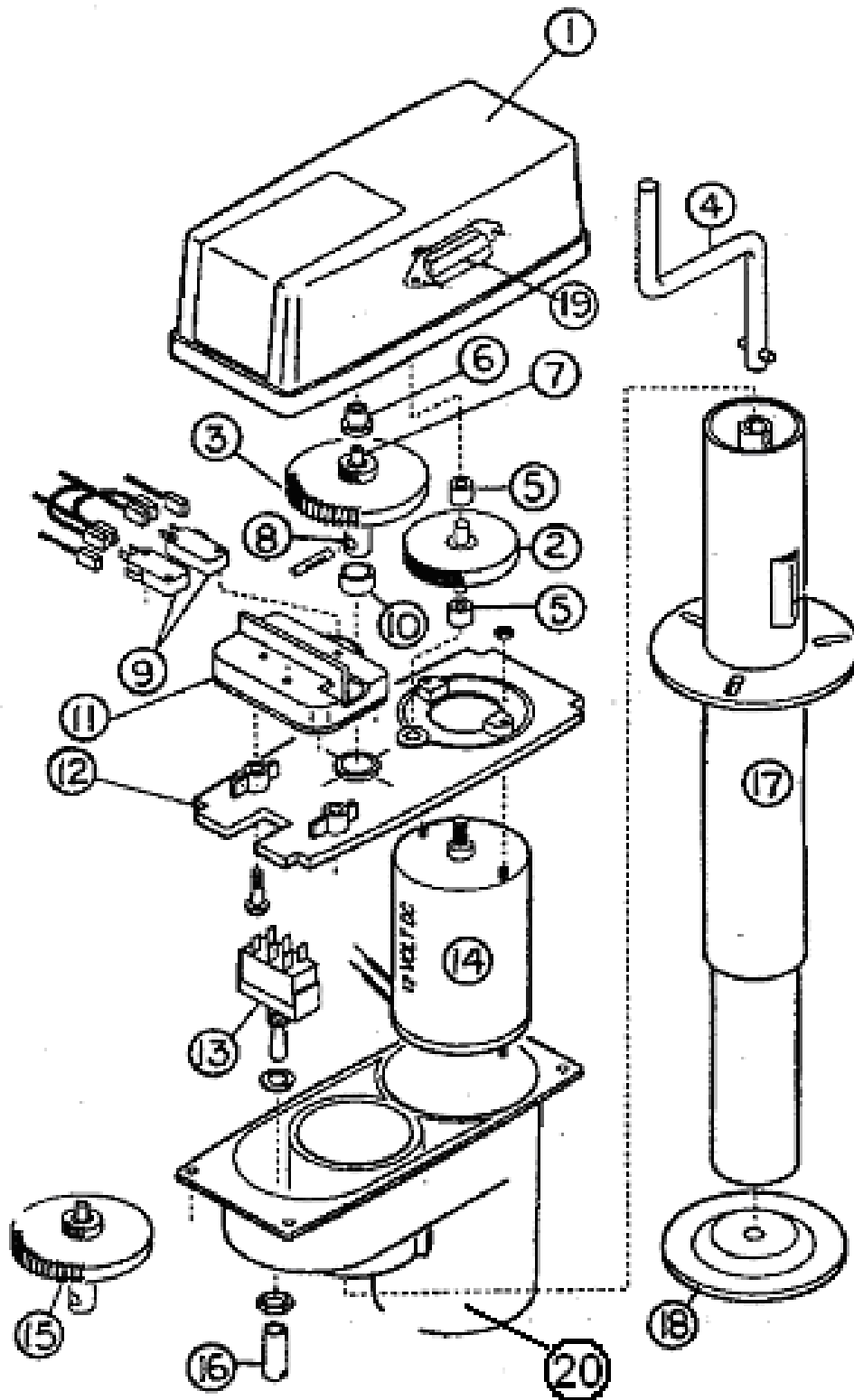
#### A-FRAME MISCELLANEOUS

450414	"A" frame tire carrier
453620	Covers, A-frame, stainless steel
913619	Tool box assy, A frame
410551	Lid, toolbox assy
381430	Lock, twist straight cam

# 2002 CLASSIC TRAILER

## CHASSIS

Power Jack



Part Numbers are on the next page



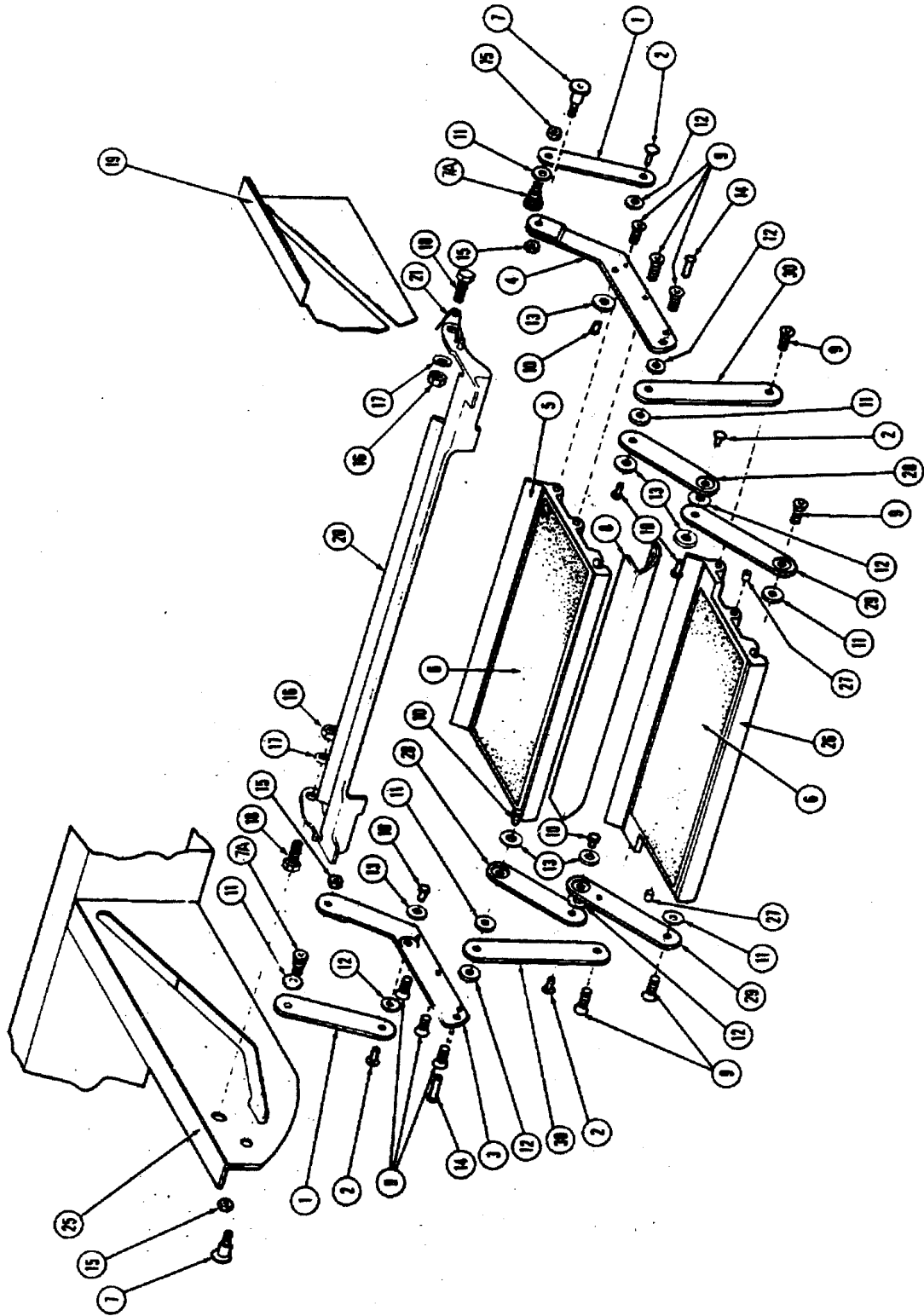
# 2002 CLASSIC TRAILER

## CHASSIS

### Power Hitch Jack

511544	Power jack w/flag holder & light
012251	Power head less post
1. 012198	Cover, Super Jack
2. 010051	Gear, fiber, Super Jack
3. 015551	Drive gear, Super Jack
4. 016199	Crank handle, manual, Super Jack
5. 080501	Bushing, bronze, Super Jack
6. 010055	Bushing, flange, Super Jack
7. 015552	Gear, pot/reed, Super Jack
8. 015553	Shaft, Super Jack
9. 081703	Micro switch, Super Jack
10. 080520	Bushing/bronze,7/16,Super Jack
11. 012252	Limit switch assembly, Super Jack
12. 012200	Center plate, Super Jack
13. 081704	Switch, toggle, Super Jack
14. 016263	Motor, 12V, Super Jack
15. 011675	Drive gear assembly, Super Jack
16. 010069	Switch cover, Super Jack
17. 011631	Jack post, Super Jack
18. 410598	Foot pad #12231
19. 026503	Light, Jack
20. 012199	Housing for Motor and Switch

# 2002 CLASSIC TRAILER



See next page for P/N

# 2002 CLASSIC TRAILER

## CHASSIS

### Step

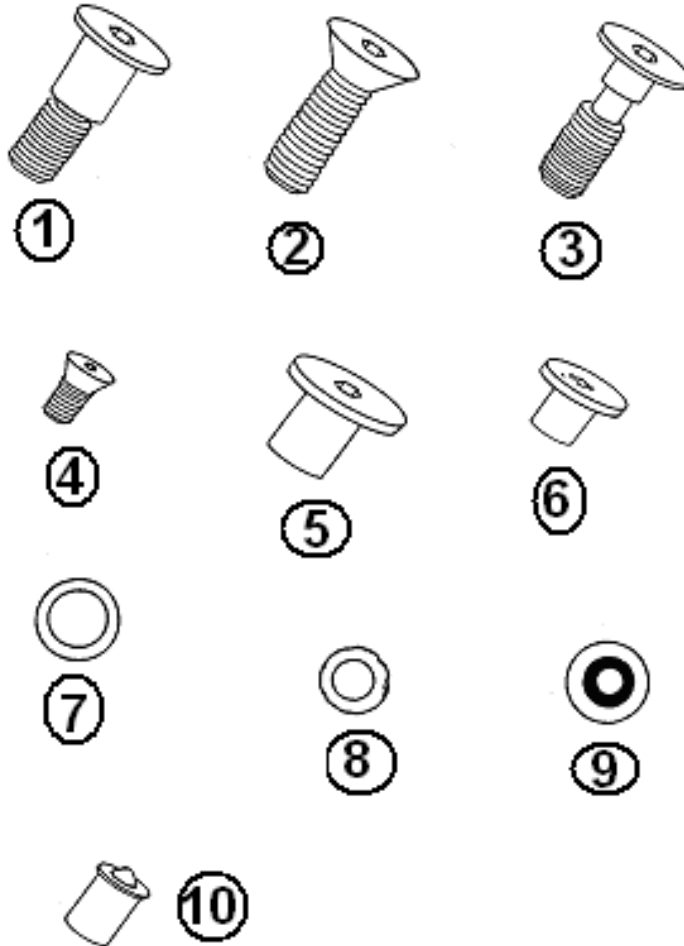
3440006	Double step assembly
1. 680213	Arm, upper support
2. 680214	*Pin, hinge
3. 680215	Step bracket, left
4. 680216	Step bracket, right
5. 680217	Extrusion, step 20.5"
6. 380069	Safety tread
7. 001152	Bolt, shoulder
7a. 001145	Bolt, shoulder, 3/8" thread
8. 680220	Panel
9. 680221	Screw, flat head
10. 680222	Bolt, socket head
11. 680223	Washer, bronze
12. 680224	Washer, wave
13. 680225	Washer, aluminum
14. 680226	Pin, pivot
15. 350005	Nut, hex
16. 350147-25	Nut, Nylock
17. 300005	Washer, flat
18. 345016	Screw, machine
19. 400454	Outrigger, RH (Not included with step assembly.)
20. 100298	Casting, step release
21. 0440032	Step spring
25. 400455	Outrigger, LH (Not included with step assembly.)
26. 410200	Extrusion, step, 20.0"
27. 380075	*Bullet catch
28. 400004	Hinge arm, upper
29. 400003	Hinge arm, lower
30. 400005	Arm, lower support

\*Larger illustration on next page

# 2002 CLASSIC TRAILER

## CHASSIS

### Step Bolts/Washers/Screws/Catches Illustrated

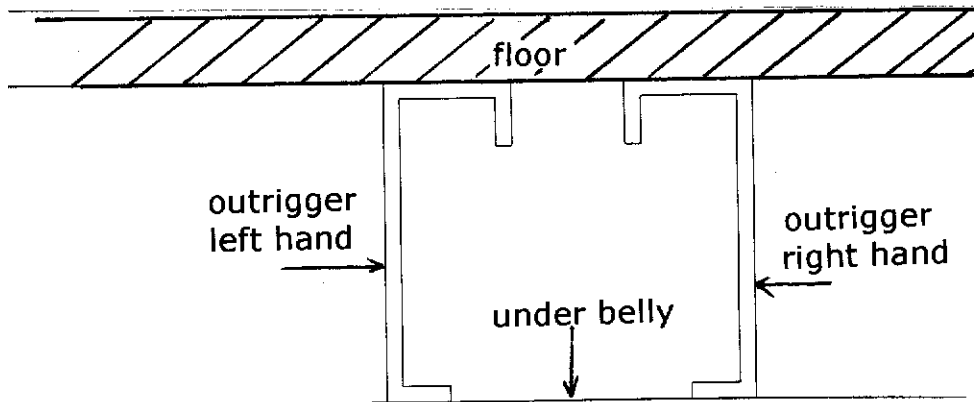


- |            |                                    |
|------------|------------------------------------|
| 1. 001152  | 1/2" Shoulder w/3/8" shoulder bolt |
| 2. 680221  | 3/8-16 x 1, flat head Allen, screw |
| 3. 001145  | 3/8-16 thread, shoulder bolt       |
| 4. 680222  | Flat head Allen socket screw       |
| 5. 680226  | Pivot pin                          |
| 6. 680214  | Hinge pin                          |
| 7. 680223  | Brass washer                       |
| 8. 680224  | Wave washer                        |
| 9. 680225  | Aluminum Washer                    |
| 10. 380075 | Bullet catch                       |

# 2002 CLASSIC TRAILER

## CHASSIS OUTRIGGERS

410524	Step outrigger assembly, forward
410523	Step outrigger assembly, aft
410497	Outrigger, pierced, RH
410498	Outrigger, pierced, LH
410500	Outrigger, standard, LH
410499	Outrigger, standard, RH
410501	Outrigger, solid, RH, notched
410502	Outrigger, solid, LH, notched
410706	Outrigger, power cord compartment, RH
410707	Outrigger, power cord compartment, LH



## CHASSIS COVERING

114679	Alum. under belly .019" x 65.75, coil
101131	Alum. under belly .024" x 22.50", coil
101131-01	Alum. under belly .024" x 22.5", coil, Pewter (covers from under belly to floor line)
200543	Banana wrap, CS front
200542	Banana wrap, RS front
203142	Bumper, rear center
201974-01	Bumper, rear corner, RS
201974-02	Bumper, rear corner, CS

(Note: the rear roll out tray makes up part of the center section of the bumper)

# 2002 CLASSIC TRAILER

## CHASSIS

### STABILIZING JACKS

510628	Stabilizing jacks, electric, A&E systems
510731	Control, leveler, A&E
400093	Stabilizing jacks, BAL w/handle, set of 4
400093-01	BAL jack , each
400093-04	Foot pad, BAL jack

### BELOW FLOOR STORAGE

962828-01	Roll out tray assembly, rear
453144	Roll out tray
453159	ENCLOSURE ASSY-REAR ROLL OUT TRAY
381556	Overhead door track, 2"
453159	Enclosure assembly, rear rollout tray
453156	"U" bar, roller support
381555	Ten ball roller w/stem
310028	Lynch pin, 1/4"
201909	Molding, black bumper trim
915145-01	Utility compartment assembly, painted
914022P	Power cord storage plate, painted
601544	E-Z hose carrier, 46"
961251	Box, flag storage compartment

# 2002 CLASSIC TRAILER

## CHASSIS

### RUNNING GEAR

7320036H	Axle, 3200#, 34ft
*7400068H	Axle, 4000#, 28, 30, & 31ft.
7380002H	Axle, 3800#, 34' S/O, CSA
7440003H	Axle, 4400#, 30' S/O
7350475H	Axle, 3500#, 25ft., 34 S/O
7500163H	Axle, 5000#, 30' S/O CSA

\*7420005H Axle 4200#, Replaces 7400068H late in model year. Check manufacturing tag on roadside side sheet of 28', 30', & 31' trailers for axles used on a specific trailer. Can also use axle serial number on axle tube for identification.

0220003 Shock absorber

410841	Tire and wheel assembly
400842	Tire ST 225/75 R15, LR "D" BW
400935	Wheel, aluminum
400936	Cover, center hub, polished aluminum
400923	Lug nut, acorn type
410009	Valve stem

410822-150 Wheel, steel, 15"

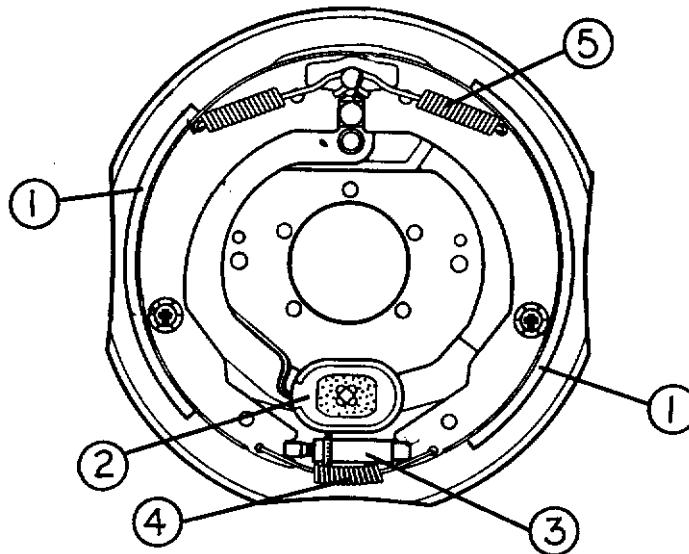
200844 Wheel well, tandem

(Tri-axle wheel wells are made from two tandems)

# 2002 CLASSIC TRAILER

## 12" BRAKES

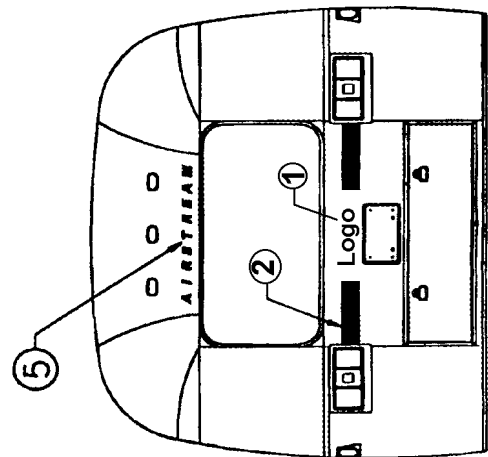
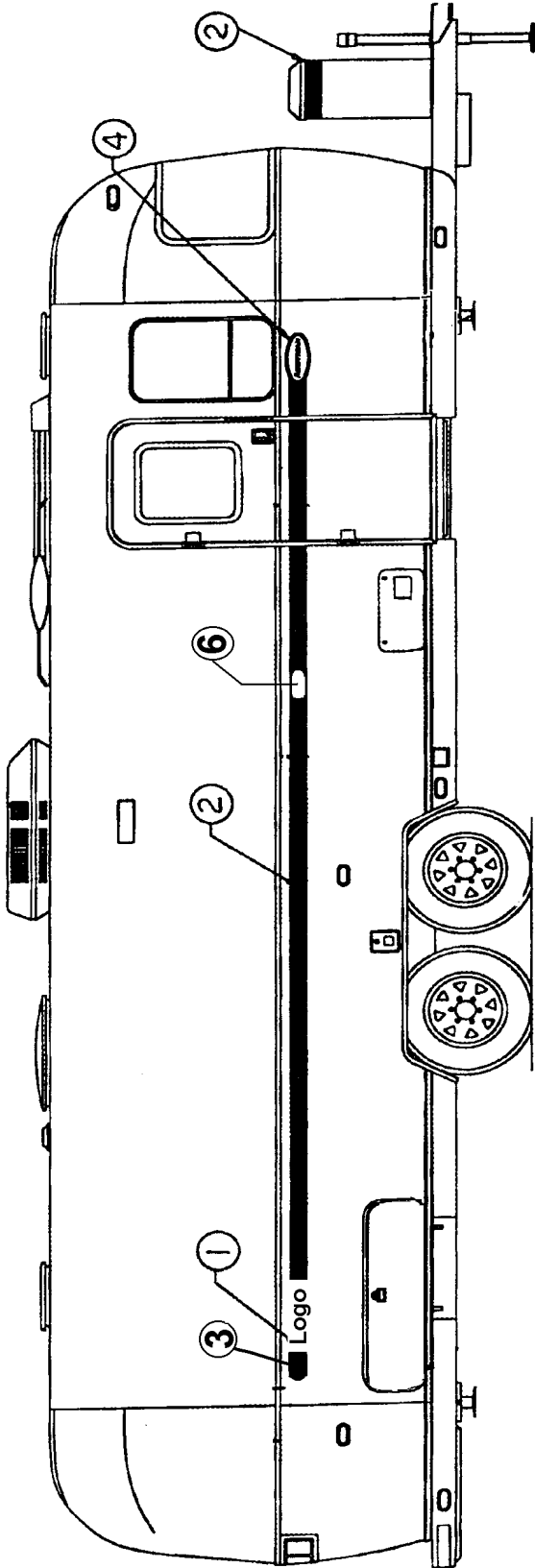
3160121	Brake drum,12",6 lug
450659	Inner bearing,#25580
680364	Inner race,#25520
450658	Outer bearing,#LM67048
680365	Outer race,#LM67010
680370-100	Grease seal
3160347	Brake assembly,RH,12" Dexter
3160348	Brake assembly,LH,12" Dexter



1)3160348-62	Shoe and lining kit (includes hold down spring and pin)
2)3160348-65	Magnet kit
3)3160348-63	Adjuster assembly
4)3160348-64	Adjusting screw spring
5)3160348-61	Retractor spring



# 2002 CLASSIC TRAILER



# 2002 CLASSIC TRAILER

## DECALS/EXTERIOR TRIM

### DECALS

- |                |  |
|----------------|--|
| 1) 386087      | LOGO "CLASSIC" SMOKED CHROME                                 |
| 1a) 386085     | LOGO CLASSIS LTD GOLD, LTD                                   |
| 2) 386086      | DECAL CTR 3PIN STRIPE  |
| 2a) 386084     | DECAL CENTER BURG W/GOLD PINSTRIPE, LTD                      |
| 2b) 386072     | DECAL-70TH ANNIV.3.5"W/GOLD STRIP                            |
| 3) 386083      | DECAL RS/CS 1 X 2.25, Stripe end cap, LTD                    |
| 4) 386063-02   | Medallion, blue 8"   |
| 4a) 386063-041 | Medallion, 8" Burgundy w/ gold plate, LTD                    |
| 5) 386051      | Decal, "AIRSTREAM" 32", front & rear                         |
| 6) 386067-02   | Medallion, 4 3/8 blue, 70 <sup>Th</sup> Anniversary          |
| 6a) 386067-02  | Medallion, 4 3/8 burgundy, 70 <sup>Th</sup> Anniversary, LTD |

# 2002 CLASSIC TRAILER

## EXTERIOR TRIM

114328	Extrusion, belt line molding
201912	Molding, belt line insert, chrome
114417	Casting, belt line close out
114460	Extrusion, rub rail
201763-01	Molding, rub rail insert, chrome
114466-01	Casting, close out, rub rail, angled, RH
114466-02	Casting, close out, rub rail, angled, LH
114465-01	Casting, close out, rub rail, RH
114465-02	Casting, close out, rub rail, LH
381753-02	End clip, rub rail, gray
685257	inner wheel well trim, tri-axle
685258	outer wheel well trim, tri-axle
684936	outer wheel well trim, tandem axle
684937	inner wheel well trim, tandem axle
386067-02	Medallion, 4.375, Lt. blue, 70th anniversary
386068	Medallion, 3", screen door
386070	Logo, "Airstream", Custom Gold, 32", LTD Option
386067-01	Medallion, 4 3/8", burgundy, 70th anniversary

# 2002 CLASSIC TRAILER

## DOORS/WINDOWS/AWNING

(Hardware such as hinges, locks and latches are located in the **hardware** section of this book.)

### DOORS

115207-04	Main door assembly
114652	Jamb, main door, pre-formed
114653	Frame, main door, pre-formed
114448-03	Skin, exterior, upper main door
114449-03	Skin, exterior, lower main door
114475	Skin, inner, vinyl clad
114363	Drip cap, main door
365232	Seal, main door
381704	Seal, upper main door, (above 365232)
114654	Screen door assembly
114561-01	Panel, slider, screen door
114648-01	Kick panel screen door
203287-02	Close out, plastic, screen door w/ dead bolt
32226W	Guard, screen door
380079	Screen, gray
200518	Spline, gray, screen insert
365013	Gasket, screen door, foam tape
381552-03	HINGE ASSY. MAIN DOOR UPPER
381552-04	HINGE ASSY. MAIN DOOR LOWER
701624	VELCRO LOOP 5/8" WIDE
701625	VELCRO HOOK, 5/8" WIDE
922243	Door, refrigerator access, assembly
922156	Door, refer access
104417	Jamb, refrigerator access door
203225	Trim, flexible, white, inner doorjamb
100679-01	Side access door assembly
921159-01	Trunk door assembly, rear, twin only
114675	Jamb, rear trunk door

## 2002 CLASSIC TRAILER

### DOORS/WINDOWS/AWNING

(Hardware such as hinges, locks and latches are located in the **hardware** section of this book.)

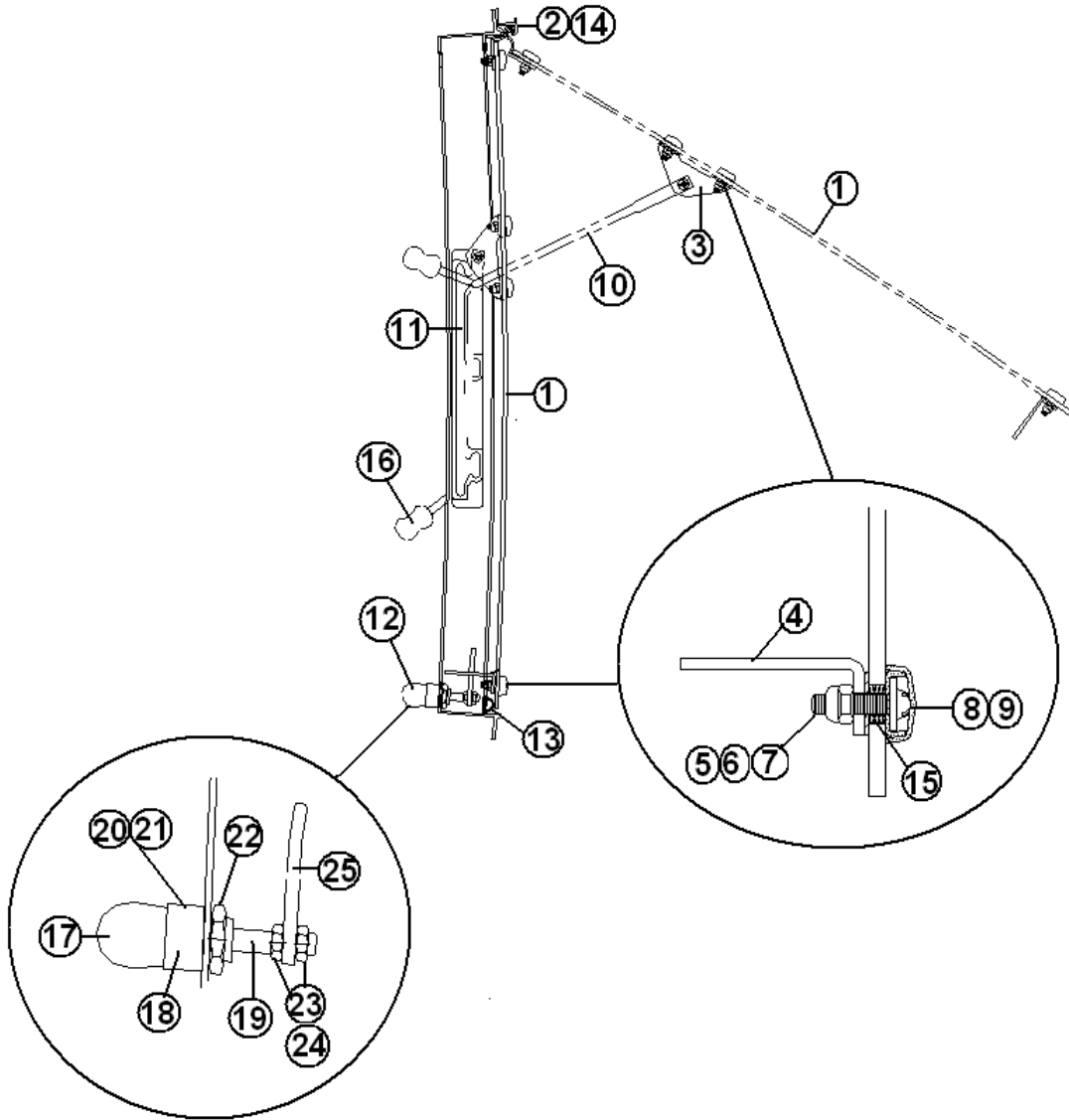
#### DOORS

922288-01	Door, side access, long, twin only
104833	Jamb, long side access door, twin only
381065-10	10" CABLE SUPPORT
114467-01	Door panel, outer, battery box door
114468	Door panel, inner, battery box door
114464	Casting, battery box door jamb
380238	Support cable, battery box door
200885	Plastic battery tray
381397	Key cylinder w/ cam, 501 key
381501	CAM LOCK OFF SET
114496-02	Door, utility compartment
114496-01	Door, power cord compartment
690209	Cover, brushed aluminum, Atwood water heater
690274-09	Cover, Hydroflame furnace
601194	Water fill door w/pocket & lock
114219	Door, flag storage compartment

# 2002 CLASSIC TRAILER

## DOORS/WINDOWS/AWNINGS

### WINDOWS



Part numbers on next page

## 2002 CLASSIC TRAILER

### DOORS/WINDOWS/AWNINGS

#### WINDOWS

- |               |                                     |
|---------------|-------------------------------------|
| 1. 371323-100 | Glass w/hardware, 18" window        |
| 1. 371324-100 | Glass w/hardware, 30" window        |
| 2. 371323-101 | Hinge, 18" window                   |
| 2. 371324-101 | Hinge, 30" window                   |
| 3. 1101-0010  | Bracket, window prop                |
| 4. 685124     | Striker plate, window latch         |
| 5. 0706-0004  | Flat washer                         |
| 6. 0703-0001  | Screw, #8-32 x .625", black, SS     |
| 7. 0702-0010  | Nut, Nylox, #8-32, black SS         |
| 8. 0802-0004  | Screw cover, 12-12 #100, black      |
| 9. 0802-0005  | Washer, 12-12 screw cover bottom    |
| 10. 100903    | Operating arm, RH                   |
| 10. 100903-01 | Operating arm, LH                   |
| 11. 0802-0001 | Guide, operating arm, RH            |
| 11. 0802-0002 | Guide, operating arm, LH            |
| 12. 010020    | Latch assembly, chrome              |
| 13. 381665    | Gasket seal                         |
| 14. 0101-0017 | Male hinge extrusion, 1/2" pc.      |
| 15. 0706-0003 | Bushing, window, acrylic            |
| 16. 380230-03 | Window arm knob, silver             |
| 16. 380230-04 | Window arm knob, red                |
| 17. 1101-0005 | Latch handle, chrome                |
| 17. 195467-05 | Latch handle, red                   |
| 18. 1101-0007 | Latch body                          |
| 19. 1101-0008 | Latch shaft                         |
| 20. 1101-0009 | Latch spring                        |
| 21. 0707-0002 | Pin, drive lock, 5/32" x 5/8", zinc |
| 22. 0702-0001 | Nut, hex panel, 5/8"-24, zinc       |
| 23. 0702-0002 | Nut, jam, hex, 5/16-24              |
| 24. 385123    | Washer, flat, .53" OD x .328" ID    |
| 25. 685123    | Latch paw                           |

## 2002 CLASSIC TRAILER

### DOORS/WINDOWS/AWNINGS

(Hardware such as hinges, locks and latches are located in the **hardware** section of this book.)

#### WINDOWS

371346-02	Window, flat, front center
372088-101	Window, panoramic, front RS
372089-101	Window, panoramic, front, CS
371348-02	Window, flat, rear w/red handles
371285-01	Window, curved 30" x 30" fixed
371286-01	Window, 18" x 30", curved fixed
371324-02	Window, curved 30" opening
371270-01	Window, curved, 30" stacked
371323-01	Window, curved 18" opening
371323-02	WINDOW-18" NON OPENING S/O
371269-01	Window, curved 18" stacked
371380	WINDOW-OPENING 30" TALL
371319-05	Window, main door
371319-03	Trim ring, inside, main door window

#### WINDOW SCREENS

371349-01	Screen, rear escape
371347-01	Screen, front window
372175-02	Screen, 30" opening window
372174-01	Screen, 18" opening window
372175-03	Screen, 30", alternate egress
371174-02	Screen, 18" non-opening
372215	Screen, 30" tall, slide out
380230-03	Knob, window arm, Silver
380230-04	Knob, window arm, Red
380088	Handle, latch, Red



## 2002 CLASSIC TRAILER

### DOORS/WINDOWS/AWNINGS

(Hardware such as hinges, locks and latches are located in the **hardware** section of this book.)

#### AWNINGS

702662-03	Awning, patio, 16' 4½", blue, 25ft.
702662-02	Awning, patio, 19' 8½", blue, 28ft.
702662-22	Awning, patio, 21' 7" blue, 30, 31 & 34ft., 34' S/O
702663-10	Awning, patio, 21' 7" red, 30, 31 & 34ft., 34' S/O
381532-01	Hardware, patio, satin
70255WS-01	Center support CS-05
702662-09	Awning, RS windows, 13'4", blue, 30 & 31ft.
702662-11	Awning, window, 16' 4-1/2", blue, 25ft.
702662-10	Awning, window, 19' 8-1/4", blue, 28ft.
702662-06	Awning, 3', blue
702662-20	Awning, window, blue, 52 5/8"
702662-07	Awning, RS window, 14'10", blue, 34ft.
702663-07	Awning, CS rear window, 3' red
702663-08	Awning, rear window, red, 52 5/8"
702663-03	Awning, RS window, 14'10" red, 34ft.
702663-05	Awning, RS windows, 13'4" red, 30 & 31ft.
703052-02	Cover, awning, 9'4" Red, 34 S/O room
703052-01	Cover, awning, 9'4" blue, 34 S/O room
703122-02	Cover, awning, 7' 6.5" blue, 30' S/O room
703122-01	Cover, awning, 7' 6.5" red, 30' S/O room
385577	Wear tape, clear, 3½" wide
110102	Rock guard, center only
685275-101	Rock guard, CS front
685275-102	Rock guard, RS front
381021	Latch, draw type, flexible
203242	Kit, body armor, 34 S/O

## 2002 CLASSIC TRAILER

### DRAPES/BLINDS/VALANCES

#### DRAPES

998056-01	Drape, rear, 4-16 pleat, 34, 30D, 28, 25Ft
998056-02	Drape, back trailer, 34 S/O, 31'D
998134-01	Drape, rear bedroom, side, 2-9 pleat, 34, 31D,30D
998134-04	Drape, 30"bedroom, 2-9 pleat, 31T, 30T
998134-06	Drape, 30" BEDROOM (2-9 PLT), 34' S/O, 31D'
998057	Drape, bedroom, 2-7 pleat, 31T, 30T, 28, 25D
998057-01	Drape, bedroom, 2-5 pleat, 25 T
998053	Drape, galley, 2-2pleat, 34', 31', 30', 28, 25ft.
998053-01	Drape, dinette, 2-8 pleat & 1-5 pleat, 34', 31', 30'
998053-02	DRAPES DINETTE, 34 S/O
998053-03	DRAPES GALLEY TRAILER (2-2PLT), 34 S/O
998050-01	Drape, front, 4-16 pleat, 34', 31', 30', 28, 25ft.
998050-02	Drape, front, 4-16 pleat, 34 S/O
998134-02	Drape, lounge, RS, 30", 2-9 pleat, 34, 34 S/O 28ft.
998134-05	Drape, lounge, RS, 30" 2-9 pleat, 31', 30'
998135	Drape, lounge, CS, 30", 2-6 pleat, 34, 31', 30', 28
998051-25	Drape, lounge, RS, 2-7pleat, 25ft.
998052	Drape, lounge, CS, 2-4pleat, 25ft.
998134-07	Drape, lounge, R.S. 30" 2-9 PLT, 34 S/O
998135-03	Drape, lounge, C.S. 30" 2-6PLT, 34 S/O

# 2002 CLASSIC TRAILER

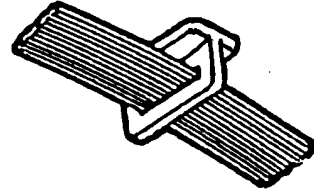
## DRAPERY TRACK AND BRACKETS



101220  
Bracket, curtain  
stand off



101217  
Track, curtain



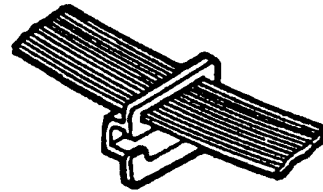
700044  
Glides, w/elastic  
"T" type



114021  
Bracket, curtain  
stand off



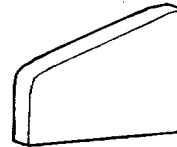
101225  
Bracket, curtain  
stand off



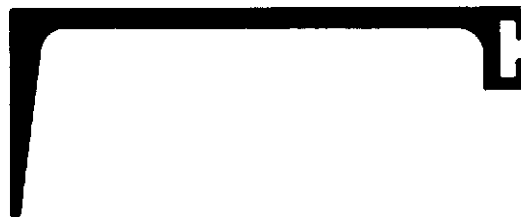
700045  
Glides, w/elastic  
"G" type



200785  
End, curtain track, LH



200784  
End, curtain track, RH



101005  
Bracket, curtain standoff

100096

Extrusion aluminum curtain track

100097

Extrusion aluminum curtain track

100099

Extrusion aluminum curtain track, top track

## 2002 CLASSIC TRAILER

### DRAPES/BLINDS/VALANCES

964107-01	Valance, rear bedroom, 34, 31, 30ft., 34 S/O double
964106-02	Valance, bedroom, 52", CS, 34, 31, 30ft. double
964106-03	Valance, bedroom, 52", RS, 34, 34 S/O, 31, 30ft. double
964106-01	Valance, bedroom, 25T, 28ft.
964106-06	Valance, bedroom, 38.5", 34 S/O CS, 34ft. twins
964106-07	Valance, bedroom, 38.5", 34 S/O RS, 34ft. twins
964106-10	Valance, bedroom, 45", CS, 28D, 25D
964106-09	Valance, bedroom, 44.5", RS, 28D, 25D
964106-04	Valance, bedroom, 38", CS, 30, 31ft. twins
964106-05	Valance, bedroom, 38", RS, 30, 31ft. twins
964105-02	Valance, galley, 30", 25, 28ft. twin & double
964105-01	Valance, galley, 24", 30, 31ft., twin & double
964105-03	Valance, galley, 37", 34ft., twin & double
964105-06	Valance, Lounge, 54", 34' S/O, 31D
964108-01	Valance, dinette, 30,31, 34 S/O 34ft. twin & double
964108-03	Valance, dinette, 75.50 w/3¼" radius, 30' S\O
964104-03	Valance, lounge, 58", 30ft. twin & double
964104-05	Valance, lounge, 91", 28, 31ft. twin & double
964104-01	Valance, lounge, 42", 25", 28', 30, 31ft. twin & double
964104-02	Valance, lounge, 56", 34ft., 34 S/O, 31D
964104-06	Valance, lounge, 100" 34ft.
964104-04	Valance, lounge, 70", 25ft.
964104-08	Valance, lounge, 34' S/O, RS
964104-09	Valance, lounge, 33" RS, 30 S\O

## 2002 CLASSIC TRAILER

### DRAPES/BLINDS/VALANCES

#### SHADES

702968-01	Shade, pleated, day/night	17.12" x 22.5", Ascot
702968-02	Shade, pleated, day/night	17.12" x 33", Ascot
702968-07	Shade, pleated, day/night	28.87" x 22.5", Ascot
702968-08	Shade, pleated, day/night	28.87" x 33", Ascot
702968-10	Shade, pleated, day/night	31." x 33.0", Ascot
702968-16	Shade, pleated, day/night	47.5" x 25", Ascot
702969-01	Shade, pleated, night	17.12" x 22.5", Ascot
702969-07	Shade, pleated, night	28.87" x 22.5", Ascot
702969-16	Shade, pleated, night,	47.50" x 25" , Ascot

## 2002 CLASSIC TRAILER

### ELECTRICAL

#### 110 VOLT

510634	Power cord, 120 volt, 36ft.
511336	Breaker box, Square D,30amp
510662	Breaker,20 amp, double, Square D 2020
510663	Breaker,30amp, Square D, 0130
510661	Breaker,20 amp., Square D GFI
510723	Breaker Box, Square D
510666	Breaker, 15/20 amps double
511020-01	Breaker, 20 amps
510724	Breaker, double pole, 50 amps
500563-01	Receptacle,15-amp,T & B type
500903	Duplex receptacle, ivory
500169	Housing, weatherproof receptacle
510122	Cover plate, weatherproof receptacle
510676-01	Outlet, exterior, gray
510315	SWITCH AND RECEPTACLE BOX
201017-01	COVER OUTLET WHITE
500945	ADAPTER, SWITCH BOX
510514	Switch, priority, microwave to water heater (CSA)
510606	Receptacle box, priority switch
500385	Switch cover, ivory
500913-03	SWITCH, T & B WHITE
511426	Converter, electronic, 55 amp
511023	Tester, circuit analyzer (loose item)

## 2002 CLASSIC TRAILER

### ELECTRICAL

#### 12 VOLT

511132	Battery, deep cycle, lead acid
500836	POSITIVE BATTERY CABLE
500837	NEGATIVE BATTERY CABLE
500886	7-Way cable w/plug
511411	Junction box, 7-way cable
0300027	Break away switch, Bargman
511426	Converter, electronic, 55 amps
510626	Switch, master disconnect
510627	Face plate, disconnect switch
510655	Breaker panel, 12 volt
511152-103	Monitor panel, deluxe
511152-100	Monitor panel, standard
511018	Monitor panel, tank harness
510807	Outlet, 12 volt
511121	Mounting plate, 12 volt receptacle
500842	Light, fluorescent, 16 Watt, 12 x 5.5"
680084	Bulb, fluorescent, #F15T8-CW
500960-01	Light, fluorescent, recessed, 14.75"
680084	Bulb, fluorescent, #F8T5-CW
511248	Light, incandescent, single
511249	Light, incandescent, double
50085-02	Bulb, incandescent, #1141
511534	Dual, coax, cable plate, white
952513	CHART 12-VOLT LOCATION
965419	12-V electrical center box, under sofa, Modified to help installation after S/N 514375

## 2002 CLASSIC TRAILER

### ELECTRICAL

#### 12 VOLT

511298	Wall lamp, 12 volt-over rear bed
510689	Bulb, incandescent, #1076
511298-02	Shade, wall lamp, round
511298-01	Shade, wall lamp, rectangular
500956	Light, wardrobe, w/switch
681924	Bulb, wardrobe light #581
511410	Light, shower, incandescent
50085-02	Bulb, incandescent, #1141
511297	Light, halogen, reading w/switch
511137-100	Bulb, wedge base, JC-10
511609-01	FIXTURE-BRASS W/DECORATIVE FINIAL
511609-02	GLOBE-DINETTE 8.5"PRISMATIC
510868-03	Switch panel, 4-gang,white
381541-05	Switch, bath ceiling vent
511327	Switch body w/rocker,1 gang, white
511328	Cover switch, one gang white
511566-01	Cover, switch, 2 gang
511567-01	Switch body w/switches, 2-gang, black
500435	Switch, DPDT, Hi-Lo
500432	Switch, SPST, flood light
500431	Switch, SPST, step light
510654-01	Jack, TV w/12 volt outlet
104619	Mounting plate, exterior telephone/TV jack
510614-01	JACK TV 12V WHITE, interior
511531	Switch, slide out travel lock
510626	Switch, master disconnect



# 2002 CLASSIC TRAILER

## ELECTRICAL

### EXTERIOR LIGHT AND REFLECTORS

500564	Step light, #8142 w /hail shade
510732	Utility light, by door and on front
500092	Flood light
511163	Light, compartment
510658	Switch w/weather proof boot
114346-01	Bezel, tail light casting, RS
114346-02	Bezel, tail light casting, CS
201929-01	Close out, tail light, RS
201929-02	Close out, tail light, CS
511003-02	Light, red stop, tail and turn
511003-03	Light, red w/clear center (back-up)
510111	Clearance light, red, Signal Stat
510112	Clearance light, amber, Signal Stat
511294	Light, license plate
500095	Reflector, red, rectangular
500096	Reflector, amber, rectangular
510446	Reflector, red, stick-on
511375	Telephone jack, exterior
452981	PHONE JACK PROTECTIVE PLATE

## 2002 CLASSIC TRAILER

### ENTERTAINMENT

511383-01	Radio, AM/FM/Cassette w/CD control, Sony XR-6120
511048	SPEAKER, 4" BLACK (PR)
511623	Bracket, cube speaker
690451	TV-20" SONY STEREO, 34' S/O only
511633	PATCH CORD M/M RCA 10'
511634	PATCH CORD 3-WAY M/M RCA 6'
510788-01	Antenna, TV, Winegard
114396	Antenna, TV trough, roof
510788-03	Amplifier, antenna, Winegard
510788-04	Hardware, interior, Winegard
510788-107	Gear, elevating, plastic, Winegard
510788-118	Handle, directional, Winegard
510788-125	Handle, directional kit, Winegard
500484-04	ANTENNA LEAD & EXTENSION 48"
510616	Connector, "F", coax
510623	Connector, male-to-male, coax
510610	Antenna, Radio, side mount
510614	Jack, TV, 12-volt, white
114975	Bracket, TV support, 34' S/O trailer
511310	Video Control Center
114988	Bracket, mounting, Video Control Center
690466	Sony DAVS-500, DVD/CD, Dolby System
690466-100	DAVS-500 DVD/CD System, Head unit
690466-101	DAVS-500 DVD/CD System, Front speaker
690466-102	DAVS-500 DVD/CD System, center & rear speaker
690466-103	DAVS-500 DVD/CD System, subwoofer
690466-104	DAVS-500 DVD/CD System, remote
690466-105	DAVS-500 DVD/CD System, Owners Manual

# 2002 CLASSIC TRAILER

## \*FASTENERS



325043  
Rivet, buck type  
dia. 1/8"  
length 1/4"  
(hard)



325000-01  
Rivet, buck type  
dia. 1/8"  
length 1/4"  
anodized clear



325000-03  
Rivet, buck type  
dia. 1/8"  
length 1/4"  
anodized white



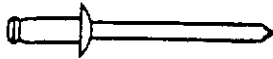
325001-01  
Rivet, buck type  
dia. 1/8"  
length 5/16"  
anodized clear



325002-01  
Rivet, buck type  
dia. 1/8"  
length 3/8"  
anodized clear



325004-01  
Rivet, buck type  
dia. 1/8"  
length 1/2"  
anodized clear



330127-03  
dia. 1/8"  
grip range .063-.125  
aluminum body  
aluminum mandrel

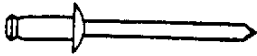


300101  
1/8" I.D.  
washer, aluminum

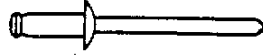
\*Common bolts and screws readily available at local hardware outlets have not been listed.

# 2002 CLASSIC TRAILER

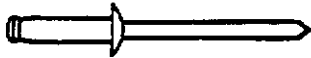
## \*FASTENERS



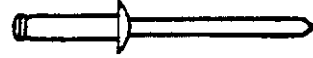
330126-02  
pop rivet, dia. 1/8"  
grip range .126-.187  
S.S. body and mandrel



330126-03  
pop rivet, dia., 1/8"  
grip range .126-.250  
S.S. body and mandrel



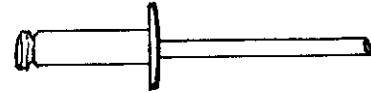
330127-050  
rivet, pop  
dia.1/8"  
grip range .251"-.312"  
aluminum body  
aluminum mandrel



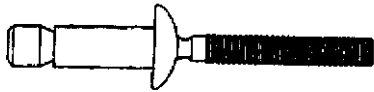
330128-05  
rivet, pop  
dia.1/8"  
grip range .251"-.312"  
aluminum body, white  
aluminum mandrel



330127-080  
rivet, pop  
dia.1/8"  
grip range .325"-.565"  
alum. body & mandrel



330038  
rivet, pop  
dia..150" (#20 bit)  
grip range .126-.250  
alum. Body &mandrel  
(used-screen door hinge)



325103  
dia. 1/4"  
grip range .080-.325  
SS body  
steel mandrel

\*Common bolts and  
screws not listed.

## 2002 CLASSIC TRAILER

### FLOOR COVERING

702793-02	Carpet, Regal Roman Sands
701538	Carpet, Velour-compartment liner
702979	Flooring, vinyl, Banker Gray, roll out tray
700173-01	Pad, carpet, 1/2" thick
700173	Pad, carpet, 3/8" thick (slide out model only)
114724	Trim, carpet, edging, Z-bar, aluminum
703037	Flooring, laminate, Capisto Sand
365252-02	Adhesive, laminate floor, 16 oz. tube
801291-03	Trim, laminate floor, Capisto Sand
365257	Adhesive, AHB Multi-purpose floor
702549	Matt, entrance, w/Airstream logo

## 2002 CLASSIC TRAILER

### FURNITURE

Airstream has begun using "Z" numbers to denote wood type and color. You will begin to see numbers in the parts books that look like the following:

964764-00Z      Face frame, galley

A part number with a "Z" in the 10<sup>th</sup> position is a generic number. For different types and colors of wood the "Z" should be changed to the appropriate number by the dealer ordering parts as shown:

964764-002	Face frame, galley, <b>Walnut</b>
964764-003	Face frame, galley, <b>Hickory</b>
964764-004	Face frame, galley, <b>Saratoga Oak.</b>
964764-005	Face frame, galley, <b>Maple</b>

Continued

## 2002 CLASSIC TRAILER

As the transition is made you will find wood parts listed with a "Z" in the 10<sup>th</sup> position or no 10<sup>th</sup> position listed. They may have a 5, 4, 3, 2, or maybe not have a tenth position. Please be sure that the part you are ordering matches the wood type you need by making the 10<sup>th</sup> position the proper number. List the wood type and serial number of the trailer on your order to help prevent mistakes.

Example:

800597-01 will change to 800597-01Z and be ordered as 800597-014 for oak wood. If you want oak leave the 4 or change the Z to a 4. If you want Hickory then order 800597-013.

Always include the serial number and wood type with each order.

All Limited option packages have Hickory wood. Part numbers for furniture pieces, wood molding, paneling, and trim should end in;-003 or -013.

Airstream Customer Service or Parts Department can provide you the wood type of the trailer if your customer or service center is unsure. Please have the last six digits of the Airstream serial number available to speed the process.

If you have any questions please contact our parts department before placing the order.

# 2002 CLASSIC TRAILER

## FURNITURE

### CABINET DOORS, RAISED PANEL

		Width x height (inches)
800597-56Z	Raised panel door	07.75 x 17.50
800597-57Z	Raised panel door	9.00 x 16.25
800597-01Z	Raised panel door	10.50 x 22.00
800597-12Z	Raised panel door	10.50 x 26.25
800597-41Z	Raised panel door	10.50 x 32.00
800597-47Z	Raised panel door	10.50 X 37.75
800597-09Z	Raised panel door	11.00 x 29.75
800597-27Z	Raised panel door	11.50 x 25.00
800597-50Z	Raised panel door	12.00 x 29.50
800597-07Z	Raised panel door	12.25 x 21.00
800597-19Z	Raised panel door	12.25 X 31.00
800597-10Z	Raised panel door	12.25 x 34.00
800597-15Z	Raised panel door	13.00 x 25.75
800597-44Z	Raised panel door	13.75 x 29.75
800597-02Z	Raised panel door	14.00 x 20.00
800597-05Z	Raised panel door	14.75 x 29.75
800597-49Z	Raised panel door	15.50 x 13.00
800597-51Z	Raised panel door	15.75 x 23.00
800597-08Z	Raised panel door	16.00 x 29.50



## 2002 CLASSIC TRAILER

### FURNITURE

#### CABINET DOOR FRAMES FOR MIRRORS

		width x height inches
800557-20Z	Door frame	9.88 X 33.62
800557-23Z	Door frame	10.50 x 32.50
800557-30Z	Door frame	11.75 x 42.00
800557-17Z	Door frame	12.25 x 34.00
800557-03Z	Door frame	14.50 x 25.00
800557-04Z	Door frame	15.00 x 14.50
800557-11Z	Door frame	16.00 x 60.00
800557-15Z	Door frame	19.00 x 60.00
800557-10Z	Door frame	22.00 x 60.00

#### MIRRORS

371262-44	Mirror, safety glass	6.50 x 12.75
371262-16	Mirror, safety glass	7.00 X 30.75
371262-13	Mirror, safety glass	9.38 x 31.12
371262-43	Mirror, safety glass	11.50 x 12.75
371262-05	Mirror, safety glass	13.13 x 28.13
371262-04	Mirror, safety glass	19.12 x 28.12
371262-10	Mirror, safety glass	16.12 x 28.12
372210-11	Mirror, beveled edges	7.75 x 19.50
372210-19	Mirror, beveled edges	8.00 x 41.50
372210-18	Mirror, beveled edges	9.00 x 28.50
372210-10	Mirror, beveled edges	11.00 x 29.00
372210-24	Mirror, beveled edges	11.62 X 22.12
372203-04	Mirror, polished edges	36.00 X 14.00
372203-17	Mirror, safety, polished edges	14.0 x 33.13
372203-04	Mirror, polished edges	36.00 X 14.00
372203-04	Mirror, safety	14.0 x 36.00
372213	Trim, mirror, bright chrome	
365239	<i>Foam pad, non-skid, 1/16" x 1/4" x 1"</i> <i>(used between mirror and door frame)</i>	

## 2002 CLASSIC TRAILER

### FURNITURE MISCELLANEOUS DOORS

986265	Sliding bath door assembly, 34ft.
963179-02	Slider door assembly, 29 x 72", 34 & 31 LTD
963179-03	Slider door assembly, 29" x 72", 31 & 34ft.
961413-10	Door, slider, fwd bath, 34' S/O, 31ft.
961413-14	Door, slider, fwd bath, 17" x 72.5", 28ft.
961413-15	Door, slider, 19" x 72.5", 28ft.
962066	Door, slider, aft, 28 & 30ft.
961413-03	Door, slider, 30ft.
702306-02	Shower door gold, 26" opening
702306-107	Drip cap, shower door
702937-03	Shower door roll away, 62" x 36", 25 ft trailer
702681-01	Door, foldette, 36" x 73", beige
702681-03	Door, foldette, 46" x 73", beige,
381581	Strap, clear plastic, foldette door
961957-01	Door, Oak (chair storage cabinet)
964952	Door, dinette drop-down
381100	Sliding door guide, shower door
800474	Door, tambour, appliance garage
381727-01	Door, Wardrobe, mirrored, sliding, 46" x 55.5"
114496-04	Door, TV/coax compartment
963299-01	Sliding door guide, hardwood

# 2002 CLASSIC TRAILER

## FURNITURE

### DRAWER FACE

Width x length (inches)

800599-03Z	Drawer face	4.25 x 21.50
800599-07Z	Drawer face	4.50 x14.00
800599-43Z	Drawer face	4.50 x16.00
800599-58Z	Drawer face	4.75 x 21.50
800599-01Z	Drawer face	7.00 x 10.50
800599-02Z	Drawer face	7.00 x 11.75
800599-40Z	Drawer face	7.00 x 10.25
800599-22Z	Drawer face	7.00 x 14.00
800599-56Z	Drawer face	7.00 x 16.00
800599-51Z	Drawer face	7.00 x 19.00
800599-38Z	Drawer face	7.00 x 21.50
800599-21Z	Drawer face	7.00 x 23.00
800599-65Z	Drawer face	8.00 x 10.50
800599-75Z	Drawer face	8.00 x 13.50
800599-46Z	Drawer face	8.00 X 17.25
800599-23Z	Drawer face	8.00 x 21.50
800599-73Z	Drawer face	8.50 x 25.00
800599-25Z	Drawer face	9.00 x 15.00
800599-12Z	Drawer face	9.00 x 47.00
800599-59Z	Drawer face	9.75 x 12.00
800599-44Z	Drawer face	10.25 x 13.50
800599-74Z	Drawer face	12.00 x 13.50
800599-57Z	Drawer face	17.25 x 13.00
800559-3Z	Drawer face	3.00 x 26.00

## 2002 CLASSIC TRAILER

### FURNITURE

#### DRAWER BOX

Height x width x length (inches)

964906-09	Drawer box	2.75 x 8.75 x 18.00
964906-06	Drawer box	2.75 x 12.00 x 18.00
964906-10	Drawer box	2.75 x 12.25 x 14.00
964906-02	Drawer box	2.75 x 19.50 x 18.00
964910-02	Drawer box	5.00 x 10.00 x 18.00
964910-19	Drawer box	5.00 x 11.50 x 14.00
964910-08	Drawer box	5.00 x 13.25 x 14.00
964910-14	Drawer box	5.00 x 13.75 x 13.00
964910-13	Drawer box	5.00 x 14.00 x 19.69
964910-12	Drawer box	5.00 x 17.00 x 20.00
964910-03	Drawer box	5.00 x 19.50 x 18.00
964910-01	Drawer box	5.00 x 20.88 x 18.00
964910-18	Drawer box	17.00 X 14.00 X 5.00
964907-02	Drawer box	8.50 x 18.00 x 6.00
964907-08	Drawer box	11.50 X 14.00 X 6.00
964907-13	Drawer box	15.00 X 18.00 X 6.00
964908-01	Drawer box	8.00 x 17.50 x 26.00
963338-01	Drawer box, angled, RS rear wardrobe, dbl. bed	
963338-02	Drawer box, angled, CS rear wardrobe, dbl. bed	
963749	Drawer box assembly, "W" rear bed	
963759	Drawer box assembly, "J" rear bed	
961763	Drawer box assembly, "B" rear bed, 28ft	
801262-07	Drawer box, bottom 30Ft galley	
986777-01	Drawer box, pantry, 25ft.	
201016	Drawer, plastic, 16"x22"	

## 2002 CLASSIC TRAILER

### FURNITURE REAR BEDROOM-TWIN

<a href="#">963506-02</a>	Roof locker, rear center
963498	Face frame, rear center roof locker
965049-004	SIDE PANEL RADIO SHELF
<a href="#">962227-01</a>	Twin bed assembly, RS, 30, 31 & 34ft.
<a href="#">962508-01</a>	Twin bed assembly, RS, 25 & 28ft.
<a href="#">962227-02</a>	Twin bed assembly, CS, 30, 31 & 34ft.
<a href="#">962508-02</a>	Twin bed assembly, CS, 25 & 28ft.
998101-01	BED-END, TWIN, FABRIC COVERED
<a href="#">963348-01</a>	Night stand assembly, RS
963351-01	Face frame, nightstand, RS
964452	Top, RS nightstand
<a href="#">965209-01</a>	Night stand assembly, center rear
965210	Face frame, rear center nightstand
965211	Top, rear center nightstand
<a href="#">963671</a>	Roof locker, rear, CS or RS, 30, 31 & 34ft.
963670	Face frame, rear side roof locker, 30, 31 & 34ft.
<a href="#">963767-01</a>	Roof locker, rear, RS, 25 & 28ft.
<a href="#">963767-02</a>	Roof locker, rear, CS, 25 & 28ft.
963768-01	Face frame, 25 & 28ft., rear roof locker
<a href="#">963827-01</a>	END CAP ASSY. BEDROOM LH
963829-02	FACE FRAME R/L END CAP LH
<a href="#">963827-02</a>	END CAP ASSY. BEDROOM RH
963829-01	FACE FRAME R/L END CAP RH

Continued

## 2002 CLASSIC TRAILER

### FURNITURE REAR BEDROOM-TWIN

<a href="#">962355-01</a>	Hanging wardrobe assembly, CS
962355-02	Hanging wardrobe assembly, RS
986180-01Z	Face frame, hanging wardrobe, RS, CS
<a href="#">963297-01</a>	Header, slider door, short
962199-01	END CAP ASSY LOUNGE/BED LOCKER LH
963829-02	FACE FRAME R/L END CAP LH-
962199-02	END CAP ASSY. LOUNGE/BED LOCKER RH
963829-01	FACE FRAME R/L END CAP RH
998101-01	BED-END, TWIN, FABRIC COVERED
963721	WARDROBE FWD ASSY. -25'T
963722-01	FACE FRAME FWD WARDROBE
<a href="#">800727-01</a>	Close-out, foldette door, 25"

## 2002 CLASSIC TRAILER

### FURNITURE

#### REAR BEDROOM-TWIN 34' S/O

<a href="#">962227-05</a>	ASSY., TWIN BED CS 34' S/O
<a href="#">962227-06</a>	ASSY., TWIN BED RS 34' S/O
<a href="#">963348-04</a>	ASSY., RS NIGHTSTAND 34'S/O
963351-01	FACE FRAME RS NIGHTSTAND
964452	TOP, RS NIGHTSTAND
<a href="#">965209-03</a>	NIGHTSTAND ASSY., CENTER TWIN 34'S/O
965210-00z	TOP ASSY-NIGHTSTAND TWIN
<a href="#">963506-07</a>	REAR LINER LOCKER 34' S/O
963498	FACE FRAME FWD/AFT R/L-TRAILER
963671-02	ROOFLOCKER ASSY. 34' S/O CLASSIC
963670	FACE FRAME "A" 38.25" R/L
<a href="#">963827-01</a>	END CAP ASSY. BEDROOM LH
963829-02	FACE FRAME R/L END CAP LH
<a href="#">963827-02</a>	END CAP ASSY. BEDROOM RH
963829-01	FACE FRAME R/L END CAP RH
<a href="#">962355-05</a>	ASSY., HANGING WDRB C/S 34'S/O
986180-01	FACE FRAME, HANGING W/R
<a href="#">962355-06</a>	ASSY. HANGING WDRB RS 34' S/O
986180-01	FACE FRAME, HANGING W/R
963297-01	HEADER SLIDER DOOR SHORT
998101-01	BED-END, TWIN, FABRIC COVERED

## 2002 CLASSIC TRAILER

### FURNITURE

#### REAR BEDROOM-DOUBLE

<a href="#">963340-07</a> 962207-01	Wardrobe assembly, RS rear, 30, 31, 34 FT. Face frame, RS rear wardrobe
<a href="#">963340-08</a> 962208-01	Wardrobe assembly, CS rear, 30,31 & 34ft. Face frame, CS, rear wardrobe
201959-01 201959-02 964869	PAN TOP SHELF WRD RH BLACK ABS PAN TOP SHELF WRD LH BLACK ABS FRAME CONTROL PANEL BEDROOM, RS & CS
<a href="#">963721</a> 963722-01	Wardrobe assembly, forward, 25ft. Face frame, forward wardrobe, 25ft.
<a href="#">963337-05</a> 963336-01 962217	Rear roof locker, center, 30, 31 & 34ft. Face frame, rear center roof locker FUSE PANEL CLOSE OUT "W"
<a href="#">965226</a> 965227-00Z	SHIRT CLOSET-RS, "B" MODELS FACE FRAME-SHIRT CLOSET RS
<a href="#">965228</a> 965229-00Z	ROOFLOCKER ASSY-"B" RS 32.5", 25ft FACE FRAME-ROOFLOCKER "B" RS 32.5
962199-01 963829-02	END CAP ASSY LOUNGE/BED LOCKER LH FACE FRAME R/L END CAP LH-
962199-02 963829-01	END CAP ASSY. LOUNGE/BED LOCKER RH FACE FRAME R/L END CAP RH

Continued



## 2002 CLASSIC TRAILER

### FURNITURE REAR BEDROOM-DOUBLE

<a href="#"><u>963747</u></a> 986681	Bed assembly, double, 30, 31 & 34ft. Head board assembly, double bed
<a href="#"><u>963748</u></a>	Bed assembly, double, 28ft., 25Ft.
<a href="#"><u>962530</u></a> <a href="#"><u>964942</u></a> 926531-01 962538	Nightstand, forward, 28ft. Nightstand, assembly, forward, 25ft Face frame, forward nightstand, 25 & 28ft. Top, forward nightstand
381241	TV shelf w/mirror
<a href="#"><u>964259</u></a>	CLOSE OUT W-WARDROBE
<a href="#"><u>963296-01</u></a> <a href="#"><u>963297-01</u></a>	Header, slider door long, 34', 31' Header, slider door short, 34', 31'
962199-02 963829-01 962199-02 963829-01	END CAP ASSY. LOUNGE/BED LOCKER RH FACE FRAME R/L END CAP RH END CAP ASSY. LOUNGE/BED LOCKER RH FACE FRAME R/L END CAP RH

Continued

## 2002 CLASSIC TRAILER

### FURNITURE

#### REAR BEDROOM-DOUBLE 34' S/O

<a href="#">963340-07</a>	WDRB ASSY. "W", RS 34'S/O
962207-01	FACE FRAME AFT RS
201959-01	PAN TOP SHELF WRD RH BLACK ABS
964869	FRAME CONTROL PANEL BEDROOM
<a href="#">963340-08</a>	WDRB ASSY. "W", CS 34'S/O
962208-01	FACE FRAME AFT CS
201959-02	PAN TOP SHELF WRD LH BLACK ABS
962217	FUSE PANEL CLOSE OUT "W"
986681	ASSY, HEADBOARD, 34' S/O
<a href="#">963747</a>	BED ASSY. "J"
381241	TV. SHELF, OAK W/MIRROR, 18.5 X 15.5
<a href="#">963296-01</a>	HEADER SLIDER DOOR LONG
<a href="#">963297-01</a>	HEADER SLIDER DOOR SHORT

## 2002 CLASSIC TRAILER

### FURNITURE

#### BATH 34 FT.

(See hardware section for fixtures. If connected to water, see plumbing)

<a href="#">986265</a>	Sliding bath door
<a href="#">963786-01</a>	Jamb, bath door
800576-014	MOLDING BATH DOOR JAMB 80"
<a href="#">963787-01</a>	Jamb, bath door/shower trim
<a href="#">963788-01</a>	Header, bath door
200009	Sliding door guide
<a href="#">203046-03</a>	Shower stall, angled, two piece
<a href="#">963179-03</a>	Slider door, 29 x 72in., vinyl
<a href="#">963296-01</a>	Header, slider door, long
<a href="#">963297-01</a>	Header, slider door, short
<a href="#">965194</a>	Lavatory assembly
965192-00Z	Face frame, lavatory
953193-00Z	Face frame closeout
965195-01	Top, lavatory, Corian
703053	Decorative border, wallpaper, self-adhesive
<a href="#">963302-01</a>	Medicine cabinet assembly, lower
963266-01	Face frame, lower medicine cabinet
<a href="#">964026-01</a>	Medicine cabinet assembly, upper
964025	Face frame, upper medicine cabinet
<a href="#">965224-02</a>	Wardrobe assembly, CS
964019-00Z	Face frame, wardrobe
965220-00Z	Stile, wardrobe side, LH/RH
965221-00Z	Header Wardrobe
108433	Header foldette door
<a href="#">965223</a>	WARDROBE ASSY. AFT
965218-00Z	FACE FRAME-WARDROBE

## 2002 CLASSIC TRAILER

### FURNITURE

#### BATHROOM, 34 S/O

(See hardware section for fixtures. If connected to water, see plumbing)

<a href="#">961413-10</a>	Sliding bath door, FWD, 102 wide
<a href="#">963786-01</a>	Jamb, bath door
<a href="#">963787-01</a>	Jamb, bath door/shower trim
<a href="#">964303-01</a>	Header, bath door
<a href="#">203046-03</a>	Shower stall, angled, two piece
<a href="#">963179-02</a>	Slider door, 29 x 72in., vinyl
<a href="#">963296-01</a>	Header, slider door, long
<a href="#">963297-01</a>	Header, slider door, short
<a href="#">965214-02</a>	Lavatory assembly
965212-00Z	Face frame lavy,
965193-00Z	Frame, closeout, lavatory
965215-01	Top, lavatory, Corian
<a href="#">964302-03</a>	Medicine cabinet assembly, lower
963300-01	Face frame, lower medicine cabinet
<a href="#">964301-03</a>	Medicine cabinet assembly, upper
964299-01	Face frame, upper medicine cabinet
<a href="#">965224-04</a>	Wardrobe assembly
965219-00Z	Face frame, wardrobe
965221-00Z	Header, wardrobe
<a href="#">965223-02</a>	Wardrobe assy., aft
965218-00Z	Wardrobe Face frame, aft
108433	Header foldette door

## 2002 CLASSIC TRAILER

### FURNITURE

#### BATHROOM, 31 FT

(See hardware section for fixtures. If connected to water, see plumbing)

<a href="#">965224-01</a>	Wardrobe assembly, CS
964219-00Z	Face frame, CS wardrobe, forward
965220-00Z	STILE, WARDROBE SIDE LH/RH
965221-00Z	HEADER WARDROBE
<a href="#">965223</a>	Wardrobe assembly, aft
965128-00Z	Face frame, wardrobe, aft
<a href="#">961413-10</a>	Slider door, forward
<a href="#">963786-01</a>	Jamb, bath door
<a href="#">963787-01</a>	Jamb, bath door/shower
<a href="#">964303-01</a>	Header, bath door
964993	Closeout, lavy shower
<a href="#">203046-03</a>	Shower stall, angled, two piece
<a href="#">965214</a>	Lavatory cabinet assembly
964212-00Z	Face frame, lavatory cabinet
965193-00Z	Frame, lavy, closeouts
965215-01	Top, lavatory cabinet
<a href="#">964302-01</a>	Medicine cabinet assembly, lower
964300-01	Face frame, lower medicine cabinet
<a href="#">964301-01</a>	Medicine cabinet assembly, upper
964299-01	Face frame, upper medicine cabinet
<a href="#">963296-01</a>	Header, foldette door, long
<a href="#">963297-01</a>	Header foldette door, short

# 2002 CLASSIC TRAILER

## FURNITURE

### BATHROOM, 30 FT

(See hardware section for fixtures. If connected to water, see plumbing)

<a href="#">962175-01</a>	Wardrobe assembly, CS
962162-01	Face frame, CS wardrobe, aft
962163-01	Face frame, CS wardrobe, forward
<a href="#">964945</a>	Lift up shelf assembly, wardrobe
<a href="#">203081</a>	Shower stall, two-piece
962161-01	Face frame, shower
<a href="#">800815-02</a>	Stile aft, bath panel end
<a href="#">962066</a>	Slider door, aft
<a href="#">963656</a>	Header, slider door, aft
<a href="#">961413-16</a>	Slider door assembly
<a href="#">963657</a>	Header, slider door, forward
<a href="#">961921-05</a>	Lavatory cabinet assembly
961890-01	Face frame, lavatory cabinet
961891-01	Face frame lavy, aft
965217-01	Top, lavatory cabinet, Corian
703053	Decorative border, wallpaper, self-adhesive
<a href="#">961899</a>	Medicine cabinet, lower
961897-01	Face frame, lower medicine cabinet
<a href="#">963753-01</a>	Medicine cabinet, upper
962170-01	Face frame, upper medicine cabinet

## 2002 CLASSIC TRAILER

### FURNITURE

Bathroom, 30ft. S/O trailer

(See hardware section for fixtures. If connected to water, see plumbing)

<a href="#">963664</a>	Stile, aft, bath
<a href="#">962161-01Z</a>	Face frame, shower
800815-02Z	Stile aft, bath panel end
<a href="#">963656-00Z</a>	Header aft, sliding door
<a href="#">963657-00Z</a>	Header, fwd, sliding door
<a href="#">962066-00Z</a>	Door assy., slider aft
<a href="#">961413-16Z</a>	Door, slider assy., 20.5" x 74"
<a href="#">203081</a>	Shower stall, 2 pcs.
703206-02	Shower door, Gold 26" opening
<a href="#">961921-05</a>	Lavy, cabinet assy.
961890-01Z	Face frame, lavy
961891-01Z	Face frame lavy, aft
965217-01	Top assy., Corian
<a href="#">963753-01</a>	Med. Cabinet assy., upper
962170-01Z	Face frame med., upper
<a href="#">961899</a>	Medicine cabinet, lower section
961897-01Z	Face frame, med., cabinet, lower
<a href="#">962175-01</a>	Wardrobe assy.
962162-01Z	Face frame W/R aft, CS
963163-01Z	Face frame, WRD fwd
<a href="#">964945</a>	Lift up assy, wardrobe
703106	Border-VSI #TF71661

# 2002 CLASSIC TRAILER

## FURNITURE

### BATHROOM 28FT

(See hardware section for fixtures. If connected to water, see plumbing)

<a href="#">964016</a>	Wardrobe assembly, CS
964015	Face frame, CS wardrobe
<a href="#">963690-01</a>	Wardrobe assembly, RS
962509-01	Face frame, RS wardrobe
<a href="#">203081</a>	Shower stall, two-piece
<a href="#">962505-01</a>	Face frame, shower
<a href="#">963656</a>	HEADER AFT SLIDE DOOR
<a href="#">962066</a>	Slider door, aft
<a href="#">963656</a>	Header, slider door, aft
<a href="#">961413-14</a>	Slider door assembly, 17" x 72.50"
<a href="#">961413-15</a>	Slider door assembly, 19" x 72.50"
801132	Header, slider door, forward
<a href="#">961921-05</a>	Lavatory cabinet assembly
961890-01	Face frame, lavatory cabinet
965217-01	Top, lavatory cabinet
961891-01	Face frame, lavatory aft
703053	Decorative border, wallpaper, self-adhesive
<a href="#">961899</a>	Medicine cabinet, lower
961897-01	Face frame, lower medicine cabinet
<a href="#">963753-01</a>	Medicine cabinet, upper
962170-01	Face frame, upper medicine cabinet
381241	TV shelf, Oak w/ mirror
962199-02	End cap assy., lounge/bed, RH
962199-01	End cap assy., lounge/bed, LH



# 2002 CLASSIC TRAILER

## FURNITURE

### BATHROOM 25Ft

(See hardware section for fixtures. If connected to water, see plumbing)

<a href="#">201980</a>	Shower stall, two-piece
<a href="#">986265</a>	Sliding bath door
<a href="#">962322-02</a>	Lavatory cabinet assembly
962324-01	Face frame, lavatory cabinet
965216-01	Top, lavatory cabinet
703053	Decorative border, wallpaper, self-adhesive
<a href="#">962251</a>	Medicine cabinet, lower
962252	Face frame, lower medicine cabinet
<a href="#">963752-01</a>	Medicine cabinet, upper
962250	Face frame, upper
200963-01	Track sliding door, vanity upper
200963-02	Track, Sliding door, vanity lower

## 2002 CLASSIC TRAILER

### FURNITURE

#### GALLEY, 34-FRONT LOUNGE MODEL

<a href="#">964953-01</a>	Seat assembly, dinette, LH
964499-01	Cushion support, LH
964950	Back, upholstered, LH, w/door
<a href="#">964334-01</a>	Flex spring seat
<a href="#">964954-01</a>	Seat assembly, dinette, RH
964498-01	Cushion support, RH
964529-02	Back, upholstered, RH
<a href="#">964334-01</a>	Flex spring seat
<a href="#">703125-02</a>	Top dinette seat, urethane buckskin
<a href="#">963793</a>	Dinette table assembly
963673	Top, dinette table
962177-03	Table leg, hardwood
<a href="#">963763</a>	Roof locker, dinette
963764-01	Face frame, dinette roof locker
<a href="#">963305-01</a>	Refrigerator cabinet assembly
963724-02	Face frame, refrigerator cabinet
<a href="#">963757</a>	Roof locker, galley
963354-01	Face frame, galley roof locker
<a href="#">963828-01</a>	END CAP ASSY. GALLEY LOCKER LH
<a href="#">963829-02</a>	FACE FRAME R/L END CAP LH
<a href="#">964608</a>	Galley assembly, oven option
964607	Face frame, galley
964586-01	Galley top assembly

(Continued)

## 2002 CLASSIC TRAILER

### FURNITURE

#### GALLEY 34FT FRONT LOUNGE MODEL

<a href="#">964606-02</a>	Galley cabinet, cook top section
964605	Face frame, galley cabinet forward
964586-01	Top, galley cabinet, Corian
<a href="#">964383-01</a>	Range covers, Corian (pr.)
<a href="#">964411-01</a>	Sink cover, RH, Corian
<a href="#">965275-01</a>	Sink cover, LH, Corian
200980-01	Tray, silverware, Almond
<a href="#">964610</a>	Galley cabinet, aft section
964328-01	Face frame, galley cabinet, aft
<a href="#">961247-02</a>	Galley cabinet, pantry section
961072-01	Face frame, pantry
<a href="#">961066-01</a>	Appliance garage
800734-01	End, RH, appliance garage
800734-02	End, LH, appliance garage
800474-10	Tambour, 23.00" x 12.00"
<a href="#">963357-01</a>	Microwave cabinet
963355-01	Face frame, Microwave cabinet
<a href="#">963527-01</a>	Microwave cabinet assembly, oven option
964627	Face frame, microwave cabinet
<a href="#">963991</a>	Spice rack
<a href="#">963990</a>	Magazine rack
<a href="#">800631-00z</a>	Hand rail, 23"long
381491	Trash can, rollout
<a href="#">964951-01</a>	JAMB-DINETTE DROP DOOR SIDE
<a href="#">964951-02</a>	JAMB-DINETTE DROP DOOR TOP/BOTTOM

## 2002 CLASSIC TRAILER

### Furniture

#### Galley, 34' Slide-out (Lounge)

<a href="#">964997-01</a>	Galley assy., forward
965020-00Z	Face frame, galley forward
965018-00Z	Face frame, galley forward
964999	Top assy, galley forward
<a href="#">965030-04</a>	Microwave cabinet assy.
965029-00Z	Face frame, micro. Cabinet
965319	Top, micro. Cabinet
<a href="#">965035-01</a>	Roof locker assy.
965034-004	Face frame, galley roof locker
<a href="#">964998-02</a>	Galley assy., cook top
965017-00Z	Face frame, galley cook top
<a href="#">963828-01</a>	End cap assy., Galley R/L, L.H.
<a href="#">963829-02</a>	Face frame, R/L, end cap
<a href="#">965274-02</a>	Sink cove, R.H, Corian
<a href="#">965275-02</a>	Sink cover, L.H., Corian
<a href="#">963680-02</a>	Refer cabinet assy.
963724-01	Face frame, refer cabinet
<a href="#">963990</a>	Magazine rack
<a href="#">963991</a>	Spice rack
703049-00Z	Bar stool, Ashley
381708	Waste basket
<a href="#">965036-00Z</a>	End cap, shelf assy.

## 2002 CLASSIC TRAILER

### Furniture

#### Galley, 34' Slide-out (Dinette)

<a href="#">965367-01</a>	GALLEY ASSY-COOK TOP, S/O DINETTE
<a href="#">965356-00Z</a>	GALLEY ASSY-FWD S/O DINETTE
965361-00Z	FACE FRAME-GALLEY FWD @ SINK S/O
965359-00Z	FACE FRAME-GALLEY FWD, S/O
<a href="#">964335-00Z</a>	GALLEY FLIP-UP SHELF ASSY
<a href="#">965302</a>	Galley assembly, full oven option
965304-00Z	Face frame, galley assembly, full oven
<a href="#">965357-00Z</a>	GALLEY ASSY-MID S/O DINETTE
965360-00Z	FACE FRAME-GALLEY MID, S/O
<a href="#">964998-00Z</a>	GALLEY ASSY-COOK TOP, S/O
965017-00Z	FACE FRAME-GALLEY COOK TOP, S/O
<a href="#">963991-00Z</a>	SPICE RACK
<a href="#">965379-01</a>	GALLEY ROOFLOCKER ASSY 103.5"
965380	FACE FRAME-GALLEY R/L 103.5"
<a href="#">963828-01</a>	END CAP ASSY. GALLEY LOCKER LH
<a href="#">963829-02</a>	FACE FRAME R/L END CAP LH
<a href="#">965030-04</a>	Microwave cabinet assy.
965029-00Z	Face frame, micro. Cabinet
965319-00Z	Top, micro. Cabinet
<a href="#">963680-02</a>	Refer cabinet assy.
963724-01	Face frame, refer cabinet

## 2002 CLASSIC TRAILER

### FURNITURE GALLEY, 31 Ft.

<a href="#">964965-03</a>	GALLEY ASSY FWD SECTION
964344-01	FACE FRAME-GALLEY FWD SECTION
964961-01	TOP ASSY GALLEY CORIAN
<a href="#">964973-01</a>	Sink cover
<a href="#">800631-004</a>	HANDRAIL 23" LONG
<a href="#">963990</a>	MAGAZINE RACK
<a href="#">964600</a>	GALLEY ASSY-OVEN SECT
964599	FACE FRAME-OVEN SECTION
<a href="#">963761</a>	LOCKER GALLEY ASSY.
962167-01	FACE FRAME GAL R/L
<a href="#">962225</a>	SPICE CABINET ASSY
962224-01	FACE FRAME SPICE CABINET
<a href="#">964310-01</a>	ASSY. REFER CABINET ASSY
963724-01	FACE FRAME REFER
<a href="#">963828-01</a>	END CAP ASSY. GALLEY LOCKER LH
<a href="#">963829-02</a>	FACE FRAME R/L END CAP LH
<a href="#">963688-01</a>	MICROWAVE CABINET STD
964628	FACE FRAME - DOMETIC MW CABINET
<a href="#">961247-01</a>	SECTION, PANTRY, AFT GALLEY
961072-01	FRAME FACE PANTRY -BACK
965319	TOP MICRO CABINET
<a href="#">963991-004</a>	SPICE RACK

Continued

## 2002 CLASSIC TRAILER

### FURNITURE GALLEY, 31 Ft.

[964335](#) GALLEY FLIP-UP SHELF ASSY  
381614 FOLDING SHELF BRACKET

Microwave-Convection W/ 3-Burner Cook-top (option)

[964598](#) Galley assembly, cook-top section  
964597 Face frame, galley cook-top section

[963785](#) Microwave cabinet assembly  
962527-01 Face frame, convection microwave cabinet

Uses same microwave cabinet top 965319 and pantry section  
961247-01 as standard microwave.

## 2002 CLASSIC TRAILER

### FURNITURE GALLEY, 30Ft.

<a href="#"><u>964966-03</u></a>	Galley cabinet assembly, forward
964629	Face frame, galley cabinet, forward
964961-01	Top, galley, Corian
964961-02	Top, galley, Corian, LTD option
<a href="#"><u>964973-01</u></a>	Sink cover
<a href="#"><u>964600</u></a>	Galley cabinet assembly, oven section
964599	Face frame, galley oven section
<a href="#"><u>964383-01</u></a>	Range covers, Corian
<a href="#"><u>963761</u></a>	Galley roof locker assembly
962167-01	Face frame, galley roof locker
963828-01	End cap, galley roof locker, LH
963829-02	Face frame, R/L end cap, LH
<a href="#"><u>963763</u></a>	Dinette roof locker
963764-01	Face frame, dinette roof locker
<a href="#"><u>962225</u></a>	Spice cabinet assembly
962224-01	Face frame, spice cabinet
<a href="#"><u>963680</u></a>	Refrigerator cabinet assembly
963724-01	Face frame, refrigerator cabinet
<a href="#"><u>964953-02</u></a>	Dinette seat assembly, LH
964499-01	Cushion support, dinette, LH
964529-01	Back, dinette, upholstered, LH
<a href="#"><u>964334-01</u></a>	Flex spring seat

(continued)



## 2002 CLASSIC TRAILER

### FURNITURE GALLEY, 30ft

<a href="#">964954-02</a>	Dinette seat assembly, RH
964498-01	Cushion support, dinette, RH
964529-02	Dinette back, upholstered, RH
<a href="#">964334-01</a>	Flex spring seat
<a href="#">703125-02</a>	Top dinette seat, urethane buckskin
<a href="#">963793</a>	Dinette table assembly
963673	Top, dinette table
962177-03	Table leg, hardwood
<a href="#">963990</a>	Magazine rack
<a href="#">963991-00z</a>	Spice rack
964335	Galley lift-up shelf
<a href="#">800631-004</a>	Hand rail, 23" long
<a href="#">963828-01</a>	End cap assembly, galley R/L, LH
<a href="#">963829-02</a>	Face frame R/L end cap LH

Microwave, Convection W/ 3-Burner cook-top (Option)

<a href="#">964598</a>	Galley assembly, cook-top section
964597	Face frame, galley cook-top section
<a href="#">964964-01</a>	Galley assembly, FWD
964964-02	Galley assembly, FWD, LTD, Option
964693-01	Face frame, FWD galley assembly

## 2002 CLASSIC TRAILER

### FURNITURE GALLEY, 30ft

#### Limited Package

<a href="#"><u>964598</u></a>	Galley assembly cook-top section
964597	Face frame, galley cooktop section
<a href="#"><u>964964-02</u></a>	Galley assembly, forward M/W section
964363-01	Face frame, forward M/W section
964961-02	Top assembly, galley, Corian
<a href="#"><u>964383-01</u></a>	Range top covers, Corian

## 2002 CLASSIC TRAILER

### FURNITURE GALLEY, 30 S\O

<a href="#">965303</a> 965305-00Z	Galley assy., fwd Face frame galley fwd
<a href="#">965301-01</a> 964973-01	Top assy., galley Sink cover, Corian
<a href="#">964998-01</a> 965017-00Z	Galley assy. cook top Face frame, cook top
200980-01	Tray, silverware, 9" x 13"
381708	Waste basket
<a href="#">963761</a> 962167-01Z	Locker, galley assy. Face frame, galley R/L
<a href="#">962225</a> 965224-01Z	Spice cabinet assy. Face frame, spice cabinet
<a href="#">963680</a> 963724-01Z	Refer cabinet assy. Face frame refer
<a href="#">963828</a> 963829-02Z	End cap assy., galley R/L Face frame, R/L end cap
<a href="#">965030</a> 965029-00Z 9653031-01	Microwave cabinet assy. Face frame, microwave Std Top, microwave cabinet assy.

(Continued)

## 2002 CLASSIC TRAILER

### FURNITURE

#### GALLEY, 30FT S/O

<a href="#">965314-01</a>	Dinette seat assembly, LH
965315-01	Base assy, dinette seat, LH
965316-01	Back assy., dinette, LH
965317-01	Upholstered back assy.
964449-01	Cushion support, dinette, LH
<a href="#">965314-02</a>	Dinette seat assy-RH
965315-02	Base assy, dinette, RH
965316-02	Back assy., dinette RH
965317-02	Upholstered back assy., RH
964498-01	Cushion support, dinette, RH
<a href="#">964334-01</a>	Flex spring seat
<a href="#">703125-02</a>	Top-dinette seat, urethane buckskin
<a href="#">963793</a>	Dinette table assy.
963673	Dinette table
962177-03Z	Table leg, hardwood
<a href="#">963990-00Z</a>	Magazine rack
<a href="#">963991-00Z</a>	Spice rack
<a href="#">964335</a>	Galley lift-up shelf
<a href="#">800631-00Z</a>	Handrail, 23" long

## 2002 CLASSIC TRAILER

### FURNITURE

#### GALLEY, 28Ft

<a href="#">964602-02</a>	Galley cabinet assembly, full oven
964601	Face frame, galley, full oven
114967	TOE KICK, GALLEY ASSY.
964963-01	Galley top, Corian
<a href="#">964973-01</a>	Sink cover
<a href="#">964383-01</a>	Range covers, Corian
200980-01	Silverware tray, 9' x 13"
<a href="#">963765</a>	Galley roof locker assembly
962517-01	Face frame, galley roof locker
<a href="#">963828-01</a>	End cap, galley roof locker, LH
963829-02	FACE FRAME R/L END CAP LH-TRAILER
<a href="#">962511</a>	Spice cabinet assembly
962512-01	Face frame, spice cabinet
<a href="#">963689</a>	Refrigerator cabinet assembly
963724-01	Face frame, refrigerator cabinet
<a href="#">963688-01</a>	Microwave cabinet, assembly
964628	Face frame, microwave cabinet
<a href="#">961247-01</a>	Pantry section, aft
961072-01	Face frame, pantry
962537	Top, microwave cabinet
<a href="#">964335</a>	Galley lift-up shelf
381133	Rack sack, 6.5 Litre, white

Continued

## 2002 CLASSIC TRAILER

### FURNITURE GALLEY, 28Ft

961836 Magazine rack  
800681-01 End cap  
800911-02Z Decorative rail  
  
800631-00Z Hand rail, 23"long

Microwave Convection, W/ 3-Burner cook-top, option

[963785](#) Microwave cabinet assembly  
965527-01 Face frame M/W cabinet  
[961247-01](#) Pantry section, aft galley  
961072-01 Face frame pantry  
965319 Top, microwave cabinet

Cook-top 3-Burner w/drawer, option

[964604](#) Galley assembly, cook-top  
964403 Face frame, galley assembly  
964963-01 Galley top assembly, Corian  
114967 Toe kick, galley

## 2002 CLASSIC TRAILER

### FURNITURE GALLEY 25

<a href="#">964589-03</a>	Galley cabinet assembly, full oven
964588	Face frame, galley, full oven
964962-01	Galley top, Corian
<a href="#">964383-01</a>	Range covers, Corian
964973-01	Sink cover
<a href="#">963773</a>	Galley roof locker assembly
962379-01	Face frame, galley roof locker
<a href="#">963828-01</a>	End cap, galley roof locker, LH
963829-02	face frame, R/L end cap LH
<a href="#">962261</a>	Pantry cabinet assembly
962262-01	Face frame, pantry cabinet
<a href="#">986777-01</a>	Drawer assembly, pantry
986150-01	Face frame, pullout pantry
381109	Bunk latch, pantry
<a href="#">963707-02</a>	Refrigerator cabinet w/microwave
964630	Face frame, refrigerator cabinet
<a href="#">963991-00Z</a>	Spice rack
<a href="#">964335</a>	Galley lift-up shelf
381133	Rack sack, 6.5 Litre, white
<a href="#">963990</a>	Magazine rack

## 2002 CLASSIC TRAILER

### FURNITURE

#### LOUNGE, 34' Front Lounge

703141-*	Sofa 74", Villa Cloth
963400-01	Arm rest support assembly, RS
963400-03	Arm rest support assembly, CS
962563	CLOSEOUT ASSY LOUNGE
<a href="#">961959-01</a>	Writing table/chair storage cabinet
961955-01	Face frame, chair storage
961958	Top assembly, lift-up/writing table, oak
961956-01	Frame end w/table, chair storage
<a href="#">963353-01</a>	Credenza assembly
963289-01	Face frame, forward credenza
963313	Face frame, aft credenza
963325	Top, credenza
<a href="#">960420-02</a>	Credenza table assembly
960416-02Z	Table leaf, lower
960417-02Z	Table leaf, upper
962177-03	Leg, hardwood
960419-01	facer board, lift up table
<a href="#">963506-01</a>	Front roof locker
963498	Face frame, front roof locker
381507	Clock, Quartz w/gold trim

\*Changing the-(dash) number to

320 =Golden Oak	350 =Georgia Peach
470 =Mandalay Blue	460 =Mystic Mint
379 = Mosaic Blue	389 = Tropical Isle
399 =Roman Sands	381 = Autumn Blush



## 2002 CLASSIC TRAILER

### FURNITURE

#### LOUNGE, 34FT SLIDE OUT

703121-70	Sofa, 84", over all w/ armrest, w 70 ann. Logo
703121-70	Sofa, 84", over all w/ armrest
963598-02	Table, Hi-Lo, Saratoga Oak
<a href="#">965181</a>	Locker assy., front-end liner
965185-02Z	Face frame, front end, R/L, L.H.
965185-01Z	Face frame, front end, R/L, R.H
965186	TV cabinet assy.
965298	TV trim ring
453900	Bracket, TV, overhead
965051	Satellite receiver cabinet
965050-00Z	Face frame satellite cabinet
965052	Cover, Satellite receiver
371378-01	Glass, front liner locker L.H. door
371378-02	Glass, front liner locker R.H door
371378-03	Glass, front liner locker L.H. door
371706-01	Hinge, glass door
381706-02	Mounting plate, glass door
381706-03	TRIM CAP-H SERIES SM HINGE ARM
381706-04	TRIM CAP-H SERIES SM HINGE
381707	Strike w/pull, glass door
381655	Strike, glass door, black
202273	Pans, ABS, front roof locker
<a href="#">965023-01</a>	End table. L.H.
965021-00Z	Face frame, end table, L.H.
965027-00Z	Face frame, side, end table, L.H.
965403	Top assy., end table, aft
965028-004	Magazine rack
<a href="#">965024-01</a>	End table assy. R.H
965022-00Z	Face frame, end table, R.H
965402	Top assy., end table, fwd

## 2002 CLASSIC TRAILER

### FURNITURE LOUNGE, 34FT SLIDE OUT

<a href="#">965048-01</a>	File cabinet assy.
965047-00Z	Face frame, file cabinet
<a href="#">965016</a>	Shelf assy., pullout
965033	Frame assy., pull out shelf
965404	Top, fireplace cabinet assembly
<a href="#">965009-01</a>	Credenza assy., L.H., front
965004-00Z	Face frame, front credenza, L.H.
965405-02	Top assy., front credenza, L.H.
<a href="#">965010</a>	Credenza assy., R.H
965004-01Z	Face frame credenza, RH
965005-00Z	Leg, front credenza
965406	Top, corner cabinet, CS
381701	Tray, keyboard w/mouse pad
965036-00Z	End cap shelf assy.
<a href="#">965055-03</a>	Upper, R.H, cabinet assy
965054-01Z	Face frame, R.H, upper cabinet assy.
<a href="#">965055-04</a>	Upper cabinet assy., L.H.
965054-02Z	Face frame, upper cabinet assy., L.H.

#### Fire Place (Optional)

<a href="#">965008</a>	Cabinet assy., fireplace
965003-00Z	Face frame, fireplace cabinet
965032-01	Hearth assy.
965013-01	Top assy., fireplace

## 2002 CLASSIC TRAILER

### FURNITURE LOUNGE, 34FT SLIDE OUT

#### Front CS Storage Cabinet (Option)

[965093](#) Credenza assembly, RH front  
965504-00Z Face frame, front credenza, RH  
965405-01 Top, Credenza CS

#### Dinette S/O

[965411-01](#) Computer table assembly  
965418 Face frame computer table

[961959-01](#) Writing table, chair storage  
961955-01 Face frame writing table  
961956-01 Frame end table  
961957-01 Door, writing table, chair storage  
961958 Top, lift-up/writing table cabinet  
962423 Top assy., writing table

[963793](#) Dinette table assembly  
963673 Top, dinette table  
962177-03 Table leg, hardwood

[965314-01](#) DINETTE SEAT ASSY-LH  
965317-01 UPHOLSTERED BACK ASSY-DINETTE  
964499-01 CUSHION SUPPORT-DINETTE LH 41.63"

[965314-02](#) DINETTE SEAT ASSY-RH  
965317-02 UPHOLSTERED BACK ASSY-DINETTE RH  
[964334-01](#) FLEX SPRING SEAT 21.63 X 42.00

963400-03 Armrest support assembly, CS notched  
963400-04 Armrest support assembly,

## 2002 CLASSIC TRAILER

### FURNITURE

#### LOUNGE, 31Ft

- \*703141-399 Sofa, jack knife, 74in.Roman Sands
- 963400-01 Arm rest support assembly, RS
- 963400-03 Arm rest support assembly, CS
  
- [961959-01](#) Writing table/chair storage cabinet
- 961955-01 Face frame, chair storage
- 961956-01 FRAME END OAK, TABLE CHAIR STORAGE
- 961957-01 DOOR OAK, TABLE CHAIR STORAGE
- 961958 Top, lift-up/writing table, cabinet
- 962243 Leaf, writing table
  
- [964408-01](#) Credenza assembly
- 963729-01 Face frame, credenza
- 964311 TOP ASSY - RS CREDENZA
- 964510-03 Top, credenza, RS, Nomar, Hickory, LTD, 31'
- 962381-01 FWD STILE RS CREDENZA
- 962382-01 AFT STILE RS CREDENZA
  
- [960420-02](#) Credenza table assembly
- 960416-02Z Table leaf, lower
- 960417-03 Table leaf, upper
- 962177-03 Leg, hardwood
- 960419-01 FACER BOARD, LIFT-UP TABLE
- 964409-01 FACE FRAME-CREDENZA FWD SECTION
  
- [963506-01](#) Front roof locker
- 963498 Face frame, front roof locker
- 963094-03 DOOR HEADER PANEL 31"
  
- 965397-01 Top assembly microwave cabinet, Corian

\*Changing the- (dash) number to

320 =Golden Oak

350 =Georgia Peach

470 =Mandalay Blue

460 =Mystic Mint

379 = Mosaic Blue

389 = Tropical Isle

## 2002 CLASSIC TRAILER

### FURNITURE

#### LOUNGE, 30

- \*703141-399 Sofa, jack knife, 74in.Roman Sands
- 963400-01 Arm rest support assembly, RS
- 963400-03 Arm rest support assembly, CS
  
- [961959-01](#) Writing table/chair storage cabinet
- 961955-01 Face frame, chair storage
- 961956-01 Frame end, writing table, chair storage, oak
- 961957-01 Door, oak, writing table, chair storage
- 961958 Top, lift-up/writing table cabinet
- 962423 Top assy., writing table
  
- [962015-01](#) Lift-up table cabinet
- 961958 Top, table cabinet
  
- [960420-02](#) Table, lift up assembly, 24"
- 960416-02Z Table leaf, lower
- 960417-02Z Table leaf, upper
- 962177-03 Leg, hardwood
  
- [963219-01](#) End table assembly
- 962291-01 Face frame, end table cabinet
- 961940 Top, end table
- 962202 TV cabinet assembly
- 922200-01 Face frame, TV cabinet
  
- [963506-01](#) Front roof locker
- 963498 Face frame, front roof locker
  
- 963094-03 Door, header panel

Changing the -(dash) number to:

320 =Golden Oak

470 =Mandalay Blue

379 = Mosaic Blue

350 =Georgia Peach

460 =Mystic Mint

389 = Tropical Isle

## 2002 CLASSIC TRAILER

### FURNITURE LOUNGE, 30 S/O

\*703141-399 Sofa, jack knife, 74in., Roman Sands  
963400-01 Arm rest support assembly, RS  
963400-03 Arm rest support assembly, CS  
963398-03 Armrest cushion assy., CS notched  
963398-01 Armrest cushion assy., RS

801027-01 Panel, kill switch

[961959-01](#) Writing table/chair storage cabinet  
961955-01Z Face frame, chair storage  
961956-01Z Frame end, maple w/table/C. storage  
961957-01Z Door, maple, W. table chair storage  
961958 Top, lift-up/writing table cabinet  
962423 Top assy., writing table

[963094-03](#) Door header panel

[963506-01](#) ASSY. FWD LINER LOCKER  
963498 FACE FRAME FWD/AFT R/L

Changing the-(dash) number to:

320 =Golden Map	350 =Georgia Peach
470 =Mandalay Blue	460 =Mystic Mint
379 = Mosaic Blue	
389 = Tropical Isle	

## 2002 CLASSIC TRAILER

### FURNITURE LOUNGE 28Ft.

\*703141-399 Sofa, jack knife, 74in. Roman Sands  
963400-01 Arm rest support assembly, RS  
963400-03 Arm rest support assembly, CS  
963398-01 ARMREST CUSHION ASSY. RS  
963398-03 ARMREST CUSHION ASSY. CS NOTCHED  
962563 CLOSEOUT ASSY LOUNGE REAR

964408-01 Credenza assembly, RS  
963729-01 Face frame, RS credenza  
964311 Top, RS credenza  
962381-01 FWD STILE RS CREDENZA  
962382-01 AFT STILE RS CREDENZA  
960420-02 Credenza table assembly  
960416-02Z Table leaf, lower  
960417-02Z Table leaf, upper  
962177-03 Leg, hardwood

961959-01 Writing table/chair, storage cabinet  
961955-01 Face frame, chair storage  
961956-01 FRAME END OAK W. TABLE CHAIR STORAGE  
961957-01 DOOR OAK W. TABLE CHAIR STORAGE  
961958 Top, lift-up/writing table cabinet  
962423 Leaf, writing table  
960419-01 FACER BOARD, LIFT-UP TABLE

963506-01 Front roof locker  
963498 Face frame, front roof locker  
963093-01 Header panel, door

Changing the-(dash) number to:

320 =Golden Oak	350 =Georgia Peach
470 =Mandalay Blue	460 =Mystic Mint
379 = Mosaic Blue	389 = Tropical Isle

## 2002 CLASSIC TRAILER

### LOUNGE 25Ft.

\*703141-399 Sofa, jack knife, 74in. Roman Sands  
963400-01 Arm rest support assembly, RS  
963400-03 Arm rest support assembly, CS  
963398-01 Armrest cushion assembly, RS  
963398-03 Armrest cushion assembly, CS notched

[963728](#) Credenza table cabinet  
963729-01 Face frame, lift-up table cabinet  
963738 Top, credenza cabinet  
962381-01 Forward stile, RS credenza  
962382-01 Aft, stile, RS credenza  
960420-02 Credenza table assembly  
960416-02Z Table leaf, lower  
960417-02Z Table leaf, upper  
962177-03 Leg, hardwood  
690419-01 Facer board, lift up table

[961959-01](#) Writing table/chair, storage cabinet  
961955-01 Face frame, chair storage  
961956-01 FRAME END W. TABLE CHAIR STORAGE  
961957-01 DOOR, W. TABLE CHAIR STORAGE  
961958 Top, lift-up/writing table cabinet  
962423 Leaf, writing table

[963506-01](#) Front roof locker  
963498 Face frame, front roof locker

Changing the-(dash) number to

320 =Golden Oak	350 =Georgia Peach
470 =Mandalay Blue	460 =Mystic Mint
379 = Mosaic Blue	
389 = Tropical Isle	



## 2002 CLASSIC TRAILER

### LIMITED PACKAGE OPTION

All furniture in Limited option package is Hickory  
Specify Hickory on all order with S/N of trailer.

#### 34 S/O lounge

965401-01	Top, RS nightstand, Corian
965025-01	Top assembly, end table, LH Corian
965026-01	Top assembly, end table, RH Corian
965013-01	Top, fireplace cabinet Corian
965014-02	Top assembly, front credenza, Corian
965015-01	Top assembly, front RH credenza
963598-033	Table, Hi-Lo, Hickory

#### 34 S/O Dinette

962880-003	ASSY TABLE/TOP/WRITING NOMAR HICKORY
962875-003	TOP LIFT-UP/WRITING TABLE CAB. HICKORY
963674-003	TOP DIN. RESISTOVAR 26X42 HICKORY
<a href="#">965411-02</a>	Computer table assembly
965418	Face frame, computer, RS

#### 34 Ft.

963324-003	TOP CREDENZA, HICKORY
962879-023	TABLE LEAF-UPPER 23" X 25", HICKORY
962878-023	TABLE LEAF-LOWER 23"X25.875", HICKORY
962880-003	ASSY TABLE/TOP/WRITING NOMAR HICKORY
962875-003	TOP LIFT-UP/WRITING TABLE CAB. HICKORY
963674-003	TOP DIN. RESISTOVAR 26X42 HICKORY
965401-01	TOP-RS NIGHTSTAND CORIAN S/O

(Continued)

## 2002 CLASSIC TRAILER

### LIMITED PACKAGE OPTION

Hickory is standard in the Limited Package.

Specify Hickory on all order with S/N of trailer and follow instructions at beginning of furniture section.

31Ft.

- 962880-003 ASSY TABLE/TOP/WRITING NOMAR HICKORY
- 962875-003 TOP LIFT-UP/WRITING TABLE CAB. HICKORY
  
- 964510-003 Top, credenza, Nomar, Hickory
- 962879-023 Table leaf upper
- 962878-023 Table leaf, lower
  
- 965397-01 Top assembly, microwave cabinet

30Ft.

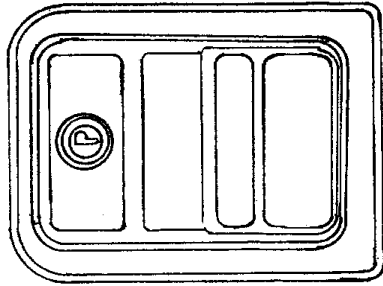
- 962880-003 ASSY TABLE/TOP/WRITING NOMAR HICKORY
- 962875-003 TOP LIFT-UP/WRITING TABLE CAB. HICKORY
- 962879-023 TABLE LEAF-UPPER 23" X 25", HICKORY
- 962878-023 TABLE LEAF-LOWER 23"X25.875", HICKORY
  
- 962876-003 Top end table
- 963674-003 Top, dinette, 26" x 42"

30Ft. S/O

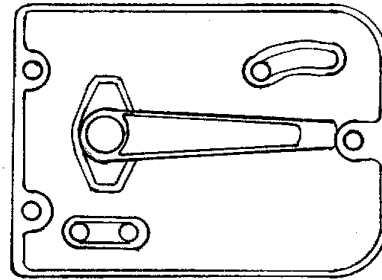
- 962880-003 ASSY TABLE/TOP/WRITING NOMAR HICKORY
- 962875-003 TOP LIFT-UP/WRITING TABLE CAB. HICKORY
- 963674-003 Top, dinette, 26" x 42"

# 2002 CLASSIC TRAILER

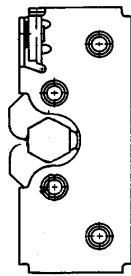
## MAIN DOOR LOCK



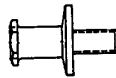
381547-01  
Main door lock, outside  
Housing



\*381547-02  
Main door lock, inside  
plate



381547-03



381547-04



381550

Double rotary  
latch, main door  
Not shown:

381547-05  
385595

Striker bolt w/washer  
main door lock

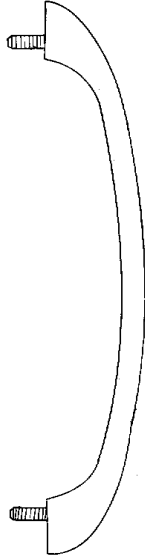
Screw package, main door lock  
Pocket strike, #10-10-810

Plate, striker bolt  
mounting

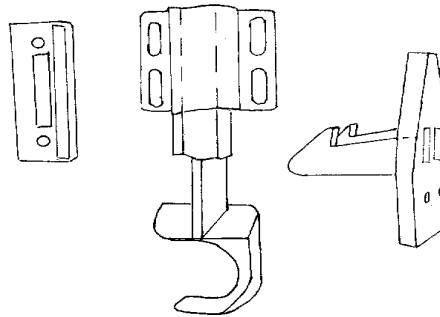
\* Airstream instituted a running line change beginning with unit 514470 deleting the deadbolt on the lock assembly. All trailers had two deadbolts before this change. The PN for the new plate will be 381547-07 and it will be black instead of silver. The P/N for the new Screw package is 381547-05.

# 2002 CLASSIC TRAILER

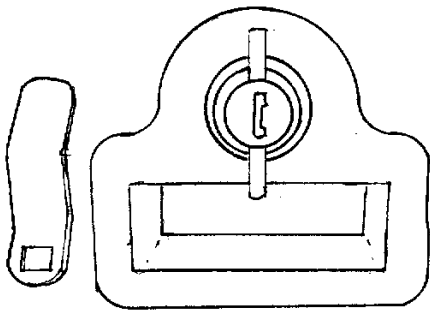
## HARDWARE EXTERIOR LATCHES/LOCKS



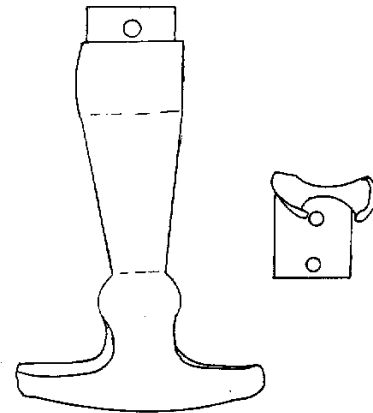
101171  
Grab handle, main door



381454  
Latch, screen door, Bullet



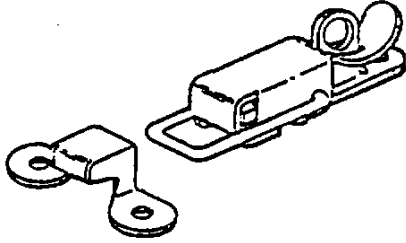
380770-101 Twist lock, chrome  
380770-102 Twist lock, black



381021 Rubber T handle

# 2002 CLASSIC TRAILER

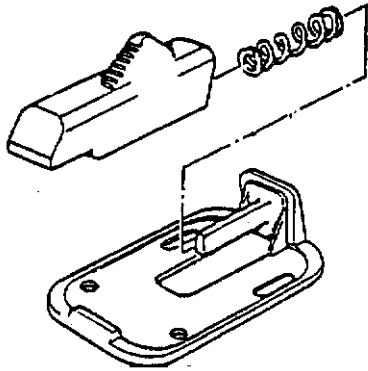
## HARDWARE EXTERIOR LATCHES/LOCKS



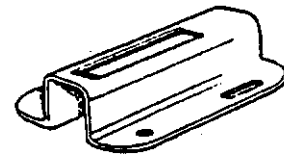
340023 Corbin catch  
w/strike, battery box



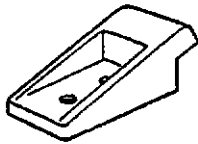
380067, Lock cam,  
bumper lid



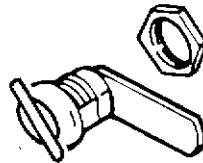
380291 Main door holdback,  
(use w/housing #380290)



380290 Latch housing,  
main door  
holdback



201056 Catch, main door  
holdback



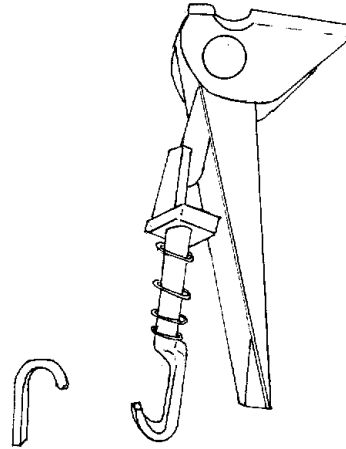
381430 Twist lock,  
straight cam

# 2002 CLASSIC TRAILER

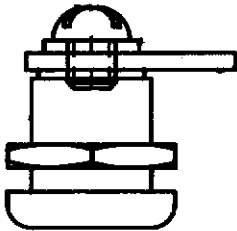
## HARDWARE EXTERIOR LATCHES/LOCKS



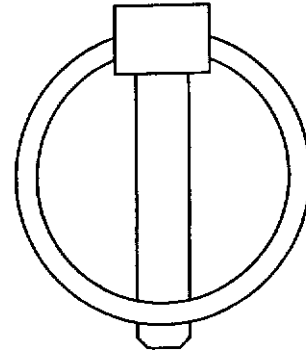
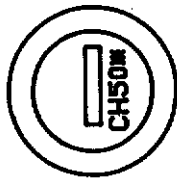
380004  
Handle, screen door



380903 Latch w/strike  
chrome, gas bottle cover



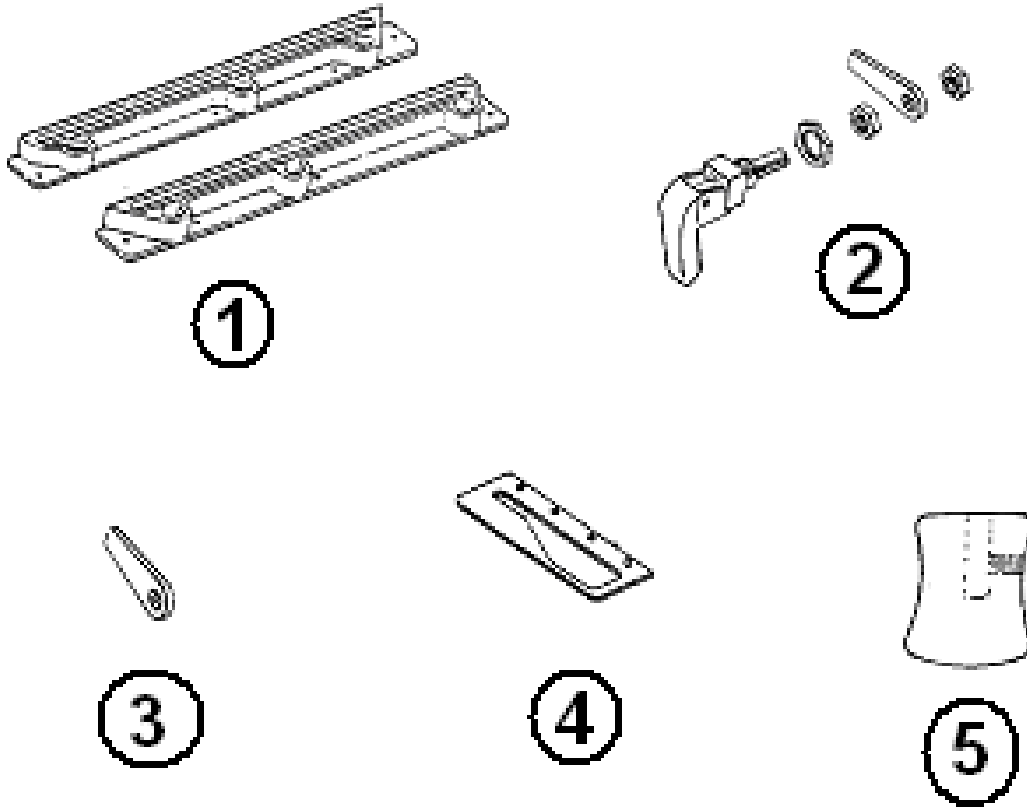
381397 Key cylinder  
w/cam



310028 Lynch pin  
roll out storage  
tray

# 2002 CLASSIC TRAILER

## HARDWARE WINDOW HARDWARE

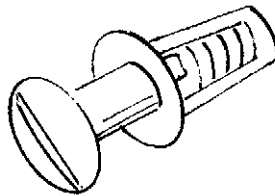
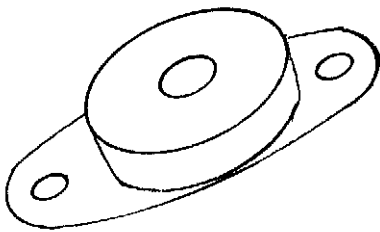


- |              |                                  |
|--------------|----------------------------------|
| 1. 0802-0001 | Window guide, RH                 |
| 1. 0802-0002 | Window guide, LH                 |
| 2. 010020    | Lower window latch, chrome       |
| 2. 195467-05 | Lower window latch, w/red handle |
| 3. 685123    | Pawl, window latch, straight     |
| 4. 685124    | Striker plate, window latch      |
| 5. 380230-03 | Knob window arm, silver          |
| 5. 380230-04 | Knob, window arm, red            |

# 2002 CLASSIC TRAILER

## HARDWARE WINDOW STONE GUARD

- 685363 Slip joint hinge
- 683960 Support arm, rock guard
- 683959 Bracket, arm support
- 114749 Hinge "Y" assembly
- 114750 Hinge "J" rock guard
- 381021 Draw latch, black rubber



- 685359  
Rubber receptacle  
1/4 latch, South-co

- 685342  
Stud, 1/4 turn latch  
South-co

- 685362  
Retaining ring  
1/4 turn stud

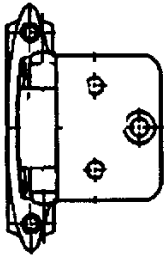
Used on stone guard and wrap protector

- 114819 Assembly, wrap protector hold back

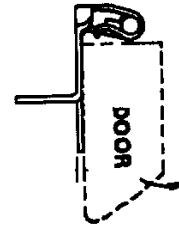
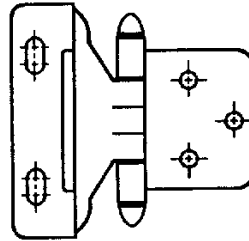
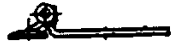


# 2002 CLASSIC TRAILER

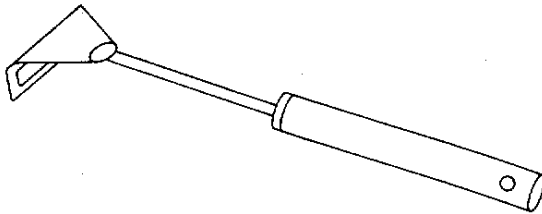
## HARDWARE INTERIOR LATCHES/HINGES



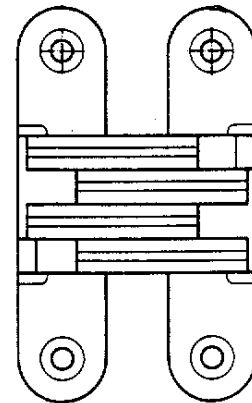
381601 Hinge,  
antique brass



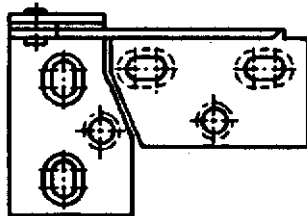
381602, Hinge, semi-concealed  
antique brass(used on  
front & rear roof lockers)



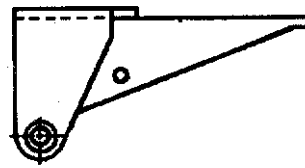
381147 Door support  
spring loaded



380040 Soss hinge  
credenza table

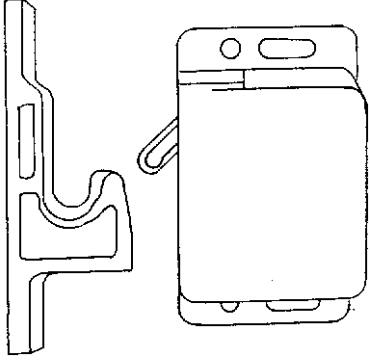


385935-01 Hinge, pivot, chrome  
for bath mirror

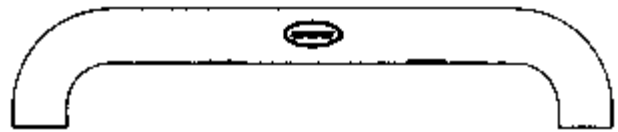


# 2002 CLASSIC TRAILER

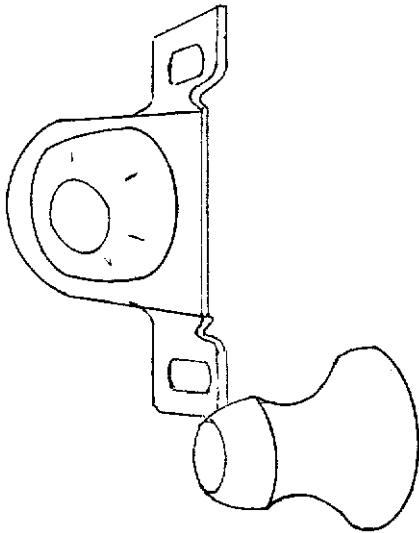
## HARDWARE INTERIOR LATCHES/HINGES



381228 Grabber door latch  
w/catch,10 lb. Rating  
381228-01 Grabber door latch  
w/catch,3lb. rating



381772 Head knocker, white  
mounts on interior doorjamb



381074 Bull dog door catch



511344-01 Grab handle  
Limited Embossed

# 2002 CLASSIC TRAILER

## HARDWARE INTERIOR LATCHES/HINGES



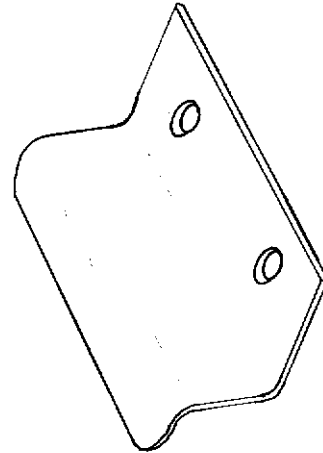
201427 Finger pull,  
light brown



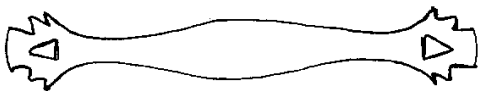
381603 Pull, three finger  
Antique brass



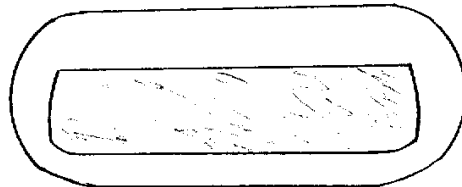
381444 Hatch pull



385940-02, Mirror pull, chrome



381599 Pull handle,  
drawer/door, antique-brass



381576 Pull handle,  
brass

# 2002 CLASSIC TRAILER

## HARDWARE INTERIOR LATCHES/HINGES



360012 Bumper, rubber  
white, stick-on, cylindrical



360016 Bumper rubber  
gray, square 3/8x3/8

360012-01 Bumper, rubber  
brown, stick-on, cylindrical



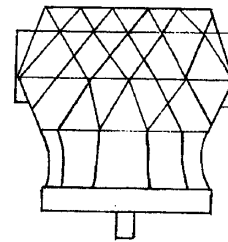
195329-202 Bumper, rubber  
brown, stick on, oval



381754 Clip, mirror  
retainer



381681 Door handle,  
brass/acrylic



381726 Knob, door,  
Acrylic w/ brass base

## 2002 CLASSIC TRAILER

### HARDWARE INTERIOR LATCHES/HINGES

#### FOLDETTTE DOOR

381563-01	TRACK FORMED FOLDETTTE DOOR STRAIGHT
452258	BRACKET, MTG. FOLDETTTE DOOR
201666-01	MOLDING-J 3/16" ALMOND PLASTIC
101038	EXTR, HEADER, 110 IN, BROWN
200003	END CAP, MOUNTING, BROWN
700811	BUTTON CAP, HANDY #36, clear vinyl strap
700812	BUTTON BOTTOM, HANDY #36, clear vinyl strap
381480	Pantry latch, push
801405-004	Plug, button, hardwood

#### DRAWER SLIDES

381192	Drawer slide, pantry
381526-01	Drawer slide-950-RV,14"
381526-03	Drawer slide-950-RV,18"
381526-04	Drawer slide-950-RV,20"
381526-06	Rear bracket, drawer, adjustable
381414-144	Slide, drawer-Delta, 14.5"
381400	Slide, drawer, 14", 2900-14
381400-01	Slide, drawer, 12", 2900-12
381415	Slide, drawer, Delta 105
381090	Slide, 22", dinette drawer, end table 34 SO
381526-02	Rear brackets for drawer slides
381527	Speedy shelf strips

(Continued)

## 2002 CLASSIC TRAILER

### HARDWARE INTERIOR LATCHES/HINGES

#### BATHROOM ACCESSORIES

380034	Toilet paper holder
381299	Toilet paper holder recessed, 30ft
380017	Tooth brush/tumbler holder
381626-02	Towel bar, 18"
380248	Soap dish, chrome
381275	PAPER HOLDER, BRASS, W/HOOD, LTD Option
381626-01	TOWEL BAR 18" POLISHED SOLID BRASS, LTD Option
381254	TOOTHBRUSH/TUMBLER, BRASS, LTD Option
381255	HOLDER, SOAP, BRASS, LTD Option

#### CREDENZA TABLE HARDWARE

381306	Lift up table slides, one right & one left
201155	Sliding guide, plastic, table
380037	Latch, nail & spring, table
380038	Eyelet, lock, brass
381147	Door support, spring loaded

#### WRITING TABLE HARDWARE

380492	Bracket, table, writing
340018	Plate, catch
381067-09	Gas prop, bed 90lbs.
381262	Bracket w/ball stud, gas prop
381084	Ball stud
380085	Clip retaining
381310	Prop upper BRKT. Assy.

(Continued)

## 2002 CLASSIC TRAILER

### HARDWARE MISCELLANEOUS

701342-01 Vinyl strap, sliding door hold back  
(female snap on both ends)

381443-01 Sliding door set (includes, carriers, top plate, track)  
381443-03 Angle stop, #1080  
963299-01 Door guide, hardwood

\*381385 Dual lock #400-1" strips  
\*381386 Dual lock #170-1" strips

380045 Clothes rod  
200975-04 Conduit, flexible, black(covers clothes rod)  
380046 Bracket, clothes rod end, chrome flange  
381298 "J" bracket, center clothes rod support

381570 3-finger pull, sliding door assy.

381133 Rack pack, 6.5 Litre, white  
381614 Lift up shelf bracket, galley

381737 Handle assist, molded, interior

#### Loose parts

600241-01 HOSE ADAPTOR, STRAIGHT #02593  
381647 KEY WATER FILL CH751  
380069 TREAD STEP 8 X 18-1/2

\*These two parts work similar to Velcro but have interlocking knobs rather than hooks and loops.

(Continued)

## 2002 CLASSIC TRAILER

### Hardware Miscellaneous

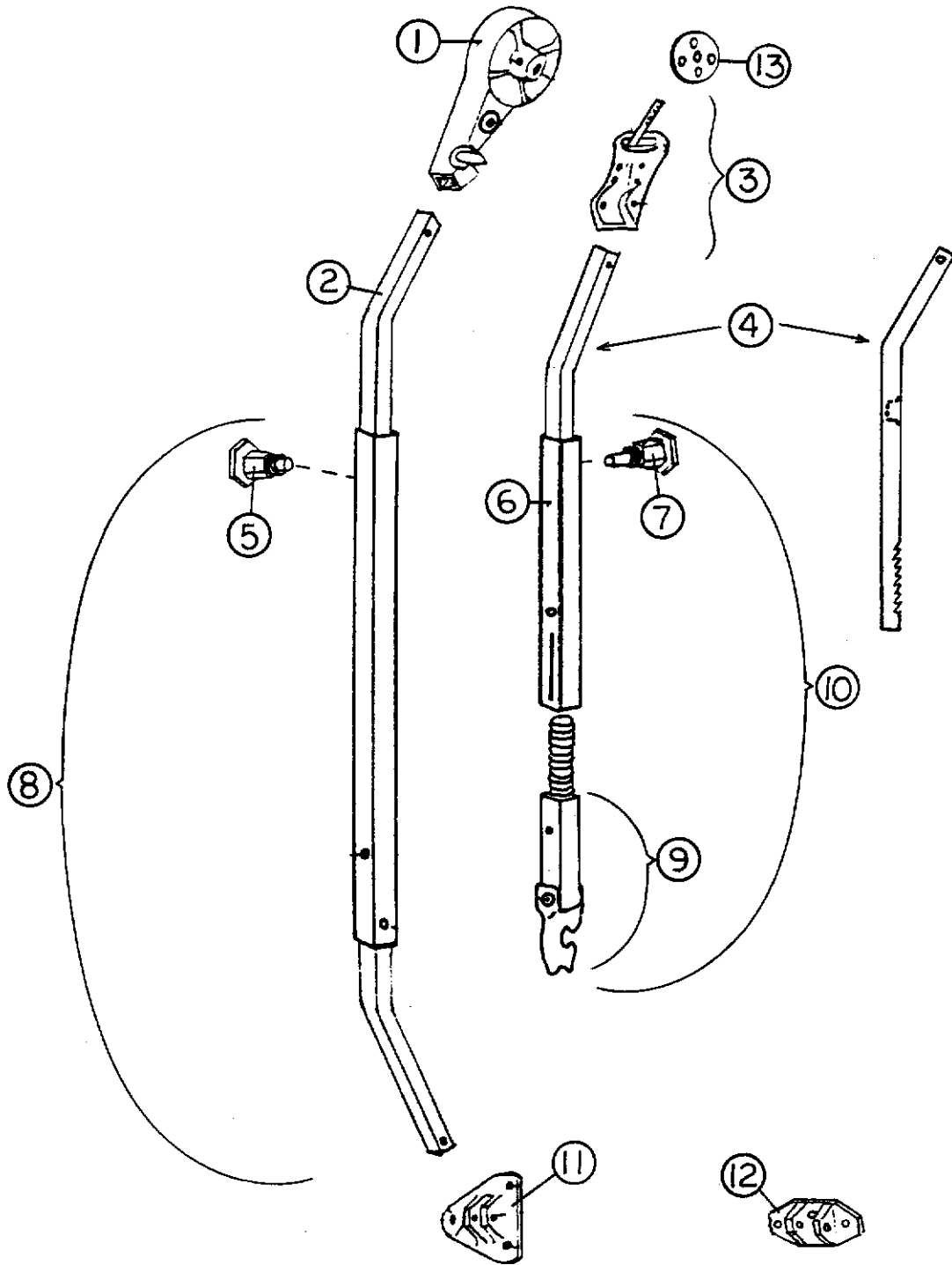
381604	Door knob, Satin, Wardrobe
381175	door pull, Dinette, fireplace cabinet
381575	Handle drawer, Gold
800737-01	Handle, appliance garage
381269	Trailer level, Level Master
381323-01	DEADBOLT COMPLETE ASSY. #11840-12
381326	STRIKER #10007 W/TRIMARK DEADBOLT
453851	BOLT - TRI/MARK
203370	SPACER-TRI/MARK DOOR LATCH
203375	HIGH DENSITY POLYETHYLENE .187"TH
380774-02	HINGE, TRUNK COMPARTMENT DOOR 61.50
381500	HINGE PIANO REVERSED, Battery Box
381552-03	HINGE ASSY. MAIN DOOR UPPER
381552-04	HINGE ASSY. MAIN DOOR LOWER
381531-01	HINGE SCREEN DOOR UPPER
381531-02	HINGE SCREEN DOOR LOWER
380988	HINGE, refer access door
380203-01	PIANO HINGE, utility comp., credenza, dbl.-bed
380458	HINGE BROWN, Writing table, chair storage
380284-02	TABLE HINGE BRACKET
380210	HINGE PLAIN STEEL
381605-01	HINGE, STAINLESS STEEL, access door



# 2002 CLASSIC TRAILER

## NOTES

# 2002 CLASSIC TRAILER



See next page for P/N

## 2002 CLASSIC TRAILER

### AWNING HARDWARE

- |                |                               |
|----------------|-------------------------------|
| 1) 74043W-04   | Head assembly, front          |
| 1A) 74043W-05  | Head assembly, Rear           |
| 2) 74047W-09   | Main arm bar, front           |
| 2A) 74047W-10  | Main arm bar, rear            |
| 3) 74056W      | Clamp assembly, front, curved |
| 3a) 74056W-01  | Clamp assembly, rear, curved  |
| 4) 74061WS-07  | Rafter arm bar, satin         |
| 5) 74054W      | Snap stud assembly            |
| 6) 74063W-04   | Rafter arm tube, satin        |
| 7) 74072W      | Ratchet stud                  |
| 8) 74048WS-12  | Main arm tube assembly, front |
| 8a) 74048WS-13 | Main arm tube assembly, rear  |
| 9) 74068W-03   | Claw bar assembly             |
| 10) 74048WS-14 | Rafter arm assembly           |
| 11) 74055W     | Base hinge, rib mount         |
| 12) 74055W-01  | Base hinge, floor mount       |
| 13) 74060W     | Clamp wheel                   |



## 2002 CLASSIC TRAILER

### LABELS AND TAGS

385193	Label, "12V distribution panel inside"
385048	Label, approval with shield
385269	Label, "DON'T USE AREA FOR STORAGE"
385068	Tag, cooking appliance warning
385067	Label, EXIT
385547	Label, LP gas warning/fill
385517	Label, kill switch warning
385521	Label, emergency egress window
385463	Warning label/cooking appliance
385464	Label, LP gas warning label(odor)
385465	Exit label, English
385560	Label, air-conditioner rating
385512	Label, Calif. hazardous substance
385609	Label, smoke detector
385359	Label, microwave or air-conditioner
385837	Label, refrigeration ignition
385103	Plate, RVIA
385418-01	Label, Federal registration
385062	Decal, 110-125 voltage AC
385565	Label, holding tank flushing
386012	Label, warning-water heater
385101	Tag, aux., dump valve
385099	Tag, Black tank dump
386019	Label, 1 amp. fuse max.
386038	Label, CSA, Holding tank fresh water
386060	Label, satellite, receiver
6385917	DECAL- OAK TABLE W/NO MAR FINISH
386060	LABEL SATELLITE RECEIVER JACK
386066	LABEL, WARNING-PLEASE READ STATIC
386080	LABEL "WARNING SLIDE OUT"
386082	Label, THOR, 5.25" x .75"
386105	Label, TV/VCR Receptacle, CSA only

## 2002 CLASSIC TRAILER

### OPTIONS

410843	Spare tire and steel wheel, BSW, LR "D", 15"
381318-05	Skylight, 19.5" x 19.5" , galley/lounge
114485	Mounting frame, skylight
201962	Trim ring, skylight
702804-03	Shade, pleated, skylight, 19.25" x 20.00"
381318-06	Skylight, 14.5" x 22.5" bath
114486	Mounting frame, skylight, bath
201963	Trim ring, 14" x 22", skylight, white
702804-04	Shade, pleated, skylight, 14.5" x 22.75"
690425-01	Refrigerator, NDR1062, RH
690425-02	Refrigerator, NDR1062, LH
690396-05	Range w/oven, Magic Chef
114876	Trim ring, range recess
690407-01	Microwave, Dometic, black, DMW10B
690407-02	Trim kit, Dometic microwave
601712	LP tank, 40# alum
601712-01	LP tank, 40# alum, CSA
511191	CD changer, 10 unit, Sony CDX-646
511383-02	Remote control, Sony RM X91
703142-70	Sofa, 74" Villa, leather, 70 <sup>Th</sup> Ann., 25'-34', 30 S/O
702121-70	Sofa, 84" Villa, 70 <sup>Th</sup> Ann., 34' S/O
690413	VCR, Sony Hi-Fi, SLV- N51
114925	VCR mounting bracket
511152-04	Monitor, deluxe system
511152-100	Monitor panel, deluxe system

## 2002 CLASSIC TRAILER

### PLUMBING

#### LPG SYSTEM

##### LP BOTTLE RACK

0360307	GAS BOTTLE RING, 1977 TO PRESENT
601731	LP REGULATOR W/MTG. BRACKET
601731-103	BRACKET ONLY FOR LP REGULATOR
6000491	Hold down rod, threaded, 1/2"-13
100949	Bracket, bottle hold, cast aluminum
410238	"T" handle, threaded, cast aluminum

##### LP BOTTLES AND FITTINGS

601710-01	Bottle, LP, steel, 30#
601710-02	Bottle, LP, steel, CSA
601711	Bottle, LP, aluminum, 30#
601711-01	Bottle, LP, 30# alum. CSA
601377-01	Regulator, Fisher
601732	LP hose, tank to regulator, 36"
601775	LP hose, 18"

##### BOTTLE COVER

104264-01	Gas bottle cover w/o decal, 30lbs
380903	Latch and strike
200841	Lid, plastic, bottle cover
380773	Hinge, access door
104265	40# GAS BOTTLE COVER W/O DECALS
200845	ABS lid
*104355-01	BRKT. 40# LPG BOTTLE COVER, REPLACES 104355
601685-03	LP Hose 40" (-04 CSA)

- \*Beginning with unit 514456 these parts were changed. This also changed the regulator mounting position from a low tank mount to a high tank mount.

*601731	Regulator and hose assembly, Marshall Brass, replaces 601377-01 & 601732
**601685-01	18" LP Hose replaces 601775 (601785-02 CSA)

# 2002 CLASSIC TRAILER

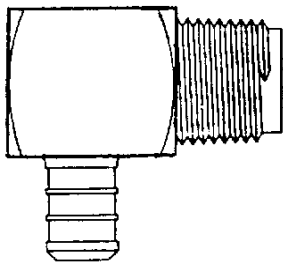
## PLUMBING FRESH WATER

601194	Water fill w/lock, gray
601621-01	Tank, fresh water
601620	Pan, fresh water tank
601243	Drain cock, fresh water tank
601588	Drain cock, brass, water lines
601723	FILTER SCREEN, WATER
453712	SHIELD FRESH WATER TANK DRAIN
600155	Plug, water tank, 1.5"
601239	Tubing, 1.375" I.D., flexible, water fill hose
601791-01	Water pump, Aquatec
601791-02	FITTINGS-SLIP IN (AQUATEC PUMP)
601668	Filter, pre water pump

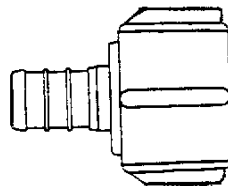
## CITY WATER

601467	Sill cock, 1/2" FP w/wheel handle
601469	Vacuum breaker, 3/4" garden hose
601786	Water hook-up, chrome
601392-04	Water fill, chrome
600139	Check valve, brass
601565	Hose, water, 12" w/fittings
381435	Hatch, white plastic, water hose exit
601240	Tubing, clear, fresh water fill vent

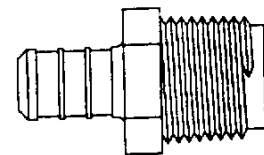
## FITTINGS



601698-04  
Elbow, 1/2" barb  
x 1/2" MPT



601698-03  
Coupler, 1/2" barb  
x 1/2" FPT

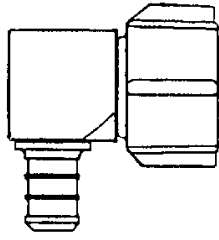


601698-02  
Coupler, 1/2" barb  
x 1/2" MPT

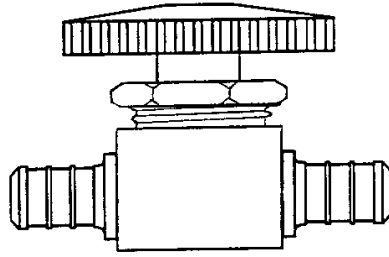


# 2002 CLASSIC TRAILER

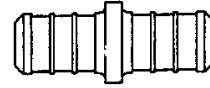
## FRESH WATER-FITTINGS



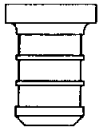
601698-05  
Elbow 1/2" barb x  
1/2" FPT



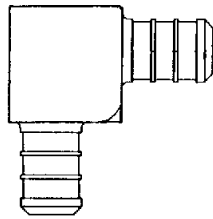
601698-22  
Shut-off, 1/2" barb x  
1/2" barb



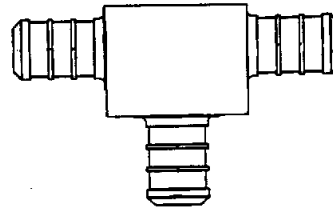
601698-08  
Coupler  
1/2" x 1/2" barb



601698-09  
Plug, 1/2" barb  
1/2" barb 1/2" barb



601698-10  
Elbow 1/2" barb x  
1/2" barb



601698-11  
Tee, 1/2" x 1/2" x  
1/2"



601698-15  
Crimp ring, 1/2"  
E-Pex, 1/2" (black)

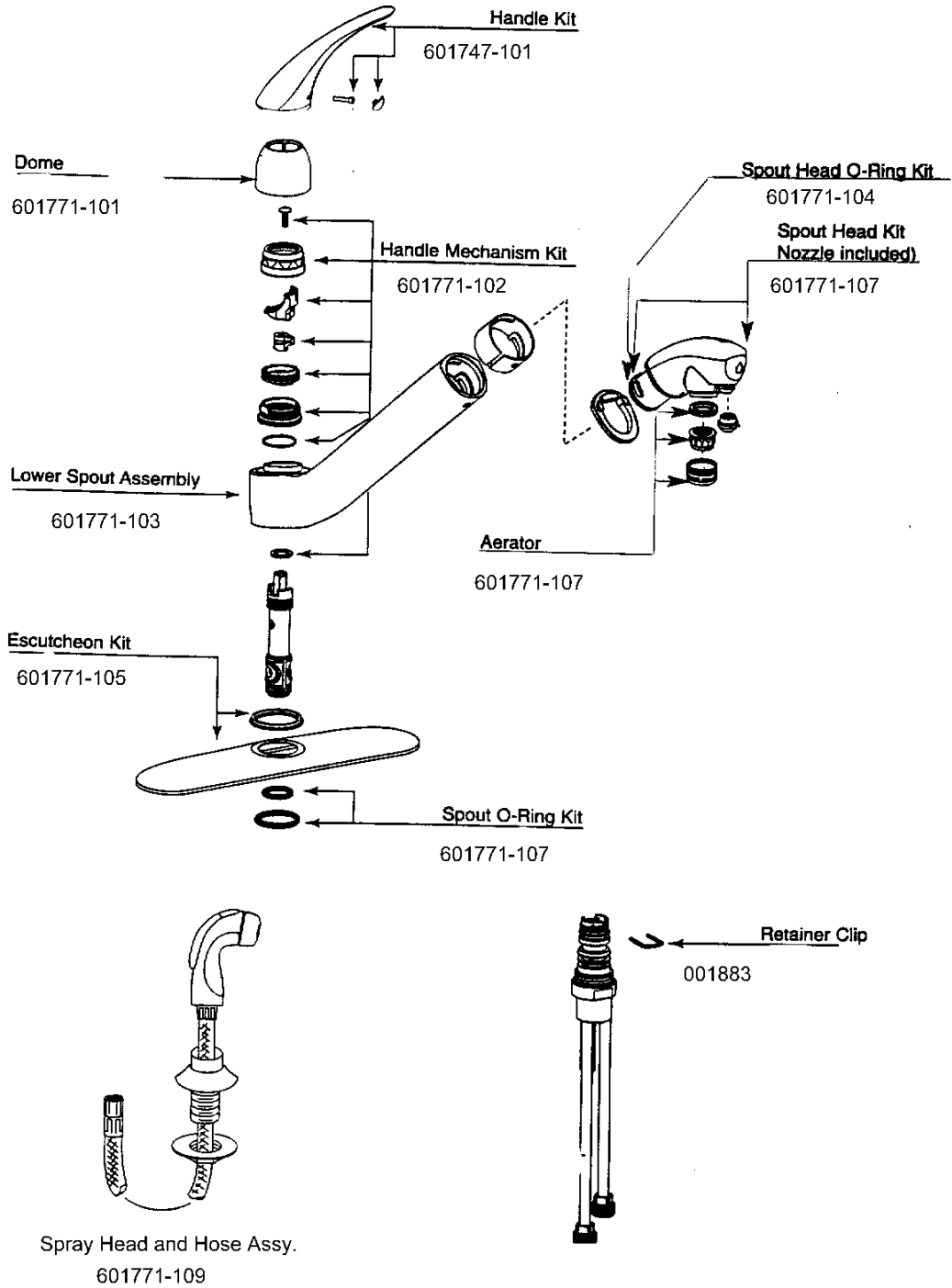


601698-01  
E-Pex tube, 1/2"

601165-01 Water line risers, 12"

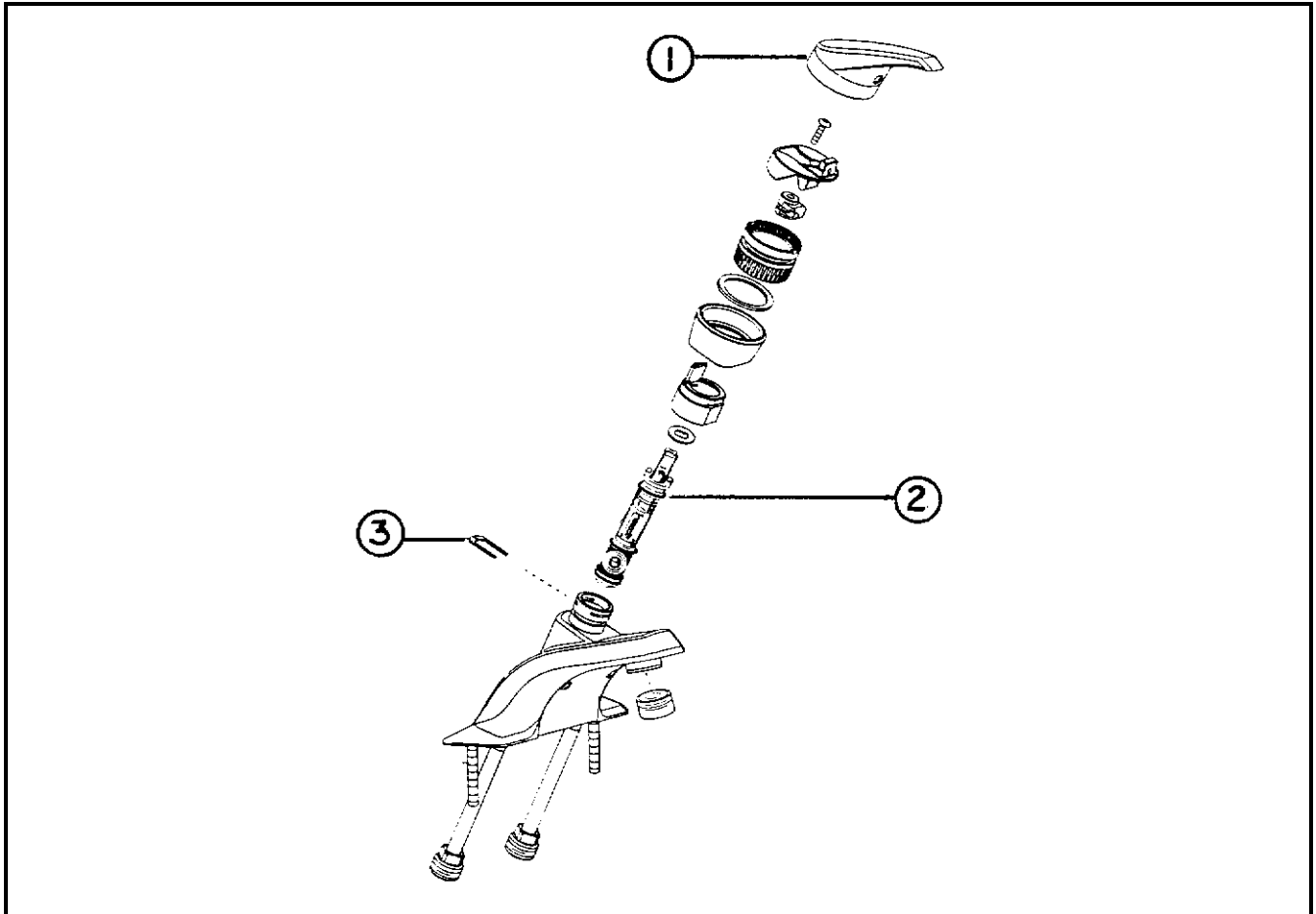
# 2002 CLASSIC TRAILER

## PLUMBING-FAUCETS 601771 Moen Pure Touch Classic



# 2002 CLASSIC TRAILER

## PLUMBING FRESH WATER-FAUCETS



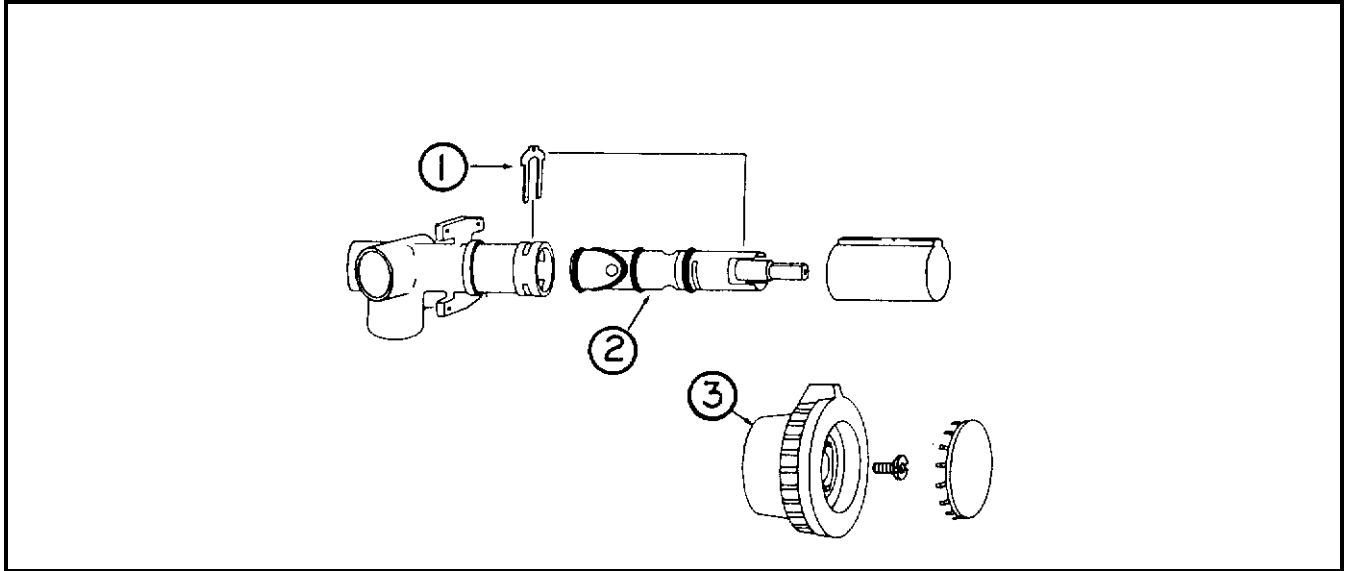
690390-02      Faucet, lavatory, Moen, brass/chrome

- 1) 690390-100      Lever handle
- 2) 601579-105      Cartridge
- 3) 601579-104      Retainer clip

# 2002 CLASSIC TRAILER

## PLUMBING

### FRESH WATER



601420-02 Shower faucet, polished brass

- |               |                  |
|---------------|------------------|
| 1) 000883     | Retainer clip    |
| 2) 601420-100 | Cartridge, #1200 |
| 3) 001041     | Handle           |

#### Shower stall fittings

- |            |                                  |
|------------|----------------------------------|
| 601359-101 | Elbow with flange, brass         |
| 601173     | Vacuum breaker, brass            |
| 601175-01  | Shower hose, brass               |
| 601257     | Shower head w/shut-off, brass    |
| 601359-100 | Wall holder, showerhead, brass   |
| 601767-02  | Tail piece, chrome               |
| 601358     | Shower hardware unit, chrome     |
| 601359     | Shower hardware unit, BRASS, LTD |

## 2002 CLASSIC TRAILER

### PLUMBING DRAIN SYSTEM

601622-03	Tank, gray, holding, 31 & 34 Ft.
601623-06	Tank, black, holding, 31 & 34 Ft.
601619	Pan, waste tank, 31 & 34Ft.
601622-01	Tank, holding, gray, 30ft.
601623-01	Tank, holding, black, 30ft.
601619	Pan, waste tank, 30ft.
601622-02	Tank, holding, gray, 28ft.
601623-05	Tank, holding, black, 28ft.
601619	Pan, waste tank, 28ft.
601623-03	Tank, holding, gray, 25ft.
601542	Tank, holding, black 25ft.
601626	Pan, waste tank 25ft.
601431	Dump valve, w/o handle
04190	Handle extension, dump valve
114086	Bracket, dump valve extension
600187	Wye, 3", comb. & 1/8" bend
601531	Fitting, 90 degree, 3" H x ST
600820	Single socket, 3", 90 degree
601323	Female fit & "O" ring, dump valve
600289	Calder coupling, 3", rubber
380481	Boot, rubber, 3" drain line
0310107	Waste valve adapter
601200	Adaptor, Auto-vent, w/extension #A-201
511018	Harness, tank, monitor system
601676	Tail piece, lavy, chrome

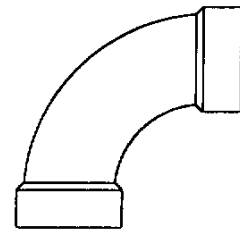
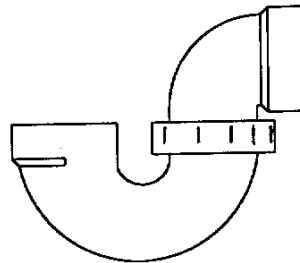
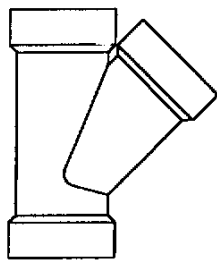
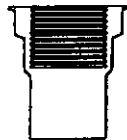
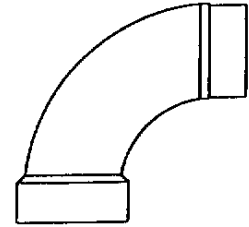
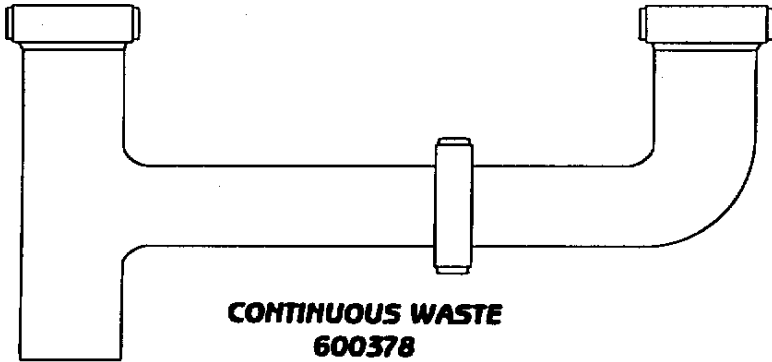
## 2002 CLASSIC TRAILER

### PLUMBING DRAIN SYSTEM

601633-06	Sink, galley, porcelain, 34ft., 34' S/O
381635	Sink clip, under-mount, Corian sink
601744-02	Sink, galley, porcelain, 25, 28, 30 & 31
600968	Basket strainer, galley, 2" 25, 28, 30, 31, 34'
203367-01	Bowl, lavatory, Karran
320131	Wing nut, Karran sink
453833	Clip, sink mount, Karran sink, Surf. Bone
320129	Insert, threaded 1/4"O.D. X 1/4"L
203081	Shower stall, 2 piece, 28 & 30ft.
203046-03	Shower stall, angled, 2 piece, 34ft. & 31
201980	Shower stall, two-piece, 25ft.
600594	Strainer with rubber stopper
01639	Bayonet ring, 3" Thetford
01664	Cap, 3"sewer outlet, Thetford
600065	Flange, floor, threaded
600883	Coupler, toilet, PB 820
601165-02	Water line risers, 54"
601441	Tank flush, no-fuss (vacuum breaker & check valve)
601441-01	Nozzle, tank mounted, no-fuss flush
60032-01	Water inlet, garden hose thread, tank flush
601160-04	Pipe, 3" ABS
601160-02	Pipe, 1.5" ABS
601589	Adaptor, brass, 3/8" FPT x 1/2" MPT

# 2002 CLASSIC TRAILER

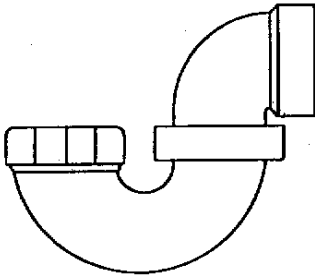
## PLUMBING 15." FITTINGS



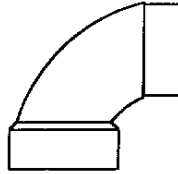
(continued)

# 2002 CLASSIC TRAILER

## PLUMBING 1.5" FITTINGS



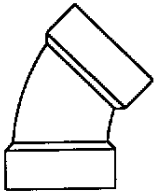
**P-TRAP  
1.5" WITH SLIP NUT  
600622**



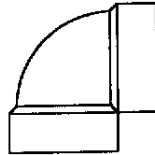
**ELBOW 90D  
SHORT ST  
600662**



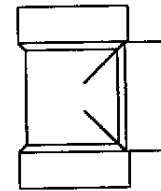
**ELBOW 45D  
LONG ST  
600027**



**ELBOW 45D  
LONG TURN  
600030**



**ELBOW VENT  
90D  
600033**



**TEE-BI DIRECTIONAL  
CLEAN-OUT 1.5"  
601318**



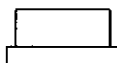
**PLUG 1.5"  
600155**



**VENT 1.5"  
600538**



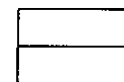
**CAP 1.5"  
601677**



**REDUCER 1.5" TO 1.25"  
601263**



**ADAPTER  
601676**

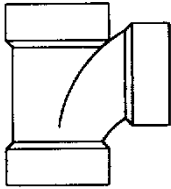


**ADAPTER  
W/FEMALE THREADS  
600308**



# 2002 CLASSIC TRAILER

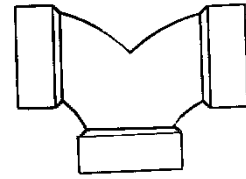
## PLUMBING 1.5" FITTINGS



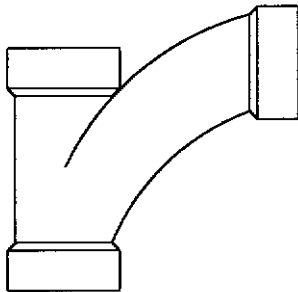
**TEE-SANITARY  
1.5"  
600156**



**ELBOW 22.5D  
SHORT TURN  
600116**



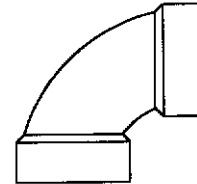
**ELL DOUBLE 1.5  
195329-486**



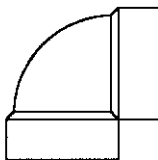
**WYE 1.5"  
1/8" BEND  
600182**



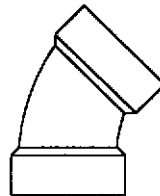
**COUPLING  
1.5"  
600227**



**ELBOW 90D  
SHORT SWEEP  
601636**



**ELBOW VENT  
90D  
600033**



**ELBOW 45D  
LONG TURN  
600030**



**ELBOW 22.5D  
SHORT TURN  
600116**

# 2002 CLASSIC TRAILER

## PLUMBING

### Toilet

Order all parts direct Thetford

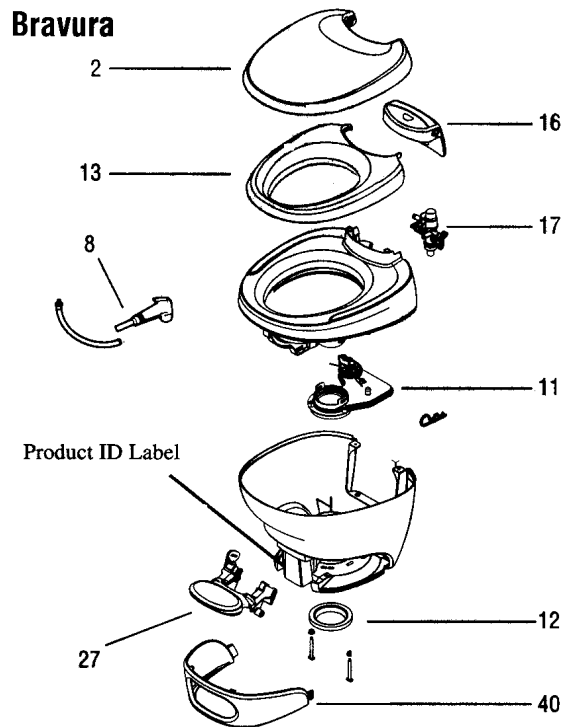
690442-02

Thetford Bravura, Parchment, High w/water saver

690442-01

Thetford Bravura, Parchment, low w/water saver, 25'

#### Bravura



Before ordering parts, record the Product ID information.

#### No. Description

- 1 Hinge Pins (2)
- 2 Seat Cover
- 3 Vacuum Breaker
- 4 Flush Tube
- 5 Flush Nozzle Assy.
- 6 Overflow Trap
- 7 Water Supply Tube
- 8 Hand Spray Kit (Water Saver Option Only)
- 9 Side Access Covers (2)
- 10 Water Valve
- 11 Lower Mechanism Assy.
- 12 Closet Flange Seal & Bolt Pkg.
- 13 Seat
- 14 Hinge Post Kit
- 15 Upper Mechanism Assy.
- 16 Pod
- 17 Water Module
- 18 Water Valve Link
- 19 Lever Assy.\*
- 20 Wire Replacement Pkg.†
- 21 Mechanism Cover

#### No. Description

- 22 Bracket & 2 Screws†
- 23 Float Assy.
- 24 Actuator Assy.
- 25 Base to Bowl Screws (9)
- 26 Closet Bolt Pkg.
- 27 Pedal Pkg.†
- 28 Base
- 29 Retainer & Screw†
- 30 Sealant
- 31 Blade Spring
- 32 Blade
- 33 Blade Seal
- 34 Blade Track
- 35 Flapper
- 36 Overflow Tube
- 37 Nozzle Assy.
- 38 Bowl
- 39 Reservoir Assy.
- 40 Shroud

#### Specify High or Low

- \* Hand Flush only
- † Foot-Pedal Flush only

# 2002 CLASSIC TRAILER

## PLUMBING

### Toilet

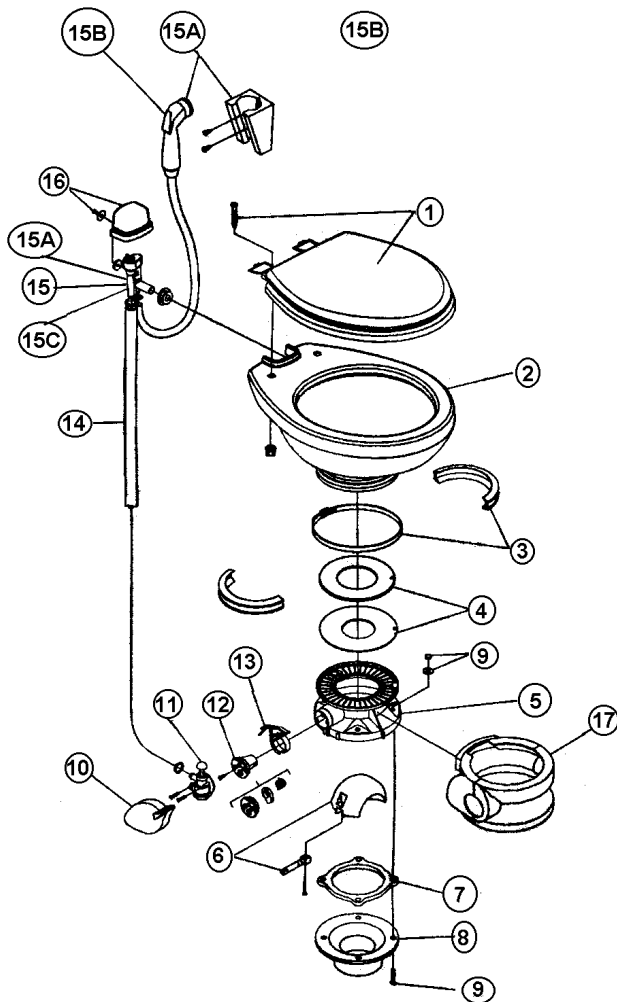
34 Ft. Classic (Non-slide only) After unit 514330

Order all parts direct from Sealand

601792-02

Sealand Toilet Traveler Lite 110 Series

**Model 111**



- |  |   |
|--|---|
| 1) 344089  | Seat assembly, Bone   |
| 2) 310791  | Chins bowl kit, Bone  |
| 3) 310048  | Ring and half clamp kit, Bone                                   |
| 4) 316140  | Teflon® & Rubber seal kit                                       |
| 5) 310802  | Base kit, Bone (includes 3, 4, 6, 7, 9, 10, 11, 12, 13, and 17) |
| 6) 381162  | Ball, shaft, and cartridge kit                                  |
| 7) 341549  | Floor flange seal   |
| 8) Floor flange, see drain plumbing section of this book |   |
| 9) 310064  | Floor bolt mounting kit   |
| 10) 310118   | Pedal cover kit   |
| 11) 314349   | Water valve kit   |
| 13) 340825   | Flush lever   |
| 14) 340177   | Supply hose, Bone   |
| 15) 310687   | Vacuum breaker kit  |
| 15a) 319054  | Vacuum breaker kit, w/spray                                     |
| 15b) 340683  | Hand spray, white   |
| 15c) 230335  | Vacuum breaker (used w/spray)                                   |
| 16) 310796   | Vacuum breaker cover kit, Bone                                  |
| 17) 310109   | Pedestal cover kit, Bone  |

## 2002 CLASSIC TRAILER

### SAFETY EQUIPMENT

510781	Smoke detector
511309	LPG detector
600162-01	Fire extinguisher
0300027	Break-away switch
510661	Breaker, 110 volt, 20 amp, GFI
371348-02	Window, rear w/red handles
371349-01	Screen, rear escape
372175-03	Screen, 30", alternate escape
380230-04	Knob, window arm, red
381088	Handle, lower window latch, red

## 2002 CLASSIC TRAILER

### SEALER/GASKETS/PAINT SEALER

360001	Sealant, #884058
360002	Sealant, Vulkem 11.5 oz. tube
360209	Sealant, seam
360176	Sealant, Almond, kitchen and bath
360180	Sealant, Sikaflex #221
360210	Sealant, Paralastic 4334-014
360283	Sealant, silicone, Corian Bone

### GASKETS

381704	Seal, upper main door
365232	Gasket, main/baggage door
365013-01	Gasket, screen door
381665	Gasket, window frame to glass
365035	Gasket, access doorjamb
380114	Gasket, vent pipe, roof
685510	Seam Tape, black, for between end segments.
365221	Tape, double coated, 1/32 urethane
365222	Tape, double coated, .08" x 3/4"
365016	Tape, foam, double face, 1/2" wide
365001	Tape, double coated foam
385239	Foam pad, non-skid, 1/16" x 1/4" x 1.0" (used between mirror and door frame)

### PAINT

360213	Paint, Metallic Aluminum, Centari #65751
360260	Paint, Pewter
360151	Paint, gray metallic, Centari #44146A
360292	Stain, Saratoga Oak (new for 2000 models)

## 2002 CLASSIC TRAILER

### UPHOLSTERY/FOAM/MATTRESS

#### REAR BEDROOM

- \*702486-399 Bed spread, "C" Roman Sands 25ft. only
- \*702485-399 Bed spread, twin, Roman Sands
- \*702676-399 Bed spread, double, Roman Sands
  
- 701770 Mattress, 34" x 78", contoured, twin, all models
- 702674 Mattress, 60 x 75, w/45 deg., 30', 31', 34', 34' S/O
- 702705 Mattress, 60 x 75, w/45 degree corner, 28ft.
- 701532 Mattress, corner double, 25ft.
  
- 701611 Pillow, 21" x 31"
- 703038-01 Pillow, lounge, Mosaic Blue
- 703038-02 Pillow sham, bedroom, Mosaic Blue
- 702953-01 Pillow, lounge, Roman Sands
- 702953-02 Pillow-sham, bedroom, Roman Sands
- 702978-01 Pillow, lounge, Tropical Isle
- 702978-02 Pillow, square, bedroom, Tropical Isle
- 702978-03 Pillow, round, bedroom, Tropical Isle
- 702932-01 Pillow, lounge, Vintage Leaf
- 702932-02 Pillow, square, bedroom, Vintage Leaf
- 702932-03 Pillow, round, bedroom, Vintage Leaf

#### UPHOLSTERY COVERS

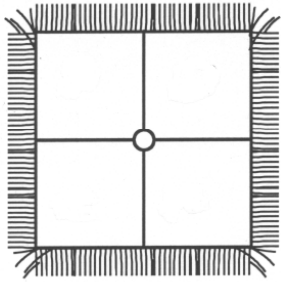
- 998070 Cover, seat, side dinette
- 998071 Cover, back, side dinette
  
- 963398-01 Arm rest cushion, front lounge, RS
- 963398-03 Arm rest cushion, front lounge, CS, notched
- 703125-02 Top, dinette seat, urethane-buckskin, 70<sup>th</sup> Ann.

Changing the-(dash) number to

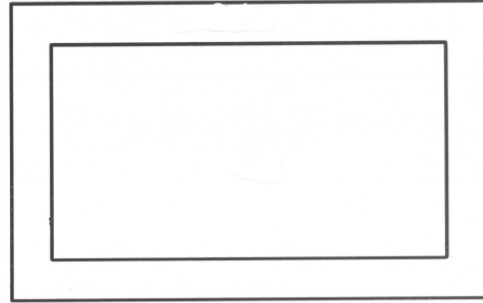
- 320 =Golden Oak
- 470 =Mandalay Blue
- 379 = Mosaic Blue
- 389 = Tropical Isle
- 350 =Georgia Peach
- 460 =Mystic Mint

# 2002 CLASSIC TRAILER

Upholstery/ Foam/Mattresses  
Golden Oak pillow kit

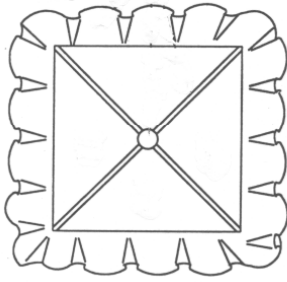


703089-01 Sofa

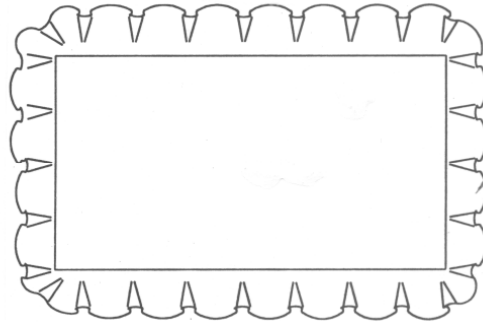


703089-02 Bedroom Sham

Georgia Peach Pillow Kit

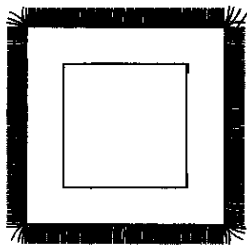


703062-01 Sofa

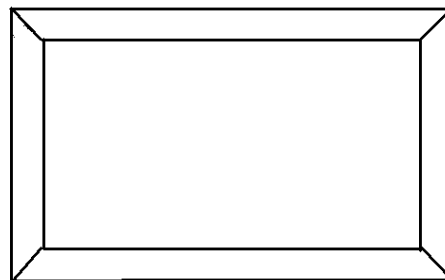


703062-02 Bedroom Sham

Autumn Blush--Porifina--Blue Dimensions



Sofa Pillow



Bed Shams

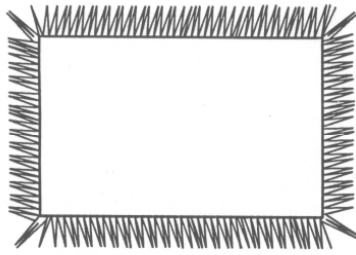
Autumn Blush 703178-01  
Portifina 703176-01  
Blue Dimension 703168-01

703178-02  
703176-02  
703168-02

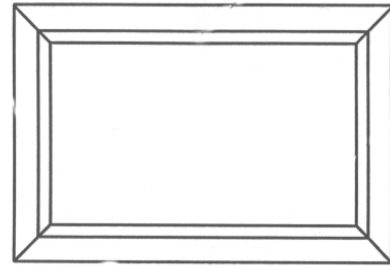
## 2002 CLASSIC TRAILER

### UPHOLSTERY/ FOAM/MATTRESSES

#### Roman Sands Pillow Kit



702953-01  
Lounge, accent pillow

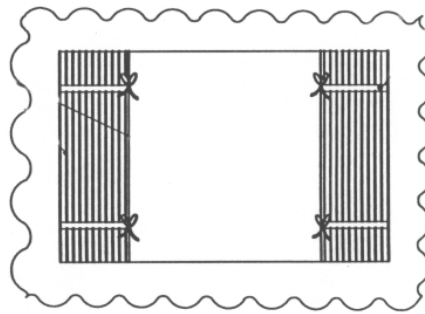


702953-02  
Sham, 21" x 33"

#### Mosaic Blue Pillow Kit



702038-01  
Lounge accent pillow



702038-02  
Pillow sham



## 2002 CLASSIC TRAILER

### FOAM

702464-21	Foam, upper back, dinette
702464-13	Foam, lower back, dinette
702464-14	Foam, aft seat, dinette
702464-15	Foam, forward seat, dinette
702673-01	Foam, armrest, RS
702673-03	Foam, armrest, CS

### SOFA-CHAIRS

*703141-	Sofa, 74" Villa, cloth, 25', 28', 30', 30 SO dinette, 31', 34' trailer
703141-70	Sofa, 74" Villa, 70 <sup>TH</sup> Anniversary leather "1000" style, 25', 28', 30', 30 SO dinette, 31', 34'
*703048-	Sofa, 84" Villa, cloth, 34" S/O
703121-70	Sofa, 84" Villa, 70 <sup>TH</sup> Anniversary leather "1000" style, 34' S/O, 34' S/O LTD pkg.
703121-01	Sofa, 84" Villa, "1000" style, 34' S/O
703142-70	Sofa, 74" Villa, 70 <sup>TH</sup> Anniversary leather "1000" style, LTD pkg., 30', 30' S/O, 31', 34'
703142-01	Sofa, 74" Villa, "1000" style, w/shirt drawer, 30' S/O
703047	Recliner w/gliding foot stool, Beige, (28, 31, 34, 34ft)
703045-01	Recliner glider, Leather, Oyster Bay
381553	Chair, folding, Zip Dee, Blue
381616-01	Chair, folding, Zip Dee, w/logo, LTD Burgundy

\*Changing the-(dash) number to:

320 =Golden Oak	350 =Georgia Peach
470 =Mandalay Blue	460 =Mystic Mint
379 = Mosaic Blue	399 =Roman Sands
389 = Tropical Isle	

## 2002 CLASSIC TRAILER

### VENTS/FANS

381564	Vent, automatic, w/wall thermostat, Fantastic
381450	VENT, ROOF FANTASTIC #6000 RBT DBL
381450-100	Screen, Fantastic roof vent
381450-101	Motor, elevator, Fantastic vent
690266-01	Ventilator, power, bathroom
690266-03	Extension, garnish, 4", roof, bath ventilator
381541-06	Roof vent w/power lift
381541-05	Switch, white, ceiling vent
381541-04	Trim ring, inside, Ventline
511152-04	Range-hood w/monitor
114462	Duct, range transition, formed
453000	Bracket, range hood support
511017-11	Vent cover, exterior, range hood, gray
100341	Refrigerator, vent collar, large
101394	Cover, refrigerator vent, large
690264-03	PLUMBING FLASHING V-2049-1 WHITE
380114	Gasket, vent pipe

## 2002 CLASSIC TRAILER

### WOOD/LAMINATES/INTERIOR TRIM

See Page III-4 before ordering wood paneling or trim.

800397-01	Cedar, planked, 5/32"x 4' x 8'
800542-02	Structure wood 3/8" x4' x 8'
800542-03	Structure wood 1/2" x4' x 8'
800542-05	Structure wood .700"x 4'x 8', sanded
800507-01	Paneling, luan, 1/8" x 4' x 8'
800507-02	Paneling, luan 1/4" x 4' x 8'
800506-03	Paneling, luan 3/8" x 4' x 8'
801318	Paneling, pre-laminated maple, 4' x 8' x 5/8"
801261	Paneling, 1/8" x 4' x 8', G1S, Antiquity Buff/raw
801284-004	Paneling 1/2" x 4' x 8', G2S, Oak/Antiquity Buff
801283	Paneling 1/2" x 4' x 8', G2S, Antiquity Buff/Antiquity Buff
801274	Paneling 1/2" x 4' x 8', G1S,Antiquity Buff
801180-004	Paneling 1/2" x 4' x 8', G2S, Oak/Oak
801179-004	Paneling, 1/2" x 4' x 8', G1S,Oak/raw
801182-004	Paneling 5/32" x4' x 8', G2S, Oak/Oak
801181-004	Paneling 5/32" x 4' x 8', G1S, Oak/raw
801230	Laminate, Oak, 4' x 8'
801229	Laminate Oak, .045"-.050"
801317	Laminate, high pressure, Sugar maple, 70 <sup>Th</sup> Ann.
365251-01	Tape, seam, Antiquity Buff, 1 1/8" wide
365251-02	Tape, seam, Antiquity Buff, 8" wide
365251-03	Tape, seam, Antiquity Buff,12" wide

# 2002 CLASSIC TRAILER

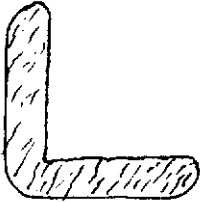
## WOOD/INTERIOR



1) 801206-014



2) 964152-014



3) 800575-014



4) 800571-014



5) 800638-024



6) 801172-014

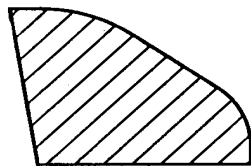
6a) 801172-04



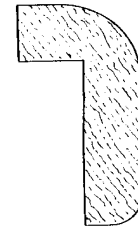
7) 800572-014



8) 800573-014



9) 801242-004

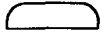


10) 964280-004

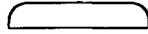
- |                |  |
|----------------|--|
| 1) 801206-014  | Molding, floor, Oak, 43"                 |
| 2) 964152-014  | Molding, chair rail, Oak                 |
| 3) 800575-014  | Molding, corner, Oak                     |
| 4) 800571-014  | Molding, Oak, flat 1/4"x33/64"x80"       |
| 5) 800638-024  | Molding, quarter round, Oak              |
| 6) 801172-014  | Molding, flexible corner, Oak            |
| 6a) 801172-04  | Molding, flexible corner, Antiquity Buff |
| 7) 800572-014  | Molding, flat radius, .88" Oak           |
| 8) 800573-014  | Molding, flat radius, 1.13" Oak          |
| 9) 801242-004  | Molding, threshold, main door            |
| 10) 964280-004 | Molding, counter top edge                |

# 2002 CLASSIC TRAILER

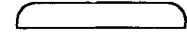
## WOOD/INTERIOR



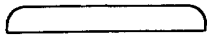
1) 801173-014



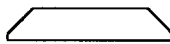
2) 801173-024



3) 801173-034



4) 801173-044



5) 801178-03

1) 801173-014

Flat molding, vinyl wrapped, Oak, .50" wide

2) 801173-024

Flat molding, vinyl wrapped, Oak, .75" wide

3) 801173-034

Flat molding, vinyl wrapped, Oak, .88" wide

4) 801173-044

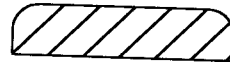
Flat molding, vinyl wrapped, Oak, 1.13" wide

5) 801178-03

Flat molding, vinyl wrapped, Antiquity Buff



800572-014  
Hardwood flat  
molding, 072"



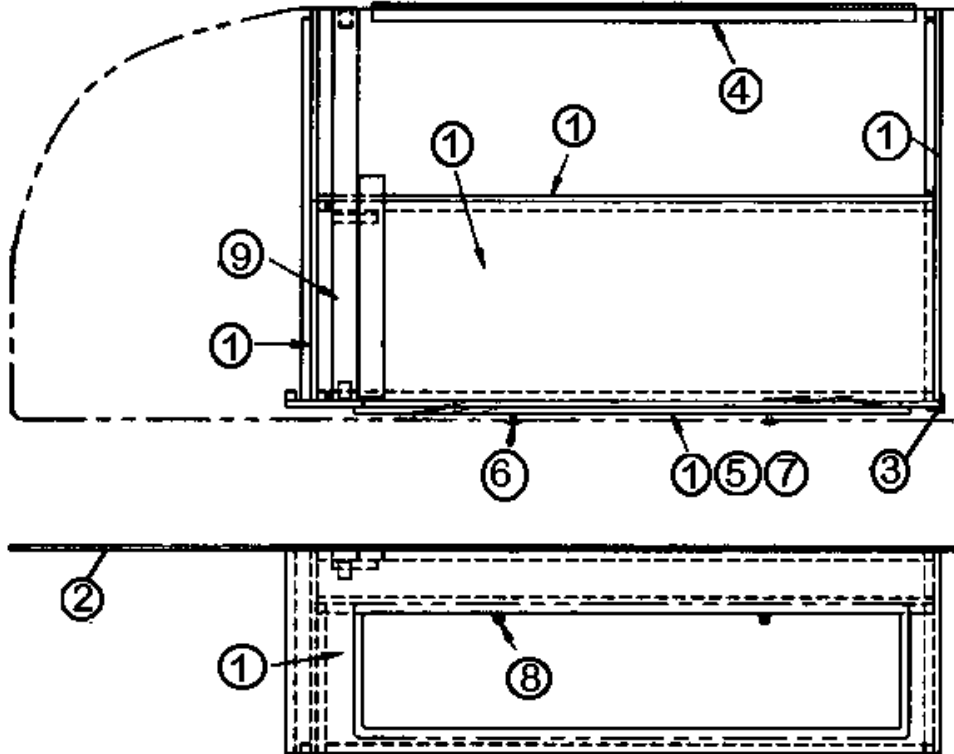
800573-014  
Hardwood, flat  
molding, door edge

801315-01

Wood tree quarter round, Maple

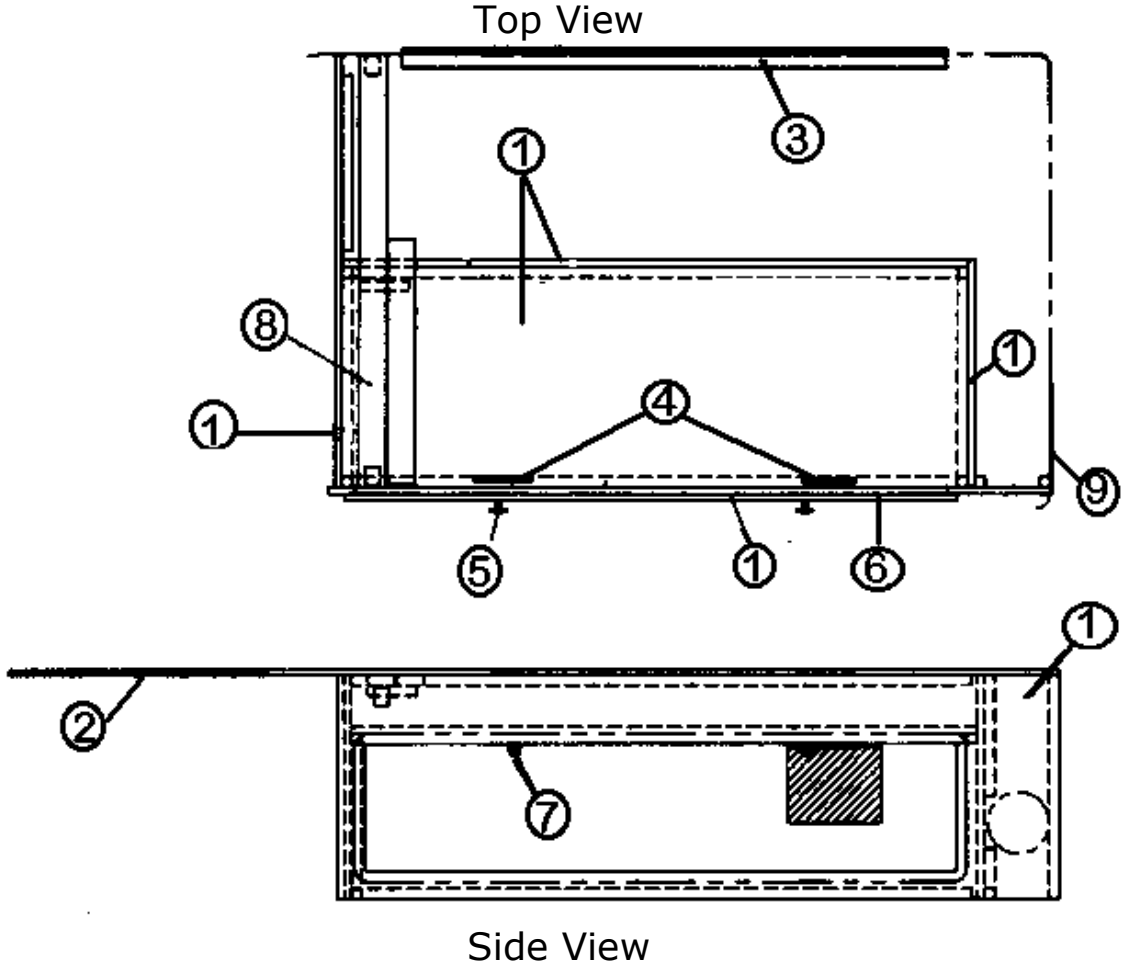


962227-tab Assembly, Twin Bed  
 -01 CS -02 RS 30', 31', 34'  
 -05 CS -06 RS 34' S/O



- |               |                          |
|---------------|--------------------------|
| 1. 801180-00z | Panel, 1/2" G1S          |
| 2. 800507-03  | Luan, 3/8"               |
| 3. 800575-01z | Molding, corner          |
| 4. 380203-01  | PIANO HINGE 1/8" PIN CLR |
| 5. 381601     | HINGE ANTIQUE BRASS      |
| 6. 381576     | PULL HANDLE BRASS        |
| 7. 365238-03  | EDGE BANDING TAPE PVC    |
| 8. 381228-01  | CATCH GRABBER DOOR       |
| 9. 114813     | ALUM. ANGLE 1.00 X 1.50  |

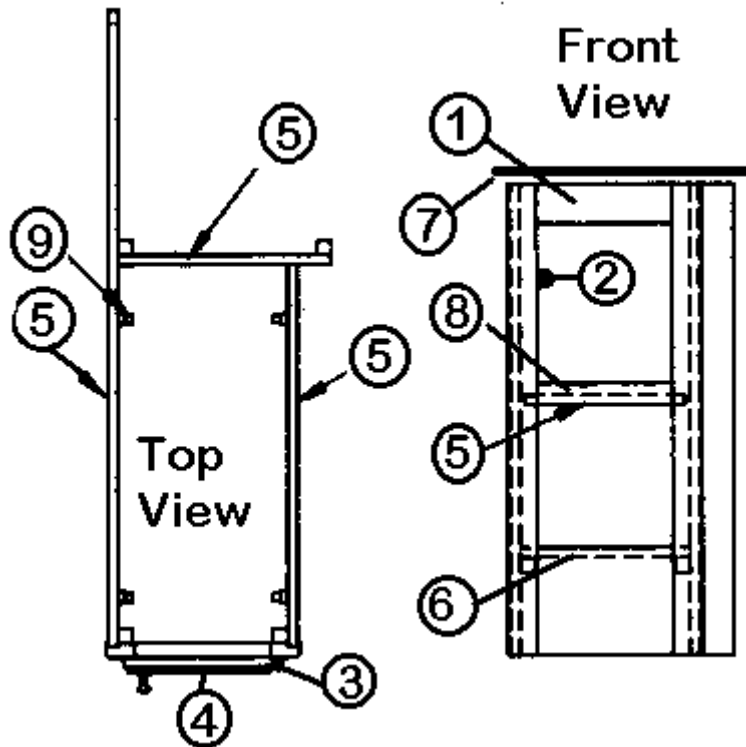
962508-01 RS (shown) Twin Bed Assembly 25' & 28'  
 -02 CS (opposite)



- |               |                            |
|---------------|----------------------------|
| 1. 801180-00z | Panel, 1/2" G2S            |
| 2. 800507-03  | Luan, .38"                 |
| 3. 380203-01  | Hinge, piano 1/8 pin       |
| 4. 381601     | Hinge, Antique Brass       |
| 5. 381576     | PULL HANDLE BRASS          |
| 6. 365238-03  | EDGE BANDING TAPE PVC 5/8" |
| 7. 381228-01  | CATCH GRABBER DOOR         |
| 8. 114813     | ALUM. ANGLE 1.00 X 1.50    |
| 9. 801181-00z | PANEL 5/32"G1S 4'X 8'      |

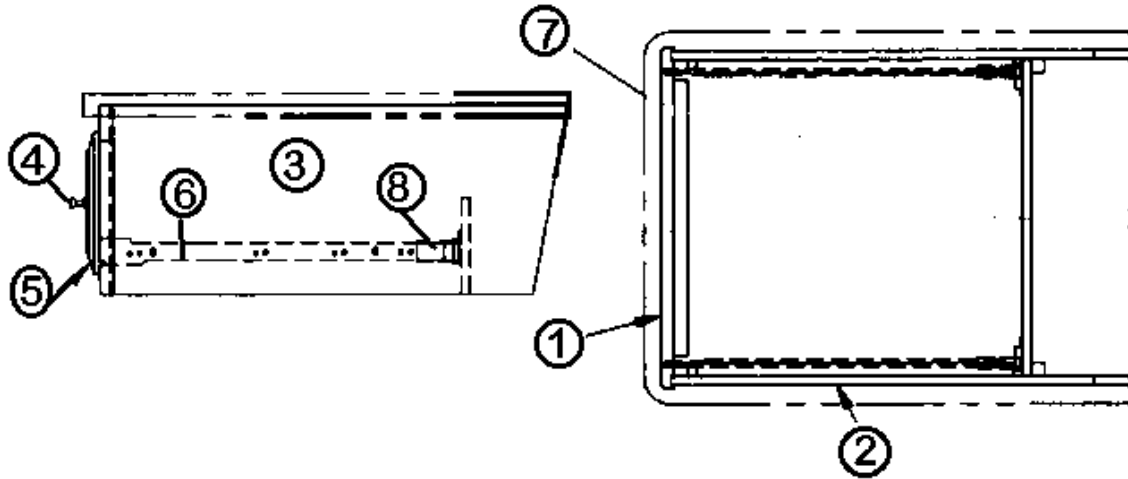


963348-01 RS Nightstand Assembly



- |               |   |
|---------------|---|
| 1. 963351-01  | FACE FRAME RS NIGHTSTAND                  |
| 2. 381228-01  | CATCH GRABBER DOOR                        |
| 3. 381601     | HINGE ANTIQUE BRASS                       |
| 4. 800597-56z | DOOR RSD PNL 7.75 X 17.50                 |
| 5. 801180-00z | PANEL 1/2" G2S                            |
| 6. 801179-00z | PANEL 1/2" G1S                            |
| 7. 964452     | TOP, RS NIGHTSTAND                        |
| 7a. 965401-01 | TOP, RS NIGHTSTAND, Corian-Limited Option |
| 8. 800573-01  | MOLDING DOOR EDGE                         |
| 9. 381527     | SPEEDY SHELF STRIPS                       |

## 965209-01 Center Nightstand Assembly



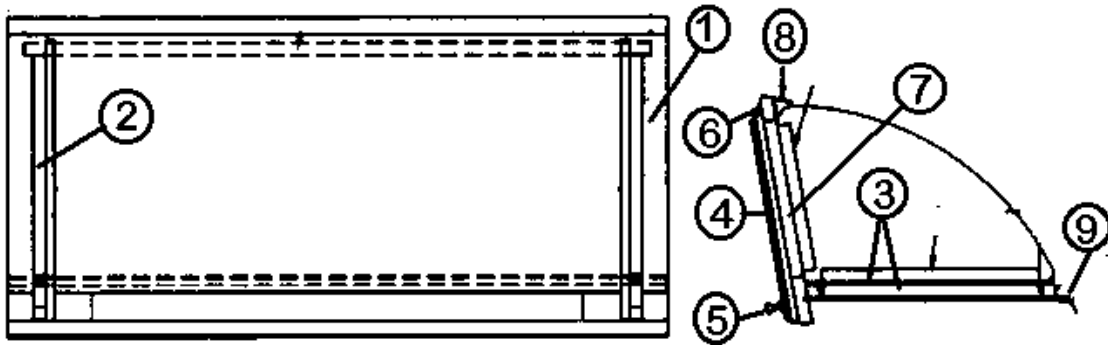
- |               |                                      |
|---------------|--------------------------------------|
| 1. 965210-00z | FACE FRAME CENTER NIGHTSTAND         |
| 2. 801180-00z | PANEL 1/2" G2S                       |
| 3. 964907-13  | DRAWER BOX ASSY-15.00 X 18.00 X 6.00 |
| 4. 381599*    | HANDLE DRAWER/DOOR                   |
| 5. 800599-46z | DRAWER FACE 8.00 X 17.25"            |
| 6. 381526-03  | DRW SLIDE-950 RV 20"                 |
| 7. 965211     | TOP ASSY-NIGHTSTAND                  |
| 8. 381526-06  | ADJUSTABLE REAR BRKT                 |

381681 Replaces 381599 on Limited options

## 963671 Roof Locker Assembly, 39"

RS Requires LH End Cap 962199-01

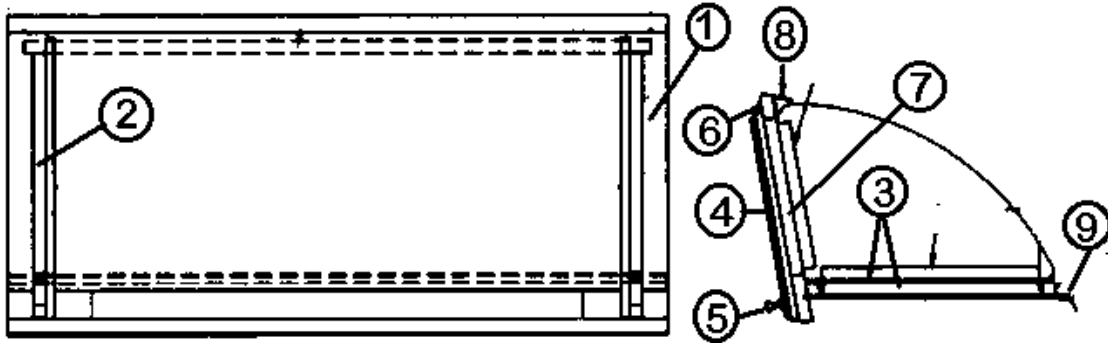
CS Requires RH End Cap 962199-02



- |               |                                       |
|---------------|---------------------------------------|
| 1. 963670     | FACE FRAME Bed R/L                    |
| 2. 801180-00z | PANEL 1/2" G2S                        |
| 3. 801181-00z | PANEL 5/32"G1S                        |
| 4. 800597-10z | DOOR RSD PNL 12.25 X 34.00            |
| 5. 381599*    | HANDLE DRAWER/DOOR                    |
| 6. 381601     | HINGE ANTIQUE BRASS                   |
| 7. 381147     | DOOR SUPPORT - SPRING LOADED          |
| 8. 104821     | SUPPORT, ROOFLOCKER, 74"              |
| 9. 100013     | ROOF LOCKER WALL ATTACHMENT EXTRUSION |

\*381681 Replaces 381599 on Limited options

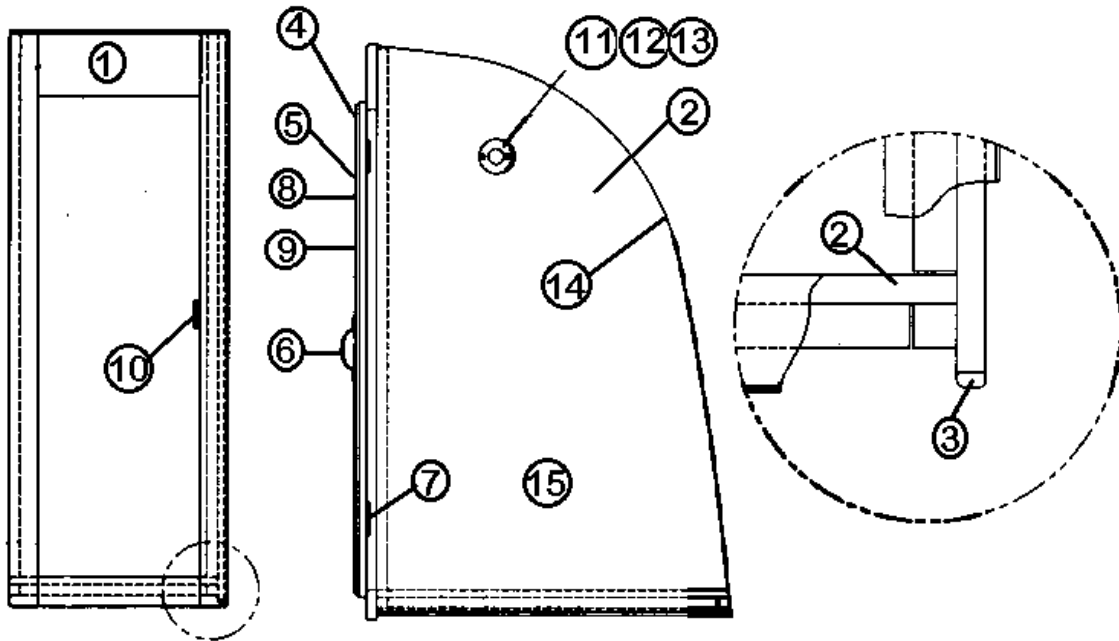
963767-01 RS Roof Locker Assembly  
Requires LH end cap 963827-01  
963767-02 CS Roof Locker Assembly  
Requires RH end cap 963827-02



- |               |                              |
|---------------|------------------------------|
| 1. 963768-01  | FACE FRAME                   |
| 2. 801180-00z | PANEL 1/2" G2S               |
| 3. 801181-00z | PANEL 5/32"G1S               |
| 4. 800597-07z | DOOR RSD PNL 12.25" X 21.00" |
| 5. 381599*    | HANDLE DRAWER/DOOR           |
| 6. 381601     | HINGE ANTIQUE BRASS          |
| 7. 381147     | DOOR SUPPORT , SPRING LOADED |
| 8. 104821     | SUPPORT, ROOFLOCKER, 74"     |
| 9. 100013     | EXTR, ROOF LOCKER WALL       |

\*381681 Replaces 381599 on Limited options

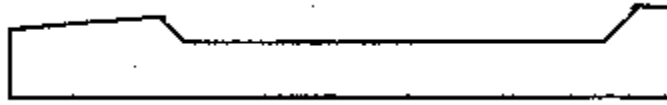
962355-01 CS Hanging Wardrobe (shown) -05 34 SO  
 962355-02 RS Hanging Wardrobe (Opposite) -06 34 SO



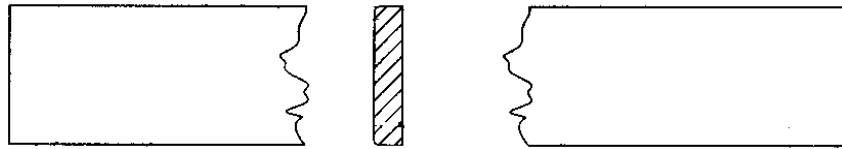
- |               |   |
|---------------|---|
| 1. 986180-01  | FACE FRAME, HANGING WARDROBE                    |
| 2. 801180-00z | PANEL 1/2" G2S                                  |
| 3. 365238-03  | EDGE BANDING TAPE                               |
| 4. 800557-17z | DOOR FRAME 12.25 X 34.00                        |
| 5. 371262-13  | MIRROR- SAFETY, 9.38 X 31.12                    |
| 6. 381599*    | HANDLE DRAWER/DOOR                              |
| 7. 381601     | HINGE ANTIQUE BRASS                             |
| 8. 801181-00z | PANEL 5/32"G1S                                  |
| 9. 381754     | MIRROR CLIP                                     |
| 10. 381228-01 | CATCH GRABBER DOOR                              |
| 11. 380046    | FLANGE CHROME                                   |
| 12. 380045    | TUBING 3/4IN METALLIC                           |
| 13. 200975-04 | CONDUIT, FLEXIBLE BLACK PLASTIC                 |
| 14. 104821    | SUPPORT, ROOFLOCKER, 74", (not shown)           |
| 15. 800397-01 | CEDAR PLANKED 5/32", (not shown)                |
| 16. 365239    | FOAM, NON-SKID PAD 1/4 X 1 X 1/16", (not shown) |

\*381681 Replaces 381599 on Limited options

963297-01 Header, Slider Door, Short



800727 Close Out, Foldette Door



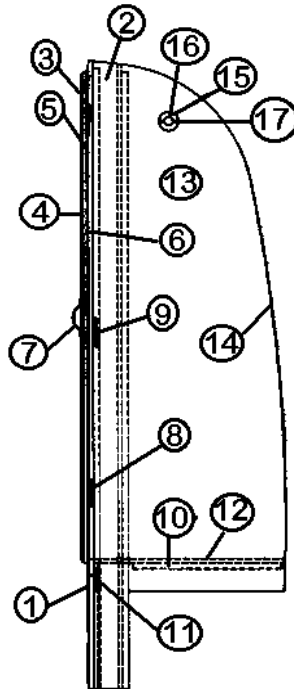
964259 Close Out "W" Wardrobe



963296-01 Header, Slider Door, Long



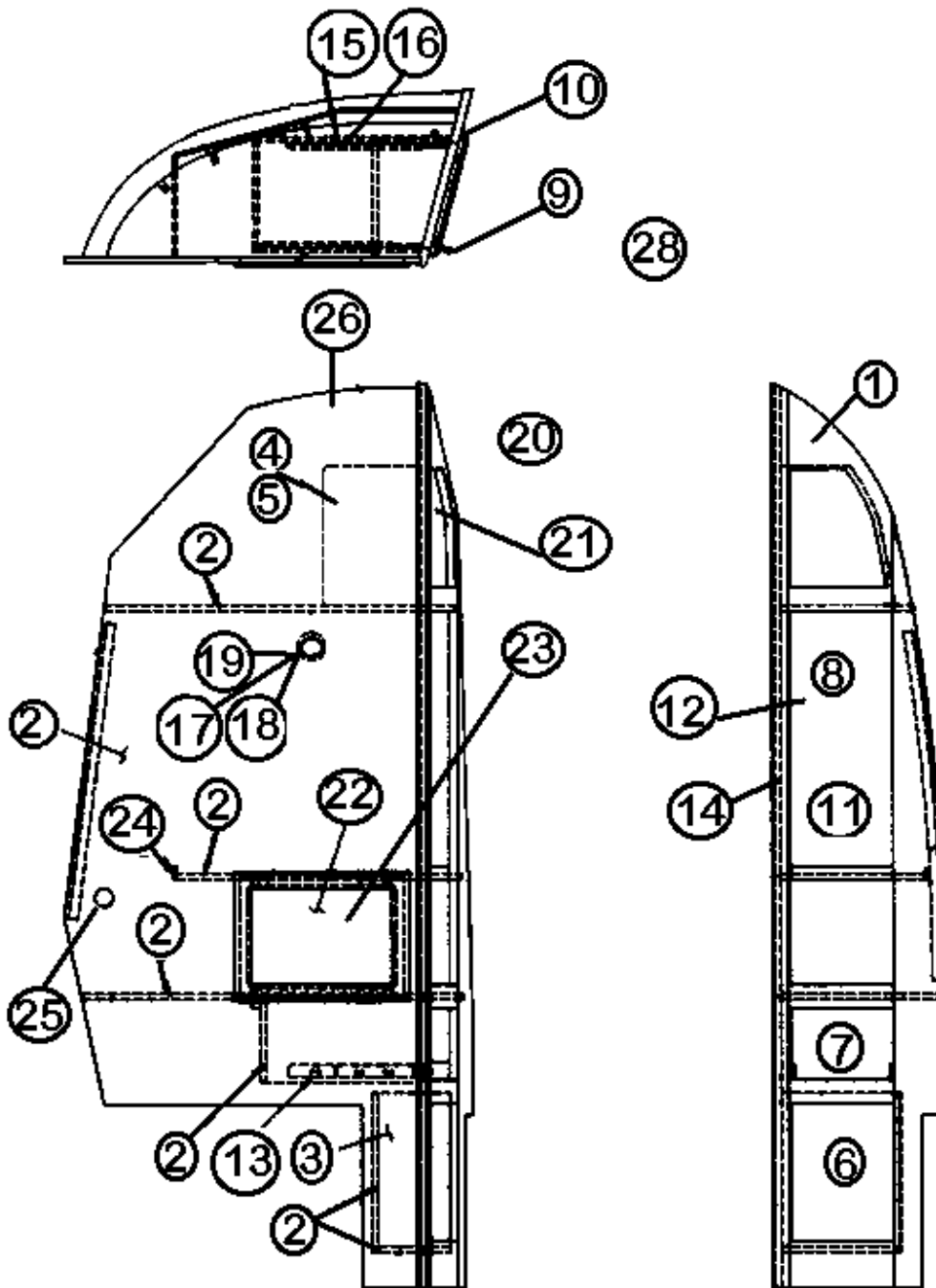
963721 Wardrobe Assembly, Forward



- |                |                                    |
|----------------|------------------------------------|
| 1. 963722-01   | FACE FRAME FWD WARDROBE            |
| 2. 800994-07   | PANEL FWD WARDROBE "A" (-08 "B")   |
| 3. 800557-154  | DOOR FRAME 19.00 X 60.00           |
| 4. 371262-10   | MIRROR- SAFETY- 16.12 X 28.12      |
| 5. 801181-00z  | PANEL 5/32"G1S                     |
| 6. 381754      | MIRROR CLIP                        |
| 7. 381599*     | HANDLE DRAWER/DOOR                 |
| 8. 381601      | HINGE ANTIQUE BRASS                |
| 9. 381228      | GRABBER DOOR CATCH                 |
| 10. 801180-00z | PANEL 1/2" G2S                     |
| 11. 380458     | HINGE PIANO BROWN                  |
| 12. 701538     | CARPET, ECONOLIER VELOUR BLACK     |
| 13. 500956     | LIGHT, BROWN, W/SWITCH             |
| 14. 800397-01  | CEDAR PLANKED 5/32"                |
| 15. 380045     | TUBING 3/4IN METALLIC              |
| 16. 380046     | FLANGE CHROME                      |
| 17. 200975-04  | CONDUIT, FLEXIBLE BLACK PLASTIC    |
| 18. 104821     | SUPPORT, ROOFLOCKER, 74"           |
| 19. 365239     | FOAM, NON-SKID PAD 1/4 X 1 X 1/16" |

\*381681 Replaces 381599 on Limited options

963340-07Wardrobe Assembly, RS  
963340-08 Wardrobe Assembly, CS



P/N Next Page

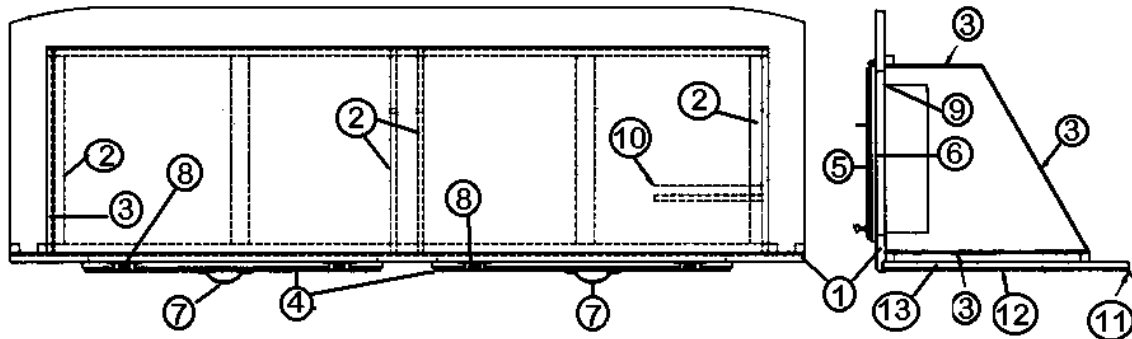


964340-07 Wardrobe Assembly, RS  
964340-08 Wardrobe Assembly, CS

1. 962207-01z FACE FRAME AFT RS W/R, "W"
- 962208-01z FACE FRAME AFT CS W/R, "W"
2. 801180-00z PANEL 1/2" G2S
3. 801181-00z PANEL 5/32"G1S
4. 201959-02 PAN TOP SHELF WRD LH BLACK ABS
5. 800599-44z DRAWER FACE 10.25 X 13.50
6. 800599-40z DRAWER FACE 7.00 X 10.25
7. 800557-23z DOOR FRAME 10.50 X 32.50
8. 381599\* HANDLE DRAWER/DOOR
10. 381601 HINGE ANTIQUE BRASS
11. 372210-10 MIRROR- BEVELED- 7.62 X 29.62
12. 381754 MIRROR CLIP R2
13. 381526-01 DRW SLIDE-950-RV 14"
14. 381228-01 GRABBER DOOR CATCH
15. 963338-01 DRAWER BOX ASSY ANGLED RH
16. 963338-02 DRAWER BOX ASSY ANGLED LH
17. 380045 TUBING 3/4IN METALLIC
18. 380046 FLANGE CHROME
19. 200975-04 CONDUIT, FLEXIBLE BLACK PLASTIC
20. 500956 LIGHT, WARDROBE, W/SWITCH
21. 964869-00z FRAME CONTROL PANEL BEDROOM
22. 801181-00z PANEL 5/32" G1S
23. 381754 MIRROR CLIP R2
24. 800573-01z MOLDING DOOR EDGE 1-3/32" X80"
25. 381209 GROMMET & CAP (BELOW COUNTER PLUG)
26. 365239 FOAM, NON-SKID PAD 1/4 X 1 X 1/16"

\*381681 Replaces 381599 on Limited options

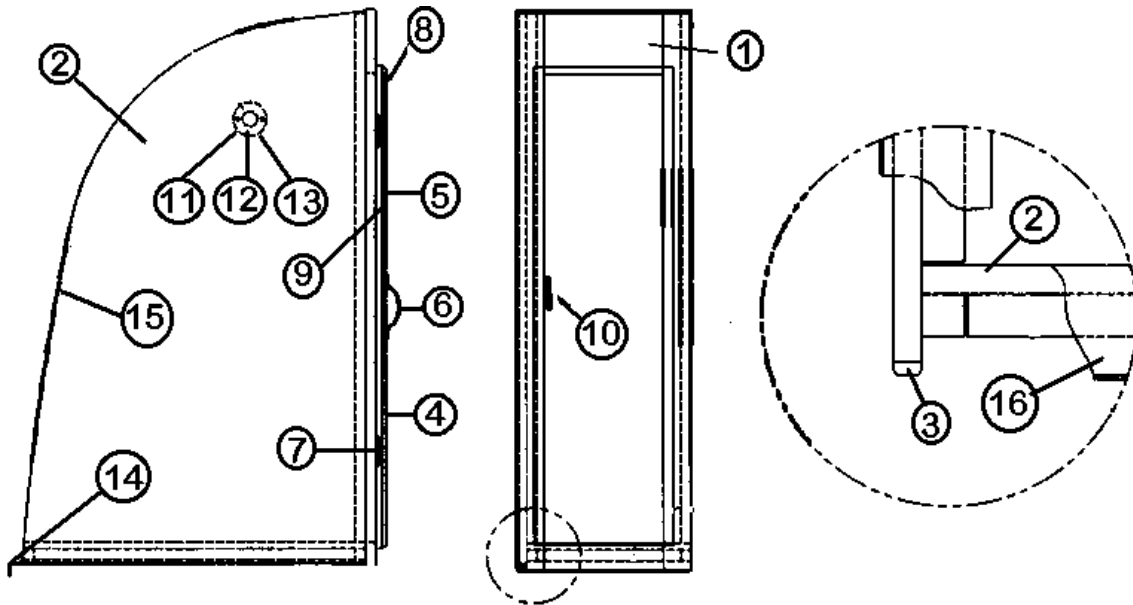
## 963337-05 Rear Locker Assembly "W"



- |               |                                    |
|---------------|------------------------------------|
| 1. 963336-01  | FACE FRAME REAR LINER LOCKER       |
| 2. 801180-00z | PANEL 1/2" G2S                     |
| 3. 801181-00z | PANEL 5/32"G1S                     |
| 4. 800557-03z | DOOR FRAME 14.5 X 25               |
| 5. 372210-24  | GLASS BEVELED SAFETY 11.62 X 22.12 |
| 6. 381754     | MIRROR CLIP                        |
| 7. 381599*    | HANDLE DRAWER/DOOR                 |
| 8. 381601     | HINGE ANTIQUE BRASS                |
| 9. 381147     | DOOR SUPPORT - SPRING LOADED       |
| 10. 962217    | FUSE PANEL CLOSE OUT "W"           |
| 11. 104829    | SUPPORT ROOFLOCKER GALLEY          |
| 12. 702482-03 | HEADLINER SPECTRA OPAL X TEXTURED  |
| 13. 801261    | PANEL-.125" G1S ANTIQUITY BUFF     |

\*381681 Replaces 381599 on Limited options

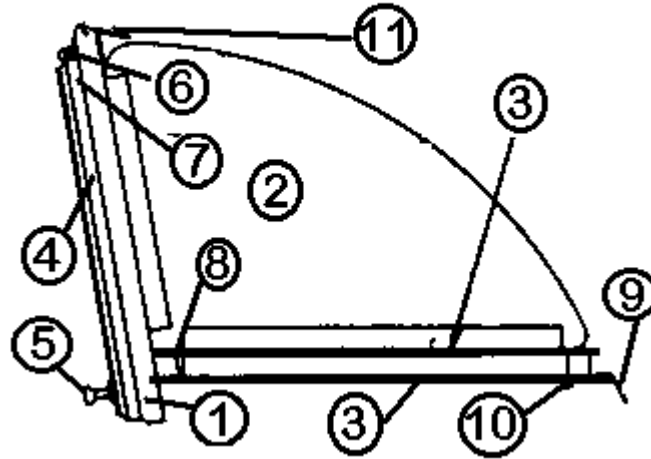
## 965226 Shirt Closet Assembly



- |               |                                    |
|---------------|------------------------------------|
| 1. 965227-00Z | FACE FRAME-SHIRT CLOSET RS         |
| 2. 801180-00z | PANEL 1/2" G2S                     |
| 3. 800571-01z | MOLDING FLAT .52W X 80"            |
| 4. 800557-20z | DOOR FRAME-9.88 X 33.62            |
| 5. 371262-16  | MIRROR- SAFETY- 7.00 X 30.75       |
| 6. 381599*    | HANDLE DRAWER/DOOR                 |
| 7. 381601     | HINGE ANTIQUE BRASS                |
| 8. 801181-00z | PANEL 5/32"G1S                     |
| 9. 381754     | MIRROR CLIP                        |
| 10. 381228-01 | GRABBER DOOR CATCH                 |
| 11. 380046    | FLANGE CHROME                      |
| 12. 380045    | TUBING 3/4IN METALLIC              |
| 13. 200975-04 | CONDUIT, FLEXIBLE BLACK            |
|               | PLASTIC                            |
| 14. 104821    | SUPPORT, ROOFLOCKER, 74"           |
| 15. 800397-01 | CEDAR PLANKED 5/32"                |
| 16. 365239    | FOAM, NON-SKID PAD 1/4 X 1 X 1/16" |

\*381681 Replaces 381599 on Limited options

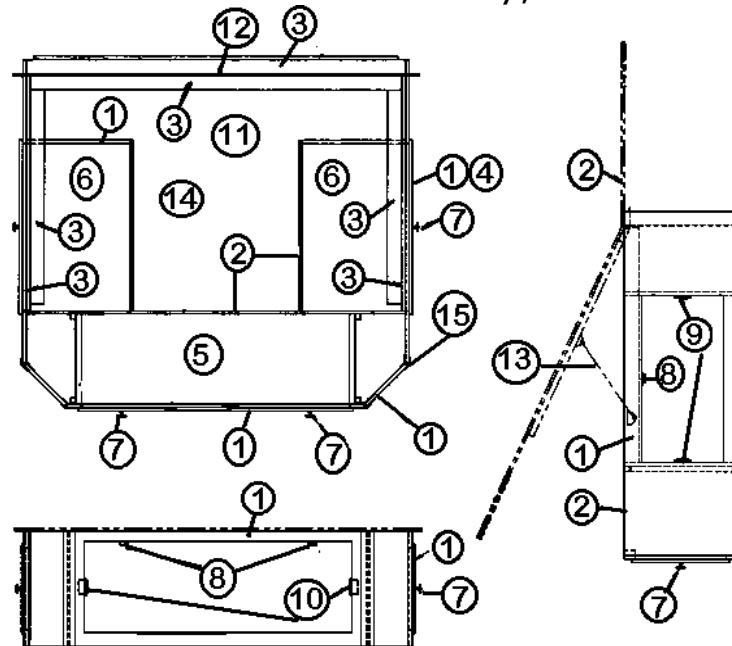
965228 Roof Locker Assembly "B" RS, 32.50"



- |               |                                  |
|---------------|----------------------------------|
| 1. 965229-00z | FACE FRAME-ROOFLOCKER "B" RS     |
| 2. 801180-00z | PANEL 1/2" G2S                   |
| 3. 801181-00z | PANEL 5/32"G1S                   |
| 4. 800597-19z | DOOR-RAISED PNL 12.25" X 31.00"  |
| 5. 381599*    | HANDLE DRAWER/DOOR               |
| 6. 381601     | HINGE ANTIQUE BRASS              |
| 7. 381147     | DOOR SUPPORT - SPRING LOADED     |
| 8. 800572-01z | MOLDING, PANEL EDGE 2 3/32"X 80" |
| 9. 104821     | SUPPORT, ROOFLOCKER, 74"         |
| 10. 100013    | EXTR, ROOFLOCKER WALL            |
| 11. 100097    | EXTR. ALUM CURTAIN TRACK         |

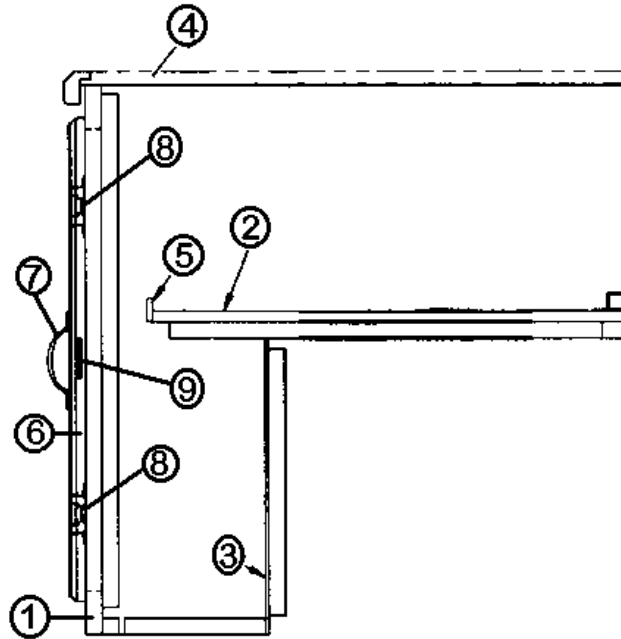
\*381681 Replaces 381599 on Limited options

963747 Bed Assembly, "J"



- |                |  |
|----------------|--|
| 1. 801180-00z  | PANEL 1/2" G2S                             |
| 2. 800507-03   | LAUAN, 3/8"X 4'X 8'                        |
| 3. 850082      | POPLAR .75" X 2.00"                        |
| 4. 365238-03   | EDGE BANDING TAPE PVC 5/8"                 |
| 5. 963749      | DRAWER BOX ASSY.                           |
| 6. 961759      | DRAWER BOX ASSY. "J"                       |
| 7. 381576      | PULL HANDLE BRASS                          |
| 8. 381228-01   | CATCH GRABBER DOOR                         |
| 9. 381400      | SLIDE DRAWER 14" PAIR                      |
| 10. 381400-01  | SLIDE DRAWER 12" PAIR                      |
| 11. 800573-01z | MOLDING DOOR EDGE 1-3/32" X 80", not shown |
| 12. 380203-01  | PIANO HINGE 1/8"                           |
| 13. 381067-09  | SPRING-GAS 90 LBS                          |
| 13a. 381085    | CLIP, RETAINING                            |
| 13b. 381262    | BRACKET, PROP, W/BALL, ANGLE               |
| 13c. 381310    | GAS PROP BRACKET ASSY-UPPER                |
| 13d. 381084    | BALL, STUD                                 |
| 14. 701538     | CARPET, ECONOLIER VELOUR BLACK 48"         |
| 15. 114690     | ANGLE BED CORNER                           |
| 16. 801173-04z | MOLDING FLAT RADIUS 1.13, not shown        |

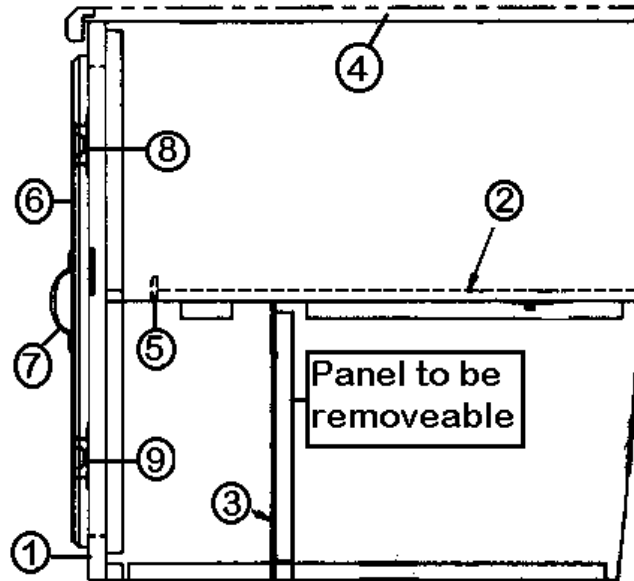
964942 Nightstand Assembly, Forward "B"



- |               |                               |
|---------------|-------------------------------|
| 1. 962531-01  | FACE FRAME N/S FWD "B" 28'TRL |
| 2. 801180-00z | PANEL 1/2" G2S                |
| 3. 801181-00z | PANEL 5/32" G1S               |
| 4. 962538     | TOP ASSY, NIGHTSTAND FWD "B"  |
| 5. 801173-04z | MOLDING FLAT RADIUS 1.13      |
| 6. 800597-01z | DOOR RSD PNL 10.50 X 22.00"   |
| 7. 381599*    | HANDLE DRAWER/DOOR            |
| 8. 381601     | HINGE ANTIQUE BRASS           |
| 9. 381228-01  | CATCH GRABBER DOOR            |

\*381681 Replaces 381599 on Limited options

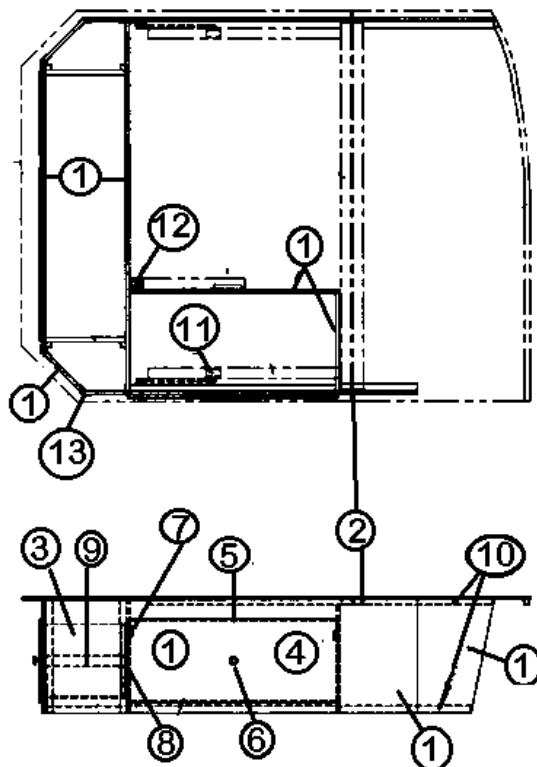
962530 Nightstand Assembly, Forward "B"



- |               |                               |
|---------------|-------------------------------|
| 1. 962531-01  | FACE FRAME N/S FWD "B" 28'TRL |
| 2. 801180-00z | PANEL 1/2" G2S                |
| 3. 801181-00z | PANEL 5/32" G1S               |
| 4. 962538     | TOP ASSY - NIGHTSTAND FWD "B" |
| 5. 801173-04z | MOLDING FLAT RADIUS 1.13      |
| 6. 800597-01z | DOOR RSD PNL 10.50 X 22.00"   |
| 7. 381599*    | HANDLE DRAWER/DOOR            |
| 8. 381601     | HINGE ANTIQUE BRASS           |
| 9. 381228-01  | CATCH GRABBER DOOR            |

\*381681 Replaces 381599 on Limited options

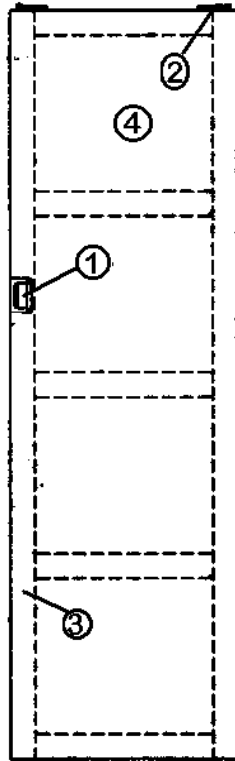
## 963748 Double Bed Assembly



- |                |                                 |
|----------------|---------------------------------|
| 1. 801180-00z  | PANEL 1/2" G2S                  |
| 2. 380203-01   | PIANO HINGE 1/8"                |
| 3. 961763      | DRAWER BOX ASSY. "B"            |
| 4. 963749      | DRAWER BOX ASSY.                |
| 5. 365238-03   | EDGE BANDING TAPE 5/8" HORIZON  |
| 6. 381576      | PULL HANDLE BRASS               |
| 7. 381228-01   | CATCH GRABBER DOOR              |
| 8. 381400      | SLIDE DRAWER 14" PAIR           |
| 9. 381400-01   | SLIDE DRAWER 12" PAIR           |
| 10. 101134     | ANGLE, ALUM, 1/8" X 1" X 1-1/2" |
| 11. 381067-09  | SPRING-GAS 90 LBS               |
| 11a. 381085    | CLIP, RETAINING                 |
| 11b. 381262    | BRACKET, PROP, W/BALL           |
| 11c. 381310    | GAS PROP BRACKET. ASSY-UPPER    |
| 12. 380210     | HINGE PLAIN STEEL               |
| 13. 801173-04z | MOLDING FLAT RADIUS 1.13        |
| 14. 801181-00z | PANEL 5/32"G1S, not shown       |



# 986265 Bath Sliding Door Assembly



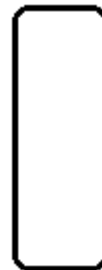
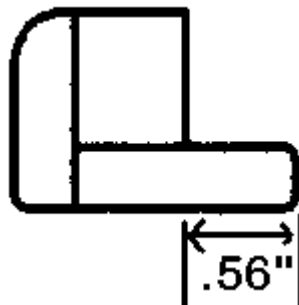
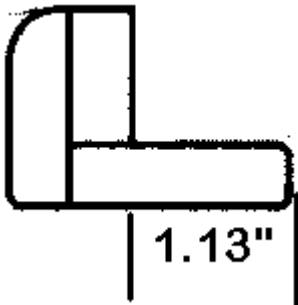
- 1. 201427
- 2. 200009
- 3. 365238-01
- 4. 801181-00z

FINGER PULL, LIGHT BROWN  
SLIDING DOOR GUIDE  
EDGE BANDING TAPE 15/16"  
PANEL 5/32" G1S

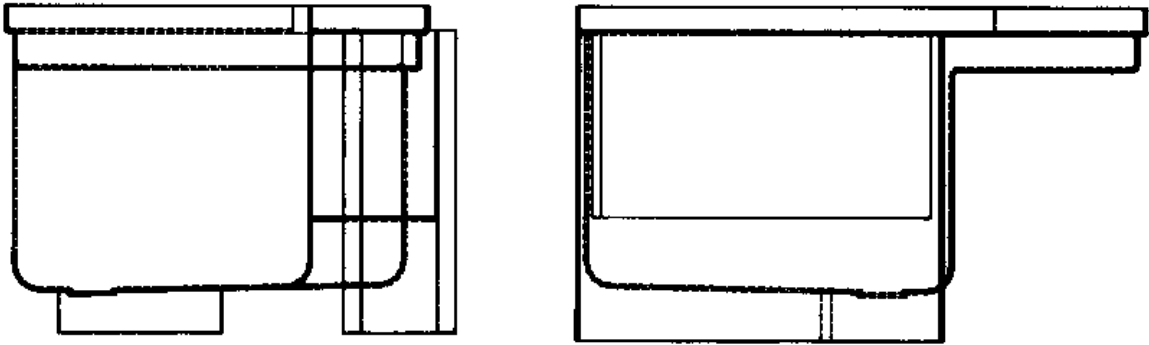
963787-01  
Bath Door Jamb

963786-01  
Jamb, Bath Door

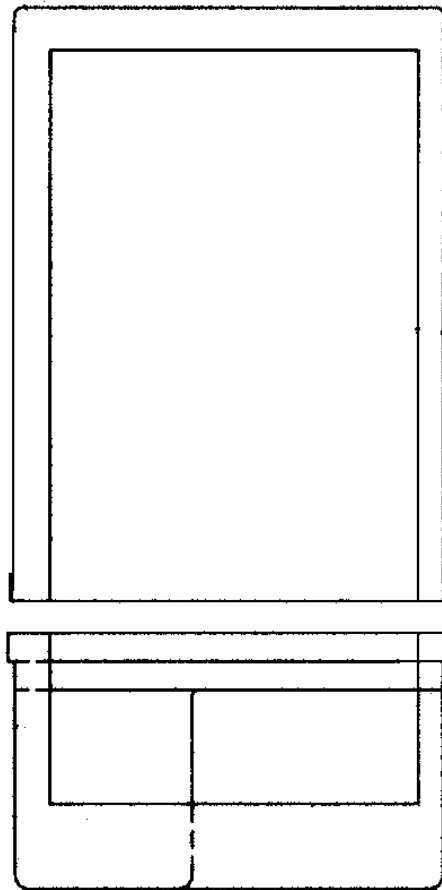
963788-01  
Header, Bath Door



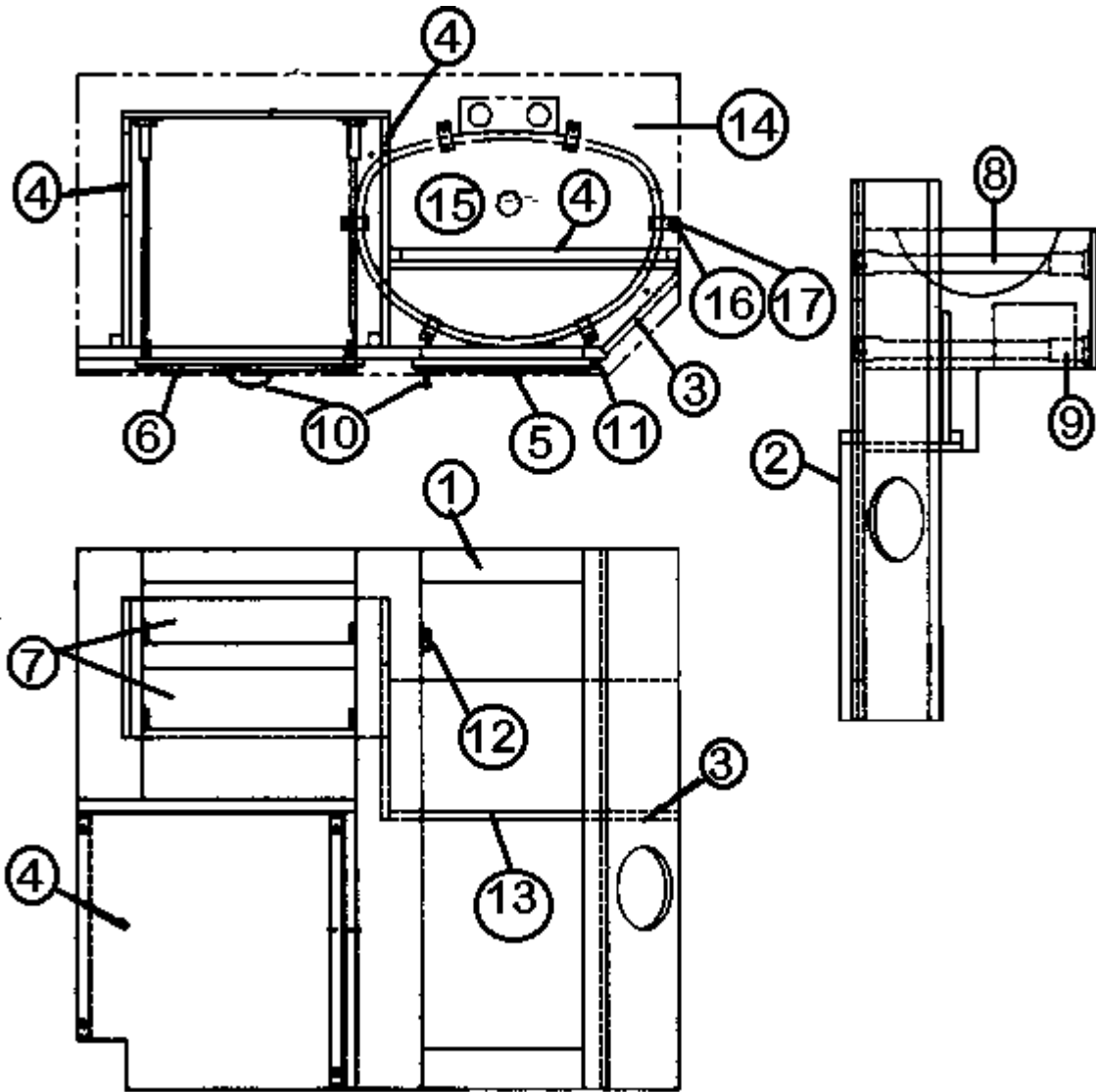
203046 Shower Stall, 2 Piece  
-01 CSA  
-03 Opposite  
-04 CSA Approved Opposite



203081 Shower Stall-2 piece Fiberglass



965194 Lavy Cabinet



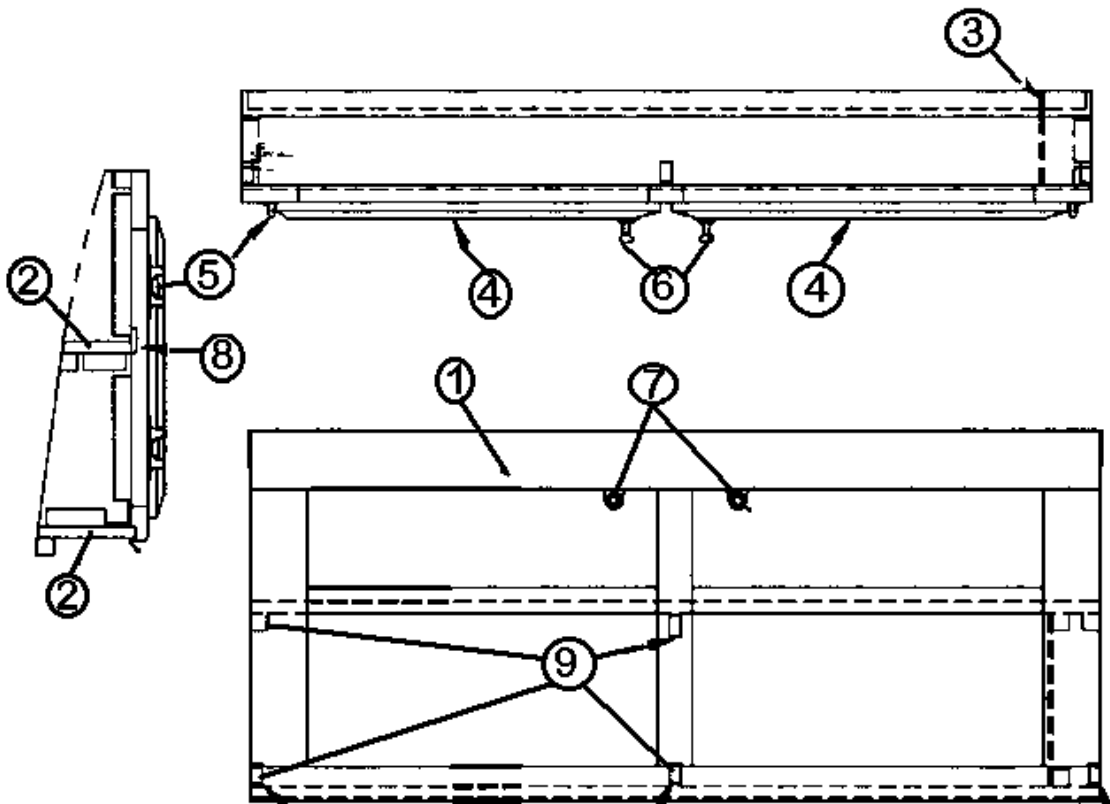
PN Next Page

## 965194 Lavy Cabinet

1. 965192-00z FACE FRAME-LAVY
2. 965193-00z FRAME-LAVY CLOSE OUT
3. 801180-00z PANEL 1/2" G2S
4. 801179-00z PANEL 1/2" G1S
5. 800597-09z DOOR RSD PNL 11.00 X 29.75
6. 800599-07z DRAWER FACE 4.50 X 14.00"
7. 964906-10 DRW BOX- 12.25 X 14.00 X 2.75
8. 381526-01 DRW SLIDE-950-RV 14" PER PR
9. 381526-06 ADJUSTABLE REAR BRKT PER PR
10. 381599\* HANDLE DRAWER/DOOR
11. 381601 HINGE ANTIQUE BRASS
12. 381228-01 CATCH GRABBER DOOR
13. 800571-01z MOLDING FLAT .52W X 80"
14. 965195-01 LAVY TOP ASSY
15. 203367-01 BOWL-LAVY KARRAN, SURF. BONE
16. 453833 CLIP, SINK MOUNT 16.
17. 320129 INSERT-THREADED 1/4"O.D. X 1/4"L

\*381681 Replaces 381599 on Limited options

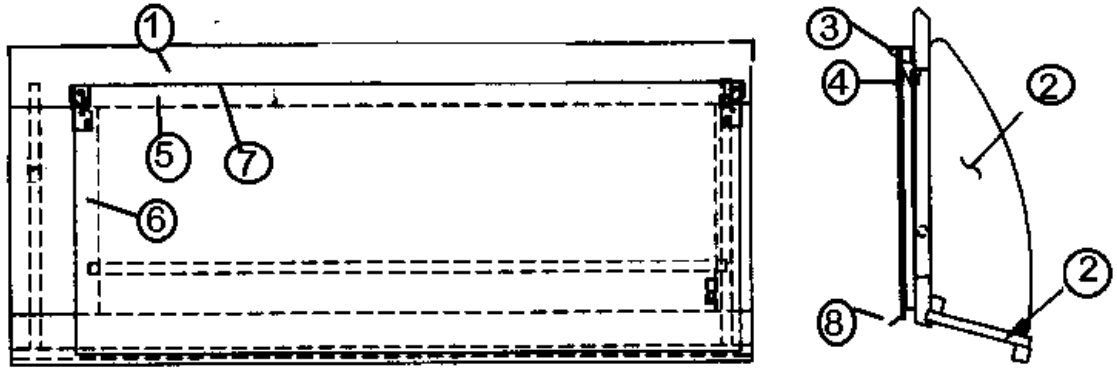
963302-01 Medicine cabinet, Lower, 37.13"



- |               |                             |
|---------------|-----------------------------|
| 1. 963266-01  | FACE FRAME MED-LOWER        |
| 2. 801180-00z | PANEL 1/2" G2S              |
| 3. 801181-00z | PANEL 5/32"G1S              |
| 4. 800599-57z | DRAWER FACE 17.25 X 13.00   |
| 5. 381601     | HINGE ANTIQUE BRASS         |
| 6. 381599*    | HANDLE DRAWER/DOOR          |
| 7. 381228-01  | CATCH GRABBER DOOR          |
| 8. 800573-01z | MOLDING DOOR EDGE 1-3/32X80 |
| 9. 380041     | BRACE 1IN STANLEY CORNER    |

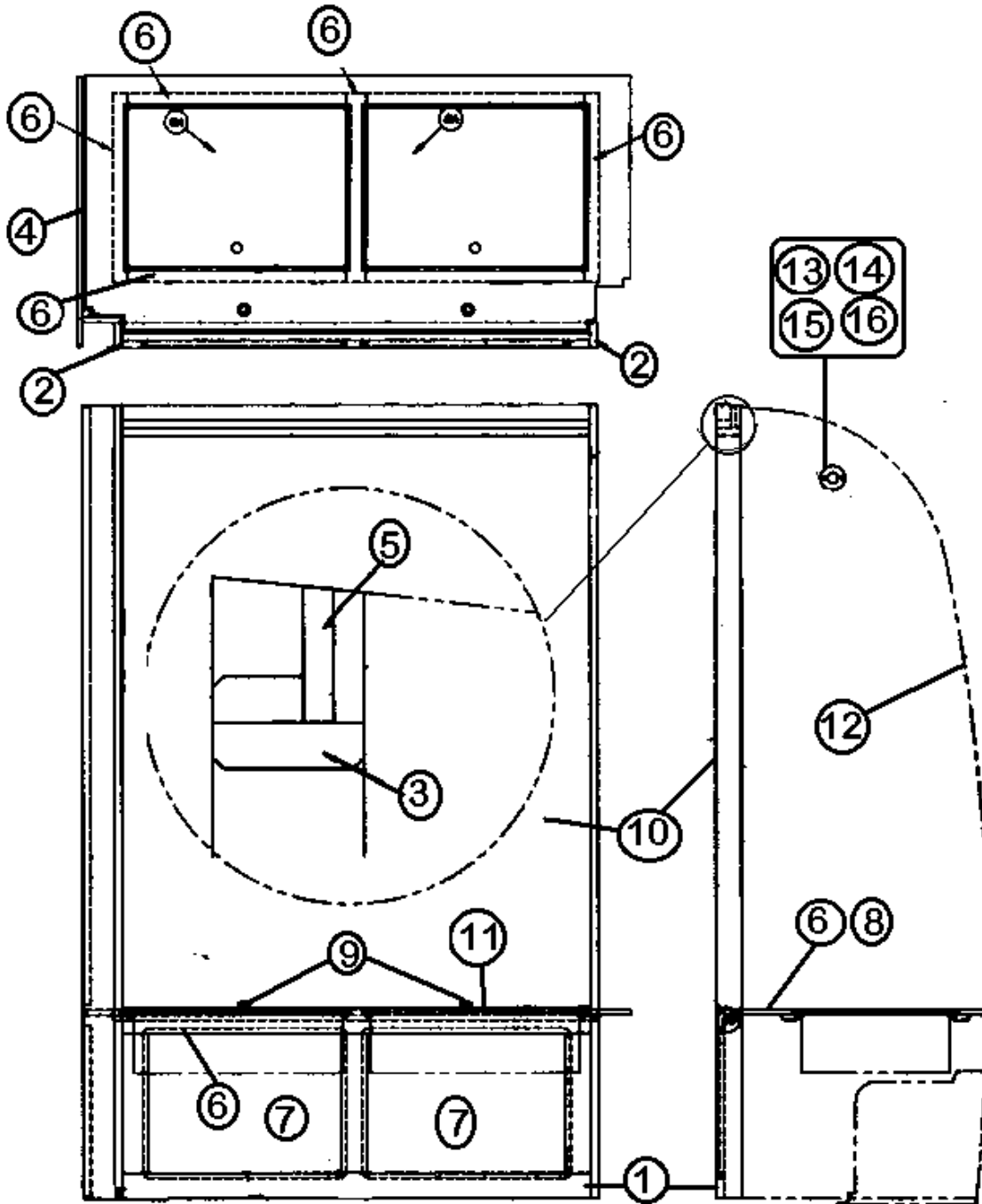
\*381681 Replaces 381599 on Limited options

# 964026 Medicine Cabinet Upper



- |               |                                    |
|---------------|------------------------------------|
| 1. 964025     | FACE FRAME MED CAB-UPPER           |
| 2. 801180-00z | PANEL 1/2" G2S                     |
| 3. 385935-01  | HINGE PIVOT ZINC PLATED            |
| 4. 372203-17  | MIRROR- POL EDGES- 33.12" X 14.00" |
| 5. 801180-00z | PANEL 1/2" G2S                     |
| 6. 380032     | SUPPORT FRICTION LEFT HAND         |
| 7. 365238-03  | EDGE BANDING TAPE                  |
| 8. 385940-02  | MIRROR PULL CHROME                 |

965224-02 Wardrobe Assembly 34 FT, 34 Ft SO  
-01 31 Ft.



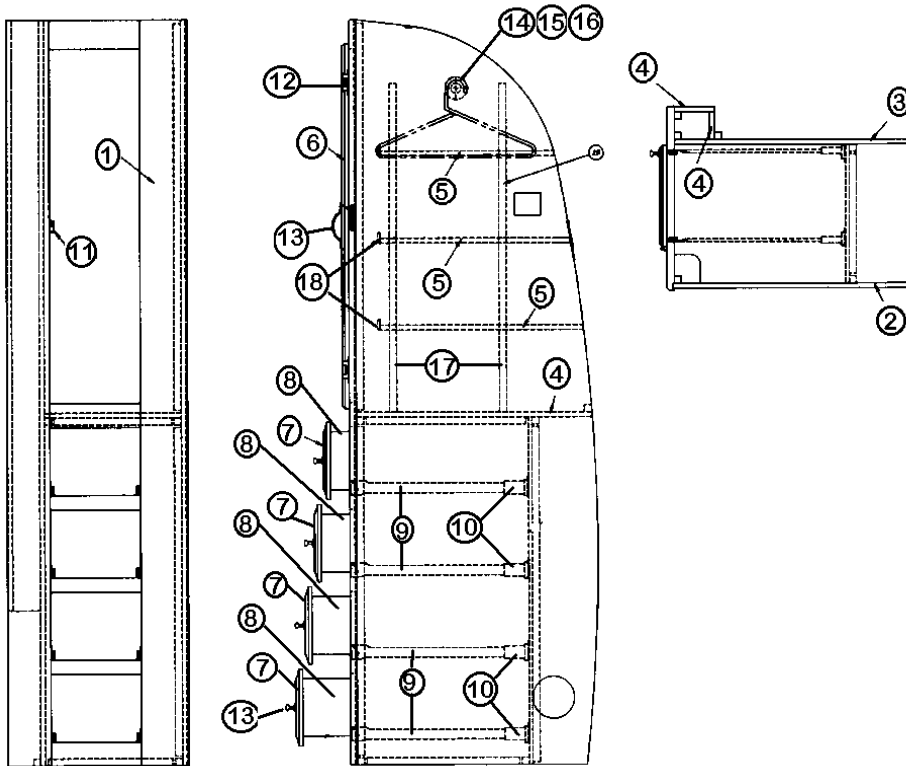
PN Next Page

965224-02 Wardrobe Assembly

1. 965219-00z FACE FRAME- WARDROBE
  2. 965220-00z STILE, WARDROBE SIDE LH/RH
  3. 965221-00z HEADER WARDROBE
  4. 964306-02 PANEL - FWD WARDROBE
  5. 801180-00z PANEL 1/2" G2S
  6. 801179-00z PANEL 1/2"
  7. 201016 DRAWER 16 X 22
  8. 701538 CARPET, ECONOLIER, BLACK 48"
  9. 381604 DOOR KNOB SATIN
  10. 381727-01 DOOR-MIRRORED SLIDING 46" X 55.5"11.
  11. 381228-01 GRABBER DOOR CATCH
  12. 800397-01 CEDAR PLANKED 5/32"
  13. 380045 TUBING 3/4IN METALLIC
  14. 380046 FLANGE CHROME
  15. 200975-04 CONDUIT, FLEXIBLE BLACK PLASTIC
  16. 381298 SUPPORT, CLOTHES ROD LENGTH 5.25
- 
- 201666-01 MOLDING-J 3/16" ALMOND PLASTIC
- 801284-00z PANEL 1/2" G2S WOOD/ANTIQUITY BUFF



965223 Aft Wardrobe Assembly, 34 Ft  
-03 34 Ft S/O



PN Next Page

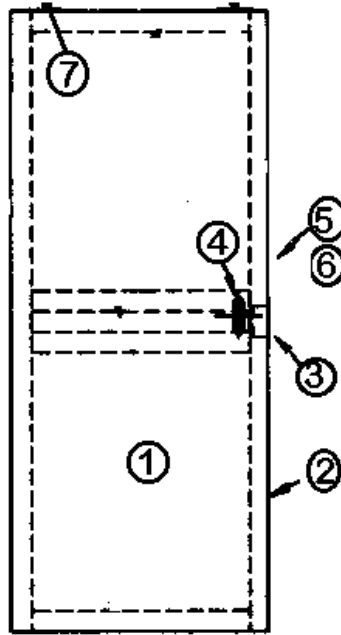
## 965223 Aft Wardrobe Assembly

1. 965218-00z FACE FRAME-WARDROBE
2. 964306-01 PANEL - AFT WARDROBE
3. 801088-12 PANEL WARDROBE VINYL
4. 801179-00z PANEL 1/2" G1S
5. 801180-00z PANEL 1/2" G2S
6. 800597-47z DOOR RSD PNL 10.50" X 37.75"
7. 800599-65z DRAWER FACE 8 X 10.50"
8. 964907-02 DRW BOX- 8.50 X 18.00 X 6.00
9. 381526-03 DRW SLIDE-950-RV 18" PER PR
10. 381526-06 ADJUSTABLE REAR BRACKET PR
11. 381228-01 GRABBER DOOR CATCH
12. 381601 HINGE ANTIQUE BRASS
13. 381599\* HANDLE DRAWER/DOOR
14. 380045 TUBING 3/4IN METALLIC
15. 380046 FLANGE CHROME
16. 200975-04 CONDUIT, FLEXIBLE BLACK PLASTIC
17. 381527 SPEEDY SHELF STRIPS
18. 800573-01z MOLDING DOOR EDGE 1-3/32" X 80"
19. 365238-03 EDGE BANDING TAPE 5/8" HORIZON

\*381681 Replaces 381599 on Limited options

961413-Tab Assembly Slider Door

-10	25.25" x 74.00"
-16	21.00" x 74.00"
-14	17.00" x 72.50"
-15	19.00" x 72.50"

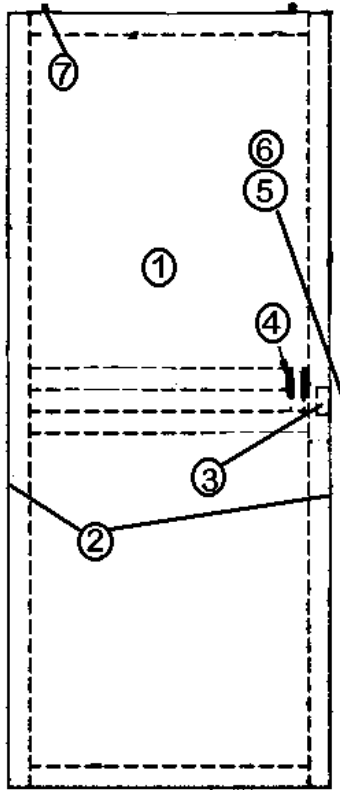


- |               |                                      |
|---------------|--------------------------------------|
| 1. 801181-00z | PANEL 5/32"G1S                       |
| 2. 365243-01  | EDGE BANDING TAPE PVC 1 1/4" HORIZ   |
| 3. 381444     | HATCH PULL, SATIN FINISH ST-80       |
| 4. 381603     | PULL THREE FINGER ANT. BRASS         |
| 5. 381385     | DUAL LOCK #400                       |
| 6. 381386     | DUAL LOCK #170                       |
| 7. 381100     | SLIDING DOOR GUIDE, track on header  |
| 8. 800576-01z | MOLDING BATH DR. JAMB 80", not shown |

964303-01 Bath Door Header

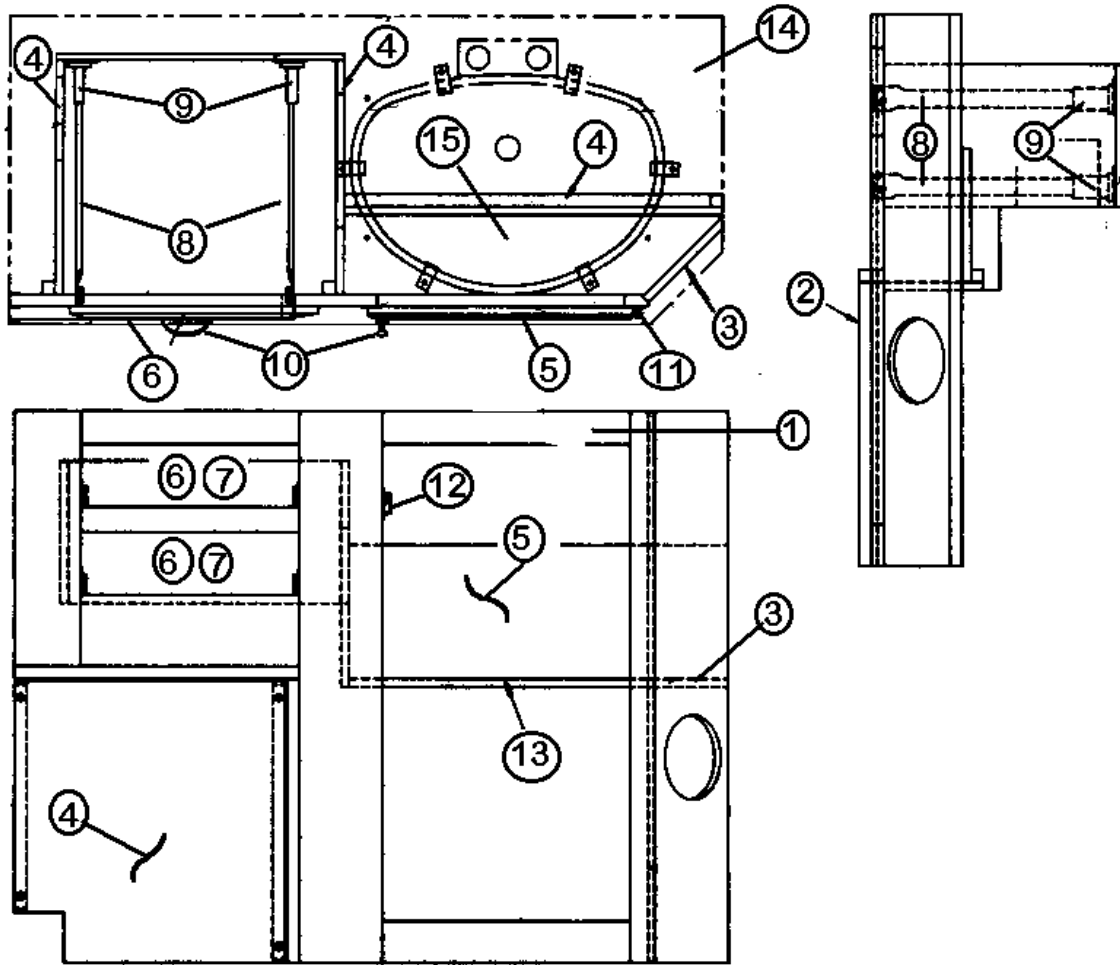


963179-tab Slider Door Assembly, Vinyl  
-02 29" x 72"



- |               |                                    |
|---------------|------------------------------------|
| 1. 801181-00z | PANEL 5/32"G1S                     |
| 2. 365243-01  | EDGE BANDING TAPE PVC 1 1/4" HORIZ |
| 3. 381444     | HATCH PULL, SATIN FINISH ST-80     |
| 4. 381603     | PULL THREE FINGER ANTIQUE BRASS    |
| 5. 381385     | DUAL LOCK #400                     |
| 6. 381386     | DUAL LOCK #170                     |
| 7. 381443-01  | SLIDING DOOR SET, #71-222-5'       |
| 8. 800573-01z | MOLDING DOOR EDGE 1-3/32" X 80"    |

# 965214 Lavy Cabinet Assembly



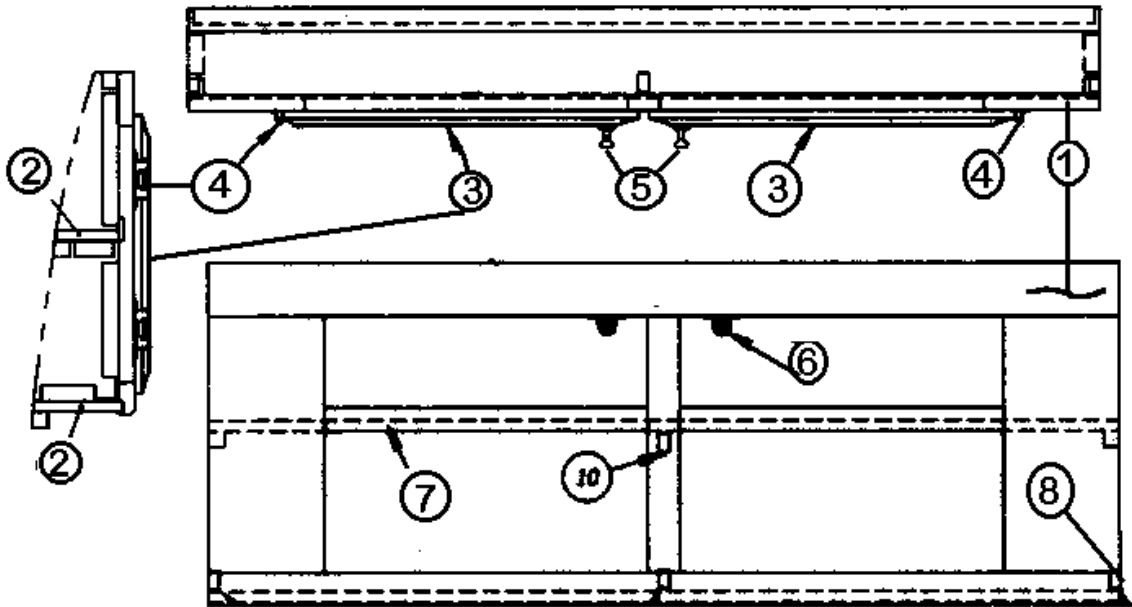
PN Next Page

## 965214 Lavy Cabinet Assembly

1. 965212-00z FACE FRAME LAVY
2. 965193-00z FRAME-LAVY CLOSE OUT
3. 801180-00z PANEL 1/2" G2S
4. 801179-00z PANEL 1/2" G1S
5. 800597-08z DOOR RSD PNL 16.00" X 29.50"
6. 800599-07z DRAWER FACE 4.50" X 14.00"
7. 964906-10 DRW BOX- 12.25 X 14.00 X 2.75
8. 381526-01 DRW SLIDE-950-RV 14" PR
9. 381526-06 BRACKET ADJUSTABLE REAR (PAIR)
10. 381599\* HANDLE DRAWER/DOOR
11. 381601 HINGE ANTIQUE BRASS
12. 381228-01 CATCH GRABBER DOOR
13. 800571-01z MOLDING FLAT .52" W X 80"
14. 965215-01 LAVY TOP ASSY., CORIAN
15. 203367-01 BOWL-LAVY KARRAN SURF. BONE
- 15a. 453833 CLIP, SINK MOUNT
- 15b. 320129 INSERT-THREADED 1/4"O.D. X 1/4"L
- 15c. 320130-09 SCREW #10-32 SLOTTED HEX HD 1.25L
- 15d. 320131 WINGNUT-#10-32 ZINC

\*381681 Replaces 381599 on Limited options

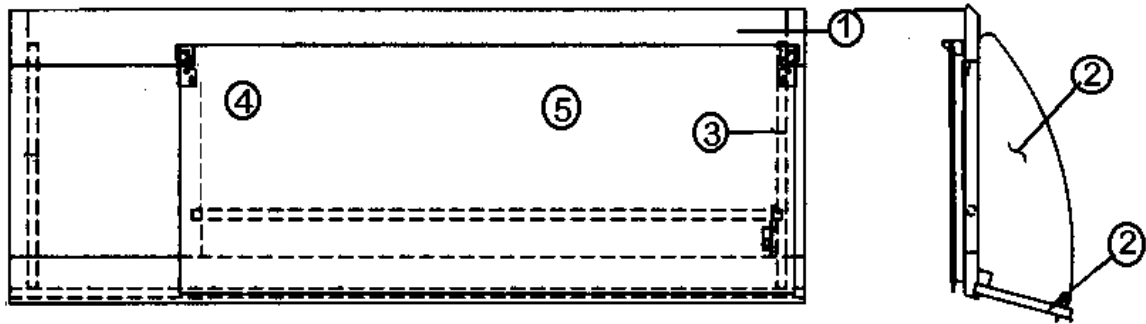
964302-01 Medicine Cabinet, Lower Assembly, 31 FT.  
 -03 34 Ft.



- |               |                                 |
|---------------|---------------------------------|
| 1. 964300-01  | FACE FRAME-MED CAB LOWER        |
| 2. 801180-00z | PANEL 1/2" G2S                  |
| 3. 800599-57z | DRAWER FACE 17.25" X 13.00"     |
| 4. 381601     | HINGE ANTIQUE BRASS             |
| 5. 381599*    | HANDLE DRAWER/DOOR              |
| 6. 381228-01  | CATCH GRABBER DOOR              |
| 7. 800573-01z | MOLDING DOOR EDGE 1-3/32" X 80" |
| 8. 380041     | BRACE 1 IN. STANLEY CORNER      |

\*381681 Replaces 381599 on Limited options

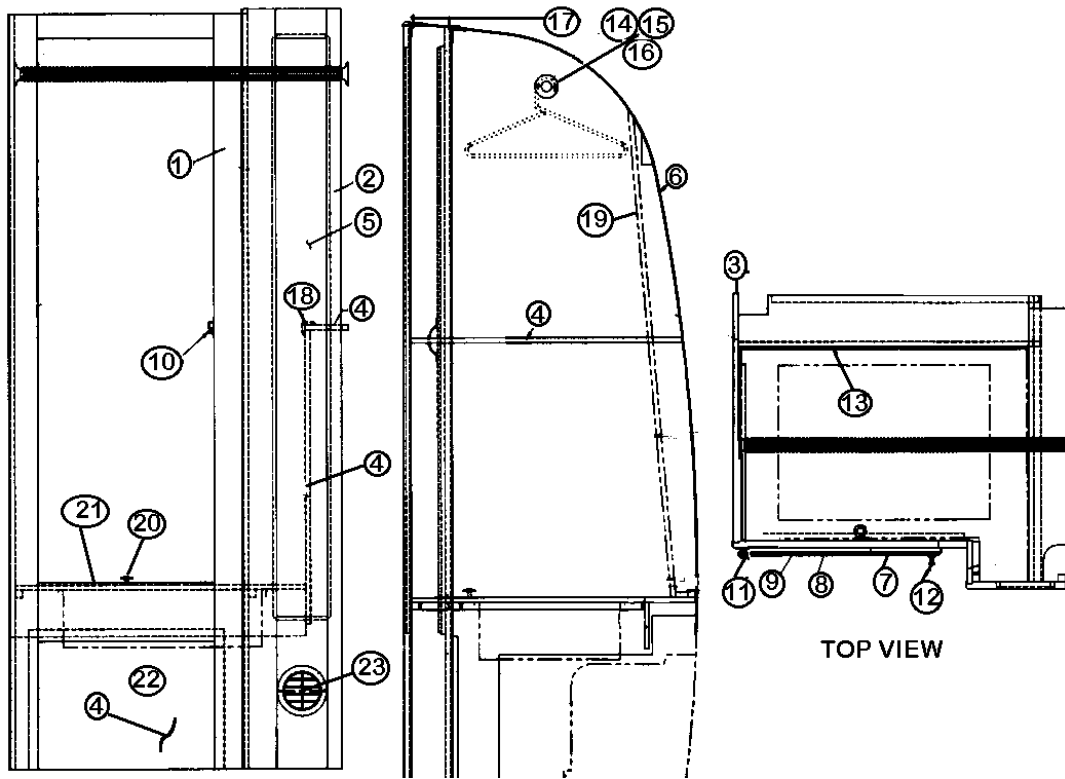
964301-03 Upper Medicine Cabinet Assembly 34 FT.  
-01 31 Ft.



- |               |                                    |
|---------------|------------------------------------|
| 1. 964299-01  | FACE FRAME-MED CAB-UPPER           |
| 2. 801180-00z | PANEL 1/2" G2S                     |
| 3. 381228-01  | CATCH GRABBER DOOR                 |
| 4. 385935     | HINGE BRASS PIVOT                  |
| 5. 372203-17  | MIRROR- POL EDGES- 33.12" X 14.00" |
| 6. 380032     | SUPPORT FRICTION LEFT HAND         |
| 7. 365238-03  | EDGE BANDING TAPE 5/8" HORIZON     |



# 962175-01 Wardrobe Assembly



PN Next Page

962175-01 Wardrobe Assembly

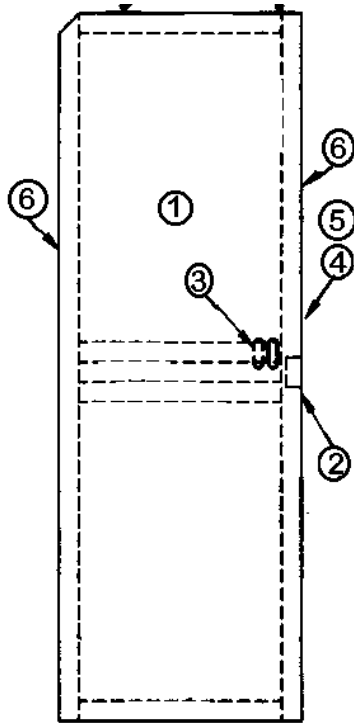
1. 962162-01 FACE FRAME W/R AFT CS
2. 962163-01 FACE FRAME WARD FWD
3. 800984-05 PANEL FWD WARDROBE
4. 801179-00z PANEL 1/2" G1S WOOD/RAW
5. 801181-00z PANEL 5/32"G1S WOOD/ RAW 4'X8'
6. 800397-01 CEDAR PLANKED 5/32"
7. 800557-15z DOOR FRAME 19.00" X 60.00"
8. 371262-10 MIRROR- SAFETY- 16.12" X 28.12"
9. 381754 MIRROR CLIP R2
10. 381228-01 GRABBER DOOR CATCH
11. 381601 HINGE ANTIQUE BRASS
12. 381599\* HANDLE DRAWER/DOOR
13. 380458 HINGE PIANO BROWN ANODIZED
14. 380045 TUBING 3/4IN METALLIC
15. 380046 FLANGE CHROME
16. 200975-04 CONDUIT, FLEXIBLE BLACK PLASTIC
17. 104821 SUPPORT, ROOFLOCKER, 74"
18. 800575-01z MOLDING CORNER 80"L
19. 104629 EXTRUSION, WALL ATTACHMENT
20. 962222 CLOSE OUT WARDROBE WIRES
- 964945 Lift Up Shelf Assembly
21. 381604 DOOR KNOB SATIN
22. 701538 CARPET, ECONOLIER VELOUR BLACK 48"
23. 201016 DRAWER 16" X 22"
24. 601244-01 REGISTER-ROTAIRE 4"BROWN

\*381681 Replaces 381599 on Limited options

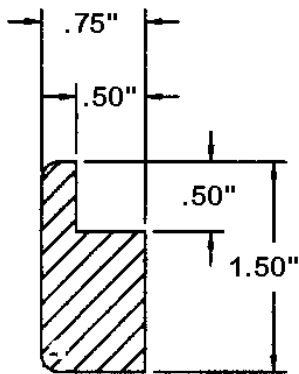
Not shown

- 201666-01 MOLDING-J 3/16" ALMOND PLASTIC  
203138-03 EXTRUSION PLASTIC WALL BEIGE  
500956 LIGHT, WARDROBE, BROWN, W/SWITCH

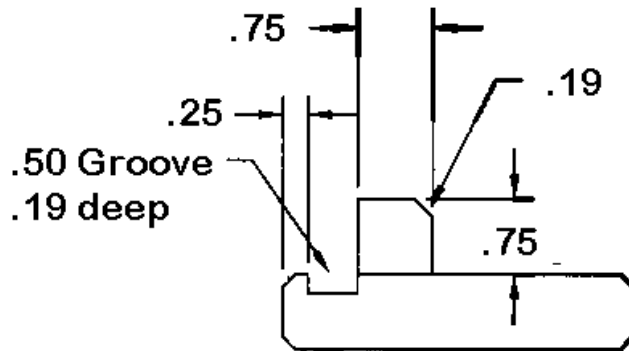
962066 Door Assembly, Slider, Aft



- 1. 801181-00z PANEL 5/32"G1S WOOD RAW
- 2. 381444 HATCH PULL, SST SATIN FINISH ST-80
- 3. 381570 PULL 3-FINGER BRASS
- 4. 381385 DUAL LOCK #400
- 5. 381386 DUAL LOCK #170 L/Y M/H
- 6. 365243-01 EDGE BANDING TAPE 1 1/4" HORIZON

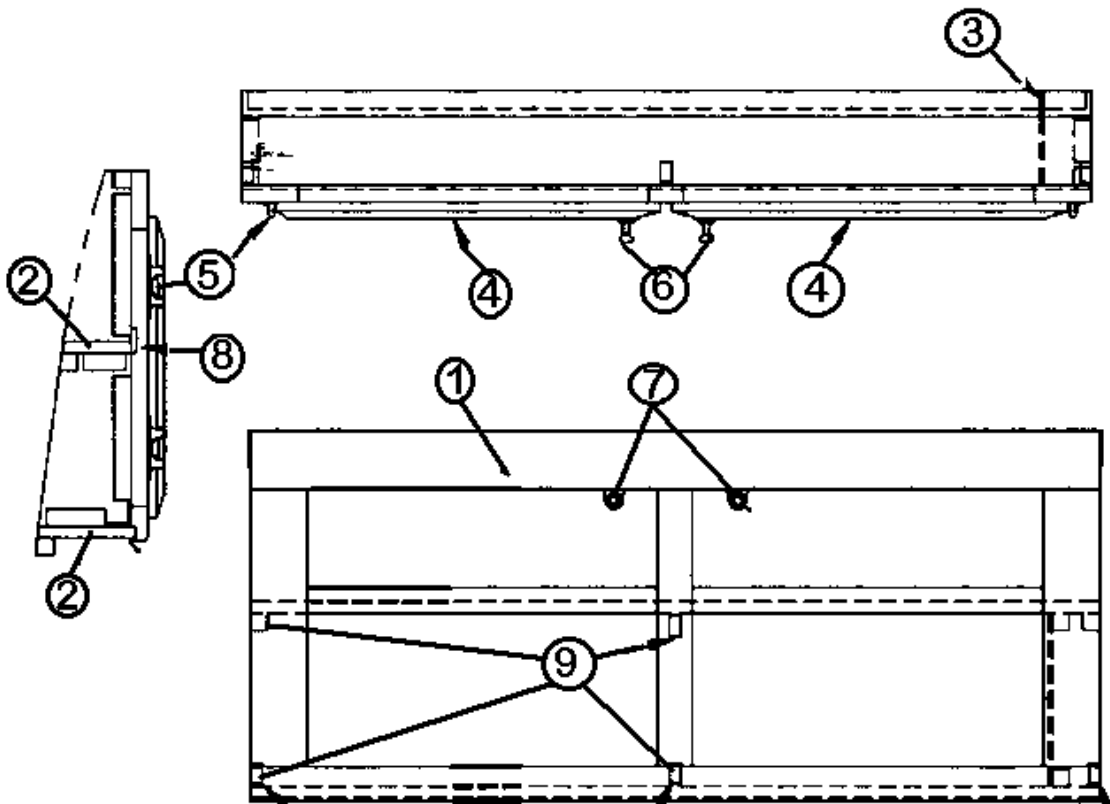


800815-02 Stile  
Aft Bath Panel



963664  
Stile Aft Bath

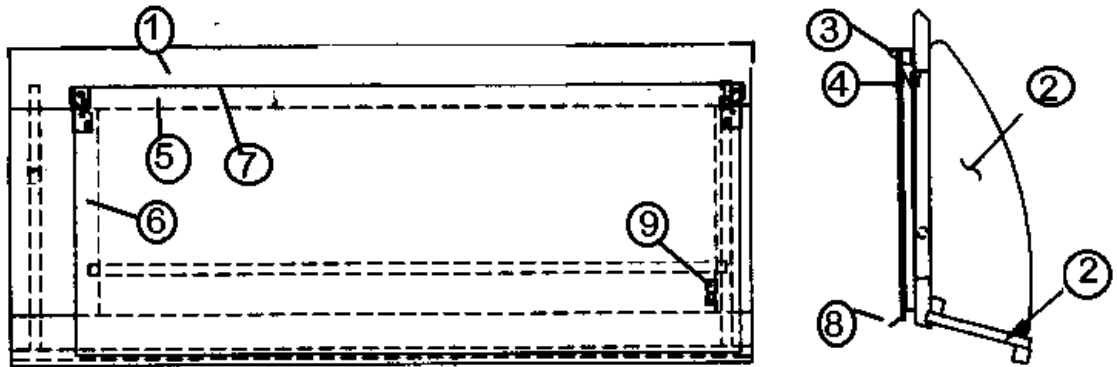
961899 Medicine Cabinet, Lower



- |               |                             |
|---------------|-----------------------------|
| 1. 961897-01  | FACE FRAME MED-LOWER        |
| 2. 801180-00z | PANEL 1/2" G2S              |
| 3. 801181-00z | PANEL 5/32"G1S              |
| 4. 800599-57z | DRAWER FACE 17.25 X 13.00   |
| 5. 381601     | HINGE ANTIQUE BRASS         |
| 6. 381599*    | HANDLE DRAWER/DOOR          |
| 7. 381228-01  | CATCH GRABBER DOOR          |
| 8. 800573-01z | MOLDING DOOR EDGE 1-3/32X80 |
| 9. 380041     | BRACE 1IN STANLEY CORNER    |

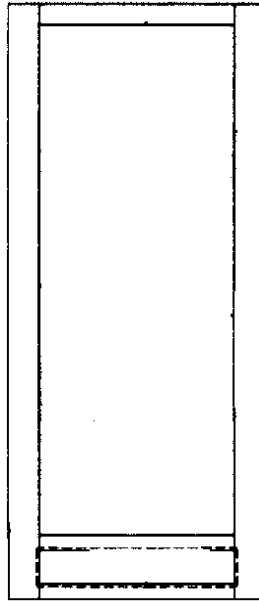
\*381681 Replaces 381599 on Limited options

963753-01 MEDICINE CABINET ASSEMBLY. UPPER

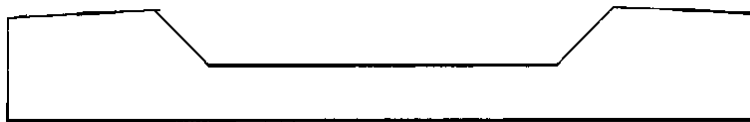


- |               |                                    |
|---------------|------------------------------------|
| 1. 962170-01  | FACE FRAME MED CAB-UPPER           |
| 2. 801180-00z | PANEL 1/2" G2S                     |
| 3. 385935-01  | HINGE PIVOT ZINC PLATED            |
| 4. 372203-04  | MIRROR- POL EDGES- 36.00" X 14.00" |
| 5. 801180-00z | PANEL 1/2" G2S                     |
| 6. 380032     | SUPPORT FRICTION LEFT HAND         |
| 7. 365238-03  | EDGE BANDING TAPE                  |
| 8. 385940-02  | MIRROR PULL CHROME                 |
| 9. 381228-01  | CATCH GRABBER DOOR                 |

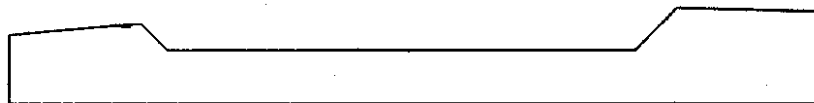
962161-01 Face Frame, Shower  
962505-01 Face Frame, Shower



963656 Header , Aft Slide Door



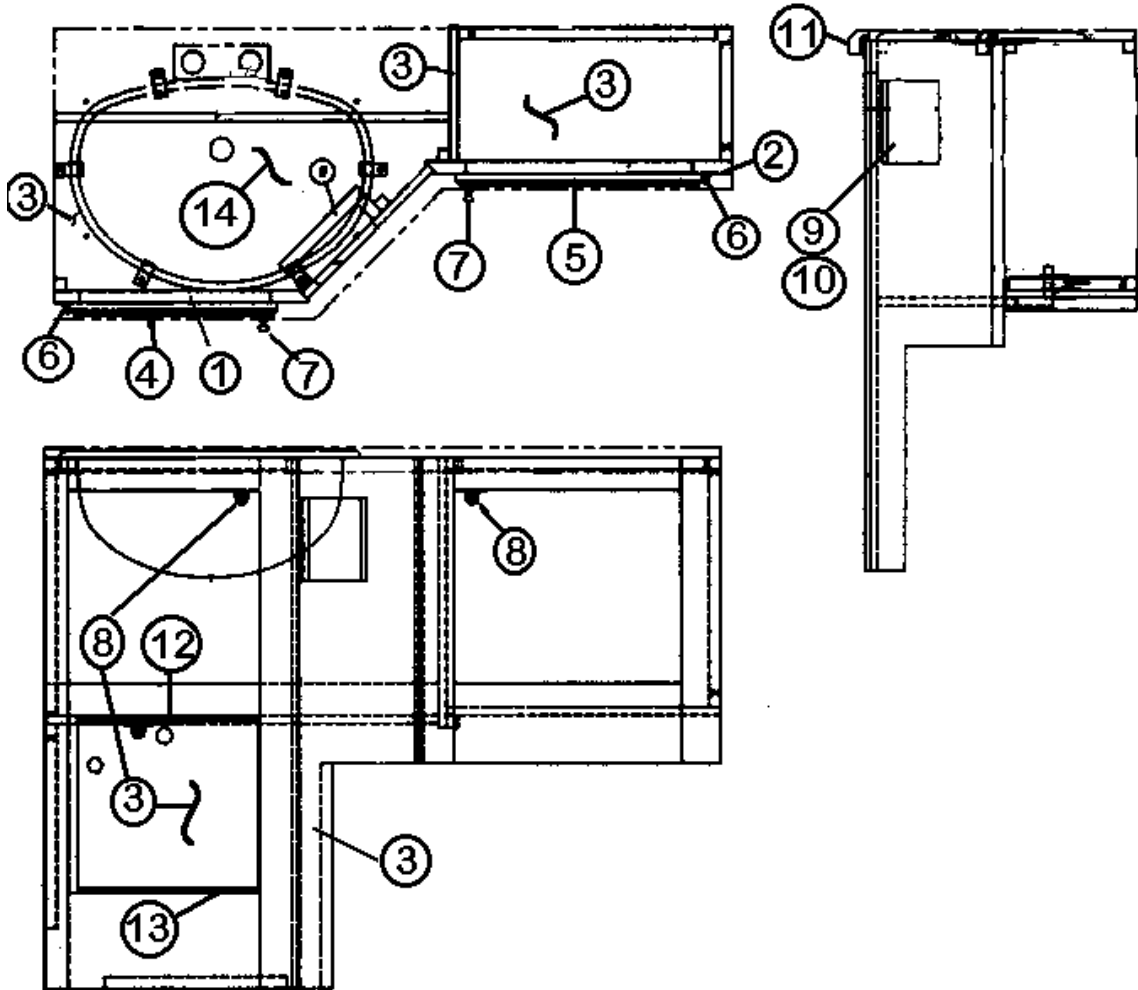
963657 Header, Forward Slide Door



801132 Header, slider Door



961921-05 Lavy Cabinet Assembly



PN Next Page

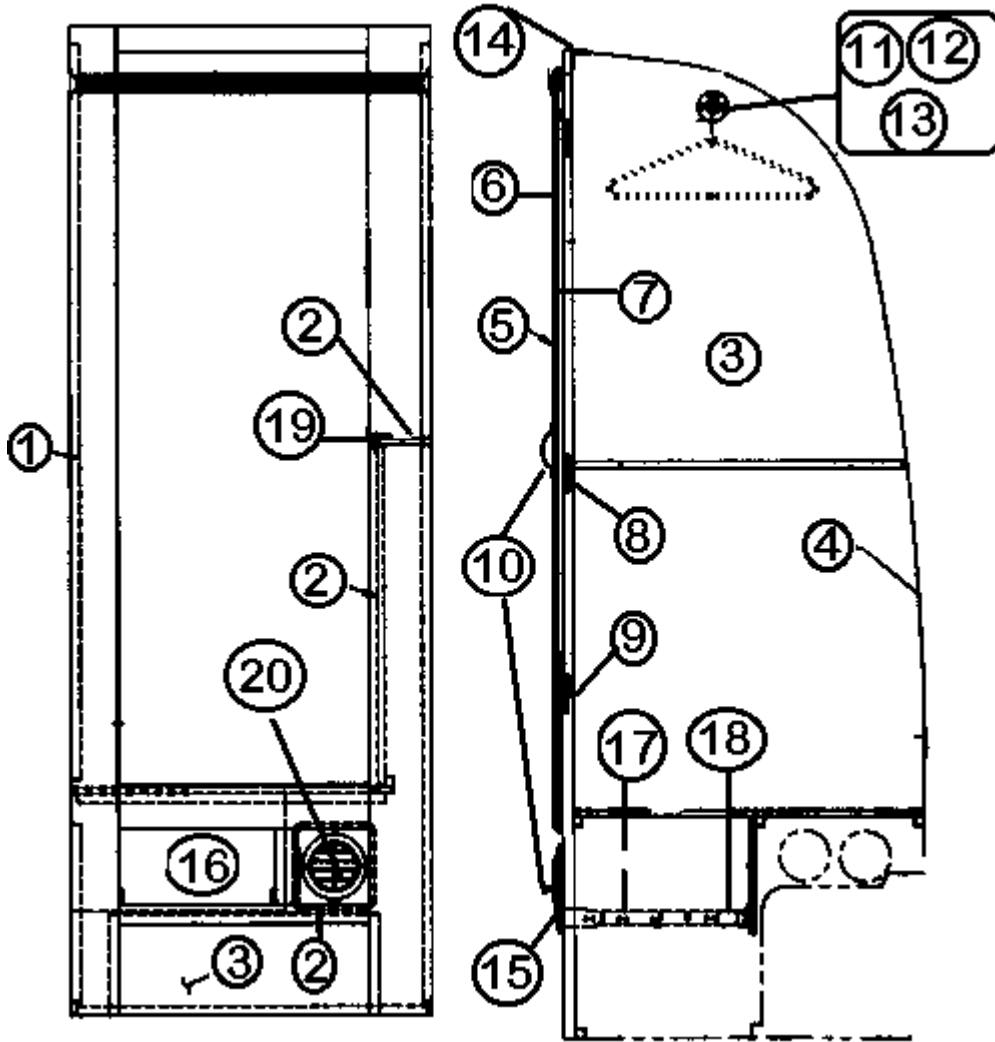
## 961921-05 Lavy Cabinet Assembly

1. 961890-01 FACE FRAME LAVY
2. 961891-01 FACE FRAME LAVY AFT
3. 801180-00z PANEL 1/2" G2S WOOD/WOOD
4. 800597-15z DOOR RSD PNL 13.00" X 25.75"
5. 800597-49z DOOR RSD PNL 15.50" X 13.00"
6. 381601 HINGE ANTIQUE BRASS
7. 381599\* HANDLE DRAWER/DOOR
8. 381228-01 CATCH GRABBER DOOR
9. 381299 TOILET PAPER HOLDER
10. 381275 PAPER HOLDER, BRASS W/HOOD, OPTION
11. 965217-01 TOP ASSY., CORIAN
12. 800571-01z MOLDING FLAT .52W X 80"
13. 380458 HINGE PIANO BROWN ANODIZED
14. 203367-01 BOWL-LAVY KARRAN, SURF. BONE
- 14A. 453833 CLIP, SINK MOUNT
- 14B. 320129 INSERT-THREADED 1/4"O.D. X 1/4"L
- 14D. 20130-09 SCREW #10-32 SLOTTED HEX HD 1.25L
- 14D. 320131 WINGNUT-#10-32 ZINC

\*381681 Replaces 381599 on Limited options



964016 Wardrobe Assembly, CS 28 FT



PN Next Page

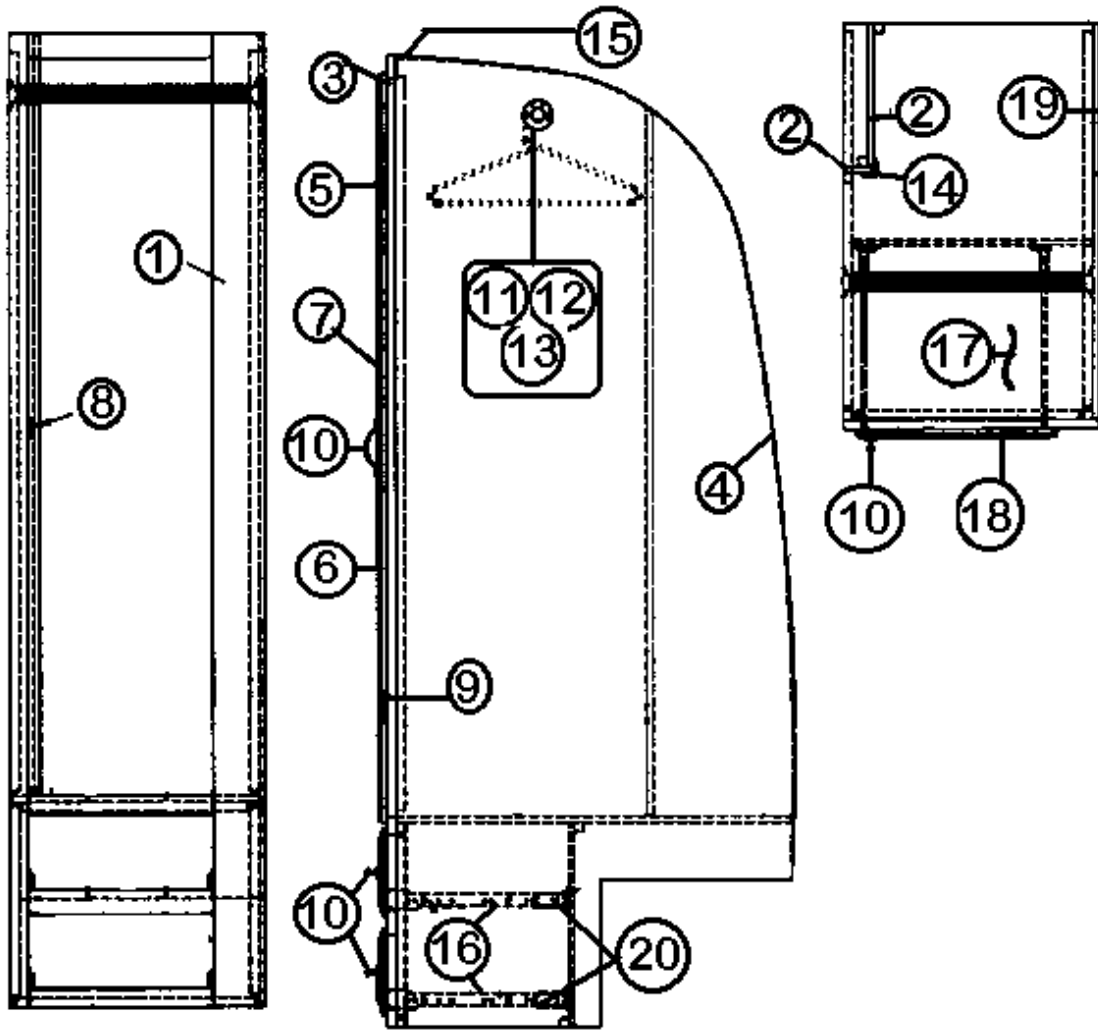
964016 Wardrobe Assembly CS, 28 FT.

1. 964015 FACE FRAME CS WARDROBE
2. 801180-00z PANEL 1/2" G2S WOOD/WOOD
3. 801181-00z PANEL 5/32"G1S WOOD / RAW
4. 800397-01 CEDAR PLANKED 5/32"
5. 800557-10z DOOR FRAME 22.00" X 60.00"
6. 371262-04 MIRROR- SAFETY- 19.12" X 28.12"
7. 381754 MIRROR CLIP R2
8. 381228-01 GRABBER DOOR CATCH
9. 381601 HINGE ANTIQUE BRASS
10. 381599\* HANDLE DRAWER/DOOR
11. 380045 TUBING 3/4IN METALLIC
12. 380046 FLANGE CHROME
13. 200975-04 CONDUIT, BLACK PLASTIC
14. 104821 SUPPORT, ROOFLOCKER, 74"
15. 800599-22z DRAWER FACE 7.00" X 14.00"
16. 964910-19 DRW BOX- 11.50 X 14.00 X 5.00
17. 381526-01 DRW SLIDE-950-RV 14" PER PR
18. 381526-06 ADJUSTABLE REAR BRKT PER PR
19. 800575-01z MOLDING CORNER 80"L
20. 601244-01 REGISTER-ROTAIRE "BROWN

Not Shown

- 365239 FOAM, NON-SKID PAD 1/4 X 1 X 1/16"  
500956 LIGHT, WDRB, BROWN, W/SWITCH

\*381681 Replaces 381599 on Limited options



PN Next Page

963690-01 WARDROBE ASSEMBLY. RS

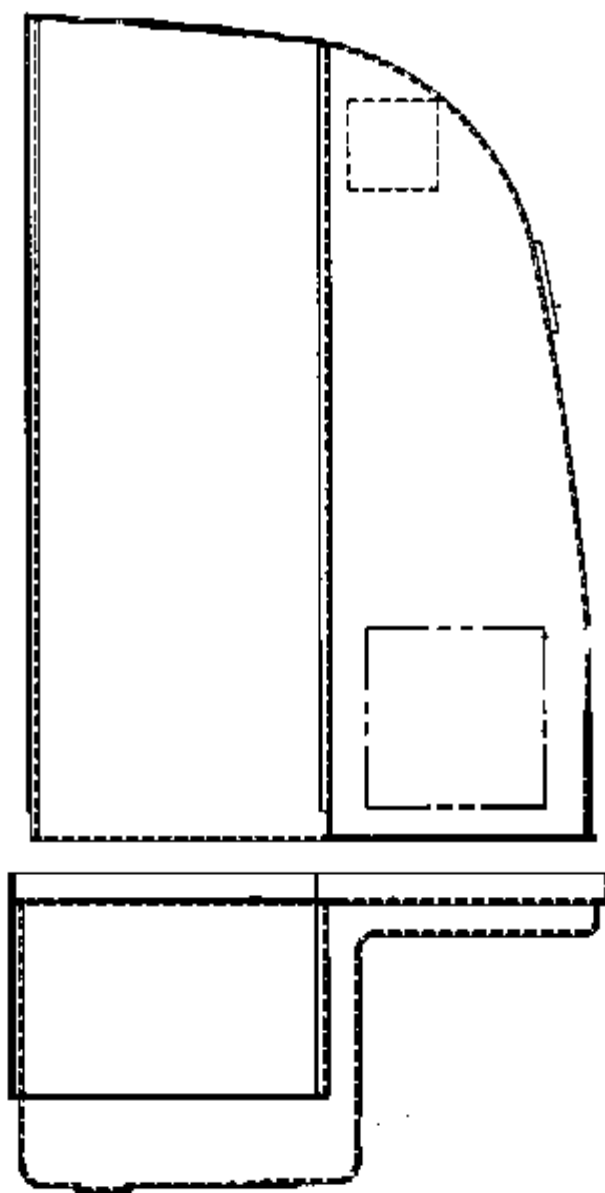
1. 962509-01 FACE FRAME RS WARDROBE
2. 801180-00z PANEL 1/2" G2S WOOD/WOOD
3. 801181-00z PANEL 5/32"G1S WOOD/ RAW
4. 800397-01 CEDAR PLANKED 5/32"
5. 800557-11z DOOR FRAME 16.00" X 60.00"
6. 371262-05 MIRROR- SAFETY- 13.12" X 28.12"
7. 381754 MIRROR CLIP
8. 381228-01 GRABBER DOOR CATCH
9. 381601 HINGE ANTIQUE BRASS
10. 381599\* HANDLE DRAWER/DOOR
11. 380045 TUBING 3/4"METALLIC
12. 380046 FLANGE CHROME
13. 200975-04 CONDUIT BLACK PLASTIC
14. 800575-01z MOLDING CORNER 80"L
15. 104821 SUPPORT, ROOFLOCKER, 74"
16. 381526-01 DRW SLIDE-950-RV 14" PER PR
17. 964910-08 DRW BOX- 13.25" X 14.00" X 5.00"
18. 800599-56z DRAWER FACE 7.00" X 16.00"
19. 801179-00z PANEL 1/2" G1S WOOD/RAW
20. 381526-06 ADJUSTABLE REAR BRKT PER PR

Not Shown

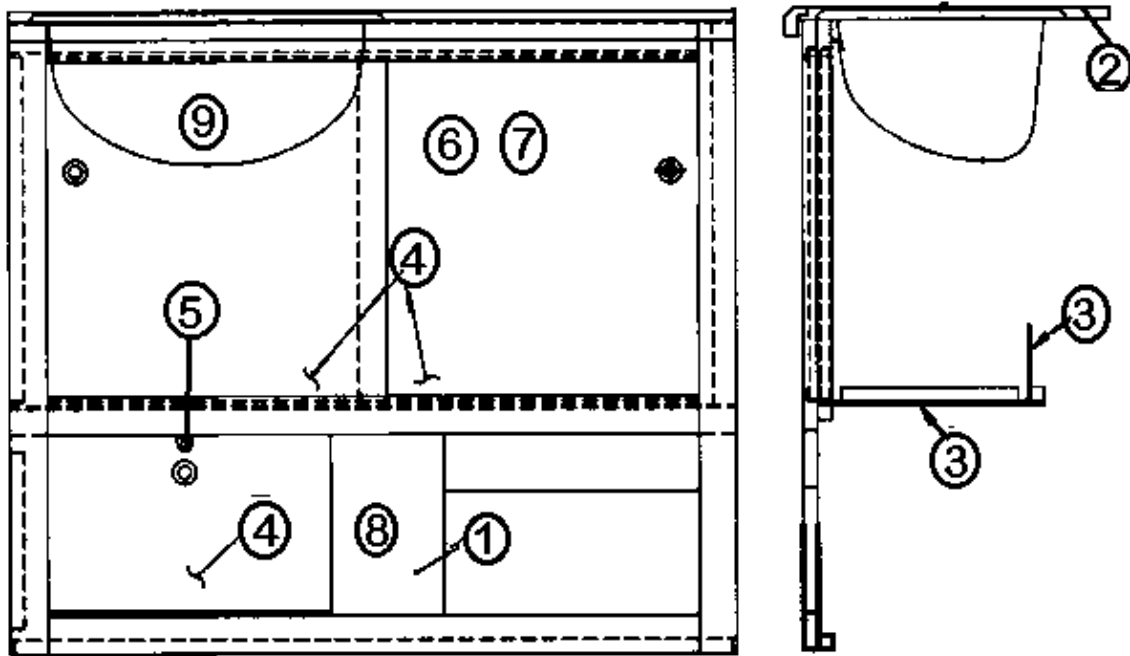
- 365239 FOAM, NON-SKID PAD 1/4" X 1" X 1/16"  
203138-03 EXTRUSION PLASTIC WALL BEIGE  
500956 LIGHT, WDRB, BROWN, W/SWITCH

\*381681 Replaces 381599 on Limited options

201980 Shower Stall, 2 Piece

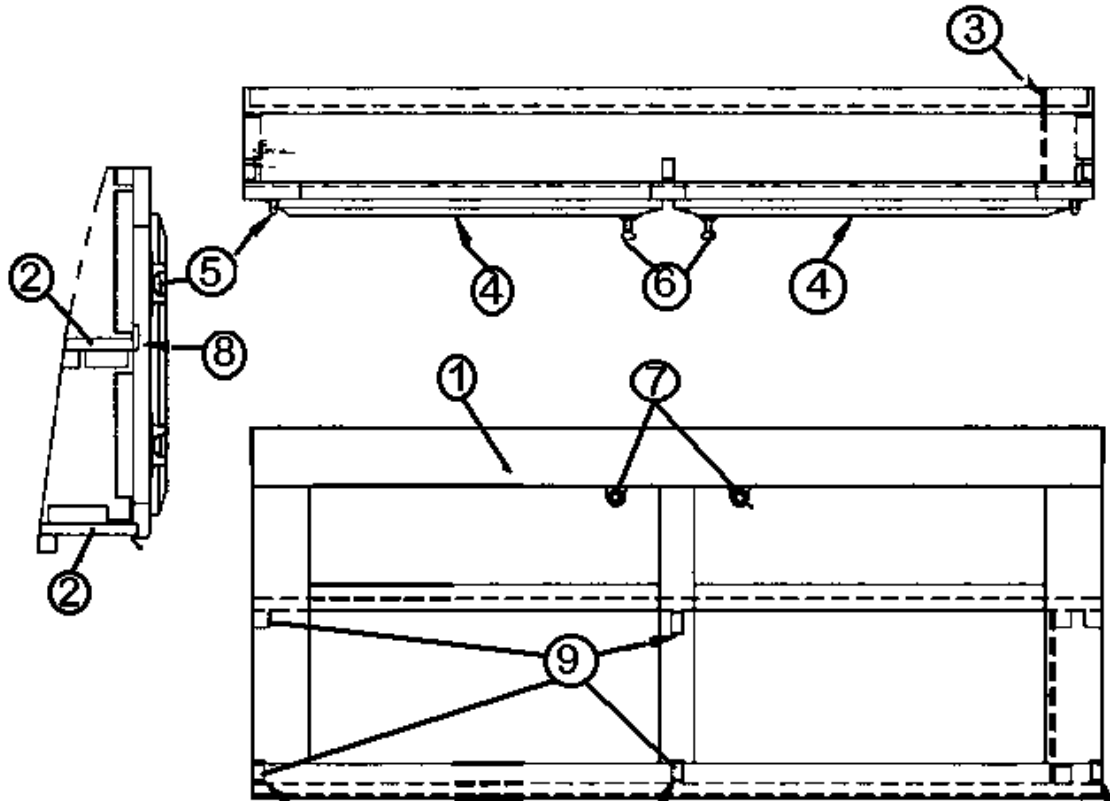


## 962322-02 Lavatory Cabinet Assembly



- |    |            |                                    |
|----|------------|------------------------------------|
| 1. | 962324-01  | FACE FRAME LAVY CABINET            |
| 2. | 965216-01  | TOP ASSY, CORIAN                   |
| 3. | 801181-00z | PANEL, 5/32" G1S WOOD/RAW          |
| 4. | 801180-00z | PANEL, 1/2" G2S, WOOD/WOOD         |
| 5. | 381604     | DOOR KNOB SATIN                    |
| 6. | 381228-01  | CATCH GRABBER DOOR                 |
| 7. | 200963-01  | TRACK, SLIDING DOOR, VANITY, UPPER |
| 8. | 200963-02  | TRACK, SLIDING DOOR, VANITY, LOWER |
| 9. | 203367-01  | BOWL-LAVY KARRAN SURF. BONE        |
|    | 453833     | CLIP, SINK MOUNT                   |
|    | 320129     | INSERT-THREADED 1/4"O.D. X 1/4"L   |
|    | 320130-09  | SCREW #10-32 SLOTTED HEX HD 1.25L  |
|    | 320131     | WINGNUT-#10-32 ZINC                |

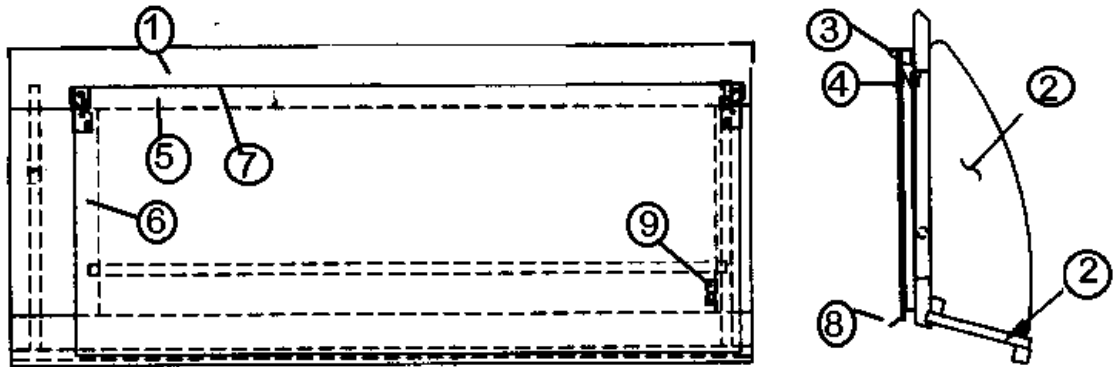
962251 Medicine cabinet, Lower 38.50"



- |               |                             |
|---------------|-----------------------------|
| 1. 962252     | FACE FRAME MED-LOWER        |
| 2. 801180-00z | PANEL 1/2" G2S              |
| 3. 801181-00z | PANEL 5/32"G1S              |
| 4. 800599-57z | DRAWER FACE 17.25 X 13.00   |
| 5. 381601     | HINGE ANTIQUE BRASS         |
| 6. 381599*    | HANDLE DRAWER/DOOR          |
| 7. 381228-01  | CATCH GRABBER DOOR          |
| 8. 800573-01z | MOLDING DOOR EDGE 1-3/32X80 |
| 9. 380041     | BRACE 1IN STANLEY CORNER    |

\*381681 Replaces 381599 on Limited options

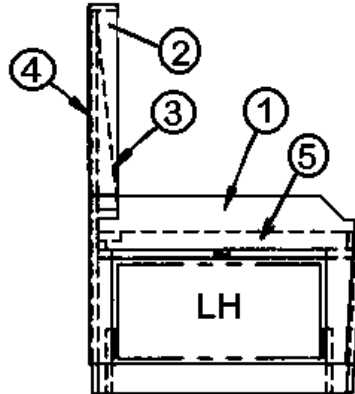
963752-01 MEDICINE CABINET ASSEMBLY. UPPER



1. 962250 FACE FRAME MED CAB-UPPER
2. 801180-00z PANEL 1/2" G2S
3. 385935-01 HINGE PIVOT ZINC PLATED
4. 372203-17 MIRROR- POL EDGES- 36.00" X 14.00"
5. 801180-00z PANEL 1/2" G2S
6. 380032 SUPPORT FRICTION LEFT HAND
7. 365238-03 EDGE BANDING TAPE
8. 385940-02 MIRROR PULL CHROME
9. 381228-01 CATCH GRABBER DOOR

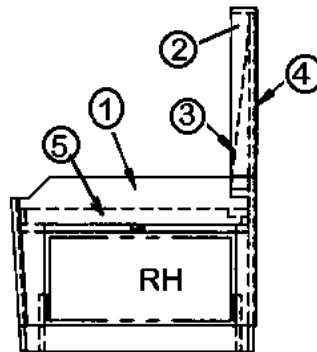


964953-01 Dinette Seat Assembly, LH, 34 FT.  
 964953-02 Dinette Seat Assembly, LH, 30 FT.



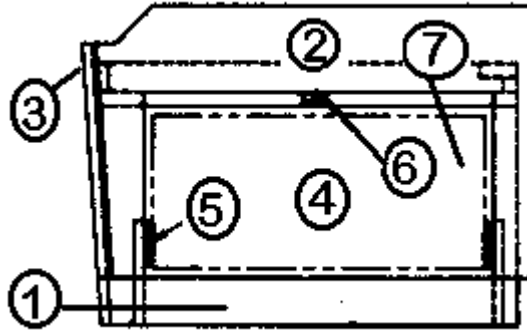
- 1. 964949-02 LH Dinette Seat Sub-Assembly
- 2. 964528-02 Back sub-assembly, LH
- 3. 964449-01 Cushion Support, Dinette LH, 41.63"
- 4. 964950 Upholstered Back, LH w/door, 34 Ft.
- 4a.964529-01 Upholstered back, 17" wide, 30 Ft.
- 5. 964334-01 Flex spring seat

964954-01 Dinette Seat Assembly, RH, 34 FT.  
 964954-02 Dinette Seat Assembly, RH, 30 FT.



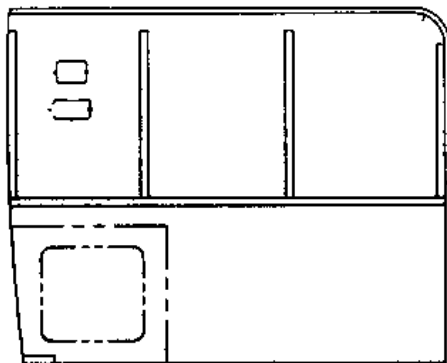
- 1. 964949-01 RH Dinette Seat Sub-Assembly
- 2. 964528-01 Back sub-assembly, RH , 34 FT.
- 2a.964528-04 Back sub-assembly, RH , 30 FT.
- 3. 964498-01 Cushion Support, Dinette RH, 41.63"
- 4. 964529-02 Upholstered Back, RH 17", 34 Ft.
- 4a.965076 Upholstered back, 42" wide, 30 Ft.
- 5. 964334-01 Flex spring seat

964949-tab Dinette Seat Sub Assembly  
 -01 RH Seat Assembly-Shown, 30 FT.  
 -02 LH Seat Assembly-Opposite, 34 FT



1. 801179-00z PANEL 1/2" G1S SARATOGA OAK/RAW
2. 700414 FOAM 3/8 X 72"X 52'
3. 801195-00z CORNER TRIM 1" RADIUS
4. 964908-01 DRAWER BOX- 17.50 X 26.00 X 8.00"
5. 381090 SLIDE, DRAWER, 22" (EA=1 PAIR)
6. 381228-01 CATCH GRABBER DOOR
7. 701538 CARPET, ECONOLIER VELOUR BLACK 48"

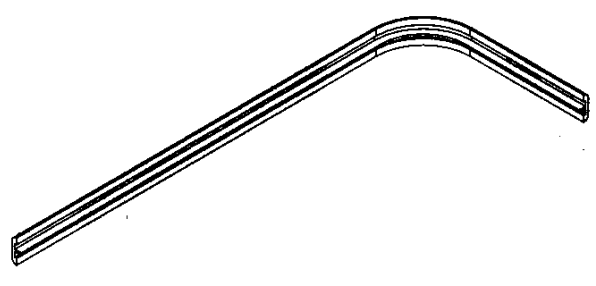
964528-tab Upholstered Dinette Seat Back



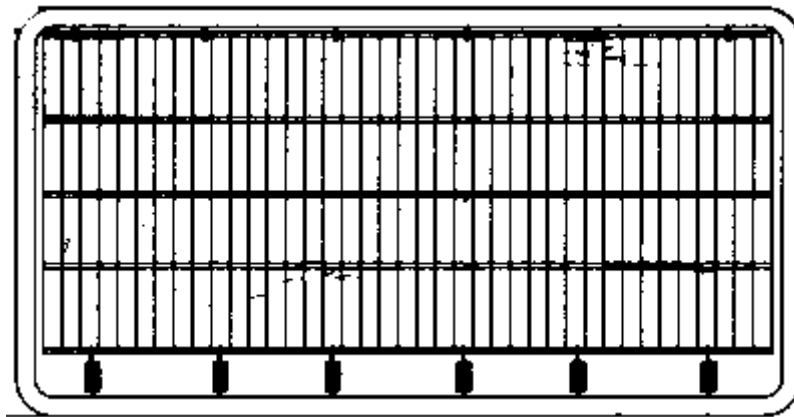
{-01 RH, 34 Ft} {-02 LH 30 FT.}

{-03 LH 34 Ft.} {-04 RH 30 Ft.}

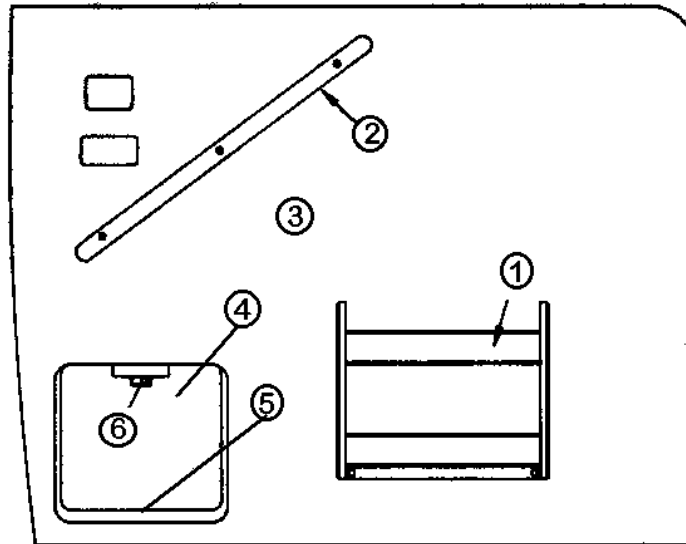
703125-Tab Top, Dinette seat, Urethane  
-01 Antelope  
-02 Buckskin



964334-01 Dinette Seat Spring, 21.36" x 42.00"

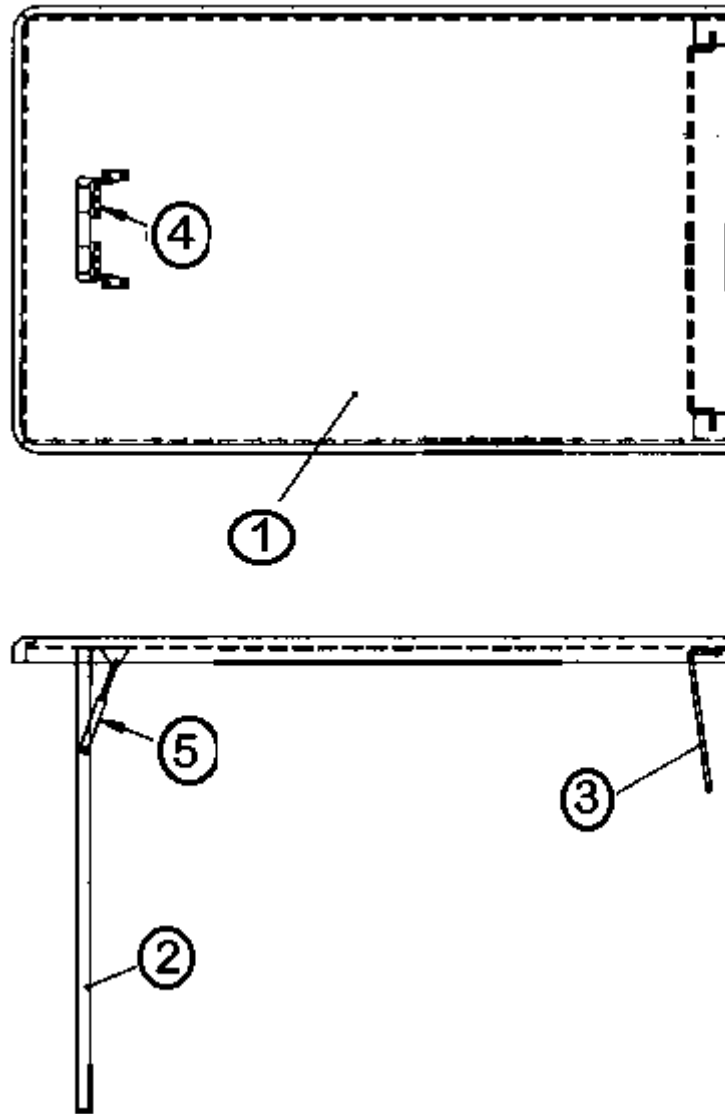


964950 Upholstered Back Assembly w/ Door



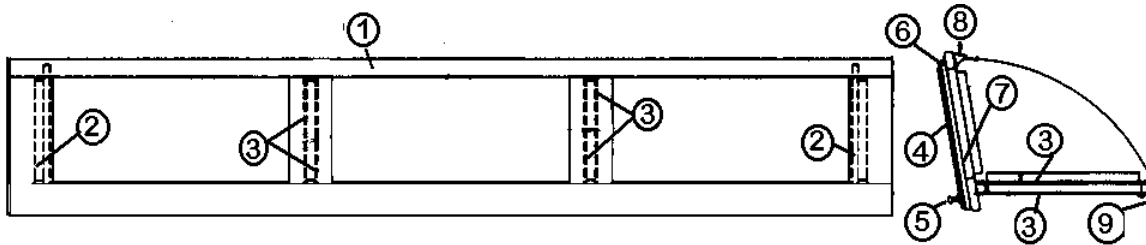
- 1. 963990-00z MAGAZINE RACK
- 2. 800631-00z HANDRAIL 23" LONG
- 3. 964528-03 Dinette Seat Back, Sub Assembly
- 4a. 964951-01 JAMB-DINETTE DROP DOOR SIDE
- 4b. 964951-02 JAMB-DINETTE DROP DOOR TOP/BOTTOM
- 4c. 964952 DOOR ASSY-DINETTE DROP DOWN
- 4d. 381175 PULL, WOOD, OAK
- 5. 380458 HINGE PIANO BROWN ANODIZED
- 6. 381228-01 CATCH GRABBER DOOR

963793 DINETTE TABLE ASSY. LAMINATE 26"



- |                |  |
|----------------|--|
| 1. 963674      | Top, dinette, Resistovar, Limited Option |
| 1. 963673      | DINETTE TABLE LAMINATE ASSEMBLY          |
| 1a. 801212-01  | PANEL-BEIGE 5/8"X 4' X 8'                |
| 1b. 964280-00z | COUNTER TOP EDGE MOLDING                 |
| 2. 962177-03   | LEG HARDWOOD 30.50"                      |
| 3. 380284-02   | TABLE HINGE BRACKET                      |
| 4. 380210      | HINGE PLAIN STEEL                        |
| 5. 381147      | DOOR SUPPORT - SPRING LOADED             |

## 963763 Roof Locker Assembly, Dinette



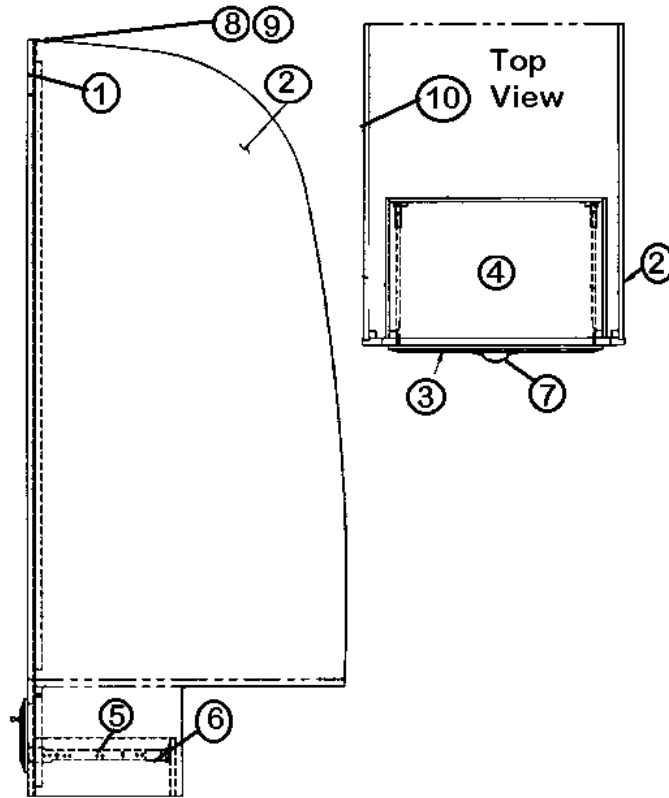
1. 963764-01 FACE FRAME DINETTE R/L
2. 801180-00z PANEL 1/2" G2S Wood/Wood 4' X 7'
3. 801191-00z PANEL 1/8" G1S Wood/RAW 4' x 7'
4. 800597-07z DOOR RSD PNL 12.25 X 21.00"
5. 381599\* HANDLE DRAWER/DOOR
  - a. (381681 Limited option drawer/door handle)
6. 381601 HINGE ANTIQUE BRASS
7. 381147 DOOR SUPPORT - SPRING LOADED
8. 104821 SUPPORT, ROOFLOCKER, 74"
9. 100013 EXTR, ROOFLOCKER WALL ATTACHMENT

### Not Shown

10. 100097 EXTR. ALUM CURTAIN TRACK
11. 800571-01z MOLDING FLAT .52W X 80"
- 12.

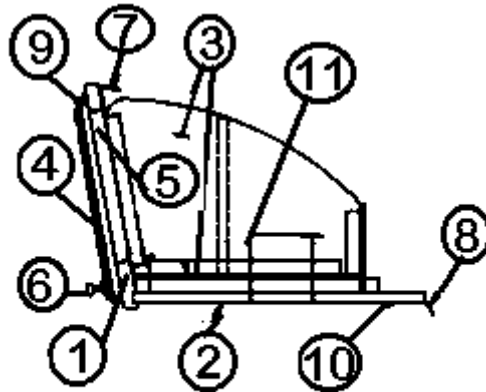
\*381681 Replaces 381599 on Limited options

## 963305-01 Refrigerator Cabinet Assembly



- |               |                                     |
|---------------|-------------------------------------|
| 1. 963724-02  | FACE FRAME REFER                    |
| 2. 801088-05  | PANEL AFT REFER                     |
| 3. 800599-21z | DRAWER FACE 7.00" X 23.00"          |
| 4. 964910-13  | DRAWER BOX- 19.69" X 14.00" X 5.00" |
| 5. 381526-01  | DRAWER SLIDE- 14" PER PR            |
| 6. 381526-06  | ADJUSTABLE REAR BRKT PER PR         |
| 7. 381575     | HANDLE DRAWER/DOOR GOLD             |
| 8. 104821     | SUPPORT, ROOFLOCKER, 74"            |
| 9. 330038     | RIVET BLIND AD 54 ABS-LF            |
| 10. 801088-06 | PANEL FWD REFER VENEER              |

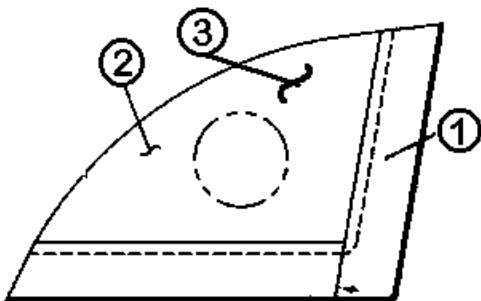
963757 Roof Locker Assembly, Galley



- 1. 963354-01 FACE FRAME GALLEY R/L
- 2. 801180-00z PANEL 1/2" G2S Wood/Wood 4' X 7'
- 3. 801181-00z PANEL 5/32"G1S Wood / RAW 4'X8'
- 4. 800597-41z DOOR RSD PNL 10.50" X 32.00"
- 5. 381147 DOOR SUPPORT - SPRING LOADED
- 6. 381599\* HANDLE DRAWER/DOOR
  - a. (381681 Limited option drawer/door handle)
- 7. 104829 SUPPORT ROOFLOCKER GALLEY
- 8. 100013 EXTR, WALL ATTACHMENT
- 9. 381601 HINGE ANTIQUE BRASS
- 10. 100097 EXTR. ALUM CURTAIN TRACK
- 381599\*

Not Shown

801261 PANEL-.125" G1S ANTIQUITY BUFF

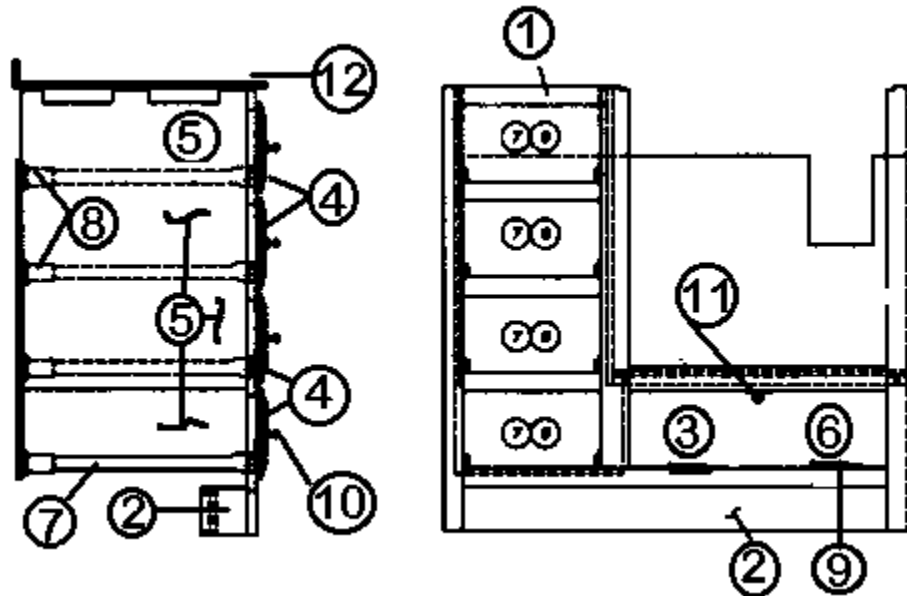


963828-01 Roof Locker LH End cap  
Assembly  
-02 RH

- 1. 963829-02 LH Frame
- 1a. 963829-01 RH Frame
- 2. 700414 3/8" foam
- 3. 801181-00z PANEL 5/32"G1S  
Wood / RAW



964608 Galley Assembly, Full Oven Section



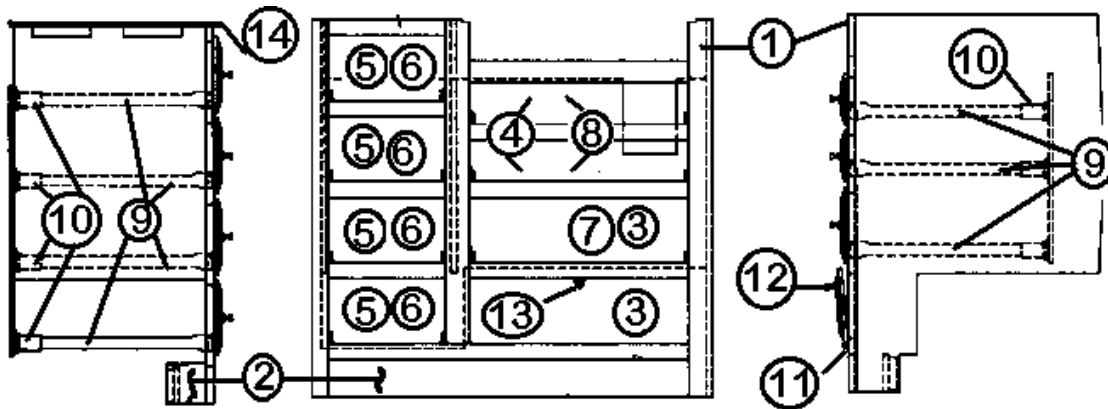
- |               |  |
|---------------|--|
| 1. 964607     | Face frame, galley, Full Oven              |
| 2. 801179-00z | Panel, 1/2" G1S, wood/raw                  |
| 3. 800599-00z | Drawer face, 7" x 21 1/2"                  |
| 4. 800599-02  | Drawer face, 7" x 11.75"                   |
| 5. 964910-02  | Drawer box, 10.00" x 18.00" x 5.00"        |
| 6. 964910-03  | Drawer box, 19.50" x 18" x 5.00"           |
| 7. 381526-03  | Drawer slide, 18"                          |
| 8. 381526-06  | Adjustable, drawer slide rear bracket      |
| 9. 381601     | Hinge, Antique Brass                       |
| 10. 381599*   | Drawer handle                              |
|               | (381681 Limited option drawer/door handle) |
| 11. 381228-01 | Door grabber catch                         |
| 12. 964586-01 | Galley top assembly, Corian                |

Not Shown:

- |            |                                |
|------------|--------------------------------|
| 601771     | Moen Pure Touch Classic Faucet |
| 6016333-06 | Sink                           |

\*381681 Replaces 381599 on Limited options

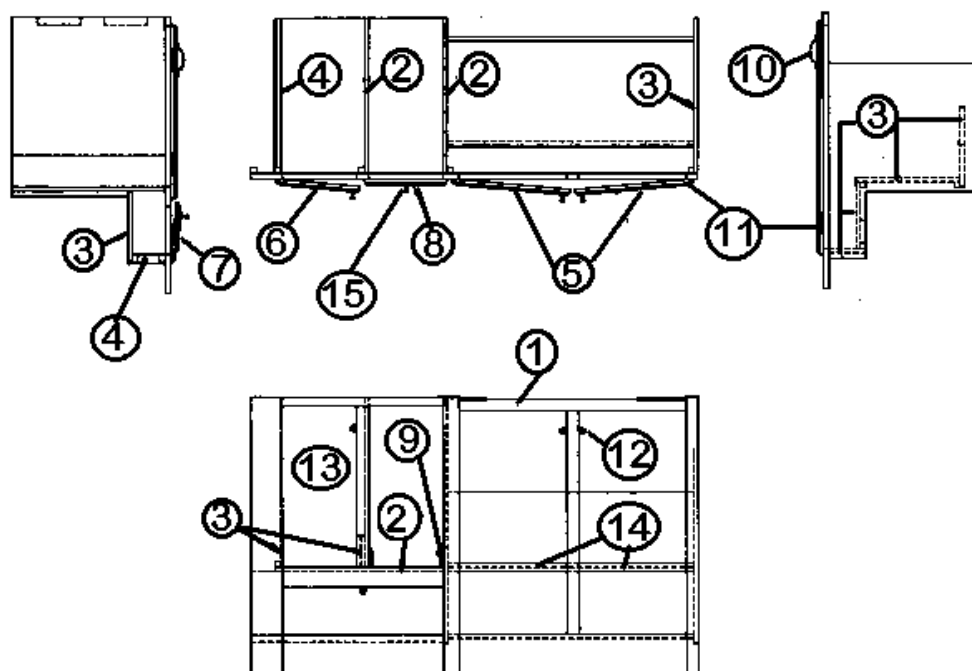
## 964606 Galley Assembly, Cooktop Section



- |               |  |
|---------------|--|
| 1. 964605     | FACE FRAME-COOKTOP SECTION                 |
| 2. 801179-00z | PANEL 1/2" G1S WOOD/RAW                    |
| 3. 800599-38z | DRAWER FACE 7.00" X 21.50"                 |
| 4. 800599-58z | DRAWER FACE 4.75" X 21.50"                 |
| 5. 800599-02z | DRAWER FACE 7.00' X 11.75"                 |
| 6. 964910-02  | DRAWER BOX- 10.00" X 18.00" X 5.00"        |
| 7. 964910-03  | DRAWER BOX- 19.50" X 18.00" X 5.00"        |
| 8. 964906-02  | DRAWER BOX- 19.50" X 18.00" X 2.75"        |
| 9. 381526-03  | DRAWER SLIDE-18" PER PR                    |
| 10. 381526-06 | ADJUSTABLE REAR BRKT PER PR                |
| 11. 381601    | HINGE ANTIQUE BRASS                        |
| 12. 381599*   | HANDLE DRAWER/DOOR                         |
|               | (381681 Limited option drawer/door handle) |
| 13. 381228-01 | CATCH GRABBER DOOR                         |
| 14. 964586-01 | GALLEY TOP ASSY                            |

\*381681 Replaces 381599 on Limited options

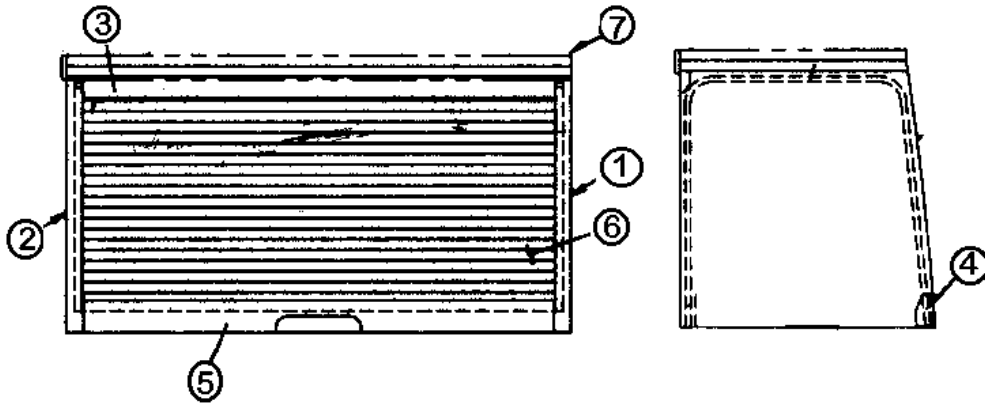
## 964610 Galley Assembly, Aft Section



- |                |                                  |
|----------------|----------------------------------|
| 1. 964328-01   | FACE FRAME-GALLEY, AFT SECTION   |
| 2. 801180-00z  | PANEL 1/2" G2S Wood/Wood 4' x 7' |
| 3. 801179-00z  | PANEL 1/2" G1S Wood/RAW          |
| 4. 801181-00z  | PANEL 5/32"G1S Wood / RAW 4'X8'  |
| 5. 800597-05z  | DOOR RSD PNL 14.75" X 29.75"     |
| 6. 800597-01z  | DOOR RSD PNL 10.50" X 22.00"     |
| 7. 800599-38z  | DRAWER FACE 7.00" X 21.50"       |
| 8. 961247-02   | SECTION, PANTRY, AFT GALLEY      |
| 8a. 961072-01  | FRAME FACE PANTRY -BACK          |
| 9. 381192      | SLIDE, DRAWER, 18"               |
| 10. 381599*    | HANDLE DRAWER/DOOR               |
| 11. 381601     | HINGE ANTIQUE BRASS              |
| 12. 381228-01  | CATCH GRABBER DOOR               |
| 13. 381491     | TRASH CAN, ROLL OUT              |
| 14. 800573-01z | MOLDING DOOR EDGE 1-3/32" X 80"  |
| 15. 381408     | LOCK, PUSH, BUTTON STYLE, BLACK  |

\*381681 Replaces 381599 on Limited options

961066-01 APPLIANCE GARAGE Assembly, (Wood)  
 -02 Corian Option



- 1. 800734-01 END, APPLIANCE, GARAGE, RH,
- 2. 800734-02 END, APPLIANCE GARAGE, LH
- 3. 801096-01 CROSS MEMBER APPLIANCE GARAGE
- 4. 800736-01 CROSS MEMBER, APPLIANCE GARAGE
- 5. 800737-01 HANDLE, APPLIANCE GARAGE
- 6. 800474-10z TAMBOUR 23" X 12"
- 7. 800573-01z MOLDING DOOR EDGE 1-3/32" X 80"

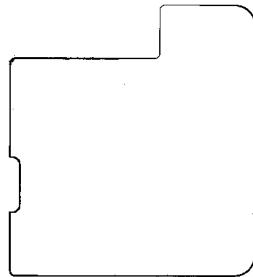


**Back  
Cover**

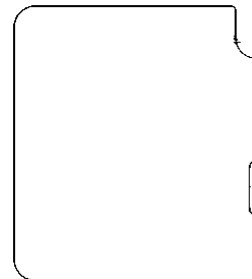


**Front  
Cover**

964383-01 Range covers, Corian, Bisque

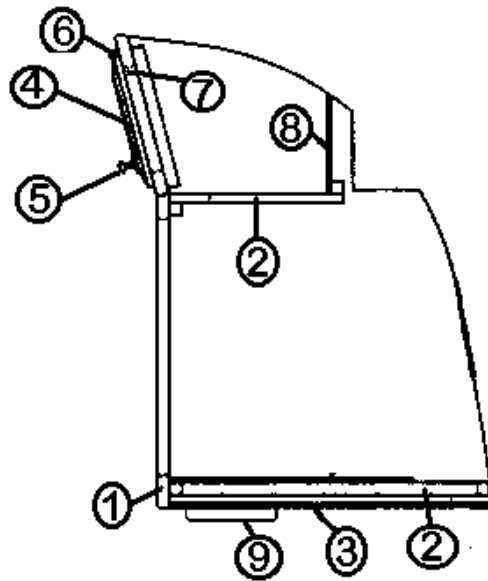


964411-01 Sink  
Cover RH, Corian



965275-01 Sink  
Cover LH, Corian  
965274-02 RH (Opposite)

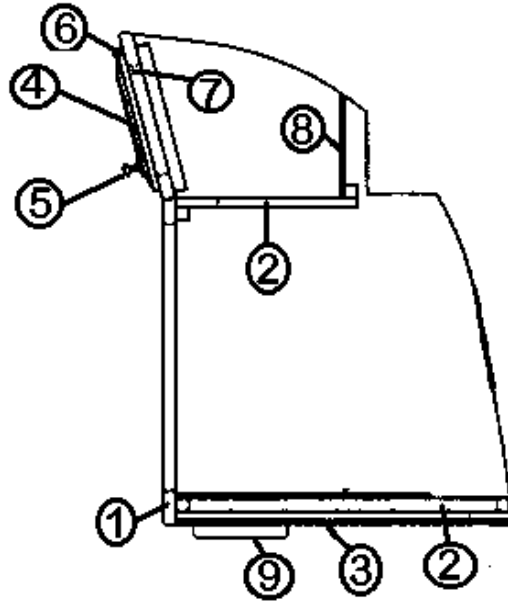
963357-01 CONVECTION MW CABINET ASSEMBLY



- |               |                                    |
|---------------|------------------------------------|
| 1. 963355-01  | FACE FRAME CONVECTION MW           |
| 2. 801180-00z | PANEL 1/2" G2S Wood/Wood 4" X 7"   |
| 3. 800572-01z | MOLDING, PANEL EDGE 23/32" X 80"   |
| 4. 800599-23z | DRAWER FACE 8.00" X 21.50"         |
| 5. 381599*    | HANDLE DRAWER/DOOR                 |
| a. (381681    | Limited option drawer/door handle) |
| 6. 381601     | HINGE ANTIQUE BRASS                |
| 7. 381147     | DOOR SUPPORT, SPRING LOADED        |
| 8. 801181-00z | PANEL 5/32"G1S WOOD/ RAW 4'X 8'    |
| 9. 511249     | LIGHT INCANDESCENT DOUBLE          |

\*381681 Replaces 381599 on Limited options

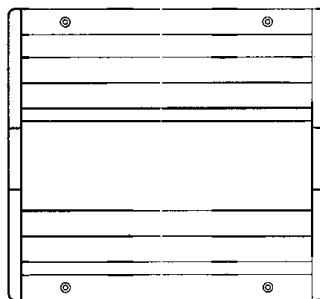
963527-01 Microwave Cabinet, Oven Option



- 1. 964627 FACE FRAME CONVECTION MW
- 2. 801180-00z PANEL 1/2" G2S Wood/Wood 4" X 7"
- 3. 800572-01z MOLDING, PANEL EDGE 23/32" X 80"
- 4. 800599-21z DRAWER FACE 8.00" X 21.50"
- 5. 381599\* HANDLE DRAWER/DOOR
  - a. (381681 Limited option drawer/door handle)
- 6. 381601 HINGE ANTIQUE BRASS
- 7. 381147 DOOR SUPPORT, SPRING LOADED
- 8. 801181-00z PANEL 5/32"G1S WOOD/ RAW 4'X 8'
- 9. 511249 LIGHT INCANDESCENT DOUBLE

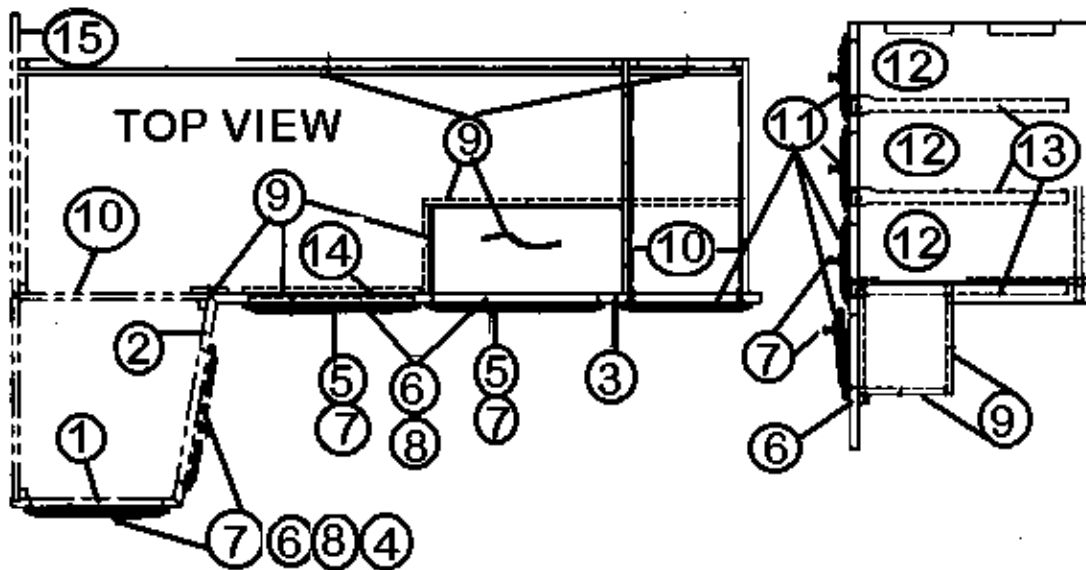
\*381681 Replaces 381599 on Limited options

963991 Spice rack



964997-01

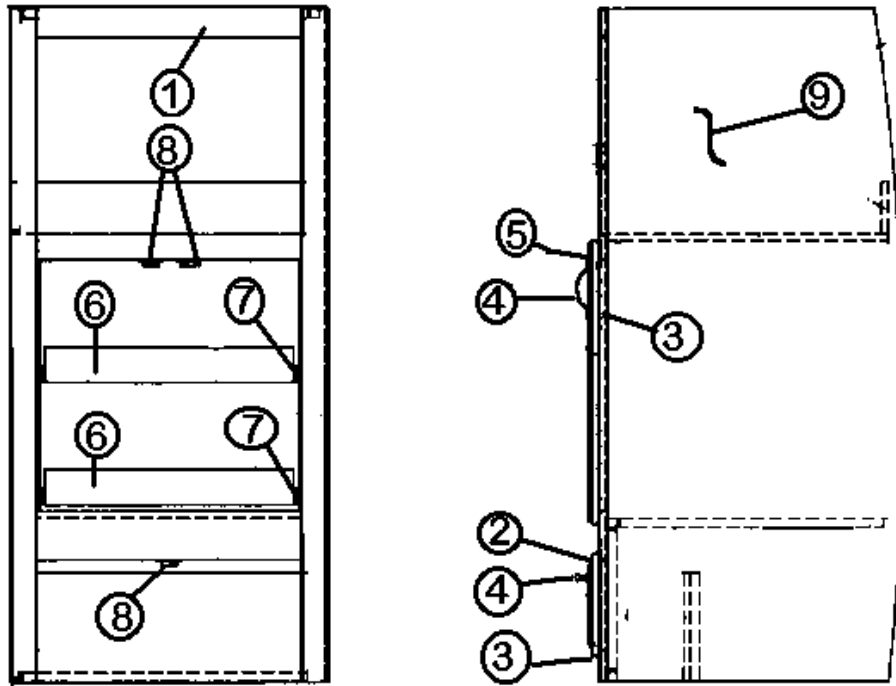
GALLEY ASSY. FWD 34' S/O CLASSIC



- |                |                                    |
|----------------|------------------------------------|
| 1. 965020-00z  | FACE FRAME-GALLEY FWD              |
| 2. 965019-00z  | FACE FRAME-GALLEY, FWD             |
| 3. 965018-00z  | FACE FRAME-GALLEY SINK             |
| 4. 800597-50z  | DOOR RSD PNL 12.00" X 29.50"       |
| 5. 800597-05z  | DOOR RSD PNL 14.75" X 29.75"       |
| 6. 381601      | HINGE ANTIQUE BRASS                |
| 7. 381599*     | HANDLE DRAWER/DOOR                 |
| a. (381681     | Limited option drawer/door handle) |
| 8. 381228-01   | CATCH GRABBER DOOR                 |
| 9. 801179-00z  | PANEL 1/2" G1S WOOD/RAW            |
| 10. 801180-00z | PANEL 1/2" G2S Wood/Wood 4' X 7'   |
| 11. 800599-01z | DRAWER FACE-7.00" W X 10.50" L     |
| 12. 964910-05  | DRAWER BOX, 8.50" X 18.00" X 5.00" |
| 13. 381526-03  | DRAWER SLIDE-950-RV 18" PER PR     |
| 14. 800573-01z | MOLDING DOOR EDGE 1-3/32" X 80"    |
| 15. 964999     | TOP ASSY-GALLEY                    |

\*381681 Replaces 381599 on Limited options

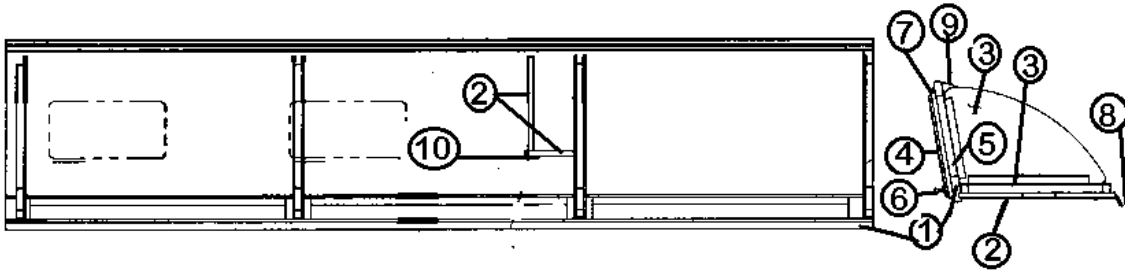
- 965030-01 MW. CABINET CONVECTION. 30/S/O
- 965030-02 MW. CABINET REGULAR. 34/S/O
- 965030-03 MW. CABINET REGULAR 30/S/O
- 965030-04 MW. CABINET CONVECTION. 34/S/O



- 1. 965029-00z FACE FRAME-CONVECTION MICROWAVE
- 1a. 965312-00z FACE FRAME-REGULAR MICROWAVE
- 2. 800599-23z DRAWER FACE 8.00 X 21.50
- 3. 381601 HINGE ANTIQUE BRASS
- 4. 381599\* HANDLE DRAWER/DOOR
  - a. (381681 Limited option drawer/door handle)
- 5. 800597-01z DOOR RSD PNL 10.50" X 22.00"
- 6. 964906-02 DRAWER BOX- 19.50" X 18.00" X 2.75"
- 7. 381192 SLIDE, DRAWER, 18" (EACH=1 PAIR)
- 8. 381228-01 CATCH GRABBER DOOR
- 9. 965319 TOP-MICRO CABINET ASSY, LAMINATE
- 9A. 965031-01 TOP, MICROWAVE CABINET, CORIAN
- \*381681 Replaces 381599 on Limited options

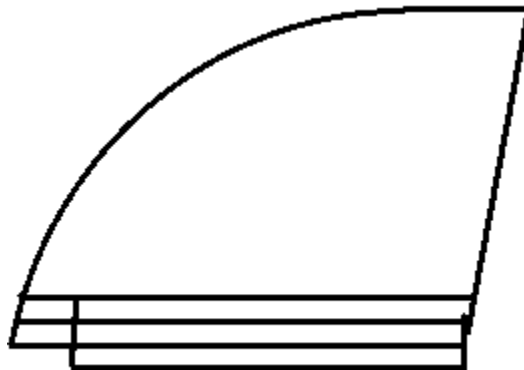


965035-01 GALLEY ROOF LOCKER ASSEMBLY

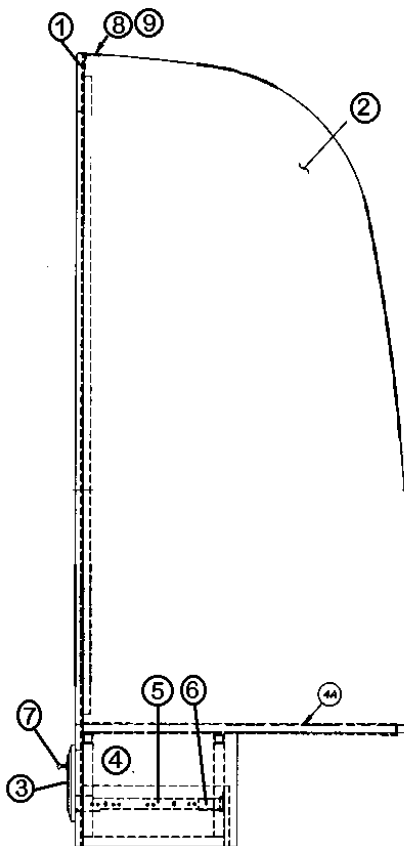


- 1. 965034-00z FACE FRAME-GALLEY R/L
  - 2. 801180-00z PANEL 1/2" G2S WOOD/WOOD 4' x 7'
  - 3. 801181-00z PANEL 5/32"G1S WOOD/ RAW 4'X8'
  - 4. 800597-12z DOOR RSD PNL 10.50" X 26.25"
  - 5. 381147 SUPPORT - SPRING LOADED DOOR
  - 6. 381599\* HANDLE DRAWER/DOOR
    - a. (381681 Limited option drawer/door handle)
  - 7. 381601 HINGE ANTIQUE BRASS
  - 8. 104829 SUPPORT ROOFLOCKER GALLEY
  - 9. 104821 SUPPORT, ROOFLOCKER, 74"
  - 10. 800575-01z MOLDING CORNER, 80" LENGTH
  - 11. 100097 EXTR. ALUM CURTAIN TRACK
- \*381681 Replaces 381599 on Limited options

965036-00z End Cap Shelf Assembly



963680-02 REFER CABINET ASSEMBLY



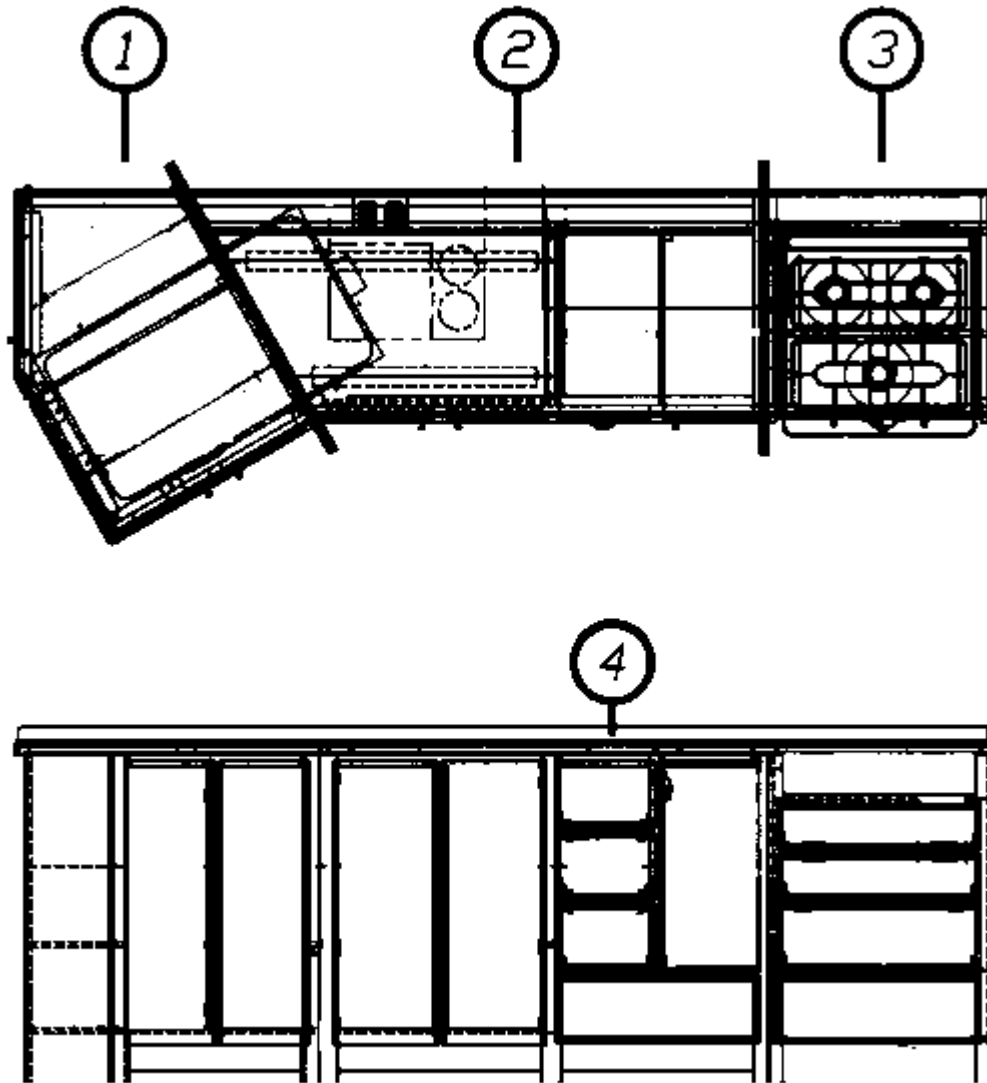
- |    |            |                                     |
|----|------------|-------------------------------------|
| 1. | 963724-01  | FACE FRAME REFER                    |
| 2. | 801127-08  | PANEL FWD REFER                     |
| 3. | 800599-21z | DRAWER FACE 7.00" X 23.00"          |
| 4. | 964910-13  | DRAWER BOX- 19.69" X 14.00" X 5.00" |
| 5. | 381526-01  | DRAWER SLIDE 14" PER PR             |
| 6. | 381526-06  | BRACKET ADJUSTABLE REAR (PAIR)      |
| 7. | 381599*    | HANDLE DRAWER/DOOR                  |
|    | a. (381681 | Limited option drawer/door handle)  |
| 8. | 104821     | SUPPORT, ROOFLOCKER, 74"            |
| 9. | 330038     | RIVET BLIND AD 54 ABS               |

\*381681 Replaces 381599 on Limited options

Not Shown

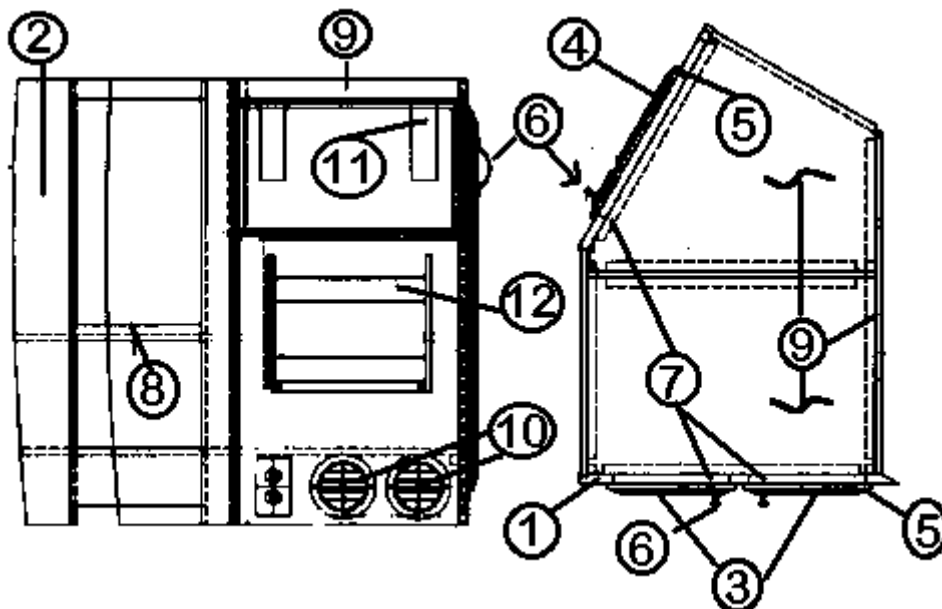
- |           |                              |
|-----------|------------------------------|
| 203138-03 | EXTRUSION PLASTIC WALL BEIGE |
| 801274    | PANEL-.5" ANTIQUITY BUFF/RAW |

965367-01z Galley Assembly, 76" Dinette, W/Cooktop  
965367-02z Galley Assembly, 76" Dinette, W/Oven



- 1. 965356-00z GALLEY ASSY-FWD S/O DINETTE
- 2. 965357-00z GALLEY ASSY-MID S/O DINETTE
- 3. 964998-00z GALLEY ASSY-AFT W/COOKTOP
- 3. 965302-00z GALLEY ASSY-AFT W/OVEN
- 4. 965358-01 TOP ASSY-GALLEY S/O DINETTE

965356-00z GALLEY ASSY-FWD S/O DINETTE



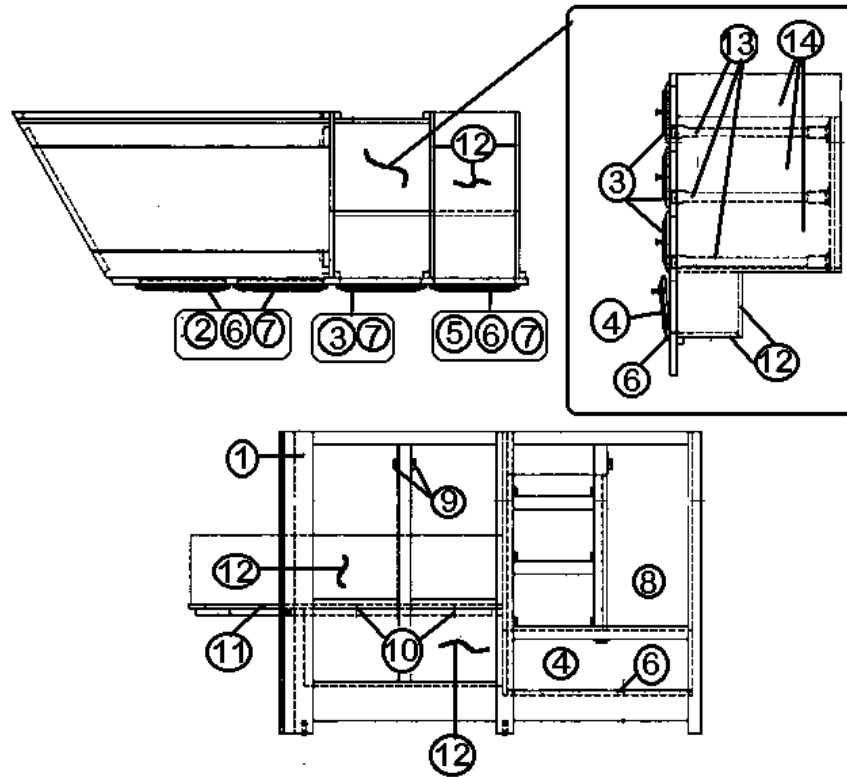
- 1. 965361-00z FACE FRAME-GALLEY FWD @ SINK S/O
- 2. 965359-00z FACE FRAME-GALLEY FWD
- 3. 800597-74z DOOR RSD PANEL 10.25" X 29.50"
- 4. 800597-44z DOOR RSD PNL 13.75" X 29.75"
- 5. 381601 HINGE ANTIQUE BRASS
- 6. 381599\* HANDLE DRAWER/DOOR
  - a. (381681 Limited option drawer/door handle)
- 7. 381228-01 CATCH GRABBER DOOR
- 8. 800573-01z MOLDING DOOR EDGE 1-3/32" X 80"
- 9. 801180-00z PANEL 1/2" G2S Wood/Wood 4' X 7'
- 10. 601244-03 REGISTER, ROTAIRE, BLACK
- 11. 964335 GALLEY FLIP-UP SHELF ASSY
- 11a. 965400-01 GALLEY FLIP-UP SHELF ASSY, Limited
- 12. 963990-00z MAGAZINE RACK

\*381681 Replaces 381599 on Limited options

Not Shown

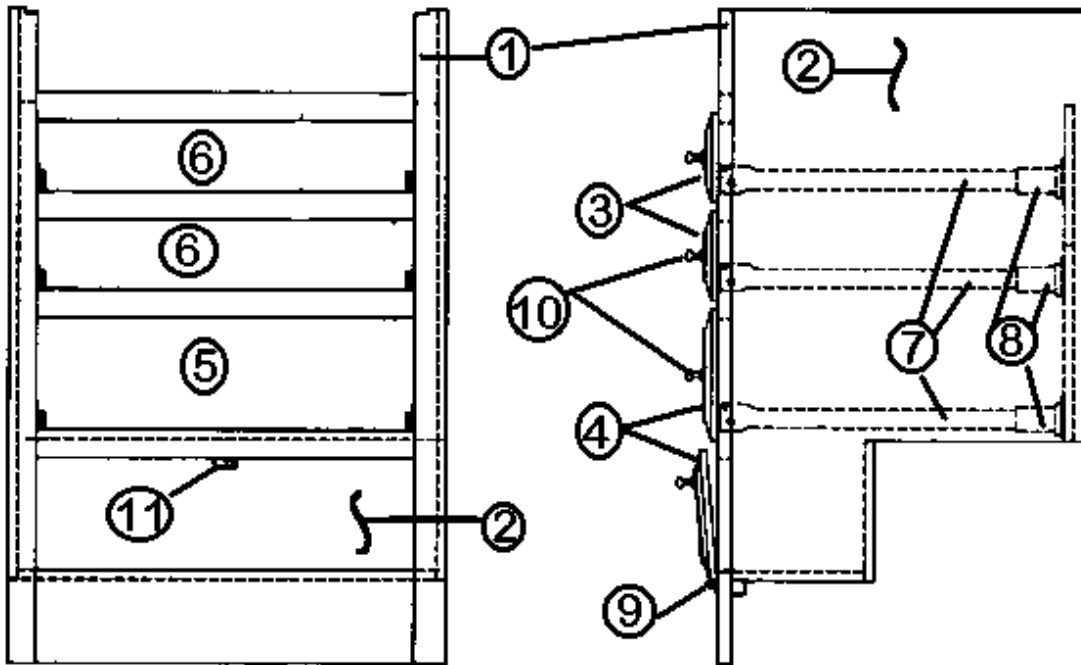
- 965274-02 SINK COVER RH CORIAN SIERRA AURORA
- 965275-02 SINK COVER LH CORIAN SIERRA AURORA
- 200980-01 TRAY, SILVERWARE, ALMOND, 9" X 13"
- 381708 WASTEBASKET-11.38" X 8.25" X 12.13" H

965357-00z GALLEY ASSY-MIDDLE S/O DINETTE



1. 965360-00z FACE FRAME-GALLEY MID
  2. 800597-09z DOOR RAISED PANEL 11.00" X 29.75"
  3. 800599-01z DRAWER FACE-7.00" W X 10.50" L
  4. 800599-38z DRAWER FACE 7.00" X 21.50"
  5. 800597-01z DOOR RAISED PANEL 10.50" X 22.00"
  6. 381601 HINGE ANTIQUE BRASS
  7. 381599\* HANDLE DRAWER/DOOR
    - a. (381681 Limited option drawer/door handle)
  8. 381491 TRASH CAN, ROLL OUT
  9. 381228-01 CATCH GRABBER DOOR
  10. 800573-01z MOLDING DOOR EDGE 1-3/32" X 80"
  11. 801180-00z PANEL 1/2" G2S Wood/Wood 4' X 7'
  12. 801179-00z PANEL 1/2" G1S Wood/RAW
  13. 381526-03 DRAWER SLIDE 18" PER PR
  14. 964910-05 DRAWER BOX, 8.50" X 18.00" X 5.00"
- \*381681 Replaces 381599 on Limited options

964998-00z GALLEY ASSY-COOKTOP



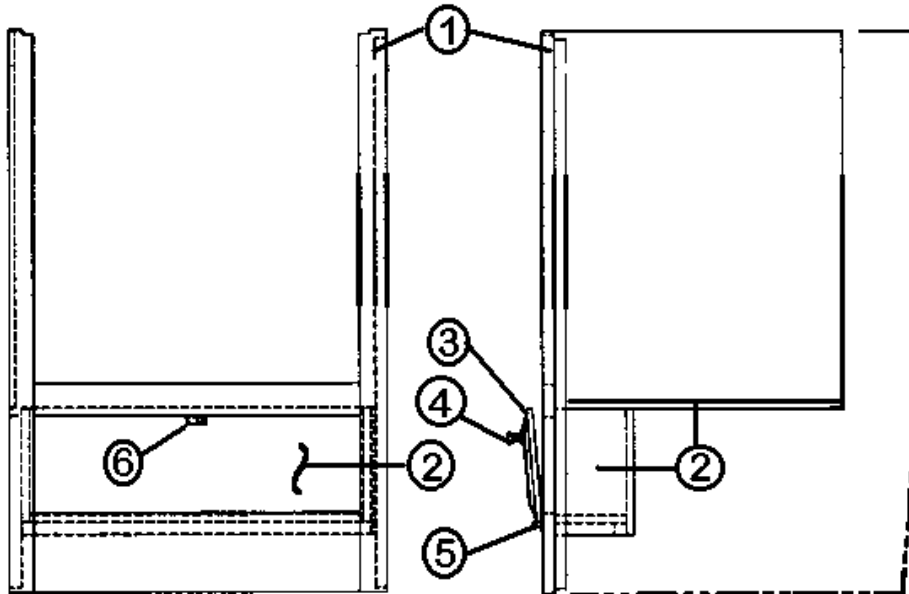
- 1. 965017-00z FACE FRAME GALLEY COOKTOP
- 2. 801179-00z PANEL 1/2" G1S WOOD/RAW
- 3. 800599-38z DRAWER FACE 7.00" X 21.50"
- 4. 800599-58z DRAWER FACE 4.75" X 21.50"
- 5. 964910-03 DRAWER BOX- 19.50" X 18.00" X 5.00"
- 6. 964906-02 DRAWER BOX- 19.50" X 18.00" X 2.75"
- 7. 381526-03 DRAWER SLIDE-950-RV 18" PER PR
- 8. 381526-06 BRACKET ADJUSTABLE REAR (PAIR)
- 9. 381601 HINGE ANTIQUE BRASS
- 10. 381599\* HANDLE DRAWER/DOOR  
(381681 Limited option drawer/door handle)
- 11. 381228-01 CATCH GRABBER DOOR

\*381681 Replaces 381599 on Limited options

Not Shown

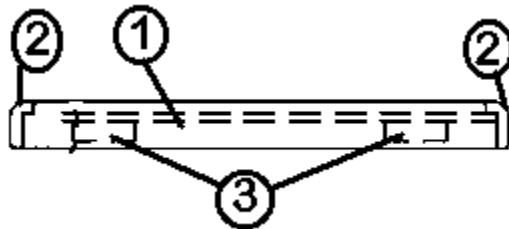
- 114876 TRIM RING-RANGE RECESS
- 690396-06 COOKTOP 3 BURNER MAGIC CHEF BLK
- 690396-03 BI-FOLD COVER 22"
- 964383-02 RANGE COVERS-CORIAN FRT/BACK

965302-00z Galley Assembly, Full oven option



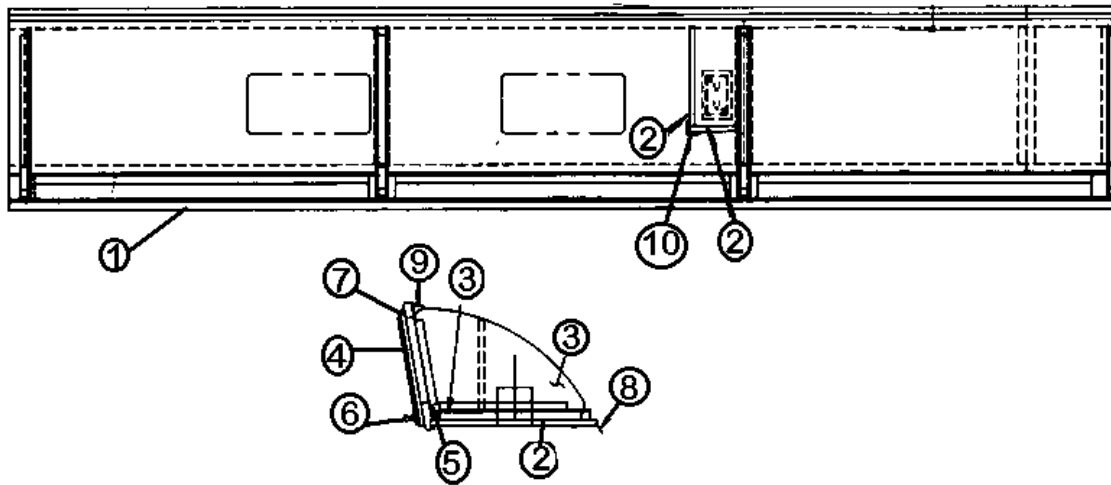
- 1. 965304-00z Face frame, galley, full oven
  - 2. 801179-00z Panel, GS, wood vinyl/raw
  - 3. 800599-38z DRAWER FACE 7.00" X 21.50"
  - 4. 381599\* HANDLE DRAWER/DOOR
    - a. (381681 Limited option drawer/door handle)
  - 5. 381601 HINGE ANTIQUE BRASS
  - 6. . 381228-01 CATCH GRABBER DOOR
- \*381681 Replaces 381599 on Limited options

964335 Galley Flip Up Shelf



- 1. 801230 PANEL PRE-LAMINATE OAK 4' X 8'
- 2. 964280-00z COUNTER TOP EDGE MOLDING
- 3. 381614 FOLDING SHELF BRACKET

965379-01 GALLEY ROOF LOCKER ASSY 103.5" Long



- 1. 965380-00z FACE FRAME-GALLEY R/L 103.5" Long
- 2. 801180-00z PANEL 1/2" G2S wood/wood 4' X 7'
- 3. 801181-00z PANEL 5/32"G1S wood/ RAW 4'X 8'
- 4. 800597-41z DOOR RAISED PANEL 10.50" X 32.00"
- 5. 381147 SUPPORT - SPRING LOADED DOOR
- 6. 381599\* HANDLE DRAWER/DOOR
  - a. (381681 Limited option drawer/door handle)
- 7. 381601 HINGE ANTIQUE BRASS
- 8. 104829 SUPPORT ROOFLOCKER GALLEY
- 9. 104821 SUPPORT, ROOFLOCKER, 74"
- 10. 800575-01z MOLDING CORNER, 80" Long

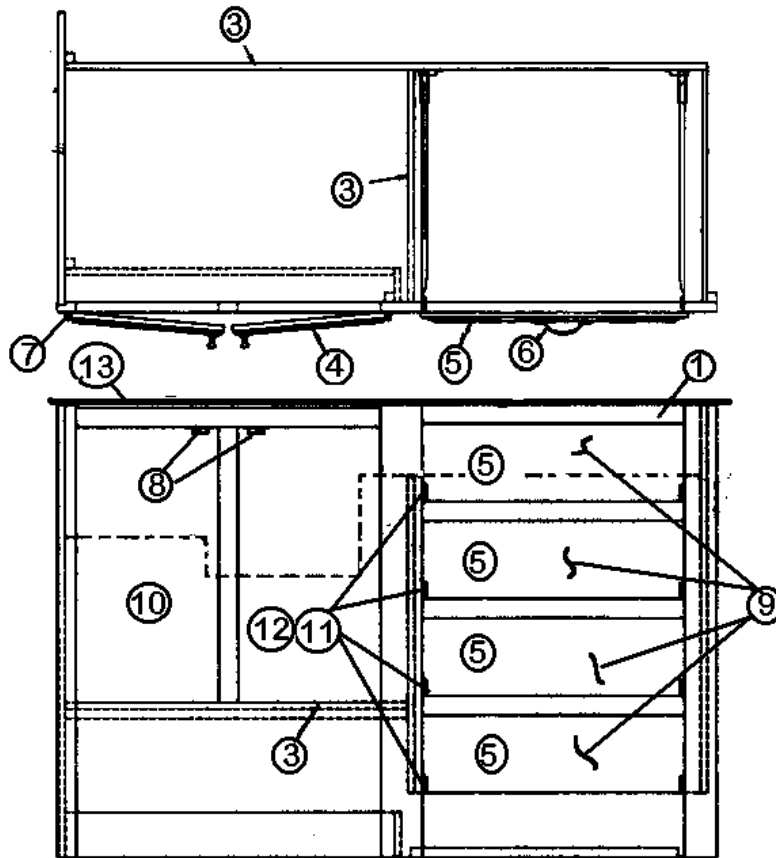
\*381681 Replaces 381599 on Limited options

Not Shown

- 100097 EXTR. ALUM CURTAIN TRACK
- 801261 PANEL-.125" G1S ANTIQUITY BUFF

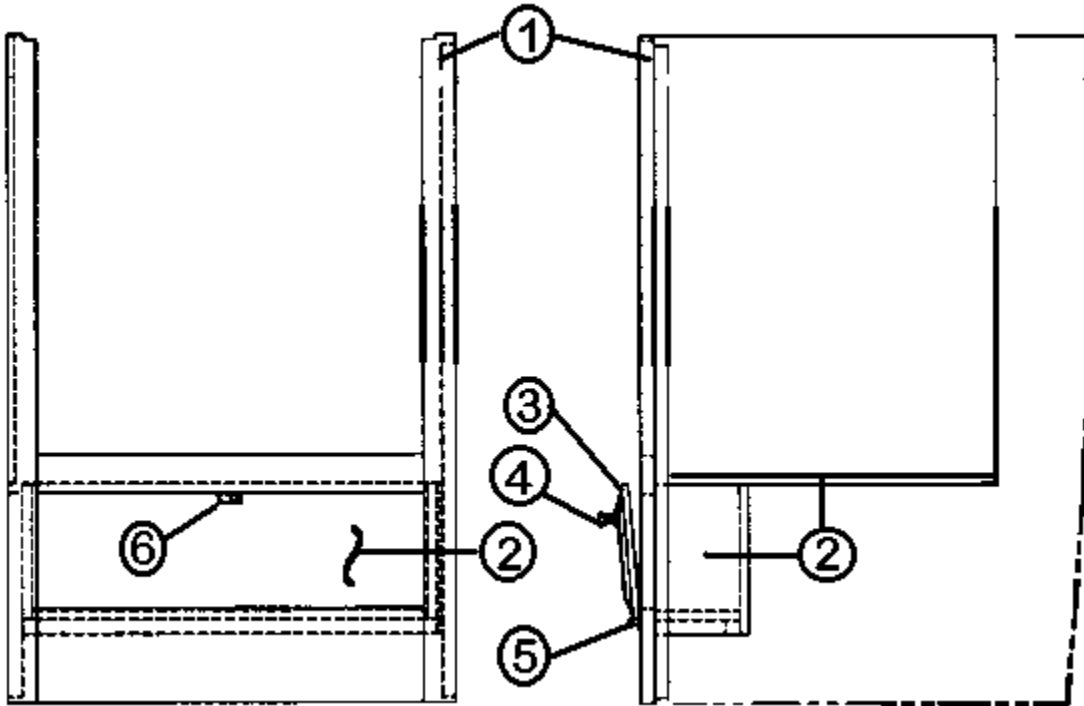


964965-05 GALLEY ASSY-FWD SECTION



- |     |            |                                     |
|-----|------------|-------------------------------------|
| 1.  | 964344-01  | FACE FRAME-GALLEY FWD SECTION       |
| 2.  | 801180-00z | PANEL 1/2" G2S wood/wood 4' X 7'    |
| 3.  | 801179-00z | PANEL 1/2" G1S wood/RAW             |
| 4.  | 800597-50z | DOOR RAISED PANEL 12.00" X 29.50"   |
| 5.  | 800599-38z | DRAWER FACE 7.00" X 21.50"          |
| 6.  | 381599*    | HANDLE DRAWER/DOOR                  |
|     | a. (381681 | Limited option drawer/door handle)  |
| 7.  | 381601     | HINGE ANTIQUE BRASS                 |
| 8.  | 381228-01  | CATCH GRABBER DOOR                  |
| 9.  | 964910-03  | DRAWER BOX- 19.50" X 18.00" X 5.00" |
| 10. | 381133     | RACK SACK, 6.5 LITRE, WHITE         |
| 11. | 381526-03  | DRAWER SLIDE-18" PER PR             |
| 12. | 381526-06  | ADJUSTABLE REAR BRKT PER PR         |
| 13. | 964961-01  | TOP ASSY GALLEY, CORIAN             |
- \*381681 Replaces 381599 on Limited options

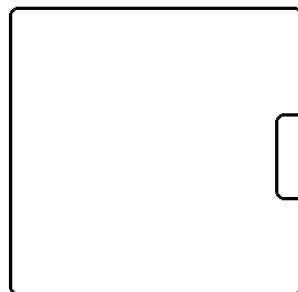
964600 Galley Assembly, Full oven option



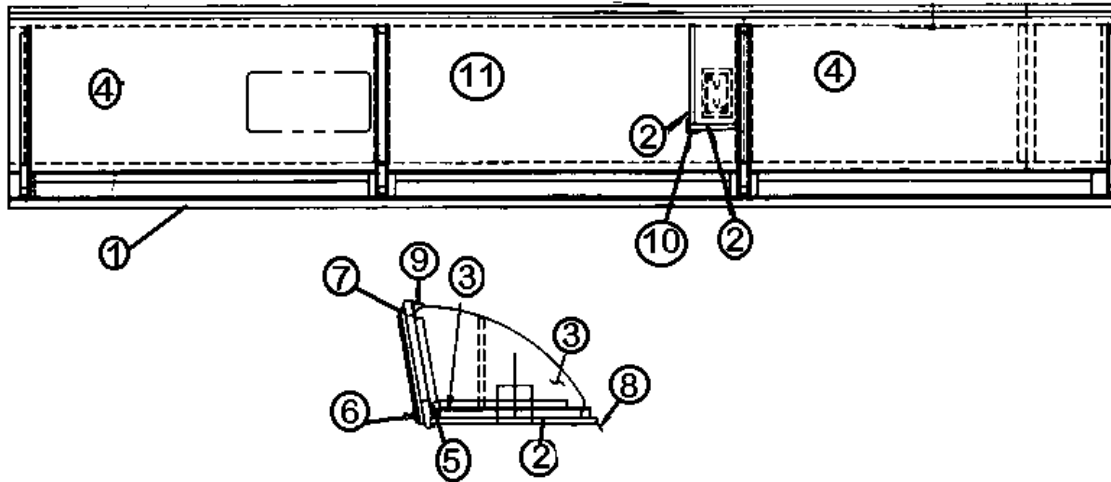
- 1. 964599 FACE FRAME-GALLEY. OVEN SECTION
- 2. 801179-00z Panel, GS, wood vinyl/raw
- 3. 800599-38z DRAWER FACE 7.00" X 21.50"
- 4. 381599\* HANDLE DRAWER/DOOR
  - a. (381681 Limited option drawer/door handle)
- 5. 381601 HINGE ANTIQUE BRASS
- 6. 381228-01 CATCH GRABBER DOOR

\*381681 Replaces 381599 on Limited options

964973-01 Sink Cover



963761 GALLEY ROOF LOCKER ASSY.



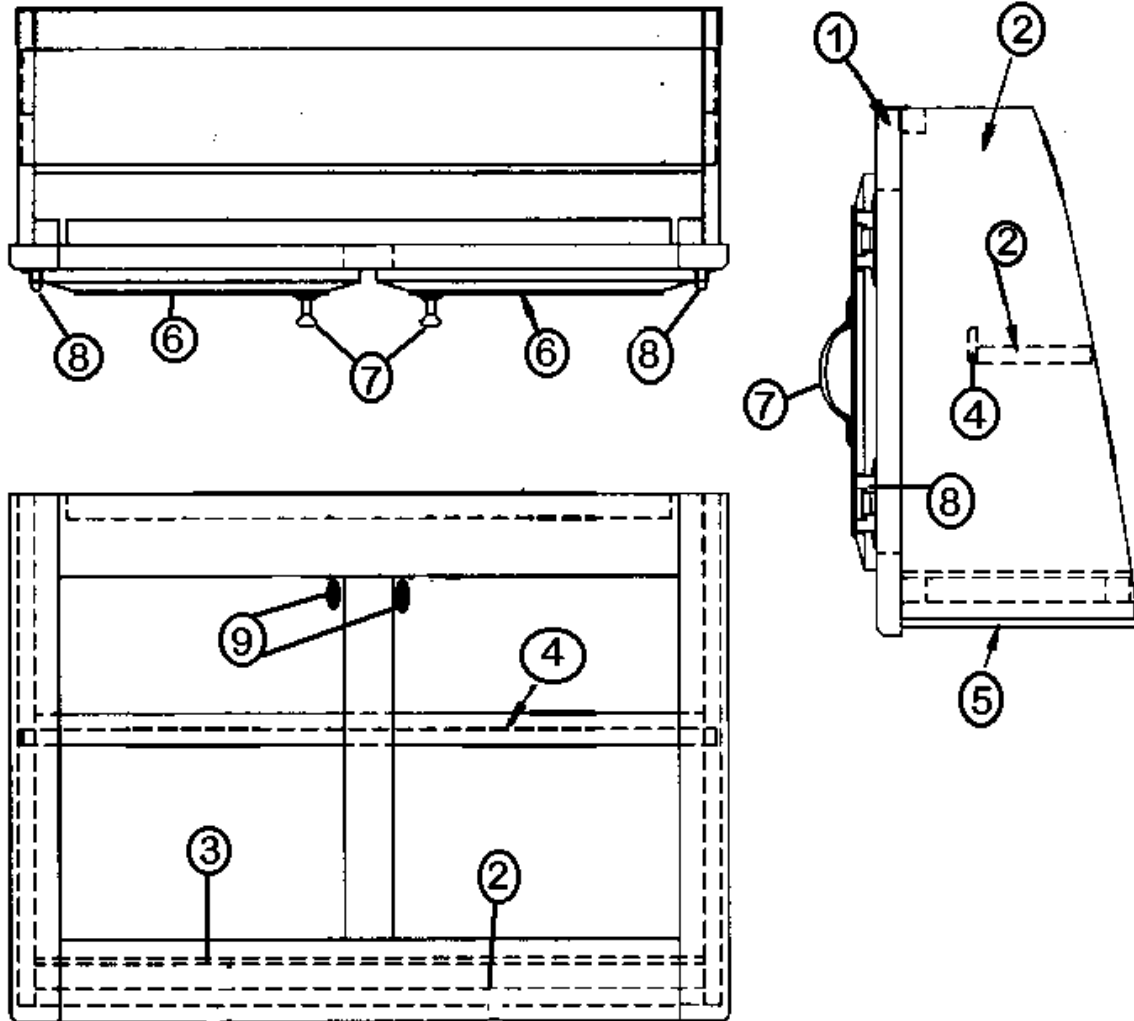
1. 962167-01 FACE FRAME GALLEY R/L
2. 801180-00z PANEL 1/2" G2S wood/wood 4' X 7'
3. 801181-00z PANEL 5/32"G1S wood/ RAW 4'X 8'
4. 800597-01z DOOR RAISED PANEL 10.50" X 22.00"
5. 381147 SUPPORT - SPRING LOADED DOOR
6. 381599 HANDLE DRAWER/DOOR  
(381681 Limited option drawer/door handle)
7. 381601 HINGE ANTIQUE BRASS
8. 104829 SUPPORT ROOFLOCKER GALLEY
9. 104821 SUPPORT, ROOFLOCKER, 74"
10. 800575-01z MOLDING CORNER, 80" Long
11. 800597-12z DOOR RAISED PANEL 10.50" X 26.25"

\*381681 Replaces 381599 on Limited options

Not Shown

- 100097 EXTR. ALUM CURTAIN TRACK  
801261 PANEL-.125" G1S ANTIQUITY BUFF

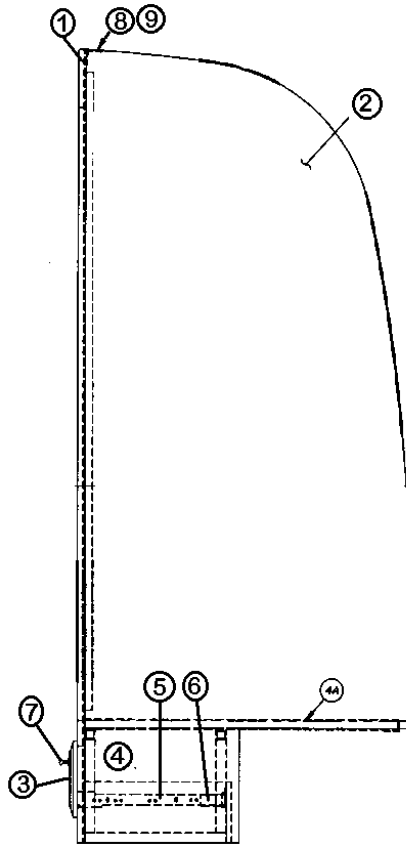
962225 SPICE CABINET ASSY



- |               |  |
|---------------|--|
| 1. 962224-01  | FACE FRAME SPICE CABINET                   |
| 2. 801180-00z | PANEL 1/2", G2S, WOOD/WOOD 4' X 7'         |
| 3. 801181-00z | PANEL 5/32", G1S, WOOD/ RAW 4' X 8'        |
| 4. 800573-01z | MOLDING DOOR EDGE 1-3/32" X 80"            |
| 5. 800572-01z | MOLDING, PANEL EDGE 23/32" X 80"           |
| 6. 800599-59z | DRAWER FACE, 9.75" X 12.00"                |
| 7. 381599*    | HANDLE DRAWER/DOOR                         |
|               | (381681 Limited option drawer/door handle) |
| 8. 381601     | HINGE ANTIQUE BRASS                        |
| 9. 381228-01  | CATCH GRABBER DOOR                         |

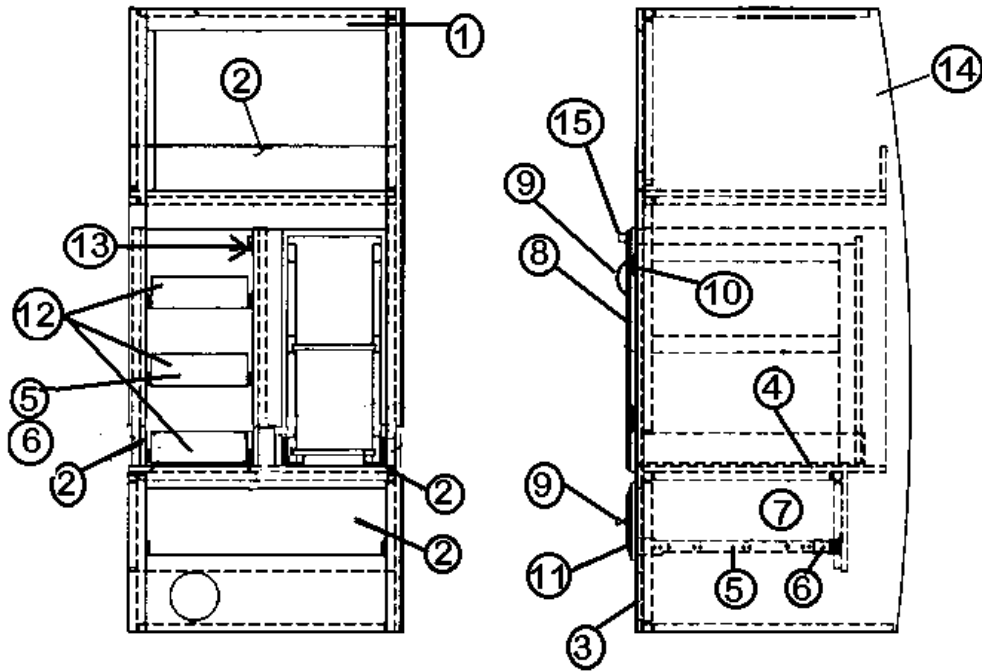
\*381681 Replaces 381599 on Limited options

## 964310-01 REFER CABINET ASSEMBLY



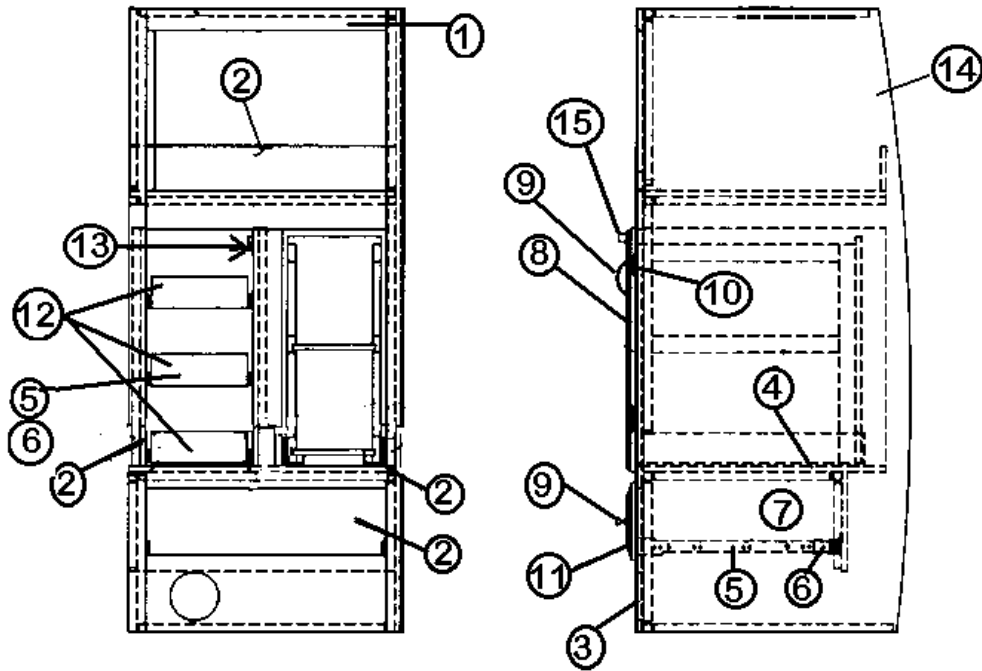
1. 963724-01 FACE FRAME REFER
2. 801127-08 PANEL FWD REFER (801274, 1/2" paneling, antiquity buff vinyl)
3. 800599-21z DRAWER FACE 7.00" X 23.00"
4. 964910-13 DRAWER BOX- 19.69" X 14.00" X 5.00"
5. 381526-01 DRAWER SLIDE 14" PER PR
6. 381526-06 BRACKET ADJUSTABLE REAR (PAIR)
7. 381575 HANDLE DRAWER/DOOR GOLD
8. 104821 SUPPORT, ROOFLOCKER, 74"
9. 330038 RIVET BLIND AD 54 ABS

963688-01 (Standard) MICROWAVE CABINET



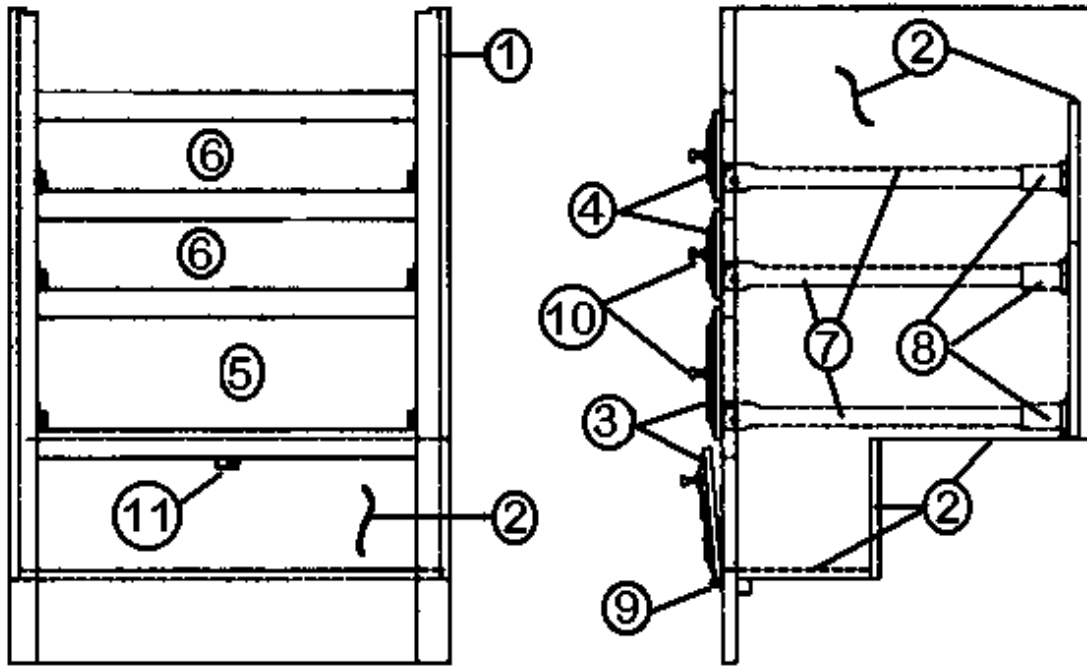
1. 964628 FACE FRAME, DOMETIC MW CABINET
  2. 801180-00z PANEL 1/2" G2S Wood/Wood 4' X 7'
  3. 961247-01 SECTION, PANTRY, AFT GALLEY
  - 3a. 961072-01 FRAME FACE PANTRY, BACK
  4. 381192 SLIDE, DRAWER, 18"
  5. 381526-03 DRAWER SLIDE-18" PER PR
  6. 381526-06 ADJUSTABLE REAR BRKT PER PR
  7. 964910-01 DRAWER BOX- 20.88" X 18.00" X 5.00"
  8. 800597-01z DOOR RAISED PANEL 10.50" X 22.00"
  9. 381599\* HANDLE DRAWER/DOOR  
(381681 Limited option drawer/door handle)
  10. 381601 HINGE ANTIQUE BRASS
  11. 800599-21z DRAWER FACE 7.00" X 23.00"
  12. 964906-09 DRAWER BOX, 8.75" X 18.00" X 2.75"
  13. 381228-01 CATCH GRABBER DOOR
  14. 965319 TOP-MICRO CABINET ASSEMBLY  
963397-01 Top Assembly, Corian, 31 Ft.
  15. 381408 LOCK, PUSH, BUTTON STYLE, BLACK
- \*381681 Replaces 381599 on Limited options

963785 (Convection) MICROWAVE CABINET



- 1. 962527-01 FACE FRAME, Sharp Convection) MW CABINET
  - 2. 801180-00z PANEL 1/2" G2S Wood/Wood 4' X 7'
  - 3. 961247-01 SECTION, PANTRY, AFT GALLEY
  - 3a. 961072-01 FRAME FACE PANTRY, BACK
  - 4. 381192 SLIDE, DRAWER, 18"
  - 5. 381526-03 DRAWER SLIDE-18" PER PR
  - 6. 381526-06 ADJUSTABLE REAR BRKT PER PR
  - 7. 964910-01 DRAWER BOX- 20.88" X 18.00" X 5.00"
  - 8. 800597-01z DOOR RAISED PANEL 10.50" X 22.00"
  - 10. 381599\* HANDLE DRAWER/DOOR
  - (381681 Limited option drawer/door handle)
  - 11. 381601 HINGE ANTIQUE BRASS
  - 12. 800599-21z DRAWER FACE 7.00" X 23.00"
  - 13. 964906-09 DRAWER BOX, 8.75" X 18.00" X 2.75"
  - 14. 381228-01 CATCH GRABBER DOOR
  - 15. 965319 TOP-MICRO CABINET ASSEMBLY
  - 15. 381408 LOCK, PUSH, BUTTON STYLE, BLACK
- \*381681 Replaces 381599 on Limited options

## 964598 GALLEY ASSEMBLY/COOKTOP

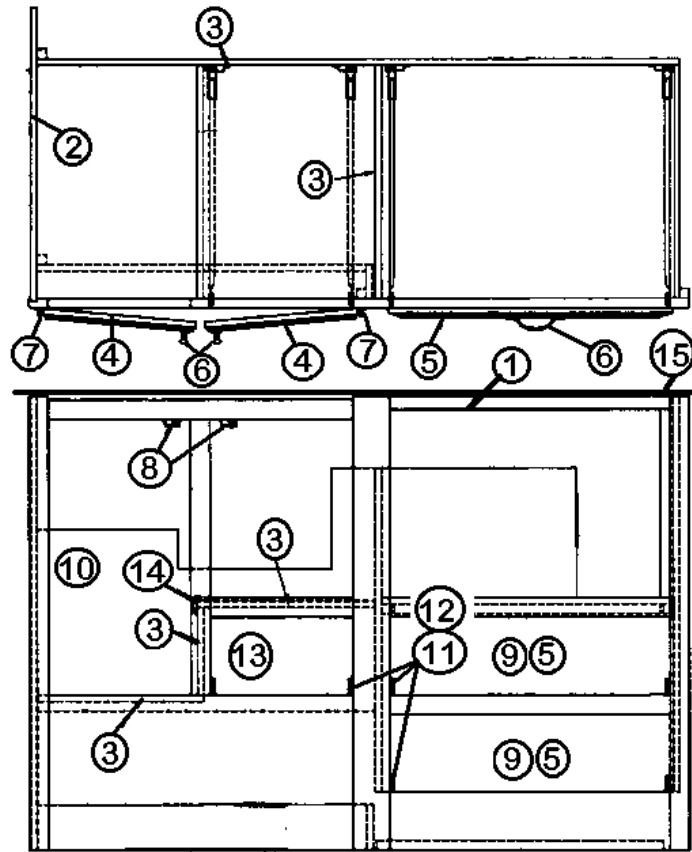


- |               |  |
|---------------|--|
| 1. 964597     | FACE FRAME GALLEY COOKTOP                  |
| 2. 801179-00z | PANEL 1/2" G1S WOOD/RAW                    |
| 3. 800599-38z | DRAWER FACE 7.00" X 21.50"                 |
| 4. 800599-58z | DRAWER FACE 4.75" X 21.50"                 |
| 5. 964910-03  | DRAWER BOX- 19.50" X 18.00" X 5.00"        |
| 6. 964906-02  | DRAWER BOX- 19.50" X 18.00" X 2.75"        |
| 7. 381526-03  | DRAWER SLIDE 18" PER PR                    |
| 8. 381526-06  | BRACKET ADJUSTABLE REAR (PAIR)             |
| 9. 381601     | HINGE ANTIQUE BRASS                        |
| 10. 381599*   | HANDLE DRAWER/DOOR                         |
|               | (381681 Limited option drawer/door handle) |
| 11. 381228-01 | CATCH GRABBER DOOR                         |

\*381681 Replaces 381599 on Limited options

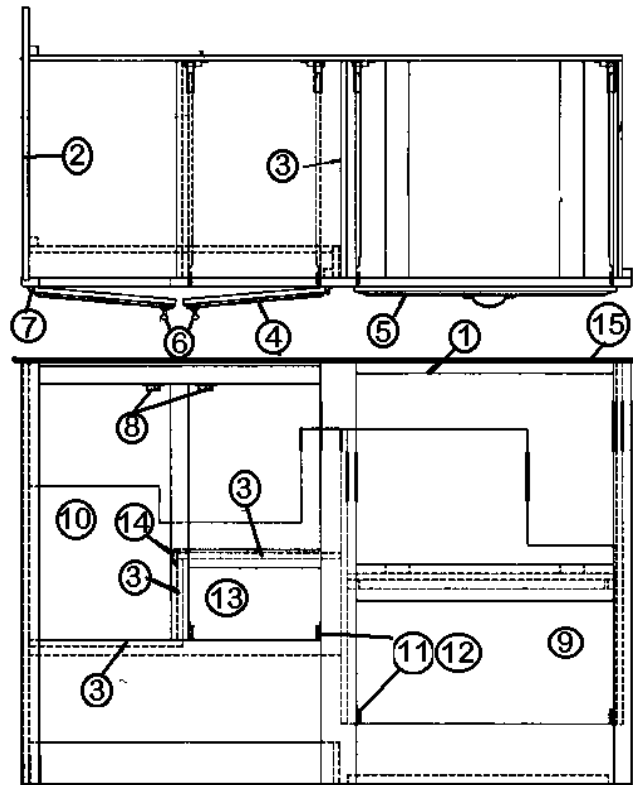


964966-06 GALLEY ASSY-FWD MW SECTION



- |                |                                     |
|----------------|-------------------------------------|
| 1. 964629      | FACE FRAME GALLEY, FWD MW           |
| 2. 801180-00z  | PANEL 1/2" G2S wood/wood 4' X 7'    |
| 3. 801179-00z  | PANEL 1/2" G1S wood/RAW             |
| 4. 800597-50z  | DOOR RAISED PANEL 12.00" X 29.50"   |
| 5. 800599-21z  | DRAWER FACE 7.00" X 23.00"          |
| 6. 381599*     | HANDLE DRAWER/DOOR                  |
| a. (381681     | Limited drawer/door handle)         |
| 7. 381601      | HINGE ANTIQUE BRASS                 |
| 8. 381228-01   | CATCH GRABBER DOOR                  |
| 9. 964910-01   | DRAWER BOX- 20.88" X 18.00" X 5.00" |
| 10. 381133     | RACK SACK, 6.5 LITRE, WHITE         |
| 11. 381526-03  | DRAWER SLIDE-18"PER PR              |
| 12. 381526-06  | ADJUSTABLE REAR BRKT PER PR         |
| 13. 964910-02  | DRAWER BOX- 10.00" X 18.00" X 5.00" |
| 14. 801172-01z | MOLDING CORNER 8' L                 |
| 15. 964961-01  | TOP ASSY GALLEY CORIAN              |
- \*381681 Replaces 381599 on Limited options

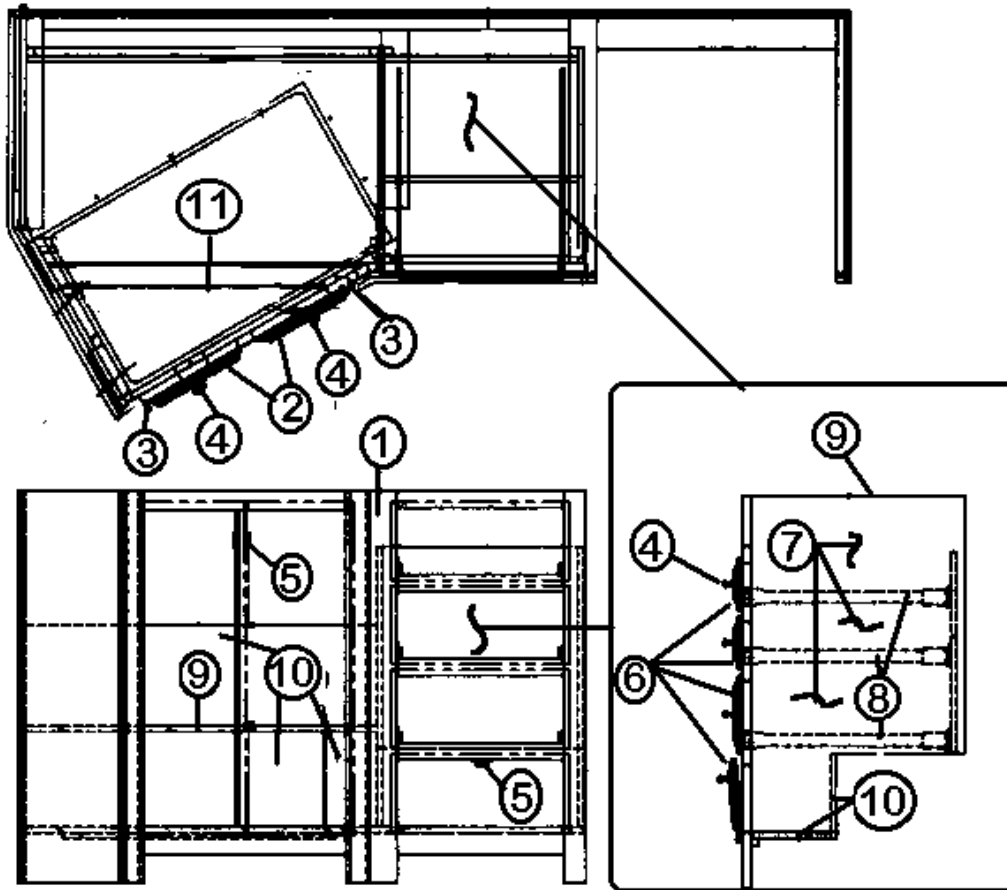
964964-01 Galley Assembly, Forward Convection MW Section  
 (-02-Limited Option Assembly)



- |                |   |
|----------------|---|
| 1. 964629      | FACE FRAME GALLEY, FWD MW                       |
| 2. 801180-00z  | PANEL 1/2" G2S wood/wood 4' X 7'                |
| 3. 801179-00z  | PANEL 1/2" G1S wood/RAW                         |
| 4. 800597-50z  | DOOR RAISED PANEL 12.00" X 29.50"               |
| 5. 800599-26z  | DRAWER FACE 11.75" X 22.25"                     |
| 6. 381599*     | HANDLE DRAWER/DOOR                              |
| 7. 381601      | HINGE ANTIQUE BRASS                             |
| 8. 381228-01   | CATCH GRABBER DOOR                              |
| 9. 964908-02   | DRAWER BOX- 20.75" X 18.00" X 8.00"             |
| 10. 381133     | RACK SACK, 6.5 LITRE, WHITE                     |
| 11. 381526-03  | DRAWER SLIDE-18"PER PR                          |
| 12. 381526-06  | ADJUSTABLE REAR BRKT PER PR                     |
| 13. 964910-02  | DRAWER BOX- 10.00" X 18.00" X 5.00"             |
| 14. 801172-01z | MOLDING CORNER 8' L                             |
| 15. 964961-01  | TOP ASSY GALLEY CORIAN                          |
| 15a 964961-02  | TOP ASSY GALLEY CORIAN Inlayed (Limited Option) |

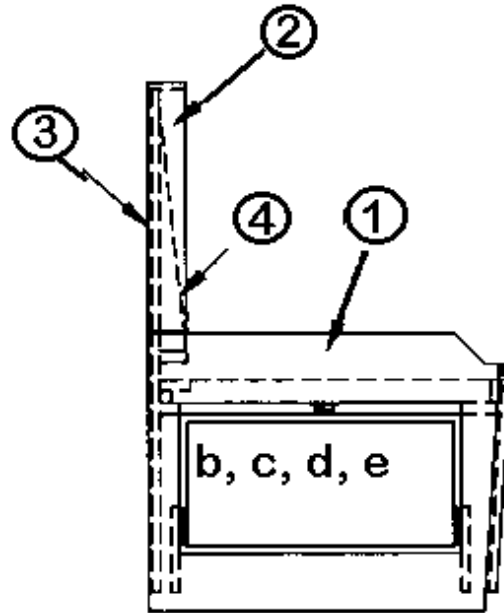
\*381681 Replaces 381599 on Limited options

965303-01 GALLEY ASSY - FORWARD



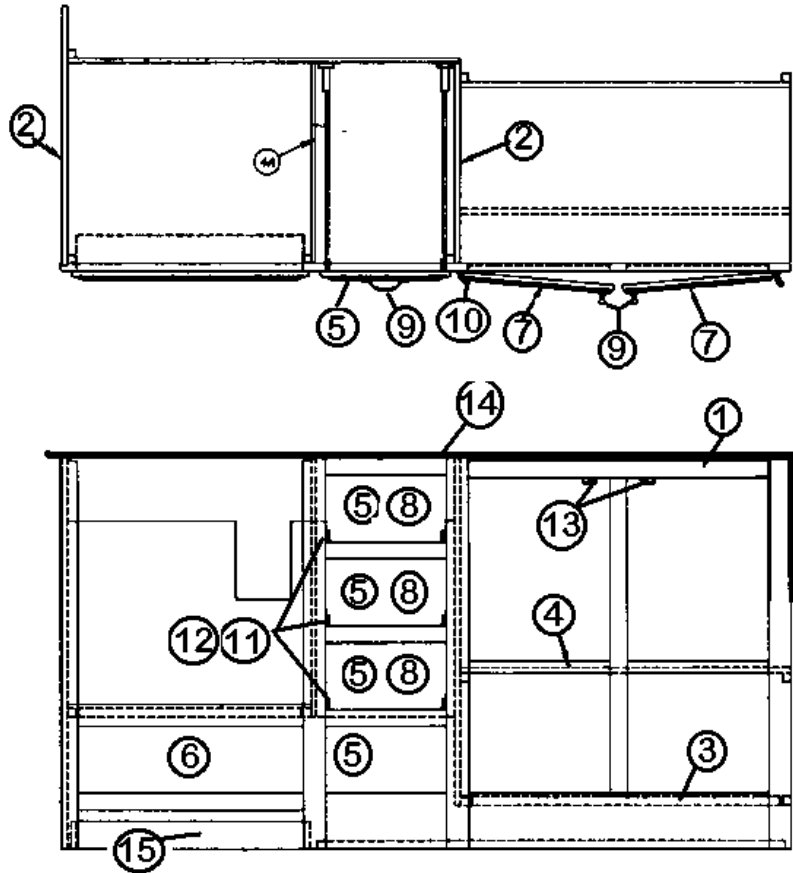
- |                |                                     |
|----------------|-------------------------------------|
| 1. 965305      | FACE FRAME GALLEY FWD S/O           |
| 2. 800597-09z  | DOOR RAISED PANEL 11.00" X 29.75"   |
| 3. 381601      | HINGE ANTIQUE BRASS                 |
| 4. 381599*     | HANDLE DRAWER/DOOR                  |
| 5. 381228-01   | GRABBER DOOR CATCH                  |
| 6. 800599-56z  | DRAWER FACE 7.00" X 16.00"          |
| 7. 964910-18   | DRAWER BOX- 17.00" X 14.00" X 5.00" |
| 8. 381526-03   | DRAWER SLIDE-18" PER PR             |
| 9. 801180-00z  | PANEL 1/2" G2S wood/wood, 4' X 7'   |
| 10. 801179-00z | PANEL 1/2" G1S Wood/raw             |
| 11. 800573-01z | MOLDING DOOR EDGE 1-3/32" X 80"     |
| 12. 965301-01  | TOP ASSY-GALLEY BISQUE S/O 30'      |
- \*381681 Replaces 381599 on Limited options

965314-01 LH Dinette Seat (Shown)  
 965314-02 RH Dinette Seat (Opposite)



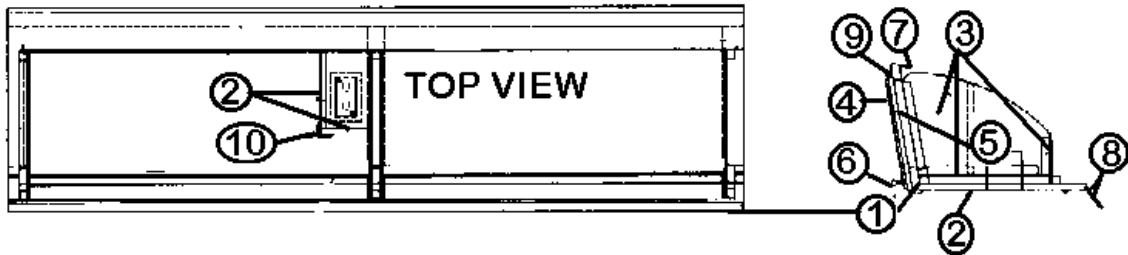
- 1. 965315-01 BASE ASSY-DINETTE LH, S/O 30'
- 1. 965315-02 BASE ASSY-DINETTE RH, S/O 30'
  - a. 801195-00z CORNER TRIM 1" RADIUS
  - b. 964908-01 DRAWER BOX, 17.50" X 26.00" X 8.00"
  - c. 381090 SLIDE, DRAWER, 22" (EA=1 PAIR)
  - d. 381228-01 CATCH GRABBER DOOR C3-803
  - e. 701538 CARPET, ECONOLIER, BLACK 48"
  - f. 964334-01 FLEX SPRING 21.63" X 42.00"
  - g. 800470-00z STOP-HARDWOOD
  - h. 800405-00z PLUG-BUTTON HARDWOOD OAK
- 2. 965316-01 BACK ASSY-DINETTE LH
- 2. 965316-02 BACK ASSY-DINETTE RH
  - a. 703125-02 TOP-DINETTE. SEAT, BUCKSKIN
- 3. 965317-01 UPHOLSTERED BACK ASSY-DINETTE LH S/O
- 3. 965317-02 UPHOLSTERED. BACK ASSY-DINETTE RH S/O
- 4. 964499-01 CUSHION SUPPORT-DINETTE LH 41.63"
- 4. 964498-01 CUSHION SUPPORT-DINETTE RH 41.63"

964602-03 GALLEY ASSY-FULL OVEN, 28'



- |               |                                     |
|---------------|-------------------------------------|
| 1. 964601     | FACE FRAME-GALLEY, FULL OVEN 28'    |
| 2. 801179-00z | PANEL 1/2" G1S WOOD/RAW             |
| 3. 801181-00z | PANEL 5/32"G1S WOOD/ RAW 4' X 8'    |
| 4. 800573-01z | MOLDING DOOR EDGE 1-3/32" X 80"     |
| 5. 800599-02z | DRAWER FACE 7.00" X 11.75"          |
| 6. 800599-38z | DRAWER FACE 7.00" X 21.50"          |
| 7. 800597-44z | DOOR RAISED PANEL 13.75" X 29.75"   |
| 8. 964910-02  | DRAWER BOX- 10.00" X 18.00" X 5.00" |
| 9. 381599*    | HANDLE DRAWER/DOOR                  |
| 10. 381601    | HINGE ANTIQUE BRASS                 |
| 11. 381526-03 | DRAWER SLIDE 18" PER PR             |
| 12. 381526-06 | ADJUSTABLE REAR BRKT PER PR         |
| 13. 381228-01 | CATCH GRABBER DOOR                  |
| 14. 964963-01 | GALLEY TOP ASSY CORIAN              |
| 15. 114967    | TOE KICK, GALLEY ASSY. 28'          |
- \*381681 Replaces 381599 on Limited options

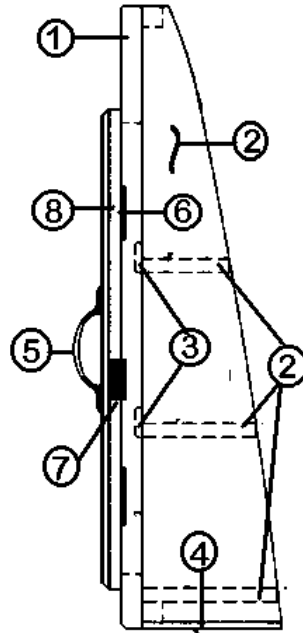
## 963765 LOCKER ASSY. GALLEY



- |                |                                   |
|----------------|-----------------------------------|
| 1. 962517-01   | FACE FRAME GALLEY, R/L, 28'       |
| 2. 801180-00z  | PANEL 1/2" G2S WOOD/WOOD, 4' X 7' |
| 3. 801181-00z  | PANEL 5/32" G1S WOOD/ RAW 4'X 8'  |
| 4. 800597-41z  | DOOR RAISED PANEL 10.50" X 32.00" |
| 5. 381147      | DOOR SUPPORT - SPRING LOADED      |
| 6. 381599*     | HANDLE DRAWER/DOOR                |
| 7. 104829      | SUPPORT ROOFLOCKER GALLEY         |
| 8. 100013      | EXTRUSION, ROOFLOCKER ATTACHMENT  |
| 9. 381601      | HINGE ANTIQUE BRASS               |
| 10. 800575-01z | MOLDING CORNER 80"L               |

\*381681 Replaces 381599 on Limited options

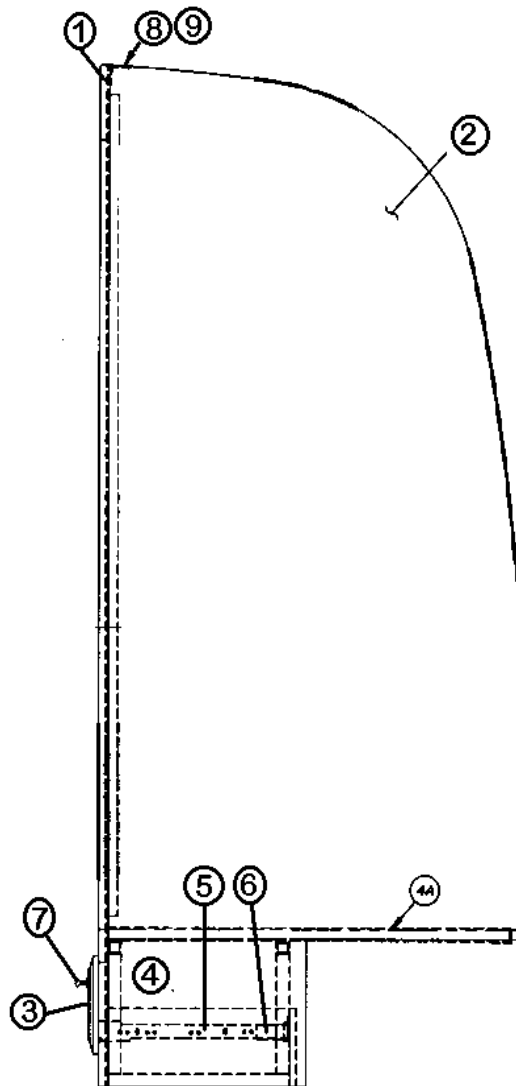
962511 SPICE CABINET ASSY.



- |               |                                  |
|---------------|----------------------------------|
| 1. 962512-01  | FACE FRAME SPICE CABINET, 28'    |
| 2. 801180-00z | PANEL 1/2" G2S Wood/Wood 4' X 7' |
| 3. 800573-01z | MOLDING DOOR EDGE 1-3/32" X 80"  |
| 4. 800571-01z | MOLDING FLAT .52W X 80"          |
| 5. 381599*    | HANDLE DRAWER/DOOR               |
| 6. 381601     | HINGE ANTIQUE BRASS              |
| 7. 381228-01  | CATCH GRABBER DOOR               |
| 8. 800597-56z | DOOR RAISED PANEL 7.75" X 17.50" |

\*381681 Replaces 381599 on Limited options

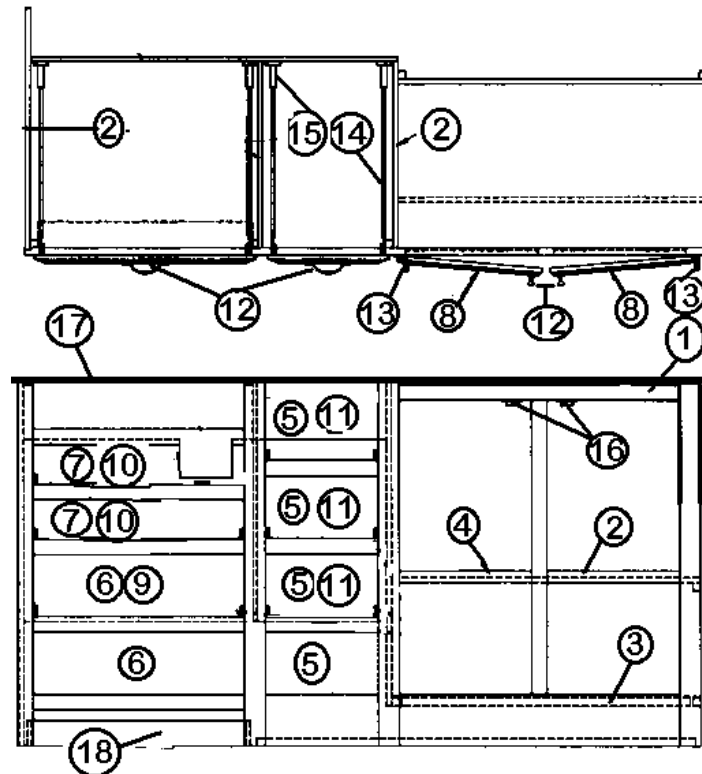
## 963689 REFER CABINET ASSEMBLY



- |               |   |
|---------------|---|
| 1. 963724-01  | FACE FRAME REFER  |
| 2. 801127-08  | PANEL FWD REFER (801274, 1/2" paneling, antiquity buff vinyl) |
| 3. 800599-21z | DRAWER FACE 7.00" X 23.00"                                    |
| 4. 964910-13  | DRAWER BOX- 19.69" X 14.00" X 5.00"                           |
| 5. 381526-01  | DRAWER SLIDE 14" PER PR                                       |
| 6. 381526-06  | BRACKET ADJUSTABLE REAR (PAIR)                                |
| 7. 381575     | HANDLE DRAWER/DOOR GOLD                                       |
| 8. 104821     | SUPPORT, ROOFLOCKER, 74"                                      |
| 9. 330038     | RIVET BLIND AD 54 ABS   |



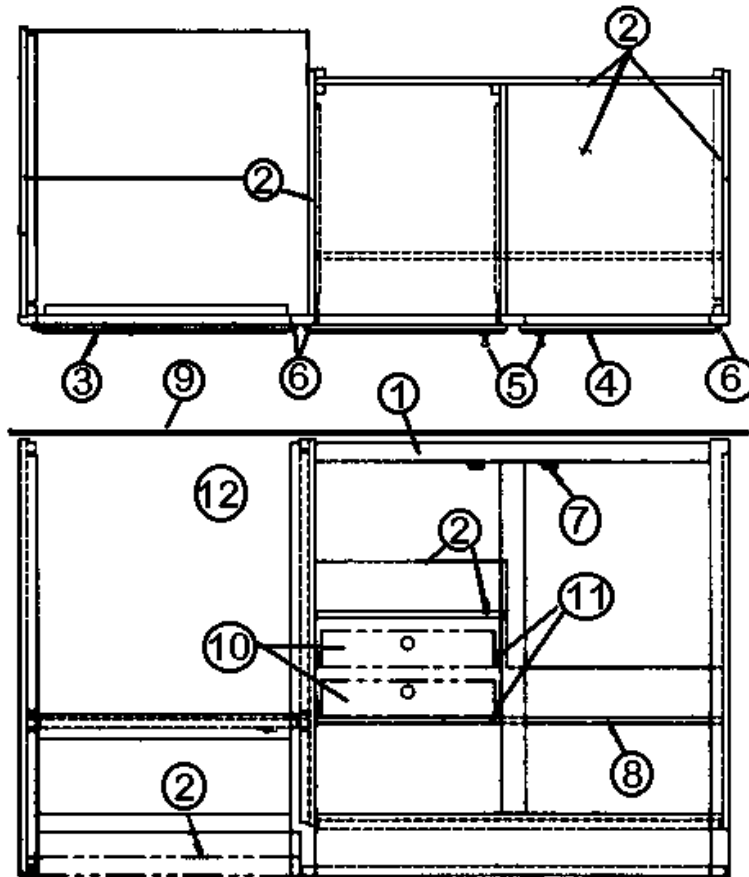
964604 Galley Assembly, Cooktop, 28'



1. 964603 Face frame, galley, full oven option
2. 801179-00z PANEL 1/2" G1S WOOD/RAW
3. 801181-00z PANEL 5/32"G1S WOOD/ RAW 4' X 8'
4. 800573-01z MOLDING DOOR EDGE 1-3/32" X 80"
5. 800599-02z DRAWER FACE 7.00" X 11.75"
6. 800599-38z DRAWER FACE 7.00" X 21.50"
7. 800599-58z DRAWER FACE 4.75" X 21.50"
8. 800597-44z DOOR RAISED PANEL 13.75" X 29.75"9
9. 964910-03 DRAWER BOX- 19.50" X 18.00" X 5.00"
10. 964906-02 DRAWER BOX- 19.50" X 18.00" X 2.75"
11. 964910-02 DRAWER BOX- 10.00" X 18.00" X 5.00"
12. 381599\* HANDLE DRAWER/DOOR.
13. 381601 HINGE ANTIQUE BRASS
14. 381526-03 DRAWER SLIDE 18" PER PR
15. 381526-06 ADJUSTABLE REAR BRKT PER PR
16. 381228-01 CATCH GRABBER DOOR
17. 964963-01 Galley top assembly
18. 114967 Toe kick, aluminum

\*381681 Replaces 381599 on Limited options

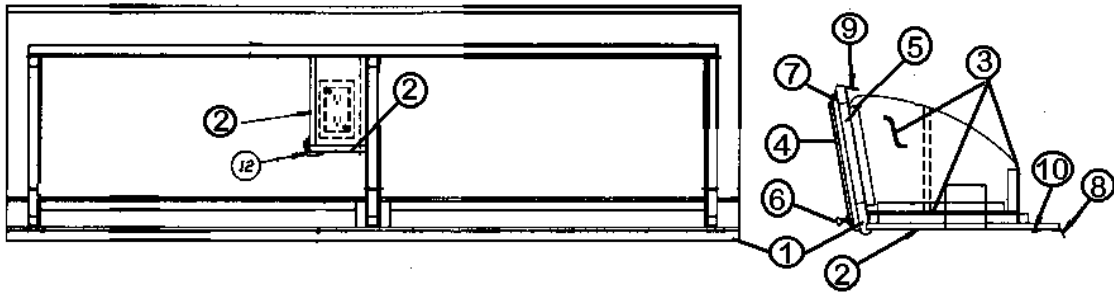
964589-03 GALLEY ASSY-FULL OVEN



- |                |                                    |
|----------------|------------------------------------|
| 1. 964588      | FACE FRAME-GALLEY, Full Oven       |
| 2. 801179-00z  | PANEL 1/2" G1S Wood/RAW            |
| 3. 800599-38z  | DRAWER FACE 7.00" X 21.50"         |
| 4. 800597-08z  | DOOR RAISED PANEL 16.00" X 29.50"  |
| 5. 381599*     | HANDLE DRAWER/DOOR                 |
| 6. 381601      | HINGE ANTIQUE BRASS                |
| 7. 381228-01   | CATCH GRABBER DOOR                 |
| 8. 800571-01z  | MOLDING FLAT .52W X 80"            |
| 9. 964962-01   | TOP ASSY GALLEY CORIAN             |
| 10. 964906-04  | DRAWER BOX, 14.00" X 8.00" X 2.75" |
| 11. 381526-03  | DRAWER SLIDE- 18" PER PR           |
| 11a. 381526-06 | ADJUSTABLE REAR BRKT, Drawer slide |

\*381681 Replaces 381599 on Limited options

## 963773 ROOFLOCKER GALLEY ASSEMBLY

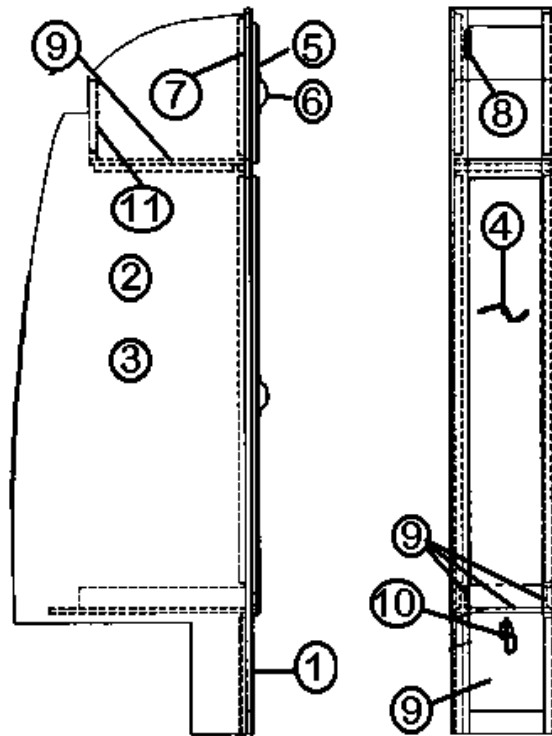


- |     |            |                                   |
|-----|------------|-----------------------------------|
| 1.  | 962379-01  | FACE FRAME GALLEY R/L             |
| 2.  | 801180-00z | PANEL 1/2" G2S WOOD/WOOD 4' X 7'  |
| 3.  | 801181-00z | PANEL 5/32" G1S WOOD/RAW, 4'X 8'  |
| 4.  | 800597-12z | DOOR RAISED PANEL 10.50" X 26.25" |
| 5.  | 381147     | SUPPORT, SPRING LOADED DOOR       |
| 6.  | 381599*    | HANDLE DRAWER/DOOR                |
| 7.  | 381601     | HINGE ANTIQUE BRASS               |
| 8.  | 104829     | SUPPORT ROOFLOCKER GALLEY         |
| 9.  | 104821     | SUPPORT, ROOFLOCKER, 74"          |
| 10. | 800575-01z | MOLDING CORNER 80" L              |

- |        |                                |
|--------|--------------------------------|
| 100097 | EXTR. ALUM CURTAIN TRACK       |
| 962245 | BOX ASSY. PRIORITY SWITCH      |
| 801261 | PANEL-.125" G1S ANTIQUITY BUFF |

\*381681 Replaces 381599 on Limited options

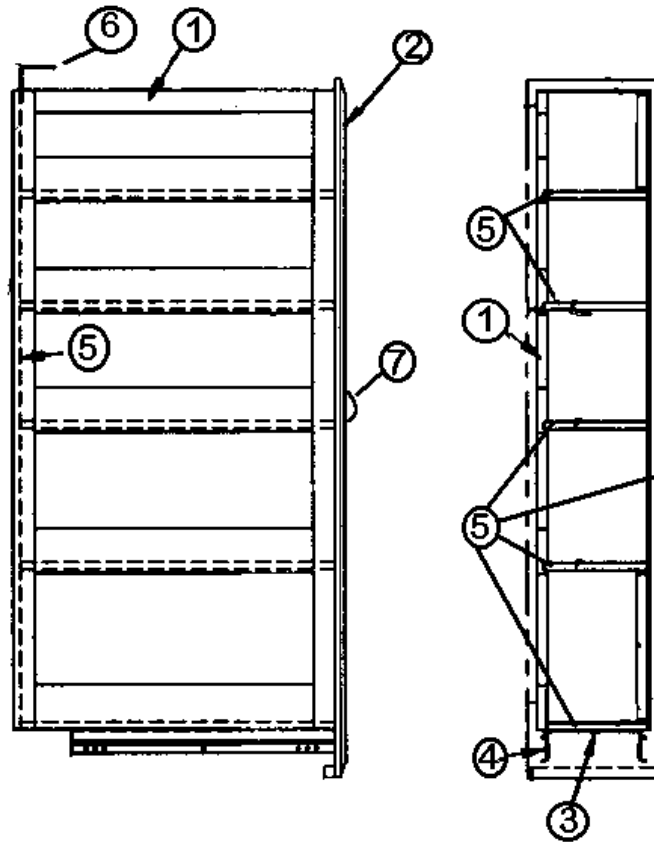
962261 PANTRY CABINET ASSY.



- |                           |                                  |
|---------------------------|----------------------------------|
| 1. 962262-01              | FACE FRAME PANTRY CAB            |
| 2. 800994-05              | PANEL FWD PANTRY                 |
| 3. 800994-06              | PANEL AFT PANTRY                 |
| 4. 986777-01              | ASSEMBLY. PANTRY DRAWER BOX      |
| See Next Page for Drawing |                                  |
| 5. 800599-25z             | DRAWER FACE 9.00" X 15.00"       |
| 6. 381599*                | HANDLE DRAWER/DOOR               |
| 7. 381601                 | HINGE ANTIQUE BRASS              |
| 8. 381228-01              | CATCH GRABBER DOOR               |
| 9. 801180-00z             | PANEL 1/2" G2S WOOD/WOOD 4' X 7' |
| 10. 381109                | LATCH BUNK (PULL-OUT PANTRY)     |
| 11. 801181-00z            | PANEL 5/32" G1S WOOD/RAW 4'X 8'  |

\*381681 Replaces 381599 on Limited options

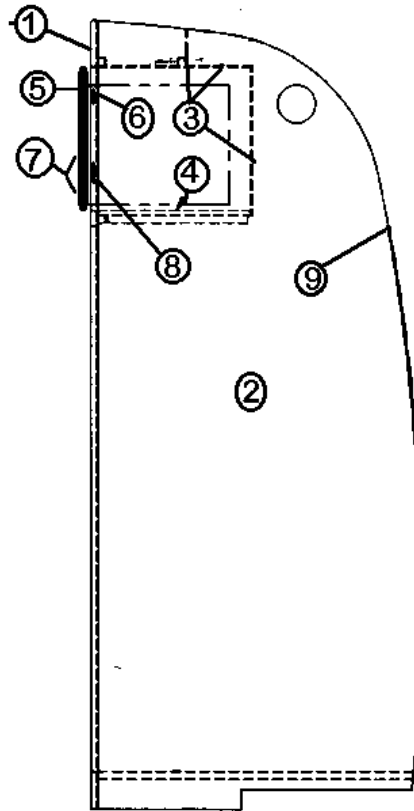
986777-01 ASSEMBLY. PANTRY DRAWER BOX



- |               |                                  |
|---------------|----------------------------------|
| 1. 986150-01  | FACE FRAME, PULL OUT PANTRY      |
| 2. 800599-12z | DRAWER FACE 9.00" X 47.00"       |
| 3. 104886     | DRAWER SLIDE SUPPORT             |
| 4. 381192     | SLIDE, DRAWER, 18" (EACH=1 PAIR) |
| 5. 801180-00z | PANEL 1/2" G2S WOOD/WOOD 4' X 7' |
| 6. 104887     | POSITIVE STOP, PANTRY            |
| 7. 381599*    | HANDLE DRAWER/DOOR               |

\*381681 Replaces 381599 on Limited options

963707-02 REFER CABINET W/MICROWAVE



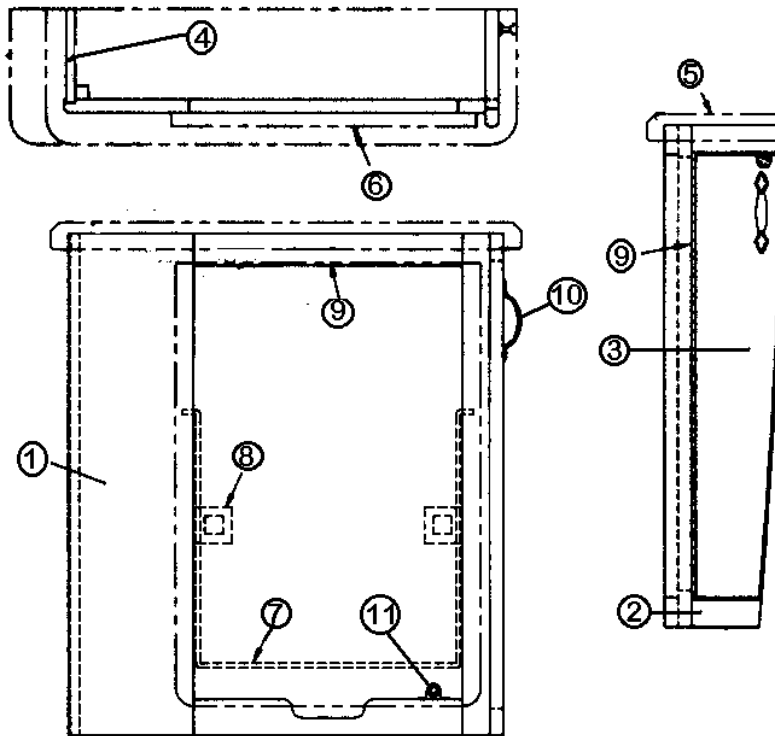
- |               |                                     |
|---------------|-------------------------------------|
| 1. 964630     | FACE FRAME, REFER CAB               |
| 2. 801135-04  | PANEL FWD REFER                     |
| 3. 801181-00z | PANEL 5/32" G1S WOOD/RAW, 4'X 8'    |
| 4. 801180-00z | PANEL 1/2" G2S WOOD/WOOD 4' X 7'    |
| 5. 800597-00z | Door, Raised panel, 12.25" x 16.00" |
| 6. 381601     | Hinge, Antique Brass                |
| 7. 381599*    | Handle Drawer/Door                  |
| 8. 381228-01  | CATCH GRABBER DOOR                  |
| 9. 203138-03  | EXTRUSION PLASTIC WALL BEIGE        |

Not Shown

- |        |                                |
|--------|--------------------------------|
| 801274 | PANEL-.5" ANTIQUITY BUFF/RAW   |
| 801261 | PANEL-.125" G1S ANTIQUITY BUFF |

\*381681 Replaces 381599 on Limited options

961959-01 WRITING TABLE CHAIR STORAGE ASSEMBLY



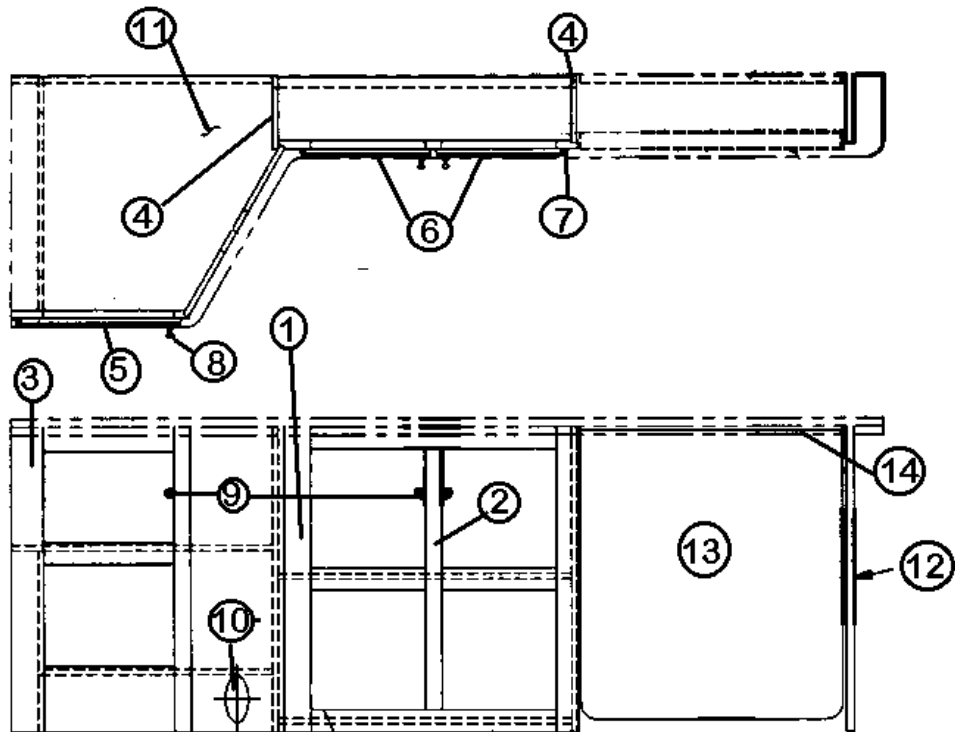
- |                |                                     |
|----------------|-------------------------------------|
| 1. 961955-01   | FACE FRAME W. TABLE CHAIR STORAGE   |
| 2. 961956-01   | FRAME END OAK W. TABLE CHAIR        |
| 3. 961957-01   | DOOR OAK W. TABLE CHAIR STORAGE     |
| 4. 801180-00z  | PANEL 1/2" G2S WOOD/WOOD 4' x 8'    |
| 5. 961958      | TOP ASSY W. TABLE CHAIR STORAGE     |
| 5a. 962875-004 | Top Assembly, NOMAR, Limited option |
| 1. 962423      | TABLE TOP ASSY. WRITING             |
| 6a. 962880-004 | Top Assembly, NOMAR, Limited Option |
| 2. 380492      | BRACKET, TABLE                      |
| 3. 340018      | CATCH PLATE J-1                     |
| 4. 380458      | HINGE PIANO BROWN ANODIZED          |
| 10. 381599*    | HANDLE DRAWER/DOOR                  |
| 11. 381228-01  | CATCH GRABBER DOOR                  |

Not Shown:

- |           |                                   |
|-----------|-----------------------------------|
| 801230    | PANEL PRE-LAMINATE OAK 4' X 8'    |
| 801231-01 | EDGE BANDING TAPE 3/4"            |
| 801229    | LAMINATE OAK HIGH PRESS .045-.050 |

\*381681 Replaces 381599 on Limited options

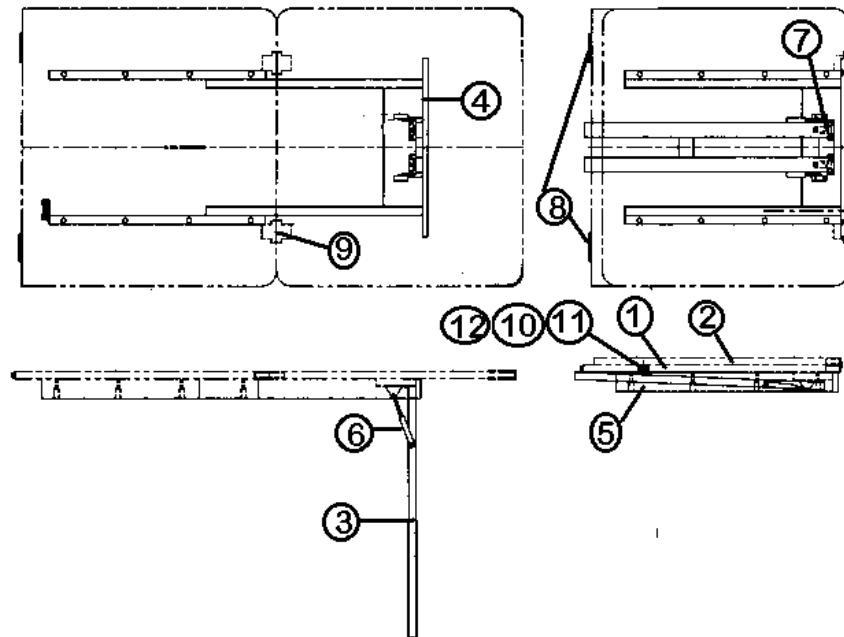
963353-01 CREDENZA ASSEMBLY



- |               |                                   |
|---------------|-----------------------------------|
| 1. 963326-01  | SUB ASSY. CREDENZA AFT SECTION    |
| 2. 963289-01  | FACE FRAME CREDENZA FWD-34'TRL    |
| 3. 963313     | FACE FRAME CREDENZA AFT SECTION   |
| 4. 801180-00z | PANEL 1/2" G2S Wood/Wood, 4' x 7' |
| 5. 800597-02z | DOOR RAISED PANEL 14.00" X 20.00" |
| 6. 800597-27z | DOOR RAISED PANEL 11.50" X 25.00" |
| 7. 381601     | HINGE ANTIQUE BRASS               |
| 8. 381304     | DOOR HANDLE, BRASS, AIR LOGO      |
| 9. 381228-01  | CATCH GRABBER DOOR                |
| 10. 601244-03 | REGISTER, ROTAIRE, BLACK          |
| 11. 963325    | TOP CREDENZA                      |
| 12. 962381-01 | FWD STILE RS CREDENZA             |
| 13. 960420-02 | TABLE, LIFT-UP, ASSEMBLY, 24" OAK |
| 14. 101253    | EXTR. CREDENZA HINGE MOVABLE      |



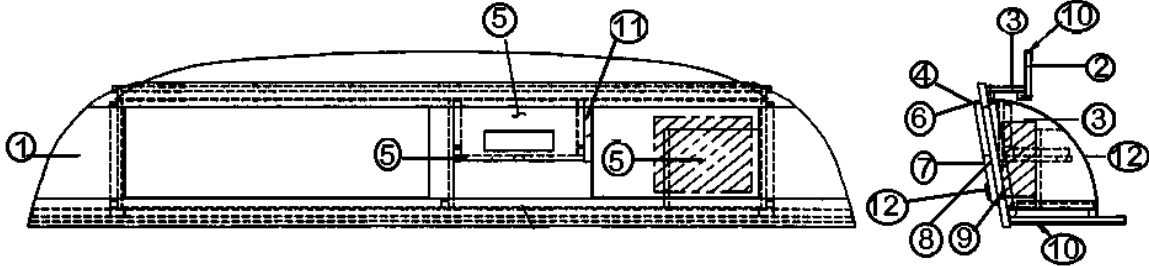
960420-02 TABLE, LIFT-UP, ASSEMBLY, 24" OAK



- 1. 960416-02 LEAF, TABLE, LOWER, OAK, 24 X 25.88
- 2. 960417-02 LEAF, TABLE, UPPER, OAK, 24" X 25"
- 3. 962177-03 LEG HARDWOOD 30.50"
- 4. 960419-01 FACER BOARD, LIFT-UP TABLE, OAK
- 5. 381306 SLIDES, TABLE, LIFT-UP, RH & LH #20
- 6. 381147 DOOR SUPPORT - SPRING LOADED
- 7. 380210 HINGE PLAIN STEEL
- 8. 201155 SLIDING GUIDE, PLASTIC -TABLE
- 9. 380040 HINGE SOSS INVISIBLE L & R HAND
- 10. 380037 RETAINER SPRING LOCK
- 11. 380038 EYELET LOCK GS 5 10 BRASS
- 12. 381228-01 CATCH GRABBER DOOR
- 13. 800405-00z PLUG-BUTTON HARDWOOD
- 14. 101288 EXTR HORIZON FURNITURE FRAME

- 80203-01 PIANO HINGE 1/8" PIN CLEAR ANODIZED
- 801231-01 EDGE BANDING TAPE 3/4" WOOD GRAIN
- 801229 LAMINATE OAK HIGH PRESS .045-.050

963506-01 ASSEMBLY. FORWARD LINER LOCKER  
 963506-02 Rear Liner Locker  
 -07 34 SO Front Liner Locker



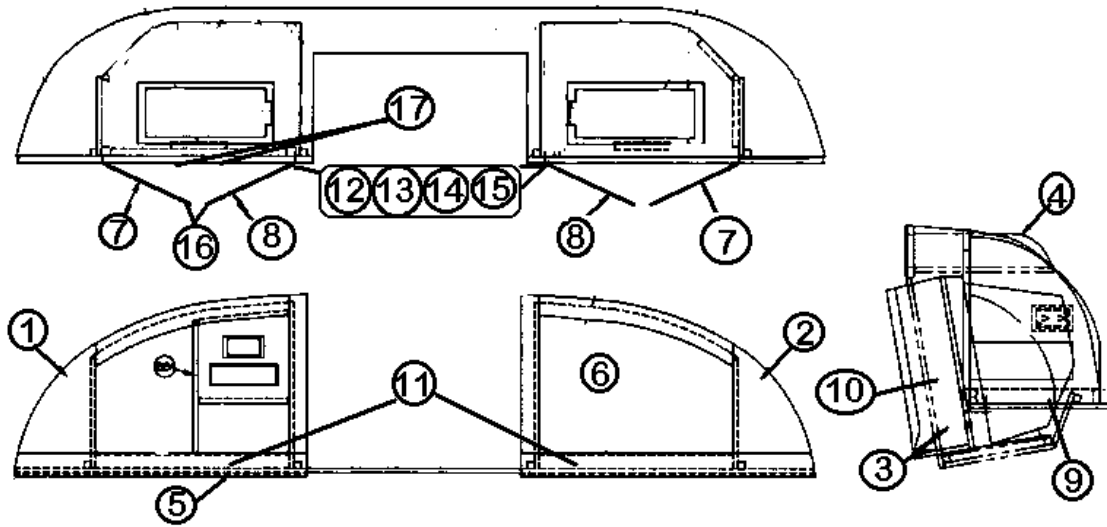
- |               |                                      |
|---------------|--------------------------------------|
| 1. 963498     | FACE FRAME FWD/AFT R/L-TRAILER       |
| 2. 801180-00z | PANEL 1/2" G2S Wood/wood             |
| 3. 801181-00z | PANEL 5/32"G1S wood/ RAW             |
| 4. 800557-23z | DOOR FRAME 10.50" X 32.50"           |
| 5. 801179-00z | PANEL 1/2" G1S Wood/RAW              |
| 6. 381602     | HINGE SEMI CONCEALED ANTIQUITY BRASS |
| 7. 372210-10  | MIRROR- BEVELED, 7.62" X 29.62"      |
| 8. 381754     | MIRROR CLIP R2                       |
| 9. 381147     | DOOR SUPPORT - SPRING LOADED         |
| 10. 702482-03 | HEADLINER SPECTRA OPAL X TEXTURED    |
| 11. 965049    | SIDE PANEL-RADIO SHELF               |
| 12. 381599*   | HANDLE DRAWER/DOOR                   |

Not Shown

- |        |                                    |
|--------|------------------------------------|
| 365239 | FOAM, NON-SKID PAD 1/4 X 1 X 1/16" |
| 801261 | PANEL-.125" G1S ANTIQUITY BUFF     |

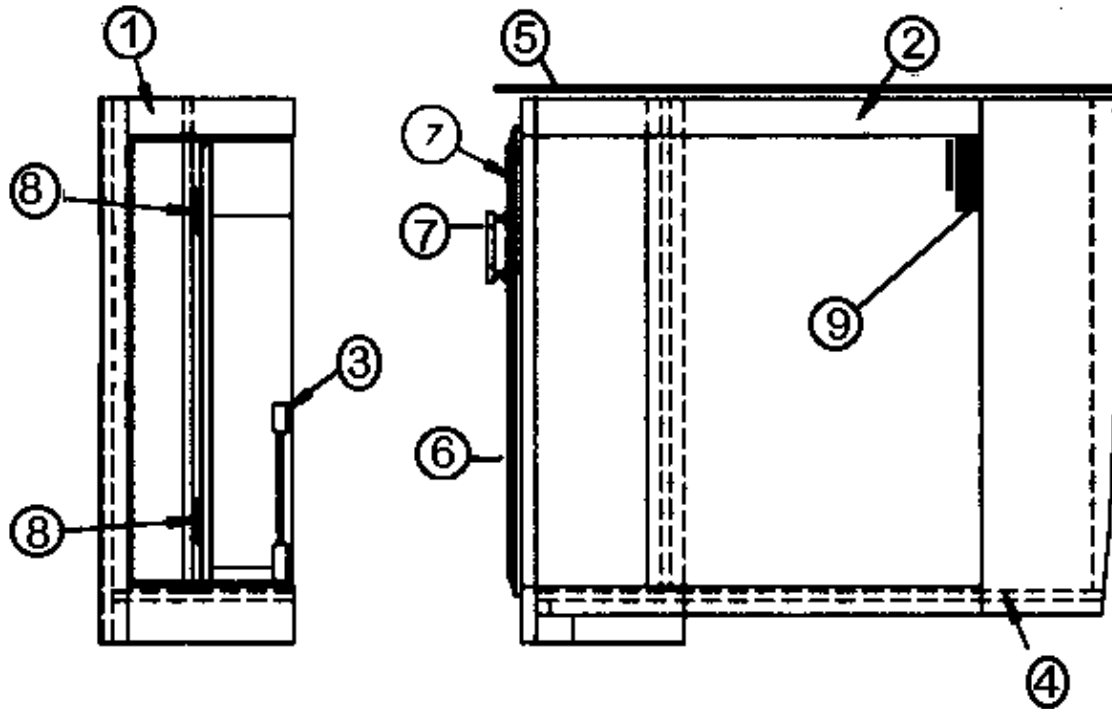
\*381681 Replaces 381599 on Limited options

965181 Locker Assembly, Front Liner, 34' SO



- |                |                                   |
|----------------|-----------------------------------|
| 1. 965185-02z  | FACE FRAME-FRT. LINER LCKR. LH    |
| 2. 965185-01z  | FACE FRAME-FRT. LINER LCKR. RH    |
| 3. 965186      | TV CABINET ASSY                   |
| 4. 965051      | SATELLITE RECEIVER CABINET ASSY.  |
| 4a. 965050-00z | Face Frame, Satellite Receiver    |
| 4b. 965052-00z | Cover, satellite receiver         |
| 4c. 700617     | Velcro hook                       |
| 4d. 700618     | Velcro loop                       |
| 5. 801179-00z  | PANEL 1/2" G1S WOOD/RAW           |
| 6. 701538      | CARPET, ECONOLIER VELOUR BLACK    |
| 7. 371378-01   | GLASS, FRONT LINER LOCKER LH DOOR |
| 8. 371378-04   | GLASS FRONT LINER LOCKER RH DOOR  |
| 9. 453900      | BRACKET, TV, OVERHEAD             |
| 10. 702610     | VINYL SPECTRA OYSTER BAY          |
| 11. 203273     | PAN-SET RH & LH FRT. LINER LOCKER |
| 12. 381706-01  | HINGE-GLASS DOOR SPEED MOUNT      |
| 13. 381706-02  | MOUNTING PLATE-H SERIES SM HINGE  |
| 14. 381706-03  | TRIM CAP-H SERIES SM HINGE ARM    |
| 15. 381706-04  | TRIM CAP-H SERIES SM HINGE        |
| 16. 381707     | STRIKE W/PULL-GLASS DOOR BLACK    |

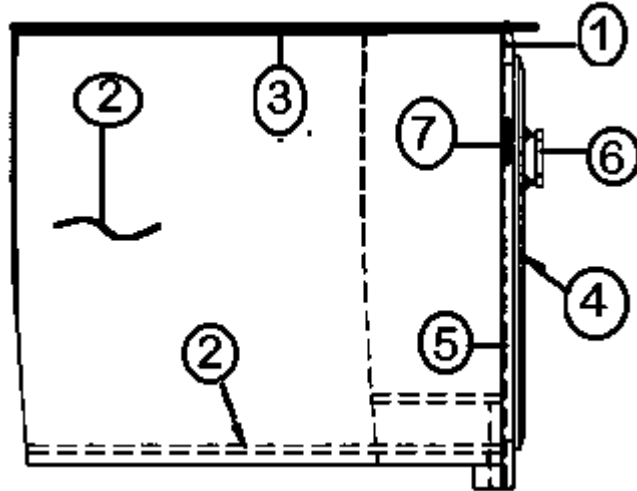
965023-01 END TABLE ASSY. LH 34'S/O CLASSIC



- |                |                                  |
|----------------|----------------------------------|
| 1. 965021-00z  | FACE FRAME-END TABLE LH S/O      |
| 2. 965027-00z  | FACE FRAME-LH END TABLE SIDE     |
| 3. 965028-00z  | MAGAZINE RACK-LOUNGE             |
| 4. 801180-00z  | PANEL 1/2" G2S Wood/Wood 4' X 7' |
| 5. 965403      | TOP-END TABLE AFT LAMINATE       |
| 5a. 964280-00z | COUNTER TOP EDGE MOLDING         |
| 6. 800599-73z  | DRAWER FACE, 8.50" X 25.00"      |
| 7. 381599*     | HANDLE DRAWER/DOOR               |
| 8. 381090      | SLIDE, DRAWER, 22" (PAIR)        |
| 9. 381228-01   | CATCH GRABBER DOOR               |

\*381681 Replaces 381599 on Limited options

965024-01 END TABLE ASSY. RH 34'S/O CLASSIC



- |                |                                  |
|----------------|----------------------------------|
| 1. 965022-00z  | FACE FRAME-END TABLE RH S/O      |
| 2. 801180-00z  | PANEL 1/2" G2S Wood/Wood 4' X 7' |
| 3. 965402      | TOP-END TABLE FWD LAMINATE       |
| 3a. 964280-00z | COUNTER TOP EDGE MOLDING         |
| 4. 800599-73z  | DRAWER FACE, 8.50" X 25.00"      |
| 5. 381601      | HINGE ANTIQUE BRASS              |
| 6. 381599*     | HANDLE DRAWER/DOOR               |
| 7. 381228-01   | CATCH GRABBER DOOR               |

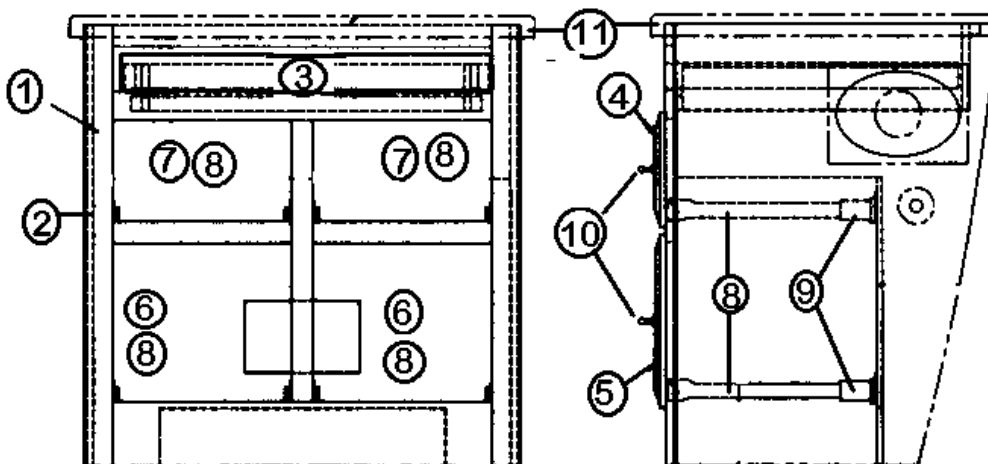
\*381681 Replaces 381599 on Limited options

963094 Door Header Panel

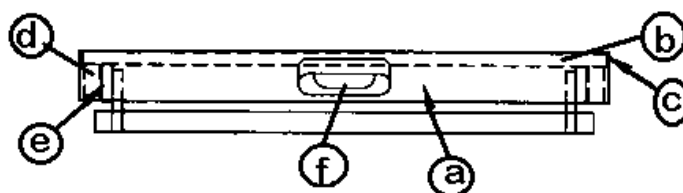


- |          |             |
|----------|-------------|
| 28" long | 28' Trailer |
| 30" long | 28' Trailer |
| 31" long | 30' Trailer |
| 40" long | 34' Trailer |

965048-01 FILE CAB. ASSY. 34' S/O CLASSIC



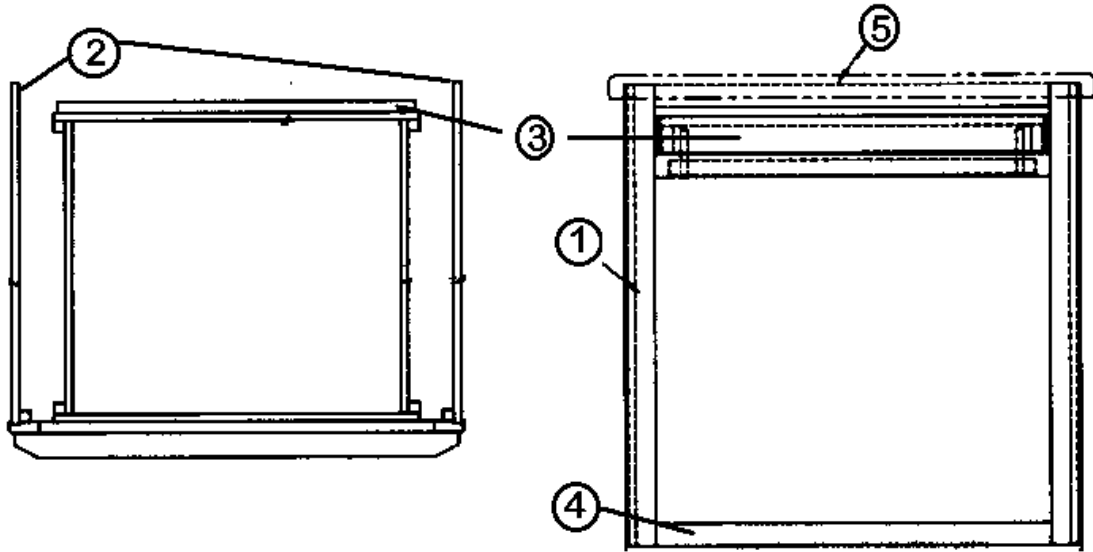
965016 Shelf Assembly Pull out



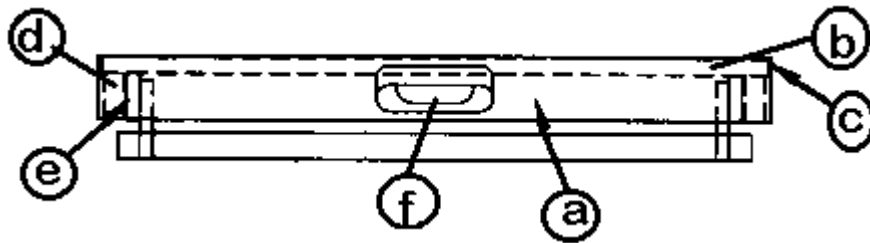
- |     |               |                                      |
|-----|---------------|--------------------------------------|
| 1.  | 965047-00z    | FACE FRAME-FILE CABINET              |
| 2.  | 801180-00z    | PANEL 1/2" G2S Wood/wood 4" X 7"     |
| 3.  | 965016        | SHELF ASSY-PULL OUT ASSEMBLY         |
|     | a. 965033     | FRAME ASSY-PULL OUT SHELF            |
|     | b. 801230-00z | LAMINATED. PANEL 4' X 8' X 5/8"      |
|     | c. 365238-01  | EDGE BANDING TAPE PVC 15/16"         |
|     | d. 801180-00z | PANEL 1/2" G2S wood/wood 4" X 7"     |
|     | e. 381192     | SLIDE, DRAWER, 18"                   |
|     | f. 381175     | PULL, WOOD, OAK                      |
| 4.  | 800599-74z    | DRAWER FACE - 12.00" X 13.50"        |
| 5.  | 800599-75z    | DRAWER FACE - 8.00" X 13.50"         |
| 6.  | 964909-08     | DRAWER BOX- 11.50" X 14.00" X 10.00" |
| 7.  | 964907-08     | DRAWER BOX- 11.50" X 14.00 X 6.00"   |
| 8.  | 381526-01     | DRAWER SLIDE-950-RV 14"              |
| 9.  | 381526-06     | BRACKET ADJUSTABLE REAR 251(PAIR)    |
| 10. | 381599*       | HANDLE DRAWER/DOOR                   |
| 11. | 965404        | TOP-FIREPLACE CABINET                |

\*381681 Replaces 381599 on Limited options

### 965008 Fireplace Cabinet Assembly

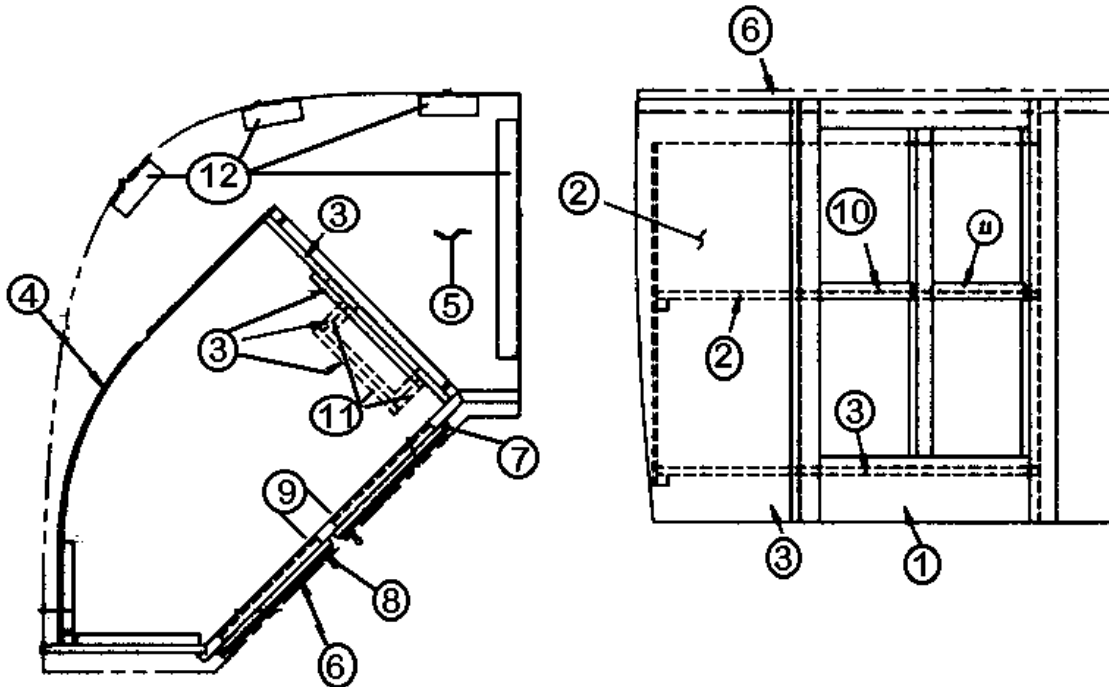


### 965016 Shelf Assembly Pull out



- 1. 965003-00z Face frame, fireplace cabinet
- 2. 801180-00z PANEL 1/2" G2S Wood/wood 4" X 7"
- 3. 965016 SHELF ASSY-PULL OUT ASSEMBLY
  - a. 965033 FRAME ASSY-PULL OUT SHELF
  - b. 801230-00z LAMINATED. PANEL 4' X 8' X 5/8"
  - c. 365238-01 EDGE BANDING TAPE PVC 15/16"
  - d. 801180-00z PANEL 1/2" G2S wood/wood 4" X 7"
  - e. 381192 SLIDE, DRAWER, 18"
  - f. 381175 PULL, WOOD, OAK
- 4. 965032 Hearth assembly
- 5. 965013 Top assembly, Corian

965009-01 CREDENZA ASSY/LH/FRONT 34'S/O

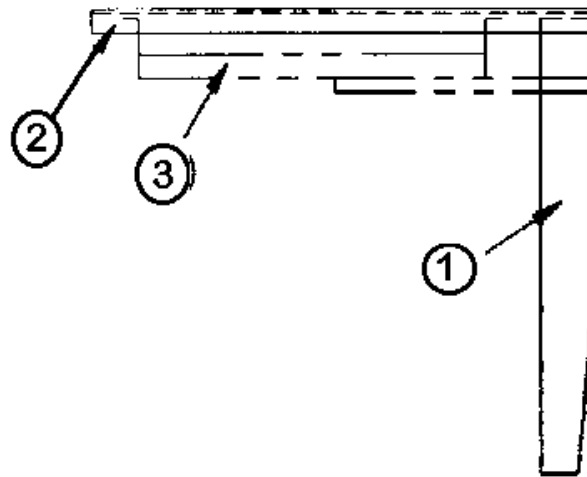


- |                |   |
|----------------|---|
| 1. 965004-00z  | FACE FRAME-FRONT CREDENZA LH S/O        |
| 2. 801180-00z  | PANEL 1/2" G2S wood/wood, 4' x 7'       |
| 3. 801179-00z  | PANEL 1/2" G1S wood/RAW                 |
| 4. 801261      | PANEL-.125" G1S ANTIQUITY BUFF          |
| 5. 965405-02   | TOP-CREDENZA RS LAMINATE                |
| 5a. 801230-00z | PRE-LAMINATE. PANEL 4' X 8' X 5/8"      |
| 5b. 964280-00z | COUNTER TOP EDGE MOLDING                |
| 5c. 965014-01  | Top assembly, front LH Credenza, Corian |
| 6. 800597-12z  | DOOR RAISED PNL 10.50" X 26.25"         |
| 7. 381601      | HINGE ANTIQUE BRASS                     |
| 8. 381599*     | HANDLE DRAWER/DOOR9.                    |
| 9. 381228-01   | CATCH GRABBER DOOR                      |
| 10. 800573-01z | MOLDING DOOR EDGE 1-3/32X 80"           |
| 11. 365238-03  | EDGE BANDING TAPE PVC 5/8"              |
| 12. 114809     | ALUM. ANGLE 1.50" X 1.50"               |

\*381681 Replaces 381599 on Limited options

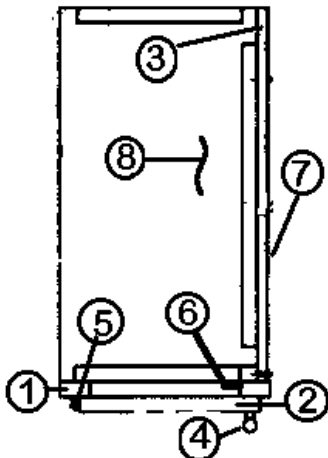


965010 CREDENZA ASSY-RH S/O



- 1. 965005-00z LEG-FRONT CREDENZA, S/O
- 2. 965015 TOP ASSEMBLY, FRONT CREDENZA, RH, CORIAN
- 3. 381701 TRAY KEYBOARD W/MOUSE PAD

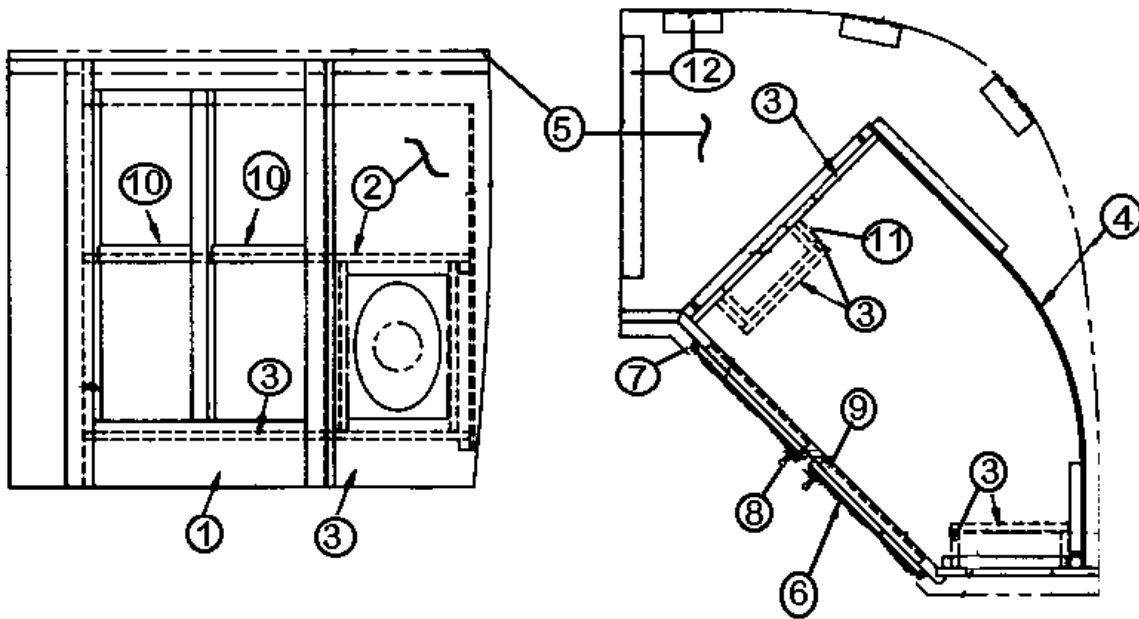
965055-04 LH Upper Cabinet, shown (-03 RH Opposite)



- 1. 965054-01z FACE FRAME-RH S/O UPPER CAB.
- 1. 965054-02z FACE FRAME-LH S/O UPPER CAB
- 2. 801180-00z PANEL 1/2" G2S wood/wood, 4' x 7'
- 3. 800597-57z DOOR RAISED PNL 9.00" X 16.25"
- 4. 381601 HINGE ANTIQUE BRASS
- 5. 381599\* HANDLE DRAWER/DOOR
- 6. 381228-01 CATCH GRABBER DOOR
- 7. 800571-01z MOLDING FLAT .52W X 80"
- 8. 80118-00z Panel, 2/32", GS, wood/raw, 4' x 8'

\*381681 Replaces 381599 on Limited options

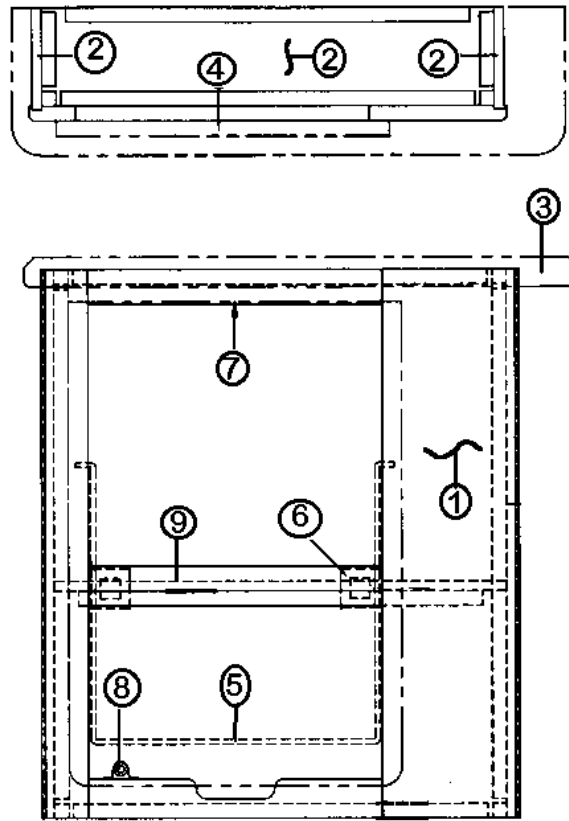
965093 Credenza, Assembly, RH Front



- |     |            |                                      |
|-----|------------|--------------------------------------|
| 1.  | 965004-01z | Face frame, front credenza, RH       |
| 2.  | 801180-00z | PANEL 1/2" G2S wood/wood, 4' x 7'    |
| 3.  | 801179-00z | PANEL 1/2" G1S wood/RAW              |
| 4.  | 801261     | PANEL-.125" G1S ANTIQUITY BUFF       |
| 5.  | 965014-02  | Top assembly, Front Credenza, Corian |
| 6.  | 800597-12z | DOOR RAISED PNL 10.50" X 26.25"      |
| 7.  | 381601     | HINGE ANTIQUE BRASS                  |
| 8.  | 381599*    | HANDLE DRAWER/DOOR                   |
| 9.  | 381228-01  | CATCH GRABBER DOOR                   |
| 10. | 800573-01z | MOLDING DOOR EDGE 1-3/32" X 80"      |
| 11. | 365238-03  | EDGE BANDING TAPE PVC 5/8"           |
| 12. | 114809     | Aluminum angle, 1.50" x 1.50"        |

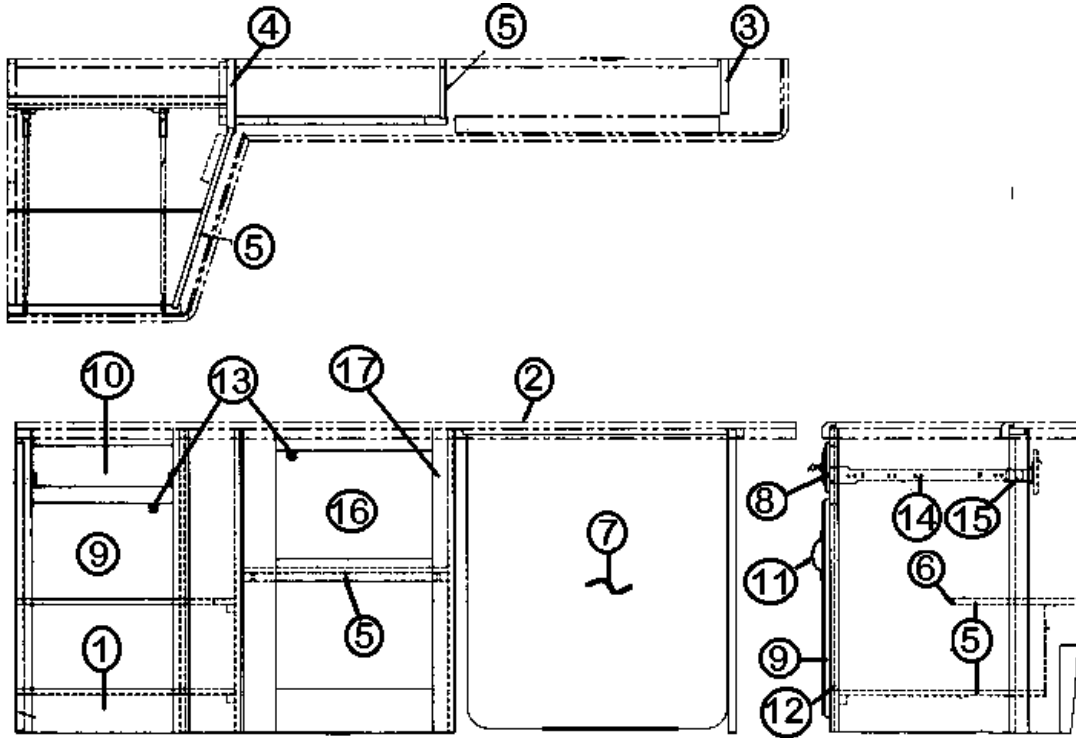
\*381681 Replaces 381599 on Limited options

965411-01z Computer Table, RS  
 965411-02z Computer Table, RS, Limited Option



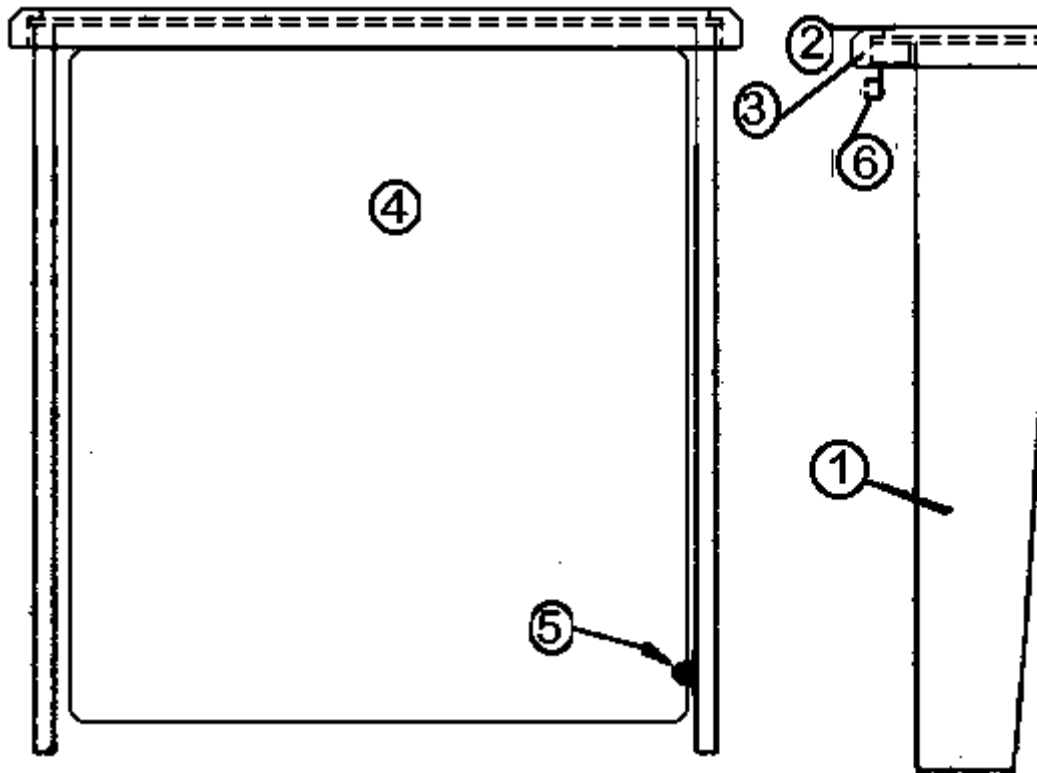
1. 965418-00z Face frame, computer table, RS
2. 801180-00z PANEL 1/2" G2S wood/wood, 4' x 7'
3. 961958 Top assembly, writing table cabinet, classic
- 3a. 962875 Top assembly, writing table cabinet, Limited
4. 962423 Table top, assembly, writing, classic
- 4a. 962880 Table top, assembly, writing, Limited
5. 380492 Bracket table
6. 340018 Catch plate, J-1
7. 380458 Hinge, piano, brown anodized
8. 381074 Bull dog catch
9. 800573-01 Molding, door edge, 1 3/32" x 80"

964408-01 RS CREDENZA ASSY. 31 Ft.



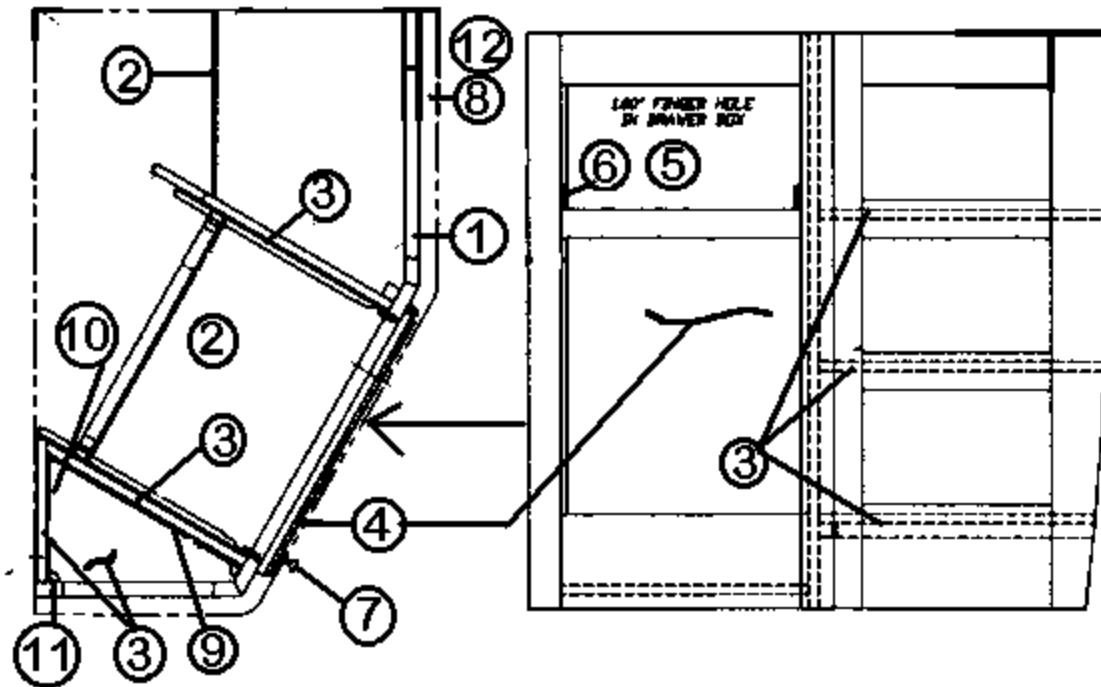
- |                |                                      |
|----------------|--------------------------------------|
| 1. 963729-01   | FACE FRAME CREDENZA                  |
| 2. 964311      | TOP ASSY. RS CREDENZA                |
| 2a. 965510-03  | Top, Hickory, Nomar (Limited)        |
| 3. 962381-01   | FWD STILE RS CREDENZA                |
| 4. 962382-01   | AFT STILE RS CREDENZA                |
| 5. 801180-00z  | PANEL 1/2" G2S wood/wood, 4' x 7'    |
| 6. 800571-01z  | MOLDING FLAT .52" W X 80"            |
| 7. 960420-02   | TABLE, LIFT-UP, ASSEMBLY, 24"        |
| 8. 800599-07z  | DRAWER FACE 4.50" X 14.00"           |
| 9. 800597-02z  | DOOR RAISED PANEL 14.00" X 20.00"    |
| 10. 964906-06  | DRAWER BOX- 12.00" X 18.00" X 2.75z" |
| 11. 381599*    | HANDLE DRAWER/DOOR                   |
| 12. 381601     | HINGE ANTIQUE BRASS                  |
| 13. 381228-01  | CATCH GRABBER DOOR                   |
| 14. 381526-03  | DRAWER SLIDE 18" PER PR              |
| 15. 381526-06  | ADJUSTABLE REAR BRKT PER PR          |
| 16. 800597-51z | DOOR RAISED PANEL 15.75" X 23.00"    |
| 17. 964409-01  | FACE FRAME-CREDENZA FWD SECTION      |
- \*381681 Replaces 381599 on Limited options

962015-01 LIFT UP TABLE CABINET ASSY.  
962015-02 LIFT UP TABLE (Limited Option)



- 1. 962381-01 FWD STILE RS CREDENZA
- 2. 962155 Top Assembly, Corian, (LIMITED)
- 2a. 961958 TOP ASSY WRITING TABLE CHAIR STORAGE
- 3. 964280-00z COUNTER TOP EDGE MOLDING
- 4. 960420-02 TABLE, LIFT-UP, ASSEMBLY, 24" OAK
- 4a. 960420-06 TABLE, LIFT-UP, ASSEMBLY, 24" Nomar
- 5. 381074 BULL DOG CATCH
- 6. 101253 EXTR. CREDENZA HINGE MOVABLE

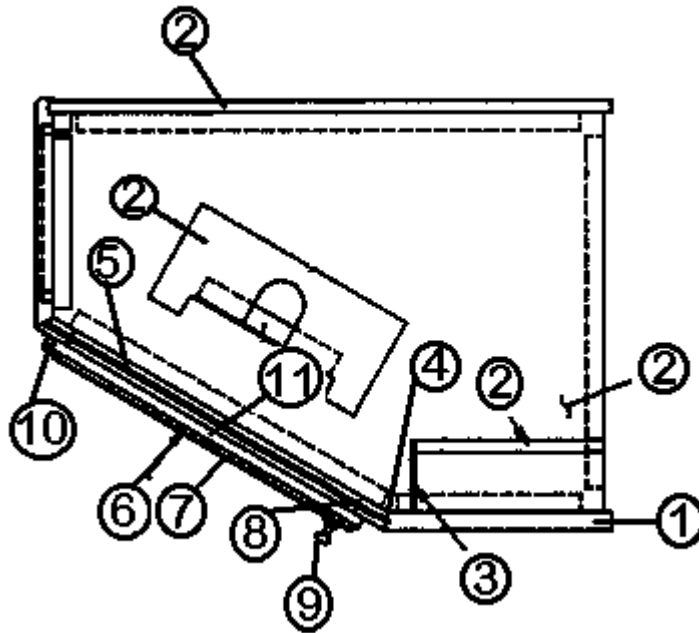
963219-01 END TABLE ASSY.  
 -02 Limited option



- |                |                                     |
|----------------|-------------------------------------|
| 1. 962291-01   | FACE FRAME END TABLE                |
| 2. 801181-00z  | PANEL 5/32"G1S Wood / RAW 4'X8'     |
| 3. 801180-00z  | PANEL 1/2" G2S wood/wood 4' X 7'    |
| 4. 800597-51z  | DOOR RAISED PANEL 15.75" X 23.00"   |
| 5. 964910-14   | DRAWER BOX- 13.75" X 13.00" X 5.00" |
| 6. 381526-01   | DRAWER SLIDE-14" PER PR             |
| 7. 381599*     | HANDLE DRAWER/DOOR                  |
| 8. 961940      | TOP END TABLE                       |
| 9. 371262-43   | MIRROR- SAFETY- 11.50" X 12.75"     |
| 10. 371262-44  | MIRROR- SAFETY, 6.50" X 12.75       |
| 11. 800638-02z | MOLDING, 1/4" ROUND .5"             |
| 12. 964280-00z | COUNTER TOP EDGE MOLDING            |

\*381681 Replaces 381599 on Limited options

962202 TV CABINET ASSY. W/O TV VINYL



\* Items deleted w/TV addition

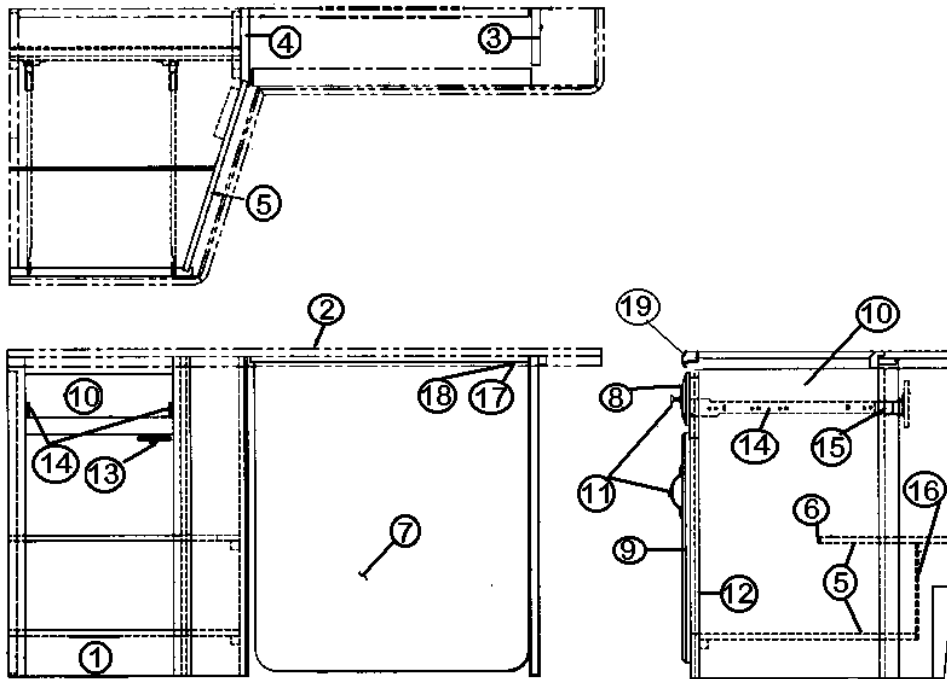
- |               |                                    |
|---------------|------------------------------------|
| 1. 962200-01  | FACE FRAME TV CABINET, 30'TRL      |
| 2. 801180-00z | PANEL 1/2" G2S wood/wood 4' X 7'   |
| 3. 801181-00z | PANEL 5/32"G1S Wood/ RAW 4'X8'     |
| 4. 114811     | ALUM. ANGLE .50 X .50              |
| 5. 203138-03  | EXTRUSION PLASTIC WALL BEIGE       |
| 6. 800557-04* | DOOR FRAME 15.00" X 14.50"         |
| 7. 372210-25* | GLASS-BEVELED SAFETY 12.12"X11.62" |
| 8. 381228-01* | CATCH GRABBER DOOR                 |
| 9. 381599**   | HANDLE DRAWER/DOOR                 |
| 10. 381601*   | HINGE ANTIQUE BRASS                |
| 11. 381754*   | MIRROR CLIP                        |

Not Shown:

- |           |                                    |
|-----------|------------------------------------|
| 365238-03 | EDGE BANDING TAPE PVC 5/8" HORIZON |
| 702482-03 | HEADLINER SPECTRA OPAL X TEXTURED  |
| 381081-04 | SNAP CAP WHITE (SCREW SIZE #6, #8) |
| 320020    | BROWN PHIL HEAD SCREW #8; 1 1/4"   |

\*\*381681 Replaces 381599 on Limited options

963728 CREDENZA ASSY. RS



1. 963729-01 FACE FRAME CREDENZA, 25'TRL
  2. 963738 TOP CREDENZA RS
  3. 962381-01 FWD STILE RS CREDENZA
  4. 962382-01 AFT STILE RS CREDENZA
  5. 801180-00z PANEL 1/2" G2S Wood/Wood, 4' x 7'
  6. 800571-01z MOLDING FLAT .52W X 80"
  7. 960420-02 TABLE, LIFT-UP, ASSEMBLY, 24" OAK
  8. 800599-07z DRAWER FACE 4.50" X 14.00"
  9. 800597-02z DOOR RAISED PNL 14.00" X 20.00"
  10. 964906-06 DRAWER BOX- 12.00" X 18.00" X 2.75"
  11. 381599\* HANDLE DRAWER/DOOR
  12. 381601 HINGE ANTIQUE BRASS
  13. 381228-01 CATCH GRABBER DOOR
  14. 381526-03 DRAWER SLIDE-18" PER PR
  15. 381526-06 BRACKET ADJUSTABLE REAR 251(PAIR)
  16. 801181-00z PANEL 5/32" G1S Wood/RAW 4'X 8'
  17. 380203-01 PIANO HINGE, 1/8" PIN ANODIZED
  18. 101253 EXTR. CREDENZA HINGE MOVABLE
  19. 964280-00z COUNTERTOP EDGE MOLDING
- \*381681 Replaces 381599 on Limited options





