

***AIRSTREAM***

**EXCELLA TRAILER**

Parts Book

**2000**



# TABLE OF CONTENTS

## SECTION I EXCELLA TRAILER A through C

### APPLIANCES

<a href="#">Air Conditioner</a> .....	I-1
<a href="#">Furnace</a> .....	I-1
<a href="#">Microwave</a> .....	I-1
<a href="#">Range</a> .....	I-2
<a href="#">Refrigerator</a> .....	I-2
<a href="#">Water Heater</a> .....	I-3

### BODY

<a href="#">End shell, aft</a> .....	I-5
<a href="#">End shell, front</a> .....	I-7
<a href="#">Roof</a> .....	I-9
<a href="#">RS wall, 34ft.</a> .....	I-11
<a href="#">CS wall, 34ft.</a> .....	I-13
<a href="#">RS wall, 31 ND</a> .....	I-15
<a href="#">CS wall, 31 ND</a> .....	I-17
<a href="#">RS wall, 30ft</a> .....	I-19
<a href="#">CS wall, 30ft</a> .....	I-21
<a href="#">RS wall, 28ft</a> .....	I-23
<a href="#">CS wall, 28ft</a> .....	I-25
<a href="#">RS wall, 25ft</a> .....	I-27
<a href="#">CS wall, 25ft</a> .....	I-29
<a href="#">Body interior</a> .....	I-30

### CHASSIS

<a href="#">A-frame</a> .....	I-31
<a href="#">Power jack</a> .....	I-33
<a href="#">Step</a> .....	I-37
<a href="#">Outrigger/underbelly</a> .....	I-39
<a href="#">Jacks/Below floor storage</a> .....	I-40
<a href="#">Axles/shocks/wheels</a> .....	I-41
<a href="#">Brakes, 12"</a> .....	I-42

TABLE OF CONTENTS

SECTION II- EXCELLA

D through E

[DECALS](#) ..... II-1

[EXTERIOR TRIM](#) ..... II-2

DOORS/WINDOWS/AWNING

[Exterior doors](#) ..... II-4

[Windows](#) ..... II-6

[Awning](#) ..... II-8

[DRAPES/BLINDS/VALANCES](#)..... II-9

ELECTRICAL

[110 volt](#) ..... II-13

[12 volt, interior](#) ..... II-14

[12 volt, exterior](#) ..... II-15

ENTERTAINMENT

[Radio](#) ..... II-17

[Antenna](#) ..... II-17

TABLE OF CONTENTS

SECTION III-EXCELLA

F through H

FASTENERS

(Common fasteners available locally are not listed)

[Rivets](#)..... III-1

FLOOR COVERING

[Carpet](#)..... III-3  
[Mats](#) ..... III-3  
[Hardwood Flooring](#) ..... III-3

FURNITURE

[Interior doors](#) ..... III-4  
[Mirrors](#)..... III-5  
[Interior doors, misc.](#) ..... III-6  
[Drawer](#) ..... III-7  
[Rear bedroom](#)..... III-9  
[Bath](#) ..... III-12  
[Galley](#)..... III-17  
[Lounge](#) ..... III-24

HARDWARE

[Exterior locks/hinges](#) ..... III-29  
[Window hardware](#)..... III-33  
[Interior drawer slides/hinges latches](#) ..... III-35  
[Bath accessories](#) ..... III-39  
[Awning hardware](#) ..... III-43

TABLE OF CONTENTS

SECTION IV- EXCELLA

L through Z

[LABELS and TAGS](#) ..... IV-1

[OPTIONS](#) ..... IV-2

PLUMBING

[LPG](#) ..... IV-3

[Fresh water](#) ..... IV-4

[Faucets](#) ..... IV-6

[Drain water](#) ..... IV-10

[Toilet](#) ..... IV-17

[SAFETY EQUIPMENT](#) ..... IV-18

[SEALER/GASKETS/PAINT](#) ..... IV-19

[UPHOLSTERY/FOAM/MATTRESS](#) ..... IV-20

[VENTS/FANS](#) ..... IV-22

[WOOD/LAMINATES/TRIM](#) ..... IV-23

# SECTION I EXCELLA TRAILER

## SECTION I EXCELLA TRAILER A through C

### APPLIANCES

Air Conditioner.....	I-1
Furnace .....	I-1
Microwave.....	I-1
Range .....	I-2
Refrigerator.....	I-2
Water Heater.....	I-3

### BODY

End shell, aft .....	I-5
End shell, front .....	I-7
Roof .....	I-9
RS wall, 34ft.....	I-11
CS wall, 34ft.....	I-13
RS wall, 31 ND .....	I-15
CS wall, 31 ND .....	I-17
RS wall, 30ft.....	I-19
CS wall, 30ft.....	I-21
RS wall, 28ft.....	I-23
CS wall, 28ft.....	I-25
RS wall, 25ft.....	I-27
CS wall, 25ft.....	I-29
Body interior .....	I-30

### CHASSIS

A-frame .....	I-31
Power jack .....	I-33
Step .....	I-37
Outrigger/underbelly .....	I-39
Jacks/Below floor storage .....	I-40
Axles/shocks/wheels.....	I-41
Brakes, 12" .....	I-42





# 2000 EXCELLA TRAILER

## APPLIANCES

### AIR CONDITIONER, DUO THERM

690380-01	Air conditioner, Duo Therm w/heat pump
690380-04	Thermostat
690380-03	Air box, polar white
385582-01	Decal, Airstream w/bar
690323-100	Shroud, exterior, Penquin air conditioner
961270	Pan Assembly, drain, air conditioner

### FURNACE HYDROFLAME

690274-04	Furnace, Hydroflame, #8525-IV, 25,000, 25ft.
690274-01	Furnace, Hydroflame, #8531-IV, 31, 000, 28ft.
690274	Furnace, Hydroflame, #8535-IV 34, 000, 30, 31&34ft.
690274-09	Door exterior, Hydroflame
601244-03	Register, Rotaire, black
600247	4" duct hose, flexible
690274-102	Module board, furnace
511228	Thermostat, off white

### MICROWAVE

690345-01	Microwave, convection, Sharp
690345-03	Trim ring, convection microwave
690407-01	Microwave oven, Dometic
690407-02	Trim kit, Dometic microwave

# 2000 EXCELLA TRAILER

## APPLIANCES

### MAYTAG RANGE

690396-02	Range top, 3-burner
690396-01	Range, 3-burner w/oven
690396-03	Range cover, bi-fold
964383-01	Range covers, Corian, set

### DOMETIC REFRIGERATOR

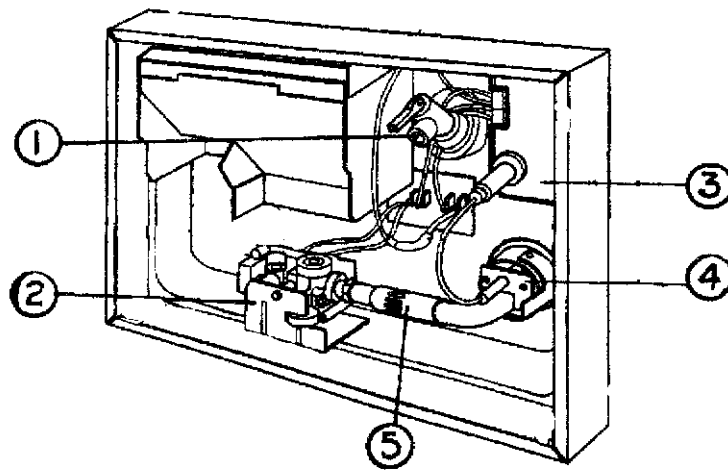
690369	Refrigerator, RM3662, 2-way, 25ft.
690370-02	Refrigerator, RM3862L, 2-way, 31, 30, 28ft
690370-01	Refrigerator, RM3862R, 2-way, 34ft.
801225-014	Oak refrigerator door insert 15.5 x 20.38
801225-024	Oak refrigerator door insert 32.25 x 20.38
801225-034	Oak refrigerator door insert 38.38 x 20.38
104439	Louvered panel, exterior access door
101394	Cover, refrigerator roof vent, large
100341	Vent collar w/screen, refrigerator, large
690415	Kit, meat/dairy/w/ice trays

# 2000 EXCELLA TRAILER

## APPLIANCES

### ATWOOD WATER HEATER, GC6AA-9E

- 690405 Water heater, Atwood, elec. ignition, 110 volt/gas
- 500933 Switch, water heater, electronic
- 690209 Access cover, brushed aluminum
- 510514 Switch, 110v, 3 way, priority (water heater/micro-wave) CSA only



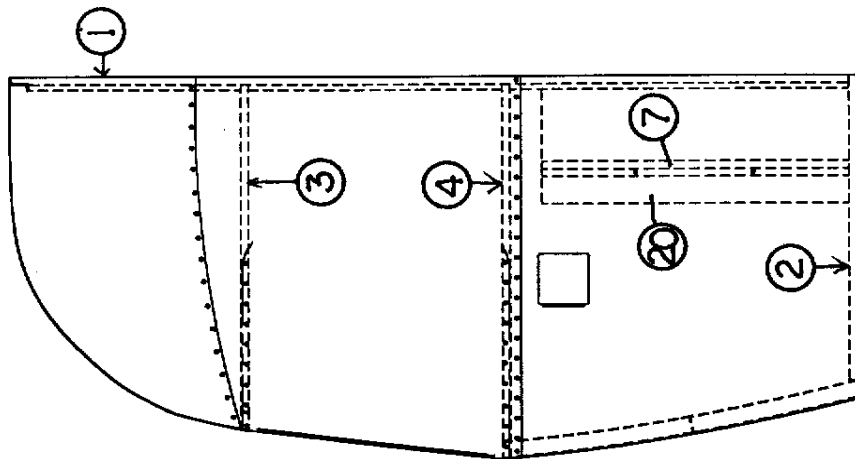
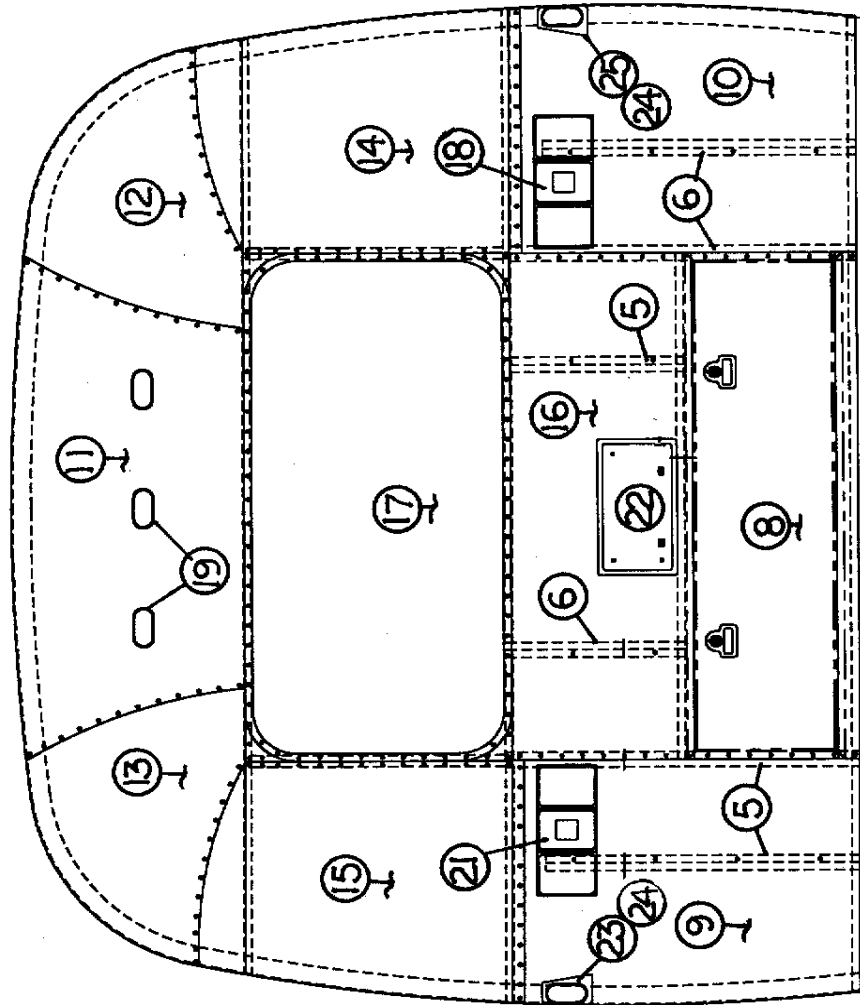
Front of water heater

- 1) 091604 Relief valve, pressure/temperature
- 2) 093870 Solenoid valve
- 3) 093865 Circuit board
- 4) 093868 Spark probe
- 5) 092615 Main burner

Back of water heater

- 091160 Heating element, 110volt
- 091873 ECO thermostat
- 091092 On/off switch, 110Volt

# 2000 EXCELLA TRAILER



# 2000 EXCELLA TRAILER

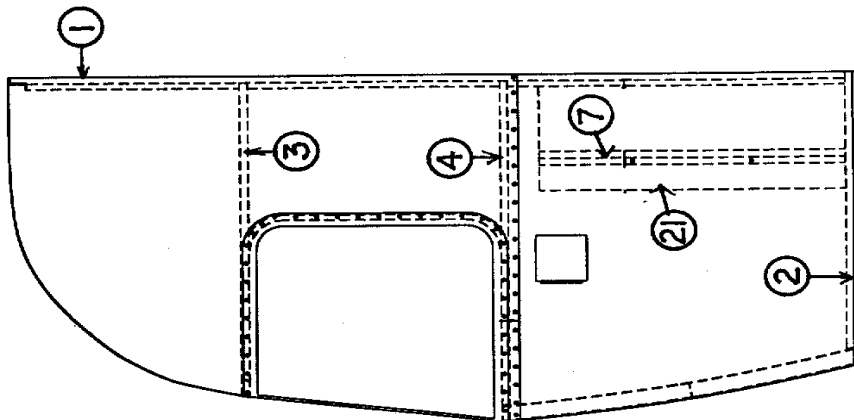
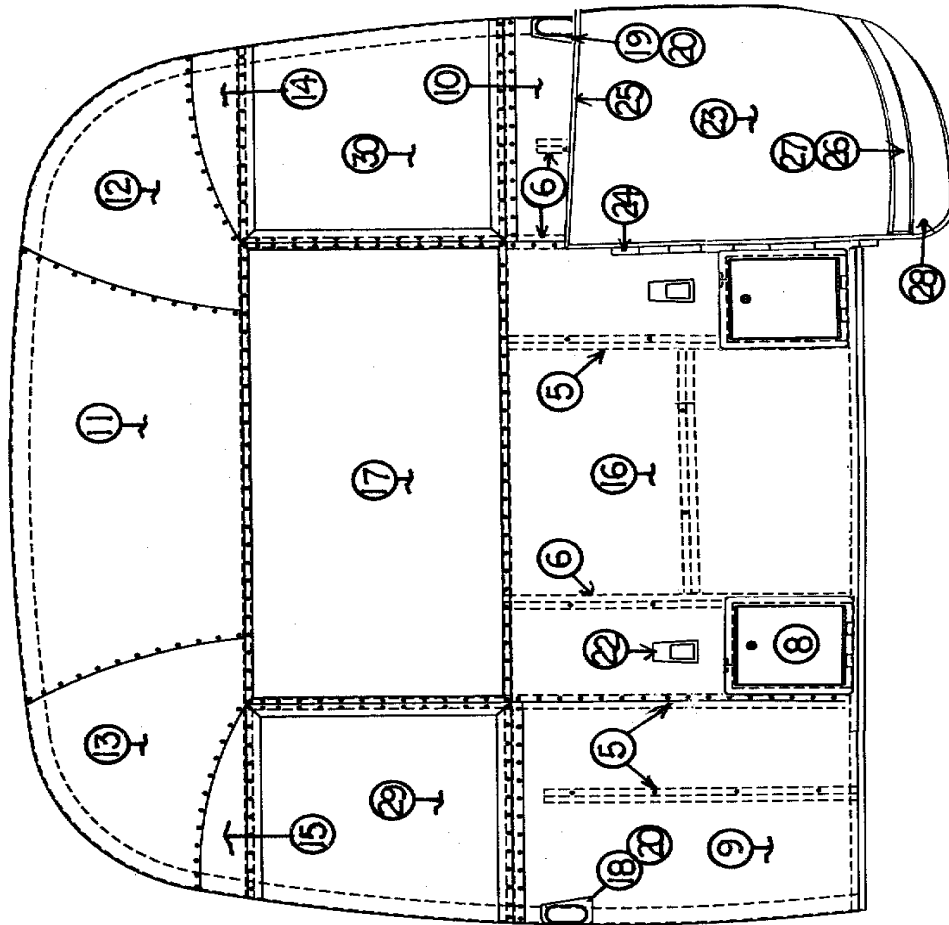
## BODY-AFT END

921161-10 End shell complete, rear, w/trunk door  
921161-09 End shell complete, rear, 25ft.

- 1) 114993 End bow
- 2) 114676 Floor bow
- 3) 114678 Upper window bow
- 4) 114677 Lower window bow
- 5) 114505-01 Support, lower end, LH
- 6) 114505-02 Support, lower end, RH
- 7) 101315 Brace, vertical rear
- 8) 921159-01 Trunk door assembly (some models)
- 9) 114895 Segment #29
- 10) 114894 Segment #28
- 11) 114893 Segment #25
- 12) 114890 Segment #26
- 13) 114891 Segment #27
- 14) 114889 Segment, center right
- 15) 114888 Segment, center left
- 16) NPN Alum. sheet, .060.x 19.0 x 51.0 (cut from 114880)
- 17) 371348-02 Window, rear escape
- 18) 962169-02 Taillight complete, CS
- 19) 510511 Clearance light, red
- 20) NPN Alum. sheet, .040x12.0x29.0(cut from 114880)
- 21) 962169-01 Taillight complete, RS
- 22) 201954 License plate housing, black
- 23) 101178 Base, clearance light casting, CS rear
- 24) 510511 Clearance light, red
- 25) 101177 Base, clearance light casting, RS rear

# 2000 EXCELLA TRAILER

VIEWED FACING FROM EXTERIOR



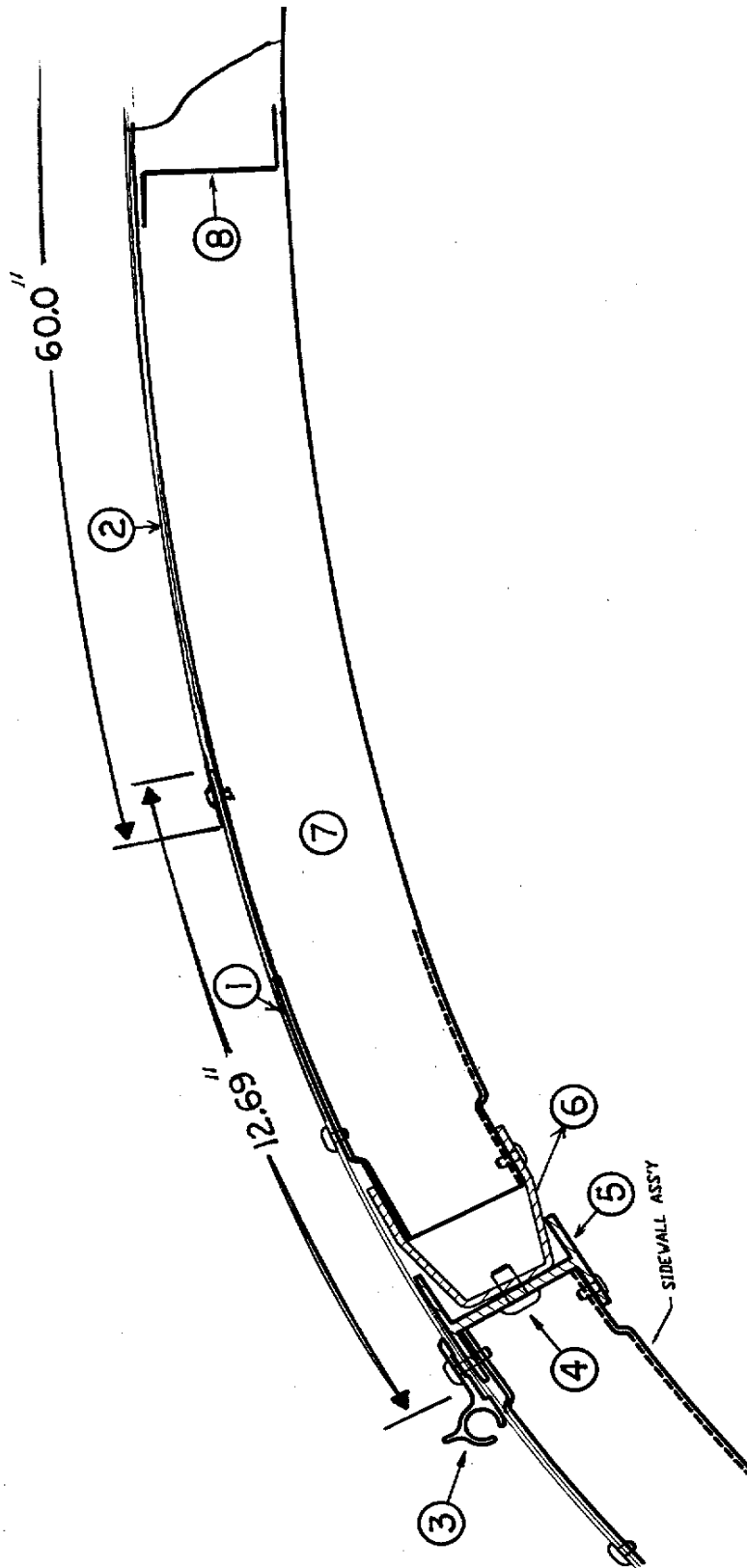
# 2000 EXCELLA TRAILER

## BODY-FRONT END

921160-09 End shell complete

- 1) 114993 End bow
- 2) 114676 Floor bow
- 3) 114678 Upper window bow
- 4) 114677 Lower window bow
- 5) 114505-01 Support, lower end, LH
- 6) 114505-02 Support, lower end, RH
- 7) 101315 Brace, vertical rear
- 8) 109852-01 Battery box assembly
- 9) 114895 Segment #29
- 10) 114894 Segment #28
- 11) 114893 Segment #25
- 12) 114890 Segment #26
- 13) 114891 Segment #27
- 14) 114889 Segment, center right
- 15) 114888 Segment, center left
- 16) NPN Alum. sheet, .060 x 34.75 x 51. (cut from 114880)
- 17) 371346-02 Window, front, dark glass
- 17a) 371348-01 Window, front, dark glass, Front Kitchen
- 18) 101178 Base , lamp, cast polished, RS
- 19) 101177 Base, lamp, cast polished, CS
- 20) 510112 Clearance light, amber
  
- 21) ) NPN Alum. sheet, .040 x 12.0 x 29.0 (cut from 114880)
- 22) 510732 Utility light #1327
- 23) 685276-100 Wrap protector, SS, specify side
- 24) 381605-01 Hinge, stainless, wrap protector
- 25) 100742-01 Extrusion, mirror/wrap protector trim
- 26) 114460 Extrusion, rub rail
- 27) 201763-01 Insert, rub rail
- 28) 200542 Underbelly wrap, RS wrap protector
- 28a) 200543 Underbelly wrap, CS wrap protector
- 29) 372089 Panoramic window, CS front
- 30) 372088 Panoramic window, RS front

# 2000 EXCELLA TRAILER





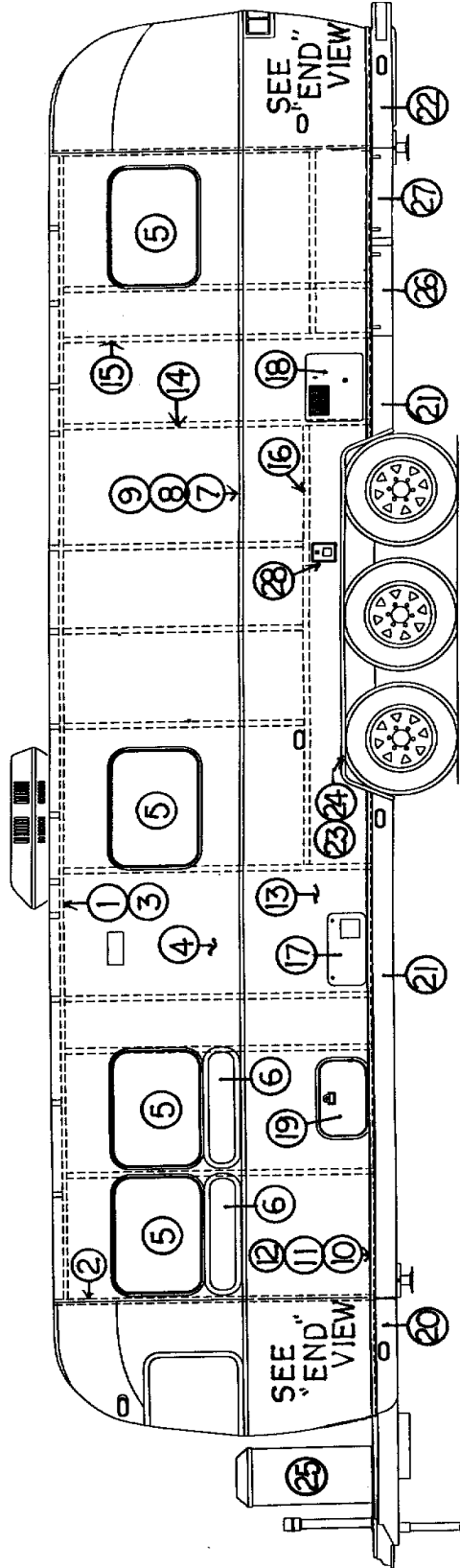
# 2000 EXCELLA TRAILER

## BODY

### ROOF-END VIEW

- |                |  |
|----------------|--|
| 1) 114669-307  | Alum. sheet, white, .032 x 12.69 x 307"        |
| 2) 114489-307  | Alum. sheet, white, .032 x 60.0 x 307", 34ft   |
| 2a) 114489-262 | Alum. sheet, white, .032x60x262", 28, 30&31ft. |
| 2b) 114489-198 | Alum. sheet, white, .032 x60x198", 25ft.       |
| 3) 114290-03   | Extrusion, awning/drip rail                    |
| 4) 340123-02   | Rivet, Huck, 3/16 x 1/2"                       |
| 5) 104707-05   | Extrusion, "I" beam                            |
| 6) 114338      | Extrusion, roof corner                         |
| 7) 114668      | Roof bow                                       |
| 8) 104408      | Extrusion, Z bar, horizontal                   |

# 2000 EXCELLA TRAILER



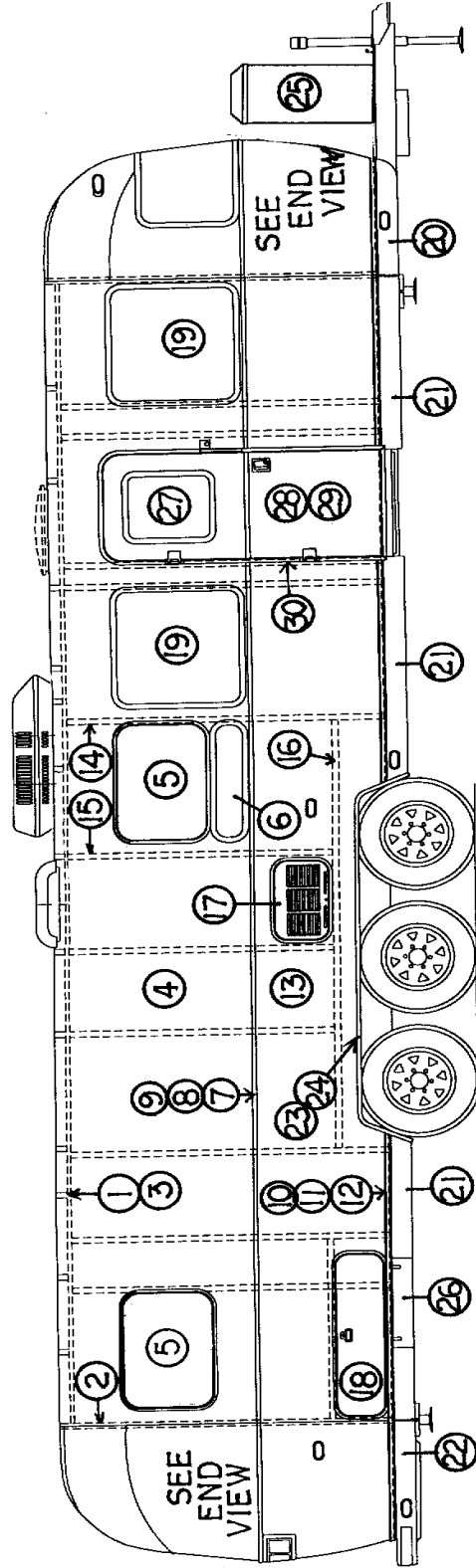
# 2000 EXCELLA TRAILER

## BODY-34FT EXCELLA, RS

(Hardware such as hinges, locks and latches are located in the **hardware** section of this book)

- |                |   |
|----------------|---|
| 1) 114290-03   | Extrusion, awning/drip rail             |
| 2) 114993      | Rib, end bow                            |
| 3) 104707      | Extrusion, "I" beam                     |
| 4) 114880-307  | Aluminum sheet, upper, .040 x 51 x 307" |
| 5) 371324-02   | Window, 30in. opening                   |
| 6) 371270-01   | Window, 30in., stack, stationary        |
| 7) 114328      | Extrusion, belt line                    |
| 8) 201912      | Molding, chrome, belt line              |
| 9) 100034      | "Z" bar, 48"                            |
| 10) 114460     | Extrusion, rub rail                     |
| 11) 201763-01  | Insert, rub rail, chrome, 1"            |
| 12) 100986     | Floor channel                           |
| 13) 114879-307 | Aluminum sheet, lower, .040 x 33 x 307" |
| 14) 114387-01  | Bow, Z rib, RH                          |
| 15) 114387-02  | Bow, Z rib, LH                          |
| 16) 100986     | Wheel well stiffener (floor channel)    |
| 17) 690274-09  | Cover, Hydroflame furnace               |
| 18) 690209     | Cover, brushed aluminum, Atwood         |
| 19) 100679     | Access door w/jamb                      |
| 20) 200542     | Banana wrap, RS front                   |
| 21) 101131-01  | Underbelly wrap, .024 x 22.5, pewter    |
| 22) 201974-01  | Bumper, rear corner, RS                 |
| 23) 685257     | Wheel well trim, inner, tri-axle        |
| 24) 685258     | Wheel well trim, outer, tri-axle        |
| 25) 108393     | Bottle cover, LP, w/out decal           |
| 26) 114496-02  | Door, utility compartment               |
| 27) 114496-01  | Door, power cord compartment            |
| 28) 601194     | Water fill w/lock                       |

# 2000 EXCELLA TRAILER



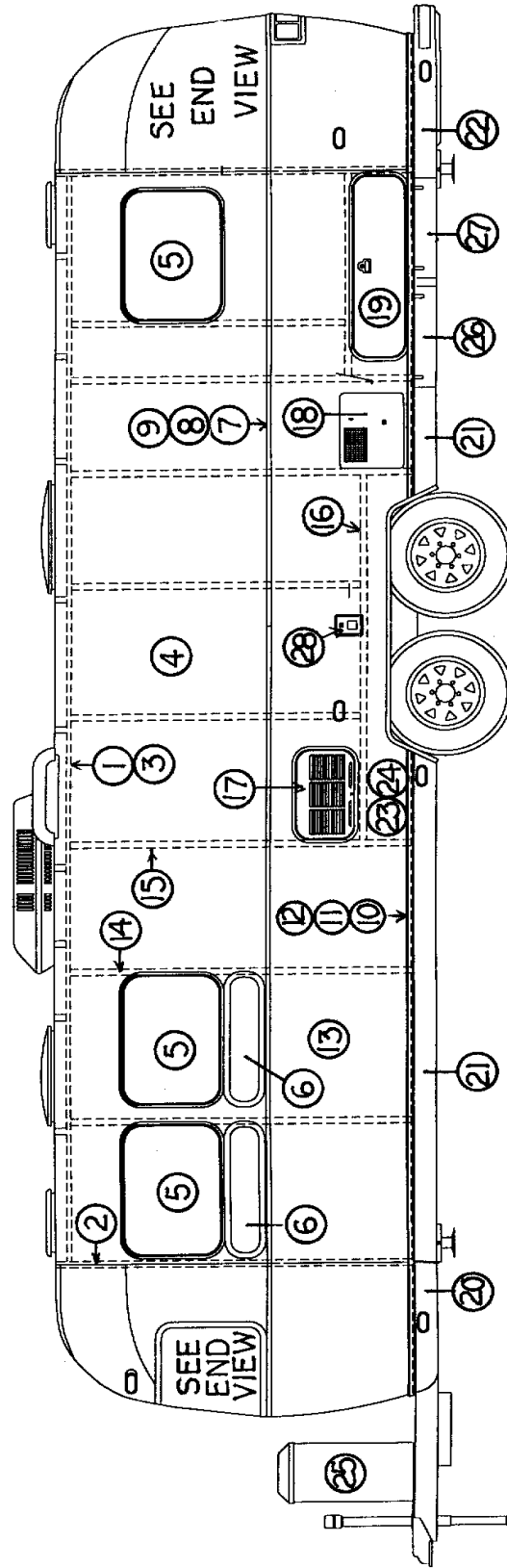
# 2000 EXCELLA TRAILER

## BODY-34FT EXCELLA, CS

(Hardware such as hinges, locks and latches are located in the **hardware** section of this book)

- |                |  |
|----------------|--|
| 1) 114290-03   | Extrusion, awning/drip rail              |
| 2) 114993      | Rib, end bow                             |
| 3) 104707      | Extrusion, "I" beam                      |
| 4) 114880-307  | Aluminum sheet, upper, .040 x 51 x 307"  |
| 5) 371324-02   | Window, 30in. opening                    |
| 6) 371270-01   | Window, 30in., stack, stationary         |
| 7) 114328      | Extrusion, belt line                     |
| 8) 201912      | Molding, chrome, belt line               |
| 9) 100034      | "Z" bar, 48"                             |
| 10) 114460     | Extrusion, rub rail                      |
| 11) 201763-01  | Insert, rub rail, chrome, 1"             |
| 12) 100986     | Floor channel                            |
| 13) 114879-307 | Aluminum sheet, lower, .040 x 33 x 307"  |
| 14) 114387-01  | Bow, Z rib, RH                           |
| 15) 114387-02  | Bow, Z rib, LH                           |
| 16) 100986     | Wheel well stiffener(floor channel)      |
| 17) 104439     | Louvered panel, refrigerator access door |
| 18) 922288-01  | Door, side access, long, twin only       |
| 19) 371285-01  | Window, stationary, 30in.                |
| 20) 200543     | Banana wrap, CS front                    |
| 21) 101131-01  | Underbelly wrap, .024 x 22.5, pewter     |
| 22) 201974-02  | Bumper, rear corner, CS                  |
| 23) 685257     | Wheel well trim, inner, tri-axle         |
| 24) 685258     | Wheel well trim, outer, tri-axle         |
| 25) 108393     | Bottle cover, LP, w/out decal            |
| 26) 114496-02  | Door, utility compartment                |
| 27) 371319-05  | Window, main door                        |
| 28) 110067-04  | Main door assembly, Limited              |
| 29) 114654     | Screen door assembly                     |
| 30) 114652     | Main door jamb, formed                   |

# 2000 EXCELLA TRAILER



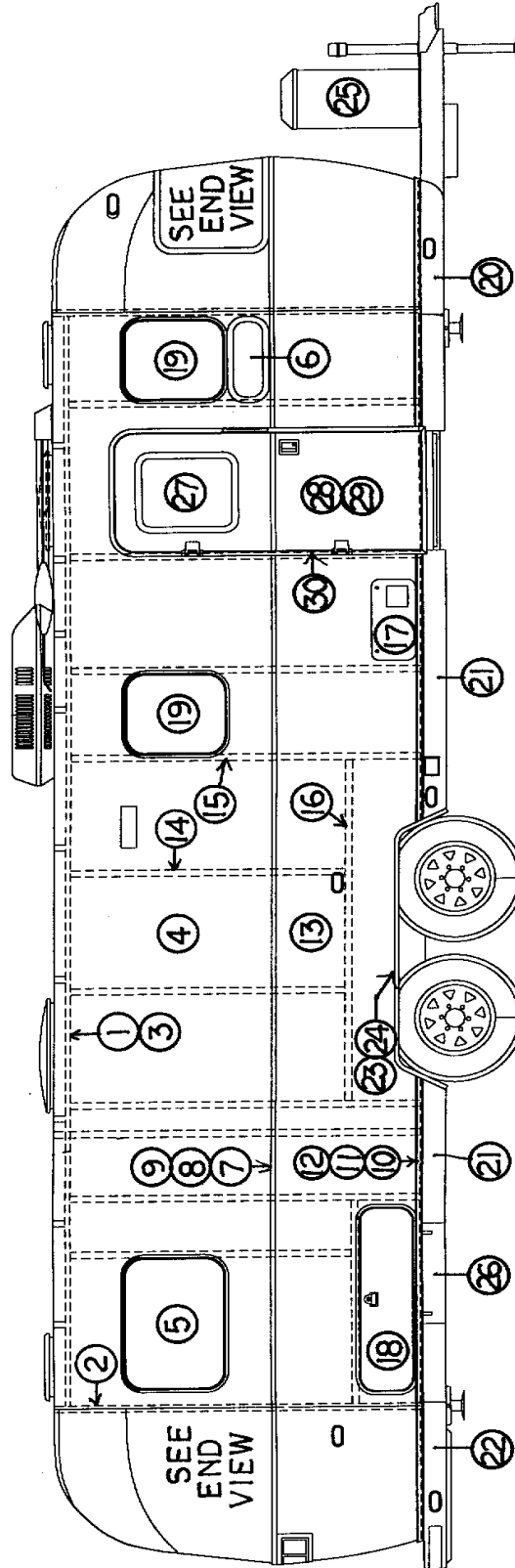
# 2000 EXCELLA TRAILER

## BODY-31FT EXCELLA, RS

(Hardware such as hinges, locks and latches are located in the **hardware** section of this book)

- |                |  |
|----------------|--|
| 1) 114290-03   | Extrusion, awning/drip rail              |
| 2) 114993      | Rib, end bow                             |
| 3) 104707      | Extrusion, "I" beam                      |
| 4) 114880-262  | Aluminum sheet, upper, .040 x 51 x 262"  |
| 5) 371324-02   | Window, 30in. opening                    |
| 6) 371270-01   | Window, 30in., stack, stationary         |
| 7) 114328      | Extrusion, belt line                     |
| 8) 201912      | Molding, chrome, belt line               |
| 9) 100034      | "Z" bar, 48"                             |
| 10) 114460     | Extrusion, rub rail                      |
| 11) 201763-01  | Insert, rub rail, chrome, 1"             |
| 12) 100986     | Floor channel                            |
| 13) 114879-262 | Aluminum sheet, lower, .040 x 33 x 262"  |
| 14) 114387-01  | Bow, Z rib, RH                           |
| 15) 114387-02  | Bow, Z rib, LH                           |
| 16) 100986     | Wheel well stiffener (floor channel)     |
| 17) 104439     | Louvered panel, refrigerator access door |
| 18) 690209     | Cover, brushed aluminum, Atwood          |
| 19) 922288-01  | Door, side access, long, twin only       |
| 20) 200542     | Banana wrap, RS front                    |
| 21) 101131-01  | Underbelly wrap, .024 x 22.5, pewter     |
| 22) 201974-01  | Bumper, rear corner, RS                  |
| 23) 684936     | Wheel well trim, inner, tandem axle      |
| 24) 684937     | Wheel well trim, outer, tandem axle      |
| 25) 108393     | Bottle cover, LP, w/o decals             |
| 26) 114496-02  | Door, utility compartment                |
| 27) 114496-01  | Door, power cord compartment             |
| 28) 601194     | Water fill w/lock                        |

# 2000 EXCELLA TRAILER





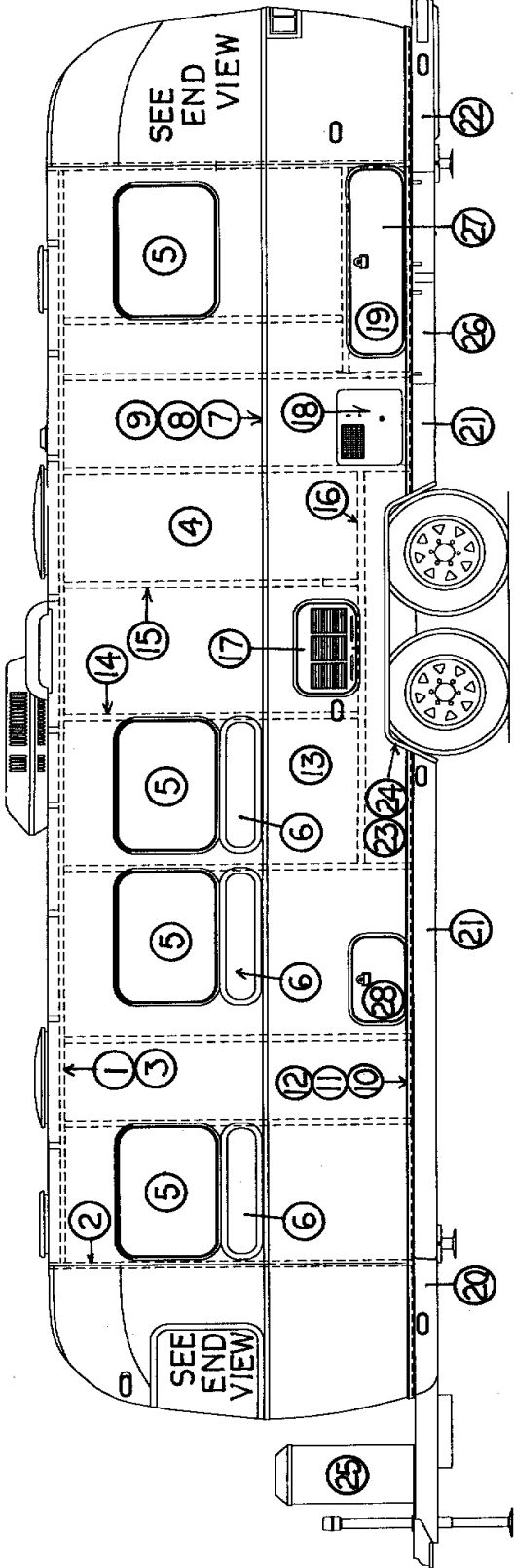
# 2000 EXCELLA TRAILER

## BODY-31FT EXCELLA, CS

(Hardware such as hinges, locks and latches are located in the **hardware** section of this book)

- 1) 114290-03 Extrusion, awning/drip rail
- 2) 114993 Rib, end bow
- 3) 104707 Extrusion, "I" beam
- 4) 114880-262 Aluminum sheet, upper, .040 x 51 x 262"
- 5) 371324-02 Window, 30in. opening
- 6) 371269 Window, 18in., stack, stationary
- 7) 114328 Extrusion, belt line
- 8) 201912 Molding, chrome, belt line
- 9) 100034 "Z" bar, 48"
- 10) 114460 Extrusion, rub rail
- 11) 201763-01 Insert, rub rail, chrome, 1"
- 12) 100986 Floor channel
- 13) 114879-262 Aluminum sheet, lower, .040 x 33 x 262"
- 14) 114387-01 Bow, Z rib, RH
- 15) 114387-02 Bow, Z rib, LH
- 16) 100986 Wheel well stiffener (floor channel)
- 17) 690274-09 Cover Hydroflame furnace
- 18) 922288-01 Door, side access, long, twin only
- 19) 371323 Window, 18in. opening
- 20) 200543 Banana wrap, CS front
- 21) 101131-01 Underbelly wrap, .024 x 22.5, pewter
- 22) 201974-02 Bumper, rear corner, CS
- 23) 684936 Wheel well trim, inner, tri-axle
- 24) 684937 Wheel well trim, outer, tri-axle
- 25) 108393 Bottle cover, LP, w/o decal
- 26) 114496-02 Door, utility compartment
- 27) 371319-05 Window, main door
- 28) 110067-04 Main door assembly, Limited
- 29) 114654 Screen door assembly
- 30) 114652 Main door jamb, formed

# 2000 EXCELLA TRAILER



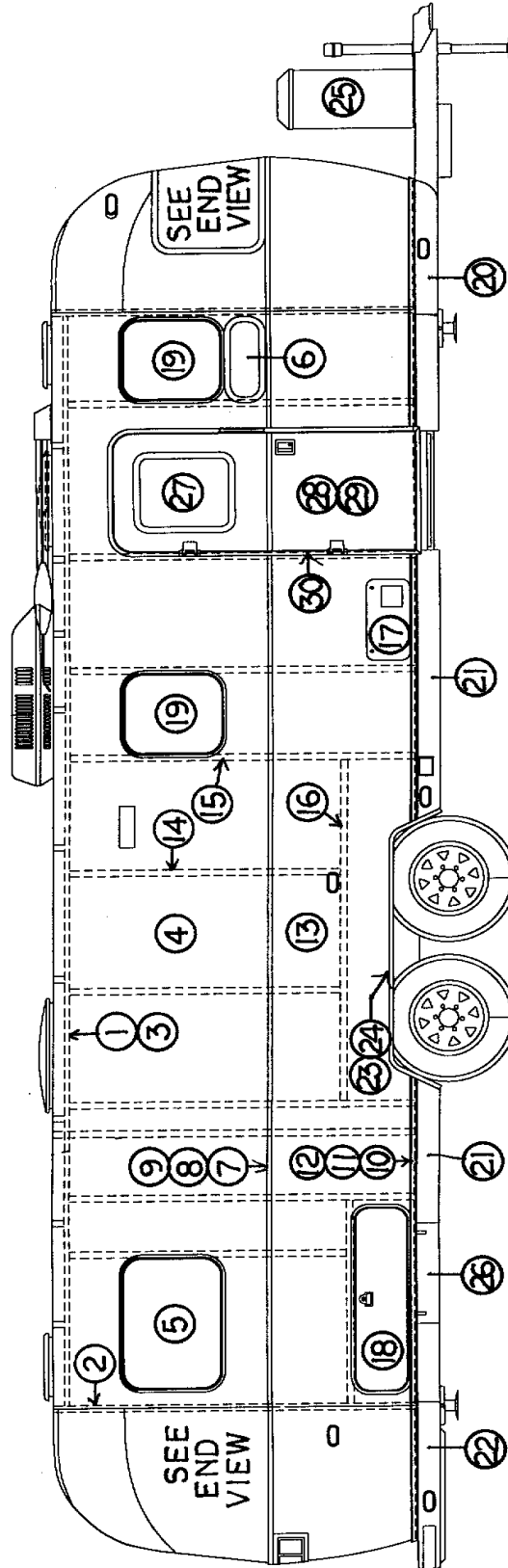
# 2000 EXCELLA TRAILER

## BODY-30FT EXCELLA, RS

(Hardware such as hinges, locks and latches are located in the **hardware** section of this book)

- |                |  |
|----------------|--|
| 1) 114290-03   | Extrusion, awning/drip rail              |
| 2) 114993      | Rib, end bow                             |
| 3) 104707      | Extrusion, "I" beam                      |
| 4) 114880-262  | Aluminum sheet, upper, .040 x 51 x 262"  |
| 5) 371324-02   | Window, 30in. opening                    |
| 6) 371270-01   | Window, 30in., stack, stationary         |
| 7) 114328      | Extrusion, belt line                     |
| 8) 201912      | Molding, chrome, belt line               |
| 9) 100034      | "Z" bar, 48"                             |
| 10) 114460     | Extrusion, rub rail                      |
| 11) 201763-01  | Insert, rub rail, chrome, 1"             |
| 12) 100986     | Floor channel                            |
| 13) 114879-262 | Aluminum sheet, lower, .040 x 33 x 262"  |
| 14) 114387-01  | Bow, Z rib, RH                           |
| 15) 114387-02  | Bow, Z rib, LH                           |
| 16) 100986     | Wheel well stiffener (floor channel)     |
| 17) 104439     | Louvered panel, refrigerator access door |
| 18) 690209     | Cover, brushed aluminum, Atwood          |
| 19) 922288-01  | Door, side access, long, twin only       |
| 20) 200542     | Banana wrap, RS front                    |
| 21) 101131-01  | Underbelly wrap, .024 x 22.5, pewter     |
| 22) 201974-01  | Bumper, rear corner, RS                  |
| 23) 684936     | Wheel well trim, inner, tandem axle      |
| 24) 684937     | Wheel well trim, outer, tandem axle      |
| 25) 108393     | Bottle cover, LP, w/o decals             |
| 26) 114496-02  | Door, utility compartment                |
| 27) 114496-01  | Door, power cord compartment             |
| 28) 100679-01  | Access door w/jamb                       |

# 2000 EXCELLA TRAILER



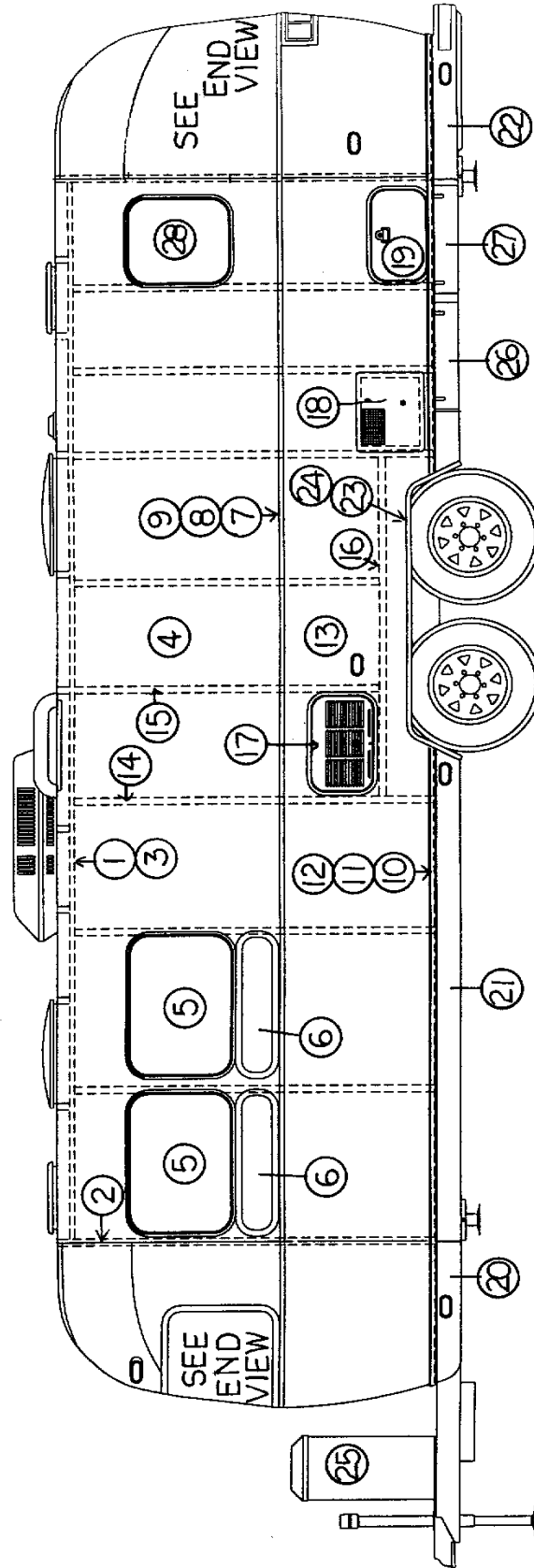
# 2000 EXCELLA TRAILER

## BODY-30FT EXCELLA, CS

(Hardware such as hinges, locks and latches are located in the **hardware** section of this book)

- |                |   |
|----------------|---|
| 1) 114290-03   | Extrusion, awning/drip rail             |
| 2) 114993      | Rib, end bow                            |
| 3) 104707      | Extrusion, "I" beam                     |
| 4) 114880-262  | Aluminum sheet, upper, .040 x 51 x 262" |
| 5) 371324-02   | Window, 30in. opening                   |
| 6) 371269-01   | Window, 18in., stack, stationary        |
| 7) 114328      | Extrusion, belt line                    |
| 8) 201912      | Molding, chrome, belt line              |
| 9) 100034      | "Z" bar, 48"                            |
| 10) 114460     | Extrusion, rub rail                     |
| 11) 201763-01  | Insert, rub rail, chrome, 1"            |
| 12) 100986     | Floor channel                           |
| 13) 114879-262 | Aluminum sheet, lower, .040 x 33 x 262" |
| 14) 114387-01  | Bow, Z rib, RH                          |
| 15) 114387-02  | Bow, Z rib, LH                          |
| 16) 100986     | Wheel well stiffener (floor channel)    |
| 17) 690274-09  | Cover Hydroflame furnace                |
| 18) 922288-01  | Door, side access, long, twin only      |
| 19) 371323     | Window, 18in. opening                   |
| 20) 200543     | Banana wrap, CS front                   |
| 21) 101131-01  | Underbelly wrap, .024 x 22.5, pewter    |
| 22) 201974-02  | Bumper, rear corner, CS                 |
| 23) 684936     | Wheel well trim, inner, tri-axle        |
| 24) 684937     | Wheel well trim, outer, tri-axle        |
| 25) 108393     | Bottle cover, LP, w/o decal             |
| 26) 114496-02  | Door, utility compartment               |
| 27) 371319-05  | Window, main door                       |
| 28) 110067-04  | Main door assembly, Limited             |
| 29) 114654     | Screen door assembly                    |
| 30) 114652     | Main door jamb, formed                  |

# 2000 EXCELLA TRAILER



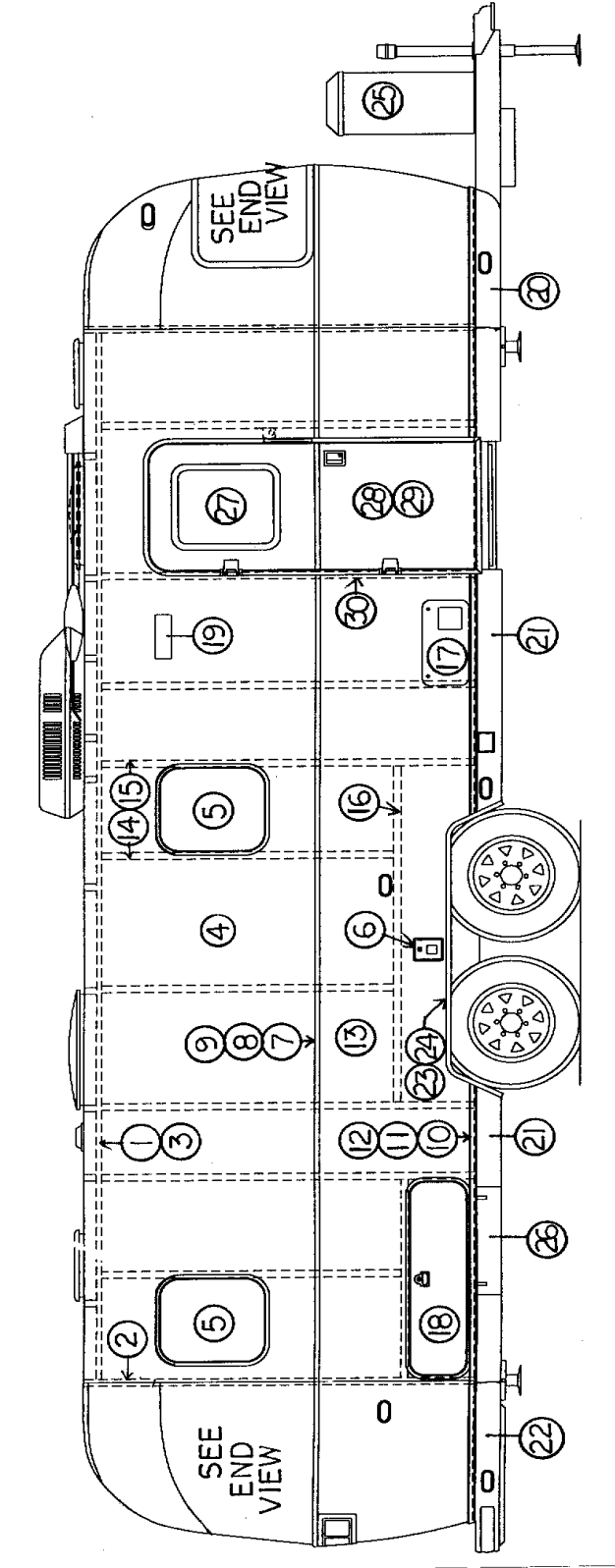
# 2000 EXCELLA TRAILER

## BODY-28FT EXCELLA, RS

(Hardware such as hinges, locks and latches are located in the **hardware** section of this book)

- |                |  |
|----------------|--|
| 1) 114290-03   | Extrusion, awning/drip rail              |
| 2) 114993      | Rib, end bow                             |
| 3) 104707      | Extrusion, "I" beam                      |
| 4) 114880-262  | Aluminum sheet, upper, .040 x 51 x 262"  |
| 5) 371324-02   | Window, 30in. opening                    |
| 6) 371270-01   | Window, 30in., stack, stationary         |
| 7) 114328      | Extrusion, belt line                     |
| 8) 201912      | Molding, chrome, belt line               |
| 9) 100034      | "Z" bar, 48"                             |
| 10) 114460     | Extrusion, rub rail                      |
| 11) 201763-01  | Insert, rub rail, chrome, 1"             |
| 12) 100986     | Floor channel                            |
| 13) 114879-262 | Aluminum sheet, lower, .040 x 33 x 262"  |
| 14) 114387-01  | Bow, Z rib, RH                           |
| 15) 114387-02  | Bow, Z rib, LH                           |
| 16) 100986     | Wheel well stiffener (floor channel)     |
| 17) 104439     | Louvered panel, refrigerator access door |
| 18) 690209     | Cover, brushed aluminum, Atwood          |
| 19) 100679-01  | Door, side access with jamb              |
| 20) 200542     | Banana wrap, RS front                    |
| 21) 101131-01  | Underbelly wrap, .024 x 22.5, pewter     |
| 22) 201974-01  | Bumper, rear corner, RS                  |
| 23) 684936     | Wheel well trim, inner, tandem axle      |
| 24) 684937     | Wheel well trim, outer, tandem axle      |
| 25) 108393     | Bottle cover, LP, w/o decals             |
| 26) 114496-02  | Door, utility compartment                |
| 27) 114496-01  | Door, power cord compartment             |
| 28) 371323-01  | Window, 18" opening                      |

# 2000 EXCELLA TRAILER





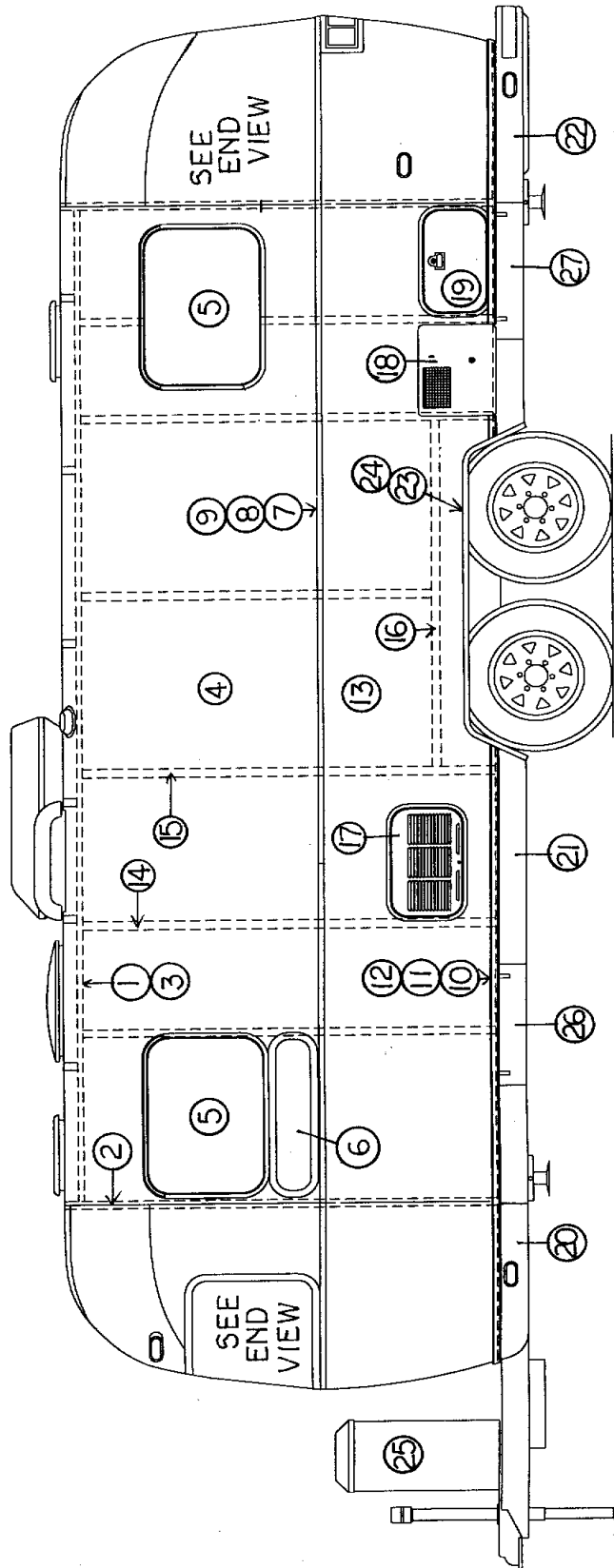
# 2000 EXCELLA TRAILER

## BODY-28FT EXCELLA, CS

(Hardware such as hinges, locks and latches are located in the **hardware** section of this book)

- |                |   |
|----------------|---|
| 1) 114290-03   | Extrusion, awning/drip rail             |
| 2) 114993      | Rib, end bow                            |
| 3) 104707      | Extrusion, "I" beam                     |
| 4) 114880-262  | Aluminum sheet, upper, .040 x 51 x 262" |
| 5) 371323      | Window, 18in. opening                   |
| 6) 601694      | Water fill w/lock                       |
| 7) 114328      | Extrusion, belt line                    |
| 8) 201912      | Molding, chrome, belt line              |
| 9) 100034      | "Z" bar, 48"                            |
| 10) 114460     | Extrusion, rub rail                     |
| 11) 201763-01  | Insert, rub rail, chrome, 1"            |
| 12) 100986     | Floor channel                           |
| 13) 114879-262 | Aluminum sheet, lower, .040 x 33 x 262" |
| 14) 114387-01  | Bow, Z rib, RH                          |
| 15) 114387-02  | Bow, Z rib, LH                          |
| 16) 100986     | Wheel well stiffener (floor channel)    |
| 17) 690274-09  | Cover Hydroflame furnace                |
| 18) 922288-01  | Door, side access, long, twin only      |
| 19) 511017-11  | Vent cover, exterior, range exhaust     |
| 20) 200543     | Banana wrap, CS front                   |
| 21) 101131-01  | Underbelly wrap, .024 x 22.5, pewter    |
| 22) 201974-02  | Bumper, rear corner, CS                 |
| 23) 684936     | Wheel well trim, inner, tri-axle        |
| 24) 684937     | Wheel well trim, outer, tri-axle        |
| 25) 108393     | Bottle cover, LP, w/o decal             |
| 26) 114496-02  | Door, utility compartment               |
| 27) 371319-05  | Window, main door                       |
| 28) 110067-04  | Main door assembly, Limited             |
| 29) 114654     | Screen door assembly                    |
| 30) 114652     | Main door jamb, formed                  |

# 2000 EXCELLA TRAILER



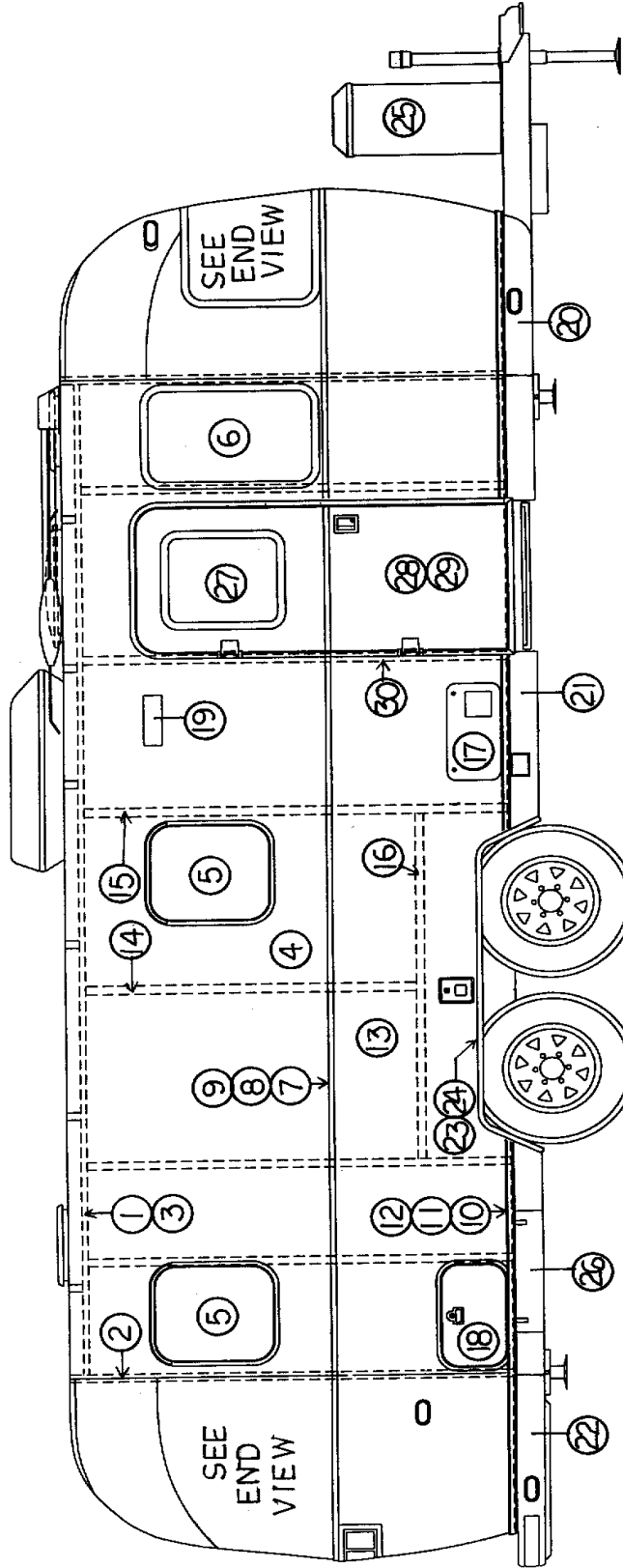
# 2000 EXCELLA TRAILER

## BODY-25FT EXCELLA, RS

(Hardware such as hinges, locks and latches are located in the **hardware** section of this book)

- |                |  |
|----------------|--|
| 1) 114290-03   | Extrusion, awning/drip rail              |
| 2) 114993      | Rib, end bow                             |
| 3) 104707      | Extrusion, "I" beam                      |
| 4) 114880-198  | Aluminum sheet, upper, .040 x 51 x 198"  |
| 5) 371324-02   | Window, 30in. opening                    |
| 6) 371270-01   | Window, 30in., stack, stationary         |
| 7) 114328      | Extrusion, belt line                     |
| 8) 201912      | Molding, chrome, belt line               |
| 9) 100034      | "Z" bar, 48"                             |
| 10) 114460     | Extrusion, rub rail                      |
| 11) 201763-01  | Insert, rub rail, chrome, 1"             |
| 12) 100986     | Floor channel                            |
| 13) 114879-198 | Aluminum sheet, lower, .040 x 33 x 198"  |
| 14) 114387-01  | Bow, Z rib, RH                           |
| 15) 114387-02  | Bow, Z rib, LH                           |
| 16) 100986     | Wheel well stiffener (floor channel)     |
| 17) 104439     | Louvered panel, refrigerator access door |
| 18) 690209     | Cover, brushed aluminum, Atwood          |
| 19) 100679     | Door, side access with jamb              |
| 20) 200542     | Banana wrap, RS front                    |
| 21) 101131-01  | Underbelly wrap, .024 x 22.5, pewter     |
| 22) 201974-01  | Bumper, rear corner, RS                  |
| 23) 684936     | Wheel well trim, inner, tandem axle      |
| 24) 684937     | Wheel well trim, outer, tandem axle      |
| 25) 108393     | Bottle cover, LP, w/o decals             |
| 26) 114496-02  | Door, utility compartment                |
| 27) 114496-01  | Door, power cord compartment             |

# 2000 EXCELLA TRAILER



# 2000 EXCELLA TRAILER

## BODY-25FT EXCELLA, CS

(Hardware such as hinges, locks and latches are located in the **hardware** section of this book)

- |                |   |
|----------------|---|
| 1) 114290-03   | Extrusion, awning/drip rail             |
| 2) 114993      | Rib, end bow                            |
| 3) 104707      | Extrusion, "I" beam                     |
| 4) 114880-198  | Aluminum sheet, upper, .040 x 51 x 198" |
| 5) 371323      | Window, 18in. opening                   |
| 6) 371286-01   | Window, 18 x 30", fixed                 |
| 7) 114328      | Extrusion, belt line                    |
| 8) 201912      | Molding, chrome, belt line              |
| 9) 100034      | "Z" bar, 48"                            |
| 10) 114460     | Extrusion, rub rail                     |
| 11) 201763-01  | Insert, rub rail, chrome, 1"            |
| 12) 100986     | Floor channel                           |
| 13) 114879-198 | Aluminum sheet, lower, .040 x 33 x 198" |
| 14) 114387-01  | Bow, Z rib, RH                          |
| 15) 114387-02  | Bow, Z rib, LH                          |
| 16) 100986     | Wheel well stiffener(floor channel)     |
| 17) 690274-09  | Cover Hydroflame furnace                |
| 18) 100679-01  | Door, side access with jamb             |
| 19) 511017-11  | Vent cover, exterior, range exhaust     |
| 20) 200543     | Banana wrap, CS front                   |
| 21) 101131-01  | Underbelly wrap, .024 x 22.5, pewter    |
| 22) 201974-02  | Bumper, rear corner, CS                 |
| 23) 684936     | Wheel well trim, inner, tandem axle     |
| 24) 684937     | Wheel well trim, outer, tandem axle     |
| 25) 108393     | Bottle cover, LP, w/o decal             |
| 26) 114496-02  | Door, utility compartment               |
| 27) 371319-05  | Window, main door                       |
| 28) 110067-05  | Main door assembly                      |
| 29) 114654     | Screen door assembly                    |
| 30) 114652     | Main door jamb, formed                  |

# 2000 EXCELLA TRAILER

## BODY-INTERIOR

(Hardware such as hinges, locks and latches are located in the **hardware** section of this book)

114445	Aluminum inside skin.032 x 34" x coil
114853-01	Aluminum inside skin.032 x 57" x coil
702481	Wall liner, Geometric Pearl *Adhesive, Fastbond 2000
702482-03	Headliner, Spectra Opal, textured
201728-01	Extrusion, plastic, ceiling trim retainer
201728-03	Extrusion, plastic, ceiling trim
203138-01	Extrusion, plastic, wall trim
101077	Extrusion, inside main door trim
200967-01	Trim ring, plastic, 18" x 30" stationary window
200968-01	Trim ring, plastic 30" x 30 stationary window
201675-01	Trim ring, inside, 30" stack window
201578-01	End cap trim ring, panoramic window (goes next to end bow)
201579-01	Trim, panoramic window, bottom, RS
201580-01	Trim panoramic window, bottom, CS
201581-03	Trim, panoramic window, upper, RS
201581-04	Trim, panoramic window, upper, CS
201391	"U" trim, flexible, panoramic window
200514	Wheel well cover, interior, tandem (splice two for tri-axle)

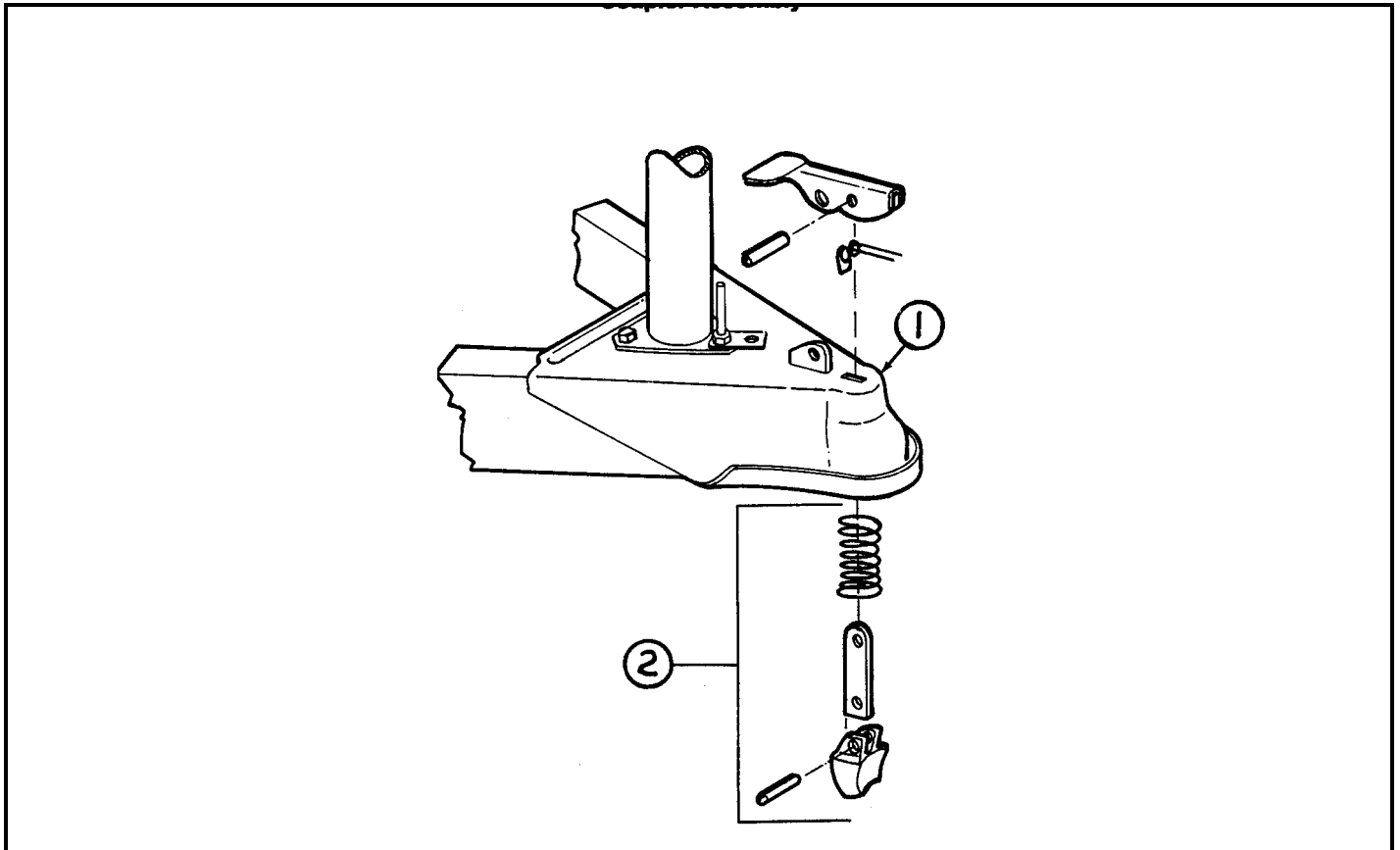
# 2000 EXCELLA TRAILER

## CHASSIS

### A-FRAME

915256 A-frame complete for stand up LP bottles

400042 Coupler



1) 680343 Coupler assembly, 2 5/16"

2) 680345 Repair kit, 2 5/16" coupler

0300026 Break away switch, Bargman

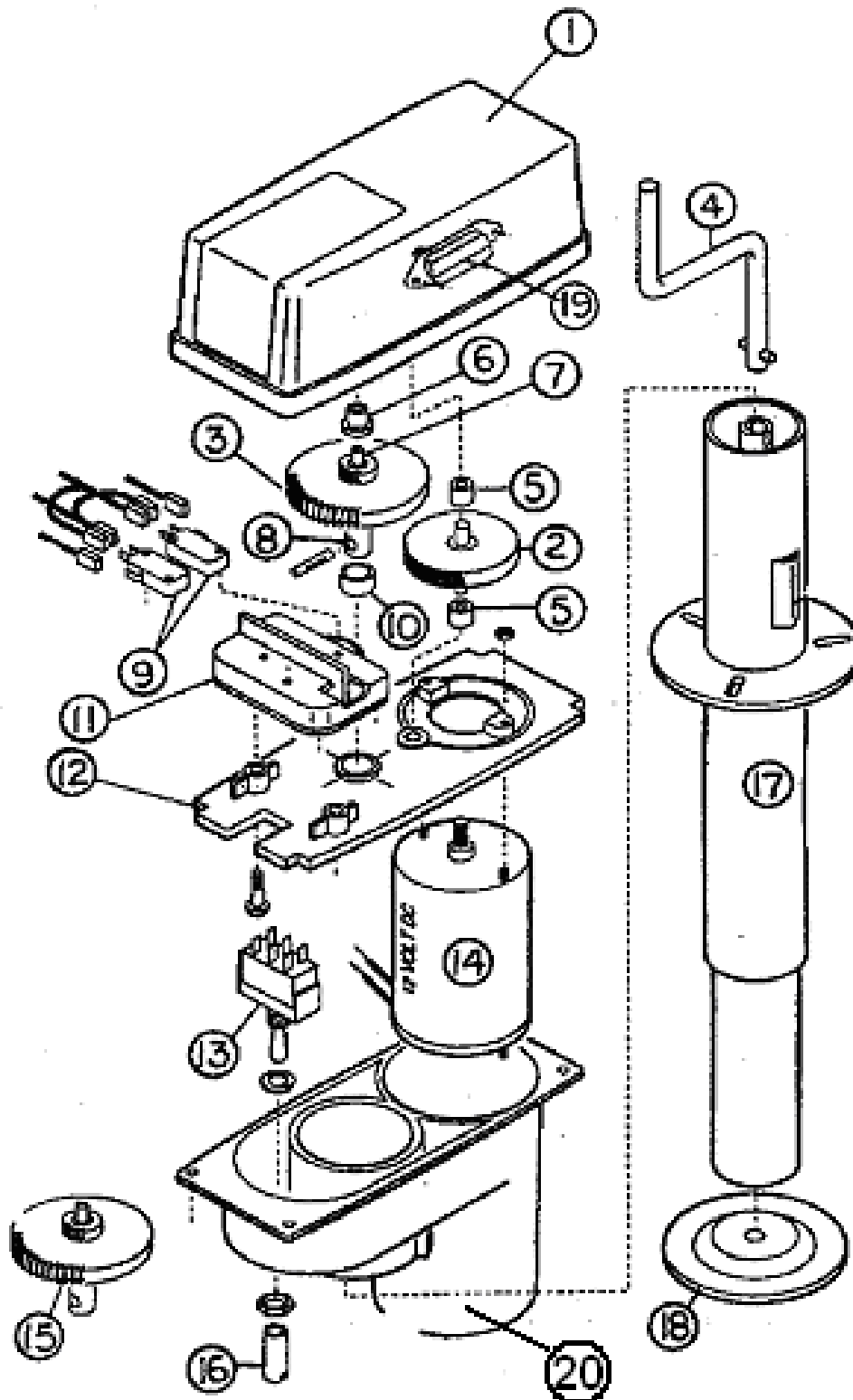
400407 Bracket, break away switch

(continued)

# 2000 EXCELLA TRAILER

## CHASSIS

Power Jack



Part Numbers are on the next page



# 2000 EXCELLA TRAILER

## CHASSIS

### Power Hitch Jack

400945	5/16 clevis, safety hook
601544	E-Z Hose Carrier
511544	Power jack w/flag holder & light
012251	Power head less post
1. 012198	Cover, Super Jack
2. 010051	Gear, fiber, Super Jack
3. 015551	Drive gear, Super Jack
4. 016199	Crank handle, manual, Super Jack
5. 080501	Bushing, bronze, Super Jack
6. 010055	Bushing, flange, Super Jack
7. 015552	Gear, pot/reed, Super Jack
8. 015553	Shaft, Super Jack
9. 081703	Micro switch, Super Jack
10. 080520	Bushing/bronze, 7/16, Super Jack
11. 012252	Limit switch assembly, Super Jack
12. 012200	Center plate, Super Jack
13. 081704	Switch, toggle, Super Jack
14. 016263	Motor, 12V, Super Jack
15. 011675	Drive gear assembly, Super Jack
16. 010069	Switch cover, Super Jack
17. 011631	Jack post, Super Jack
18. 410598	Foot pad #12231
19. 026503	Light, Jack
20. 012199	Housing for Motor and Switch

# 2000 EXCELLA TRAILER

## CHASSIS

### LP BOTTLE RACK

0360307	LP bottle ring, lower
601731-103	LP regulator mounting bracket
410410	Hold down rod, threaded, for 40lbs bottle
100949	Bracket, bottle hold, cast aluminum
410238	"T" handle, threaded, cast aluminum

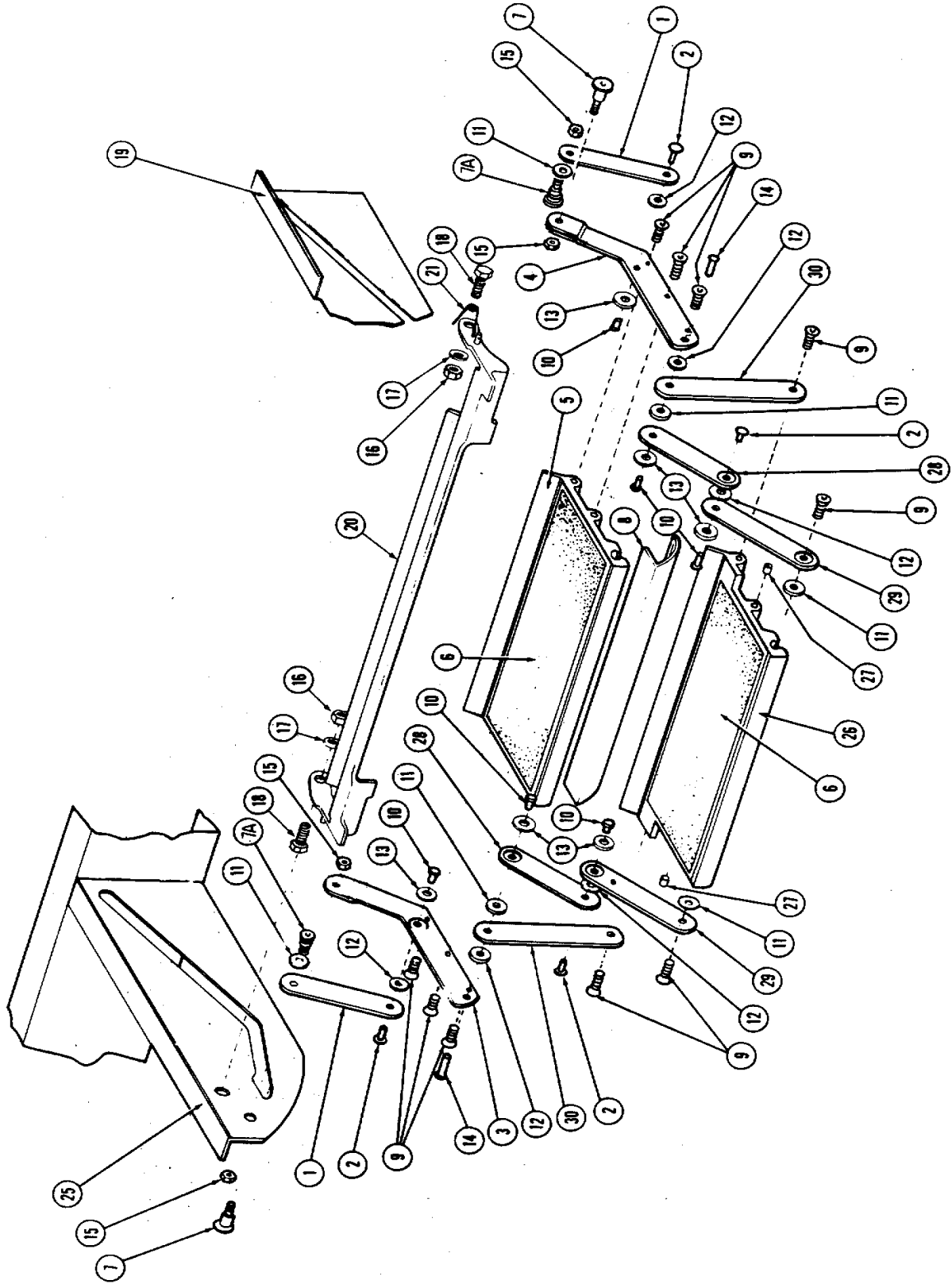
# 2000 EXCELLA TRAILER

## CHASSIS

### A-FRAME MISCELLANEOUS

913619	Tool box assembly, "A" frame
410551	Lid, toolbox
381430	Twist lock, straight cam, toolbox
410631	Winch, spare tire, used w/lay-down bottles
0360482	Bracket, spare tire, used w/crank up winch
450414	"A" frame tire carrier
453620	Covers, A-frame, stainless steel

# 2000 EXCELLA TRAILER



## 2000 EXCELLA TRAILER

### Step

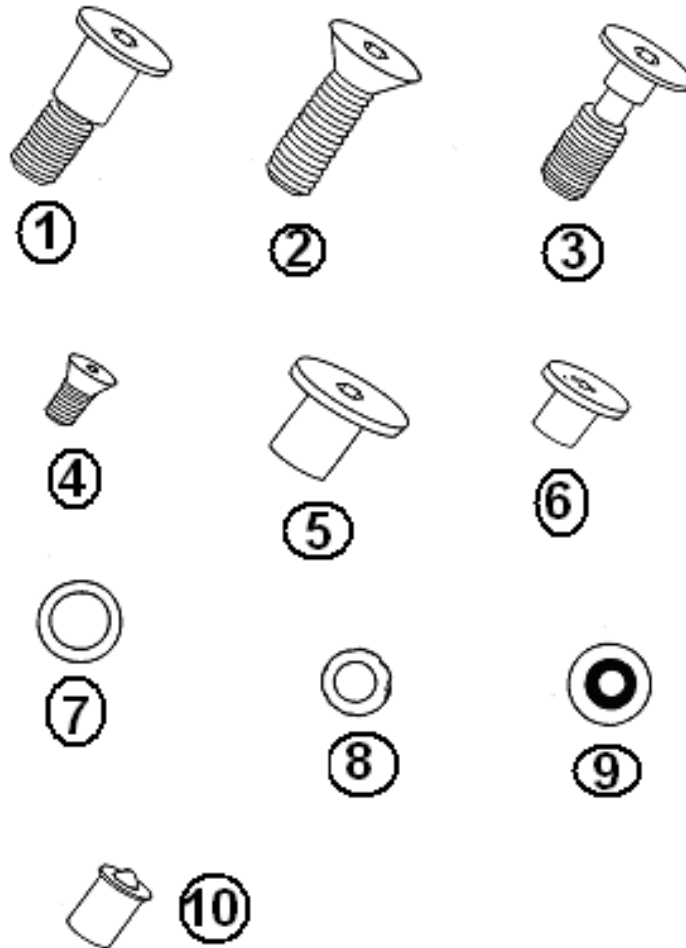
3440006	Double step assembly
1. 680213	Arm, upper support
2. 680214	*Pin, hinge
3. 680215	Step bracket, left
4. 680216	Step bracket, right
5. 680217	Extrusion, step 20.5"
6. 380069	Safety tread
7. 001152	Bolt, shoulder
7a. 001145	Bolt, shoulder, 3/8" thread
8. 680220	Panel
9. 680221	Screw, flat head
10. 680222	Bolt, socket head
11. 680223	Washer, bronze
12. 680224	Washer, wave
13. 680225	Washer, aluminum
14. 680226	Pin, pivot
15. 350005	Nut, hex
16. 350147-25	Nut, Nylock
17. 300005	Washer, flat
18. 345016	Screw, machine
19. 400454	Outrigger, RH (Not included with step assembly.)
20. 100298	Casting, step release
21. 0440032	Step spring
25. 400455	Outrigger, LH (Not included with step assembly.)
26. 410200	Extrusion, step, 20.0"
27. 380075	*Bullet catch
28. 400004	Hinge arm, upper
29. 400003	Hinge arm, lower
30. 400005	Arm, lower support

\*Larger illustration on next page

# 2000 EXCELLA TRAILER

## CHASSIS

### Step Bolts/Washers/Screws/Catches Illustrated

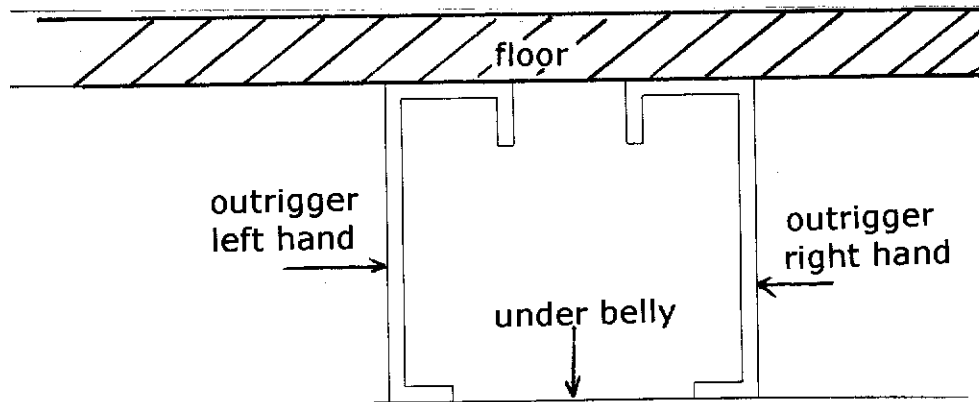


- |            |                                    |
|------------|------------------------------------|
| 1. 001152  | 1/2" Shoulder w/3/8" shoulder bolt |
| 2. 680221  | 3/8-16 x 1, flat head Allen, screw |
| 3. 001145  | 3/8-16 thread, shoulder bolt       |
| 4. 680222  | Flat head Allen socket screw       |
| 5. 680226  | Pivot pin                          |
| 6. 680214  | Hinge pin                          |
| 7. 680223  | Brass washer                       |
| 8. 680224  | Wave washer                        |
| 9. 680225  | Aluminum Washer                    |
| 10. 380075 | Bullet catch                       |

# 2000 EXCELLA TRAILER

## CHASSIS OUTRIGGERS

410524	Step outrigger assembly, forward
410523	Step outrigger assembly, aft
410497	Outrigger, pierced, RH
410498	Outrigger, pierced, LH
410500	Outrigger, standard, LH
410499	Outrigger, standard, RH
410501	Outrigger, solid, RH, notched
410502	Outrigger, solid, LH, notched
410706	Outrigger, power cord compartment, RH
410758	Outrigger, power cord compartment, LH



## CHASSIS COVERING

114679	Aluminum under belly .019 x 65.75 x coil
101131	Aluminum under belly .024 x 22.50 x coil
101131-01	Aluminum under belly .024 x 22.5 x coil, Pewter (covers from under belly to floor line)
200543	Banana wrap, CS front
200542	Banana wrap, RS front
203142	Bumper, rear center
201974-01	Bumper, rear corner, RS
201974-02	Bumper, rear corner, CS

(note: the rear roll out tray makes up part of the center section of the bumper)

# 2000 EXCELLA TRAILER

## CHASSIS

### STABILIZING JACKS

400093	Stabilizing jacks, BAL w/handle, set of 4
400093-01	BAL jack , each
400093-04	Foot pad, BAL jack

### BELOW FLOOR STORAGE

962828-01	Roll out tray assembly, rear
453144	Roll out tray
381556	Over head door track, 2"
453159	Enclosure assembly, rear roll out tray
453156	"U" bar, roller support
381555	Ten ball roller w/stem
310028	Lynch pin, 1/4"
201909	Molding, black bumper trim
915099-01	Utility compartment assembly
914022	Power cord storage plate
601544	E-Z hose carrier, 46"
961251	Box, flag storage compartment



# 2000 EXCELLA TRAILER

## CHASSIS

### RUNNING GEAR

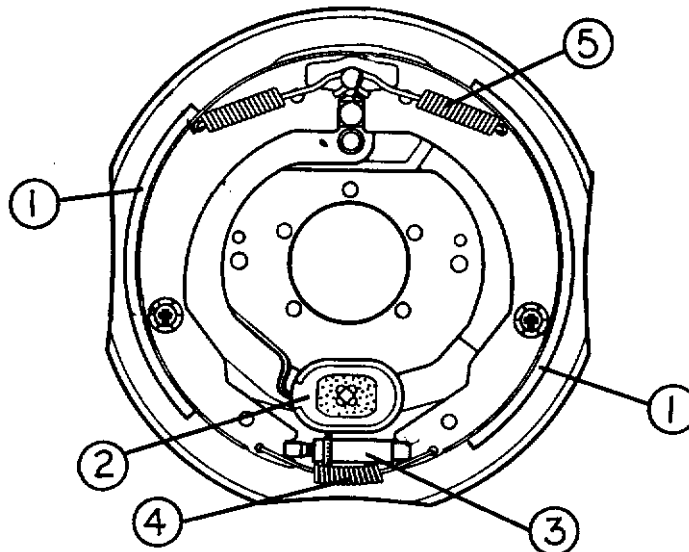
7320036H	Axle, 3200#, 34ft.
7400068H	Axle, 4000#, 28, 30 & 31ft.
7350475H	Axle, 3500#, 25ft.
0220003	Shock absorber
410832-100	Tire and wheel assembly
400809	Tire ST 225/75 R15LR "C" BW
400935	Wheel, aluminum
400844	Cover, center hub, polished aluminum
400923	Lug nut, acorn type
410009	Valve stem
410822-150	Wheel, steel, 15"
200844	Wheel well, tandem (tri-axle wheel wells are made from two tandems)

# 2000 EXCELLA TRAILER

## 12" BRAKES

3160121	Brake drum, 12", 6 lug
450659	Inner bearing, #25580
680364	Inner race, #25520
450658	Outer bearing, #LM67048
680365	Outer race, #LM67010
680370-100	Grease seal

3160347	Brake assembly, RH, 12" Dexter
3160348	Brake assembly, LH, 12" Dexter



1) 3160348-62	Shoe and lining kit (includes hold down spring and pin)
2) 3160348-65	Magnet kit
3) 3160348-63	Adjuster assembly
4) 3160348-64	Adjusting screw spring
5) 3160348-61	Retractor spring

# 2000 EXCELLA TRAILER

## SECTION II- EXCELLA

### D through E

DECALS ..... II-1

EXTERIOR TRIM ..... II-2

### DOORS/WINDOWS/AWNING

Doors ..... II-4

Windows ..... II-6

Awning ..... II-7

DRAPES/BLINDS/VALANCES..... II-8

### ELECTRICAL

110 volt ..... II-12

12 volt..... II-13

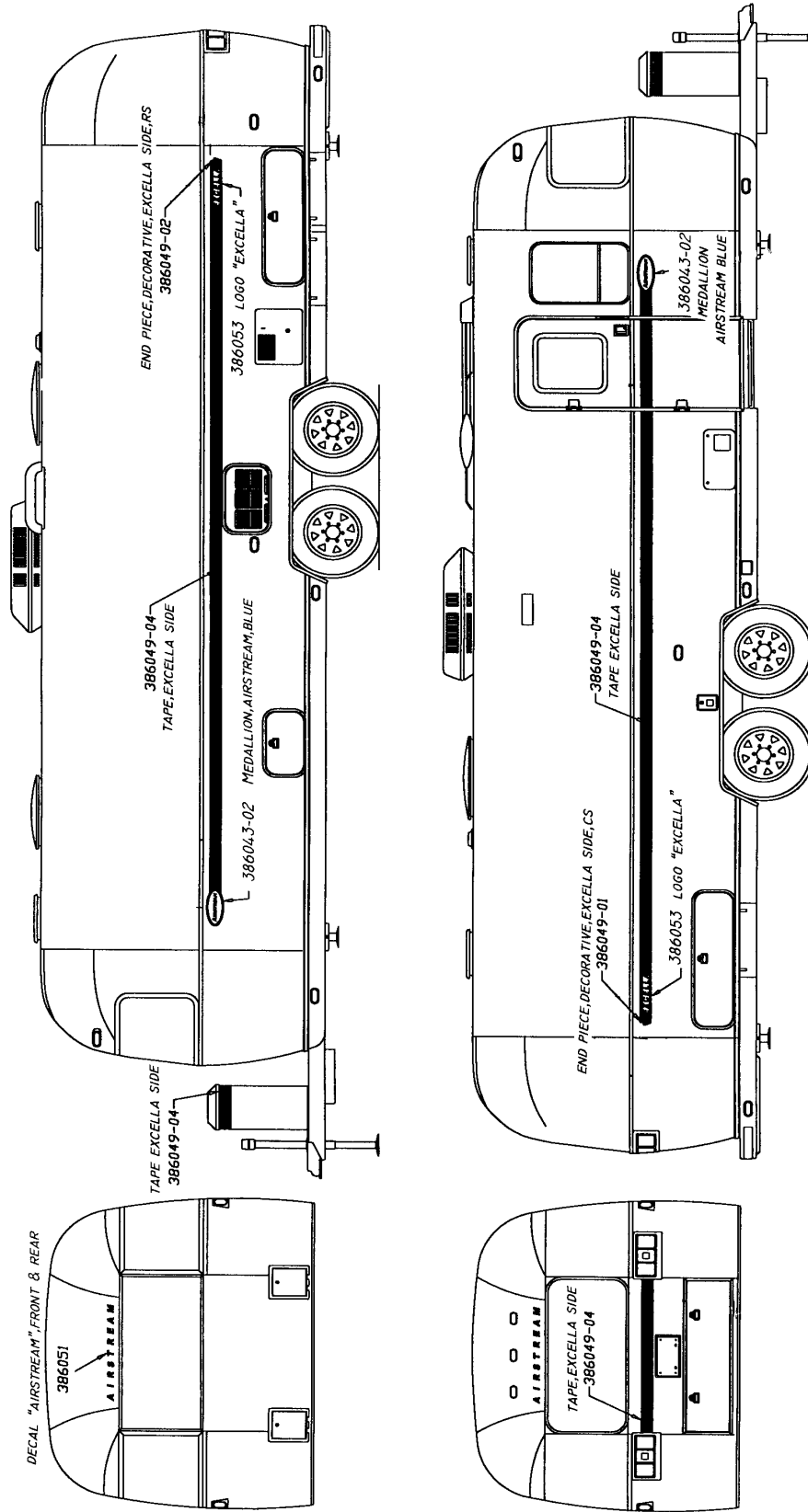
### ENTERTAINMENT

Radio..... II-16

Antenna..... II-16



# 2000 EXCELLA TRAILER



# 2000 EXCELLA TRAILER

## EXTERIOR TRIM

114328	Extrusion, belt line molding
201912	Molding, belt line insert, chrome
114417	Casting, belt line close out
114460	Extrusion, rub rail
201763-01	Molding, rub rail insert, chrome
114466-01	Casting, close out, rub rail, angled, RH
114466-02	Casting, close out, rub rail, angled, LH
114465-01	Casting, close out, rub rail, RH
114465-02	Casting, close out, rub rail, LH
381753-02	End clip, rub rail, gray
685257	inner wheel well trim, tri-axle
685258	outer wheel well trim, tri-axle
684936	inner wheel well trim, tandem axle
684937	outer wheel well trim, tandem axle

# 2000 EXCELLA TRAILER

## DOORS/WINDOWS/AWNING

(Hardware such as hinges, locks and latches are located in the **hardware** section of this book.)

### DOORS

115207-04	Main door assembly
114652	Jamb, main door, preformed
114653	Frame, main door, preformed
114448-02	Skin, exterior, upper main door
114449-02	Skin, exterior, lower main door
114475	Skin, inner, vinyl clad
114363	Drip cap, main door
365232	Seal, main door
114654	Screen door assembly
114561	Panel, slider, screen door
20300-01	Close out, plastic, screen door
32226W	Guard, screen door
380079	Screen, gray
200518	Spline, gray, screen insert
365013	Gasket, screen door, foam tape
922243	Door, refrigerator access
104417	Jamb, refrigerator access door
104439	Louvered panel, refrigerator access door
203225	Trim, flexible, white, inner door jamb
100679-01	Side access door assembly
365035	Seal, side access door
921159-01	Trunk door assembly, rear, twin only
114675	Jamb, rear trunk door
365035	Seal, access door

(continued)

# 2000 EXCELLA TRAILER

## DOORS/WINDOWS/AWNING

(Hardware such as hinges, locks and latches are located in the **hardware** section of this book.)

### DOORS

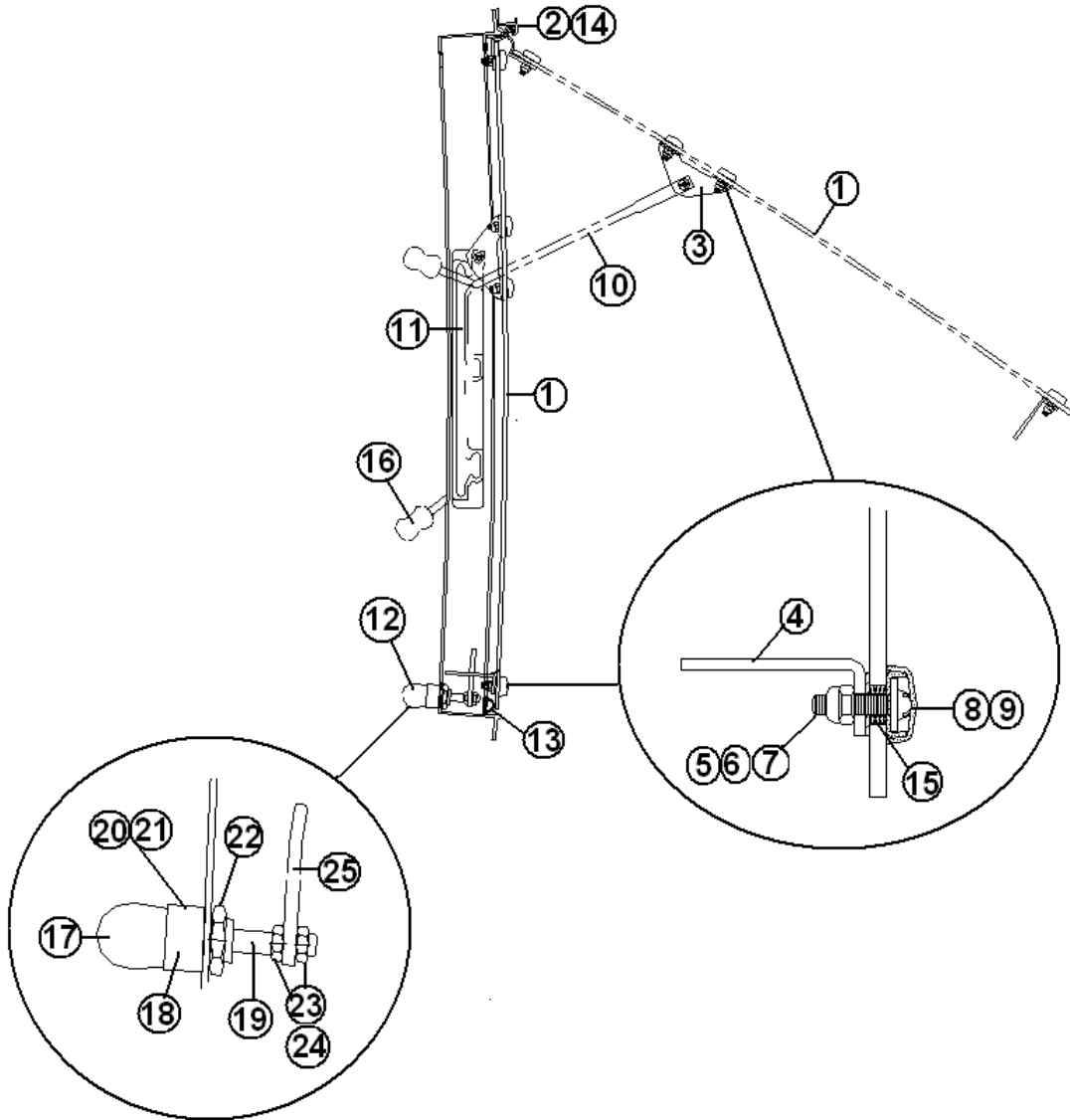
922288-01	Door, side access, long, twin only
104833	Jamb, long side access door, twin only
114467-01	Door panel, outer, battery box door
114468	Door panel, inner, battery box door
114464	Casting, battery box door jamb
380238	Support cable, battery box door
114496-02	Door, utility compartment
114496-01	Door, power cord compartment
690209	Cover, brushed aluminum, Atwood water heater
690274-09	Cover, Hydroflame furnace
601194	Water fill door w/pocket & lock
114219	Door, flag storage compartment



# 2000 EXCELLA TRAILER

## DOORS/WINDOWS/AWNINGS

### WINDOWS



Part numbers on next page

# 2000 EXCELLA TRAILER

## DOORS/WINDOWS/AWNINGS

### WINDOWS

- |               |                                     |
|---------------|-------------------------------------|
| 1. 371323-100 | Glass w/hardware, 18" window        |
| 1. 371324-100 | Glass w/hardware, 30" window        |
| 2. 371323-101 | Hinge, 18" window                   |
| 2. 371324-101 | Hinge, 30" window                   |
| 3. 1101-0010  | Bracket, window prop                |
| 4. 685124     | Striker plate, window latch         |
| 5. 0706-0004  | Flat washer                         |
| 6. 0703-0001  | Screw, #8-32 x .625", black, SS     |
| 7. 0702-0010  | Nut, Nylox, #8-32, black SS         |
| 8. 0802-0004  | Screw cover, 12-12 #100, black      |
| 9. 0802-0005  | Washer, 12-12 screw cover bottom    |
| 10. 100903    | Operating arm, RH                   |
| 10. 100903-01 | Operating arm, LH                   |
| 11. 0802-0001 | Guide, operating arm, RH            |
| 11. 0802-0002 | Guide, operating arm, LH            |
| 12. 010020    | Latch assembly, chrome              |
| 13. 381665    | Gasket seal                         |
| 14. 0101-0017 | Male hinge extrusion, 1/2" pc.      |
| 15. 0706-0003 | Bushing, window, acrylic            |
| 16. 380230-03 | Window arm knob, silver             |
| 16. 380230-04 | Window arm knob, red                |
| 17. 1101-0005 | Latch handle, chrome                |
| 17. 195467-05 | Latch handle, red                   |
| 18. 1101-0007 | Latch body                          |
| 19. 1101-0008 | Latch shaft                         |
| 20. 1101-0009 | Latch spring                        |
| 21. 0707-0002 | Pin, drive lock, 5/32" x 5/8", zinc |
| 22. 0702-0001 | Nut, hex panel, 5/8"-24, zinc       |
| 23. 0702-0002 | Nut, jam, hex, 5/16-24              |
| 24. 385123    | Washer, flat, .53" OD x .328" ID    |
| 25. 685123    | Latch paw                           |

# 2000 EXCELLA TRAILER

## DOORS/WINDOWS/AWNINGS

(Hardware such as hinges, locks and latches are located in the **hardware** section of this book.)

### WINDOWS

- 371346-02 Window, flat, front center
- 372088 Window, panoramic, front RS
- 372089 Window, panoramic, front, CS
  
- 371348-02 Window, flat, rear w/red handles
  
- 371285-01 Window, curved 30 x 30 fixed
- 371324-02 Window, curved 30" opening
- 371270-01 Window, curved, 30" stacked
  
- 371323-01 Window, curved 18" opening
- 371269-01 Window, curved 18" stacked
  
- 371319-05 Window, main door
- 371319-03 Trim ring, inside, main door window

### WINDOW SCREENS

- 371349-01 Screen, rear escape
- 371347-01 Screen, front window
- 372175-02 Screen, 30" opening window
- 372174-01 Screen, 18" opening window
- 372175-03 Screen, 30", alternate egress

# 2000 EXCELLA TRAILER

## DOORS/WINDOWS/AWNINGS

(Hardware such as hinges, locks and latches are located in the **hardware** section of this book.)

### AWNINGS

702662-03	Awning, patio, 16'4.5", blue, 25ft.
702662-02	Awning, patio, 19'8.25", blue, 28ft.
702662-22	Awning, patio, 21' 7" blue, 30, 31, &34ft.
381532-01	Hardware, patio, satin
702662-05	Center support CS-05
702662-06	Awning, 3', blue
702662-20	Awning, window, blue, 52 5/8"
702662-07	Awning, RS window, 14'10", blue, 34ft.
702662-09	Awning, RS windows, 13'4", blue, 30&31ft.
385577	Wear tape, clear, 3.5" wide
110102	Rock guard, center only
381021	Latch, draw type, flexible
685275-101	Rock guard, CS front
685275-102	Rock guard, RS front

# 2000 EXCELLA TRAILER

## DRAPES/BLINDS/VALANCES

### DRAPES

- 998056-01      Drape, rear, 4-16 pleat, 34, 31D, 30D, 28, and 25ft.
- 998134-01      Drape, rear bedroom, side, 2-9 pleat, 34, 31D & 30D
- 998134-04      Drape, 30"bedroom, 2-9 pleat, 31T & 30T
- 998057          Drape, bedroom, 2-7 pleat, 31T , 30T, 28 & 25D  
998057-01      Drape, bedroom, 2-5 pleat, 25T
- 998053-01      Drape, dinette, 2-8 pleat&1-5 pleat, 34', 31' & 30'
- 998053          Drape, galley, 2-2pleat, 34', 31', 30', 28' & 25ft.
- 998050-01      Drape, front, 4-16 pleat, 34', 31', 30', 28' & 25ft.
- 998134-02      Drape, lounge, RS, 30", 2-9 pleat, 34 & 28ft.
- 998134-05      Drape, lounge, RS, 30", 2-9 pleat, 31' & 30'
- 998135          Drape, lounge, CS, 30", 2-6 pleat, 34, 31', 30' & 28
- 998051-25      Drape, lounge, RS, 2-7pleat, 25ft.
- 998052          Drape, lounge, CS, 2-4pleat, 25ft.

# 2000 EXCELLA TRAILER

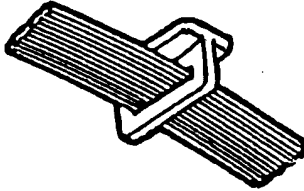
## DRAPERY TRACK AND BRACKETS



101220  
Bracket, curtain  
stand off



101217  
Track, curtain



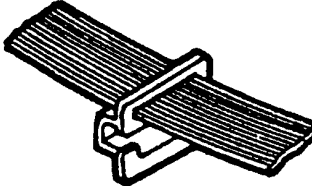
700044  
Glides, w/elastic  
"T" type



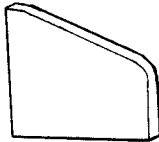
114021  
Bracket, curtain  
stand off



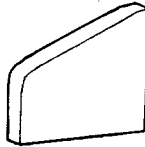
101225  
Bracket, curtain  
stand off



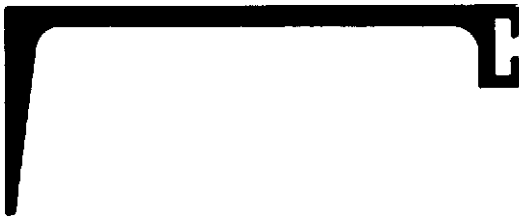
700045  
Glides, w/elastic  
"G" type



200785  
End, curtain track,



200784  
LH End, curtain track, RH



101005  
Bracket, curtain stand-off

# 2000 EXCELLA TRAILER

## DRAPES/BLINDS/VALANCES

- 964107-01 Valance, rear bedroom, 34, 31, and 30ft.double  
964106-02 Valance, bedroom, 52", CS, 34, 31 and 30ft.double  
964106-03 Valance, bedroom, 52", RS, 34, 31 and 30ft.double  
964106-01 Valance, bedroom, 25T, 28ft.
- 964106-06 Valance, bedroom, 38.5"CS, 34ft.twins  
964106-07 Valance, bedroom, 38.5"RS, 34ft.twins  
964106-10 Valance, bedroom, 45", CS, 28D  
964106-09 Valance, bedroom, 44.5", RS, 28D  
964106-11 Valance, bedroom, 45", RS, 25ft.  
964106-15 Valance, bedroom, CS, 25ft.
- 964106-04 Valance, bedroom, 38", CS, 30&31ft.twins  
964106-05 Valance, bedroom, 38", RS, 30&31ft.twins
- 964105-02 Valance, galley, 30"25 & 28ft.twin & double  
964105-01 Valance, galley, 24"30 & 31ft., twin & double  
964105-03 Valance, galley, 37"34ft., twin & double
- 964108-01 Valance, dinette30&34ft. twin & double
- 964104-03 Valance, lounge, 58"30ft. twin & double  
964104-05 Valance, lounge, 91"25, 28&31ft. twin & double  
964104-01 Valance, lounge, 42"30 & 31ft. twin& double  
964104-02 Valance, lounge, 56"34ft.  
964104-06 Valance, lounge, 100" 34ft.  
964104-04 Valance, lounge, 70"25ft.

# 2000 EXCELLA TRAILER

## DRAPES/BLINDS/VALANCES

### BLINDS

		INCHES
702355-02	Shade, pull type	34.375 x 36.0
702355-01	Shade, pull type	20.125 x 36.0
702968-01	Shade, pleated, day/night	17.12 x 22.5, Ascot
702968-08	Shade, pleated, day/night	28.87 x 33.0, Ascot
702968-16	Shade, pleated, day/night	47.5 x 25.0 , Ascot
702968-02	Shade, pleated, day/night	17.12 x 33.0, Ascot
702968-10	Shade, pleated, day/night	31.0 x 33.0, Ascot
702968-07	Shade, pleated, day/night	28.87 x 22.5 , Ascot
702968-02	Shade, pleated, day/night	17.12 x 33.0 , Ascot
702969-16	Shade, pleated, night	47.50 x 25.0 , Ascot
702969-01	Shade, pleated, night	28.87 x 22.5, Ascot
702969-01	Shade, pleated, night	17.12 x 22.5 , Ascot



# 2000 EXCELLA TRAILER

## ELECTRICAL

### 110 VOLT

510634	Power cord, 120 volt, 36ft.
511336	Breaker box, Square D, 30amp
510662	Breaker, 20 amp, double, Square D 2020
510663	Breaker, 30amp, Square D, 0130
510661	Breaker, 20 amp.Square D GFI
500563-01	Receptacle, 15 amp, T&B type
500903	Duplex receptacle, ivory
500169	Housing, weather proof receptacle
510122	Cover plate, weather proof receptacle
510676	Outlet, exterior, gray
510514	Switch, priority, microwave to water heater (CSA)
510606	Receptacle box, priority switch
500385	Switch cover, ivory
511426	Converter, electronic, 55 amp
511023	Tester, circuit analyzer(loose item)

# 2000 EXCELLA TRAILER

## ELECTRICAL

### 12 VOLT

511132	Battery, deep cycle, lead acid
500886	7-Way cable w/plug
511411	Junction box, 7-way cable
0300027	Break away switch, Bargman
511426	Converter, electronic, 55 amp
510626	Switch, master disconnect
510627	Face plate, disconnect switch
510655	Breaker panel, 12 volt
510781	Detector, smoke
511309	Detector, LPG
511152-103	Monitor panel, deluxe
511152-100	Monitor panel, standard
510807	Outlet, 12 volt
511121	Mounting plate, 12 volt receptacle
500842	Light, fluorescent, 16 Watt, 12 x 5.5"
680084	Bulb, fluorescent, #F15T8-CW
500960-01	Light, fluorescent, recessed, 14.75"
680084	Bulb, fluorescent, #F8T5-CW
511249	Light incandescent, double
50085-02	Bulb, incandescent, #1141
511248	Light, incandescent, single
50085-02	Bulb, incandescent, #1141
511515	Light, chandelier, over dinette
511495-100	Bulb, wedge base #921

# 2000 EXCELLA TRAILER

## ELECTRICAL

### 12 VOLT

511298	Wall lamp, 12 volt-over rear bed
510689	Bulb, incandescent, #1076
511298-02	Shade, wall lamp, round
511298-01	Shade, wall lamp, rectangular
108876	Light, fluorescent, dual bulb (square, over vent)
500841	Dual fluorescent bulb w/ballast
201538	Lens, ceiling, square, front ceiling light
500956	Light, wardrobe, w/switch
681924	Bulb, wardrobe light #581
511410	Light, shower, incandescent
50085-02	Bulb, incandescent, #1141
511297	Light, halogen, reading w/switch
511137-100	Bulb, wedge base, JC-10
510868-03	Switch panel, 4-gang, white
381541-05	Switch, bath ceiling vent
511327	Switch body w/rocker, 1 gang, white
511077-01	Cover, switch, 2 gang
511100	Switch body w/switches
500435	Switch, DPDT, Hi-Lo
500432	Switch, SPST, flood light
500431	Switch, SPST, step light
510614-01	Jack, TV w/12 volt outlet
104619	Mounting plate, exterior telephone/TV jack

# 2000 EXCELLA TRAILER

## ELECTRICAL

### EXTERIOR LIGHTAND REFLECTORS

500564	Step light, #8142 w/hail shade
510732	Utility light, by door and on front
109090	Hitch light assembly, trailer
511163	Light, compartment
200926	Housing, plastic, jack light
510658	Switch w/weather proof boot
114346-01	Bezel, tail light casting, RS
114346-02	Bezel, tail light casting, CS
201929-01	Close out, tail light, RS
201929-02	Close out, tail light, CS
511003-02	Light, red stop, tail and turn
511003-03	Light, red w/clear center (back-up)
510111	Clearance light, red, Signal Stat
510112	Clearance light, amber, Signal Stat
511294	Light, license plate
500095	Reflector, red, rectangular
500096	Reflector, amber, rectangular
510446	Reflector, red, stick-on

# 2000 EXCELLA TRAILER

## ENTERTAINMENT

511371	Radio, AM/FM/Cassette w/CD control, Sony XR-C5120
511048	Speaker set, Coustic-HS-402
510788-01	Antenna, TV, Winegard
510788-03	Amplifier, antenna, Winegard
510788-04	Hardware, interior, Winegard
510788-107	Gear, elevating, plastic, Winegard
510788-118	Handle, directional, Winegard
510788-125	Handle, directional kit, Winegard
510616	Connector, "F", coax
510623	Connector, male to male, coax



# 2000 EXCELLA TRAILER

## SECTION III-EXCELLA

F through H

### FASTENERS

(Common fasteners available locally are not listed)

Rivets ..... III-1

### FLOOR COVERING

Carpet ..... III-3

Mats ..... III-3

### FURNITURE

Interior doors ..... III-4

Mirrors..... III-5

Drawer ..... III-7

Rear bedroom..... III-9

Bath ..... III-12

Galley..... III-17

Lounge ..... III-24

### HARDWARE

Exterior locks/hinges..... III-29

Window hardware..... III-33

Interior drawer slides/hinges latches ..... III-35

Bath accessories ..... III-39

Awning hardware ..... III-43





# 2000 EXCELLA TRAILER

## \*FASTENERS



325043  
Rivet, buck type  
dia. 1/8"  
length 1/4"  
(hard)



325000-01  
Rivet, buck type  
dia. 1/8"  
length 1/4"  
anodized clear



325000-03  
Rivet, buck type  
dia. 1/8"  
length 1/4"  
anodized white



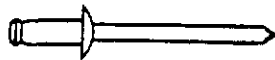
325001-01  
Rivet, buck type  
dia. 1/8"  
length 5/16"  
anodized clear



325002-01  
Rivet, buck type  
dia. 1/8"  
length 3/8"  
anodized clear



325004-01  
Rivet, buck type  
dia. 1/8"  
length 1/2"  
anodized clear



330127-03  
dia. 1/8"  
grip range .063-.125  
aluminum body  
aluminum mandrel

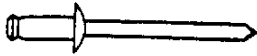


300101  
1/8" I.D.  
washer, aluminum

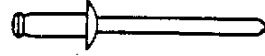
\*Common bolts and screws readily available at local hardware outlets have not been listed.

# 2000 EXCELLA TRAILER

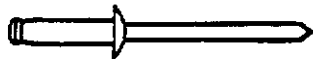
## \*FASTENERS



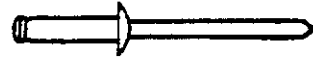
330126-02  
rivet, pop  
dia. 1/8 "  
grip range .126-.187  
stainless steel body  
stainless steel mandrel



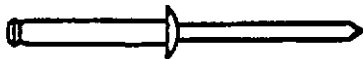
330126-03  
rivet, pop  
dia. 1/8 "  
grip range .126-.250  
stainless steel body  
stainless steel mandrel



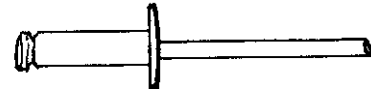
330127-050  
rivet, pop  
dia. 1/8 "  
grip range .251-.312  
aluminum body  
aluminum mandrel



330128-05  
rivet, pop  
dia. 1/8 "  
grip range .251-.312  
aluminum body, white  
aluminum mandrel



330127-080  
rivet, pop  
dia. 1/8 "  
grip range .325-.565  
aluminum body  
aluminum mandrel



330038  
rivet, pop  
dia. 150 (#20 bit)  
grip range .126-.250  
aluminum body  
aluminum mandrel  
(used-screen door hinge)



325103  
dia. 1/4 "  
grip range .080-.325  
SS body  
steel mandrel

\*Common bolts and screws not listed.

# 2000 EXCELLA TRAILER

## FLOOR COVERING

702793-02	Carpet, Regal Roman Sands
701538	Carpet, Velour-compartment liner
702979	Flooring, vinyl, Banker Gray, roll out tray
700173-01	Pad, carpet, 1/2" thick
114724	Trim, carpet, edging, Z-bar, aluminum
801115	Flooring, white oak, quartered
800639-02	Adhesive, oak plank
360216	Caulk, brown acrylic latex
703037	Flooring, laminate, Capisto Sand
365252-02	Adhesive, laminate floor, 16oz.tube
801291-03	Trim, laminate floor, Capisto Sand
702549	Matt, entrance, w/Airstream logo

# 2000 EXCELLA TRAILER

## FURNITURE

### CABINET DOORS, RAISED PANEL

		Width x height
800597-564	Raised panel door	7.75 x 17.50
800597-014	Raised panel door	10.50 x 22.00
800597-124	Raised panel door	10.50 x 26.25
800597-414	Raised panel door	10.50 x 32.00
800597-094	Raised panel door	11.00 x 29.75
800597-274	Raised panel door	11.50 x 25.00
800597-504	Raised panel door	12.00 x 29.50
800597-074	Raised panel door	12.25 x 21.00
800597-104	Raised panel door	12.25 x 34.00
800597-154	Raised panel door	13.00 x 25.75
800597-444	Raised panel door	13.75 x 29.75
800597-024	Raised panel door	14.00 x 20.00
800597-054	Raised panel door	14.75 x 29.75
800597-494	Raised panel door	15.50 x 13.00
800597-514	Raised panel door	15.75 x 23.00
800597-084	Raised panel door	16.00 x 29.50

# 2000 EXCELLA TRAILER

## FURNITURE

### CABINET DOOR FRAMES FOR MIRRORS

(Inches)

width x height

800557-234	Door frame	10.50 x 32.50
800557-304	Door frame	11.75 x 42.00
800557-174	Door frame	12.25 x 34.00
800557-034	Door frame	14.50 x 25.00
800557-044	Door frame	15.00 x 14.50
800557-114	Door frame	16.00 x 60.00
800557-154	Door frame	19.00 x 60.00
800557-104	Door frame	22.00 x 60.00

### MIRROR

372206-01	Mirror, bronze w/grooves	7.62 x 29.62
372206-07	Mirror, bronze w/grooves	11.62 x 22.12
372206-08	Mirror, bronze w/grooves	12.12 x 11.62

371262-44	Mirror, safety glass	6.50 x 12.75
371262-07	Mirror, safety glass	8.25 x 28.12
371262-60	Mirror safety glass	8.88 x 39.12
371262-13	Mirror, safety glass	9.38 x 31.12
371262-08	Mirror, safety glass	11.38 x 28.12
371262-43	Mirror, safety glass	11.50 x 12.75
371262-05	Mirror, safety glass	13.13 x 28.13
371262-04	Mirror, safety glass	19.12 x 28.12
371262-10	Mirror, safety glass	16.12 x 28.12

372210-11	Mirror, beveled edges	7.75 x 19.50
372203-17	Mirror, safety w/polished edges	14.0 x 33.13
372203-04	Mirror, safety	14.0 x 36.00

372213 Trim, mirror, bright chrome

365239 *Foam pad, non-skid, 1/16 x 1/4 x 1"*  
*(used between mirror and door frame)*

# 2000 EXCELLA TRAILER

## FURNITURE

### MISCELLANEOUS DOORS

986265	Sliding bath door assembly, 34ft.
963179-03	Slider door assembly, 29" x 72", 31&34ft.
963740-01	Slider door assembly, aft, 34ft.
961413-10	Door, slider, fwd bath, 31ft.
961413-14	Door, slider, fwd bath, 17" x 72.5", 28ft.
961413-15	Door, slider, 19" x 72.5", 28ft.
962066	Door, slider, aft, 28 & 30ft.
961413-03	Door, slider, 30ft.
702306-02	Shower door gold, 26" opening
702681-01	Door, foldette, 36" x 73", beige
702681-03	Door, foldette, 46" x 73", beige
381581	Strap, clear plastic, foldette door
800881-05	Door, louvered, oak, 19" x 12.5
800881-09	Door, louvered oak, 9" x 20"
961957-01	Door, oak(chair storage cabinet)
986201-01	Door, oak, "C" bed 23.5"
964952	Door, dinette drop down
800470-10	Tambour door, appliance garage

# 2000 EXCELLA TRAILER

## FURNITURE

### DRAWER FACE

(Inches)

width x length

800599-074	Drawer face	4.50 x 14.00
800599-434	Drawer face	4.50 x 16.00
800599-584	Drawer face	4.75 x 21.50
800599-024	Drawer face	7.00 x 11.75
800599-404	Drawer face	7.00 x 10.25
800599-224	Drawer face	7.00 x 14.00
800599-564	Drawer face	7.00 x 16.00
800599-514	Drawer face	7.00 x 19.00
800599-384	Drawer face	7.00 x 21.50
800599-214	Drawer face	7.00 x 23.00
800599-234	Drawer face	8.00 x 21.50
800599-254	Drawer face	9.00 x 15.00
800599-124	Drawer face	9.00 x 47.00
800599-594	Drawer face	9.75 x 12.00
800599-444	Drawer face	10.25 x 13.50
800599-574	Drawer face	17.25 x 13.00

# 2000 EXCELLA TRAILER

## FURNITURE

### DRAWER BOX

(Inches)

Height x width x length

964906-09	Drawer box	2.75 x 8.75 x 18.00
964906-06	Drawer box	2.75 x 12.00 x 18.00
964906-10	Drawer box	2.75 x 12.25 x 14.00
964906-05	Drawer box	2.75 x 13.25 x 14.00
964906-04	Drawer box	2.75 x 14.00 x 18.00
964906-02	Drawer box	2.75 x 19.50 x 18.00
964910-02	Drawer box	5.00 x 10.00 x 18.00
964910-19	Drawer box	5.00 x 11.50 x 14.00
964910-08	Drawer box	5.00 x 13.25 x 14.00
964910-14	Drawer box	5.00 x 13.75 x 13.00
964910-13	Drawer box	5.00 x 14.00 x 19.69
964910-12	Drawer box	5.00 x 17.00 x 20.00
964910-03	Drawer box	5.00 x 19.50 x 18.00
964910-01	Drawer box	5.00 x 20.88 x 18.00
964908-01	Drawer box	8.00 x 17.50 x 26.00
963338-01	Drawer box, angled, RS rear wardrobe	
963338-02	Drawer box, angled, CS rear wardrobe	
963749	Drawer box assembly, "W" rear bed	
963759	Drawer box assembly, "J" rear bed	
961763	Drawer box assembly, "C" rear bed	

201016Drawer , plastic16x22



# 2000 EXCELLA TRAILER

## FURNITURE REAR BEDROOM-TWIN

963506-02	Roof locker, rear center
963498	Face frame, rear center roof locker
963329-01	Twin bed assembly, RS, 30, 31&34ft.
962508-01	Twin bed assembly, RS, 25 & 28ft.
962227-02	Twin bed assembly, CS, 30, 31 & 34ft.
962508-02	Twin bed assembly, CS, 25 & 28ft.
963348-01	Night stand assembly, RS
963351-01	Face frame, night stand, RS
964452	Top, RS night stand
963330-01	Night stand assembly, center rear
963345-01	Face frame, rear center night stand
963346	Top, rear center night stand
963671	Roof locker, rear, CS or RS, 30, 31& 34ft.
963670	Face frame, rear side roof locker, 30, 31 & 34ft.
963767-01	Roof locker, rear, RS, 25 & 28ft.
963767-02	Roof locker, rear, CS, 25 & 28ft.
963768-01	Face frame, 25 & 28ft.rear roof locker
963827-01	End cap, roof locker, right hand
963827-02	End cap, roof locker, left hand
962355-01	Hanging wardrobe assembly, CS
986180-01	Face frame, hanging wardrobe
962355-02	Hanging wardrobe assembly, RS
986180-01	Face frame, hanging wardrobe
963297-01	Header, slider door, short

# 2000 EXCELLA TRAILER

## FURNITURE REAR BEDROOM-DOUBLE

963340-03	Wardrobe assembly, RS rear, 34ft.
963340-01	Wardrobe assembly, RS rear, 30 & 31ft.
962207-01	Face frame, RS rear wardrobe
963340-02	Wardrobe assembly, CS rear, 30, 31 & 34ft.
962208-01	Face frame, CS rear wardrobe
963721	Wardrobe assembly, forward, 25ft.
963722-01	Face frame, forward wardrobe, 25ft.
962335	Wardrobe assembly, aft, 25ft.
962333-01	Face frame, aft wardrobe, 25ft.
963337-01	Rear roof locker, center, 30, 31 & 34ft.
963336-01	Face frame, rear center roof locker
962349	Roof locker, rear, RS, 28ft.
962352-01	Face frame, RS rear roof locker
963771	Roof locker, rear, RS, 25ft.
963769	Roof locker, rear, CS, 25ft.
963747	Bed assembly, double, 30, 31 & 34ft.
986681	Head board assembly, double bed
963748	Bed assembly, double, 28ft.
986750-01	Corner bed assembly, 25ft.
985257	Head board, 25ft.
998101	Bed end, 25ft.

# 2000 EXCELLA TRAILER

## FURNITURE

### REAR BEDROOM-DOUBLE

964942	Nightstand, forward, 25 & 28ft.
926531-01	Face frame, forward nightstand, 25 & 28ft.
962538	Top, forward nightstand
963746	Credenza, rear, 25ft.
963745	Top, rear credenza, 25ft.
381241	TV shelf w/mirror
963296-01	Header, slider door long
963297-01	Header, slider door short

# 2000 EXCELLA TRAILER

## FURNITURE

### BATHROOM, 34 FT.

(see hardware section for fixtures-if connected to water, see plumbing)

986265	Sliding bath door
963786-01	Jamb, bath door
963787-01	Jamb, bath door/shower trim
963788-01	Header, bath door
203046-03	Shower stall, angled, two piece
963179-03	Slider door, 29" x 72"., vinyl
963296-01	Header, slider door, long
963297-01	Header, slider door, short
963298-03	Lavatory assembly
963306-01	Face frame, lavatory
964393-01	Top, lavatory, Corian
702791	Decorative border, wall paper, self adhesive
963302-01	Medicine cabinet assembly, lower
963266-01	Face frame, lower medicine cabinet
964026-01	Medicine cabinet assembly, upper
964025	Face frame, upper medicine cabinet
964053-03	Wardrobe assembly, CS
964019	Face frame, wardrobe, forward
964020	Face frame, wardrobe, aft
964947	Lift up shelf assembly

# 2000 EXCELLA TRAILER

## FURNITURE

### BATHROOM, 31 FT.NDEXCELLA

(see hardware section for fixtures-if connected to water, see plumbing)

964307-01	Wardrobe assembly, CS
964305-01	Face frame, CS wardrobe , forward
964020	Face frame, CS wardrobe, aft
964946	Lift up shelf, wardrobe
961413-10	Slider door, forward963786-01Jamb, bath door
963787-01	Jamb, bath door/shower
964303-01	Header, bath door
203046-03	Shower stall, angled, two piece
964297-01	Lavatory cabinet assembly
964296-01	Face frame, lavatory cabinet
964395-01	Top, lavatory cabinet
702791	Decorative border, wall paper, self adhesive
964302-01	Medicine cabinet assembly, lower
964300-01	Face frame, lower medicine cabinet
964301-01	Medicine cabinet assembly, upper
964299-01	Face frame, upper medicine cabinet
963296-01	Header, foldette door, long
963297-01	Header foldette door, short

# 2000 EXCELLA TRAILER

## FURNITURE

### BATHROOM, 30 FT. EXCELLA

(see hardware section for fixtures-if connected to water, see plumbing)

962175	Wardrobe assembly, CS
962162-01	Face frame, CS wardrobe, aft
962163-01	Face frame, CS wardrobe, forward
964945	Lift up shelf assembly, wardrobe
203081	Shower stall, two piece
962161-01	Face frame, shower
962066	Slider door , aft
963656	Header, slider door, aft
961413-16	Slider door assembly
963657	Header, slider door, forward
961921-02	Lavatory cabinet assembly
961890-01	Face frame, lavatory cabinet
961920	Top, lavatory cabinet
961891-01	Face frame, lavatory aft
702791	Decorative border, wall paper, self adhesive
961899	Medicine cabinet, lower
961897-01	Face frame, lower medicine cabinet
963753-01	Medicine cabinet, upper
962170-01	Face frame, upper medicine cabinet

# 2000 EXCELLA TRAILER

## FURNITURE

### BATHROOM, 28FT, EXCELLA

(see hardware section for fixtures-if connected to water, see plumbing)

964016	Wardrobe assembly, CS
964015	Face frame, CS ward robe
963690-01	Wardrobe assembly, RS
962509-01	Face frame, RS wardrobe
203081	Shower stall, two piece
962505-01	Face frame, shower
962066	Slider door , aft
963656	Header, slider door, aft
961413-14	Slider door assembly, 17" x 72.50"
961413-15	Slider door assembly, 19" x 72.50"
801132	Header, slider door, forward
961921-02	Lavatory cabinet assembly
961890-01	Face frame, lavatory cabinet
964392-01	Top, lavatory cabinet
961891-01	Face frame, lavatory aft
702791	Decorative border, wall paper, self adhesive
961899	Medicine cabinet, lower
961897-01	Face frame, lower medicine cabinet
963753-01	Medicine cabinet, upper
962170-01	Face frame, upper medicine cabinet

# 2000 EXCELLA TRAILER

## FURNITURE

### BATHROOM, 25 EXCELLA

(see hardware section for fixtures-if connected to water, see plumbing)

201980	Shower stall, two piece
986265	Sliding bath door
962322-01	Lavatory cabinet assembly
962324-01	Face frame, lavatory cabinet
964391-01	Top, lavatory cabinet
702791	Decorative border, wall paper, self adhesive
962251	Medicine cabinet, lower
962252	Face frame, lower medicine cabinet
963752-01	Medicine cabinet, upper
962250	Face frame, upper medicine cabinet



# 2000 EXCELLA TRAILER

## FURNITURE

### GALLEY, 34 EXCELLA-FRONT LOUNGE MODEL

964953-01	Seat assembly, dinette LH
964499-01	Cushion support, LH
964950	Back, upholstered, LH, w/door
964334-01	Flex spring seat
964954-01	Seat assembly, dinette RH
964498-01	Cushion support, RH
964529-02	Back, upholstered, RH
964334-01	Flex spring seat
963793	Dinette table assembly
963673	Top, dinette table
962177-03	Table leg, hardwood
963763	Roof locker, dinette
963764-01	Face frame, dinette roof locker
963305-01	Refrigerator cabinet assembly
963724-02	Face frame, refrigerator cabinet
963757	Roof locker, galley
963354-01	Face frame, galley roof locker
964606	Galley cabinet, forward
964605	Face frame, galley cabinet forward
964586-01	Top, galley cabinet, Corian
964383-01	Range covers, Corian(pr.)
964411-01	Sink cover, RH, Corian
964410-01	Sink cover, LH, Corian

(continued)

# 2000 EXCELLA TRAILER

## FURNITURE

### GALLEY, 34 EXCELLA FRONT LOUNGE MODEL

964610	Galley cabinet, aft section
964328-01	Face frame, galley cabinet, aft
961247-02	Galley cabinet, pantry section
961072-01	Face frame, pantry
961066-01	Appliance garage
800734-01	End, RH, appliance garage
800734-02	End, LH, appliance garage
963357-01	Microwave cabinet
963355-01	Face frame, Microwave cabinet
963991	Spice rack
963990	Magazine rack
800631-004	Hand rail, 23"long

# 2000 EXCELLA TRAILER

## FURNITURE GALLEY, 31 EXCELLA ND

964965-01	Galley cabinet, forward section
964344-01	Face frame, forward galley cabinet
964961-01	Top, galley cabinet
964600	Galley cabinet, oven section
964599	Face frame, oven section, galley
964348-01	Sink covers
964383-01	Range covers, Corian
963761	Roof locker, galley
962167-01	Galley roof locker
963828-01	End cap, galley, LH
962225	Spice cabinet assembly
962224-01	Face frame, spice cabinet
964310-01	Refrigerator cabinet assembly
963724-01	Face frame, refrigerator cabinet
963688-01	Microwave cabinet, assembly
964628	Face frame, microwave cabinet
961072-01	Face frame, pantry
962537	Top, microwave cabinet
963991	Spice rack
964335	Galley lift-up shelf

# 2000 EXCELLA TRAILER

## FURNITURE GALLEY, 30 EXCELLA

964966-01	Galley cabinet assembly, forward
964629	Face frame, galley cabinet forward
964961-01	Top, galley, Corian
964973-01	Sink cover
964600	Galley cabinet assembly, oven section
964599	Face frame, galley oven section
964383-01	Range covers, Corian
963761	Galley roof locker assembly
962167-01	Face frame, galley roof locker
963828-01	End cap, galley roof locker, LH
963763	Dinette roof locker
963764-01	Face frame, dinette roof locker
962225	Spice cabinet assembly
962224-01	Face frame, spice cabinet
963680	Refrigerator cabinet assembly
963724-01	Face frame, refrigerator cabinet
964953-02	Dinette seat assembly, LH
964499-01	Cushion support, dinette, LH
964529-01	Back, dinette, upholstered, LH
964334-01	Flex spring seat

(continued)

# 2000 EXCELLA TRAILER

## FURNITURE

### GALLEY, 30 EXCELLA

964954-02	Dinette seat assembly, RH
964498-01	Cushion support, dinette, RH
964529-04	Dinette back, upholstered, RH
964334-01	Flex spring seat
963673	Top, dinette table
962177-03	Table leg, hardwood
963990	Magazine rack
963991	Spice rack
964335	Galley lift-up shelf
800631-004	Hand rail, 23" long

# 2000 EXCELLA TRAILER

## FURNITURE GALLEY, 28 EXCELLA

964602-01	Galley cabinet assembly, full oven
964601	Face frame, galley, full oven
964963-01	Galley top, Corian
964973-01	Sink cover
964383-01	Range covers, Corian
963765	Galley roof locker assembly
962517-01	Face frame, galley roof locker
963828-01	End cap, galley roof locker, LH
962511	Spice cabinet assembly
962512-01	Face frame, spice cabinet
963689	Refrigerator cabinet assembly
963724-01	Face frame, refrigerator cabinet
963688-01	Microwave cabinet, assembly
964628	Face frame, microwave cabinet
961072-01	Face frame, pantry
962537	Top, microwave cabinet
964335	Galley lift-up shelf
381133	Rack sack, 6.5 liter, white
961836	Magazine rack
800631-004	Hand rail, 23"long

# 2000 EXCELLA TRAILER

## FURNITURE GALLEY, 25 EXCELLA

964589-01	Galley cabinet assembly, full oven
964588	Face frame, galley, full oven
964962-01	Galley top, Corian
964383-01	Range covers, Corian
964973-01	Sink cover
963773	Galley roof locker assembly
962379-01	Face frame, galley roof locker
963828-01	End cap, galley roof locker, LH
962261	Pantry cabinet assembly
962262-01	Face frame, pantry cabinet
986777-01	Drawer assembly, pantry
963707-02	Refrigerator cabinet w/microwave
964630	Face frame, refrigerator cabinet
963991	Spice rack
964335	Galley lift-up shelf
381133	Rack sack, 6.5 liter, white

# 2000 EXCELLA TRAILER

## FURNITURE LOUNGE, 34 EXCELLA

\*702888-399 Sofa, Jackknife, 74in.Roman Sands  
963400-01 Arm rest support assembly, RS  
963400-03 Arm rest support assembly, CS

961959-01 Writing table/chair storage cabinet  
961955-01 Face frame, chair storage  
961958 Top, lift-up/writing table, oak  
962424 Leaf, writing table

963353-01 Credenza assembly  
963289-01 Face frame, forward credenza  
963313 Face frame, aft credenza  
963325 Top, credenza  
986226-01 Leg, forward credenza

960420-02 Credenza table assembly  
960416-02 Table leaf, lower  
960417-02 Table leaf, upper  
962177-03 Leg, hardwood  
381306 Slides, credenza table

963506-01 Front roof locker  
963498 Face frame, front roof locker

381553 Chair, folding, Zip Dee, w/logo  
381507 Clock, Quartz w/gold trim

\*Changing the -(dash) number to: 318 = Blue Bayou  
258 = South Beach  
248 = Vintage Leaf  
379 = Mosaic Blue  
389 = Tropical Isle



# 2000 EXCELLA TRAILER

## FURNITURE LOUNGE, 31 EXCELLA

\*702888-399 Sofa, jackknife, 74in.Roman Sands  
963400-01 Arm rest support assembly, RS  
963400-03 Arm rest support assembly, CS

961959-01 Writing table/chair storage cabinet  
961955-01 Face frame, chair storage  
961958 Top, lift-up/writing table cabinet  
962243 Leaf, writing table

964408-01 Credenza assembly  
963729-01 Face frame, credenza  
964510 Top, credenza

960420-02 Credenza table assembly  
960416-02 Table leaf, lower  
960417-02 Table leaf, upper  
962177-03 Leg, hardwood

963506-01 Front roof locker  
963498 Face frame, front roof locker

381553 Chair, folding, Zip Dee, w/logo

\*Changing the -(dash) number to: 318 = Blue Bayou  
258 = South Beach  
248 = Vintage Leaf  
379 = Mosaic Blue  
389 = Tropical Isle

# 2000 EXCELLA TRAILER

## FURNITURE LOUNGE, 30 EXCELLA

*702888-399	Sofa, jackknife, 74in.Roman Sands
963400-01	Arm rest support assembly, RS
963400-03	Arm rest support assembly, CS
961959-01	Writing table/chair storage cabinet
961955-01	Face frame, chair storage
961958	Top, lift-up/writing table cabinet
962423	Leaf, writing table
962015-01	Lift-up table cabinet
961958	Top, table cabinet
986226-01	Leg, forward credenza
960420-02	Credenza table assembly
960416-02	Table leaf, lower
960417-02	Table leaf, upper
962177-03	Leg, hardwood
963219-01	End table assembly
962291-01	Face frame, end table cabinet
961940	Top, end table
962202	TV cabinet assembly
922200-01	Face frame, TV cabinet
963506-01	Front roof locker
963498	Face frame, front roof locker
381553	Chair, folding, Zip Dee, w/logo

\*Changing the -(dash) number to: 318 = Blue Bayou  
258 = South Beach  
248 = Vintage Leaf  
379 = Mosaic Blue  
389 = Tropical Isle

# 2000 EXCELLA TRAILER

## FURNITURE LOUNGE, 28 EXCELLA

*702888-399	Sofa, jackknife, 74in.Roman Sands
963400-01	Arm rest support assembly, RS
963400-03	Arm rest support assembly, CS
961959-01	Writing table/chair storage cabinet
961955-01	Face frame, chair storage
961958	Top, lift-up/writing table cabinet
962423	Leaf, writing table
964408-01	Credenza assembly, RS
964311	Top, RS credenza
963729-01	Face frame, RS credenza
960420-02	Credenza table assembly
960416-02	Table leaf, lower
960417-02	Table leaf, upper
962177-03	Leg, hardwood
963506-01	Front roof locker
963498	Face frame, front roof locker

\*Changing the -(dash) number to: 318 = Blue Bayou  
258 = South Beach  
248 = Vintage Leaf  
379 = Mosaic Blue  
389 = Tropical Isle

# 2000 EXCELLA TRAILER

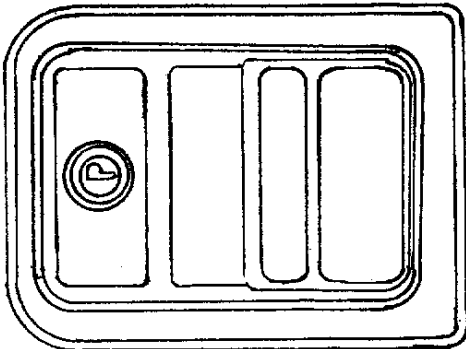
## LOUNGE, 25 EXCELLA

*702888-399	Sofa, jackknife, 74in.Roman Sands
963400-01	Arm rest support assembly, RS
963400-03	Arm rest support assembly, CS
961959-01	Writing table/chair storage cabinet
961955-01	Face frame, chair storage
961958	Top, lift-up/writing table cabinet
962423	Leaf, writing table
963728	Credenza table cabinet
963729-01	Face frame, lift-up table cabinet
963738	Top, credenza cabinet
960420-02	Credenza table assembly
960416-02	Table leaf, lower
960417-02	Table leaf, upper
962177-03	Leg, hardwood
963506-01	Front roof locker
963498	Face frame, front roof locker

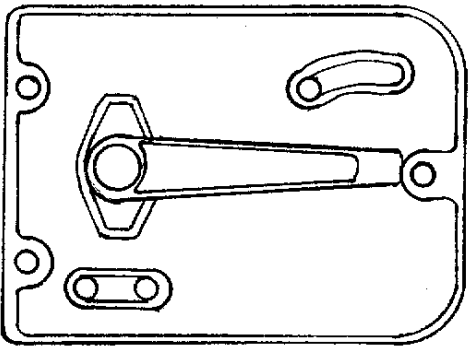
\*Changing the -(dash) number to: 318 = Blue Bayou  
258 = South Beach  
248 = Vintage Leaf  
379 = Mosaic Blue  
389 = Tropical Isle

# 2000 EXCELLA TRAILER

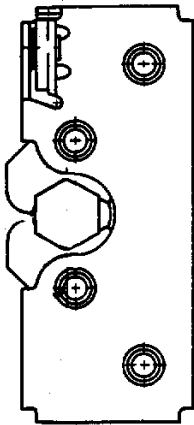
## MAIN DOOR LOCK



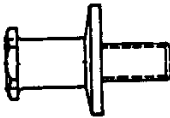
381547-01  
Main door lock, outside  
Housing



381547-02  
Main door lock, inside  
plate



381547-03  
Double rotary  
latch, main door lock



381547-04  
Striker bolt w/washer  
main door lock

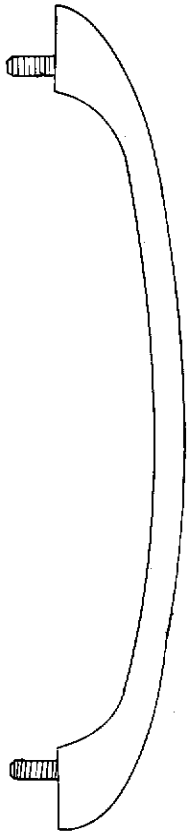


381550  
Plate, striker bolt  
mounting

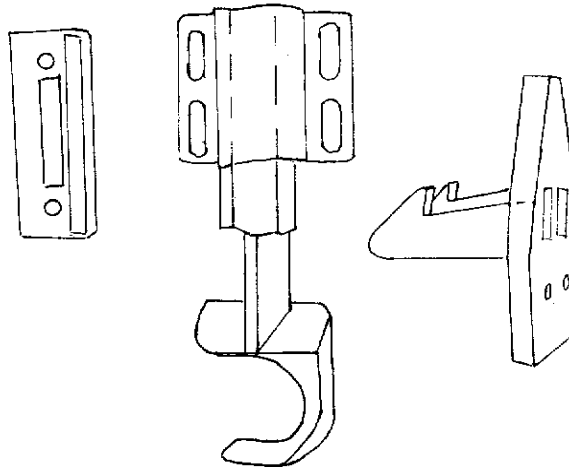
Not shown: 381547-05 Screw package, main door lock

# 2000 EXCELLA TRAILER

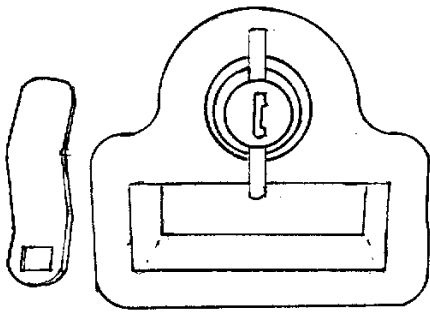
## HARDWARE EXTERIOR LATCHES/LOCKS



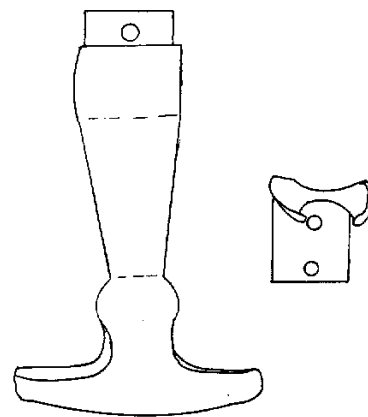
101171  
Grab handle, main door



381454  
Latch, screen door,  
Bullet



380770-101 Twist lock, chrome  
380770-102 Twist lock, black

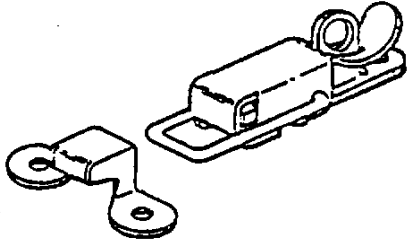


381021 Rubber T handle

# 2000 EXCELLA TRAILER

## HARDWARE

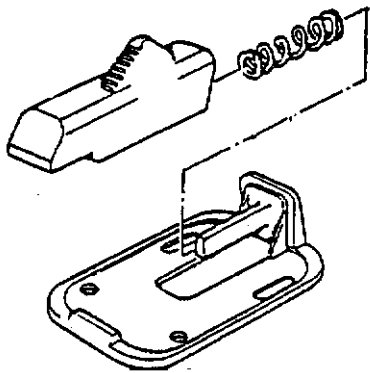
### EXTERIOR LATCHES/LOCKS



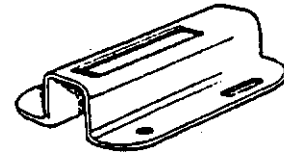
340023 Corbin catch  
w/strike, battery box



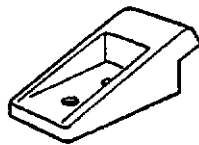
380067 Lock cam,  
bumper lid



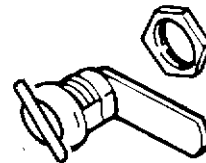
380291 Main door holdback,  
(use w/housing #380290)



380290 Latch housing,  
main door holdback



201056 Catch, main door  
Holdback



381430 Twist lock,  
straight cam

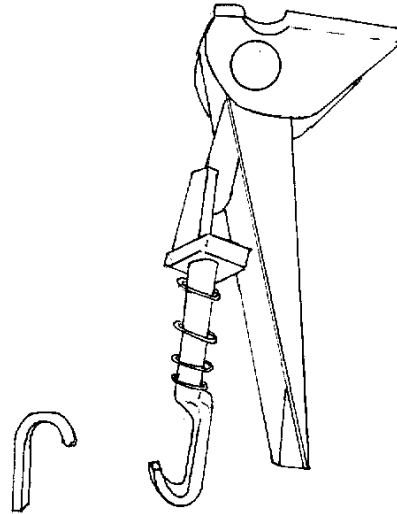
# 2000 EXCELLA TRAILER

## HARDWARE

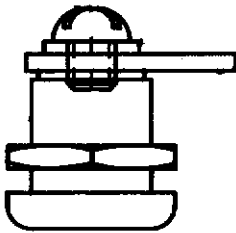
### EXTERIOR LATCHES/LOCKS



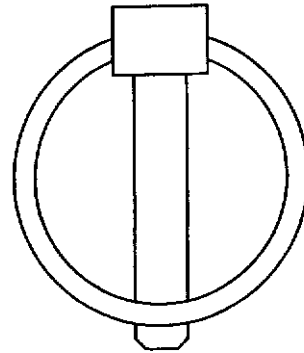
380004  
Handle, screen door



380903  
Latch w/strike chrome,  
gas bottle cover



381397  
Key cylinder  
w/cam

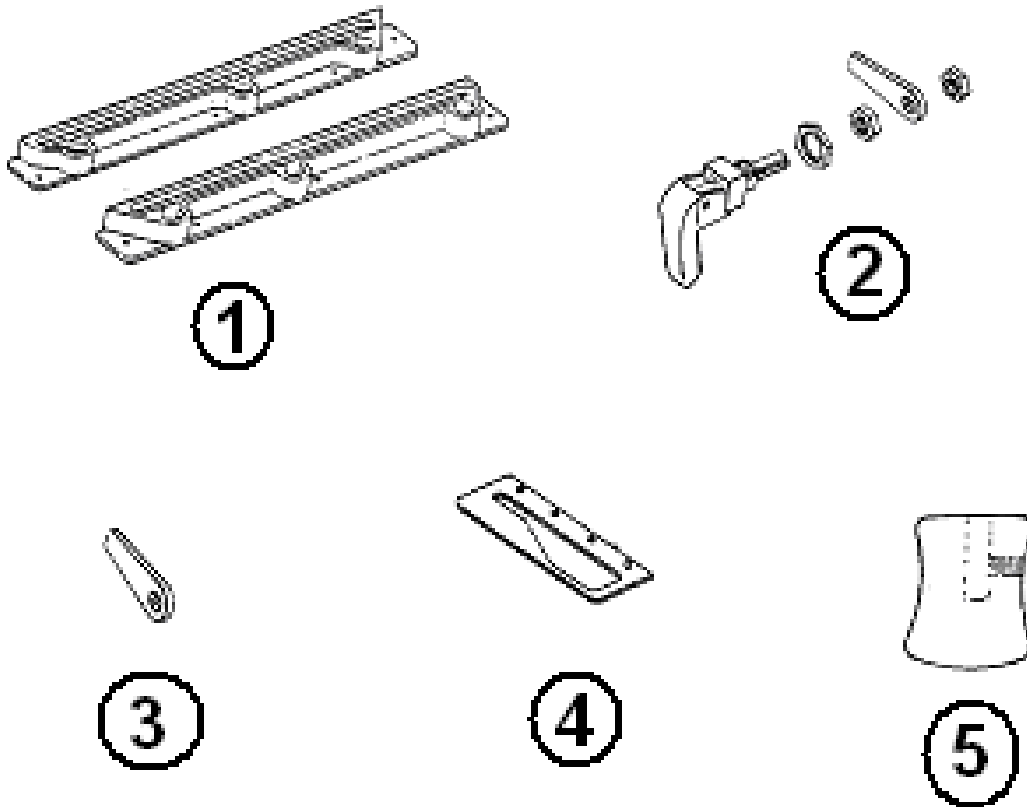


310028  
Lynchpin  
roll out storage tray



# 2000 EXCELLA TRAILER

## HARDWARE WINDOW HARDWARE

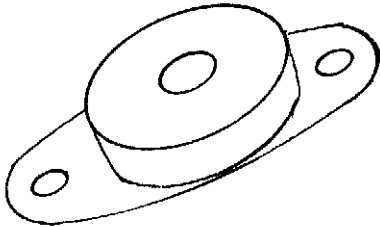


- |              |                                  |
|--------------|----------------------------------|
| 1. 0802-0001 | Window guide, RH                 |
| 1. 0802-0002 | Window guide, LH                 |
| 2. 010020    | Lower window latch, chrome       |
| 2. 195467-05 | Lower window latch, w/red handle |
| 3. 685123    | Pawl, window latch, straight     |
| 4. 685124    | Striker plate, window latch      |
| 5. 380230-03 | Knob window arm, silver          |
| 5. 380230-04 | Knob, window arm, red            |

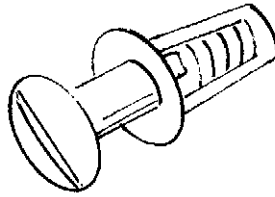
# 2000 EXCELLA TRAILER

## ROCK GUARD

- 685363 Slip joint hinge
- 683960 Support arm, rock guard
- 683959 Bracket, arm support
- 114749 Hinge "Y" assembly
- 114750 Hinge "J" rock guard
- 381021 Draw latch, black rubber



685359  
Rubber receptacle  
1/4" latch, Southco



685342  
Stud, 1/4" turn latch  
Southco



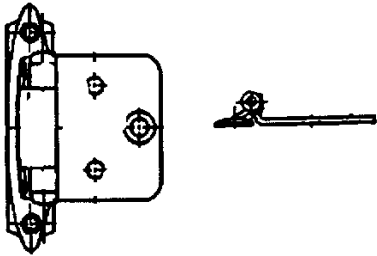
685362  
Retaining ring  
1/4" turn stud

Used on stone guard and wrap protector

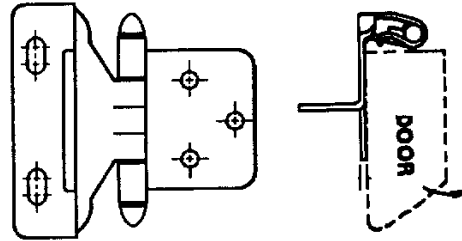
# 2000 EXCELLA TRAILER

## HARDWARE

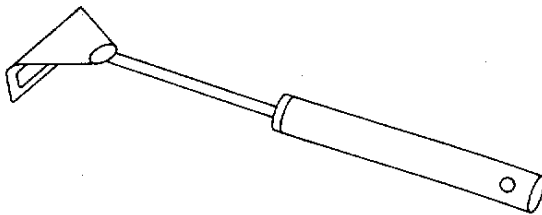
### INTERIOR LATCHES/HINGES



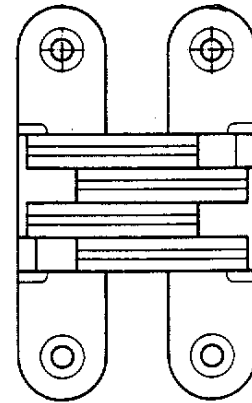
381601 Hinge,  
antique brass



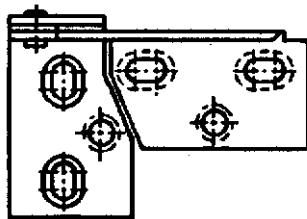
381602 Hinge,  
semi-concealed, antique brass  
(used on front & rear roof lockers)



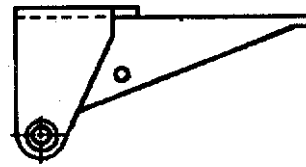
381147 Door support  
spring loaded



380040 Soss hinge  
credenza table

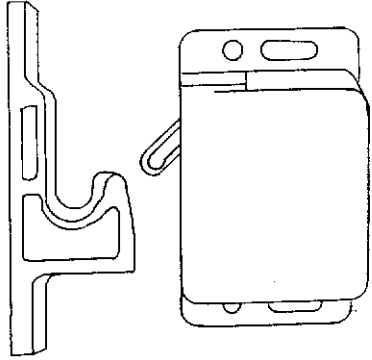


385935-01 Hinge, pivot, chrome  
for bath mirror

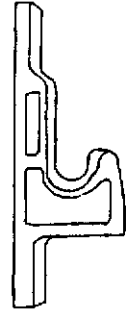


# 2000 EXCELLA TRAILER

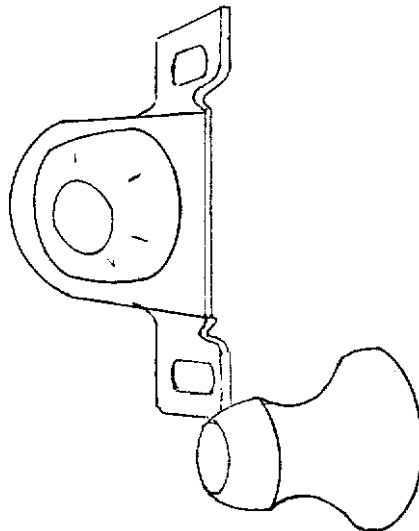
## HARDWARE INTERIOR LATCHES/HINGES



381228 Grabber door latch  
w/catch, 10 lb. Rating  
381228-01 Grabber door latch  
w/catch, 3lb. rating



381228-100  
Catch only,  
grabber door latch

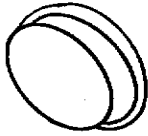


381074 Bull dog door catch

# 2000 EXCELLA TRAILER

## HARDWARE

### INTERIOR LATCHES/HINGES



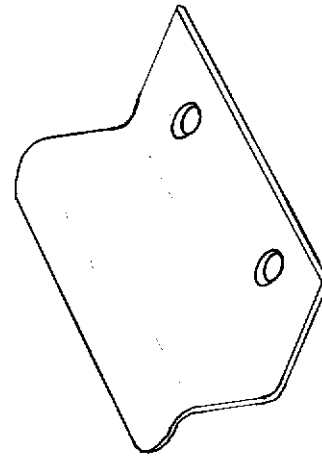
201427 Finger pull,  
light brown



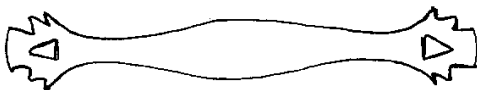
381603 Pull, three finger  
Antique brass



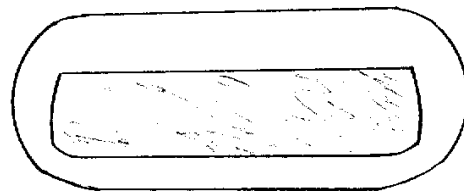
381444 Hatch pull



385940-02 Mirror pull,  
chrome



381599 Pull handle,  
drawer/door,  
antique brass



381576 Pull handle,  
brass

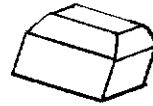
# 2000 EXCELLA TRAILER

## HARDWARE

### INTERIOR LATCHES/HINGES



360012  
Bumper, rubber  
white, stick-on, cylindrical  
360012-01  
Bumper, rubber brown,  
stick-on, cylindrical



360016  
Bumper rubber  
gray, square 3/8" x 3/8"



195329-202  
Bumper, rubber  
brown, stick on, oval



381612  
Clip, mirror  
retainer, clear

# 2000 EXCELLA TRAILER

## DRAWER SLIDES

381192	Drawer slide, pantry
381526-01	Drawer slide-950-RV, 14"
381526-03	Drawer slide-950-RV, 18"
381526-04	Drawer slide-950-RV, 20"
381526-06	Rear bracket, drawer, adjustable
381414-144	Slide, drawer-Delta, 14.5"
381400	Slide, drawer, 14", 2900-14
381400-01	Slide, drawer, 12", 2900-12
381415	Slide, drawer, Delta 105

## BATHROOM ACCESSORIES

381299	Toilet paper holder
380017	Tooth brush/tumbler holder
381626-02	Towel bar, 18"
380248	Soap dish, chrome

## CREDENZA TABLE HARDWARE

381306	Lift up table slides, one right & one left
201155	Table sliding guide, plastic
380037	Latch, nail & spring, table
380038	Eyelet, lock, brass

## WRITING TABLE HARDWARE

381284-02	Bracket, table hinge
101253	Extrusion, hinge, movable
380492	Bracket, table, writing
340018	Plate, catch

# 2000 EXCELLA TRAILER

## HARDWARE

### MISCELLANEOUS

701342-01	Vinyl strap, sliding door hold back (female snap on both ends)
381443-01	Sliding door set (includes, carriers, top plate and track)
*381385	Dual lock #400-1" strips
*381386	Dual lock #170-1" strips
380045	Clothes rod
200975-04	Conduit, flexible, black(covers clothes rod)
380046	Bracket, clothes rod end
381298	"J" bracket, center clothes rod support
381067-09	Gas prop, bed 90lbs.
381262	Bracket w/ball stud, gas prop
381084	Ball stud
381133	Rack pack, 6.5 liter, white
381614	Lift up shelf bracket, galley

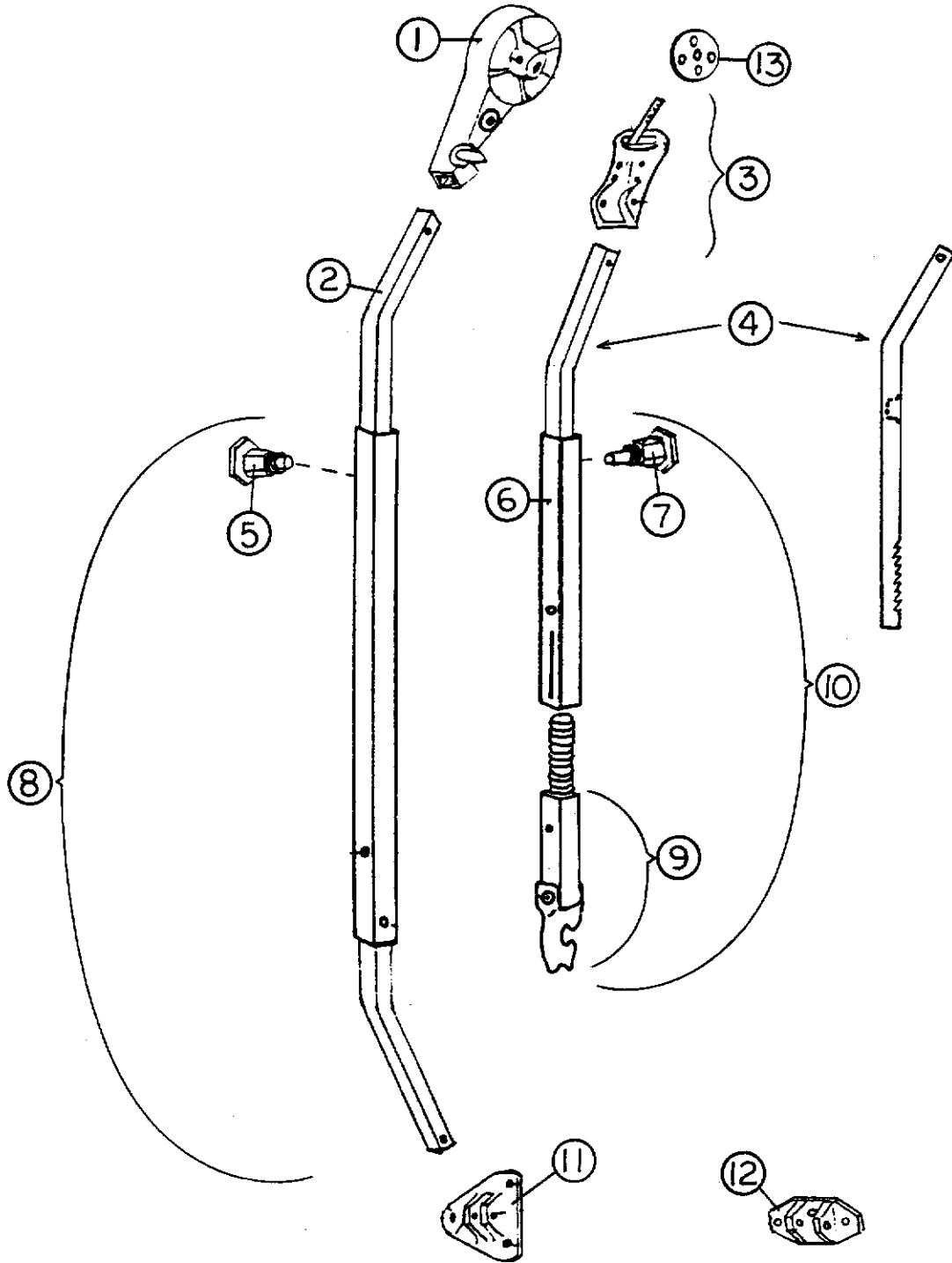
\*These two parts work similar to Velcro but have interlocking knobs rather than hooks and loops.



# 2000 EXCELLA TRAILER

NOTES:

# 2000 EXCELLA TRAILER



# 2000 EXCELLA TRAILER

## AWNING HARDWARE

1) 74043W-04	Head assembly, front
1A) 74043W-05	Head assembly, Rear
2) 74047W-09	Main arm bar, front
2A) 74047W-10	Main arm bar, rear
3) 74056W	Clamp assembly, front, curved
3a) 74056W-01	Clamp assembly, rear, curved
4) 74061WS-07	Rafter arm bar, satin
5) 74054W	Snap stud assembly
6) 74063W-04	Rafter arm tube, satin
7) 74072W	Ratchet stud
8) 74048WS-12	Main arm tube assembly, front
8a) 74048WS-13	Main arm tube assembly, rear
9) 74068W-03	Claw bar assembly
10) 74048WS-14	Rafter arm assembly
11) 74055W	Base hinge, rib mount
12) 74055W-01	Base hinge, floor mount
13) 74060W	Clamp wheel



# 2000 EXCELLA TRAILER

## SECTION IV- EXCELLA

L through Z

LABELS and TAGS .....IV-1

OPTIONS.....IV-2

### PLUMBING

LPG .....IV-3

Fresh water .....IV-4

Drain water .....IV-10

Toilet.....IV-17

SAFETY EQUIPMENT.....IV-18

SEALER/GASKETS/PAINT .....IV-19

UPHOLSTERY/FOAM/MATTRESS .....IV-20

VENTS/FANS .....IV-22

WOOD/LAMINATES/TRIM.....IV-23



# 2000 EXCELLA TRAILER

## LABELS AND TAGS

385193	Label, "12V distribution panel inside"
385048	Label, approval with shield
385269	Label, "DON'T USE AREA FOR STORAGE"
385068	Tag, cooking appliance warning
385067	Label, EXIT
385547	Label, LP gas warning/fill
385517	Label, kill switch warning
385521	Label, emergency egress window
385463	Warning label/cooking appliance
385464	Label, LP gas warning label(odor)
385465	Exit label, English
385560	Label, air conditioner rating
385512	Label, Calif. hazardous substance
385609	Label, smoke detector
385359	Label, microwave or air conditioner
385837	Label, refrigeration ignition
385103	Plate, RVIA
385418-01	Label, Federal registration
385062	Decal, 110-125 voltage AC
385565	Label, holding tank flushing
386012	Label, warning-water heater

# 2000 EXCELLA TRAILER

## OPTIONS

3210059	Spare tire and steel wheel, BSW, 6 ply, 15"
381318-05	Skylight, 19.5" x 19.5", galley/lounge
114485	Mounting frame, skylight
201962	Trim ring, skylight
702804-03	Shade, pleated, skylight, 19.25" x 20.00"
381318-06	Skylight, 14.5" x 22.5" bath
114486	Mounting frame, skylight, bath
201963	Trim ring, 14" x 22" , skylight, white
702804-04	Shade, pleated, skylight, 14.5" x 22.75"
690425-01	Refrigerator, NDR1062, RH
690425-02	Refrigerator, NDR1062, LH
690396-01	Range w/oven, Maytag
114876	Trim ring, range recess
690407-01	Microwave, Dometic, black
690407-02	Trim kit, Dometic microwave
690345-01	Microwave/convection, Sharp
690345-03	Trim ring, convection
601711	LP tank, 30# aluminum
702662-11	Awning, window, 16' 4-1/2" blue, 25ft.
702662-10	Awning, window, 19' 8-1/4" blue, 28ft.
702662-20	Awning, window, 52' 5/8"blue
511191	CD changer, 10 unit, Sony CDX-606



# 2000 EXCELLA TRAILER

## PLUMBING

### LPG SYSTEM LP BOTTLE RACK

0360307	GAS BOTTLE RING, 1977 TO PRESENT
601731	LP REGULATOR W/MTG. BRACKET
601731-103	BRACKET ONLY FOR LP REGULATOR
6000491	Hold down rod, threaded, 1/2"-13
100949	Bracket, bottle hold, cast aluminum
410238	"T" handle, threaded, cast aluminum

### LP BOTTLES AND FITTINGS

601710-01	Bottle, LP, steel, 30#
601711	Bottle, LP, aluminum, 30#
601377-01	Regulator, Fisher
601732	LP hose, tank to regulator, 36"
601279	LP hose, 18"
410705	Bracket, mounting LP regulator
600468	Union flare, 5/8" x 5/8"
600238	Union flare, 3/8" x 3/8"
600004	Copper tubing, 5/8"
600008	Copper tubing, 3/8"
600436	Flare nut, forged, 5/8"
600435	Flare nut , forged, 3/8"
600000	Tee, brass, 5/8" x 5/8" x 3/8"
600003	Tee, brass, 5/8" x 3/8" x 3/8"

### BOTTLE COVER

104264-01	Gas bottle cover w/o decal, 30lbs
380903	Latch and strike
200845	Lid, plastic, bottle cover
380773	Hinge, access door

# 2000 EXCELLA TRAILER

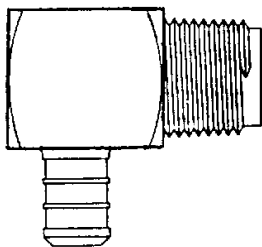
## PLUMBING FRESH WATER

601194	Water fill w/lock, gray
601621-01	Tank, fresh water
601243	Drain cock, fresh water tank
601588	Drain cock, brass, water lines
600155	Plug, water tank, 1.5"
600836	Elbow, 1/2" barb x 3/8" MPT
601237	Plastic elbow, 90 degree, 1.25" MPT x 1.25" barb
601239	Tubing, 1.375" I.D., flexible, water fill hose
601061-03	Water pump, Shurflo
601668	Filter, pre water pump
601464	Tank, accumulator, Shurflo

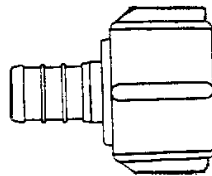
## CITY WATER

601467	Sillcock, 1/2" FP w/wheel handle
601469	Vacuum breaker, 3/4" garden hose
601197-01	Water hook-up, chrome
601392	Water fill, chrome
600139	Check valve, brass
601565	Hose, water, 12" w/fittings
381435	Hatch, white plastic, water hose exit

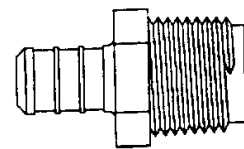
## FITTINGS



601698-04  
Elbow, 1/2" barb  
x 1/2" MPT



601698-03  
Coupler, 1/2" barb  
x 1/2" FPT

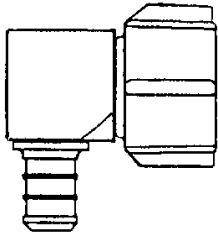


601698-02  
Coupler, 1/2" barb  
x 1/2" MPT

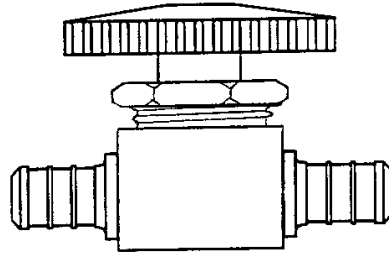
(continued)

# 2000 EXCELLA TRAILER

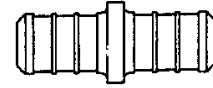
## FRESH WATER-FITTINGS



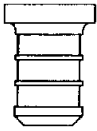
601698-05  
Elbow 1/2" barb x  
1/2" FPT



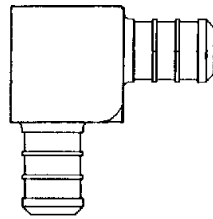
601698-07  
Shut-off, 1/2" barb x  
1/2" barb



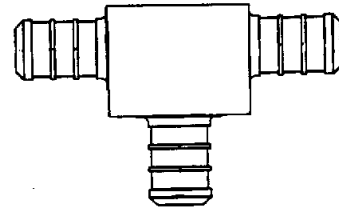
601698-08  
Coupler  
1/2" x 1/2" barb



601698-09  
Plug, 1/2" barb



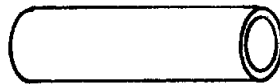
601698-10  
Elbow 1/2" barb x  
1/2" barb



601698-11  
Tee, 1/2" x 1/2" x  
1/2" barb



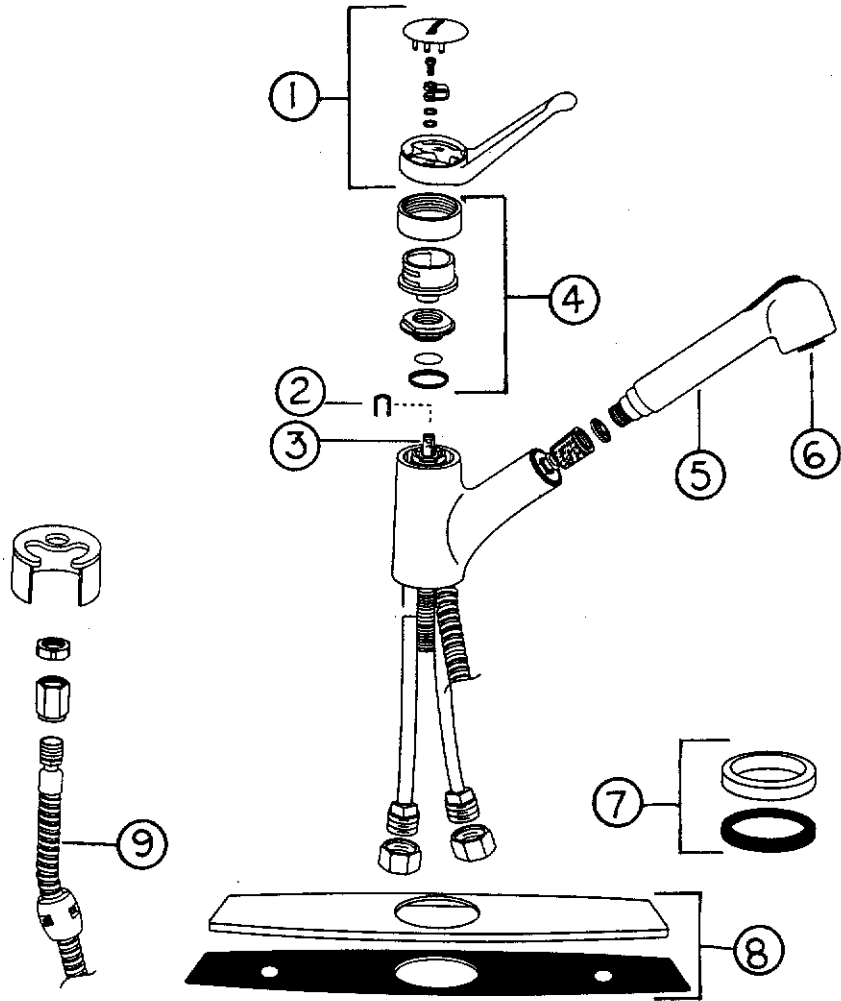
601698-15  
Crimp ring, 1/2"  
E-Pex, 1/2" (black)



601698-01  
E-Pex tube, 1/2"

# 2000 EXCELLA TRAILER

## PLUMBING FRESH WATER

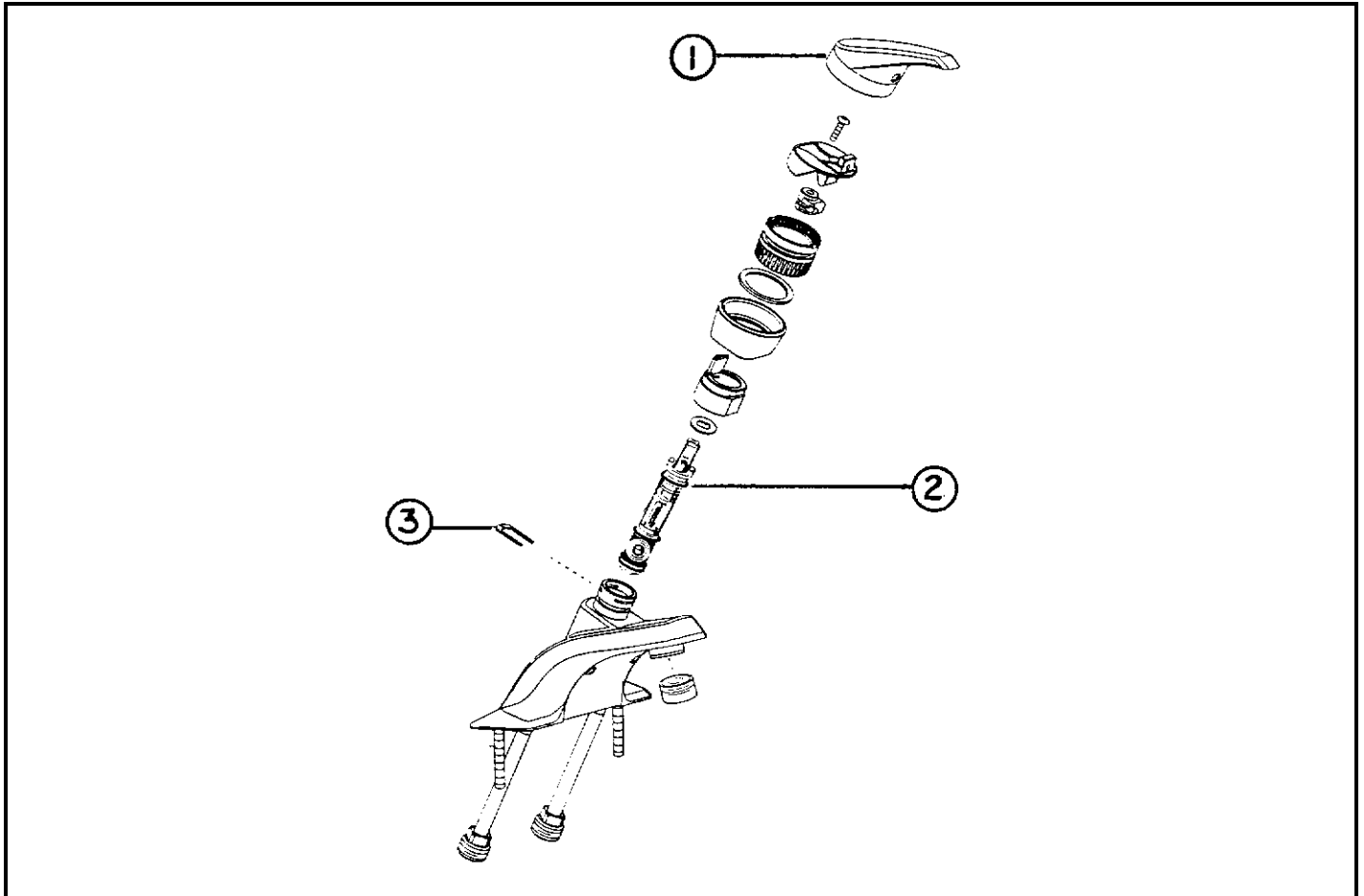


601579-01 Faucet, One Touch, Moen, Sand

- 1) 601579-103 Lever handle kit
- 2) 601579-105 Retainer clip
- 3) 601579-106 Cartridge
- 4) 601579-104 Collar and pivot retainer
- 5) 601579-100 Spout
- 6) 601579-101 Aerator
- 7) 601579-107 Escutcheon, small
- 8) 601579-108 Escutcheon, large
- 9) 601579-109 Hose

# 2000 EXCELLA TRAILER

## PLUMBING FRESH WATER-FAUCETS



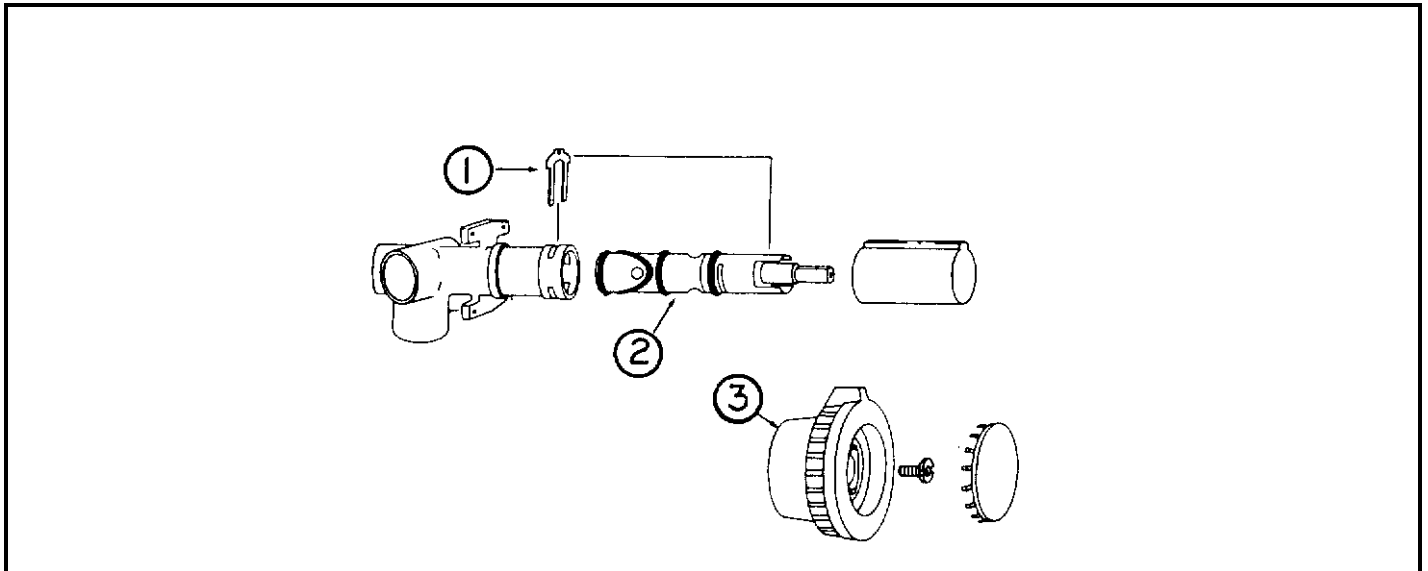
690390-02      Faucet, lavatory, Moen, brass/chrome

- 1) 690390-100      Lever handle
- 2) 601579-105      Cartridge
- 3) 601579-104      Retainer clip

# 2000 EXCELLA TRAILER

## PLUMBING

### FRESH WATER



601420-02 Shower faucet, polished brass

- 1) 000883 Retainer clip
- 2) 601420-100 Cartridge #1200
- 3) 001041 Handle

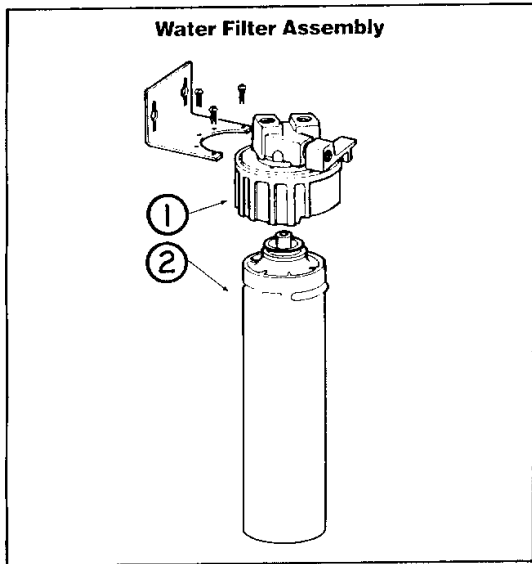
#### Shower stall fittings

- 601359-101 Elbow with flange, brass
- 601173 Vacuum breaker, brass
- 601175-01 Shower hose, brass
- 601257 Shower head w/shut-off, brass
- 601359-100 Wall holder, showerhead, brass

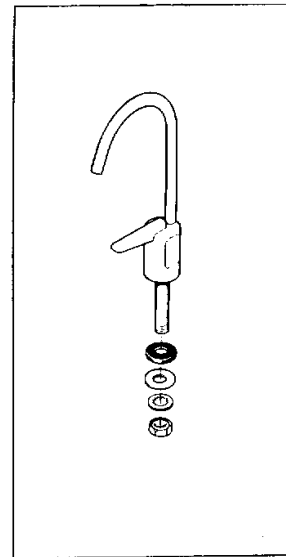
# 2000 EXCELLA TRAILER

## PLUMBING

### FRESH WATER



- 1) 005273 Head, water filter
- 2) 960112 Cartridge, filter



- 601401 Faucet, water

# 2000 EXCELLA TRAILER

## PLUMBING

### DRAIN SYSTEM

601622-03	Tank, gray, holding, 31 & 34FL
601623-06	Tank, black, holding, 31 & 34FL
601619	Pan, waste tank, 31 & 34FL
601622-01	Tank, holding, gray, 30ft.
601623-01	Tank, holding, black, 30ft.
601619	Pan, waste tank, 30ft.
601622-02	Tank, holding, gray, 28ft.
601623-05	Tank, holding, black, 28ft.
601619	Pan, waste tank, 28ft.
601623-03	Tank, holding, gray, 25ft.
601542	Tank, holding, black, 25ft.
601626	Pan, waste tank, 25ft.
601431	Dump valve, w/o handle
04190	Handle extension, dump valve
114086	Bracket, dump valve extension
600187	Wye, 3", comb.& 1/8" bend
601531	Fitting, 90 degree, 3"H x ST
600820	Single socket, 3", 90 degree
601323	Female fit & "O" ring, dump valve
600289	Calder coupling, 3", rubber
380481	Boot, rubber, 3" drain line
0310107	Waste valve adapter



# 2000 EXCELLA TRAILER

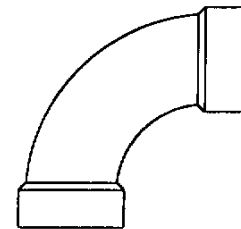
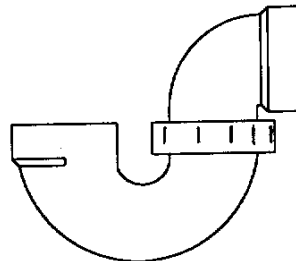
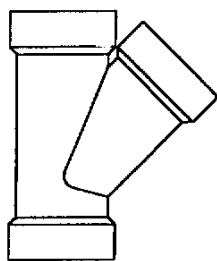
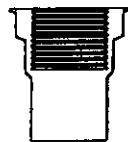
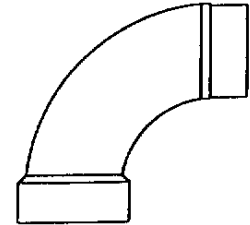
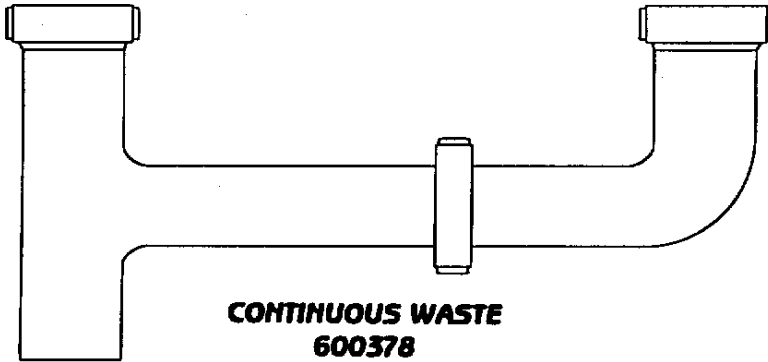
## PLUMBING

### DRAIN SYSTEM

601633-06	Sink, galley, porcelain, 34ft.
600968	Basket strainer, galley, 34ft.
601744-02	Sink, galley, porcelain, 25, 28, 30 & 31ND
600968	Basket strainer, galley, 2" 25, 28, 30&31ND
200406-06	Lavatory bowl, oval, parchment(tail, basket and stopper comes with bowl)
203081	Shower stall, 2 piece, 28 & 30ft.
203046-03	Shower stall, angled, 2 piece-34ft.& 31ND
201980	Shower stall, two-piece, 25ft.
600594	Strainer with rubber stopper
01639	Bayonet ring, 3" Thetford
01664	Cap, 3"sewer outlet, Thetford
600065	Flange, floor, threaded
601441	Tank flush, no-fuss(vacuum breaker & check valve)
601441-01	Nozzle, tank mounted, no-fuss flush
60032-01	Water inlet, garden hose thread, tank flush
601160-04	Pipe, 3" ABS
601160-02	Pipe, 1.5" ABS

# 2000 EXCELLA TRAILER

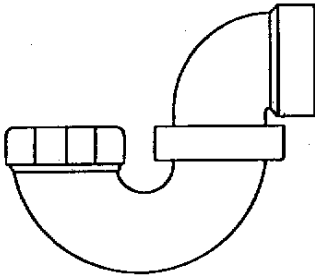
## PLUMBING 15." FITTINGS



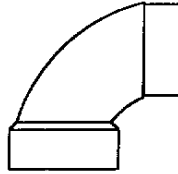
(continued)

# 2000 EXCELLA TRAILER

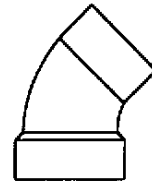
## PLUMBING 1.5" FITTINGS



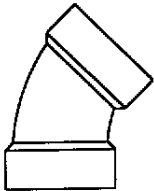
**P-TRAP  
1.5" WITH SLIP NUT  
600622**



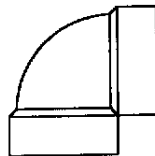
**ELBOW 90D  
SHORT ST  
600662**



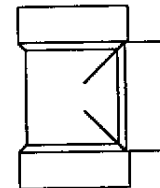
**ELBOW 45D  
LONG ST  
600027**



**ELBOW 45D  
LONG TURN  
600030**



**ELBOW VENT  
90D  
600033**



**TEE-BI DIRECTIONAL  
CLEAN-OUT 1.5"  
601318**



**PLUG 1.5"  
600155**



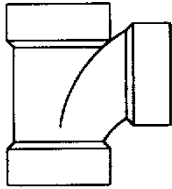
**VENT 1.5"  
600538**



**CAP 1.5"  
601677**

# 2000 EXCELLA TRAILER

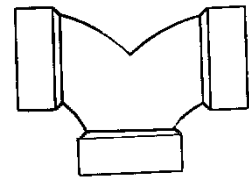
## PLUMBING 1.5" FITTINGS



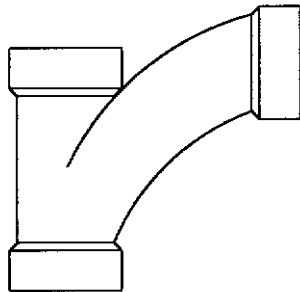
**TEE-SANITARY  
1.5"  
600156**



**ELBOW 22.5D  
SHORT TURN  
600116**



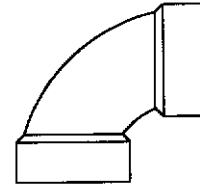
**ELL DOUBLE 1.5  
195329-486**



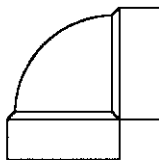
**WYE 1.5"  
1/8" BEND  
600182**



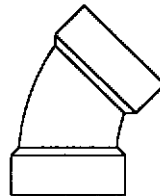
**COUPLING  
1.5"  
600227**



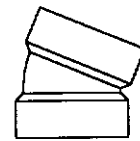
**ELBOW 90D  
SHORT SWEEP  
601636**



**ELBOW VENT  
90D  
600033**



**ELBOW 45D  
LONG TURN  
600030**



**ELBOW 22.5D  
SHORT TURN  
600116**

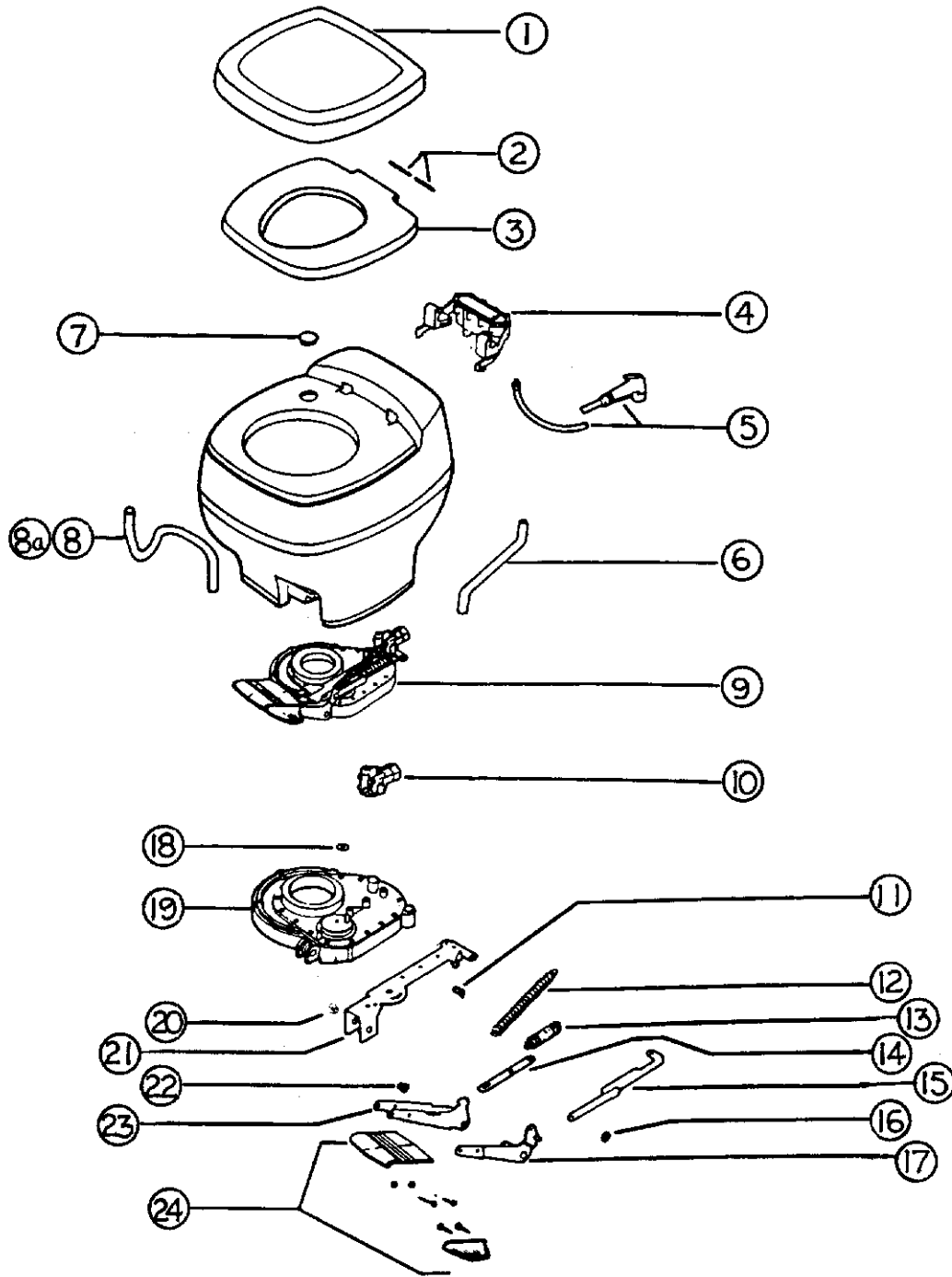
# 2000 EXCELLA TRAILER

NOTES:

# 2000 EXCELLA TRAILER

## PLUMBING

THETFORD, AQUA MAGIC GALAXY, PARCHMENT



# 2000 EXCELLA TRAILER

## PLUMBING

THETFORD, AQUA MAGIC GALAXY, PARCHMENT

690327-02 Toilet complete, Aqua Magic Galaxy, high

- 1) 020925 Padded seat cover, parchment
- 2) 012986 Hinge pin
- 3) 1626457 Seat, parchment
- 4) 008217 Vacuum breaker w/water saver, parchment
- 5) 008993 Water saver package
- 6) 003728 Water supply tube
- 7) 003895 Hole plug, parchment
- 8) 003729 Trap tube, 20", low style
- 8a) 003727 Trap tube, 27", high style
- 9) 024203 Mechanism, parchment
- 10) 009868 Ball valve replacement package
- 11) 002391 Drive arm assembly
- 12) 002802 Spring, ball valve return
- 13) 002801 Spring
- 14) 008986 Push link
- 15) 002796 Drive arm
- 16) 002394 Ring, retainer
- 17) 009421 Pedal arm assembly
- 18) 008034 Retainer ring, 1/4"
- 19) 020929 Base and cover assembly
- 20) 003749 Bushing, mechanism
- 21) 012593 Lever plate
- 22) 003749 Bushing, mechanism
- 23) 019266 Pedal arm
- 24) 020930 Double pedal package

# 2000 EXCELLA TRAILER

## SAFETY EQUIPMENT

510781	Smoke detector511309LPG detector
600162-01	Fire extinguisher
0300027	Break-away switch
510661	Breaker, 110 volt, 20-amp, GFI
371348-02	Window, rear w/red handles
371349-01	Screen, rear escape
372175-03	Screen, 30", alternate escape
380230-04	Knob, window arm, red
381088	Handle, lower window latch, red



# 2000 EXCELLA TRAILER

## SEALER/GASKETS/PAINT SEALER

360074	Sealant, white, 3 oz. tube
360001	Sealant, #884058
360002	Sealant, Vulkem 11.5 oz. tube
360209	Sealant, seam
360176	Sealant, Almond, kitchen and bath
360180	Sealant, Sikaflex #221
360210	Sealant, Paralastic 4334-014
360283	Sealant, silicone, Corian Bone

## GASKETS

365232	Gasket, main/baggage door
365013-01	Gasket, screen door
0401-0002	Gasket, window frame to glass
365035	Gasket, access doorjamb
380114	Gasket, vent pipe, roof
365221	Tape, double coated, 1/32" urethane
365222	Tape, double coated, .08 x 3/4"
365016	Tape, foam, double face, 1/2" wide
365001	Tape, double coated foam
3865239	Foam pad, non-skid, 1/16" x 1/4" x 1.0" (Used between mirror and door frame)

## PAINT

360213	Paint, Metallic Aluminum, Centari #65751
360260	Paint, Pewter
360151	Paint, gray metallic, Centari #44146A
360292	Stain, Saratoga Oak (new for 2000 models)

# 2000 EXCELLA TRAILER

## UPHOLSTERY/FOAM/MATTRESS REAR BEDROOM

- \*702486-399 Bed spread, "C" Roman Sands 25ft. only
- \*702485-399 Bed spread, twin, Roman Sands
- \*702676-399 Bed spread, double, Roman Sands

- 701770 Mattress, 34 x 78, contoured, twin, all models
- 702674 Mattress, 60 x 75, w/45 deg.corn.30, 31&34ft.
- 702705 Mattress, 60 x 75, w/45 degree corner, 28ft.
- 701532 Mattress, corner double, 25ft.

- 701611 Pillow 21" x 31"
- 703038-01 Pillow, lounge, Mosaic Blue
- 703038-02 Pillow sham, bedroom, Mosaic Blue
- 702953-01 Pillow, lounge, Roman Sands
- 702953-02 Pillow sham, bedroom, Roman Sands
- 702978-01 Pillow, lounge, Tropical Isle
- 702978-02 Pillow, square, bedroom, Tropical Isle
- 702978-03 Pillow, round, bedroom, Tropical Isle
- 702932-01 Pillow, lounge, Vintage Leaf
- 702932-02 Pillow, square, bedroom, Vintage Leaf
- 702932-03 Pillow, round, bedroom, Vintage Leaf

## UPHOLSTERY COVERS

- 998070 Cover, seat, side dinette
- 998071 Cover, back, side dinette
  
- 963398-01 Arm rest cushion, front lounge, RS
- 963398-03 Arm rest cushion, front lounge, CS

\*Changing the -(dash) number to: 318 = Blue Bayou  
258 = South Beach  
248 = Vintage Leaf  
379 = Mosaic Blue  
389 = Tropical Isle

# 2000 EXCELLA TRAILER

## FOAM

702464-21	Foam, upper back, dinette
702464-13	Foam, lower back, dinette
702464-14	Foam, aft seat, dinette
702464-15	Foam, forward seat, dinette
702673-01	Foam, armrest, RS
702673-03	Foam, armrest, CS

# 2000 EXCELLA TRAILER

## VENTS/FANS

108801-01	Ceiling vent w/light and fan
921105	Cap, ceiling vent, solardome
510233	Nylon vent crank handle w/screw
381406-02	Extension, crank operator, 2 in.
345322-18	Screw, extended vent crank, 2 1/4 in.
381564	Vent, automatic, w/wall thermostat, Fantastic
381450-100	Screen, Fantastic roof vent
381450-101	Motor, elevator, Fantastic vent
690266-01	Ventilator, power, bathroom
690266-03	Extension, garnish, 4", roof, bath ventilator
381541-06	Roof vent w/power lift
381541-05	Switch, white, ceiling vent
381541-04	Trim ring, inside, Ventline
511152-04	Range hood w/monitor
114462	Duct, range transition, formed
453000	Bracket, range hood support
511017-11	Vent cover, exterior, range hood, gray
100341	Refrigerator, vent collar, large
101394	Cover, refrigerator vent, large
101158	Vent pipe cover, cast aluminum
380114	Gasket, vent pipe

# 2000 EXCELLA TRAILER

## WOOD/LAMINATES/INTERIOR TRIM

800397-01	Cedar, planked, 5/32"x4'x8'
800542-02	Structure wood 3/8"x4'x8'
800542-03	Structure wood 1/2"x4'x8'
800542-05	Structure wood .700"x4'x8', sanded
800507-01	Paneling, luan, 1/8"x4'x8'
800507-02	Paneling, luan 1/4"x4'x8'
800506-03	Paneling, luan 3/8"x4'x8'
801261	Paneling, 1/8"x4'x8', G1S, Antiquity Buff/raw
801284-004	Paneling 1/2"x4'x8', G2S, oak/Antiquity Buff
801283	Paneling 1/2"x4'x8', G2S, Antiquity Buff/Antiquity Buff
801274	Paneling 1/2"x4'x8', G1S, Antiquity Buff
801180-004	Paneling 1/2"x4'x8', G2S, oak/oak
801179-004	Paneling, 1/2"x4'x8', G1S, oak/raw
801182-004	Paneling 5/32"x4'x8', G2S, oak/oak
801181-004	Paneling 5/32"x4'x8', G1S, oak/raw
801230	Laminate, oak, 4'x8'
801229	Laminate oak, .045 -.050
365251-01	Tape, seam, Antiquity Buff, 1 1/8" wide
365251-02	Tape, seam, Antiquity Buff, 8" wide
365251-03	Tape, seam, Antiquity Buff, 12" wide

# 2000 EXCELLA TRAILER

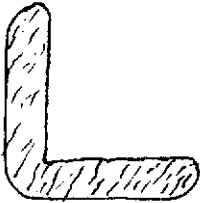
## WOOD/INTERIOR



1) 801206-014



2) 964152-014



3) 800575-014



4) 800571-014



5) 800638-024



6) 801172-014

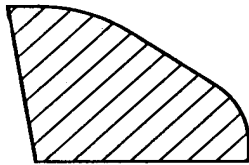
6a) 801172-04



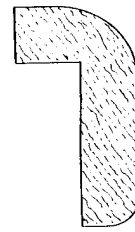
7) 801173-034



8) 801173-044



9) 801242-004

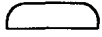


10) 964280-004

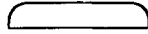
- |                |  |
|----------------|--|
| 1) 801206-014  | Molding, floor, oak, 43"                 |
| 2) 964152-014  | Molding, chair rail, oak                 |
| 3) 800575-014  | Molding, corner, oak                     |
| 4) 800571-014  | Molding, oak, flat 1/4" x 33/64" x 80"   |
| 5) 800638-024  | Molding, quarter round, oak              |
| 6) 801172-014  | Molding, flexible corner, oak            |
| 6a) 801172-04  | Molding, flexible corner, Antiquity Buff |
| 7) 801173-034  | Molding, flat radius, .88" oak           |
| 8) 801173-044  | Molding, flat radius, 1.13" oak          |
| 9) 801242-004  | Molding, threshold, main door            |
| 10) 964280-004 | Molding, counter top edge                |

# 2000 EXCELLA TRAILER

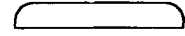
## WOOD/INTERIOR



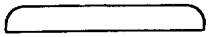
1) 801173-014



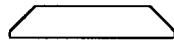
2) 801173-024



3) 801173-034



4) 801173-044



5) 801178-03

- 1) 801173-014
- 2) 801173-024
- 3) 801173-034
- 4) 801173-044
- 5) 801178-03

- Flat molding, vinyl wrapped, oak, .50 wide
- Flat molding, vinyl wrapped, oak, .75 wide
- Flat molding, vinyl wrapped, oak, .88 wide
- Flat molding, vinyl wrapped, oak, 1.13 wide
- Flat molding, vinyl wrapped, Antiquity Buff

# 2000 EXCELLA TRAILER

NOTES





