

***AIRSTREAM***

**LIMITED TRAILER**

Parts Book

**1999**



**TABLE OF CONTENTS**  
**SECTION I - LIMITED TRAILER**  
**A through C**

**APPLIANCES**

<a href="#">Air Conditioner</a> .....	I-1
<a href="#">Furnace</a> .....	I-1
<a href="#">Microwave</a> .....	I-1
<a href="#">Range</a> .....	I-2
<a href="#">Refrigerator</a> .....	I-2
<a href="#">Water Heater</a> .....	I-3

**BODY**

<a href="#">End shell, aft</a> .....	I-5
<a href="#">End shell, front</a> .....	I-7
<a href="#">Roof</a> .....	I-9
<a href="#">RS wall, 34ft.</a> .....	I-11
<a href="#">CS wall, 34ft.</a> .....	I-13
<a href="#">RS wall, 34FK</a> .....	I-15
<a href="#">CS wall, 34FK</a> .....	I-17
<a href="#">RS wall, 31 ND</a> .....	I-19
<a href="#">CS wall, 31 ND</a> .....	I-21
<a href="#">RS wall, 30FT</a> .....	I-23
<a href="#">CS wall, 30ft</a> .....	I-25
<a href="#">Body interior</a> .....	I-26

**CHASSIS**

<a href="#">A-frame</a> .....	I-27
<a href="#">Power jack</a> .....	I-29
<a href="#">Toolbox/tire carrier</a> .....	I-31
<a href="#">Step</a> .....	I-33
<a href="#">Outrigger/underbelly</a> .....	I-35
<a href="#">Jacks/Below floor storage</a> .....	I-36
<a href="#">Axles/shocks/wheels</a> .....	I-37
<a href="#">Brakes, 12"</a> .....	I-38

# TABLE OF CONTENTS

## SECTION II- LIMITED

D through E

<a href="#">DECALS/EXTERIOR TRIM</a> .....	II-1
--	------

### DOORS/WINDOWS/AWNING

<a href="#">Doors</a> .....	II-4
<a href="#">Windows</a> .....	II-6
<a href="#">Awning</a> .....	II-9

<a href="#">DRAPES/SHADES/VALANCES</a> .....	II-10
--	-------

### ELECTRICAL

<a href="#">110 volt</a> .....	II-14
<a href="#">12 volt</a> .....	II-15
<a href="#">Interior Lights</a> .....	II-16
<a href="#">Exterior Lights</a> .....	II-17

### ENTERTAINMENT

<a href="#">Radio</a> .....	II-18
<a href="#">Antenna</a> .....	II-18

# TABLE OF CONTENTS

## SECTION III-LIMITED

### F through H

FASTENERS (common fasteners available locally are not listed)

<a href="#">Rivets</a> .....	III-1
------------------------------	-------

### FLOOR COVERING

<a href="#">Carpet</a> .....	III-3
<a href="#">Mats</a> .....	III-3
<a href="#">Hardwood Flooring</a> .....	III-3

### FURNITURE

<a href="#">Interior doors</a> .....	III-4
<a href="#">Mirrors</a> .....	III-5
<a href="#">Drawer</a> .....	III-7
<a href="#">Rear bedroom</a> .....	III-9
<a href="#">Bath</a> .....	III-11
<a href="#">Galley</a> .....	III-15
<a href="#">Lounge</a> .....	III-21

### HARDWARE

<a href="#">Exterior locks/hinges</a> .....	III-25
<a href="#">Window hardware</a> .....	III-29
<a href="#">Rock guard</a> .....	III-30
<a href="#">Interior drawer slides/hinges latches</a> .....	III-31
<a href="#">Bath/Table</a> .....	III- 35
<a href="#">Awning</a> .....	III-39

# TABLE OF CONTENTS

## SECTION IV- LIMITED

L through Z

[LABELS and TAGS](#) ..... IV-1

[OPTIONS](#) ..... IV-2

### PLUMBING

[LPG](#) ..... IV-3

[Fresh water](#) ..... IV-5

[Faucets](#) ..... IV\_7

[Drain water](#) ..... IV-11

[Sinks](#) ..... IV-12

[Toilet](#) ..... IV-15

[SAFETY EQUIPMENT](#) ..... IV-16

[SEALER/GASKETS/PAINT](#) ..... IV-17

[UPHOLSTERY/FOAM/MATTRESS](#) ..... IV-18

[VENTS/FANS](#) ..... IV-19

[WOOD/LAMINATES/TRIM](#) ..... IV-20

# 1999 LIMITED TRAILER

## SECTION I - LIMITED TRAILER A through C

### APPLIANCES

Air Conditioner .....	I-1
Furnace .....	I-1
Microwave .....	I-1
Range .....	I-2
Refrigerator .....	I-2
Water Heater.....	I-3

### BODY

End shell, aft.....	I-5
End shell, front .....	I-7
Roof .....	I-9
RS wall, 34ft. ....	I-11
CS wall, 34ft. ....	I-13
RS wall, 34FK.....	I-15
CS wall, 34FK.....	I-17
RS wall, 31 ND .....	I-19
CS wall, 31 ND .....	I-21
RS wall, 30FT .....	I-23
CS wall, 30ft .....	I-25
Body interior .....	I-26

### CHASSIS

A-frame.....	I-27
Power jack .....	I-29
Step .....	I-33
Outrigger/underbelly .....	I-35
Jacks/Below floor storage .....	I-36
Axles/shocks/wheels.....	I-37
Brakes, 12" .....	I-38





# 1999 LIMITED TRAILER

## APPLIANCES

### AIR CONDITIONER, DUO THERM

690380-01	Air conditioner, Duo Therm w/heat pump
690380-04	Thermostat
690380-03	Air box, polar white
385582-01	Decal, Airstream w/bar
690323-100	Shroud, exterior, Penguin air conditioner
961270	Pan Assembly, drain, air conditioner

### FURNACE, HYDROFLAME

* 690274	Furnace, Hydroflame, #8535-IV, 34, 000BTU
690274-06	Mounting flange
690274-09	Door exterior, Hydroflame
601244-03	Register.rotaire, black
600247	4" duct hose, flexible
690274-102	Module board, furnace
511228	Thermostat, off white

### MICROWAVE

690345-01	Microwave, convection, Sharp
690345-03	Trim ring, convection microwave
690392	Microwave oven, .9CF, Samsung
690392-01	Trim kit, Samsung
690407-01	Microwave oven, Dometic
690407-02	Trim kit, Dometic microwave

\*The Hydroflame furnace changed from a series III to a series IV starting with Airstream trailer #512446

# 1999 LIMITED TRAILER

## APPLIANCES

### MAYTAG RANGE

690396-02	Range top, 3 burner
690396-04	Range, 3 burner w/oven
690396-03	Range cover, bi-fold
964383-01	Range covers, Corian, set

### DOMETIC REFRIGERATOR, RM4872R

690371-02	Refrigerator, RM4872L, 2-way, 34FK, 31, 30ft.
690371-01	Refrigerator, RM4872R, 2-way, 34ft.
801225-01	Oak refrigerator door insert 15.5x20.38
801225-03	Oak refrigerator door insert 38.38x20.38
104439	Louvered panel, exterior access door
101394	Cover, refrigerator roof vent, large
100341	Vent collar w/screen, refrigerator, large

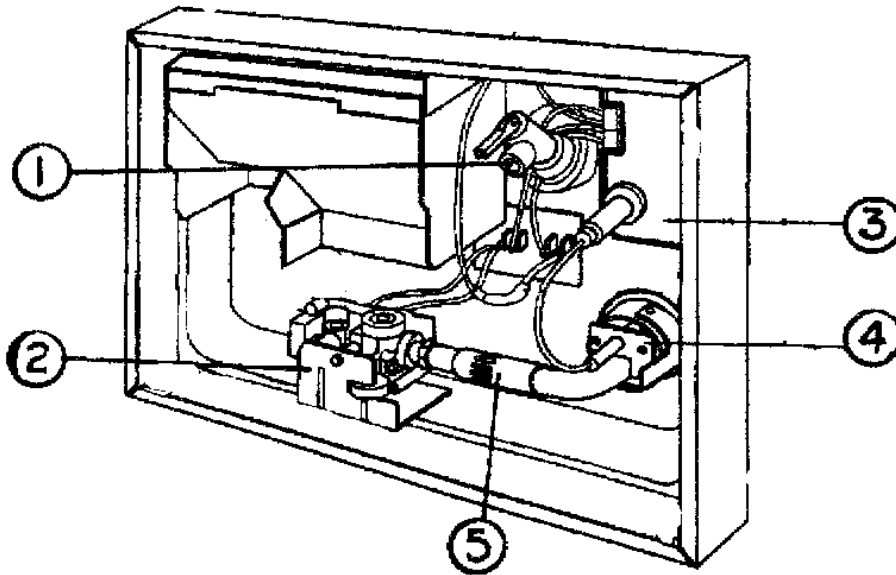
### DOMETIC REFRIGERATOR, RM3862

690370-02	Refrigerator, RM3862, 2-way, LH, 34FK, 31, 30ft.
690370-01	Refrigerator, RM3862, 2-way, RH, 34ft.
801225-01	Oak refrigerator door insert 15.5x20.38
801225-03	Oak refrigerator door insert 38.38x20.38
104439	Louvered panel, exterior access door
101394	Cover, refrigerator roof vent, large
100341	Vent collar w/screen, refrigerator, large
690415	Kit, meat/dairy/w/ice tray

# 1999 LIMITED TRAILER APPLIANCES

## ATWOOD WATER HEATER, GC6AA-9E

- 690405 Water heater, Atwood, elec., ignition, 110 volt/gas
- 500933 witch, water heater, electronic
- 690209 Access cover, brushed aluminum
- 510514 Switch, 110v, 3 way, priority(water heater/micro-wave) CSA only



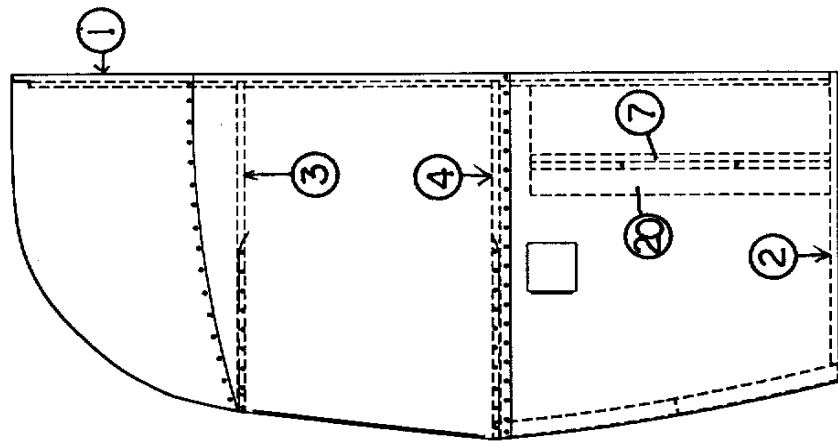
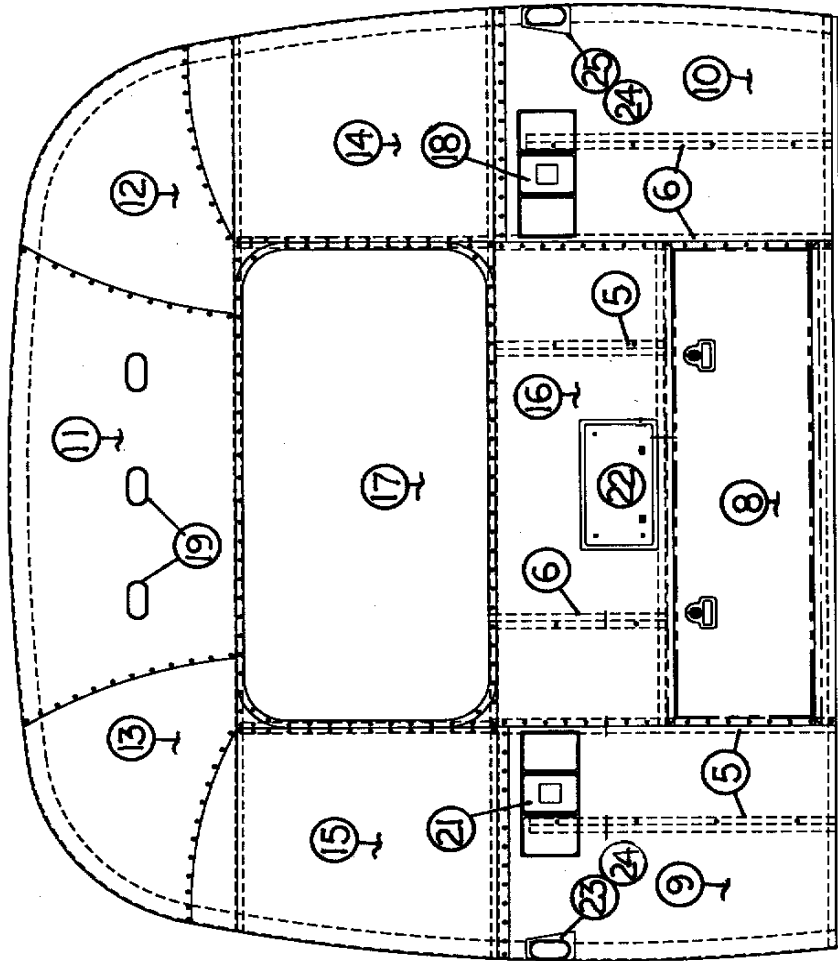
Front of water heater

- 1) 091604 Relief valve, pressure/temperature
- 2) 093870 Solenoid valve
- 3) 093865 Circuit board
- 4) 093868 Spark probe
- 5) 092615 Main burner

Back of water heater

- 091160 Heating element, 110volt
- 091873 ECO thermostat
- 091092 On/off switch, 110Volt

# 1999 LIMITED TRAILER



# 1999 LIMITED TRAILER

## BODY-AFT END

921161-10      End shell complete, rear

- 1) 114993              End bow
- 2) 114676              Floor bow
- 3) 114678              Upper window bow
- 4) 114677              Lower window bow
- 5) 114505-01          Support, lower end, LH
- 6) 114505-02          Support, lower end, RH
- 7) 101315              Brace, vertical rear
- 8) 921159              Trunk door assembly, twin bed only

**\* Airstream  
finish**

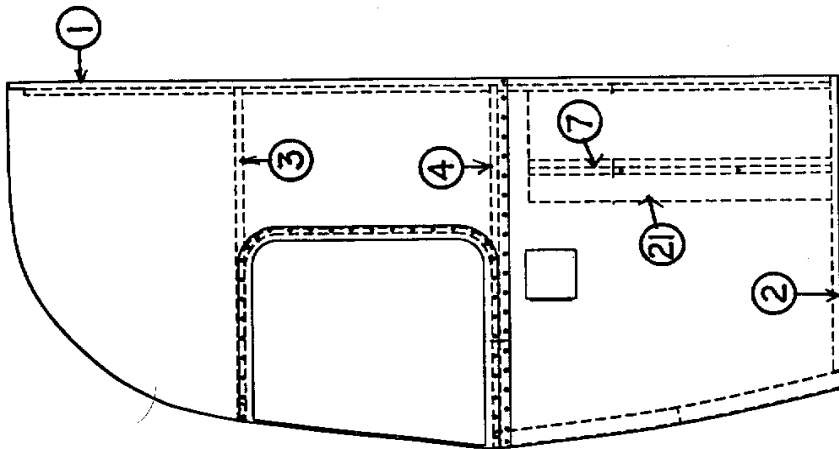
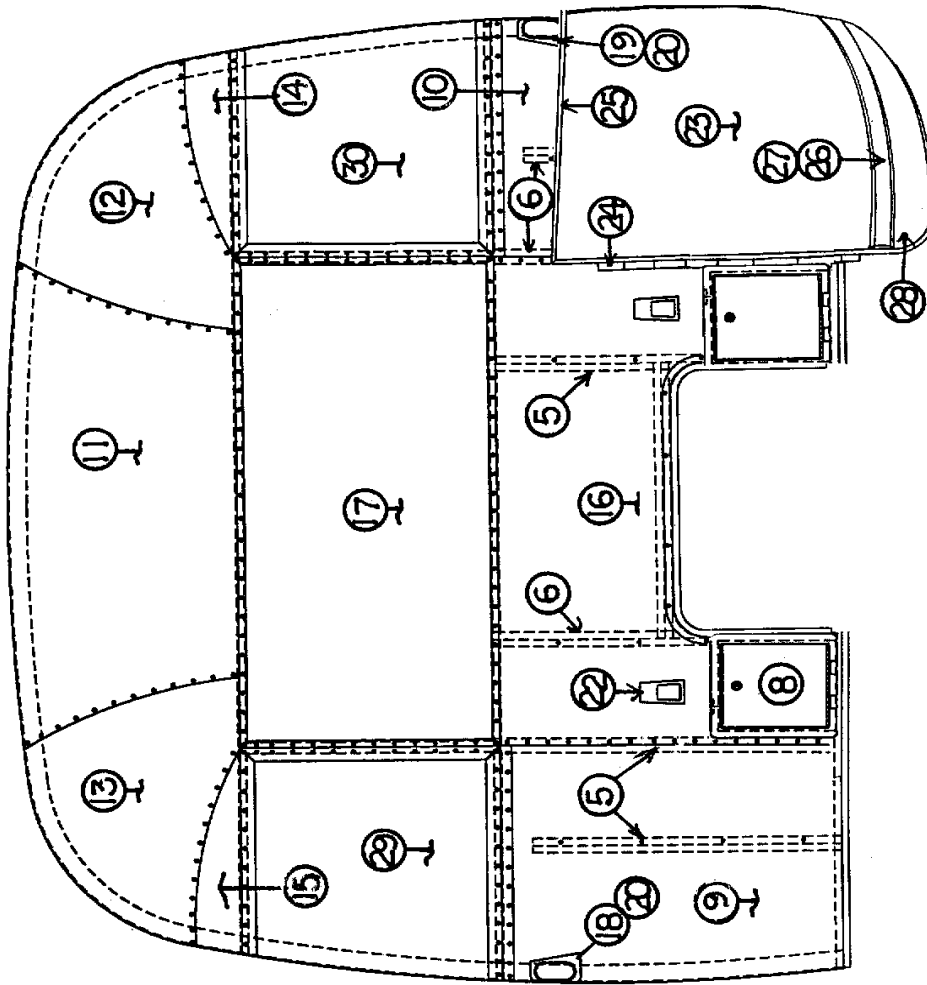
**Alcoa  
finish**

- |            |                       |        |
|------------|-----------------------|--------|
| 9) 114407  | Segment #29           | 114895 |
| 10) 114406 | Segment #28           | 114894 |
| 11) 114671 | Segment #25           | 114893 |
| 12) 114404 | Segment #26           | 114890 |
| 13) 114405 | Segment #27           | 114891 |
| 14) 104443 | Segment, center right | 114889 |
| 15) 104442 | Segment, center left  | 114888 |

- 16) NPN Alum. sheet, .050" x 19.0" x 51.0" (cut from 114360-318)
- 17) 371348-02          Window, rear escape
- 18) 962169-02          Taillight complete, CS
- 19) 510111              Clearance light, red
- 20) NPN Alum. sheet, .040" x 12.0" x 29.0" (cut from 114488)
- 21) 962169-01          Taillight complete, RS
- 22) 201954              License plate housing, black
- 23) 101178              Base, clearance light casting, RS rear
- 24) 510111              Clearance light, red
- 25) 101177              Base, clearance light casting, CS rear

\*All trailers built after serial #512612 will have Alcoa finished segments.

# 1999 LIMITED TRAILER



# 1999 LIMITED TRAILER

## BODY-FRONT-END

921160-03 End shell complete

- 1) 114993 End bow
- 2) 114676 Floor bow
- 3) 114678 Upper window bow
- 4) 114677 Lower window bow
- 5) 114505-01 Support, lower end, LH
- 6) 114505-02 Support, lower end, RH
- 7) 101315 Brace, vertical rear
- 8) 109852 Battery box assembly

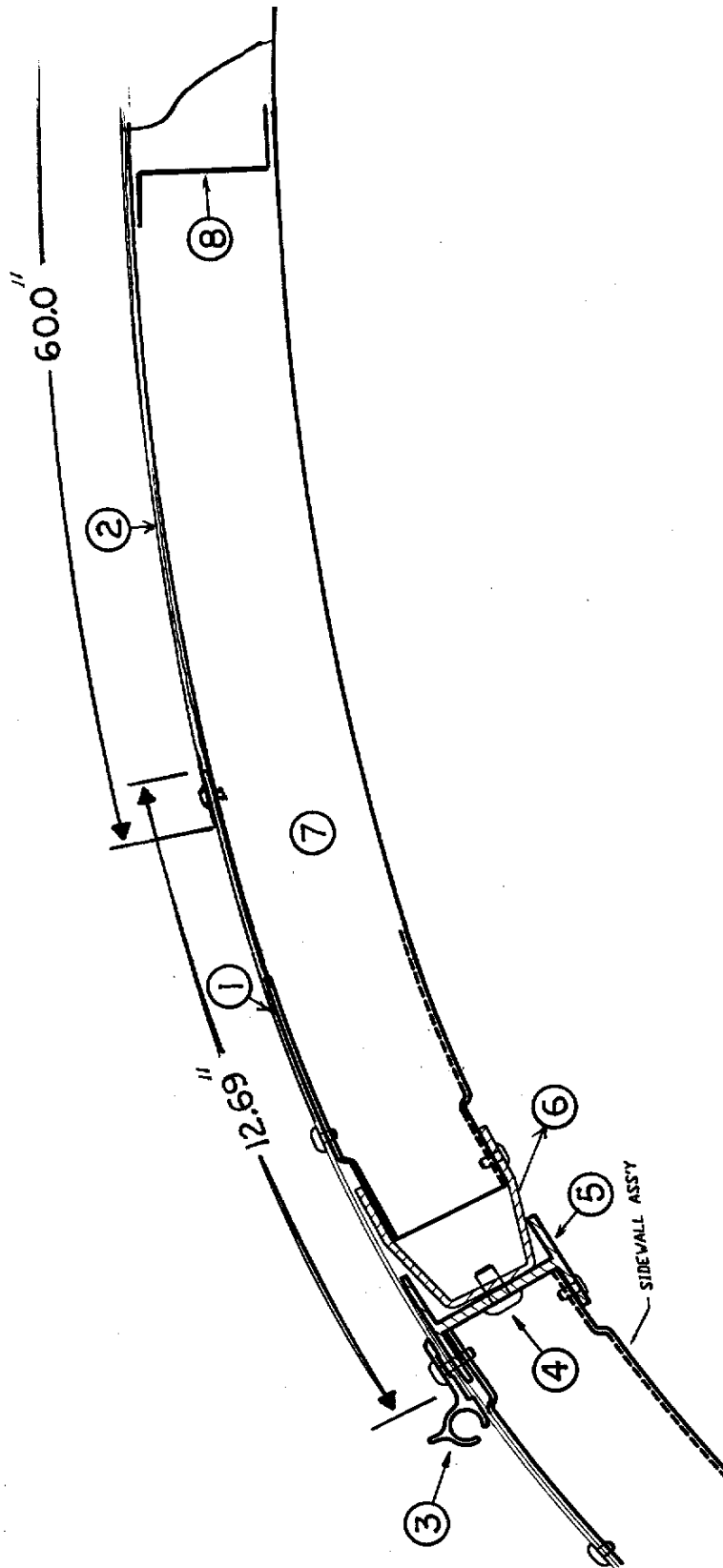
\* **Airstream  
finish**

**Alcoa  
finish**

- 9) 114407 Segment #29 -----114895
- 10) 114406 Segment #28-----114894
- 11) 114671 Segment #25-----114893
- 12) 114404 Segment #26-----114890
- 13) 114405 Segment #27-----114891
- 14) 104443 Segment, center right --114889
- 15) 104442 Segment, center left ----114888
- 16) NPN Alum. sheet, .050" x 34.75" x 51" (cut from 114360-318)
- 17) 371346-02 Window, front, dark glass
- 17a) 371348-01 Window, front, dark glass, Front Kitchen
- 18) 101178 Base , lamp, cast polished, RS
- 19) 101177 Base, lamp, cast polished, CS
- 20) 510112 Clearance light, amber
- 21) ) NPN Alum. sheet, .040" x 12.0 x" 29.0" (cut from 114488)
- 22) 510732 Utility light #1327
- 23) 685276-100 Wrap protector, SS, specify side
- 24) 381605-01 Hinge, stainless, wrap protector
- 25) 100742-01 Extrusion, mirror/wrap protector trim
- 26) 114460 Extrusion, rub rail
- 27) 201763-01 Insert, rub rail
- 28) 200542 Underbelly wrap, RS wrap protector
- 28a) 200543 Underbelly wrap, CS wrap protector
- 29) 372089 Panoramic window, CS front
- 30) 372088 Panoramic window, RS front

\*All trailers built after serial #512612 will have Alcoa finish.

# 1999 LIMITED TRAILER





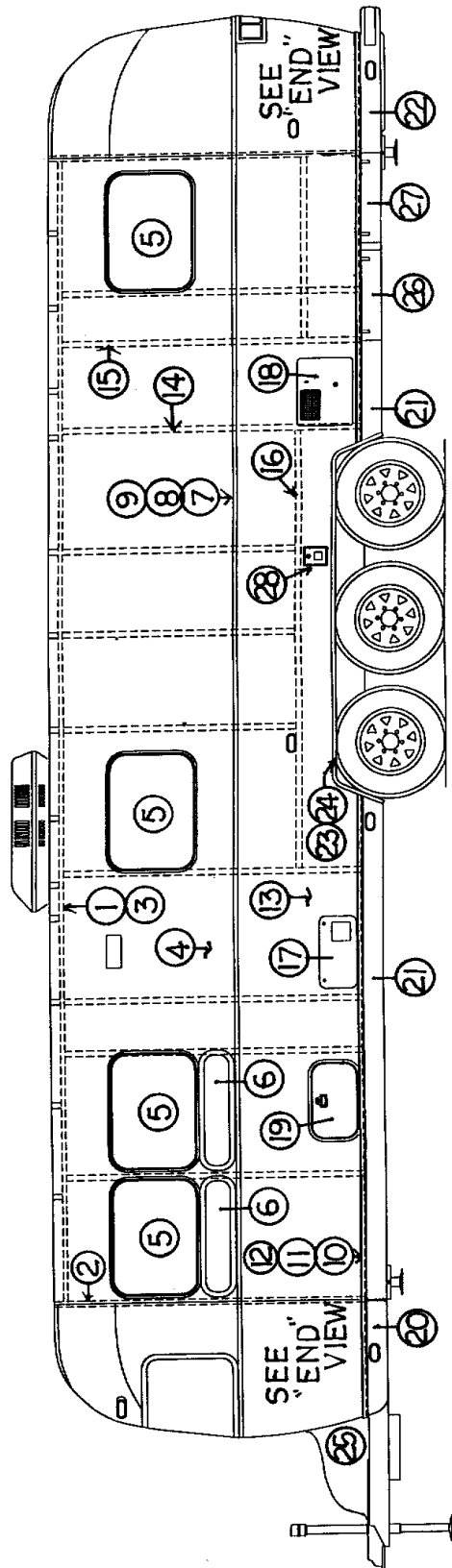
# 1999 LIMITED TRAILER

## BODY

### ROOF-END VIEW

- |                |  |
|----------------|--|
| 1) 114669-307  | Alum. sheet, white, .032" x 12.69" x 307"        |
| 2) 114489-307  | Alum. sheet, white, .032" x 60.0" x 307", 34ft   |
| 2a) 114489-262 | Alum. sheet, white, .032" x 60" x 262", 30&31ft. |
| 3) 114290-03   | Extrusion, awning/drip rail                      |
| 4) 340123-02   | Rivet, Huck, 3/16" x 1/2"                        |
| 5) 104707-05   | Extrusion. "I" beam                              |
| 6) 114338      | Extrusion, roof corner                           |
| 7) 114668      | Roof bow   |
| 8) 104408      | Extrusion, Z bar, horizontal                     |

# 1999 LIMITED TRAILER



# 1999 LIMITED TRAILER

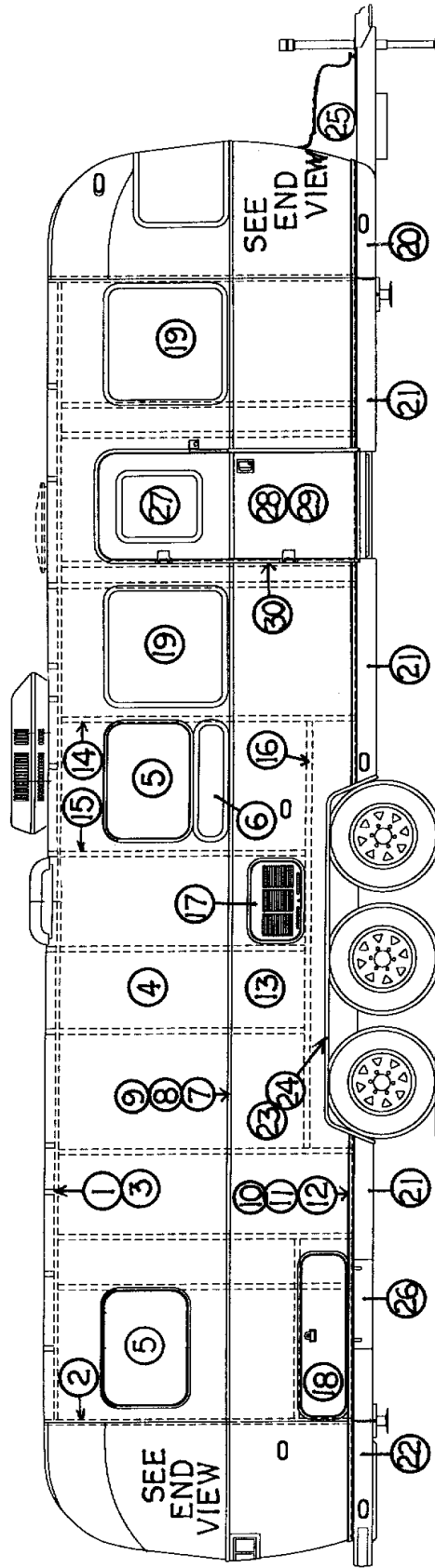
## BODY-34FT LIMITED, RS

(Hardware such as hinges, locks and latches are located in the **hardware** section of this book)

- |                |   |
|----------------|---|
| 1) 114290-03   | Extrusion, awning/drip rail               |
| 2) 114993      | Rib, end bow                              |
| 3) 104707      | Extrusion, "I" beam                       |
| 4) 114880-307  | Aluminum sheet, upper, .040" x 51" x 307" |
| 5) 371324-02   | Window, 30in. opening                     |
| 6) 371270-01   | Window, 30in., stack, stationary          |
| 7) 114328      | Extrusion, belt line                      |
| 8) 201912      | Molding, chrome, belt line                |
| 9) 114414      | "Z" bar, 1" x 1" x 1.5"                   |
| 10) 114460     | Extrusion, rub rail                       |
| 11) 201763-01  | Insert, rub rail, chrome, 1"              |
| 12) 100986     | Floor channel                             |
| 13) 114879-307 | Aluminum sheet, lower, .040" x 33" x 307" |
| 14) 114387-01  | Bow, Z rib, RH                            |
| 15) 114387-02  | Bow, Z rib, LH                            |
| 16) 100986     | Wheel well stiffener(floor channel)       |
| 17) 690274-09  | Cover, Hydroflame furnace                 |
| 18) 690209     | Cover, brushed aluminum, Atwood           |
| 19) 100679     | Access door w/jamb                        |
| 20) 200542     | Banana wrap, RS front                     |
| 21) 101131-01  | Underbelly wrap, .024" x 22.5", pewter    |
| 22) 201974-01  | Bumper, rear corner, RS                   |
| 23) 114003-01  | Wheel well trim, inner, tri-axle          |
| 24) 114004-01  | Wheel well trim, outer, tri-axle          |
| 25) 201981     | Bottle cover, LP, Limited                 |
| 26) 114496-02  | Door, utility compartment                 |
| 27) 114496-01  | Door, power cord compartment              |
| 28) 601194     | Water fill w/lock                         |

# 1999 LIMITED TRAILER

# 1999 LIMITED TRAILER



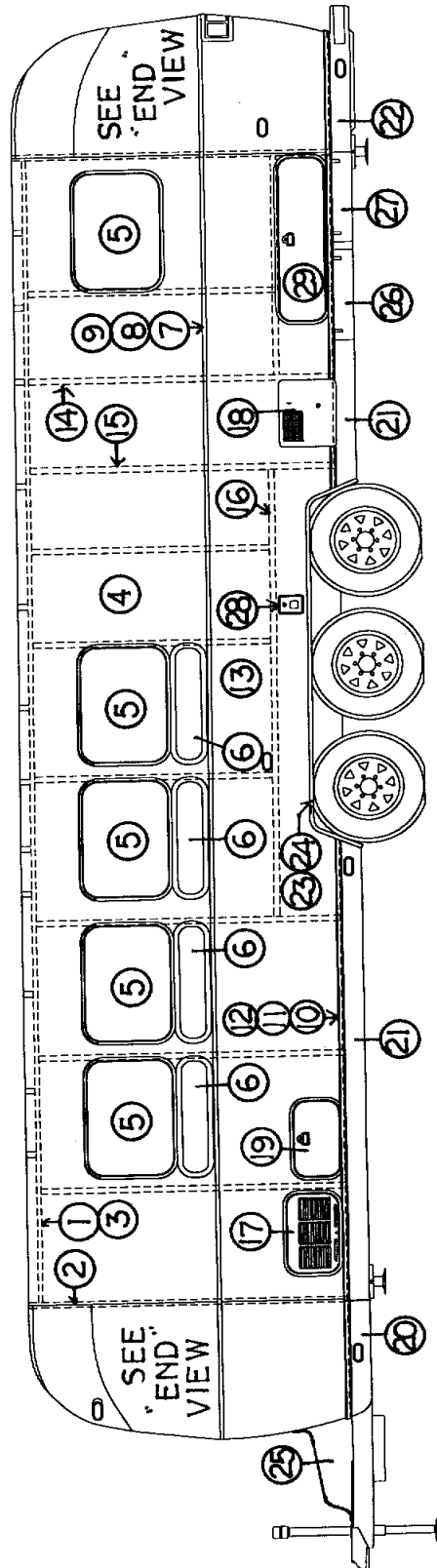
# 1999 LIMITED TRAILER

## BODY-34FT LIMITED, CS

(Hardware such as hinges, locks and latches are located in the **hardware** section of this book)

- |                |  |
|----------------|--|
| 1) 114290-03   | Extrusion, awning/drip rail              |
| 2) 114993      | Rib, end bow                             |
| 3) 104707      | Extrusion, "I" beam                      |
| 4) 114880-307  | Aluminum sheet, upper, .040 x 51 x 307"  |
| 5) 371324-02   | Window, 30in. opening                    |
| 6) 371270-01   | Window, 30in., stack, stationary         |
| 7) 114328      | Extrusion, belt line                     |
| 8) 201912      | Molding, chrome, belt line               |
| 9) 114414      | "Z" bar, 1x1x1.5"                        |
| 10) 114460     | Extrusion, rub rail                      |
| 11) 201763-01  | Insert, rub rail, chrome, 1"             |
| 12) 100986     | Floor channel                            |
| 13) 114879-307 | Aluminum sheet, lower, .040 x 33 x 307"  |
| 14) 114387-01  | Bow, Z rib, RH                           |
| 15) 114387-02  | Bow, Z rib, LH                           |
| 16) 100986     | Wheel well stiffener (floor channel)     |
| 17) 104439     | Louvered panel, refrigerator access door |
| 18) 922288-01  | Door, side access, long, twin only       |
| 19) 371285-01  | Window, stationary, 30in.                |
| 20) 200543     | Banana wrap, CS front                    |
| 21) 101131-01  | Underbelly wrap, .024 x 22.5, pewter     |
| 22) 201974-02  | Bumper, rear corner, CS                  |
| 23) 114003-01  | Wheel well trim, inner, tri-axle         |
| 24) 114004-01  | Wheel well trim, outer, tri-axle         |
| 25) 201981     | Bottle cover, LP, Limited                |
| 26) 114496-02  | Door, utility compartment                |
| 27) 371319-05  | Window, main door                        |
| 28) 110067-04  | Main door assembly, Limited              |
| 29) 114654     | Screen door assembly                     |
| 30) 114652     | Main door jamb, formed                   |

# 1999 LIMITED TRAILER



# 1999 LIMITED TRAILER

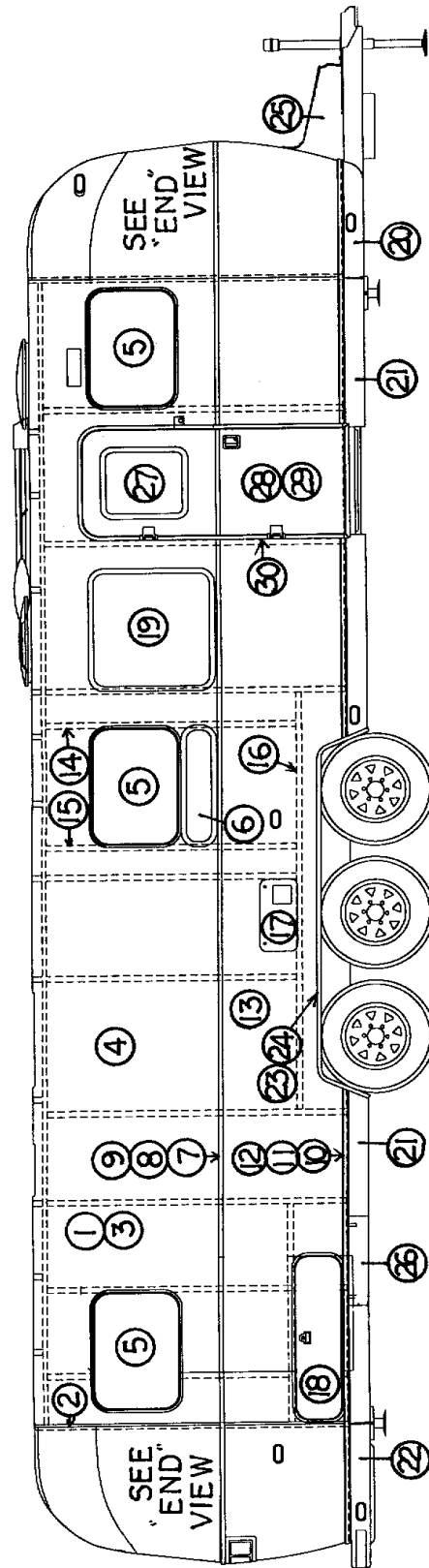
## BODY-34FT LIMITED, RS, FK

(Hardware such as hinges, locks and latches are located in the **hardware** section of this book)

- 1) 114290-03 Extrusion, awning/drip rail
- 2) 114993 Rib, end bow
- 3) 104707 Extrusion, "I" beam
- 4) 114880-307 Aluminum sheet, upper, .040 x 51 x 307"
- 5) 371324-02 Window, 30in. opening
- 6) 371270-01 Window, 30in., stack, stationary
- 7) 114328 Extrusion, belt line
- 8) 201912 Molding, chrome, belt line
- 9) 114414 "Z" bar, 1x1x1.5"
- 10) 114460 Extrusion, rub rail
- 11) 201763-01 Insert, rub rail, chrome, 1"
- 12) 100986 Floor channel
- 13) 114879-307 Aluminum sheet, lower, .040 x 33 x 307"
- 14) 114387-01 Bow, Z rib, RH
- 15) 114387-02 Bow, Z rib, LH
- 16) 100986 Wheel well stiffener(floor channel)
- 17) 104439 Louvered panel, refrigerator access door
- 18) 690209 Cover, brushed aluminum, Atwood
- 19) 100679 Access door w/jamb
- 20) 200542 Banana wrap, RS front
- 21) 101131-01 Underbelly wrap, .024 x 22.5, pewter
- 22) 201974-01 Bumper, rear corner, RS
- 23) 114003-01 Wheel well trim, inner, tri-axle
- 24) 114004-01 Wheel well trim, outer, tri-axle
- 25) 201981 Bottle cover, LP, Limited
- 26) 114496-02 Door, utility compartment
- 27) 114496-01 Door, power cord compartment
- 28) 601194 Water fill w/lock
- 29) 922288-01 Door, side access, long, twin only



# 1999 LIMITED TRAILER



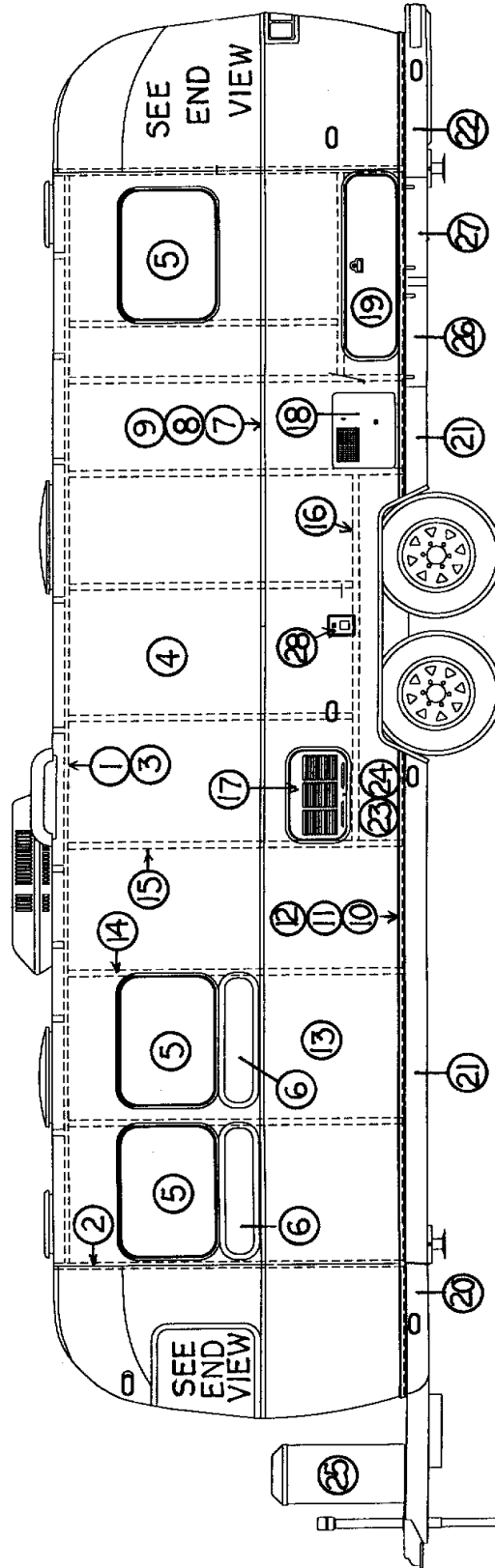
# 1999 LIMITED TRAILER

## BODY-34FT LIMITED, CS, FK

(Hardware such as hinges, locks and latches are located in the **hardware** section of this book)

- 1) 114290-03 Extrusion, awning/drip rail
- 2) 114993 Rib, end bow
- 3) 104707 Extrusion, "I" beam
- 4) 114880-307 Aluminum sheet, upper, .040 x 51 x 307"
- 5) 371324-02 Window, 30in. opening
- 6) 371270-01 Window, 30in., stack, stationary
- 7) 114328 Extrusion, belt line
- 8) 201912 Molding, chrome, belt line
- 9) 114414 "Z" bar, 1x1x1.5"
- 10) 114460 Extrusion, rub rail
- 11) 201763-01 Insert, rub rail, chrome, 1"
- 12) 100986 Floor channel
- 13) 114879-307 Aluminum sheet, lower, .040 x 33 x 307"
- 14) 114387-01 Bow, Z rib, RH
- 15) 114387-02 Bow, Z rib, LH
- 16) 100986 Wheel well stiffener(floor channel)
- 17) 690274-09 Cover Hydroflame furnace
- 18) 922288-01 Door, side access, long, twin only
- 19) 371285-01 Window, stationary, 30in.
- 20) 200543 Banana wrap, CS front
- 21) 101131-01 Underbelly wrap, .024 x 22.5, pewter
- 22) 201974-02 Bumper, rear corner, CS
- 23) 114003-01 Wheel well trim, inner, tri-axle
- 24) 114004-01 Wheel well trim, outer, tri-axle
- 25) 201981 Bottle cover, LP, Limited
- 26) 114496-02 Door, utility compartment
- 27) 371319-05 Window, main door
- 28) 110067-04 Main door assembly, Limited
- 29) 114654 Screen door assembly
- 30) 114652 Main door jamb, formed

# 1999 LIMITED TRAILER



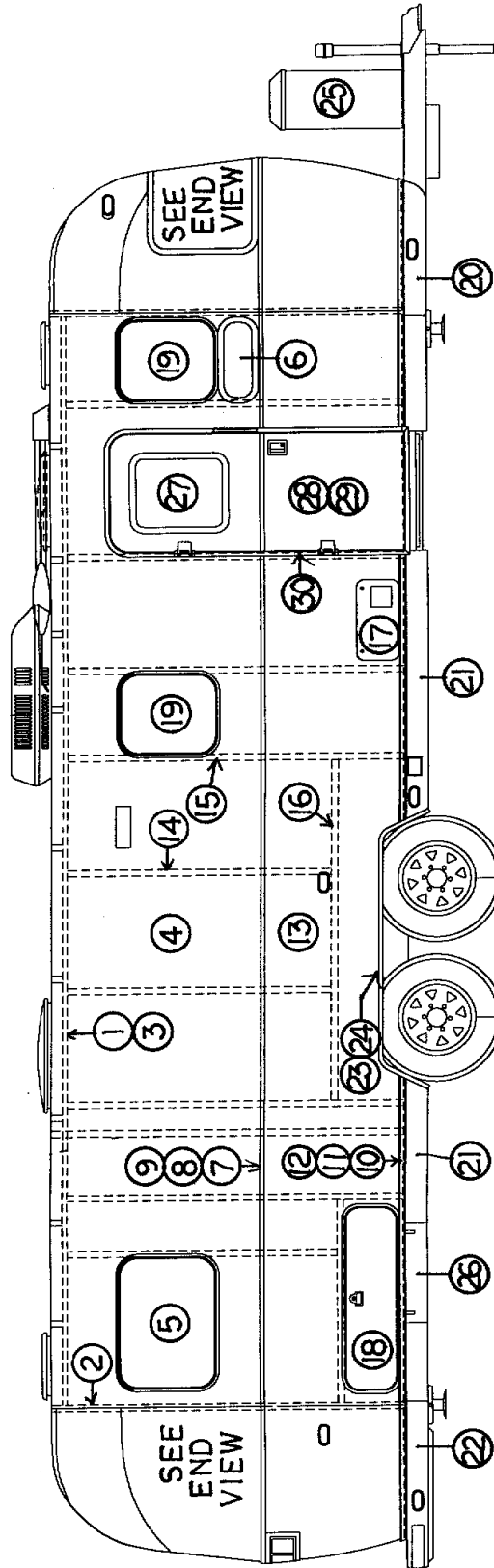
# 1999 LIMITED TRAILER

## BODY-31FT LIMITED, RS, ND

(Hardware such as hinges, locks and latches are located in the **hardware** section of this book)

- 1) 114290-03 Extrusion, awning/drip rail
- 2) 114993 Rib, end bow
- 3) 104707 Extrusion, "I" beam
- 4) 114880-262 Aluminum sheet, upper, .040 x 51 x 262"
- 5) 371324-02 Window, 30 in. opening
- 6) 371270-01 Window, 30 in., stack, stationary
- 7) 114328 Extrusion, belt line
- 8) 201912 Molding, chrome, belt line
- 9) 114414 "Z" bar, 1 x 1 x 1.5"
- 10) 114460 Extrusion, rub rail
- 11) 201763-01 Insert, rub rail, chrome, 1"
- 12) 100986 Floor channel
- 13) 114879-262 Aluminum sheet, lower, .040 x 33 x 262"
- 14) 114387-01 Bow, Z rib, RH
- 15) 114387-02 Bow, Z rib, LH
- 16) 100986 Wheel well stiffener(floor channel)
- 17) 104439 Louvered panel, refrigerator access door
- 18) 690209 Cover, brushed aluminum, Atwood
- 19) 922288-01 Door, side access, long, twin only
- 20) 200542 Banana wrap, RS front
- 21) 101131-01 Underbelly wrap, .024 x 22.5, pewter
- 22) 201974-01 Bumper, rear corner, RS
- 23) 684936 Wheel well trim, inner, tandem axle
- 24) 684937 Wheel well trim, outer, tandem axle
- 25) 104265 Bottle cover, LP, w/o decals
- 26) 114496-02 Door, utility compartment
- 27) 114496-01 Door, power cord compartment
- 28) 601194 Water fill w/lock

# 1999 LIMITED TRAILER



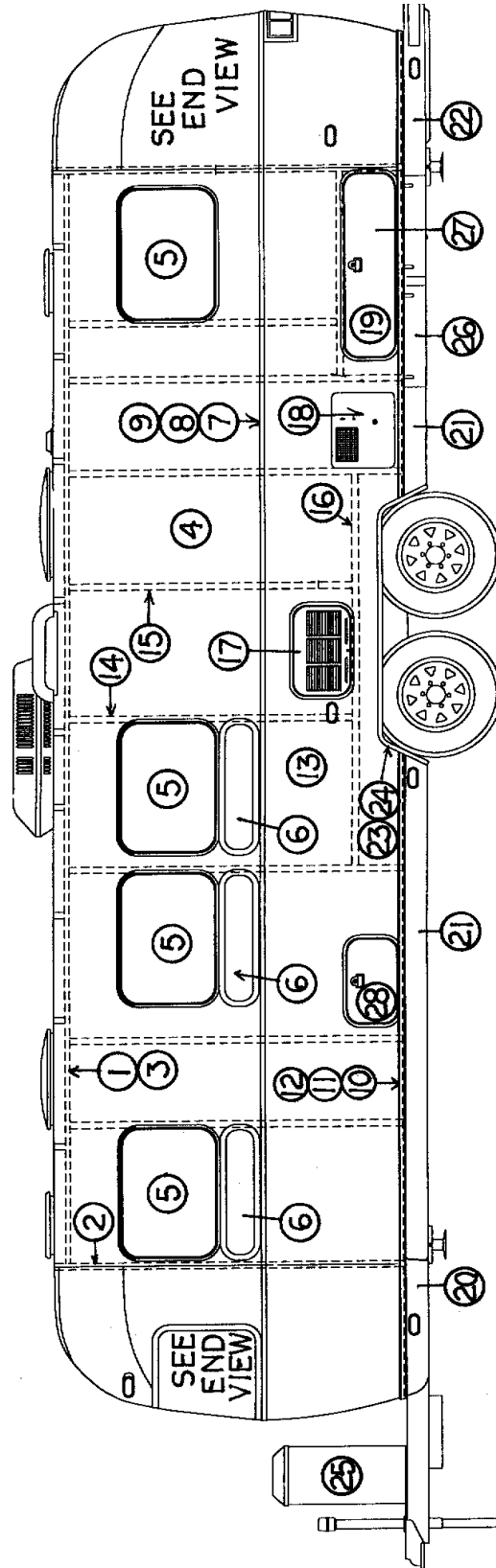
# 1999 LIMITED TRAILER

## BODY-31FT LIMITED, CS, ND

(Hardware such as hinges, locks and latches are located in the **hardware** section of this book)

- 1) 114290-03 Extrusion, awning/drip rail
- 2) 114993 Rib, end bow
- 3) 104707 Extrusion, "I" beam
- 4) 114880-262 Aluminum sheet, upper, .040 x 51 x 262"
- 5) 371324-02 Window, 30in. opening
- 6) 371269 Window, 18in., stack, stationary
- 7) 114328 Extrusion, belt line
- 8) 201912 Molding, chrome, belt line
- 9) 114414 "Z" bar, 1 x 1 x 1.5"
- 10) 114460 Extrusion, rub rail
- 11) 201763-01 Insert, rub rail, chrome, 1"
- 12) 100986 Floor channel
- 13) 114879-262 Aluminum sheet, lower, .040 x 33 x 262"
- 14) 114387-01 Bow, Z rib, RH
- 15) 114387-02 Bow, Z rib, LH
- 16) 100986 Wheel well stiffener (floor channel)
- 17) 690274-09 Cover Hydroflame furnace
- 18) 922288-01 Door, side access, long, twin only
- 19) 371323 Window, 18in. opening
- 20) 200543 Banana wrap, CS front
- 21) 101131-01 Underbelly wrap, .024 x 22.5, pewter
- 22) 201974-02 Bumper, rear corner, CS
- 23) 684936 Wheel well trim, inner, tandem axle
- 24) 684937 Wheel well trim, outer, tandem axle
- 25) 104265 Bottle cover, LP, w/o decal
- 26) 114496-02 Door, utility compartment
- 27) 371319-05 Window, main door
- 28) 110067-04 Main door assembly, Limited
- 29) 114654 Screen door assembly
- 30) 114652 Main door jamb, formed

# 1999 LIMITED TRAILER



# 1999 LIMITED TRAILER

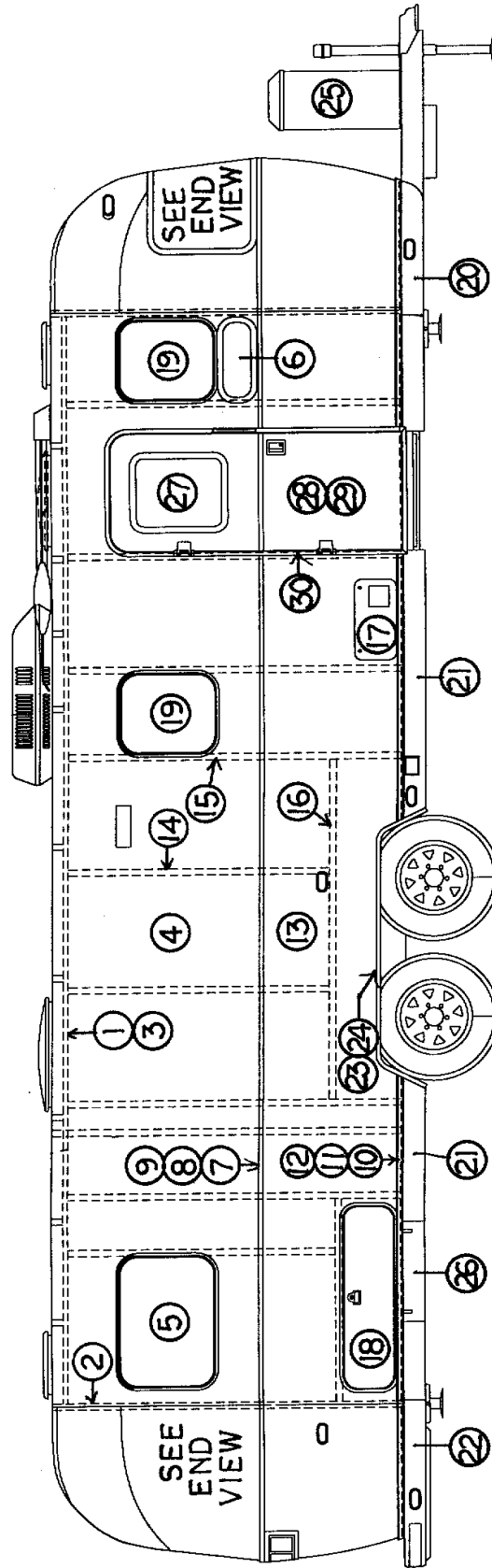
## BODY-30FT LIMITED, RS

(Hardware such as hinges, locks and latches are located in the **hardware** section of this book)

- |                |  |
|----------------|--|
| 1) 114290-03   | Extrusion, awning/drip rail              |
| 2) 114993      | Rib, end bow                             |
| 3) 104707      | Extrusion, "I" beam                      |
| 4) 114880-262  | Aluminum sheet, upper, .040 x 51 x 262"  |
| 5) 371324-02   | Window, 30in. opening                    |
| 6) 371270-01   | Window, 30in., stack, stationary         |
| 7) 114328      | Extrusion, belt line                     |
| 8) 201912      | Molding, chrome, belt line               |
| 9) 114414      | "Z" bar, 1 x 1 x 1.5"                    |
| 10) 114460     | Extrusion, rub rail                      |
| 11) 201763-01  | Insert, rub rail, chrome, 1"             |
| 12) 100986     | Floor channel                            |
| 13) 114879-262 | Aluminum sheet, lower, .040 x 33 x 262"  |
| 14) 114387-01  | Bow, Z rib, RH                           |
| 15) 114387-02  | Bow, Z rib, LH                           |
| 16) 100986     | Wheel well stiffener(floor channel)      |
| 17) 104439     | Louvered panel, refrigerator access door |
| 18) 690209     | Cover, brushed aluminum, Atwood          |
| 19) 922288-01  | Door, side access, long, twin only       |
| 20) 200542     | Banana wrap, RS front                    |
| 21) 101131-01  | Underbelly wrap, .024 x 22.5, pewter     |
| 22) 201974-01  | Bumper, rear corner, RS                  |
| 23) 684936     | Wheel well trim, inner, tandem axle      |
| 24) 684937     | Wheel well trim, outer, tandem axle      |
| 25) 104265     | Bottle cover, LP, w/o decals             |
| 26) 114496-02  | Door, utility compartment                |
| 27) 114496-01  | Door, power cord compartment             |
| 28) 100679     | Access door w/jamb                       |



# 1999 LIMITED TRAILER



# 1999 LIMITED TRAILER

## BODY-30FT LIMITED, CS

(Hardware such as hinges, locks and latches are located in the **hardware** section of this book)

- 1) 114290-03 Extrusion, awning/drip rail
- 2) 114993 Rib, end bow
- 3) 104707 Extrusion, "I" beam
- 4) 114880-262 Aluminum sheet, upper, .040 x 51 x 262"
- 5) 371324-02 Window, 30in. opening
- 6) 371269 Window, 18in., stack, stationary
- 7) 114328 Extrusion, belt line
- 8) 201912 Molding, chrome, belt line
- 9) 114414 "Z" bar, 1x1x1.5"
- 10) 114460 Extrusion, rub rail
- 11) 201763-01 Insert, rub rail, chrome, 1"
- 12) 100986 Floor channel
- 13) 114879-262 Aluminum sheet, lower, .040 x 33 x 262"
- 14) 114387-01 Bow, Z rib, RH
- 15) 114387-02 Bow, Z rib, LH
- 16) 100986 Wheel well stiffener(floor channel)
- 17) 690274-09 Cover Hydroflame furnace
- 18) 922288-01 Door, side access, long, twin only
- 19) 371323 Window, 18in. opening
- 20) 200543 Banana wrap, CS front
- 21) 101131-01 Underbelly wrap, .024 x 22.5, pewter
- 22) 201974-02 Bumper, rear corner, CS
- 23) 684936 Wheel well trim, inner, tandem axle
- 24) 684937 Wheel well trim, outer, tandem axle
- 25) 104265 Bottle cover, LP, w/o decal
- 26) 114496-02 Door, utility compartment
- 27) 371319-05 Window, main door
- 28) 110067-04 Main door assembly, Limited
- 29) 114654 Screen door assembly
- 30) 114652 Main door jamb, formed

# 1999 LIMITED TRAILER

## BODY-INTERIOR

(Hardware such as hinges, locks and latches are located in the **hardware** section of this book)

114445	Aluminum inside skin.032 x 34" x coil
114853-01	Aluminum inside skin.032 x 57" x coil
702481	Wall liner, Geometric Pearl *Adhesive, Fastbond 2000
702482-03	Headliner, Spectra Opal, textured
201728-01	Extrusion, plastic, ceiling trim retainer
201728-03	Extrusion, plastic, ceiling trim
203138-01	Extrusion, plastic, wall trim
101077	Extrusion, inside main door trim
200968-01	Trim ring, plastic 30" x 30" stationary window
201675-01	Trim ring, inside, 30" stack window
201578-01	End cap trim ring, panoramic window (goes next to end bow)
201579-01	Trim, panoramic window, bottom, RS
201580-01	Trim panoramic window, bottom, CS
201581-03	Trim, panoramic window, upper, RS
201581-04	Trim, panoramic window, upper, CS
201391	"U" trim, flexible, panoramic window
200514	Wheel well cover, interior, tandem (splice two for tri-axle)

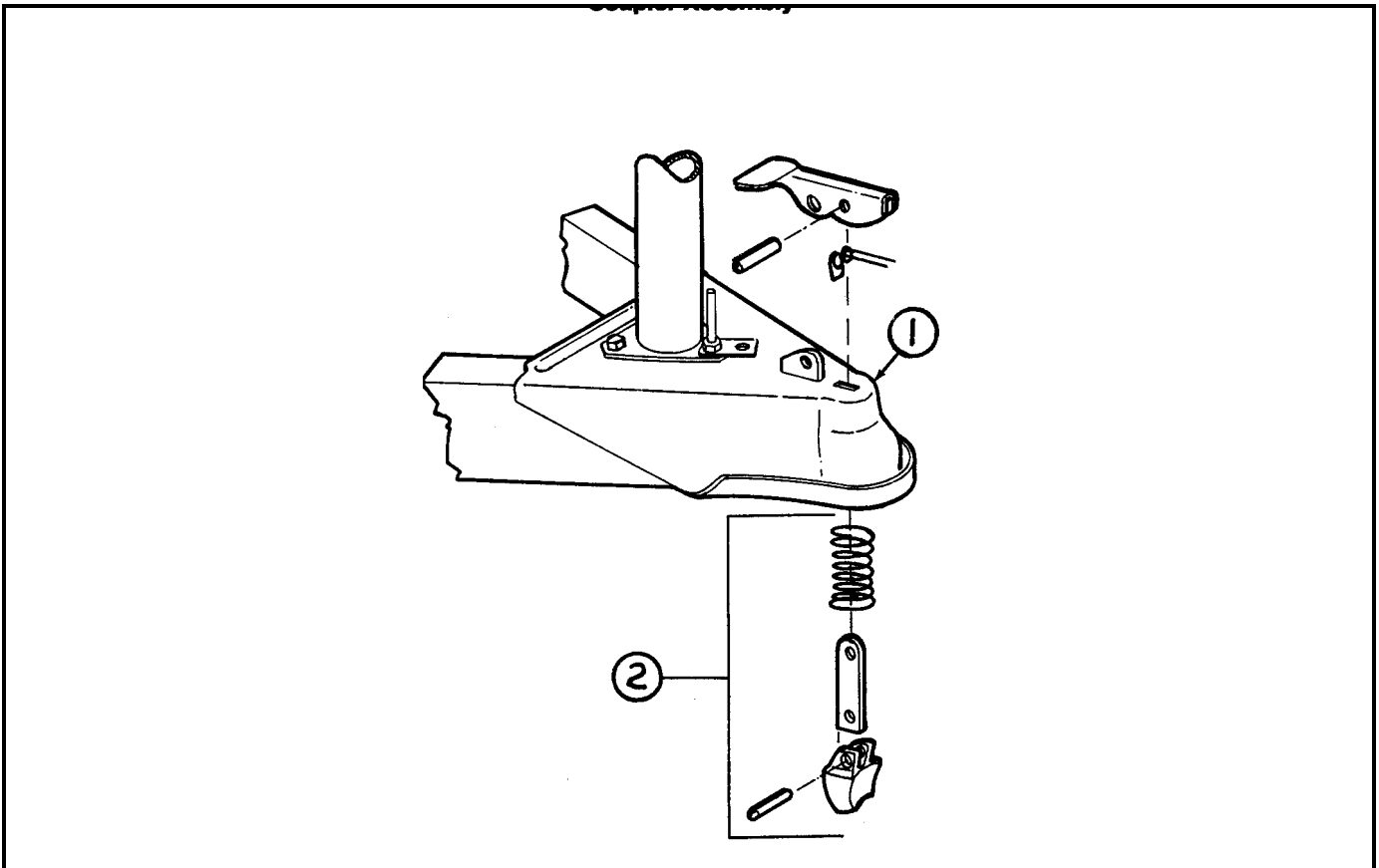
\*For reference only: Please purchase adhesives locally.

# 1999 LIMITED TRAILER

## CHASSIS

### A-FRAME

- 915249 A-frame complete for lay down LP bottles
- 915256 A-frame complete for stand up LP bottles
- 400042 Coupler



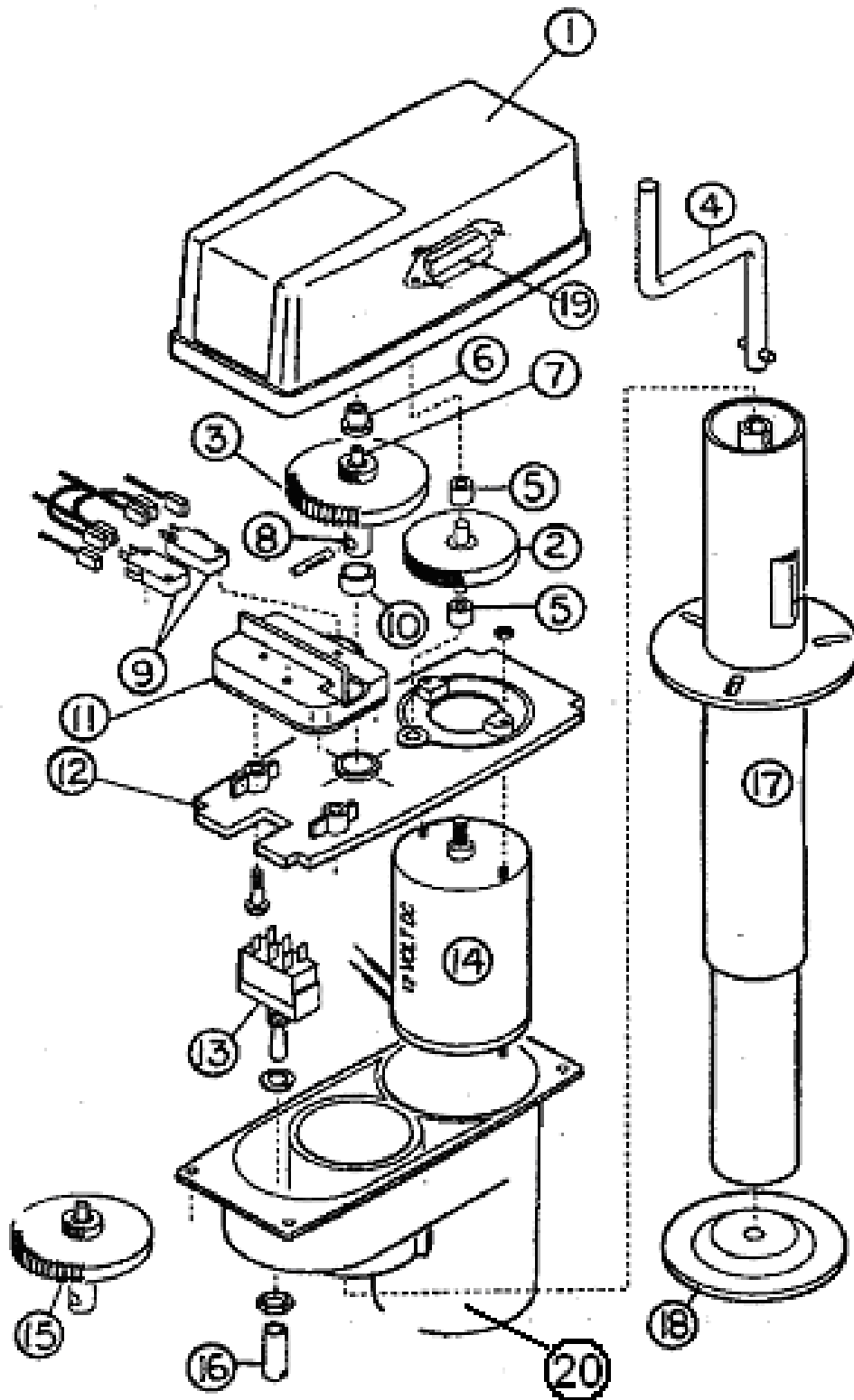
- 1) 680343 Coupler assembly, 2 5/16"
- 2) 680345 Repair kit, 2 5/16" coupler
  
- 0300026 Break away switch, Bargman
- 400407 Bracket, breakaway switch

(continued)

# 1999 LIMITED TRAILER

## CHASSIS

### Power Jack



Part Numbers are on the next page

# 1999 LIMITED TRAILER

## CHASSIS

### Power Hitch Jack

511544	Power jack w/flag holder & light
012251	Power head less post
1. 012198	Cover, Super Jack
2. 010051	Gear, fiber, Super Jack
3. 015551	Drive gear, Super Jack
4. 016199	Crank handle, manual, Super Jack
5. 080501	Bushing, bronze, Super Jack
6. 010055	Bushing, flange, Super Jack
7. 015552	Gear, pot/reed, Super Jack
8. 015553	Shaft, Super Jack
9. 081703	Micro switch, Super Jack
10. 080520	Bushing/bronze,7/16,Super Jack
11. 012252	Limit switch assembly, Super Jack
12. 012200	Center plate, Super Jack
13. 081704	Switch, toggle, Super Jack
14. 016263	Motor, 12V, Super Jack
15. 011675	Drive gear assembly, Super Jack
16. 010069	Switch cover, Super Jack
17. 011631	Jack post, Super Jack
18. 410598	Foot pad #12231
19. 026503	Light, Jack
20. 012199	Housing for Motor and Switch

# 1999 LIMITED TRAILER CHASSIS

## LP BOTTLE RACK, LAY-DOWN

0360456	Bottle ring, lay-down bottle
452834	Strap, latch end
452834	Strap w/pin
381149	Draw latch, adjustable, lay-down LP bottles
381154	Roller, rubber, LP bottle
451823-01	Slide, LP bottle, RS
452823-02	Slide, LP bottle, CS

## LP BOTTLE RACK, STAND-UP

0360307	LP bottle ring, lower
601731-103	LP regulator mounting bracket
410410	Hold down rod, threaded, for 40lbs bottle
100949	Bracket, bottle hold, cast aluminum
410238	"T" handle, threaded, cast aluminum

# 1999 LIMITED TRAILER

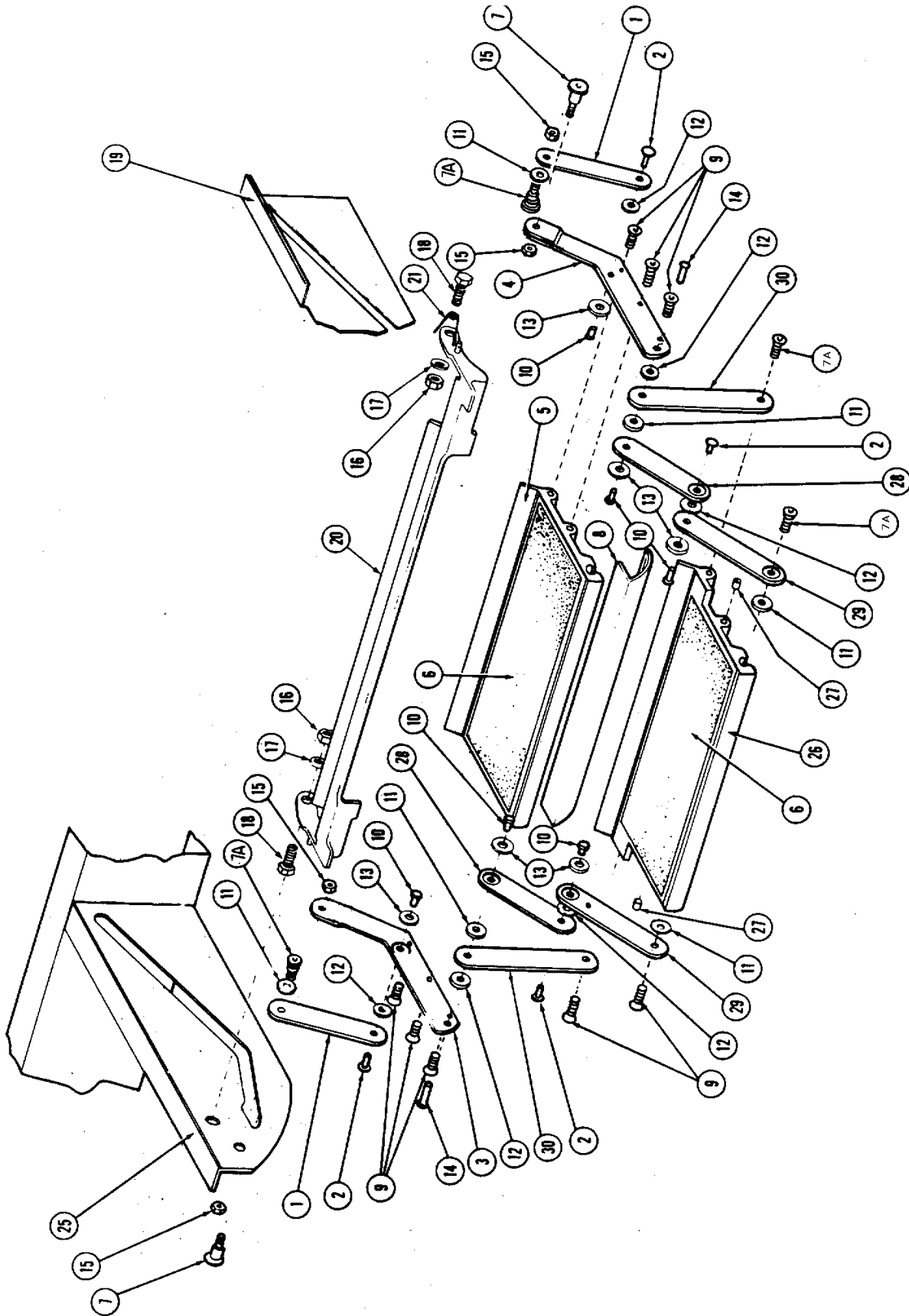
## CHASSIS

### A-FRAME MISCELLANEOUS

913619	Toolbox assembly, "A" frame
410551	Lid, toolbox
381430	Twist lock, straight cam, toolbox
410631	Winch, spare tire, used w/lay-down bottles
0360482	Bracket, spare tire, used w/crank up winch
450414	"A" frame tire carrier, used w/stand up bottles
453620	Covers, A-frame, stainless steel



# 1999 LIMITED TRAILER



# 1999 LIMITED TRAILER

## CHASSIS

### Step

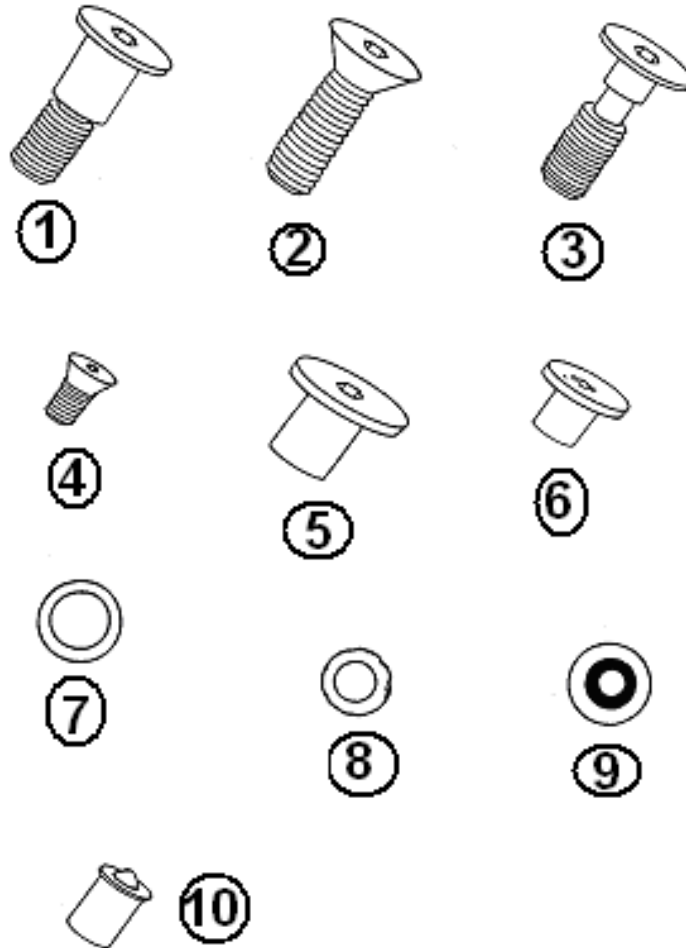
3440006	Double step assembly
1. 680213	Arm, upper support
2. 680214	*Pin, hinge
3. 680215	Step bracket, left
4. 680216	Step bracket, right
5. 680217	Extrusion, step 20.5"
6. 380069	Safety tread
7. 001152	Bolt, shoulder
7a. 001145	Bolt, shoulder, 3/8" thread
8. 680220	Panel
9. 680221	Screw, flat head
10. 680222	Bolt, socket head
11. 680223	Washer, bronze
12. 680224	Washer, wave
13. 680225	Washer, aluminum
14. 680226	Pin, pivot
15. 350005	Nut, hex
16. 350147-25	Nut, Nylock
17. 300005	Washer, flat
18. 345016	Screw, machine
19. 400454	Outrigger, RH (Not included with step assembly.)
20. 100298	Casting, step release
21. 0440032	Step spring
25. 400455	Outrigger, LH (Not included with step assembly.)
26. 410200	Extrusion, step, 20.0"
27. 380075	*Bullet catch
28. 400004	Hinge arm, upper
29. 400003	Hinge arm, lower
30. 400005	Arm, lower support

\*Larger illustration on next page

# 1999 LIMITED TRAILER

## CHASSIS

### Step Bolts/Washers/Screws/Catches Illustrated

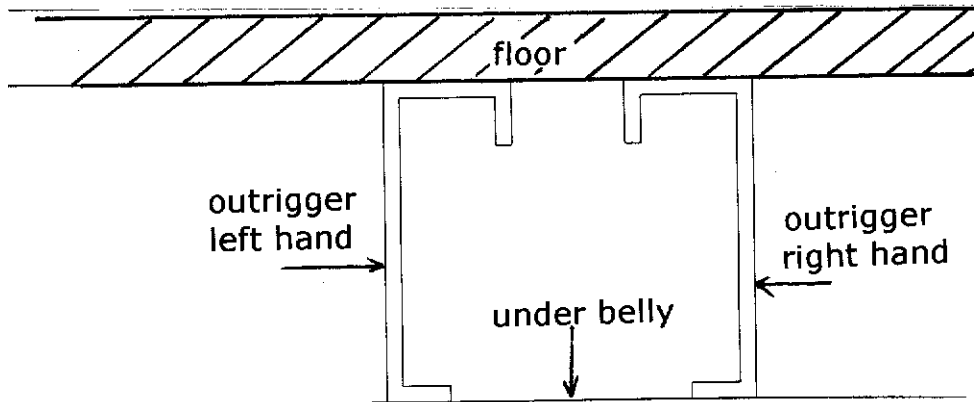


- |            |                                    |
|------------|------------------------------------|
| 1. 001152  | 1/2" Shoulder w/3/8" shoulder bolt |
| 2. 680221  | 3/8-16 x 1, flat head Allen, screw |
| 3. 001145  | 3/8-16 thread, shoulder bolt       |
| 4. 680222  | Flat head Allen socket screw       |
| 5. 680226  | Pivot pin                          |
| 6. 680214  | Hinge pin                          |
| 7. 680223  | Brass washer                       |
| 8. 680224  | Wave washer                        |
| 9. 680225  | Aluminum Washer                    |
| 10. 380075 | Bullet catch                       |

# 1999 LIMITED TRAILER

## CHASSIS OUTRIGGERS

410524	Step outrigger assembly, forward
410523	Step outrigger assembly, aft
410497	Outrigger, pierced, RH
410498	Outrigger, pierced, LH
410500	Outrigger, standard, LH
410499	Outrigger, standard, RH
410501	Outrigger, solid, RH, notched
410502	Outrigger, solid, LH, notched
410706	Outrigger, power cord compartment, RH
410758	Outrigger, power cord compartment, LH



## CHASSIS COVERING

114679	Aluminum under belly,.019 x 65.75 x coil
101131	Aluminum under belly,.024 x 22.50 x coil
101131-01	Aluminum under belly,.024 x 22.5 x coil, Pewter (covers from under belly to floor line)
200543	Banana wrap, CS front
200542	Banana wrap, RS front
203142	Bumper, rear center
201974-01	Bumper, rear corner, RS
201974-02	Bumper, rear corner, CS

(Note: the rear roll out tray makes up part of the center section of the bumper)

# 1999 LIMITED TRAILER CHASSIS

## STABILIZING JACKS

510628 Stabilizing jacks, electric, A&E systems  
510731 Control, leveler, A&E

## BELOW FLOOR STORAGE

962828-01 Roll out tray assembly, rear  
453144 Roll out tray  
381556 Over head door track, 2"  
453159 Enclosure assembly, rear roll out tray  
453156 "U" bar, roller support  
381555 Ten ball roller w/stem  
310028 Lynch pin, 1/4"  
201909 Molding, black bumper trim

915099-01 Utility compartment assembly

914022 Power cord storage plate

601544 E-Z hose carrier, 46"

961251 Box, flag storage compartment

# 1999 LIMITED TRAILER

## CHASSIS

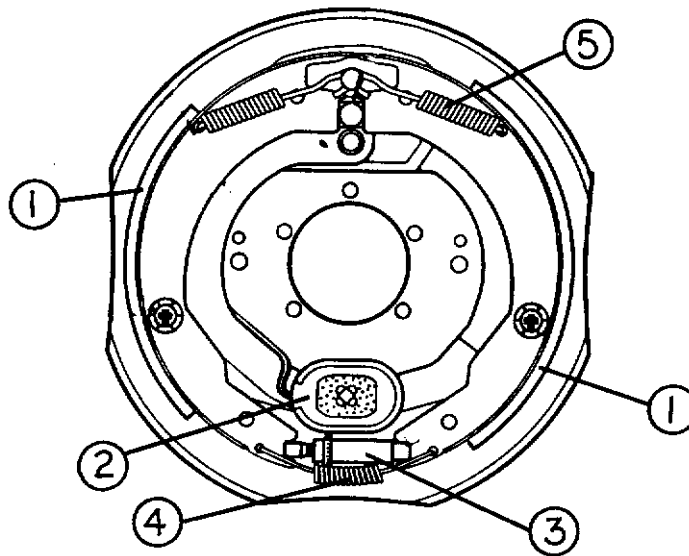
### RUNNING GEAR

7320036H	Axle, 3200#, 34ft. Limited & 34ft. FK Limited
7400068H	Axle, 4000#, 30 & 31ft. Limited
0220003	Shock absorber
400809	Tire ST 225/75 R15LR "C" BW
400922	Wheel, aluminum AR-637 x 15"
400925	Cover, center hub, stainless steel
400923	Lug nut, acorn type
410009	Valve stem
200844	Wheel well, tandem (tri-axle wheel wells are made from two tandems)

# 1999 LIMITED TRAILER CHASSIS

## 12" BRAKES

3160121	Brake drum, 12", 6 lug
450659	Inner bearing, #25580
680364	Inner race, #25520
450658	Outer bearing, #LM67048
680365	Outer race, #LM67010
680370-100	Grease seal
3160347	Brake assembly, RH, 12" Dexter
3160348	Brake assembly, LH, 12" Dexter



1) 3160348-62	Shoe and lining kit (includes hold down spring and pin)
2) 3160348-65	Magnet kit
3) 3160348-63	Adjuster assembly
4) 3160348-64	Adjusting screw spring
5) 3160348-61	Retractor spring





# 1999 LIMITED TRAILER

## SECTION II- LIMITED

### D through E

DECALS/EXTERIOR TRIM.....II-1

#### DOORS/WINDOWS/AWNING

Doors.....II-4

Windows.....II-6

Awning.....II-7

DRAPES/BLINDS/VALANCES .....II-8

#### ELECTRICAL

110 volt.....II-12

12 volt .....II-13

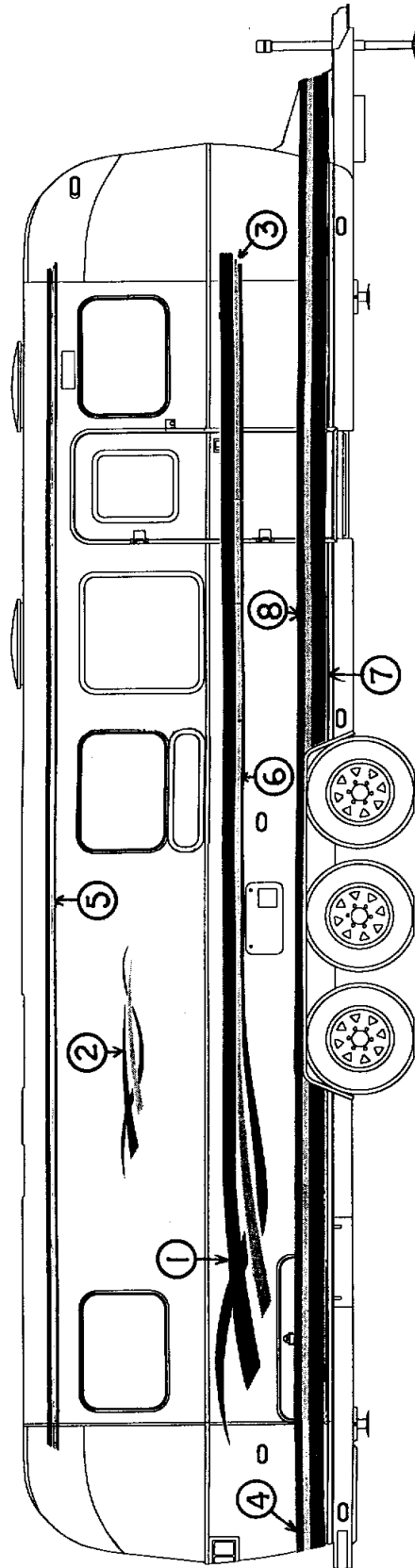
#### ENTERTAINMENT

Radio .....II-16

Antenna .....II-16



# 1999 LIMITED TRAILER



# 1999 LIMITED TRAILER

## DECALS/EXTERIOR TRIM

### DECALS--ILLUSTRATED

1) 385959-01	Stripe, main graphic, RS
1a) 385959-02	Stripe, main graphic, CS
2) 385959-03	Graphic, upper side, RS
2a) 385959-04	Graphic, upper side, CS
3) 385959-11	Decal, end cap, main stripe, RS
3a) 385959-12	Decal, end cap, main stripe, CS
4) 385959-13	Stripe, bottom wrap rear, RS
4a) 385959-14	Stripe, bottom wrap rear, CS
5) 385959-08	Stripe, top, 2in.(also below rear window)
6) 385959-07	Stripe, main body, 5 7/8 in.
7) 385959-06	Stripe, basement, 4 11/16 in.
8) 385959-09	Stripe, basement, upper, 13/16in.

### DECALS/NAME PLATES-not shown

385959-15	Decal, logo "LIMITED", rear, below window
385894-01	Casting, logo "LIMITED", both sides, mid-body
385846-02	Letter set, logo "AIRSTREAM", above front & rear windows
385890-02	Casting, logo "AIRSTREAM" sides, forward
385891-02	Casting, logo "CLASSIC" sides, forward

### DECAL, LAY DOWN BOTTLE COVER

385604-01	Decal, die cut, bottle cover, LH
385604-02	Decal, die cut, bottle cover, RH
385605-01	Decal, die cut, upper bottle cover, LH
385605-02	Decal, die cut, upper bottle cover, RH
385606-01	Decal, die cut, bottle cover curve, LH
385606-02	Decal, die cut, bottle cover curve, RH

(continued)

# 1999 LIMITED TRAILER

## DECAL/EXTERIOR TRIM

### EXTERIOR TRIM

114328	Extrusion, belt line molding
201912	Molding, belt line insert, chrome
114417	Casting, belt line close out
114460	Extrusion, rub rail
201763-01	Molding, rub rail insert, chrome
114466-01	Casting, close out, rub rail, angled, RH
114466-02	Casting, close out, rub rail, angled, LH
114465-01	Casting, close out, rub rail, RH
114465-02	Casting, close out, rub rail, LH
381753-02	End clip, rub rail, gray
114003-01	Inner wheel well trim, tri-axle
114004-01	Outer wheel well trim, tri-axle
114003-02	Inner wheel well trim, tandem axle
114004-02	Outer wheel well trim, tandem axle

# 1999 LIMITED TRAILER

## DOORS/WINDOWS/AWNING

(Hardware such as hinges, locks and latches are located in the **hardware** section of this book.)

### DOORS

115207-04	Main door assembly
114652	Jamb, main door, preformed
114653	Frame, main door, preformed
114448-02	Skin, exterior, upper main door
114449-02	Skin, exterior, lower main door
114475	Skin, inner, vinyl clad
114363	Drip cap, main door
365232	Seal, main door
114654	Screen door assembly
114561	Panel, slider, screen door
203000-01	Close out, plastic screen door
32226W	Guard, screen door
380079	Screen, gray
200518	Spline, gray, screen insert
365013	Gasket, screen door, foam tape
922243	Door, refrigerator access
104417	Jamb, refrigerator access door
104439	Louvered panel, refrigerator access door
201391	Trim, flexible
100679	Side access door assembly
365035	Seal, side access door
921159	Trunk door assembly, rear, twin only
114675	Jamb, rear trunk door
365035	Seal, access door

(continued)

# 1999 LIMITED TRAILER

## DOORS/WINDOWS/AWNING

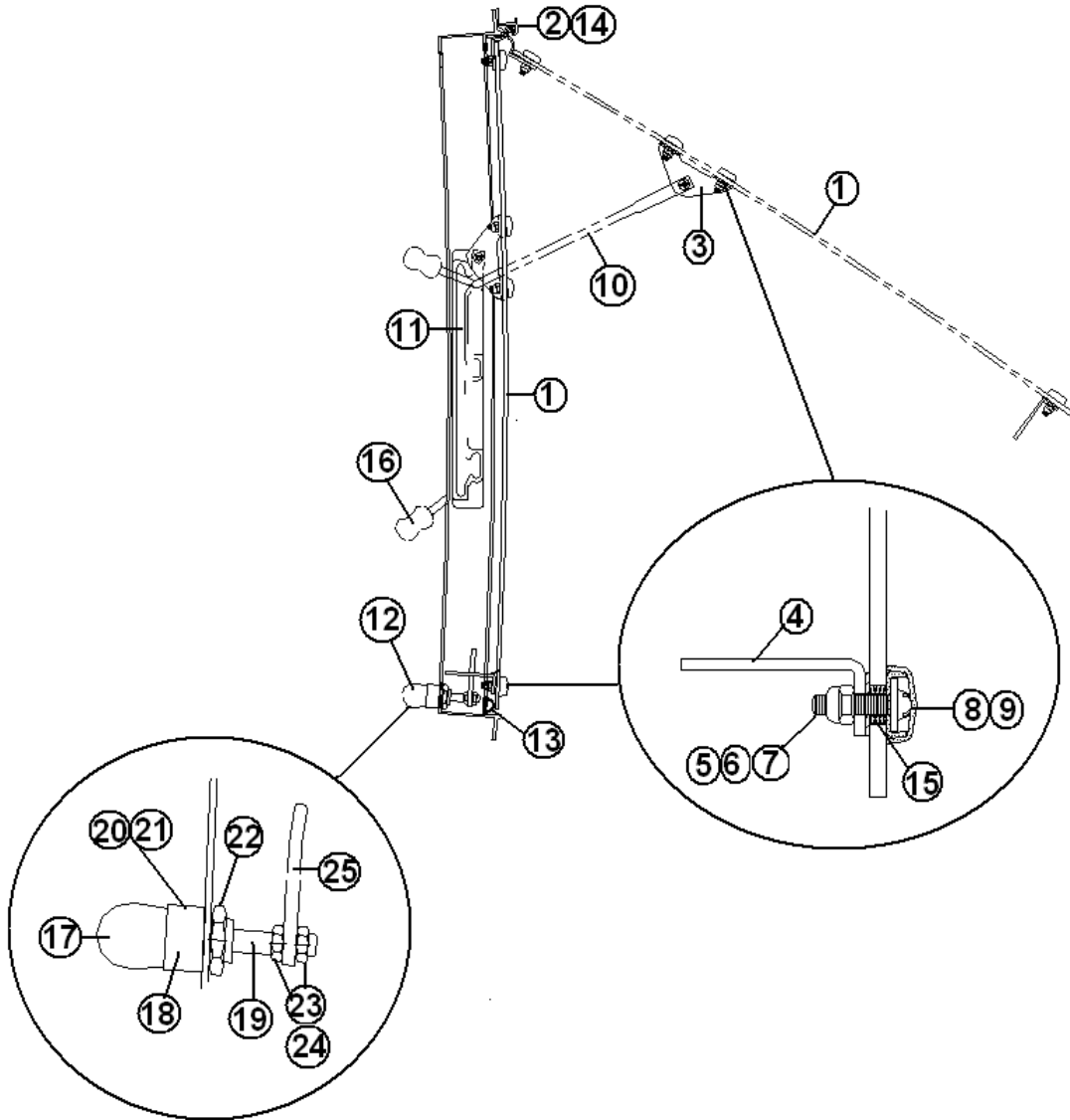
(Hardware such as hinges, locks and latches are located in the **hardware** section of this book.)

### DOORS

922288-01 104833	Door, side access, long, twin only Jamb, long side access door, twin only
114467	Door panel, outer, battery box door
114468	Door panel, inner, battery box door
114464	Casting, battery box door jamb
380238	Support cable, battery box door
114496-02	Door, utility compartment
114496-01	Door, power cord compartment
690209	Cover, brushed aluminum, Atwood water heater
690274-09	Cover, Hydroflame furnace
601194	Water fill door w/pocket & lock
114219	Door, flag storage compartment

# 1999 LIMITED TRAILER DOORS/WINDOWS/AWNINGS

## WINDOWS



Part numbers on next page



# 1999 LIMITED TRAILER

## DOORS/WINDOWS/AWNINGS

### WINDOWS

1. 371323-100	Glass w/hardware, 18" window
1. 371324-100	Glass w/hardware, 30" window
2. 371323-101	Hinge, 18" window
2. 371324-101	Hinge, 30" window
3. 1101-0010	Bracket, window prop
4. 685124	Striker plate, window latch
5. 0706-0004	Flat washer
6. 0703-0001	Screw, #8-32 x .625", black, SS
7. 0702-0010	Nut, Nylox, #8-32, black SS
8. 0802-0004	Screw cover, 12-12 #100, black
9. 0802-0005	Washer, 12-12 screw cover bottom
10. 100903	Operating arm, RH
10. 100903-01	Operating arm, LH
11. 0802-0001	Guide, operating arm, RH
11. 0802-0002	Guide, operating arm, LH
12. 010020	Latch assembly, chrome
13. 381665	Gasket seal
14. 0101-0017	Male hinge extrusion, 1/2" pc.
15. 0706-0003	Bushing, window, acrylic
16. 380230-03	Window arm knob, silver
16. 380230-04	Window arm knob, red
17. 1101-0005	Latch handle, chrome
17. 195467-05	Latch handle, red
18. 1101-0007	Latch body
19. 1101-0008	Latch shaft
20. 1101-0009	Latch spring
21. 0707-0002	Pin, drive lock, 5/32" x 5/8", zinc
22. 0702-0001	Nut, hex panel, 5/8"-24, zinc
23. 0702-0002	Nut, jam, hex, 5/16-24
24. 385123	Washer, flat, .53" OD x .328" ID
25. 685123	Latch paw

# 1999 LIMITED TRAILER

## DOORS/WINDOWS/AWNINGS

(Hardware such as hinges, locks and latches are located in the **hardware** section of this book.)

### WINDOWS

371346-02	Window, flat, front center
372088	Window, panoramic, front RS
372089	Window, panoramic, front, CS
371348-02	Window, flat, rear w/red handles
371285-01	Window, curved 30 x 30 fixed
371324	Window, curved 30" opening
371270-01-01	Window, curved, 30" stacked
371323-01	Window, curved 18" opening
371269-01	Window, curved 18" stacked
371319-05	Window, main door

### WINDOW SCREENS

371349-01	Screen, rear escape
371347-01	Screen, front window
372175-02	Screen, 30" opening window
372174-01	Screen, 18" opening window

# 1999 LIMITED TRAILER

## DOORS/WINDOWS/AWNINGS

(Hardware such as hinges, locks and latches are located in the **hardware** section of this book.)

### AWNINGS

702663-10	Awning, patio, 21' 7" red, all Limited
381532-01	Hardware, patio, satin
702662-05	Center support CS-05
702663-07	Awning, CS rear window, 3' red
702663-08	Awning, rear window, red, 52 5/8"
702663-03	Awning, RS window, 14'10" red, 34ft.
702663-05	Awning, RS windows, 13'4" red, 30&31ft.
385577	Wear tape, clear, 3.5" wide
110102	Rock guard, center only
381021	Latch, draw type, flexible
685275-101	Rock guard, CS front
685275-102	Rock guard, RS front

# 1999 LIMITED TRAILER DRAPES/BLINDS/VALANCES

## DRAPES

998056-01	Drape, rear, 4-16 pleat, 34, 34FK, 31D, 30D
998134-01	Drape, rear bedroom, side, 2-9 pleat, 34, 34FK 31D & 30D
998134-04	Drape, 30"bedroom, 2-9 pleat, 31T & 30T
998057	Drape, bedroom, 2-7 pleat, 31T & 30T
998053-01	Drape, dinette, 2-8 pleat&1-5 pleat, 34', 31'&30'
998053	Drape, galley, 2-2pleat, 34', 31'&30'
998050-01	Drape, front, 4-16 pleat, 34', 31'&30'
998135	Drape, lounge, CS, 2-6 pleat, 34ft.
998135-02	Drape, lounge, CS, 2-6 pleat, 34FK
998134-05	Drape, lounge, RS, 30", 2-9 pleat, 31'&30'
998135	Drape, lounge, CS, 30", 2-6 pleat, 31'&30'

(continued)

# 1999 LIMITED TRAILER

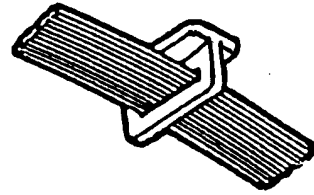
## DRAPERY TRACK AND BRACKETS



101220  
Bracket, curtain  
stand off



101217  
Track, curtain



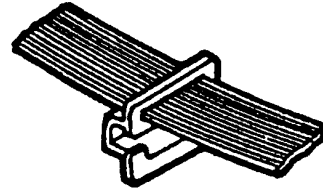
700044  
Glides, w/elastic  
"T" type



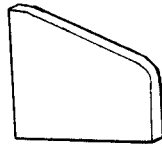
114021  
Bracket, curtain  
stand off



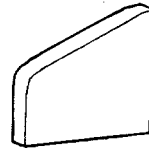
101225  
Bracket, curtain  
stand off



700045  
Glides, w/elastic  
"G" type



200785  
End, curtain track, LH



200784  
End, curtain track, RH



101005  
Bracket, curtain stand-off

# 1999 LIMITED TRAILER

## DRAPES/BLINDS/VALANCES

964107-01	Valance, rear bedroom, 34, 31, and 30ft.double
964106-02	Valance, bedroom, 52", CS, 34, 31 and 30ft.double
964106-03	Valance, bedroom, 52", RS, 34, 31 and 30ft.double
964106-06	Valance, bedroom, 38.5"CS, 34ft.twins
964106-07	Valance, bedroom, 38.5"RS, 34ft.twins
964106-04	Valance, bedroom, 38", CS, 30 & 31ft.twins
964106-05	Valance, bedroom, 38", RS, 30 & 31ft.twins
964105-01	Valance, galley, 24"30&31ft., twin & double
964105-03	Valance, galley, 37"34ft., twin & double
964105-05	Valance, galley, 53.5" 34FK
964108-01	Valance, dinette30ft. twin & double
964108-02	Valance, dinette, 84", 34FK
964104-03	Valance, lounge, 58", 30ft. twin & double
964104-05	Valance, lounge, 91"31ft. twin & double
964104-01	Valance, lounge, 42", 30 & 31ft. twin & double
964104-02	Valance, lounge, 56", 34ft.
964104-06	Valance, lounge, 100" 34ft.

# 1999 LIMITED TRAILER

## DRAPES/SHADES/VALANCES

### SHADES

702383-01	Shade, pleated, day/night	17.125 x 22.5, E-Z Lift
702383-08	Shade, pleated, day/night	28.87 x 33.0, E-Z Lift
702383-16	Shade, pleated, day/night	47.5 x 25.0, E-Z Lift
702383-02	Shade, pleated, day/night	17.125 x 33.0, E-Z Lift
702383-10	Shade, pleated, day/night	31.0 x 33.0, E-Z Lift
702383-07	Shade, pleated, day/night	28.875 x 22.5, E-Z Lift
702968-01	Shade, pleated, day/night	17.125 x 22.5, Ascot
702968-08	Shade, pleated, day/night	28.87 x 33.0, Ascot
702968-16	Shade, pleated, day/night	47.05 x 25.0, Ascot
702968-02	Shade, pleated, day/night	17.125 x 33.0, Ascot
702968-10	Shade, pleated, day/night	31.0 x 33.0, Ascot
702968-07	Shade, pleated, day/night	28.875 x 22.5, Ascot
702789-07	Shade, pleated, night	28.875 x 22.5, E-Z Lift
702789-16	Shade, pleated, night	47.50 x 25.0, E-Z Lift
702789-08	Shade, pleated, night	28.875 x 33.0, E-Z Lift
702969-16	Shade, pleated, night	47.50 x 25.0, Ascot

# 1999 LIMITED TRAILER

## ELECTRICAL

### 110 VOLT

510634	Power cord, 120 volt, 36ft.
511336	Breaker box, Square D, 30amp
510662	Breaker, 20 amp, double, Square D 2020
510663	Breaker, 30amp, Square D, 0130
510661	Breaker, 20 amps. Square D GFI
500563-01	Receptacle, 15 amp, T&B type
500903	Duplex receptacle, ivory
500169	Housing, weather proof receptacle
510122	Cover plate, weather proof receptacle
510676	Outlet, exterior, gray
510514	Switch, priority, microwave to water heater(CSA)
510606	Receptacle box, priority switch
500385	Switch cover, ivory
511426	Converter, electronic, 55 amps
511023	Tester, circuit analyzer(loose item)



# 1999 LIMITED TRAILER

## ELECTRICAL

### 12 VOLT

511132	Battery, deep cycle, lead acid
500886	7-Way cable w/plug
511411	Junction box, 7-way cable
0300027	Break away switch, Bargman
511426	Converter, electronic, 55 amps
510626	Switch, master disconnect
510627	Face plate, disconnect switch
510655	Breaker panel, 12 volt
510781	Detector, smoke
511309	Detector, LPG
511152-103	Monitor panel
510807	Outlet, 12 volt
511121	Mounting plate, 12 volt receptacle
500842	Light, fluorescent, 16 Watt, 12 x 5.5"
680085	Bulb, fluorescent, #F15T8-CW
500960-01	Light, fluorescent, recessed, 14.75"
680084	Bulb, fluorescent, #F8T5-CW
511249	Light incandescent, double
50085-02	Bulb, incandescent, #1141
511248	Light, incandescent, single
50085-02	Bulb, incandescent, #1141
511098-01	Light, decorative, fluted, over dinette
50085-02	Bulb, incandescent, #1141

# 1999 LIMITED TRAILER

## ELECTRICAL

### 12 VOLT

511298	Wall lamp, 12 volt-over rear bed
510689	Bulb, incandescent, #1076
511298-02	Shade, wall lamp, round
511298-01	Shade, wall lamp, rectangular
108876	Light, fluorescent, dual bulb (square, over vent)
500841	Dual florescent bulb w/ballast
201538	Lens, ceiling, square, front ceiling light
500956	Light, wardrobe, w/switch
681924	Bulb, wardrobe light #581
511410	Light, shower, incandescent
50085-02	Bulb, incandescent, #1141
510868-03	Switch panel, 4-gang, white
381541-05	Switch, bath ceiling vent
511327	Switch body w/rocker, 1 gang, white
511077-01	Cover, switch, 2 gang
511100	Switch body w/switches
500435	Switch, DPDT, Hi-Lo
500432	Switch, SPST, flood light
500431	Switch, SPST, step light
510614-01	Jack, TV w/12 volt outlet
104619	Mounting plate, exterior telephone/TV jack

# 1999 LIMITED TRAILER

## ELECTRICAL

### EXTERIOR LIGHTAND REFLECTORS

500564	Step light, #8142 w/hail shade
510732	Utility light, by door and on front
109090	Hitch light assembly, trailer
511163	Light, compartment
200926	Housing, plastic, jack light
510658	Switch w/weather proof boot
114346-01	Bezel, tail light casting, RS
114346-02	Bezel, tail light casting, CS
201929-01	Close out, tail light, RS
201929-02	Close out, tail light, CS
511003-02	Light, red stop, tail and turn
511003-03	Light, red w/clear center (back-up)
510111	Clearance light, red, Signal Stat
510112	Clearance light, amber, Signal Stat
511294	Light, license plate
500095	Reflector, red, rectangular
500096	Reflector, amber, rectangular

# 1999 LIMITED TRAILER

## ENTERTAINMENT

511372	Radio, Audiovox AWM 524
511048	Speaker set, Coustic-HS-402
510788-01	Antenna, TV, Winegard
510788-03	Amplifier, antenna, Winegard
510788-04	Hardware, interior, Winegard
510788-107	Gear, elevating, plastic, Winegard
510788-118	Handle, directional, Winegard
510788-125	Handle, directional kit, Winegard
510616	Connector, "F", coax
510623	Connector, male to male, coax
510610	Antenna, radio, side mount

# 1999 LIMITED TRAILER

## SECTION III-LIMITED

### F through H

FASTENERS (common fasteners available locally are  
not listed)

Rivets .....III-1

### FLOOR COVERING

Carpet.....III-3

Mats .....III-3

### FURNITURE

Interior doors .....III-4

Mirrors .....III-5

Drawer .....III-7

Rear bedroom .....III-9

Bath .....III-11

Galley .....III-15

Lounge .....III-21

### HARDWARE

Exterior locks/hinges .....III-25

Window hardware .....III-29

Interior drawer slides/hinges latches .....III-31

Bath accessories .....III- 35

Awning hardware .....III-39



# 1999 LIMITED TRAILER

## \*FASTENERS



325043  
Rivet, buck type  
dia. 1/8"  
length 1/4"  
(hard)



325000-01  
Rivet, buck type  
dia. 1/8"  
length 1/4"  
anodized clear



325000-03  
Rivet, buck type  
dia. 1/8"  
length 1/4"  
anodized white



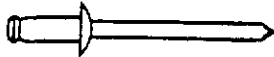
325001-01  
Rivet, buck type  
dia. 1/8  
length 5/16"  
anodized clear



325002-01  
Rivet, buck type  
"dia. 1/8"  
length 3/8"  
anodized clear



325004-01  
Rivet, buck type  
dia. 1/8"  
length 1/2"  
anodized clear



330127-03  
dia. 1/8"  
grip range .063-.125  
aluminum body  
aluminum mandrel

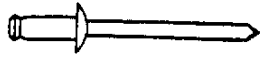


300101  
1/8" I.D.  
washer, aluminum

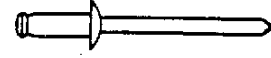
\*Common bolts and screws readily available at local hardware outlets have not been listed.

# 1999 LIMITED TRAILER

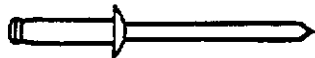
## \*FASTENERS



330126-02  
rivet, pop  
dia. 1/8  
grip range .126-.187  
stainless steel body  
stainless steel mandrel



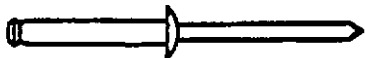
330126-03  
rivet, pop  
"dia. 1/8 "  
grip range .126-.250  
stainless steel body  
stainless steel mandrel



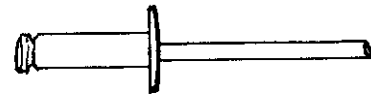
330127-050  
rivet, pop  
dia. 1/8"  
grip range .251-.312  
aluminum body  
aluminum mandrel



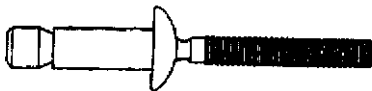
330128-05  
rivet, pop  
dia. 1/8"  
grip range .251-.312  
aluminum body, white  
aluminum mandrel



330127-08  
rivet, pop  
dia. 1/8"  
grip range .325-.565  
aluminum body  
aluminum mandrel



0330038  
rivet, pop  
dia. .150 (#20 bit)  
grip range .126-.250  
aluminum body  
aluminum mandrel  
(used-screen door hinge)



325103  
dia. 1/4"  
grip range .080-.325  
SS body  
steel mandrel

\*Common bolts and screws not listed.



# 1999 LIMITED TRAILER

## FLOOR COVERING

702793-02	Carpet, Regal/Nautical Blue
701538	Carpet, Velour-compartment liner
700173	Pad, carpet, 3/8" thick
114724	Trim, carpet, edging, Z-bar, aluminum
801115	Flooring, white Oak, quartered
800639-02	Adhesive, Oak plank
360216	Caulk, brown acrylic latex
702549	Matt, entrance, w/Airstream logo

# 1999 LIMITED TRAILER

## FURNITURE

### CABINET DOORS, RAISED PANEL

		width x height (Inches)
800597-56	Raised panel door	7.75 x 17.50
800597-57	Raised panel door	9.00 x 16.25
800597-01	Raised panel door	10.50 x 22.00
800597-12	Raised panel door	10.50 x 26.25
800597-41	Raised panel door	10.50 x 32.00
800597-54	Raised panel door	10.75 x 14.50
800597-09	Raised panel door	11.00 x 29.75
800597-27	Raised panel door	11.50 x 25.00
800597-50	Raised panel door	12.00 x 29.50
800597-21	Raised panel door	12.25 x 13.00
800597-07	Raised panel door	12.25 x 21.00
800597-71	Raised panel door	12.25 x 25.00
800597-10	Raised panel door	12.25 x 34.00
800597-15	Raised panel door	13.00 x 25.75
800597-35	Raised panel door	13.75 x 15.50
800597-02	Raised panel door	14.00 x 20.00
800597-05	Raised panel door	14.75 x 29.75
800597-49	Raised panel door	15.50 x 13.00
800597-51	Raised panel door	15.75 x 23.00
800597-08	Raised panel door	16.00 x 29.50
800597-48	Raised panel door	16.75 x 16.75
800597-58	Raised panel door	19.00 x 37.50
800597-46	Raised panel door	21.00 x 29.50

# 1999 LIMITED TRAILER FURNITURE

## MISCELLANEOUS DOORS

986265	Sliding bath door assembly, 34LTD
963179-03	Slider door assembly, 29 x 72", 34LTD
963740-01	Slider door assembly, aft, 34LTD FK
961413-10	Door, slider, fwd bath, 31LTD
962066	Door, slider, aft, 30LTD
961413-03	Door, slider, 30LTD
702306-02	Shower door gold, 26" opening
702681-01	Door, foldette, 36 x 73", beige
800881-05	Door, louvered, Oak, 19 x 12.5
800881-09	Door, louvered Oak, 9 x 20
962551	Door, Oak (chair storage) 34 LTD FK
961957-01	Door, Oak (chair storage) 30, 31&34LTD

# 1999 LIMITED TRAILER

## FURNITURE

### CABINET DOOR FRAMES FOR MIRRORS

		width x height (Inches)
800557-23	Door frame	10.50 x 32.50
800557-30	Door frame	11.75 x 42.00
800557-17	Door frame	12.25 x 34.00
800557-16	Door frame	14.25 x 60.00
800557-03	Door frame	14.50 x 25.00
800557-04	Door frame	15.00 x 14.50
800557-15	Door frame	19.00 x 60.00
800557-10	Door frame	22.00 x 60.00

### MIRRORS

		width x height (Inches)
372206-01	Mirror, bronze w/grooves	7.62 x 29.62
372206-07	Mirror, bronze w/grooves	11.62 x 22.12
372206-08	Mirror, bronze w/grooves	12.12 x 11.62
371262-44	Mirror, safety glass	6.50 x 12.75
371262-60	Mirror, safety glass	8.88 x 39.12
371262-13	Mirror, safety glass	9.38 x 31.12
371262-08	Mirror, safety glass	11.38 x 28.12
371262-43	Mirror, safety glass	11.50 x 12.75
371262-04	Mirror, safety glass	19.12 x 28.12
371262-10	Mirror, safety glass	16.12 x 28.12
372210-11	Mirror, beveled edges	7.75 x 19.50
372203-17	Mirror, safety w/polished edges	14.0 x 33.13
365239	<i>Foam pad, non-skid, 1/16 x 1/4 x 1"</i> <i>(used between mirror and door frame)</i>	

# 1999 LIMITED TRAILER FURNITURE

## DRAWER FACE

Width x length (Inches)

800599-07	Drawer face	4.50 x 14.00
800599-43	Drawer face	4.50 x 16.00
800599-58	Drawer face	4.75 x 21.50
800599-02	Drawer face	7.00 x 11.75
800599-40	Drawer face	7.00 x 10.25
800599-51	Drawer face	7.00 x 19.00
800599-38	Drawer face	7.00 x 21.50
800599-21	Drawer face	7.00 x 23.00
800599-23	Drawer face	8.00 x 21.50
800599-59	Drawer face	9.75 x 12.00
800599-44	Drawer face	10.25 x 13.50
800599-57	Drawer face	17.25 x 13.00

# 1999 LIMITED TRAILER

## FURNITURE

### DRAWER BOX

Height x width x length (Inches)

962821-48	Drawer box	2.88 x 8.75 x 18.00
962821-20	Drawer box	2.88 x 12.25 x 14.00
962821-17	Drawer box	2.88 x 13.25 x 14.00
962821-25	Drawer box	2.88 x 19.50 x 18.00
962821-05	Drawer box	5.00 x 10.00 x 18.00
962821-36	Drawer box	5.00 x 13.75 x 13.00
962821-33	Drawer box	5.00 x 16.62 x 18.00
962821-34	Drawer box	5.00 x 17.00 x 18.00
962821-10	Drawer box	5.00 x 17.00 x 20.00
962821-08	Drawer box	5.00 x 19.50 x 14.00
962821-07	Drawer box	5.00 x 19.50 x 18.00
962821-53	Drawer box	5.00 x 19.69 x 14.00
962821-40	Drawer box	5.00 x 20.88 x 18.00
962821-13	Drawer box	9.00 x 13.25 x 20.00
963338-01	Drawer box, angled, RS rear wardrobe	
963338-02	Drawer box, angled, CS rear wardrobe	
963749	Drawer box assembly, "W" rear bed	
963759	Drawer box assembly, "J" rear bed	
201016	Drawer , plastic	16" x 22"

# 1999 LIMITED TRAILER

## FURNITURE

### REAR BEDROOM-TWIN

963506-02	Roof locker, rear center
963498	Face frame, rear center roof locker
963329-02	Twin bed assembly, RS, 34LTD
962227-03	Twin bed assembly, RS, 30, 31&34FK LTD
962227-04	Twin bed assembly, CS, all
998101-01	Bed end, fabric covered, twin
963348-01	Night stand assembly, RS
963351-01	Face frame, nightstand, RS
964452	Top, RS nightstand
963330-02	Nightstand assembly, center rear, 34LTD
963330-01	Nightstand assembly, center rear, 30, 31, &34FK
963345-01	Face frame, rear center nightstand
963346	Top, rear center nightstand
963671	Roof locker, rear, CS or RS
963670	Face frame, rear side roof locker
963827-01	End cap, roof locker, right hand
963827-02	End cap, roof locker, left hand
962355-01	Hanging wardrobe assembly, CS
986180-01	Face frame, hanging wardrobe
962355-02	Hanging wardrobe assembly, RS
986180-01	Face frame, hanging wardrobe
963297-01	Header, slider door, short

# 1999 LIMITED TRAILER

## FURNITURE

### REAR BEDROOM-DOUBLE

963340-03	Wardrobe assembly, RS rear, 34LTD
963340-01	Wardrobe assembly, RS rear, 30, 31 & 34FK LTD
962207-01	Face frame, RS rear wardrobe
963340-04	Wardrobe assembly, CS rear, 34LTD
963340-02	Wardrobe assembly, CS rear, 30, 31 & 34FK LTD
962208-01	Face frame, CS rear wardrobe
963337-02	Rear roof locker, center, 34 LTD
963337-01	Rear roof locker, center, 30, 31 & 34FK LTD
963747	Bed assembly, double
986681	Head board assembly, double bed
381241	TV shelf w/mirror
963293-01	Header, slider door long
963297-01	Header, slider door short



# 1999 LIMITED TRAILER

## FURNITURE

BATHROOM, 34 LTD FRONT LOUNGE MODEL  
(see hardware section for fixtures-if connected  
to water, see plumbing)

986265	Sliding bath door
963786-01	Jamb, bath door
963787-01	Jamb, bath door/shower trim
963788-01	Header, bath door
203046-03	Shower stall, angled, two piece
963179-03	Slider door, 29 x 72in., vinyl
963296-01	Header, slider door, long
963297-01	Header, slider door, short
963298-01	Lavatory assembly
963306-01	lavatory, Corian
702791	Decorative border, wallpaper, self-adhesive
963302-02	Medicine cabinet assembly, lower
963266-01	Face frame, lower medicine cabinet
964026	Medicine cabinet assembly, upper
964025	Face frame, upper medicine cabinet
964053	Wardrobe assembly, CS
964019	Face frame, wardrobe, forward
964020	Face frame, wardrobe, aft

# 1999 LIMITED TRAILER

## FURNITURE

### BATHROOM, 34 FK MODEL

(see hardware section for fixtures-if connected  
to water, see plumbing)

962556-02	Wardrobe assembly, CS
962553-01	Face frame, CS wardrobe
203081	Shower stall, two-piece
962554-01	Face frame, shower stall
960406-02	Lavatory cabinet assembly
960369-01	Face frame, lavatory cabinet
964394-01	Top, lavatory cabinet
962251-01	Medicine cabinet assembly, lower
962252	Face frame, lower medicine cabinet
963752-01	Medicine cabinet assembly, upper
962250	Face frame, upper medicine cabinet
963741-01	Door slider assembly, forward, vinyl
963734-01	Header, door, forward slider
963740-01	Door slider assembly, aft, vinyl
963736-01	Header door, aft, slider
963198	Laundry cabinet
963735-01	Face frame, laundry cabinet

# 1999 LIMITED TRAILER

## FURNITURE

### BATHROOM, 31 LTDND

(see hardware section for fixtures-if connected  
to water, see plumbing)

964307-01	Wardrobe assembly, CS
964305-01	Face frame, CS wardrobe , forward
964020	Face frame, CS wardrobe, aft
961413	Slider door, forward963786-01Jamb, bath door
963787-01	Jamb, bath door/shower
203046-03	Shower stall, angled, two piece
964297-02	Lavatory cabinet assembly
964296-01	Face frame, lavatory cabinet
964395-01	Top, lavatory cabinet
702791	Decorative border, wallpaper, self-adhesive
964302-01	Medicine cabinet assembly, lower
964300-01	Face frame, lower medicine cabinet
964301	Medicine cabinet assembly, upper
964299-01	Face frame, upper medicine cabinet

# 1999 LIMITED TRAILER

## FURNITURE

### BATHROOM, 30 LTD

(see hardware section for fixtures-if connected  
to water, see plumbing)

962175	Wardrobe assembly, CS
962162-01	Face frame, CS wardrobe, aft
962163-01	Face frame, CS wardrobe, forward
203081	Shower stall, two-piece
962161-01	Face frame, shower
962066	Slider door , aft
963656	Header, slider door, aft
961413-03	Slider door assembly
963657	Header, slider door, forward
961921-01	Lavatory cabinet assembly
961890	Face frame, lavatory cabinet
964392-01	Top, lavatory cabinet
702791	Decorative border, wallpaper, self-adhesive
961899	Medicine cabinet, lower
961897-01	Face frame, lower medicine cabinet
963753-01	Medicine cabinet, upper
962170-01	Face frame, upper medicine cabinet

**1999 LIMITED TRAILER**  
**FURNITURE**  
**GALLEY, 34 LTD-FRONT LOUNGE MODEL**

964525-01	Seat assembly, dinette LH
964499-01	Cushion support, LH
964530	Back, upholstered, LH
964334-01	Flex spring seat
964526-01	Seat assembly, dinette RH
964498-01	Cushion support, RH
964529-02	Back, upholstered, RH
964334-01	Flex spring seat
963674	Top, dinette table, NO MAR
962177-03	Table leg, hardwood
963763	Roof locker, dinette
963764-01	Face frame, dinette roof locker
963305-01	Refrigerator cabinet assembly
963724-02	Face frame, refrigerator cabinet
963757	Roof locker, galley
963354-01	Face frame, galley roof locker
964606	Galley cabinet, forward
964605	Face frame, galley cabinet forward
964586-01	Top, galley cabinet, Corian
964383-01	Range covers, Corian(pr.)
964411-01	Sink cover, RH, Corian
964410-01	Sink cover, LH, Corian

(continued)

**1999 LIMITED TRAILER**  
**FURNITURE**  
**GALLEY, 34 LTD-FRONT LOUNGE MODEL**

964610	Galley cabinet, aft section
964328-01	Face frame, galley cabinet, aft
961247-02	Galley cabinet, pantry section
961072-01	Face frame, pantry
963358-01	Appliance garage
800734-01	End, RH, appliance garage
800734-02	End, LH, appliance garage
963357-02	Microwave cabinet
963355-01	Face frame, Microwave cabinet
963991	Spice rack
963990	Magazine rack

# 1999 LIMITED TRAILER

## FURNITURE GALLEY, 34 FK LTD

964612	Galley cabinet, cook-top section
964611	Face frame, galley cook top section
964358-01	Face frame, chair storage
964587-01	Top, galley, Corian
964411-01	Sink cover , RH
964410-01	Sink cover, LH
964357-01	Galley cabinet, forward section
964354-01	Face frame, forward galley section
963702	Microwave cabinet assembly
962532-01	Face frame, microwave cabinet
963743-01	Top, microwave cabinet, Oak
963668	Galley roof locker
963667-01	Face frame, galley roof locker
962615-01	End cap, galley roof locker
963744	Spice rack cabinet assembly
963742-01	Face frame, spice rack
963704-01	Refrigerator cabinet assembly
963723-01	Face frame, refrigerator cabinet
964399-01	Appliance garage assembly
964398-01	Face frame, appliance garage
964335	Galley lift-up shelf

# 1999 LIMITED TRAILER

## FURNITURE GALLEY, 31 LTDND

964347-02	Galley cabinet, forward section
964344-01	Face frame, forward galley cabinet
964563-01	Top, galley cabinet
964600	Galley cabinet, oven section
964599	Face frame, oven section, galley
964348-01	Sink covers
964383-01	Range covers, Corian
963761	Roof locker, galley
962167-01	Galley roof locker
962198-01	End cap, galley, LH
962225-01	Spice cabinet assembly
962224-01	Face frame, spice cabinet
964310-01	Refrigerator cabinet assembly
963724-01	Face frame, refrigerator cabinet
963688-01	Microwave cabinet, assembly
964628	Face frame, microwave cabinet
961072-01	Face frame, pantry
962537	Top, microwave cabinet
963991	Spice rack
964335	Galley lift-up shelf



# 1999 LIMITED TRAILER

## FURNITURE GALLEY, 30 LTD

964364-02	Galley cabinet assembly, forward
964629	Face frame, galley cabinet forward
964563-01	Top, galley, Corian
964348-01	Sink cover
964600	Galley cabinet assembly, oven section
964599	Face frame, galley oven section
964383-01	Range covers, Corian
963761	Galley roof locker assembly
962167-01	Face frame, galley roof locker
962198-01	End cap, galley roof locker, LH
963763	Dinette roof locker
9963764-01	Face frame, dinette roof locker
962225-01	Spice cabinet assembly
962224-01	Face frame, spice cabinet
963680	Refrigerator cabinet assembly
963724-01	Face frame, refrigerator cabinet
964525-03	Dinette seat assembly, LH
964499-01	Cushion support, dinette, LH
964529-01	Back, dinette, upholstered, LH
964334-01	Flex spring seat

(continued)

# 1999 LIMITED TRAILER

## FURNITURE GALLEY, 30 LTD

964526-02	Dinette seat assembly, RH
964498-01	Cushion support, dinette, RH
964529-02	Dinette back, upholstered, RH
964334-01	Flex spring seat
963674	Top, dinette table, NO MAR
962177-03	Table leg, hardwood
963991	Spice rack
964335	Galley lift-up shelf

# 1999 LIMITED TRAILER

## FURNITURE LOUNGE, 34 LTD

702891-418	Sofa, jackknife, 74in.
963400-01	Arm rest support assembly, RS
963400-03	Arm rest support assembly, CS
961959-02	Writing table/chair storage cabinet
961955-01	Face frame, chair storage
962875	Top, lift-up/writing table, Oak
963353-02	Credenza assembly
963289-01	Face frame, forward credenza
963313	Face frame, aft credenza
963324	Top, credenza
986226-01	Leg, forward credenza
960420-06	Credenza table assembly
962878-01	Table leaf, lower
962879-01	Table leaf, upper
962177-03	Leg, hardwood
702889-418	Chair, swivel
963506-01	Front roof locker
963498	Face frame, front roof locker
381616-01	Chair, folding, Zip Dee, w/logo

# 1999 LIMITED TRAILER

## FURNITURE LOUNGE, 34 FK LTD

963763	Dinette roof locker
963764-01	Face frame, dinette roof locker
963202-01	Shirt closet assembly
962591-01	Face frame, shirt closet
964525-02	Dinette seat assembly, LH
964499-01	Cushion support, dinette, LH
964529-03	Back, dinette, upholstered, LH
964334-01	Flex spring seat
964526-01	Dinette seat assembly, RH
964498-01	Cushion support, dinette, RH
964529-02	Dinette back, upholstered, RH
964334-01	Flex spring seat
963674	Top, dinette table, NO MAR
962177-03	Table leg, hardwood
962602-05	Entertainment center
962587-01	Face frame, entertainment center
962604	Tambour module, entertainment center
962877	Top, entertainment center
702892-418	Sofa, jackknife, 74in.
702889-418	Swivel chair
381616-01	Chair, folding, Zip Dee, w/logo

# 1999 LIMITED TRAILER

## FURNITURE LOUNGE, 31 LTDND

702888-418	Sofa, jackknife, 74in.
963400-01	Arm rest support assembly, RS
963400-03	Arm rest support assembly, CS
961959-02	Writing table/chair storage cabinet
961955-01	Face frame, chair storage
962875	Top, lift-up/writing table, Oak
964408-02	Credenza assembly
963729-01	Face frame, credenza
964409-01	Face frame, forward credenza
964510	Top, credenza
986226-01	Leg, forward credenza
960420-06	Credenza table assembly
962878-01	Table leaf, lower
962879-01	Table leaf, upper
962177-03	Leg, hardwood
963506-01	Front roof locker
963498	Face frame, front roof locker
381616-01	Chair, folding, Zip Dee, w/logo

# 1999 LIMITED TRAILER

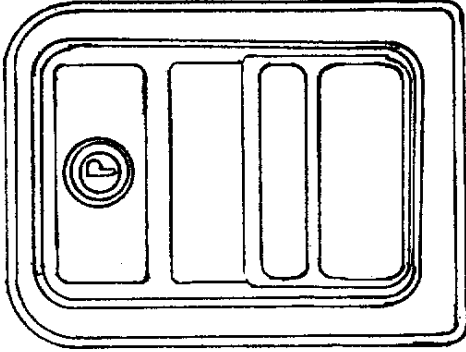
## FURNITURE LOUNGE, 30 LTD

702888-418	Sofa, jackknife, 74in.
963400-01	Arm rest support assembly, RS
963400-03	Arm rest support assembly, CS
961959-02	Writing table/chair storage cabinet
961955-01	Face frame, chair storage
962875	Top, lift-up/writing table, Oak
962015-02	Lift-up table cabinet
962875	Top, table cabinet
986226-01	Leg, forward credenza
960420-06	Credenza table assembly
962878-01	Table leaf, lower
962879-01	Table leaf, upper
962177-03	Leg, hardwood
963219	End table assembly
962291-01	Face frame, end table cabinet
962876	Top, end table
962202-02	TV cabinet assembly
922200-01	Face frame, TV cabinet
963506-01	Front roof locker
963498	Face frame, front roof locker
381616-01	Chair, folding, Zip Dee, w/logo

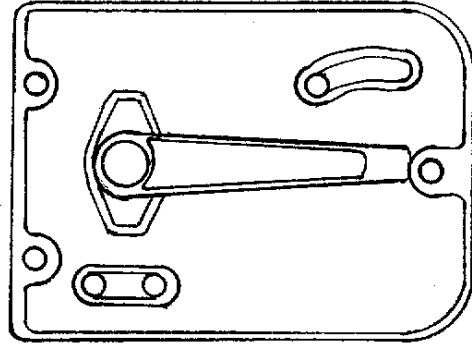
# 1999 LIMITED TRAILER

## HARDWARE

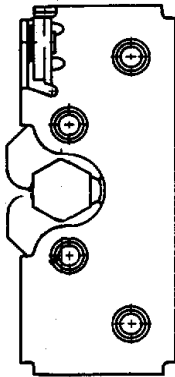
### MAIN DOOR LOCK



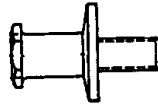
381547-01  
Main door lock, outside  
Housing



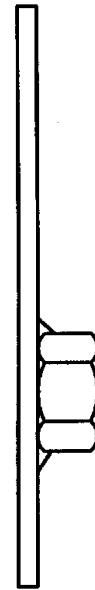
381547-02  
Main door lock, inside  
plate



381547-03  
Double rotary  
latch, main door lock



381547-04  
Striker bolt w/washer  
main door lock

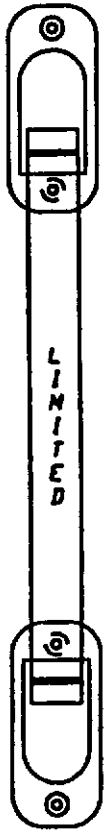


381550  
Plate, striker bolt  
mounting

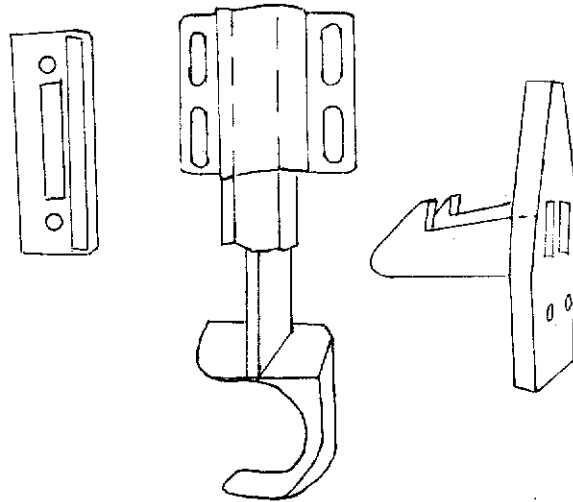
Not shown: 381547-05 Screw package, main door lock

# 1999 LIMITED TRAILER

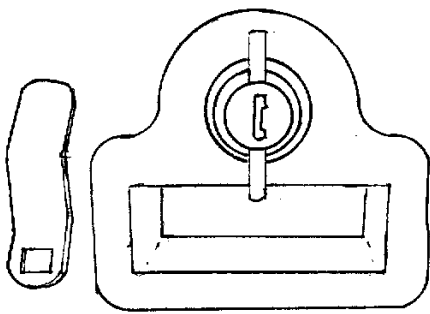
## HARDWARE EXTERIOR LATCHES/LOCKS



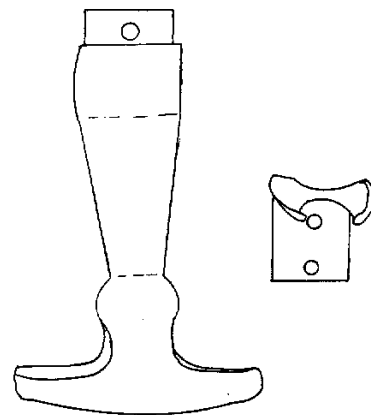
511344-01  
Grab handle, embossed,  
"LIMITED"



381454  
Latch, screen door,  
Bullet



380770-101 Twist lock, chrome  
380770-102 Twist lock, black

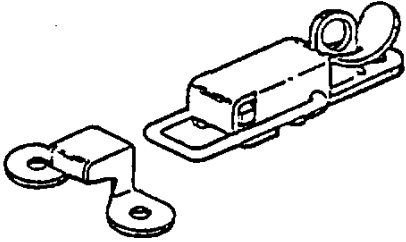


381021 Rubber T handle



# 1999 LIMITED TRAILER HARDWARE

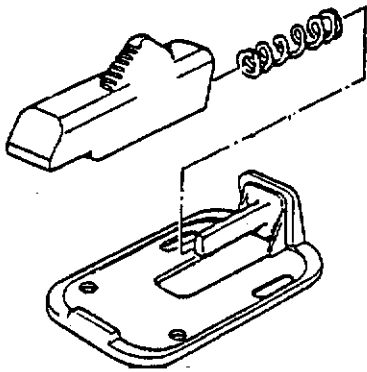
## EXTERIOR LATCHES/LOCKS



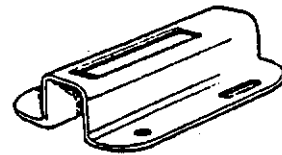
340023 Corbin catch  
w/strike, battery box



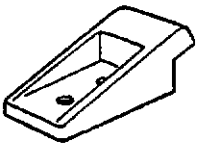
380067 Lock cam,  
bumper lid



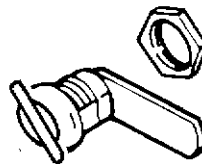
380291 Main door holdback,  
(use w/housing #380290) main door hold-back



380290 Latch housing,  
main door hold-back



201056 Catch, main door  
Holdback



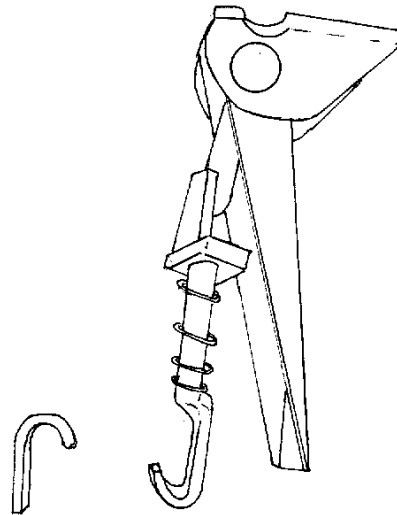
381430 Twist lock,  
straight cam

# 1999 LIMITED TRAILER HARDWARE

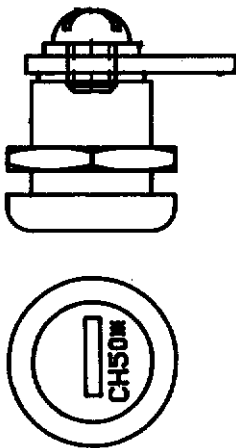
## EXTERIOR LATCHES/LOCKS



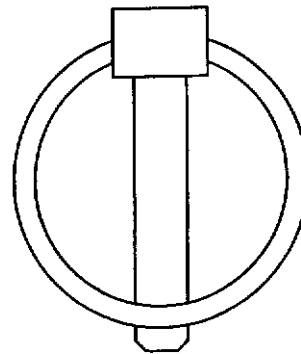
380004  
Handle, screen door



380903 Latch w/strike  
chrome, gas bottle cover



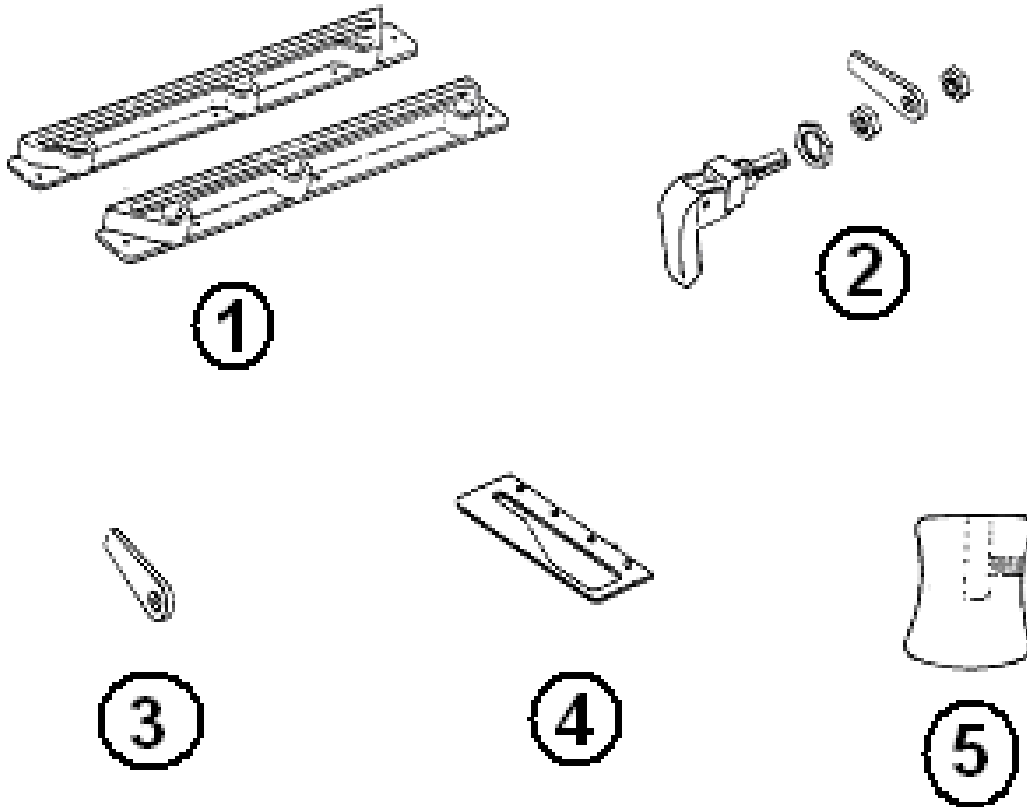
381397 Key cylinder  
w/cam



310028 Lynch pin  
roll out storage tray

# 1999 LIMITED TRAILER

## HARDWARE WINDOW HARDWARE

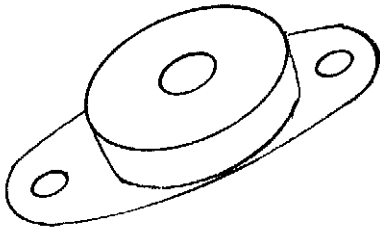


- |              |                                  |
|--------------|----------------------------------|
| 1. 0802-0001 | Window guide, RH                 |
| 1. 0802-0002 | Window guide, LH                 |
| 2. 010020    | Lower window latch, chrome       |
| 2. 195467-05 | Lower window latch, w/red handle |
| 3. 685123    | Pawl, window latch, straight     |
| 4. 685124    | Striker plate, window latch      |
| 5. 380230-03 | Knob window arm, silver          |
| 5. 380230-04 | Knob, window arm, red            |

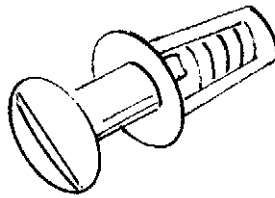
# 1999 LIMITED TRAILER

## HARDWARE ROCK GUARD

- 685363 Slip joint hinge
- 683960 Support arm, rock guard
- 683959 Bracket, arm support
- 114749 Hinge "Y" assembly
- 114750 Hinge "J" rock guard
- 381021 Draw latch, black rubber



685359  
Rubber receptacle  
1/4" latch, Southco



685342  
Stud, 1/4" turn latch  
Southco

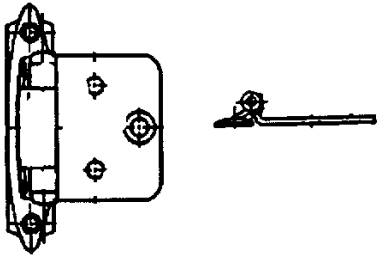


685362  
Retaining ring  
1/4" turn stud

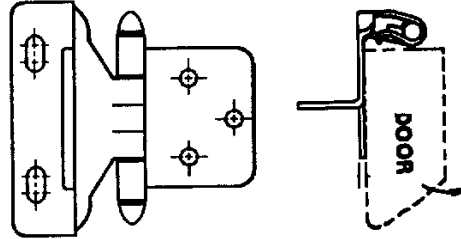
Used on stone guard and wrap protector

# 1999 LIMITED TRAILER HARDWARE

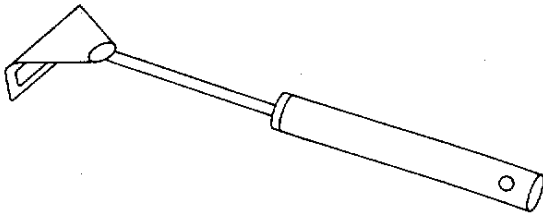
## INTERIOR LATCHES/HINGES



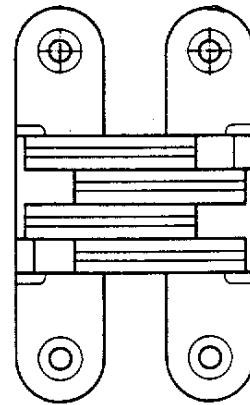
381601 Hinge,  
antique brass



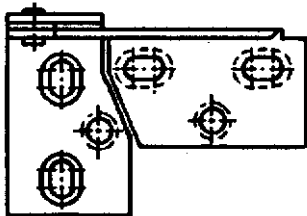
381602 Hinge,  
semi-concealed, antique brass  
(used on front & rear roof  
lockers)



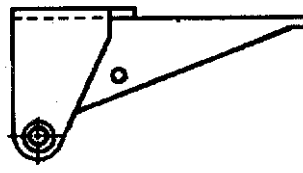
381147 Door support  
spring loaded



380040 Soss hinge  
credenza table

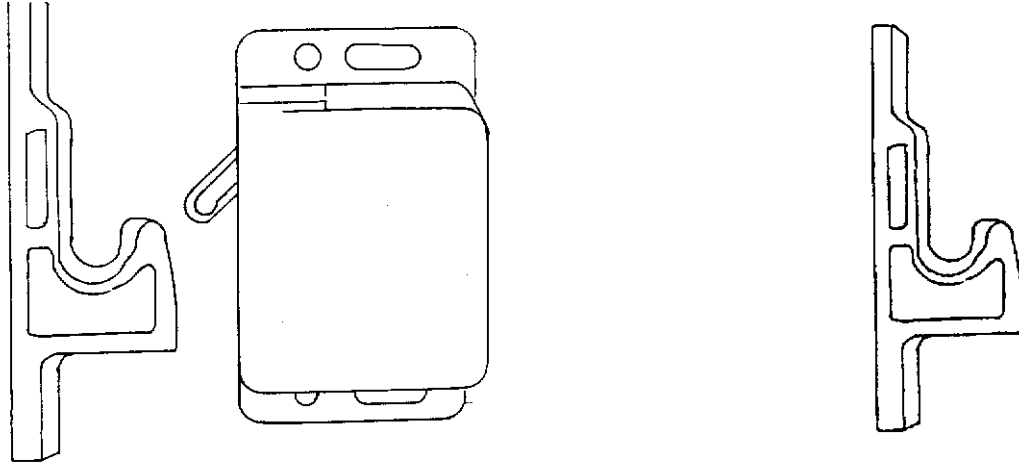


385935-01 Hinge, pivot, chrome  
for bath mirror



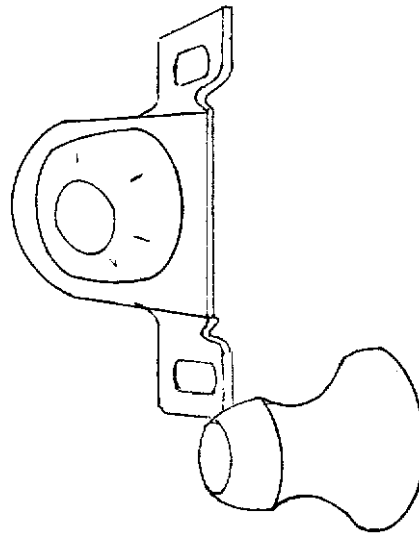
# 1999 LIMITED TRAILER HARDWARE

## INTERIOR LATCHES/HINGES



381228 Grabber door latch  
w/catch, 10 lb. Rating  
381228-01 Grabber door latch  
w/catch, 3lb. rating

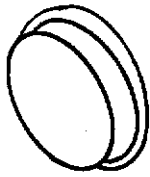
381228-100  
Catch only,  
grabber door latch



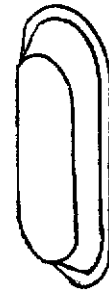
381074 Bull dog door catch

# 1999 LIMITED TRAILER HARDWARE

## INTERIOR LATCHES/HINGES



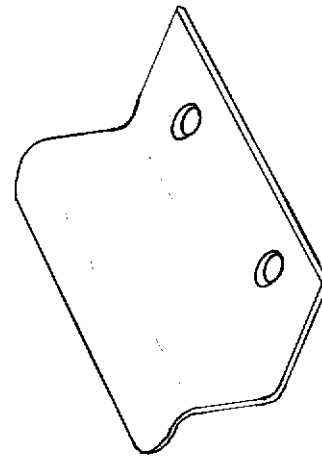
201427 Finger pull,  
light brown



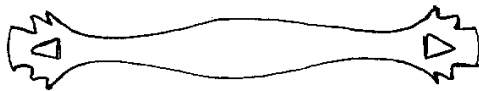
381603 Pull, three finger  
Antique brass



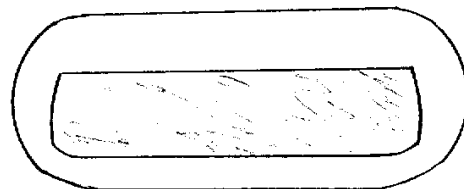
381444 Hatch pull



385940-02 Mirror pull, chrome



381599 Pull handle,  
drawer/door, antique brass



381576 Pull handle,  
brass

# 1999 LIMITED TRAILER HARDWARE

## INTERIOR LATCHES/HINGES



36012 Bumper, rubber  
white, stick-on, cylindrical



360016 Bumper rubber  
gray, square 3/8" x 3/8"

360012-01 Bumper, rubber  
brown, stick-on, cylindrical



195329-220 Bumper, rubber  
brown, stick on, oval



381612 Clip, mirror-  
retainer, clear



# 1999 LIMITED TRAILER

## HARDWARE

### DRAWER SLIDES

381526-01	Drawer slide-950-RV, 14"
381526-03	Drawer slide-950-RV, 18"
381526-04	Drawer slide-950-RV, 20"
381526-06	Rear bracket, drawer, adjustable
381414-144	Slide, drawer-Delta, 14.5"
381400	Slide, drawer, 14", 2900-14
381400-01	Slide drawer, 12", 2900-12

### BATHROOM ACCESSORIES

381275	Toilet paper holder w/ hood, brass
381254	Tooth brush/tumbler holder, brass
381626-01	Towel bar, 18", brass
381255	Soap dish, brass

### CREDENZA TABLE HARDWARE

381306	Lift up table slides, one right & one left
201155	Table sliding guide, plastic
380037	Latch, nail & spring, table
380038	Eyelet, lock, brass

### WRITING TABLE HARDWARE

381284-02	Bracket, table hinge
101253	Extrusion, hinge, movable
380492	Bracket, table, writing
340018	Plate, catch

# 1999 LIMITED TRAILER

## HARDWARE

### MISCELLANEOUS

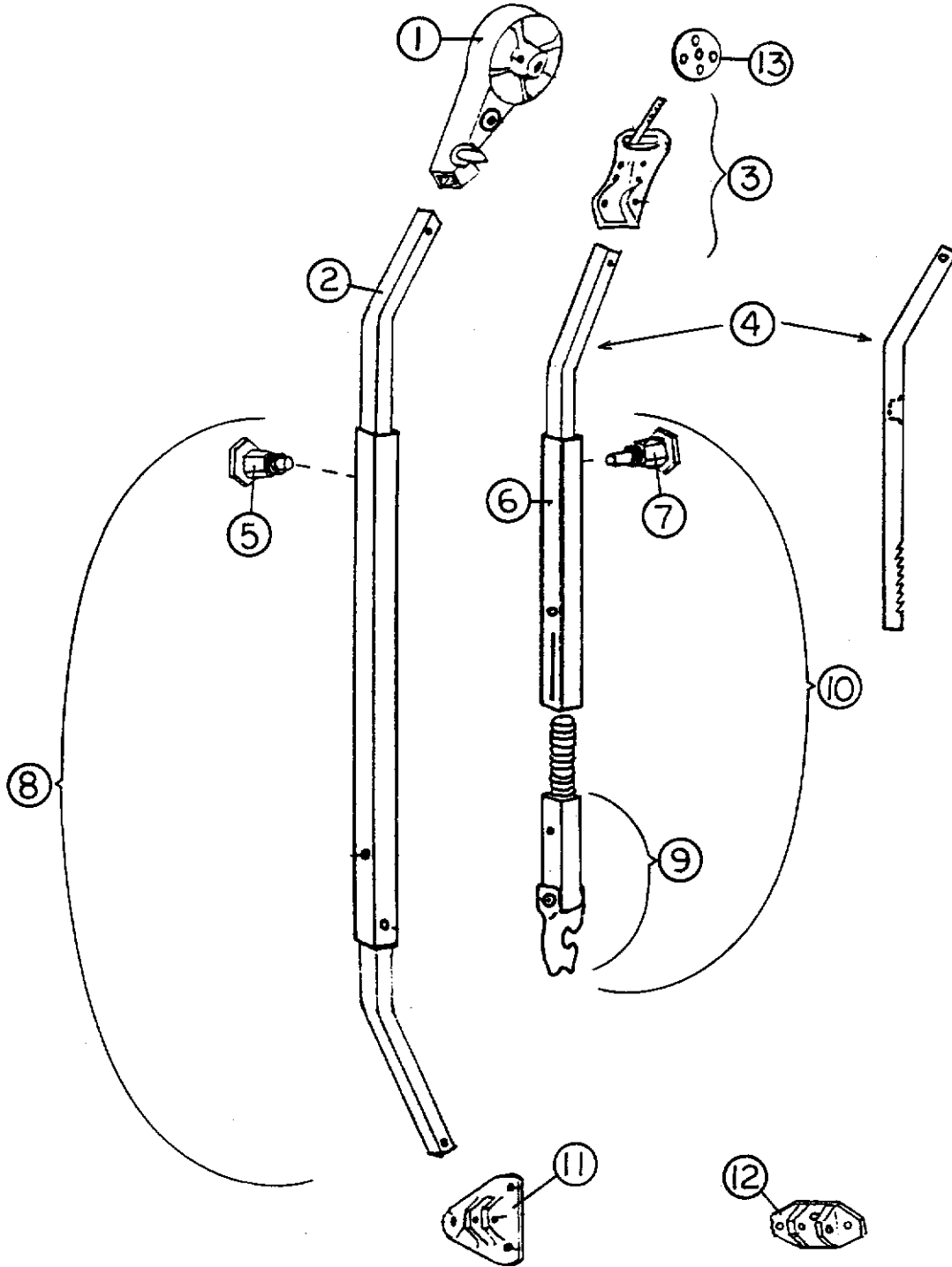
701342-01	Vinyl strap, sliding door hold back (female snap on both ends)
381443-01	Sliding door set (includes, carriers, top plate and track)
*381385	Dual lock #400-1" strips
*381386	Dual lock #170-1" strips
380045	Clothes rod
200975-04	Conduit, flexible, black (covers clothes rod)
380046	Bracket, clothes rod
381067-09	Gas prop, bed 90lbs.
381262	Bracket w/ball stud, gas prop
381084	Ball stud
381133	Rack pack, 6.5 liter, white

\*These two parts work similar to Velcro but have interlocking knobs rather than hooks and loops.

# 1999 LIMITED TRAILER

## NOTES

# 1999 LIMITED TRAILER



# 1999 LIMITED TRAILER

## AWNING HARDWARE

1) 74043W-04	Head assembly, front
1A) 74043W-05	Head assembly, Rear
2) 74047W-09	Main arm bar, front
2A) 74047W-10	Main arm bar, rear
3) 74056W	Clamp assembly, front, curved
3a) 74056W-01	Clamp assembly, rear, curved
4) 74061WS-07	Rafter arm bar, satin
5) 74054W	Snap stud assembly
6) 74063W-04	Rafter arm tube, satin
7) 74072W	Ratchet stud
8) 74048WS-12	Main arm tube assembly, front
8a) 74048WS-13	Main arm tube assembly, rear
9) 74068W-03	Claw bar assembly
10) 74048WS-14	Rafter arm assembly
11) 74055W	Base hinge, rib mount
12) 74055W-01	Base hinge, floor mount
13) 74060W	Clamp wheel



# 1999 LIMITED TRAILER

## SECTION IV- LIMITED

L through Z

LABELS and TAGS ..... IV-1

OPTIONS ..... IV-2

### PLUMBING

LPG ..... IV-3

Fresh water..... IV-5

Drain water..... IV-11

Toilet ..... IV-15

SAFETY EQUIPMENT ..... IV-16

SEALER/GASKETS/PAINT ..... IV-17

UPHOLSTERY/FOAM/MATTRESS..... IV-18

VENTS/FANS ..... IV-19

WOOD/LAMINATES/TRIM ..... IV-20





# 1999 LIMITED TRAILER

## LABELS AND TAGS

385193	Label, "12V distribution panel inside"
385048	Label, approval with shield
385269	Label, "DON'T USE AREA FOR STORAGE"
385068	Tag, cooking appliance warning
385067	Label, EXIT
385547	Label, LP gas warning/fill
385517	Label, kill switch warning
385521	Label, emergency egress window
385463	Warning label/cooking appliance
385464	Label, LP gas warning label(odor)
385465	Exit label, English
385560	Label, air conditioner rating
385512	Label, Calif. hazardous substance
385609	Label, smoke detector
385359	Label, microwave or air conditioner
385837	Label, refrigeration ignition
385103	Plate, RVIA
385418-01	Label, Federal registration
385062	Decal, 110-125 voltage AC
385565	Label, holding tank flushing
386012	Label, warning-water heater

# 1999 LIMITED TRAILER OPTIONS

3210059	Spare tire and wheel, BSW, 6ply, 15"
381318-05	Skylight, 19.5 ` x 19.5", galley/lounge
114485	Mounting frame, skylight
201962	Trim ring, skylight
702804-03	Shade, pleated, skylight, 19.25 " x 20.00"
381318-06	Skylight, 14.5" x 22.5" bath
114486	Mounting frame, skylight, bath
201963	Trim ring, 14" x 22", skylight, white
702804-04	Shade, pleated, skylight, 14.5" x 22.75"
690396-04	Range w/oven, Maytag
114876	Trim ring, range recess
690407-01	Microwave, Dometic, black
690407-02	Trim kit, Dometic microwave
690345-01	Microwave/convection, Sharp
690345-03	Trim ring, convection microwave

# 1999 LIMITED TRAILER

## PLUMBING

### LPG SYSTEM

#### LP BOTTLE RACK, LAY-DOWN

0360456	Bottle ring, lay-down bottle
452834	Strap, latch end
452834	Strap w/pin
381149	Draw latch, adjustable, lay-down LP bottles
381154	Roller, rubber, LP bottle
451823-01	Slide, LP bottle, RS
452823-02	Slide, LP bottle, CS
*203185	Wear strip, rubber, used w/TYPE I bottle

#### LP BOTTLE RACK, STAND-UP

0360307	GAS BOTTLE RING, 1977 TO PRESENT
601731	LP REGULATOR W/MTG. BRACKET
601731-103	BRACKET ONLY FOR LP REGULATOR
410410	Hold down rod, threaded, for 40lbs bottle
100949	Bracket, bottle hold, cast aluminum
410238	"T" handle, threaded, cast aluminum

#### LP BOTTLES AND FITTINGS

601371-02	Bottle, LP, aluminum, horizontal with gauge
*601712	Bottle, LP, aluminum, vertical w/gauge, TYPE I
*601730	Bottle, LP, aluminum, horizontal, TYPE I
601377-01	Regulator, Fisher
601335	LP hose, tank to regulator, 35"
*601732	LP hose, tank to regulator, 36", TYPE I
601279	LP hose, 18"
410705	Bracket, mounting LP regulator

\*TYPE I started on serial #512554

# 1999 LIMITED TRAILER

## PLUMBING

### BOTTLE COVERS

104265	Gas bottle cover w/o decal, 40lbs vertical
380903	Latch and strike
200845	Lid, plastic, bottle cover
380773	Hinge, access door
201981	Bottle cover, horizontal w/out decal
381320	Door catch, chrome
452279	Hold down bracket, black
381277	Knob, hold down, w/1/4"-20 stud
381413	Hinge, slip joint, LP cover
381170	Vent, round, colonial white
452946	Bracket, LP cover hold up

# 1999 LIMITED TRAILER

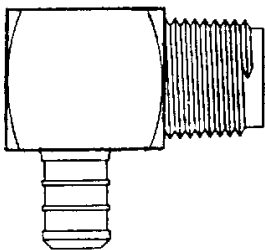
## PLUMBING FRESH WATER

601194	Water fill w/lock, gray
601621-01	Tank, fresh water
601243	Drain cock, fresh water tank
600155	Plug, water tank, 1.5"
600836	Elbow, 1/2" barb x 3/8" MPT
601237	Plastic elbow, 90 degree, 1.25 MPT x 1.25 barb
601239	Tubing, 1.375 I.D., flexible, water fill hose
601061-01	Water pump, Shurflo
601668	Filter, pre water pump
601464	Tank, accumulator, Shurflo

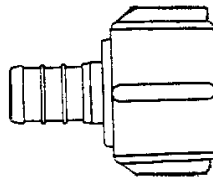
## CITY WATER

601467	Sillcock, 1/2" FP w/wheel handle
601469	Vacuum breaker, 3/4" garden hose
601197-01	Water hook-up, chrome
601392	Water fill, chrome
600139	Check valve, brass
601565	Hose, water, 12" w/fittings

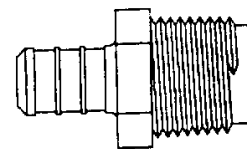
## FITTINGS



601698-04  
Elbow, 1/2" barb  
x 1/2" MPT



601698-03  
Coupler, 1/2" barb  
x 1/2" FPT

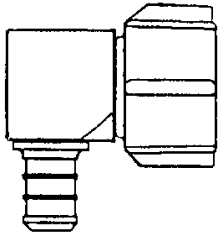


601698-02  
Coupler, 1/2" barb  
x 1/2" MPT

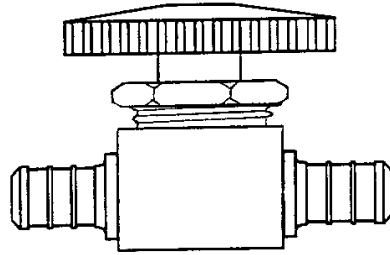
(continued)

# 1999 LIMITED TRAILER

## FRESH WATER-FITTINGS



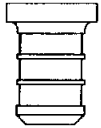
601698-05  
Elbow 1/2" barb x  
1/2" FPT



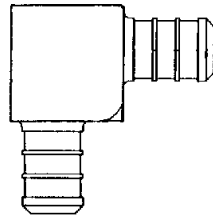
601698-07  
Shut-off, 1/2" barb x  
1/2" barb 1/2" x



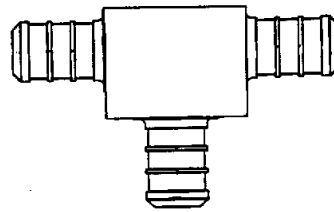
601698-08  
Coupler  
1/2" barb



601698-09  
Plug, 1/2" barb



601698-10  
Elbow 1/2" barb x  
1/2" barb



601698-11  
Tee, 1/2" x 1/2" x  
1/2" barb



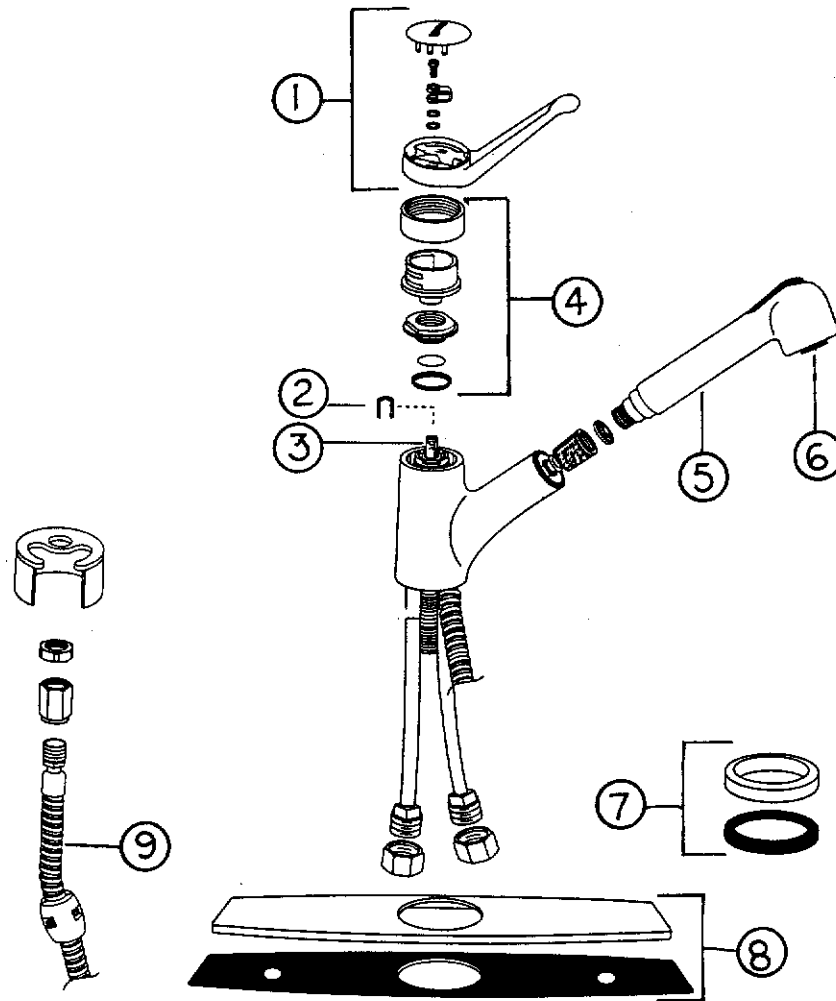
601698-15  
Crimp ring, 1/2"  
E-Pex, 1/2" (black)



601698-01  
E-Pex tube, 1/2"

# 1999 LIMITED TRAILER

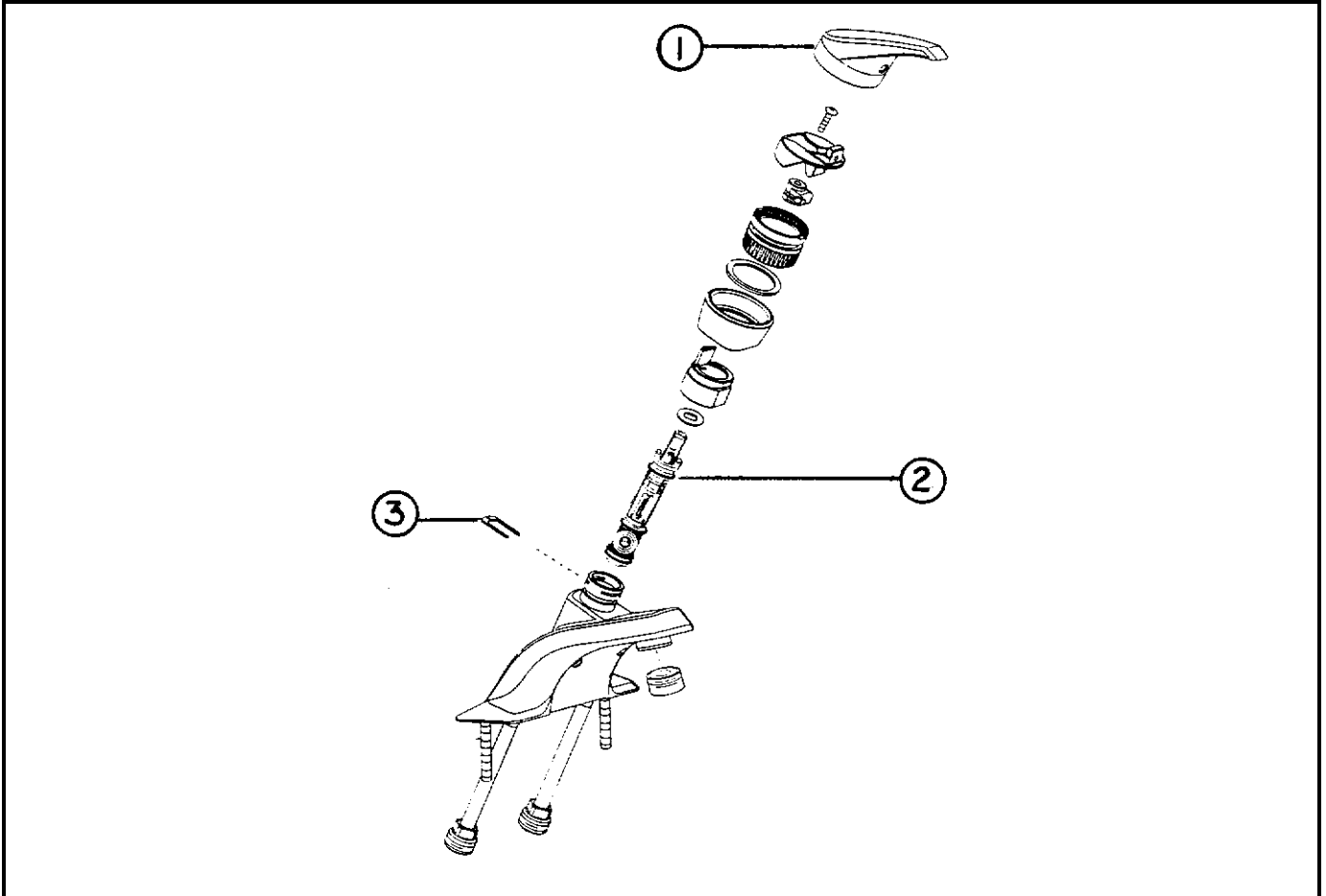
## PLUMBING FRESH WATER



601579-01 Faucet, One Touch, Moen, sand

- |               |                           |
|---------------|---------------------------|
| 1) 601579-103 | Lever handle kit          |
| 2) 601579-105 | Retainer clip             |
| 3) 601579-106 | Cartridge                 |
| 4) 601579-104 | Collar and pivot retainer |
| 5) 601579-100 | Spout                     |
| 6) 601579-101 | Aerator                   |
| 7) 601579-107 | Escutcheon, small         |
| 8) 601579-108 | Escutcheon, large         |
| 9) 601579-109 | Hose                      |

1999 LIMITED TRAILER  
PLUMBING  
FRESH WATER



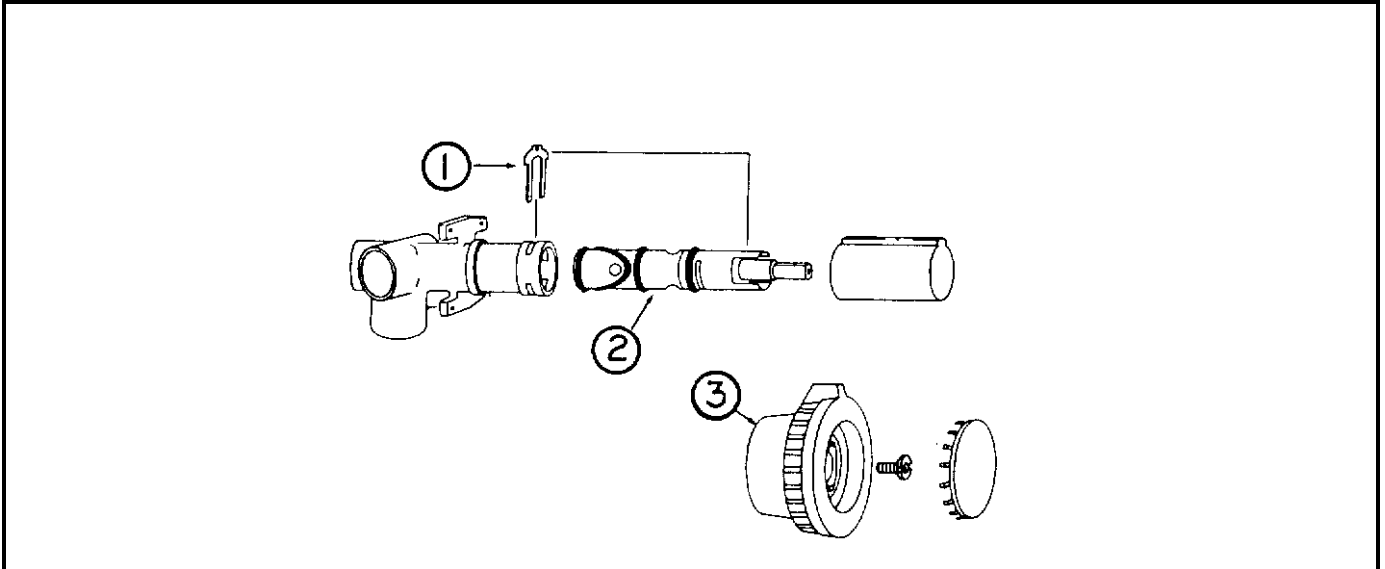
690390-01 Lavatory faucet, Moen, polished brass

- |               |               |
|---------------|---------------|
| 1) 690390-100 | Lever handle  |
| 2) 601579-105 | Cartridge     |
| 3) 601579-104 | Retainer clip |



# 1999 LIMITED TRAILER PLUMBING

## FRESH WATER



601420-02 Shower faucet, polished brass

- 1) 000883 Retainer clip
- 2) 601420-100 Cartridge#1200
- 3) 001041 Handle

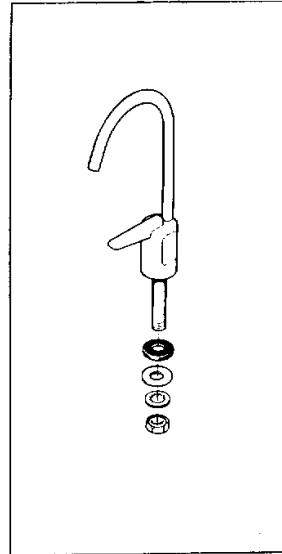
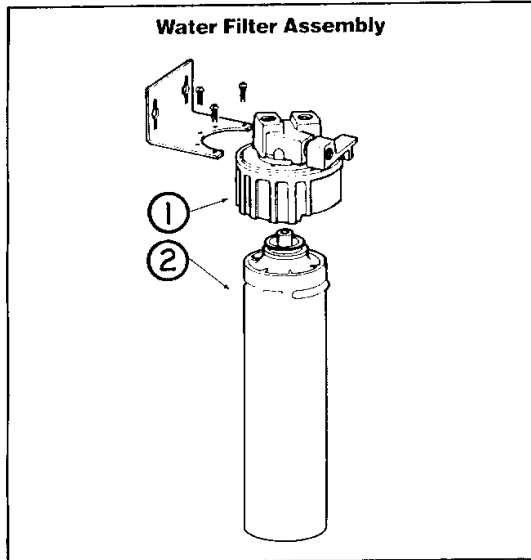
### Shower stall fittings

- 601359-101 Elbow with flange, brass
- 601173 Vacuum breaker, brass
- 601175-01 Shower hose, brass
- 601257 Shower head w/shut-off, brass
- 601359-100 Wall holder, showerhead, brass

# 1999 LIMITED TRAILER

## PLUMBING

### FRESH WATER



- 1) 005273 Head, water filter
- 2) 960112 Cartridge, filter

601401 Faucet, water

# 1999 LIMITED TRAILER

## PLUMBING-DRAIN SYSTEM

601624-01	Tank, holding, black34FK
601623-02	Tank, holding, gray34FK
601625	Pan, waste tanks34FK
601622-03	Tank, gray, holding31&34FL
601623-06	Tank, black, holding31&34FL
601619	Pan, waste tank31&34FL
601622-01	Tank, holding, gray30ft.
601623-01	Tank, holding, black30ft.
601619	Pan, waste tank30ft.
601431	Dump valve, w/o handle
04190	Handle extension, dump valve
114086	Bracket, dump valve extension
600187	Wye, 3", comb.& 1/8" bend
600820	Single socket, 3", 90 degree
601323	Female fit & "O" ring, dump valve
600289	Calder coupling, 3", rubber
380481	Boot, rubber, 3" drain line
0310107	Waste valve adapter
601160-04	Pipe, 3" ABS
601160-02	Pipe, 1.5" ABS
600035	Ell, long sweep, 1.5"
01639	Bayonet ring, 3" Thetford
01664	Cap, 3"sewer outlet, Thetford
600065	Flange, floor, threaded
601441	Tank flush, no-fuss (vacuum breaker & check valve)
601441-01	Nozzle, tank mounted, no-fuss flush
60032-01	Water inlet, garden hose thread, tank flush

## PLUMBING-DRAIN SYSTEM

## 1999 LIMITED TRAILER

601633-06	Sink, galley, porcelain34FL & 34FK
600968	Basket strainer, galley34FL & 34FK
601497-01	Sink, galley, porcelain30&31ND
195362-39	Basket strainer, galley, 2"30&31ND
200406-06	Lavatory bowl, oval, parchment (tail, basket and stopper comes with bowl)
203081	Shower stall, 2 piece-34FK & 30ft.
203046-03	Shower stall, angled, 2 piece-34FT & 31ND
601362-01	Drain, tiptoe, shower, polished brass

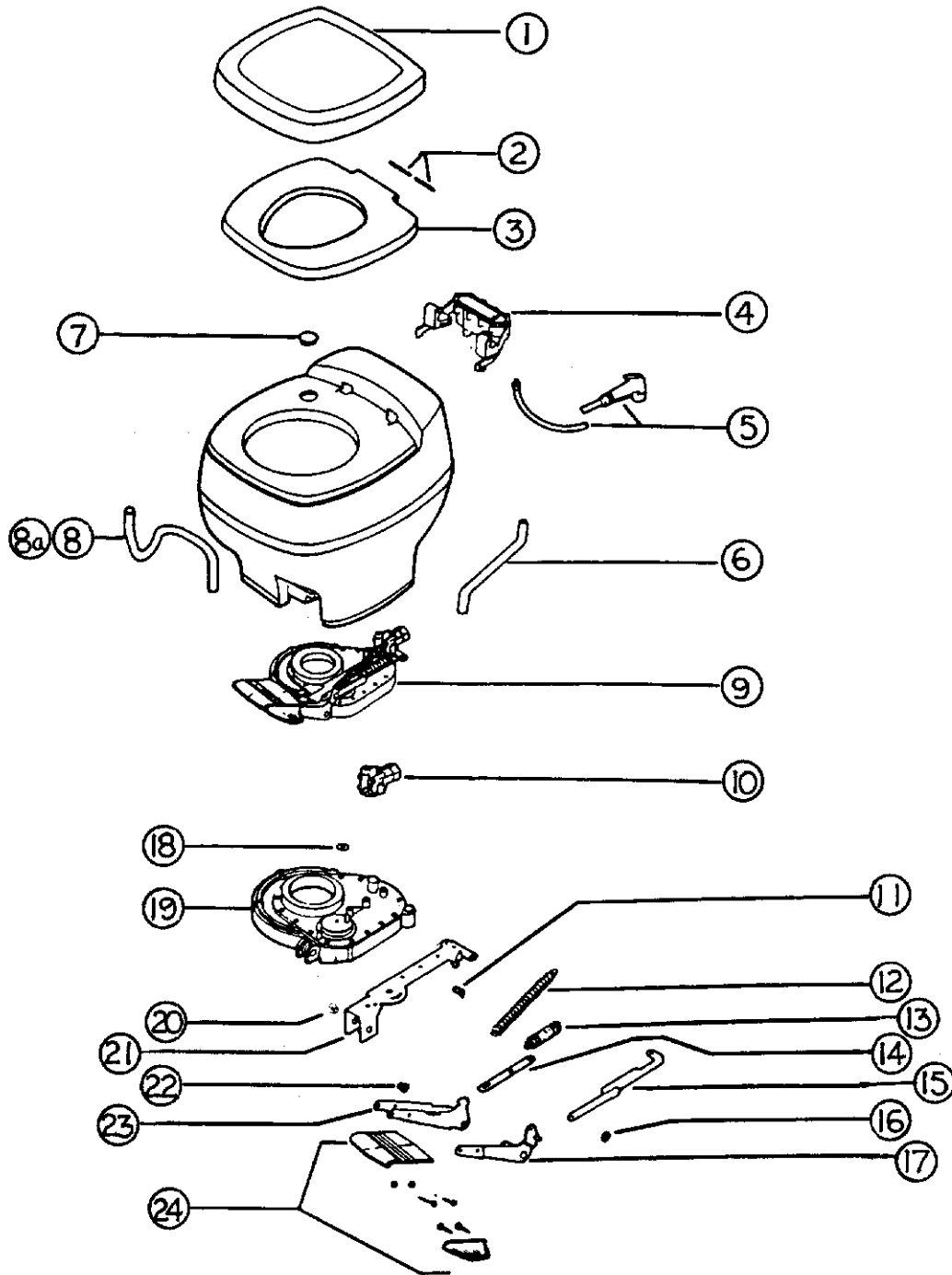
# 1999 LIMITED TRAILER

## FITTINGS

600378	Continuous waste, 1 1/2"
601263	Bushing, 1 1/2 x 1 1/4"
600155	Plug, clean out, 1 1/2"
600538	Vent V-200 automatic
600156	Tee, sanitary
601160-02	Pipe, ABS, 1 1/2"
601160-04	Pipe, ABS, 3"
600033	Elbow, vent, 90 degree, 1 1/5"
601531	Fitting, 90 degree, 3" H x ST
600431	Elbow, 90 degree, 1 1/5"
600144	P-trap, 1 1/5"
600030	Ell, ABS, 45degree, long turn
600182	Wye, 1.5 x 1.5 x 1.5, 1/8 bend
601318	Tee, bi-directional clean out, 1 1/5"
601200	Adapter, auto vent w/ext.
600822	Adapter, P-trap
600094	Wye, 1 1/5", 45 degree
600027	Elbow, street, long, 45 degree
600662	Elbow, short, 1 1/5"
600227	Coupling, 1 1/5"
600622	P-trap, 1 1/5" w/slip nut & washer
600155	Plug, clean out, 1 1/5"

# 1999 LIMITED TRAILER PLUMBING

THETFORD, AQUA MAGIC GALAXY , FOOT FLUSH, PARCHMENT



# 1999 LIMITED TRAILER

## PLUMBING

THETFORD, AQUA MAGIC GALAXY, PARCHMENT

690327-02 Toilet complete, Aqua Magic Galaxy, high

- 1) 020925 Padded seat cover, parchment
- 2) 012986 Hinge pin
- 3) 1626457 Seat, parchment
- 4) 008217 Vacuum breaker w/water saver, parchment
- 5) 008993 Water saver package
- 6) 003728 Water supply tube
- 7) 003895 Hole plug, parchment
- 8) 003729 Trap tube, 20", low style
- 8a) 003727 Trap tube, 27", high style
- 9) 024203 Mechanism, parchment
- 10) 009868 Ball valve replacement package
- 11) 002391 Drive arm assembly
- 12) 002802 Spring, ball valve return
- 13) 002801 Spring
- 14) 008986 Push link
- 15) 002796 Drive arm
- 16) 002394 Ring, retainer
- 17) 009421 Pedal arm assembly
- 18) 008034 Retainer ring, 1/4"
- 19) 020929 Base and cover assembly
- 20) 003749 Bushing, mechanism
- 21) 012593 Lever plate
- 22) 003749 Bushing, mechanism
- 23) 019266 Pedal arm
- 24) 020930 Double pedal package

# 1999 LIMITED TRAILER SAFETY EQUIPMENT

510781	Smoke detector511309LPG detector
600162-01	Fire extinguisher
0300027	Break-away switch
510661	Breaker, 110 volt, 20 amp, GFI
371348-02	Window, rear w/red handles
371349-01	Screen, rear escape
372175-03	Screen, 30", alternate escape
380230-04	Knob, window arm, red
381088	Handle, lower window latch, red



# 1999 LIMITED TRAILER

## SEALER/GASKETS/PAINT SEALER

360074	Sealant, white, 3 oz. tube
360001	Sealant, #884058
360002	Sealant, Vulkem 11.5 oz. tube
360209	Sealant, seam
360176	Sealant, Almond, kitchen and bath
360180	Sealant, Sikaflex #221
360210	Sealant, Paralastic 4334-014
360283	Sealant, silicone, Corian Bone
360216	Caulk, latex acrylic, brown (hardwood floor)

## GASKETS

365232	Gasket, main/baggage door
365013-01	Gasket, screen door
0401-0002	Gasket, window frame to glass
365009	Gasket, foam, 1" x 1"-lay down bottle cover
365035	Gasket, access doorjamb
380114	Gasket, vent pipe, roof
365222	Tape, double coated, .08" x 3/4"
365016	Tape, foam, double face, 1/2" wide
365001	Tape, double coated foam
3865239	Foam pad, non-skid, 1/16" x 1/4" x 1.0"

## PAINT

360057	Plasticote, clear acrylic lacquer
360151	Paint, gray metallic, Centari
360027	Paint, silver metallic
360214	Paint "Tapestry Red", Centari
360208	Stain, medium Oak (spray, no-wipe)

**1999 LIMITED TRAILER**  
**UPHOLSTERY/FOAM/MATTRESS**  
**REAR BEDROOM**

701770	Mattress, 34 x 78, contoured, twin
702674	Mattress, 60 x 75, w/45 degree corners
702485-318*	Bed spread, twin, Blue Bayou
702676-318*	Bed spread, double, Blue Bayou
701611	Pillow 21 x 31
702896-04	Pillow kit, Blue Bayou

**UPHOLSTERY COVERS**

998070	Cover, seat, side dinette
998071	Cover, back, side dinette
963398-01	Arm rest cushion, front lounge, RS
963398-03	Arm rest cushion, front lounge, CS

**FOAM**

702464-21	Foam, upper back, dinette
702464-13	Foam, lower back, dinette
702464-14	Foam, aft seat, dinette
702464-15	Foam, forward seat, dinette
702673-01	Foam, armrest, RS
702673-03	Foam, armrest, CS

\*Changing the dash number changes the upholstery color  
318=Blue Bayou-  
418=Peridot-258=Beach  
248=Vintage-098=Alexander

# 1999 LIMITED TRAILER

## VENTS/FANS

108801-01	Ceiling vent w/light and fan
921105	Cap, ceiling vent, solardome
510233	Nylon vent crank handle w/screw
381406-02	Extension, crank operator, 2in.
345322-18	Screw, extended vent crank, 2 1/4 in.
381564	Vent, automatic, w/wall thermostat, Fantastic
381450-100	Screen, Fantastic roof vent
381450-101	Motor, elevator, Fantastic vent
690266-01	Ventilator, power, bathroom
690266-03	Extension, garnish, 4", roof
381541-06	Roof vent w/power lift
381541-05	Switch, white, ceiling vent
381541-04	Trim ring, inside garnish, Ventline
511152-04	Range hood w/monitor
114462	Duct, range transition, formed
453000	Bracket, range hood support
511017-11	Vent cover, exterior, range hood, gray
100341	Refrigerator, vent collar, large
101394	Cover, refrigerator vent, large
101158	Vent pipe cover, cast aluminum
380114	Gasket, vent pipe

# 1999 LIMITED TRAILER

## WOOD/LAMINATES/INTERIOR TRIM

800397-01	Cedar, planked, 5/32" x 4' x 8'
800542-02	Structure wood 3/8" x 4' x 8'
800542-03	Structure wood 1/2" x 4' x 8'
800542-05	Structure wood .700" x 4' x 8', sanded
800507-01	Paneling, luan, 1/8" x 4' x 8'
800507-02	Paneling, luan 1/4" x 4' x 8'
800507-03	Paneling, luan 3/8" x 4' x 8'
801176-04	Paneling, 1/8" x 4' x 8', G1S, solitude/raw
801176-03	Paneling 1/8" x 4' x 7', G1S, solitude/raw
801183-01	Paneling 1/2" x 4' x 8', G2S, horz.Oak/solitude
801177-01	Paneling 1/2" x 4' x 8', G2S, solitude/solitude
801185-01	Paneling 1/2" x 4' x 8', G1S, solitude/raw
801233-01	Paneling 1/4" x 4' x 8', G1S, solitude/raw
801180	Paneling 1/2" x 4' x 8', G2S, Oak/Oak
801179	Paneling, 1/2" x 4' x 8', G1S, Oak/raw
801182	Paneling 5/32" x 4' x 8', G2S, Oak/Oak
801181	Paneling 5/32" x 4' x 8', G1S, Oak/raw
801230	Laminate, Oak, 4' x 8'
801229	Laminate Oak, .045 -.050

# 1999 LIMITED TRAILER

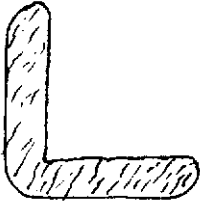
## WOOD/INTERIOR



1) 801206-01



2) 964152-01



3) 800575



4) 800571-01



5) 800638-02



6) 801172-01  
6a) 801172-03



7) 801173-03



8) 801173-04

- |               |  |
|---------------|--|
| 1) 801206-01  | Molding, floor, Oak, 43"               |
| 2) 964152-01  | Molding, chair rail, Oak               |
| 3) 800575     | Molding, corner, Oak                   |
| 4) 800571-01  | Molding, Oak, flat 1/4" x 33/64" x 80" |
| 5) 800638-02  | Molding, quarter round, Oak            |
| 6) 801172-01  | Molding, flexible corner, Oak          |
| 6a) 801172-03 | Molding, flexible corner, Solitude     |
| 7) 801173-03  | Molding, flat radius, .88" Oak         |
| 8) 801173-04  | Molding, flat radius, 1.13" Oak        |

# 1999 LIMITED TRAILER

## NOTES



