

***AIRSTREAM***

**30' & 33'  
LAND YACHT GAS**

Parts Book

**1999**



# TABLE OF CONTENTS

## SECTION I LY GAS

A through C

### APPLIANCES

<a href="#">Air conditioner</a> .....	I-1
<a href="#">Furnace</a> .....	I-1
<a href="#">Microwave</a> .....	I-1
<a href="#">Range</a> .....	I-2
<a href="#">Refrigerator</a> .....	I-2
<a href="#">Water heater</a> .....	I-3

### BODY

<a href="#">30ft.CS wall</a> .....	I-5
<a href="#">30ft.RS wall</a> .....	I-7
<a href="#">33ft.CS wall</a> .....	I-9
<a href="#">33ft.RS wall</a> .....	I-11
<a href="#">Roof</a> .....	I-12
<a href="#">Front end</a> .....	I-15
<a href="#">Aft end</a> .....	I-17

### CHASSIS

<a href="#">Hitch</a> .....	I-18
<a href="#">Mud flaps/wheel simulators</a> .....	I-18
<a href="#">Step</a> .....	I-18
<a href="#">Auxiliary heater</a> .....	I-18
<a href="#">Spare tire bracket</a> .....	I-18
<a href="#">Automotive air conditioner</a> .....	I-19

# TABLE OF CONTENTS

## SECTION II LY GAS

### D through E

#### DASH

<a href="#">Dash parts</a> .....	II-1
<a href="#">Glove box</a> .....	II-1
<a href="#">Trims</a> .....	II-1
<a href="#">Defrost nozzle</a> .....	II-1
<a href="#">Rear view mirror</a> .....	II-1
<a href="#">Sun visors</a> .....	II-1
<a href="#">Windshield wiper</a> .....	II-3
<a href="#">DECALS</a> .....	II-4

#### DOORS/WINDOWS/AWNINGS

<a href="#">33ft.RS</a> .....	II-9
<a href="#">33ft.CS</a> .....	II-11
<a href="#">30ft.RS</a> .....	II-13
<a href="#">30ft.CS</a> .....	II-15
<a href="#">DRAPES/BLINDS/VALANCES</a> .....	II-16

#### ELECTRICAL

<a href="#">110 volt</a> .....	II-17
<a href="#">12 volt</a> .....	II-19
<a href="#">Exterior lights/reflectors</a> .....	II-20
<a href="#">Dash switches/lens</a> .....	II-21
<a href="#">Interior switches/lights/outlets</a> .....	II-23

#### ENTERTAINMENT

<a href="#">Televisions</a> .....	II-25
<a href="#">Radios</a> .....	II-25
<a href="#">Antenna</a> .....	II-25
<a href="#">Monitor/Video</a> .....	II-25

# TABLE OF CONTENTS

## SECTION III LY GAS

F through H

### FASTENERS

(Common fasteners available locally are not listed)

<a href="#">Rivets</a> .....	III-1
<a href="#">Screws</a> .....	III-3

### FLOOR COVERING

<a href="#">Carpet</a> .....	III-4
<a href="#">Hardwood flooring</a> .....	III-4
<a href="#">Mats</a> .....	III-4

### FURNITURE

<a href="#">Interior doors</a> .....	III-5
<a href="#">Mirrors</a> .....	III-5
<a href="#">Drawer face</a> .....	III-6
<a href="#">Drawer box</a> .....	III-6
<a href="#">Bedroom furniture</a> .....	III-7
<a href="#">Bath, 30ft.</a> .....	III-9
<a href="#">Bath, 33ft.</a> .....	III-10
<a href="#">Galley, 30ft.</a> .....	III-11
<a href="#">Galley, 33ft.</a> .....	III-13
<a href="#">Lounge/cab, 30ft.</a> .....	III-15
<a href="#">Lounge/cab, 33ft.</a> .....	III-17

### HARDWARE

<a href="#">Exterior compartment/prop/hinges/latches</a> .....	III-19
<a href="#">Exterior locks/hinges</a> .....	III-20
<a href="#">Drivers door</a> .....	III-22
<a href="#">Interior drawer slides/hinges/catches</a> .....	III-23
<a href="#">Bath accessories</a> .....	III-24
<a href="#">Awning hardware</a> .....	III-26

# TABLE OF CONTENTS

## SECTION IV LY GAS

L through Z

<a href="#">LABELS and TAGS</a> .....	IV-1
---------------------------------------	------

<a href="#">OPTIONS</a> .....	IV-3
-------------------------------	------

### PLUMBING

<a href="#">LPG</a> .....	IV-5
---------------------------	------

<a href="#">Fresh water</a> .....	IV-6
-----------------------------------	------

<a href="#">Faucets</a> .....	IV-8
-------------------------------	------

<a href="#">Drain water</a> .....	IV-12
-----------------------------------	-------

<a href="#">Tanks/sinks/shower pans</a> .....	IV-13
---	-------

<a href="#">Toilet</a> .....	IV-15
------------------------------	-------

<a href="#">SAFETY EQUIPMENT</a> .....	IV-16
--	-------

### SEALS/SEALER/PAINT

<a href="#">Gaskets</a> .....	IV-17
-------------------------------	-------

<a href="#">Sealer</a> .....	IV-20
------------------------------	-------

<a href="#">Adhesive</a> .....	IV-21
--------------------------------	-------

<a href="#">Paint</a> .....	IV-21
-----------------------------	-------

### UPHOLSTERY/FOAM/MATTRESS

<a href="#">Mattresses</a> .....	IV-22
----------------------------------	-------

<a href="#">Bed spread</a> .....	IV-22
----------------------------------	-------

<a href="#">Swivel seat</a> .....	IV-22
-----------------------------------	-------

<a href="#">Cab seat</a> .....	IV-22
--------------------------------	-------

<a href="#">Dinette foam/upholstery, 30ft.</a> .....	IV-23
--	-------

<a href="#">Dinette foam/upholstery, 33ft.</a> .....	IV-23
--	-------

<a href="#">VENTS and FANS</a> .....	IV-24
--------------------------------------	-------

<a href="#">WOOD/LAMINATES/INTERIOR TRIM</a> .....	IV-25
--	-------

# TABLE OF CONTENTS

## SECTION I

A through C

### APPLIANCES

Air conditioner .....	I-1
Furnace .....	I-1
Microwave .....	I-1
Range .....	I-2
Refrigerator .....	I-2
Water heater .....	I-3

### BODY

30ft.CS wall .....	I-5
30ft.RS wall .....	I-7
33ft.CS wall .....	I-9
33ft.RS wall .....	I-11
Roof .....	I-12
Front end.....	I-15
Aft end .....	I-17

### CHASSIS

Hitch .....	I-18
Power jacks.....	I-18
Step .....	I-18
Auxiliary heater .....	I-18
Spare tire bracket .....	I-18
Automotive air conditioner.....	I-19





# 1999 LAND YACHT 30' & 33' GAS

## DUO THERM AIR CONDITIONER (800-366-3842)

690323-02	Air conditioner, Dometic, 13, 500, manual
690323-03	Air conditioner, Dometic, 11, 000, manual
690323-05	Air box/return grill, manual
690323-100	Shroud, air conditioner, Penquin
385582-01	Decal, Airstream w/bar
510514	Switch, priority, 3 way, ivory
500385	Cover, priority switch, ivory

## FURNACE, HYDROFLAME (800-825-4328) -dealer only

690274	Furnace, Hyroflame, #8535-35, 000BTU
690274-12	Mounting flange
690274-11	Door exterior, Hydroflame
601244-03	Register.rotaire, black
600969-01	Grille, 6x4, col. white
600678	Adapter, grill, heat duct10x2
600247	4" duct hose, flexible
511228	Thermostat, room

## SHARP MICROWAVE/CONVECTION

690345-01	Microwave/convection oven, Sharp
690345-03	Trim kit, Sharp microwave

# 1999 LAND YACHT 30' & 33' GAS

## APPLIANCES

### MAYTAG RANGE

690396-02	Range top, 3-burner
690396-04	Range, 3-burner w/oven
690396-103	Range cover, bi-fold
964383-01	Range covers, Corian, set

### DOMETIC REFRIGERATOR, RM3862R (800-366-3842)

690370-02	Refrigerator, 2-way, RH, RM3862R
801225-01	Door panel, upper, oak, 15.5" x 20.38"
801225-03	Door panel, lower, oak, 38.38" x 20.38"
690370-100	Cooling unit, RM3862
381207-03	Vent, roof, Dometic, polar white

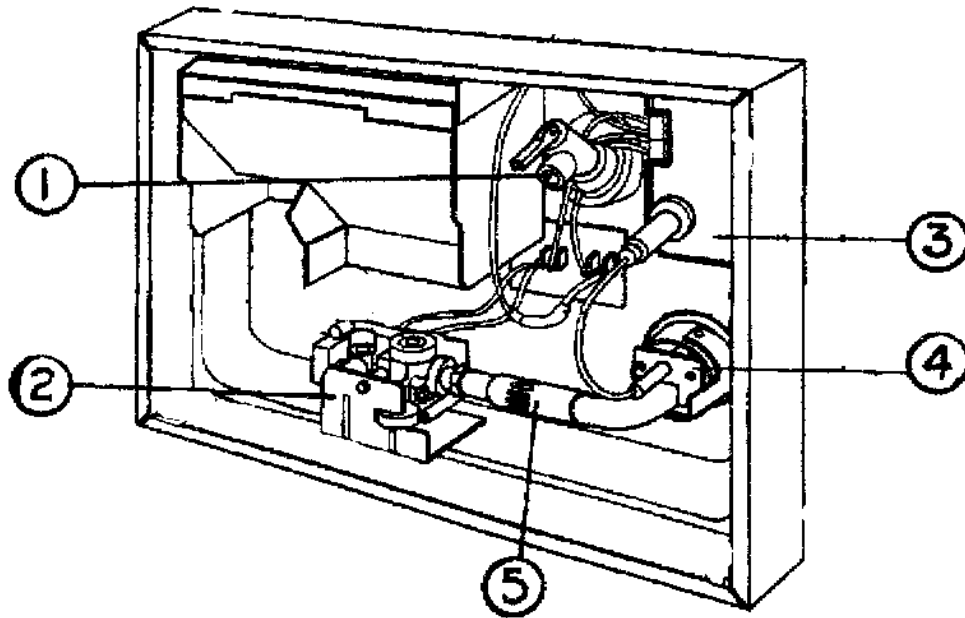
# 1999 LAND YACHT 30' & 33' GAS

## APPLIANCES

ATWOOD WATER HEATER, GCH6A-9E

690406 Water heater, Atwood, DSI/110 volt w/motor aid

- 500933 Switch, water heater, electronic
- 690259 Access cover, white
- 690259-06 Mounting flange
- 510514 Switch, 110v, 3 way, priority (water heater/micro-wave) CSA only



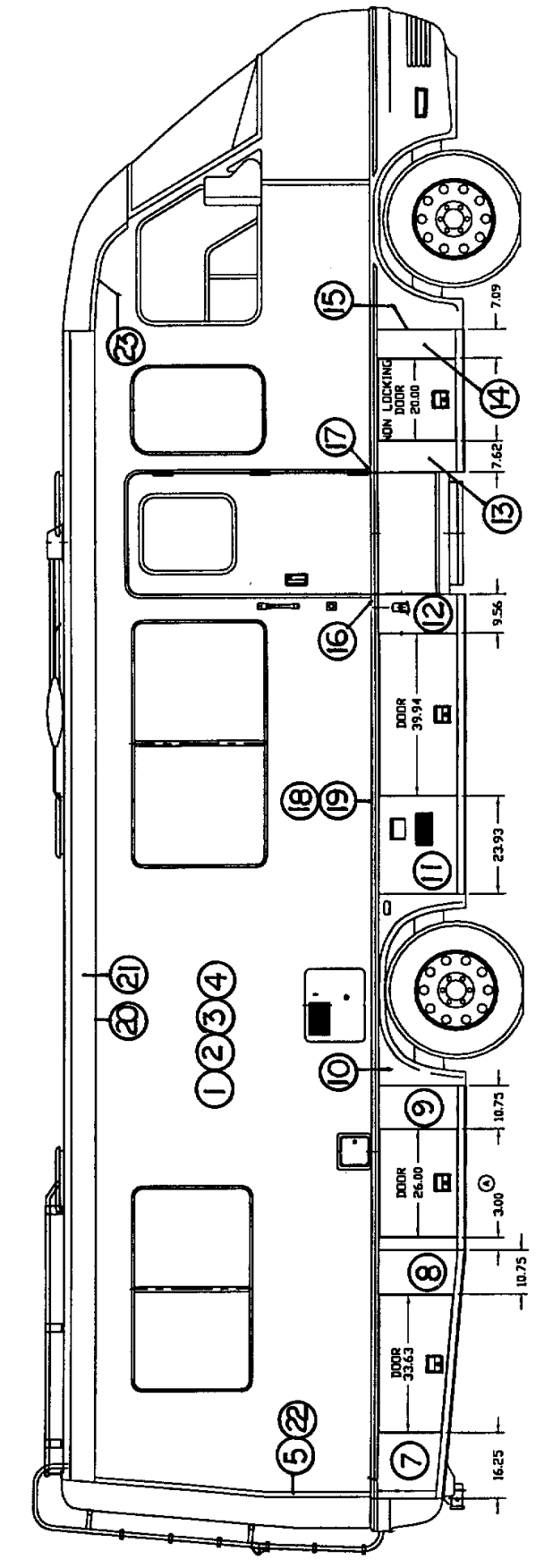
Front of water heater

- 1) 091604 Relief valve, pressure/temperature
- 2) 093870 Solenoid valve
- 3) 093865 Circuit board
- 4) 093868 Spark probe
- 5) 092615 Main burner

Back of water heater

- 091160 heating element, 110volt
- 091873 ECO thermostat
- 091092 On/off switch, 110Volt

# 1999 LAND YACHT 30' & 33' GAS

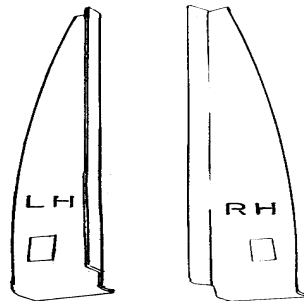


# 1999 LAND YACHT 30' & 33' GAS

## BODY, CURBSIDE WALL-**30' ONLY**

- |               |  |
|---------------|--|
| 1) 801002-01  | Fiberglass sheet, frost white 72" x 332"       |
| 2) 915361     | Weldment, CS wall, 30'                         |
| 3) 203075     | Styrofoam sheet, 1½" thick                     |
| 4) 801176-03  | Paneling, inside, 1/8" x 4' x 7' G1S, Solitude |
| 5) 114005-02  | Trim molding, ends to sidewall                 |
| 7) 114589     | Filler panel, 16.25"                           |
| 8) 114586-04  | Filler panel, 10.75"                           |
| 9) 114586-04  | Filler panel, 10.75"                           |
| 10) 201805    | Fender skirt                                   |
| 11) 114585-09 | Filler panel, 23.93"                           |
| 12) 114587-03 | Filler panel, 9.56", Dbl. Flange               |
| 13) 114587-10 | Filler panel, 7.62"                            |
| 14) 114587-16 | Filler panel, 8.0", (over size, cut to fit)    |
| 15) 114070-02 | Extrusion, J-trim, pewter gray                 |
| 16) 385955-02 | End cap, rub rail casting, LH (cut to fit)     |
| 17) 385955-01 | End cap, rub rail, casting, RH                 |
| 18) 114584    | Extrusion, rub rail                            |
| 19) 201709-02 | Rub rail molding, black                        |
| 20) 114570    | Extrusion, awning rail                         |
| 21) 114619    | Extrusion, roof corner cap                     |
| 22) 320115-06 | Screw, #6x1", flat head, stainless             |
| 23) 114077-04 | Trim extrusion, front cap to sidewall          |

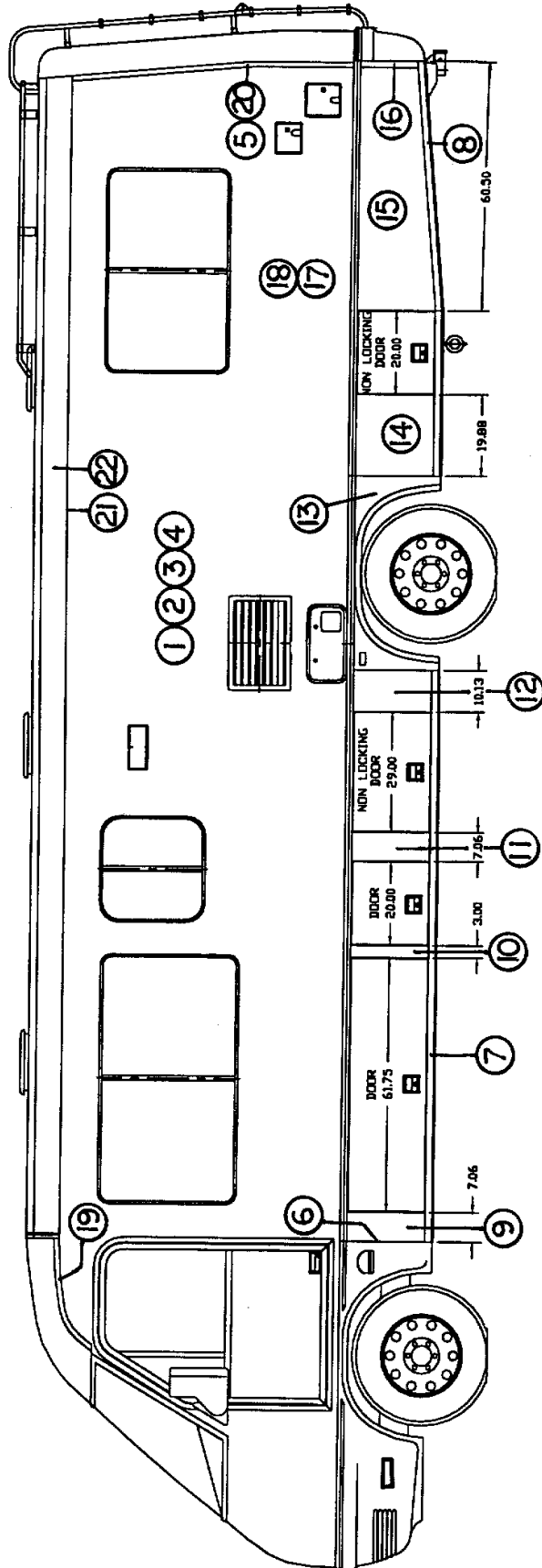
\*Note: Each filler panel has a flange riveted on one or both sides. These are:



114594-01  
114594-02

Seal, flange, LH  
Seal, flange, RH

# 1999 LAND YACHT 30' & 33' GAS

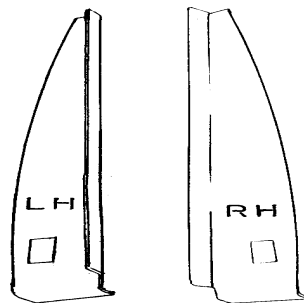


# 1999 LAND YACHT 30' & 33' GAS

## \*BODY, ROADSIDE WALL, **30' ONLY**

- |               |   |
|---------------|---|
| 1) 801002-01  | Fiberglass sheet, frost white, 72"x332"     |
| 2) 915360     | Weldment, roadside wall, 30'                |
| 3) 203075     | Styrofoam sheet, 1 1/2" thick               |
| 4) 801176-03  | Paneling, inside, 1/8"x4'x7', G1S, Solitude |
| 5) 114005-02  | Trim molding, ends to sidewall              |
| 6) 114070-02  | Extrusion, J-trim, Pewter gray              |
| 7) 114583-01  | Extrusion, rocker panel, Pewter gray        |
| 8) 114591-01  | Extrusion, angled, rear rocker panel, RS    |
| 9) 114587-16  | Filler panel, 8.00"(oversize, cut to fit)   |
| 10) 114587-19 | Filler panel, 3.00"                         |
| 11) 114587-16 | Filler panel, 7.06"                         |
| 12) 114586-10 | Filler panel, 10.13"                        |
| 13) 201805    | Fender skirt                                |
| 14) 114585-10 | Filler panel, 19.88                         |
| 15) 114588    | Filler panel, angled, 60.50"                |
| 16) 114005-02 | Trim molding, ends to sidewall              |
| 17) 114584    | Extrusion, rub rail installation            |
| 18) 201709-02 | Rub rail molding, black                     |
| 19) 114077-03 | Trim, extrusion, front cap to sidewall      |
| 20) 320115-06 | Screw, #6x1" flat head, stainless steel     |
| 21) 114570    | Extrusion, awning rail                      |
| 22) 114619    | Extrusion, roof corner cap                  |

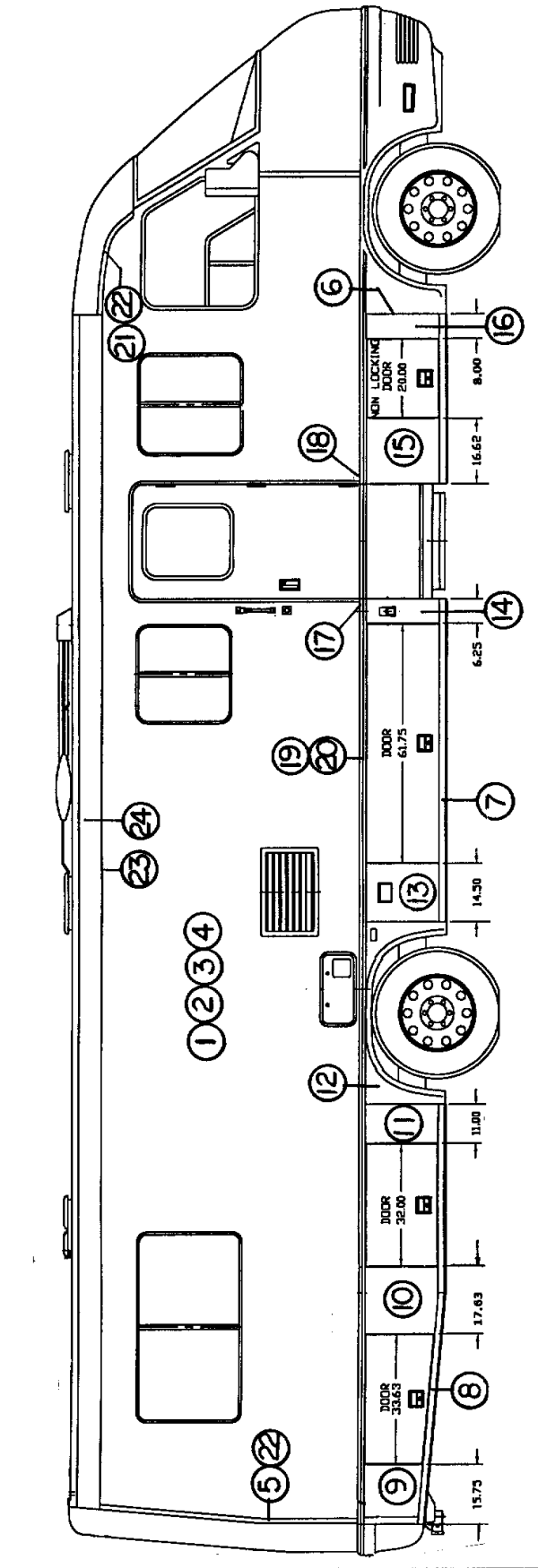
\*Note: Each filler panel has a flange riveted on one or both sides, these are:



114594-01 Seal, flange, LH

114594-02 Seal, flange, RH

# 1999 LAND YACHT 30' & 33' GAS



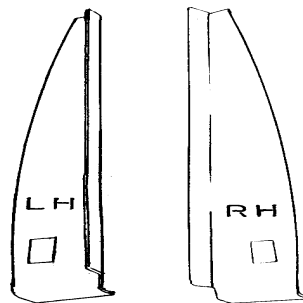


# 1999 LAND YACHT 30' & 33' GAS

## BODY, CURBSIDE WALL-**33' ONLY**

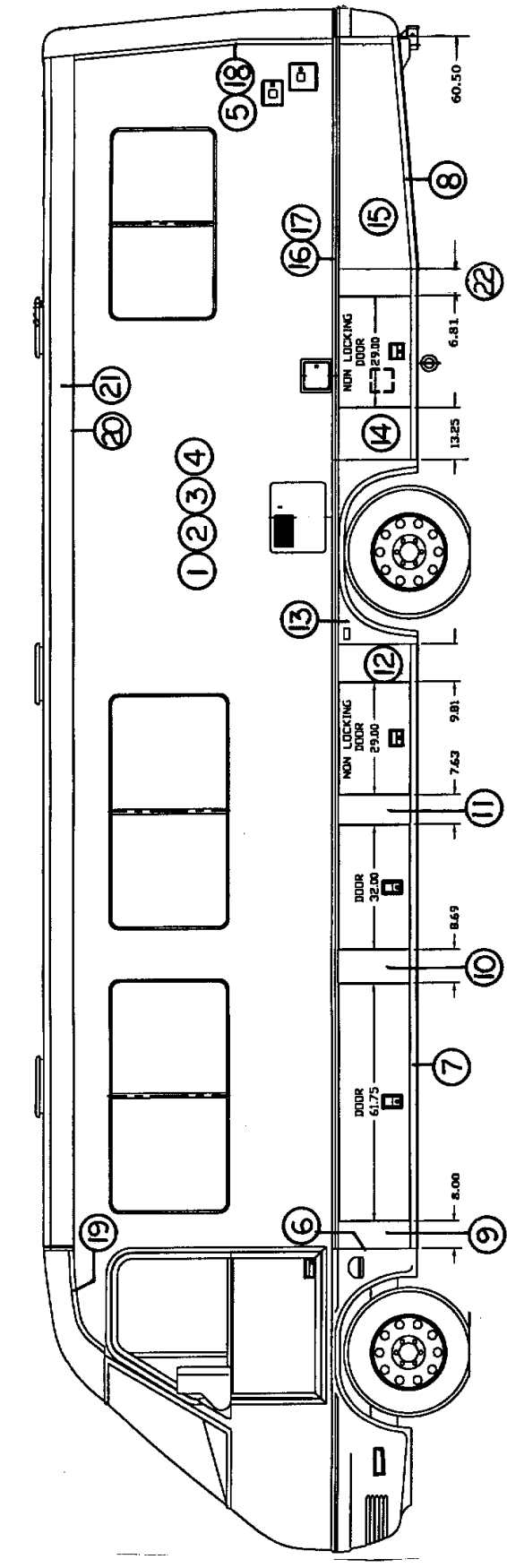
- |               |   |
|---------------|---|
| 1) 801002-10  | Fiberglass sheet, frost white 72"x360"        |
| 2) 915227     | Weldment, CS wall, 33'                        |
| 3) 203075     | Styrofoam sheet 1 1/2" thick                  |
| 4) 801176-03  | Paneling, inside, 1/8 x 4' x 7' G1S, Solitude |
| 5) 114005-02  | Trim molding, ends to sidewall                |
| 6) 114070-02  | Extrusion, J-trim, pewter gray                |
| 7) 114583-01  | Extrusion, rocker panel, pewter gray          |
| 8) 114591-02  | Extrusion, angled, rear rocker panel, CS      |
| 9) 114589-01  | Filler panel, angled, CS, 15.75"              |
| 10) 114587-13 | Filler panel, 17.63                           |
| 11) 114586-04 | Filler panel, 10.75                           |
| 12) 201805    | Fender skirt                                  |
| 13) 114585-01 | Filler panel, 14.50                           |
| 14) 114586-17 | Filler panel, 6.25                            |
| 15) 114585-17 | Filler panel, 16.63                           |
| 16) 114585-16 | Filler panel, 8.0 (oversize, cut to fit)      |
| 17) 385955-02 | End cap, rub rail, casting, LH                |
| 18) 385955-01 | End cap, rub rail, casting, RH                |
| 19) 114584    | Extrusion, rub rail installation              |
| 20) 201709-02 | Rub rail molding, black                       |
| 21) 114077-04 | Trim extrusion, front cap to sidewall, CS     |
| 22) 320115-06 | Screw, #6 x 1", flat head, stainless          |
| 23) 114570    | Extrusion, awning rail                        |
| 24) 114619    | Extrusion, roof corner cap                    |

\*Note: Each filler panel has a flange riveted on one or both sides. These are:



- |           |                  |
|-----------|------------------|
| 114594-01 | Seal, flange, LH |
| 114594-02 | Seal, flange, RH |

# 1999 LAND YACHT 30' & 33' GAS

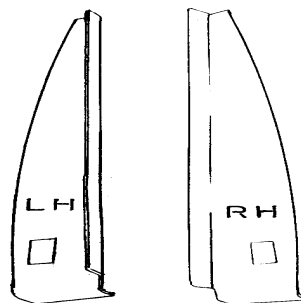


# 1999 LAND YACHT 30' & 33' GAS

## \*BODY, ROAD SIDE WALL **33' ONLY**

- |               |  |
|---------------|--|
| 1) 801002-10  | Fiberglass sheet, frost white, 72"x360"      |
| 2) 915228     | Weldment, roadside wall, 33"                 |
| 3) 203075     | Styrofoam sheet, 1 1/2" thick                |
| 4) 801176-03  | Paneling, inside 1/8x4'x7', G1S, Solitude    |
| 5) 114005-02  | Trim molding, ends to sidewall               |
| 6) 114070-02  | Extrusion, J-trim, pewter gray               |
| 7) 114583-01  | Extrusion, rocker panel, pewter gray         |
| 8) 114591-01  | Extrusion, angled, rear rocker panel, RS     |
| 9) 114586-08  | Filler panel, 8.0" (over size, cut to width) |
| 10) 114587-09 | Filler panel, 8.69" wide                     |
| 11) 114587-10 | Filler panel, 7.63" wide                     |
| 12) 114586-01 | Filler panel, 9.81" wide                     |
| 13) 201805    | Fender skirt                                 |
| 14) 114585-04 | Filler panel, 13.25" wide                    |
| 15) 114588    | Filler panel, angled, 60.50" wide            |
| 16) 114584    | Extrusion, rub rail installation             |
| 17) 201709-02 | Rub rail molding, black                      |
| 18) 320115-06 | Screw, #6x1" flat head, stainless            |
| 19) 114077-03 | Trim, extrusion, front cap to sidewall, RS   |
| 20) 114570    | Extrusion, awning rail                       |
| 21) 114619    | Extrusion, roof corner cap                   |
| 22) 114586-16 | Filler panel, 6.81" wide                     |

\*Note: Each filler panel has a flange riveted on one or both sides (not shown). These are:



- |           |                  |
|-----------|------------------|
| 114594-01 | Seal, flange, LH |
| 114594-02 | Seal, flange, RH |

# 1999 LAND YACHT 30' & 33' GAS

## BODY

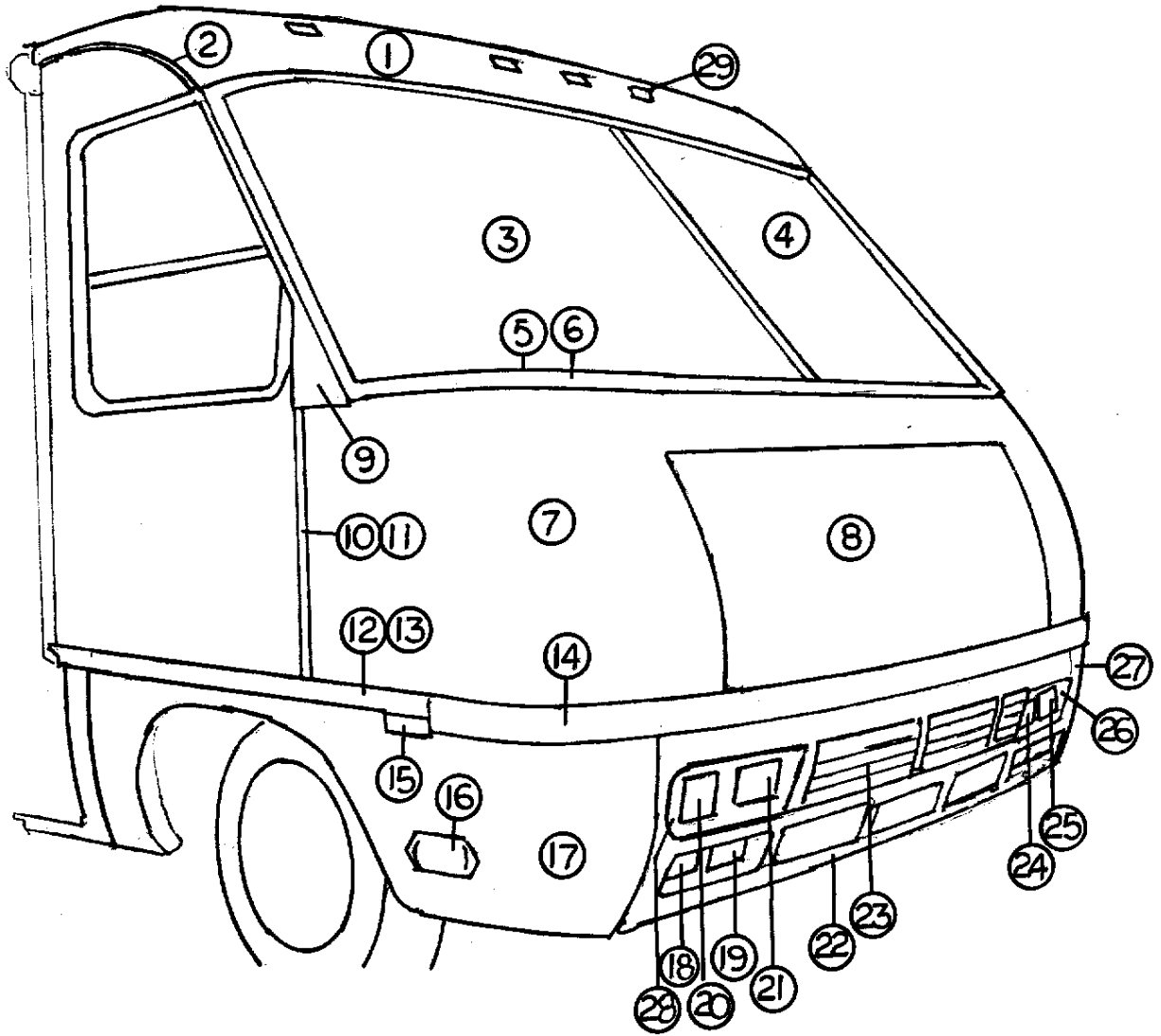
## ROOF

203024	Fiberglass roof material, white, 106" W
915226	Weldment, roof, 33ft.
915237	Weldment, roof, 30ft.
203075	Styrofoam sheet 1 1/2" thick
800507-01	Luan, 1/8" x 4' x 8'(inside)
702482	Headliner, Spectra Opal
201728-04	Extrusion, ceiling trim, white
201728-01	Extrusion, ceiling trim, retainer

# 1999 LAND YACHT 30' & 33' GAS

NOTES:

# 1999 LAND YACHT 30' & 33' GAS

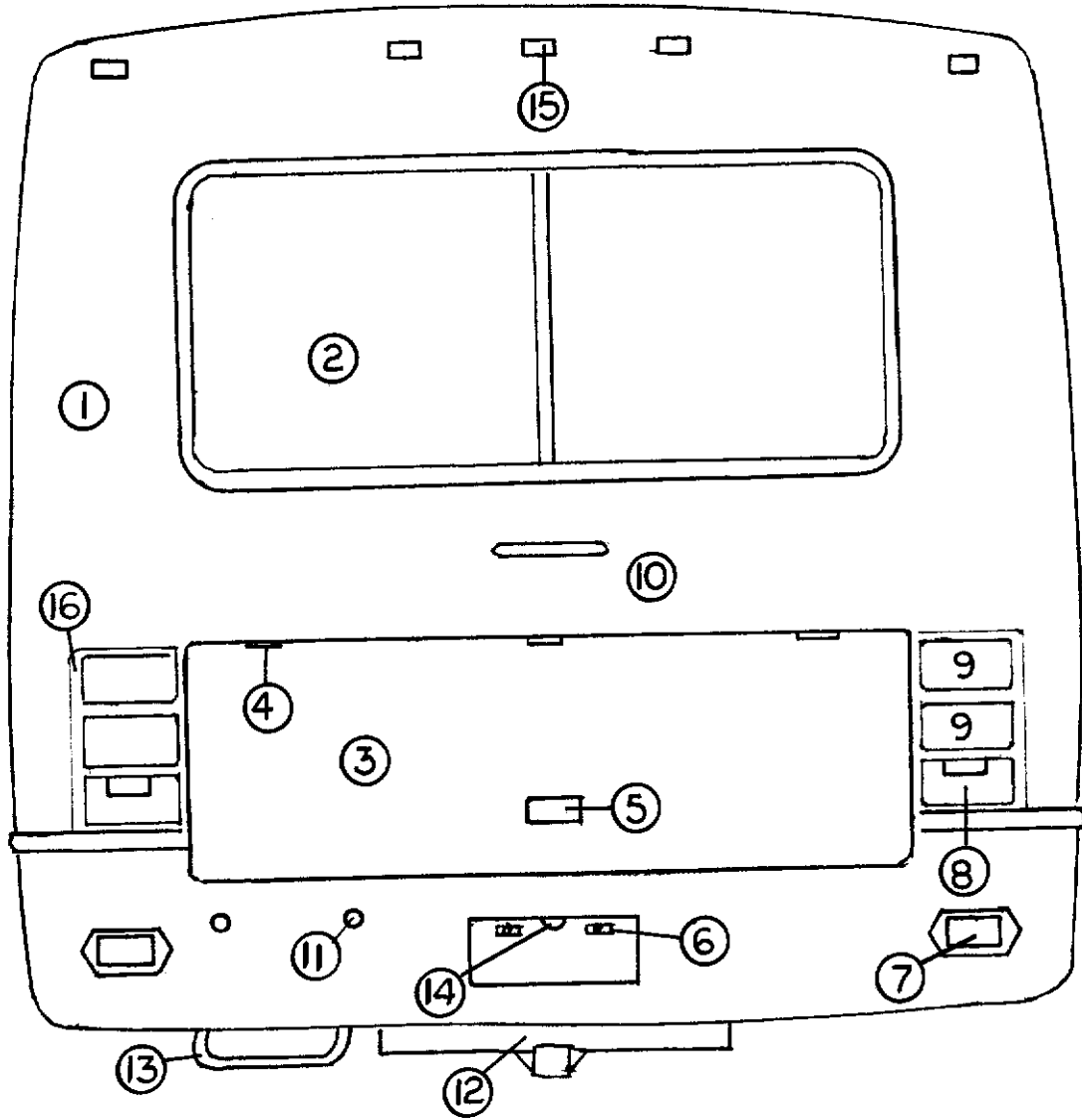


# 1999 LAND YACHT 30' & 33' GAS

## BODY, FRONT

- 1) 201869-01 Front cap, Nu White
- 2) 114077-04 Trim, extrusion, cap to sidewall, CS
- 114077-03 Trim, extrusion, cap to sidewall, RS
- 3) 371291 Windshield, CS
- 4) 371290 Windshield, RS
- 5) 381319 Gasket, windshield (surrounds both windshields)
- 6) 201260 Insert, windshield gasket
- 7) 201855-02 Nose, Nu white
- 8) 201856-02 Hood, fiberglass, Nu white
- 9) 114838-01 Cover, A pillar, CS
- 114838-02 Cover, A pillar, RS
- 10) 114005-02 Trim molding, nose to sidewall
- 11) 320115-06 Screw, #6x1" flathead, stainless
- 12) 114584 Extrusion, rub rail installation
- 13) 201709-02 Rub rail molding, black
- 14) 201909 Molding, black bumper trim
- 15) 500892 Light, clearance/turn signal, amber
- 16) 511101 Light, docking, halogen
- 17) 201971 Fender, CS
- 18) Light, turn signal, amber, GM#916558
- 19) 511094 Driving light kit, halogen
- 20) 510739-01 Headlamp, halogen, LO, CS
- 21) 510739-03 Headlamp, halogen, HI, CS
- 22) 201972 Bumper, front
- 23) 923085 Grill assembly
- 24) 510739-04 Headlamp, halogen, RS, HI
- 25) 510739-02 Headlamp, halogen, RS.LO
- 26) 201970 Fender, RS
- 27) 201883-01 Trim ring, headlight, RS
- 28) 201883-02 Trim ring, headlight, CS
- 29) 510984-02 Light, clearance, amber

# 1999 LAND YACHT 30' & 33' GAS





# 1999 LAND YACHT 30' & 33' GAS

## BODY-AFT

- |               |                                       |
|---------------|---------------------------------------|
| 1) 203088     | Cap, rear end                         |
| 2) 371373-02  | Window, stationary, rear, 29.25x62.25 |
| 3) 203018-01  | Trunk door, Land Yacht, Nu white      |
| 4) 381434     | Hinge, stainless, 3"x3"               |
| 5) 195373     | Paddle latch, black, w/lock           |
| 6) 381077     | Well nut, license plate               |
| 7) 511101     | Light, docking, halogen               |
| 8) 511240     | Light-stop/tail/turn/back-up          |
| 9) 511239     | Light-stop/tail/turn                  |
| 10) 511154-02 | Light strip, 3rd brake light, 1x10"   |
| 11) 381148-01 | Socket, bottom support, ladder        |
| 12) 400868    | Hitch, Reese #38502                   |
| 13) 914120    | Step assembly, bottom, roof ladder    |
| 14) 511294    | Light, license plate                  |
| 15) 510984-01 | Light, clearance, red                 |
| 16) 386011-01 | Trim, taillight, stainless steel      |

## NOT SHOWN

- |        |                                 |
|--------|---------------------------------|
| 381578 | Ladder                          |
| 114224 | Plunger, bottom support, ladder |

# 1999 LAND YACHT 30' & 33' GAS CHASSIS

400868	Reese hitch, model 38502
961601	Step assy., roof ladder
410700	Step, single, Kwikkee#2858
511078	Switch, rocker, 4-gang
500982	Switch, magnetic, round, 3/8
685031-01	Control box, main, Kwikkee
410700-100	Motor, assy., w/actuator arm
410818	Wheel simulator
400571	Mud flaps, pair
690311	Heater, rear, auxiliary
510929-04	Switch, dash, rear heat
203070	Register, plastic, brown
452087	Hanger, spare tire
410631	Winch, spare tire
381379-01	Wrench, speed, 3/8 drive
381379-03	Socket, speed wrench
453461-05	Spacer, coil spring, 1"

# 1999 LAND YACHT 30' & 33' GAS

## CHASSIS

*690382-03	Kit heater/evaporator, Acme
690382-07	Plenum kit w/Acme rotary control
690315-05	Grille, defroster duct
601599	Hose , duct2"
600465	Hose, air duct 2 1/2" dia.
203110	Duct , defroster trans
690382-05	Suction hose kit, Chevy L29
600214-03	Heater hose, 5/8"

\*Chevrolet installs the compressor, condenser and associated parts on their RV chassis.

# 1999 LAND YACHT 30' & 33' GAS

## SECTION II

### D through E

#### DASH

Dash parts .....	II-1
Glove box .....	II-1
Trims .....	II-1
Defrost nozzle .....	II-1
Rear view mirror .....	II-1
Sun visors.....	II-1
Windshield wiper.....	II-3

DECALS.....	II-4
-------------	------

#### DOORS/WINDOWS/AWNINGS

33ft.RS.....	II-9
33ft.CS.....	II-11
30ft.RS.....	II-13
30ft.CS.....	II-15

DRAPES/BLINDS/VALANCES .....	II-16
------------------------------	-------

#### ELECTRICAL

110 volt.....	II-17
12 volt .....	II-19
Dash switches/lens.....	II-21

#### ENTERTAINMENT

Televisions.....	II-25
Radios.....	II-25
Antenna .....	II-25

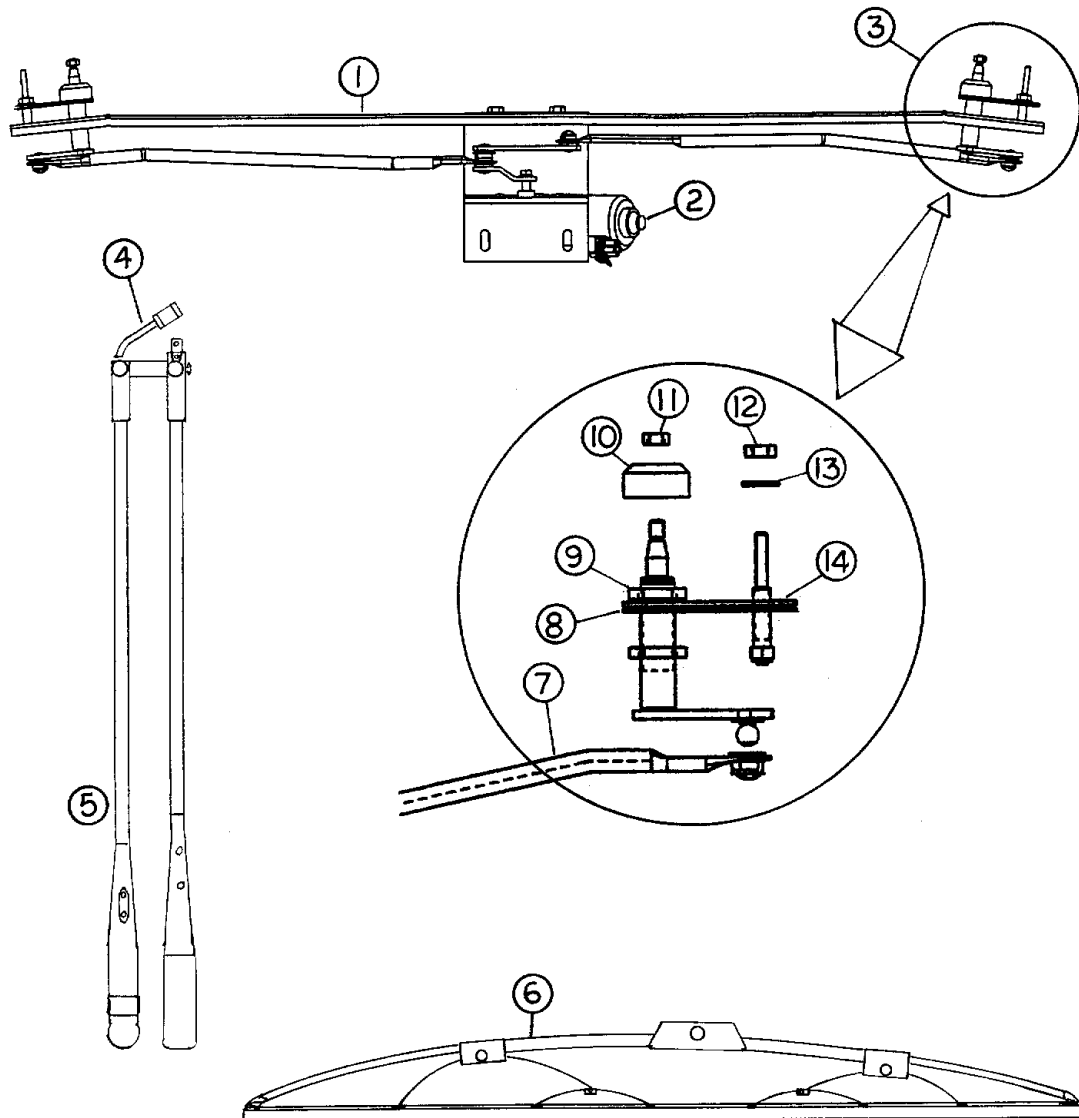
# 1999 LAND YACHT 30' & 33' GAS

## DASH

201754-02	Dash top
203128-01	Dash face
702476-05	Cover, vinyl, dash, sewn w/pad
201958	Glove box
201833	Door, glove box
201853	Close out, steering column
203167	Trim ring, dash TV
* 964029-01	Switch cluster assembly
510931-01	Bezel, dash switch, 4-sw
201845-01	Nozzle, defroster duct, outer
201845-02	Nozzle, defroster duct, inner
371243	Mirror, rear view, interior, GM911722
380990	Bracket, interior rear view mirror GM#9831062
511305-05	Mirror, exterior, Velvac w/remote
381321-03	Switch, remote, Velvac mirror
511305-10	Switch, heated mirror
381515-04	Visor, front windshield

\*See electrical section for detail

# 1999 LAND YACHT 30' & 33' GAS WIPER ASSEMBLY



# 1999 LAND YACHT 30' & 33' GAS

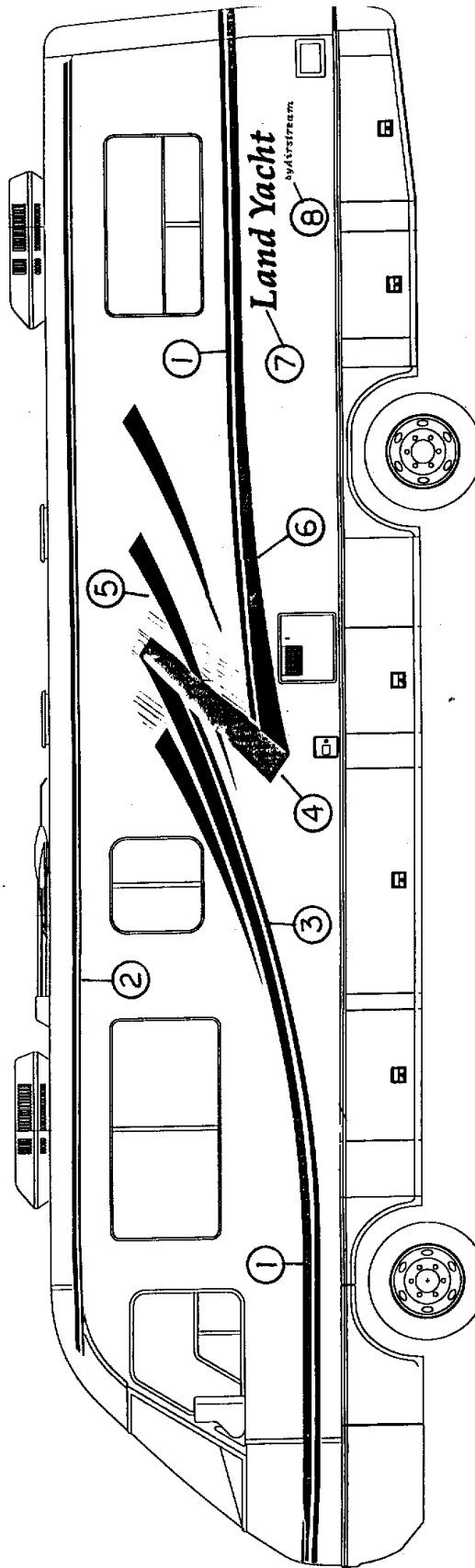
## DASH-WINDSHIELD WIPER

- |                |  |
|----------------|--|
| 1) 511419-03   | Windshield wiper assy, Chevrolet                                     |
| 2) 511419-101  | Wiper motor, Chevrolet   |
| *3) 511419-102 | Pivot and link assembly, Trico                                       |
| 4) 511419-103  | Washer jet and tubing, Trico   |
| 5) 511419-104  | Pantograph arm assembly, Trico                                       |
| 6) 511419-105  | Blade assembly, 28", Trico(does not interchange with 1998 and prior) |

\*The following parts make up the pivot and link assembly  
--for reference only--

- 7) Link
- 8) Oval rubber gasket
- 9) Nut, 1 1/8"
- 10) Rain shield
- 11) Nut, arm retainer -8mm
- 12) Nut, swivel retainer -10mm
- 13) Washer
- 14) Oval faceplate

# 1999 LAND YACHT 30' & 33' GAS



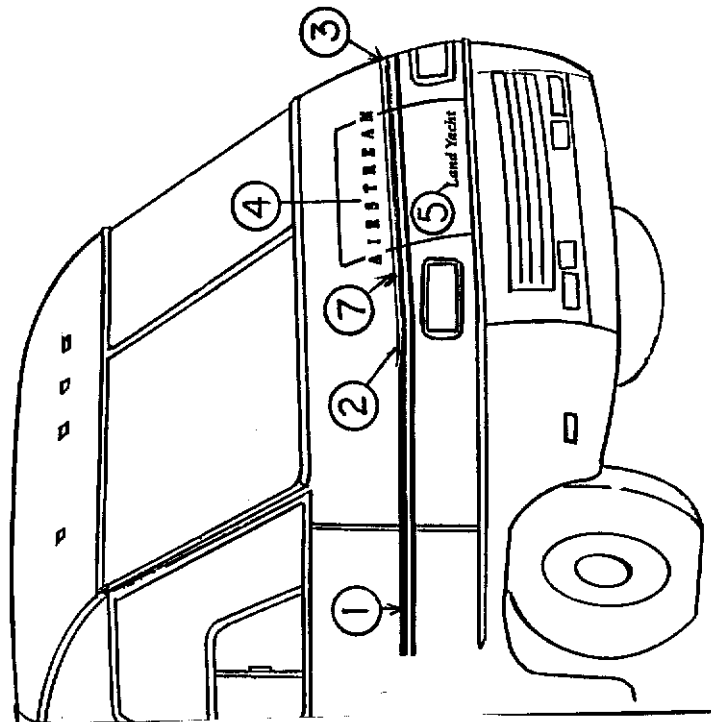
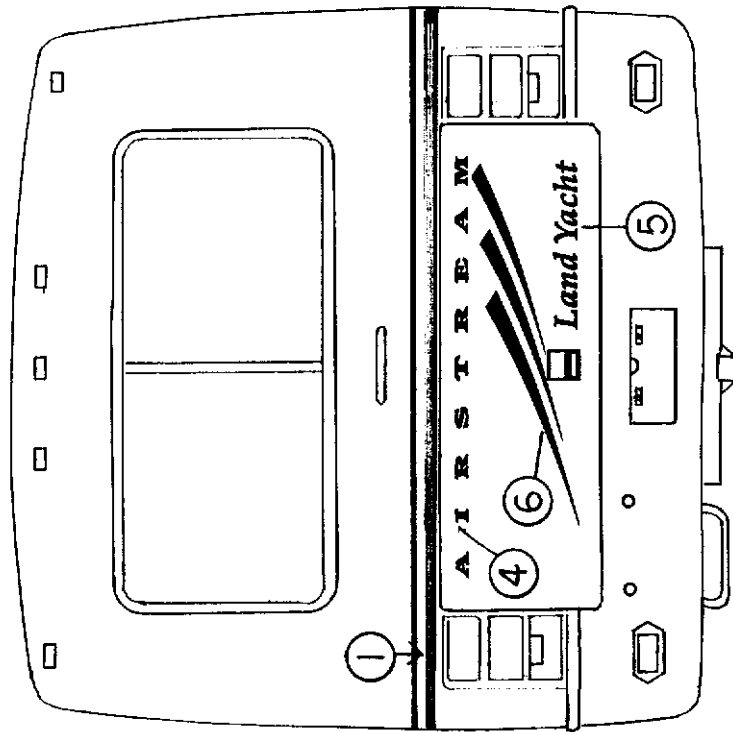


# 1999 LAND YACHT 30' & 33' GAS

## DECAL- SIDE

- |               |                                    |
|---------------|------------------------------------|
| 1) 385992-01  | Decal, stripe, side, gold/burgundy |
| 2) 385991-01  | Decal, stripe, top, gold/burgundy  |
| 3) 386003-01  | Decal, main, forward, RS           |
| 3a) 386003-02 | Decal, main, forward, CS           |
| 4) 386006-01  | Decal, main graphic bar, RS        |
| 4a) 386006-02 | Decal, main graphic bar, CS        |
| 5) 386005-01  | Decal, main graphic, upper, RS     |
| 5a) 386005-02 | Decal, main graphic, upper, CS     |
| 6) 386004-01  | Decal main graphic, aft, RS        |
| 6a) 386004-02 | Decal, main graphic, aft, CS       |
| 7) 385995-01  | Decal, "LANDYACHT" large logo      |
| 8) 385999-01  | Decal, "by Airstream" small logo   |

# 1999 LAND YACHT 30' & 33' GAS

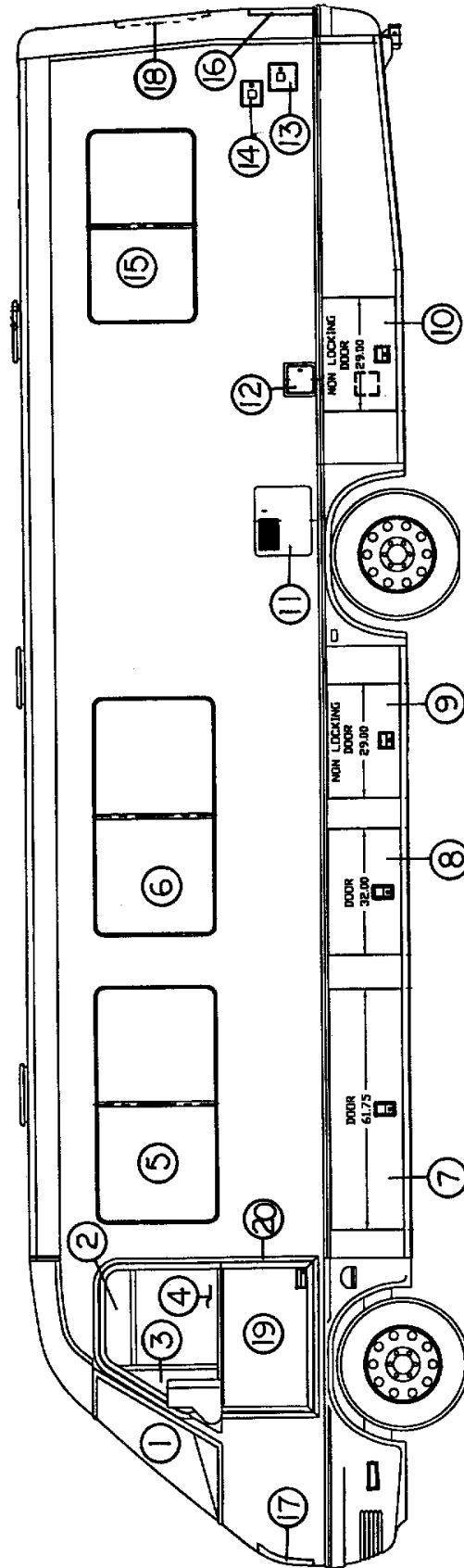


# 1999 LAND YACHT 30' & 33' GAS

## DECAL-FRONT AND REAR

- 1) 385992-01 Decal, stripe, side, gold/burgundy
- 2) 386002-02 Decal, front wrap, CS, burgundy/gold
- 3) 386002-01 Decal, front wrap, RS, burgundy/gold
- 4) 385998-01 Decal "AIRSTREAM", large logo, front & rear
- 5) 385997-01 Decal "Land Yacht", small logo
- 6) 386001-01 Decal, rear swoop, 48"
- 7) 385993-01 Decal, stripe, front, burgundy/gold

# 1999 LAND YACHT 30' & 33' GAS



# 1999 LAND YACHT 30' & 33' GAS

THIS PAGE **33' ONLY**

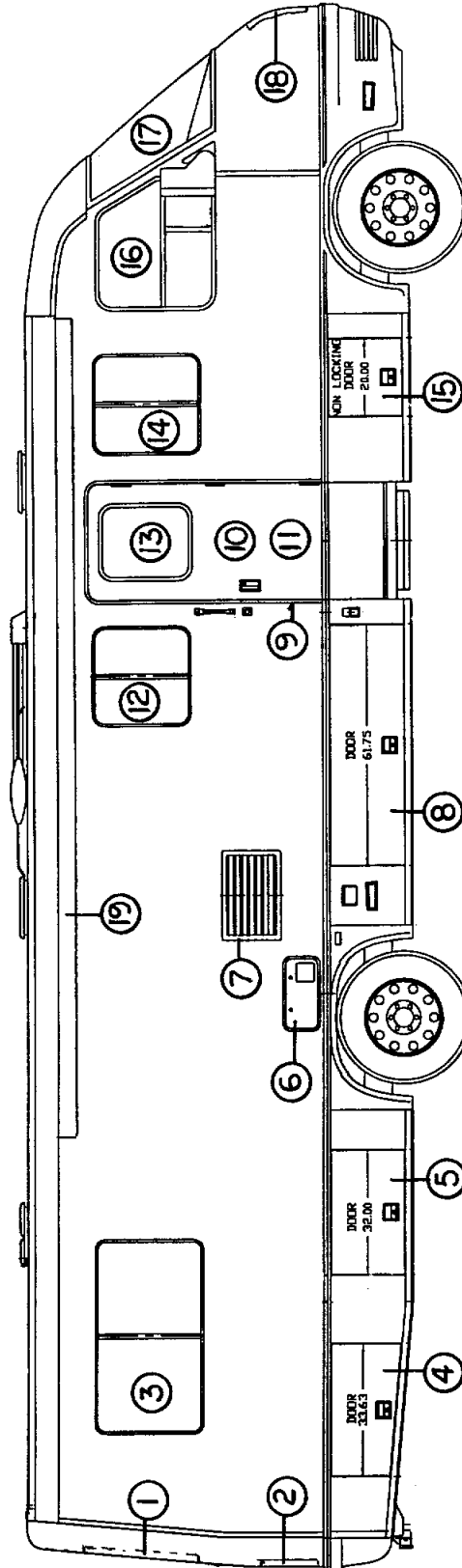
DOORS/WINDOWS/AWNINGS

(Hardware such as hinges, locks and latches are located  
in the **hardware** section of this book)

## ROADSIDE

- |               |   |
|---------------|---|
| 1) 371290     | Windshield, RS                                |
| 2) 372196     | Glass, drivers door, upper fixed              |
| 3) 372194     | Glass, drivers door, fixed                    |
| 4) 372195     | Glass, drivers door, movable                  |
| 5) 371373-05  | Window, horizontal slide, 29.75" x 60.25", RS |
| 6) 371373-05  | Window, horizontal slide, 29.75" x 60.25", RS |
| 7) 921166-01  | Compartment door, 61.75"                      |
| 8) 921166-02  | Compartment door, 32.00"                      |
| 9) 921169-03  | Compartment door, non-locking, 29.00"         |
| 10) 921169-03 | Compartment door, non-locking, 29.00"         |
| 11) 690259-03 | Cover/mounting flange, water heater           |
| 12) 201865-02 | Fuel fill housing, polar white                |
| 13) 511045-02 | Cord door hatch, 110volt                      |
| 14) 921178    | Water fill, potable water tank                |
| 15) 371373-22 | Window, horiz. slide, egress, 30.25" x 48.88" |
| 16) 203018-01 | Trunk door , LY, Nu white                     |
| 17) 201856-02 | Hood, fiberglass, Nu white                    |
| 18) 371373-02 | Window, stationary, rear, 29.25" x 62.25"     |
| 19) 922328-04 | Drivers door assembly                         |
| 20) 195279-02 | Jamb, drivers door                            |

# 1999 LAND YACHT 30' & 33' GAS



# 1999 LAND YACHT 30' & 33' GAS

THIS PAGE **33' ONLY**

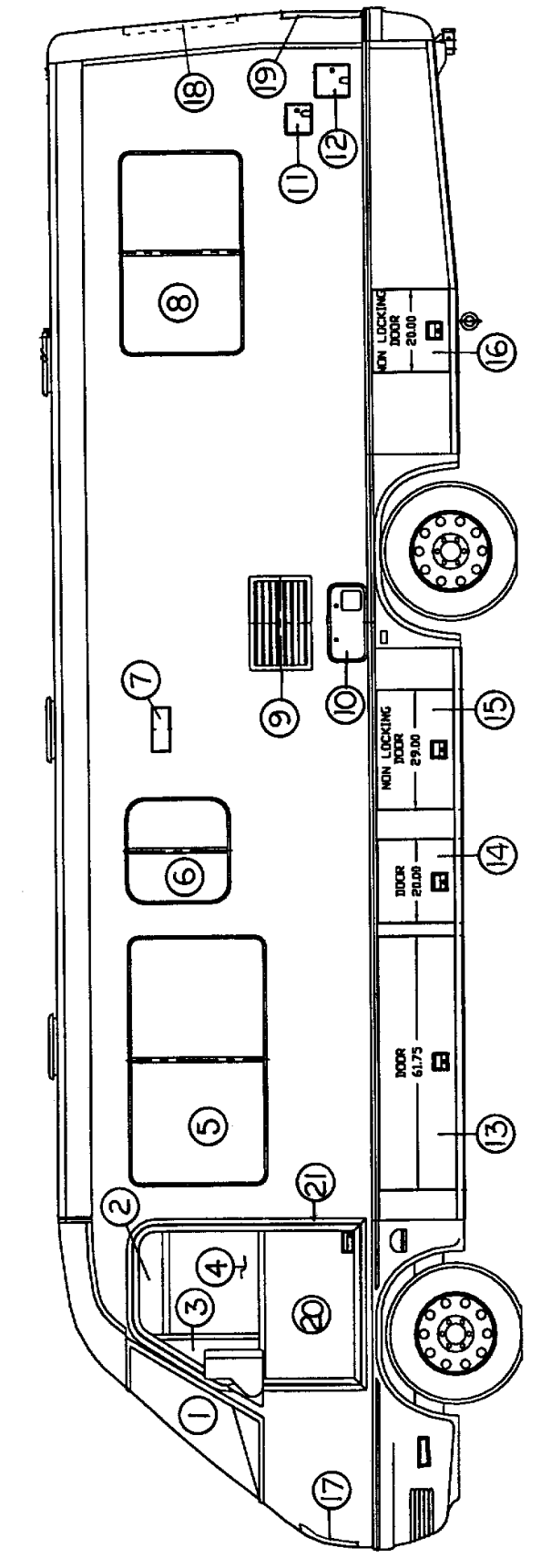
## DOORS/WINDOWS/AWNINGS

(hardware such as hinges, locks and latches are located in the **hardware** section of this book)

### CURBSIDE

- |               |   |
|---------------|---|
| 1) 371373-02  | Window, stationary, rear, 29.25x62.25     |
| 2) 203018-01  | Trunk door, LY, Nu white                  |
| 3) 371373-21  | Window, horizontal slide, 30.25x48.88, CS |
| 4) 921167-01  | Compartment door, angled, CS, 33.63       |
| 5) 921166-02  | Compartment door, 32.00                   |
| 6) 690274-11  | Door, Hydroflame, exterior                |
| 7) 690340-01  | Door, refrigerator, flush mount           |
| 8) 921166-01  | Compartment door, 61.75                   |
| 9) 922375-02  | Doorjamb assembly                         |
| 10) 109988    | Main door                                 |
| 11) 922372    | Screen door assembly                      |
| 12) 371373-09 | Window, horizontal slide, 25.25x25.75, CS |
| 13) 371373-01 | Window, main door, 19.25x23.25            |
| 14) 371373-10 | Window, horizontal slide, 29.75x26.25, CS |
| 15) 921169-04 | Compartment door, non-locking, 20.00      |
| 16) 371371-01 | Window, cab, CS, angled                   |
| 17) 371291    | Windshield, CS                            |
| 18) 201856-02 | Hood, fiberglass, Nu white                |
| 19) 702679-31 | Awning, patio, 17', Burgundy Shadows      |

# 1999 LAND YACHT 30' & 33' GAS





# 1999 LAND YACHT 30' & 33' GAS

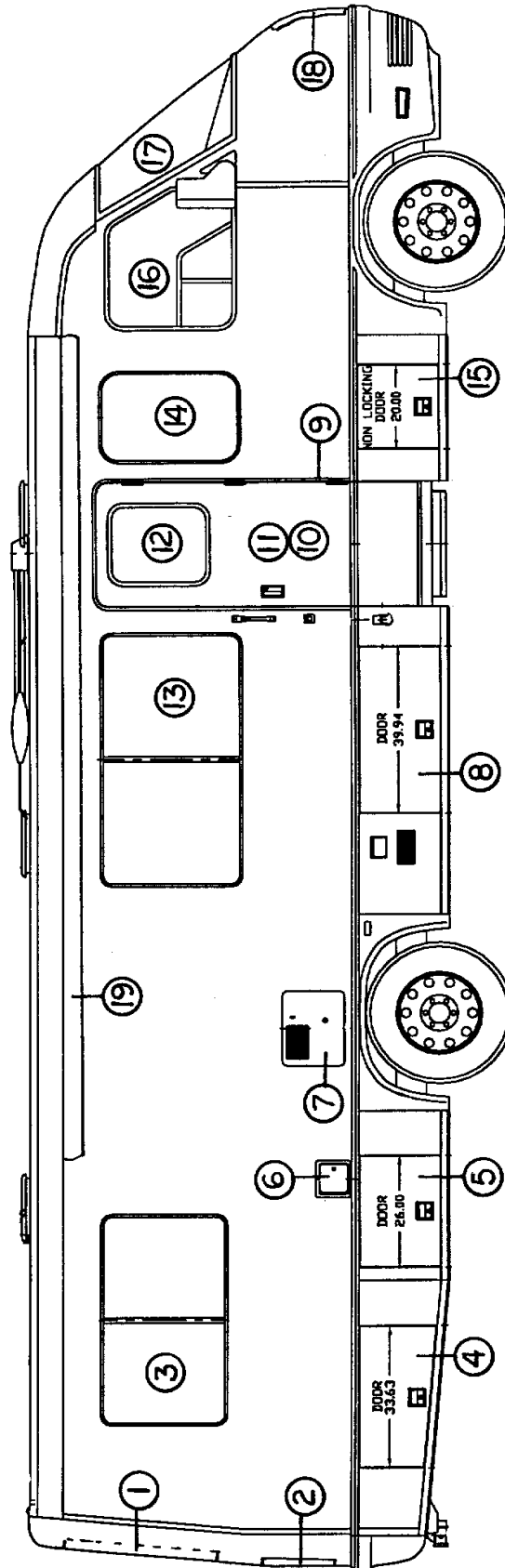
## DOORS/WINDOW/AWNINGS-**30'ONLY**

(Hardware such as hinges, locks and latches are located in the **hardware** section of this book)

### ROADSIDE

- 1) 371290 Windshield, RS
- 2) 372196 Glass, drivers door, upper, fixed
- 3) 372194 Glass, drivers door, fixed
- 4) 372195 Glass, drivers door, movable
- 5) 371373-05 Window, horiz. slide, RS, 29.75" x 60.25"
- 6) 371373-04 Window, horiz. slide, RS, 25.25" x 25.75"
- 7) 511152-01 Vent cover, range exhaust
- 8) 371373-22 Window, horiz. Slide, RS, egress, 30.25" x 48.88"
- 9) 690340-01 Door, refrigerator, flush mount
- 10) 690274-11 Door, Hydroflame, exterior
- 11) 921178 Water fill, potable water
- 12) 511045-02 Cord door hatch, 110 volt
- 13) 921166-01 Compartment door, 61.75"
- 14) 921166-04 Compartment door, 20.00"
- 15) 921169-03 Compartment door, non-locking, 29.00"
- 16) 921169-04 Compartment door, non-locking, 20.00"
- 17) 201856-02 Hood, fiberglass, Nu white
- 18) 371373-02 Window, stationary, rear, 29.25" x 62.25"
- 19) 203018-01 Trunk door, LY, Nu white
- 20) 922328 Drivers door assembly
- 21) 195279-02 Jamb, drivers door

# 1999 LAND YACHT 30' & 33' GAS



# 1999 LAND YACHT 30' & 33' GAS

## DOORS/WINDOWS/AWNINGS-30' ONLY

(hardware such as hinges, locks, and latches are located in the **hardware** section of this book)

### CURBSIDE

- |               |   |
|---------------|---|
| 1) 371373-02  | Window, stationary, rear, 29.25" x 62.25" |
| 2) 203018-01  | Trunk door, Nu white                      |
| 3) 371373-21  | Window, horiz. slide, CS, 30.25" x 48.88" |
| 4) 921167-01  | Compartment door, CS, angled, 33.63"      |
| 5) 921166-08  | Compartment door, 26.00"                  |
| 6) 201865-02  | Fuel fill housing, polar white            |
| 7) 690259-03  | Cover/mounting flange, water heater       |
| 8) 921166-05  | Compartment door, 39.94"                  |
| 9) 922375-02  | Doorjamb assembly                         |
| 10) 109988    | Main door                                 |
| 11) 922372    | Screen door assembly                      |
| 12) 371373-01 | Window, main door, 19.25" x 23.25"        |
| 13) 371373-06 | Window, horiz. slide, CS, 29.75" x 60.25" |
| 14) 371373-08 | Window, stationary, CS, 29.75" x 21.50"   |
| 15) 921169-04 | Compartment door, non-locking, 20.02"     |
| 16) 371371-01 | Window cab, CS, angled                    |
| 17) 371291    | Windshield, CS                            |
| 18) 201856-02 | Hood, fiberglass, Nu white                |
| 19) 702679-30 | Awning, patio, 16', Burgundy Shadows      |

# 1999 LAND YACHT 30' & 33' GAS

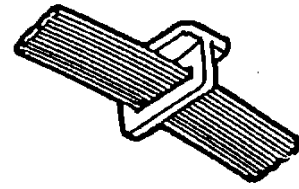
## DRAPES/BLINDS/VALANCES



101220  
track, standoff



101217  
track, curtain



700044  
glides, w/elastic "T"

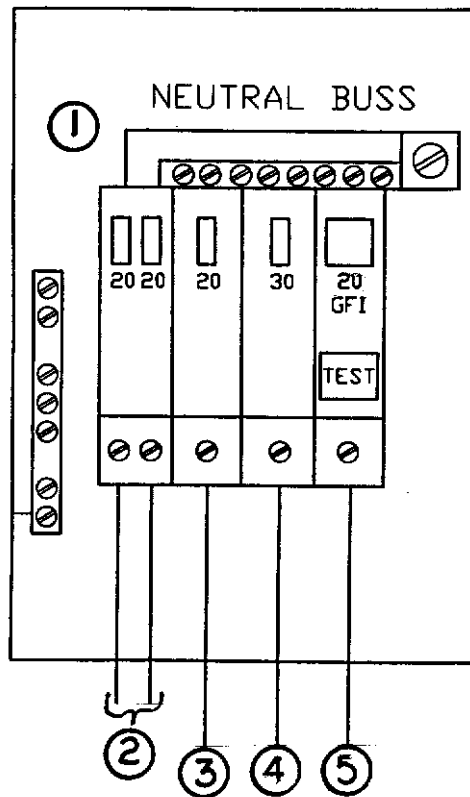
200784 End, curtain track, CS  
200785 End, curtain track, RS  
702878-02 Drapes, front windshield  
702355-06 Shade, pull, main door

		(Inches)	
702789-20	Shade, pleated, night	63.0x31.50"	E-Z Lift
702789-28	Shade, pleated, night	50.0x32.50"	E-Z Lift
702383-04	Shade pleated, day/night	27.0x27.5"	E-Z Lift
702383-05	Shade, pleated, day/night	27.25x33.50"	E-Z Lift
702383-19	Shade, pleated, day/night,	61.25x33.50	E-Z Lift
702383-03	Shade, pleated, day/night,	22.50x33.50	E-Z Lift
702969-20	Shade, pleated, night	63.0 x 31.50	Ascot
702969-28	Shade, pleated, night	50.0 x 32.50	Ascot
702968-04	Shade, pleated, day/night	27.0 x 27.5	Ascot
702968-19	Shade, pleated, day/night	61.25 x 33.5	Ascot
702968-03	Shade, pleated, day/night	22.50 x 33.5	Ascot

385963 Bracket, valance mounting, side  
964464-01 Valance, CS bedroom 53"  
964464-02 Valance, RS bedroom 53"  
964126 Valance, bedroom rear 62.50"  
964117-01 Valance, galley, 30' model  
964117-02 Valance, galley, 33' model  
964121-01 Valance, dinette/RS lounge 64.25"  
964121-02 Valance, dinette/CS lounge 64.25"  
964120-01 Valance, at swivel chair  
964120-02 Valance, CS lounge, 29"

# 1999 LAND YACHT 30' & 33' GAS ELECTRICAL

110 VOLT



- |           |  |
|-----------|--|
| 1) 511336 | Breaker box, Square D, 30 amp                  |
| 2) 510662 | Breaker, 20 amp, double, Square D 2020         |
| 3) 510678 | Breaker, 20amp, Square D 0120                  |
| 4) 510663 | Breaker, 30 amp, Square D 0130                 |
| 5) 510661 | Breaker, 20 amp, Square D GFI                  |
| 510634    | Power cord, 120volt, 36 ft.                    |
| 511426    | Converter, electronic, 55 amp.                 |
| 510562    | Switch over relay, automatic, shore to gen.    |
| 510514    | Switch, priority, microwave to air conditioner |
| 510606    | Receptacle box, priority switch                |
| 500385    | Switch cover, ivory                            |

# 1999 LAND YACHT 30' & 33' GAS

110 VOLT

510676-01	Receptacle, weatherproof, w/cover
511207	Cover, weatherproof receptacle
511038	Generator, Onan, 5.0 Marquis
0450735	Hour meter

# 1999 LAND YACHT 30' & 33' GAS

## \*ELECTRICAL

### 12 VOLT

511132	Battery, deep cycle
511273	Tray, battery hold down
511426	Converter, electronic, 55 amp.
511351	Solenoid, latching, continuous duty (kill switch)
511199	Solenoid, continuous duty, (auxiliary start)
510642	Isolator
511452	Fuse holder, ATC, single, weather proof
511016	Fuse block, 12 volt, 9 position, ATC
500475-05	Circuit breaker, 12 volt, 5amp, w/ears
500475-25	Circuit breaker, 12 volt, 25amp, w/ears
500475-50	Circuit breaker, 12 volt, 50amp, w/ears
511090	Stud type junction block
511233-02	Harness w/module, wiper delay
511419-04	Harness, wiper Chevy/Trico
510914	Terminal, relay block
510844-01	Relay, Bosh #86-117
510843	Flasher, heavy duty

\*See **ENTERTAINMENT SECTION** for radio, VCR, television, antennas, etc.

# 1999 LAND YACHT 30' & 33' GAS

## ELECTRICAL

### 12VOLT

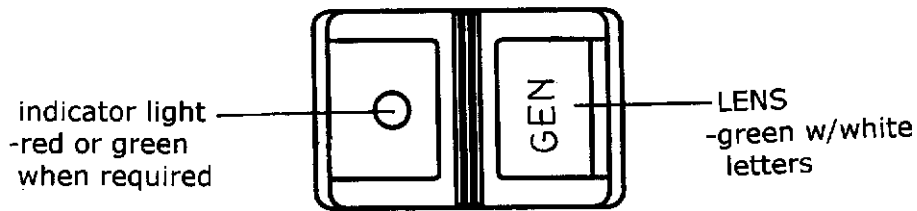
510739-03	Headlamp, halogen, CS, Hi
510739-04	Headlamp, halogen, RS, Hi
510739-01	Headlamp, halogen, CS, Lo
510739-02	Headlamp, halogen, RS, Lo
380644	Screw, directional adj. headlight
381376	Spring, headlight tension
511094	Diving light kit, halogen
Front turn signal, amber-GM #916558	
500892	Light, reflector/reflector, amber
510984-02	Light side/side marker, amber
510984-01	Light, clearance, red
511240	Light, tail/turn/stop/back-up
511239	Light, tail/turn/stop
511154-02	Light strip, 3rd brake light 1"x10"
511294	Light, license plate
511101	Light, docking, halogen, black bezel
511101-01	Light, docking, halogen , stainless steel
201991	Housing docking light
510732	Light, utility #1327 (by door)
510672-02	Light, porch (high on side of unit)
511163	Light, compartment
510734	Alarm, back-up
510976	Buzzer, headlight warning GM#999373



# 1999 LAND YACHT 30' & 33' GAS

## ELECTRICAL

### 12 VOLT\*DASH SWITCHES



### DASH SWITCH

510929-05	Switch, driving light/aisle light/galley light/defrost fan, on-off, SPST
510929-02	Switch, auxiliary start, momentary, SPST
510929-08	Switch, rear camera, momentary, DPDT
510929-04	Switch, rear heat, on-off-on, SPST
510929-07	Switch, docking light, on-off w/red indicator. SPST
510929-06	Switch, TV audio through sound system
510929-01	Blank, switch, dash
510931-01	Bezel, dash switches-4sw
511305-10	Switch, mirror heat
381321-03	Switch, exterior mirror
195386	Switch, momentary, on-off, window, cap door
510931-01	Switch, wiper w/delay

\*Note: the chassis manufacturer provides Engine check and headlight switches.

# 1999 LAND YACHT 30' & 33' GAS

## ELECTRICAL

12 VOLT Lens with print for dash switches

510930-02	Lens, door lock
510930-03	Lens, generator
510930-04	Lens. rear heat
510930-06	Lens, aisle light
510930-07	Lens, docking light
510930-25	Lens , rear camera
510930-28	Lens, driving light
510930-31	Lens TV speaker
510930-32	Lens galley light
510930-33	Lens, auxiliary start
510930-34	Lens, invertors
510930-35	Lens, defrost fan

# 1999 LAND YACHT 30' & 33' GAS

## ELECTRICAL

### 12VOLT

511305-10	Control switch, heated mirror
511305-05	Mirrors, exterior, Velvac, heated/remote
511305-09	Cable extension, exterior mirror, 5.5'
511305-08	Cable extension, exterior mirror, 11.0'
510814	Switch, push pin type-drivers door jamb
511044-03	Actuator, two position, rear camera
510802-01	Actuator, door lock, 5-wire
511352	Module, locking, keyless entry
195285-05	Power window regulator, Rockwell
195386	Switch, cab window door
511141	Solar panel, 5watt
511413	Light, indicator, solar panel
510807	Outlet, 12volt
511276	Cover, 12 volt outlet, black
510596	Cigarette lighter, chrome
510688	Switch, 4-gang, bathroom
500933	Switch, water heater
511078	Switch, 4-gang, at entrance door
511083-02	Cover, 4-gang switch at entrance door
511152-11	Range hood w/monitor, black
381507	Clock-quartz-w/gold trim
500996	Jack, TV/phone, gray
510624-01	Modular, telephone jack-bedroom

# 1999 LAND YACHT 30' & 33' GAS

## ELECTRICAL

### 12 VOLT

500960-01 680084	Light, fluorescent, recessed, 14.75 Bulb, fluorescent, F8T5-CW
500960-02 680085	Light, fluorescent, recessed, 20.63 Bulb, fluorescent, F15T8-CW
511248 50085-02	Light, incandescent, single Bulb, incandescent, 1141
511098 50085-02	Light, decorative over dinette Bulb, incandescent, 1141
511298 510689 511298-02	Wall lamp, 12 volt Bulb, incandescent, 1076 Shade, wall lamp
500956 681924	Light, wardrobe, w/switch Bulb, wardrobe light, 581
511361	Light, courtesy, flush mount, dash, black separate bulb not available
510973 001003 511031	Light dome, triple, black Bulb, map light/closet light, 1003 Bulb, dome light, 168
511410 50085-02	Light, shower, incandescent Bulb, incandescent, #1141

# 1999 LAND YACHT 30' & 33' GAS

## ENTERTAINMENT

690397	TV, RCA, 19"
511373-01	Theater sound system, 2-18 watt amplifiers (puts TV through front speakers)
511464-01	Headphone control
500975	Headphones, lightweight
511464-02	Speaker, 4', 5watt
511464-03	Grill, speaker, black
511423	Plug-earphone
510918-01	Monitor, Sony Watchman
510929-08	Switch, momentary, rear camera
511044-03	Actuator, two position, rear camera
201888	Closeout, monitor camera, interior
203030	Closeout, monitor camera, exterior
201843	Lens, back-up monitor
690337	Video cassette player, Audiovox
511310	Video control center
511371	Radio, Sony XR-C5100
511048	Speaker set, Coustic-HS-402
510788-01	Antenna, TV, Winegard
510788-03	Amplifier, antenna, Winegard
510788-107	Gear, elevating, plastic, Winegard
510788-118	Handle, directional kit, Winegard
510616	Connector, "F", coax
510623	Connector, male to male, coax
500994	Antenna, radio

# 1999 LAND YACHT 30' & 33' GAS

## SECTION III

F through H

### FASTENERS

(Common fasteners available locally are not listed)

Rivets .....	III-1
Screws .....	III-3

### FLOOR COVERING

Carpet.....	III-4
Hardwood flooring.....	III-4
Mats .....	III-4

### FURNITURE

Interior doors .....	III-5
Mirrors .....	III-5
Drawer face .....	III-6
Drawer box .....	III-6
Bedroom furniture.....	III-7
Bath, 30ft. ....	III-9
Bath, 33ft. ....	III-10
Galley, 30ft. ....	III-11
Galley, 33ft. ....	III-13
Lounge/cab, 30ft. ....	III-15
Lounge/cab, 33ft. ....	III-17

### HARDWARE

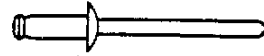
Props .....	III-19
Exterior locks/hinges .....	III-20
Drivers door.....	III-22
Interior drawer slides/hinges/catches.....	III-23
Bath accessories .....	III-24
Awning hardware .....	III-26

# 1999 LAND YACHT 30' & 33' GAS

## \*FASTENERS



330126-02  
rivet, pop, dia. 1/8"  
grip range .126-.187  
stainless steel body  
stainless steel mandrel



330126-03  
rivet, pop, dia 1/8"  
grip range .126-.250  
stainless steel body  
stainless steel mandrel



330136-04  
rivet, pop, dia. 1/8"  
grip range .313-.375  
stainless steel body  
stainless steel mandrel



330031-03  
rivet, pop, dia 3/16"  
grip range .125-.250  
stainless steel body  
stainless steel mandrel



330031-03  
rivet, pop  
dia.3/16"  
grip range .126-.250  
stainless steel body  
steel mandrel

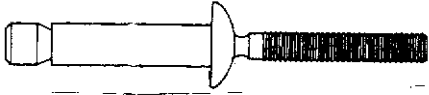


320108-01  
rivet, bulb tite, w/washer  
dia. 3/16"  
grip range .050-.187  
aluminum body  
aluminum mandrel

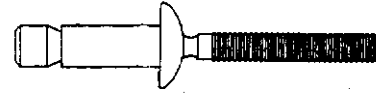
\*Common bolts and screws readily available at local hardware outlets have not been listed.

# 1999 LAND YACHT 30' & 33' GAS

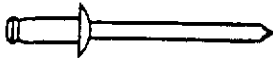
## \*FASTENERS



330139-02  
dia. 1/4"  
grip range .350-.625  
stainless steel body  
stainless steel mandrel



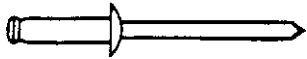
330139-01  
dia. 1/4"  
grip range .080-.375  
stainless steel body  
stainless steel mandrel



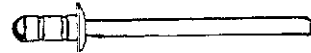
330127-03  
dia. 1/8"  
grip range .063-.125  
aluminum body  
aluminum mandrel



300101  
1/8" I.D.  
washer, aluminum



330127-05  
dia. 1/8"  
grip range .251-.312  
aluminum body  
aluminum mandrel



330137  
dia. 1/8"  
grip range .039-.189  
aluminum body  
steel mandrel

\*Common bolts and screws available at local hardware outlets have not been listed.



# 1999 LAND YACHT 30' & 33' GAS

## \*FASTENERS



320122  
screw, pan head, Phillips  
black  
#4 x 1/8" (glove box tray)



320114-04  
screw wood oval head, Phillips  
antique brass  
#5 x 1/2"



320114-05  
screw wood, oval head, Phillips  
antique brass Phillips stainless steel  
#5 x 5/8"



320115-06  
screw, wood, flat head,  
Phillips stainless steel  
#6 x 1.00"



320124-06  
screw, flathead, Phillips  
stainless w/white head

\*Common bolts and screws readily available at local hardware outlets have not been listed.

# 1999 LAND YACHT 30' & 33' GAS

## FLOORCOVERING

702793-05	Carpet Putty(South Beach)
702793-02	Carpet, Regal/Nautical Blue (Blue Bayou)
702793-01	Carpet, Regal Barley(Peridot)
702793-04	Carpet, Regal Vintage(Alex. Julian)
702793-06	Carpet, Foliage(Vintage Leaf)
700173	Carpet padding
702893	Flooring, smooth rubber
702812-02	Flooring, step tread, round black knobs
701538	Carpet, Velour, for storage compartment
201709-02	Extruded trim molding, black, baggage compartment
381346	Floor mats, cab, drivers or passenger
702549	Mat, entrance, w/Airstream logo
702550	Mat, entrance, step well
801115	Flooring, hardwood, oak
800639-02	Adhesive, hardwood floor
360216	Caulk, brown, acrylic latex

# 1999 LAND YACHT 30' & 33' GAS

## FURNITURE

DOORS, INTERIOR		side to side x top to bottom (Inches)
801157-18	door, raised panel	10.0 x 17.0
801158-08	door frame, for mirror	10.5 x 32.5
801158-11	door frame, for mirror	10.5 x 42.0
801157-09	door, raised panel	11.5 x 15.75
801157-19	door, raised panel	11.5 x 18.0
801158-18	door frame, for mirror	11.5 x 22.0
801157-26	door, raised panel	11.5 x 22.0
801158-06	door frame, for mirror	14.0 x 60.12
801158-16	door frame, for mirror	17.5 x 11.0
800881-05	door, louvered oak	19.0 x 12.5
801158-01	door frame, for mirror	19.0 x 60.12
801158-15	door frame, for mirror	19.5 x 11.5
801157-26	door, raised panel	22.0 x 11.5
801157-12	door, raised panel	31.0 x 11.25
801157-11	door, raised panel	33.0 x 9.75

### MISCELLANEOUS DOORS

962782	Door bath swing, 30ft.	
961413-02	Door , bath slider, 30ft.	
702681-03	Door, foldette, beige, 30ft.	
702306-02	Shower door, 30ft.	
702306-04	Shower door, 33ft.	
961413-04	Door, bath slider	25.5 x 72.0", 33ft.
961413-05	Door, bath slider	34.5 x 72.0", 33ft.
961413-05	Door, bath slider	

### MIRRORS

372206-01	mirror, safety	7.62 x 29.62
372206-02	mirror, safety	7.62 x 39.12
372206-03	mirror, safety	8.62 x 14.62
372206-05	mirror, safety	8.62 x 19.12
372207-01	mirror, safety	10.63 x 17.13
372203-19	mirror, safety	11.13 x 22.5
371262-32	mirror, safety	14.0 x 60.12
371262-10	mirror, safety	16.13 x 28.13
372203-14	mirror, safety	21.0 x 22.0

# 1999 LAND YACHT 30' & 33' GAS

## FURNITURE-DRAWER FACE/DRAWER BOX

		Inches
801156-85	Drawer face	4.75 x 21.0
801156-23	Drawer face	7.0 x 10.25
801156-13	Drawer face	7.0 x 11.75
801156-14	Drawer face	7.0 x 14.0
801156-87	Drawer face	7.0 x 16.75
801156-48	Drawer face	7.0 x 21.0
801156-84	Drawer face	7.0 x 23.0
801156-82	Drawer face	10.25 x 29.50
801156-01	Drawer face	10.5 x 24.75
801156-77	Drawer face-pantry	10.5 x 36.75
801156-50	Drawer face	11.75 x 20.62
801156-80	Drawer face	14.5 x 15.0
801156-86	Drawer face	16.75 x 16.75
801156-81	Drawer face	20.0 x 14.0

## DRAWER BOXES

962821-01	Drawer box	2.88 x 8.25 x 18.0
962821-03	Drawer box	2.88 x 10.0 x 18.0
962821-25	Drawer box	2.88 x 19.5 x 18.0
962821-06	Drawer box	5.00 x 10.0 x 14.0
962821-05	Drawer box	5.00 x 10.0 x 18.0
962821-09	Drawer box	5.00 x 10.81 x 20.0
962821-31	Drawer box	5.00 x 15.0 x 20.0
962821-08	Drawer box	5.00 x 19.5 x 14.0
962821-07	Drawer box	5.00 x 19.5 x 18.0
962821-40	Drawer box	5.00 x 20.88 x 18.0
962821-04	Drawer box	9.00 x 18.62 x 22.0

# 1999 LAND YACHT 30' & 33' GAS

## FURNITURE-TWIN BEDROOM

963831	Roof locker assy. RS
963832-01	Face frame, RS rear rooflocker
963005	Bed, twin, RS
961518	Headboard, twin, RS-spec. color
963804-02	Roof locker assembly's
963805-01	Face frame, CS rear roof locker
963004	Bed, twin CS
961518	Head board, twin, CS-spec. color
963835	Roof locker, rear, over window
963837-01	Face frame, rear roof locker
963893	Night stand, center, rear
961779-01	Face frame, rear nightstand
961780	Top, rear nightstand
963894	Wardrobe assy. RS
963611-01	Face frame, RS rear wardrobe
964068	Corner mirror assembly
372203-18	Mirror, corner make-up, 11.13" x 28.13"

# 1999 LAND YACHT 30' & 33' GAS

## FURNITURE-DOUBLE BEDROOM

963836-01	Roof locker, rear, over window
964430-01	Face frame, rear roof locker
963895-01	Wardrobe assy. rear, RS
962816-01	Face frame, rear RS wardrobe
963895-02	Wardrobe assy., rear, CS
962817-01	Face frame, rear CS wardrobe
964018	Wardrobe assembly, CS
964017	Face frame, CS wardrobe
963789	Bed, rear double
964071	Mirror assy. corner
964072	Shelf/facer assy., corner, make-up cabinet.
962666	Top, make-up cabinet
964010-01	TV cabinet, bedroom, rear double

# 1999 LAND YACHT 30' & 33' GAS

## FURNITURE-\*BATH-30'only

962947	Lavy assembly
962956-01	Face frame, lavy assy.
964375-01	Lavy top-Corian
962747-01	Face frame, shower
800880-01	Stile, aft bath panel
203001	Shower stall, fiberglass
203004	Shower stall ceiling liner
702306-02	Shower door, gold
963931-01	Medicine cabinet assy.
962750-01	Face frame, medicine cabinet
961410-01	Jamb, bath door
963426-01	Header, bath door
381563	Track, formed curve, foldette door

\*Note: bath fixtures can be found in hardware-water connected parts in plumbing.

# 1999 LAND YACHT 30' & 33' GAS

## FURNITURE-\*BATH-33'only

963888-01	Lavy assy.
961699-01	Face frame, lavy assy.
964376-01	Lavy top-Corian
962216-01	Face frame, shower
800880-01	Stile, aft bath panel
201957	Shower stall, fiberglass
201960	Shower stall ceiling liner
702306-04	Shower door, gold
963932-01	Medicine cabinet assy.
961927-01	Face frame, medicine cabinet
800894	Header, sliding door, forward
963876	Wardrobe assy. CS
963875-01	Face frame, CS bath wardrobe
801144	Panel, forward, CS wardrobe
963890	Wardrobe assy. RS
961710-01	Face frame, RS bath wardrobe
800886	Panel, aft, RS wardrobe
800887	Panel, forward, RS wardrobe

\*Note: bath fixtures can be found in hardware-water connected parts in plumbing.



# 1999 LAND YACHT 30' & 33' GAS

## FURNITURE-GALLEY-30'only

963925	Refrigerator cabinet assy.
963924-01	Face frame, refrigerator cabinet
963804-01	Roof locker, dinette
963805-01	Face frame, dinette roof locker
962846-01	End cap, dinette roof locker
961040-01	Microwave cabinet assy.
961038-01	Face frame, microwave cabinet
964578	Galley cabinet assy.
964579	Face frame, galley cabinet
9645387-01	Galley top assy.-Corian
964348-01	Sink cover-Corian
963810	Roof locker assy., galley/lounge
964146	Face frame, galley roof locker
962720-03	Table assy.dinette
801070	Table top, oak, w/No mar finish
963654-01	Back splash, dinette table
964536	Dinette seat assy., LH
964538	Back, upholstered, LH dinette seat
964334-03	Flex spring seat21.63x38.0
964535	Dinette seat assy., RH
964537	Back, upholstered, RH dinette seat
964334-03	Flex spring seat, 21.63" x 32.0"

(continued)

# 1999 LAND YACHT 30' & 33' GAS

## FURNITURE-GALLEY-**30'ONLY**

963991	Spice rack
963990	Magazine rack
381491	Trash container, roll out
372210-05	Print, framed
800631	Handrail, oak

# 1999 LAND YACHT 30' & 33' GAS

## FURNITURE-GALLEY-**33'**only

963879	Refrigerator cabinet assy.
963880-01	Face frame, refrigerator cabinet
963896	Roof locker, galley
962843-01	Face frame, galley roof locker
962846-01	End cap, galley roof locker
963619-02	Microwave cabinet assy.
961039-01	Face frame, microwave cabinet
964576	Galley cabinet assy.
964577	Face frame, galley cabinet
964584-01	Galley top assy.-Corian
964348-01	Sink cover-Corian
964147	Roof locker assy., dinette/lounge
964145	Face frame, dinette roof locker
962720-01	Table assy.dinette
801054	Table top, oak, w/No mar finish
963654-02	Back splash, dinette table
962117-03	Leg, dinette table, hardwood
964493-01	Dinette seat assy., LH
964517	Back, sub assembly, LH seat
964334-02	Flex spring seat21.63x38.0
964492-01	Dinette seat assy., RH
964500-02	Back, upholstered, RH dinette seat
964334-02	Flex spring seat.21.63 x 38.0

(continued)

# 1999 LAND YACHT 30' & 33' GAS

## FURNITURE-GALLEY-**33ft. only**

963891	Pantry assy.
961593-01	Face frame, pantry
800889	Panel, aft pantry
963991	Spice rack
963990	Magazine rack
381491	Trash container, roll out
372210-05	Print, framed
800631	Hand rail, oak

**1999 LAND YACHT 30' & 33' GAS**  
**FURNITURE-LOUNGE and CAB-30FT.OONLY**

963928	Roof locker, front over head
960482-01	Face frame, front roof locker
963808	Door header cabinet (over main door)
963809-01	Face frame, door header cabinet
800577-13	Trim, decorative , 25 1/4
963806	Roof locker over swivel chair
963807-01	Face frame, roof locker, CS lounge area
963810	Roof locker, over lounge/galley, RS
964146	Face frame, roof locker over lounge/galley
964045-02	Beverage tray assy.
203011-01	Cup holder, LH
203011-02	Cup holder, RH
960667	End close out assy., lounge
*702800-318	Sofa, jackknife 68", Blue Bayou, w/drawer face
964008	Drawer box, lounge (drawer face comes with lounge)
960668	Arm rest assy.lounge
453626	Leg, sofa

\*Number shown is for Blue Bayou-specify other color schemes.

(continued)

**1999 LAND YACHT 30' & 33' GAS**  
**FURNITURE-LOUNGE and CAB-30 FT. ONLY**

960669-02	Close-out, CS, above passenger shoulder
960669-01	Close-out, RS, above drivers shoulder
702897-01	Drivers seat, power
702898-01	Passenger seat, non power
702796-	Swivel chair, specify color
452277-01	Pedestal, swivel chair
452277-02	Plate, top pedestal, w/remote
381515	Sun visor
203160	Armrest, cab, plastic, RS
203161	Armrest, cab, plastic, CS
702192-08	Map pocket, drivers door
201997-01	"A" post cover, beige plastic, RS
201997-02	"A" post cover, beige plastic, CS

# 1999 LAND YACHT 30' & 33' GAS

## FURNITURE-LOUNGE and CAB-**33** only

963900	End table assy.
961715-01	Face frame, end table
963123	Top, end table
963928	Roof locker, front over head
960482-01	Face frame, front roof locker
963797	Door header cabinet (over main door)
963798-01	Face frame, door header cabinet
800577-13	Trim, decorative , 25 1/4
963801-01	Roof locker, over swivel chair
963802-01	Face frame, roof locker, CS lounge area
964147	Roof locker, over lounge/dinette, RS
964145	Face frame, roof locker over lounge
964045-02	Beverage tray assy.
203011-01	Cup holder, LH
203011-02	Cup holder, RH
960667	End close out assy., lounge
*702801-318	Sofa, jackknife 74", Blue Bayou, w/drawer face
964008	Drawer box, lounge (drawer face comes with lounge)
960668	Arm rest assy., lounge
453626	Sofa leg

\*Number shown is for Blue Bayou-specify other color schemes.

(continued)

# 1999 LAND YACHT 30' & 33' GAS

## FURNITURE-LOUNGE and CAB-**33 only**

960669-02	Close-out, CS, above passenger shoulder
960669-01	Close-out, RS, above drivers shoulder
702897-01	Drivers seat, power
702898-01	Passenger seat, non power
702796-	Swivel chair, specify color
452277-01	Pedestal, swivel chair
452277-02	Plate, top pedestal, w/remote
381515	Sun visor
203160	Armrest, cab, plastic, RS
203161	Armrest, cab, plastic, CS
702192-08	Map pocket, drivers door
201997-01	"A" post cover, beige plastic, RS
201997-02	"A" post cover, beige plastic, CS



# 1999 LAND YACHT 30' & 33' GAS HARDWARE

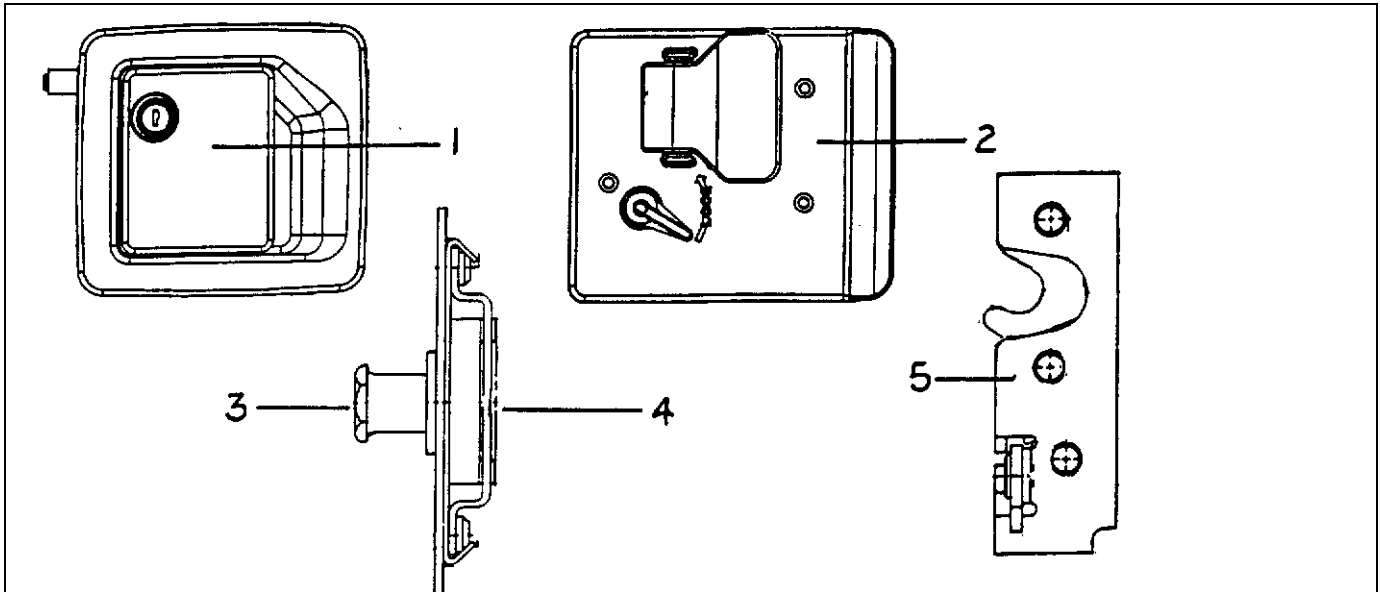
## HINGES, CATCHES, LOCKS, PROPS

381428-18	Prop, spring, push-button, front hood
381262	Bracket, prop, w/ball
381109	Bunk latch(slide bolt) , front hood
381481-03	Socket, door, ball prop
385587	Cap, rubber, hood bumper, black
381565-04	Plunger, bolt, assembly, w/o rod collar
452736	Bracket, hood latch pocket
452737	Bracket, pull cable
381484	Strike, compartment door
381327	Cable, hood release
381434	Hinge, stainless steel 3 x 3"
381565-01	Handle assembly, keyed alike, lower comp.
381565-05	Key TM 904
381565-04	Plunger , bolt assy.lower compartment
381456	Cable, coated, handle to plunger
381529	Hinge, lower compartment
381565-02	Handle assy., non locking, lower compartment
381569-03	Spring, gas prop, 40", compartments
381262	Bracket, prop, w/ball
381633	bracket, prop, 2"
371366-100	Weep hole cover, SE-GI window
371366-101	Sweep latch, SE-GI window

# 1999 LAND YACHT 30' & 33' GAS HARDWARE

HINGES, CATCHES, LOCKS, LATCHES, PROPS

## TRIMARK main door lock



- |              |                           |
|--------------|---------------------------|
| 1) 381521-01 | Outside lock housing      |
| 2) 381521-02 | Inside lock plate         |
| 3) 381284    | Striker bolt              |
| 4) 381521-04 | Caged nut                 |
| 5) 381521-03 | Rotary latch              |
| 381521-05    | Screws, inside lock plate |

## Dead bolt-Trimark

- |           |                                    |
|-----------|------------------------------------|
| 510802-01 | Actuator, door lock, 5-wire        |
| 381323-01 | Dead bolt assembly                 |
| 452030    | Bolt, Trimark dead bolt            |
| 381326    | Striker, 10007 w/Trimark dead bolt |
| 345321-12 | Screw, #8-32, flat head, black     |
| 200772    | Pan, plastic, dead bolt, interior  |

# 1999 LAND YACHT 30' & 33' GAS

## HARDWARE

381394	Hinge leaf, jamb, driver door
381393	Hinge leaf, driver door
310024-01	Hinge pin 8"
381334	Hinge leaf , jamb, main door
381377	Hinge leaf, door
381377	Hinge leaf , screen door
385599-075	Bearing, sleeve, hinge
310024	Pin, hinge .250 x 6"
300118-01	Washer, nylon, main door hinge
381427	Hold back , main door
380004	Handle, screen door
511370-02	Grab handle-embossed" Land Yacht"
114224	Plunger rear ladder, bottom attachment
381148-01	Socket, rear ladder, bottom support

# 1999 LAND YACHT 30' & 33' GAS

## HARDWARE

### TRIMARK drivers door lock

381285	Housing and black paddle, exterior
195293-08	Bezel and lever assy., inside
195293-01	Latch and linkage w/override and unlock
381381	Rod, inside release lock
381382	Rod, inside release latch
381391	Rod, outside release latch
381284	Striker bolt-Trimark
195293-12	Rod end clip, LH
195293-11	Rod end clip, RH
510802-01	Actuator, door lock, 5-wire Acme
381394	Hinge leaf, jamb, driver door
381393	Hinge leaf, driver door
310024-01	Hinge pin 8"
381363	Assist handle, drivers door
381045	Ash tray, drivers door
195285-05	Power window operator, Rockwell
195386	Switch, momentary, power window
195282-02	Extrusion, drivers window guide
195314	Window lift bracket, drivers door
195345	Webbing, brown nylon strap, drivers door

Note: See seals for seals and gaskets on doors and windows.

# 1999 LAND YACHT 30' & 33' GAS HARDWARE

## HINGES, CATCHES, LOCKS, PROPS

381526-06	Rear bracket, adjustable, drawer slides
381526-01	Drawer slide, 14" roller type
381526-03	Drawer slide 18" roller type
381526-04	Drawer slide, 20" roller type
381526-05	Drawer slide, 22" roller type
381400-01	Drawer slide, 12" ball bearing type
381400	Drawer slide, 14" ball bearing type
381090	Drawer slide, 22" ball bearing type
381601	Hinge, cabinet, Antique Brass
380210	Hinge, plain steel
380284-02	Hinge bracket, dinette table
380458	Hinge, piano, brown, 5/8" leaf
380203-01	Hinge, piano, clear anodized, 1/8" pin
381175	Pull handle, wood
381599	Handles, brass, drawer/door
381603	Pull three finger, sliding door
381443-01	Sliding door set, includes carriers, top door plates, and track
381074	Bulldog catch, set
381228	Grabber door latch w/catch, 10lb.pull
381228-01	Grabber door latch w/catch, 3lb.pull
381228-100	Catch only, Grabber door latch
*381385	Dual lock #400-1" strips
*381386	Dual lock #170-1" strips

\*These two parts work similar to Velcro but have interlocking knobs rather than hooks and loops.

# 1999 LAND YACHT 30' & 33' GAS

## HINGES, CATCHES, LOCKS, PROPS

385940	Mirror pull, brass
385935	Hinge, pivoting, brass, used on mirrors
452358	Catch, glove box latch
381438	Latch, glove box, squeeze
381442	Retainer clip, glove box latch
381437	Hinge, glove box
381109	Bunk latch, pantry
381408	Latch, push button, black, pantry
381147	Door support, spring loaded, roof locker
385963	Bracket, mounting angle, lambrequin
381612	Mirror clip, wood framed doors
380046	Flange, chrome, clothes rod support
380045	Tubing $\frac{3}{4}$ " metal, clothes rod
200975-04	Conduit, flexible, -black, covers clothes rod
381449-04	Rail, decorative rod, center rear roof locker
381449-05	Post, decorative rod, center rear roof locker
380034	Toilet paper holder, chrome
381626-02	Towel bar, 18", chrome and brass
380017	Tooth brush/tumbler holder
380248	Soap dish

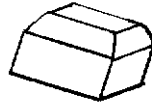
# 1999 LAND YACHT 30' & 33' GAS

## HARDWARE

### HINGES, CATCHES, LOCKS, LATCHES, PROPS



36012 Bumper, rubber  
white, stick-on, cylindrical



360016 Bumper rubber  
gray, square 3/8x3/8

360012-01 Bumper, rubber  
brown, stick-on, cylindrical



195329-220 Bumper, rubber  
clear, stick-on oval



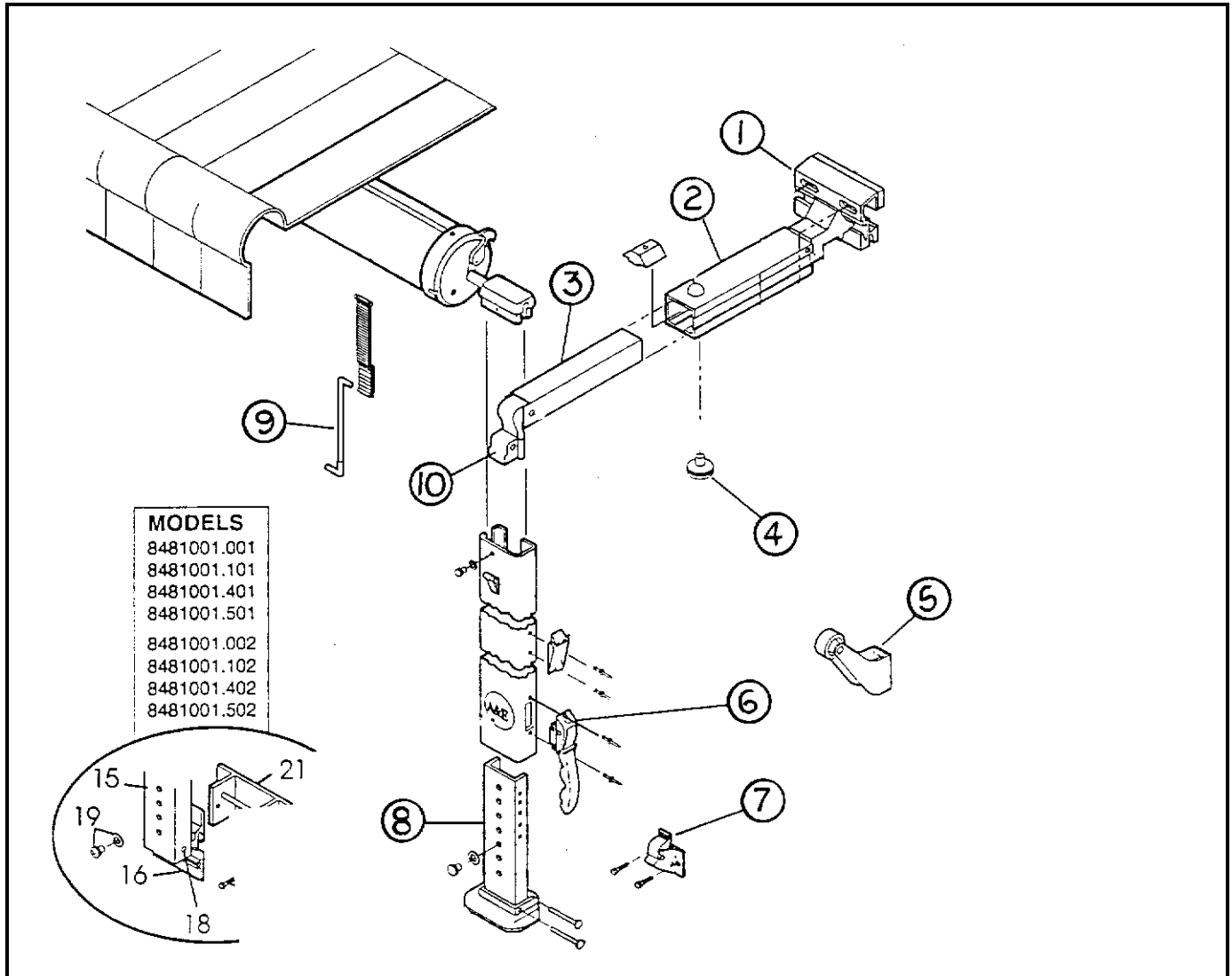
385587 Cap, rubber  
hood bumper, black

381242-01 Bracket, shelf, vertical, 30", rear wardrobe  
381243 Clip, shelf support, rear wardrobe  
381527 Speedy shelf strip

453453 Bracket , bedroom TV shelf  
381220-01 Mirror clip, nickel plated #318  
381220-02 Mirror clip, nickel plated #309

381067-09 Prop, gas, 90#-twin bed  
381262 Bracket, prop, w/ball-angle  
381085 Clip, retaining, gas prop bracket

# 1999 LAND YACHT 30' & 33' GAS



- |                |                                      |
|----------------|--------------------------------------|
| 1) 702679-104  | Bracket top, A&E awning              |
| 2) 702679-111  | Rafter, main, A&E awning             |
| 3) 702679-105  | Secondary rafter, A&E awning         |
| 4) 702679-106  | Knob , adjustment, 1 7/8" A&E awning |
| 5) 702679-109  | Door roller, A&E awning              |
| 6) 702679-103  | Lift handle, A&E awning              |
| 7) 702679-108  | Bracket, bottom mounting, A&E awning |
| 8) 702679-107  | Arm, adjustable, A&E awning          |
| 9) 702679-102  | E-Z pull rod, A&E awning             |
| 10) 702679-110 | Slider assembly, A&E awning          |



# 1999 LAND YACHT 30' & 33' GAS

## SECTION IV

L through Z

LABELS and TAGS ..... IV-1

OPTIONS ..... IV-3

### PLUMBING

LPG ..... IV-5

Fresh water..... IV-6

Drain water..... IV-12

Toilet ..... IV-15

SAFETY EQUIPMENT ..... IV-16

### SEALS/SEALER/PAINT

Gaskets..... IV-17

Sealer ..... IV-20

Adhesive..... IV-21

Paint..... IV-21

### UPHOLSTERY/FOAM/MATTRESS

Mattresses ..... IV-22

Bed spread ..... IV-22

Swivel seat ..... IV-22

Cab seat..... IV-22

Dinette foam/upholstery, 30ft. .... IV-23

Dinette foam/upholstery, 33ft. .... IV-23

VENTS and FANS ..... IV-24

WOOD/LAMINATES/INTERIOR TRIM..... IV-25



# 1999 LAND YACHT 30' & 33' GAS

## LABELS AND TAGS

385103 Plate, RVIA  
385531 FMVSS certification label  
385815 Name plate motor home hitch rating  
385095 Tag registry #11999  
385465 Label, exit warning (English)  
385463 Label, warning label/cooking appliance  
385464 Label LP gas warning label (odor)  
385788 Warning label, pilot light/refuel  
385101 Tag, auxiliary tank dump valve handle  
385099 Tag, black tank dump valve handle  
385063 Label, drain cap  
385062 Decal.110-125 voltage AC  
385309 Decal. Fuel fill  
385547 LP gas warning/fill label  
385141 Tag, seat, clear w/black letters  
385518 Label, dimension and clearance  
385193 Label, 12Volt distribution inside  
385560 Air conditioner rating label  
385561 Generator rating label  
385565 Label holding tank flushing  
385805-01 A/C priority switch label-front  
385805-02 A/C priority switch label-rear  
385812 Label, California. Hazardous substance  
385609 Label, smoke detector  
385612 Label, parking brake warning  
385829 Decal, fuse and relay  
385828 Decal, fuse panel warning  
385851 Label. Cellular phone  
385924 Label, galley light

# 1999 LAND YACHT 30' & 33' GAS

## LABELS AND TAGS

385933	Label, name set relay
385941	Label, waste water holding
385942	Label, sewage holding tank
385943	Label, "cap must be in place"
385947	Label, 10-amp fuse maximum
385608	Label, sewer hose L/Y M/H
385615	Label, fuse block L/Y M/H
385917	Decal, oak table w/no mar finish
385949	Label, "potable water" CSA
385950	Label, "smoke detector" CSA
385951	Label, "range fresh air" CSA
385952	Label, "LP warning" CSA
385953	Label " If you smell gas" CSA
385954	Label" range warning" CSA
385466	Label, exit label (French)
385620	Label, unleaded fuel only
385835	Label, carburetor warning
385098	Label, seat occupancy
385989	Decal, mirror, heat
385988	Decal, water heater
386012	Label, warning, water heater

# 1999 LAND YACHT 30' & 33' GAS

## OPTIONS

410796-01 Jack kit complete, Power Gear

511376 Fan, defrost, oscillating

510929-05 Switch, dash

510930-35 Lens, dash switch-defrost fan

### 50 Amp service

511149-04 Power cord, 50amp , 36ft.

51149-02 Power inlet with strain relief, 50 amp

510562-03 Switch, auto transfer, 50 amp

510723 Breaker box

510724 Breaker, double pole, 50 amp

510562 Switch, generator switch over

### Video upgrade

690337 Video cassette player-Audio Vox

511310 Video control center

### Skylights

203153-01 Skylight, 22" x 22" clear, galley

203152-03 Trim, skylight 22" x 22"

702804-02 Pleated shade, skylight 20.25" x 21.0"

203148-01 Skylight, heavy duty, shower, 14.5" x 22.5"

203148-02 Trim inner, skylight 14.0" x 22.0"

203153-02 Skylight, bath, 14" x 22"

203152-01 Trim inner, skylight 14" x 22"

702804-01 Pleated shade, skylight, 20.25" x 21.0"

# 1999 LAND YACHT 30' & 33' GAS OPTIONS

## Fantastic fan

381564 Vent w/wall thermostat, Fantastic 2000TRS

## Invertors

511340 Invertor, 130 watt, (operates front TV only)  
511278 Lock-out, 110 volt disconnect

## Refrigerator

690370-04 Refrigerator, 2-way, 3862 w/ice maker

## Passenger seat

702897-02 Cab seat, passenger, power, Wayfarer

## Back-up monitor

510918-01 Monitor, Sony watchman  
453030 Bracket, camera  
452667 Bracket, monitor  
203029 Mounting, inner, rear camera  
203030 Cover, outer, rear monitor  
511044-03 Actuator, push/pull, two position, rear camera  
511044-0 4Pigtail, two position camera actuator

## Hardwood floor

801115 Flooring, hardwood , oak  
800639-02 Adhesive, hardwood floor  
360216 Caulk, brown, acrylic latex

## Oven

690396-04 Range, 3-burner w/oven, Maytag

# 1999 LAND YACHT 30' & 33' GAS

## PLUMBING-LPG

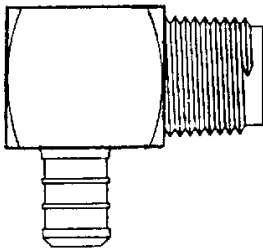
601500	LP tank, 105# w/90 ohm sender-33' only
601447	LP tank, 90# w/90 ohm sender-30" only
511229	Sending unit, 90 ohm, Snap On
943433	Vapor line
601335	LP hose, tank to regulator, 35"
600293	Close nipple, 1/2" NPT, brass
601408	Elbow, 90 degree, 1/2 NPT
601409	"T", 1/2 NPT
601674	Regulator, 2 stage
203135	Cover, regulator
601673-01	Hose 3/8"x48", low pressure
601675	Union, 3/8 M FL x 3/8 m NPT
600000	"T", 5/8 x 5/8 x 3/8, brass
600003	"T", 5/8 x 3/8 x 3/8, brass
600436	Flare nut, forged 5/8
600435	Flare nut, forged 3/8

# 1999 LAND YACHT 30' & 33' GAS

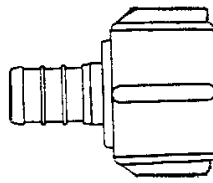
## PLUMBING-FRESH WATER

601552	Tank, fresh water, 60gal.
201866-02	City water fill, polar white
601197-01	Water hook-up, chrome
601239	Tubing, ribbed, 1.375 I.D., water fill
600309	Regulator, Watts
600139	Check valve, brass
601061-01	Water pump, Shurflo
601668	Filter, pre water pump

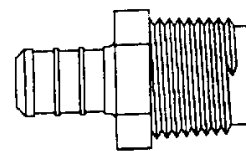
## FITTINGS



601698-04  
Elbow, 1/2 barb  
x 1/2 MPT



601698-03  
Coupler, 1/2 barb  
x 1/2 FPT



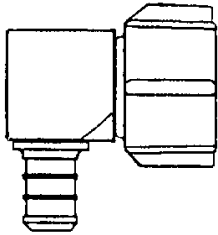
601698-02  
Coupler, 1/2 barb  
x 1/2 MPT

(continued)

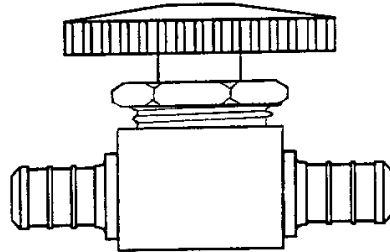


# 1999 LAND YACHT 30' & 33' GAS PLUMBING

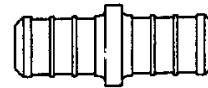
FRESH WATER



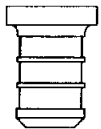
601698-05  
Elbow 1/2 barb x  
1/2 FPT



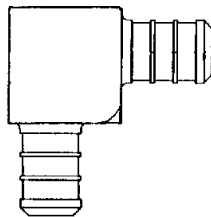
601698-07  
Shut-off, 1/2 barb x  
1/2 barb



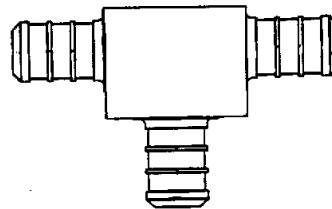
601698-08  
Coupler  
1/2 x 1/2 barb



601698-09  
Plug, 1/2 barb



601698-10  
Elbow 1/2 barb x  
1/2 barb



601698-11  
Tee, 1/2 x 1/2 x  
1/2 barb



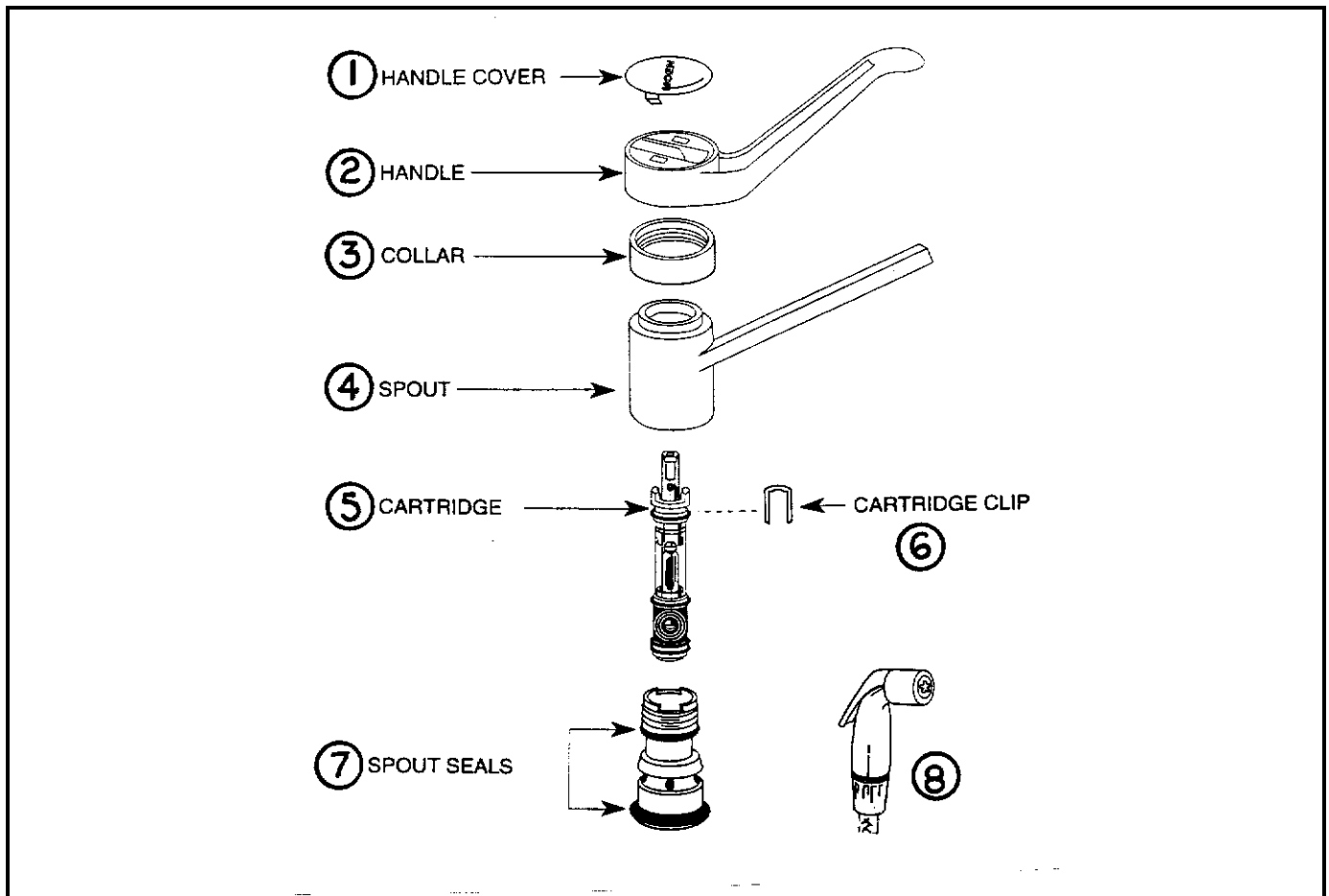
601698-15  
Crimp ring, 1/2  
E-Pex, 1/2 (black)



601698-01  
E-Pex tube, 1/2"

# 1999 LAND YACHT 30' & 33' GAS

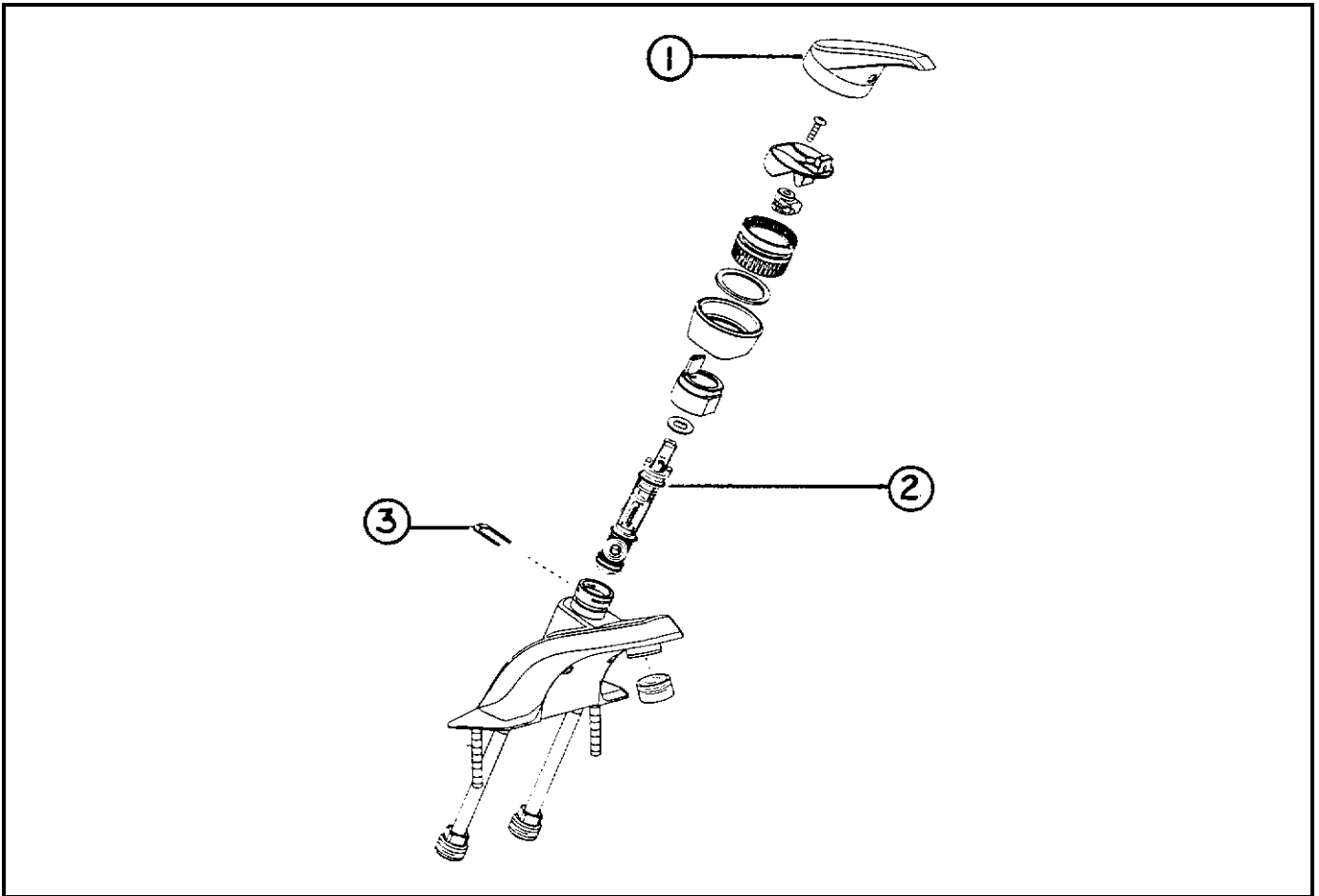
## PLUMBING-FAUCETS



### 601705 FAUCET, GALLEY, MOEN #7215S

- |               |                                |
|---------------|--------------------------------|
| 1) 601705-972 | Handle cover, sand             |
| 2) 601705-444 | Handle, sand                   |
| 3) 601705-694 | Collar, sand                   |
| 4) 601705-915 | Spout, sand                    |
| 5) 601579-106 | Cartridge, Moen                |
| 6) 601579-105 | Clip, cartridge retainer       |
| 7) 601705-117 | Spout seals, Moen 7215S        |
| 8) 601705-873 | Spray head/hose assembly, sand |

# 1999 LAND YACHT 30' & 33' GAS PLUMBING-FAUCETS

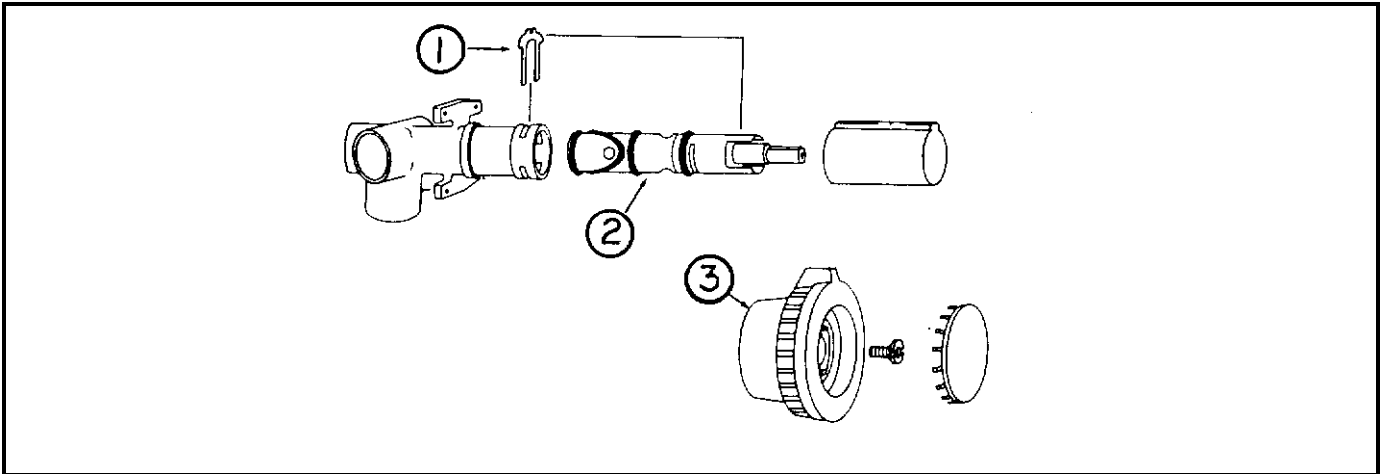


690390-02      Faucet, lavatory, Moen, brass/chrome

- 1) 690390-100      Lever handle
- 2) 601579-105      Cartridge
- 3) 601579-104      Retainer clip

# 1999 LAND YACHT 30' & 33' GAS

## PLUMBING-FAUCETS



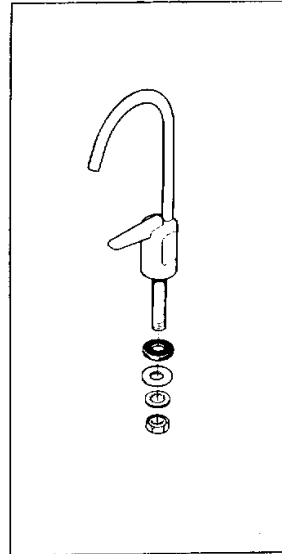
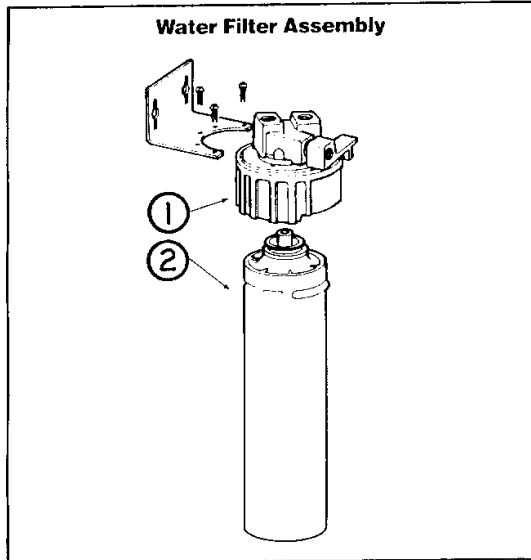
601420-02Faucet, shower

- |               |               |
|---------------|---------------|
| 1) 000883     | Retainer clip |
| 2) 601420-100 | Cartridge     |
| 3) 001041     | Handle        |

- |            |                        |
|------------|------------------------|
| 601358-100 | Shower head , chrome   |
| 600330     | Shower hose, chrome    |
| 600332     | Vacuum breaker, chrome |

# 1999 LAND YACHT 30' & 33' GAS PLUMBING

## FRESH WATER

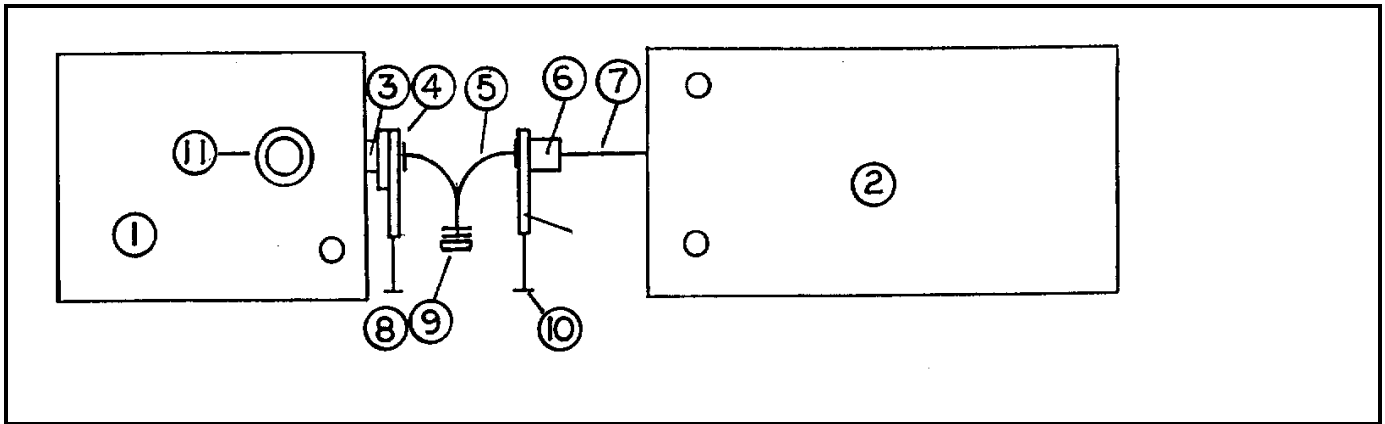


- 1) 005273 Head, water filter
- 2) 960112 Cartridge, filter

601401 Faucet, water

# 1999 LAND YACHT 30' & 33' GAS

## PLUMBING-DRAINAGE



- 1) 601493 Holding tank, black, 33ft.
- 1a) 601567 Holding tank, black, 30ft.
- 2) 601492 Holding tank, gray
- 3) 601432 Adaptor, valve to tank
- 4) 601430 Gate valve, 3inch
- 5) 600866 "T" long sweep
- 6) 600289 Coupler, 3 inch
- 7) 601160-04 Pipe, drain, 3" plastic
- 8) 601251 Bayonet ring, glue on
- 9) 601250 Bayonet cap
- 10) 601519 "T" handle
- 11) 601266 Closet flange, 4 x 3

601441 Tank flush system, NO-FUSS

914190 Pan, black tank

914191 Pan, gray tank

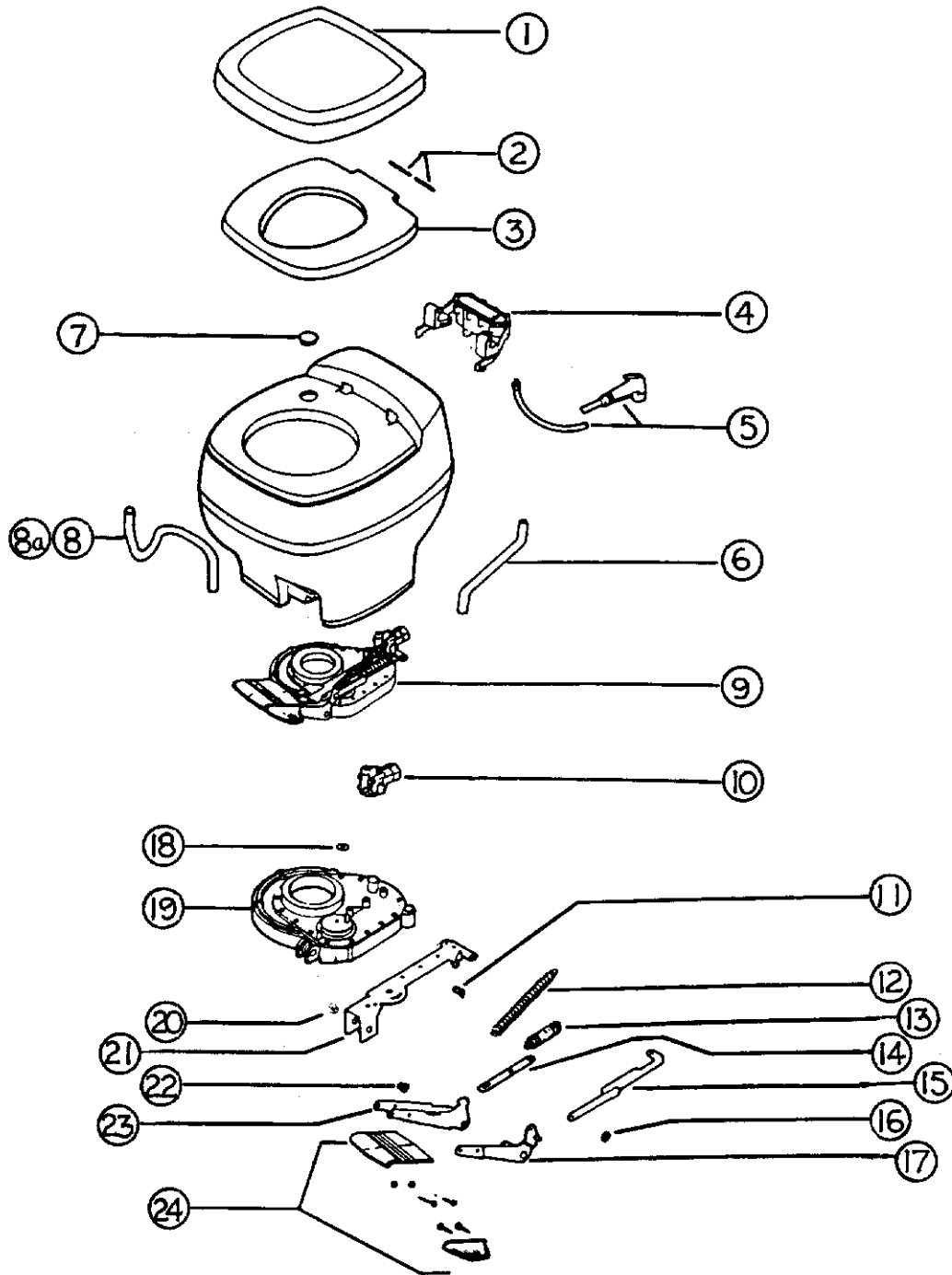
# 1999 LAND YACHT 30' & 33' GAS

## PLUMBING-DRAINAGE

203001	Shower stall, almond, 30ft.
201957	Shower stall, fiberglass, 33ft.
601362-02	Shower drain, chrome
200406-06	Lavy bowl, oval-includes tail, basket and stopper
601497-01	Sink, galley, porcelain almond
195362-39	Basket, galley sink, 2 inch
600378	Continuous waste, 1.5", galley drain
601160-02	Pipe, drain, plastic 1.5"
601160-04	Pipe, drain, plastic, 3.0"
600182	Wye, 1.5 x 1.5 x 1.5, drain line
600431	Elbow, street, 1.5", 90 degree
600144	"P" trap, 1.5"
601318	"T", bi-directional cleanout, 1.5"
600538	Vent, automatic, V-200
600622	"P" trap-w/slip nut & washer, 1.5"
600625-01	Trap plug adapter, 1.5"
600625-02	Plug, tray adapter, male, 1.5"
600622	Elbow, long sweep, 90 degree, 1.5"
600094	Wye, 45 degree, 1.5"
600156	"T", sanitary, 1.5x1.5x1.5"
600662	Elbow, short sweep, 1.5"
600030	Elbow, 45 degree, 1.5"
600033	Elbow, 90 degree, short, 1.5"

# 1999 LAND YACHT 30' & 33' GAS PLUMBING

THETFORD, AQUA MAGIC GALAXY , FOOT FLUSH, PARCHMENT





# 1999 LAND YACHT 30' & 33' GAS PLUMBING

THETFORD, AQUA MAGIC GALAXY, PARCHMENT

690327-01 Toilet complete, Aqua Magic Galaxy, low

- 1) 020925 Padded seat cover, parchment
- 2) 012986 Hinge pin
- 3) 1626457 Seat, parchment
- 4) 008217 Vacuum breaker w/water saver, parchment
- 5) 008993 Water saver package
- 6) 003728 Water supply tube
- 7) 003895 Hole plug, parchment
- 8) 003729 Trap tube, 20", low style
- 8a) 003727 Trap tube, 27", high style
- 9) 024203 Mechanism, parchment
- 10) 009868 Ball valve replacement package
- 11) 002391 Drive arm assembly
- 12) 002802 Spring, ball valve return
- 13) 002801 Spring
- 14) 008986 Push link
- 15) 002796 Drive arm
- 16) 002394 Ring, retainer
- 17) 009421 Pedal arm assembly
- 18) 008034 Retainer ring, 1/4"
- 19) 020929 Base and cover assembly
- 20) 003749 Bushing, mechanism
- 21) 012593 Lever plate
- 22) 003749 Bushing, mechanism
- 23) 019266 Pedal arm
- 24) 020930 Double pedal package

# 1999 LAND YACHT 30' & 33' GAS

## SAFETY EQUIPMENT

- 510781 Detector, smoke #1056 w/silencer
- 511343 Detector, carbon monoxide-9 volt
- 511309 Detector, LPG
- 510734 Alarm, back-up
  
- 700349 Seat belt, lounge/cocktail chair
  
- 690381-01 Fire extinguisher 10 B: CUL
- 690381-02 Fire extinguisher 10 B: CULC (Canadian)
  
- 380188 Emergency warning triangle, set of 3

# 1999 LAND YACHT 30' & 33' GAS

## SEALS-GASKETS



1) 365205



2) 365237-01



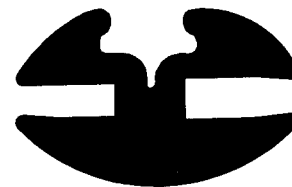
3) 365232



4) 365208



5) 201260



6) 381319



7) 365013-01

- |  |   |
|--|---|
| <p>1) 365005</p> <p>2) 365237-01</p> <p>3) 365232</p> <p>4) 365208</p> <p>5) 201260</p> <p>6) 381319</p> <p>7) 365013-01</p> | <p>Gasket, weather strip, rear trunk door</p> <p>Seal, dust, compartment door edge<br/>(replaced 365208 mid 98 model)</p> <p>Seal, main door/compartment door jamb</p> <p>Gasket, seal-compartment door hinge and<br/>window to body</p> <p>Insert, windshield gasket, rubber</p> <p>Gasket, windshield, includes center strip</p> <p>Gasket, screen door, low density foam</p> |
|--|---|

# 1999 LAND YACHT 30' & 33' GAS

## SEALS AND GASKETS

### DRIVERS DOOR



1) 365232



2) 381364



3) 684910



4) 195287

- |           |   |
|-----------|---|
| 1) 365232 | Seal, bulb type, door to jamb                 |
| 2) 381364 | Seal, bulb type (wind barrier at top of door) |
| 3) 684910 | Channel, Schlegle, window track               |
| 4) 195287 | Gasket, window lip seal                       |

# 1999 LAND YACHT 30' & 33' GAS

## SEALS

Sealer, gaskets, paint, adhesives

### GASKETS-SE-GI WINDOWS



1) 371366-103



2) 371366-102



3) 371366-104



4) 371366-105

1) 371366-103

Track, window screen, Se-Gi

2) 371366-102

Track, sliding pane, Se-Gi

3) 371366-104

Wiper seal, vertical, Se-Gi

4) 371366-105

Screw cover, clamp ring, Se-Gi

# 1999 LAND YACHT 30' & 33' GAS

## SEALS-SEALER

### SEALER

360209-01	Sealer, black, #5507
360281	Sealant, thermoplastic, clear
360268-01	Liqua Seal, roof, white
685510	Seam tape, black
360216	Caulk, latex, brown
365001	Tape, double coated foam
360074	Sealant, GE RTV, white
360001	Butyl sealent#884058
360002	Vulkem sealant, gray
360176	Sealant, almond, bathroom
360210	Sealant, paralastic #4334-04 (refrigerator compartment sealer)
360180	Sikaflex, 221 adhesive/sealant
360052	Vulkem seal , black
360283	Silicone sealer, Corian bone
360286	Sealant, gray, SU-6000

# 1999 LAND YACHT 30' & 33' GAS

## SEALS-ADHESIVES/PAINT/MISC.

### ADHESIVES

601704-01 Corian glue, Bisque  
800639-02 Adhesive, oak plank flooring  
360270 Adhesive spray, Sta-put, ceiling panels  
(reference only, not available for shipment)

### PAINT

360260 Paint, Pewter gray-lower skirts, Centari  
360262 Paint, Nu-white-side walls, Centari  
360234 Paint, Grey Smoke, Delstar  
  
360208 Stain, medium oak  
365244 Lacquer, clear, used on wood

### MISCELLANEOUS

360179 Undercoat, Pennzoil II  
  
6000329 Tape, silver, 2" wide  
  
200518 Spline, gray, screen insert  
380079 Screen, gray

# 1999 LAND YACHT 30' & 33' GAS

## \*UPHOLSTERY/FOAM/MATTRESS

701768	Mattress, inner spring, 34x79.5", twin
702674	Mattress, 60x75", w/45degree corner, double
702676-318	Bedsread, double, Blue Bayou-spec. color
702489-318	Bed spread, twin, Blue Bayou-spec. color
701611	Pillow, 20x36
701600	Pillow, 21 x 31
702896-04	Pillow kit, Blue Bayou-spec. color
702801-318	Sofa, jack knife, 74"Blue Bayou-spec. color, 33'
702800-318	Sofa, jack knife, 68"Blue Bayou-spec. color, 30'
960844	Closeout, lounge end, aft
960688	Armrest assembly, lounge
961793	Head board, twin bed, CS
961795	Head board, twin bed, RS
702897-01	Drivers seat, Wayfarer, power
702898-01	Passenger seat, Wayfarer, non-power
702796-318	Swivel chair, Blue Bayou, spec. color
452277-01	Pedestal, swivel chair
452277-02	Plate, top, w/remote release, swivel chair

\*Each dealership is provided with a set of color scheme "boards" every model year. These "boards" have samples of upholstery for each color scheme and part numbers are included.

Upholstery numbers ending in:

- 318 = Blue Bayou
- 098 = Alex. Julian
- 418 = Peridot
- 248 = Vintage Leaf
- 258 = South Beach



# 1999 LAND YACHT 30' & 33' GAS

## UPHOLSTERY/FOAM/MATTRESS

### DINETTE UPHOLSTERY , 30FT. MODEL

702464-17	Foam, dinette, upper back, RH
702464-18	Foam, dinette, upper back, LH
702464-06	Foam, dinette, lower, both sides
702464-08	Foam, dinette seat, aft
702464-10	Foam, dinette seat, forward
964334-03	Flex spring seat, dinette, 21.63x32.0
998070	Seat cover, side dinette
998071	Back cover, dinette
964538	Back, upholstered dinette seat , LH
964537	Back, upholstered dinette seat, RH

### DINETTE UPHOLSTERY 33FT.MODEL

702464-19	Foam, dinette, upper back, RH
702464-20	Foam, dinette, upper back, LH
702464-07	Foam, dinette, lower, both sides
702464-09	Foam, dinette seat, aft
702464-11	Foam, dinette seat, forward
964334-02	Flex spring seat, dinette, 21.63" x 38.0"
998070	Seat cover, side dinette
998071	Back cover, dinette
964517	Back, sub assembly dinette seat , LH
964500-02	Back, upholstered dinette seat, RH

# 1999 LAND YACHT 30' & 33' GAS

## VENTS/FANS

### Skylights

203153-01	Skylight, 22" x22" clear, galley
203152-02	Trim, skylight 22" x 22"
702804-02	Pleated shade, skylight 20.25" x 21.0"
203148-01	Skylight, heavy duty, shower, 14.5" x 22.5"
203148-02	Trim inner, skylight, 14.0" x 22.0"
203153-02	Skylight, bath, 14" x 22"
203152-01	Trim inner, skylight 14" x 22"
702804-02	Pleated shade, skylight, 20.25" x 21.0"

### Roof vents

381450	Vent, roof, Fantastic 6000RBT
381153-01	Vent, Jensen #757
381153-100	Screen, Jensen #757 vent
381207-03	Vent, refrigerator, roof w/screen
511376	Fan, defrost, oscillating
511152-11	Range hood w/monitor, black
511152-01	Vent, range hood, exterior, white
690266-01	Ventilator, power, 30ft. bath

# 1999 LAND YACHT 30' & 33' GAS

## WOOD/LAMINATES/INTERIOR TRIM

800397-01	Cedar, planked, 5/32" x 4' x 8'
201728-01	Extrusion, ceiling trim retainer
201728-04	Extrusion, ceiling trim
800542-02	Structure wood 3/8" x 4'x8'
800542-03	Structure wood 1/2" x 4' x 8'
800542-04	Structure wood 5/8" x 4' x 8'
800507-01	Paneling, luan 1/8" x 4' x 8'
800507-02	Paneling, luan 1/4" x 4' x 8'
800507-03	Paneling, luan 3/8" x 4' x 8'
801176-03	Paneling, interior wall, 1/8 x 4' x 7', Solitude
801177-01	Paneling 1/2" x 4' x 8', G2S, solitude/solitude
801185-01	Paneling 1/2" x 4' x 8', G1S, solitude/raw
801233-01	Paneling 1/4" x 4' x 8', G1S, solitude/raw
801183-01	Paneling, 1/2" x 4' x 8', G2S, oak/solitude
801180	Paneling 1/2" x 4' x 8', G2S, oak/oak
801179	Paneling, 1/2" x 4' x 8', G1S, oak/raw
801182	Paneling 5/32" x 4' x 8', G2S, oak/oak
801181	Paneling 5/32" x 4' x 8', G1S, oak/raw
801230	Laminate, oak, 4' x 8'
800631	Handrail, oak, 23"
963990	Magazine rack
801115	Flooring, oak quartered 3/8"

# 1999 LAND YACHT 30' & 33' GAS

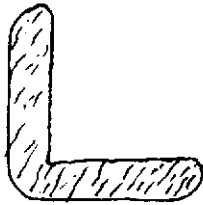
## WOOD/INTERIOR



1) 801206-01



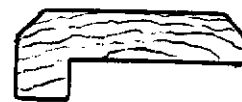
2) 964152-01



3) 801175



4) 800571-01



5) 800617-01



6) 801172-01  
6a) 801172-03



7) 801173-03



8) 801173-04

- |   |   |
|---|---|
| <p>1) 801206-01<br/>2) 964152-01<br/>3) 801175<br/>4) 800571-01<br/>5) 800617-01<br/>6) 801172-01<br/>6a) 801172-03<br/>7) 801173-03<br/>8) 801173-04</p> | <p>Molding, floor, oak, 43"<br/>Molding, chair rail, oak<br/>Molding, corner, Solitude<br/>Molding, oak, flat 1/4"x33/64"x80"<br/>Molding, wainscoat, oak<br/>Molding, flexible corner, oak<br/>Molding, flexible corner, Solitude<br/>Molding, flat radius, .88" oak<br/>Molding, flat radius, 1.13" oak</p> |
|---|---|

(continued)

# 1999 LAND YACHT 30' & 33' GAS

## WOOD/INTERIOR TRIM



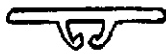
1) 800573-01



2) 800572-01



3) 201728-04



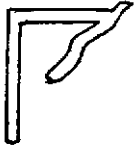
4) 201728-01



5) 203159-01



6) 201666



7) 201790-01



8) 203138-01

1) 800573-01

Molding, door edge 1 3/32 x 80"

2) 800572-01

Molding, panel edge, oak 23/32 x 80"

3) 201728-04

Extrusion, ceiling trim

4) 201728-01

Extrusion, ceiling trim retainer

5) 203159-01

Trim, divider bar, interior panels, Solitude

6) 201666

Molding, J 3/16, plastic

7) 201790-01

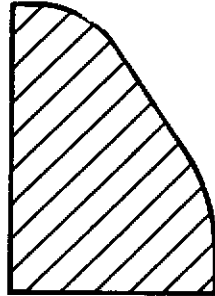
Molding, cove, white, ceiling to wall

8) 203138-01

Extrusion, wall, plastic, white (panel edging)

(continued)

1999 LAND YACHT 30' & 33' GAS  
WOOD/INTERIOR TRIM



1) 800576-01



2) 801189

- |              |                              |
|--------------|------------------------------|
| 1) 800576-01 | Molding, bath door stop, oak |
| 2) 801189    | Trim, bath door jamb, oak    |



