

AIRSTREAM

EXCELLA TRAILER

Parts Book

1999



TABLE OF CONTENTS
SECTION I EXCELLA TRAILER
A through C

APPLIANCES

Air Conditioner	I-1
Furnace	I-1
Microwave	I-1
Range	I-2
Refrigerator	I-2
Water Heater	I-3

BODY

End shell, aft	I-5
End shell, front	I-7
Roof	I-9
RS wall, 34ft.	I-11
CS wall, 34ft.	I-13
RS wall, 34FK	I-15
CS wall, 34FK	I-17
RS wall, 31 ND	I-19
CS wall, 31 ND	I-21
RS wall, 30ft.	I-23
CS wall, 30ft.	I-25
RS wall, 28ft.	I-27
CS wall, 28ft.	I-29
RS wall, 25ft.	I-31
CS wall, 25ft.	I-33
Body interior	I-34

CHASSIS

A-frame	I-35
Power jack	I-37
LP Bottle Rack	I-38
Toolbox/tire carrier	I-39
Step	I-41
Outrigger/underbelly	I-43
Jacks/Below floor storage	I-44
Axles/shocks/wheels	I-45
Brakes, 12"	I-46

TABLE OF CONTENTS

SECTION II EXCELLA

D through E

[DECALS/EXTERIOR TRIM](#)..... II-1

DOORS/WINDOWS/AWNING

[Doors](#) II-3

[Windows](#) II-5

[Awning](#) II-8

[DRAPES/BLINDS/VALANCES](#) II-9

ELECTRICAL

[110 volt](#)..... II-13

[12 volt](#) II-14

[Interior lights](#) II-14

[Exterior lights](#)..... II-16

ENTERTAINMENT

[Radio](#) II-17

[Antenna](#) II-17

TABLE OF CONTENTS

SECTION III-EXCELLA

F through H

FASTENERS (common fasteners available locally are
not listed)

Rivets	III-1
------------------------------	-------

FLOOR COVERING

Carpet	III-3
Mats	III-3
Hardwood Floors	III-3

FURNITURE

Interior doors	III-4
Mirrors	III-5
Drawer	III-7
Rear bedroom	III-9
Bath	III-12
Galley	III-18
Lounge	III-26

HARDWARE

Exterior locks/hinges	III-32
Window hardware	III-36
Rock Guard	III-37
Interior drawer slides/hinges latches	III-38
Bath/table	III-42
Awning	III-45

TABLE OF CONTENTS

SECTION IV- EXCELLA

L through Z

[LABELS and TAGS](#) IV-1

[OPTIONS](#) IV-2

PLUMBING

[LPG](#) IV-3

[Fresh water](#) IV-4

[Faucets](#) IV-5

[Drain water](#) IV-10

[Sinks](#) IV-12

[Toilet](#) IV-15

[SAFETY EQUIPMENT](#) IV-16

[SEALER/GASKETS/PAINT](#) IV-17

[UPHOLSTERY/FOAM/MATTRESS](#) IV-18

[VENTS/FANS](#) IV-19

[WOOD/LAMINATES/TRIM](#) IV-20

TABLE OF CONTENTS
SECTION I - EXCELLA TRAILER
A through C

APPLIANCES

Air Conditioner	I-1
Furnace	I-1
Microwave	I-1
Range	I-2
Refrigerator	I-2
Water Heater.....	I-3

BODY

End shell, aft.....	I-5
End shell, front	I-7
Roof	I-9
RS wall,34ft.	I-11
CS wall,34ft.	I-13
RS wall,34FK.....	I-15
CS wall,34FK.....	I-17
RS wall,31 ND	I-19
CS wall,31 ND	I-21
RS wall,30ft.	I-23
CS wall,30ft.	I-25
RS wall,28ft.	I-27
CS wall,28ft.	I-29
RS wall,25ft.	I-31
CS wall,25ft.	I-33
Body interior	I-34

CHASSIS

A-frame.....	I-35
Power jack	I-37
Step	I-41
Outrigger/underbelly	I-43
Jacks/Below floor storage	I-44
Axles/shocks/wheels.....	I-45
Brakes,12"	I-46

1999 EXCELLA TRAILER APPLIANCES

AIR CONDITIONER, DUO THERM

690380-01	Air conditioner, Duo Therm w/heat pump
690380-04	Thermostat
690380-03	Air box, polar white
385582-01	Decal, Airstream w/bar
690323-100	Shroud, exterior, Penguin air conditioner
961270	Pan Assembly, drain, air conditioner

FURNACE, HYDROFLAME

* 690274-04	Furnace, Hydroflame, #8525-IV, 25, 000, 25ft.
*690274-01	Furnace, Hydroflame, #8531-IV, 31, 000, 28ft.
*690274	Furnace, Hydroflame, #8535-IV 34, 000, 30ft. & up
690274-09	Door exterior, Hydroflame
601244-03	Register.rotaire, black
600247	4" duct hose, flexible
690274-102	Module board, furnace
511228	Thermostat, off white

MICROWAVE

690345-01	Microwave, convection, Sharp
690345-03	Trim ring, convection microwave
690392	Microwave oven, .9CF, Samsung
690392-01	Trim kit, Samsung
690407-01	Microwave oven, Dometic
690407-02	Trim kit, Dometic microwave

*The Hydro flame furnace changed from series III to Series IV starting with trailers #512445 & 512446

1999 EXCELLA TRAILER

MAYTAG RANGE

690396-02	Range top, 3-burner
690396-04	Range, 3-burner w/oven
690396-03	Range cover, bi-fold
964383-01	Range covers, Corian, set

DOMETIC REFRIGERATOR

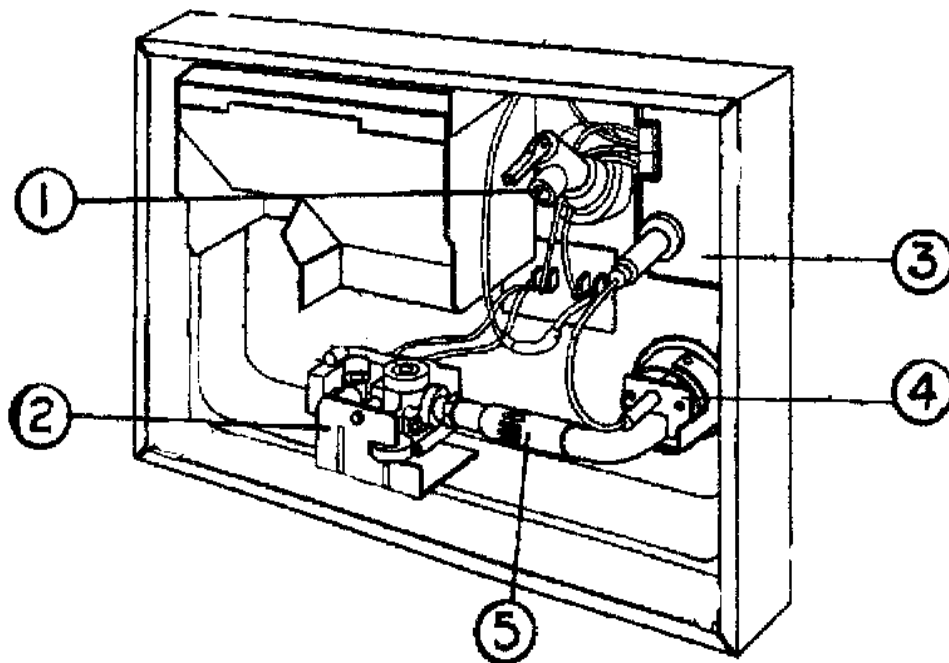
690369	Refrigerator, RM3662, 2-way, 25ft.
690371-02	Refrigerator, RM4872L, 2-way, 34FK, 31, 30, 28ft
690371-01	Refrigerator, RM4872R, 2-way, 34ft.
801225-01	Oak refrigerator door insert 15.5" x 20.38"
801225-02	Oak refrigerator door insert 32.25" x 20.38"
801225-03	Oak refrigerator door insert 38.38" x 20.38"
104439	Louvered panel, exterior access door
101394	Cover, refrigerator roof vent, large
100341	Vent collar w/screen, refrigerator, large

1999 EXCELLA TRAILER

APPLIANCES

ATWOOD WATER HEATER, GC6AA-9E

- 690405 Water heater, Atwood, elec. ignition, 110 volt/gas
- 500933 Switch, water heater, electronic
- 690209 Access cover, brushed aluminum
- 510514 Switch, 110v, 3 way, priority (water heater/micro-wave) CSA only



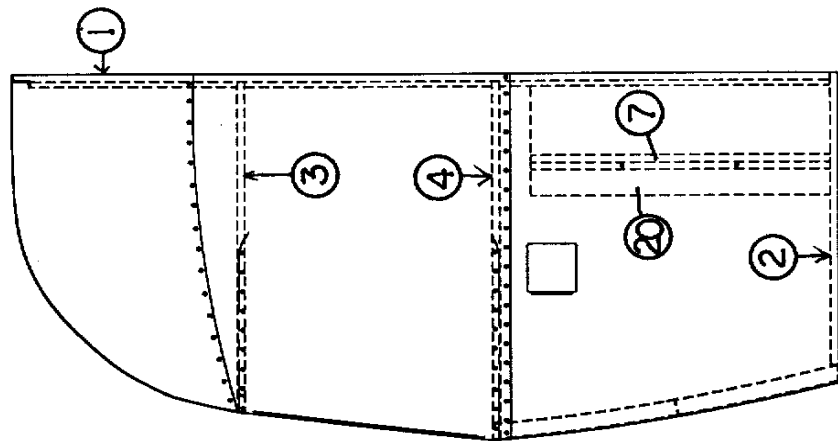
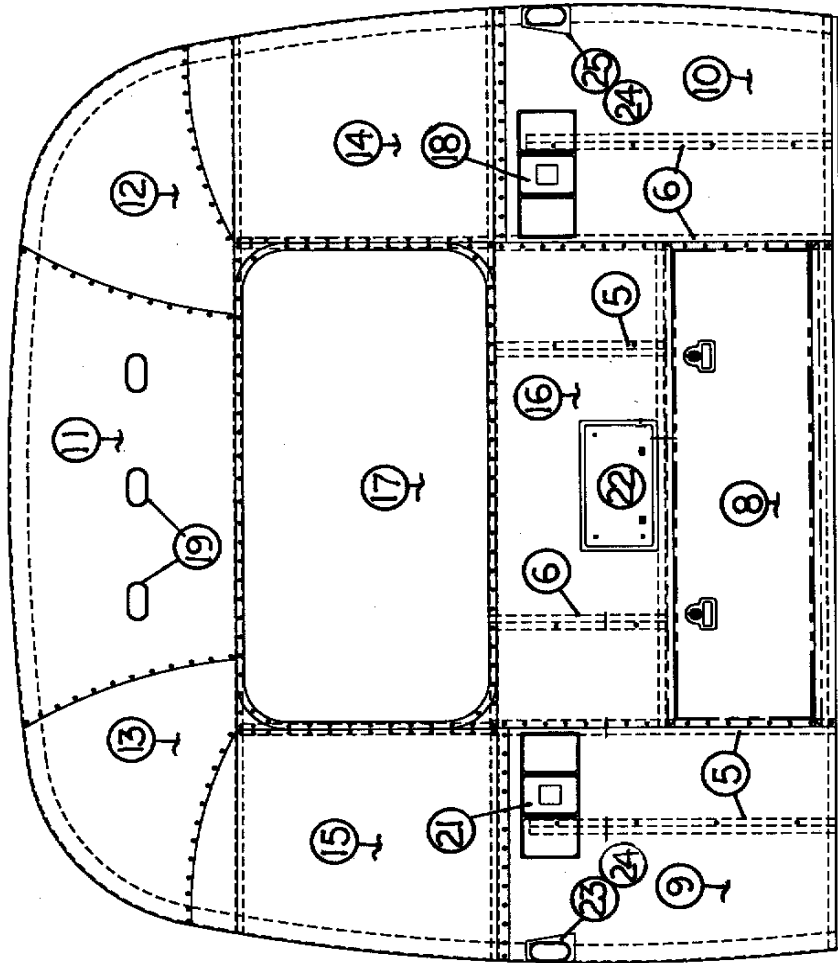
Front of water heater

- 1) 091604 Relief valve, pressure/temperature
- 2) 093870 Solenoid valve
- 3) 093865 Circuit board
- 4) 093868 Spark probe
- 5) 092615 Main burner

Back of water heater

- 091160 heating element, 110volt
- 091873 ECO thermostat
- 091092 On/off switch, 110Volt

1999 EXCELLA TRAILER



1999 EXCELLA TRAILER

BODY-AFT END

921161-10 End shell complete, rear, w/trunk door
921161-09 End shell complete, rear, 25ft.

- 1) 114993 End bow
- 2) 114676 Floor bow
- 3) 114678 Upper window bow
- 4) 114677 Lower window bow
- 5) 114505-01 Support, lower end, LH
- 6) 114505-02 Support, lower end, RH
- 7) 101315 Brace, vertical rear
- 8) 921159 Trunk door assembly (some models)

***Airstream
finish**

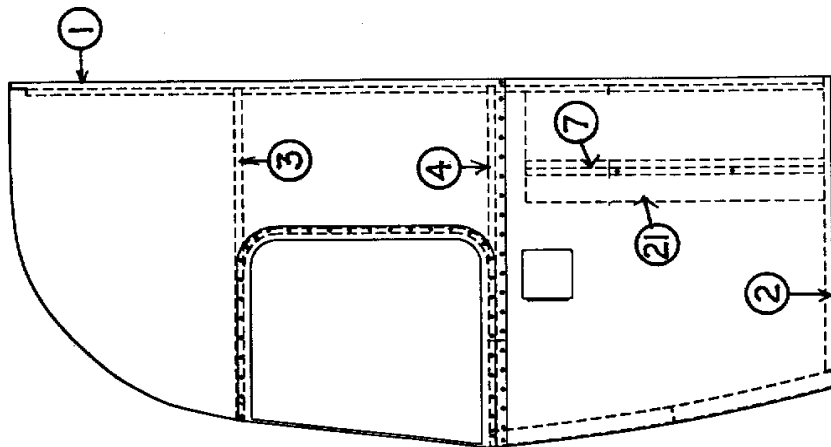
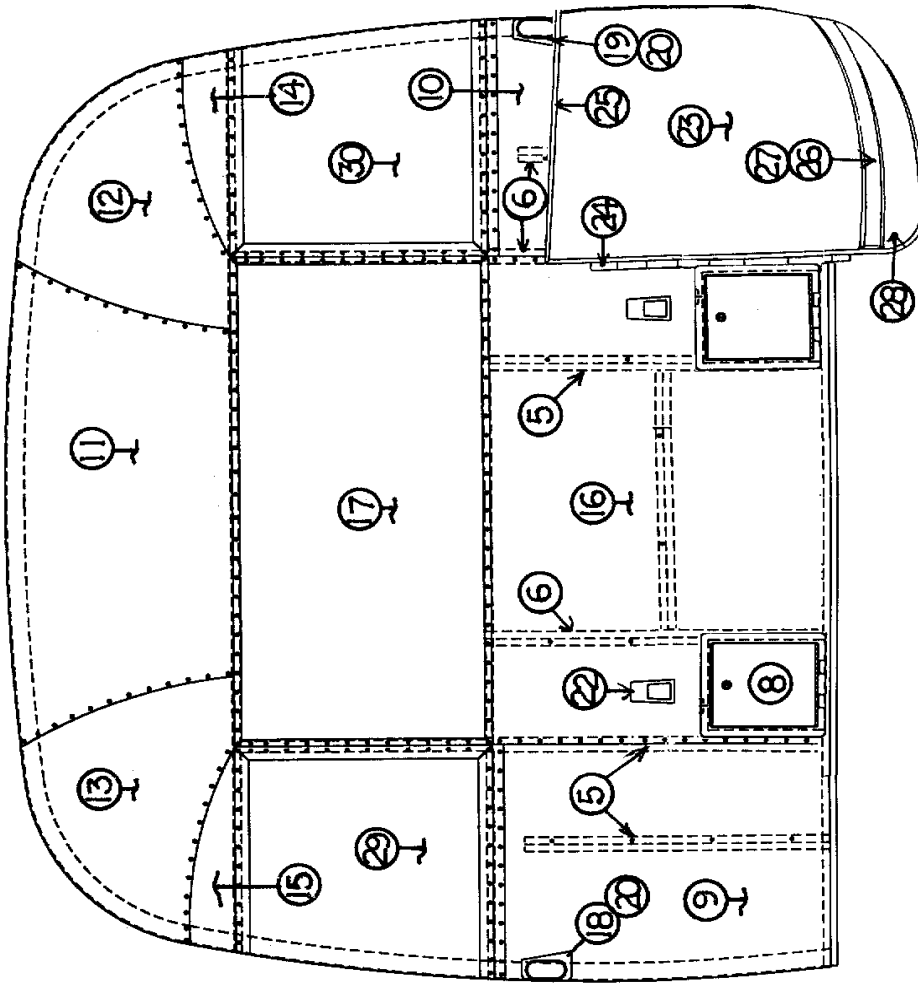
**Alcoa
finish**

- | | | |
|------------|-----------------------|--------|
| 9) 114407 | Segment #29 | 114895 |
| 10) 114406 | Segment #28 | 114894 |
| 11) 114671 | Segment #25 | 114893 |
| 12) 114404 | Segment #26 | 114890 |
| 13) 114405 | Segment #27 | 114891 |
| 14) 104443 | Segment, center right | 114889 |
| 15) 104442 | Segment, center left | 114888 |

- 16) NPN Alum. sheet, .050" x 19.0" x 51.0" (cut from 114360-318)
- 17) 371348-02 Window, rear escape
- 18) 962169-02 Taillight complete, CS
- 19) 510111 Clearance light, red
- 20) NPN Alum. sheet, .040" x 12.0" x 29.0" (cut from 114488)
- 21) 962169-01 Taillight complete, RS
- 22) 201954 License plate housing, black
- 23) 101178 Base, clearance light casting, RS rear
- 24) 510111 Clearance light, red
- 25) 101177 Base, clearance light casting, CS rear

*All trailers built after serial #512612 will have Alcoa finish.

1999 EXCELLA TRAILER



1999 EXCELLA TRAILER

BODY-FRONT END

921160-09End shell complete, all except 34FK

921160-10End shell complete, 34FK

- 1) 114993 End bow
- 2) 114676 Floor bow
- 3) 114678 Upper window bow
- 4) 114677 Lower window bow
- 5) 114505-01 Support, lower end, LH
- 6) 114505-02 Support, lower end, RH
- 7) 101315 Brace, vertical rear
- 8) 109852 Battery box assembly

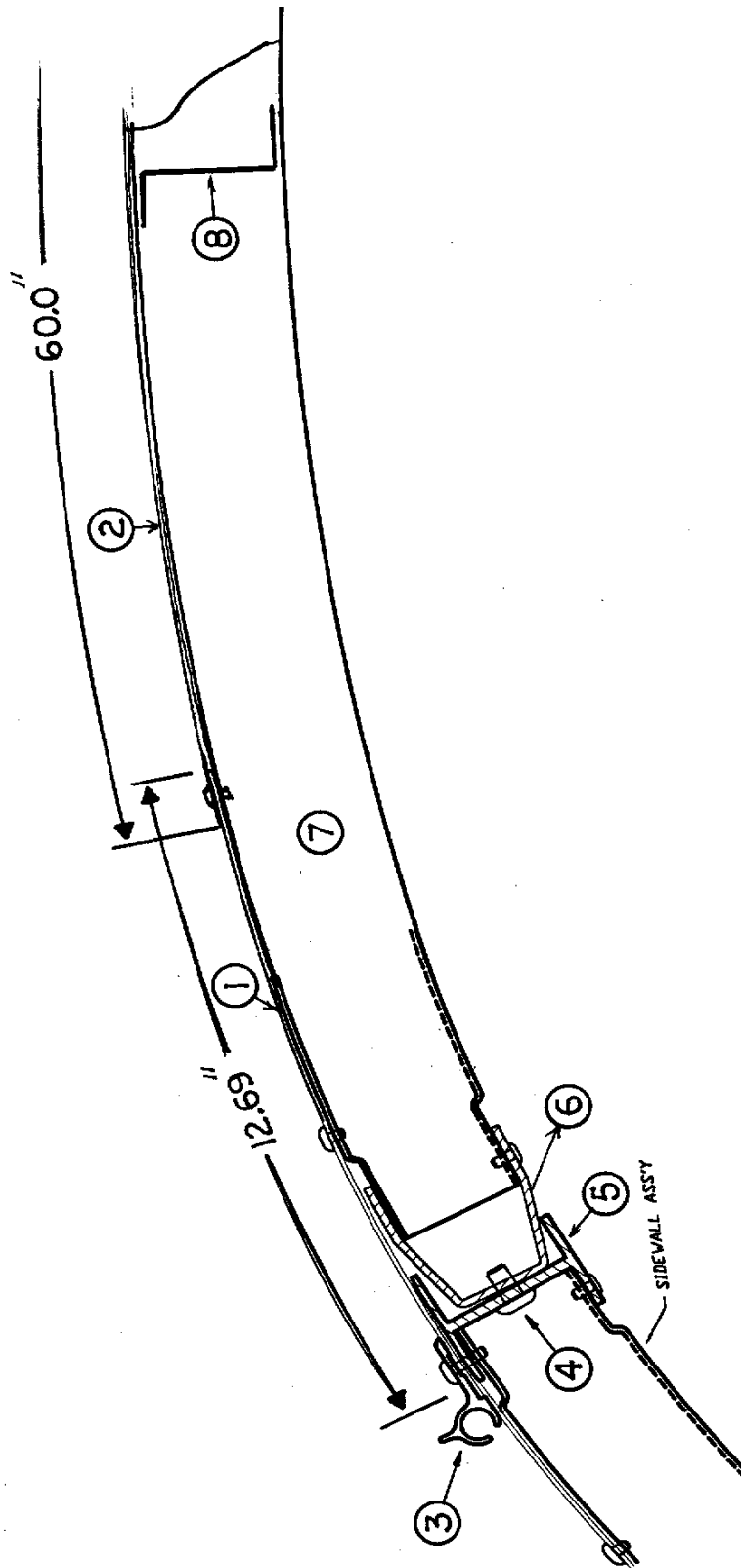
*** Airstream
finish**

- 9) 114407 Segment #29
- 10) 114406 Segment #28
- 11) 114671 Segment #25
- 12) 114404 Segment #26
- 13) 114405 Segment #27
- 14) 104443 Segment, center right
- 15) 104442 Segment, center left
- 16) NPN Alum. sheet, .050" x 34.75" x 51." (cut from 114360-318)
- 17) 371346-02 Window, front, dark glass
- 17a) 371348-01 Window, front, dark glass, Front Kitchen
- 18) 101178 Base , lamp, cast polished, RS
- 19) 101177 Base, lamp, cast polished, CS
- 20) 510112 Clearance light, amber
- 21)) NPN Alum. sheet, .040" x 12.0" x 29.0" (cut from 114488)
- 22) 510732 Utility light #1327
- 23) 685276-100 Wrap protector, SS, specify side
- 24) 381605-01 Hinge, stainless, wrap protector
- 25) 100742-01 Extrusion, mirror/wrap protector trim
- 26) 114460 Extrusion, rub rail
- 27) 201763-01 Insert, rub rail
- 28) 200542 Underbelly wrap, RS wrap protector
- 28a) 200543 Underbelly wrap, CS wrap protector
- 29) 372089 Panoramic window, CS front
- 30) 372088 Panoramic window, RS front

**Alcoa
finish**

* All trailers built after serial #512612 will have Alcoa finish.

1999 EXCELLA TRAILER



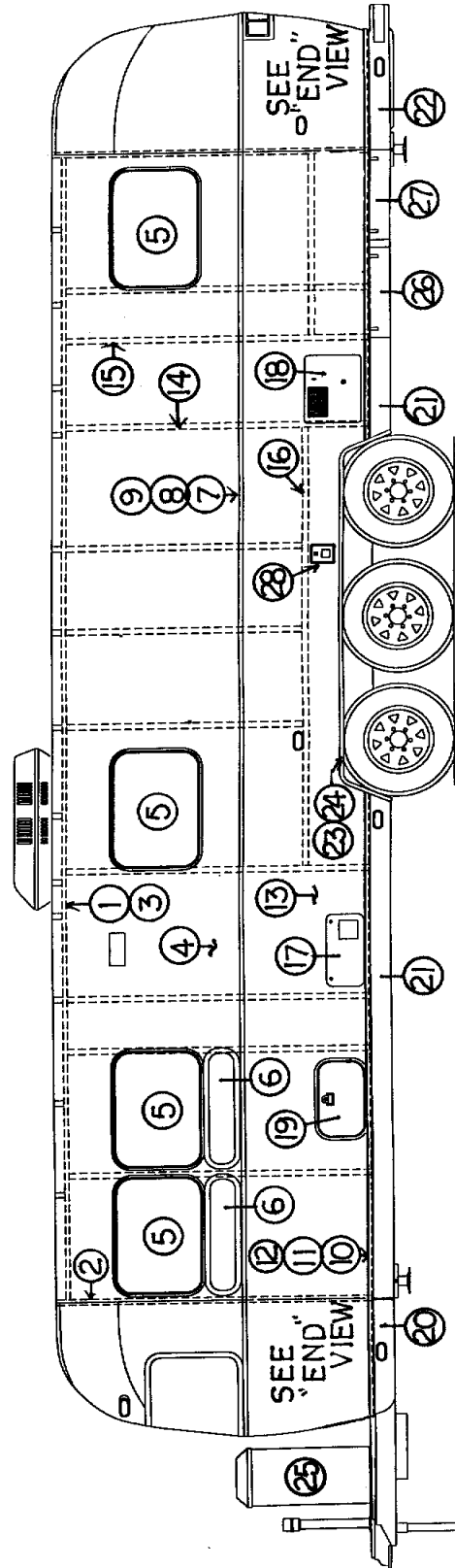
1999 EXCELLA TRAILER

BODY

ROOF-END VIEW

- | | |
|----------------|--------------------------------------------------|
| 1) 114669-307 | Alum. sheet, white, .032 x 12.69 x 307" |
| 2) 114489-307 | Alum. sheet, white, .032 x 60.0 x 307", 34ft |
| 2a) 114489-262 | Alum. sheet, white, .032 x 60 x 262", 30 & 31ft. |
| 2b) 114489-198 | Alum. sheet, white, .032 x 60 x 198", 25ft. |
| 3) 114290-03 | Extrusion, awning/drip rail |
| 4) 340123-02 | Rivet, Huck, 3/16 x 1/2" |
| 5) 104707-05 | Extrusion, "I" beam |
| 6) 114338 | Extrusion, roof corner |
| 7) 114668 | Roof bow |
| 8) 104408 | Extrusion, Z bar, horizontal |

1999 EXCELLA TRAILER



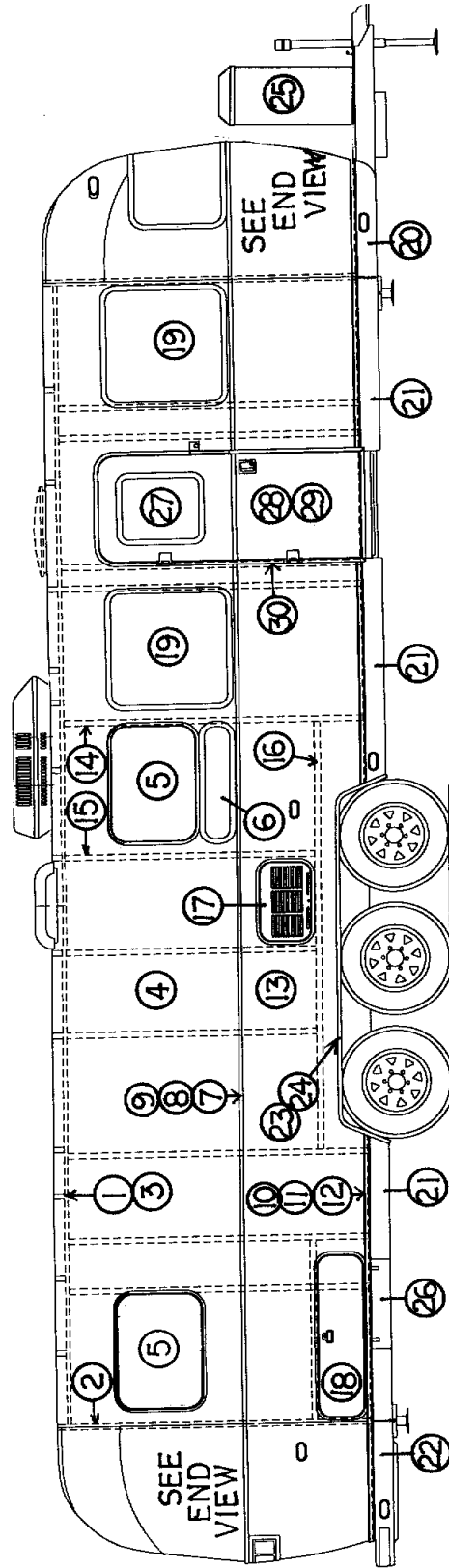
1999 EXCELLA TRAILER

BODY-34FT EXCELLA, RS

(Hardware such as hinges, locks and latches are located in the **hardware** section of this book)

- 1) 114290-03 Extrusion, awning/drip rail
- 2) 114993 Rib, end bow
- 3) 104707 Extrusion, "I" beam
- 4) 114880-307 Aluminum sheet, upper, .040 x 51 x 307"
- 5) 371324-02 Window, 30in. opening
- 6) 371270-01 Window, 30in., stack, stationary
- 7) 114328 Extrusion, belt line
- 8) 201912 Molding, chrome, belt line
- 9) 114414 "Z" bar, 1 x 1 x 1.5"
- 10) 114460 Extrusion, rub rail
- 11) 201763-01 Insert, rub rail, chrome, 1"
- 12) 100986 Floor channel
- 13) 114879-307 Aluminum sheet, lower, .040 x 33 x 307"
- 14) 114387-01 Bow, Z rib, RH
- 15) 114387-02 Bow, Z rib, LH
- 16) 100986 Wheel well stiffener (floor channel)
- 17) 690274-09 Cover, Hydroflame furnace
- 18) 690209 Cover, brushed aluminum, Atwood
- 19) 100679 Access door w/jamb
- 20) 200542 Banana wrap, RS front
- 21) 101131-01 Underbelly wrap, .024 x 22.5, pewter
- 22) 201974-01 Bumper, rear corner, RS
- 23) 114003-01 Wheel well trim, inner, tri-axle
- 24) 114004-01 Wheel well trim, outer, tri-axle
- 25) 108393 Bottle cover, LP, w/out decal
- 26) 114496-02 Door, utility compartment
- 27) 114496-01 Door, power cord compartment
- 28) 601194 Water fill w/lock

1999 EXCELLA TRAILER



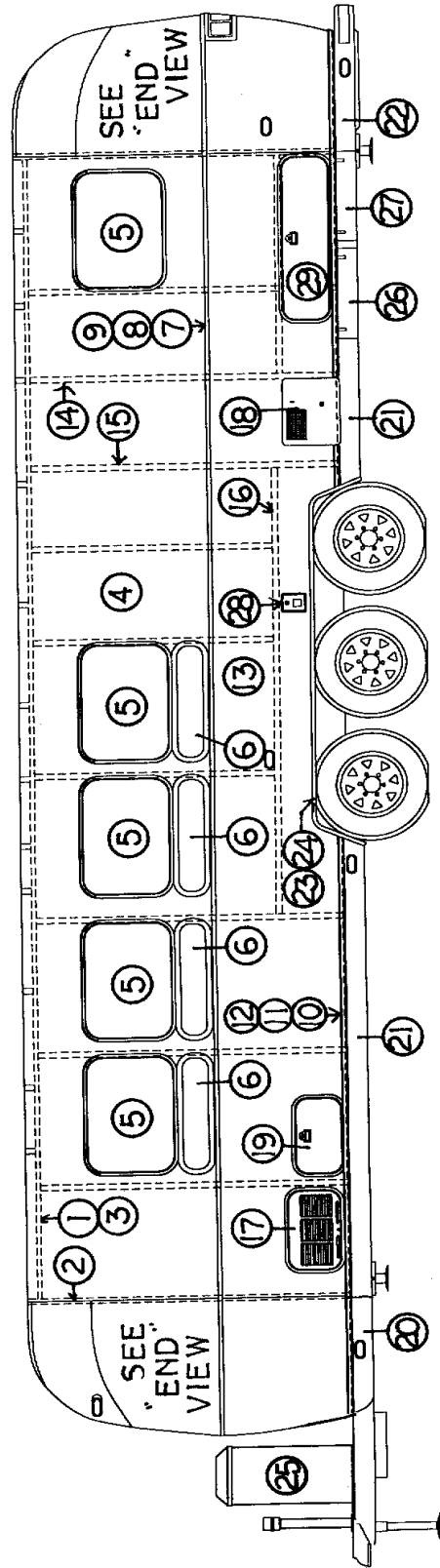
1999 EXCELLA TRAILER

BODY-34FT EXCELLA, CS

(Hardware such as hinges, locks and latches are located in the **hardware** section of this book)

- 1) 114290-03 Extrusion, awning/drip rail
- 2) 114993 Rib, end bow
- 3) 104707 Extrusion, "I" beam
- 4) 114880-307 Aluminum sheet, upper, .040 x 51 x 307"
- 5) 371324-02 Window, 30in. opening
- 6) 371270-01 Window, 30in., stack, stationary
- 7) 114328 Extrusion, belt line
- 8) 201912 Molding, chrome, belt line
- 9) 114414 "Z" bar, 1x1x1.5"
- 10) 114460 Extrusion, rub rail
- 11) 201763-01 Insert, rub rail, chrome, 1"
- 12) 100986 Floor channel
- 13) 114879-307 Aluminum sheet, lower, .040 x 33 x 307"
- 14) 114387-01 Bow, Z rib, RH
- 15) 114387-02 Bow, Z rib, LH
- 16) 100986 Wheel well stiffener(floor channel)
- 17) 104439 Louvered panel, refrigerator access door
- 18) 922288-01 Door, side access, long, twin only
- 19) 371285-01 Window, stationary, 30in.
- 20) 200543 Banana wrap, CS front
- 21) 101131-01 Underbelly wrap, .024 x 22.5, pewter
- 22) 201974-02 Bumper, rear corner, CS
- 23) 114003-01 Wheel well trim, inner, tri-axle
- 24) 114004-01 Wheel well trim, outer, tri-axle
- 25) 108393 Bottle cover, LP, w/out decal
- 26) 114496-02 Door, utility compartment
- 27) 371319-05 Window, main door
- 28) 110067-04 Main door assembly, Limited
- 29) 114654 Screen door assembly
- 30) 114652 Main door jamb, formed

1999 EXCELLA TRAILER



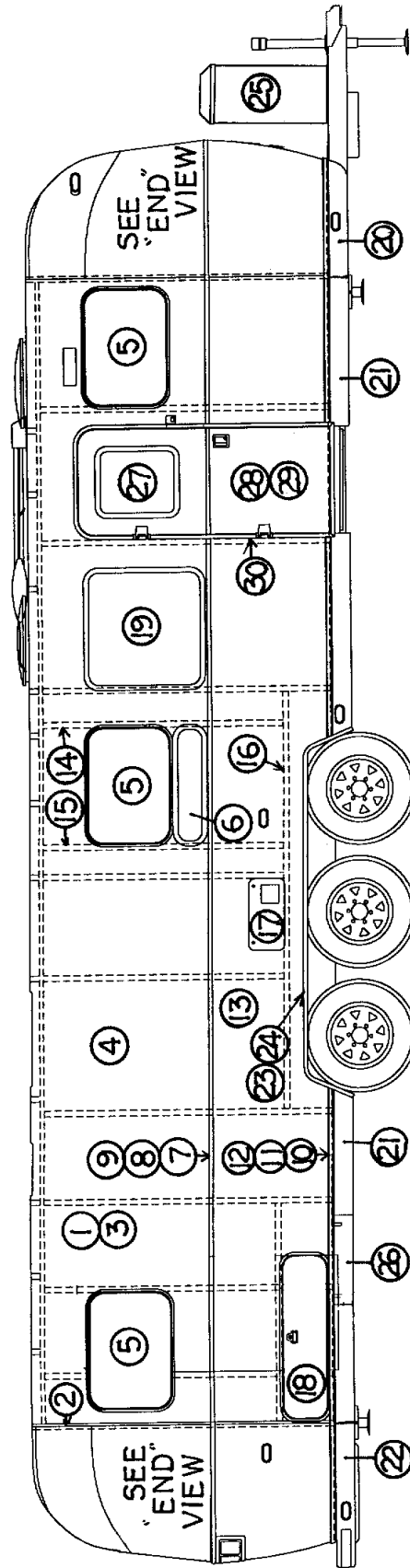
1999 EXCELLA TRAILER

BODY-34FT EXCELLA, RS, FK

(Hardware such as hinges, locks and latches are located in the **hardware** section of this book)

- 1) 114290-03 Extrusion, awning/drip rail
- 2) 114993 Rib, end bow
- 3) 104707 Extrusion, "I" beam
- 4) 114880-307 Aluminum sheet, upper, .040 x 51 x 307"
- 5) 371324-02 Window, 30in. opening
- 6) 371270-01 Window, 30in., stack, stationary
- 7) 114328 Extrusion, belt line
- 8) 201912 Molding, chrome, belt line
- 9) 114414 "Z" bar, 1x1x1.5"
- 10) 114460 Extrusion, rub rail
- 11) 201763-01 Insert, rub rail, chrome, 1"
- 12) 100986 Floor channel
- 13) 114879-307 Aluminum sheet, lower, .040 x 33 x 307"
- 14) 114387-01 Bow, Z rib, RH
- 15) 114387-02 Bow, Z rib, LH
- 16) 100986 Wheel well stiffener (floor channel)
- 17) 104439 Louvered panel, refrigerator access door
- 18) 690209 Cover, brushed aluminum, Atwood
- 19) 100679 Access door w/jamb
- 20) 200542 Banana wrap, RS front
- 21) 101131-01 Underbelly wrap, .024 x 22.5, pewter
- 22) 201974-01 Bumper, rear corner, RS
- 23) 114003-01 Wheel well trim, inner, tri-axle
- 24) 114004-01 Wheel well trim, outer, tri-axle
- 25) 108393 Bottle cover, LP, w/out decal
- 26) 114496-02 Door, utility compartment
- 27) 114496-01 Door, power cord compartment
- 28) 601194 Water fill w/lock
- 29) 922288-01 Door, side access, long, twin only

1999 EXCELLA TRAILER



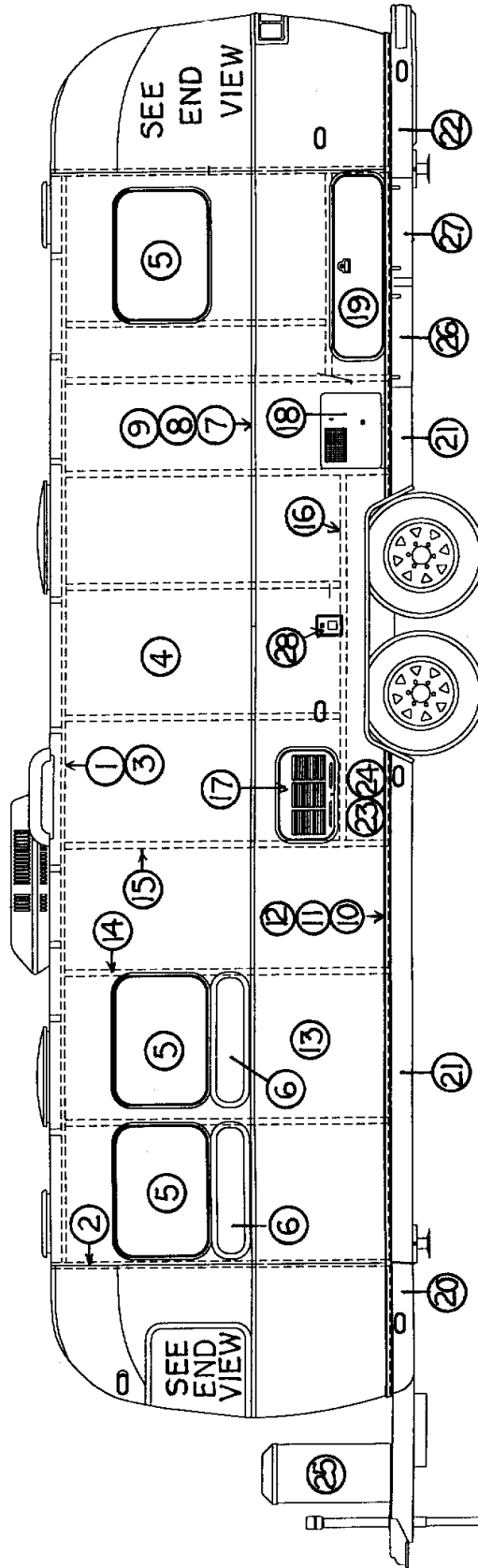
1999 EXCELLA TRAILER

BODY-34FT EXCELLA, CS, FK

(Hardware such as hinges, locks and latches are located in the **hardware** section of this book)

- 1) 114290-03 Extrusion, awning/drip rail
- 2) 114993 Rib, end bow
- 3) 104707 Extrusion, "I" beam
- 4) 114880-307 Aluminum sheet, upper, .040 x 51 x 307"
- 5) 371324-02 Window, 30in. opening
- 6) 371270-01 Window, 30in., stack, stationary
- 7) 114328 Extrusion, belt line
- 8) 201912 Molding, chrome, belt line
- 9) 114414 "Z" bar, 1x1x1.5"
- 10) 114460 Extrusion, rub rail
- 11) 201763-01 Insert, rub rail, chrome, 1"
- 12) 100986 Floor channel
- 13) 114879-307 Aluminum sheet, lower, .040 x 33 x 307"
- 14) 114387-01 Bow, Z rib, RH
- 15) 114387-02 Bow, Z rib, LH
- 16) 100986 Wheel well stiffener(floor channel)
- 17) 690274-09 Cover Hydroflame furnace
- 18) 922288-01 Door, side access, long, twin only
- 19) 371285-01 Window, stationary, 30in.
- 20) 200543 Banana wrap, CS front
- 21) 101131-01 Underbelly wrap, .024 x 22.5, pewter
- 22) 201974-02 Bumper, rear corner, CS
- 23) 114003-01 Wheel well trim, inner, tri-axle
- 24) 114004-01 Wheel well trim, outer, tri-axle
- 25) 108393 Bottle cover, LP, w/out decal
- 26) 114496-02 Door, utility compartment
- 27) 371319-05 Window, main door
- 28) 110067-04 Main door assembly, Limited
- 29) 114654 Screen door assembly
- 30) 114652 Main door jamb, formed

1999 EXCELLA TRAILER



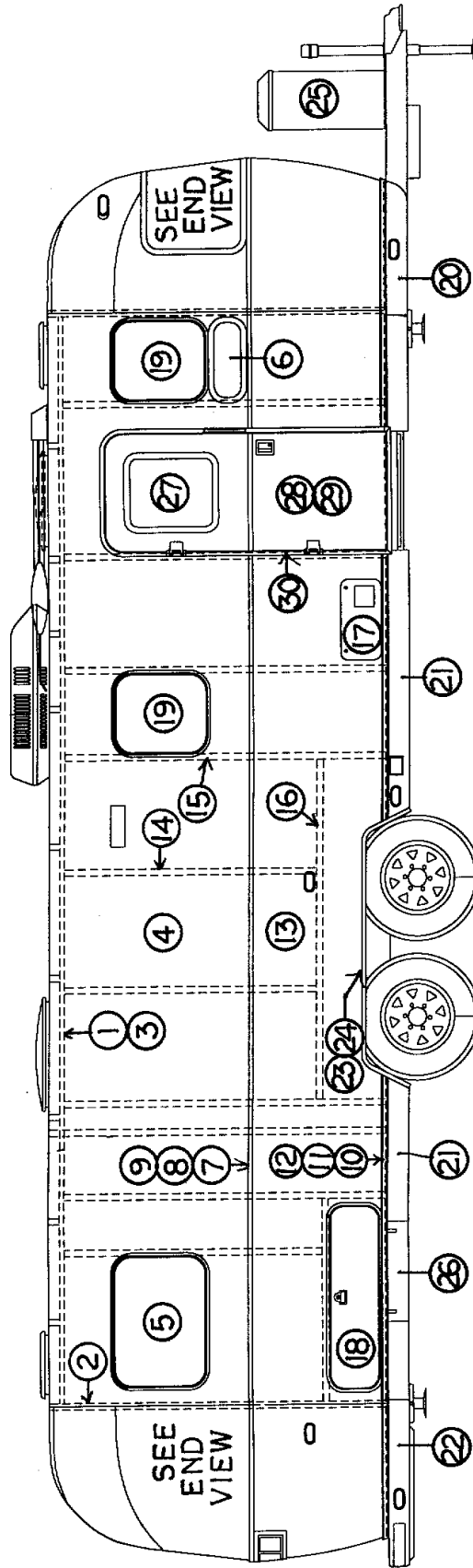
1999 EXCELLA TRAILER

BODY-31FT EXCELLA, RS, ND

(Hardware such as hinges, locks and latches are located in the **hardware** section of this book)

- | | |
|----------------|------------------------------------------|
| 1) 114290-03 | Extrusion, awning/drip rail |
| 2) 114993 | Rib, end bow |
| 3) 104707 | Extrusion, "I" beam |
| 4) 114880-262 | Aluminum sheet, upper, .040 x 51 x 262" |
| 5) 371324-02 | Window, 30in. opening |
| 6) 371270-01 | Window, 30in., stack, stationary |
| 7) 114328 | Extrusion, belt line |
| 8) 201912 | Molding, chrome, belt line |
| 9) 114414 | "Z" bar, 1x1x1.5" |
| 10) 114460 | Extrusion, rub rail |
| 11) 201763-01 | Insert, rub rail, chrome, 1" |
| 12) 100986 | Floor channel |
| 13) 114879-262 | Aluminum sheet, lower, .040 x 33 x 262" |
| 14) 114387-01 | Bow, Z rib, RH |
| 15) 114387-02 | Bow, Z rib, LH |
| 16) 100986 | Wheel well stiffener(floor channel) |
| 17) 104439 | Louvered panel, refrigerator access door |
| 18) 690209 | Cover, brushed aluminum, Atwood |
| 19) 922288-01 | Door, side access, long, twin only |
| 20) 200542 | Banana wrap, RS front |
| 21) 101131-01 | Underbelly wrap, .024 x 22.5, pewter |
| 22) 201974-01 | Bumper, rear corner, RS |
| 23) 684936 | Wheel well trim, inner, tandem axle |
| 24) 684937 | Wheel well trim, outer, tandem axle |
| 25) 108393 | Bottle cover, LP, w/o decals |
| 26) 114496-02 | Door, utility compartment |
| 27) 114496-01 | Door, power cord compartment |
| 28) 601194 | Water fill w/lock |

1999 EXCELLA TRAILER



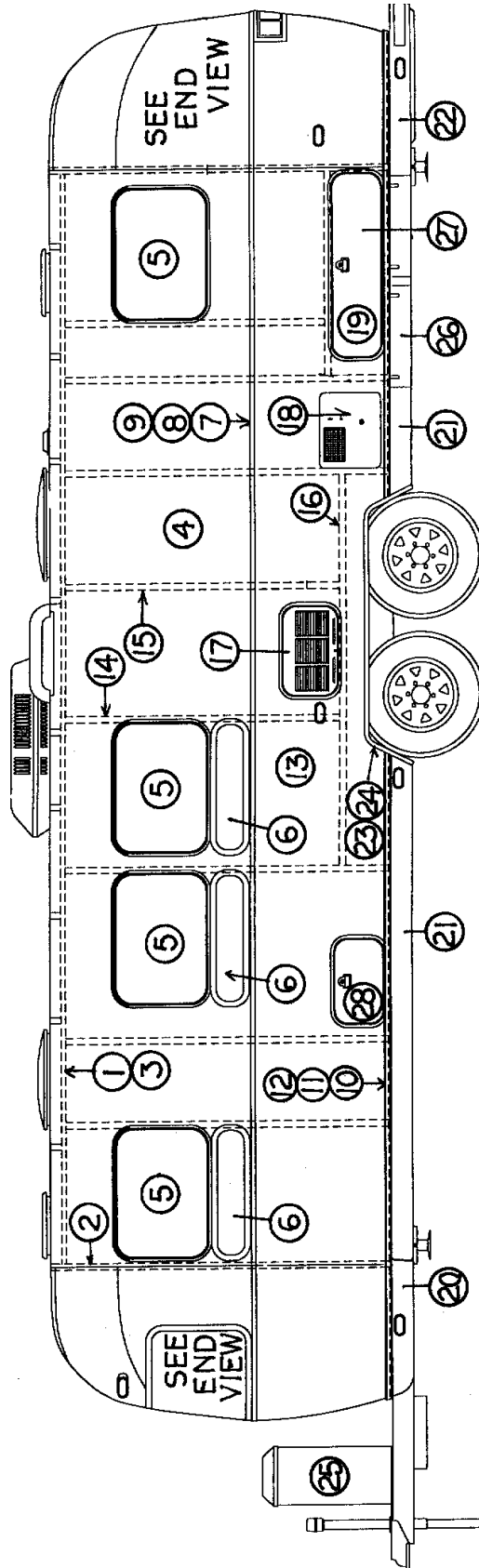
1999 EXCELLA TRAILER

BODY-31FT EXCELLA, CS, ND

(Hardware such as hinges, locks and latches are located in the **hardware** section of this book)

- 1) 114290-03 Extrusion, awning/drip rail
- 2) 114993 Rib, end bow
- 3) 104707 Extrusion, "I" beam
- 4) 114880-262 Aluminum sheet, upper, .040 x 51 x 262"
- 5) 371324-02 Window, 30in. opening
- 6) 371269 Window, 18in., stack, stationary
- 7) 114328 Extrusion, belt line
- 8) 201912 Molding, chrome, belt line
- 9) 114414 "Z" bar, 1x1x1.5"
- 10) 114460 Extrusion, rub rail
- 11) 201763-01 Insert, rub rail, chrome, 1"
- 12) 100986 Floor channel
- 13) 114879-262 Aluminum sheet, lower, .040 x 33 x 262"
- 14) 114387-01 Bow, Z rib, RH
- 15) 114387-02 Bow, Z rib, LH
- 16) 100986 Wheel well stiffener(floor channel)
- 17) 690274-09 Cover Hydroflame furnace
- 18) 922288-01 Door, side access, long, twin only
- 19) 371323 Window, 18in. opening
- 20) 200543 Banana wrap, CS front
- 21) 101131-01 Underbelly wrap, .024 x 22.5, pewter
- 22) 201974-02 Bumper, rear corner, CS
- 23) 684936 Wheel well trim, inner, tandem axle
- 24) 684937 Wheel well trim, outer, tandem axle
- 25) 108393 Bottle cover, LP, w/o decal
- 26) 114496-02 Door, utility compartment
- 27) 371319-05 Window, main door
- 28) 110067-04 Main door assembly, Limited
- 29) 114654 Screen door assembly
- 30) 114652 Main door jamb, formed

1999 EXCELLA TRAILER



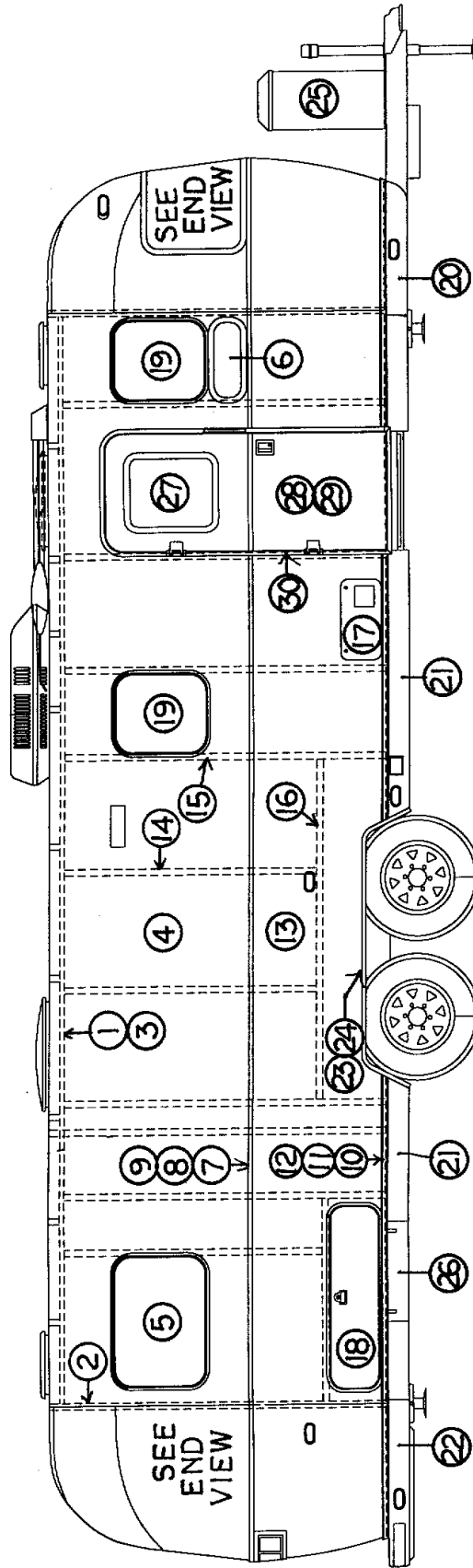
1999 EXCELLA TRAILER

BODY-30FT EXCELLA, RS

(Hardware such as hinges, locks and latches are located in the **hardware** section of this book)

- 1) 114290-03 Extrusion, awning/drip rail
- 2) 114993 Rib, end bow
- 3) 104707 Extrusion, "I" beam
- 4) 114880-262 Aluminum sheet, upper, .040 x 51 x 262"
- 5) 371324-02 Window, 30in. opening
- 6) 371270-01 Window, 30in., stack, stationary
- 7) 114328 Extrusion, belt line
- 8) 201912 Molding, chrome, belt line
- 9) 114414 "Z" bar, 1x1x1.5"
- 10) 114460 Extrusion, rub rail
- 11) 201763-01 Insert, rub rail, chrome, 1"
- 12) 100986 Floor channel
- 13) 114879-262 Aluminum sheet, lower, .040 x 33 x 262"
- 14) 114387-01 Bow, Z rib, RH
- 15) 114387-02 Bow, Z rib, LH
- 16) 100986 Wheel well stiffener(floor channel)
- 17) 104439 Louvered panel, refrigerator access door
- 18) 690209 Cover, brushed aluminum, Atwood
- 19) 922288-01 Door, side access, long, twin only
- 20) 200542 Banana wrap, RS front
- 21) 101131-01 Underbelly wrap, .024 x 22.5, pewter
- 22) 201974-01 Bumper, rear corner, RS
- 23) 684936 Wheel well trim, inner, tandem axle
- 24) 684937 Wheel well trim, outer, tandem axle
- 25) 108393 Bottle cover, LP, w/o decals
- 26) 114496-02 Door, utility compartment
- 27) 114496-01 Door, power cord compartment
- 28) 100679 Access door w/jamb

1999 EXCELLA TRAILER



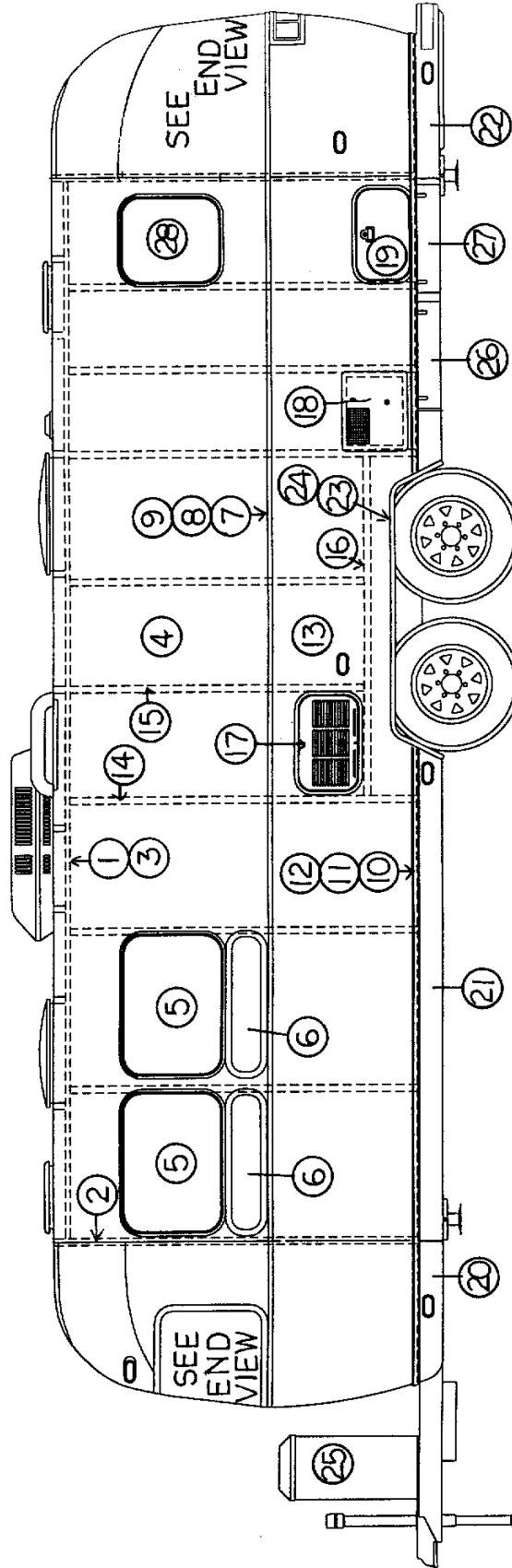
1999 EXCELLA TRAILER

BODY-30FT EXCELLA, CS

(Hardware such as hinges, locks and latches are located in the **hardware** section of this book)

- 1) 114290-03 Extrusion, awning/drip rail
- 2) 114993 Rib, end bow
- 3) 104707 Extrusion, "I" beam
- 4) 114880-262 Aluminum sheet, upper, .040 x 51 x 262"
- 5) 371324-02 Window, 30in. opening
- 6) 37126-01 Window, 18in., stack, stationary
- 7) 114328 Extrusion, belt line
- 8) 201912 Molding, chrome, belt line
- 9) 114414 "Z" bar, 1x1x1.5"
- 10) 114460 Extrusion, rub rail
- 11) 201763-01 Insert, rub rail, chrome, 1"
- 12) 100986 Floor channel
- 13) 114879-262 Aluminum sheet, lower, .040 x 33 x 262"
- 14) 114387-01 Bow, Z rib, RH
- 15) 114387-02 Bow, Z rib, LH
- 16) 100986 Wheel well stiffener(floor channel)
- 17) 690274-09 Cover Hydroflame furnace
- 18) 922288-01 Door, side access, long, twin only
- 19) 371323 Window, 18in. opening
- 20) 200543 Banana wrap, CS front
- 21) 101131-01 Underbelly wrap, .024 x 22.5, pewter
- 22) 201974-02 Bumper, rear corner, CS
- 23) 684936 Wheel well trim, inner, tandem axle
- 24) 684937 Wheel well trim, outer, tandem axle
- 25) 108393 Bottle cover, LP, w/o decal
- 26) 114496-02 Door, utility compartment
- 27) 371319-05 Window, main door
- 28) 110067-04 Main door assembly, Limited
- 29) 114654 Screen door assembly
- 30) 114652 Main door jamb, formed

1999 EXCELLA TRAILER



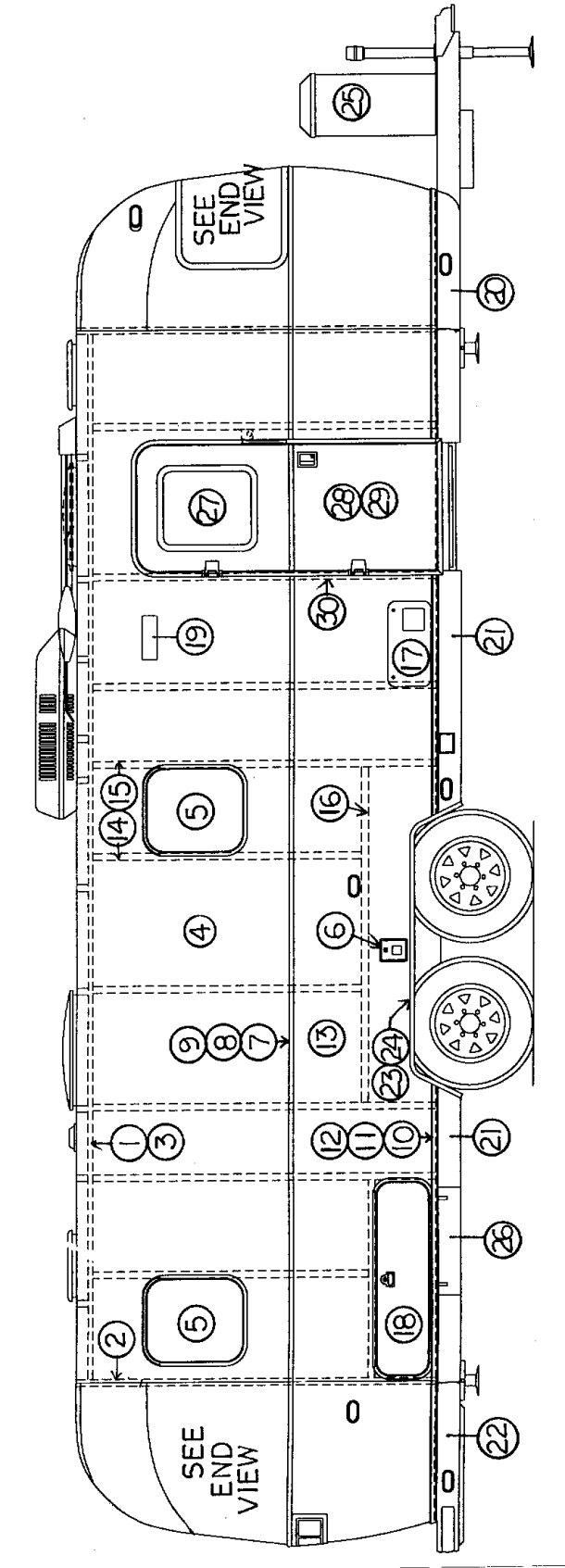
1999 EXCELLA TRAILER

BODY-28FT EXCELLA, RS

(Hardware such as hinges, locks and latches are located in the **hardware** section of this book)

- | | |
|----------------|------------------------------------------|
| 1) 114290-03 | Extrusion, awning/drip rail |
| 2) 114993 | Rib, end bow |
| 3) 104707 | Extrusion, "I" beam |
| 4) 114880-262 | Aluminum sheet, upper, .040 x 51 x 262" |
| 5) 371324-02 | Window, 30in. opening |
| 6) 371270-01 | Window, 30in., stack, stationary |
| 7) 114328 | Extrusion, belt line |
| 8) 201912 | Molding, chrome, belt line |
| 9) 114414 | "Z" bar, 1x1x1.5" |
| 10) 114460 | Extrusion, rub rail |
| 11) 201763-01 | Insert, rub rail, chrome, 1" |
| 12) 100986 | Floor channel |
| 13) 114879-262 | Aluminum sheet, lower, .040 x 33 x 262" |
| 14) 114387-01 | Bow, Z rib, RH |
| 15) 114387-02 | Bow, Z rib, LH |
| 16) 100986 | Wheel well stiffener (floor channel) |
| 17) 104439 | Louvered panel, refrigerator access door |
| 18) 690209 | Cover, brushed aluminum, Atwood |
| 19) 100679 | Door, side access with jamb |
| 20) 200542 | Banana wrap, RS front |
| 21) 101131-01 | Underbelly wrap, .024 x 22.5, pewter |
| 22) 201974-01 | Bumper, rear corner, RS |
| 23) 684936 | Wheel well trim, inner, tandem axle |
| 24) 684937 | Wheel well trim, outer, tandem axle |
| 25) 108393 | Bottle cover, LP, w/o decals |
| 26) 114496-02 | Door, utility compartment |
| 27) 114496-01 | Door, power cord compartment |
| 28) 371323-01 | Window, 18" opening |

1999 EXCELLA TRAILER



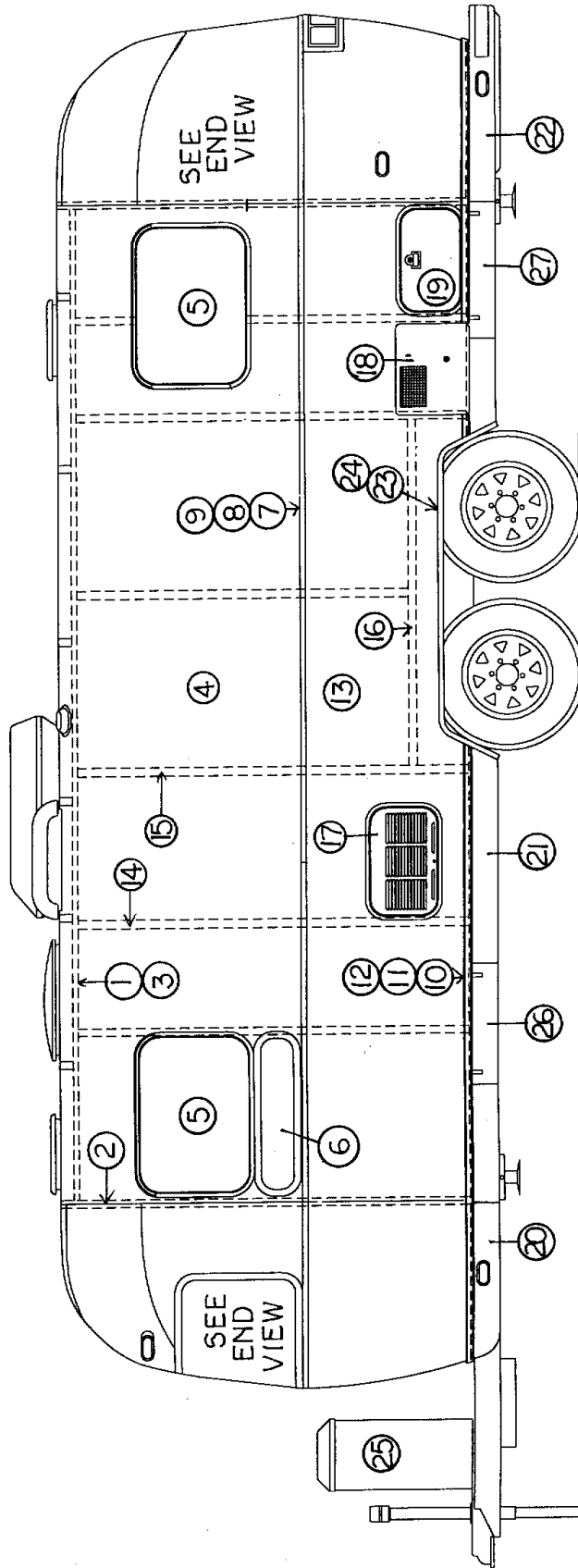
1999 EXCELLA TRAILER

BODY-28FT EXCELLA, CS

(Hardware such as hinges, locks and latches are located in the **hardware** section of this book)

- 1) 114290-03 Extrusion, awning/drip rail
- 2) 114993 Rib, end bow
- 3) 104707 Extrusion, "I" beam
- 4) 114880-262 Aluminum sheet, upper, .040 x 51 x 262"
- 5) 371323 Window, 18in. opening
- 6) 601694 Water fill w/lock
- 7) 114328 Extrusion, belt line
- 8) 201912 Molding, chrome, belt line
- 9) 114414 "Z" bar, 1x1x1.5"
- 10) 114460 Extrusion, rub rail
- 11) 201763-01 Insert, rub rail, chrome, 1"
- 12) 100986 Floor channel
- 13) 114879-262 Aluminum sheet, lower, .040 x 33 x 262"
- 14) 114387-01 Bow, Z rib, RH
- 15) 114387-02 Bow, Z rib, LH
- 16) 100986 Wheel well stiffener(floor channel)
- 17) 690274-09 Cover Hydroflame furnace
- 18) 922288-01 Door, side access, long, twin only
- 19) 511017-11 Vent cover, exterior, range exhaust
- 20) 200543 Banana wrap, CS front
- 21) 101131-01 Underbelly wrap, .024 x 22.5, pewter
- 22) 201974-02 Bumper, rear corner, CS
- 23) 684936 Wheel well trim, inner, tandem axle
- 24) 684937 Wheel well trim, outer, tandem axle
- 25) 108393 Bottle cover, LP, w/o decal
- 26) 114496-02 Door, utility compartment
- 27) 371319-05 Window, main door
- 28) 110067-04 Main door assembly, Limited
- 29) 114654 Screen door assembly
- 30) 114652 Main door jamb, formed

1999 EXCELLA TRAILER



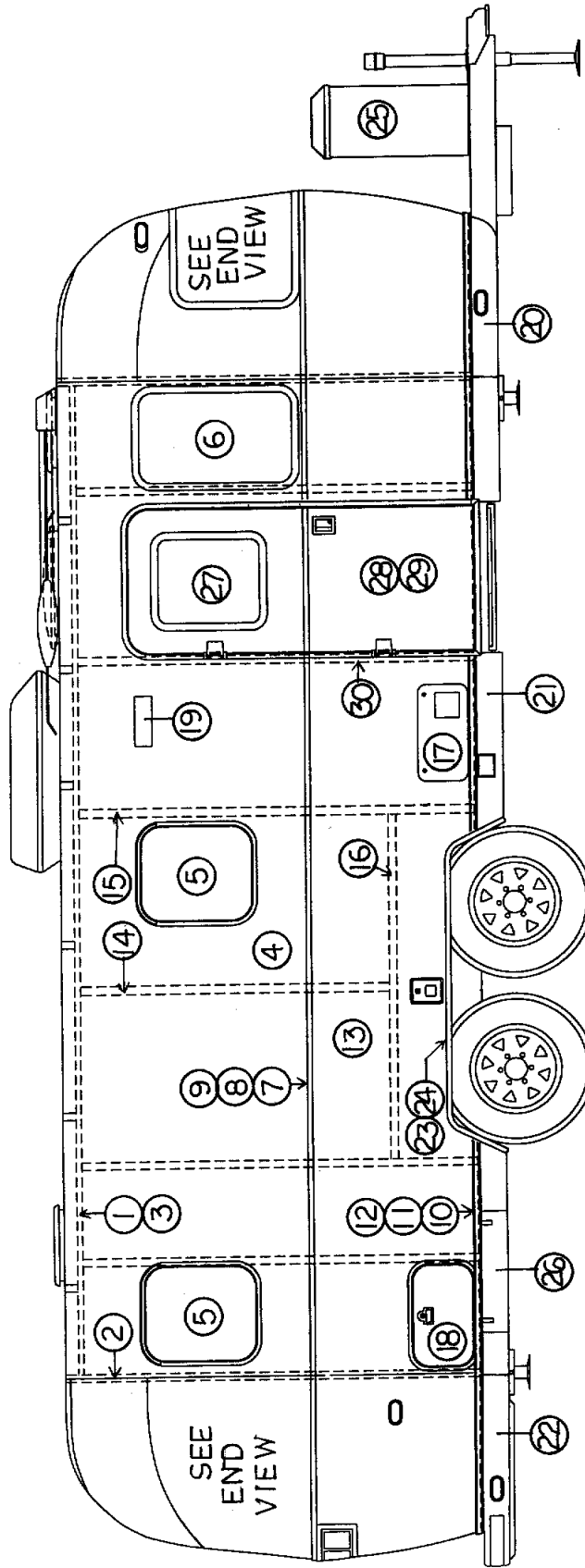
1999 EXCELLA TRAILER

BODY-25FT EXCELLA, RS

(Hardware such as hinges, locks and latches are located in the **hardware** section of this book)

- | | |
|----------------|------------------------------------------|
| 1) 114290-03 | Extrusion, awning/drip rail |
| 2) 114993 | Rib, end bow |
| 3) 104707 | Extrusion, "I" beam |
| 4) 114880-198 | Aluminum sheet, upper, .040 x 51 x 198" |
| 5) 371324-02 | Window, 30in. opening |
| 6) 371270-01 | Window, 30in., stack, stationary |
| 7) 114328 | Extrusion, belt line |
| 8) 201912 | Molding, chrome, belt line |
| 9) 114414 | "Z" bar, 1x1x1.5" |
| 10) 114460 | Extrusion, rub rail |
| 11) 201763-01 | Insert, rub rail, chrome, 1" |
| 12) 100986 | Floor channel |
| 13) 114879-198 | Aluminum sheet, lower, .040 x 33 x 198" |
| 14) 114387-01 | Bow, Z rib, RH |
| 15) 114387-02 | Bow, Z rib, LH |
| 16) 100986 | Wheel well stiffener (floor channel) |
| 17) 104439 | Louvered panel, refrigerator access door |
| 18) 690209 | Cover, brushed aluminum, Atwood |
| 19) 100679 | Door, side access with jamb |
| 20) 200542 | Banana wrap, RS front |
| 21) 101131-01 | Underbelly wrap, .024 x 22.5, pewter |
| 22) 201974-01 | Bumper, rear corner, RS |
| 23) 684936 | Wheel well trim, inner, tandem axle |
| 24) 684937 | Wheel well trim, outer, tandem axle |
| 25) 108393 | Bottle cover, LP, w/o decals |
| 26) 114496-02 | Door, utility compartment |
| 27) 114496-01 | Door, power cord compartment |

1999 EXCELLA TRAILER



1999 EXCELLA TRAILER

BODY-25FT EXCELLA, CS

(Hardware such as hinges, locks and latches are located in the **hardware** section of this book)

- | | |
|----------------|-----------------------------------------|
| 1) 114290-03 | Extrusion, awning/drip rail |
| 2) 114993 | Rib, end bow |
| 3) 104707 | Extrusion, "I" beam |
| 4) 114880-198 | Aluminum sheet, upper, .040 x 51 x 198" |
| 5) 371323 | Window, 18in. opening |
| 6) 371286-01 | Window, 18 x 30", fixed |
| 7) 114328 | Extrusion, belt line |
| 8) 201912 | Molding, chrome, belt line |
| 9) 114414 | "Z" bar, 1 x 1 x 1.5" |
| 10) 114460 | Extrusion, rub rail |
| 11) 201763-01 | Insert, rub rail, chrome, 1" |
| 12) 100986 | Floor channel |
| 13) 114879-198 | Aluminum sheet, lower, .040 x 33 x 198" |
| 14) 114387-01 | Bow, Z rib, RH |
| 15) 114387-02 | Bow, Z rib, LH |
| 16) 100986 | Wheel well stiffener (floor channel) |
| 17) 690274-09 | Cover Hydroflame furnace |
| 18) 100679 | Door, side access with jamb |
| 19) 511017-11 | Vent cover, exterior, range exhaust |
| 20) 200543 | Banana wrap, CS front |
| 21) 101131-01 | Underbelly wrap, .024 x 22.5, pewter |
| 22) 201974-02 | Bumper, rear corner, CS |
| 23) 684936 | Wheel well trim, inner, tandem axle |
| 24) 684937 | Wheel well trim, outer, tandem axle |
| 25) 108393 | Bottle cover, LP, w/o decal |
| 26) 114496-02 | Door, utility compartment |
| 27) 371319-05 | Window, main door |
| 28) 110067-04 | Main door assembly, Limited |
| 29) 114654 | Screen door assembly |
| 30) 114652 | Main door jamb, formed |

1999 EXCELLA TRAILER

BODY-INTERIOR

(Hardware such as hinges, locks and latches are located in the **hardware** section of this book)

114445	Aluminum inside skin.032 x 34" x coil
114853-01	Aluminum inside skin.032 x 57" x coil
702481	Wall liner, Geometric Pearl *Adhesive, Fastbond 2000
702482-03	Headliner, Spectra Opal, textured
201728-01	Extrusion, plastic, ceiling trim retainer
201728-03	Extrusion, plastic, ceiling trim
203138-01	Extrusion, plastic, wall trim
101077	Extrusion, inside main door trim
200967-01	Trim ring, plastic, 18 x 30" stationary window
200968-01	Trim ring, plastic 30 x 30 stationary window
201675-01	Trim ring, inside, 30" stack window
201578-01	End cap trim ring, panoramic window (goes next to end bow)
201579-01	Trim, panoramic window, bottom, RS
201580-01	Trim panoramic window, bottom, CS
201581-03	Trim, panoramic window, upper, RS
201581-04	Trim, panoramic window, upper, CS
201391	"U" trim, flexible, panoramic window
200514	Wheel well cover, interior, tandem (splice two for tri-axle)

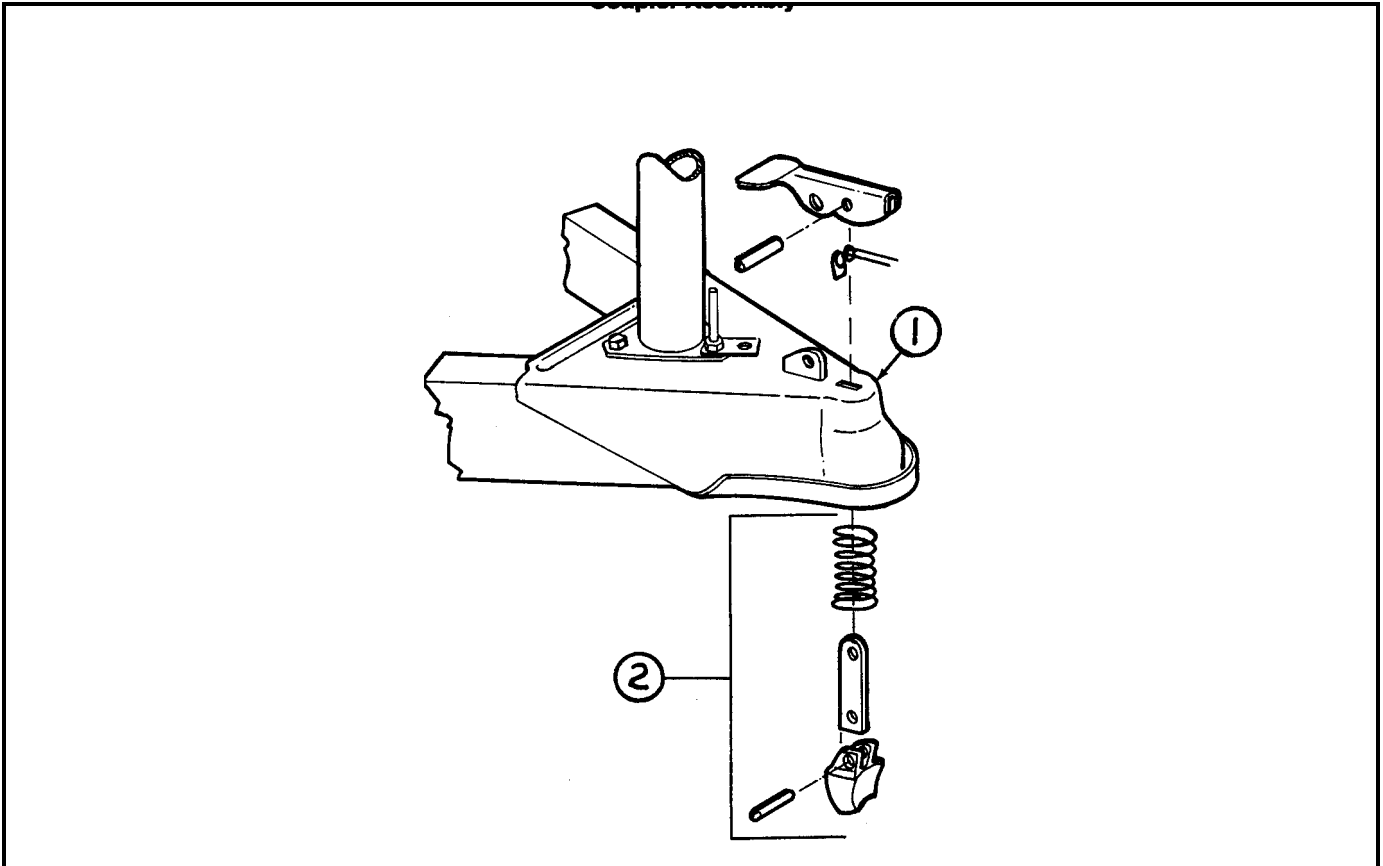
*For reference only: Please purchase adhesives locally.

1999 EXCELLA TRAILER CHASSIS

A-FRAME

915256 A-frame complete for stand up LP bottles

400042 Coupler



1) 680343 Coupler assembly, 2 5/16"
2) 680345 Repair kit, 2 5/16" coupler

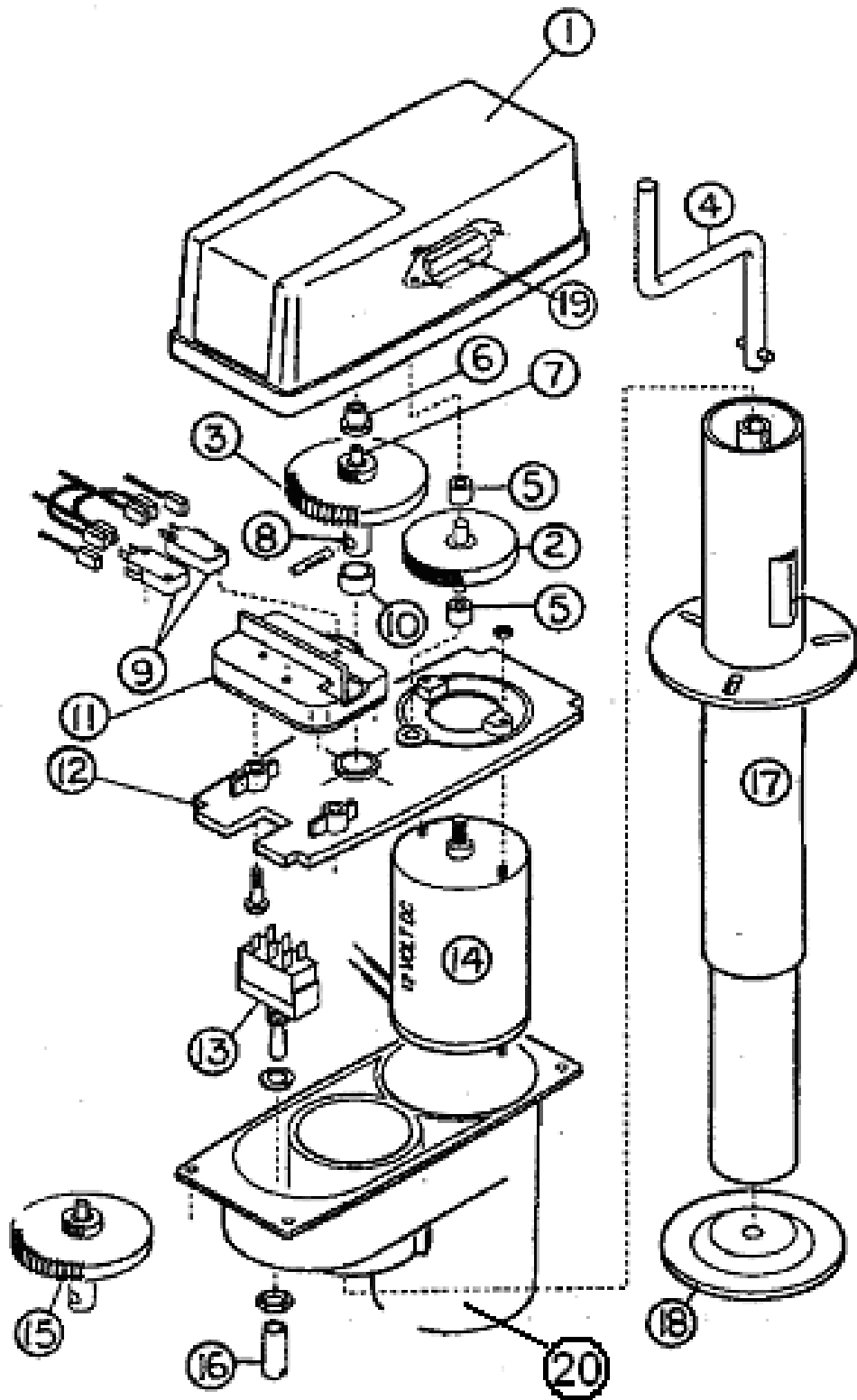
0300026 Break away switch, Bargman
400407 Bracket, breakaway switch

(continued)

1999 EXCELLA TRAILER

CHASSIS

Power Jack



Part Numbers are on the next page

1999 EXCELLA TRAILER

CHASSIS

Power Hitch Jack

511544	Power jack w/flag holder & light
012251	Power head less post
1. 012198	Cover, Super Jack
2. 010051	Gear, fiber, Super Jack
3. 015551	Drive gear, Super Jack
4. 016199	Crank handle, manual, Super Jack
5. 080501	Bushing, bronze, Super Jack
6. 010055	Bushing, flange, Super Jack
7. 015552	Gear, pot/reed, Super Jack
8. 015553	Shaft, Super Jack
9. 081703	Micro switch, Super Jack
10. 080520	Bushing/bronze,7/16,Super Jack
11. 012252	Limit switch assembly, Super Jack
12. 012200	Center plate, Super Jack
13. 081704	Switch, toggle, Super Jack
14. 016263	Motor, 12V, Super Jack
15. 011675	Drive gear assembly, Super Jack
16. 010069	Switch cover, Super Jack
17. 011631	Jack post, Super Jack
18. 410598	Foot pad #12231
19. 026503	Light, Jack
20. 012199	Housing for Motor and Switch

1999 EXCELLA TRAILER CHASSIS

LP BOTTLE RACK, STAND-UP

0360307 LP bottle ring, lower
601731-103 LP regulator mounting bracket
410410 Hold down rod, threaded, for 40lbs bottle
100949 Bracket, bottle hold, cast aluminum
410238 "T" handle, threaded, cast aluminum

1999 EXCELLA TRAILER

CHASSIS

A-FRAME MISCELLANEOUS

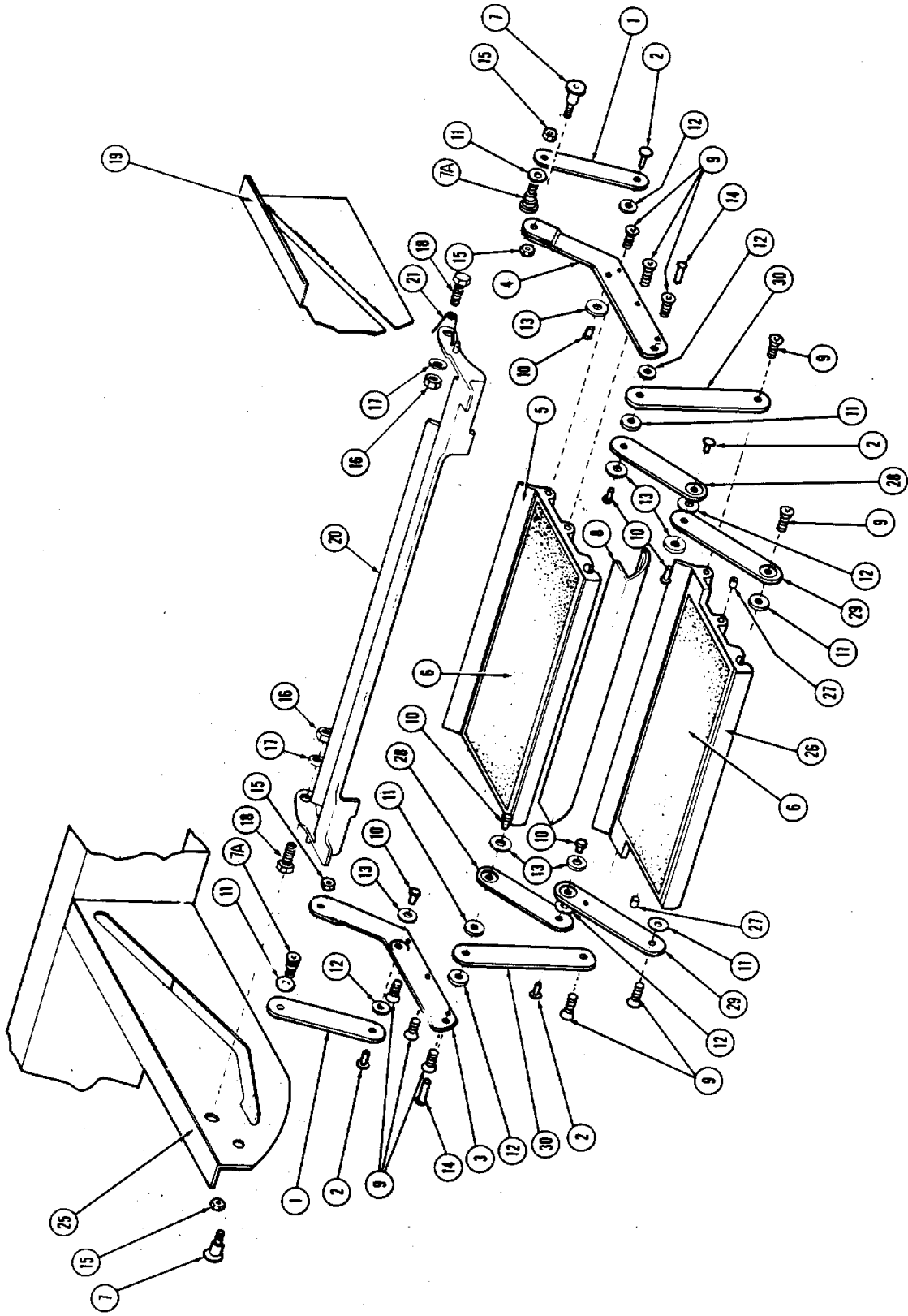
- 913619 Tool box assembly, "A" frame
- 410551 Lid, toolbox
- 381430 Twist lock, straight cam, toolbox

- 410631 Winch, spare tire, used w/lay-down bottles
- 0360482 Bracket, spare tire, used w/crank up winch

- 450414 "A" frame tire carrier, used w/stand up bottles

- 453620 Covers, A-frame, stainless steel

1999 EXCELLA TRAILER



1999 EXCELLA TRAILER

CHASSIS

Step

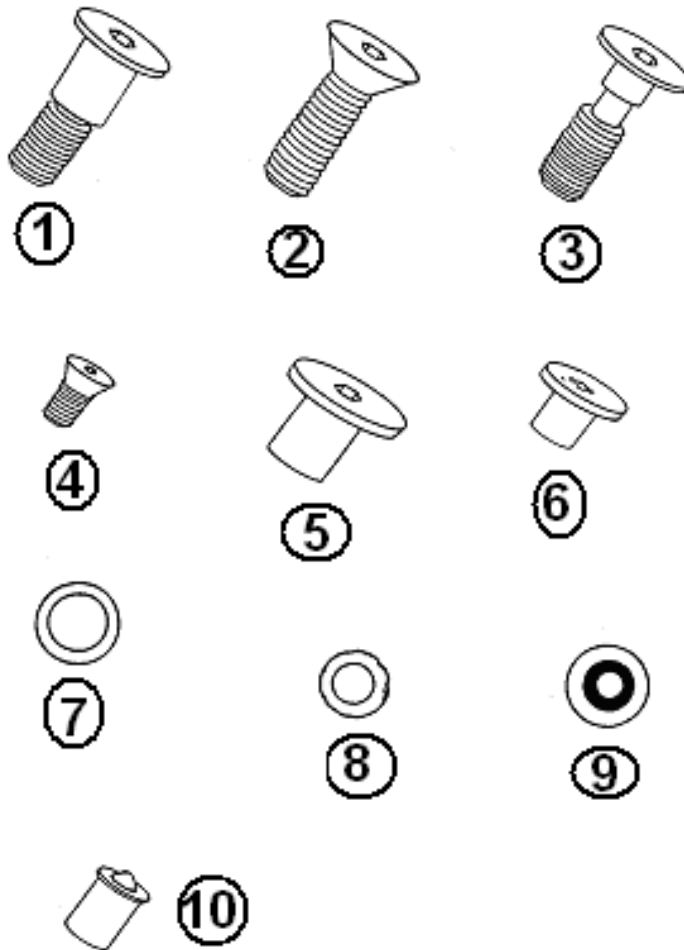
3440006	Double step assembly
1. 680213	Arm, upper support
2. 680214	*Pin, hinge
3. 680215	Step bracket, left
4. 680216	Step bracket, right
5. 680217	Extrusion, step 20.5"
6. 380069	Safety tread
7. 001152	Bolt, shoulder
7a. 001145	Bolt, shoulder, 3/8" thread
8. 680220	Panel
9. 680221	Screw, flat head
10. 680222	Bolt, socket head
11. 680223	Washer, bronze
12. 680224	Washer, wave
13. 680225	Washer, aluminum
14. 680226	Pin, pivot
15. 350005	Nut, hex
16. 350147-25	Nut, Nylock
17. 300005	Washer, flat
18. 345016	Screw, machine
19. 400454	Outrigger, RH (Not included with step assembly.
20. 100298	Casting, step release
21. 0440032	Step spring
25. 400455	Outrigger, LH (Not included with step assembly.
26. 410200	Extrusion, step, 20.0"
27. 380075	*Bullet catch
28. 400004	Hinge arm, upper
29. 400003	Hinge arm, lower
30. 400005	Arm, lower support

*Larger illustration on next page

1999 EXCELLA TRAILER

CHASSIS

Step Bolts/Washers/Screws/Catches Illustrated

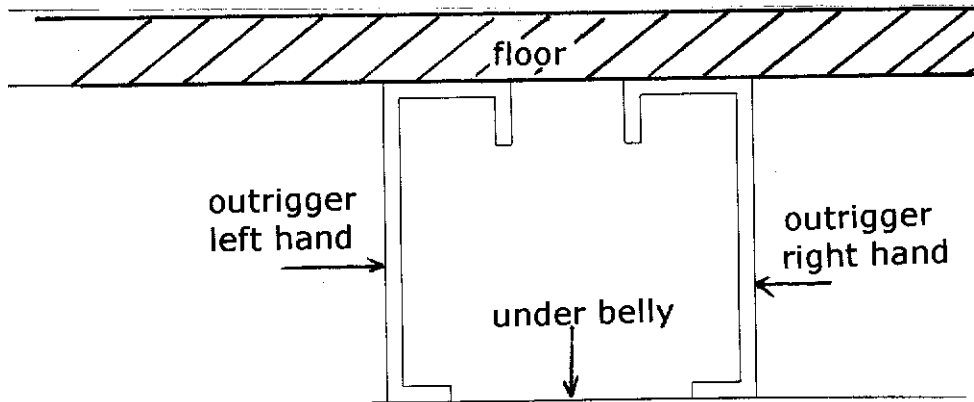


- | | |
|------------|------------------------------------|
| 1. 001152 | 1/2" Shoulder w/3/8" shoulder bolt |
| 2. 680221 | 3/8-16 x 1, flat head Allen, screw |
| 3. 001145 | 3/8-16 thread, shoulder bolt |
| 4. 680222 | Flat head Allen socket screw |
| 5. 680226 | Pivot pin |
| 6. 680214 | Hinge pin |
| 7. 680223 | Brass washer |
| 8. 680224 | Wave washer |
| 9. 680225 | Aluminum Washer |
| 10. 380075 | Bullet catch |

1999 EXCELLA TRAILER

CHASSIS OUTRIGGERS

410524	Step outrigger assembly, forward
410523	Step outrigger assembly, aft
410497	Outrigger, pierced, RH
410498	Outrigger, pierced, LH
410500	Outrigger, standard, LH
410499	Outrigger, standard, RH
410501	Outrigger, solid, RH, notched
410502	Outrigger, solid, LH, notched
410706	Outrigger, power cord compartment, RH
410758	Outrigger, power cord compartment, LH



CHASSIS COVERING

114679	Aluminum under belly .019 x 65.75 x coil
101131	Aluminum under belly .024 x 22.50 x coil
101131-01	Aluminum under belly .024 x 22.5 x coil, Pewter (covers from under belly to floor line)
200543	Banana wrap, CS front
200542	Banana wrap, RS front
203142	Bumper, rear center
201974-01	Bumper, rear corner, RS
201974-02	Bumper, rear corner, CS

(note: the rear roll out tray makes up part of the center section of the bumper)

1999 EXCELLA TRAILER

CHASSIS

STABILIZING JACKS

400093	Stabilizing jacks, BAL w/handle, set of 4
400093-01	BAL jack , each
400093-04	Foot pad, BAL jack

BELOW FLOOR STORAGE

962828-01	Roll out tray assembly, rear
453144	Roll out tray
381556	Over head door track, 2"
453159	Enclosure assembly, rear roll out tray
453156	"U" bar, roller support
381555	Ten ball roller w/stem
310028	Lynch pin, 1/4"
201909	Molding, black bumper trim
915099-01	Utility compartment assembly
914022	Power cord storage plate
601544	E-Z hose carrier, 46"
961251	Box, flag storage compartment

1999 EXCELLA TRAILER

CHASSIS

RUNNING GEAR

7320036H	Axle, 3200#, 34ft. & 34ft. FK
7400068H	Axle, 4000#, 30 & 31ft.
7350475H	Axle, 3500#, 25 & 28ft.
0220003	Shock absorber
400809	Tire ST 225/75 R15LR "C" BW
400922	Wheel, aluminum AR-637 x 15"
400844	Cover, center hub, 4", stainless steel
400923	Lug nut, acorn type
410009	Valve stem
410822-150	Wheel, steel, 15"
200844	Wheel well, tandem (tri-axle wheel wells are made from two tandems)

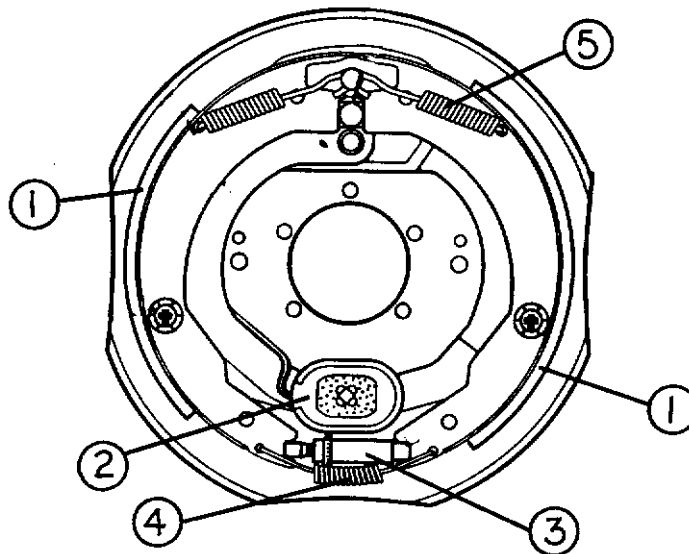
1999 EXCELLA TRAILER

CHASSIS

12" BRAKES

3160121	Brake drum, 12", 6 lug
450659	Inner bearing, #25580
680364	Inner race, #25520
450658	Outer bearing, #LM67048
680365	Outer race, #LM67010
680370-100	Grease seal

3160347	Brake assembly, RH, 12" Dexter
3160348	Brake assembly, LH, 12" Dexter



1) 3160348-62	Shoe and lining kit (includes hold down spring and pin)
2) 3160348-65	Magnet kit
3) 3160348-63	Adjuster assembly
4) 3160348-64	Adjusting screw spring
5) 3160348-61	Retractor spring

1999 EXCELLA TRAILER

SECTION II EXCELLA

D through E

DECALS/EXTERIOR TRIM.....II-1

DOORS/WINDOWS/AWNING

Doors.....II-3

Windows.....II-5

Awning.....II-6

DRAPES/BLINDS/VALANCESII-7

ELECTRICAL

110 volt.....II-11

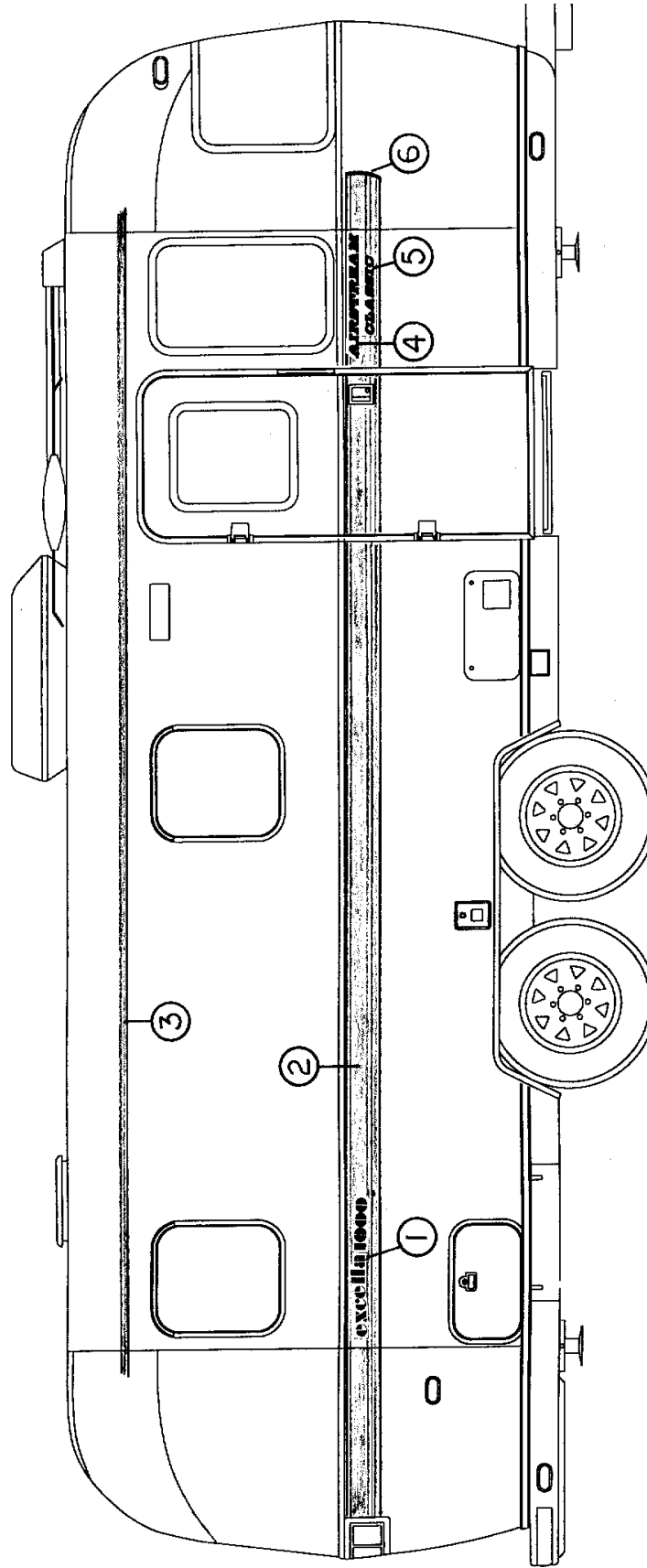
12 voltII-12

ENTERTAINMENT

RadioII-15

AntennaII-15

1999 EXCELLA TRAILER



1999 EXCELLA TRAILER

DECALS/EXTERIOR TRIM

1) 385892-03	Casting, Excella name plate, also used on rear
1a) 385893-03	Casting, 1000 name plate
2) 385958-02	Decal, main stripe, 6.5"
3) 385958-01	Decal, top stripe, 1.75"
4) 385890-03	Casting, Airstream name plate
5) 385891-03	Casting, Classic name plate
6) 385958-05	Decal, end cap, main stripe, 6.5 x 1.875" not shown
385846-01	Airstream letter set, used above front and rear windows

EXTERIOR TRIM

114328	Extrusion, belt line molding
201912	Molding, belt line insert, chrome
114417	Casting, belt line close out
114460	Extrusion, rub rail
201763-01	Molding, rub rail insert, chrome
114466-01	Casting, close out, rub rail, angled, RH
114466-02	Casting, close out, rub rail, angled, LH
114465-01	Casting, close out, rub rail, RH
114465-02	Casting, close out, rub rail, LH
381753-02	End clip, rub rail, gray
114003-01	inner wheel well trim, tri-axle
114004-01	outer wheel well trim, tri-axle
114003-02	inner wheel well trim, tandem axle
114004-02	outer wheel well trim, tandem axle

1999 EXCELLA TRAILER

DOORS/WINDOWS/AWNING

(Hardware such as hinges, locks and latches are located in the **hardware** section of this book.)

DOORS

115207-04	Main door assembly
114652	Jamb, main door, preformed
114653	Frame, main door, preformed
114448-02	Skin, exterior, upper main door
114449-02	Skin, exterior, lower main door
114475	Skin, inner, vinyl clad
114363	Drip cap, main door
365232	Seal, main door
114654	Screen door assembly
114561	Panel, slider, screen door
203000-01	Close out, plastic, screen door
32226W	Guard, screen door
380079	Screen, gray
200518	Spline, gray, screen insert
365013	Gasket, screen door, foam tape
922243	Door, refrigerator access
104417	Jamb, refrigerator access door
104439	Louvered panel, refrigerator access door
201391	Trim, flexible
100679	Side access door assembly
365035	Seal, side access door
921159	Trunk door assembly, rear, twin only
114675	Jamb, rear trunk door
365035	Seal, access door

(continued)

1999 EXCELLA TRAILER

DOORS/WINDOWS/AWNING

(Hardware such as hinges, locks and latches are located in the **hardware** section of this book.)

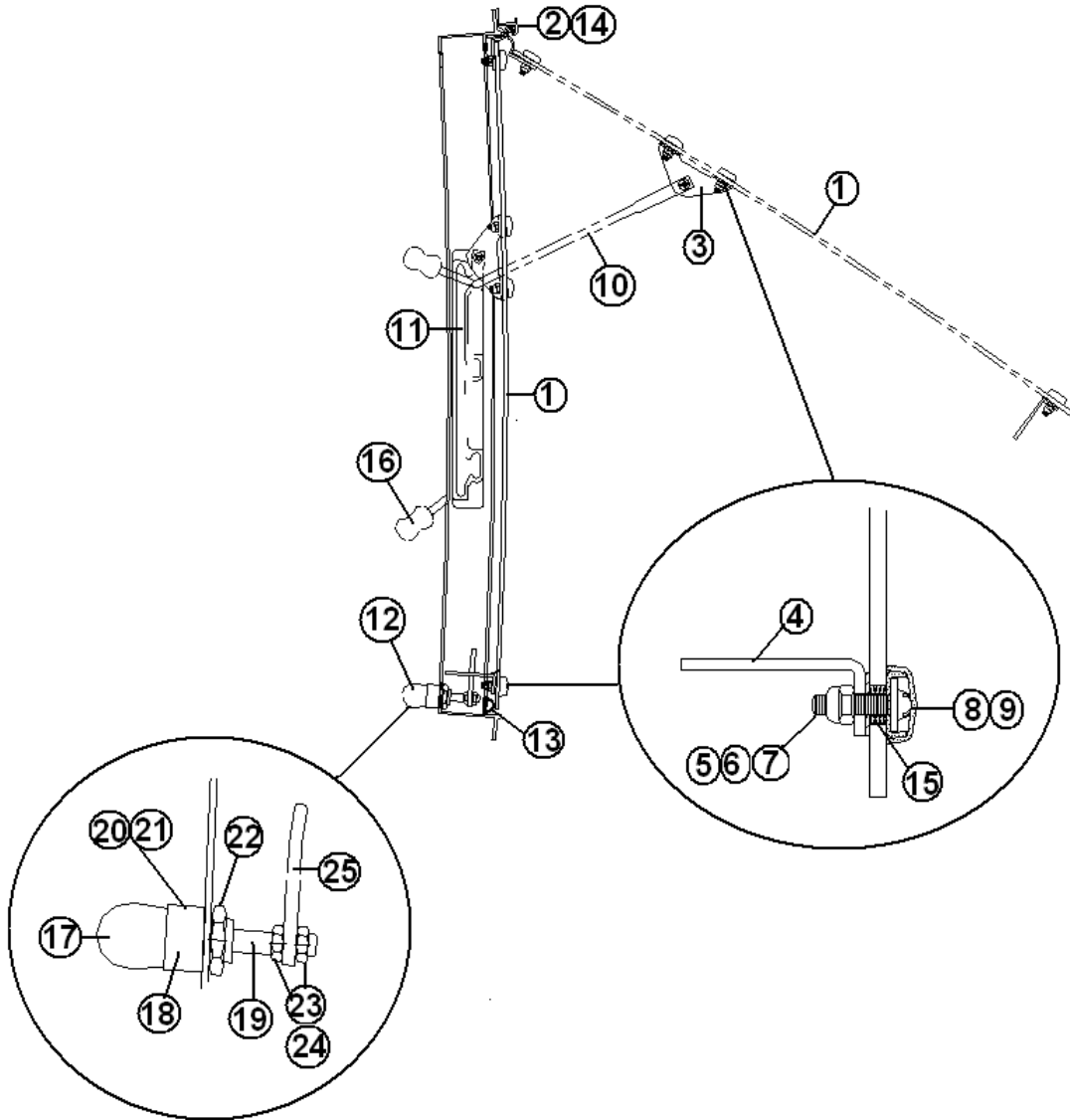
DOORS

922288-01	Door, side access, long, twin only
104833	Jamb, long side access door, twin only
114467	Door panel, outer, battery box door
114468	Door panel, inner, battery box door
114464	Casting, battery box door jamb
380238	Support cable, battery box door
114496-02	Door, utility compartment
114496-01	Door, power cord compartment
690209	Cover, brushed aluminum, Atwood water heater
690274-09	Cover, Hydroflame furnace
601194	Water fill door w/pocket & lock
114219	Door, flag storage compartment

1999 EXCELLA TRAILER

DOORS/WINDOWS/AWNINGS

WINDOWS



Part numbers on next page

1999 EXCELLA TRAILER

DOORS/WINDOWS/AWNINGS

WINDOWS

- | | |
|---------------|-------------------------------------|
| 1. 371323-100 | Glass w/hardware, 18" window |
| 1. 371324-100 | Glass w/hardware, 30" window |
| 2. 371323-101 | Hinge, 18" window |
| 2. 371324-101 | Hinge, 30" window |
| 3. 1101-0010 | Bracket, window prop |
| 4. 685124 | Striker plate, window latch |
| 5. 0706-0004 | Flat washer |
| 6. 0703-0001 | Screw, #8-32 x .625", black, SS |
| 7. 0702-0010 | Nut, Nylox, #8-32, black SS |
| 8. 0802-0004 | Screw cover, 12-12 #100, black |
| 9. 0802-0005 | Washer, 12-12 screw cover bottom |
| 10. 100903 | Operating arm, RH |
| 10. 100903-01 | Operating arm, LH |
| 11. 0802-0001 | Guide, operating arm, RH |
| 11. 0802-0002 | Guide, operating arm, LH |
| 12. 010020 | Latch assembly, chrome |
| 13. 381665 | Gasket seal |
| 14. 0101-0017 | Male hinge extrusion, 1/2" pc. |
| 15. 0706-0003 | Bushing, window, acrylic |
| 16. 380230-03 | Window arm knob, silver |
| 16. 380230-04 | Window arm knob, red |
| 17. 1101-0005 | Latch handle, chrome |
| 17. 195467-05 | Latch handle, red |
| 18. 1101-0007 | Latch body |
| 19. 1101-0008 | Latch shaft |
| 20. 1101-0009 | Latch spring |
| 21. 0707-0002 | Pin, drive lock, 5/32" x 5/8", zinc |
| 22. 0702-0001 | Nut, hex panel, 5/8"-24, zinc |
| 23. 0702-0002 | Nut, jam, hex, 5/16-24 |
| 24. 385123 | Washer, flat, .53" OD x .328" ID |
| 25. 685123 | Latch paw |

1999 EXCELLA TRAILER

DOORS/WINDOWS/AWNINGS

(Hardware such as hinges, locks and latches are located in the **hardware** section of this book.)

WINDOWS

371346-02	Window, flat, front center
372088	Window, panoramic, front RS
372089	Window, panoramic, front, CS
371348-02	Window, flat, rear w/red handles
371285-01	Window, curved 30 x 30 fixed
371324	Window, curved 30" opening
371270-01	Window, curved,30" stacked
371323-01	Window, curved 18" opening
371269-01	Window, curved 18" stacked
371319-05	Window, main door

WINDOW SCREENS

371349-01	Screen, rear escape
371347-01	Screen, front window
372175-02	Screen, 30" opening window
372174-01	Screen, 18" opening window

1999 EXCELLA TRAILER

DOORS/WINDOWS/AWNINGS

(Hardware such as hinges, locks and latches are located in the **hardware** section of this book.)

AWNINGS

702662-03	Awning, patio, 16'4.5", blue, 25ft.
702662-02	Awning, patio, 19'8.25", blue, 28ft.
702662-22	Awning, patio, 21' 7" blue, 30, 31, &34ft.
381532-01	Hardware, patio, satin
702662-05	Center support CS-05
702662-06	Awning, 3', blue
702662-20	Awning, window, blue, 52 5/8"
702662-07	Awning, RS window, 14'10", blue, 34ft.
702662-09	Awning, RS windows, 13'4", blue, 30&31ft.
385577	Wear tape, clear, 3.5" wide
110102	Rock guard, center only
381021	Latch, draw type, flexible
685275-101	Rock guard, CS front
685275-102	Rock guard, RS front

1999 EXCELLA TRAILER

DRAPES/BLINDS/VALANCES

DRAPES

998056-01	Drape, rear, 4-16 pleat, 34, 34FK, 31D, 30D, 28, and 25ft.
998134-01	Drape, rear bedroom, side, 2-9 pleat, 34, 34FK 31D & 30D
998134-04	Drape, 30"bedroom, 2-9 pleat, 31T & 30T
998057	Drape, bedroom, 2-7 pleat, 31T, 30T, 28 & 25D
998057-01	Drape, bedroom, 2-5 pleat, 25T
998053-01	Drape, dinette, 2-8 pleat&1-5 pleat, 34', 31'&30'
998053	Drape, galley, 2-2pleat, 34', 31', 30', 28 & 25ft.
998050-01	Drape, front, 4-16 pleat, 34', 31', 30', 28 & 25ft.
998134-02	Drape, lounge, RS, 30", 2-9 pleat, 34 & 28ft.
998135-02	Drape, lounge, CS, 2-6 pleat, 34FK
998134-03	Drape, lounge, RS, 2-9 pleat, 34FK
998134-05	Drape, lounge, RS, 30", 2-9 pleat, 31' & 30'
998135	Drape, lounge, CS, 30", 2-6 pleat, 34, 31', 30' & 28
998051-25	Drape, lounge, RS, 2-7pleat, 25ft.
998052	Drape, lounge, CS, 2-4pleat, 25ft.

(continued)

1999 EXCELLA TRAILER

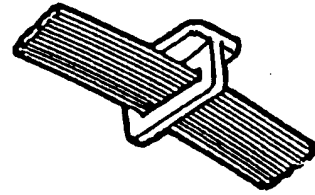
DRAPERY TRACK AND BRACKETS



101220
Bracket, curtain
stand off



101217
Track, curtain



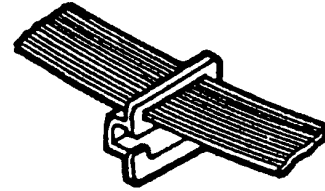
700044
Glides, w/elastic
"T" type



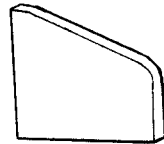
114021
Bracket, curtain
stand off



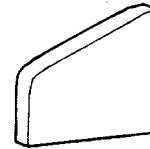
101225
Bracket, curtain
stand off



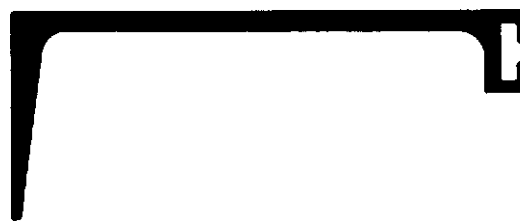
700045
Glides, w/elastic
"G" type



200785
End, curtain track, LH



200784
End, curtain track, RH



101005
Bracket, curtain, standoff

1999 EXCELLA TRAILER

DRAPES/BLINDS/VALANCES

964107-01	Valance, rear bedroom, 34, 31, and 30ft. double
964106-02	Valance, bedroom, 52", CS, 34, 31 and 30ft. double
964106-03	Valance, bedroom, 52", RS, 34, 31 and 30ft. double
964106-01	Valance, bedroom, 25T, 28ft.
964106-06	Valance, bedroom, 38.5"CS, 34ft. twins
964106-07	Valance, bedroom, 38.5"RS, 34ft. twins
964106-10	Valance, bedroom, 45", CS, 28D
964106-09	Valance, bedroom, 44.5", RS, 28D
964106-11	Valance, bedroom, 45", RS, 25ft.
964106-15	Valance, bedroom, CS, 25ft.
964106-04	Valance, bedroom, 38", CS, 30 & 31ft.twins
964106-05	Valance, bedroom, 38", RS, 30 & 31ft.twins
964105-02	Valance, galley, 30" 25 & 28ft.twin & double
964105-01	Valance, galley, 24" 30 & 31ft., twin & double
964105-03	Valance, galley, 37" 34ft., twin & double
964105-05	Valance, galley, 53.5" 34FK
964108-01	Valance, dinette30 & 34ft. twin & double
964108-02	Valance, dinette, 84" 34FK
964104-03	Valance, lounge, 58" 30ft. twin & double
964104-05	Valance, lounge, 91"25, 28 & 31ft. twin & double
964104-01	Valance, lounge, 42"30 & 31ft. twin & double
964104-02	Valance, lounge, 56" 34ft.
964104-06	Valance, lounge, 100" 34ft.
964104-04	Valance, lounge, 70" 25ft.

1999 EXCELLA TRAILER

DRAPES/BLINDS/VALANCES

BLINDS

702383-01	Shade, pleated, day/night	17.125 x 22.5	E-Z Lift
702383-08	Shade, pleated, day/night	28.87 x 33.0	E-Z Lift
702383-16	Shade, pleated, day/night	47.5 x 25.0	E-Z Lift
702383-02	Shade, pleated, day/night	17.125 x 33.0	E-Z Lift
702383-10	Shade, pleated, day/night	31.0 x 33.0	E-Z Lift
702383-07	Shade, pleated, day/night	28.875 x 22.5	E-Z Lift
702383-02	Shade, pleated, day/night	17.125 x 33.0	E-Z Lift
702789-07	Shade, pleated, night	28.875 x 22.5	E-Z Lift
702789-16	Shade, pleated, night	47.50 x 25.0	E-Z Lift
702789-08	Shade, pleated, night	28.875 x 33.0	E-Z Lift
702789-01	Shade, pleated, night	17.125 x 22.5	E-Z Lift
702355-02	Shade, pull type	34.375 x 36.0	
702355-01	Shade, pull type	20.125 x 36.0	
702968-01	Shade, pleated, day/night	17.12 x 22.5,	Ascot
702968-08	Shade, pleated, day/night	28.87 x 33.0,	Ascot
702968-16	Shade, pleated, day/night	47.5 x 25.0,	Ascot
702968-02	Shade, pleated, day/night	17.12 x 33.0,	Ascot
702968-10	Shade, pleated, day/night	31.0 x 33.0,	Ascot
702968-07	Shade, pleated, day/night	28.87 x 22.5,	Ascot
702968-02	Shade, pleated, day/night	17.12 x 33.0,	Ascot
702969-16	Shade, pleated, day	47.50 x 25.0,	Ascot

1999 EXCELLA TRAILER

ELECTRICAL

110 VOLT

510634	Power cord, 120 volt, 36ft.
511336	Breaker box, Square D, 30amp
510662	Breaker, 20 amp, double, Square D 2020
510663	Breaker, 30amp, Square D, 0130
510661	Breaker, 20 amp. Square D GFI
500563-01	Receptacle, 15 amp, T&B type
500903	Duplex receptacle, ivory
500169	Housing, weather proof receptacle
510122	Cover plate, weather proof receptacle
510676	Outlet, exterior, gray
510514	Switch, priority, microwave to water heater(CSA)
510606	Receptacle box, priority switch
500385	Switch cover, ivory
511426	Converter, electronic, 55 amp
511023	Tester, circuit analyzer (loose item)

1999 EXCELLA TRAILER

ELECTRICAL

12 VOLT

511132	Battery, deep cycle, lead acid
500886	7-Way cable w/plug
511411	Junction box, 7-way cable
0300027	Break away switch, Bargman
511426	Converter, electronic, 55 amp
510626	Switch, master disconnect
510627	Face plate, disconnect switch
510655	Breaker panel, 12 volt
510781	Detector, smoke
511309	Detector, LPG
511152-103	Monitor panel, deluxe
511152-100	monitor panel, standard
510807	Outlet, 12 volt
511121	Mounting plate, 12 volt receptacle
500842	Light, fluorescent, 16 Watt, 12 x 5.5"
680085	Bulb, fluorescent, #F15T8-CW
500960-01	Light, fluorescent, recessed, 14.75"
680084	Bulb, fluorescent, #F8T5-CW
511249	Light incandescent, double
50085-02	Bulb, incandescent, #1141
511248	Light, incandescent, single
50085-02	Bulb, incandescent, #1141
511098-01	Light, decorative, fluted, over dinette
50085-02	Bulb, incandescent, #1141

1999 EXCELLA TRAILER

ELECTRICAL

12 VOLT

511298	Wall lamp, 12 volt-over rear bed
510689	Bulb, incandescent, #1076
511298-02	Shade, wall lamp, round
511298-01	Shade, wall lamp, rectangular
108876	Light, fluorescent, dual bulb (square, over vent)
500841	Dual fluorescent bulb w/ballast
201538	Lens, ceiling, square, front ceiling light
500956	Light, wardrobe, w/switch
681924	Bulb, wardrobe light #581
511410	Light, shower, incandescent
50085-02	Bulb, incandescent, #1141
510868-03	Switch panel, 4-gang, white
381541-05	Switch, bath ceiling vent
511327	Switch body w/rocker, 1 gang, white
511077-01	Cover, switch, 2 gang
511100	Switch body w/switches
500435	Switch, DPDT, Hi-Lo
500432	Switch, SPST, flood light
500431	Switch, SPST, step light
510614-01	Jack, TV w/12 volt outlet
104619	Mounting plate, exterior telephone/TV jack

1999 EXCELLA TRAILER

ELECTRICAL

EXTERIOR LIGHTAND REFLECTORS

500564	Step light, #8142 w/hail shade
510732	Utility light, by door and on front
109090	Hitch light assembly, trailer
511163	Light, compartment
200926	Housing, plastic, jack light
510658	Switch w/weather proof boot
114346-01	Bezel, tail light casting, RS
114346-02	Bezel, tail light casting, CS
201929-01	Close out, tail light, RS
201929-02	Close out, tail light, CS
511003-02	Light, red stop, tail and turn
511003-03	Light, red w/clear center (back-up)
510111	Clearance light, red, Signal Stat
510112	Clearance light, amber, Signal Stat
511294	Light, license plate
500095	Reflector, red, rectangular
500096	Reflector, amber, rectangular

1999 EXCELLA TRAILER

ENTERTAINMENT

511372	Radio, Audiovox AWM 524
511048	Speaker set, Coustic-HS-402
510788-01	Antenna, TV, Winegard
510788-03	Amplifier, antenna, Winegard
510788-04	Hardware, interior, Winegard
510788-107	Gear, elevating, plastic, Winegard
510788-118	Handle, directional, Winegard
510788-125	Handle, directional kit, Winegard
510616	Connector, "F", coax
510623	Connector, male to male, coax
510610	Antenna, radio, side mount

1999 EXCELLA TRAILER

SECTION III-EXCELLA

F through H

FASTENERS (common fasteners available locally are
not listed)

RivetsIII-1

FLOOR COVERING

Carpet.....III-3

MatsIII-3

FURNITURE

Interior doorsIII-4

MirrorsIII-5

DrawerIII-7

Rear bedroomIII-9

BathIII-12

GalleyIII-18

Lounge.....III-26

HARDWARE

Exterior locks/hingesIII-32

Window hardwareIII-36

Interior drawer slides/hinges latches.....III-38

Bath accessoriesIII-42

Awning hardwareIII-45

1999 EXCELLA TRAILER

*FASTENERS



325043
Rivet, buck type
dia. 1/8"
length 1/4"
(hard)



325000-01
Rivet, buck type
dia. 1/8"
length 1/4"
anodized clear



325000-03
Rivet, buck type
dia. 1/8"
length 1/4"
anodized white



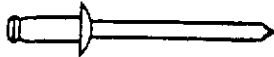
325001-01
Rivet, buck type
dia. 1/8
length 5/16"
anodized clear



325002-01
Rivet, buck type
"dia. 1/8"
length 3/8"
anodized clear



325004-01
Rivet, buck type
dia. 1/8"
length 1/2"
anodized clear



330127-03
dia. 1/8"
grip range .063-.125
aluminum body
aluminum mandrel

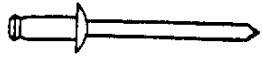


300101
1/8" I.D.
washer, aluminum

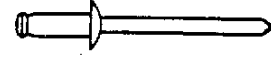
*Common bolts and screws readily available at local hardware outlets have not been listed.

1999 EXCELLA TRAILER

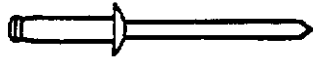
*FASTENERS



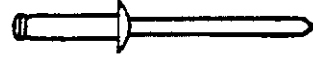
330126-02
rivet, pop
dia. 1/8
grip range .126-.187
stainless steel body
stainless steel mandrel



330126-03
rivet, pop
"dia. 1/8 "
grip range .126-.250
stainless steel body
stainless steel mandrel



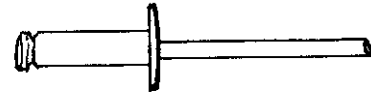
330127-050
rivet, pop
dia. 1/8"
grip range .251-.312
aluminum body
aluminum mandrel



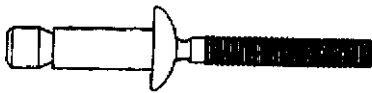
330128-05
rivet, pop
dia. 1/8"
grip range .251-.312
aluminum body, white
aluminum mandrel



330127-08
rivet, pop
dia. 1/8"
grip range .325-.565
aluminum body
aluminum mandrel



0330038
rivet, pop
dia. .150 (#20 bit)
grip range .126-.250
aluminum body
aluminum mandrel
(used-screen door hinge)



325103
dia. 1/4"
grip range .080-.325
SS body
steel mandrel

*Common bolts and
screws not listed

1999 EXCELLA TRAILER

FLOOR COVERING

702793-02	Carpet, Regal/Nautical Blue
701538	Carpet, Velour-compartment liner
700173	Pad, carpet, 3/8" thick
114724	Trim, carpet, edging, Z-bar, aluminum
801115	Flooring, white Oak, quartered
800639-02	Adhesive, Oak plank
360216	Caulk, brown acrylic latex
702549	Matt, entrance, w/Airstream logo

1999 EXCELLA TRAILER

FURNITURE

CABINET DOORS, RAISED PANEL

		Width x height (Inches)
800597-56	Raised panel door	7.75 x 17.50
800597-57	Raised panel door	9.00 x 16.25
800597-01	Raised panel door	10.50 x 22.00
800597-12	Raised panel door	10.50 x 26.25
800597-41	Raised panel door	10.50 x 32.00
800597-54	Raised panel door	10.75 x 14.50
800597-09	Raised panel door	11.00 x 29.75
800597-27	Raised panel door	11.50 x 25.00
800597-50	Raised panel door	12.00 x 29.50
800597-21	Raised panel door	12.25 x 13.00
800597-06	Raised panel door	12.25 x 16.00
800597-07	Raised panel door	12.25 x 21.00
800597-71	Raised panel door	12.25 x 25.00
800597-10	Raised panel door	12.25 x 34.00
800597-15	Raised panel door	13.00 x 25.75
800597-35	Raised panel door	13.75 x 15.50
800597-44	Raised panel door	13.75 x 29.75
800597-02	Raised panel door	14.00 x 20.00
800597-05	Raised panel door	14.75 x 29.75
800597-49	Raised panel door	15.50 x 13.00
800597-51	Raised panel door	15.75 x 23.00
800597-08	Raised panel door	16.00 x 29.50
800597-48	Raised panel door	16.75 x 16.75
800597-58	Raised panel door	19.00 x 37.50
800597-46	Raised panel door	21.00 x 29.50

1999 EXCELLA TRAILER

FURNITURE

CABINET DOOR FRAMES FOR MIRRORS

		Width x height (Inches)
800557-23	Door frame	10.50 x 32.50
800557-14	Door frame	11.12 x 60.00
800557-30	Door frame	11.75 x 42.00
800557-17	Door frame	12.25 x 34.00
800557-16	Door frame	14.25 x 60.00
800557-03	Door frame	14.50 x 25.00
800557-04	Door frame	15.00 x 14.50
800557-11	Door frame	16.00 x 60.00
800557-15	Door frame	19.00 x 60.00
800557-10	Door frame	22.00 x 60.00

MIRRORS

		Width x height
372206-01	Mirror, bronze w/grooves	7.62 x 29.62
372206-07	Mirror, bronze w/grooves	11.62 x 22.12
372206-08	Mirror, bronze w/grooves	12.12 x 11.62
371262-44	Mirror, safety glass	6.50 x 12.75
371262-07	Mirror, safety glass	8.25 x 28.12
371262-60	Mirror safety glass	8.88 x 39.12
371262-13	Mirror, safety glass	9.38 x 31.12
371262-08	Mirror, safety glass	11.38 x 28.12
371262-43	Mirror, safety glass	11.50 x 12.75
371262-04	Mirror, safety glass	19.12 x 28.12
371262-10	Mirror, safety glass	16.12 x 28.12
372210-11	Mirror, beveled edges	7.75 x 19.50
372203-17	Mirror, safety w/polished edges	14.0 x 33.13
372203-04	Mirror, safety	14.0 x 36.00

365239 *Foam pad, non-skid, 1/16 x 1/4 x 1"*
(Used between mirror and door frame)

1999 EXCELLA TRAILER

FURNITURE

MISCELLANEOUS DOORS

986265	Sliding bath door assembly, 34ft.
963179-03	Slider door assembly, 29 x 72", 34ft.
963740-01	Slider door assembly, aft, 34ft.
961413-10	Door, slider, fwd bath, 31ft.
961413-14	Door, slider, fwd bath, 17 x 72.5, 28ft.
961413-15	Door, slider, 19 x 72.5, 28ft.
962066	Door, slider, aft, 28 & 30ft.
961413-03	Door, slider, 30ft.
702306-02	Shower door gold, 26" opening
702681-01	Door, foldette, 36 x 73", beige
702681-03	Door, foldette, 46 x 73", beige
800881-05	Door, louvered, Oak, 19 x 12.5
800881-09	Door, louvered Oak, 9 x 20
962551	Door, Oak (chair storage) 34 ft. FK
961957-01	Door, Oak (chair storage) 30, 31 & 34ft.
986201-01	Door, Oak, "C" bed 23.5

1999 EXCELLA TRAILER

FURNITURE

DRAWER FACE

width x length(Inches)

800599-07	Drawer face	4.50 x 14.00
800599-43	Drawer face	4.50 x 16.00
800599-58	Drawer face	4.75 x 21.50
800599-02	Drawer face	7.00 x 11.75
800599-40	Drawer face	7.00 x 10.25
800599-22	Drawer face	7.00 x 14.00
800599-06	Drawer face	7.00 x 15.00
800599-56	Drawer face	7.00 x 16.00
800599-51	Drawer face	7.00 x 19.00
800599-38	Drawer face	7.00 x 21.50
800599-21	Drawer face	7.00 x 23.00
800599-23	Drawer face	8.00 x 21.50
800599-12	Drawer face	9.00 x 47.00
800599-59	Drawer face	9.75 x 12.00
800599-44	Drawer face	10.25 x 13.50
800599-57	Drawer face	17.25 x 13.00

1999 EXCELLA TRAILER

FURNITURE

DRAWER BOX

Height x width x length(Inches)

962821-48	Drawer box	2.88 x 8.75 x 18.00
962821-54	Drawer box	2.88 x 12.00 x 18.00
962821-20	Drawer box	2.88 x 12.25 x 14.00
962821-17	Drawer box	2.88 x 13.25 x 14.00
962821-52	Drawer box	2.88 x 14.00 x 18.00
962821-25	Drawer box	2.88 x 19.50 x 18.00
962821-05	Drawer box	5.00 x 10.00 x 18.00
962821-28	Drawer box	5.00 x 11.50 x 14.00
962821-16	Drawer box	5.00 x 13.25 x 14.00
962821-14	Drawer box	5.00 x 13.25 x 20.00
962821-36	Drawer box	5.00 x 13.75 x 13.00
962821-33	Drawer box	5.00 x 16.62 x 18.00
962821-34	Drawer box	5.00 x 17.00 x 18.00
962821-10	Drawer box	5.00 x 17.00 x 20.00
962821-27	Drawer box	5.00 x 17.50 x 18.00
962821-08	Drawer box	5.00 x 19.50 x 14.00
962821-07	Drawer box	5.00 x 19.50 x 18.00
962821-53	Drawer box	5.00 x 19.69 x 14.00
962821-40	Drawer box	5.00 x 20.88 x 18.00
962821-13	Drawer box	9.00 x 13.25 x 20.00
963338-01	Drawer box, angled, RS rear wardrobe	
963338-02	Drawer box, angled, CS rear wardrobe	
963749	Drawer box assembly, "W" rear bed	
963759	Drawer box assembly, "J" rear bed	
961763	Drawer box assembly, "C" rear bed	
201016	Drawer , plastic16x22	

1999 EXCELLA TRAILER

FURNITURE

REAR BEDROOM-TWIN

963506-02	Roof locker, rear center
963498	Face frame, rear center roof locker
963329-01	Twin bed assembly, RS, 30, 31 & 34ft.
962508-01	Twin bed assembly, RS, 25 & 28ft.
962227-02	Twin bed assembly, CS, 30, 31 & 34ft.
962508-02	Twin bed assembly, CS, 25 & 28ft.
963348-01	Night stand assembly, RS
963351-01	Face frame, night stand, RS
964452	Top, RS night stand
963330-01	Night stand assembly, center rear 963345-01Face frame, rear center night stand
963346	Top , rear center night stand
963671	Roof locker, rear, CS or RS, 30, 31 & 34ft.
963670	Face frame, rear side roof locker, 30, 31 & 34ft.
963767-01	Roof locker, rear, RS, 25 & 28ft.
963767-02	Roof locker, rear, CS, 25 & 28ft.
963768-01	Face frame, 25 & 28ft.rear roof locker
963827-01	End cap, roof locker, right hand
963827-02	End cap, roof locker, left hand
962355-01	Hanging wardrobe assembly, CS
986180-01	Face frame, hanging wardrobe
962355-02	Hanging wardrobe assembly, RS
986180-01	Face frame, hanging wardrobe
963297-01	Header, slider door, short

1999 EXCELLA TRAILER

FURNITURE

REAR BEDROOM-DOUBLE

963340-03	Wardrobe assembly, RS rear, 34ft.
963340-01	Wardrobe assembly, RS rear, 30, 31 & 34FK
962207-01	Face frame, RS rear wardrobe
963340-02	Wardrobe assembly, CS rear, 30, 31 & 34ft.
962208-01	Face frame, CS rear wardrobe
963721-01	Wardrobe assembly, forward, 25ft.
963722-01	Face frame, forward wardrobe, 25ft.
962335	Wardrobe assembly, aft, 25ft.
962333-01	Face frame, aft wardrobe, 25ft.
963337-01	Rear roof locker, center, 30, 31 & 34ft.
963336-01	Face frame, rear center roof locker
962349	Roof locker, rear, RS, 28ft.
962352-01	Face frame, RS rear roof locker
963771	Roof locker, rear, RS, 25ft.
963769	Roof locker, rear, CS, 25ft.
963747	Bed assembly, double, 30, 31 & 34ft.
986681	Head board assembly, double bed
963748	Bed assembly, double, 28ft.
986750-01	Corner bed assembly, 25ft.
985257	Head board, 25ft.
998101	Bed end, 25ft.

(continued)

1999 EXCELLA TRAILER

FURNITURE

REAR BEDROOM-DOUBLE

962530	Nightstand, forward, 28ft.
926531-01	Face frame, forward nightstand, 28ft.
962538	Top, forward nightstand
963746	Credenza, rear, 25ft.
963745	Top, rear credenza, 25ft.
381241	TV shelf w/mirror
963293-01	Header, slider door long
963297-01	Header, slider door short

1999 EXCELLA TRAILER

FURNITURE

BATHROOM, 34 FT.FRONT LOUNGE EXCELLA
(see hardware section for fixtures-if connected
to water, see plumbing)

986265	Sliding bath door
963786-01	Jamb, bath door
963787-01	Jamb, bath door/shower trim
963788-01	Header, bath door
203046-03	Shower stall, angled, two piece
963179-03	Slider door, 29 x 72in., vinyl
963296-01	Header, slider door, long
963297-01	Header, slider door, short
963298-01	Lavatory assembly
963306-01	Face frame, lavatory
964393-01	Top, lavatory, Corian
702791	Decorative border, wall paper, self adhesive
963302-01	Medicine cabinet assembly, lower
963266-01	Face frame, lower medicine cabinet
964026-01	Medicine cabinet assembly, upper
964025	Face frame, upper medicine cabinet
964053	Wardrobe assembly, CS
964019	Face frame, wardrobe, forward
964020	Face frame, wardrobe, aft

1999 EXCELLA TRAILER

FURNITURE

BATHROOM, 34 FT.EXCELLA
(see hardware section for fixtures-if connected
to water, see plumbing)

962556-01	Wardrobe assembly, CS
962553-01	Face frame, CS wardrobe
203081	Shower stall, two piece
962554-01	Face frame, shower stall
960406-03	Lavatory cabinet assembly
960369-01	Face frame, lavatory cabinet
964394-01	Top, lavatory cabinet
962251-01	Medicine cabinet assembly, lower
962252	Face frame, lower medicine cabinet
963752	Medicine cabinet assembly, upper
962250	Face frame, upper medicine cabinet
963741-01	Door slider assembly, forward, vinyl
963734-01	Header, door, forward slider
963740-01	Door slider assembly, aft, vinyl
963736-01	Header door, aft, slider
963198	Laundry cabinet
963735-01	Face frame, laundry cabinet

1999 EXCELLA TRAILER

FURNITURE

BATHROOM, 31 FT.NDEXCELLA
(see hardware section for fixtures-if connected
to water, see plumbing)

964307-01	Wardrobe assembly, CS
964305-01	Face frame, CS wardrobe , forward
964020	Face frame, CS wardrobe, aft
961413-10	Slider door, forward963786-01Jamb, bath door
963787-01	Jamb, bath door/shower
203046-03	Shower stall, angled, two piece
964297-01	Lavatory cabinet assembly
964296-01	Face frame, lavatory cabinet
964395-01	Top, lavatory cabinet
702791	Decorative border, wall paper, self adhesive
964302-01	Medicine cabinet assembly, lower
964300-01	Face frame, lower medicine cabinet
964301-01	Medicine cabinet assembly, upper
964299-01	Face frame, upper medicine cabinet

1999 EXCELLA TRAILER

FURNITURE

BATHROOM, 30 FT. EXCELLA
(see hardware section for fixtures-if connected
to water, see plumbing)

962175	Wardrobe assembly, CS
962162-01	Face frame, CS wardrobe, aft
962163-01	Face frame, CS wardrobe, forward
203081	Shower stall, two piece
962161-01	Face frame, shower
962066	Slider door, aft
963656	Header, slider door, aft
961413-16	Slider door assembly
963657	Header, slider door, forward
961921-02	Lavatory cabinet assembly
961890-01	Face frame, lavatory cabinet
964392-01	Top, lavatory cabinet
702791	Decorative border, wall paper, self adhesive
961899	Medicine cabinet, lower
961897-01	Face frame, lower medicine cabinet
963753-01	Medicine cabinet, upper
962170-01	Face frame, upper medicine cabinet

1999 EXCELLA TRAILER

FURNITURE

BATHROOM, 28FT, EXCELLA
(see hardware section for fixtures-if connected
to water, see plumbing)

964016	Wardrobe assembly, CS
964016	Face frame, CS ward robe
963690	Wardrobe assembly, RS
962509-01	Face frame, RS wardrobe
203081	Shower stall, two piece
962505-01	Face frame, shower
962066	Slider door, aft
963656	Header, slider door, aft
961413-14	Slider door assembly, 17 x 72.50"
961413-15	Slider door assembly, 19 x 72.50"
801132	Header, slider door, forward
961921-02	Lavatory cabinet assembly
961890-01	Face frame, lavatory cabinet
964392-01	Top, lavatory cabinet
702791	Decorative border, wall paper, self adhesive
961899	Medicine cabinet, lower
961897-01	Face frame, lower medicine cabinet
963753-01	Medicine cabinet, upper
962170-01	Face frame, upper medicine cabinet

1999 EXCELLA TRAILER

FURNITURE

BATHROOM, 25 EXCELLA
(see hardware section for fixtures-if connected
to water, see plumbing)

201980	Shower stall, two piece
986265	Sliding bath door
962322-01	Lavatory cabinet assembly
962324-01	Face frame, lavatory cabinet
964391-01	Top, lavatory cabinet
702791	Decorative border, wall paper, self adhesive
962251	Medicine cabinet, lower
962252	Face frame, lower medicine cabinet
963752-01	Medicine cabinet, upper
962250	Face frame, upper medicine cabinet

1999 EXCELLA TRAILER

FURNITURE

GALLEY, 34 EXCELLA-FRONT LOUNGE MODEL

964525-01	Seat assembly, dinette LH
964499-01	Cushion support, LH
964530	Back, upholstered, LH
964334-01	Flex spring seat
964526-01	Seat assembly, dinette RH
964498-01	Cushion support, RH
964529-02	Back, upholstered, RH
964334-01	Flex spring seat
963673	Top, dinette table
962177-03	Table leg, hardwood
963763	Roof locker, dinette
963764-01	Face frame, dinette roof locker
963305-01	Refrigerator cabinet assembly
963724-02	Face frame, refrigerator cabinet
963757	Roof locker, galley
963354-01	Face frame, galley roof locker
964606	Galley cabinet, forward
964605	Face frame, galley cabinet forward
964586-01	Top, galley cabinet, Corian
964383-01	Range covers, Corian (pr.)
964411-01	Sink cover, RH, Corian
964410-01	Sink cover, LH, Corian

(continued)

1999 EXCELLA TRAILER

FURNITURE

GALLEY, 34 EXCELLA FRONT LOUNGE MODEL

964610	Galley cabinet, aft section
964328-01	Face frame, galley cabinet, aft
961247-02	Galley cabinet, pantry section
961072-01	Face frame, pantry
961066-01	Appliance garage
800734-01	End, RH, appliance garage
800734-02	End, LH, appliance garage
963357-01	Microwave cabinet
963355-01	Face frame, Microwave cabinet
963991	Spice rack
963990	Magazine rack

1999 EXCELLA TRAILER

FURNITURE

GALLEY, 34 FK EXCELLA

964612	Galley cabinet, cook-top section
964611	Face frame, galley cook top section
964358-01	Face frame, chair storage
964587-01	Top, galley, Corian
964411-01	Sink cover , RH
964410-01	Sink cover, LH
964357-01	Galley cabinet, forward section
964354-01	Face frame, forward galley section
963702	Microwave cabinet assembly
962532-01	Face frame, microwave cabinet
963743-01	Top, microwave cabinet, Oak
963668	Galley roof locker
963667-01	Face frame, galley roof locker
962615-01	End cap, galley roof locker
963744	Spice rack cabinet assembly
963742-01	Face frame, spice rack
963704-01	Refrigerator cabinet assembly
963723-01	Face frame, refrigerator cabinet
964399-01	Appliance garage assembly
964398-01	Face frame, appliance garage
964335	Galley lift-up shelf

1999 EXCELLA TRAILER

FURNITURE

GALLEY, 31 EXCELLAND

964347-02	Galley cabinet, forward section
964344-01	Face frame, forward galley cabinet
964563-01	Top, galley cabinet
964600	Galley cabinet, oven section
964599	Face frame, oven section, galley
964348-01	Sink covers
964383-01	Range covers, Corian
963761	Roof locker, galley
962167-01	Galley roof locker
963828-01	End cap, galley, LH
962225	Spice cabinet assembly
962224-01	Face frame, spice cabinet
964310-01	Refrigerator cabinet assembly
963724-01	Face frame, refrigerator cabinet
963688-01	Microwave cabinet, assembly
964628	Face frame, microwave cabinet
961072-01	Face frame, pantry
962537	Top, microwave cabinet
963991	Spice rack
964335	Galley lift-up shelf

1999 EXCELLA TRAILER

FURNITURE GALLEY, 30 EXCELLA

964364-02	Galley cabinet assembly, forward
964629	Face frame, galley cabinet forward
964563-01	Top, galley, Corian
964348-01	Sink cover
964600	Galley cabinet assembly, oven section
964599	Face frame, galley oven section
964383-01	Range covers, Corian
963761	Galley roof locker assembly
962167-01	Face frame, galley roof locker
963828-01	End cap, galley roof locker, LH
963763	Dinette roof locker
9963764-01	Face frame, dinette roof locker
962225	Spice cabinet assembly
962224-01	Face frame, spice cabinet
963680	Refrigerator cabinet assembly
963724-01	Face frame, refrigerator cabinet
964525-03	Dinette seat assembly, LH
964499-01	Cushion support, dinette, LH
964529-01	Back, dinette, upholstered, LH
964334-01	Flex spring seat

(continued)

1999 EXCELLA TRAILER

FURNITURE GALLEY, 30 EXCELLA

964526-02	Dinette seat assembly, RH
964498 01	Cushion support, dinette, RH
964529-04	Dinette back, upholstered, RH
964334-01	Flex spring seat
963673	Top, dinette table
962177-03	Table leg, hardwood
963991	Spice rack
964335	Galley lift-up shelf

1999 EXCELLA TRAILER

FURNITURE GALLEY, 28 EXCELLA

964602	Galley cabinet assembly, full oven
964601	Face frame, galley, full oven
964561-01	Galley top, Corian
964383-01	Range covers, Corian
963765	Galley roof locker assembly
962517-01	Face frame, galley roof locker
963828-01	End cap, galley roof locker, LH
962511	Spice cabinet assembly
962512-01	Face frame, spice cabinet
963689	Refrigerator cabinet assembly
963724-01	Face frame, refrigerator cabinet
963688-01	Microwave cabinet, assembly
964628	Face frame, microwave cabinet
961072-01	Face frame, pantry
962537	Top, microwave cabinet
964335	Galley lift-up shelf

1999 EXCELLA TRAILER

FURNITURE GALLEY, 25 EXCELLA

964589	Galley cabinet assembly, full oven
964588	Face frame, galley, full oven
964562-01	Galley top, Corian
964383-01	Range covers, Corian
964348-01	Sink cover
963773	Galley roof locker assembly
962379-01	Face frame, galley roof locker
963828-01	End cap, galley roof locker, LH
962261	Pantry cabinet assembly
962262-01	Face frame, pantry cabinet
986777-01	Drawer assembly, pantry
963707-02	Refrigerator cabinet w/microwave
964630	Face frame, refrigerator cabinet
963991	Spice rack
964335	Galley lift-up shelf

1999 EXCELLA TRAILER

FURNITURE

LOUNGE, 34 EXCELLA

702888-318	Sofa, jackknife, 74in.Blue Bayou
963400-01	Arm rest support assembly, RS
963400-03	Arm rest support assembly, CS
961959-01	Writing table/chair storage cabinet
961955-01	Face frame, chair storage
961958	Top, lift-up/writing table, Oak
963353-01	Credenza assembly
963289-01	Face frame, forward credenza
963313	Face frame, aft credenza
963325	Top, credenza
986226-01	Leg, forward credenza
960420-02	Credenza table assembly
960416-02	Table leaf, lower
960417-02	Table leaf, upper
962177-03	Leg, hardwood
702889-318	Chair, swivel, Blue Bayou
963506-01	Front roof locker
963498	Face frame, front roof locker
381553	Chair, folding, Zip Dee, w/logo

1999 EXCELLA TRAILER

FURNITURE

LOUNGE, 34 FK EXCELLA

963763	Dinette roof locker
963764-01	Face frame, dinette roof locker
963202-01	Shirt closet assembly
962591-01	Face frame, shirt closet
964525-02	Dinette seat assembly, LH
964499-01	Cushion support, dinette, LH
964529-03	Back, dinette, upholstered, LH
964334-01	Flex spring seat
964526-01	Dinette seat assembly, RH
964498-01	Cushion support, dinette, RH
964529-02	Dinette back, upholstered, RH
964334-01	Flex spring seat
963673	Top, dinette table, NO MAR
962177-03	Table leg, hardwood
962602-01	Entertainment center
962587-01	Face frame, entertainment center
962604	Tambour module, entertainment center
962605	Top, entertainment center
702892-318	Sofa, jackknife, 74in.Blue Bayou
702889-318	Swivel chair, Blue Bayou
381553	Chair, folding, Zip Dee, w/logo

1999 EXCELLA TRAILER

FURNITURE

LOUNGE, 31 EXCELLA

702888-318	Sofa, jackknife, 74in.Blue Bayou
963400-01	Arm rest support assembly, RS
963400-03	Arm rest support assembly, CS
961959-02	Writing table/chair storage cabinet
961955-01	Face frame, chair storage
961958	Top, lift-up/writing table, Oak
964408-01	Credenza assembly
963729-01	Face frame, credenza
964510	Top, credenza
960420-02	Credenza table assembly
960416-02	Table leaf, lower
960417-02	Table leaf, upper
962177-03	Leg, hardwood
963506-01	Front roof locker
963498	Face frame, front roof locker
381553	Chair, folding, Zip Dee, w/logo

1999 EXCELLA TRAILER

FURNITURE LOUNGE, 30 EXCELLA

702888-318	Sofa, jackknife, 74in.Blue Bayou
963400-01	Arm rest support assembly, RS
963400-03	Arm rest support assembly, CS
961959-01	Writing table/chair storage cabinet
961955-01	Face frame, chair storage
961958	Top, lift-up/writing table, Oak
962015-01	Lift-up table cabinet
961958	Top, table cabinet
986226-01	Leg, forward credenza
960420-02	Credenza table assembly
960416-02	Table leaf, lower
960417-02	Table leaf, upper
962177-03	Leg, hardwood
963219	End table assembly
962291-01	Face frame, end table cabinet
961940	Top, end table
962202-02	TV cabinet assembly
922200-01	Face frame, TV cabinet
963506-01	Front roof locker
963498	Face frame, front roof locker
381553	Chair, folding, Zip Dee, w/logo

1999 EXCELLA TRAILER

FURNITURE LOUNGE, 28 EXCELLA

702888-318	Sofa, jackknife, 74in.Blue Bayou
963400-01	Arm rest support assembly, RS
963400-03	Arm rest support assembly, CS
961959-01	Writing table/chair storage cabinet
961955-01	Face frame, chair storage
961958	Top, lift-up/writing table, Oak
962015-01	Lift-up table cabinet
961958	Top, table cabinet
986226-01	Leg, forward credenza
960420-02	Credenza table assembly
960416-02	Table leaf, lower
960417-02	Table leaf, upper
962177-03	Leg, hardwood
963506-01	Front roof locker
963498	Face frame, front roof locker
702889-318	Chair, swivel, Blue Bayou

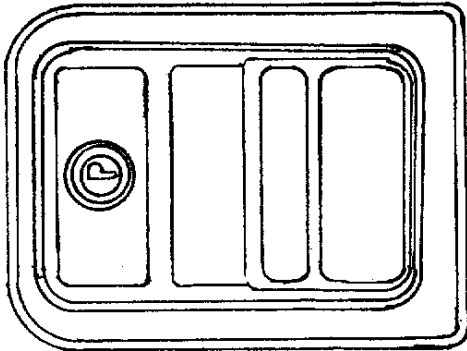
1999 EXCELLA TRAILER

LOUNGE, 25 EXCELLA

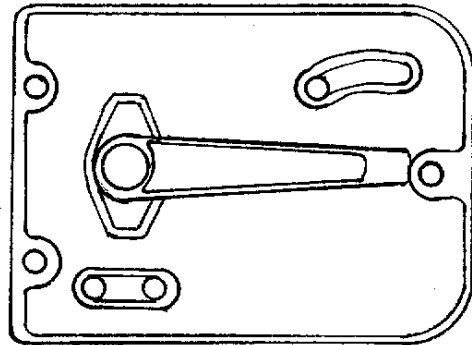
702888-318	Sofa, jackknife, 74in.Blue Bayou
963400-01	Arm rest support assembly, RS
963400-03	Arm rest support assembly, CS
961959-01	Writing table/chair storage cabinet
961955-01	Face frame, chair storage
961958	Top, lift-up/writing table, Oak
963728	Lift-up table cabinet
963729-01	Face frame, lift-up table cabinet
963738	Top, table cabinet
960420-02	Credenza table assembly
960416-02	Table leaf, lower
960417-02	Table leaf, upper
962177-03	Leg, hardwood
963506-01	Front roof locker
963498	Face frame, front roof locker

1999 EXCELLA TRAILER

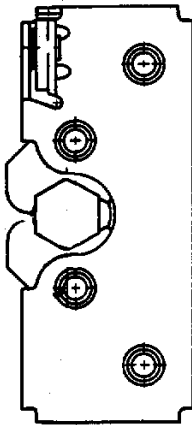
MAIN DOOR LOCK



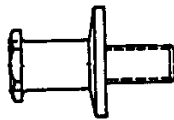
381547-01
Main door lock, outside
Housing



381547-02
Main door lock, inside
plate



381547-03
Double rotary
latch, main door lock



381547-04
Striker bolt w/washer
main door lock

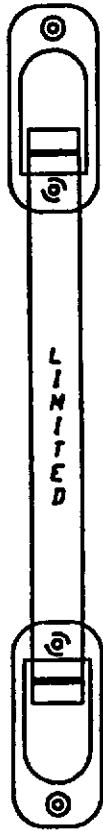


381550
Plate, striker bolt
mounting

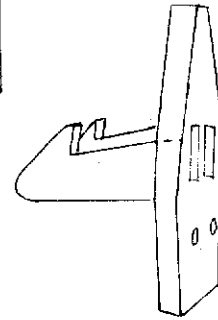
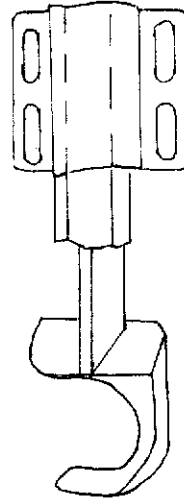
Not shown: 381547-05 Screw package, main door lock

1999 EXCELLA TRAILER

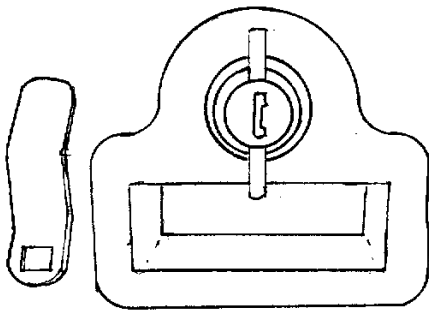
HARDWARE EXTERIOR LATCHES/LOCKS



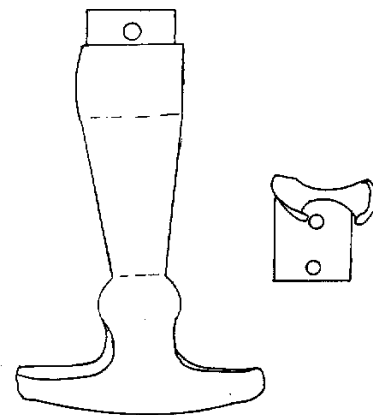
511344-01
Grab handle, embossed,
"LIMITED"



381454
Latch, screen door,
Bullet



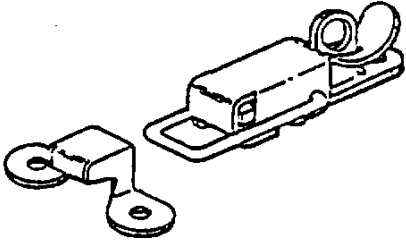
380770-101 Twist lock, chrome
380770-102 Twist lock, black



381021 Rubber T handle

1999 EXCELLA TRAILER HARDWARE

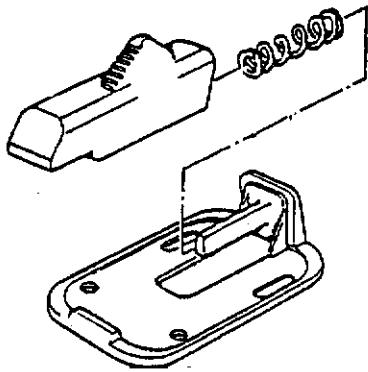
EXTERIOR LATCHES/LOCKS



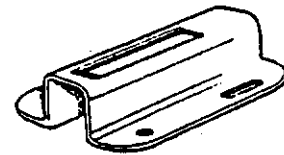
340023 Corbin catch
w/strike, battery box



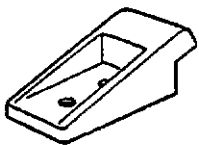
380067 Lock cam,
bumper lid



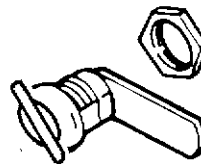
380291 Main door hold-back,
(use w/housing #380290) main door hold-back



380290 Latch housing,
main door hold-back



201056 Catch, main door
hold-back



381430 Twist lock,
straight cam

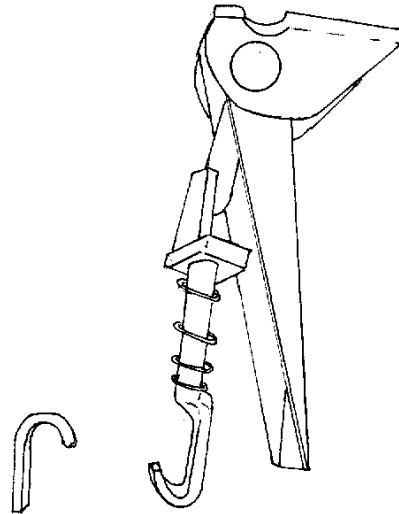
1999 EXCELLA TRAILER

HARDWARE

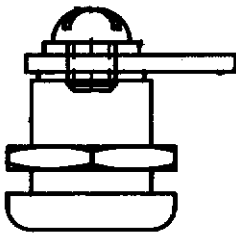
EXTERIOR LATCHES/LOCKS



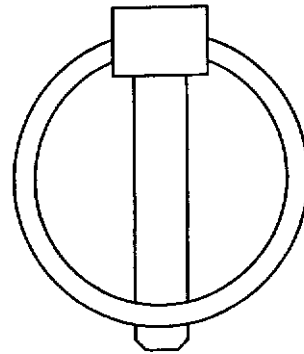
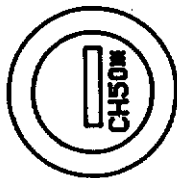
380004
Handle, screen door



380903 Latch w/strike
chrome, gas bottle cover



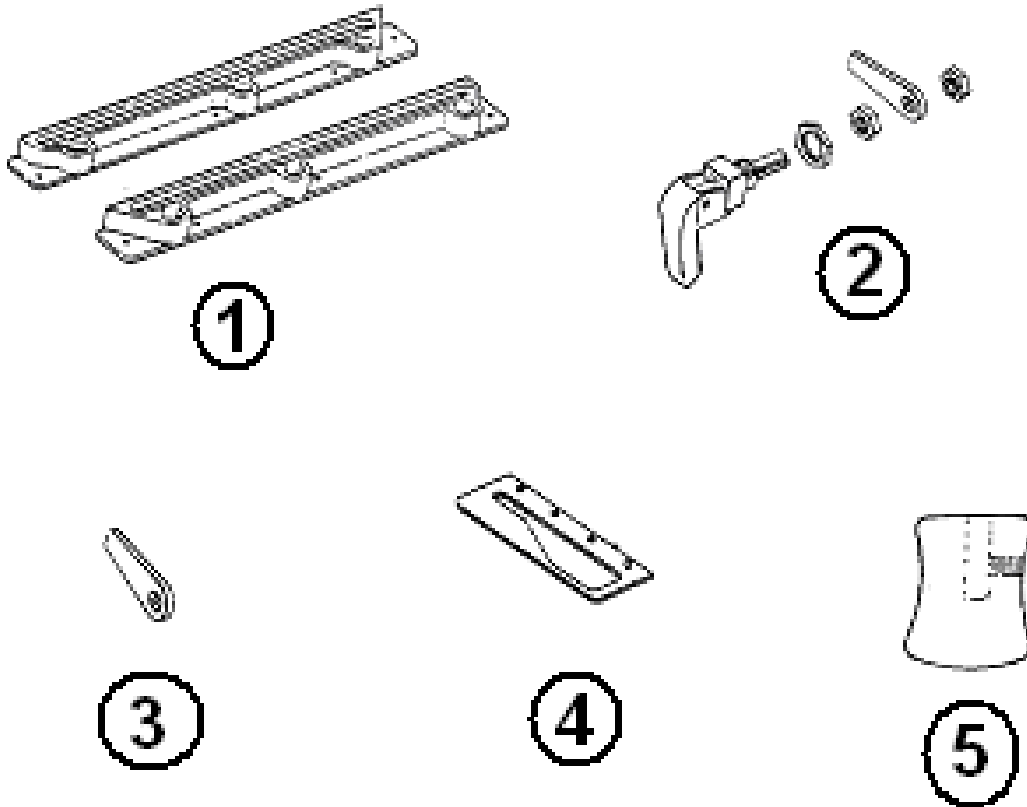
381397 Key cylinder
w/cam



310028 Lynch pin
roll out storage tray

1999 EXCELLA TRAILER

HARDWARE WINDOW HARDWARE

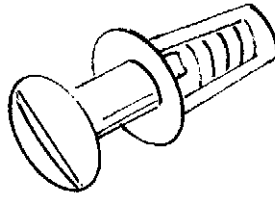
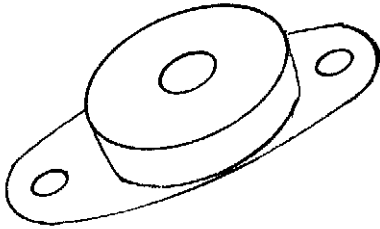


- | | |
|--------------|----------------------------------|
| 1. 0802-0001 | Window guide, RH |
| 1. 0802-0002 | Window guide, LH |
| 2. 010020 | Lower window latch, chrome |
| 2. 195467-05 | Lower window latch, w/red handle |
| 3. 685123 | Pawl, window latch, straight |
| 4. 685124 | Striker plate, window latch |
| 5. 380230-03 | Knob window arm, silver |
| 5. 380230-04 | Knob, window arm, red |

1999 EXCELLA TRAILER

ROCK GUARD

685363	Slip joint hinge
683960	Support arm, rock guard
683959	Bracket, arm support
114749	Hinge "Y" assembly
114750	Hinge "J" rock guard
381021	Draw latch, black rubber



685359
Rubber receptacle
1/4" latch, Southco

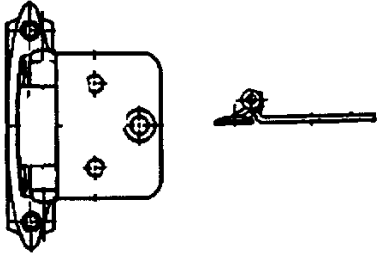
685342
Stud, 1/4" turn latch
Southco

685362
Retaining ring
1/4" turn stud

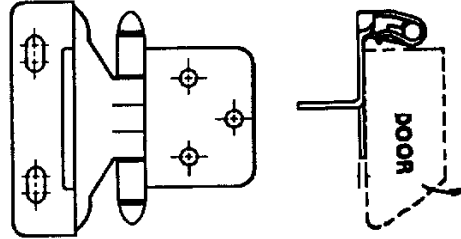
Used on stone guard and wrap protector

1999 EXCELLA TRAILER HARDWARE

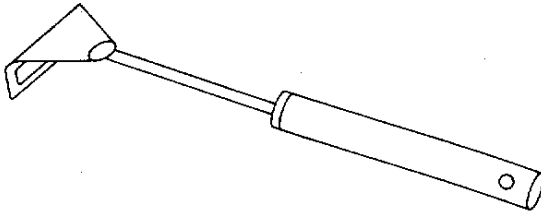
INTERIOR LATCHES/HINGES



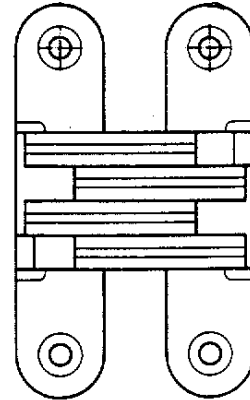
381601 Hinge,
antique brass



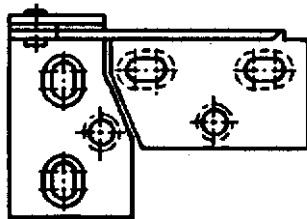
381602 Hinge,
semi-concealed, antique brass
(used on front & rear roof lockers)



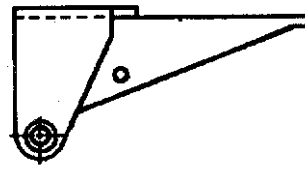
381147 Door support
spring loaded



380040 Soss hinge
credenza table

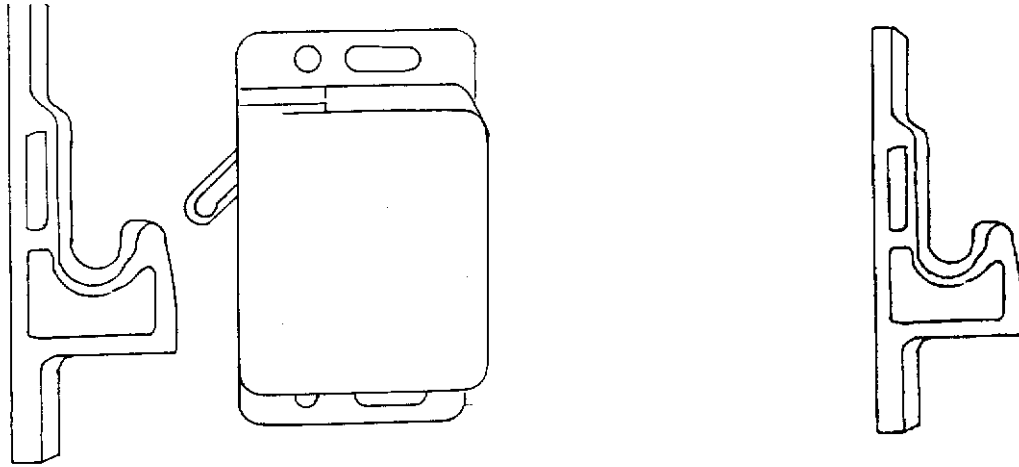


385935-01 Hinge, pivot, chrome
for bath mirror



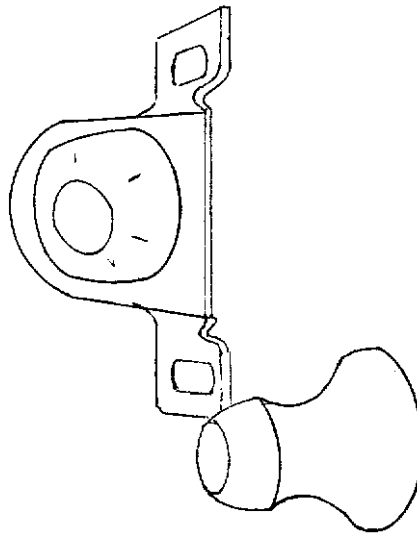
1999 EXCELLA TRAILER HARDWARE

INTERIOR LATCHES/HINGES



381228 Grabber door latch
w/catch, 10 lb. Rating
381228-01 Grabber door latch
w/catch, 3lb. rating

381228-100
Catch only,
grabber door latch



381074 Bull dog door catch

1999 EXCELLA TRAILER HARDWARE

INTERIOR LATCHES/HINGES



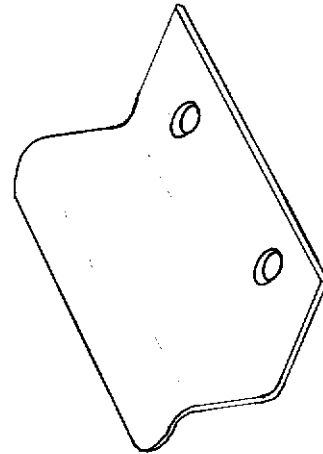
201427 Finger pull,
light brown



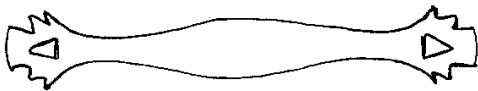
381603 Pull, three finger
Antique brass



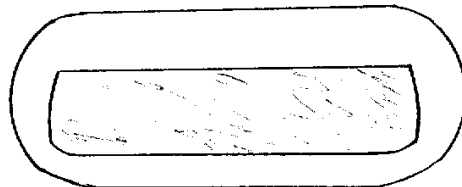
381444 Hatch pull



385940-02 Mirror pull, chrome



381599 Pull handle,
drawer/door, antique brass



381576 Pull handle,
brass

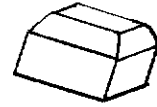
1999 EXCELLA TRAILER

HARDWARE

INTERIOR LATCHES/HINGES



360012 Bumper, rubber
white, stick-on, cylindrical



360016 Bumper rubber
gray, square 3/8 x 3/8

360012-01 Bumper, rubber
brown, stick-on, cylindrical



195329-220 Bumper, rubber
brown, stick on, oval



381612 Clip, mirror-
retainer, clear

1999 EXCELLA TRAILER

DRAWER SLIDES

381526-01	Drawer slide-950-RV, 14"
381526-03	Drawer slide-950-RV, 18"
381526-04	Drawer slide-950-RV, 20"
381526-06	Rear bracket, drawer, adjustable
381414-144	Slide, drawer-Delta, 14.5"
381400	Slide, drawer, 14", 2900-14
381400-01	Slide drawer, 12", 2900-12

BATHROOM ACCESSORIES

380034	Toilet paper holder
380017	Tooth brush/tumbler holder
381626-02	Towel bar, 18"
380248	Soap dish, chrome

CREDENZA TABLE HARDWARE

381306	Lift up table slides, one right & one left
201155	Table sliding guide, plastic
380037	Latch, nail & spring, table
380038	Eyelet, lock, brass

WRITING TABLE HARDWARE

381284-02	Bracket, table hinge
101253	Extrusion, hinge, movable
380492	Bracket, table, writing
340018	Plate, catch

1999 EXCELLA TRAILER

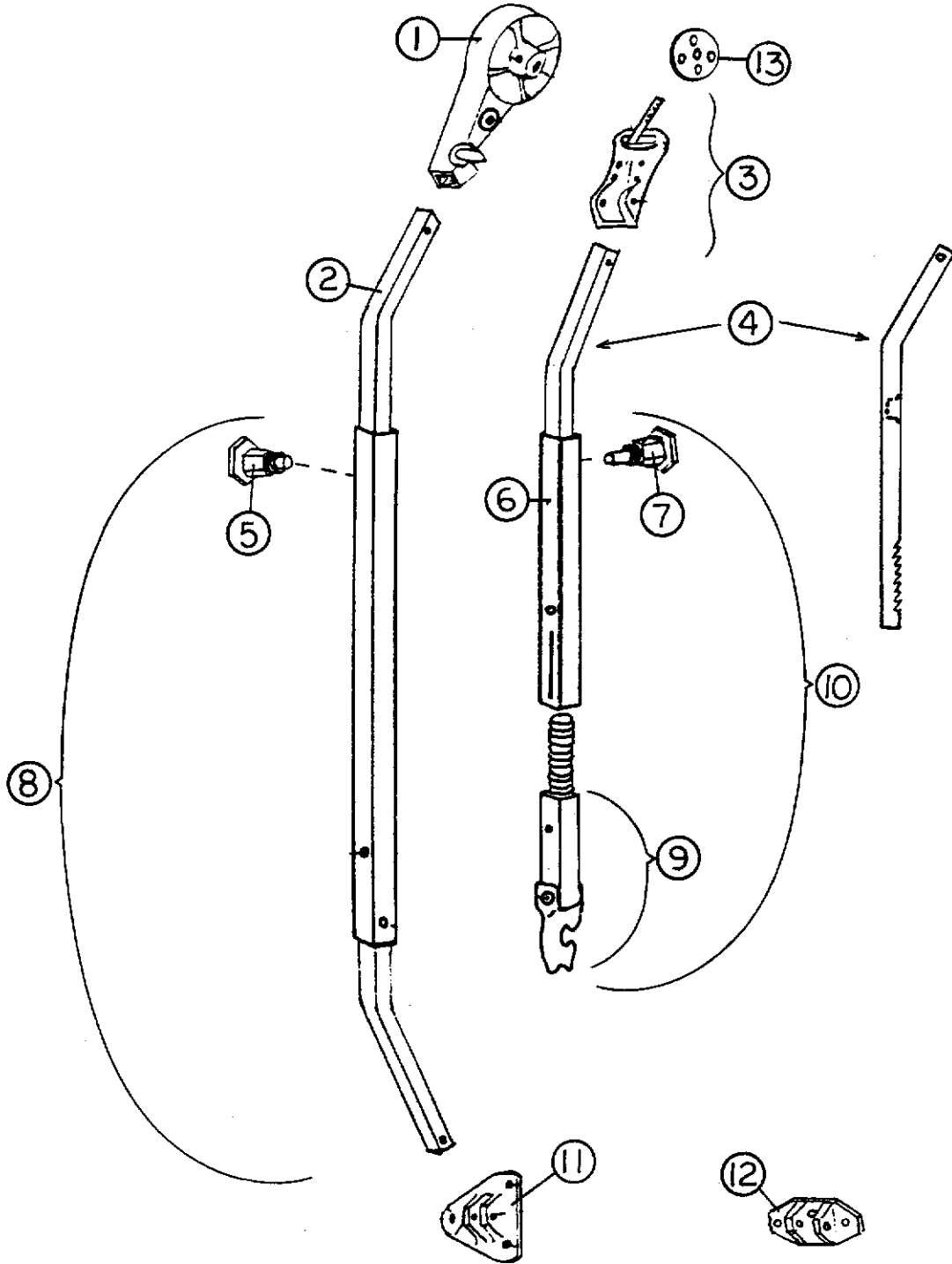
HARDWARE

MISCELLANEOUS

701342-01	Vinyl strap, sliding door hold back (female snap on both ends)
381443-01	Sliding door set (includes, carriers, top plate and track)
*381385	Dual lock #400-1" strips
*381386	Dual lock #170-1" strips
380045	Clothes rod
200975-04	Conduit, flexible, black (covers clothes rod)
380046	Bracket, clothes rod
381067-09	Gas prop, bed 90lbs.
381262	Bracket w/ball stud, gas prop
381084	Ball stud
381133	Rack pack, 6.5 liter, white

*These two parts work similar to Velcro but have interlocking knobs rather than hooks and loops.

1999 EXCELLA TRAILER



1999 EXCELLA TRAILER

AWNING HARDWARE

1) 74043W-04	Head assembly, front
1A) 74043W-05	Head assembly, Rear
2) 74047W-09	Main arm bar, front
2A) 74047W-10	Main arm bar, rear
3) 74056W	Clamp assembly, front, curved
3a) 74056W-01	Clamp assembly, rear, curved
4) 74061WS-07	Rafter arm bar, satin
5) 74054W	Snap stud assembly
6) 74063W-04	Rafter arm tube, satin
7) 74072W	Ratchet stud
8) 74048WS-12	Main arm tube assembly, front
8a) 74048WS-13	Main arm tube assembly, rear
9) 74068W-03	Claw bar assembly
10) 74048WS-14	Rafter arm assembly
11) 74055W	Base hinge, rib mount
12) 74055W-01	Base hinge, floor mount
13) 74060W	Clamp wheel

1999 EXCELLA TRAILER

LABELS and TAGS IV-1

OPTIONS IV-2

PLUMBING

LPG IV-3

Fresh water..... IV-4

Drain water..... IV-10

Toilet IV-15

SAFETY EQUIPMENT IV-16

SEALER/GASKETS/PAINT IV-17

UPHOLSTERY/FOAM/MATTRESS..... IV-18

VENTS/FANS IV-19

WOOD/LAMINATES/TRIM IV-20

1999 EXCELLA TRAILER

LABELS AND TAGS

385193	Label, "12V distribution panel inside"
385048	Label, approval with shield
385269	Label, "DON'T USE AREA FOR STORAGE"
385068	Tag, cooking appliance warning
385067	Label, EXIT
385547	Label, LP gas warning/fill
385517	Label, kill switch warning
385521	Label, emergency egress window
385463	Warning label/cooking appliance
385464	Label, LP gas warning label(odor)
385465	Exit label, English
385560	Label, air conditioner rating
385512	Label, Calif. hazardous substance
385609	Label, smoke detector
385359	Label, microwave or air conditioner
385837	Label, refrigeration ignition
385103	Plate, RVIA
385418-01	Label, Federal registration
385062	Decal, 110-125 voltage AC
385565	Label, holding tank flushing
386012	Label, warning-water heater

1999 EXCELLA TRAILER

OPTIONS

3210059	Spare tire and wheel, BSW, 6ply, 15"
381318-05	Skylight19.5 x 19.5, galley/lounge
114485	Mounting frame, skylight
201962	Trim ring, skylight
702804-03	Shade, pleated, skylight, 19.25 x 20.00"
381318-06	Skylight14.5 x 22.5" bath
114486	Mounting frame, skylight, bath
201963	Trim ring14 x 22, skylight, white
702804-04	Shade, pleated, skylight, 14.5 x 22.75"
690396-04	Range w/oven, Maytag
114876	Trim ring, range recess
690407-01	Microwave, Dometic, black
690407-02	Trim kit, Dometic microwave
690345-01	Microwave/convection, Sharp
690345-03	Trim ring, convection
601711	LP tank, 30# aluminum
702662-11	Awning, window, 16' 4-1/2"blue, 25ft.
702662-10	Awning, window, 19' 8-1/4"blue, 28ft.
702662-20	Awning, window, 52' 5/8"blue

1999 EXCELLA TRAILER

PLUMBING

LP BOTTLE RACK, STAND-UP

0360307 GAS BOTTLE RING, 1977 TO PRESENT
601731 LP REGULATOR W/MTG. BRACKET
601731-103 BRACKET ONLY FOR LP REGULATOR
410410 Hold down rod, threaded, for 40lbs bottle
100949 Bracket, bottle hold, cast aluminum
410238 "T" handle, threaded, cast aluminum

LP BOTTLES AND FITTINGS

601710 LP bottle, steel, 30#, POL fittings
*601710-01 LP bottle, steel, 30#, TYPE I
*601711 LP bottle, aluminum, 30#, TYPE I
601377-01 Regulator, Fisher
601335 LP hose, tank to regulator, 35"
*601732 LP hose, tank to regulator, 36"TYPE I
601279 LP hose, 18"
410705 Bracket, mounting LP regulator
600468 Union flare, 5/8 x 5/8
600238 Union flare, 3/8 x 3/8
600004 Copper tubing, 5/8
600008 Copper tubing, 3/8
600436 Flare nut, forged, 5/8
600435 Flare nut , forged, 3/8
600000 Tee, brass, 5/8 x 5/8 x 3/8
600003 Tee, brass, 5/8 x 3/8 x 3/8

BOTTLE COVER

108393 Gas bottle cover w/o decal, 30lbs
380903 Latch and strike
200845 Lid, plastic, bottle cov380773Hinge, access door

*TYPE I fittings start on serial number 512554

1999 EXCELLA TRAILER

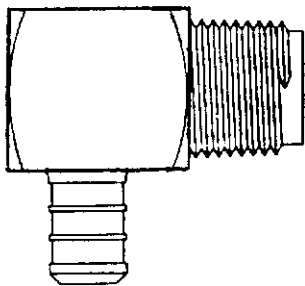
PLUMBING FRESH WATER

- 601194 Water fill w/lock, gray
- 601621-01 Tank, fresh water
- 601243 Drain cock, fresh water tank
- 601588 Drain cock, brass, water lines
- 600155 Plug, water tank, 1.5"
- 600836 Elbow, 1/2" barb x 3/8 MPT
- 601237 Plastic elbow, 90 degree, 1.25MPT x 1.25barb
- 601239 Tubing, 1.375 I.D., flexible, water fill hose
- 601061-01 Water pump, Shurflo
- 601668 Filter, pre water pump
- 601464 Tank, accumulator, Shurflo

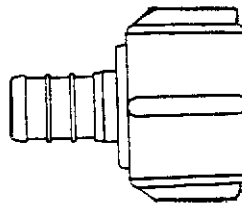
CITY WATER

- 601467 Sillcock, 1/2" FP w/wheel handle
- 601469 Vacuum breaker, 3/4 garden hose
- 601197-01 Water hook-up, chrome
- 601392 Water fill, chrome
- 600139 Check valve, brass
- 601565 Hose, water, 12" w/fittings

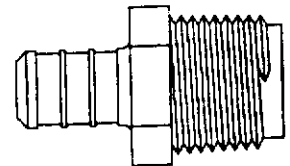
FITTINGS



601698-04
Elbow, 1/2 barb
x 1/2 MPT



601698-03
Coupler, 1/2 barb
x 1/2 FPT

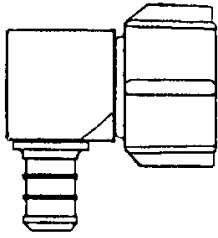


601698-02
Coupler, 1/2 barb
x 1/2 MPT

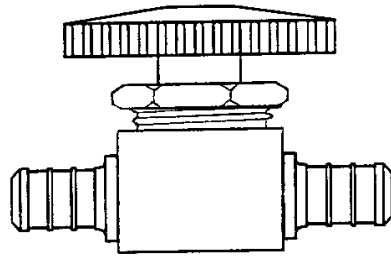
(continued)

1999 EXCELLA TRAILER

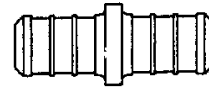
FRESH WATER-FITTINGS



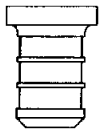
601698-05
Elbow 1/2 barb x
1/2 FPT



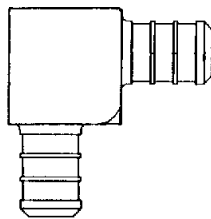
601698-07
Shut-off, 1/2 barb x
1/2 barb



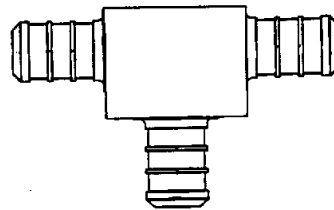
601698-08
Coupler
1/2 x 1/2 barb



601698-09
Plug, 1/2 barb



601698-10
Elbow 1/2 barb x
1/2 barb



601698-11
Tee, 1/2 x 1/2 x
1/2 barb



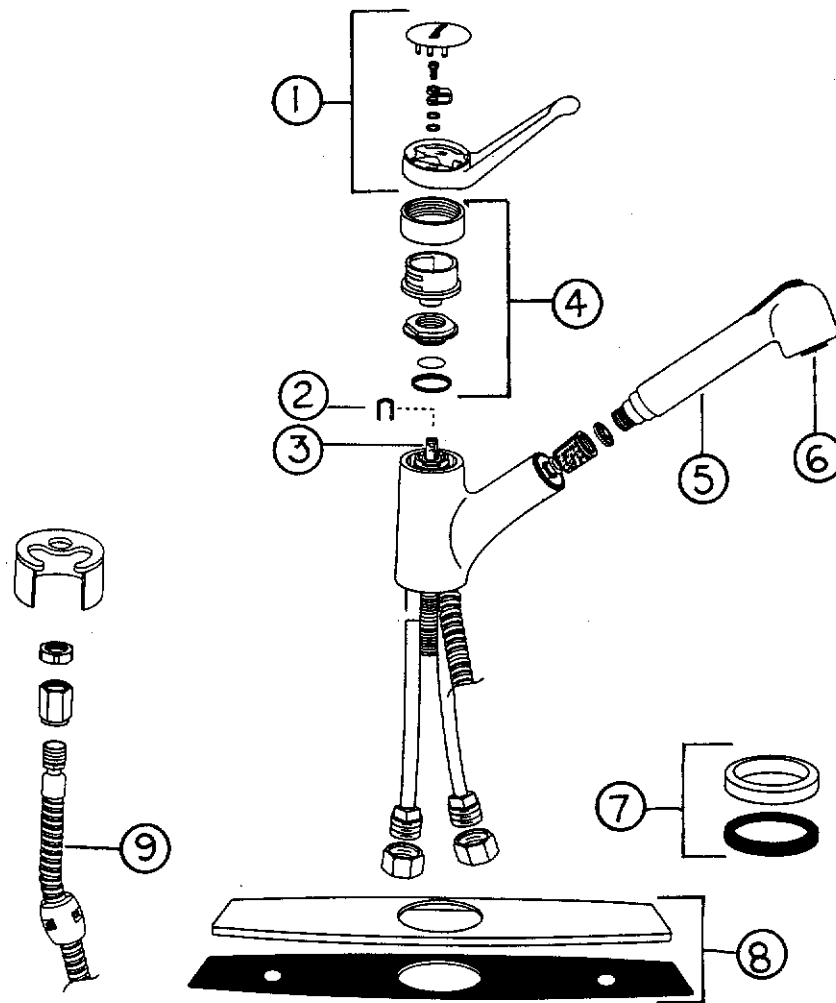
601698-15
Crimp ring, 1/2
E-Pex, 1/2 (black)



601698-01
E-Pex tube, 1/2"

1999 EXCELLA TRAILER

PLUMBING FRESH WATER

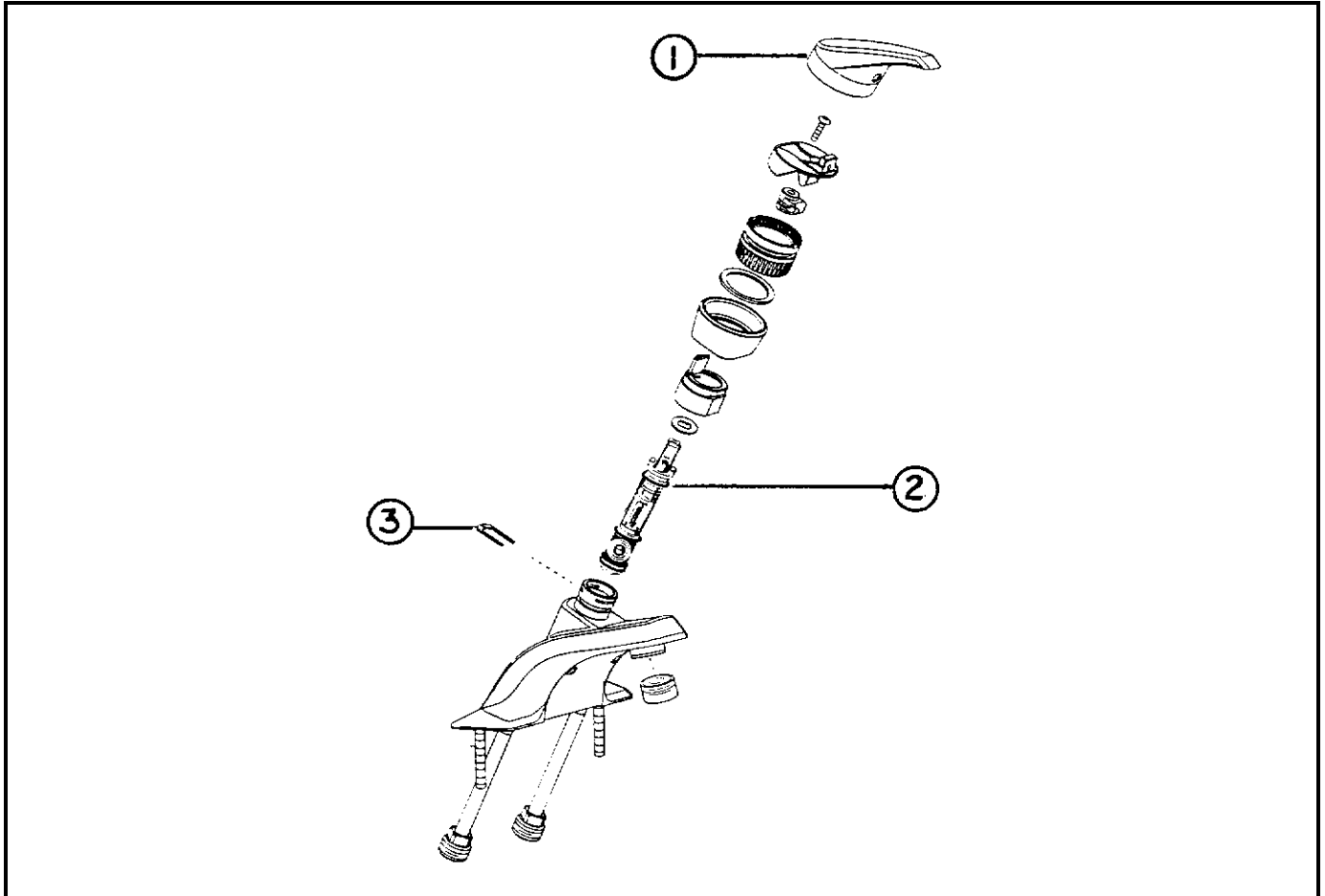


601579-01 Faucet, One Touch, Moen, sand

- | | |
|---------------|---------------------------|
| 1) 601579-103 | Lever handle kit |
| 2) 601579-105 | Retainer clip |
| 3) 601579-106 | Cartridge |
| 4) 601579-104 | Collar and pivot retainer |
| 5) 601579-100 | Spout |
| 6) 601579-101 | Aerator |
| 7) 601579-107 | Escutcheon, small |
| 8) 601579-108 | Escutcheon, large |
| 9) 601579-109 | Hose |

1999 EXCELLA TRAILER

PLUMBING FRESH WATER-FAUCETS



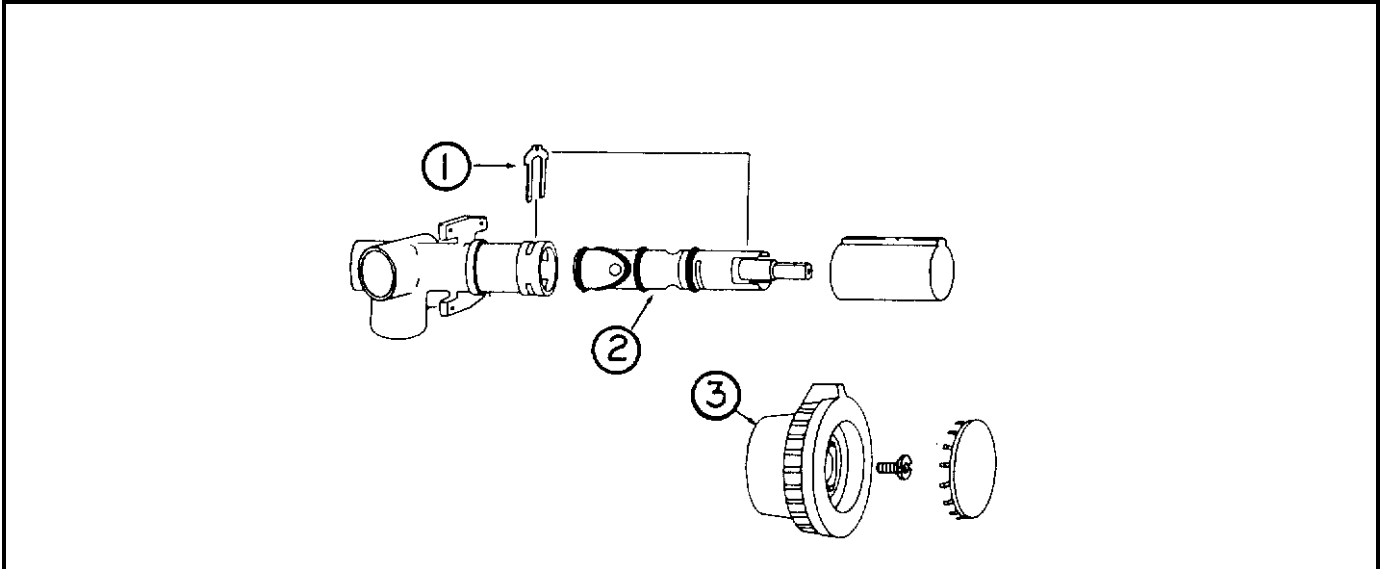
690390-02 Faucet, lavatory, Moen, brass/chrome

- 1) 690390-100 Lever handle
- 2) 601579-105 Cartridge
- 3) 601579-104 Retainer clip

1999 EXCELLA TRAILER

PLUMBING

FRESH WATER



601420-02 Shower faucet, polished brass

- 1) 000883 Retainer clip
- 2) 601420-100 Cartridge#1200
- 3) 001041 Handle

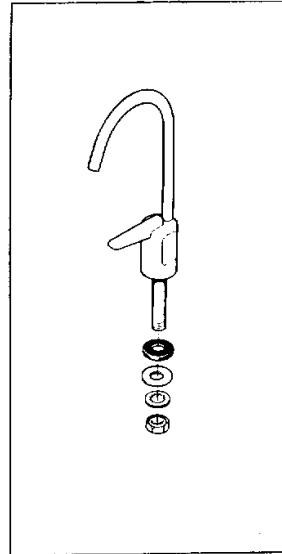
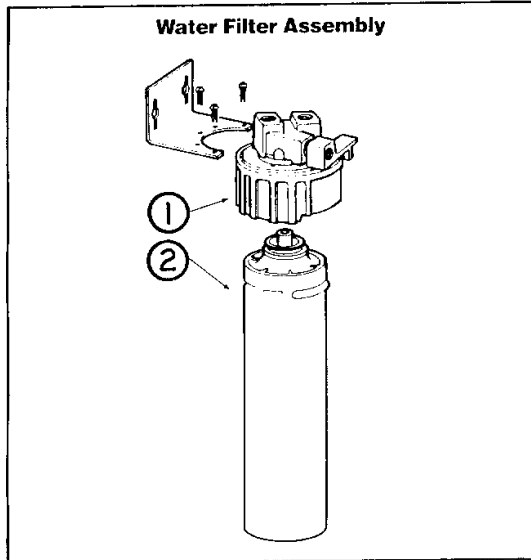
Shower stall fittings

- 601359-101 Elbow with flange, brass
- 601173 Vacuum breaker, brass
- 601175-01 Shower hose, brass
- 601257 Shower head w/shut-off, brass
- 601359-100 Wall holder, shower head, brass

1999 EXCELLA TRAILER

PLUMBING

FRESH WATER



- 1) 005273 Head, water filter
- 2) 960112 Cartridge, filter

601401 Faucet, water

1999 EXCELLA TRAILER

PLUMBING

DRAIN SYSTEM

601624-01	Tank, holding, black34FK
601623-02	Tank, holding, gray34FK
601625	Pan, waste tanks34FK
601622-03	Tank, gray, holding31&34FL
601623-06	Tank, black, holding31&34FL
601619	Pan, waste tank31&34FL
601622-01	Tank, holding, gray30ft.
601623-01	Tank, holding, black30ft.
601619	Pan, waste tank30ft.
601622-02	Tank, holding, gray28ft.
601623-05	Tank, holding, black28ft.
601619	Pan, waste tank28ft.
601623-03	Tank, holding, gray25ft.
601542	Tank, holding, black25ft.
601626	Pan, waste tank25ft.
601431	Dump valve, w/o handle
04190	Handle extension, dump valve
114086	Bracket, dump valve extension
600187	Wye, 3", comb.& 1/8" bend
601531	Fitting, 90 degree, 3"H x ST
600820	Single socket, 3", 90 degree
601323	Female fit & "O" ring, dump valve
600289	Calder coupling, 3", rubber
380481	Boot, rubber, 3" drain line
0310107	Waste valve adapter

1999 EXCELLA TRAILER

PLUMBING

DRAIN SYSTEM

601160-04	Pipe, 3" ABS
601160-02	Pipe, 1.5" ABS
600035	Ell, long sweep, 1.5"
01639	Bayonet ring, 3" Thetford
01664	Cap, 3"sewer outlet, Thetford
600065	Flange, floor, threaded
601441	Tank flush, no-fuss (vacuum breaker & check valve)
601441-01	Nozzle, tank mounted, no-fuss flush
60032-01	Water inlet, garden hose thread, tank flush

FITTINGS

600378	Continuous waste, 1 1/2"
601263	Bushing, 1 1/2 x 1 1/4"
600155	Plug, clean-out, 1 1/2"
600538	Vent V-200 automatic
600156	Tee, sanitary
601160-02	Pipe, ABS, 1 1/2"
601160-04	Pipe, ABS, 3"
600033	Elbow, vent, 90 degree, 1 1/5"
601531	Fitting, 90 degree, 3" H x ST
600431	Elbow, 90 degree, 1 1/5"
600144	P-trap, 1 1/5"
600030	Ell, ABS, 45degree, long turn
600182	Wye, 1.5 x 1.5 x 1.5,1/8 bend
601318	Tee, bi-directional clean-out, 1 1/5"
601200	Adapter, auto vent w/ext.
600094	Wye, 1 1/5", 45 degree

(continued)

1999 EXCELLA TRAILER

PLUMBING

DRAIN SYSTEM

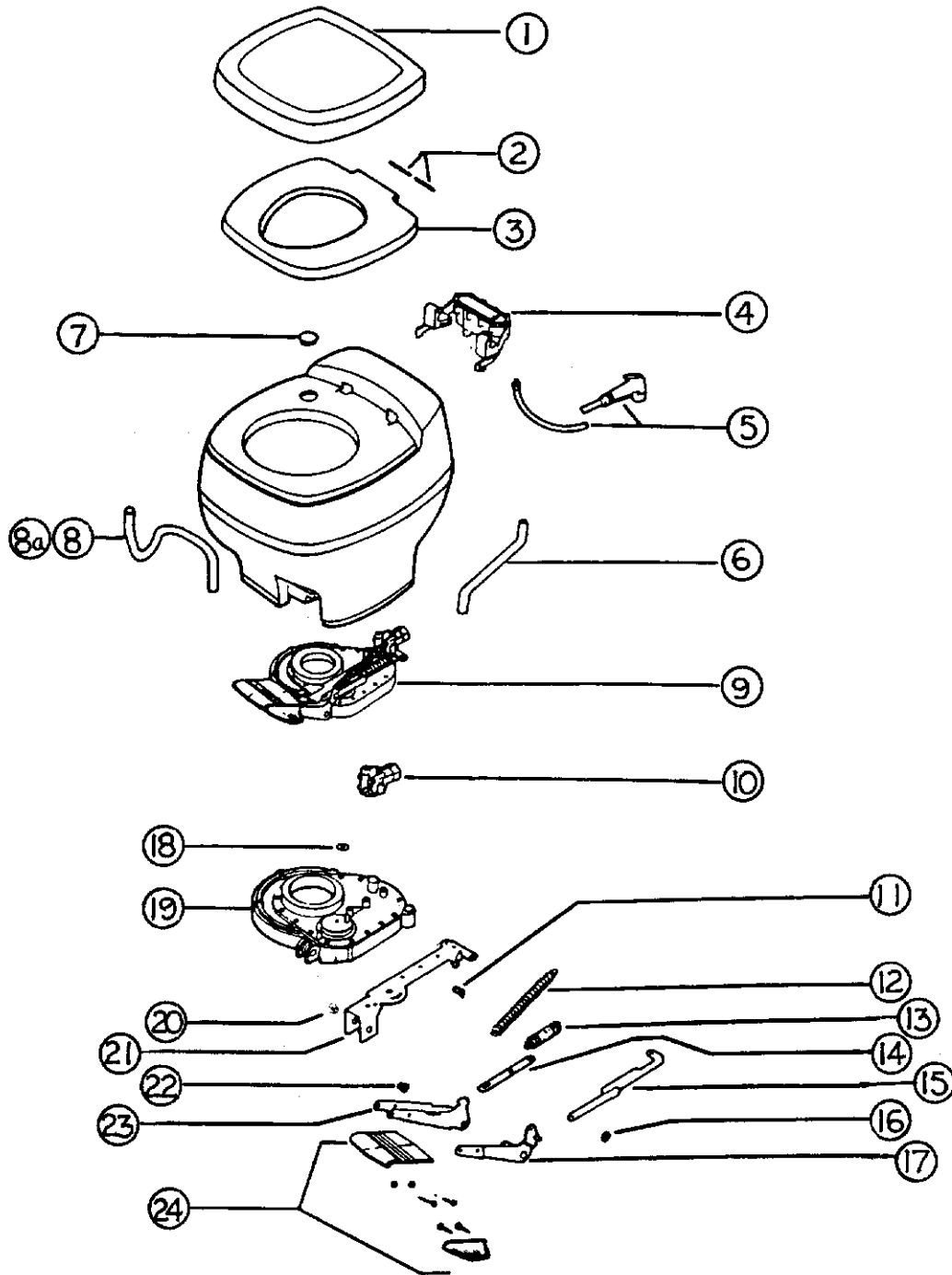
600027	Elbow, street, long, 45 degree
600662	Elbow, short, 1 1/5"
600227	Coupling, 1 1/5"
600622	P-trap, 1 1/5" w/slip nut & washer
600155	Plug, clean-out, 1 1/5"
601633-06	Sink, galley, porcelain 34FL & 34FK
600968	Basket strainer, galley 34FL & 34FK
601497-01	Sink, galley, porcelain 25, 28, 30&31ND
195362-39	Basket strainer, galley, 2" 25, 28, 30&31ND
200406-06	Lavatory bowl, oval, parchment(tail, basket and stopper comes with bowl)
203081	Shower stall, 2 piece 28, 30&34FK
203046-03	Shower stall, angled, 2 piece-34FL & 31ND
201980	Shower stall, two piece, 25ft.
600594	Strainer with rubber stopper

1999 EXCELLA TRAILER

NOTES:

1999 EXCELLA TRAILER PLUMBING

THETFORD, AQUA MAGIC GALAXY , FOOT FLUSH, PARCHMENT



1999 EXCELLA TRAILER

PLUMBING

THETFORD, AQUA MAGIC GALAXY, PARCHMENT

690327-01	Toilet complete, Aqua Magic Galaxy, low, 25only
690327-02	Toilet complete, Aqua Magic Galaxy, high
1) 020925	Padded seat cover, parchment
2) 012986	Hinge pin
3) 1626457	Seat, parchment
4) 008217	Vacuum breaker w/water saver, parchment
5) 008993	Water saver package
6) 003728	Water supply tube
7) 003895	Hole plug, parchment
8) 003729	Trap tube, 20", low style
8a) 003727	Trap tube, 27", high style
9) 024203	Mechanism, parchment
10) 009868	Ball valve replacement package
11) 002391	Drive arm assembly
12) 002802	Spring, ball valve return
13) 002801	Spring
14) 008986	Push link
15) 002796	Drive arm
16) 002394	Ring, retainer
17) 009421	Pedal arm assembly
18) 008034	Retainer ring, 1/4"
19) 020929	Base and cover assembly
20) 003749	Bushing, mechanism
21) 012593	Lever plate
22) 003749	Bushing, mechanism
23) 019266	Pedal arm
24) 020930	Double pedal package

1999 EXCELLA TRAILER

SAFETY EQUIPMENT

510781	Smoke detector511309LPG detector
600162-01	Fire extinguisher
0300027	Break-away switch
510661	Breaker, 110 volt, 20 amp, GFI
371348-02	Window, rear w/red handles
371349-01	Screen, rear escape
372175-03	Screen, 30", alternate escape
380230-04	Knob, window arm, red
381088	Handle, lower window latch, red

1999 EXCELLA TRAILER

SEALER/GASKETS/PAINT SEALER

- 360074 Sealant, white, 3 oz. tube
- 360001 Sealant, #884058
- 360002 Sealant, Vulkem 11.5 oz. tube
- 360209 Sealant, seam
- 360176 Sealant, Almond, kitchen and bath
- 360180 Sealant, Sikaflex #221
- 360210 Sealant, Paralastic 4334-014
- 360283 Sealant, silicone, Corian Bone

GASKETS

- 365232 Gasket, main/baggage door
- 365013-01 Gasket, screen door

- 0401-0002 Gasket, window frame to glass

- 365035 Gasket, access door jamb
- 380114 Gasket, vent pipe, roof

- 365221 Tape, double coated, 1/32 urethane
- 365222 Tape, double coated, .08 x 3/4"
- 365016 Tape, foam, double face, 1/2" wide
- 365001 Tape, double coated foam

- 3865239 Foam pad, non-skid, 1/16 x 1/4 x 1.0"
(used between mirror and door frame)

PAINT

- 360057 Plasticote, clear acrylic lacquer
- 360151 Paint, gray metallic, Centari
- 360208 Stain, medium Oak (spray, no-wipe)

1999 EXCELLA TRAILER
UPHOLSTERY/FOAM/MATTRESS
REAR BEDROOM

701770 Mattress, 34 x 78, contoured, twin, all models
702674 Mattress, 60 x 75, w/45 deg.corn.30, 31&34ft.
702705 Mattress, 60 x 75, w/45 degree corner, 28ft.
701532 Mattress, corner double, 25ft.

701611 Pillow 21 x 31
702896-04 Pillow kit, Blue Bayou

UPHOLSTERY COVERS

998070 Cover, seat, side dinette
998071 Cover, back, side dinette

963398-01 Arm rest cushion, front lounge, RS
963398-03 Arm rest cushion, front lounge, CS

702486-318* Bed spread, "C" Blue Bayou 25ft. only
702485-318* Bed spread, twin, Blue Bayou
702676-318* Bed spread, double, Blue Bayou

FOAM

702464-21 Foam, upper back, dinette
702464-13 Foam, lower back, dinette
702464-14 Foam, aft seat, dinette
702464-15 Foam, forward seat, dinette

702673-01 Foam, arm rest, RS
702673-03 Foam, arm rest, CS

*Changing the dash number changes the upholstery color
-318=Blue Bayou -418=Peridot -258=Beach
-248=Vintage -098=Alexander -399=Roman Sands

1999 EXCELLA TRAILER

VENTS/FANS

108801-01	Ceiling vent w/light and fan
921105	Cap, ceiling vent, solardome
510233	Nylon vent crank handle w/screw
381406-02	Extension, crank operator, 2in.
345322-18	Screw, extended vent crank, 2 1/4 in.
381564	Vent, automatic, w/wall thermostat, Fantastic
381450-100	Screen, Fantastic roof vent
381450-101	Motor, elevator, Fantastic vent
690266-01	Ventilator, power, bathroom
690266-03	Extension, garnish, 4", roof, bath ventilator
381541-06	Roof vent w/power lift
381541-05	Switch, white, ceiling vent
381541-04	Trim ring, inside, Ventline
511152-04	Range hood w/monitor
114462	Duct, range transition, formed
453000	Bracket, range hood support
511017-11	Vent cover, exterior, range hood, gray
100341	Refrigerator, vent collar, large
101394	Cover, refrigerator vent, large
101158	Vent pipe cover, cast aluminum
380114	Gasket, vent pipe

1999 EXCELLA TRAILER

WOOD/LAMINATES/INTERIOR TRIM

800397-01	Cedar, planked, 5/32" x 4' x 8'
800542-02	Structure wood 3/8" x 4' x 8'
800542-03	Structure wood 1/2" x 4' x 8'
800542-05	Structure wood .700" x 4' x 8', sanded
800507-01	Paneling, luan, 1/8" x 4' x 8'
800507-02	Paneling, luan 1/4" x 4' x 8'
800507-03	Paneling, luan 3/8" x 4' x 8'
801176-04	Paneling, 1/8" x 4' x 8', G1S, solitude/raw
801176-03	Paneling 1/8" x 4' x 7', G1S, solitude/raw
801183-01	Paneling 1/2" x 4' x 8', G2S, horz.Oak/solitude
801177-01	Paneling 1/2" x 4' x 8', G2S, solitude/solitude
801185-01	Paneling 1/2" x 4' x 8', G1S, solitude/raw
801233-01	Paneling 1/4" x 4' x 8', G1S, solitude/raw
801180	Paneling 1/2" x 4' x 8', G2S, Oak/Oak
801179	Paneling, 1/2" x 4' x 8', G1S, Oak/raw
801182	Paneling 5/32" x 4' x 8', G2S, Oak/Oak
801181	Paneling 5/32" x 4' x 8', G1S, Oak/raw
801230	Laminate, Oak, 4' x 8'
801229	Laminate Oak, .045 -.050

1999 EXCELLA TRAILER

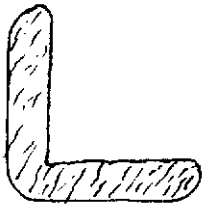
WOOD/INTERIOR



1) 801206-01



2) 964152-01



3) 800575



4) 800571-01



5) 800638-02



6) 801172-01
6a) 801172-03



7) 801173-03



8) 801173-04

- | | |
|---------------|----------------------------------------|
| 1) 801206-01 | Molding, floor, Oak, 43" |
| 2) 964152-01 | Molding, chair rail, Oak |
| 3) 800575 | Molding, corner, Oak |
| 4) 800571-01 | Molding, Oak, flat 1/4" x 33/64" x 80" |
| 5) 800638-02 | Molding, quarter round, Oak |
| 6) 801172-01 | Molding, flexible corner, Oak |
| 6a) 801172-03 | Molding, flexible corner, Solitude |
| 7) 801173-03 | Molding, flat radius, .88" Oak |
| 8) 801173-04 | Molding, flat radius, 1.13" Oak |

1999 EXCELLA TRAILER

NOTES

